

KONICA MINOLTA

# *PARTS GUIDE MANUAL*

---

SEPTEMBER 2015

*bizhub 136DN/bizhub 367*  
*A789*

## INFORMATION FOR PARTS GUIDE MANUAL

To find correct Parts No., refer to the "HOW TO MAKE THE BEST USE OF THIS MANUAL" in the following page.

### HOW TO MAKE THE BEST USE OF THIS MANUAL

- 1 When you order, please check the proper figures beforehand that are on Our Parts Guide Manual, and order with the appropriate figures.
- 2 For screws, Nuts, Washers, retaining rings and Pins which are used in this model, one letter is shown on the Standard parts column of Parts list and exploded diagrams.
- 3 In order to maintain safety of the product, some specific parts composed of this product are set up as "essential safety parts".
- 4 The assigned parts number for the "essential safety parts" is indicated as "SP00-\*\*\*\*".  
When replacing these parts, follow precautions for disassembling and installing which are listed in the Service Manual.  
Do not use any parts that are not set up as
- 5 ♣ means that there are exclusive parts for each destination.  
Please check the appropriate destination when you order.
- 6 Revision Mark  
Marked as ▲ on the illustration shows that the revision has been made.
- 7 All rights reserved. (any reprints or quotations are prohibited.)  
Use of this parts guide manual should be strictly supervised to avoid disclosure of confidential information.

## パーツガイドマニュアルのご案内

サービス部品をご発注の際には、下記に示す“パーツガイドマニュアルの活用にあたって”をご参照の上、正しい部品番号にてお願い致します。

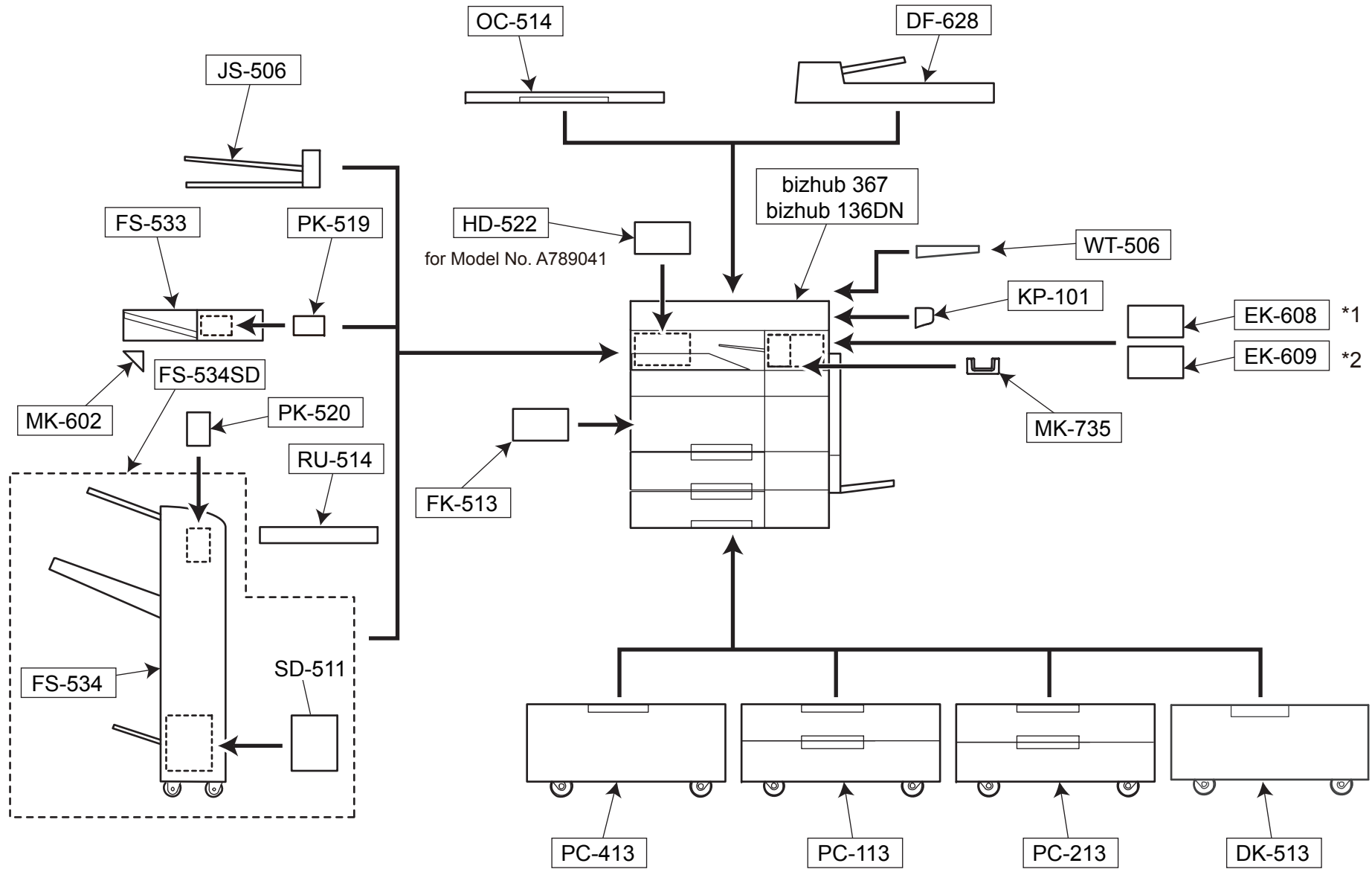
### パーツガイドマニュアルの活用にあたって

- 1 部品発注の際には、掲載されている部品番号の桁数を確認し、掲載されている桁数で発注願います。
- 2 この製品に使用されているネジ、ナット、ワッシャー、止め輪、ピンなどは、リストの右側の Standard parts 欄に a,b,c,…… で表示し、イラストにも a,b,c,…… 表示してあります。
- 3 製品の安全性を維持する為に、製品に使用される特定の部品を「重要保安部品」として設定しています。
- 4 重要保安部品の部品番号は、“SP00-\*\*\*\*”と記載されていますので、部品交換時は、サービスマニュアル記載の分解・組み立ての注意事項に従って作業をして下さい。  
また、指定以外の部品は一切使用しないで下さい。
- 5 本文に ♣ が表示されている部品は、仕向け地毎に専用部品がある事を意味しています。  
オーダーされる時は、仕向け地を確認して下さい。
- 6 改訂記号について  
イラスト上に ▲ 印が表示されている部分は、改訂された事を表します。
- 7 著作権所有（無断転載及び無断引用の禁止）  
本パーツガイドマニュアルについては、機密保持等その扱いには十分注意して下さい。万一取り扱いを誤った場合には、法律で処罰されることがあります。

05/20/2015

# System Configuration

\*1: Non Bluetooth Type  
\*2: Bluetooth Type



bizhub 136DN/bizhub 367

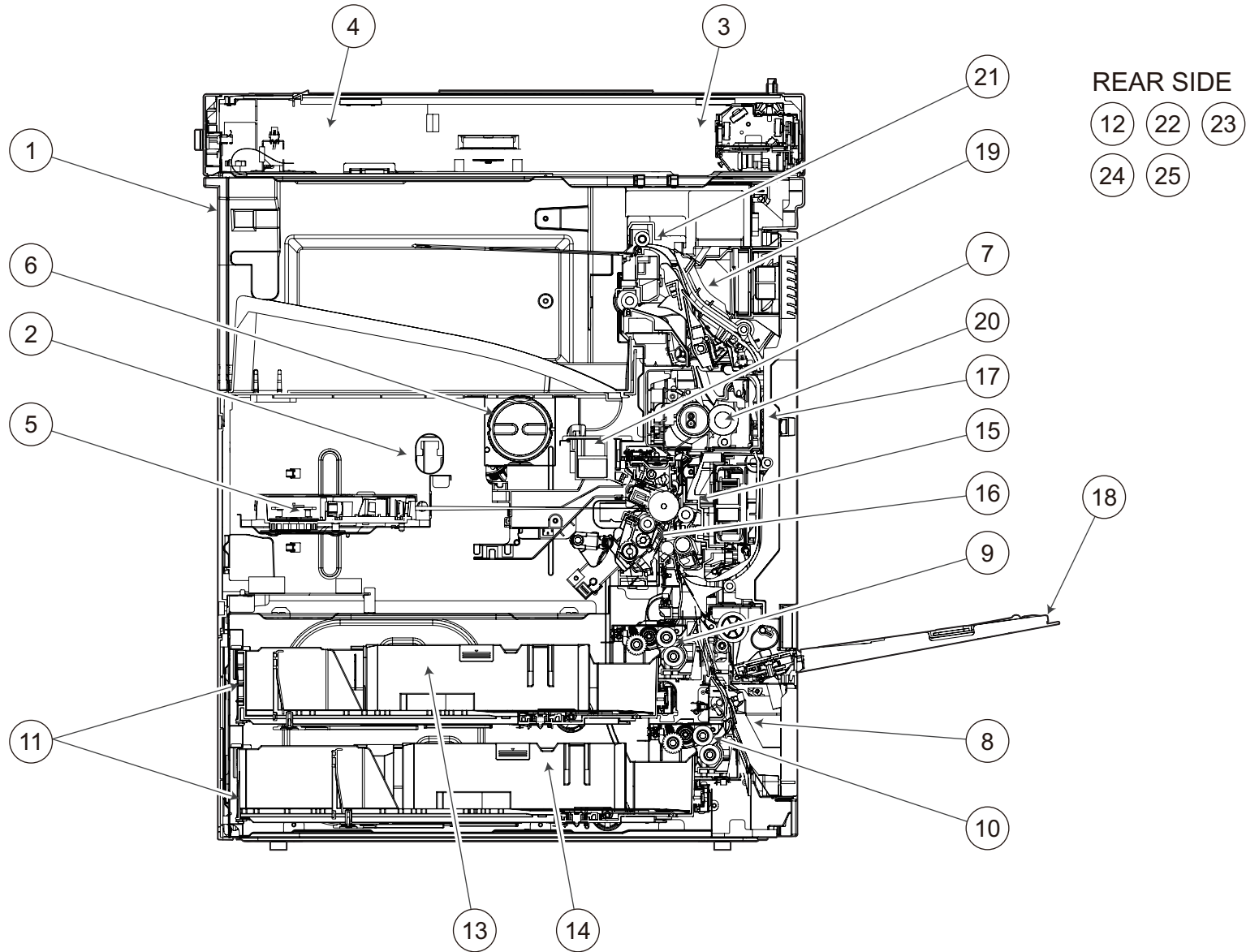
# GENERAL CONTENTS

| No. | Description     | Model                   |
|-----|-----------------|-------------------------|
| 1   | Digital MFP B/W | bizhub 136DN/bizhub 367 |
| 2   | Original Cover  | OC-514                  |
| 3   | Document Feeder | DF-628                  |
| 4   | Working Table   | WT-506                  |
| 5   | Other Option    | KP-101                  |
| 6   | Local IF Kit    | EK-608                  |
| 7   | Mount Kit       | MK-735                  |
| 8   | Desk            | DK-513                  |
| 9   | Paper Feeder    | PC-213                  |
| 10  | Paper Feeder    | PC-113                  |
| 11  | Paper Feeder    | PC-413                  |
| 12  | Finisher/Sorter | FS-534                  |
| 13  | Mount Kit       | MK-602                  |
| 14  | Finisher/Sorter | FS-534SD                |
| 15  | Punch Unit      | PK-520                  |
| 16  | Relay Unit      | RU-514                  |
| 17  | Punch Unit      | PK-519                  |
| 18  | Finisher/Sorter | FS-533                  |
| 19  | Job Separator   | JS-506                  |
| 20  | HDD             | HD-522                  |
| 21  | Local IF Kit    | EK-609                  |
| 22  | Fax Kit         | FK-513                  |

bizhub 136DN/bizhub 367



# Section Configuration



# CONTENTS

| No. | DESCRIPTION                      | 名称                    | PAGE No. |
|-----|----------------------------------|-----------------------|----------|
| 1   | EXTERNAL PARTS                   | 外装部                   | P1 P2    |
| 2   | INNER COVER SECTION              | 2次カバー部                | P3       |
| 3   | OPERATION PANEL SECTION          | オペレーションパネル部           | P4       |
| 4   | SCANNER SECTION                  | スキャナー部                | P5 P6 P7 |
| 5   | PH UNIT/HIGH VOLTAGE SECTION     | PH / 高圧電源部            | P8       |
| 6   | TONER SUPPLY SECTION             | トナー補給部                | P9 P10   |
| 7   | ERASE LAMP/DV LOCK LEVER SECTION | イレーサーランプ / DV ロックレバー部 | P11      |
| 8   | PAPER FEED SECTION               | 給紙部                   | P12      |
| 9   | 1ST PAPER FEED SECTION           | 1 段目給紙部               | P13 P14  |
| 10  | 2ND PAPER FEED SECTION           | 2 段目給紙部               | P15 P16  |
| 11  | CASSETTE RAIL SECTION            | カセットレール部              | P17      |
| 12  | PAPER SIZE DETECTION SECTION     | カセットサイズ検出部            | P18      |
| 13  | 1ST CASSETTE SECTION             | 1 段目カセット部             | P19 P20  |
| 14  | 2ND CASSETTE SECTION             | 2 段目カセット部             | P21 P22  |
| 15  | VERTICAL TRANSPORT SECTION       | 縦搬送部                  | P23 P24  |
| 16  | REGISTRATION SECTION             | レジスト部                 | P25      |
| 17  | VERTICAL CONVEYANCE DOOR SECTION | 縦搬送扉部                 | P26      |
| 18  | BYPASS TRAY SECTION              | 手差しトレイ部               | P27 P28  |
| 19  | REVERSAL SECTION                 | 反転部                   | P29 P30  |
| 20  | FUSING SECTION                   | 定着部                   | P31      |
| 21  | PAPER EXIT SECTION               | 排紙部                   | P32 P33  |
| 22  | DRIVE SECTION                    | 駆動部                   | P34      |
| 23  | OZONE DUCT SECTION               | オゾン排気部                | P35      |
| 24  | MAIN POWER SUPPLY SECTION        | 低圧電源部                 | P36      |
| 25  | ELECTRICAL COMPONENTS            | 電装部                   | P37 P38  |
| 26  | WIRING                           | 束線                    | P39      |
| 27  | WIRING ACCESSORIES AND JIGS      | 配線部品・治具               | P40      |
| 28  | ACCESSORY PARTS                  | 同梱部品                  | P41      |

# INDEX

| Parts No.  | Page No. |
|------------|----------|
| 0978381101 | 28-4     |
| 0996305501 | 17-6     |
| 1134304301 | 27-13    |
| 1154467001 | 36-3     |
| 1164202801 | 33-12    |
| 1164351501 | 25-16    |
| 1164420204 | 23-15    |
| 4002504202 | 4-10     |
| 4002504202 | 25-6     |
| 4004590301 | 33-8     |
| 4025598401 | 33-9     |
| 4030205301 | 40-12    |
| 4030205401 | 40-13    |
| 4030320601 | 20-15    |
| 4030320601 | 22-15    |
| 4030340301 | 28-27    |
| 4030347501 | 28-21    |
| 4030420701 | 23-10    |
| 4038101401 | 3-3      |
| 4038218401 | 29-19    |
| 4038353701 | 25-11    |
| 4038353901 | 25-13    |
| 4038541202 | 34-27    |
| 4038M60000 | 38-8     |
| 4128197801 | 8-12     |
| 4128197901 | 8-13     |
| 4136N30000 | 38-15    |
| 4139M10000 | 35-9     |
| 4139M10000 | 36-2     |
| 4163510201 | 9-23     |
| 4163529301 | 20-20    |
| 4163529301 | 22-20    |
| 4163529301 | 29-30    |
| 4163529301 | 30-1     |
| 4163529301 | 35-11    |
| 4475260302 | 1-7      |
| 4556M10000 | 29-31    |
| 4576536301 | 9-29     |
| 4581162501 | 6-10     |
| 4658015106 | 28-19    |

| Parts No.  | Page No. |
|------------|----------|
| 56AA40490  | 1-10     |
| 56AA40490  | 13-13    |
| 56AA40490  | 14-9     |
| 56AA40490  | 15-20    |
| 56AA40490  | 16-6     |
| 56AA40490  | 20-27    |
| 56AA40490  | 22-27    |
| 9313130051 | 24-19    |
| 9335140051 | 10-1     |
| 9372271022 | 23-14    |
| 9381430031 | 41-10    |
| 9J06M10300 | 18-10    |
| 9J06M60100 | 3-15     |
| 9J06M60100 | 26-17    |
| A00F623201 | 27-7     |
| A00J169901 | 41-1     |
| A00J563600 | 13-12    |
| A00J563600 | 14-10    |
| A00J563600 | 15-19    |
| A00J563600 | 16-7     |
| A00J663200 | 13-2     |
| A00J663200 | 15-5     |
| A00J945500 | 1-17     |
| A00JN30200 | 38-16    |
| A011946200 | 4-18     |
| A02E561100 | 13-11    |
| A02E561100 | 15-18    |
| A02E592100 | 28-9     |
| A02E596300 | 27-8     |
| A02E597600 | 28-23    |
| A02E815200 | 14-17    |
| A02E815200 | 16-14    |
| A02E815200 | 24-2     |
| A02E815200 | 29-10    |
| A02E815200 | 30-10    |
| A02E940300 | 11-12    |
| A02EM20200 | 25-1     |
| A02EM70F00 | 38-13    |
| A02F897200 | 33-36    |
| A034M20100 | 27-18    |

| Parts No.  | Page No. |
|------------|----------|
| A0ED135700 | 38-12    |
| A0ED162401 | 1-6      |
| A0ED401000 | 9-17     |
| A0ED563900 | 14-11    |
| A0ED563900 | 16-8     |
| A0ED700600 | 25-14    |
| A0ED702400 | 24-21    |
| A0ED712100 | 26-1     |
| A0ED811700 | 24-9     |
| A0ED815100 | 30-6     |
| A0ED891100 | 33-13    |
| A0ED897700 | 33-17    |
| A0ED940600 | 9-6      |
| A0ED940700 | 1-3      |
| A0EDM50100 | 15-14    |
| A0EDM60001 | 11-11    |
| A0HF952400 | 5-7      |
| A0P0M73100 | 3-12     |
| A161101900 | 17-4     |
| A161115700 | 11-17    |
| A161116100 | 11-21    |
| A161137100 | 26-15    |
| A161137600 | 37-26    |
| A161151200 | 26-16    |
| A161151300 | 3-14     |
| A161165602 | 1-4      |
| A161165700 | 10-8     |
| A161240400 | 34-30    |
| A161240600 | 34-26    |
| A161240700 | 34-28    |
| A161400401 | 9-32     |
| A161400601 | 9-34     |
| A161400800 | 9-22     |
| A161401000 | 9-28     |
| A161401100 | 9-24     |
| A161402403 | 9-8      |
| A161402502 | 9-10     |
| A161402502 | 29-33    |
| A161403101 | 9-30     |
| A161403701 | 9-3      |

| Parts No.  | Page No. |
|------------|----------|
| A161403800 | 9-9      |
| A161403901 | 9-5      |
| A161404001 | 9-2      |
| A161404100 | 9-4      |
| A161404200 | 9-33     |
| A161591000 | 28-29    |
| A161591100 | 28-28    |
| A161591600 | 28-16    |
| A161592200 | 28-7     |
| A161593300 | 27-10    |
| A161593800 | 28-10    |
| A161594201 | 28-14    |
| A161594300 | 28-33    |
| A161594400 | 27-6     |
| A161595100 | 28-15    |
| A161595300 | 28-26    |
| A161595600 | 28-17    |
| A161620701 | 20-12    |
| A161620701 | 22-12    |
| A161623400 | 19-14    |
| A161623400 | 21-14    |
| A161624100 | 20-5     |
| A161624100 | 22-5     |
| A161626602 | 19-7     |
| A161626602 | 21-7     |
| A161626800 | 19-6     |
| A161626800 | 21-6     |
| A161701100 | 25-25    |
| A161711300 | 24-7     |
| A161711500 | 24-12    |
| A161712800 | 30-3     |
| A161714600 | 24-17    |
| A161813100 | 30-20    |
| A161813200 | 30-4     |
| A161813400 | 30-12    |
| A161813600 | 30-5     |
| A161814500 | 30-9     |
| A161814700 | 29-8     |
| A161815300 | 26-21    |
| A161815400 | 26-19    |

| Parts No.  | Page No. |
|------------|----------|
| A161815500 | 26-20    |
| A161815800 | 26-24    |
| A161815900 | 26-8     |
| A161819400 | 30-8     |
| A161819500 | 30-22    |
| A161825700 | 24-3     |
| A161825700 | 29-11    |
| A161826000 | 14-19    |
| A161826000 | 33-39    |
| A161891000 | 33-22    |
| A161892400 | 33-10    |
| A161894000 | 32-3     |
| A161894000 | 33-1     |
| A161894100 | 32-2     |
| A161897200 | 32-6     |
| A161943000 | 20-9     |
| A161943000 | 22-9     |
| A161M10300 | 7-19     |
| A161M50400 | 28-31    |
| A161N15J00 | 37-25    |
| A1UD104500 | 8-1      |
| A1UD721500 | 33-18    |
| A1UD722700 | 33-29    |
| A1UDM30900 | 11-5     |
| A2X0945701 | 2-10     |
| A2X0M72C00 | 37-23    |
| A2XN374800 | 10-9     |
| A3EWM90200 | 37-15    |
| A3EWM90300 | 37-11    |
| A49FM90100 | 37-14    |
| A4EU138000 | 7-16     |
| A4EU138000 | 37-20    |
| A5C1134100 | 37-22    |
| A5C1134200 | 37-19    |
| A5C1562200 | 13-14    |
| A5C1562200 | 15-21    |
| A5C1F42000 | 9-31     |
| A5C1M50100 | 6-4      |
| A5C1M50100 | 7-13     |
| A5C1M50100 | 9-20     |

| Parts No.  | Page No. | Parts No.  | Page No. | Parts No.  | Page No. | Parts No.  | Page No. | Parts No.  | Page No. |
|------------|----------|------------|----------|------------|----------|------------|----------|------------|----------|
| A5C1M50100 | 10-2     | A7AH130600 | 37-2     | A7AH142100 | 11-7     | A7AH164600 | 2-1      | A7AH262900 | 7-4      |
| A5C1M50100 | 13-24    | A7AH131100 | 37-3     | A7AH142300 | 11-1     | A7AH164701 | 2-11     | A7AH263000 | 7-25     |
| A5C1M50100 | 14-7     | A7AH131300 | 37-18    | A7AH142700 | 11-6     | A7AH164800 | 2-15     | A7AH266203 | 5-1      |
| A5C1M50100 | 15-12    | A7AH131300 | 37-30    | A7AH142800 | 11-4     | A7AH165003 | 3-2      | A7AH266300 | 5-6      |
| A5C1M50100 | 24-6     | A7AH132200 | 38-4     | A7AH142900 | 11-3     | A7AH165200 | 10-11    | A7AH266503 | 5-8      |
| A5C1M50100 | 25-22    | A7AH132300 | 38-5     | A7AH145100 | 35-3     | A7AH166601 | 4-9      | A7AH266601 | 5-9      |
| A5C1M50100 | 28-24    | A7AH132400 | 38-7     | A7AH145201 | 35-10    | A7AH166700 | 41-3     | A7AH266800 | 5-3      |
| A5C1M50100 | 30-11    | A7AH132600 | 38-3     | A7AH145401 | 29-29    | A7AH167001 | 2-4      | A7AH266800 | 41-4     |
| A5C1N30000 | 38-11    | A7AH132701 | 38-9     | A7AH146100 | 35-14    | A7AH211700 | 34-23    | A7AH267000 | 5-2      |
| A61DM10200 | 34-34    | A7AH132801 | 38-1     | A7AH146301 | 35-15    | A7AH212000 | 34-25    | A7AH267201 | 5-5      |
| A789940100 | 1-18     | A7AH132900 | 38-6     | A7AH146500 | 35-16    | A7AH212100 | 34-22    | A7AH280400 | 7-21     |
| A789942500 | 1-18     | A7AH133100 | 31-4     | A7AH146600 | 35-2     | A7AH212200 | 34-21    | A7AH280500 | 7-12     |
| A7AH101102 | 35-5     | A7AH133201 | 31-3     | A7AH146800 | 35-13    | A7AH212300 | 34-20    | A7AH280700 | 7-11     |
| A7AH101201 | 35-7     | A7AH133300 | 12-4     | A7AH147100 | 35-8     | A7AH212600 | 34-18    | A7AH280800 | 7-18     |
| A7AH101600 | 17-1     | A7AH134200 | 8-10     | A7AH160102 | 1-1      | A7AH212800 | 34-16    | A7AH280900 | 7-22     |
| A7AH101900 | 17-3     | A7AH134401 | 34-10    | A7AH160202 | 1-9      | A7AH213000 | 34-17    | A7AH281300 | 7-14     |
| A7AH102000 | 17-2     | A7AH134500 | 31-2     | A7AH160503 | 2-7      | A7AH213500 | 34-13    | A7AH281600 | 7-15     |
| A7AH102100 | 1-13     | A7AH134600 | 4-1      | A7AH160601 | 1-16     | A7AH213902 | 34-15    | A7AH281701 | 6-6      |
| A7AH102200 | 1-11     | A7AH134800 | 1-12     | A7AH160700 | 1-14     | A7AH214300 | 34-24    | A7AH281800 | 7-17     |
| A7AH102300 | 17-5     | A7AH135100 | 35-4     | A7AH160801 | 1-15     | A7AH214701 | 34-4     | A7AH285102 | 6-1      |
| A7AH103000 | 17-7     | A7AH135301 | 3-11     | A7AH161001 | 1-2      | A7AH214800 | 34-3     | A7AH285400 | 6-2      |
| A7AH112102 | 11-13    | A7AH136301 | 11-8     | A7AH161400 | 4-17     | A7AH215101 | 34-5     | A7AH285501 | 6-3      |
| A7AH112300 | 11-9     | A7AH138101 | 37-13    | A7AH161501 | 4-11     | A7AH215400 | 34-2     | A7AH362700 | 10-10    |
| A7AH112500 | 3-5      | A7AH138200 | 26-13    | A7AH161602 | 4-14     | A7AH216500 | 34-19    | A7AH400100 | 9-14     |
| A7AH112600 | 3-1      | A7AH138500 | 3-16     | A7AH161700 | 4-13     | A7AH216700 | 34-14    | A7AH400700 | 9-19     |
| A7AH112800 | 3-7      | A7AH138600 | 11-2     | A7AH161801 | 4-8      | A7AH217001 | 34-31    | A7AH401300 | 9-25     |
| A7AH112900 | 3-4      | A7AH138700 | 3-17     | A7AH161900 | 4-7      | A7AH217100 | 34-29    | A7AH402100 | 9-11     |
| A7AH113000 | 3-6      | A7AH138800 | 3-18     | A7AH162001 | 4-6      | A7AH218100 | 10-3     | A7AH403200 | 9-16     |
| A7AH115101 | 35-1     | A7AH138900 | 3-13     | A7AH162100 | 4-4      | A7AH218300 | 10-4     | A7AH403300 | 9-12     |
| A7AH116100 | 11-18    | A7AH139000 | 4-2      | A7AH162300 | 1-8      | A7AH218400 | 10-6     | A7AH403500 | 9-13     |
| A7AH116200 | 3-8      | A7AH139101 | 35-6     | A7AH162400 | 2-5      | A7AH218500 | 10-7     | A7AH404300 | 9-21     |
| A7AH116300 | 11-20    | A7AH139301 | 37-8     | A7AH162500 | 1-5      | A7AH218702 | 10-5     | A7AH405100 | 9-1      |
| A7AH116500 | 11-22    | A7AH139401 | 4-12     | A7AH162700 | 32-4     | A7AH261401 | 6-9      | A7AH405200 | 9-1      |
| A7AH116900 | 11-19    | A7AH139600 | 4-16     | A7AH162802 | 2-2      | A7AH261700 | 7-10     | A7AH405300 | 9-1      |
| A7AH120102 | 17-8     | A7AH139700 | 11-16    | A7AH162902 | 2-3      | A7AH261802 | 7-9      | A7AH406000 | 9-15     |
| A7AH121301 | 17-9     | A7AH139900 | 11-10    | A7AH163001 | 2-6      | A7AH261902 | 7-20     | A7AH406201 | 9-26     |
| A7AH130101 | 37-10    | A7AH141100 | 36-4     | A7AH163201 | 41-2     | A7AH262100 | 7-5      | A7AH406300 | 9-18     |
| A7AH130201 | 37-6     | A7AH141201 | 37-9     | A7AH163300 | 2-8      | A7AH262501 | 6-12     | A7AH560101 | 13-6     |
| A7AH130300 | 37-4     | A7AH141300 | 36-1     | A7AH163402 | 2-12     | A7AH262602 | 6-8      | A7AH560201 | 13-22    |
| A7AH130401 | 37-21    | A7AH141400 | 2-9      | A7AH164500 | 3-9      | A7AH262700 | 7-23     | A7AH560500 | 13-9     |

| Parts No.  | Page No. | Parts No.  | Page No. | Parts No.  | Page No. | Parts No.  | Page No. | Parts No.  | Page No. |
|------------|----------|------------|----------|------------|----------|------------|----------|------------|----------|
| A7AH560500 | 15-16    | A7AH568402 | 14-2     | A7AH603200 | 27-23    | A7AH622201 | 22-25    | A7AH701000 | 24-11    |
| A7AH560700 | 14-4     | A7AH568500 | 14-5     | A7AH603300 | 28-11    | A7AH622401 | 20-13    | A7AH701100 | 24-14    |
| A7AH560800 | 14-3     | A7AH568500 | 16-3     | A7AH603400 | 28-34    | A7AH622401 | 22-13    | A7AH701700 | 25-26    |
| A7AH561300 | 14-16    | A7AH568600 | 14-8     | A7AH604101 | 27-16    | A7AH622901 | 19-3     | A7AH701901 | 23-13    |
| A7AH561300 | 16-13    | A7AH568700 | 16-5     | A7AH604202 | 28-13    | A7AH622901 | 21-3     | A7AH702002 | 25-20    |
| A7AH561601 | 13-8     | A7AH568800 | 12-2     | A7AH604300 | 27-17    | A7AH623201 | 19-15    | A7AH702101 | 25-28    |
| A7AH561601 | 15-30    | A7AH568900 | 12-1     | A7AH604401 | 28-6     | A7AH623201 | 21-15    | A7AH702200 | 25-17    |
| A7AH562100 | 13-20    | A7AH569400 | 14-6     | A7AH604501 | 28-2     | A7AH623400 | 19-4     | A7AH703001 | 25-8     |
| A7AH562100 | 15-26    | A7AH569400 | 16-4     | A7AH604700 | 27-25    | A7AH623400 | 21-4     | A7AH703101 | 25-12    |
| A7AH562300 | 13-16    | A7AH569500 | 13-23    | A7AH604900 | 27-21    | A7AH623500 | 20-18    | A7AH703201 | 25-2     |
| A7AH562300 | 15-23    | A7AH569500 | 15-28    | A7AH605100 | 27-12    | A7AH623500 | 22-18    | A7AH703301 | 25-3     |
| A7AH562400 | 13-10    | A7AH570100 | 14-18    | A7AH605200 | 27-3     | A7AH623601 | 20-2     | A7AH703401 | 23-11    |
| A7AH562400 | 15-17    | A7AH570200 | 14-20    | A7AH620103 | 19-13    | A7AH623601 | 22-2     | A7AH703500 | 23-20    |
| A7AH562600 | 13-15    | A7AH571100 | 15-13    | A7AH620400 | 20-23    | A7AH624100 | 19-5     | A7AH703600 | 23-6     |
| A7AH562600 | 15-22    | A7AH578100 | 15-7     | A7AH620400 | 22-23    | A7AH624200 | 21-5     | A7AH704101 | 25-19    |
| A7AH562801 | 13-19    | A7AH578200 | 15-10    | A7AH620600 | 20-19    | A7AH624300 | 19-11    | A7AH704201 | 34-7     |
| A7AH562801 | 15-31    | A7AH578401 | 16-2     | A7AH620600 | 22-19    | A7AH624300 | 21-11    | A7AH704400 | 23-5     |
| A7AH562900 | 13-18    | A7AH578600 | 15-9     | A7AH620801 | 20-10    | A7AH625101 | 19-10    | A7AH704500 | 23-4     |
| A7AH562900 | 15-25    | A7AH578800 | 15-8     | A7AH620801 | 22-10    | A7AH625200 | 21-10    | A7AH704601 | 34-11    |
| A7AH563101 | 14-13    | A7AH579101 | 15-6     | A7AH620902 | 20-4     | A7AH626901 | 19-9     | A7AH704701 | 34-12    |
| A7AH563101 | 16-10    | A7AH579300 | 15-29    | A7AH620902 | 22-4     | A7AH626901 | 21-9     | A7AH704900 | 34-6     |
| A7AH563400 | 13-17    | A7AH600102 | 28-8     | A7AH621000 | 20-7     | A7AH627000 | 20-24    | A7AH705001 | 29-4     |
| A7AH563400 | 15-24    | A7AH600203 | 28-36    | A7AH621000 | 22-7     | A7AH627000 | 22-24    | A7AH705100 | 29-7     |
| A7AH563700 | 15-1     | A7AH600300 | 27-4     | A7AH621200 | 20-8     | A7AH627400 | 18-9     | A7AH705201 | 26-2     |
| A7AH563800 | 15-3     | A7AH600400 | 27-2     | A7AH621200 | 22-8     | A7AH627501 | 18-1     | A7AH705301 | 26-4     |
| A7AH563902 | 14-1     | A7AH600502 | 27-11    | A7AH621300 | 20-6     | A7AH627600 | 18-8     | A7AH705401 | 26-9     |
| A7AH563902 | 16-1     | A7AH600601 | 28-18    | A7AH621300 | 22-6     | A7AH627701 | 18-2     | A7AH705501 | 26-18    |
| A7AH564101 | 14-14    | A7AH600700 | 26-10    | A7AH621401 | 20-21    | A7AH627800 | 18-4     | A7AH705600 | 29-3     |
| A7AH564101 | 16-11    | A7AH600801 | 27-20    | A7AH621401 | 22-21    | A7AH627900 | 18-3     | A7AH705700 | 26-6     |
| A7AH564401 | 14-15    | A7AH601100 | 27-5     | A7AH621501 | 20-26    | A7AH628200 | 20-11    | A7AH705800 | 26-23    |
| A7AH564401 | 16-12    | A7AH601202 | 28-30    | A7AH621501 | 22-26    | A7AH628200 | 22-11    | A7AH705900 | 26-25    |
| A7AH565000 | 14-12    | A7AH601300 | 28-20    | A7AH621601 | 20-1     | A7AH629600 | 20-14    | A7AH706000 | 26-5     |
| A7AH565000 | 16-9     | A7AH601400 | 28-22    | A7AH621601 | 22-1     | A7AH629600 | 22-14    | A7AH706101 | 26-26    |
| A7AH565100 | 13-3     | A7AH601700 | 28-12    | A7AH621701 | 20-17    | A7AH629901 | 19-2     | A7AH706201 | 26-14    |
| A7AH565301 | 13-5     | A7AH601901 | 28-3     | A7AH621701 | 22-17    | A7AH629901 | 21-2     | A7AH706300 | 26-11    |
| A7AH565301 | 15-11    | A7AH602001 | 28-5     | A7AH621801 | 20-22    | A7AH630102 | 21-13    | A7AH706400 | 26-12    |
| A7AH565702 | 13-7     | A7AH602200 | 27-15    | A7AH621801 | 22-22    | A7AH700101 | 23-21    | A7AH706500 | 26-7     |
| A7AH565702 | 15-15    | A7AH602701 | 27-9     | A7AH622100 | 20-3     | A7AH700401 | 23-7     | A7AH706600 | 26-22    |
| A7AH566001 | 13-4     | A7AH603000 | 27-14    | A7AH622100 | 22-3     | A7AH700500 | 23-8     | A7AH706700 | 26-3     |
| A7AH566100 | 16-15    | A7AH603100 | 27-22    | A7AH622201 | 20-25    | A7AH700901 | 24-16    | A7AH706902 | 25-4     |

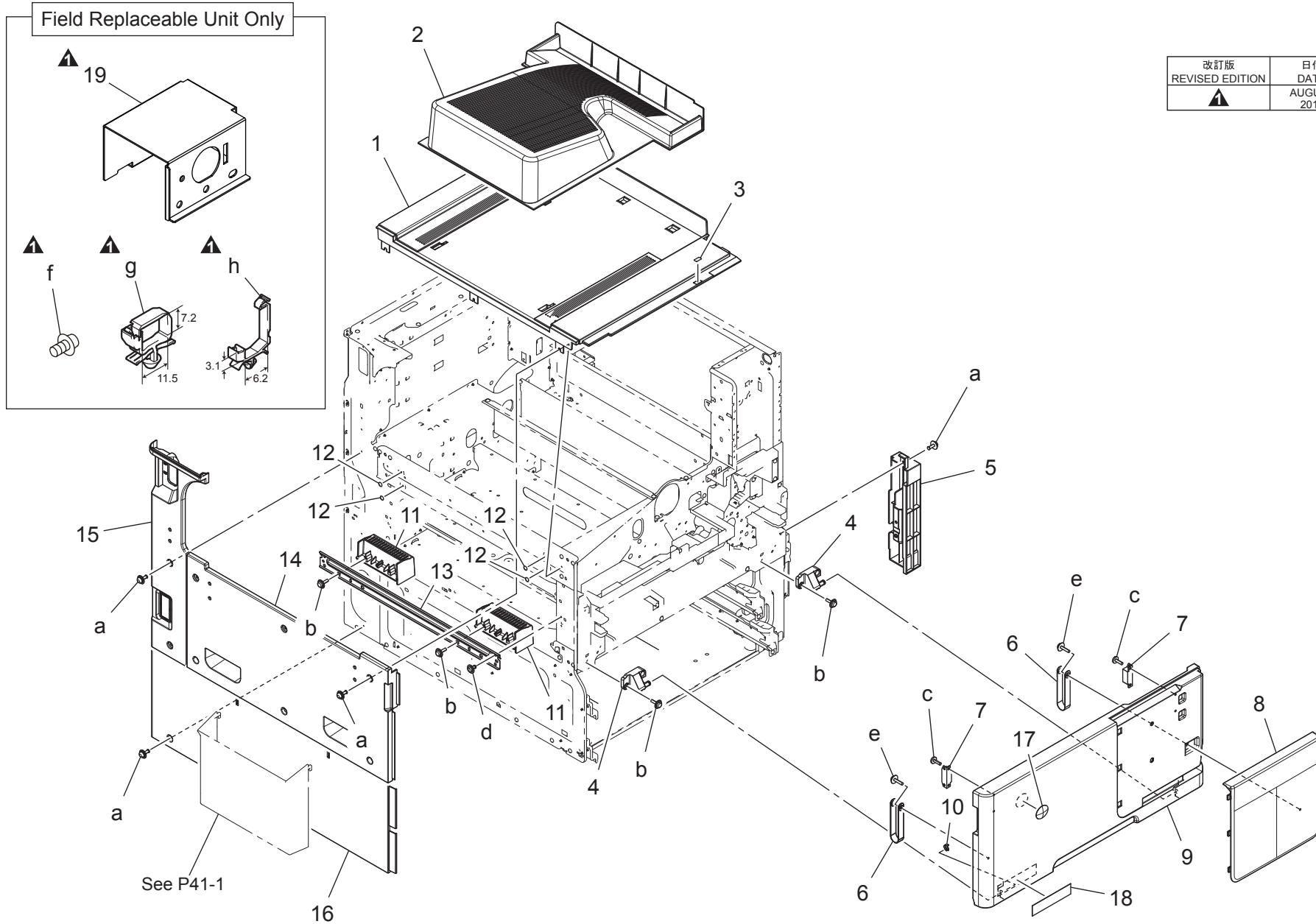
| Parts No.  | Page No. | Parts No.  | Page No. | Parts No.  | Page No. | Parts No.  | Page No. | Parts No.  | Page No. |
|------------|----------|------------|----------|------------|----------|------------|----------|------------|----------|
| A7AH707101 | 34-9     | A7AH814700 | 29-15    | A7AH891000 | 33-5     | A7AHH00C00 | 37-12    | A7AHN12200 | 18-7     |
| A7AH707201 | 34-8     | A7AH814800 | 29-18    | A7AH891100 | 30-15    | A7AHH02005 | 37-5     | A7AHN12400 | 25-21    |
| A7AH707300 | 25-24    | A7AH814901 | 29-14    | A7AH891200 | 33-33    | A7AHH02S02 | 37-27    | A7AHN12800 | 6-11     |
| A7AH707403 | 25-18    | A7AH815500 | 29-25    | A7AH891300 | 33-37    | A7AHM10400 | 9-27     | A7AHN12V02 | 7-6      |
| A7AH707500 | 25-15    | A7AH815601 | 29-17    | A7AH891400 | 33-35    | A7AHM10400 | 34-33    | A7AHN12W00 | 6-7      |
| A7AH707600 | 23-9     | A7AH815700 | 29-24    | A7AH891500 | 33-16    | A7AHM10700 | 29-27    | A7AHN12Y02 | 7-2      |
| A7AH707700 | 23-2     | A7AH816002 | 24-5     | A7AH891700 | 33-34    | A7AHM10700 | 32-7     | A7AHN13000 | 24-29    |
| A7AH708100 | 25-23    | A7AH816100 | 24-35    | A7AH891800 | 33-19    | A7AHM20400 | 15-4     | A7AHN13100 | 15-27    |
| A7AH708200 | 23-3     | A7AH816200 | 24-34    | A7AH891901 | 33-4     | A7AHM20400 | 27-19    | A7AHN13200 | 28-32    |
| A7AH708500 | 23-22    | A7AH816300 | 23-19    | A7AH892000 | 33-3     | A7AHM20500 | 13-1     | A7AHN13800 | 8-6      |
| A7AH708600 | 25-9     | A7AH816400 | 24-36    | A7AH892101 | 33-30    | A7AHM20500 | 15-2     | A7AHN13900 | 8-15     |
| A7AH708700 | 25-10    | A7AH816500 | 24-4     | A7AH892200 | 33-21    | A7AHM40600 | 8-9      | A7AHN14600 | 38-2     |
| A7AH708800 | 23-12    | A7AH816603 | 24-28    | A7AH892300 | 29-32    | A7AHM50100 | 6-5      | A7AHN15100 | 37-24    |
| A7AH708900 | 25-5     | A7AH816701 | 23-17    | A7AH892300 | 33-28    | A7AHM50100 | 6-13     | A7AHN15301 | 4-15     |
| A7AH709000 | 29-6     | A7AH816800 | 24-32    | A7AH893000 | 30-19    | A7AHM50400 | 3-10     | A7AHN15600 | 4-3      |
| A7AH709200 | 25-29    | A7AH817000 | 23-18    | A7AH893102 | 30-14    | A7AHM60100 | 18-5     | A7AHN15A00 | 37-16    |
| A7AH709900 | 23-24    | A7AH817101 | 24-27    | A7AH893301 | 30-18    | A7AHM70101 | 4-5      | A7AHN15A00 | 37-28    |
| A7AH721800 | 24-39    | A7AH817200 | 24-37    | A7AH893400 | 30-16    | A7AHM70201 | 4-5      | A7AHN16200 | 38-10    |
| A7AH810102 | 33-15    | A7AH817300 | 24-10    | A7AH894000 | 30-21    | A7AHM70301 | 4-5      | A7AHP02000 | 1-19     |
| A7AH810201 | 32-1     | A7AH817700 | 23-16    | A7AH894100 | 30-7     | A7AHM70402 | 4-5      | A7AHR70000 | 8-3      |
| A7AH811100 | 33-7     | A7AH818000 | 24-23    | A7AH895601 | 33-6     | A7AHM90000 | 7-8      | A7AHR70100 | 8-2      |
| A7AH811200 | 32-5     | A7AH818100 | 24-22    | A7AH940300 | 5-12     | A7AHM90100 | 7-7      | A7AHR70200 | 34-32    |
| A7AH811300 | 33-11    | A7AH818200 | 24-24    | A7AH941000 | 19-12    | A7AHM90200 | 7-24     | A7AHR70300 | 11-14    |
| A7AH811500 | 33-14    | A7AH818300 | 24-38    | A7AH941000 | 21-12    | A7AHM90300 | 31-6     | A7AHR70500 | 36-5     |
| A7AH812002 | 33-20    | A7AH819000 | 24-25    | A7AH941100 | 19-8     | A7AHM92000 | 2-13     | A7AHR70600 | 36-5     |
| A7AH812800 | 24-33    | A7AH819100 | 24-20    | A7AH941200 | 21-8     | A7AHM92100 | 2-14     | A7AHR70700 | 34-1     |
| A7AH812901 | 24-18    | A7AH819200 | 24-26    | A7AH941300 | 20-16    | A7AHN10101 | 38-14    | A7AHR70800 | 5-4      |
| A7AH813001 | 30-2     | A7AH819300 | 24-30    | A7AH941300 | 22-16    | A7AHN10201 | 38-10    | A7AHR71000 | 9-35     |
| A7AH813100 | 29-28    | A7AH819400 | 30-23    | A7AH942000 | 41-8     | A7AHN10401 | 31-1     | A7AHR71100 | 9-35     |
| A7AH813200 | 29-1     | A7AH819502 | 24-31    | A7AH942100 | 41-9     | A7AHN10500 | 8-5      | A7AHR71200 | 9-35     |
| A7AH813300 | 30-13    | A7AH819700 | 33-41    | A7AH943000 | 29-5     | A7AHN10600 | 8-8      | A7AHR71300 | 12-3     |
| A7AH813500 | 24-15    | A7AH819900 | 33-40    | A7AH943100 | 28-1     | A7AHN10700 | 8-14     | A7AHR71400 | 19-1     |
| A7AH813600 | 29-13    | A7AH890102 | 33-38    | A7AH943200 | 28-1     | A7AHN10800 | 8-4      | A7AHR71500 | 21-1     |
| A7AH814000 | 29-12    | A7AH890200 | 33-31    | A7AH944000 | 24-13    | A7AHN10902 | 37-7     | A7AHR71600 | 27-1     |
| A7AH814100 | 29-26    | A7AH890300 | 33-2     | A7AH944100 | 24-8     | A7AHN11102 | 39-1     | A7AHR71700 | 28-35    |
| A7AH814200 | 29-20    | A7AH890402 | 33-27    | A7AH944200 | 29-9     | A7AHN11301 | 11-23    | A7AHR71800 | 29-2     |
| A7AH814300 | 29-23    | A7AH890501 | 33-32    | A7AH946200 | 9-7      | A7AHN11401 | 11-15    | A7AHR71900 | 23-1     |
| A7AH814400 | 29-22    | A7AH890700 | 33-25    | A7AH947200 | 41-7     | A7AHN11802 | 30-17    | A7AHR72000 | 24-1     |
| A7AH814500 | 29-21    | A7AH890800 | 33-23    | A7AH947300 | 41-11    | A7AHN11901 | 28-25    | A7AHR72100 | 25-27    |
| A7AH814600 | 29-16    | A7AH890900 | 33-26    | A7AH947400 | 41-11    | A7AHN12100 | 13-21    | A7AHR72300 | 31-5     |

| Parts No.  | Page No. |
|------------|----------|
| A7AHR72400 | 31-5     |
| A7AHR72500 | 33-24    |
| A7AHR72600 | 35-12    |
| A7AHR72700 | 27-24    |
| A7AHR72800 | 18-6     |
| A7AHR72900 | 25-7     |
| A7AHR73500 | 31-5     |
| A7XWWY2    | 41-6     |
| A890R70011 | 7-1      |
| A890R70200 | 7-3      |
| A891R70000 | 8-11     |
| V116030804 | 41-5     |
| V500010081 | 40-1     |
| V500010083 | 40-2     |
| V500010084 | 40-3     |
| V500010085 | 40-4     |
| V500020052 | 40-14    |
| V500020098 | 40-5     |
| V500020099 | 40-6     |
| V500020100 | 40-7     |
| V500020108 | 40-8     |
| V502010036 | 37-1     |
| V502010043 | 8-7      |
| V503010002 | 37-17    |
| V503010002 | 37-29    |
| V570010021 | 40-9     |
| V570010057 | 40-10    |
| V570010060 | 40-11    |
| V651010045 | 35-17    |
| V800500300 | 23-23    |

# EXTERNAL PARTS

P 1

|   |                |
|---|----------------|
| 改訂版<br>REVISED EDITION  | 日付<br>DATE     |
|  | AUGUST<br>2015 |



See P41-1

bizhub 136DN/bizhub 367

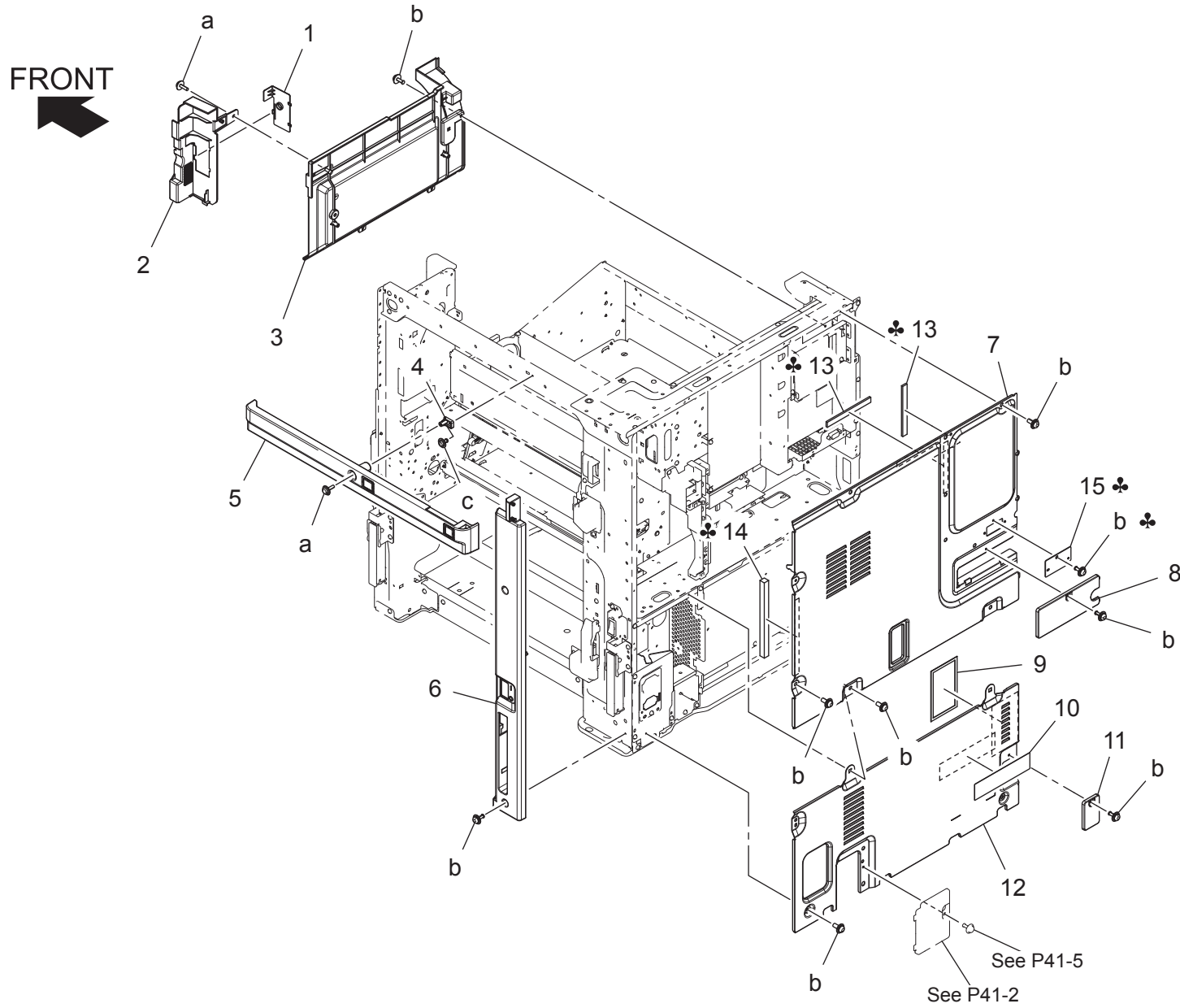


## EXTERNAL PARTS

| Key | Part No.   | Description              | Destinations                   | Class | QTY | Standard parts   |
|-----|------------|--------------------------|--------------------------------|-------|-----|--|
| 1   | A7AH160102 | Cover /Upper             |                                | C     | 1   | a-V116030804<br>b-V153030803<br>c-V149030803<br>d-V144030603<br>e-V153031003<br>f-V127030603<br>g-V500010082<br>h-V500020099 |
| 2   | A7AH161001 | Tray                     |                                | C     | 1   |  |
| 3   | A0ED940700 | Label Toner 2            |                                | D     | 1   |  |
| 4   | A161165602 | Support Shaft            |                                | C     | 2   |  |
| 5   | A7AH162500 | Cover Plate /Right front |                                | C     | 1   |  |
| 6   | A0ED162401 | Band                     |                                | D     | 2   |  |
| 7   | 4475260302 | MAGNET CATCH             |                                | D     | 2   |  |
| 8   | A7AH162300 | Open/close Cover /Right  |                                | C     | 1   |  |
| 9   | A7AH160202 | Open/close Cover /Front  |                                | C     | 1   |  |
| 10  | 56AA40490  | SHAFT STOPPER 4          |                                | C     | 1   |  |
| 11  | A7AH102200 | Handle /Left             |                                | D     | 2   |  |
| 12  | A7AH134800 | Seal                     |                                | C     | 4   |  |
| 13  | A7AH102100 | Mounting Plate           |                                | D     | 1   |  |
| 14  | A7AH160700 | Cover /Left              |                                | C     | 1   |  |
| 15  | A7AH160801 | Cover /Left              |                                | C     | 1   |  |
| 16  | A7AH160601 | Holder                   |                                | C     | 1   |  |
| 17  | A00J945500 | Logo Mark                |                                | C     | 1   |  |
| 18  | A789940100 | Label bizhub 367         | (Except Model No. A<br>789092) | C     | 1   |  |
| 18  | A789942500 | Label bizhub 136DN       | K(Model No. A789092<br>)       | C     | 1   |  |
| 19  | A7AHP02000 | Mounting Plate           | 取付板 (インターフェース)                 | D     | 1   |  |
|     |            |                          |                                |       |     |  |
|     |            |                          |                                |       |     |  |
|     |            |                          |                                |       |     |  |
|     |            |                          |                                |       |     |  |
|     |            |                          |                                |       |     |  |
|     |            |                          |                                |       |     |  |
|     |            |                          |                                |       |     |  |
|     |            |                          |                                |       |     |  |
|     |            |                          |                                |       |     |  |
|     |            |                          |                                |       |     |  |

bizhub 136DN/bizhub 367

# EXTERNAL PARTS

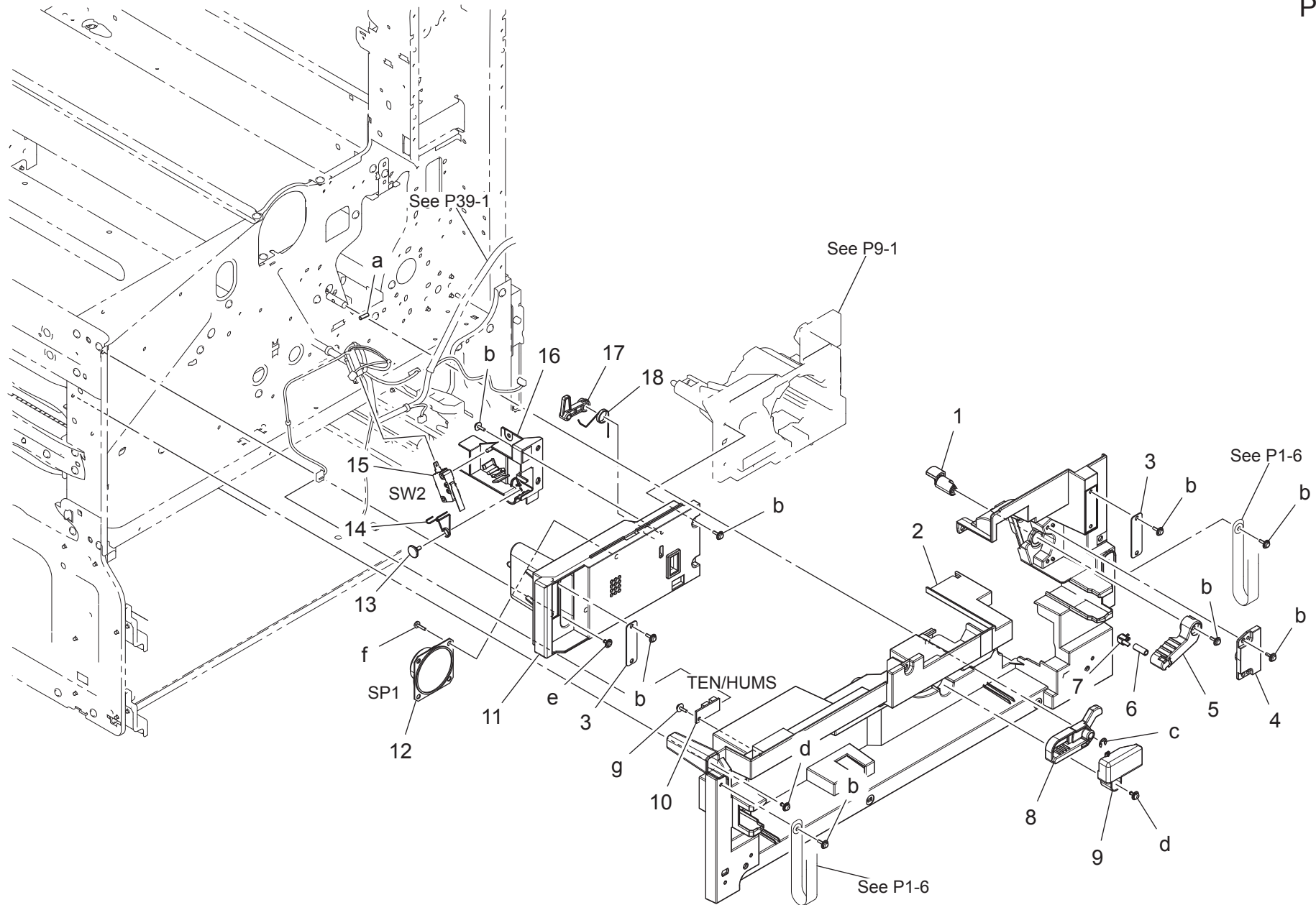


EXTERNAL PARTS

| Key | Part No.   | Description             | Destinations               | Class | QTY | Standard parts                               |
|-----|------------|-------------------------|----------------------------|-------|-----|--|
| 1   | A7AH164600 | Cover                   |                            | C     | 1   | a-V153030804<br>b-V116030804<br>c-V144030603 |
| 2   | A7AH162802 | Cover                   |                            | C     | 1   |  |
| 3   | A7AH162902 | Cover                   |                            | C     | 1   |  |
| 4   | A7AH167001 | Mounting Plate          |                            | C     | 1   |  |
| 5   | A7AH162400 | Cover                   |                            | C     | 1   |  |
| 6   | A7AH163001 | Cover Plate /Right rear |                            | C     | 1   |  |
| 7   | A7AH160503 | Cover Plate /Upper      |                            | D     | 1   |  |
| 8   | A7AH163300 | Cover Plate /Right rear |                            | C     | 1   |  |
| 9   | A7AH141400 | Filter                  |                            | C     | 1   |  |
| 10  | A2X0945701 | Label                   |                            | C     | 1   |  |
| 11  | A7AH164701 | Cover Plate /Lower      |                            | C     | 1   |  |
| 12  | A7AH163402 | Cover Plate /Lower      |                            | D     | 1   |  |
| 13  | A7AHM92000 | Gasket                  | C,D1,D3,E,F2,G1,I,K<br>J,H | C     | 2   |  |
| 14  | A7AHM92100 | Gasket                  | C,D1,D3,E,F2,G1,I,K<br>J,H | C     | 1   |  |
| 15  | A7AH164800 | Cover Plate /Upper      | G2                         | D     | 1   |  |
|     |            |                         |                            |       |     |  |
|     |            |                         |                            |       |     |  |
|     |            |                         |                            |       |     |  |
|     |            |                         |                            |       |     |  |
|     |            |                         |                            |       |     |  |
|     |            |                         |                            |       |     |  |
|     |            |                         |                            |       |     |  |
|     |            |                         |                            |       |     |  |
|     |            |                         |                            |       |     |  |
|     |            |                         |                            |       |     |  |

bizhub 136DN/bizhub 367

# INNER COVER SECTION

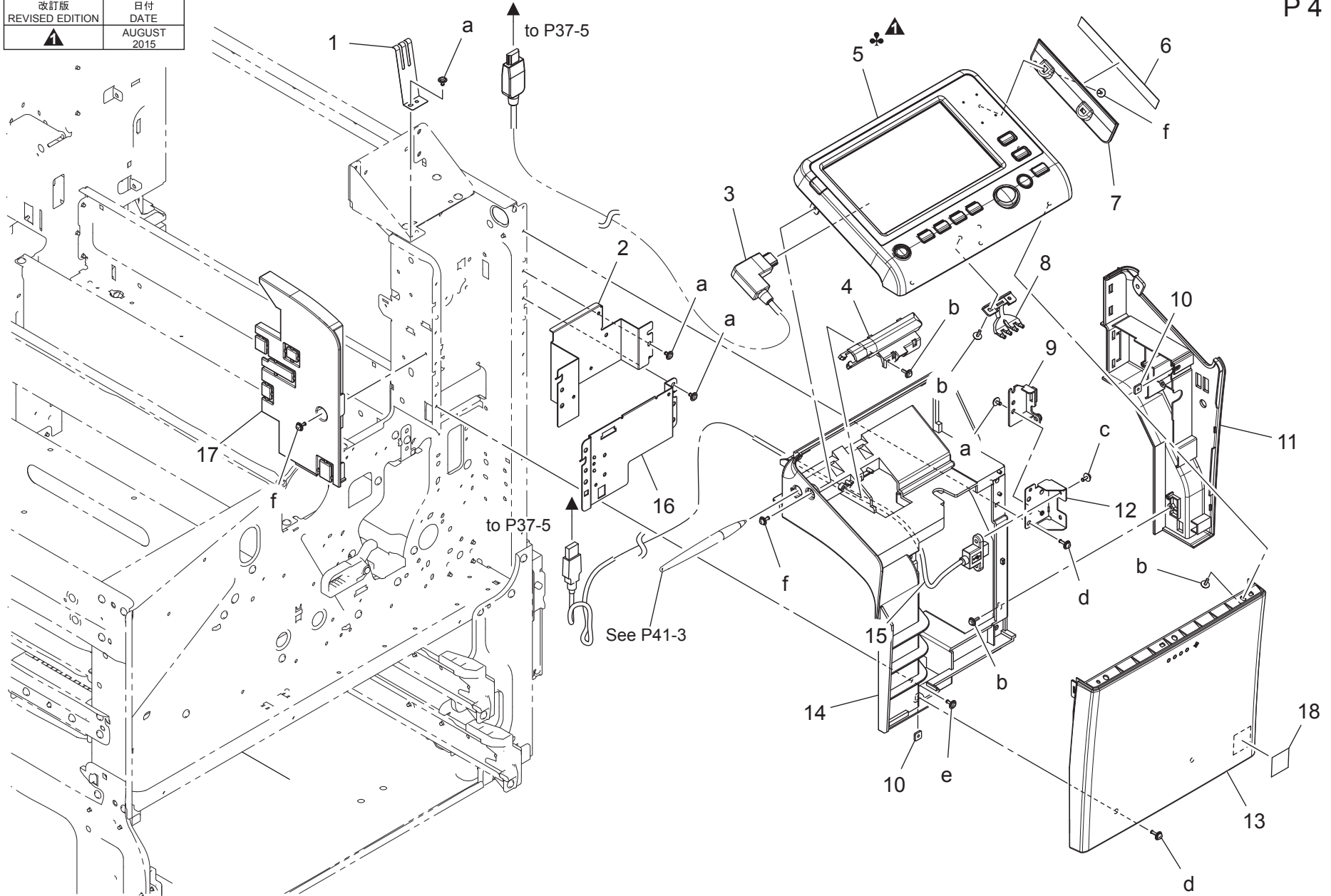


# INNER COVER SECTION

| Key | Part No.   | Description             | Destinations | Class | QTY | Standard parts   |
|-----|------------|-------------------------|--------------|-------|-----|--|
| 1   | A7AH112600 | Stopper                 |              | C     | 1   | a-V234301050<br>b-V153030803<br>c-V217040001<br>d-V125030803<br>e-V144030603<br>f-V149031003<br>g-V153031003 |
| 2   | A7AH165003 | Cover /Front            |              | D     | 1   |  |
| 3   | 4038101401 | SUCTION PLATE           |              | D     | 2   |  |
| 4   | A7AH112900 | Holder                  |              | C     | 1   |  |
| 5   | A7AH112500 | Lever                   |              | C     | 1   |  |
| 6   | A7AH113000 | Compressing Coil spring |              | C     | 1   |  |
| 7   | A7AH112800 | Stopper                 |              | C     | 1   |  |
| 8   | A7AH116200 | Release Lever           |              | C     | 1   |  |
| 9   | A7AH164500 | Cover /Rear             |              | D     | 1   |  |
| 10  | A7AHM50400 | Humidity sensor         |              | I     | 1   |  |
| 11  | A7AH135301 | Cover                   |              | D     | 1   |  |
| 12  | A0P0M73100 | Speaker                 |              | D     | 1   |  |
| 13  | A7AH138900 | Shoulder screw          |              | C     | 1   |  |
| 14  | A161151300 | Torsion Coil spring     |              | D     | 1   |  |
| 15  | 9J06M60100 | MICRO SWITCH            |              | C     | 1   |  |
| 16  | A7AH138500 | Mounting Plate          |              | D     | 1   |  |
| 17  | A7AH138700 | Lever                   |              | C     | 1   |  |
| 18  | A7AH138800 | Torsion Spring          |              | C     | 1   |  |
|     |            |                         |              |       |     |  |
|     |            |                         |              |       |     |  |
|     |            |                         |              |       |     |  |
|     |            |                         |              |       |     |  |
|     |            |                         |              |       |     |  |
|     |            |                         |              |       |     |  |
|     |            |                         |              |       |     |  |
|     |            |                         |              |       |     |  |
|     |            |                         |              |       |     |  |
|     |            |                         |              |       |     |  |
|     |            |                         |              |       |     |  |

# OPERATION PANEL SECTION

|   |                |
|---|----------------|
| 改訂版<br>REVISED EDITION  | 日付<br>DATE     |
|  | AUGUST<br>2015 |



bizhub 136DN/bizhub 367

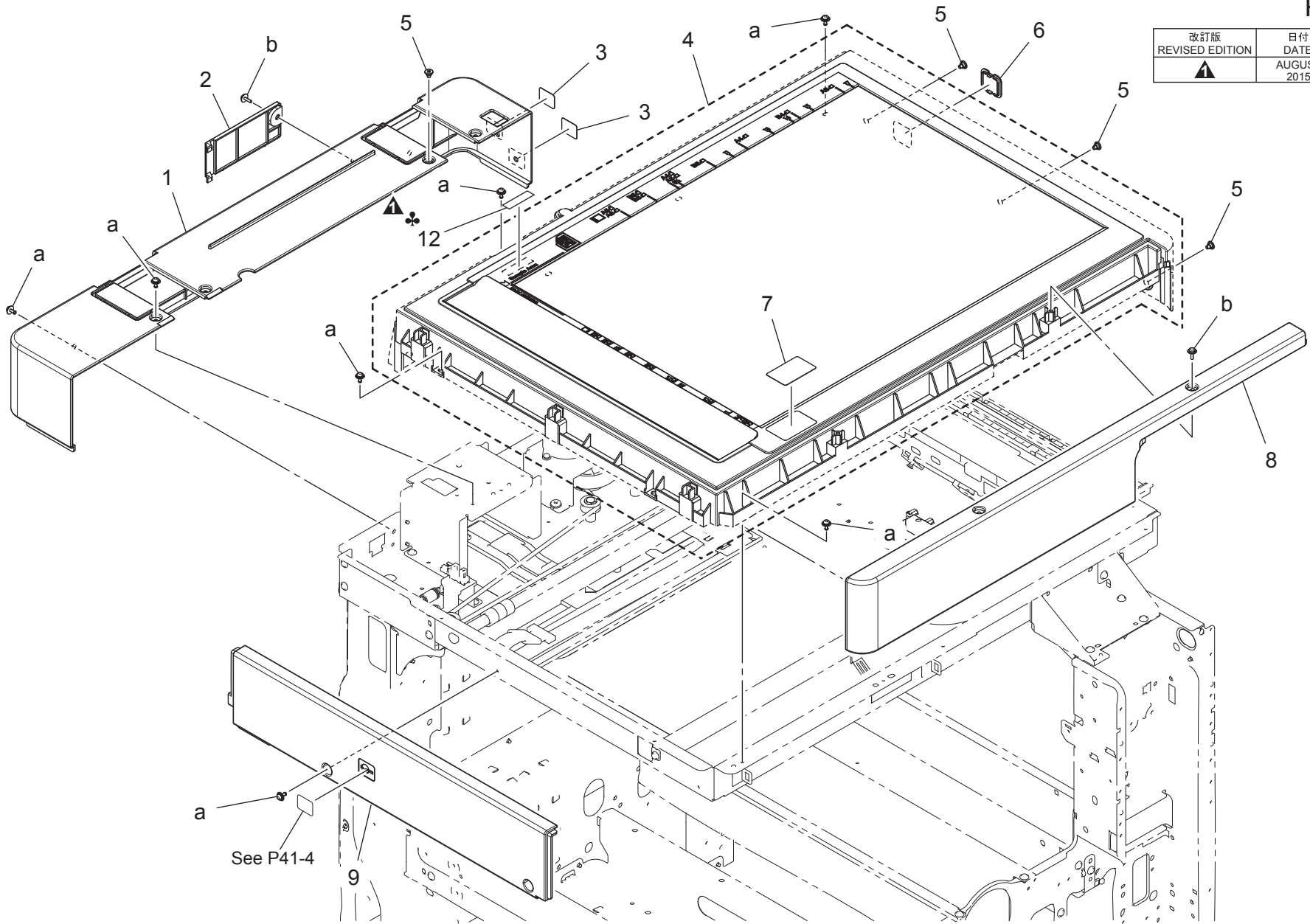
# OPERATION PANEL SECTION

| Key | Part No.   | Description     | Destinations                                  | Class | QTY | Standard parts   |
|-----|------------|-----------------|---|-------|-----|--|
| 1   | A7AH134600 | Ground Plate    |   | D     | 1   | a-V144030603<br>b-V153030803<br>c-V125030803<br>d-V116031003<br>e-V144030803<br>f-V116030804 |
| 2   | A7AH139000 | Mounting Plate  |   | D     | 1   |  |
| 3   | A7AHN15600 | Interface Cable |   | D     | 1   |  |
| 4   | A7AH162100 | Holder          |   | D     | 1   |  |
| 5   | A7AHM70101 | Panel assembly  | D1,D3,E,F2,G1,G2,I<br>(Except South Africa),K | I     | 1   |  |
| 5   | A7AHM70201 | Panel assembly  | C,I(South Africa)                             | I     | 1   |  |
| 5   | A7AHM70301 | Panel assembly  | J   | I     | 1   |  |
| 5   | A7AHM70402 | Panel assembly  | H   | I     | 1   |  |
| 6   | A7AH162001 | Seal            |   | C     | 1   |  |
| 7   | A7AH161900 | Cover           |   | C     | 1   |  |
| 8   | A7AH161801 | Lens            |   | C     | 1   |  |
| 9   | A7AH166601 | Cover           |   | C     | 1   |  |
| 10  | 4002504202 | PLATE NUT       |   | D     | 2   |  |
| 11  | A7AH161501 | Cover /Right    |   | C     | 1   |  |
| 12  | A7AH139401 | Mounting Plate  |   | D     | 1   |  |
| 13  | A7AH161700 | Cover /Front    |   | C     | 1   |  |
| 14  | A7AH161602 | Cover /Middle   |   | D     | 1   |  |
| 15  | A7AHN15301 | Interface Cable |   | D     | 1   |  |
| 16  | A7AH139600 | Mounting Plate  |   | D     | 1   |  |
| 17  | A7AH161400 | Cover /Left     |   | C     | 1   |  |
| 18  | A011946200 | Label Emperon   |   | D     | 1   |  |
|     |            |                 |   |       |     |  |
|     |            |                 |   |       |     |  |
|     |            |                 |   |       |     |  |
|     |            |                 |   |       |     |  |
|     |            |                 |   |       |     |  |
|     |            |                 |   |       |     |  |
|     |            |                 |   |       |     |  |
|     |            |                 |   |       |     |  |

# SCANNER SECTION

P 5

|   |                |
|---|----------------|
| 改訂版<br>REVISED EDITION  | 日付<br>DATE     |
|  | AUGUST<br>2015 |



See P41-4

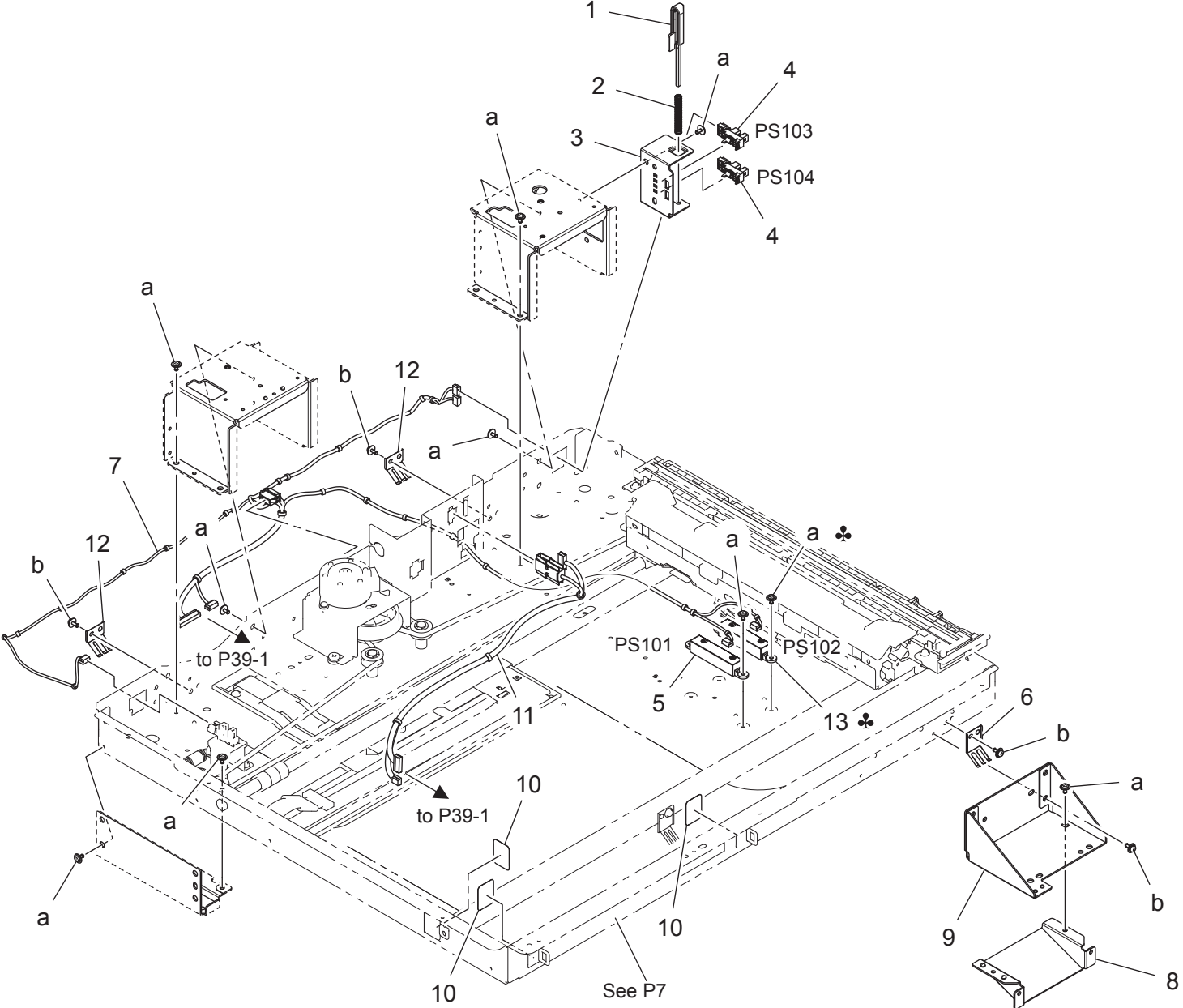
bizhub 136DN/bizhub 367



SCANNER SECTION

| Key | Part No.   | Description          | Destinations | Class | QTY | Standard parts               |  |
|-----|------------|----------------------|--------------|-------|-----|------------------------------|--|
| 1   | A7AH266203 | Read Cover /Rear     |              | C     | 1   | a-V125030803<br>b-V153030803 |  |
| 2   | A7AH267000 | Read Cover /Rear     |              | C     | 1   |                              |  |
| 3   | A7AH266800 | Seal                 |              | C     | 2   |                              |  |
| 4   | A7AHR70800 | IR Cover /Upper Assy |              | C     | 1   |                              |  |
| 5   | A7AH267201 | Shoulder screw       |              | C     | 4   |                              |  |
| 6   | A7AH266300 | Cover                |              | D     | 1   |                              |  |
| 7   | A0HF952400 | Label                |              | C     | 1   |                              |  |
| 8   | A7AH266503 | Read Cover /Front    |              | C     | 1   |                              |  |
| 9   | A7AH266601 | Read Cover /Left     |              | C     | 1   |                              |  |
| 12  | A7AH940300 | Label                | J            | C     | 1   |                              |  |
|     |            |                      |              |       |     |                              |  |
|     |            |                      |              |       |     |                              |  |
|     |            |                      |              |       |     |                              |  |
|     |            |                      |              |       |     |                              |  |
|     |            |                      |              |       |     |                              |  |
|     |            |                      |              |       |     |                              |  |
|     |            |                      |              |       |     |                              |  |
|     |            |                      |              |       |     |                              |  |
|     |            |                      |              |       |     |                              |  |

SCANNER SECTION



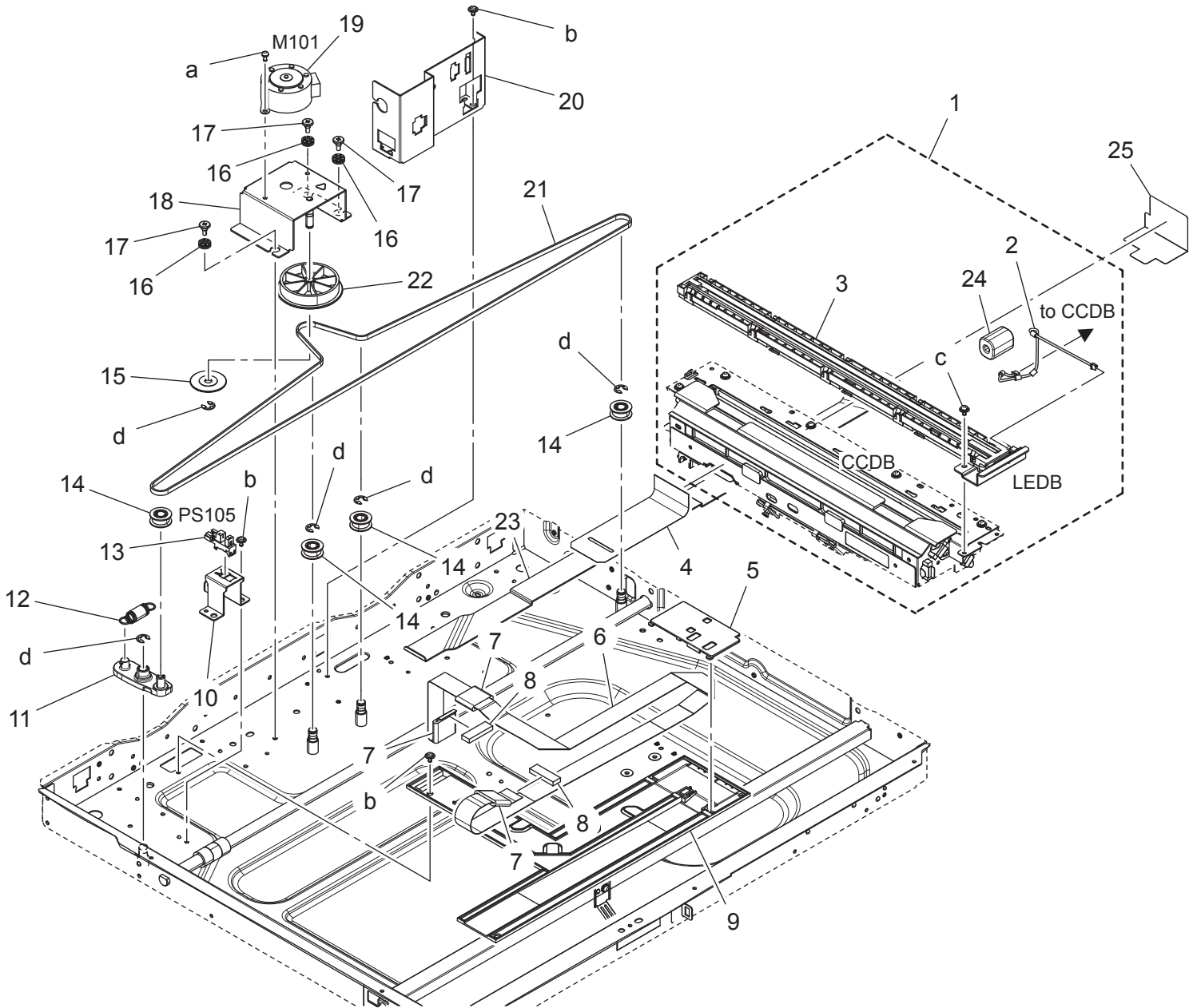
bizhub 136DN/bizhub 367



# SCANNER SECTION

| Key | Part No.   | Description                 | Destinations                                | Class | QTY | Standard parts               |
|-----|------------|-----------------------------|---|-------|-----|------------------------------|
| 1   | A7AH285102 | Lever                       |   | C     | 1   | a-V144030603<br>b-V125030803 |
| 2   | A7AH285400 | Compressing Coil spring     |   | C     | 1   |                              |
| 3   | A7AH285501 | Mounting Plate              |   | D     | 1   |                              |
| 4   | A5C1M50100 | Photointerrupter            |   | B     | 2   |                              |
| 5   | A7AHM50100 | APS Photoreflector          |   | C     | 1   |                              |
| 6   | A7AH281701 | Ground Plate spring         |   | D     | 1   |                              |
| 7   | A7AHN12W00 | Harness /Scanner            |   | D     | 1   |                              |
| 8   | A7AH262602 | Mounting Plate /Right front |   | D     | 1   |                              |
| 9   | A7AH261401 | Mounting Plate /Right front |   | D     | 1   |                              |
| 10  | 4581162501 | SEAL                        |   | C     | 3   |                              |
| 11  | A7AHN12800 | Harness /ADF Relay          |   | D     | 1   |                              |
| 12  | A7AH262501 | Ground Plate spring         |   | D     | 2   |                              |
| 13  | A7AHM50100 | APS Photoreflector          | D1,D3,E,F2,G1,I (Except South Africa),<br>K | C     | 1   |                              |
|     |            |                             |   |       |     |                              |
|     |            |                             |   |       |     |                              |
|     |            |                             |   |       |     |                              |
|     |            |                             |   |       |     |                              |
|     |            |                             |   |       |     |                              |
|     |            |                             |   |       |     |                              |
|     |            |                             |   |       |     |                              |
|     |            |                             |   |       |     |                              |
|     |            |                             |   |       |     |                              |

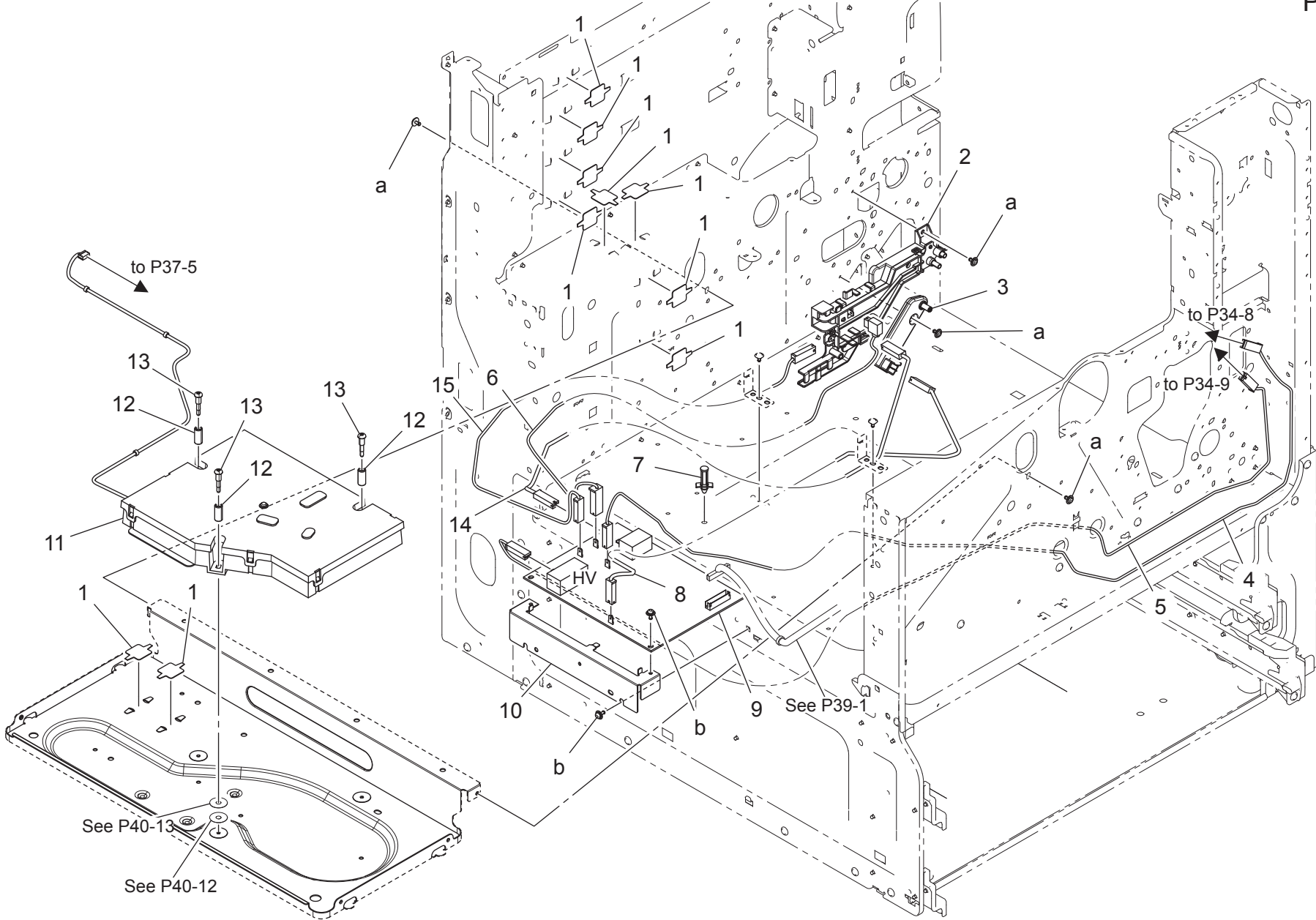
SCANNER SECTION



# SCANNER SECTION

| Key | Part No.   | Description       | Destinations | Class | QTY | Standard parts   |
|-----|------------|-------------------|--------------|-------|-----|--|
| 1   | A890R70011 | Scan-IR unit      |              | I     | 1   | a-V115030603<br>b-V144030603<br>c-V116030603<br>d-V217050001<br>e-V218040086 |
| 2   | A7AHN12Y02 | Harness /Scanner  |              | D     | 1   |  |
| 3   | A890R70200 | LED exposure unit |              | C     | 1   |  |
| 4   | A7AH262900 | Guide Sheet       |              | D     | 1   |  |
| 5   | A7AH262100 | Mounting Cover    |              | D     | 1   |  |
| 6   | A7AHN12V02 | Harness /Scanner  |              | D     | 1   |  |
| 7   | A7AHM90100 | Ferritecore       |              | D     | 3   |  |
| 8   | A7AHM90000 | Connector         |              | D     | 2   |  |
| 9   | A7AH261802 | Mounting Plate    |              | D     | 1   |  |
| 10  | A7AH261700 | Mounting Plate    |              | D     | 1   |  |
| 11  | A7AH280700 | Adjusting Plate   |              | C     | 1   |  |
| 12  | A7AH280500 | Pulling Spring    |              | C     | 1   |  |
| 13  | A5C1M50100 | Photointerrupter  |              | B     | 1   |  |
| 14  | A7AH281300 | Idling Pulley     |              | C     | 4   |  |
| 15  | A7AH281600 | Washer            |              | C     | 1   |  |
| 16  | A4EU138000 | Support Rubber    |              | D     | 3   |  |
| 17  | A7AH281800 | Shoulder screw    |              | C     | 3   |  |
| 18  | A7AH280800 | Mounting Plate    |              | D     | 1   |  |
| 19  | A161M10300 | Stepping motor    |              | C     | 1   |  |
| 20  | A7AH261902 | Mounting Plate    |              | D     | 1   |  |
| 21  | A7AH280400 | Belt 1196L        |              | C     | 1   |  |
| 22  | A7AH280900 | Gear 120T         |              | C     | 1   |  |
| 23  | A7AH262700 | Protection Mat    |              | C     | 1   |  |
| 24  | A7AHM90200 | Ferritecore       |              | C     | 1   |  |
| 25  | A7AH263000 | Insulating Part   |              | D     | 1   |  |
|     |            |                   |              |       |     |  |
|     |            |                   |              |       |     |  |
|     |            |                   |              |       |     |  |
|     |            |                   |              |       |     |  |
|     |            |                   |              |       |     |  |
|     |            |                   |              |       |     |  |
|     |            |                   |              |       |     |  |
|     |            |                   |              |       |     |  |
|     |            |                   |              |       |     |  |
|     |            |                   |              |       |     |  |
|     |            |                   |              |       |     |  |
|     |            |                   |              |       |     |  |
|     |            |                   |              |       |     |  |
|     |            |                   |              |       |     |  |
|     |            |                   |              |       |     |  |

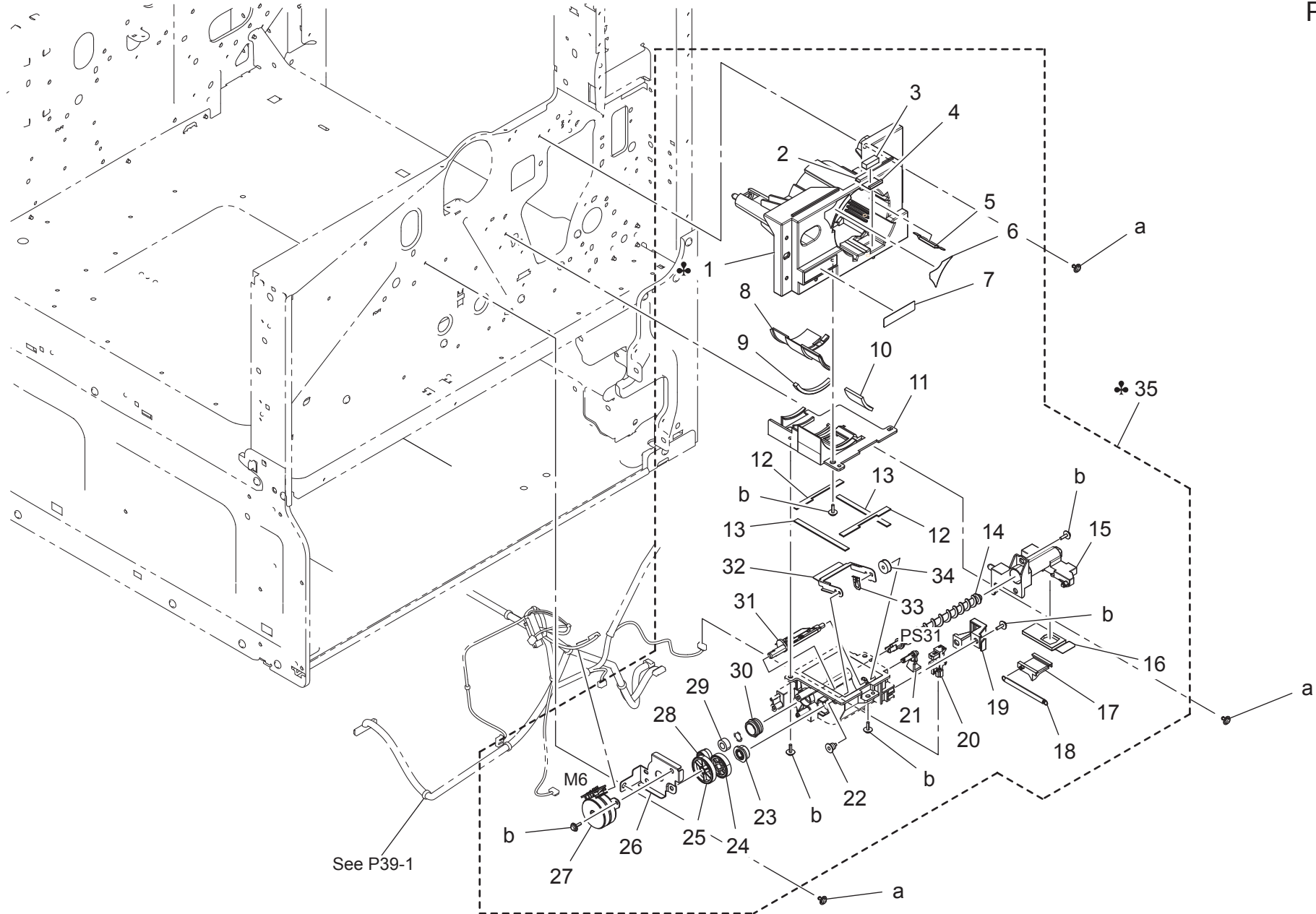
# PH UNIT/HIGH VOLTAGE SECTION



PH UNIT/HIGH VOLTAGE SECTION

| Key | Part No.   | Description         | Destinations | Class | QTY | Standard parts               |
|-----|------------|---------------------|--------------|-------|-----|------------------------------|
| 1   | A1UD104500 | Seal                |              | D     | 10  | a-V144030603<br>b-V125030803 |
| 2   | A7AHR70100 | Contact Assy        |              | D     | 1   |                              |
| 3   | A7AHR70000 | DV Contact Assy     |              | D     | 1   |                              |
| 4   | A7AHN10800 | Harness /Separating |              | D     | 1   |                              |
| 5   | A7AHN10500 | Harness /Transfer   |              | D     | 1   |                              |
| 6   | A7AHN13800 | Harness /HV         |              | D     | 1   |                              |
| 7   | V502010043 | PCB Support         |              | D     | 1   |                              |
| 8   | A7AHN10600 | Harness /Developing |              | D     | 1   |                              |
| 9   | A7AHM40600 | High voltage unit   |              | I     | 1   |                              |
| 10  | A7AH134200 | Mounting Plate      |              | D     | 1   |                              |
| 11  | A891R70000 | PRINT HEAD ASSY     |              | I     | 1   |                              |
| 12  | 4128197801 | PRESSURE SPRING     |              | C     | 3   |                              |
| 13  | 4128197901 | SHOULDER SCREW      |              | C     | 3   |                              |
| 14  | A7AHN10700 | Harness /Chaging    |              | D     | 1   |                              |
| 15  | A7AHN13900 | Harness /HV         |              | D     | 1   |                              |
|     |            |                     |              |       |     |                              |
|     |            |                     |              |       |     |                              |
|     |            |                     |              |       |     |                              |
|     |            |                     |              |       |     |                              |
|     |            |                     |              |       |     |                              |
|     |            |                     |              |       |     |                              |
|     |            |                     |              |       |     |                              |
|     |            |                     |              |       |     |                              |
|     |            |                     |              |       |     |                              |
|     |            |                     |              |       |     |                              |
|     |            |                     |              |       |     |                              |
|     |            |                     |              |       |     |                              |

# TONER SUPPLY SECTION

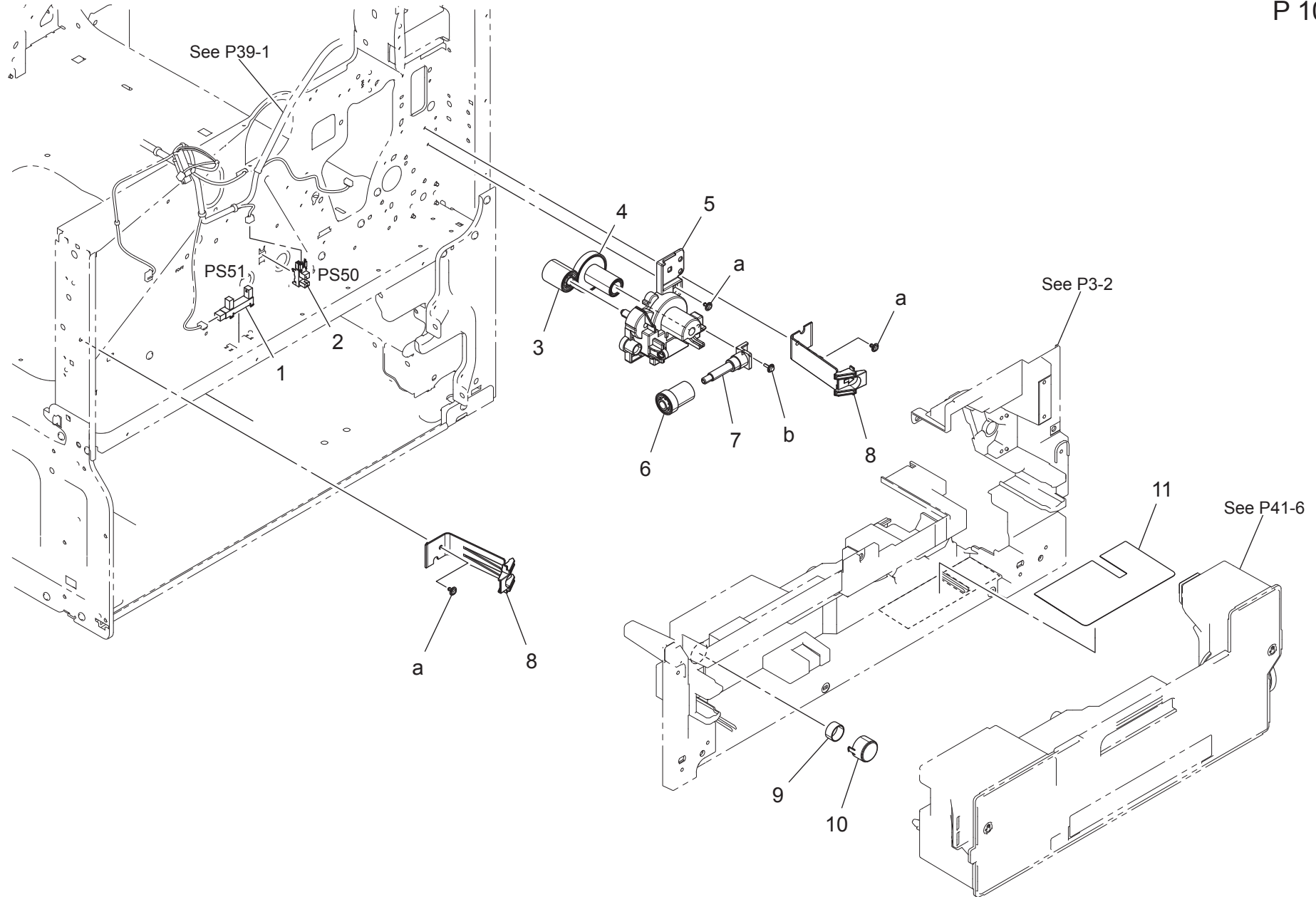




TONER SUPPLY SECTION

| Key | Part No.   | Description         | Destinations   | Class | QTY | Standard parts               |
|-----|------------|---------------------|--|-------|-----|------------------------------|
| 1   | A7AH405100 | Cover               | G2   | C     | 1   | a-V144030603<br>b-V153030803 |
| 1   | A7AH405300 | Cover               | D1,D3,E,F2,G1,I (Ex<br>cept South Africa),<br>K,J,H<br>C,I(South Africa) | C     | 1   |                              |
| 1   | A7AH405200 | Cover               |  | C     | 1   |                              |
| 2   | A161404001 | Seal /1             |  | D     | 1   |                              |
| 3   | A161403701 | Seal                |  | D     | 1   |                              |
| 4   | A161404100 | Seal /2             |  | D     | 1   |                              |
| 5   | A161403901 | Spacer              |  | D     | 1   |                              |
| 6   | A0ED940600 | Label Toner 1       |  | D     | 1   |                              |
| 7   | A7AH946200 | Label Toner type    |  | C     | 1   |                              |
| 8   | A161402403 | Shutter             |  | D     | 1   |                              |
| 9   | A161403800 | Seal                |  | D     | 1   |                              |
| 10  | A161402502 | Seal                |  | D     | 1   |                              |
| 11  | A7AH402100 | Cover               |  | D     | 1   |                              |
| 12  | A7AH403300 | Seal                |  | D     | 2   |                              |
| 13  | A7AH403500 | Seal                |  | D     | 2   |                              |
| 14  | A7AH400100 | Screw               | スクリュー  | D     | 1   |                              |
| 15  | A7AH406000 | Conveyance Pipe     | 搬送パイプ  | D     | 1   |                              |
| 16  | A7AH403200 | Seal                | シール  | C     | 1   |                              |
| 17  | A0ED401000 | Shutter             | シャッター  | D     | 1   |                              |
| 18  | A7AH406300 | Pulling Coil spring | 引張りコイルばね   | C     | 1   |                              |
| 19  | A7AH400700 | Mounting Plate      | 取付板  | D     | 1   |                              |
| 20  | A5C1M50100 | Photointerrupter    | 透過型センサ   | B     | 1   |                              |
| 21  | A7AH404300 | Detecting Actuator  | 検出アクチュエータ  | C     | 1   |                              |
| 22  | A161400800 | Pin                 | ピン   | D     | 1   |                              |
| 23  | 4163510201 | BUSHING             | 軸受   | C     | 1   |                              |
| 24  | A161401100 | Gear 36T            | ギア 36 T  | C     | 1   |                              |
| 25  | A7AH401300 | Gear 17/65T         | ギア 17/65 T   | C     | 1   |                              |
| 26  | A7AH406201 | Fixing Plate        | 固定板  | D     | 1   |                              |
| 27  | A7AHM10400 | Stepping motor      | ステッピングモータ (φ 30)   | C     | 1   |                              |
| 28  | A161401000 | Gear 18T            | ギア 18 T  | C     | 1   |                              |
| 29  | 4576536301 | SEAL                | シール  | D     | 1   |                              |
| 30  | A161403101 | Holder              | ホルダ  | C     | 1   |                              |
| 31  | A5C1F42000 | Agitating Shaft     | 攪拌軸 A S S Y  | D     | 1   |                              |
| 32  | A161400401 | Detecting Plate     | 検出板  | D     | 1   |                              |
| 33  | A161404200 | Fixing Plate        | 固定板  | D     | 1   |                              |
| 34  | A161400601 | Detecting Seal      | 検出シール  | D     | 1   |                              |
| 35  | A7AHR71000 | Sub Hopper Assy     | サブホッパー A s s y   | I     | 1   |                              |
| 35  | A7AHR71200 | Sub Hopper Assy     | サブホッパー A s s y   | I     | 1   |                              |
| 35  | A7AHR71100 | Sub Hopper Assy     | サブホッパー A s s y   | I     | 1   |                              |
|     |            |                     |  |       |     |                              |
|     |            |                     |  |       |     |                              |

# TONER SUPPLY SECTION

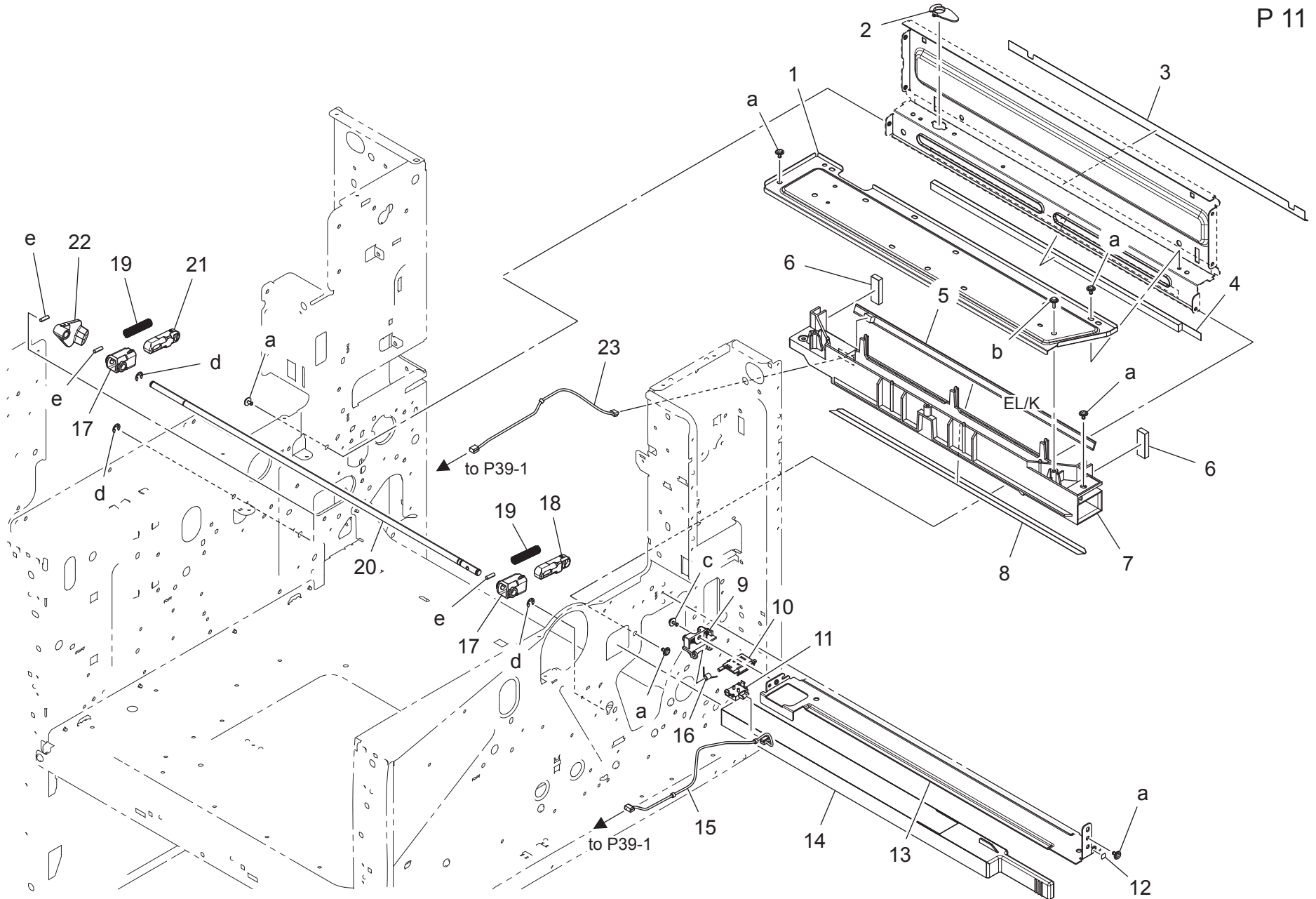


TONER SUPPLY SECTION

| Key | Part No.   | Description             | Destinations | Class | QTY | Standard parts               |
|-----|------------|-------------------------|--------------|-------|-----|------------------------------|
| 1   | 9335140051 | SOLID STATE SWITCH      |              | B     | 1   | a-V144030603<br>b-V153030803 |
| 2   | A5C1M50100 | Photointerrupter        |              | B     | 1   |                              |
| 3   | A7AH218100 | Gear 20T                |              | C     | 1   |                              |
| 4   | A7AH218300 | Gear 15/37T             |              | C     | 1   |                              |
| 5   | A7AH218702 | Drive Holder            |              | D     | 1   |                              |
| 6   | A7AH218400 | Gear 15/20T             |              | C     | 1   |                              |
| 7   | A7AH218500 | Shaft                   |              | D     | 1   |                              |
| 8   | A161165700 | Fixing Claw             |              | D     | 2   |                              |
| 9   | A2XN374800 | Compressing Coil spring |              | C     | 1   |                              |
| 10  | A7AH362700 | Holder                  |              | C     | 1   |                              |
| 11  | A7AH165200 | Sheet                   |              | C     | 1   |                              |
|     |            |                         |              |       |     |                              |
|     |            |                         |              |       |     |                              |
|     |            |                         |              |       |     |                              |
|     |            |                         |              |       |     |                              |
|     |            |                         |              |       |     |                              |
|     |            |                         |              |       |     |                              |
|     |            |                         |              |       |     |                              |
|     |            |                         |              |       |     |                              |
|     |            |                         |              |       |     |                              |
|     |            |                         |              |       |     |                              |

# ERASE LAMP/DV LOCK LEVER SECTION

P 11



bizhub 136DN/bizhub 367

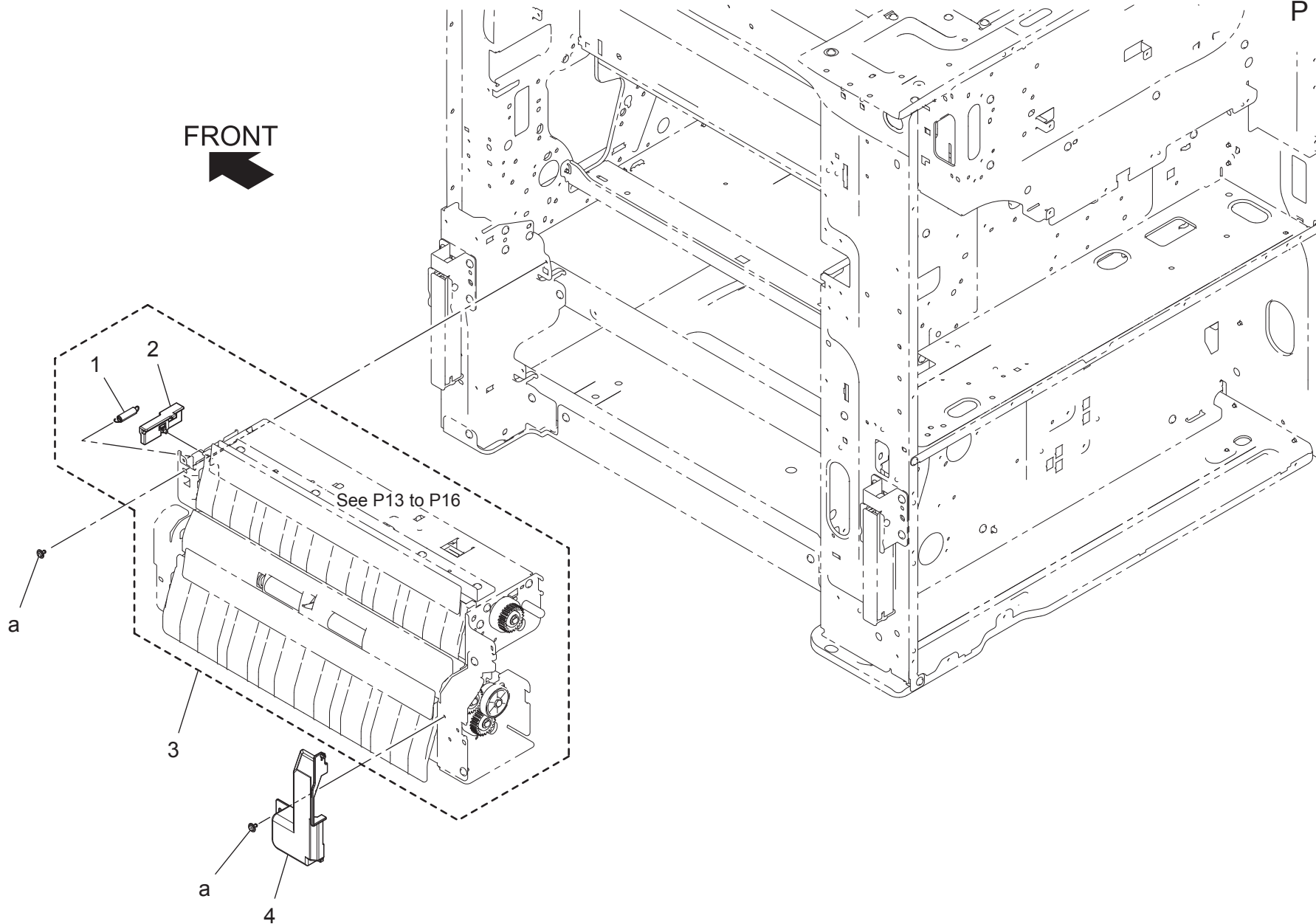
ERASE LAMP/DV LOCK LEVER SECTION

| Key | Part No.   | Description             | Destinations | Class | QTY | Standard parts   |
|-----|------------|-------------------------|--------------|-------|-----|--|
| 1   | A7AH142300 | Mounting Plate          |              | D     | 1   | a-V144030603<br>b-V153030803<br>c-V125030803<br>d-V217040001<br>e-V234301050 |
| 2   | A7AH138600 | Wiring Cover            |              | D     | 1   |  |
| 3   | A7AH142900 | Seal                    |              | C     | 1   |  |
| 4   | A7AH142800 | Seal                    |              | C     | 1   |  |
| 5   | A1UDM30900 | LED Unit                |              | I     | 1   |  |
| 6   | A7AH142700 | Seal                    |              | C     | 2   |  |
| 7   | A7AH142100 | Holder                  |              | D     | 1   |  |
| 8   | A7AH136301 | Light blocking Plate    |              | D     | 1   |  |
| 9   | A7AH112300 | Sensor Holder           |              | D     | 1   |  |
| 10  | A7AH139900 | Mounting Plate          |              | C     | 1   |  |
| 11  | A0EDM60001 | Relay Connector         |              | D     | 1   |  |
| 12  | A02E940300 | Label                   |              | C     | 1   |  |
| 13  | A7AH112102 | Guide Rail              |              | D     | 1   |  |
| 14  | A7AHR70300 | Ozone filter            |              | A     | 1   |  |
| 15  | A7AHN11401 | Harness /Photoconductor |              | D     | 1   |  |
| 16  | A7AH139700 | Torsion Coil spring     |              | C     | 1   |  |
| 17  | A161115700 | Holder                  |              | D     | 2   |  |
| 18  | A7AH116100 | Slide Lever             |              | C     | 1   |  |
| 19  | A7AH116900 | Pressure Spring         |              | C     | 2   |  |
| 20  | A7AH116300 | Release Shaft           |              | D     | 1   |  |
| 21  | A161116100 | Slide Lever             |              | D     | 1   |  |
| 22  | A7AH116500 | Release Lever           |              | C     | 1   |  |
| 23  | A7AHN11301 | Harness /Neutralizing   |              | D     | 1   |  |
|     |            |                         |              |       |     |  |
|     |            |                         |              |       |     |  |
|     |            |                         |              |       |     |  |
|     |            |                         |              |       |     |  |
|     |            |                         |              |       |     |  |
|     |            |                         |              |       |     |  |
|     |            |                         |              |       |     |  |
|     |            |                         |              |       |     |  |
|     |            |                         |              |       |     |  |
|     |            |                         |              |       |     |  |
|     |            |                         |              |       |     |  |
|     |            |                         |              |       |     |  |
|     |            |                         |              |       |     |  |
|     |            |                         |              |       |     |  |



# PAPER FEED SECTION

P 12

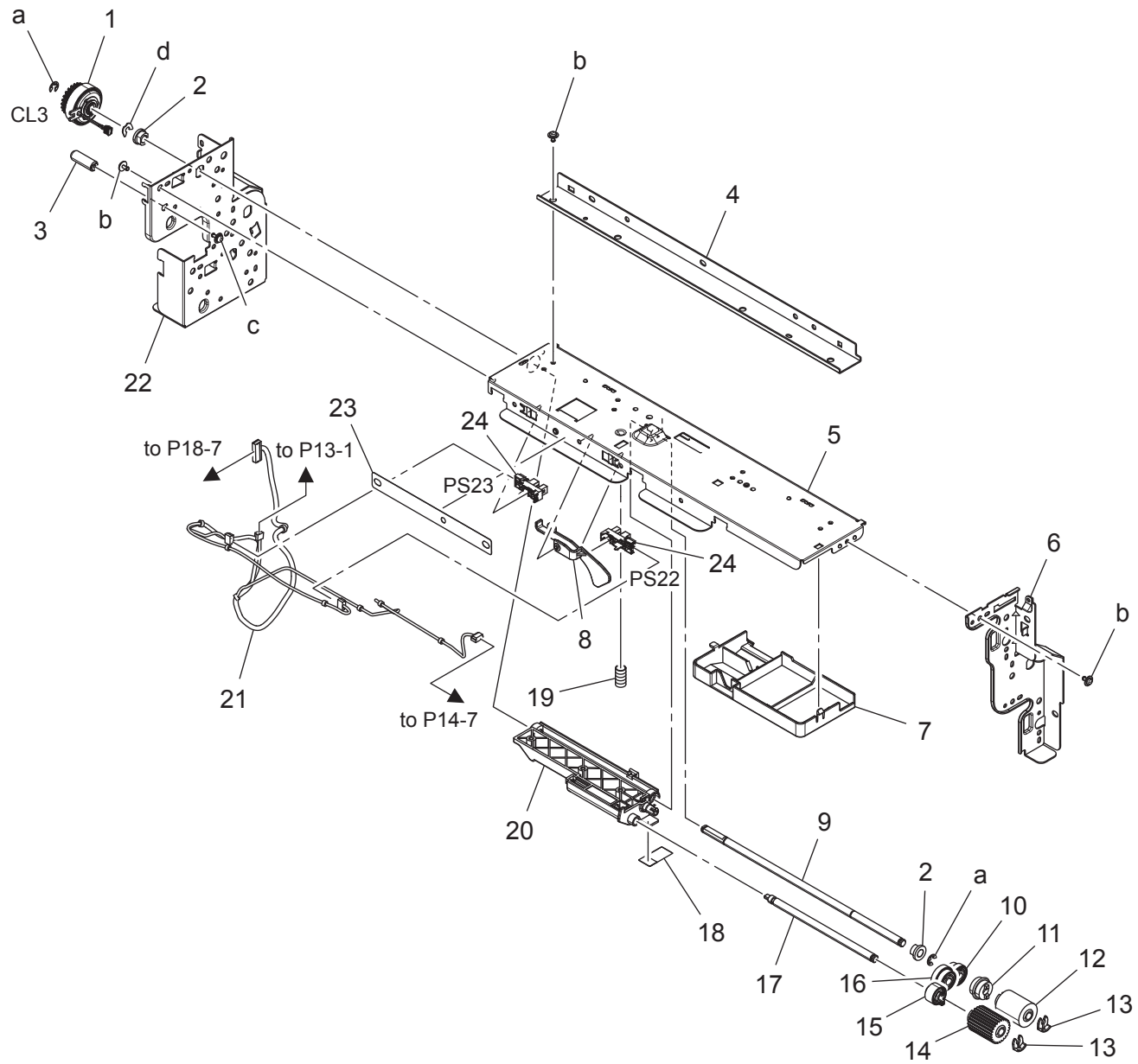


bizhub 136DN/bizhub 367

# PAPER FEED SECTION

| Key | Part No.   | Description         | Destinations | Class | QTY | Standard parts |
|-----|------------|---------------------|--------------|-------|-----|----------------|
| 1   | A7AH568900 | Pulling Coil spring |              | C     | 1   | a-V144030603   |
| 2   | A7AH568800 | Open/close Lever    |              | D     | 1   |                |
| 3   | A7AHR71300 | Paper Feed Assy     |              | S     | 1   |                |
| 4   | A7AH133300 | Cover               |              | D     | 1   |                |
|     |            |                     |              |       |     |                |
|     |            |                     |              |       |     |                |
|     |            |                     |              |       |     |                |
|     |            |                     |              |       |     |                |
|     |            |                     |              |       |     |                |
|     |            |                     |              |       |     |                |
|     |            |                     |              |       |     |                |
|     |            |                     |              |       |     |                |
|     |            |                     |              |       |     |                |
|     |            |                     |              |       |     |                |
|     |            |                     |              |       |     |                |
|     |            |                     |              |       |     |                |
|     |            |                     |              |       |     |                |
|     |            |                     |              |       |     |                |
|     |            |                     |              |       |     |                |
|     |            |                     |              |       |     |                |

# 1ST PAPER FEED SECTION

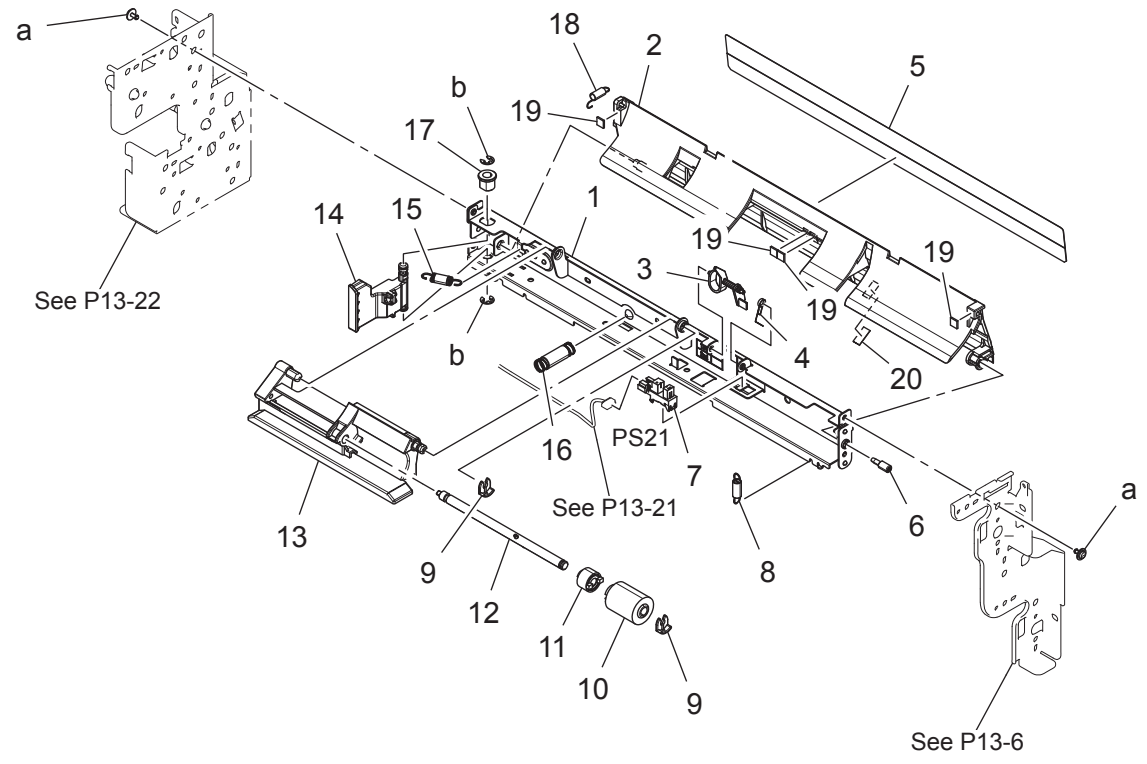




1ST PAPER FEED SECTION

| Key | Part No.   | Description             | Destinations | Class | QTY | Standard parts   |
|-----|------------|-------------------------|--------------|-------|-----|--|
| 1   | A7AHM20500 | Clutch                  |              | C     | 1   | a-V217040001<br>b-V144030603<br>c-V125030803<br>d-V218040086 |
| 2   | A00J663200 | Bushing                 |              | C     | 2   |  |
| 3   | A7AH565100 | Positioning Shaft       |              | D     | 1   |  |
| 4   | A7AH566001 | Reinforce Plate         |              | D     | 1   |  |
| 5   | A7AH565301 | Paper feed Frame        |              | D     | 1   |  |
| 6   | A7AH560101 | Frame /Front            |              | D     | 1   |  |
| 7   | A7AH565702 | Conveyance Guide        |              | D     | 1   |  |
| 8   | A7AH561601 | Detecting Lever         |              | C     | 1   |  |
| 9   | A7AH560500 | Shaft /Paper feed       |              | D     | 1   |  |
| 10  | A7AH562400 | Paper feed Gear         |              | C     | 1   |  |
| 11  | A02E561100 | Clutch                  |              | C     | 1   |  |
| 12  | A00J563600 | Roller                  |              | A     | 1   |  |
| 13  | 56AA40490  | SHAFT STOPPER 4         |              | C     | 2   |  |
| 14  | A5C1562200 | Roller                  |              | A     | 1   |  |
| 15  | A7AH562600 | Conveyance Gear 28T     |              | C     | 1   |  |
| 16  | A7AH562300 | Idling Gear             |              | C     | 1   |  |
| 17  | A7AH563400 | Support Shaft           |              | D     | 1   |  |
| 18  | A7AH562900 | Protection Sheet        |              | C     | 1   |  |
| 19  | A7AH562801 | Compressing Coil spring |              | C     | 1   |  |
| 20  | A7AH562100 | Conveyance Guide /4     |              | D     | 1   |  |
| 21  | A7AHN12100 | Harness /Paperfeed      |              | D     | 1   |  |
| 22  | A7AH560201 | Frame /Rear             |              | D     | 1   |  |
| 23  | A7AH569500 | Protection Seal         |              | C     | 1   |  |
| 24  | A5C1M50100 | Photointerrupter        |              | B     | 2   |  |
|     |            |                         |              |       |     |  |
|     |            |                         |              |       |     |  |
|     |            |                         |              |       |     |  |
|     |            |                         |              |       |     |  |
|     |            |                         |              |       |     |  |
|     |            |                         |              |       |     |  |
|     |            |                         |              |       |     |  |
|     |            |                         |              |       |     |  |
|     |            |                         |              |       |     |  |
|     |            |                         |              |       |     |  |
|     |            |                         |              |       |     |  |
|     |            |                         |              |       |     |  |

# 1ST PAPER FEED SECTION



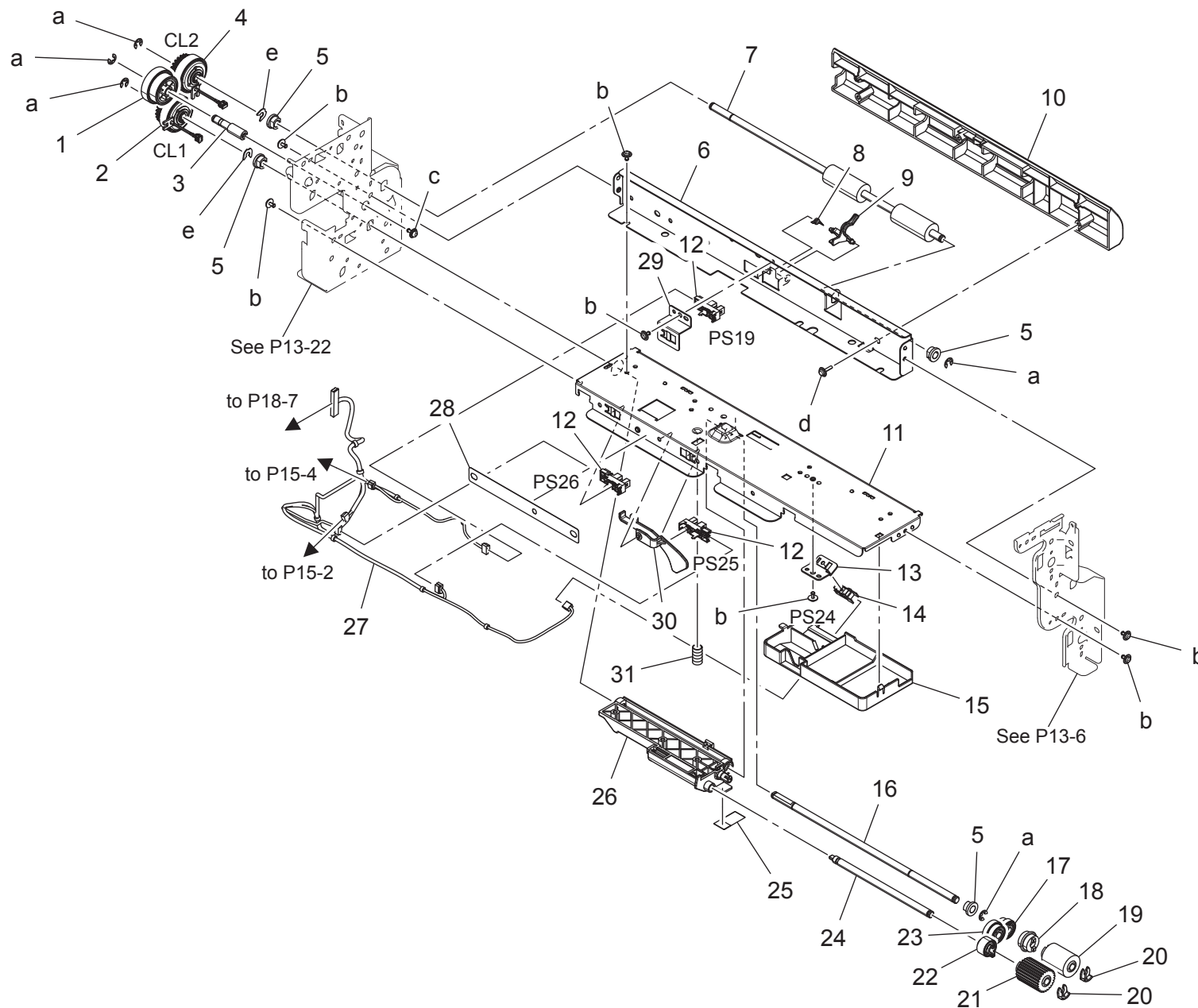
## 1ST PAPER FEED SECTION

| Key | Part No.   | Description             | Destinations | Class | QTY | Standard parts               |
|-----|------------|-------------------------|--------------|-------|-----|------------------------------|
| 1   | A7AH563902 | Frame                   |              | D     | 1   | a-V144030603<br>b-V217040001 |
| 2   | A7AH568402 | Paper feed Guide        |              | C     | 1   |                              |
| 3   | A7AH560800 | Actuator                |              | C     | 1   |                              |
| 4   | A7AH560700 | Torsion Coil spring     |              | C     | 1   |                              |
| 5   | A7AH568500 | Guide                   |              | C     | 1   |                              |
| 6   | A7AH569400 | Shoulder screw          |              | C     | 1   |                              |
| 7   | A5C1M50100 | Photointerrupter        |              | B     | 1   |                              |
| 8   | A7AH568600 | Pulling Coil spring     |              | C     | 1   |                              |
| 9   | 56AA40490  | SHAFT STOPPER 4         |              | C     | 2   |                              |
| 10  | A00J563600 | Roller                  |              | A     | 1   |                              |
| 11  | A0ED563900 | Torque limiter          |              | C     | 1   |                              |
| 12  | A7AH565000 | Support Shaft           |              | D     | 1   |                              |
| 13  | A7AH563101 | Holder                  |              | D     | 1   |                              |
| 14  | A7AH564101 | Release Lever           |              | C     | 1   |                              |
| 15  | A7AH564401 | Pulling Coil spring     |              | C     | 1   |                              |
| 16  | A7AH561300 | Compressing Coil spring |              | C     | 1   |                              |
| 17  | A02E815200 | BUSHING                 |              | C     | 1   |                              |
| 18  | A7AH570100 | Pulling Coil spring     |              | C     | 1   |                              |
| 19  | A161826000 | Cushion /B              |              | D     | 4   |                              |
| 20  | A7AH570200 | Slide Part              |              | C     | 1   |                              |
|     |            |                         |              |       |     |                              |
|     |            |                         |              |       |     |                              |
|     |            |                         |              |       |     |                              |
|     |            |                         |              |       |     |                              |
|     |            |                         |              |       |     |                              |
|     |            |                         |              |       |     |                              |
|     |            |                         |              |       |     |                              |
|     |            |                         |              |       |     |                              |
|     |            |                         |              |       |     |                              |
|     |            |                         |              |       |     |                              |
|     |            |                         |              |       |     |                              |
|     |            |                         |              |       |     |                              |
|     |            |                         |              |       |     |                              |

bizhub 136DN/bizhub 367



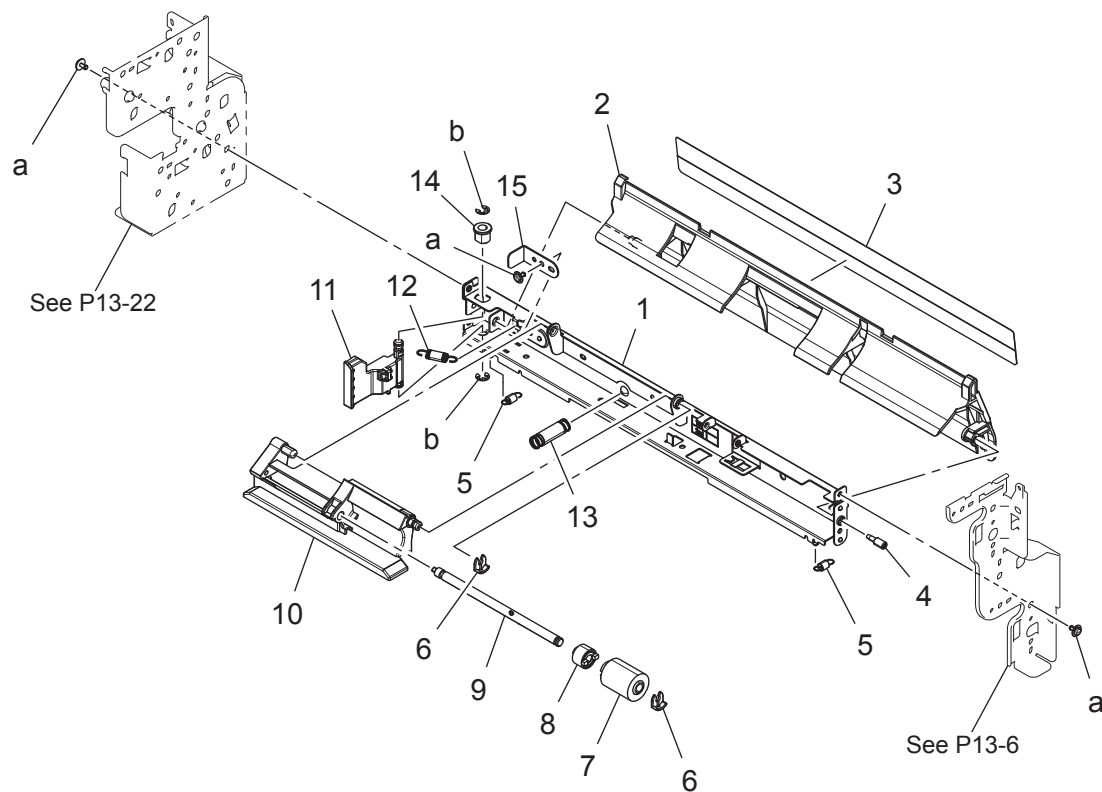
# 2ND PAPER FEED SECTION



## 2ND PAPER FEED SECTION

| Key | Part No.   | Description             | Destinations | Class | QTY | Standard parts   |
|-----|------------|-------------------------|--------------|-------|-----|--|
| 1   | A7AH563700 | Gear 24/35T             |              | C     | 1   | a-V217040001<br>b-V144030603<br>c-V125030803<br>d-V153030803<br>e-V218040086 |
| 2   | A7AHM20500 | Clutch                  |              | C     | 1   |  |
| 3   | A7AH563800 | Shaft                   |              | D     | 1   |  |
| 4   | A7AHM20400 | Clutch                  |              | C     | 1   |  |
| 5   | A00J663200 | Bushing                 |              | C     | 4   |  |
| 6   | A7AH579101 | Mounting Plate          |              | D     | 1   |  |
| 7   | A7AH578100 | Drive Roller            |              | C     | 1   |  |
| 8   | A7AH578800 | Torsion Coil spring     |              | C     | 1   |  |
| 9   | A7AH578600 | Actuator                |              | C     | 1   |  |
| 10  | A7AH578200 | Conveyance Guide        |              | D     | 1   |  |
| 11  | A7AH565301 | Paper feed Frame        |              | D     | 1   |  |
| 12  | A5C1M50100 | Photointerrupter        |              | B     | 3   |  |
| 13  | A7AH571100 | Mounting Plate          |              | D     | 1   |  |
| 14  | A0EDM50100 | Photoreflector          |              | I     | 1   |  |
| 15  | A7AH565702 | Conveyance Guide        |              | D     | 1   |  |
| 16  | A7AH560500 | Shaft /Paper feed       |              | D     | 1   |  |
| 17  | A7AH562400 | Paper feed Gear         |              | C     | 1   |  |
| 18  | A02E561100 | Clutch                  |              | C     | 1   |  |
| 19  | A00J563600 | Roller                  |              | A     | 1   |  |
| 20  | 56AA40490  | SHAFT STOPPER 4         |              | C     | 2   |  |
| 21  | A5C1562200 | Roller                  |              | A     | 1   |  |
| 22  | A7AH562600 | Conveyance Gear 28T     |              | C     | 1   |  |
| 23  | A7AH562300 | Idling Gear             |              | C     | 1   |  |
| 24  | A7AH563400 | Support Shaft           |              | D     | 1   |  |
| 25  | A7AH562900 | Protection Sheet        |              | C     | 1   |  |
| 26  | A7AH562100 | Conveyance Guide /4     |              | D     | 1   |  |
| 27  | A7AHN13100 | Harness /Paperfeed      |              | D     | 1   |  |
| 28  | A7AH569500 | Protection Seal         |              | C     | 1   |  |
| 29  | A7AH579300 | Mounting Plate          |              | D     | 1   |  |
| 30  | A7AH561601 | Detecting Lever         |              | C     | 1   |  |
| 31  | A7AH562801 | Compressing Coil spring |              | C     | 1   |  |
|     |            |                         |              |       |     |  |
|     |            |                         |              |       |     |  |
|     |            |                         |              |       |     |  |
|     |            |                         |              |       |     |  |
|     |            |                         |              |       |     |  |
|     |            |                         |              |       |     |  |

# 2ND PAPER FEED SECTION

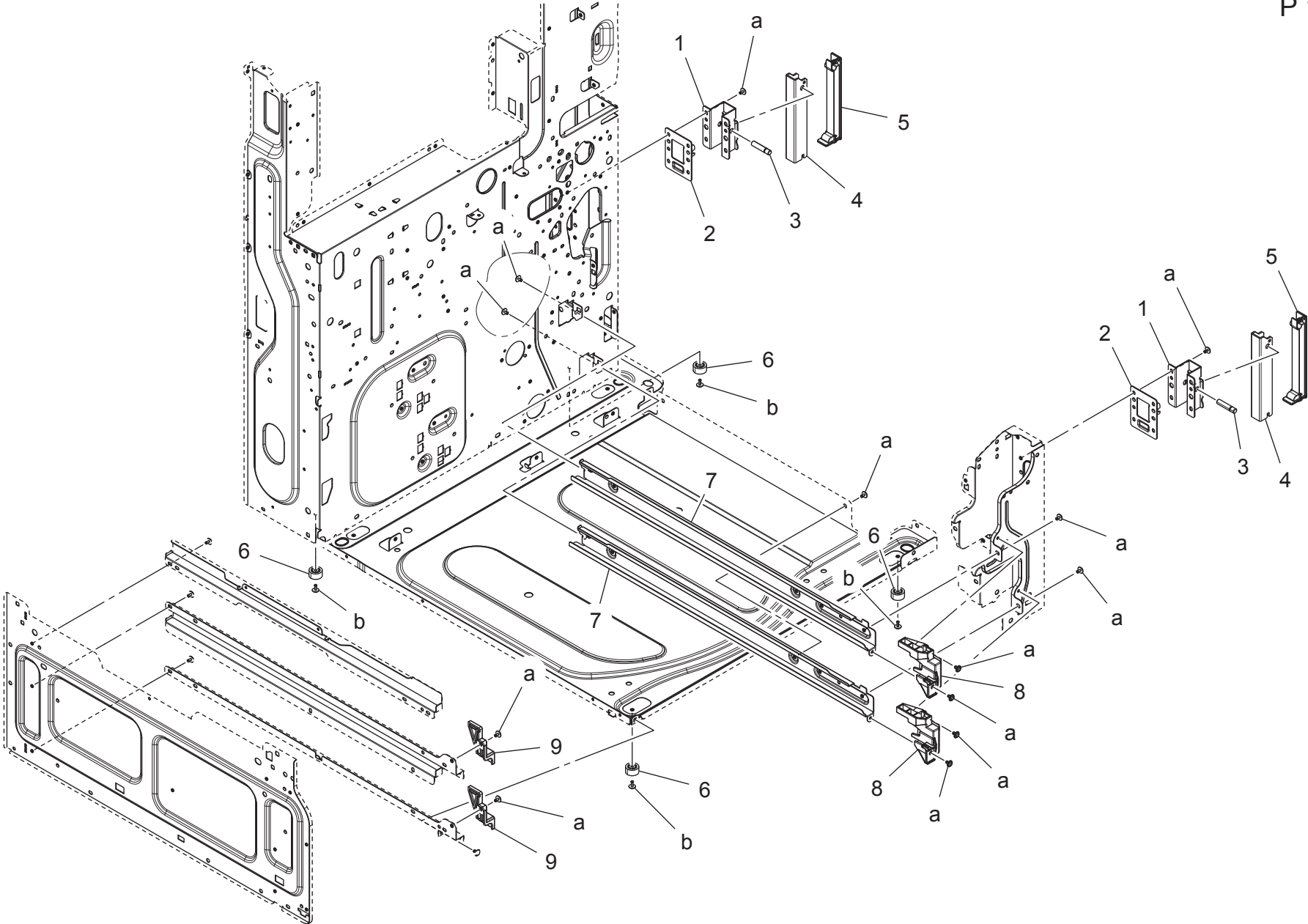


2ND PAPER FEED SECTION

| Key | Part No.   | Description             | Destinations | Class | QTY | Standard parts               |
|-----|------------|-------------------------|--------------|-------|-----|------------------------------|
| 1   | A7AH563902 | Frame                   |              | D     | 1   | a-V144030603<br>b-V217040001 |
| 2   | A7AH578401 | Paper feed Guide        |              | C     | 1   |                              |
| 3   | A7AH568500 | Guide                   |              | C     | 1   |                              |
| 4   | A7AH569400 | Shoulder screw          |              | C     | 1   |                              |
| 5   | A7AH568700 | Pulling Coil spring     |              | C     | 2   |                              |
| 6   | 56AA40490  | SHAFT STOPPER 4         |              | C     | 2   |                              |
| 7   | A00J563600 | Roller                  |              | A     | 1   |                              |
| 8   | A0ED563900 | Torque limiter          |              | C     | 1   |                              |
| 9   | A7AH565000 | Support Shaft           |              | D     | 1   |                              |
| 10  | A7AH563101 | Holder                  |              | D     | 1   |                              |
| 11  | A7AH564101 | Release Lever           |              | C     | 1   |                              |
| 12  | A7AH564401 | Pulling Coil spring     |              | C     | 1   |                              |
| 13  | A7AH561300 | Compressing Coil spring |              | C     | 1   |                              |
| 14  | A02E815200 | BUSHING                 |              | C     | 1   |                              |
| 15  | A7AH566100 | Mounting Plate          |              | D     | 1   |                              |
|     |            |                         |              |       |     |                              |
|     |            |                         |              |       |     |                              |
|     |            |                         |              |       |     |                              |
|     |            |                         |              |       |     |                              |
|     |            |                         |              |       |     |                              |
|     |            |                         |              |       |     |                              |
|     |            |                         |              |       |     |                              |
|     |            |                         |              |       |     |                              |
|     |            |                         |              |       |     |                              |

bizhub 136DN/bizhub 367

CASSETTE RAIL SECTION

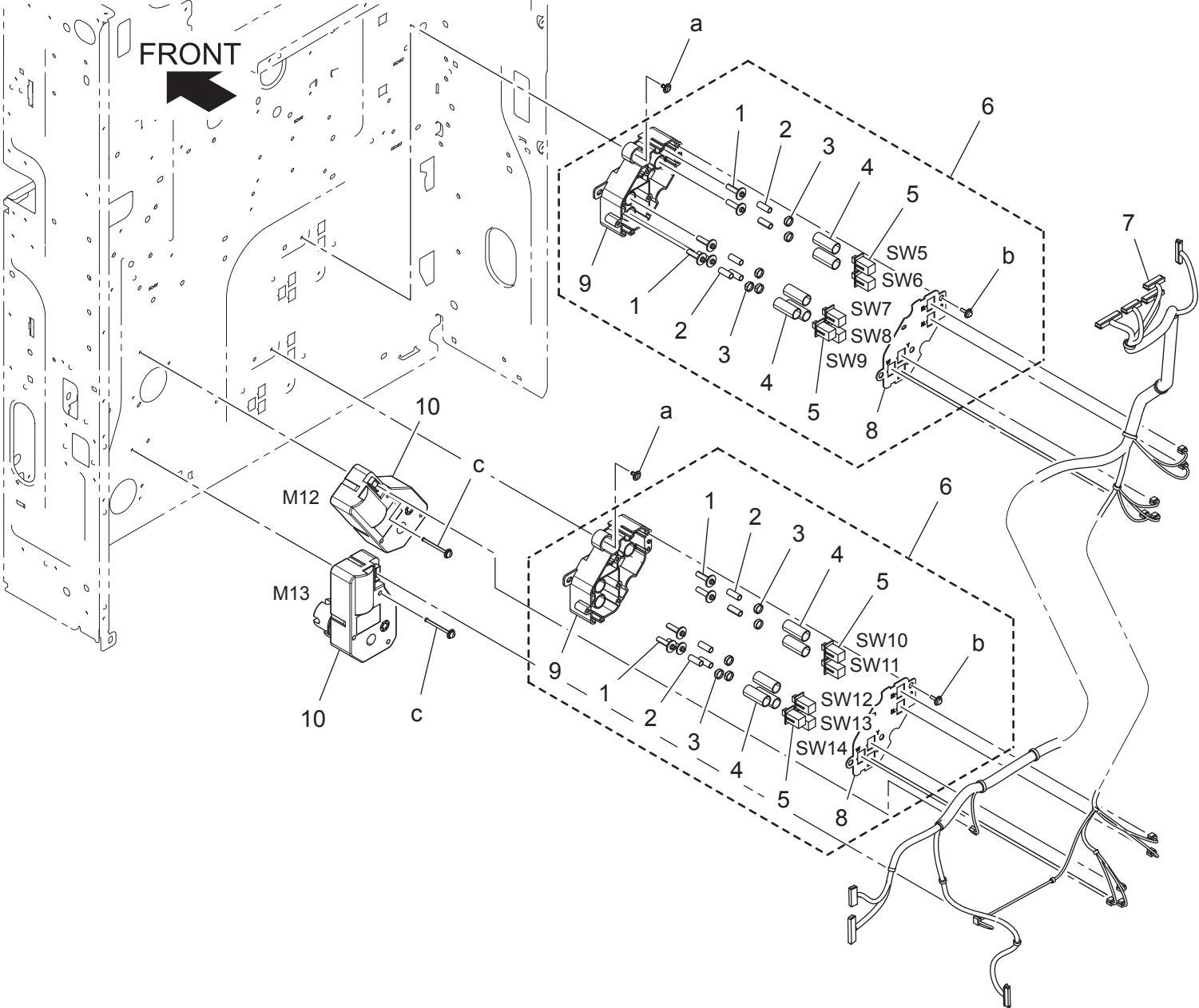




# CASSETTE RAIL SECTION

| Key | Part No.   | Description                | Destinations | Class | QTY | Standard parts               |
|-----|------------|----------------------------|--------------|-------|-----|------------------------------|
| 1   | A7AH101600 | Mounting Plate             |              | D     | 2   | a-V144030603<br>b-V144030803 |
| 2   | A7AH102000 | Mounting Plate /Right rear |              | D     | 2   |                              |
| 3   | A7AH101900 | Shaft                      |              | D     | 2   |                              |
| 4   | A161101900 | Lever                      |              | D     | 2   |                              |
| 5   | A7AH102300 | Cover                      |              | D     | 2   |                              |
| 6   | 0996305501 | RUBBER FOOT                |              | C     | 4   |                              |
| 7   | A7AH103000 | Rail                       |              | D     | 2   |                              |
| 8   | A7AH120102 | Stopper                    |              | C     | 2   |                              |
| 9   | A7AH121301 | Stopper                    |              | C     | 2   |                              |
|     |            |                            |              |       |     |                              |
|     |            |                            |              |       |     |                              |
|     |            |                            |              |       |     |                              |
|     |            |                            |              |       |     |                              |
|     |            |                            |              |       |     |                              |
|     |            |                            |              |       |     |                              |
|     |            |                            |              |       |     |                              |
|     |            |                            |              |       |     |                              |
|     |            |                            |              |       |     |                              |
|     |            |                            |              |       |     |                              |
|     |            |                            |              |       |     |                              |
|     |            |                            |              |       |     |                              |
|     |            |                            |              |       |     |                              |
|     |            |                            |              |       |     |                              |

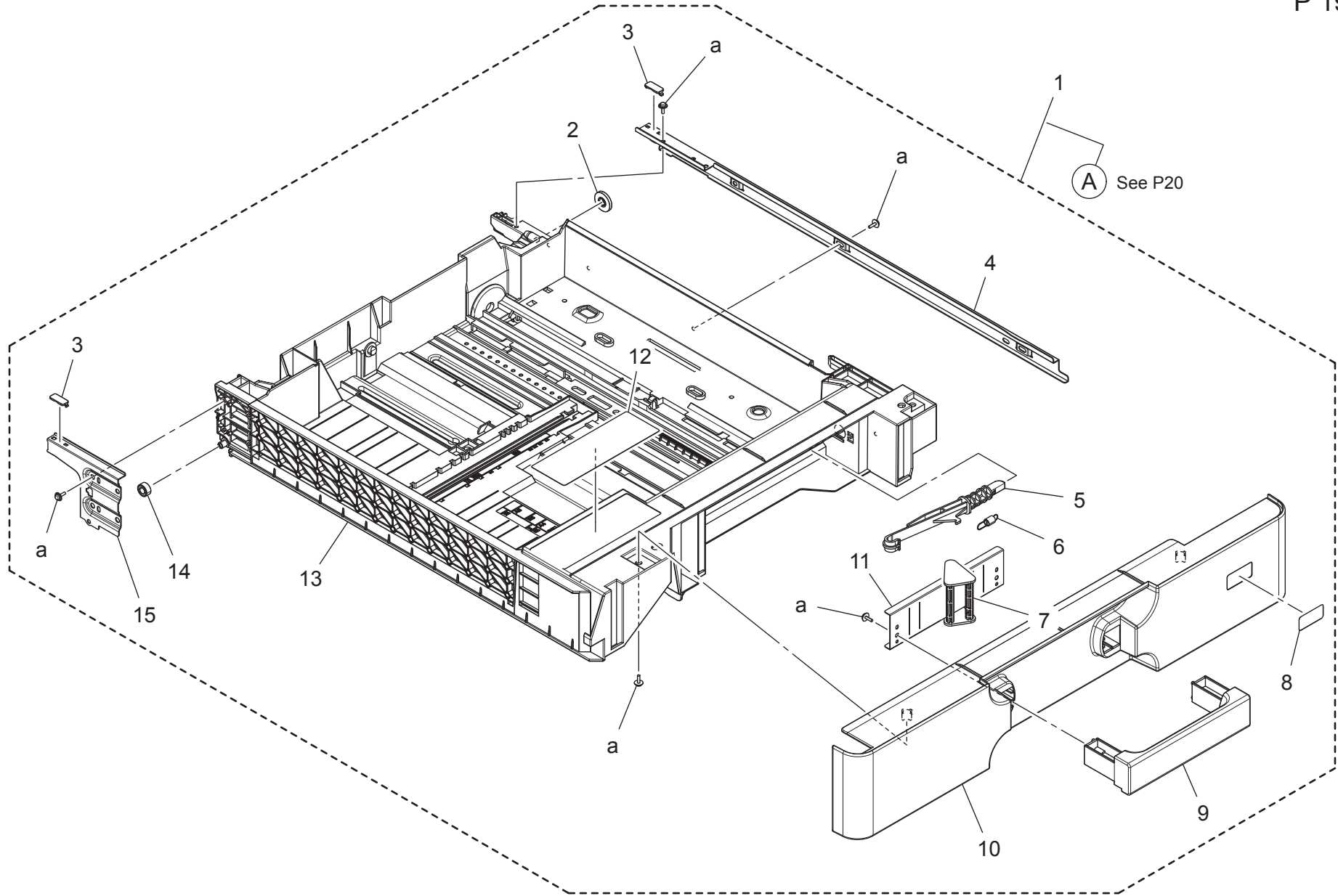
PAPER SIZE DETECTION SECTION



PAPER SIZE DETECTION SECTION

| Key | Part No.   | Description                | Destinations | Class | QTY | Standard parts                               |
|-----|------------|----------------------------|--------------|-------|-----|--|
| 1   | A7AH627501 | Lever                      |              | D     | 10  | a-V144030603<br>b-V153030803<br>c-V116033003 |
| 2   | A7AH627701 | Spring                     |              | D     | 10  |  |
| 3   | A7AH627900 | Stopper                    |              | D     | 10  |  |
| 4   | A7AH627800 | Spring                     |              | C     | 10  |  |
| 5   | A7AHM60100 | Switch                     |              | C     | 10  |  |
| 6   | A7AHR72800 | Paper Size Detection Assy  |              | C     | 2   |  |
| 7   | A7AHN12200 | Harness /Paper Feed Wiring |              | D     | 1   |  |
| 8   | A7AH627600 | Cover                      |              | D     | 2   |  |
| 9   | A7AH627400 | Case                       |              | D     | 2   |  |
| 10  | 9J06M10300 | MOTOR                      |              | B     | 2   |  |
|     |            |                            |              |       |     |  |
|     |            |                            |              |       |     |  |
|     |            |                            |              |       |     |  |
|     |            |                            |              |       |     |  |
|     |            |                            |              |       |     |  |
|     |            |                            |              |       |     |  |
|     |            |                            |              |       |     |  |
|     |            |                            |              |       |     |  |
|     |            |                            |              |       |     |  |
|     |            |                            |              |       |     |  |
|     |            |                            |              |       |     |  |

# 1ST CASSETTE SECTION

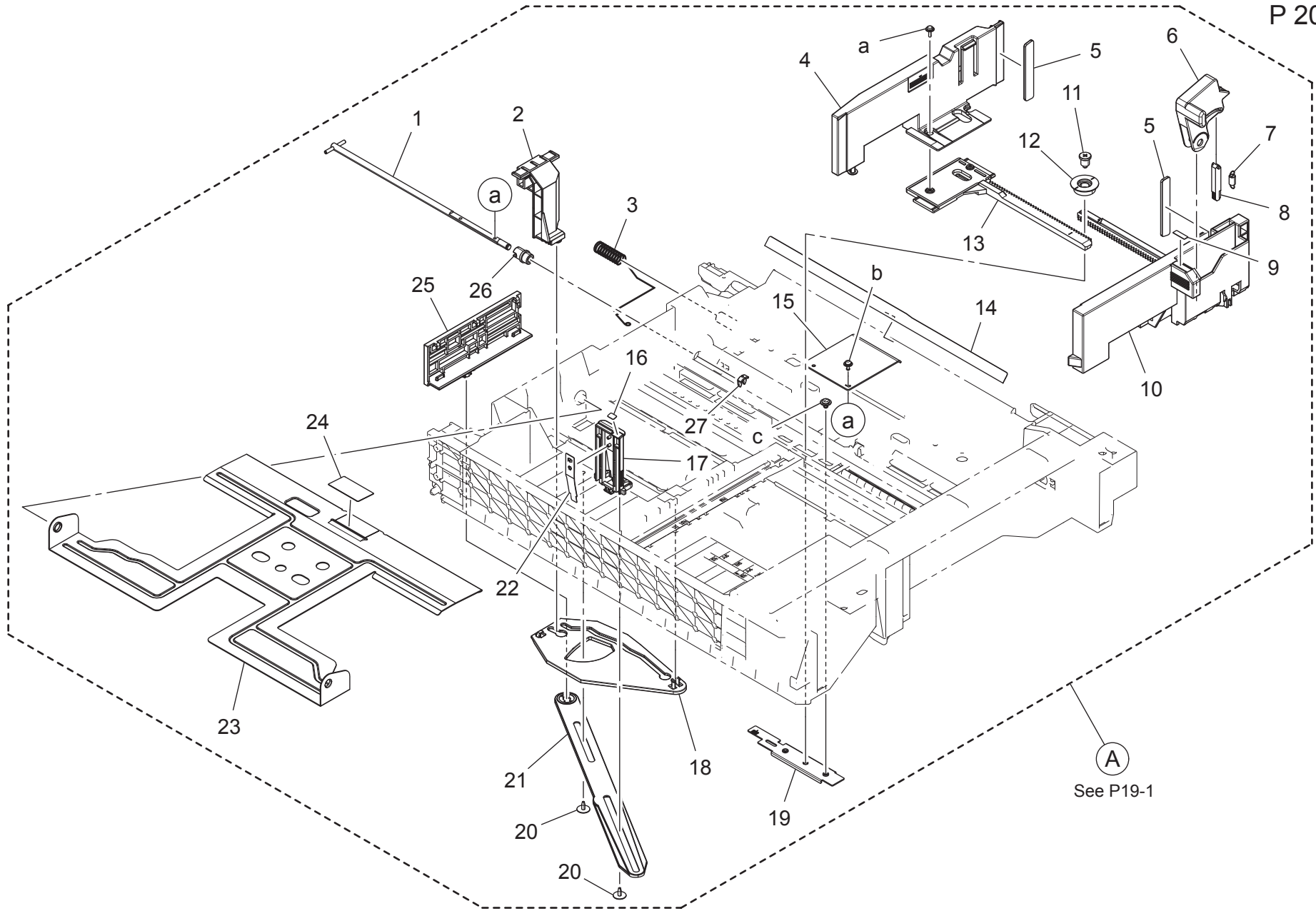


1ST CASSETTE SECTION

| Key | Part No.   | Description         | Destinations | Class | QTY | Standard parts |
|-----|------------|---------------------|--------------|-------|-----|----------------|
| 1   | A7AHR71400 | 1st Cassette Assy   |              | S     | 1   | a-V153030803   |
| 2   | A7AH629901 | Roll                |              | C     | 1   |                |
| 3   | A7AH622901 | Slide Part          |              | D     | 2   |                |
| 4   | A7AH623400 | Rail                |              | D     | 1   |                |
| 5   | A7AH624100 | Lever               |              | C     | 1   |                |
| 6   | A161626800 | Pulling Coil spring |              | C     | 1   |                |
| 7   | A161626602 | Lever               |              | C     | 1   |                |
| 8   | A7AH941100 | Label 1             |              | C     | 1   |                |
| 9   | A7AH626901 | Handle              |              | C     | 1   |                |
| 10  | A7AH625101 | Cover /Upper        |              | C     | 1   |                |
| 11  | A7AH624300 | Holder              |              | D     | 1   |                |
| 12  | A7AH941000 | Label Paper supply  |              | C     | 1   |                |
| 13  | A7AH620103 | Paper feed Cassette |              | D     | 1   |                |
| 14  | A161623400 | Roll                |              | D     | 1   |                |
| 15  | A7AH623201 | Rail /Left          |              | D     | 1   |                |
|     |            |                     |              |       |     |                |
|     |            |                     |              |       |     |                |
|     |            |                     |              |       |     |                |
|     |            |                     |              |       |     |                |
|     |            |                     |              |       |     |                |
|     |            |                     |              |       |     |                |
|     |            |                     |              |       |     |                |
|     |            |                     |              |       |     |                |
|     |            |                     |              |       |     |                |
|     |            |                     |              |       |     |                |

# 1ST CASSETTE SECTION

P 20



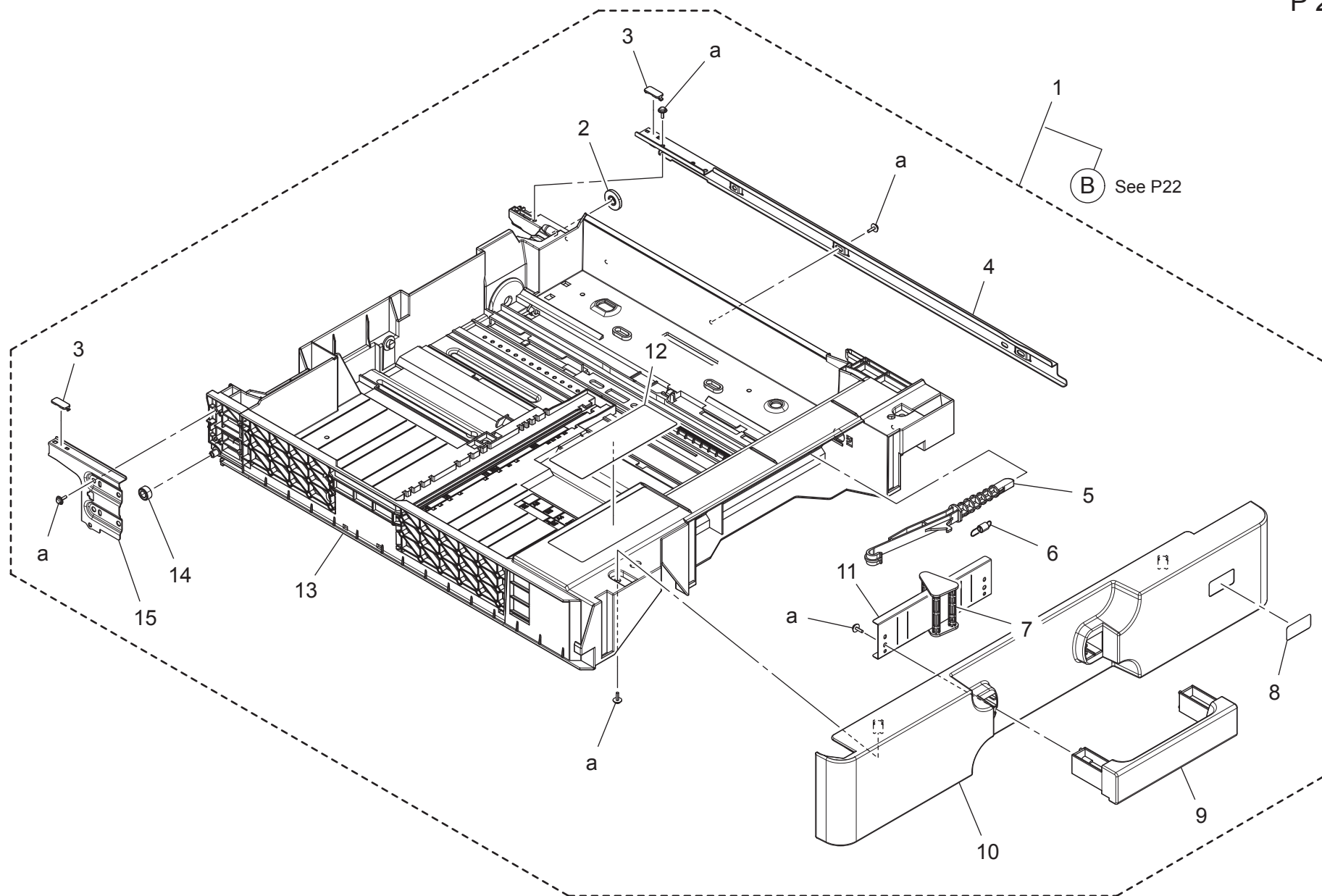
(A)  
See P19-1

bizhub 136DN/bizhub 367

| Key | Part No.   | Description            | Destinations | Class | QTY | Standard parts                               |
|-----|------------|------------------------|--------------|-------|-----|--|
| 1   | A7AH621601 | Lifting Shaft          |              | D     | 1   | a-V153030803<br>b-V125030803<br>c-V144040603 |
| 2   | A7AH623601 | Lever                  |              | D     | 1   |  |
| 3   | A7AH622100 | Ground Spring          |              | C     | 1   |  |
| 4   | A7AH620902 | Regulating Plate /Rear |              | C     | 1   |  |
| 5   | A161624100 | Cushion                |              | C     | 2   |  |
| 6   | A7AH621300 | Operation Lever        |              | C     | 1   |  |
| 7   | A7AH621000 | Pulling Coil spring    |              | C     | 1   |  |
| 8   | A7AH621200 | Lock Lever             |              | D     | 1   |  |
| 9   | A161943000 | Label                  |              | C     | 1   |  |
| 10  | A7AH620801 | Regulating Plate       |              | C     | 1   |  |
| 11  | A7AH628200 | Shoulder screw         |              | C     | 1   |  |
| 12  | A161620701 | Gear                   |              | D     | 1   |  |
| 13  | A7AH622401 | Regulating Plate /Rear |              | C     | 1   |  |
| 14  | A7AH629600 | Guide                  |              | C     | 1   |  |
| 15  | 4030320601 | LEVER                  |              | D     | 1   |  |
| 16  | A7AH941300 | Label Position         |              | C     | 1   |  |
| 17  | A7AH621701 | Regulating Plate       |              | D     | 1   |  |
| 18  | A7AH623500 | Lever                  |              | D     | 1   |  |
| 19  | A7AH620600 | Adjusting Plate        |              | D     | 1   |  |
| 20  | 4163529301 | SCREW                  |              | C     | 2   |  |
| 21  | A7AH621401 | Lever                  |              | D     | 1   |  |
| 22  | A7AH621801 | Plate spring           |              | D     | 1   |  |
| 23  | A7AH620400 | Lifting Plate          |              | D     | 1   |  |
| 24  | A7AH627000 | Separating Sheet       |              | C     | 1   |  |
| 25  | A7AH622201 | Detecting Plate        |              | D     | 1   |  |
| 26  | A7AH621501 | Bushing                |              | C     | 1   |  |
| 27  | 56AA40490  | SHAFT STOPPER 4        |              | C     | 1   |  |
|     |            |                        |              |       |     |  |
|     |            |                        |              |       |     |  |
|     |            |                        |              |       |     |  |
|     |            |                        |              |       |     |  |
|     |            |                        |              |       |     |  |
|     |            |                        |              |       |     |  |
|     |            |                        |              |       |     |  |
|     |            |                        |              |       |     |  |

# 2ND CASSETTE SECTION

P 21



bizhub 136DN/bizhub 367

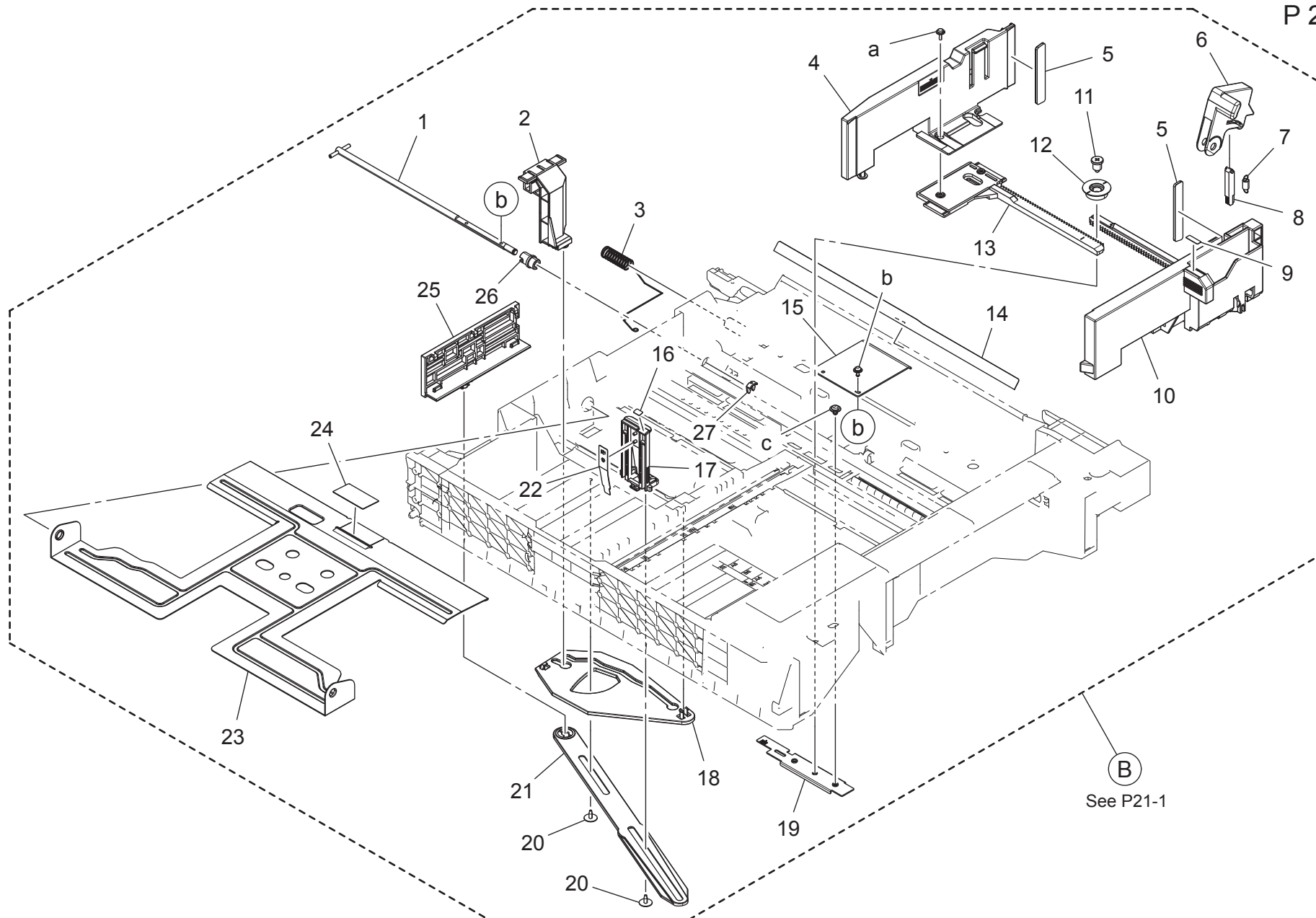


## 2ND CASSETTE SECTION

| Key | Part No.   | Description         | Destinations | Class | QTY | Standard parts |
|-----|------------|---------------------|--------------|-------|-----|----------------|
| 1   | A7AHR71500 | 2nd Cassette Assy   |              | S     | 1   | a-V153030803   |
| 2   | A7AH629901 | Roll                |              | C     | 1   |                |
| 3   | A7AH622901 | Slide Part          |              | D     | 2   |                |
| 4   | A7AH623400 | Rail                |              | D     | 1   |                |
| 5   | A7AH624200 | Lever               |              | C     | 1   |                |
| 6   | A161626800 | Pulling Coil spring |              | C     | 1   |                |
| 7   | A161626602 | Lever               |              | C     | 1   |                |
| 8   | A7AH941200 | Label 2             |              | C     | 1   |                |
| 9   | A7AH626901 | Handle              |              | C     | 1   |                |
| 10  | A7AH625200 | Cover /Lower        |              | C     | 1   |                |
| 11  | A7AH624300 | Holder              |              | D     | 1   |                |
| 12  | A7AH941000 | Label Paper supply  |              | C     | 1   |                |
| 13  | A7AH630102 | Paper feed Cassette |              | D     | 1   |                |
| 14  | A161623400 | Roll                |              | D     | 1   |                |
| 15  | A7AH623201 | Rail /Left          |              | D     | 1   |                |
|     |            |                     |              |       |     |                |
|     |            |                     |              |       |     |                |
|     |            |                     |              |       |     |                |
|     |            |                     |              |       |     |                |
|     |            |                     |              |       |     |                |
|     |            |                     |              |       |     |                |
|     |            |                     |              |       |     |                |
|     |            |                     |              |       |     |                |
|     |            |                     |              |       |     |                |
|     |            |                     |              |       |     |                |

# 2ND CASSETTE SECTION

P 22



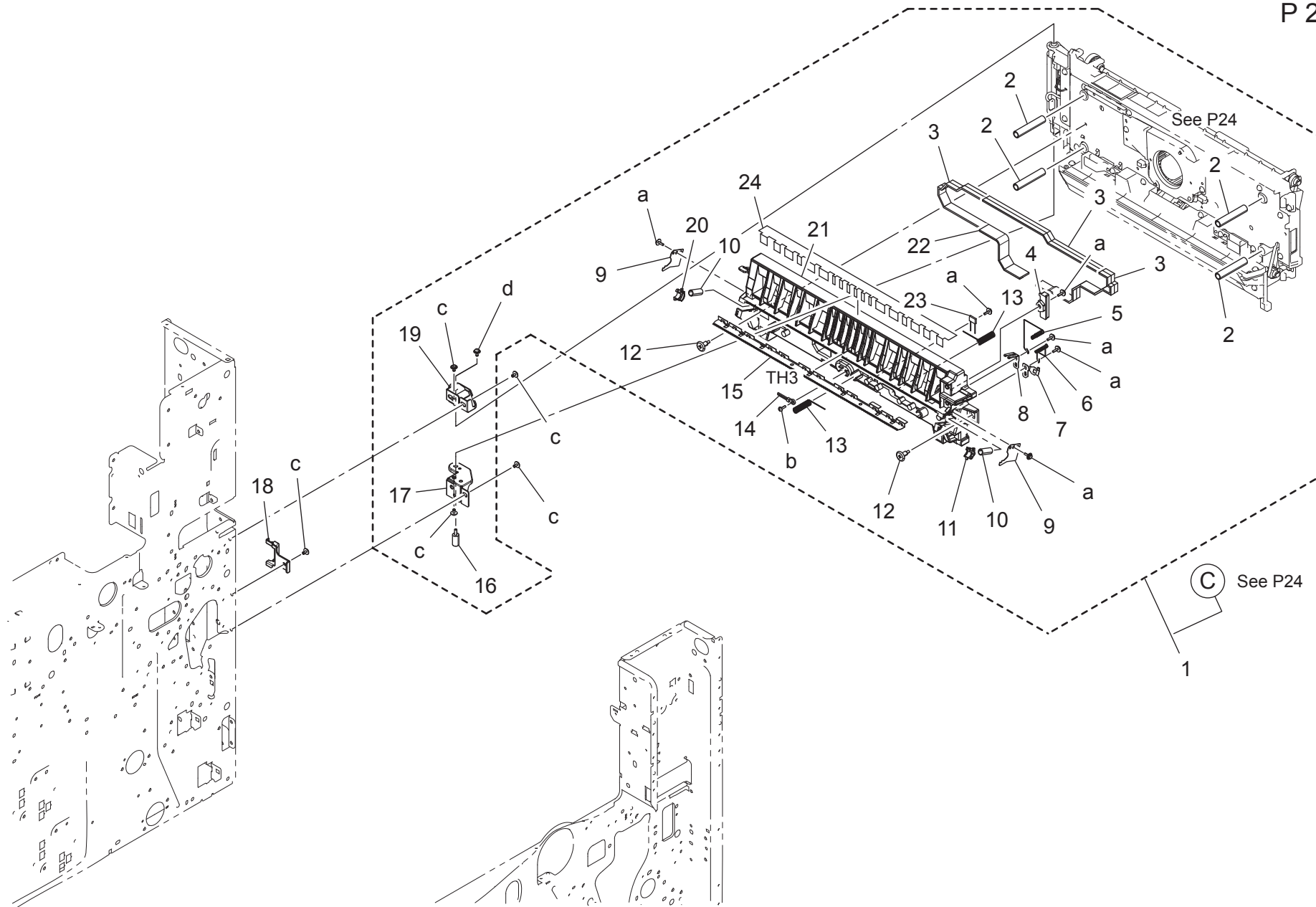
**B**  
See P21-1

bizhub 136DN/bizhub 367

| Key | Part No.   | Description            | Destinations | Class | QTY | Standard parts                               |
|-----|------------|------------------------|--------------|-------|-----|--|
| 1   | A7AH621601 | Lifting Shaft          |              | D     | 1   | a-V153030803<br>b-V125030803<br>c-V144040603 |
| 2   | A7AH623601 | Lever                  |              | D     | 1   |  |
| 3   | A7AH622100 | Ground Spring          |              | C     | 1   |  |
| 4   | A7AH620902 | Regulating Plate /Rear |              | C     | 1   |  |
| 5   | A161624100 | Cushion                |              | C     | 2   |  |
| 6   | A7AH621300 | Operation Lever        |              | C     | 1   |  |
| 7   | A7AH621000 | Pulling Coil spring    |              | C     | 1   |  |
| 8   | A7AH621200 | Lock Lever             |              | D     | 1   |  |
| 9   | A161943000 | Label                  |              | C     | 1   |  |
| 10  | A7AH620801 | Regulating Plate       |              | C     | 1   |  |
| 11  | A7AH628200 | Shoulder screw         |              | C     | 1   |  |
| 12  | A161620701 | Gear                   |              | D     | 1   |  |
| 13  | A7AH622401 | Regulating Plate /Rear |              | C     | 1   |  |
| 14  | A7AH629600 | Guide                  |              | C     | 1   |  |
| 15  | 4030320601 | LEVER                  |              | D     | 1   |  |
| 16  | A7AH941300 | Label Position         |              | C     | 1   |  |
| 17  | A7AH621701 | Regulating Plate       |              | D     | 1   |  |
| 18  | A7AH623500 | Lever                  |              | D     | 1   |  |
| 19  | A7AH620600 | Adjusting Plate        |              | D     | 1   |  |
| 20  | 4163529301 | SCREW                  |              | C     | 2   |  |
| 21  | A7AH621401 | Lever                  |              | D     | 1   |  |
| 22  | A7AH621801 | Plate spring           |              | D     | 1   |  |
| 23  | A7AH620400 | Lifting Plate          |              | D     | 1   |  |
| 24  | A7AH627000 | Separating Sheet       |              | C     | 1   |  |
| 25  | A7AH622201 | Detecting Plate        |              | D     | 1   |  |
| 26  | A7AH621501 | Bushing                |              | C     | 1   |  |
| 27  | 56AA40490  | SHAFT STOPPER 4        |              | C     | 1   |  |
|     |            |                        |              |       |     |  |
|     |            |                        |              |       |     |  |
|     |            |                        |              |       |     |  |
|     |            |                        |              |       |     |  |
|     |            |                        |              |       |     |  |
|     |            |                        |              |       |     |  |
|     |            |                        |              |       |     |  |
|     |            |                        |              |       |     |  |

# VERTICAL TRANSPORT SECTION

P 23



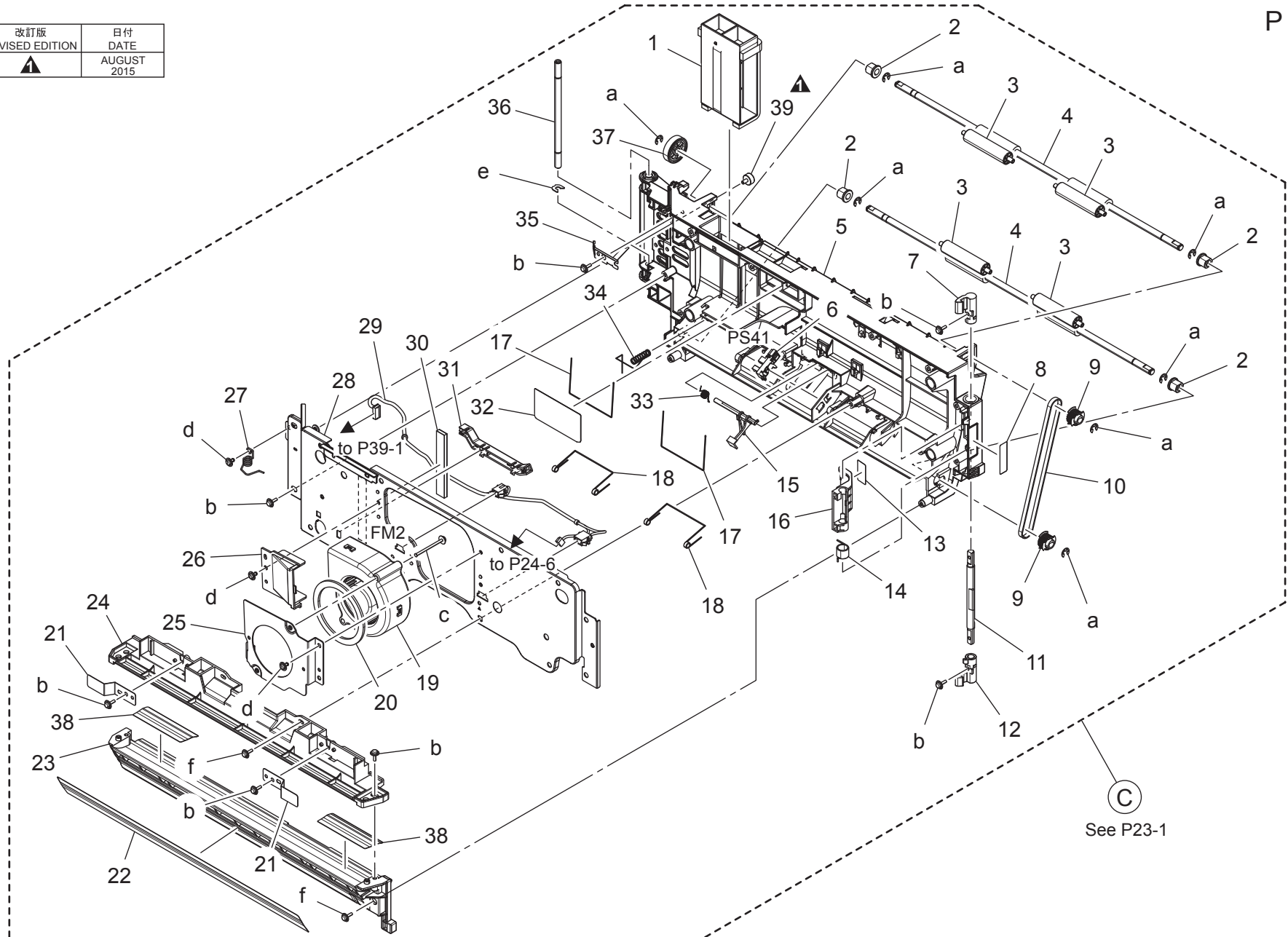
bizhub 136DN/bizhub 367



# VERTICAL TRANSPORT SECTION

P 24

|   |                |
|---|----------------|
| 改訂版<br>REVISED EDITION  | 日付<br>DATE     |
|  | AUGUST<br>2015 |



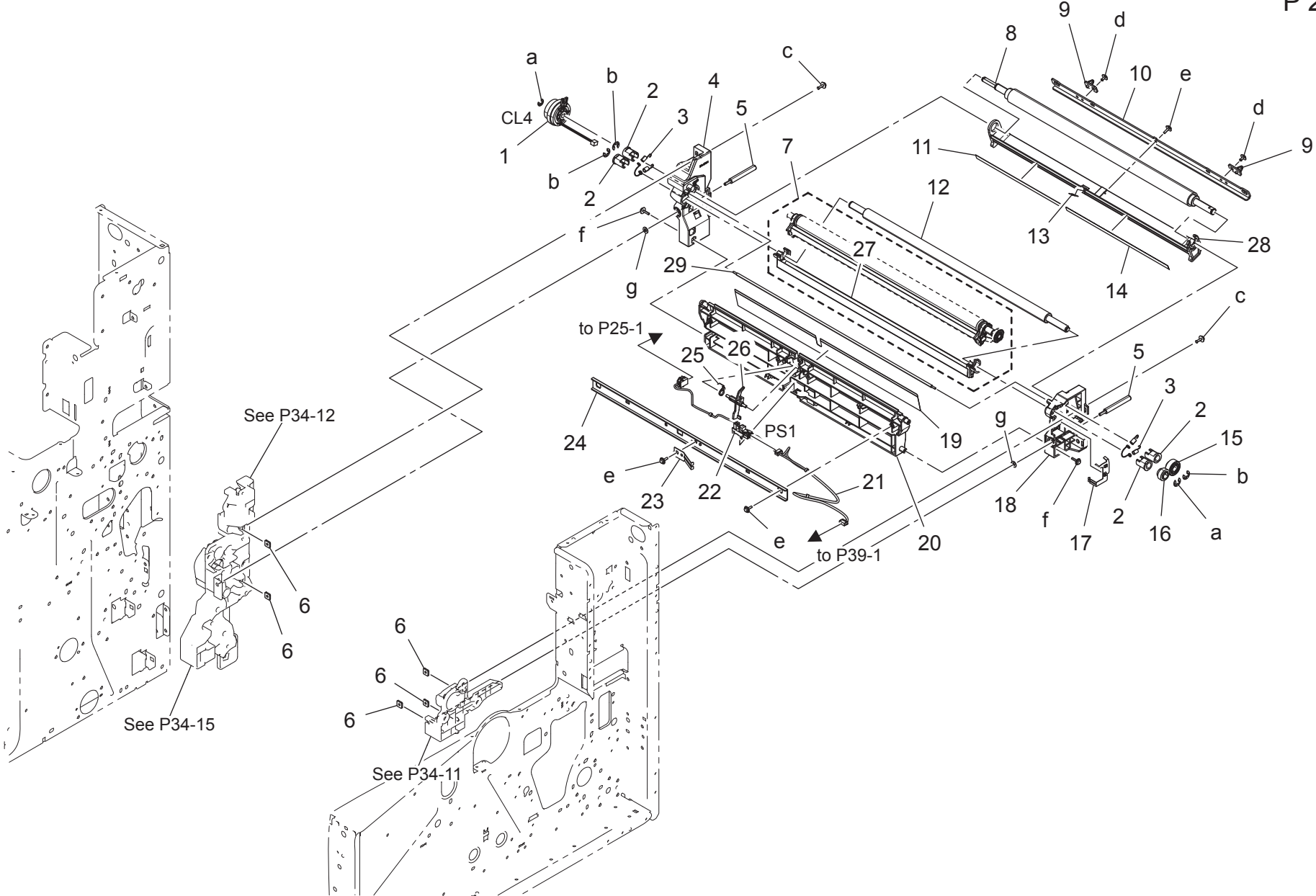
**(C)**  
See P23-1

bizhub 136DN/bizhub 367

| Key | Part No.   | Description          | Destinations | Class | QTY | Standard parts   |
|-----|------------|----------------------|--------------|-------|-----|--|
| 1   | A7AHR72000 | Ozone filter         |              | A     | 1   | a-V217040001<br>b-V153030803<br>c-V116033503<br>d-V144030603<br>e-V218040086<br>f-V153031003 |
| 2   | A02E815200 | BUSHING              |              | C     | 4   |  |
| 3   | A161825700 | Idler Roller /A      |              | D     | 4   |  |
| 4   | A7AH816500 | Roller               |              | C     | 2   |  |
| 5   | A7AH816002 | Guide                |              | D     | 1   |  |
| 6   | A5C1M50100 | Photointerrupter     |              | B     | 1   |  |
| 7   | A161711300 | Lock Shaft /A        |              | C     | 1   |  |
| 8   | A7AH944100 | Label M2             |              | C     | 1   |  |
| 9   | A0ED811700 | Pulley 22T           |              | C     | 2   |  |
| 10  | A7AH817300 | Belt 296L            |              | C     | 1   |  |
| 11  | A7AH701000 | Shaft                |              | D     | 1   |  |
| 12  | A161711500 | Lock Shaft /C        |              | C     | 1   |  |
| 13  | A7AH944000 | Label M1             |              | C     | 1   |  |
| 14  | A7AH701100 | Spring               |              | C     | 1   |  |
| 15  | A7AH813500 | Actuator             |              | C     | 1   |  |
| 16  | A7AH700901 | Handle               |              | C     | 1   |  |
| 17  | A161714600 | Conveyance Spring /B |              | D     | 2   |  |
| 18  | A7AH812901 | Spring               |              | D     | 2   |  |
| 19  | 9313130051 | FAN MOTOR            |              | B     | 1   |  |
| 20  | A7AH819100 | Seal                 |              | C     | 1   |  |
| 21  | A0ED702400 | Plate spring         |              | D     | 2   |  |
| 22  | A7AH818100 | Guide Sheet          |              | C     | 1   |  |
| 23  | A7AH818000 | Guide                |              | D     | 1   |  |
| 24  | A7AH818200 | Guide                |              | D     | 1   |  |
| 25  | A7AH819000 | Mounting Plate       |              | D     | 1   |  |
| 26  | A7AH819200 | Duct                 |              | D     | 1   |  |
| 27  | A7AH817101 | Ground Spring        |              | C     | 1   |  |
| 28  | A7AH816603 | Reinforce Plate      |              | D     | 1   |  |
| 29  | A7AHN13000 | Harness /Conveyance  |              | D     | 1   |  |
| 30  | A7AH819300 | Seal                 |              | C     | 1   |  |
| 31  | A7AH819502 | Cover                |              | D     | 1   |  |
| 32  | A7AH816800 | Seal                 |              | C     | 1   |  |
| 33  | A7AH812800 | Torsion Coil spring  |              | C     | 1   |  |
| 34  | A7AH816200 | Ground Spring        |              | D     | 1   |  |
| 35  | A7AH816100 | Ground Plate         |              | D     | 1   |  |
| 36  | A7AH816400 | Support Shaft        |              | D     | 1   |  |
| 37  | A7AH817200 | Gear                 |              | C     | 1   |  |
| 38  | A7AH818300 | Guide                |              | C     | 2   |  |
| 39  | A7AH721800 | Shoulder screw       |              | C     | 1   |  |
|     |            |                      |              |       |     |  |
|     |            |                      |              |       |     |  |
|     |            |                      |              |       |     |  |

# REGISTRATION SECTION

P 25

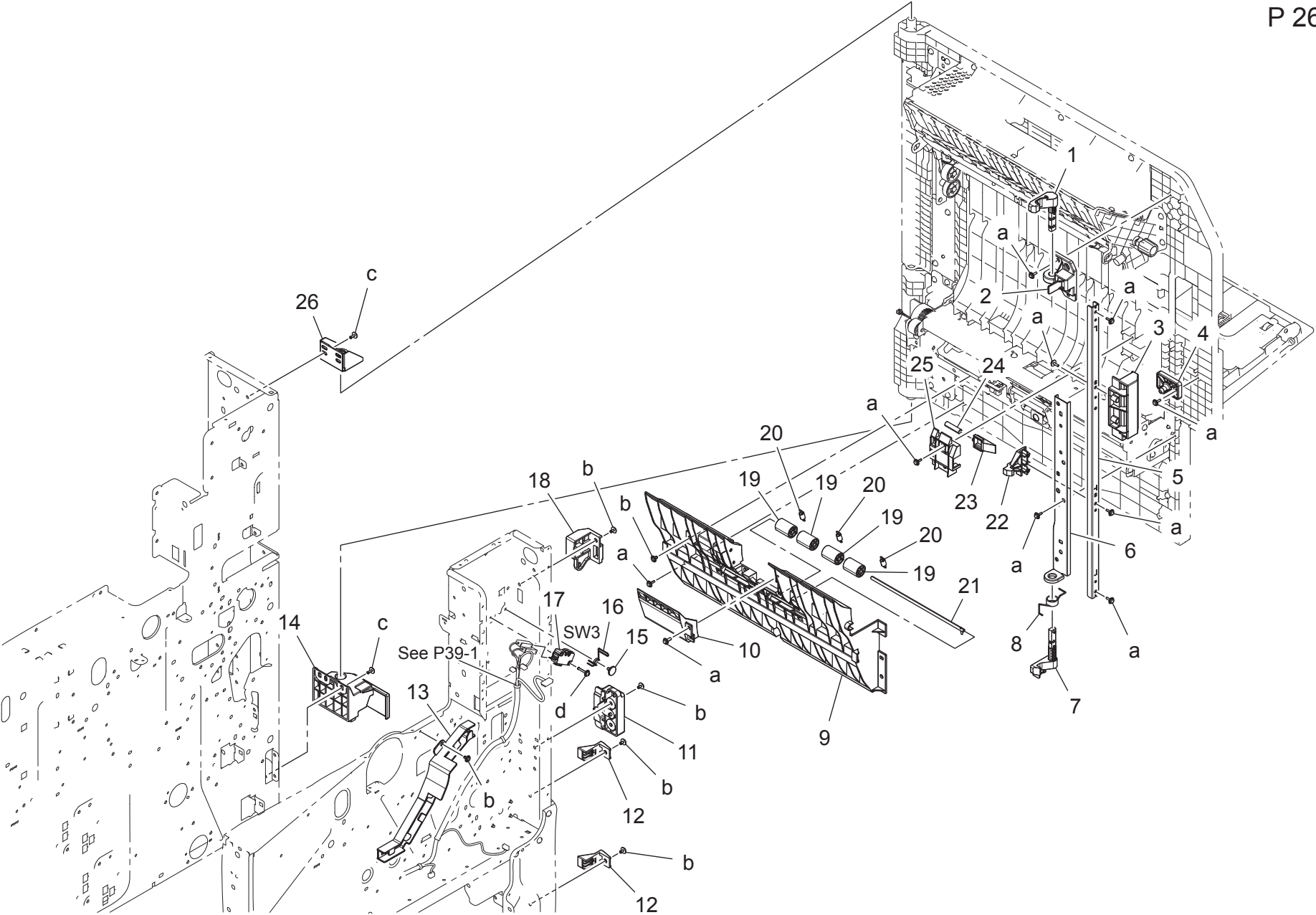


bizhub 136DN/bizhub 367





VERTICAL CONVEYANCE DOOR SECTION

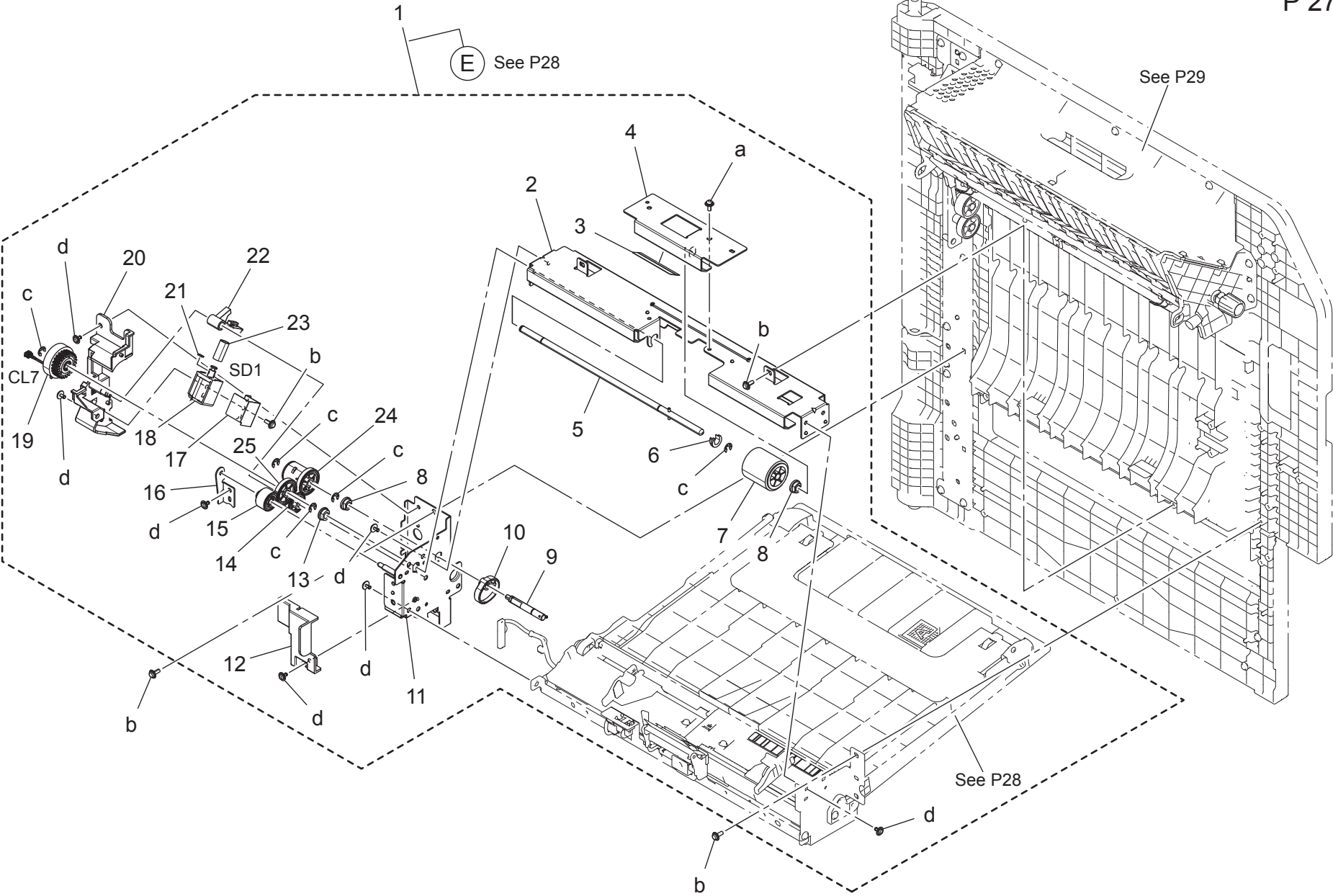


bizhub 136DN/bizhub 367

VERTICAL CONVEYANCE DOOR SECTION

| Key | Part No.   | Description         | Destinations | Class | QTY | Standard parts   |
|-----|------------|---------------------|--------------|-------|-----|--|
| 1   | A0ED712100 | Lock Claw           |              | C     | 1   | a-V153030803<br>b-V144030603<br>c-V144030803<br>d-V116031603 |
| 2   | A7AH705201 | Sensor Lever        |              | C     | 1   |  |
| 3   | A7AH706700 | Open/close Handle   |              | C     | 1   |  |
| 4   | A7AH705301 | Pin                 |              | D     | 1   |  |
| 5   | A7AH706000 | Lock Plate          |              | D     | 1   |  |
| 6   | A7AH705700 | Reinforce Plate     |              | D     | 1   |  |
| 7   | A7AH706500 | Lock Claw /Lower    |              | C     | 1   |  |
| 8   | A161815900 | Torsion Coil spring |              | C     | 1   |  |
| 9   | A7AH705401 | Paper feed Guide    |              | D     | 1   |  |
| 10  | A7AH600700 | Paper feed Guide    |              | D     | 1   |  |
| 11  | A7AH706300 | Positioning Part    |              | D     | 1   |  |
| 12  | A7AH706400 | Holder              |              | D     | 2   |  |
| 13  | A7AH138200 | Guide               |              | D     | 1   |  |
| 14  | A7AH706201 | Holder              |              | D     | 1   |  |
| 15  | A161137100 | Shoulder screw      |              | D     | 1   |  |
| 16  | A161151200 | Torsion Coil spring |              | D     | 1   |  |
| 17  | 9J06M60100 | MICRO SWITCH        |              | C     | 1   |  |
| 18  | A7AH705501 | Holder              |              | D     | 1   |  |
| 19  | A161815400 | Roll                |              | C     | 4   |  |
| 20  | A161815500 | Pulling Spring      |              | C     | 3   |  |
| 21  | A161815300 | Shaft               |              | D     | 1   |  |
| 22  | A7AH706600 | Lock Claw /Middle   |              | C     | 1   |  |
| 23  | A7AH705800 | Open/close Claw     |              | D     | 1   |  |
| 24  | A161815800 | Swing Spring        |              | C     | 1   |  |
| 25  | A7AH705900 | Holder              |              | D     | 1   |  |
| 26  | A7AH706101 | Adjusting Plate     |              | D     | 1   |  |
|     |            |                     |              |       |     |  |
|     |            |                     |              |       |     |  |
|     |            |                     |              |       |     |  |
|     |            |                     |              |       |     |  |
|     |            |                     |              |       |     |  |
|     |            |                     |              |       |     |  |
|     |            |                     |              |       |     |  |
|     |            |                     |              |       |     |  |

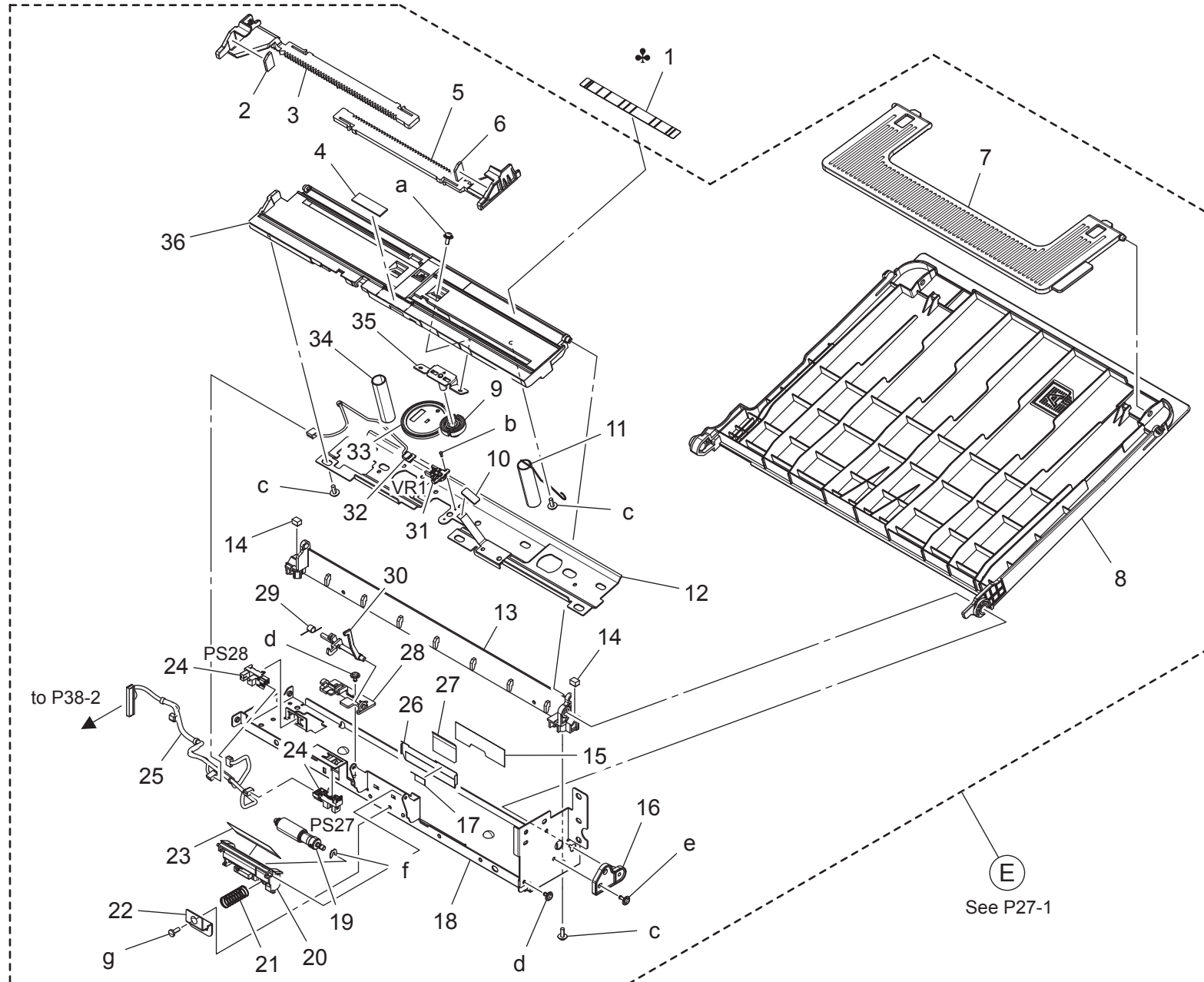
# BYPASS TRAY SECTION



BYPASS TRAY SECTION

| Key | Part No.   | Description               | Destinations | Class | QTY | Standard parts   |
|-----|------------|---------------------------|--------------|-------|-----|--|
| 1   | A7AHR71600 | Multiple Bypass Tray Assy |              | S     | 1   | a-V116030804<br>b-V153030803<br>c-V217040001<br>d-V144030603 |
| 2   | A7AH600400 | Mounting Plate            |              | D     | 1   |  |
| 3   | A7AH605200 | Guide Sheet               |              | C     | 1   |  |
| 4   | A7AH600300 | Holder                    |              | D     | 1   |  |
| 5   | A7AH601100 | Paper feed Shaft          |              | D     | 1   |  |
| 6   | A161594400 | Slide Stopper             |              | C     | 1   |  |
| 7   | A00F623201 | Roller                    |              | B     | 1   |  |
| 8   | A02E596300 | Bushing                   |              | C     | 2   |  |
| 9   | A7AH602701 | Shaft                     |              | D     | 1   |  |
| 10  | A161593300 | Paper feed Cam            |              | C     | 1   |  |
| 11  | A7AH600502 | Drive Frame               |              | D     | 1   |  |
| 12  | A7AH605100 | Bypass Cover              |              | D     | 1   |  |
| 13  | 1134304301 | BUSHING                   |              | C     | 1   |  |
| 14  | A7AH603000 | Gear 20T                  |              | C     | 1   |  |
| 15  | A7AH602200 | Bypass Gear               |              | C     | 1   |  |
| 16  | A7AH604101 | Reinforce Plate           |              | D     | 1   |  |
| 17  | A7AH604300 | Cover                     |              | D     | 1   |  |
| 18  | A034M20100 | Conveyance Solenoid       |              | C     | 1   |  |
| 19  | A7AHM20400 | Clutch                    |              | C     | 1   |  |
| 20  | A7AH600801 | Drive Cover               |              | D     | 1   |  |
| 21  | A7AH604900 | Seal                      |              | C     | 1   |  |
| 22  | A7AH603100 | Lever                     |              | C     | 1   |  |
| 23  | A7AH603200 | Compressing Coil spring   |              | C     | 1   |  |
| 24  | A7AHR72700 | Clutch Assy               |              | C     | 1   |  |
| 25  | A7AH604700 | Gear 24T                  |              | C     | 1   |  |
|     |            |                           |              |       |     |  |
|     |            |                           |              |       |     |  |
|     |            |                           |              |       |     |  |
|     |            |                           |              |       |     |  |
|     |            |                           |              |       |     |  |
|     |            |                           |              |       |     |  |
|     |            |                           |              |       |     |  |
|     |            |                           |              |       |     |  |
|     |            |                           |              |       |     |  |
|     |            |                           |              |       |     |  |
|     |            |                           |              |       |     |  |
|     |            |                           |              |       |     |  |
|     |            |                           |              |       |     |  |

# BYPASS TRAY SECTION




**E**  
See P27-1

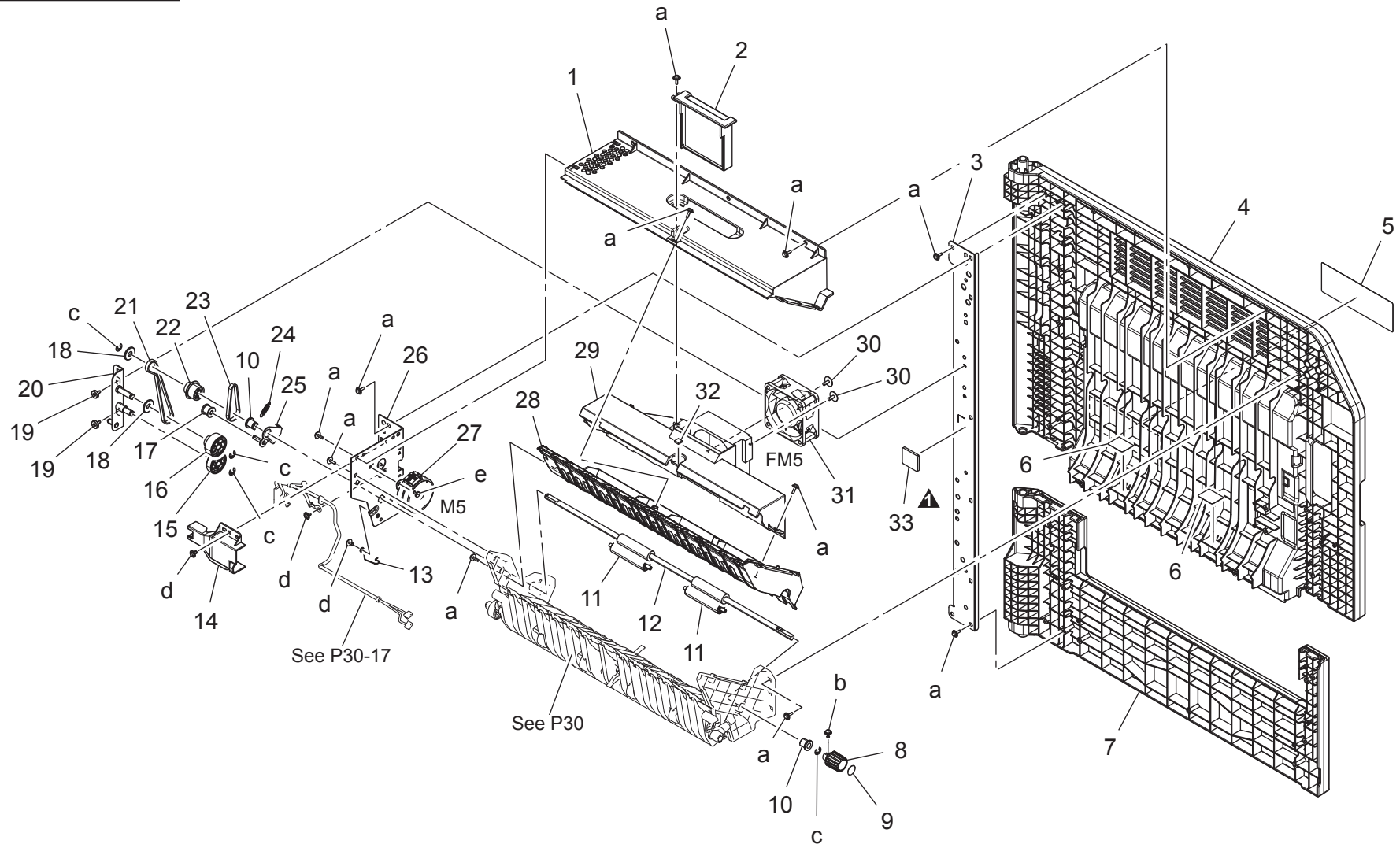


BYPASS TRAY SECTION

| Key | Part No.   | Description              | Destinations | Class | QTY | Standard parts   |
|-----|------------|--------------------------|--------------|-------|-----|--|
| 1   | A7AH943100 | Label Metric             | ラベル メトリック    | C     | 1   | a-V116030804<br>b-V111170403<br>c-V153030803<br>d-V144030603<br>e-V144030803<br>f-V218030086<br>g-V118030803 |
| 1   | A7AH943200 | Label Inch               | ラベル インチ      | C     | 1   |  |
| 2   | A7AH604501 | Brake Part               | ブレーキ材        | C     | 1   |  |
| 3   | A7AH601901 | Regulating Plate /R      | 規制板 / R      | C     | 1   |  |
| 4   | 0978381101 | FRICTION SHEET           | 摩擦板          | C     | 1   |  |
| 5   | A7AH602001 | Regulating Plate /L      | 規制板 / L      | C     | 1   |  |
| 6   | A7AH604401 | Brake Part /F            | ブレーキ材 / F    | C     | 1   |  |
| 7   | A161592200 | Auxiliary Tray           | 補助トレイ        | C     | 1   |  |
| 8   | A7AH600102 | Tray                     | トレイ          | C     | 1   |  |
| 9   | A02E592100 | Gear 20T                 | ギヤ 20 T      | C     | 1   |  |
| 10  | A161593800 | Friction Plate           | 摩擦板          | C     | 1   |  |
| 11  | A7AH603300 | Compressing Coil spring  | 圧縮コイルばね      | C     | 1   |  |
| 12  | A7AH601700 | Mounting Plate           | 取付板          | D     | 1   |  |
| 13  | A7AH604202 | Support Holder           | 支点ホルダ        | C     | 1   |  |
| 14  | A161594201 | Cushion                  | クッション        | D     | 2   |  |
| 15  | A161595100 | Seal                     | シール          | C     | 1   |  |
| 16  | A161591600 | Hold Plate               | 保持板          | C     | 1   |  |
| 17  | A161595600 | Slide Guide              | すべりガイド       | C     | 1   |  |
| 18  | A7AH600601 | Frame                    | フレーム         | D     | 1   |  |
| 19  | 4658015106 | Roller Assy              | ローラ ASSY     | A     | 1   |  |
| 20  | A7AH601300 | Holding                  | ホルダ          | C     | 1   |  |
| 21  | 4030347501 | PRESSURE SPRING          | 圧縮コイルばね      | C     | 1   |  |
| 22  | A7AH601400 | Hold Plate               | 保持板          | D     | 1   |  |
| 23  | A02E597600 | Guide                    | ガイド (捌き後)    | C     | 1   |  |
| 24  | A5C1M50100 | Photointerrupter         | 透過型センサ       | B     | 2   |  |
| 25  | A7AHN11901 | Harness /Paper feed      | 給紙束線         | D     | 1   |  |
| 26  | A161595300 | Separating Plate         | 分離板          | C     | 1   |  |
| 27  | 4030340301 | GUIDE                    | ガイド          | C     | 1   |  |
| 28  | A161591100 | Sensor Holder            | センサホルダ       | D     | 1   |  |
| 29  | A161591000 | Torsion Spring           | ねじりばね (PE)   | C     | 1   |  |
| 30  | A7AH601202 | Actuator                 | アクチュエータ      | C     | 1   |  |
| 31  | A161M50400 | VR                       | ボリューム        | D     | 1   |  |
| 32  | A7AHN13200 | Harness /Paper Detection | 給紙検知束線       | D     | 1   |  |
| 33  | A161594300 | Regulating Gear 41T      | 規制ギア 41 T    | C     | 1   |  |
| 34  | A7AH603400 | Compressing Coil spring  | 圧縮コイルばね      | C     | 1   |  |
| 35  | A7AHR71700 | Mounting Plate           | 取付板          | D     | 1   |  |
| 36  | A7AH600203 | Lifting Plate            | 押上げ板         | D     | 1   |  |
|     |            |                          |              |       |     |  |
|     |            |                          |              |       |     |  |
|     |            |                          |              |       |     |  |
|     |            |                          |              |       |     |  |

# REVERSAL SECTION

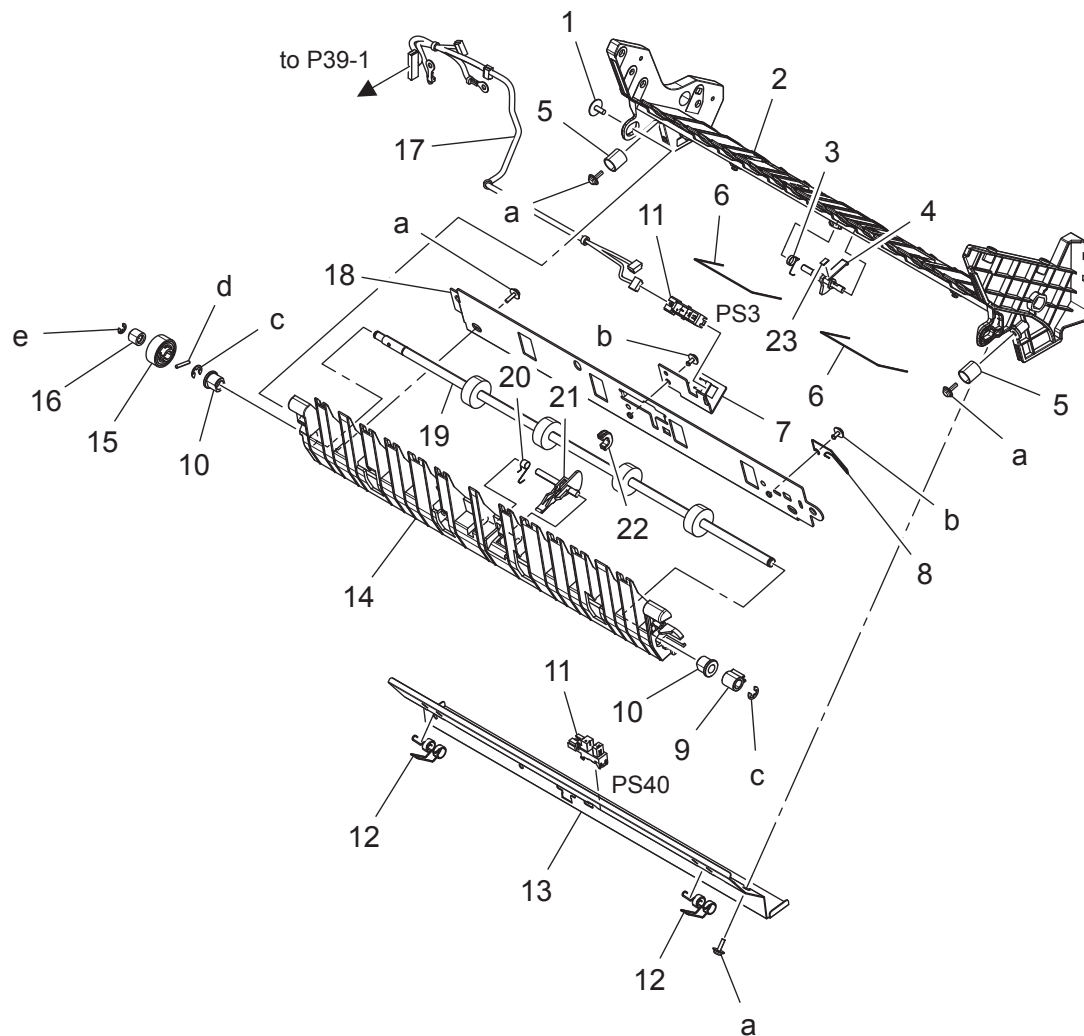
|   |                |
|---|----------------|
| 改訂版<br>REVISED EDITION  | 日付<br>DATE     |
|  | AUGUST<br>2015 |





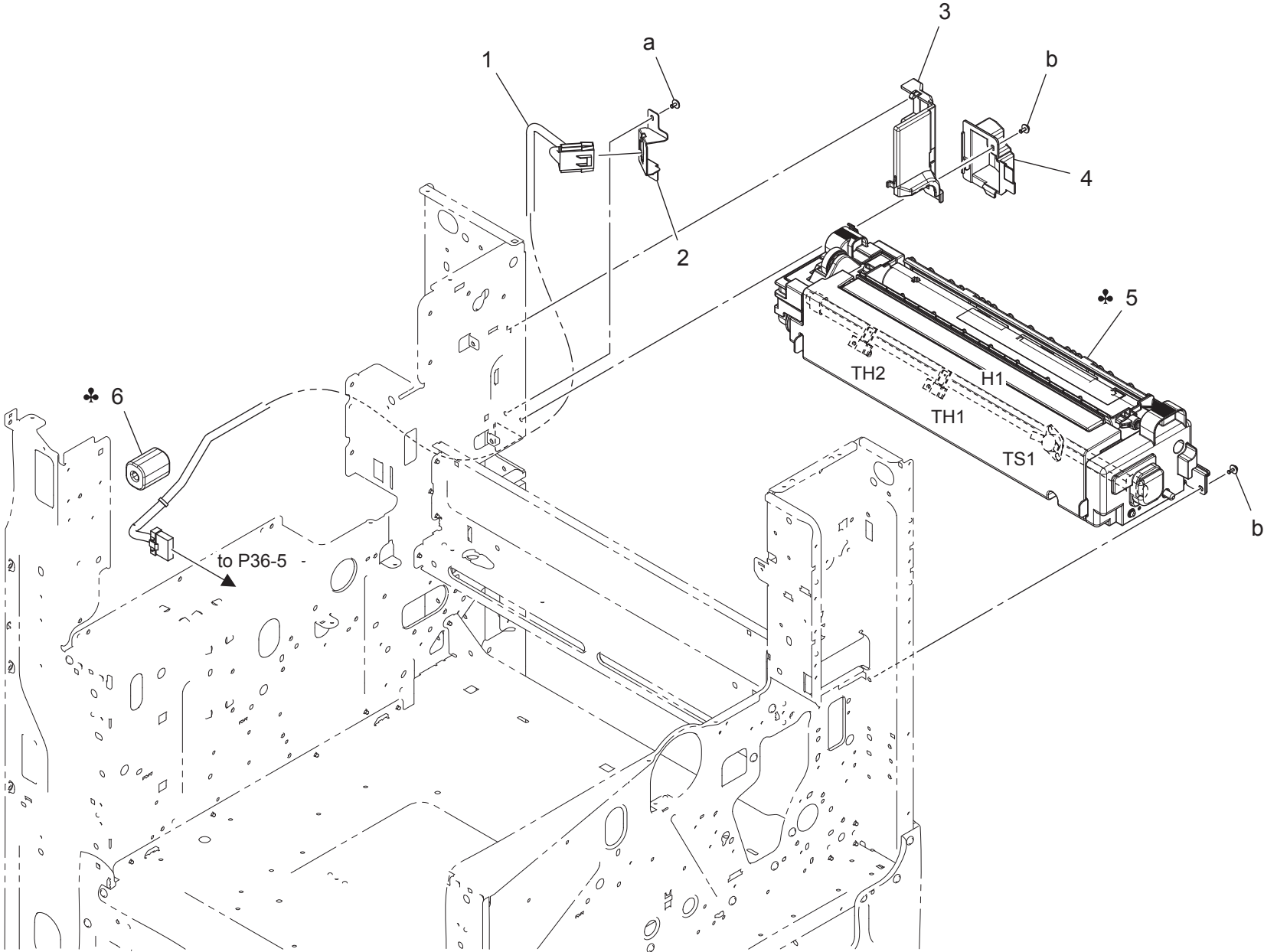


# REVERSAL SECTION





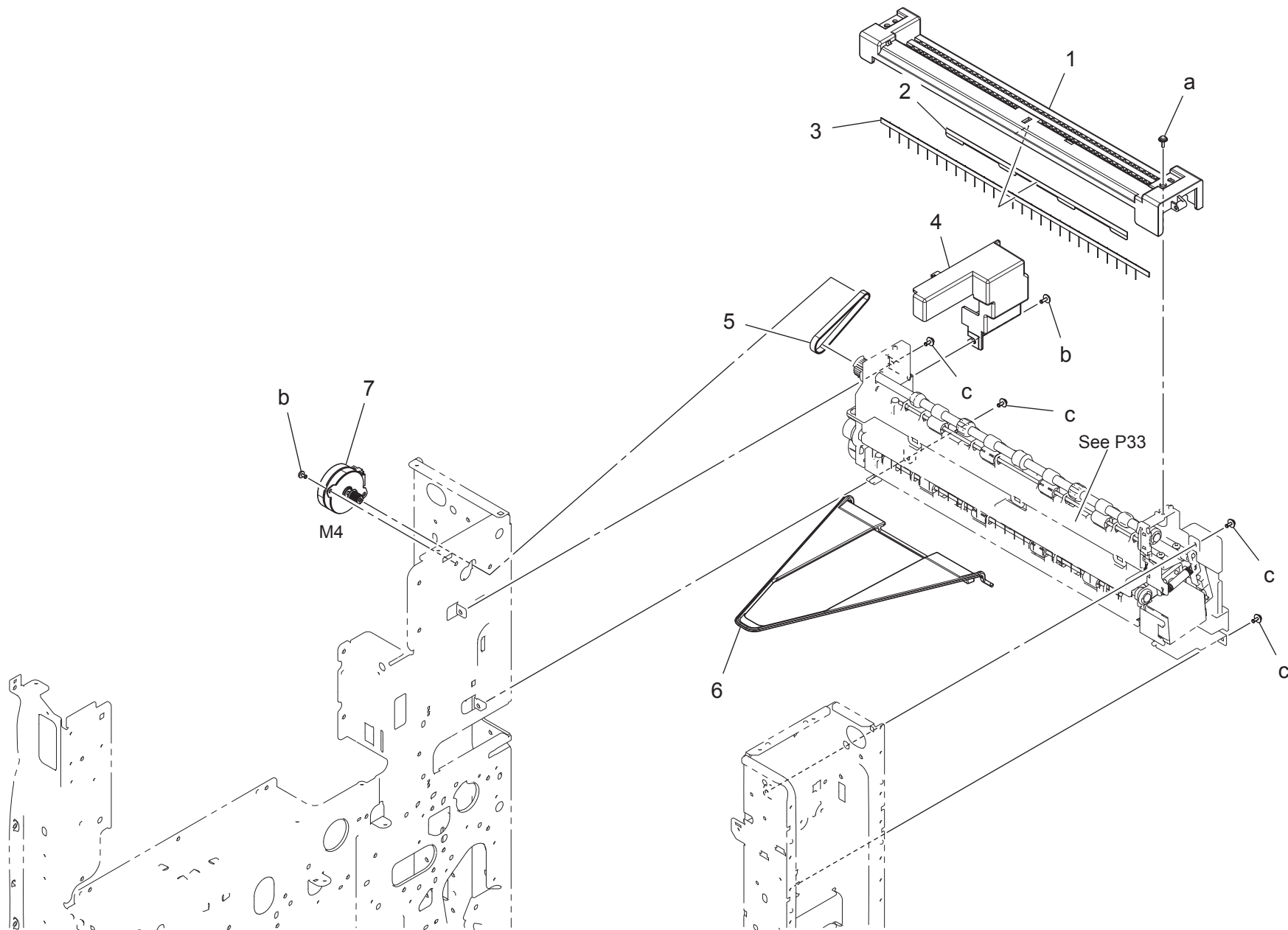
FUSING SECTION





# PAPER EXIT SECTION

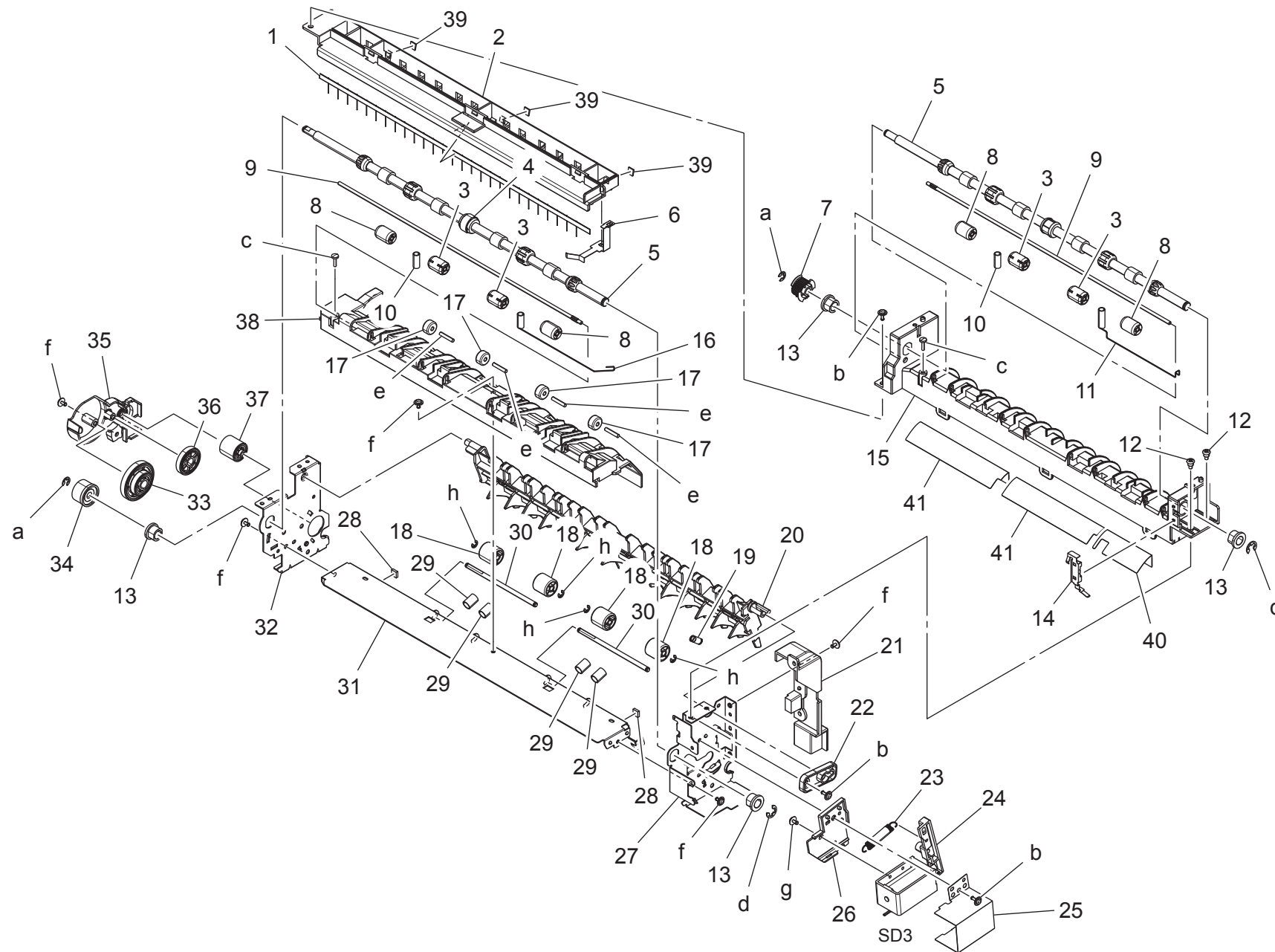
P 32



bizhub 136DN/bizhub 367



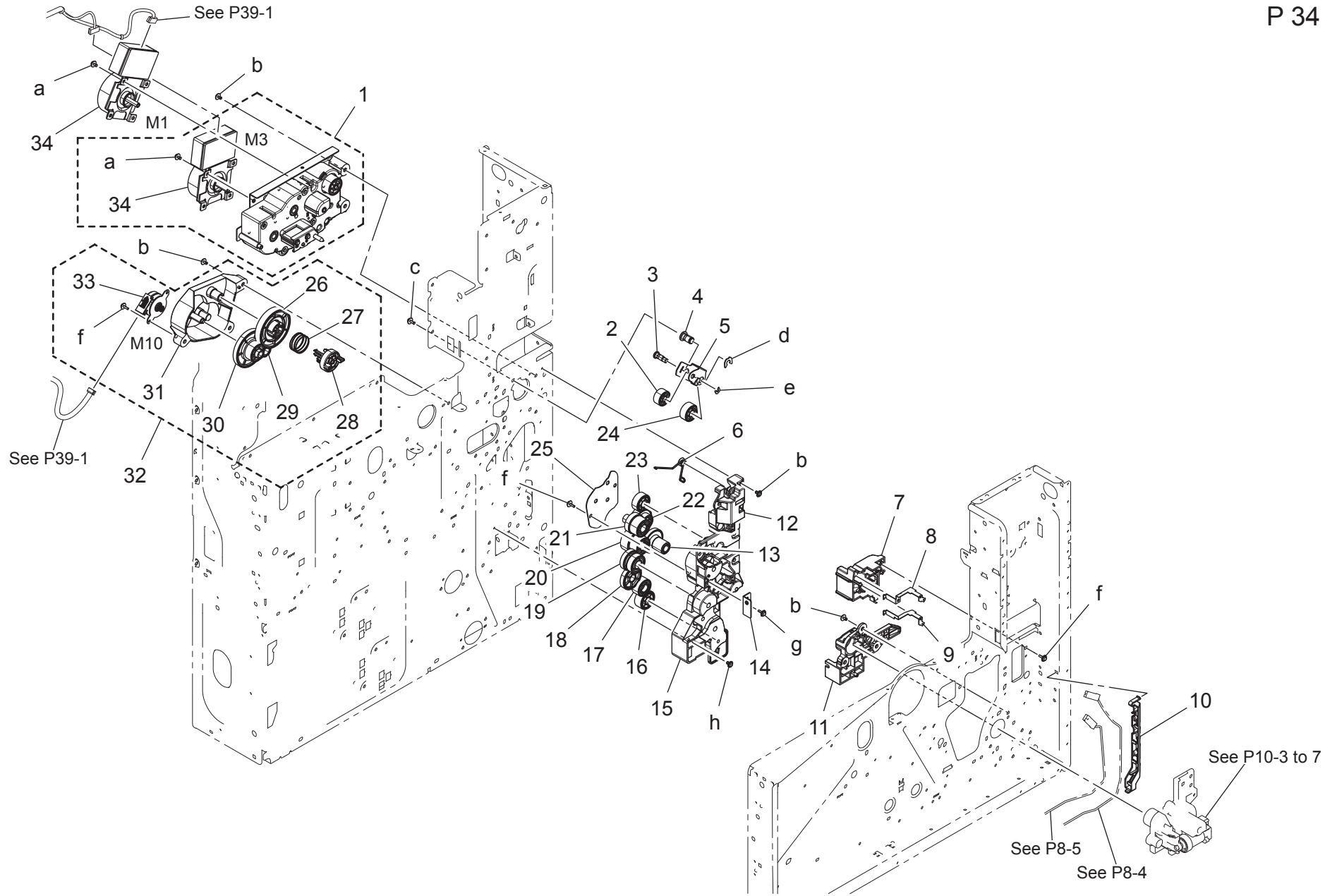
# PAPER EXIT SECTION





| Key | Part No.   | Description             | Destinations | Class | QTY | Standard parts   |
|-----|------------|-------------------------|--------------|-------|-----|--|
| 1   | A161894000 | Neutralizing Brush      |              | C     | 1   | a-V217040001<br>b-V144030803<br>c-V149031003<br>d-V217060001<br>e-V234301650<br>f-V144030603<br>g-V127030604<br>h-V217030001 |
| 2   | A7AH890300 | Guide                   |              | D     | 1   |  |
| 3   | A7AH892000 | Roll                    |              | C     | 4   |  |
| 4   | A7AH891901 | Collar                  |              | C     | 1   |  |
| 5   | A7AH891000 | Roller                  |              | D     | 2   |  |
| 6   | A7AH895601 | Ground Contact /Lower   |              | D     | 1   |  |
| 7   | A7AH811100 | Pulley                  |              | C     | 1   |  |
| 8   | 4004590301 | ROLL                    |              | C     | 4   |  |
| 9   | 4025598401 | SHAFT                   |              | D     | 2   |  |
| 10  | A161892400 | Spring                  |              | C     | 2   |  |
| 11  | A7AH811300 | Ground Spring           |              | C     | 1   |  |
| 12  | 1164202801 | SHOULDER SCREW          |              | D     | 2   |  |
| 13  | A0ED891100 | Bushing                 |              | D     | 4   |  |
| 14  | A7AH811500 | Ground Contact /Upper   |              | D     | 1   |  |
| 15  | A7AH810102 | Guide                   |              | C     | 1   |  |
| 16  | A7AH891500 | Ground Spring           |              | C     | 1   |  |
| 17  | A0ED897700 | Collar                  |              | C     | 4   |  |
| 18  | A1UD721500 | Roll                    |              | C     | 4   |  |
| 19  | A7AH891800 | Pulling Coil spring     |              | C     | 1   |  |
| 20  | A7AH812002 | Paper exit Guide        |              | C     | 1   |  |
| 21  | A7AH892200 | Cover                   |              | D     | 1   |  |
| 22  | A161891000 | Bushing                 |              | D     | 1   |  |
| 23  | A7AH890800 | Pulling Coil spring     |              | C     | 1   |  |
| 24  | A7AHR72500 | Solenoid Assy           |              | C     | 1   |  |
| 25  | A7AH890700 | Cover                   |              | D     | 1   |  |
| 26  | A7AH890900 | Mounting Plate          |              | D     | 1   |  |
| 27  | A7AH890402 | Panel /Front            |              | D     | 1   |  |
| 28  | A7AH892300 | Cushion                 |              | C     | 2   |  |
| 29  | A1UD722700 | Compressing Coil spring |              | C     | 4   |  |
| 30  | A7AH892101 | Shaft                   |              | D     | 2   |  |
| 31  | A7AH890200 | Reinforce Plate         |              | D     | 1   |  |
| 32  | A7AH890501 | Panel /Rear             |              | D     | 1   |  |
| 33  | A7AH891200 | Gear 21/35T             |              | C     | 1   |  |
| 34  | A7AH891700 | Gear 18T                |              | C     | 1   |  |
| 35  | A7AH891400 | Drive Holder            |              | D     | 1   |  |
| 36  | A02F897200 | Gear 24T                |              | C     | 1   |  |
| 37  | A7AH891300 | Gear 16T                |              | C     | 1   |  |
| 38  | A7AH890102 | Guide                   |              | D     | 1   |  |
| 39  | A161826000 | Cushion /B              |              | D     | 3   |  |
| 40  | A7AH819900 | Seal                    |              | C     | 1   |  |
| 41  | A7AH819700 | Seal                    |              | C     | 2   |  |
|     |            |                         |              |       |     |  |
|     |            |                         |              |       |     |  |

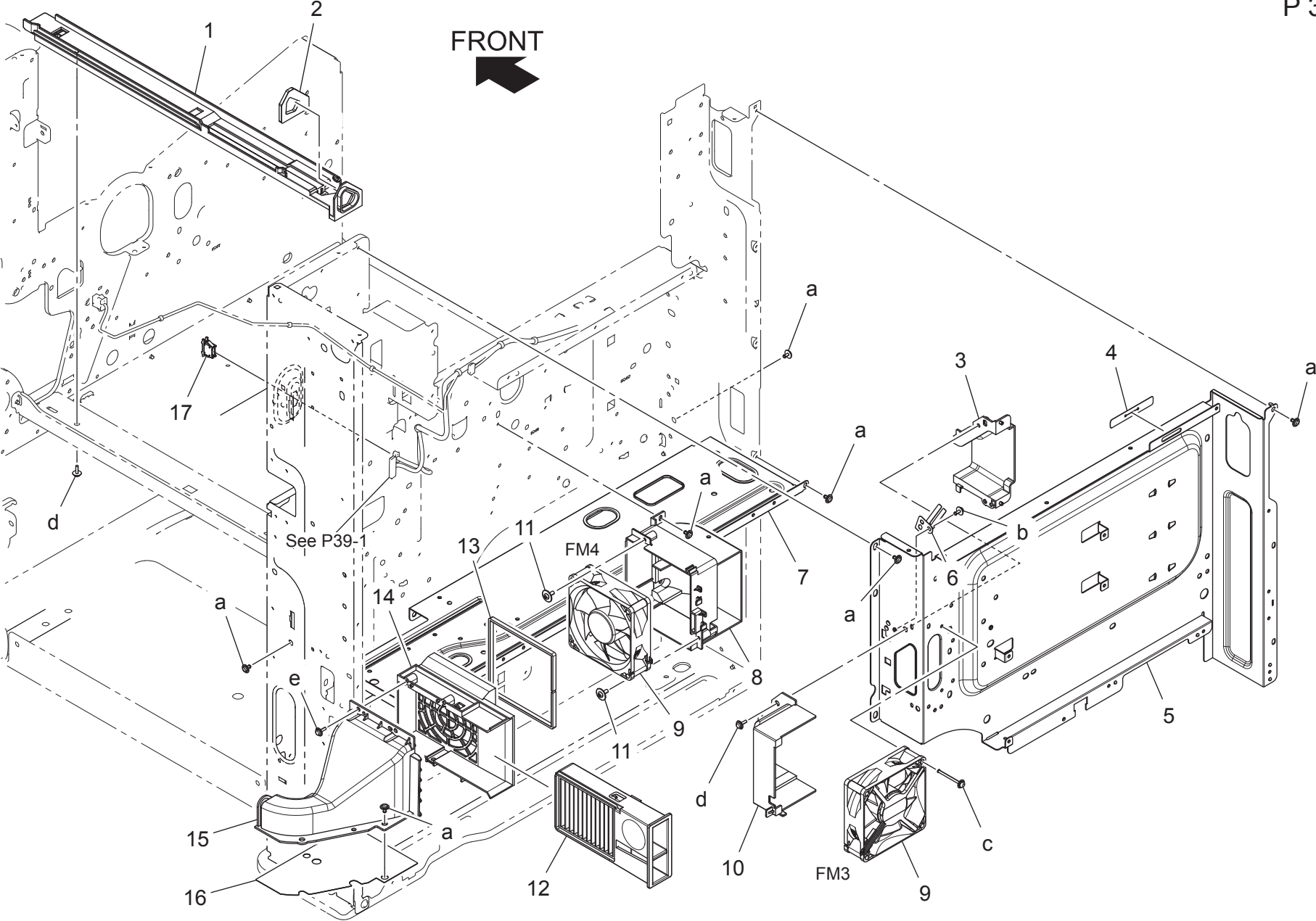
# DRIVE SECTION



## DRIVE SECTION

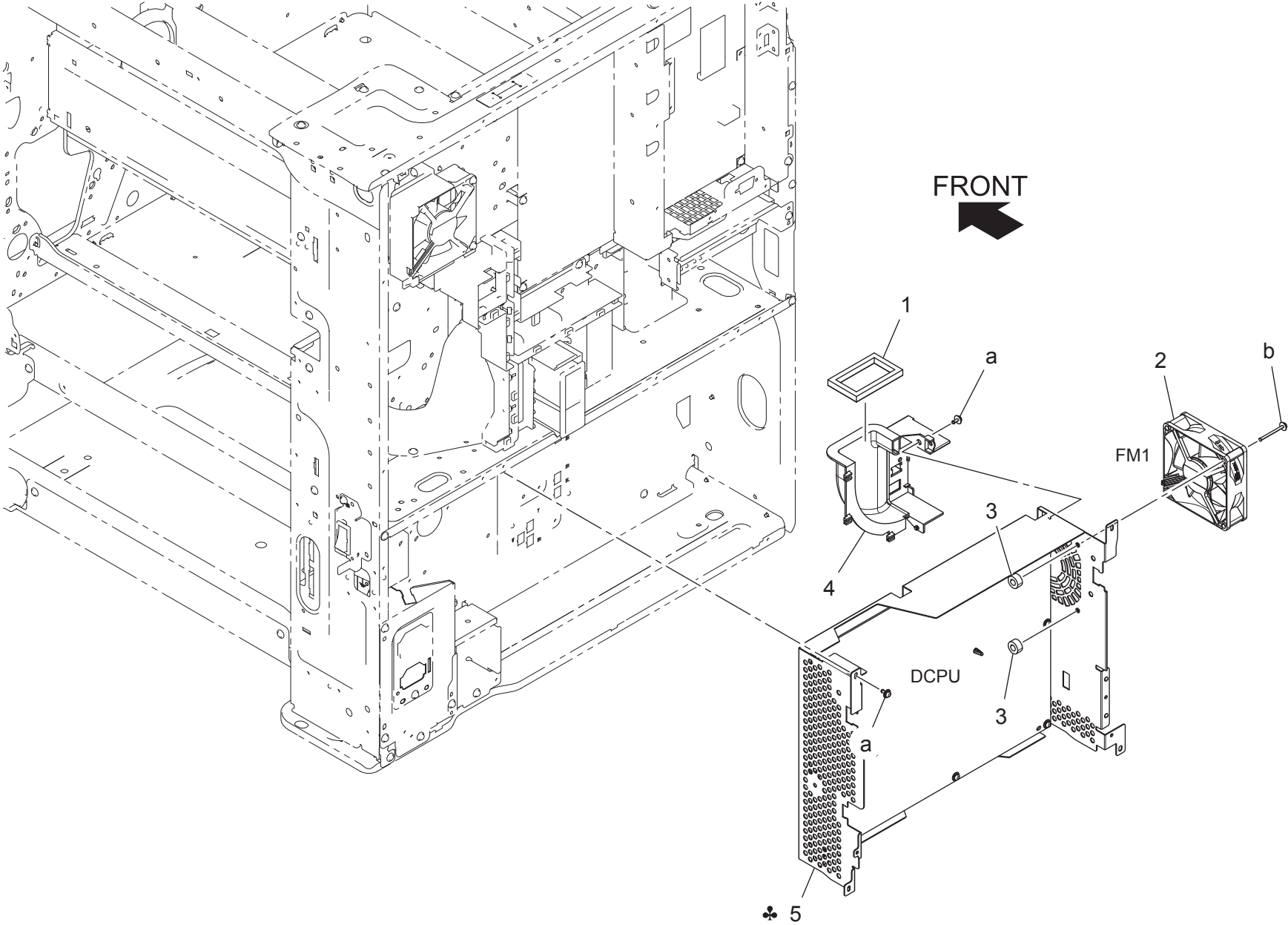
| Key | Part No.   | Description               | Destinations | Class | QTY | Standard parts |
|-----|------------|---------------------------|--------------|-------|-----|----------------|
| 1   | A7AHR70700 | Main Drive Assy           |              | C     | 1   | a-V116030603   |
| 2   | A7AH215400 | Gear 23T                  |              | C     | 1   | b-V144030603   |
| 3   | A7AH214800 | Shaft                     |              | D     | 1   | c-V125030803   |
| 4   | A7AH214701 | Shaft                     |              | D     | 1   | d-V218060086   |
| 5   | A7AH215101 | Mounting Plate            |              | D     | 1   | e-V218040086   |
| 6   | A7AH704900 | Connecting Spring         |              | C     | 1   | f-V153030803   |
| 7   | A7AH704201 | Holder                    |              | D     | 1   | g-V153031003   |
| 8   | A7AH707201 | Contact                   |              | D     | 1   | h-V144030803   |
| 9   | A7AH707101 | Contact                   |              | D     | 1   |                |
| 10  | A7AH134401 | Guide                     |              | D     | 1   |                |
| 11  | A7AH704601 | Positioning Holder /Front |              | D     | 1   |                |
| 12  | A7AH704701 | Positioning Holder /Rear  |              | D     | 1   |                |
| 13  | A7AH213500 | Gear 14/37T               |              | C     | 1   |                |
| 14  | A7AH216700 | Mounting Plate            |              | D     | 1   |                |
| 15  | A7AH213902 | Drive Holder              |              | D     | 1   |                |
| 16  | A7AH212800 | Gear 28T                  |              | C     | 1   |                |
| 17  | A7AH213000 | Gear 26T                  |              | C     | 1   |                |
| 18  | A7AH212600 | Gear 37T                  |              | C     | 1   |                |
| 19  | A7AH216500 | Gear 23/31T               |              | C     | 1   |                |
| 20  | A7AH212300 | Gear 27/35T               |              | C     | 1   |                |
| 21  | A7AH212200 | Gear 22/29T               |              | C     | 1   |                |
| 22  | A7AH212100 | Gear 30/35T               |              | C     | 1   |                |
| 23  | A7AH211700 | Gear 26T                  |              | C     | 1   |                |
| 24  | A7AH214300 | Gear 26T                  |              | C     | 1   |                |
| 25  | A7AH212000 | Mounting Plate            |              | D     | 1   |                |
| 26  | A161240600 | Gear 65T                  |              | D     | 1   |                |
| 27  | 4038541202 | PRESSURE SPRING           |              | C     | 1   |                |
| 28  | A161240700 | Joint                     |              | C     | 1   |                |
| 29  | A7AH217100 | Gear 15/91T               |              | D     | 1   |                |
| 30  | A161240400 | Gear 29/62T               |              | D     | 1   |                |
| 31  | A7AH217001 | Drive Holder              |              | D     | 1   |                |
| 32  | A7AHR70200 | Toner Bottle Drive Assy   |              | S     | 1   |                |
| 33  | A7AHM10400 | Stepping motor            |              | C     | 1   |                |
| 34  | A61DM10200 | brushless Motor /20       |              | I     | 2   |                |
|     |            |                           |              |       |     |                |
|     |            |                           |              |       |     |                |
|     |            |                           |              |       |     |                |
|     |            |                           |              |       |     |                |

OZONE DUCT SECTION





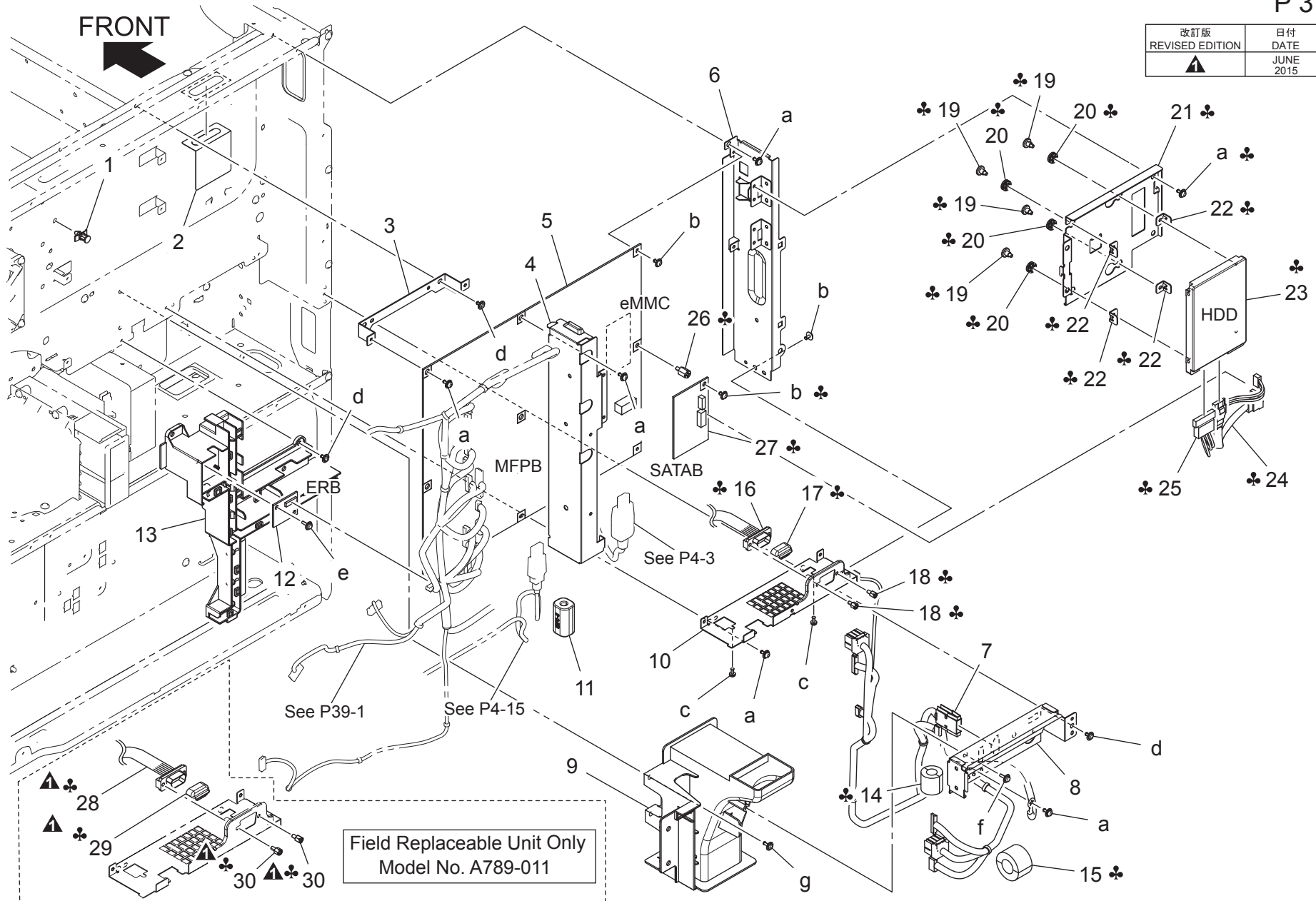
# MAIN POWER SUPPLY SECTION





# ELECTRICAL COMPONENTS

|                        |              |
|------------------------|--------------|
| 改訂版<br>REVISED EDITION | 日付<br>DATE   |
| ▲                      | JUNE<br>2015 |



bizhub 136DN/bizhub 367

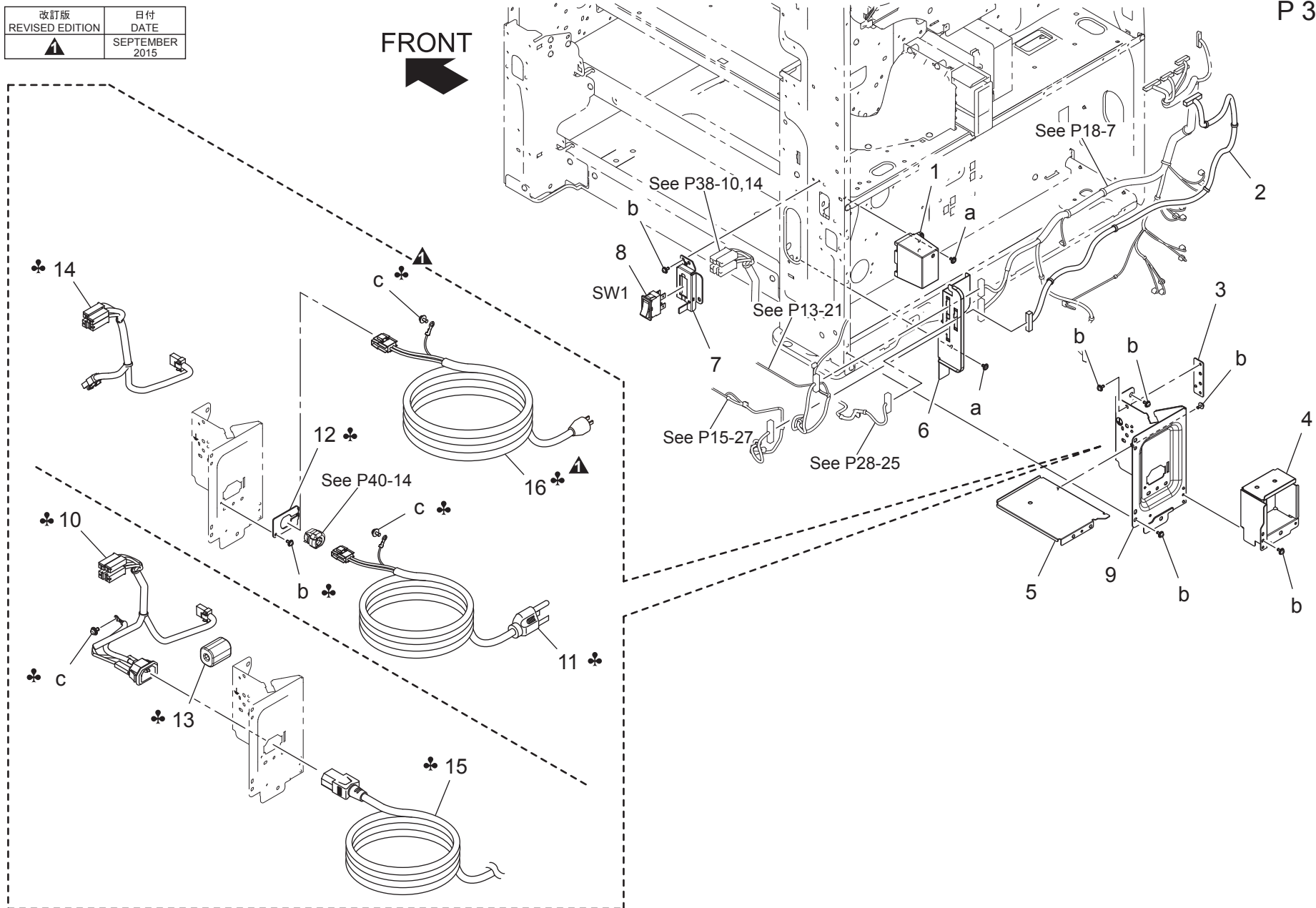


| Key | Part No.   | Description              | Destinations                | Class | QTY | Standard parts |
|-----|------------|--------------------------|-----------------------------|-------|-----|----------------|
| 1   | V502010036 | spacer                   |                             | D     | 1   | a-V125030803   |
| 2   | A7AH130600 | Insulating Part          |                             | C     | 1   | b-V127030604   |
| 3   | A7AH131100 | Mounting Plate           |                             | D     | 1   | c-V122030603   |
| 4   | A7AH130300 | Shield Plate             |                             | D     | 1   | d-V144030603   |
| 5   | A7AHH02005 | PWB Assembly (PWB-MFP)   |                             | I     | 1   | e-V153030803   |
| 6   | A7AH130201 | Mounting Plate           |                             | D     | 1   | f-V153031003   |
| 7   | A7AHN10902 | Harness /DC Power source |                             | D     | 1   | g-V144030803   |
| 8   | A7AH139301 | Holder                   |                             | D     | 1   |                |
| 9   | A7AH141201 | Duct                     |                             | D     | 1   |                |
| 10  | A7AH130101 | Mounting Plate           |                             | D     | 1   |                |
| 11  | A3EWM90300 | Ferritecore              |                             | D     | 1   |                |
| 12  | A7AHH00C00 | PWB Assembly(PWB-EE)     |                             | I     | 1   |                |
| 13  | A7AH138101 | Guide                    |                             | D     | 1   |                |
| 14  | A49FM90100 | Ferritecore              | C,D1,D3,E,F2,G1,I,K<br>,J,H | D     | 1   |                |
| 15  | A3EWM90200 | Ferritecore              | C,D1,D3,E,F2,G1,I,K<br>,J,H | D     | 1   |                |
| 16  | A7AHN15A00 | Harness /Control         | C,D1,D3,E,F2,G1,I,K<br>,J,H | D     | 1   |                |
| 17  | V503010002 | Connector Cover          | C,D1,D3,E,F2,G1,I,K<br>,J,H | D     | 1   |                |
| 18  | A7AH131300 | Screw                    | C,D1,D3,E,F2,G1,I,K<br>,J,H | C     | 2   |                |
| 19  | A5C1134200 | Shoulder screw           | C,G2,I(South Africa<br>)    | D     | 4   |                |
| 20  | A4EU138000 | Support Rubber           | C,G2,I(South Africa<br>)    | D     | 4   |                |
| 21  | A7AH130401 | Mounting Plate           | C,G2,I(South Africa<br>)    | D     | 1   |                |
| 22  | A5C1134100 | Spacer                   | C,G2,I(South Africa<br>)    | D     | 4   |                |
| 23  | A2X0M72C00 | HDD                      | C,G2,I(South Africa<br>)    | I     | 1   |                |
| 24  | A7AHN15100 | Signal Cable             | C,G2,I(South Africa<br>)    | D     | 1   |                |
| 25  | A161N15J00 | Power source Cable       | C,G2,I(South Africa<br>)    | C     | 1   |                |
| 26  | A161137600 | Shoulder screw           | C,G2,I(South Africa<br>)    | D     | 1   |                |
| 27  | A7AHH02S02 | PWB Assmby(PWB-SATA)     | C,G2,I(South Africa<br>)    | I     | 1   |                |
| 28  | A7AHN15A00 | Harness /Control         | G2                          | D     | 1   |                |
| 29  | V503010002 | Connector Cover          | G2                          | D     | 1   |                |
| 30  | A7AH131300 | Screw                    | G2                          | C     | 2   |                |
|     |            |                          |                             |       |     |                |
|     |            |                          |                             |       |     |                |
|     |            |                          |                             |       |     |                |

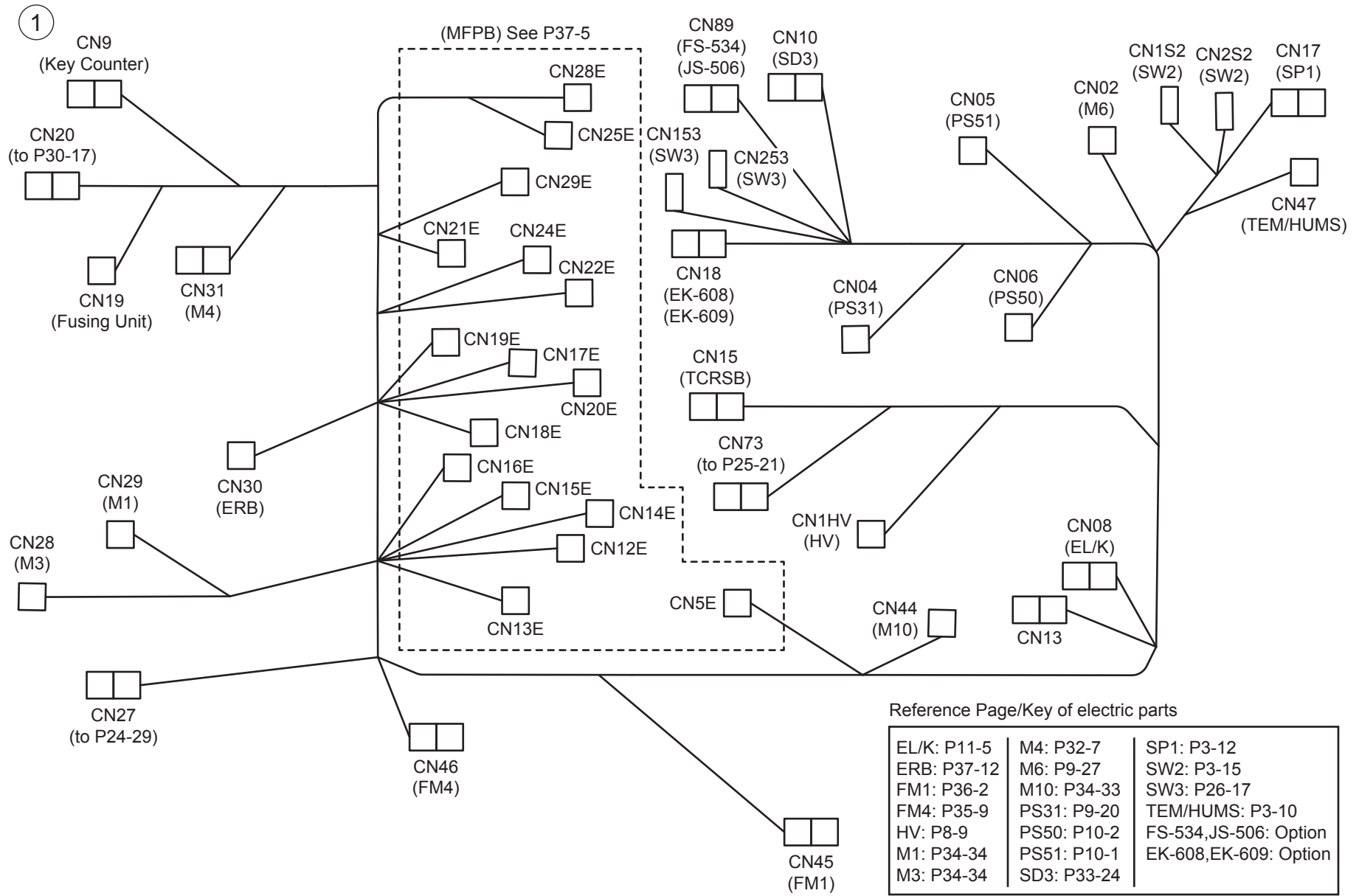
# ELECTRICAL COMPONENTS

|                        |                   |
|------------------------|-------------------|
| 改訂版<br>REVISED EDITION | 日付<br>DATE        |
| ▲                      | SEPTEMBER<br>2015 |

FRONT







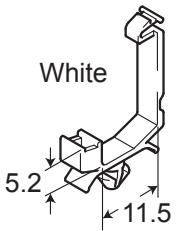
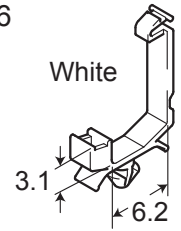
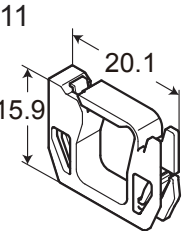
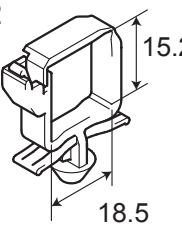
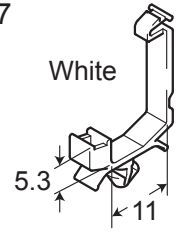
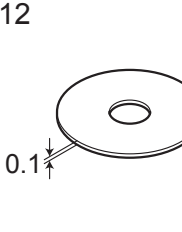
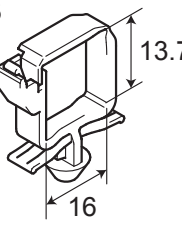
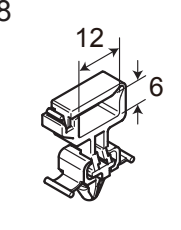
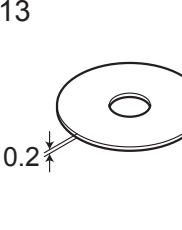
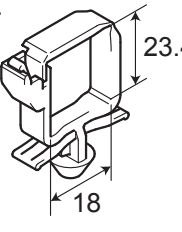
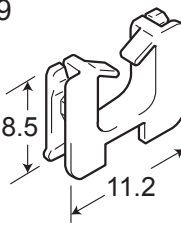
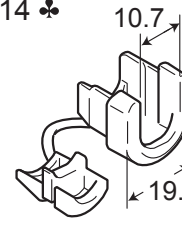
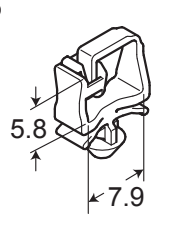
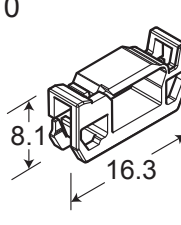
Reference Page/Key of electric parts

|             |             |                        |
|-------------|-------------|------------------------|
| EL/K: P11-5 | M4: P32-7   | SP1: P3-12             |
| ERB: P37-12 | M6: P9-27   | SW2: P3-15             |
| FM1: P36-2  | M10: P34-33 | SW3: P26-17            |
| FM4: P35-9  | PS31: P9-20 | TEM/HUMS: P3-10        |
| HV: P8-9    | PS50: P10-2 | FS-534, JS-506: Option |
| M1: P34-34  | PS51: P10-1 | EK-608, EK-609: Option |
| M3: P34-34  | SD3: P33-24 |                        |



# WIRING ACCESSORIES AND JIGS

P 40

|   |   |  |    |    |    |    |    |
|---|---|--|----|----|----|----|----|
| 1<br>White<br> | 6<br>White<br> | 11<br>    | 16 | 21 | 26 | 31 | 36 |
| 2<br>          | 7<br>White<br> | 12<br>    | 17 | 22 | 27 | 32 | 37 |
| 3<br>          | 8<br>          | 13<br>    | 18 | 23 | 28 | 33 | 38 |
| 4<br>         | 9<br>         | 14 ♣<br> | 19 | 24 | 29 | 34 | 39 |
| 5<br>        | 10<br>       | 15   | 20 | 25 | 30 | 35 | 40 |

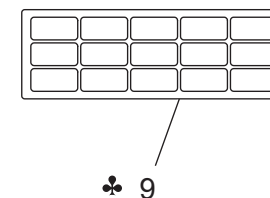
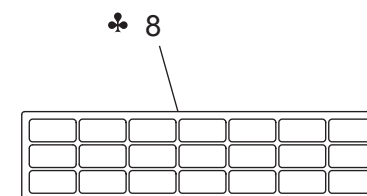
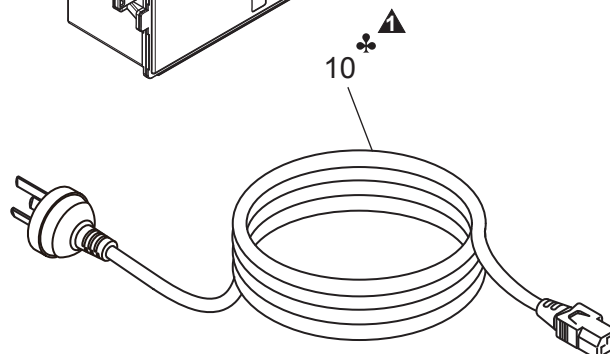
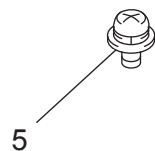
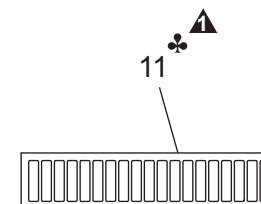
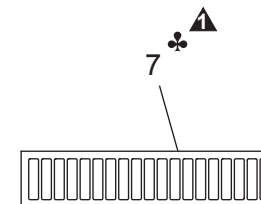
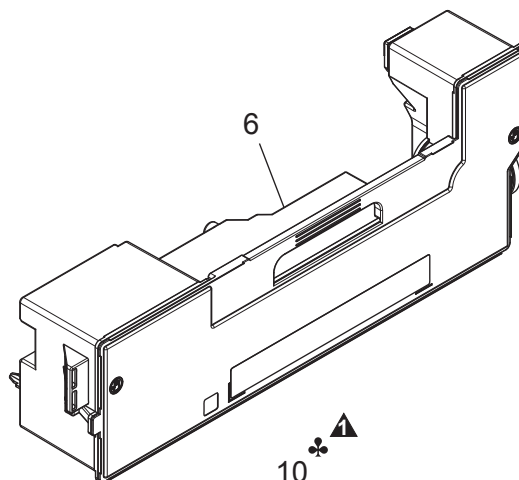
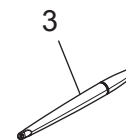
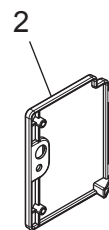
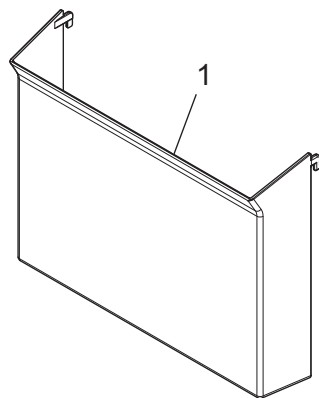
bizhub 136DN/bizhub 367



# ACCESSORY PARTS

P 41

|                        |                |
|------------------------|----------------|
| 改訂版<br>REVISED EDITION | 日付<br>DATE     |
| ▲                      | AUGUST<br>2015 |







# MAINTENANCE LIST

● The items with no Page/Key numbers are not handled as spare parts.

| No. | Section                | PM Parts Description                      | Maintenance Cycle (K=1,000) |            | Parts No.  | Destinations | Page/Key | Note   |
|-----|------------------------|---|-----------------------------|------------|------------|--------------|----------|--------|
|     |                        |   | QTY                         | Replace    |            |              |          |        |
| 1   | Paper feed section     | Tray 1 pick-up roller                     | 1                           | 300k       | A5C1562200 |              | P13-14   | *2, *4 |
| 2   |                        | Tray 1 feed roller                        | 1                           | 300k       | A00J563600 |              | P13-12   | *2, *4 |
| 3   |                        | Tray 1 separation roller                  | 1                           | 300k       | A00J563600 |              | P14-10   | *2, *4 |
| 4   |                        | Tray 2 pick-up roller                     | 1                           | 300k       | A5C1562200 |              | P15-21   | *2, *4 |
| 5   |                        | Tray 2 feed roller                        | 1                           | 300k       | A00J563600 |              | P15-19   | *2, *4 |
| 6   |                        | Tray 2 separation roller                  | 1                           | 300k       | A00J563600 |              | P16-7    | *2, *4 |
| 7   |                        | Manual bypass tray feed roller            | 1                           | 200k       | A00F623201 |              | P27-7    | *2, *4 |
| 8   |                        | Manual bypass tray separation roller assy | 1                           | 200k       | 4658015106 |              | P28-19   | *2, *4 |
| 9   | Processing section     | Toner cartridge/K *1                      | 1                           | 23k        | -          |              |          | *3     |
| 10  |                        | Drum unit/K *1                            | 1                           | 110k       | -          | (120V areas) |          | *3     |
| 11  |                        |   | 1                           | 110k       | -          | (200V areas) |          | *3     |
| 12  |                        | Developing unit/K                         | 1                           | 590k       | -          | (120V areas) |          | *3     |
| 13  |                        |   | 1                           | 600k       | -          | (200V areas) |          | *3     |
| 14  |                        | Toner filter                              | 1                           | 150k       | A7AHR72600 |              | P35-12   | *3     |
| 15  |                        | Paper dust remover unit                   | 1                           | 150k       | A7AHR72900 |              | P25-7    | *3, *5 |
| 16  | Ozone filter           | 1   | 150k                        | A7AHR70300 |            | P11-14       | *3       |        |
| 17  | Waste toner box *1     | 1   | 110k                        | A7XWWWY2   |            | P41-6        | *3, *6   |        |
| 18  | Image transfer section | Transfer roller unit                      | 1                           | 150k       | A7AHR72900 |              | P25-7    | *3     |
| 19  | Registration section   | Ozone filter                              | 1                           | 150k       | A7AHR72000 |              | P24-1    | *3     |
| 20  |                        | Registration roller bushing               | 4                           | 900k       | A7AH703201 |              | P25-2    | *3, *4 |
| 21  |                        | Registration roller gear/1                | 1                           | 900k       | 1164351501 |              | P25-16   | *3, *4 |
| 22  |                        | Registration roller gear/2                | 1                           | 900k       | A7AH707500 |              | P25-15   | *3, *4 |
| 23  | Fusing section         | Fusing unit                               | 1                           | 440k       | A7AHR72300 | (120V areas) | P31-5    | *3     |
| 24  |                        |   | 1                           | 440k       | A7AHR72400 | (200V areas) | P31-5    | *3     |

\*1: The parts can be replaced either by user or service engineer.

\*2: Actual durable cycle (life counter value)

\*3: Field standard yield

\*4: Replace those three parts at the same time.

\*5: The ozone filter is furnished with the transfer roller unit (A7AH R729) so that all of them are replaced at same time.

\*6: A waste toner full condition is detected with detecting the actual waste toner emissions.

# メンテナンスリスト

● ページ / キーナンバーのないものは、アフターサービス部品ではありません。

| No. | 区分           | PM 部品名称           | サイクル (K=1,000) |            | 部品番号       | 仕向地          | 頁 / キー | 備考     |
|-----|--------------|-------------------|----------------|------------|------------|--------------|--------|--------|
|     |              |                   | 員数             | 交換         |            |              |        |        |
| 1   | 給紙部          | トレイ1ピックアップローラー    | 1              | 300k       | A5C1562200 |              | P13-14 | *2, *4 |
| 2   |              | トレイ1給紙ローラー        | 1              | 300k       | A00J563600 |              | P13-12 | *2, *4 |
| 3   |              | トレイ1分離ローラー        | 1              | 300k       | A00J563600 |              | P14-10 | *2, *4 |
| 4   |              | トレイ2ピックアップローラー    | 1              | 300k       | A5C1562200 |              | P15-21 | *2, *4 |
| 5   |              | トレイ2給紙ローラー        | 1              | 300k       | A00J563600 |              | P15-19 | *2, *4 |
| 6   |              | トレイ2分離ローラー        | 1              | 300k       | A00J563600 |              | P16-7  | *2, *4 |
| 7   |              | 手差しトレイ給紙ローラー      | 1              | 200k       | A00F623201 |              | P27-7  | *2, *4 |
| 8   |              | 手差しトレイ分離ローラー Assy | 1              | 200k       | 4658015106 |              | P28-19 | *2, *4 |
| 9   | プロセス部        | トナーカートリッジ / K *1  | 1              | 23k        | -          |              |        | *3     |
| 10  |              | ドラムユニット / K *1    | 1              | 110k       | -          | (120V areas) |        | *3     |
| 11  |              |                   | 1              | 110k       | -          | (200V areas) |        | *3     |
| 12  |              | 現像ユニット / K        | 1              | 590k       | -          | (120V areas) |        | *3     |
| 13  |              |                   | 1              | 600k       | -          | (200V areas) |        | *3     |
| 14  |              | トナーフィルター          | 1              | 150k       | A7AHR72600 |              | P35-12 | *3     |
| 15  |              | 紙粉除去クリーナーユニット     | 1              | 150k       | A7AHR72900 |              | P25-7  | *3, *5 |
| 16  | オゾンフィルター     | 1                 | 150k           | A7AHR70300 |            | P11-14       | *3     |        |
| 17  | 廃棄トナーボックス *1 | 1                 | 110k           | A7XWWY2    |            | P41-6        | *3, *6 |        |
| 18  | 転写部          | 転写ローラーユニット        | 1              | 150k       | A7AHR72900 |              | P25-7  | *3     |
| 19  | レジスト部        | オゾンフィルター          | 1              | 150k       | A7AHR72000 |              | P24-1  | *3     |
| 20  |              | レジストローラー軸受        | 4              | 900k       | A7AH703201 |              | P25-2  | *3, *4 |
| 21  |              | レジストローラーギア / 1    | 1              | 900k       | 1164351501 |              | P25-16 | *3, *4 |
| 22  |              | レジストローラーギア / 2    | 1              | 900k       | A7AH707500 |              | P25-15 | *3, *4 |
| 23  | 定着部          | 定着ユニット            | 1              | 440k       | A7AHR72300 | (120V areas) | P31-5  | *3     |
| 24  |              |                   | 1              | 440k       | A7AHR72400 | (200V areas) | P31-5  | *3     |

\*1: ユーザー / サービス交換の選択が可能。

\*2: ライフカウンター値

\*3: 市場標準印刷枚数値

\*4: 同時交換のこと

\*5: 転写ローラーユニット (A7AH R729) に同梱されており、同時交換する。

\*6: 廃棄トナーフル検知は、実際の廃棄トナー充填量を検知して行う。

## DESTINATION

| Destination No. |    | Destinations   |   | V       | Hz    | Model No.          |
|-----------------|----|--|---|---------|-------|--------------------|
| A               | A1 | JAPAN  |   | 100     | 50/60 |                    |
|                 | A2 | JAPAN  |   | 200     | 50/60 |                    |
| B               |    | USA, CANADA  |   | 120     | 60    |                    |
| C               |    | EUROPEAN TYPE  |   | 220-240 | 50/60 | A789021            |
| D               | D1 | S.E ASIA TYPE  | THAILAND, SRI LANKA, SINGAPORE, MALAYSIA, HONG KONG, PAKISTAN, INDIA, BANGLADESH, INDONESIA | 220-240 | 50/60 | A789041            |
|                 | D3 | OCEANIA TYPE   | AUSTRALIA, NEW ZEALAND  | 220-240 | 50/60 | A789041            |
| E               |    | PHILIPPINES  |   | 220-240 | 50/60 | A789041            |
| F               | F1 | SAUDI ARABIA   |   | 127     | 60    |                    |
|                 | F2 | SAUDI ARABIA   |   | 220-240 | 50/60 | A789041            |
| G               | G1 | C.S AMERICA  |   | 220-240 | 50/60 | A789041            |
|                 | G2 | C.S AMERICA  |   | 120     | 60    | A789011            |
| H               |    | TAIWAN   |   | 110     | 60    | A789071            |
| I               |    | JORDAN, LEBANON, SYRIA, SOUTH AFRICA, IRAQ, IRAN, N.YEMEN, CAMEROON, UAE, BAHRAIN, OMAN, QATAR, KUWAIT, KENYA, TUNISIA, IVORY COAST, MOROCCO |   | 220-240 | 50/60 | A789021<br>A789041 |
| J               |    | CHINA  |   | 220-240 | 50/60 | A789081            |
| K               |    | KOREA  |   | 220-240 | 50/60 | A789091<br>A789092 |

bizhub 136DN/bizhub 367