

KONICA MINOLTA

# *PARTS GUIDE MANUAL*

---

*DECEMBER 2012*

*bizhub 36*  
*bizhub 42*  
*A3EW*

## INFORMATION FOR PARTS GUIDE MANUAL

To find correct Parts No., refer to the "HOW TO MAKE THE BEST USE OF THIS MANUAL" in the following page.

### HOW TO MAKE THE BEST USE OF THIS MANUAL

- 1 When you order, please check the proper figures beforehand that are on Our Parts Guide Manual, and order with the appropriate figures.
- 2 For screws, Nuts, Washers, retaining rings and Pins which are used in this model, one letter is shown on the Standard parts column of Parts list and exploded diagrams.
- 3 In order to maintain safety of the product, some specific parts composed of this product are set up as "essential safety parts".
- 4 The assigned parts number for the "essential safety parts" is indicated as "SP00-\*\*\*\*".  
When replacing these parts, follow precautions for disassembling and installing which are listed in the Service Manual.  
Do not use any parts that are not set up as
- 5 ♣ means that there are exclusive parts for each destination.  
Please check the appropriate destination when you order.
- 6 Revision Mark  
Marked as ▲ on the illustration shows that the revision has been made.
- 7 All rights reserved. (any reprints or quotations are prohibited.)  
Use of this parts guide manual should be strictly supervised to avoid disclosure of confidential information.

## パーツガイドマニュアルのご案内

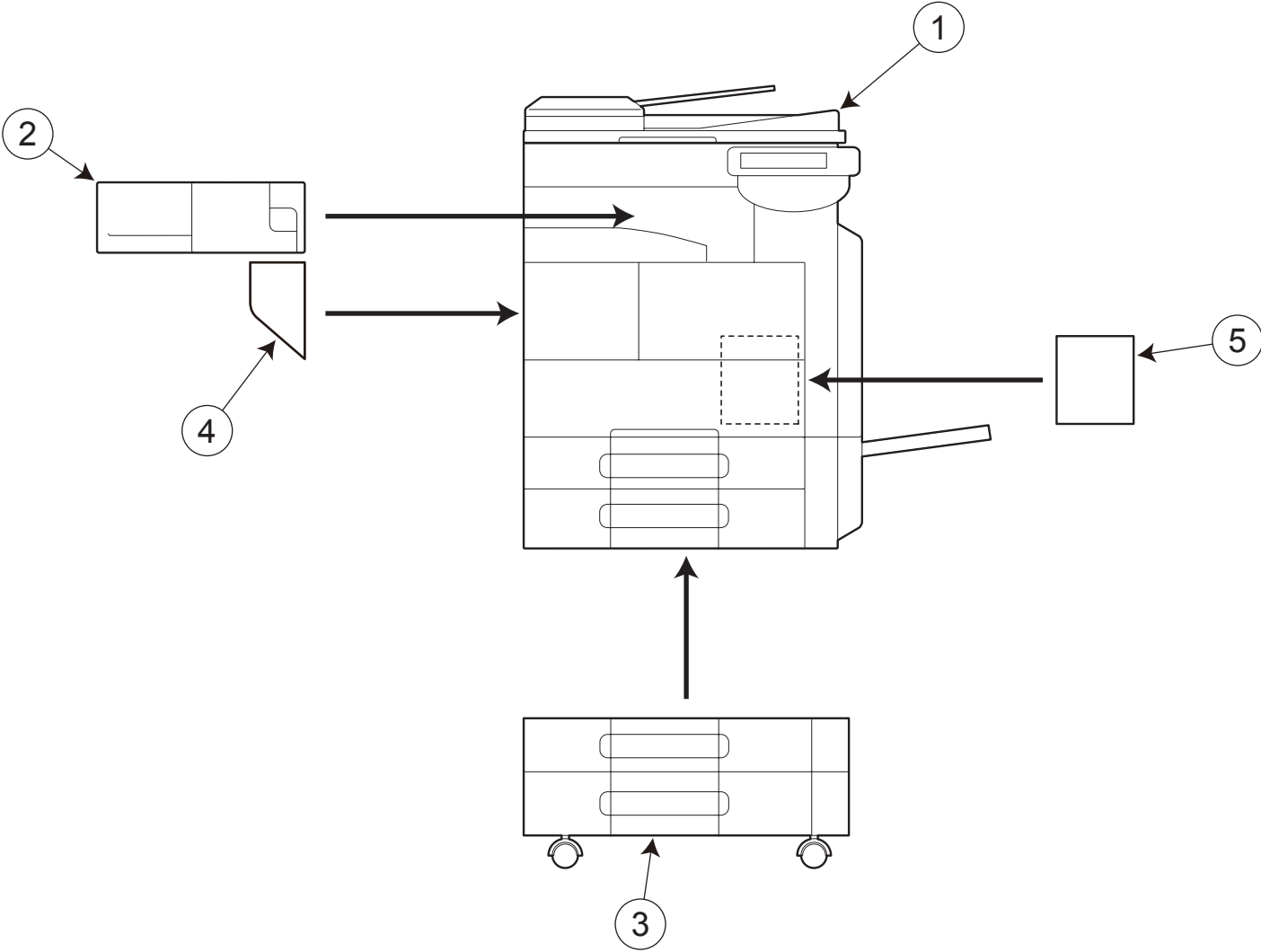
サービス部品をご発注の際には、下記に示す“パーツガイドマニュアルの活用にあたって”をご参照の上、正しい部品番号にてお願い致します。

### パーツガイドマニュアルの活用にあたって

- 1 部品発注の際には、掲載されている部品番号の桁数を確認し、掲載されている桁数で発注願います。
- 2 この製品に使用されているネジ、ナット、ワッシャー、止め輪、ピンなどは、リストの右側の Standard parts 欄に a,b,c,……で表示し、イラストにも a,b,c,……表示してあります。
- 3 製品の安全性を維持する為に、製品に使用される特定の部品を「重要保安部品」として設定しています。
- 4 重要保安部品の部品番号は、“SP00-\*\*\*\*”と記載されていますので、部品交換時は、サービスマニュアル記載の分解・組み立ての注意事項に従って作業をして下さい。  
また、指定以外の部品は一切使用しないで下さい。
- 5 本文に ♣ が表示されている部品は、仕向け地毎に専用部品がある事を意味しています。  
オーダーされる時は、仕向け地を確認して下さい。
- 6 改訂記号について  
イラスト上に ▲ 印が表示されている部分は、改訂された事を表します。
- 7 著作権所有（無断転載及び無断引用の禁止）  
本パーツガイドマニュアルについては、機密保持等その扱いには十分注意して下さい。万一取り扱いを誤った場合には、法律で処罰されることがあります。

11/04/2011

# SYSTEM OUTLINE

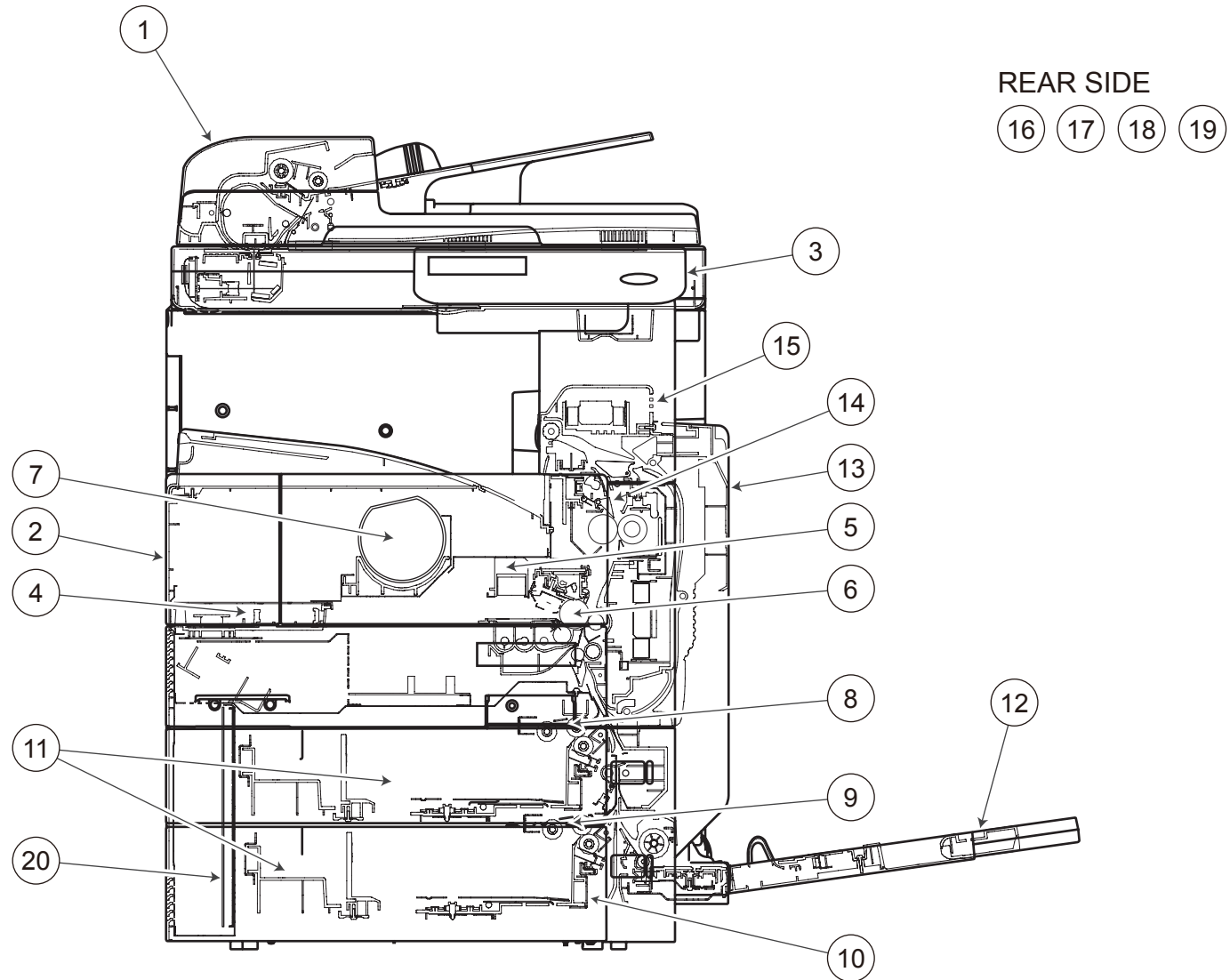


# GENERAL CONTENTS

<b>No.</b>	<b>Description</b>	<b>Model</b>
1	DIGITAL MFP B/W	bizhub 36/bizhub 42
2	SORTER/FINISHER	FS-529
3	PAPER FEEDER	PC-211
4	OTHER OPTION	MK-601
5	OTHER OPTION	FK-509

bizhub 36/bizhub 42

# DIAGRAMS OF MAIN PARTS SECTION



# CONTENTS

No.	DESCRIPTION	名称	PAGE No.
1	ADF/IR Unit	A D F / I R ユニット	P1
2	EXTERNAL PARTS	外装部	P2 P3 P4
3	OPERATION PANEL SECTION	オペレーションパネル部	P5
4	PRINT HEAD SECTION	P H 部	P6
5	OZONE DUCT/ FAN MOTOR SECTION	オゾンダクト／ファンモーター部	P7
6	IU SECTION	I U 部	P8
7	HOPPER SECTION	ホッパー部	P9 P10
8	1ST PAPER FEED SECTION	1 段目給紙部	P11 P12
9	2ND PAPER FEED SECTION	2 段目給紙部	P13 P14 P15
10	IU/ CASSETTE RAIL SECTION	I U / カセットレール部	P16
11	CASSETTE SECTION	カセット部	P17 P18 P19 P20
12	MANUAL PAPER FEED SECTION	手差し給紙部	P21 P22 P23 P24
13	PAPER TRANSPORT SECTION	搬送部	P25 P26 P27 P28 P29
14	FUSING SECTION	定着部	P30
15	PAPER EXIT SECTION	排紙部	P31 P32
16	HOPPER/ PAPER FEED DRIVE SECTION	ホッパー／給紙駆動部	P33
17	MAIN DRIVE SECTION	メイン駆動部	P34
18	REAR FRAME SECTION	後フレーム部	P35
19	ELECTRICAL COMPONENTS	電装部	P36
20	POWER SUPPLY SECTION	電源部	P37
21	WIRING	束線	P38 P39
22	WIRING ACCESSORIES AND JIGS	配線部品・治具	P40
23	ACCESSORY PARTS	同梱部品	P41

# INDEX

Parts No.	Page No.
0990559601	40-1
1033440203	2-13
1065308601	11-22
1065308601	14-20
1065587202	40-2
1129730301	16-10
1134304101	13-18
1134304202	22-5
1139524901	8-2
1139525001	8-3
1151502301	9-2
1164202102	16-13
1164205101	35-12
1164215501	16-17
1164350801	27-22
1164351302	27-25
1164351402	27-24
1164351501	27-23
1164352702	27-15
1164352901	27-13
1164354901	27-21
1164420204	27-29
1164420602	27-17
1164420902	27-18
1164421801	27-20
1165214201	16-14
1165215301	16-8
1165530801	10-3
1165530902	10-4
1165532501	9-7
1165532703	9-8
1200521204	13-13
13KK73060	36-6
26NA20300	12-15
26NA20300	15-10
4002313101	17-3
4002730601	20-3
4011204701	16-12
4011213401	16-6
4011302001	27-31

Parts No.	Page No.
4011302101	20-10
4011350901	27-34
4011351201	27-30
4011351501	27-12
4011533901	10-6
4012352412	26-15
4021522501	8-10
4025598401	32-9
4030103301	25-7
4030201903	16-11
4030204001	6-7
4030205301	40-20
4030205401	40-21
4030208001	35-13
4030208101	16-28
4030210201	16-2
4030211201	16-5
4030211301	16-4
4030211401	16-15
4030211501	16-3
4030250501	34-10
4030250601	34-11
4030251001	34-16
4030251101	34-15
4030251201	34-12
4030251501	34-8
4030251601	34-7
4030251701	34-5
4030251801	34-4
4030252303	34-3
4030252401	34-2
4030252501	34-6
4030252601	34-17
4030253002	34-9
4030253104	34-13
4030253501	34-19
4030300801	11-18
4030300801	14-13
4030301612	11-30
4030301612	14-8

Parts No.	Page No.
4030301703	12-17
4030301703	15-13
4030302505	12-12
4030302505	15-11
4030303101	13-14
4030303203	13-23
4030303701	12-16
4030303701	15-12
4030303901	12-1
4030303901	15-1
4030307701	12-4
4030307701	15-4
4030307801	12-19
4030307801	15-16
4030307901	12-2
4030307901	15-2
4030308001	12-3
4030308001	15-3
4030308301	17-8
4030310801	13-22
4030311202	13-6
4030312101	29-18
4030312201	29-16
4030312501	13-10
4030320601	19-18
4030322402	17-10
4030322601	19-1
4030322812	19-13
4030340201	24-35
4030340301	24-36
4030344601	22-3
4030347501	24-27
4030348901	24-34
4030350109	27-36
4030350401	27-14
4030350501	27-26
4030374001	28-7
4030374103	28-8
4030374201	28-6
4030420701	27-16

Parts No.	Page No.
4030421304	27-27
4030422001	27-38
4030537901	10-7
4030538001	9-6
4030538302	9-26
4030538401	9-23
4030538502	10-2
4030538601	9-27
4030538702	9-4
4030538802	9-5
4030539301	9-15
4030539601	9-22
4030539801	9-25
4030R71200	34-20
4034015101	24-31
4037223902	35-1
4037320401	20-6
4037321312	19-20
4038323402	22-13
4038323701	23-7
4038351102	25-9
4038585601	31-11
4040016301	7-9
4040077800	27-35
4040209401	7-8
4040209501	7-12
4040254501	34-18
4040255201	34-23
4040309601	11-3
4040309601	14-28
4040309701	11-24
4040309701	14-22
4040521101	8-19
4040522201	8-22
4040522301	8-23
4040526001	8-1
4040531801	9-9
4040532201	9-21
4066370501	26-3
4128197801	6-8

Parts No.	Page No.
4128197901	6-9
4131300301	11-2
4131300301	14-2
4131300301	23-9
4131353202	13-2
4131353202	23-25
4138586601	26-25
4163520501	8-7
4163520701	8-13
4163520801	8-6
4163520901	8-15
4163521002	8-4
4163522101	8-12
4163522401	8-21
4163522601	8-9
4163523102	8-11
4163523701	8-14
4163523801	8-5
4163523901	8-17
4163524001	8-16
4163529301	9-18
4163529301	19-6
4163529301	20-5
4163529301	26-19
4163529301	27-2
4163529301	31-3
4163529301	32-12
4163529301	34-14
4163561202	8-31
4425301301	11-26
4425301301	14-24
4425301601	11-19
4425301601	14-17
4497311601	27-5
4497311601	28-2
4537331701	20-7
4556M10000	31-4
4661315501	26-8
4687328101	24-6
56AA40490	11-15

Parts No.	Page No.	Parts No.	Page No.	Parts No.	Page No.	Parts No.	Page No.	Parts No.	Page No.
56AA40490	12-8	A00J945500	2-17	A02E811900	29-10	A0ED621400	20-9	A108R90000	28-5
56AA40490	14-12	A00JH00D00	2-2	A02E813100	26-32	A0ED621902	20-15	A11U815000	26-9
56AA40490	15-6	A011946200	2-19	A02E815200	28-13	A0ED622100	19-19	A121132200	36-5
57GA61560	12-13	A02E148400	3-18	A02E815200	32-11	A0ED623200	19-15	A121270101	1-1
65JA45030	17-4	A02E561100	11-12	A02E941700	4-3	A0ED623400	19-3	A121943900	1-10
65JA45140	17-9	A02E561100	14-16	A02E941900	2-20	A0ED625000	18-8	A121944700	1-9
9372271022	27-28	A02E591100	22-16	A02EG62100	24-15	A0ED625201	18-7	A121944700	41-3
9381430031	41-7	A02E591200	23-15	A02EM10400	10-9	A0ED625301	18-10	A121PP0000	1-5
9J03M10000	7-14	A02E591801	22-7	A083895301	4-1	A0ED625400	18-4	A121PP0100	1-2
9J03M10000	26-20	A02E592100	24-17	A093940100	2-21	A0ED625500	19-7	A121PP0200	1-4
9J03N30000	41-7	A02E592300	24-5	A0CRPP0100	1-6	A0ED627500	17-5	A121PP0300	1-3
9J06323501	2-7	A02E592400	24-3	A0CRPP0200	1-7	A0ED631600	19-16	A121PP0500	1-11
9J06323501	22-9	A02E592501	24-25	A0ED162600	2-4	A0ED633100	19-4	A121PP0600	1-12
9J06M10300	17-2	A02E592600	24-26	A0ED162700	2-5	A0ED635801	19-10	A1UD100701	16-22
9J06M20000	23-4	A02E593200	24-4	A0ED166100	41-2	A0ED940100	18-5	A1UD100802	16-27
9J06M60100	35-8	A02E593300	24-2	A0ED166200	41-1	A0EDF62100	20-11	A1UD101300	25-5
A00F623201	23-17	A02E593400	24-1	A0ED563900	12-5	A0EDM50100	11-8	A1UD101500	25-1
A00FM20000	11-1	A02E593500	24-20	A0ED563900	15-18	A0EDM50100	13-19	A1UD101600	16-25
A00FM20000	14-1	A02E593700	24-10	A0ED590500	24-23	A0EDM50100	14-7	A1UD101801	11-11
A00J168301	2-3	A02E594500	23-18	A0ED590800	22-8	A0EDM50100	24-12	A1UD102300	35-7
A00J169100	3-10	A02E594600	23-19	A0ED590900	22-1	A0EDN30002	35-15	A1UD102401	10-14
A00J169100	4-16	A02E595100	23-8	A0ED591000	22-15	A0EDN30201	41-7	A1UD102501	16-23
A00J191900	5-9	A02E595201	23-3	A0ED591700	24-37	A0P0561600	12-21	A1UD102802	9-20
A00J560100	11-25	A02E595302	23-12	A0ED591900	24-24	A0P0561600	15-19	A1UD103300	14-10
A00J560100	14-23	A02E595400	23-10	A0ED592201	24-7	A0POM50400	35-5	A1UD103401	9-24
A00J560302	11-23	A02E595600	23-1	A0ED593100	24-38	A0TKH00200	8-25	A1UD103700	25-4
A00J560302	14-21	A02E596002	23-11	A0ED593600	24-22	A0VDN12300	36-9	A1UD103800	25-3
A00J563600	11-13	A02E596100	23-26	A0ED593900	24-39	A108M50100	2-8	A1UD103900	25-2
A00J563600	12-6	A02E597200	24-28	A0ED597100	24-29	A108M50100	11-6	A1UD104001	6-1
A00J563600	14-11	A02E597301	24-33	A0ED598700	22-6	A108M50100	13-16	A1UD104101	6-2
A00J563600	15-17	A02E597600	24-30	A0ED599000	24-13	A108M50100	14-5	A1UD104201	6-3
A00J564000	11-20	A02E598100	24-19	A0ED599100	24-11	A108M50100	17-6	A1UD104400	11-9
A00J564000	14-18	A02E598200	22-12	A0ED599300	24-32	A108M50100	22-4	A1UD104500	6-11
A00J564600	12-10	A02E598300	24-16	A0ED620200	19-5	A108M50100	23-2	A1UD104500	36-12
A00J564600	15-8	A02E598400	22-2	A0ED620500	19-2	A108M50100	28-16	A1UD105001	16-24
A00J564700	12-7	A02E622300	19-14	A0ED620601	20-13	A108M50100	29-5	A1UD105200	25-12
A00J564700	15-5	A02E622400	20-14	A0ED620701	19-17	A108M50100	33-2	A1UD105302	16-18
A00J566801	11-29	A02E622700	20-4	A0ED621000	20-2	A108R90000	17-12	A1UD106001	16-26
A00J566801	14-27	A02E810800	28-17	A0ED621101	20-12	A108R90000	22-11	A1UD106100	2-11
A00J945000	3-19	A02E811300	29-19	A0ED621300	20-8	A108R90000	27-8	A1UD106201	35-6



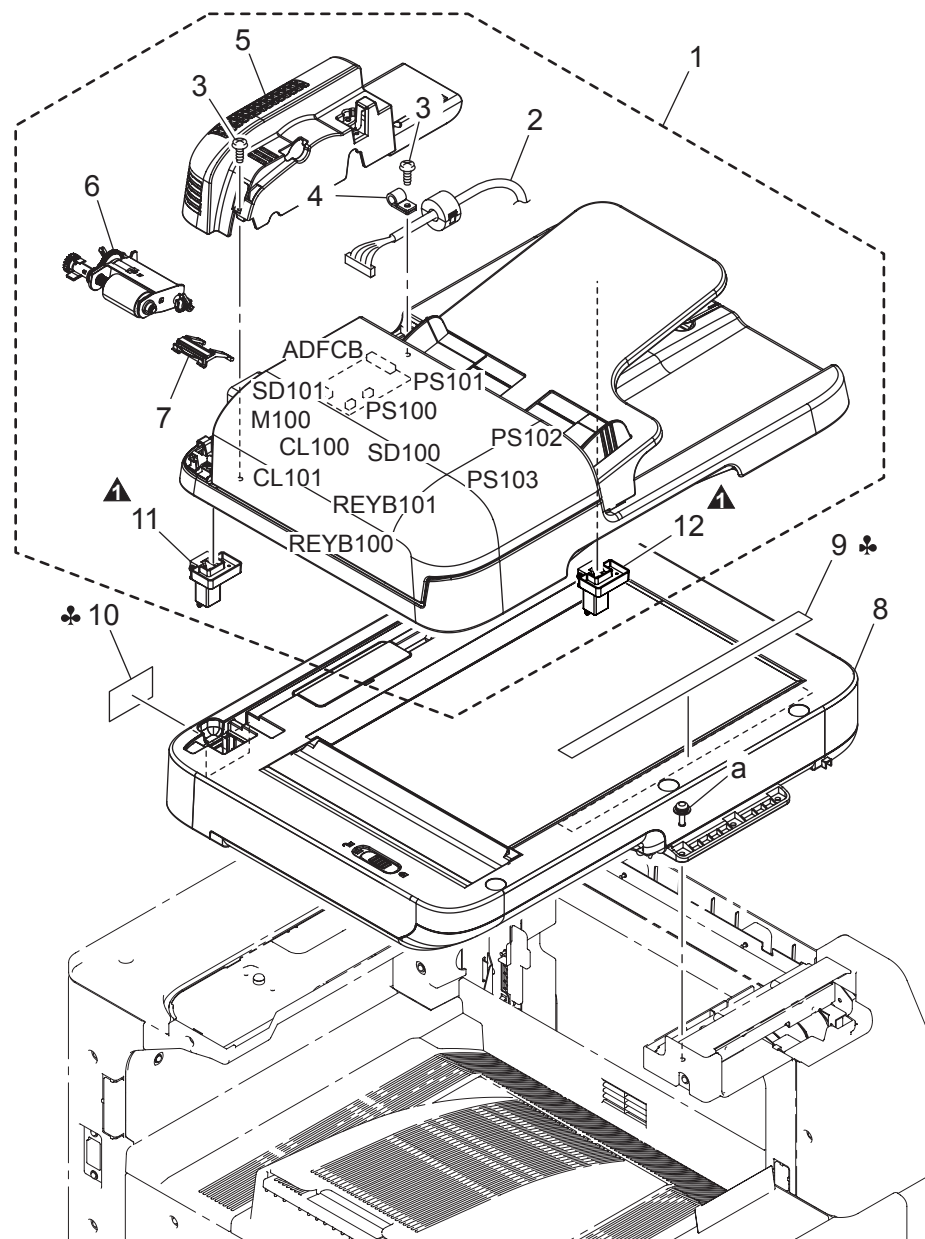
Parts No.	Page No.	Parts No.	Page No.	Parts No.	Page No.	Parts No.	Page No.	Parts No.	Page No.
A1UD120700	25-14	A1UD218700	33-7	A1UD561900	13-20	A1UD700200	27-33	A1UD812300	28-3
A1UD121000	25-11	A1UD218900	33-1	A1UD562100	13-4	A1UD700300	27-9	A1UD812600	28-15
A1UD131000	6-4	A1UD219000	33-11	A1UD562612	12-11	A1UD710101	26-10	A1UD812700	27-1
A1UD131400	16-19	A1UD220600	34-22	A1UD562612	15-9	A1UD710200	26-29	A1UD812800	28-12
A1UD132400	25-13	A1UD331200	8-30	A1UD563100	12-9	A1UD710302	26-17	A1UD812900	26-31
A1UD133100	35-4	A1UD370500	8-27	A1UD563100	15-7	A1UD710400	26-22	A1UD813200	29-11
A1UD133700	35-9	A1UD370601	8-26	A1UD563200	12-18	A1UD710500	26-21	A1UD813400	28-9
A1UD133800	35-10	A1UD370700	8-24	A1UD563200	15-15	A1UD710700	27-10	A1UD813600	29-12
A1UD133900	35-11	A1UD370900	8-20	A1UD563300	11-32	A1UD710800	26-26	A1UD813700	28-18
A1UD135100	7-6	A1UD371000	8-18	A1UD563400	11-33	A1UD710900	26-30	A1UD813800	29-8
A1UD135312	7-7	A1UD400700	10-11	A1UD564101	11-10	A1UD711000	26-23	A1UD813900	29-7
A1UD135701	7-1	A1UD400801	10-8	A1UD564200	14-9	A1UD711101	26-28	A1UD814000	26-2
A1UD136100	7-3	A1UD400900	10-10	A1UD564300	13-11	A1UD711200	25-8	A1UD814100	27-4
A1UD136400	7-5	A1UD410101	9-14	A1UD564401	13-3	A1UD711300	26-18	A1UD814100	28-11
A1UD160102	2-14	A1UD410200	9-19	A1UD564600	12-14	A1UD711500	29-13	A1UD814201	28-19
A1UD160901	2-9	A1UD410300	9-12	A1UD564901	11-7	A1UD711600	29-17	A1UD814300	29-3
A1UD161101	3-16	A1UD410400	9-16	A1UD564901	14-6	A1UD711700	29-15	A1UD890100	31-2
A1UD161301	3-15	A1UD410601	9-17	A1UD565101	14-4	A1UD711800	27-3	A1UD890201	32-14
A1UD161500	4-5	A1UD410700	9-3	A1UD565500	11-31	A1UD711900	26-11	A1UD890402	31-9
A1UD161800	4-12	A1UD410800	9-10	A1UD565500	14-30	A1UD712000	27-11	A1UD890402	31-9
A1UD162600	3-11	A1UD410900	9-11	A1UD570300	13-25	A1UD712100	26-16	A1UD890500	31-8
A1UD162800	3-13	A1UD411000	9-9	A1UD570400	13-26	A1UD712200	26-24	A1UD890600	32-10
A1UD163002	2-6	A1UD560102	11-5	A1UD570500	13-9	A1UD712300	26-13	A1UD890700	31-5
A1UD210001	33-18	A1UD560200	11-17	A1UD572400	13-8	A1UD712500	26-7	A1UD890800	31-6
A1UD210201	33-16	A1UD560200	14-15	A1UD590100	23-21	A1UD712600	29-14	A1UD891000	32-8
A1UD210300	33-14	A1UD560401	11-21	A1UD590200	23-23	A1UD712700	26-14	A1UD891100	32-5
A1UD210401	33-15	A1UD560401	14-19	A1UD590600	21-4	A1UD712800	26-27	A1UD891500	32-6
A1UD210500	33-22	A1UD560500	11-16	A1UD590700	21-1	A1UD713000	27-19	A1UD891600	32-4
A1UD210601	33-17	A1UD560500	14-14	A1UD591300	23-16	A1UD810100	26-5	A1UD891800	32-3
A1UD210900	33-19	A1UD560600	11-4	A1UD591500	23-22	A1UD810201	26-6	A1UD892100	31-7
A1UD211300	33-20	A1UD560600	14-3	A1UD592800	24-21	A1UD810300	26-4	A1UD892200	32-13
A1UD211401	33-13	A1UD560701	11-14	A1UD594101	23-14	A1UD810400	25-6	A1UD892600	32-15
A1UD211600	34-21	A1UD560701	14-29	A1UD594200	23-24	A1UD810500	28-1	A1UD892700	32-16
A1UD212000	33-21	A1UD561101	11-28	A1UD595500	23-6	A1UD810900	27-6	A1UD892800	32-2
A1UD218100	33-5	A1UD561101	14-26	A1UD595700	23-13	A1UD811000	26-1	A1UD892900	32-7
A1UD218200	33-6	A1UD561200	13-7	A1UD595900	23-20	A1UD811100	28-10	A1UD893100	31-12
A1UD218301	33-8	A1UD561400	13-5	A1UD598100	24-14	A1UD811300	29-9	A1UD893300	31-13
A1UD218400	33-10	A1UD561500	13-24	A1UD598600	22-10	A1UD811600	28-14	A1UD941400	31-1
A1UD218501	33-9	A1UD561600	13-15	A1UD599200	24-9	A1UD811700	29-6	A1UD947400	41-6
A1UD218602	33-3	A1UD561801	13-12	A1UD625300	18-3	A1UD812200	26-12	A1UDM10000	34-1

Parts No.	Page No.	Parts No.	Page No.	Parts No.	Page No.	Parts No.	Page No.	Parts No.	Page No.
A1UDM10100	29-4	A1UDR71011	30-1	A3EW131500	3-20	A3EW191601	5-14	A3EWM70002	5-3
A1UDM10100	32-1	A1UDR71111	8-8	A3EW131800	36-4	A3EW191700	5-10	A3EWM90000	36-18
A1UDM10500	7-10	A1UDR71811	7-4	A3EW132100	16-21	A3EW191800	5-16	A3EWM90100	36-17
A1UDM20000	27-32	A1UDR72011	30-1	A3EW133401	36-2	A3EW191900	5-11	A3EWM90200	36-16
A1UDM20100	13-1	A1UDR72100	30-2	A3EW133500	36-13	A3EW192001	5-13	A3EWM90300	5-19
A1UDM20100	23-5	A1UDR72200	11-34	A3EW134001	3-7	A3EW260101	1-8	A3EWM90400	3-4
A1UDM40301	6-5	A1UDR72300	14-31	A3EW134100	3-6	A3EW410800	9-10	A3EWM90500	37-7
A1UDM50100	24-18	A1UDR72400	26-33	A3EW137001	37-2	A3EW562701	12-20	A3EWN11000	35-3
A1UDM50200	10-5	A1UDR7A000	25-10	A3EW137100	37-5	A3EW562701	15-14	A3EWN11100	35-3
A1UDN11600	6-15	A1UDR7A100	29-2	A3EW138000	3-3	A3EW620102	19-11	A3EWN11201	35-3
A1UDN12400	13-21	A1UDR90200	19-21	A3EW140000	36-7	A3EW620900	20-1	A3EWN11301	37-4
A1UDN12500	10-13	A1UDR90400	20-16	A3EW160200	2-10	A3EW625100	18-6	A3EWN11401	16-20
A1UDN12601	2-1	A1UDR90500	8-29	A3EW160300	2-18	A3EW625700	19-9	A3EWN11501	16-20
A1UDN12700	11-27	A1UE210101	33-26	A3EW160400	37-1	A3EW627100	19-12	A3EWN12002	38-1
A1UDN12800	14-25	A1UE210700	33-23	A3EW160500	2-16	A3EW634600	17-7	A3EWN12100	39-1
A1UDN12A00	7-2	A1UE210800	33-24	A3EW160600	4-14	A3EW635100	18-9	A3EWN12K00	17-1
A1UDN12B00	22-14	A1UE211000	33-25	A3EW160700	4-15	A3EW940200	25-15	A3EWN12M00	17-11
A1UDN12C02	24-8	A1UEN12400	13-17	A3EW161000	3-17	A3EW940401	18-1	A3EWN12Y00	6-12
A1UDN12E00	31-10	A1UEN12700	11-27	A3EW161200	3-14	A3EW940501	18-2	A3EWN13100	4-13
A1UDN12F00	16-16	A1UEN12800	14-25	A3EW162001	4-4	A3EW940600	9-13	A3EWN13401	37-6
A1UDN12G00	16-9	A1UER72200	11-34	A3EW162101	4-2	A3EW940800	21-2	A3EWN14002	5-2
A1UDN12H00	16-1	A1UER72300	14-31	A3EW162201	4-17	A3EW940900	21-2	A3EWN14101	4-10
A1UDN12J00	16-7	A1UF940600	9-13	A3EW162500	3-12	A3EW941000	21-2	A3EWN14300	36-8
A1UDN12N01	29-1	A1UFR70000	9-1	A3EW164101	3-1	A3EW941100	41-4	A3EWN21301	37-4
A1UDN12P01	28-4	A2WU135300	6-13	A3EW170700	3-5	A3EW941200	21-3	A3EWR70000	6-10
A1UDN12W00	36-15	A2WUM60000	6-6	A3EW171000	4-11	A3EW941301	2-12	A3EWR70100	9-1
A1UDN13200	27-7	A2X0M72C00	36-10	A3EW171101	4-7	A3EW941400	2-12	A3EWR70200	9-1
A1UDN30001	35-15	A3EW101000	35-14	A3EW171200	4-6	A3EW942000	41-5	A3EWR70411	36-1
A1UDP00004	36-14	A3EW107100	16-30	A3EW171300	5-1	A3EW942200	2-15	A3EWR70511	36-1
A1UDP00100	26-34	A3EW107200	16-29	A3EW171400	4-9	A3EW944600	1-9	A3EWR70611	36-1
A1UDP01600	8-28	A3EW121300	4-8	A3EW171500	5-18	A3EW950100	5-20	A3EWR70711	36-1
A1UDR70000	34-24	A3EW121400	6-14	A3EW171801	3-9	A3EW950100	41-8	A3EWR70900	36-1
A1UDR70122	33-12	A3EW121600	3-8	A3EW172000	5-15	A3EW950400	5-20	A45X940600	9-13
A1UDR70200	33-4	A3EW130101	36-11	A3EW172101	5-17	A3EW950600	5-20	A45X942200	2-15
A1UDR70422	10-12	A3EW130201	36-3	A3EW190101	5-12	A3EW950700	41-8	A45XN12002	38-1
A1UDR70500	27-39	A3EW130300	3-2	A3EW190200	5-5	A3EW950800	5-20	A45XN12100	39-1
A1UDR70611	22-17	A3EW130501	7-11	A3EW190601	5-6	A3EWF62200	19-8	A45XR70000	9-1
A1UDR70711	26-33	A3EW130901	7-13	A3EW191000	5-8	A3EWM40000	37-3	A45XR70111	36-1
A1UDR70811	30-1	A3EW131100	35-2	A3EW191100	5-4	A3EWM40100	37-3	A45XR70211	36-1
A1UDR70911	30-1	A3EW131201	35-2	A3EW191501	5-7	A3EWM40201	37-3	A45XR70311	36-1

Parts No.	Page No.
A45XR70411	36-1
A45XR70511	36-1
A45XR70700	36-1
V500010003	40-3
V500010005	40-4
V500010007	40-5
V500010008	40-6
V500010013	40-7
V500010020	40-8
V500010046	40-9
V500010049	40-23
V500010061	40-10
V500020020	40-11
V500020042	40-12
V500020052	40-22
V500020066	40-13
V570010021	40-14
V570010023	40-15
V570010026	40-16
V570010027	40-17
V570010031	40-18
V570010046	40-19
V651010001	10-1
V800500300	27-37
V865300035	36-19

# ADF/IR Unit

改訂版 REVISED EDITION	日付 DATE
▲	OCTOBER 2012

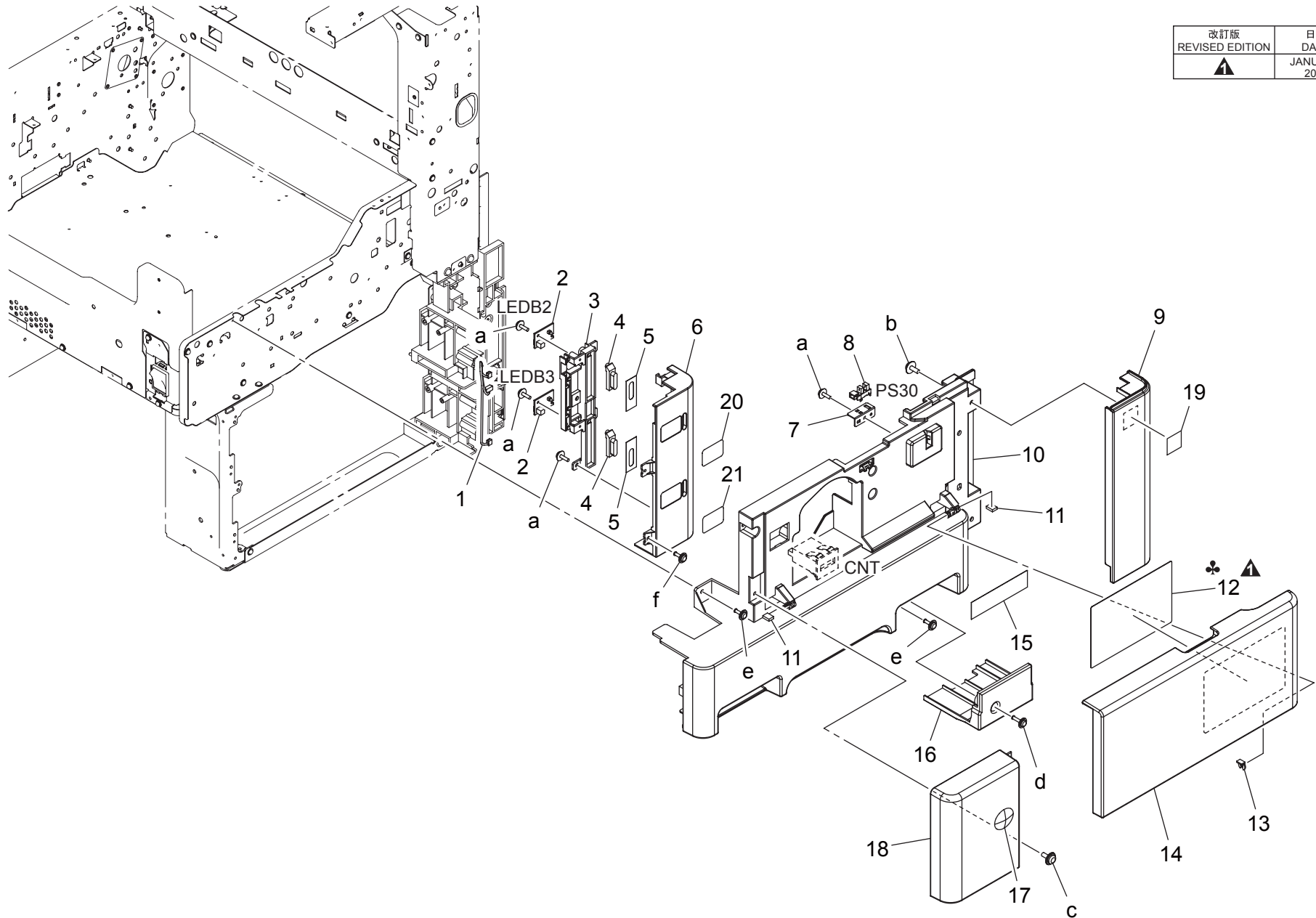




# EXTERNAL PARTS

P 2

改訂版 REVISED EDITION	日付 DATE
▲	JANUARY 2012



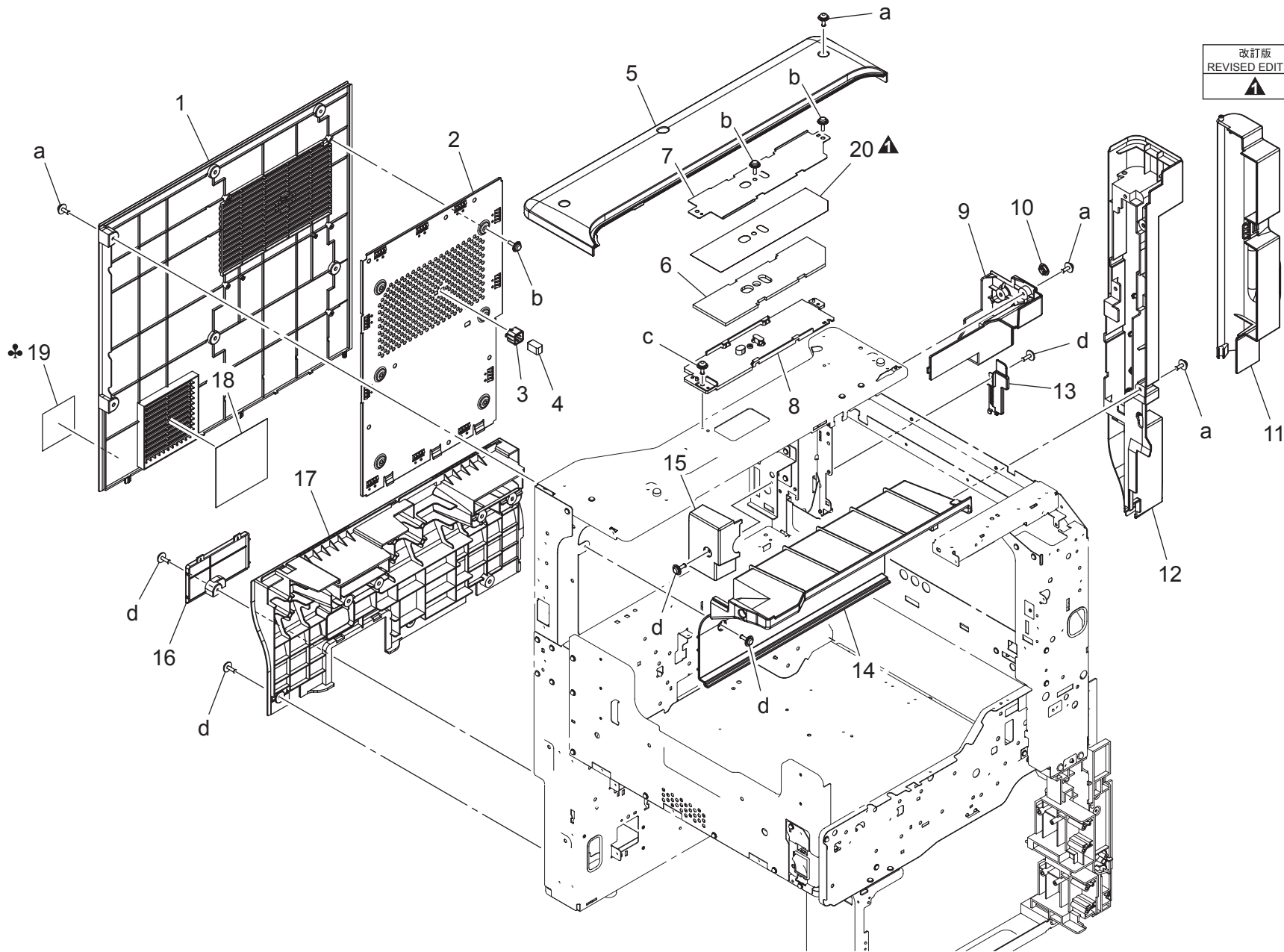
bizhub 36/bizhub 42



# EXTERNAL PARTS

P 3

改訂版 REVISED EDITION	日付 DATE
▲	JUNE 2012



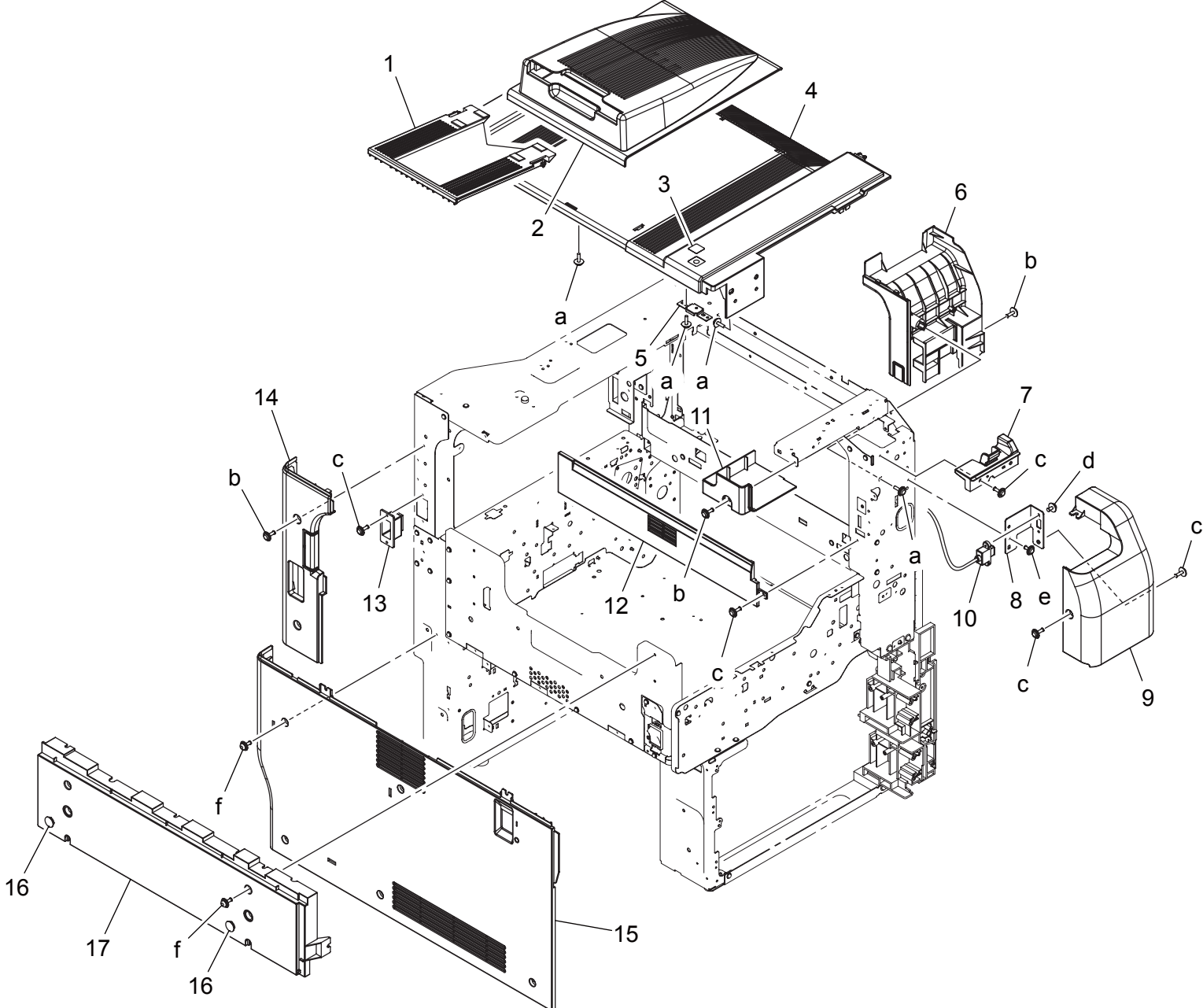
bizhub 36/bizhub 42







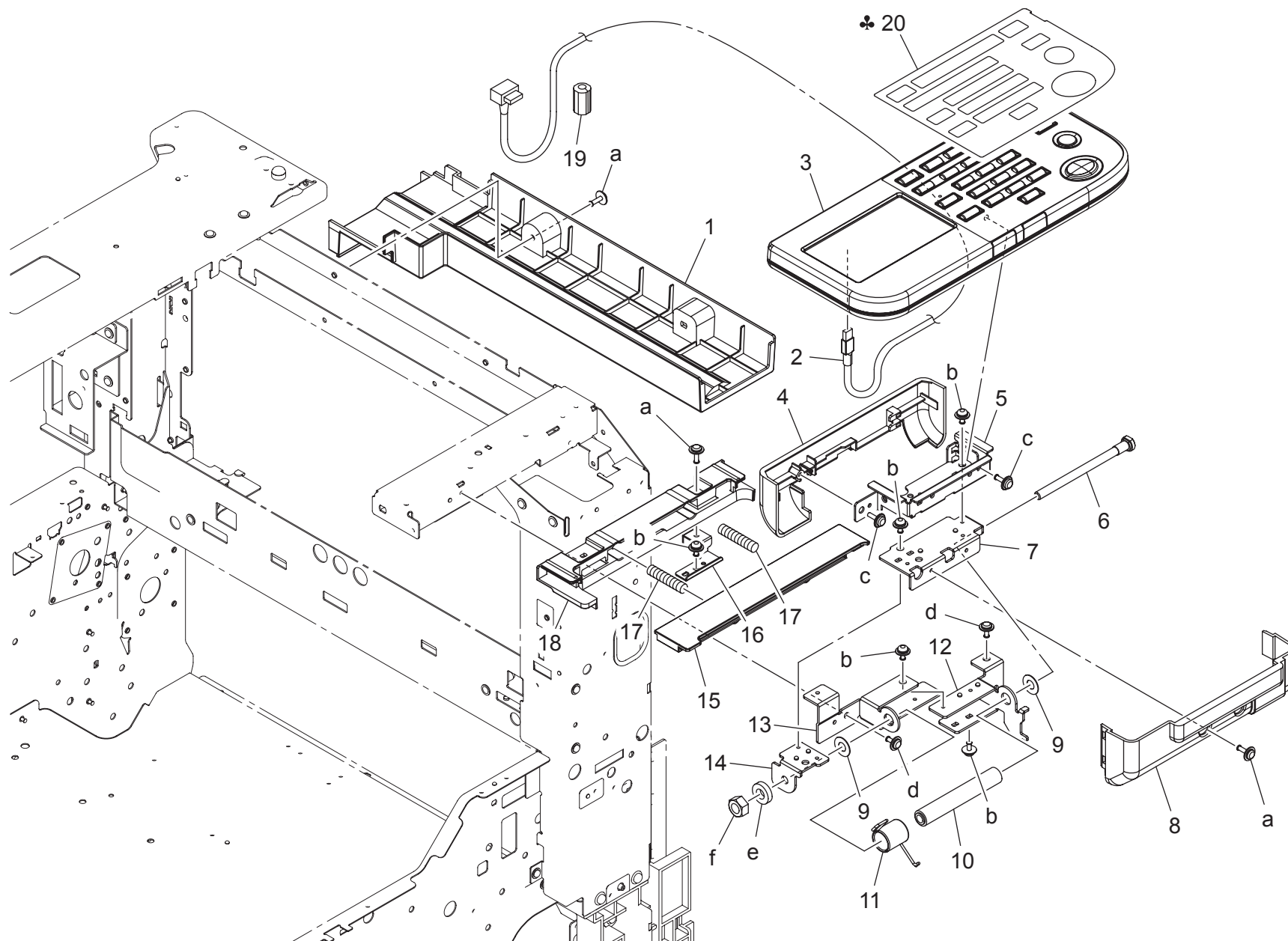
EXTERNAL PARTS





# OPERATION PANEL SECTION

P 5



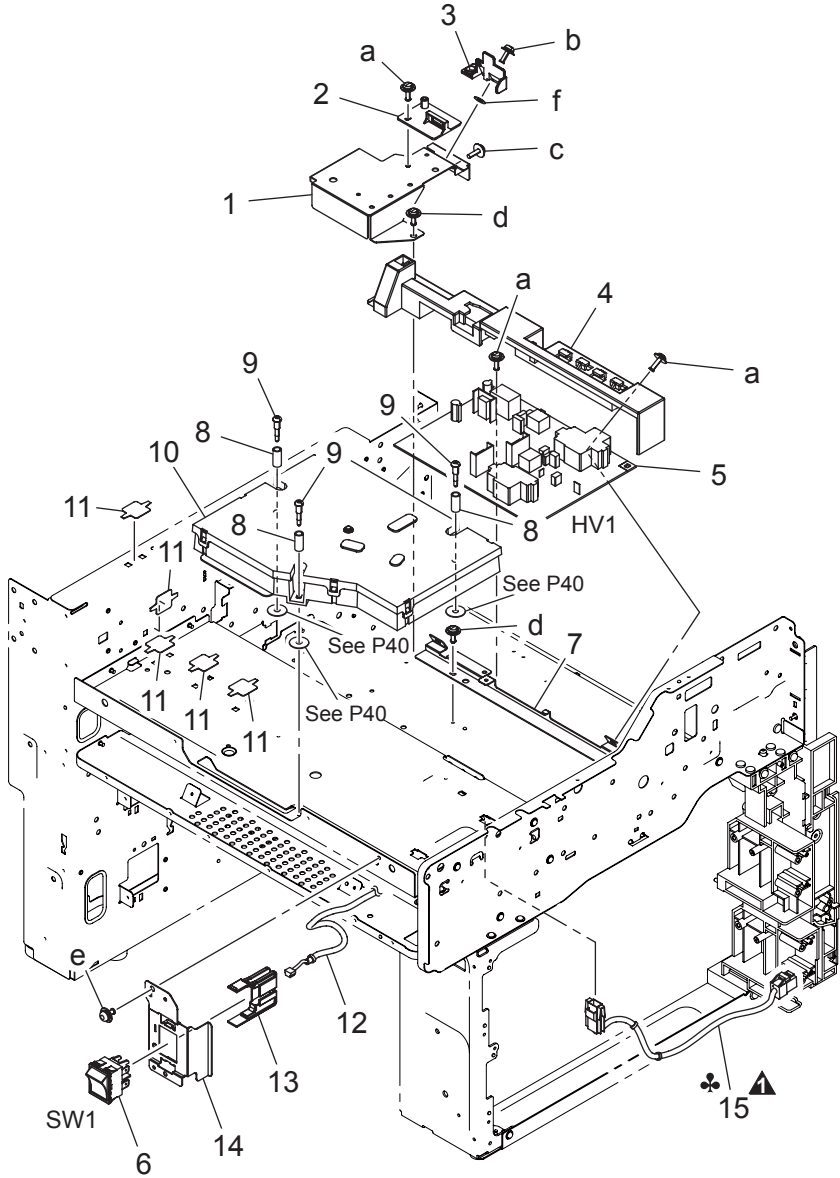
bizhub 36/bizhub 42

# OPERATION PANEL SECTION

Key	Part No.	Description	Destinations	Class	QTY	Standard parts
1	A3EW171300	Read Cover		D	1	a-V137030804 b-V116030603 c-V153030803 d-V137030603 e-V205060003 f-V195060003
2	A3EWN14002	Relay harness	中継束線 (USB パネルハーネス)	D	1	
3	A3EWM70002	Panel assembly	操作パネル ASSY	I	1	
4	A3EW191100	Cover	カバー (チルト後)	D	1	
5	A3EW190200	Support Plate	支持板 (可動)	D	1	
6	A3EW190601	Support Screw	支点ねじ (パネル)	D	1	
7	A3EW191501	Mounting Plate	取付板 (右上)	D	1	
8	A3EW191000	Cover	カバー (チルト前)	D	1	
9	A00J191900	Washer	ワッシャ	C	2	
10	A3EW191700	Collar	カラー (パネル)	D	1	
11	A3EW191900	Torsion Coil spring	ねじりコイルばね	D	1	
12	A3EW190101	Mounting Plate	取付板 (右下)	D	1	
13	A3EW192001	Mounting Plate	取付板 (左下)	D	1	
14	A3EW191601	Mounting Plate	取付板 (左上)	D	1	
15	A3EW172000	Read Cover /Upper	読取カバー／上 (パネル後)	D	1	
16	A3EW191800	Mounting Plate	取付板 (カバー)	D	1	
17	A3EW172101	Compressing Coil spring	圧縮コイルばね (読取カバー・スライド)	D	2	
18	A3EW171500	Read Cover /Lower	読取カバー／下 (パネル後)	D	1	
19	A3EWM90300	Ferritecore	フェライトコア	D	1	
20	A3EW950100	Sheet	シート (パネル・英語)	B,D1,D3,F2,G1,I,K	1	
20	A3EW950800	Sheet	シート (パネル・国内)	A,A1	1	
20	A3EW950600	Sheet	シート (パネル・中国簡体)	J	1	
20	A3EW950400	Sheet	シート (パネル・中国繁体)	H	1	

# PRINT HEAD SECTION

改訂版 REVISED EDITION	日付 DATE
▲	JANUARY 2012







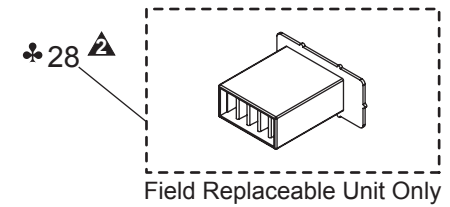
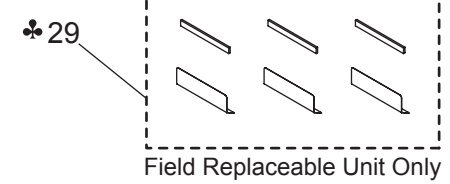
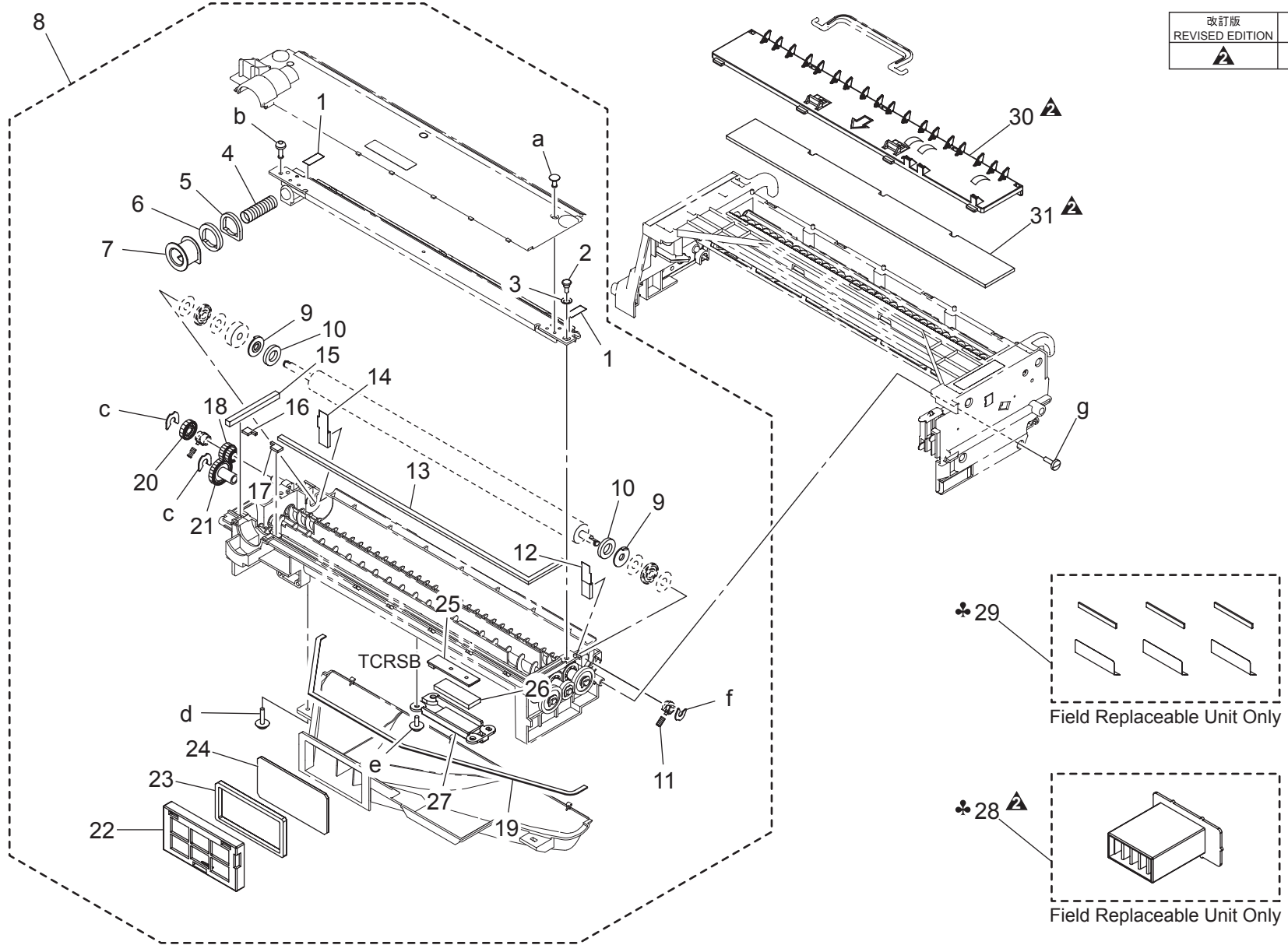




# IU SECTION

P 8

改訂版 REVISED EDITION	日付 DATE
	NOVEMBER 2012



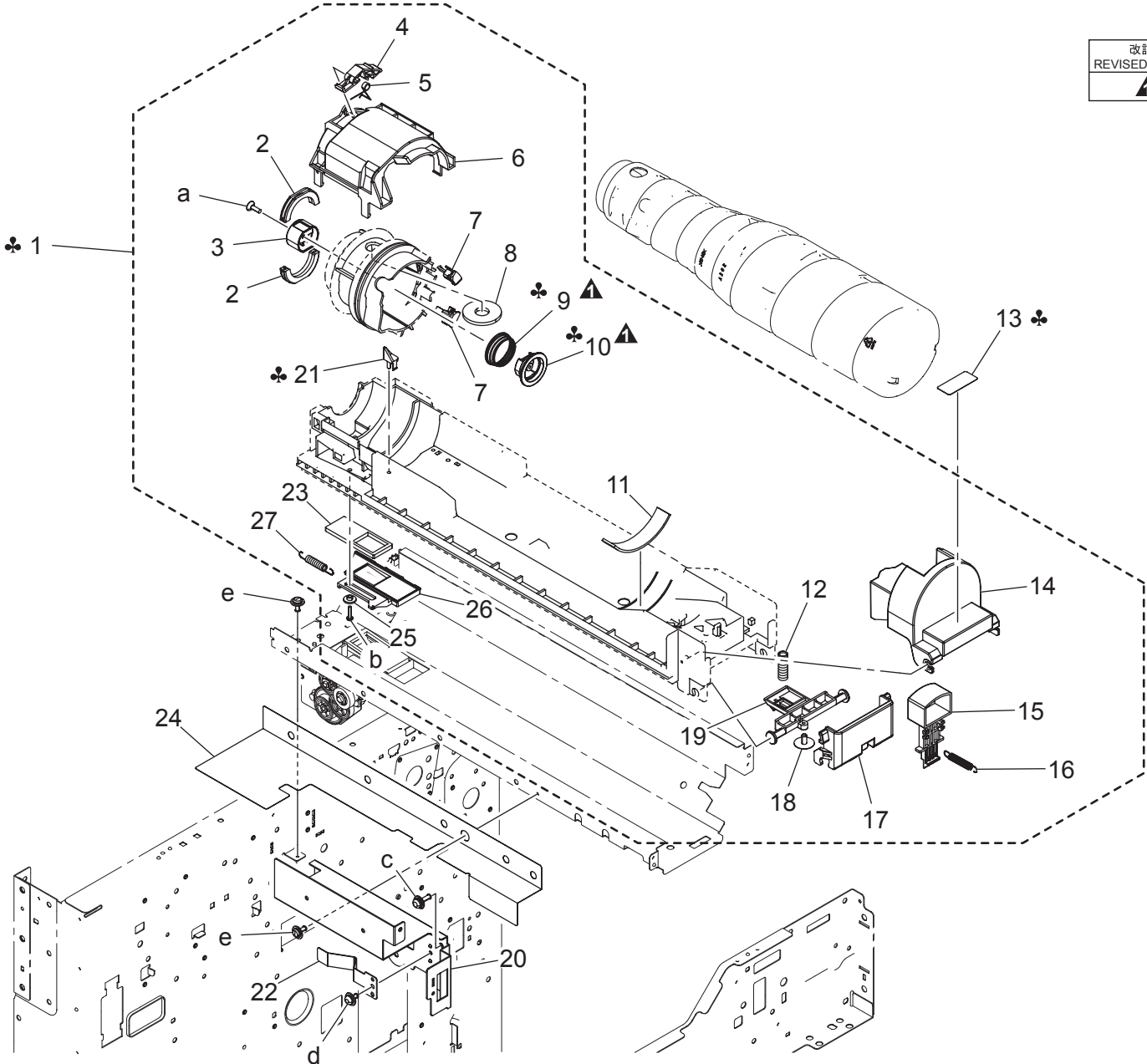
bizhub 36/bizhub 42





# HOPPER SECTION

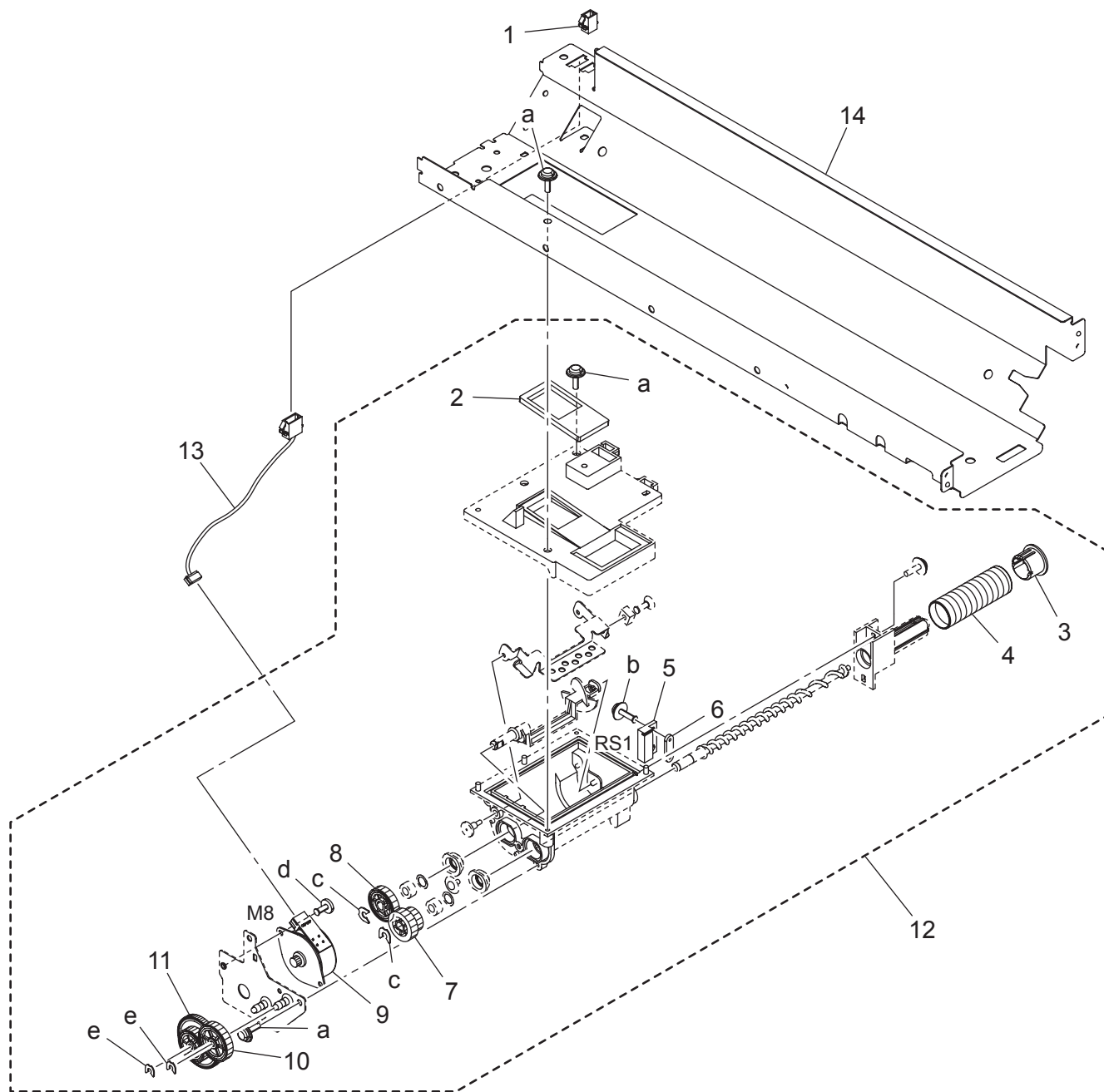
改訂版 REVISED EDITION	日付 DATE
▲	JANUARY 2012



# HOPPER SECTION

Key	Part No.	Description	Destinations	Class	QTY	Standard parts
1	A3EWR70200	Hopper Assy ホッパー A s s y	C,D1,D3,F2,G1,H,I,J ,K{bizhub 42}	I	1	a-V147030803 b-V151031403 c-V116041203 d-V116030603 e-V137030603
1	A45XR70000	Hopper Assy ホッパー A s s y	C,D1,D3,F2,G1,H,I,J ,K{bizhub 36}	I	1	
1	A3EWR70100	Hopper Assy ホッパー A s s y	B	I	1	
1	A1UFR70000	Hopper Assy ホッパー A S S Y	A,A1	I	1	
2	1151502301	SUPPORT サポート		C	2	
3	A1UD410700	Joint ジョイント (ボトル駆動)		C	1	
4	4030538702	STOPPER ストッパ		D	1	
5	4030538802	Torsion Spring ねじりコイルばね		C	1	
6	4030538001	HOLDER ホルダ		D	1	
7	1165532501	PIN ピン		D	2	
8	1165532703	SEAL シール		C	1	
9	4040531801	PRESSURE SPRING 圧縮コイルばね	B,C,D1,D3,F2,G1,G2, H,I,J,K	C	1	
9	A1UD411000	Compressing Coil spring 圧縮コイルばね	A,A1	C	1	
10	A3EW410800	Collar カラー (ボトル駆動)	B,C,D1,D3,F2,G1,G2, H,I,J,K	C	1	
10	A1UD410800	Collar カラー (ボトル駆動)	A,A1	C	1	
11	A1UD410900	Cushion クッション (トナーボトル)		C	1	
12	A1UD410300	Compressing Coil spring 圧縮コイルばね		C	1	
13	A3EW940600	Label ラベル (トナー TN 4 1 5)	{bizhub 42}B,G2{biz hub 36}	D	1	
13	A45X940600	Label ラベル (トナー TN 3 2 0)	C,D1,D3,F2,G1,H,I,J ,K{bizhub 36}	D	1	
13	A1UF940600	Label ラベル (トナー表示)	A,A1	D	1	
14	A1UD410101	Stopper ストッパ (トナーボトル)		D	1	
15	4030539301	HANDLE 取手		C	1	
16	A1UD410400	Pulling Coil spring 引張りコイルばね		C	1	
17	A1UD410601	Handle 取手 (ボトルトレイ)		C	1	
18	4163529301	SCREW ねじ		C	1	
19	A1UD410200	Claw 爪 (ボトルトレイ)		C	1	
20	A1UD102802	Stopper ストッパ (ボトルトレイ)		D	1	
21	4040532201	STOPPER ストッパ	C,D1,D3,F2,G1,H,I,J ,K{bizhub 36}	C	1	
22	4030539601	PLATE SPRING 板ばね		C	1	
23	4030538401	SEAL シール		C	1	
24	A1UD103401	Light blocking Sheet 遮光シート (レーザー)		D	1	
25	4030539801	COLLAR カラー		D	1	
26	4030538302	SHUTTER シャッター		D	1	
27	4030538601	TENSION SPRING 引張りコイルばね		C	1	

# HOPPER SECTION



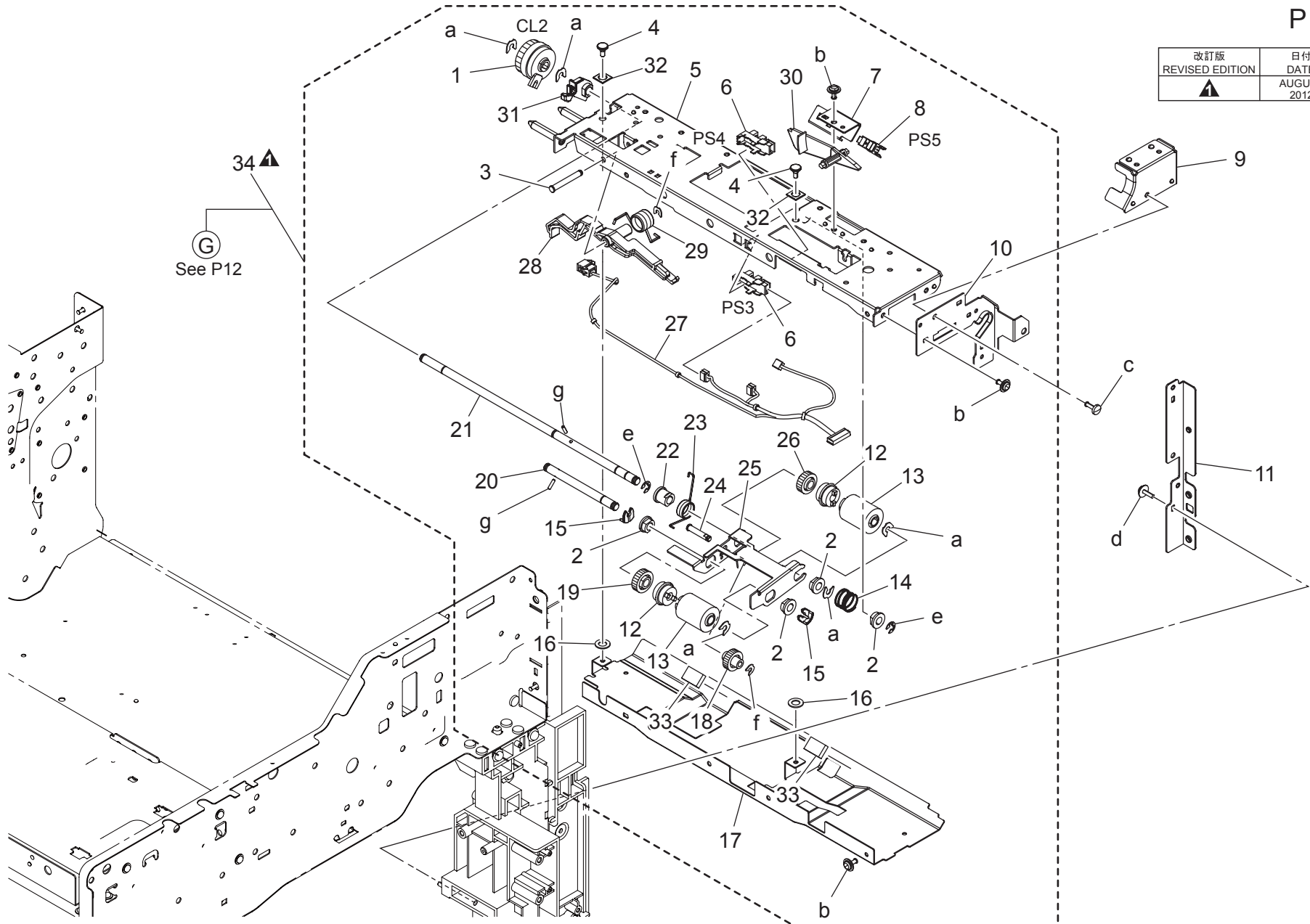
# HOPPER SECTION

Key	Part No.	Description	Destinations	Class	QTY	Standard parts
1	V651010001	connector	W t o W コネクタ	D	1	a-V153030803 b-V116031003 c-V218040086 d-V136030603 e-V218030086
2	4030538502	SEAL	シール	C	1	
3	1165530801	SHUTTER	シャッター	D	1	
4	1165530902	PRESSURE SPRING	圧縮コイルばね	C	1	
5	A1UDM50200	Lead Switch	リードスイッチ	C	1	
6	4011533901	PLATE NUT	板ナット	D	1	
7	4030537901	GEAR 14/19T	ギヤ 14 / 19 T	C	1	
8	A1UD400801	Toner supply Gear	トナー補給ギア (攪拌板)	C	1	
9	A02EM10400	Stepping motor	ステッピングモータ	C	1	
10	A1UD400900	Toner supply Gear	トナー補給ギア (アイドル)	C	1	
11	A1UD400700	Toner supply Gear	トナー補給ギア (減速)	C	1	
12	A1UDR70422	Sub Hopper Assy	S u b ホッパー A S S Y	C	1	
13	A1UDN12500	Supply Drive harness	補給駆動束線	D	1	
14	A1UD102401	Mounting Plate	取付板 (トナーボトル)	D	1	

# 1ST PAPER FEED SECTION

P 11

改訂版 REVISED EDITION	日付 DATE
▲	AUGUST 2012



bizhub 36/bizhub 42



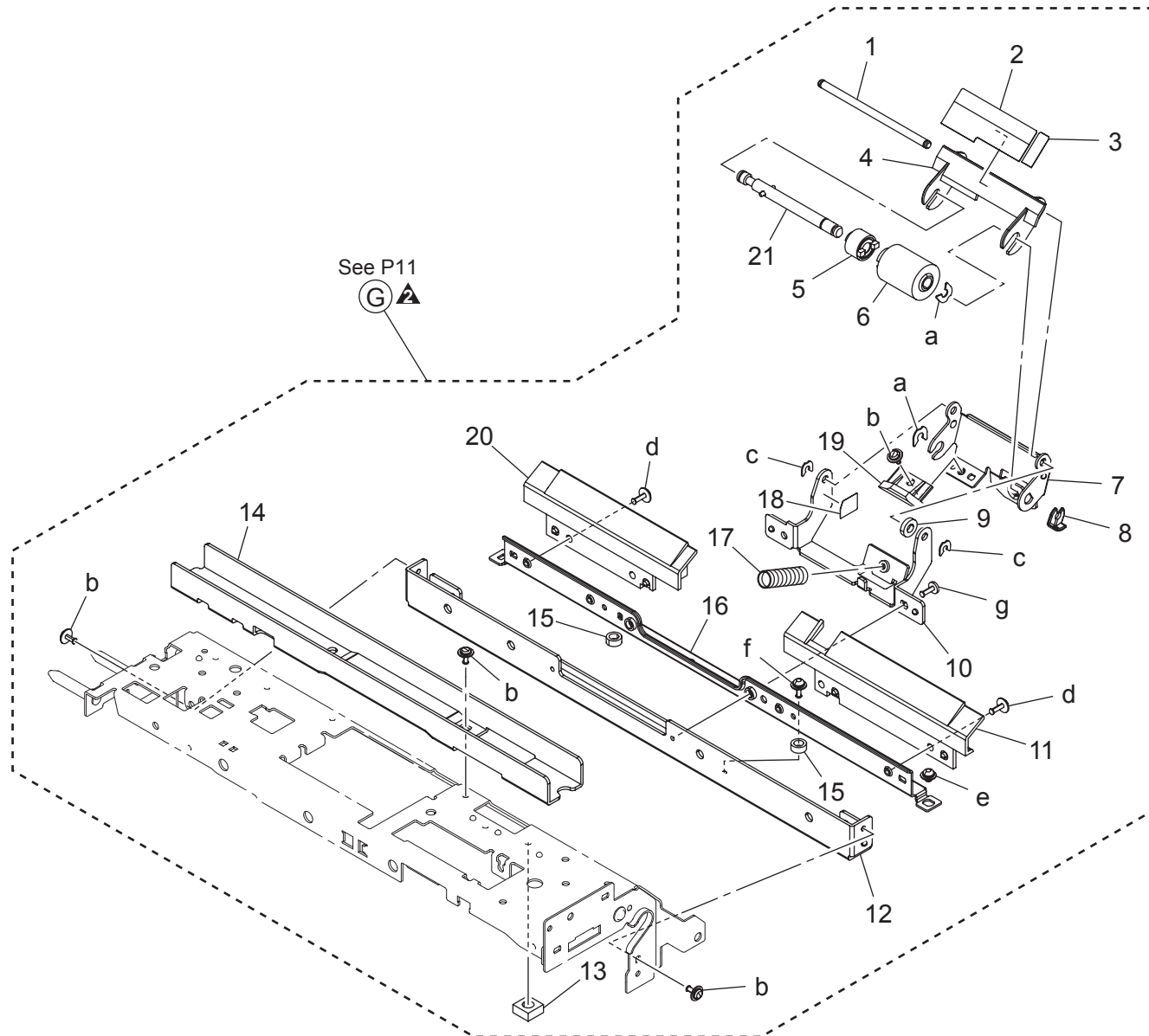
Key	Part No.	Description	Destinations	Class	QTY	Standard parts
1	A00FM20000	Clutch		C	1	a-V218040086 b-V137030603 c-V136030803 d-V153030803 e-V217040001 f-V218030086 g-V237200850
2	4131300301	BUSHING		C	4	
3	4040309601	SHAFT		D	1	
4	A1UD560600	Shoulder screw		D	2	
5	A1UD560102	Frame		D	1	
6	A108M50100	Photointerrupter		B	2	
7	A1UD564901	Mounting Plate	{bizhub 42}	D	1	
8	A0EDM50100	Photoreflector	{bizhub 42}	I	1	
9	A1UD104400	Mounting Plate		D	1	
10	A1UD564101	Frame		D	1	
11	A1UD101801	Mounting Plate		D	1	
12	A02E561100	Clutch		C	2	
13	A00J563600	Roller		A	2	
14	A1UD560701	Compressing Coil spring		C	1	
15	56AA40490	SHAFT STOPPER 4		C	2	
16	A1UD560500	Cushion		D	2	
17	A1UD560200	Guide Plate		D	1	
18	4030300801	GEAR 29T		C	1	
19	4425301601	GEAR 32T		C	1	
20	A00J564000	Shaft /P		D	1	
21	A1UD560401	Shaft		D	1	
22	1065308601	BUSHING		C	1	
23	A00J560302	Torsion Spring		C	1	
24	4040309701	SHAFT		D	1	
25	A00J560100	Paper feed Holder		D	1	
26	4425301301	GEAR 30T		C	1	
27	A1UDN12700	Paperfeed Wiring /1	{bizhub 42}	D	1	
27	A1UEN12700	Paperfeed Wiring /1	{bizhub 36}	D	1	
28	A1UD561101	Lever		C	1	
29	A00J566801	Torsion Spring		C	1	
30	4030301612	ACTUATOR		C	1	
31	A1UD565500	Paper feed Bushing		C	1	
32	A1UD563300	Vibrationproof Spacer		D	2	
33	A1UD563400	Vibrationproof Cushion		D	2	
34	A1UDR72200	Paper Feed 1	{bizhub 42}	S	1	
34	A1UER72200	Paper Feed/Upper	{bizhub 36}	S	1	

bizhub 36/bizhub 42

# 1ST PAPER FEED SECTION

P 12

改訂版 REVISED EDITION	日付 DATE
	AUGUST 2012

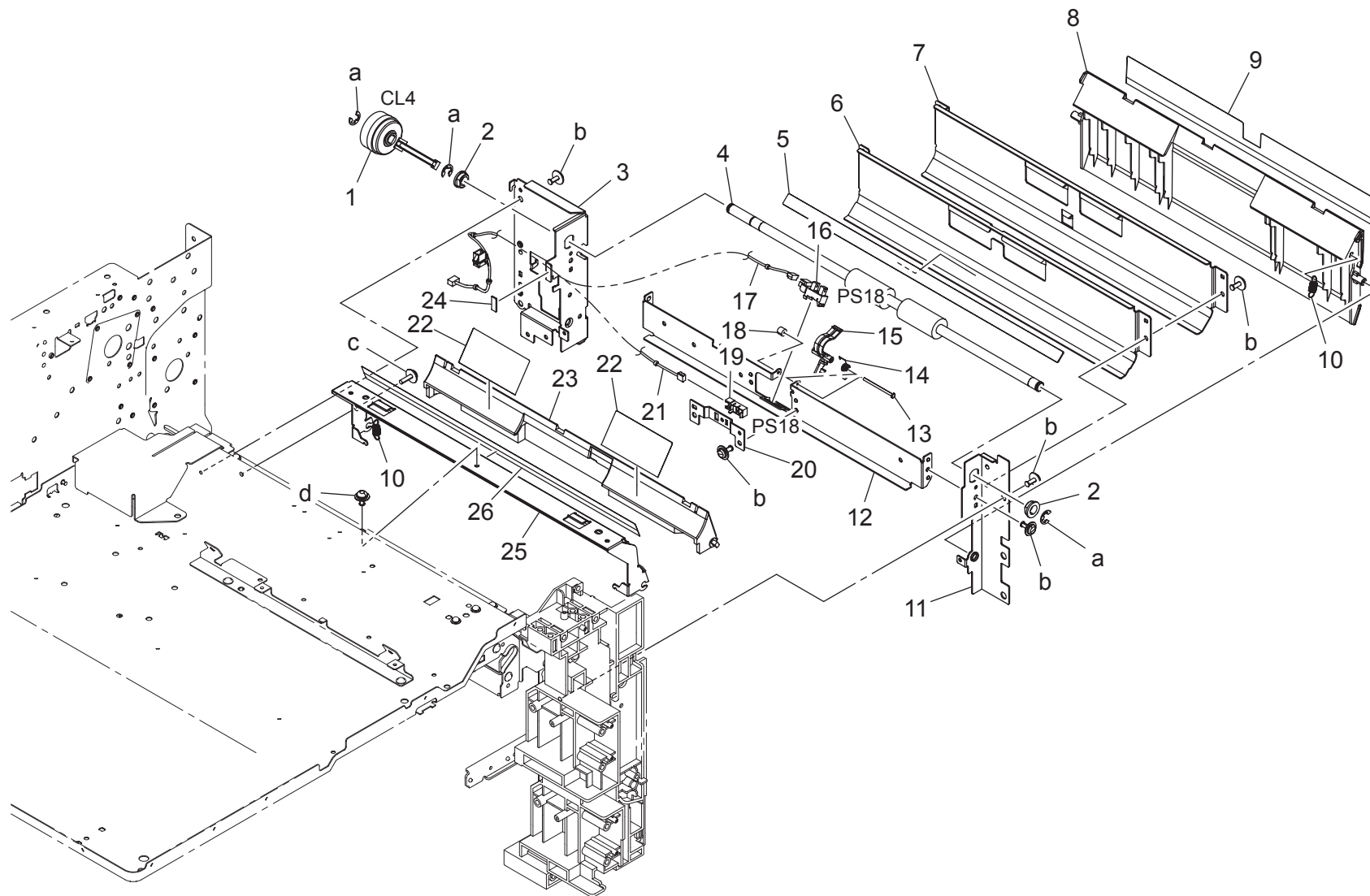


bizhub 36/bizhub 42

1ST PAPER FEED SECTION

Key	Part No.	Description	Destinations	Class	QTY	Standard parts
1	4030303901	SHAFT		D	1	a-V218040086 b-V137030603 c-V218030086 d-V137030803 e-V121030303 f-V116030803 g-V136030803
2	4030307901	GUIDE		C	1	
3	4030308001	GUIDE		C	1	
4	4030307701	GUIDE		D	1	
5	A0ED563900	Torque limiter		C	1	
6	A00J563600	Roller		A	1	
7	A00J564700	Holder /S		D	1	
8	56AA40490	SHAFT STOPPER 4		C	1	
9	A1UD563100	Cushion		C	1	
10	A00J564600	Mounting Plate /S		D	1	
11	A1UD562612	Guide		D	1	
12	4030302505	Bracket		D	1	
13	57GA61560	SCREW PROTECTION CUSHION/1	{bizhub 42}	C	1	
14	A1UD564600	Reinforce Plate		D	1	
15	26NA20300	SEPARATE ROCKING COLLAR		C	2	
16	4030303701	REINFORCE PLATE		D	1	
17	4030301703	PRESSURE SPRING		C	1	
18	A1UD563200	Spacer		C	1	
19	4030307801	LEVER		C	1	
20	A3EW562701	Guide		D	1	
21	A0P0561600	Torque limiter /S		D	1	

# 2ND PAPER FEED SECTION

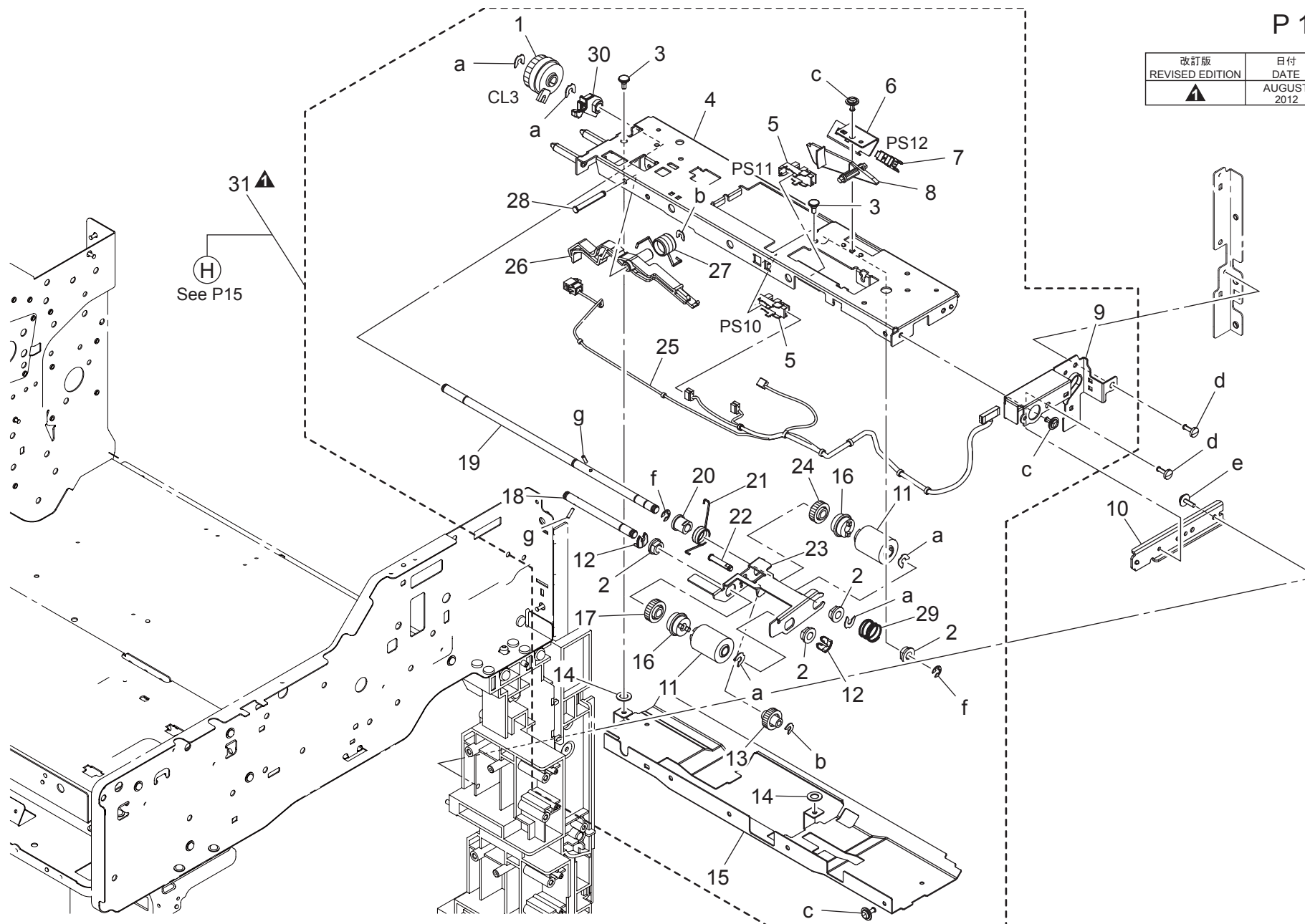




# 2ND PAPER FEED SECTION

P 14

改訂版 REVISED EDITION	日付 DATE
▲	AUGUST 2012



bizhub 36/bizhub 42

## 2ND PAPER FEED SECTION

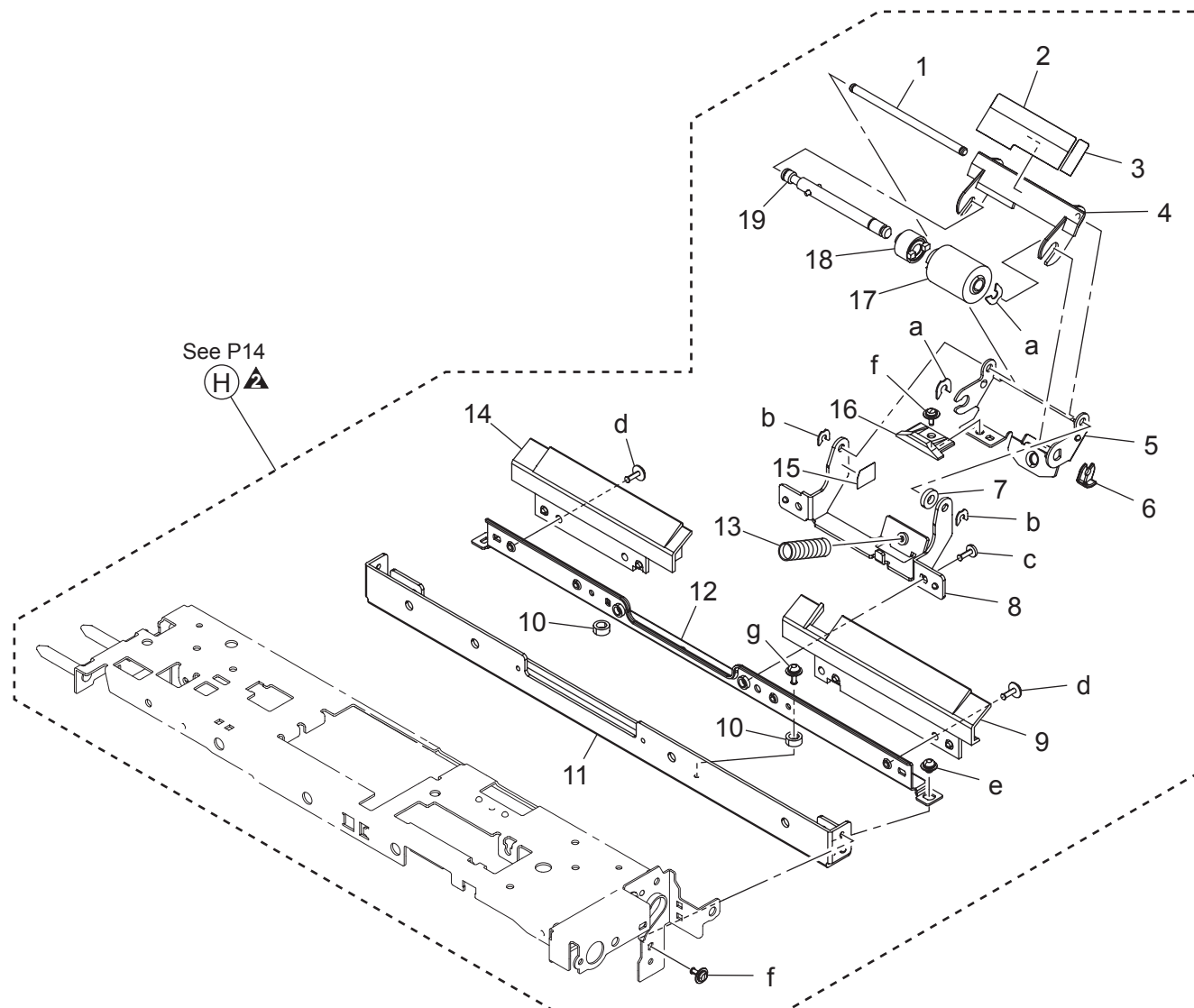
Key	Part No.	Description	Destinations	Class	QTY	Standard parts
1	A00FM20000	Clutch		C	1	a-V218040086 b-V218030086 c-V137030603 d-V136030803 e-V153030803 f-V217040001 g-V237200850
2	4131300301	BUSHING	クラッチ (2.5 kg)	C	4	
3	A1UD560600	Shoulder screw	軸受	D	2	
4	A1UD565101	Frame	段ねじ	D	1	
5	A108M50100	Photointerrupter	フレーム (2段目)	B	2	
6	A1UD564901	Mounting Plate	透過型センサ	D	1	
7	A0EDM50100	Photorelector	取付板 (給紙センサ)	I	1	
8	4030301612	ACTUATOR	反射型センサ (アンブ内蔵)	C	1	
9	A1UD564200	Frame	アクチュエータ	D	1	
10	A1UD103300	Mounting Plate	フレーム (二段目前)	D	1	
11	A00J563600	Roller	取付板 (本体・2段目)	A	2	
12	56AA40490	SHAFT STOPPER 4	ローラ	C	2	
13	4030300801	GEAR 29T	軸ストッパ 4	C	1	
14	A1UD560500	Cushion	ギヤ 29 T	D	2	
15	A1UD560200	Guide Plate	クッション	D	1	
16	A02E561100	Clutch	ガイド板	C	2	
17	4425301601	GEAR 32T	クラッチ	C	1	
18	A00J564000	Shaft /P	ギヤ 32 T	D	1	
19	A1UD560401	Shaft	軸 / P	D	1	
20	1065308601	BUSHING	軸 (F1)	C	1	
21	A00J560302	Torsion Spring	シムクウケ	C	1	
22	4040309701	SHAFT	ねじりばね	D	1	
23	A00J560100	Paper feed Holder	シャフト	D	1	
24	4425301301	GEAR 30T	給紙ホルダ	C	1	
25	A1UDN12800	Paperfeed Wiring /2	ギヤ 30 T	D	1	
25	A1UEN12800	Paperfeed Wiring /2	給紙束線 / 2 (42)	{bizhub 42}	1	
26	A1UD561101	Lever	給紙束線 / 2 (36)	{bizhub 36}	1	
27	A00J566801	Torsion Spring	レバー (ピック解除)	C	1	
28	4040309601	SHAFT	ねじりばね	C	1	
29	A1UD560701	Compressing Coil spring	シャフト	D	1	
30	A1UD565500	Paper feed Bushing	圧縮コイルばね	C	1	
31	A1UDR72300	Paper Feed 2	給紙すべり軸受	S	1	
31	A1UER72300	Paper Feed/Lower	給紙 2 ASSY	{bizhub 42}	1	
			給紙 / 下 A s s y	{bizhub 36}	1	

bizhub 36/bizhub 42

# 2ND PAPER FEED SECTION

P 15

改訂版 REVISED EDITION	日付 DATE
	AUGUST 2012



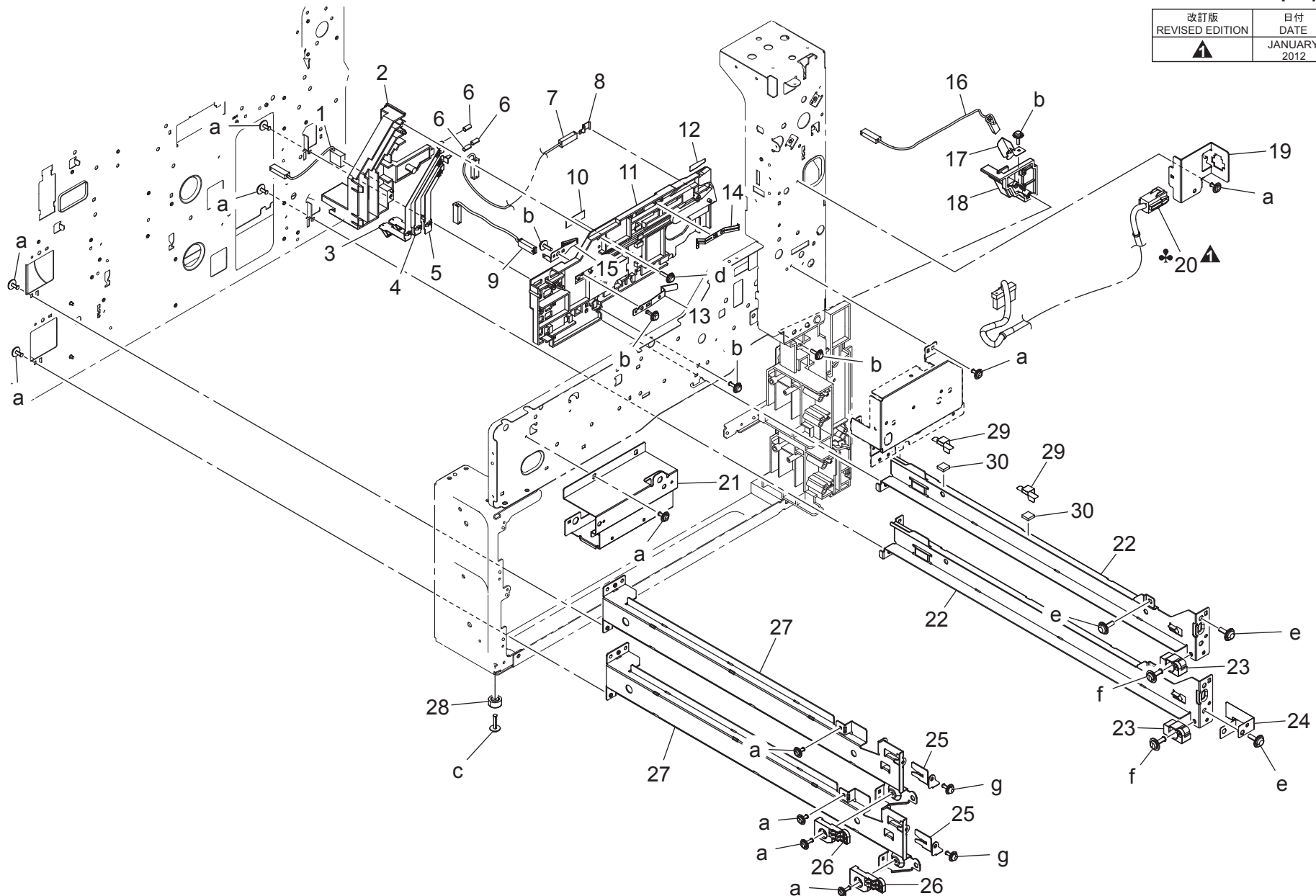




# IU/ CASSETTE RAIL SECTION

P 16

改訂版 REVISED EDITION	日付 DATE
	JANUARY 2012

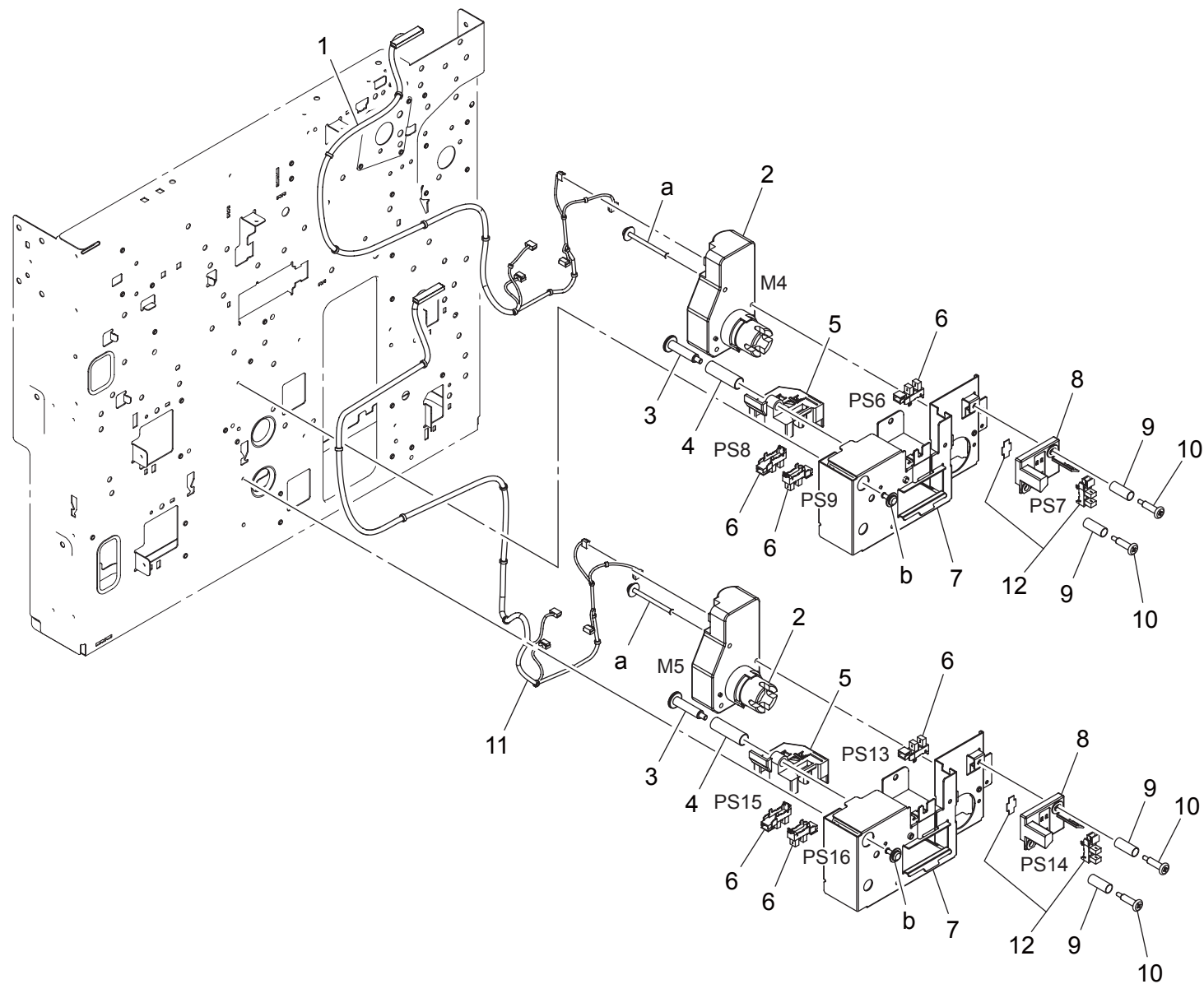


bizhub 36/bizhub 42

IU/ CASSETTE RAIL SECTION

Key	Part No.	Description	Destinations	Class	QTY	Standard parts
1	A1UDN12H00	Chaging Wiring		D	1	a-V137030603 b-V153030803 c-V137031203 d-V153031003 e-V153041003 f-V137041003 g-V116030803
2	4030210201	HOLDER		D	1	
3	4030211501	CONTACT		C	1	
4	4030211301	CONTACT		C	1	
5	4030211201	CONTACT		C	1	
6	4011213401	PRESSURE SPRING		C	3	
7	A1UDN12J00	Separating Wiring		D	1	
8	1165215301	CONTACT		C	1	
9	A1UDN12G00	Developing Wiring		D	1	
10	1129730301	LABEL HI-VOL CAUTION		D	1	
11	4030201903	Guide		D	1	
12	4011204701	SEAL		C	1	
13	1164202102	PLATE SPRING		C	1	
14	1165214201	EARTH GROUND		D	1	
15	4030211401	CONTACT		C	1	
16	A1UDN12F00	Transfer Wiring		D	1	
17	1164215501	CONTACT		C	1	
18	A1UD105302	Holder		D	1	
19	A1UD131400	Mounting Plate		D	1	
20	A3EWN11501	Fixing Relay harness /2	B,C,D1,D3,F2,G1,G2, H,I,J,K	D	1	
20	A3EWN11401	Fixing Relay harness /3	A,A1	D	1	
21	A3EW132100	Mounting Plate		D	1	
22	A1UD100701	Rail		D	2	
23	A1UD102501	Guide		D	2	
24	A1UD105001	Ground Plate		D	1	
25	A1UD101600	Stopper		D	2	
26	A1UD106001	Guide		D	2	
27	A1UD100802	Rail		D	2	
28	4030208101	SPACER		D	1	
29	A3EW107200	Holding Sheet		C	2	
30	A3EW107100	Vibrationproof Cushion		C	2	

# CASSETTE SECTION







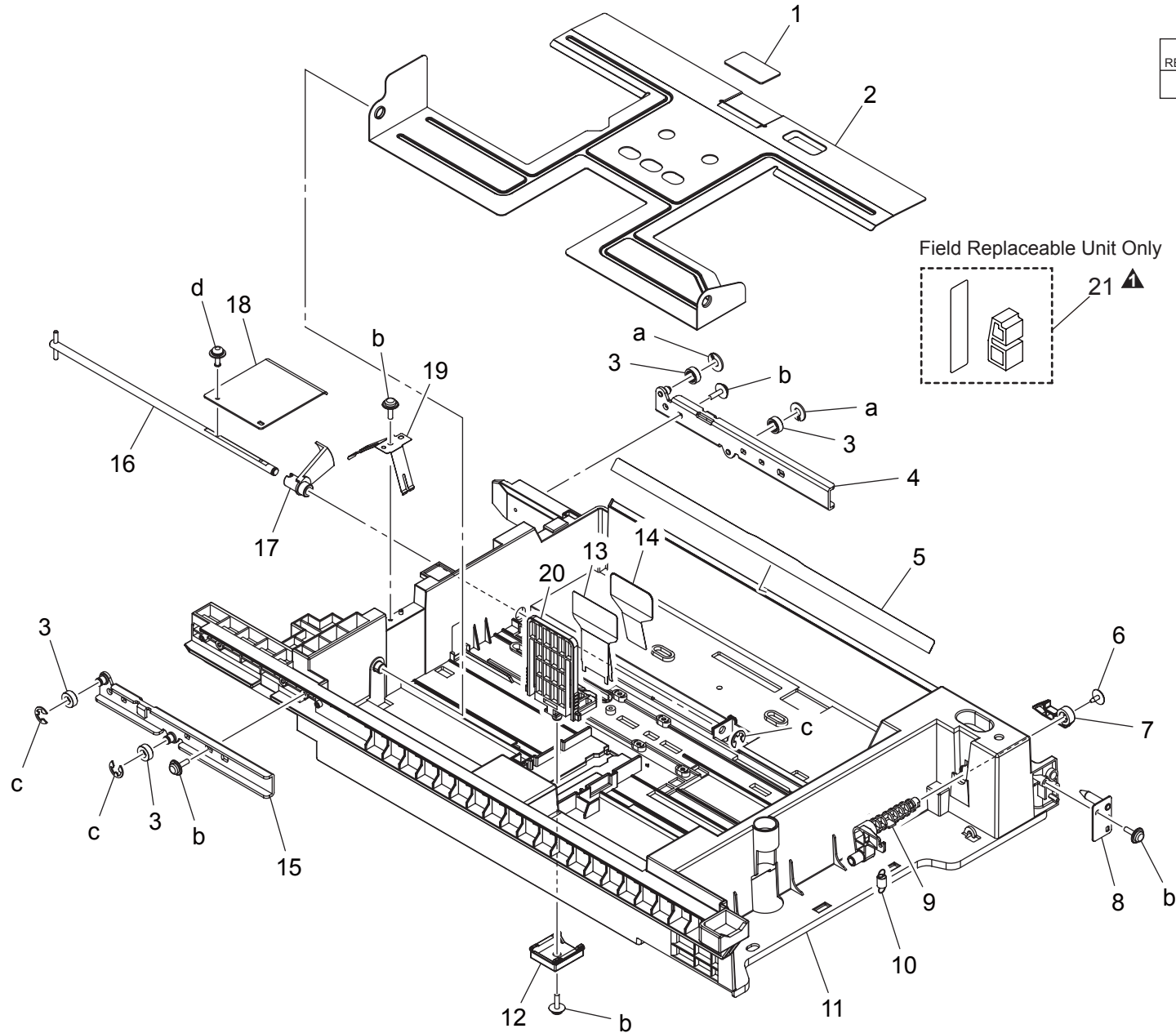


# CASSETTE SECTION

2 UNIT

P 19

改訂版 REVISED EDITION	日付 DATE
▲	MARCH 2012





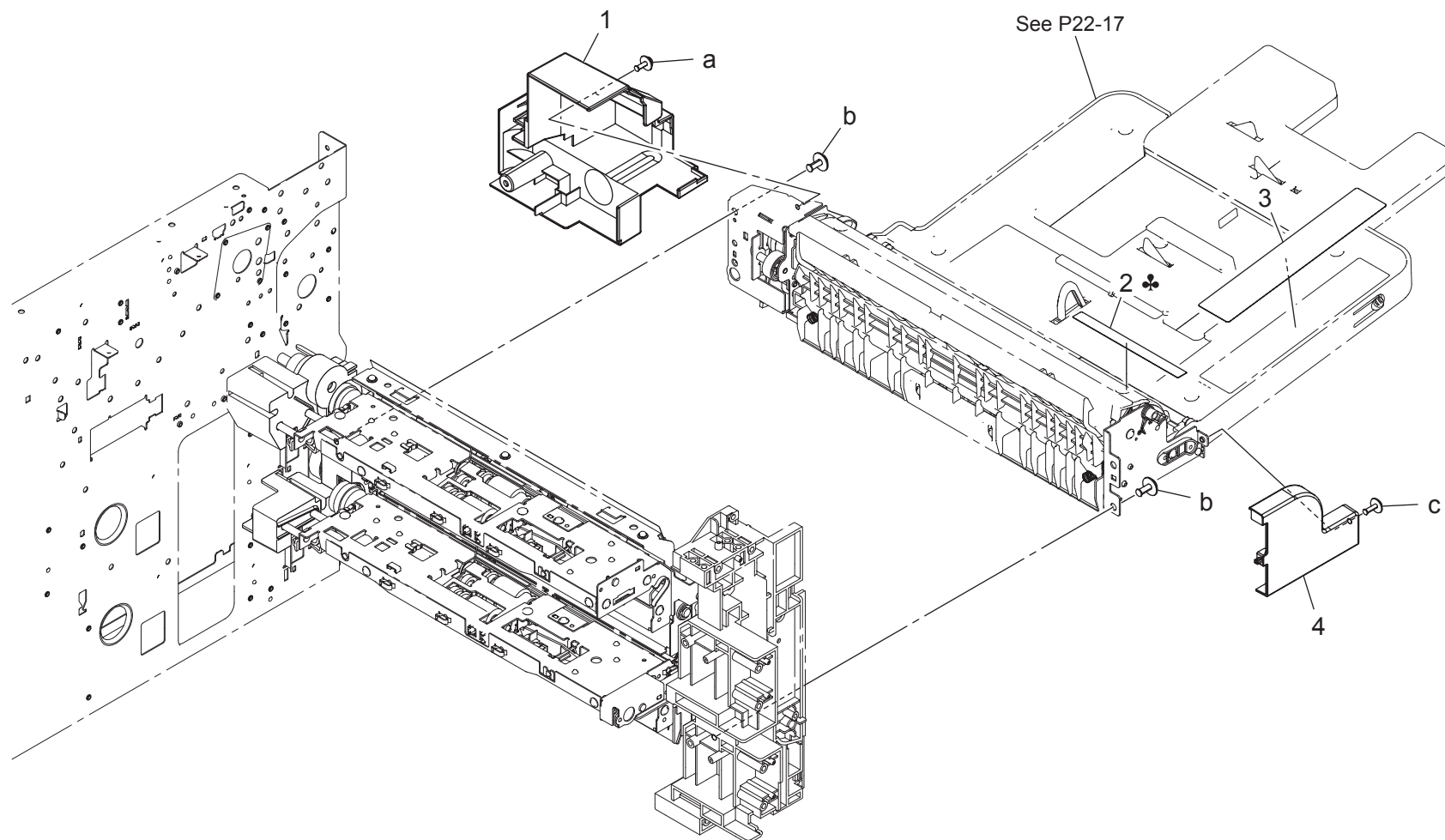
# CASSETTE SECTION

Key	Part No.	Description	Destinations	Class	QTY	Standard parts
1	4030322601	FRICITION SHEET		C	2	a-V221040050 b-V153030803 c-V217040001 d-V116030803
2	A0ED620500	Lifting Plate		D	2	
3	A0ED623400	Roll		D	8	
4	A0ED633100	Reinforce Plate /Right rear		D	2	
5	A0ED620200	Guide		C	2	
6	4163529301	SCREW		C	2	
7	A0ED625500	Lock Lever		C	2	
8	A3EWF62200	Caulking(Mounting Plate cassette)		D	2	
9	A3EWF625700	Release Lever		D	2	
10	A0ED635801	Pulling Coil spring		D	2	
11	A3EWF620102	Paper feed Cassette		D	2	
12	A3EWF627100	Mounting Plate		D	2	
13	4030322812	GUIDE		C	2	
14	A02E622300	Guide plate		C	2	
15	A0ED623200	Reinforce Plate /Left rear		D	2	
16	A0ED631600	Lifting Shaft		D	2	
17	A0ED620701	Actuator		C	2	
18	4030320601	LEVER		D	2	
19	A0ED622100	Ground Plate		D	2	
20	4037321312	REGULATING PLATE		C	2	
21	A1UDR90200	Mounting Part Kit		D	2	



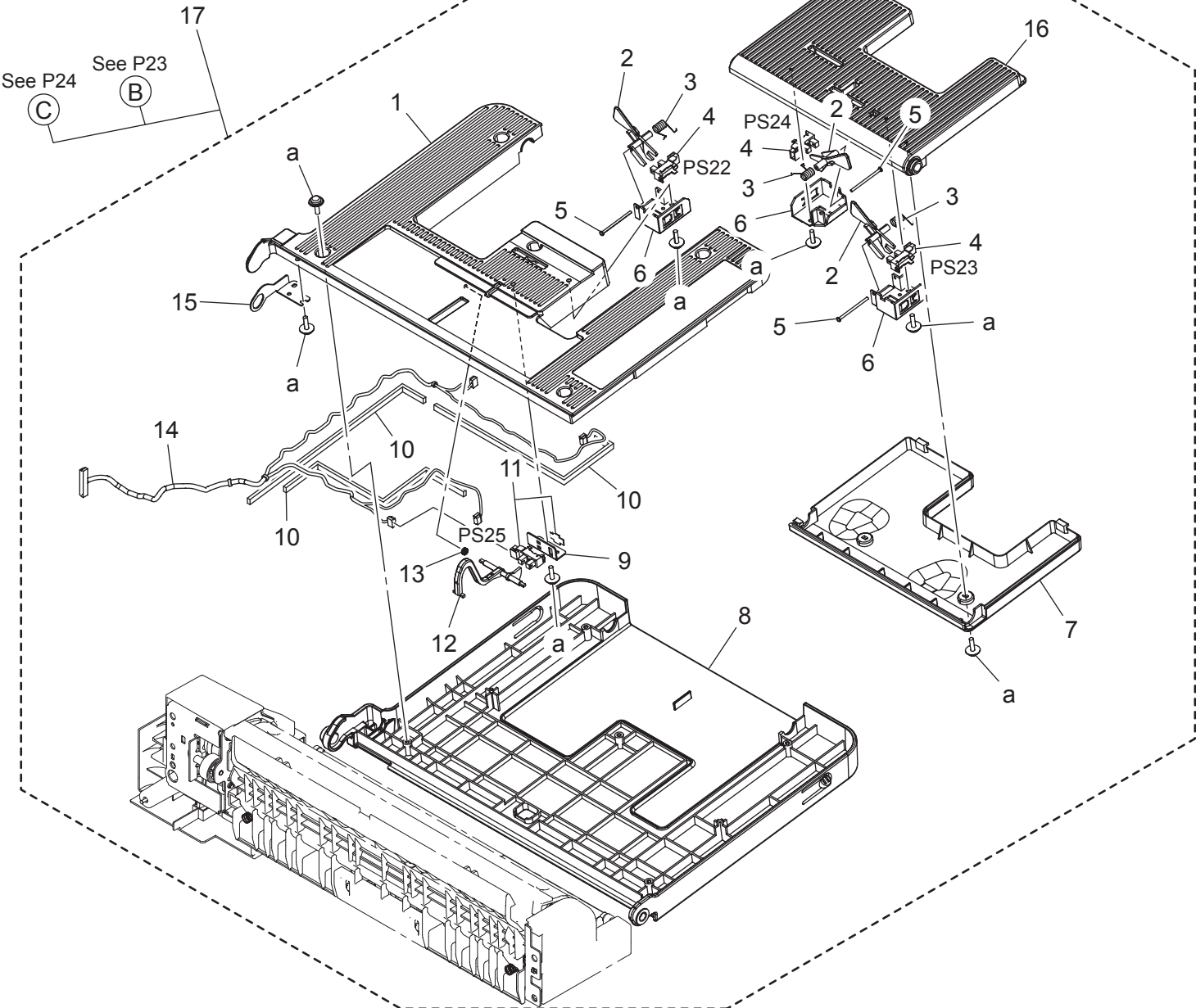
# CASSETTE SECTION

Key	Part No.	Description	Destinations	Class	QTY	Standard parts
1	A3EW620900	Regulating Plate /Rear		D	2	a-V137030603 b-V217060001 c-V144040603
2	A0ED621000	Guide		D	2	
3	4002730601	LABEL CARRYING CAPACITY		C	2	
4	A02E622700	Cushion		C	4	
5	4163529301	SCREW		C	10	
6	4037320401	KNOB		C	4	
7	4537331701	GUIDE		D	2	
8	A0ED621300	Lever		D	2	
9	A0ED621400	Pulling Coil spring		D	2	
10	4011302101	WASHER		C	2	
11	A0EDF62100	Caulking(Regulating Plate/ASSY)		C	2	
12	A0ED621101	Rack /Front		D	2	
13	A0ED620601	Shoulder screw		D	2	
14	A02E622400	Gear 14T		C	2	
15	A0ED621902	Mounting Plate		D	2	
16	A1UDR90400	Pressing Plate Kit		D	2	

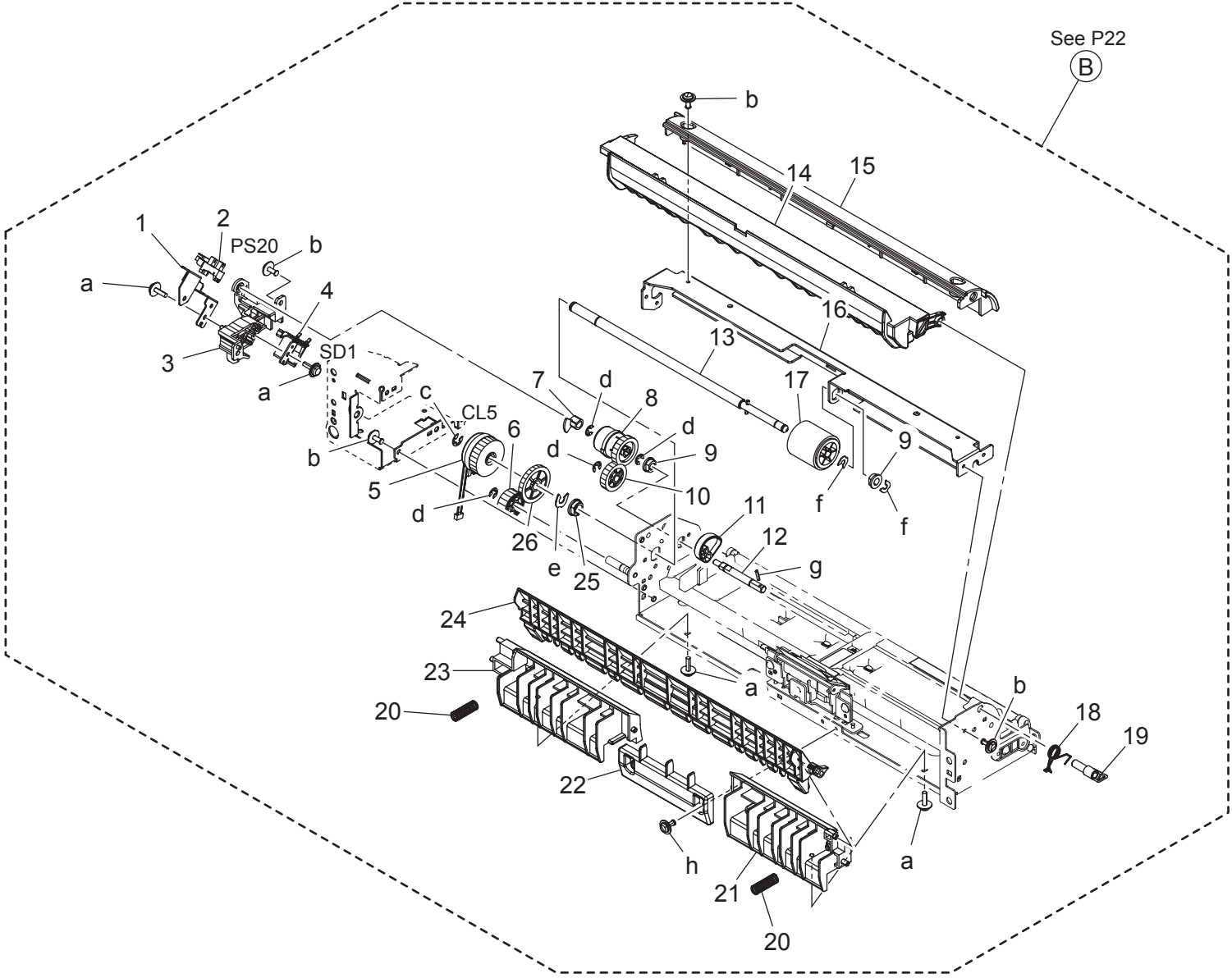




# MANUAL PAPER FEED SECTION



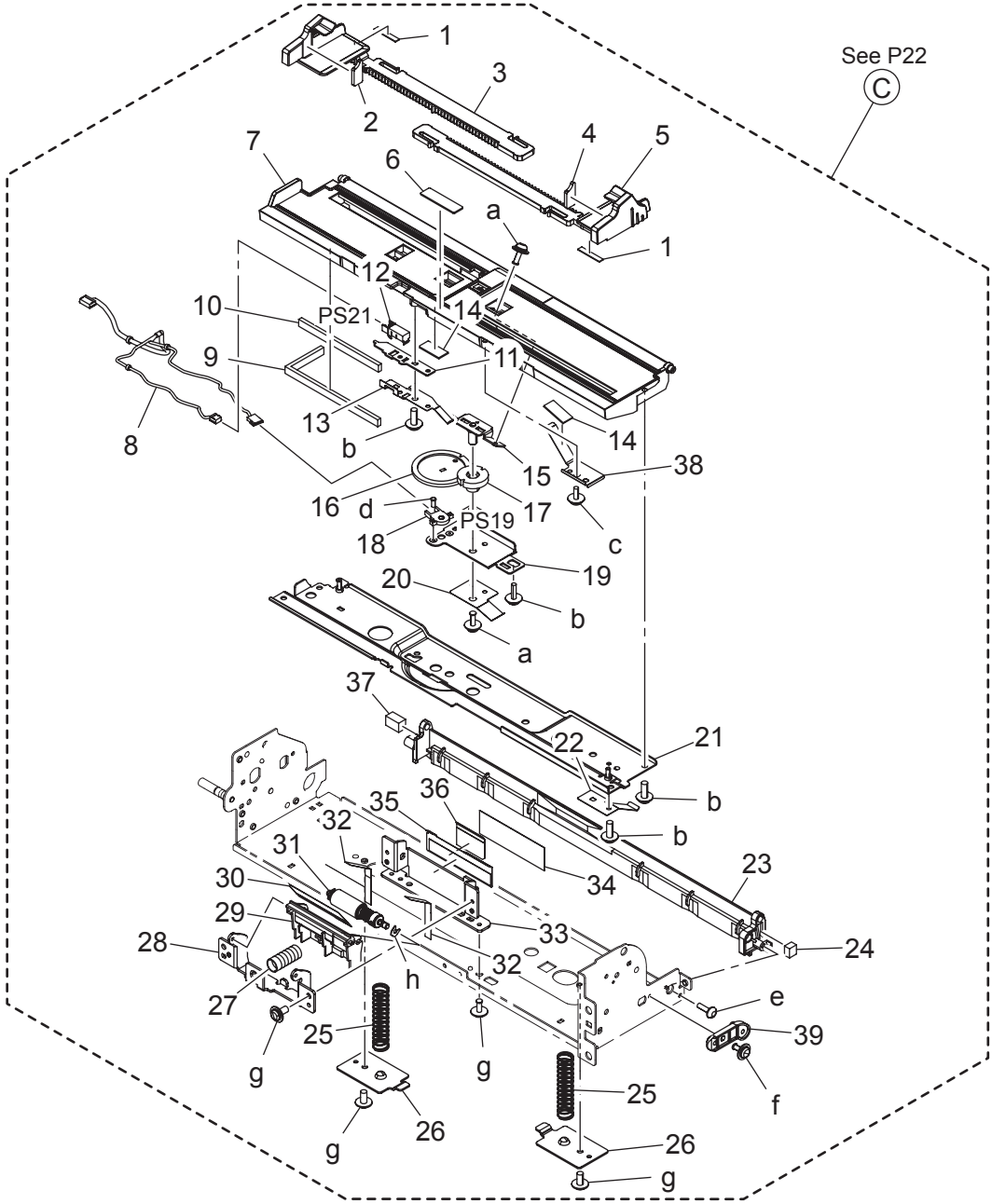






Key	Part No.	Description	Destinations	Class	QTY	Standard parts
1	A02E595600	Bracket		D	1	a-V153030803 b-V137030603 c-V217050001 d-V217040001 e-V218060086 f-V218040086 g-V233201050 h-V137030803
2	A108M50100	Photointerrupter		B	1	
3	A02E595201	Bracket		D	1	
4	9J06M20000	SOLENOID		C	1	
5	A1UDM20100	Clutch		C	1	
6	A1UD595500	Gear		C	1	
7	4038323701	SHIELD PLATE		C	1	
8	A02E595100	Clutch assy		C	1	
9	4131300301	BUSHING		C	2	
10	A02E595400	Gear 22T		C	1	
11	A02E596002	Cam		C	1	
12	A02E595302	Shaft		D	1	
13	A1UD595700	Shaft		D	1	
14	A1UD594101	Guide		C	1	
15	A02E591200	Cover		C	1	
16	A1UD591300	Mounting Plate		D	1	
17	A00F623201	Roller		B	1	
18	A02E594500	Torsion spring		C	1	
19	A02E594600	Lever		C	1	
20	A1UD595900	Compressing Coil spring		C	2	
21	A1UD590100	Guide		D	1	
22	A1UD591500	Guide		D	1	
23	A1UD590200	Guide		D	1	
24	A1UD594200	Guide		C	1	
25	4131353202	BUSHING		C	1	
26	A02E596100	Gear 30T		C	1	

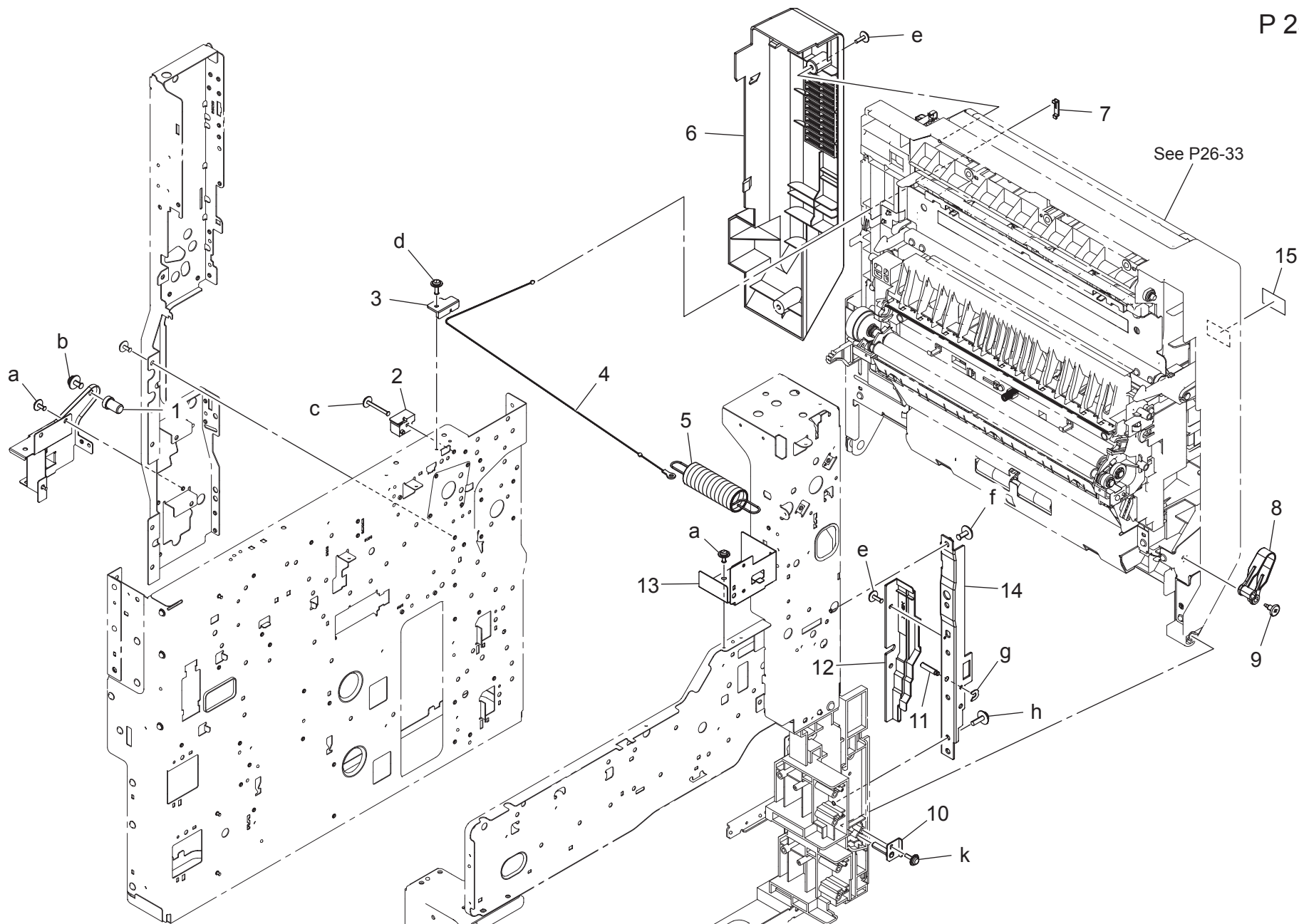
MANUAL PAPER FEED SECTION



Key	Part No.	Description	Destinations	Class	QTY	Standard parts
1	A02E593400	Brake		C	2	a-V116030804 b-V153030803 c-V153030603 d-V111170403 e-V145030803 f-V137030803 g-V137030603 h-V218030086
2	A02E593300	Brake		C	1	
3	A02E592400	Regulating plate		C	1	
4	A02E593200	Brake		C	1	
5	A02E592300	Regulating plate		C	1	
6	4687328101	FRICTION SHEET		C	1	
7	A0ED592201	Lifting Plate		C	1	
8	A1UDN12C02	Paperfeed Detection harness /4		D	1	
9	A1UD599200	Seal		D	1	
10	A02E593700	Seal		C	1	
11	A0ED599100	Mounting Plate		D	1	
12	A0EDM50100	Photorelector		I	1	
13	A0ED599000	Ground Plate		D	1	
14	A1UD598100	Friction Plate		D	2	
15	A02EG62100	Caulking Gear Mounting Plate		D	1	
16	A02E598300	Gear 40T		C	1	
17	A02E592100	Gear 20T		C	1	
18	A1UDM50100	VR		D	1	
19	A02E598100	Bracket		D	1	
20	A02E593500	Earth ground		D	1	
21	A1UD592800	Reinforce Plate		D	1	
22	A0ED593600	Ground Plate		D	1	
23	A0ED590500	Holder		C	1	
24	A0ED591900	Cushion		C	1	
25	A02E592501	Pressure Spring		C	2	
26	A02E592600	Hold plate		D	2	
27	4030347501	PRESSURE SPRING		C	1	
28	A02E597200	Bracket		D	1	
29	A0ED597100	Holder		D	1	
30	A02E597600	Guide		C	1	
31	4034015101	SEPARATION ROLLER		A	1	
32	A0ED599300	Guide		D	2	
33	A02E597301	Reinforce plate		D	1	
34	4030348901	SEAL		C	1	
35	4030340201	GUIDE PLATE		C	1	
36	4030340301	GUIDE		C	1	
37	A0ED591700	Cushion		C	1	
38	A0ED593100	Brake Part		D	1	
39	A0ED593900	Hold Plate		C	1	

# PAPER TRANSPORT SECTION

P 25

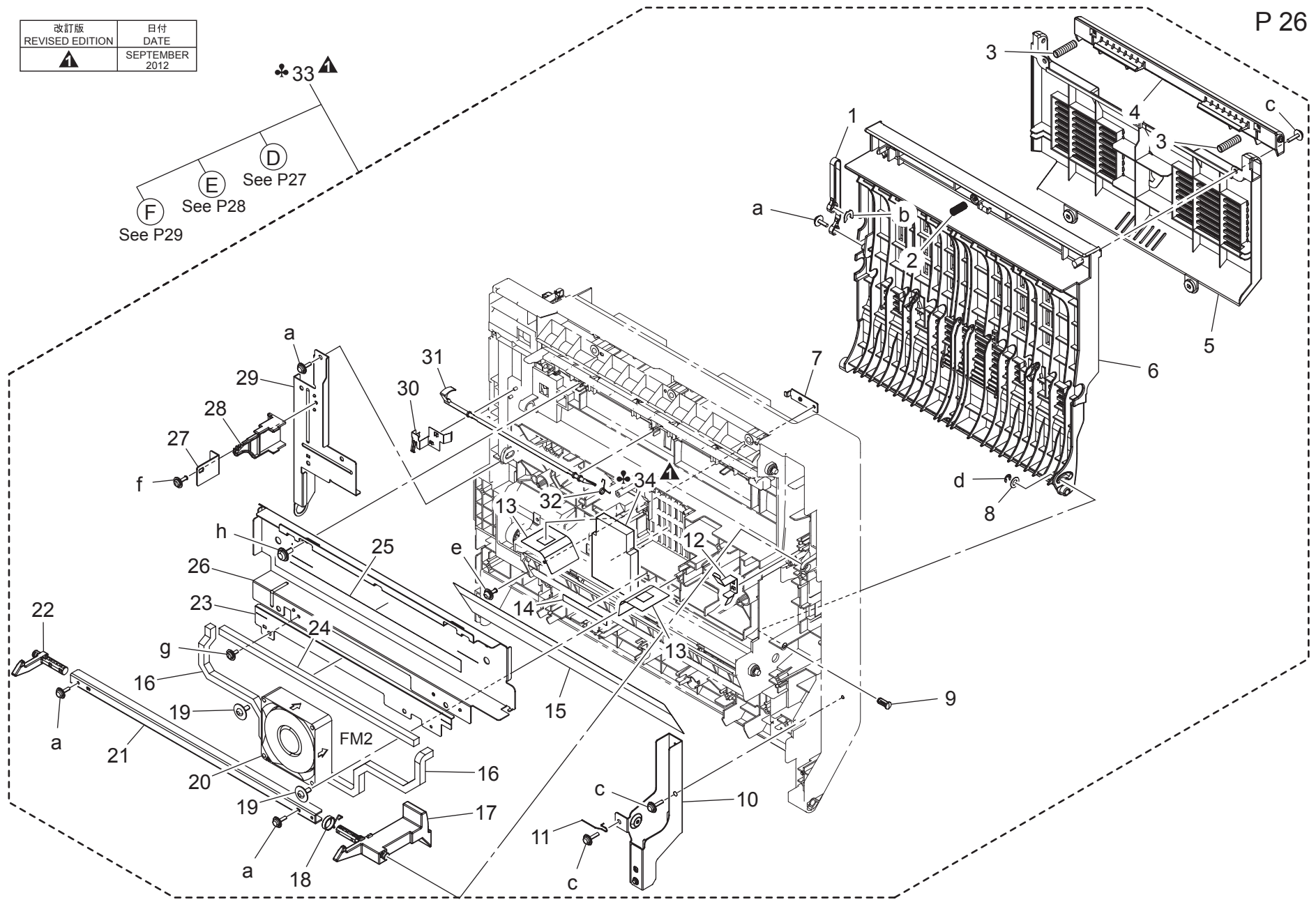
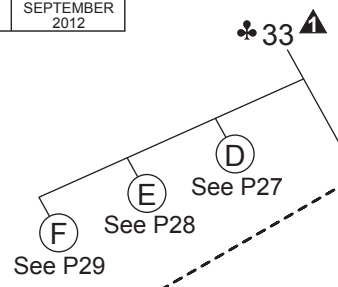




# PAPER TRANSPORT SECTION

P 26

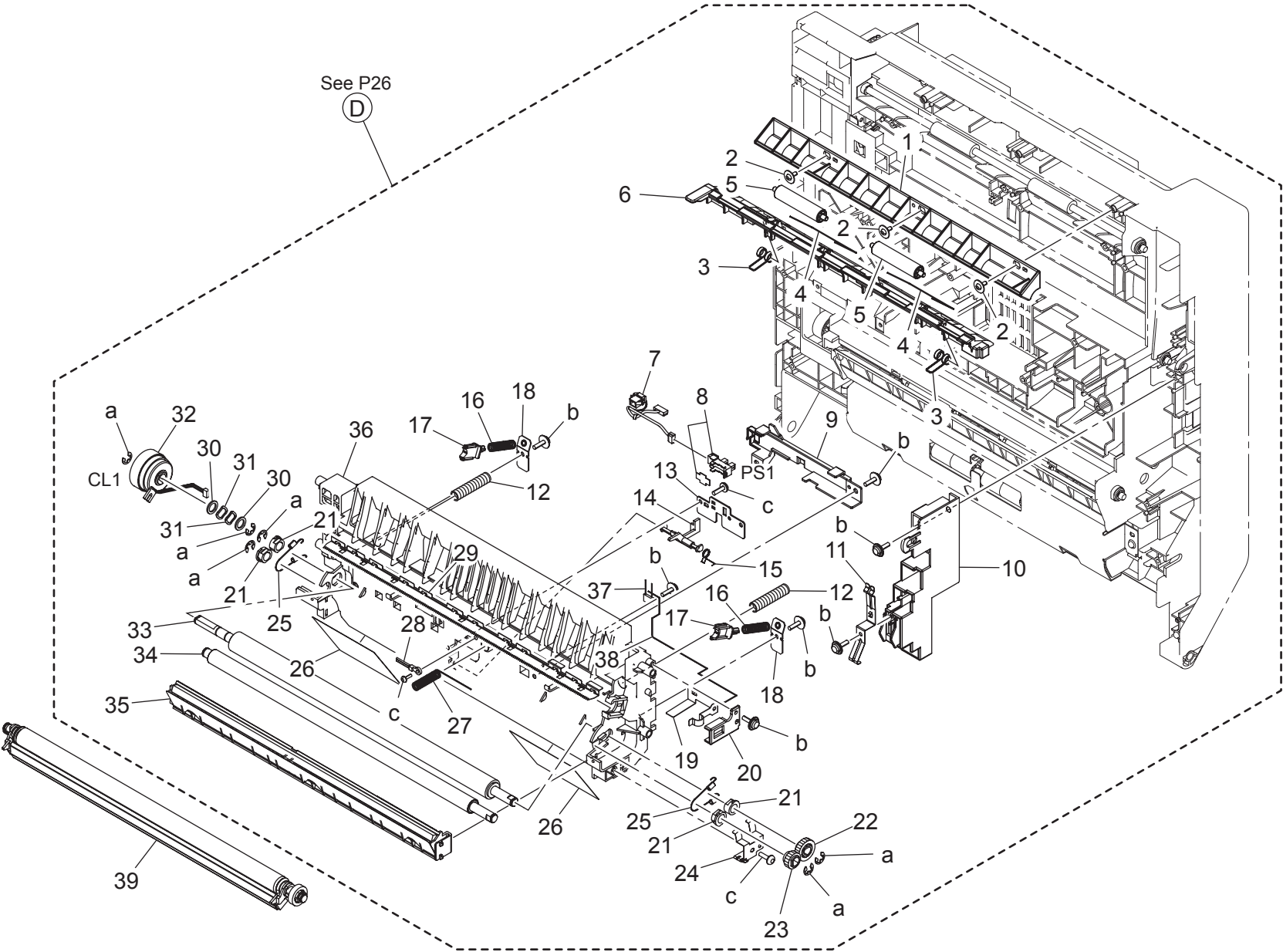
改訂版 REVISED EDITION	日付 DATE
▲	SEPTEMBER 2012



bizhub 36/bizhub 42

Key	Part No.	Description	Destinations	Class	QTY	Standard parts
1	A1UD811000	Stopper		C	1	a-V153030803
2	A1UD814000	Compressing Coil spring		C	1	b-V218060086
3	4066370501	PRESSURE SPRING		C	2	c-V153031004
4	A1UD810300	Handle		C	1	d-V217040001
5	A1UD810100	Cover		C	1	e-V116030803
6	A1UD810201	Door		C	1	f-V137030803
7	A1UD712500	Mounting Plate		D	1	g-V137030603
8	4661315501	WASHER		D	1	h-V153040803
9	A11U815000	Pin		D	1	
10	A1UD710101	Mounting Plate		D	1	
11	A1UD711900	Ground Part		D	1	
12	A1UD812200	Ground Plate		D	1	
13	A1UD712300	Seal		D	2	
14	A1UD712700	Seal		D	1	
15	4012352412	GUIDE		C	1	
16	A1UD712100	Seal		D	2	
17	A1UD710302	Lock Claw /Front		C	1	
18	A1UD711300	Torsion Spring		C	1	
19	4163529301	SCREW		C	2	
20	9J03M10000	FAN MOTOR		B	1	
21	A1UD710500	Mounting Plate		D	1	
22	A1UD710400	Claw		C	1	
23	A1UD711000	Mounting Plate		D	1	
24	A1UD712200	Seal		D	1	
25	4138586601	LABEL HI-TEMP CAUTION		D	1	
26	A1UD710800	Reinforce Plate		D	1	
27	A1UD712800	Reinforce Plate		D	1	
28	A1UD711101	Gear		C	1	
29	A1UD710200	Mounting Plate		D	1	
30	A1UD710900	Ground Plate		D	1	
31	A1UD812900	Actuator		C	1	
32	A02E813100	Torsion spring		D	1	
33	A1UDR70711	Vertical Conveyance Assy		S	1	
33	A1UDR72400	Vertical Conveyance Assy	A,A1,B,C,D1,D3,F2,G 1,G2,H,I,K	S	1	
34	A1UDP00100	Filter	J	C	1	

# PAPER TRANSPORT SECTION

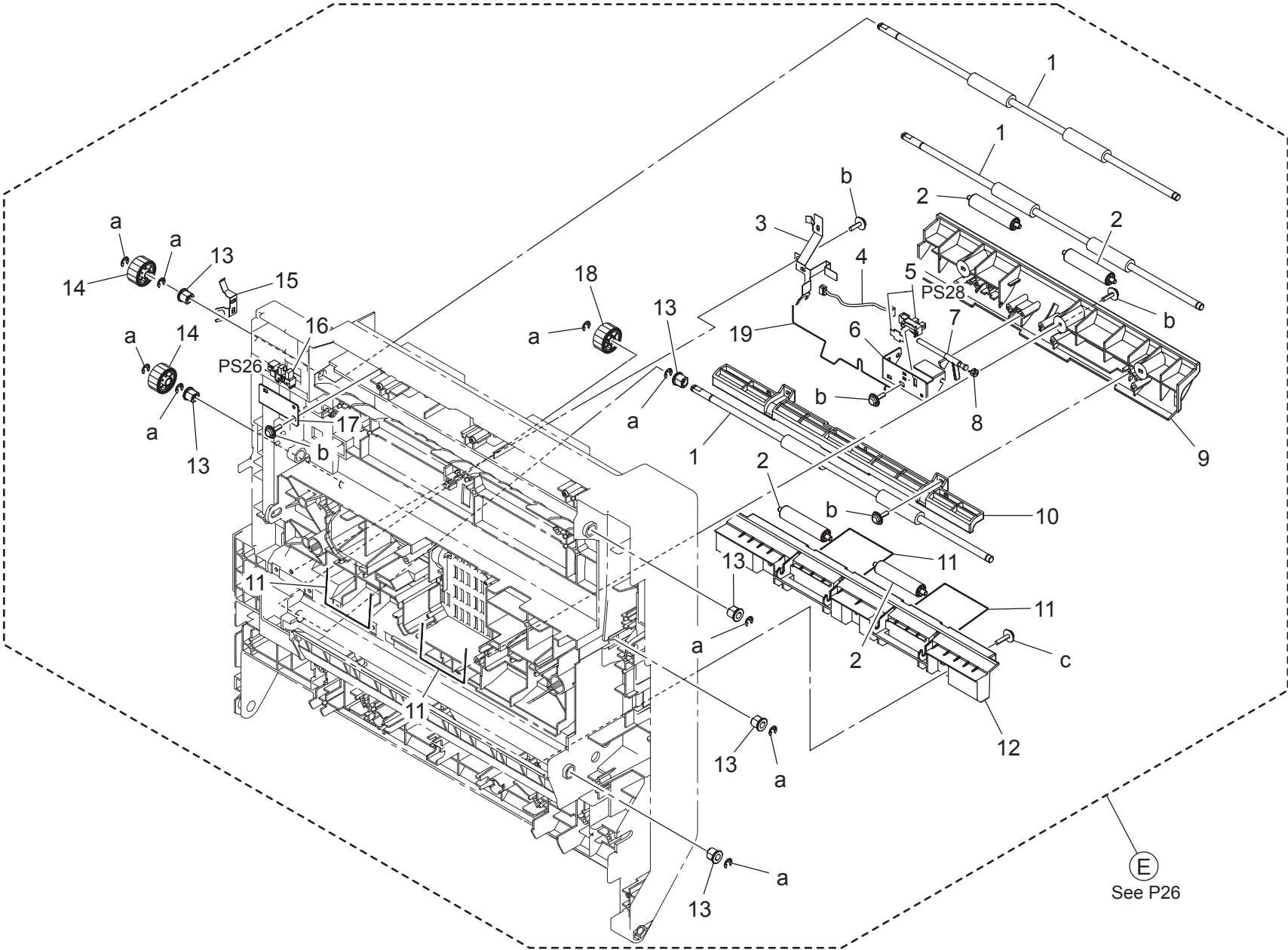




PAPER TRANSPORT SECTION

Key	Part No.	Description	Destinations	Class	QTY	Standard parts
1	A1UD812700	Guide		D	1	a-V217050001 b-V153030803 c-V145030803
2	4163529301	SCREW		C	3	
3	A1UD711800	Torsion Coil spring		C	2	
4	A1UD814100	Holding Part		C	2	
5	4497311601	ROLL		C	2	
6	A1UD810900	Guide		D	1	
7	A1UDN13200	Conveyance Detection harness		D	1	
8	A108R90000	PHOTO INTERRUPTER		I	1	
9	A1UD700300	Holder		D	1	
10	A1UD710700	Holder		D	1	
11	A1UD712000	Contact		D	1	
12	4011351501	PRESSURE SPRING		C	2	
13	1164352901	BRACKET		D	1	
14	4030350401	ACTUATOR		C	1	
15	1164352702	TORSION SPRING		C	1	
16	4030420701	PRESSURE SPRING		C	2	
17	1164420602	BUSHING		C	2	
18	1164420902	CONTACT		C	2	
19	A1UD713000	Contact		D	1	
20	1164421801	HOLDER		D	1	
21	1164354901	BUSHING		B	4	
22	1164350801	GEAR 18T		B	1	
23	1164351501	GEAR 13T		B	1	
24	1164351402	EARTH GROUND		C	1	
25	1164351302	Tension Spring		C	2	
26	4030350501	GUIDE		C	2	
27	4030421304	Pressure Spring		C	1	
28	9372271022	THERMISTOR		B	1	
29	1164420204	NEUTRALIZING NEEDLE		D	1	
30	4011351201	WASHER		C	2	
31	4011302001	WASHER		C	2	
32	A1UDM20000	Clutch		C	1	
33	A1UD700200	Roller		C	1	
34	4011350901	ROLLER		C	1	
35	4040077800	PAPER DUST REMOVER		A	1	
36	4030350109	Holder		C	1	
37	V800500300	FIXED POWER RESISTORS		D	1	
38	4030422001	CONTACT		C	1	
39	A1UDR70500	Transfer Roller Assy		A	1	

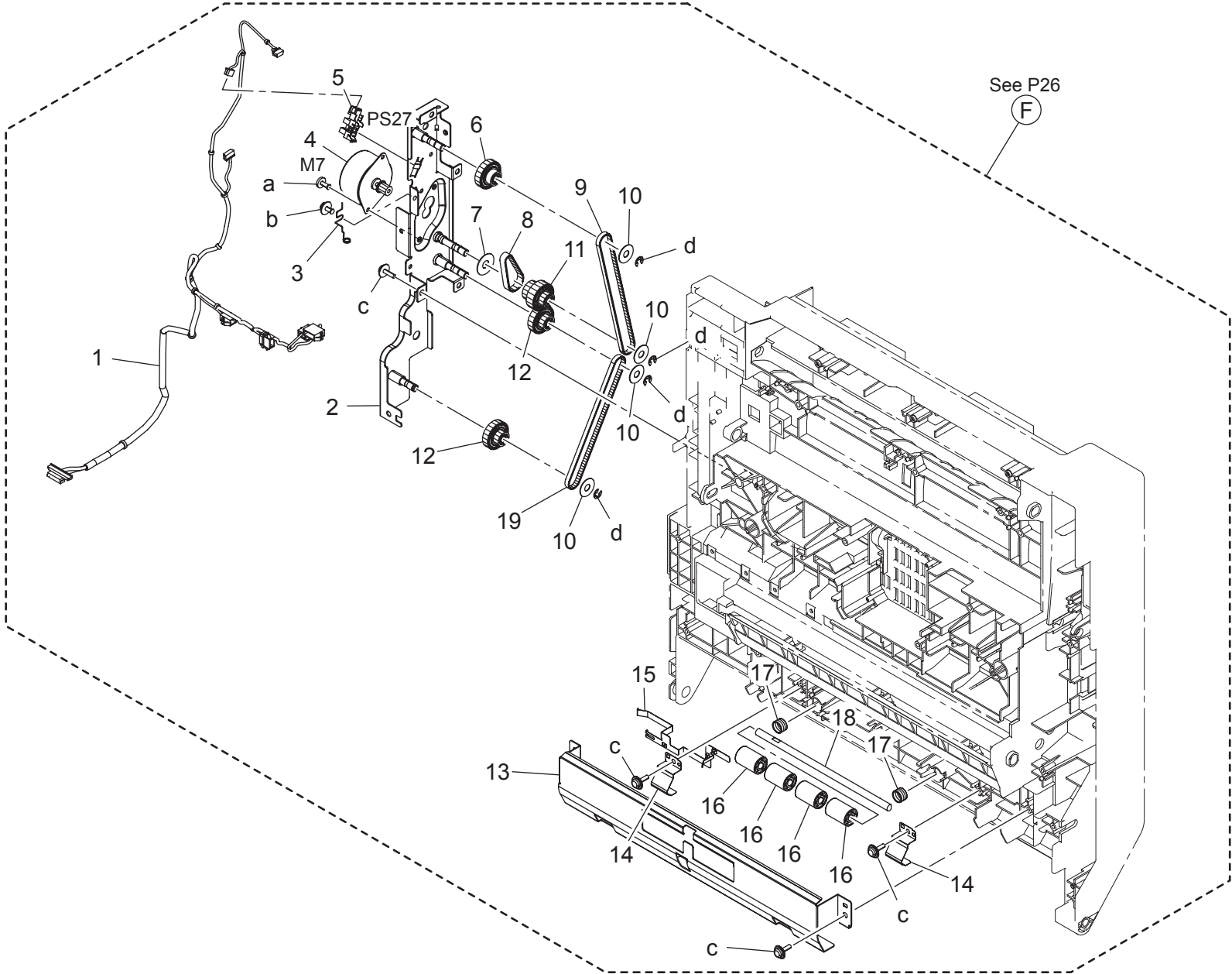
PAPER TRANSPORT SECTION



E  
See P26



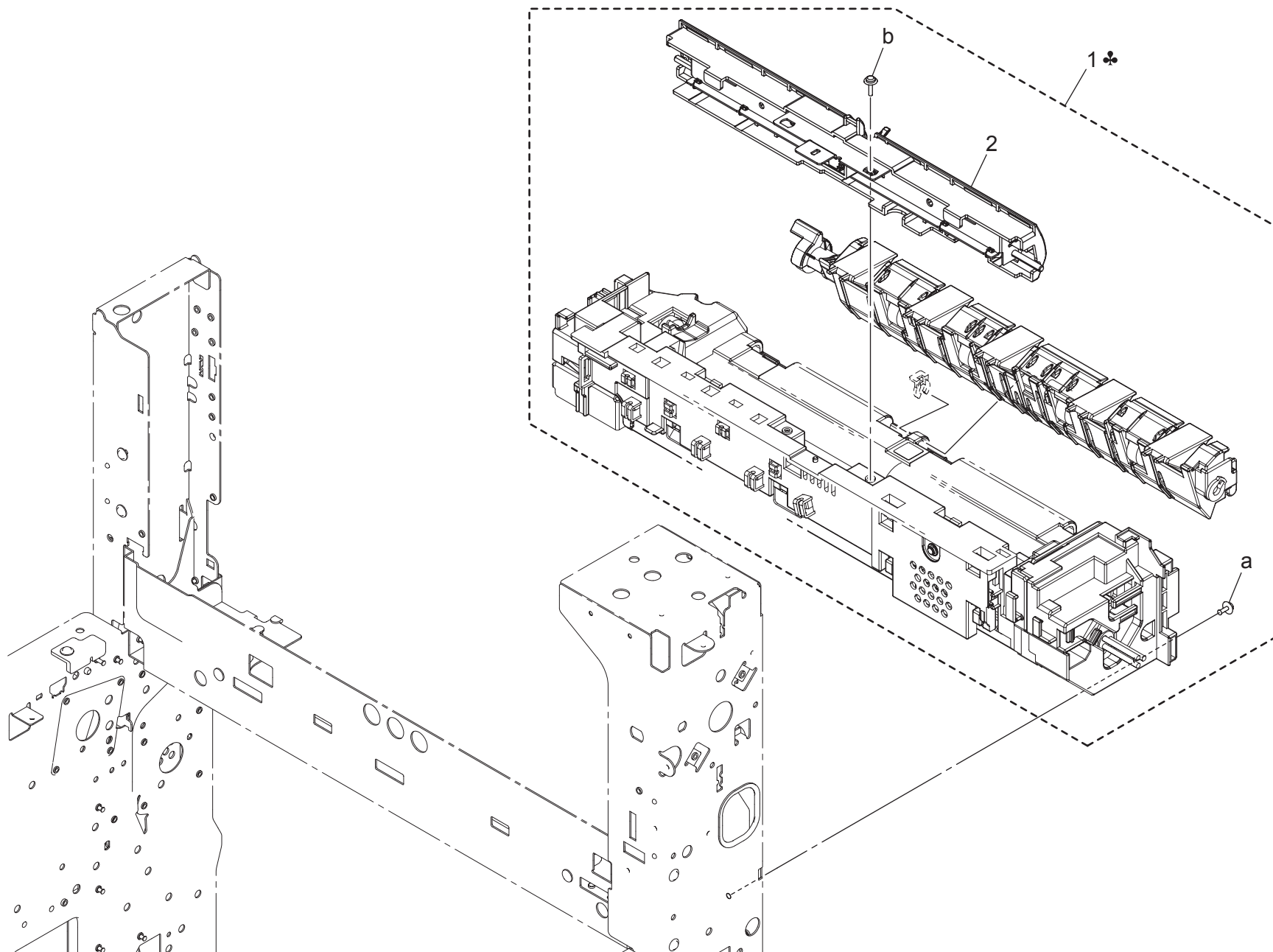
PAPER TRANSPORT SECTION





# FUSING SECTION

P 30

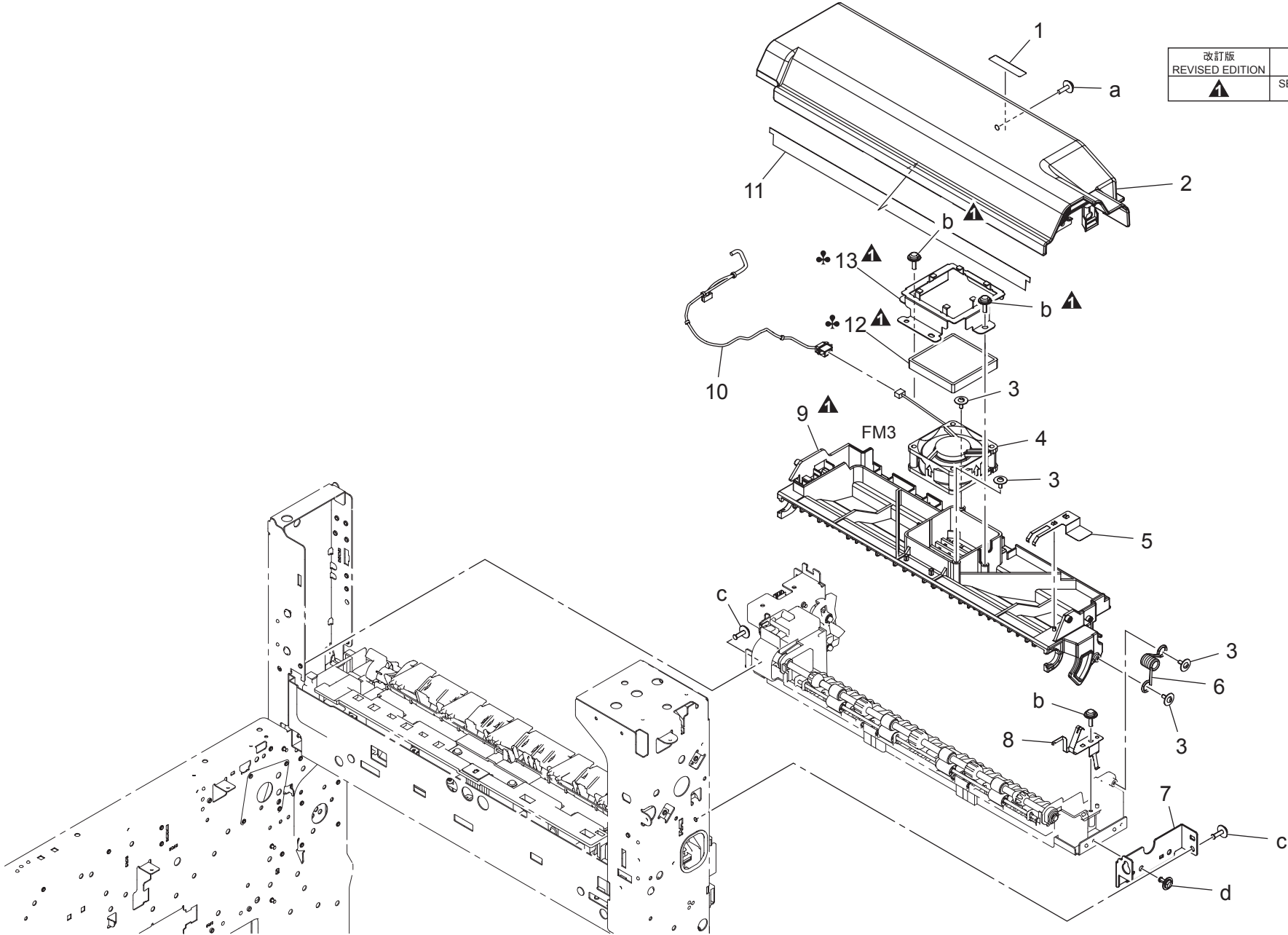




# PAPER EXIT SECTION

P 31

改訂版 REVISED EDITION	日付 DATE
▲	SEPTEMBER 2012



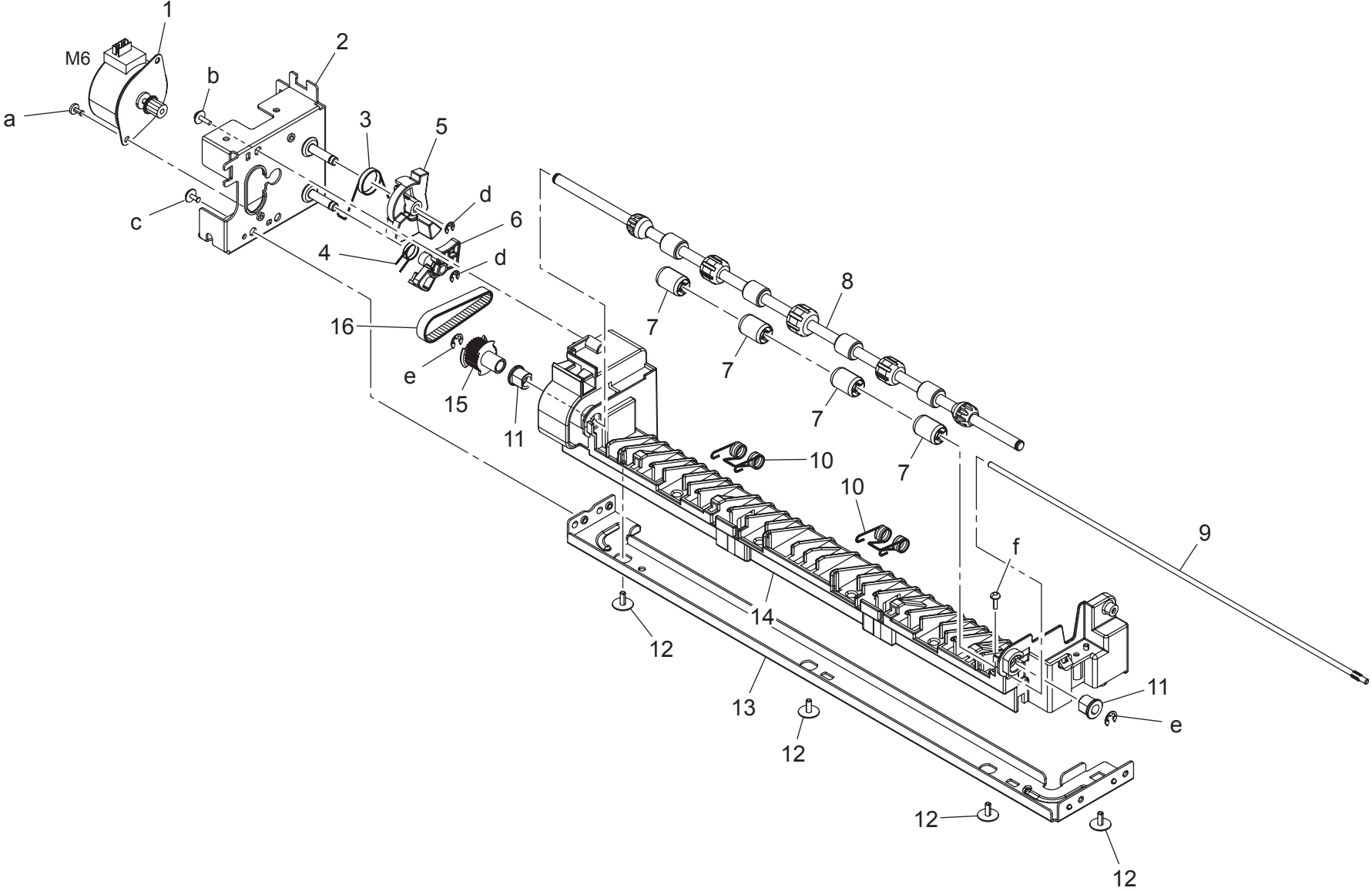
bizhub 36/bizhub 42





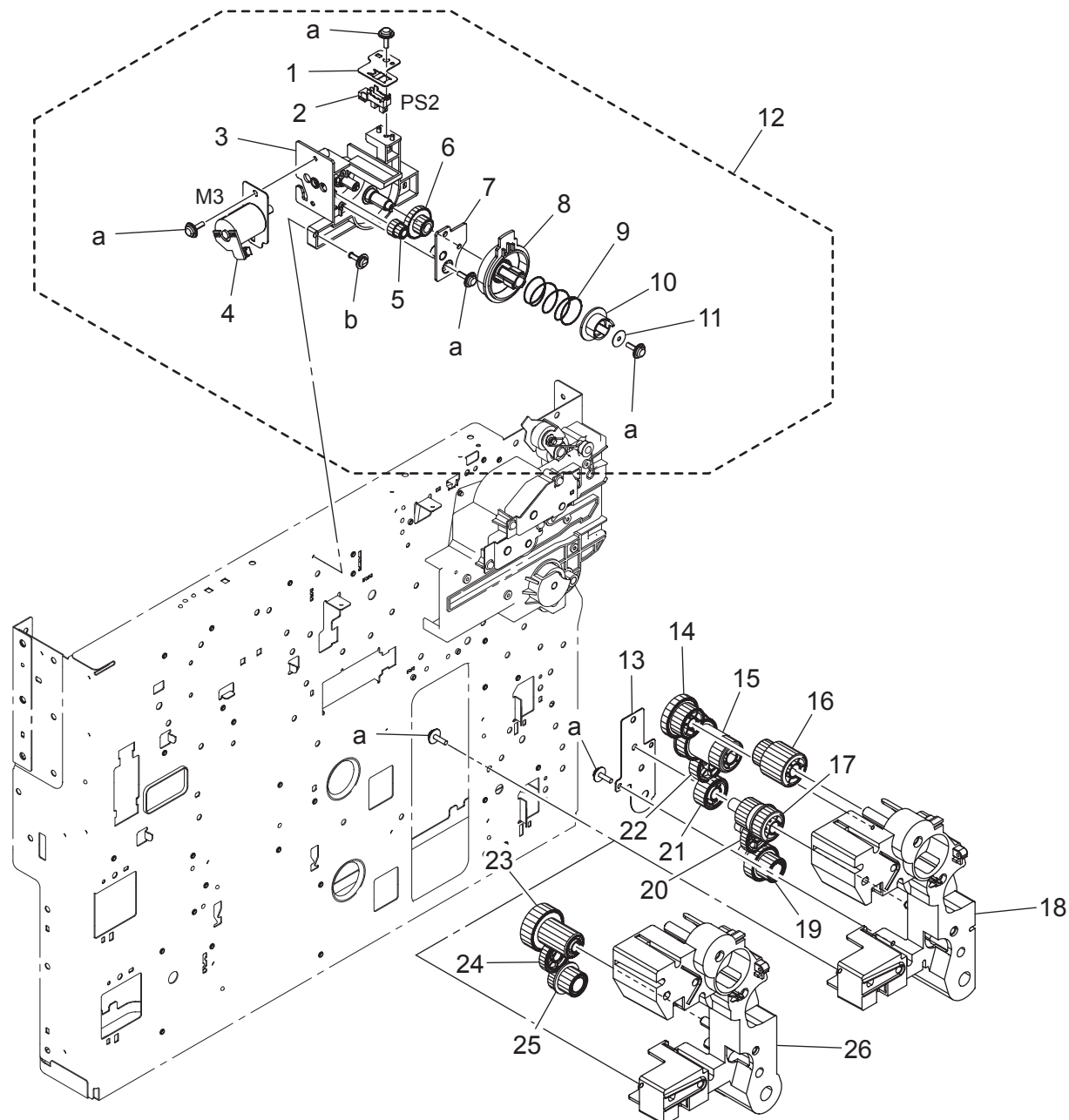


PAPER EXIT SECTION





# HOPPER/ PAPER FEED DRIVE SECTION

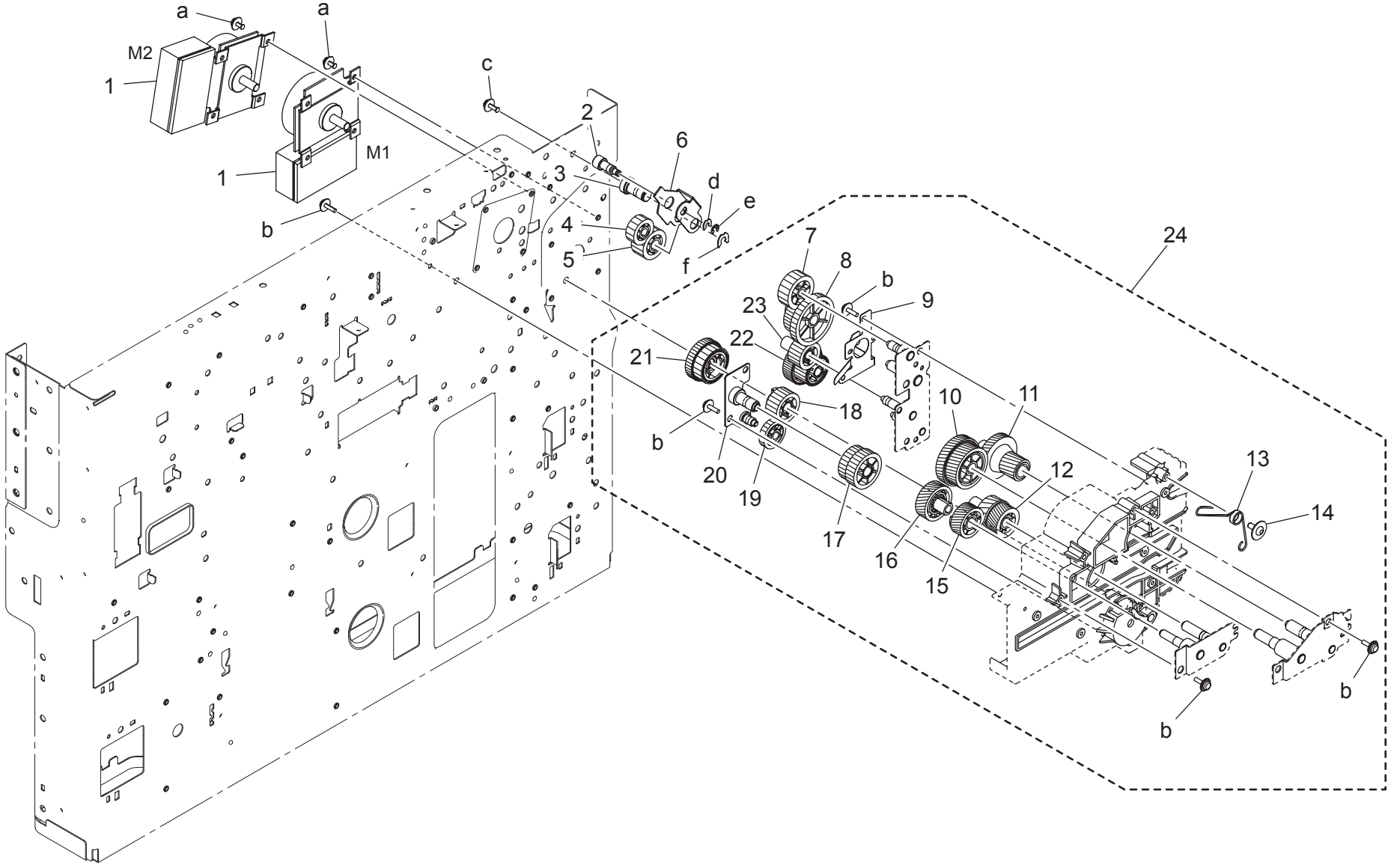


# HOPPER/ PAPER FEED DRIVE SECTION

Key	Part No.	Description	Destinations	Class	QTY	Standard parts
1	A1UD218900	Mounting Plate		D	1	a-V153030803 b-V137030803
2	A108M50100	Photointerrupter		B	1	
3	A1UD218602	Holder		D	1	
4	A1UDR70200	Hopper Drive Motor Assy		C	1	
5	A1UD218100	Gear		C	1	
6	A1UD218200	Gear		C	1	
7	A1UD218700	Mounting Plate		D	1	
8	A1UD218301	Gear		C	1	
9	A1UD218501	Compressing Coil spring		C	1	
10	A1UD218400	Joint		C	1	
11	A1UD219000	Washer		C	1	
12	A1UDR70122	Hopper Drive Assy		D	1	
13	A1UD211401	Mounting Plate	{bizhub 42}	D	1	
14	A1UD210300	Gear		C	1	
15	A1UD210401	Gear		C	1	
16	A1UD210201	Gear		C	1	
17	A1UD210601	Gear	{bizhub 42}	C	1	
18	A1UD210001	Holder	{bizhub 42}	D	1	
19	A1UD210900	Gear	{bizhub 42}	C	1	
20	A1UD211300	Gear	{bizhub 42}	C	1	
21	A1UD212000	Gear	{bizhub 42}	C	1	
22	A1UD210500	Gear		C	1	
23	A1UE210700	Gear	{bizhub 36}	C	1	
24	A1UE210800	Gear	{bizhub 36}	C	1	
25	A1UE211000	Gear	{bizhub 36}	C	1	
26	A1UE210101	Holder	{bizhub 36}	D	1	

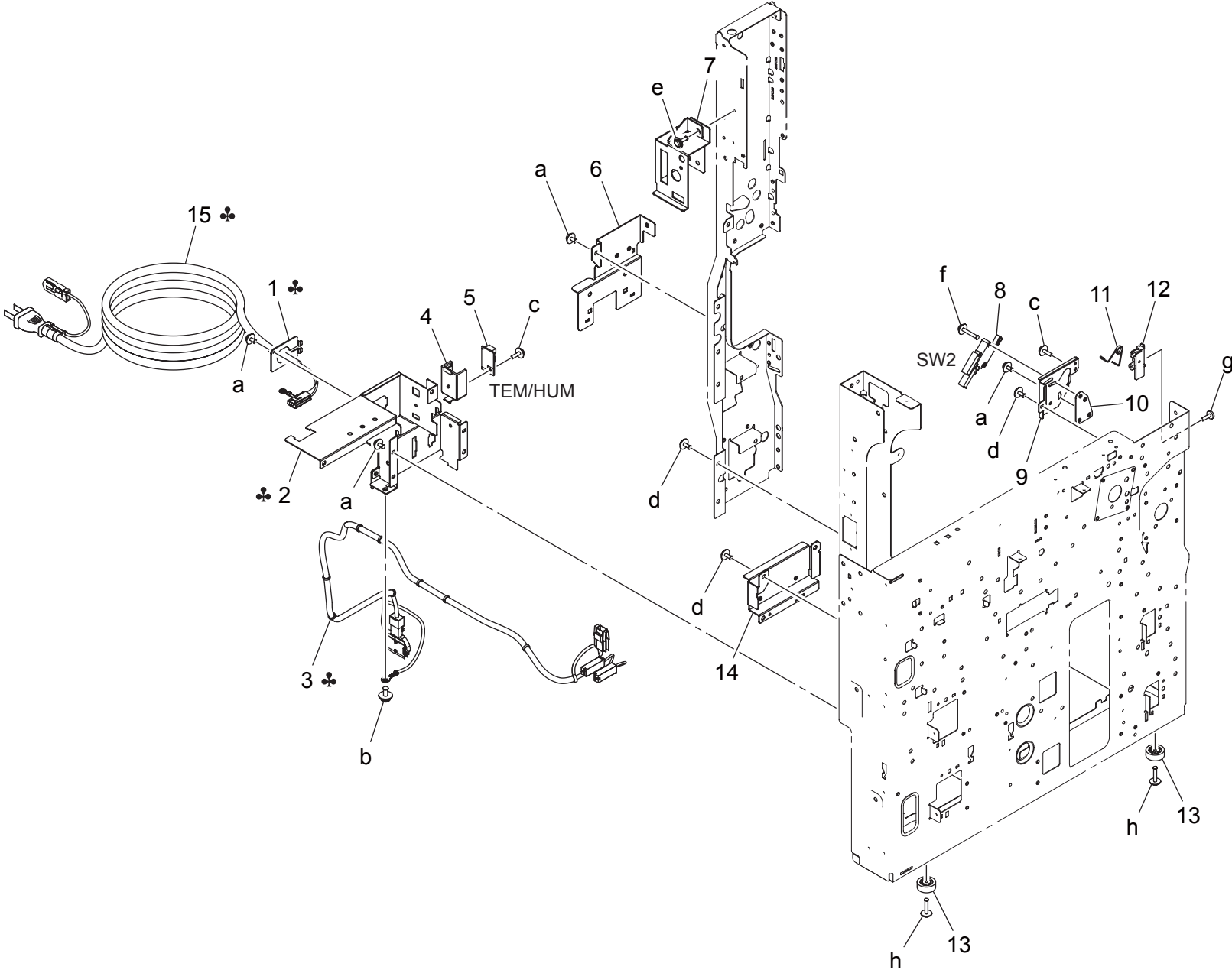
bizhub 36/bizhub 42

MAIN DRIVE SECTION





REAR FRAME SECTION



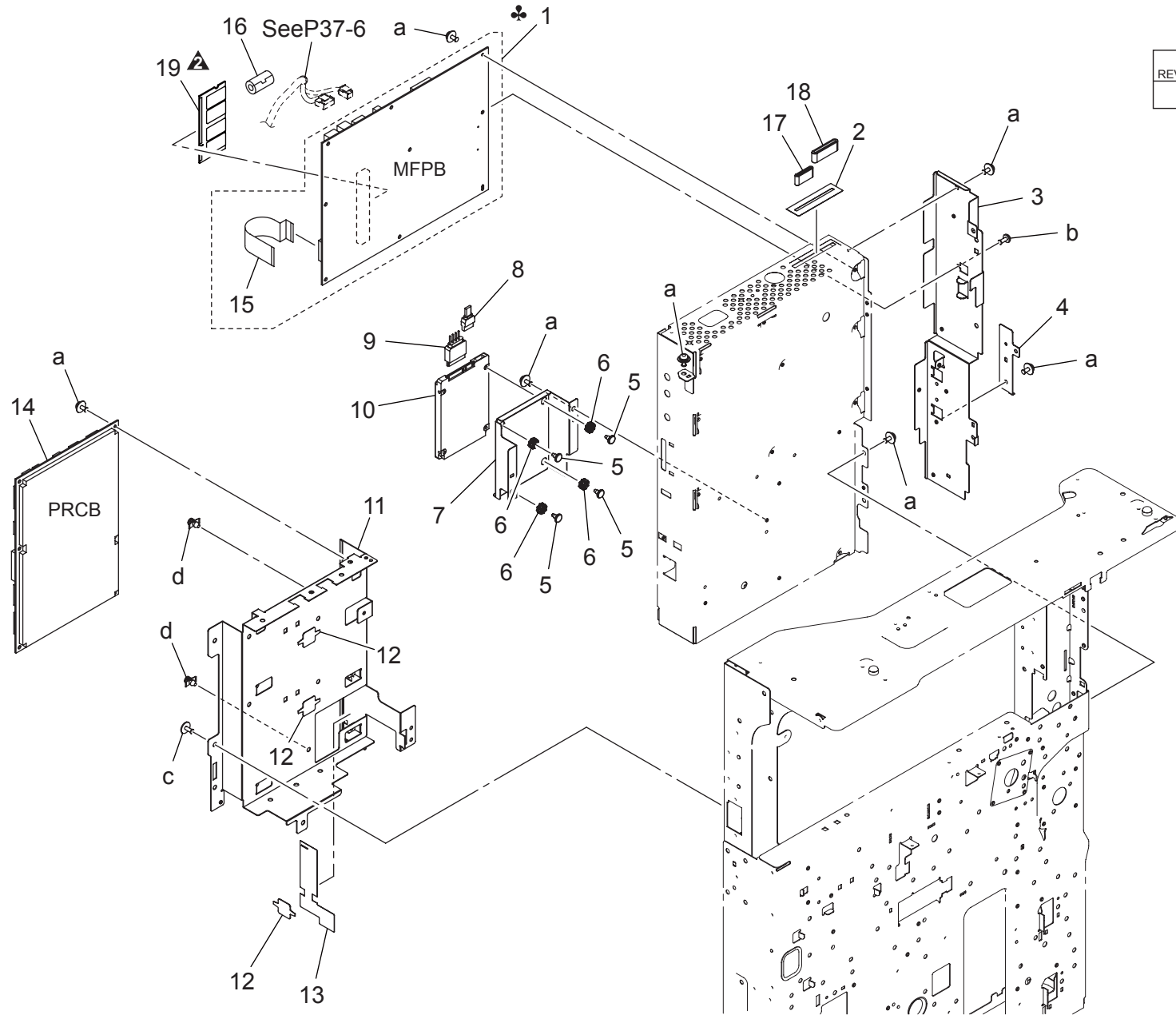




# ELECTRICAL COMPONENTS

P 36

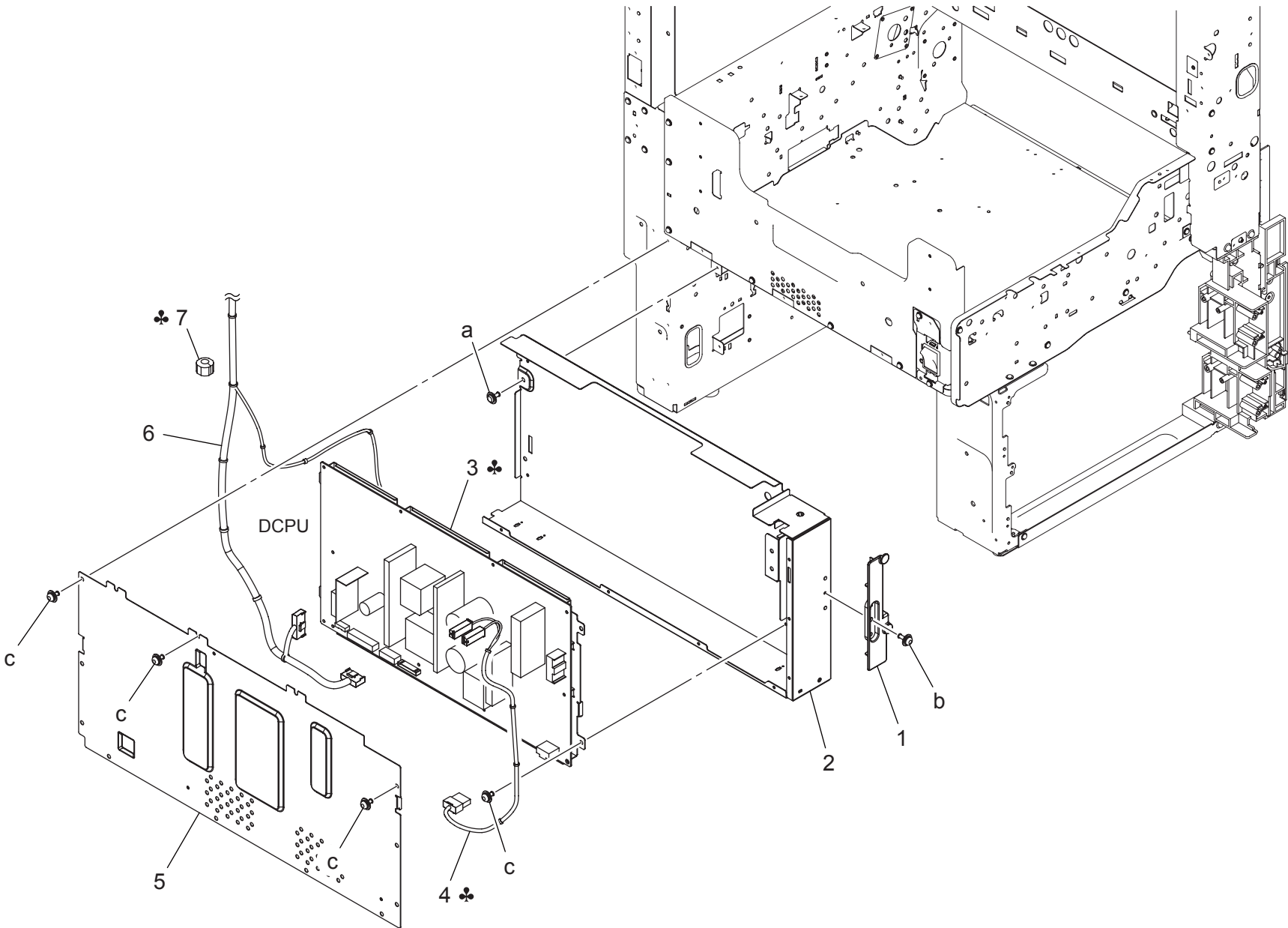
改訂版 REVISED EDITION	日付 DATE
	JULY 2012



bizhub 36/bizhub 42

Key	Part No.	Description	Destinations	Class	QTY	Standard parts
1	A3EWR70511	PWB-Assy(PWB-MFP)	基板 A S S Y ( P W B - M F P )	C{bizhub 42}	1	a-V116030603 b-V111030603 c-V137030603 d-V502010041
1	A45XR70311	PWB-Assy(PWB-MFP)	基板 A S S Y ( P W B - M F P )	C{bizhub 36}	1	
1	A3EWR70411	PWB-Assy(PWB-MFP)	基板 A S S Y ( P W B - M F P )	B{bizhub 42}	1	
1	A45XR70211	PWB-Assy(PWB-MFP)	基板 A S S Y ( P W B - M F P )	B{bizhub 36}	1	
1	A3EWR70611	PWB-Assy(PWB-MFP)	基板 A S S Y ( P W B - M F P )	D1,D3,F2,G1,I,K{bizhub 42}	1	
1	A45XR70411	PWB-Assy(PWB-MFP)	基板 A S S Y ( P W B - M F P )	D1,D3,F2,G1,I,K{bizhub 36}	1	
1	A45XR70111	PWB-Assy(PWB-MFP)	基板 A S S Y ( P W B - M F P )	A,A1	1	
1	A45XR70511	PWB-Assy(PWB-MFP)	基板 A S S Y ( P W B - M F P )	J{bizhub 36}	1	
1	A3EWR70711	PWB-Assy(PWB-MFP)	基板 A S S Y ( P W B - M F P )	J{bizhub 42}	1	
1	A3EWR70900	PWB-Assy(PWB-MFP)	基板 A s s y ( P W B - M F P )	H{bizhub 42}	1	
1	A45XR70700	PWB-Assy(PWB-MFP)	基板 A s s y ( P W B - M F P )	H{bizhub 36}	1	
2	A3EW133401	Insulating Film	絶縁フィルム	D	1	
3	A3EW130201	Mounting Cover	取付蓋 (シールドボックス)	D	1	
4	A3EW131800	Cover Cover	カバー蓋 (FAXボード)	D	1	
5	A121132200	Shoulder screw	段ねじ	D	4	
6	13KK73060	Base Plate Support Rubber	基板支持ゴム	C	4	
7	A3EW140000	Mounting Plate	取付板 (HDD)	D	1	
8	A3EWN14300	Relay harness	中継束線 (HDD 信号ハーネス)	D	1	
9	A0VDN12300	Relay harness	中継束線 (HDD 電源ハーネス)	D	1	
10	A2X0M72C00	HDD	HDD	I	1	
11	A3EW130101	Mounting Plate	取付板 (メカコン)	D	1	
12	A1UD104500	Seal	シール (ハーネス固定)	D	3	
13	A3EW133500	Insulating Film	絶縁フィルム (メカコン取付板)	D	1	
14	A1UDP00004	PWB-Assy(PWB-MC)	基板 A s s y ( P W B - M C )	I	1	
15	A1UDN12W00	Controller Control harness	コントローラ制御束線	D	1	
16	A3EWM90200	Ferritecore	フェライトコア	D	1	
17	A3EWM90100	Ferritecore	フェライトコア	D	1	
18	A3EWM90000	Ferritecore	フェライトコア	D	1	
19	V865300035	MEMORY MODULES	メモリ基板	I	1	

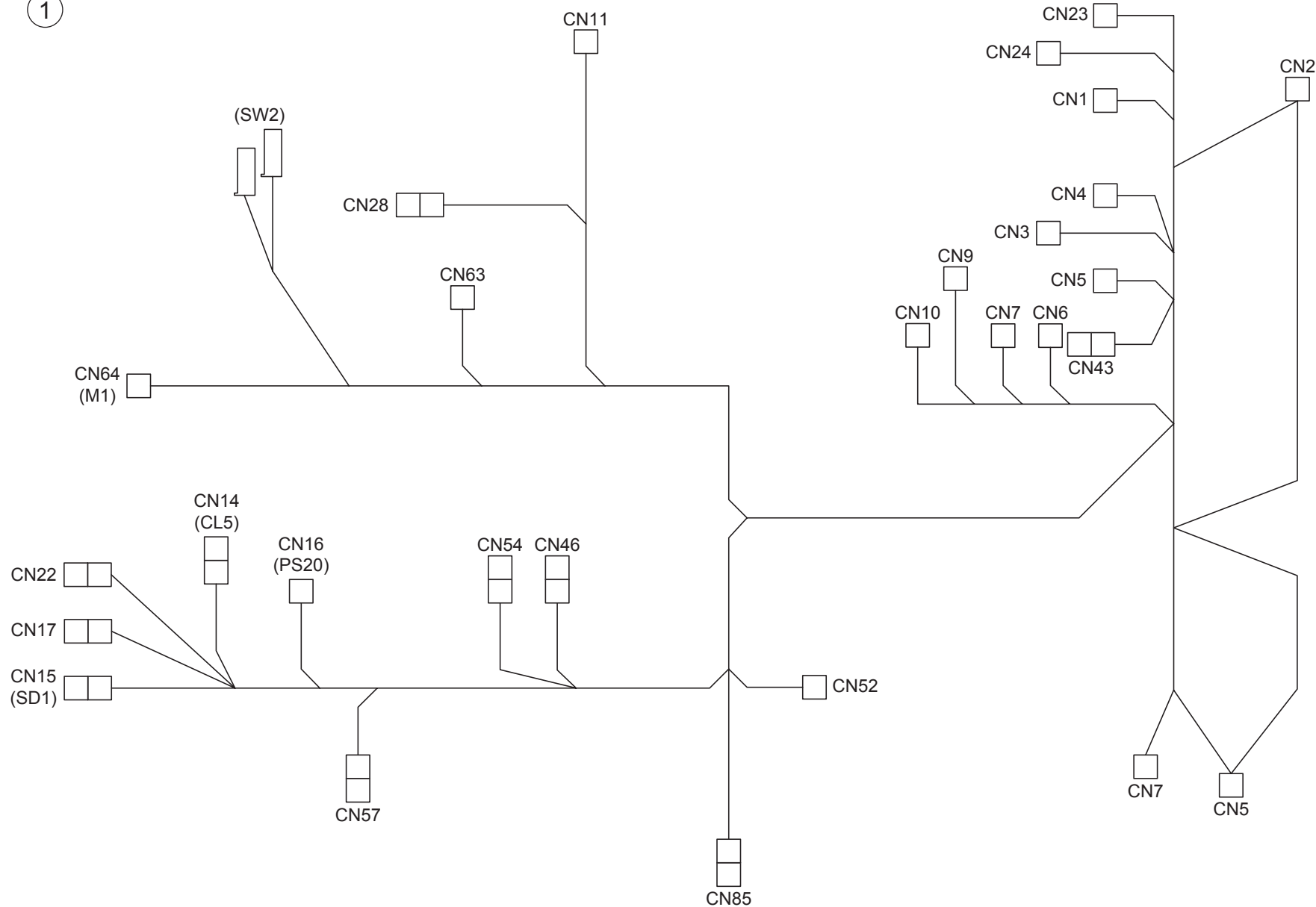
POWER SUPPLY SECTION





# WIRING

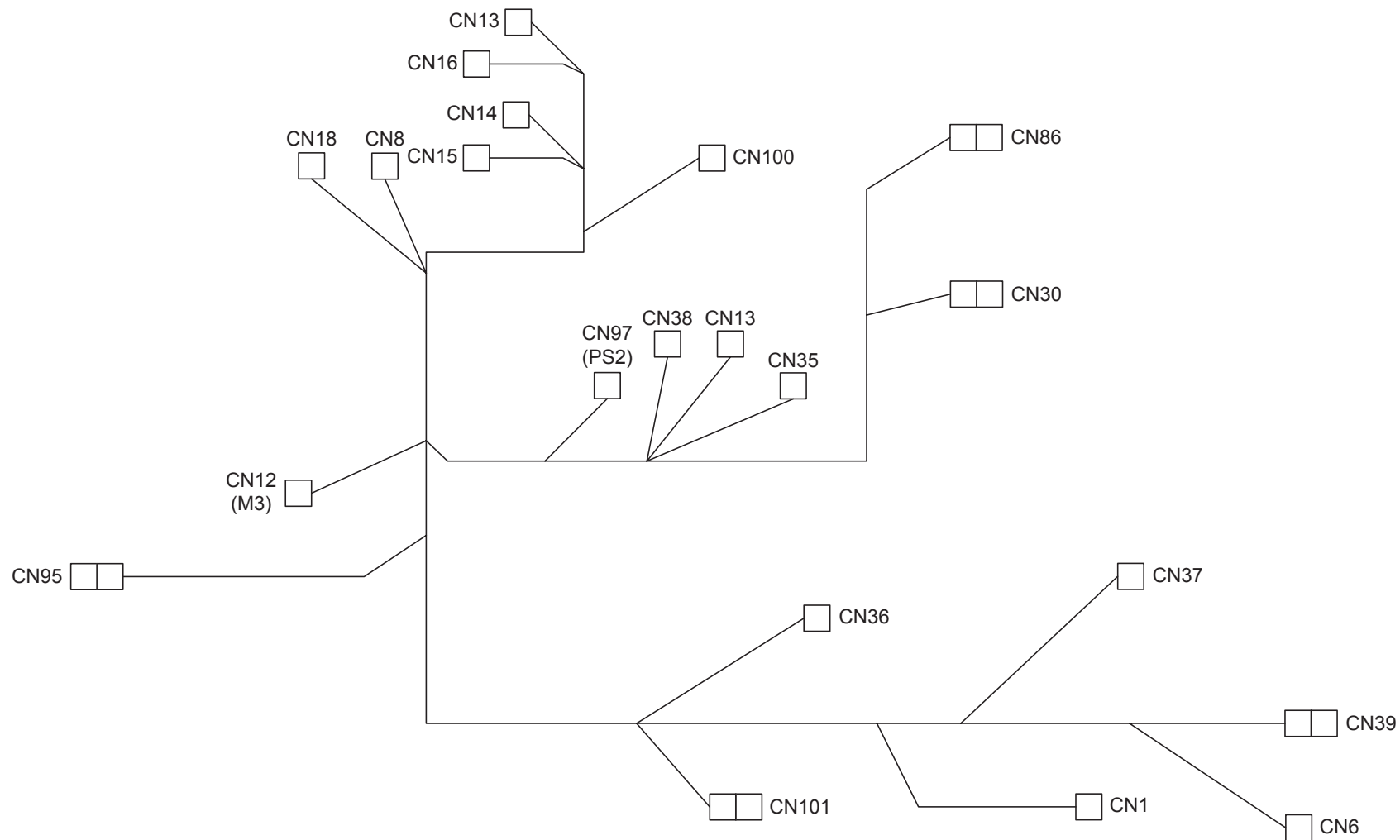
1



Key	Part No.	Description	Destinations	Class	QTY	Standard parts
1	A3EWN12002	Main body Relay harness /1	{bizhub 42}	D	1	
1	A45XN12002	Main body Relay harness /1	{bizhub 36}	D	1	

bizhub 36/bizhub 42

1





Key	Part No.	Description	Destinations	Class	QTY	Standard parts
1	A3EWN12100	Main body Relay harness /2	{bizhub 42}	D	1	
1	A45XN12100	Main body Relay harness /2	{bizhub 36}	D	1	

bizhub 36/bizhub 42

# WIRING ACCESSORIES AND JIGS

P 40

1 	6 	11 	16 	21 	26	31	36
2 	7 	12 	17 	22 	27	32	37
3 	8 	13 	18 	23 	28	33	38
4 	9 	14 	19 	24	29	34	39
5 	10 	15 	20 	25	30	35	40

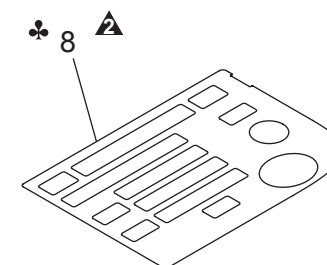
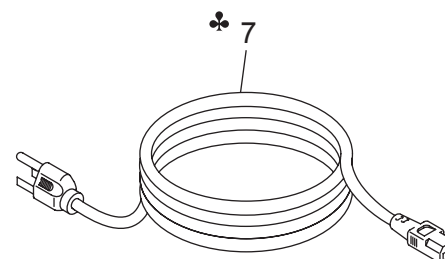
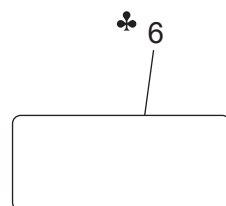
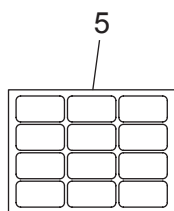
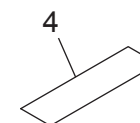
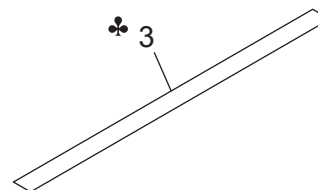
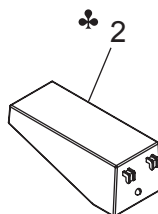
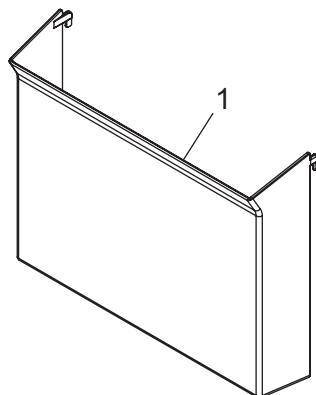
bizhub 36/bizhub 42



# ACCESSORY PARTS

P 41

改訂版 REVISED EDITION	日付 DATE
	MARCH 2012





# MAINTENANCE LIST

● The items with no Page/Key numbers are not handled as spare parts.

No.	Section	PM Parts Description	Maintenance Cycle (K=1,000)		Parts No.	Destinations	Page/Key	Note	
			QTY	Replace					
1	Tray 1	Tray 1 feed roller	1	200k *2	A00F623201		P23-17	*4	
2		Tray 1 separation roller assy	1	200k *2	4034015101		P24-31	*4	
3	Tray 2	Tray 2 pick-up roller	1	300k *2	A00J563600		P11-13	*4	
4		Tray 2 feed roller	1	300k *2	A00J563600		P11-13	*4	
5		Tray 2 separation roller assy	1	300k *2	A00J563600		P12-6	*4	
6	Tray 3	Tray 3 pick-up roller	1	300k *2	A00J563600		P14-11	*4	
7		Tray 3 feed roller	1	300k *2	A00J563600		P14-11	*4	
8		Tray 3 separation roller assy	1	300k *2	A00J563600		P15-17	*4	
9	Conveyance section	Registration roller bearing	4	900k	1164354901		P27-21		
10		Registration roller gear1	1	900k	1164350801		P27-22		
11		Registration roller gear2	1	900k	1164351501		P27-23		
12		Paper dust remover	1	150k *2	4040077800		P27-35		
13	Fusing section	Fusing Unit 100V	1	450k *3	A1UDR70811		P30-1		
14		Fusing Unit 110V	1	450k *3	A1UDR72011		P30-1		
15		Fusing Unit 120V	1	450k *3	A1UDR70911		P30-1		
16		Fusing Unit 200V	1	450k *3	A1UDR71011		P30-1		
17	Transfer section	Transfer roller unit	1	150k *2	A1UDR70500		P27-39		
18	Processing section	Drum unit	1	120k *3	-	{bizhub 42}		*5	
19			1	110k *3	-	{bizhub 36}		*5	
20		Developer		1	120k *3	-	{bizhub 42}		
21				1	110k *3	-	{bizhub 36}		
22			Developing unit	1	480k *3	A1UDR71111	{bizhub 42}	P8-8	*6
23			1	440k *3	A1UDR71111	{bizhub 36}	P8-8	*6	
24		Toner filter (Developing unit)		1	120k *3	A1UD370700	{bizhub 42}	P8-24	*5
25				1	110k *3	A1UD370700	{bizhub 36}	P8-24	*5
26		Toner filter (Main body)		1	480k *3	A02E148400	{bizhub 42}	P3-18	*6
27				1	440k *3	A02E148400	{bizhub 36}	P3-18	*6
28			Ozone filter/1	1	150k *3	A1UD135100		P7-6	*4
29		Ozone filter/2	1	150k *3	A1UDP00100	China	P26-34	*4	
30		Ozone filter/3	1	150k *3	A1UD893100	China	P31-12	*4	
31		Toner bottle		1	25k	-	{bizhub 42}		*1
32				1	25k	-	{bizhub 36}		*1

\*1: The parts can be replaced either by user or service engineer.

\*2: Actual durable cycle (life counter value)

\*3: Specification value

\*4: Replace those three parts at the same time.

\*5: The drum unit and toner filter (Developing unit) should be replaced with new ones at the same time.

\*6: The drum unit and toner filter (Main body) should be replaced with new ones at the same time.

# メンテナンスリスト

● ページ / キーナンバーのないものは、アフターサービス部品ではありません。

No.	区分	PM 部品名称	サイクル (K=1,000)		部品番号	仕向地	頁 / キー	備考
			員数	交換				
1	トレイ 1	トレイ 1 給紙ローラー	1	200k *2	A00F623201		P23-17	*4
2		トレイ 1 分離ローラー Assy	1	200k *2	4034015101		P24-31	*4
3	トレイ 2	トレイ 2 ビックアップローラー	1	300k *2	A00J563600		P11-13	*4
4		トレイ 2 給紙ローラー	1	300k *2	A00J563600		P11-13	*4
5		トレイ 2 分離ローラー	1	300k *2	A00J563600		P12-6	*4
6	トレイ 3	トレイ 3 ビックアップローラー	1	300k *2	A00J563600		P14-11	*4
7		トレイ 3 給紙ローラー	1	300k *2	A00J563600		P14-11	*4
8		トレイ 3 分離ローラー	1	300k *2	A00J563600		P15-17	*4
9	搬送部	レジストローラー軸受	4	900k	1164354901		P27-21	
10		レジストローラーギア 1	1	900k	1164350801		P27-22	
11		レジストローラーギア 2	1	900k	1164351501		P27-23	
12		紙粉除去クリーナー	1	150k *2	4040077800		P27-35	
13	定着部	定着ユニット 100V	1	450k *3	A1UDR70811		P30-1	
14		定着ユニット 110V	1	450k *3	A1UDR72011		P30-1	
15		定着ユニット 120V	1	450k *3	A1UDR70911		P30-1	
16		定着ユニット 200V	1	450k *3	A1UDR71011		P30-1	
17	転写部	転写ローラーユニット	1	150k *2	A1UDR70500		P27-39	
18	プロセス部	ドラムユニット	1	120k *3	-	{bizhub 42}		*5
19			1	110k *3	-	{bizhub 36}		*5
20		現像剤	1	120k *3	-	{bizhub 42}		
21			1	110k *3	-	{bizhub 36}		
22		現像ユニット	1	480k *3	A1UDR71111	{bizhub 42}	P8-8	*6
23			1	440k *3	A1UDR71111	{bizhub 36}	P8-8	*6
24		トナーフィルター (現像ユニット側)	1	120k *3	A1UD370700	{bizhub 42}	P8-24	*5
25			1	110k *3	A1UD370700	{bizhub 36}	P8-24	*5
26		トナーフィルター (本体側)	1	480k *3	A02E148400	{bizhub 42}	P3-18	*6
27			1	440k *3	A02E148400	{bizhub 36}	P3-18	*6
28		オゾンフィルター / 1	1	150k *3	A1UD135100		P7-6	*4
29		オゾンフィルター / 2	1	150k *3	A1UDP00100	中国用	P26-34	*4
30		オゾンフィルター / 3	1	150k *3	A1UD893100	中国用	P31-12	*4
31		トナーボトル	1	10k	-	{bizhub 42}		*1
32		5000 枚コピーキット	1	5k	-	{bizhub 42}		*1
33		2500 枚コピーキット	1	2.5k	-	{bizhub 42}		*1
34		トナーボトル	1	10k	-	{bizhub 36}		*1
35		5000 枚コピーキット	1	5k	-	{bizhub 36}		*1
36	2500 枚コピーキット	1	2.5k	-	{bizhub 36}		*1	

\*1: ユーザー / サービス交換の選択が可能。

\*2: ライフカウンター値

\*3: 仕様値

\*4: 同時交換する。

\*5: ドラムユニットとトナーフィルター (現像ユニット側) は同時交換する。

\*6: 現像ユニットとトナーフィルター（本体側）は同時交換する。



## DESTINATION

Destination No.		Destinations		V	Hz	Model No.
A	A1	JAPAN		100	50/60	A45X001
	A2	JAPAN				
B		USA, CANADA		120	60	A3EW011/ A45X011
C		EUROPEAN TYPE		220-240	50/60	A3EW021/ A45X021
D	D1	S.E ASIA TYPE	THAILAND, SRI LANKA, SINGAPORE, MALAYSIA, HONG KONG, PAKISTAN, INDIA, BANGLADESH, INDONESIA	220-240	50/60	A3EW041/ A45X041
	D3	OCEANIA TYPE	AUSTRALIA, NEW ZEALAND	220-240	50/60	A3EW041/ A45X041
E		PHILIPPINES				
F	F1	SAUDI ARABIA				
	F2	SAUDI ARABIA		220-240	50/60	A3EW041/ A45X041
G	G1	C.S AMERICA		220-240	50/60	A3EW041/ A45X041
	G2	C.S AMERICA		120	60	A3EW011/ A45X011
H		TAIWAN		110	60	A3EW071/ A45X071
I		JORDAN, LEBANON, SYRIA, SOUTH AFRICA, IRAQ, IRAN, N.YEMEN, CAMEROON, UAE, BAHRAIN, OMAN, QATAR, KUWAIT, KENYA, TUNISIA, IVORY COAST, MOROCCO		220-240	50/60	A3EW041/ A45X041
J		CHINA		220-240	50/60	A3EW081/ A45X081

bizhub 36/bizhub 42

<b>Destination No.</b>	<b>Destinations</b>	<b>V</b>	<b>Hz</b>	<b>Model No.</b>
K	KOREA	220-240	50/60	A3EW041/ A45X041