

KONICA MINOLTA

PARTS GUIDE MANUAL

DECEMBER 2013

bizhub 4050/bizhub 4750
A6F7

INFORMATION FOR PARTS GUIDE MANUAL

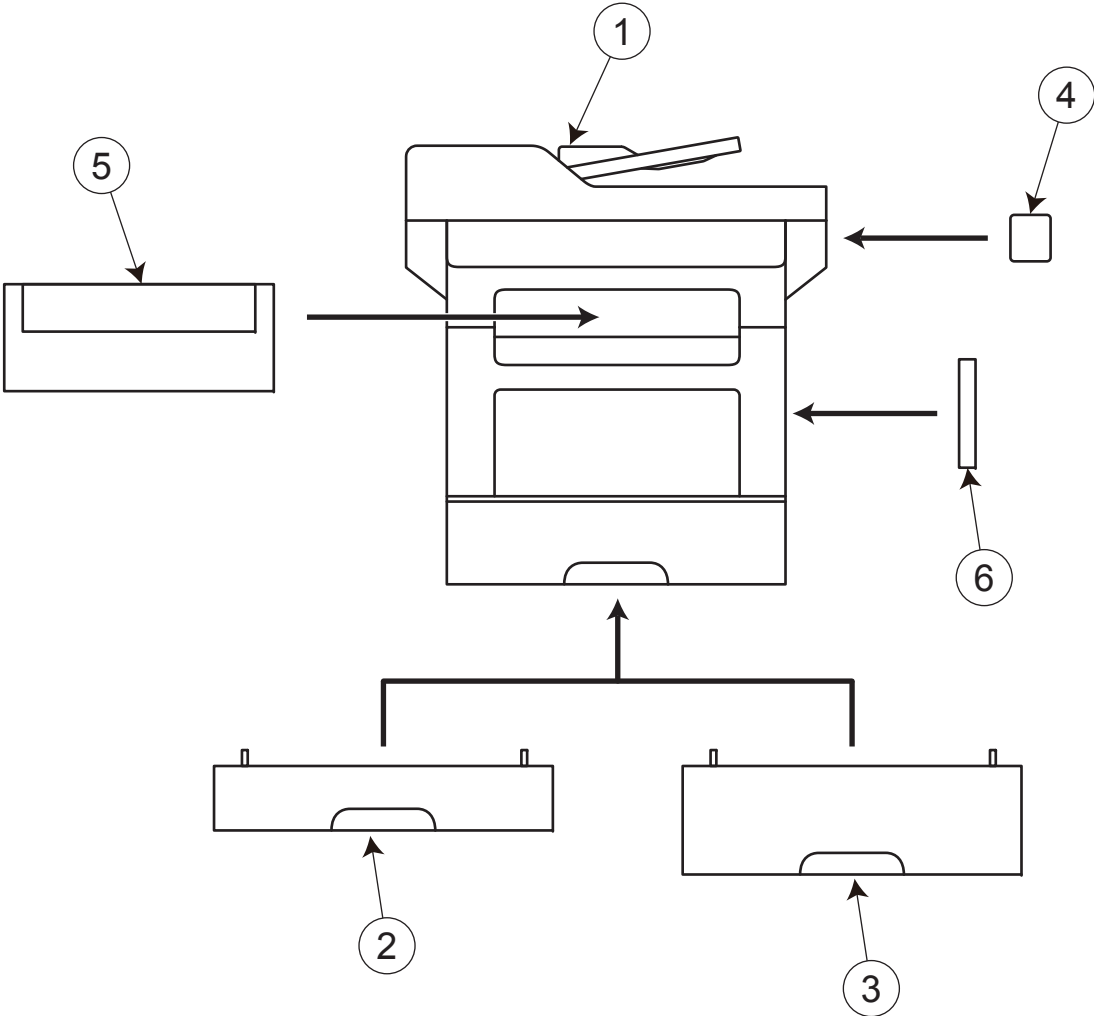
To find correct Parts No., refer to the "HOW TO MAKE THE BEST USE OF THIS MANUAL" in the following page.

HOW TO MAKE THE BEST USE OF THIS MANUAL

- 1 When you order, please check the proper figures beforehand that are on Our Parts Guide Manual, and order with the appropriate figures.
- 2 For screws, Nuts, Washers, retaining rings and Pins which are used in this model, one letter is shown on the Standard parts column of Parts list and exploded diagrams.
- 3 In order to maintain safety of the product, some specific parts composed of this product are set up as "essential safety parts".
- 4 The assigned parts number for the "essential safety parts" is indicated as "SP00-****".
When replacing these parts, follow precautions for disassembling and installing which are listed in the Service Manual.
Do not use any parts that are not set up as
- 5 ♣ means that there are exclusive parts for each destination.
Please check the appropriate destination when you order.
- 6 Revision Mark
Marked as ▲ on the illustration shows that the revision has been made.
- 7 All rights reserved. (any reprints or quotations are prohibited.)
Use of this parts guide manual should be strictly supervised to avoid disclosure of confidential information.

12/20/2013

SYSTEM OUTLINE



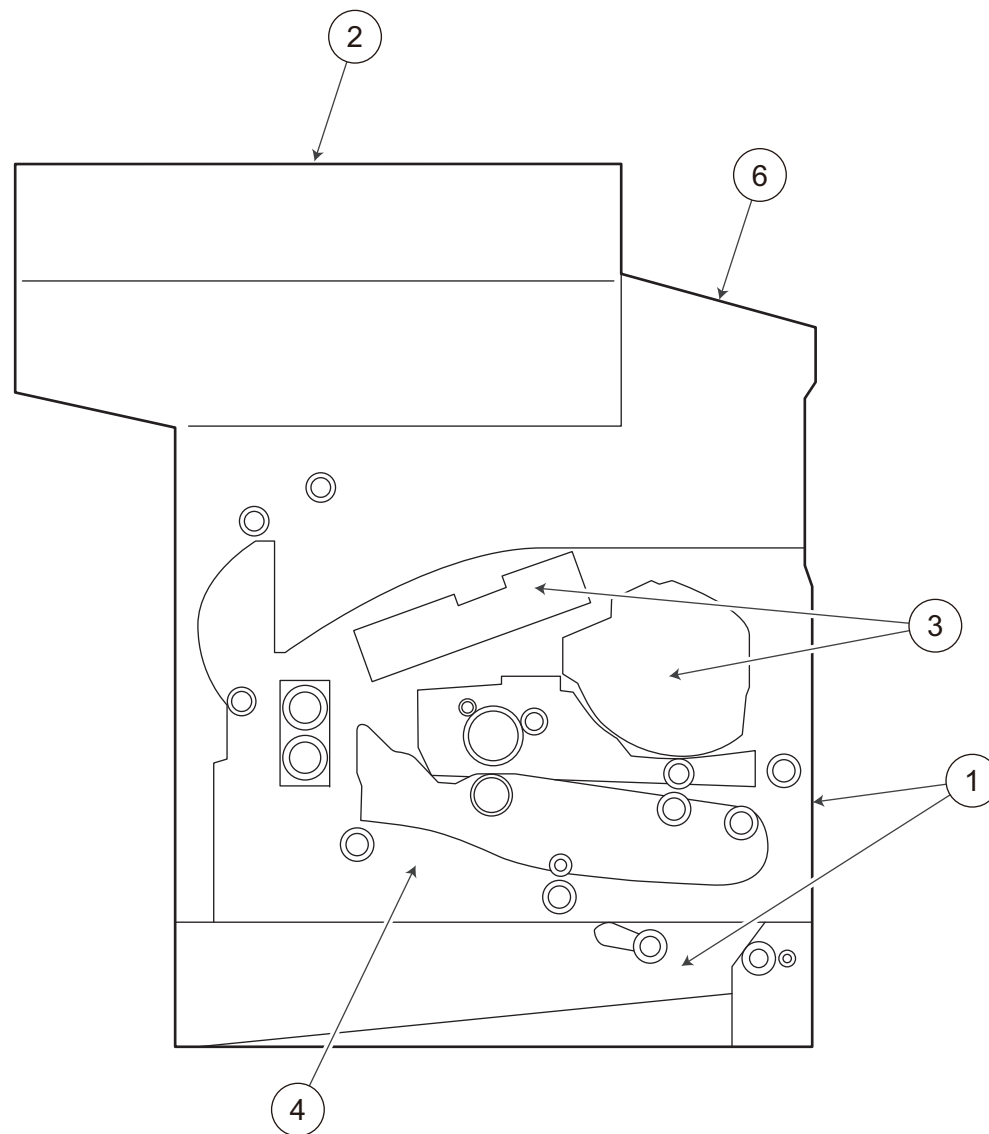
bizhub 4050/bizhub 4750

GENERAL CONTENTS

No.	Description	Model
1	Printer B/W	bizhub 4050/bizhub 4750
2	Paper Feeder	PF-P11
3	Paper Feeder	PF-P12
4	Other Option	KP-P01
5	Finisher/Sorter	FS-P02
6	Mount Kit	MK-P03

bizhub 4050/bizhub 4750

DIAGRAMS OF MAIN PARTS SECTION



CONTENTS

No.	DESCRIPTION	PAGE No.
1	EXTERNAL PARTS/CASSETTE SECTION	P1
2	ADF SECTION	P2
3	PH/FUSING SECTION	P3
4	MAIN POWER SUPPLY SECTION	P4
5	REVERSAL/MAIN DRIVE SECTION	P5
6	OPERATION PANEL SECTION	P6
7	ACCESSORY PARTS	P7
8	MAINTENANCE KIT	P8

INDEX

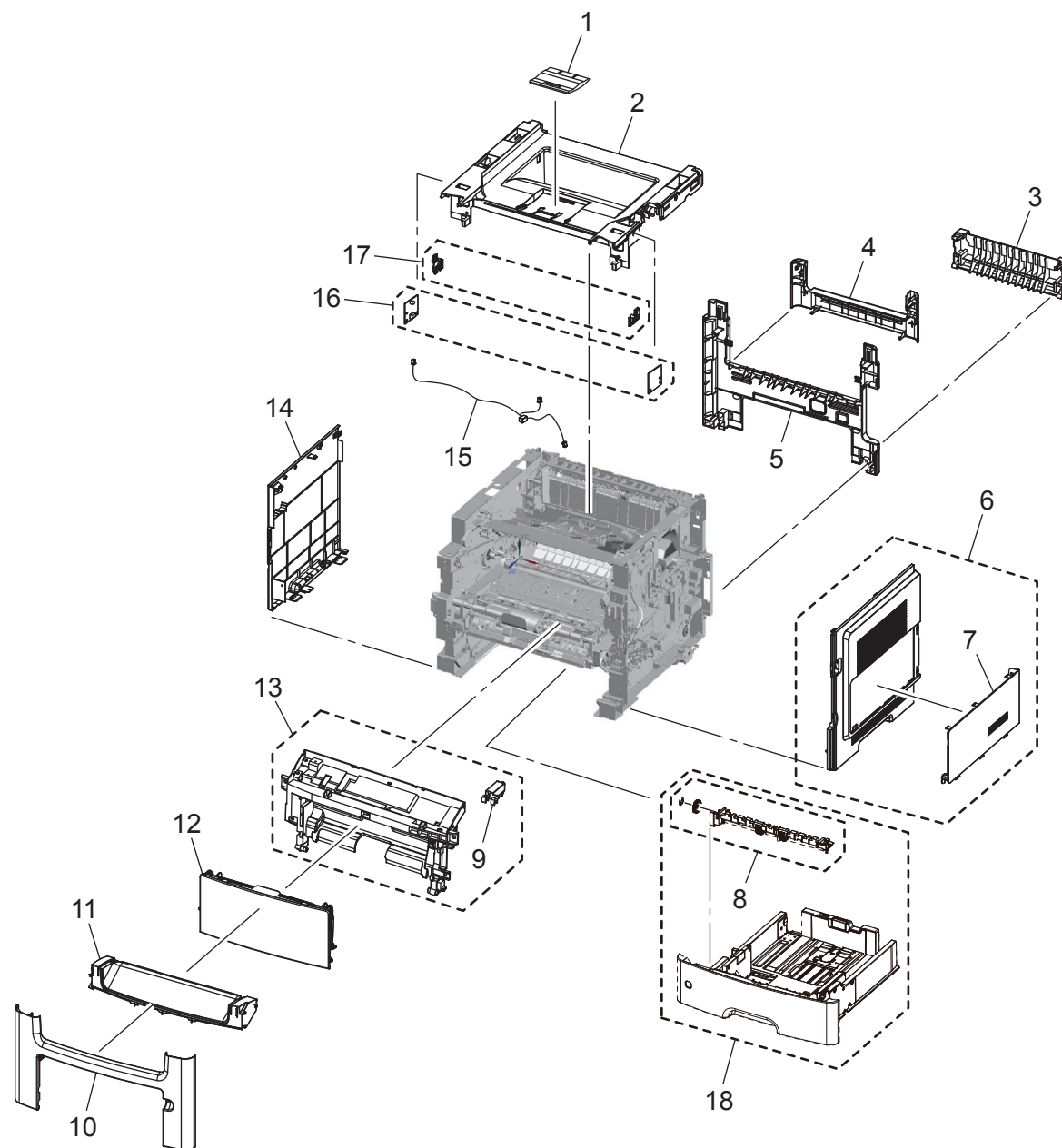
Parts No.	Page No.
A3GNH00500	6-5
A5C1947100	7-1
A63NPP0000	1-18
A63NPP0100	1-12
A63NPP0800	1-13
A63NPP0C00	3-8
A63NPP0D00	3-7
A63NPP0E00	3-6
A63NPP0G00	3-1
A63NPP0M00	3-2
A63NPP0N00	3-2
A63NPP0P00	4-1
A63NPP0Q00	4-3
A63NPP0R00	4-5
A63NPP0S00	4-9
A63NPP0T00	4-6
A63NPP0W00	3-5
A63NPP0W00	4-8
A63NPP0Y00	5-1
A63NPP1000	5-8
A63NPP1100	5-10
A63NPP1200	5-11
A63NPP1300	5-12
A63NPP1400	5-13
A63NPP1500	5-5
A63NPP1600	5-9
A63NPP1700	5-14
A63NPP1800	5-6
A63NPP1900	5-15
A63NPP1C00	1-8
A63NPP1H00	1-9
A63NPP1N00	5-16
A63NPP1P00	7-2
A63NPP1S00	7-2
A63NPP1T00	7-2
A63NPP1U00	7-2
A63NPP1V00	7-2
A63NPP1W00	7-2
A63NPP1X00	7-2
A63NPP1Y00	7-2

Parts No.	Page No.
A63NPP2000	7-2
A63NPP2100	7-2
A63NPP2200	7-2
A63NPP2300	7-2
A63NPP2Q00	7-2
A63PPP0B00	4-2
A6F7M70102	6-1
A6F7M70202	6-1
A6F7PP0000	1-1
A6F7PP0100	1-2
A6F7PP0200	1-3
A6F7PP0300	1-4
A6F7PP0400	1-5
A6F7PP0500	1-6
A6F7PP0600	1-7
A6F7PP0700	1-10
A6F7PP0800	1-11
A6F7PP0900	1-14
A6F7PP0A00	1-15
A6F7PP0B00	1-16
A6F7PP0C00	1-17
A6F7PP0E01	2-7
A6F7PP0F00	2-10
A6F7PP0G00	2-11
A6F7PP0K00	3-4
A6F7PP0M00	4-4
A6F7PP0N00	4-4
A6F7PP0P00	5-2
A6F7PP0Q00	5-3
A6F7PP0R00	5-4
A6F7PP0S00	5-7
A6F7PP0T00	8-1
A6F7PP0U00	8-1
A6F7PP0W00	3-9
A6F7PP0X00	6-2
A6F7PP0Y00	6-3
A6F7PP1000	6-6
A6F7PP1100	6-4
A6VFPP0000	1-10
A6WDPP0000	2-5

Parts No.	Page No.
A6WDPP0100	2-6
A6WDPP0400	3-3
A6WDPP0800	2-16
A6WDPP0R00	4-7
A6WDPP0W00	2-8
A6WDPP0Y00	2-9
A6WDPP1300	2-15
A6WDPP1400	2-12
A6WDPP1500	2-1
A6WDPP1600	2-4
A6WDPP1800	2-18
A6WDPP1900	2-13
A6WDPP1A00	2-2
A6WDPP1B01	2-3
A6WDPP1C00	2-17
A6WPPP0B00	2-14

EXTERNAL PARTS/CASSETTE SECTION

P 1

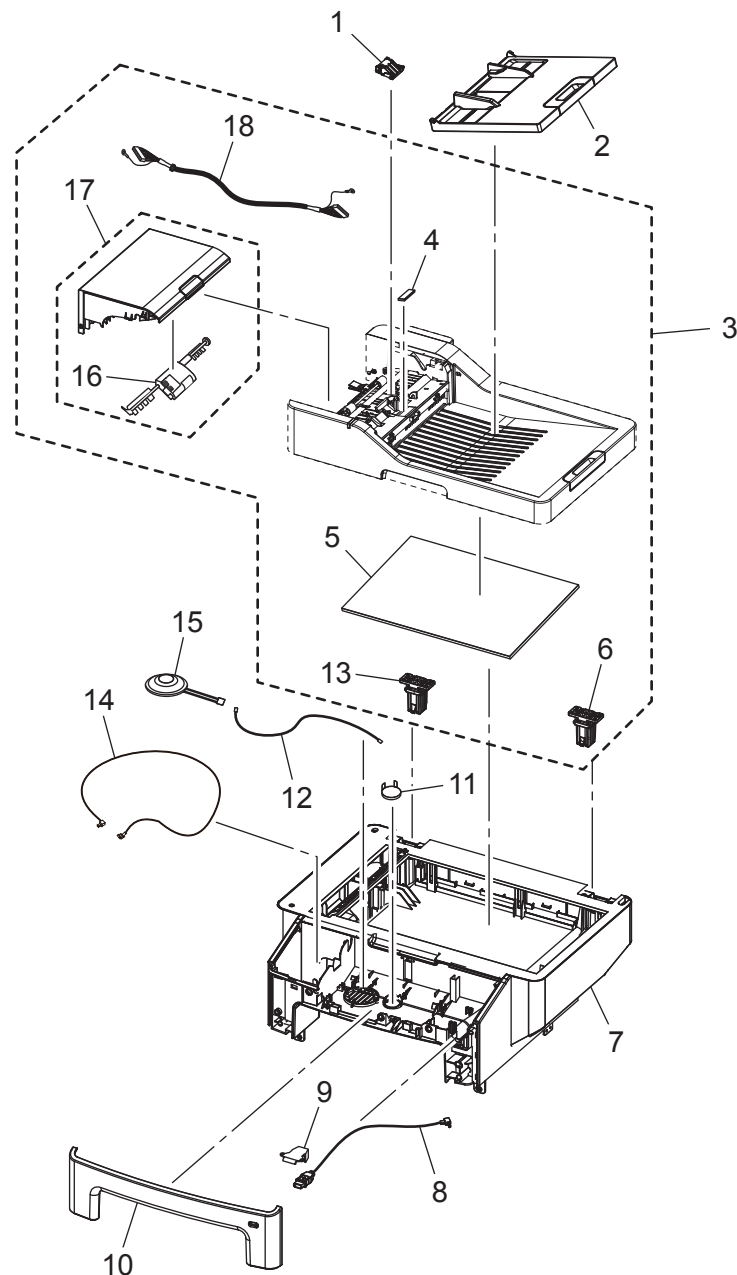


EXTERNAL PARTS/CASSETTE SECTION

Key	Part No.	Description	Destinations	Class	QTY	Standard parts
1	A6F7PP0000	Tray		C	1	
2	A6F7PP0100	Cover/Upper		C	1	
3	A6F7PP0200	Cover		C	1	
4	A6F7PP0300	Cover		C	1	
5	A6F7PP0400	Cover/Rear		C	1	
6	A6F7PP0500	Cover/Right Assy		C	1	
7	A6F7PP0600	Cover		D	1	
8	A63NPP1C00	Separation Roller Assy		B	1	
9	A63NPP1H00	Holder		C	1	
10	A6F7PP0700	Cover/Front	{bizhub 4750}	C	1	
10	A6VFPP0000	Cover/Front	{bizhub 4050}	C	1	
11	A6F7PP0800	Cover		C	1	
12	A63NPP0100	Tray		C	1	
13	A63NPP0800	Front Guide Assy		D	1	
14	A6F7PP0900	Cover/Left		C	1	
15	A6F7PP0A00	Harness		D	1	
16	A6F7PP0B00	Sensor Kit		I	1	
17	A6F7PP0C00	Lens		D	1	
18	A63NPP0000	Cassette Assy/550 Sheet		C	1	

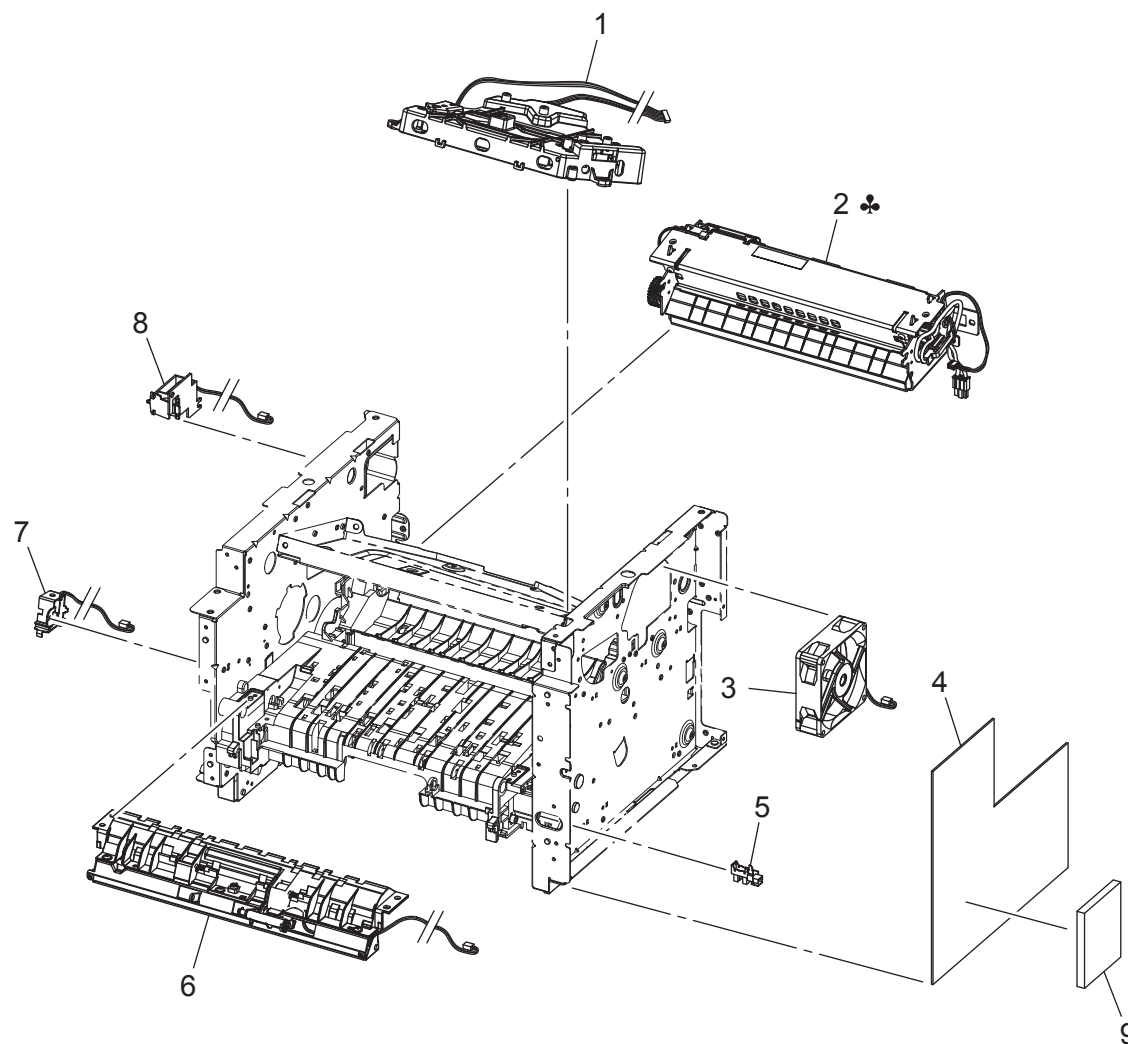
bizhub 4050/bizhub 4750

ADF SECTION



Key	Part No.	Description	Destinations	Class	QTY	Standard parts
1	A6WDPP1500	Separator Roller		B	1	
2	A6WDPP1A00	Tray		C	1	
3	A6WDPP1B01	ADF Unit		C	1	
4	A6WDPP1600	Separating Pad		C	1	
5	A6WDPP0000	Pad		C	1	
6	A6WDPP0100	Hinge/Right		C	1	
7	A6F7PP0E01	Scanner Unit		C	1	
8	A6WDPP0W00	USB Cable		D	1	
9	A6WDPP0Y00	Mounting Plate		D	1	
10	A6F7PP0F00	Cover/Front		C	1	
11	A6F7PP0G00	Lens		D	1	
12	A6WDPP1400	Harness/Speaker		D	1	
13	A6WDPP1900	Hinge/Left		C	1	
14	A6WPPP0B00	Harness		D	1	
15	A6WDPP1300	Speaker		D	1	
16	A6WDPP0800	Pick-up Roller Assy		B	1	
17	A6WDPP1C00	Top Cover Assy		C	1	
18	A6WDPP1800	Harness		D	1	

PH/FUSING SECTION

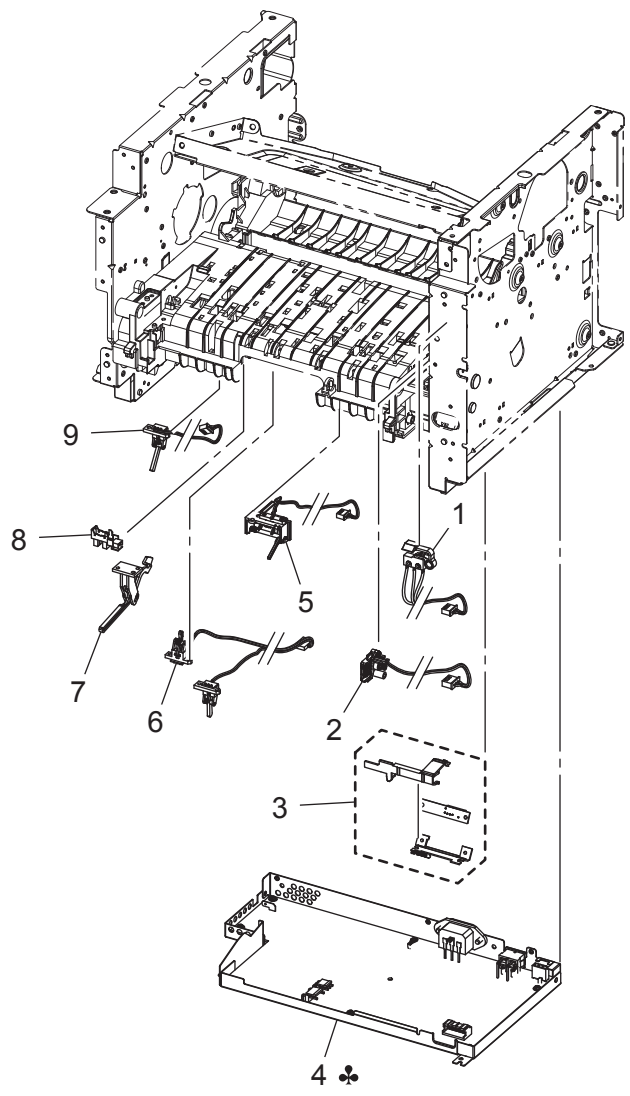


PH/FUSING SECTION

Key	Part No.	Description	Destinations	Class	QTY	Standard parts
1	A63NPP0G00	Print Head Assy		I	1	
2	A63NPP0N00	Fusing Unit 110V	B,G2,H	B	1	
2	A63NPP0M00	Fusing Unit 220V	C,D1,D3,E,F2,G1,I,K	B	1	
3	A6WDPP0400	Fun motor		C	1	
4	A6F7PP0K00	PWB assembly		I	1	
5	A63NPP0W00	Sensor		I	1	
6	A63NPP0E00	Guide Assy		D	1	
7	A63NPP0D00	Solenoid Kit		C	1	
8	A63NPP0C00	Solenoid		C	1	
9	A6F7PP0W00	HDD		I	1	

bizhub 4050/bizhub 4750

MAIN POWER SUPPLY SECTION

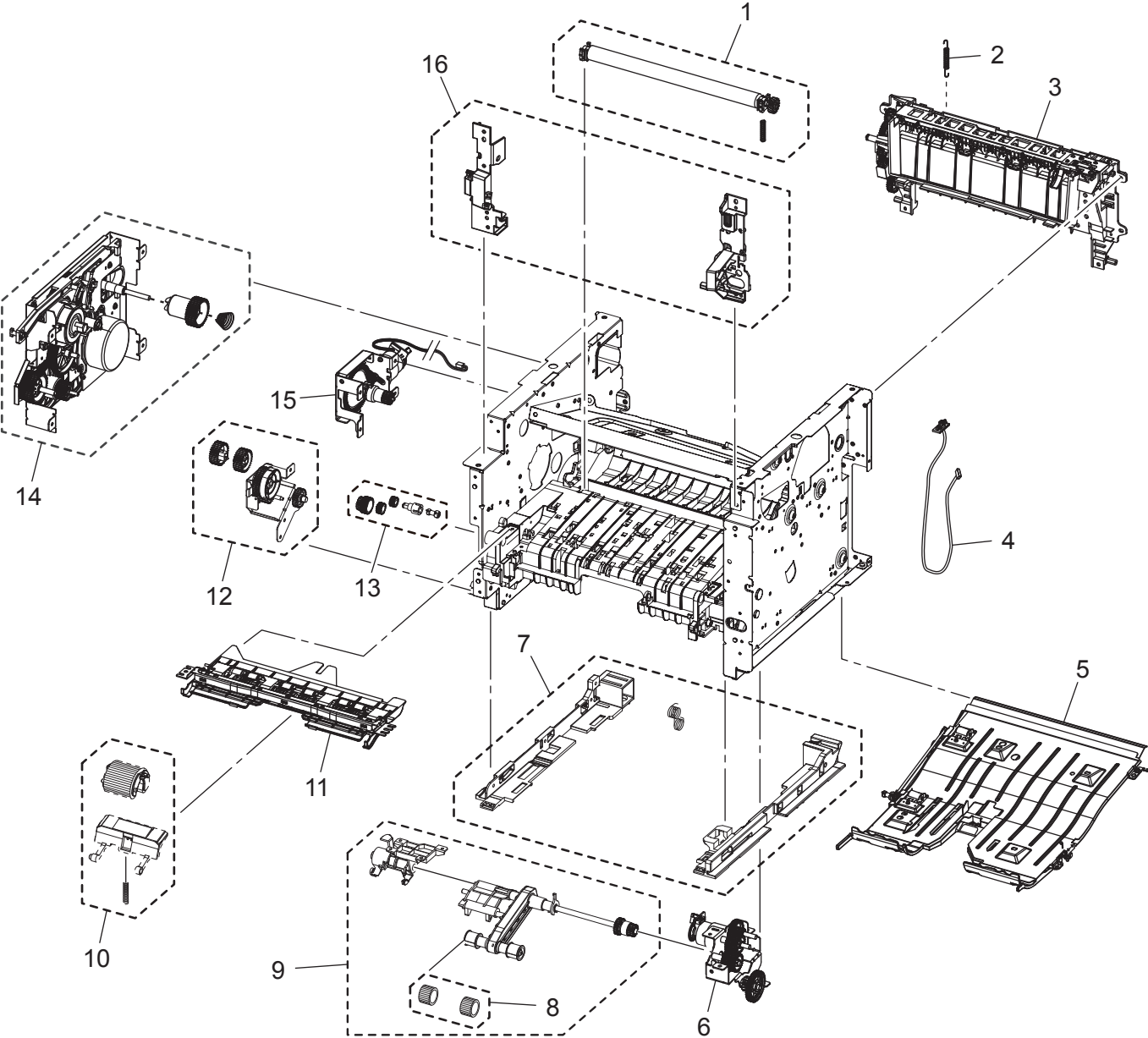


MAIN POWER SUPPLY SECTION

Key	Part No.	Description	Destinations	Class	QTY	Standard parts
1	A63NPP0P00	Sensor		I	1	
2	A63PPP0B00	Contact/Cartridge		C	1	
3	A63NPP0Q00	Sensor		I	1	
4	A6F7PP0M00	Power supply Assy (100-120V)	B,G2,H	I	1	
4	A6F7PP0N00	Power supply Assy (220-240V)	C,D1,D3,E,F2,G1,I,K	I	1	
5	A63NPP0R00	Sensor		I	1	
6	A63NPP0T00	Sensor		I	1	
7	A6WDPP0R00	Actuator		C	1	
8	A63NPP0W00	Sensor		I	1	
9	A63NPP0S00	Sensor		I	1	

bizhub 4050/bizhub 4750

REVERSAL/MAIN DRIVE SECTION



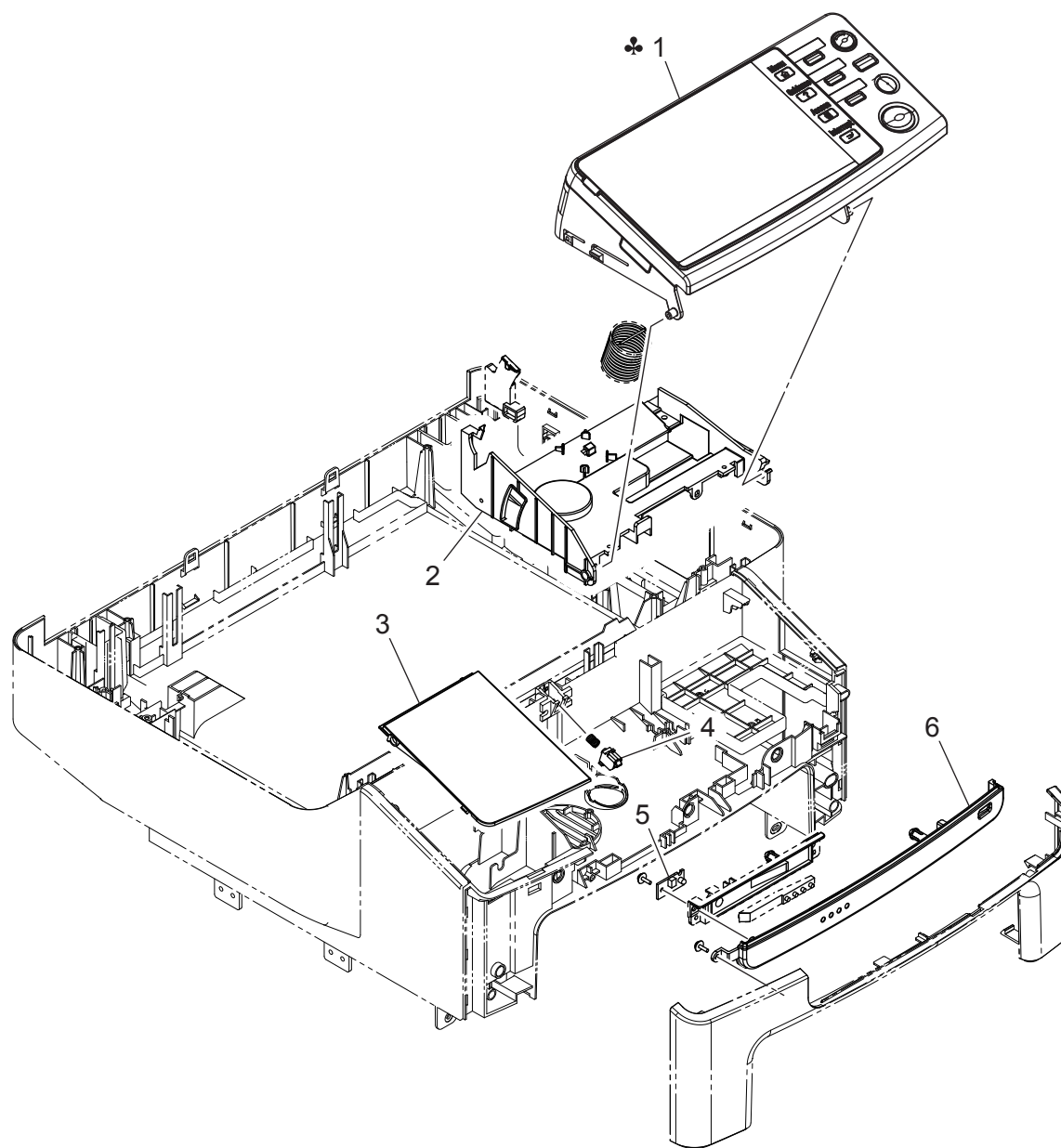
REVERSAL/MAIN DRIVE SECTION

Key	Part No.	Description	Destinations	Class	QTY	Standard parts
1	A63NPP0Y00	Transfer Roller		B	1	
2	A6F7PP0P00	Tension Spring		C	1	
3	A6F7PP0Q00	Reverse Assy		B	1	
4	A6F7PP0R00	Harness		D	1	
5	A63NPP1500	Duplex Assy		C	1	
6	A63NPP1800	ACM Drive Assy		C	1	
7	A6F7PP0S00	Guide Kit		D	1	
8	A63NPP1000	Pick tire Set(2 pcs/set)		B	1	
9	A63NPP1600	ACM Assy		C	1	
10	A63NPP1100	Paper Feed/Separation Pad Kit		B	1	
11	A63NPP1200	Guide Assy		D	1	
12	A63NPP1300	MPF Drive Assy		C	1	
13	A63NPP1400	Duplex Gear Assy		C	1	
14	A63NPP1700	Main Drive Assy		C	1	
15	A63NPP1900	Cartridge Gear Assy		C	1	
16	A63NPP1N00	Holder Kit		C	1	

bizhub 4050/bizhub 4750

OPERATION PANEL SECTION

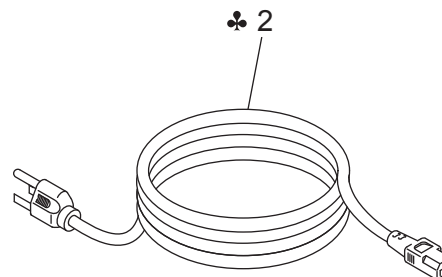
P 6



OPERATION PANEL SECTION

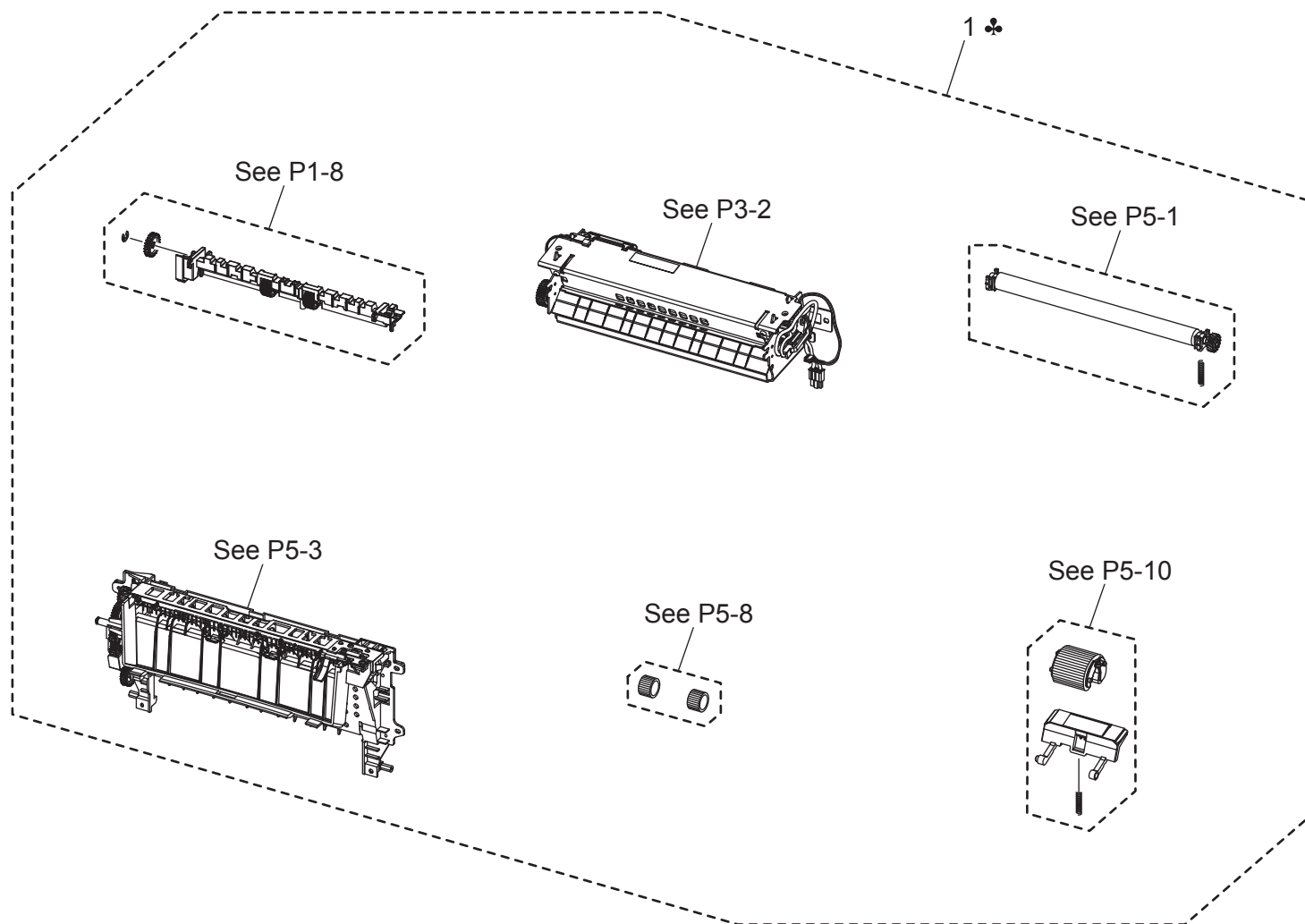
Key	Part No.	Description	Destinations	Class	QTY	Standard parts
1	A6F7M70102	Panel assembly	B,G2,H	I	1	
1	A6F7M70202	Panel assembly	C,D1,D3,E,F2,G1,I,K	I	1	
2	A6F7PP0X00	Mounting Part		D	1	
3	A6F7PP0Y00	Cover		C	1	
4	A6F7PP1100	Lock Part		D	1	
5	A3GNH00500	PWB Assembly (MCMB)		C	1	
6	A6F7PP1000	Cover		C	1	

bizhub 4050/bizhub 4750



ACCESSORY PARTS

Key	Part No.	Description	Destinations	Class	QTY	Standard parts
1	A5C1947100	Label		C	1	
2	A63NPP1P00	Power Cord	B,G2	D	1	
2	A63NPP1T00	Power Cord	C (United Kingdom)	D	1	
2	A63NPP1U00	Power Cord	C (Italy)	D	1	
2	A63NPP1V00	Power Cord	I (Israel)	D	1	
2	A63NPP1W00	Power Cord	G1	D	1	
2	A63NPP1X00	Power Cord	D3	D	1	
2	A63NPP1Y00	Power Cord	C (Switzerland)	D	1	
2	A63NPP2000	Power Cord	I (South Africa)	D	1	
2	A63NPP2100	Power Cord	C (Denmark)	D	1	
2	A63NPP1S00	Power Cord	H	D	1	
2	A63NPP2200	Power Cord	K	D	1	
2	A63NPP2300	Power Cord	C (Europe and others)	D	1	
2	A63NPP2Q00	Power Cord	B,G2	D	1	



MAINTENANCE KIT

Key	Part No.	Description	Destinations	Class	QTY	Standard parts
1	A6F7PP0T00	Maintenance kit (120V)	B,G2,H	S	1	
1	A6F7PP0U00	Maintenance kit (220-240V)	C,D1,D3,E,F2,G1,I,K	S	1	

bizhub 4050/bizhub 4750

MAINTENANCE LIST

● The items with no Page/Key numbers are not handled as spare parts.

No.	Section	PM Parts Description	Maintenance Cycle (K=1,000)		Parts No.	Destinations	Page/Key	Note
			QTY	Replace				
1	REVERSAL/MAIN DRIVE SEC-	ACM pick tire	1	200K	A63NPP1000		P5-8	
2		MPF pick roller/separator pad	1	200K	A63NPP1100		P5-10	
3		Reverse Assy	1	200K	A6F7PP0Q00		P5-3	
4		Transfer roll	1	200K	A63NPP0Y00		P5-1	
5	EXTERNAL PARTS/CAS-	Separator roll assembly	1	200k	A63NPP1C00		P1-8	
6	PH/FUSING SECTION	Fuser assembly	1	200K	A63NPP0N00	Aera 110-127V	P3-2	
7		Fuser assembly	1	200K	A63NPP0M00	Aera 220-240V	P3-2	
8	ADF	ADF separator roller	1	200k	A6WDPP1500		P2-1	
9	Toner Cartridge	Toner Cartridge (TNP40)	1	20K	-			Return Program Cartridge
10		Toner Cartridge (TNP42)	1	20K	-			Standard Cartridge
11	Imaging Unit	Imaging Unit (IUP18)	1	60K	-			Return Program Cartridge
12		Imaging Unit (IUP19)	1	60K	-			Standard Cartridge

DESTINATION

Destination No.		Destinations		V	Hz	Model No.
A	A1	JAPAN				
	A2	JAPAN				
B		USA, CANADA		120	60	A6F7011/ A6VF011
C		EUROPEAN TYPE		220-240	50/60	A6F7021/ A6VF021
D	D1	S.E ASIA TYPE	THAILAND, SRI LANKA, SINGAPORE, MALAYSIA, HONG KONG, PAKISTAN, INDIA, BANGLADESH, INDONESIA	220-240	50/60	A6F7041/ A6VF041
	D3	OCEANIA TYPE	AUSTRALIA, NEW ZEALAND	220-240	50/60	A6F7041/ A6VF041
E		PHILIPPINES		220-240	50/60	A6F7041/ A6VF041
F	F1	SAUDI ARABIA				
	F2	SAUDI ARABIA		220-240	50/60	A6F7041/ A6VF041
G	G1	C.S AMERICA		220-240	50/60	A6F7041/ A6VF041
	G2	C.S AMERICA		120	60	A6F7011/ A6VF011
H		TAIWAN		110	60	A6F7011/ A6VF011
I		JORDAN, LEBANON, SYRIA, SOUTH AFRICA, IRAQ, IRAN, N.YEMEN, CAMEROON, UAE, BAHRAIN, OMAN, QATAR, KUWAIT, KENYA, TUNISIA, IVORY COAST, MOROCCO		220-240	50/60	A6F7041/ A6VF041
J		CHINA				

bizhub 4050/bizhub 4750

Destination No.	Destinations	V	Hz	Model No.
K	KOREA	220-240	50/60	A6F7041/ A6VF041