

KONICA MINOLTA

PARTS GUIDE MANUAL

JANUARY 2020

bizhub 4052
AA1R

INFORMATION FOR PARTS GUIDE MANUAL

To find correct Parts No., refer to the "HOW TO MAKE THE BEST USE OF THIS MANUAL" in the following page.

HOW TO MAKE THE BEST USE OF THIS MANUAL

- 1 When you order, please check the proper figures beforehand that are on Our Parts Guide Manual, and order with the appropriate figures.
- 2 For screws, Nuts, Washers, retaining rings and Pins which are used in this model, one letter is shown on the Standard parts column of Parts list and exploded diagrams.
- 3 In order to maintain safety of the product, some specific parts composed of this product are set up as "essential safety parts".
- 4 The assigned parts number for the "essential safety parts" is indicated as "SP00-****".
When replacing these parts, follow precautions for disassembling and installing which are listed in the Service Manual.
Do not use any parts that are not set up as
- 5 ♣ means that there are exclusive parts for each destination.
Please check the appropriate destination when you order.
- 6 All rights reserved. (any reprints or quotations are prohibited.)
Use of this parts guide manual should be strictly supervised to avoid disclosure of confidential information.

パーツガイドマニュアルのご案内

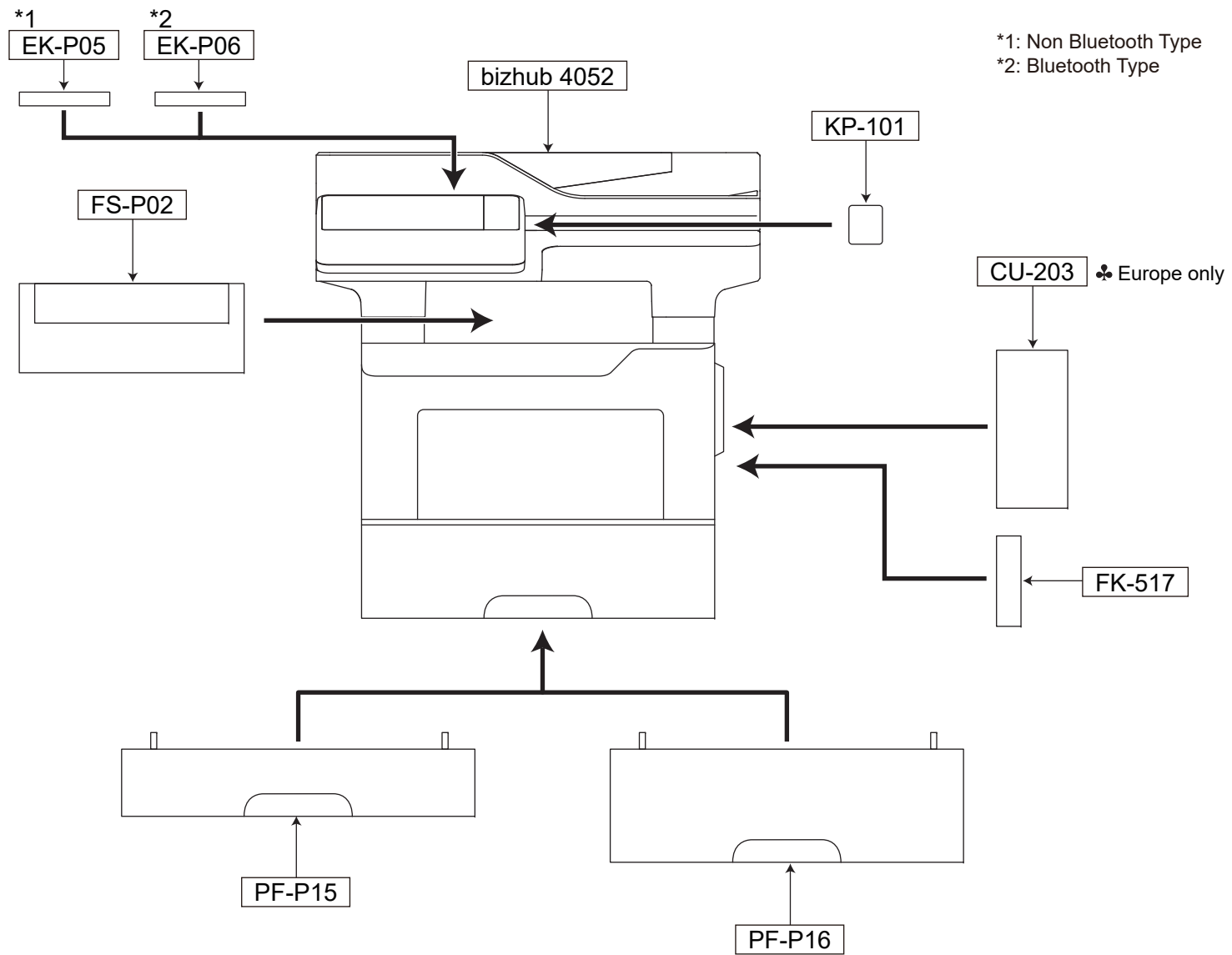
サービス部品をご発注の際には、下記に示す“パーツガイドマニュアルの活用にあたって”をご参照の上、正しい部品番号にてお願い致します。

パーツガイドマニュアルの活用にあたって

- 1 部品発注の際には、掲載されている部品番号の桁数を確認し、掲載されている桁数で発注願います。
- 2 この製品に使用されているネジ、ナット、ワッシャー、止め輪、ピンなどは、リストの右側の Standard parts 欄に a,b,c,…… で表示し、イラストにも a,b,c,…… 表示してあります。
- 3 製品の安全性を維持する為に、製品に使用される特定の部品を「重要保安部品」として設定しています。
- 4 重要保安部品の部品番号は、“SP00-****”と記載されていますので、部品交換時は、サービスマニュアル記載の分解・組み立ての注意事項に従って作業をして下さい。
また、指定以外の部品は一切使用しないで下さい。
- 5 本文に ♣ が表示されている部品は、仕向け地毎に専用部品がある事を意味しています。
オーダーされる時は、仕向け地を確認して下さい。
- 6 著作権所有（無断転載及び無断引用の禁止）
本パーツガイドマニュアルについては、機密保持等その扱いには十分注意して下さい。万一取り扱いを誤った場合には、法律で処罰される場合があります。

01/25/2018

System Configuration



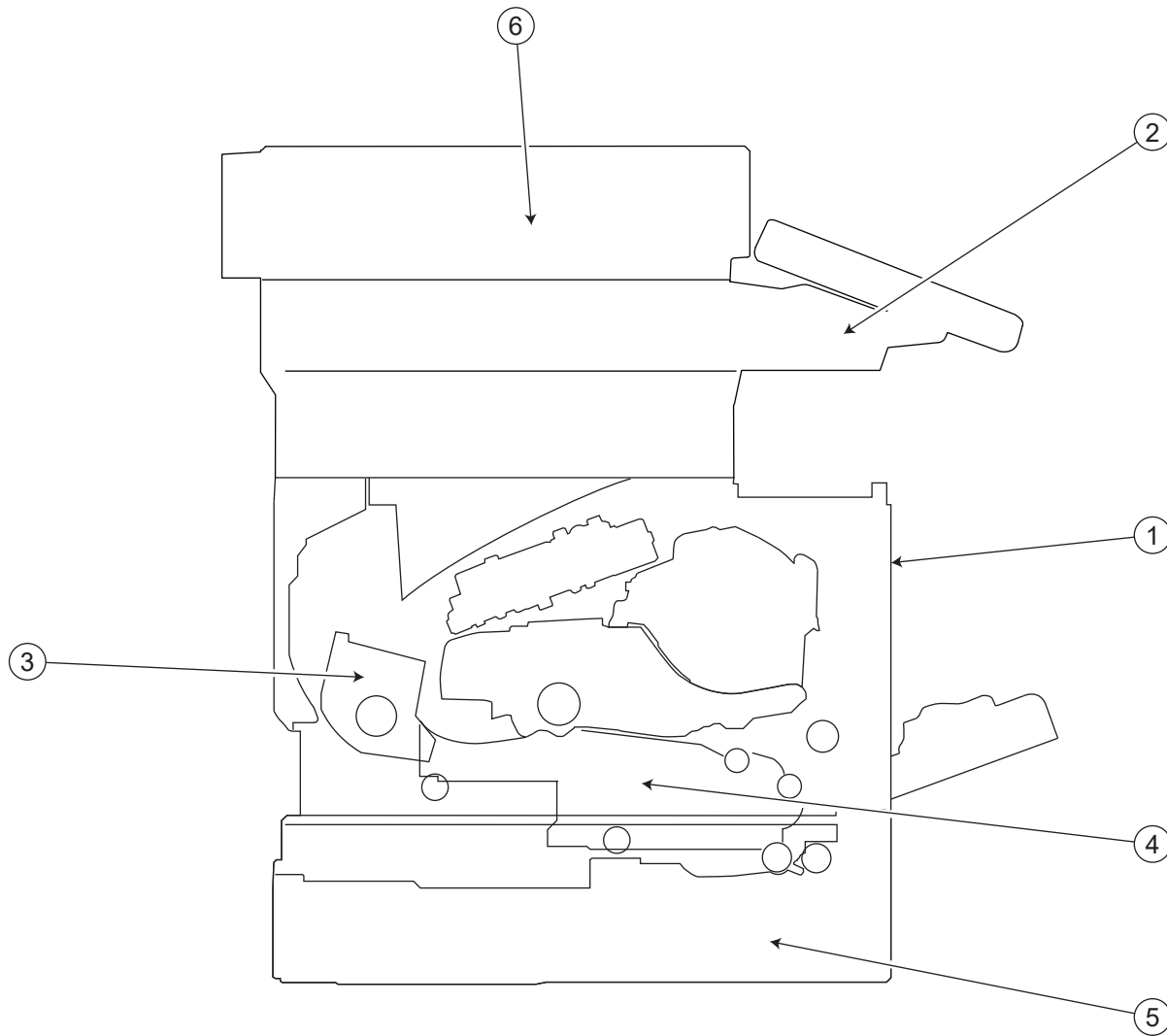
bizhub 4052

GENERAL CONTENTS

No.	Description	Model
1	Printer B/W	bizhub 4052
2	Paper Feeder	PF-P15
3	Paper Feeder	PF-P16
4	Other Option	CU-203
5	Finisher/Sorter	FS-P02
6	Other Option	EK-P05
7	Other Option	EK-P06
8	Other Option	KP-101
9	Fax Kit	FK-517

bizhub 4052

Section Configuration



CONTENTS

No.	DESCRIPTION	名称	PAGE No.
1	External Parts	外装部	P1
2	Operation Panel section	操作部	P2
3	Electrical Components Section	電装部	P3 P4 P5 P6
4	Paper Transport Section	搬送部	P7 P8
5	Tray Section	トレイ部	P9
6	ADF/ Scanner Section	ADF / スキャナー部	P10
7	Accessory Parts	同梱部品	P11

INDEX

1/1

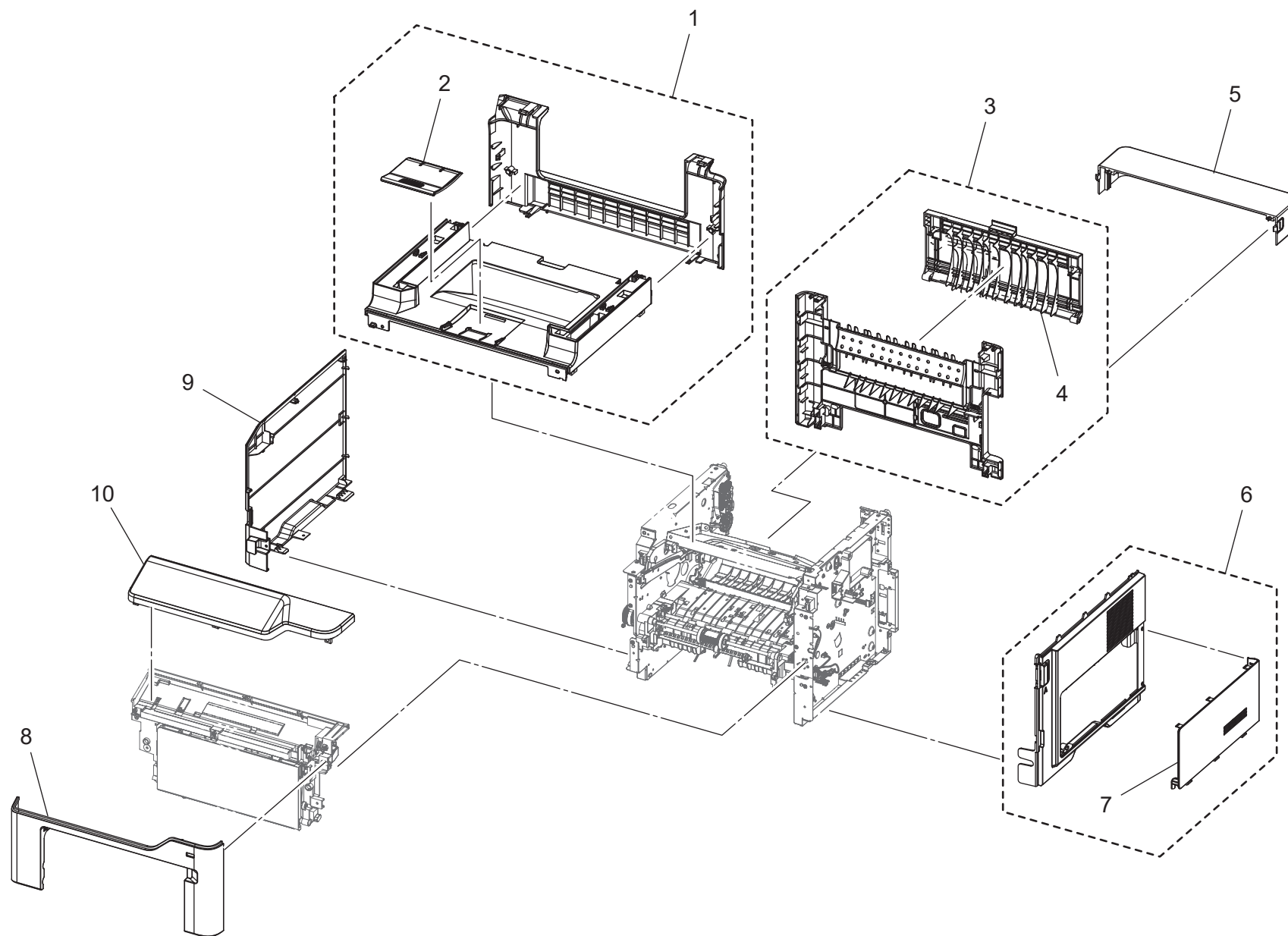
Parts No.	Page No.
4136N30000	11-1
9381420021	11-1
A1UDN30200	11-1
A2UPN30100	11-1
A2UPN30300	11-1
A2UPN30501	11-1
A5C1M72H00	3-6
A63NPP0Q00	6-5
A63NPP0S00	6-6
A63NPP0Y00	8-1
A6WDPP0701	1-5
A6WDPP0R00	6-4
A6WDPP1900	10-6
A7AHN30000	11-1
A8JEN30300	11-1
A9W7H02F02	2-2
A9W7M72F02	2-3
A9W7N15801	2-4
AA1P150100	2-5
AA1PM70100	2-1
AA1PM70200	2-1
AA1PPP0100	1-1
AA1PPP0200	1-2
AA1PPP0300	1-3
AA1PPP0400	1-4
AA1PPP0500	1-6
AA1PPP0600	1-7
AA1PPP0700	1-8
AA1PPP0800	1-10
AA1PPP0A00	4-2
AA1PPP0B00	5-1
AA1PPP0C00	5-3
AA1PPP0D00	7-1
AA1PPP0E00	7-3
AA1PPP0F00	8-5
AA1PPP0G00	9-3
AA1PPP0H00	10-1
AA1PPP0J00	10-2
AA1PPP0K00	10-3
AA1PPP0M00	10-4

Parts No.	Page No.
AA1PPP0N00	10-7
AA1PPP0P00	10-11
AA1PPP0Q00	3-3
AA1PPP0R00	3-4
AA1PPP0S00	3-4
AA1PPP0T00	9-4
AA1PPP1100	10-8
AA1PPP1200	2-6
AA1PPP1300	2-7
AA1PPP1400	3-7
AAFHPP1100	5-2
AAFHPP1300	3-2
AAFHPP1400	3-2
AAFHPP1700	7-4
AAFHPP1900	7-2
AAFHPP1A00	3-1
AAFHPP1B00	8-2
AAFHPP1E00	6-2
AAFHPP1F00	5-4
AAFHPP1G00	5-7
AAFHPP1K00	3-5
AAFHPP1M00	5-5
AAFHPP1N00	5-6
AAFHPP1N00	6-3
AAFHPP2300	4-5
AAFHPP2400	4-3
AAFHPP2500	4-4
AAFHPP2900	8-3
AAFHPP2B00	6-1
AAFHPP2D00	4-1
AAFHPP2E00	4-6
AAFHPP2H00	1-9
AAFHPP2N00	9-2
AAFHPP2P00	8-4
AAFHPP2T00	7-5
AAFHPP2U00	7-6
AAFJPP1L00	8-6
AAFMP1900	10-12
AAFMP1A00	10-13
AAFMP1B00	10-10

Parts No.	Page No.
AAFMP1C00	10-5
AAFMP1D00	10-9

External Parts

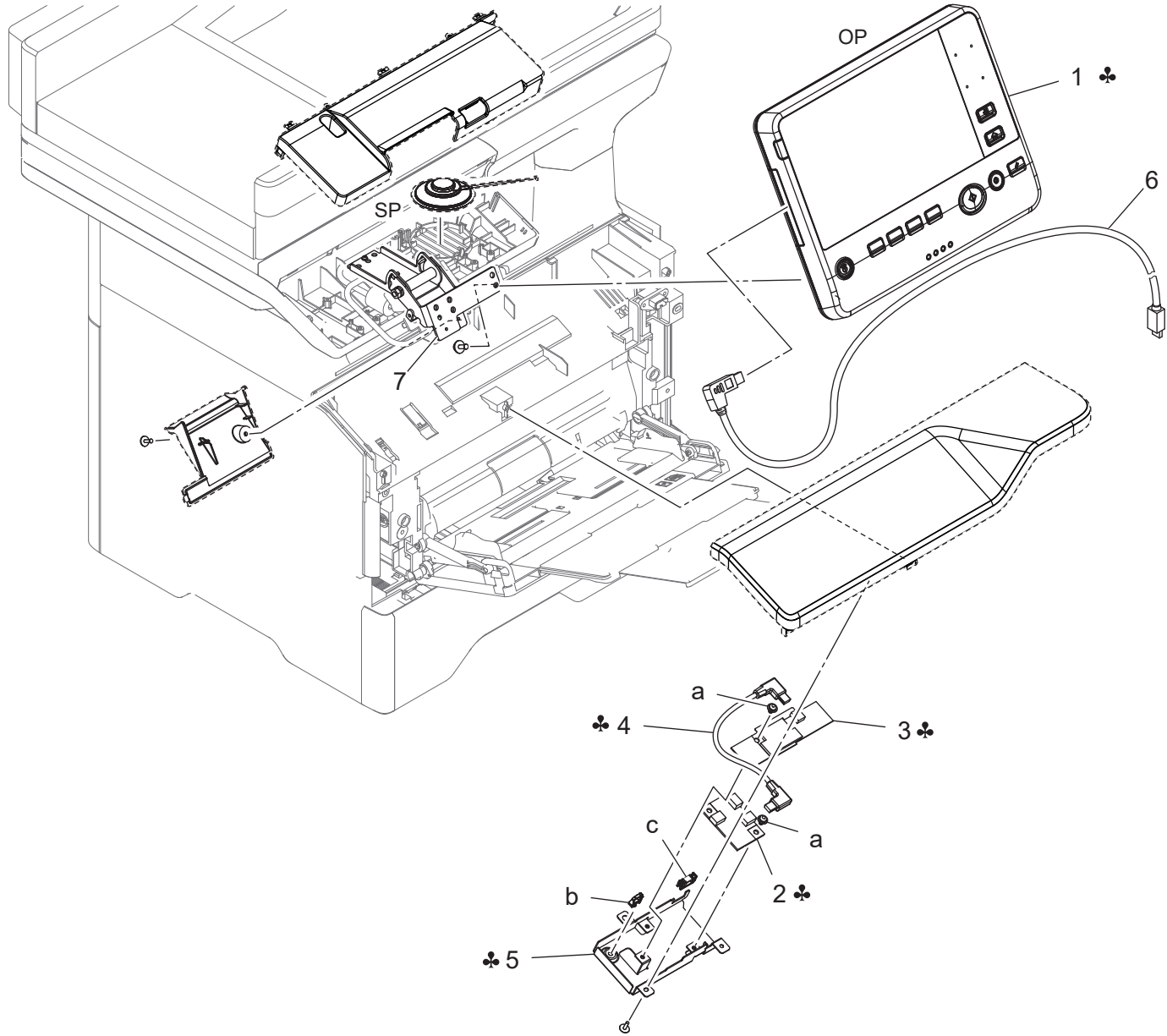
P 1

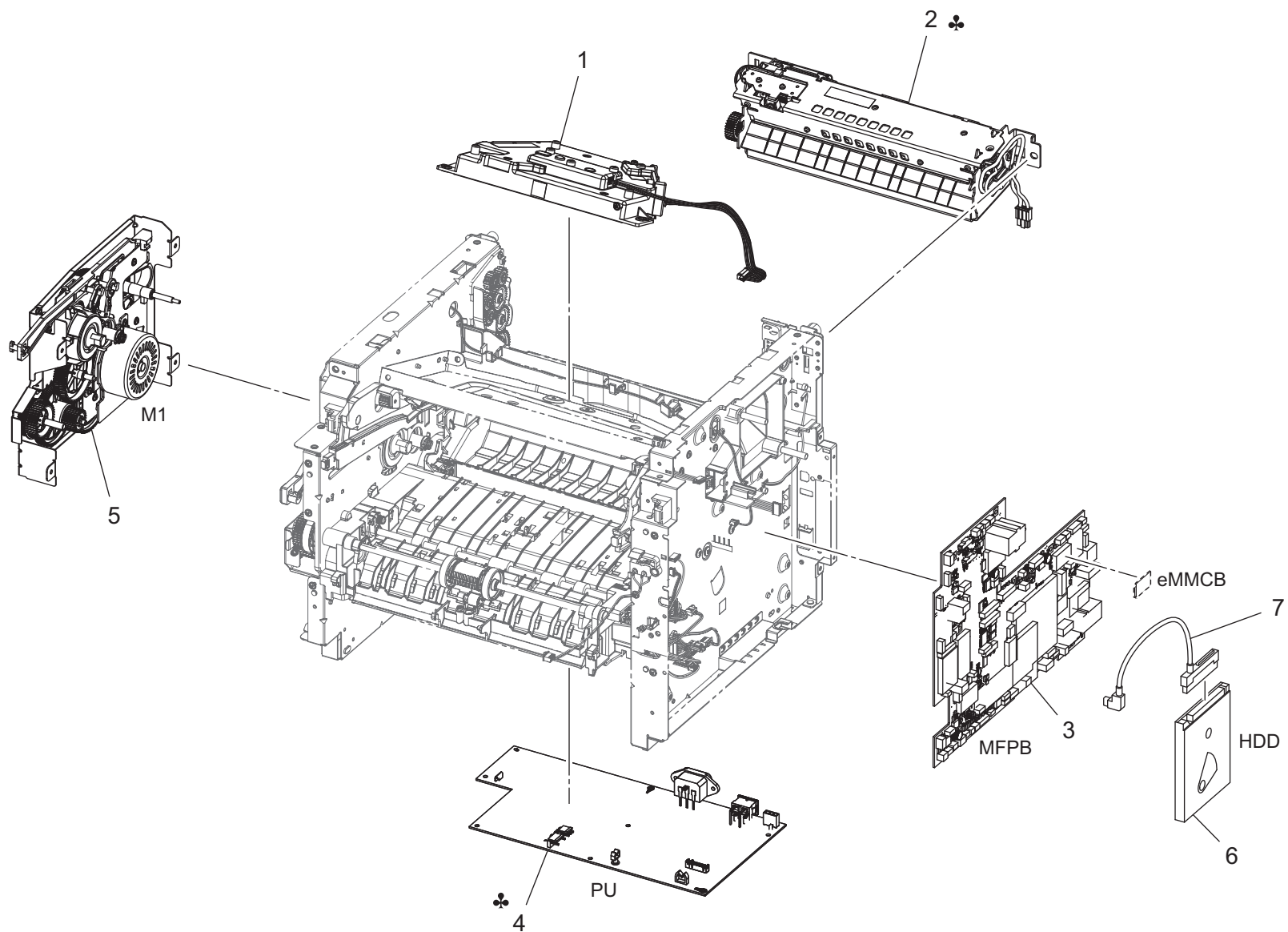


External Parts

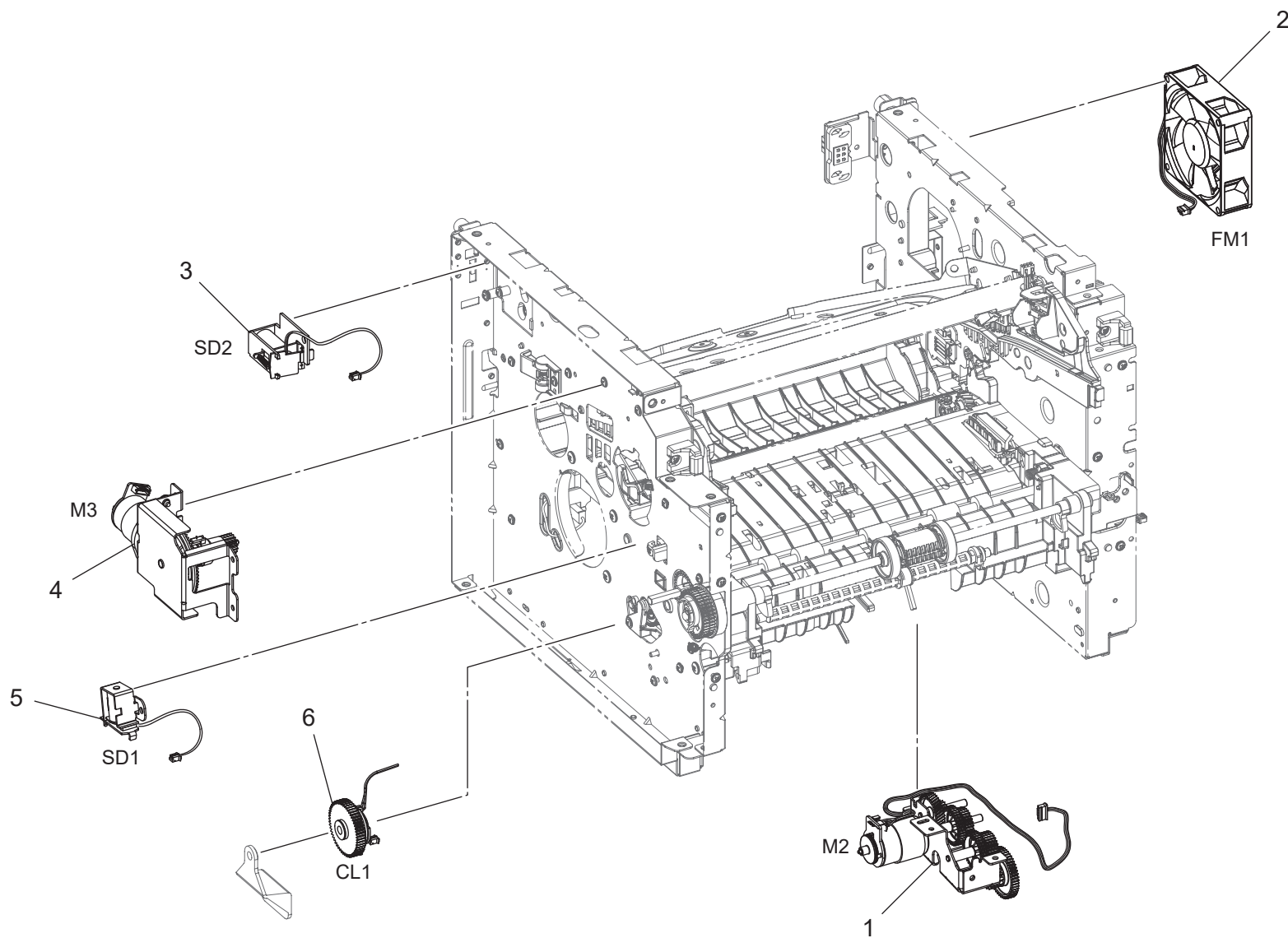
Key	Part No.	Description	Destinations	Class	QTY	Standard parts
1	AA1PPP0100	Cover/Upper Assy		D	1	
2	AA1PPP0200	Tray		D	1	
3	AA1PPP0300	Cover/Rear Assy		D	1	
4	AA1PPP0400	Door/Rear		D	1	
5	A6WDPP0701	Cover		C	1	
6	AA1PPP0500	Cover/Right Assy		D	1	
7	AA1PPP0600	Cover		D	1	
8	AA1PPP0700	Cover/Front		D	1	
9	AAFHPP2H00	Cover/Left		D	1	
10	AA1PPP0800	Cover		D	1	

Operation Panel section



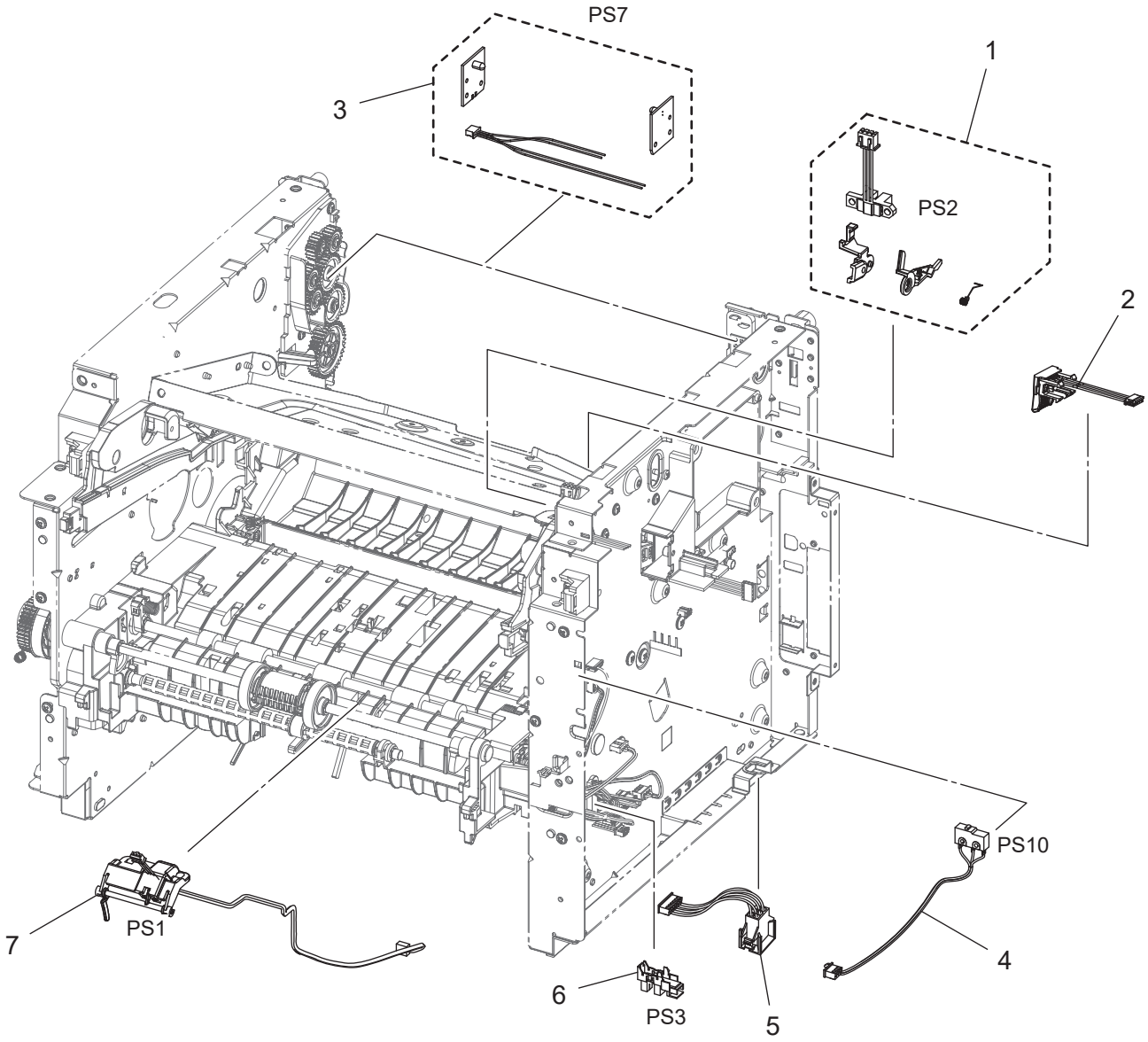


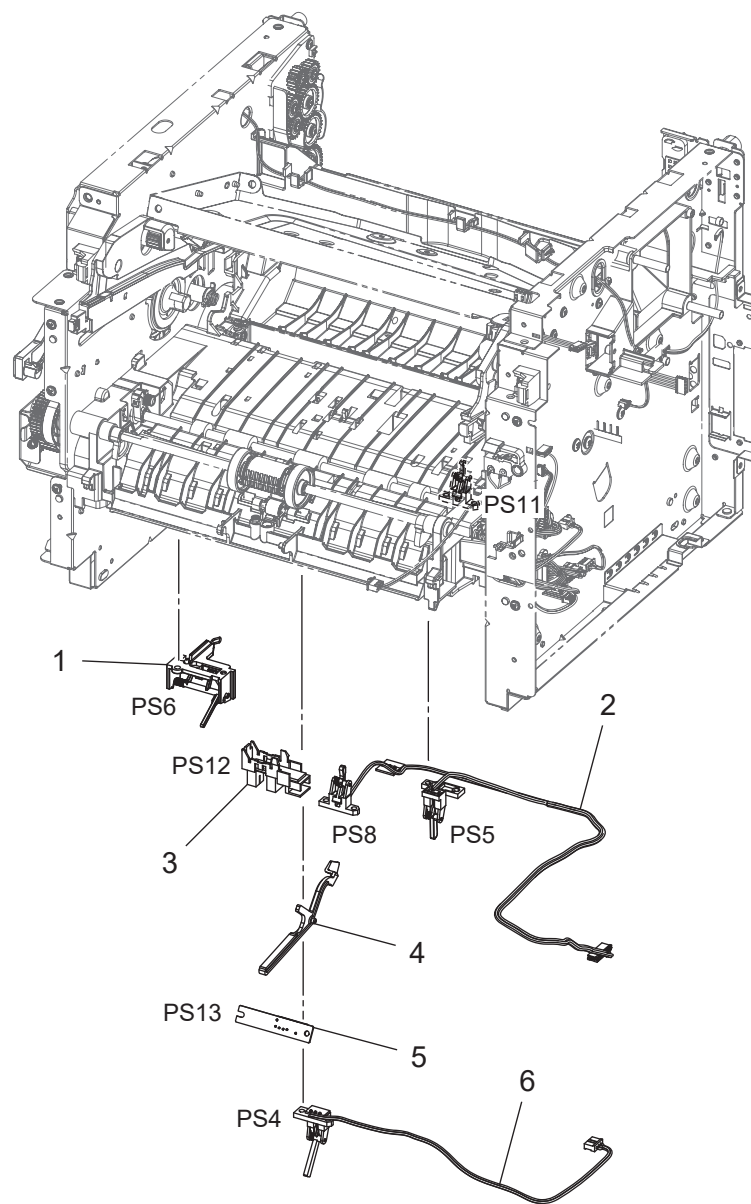
Key	Part No.	Description	Destinations	Class	QTY	Standard parts
1	AAFHPP1A00	Print Head Assy		I	1	
2	AAFHPP1300	Fusing Unit (110V)	B,G2,H	B	1	
2	AAFHPP1400	Fusing Unit (220V)	C,D1,D3,E,F2,G1,I	B	1	
3	AA1PPP0Q00	PWB assembly/ Controller		I	1	
4	AA1PPP0R00	Power supply Assy (100V-110V)	B,G2,H	I	1	
4	AA1PPP0S00	Power supply Assy (220V)	C,D1,D3,E,F2,G1,I	I	1	
5	AAFHPP1K00	Main Drive Assy		C	1	
6	A5C1M72H00	HDD		I	1	
7	AA1PPP1400	Cable		D	1	



Electrical Components Section

Key	Part No.	Description	Destinations	Class	QTY	Standard parts
1	AAFHPP2D00	Paper Take-up Drive Assy		C	1	
2	AA1PPP0A00	Fan motor		C	1	
3	AAFHPP2400	Solenoid		C	1	
4	AAFHPP2500	Cartridge Gear Assy		C	1	
5	AAFHPP2300	Solenoid		C	1	
6	AAFHPP2E00	Clutch		C	1	



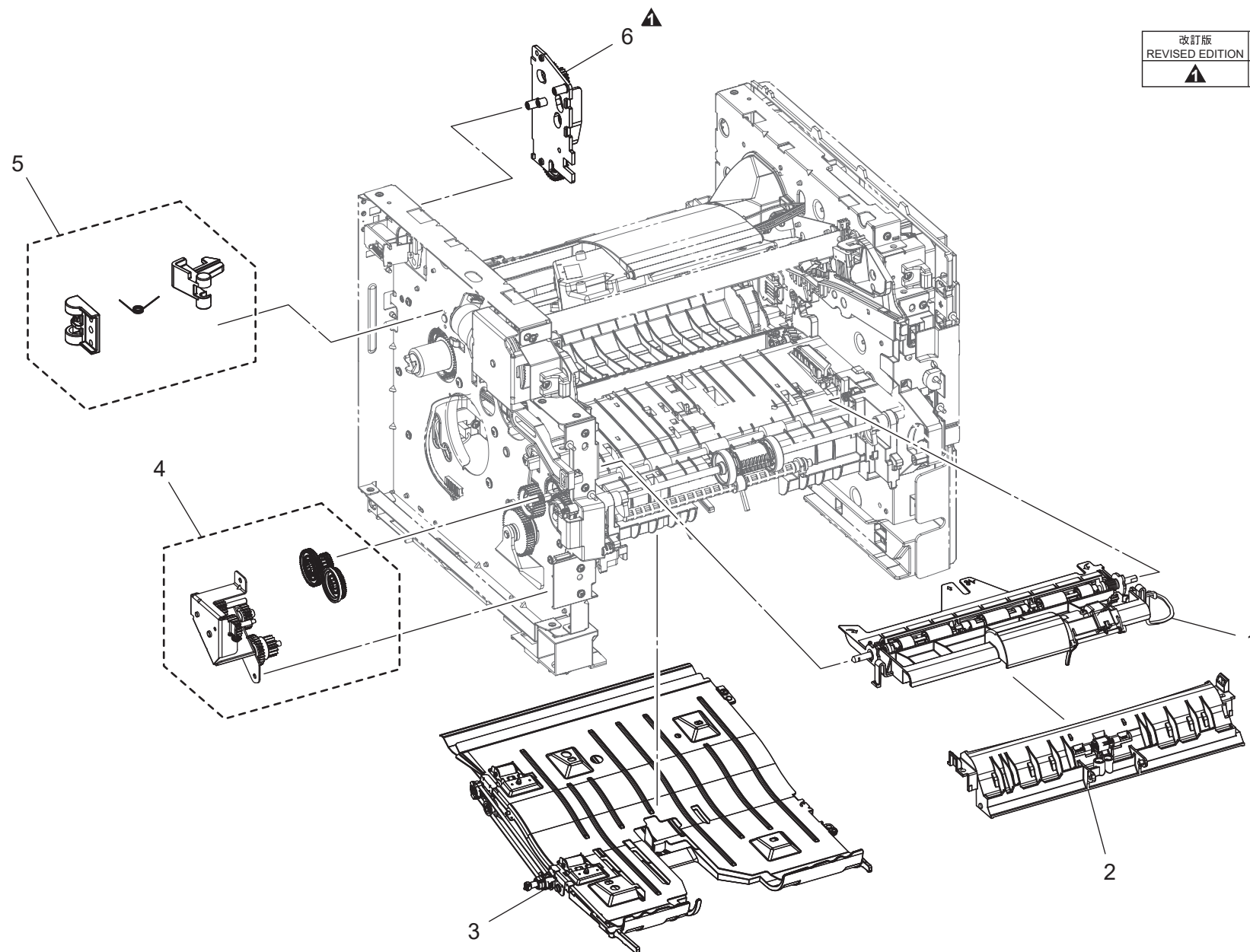


Key	Part No.	Description	Destinations	Class	QTY	Standard parts
1	AAFHPP2B00	Sensor		C	1	
2	AAFHPP1E00	Sensor Assy		C	1	
3	AAFHPP1N00	Sensor Assy		C	1	
4	A6WDPP0R00	Actuator		C	1	
5	A63NPP0Q00	Sensor		I	1	
6	A63NPP0S00	Sensor		I	1	

Paper Transport Section

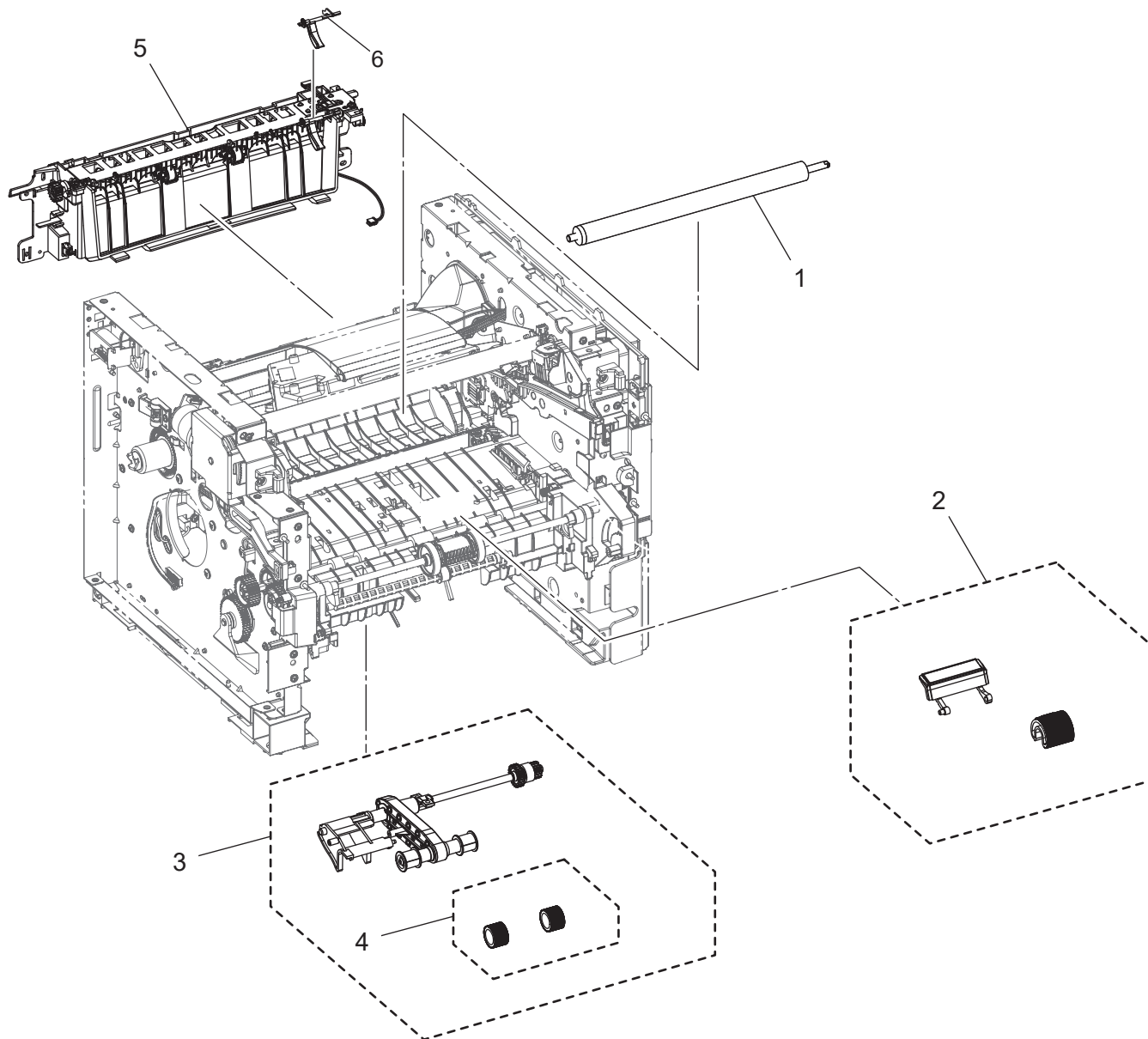
P 7

改訂版 REVISED EDITION	日付 DATE
▲	JULY 2018



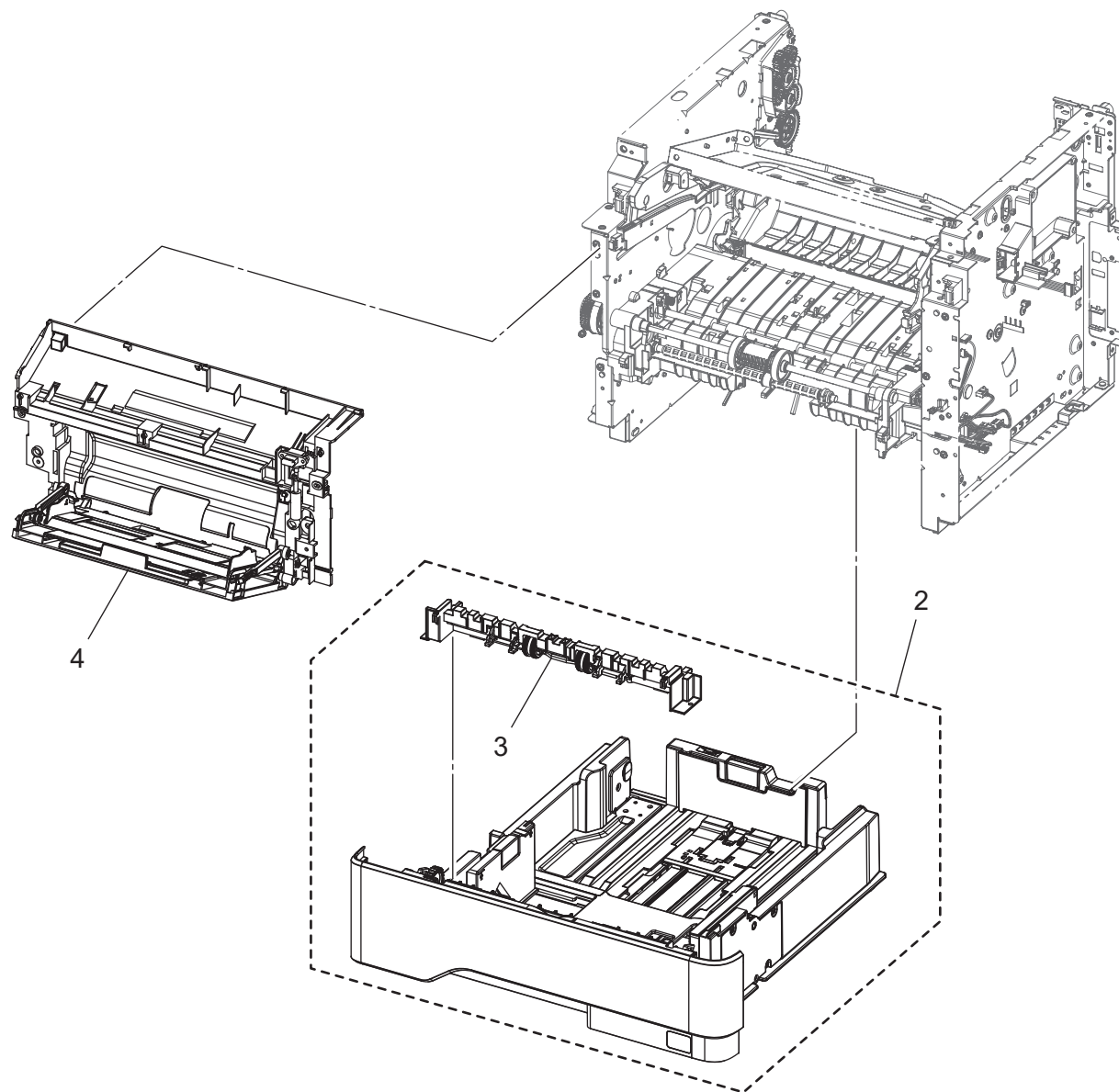
Key	Part No.	Description	Destinations	Class	QTY	Standard parts
1	AA1PPP0D00	JAM Guide Assy		D	1	
2	AAFHPP1900	Front Guide Assy		D	1	
3	AA1PPP0E00	Duplex Assy		C	1	
4	AAFHPP1700	MPF Drive Assy		C	1	
5	AAFHPP2T00	Lever Assy		C	1	
6	AAFHPP2U00	Reverse Gear Assy		C	1	

Paper Transport Section



Key	Part No.	Description	Destinations	Class	QTY	Standard parts
1	A63NPP0Y00	Transfer Roller		B	1	
2	AAFHPP1B00	Paper Feed/Separation Pad Kit		B	1	
3	AAFHPP2900	Pick-up Roller Assy		C	1	
4	AAFHPP2P00	Pick tire Set(2 pcs/set)		B	1	
5	AA1PPP0F00	Reverse Assy		C	1	
6	AAFJPP1L00	Actuator		D	1	

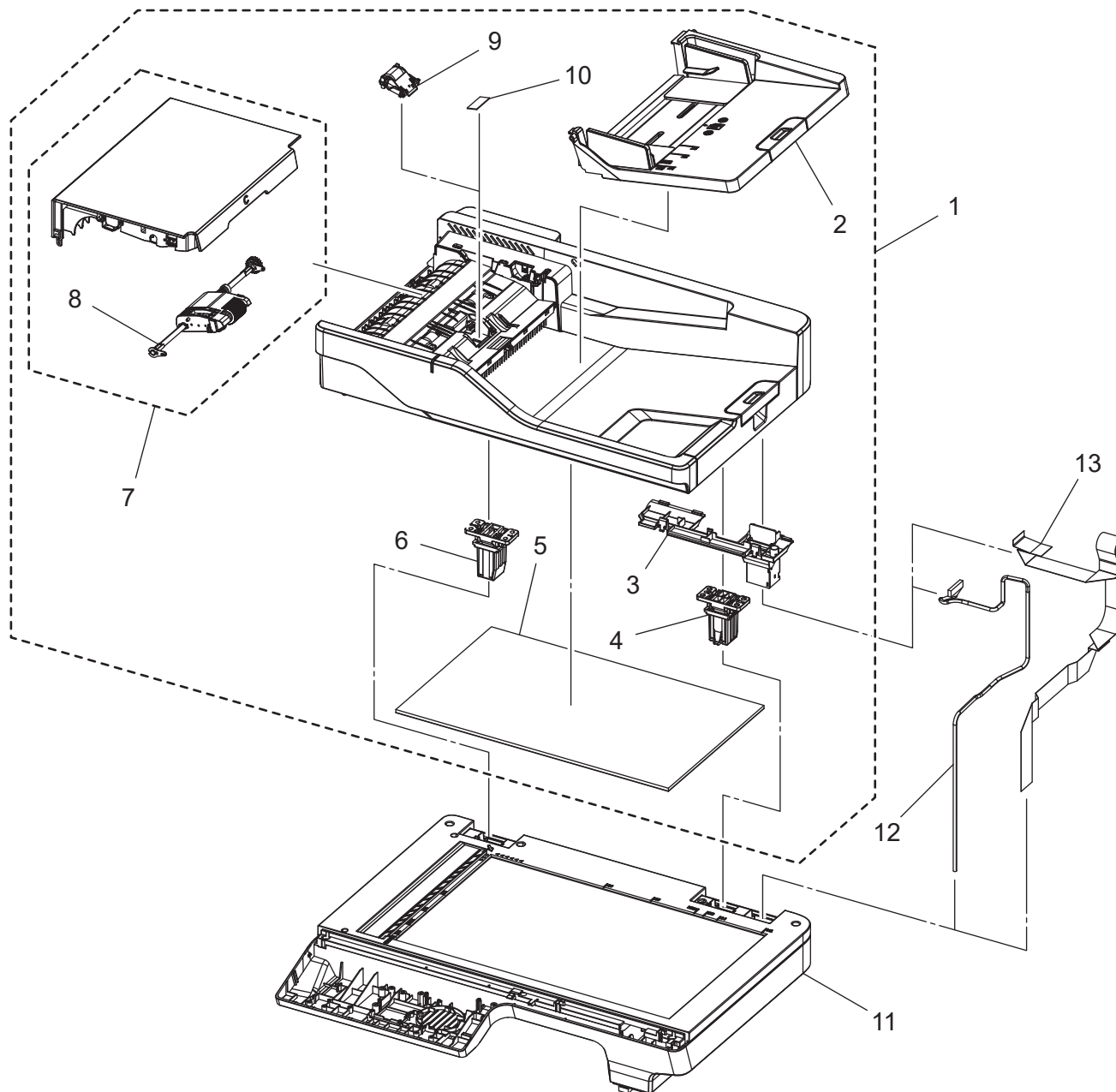
Tray Section

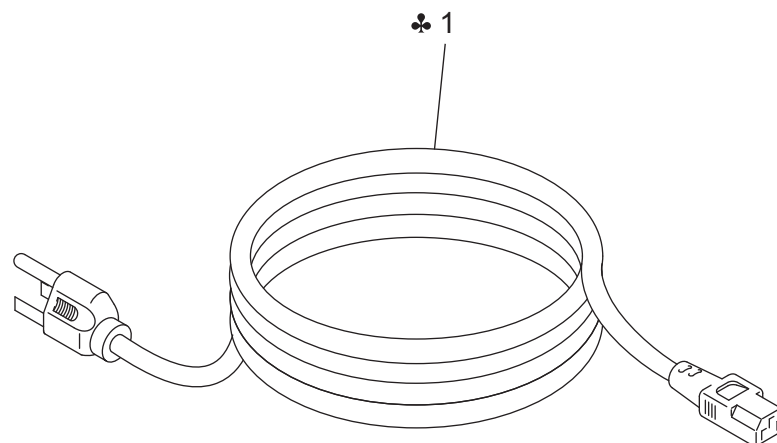


Tray Section

Key	Part No.	Description	Destinations	Class	QTY	Standard parts
2	AAFHPP2N00	Cassette Assy/550 Sheet		C	1	
3	AA1PPP0G00	Separation Roller Assy		B	1	
4	AA1PPP0T00	Manual Feed Tray Assy		C	1	

ADF/ Scanner Section





MAINTENANCE LIST

● The items with no Page/Key numbers are not handled as spare parts.

No.	Section	PM Parts Description	Maintenance Cycle (K=1,000)		Parts No.	Destinations	Page/Key	Note
			QTY	Replace				
1	Electrical Components Section	Fusing Unit	1	200K	AAFHPP1300	B,G2	P3-2	
2			1	200K	AAFHPP1400	C,D1,D3,E,F2,G1,I	P3-2	
3	Paper Transport Section	Transfer Roller	1	200K	A63NPP0Y00		P8-1	
4		Paper Feed/Separation Pad Kit	1	200K	AAFHPP1B00		P8-2	
5		Pick tire Set(2 pcs/set)	1	200K	AAFHPP2P00		P8-4	
6	Tray Section	Separation Roller Assy	1	200K	AA1PPP0G00		P9-3	

*: The part names used on this page follow the ones used in the Service Manual and they are occasionally different from those written in other pages.

メンテナンスリスト

● ページ / キーナンバーのないものは、アフターサービス部品ではありません。

No.	区分	PM 部品名称	サイクル (K=1,000)		部品番号	仕向地	頁 / キー	備考
			員数	交換				
1	電装部	定着ユニット	1	200K	AAFHPP1300	B,G2	P3-2	
2			1	200K	AAFHPP1400	C,D1,D3,E,F2,G1,I	P3-2	
3	搬送部	転写ローラー 給紙／分離パッドキット ピックタイヤ (2個入りセット)	1	200K	A63NPP0Y00		P8-1	
4			1	200K	AAFHPP1B00		P8-2	
5			1	200K	AAFHPP2P00		P8-4	
6	トレイ部	分離ローラー A s s y	1	200K	AA1PPP0G00		P9-3	

*: ここに記載されている部品名称はサービスマニュアルで使用されている部品名称であり、他のページに記載されている部品名称とは異なる場合があります。

DESTINATION

Destination No.		Destinations		V	Hz	Model No.
A	A1	JAPAN				
	A2	JAPAN				
B		USA, CANADA		120	60	AA1R011
C		EUROPEAN TYPE		220-240	50/60	AA1R021
D	D1	S.E ASIA TYPE	THAILAND, SRI LANKA, SINGAPORE, MALAYSIA, HONG KONG, PAKISTAN, INDIA, BANGLADESH, INDONESIA	220-240	50/60	AA1R041
	D3	OCEANIA TYPE	AUSTRALIA, NEW ZEALAND	220-240	50/60	AA1R041
E		PHILIPPINES		220-240	50/60	AA1R041
F	F1	SAUDI ARABIA				
	F2	SAUDI ARABIA		220-240	50/60	AA1R041
G	G1	C.S AMERICA		220-240	50/60	AA1R041
	G2	C.S AMERICA		120	60	AA1R011
H		TAIWAN		110	60	AA1R011
I		JORDAN, LEBANON, SYRIA, SOUTH AFRICA, IRAQ, IRAN, N.YEMEN, CAMEROON, UAE, BAHRAIN, OMAN, QATAR, KUWAIT, KENYA, TUNISIA, IVORY COAST, MOROCCO		220-240	50/60	AA1R021 AA1R041
J		CHINA				
K		KOREA				

bizhub 4052