

KONICA MINOLTA

PARTS GUIDE MANUAL

AUGUST 2018

bizhub 4422
AAF

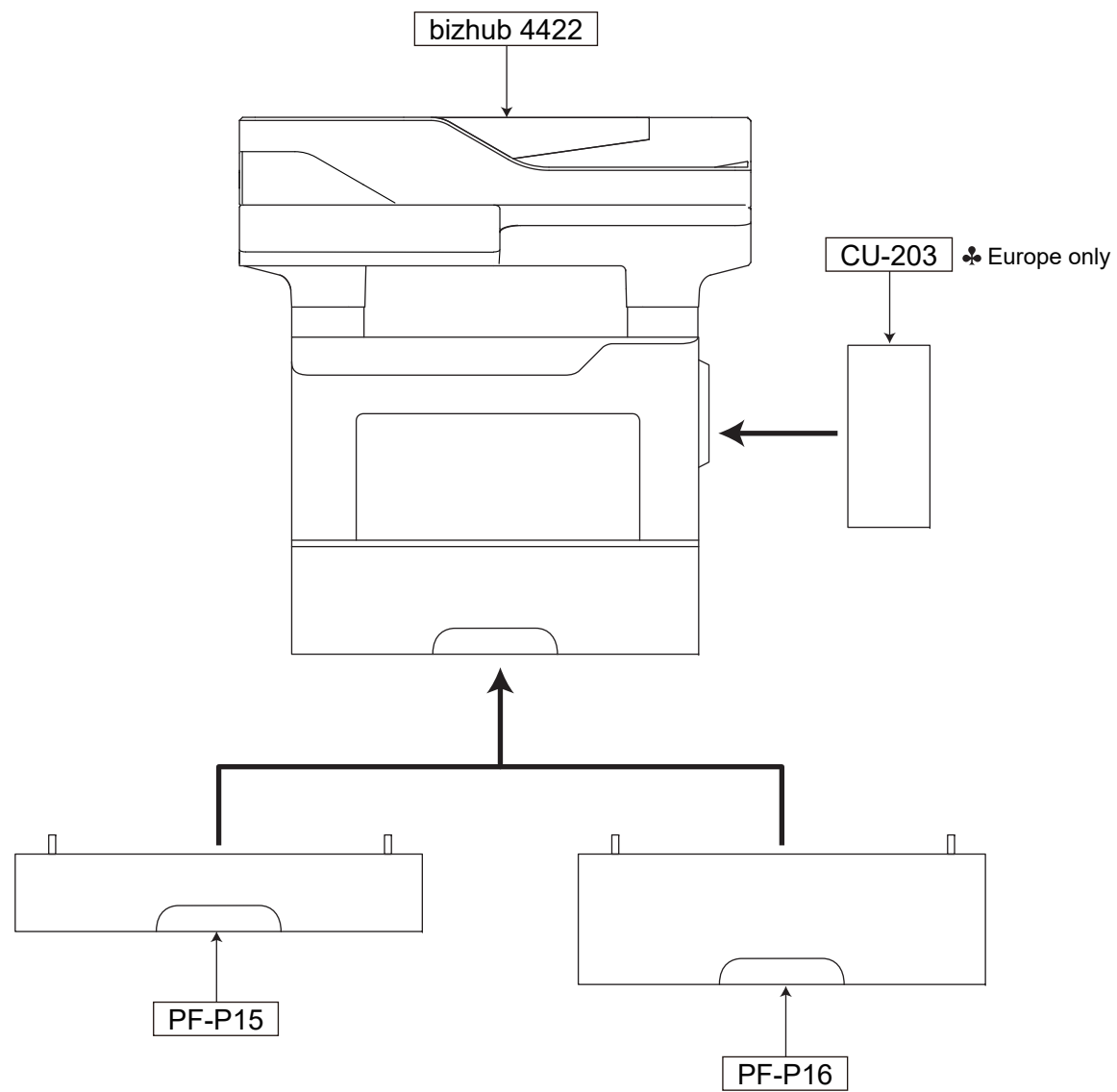
INFORMATION FOR PARTS GUIDE MANUAL

To find correct Parts No., refer to the "HOW TO MAKE THE BEST USE OF THIS MANUAL" in the following page.

HOW TO MAKE THE BEST USE OF THIS MANUAL

- 1 When you order, please check the proper figures beforehand that are on Our Parts Guide Manual, and order with the appropriate figures.
- 2 For screws, Nuts, Washers, retaining rings and Pins which are used in this model, one letter is shown on the Standard parts column of Parts list and exploded diagrams.
- 3 In order to maintain safety of the product, some specific parts composed of this product are set up as "essential safety parts".
- 4 The assigned parts number for the "essential safety parts" is indicated as "SP00-****".
When replacing these parts, follow precautions for disassembling and installing which are listed in the Service Manual.
Do not use any parts that are not set up as
- 5 ♣ means that there are exclusive parts for each destination.
Please check the appropriate destination when you order.
- 6 Revision Mark
Marked as ▲ on the illustration shows that the revision has been made.
- 7 All rights reserved. (any reprints or quotations are prohibited.)
Use of this parts guide manual should be strictly supervised to avoid disclosure of confidential information.

System Configuration

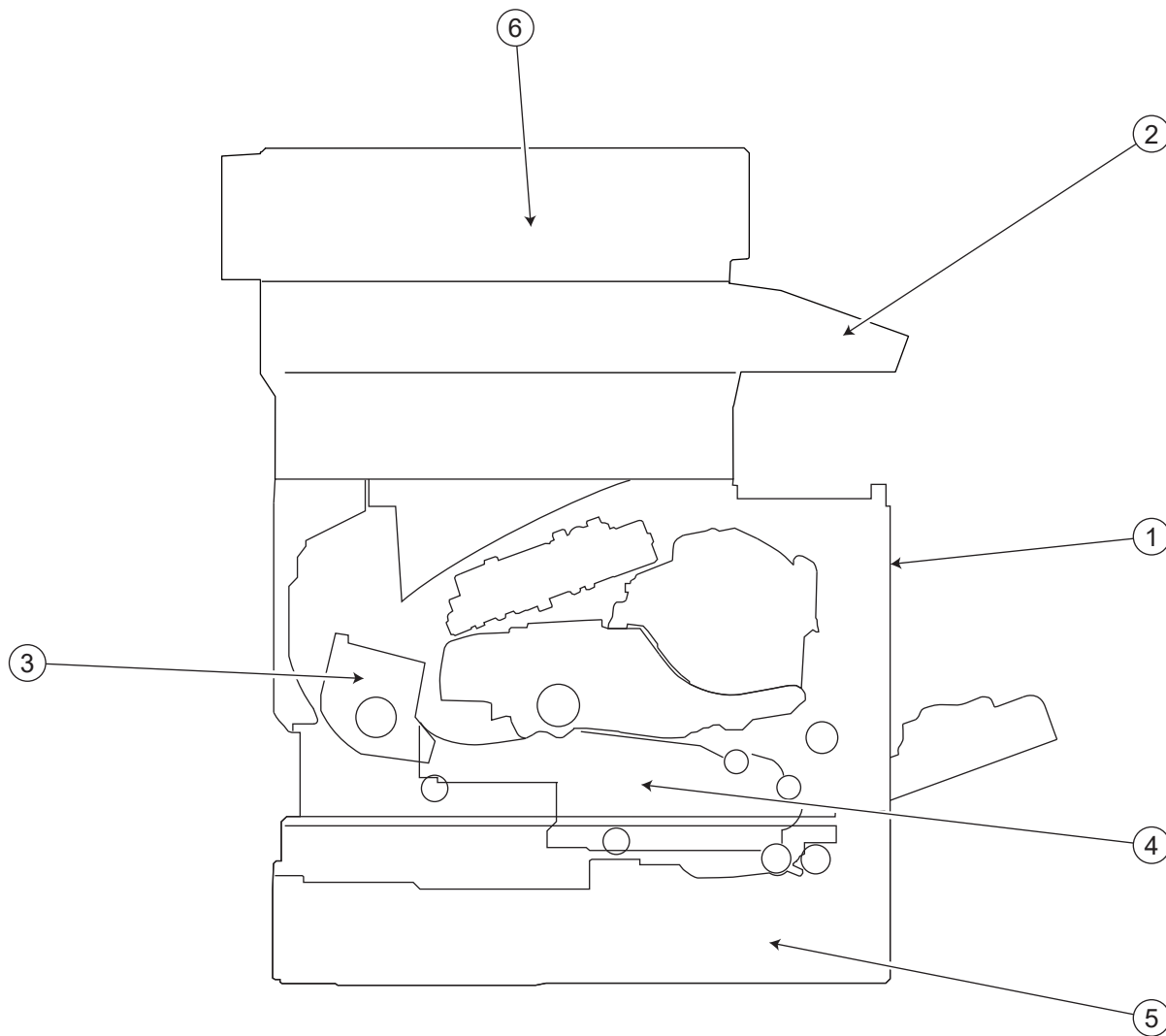


bizhub 4422

GENERAL CONTENTS

No.	Description	Model
1	Printer B/W	bizhub 4422
2	Paper Feeder	PF-P15
3	Paper Feeder	PF-P16
4	Other Option	CU-203

Section Configuration



CONTENTS

No.	DESCRIPTION	PAGE No.
1	External Parts	P1
2	Operation Panel section	P2
3	Electrical Components Section	P3 P4 P5 P6
4	Paper Transport Section	P7 P8
5	Tray Section	P9
6	ADF/ Scanner Section	P10
7	Accessory Parts	P11

INDEX

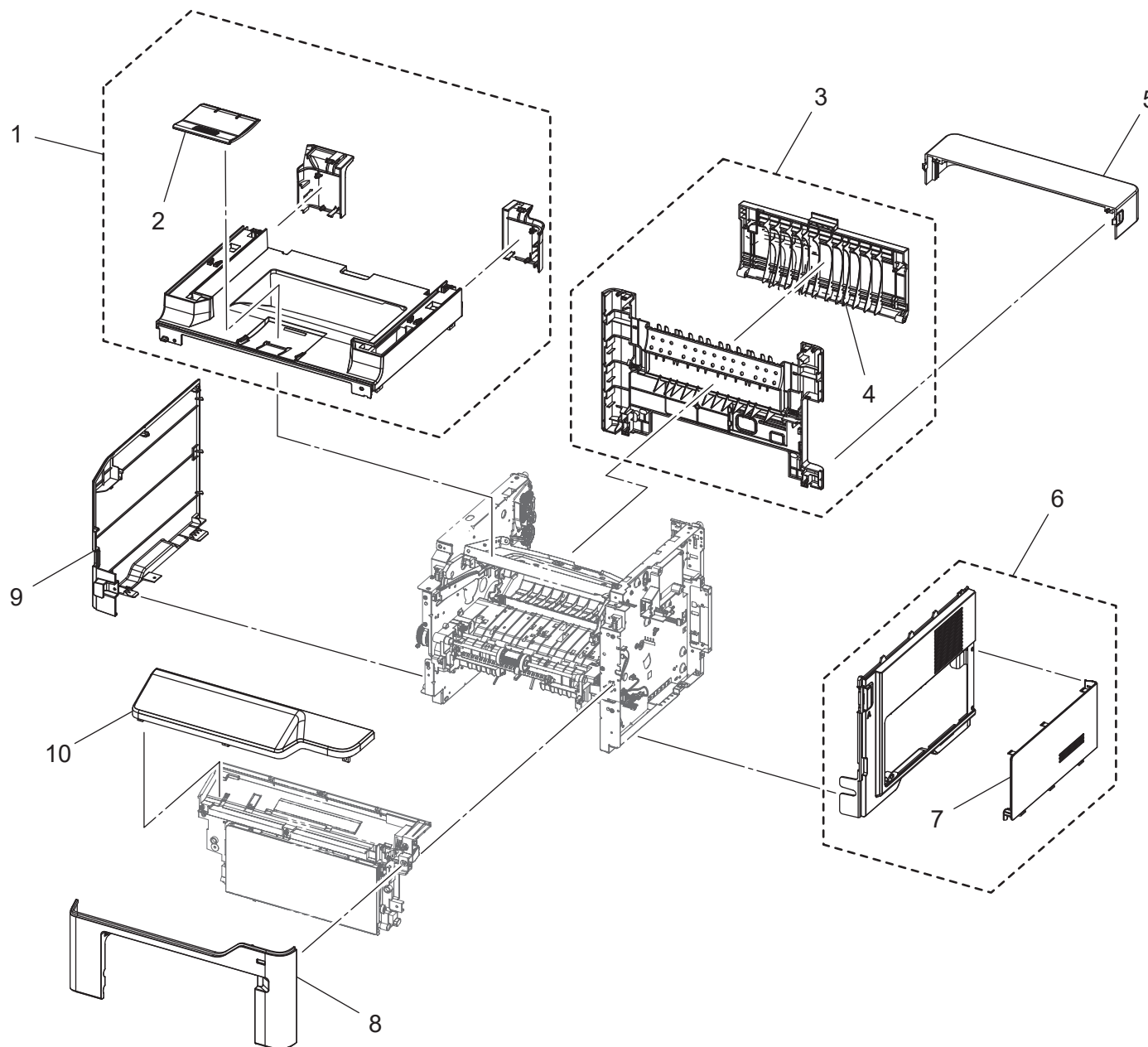
1/1

Parts No.	Page No.
4136N30000	11-1
9381420021	11-1
A1UDN30200	11-1
A2UPN30100	11-1
A2UPN30300	11-1
A2UPN30501	11-1
A63NPP0Q00	6-3
A63NPP0Y00	8-1
A63NPP1R00	11-1
A63PPP0G02	8-4
A6WDPP0601	1-5
A6WDPP1600	10-10
AA1PPP0A00	4-1
AA1PPP0B00	5-1
AA1PPP0D00	7-1
AA1PPP0E00	7-3
AA1PPP0M00	10-4
AAFHPP1100	5-2
AAFHPP1300	3-2
AAFHPP1400	3-2
AAFHPP1700	7-4
AAFHPP1900	7-2
AAFHPP1A00	3-1
AAFHPP1B00	8-2
AAFHPP1C01	3-4
AAFHPP1D01	3-4
AAFHPP1E00	6-1
AAFHPP1F00	5-4
AAFHPP1G00	5-7
AAFHPP1K00	3-5
AAFHPP1M00	5-5
AAFHPP1N00	5-6
AAFHPP2100	1-7
AAFHPP2300	4-2
AAFHPP2400	4-5
AAFHPP2500	4-4
AAFHPP2T00	7-5
AAFJPP1200	8-3
AAFJPP1300	6-2
AAFJPP1600	1-9

Parts No.	Page No.
AAFJPP1700	1-3
AAFJPP1900	9-2
AAFJPP1A00	4-3
AAFJPP1E00	1-4
AAFJPP1H00	7-6
AAFMP1101	10-6
AAFMP1201	2-5
AAFMP1800	1-10
AAFMP1C00	10-5
AAFMP1E01	10-8
AAFMP1G01	2-2
AAFMP1H01	3-3
AAFMP1J00	1-1
AAFMP1P00	10-1
AAFMP1Q00	10-11
AAFMP1T00	1-2
AAFMP2300	5-3
AAFMP2400	6-4
AAFMP2500	8-5
AAFMP2600	10-3
AAFNPP1A00	2-3
AAFNPP1D00	10-2
AAFNPP1F00	1-6
AAFNPP1G00	1-8
AAFNPP1H00	2-1
AAFNPP1K00	2-4
AAFNPP1M00	10-7
AAFNPP1N00	10-9
AAFNPP1P00	10-12

External Parts

P 1



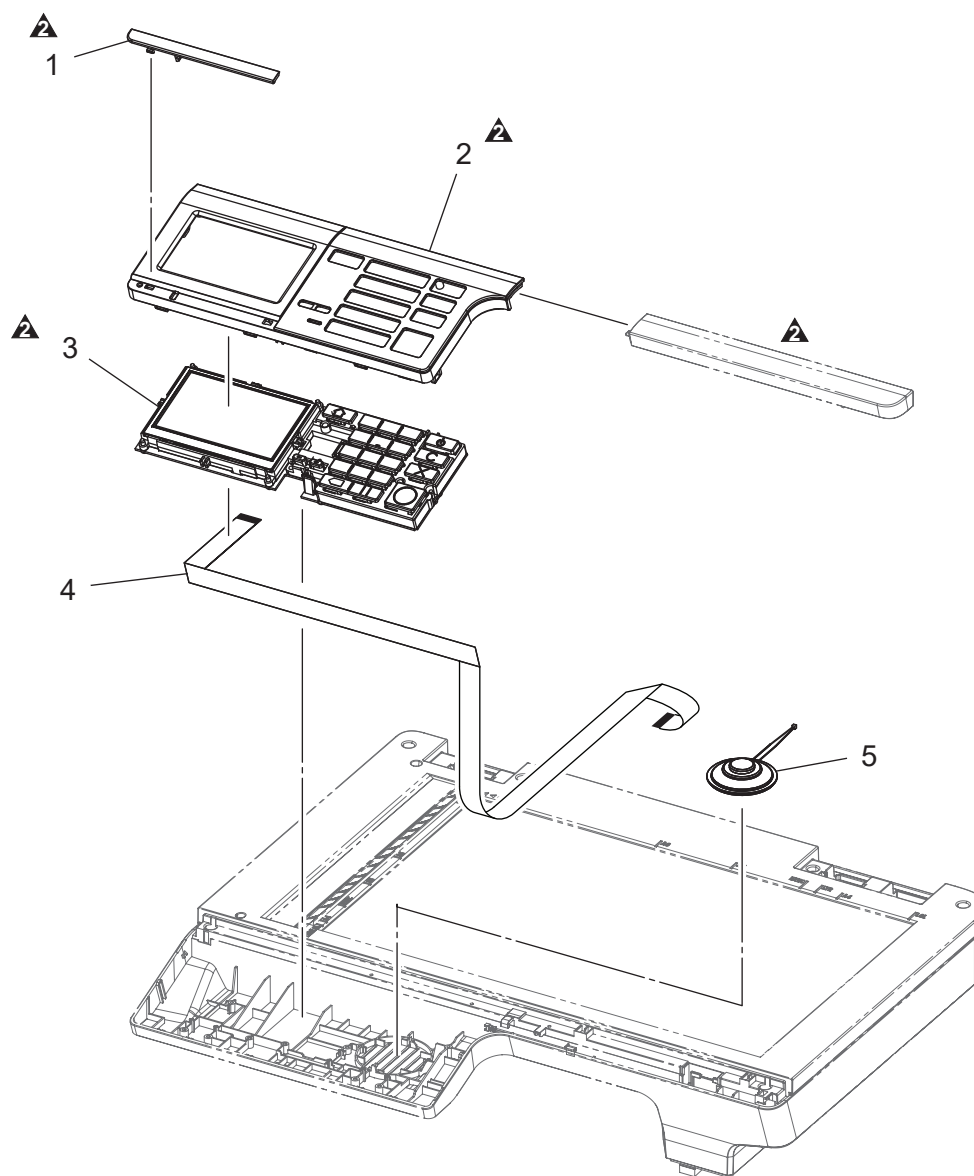
External Parts

Key	Part No.	Description	Destinations	Class	QTY	Standard parts
1	AAFMP1J00	Top Cover Assy		C	1	
2	AAFMP1T00	Tray		D	1	
3	AAFJPP1700	Cover/Rear Assy		D	1	
4	AAFJPP1E00	Door/Rear		D	1	
5	A6WDPP0601	Cover		C	1	
6	AAFNPP1F00	Cover/Right Assy		D	1	
7	AAFHPP2100	Cover		D	1	
8	AAFNPP1G00	Cover/Front		D	1	
9	AAFJPP1600	Cover/Left		D	1	
10	AAFMP1800	Front Cover/ Upper		D	1	

Operation Panel section

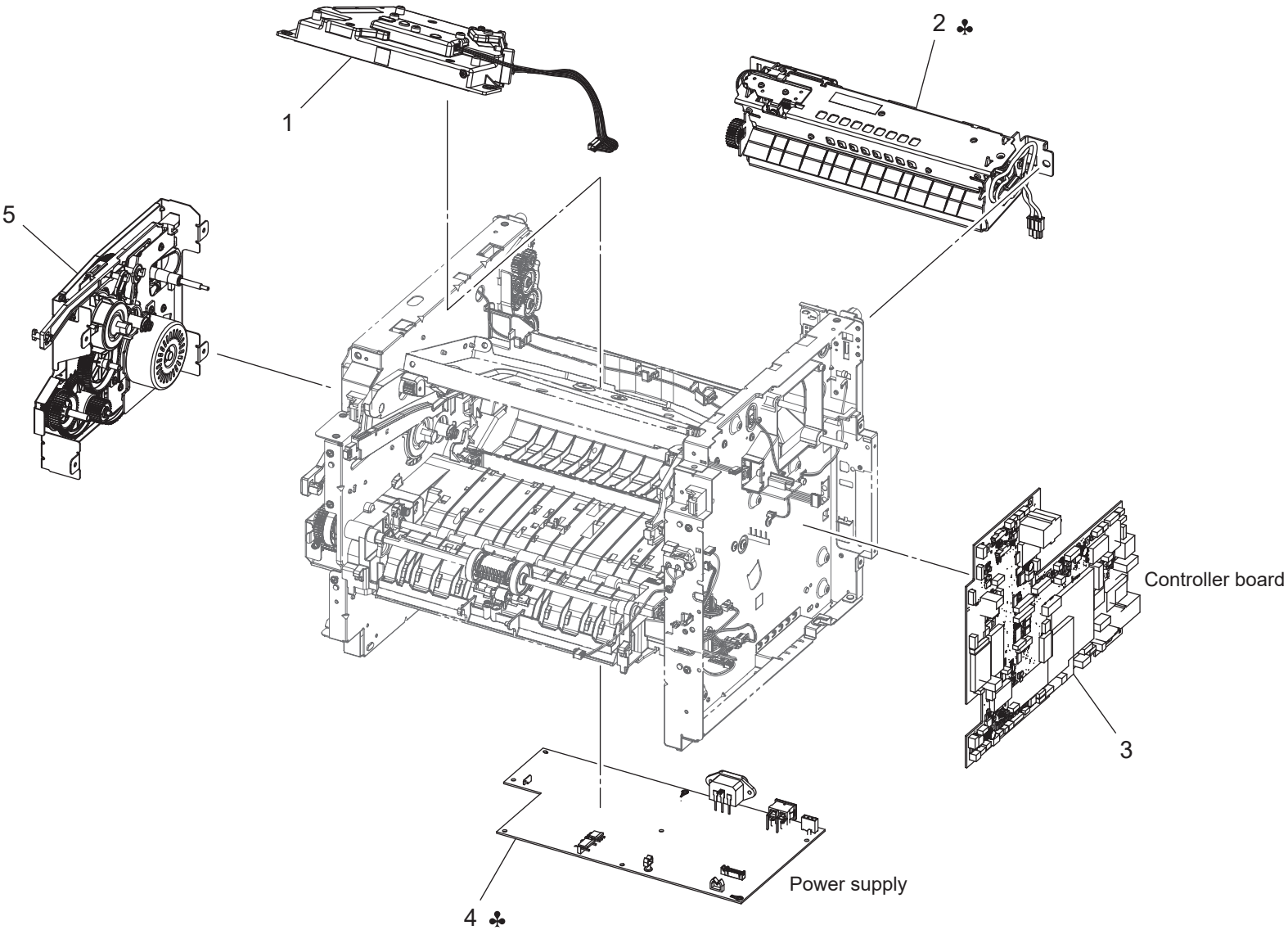
P 2

改訂版 REVISED EDITION	日付 DATE
	AUGUST 2018



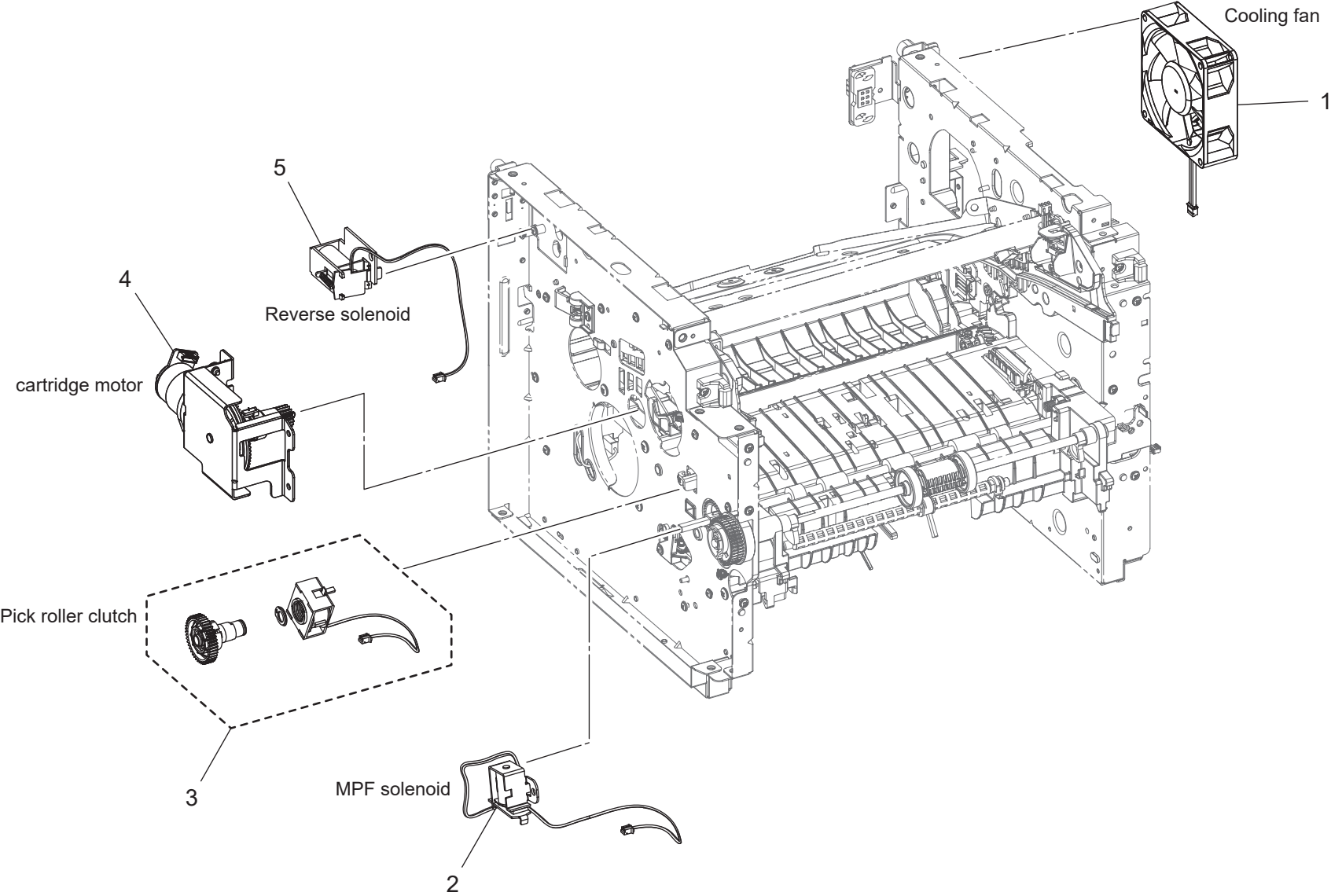
Operation Panel section

Key	Part No.	Description	Destinations	Class	QTY	Standard parts
1	AAFNPP1H00	Cover		D	1	
2	AAFMPP1G01	Panel Cover		D	1	
3	AAFNPP1A00	PWB assembly/ Control panel		I	1	
4	AAFNPP1K00	Flatcable		D	1	
5	AAFMPP1201	Speaker		C	1	



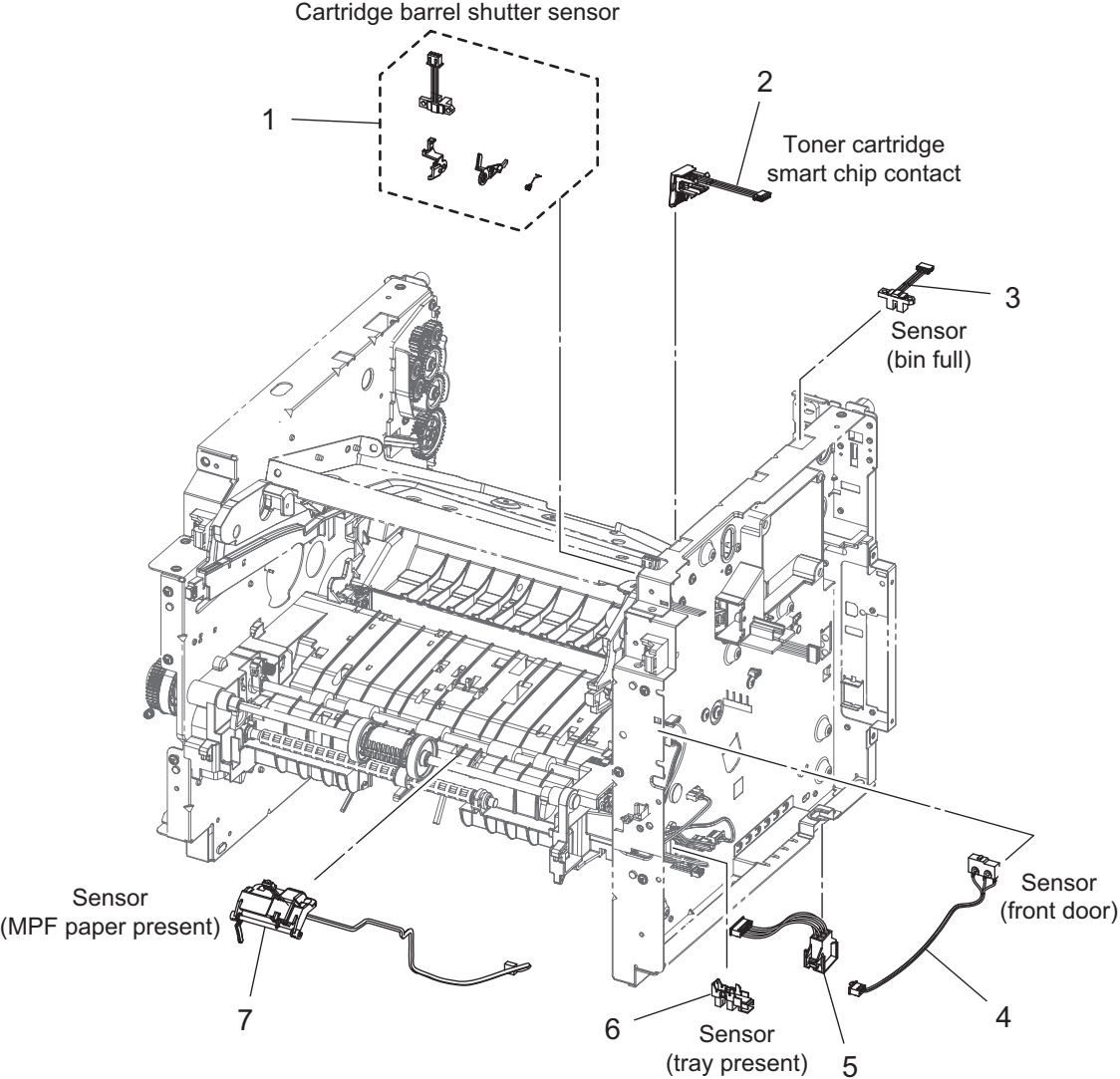
Electrical Components Section

Key	Part No.	Description	Destinations	Class	QTY	Standard parts
1	AAFHPP1A00	Print Head Assy		I	1	
2	AAFHPP1300	Fusing Unit (110V)	B,G2	B	1	
2	AAFHPP1400	Fusing Unit (220V)	C,D1,D3,E,F2,G1,I,J	B	1	
3	AAFMP1H01	PWB assembly/ Controller		I	1	
4	AAFHPP1D01	Power supply Assy (220V)	C,D1,D3,E,F2,G1,I,J	I	1	
4	AAFHPP1C01	Power supply Assy (100V/110V)	B,G2	I	1	
5	AAFHPP1K00	Main Drive Assy		C	1	



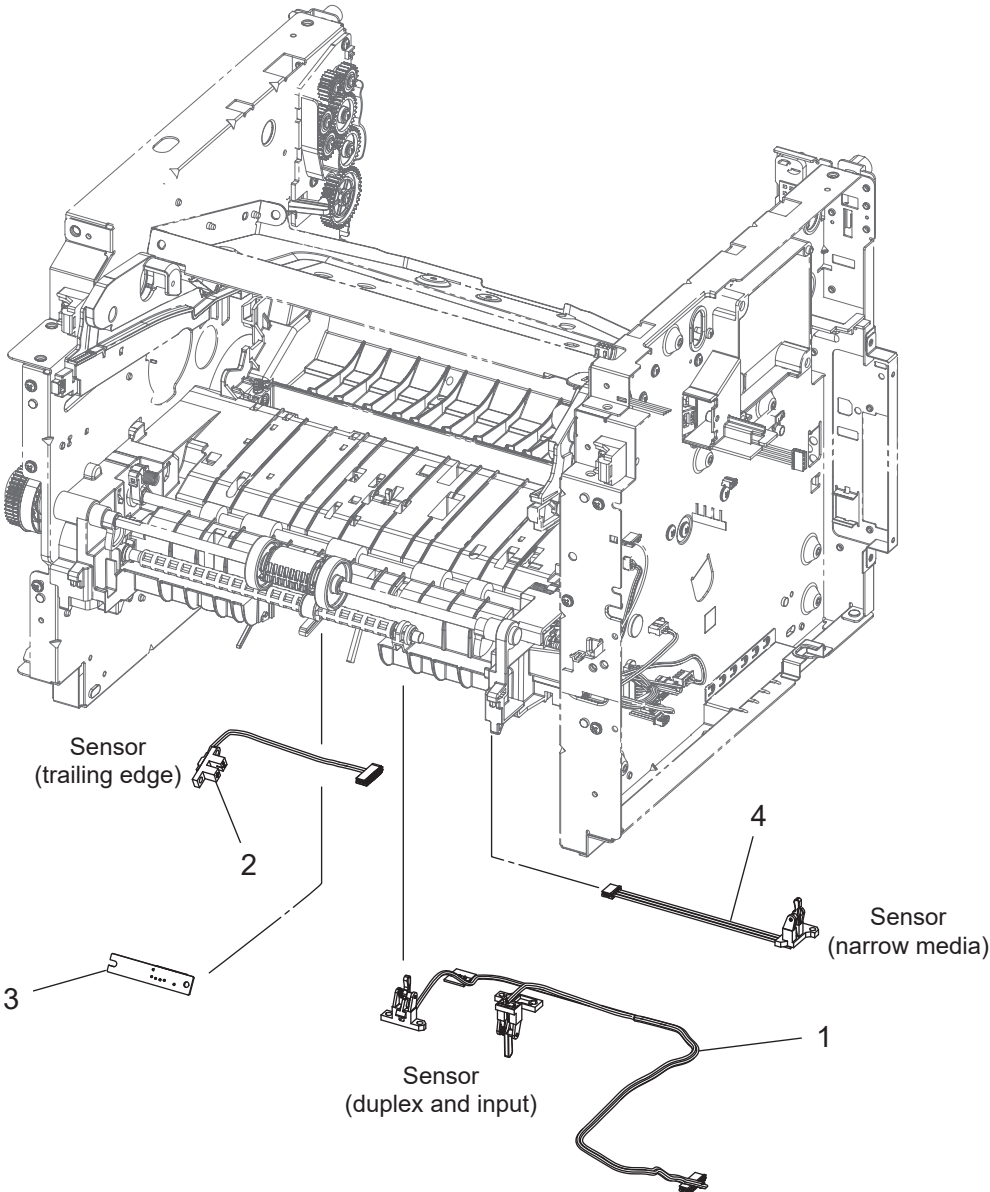
Electrical Components Section

Key	Part No.	Description	Destinations	Class	QTY	Standard parts
1	AA1PPP0A00	Fun motor		C	1	
2	AAFHPP2300	Solenoid		C	1	
3	AAFJPP1A00	Clutch Assy		C	1	
4	AAFHPP2500	Cartridge Gear Assy		C	1	
5	AAFHPP2400	Solenoid		C	1	



Electrical Components Section

Key	Part No.	Description	Destinations	Class	QTY	Standard parts
1	AA1PPP0B00	Sensor Kit		C	1	
2	AAFHPP1100	Contact/Toner Cartridge		C	1	
3	AAFMP2300	Sensor		C	1	
4	AAFHPP1F00	Sensor		C	1	
5	AAFHPP1M00	Interconnect harness		D	1	
6	AAFHPP1N00	Sensor Assy		C	1	
7	AAFHPP1G00	Sensor		C	1	

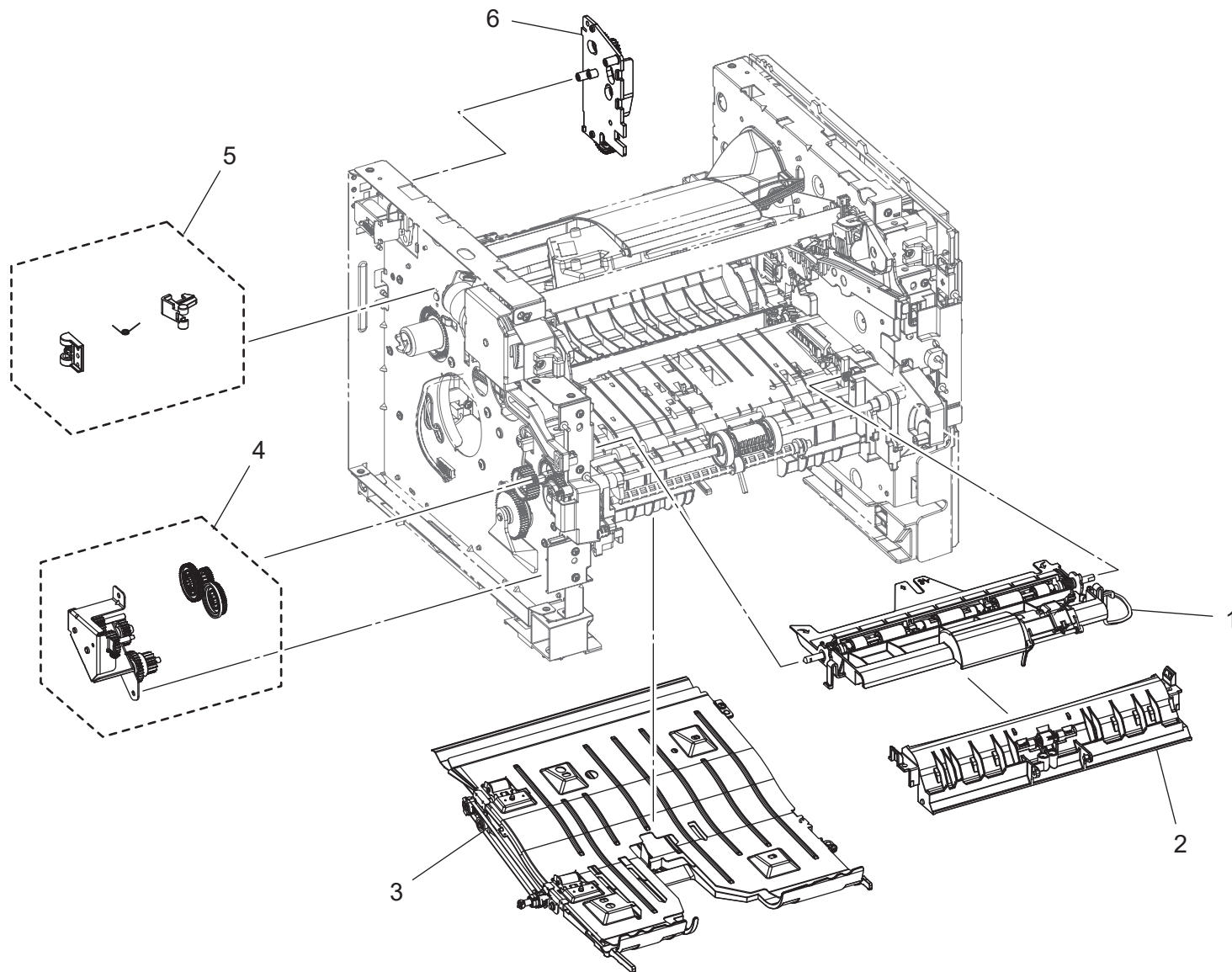


Electrical Components Section

Key	Part No.	Description	Destinations	Class	QTY	Standard parts
1	AAFHPP1E00	Sensor Assy		C	1	
2	AAFJPP1300	Sensor		C	1	
3	A63NPP0Q00	Sensor		I	1	
4	AAFMP2400	Sensor		C	1	

Paper Transport Section

P 7

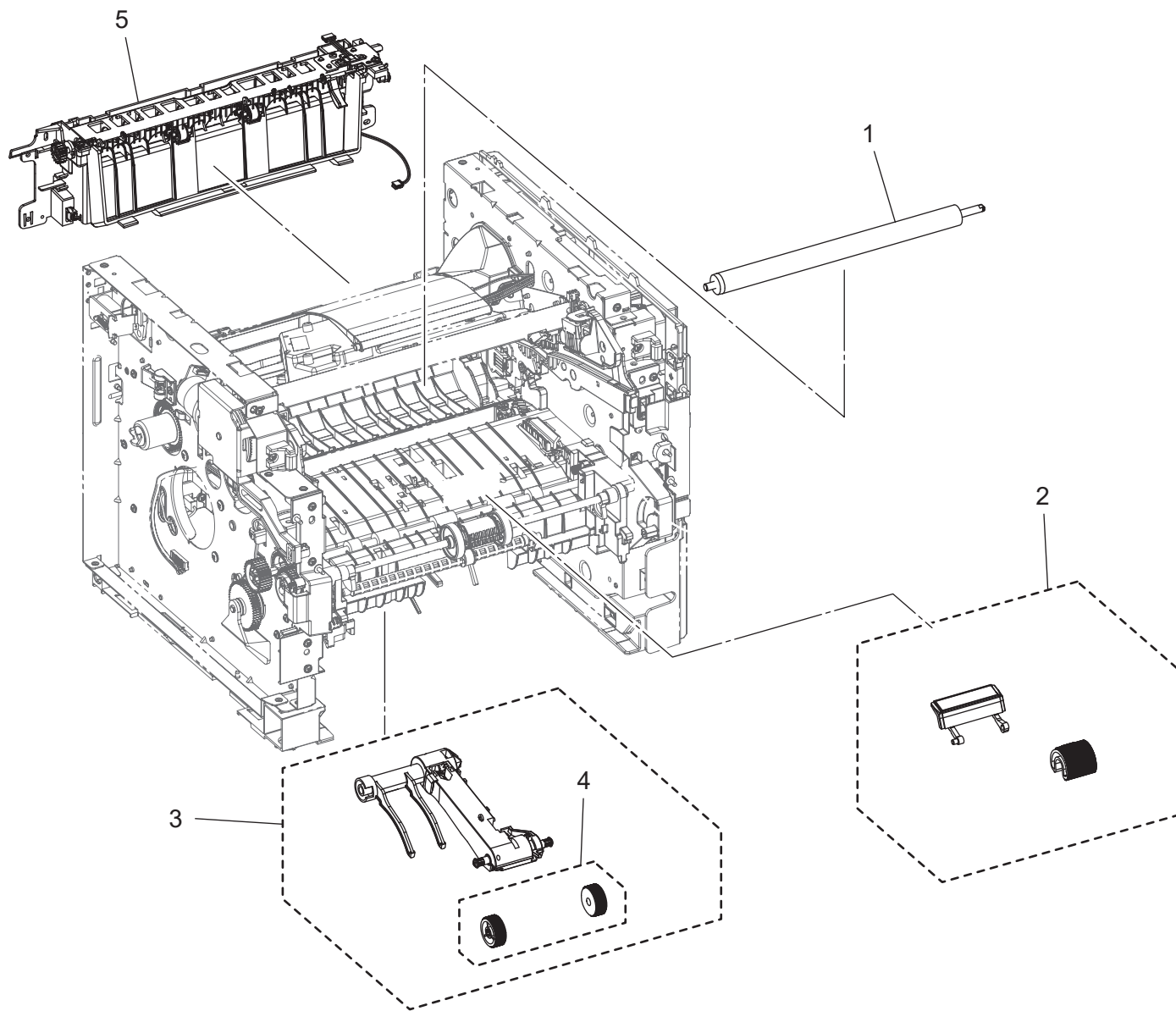


Paper Transport Section

Key	Part No.	Description	Destinations	Class	QTY	Standard parts
1	AA1PPP0D00	JAM Guide Assy		D	1	
2	AAFHPP1900	Front Guide Assy		D	1	
3	AA1PPP0E00	Duplex Assy		C	1	
4	AAFHPP1700	MPF Drive Assy		C	1	
5	AAFHPP2T00	Lever Assy		C	1	
6	AAFJPP1H00	Reverse Gear Assy		C	1	

Paper Transport Section

P 8

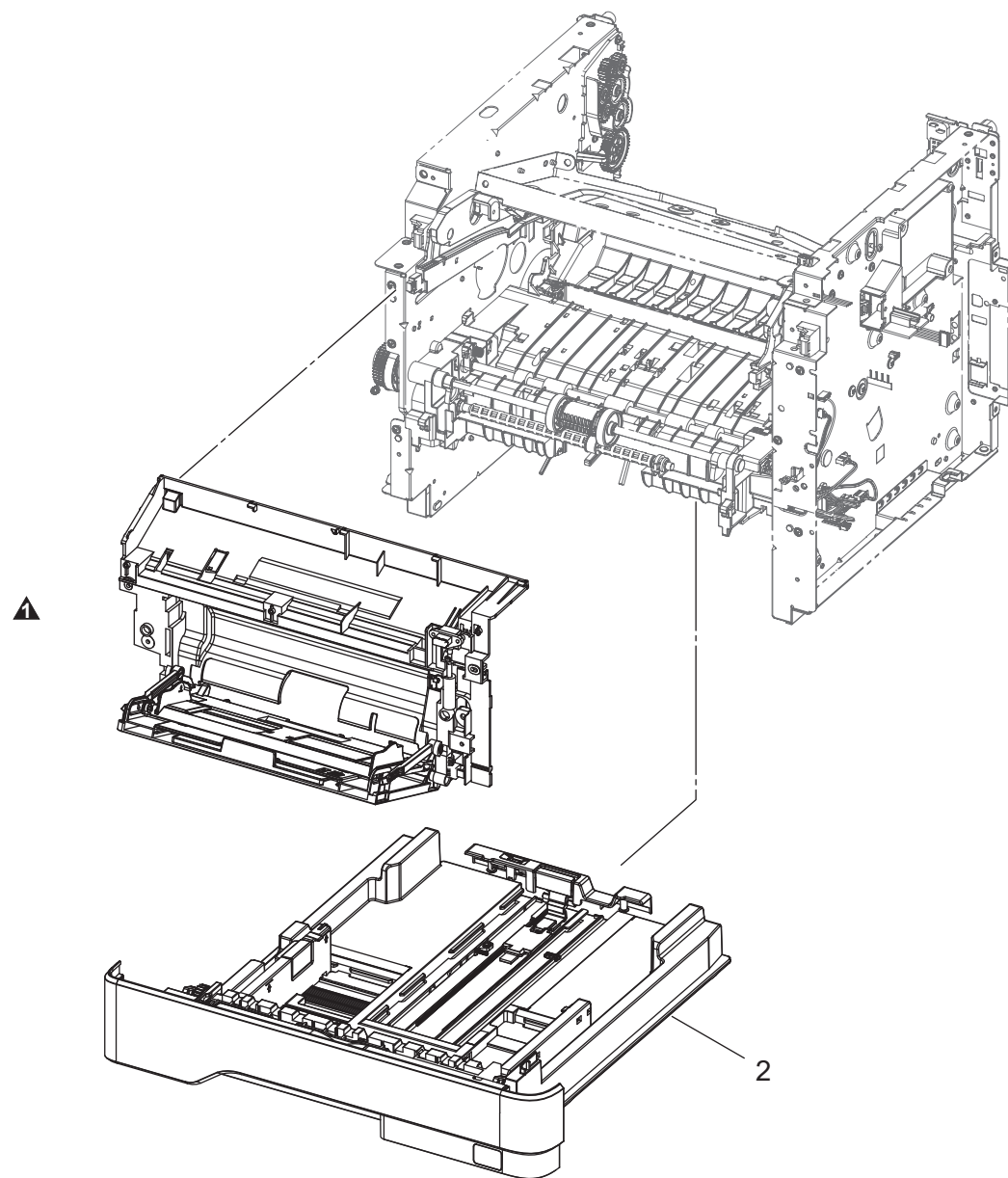


Paper Transport Section

Key	Part No.	Description	Destinations	Class	QTY	Standard parts
1	A63NPP0Y00	Transfer Roller		B	1	
2	AAFHPP1B00	Paper Feed/Separation Pad Kit		B	1	
3	AAFJPP1200	Pick-up Roller Assy		C	1	
4	A63PPP0G02	Pick tire Set(2 pcs/set)		B	1	
5	AAFMP2500	Reverse Assy		C	1	

Tray Section

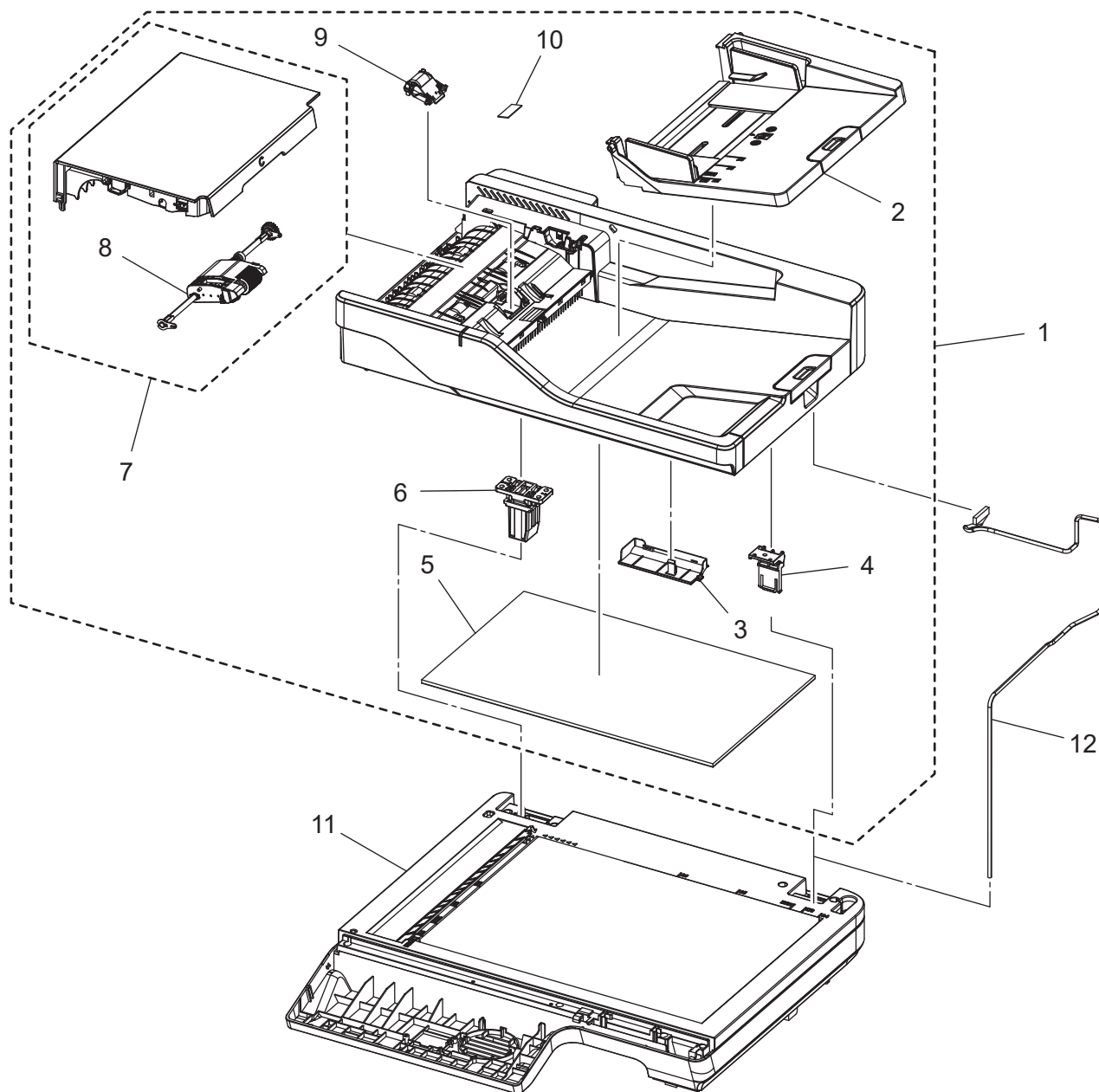
改訂版 REVISED EDITION	日付 DATE
▲	APRIL 2018



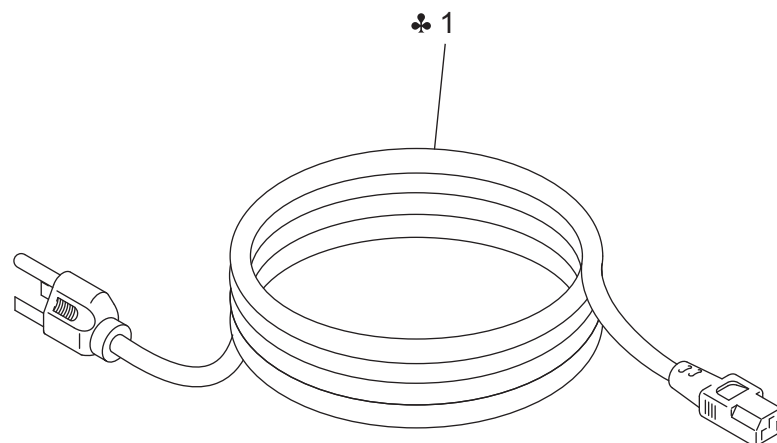
Tray Section

Key	Part No.	Description	Destinations	Class	QTY	Standard parts
2	AAFJPP1900	Cassette Assy/250 Sheet		C	1	

ADF/ Scanner Section



Key	Part No.	Description	Destinations	Class	QTY	Standard parts
1	AAFMP1P00	ADF Unit		C	1	
2	AAFNPP1D00	Tray		C	1	
3	AAFMP2600	Cover		D	1	
4	AA1PPP0M00	Hinge/Right		C	1	
5	AAFMP1C00	Pad		C	1	
6	AAFMP1101	Hinge/Left		C	1	
7	AAFNPP1M00	Top Cover Assy		C	1	
8	AAFMP1E01	Pick-up Roller Assy		C	1	
9	AAFNPP1N00	Separator Roller		C	1	
10	A6WDPP1600	Separating Pad		C	1	
11	AAFMP1Q00	Scanner Unit		C	1	
12	AAFNPP1P00	Harness/ ADF		D	1	



Accessory Parts

Key	Part No.	Description	Destinations	Class	QTY	Standard parts
1	4136N30000	POWER CODE	D1(Pakistan, Latin America)	D	1	
1	9381420021	POWER CORD	D3(New Zealand)	D	1	
1	A1UDN30200	Power cord /230V	G1(Argentine)	C	1	
1	A2UPN30100	Power code (220-240V)	I(UAE, Bahrain, Qatar, Oman , Yemen, HongKong, Saudi Ara bia, Kuwait)	D	1	
1	A2UPN30300	Power code (220-240V)	G1(Peru)	D	1	
1	A2UPN30501	Power code /230V	G2(Brazil)	D	1	
1	A63NPP1R00	Power Cord	J	D	1	

MAINTENANCE LIST

● The items with no Page/Key numbers are not handled as spare parts.

No.	Section	PM Parts Description	Maintenance Cycle (K=1,000)		Parts No.	Destinations	Page/Key	Note
			QTY	Replace				
1	Electrical Components Section	Fusing Unit	1	200K	AAFHPP1300	B,G2	P3-2	
2			1	200K	AAFHPP1400	C,D1,D3,E,F2,G1,I,J	P3-2	
3	Paper Transport Section	Transfer Roller	1	200K	A63NPP0Y00		P8-1	
4		Paper Feed/Separation Pad Kit	1	200K	AAFHPP1B00		P8-2	
5		Pick tire Set(2 pcs/set)	1	200K	A63PPP0G02		P8-4	

*: The part names used on this page follow the ones used in the Service Manual and they are occasionally different from those written in other pages.

DESTINATION

Destination No.		Destinations		V	Hz	Model No.
A	A1	JAPAN				
	A2	JAPAN				
B		USA, CANADA		120	60	AAFM011
C		EUROPEAN TYPE		220-240	50/60	AAFM021
D	D1	S.E ASIA TYPE	THAILAND, SRI LANKA, SINGAPORE, MALAYSIA, HONG KONG, PAKISTAN, INDIA, BANGLADESH, INDONESIA	220-240	50/60	AAFM041
	D3	OCEANIA TYPE	AUSTRALIA, NEW ZEALAND	220-240	50/60	AAFM041
E		PHILIPPINES		220-240	50/60	AAFM041
F	F1	SAUDI ARABIA				
	F2	SAUDI ARABIA		220-240	50/60	AAFM041
G	G1	C.S AMERICA		220-240	50/60	AAFM041
	G2	C.S AMERICA		120	60	AAFM011
H		TAIWAN				
I		JORDAN, LEBANON, SYRIA, SOUTH AFRICA, IRAQ, IRAN, N.YEMEN, CAMEROON, UAE, BAHRAIN, OMAN, QATAR, KUWAIT, KENYA, TUNISIA, IVORY COAST, MOROCCO		220-240	50/60	AAFM021 AAFM041
J		CHINA		220-240	50/60	AAFM081
K		KOREA				

bizhub 4422