

KONICA MINOLTA

PARTS GUIDE MANUAL

OCTOBER 2020

bizhub 450i
AC76

INFORMATION FOR PARTS GUIDE MANUAL

To find correct Parts No., refer to the "HOW TO MAKE THE BEST USE OF THIS MANUAL" in the following page.

HOW TO MAKE THE BEST USE OF THIS MANUAL

- 1 When you order, please check the proper figures beforehand that are on Our Parts Guide Manual, and order with the appropriate figures.
- 2 For screws, Nuts, Washers, retaining rings and Pins which are used in this model, one letter is shown on the Standard parts column of Parts list and exploded diagrams.
- 3 In order to maintain safety of the product, some specific parts composed of this product are set up as "essential safety parts".
- 4 The assigned parts number for the "essential safety parts" is indicated as "SP00-****".
When replacing these parts, follow precautions for disassembling and installing which are listed in the Service Manual.
Do not use any parts that are not set up as
- 5 ♣ means that there are exclusive parts for each destination.
Please check the appropriate destination when you order.
- 6 All rights reserved. (any reprints or quotations are prohibited.)
Use of this parts guide manual should be strictly supervised to avoid disclosure of confidential information.

パーツガイドマニュアルのご案内

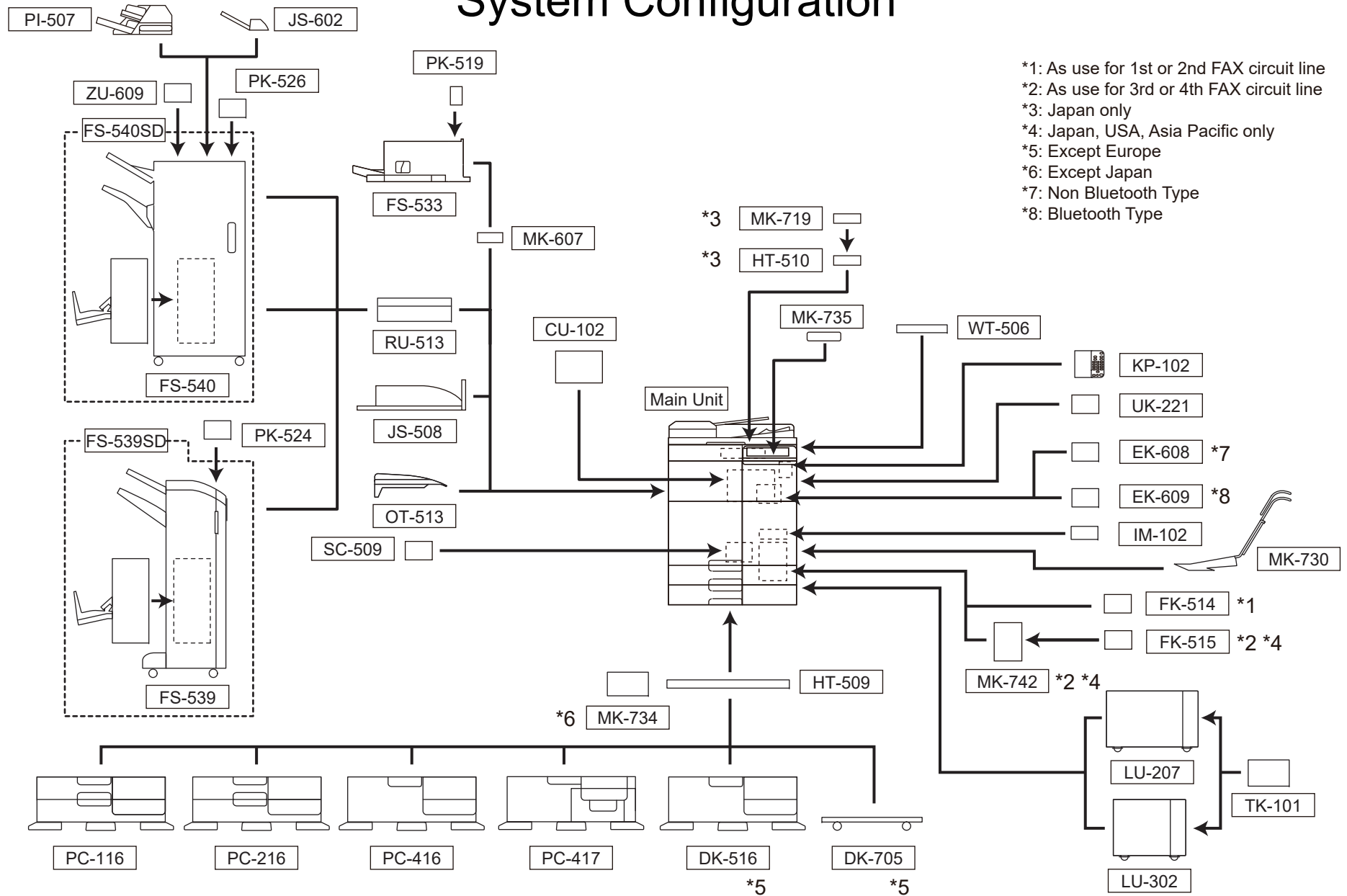
サービス部品をご発注の際には、下記に示す“パーツガイドマニュアルの活用にあたって”をご参照の上、正しい部品番号にてお願い致します。

パーツガイドマニュアルの活用にあたって

- 1 部品発注の際には、掲載されている部品番号の桁数を確認し、掲載されている桁数で発注願います。
- 2 この製品に使用されているネジ、ナット、ワッシャー、止め輪、ピンなどは、リストの右側の Standard parts 欄に a,b,c,…… で表示し、イラストにも a,b,c,…… 表示してあります。
- 3 製品の安全性を維持する為に、製品に使用される特定の部品を「重要保安部品」として設定しています。
- 4 重要保安部品の部品番号は、“SP00-****”と記載されていますので、部品交換時は、サービスマニュアル記載の分解・組み立ての注意事項に従って作業をして下さい。
また、指定以外の部品は一切使用しないで下さい。
- 5 本文に ♣ が表示されている部品は、仕向け地毎に専用部品がある事を意味しています。
オーダーされる時は、仕向け地を確認して下さい。
- 6 著作権所有（無断転載及び無断引用の禁止）
本パーツガイドマニュアルについては、機密保持等その扱いには十分注意して下さい。万一取り扱いを誤った場合には、法律で処罰される場合があります。

06/29/2020

System Configuration



bizhub 450i

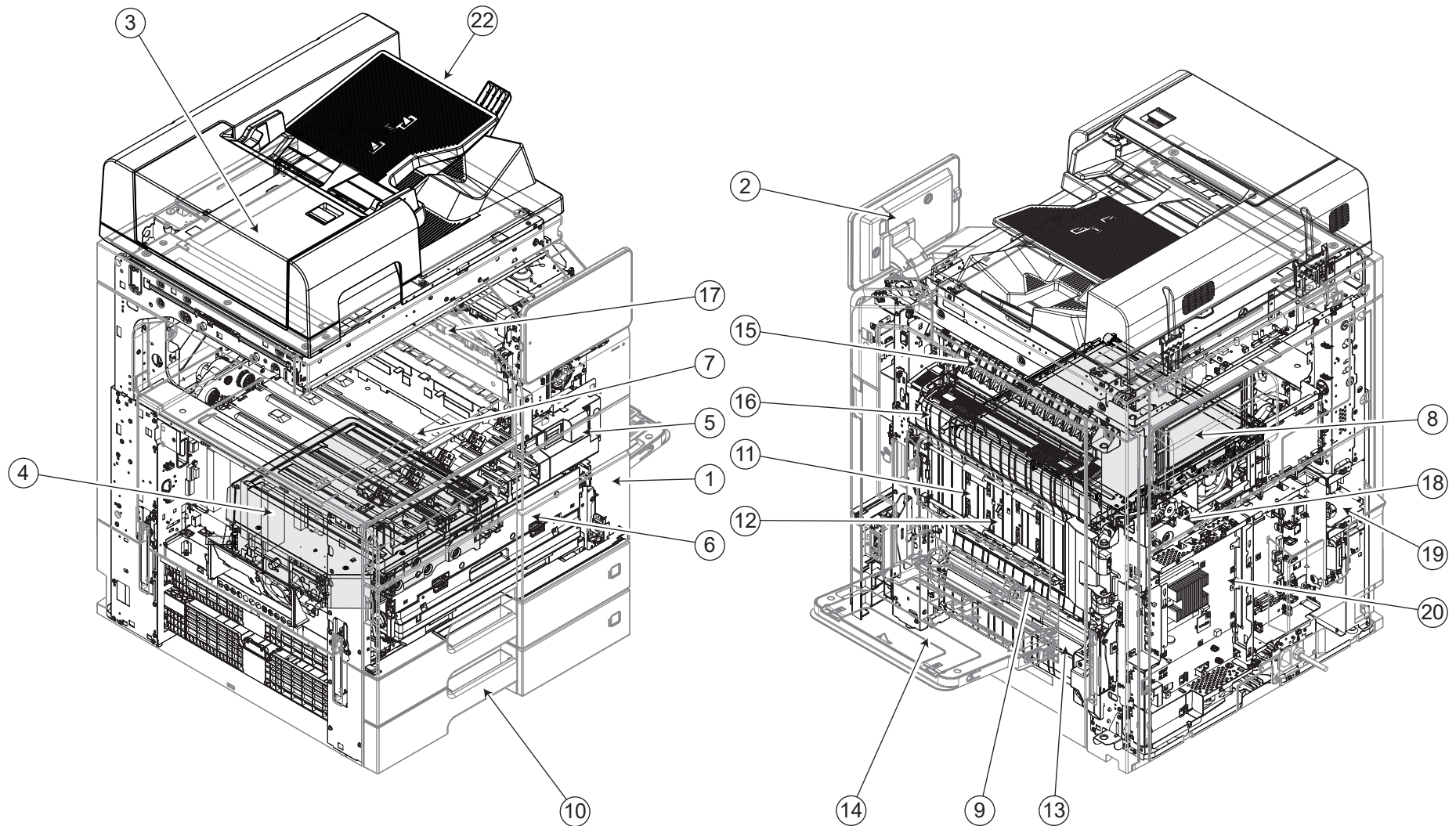
GENERAL CONTENTS

No.	Description	Model
1	Digital MFP B/W	bizhub 450i
2	Finisher/Sorter	FS-533
3	Finisher/Sorter	FS-539
4	Finisher/Sorter	FS-539 SD
5	Finisher/Sorter	FS-540
6	Finisher/Sorter	FS-540 SD
7	Job Separator	JS-508
8	Job Separator	JS-602
9	Punch Unit	PK-519
10	Punch Unit	PK-524
11	Punch Unit	PK-526
12	Folding Unit	ZU-609
13	Post Inserter	PI-507
14	Output Tray	OT-513
15	Paper Feeder	PC-116
16	Paper Feeder	PC-216
17	Paper Feeder	PC-416
18	Paper Feeder	PC-417
19	Paper Feeder	LU-207
20	Paper Feeder	LU-302
21	Desk	DK-516
22	Desk	DK-705

bizhub 450i

No.	Description	Model
23	Finisher/Sorter	RU-513
24	Mount Kit	MK-607
25	Other Option	MK-719
26	Mount Kit	MK-730
27	Mount Kit	MK-734
28	Mount Kit	MK-735
29	Mount Kit	MK-742
30	Heater	HT-509
31	Heater	HT-510
32	Working Table	WT-506
33	Other Option	TK-101
34	Other Option	CU-102
35	Other Option	UK-221
36	Fax Kit	FK-514
37	Fax Kit	FK-515
38	Local IF Kit	EK-608
39	Local IF Kit	EK-609
40	Other Option	SC-509
41	Other Option	KP-102
42	Other Option	IM-102

Section Configuration



bizhub 450i

CONTENTS

No.	DESCRIPTION	名称	PAGE No.
1	External Parts	外装部	P1 P2 P3
2	Operation Panel section	操作部	P4 P5
3	Scanner Section	スキャナー部	P6 P7 P8 P9
4	Write Section	書き込み部	P10
5	Toner Supply Section	トナー補給部	P11 P12 P13
6	Toner Collection Section	トナー回収部	P14
7	Photo Conductor/ Developing Section	感光体部 / 現像部	P15 P16
8	1st Transfer Section	1次転写部	P17
9	Paper Feed Section	給紙部	P18 P19 P20 P21 P22
10	Tray Section	トレイ部	P23 P24 P25 P26 P27 P28 P29
11	Registration Section	レジスト部	P30 P31 P32
12	2nd Transfer Section	2次転写部	P33 P34 P35
13	Vertical Conveyance Section	垂直搬送部	P36
14	Bypass Tray Section	手差しトレイ部	P37 P38 P39 P40
15	Reverse Section	反転部	P41 P42 P43 P44
16	Fusing Section	定着部	P45
17	Paper Exit Section	排紙部	P46 P47 P48
18	Drive Section	駆動部	P49 P50 P51 P52 P53 P54
19	Cooling Section	冷却部	P55 P56
20	Electrical Parts	電装部	P57 P58 P59 P60
21	Automatic Document Feeder	自動原稿送り部	P61 P62 P63 P64 P65 P66 P67 P68 P69 P70 P71 P72 P73 P74 P75
22	Wiring	束線	P76 P77 P78
23	Wiring Accessories	配線部品	P79
24	Service Tool	サービスツール	P80
25	Accessory Parts	同梱部品	P81 P82

INDEX

Parts No.	Page No.
07BA12352	1-1
0996305501	23-8
1164202801	47-8
15BY561200	61-22
4002311002	24-10
4002504203	17-1
4004590301	47-14
4025598401	47-19
4025598401	48-23
4030320601	27-17
4030320601	29-17
4030322602	27-9
4030322602	29-9
4036307501	7-10
4036534801	13-1
4038101401	3-1
4038101401	11-2
4038101401	12-1
4038541202	52-1
4131253701	66-6
4131253701	70-2
4131253701	75-1
4136N30000	81-17
4163510201	13-2
4163529301	3-2
4163529301	10-1
4163529301	11-4
4163529301	12-2
4163529301	17-2
4163529301	24-11
4163529301	27-23
4163529301	29-23
4163529301	34-1
4163529301	35-1
4163529301	43-3
4163529301	58-11
4163529301	65-1
4163529301	74-17
4470402401	66-4
4470402401	69-33

Parts No.	Page No.
4470402401	72-38
4470402401	73-1
4470402401	74-7
4470402401	75-19
4532341001	20-3
4532341001	22-3
4576536301	13-3
4581162501	7-8
56AA40490	1-2
56AA40490	38-16
65AA-9920	80-2
9321240011	38-31
9335140071	67-13
9381420021	81-17
9381430031	81-17
9J06M10300	24-3
9J06M60100	3-4
9J06M60100	36-18
9J06PJP100	80-3
9J07160200	61-11
9J07210802	7-17
9J07300801	65-8
9J07330102	68-7
9J07330801	68-6
9J07331901	68-14
9J07340901	69-4
9J07341102	65-13
A00F623201	38-18
A00F941100	41-3
A00F941100	42-3
A00J169100	2-5
A00J169100	5-19
A00J169100	6-3
A00J169100	81-1
A00J169200	6-10
A00J169300	19-27
A00J169300	21-30
A00J169300	46-3
A00J265300	7-6
A00J563600	68-11

Parts No.	Page No.
A00J617900	21-7
A00J663200	19-16
A00J663200	21-15
A00J945500	1-3
A00JH00D00	1-4
A00V240600	69-18
A00V240600	72-11
A00V240600	74-3
A02E117300	55-1
A02E149900	2-7
A02E561100	19-14
A02E561100	21-13
A02E595100	38-36
A02E595400	38-35
A02E596100	38-25
A02E596300	38-28
A02E597600	39-27
A02E815200	20-11
A02E815200	22-11
A02E815200	35-2
A02E815200	42-9
A02E815200	43-24
A02E940300	27-25
A02E940300	29-25
A02EM20000	31-1
A02EM20100	38-29
A02EN12513	59-1
A034M20100	38-5
A03U812800	54-1
A07H570500	68-10
A0ED103100	15-1
A0ED111000	17-3
A0ED111400	17-4
A0ED112000	17-5
A0ED135700	59-2
A0ED271200	8-6
A0ED271300	8-7
A0ED273600	9-10
A0ED274200	9-23
A0ED274300	9-12

Parts No.	Page No.
A0ED274400	9-13
A0ED276301	9-11
A0ED363200	14-3
A0ED363400	14-4
A0ED401000	13-4
A0ED550800	34-2
A0ED550900	34-3
A0ED551100	34-4
A0ED563900	20-7
A0ED563900	22-7
A0ED597800	38-30
A0ED620200	29-16
A0ED620701	27-34
A0ED620701	29-34
A0ED700200	31-2
A0ED700300	31-3
A0ED700700	31-4
A0ED703800	34-5
A0ED811700	35-3
A0ED811700	42-15
A0ED811900	35-4
A0ED815100	43-7
A0ED891100	47-9
A0ED897700	48-18
A0EDM10500	60-1
A0EDM50100	19-8
A0EDM50100	21-3
A0EDM60001	12-3
A0EDM60001	16-1
A0HT561202	69-5
A0HU250500	72-16
A0P0742300	46-2
A0P0742300	73-2
A0POM50300	57-1
A0POM50300	72-1
A0VDM50200	14-7
A0VDM50200	16-2
A108260700	66-19
A108266300	74-15
A108703100	67-4

Parts No.	Page No.
A108890500	65-9
A108891300	65-11
A108M50000	64-7
A108M50000	67-8
A161101600	23-20
A161101701	23-19
A161101900	23-4
A161103700	23-2
A161103901	23-10
A161104101	33-3
A161104200	23-3
A161104300	23-1
A161105200	23-15
A161105400	10-2
A161105500	49-1
A161105600	15-2
A161107100	15-3
A161110300	17-6
A161110601	17-7
A161112101	17-18
A161112200	17-8
A161112300	17-9
A161112400	17-10
A161112500	17-11
A161112600	17-12
A161112700	17-13
A161116202	16-3
A161119500	16-4
A161121300	36-1
A161122500	45-5
A161137100	36-19
A161137600	60-2
A161137701	57-2
A161137900	60-3
A161138500	15-4
A161141700	55-2
A161143400	58-8
A161143601	58-1
A161144500	58-5
A161144801	55-3

Parts No.	Page No.	Parts No.	Page No.	Parts No.	Page No.	Parts No.	Page No.	Parts No.	Page No.
A161145000	58-3	A161278900	8-2	A161593800	40-10	A161711901	34-7	A161825800	5-1
A161146600	55-4	A161280211	7-23	A161594201	39-13	A161712000	35-18	A161825800	43-16
A161151200	36-20	A161280300	7-24	A161594300	40-13	A161712100	35-19	A161826001	43-28
A161162400	5-13	A161281100	7-26	A161594500	39-1	A161712401	34-8	A161891000	48-7
A161163900	2-11	A161281300	7-25	A161594600	39-3	A161712700	34-9	A161892300	48-8
A161170800	6-4	A161281600	7-11	A161594700	38-7	A161712800	35-9	A161892400	47-17
A161210200	50-13	A161400601	13-5	A161595000	39-22	A161712800	43-10	A161892400	48-22
A161210200	54-2	A161400800	13-6	A161595100	39-20	A161713500	35-10	A161893601	48-2
A161210200	63-7	A161401000	13-7	A161595300	39-17	A161714500	35-11	A161894000	47-6
A161210200	64-13	A161401300	13-8	A161595400	39-24	A161714600	35-12	A161894100	47-5
A161230700	54-3	A161403000	13-9	A161620400	29-10	A161719000	35-13	A161895503	47-10
A161232200	54-4	A161403200	13-10	A161620600	27-4	A161810305	36-16	A161895601	47-11
A161240700	52-2	A161404200	13-11	A161620600	29-4	A161811001	36-5	A161900100	48-20
A161254600	54-5	A161561100	18-2	A161620701	27-5	A161811302	36-10	A161900201	47-13
A161261902	7-16	A161561200	18-3	A161620701	29-5	A161811500	36-4	A161943000	3-5
A161262002	7-19	A161565102	18-4	A161621411	27-22	A161813001	43-29	A161943301	81-2
A161262200	7-15	A161571100	21-4	A161621600	27-32	A161813100	43-30	A161943400	81-3
A161263000	7-12	A161576100	18-7	A161621600	29-32	A161813200	43-9	A161F59002	38-43
A161268200	7-4	A161578214	21-1	A161623400	23-16	A161813300	42-13	A161M10300	54-6
A161268300	7-3	A161578700	21-2	A161623400	26-3	A161813400	43-14	A161M20300	49-2
A161270102	8-8	A161579011	18-5	A161623400	28-3	A161813600	43-4	A161M50000	32-4
A161270600	8-10	A161590304	39-12	A161624100	27-3	A161814401	43-2	A161M50400	40-12
A161271000	8-12	A161590600	38-27	A161624100	29-3	A161814601	42-8	A161M50501	24-9
A161271000	9-22	A161590901	39-7	A161626502	26-7	A161814700	42-10	A161M50600	24-13
A161271100	8-11	A161591000	39-8	A161626800	26-8	A161815000	36-11	A161M50A00	7-21
A161271100	9-21	A161591100	39-9	A161626800	28-7	A161815100	41-2	A161M50A00	7-22
A161273113	9-19	A161591300	38-34	A161631411	29-22	A161815300	36-15	A161N11300	57-3
A161273401	9-14	A161591400	38-22	A161636502	28-6	A161815400	36-14	A161N11C01	6-8
A161273500	9-20	A161591600	39-14	A161701100	32-1	A161815800	41-7	A161N11K00	57-4
A161273701	9-17	A161591800	39-25	A161701301	31-5	A161815900	36-7	A161N12701	21-5
A161273800	9-15	A161592200	40-1	A161701703	32-2	A161816200	36-12	A161N12801	13-12
A161274500	9-18	A161592300	40-17	A161701900	31-6	A161816400	42-14	A161N14000	8-9
A161274600	9-16	A161592400	40-5	A161702000	31-7	A161819200	43-25	A161N14100	7-9
A161275300	9-8	A161592501	40-6	A161702101	32-3	A161819500	43-31	A161N14201	7-14
A161275400	9-9	A161592600	40-7	A161702200	31-8	A161825000	43-27	A161R72811	55-5
A161275500	9-6	A161592800	38-39	A161710500	35-5	A161825301	39-28	A1UD192400	23-14
A161275600	9-5	A161592900	36-21	A161711200	34-6	A161825301	43-5	A1UDM50100	64-10
A161276000	9-4	A161593300	38-23	A161711300	35-6	A161825400	43-15	A1UDM50200	7-5
A161276500	9-7	A161593400	39-6	A161711600	35-7	A161825700	35-15	A1UDN30200	81-17
A161278600	8-1	A161593600	39-10	A161711700	35-8	A161825700	43-8	A2UPN30100	81-17

Parts No.	Page No.	Parts No.	Page No.	Parts No.	Page No.	Parts No.	Page No.	Parts No.	Page No.
A2UPN30300	81-17	A5C1628000	24-12	A61DM10000	50-15	A782115800	75-8	A782262900	72-15
A2UPN30601	81-17	A5C1628500	26-17	A61F100600	58-9	A782116201	71-5	A782263000	72-17
A2X0M10000	49-3	A5C1628500	28-16	A61F140200	10-5	A782116301	71-3	A782263212	73-7
A2X0M10600	42-20	A5C1700101	31-9	A64J257800	49-5	A782116801	70-5	A782263300	72-24
A2X0M10800	66-14	A5C1700800	31-10	A64J363700	14-2	A782117000	62-2	A782263700	72-34
A2X0M10800	75-4	A5C1703201	31-11	A64J564101	19-13	A782117100	62-5	A782263801	72-14
A2XK144201	10-3	A5C1711500	35-14	A64J564101	21-12	A782117500	61-19	A782264000	73-8
A2XK709000	21-29	A5C1711801	34-11	A64J564201	19-20	A782117600	61-20	A782264202	73-9
A3CK272001	70-7	A5C1811101	36-6	A64J564201	21-18	A782117700	74-26	A782264300	72-28
A3CK272600	70-6	A5C1811803	43-6	A64J709100	35-17	A782117800	74-36	A782264300	73-10
A3CK300102	73-3	A5C1811901	43-32	A64J719100	34-13	A782117900	69-19	A782264501	72-27
A3CK300200	72-25	A5C1814200	43-13	A64J815500	36-13	A782117900	72-12	A782264600	73-11
A3CK300200	73-4	A5C1814300	42-17	A64J891100	47-15	A782117900	74-6	A782264700	73-12
A3CK565100	69-8	A5C1825000	43-26	A64JM20000	21-28	A782118000	72-20	A782264800	73-13
A3CK568300	69-11	A5C1M50100	3-6	A782100001	70-4	A782118300	72-13	A782264900	62-12
A3CK940000	74-16	A5C1M50100	7-13	A782100200	70-19	A782119300	61-17	A782265102	74-8
A3CKH00200	71-4	A5C1M50100	13-14	A782100301	70-14	A782125500	62-6	A782265201	73-14
A3CKM20000	66-3	A5C1M50100	14-11	A782100400	70-13	A782130301	62-1	A782265300	73-15
A55D941100	6-9	A5C1M50100	19-25	A782100600	70-17	A782130500	63-5	A782265600	74-11
A5AWP00100	80-1	A5C1M50100	21-26	A782100701	70-18	A782130600	61-3	A782265700	74-10
A5C1104400	23-7	A5C1M50100	24-7	A782101000	66-18	A782211300	66-9	A782265800	74-33
A5C1104700	23-6	A5C1M50100	32-5	A782101600	66-17	A782211400	66-13	A782266000	74-12
A5C1104800	23-5	A5C1M50100	34-12	A782101700	62-10	A782211500	66-20	A782266100	74-30
A5C1105500	15-5	A5C1M50100	35-16	A782101900	75-14	A782211600	66-2	A782266200	74-18
A5C1112800	17-14	A5C1M50100	38-37	A782103200	75-12	A782211700	66-11	A782266300	74-23
A5C1112900	17-15	A5C1M50100	39-26	A782103600	74-24	A782211800	66-7	A782266401	74-21
A5C1134800	57-5	A5C1M50100	40-4	A782104301	73-6	A782212000	66-5	A782266502	74-14
A5C1135300	10-4	A5C1M50100	43-11	A782104500	75-17	A782212300	72-4	A782266601	74-27
A5C1192104	81-4	A5C1M50100	64-5	A782105001	62-4	A782212702	66-12	A782266700	74-32
A5C1263300	7-27	A5C1M50100	65-10	A782105101	62-3	A782214300	66-8	A782266800	74-22
A5C1263400	7-7	A5C1M50100	66-15	A782106200	61-24	A782215100	69-31	A782266900	74-13
A5C1280101	7-20	A5C1M50100	67-15	A782110600	61-16	A782215800	66-10	A782267000	74-25
A5C1404600	13-13	A5C1M50100	69-37	A782111000	62-8	A782230700	72-36	A782267100	74-28
A5C1551701	34-10	A5C1M50100	72-22	A782111100	62-9	A782231000	72-10	A782267200	74-19
A5C1562200	38-17	A5C1M50100	73-5	A782111200	62-14	A782262200	72-21	A782268001	74-31
A5C1591200	38-32	A5C1M50100	74-37	A782112305	61-15	A782262300	72-33	A782268201	74-29
A5C1591900	38-38	A5C1M50100	75-13	A782114100	61-21	A782262501	72-26	A782268301	73-16
A5C1627103	24-4	A5C1M92000	5-2	A782115700	69-25	A782262700	72-31	A782268500	73-17
A5C1627300	24-6	A5C1N14300	9-1	A782115700	72-3	A782262800	62-11	A782269200	72-29
A5C1627900	24-5	A61DM10000	49-4	A782115700	74-4	A782262800	72-23	A782269200	73-18

Parts No.	Page No.	Parts No.	Page No.	Parts No.	Page No.	Parts No.	Page No.	Parts No.	Page No.
A782269300	73-19	A782700400	67-11	A782945003	81-5	A79J120801	56-10	A79J226500	50-11
A782269500	73-20	A782700900	68-26	A782M10000	69-23	A79J122200	3-7	A79J226600	50-5
A782561000	64-22	A782701000	67-19	A782M10000	72-39	A79J122200	36-22	A79J226700	50-12
A782561801	65-14	A782701100	67-18	A782N10000	61-4	A79J134701	49-7	A79J226800	50-16
A782561900	65-6	A782701200	67-17	A782N10300	64-21	A79J136000	59-3	A79J240400	52-3
A782562001	64-8	A782701501	67-27	A782N10400	64-23	A79J139000	59-4	A79J241700	52-4
A782562101	68-2	A782701900	68-25	A782N10700	74-35	A79J139000	59-14	A79J253000	50-18
A782562101	73-21	A782702600	68-24	A782N10900	71-2	A79J140502	56-15	A79J253300	50-3
A782562400	64-17	A782702700	68-22	A782N11100	67-16	A79J140801	58-6	A79J254200	49-8
A782562400	68-21	A782702801	67-20	A782N11800	49-6	A79J140900	58-10	A79J259800	50-2
A782562600	64-11	A782703001	68-23	A782N11800	62-13	A79J141501	56-4	A79J401400	13-15
A782563800	74-9	A782703401	68-27	A782N11800	74-34	A79J142600	56-17	A79J401600	13-16
A782565301	67-14	A782704101	67-2	A782N12001	71-6	A79J142701	56-16	A79J401700	13-17
A782566000	63-10	A782704200	67-21	A782N12200	71-7	A79J142800	82-1	A79J401800	13-18
A782566800	64-18	A782704200	69-14	A782N12300	72-2	A79J142902	82-2	A79J401900	13-19
A782568200	69-6	A782704301	67-26	A782N12400	73-23	A79J143300	82-3	A79J508400	17-16
A782568600	69-7	A782704400	67-3	A782N12600	72-9	A79J143600	55-6	A79J566000	27-6
A782568701	69-9	A782704501	67-9	A782N12700	69-27	A79J143600	56-11	A79J566000	29-6
A782568901	68-8	A782704800	67-12	A782N20400	69-34	A79J143800	56-13	A79J576400	19-28
A782569000	68-3	A782705600	67-6	A782R70800	68-28	A79J145100	56-2	A79J622500	27-7
A782569200	68-12	A782705600	69-35	A795273900	9-24	A79J145200	56-1	A79J622500	29-7
A782569300	68-4	A782705600	72-42	A795275700	9-3	A79J147501	10-7	A79J701000	31-12
A782569801	68-9	A782707201	67-25	A795565500	27-30	A79J148304	56-14	A79J810902	43-12
A782569900	68-13	A782707400	67-24	A795565500	29-30	A79J149100	2-20	A79J811200	42-16
A782569900	75-3	A782710000	69-16	A795565700	27-18	A79J149200	2-21	A79J811700	43-1
A782570602	68-16	A782710100	69-17	A795565700	29-18	A79J149200	82-4	A79J812202	42-7
A782571800	65-7	A782710201	69-15	A795565800	27-20	A79J149200	82-5	A79J813700	42-12
A782572000	63-9	A782710806	69-13	A795565800	29-20	A79J149300	82-6	A79J814901	41-9
A782572101	65-4	A782711901	69-2	A795565900	27-19	A79J149300	82-7	A79J819000	42-18
A782572101	67-10	A782712300	69-12	A795565900	29-19	A79J162201	2-19	A79J819800	42-19
A782572900	63-11	A782714100	69-26	A795621901	27-21	A79J168200	82-8	A79J821000	3-8
A782573401	63-12	A782714200	69-1	A795621901	29-21	A79J220000	50-10	A79J821000	43-19
A782573501	68-5	A782890111	75-16	A795622700	27-8	A79J220701	50-17	A79J829900	44-1
A782573800	63-6	A782890200	75-18	A795622700	29-8	A79J220800	50-20	A79J830001	44-2
A782573901	65-12	A782890711	75-9	A797102701	45-2	A79J220901	50-1	A79J830100	44-3
A782576000	69-10	A782891500	75-11	A797105400	15-6	A79J222500	50-19	A79J830600	42-2
A782576100	68-1	A782891600	75-6	A797564400	20-12	A79J223101	50-9	A79J831000	44-4
A782600101	64-4	A782891800	64-15	A797564400	22-12	A79J226200	50-6	A79J831100	42-6
A782600900	64-9	A782891901	64-14	A79J101801	10-6	A79J226301	50-7	A79J831200	44-5
A782601500	64-6	A782940300	74-20	A79J120700	56-9	A79J226400	50-8	A79J831300	44-6

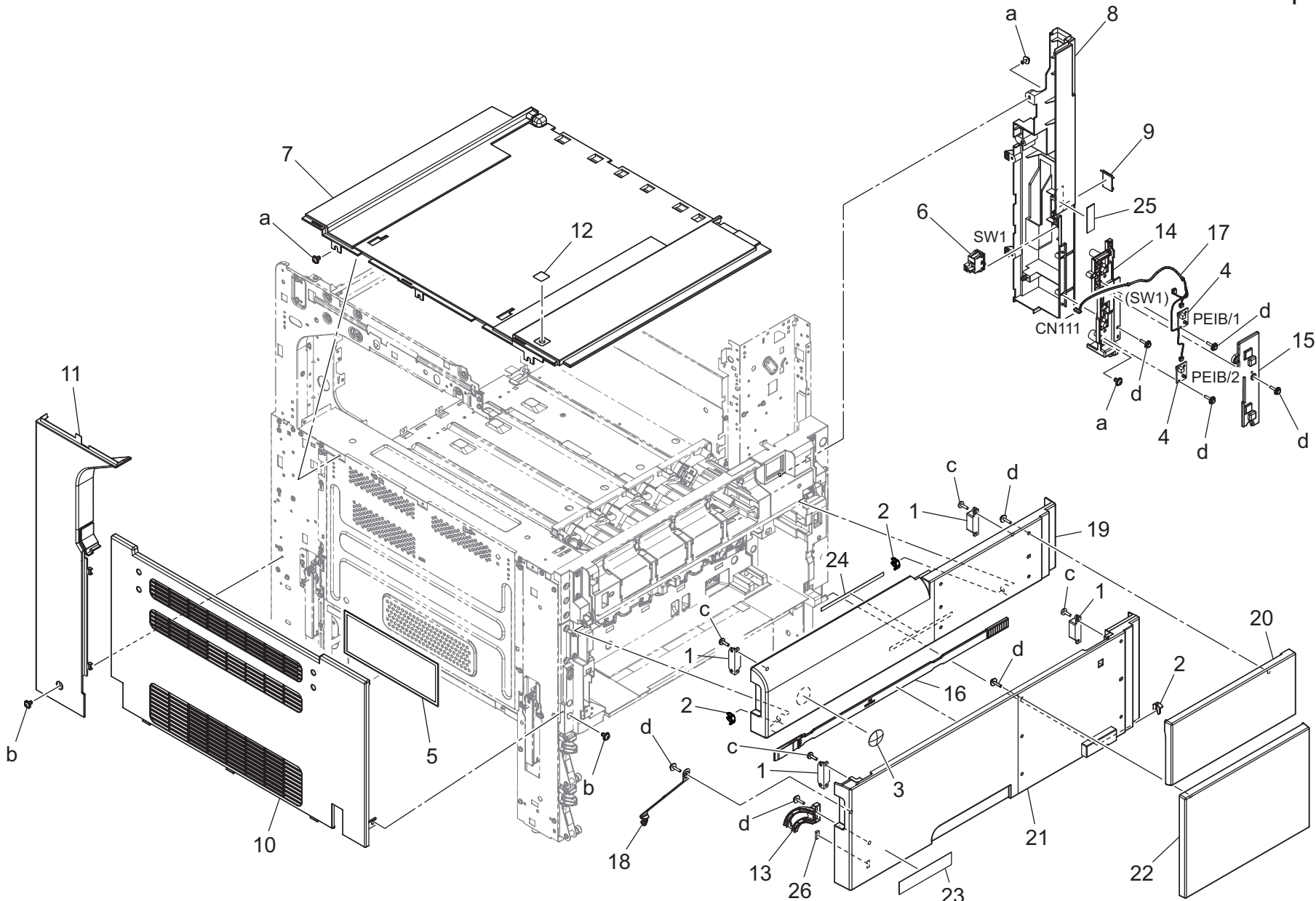
Parts No.	Page No.	Parts No.	Page No.	Parts No.	Page No.	Parts No.	Page No.	Parts No.	Page No.
A79J831501	42-1	A7AH563400	21-20	A7PUN10700	60-7	AA2J135101	60-12	AA2J171900	5-8
A79J831600	42-4	A7AH565000	20-8	A7PUN10800	60-8	AA2J135301	59-8	AA2J173300	5-9
A79J832000	44-7	A7AH565000	22-8	A7PUN10B01	40-16	AA2J136100	1-26	AA2J190102	4-6
A79J832100	44-8	A7AHM50400	32-6	A85GM50000	72-5	AA2J136100	4-23	AA2J190201	4-11
A79J832200	44-9	A7AHN30000	81-17	A85Y375100	3-9	AA2J137201	45-3	AA2J190212	4-11
A79J832300	44-10	A7PU101500	1-5	A90GN15300	5-3	AA2J137600	60-13	AA2J191000	4-10
A79J832400	44-11	A7PU102201	23-13	A92T940800	6-6	AA2J137902	57-9	AA2J191100	4-7
A79J891300	48-27	A7PU102301	23-12	A93EM10000	10-8	AA2J137902	60-14	AA2J191201	4-14
A79J892000	48-9	A7PU106100	24-14	A93EM10000	56-8	AA2J139800	60-15	AA2J191300	4-8
A79J893200	47-22	A7PU109000	17-17	A93EM10000	58-7	AA2J140600	45-8	AA2J191401	4-21
A79J893501	48-13	A7PU109100	2-16	A93EM10600	44-12	AA2J140800	45-7	AA2J191500	4-13
A79J893700	48-16	A7PU130400	60-4	A93EM10600	55-7	AA2J142000	55-8	AA2J191512	4-13
A79J893800	48-15	A7PU135700	59-5	A93EM10600	56-12	AA2J160103	1-7	AA2J191600	4-9
A79J894000	47-12	A7PU139800	60-5	A93EM60000	1-6	AA2J160412	1-8	AA2J191800	4-20
A79J894500	48-14	A7PU140100	60-6	A9HG830701	44-13	AA2J160511	1-9	AA2J192100	4-3
A79J895200	47-16	A7PU141800	57-6	A9UVN14101	78-2	AA2J160703	1-10	AA2J192200	4-1
A79J895400	47-18	A7PU166101	81-6	AA2J101100	23-11	AA2J160802	1-11	AA2J192302	4-4
A79J895603	47-7	A7PU168500	5-20	AA2J104003	23-18	AA2J160902	2-14	AA2J192501	4-5
A79J895702	47-3	A7PU168600	5-21	AA2J106000	23-9	AA2J161201	2-15	AA2J192602	5-10
A79J895800	47-20	A7PU169900	81-7	AA2J107500	57-7	AA2J161401	5-4	AA2J192801	4-2
A79J897300	50-4	A7PU170702	6-1	AA2J110100	17-19	AA2J161501	5-5	AA2J193000	5-11
A79J897300	54-7	A7PU593500	40-14	AA2J110200	17-20	AA2J161805	2-12	AA2J193200	4-17
A79J898300	47-21	A7PU593700	40-9	AA2J110202	17-20	AA2J161902	5-14	AA2J193300	4-24
A79JM90900	43-34	A7PU594000	39-18	AA2J110401	17-21	AA2J163200	3-12	AA2J195000	4-16
A79JN10Q00	48-30	A7PU595500	40-18	AA2J112200	17-22	AA2J163400	2-3	AA2J228100	54-8
A79JJPJG000	80-5	A7PU596800	39-11	AA2J121201	36-2	AA2J164400	2-18	AA2J228200	54-9
A79JJPJP000	80-4	A7PU596900	38-33	AA2J130101	15-7	AA2J164603	3-13	AA2J229000	54-10
A79K254000	49-9	A7PU599300	40-11	AA2J130400	3-10	AA2J164800	1-12	AA2J229100	54-11
A7AH561601	21-10	A7PU627500	24-8	AA2J130501	3-11	AA2J165100	1-13	AA2J229202	54-12
A7AH562100	19-19	A7PU701000	32-7	AA2J130801	59-6	AA2J165200	3-14	AA2J229300	54-13
A7AH562100	21-23	A7PU701100	30-2	AA2J131100	60-9	AA2J165300	3-15	AA2J229400	54-14
A7AH562300	19-17	A7PU810201	41-8	AA2J131401	59-7	AA2J165500	3-16	AA2J229500	54-15
A7AH562300	21-16	A7PU890700	48-10	AA2J131602	60-10	AA2J168700	2-13	AA2J229600	54-16
A7AH562400	19-15	A7PU941701	2-8	AA2J131903	60-11	AA2J169100	1-14	AA2J229711	54-17
A7AH562400	21-14	A7PU944900	40-19	AA2J132301	2-9	AA2J169201	1-15	AA2J232400	54-18
A7AH562600	19-21	A7PUF60001	40-15	AA2J133000	57-8	AA2J170104	6-5	AA2J240101	52-6
A7AH562600	21-19	A7PUM10600	14-14	AA2J134100	10-9	AA2J170300	6-7	AA2J240600	52-7
A7AH562900	19-18	A7PUM10600	52-5	AA2J134201	10-10	AA2J170403	6-2	AA2J241502	52-8
A7AH562900	21-17	A7PUM10700	13-20	AA2J134401	14-8	AA2J171700	5-6	AA2J242100	52-6
A7AH563400	19-22	A7PUM72100	4-18	AA2J134601	4-19	AA2J171800	5-7	AA2J242500	52-8

Parts No.	Page No.	Parts No.	Page No.	Parts No.	Page No.	Parts No.	Page No.	Parts No.	Page No.
AA2J245003	14-15	AA2J560500	21-21	AA2J592401	38-6	AA2J623300	26-4	AA2J702900	31-18
AA2J245100	14-17	AA2J561301	20-9	AA2J592600	38-19	AA2J623300	28-4	AA2J710101	34-29
AA2J245200	14-16	AA2J561301	22-9	AA2J592701	38-12	AA2J624300	26-1	AA2J710204	35-20
AA2J245300	14-18	AA2J561600	19-10	AA2J592800	38-42	AA2J624300	28-1	AA2J710302	34-18
AA2J254200	54-19	AA2J563103	20-10	AA2J592900	38-24	AA2J625000	26-12	AA2J710402	35-21
AA2J254300	54-20	AA2J563103	22-10	AA2J593000	39-5	AA2J625101	26-9	AA2J710602	34-19
AA2J254400	54-21	AA2J563801	20-5	AA2J593100	38-9	AA2J625201	26-15	AA2J710701	34-20
AA2J255700	54-22	AA2J563801	22-5	AA2J593200	39-2	AA2J625201	28-14	AA2J710900	34-21
AA2J256300	54-23	AA2J564200	20-13	AA2J593301	39-4	AA2J625300	26-10	AA2J711000	34-22
AA2J258500	54-24	AA2J565300	19-9	AA2J593400	40-20	AA2J625300	28-9	AA2J712100	36-3
AA2J363000	14-5	AA2J565400	19-7	AA2J593500	40-21	AA2J626600	26-16	AA2J712300	33-2
AA2J368001	14-6	AA2J565700	19-6	AA2J593601	40-8	AA2J626600	28-15	AA2J712500	34-23
AA2J369101	14-10	AA2J565700	21-11	AA2J593700	38-4	AA2J626702	26-11	AA2J715100	34-24
AA2J369301	14-9	AA2J566000	19-2	AA2J593800	38-26	AA2J626702	28-10	AA2J716000	34-25
AA2J369600	14-12	AA2J567500	20-1	AA2J593900	40-2	AA2J626900	26-14	AA2J716100	34-26
AA2J400001	13-21	AA2J568401	20-2	AA2J594201	39-23	AA2J626900	28-13	AA2J716700	31-19
AA2J400100	13-22	AA2J568900	20-4	AA2J594301	38-10	AA2J628601	27-31	AA2J810102	41-1
AA2J400400	13-23	AA2J569000	22-4	AA2J594500	39-15	AA2J628601	29-31	AA2J810511	43-23
AA2J400700	13-24	AA2J571100	19-5	AA2J595000	38-14	AA2J628700	27-28	AA2J810611	43-21
AA2J401100	13-25	AA2J571200	19-4	AA2J620102	27-24	AA2J628700	29-28	AA2J810800	43-20
AA2J402101	12-4	AA2J574101	22-13	AA2J620200	27-16	AA2J628800	27-33	AA2J811600	36-8
AA2J402401	12-5	AA2J575202	21-9	AA2J620400	27-10	AA2J628800	29-33	AA2J812100	36-23
AA2J402500	12-6	AA2J575300	21-8	AA2J620804	27-15	AA2J628901	27-27	AA2J814500	43-22
AA2J402600	12-7	AA2J577500	22-1	AA2J620804	29-15	AA2J628901	29-27	AA2J815200	36-9
AA2J402800	13-26	AA2J578100	21-6	AA2J620901	27-1	AA2J629000	27-29	AA2J815700	41-6
AA2J403100	13-27	AA2J578401	22-2	AA2J620901	29-1	AA2J629000	29-29	AA2J825100	43-18
AA2J403300	13-28	AA2J579603	19-23	AA2J621000	27-13	AA2J629200	27-26	AA2J890201	48-5
AA2J404101	12-8	AA2J579603	21-25	AA2J621000	29-13	AA2J629200	29-26	AA2J890402	48-4
AA2J404300	13-29	AA2J590100	39-16	AA2J621100	27-35	AA2J629600	26-6	AA2J891100	48-19
AA2J404503	12-9	AA2J590202	38-11	AA2J621100	29-35	AA2J630102	29-24	AA2J891500	48-31
AA2J404600	12-10	AA2J590300	38-2	AA2J621200	27-14	AA2J633101	28-2	AA2J900300	48-6
AA2J405301	12-11	AA2J590900	38-1	AA2J621200	29-14	AA2J635001	28-11	AA2J901101	48-3
AA2J405500	13-30	AA2J591000	38-41	AA2J621300	27-11	AA2J635101	28-8	AA2J941200	28-17
AA2J550701	34-14	AA2J591500	38-40	AA2J621300	29-11	AA2J700103	31-13	AA2J941300	26-19
AA2J551000	34-15	AA2J591600	38-3	AA2J621500	27-12	AA2J700300	32-8	AA2J941500	26-20
AA2J551500	34-16	AA2J591900	38-13	AA2J621500	29-12	AA2J700613	31-14	AA2J941600	26-18
AA2J551600	34-17	AA2J592000	38-15	AA2J621600	27-36	AA2J701000	31-15	AA2J942400	25-4
AA2J560000	20-6	AA2J592100	38-20	AA2J622101	26-5	AA2J701200	30-3	AA2J942500	25-4
AA2J560000	22-6	AA2J592200	38-21	AA2J622101	28-5	AA2J701400	31-16	AA2J943000	3-17
AA2J560500	19-11	AA2J592301	38-8	AA2J623101	26-2	AA2J701500	31-17	AA2J943100	26-13

Parts No.	Page No.	Parts No.	Page No.	Parts No.	Page No.	Parts No.	Page No.	Parts No.	Page No.
AA2J943200	28-12	AA2JR72200	24-1	AA7N162000	1-18	AA7N569200	21-27	AA7NR72122	46-1
AA2J943500	28-18	AA2JR72422	25-1	AA7N162101	2-2	AA7N590500	36-17	AA7NR72312	37-1
AA2J943600	28-19	AA2JR72511	25-2	AA7N163101	1-19	AA7N591100	39-21	AA7NR72500	8-3
AA2J943701	27-2	AA2JR73200	7-1	AA7N163200	1-20	AA7N591200	39-29	AA7NR72600	48-11
AA2J943701	29-2	AA2JR73300	7-2	AA7N163302	1-21	AA7N591300	39-30	AA7R813900	43-17
AA2J944100	37-2	AA2JR73400	13-31	AA7N163400	1-22	AA7N595100	39-19	AA7RN10000	59-12
AA2J944200	37-2	AA2JR73600	14-1	AA7N164300	2-10	AA7N701800	33-5	AA7RN10101	59-11
AA2J944300	41-4	AA6RN30000	59-9	AA7N166302	2-4	AA7N710801	34-30	AA7RN10400	45-4
AA2J944400	41-4	AA6RN30100	59-10	AA7N166600	1-25	AA7N830100	42-5	AA7RN10K00	35-22
AA2J944500	40-3	AA7N100600	58-12	AA7N168501	2-17	AA7N830200	44-14	AA7RN10Y00	2-1
AA2J946100	42-11	AA7N101500	18-6	AA7N168600	82-9	AA7N830300	44-15	AA7RR70200	58-2
AA2J946400	34-27	AA7N131101	15-8	AA7N168700	82-10	AA7N890102	48-17	AA7RR70300	58-2
AA2J946500	34-28	AA7N131702	57-10	AA7N216100	49-11	AA7N890300	48-24	AA7RR70511	41-10
AA2J947100	25-3	AA7N131800	57-11	AA7N221200	50-14	AA7N896500	47-2	AA7RR70611	45-1
AA2J947100	41-5	AA7N135502	3-18	AA7N221700	49-12	AA7N896600	47-1	AA7RR70700	45-1
AA2J947200	25-3	AA7N140100	45-6	AA7N222200	49-13	AA7N897400	48-29	AA7RR70800	45-1
AA2J947200	41-5	AA7N140500	45-10	AA7N222400	49-14	AA7N897600	48-21	AA7RR71100	58-2
AA2J947400	25-5	AA7N141502	55-9	AA7N228000	54-26	AA7N898200	48-25	AAAMP100111	70-1
AA2J947800	23-17	AA7N143001	56-3	AA7N230500	54-27	AA7N898300	48-28	AAAMP100500	70-16
AA2J948600	5-22	AA7N143200	56-7	AA7N230600	54-28	AA7N898400	48-26	AAAMP100801	70-10
AA2J948600	81-8	AA7N143400	56-6	AA7N231000	54-29	AA7N898500	48-12	AAAMP101200	62-16
AA2JH00C00	60-16	AA7N145200	55-10	AA7N231300	54-30	AA7N898601	48-1	AAAMP102900	72-7
AA2JH02T00	60-17	AA7N145300	10-11	AA7N231800	54-31	AA7N945700	2-6	AAAMP110001	61-10
AA2JM10400	47-23	AA7N145401	10-12	AA7N240300	52-9	AA7NH01A00	7-18	AAAMP110100	61-8
AA2JM11100	49-10	AA7N145701	10-13	AA7N255601	54-32	AA7NM31200	8-5	AAAMP113701	61-18
AA2JM11100	54-25	AA7N146300	10-14	AA7N401301	12-12	AA7NN10500	56-5	AAAMP113800	61-9
AA2JM70006	4-15	AA7N146400	55-11	AA7N401401	11-1	AA7NN10600	55-23	AAAMP115600	74-5
AA2JM70600	5-15	AA7N146500	55-12	AA7N401501	11-6	AA7NN10A01	76-1	AAAMP125400	62-15
AA2JM72002	5-16	AA7N146600	55-13	AA7N401501	12-13	AA7NN10E00	47-4	AAAMP130000	61-2
AA2JM72100	5-17	AA7N146800	55-14	AA7N401600	11-5	AA7NN10F00	49-16	AAAMP160000	61-1
AA2JM72700	60-18	AA7N146900	55-15	AA7N401600	12-14	AA7NN10M00	42-21	AAAMP160100	61-14
AA2JN10J00	1-17	AA7N147400	10-15	AA7N401701	11-1	AA7NN10N00	43-33	AAAMP160200	61-26
AA2JN10S00	38-44	AA7N147500	55-16	AA7N560101	19-3	AA7NN10P00	19-24	AAAMP160400	61-13
AA2JN10T00	24-2	AA7N147600	55-17	AA7N560200	19-26	AA7NN10Q00	21-24	AAAMP160500	61-5
AA2JN14500	8-4	AA7N147700	55-18	AA7N562800	19-12	AA7NN10X00	49-17	AAAMP160600	61-7
AA2JN15600	5-12	AA7N147901	55-19	AA7N562800	21-22	AA7NR70400	33-4	AAAMP160700	61-12
AA2JN15701	5-18	AA7N148000	55-20	AA7N565201	19-1	AA7NR70600	15-9	AAAMP210800	75-2
AA2JP10100	72-30	AA7N148200	55-21	AA7N565300	19-29	AA7NR70800	18-1	AAAMP211900	66-21
AA2JR70800	1-16	AA7N148300	45-9	AA7N565400	19-30	AA7NR70900	49-15	AAAMP212500	75-5
AA2JR71011	14-13	AA7N148500	55-22	AA7N568900	19-31	AA7NR71200	57-12	AAAMP212601	69-22

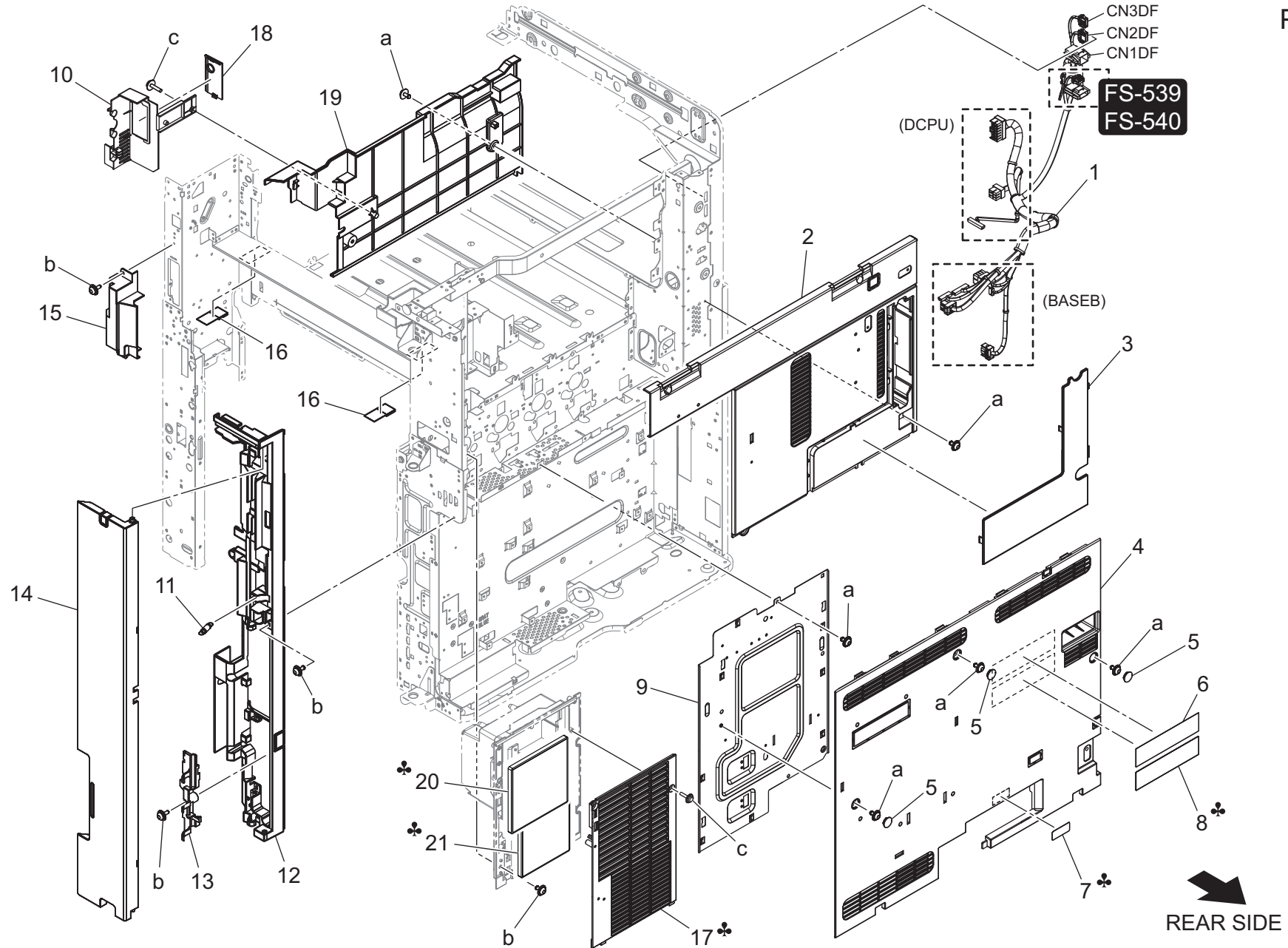
Parts No.	Page No.	Parts No.	Page No.	Parts No.	Page No.	Parts No.	Page No.
AAMP213000	69-24	AAMP719501	68-18	AC74M40600	57-15	V500010081	79-1
AAMP213100	72-35	AAMP719600	67-22	AC74N10B01	77-1	V500010082	79-2
AAMP213300	72-32	AAMP719800	67-28	AC74N10D01	78-1	V500010083	79-3
AAMP213600	74-2	AAMP890000	75-10	AC74R70100	17-23	V500010084	79-4
AAMP213700	74-38	AAMP890600	75-15	AC74R70300	57-13	V500010085	79-7
AAMP214400	69-21	AAMP891000	62-7	AC74R70500	53-1	V500020018	79-21
AAMP215000	69-32	AAMP891700	75-7	AC74R70600	51-1	V500020040	81-13
AAMP215700	72-6	AAMP940400	68-17	AC74R70700	11-3	V500020052	79-9
AAMP260700	70-3	AAMPH00105	61-6	AC74R70800	11-3	V500020069	79-17
AAMP264100	73-24	AAMPH10U00	69-28	AC74R70900	11-3	V500020073	79-18
AAMP264400	73-25	AAMPH10V02	67-1	AC74R71200	11-3	V500020080	81-14
AAMP268600	70-12	AAMPM10200	72-8	AC75R70100	49-18	V500020082	79-10
AAMP268700	70-8	AAMPM10300	73-27	AC76940100	1-23	V500020094	79-16
AAMP268900	72-19	AAMPM10900	63-1	AC76H02P02	60-20	V500020098	79-5
AAMP269600	70-9	AAMPN10101	69-3	AC76N10200	59-13	V500020099	79-6
AAMP269800	72-18	AAMPN10202	67-23	AC76N10C00	77-2	V500020100	79-8
AAMP272900	70-11	AAMPN10502	72-37	AC76R70100	10-16	V501010002	81-15
AAMP273000	73-26	AAMPN10801	66-16	AC76R70200	33-1	V503010002	60-21
AAMP290100	72-41	AAMPN11201	61-25	AC77105700	15-10	V570010021	79-11
AAMP290200	74-1	AAMPN11301	69-30	AC77134400	16-5	V570010048	79-15
AAMP296700	70-15	AAMPN20501	69-36	AC77164500	3-3	V570010050	79-19
AAMP561101	64-12	AAMPN20501	69-36	AC77401500	12-16	V570010057	79-12
AAMP561701	64-3	AAMPN20501	69-36	AC77N10E00	13-32	V570010059	79-13
AAMP565001	65-3	AAMPN20501	69-36	AC77N10F01	16-6	V570010060	79-14
AAMP566901	64-20	AAMPN20501	69-36	AC77N10G00	10-17	V651010002	58-4
AAMP568501	64-16	AAMPN20501	69-36	AC77N10H00	32-9	V651010025	60-22
AAMP570400	68-15	AAMPN20501	69-36	AC77N11200	17-24	V651010034	72-40
AAMP570900	65-2	AAMPN20501	69-36	AC77N11C00	10-18	V800500300	31-20
AAMP571100	63-8	AAMPN20501	69-36	AC77N11E00	12-17	V800500300	34-31
AAMP571200	63-13	AAMPN20501	69-36	AC77R70100	30-1		
AAMP571300	63-4	AC57M10A00	9-2	AD1Y0Y1	81-9		
AAMP571600	63-3	AC74165000	3-19	AD1YWY1	81-9		
AAMP571900	65-5	AC74400100	51-2	V116030804	81-10		
AAMP700500	67-5	AC74400200	51-3	V116033003	81-11		
AAMP700800	67-7	AC74405100	12-15	V153030803	81-12		
AAMP710500	69-29	AC74406100	12-15	V153030803	82-11		
AAMP711000	69-20	AC74406200	12-15	V153031004	81-16		
AAMP719000	67-29	AC74406300	12-15	V153031004	82-12		
AAMP719301	68-20	AC74942600	1-24	V153031004	82-13		
AAMP719401	68-19	AC74H00501	57-14	V500010061	79-20		
		AC74H02101	60-19				

External Parts



External Parts

P 2

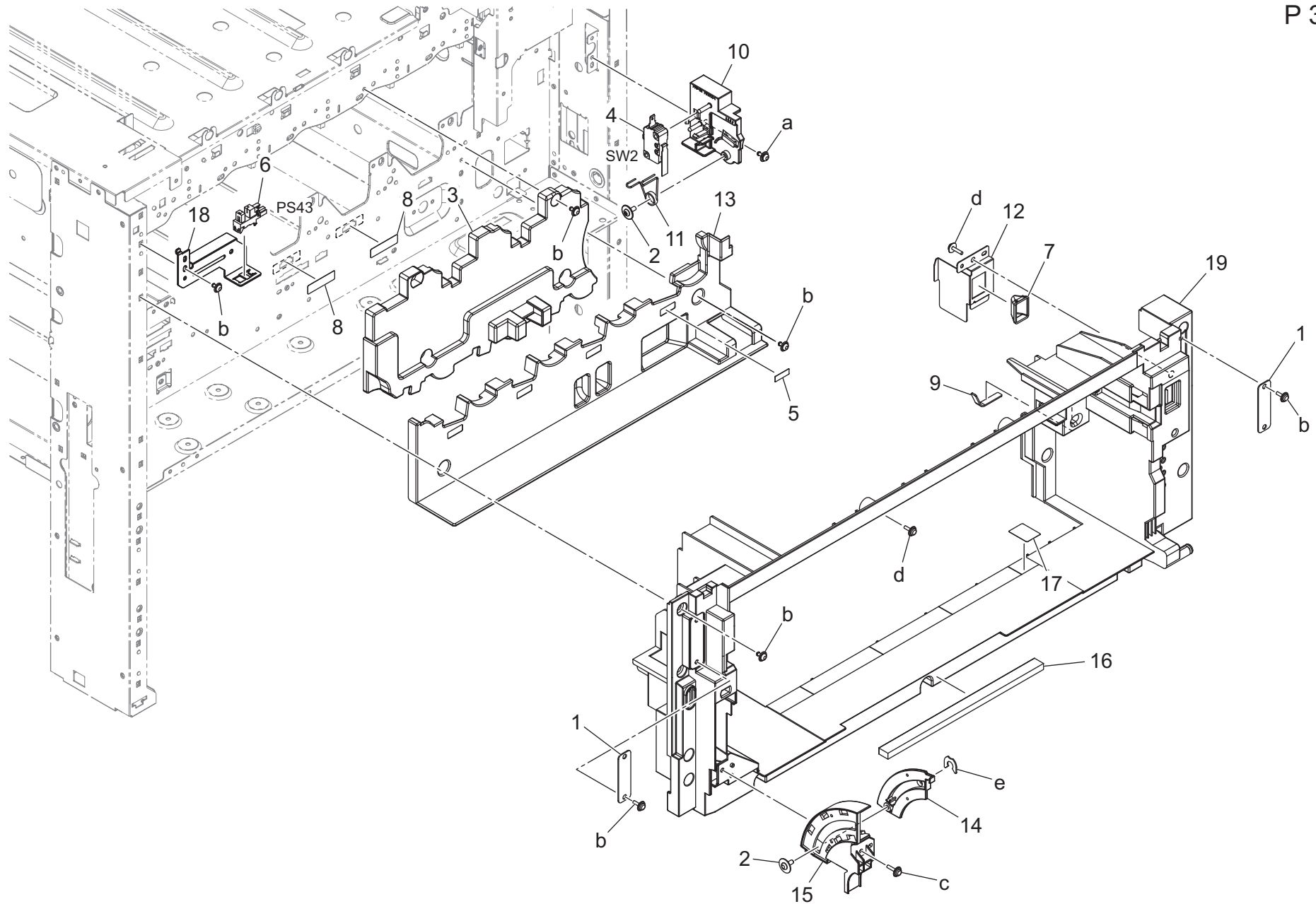


REAR SIDE

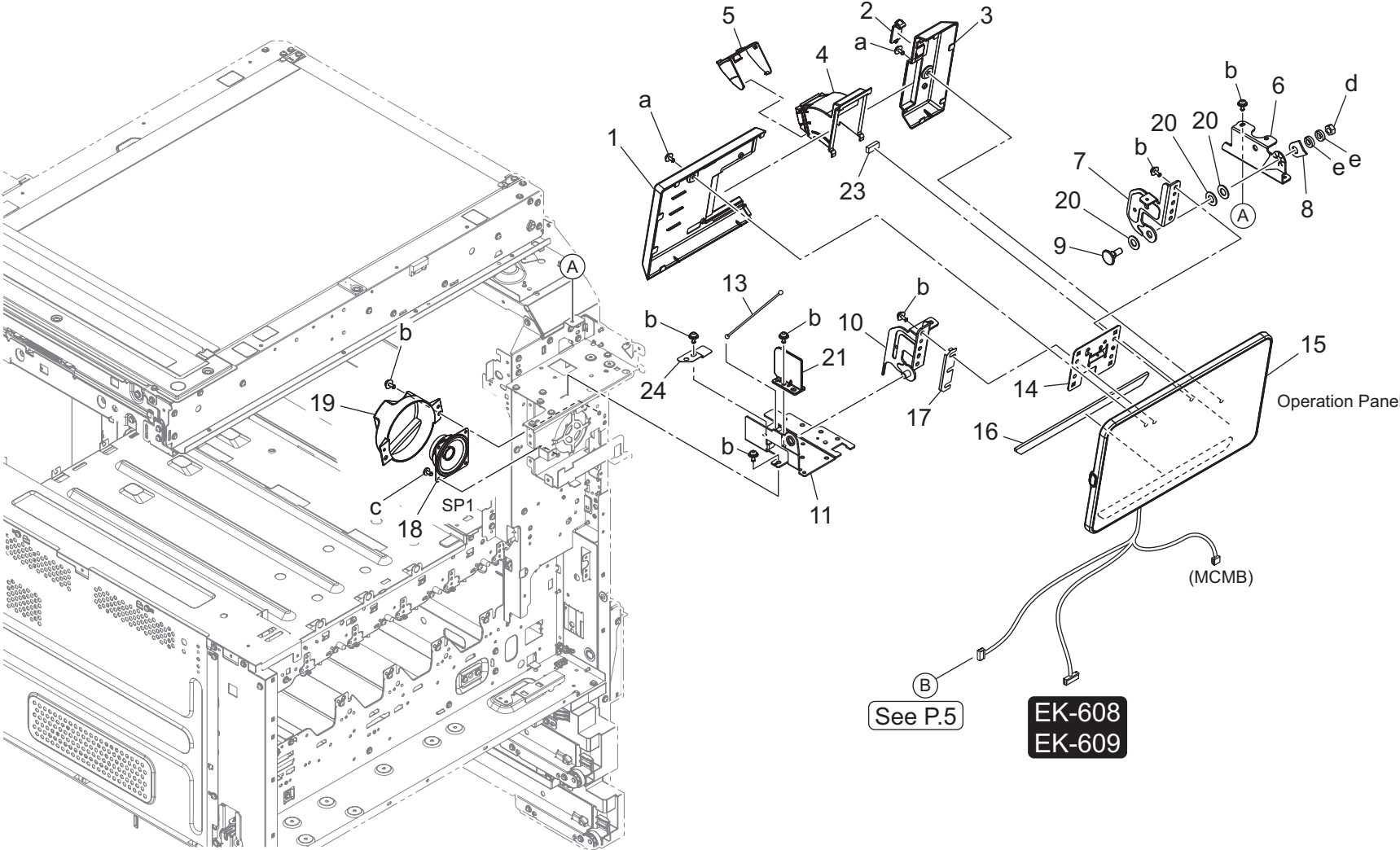
bizhub 450i

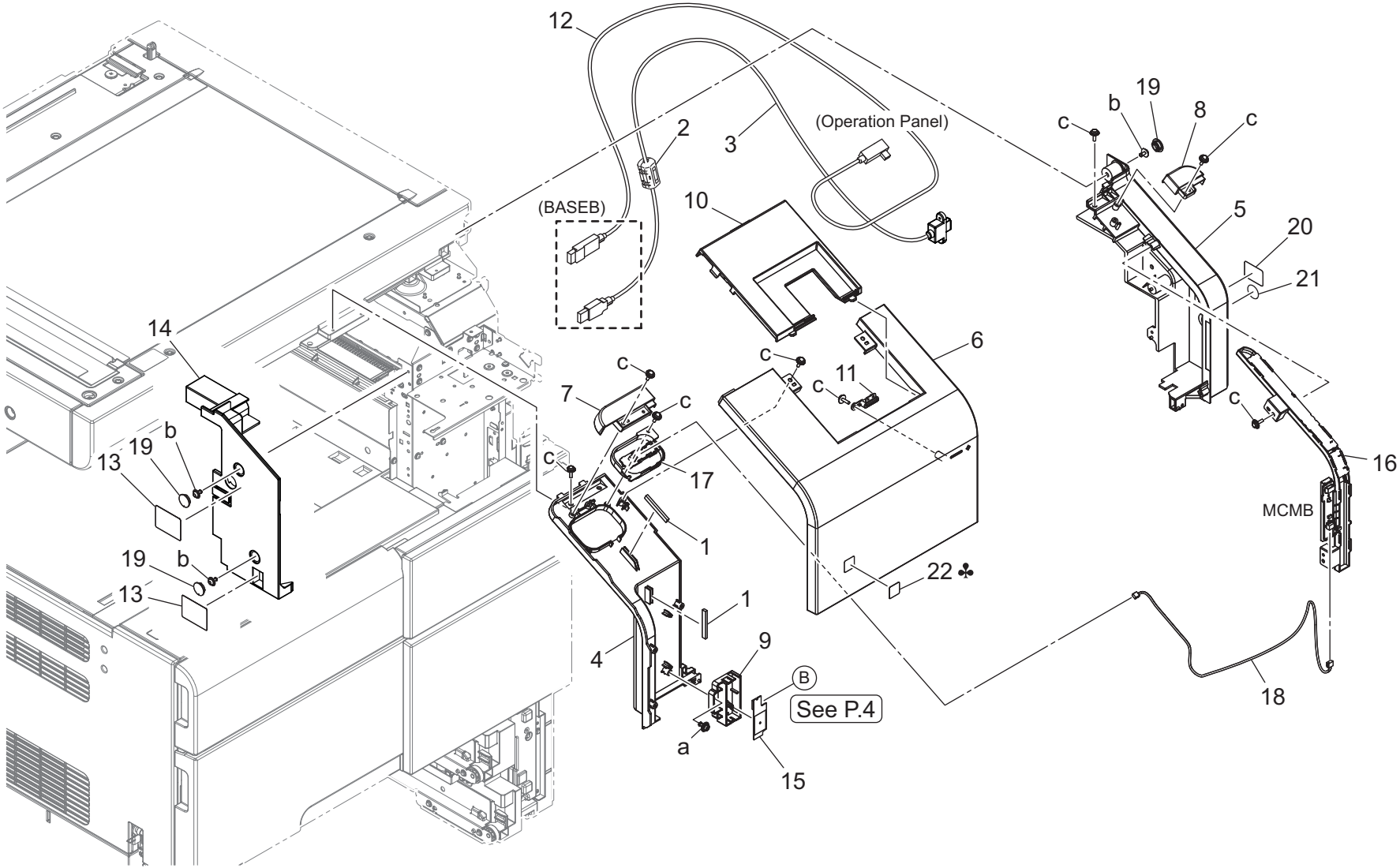
External Parts

P 3

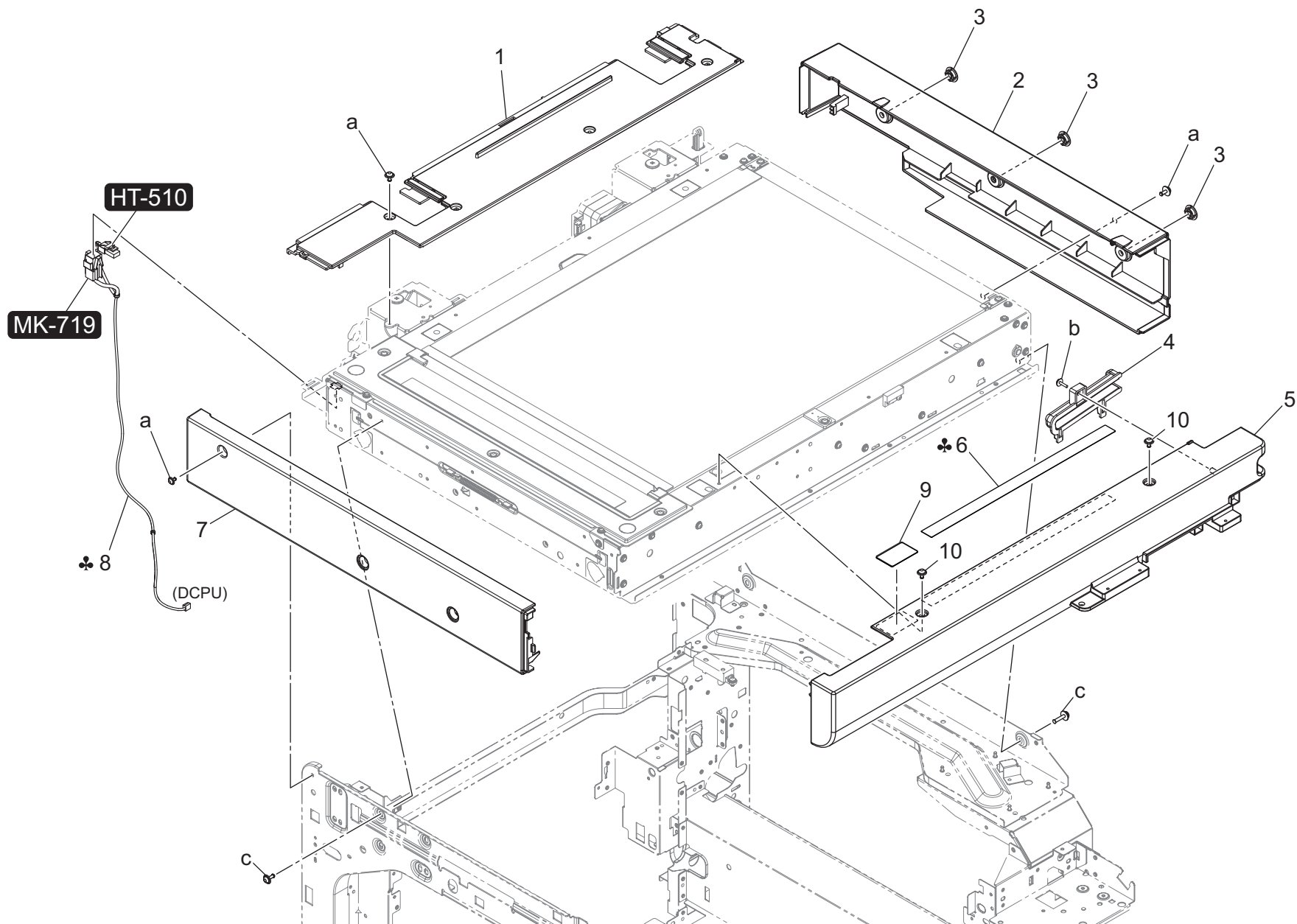


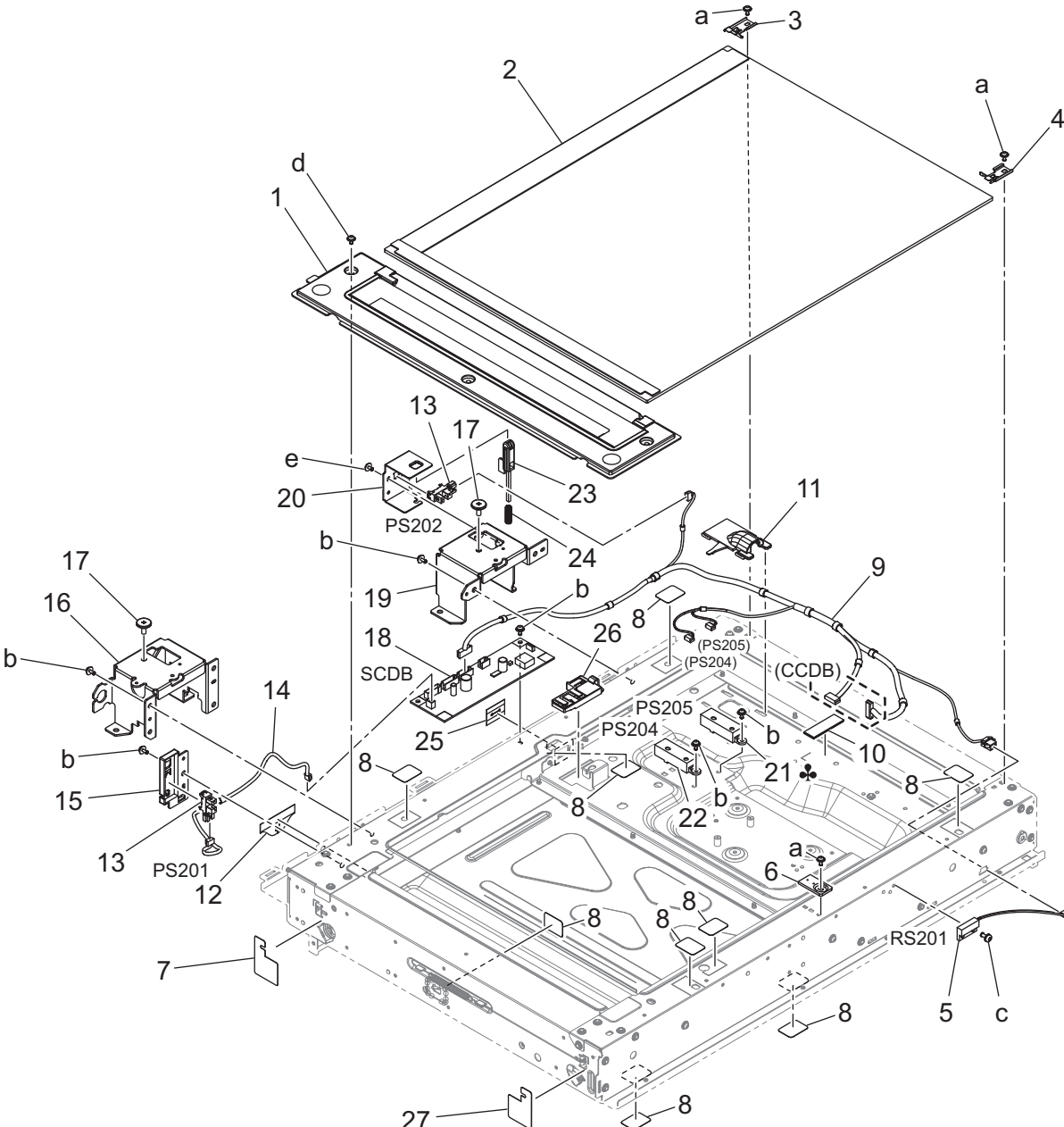
Operation Panel section



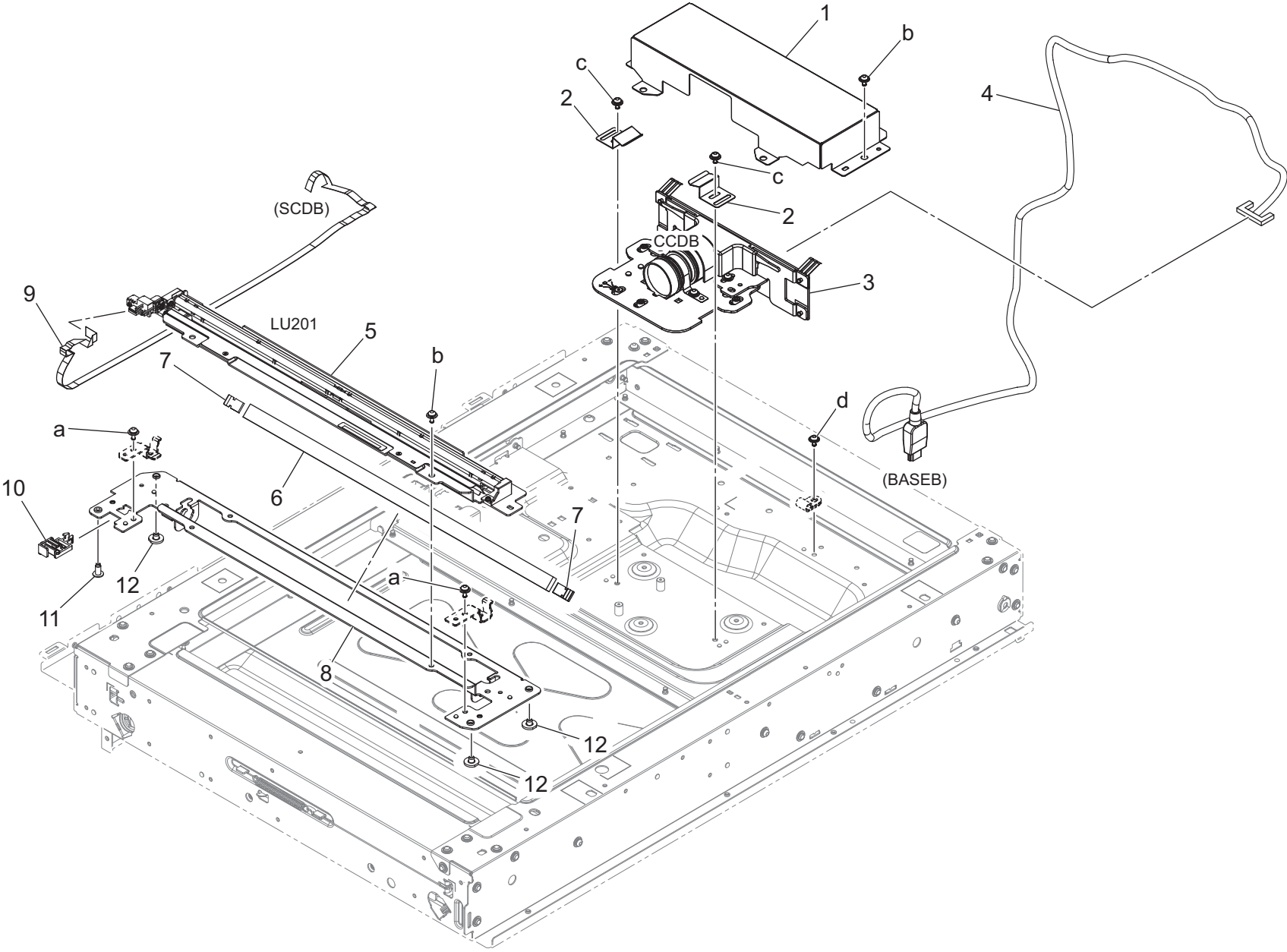


Scanner Section

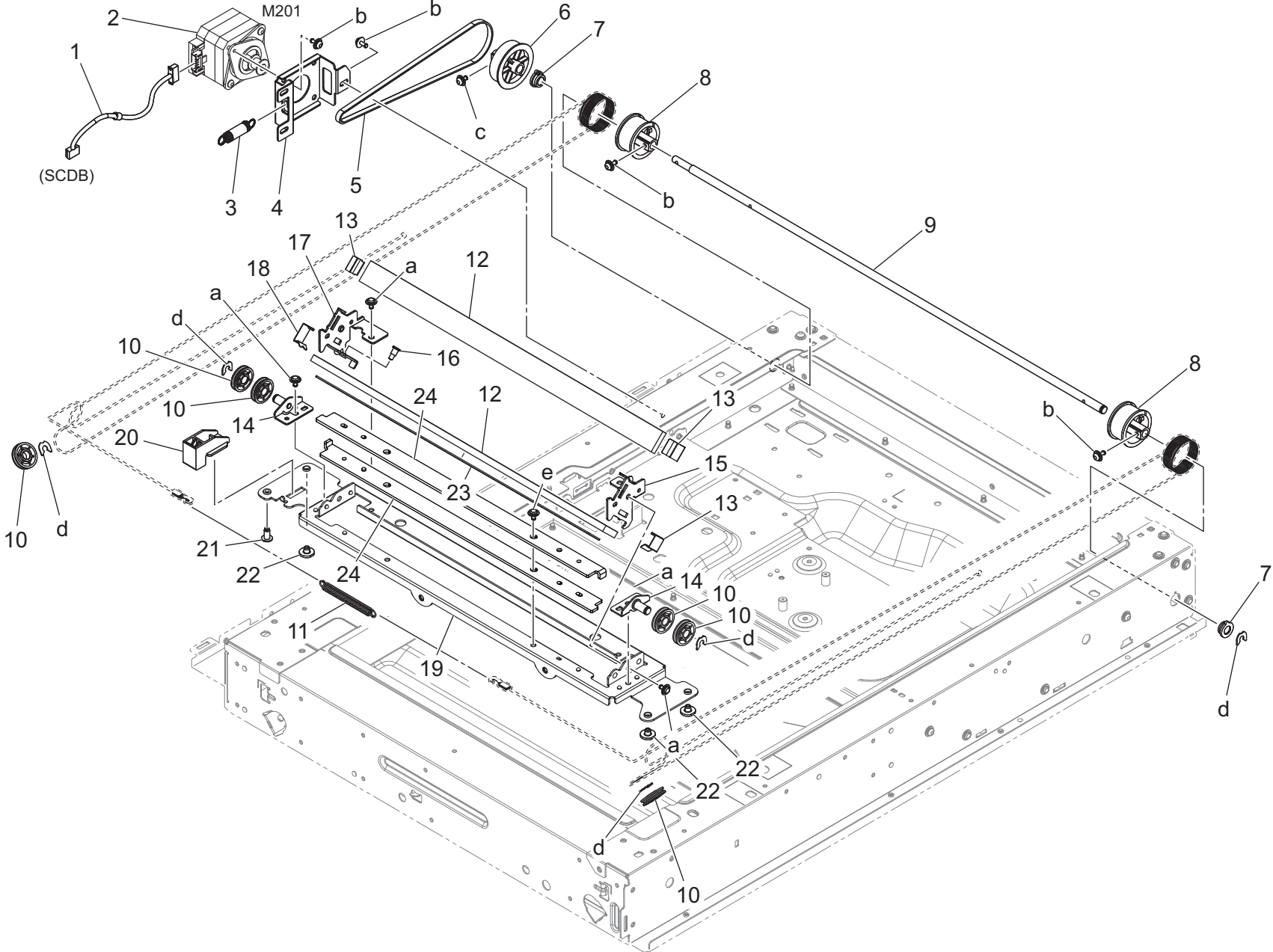




Scanner Section

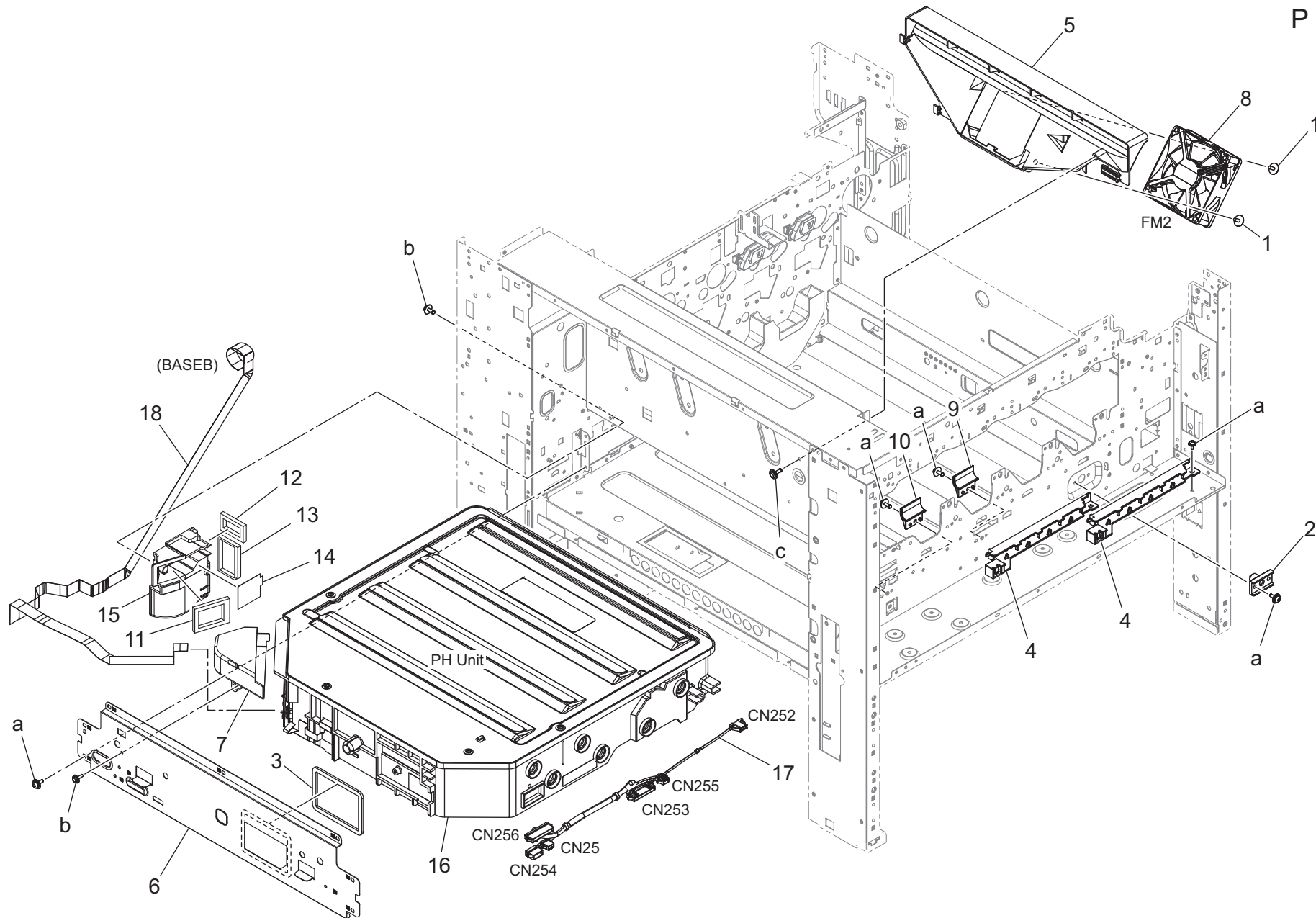


Scanner Section



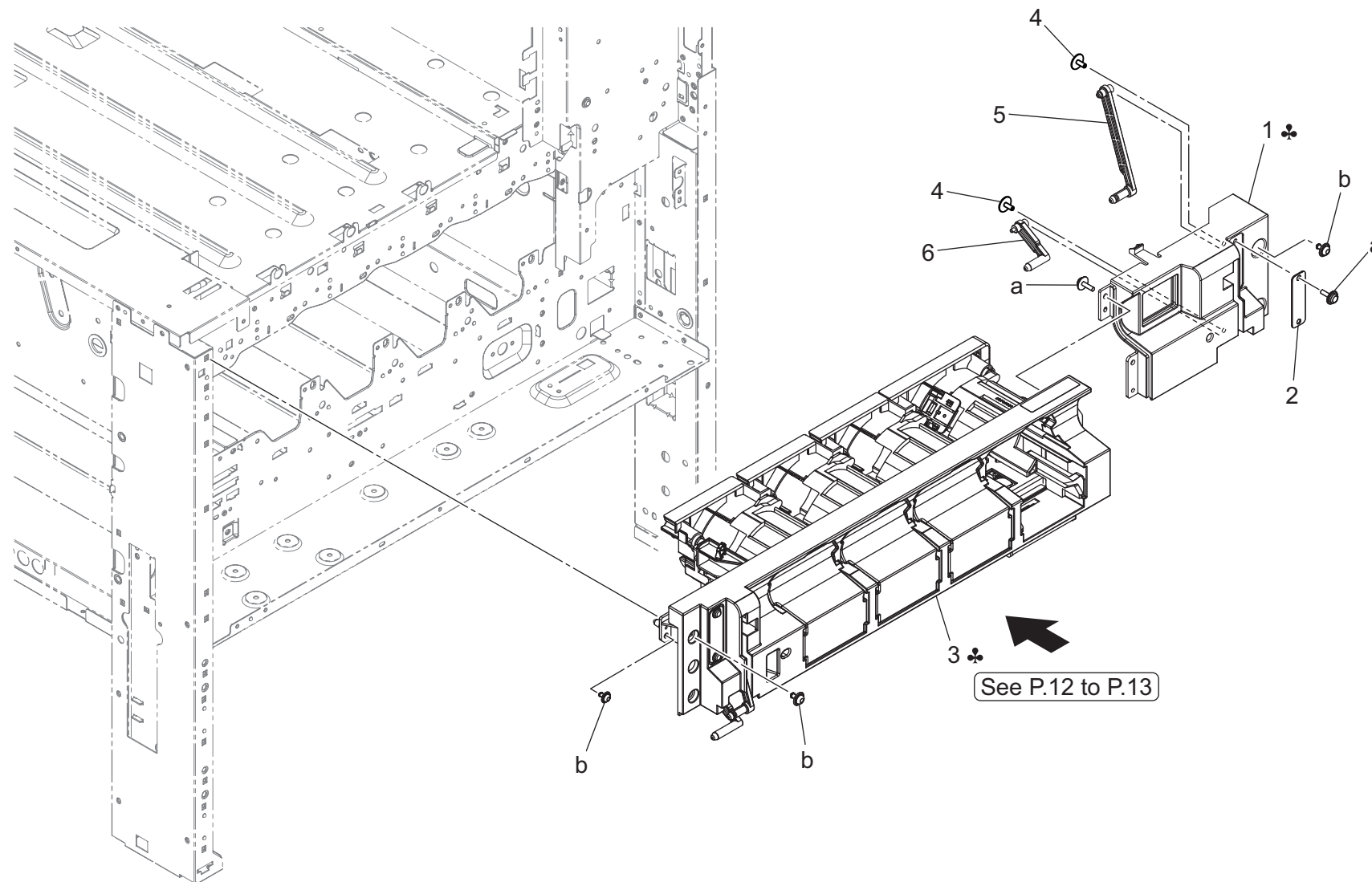
Write Section

P 10

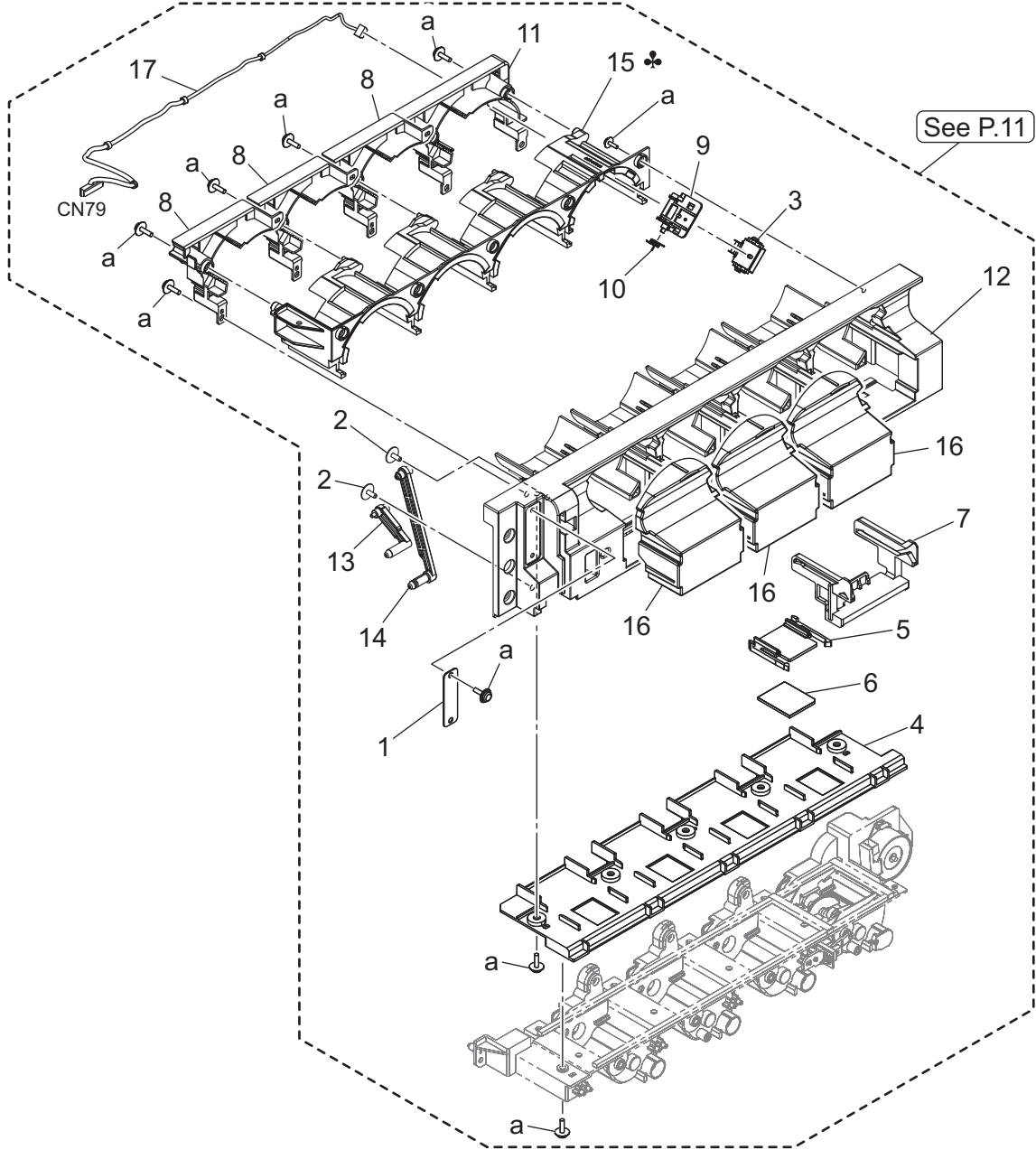


bizhub 450i

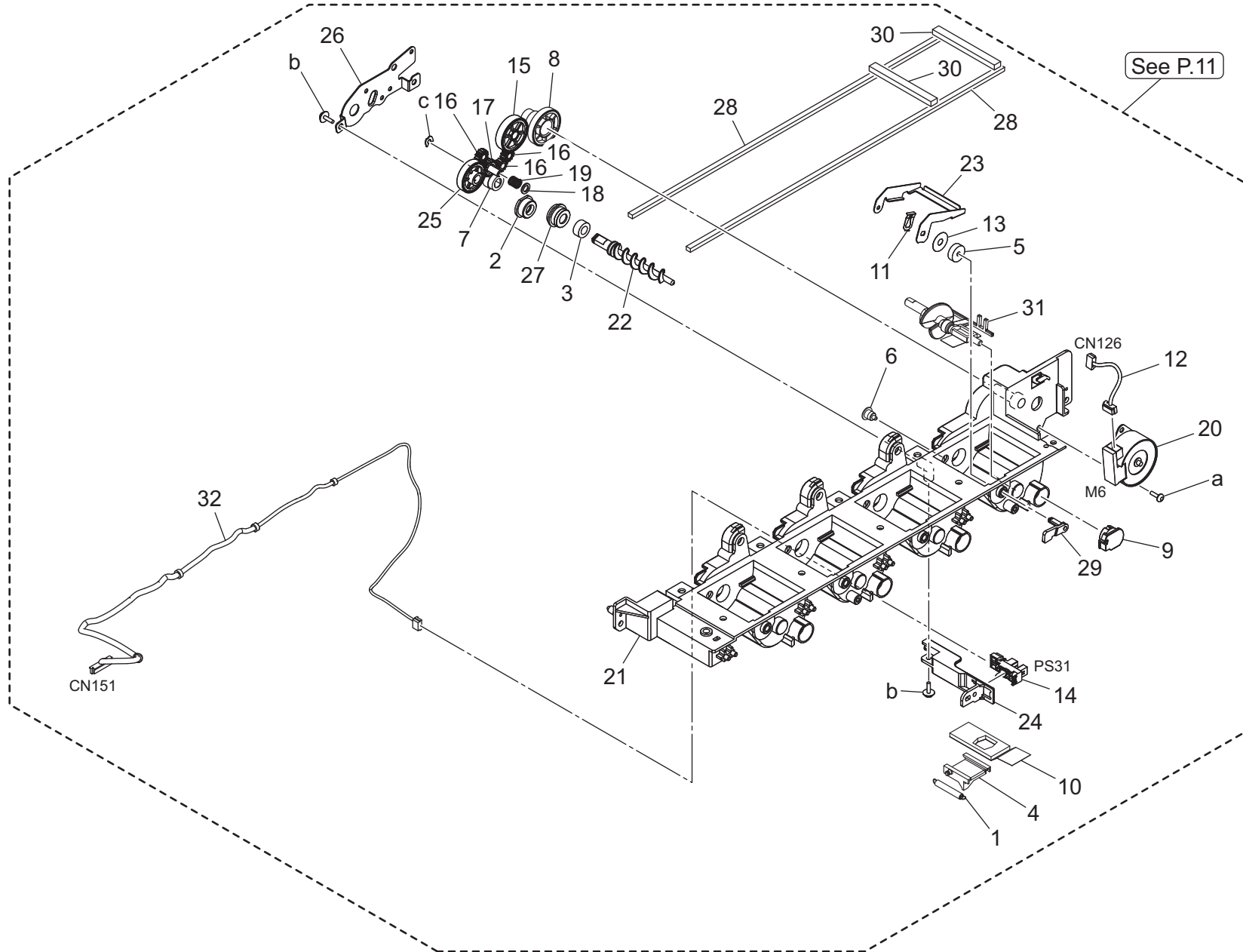
Toner Supply Section



Toner Supply Section

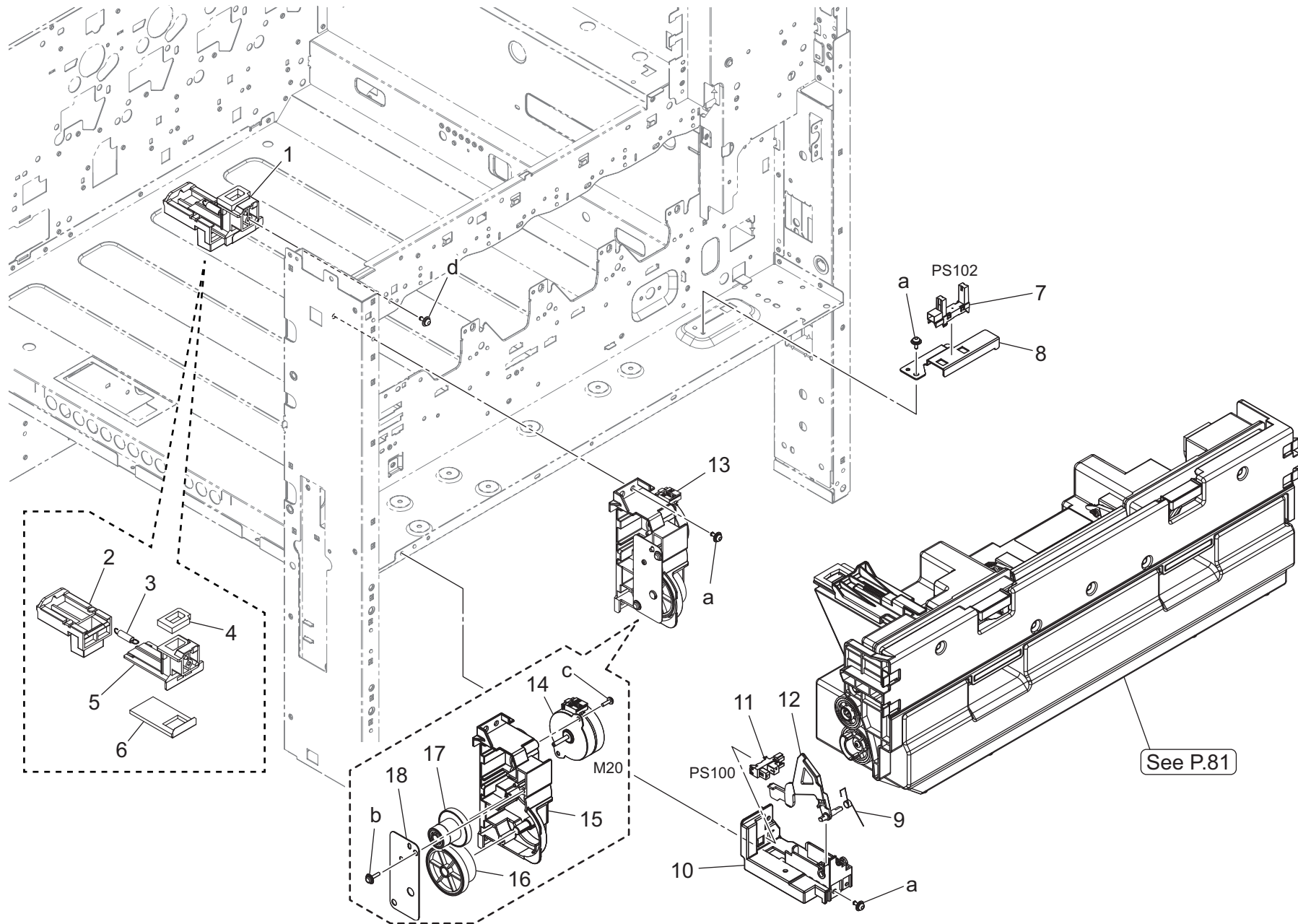


Toner Supply Section



Key	Part No.	Description	Destinations	Class	QTY	Standard parts
1	4036534801	TENSION SPRING		C	1	a-V145030803 b-V153030803 c-V218030086
2	4163510201	BUSHING		C	1	
3	4576536301	SEAL		D	1	
4	A0ED401000	Shutter		D	1	
5	A161400601	Detecting Seal		D	1	
6	A161400800	Pin		D	1	
7	A161401000	Gear 18T		C	1	
8	A161401300	Gear 17/65T		C	1	
9	A161403000	Bushing		D	1	
10	A161403200	Seal		D	1	
11	A161404200	Fixing Plate		D	1	
12	A161N12801	Toner Drive harness /K		D	1	
13	A5C1404600	Washer		D	1	
14	A5C1M50100	Photointerrupter		B	1	
15	A79J401400	Gear 40T		C	1	
16	A79J401600	Gear 20T		C	3	
17	A79J401700	Gear 18T		C	1	
18	A79J401800	Washer		C	1	
19	A79J401900	Spring		C	1	
20	A7PUM10700	Stepping motor		C	1	
21	AA2J400001	Casing		D	1	
22	AA2J400100	Screw		D	1	
23	AA2J400400	Detecting Plate		D	1	
24	AA2J400700	Mounting Plate		D	1	
25	AA2J401100	Gear 36T		C	1	
26	AA2J402800	Mounting Plate		D	1	
27	AA2J403100	Holder		D	1	
28	AA2J403300	Seal		D	2	
29	AA2J404300	Detecting Actuator		D	1	
30	AA2J405500	Seal		D	2	
31	AA2JR73400	Agitating Shaft Assy		D	1	
32	AC77N10E00	Toner Detection Harness /1		D	1	

Toner Collection Section



Key	Part No.	Description	Destinations	Class	QTY	Standard parts
1	AA2JR73600	Waste Toner Pipe Assy	廃トナーパイプ A s s y	C	1	a-V125030803 b-V153031004 c-V145030803 d-V153030803
2	A64J363700	Shutter	シャッター	D	1	
3	A0ED363200	Pulling Coil spring	引張りコイルばね	D	1	
4	A0ED363400	Seal	シール (ジョイント上)	D	1	
5	AA2J363000	Pipe	パイプ	D	1	
6	AA2J368001	Seal	シール (ジョイント下)	D	1	
7	A0VDM50200	Photointerrupter	透過型センサ	I	1	
8	AA2J134401	Mounting Plate	取付板 (廃トナー検出センサ)	D	1	
9	AA2J369301	Torsion Coil spring	ねじりコイルばね	C	1	
10	AA2J369101	Holder	ホルダ (WTB 回転検知)	D	1	
11	A5C1M50100	Photointerrupter	透過型センサ	B	1	
12	AA2J369600	Lever	レバー	C	1	
13	AA2JR71011	Waste Toner Drive	廃トナー駆動 A s s y	S	1	
14	A7PUM10600	Stepping motor	ステッピングモータ	C	1	
15	AA2J245003	Drive Holder	駆動ホルダ (WT 駆動)	D	1	
16	AA2J245200	Gear 20/50T	ギア 20 / 50 T	C	1	
17	AA2J245100	Gear 20/76T	ギア 20 / 76 T	C	1	
18	AA2J245300	Mounting Plate	取付板 (WT 駆動)	D	1	

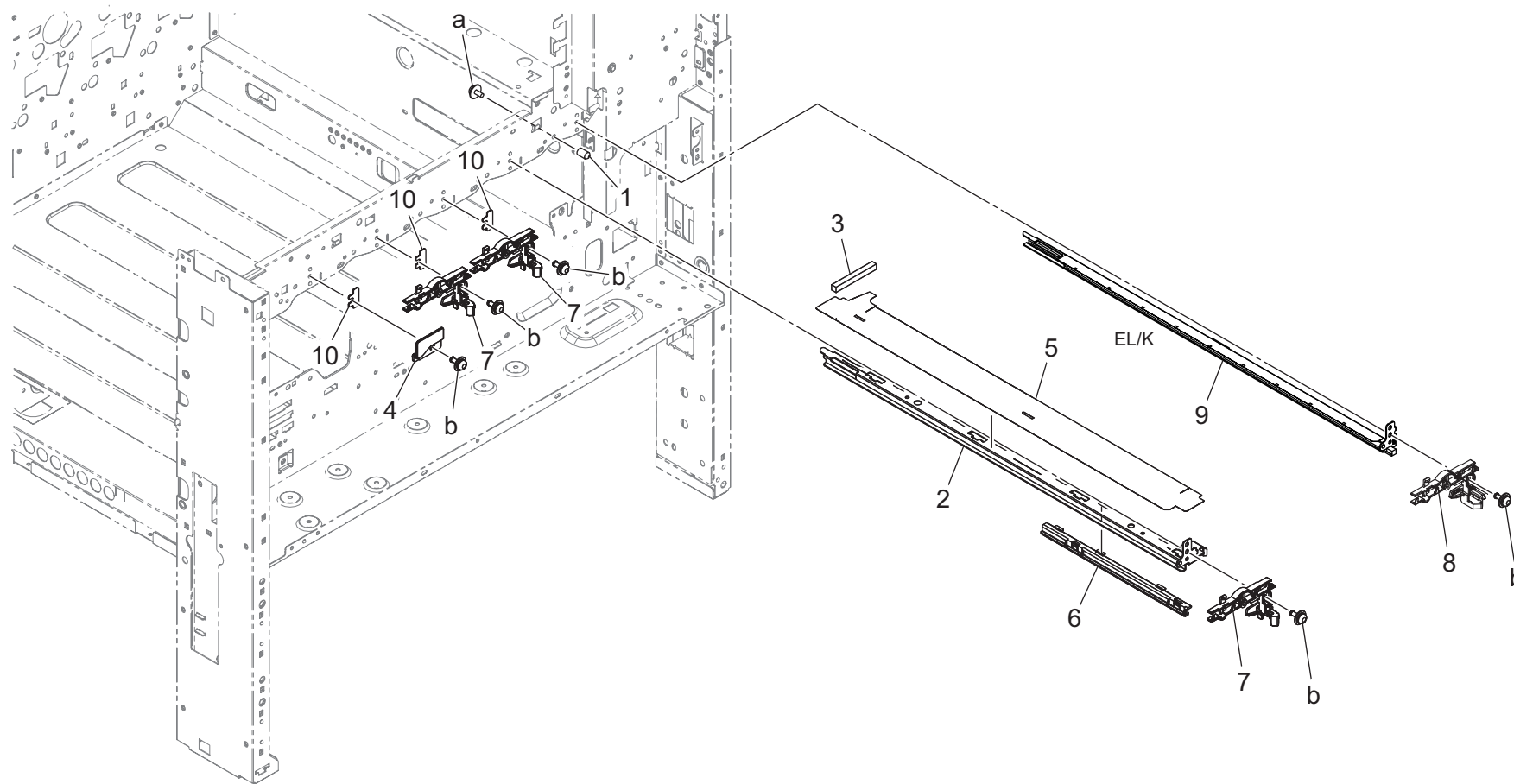
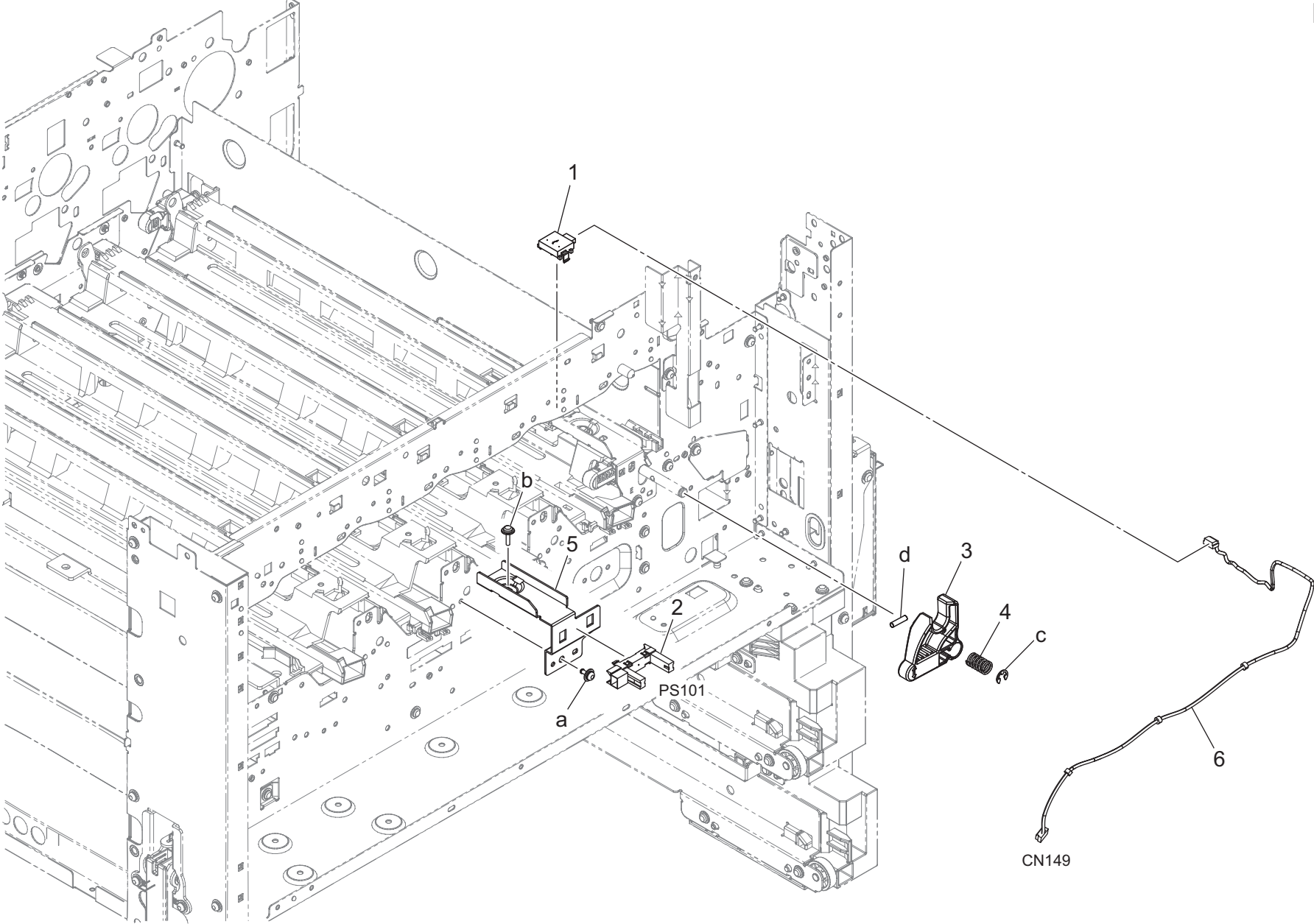
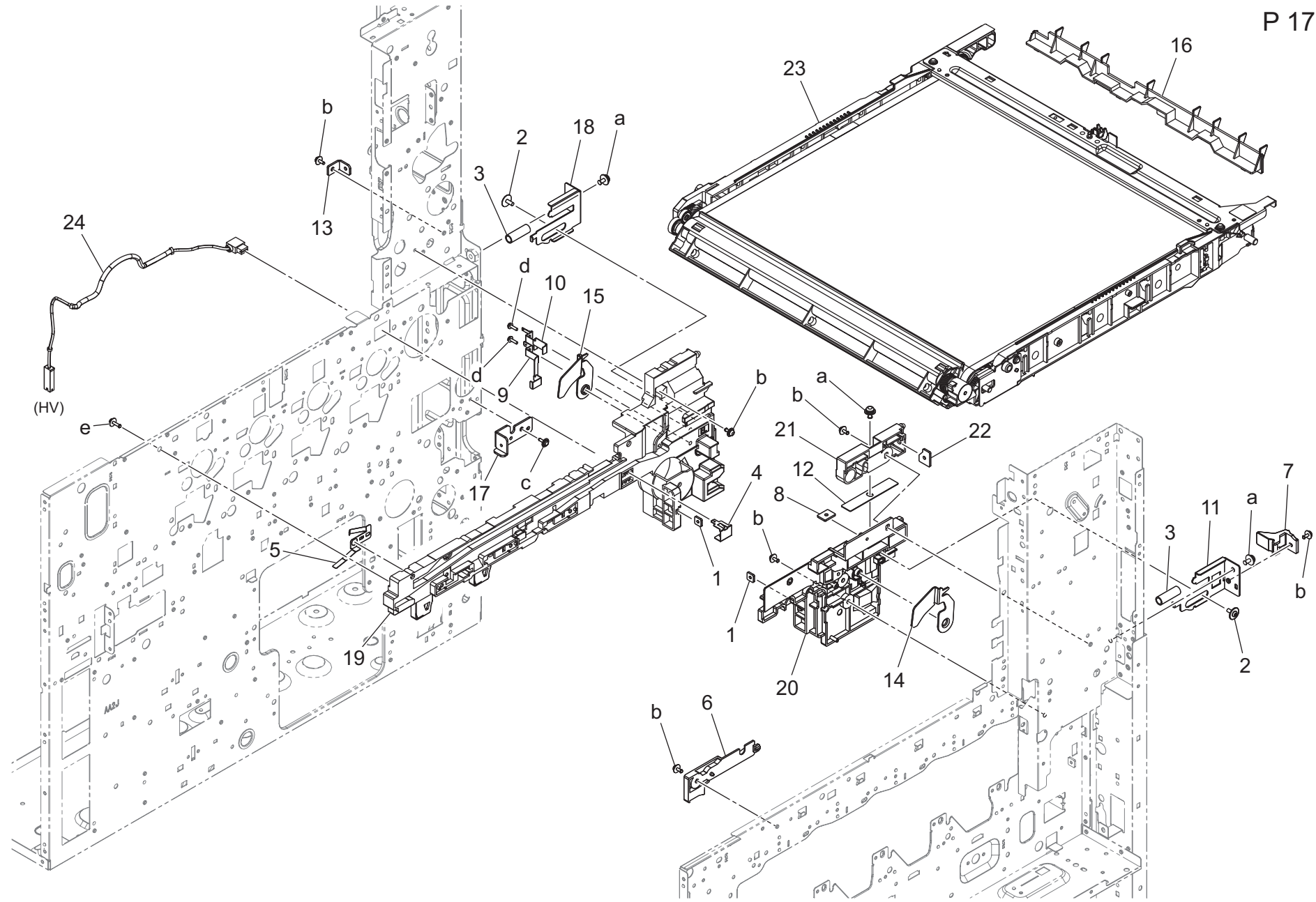


Photo Conductor/ Developing Section

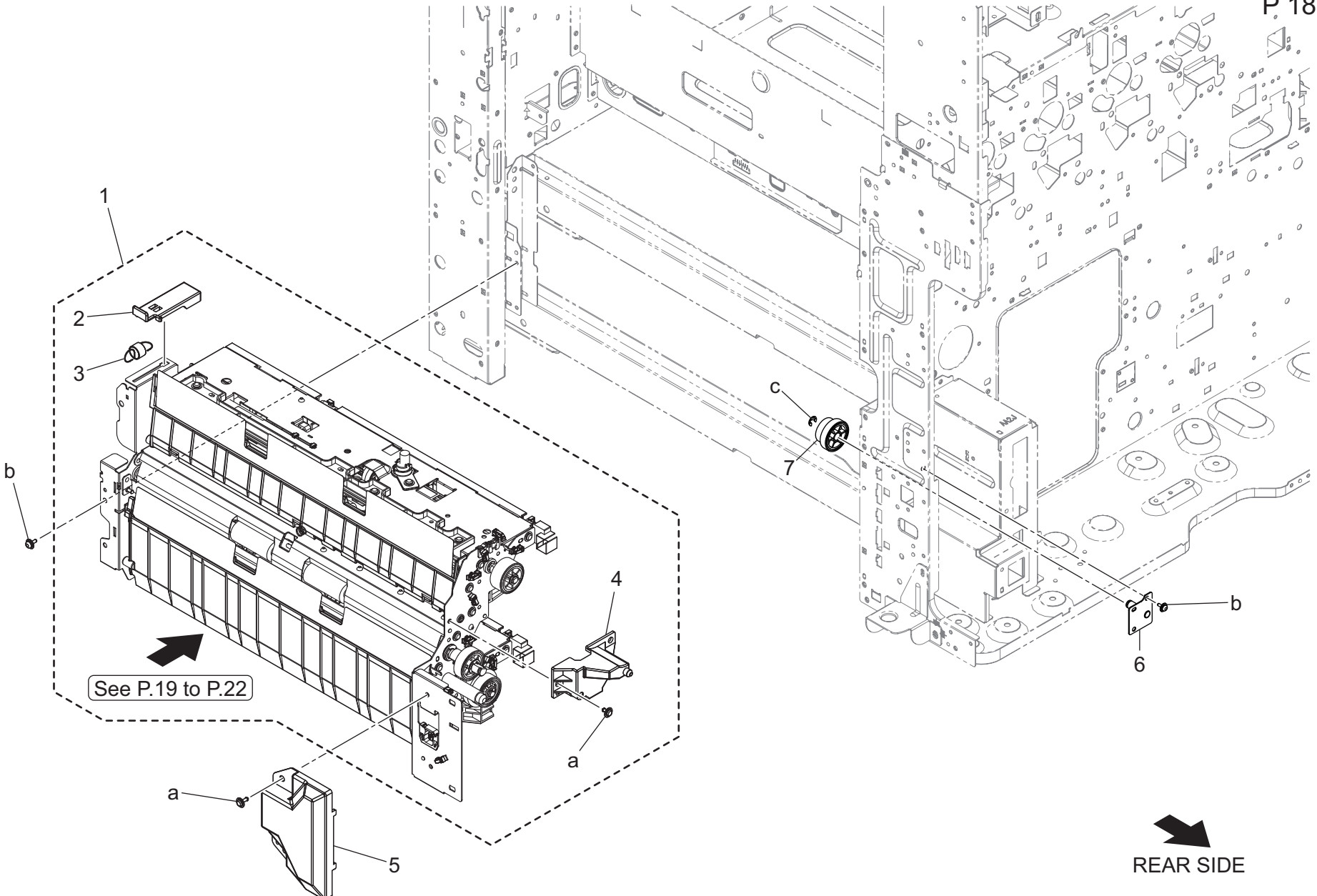


1st Transfer Section

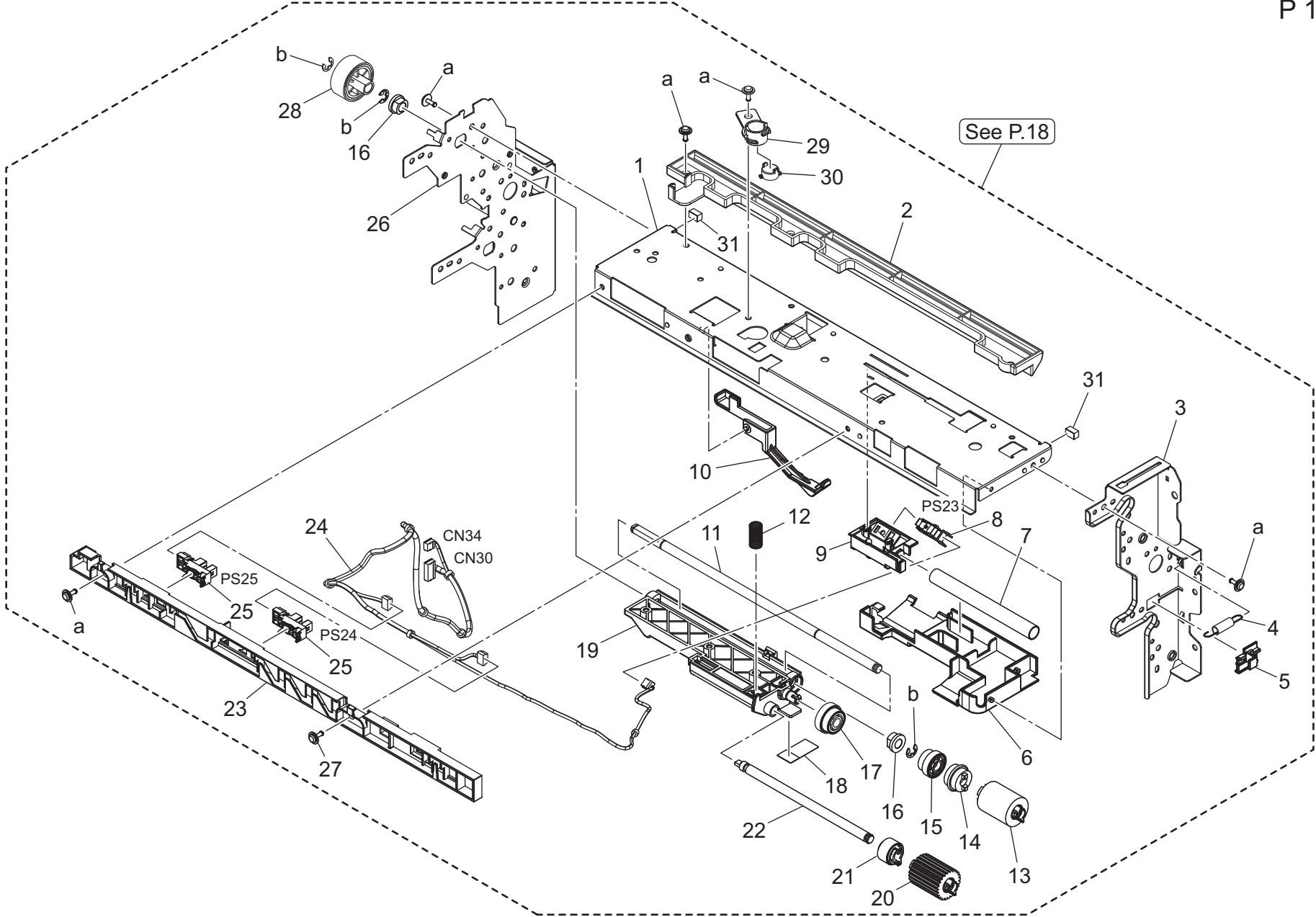
P 17



Paper Feed Section

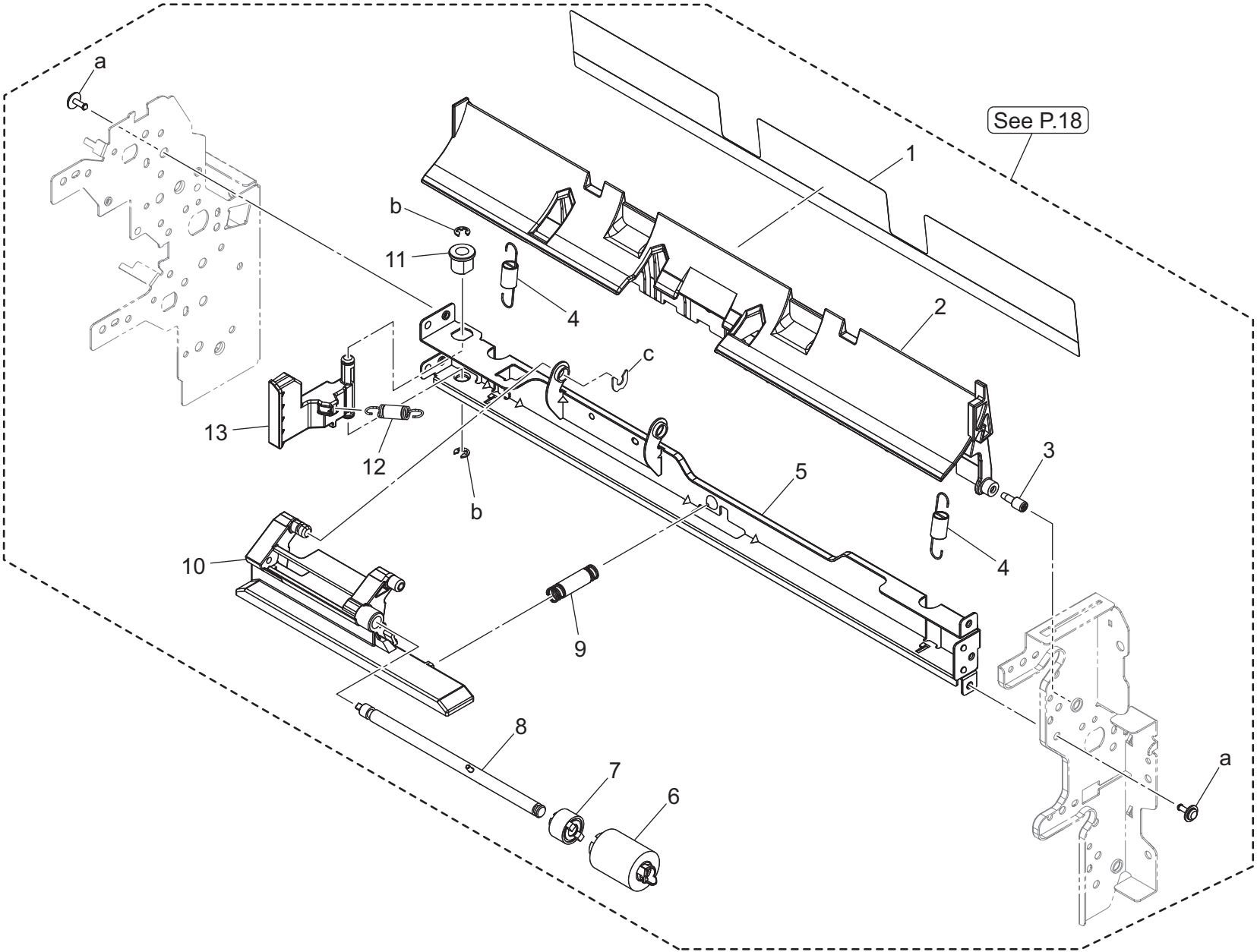


Paper Feed Section



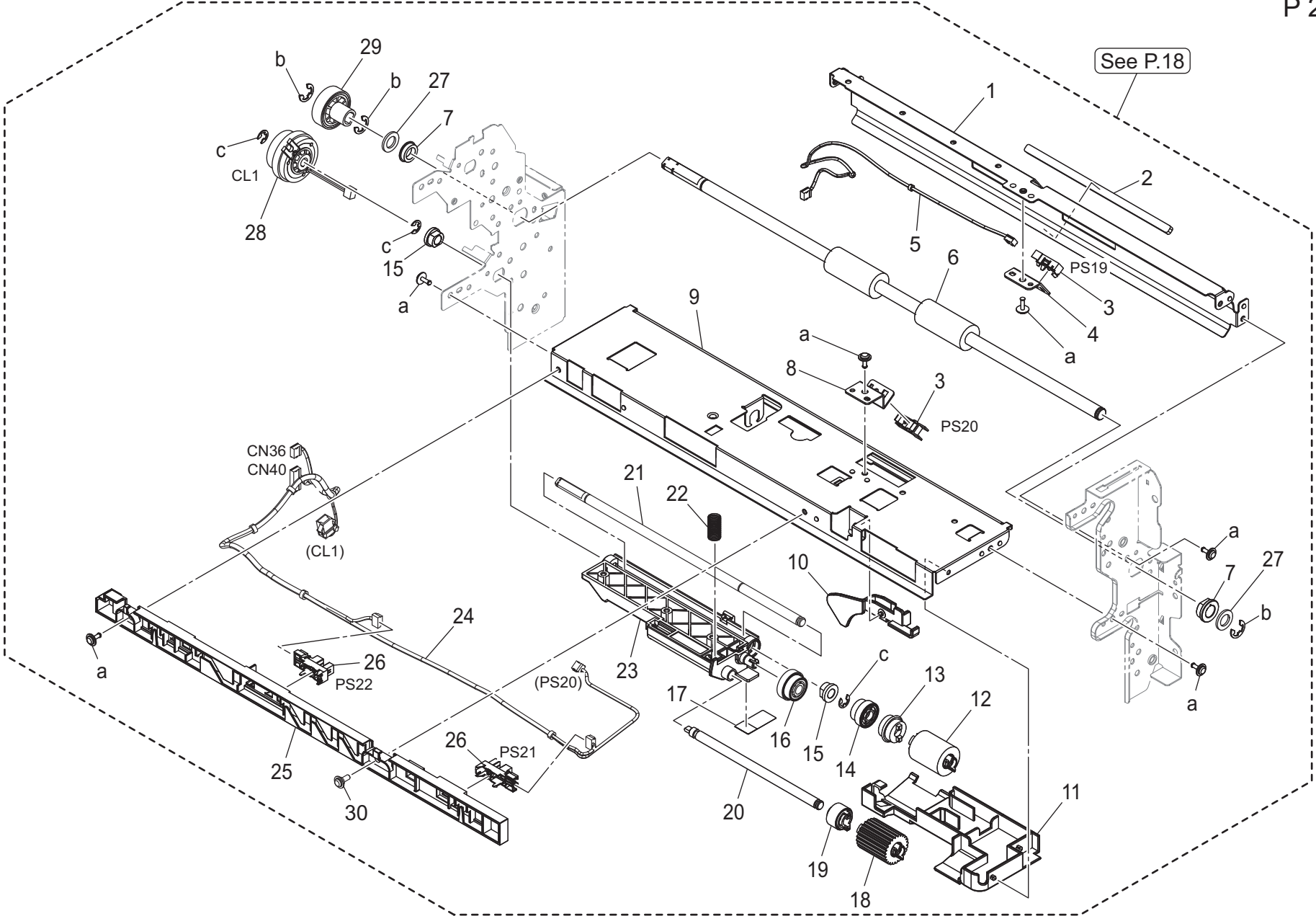
See P.18

Paper Feed Section

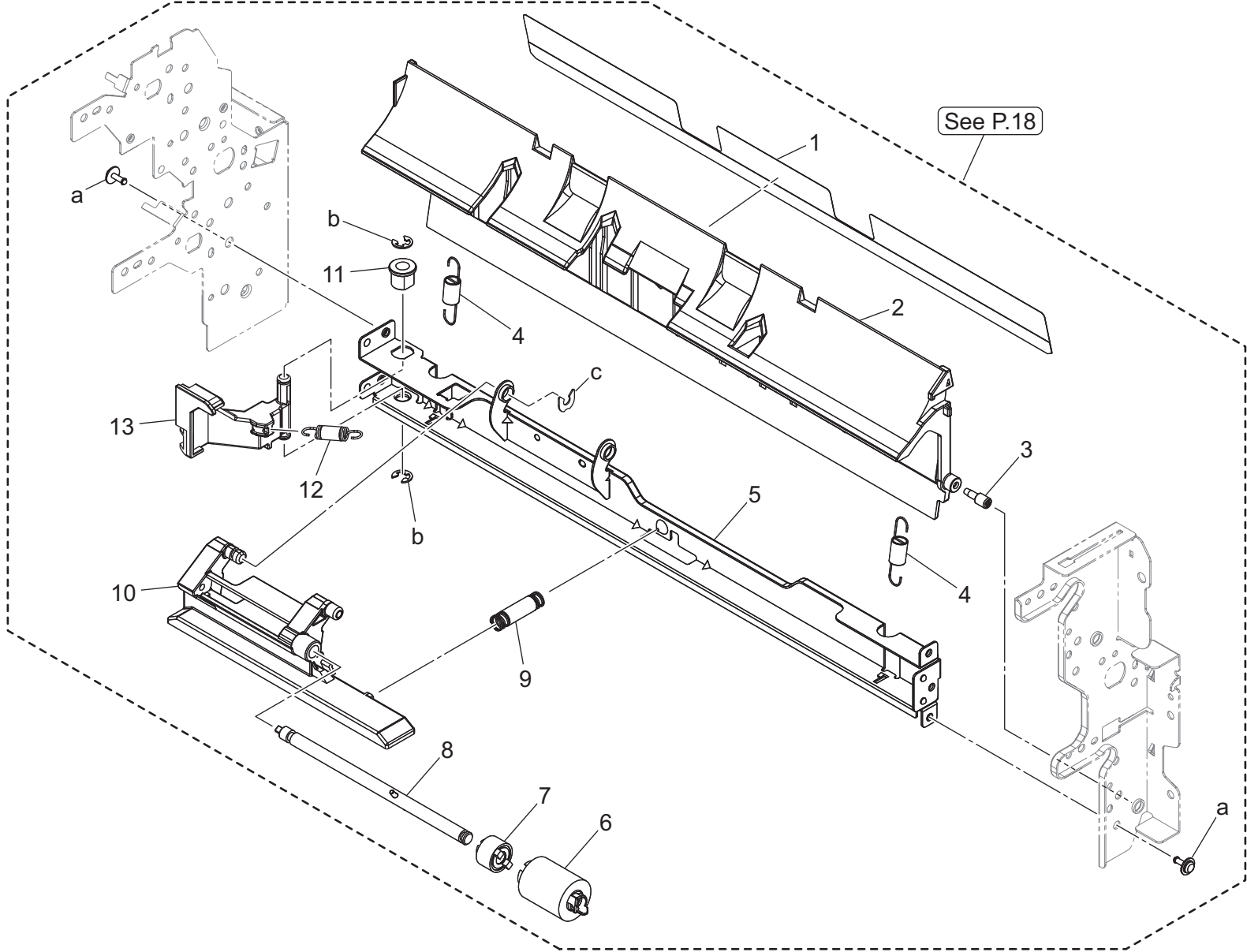


See P.18

Paper Feed Section



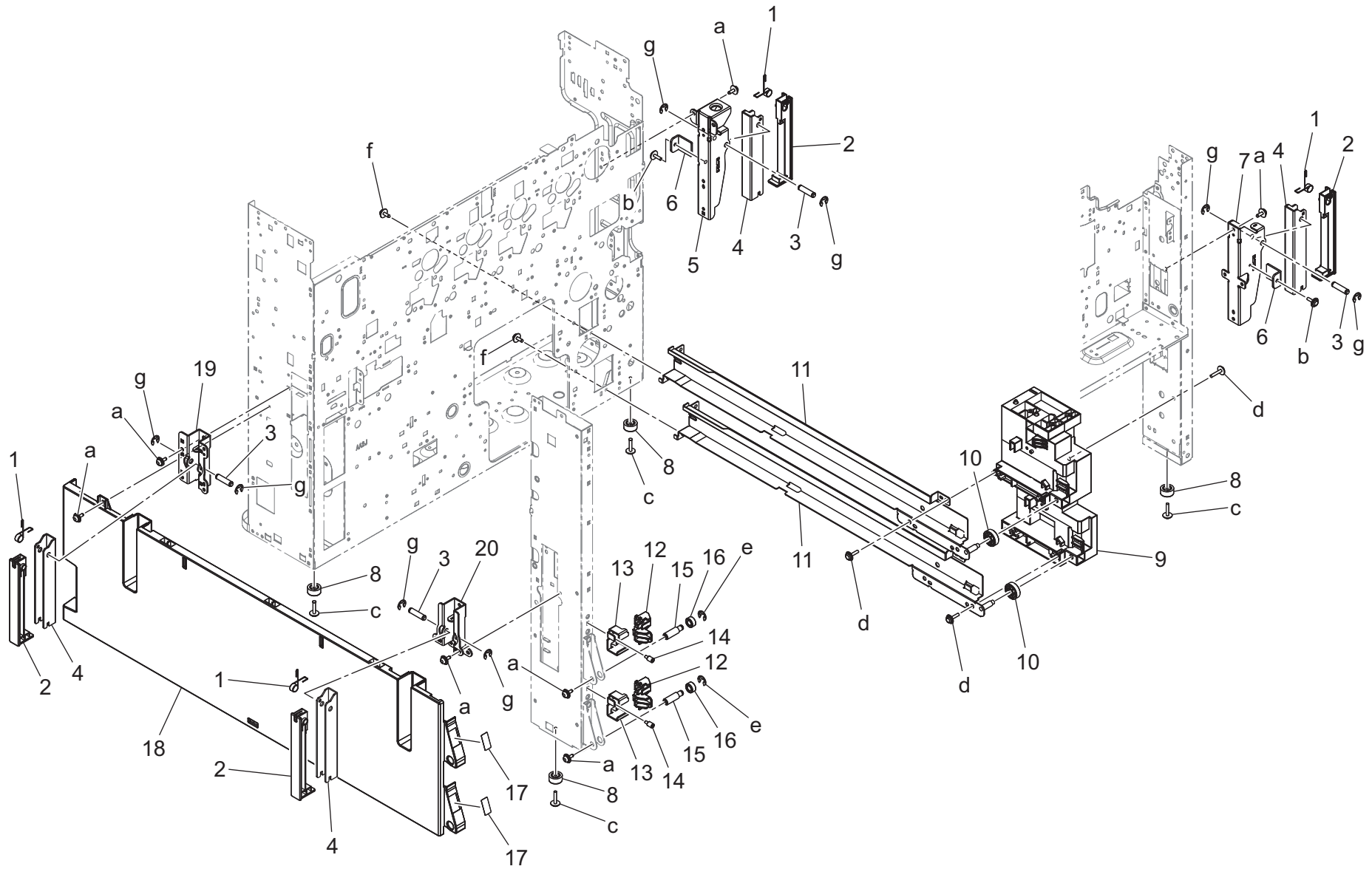
Key	Part No.	Description	Destinations	Class	QTY	Standard parts
1	A161578214	Guide Plate	ガイド板 (縦搬送)	D	1	a-V144030803 b-V217060003 c-V217040003
2	A161578700	Cushion	クッション	C	1	
3	A0EDM50100	Photoreflector	反射型センサ (アンブ内蔵)	I	2	
4	A161571100	Mounting Plate	取付板	D	1	
5	A161N12701	Conveyance Detection harness	搬送検知束線	D	1	
6	AA2J578100	Drive Roller	駆動ローラ (縦搬送)	C	1	
7	A00J617900	Ball Bearing	ボールベアリング	B	2	
8	AA2J575300	Mounting Plate	取付板 (給紙用反射センサ)	D	1	
9	AA2J575202	Paper feed Frame	給紙フレーム (2nd)	D	1	
10	A7AH561601	Detecting Lever	検出レバー	C	1	
11	AA2J565700	Conveyance Guide /3	搬送ガイド / 3	D	1	
12	A64J564101	Paper feed Roller	給紙ローラ	A	1	
13	A02E561100	Clutch	クラッチ	C	1	
14	A7AH562400	Paper feed Gear	給紙ギア	C	1	
15	A00J663200	Bushing	すべり軸受	B	2	
16	A7AH562300	Idling Gear	アイドラギア	C	1	
17	A7AH562900	Protection Sheet	保護シート	C	1	
18	A64J564201	Paper feed Roller	給紙ローラ (ピックアップ)	A	1	
19	A7AH562600	Conveyance Gear 28T	搬送ギア 28 T	C	1	
20	A7AH563400	Support Shaft	支点軸	D	1	
21	AA2J560500	Paper feed Shaft	給紙軸 (1st)	D	1	
22	AA7N562800	Compressing Coil spring	圧縮コイルばね (ピックアップ)	C	1	
23	A7AH562100	Conveyance Guide /4	搬送ガイド / 4	D	1	
24	AA7NN10Q00	Paper Feed Harness /2	給紙束線 / 2	D	1	
25	AA2J579603	Guide	ガイド (ハーネス)	D	1	
26	A5C1M50100	Photointerrupter	透過型センサ	B	2	
27	AA7N569200	Spacer	スペーサ	D	2	
28	A64JM20000	Clutch	クラッチ	C	1	
29	A2XK709000	Gear 24T	ギア 24 T	C	1	
30	A00J169300	Shoulder screw	段ねじ	C	1	



See P.18

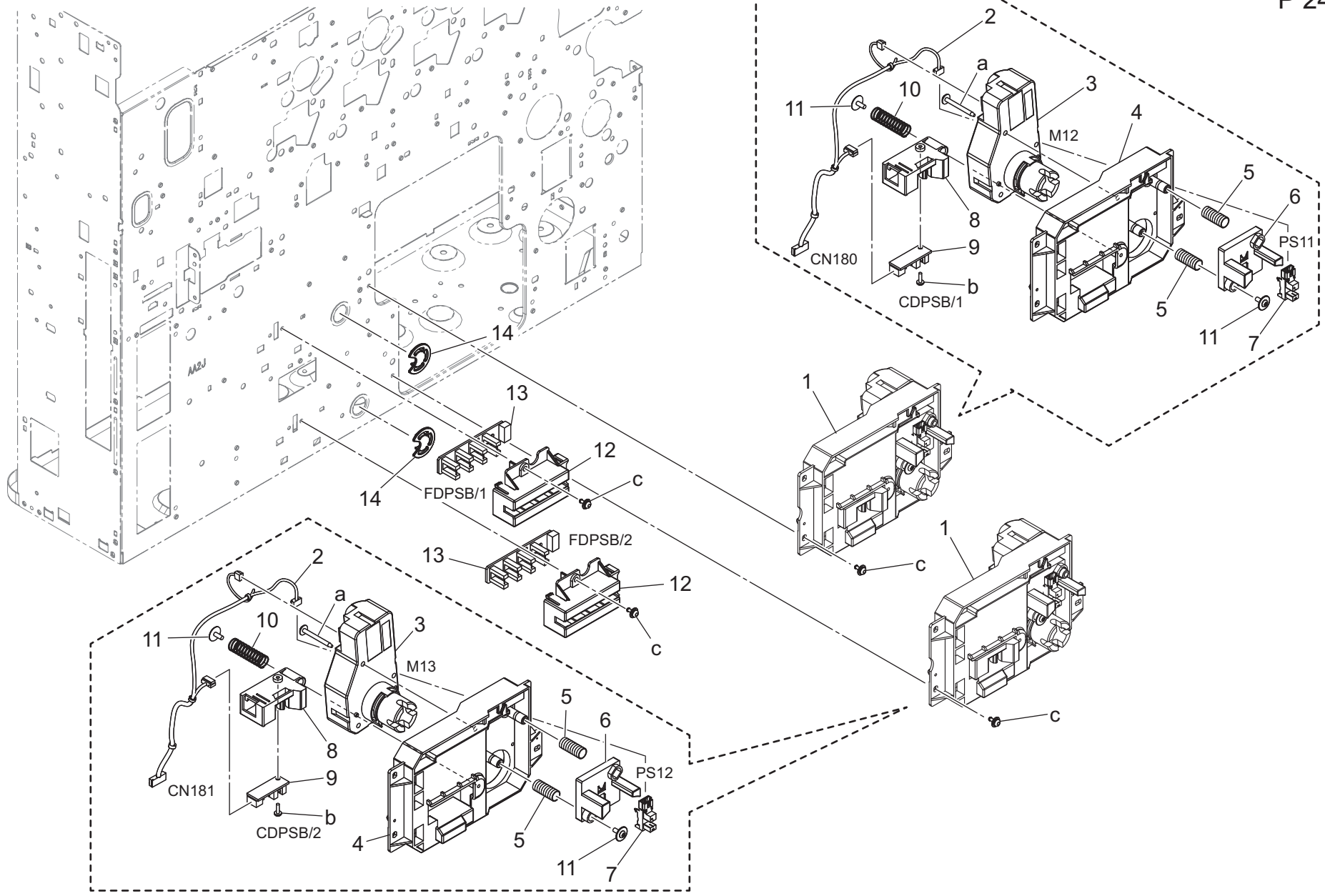
Key	Part No.	Description	Destinations	Class	QTY	Standard parts
1	AA2J577500	Guide		C	1	a-V144030803 b-V217040003 c-V218040086
2	AA2J578401	Guide Plate		C	1	
3	4532341001	SHOULDER SCREW		D	1	
4	AA2J569000	Pulling Coil spring		C	2	
5	AA2J563801	Frame		D	1	
6	AA2J560000	Paper feed Roller		A	1	
7	A0ED563900	Torque limiter		C	1	
8	A7AH565000	Support Shaft		D	1	
9	AA2J561301	Compressing Coil spring		C	1	
10	AA2J563103	Holder		D	1	
11	A02E815200	BUSHING		C	1	
12	A797564400	Pulling Coil spring		C	1	
13	AA2J574101	Release Lever		D	1	

Tray Section



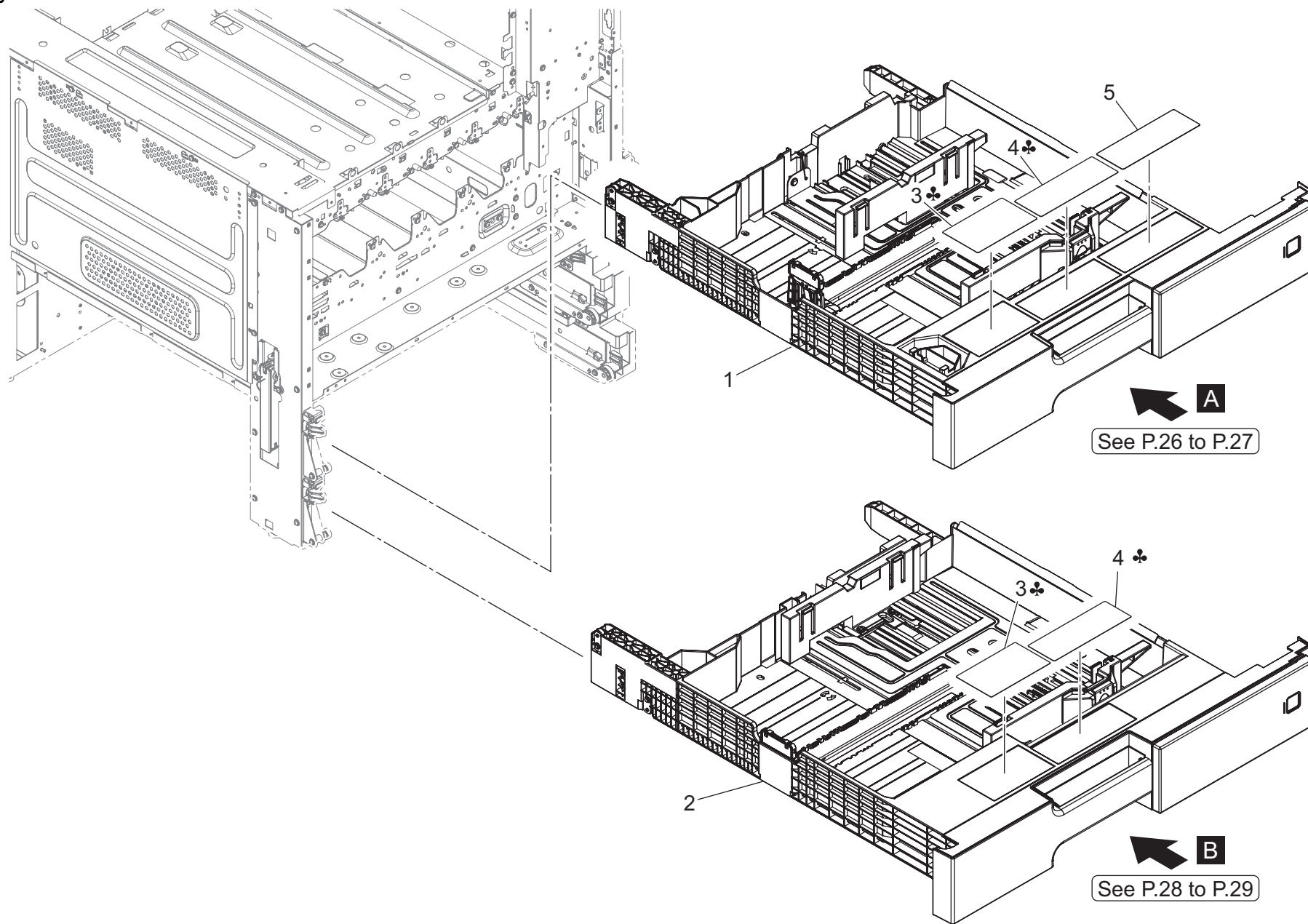
Key	Part No.	Description	Destinations	Class	QTY	Standard parts
1	A161104300	Torsion Coil spring		D	4	a-V125030803
2	A161103700	Cover		D	4	b-V137030803
3	A161104200	Shaft		D	4	c-V137031203
4	A161101900	Lever		D	4	d-V153031004
5	A5C1104800	Mounting Plate		D	1	e-V217040003
6	A5C1104700	Mounting Plate		D	2	f-V144030603
7	A5C1104400	Mounting Plate		D	1	g-V217040001
8	0996305501	RUBBER FOOT		C	4	
9	AA2J106000	Holder		D	1	
10	A161103901	Roll		D	2	
11	AA2J101100	Rail /ASSY		D	2	
12	A7PU102301	Stopper		D	2	
13	A7PU102201	Mounting Plate		D	2	
14	A1UD192400	Shoulder screw /2		C	2	
15	A161105200	Shaft		D	2	
16	A161623400	Roll		D	2	
17	AA2J947800	Label		D	2	
18	AA2J104003	Holder		D	1	
19	A161101701	Mounting Plate		D	1	
20	A161101600	Mounting Plate		D	1	

Tray Section

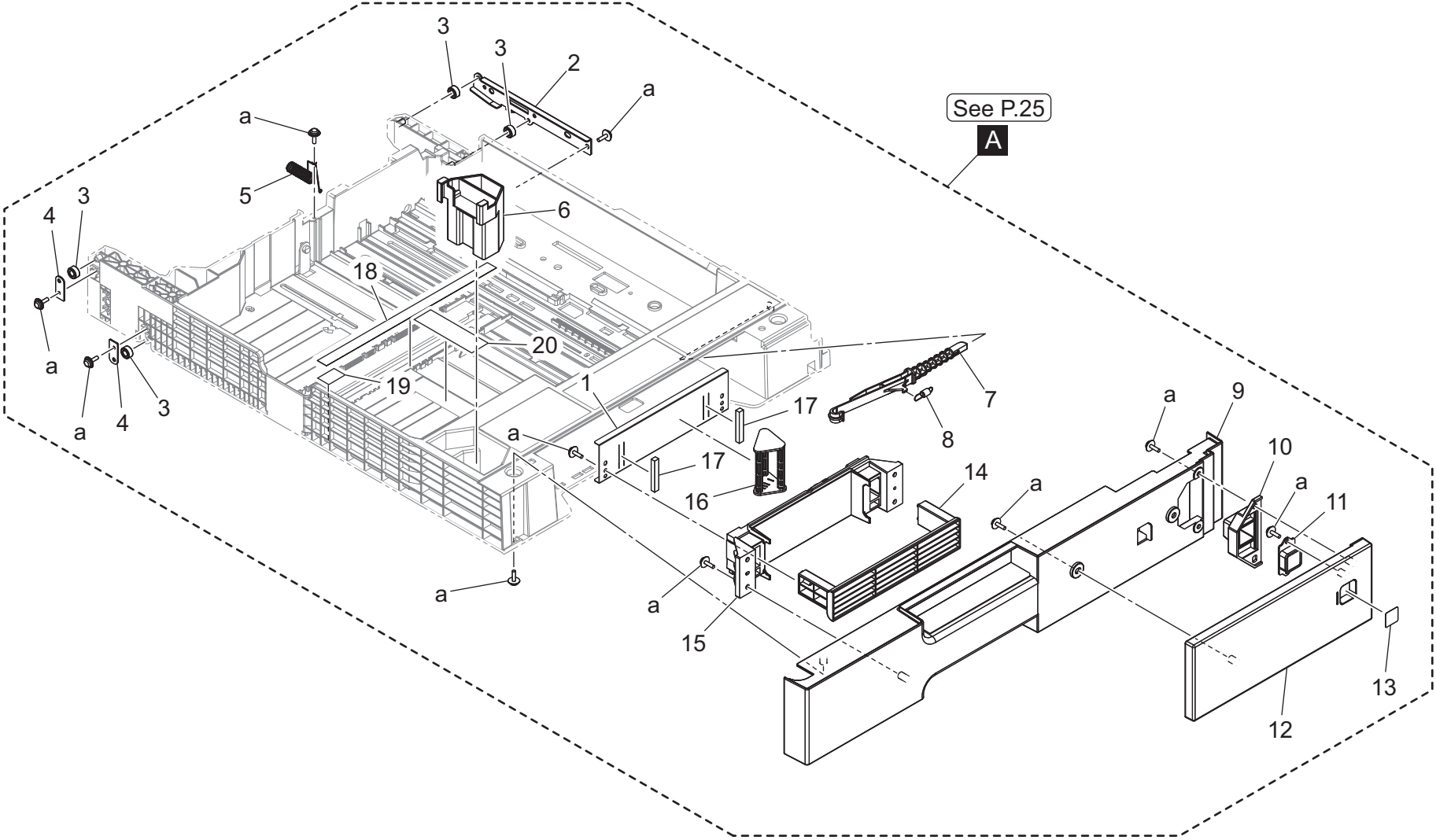


Key	Part No.	Description	Destinations	Class	QTY	Standard parts
1	AA2JR72200	Paper Size Detection Assy/ Upper		S	2	a-V153033003 b-V145030803 c-V125030803
2	AA2JN10T00	Paperfeed Wiring /K		D	2	
3	9J06M10300	MOTOR		B	2	
4	A5C1627103	Holder		D	2	
5	A5C1627900	Compressing Coil spring		D	4	
6	A5C1627300	Holder		D	2	
7	A5C1M50100	Photointerrupter		B	2	
8	A7PU627500	Holder		D	2	
9	A161M50501	Photointerrupter		C	2	
10	4002311002	Pressure Spring		C	2	
11	4163529301	SCREW		C	4	
12	A5C1628000	Holder		C	2	
13	A161M50600	Photointerrupter		C	2	
14	A7PU106100	Cover		D	2	

Tray Section

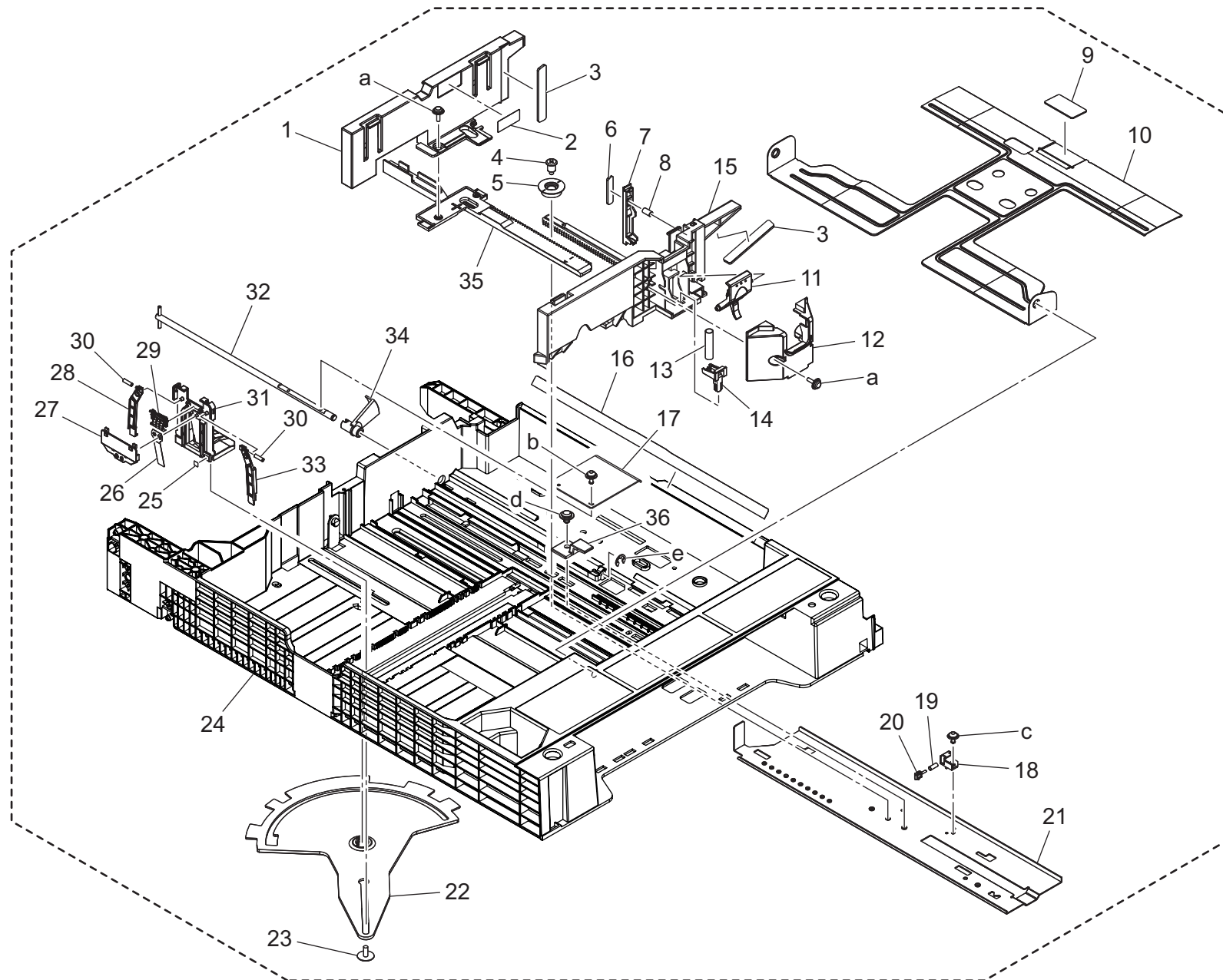


Key	Part No.	Description	Destinations	Class	QTY	Standard parts
1	AA2JR72422	Cassette Assy /1st		S	1	
2	AA2JR72511	Cassette Assy /2nd		S	1	
3	AA2J947100	Label ラベル (使用禁止用紙 / JP)	A	D	2	
3	AA2J947200	Label ラベル (使用禁止用紙 / US)	B,C,D1,D3,E,F2,G1,G 2,I,K,J	D	2	
4	AA2J942400	Label ラベル (用紙補給 / JP)	A	D	2	
4	AA2J942500	Label ラベル (用紙補給 / US)	B,C,D1,D3,E,F2,G1,G 2,I,K,J	D	2	
5	AA2J947400	Label ラベル (はがきセット)		D	1	



Tray Section

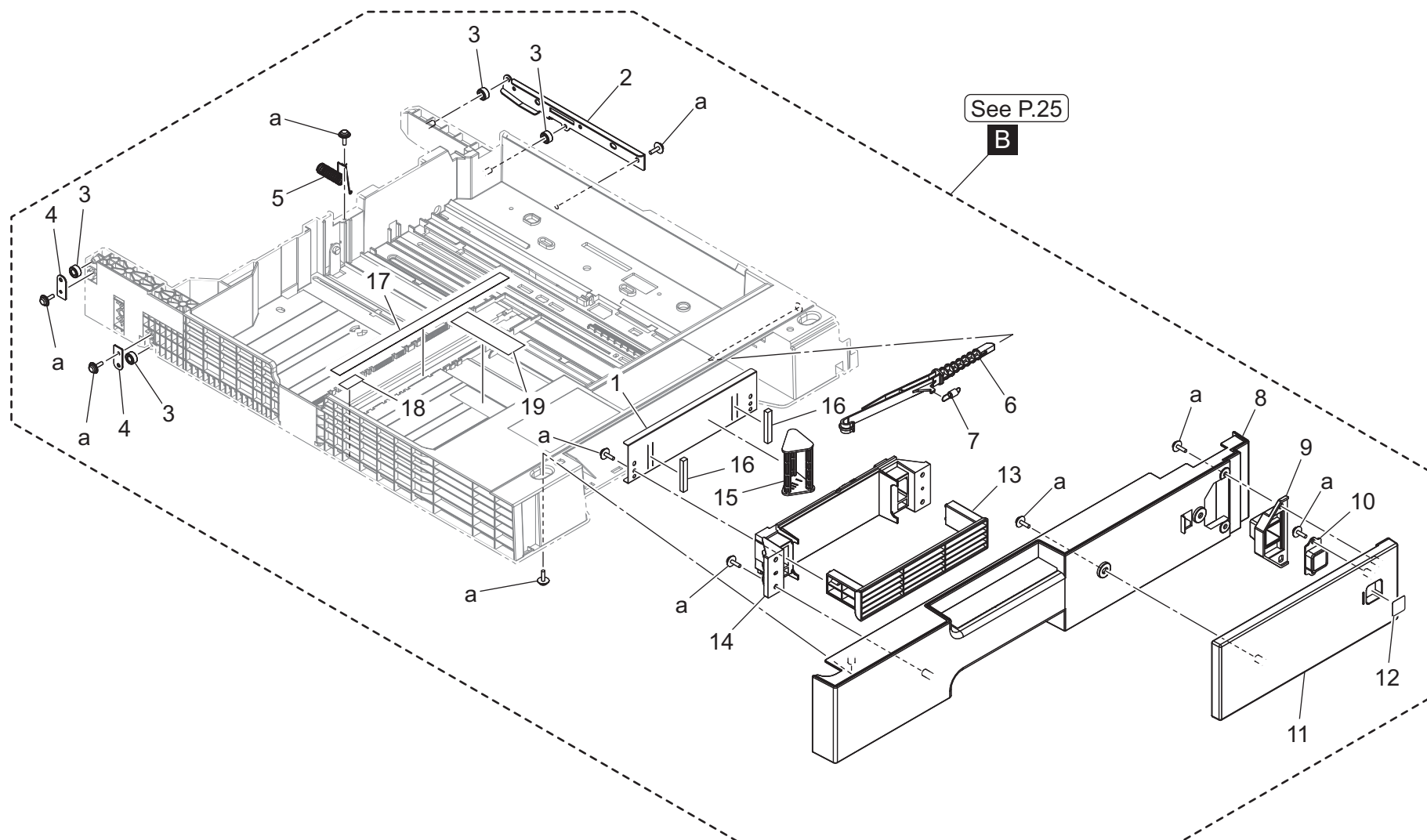
P 27



See P.25

A

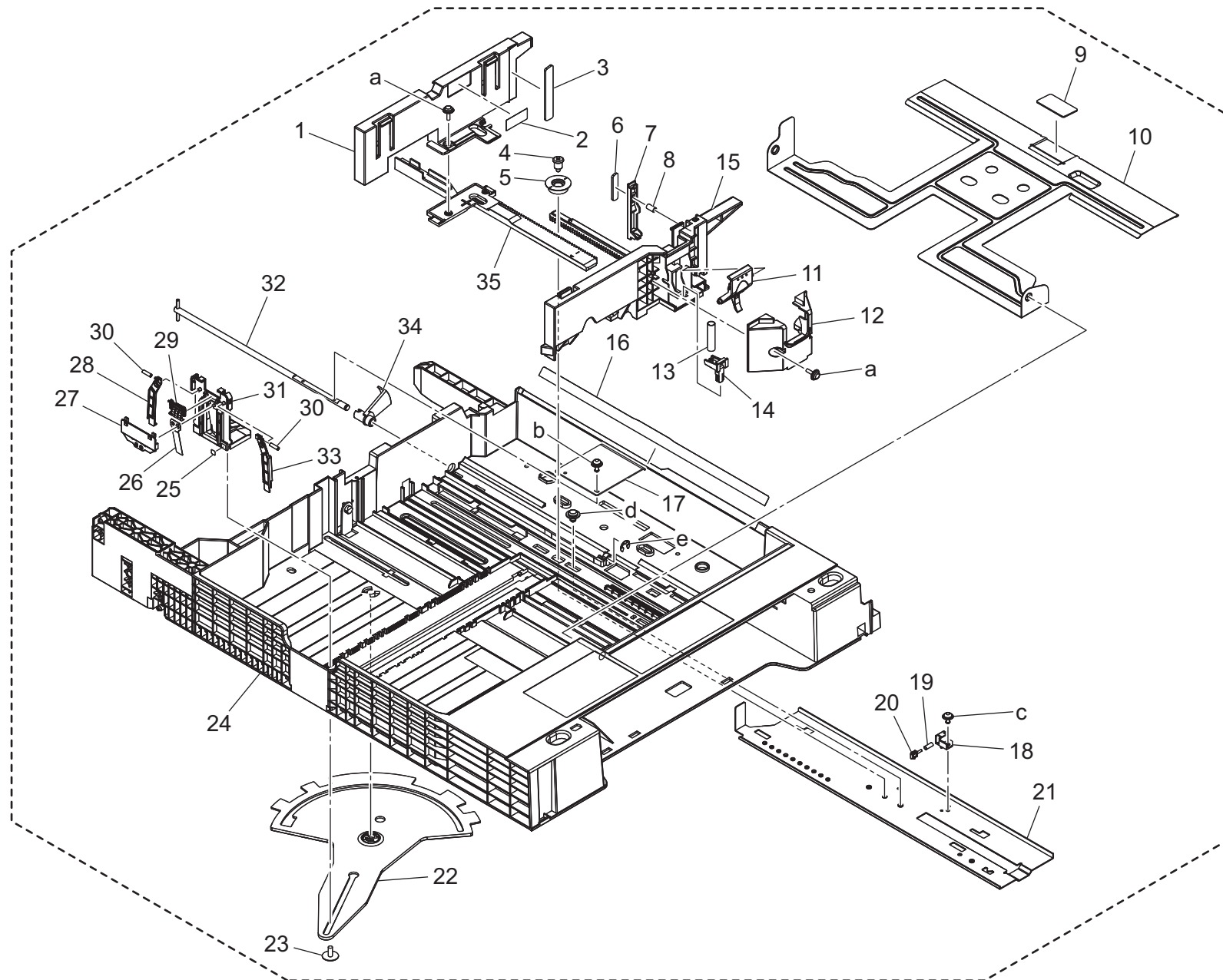
Key	Part No.	Description	Destinations	Class	QTY	Standard parts
1	AA2J620901	Regulating Plate /Rear		C	1	a-V153030803 b-V125030803 c-V127030603 d-V146040804 e-V217040003
2	AA2J943701	Label		D	1	
3	A161624100	Cushion		C	2	
4	A161620600	Shoulder screw		D	1	
5	A161620701	Gear		D	1	
6	A79J566000	Cushion		C	1	
7	A79J622500	Auxiliary Guide /1		C	1	
8	A795622700	Compressing Spring		C	1	
9	4030322602	FRICTION SHEET		C	1	
10	AA2J620400	Lifting Plate		D	1	
11	AA2J621300	Lock Lever		C	1	
12	AA2J621500	Holder		D	1	
13	AA2J621000	Compressing Spring		C	1	
14	AA2J621200	Lock Lever /2		D	1	
15	AA2J620804	Regulating Plate		C	1	
16	AA2J620200	Guide		C	1	
17	4030320601	LEVER		D	1	
18	A795565700	Holder		C	1	
19	A795565900	Compressing Spring		C	1	
20	A795565800	Lever		C	1	
21	A795621901	Mounting Plate		D	1	
22	A161621411	Lever		C	1	
23	4163529301	SCREW		C	1	
24	AA2J620102	Paper feed Cassette		D	1	
25	A02E940300	Label		C	1	
26	AA2J629200	Plate spring		D	1	
27	AA2J628901	Cover		D	1	
28	AA2J628700	Lock Lever		C	1	
29	AA2J629000	Operation Lever		D	1	
30	A795565500	Compressing Spring		C	2	
31	AA2J628601	Regulating Plate		C	1	
32	A161621600	Lifting Shaft		D	1	
33	AA2J628800	Lock Lever		C	1	
34	A0ED620701	Actuator		C	1	
35	AA2J621100	Rack		D	1	
36	AA2J621600	Stopper /1		D	1	



Key	Part No.	Description	Destinations	Class	QTY	Standard parts
1	AA2J624300	Holder		D	1	a-V153030803
2	AA2J633101	Reinforce Plate /Right		D	1	
3	A161623400	Roll		D	4	
4	AA2J623300	Reinforce Plate /Left		D	2	
5	AA2J622101	Ground Spring		C	1	
6	A161636502	Lever		C	1	
7	A161626800	Pulling Coil spring		C	1	
8	AA2J635101	Cover		D	1	
9	AA2J625300	Cover		D	1	
10	AA2J626702	Cover		D	1	
11	AA2J635001	Cover		D	1	
12	AA2J943200	Label		D	1	
13	AA2J626900	Handle		D	1	
14	AA2J625201	Cover		D	1	
15	AA2J626600	Lever		C	1	
16	A5C1628500	Cushion		D	2	
17	AA2J941200	Label		D	1	
18	AA2J943500	Label		D	1	
19	AA2J943600	Label		D	1	

Tray Section

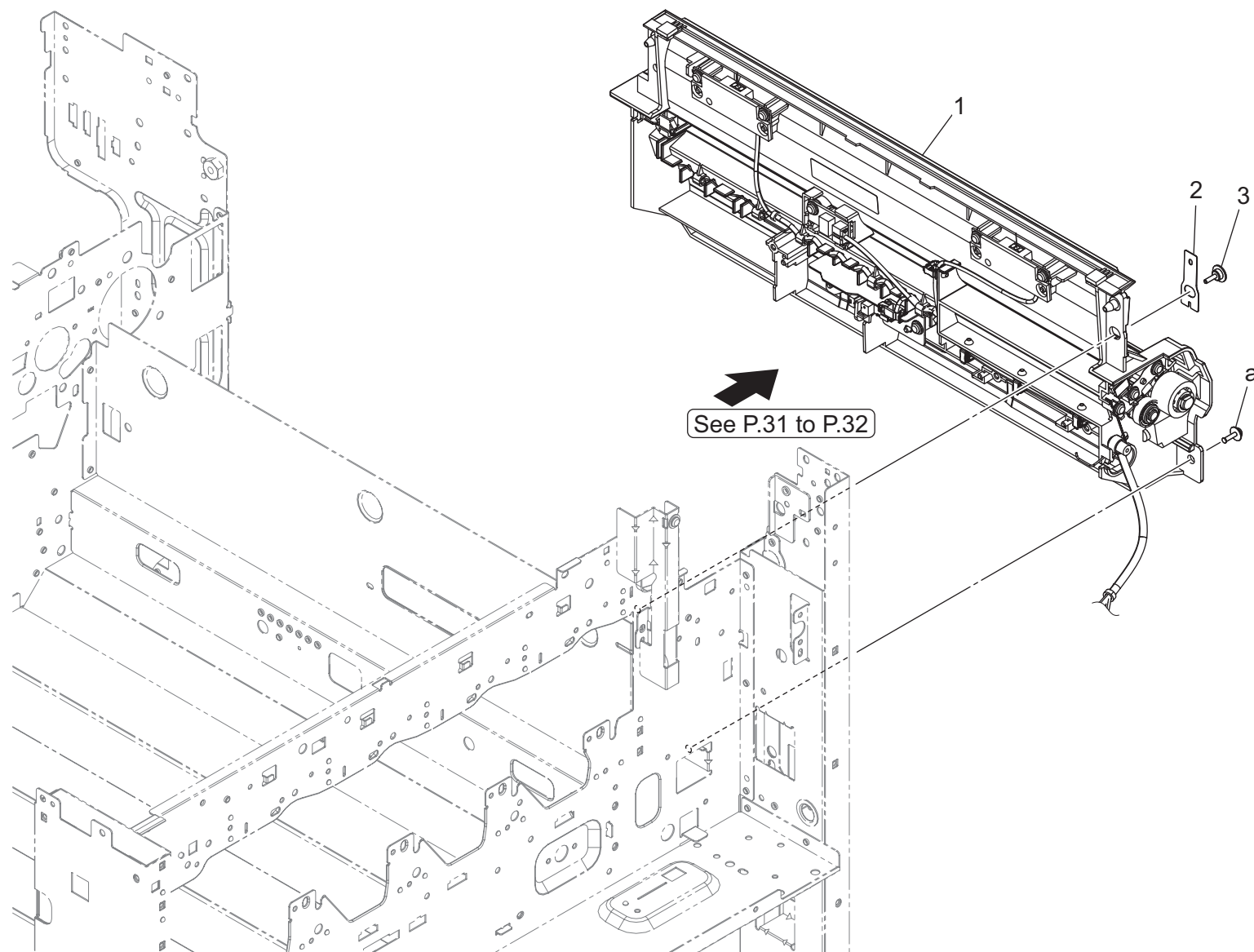
P 29



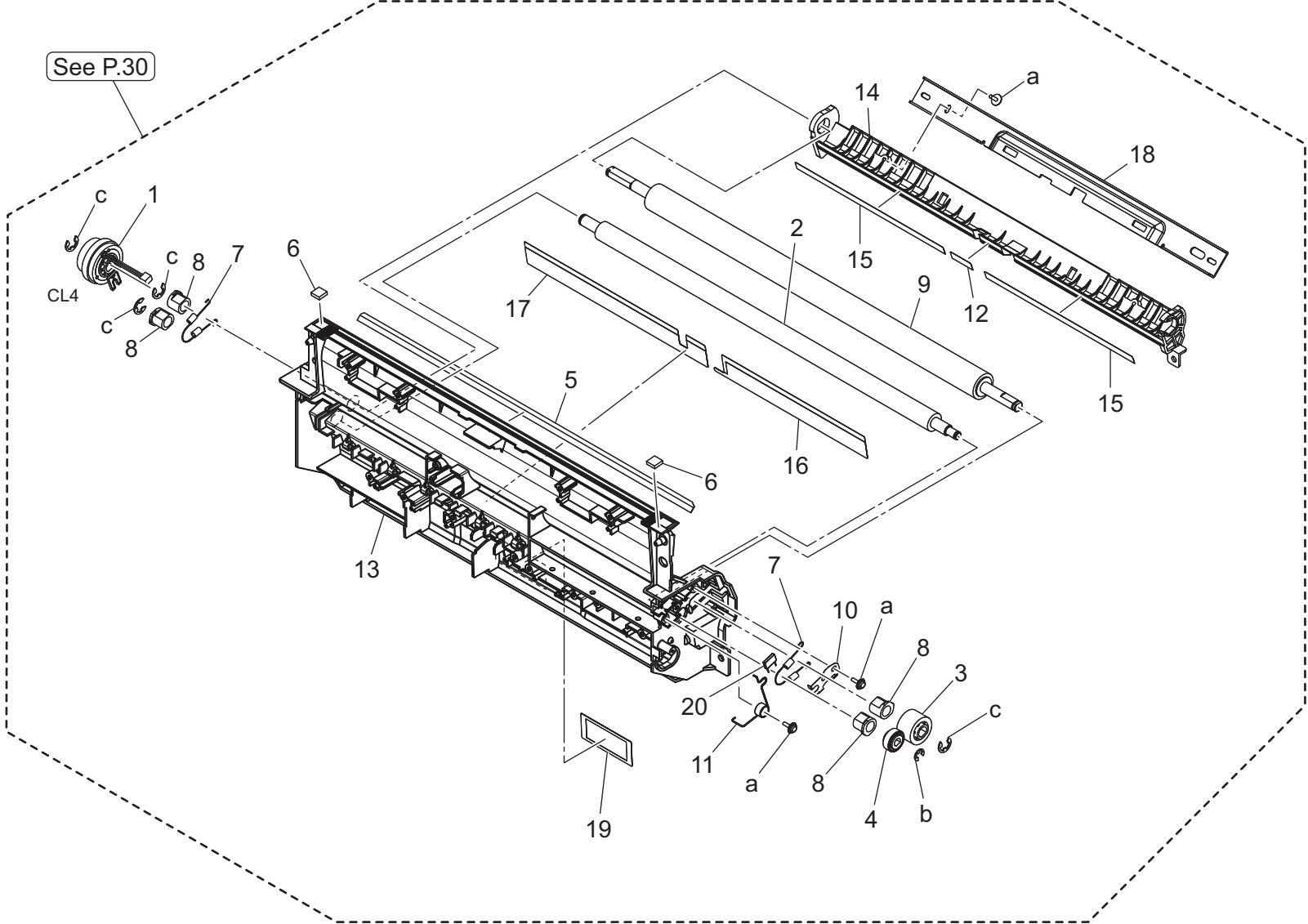
See P.25

B

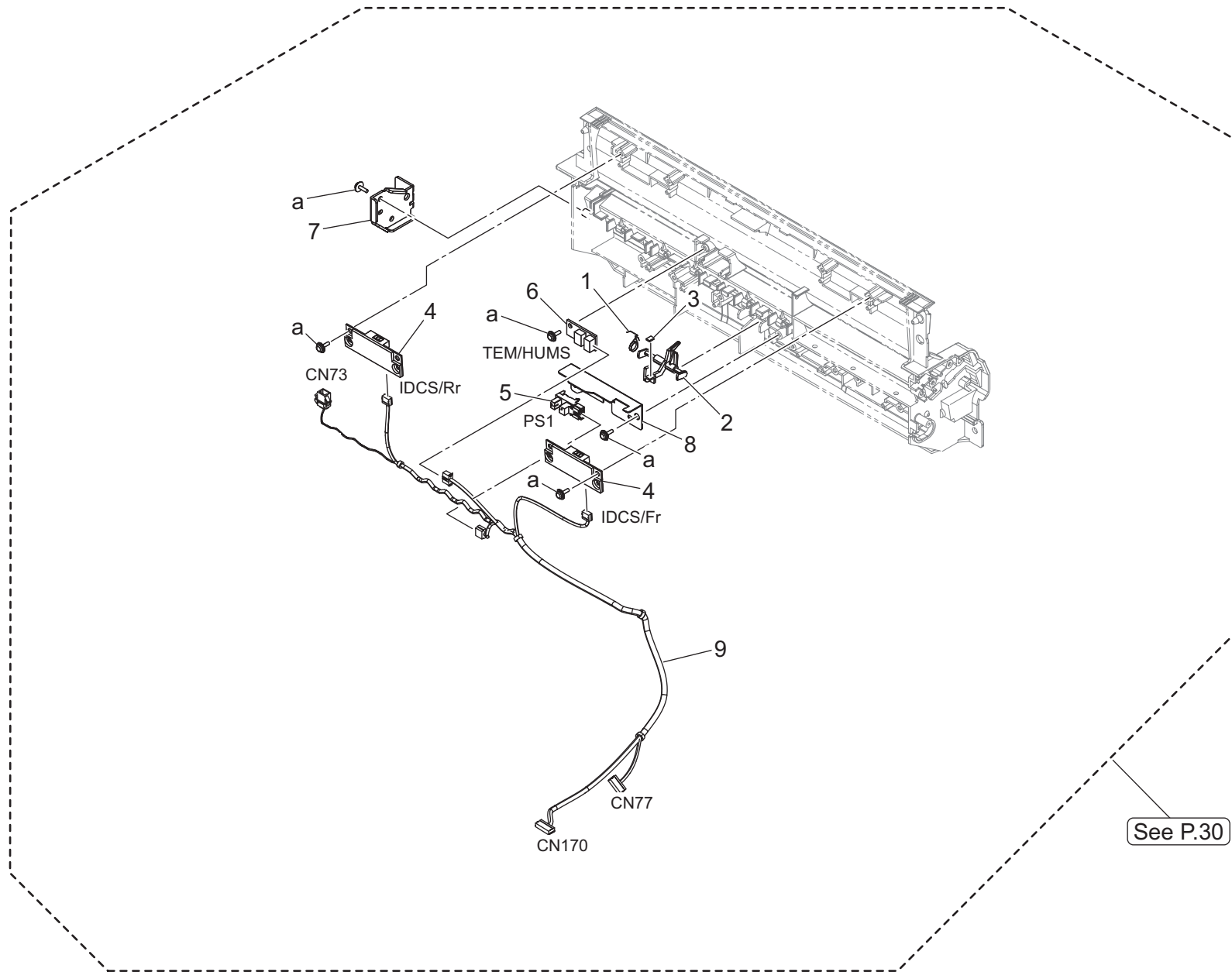
Key	Part No.	Description	Destinations	Class	QTY	Standard parts
1	AA2J620901	Regulating Plate /Rear		C	1	a-V153030803 b-V125030803 c-V127030603 d-V144040603 e-V217040003
2	AA2J943701	Label		D	1	
3	A161624100	Cushion		C	1	
4	A161620600	Shoulder screw		D	1	
5	A161620701	Gear		D	1	
6	A79J566000	Cushion		C	1	
7	A79J622500	Auxiliary Guide /1		C	1	
8	A795622700	Compressing Spring		C	1	
9	4030322602	FRICITION SHEET		C	1	
10	A161620400	Lifting Plate		D	1	
11	AA2J621300	Lock Lever		C	1	
12	AA2J621500	Holder		D	1	
13	AA2J621000	Compressing Spring		C	1	
14	AA2J621200	Lock Lever /2		D	1	
15	AA2J620804	Regulating Plate		C	1	
16	A0ED620200	Guide		C	1	
17	4030320601	LEVER		D	1	
18	A795565700	Holder		C	1	
19	A795565900	Compressing Spring		C	1	
20	A795565800	Lever		C	1	
21	A795621901	Mounting Plate		D	1	
22	A161631411	Lever		C	1	
23	4163529301	SCREW		C	1	
24	AA2J630102	Paper feed Cassette		D	1	
25	A02E940300	Label		C	1	
26	AA2J629200	Plate spring		D	1	
27	AA2J628901	Cover		D	1	
28	AA2J628700	Lock Lever		C	1	
29	AA2J629000	Operation Lever		D	1	
30	A795565500	Compressing Spring		C	2	
31	AA2J628601	Regulating Plate		C	1	
32	A161621600	Lifting Shaft		D	1	
33	AA2J628800	Lock Lever		C	1	
34	A0ED620701	Actuator		C	1	
35	AA2J621100	Rack		D	1	



Key	Part No.	Description	Destinations	Class	QTY	Standard parts
1	AC77R70100	Conveyance Assy	搬送 A s s y	S	1	a-V116031003
2	A7PU701100	Plate spring	板ばね	D	1	
3	AA2J701200	Shoulder screw	段ねじ	C	1	



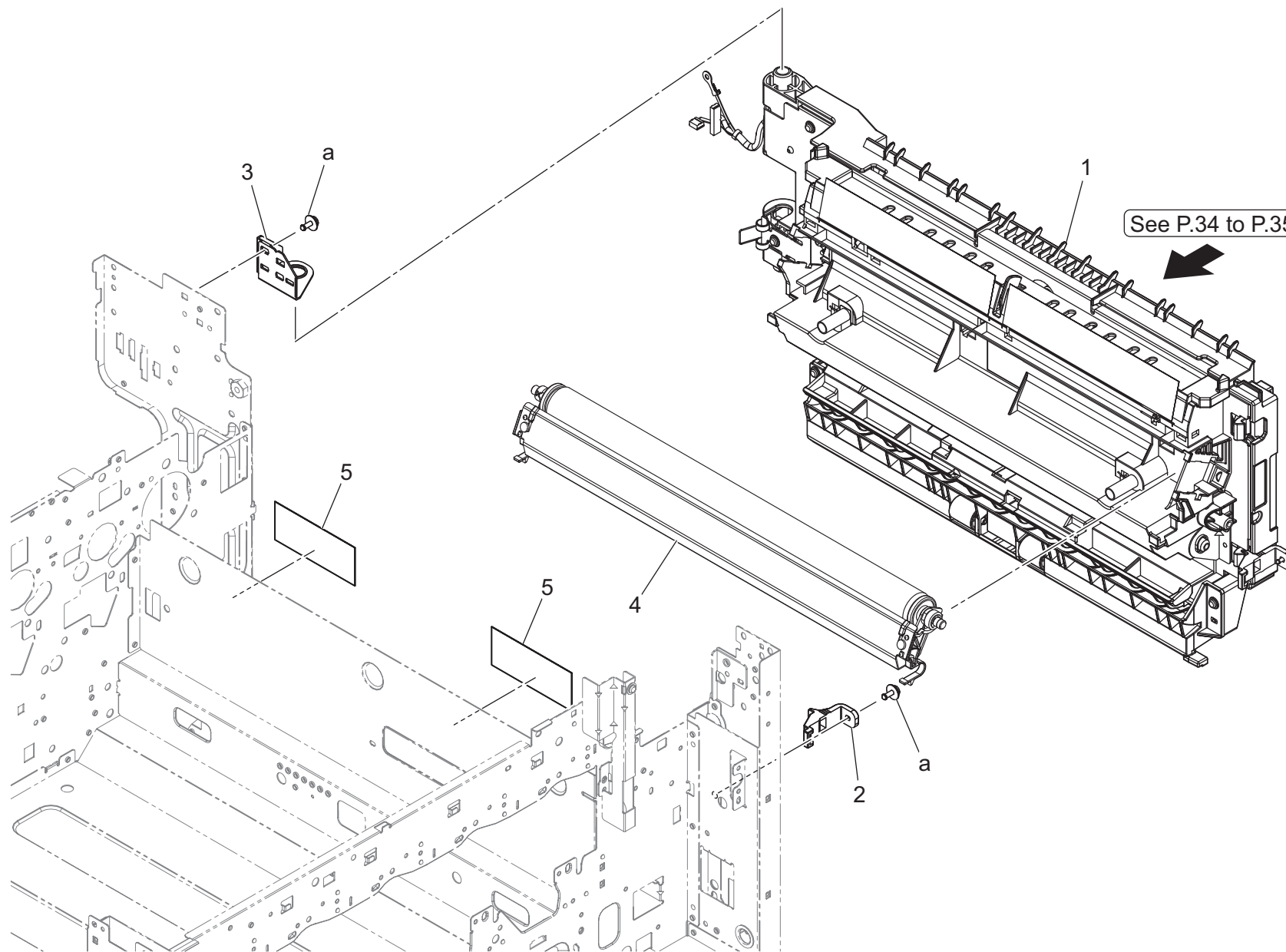
Key	Part No.	Description	Destinations	Class	QTY	Standard parts
1	A02EM20000	Clutch		B	1	a-V153030803 b-V217040003 c-V217060003
2	A0ED700200	Roller		D	1	
3	A0ED700300	Gear 20T		D	1	
4	A0ED700700	Gear 14T		D	1	
5	A161701301	Guide Sheet /A		C	1	
6	A161701900	Seal /A		D	2	
7	A161702000	Conveyance Spring /A		C	2	
8	A161702200	Bushing		C	4	
9	A5C1700101	Roller		C	1	
10	A5C1700800	Ground Plate /D		D	1	
11	A5C1703201	Torsion Coil spring		D	1	
12	A79J701000	Guide Sheet		C	1	
13	AA2J700103	Guide Plate /Inside		D	1	
14	AA2J700613	Conveyance Guide		D	1	
15	AA2J701000	Guide Film /5		D	2	
16	AA2J701400	Guide Sheet /B		D	1	
17	AA2J701500	Guide Sheet /C		D	1	
18	AA2J702900	Reinforce Plate		D	1	
19	AA2J716700	Guide		D	1	
20	V800500300	FIXED POWER RESISTORS		D	1	



See P.30

Key	Part No.	Description	Destinations	Class	QTY	Standard parts
1	A161701100	Spring /A		C	1	a-V153030803
2	A161701703	Actuator /T		C	1	
3	A161702101	Cushion /C		C	1	
4	A161M50000	Photo sensing		I	2	
5	A5C1M50100	Photointerrupter		B	1	
6	A7AHM50400	Humidity sensor		I	1	
7	A7PU701000	Reinforce Plate		D	1	
8	AA2J700300	Mounting Plate /B		D	1	
9	AC77N10H00	Conveyance Harness /1		D	1	

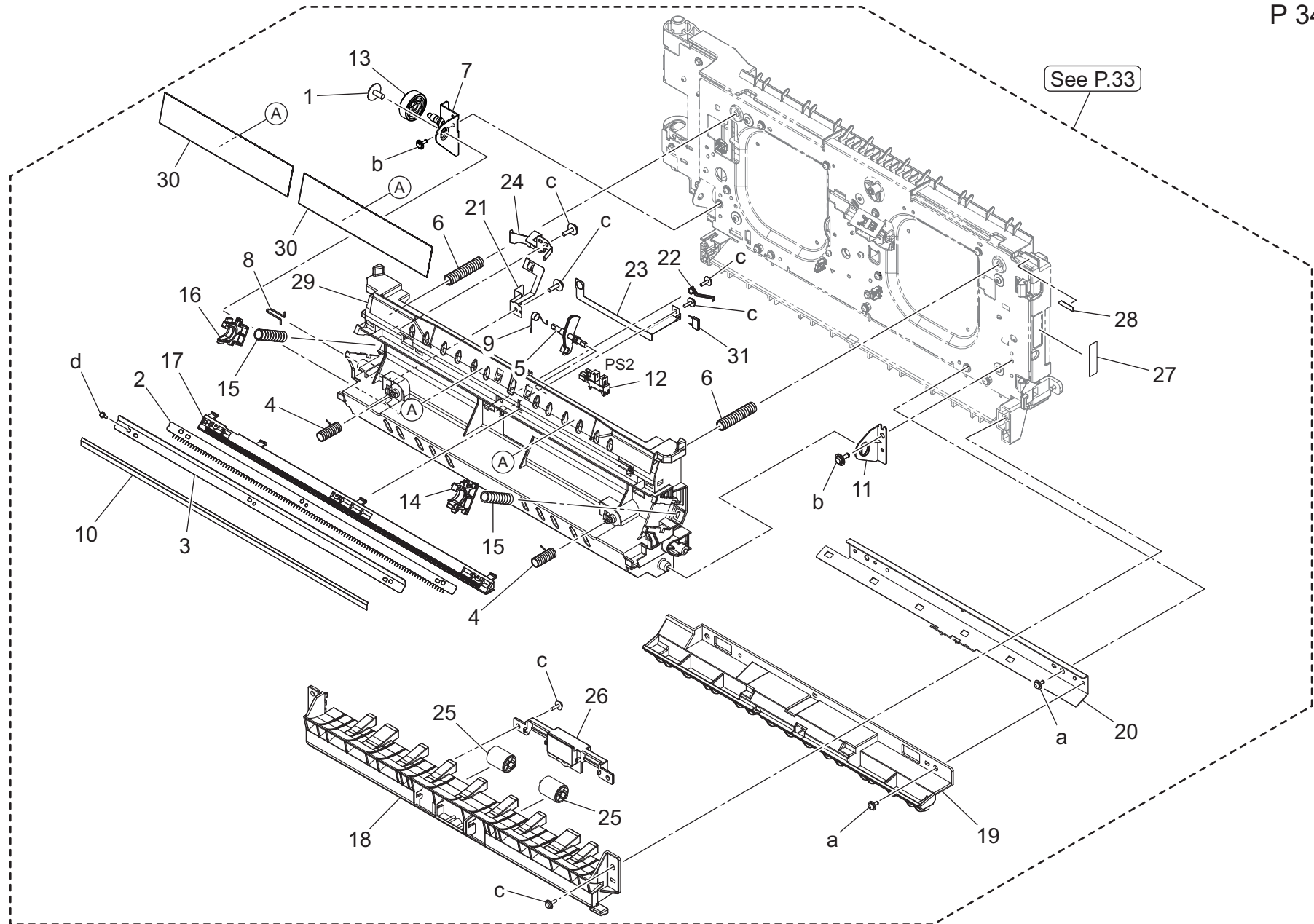
2nd Transfer Section



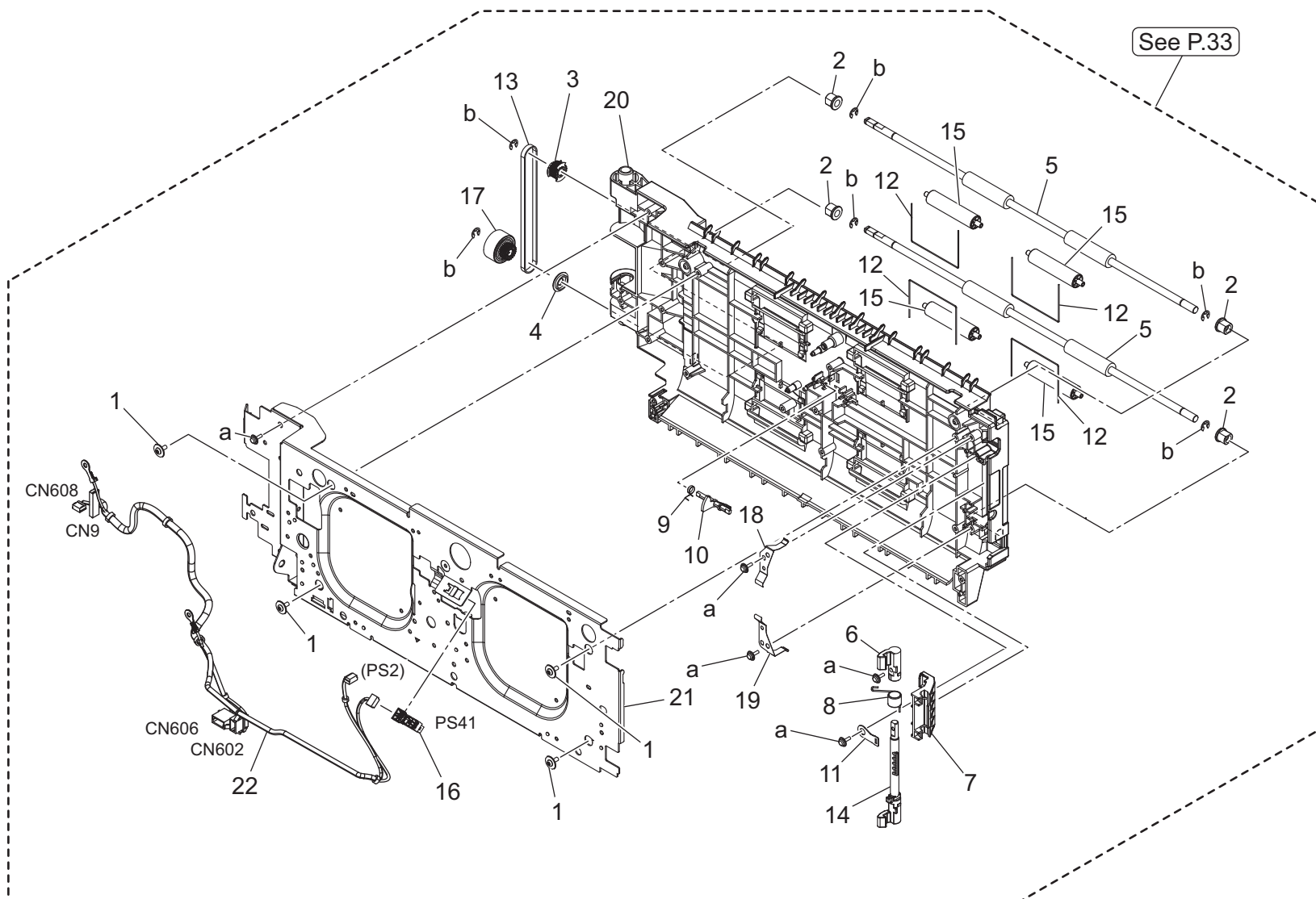
2nd Transfer Section

Key	Part No.	Description	Destinations	Class	QTY	Standard parts
1	AC76R70200	Vertical Conveyance Assy		S	1	a-V125030803
2	AA2J712300	Fixing Part /Lower		D	1	
3	A161104101	Adjusting Plate		D	1	
4	AA7NR70400	2nd Image Transfer Roller Assy		A	1	
5	AA7N701800	Protection Sheet		D	2	

2nd Transfer Section

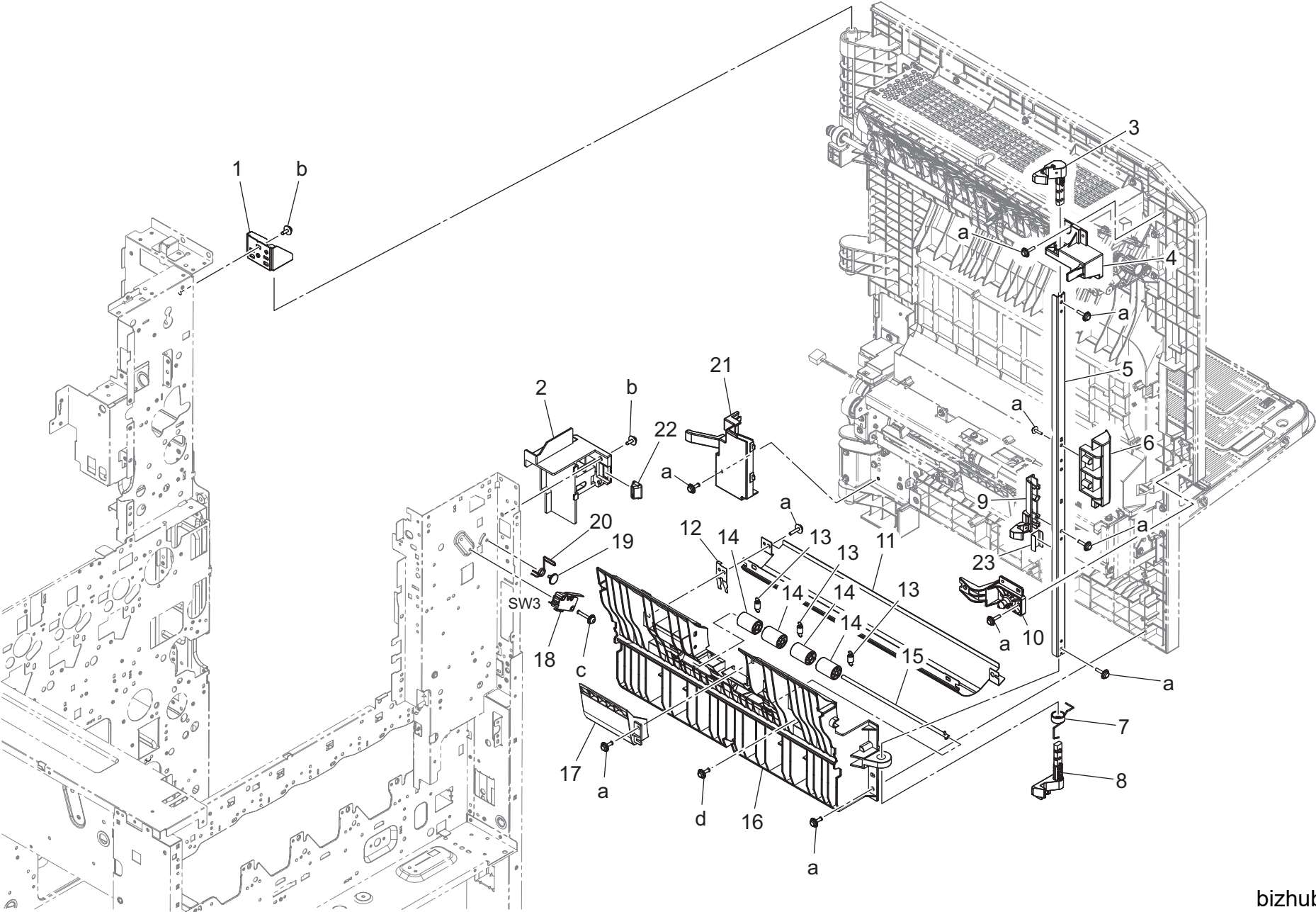


Key	Part No.	Description	Destinations	Class	QTY	Standard parts
1	4163529301	SCREW		C	1	a-V125030803 b-V144030803 c-V153030803 d-V162020504
2	A0ED550800	Neutralizing Part	除電部材	D	1	
3	A0ED550900	Mounting Plate	取付板 (除電上)	D	1	
4	A0ED551100	Compressing Coil spring	圧縮コイルばね (転前)	D	2	
5	A0ED703800	Actuator	アクチュエータ (ループセンサ)	D	1	
6	A161711200	Pressing Spring	押圧ばね	D	2	
7	A161711901	Support Plate /Rear	支点板/奥	D	1	
8	A161712401	Ground Spring /A	アースばね/ A	D	1	
9	A161712700	Spring /C	ばね/ C	D	1	
10	A5C1551701	Guide Seal	ガイドシール	D	1	
11	A5C1711801	Support Plate /Front	支点板/前	D	1	
12	A5C1M50100	Photointerrupter	透過型センサ	B	1	
13	A64J719100	Gear 23T	ギア 23 T	C	1	
14	AA2J550701	Transfer Holder /2	転写ホルダ/2 (前/ Front)	D	1	
15	AA2J551000	Compressing Coil spring /2	圧縮コイルばね/2	C	2	
16	AA2J551500	Transfer Holder /2	転写ホルダ/2 (後/ Rear)	D	1	
17	AA2J551600	Mounting Plate	取付板 (除電下)	D	1	
18	AA2J710302	Guide Plate /B	ガイド板/ B	D	1	
19	AA2J710602	Guide Plate /C	ガイド板/ C	D	1	
20	AA2J710701	Mounting Plate /C	取付板/ C	D	1	
21	AA2J710900	Ground Plate /A	アース板/ A (2次接点)	D	1	
22	AA2J711000	Ground Spring /B	アースばね/ B	D	1	
23	AA2J712500	Plate spring	板ばね (転前アース)	D	1	
24	AA2J715100	Ground Plate /C	アース板/ C	D	1	
25	AA2J716000	Roll	ころ	C	2	
26	AA2J716100	Holder	ホルダ (コロ)	D	1	
27	AA2J946400	Label	ラベル (M 3)	C	1	
28	AA2J946500	Label	ラベル	D	1	
29	AA2J710101	Holder /A	ホルダ/ A	D	1	
30	AA7N710801	Guide Sheet	ガイドシート (t = 0. 1)	D	2	
31	V800500300	FIXED POWER RESISTORS	固定抵抗器	D	1	



Key	Part No.	Description	Destinations	Class	QTY	Standard parts
1	4163529301	SCREW		C	4	a-V153030803 b-V217040003
2	A02E815200	BUSHING		C	4	
3	A0ED811700	Pulley 22T		C	1	
4	A0ED811900	Collar		D	1	
5	A161710500	Roller /A		D	2	
6	A161711300	Lock Shaft /A		C	1	
7	A161711600	Open/close Lever		C	1	
8	A161711700	Spring /B		C	1	
9	A161712800	Spring /D		D	1	
10	A161713500	Actuator		C	1	
11	A161714500	Fixing Part		D	1	
12	A161714600	Conveyance Spring /B		D	4	
13	A161719000	Drive Belt 266L		C	1	
14	A5C1711500	Lock Shaft		C	1	
15	A161825700	Idler Roller /A		D	4	
16	A5C1M50100	Photointerrupter		B	1	
17	A64J709100	Gear 22/23T		C	1	
18	A161712000	Ground Plate /D		D	1	
19	A161712100	Ground Plate /E		D	1	
20	AA2J710204	Guide Plate /A		D	1	
21	AA2J710402	Mounting Plate		D	1	
22	AA7RN10K00	Conveyance Harness /2		D	1	

Vertical Conveyance Section

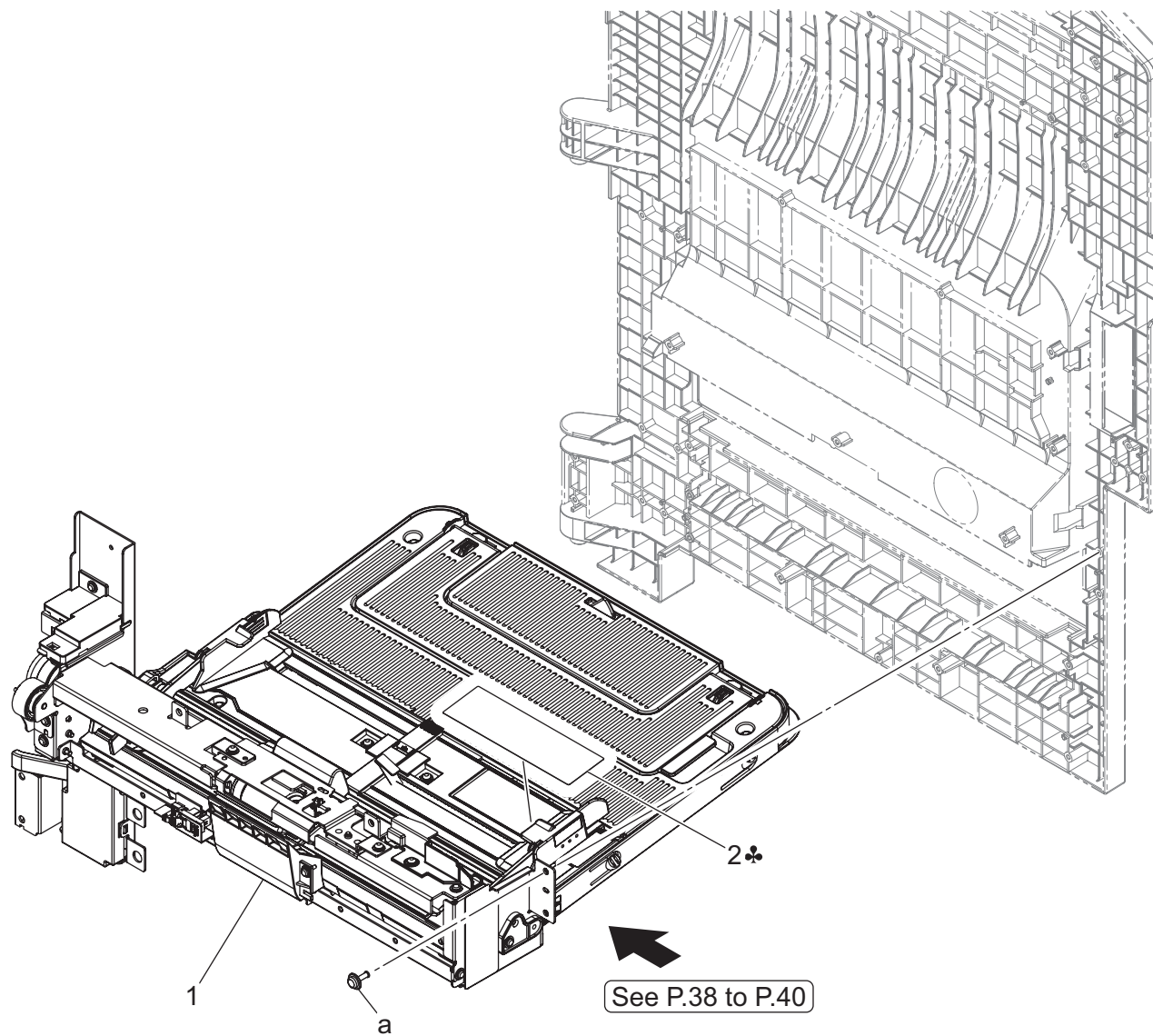


Vertical Conveyance Section

Key	Part No.	Description	Destinations	Class	QTY	Standard parts
1	A161121300	Adjusting Plate		D	1	a-V153030803 b-V125030803 c-V116031603 d-V144030803
2	AA2J121201	Holder		D	1	
3	AA2J712100	Lock Claw /Upper		C	1	
4	A161811500	Support Part /Upper		D	1	
5	A161811001	Lock Plate		D	1	
6	A5C1811101	Open/close Handle		C	1	
7	A161815900	Torsion Coil spring		C	1	
8	AA2J811600	Lock Claw /Lower		C	1	
9	AA2J815200	Lock /Middle		C	1	
10	A161811302	Lock Part /Lower		D	1	
11	A161815000	Guide Door		D	1	
12	A161816200	Ground Guide		D	1	
13	A64J815500	Pulling Spring		C	3	
14	A161815400	Roll		C	4	
15	A161815300	Shaft		D	1	
16	A161810305	Guide Plate /2		D	1	
17	AA7N590500	Paper feed Guide		D	1	
18	9J06M60100	MICRO SWITCH		C	1	
19	A161137100	Shoulder screw		D	1	
20	A161151200	Torsion Coil spring		D	1	
21	A161592900	Wiring Cover /B		D	1	
22	A79J122200	Collar		D	1	
23	AA2J812100	Protection Sheet		D	1	

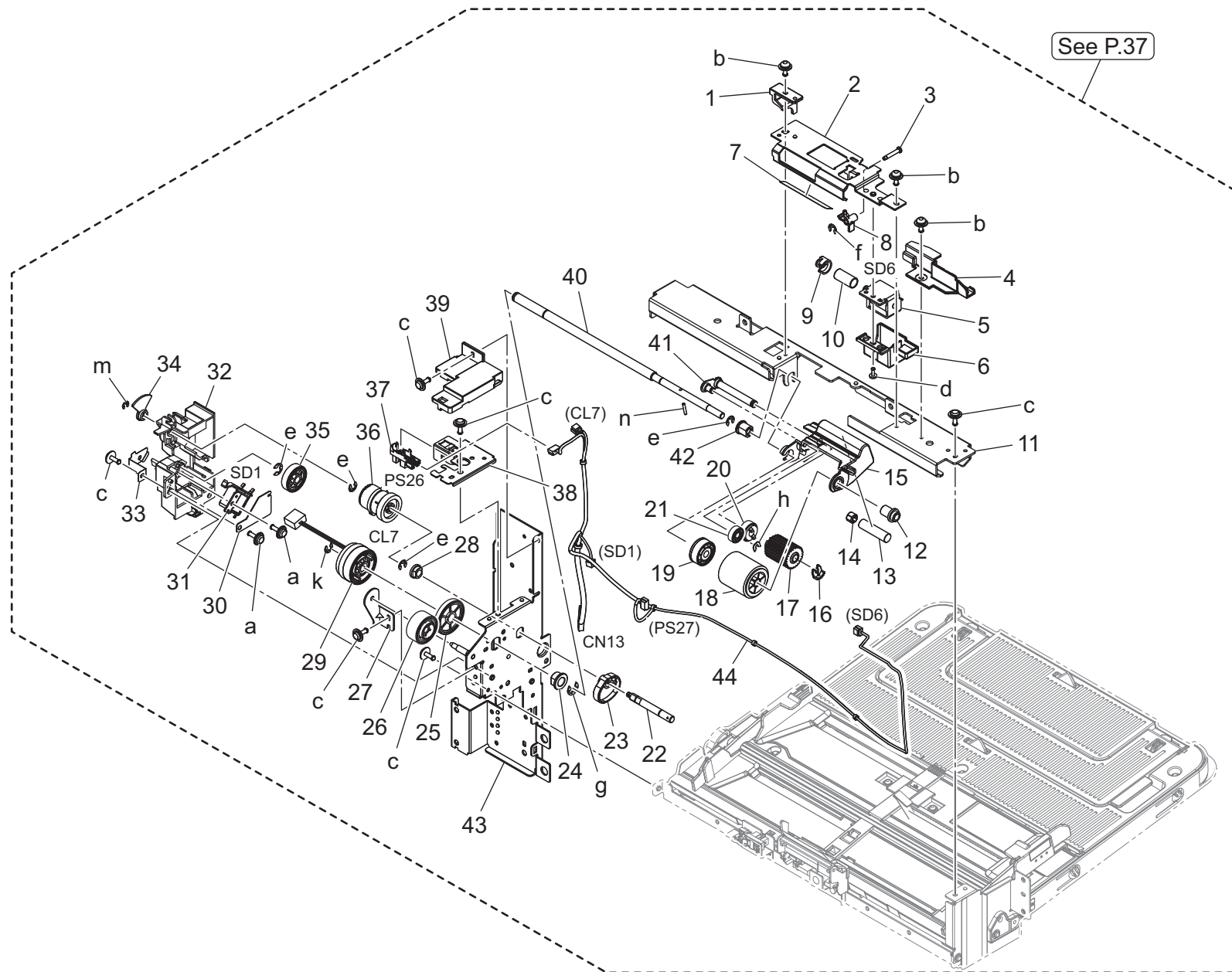
Bypass Tray Section

P 37



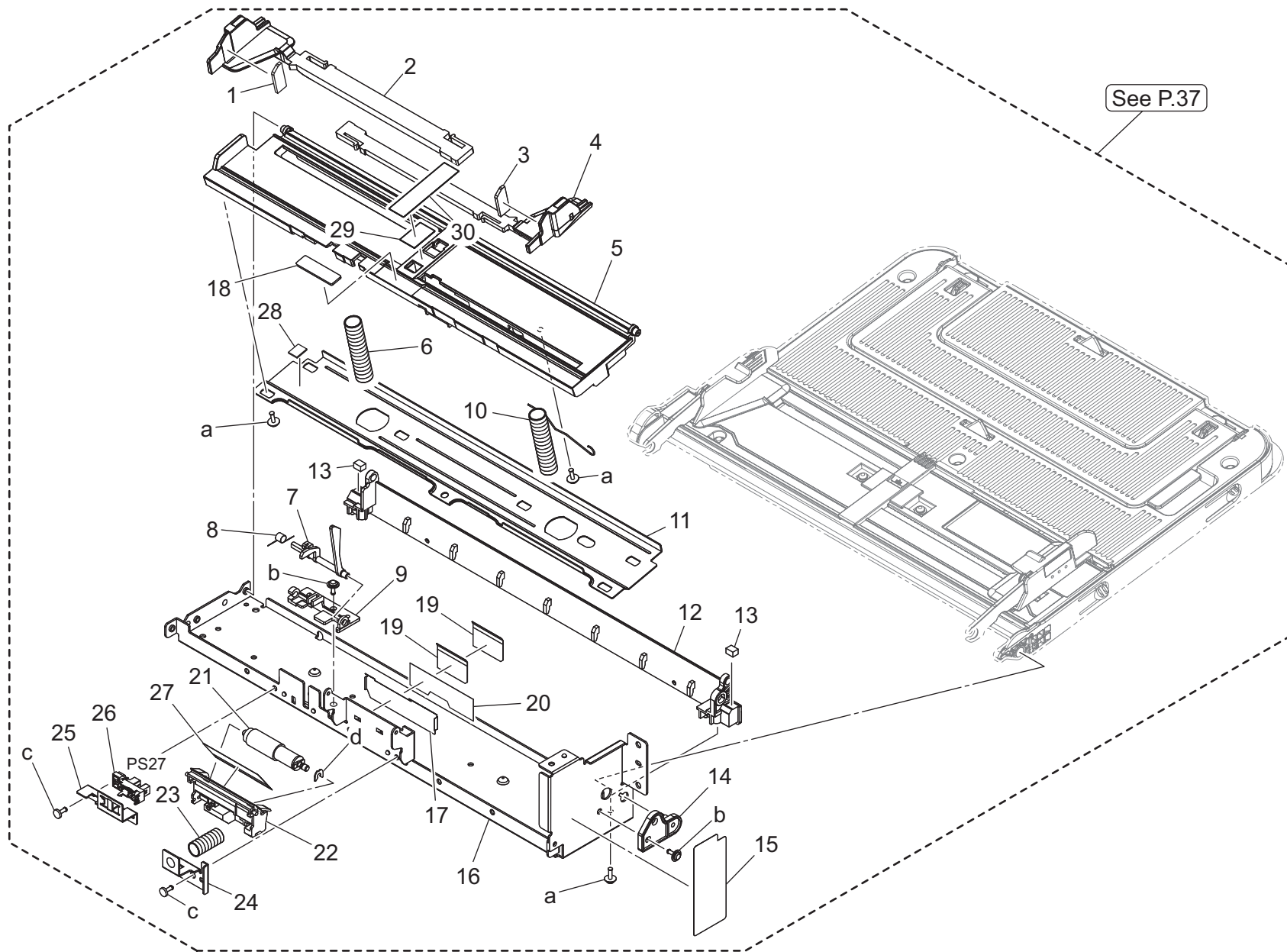
Bypass Tray Section

Key	Part No.	Description	Destinations	Class	QTY	Standard parts
1	AA7NR72312	Manual Feed Tray Assy		S	1	a-V153030803
2	AA2J944100	Label	手差し A s s y ラベル (手差し・メトリック)	D	1	
2	AA2J944200	Label	ラベル (手差し・インチ)	D	1	



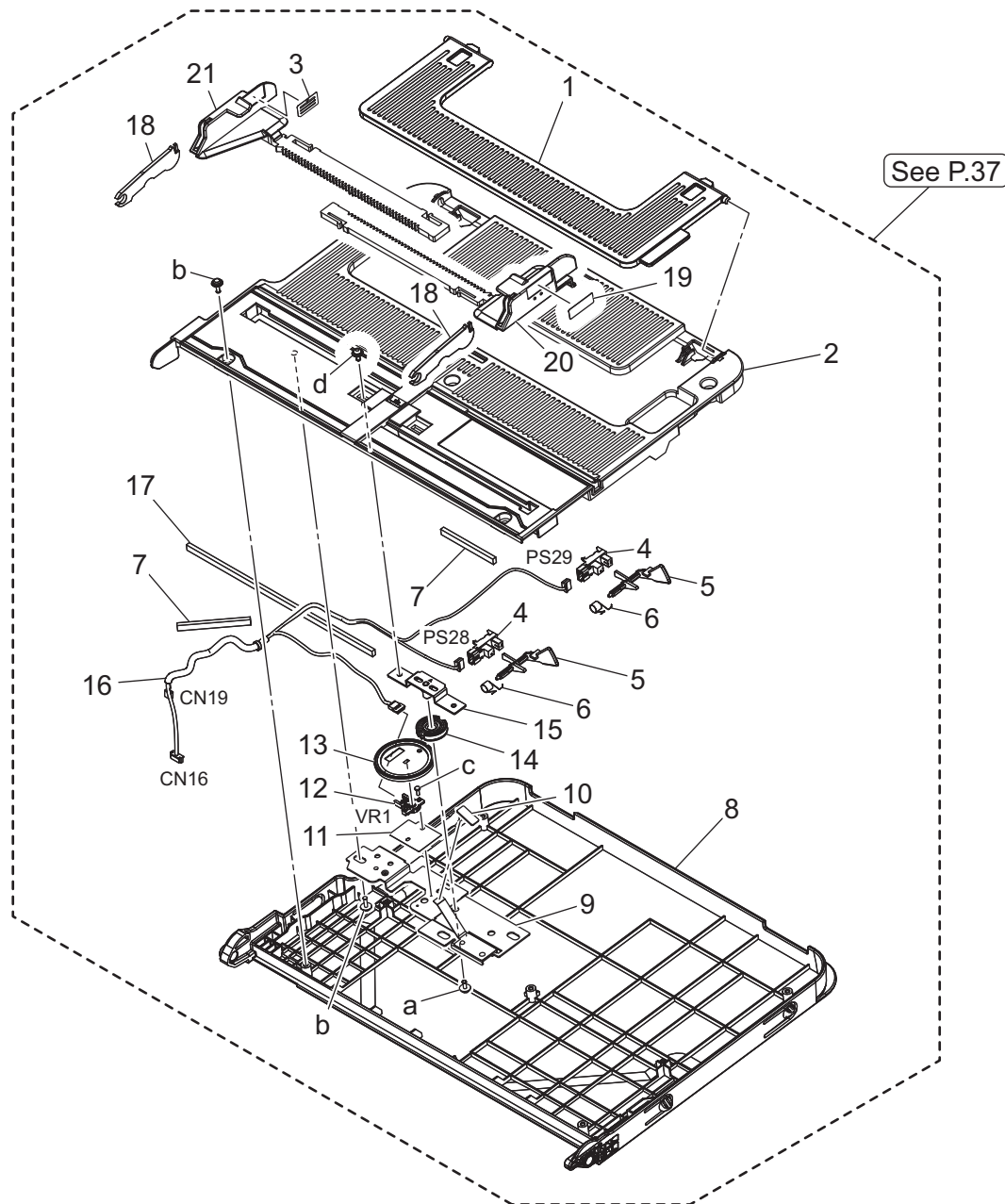
Key	Part No.	Description	Destinations	Class	QTY	Standard parts
1	AA2J590900	Holding Plate		D	1	a-V153030803
2	AA2J590300	Reinforce Plate		D	1	b-V125030803
3	AA2J591600	Shaft		D	1	c-V144030803
4	AA2J593700	Wiring Cover /Front		D	1	d-V126030803
5	A034M20100	Conveyance Solenoid		C	1	e-V217040003
6	AA2J592401	Cover		D	1	f-V217020003
7	A161594700	Guide Sheet		C	1	g-V217060003
8	AA2J592301	Lifting Lever		D	1	h-V218030086
9	AA2J593100	Pressing Holder		D	1	k-V217050003
10	AA2J594301	Compressing Coil spring		C	1	m-V217030003
11	AA2J590202	Paper feed Frame		D	1	n-V234201250
12	AA2J592701	Bushing		D	1	
13	AA2J591900	Weight		D	1	
14	AA2J595000	Cover		D	1	
15	AA2J592000	Paper feed Holder		D	1	
16	56AA40490	SHAFT STOPPER 4		C	1	
17	A5C1562200	Roller		A	1	
18	A00F623201	Roller		B	1	
19	AA2J592600	Gear 42T		C	1	
20	AA2J592100	Gear 32T		C	1	
21	AA2J592200	Idling Gear 26T		C	1	
22	A161591400	Drive Shaft		D	1	
23	A161593300	Paper feed Cam		C	1	
24	AA2J592900	Slide Bearing		D	1	
25	A02E596100	Gear 30T		C	1	
26	AA2J593800	Bypass Gear 24T		C	1	
27	A161590600	Reinforce Plate		D	1	
28	A02E596300	Bushing		C	1	
29	A02EM20100	Clutch		B	1	
30	A0ED597800	Cover		D	1	
31	9321240011	SOLENOID		C	1	
32	A5C1591200	Drive Cover		D	1	
33	A7PU596900	Auxiliary Cover		D	1	
34	A161591300	Light blocking Plate		C	1	
35	A02E595400	Gear 22T		C	1	
36	A02E595100	Clutch assy		C	1	
37	A5C1M50100	Photointerrupter		B	1	
38	A5C1591900	Mounting Plate		D	1	
39	A161592800	Wiring Cover /A		D	1	
40	AA2J591500	Paper feed Shaft		D	1	
41	AA2J591000	Mounting Plate /ASSY		D	1	
42	AA2J592800	Bushing		D	1	
43	A161F59002	Caulking(Mounting Plate Drive Frame)		D	1	
44	AA2JN10S00	Paperfeed Wiring /4		D	1	

Bypass Tray Section



Key	Part No.	Description	Destinations	Class	QTY	Standard parts
1	A161594500	Brake Part		C	1	a-V153030803 b-V144030803 c-V126030803 d-V218030086
2	AA2J593200	Regulating Plate /R		C	1	
3	A161594600	Brake Part /F		C	1	
4	AA2J593301	Regulating Plate /L		C	1	
5	AA2J593000	Lifting Plate		D	1	
6	A161593400	Compressing Coil spring		C	1	
7	A161590901	Actuator		C	1	
8	A161591000	Torsion Spring		C	1	
9	A161591100	Sensor Holder		D	1	
10	A161593600	Compressing Coil spring		C	1	
11	A7PU596800	Mounting Plate		D	1	
12	A161590304	Support Holder		D	1	
13	A161594201	Cushion		D	2	
14	A161591600	Hold Plate		C	1	
15	AA2J594500	Protection Seal /Front		D	1	
16	AA2J590100	Bypass Frame		D	1	
17	A161595300	Separating Plate		C	1	
18	A7PU594000	Separating Sheet		C	1	
19	AA7N595100	Guide		C	2	
20	A161595100	Seal		C	1	
21	AA7N591100	Roller /ASSY		A	1	
22	A161595000	Holder		D	1	
23	AA2J594201	Compressing Coil spring		C	1	
24	A161595400	Hold Plate		D	1	
25	A161591800	Sensor Holder		D	1	
26	A5C1M50100	Photointerrupter		B	1	
27	A02E597600	Guide		C	1	
28	A161825301	Cushion /A		D	1	
29	AA7N591200	Sheet /1		D	1	
30	AA7N591300	Sheet /2		D	1	

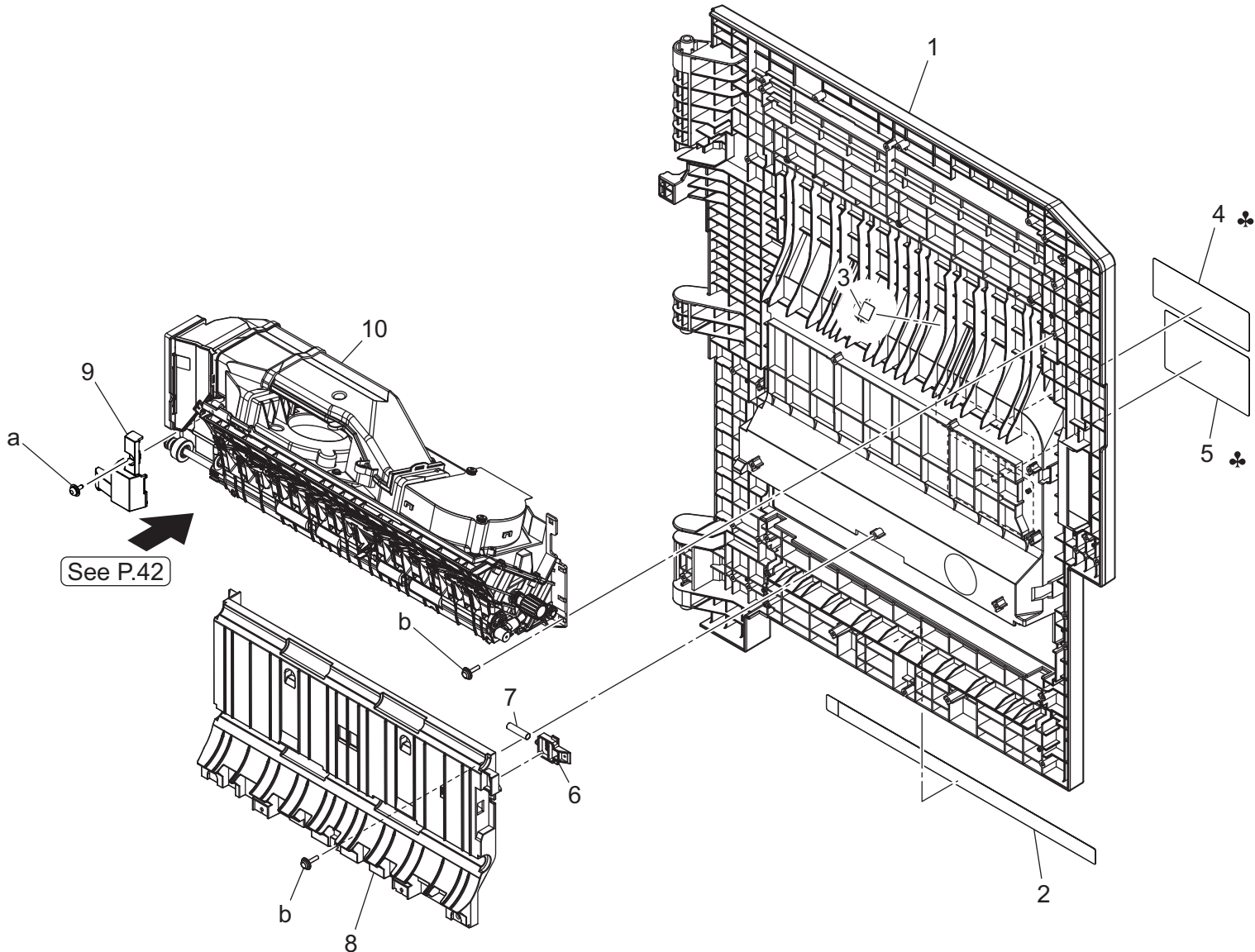
Bypass Tray Section



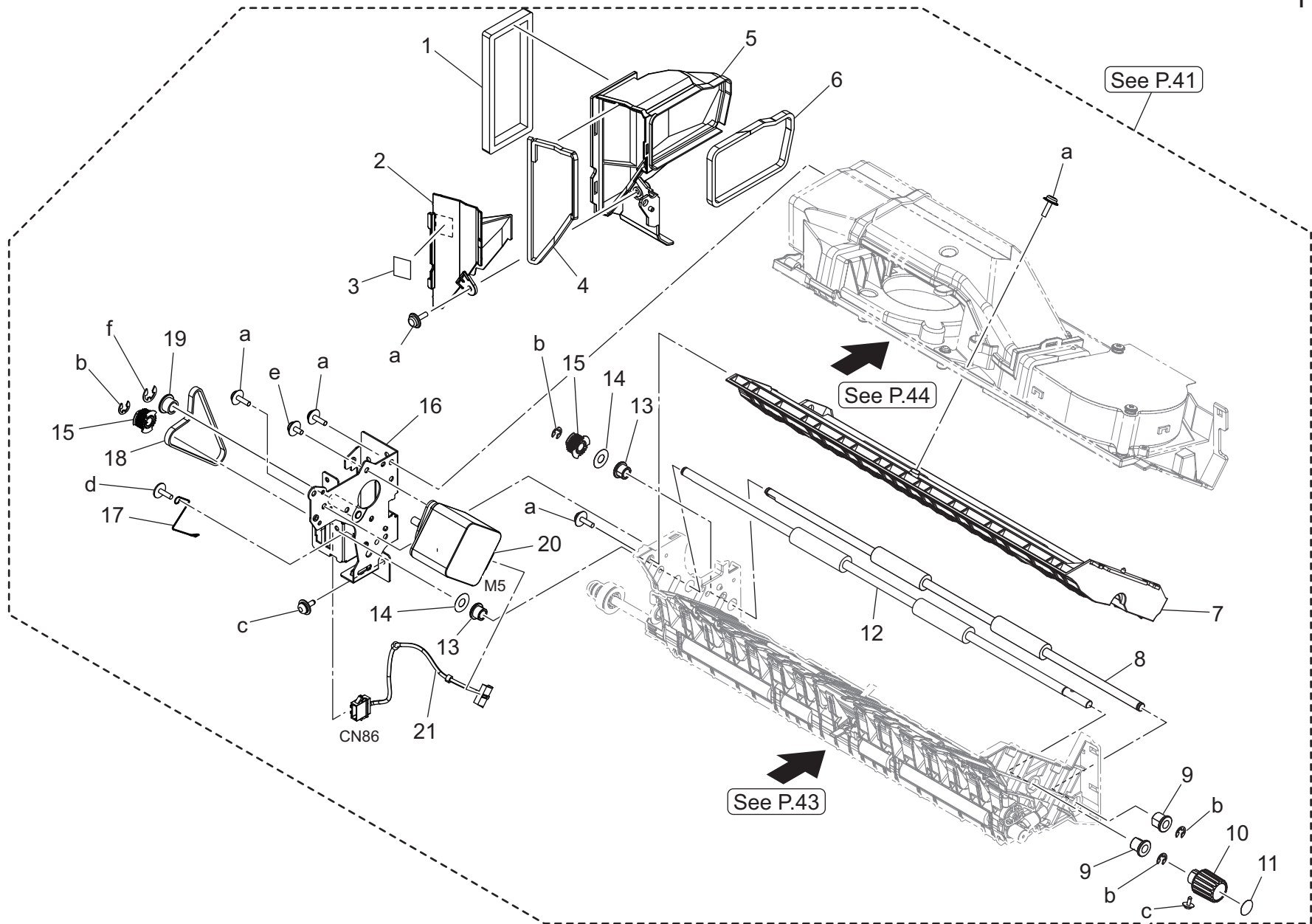
Bypass Tray Section

Key	Part No.	Description	Destinations	Class	QTY	Standard parts
1	A161592200	Auxiliary Tray		C	1	a-V125030803 b-V153030803 c-V111170403 d-V116030603
2	AA2J593900	Bypass Tray /Upper		D	1	
3	AA2J944500	Label		C	1	
4	A5C1M50100	Photointerrupter		B	2	
5	A161592400	Actuator		C	2	
6	A161592501	Torsion Spring		C	2	
7	A161592600	Holding Cover /2		D	2	
8	AA2J593601	Bypass Tray		D	1	
9	A7PU593700	Mounting Plate		D	1	
10	A161593800	Friction Plate		C	1	
11	A7PU599300	Insulating Sheet		D	1	
12	A161M50400	VR		D	1	
13	A161594300	Regulating Gear 41T		C	1	
14	A7PU593500	Gear		C	1	
15	A7PUF60001	Mounting Plate		D	1	
16	A7PUN10B01	Harness/ Sensor		D	1	
17	A161592300	Holding Cover		D	1	
18	A7PU595500	Lever		C	2	
19	A7PU944900	Label		C	1	
20	AA2J593400	Regulating Plate /F		C	1	
21	AA2J593500	Regulating Plate /R		C	1	

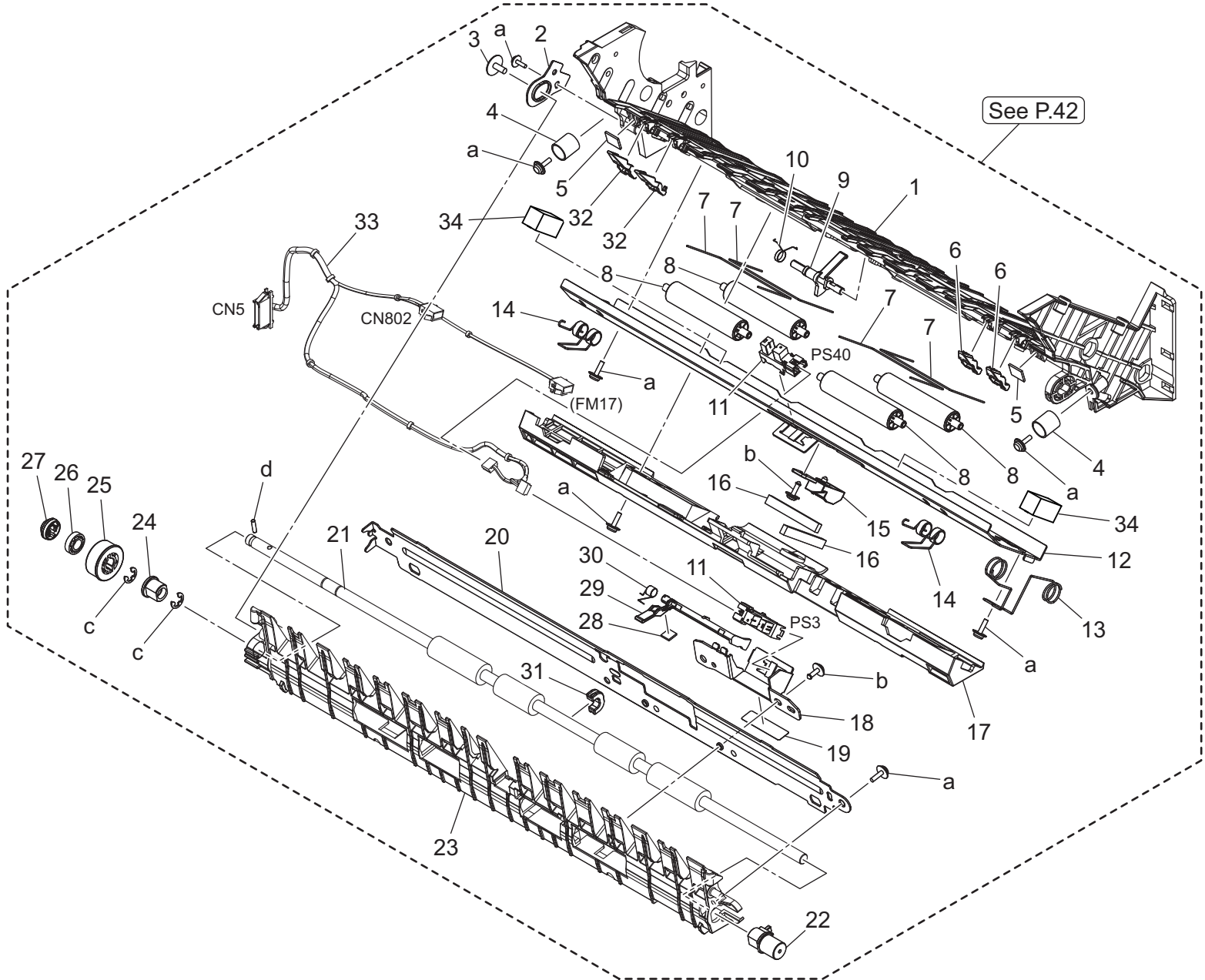
Reverse Section



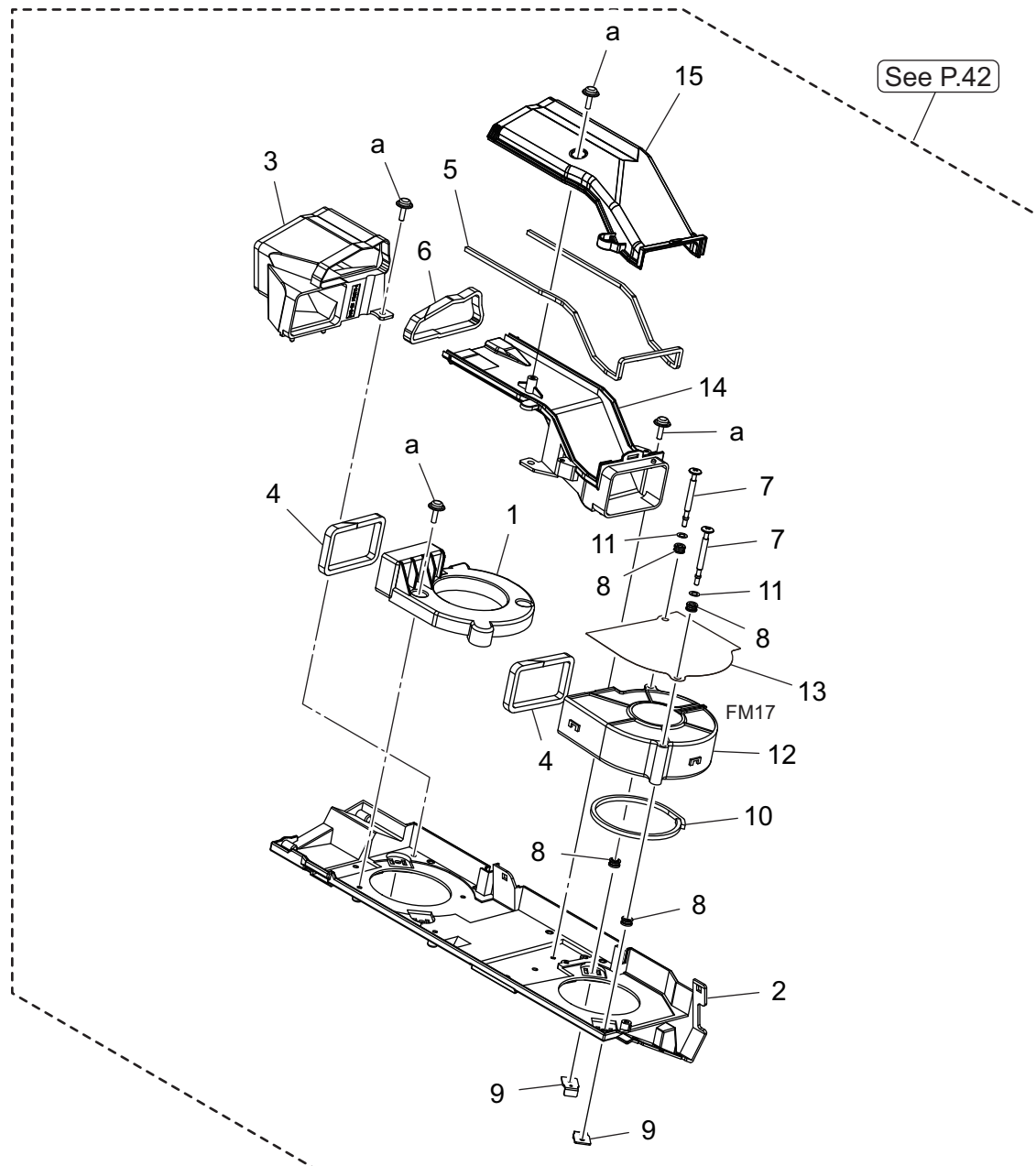
Reverse Section



Reverse Section

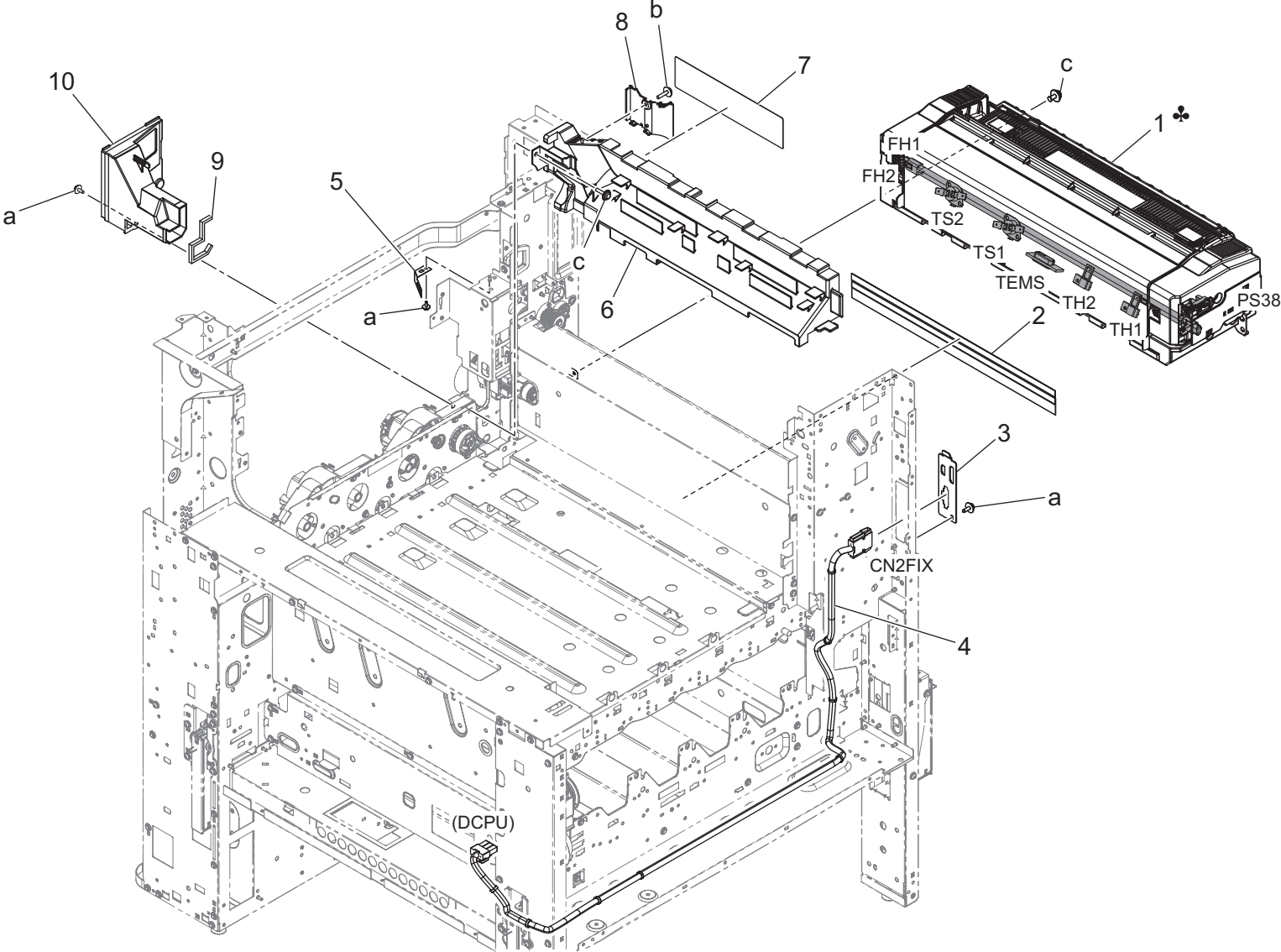


Key	Part No.	Description	Destinations	Class	QTY	Standard parts
1	A79J811700	Guide Plate		D	1	a-V153030803 b-V144030803 c-V217040003 d-V234200850
2	A161814401	Mounting Plate /3	取付板 / 3	D	1	
3	4163529301	SCREW	ねじ	C	1	
4	A161813600	Pressing Spring /A	押圧ばね / A	C	2	
5	A161825301	Cushion /A	クッション / A	D	2	
6	A5C1811803	Guide Plate /Front	ガイド板 / 前	D	2	
7	A0ED815100	Holding Part	押さえ材 (ADU 第 1 R)	D	4	
8	A161825700	Idle Roller /A	従動ローラ / A	D	4	
9	A161813200	Actuator	アクチュエータ (ADU 上 JAM 検)	C	1	
10	A161712800	Spring /D	ばね / D	D	1	
11	A5C1M50100	Photointerrupter	透過型センサ	B	2	
12	A79J810902	Mounting Plate	取付板	D	1	
13	A5C1814200	Contact /A	接点 / A	D	1	
14	A161813400	Torsion Coil spring	ねじりコイルばね (ガイド押さえ)	D	2	
15	A161825400	Wiring Part	配線部材	D	1	
16	A161825800	Cushion /B	クッション / B	D	2	
17	AA7R813900	Cover /A	カバー / A	D	1	
18	AA2J825100	Mounting Plate /4	取付板 / 4	D	1	
19	A79J821000	Protection Part	保護部材	C	1	
20	AA2J810800	Mounting Plate /2	取付板 / 2	D	1	
21	AA2J810611	Roller /1	ローラ / 1	C	1	
22	AA2J814500	Bushing	すべり軸受 (排紙前)	D	1	
23	AA2J810511	Guide Plate /4	ガイド板 / 4 (排紙前)	D	1	
24	A02E815200	BUSHING	軸受	C	1	
25	A161819200	Gear 18T	ギア 18 T	C	1	
26	A5C1825000	Bushing	すべり軸受	C	1	
27	A161825000	Bushing	すべり軸受 (排紙ドッキング丸 2)	C	1	
28	A161826001	Cushion /B	クッション / B	D	1	
29	A161813001	Actuator	アクチュエータ (排紙 JAM 検)	C	1	
30	A161813100	Torsion Coil spring	ねじりコイルばね (排紙 JAM 検)	C	1	
31	A161819500	Bushing /C	すべり軸受 / C	C	1	
32	A5C1811901	Guide Plate /Rear	ガイド板 / 奥	D	2	
33	AA7NN10N00	Conveyance Harness /3	搬送束線 / 3 (TOP)	D	1	
34	A79JM90900	Gasket	ガスケット	D	2	



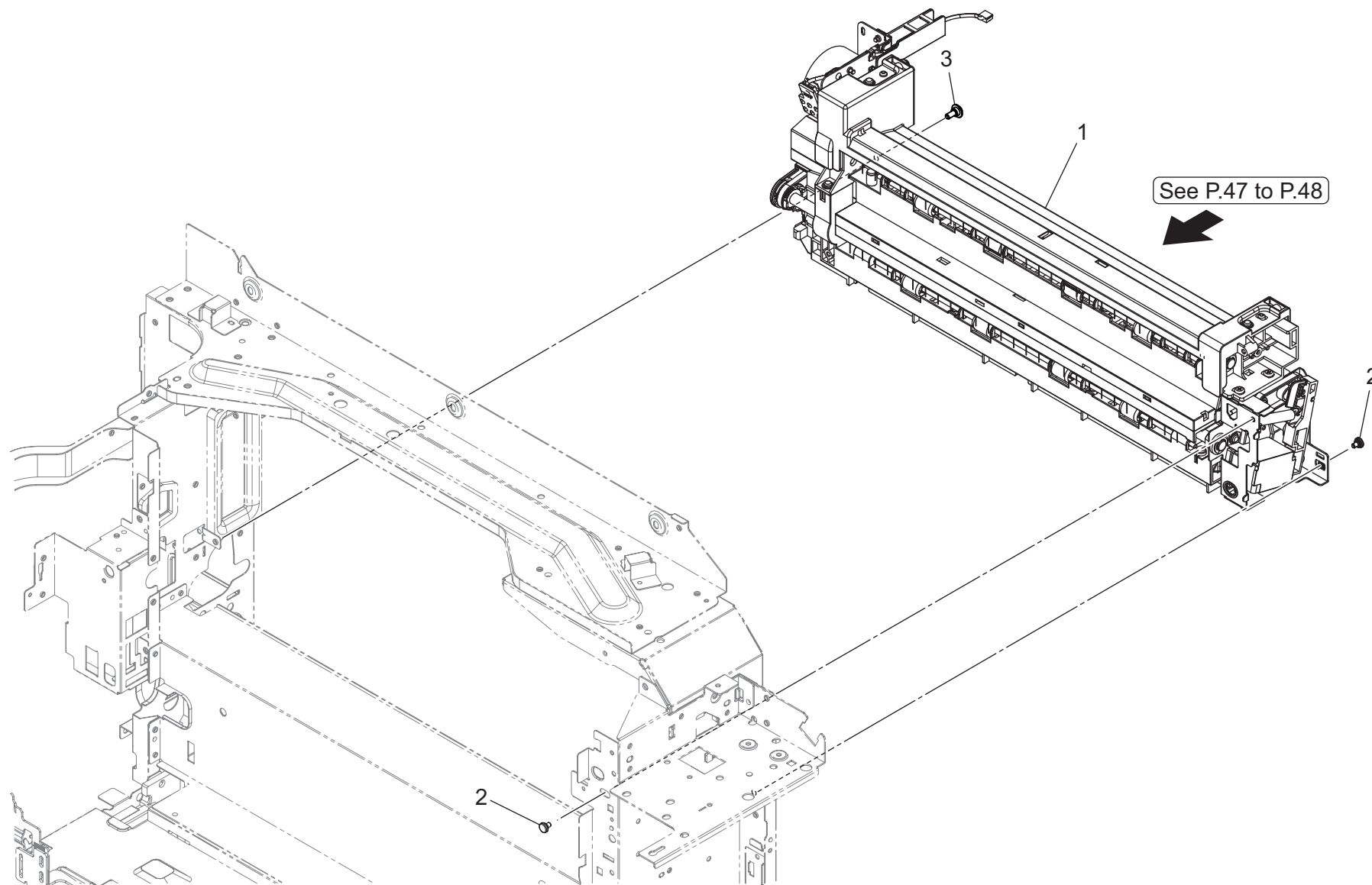
Key	Part No.	Description	Destinations	Class	QTY	Standard parts
1	A79J829900	Cover		D	1	a-V153030803
2	A79J830001	Holder		D	1	
3	A79J830100	Duct		D	1	
4	A79J831000	Cushion		C	2	
5	A79J831200	Cushion		C	1	
6	A79J831300	Cushion		C	1	
7	A79J832000	Shoulder screw		C	2	
8	A79J832100	Support Rubber		D	4	
9	A79J832200	Mounting Plate		D	2	
10	A79J832300	Seal		C	1	
11	A79J832400	Washer		C	2	
12	A93EM10600	Fan motor		C	1	
13	A9HG830701	Cover		D	1	
14	AA7N830200	Duct		D	1	
15	AA7N830300	Duct		D	1	

Fusing Section



Paper Exit Section

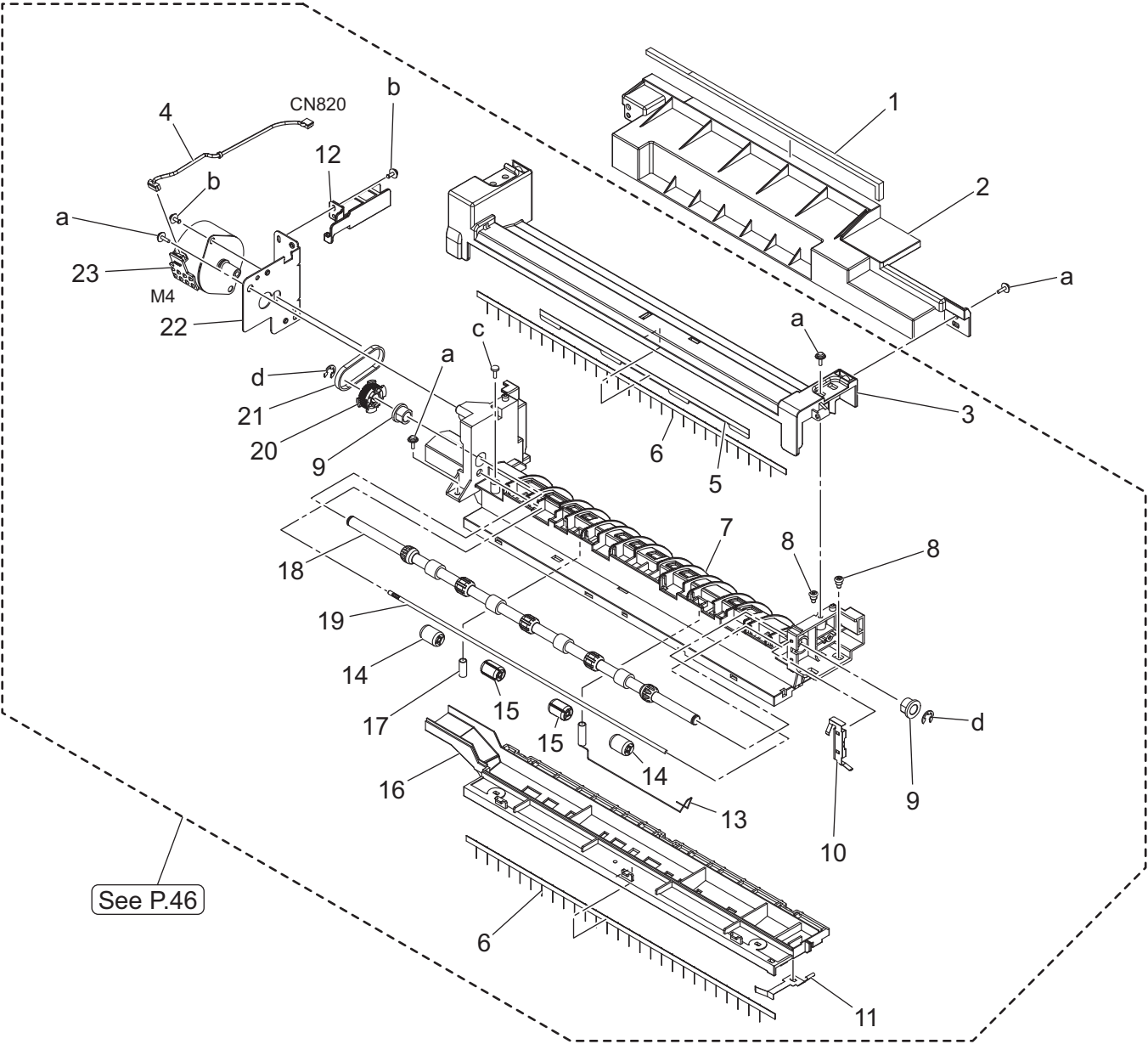
P 46



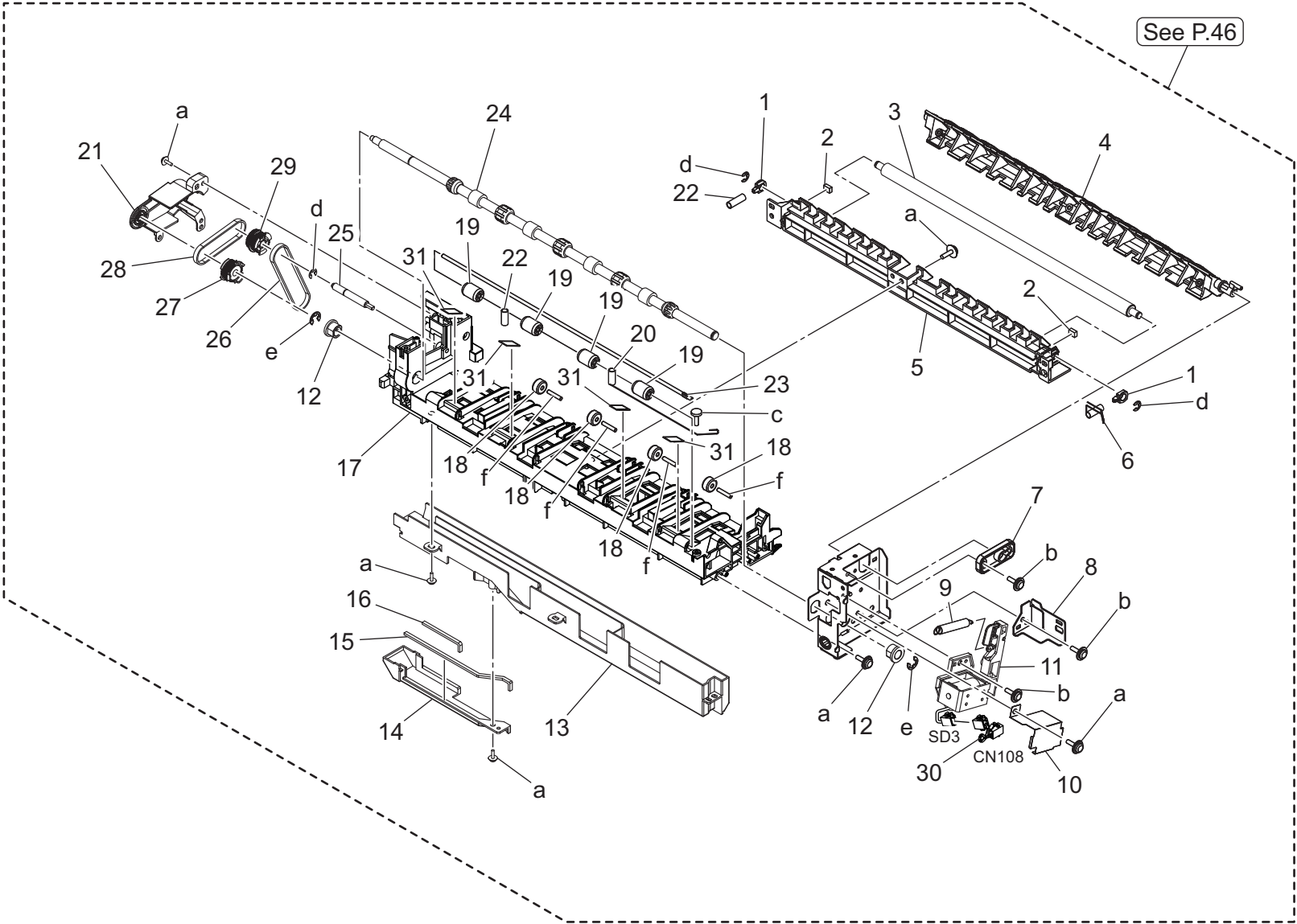
Paper Exit Section

Key	Part No.	Description	Destinations	Class	QTY	Standard parts
1	AA7NR72122	Paper Exit Assy		S	1	
2	A0P0742300	Shoulder screw		C	2	
3	A00J169300	Shoulder screw		C	1	

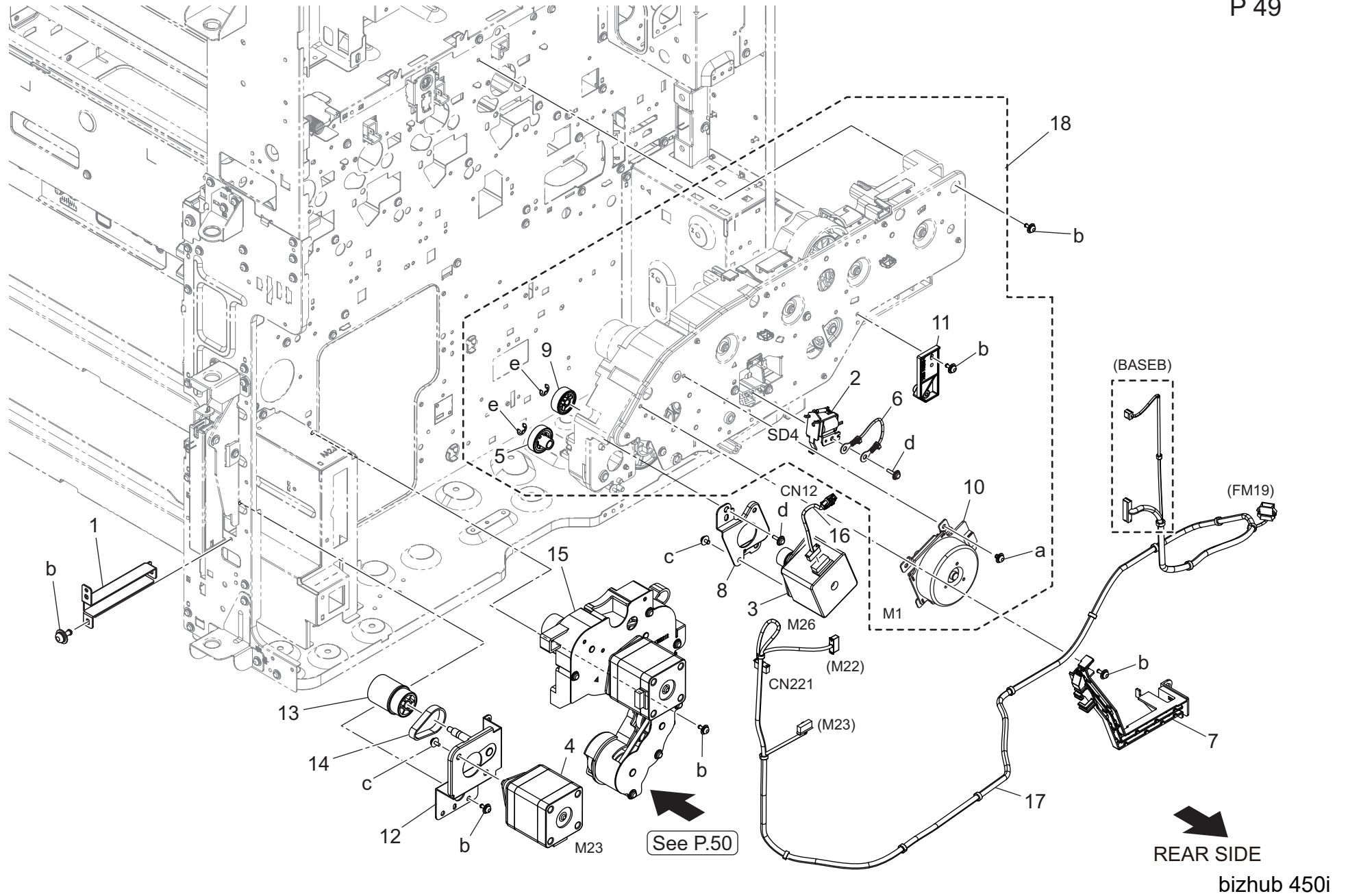
Paper Exit Section

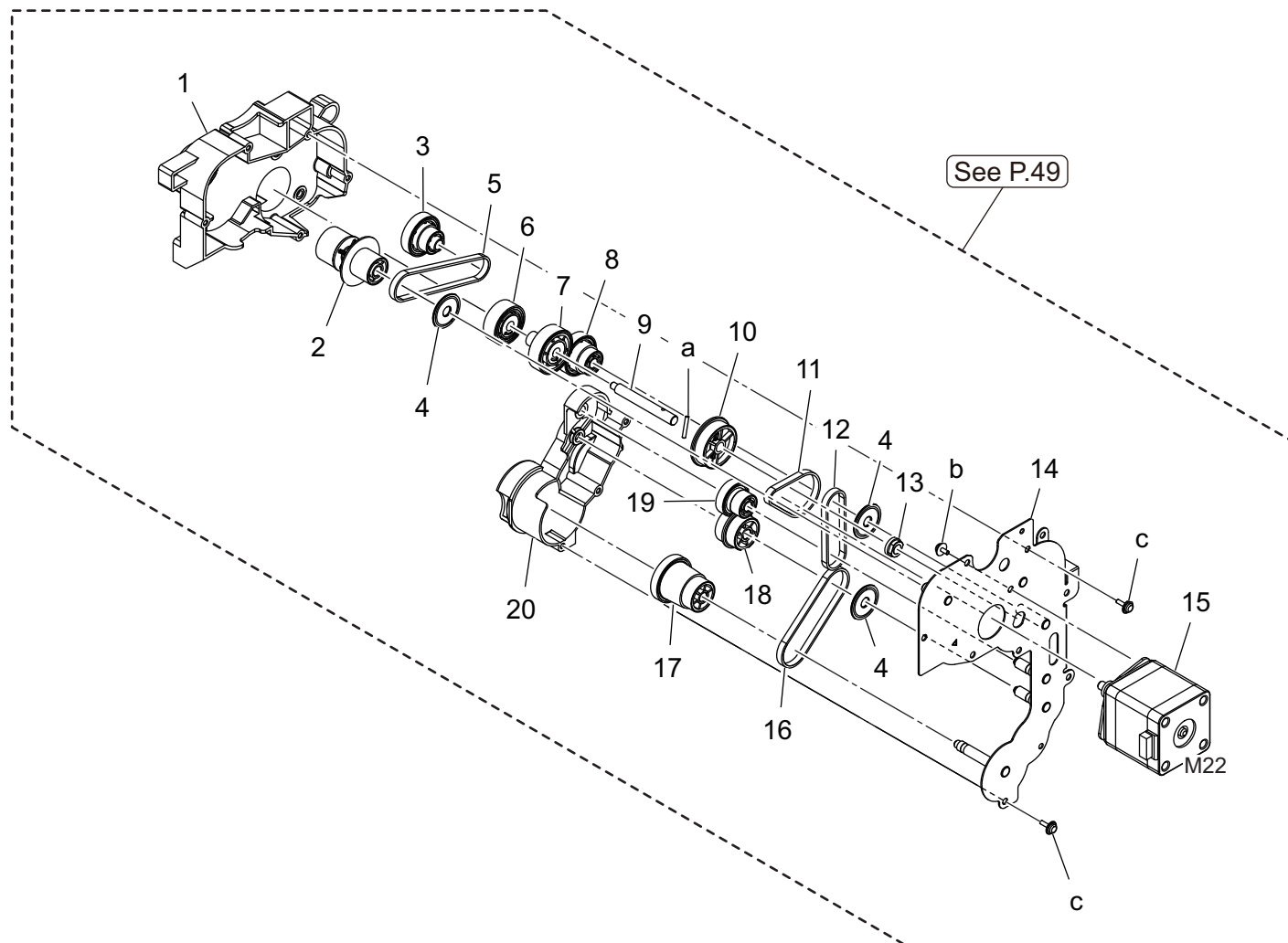


Paper Exit Section



Drive Section

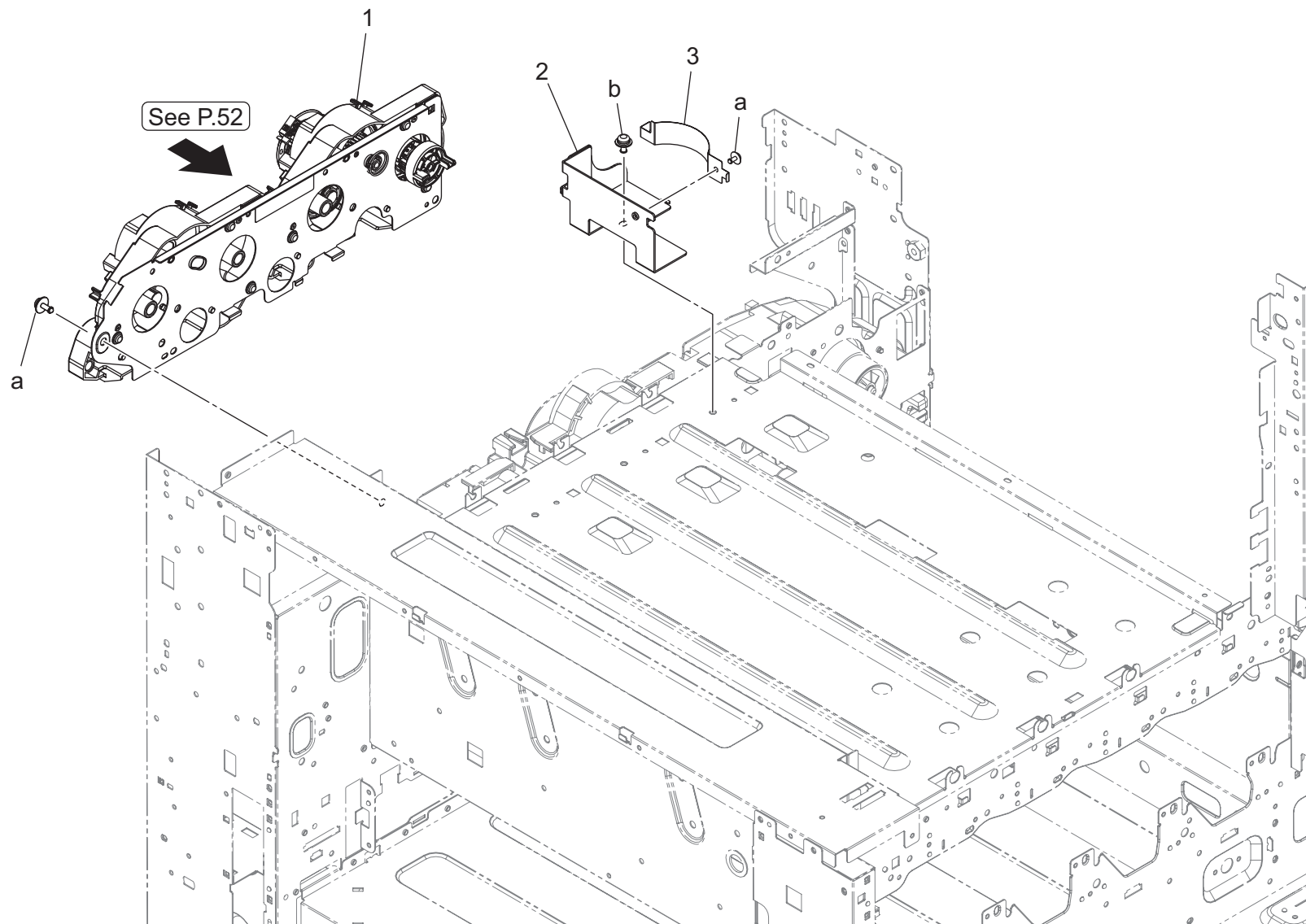


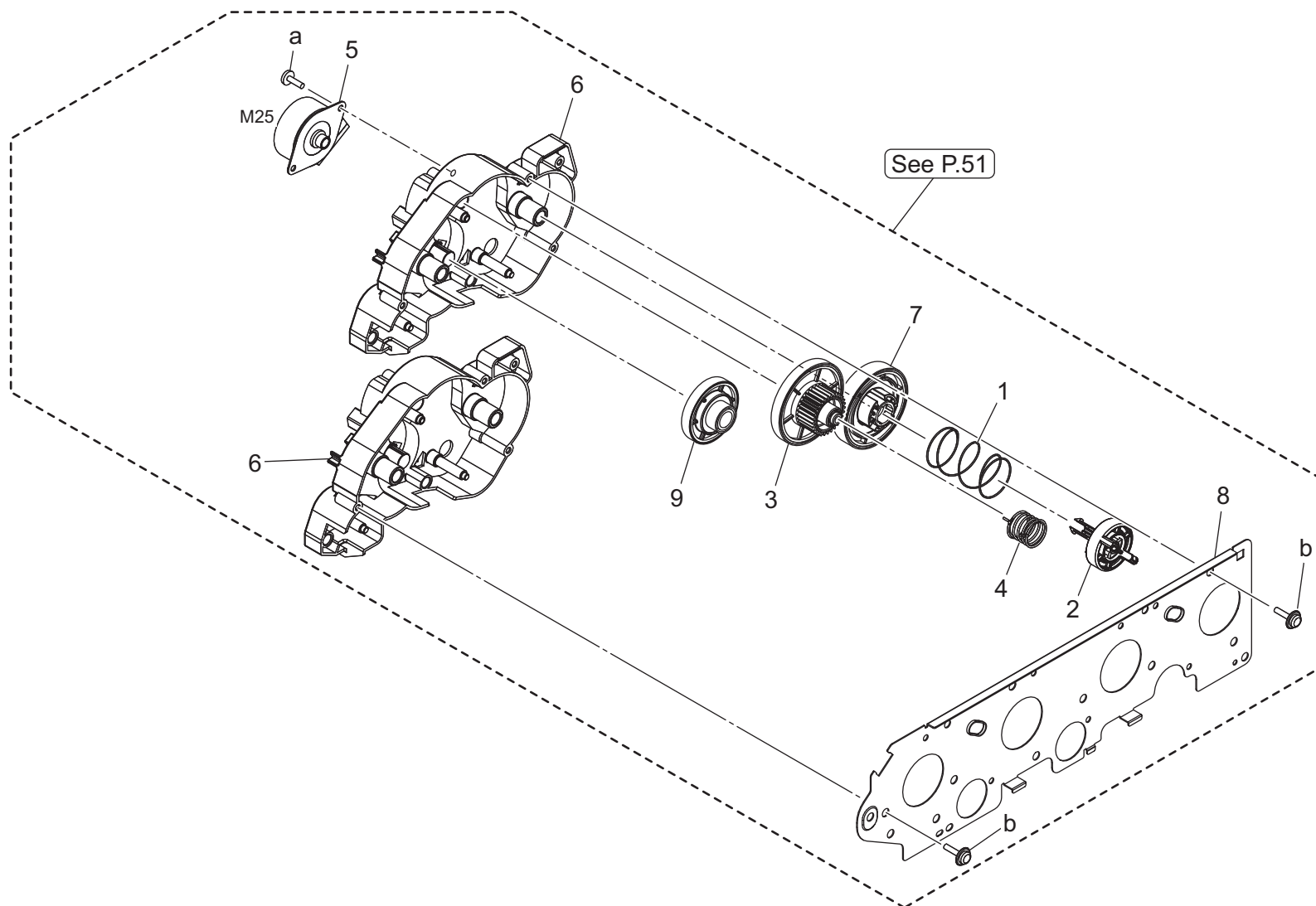


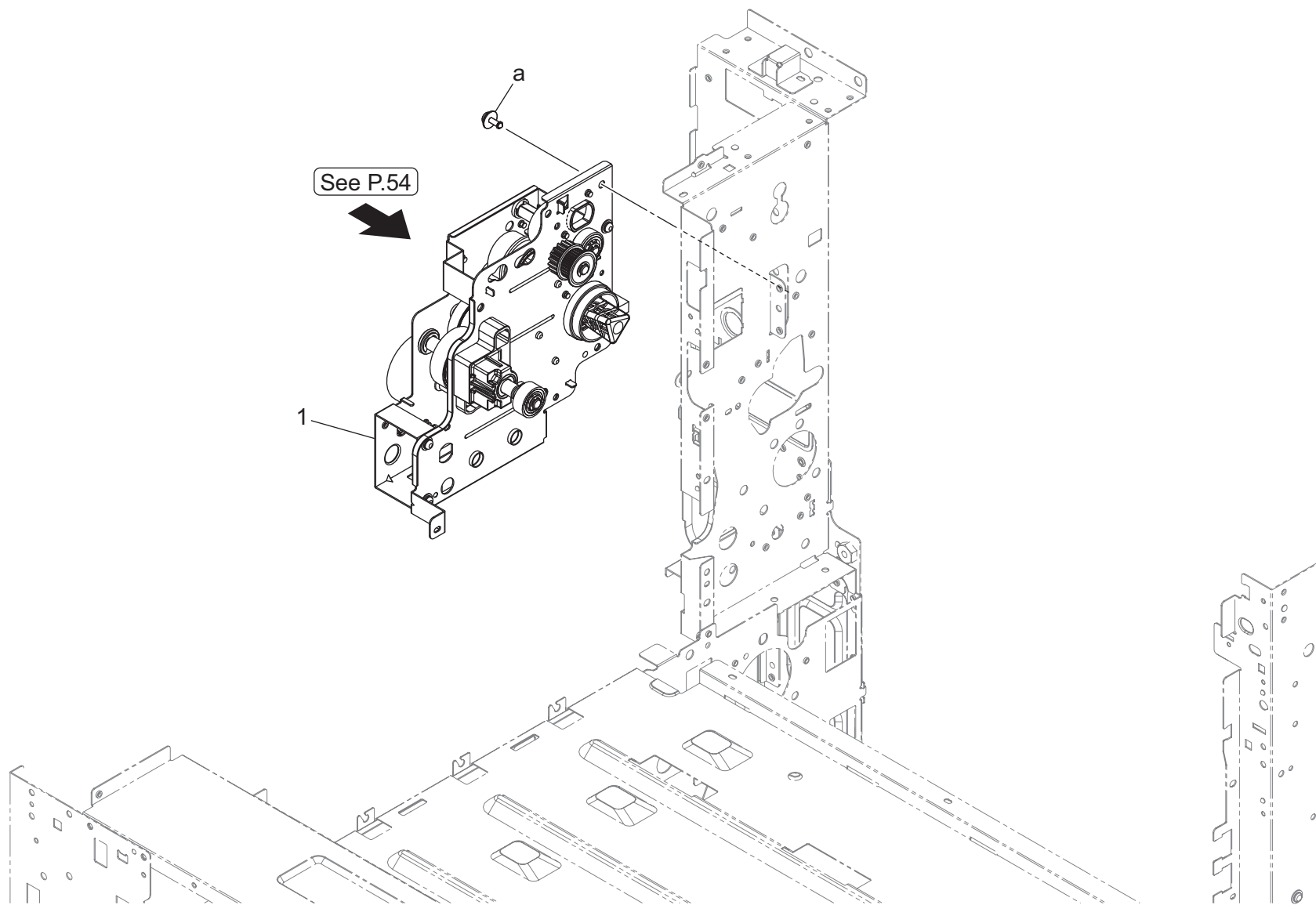
REAR SIDE

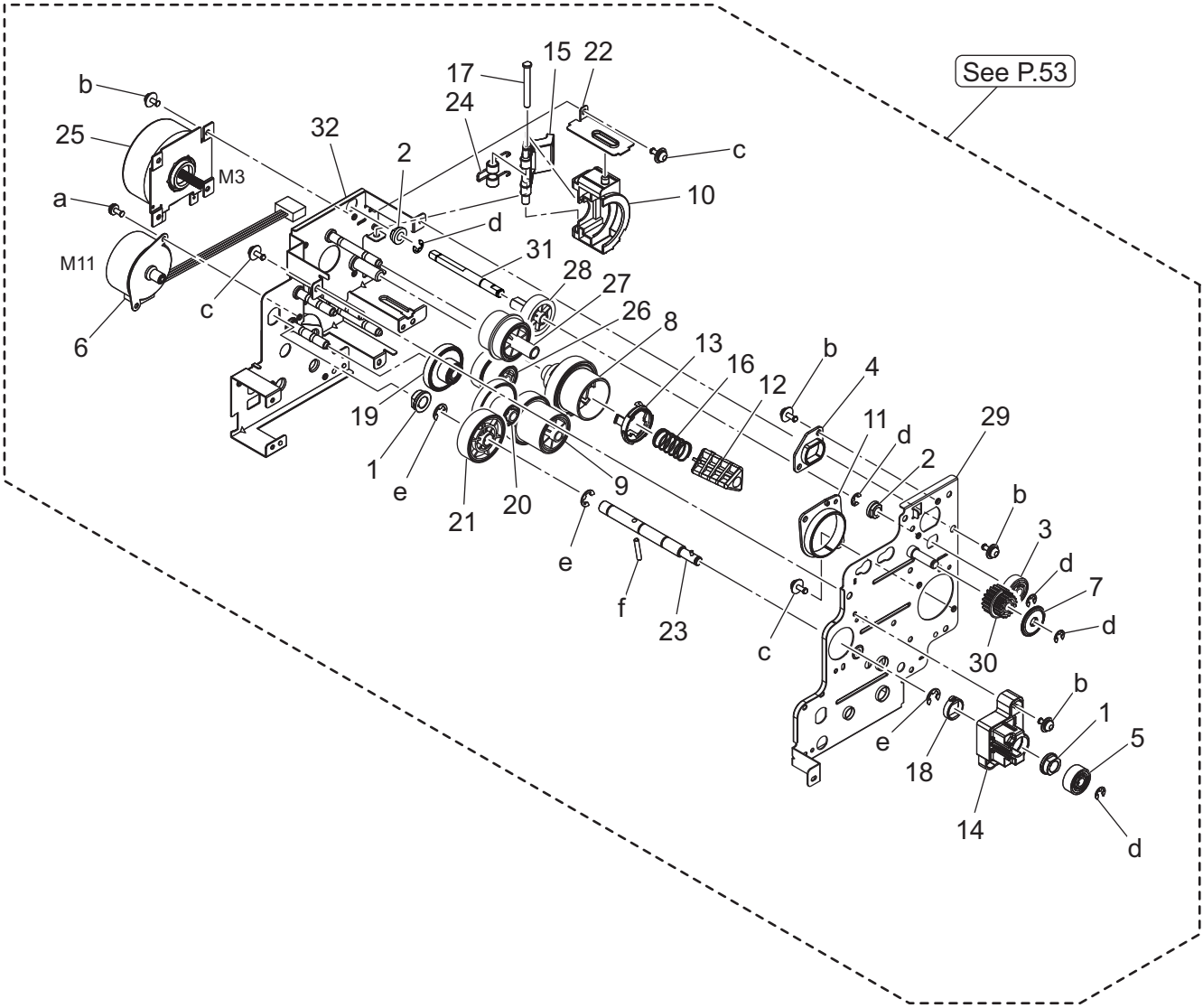
bizhub 450i

Key	Part No.	Description	Destinations	Class	QTY	Standard parts
1	A79J220901	Holder		C	1	a-V234201450 b-V127030604 c-V153031004
2	A79J259800	Gear 19T		C	1	
3	A79J253300	Gear 29T		C	1	
4	A79J897300	Collar		C	3	
5	A79J226600	Timing belt 180L		C	1	
6	A79J226200	Gear 23T		C	1	
7	A79J226301	Gear 32T		C	1	
8	A79J226400	Gear 30T		C	1	
9	A79J223101	Shaft (1st Docking)		D	1	
10	A79J220000	Pulley 44T		C	1	
11	A79J226500	Timing belt 112L		C	1	
12	A79J226700	Timing belt 126L		C	1	
13	A161210200	Bushing		D	1	
14	AA7N221200	Frame /ASSY		D	1	
15	A61DM10000	HB Stepping motor		C	1	
16	A79J226800	Timing belt 156L		C	1	
17	A79J220701	Gear 28T		C	1	
18	A79J253000	Pulley 24T		C	1	
19	A79J222500	Pulley 24T		C	1	
20	A79J220800	Holder		C	1	



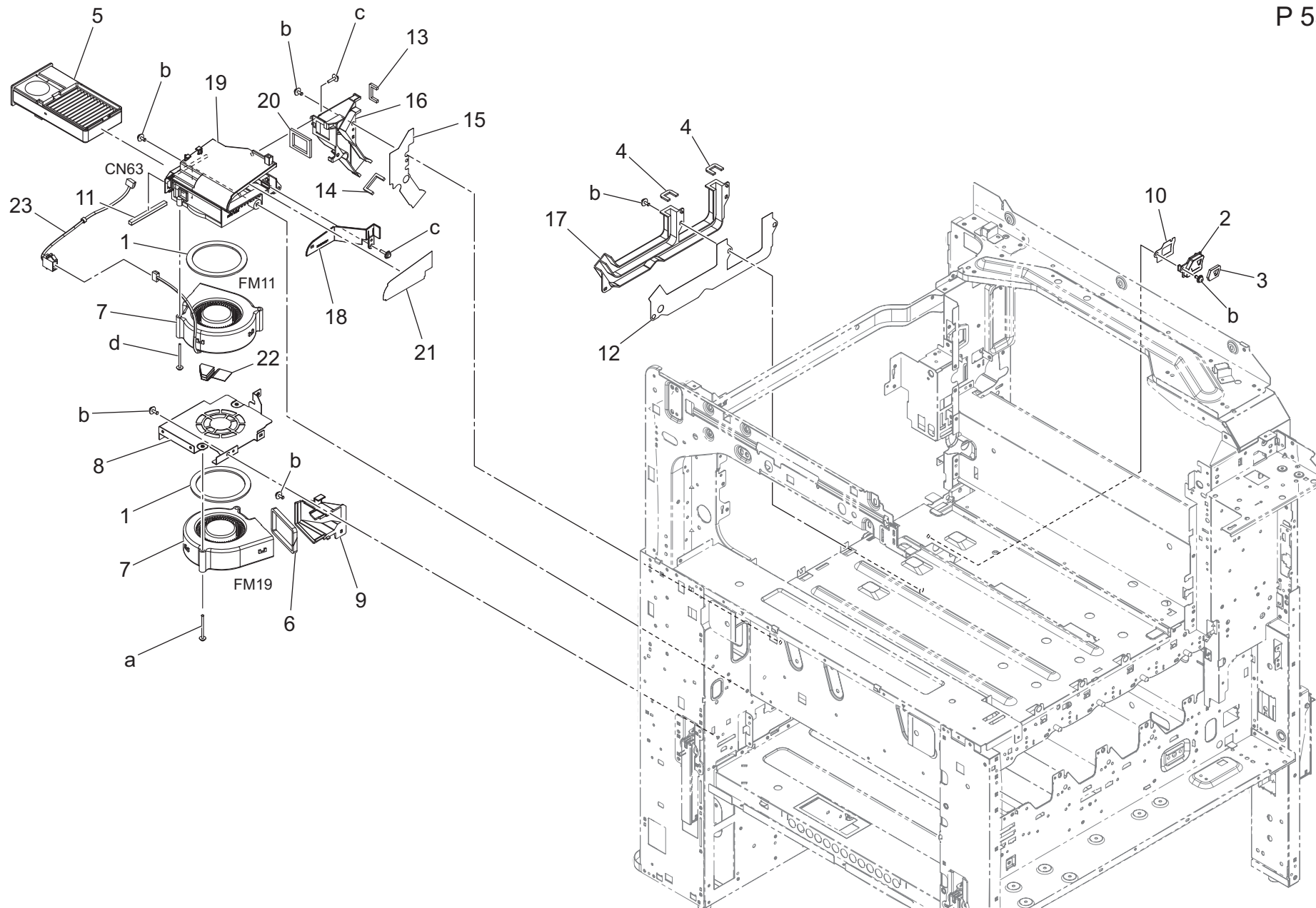






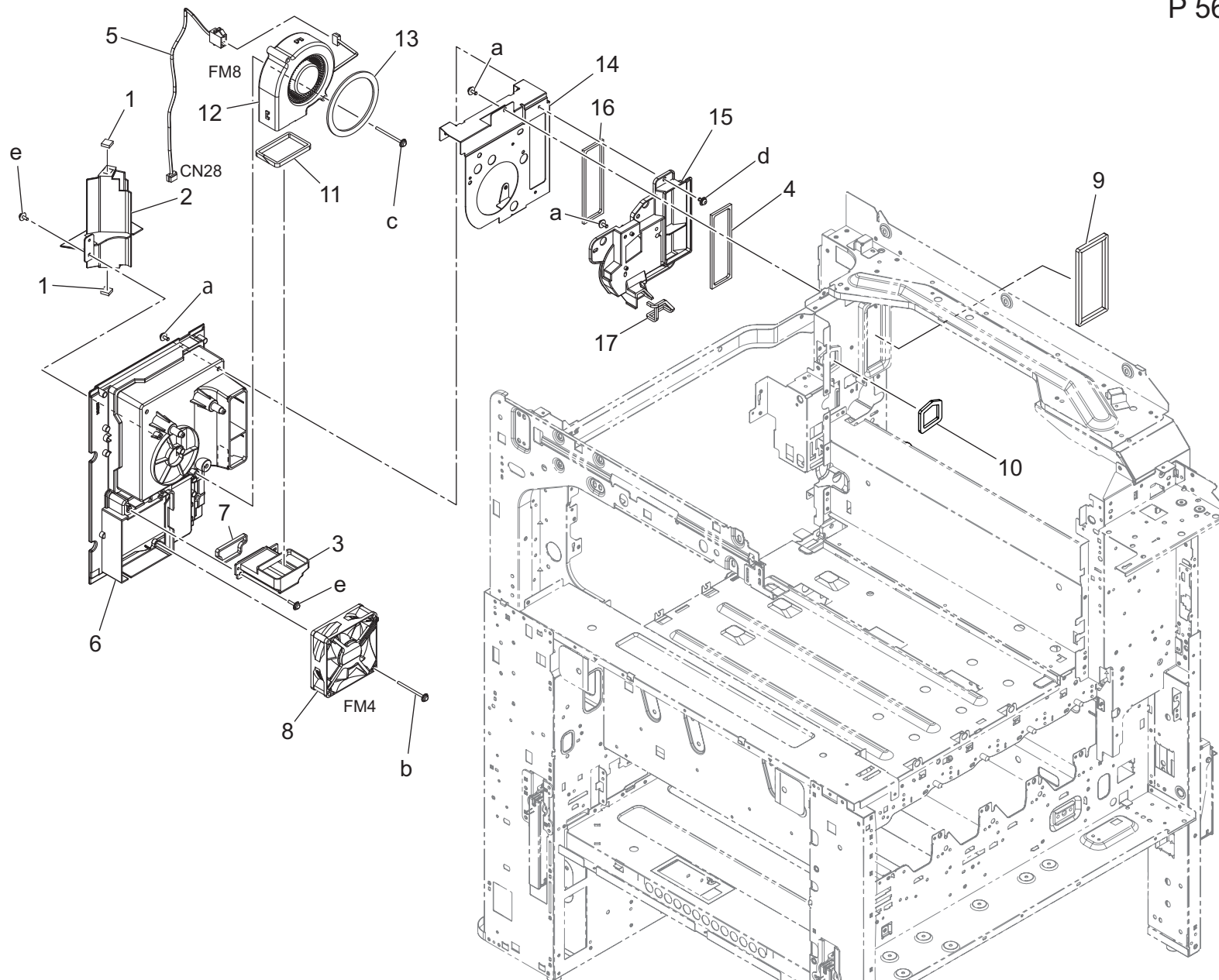
Key	Part No.	Description	Destinations	Class	QTY	Standard parts
1	A03U812800	Slide Shaft Holder		B	2	a-V115030603 b-V116030603 c-V125030803 d-V217040003 e-V217060003 f-V234301850
2	A161210200	Bushing		D	2	
3	A161230700	Gear 18T		C	1	
4	A161232200	Bushing		D	1	
5	A161254600	Gear		C	1	
6	A161M10300	Stepping motor		C	1	
7	A79J897300	Collar		C	1	
8	AA2J228100	Gear 39T		C	1	
9	AA2J228200	Gear 27/40T		C	1	
10	AA2J229000	Holder		D	1	
11	AA2J229100	Bushing		D	1	
12	AA2J229202	Joint		C	1	
13	AA2J229300	Ring		D	1	
14	AA2J229400	Holder		D	1	
15	AA2J229500	Lever		C	1	
16	AA2J229600	Compressing Coil spring		C	1	
17	AA2J229711	Shaft		D	1	
18	AA2J232400	Collar		D	1	
19	AA2J254200	Gear 18/80T		C	1	
20	AA2J254300	Gear 18/43T		C	1	
21	AA2J254400	Gear 42T		C	1	
22	AA2J255700	Reinforce Plate		D	1	
23	AA2J256300	Shaft		D	1	
24	AA2J258500	Spring		C	1	
25	AA2JM11100	Brushless motor /40		C	1	
26	AA7N228000	Gear 23/50T		C	1	
27	AA7N230500	Gear 27/50T		C	1	
28	AA7N230600	Gear 25T		C	1	
29	AA7N231000	Frame /ASSY		D	1	
30	AA7N231300	Gear 18/28T		C	1	
31	AA7N231800	Shaft		D	1	
32	AA7N255601	Frame /ASSY		D	1	

Cooling Section



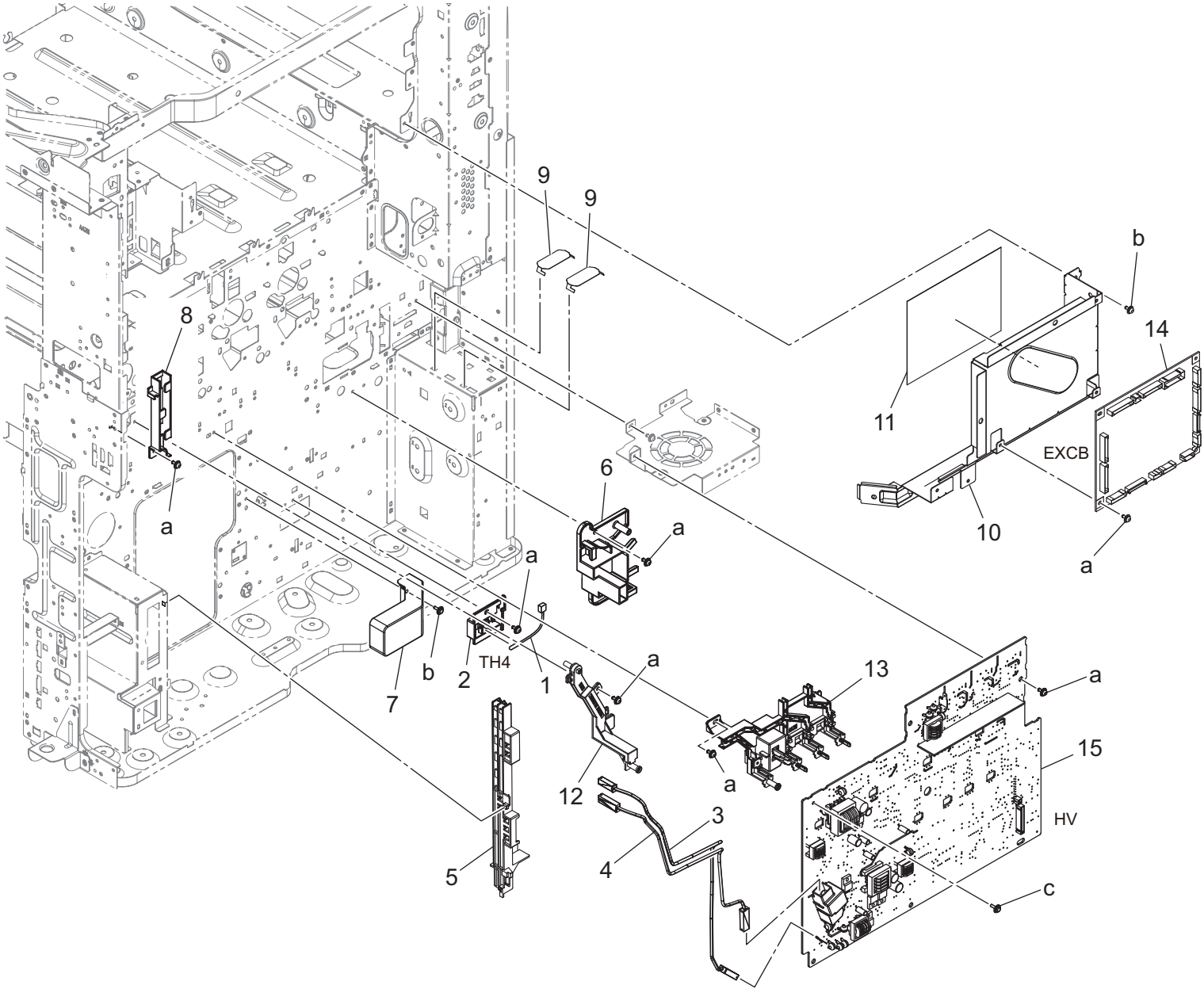
Key	Part No.	Description	Destinations	Class	QTY	Standard parts
1	A02E117300	Seal		C	2	a-V116033503 b-V125030803 c-V153031004 d-V153033503
2	A161141700	Duct		D	1	
3	A161144801	Seal		C	1	
4	A161146600	Seal /3		D	2	
5	A161R72811	Toner Filter Assy		A	1	
6	A79J143600	Cushion		C	1	
7	A93EM10600	Fan motor		C	2	
8	AA2J142000	Mounting Plate		D	1	
9	AA7N141502	Duct /2		D	1	
10	AA7N145200	Seal		D	1	
11	AA7N146400	Seal		C	1	
12	AA7N146500	Seal		D	1	
13	AA7N146600	Seal		C	1	
14	AA7N146800	Seal		C	1	
15	AA7N146900	Seal /4		D	1	
16	AA7N147500	Duct		D	1	
17	AA7N147600	Duct		D	1	
18	AA7N147700	Duct		D	1	
19	AA7N147901	Duct /B		D	1	
20	AA7N148000	Seal		C	1	
21	AA7N148200	Seal /4		C	1	
22	AA7N148500	Cushion		D	1	
23	AA7NN10600	Relay Harness /2		D	1	

Cooling Section



Key	Part No.	Description	Destinations	Class	QTY	Standard parts
1	A79J145200	Cushion		C	2	a-V125030803 b-V153033003 c-V153033503 d-V116030603 e-V153031004
2	A79J145100	Guide Plate		D	1	
3	AA7N143001	Duct /2		D	1	
4	A79J141501	Cushion		C	1	
5	AA7NN10500	Relay Harness /1		D	1	
6	AA7N143400	Duct		D	1	
7	AA7N143200	Seal		C	1	
8	A93EM10000	Fan motor		C	1	
9	A79J120700	Cushion		C	1	
10	A79J120801	Seal		C	1	
11	A79J143600	Cushion		C	1	
12	A93EM10600	Fan motor		C	1	
13	A79J143800	Cushion		C	1	
14	A79J148304	Mounting Plate		D	1	
15	A79J140502	Duct		D	1	
16	A79J142701	Cushion		C	1	
17	A79J142600	Cushion		C	1	

Electrical Parts



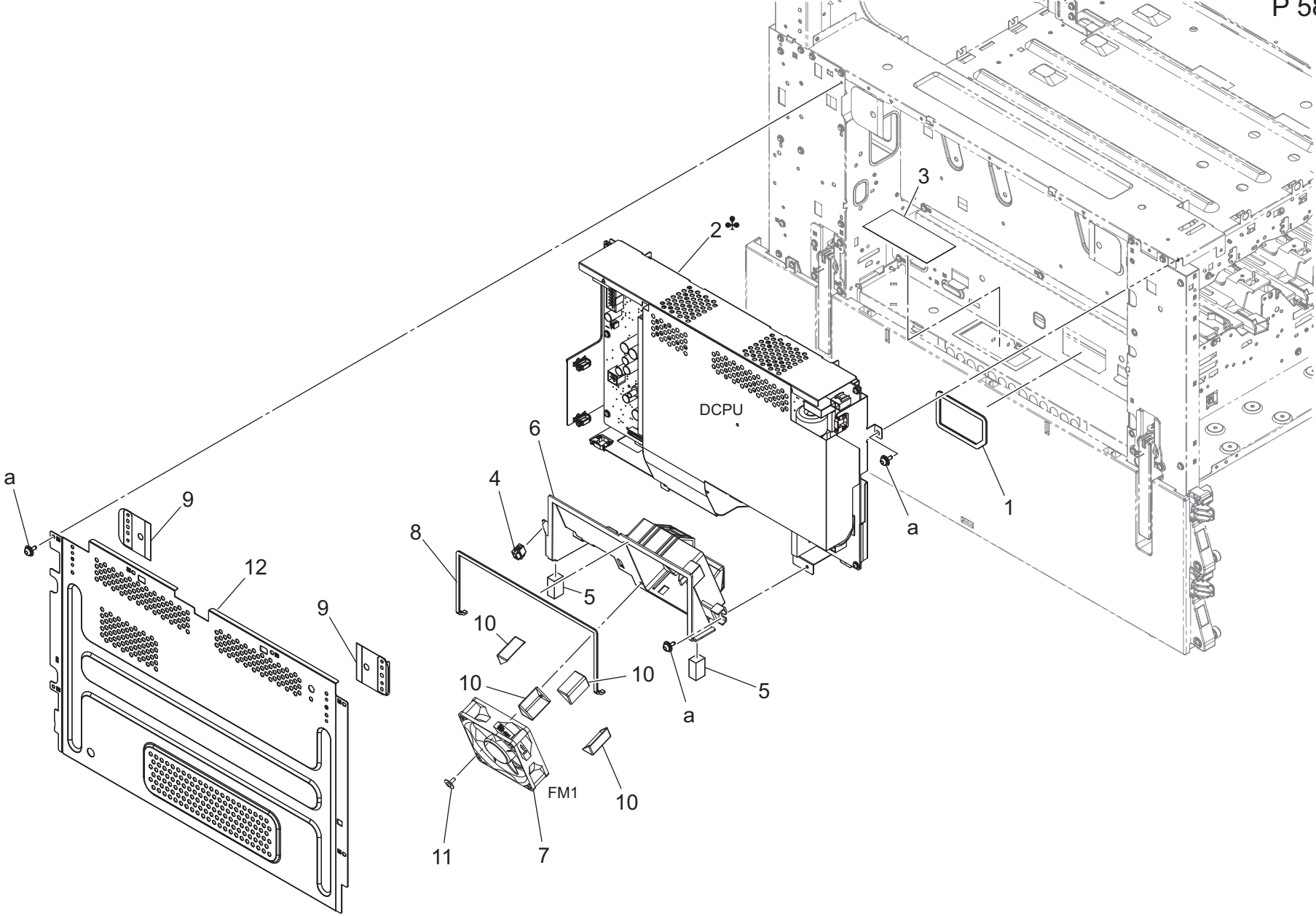
REAR SIDE

bizhub 450i



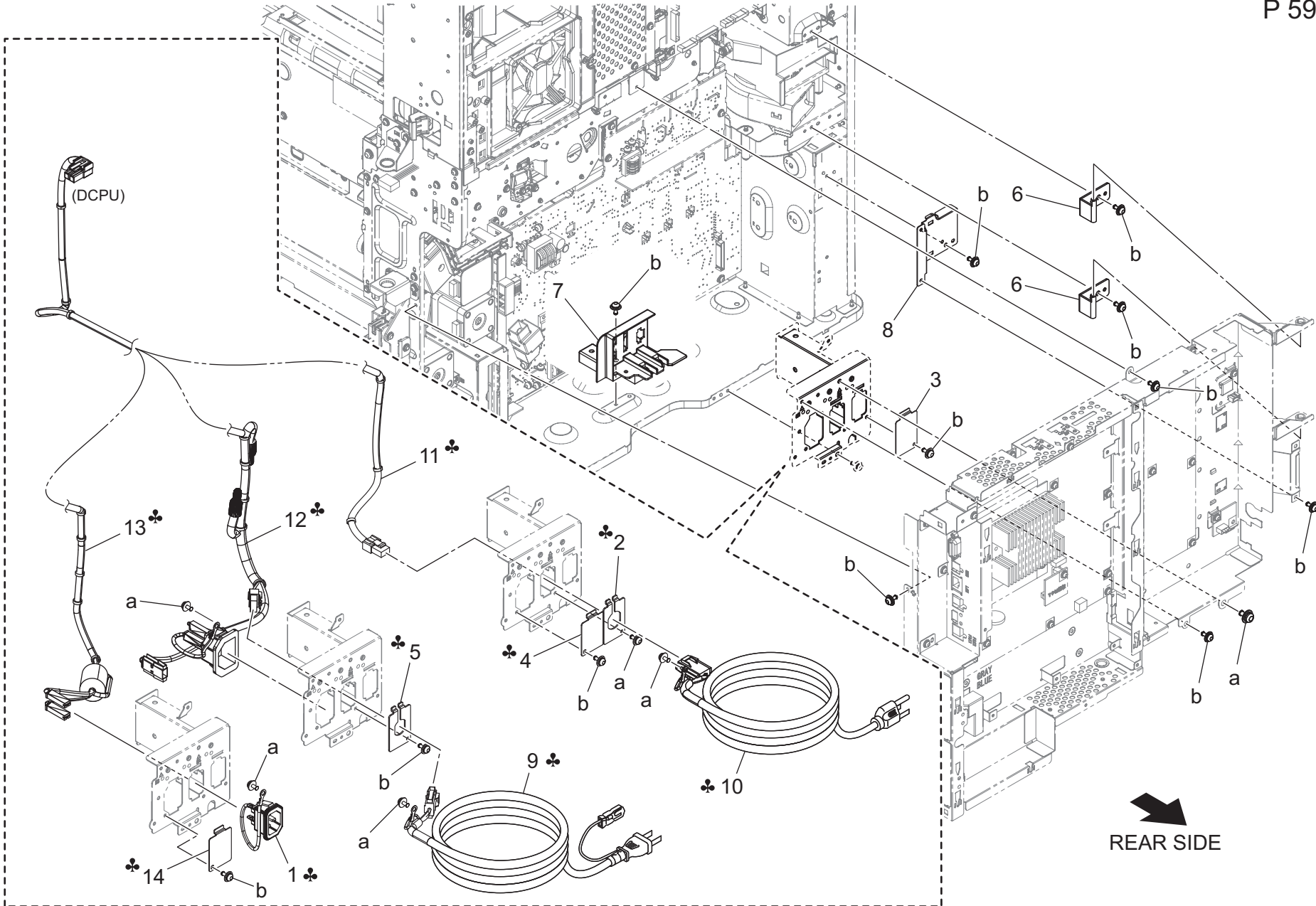
Key	Part No.	Description	Destinations	Class	QTY	Standard parts
1	A0P0M50300	Thermistor		C	1	a-V125030803 b-V144030603 c-V153030804
2	A161137701	Holder		D	1	
3	A161N11300	Transfer Wiring /2		D	1	
4	A161N11K00	Neutralizing Wiring		D	1	
5	A5C1134800	Guide		D	1	
6	A7PU141800	Holder		D	1	
7	AA2J107500	Cover		D	1	
8	AA2J133000	Guide		D	1	
9	AA2J137902	Fixing Plate		D	2	
10	AA7N131702	Mounting Plate		D	1	
11	AA7N131800	Insulating Sheet		D	1	
12	AA7NR71200	HV Contact Assy		D	1	
13	AC74R70300	Holder Assy		D	1	
14	AC74H00501	Expansion Control Board Assembly		I	1	
15	AC74M40600	High voltage unit		I	1	

Electrical Parts



Key	Part No.	Description	Destinations	Class	QTY	Standard parts
1	A161143601	Seal /3		D	1	a-V125030803
2	AA7RR70200	Power Source Unit (100V)	電源ユニット (100V)	I	1	
2	AA7RR70300	Power Source Unit (200V)	電源ユニット (200V)	I	1	
2	AA7RR71100	Power Source Unit (200V)	電源ユニット (200V)	I	1	
3	A161145000	Filter	フィルタ (LV・PH)	C	1	
4	V651010002	connector	W t o W コネクタ	D	1	
5	A161144500	Seal /3	シール/3 (LV・PH)	C	2	
6	A79J140801	Cooling Duct	冷却ダクト	D	1	
7	A93EM10000	Fan motor	ファンモータ	C	1	
8	A161143400	Seal /1	シール/1 (LV・PH)	D	1	
9	A61F100600	Sheet	シート	D	2	
10	A79J140900	Vibrationproof Rubber	防振ゴム	D	4	
11	4163529301	SCREW	ねじ	C	1	
12	AA7N100600	Cover	カバー (電源左)	D	1	

Electrical Parts



REAR SIDE

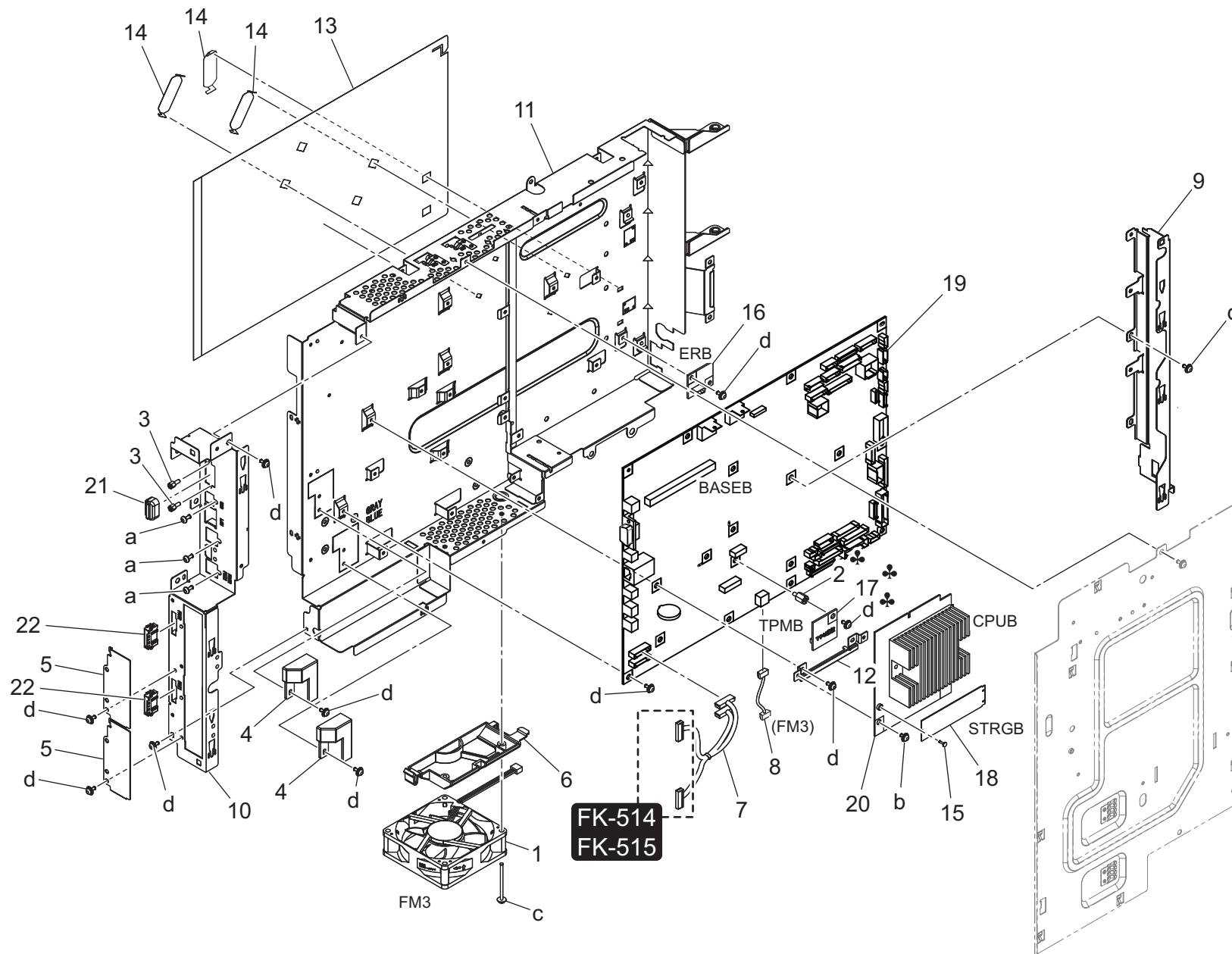
bizhub 450i

Electrical Parts

Key	Part No.	Description	Destinations	Class	QTY	Standard parts
1	A02EN12513	Power supply Wiring	給電束線 C,D1,D3,E,F2,G1,I,K ,J	D	1	a-V116040803 b-V125030803
2	A0ED135700	Mounting Plate	取付板 (電源コード) B,G2	D	1	
3	A79J136000	Mounting Plate	取付板	D	1	
4	A79J139000	Cover	カバー B,G2	D	1	
5	A7PU135700	Mounting Plate	取付板 (電源コード) A	D	1	
6	AA2J130801	Hinge	ヒンジ (コントBOX)	D	2	
7	AA2J131401	Holder	ホルダ (CAB コネクタ)	D	1	
8	AA2J135301	Fixing Plate	固定板 (FFC)	D	1	
9	AA6RN30000	Power code (100V)	電源コード (100V) A	D	1	
10	AA6RN30100	Power code (120V)	電源コード (120V) B,G2	D	1	
11	AA7RN10101	AC Harness(120V)	AC 束線 (120V / 0)	D	1	
12	AA7RN10000	AC Harness(100V)	AC 束線 (100V / 0) A	D	1	
13	AC76N10200	AC Harness /230V	AC 束線 / 230V (欧州 / 0) C,D1,D3,E,F2,G1,I,K ,J	D	1	
14	A79J139000	Cover	カバー C,D1,D3,E,F2,G1,I,K ,J	D	1	

Electrical Parts

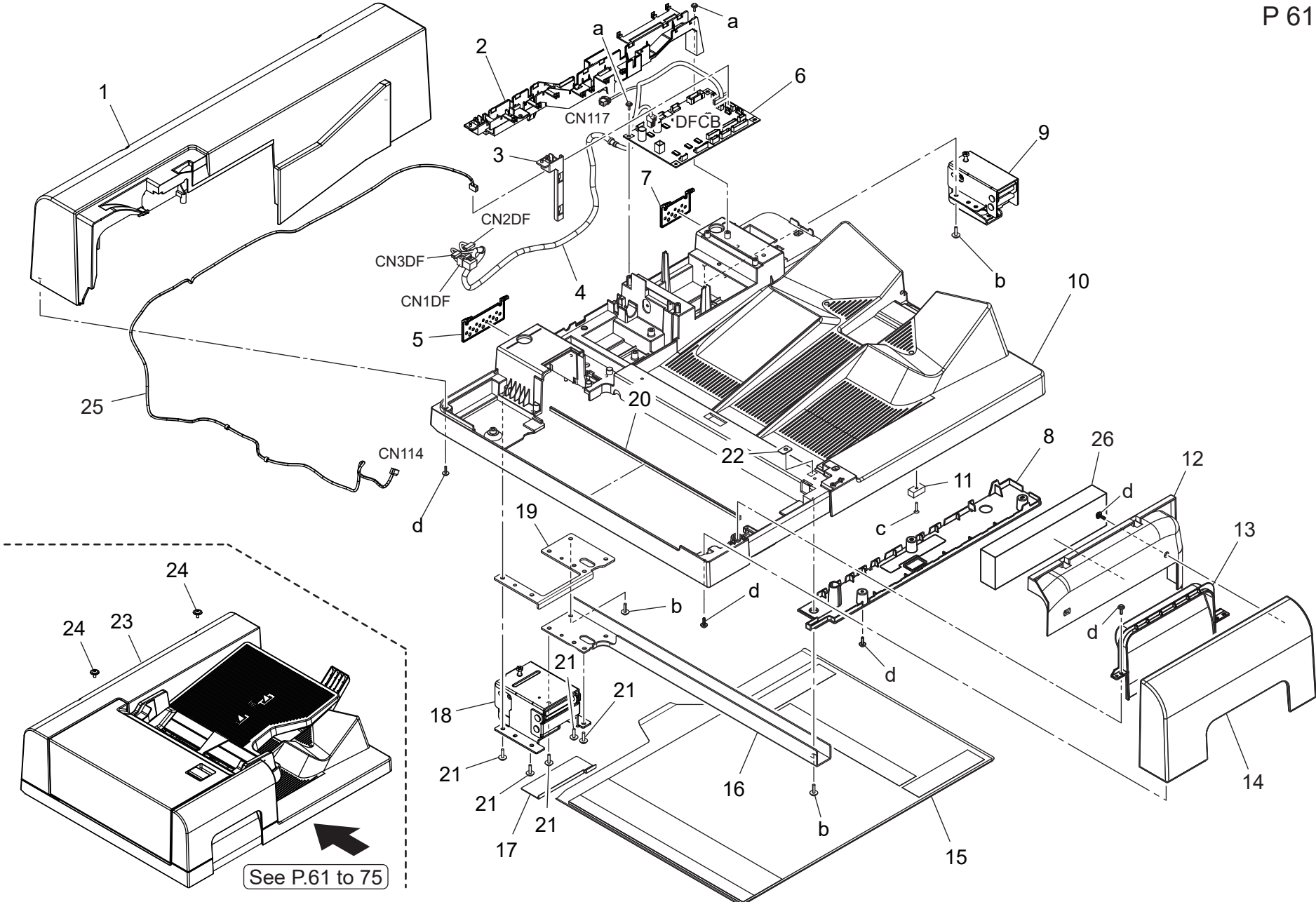
P 60




REAR SIDE
bizhub 450i

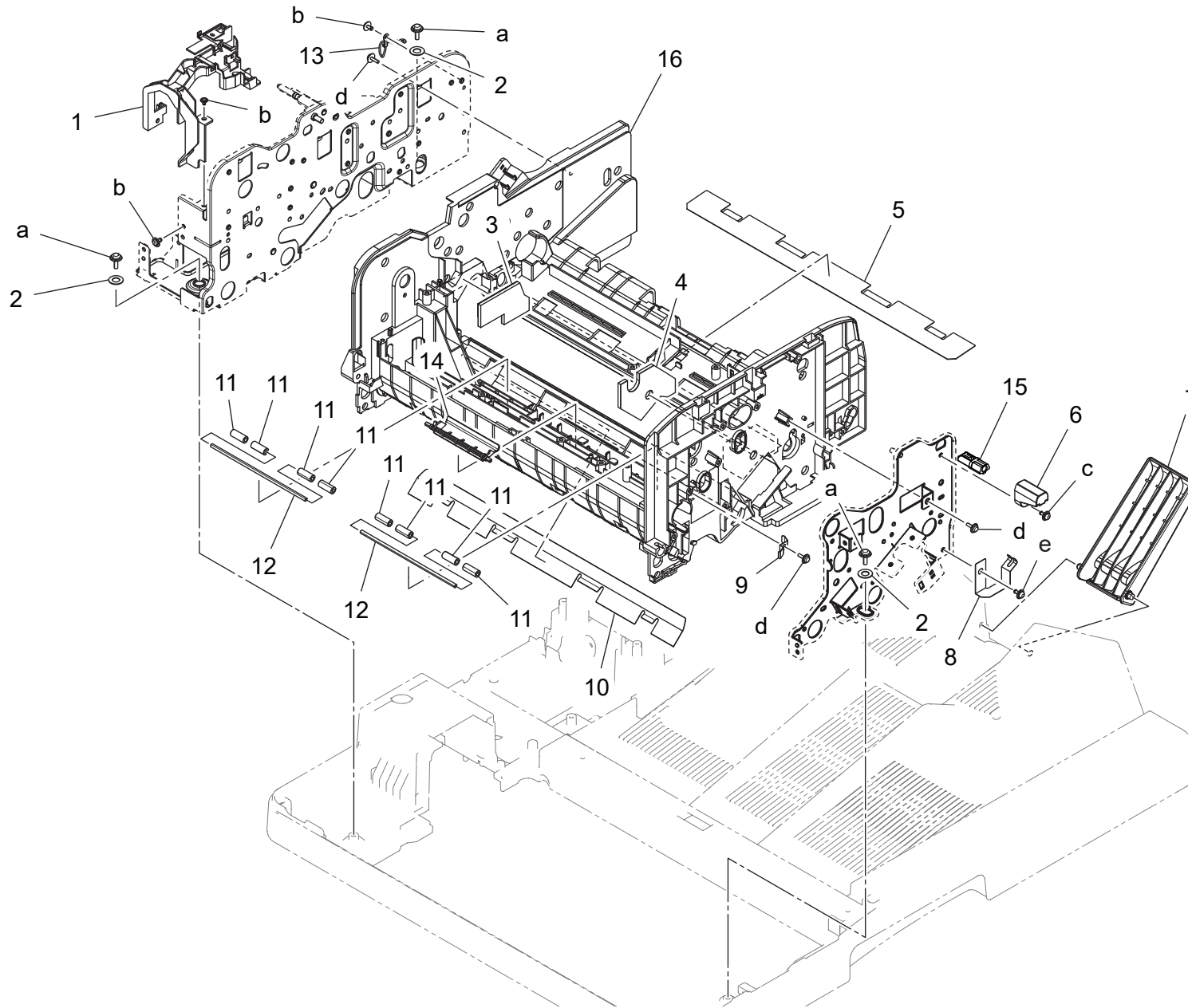
Key	Part No.	Description	Destinations	Class	QTY	Standard parts
1	A0EDM10500	Fan motor		C	1	a-V111030603 b-V116030604 c-V116034003 d-V125030803
2	A161137600	Shoulder screw	A,B,C,D1,D3,E,F2,G1 ,G2,I,K	D	1	
3	A161137900	Screw		C	2	
4	A7PU130400	Guide		D	2	
5	A7PU139800	Cover		D	2	
6	A7PU140100	Duct		D	1	
7	A7PUN10700	Harness /Fax relay		D	1	
8	A7PUN10800	Harness /Relay		D	1	
9	AA2J131100	Mounting Plate		D	1	
10	AA2J131602	Mounting Plate		D	1	
11	AA2J131903	Mounting Plate		D	1	
12	AA2J135101	Mounting Plate		D	1	
13	AA2J137600	Sheet		D	1	
14	AA2J137902	Fixing Plate		D	3	
15	AA2J139800	Screw		D	1	
16	AA2JH00C00	ERB ASSY		C	1	
17	AA2JH02T00	PWB Assembly(PWB-TPM)	A,B,C,D1,D3,E,F2,G1 ,G2,I,K	C	1	
18	AA2JM72700	Storage Board		C	1	
19	AC74H02101	Base Board Assembly		I	1	
20	AC76H02P02	CPU Board Assembly		I	1	
21	V503010002	Connector Cover		D	1	
22	V651010025	connector		V	2	

Automatic Document Feeder



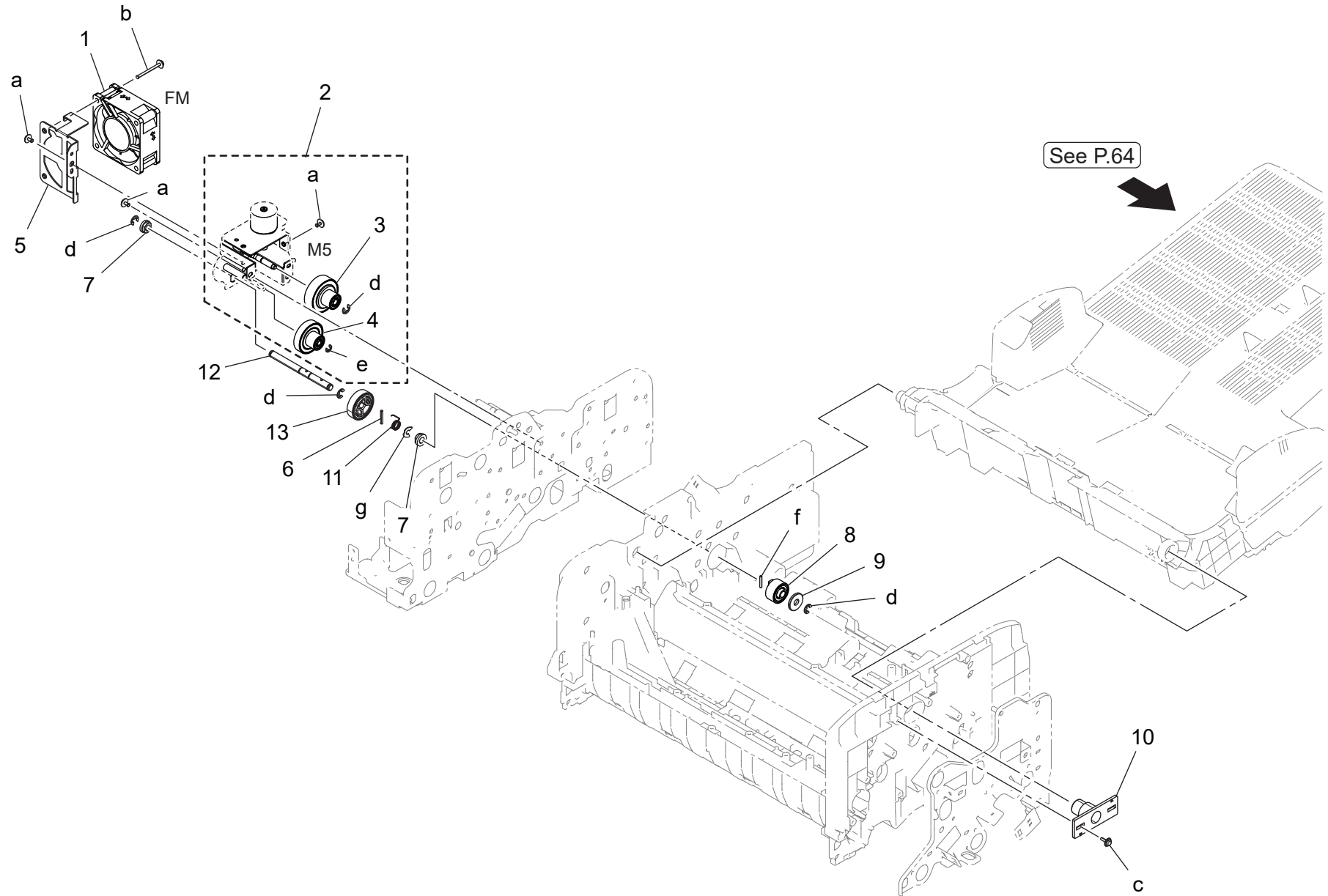
See P.61 to 75

Automatic Document Feeder

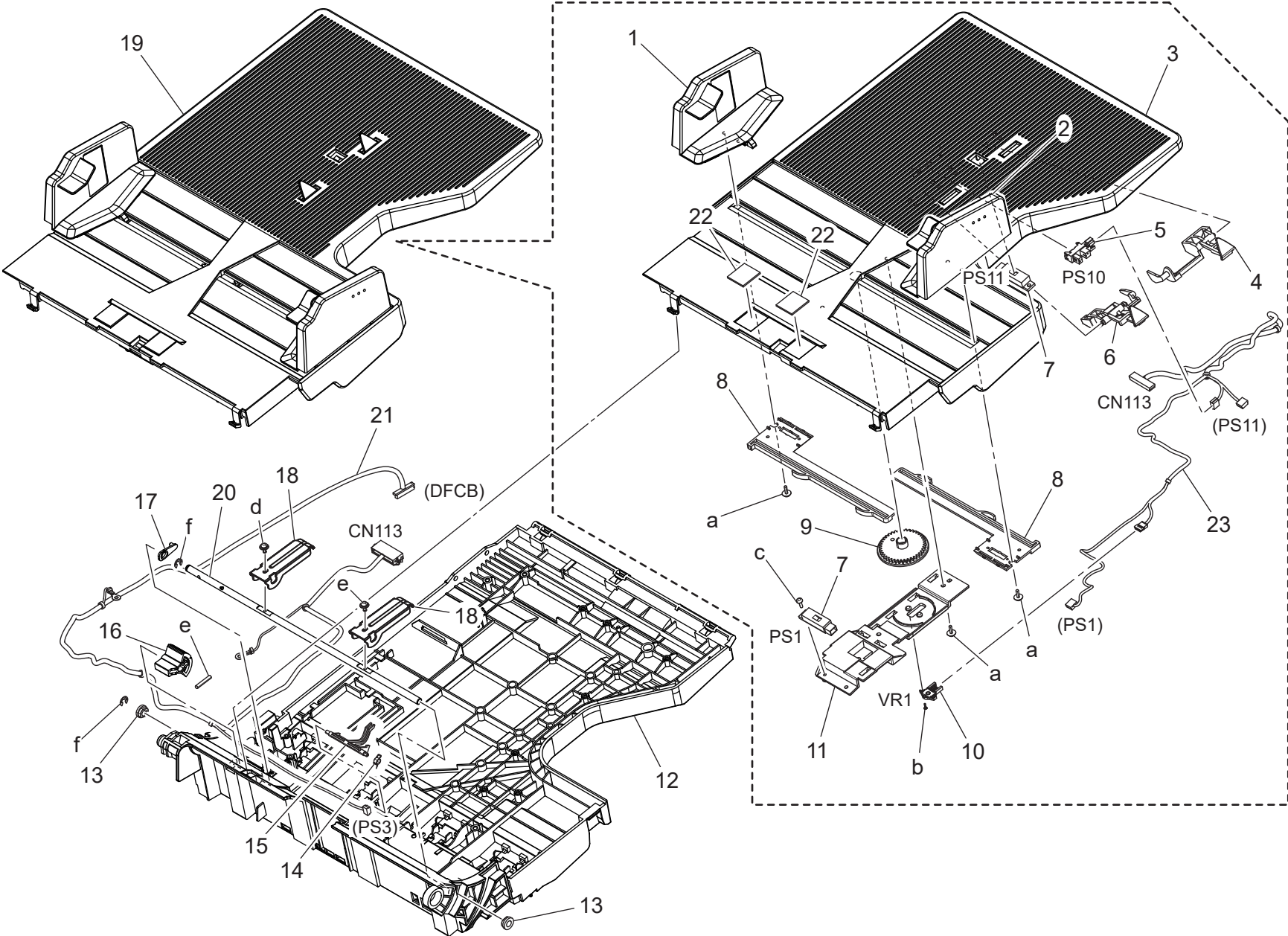


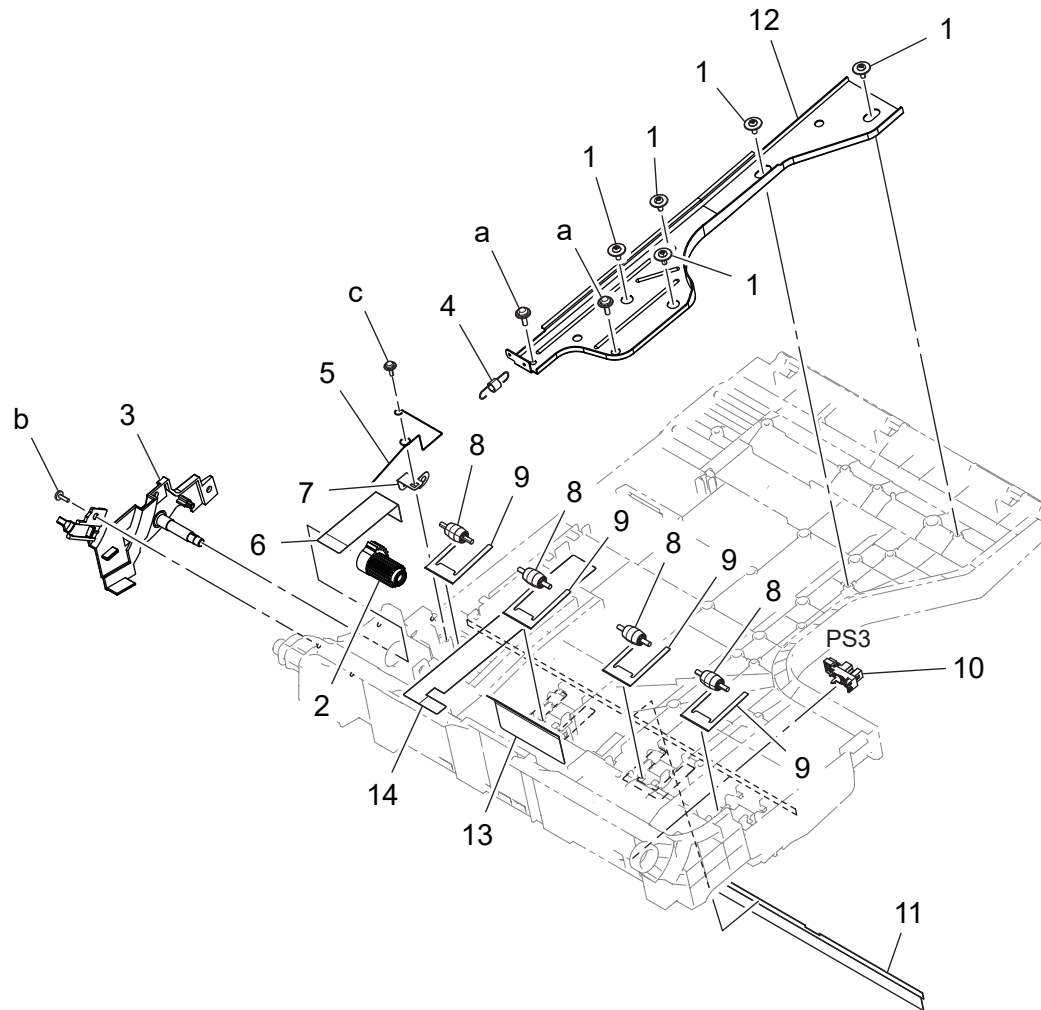
Key	Part No.	Description	Destinations	Class	QTY	Standard parts
1	A782130301	Wiring Guide /2		D	1	a-V153041003 b-V144030603 c-V127031203 d-V153030803 e-V116030803
2	A782117000	Washer		C	3	
3	A782105101	Cushion		C	1	
4	A782105001	Cushion		C	1	
5	A782117100	Guide Film		C	1	
6	A782125500	Holder		D	1	
7	AAMP891000	Auxiliary Plate /1		D	1	
8	A782111000	Ground Plate spring /1		D	1	
9	A782111100	Ground Plate spring /2		D	1	
10	A782101700	Guide Sheet		D	1	
11	A782262800	Roll		C	8	
12	A782264900	Shaft		D	2	
13	A782N11800	ADF Wiring /19		D	1	
14	A782111200	Guide		D	1	
15	AAMP125400	Stopper Shaft		D	1	
16	AAMP101200	Frame		D	1	

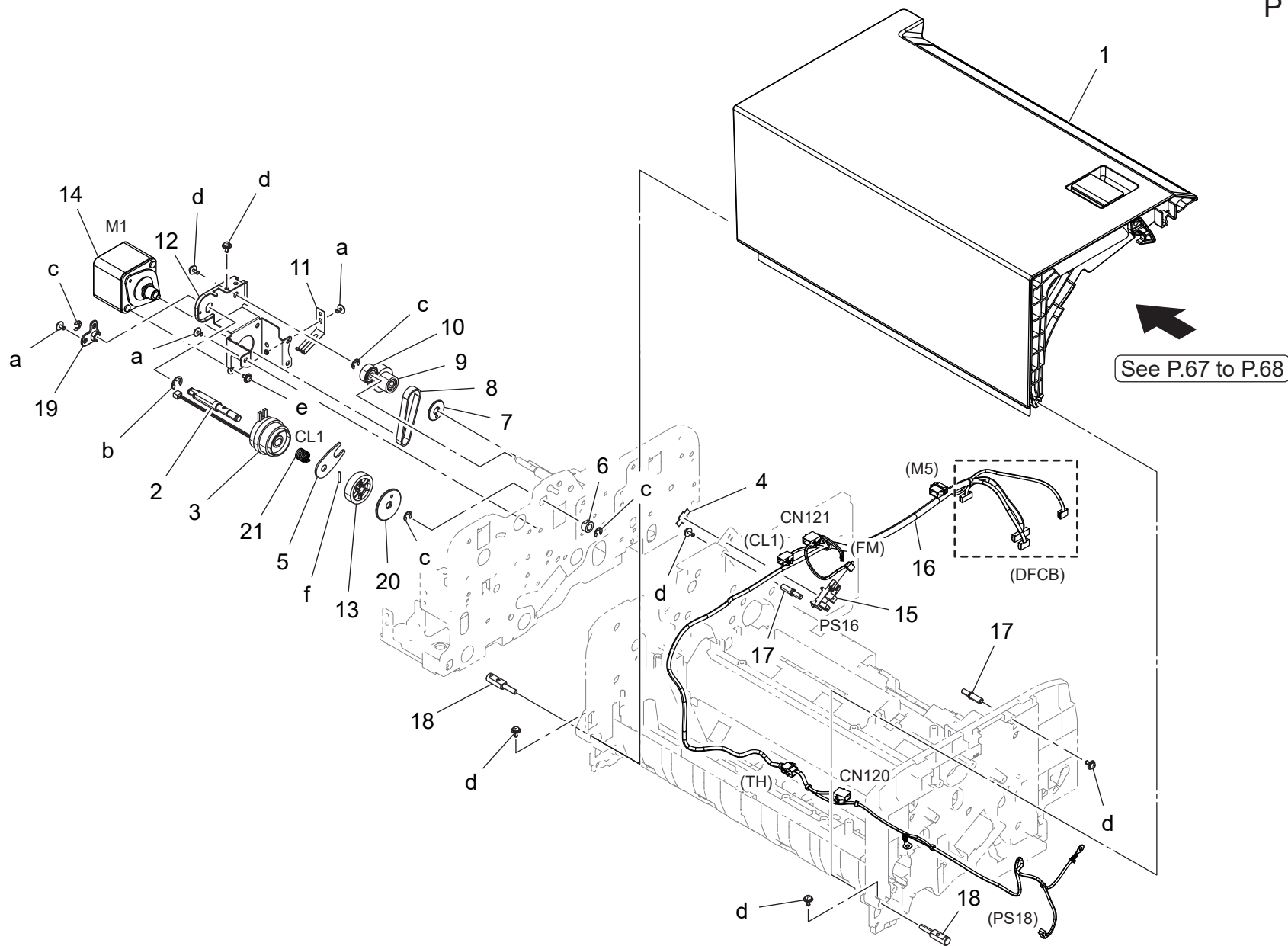
Automatic Document Feeder



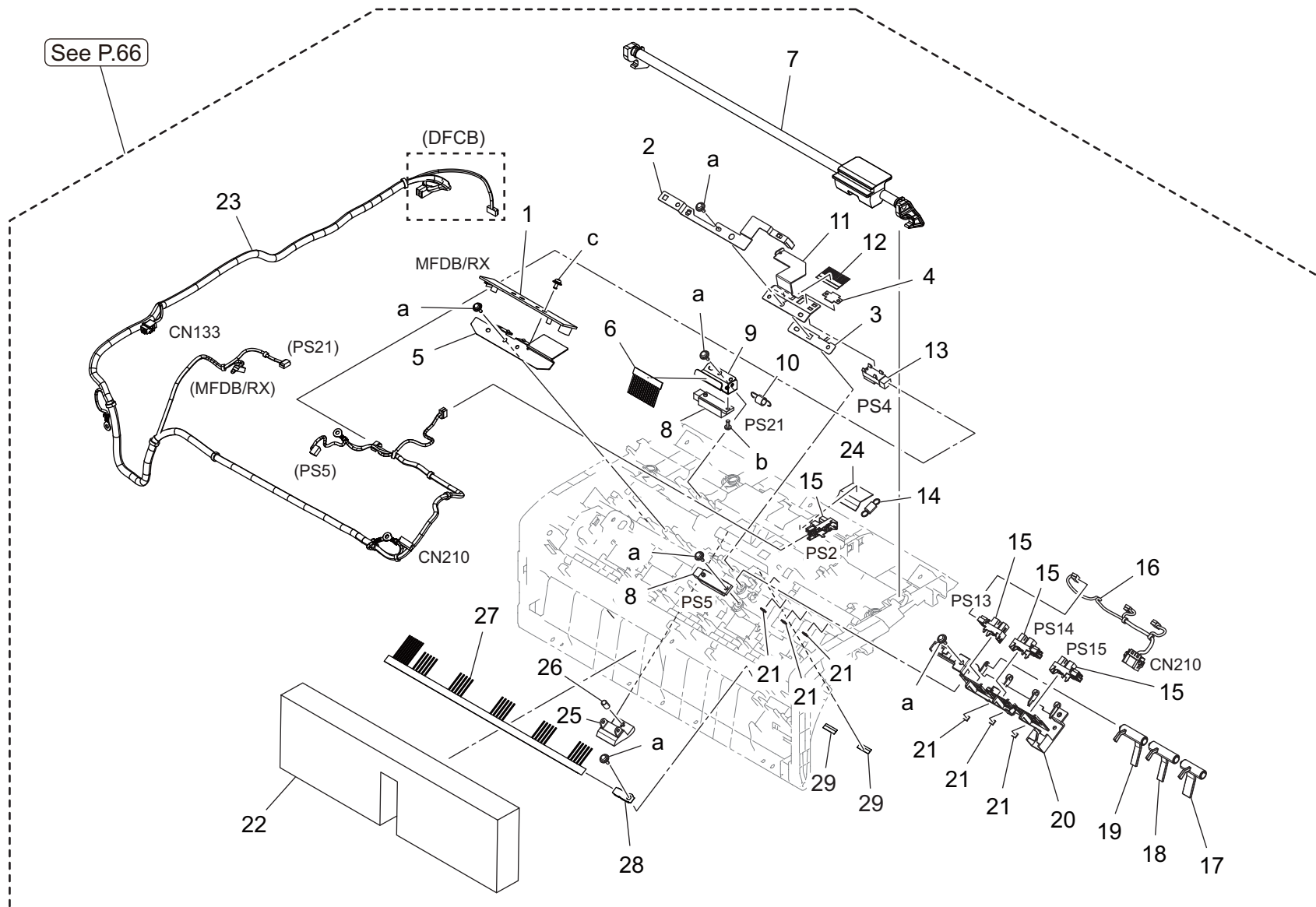
Automatic Document Feeder







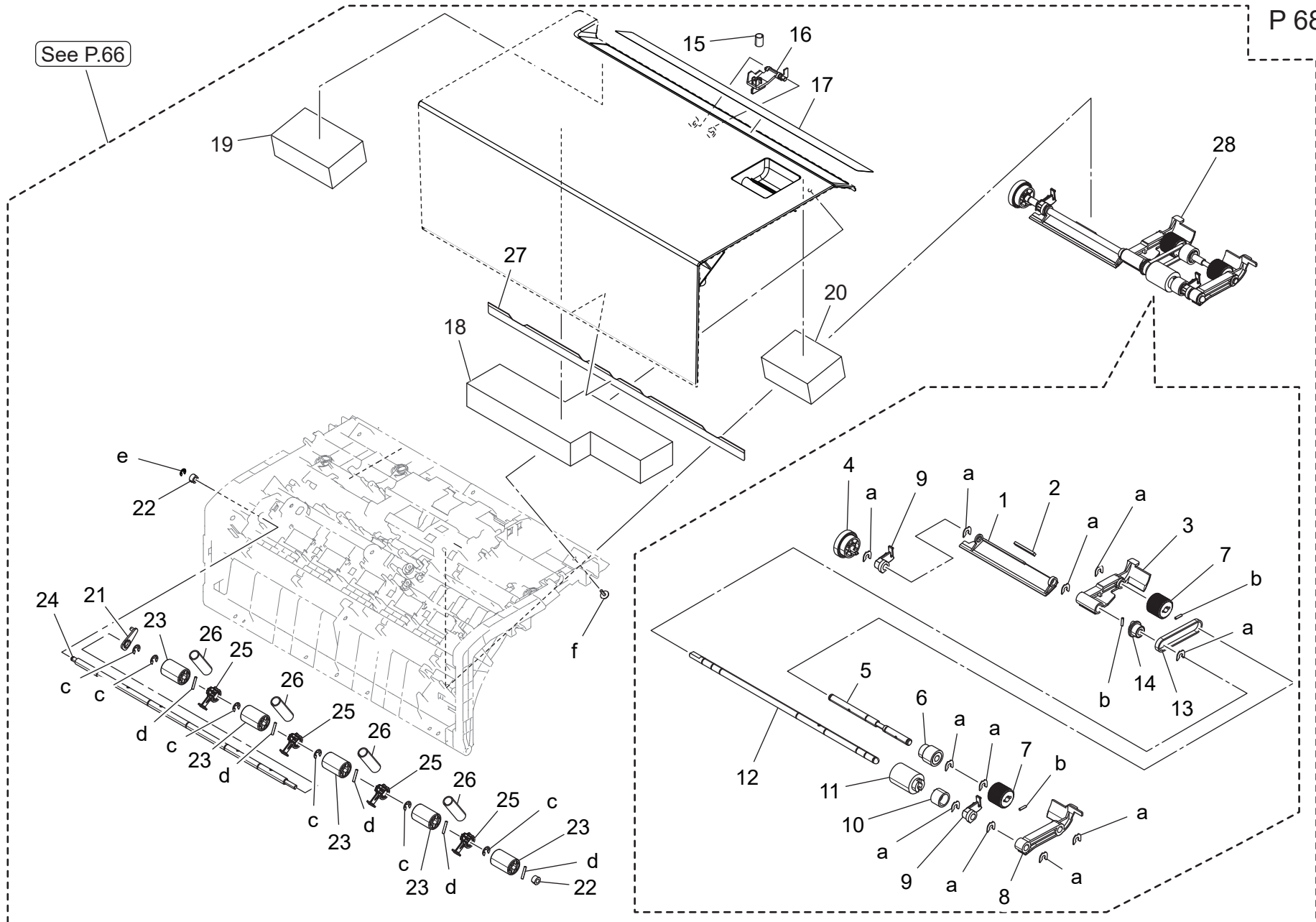
Key	Part No.	Description	Destinations	Class	QTY	Standard parts
1	AAMPR70500	Top Cover ASSY		S	1	a-V144030603
2	A782211600	Shaft	上カバー A s s y	D	1	b-V217060003
3	A3CKM20000	Clutch	軸	C	1	c-V217040003
4	4470402401	Stopper	クラッチ	D	1	d-V116030803
5	A782212000	Holder	ストッパー	D	1	e-V116030603
6	4131253701	BUSHING	ホルダ	D	1	f-V234201050
7	A782211800	Flange	軸受	C	1	
8	A782214300	Timing belt 124L	フランジ	C	1	
9	A782211300	Pulley 27T	タイミングベルト 124 L	C	1	
10	A782215800	Gear	プーリ 27 T	C	1	
11	A782211700	Ground Plate	ギア	D	1	
12	A782212702	Mounting Plate	アース板	C	1	
13	A782211400	Gear 27T	取付板	D	1	
14	A2X0M10800	Stepping motor	ギア 27 T	C	1	
15	A5C1M50100	Photointerrupter	ステッピングモーター	C	1	
16	AAMPN10801	ADF Harness /9	透過型センサ	B	1	
17	A782101600	Positioning Shaft /1	ADF 束線 / 9 (読取部)	D	1	
18	A782101000	Shaft	位置決め軸 / 1	C	2	
19	A108260700	Bushing	軸	C	2	
20	A782211500	Ring	すべり軸受 (清掃軸)	D	1	
21	AAMP211900	Compressing Spring /1	リング	D	1	
			圧縮ばね / 1 (給紙ギア)	C	1	



Key	Part No.	Description	Destinations	Class	QTY	Standard parts
1	AAMPH10V02	DF Recive Board		C	1	a-V153030803 b-V135030603 c-V116030603
2	A782704101	Ground Plate		C	1	
3	A782704400	Scatteringprevention Plate		D	1	
4	A108703100	Stopper		D	1	
5	AAMP700500	Mounting Plate /Upper		D	1	
6	A782705600	Neutralizing Brush /1		D	1	
7	AAMP700800	Open/close Lever		C	1	
8	A108M50000	Photoreflector		B	2	
9	A782704501	Mounting Plate		D	1	
10	A782572101	Pulling Coil spring		C	1	
11	A782700400	Mounting Plate		D	1	
12	A782704800	Neutralizing Brush		C	1	
13	9335140071	Solid State Switch		B	1	
14	A782565301	Pulling Coil spring		C	1	
15	A5C1M50100	Photointerrupter		B	4	
16	A782N11100	ADF Wiring /12		D	1	
17	A782701200	Actuator /3		C	1	
18	A782701100	Actuator /2		C	1	
19	A782701000	Actuator /1		C	1	
20	A782702801	Mounting Plate		D	1	
21	A782704200	Adjusting Cushion		C	6	
22	AAMP719600	Sound shield Cushion /9		D	1	
23	AAMPN10202	ADF Harness /3		D	1	
24	A782707400	Light blocking Part		D	1	
25	A782707201	Guide /J		D	1	
26	A782704301	Spring		C	1	
27	A782701501	Neutralizing Brush		C	1	
28	AAMP719800	Ground Plate /Lower		D	1	
29	AAMP719000	Seal		D	2	

Automatic Document Feeder

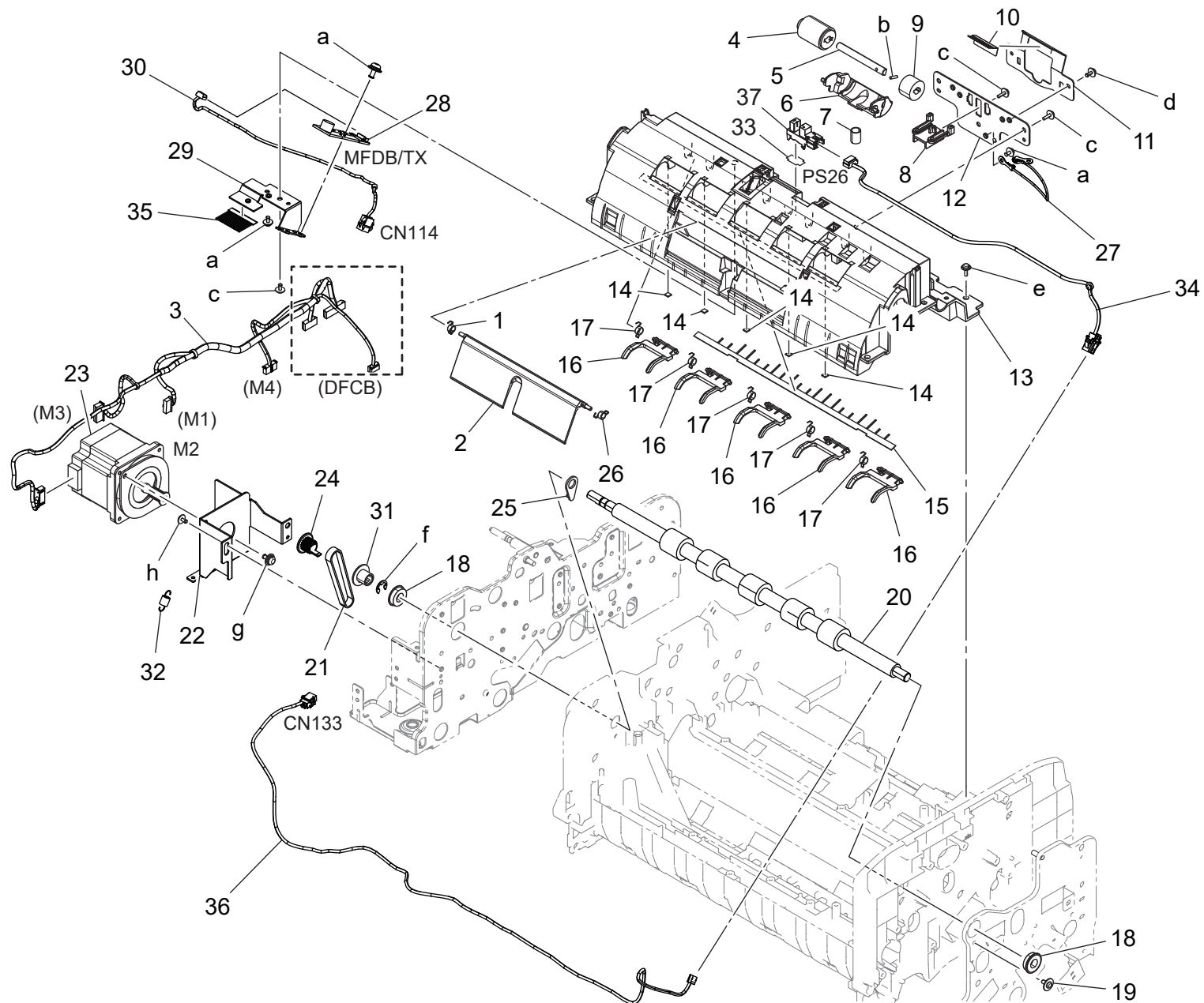
P 68



bizhub 450i

Key	Part No.	Description	Destinations	Class	QTY	Standard parts
1	A782576100	Guide Plate		D	1	a-V218040086 b-V234200850 c-V217040003 d-V234201250 e-V217030003 f-V153030804
2	A782562101	Cushion		C	1	
3	A782569000	Arm /Front		C	1	
4	A782569300	Gear /2 25T		C	1	
5	A782573501	Shaft		D	1	
6	9J07330801	Pulley 21T		C	1	
7	9J07330102	Roller		A	2	
8	A782568901	Arm /Front		C	1	
9	A782569801	Lever /2		C	2	
10	A07H570500	Clutch		C	1	
11	A00J563600	Roller		A	1	
12	A782569200	Paper feed Shaft		D	1	
13	A782569900	Timing belt 128L		C	1	
14	9J07331901	Pulley 19T		C	1	
15	AAMP570400	Spring		C	1	
16	A782570602	Lever /1		D	1	
17	AAMP940400	Label		D	1	
18	AAMP719501	Sound shield Cushion /8		D	1	
19	AAMP719401	Sound shield Cushion /7		D	1	
20	AAMP719301	Sound shield Cushion /6		D	1	
21	A782562400	Washer		C	1	
22	A782702700	Bushing		C	2	
23	A782703001	Idler Roll		D	5	
24	A782702600	Rotation Shaft		D	1	
25	A782701900	Bushing		C	4	
26	A782700900	Compressing Spring		C	4	
27	A782703401	Sealing Rubber		C	1	
28	A782R70800	Pick Up ASSY		C	1	

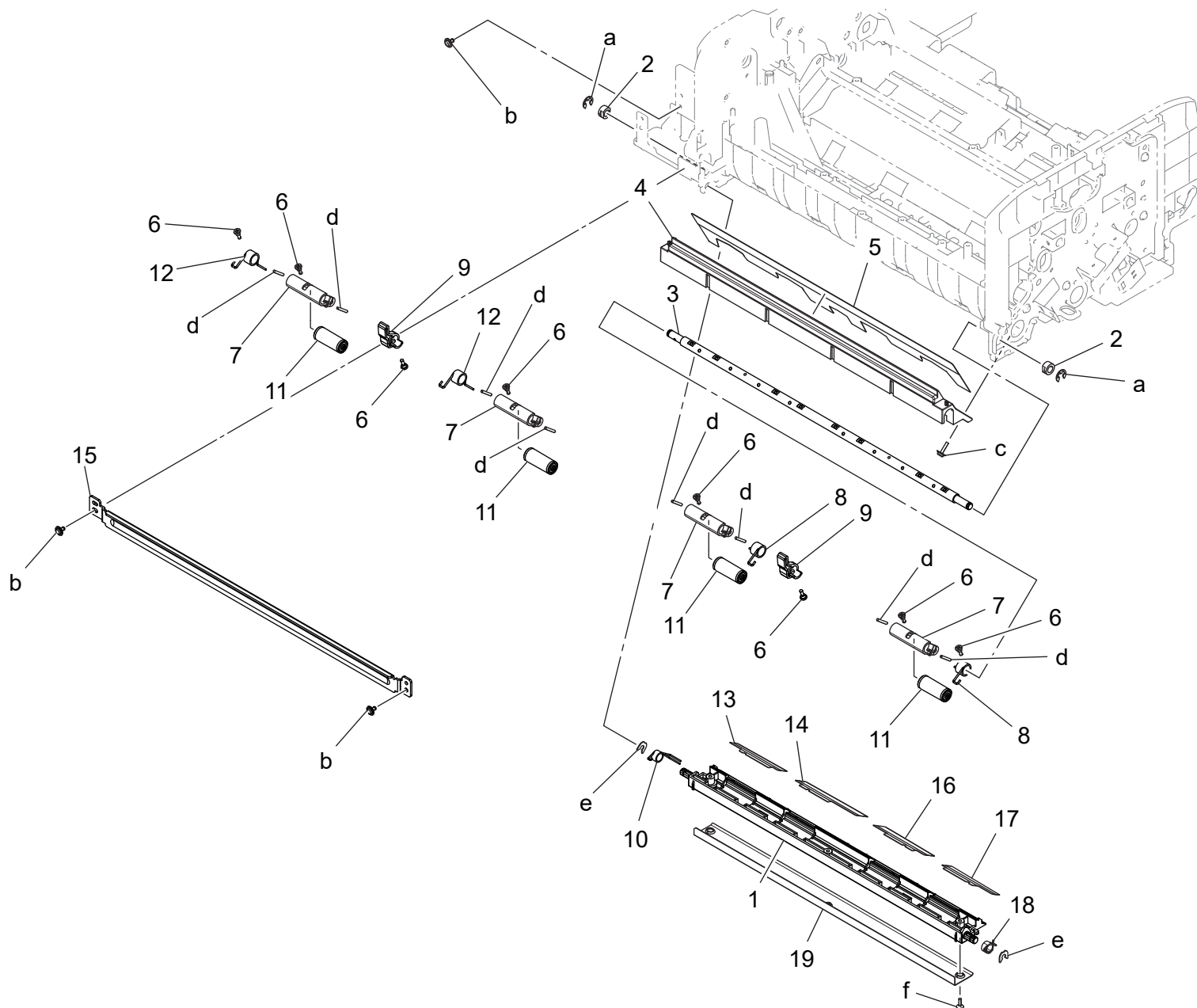
Automatic Document Feeder

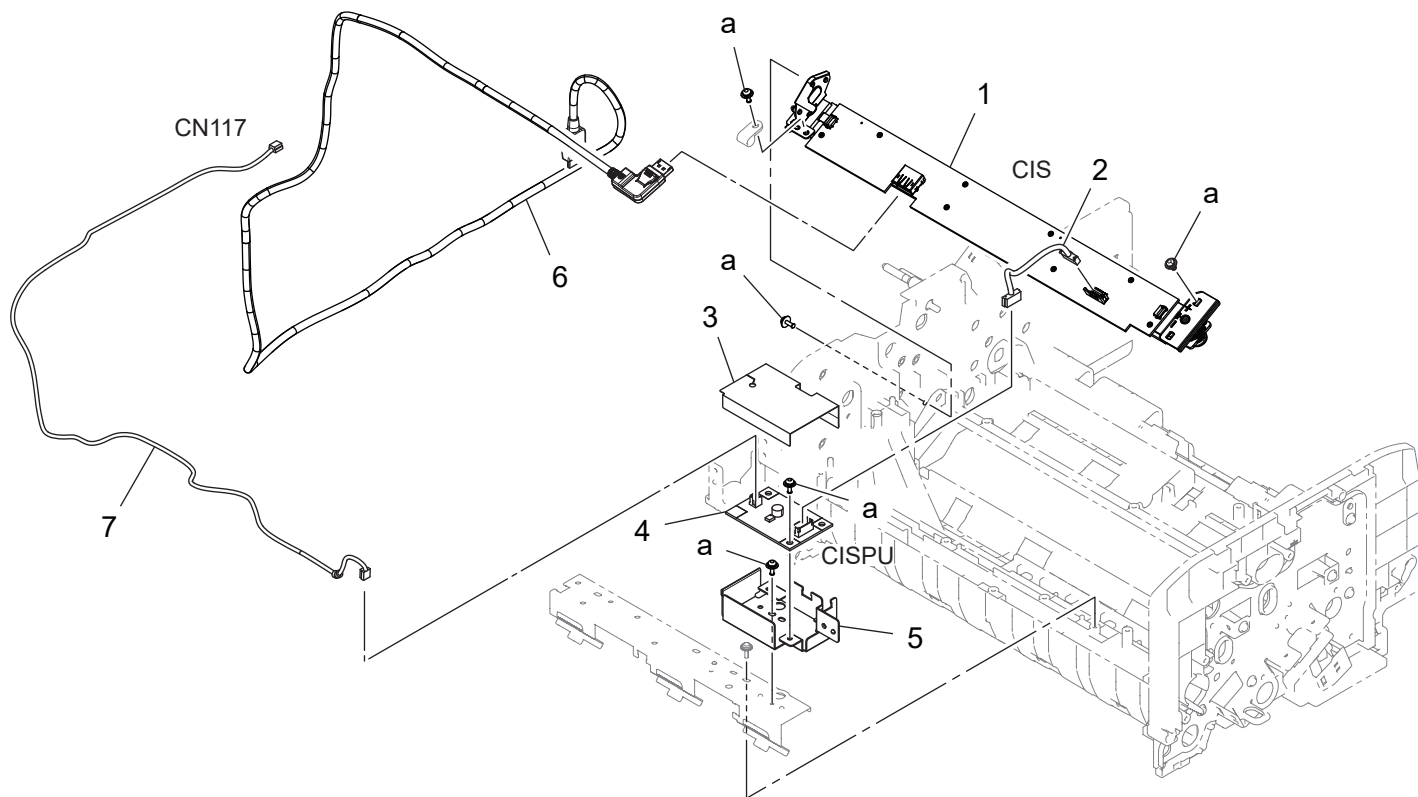


Key	Part No.	Description	Destinations	Class	QTY	Standard parts
1	A782714200	Spring /Lower		C	1	a-V116030603 b-V234200850 c-V153030803 d-V116030803 e-V153031004 f-V217060003 g-V116040803 h-V144030603
2	A782711901	Lever /1		C	1	
3	AAMPN10101	ADF Harness /2		D	1	
4	9J07340901	ROLLER		A	1	
5	A0HT561202	Shaft		C	1	
6	A782568200	Holder		C	1	
7	A782568600	Spring		C	1	
8	A3CK565100	Holder		D	1	
9	A782568701	Torque limiter		A	1	
10	A782576000	Neutralizing Brush		C	1	
11	A3CK568300	Guide		D	1	
12	A782712300	Mounting Plate /2		D	1	
13	A782710806	Guide		D	1	
14	A782704200	Adjusting Cushion		C	5	
15	A782710201	Neutralizing Brush		C	1	
16	A782710000	Lever /Upper		C	5	
17	A782710100	Spring /1		C	5	
18	A00V240600	Ball Bearing		B	2	
19	A782117900	Shoulder screw		C	1	
20	AAMP711000	Conveyance Roller		C	1	
21	AAMP214400	Timing belt 146L		C	1	
22	AAMP212601	Mounting Plate /B		D	1	
23	A782M10000	Stepping motor		C	1	
24	AAMP213000	Gear 19T		C	1	
25	A782115700	Washer /1		C	1	
26	A782714100	Spring /Lower		C	1	
27	A782N12700	ADF Wiring /B		D	1	
28	AAMPH10U00	DF Send Board		C	1	
29	AAMP710500	Mounting Plate /Lower		D	1	
30	AAMPN11301	ADF Harness /B		D	1	
31	A782215100	Collar		C	1	
32	AAMP215000	Pulling Spring		C	1	
33	4470402401	Stopper		D	1	
34	A782N20400	ADF Wiring		D	1	
35	A782705600	Neutralizing Brush /1		D	1	
36	AAMPN20501	ADF Harness		D	1	
37	A5C1M50100	Photointerrupter		B	1	

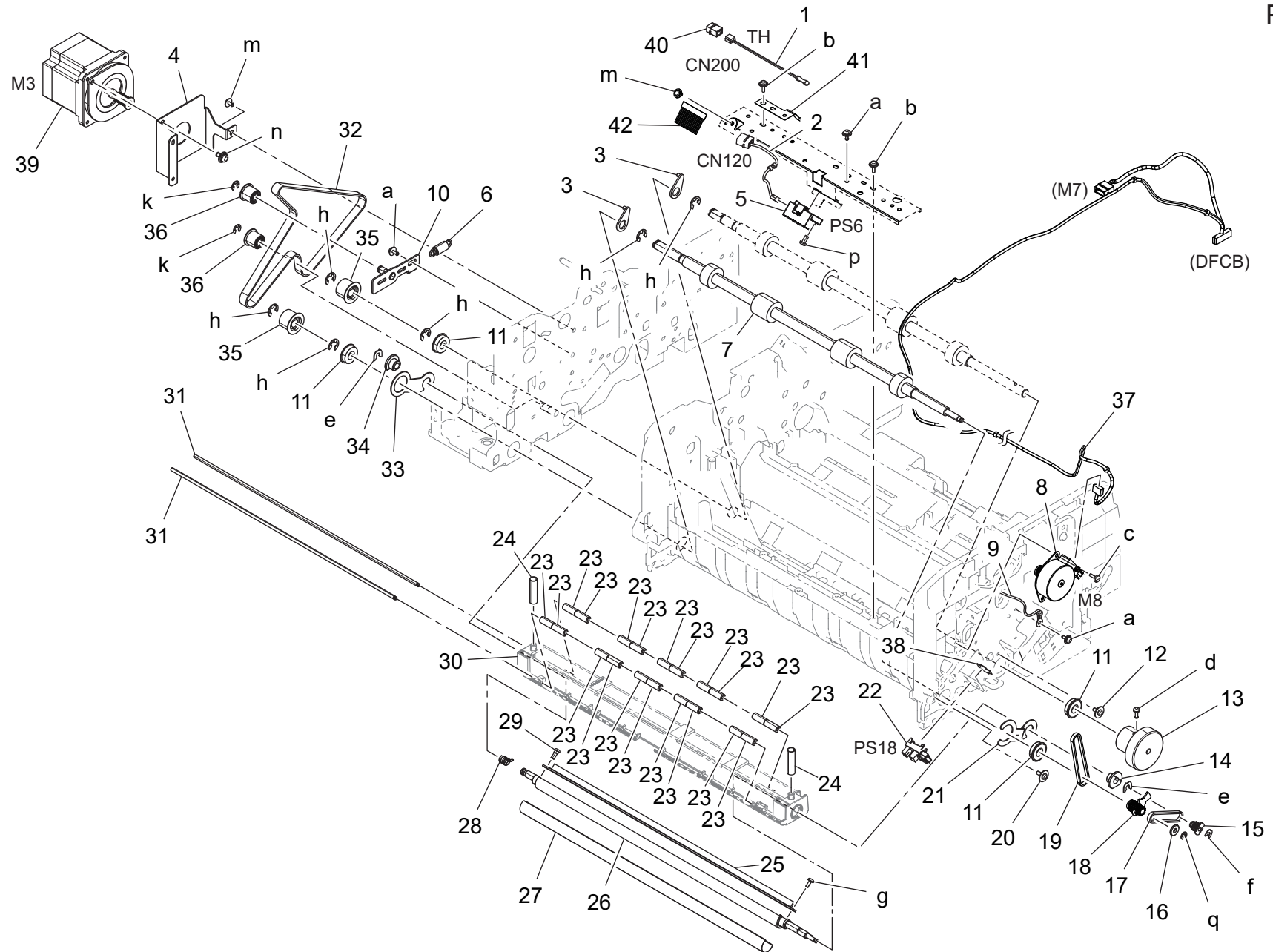
Automatic Document Feeder

P 70

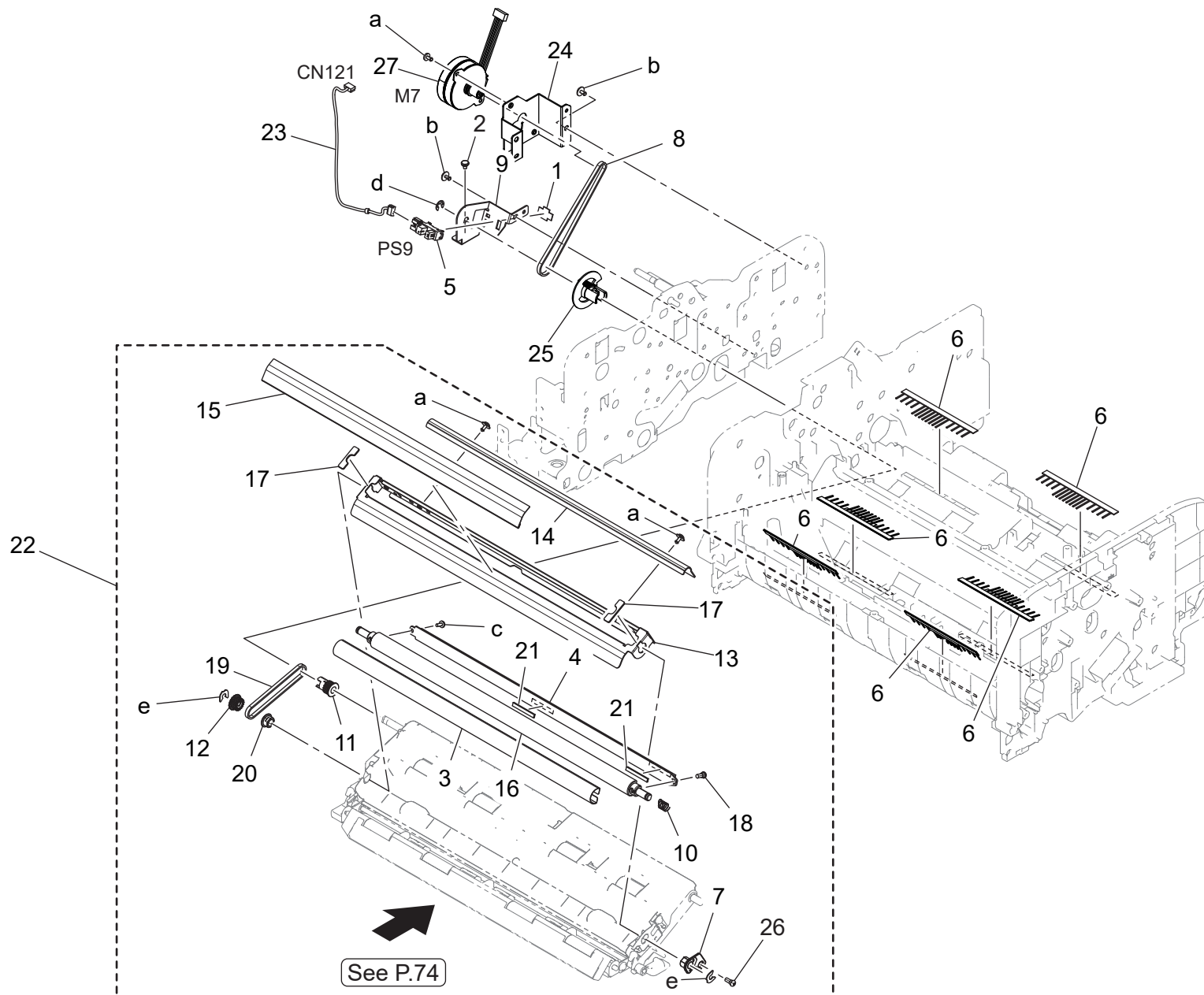




Automatic Document Feeder

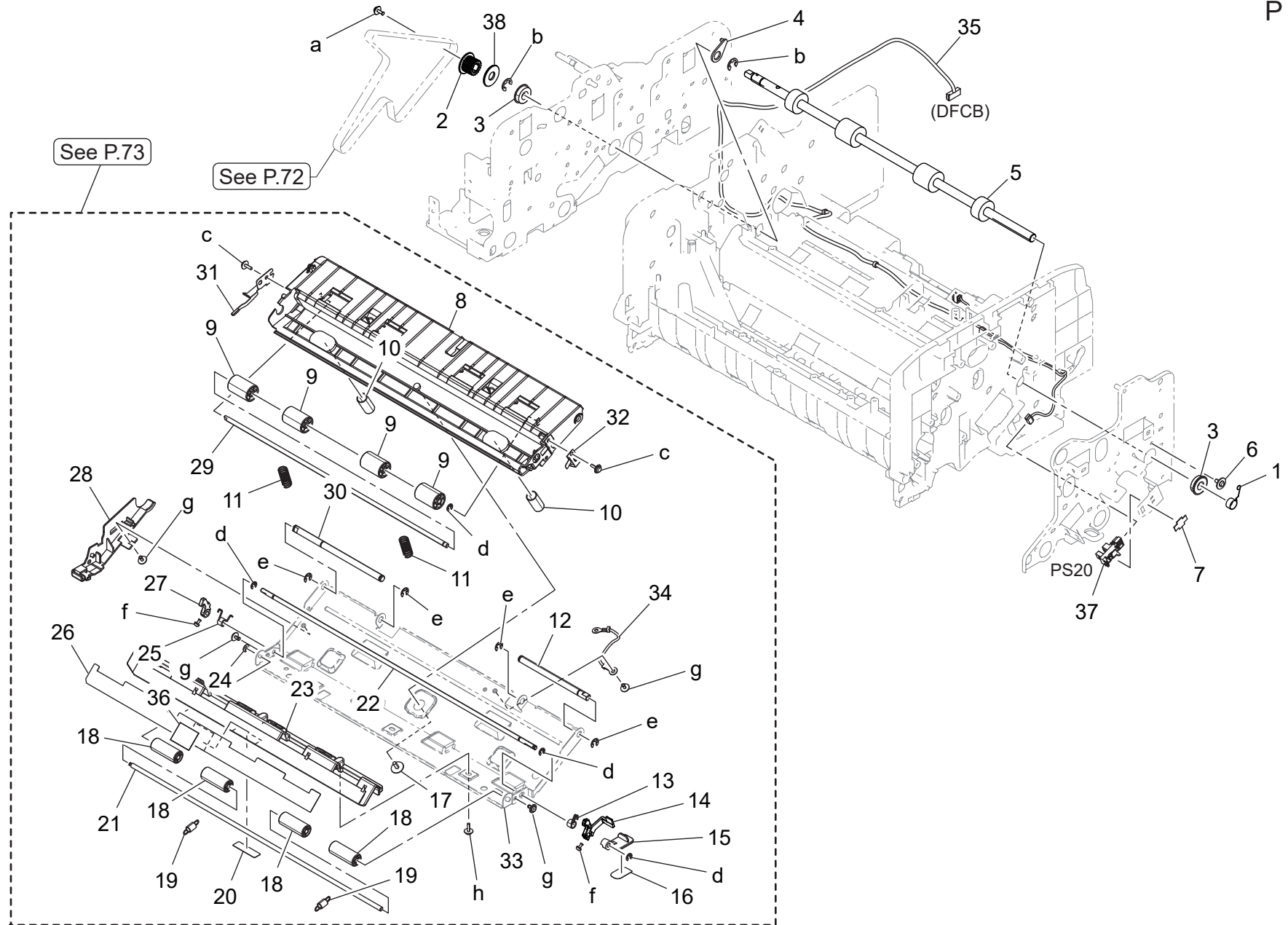


Key	Part No.	Description	Destinations	Class	QTY	Standard parts
1	A0P0M50300	Thermistor		C	1	a-V116030803
2	A782N12300	ADF Wiring /50		D	1	b-V153030803
3	A782115700	Washer /1		C	2	c-V149030803
4	A782212300	Mounting Plate		D	1	d-V115030803
5	A85GM50000	Photorelector		C	1	e-V218040086
6	AAMP215700	Pulling Coil spring		C	1	f-V218030086
7	AAMP102900	Roller		C	1	g-V145030603
8	AAMP10200	Stepping Motor		C	1	h-V217060003
9	A782N12600	ADF Wiring /A		D	1	k-V217040003
10	A782231000	Tension Plate		D	1	m-V144030603
11	A00V240600	Ball Bearing		B	4	n-V116040803
12	A782117900	Shoulder screw		C	1	p-V126030803
13	A782118300	Weight		D	1	q-V217030003
14	A782263801	Bushing		C	1	
15	A782262900	Pulley 14T		C	1	
16	A0HU250500	Flange		D	1	
17	A782263000	Belt 100L		C	1	
18	AAMP269800	Pulley 14/17T		C	1	
19	AAMP268900	Timing belt 132L		C	1	
20	A782118000	Shoulder screw		C	1	
21	A782262200	Arm		D	1	
22	A5C1M50100	Photointerrupter		B	1	
23	A782262800	Roll		C	20	
24	A782263300	Compressing Coil spring		C	2	
25	A3CK300200	Brush		C	1	
26	A782262501	Shaft		D	1	
27	A782264501	Sheet		C	1	
28	A782264300	Spring		D	1	
29	A782269200	Shoulder screw		C	1	
30	AA2JP10100	Cover /Rear		D	1	
31	A782262700	Shaft		D	2	
32	AAMP213300	Timing belt 456L		C	1	
33	A782262300	Arm		D	1	
34	A782263700	Bushing		C	1	
35	AAMP213100	Pulley 21T		C	2	
36	A782230700	Pulley		C	2	
37	AAMPN10502	ADF Harness /6		D	1	
38	4470402401	Stopper		D	1	
39	A782M10000	Stepping motor		C	1	
40	V651010034	Connector		V	1	
41	AAMP290100	Ground Plate spring		D	1	
42	A782705600	Neutralizing Brush /1		D	1	

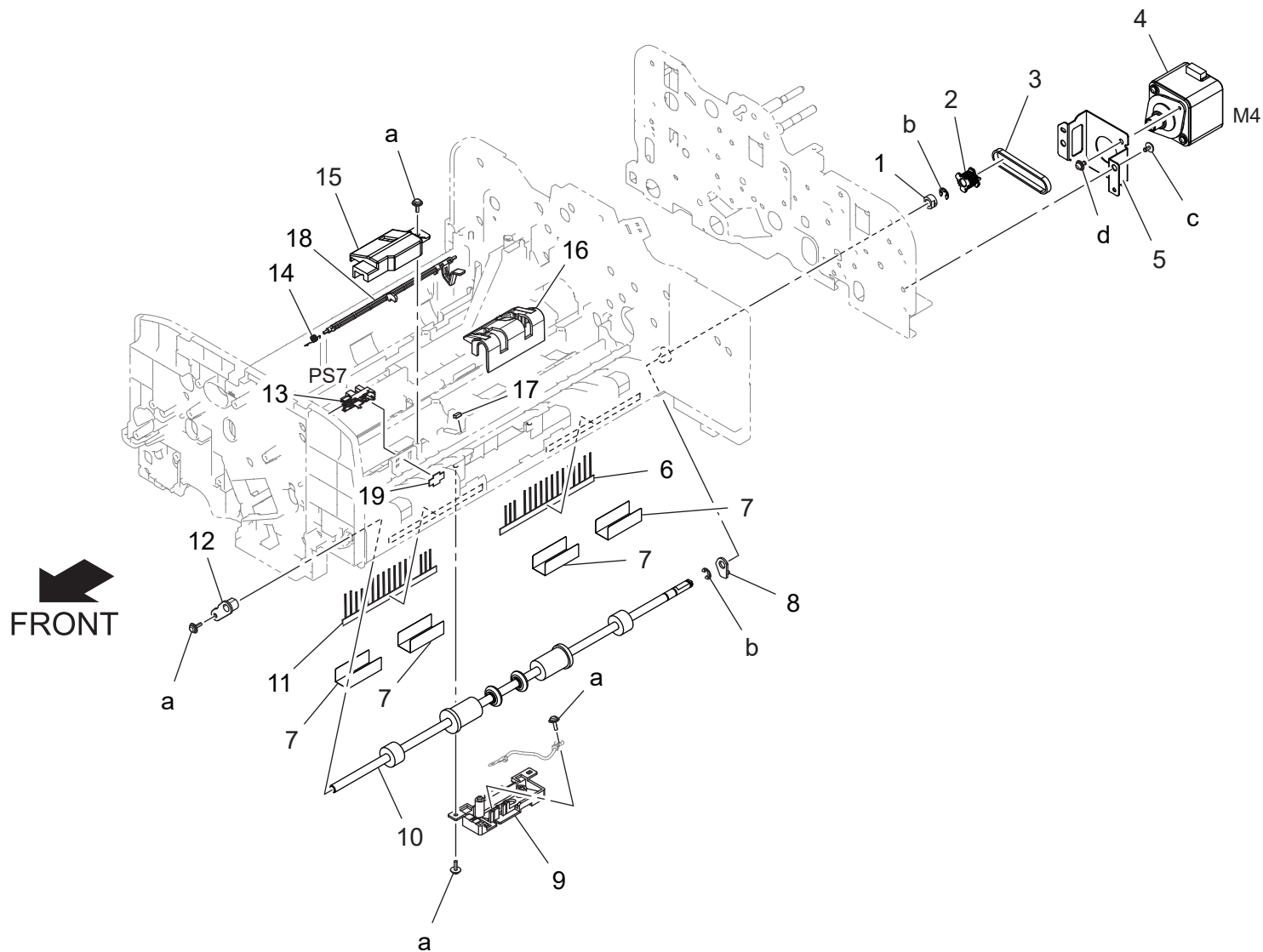


Key	Part No.	Description	Destinations	Class	QTY	Standard parts
1	4470402401	Stopper		D	1	a-V143030603 b-V144030603 c-V145030603 d-V217040003 e-V218040086
2	A0P0742300	Shoulder screw		C	1	
3	A3CK300102	Sheet		C	1	
4	A3CK300200	Brush		C	1	
5	A5C1M50100	Photointerrupter		B	1	
6	A782104301	Neutralizing Brush		D	6	
7	A782263212	Bushing		C	1	
8	A782264000	Belt 230L		C	1	
9	A782264202	Mounting Plate		D	1	
10	A782264300	Spring		D	1	
11	A782264600	Pulley T18		C	1	
12	A782264700	Pulley /2 T18		C	1	
13	A782264800	Housing		D	1	
14	A782265201	Mounting Plate		D	1	
15	A782265300	Sheet /1		D	1	
16	A782268301	Shaft		D	1	
17	A782268500	Spacer		D	2	
18	A782269200	Shoulder screw		C	1	
19	A782269300	Belt 154L		C	1	
20	A782269500	Bushing		C	1	
21	A782562101	Cushion		C	2	
22	AAMP70600	CIS Cleaning ASSY		S	1	
23	A782N12400	ADF Wiring /60		D	1	
24	AAMP264100	Mounting Plate		D	1	
25	AAMP264400	Pulley 21T		C	1	
26	AAMP273000	Shoulder screw		C	1	
27	AAMP10300	Stepping Motor		C	1	

Automatic Document Feeder



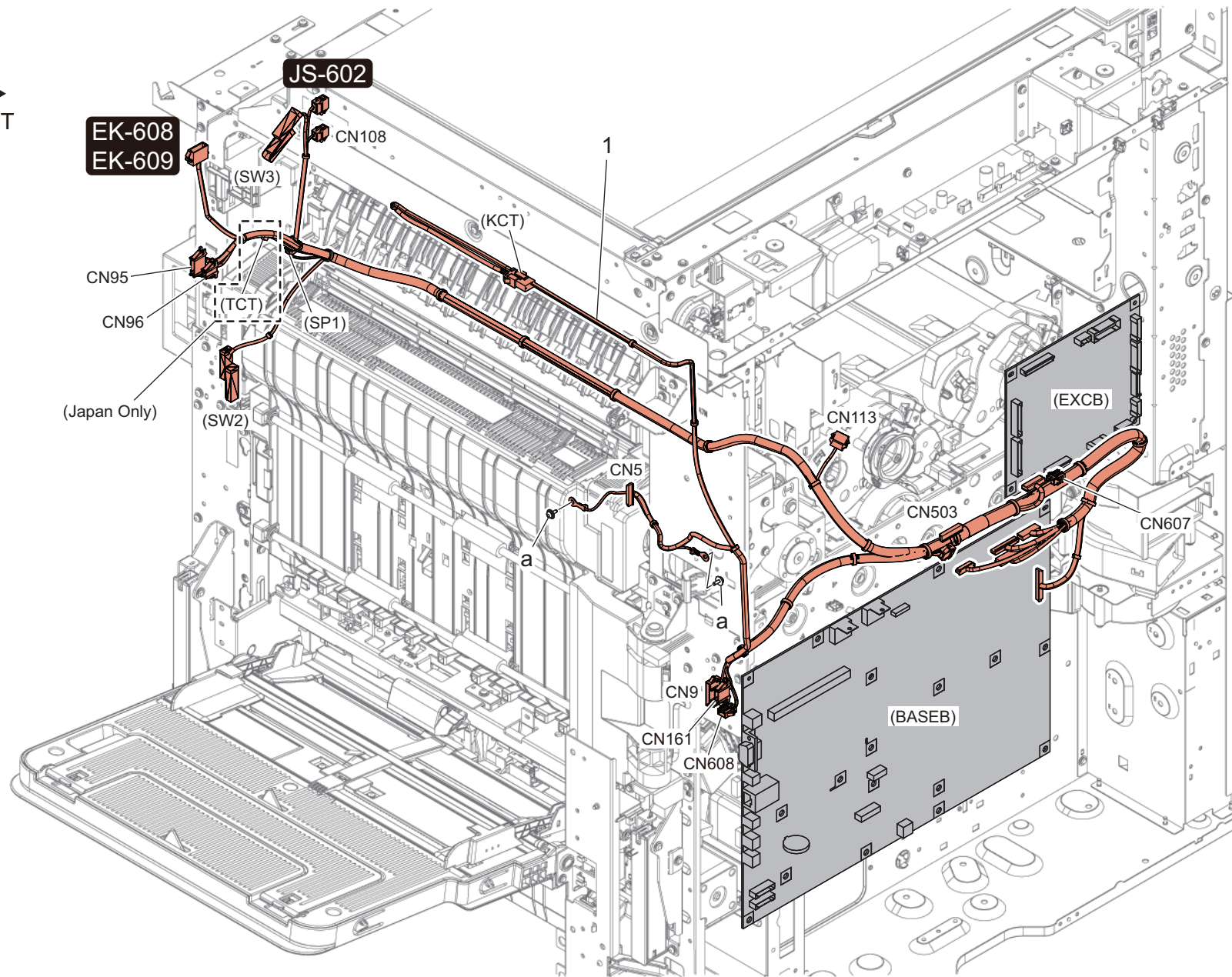
Key	Part No.	Description	Destinations	Class	QTY	Standard parts
1	AAMP290200	Discharge Spring		C	1	a-V116030803
2	AAMP213600	Pulley		D	1	b-V217060003
3	A00V240600	Ball Bearing		B	2	c-V153030803
4	A782115700	Washer /1		C	1	d-V217030003
5	AAMP115600	Roller		C	1	e-V217040003
6	A782117900	Shoulder screw		C	1	f-V115260503
7	4470402401	Stopper		D	1	g-V144030603
8	A782265102	Conveyance Guide		D	1	h-V149030803
9	A782563800	Idling Roller		C	4	
10	A782265700	Compressing Coil spring		C	2	
11	A782265600	Compressing Coil		C	2	
12	A782266000	Open/close Shaft /Front		D	1	
13	A782266900	Open/close Spring /Left		D	1	
14	A782266502	Lock Part /Front		D	1	
15	A108266300	Lock Lever		C	1	
16	A3CK940000	Label		C	1	
17	4163529301	SCREW		C	1	
18	A782266200	Roll		C	4	
19	A782267200	Pulling Coil spring /3		C	2	
20	A782940300	Cover Film		C	1	
21	A782266401	Shaft		D	1	
22	A782266800	Open/close Shaft		D	1	
23	A782266300	Guide		D	1	
24	A782103600	Slide Stopper		C	1	
25	A782267000	Open/close Spring /Right		D	1	
26	A782117700	Conveyance Guide		D	1	
27	A782266601	Lock Part /Rear		D	1	
28	A782267100	Cover		D	1	
29	A782268201	Shaft		D	1	
30	A782266100	Shaft		D	1	
31	A782268001	Plate spring		D	1	
32	A782266700	Ground Plate spring		D	1	
33	A782265800	Cover /1		D	1	
34	A782N11800	ADF Wiring /19		D	1	
35	A782N10700	ADF Wiring /8		D	1	
36	A782117800	Guide /Middle		D	1	
37	A5C1M50100	Photointerrupter		B	1	
38	AAMP213700	Flange		D	1	



Key	Part No.	Description	Destinations	Class	QTY	Standard parts
1	4131253701	BUSHING		C	1	a-V153030803 b-V217040003 c-V144030603 d-V116030603
2	AAMP210800	Pulley 19T		C	1	
3	A782569900	Timing belt 128L		C	1	
4	A2X0M10800	Stepping motor		C	1	
5	AAMP212500	Mounting Plate		D	1	
6	A782891600	Neutralizing Brush /2		C	1	
7	AAMP891700	Wiring Cover		D	4	
8	A782115800	Paper exit Washer		C	1	
9	A782890711	Mounting Pedestal		D	1	
10	AAMP890000	Paper exit Roller		C	1	
11	A782891500	Neutralizing Brush /1		C	1	
12	A782103200	Bushing		C	1	
13	A5C1M50100	Photointerrupter		B	1	
14	A782101900	Paper exit Spring		C	1	
15	AAMP890600	Sensor Cover		D	1	
16	A782890111	Paper exit Cover		D	1	
17	A782104500	Cushion		C	1	
18	A782890200	Paper exit Actuator		C	1	
19	4470402401	Stopper		D	1	

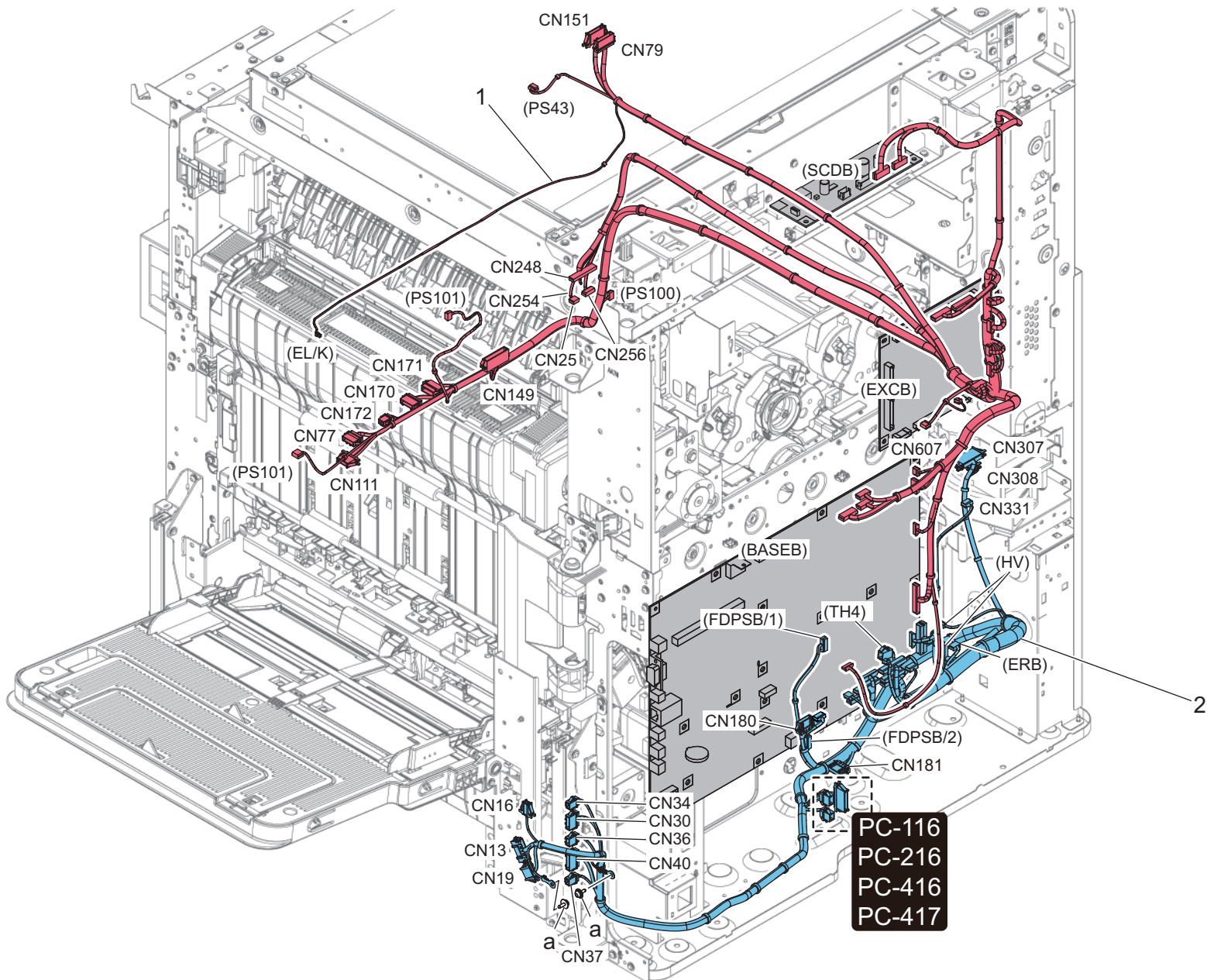
Wiring

FRONT

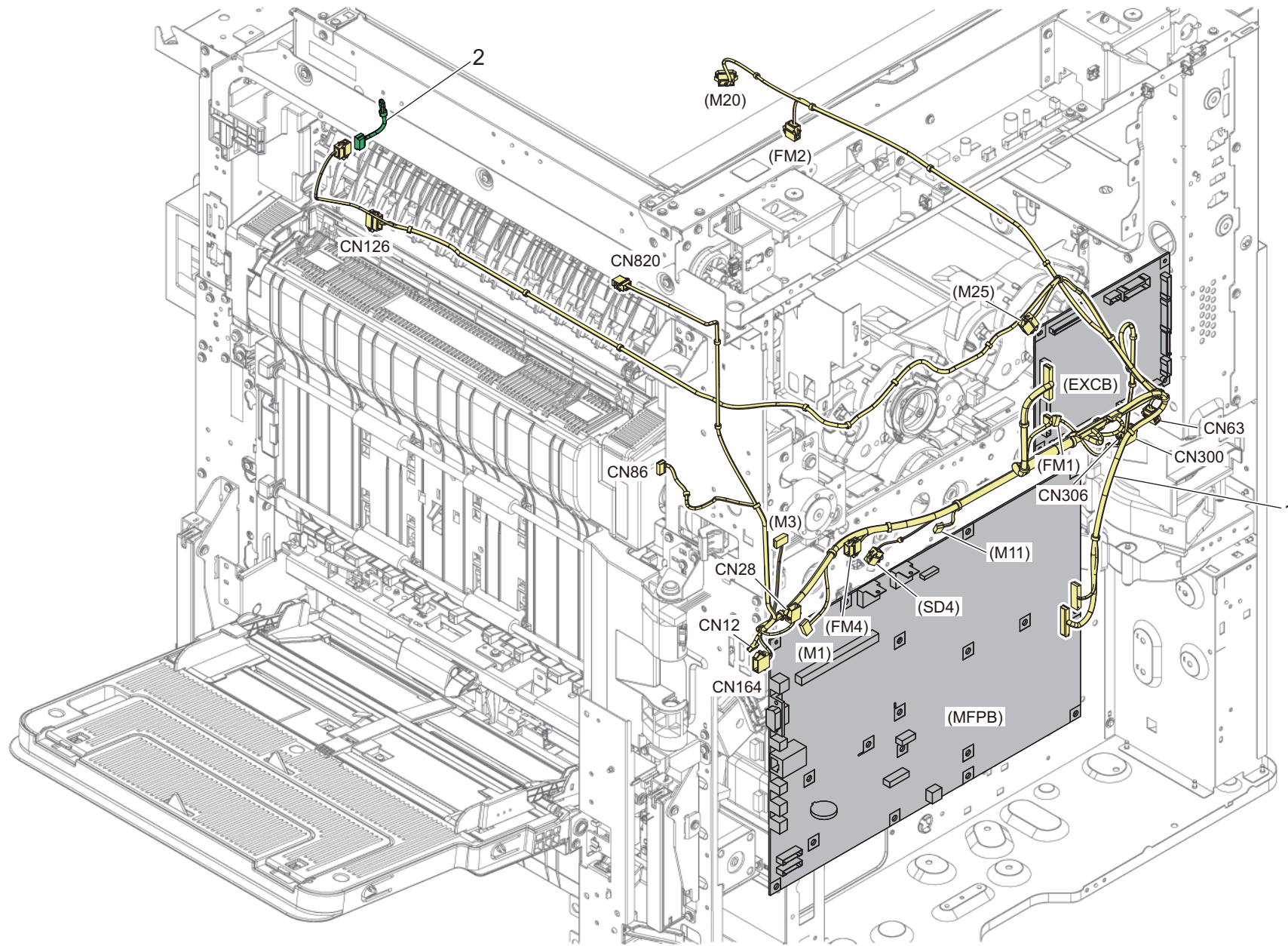


Key	Part No.	Description	Destinations	Class	QTY	Standard parts
1	AA7NN10A01	Main Body Harness /1 本体束線 / 1 (High)		D	1	a-V125030803

Wiring



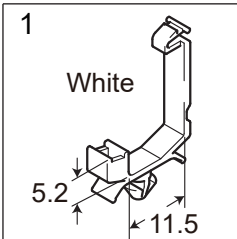
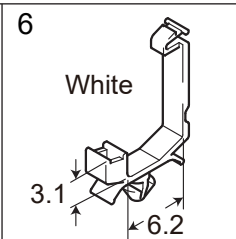
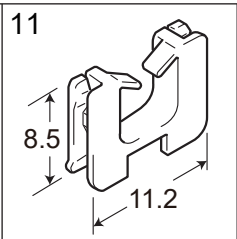
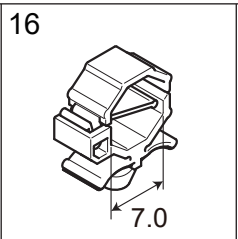
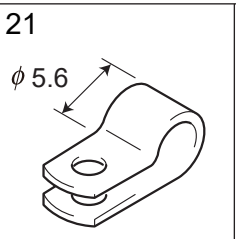
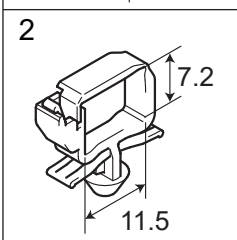
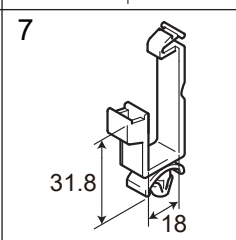
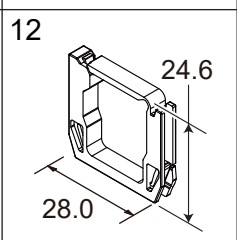
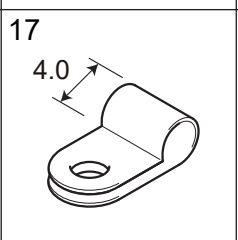
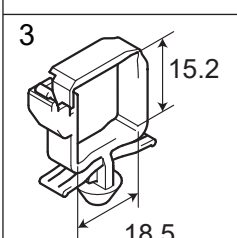
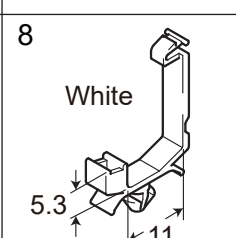
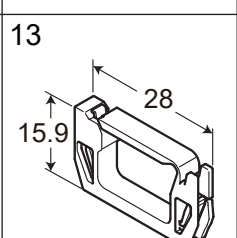
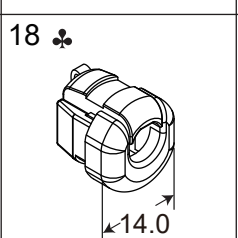
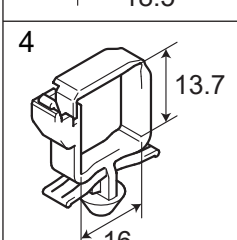
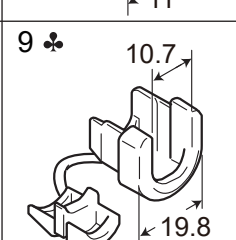
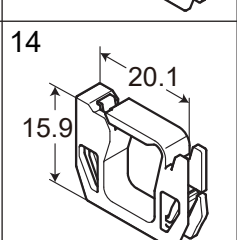
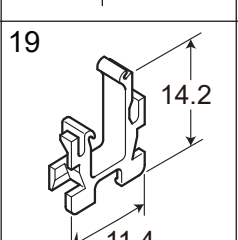
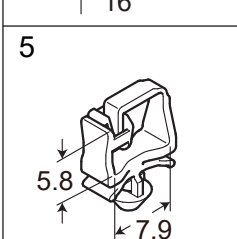
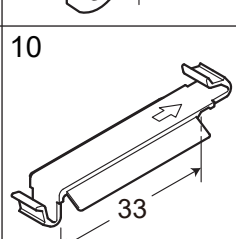
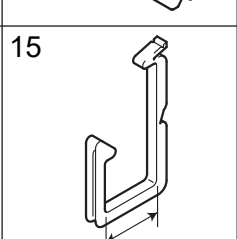
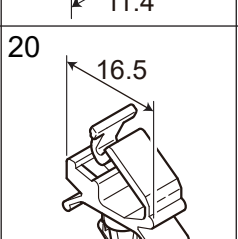
- PC-116
- PC-216
- PC-416
- PC-417



Key	Part No.	Description	Destinations	Class	QTY	Standard parts
1	AC74N10D01	Drive Harness /1		D	1	
2	A9UVN14101	Drive Wiring /4		D	1	

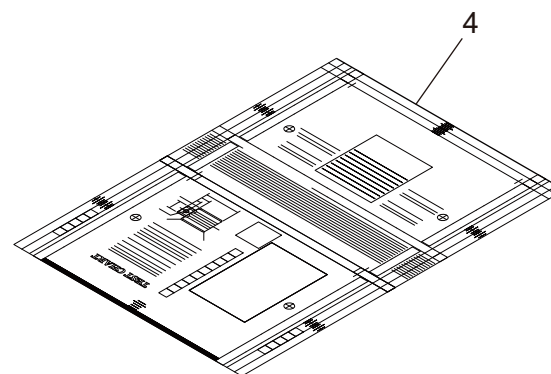
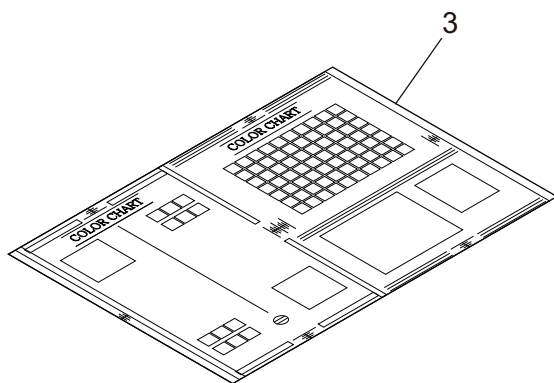
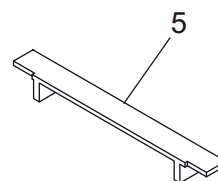
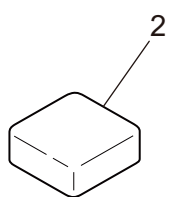
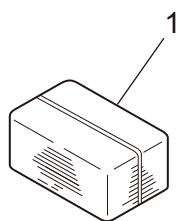
Wiring Accessories

P 79

1 White 	6 White 	11 	16 	21 	26	31	36
2 	7 	12 	17 	22	27	32	37
3 	8 White 	13 	18 ♣ 	23	28	33	38
4 	9 ♣ 	14 	19 	24	29	34	39
5 	10 	15 	20 	25	30	35	40

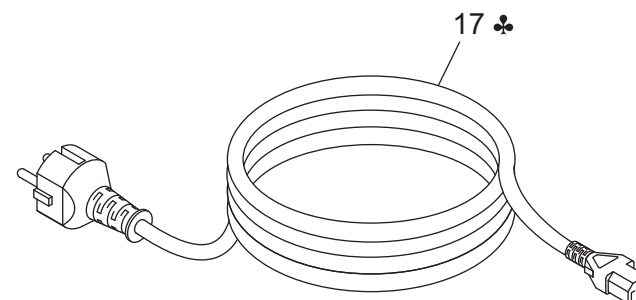
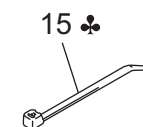
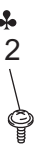
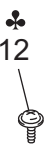
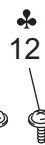
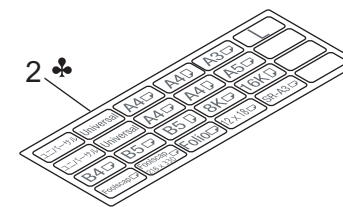
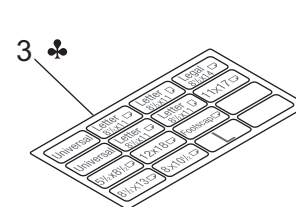
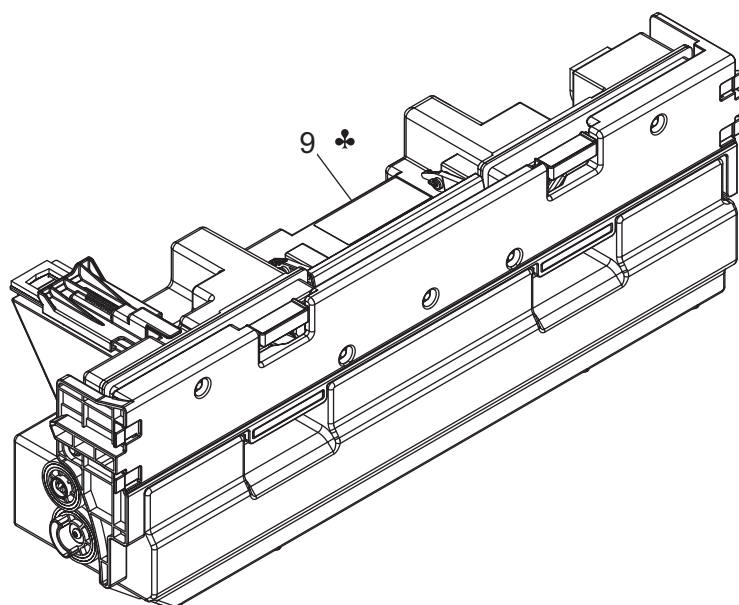
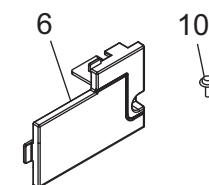
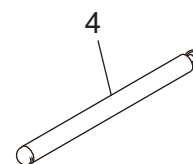
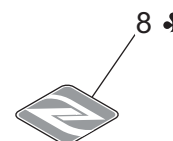
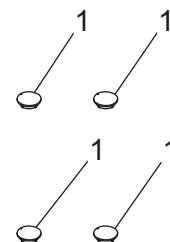
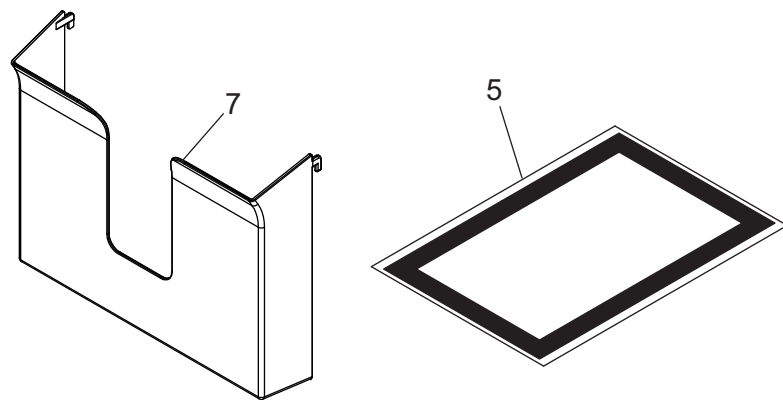
bizhub 450i

Key	Part No.	Description	Destinations	Class	QTY	Standard parts
1	V500010081	Locking Wire Saddle		D		
2	V500010082	Locking Wire Saddle		D		
3	V500010083	Locking Wire Saddle		D		
4	V500010084	Locking Wire Saddle		D		
5	V500020098	Mini Locking wire saddle		D		
6	V500020099	Mini Locking wire saddle		D		
7	V500010085	Locking Wire Saddle		D		
8	V500020100	Mini Locking wire saddle		D		
9	V500020052	bushing	B,G2	D		
10	V500020082	Clamping for FFC		D		
11	V570010021	Saddle		D		
12	V570010057	Wing Edge Saddle		D		
13	V570010059	Wing Edge Saddle		D		
14	V570010060	Wing Edge Saddle		D		
15	V570010048	SADDLE		D		
16	V500020094	FG Clamp		D		
17	V500020069	Clamp		D		
18	V500020073	bushing	A	D		
19	V570010050	Locking Edge Saddle		D		
20	V500010061	saddle		D		
21	V500020018	clamp		D		

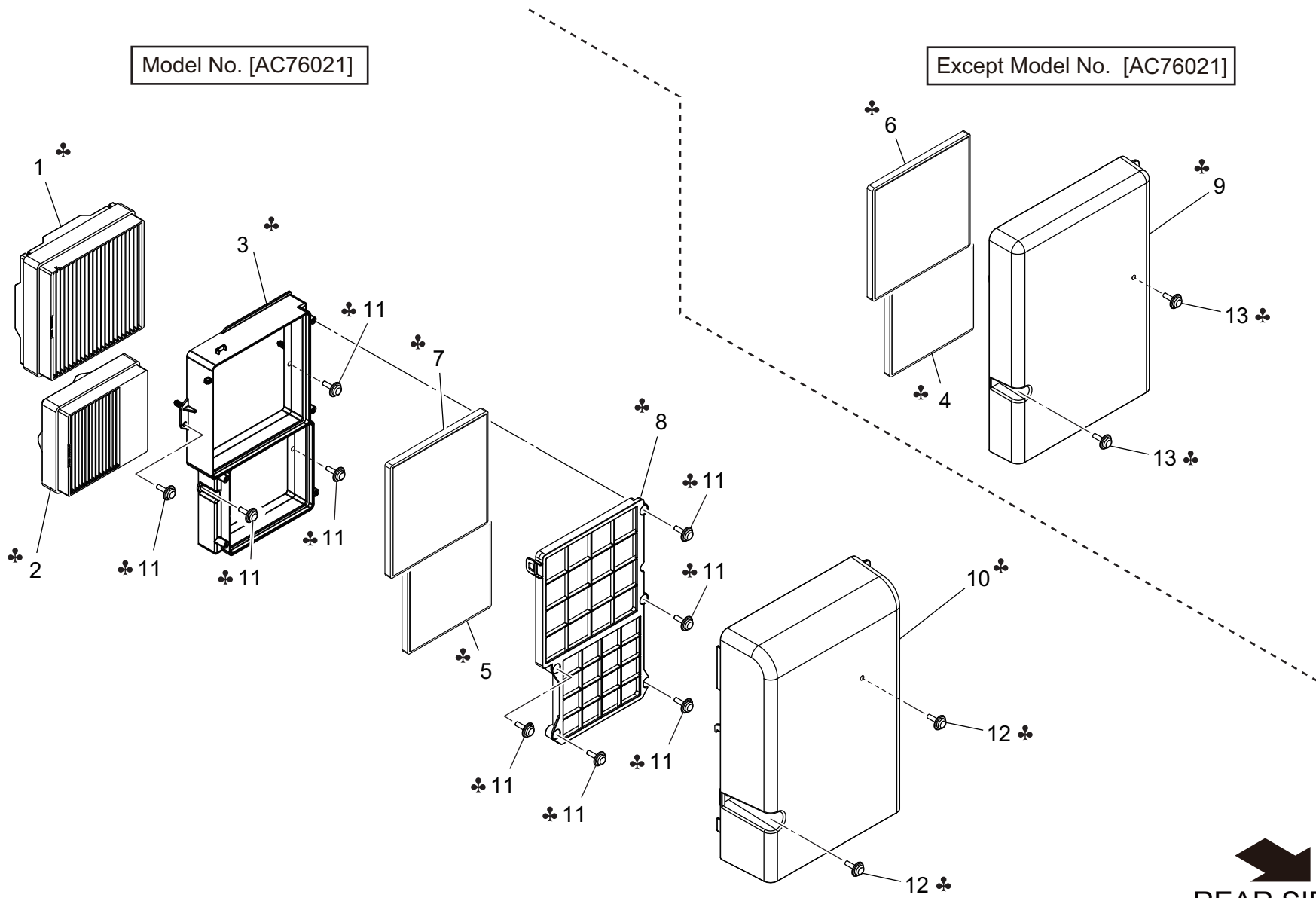


Accessory Parts

P 81



Key	Part No.	Description	Destinations	Class	QTY	Standard parts
1	A00J169100	Cover		D	4	
2	A161943301	Label Paper Size/Metric	ラベル 集合ラベル M	C	1	
3	A161943400	Label Paper Size/Inch	ラベル 集合ラベル I	C	1	
4	A5C1192104	Pen	ペン	C	1	
5	A782945003	Adjusting Sheet	調整シート	S	1	
6	A7PU166101	Cover	カバー	C	1	
7	A7PU169900	Holder	ホルダ (マニュアル)	C	1	
8	AA2J948600	Label	ラベル (NFC)	D	1	
9	AD1Y0Y1	Waste Toner Box	廃棄トナーボックス (BK)	A	1	
9	AD1YWY1	Waste Toner Box	廃棄トナーボックス (BK)	A	1	
10	V116030804	Screw	なべ小ねじ・セムス2	V	1	
11	V116033003	Screw	なべ小ねじ・セムス2	V	1	
12	V153030803	Screw	カップ頭タッピンねじ B タイト	V	4	
13	V500020040	clamp	ナイロンクランプ	D	1	
14	V500020080	Nylon Clamp	ナイロンクランプ	D	1	
15	V501010002	band	結束バンド	D	1	
16	V153031004	screw	カップ頭タッピンねじ B タイト	V	1	
17	4136N30000	POWER CODE	プラグ電源コード	D	1	
17	9381420021	POWER CORD	プラグ付電源コード	D	1	
17	A1UDN30200	Power cord /230V	電源コード / 230 V (アルゼンチン)	C	1	
17	A2UPN30100	Power code (220-240V)	電源コード (220-240V)	D	1	
17	A2UPN30300	Power code (220-240V)	電源コード (220-240V)	D	1	
17	A2UPN30601	Power code (220-240V)	電源コード (220-240V)	D	1	
17	A7AHN30000	Power code /230V	電源コード / 230 V (インド)	D	1	
17	9381430031	POWER CORD	プラグ付電源コード	D	1	




REAR SIDE

bizhub 450i

Key	Part No.	Description	Destinations	Class	QTY	Standard parts
1	A79J142800	Filter /UFP フィルタ / U F P	C,G1,I(South Africa)	C	1	
2	A79J142902	Filter /UFP フィルタ / U F P	C,G1,I(South Africa)	C	1	
3	A79J143300	Duct ダクト	C,G1,I(South Africa)	D	1	
4	A79J149200	Filter フィルタ (活性炭 B)	A,B,D1,D3,E,F2,G1,G2,I(except South Africa),K	C	1	
5	A79J149200	Filter フィルタ (活性炭 B)	C,G1,I(South Africa)	C	1	
6	A79J149300	Filter フィルタ (活性炭 P)	A,B,D1,D3,E,F2,G1,G2,I(except South Africa),K	C	1	
7	A79J149300	Filter フィルタ (活性炭 P)	C,G1,I(South Africa)	C	1	
8	A79J168200	Cover カバー	C,G1,I(South Africa)	D	1	
9	AA7N168600	Cover カバー	A,B,D1,D3,E,F2,G1,G2,I(except South Africa),K,J	D	1	
10	AA7N168700	Cover カバー	C,G1,I(South Africa)	D	1	
11	V153030803	Screw カップ頭タッピンねじ B タイト	C,G1,I(South Africa)	V	9	
12	V153031004	screw カップ頭タッピンねじ B タイト	C,G1,I(South Africa)	V	2	
13	V153031004	screw カップ頭タッピンねじ B タイト	A,B,D1,D3,E,F2,G1,G2,I(except South Africa),K	V	2	

MAINTENANCE LIST

● The items with no Page/Key numbers are not handled as spare parts.

No.	Section	PM Parts Description	Maintenance Cycle (K=1,000)		Parts No.	Destinations	Page/Key	Note
			QTY	Replace				
1	Tray 1	Tray 1 pick-up roller	1	300K	A64J564201		P19-20	*1, *2
2		Tray 1 feed roller	1	300K	A64J564101		P19-13	*1, *2
3		Tray 1 separation roller	1	300K	AA2J560000		P20-6	*1, *2
4	Tray 2	Tray 2 pick-up roller	1	300K	A64J564201		P21-18	*1, *2
5		Tray 2 feed roller	1	300K	A64J564101		P21-12	*1, *2
6		Tray 2 separation roller	1	300K	AA2J560000		P22-6	*1, *2
7	Manual bypass tray	Bypass pick-up roller	1	200K	A5C1562200		P38-17	*1, *2
8		Manual bypass tray feed roller	1	200K	A00F623201		P38-18	*1, *2
9		Manual bypass tray separation roller assy	1	200K	AA7N591100		P39-21	*1, *2
10	Processing section	Toner cartridge/K	1	24K	-			*3
11		Drum unit/K	1	260K	-			*3, *4
12		Developing unit/K	1	1000K	-			*4
13		Toner filter/K	1	330K	A161R72811		P55-5	
14		Waste toner box	1	300K	AD1Y0Y1	A,B,G2	P81-9	*3, *4
15	Waste toner box	1	300K	AD1YWY1	C,D1,D3,E,F2,G1,I,K	P81-9	*3, *4	
16	Image transfer section	Transfer belt unit	1	330K	AC74R70100		P17-23	*4
17		Transfer roller unit	1	1000K	AA7NR70400		P33-4	*4
18	Fusing section	Fusing unit	1	800K	AA7RR70611	A	P45-1	*4
19		Fusing unit	1	800K	AA7RR70700	B,G2	P45-1	*4
20		Fusing unit	1	800K	AA7RR70800	C,D1,D3,E,F2,G1,I,K	P45-1	*4
21	Dual scan document feeder	Pick-up roller	2	200K	9J07330102		P68-7	*1, *2
22		Feed roller	1	200K	A00J563600		P68-11	*1, *2
23		Separation roller	1	200K	9J07340901		P69-4	*1, *2

*1: Life counter value

*2: Replace these parts at the same time.

*3: The parts can be replaced either by user or service engineer.

*4: Field standard yield

*: The part names used on this page follow the ones used in the Service Manual and they are occasionally different from those written in other pages.

メンテナンスリスト

● ページ / キーナンバーのないものは、アフターサービス部品ではありません。

No.	区分	PM 部品名称	サイクル (K=1,000)		部品番号	仕向地	頁 / キー	備考
			員数	交換				
1	トレイ 1	トレイ 1 ビックアップローラー	1	300K	A64J564201		P19-20	*1, *2
2		トレイ 1 給紙ローラー	1	300K	A64J564101		P19-13	*1, *2
3		トレイ 1 分離ローラー	1	300K	AA2J560000		P20-6	*1, *2
4	トレイ 2	トレイ 2 ビックアップローラー	1	300K	A64J564201		P21-18	*1, *2
5		トレイ 2 給紙ローラー	1	300K	A64J564101		P21-12	*1, *2
6		トレイ 2 分離ローラー	1	300K	AA2J560000		P22-6	*1, *2
7	手差し	手差し ビックアップローラー	1	200K	A5C1562200		P38-17	*1, *2
8		手差し 給紙ローラー	1	200K	A00F623201		P38-18	*1, *2
9		手差し 分離ローラー Assy	1	200K	AA7N591100		P39-21	*1, *2
10	プロセス部	トナーカートリッジ /K	1	24K	-			*3
11		ドラムユニット /K	1	260K	-			*3, *4
12		現像ユニット /K	1	1000K	-			*4
13		トナーフィルター /K	1	330K	A161R72811		P55-5	
14		廃棄トナーボックス	1	300K	AD1Y0Y1	A,B,G2	P81-9	*3, *4
15	廃棄トナーボックス	1	300K	AD1YWY1	C,D1,D3,E,F2,G1,I,K	P81-9	*3, *4	
16	転写部	転写ベルトユニット	1	330K	AC74R70100		P17-23	*4
17		転写ローラーユニット	1	1000K	AA7NR70400		P33-4	*4
18	定着部	定着ユニット	1	800K	AA7RR70611	A	P45-1	*4
19		定着ユニット	1	800K	AA7RR70700	B,G2	P45-1	*4
20		定着ユニット	1	800K	AA7RR70800	C,D1,D3,E,F2,G1,I,K	P45-1	*4
21	両面同時原稿送り装置	ビックアップローラー	2	200K	9J07330102		P68-7	*1, *2
22		給紙ローラー	1	200K	A00J563600		P68-11	*1, *2
23		分離ローラー	1	200K	9J07340901		P69-4	*1, *2

*1: ライフカウンター値

*2: 同時交換のこと

*3: ユーザー / サービス交換の選択が可能。

*4: 市場標準印刷枚数値

*: ここに記載されている部品名称はサービスマニュアルで使用されている部品名称であり、他のページに記載されている部品名称とは異なる場合があります。

DESTINATION

Destination No.		Destinations		V	Hz	Model No.
A	A1	JAPAN		100	50/60	AC76001
	A2	JAPAN				
B		USA, CANADA		120	60	AC76011
C		EUROPEAN TYPE		220-240	50/60	AC76021
D	D1	S.E ASIA TYPE	THAILAND, SRI LANKA, SINGAPORE, MALAYSIA, HONG KONG, PAKISTAN, INDIA, BANGLADESH, INDONESIA	220-240	50/60	AC76041
	D3	OCEANIA TYPE	AUSTRALIA, NEW ZEALAND	220-240	50/60	AC76041
E		PHILIPPINES		220-240	50/60	AC76041
F	F1	SAUDI ARABIA				
	F2	SAUDI ARABIA		220-240	50/60	AC76041
G	G1	C.S AMERICA		220-240	50/60	AC76021 AC76041
	G2	C.S AMERICA		120	60	AC76011
H		TAIWAN				
I		JORDAN, LEBANON, SYRIA, SOUTH AFRICA, IRAQ, IRAN, N.YEMEN, CAMEROON, UAE, BAHRAIN, OMAN, QATAR, KUWAIT, KENYA, TUNISIA, IVORY COAST, MOROCCO		220-240	50/60	AC76021 AC76041
J		CHINA				AC76081
K		KOREA		220-240	50/60	AC76041

bizhub 450i