

KONICA MINOLTA

# *PARTS GUIDE MANUAL*

---

*DECEMBER 2013*

*bizhub 454e*  
*A61E*

## INFORMATION FOR PARTS GUIDE MANUAL

To find correct Parts No., refer to the "HOW TO MAKE THE BEST USE OF THIS MANUAL" in the following page.

### HOW TO MAKE THE BEST USE OF THIS MANUAL

- 1 When you order, please check the proper figures beforehand that are on Our Parts Guide Manual, and order with the appropriate figures.
- 2 For screws, Nuts, Washers, retaining rings and Pins which are used in this model, one letter is shown on the Standard parts column of Parts list and exploded diagrams.
- 3 In order to maintain safety of the product, some specific parts composed of this product are set up as "essential safety parts".
- 4 The assigned parts number for the "essential safety parts" is indicated as "SP00-\*\*\*\*".  
When replacing these parts, follow precautions for disassembling and installing which are listed in the Service Manual.  
Do not use any parts that are not set up as
- 5 ♣ means that there are exclusive parts for each destination.  
Please check the appropriate destination when you order.
- 6 Revision Mark  
Marked as ▲ on the illustration shows that the revision has been made.
- 7 All rights reserved. (any reprints or quotations are prohibited.)  
Use of this parts guide manual should be strictly supervised to avoid disclosure of confidential information.

## パーツガイドマニュアルのご案内

サービス部品をご発注の際には、下記に示す“パーツガイドマニュアルの活用にあたって”をご参照の上、正しい部品番号にてお願い致します。

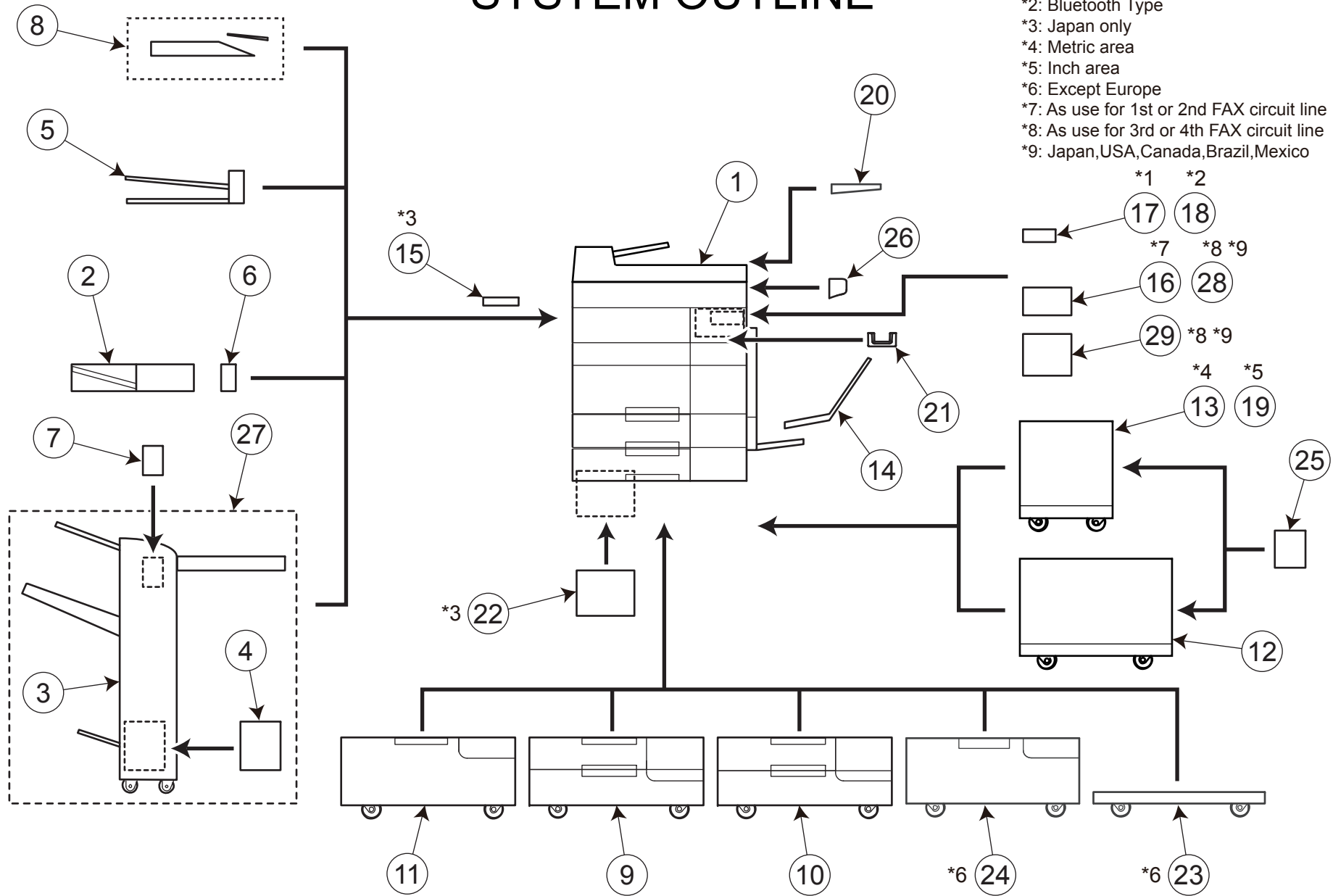
### パーツガイドマニュアルの活用にあたって

- 1 部品発注の際には、掲載されている部品番号の桁数を確認し、掲載されている桁数で発注願います。
- 2 この製品に使用されているネジ、ナット、ワッシャー、止め輪、ピンなどは、リストの右側の Standard parts 欄に a,b,c,……で表示し、イラストにも a,b,c,……表示してあります。
- 3 製品の安全性を維持する為に、製品に使用される特定の部品を「重要保安部品」として設定しています。
- 4 重要保安部品の部品番号は、“SP00-\*\*\*\*”と記載されていますので、部品交換時は、サービスマニュアル記載の分解・組み立ての注意事項に従って作業をして下さい。  
また、指定以外の部品は一切使用しないで下さい。
- 5 本文に ♣ が表示されている部品は、仕向け地毎に専用部品がある事を意味しています。  
オーダーされる時は、仕向け地を確認して下さい。
- 6 改訂記号について  
イラスト上に ▲ 印が表示されている部分は、改訂された事を表します。
- 7 著作権所有（無断転載及び無断引用の禁止）  
本パーツガイドマニュアルについては、機密保持等その扱いには十分注意して下さい。万一取り扱いを誤った場合には、法律で処罰されることがあります。

09/13/2013

# SYSTEM OUTLINE

- \*1: Non Bluetooth Type
- \*2: Bluetooth Type
- \*3: Japan only
- \*4: Metric area
- \*5: Inch area
- \*6: Except Europe
- \*7: As use for 1st or 2nd FAX circuit line
- \*8: As use for 3rd or 4th FAX circuit line
- \*9: Japan,USA,Canada,Brazil,Mexico



bizhub 454e

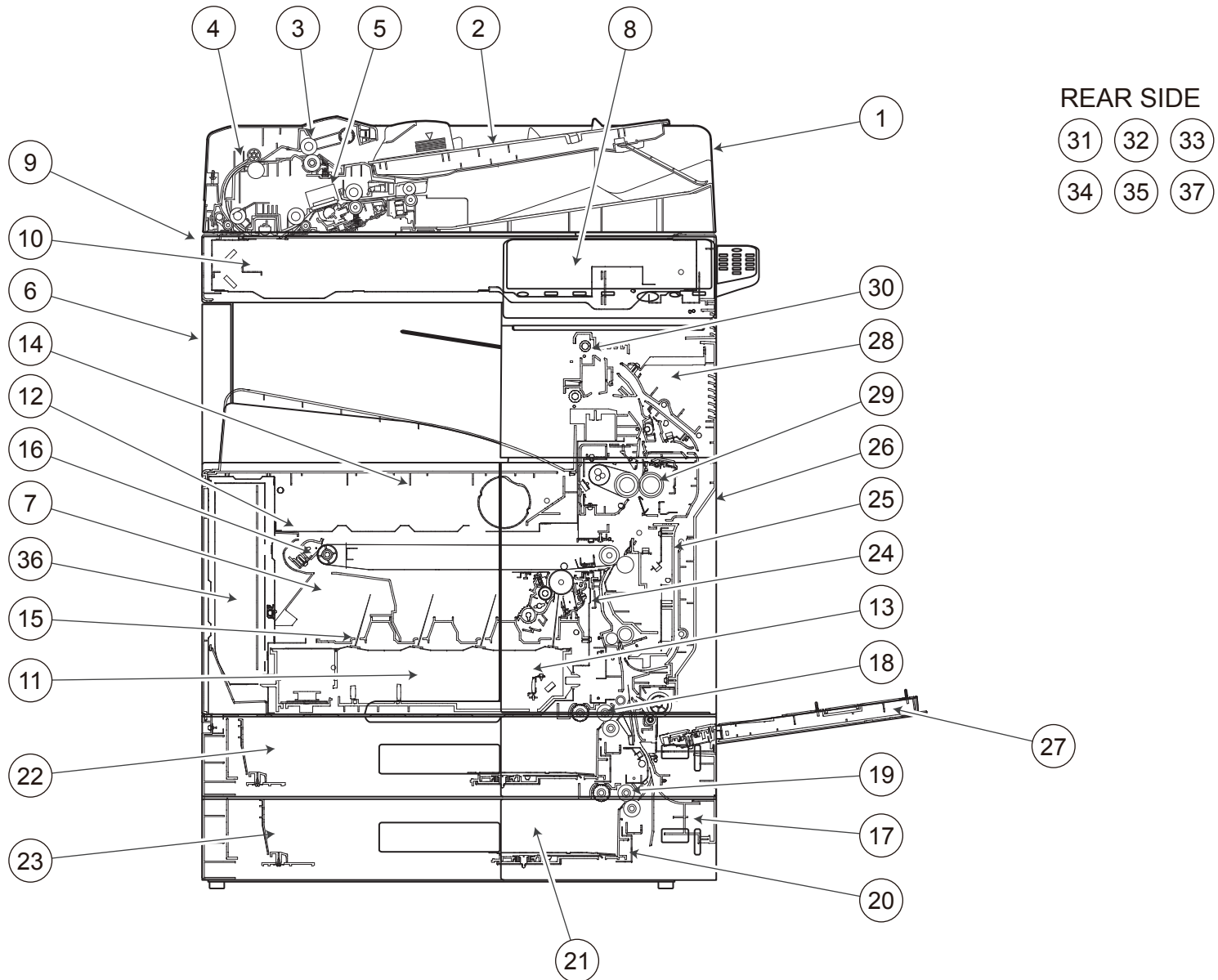
# GENERAL CONTENTS

No.	Description	Model
1	Digital MFP B/W	bizhub 454e
2	Finisher/Sorter	FS-533
3	Finisher/Sorter	FS-534
4	Saddle Unit	SD-511
5	Job Separator	JS-506
6	Punch Unit	PK-519
7	Punch Unit	PK-520
8	Output Tray	OT-506
9	Paper Feeder	PC-110
10	Paper Feeder	PC-210
11	Paper Feeder	PC-410
12	Paper Feeder	LU-204
13	Paper Feeder	LU-301
14	Mount Kit	MK-730
15	Heater	HT-510
16	Fax Kit	FK-511
17	Local IF Kit	EK-606
18	Local IF Kit	EK-607
19	Paper Feeder	LU-301
20	Working Table	WT-506
21	Mount Kit	MK-735
22	Other Option	MK-719

bizhub 454e

No.	Description	Model
23	Desk	DK-705
24	Desk	DK-510
25	Other Option	TK-101
26	Other Option	KP-101
27	Finisher/Sorter	FS-534SD
28	Fax Kit	FK-508
29	Other Option	MK-728

# DIAGRAMS OF MAIN PARTS SECTION



# CONTENTS

No.	DESCRIPTION	名称	PAGE No.
1	EXTERNAL PARTS	外装部	P1 P2
2	PAPER FEED TRAY SECTION	給紙トレイ部	P3
3	PAPER TAKE-UP SECTION	給紙部	P4 P5 P6
4	PAPER TRANSPORT SECTION	搬送部	P7 P8 P9 P10 P11 P12
5	CIS SECTION	C I S 部	P13 P14 P15 P16
6	EXTERNAL PARTS	外装部	P17 P18
7	INNER COVER SECTION	2次カバー部	P19
8	OPERATION PANEL SECTION	オペレーションパネル部	P20
9	IR COVER SECTION	I R カバー部	P21
10	SCANNER SECTION	スキャナー部	P22 P23 P24
11	PH UNIT	P H 部	P25
12	TONER SUPPLY SECTION	トナー補給部	P26 P27
13	WASTE TONER BOX SECTION	廃棄トナーボックス部	P28
14	ERASE LAMP SECTION	イレーザーランプ部	P29
15	DV LOCK LEVER SECTION	D V ロックレバー部	P30
16	TRANSFER UNIT	転写ベルト部	P31
17	PAPER FEED SECTION	給紙部	P32
18	1ST PAPER FEED SECTION	1 段目給紙部	P33 P34
19	2ND PAPER FEED SECTION	2 段目給紙部	P35 P36
20	CASSETTE RAIL SECTION	カセットレール部	P37
21	PAPER SIZE DETECTION SECTION	カセットサイズ検出部	P38
22	1ST CASSETTE SECTION	1 段目カセット部	P39 P40
23	2ND CASSETTE SECTION	2 段目カセット部	P41 P42
24	CONVEYANCE SECTION	搬送部	P43
25	VERTICAL TRANSPORT SECTION	縦搬送部	P44 P45
26	VERTICAL CONVEYANCE DOOR SECTION	縦搬送扉部	P46
27	BYPASS TRAY SECTION	手差しトレイ部	P47 P48
28	REVERSAL UNIT	反転部	P49 P50
29	FUSING SECTION	定着部	P51
30	PAPER EXIT SECTION	排紙部	P52 P53
31	MAIN DRIVE/ PAPER FEED DRIVE SECTION	メイン駆動/給紙駆動部	P54
32	TONER BOTTLE DRIVE SECTION	トナーボトル駆動部	P55
33	FUSING DRIVE SECTION	定着駆動部	P56 P57
34	OZONE DUCT SECTION	オゾン排気部	P58
35	HIGH VOLTAGE SECTION	高圧電源部	P59
36	MAIN POWER SUPPLY SECTION	低圧電源部	P60
37	ELECTRICAL COMPONENTS	電装部	P61 P62
38	WIRING	束線	P63 P64
39	WIRING ACCESSORIES AND JIGS	配線部品・治具	P65
40	ACCESSORY PARTS	同梱部品	P66

# INDEX

Parts No.	Page No.
0996305501	37-7
1164202801	53-5
4002311002	38-7
4004590301	53-1
4011585202	43-35
4025598401	53-3
4030301703	34-11
4030301703	36-12
4030320601	40-15
4030320601	42-16
4030322601	40-9
4030322601	42-9
4030340301	48-21
4030347501	48-24
4034352501	33-2
4036254901	53-16
4036307501	22-6
4036534801	27-24
4037320401	40-11
4037320401	42-11
4038101401	19-5
4038101401	26-4
4038228702	19-15
4038353701	43-9
4038353901	43-13
4038541202	55-9
4038M60000	19-11
4040561000	34-21
4040561000	36-22
4131300301	33-12
4131300301	35-17
4131353202	47-17
4139M10000	25-2
4139M10000	59-3
4139M10000	60-9
4163510201	27-6
4163529301	25-3
4163529301	31-12
4163529301	38-2
4163529301	40-23

Parts No.	Page No.
4163529301	42-13
4163529301	43-32
4163529301	44-2
4163529301	45-25
4163529301	49-10
4163529301	50-3
4163529301	53-23
4333501201	27-17
4475260302	17-9
4532341001	34-13
4532341001	36-15
4576536301	27-7
4581162501	22-8
4640392001	52-3
4658015106	48-30
56AA17471	30-2
56AA17471	57-12
56AA40490	17-4
56AA40490	33-15
56AA40490	34-8
56AA40490	35-19
56AA40490	36-7
9313100072	51-2
9313100072	58-9
9J06730101	61-5
9J06M10000	1-2
9J06M10300	38-8
9J06M20000	47-24
9J06M60100	19-16
9J06M60100	46-3
9J06PJG100	65-18
A00F623201	47-10
A00J106202	17-25
A00J169100	66-3
A00J169300	21-5
A00J265300	22-7
A00J563600	33-14
A00J563600	34-6
A00J563600	35-18
A00J563600	36-6

Parts No.	Page No.
A00J617900	35-12
A00J663200	33-28
A00J663200	35-16
A00J942202	39-5
A00J942202	41-5
A00J945201	18-8
A00J945500	17-14
A00JH00D00	17-7
A011946200	20-28
A02E117300	58-8
A02E149900	18-7
A02E167700	21-7
A02E167700	66-4
A02E560800	33-24
A02E560800	35-28
A02E561100	33-16
A02E561100	35-20
A02E592100	48-38
A02E595100	47-21
A02E595400	47-16
A02E596100	47-20
A02E596300	47-9
A02E597600	48-29
A02E712902	43-12
A02E815200	45-10
A02E815200	49-7
A02E815200	50-17
A02E940300	40-24
A02E940300	42-24
A02E941300	39-20
A02E941500	39-6
A02EM20100	47-22
A02EM20200	33-26
A02EM20200	35-29
A02EN12513	61-12
A034M20100	43-34
A03U812800	56-4
A03U812800	57-14
A0CR953400	60-6
A0ED103100	29-1

Parts No.	Page No.
A0ED104801	30-6
A0ED105400	29-5
A0ED105700	30-7
A0ED111000	31-4
A0ED111400	31-14
A0ED112000	31-13
A0ED131900	62-28
A0ED135700	61-7
A0ED146900	51-12
A0ED162401	19-6
A0ED163000	17-2
A0ED166200	66-1
A0ED245000	28-7
A0ED271200	23-7
A0ED271300	23-6
A0ED273600	24-12
A0ED274300	24-19
A0ED274400	24-8
A0ED276301	24-16
A0ED363000	28-4
A0ED363100	28-1
A0ED363200	28-2
A0ED363301	28-5
A0ED363400	28-3
A0ED401000	27-25
A0ED550800	44-24
A0ED550900	44-17
A0ED551000	44-14
A0ED551100	44-15
A0ED563900	34-5
A0ED563900	36-5
A0ED597800	47-23
A0ED620200	40-16
A0ED620200	42-17
A0ED620701	40-22
A0ED620701	42-22
A0ED621400	40-12
A0ED621400	42-12
A0ED700200	43-17
A0ED700300	43-19

Parts No.	Page No.
A0ED700600	43-14
A0ED700700	43-20
A0ED702400	45-28
A0ED702800	43-5
A0ED703200	43-23
A0ED703800	44-9
A0ED705800	43-4
A0ED712100	46-8
A0ED811700	45-1
A0ED811700	49-18
A0ED811800	49-16
A0ED811900	45-4
A0ED813200	49-22
A0ED815100	50-9
A0ED891100	53-6
A0ED897700	53-15
A0ED940600	26-6
A0ED940700	17-3
A0EDF36001	28-11
A0EDM10200	49-20
A0EDM10300	52-1
A0EDM10500	51-1
A0EDM10500	62-20
A0EDM50100	33-5
A0EDM50100	35-3
A0EDM60001	26-19
A0EDM60001	30-8
A0EDN30002	61-8
A0HT811400	54-15
A0HT811400	54-32
A0P0144300	62-12
A0P0144400	62-11
A0P0264800	17-28
A0P0742300	52-8
A0P0742300	62-29
A0P0901100	53-12
A0P0H02500	20-7
A0P0M50300	59-14
A0P0M50400	43-29
A0P0M73100	20-23



Parts No.	Page No.	Parts No.	Page No.	Parts No.	Page No.	Parts No.	Page No.	Parts No.	Page No.
A0P0N15100	62-13	A143PP3P01	16-5	A143PP8600	16-10	A161121103	51-5	A161143601	60-3
A0P0N15200	62-14	A143PP4D02	9-9	A143PP8D01	16-17	A161121200	46-6	A161144500	60-2
A0P0N15300	20-21	A143PP4D02	12-3	A143PP8F00	1-13	A161121300	46-1	A161144801	31-20
A0P0N30000	61-8	A143PP4F01	11-11	A143PP8F00	16-19	A161121401	51-7	A161145000	60-1
A108M50000	3-5	A143PP4G01	11-10	A143PP9300	8-5	A161121900	56-18	A161145201	58-16
A108M50100	3-4	A143PP4H01	12-11	A143PP9G00	6-6	A161122002	56-16	A161145300	58-13
A108M50100	5-2	A143PP4P01	7-7	A161100603	60-13	A161122500	51-13	A161146200	31-22
A108M50100	10-4	A143PP4R03	6-21	A161101600	37-14	A161130301	25-8	A161146300	25-14
A108M50100	11-3	A143PP4T01	6-9	A161101700	37-15	A161130502	61-6	A161146400	25-15
A108M50100	16-3	A143PP4V02	6-11	A161101802	25-7	A161130603	61-9	A161146500	58-20
A108M50100	22-13	A143PP4X01	6-3	A161101900	37-4	A161130701	62-16	A161146600	58-19
A108M50100	26-23	A143PP4Y00	6-19	A161102300	37-11	A161131401	61-1	A161146900	58-1
A108M50100	27-22	A143PP5000	6-17	A161102500	46-2	A161132101	59-18	A161147001	58-12
A108M50100	33-8	A143PP5101	6-18	A161102700	51-9	A161132504	59-19	A161147401	25-13
A108M50100	35-9	A143PP5200	6-13	A161103700	37-2	A161132800	59-17	A161147500	58-3
A108M50100	38-12	A143PP5301	6-12	A161103901	37-9	A161134500	62-1	A161147600	58-18
A108M50100	43-33	A143PP5403	6-20	A161104002	37-16	A161134701	54-8	A161151100	19-17
A108M50100	44-10	A143PP5601	6-24	A161104101	44-22	A161135100	19-12	A161151200	46-5
A108M50100	45-27	A143PP5901	6-23	A161104200	37-3	A161135502	26-15	A161151300	19-14
A108M50100	47-2	A143PP5A00	6-16	A161104300	37-1	A161135700	62-34	A161160103	17-1
A108M50100	48-7	A143PP5B01	6-22	A161105200	37-13	A161137100	46-4	A161160300	17-8
A108M50100	50-12	A143PP5F01	4-6	A161105400	25-4	A161137501	62-6	A161160403	17-6
A108M50100	62-23	A143PP5J01	5-7	A161105500	54-1	A161137600	62-18	A161160702	17-21
A121944700	21-10	A143PP5K01	5-8	A161105600	29-6	A161137701	59-15	A161160801	17-22
A121944700	66-9	A143PP5M01	5-9	A161107100	29-8	A161137802	25-10	A161161201	18-21
A143114600	1-17	A143PP5R04	4-2	A161107400	29-2	A161137900	62-27	A161161401	20-24
A143563100	6-26	A143PP5T02	6-8	A161110102	31-15	A161138002	20-8	A161161503	20-5
A143563300	6-15	A143PP5U02	6-7	A161110201	31-10	A161138601	62-3	A161161702	20-11
A143PP1B00	5-14	A143PP5V00	4-3	A161110300	31-11	A161139501	62-17	A161161900	20-19
A143PP1B00	11-2	A143PP5Y01	6-14	A161110400	31-7	A161139800	18-18	A161162102	18-2
A143PP1M00	8-16	A143PP6100	4-4	A161110601	31-3	A161140101	62-19	A161162201	18-23
A143PP1M00	9-6	A143PP6601	6-25	A161112100	31-19	A161140400	51-8	A161162302	52-5
A143PP1M00	12-2	A143PP6800	4-8	A161112200	31-8	A161140500	51-6	A161162400	20-25
A143PP1S00	15-16	A143PP6900	5-3	A161112300	31-17	A161140800	60-7	A161162604	20-4
A143PP1W00	4-10	A143PP6F01	3-13	A161112400	31-18	A161141500	58-7	A161162801	18-24
A143PP1X00	7-10	A143PP6K01	3-12	A161112500	31-5	A161141700	31-21	A161162900	18-22
A143PP1X00	8-13	A143PP6M01	3-11	A161112600	31-9	A161141902	58-15	A161163501	18-3
A143PP1Y00	4-7	A143PP6X00	3-10	A161112700	31-23	A161142200	58-11	A161163900	18-17
A143PP1Y00	11-4	A143PP7301	5-16	A161116202	30-3	A161143400	60-10	A161164000	20-6
A143PP2901	2-3	A143PP7900	11-12	A161119500	30-4	A161143500	58-4	A161164104	20-20

Parts No.	Page No.	Parts No.	Page No.	Parts No.	Page No.	Parts No.	Page No.	Parts No.	Page No.
A161164401	18-13	A161240500	55-7	A161275600	24-5	A161404300	27-19	A161564200	36-17
A161164600	18-19	A161240600	55-6	A161275700	24-3	A161508400	31-2	A161564300	34-18
A161164702	18-11	A161240700	55-10	A161276000	24-4	A161550700	44-12	A161564300	36-19
A161164800	18-10	A161241500	55-11	A161276500	24-7	A161551500	44-21	A161564400	34-15
A161164902	17-23	A161241600	55-1	A161278600	23-1	A161551600	44-20	A161564400	36-16
A161165007	19-4	A161245100	28-6	A161278900	23-3	A161560101	33-10	A161565102	32-6
A161165300	19-8	A161245400	28-8	A161280112	22-18	A161560300	35-10	A161565300	33-9
A161165602	17-16	A161253900	54-10	A161280211	22-20	A161560500	33-29	A161566000	33-1
A161165700	19-1	A161254000	54-3	A161280300	22-17	A161560500	35-14	A161567300	33-23
A161166101	66-2	A161254300	56-2	A161281100	22-24	A161560600	33-3	A161567300	35-27
A161166203	18-6	A161254400	56-3	A161281300	22-22	A161560600	35-11	A161567400	33-22
A161166400	18-15	A161254500	56-5	A161281600	22-4	A161560900	33-4	A161567400	35-26
A161167000	20-10	A161254600	56-21	A161282100	21-11	A161560900	35-7	A161568401	34-7
A161167100	20-12	A161254700	56-23	A161362000	28-12	A161561000	35-1	A161568500	34-2
A161167300	20-14	A161256300	56-9	A161400100	27-9	A161561100	32-1	A161568600	34-3
A161167400	20-13	A161257800	54-2	A161400200	27-14	A161561200	32-2	A161568700	36-9
A161170100	21-9	A161258501	57-15	A161400300	27-13	A161561600	33-7	A161568800	36-2
A161170203	21-1	A161259800	54-26	A161400401	27-10	A161561600	35-8	A161568901	35-34
A161170300	21-12	A161261902	22-15	A161400601	27-12	A161562000	33-19	A161571100	35-6
A161170400	21-6	A161262002	22-16	A161400701	27-20	A161562000	35-23	A161575101	32-4
A161170602	21-4	A161262200	22-14	A161400800	27-26	A161562101	33-21	A161576100	32-5
A161170701	21-3	A161263000	22-11	A161401000	27-5	A161562101	35-25	A161578100	35-2
A161170800	21-8	A161268200	22-3	A161401100	27-4	A161562300	33-17	A161578200	35-4
A161190900	20-2	A161268300	22-1	A161401200	27-3	A161562300	35-21	A161578401	36-8
A161210200	54-9	A161270102	23-10	A161401300	27-2	A161562400	33-13	A161578500	36-3
A161216101	54-5	A161270600	23-12	A161401400	27-1	A161562400	35-15	A161578700	35-33
A161220700	54-22	A161271000	23-9	A161402114	26-14	A161562500	33-20	A161579011	32-3
A161228100	57-10	A161271000	24-14	A161402402	26-8	A161562500	35-24	A161590101	48-18
A161228312	57-11	A161271100	23-11	A161402502	26-7	A161562600	33-18	A161590201	47-5
A161228600	57-13	A161271100	24-17	A161403000	27-18	A161562600	35-22	A161590303	48-15
A161228701	56-20	A161273100	24-15	A161403100	27-8	A161562800	33-11	A161590600	47-19
A161230600	57-7	A161273401	24-13	A161403200	27-23	A161562800	35-13	A161590800	47-18
A161231800	57-5	A161273500	24-18	A161403500	26-10	A161563000	35-32	A161590901	48-33
A161232200	56-6	A161273701	24-11	A161403600	26-11	A161563300	34-12	A161591000	48-32
A161232300	56-11	A161273800	24-20	A161403701	26-2	A161563300	36-13	A161591100	48-31
A161232300	57-3	A161274500	24-22	A161403800	26-9	A161563901	34-14	A161591300	47-25
A161232401	56-15	A161274600	24-21	A161403901	26-5	A161563901	36-14	A161591400	47-13
A161240100	55-4	A161275300	24-9	A161404001	26-16	A161564001	34-10	A161591500	47-12
A161240300	55-5	A161275400	24-10	A161404100	26-17	A161564001	36-11	A161591600	48-17
A161240400	55-8	A161275500	24-6	A161404200	27-11	A161564200	34-16	A161591700	47-8

Parts No.	Page No.	Parts No.	Page No.	Parts No.	Page No.	Parts No.	Page No.	Parts No.	Page No.
A161591800	48-27	A161620903	40-1	A161626800	41-12	A161711900	45-31	A161815100	49-3
A161592002	48-12	A161620903	42-1	A161626900	39-17	A161712000	45-19	A161815201	46-13
A161592200	48-3	A161621100	40-5	A161626900	41-18	A161712100	45-23	A161815300	46-17
A161592300	48-13	A161621100	42-5	A161630102	42-23	A161712300	44-16	A161815400	46-20
A161592400	48-9	A161621300	40-13	A161631411	42-19	A161712400	44-4	A161815500	46-16
A161592501	48-10	A161621300	42-14	A161633101	41-4	A161712500	44-19	A161815800	49-12
A161592600	48-11	A161621411	40-18	A161633202	41-21	A161712600	45-6	A161815900	46-18
A161592801	47-1	A161621600	40-4	A161635012	41-16	A161712700	44-3	A161816200	46-11
A161592900	46-7	A161621600	42-4	A161635115	41-19	A161712800	45-21	A161816300	45-26
A161593001	48-44	A161621701	40-21	A161636502	41-10	A161712800	50-25	A161816400	49-17
A161593300	47-14	A161621701	42-21	A161700107	43-25	A161712900	45-32	A161819000	49-19
A161593400	48-37	A161621800	40-20	A161700300	43-26	A161713100	45-7	A161819400	50-15
A161593600	48-5	A161621800	42-20	A161700401	43-31	A161713500	45-20	A161819500	50-13
A161593701	48-14	A161621900	40-17	A161700600	43-10	A161714500	45-18	A161825000	50-31
A161593800	48-34	A161621900	42-18	A161700700	43-30	A161714600	45-22	A161825100	50-14
A161594000	48-45	A161622100	39-1	A161700800	43-18	A161719000	45-2	A161825300	50-7
A161594100	47-6	A161622100	41-1	A161700901	43-39	A161719100	45-30	A161825400	50-19
A161594201	48-16	A161623101	39-4	A161701100	43-28	A161810303	46-21	A161825500	50-29
A161594300	48-36	A161623301	39-21	A161701301	43-15	A161810503	50-28	A161825700	45-9
A161594400	47-11	A161623400	37-12	A161701703	43-27	A161810600	50-6	A161825700	50-10
A161594500	48-43	A161623400	39-3	A161701800	43-36	A161810701	49-1	A161825800	50-11
A161594600	48-41	A161623400	41-3	A161701900	43-3	A161810801	50-5	A161826000	50-23
A161594700	47-7	A161624100	40-3	A161702000	43-21	A161811001	46-10	A161890102	53-24
A161594800	47-27	A161624100	42-3	A161702100	43-16	A161811100	46-12	A161890203	53-14
A161594900	47-28	A161625012	39-15	A161702200	43-2	A161811302	46-14	A161890300	53-28
A161595000	48-23	A161625114	39-18	A161702200	56-8	A161811500	46-9	A161890401	53-11
A161595100	48-20	A161625900	39-16	A161706001	43-6	A161813001	50-26	A161891000	53-18
A161595200	48-26	A161625900	41-17	A161709100	45-3	A161813100	50-27	A161891301	53-26
A161595300	48-22	A161626000	39-12	A161710102	44-11	A161813200	50-18	A161891401	52-2
A161595400	48-25	A161626000	41-13	A161710203	45-12	A161813300	49-14	A161892000	53-20
A161595600	48-19	A161626100	39-13	A161710300	45-29	A161813400	50-21	A161892100	53-13
A161620103	40-19	A161626100	41-14	A161710404	45-24	A161813600	50-8	A161892300	53-19
A161620400	40-10	A161626200	39-2	A161710500	45-8	A161813701	49-6	A161892400	53-2
A161620400	42-10	A161626200	41-2	A161710900	44-8	A161813801	49-15	A161892902	53-27
A161620600	40-6	A161626300	39-8	A161711100	44-5	A161814401	50-2	A161893500	53-25
A161620600	42-6	A161626300	41-9	A161711200	45-5	A161814500	50-16	A161893600	53-10
A161620701	40-7	A161626502	39-9	A161711300	45-13	A161814601	49-5	A161894000	52-7
A161620701	42-8	A161626601	39-10	A161711600	45-17	A161814700	49-9	A161894000	53-8
A161620802	40-14	A161626601	41-11	A161711700	45-14	A161814901	49-24	A161894100	52-6
A161620802	42-15	A161626800	39-11	A161711800	44-13	A161815000	46-15	A161895113	53-30

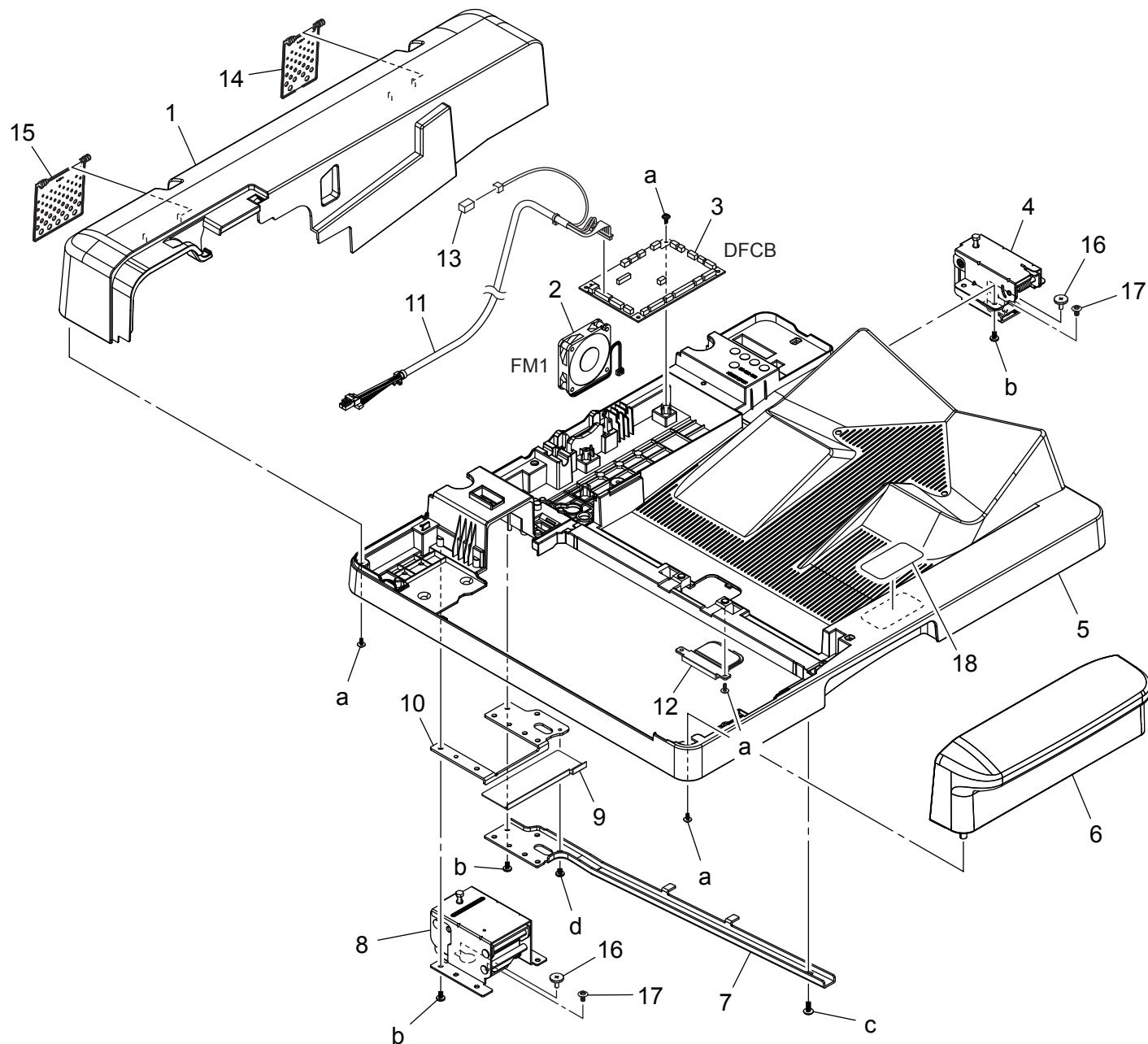
Parts No.	Page No.	Parts No.	Page No.	Parts No.	Page No.	Parts No.	Page No.	Parts No.	Page No.
A161895212	53-29	A161F6301L	41-22	A161R70211	59-13	A2XK253000	54-24	A3CEPP1J00	13-12
A161895300	52-4	A161F81103	49-21	A161R71400	44-23	A2XK253300	54-27	A3CEPP1K01	11-9
A161895400	53-4	A161F89002	53-22	A161R72200	22-2	A2XK254200	56-1	A3CEPP1L01	11-8
A161895502	53-7	A161H00C02	59-1	A161R72300	22-19	A2XK259600	54-16	A3CEPP1M00	1-10
A161895600	53-9	A161H00U01	20-15	A161R72600	53-21	A2XK259600	54-33	A3CEPP1N00	15-13
A161895800	53-31	A161M10001	54-6	A161R72700	58-10	A2XK400001	26-20	A3CEPP1Q00	14-13
A161900100	53-17	A161M10300	55-3	A161R72800	58-5	A2XK400100	26-21	A3CEPP1R00	11-6
A161900201	53-32	A161M10300	57-1	A161R7A000	48-39	A2XK709000	35-30	A3CEPP1S02	9-18
A161900300	53-33	A161M20201	54-11	A1RF505400	57-16	A2XK709000	43-1	A3CEPP1T01	16-14
A161940400	17-24	A161M20300	54-4	A1UD947400	66-16	A2XKF21100	54-18	A3CEPP1U00	16-12
A161940602	21-2	A161M20400	57-6	A1UDM50200	22-9	A2XKF21200	54-13	A3CEPP1V01	16-21
A161941100	56-19	A161M50000	43-38	A2X0945000	18-5	A2XKF22000	54-31	A3CEPP1X01	16-16
A161942000	19-10	A161M50400	48-35	A2X0945700	18-4	A2XKF25015	57-4	A3CEPP1Y00	16-11
A161942500	19-7	A161M50501	38-6	A2X0M72C00	62-15	A2XKF25102	56-10	A3CEPP2000	11-18
A161943000	19-3	A161M50600	38-5	A2XK130000	29-10	A2XKH00600	59-7	A3CEPP2100	2-7
A161943000	40-8	A161M50A00	22-23	A2XK131700	59-6	A2XKM10000	54-14	A3CEPP2201	2-6
A161943000	42-7	A161M50A00	22-25	A2XK140300	51-4	A2XKM10300	57-2	A3CEPP2302	1-9
A161943100	39-14	A161N10H01	44-1	A2XK143400	51-3	A2XKN10C00	19-13	A3CEPP2403	16-18
A161943200	41-15	A161N10K00	17-5	A2XK144201	25-6	A2XKN10G00	43-24	A3CEPP2601	16-13
A161943301	66-7	A161N10M04	18-1	A2XK163102	17-17	A2XKN10H01	35-31	A3CEPP2700	15-3
A161943400	66-8	A161N10N01	38-1	A2XK163200	17-10	A3CE213300	9-4	A3CEPP2800	15-2
A161943500	41-6	A161N10P01	33-27	A2XK163303	17-12	A3CEM70000	13-6	A3CEPP2900	13-1
A161943601	41-7	A161N10X00	48-28	A2XK163400	17-11	A3CEN11700	13-5	A3CEPP2A01	10-7
A161943700	40-2	A161N11300	59-10	A2XK163701	17-20	A3CEPP1002	10-16	A3CEPP2B00	10-1
A161943700	42-2	A161N11800	62-8	A2XK165000	17-18	A3CEPP1203	12-7	A3CEPP2C03	1-1
A161943802	39-7	A161N11B00	62-22	A2XK165700	17-19	A3CEPP1300	11-1	A3CEPP2D03	1-6
A161943802	41-8	A161N11C01	21-13	A2XK220000	54-25	A3CEPP1400	9-12	A3CEPP2E00	9-15
A161944101	48-1	A161N11K00	59-9	A2XK220800	54-29	A3CEPP1500	8-14	A3CEPP2F01	8-19
A161944201	48-1	A161N11Q01	48-6	A2XK220900	54-28	A3CEPP1603	1-5	A3CEPP2G01	9-2
A161944300	48-2	A161N12100	50-4	A2XK221400	54-17	A3CEPP1701	16-9	A3CEPP2H01	8-3
A161944400	48-4	A161N12200	47-4	A2XK222100	54-34	A3CEPP1802	1-12	A3CEPP2J01	8-21
A161946100	49-8	A161N12602	62-21	A2XK222200	54-35	A3CEPP1900	1-7	A3CEPP2K00	8-17
A161946200	45-15	A161N12701	35-5	A2XK222500	54-23	A3CEPP1A00	16-20	A3CEPP2M00	9-7
A161946300	43-11	A161N12801	27-15	A2XK222600	54-21	A3CEPP1B03	2-4	A3CEPP2N00	8-22
A161946400	45-11	A161N12P01	59-12	A2XK224000	54-19	A3CEPP1C00	14-20	A3CEPP2P00	8-8
A161F10901	56-17	A161N14000	23-5	A2XK224100	54-20	A3CEPP1D02	1-8	A3CEPP2Q00	8-18
A161F21002	28-10	A161N14100	22-5	A2XK224100	56-14	A3CEPP1E02	16-15	A3CEPP2R00	9-3
A161F56016	33-25	A161N14201	22-12	A2XK228000	57-9	A3CEPP1F00	9-11	A3CEPP2S00	8-20
A161F59001	47-15	A161N15500	62-32	A2XK228800	56-7	A3CEPP1G01	8-11	A3CEPP2T01	10-3
A161F6201K	39-22	A161R70011	29-3	A2XK230500	57-8	A3CEPP1H00	13-9	A3CEPP2U00	16-23

Parts No.	Page No.	Parts No.	Page No.	Parts No.	Page No.	Parts No.	Page No.	Parts No.	Page No.
A3CEPP2V00	16-2	A3CEPP4501	4-1	A3CF116400	1-14	A3CFPP3V01	10-9	A3CFPP5H01	3-7
A3CEPP2X01	15-10	A3CEPP4602	4-11	A3CFPP1102	10-17	A3CFPP3X00	10-10	A3CFPP5J01	3-8
A3CEPP2Y00	15-17	A3CEPP4701	7-11	A3CFPP1202	10-18	A3CFPP3Y01	10-5	A3CFPP5K00	5-1
A3CEPP3000	16-7	A3CEPP4800	3-9	A3CFPP1300	10-13	A3CFPP4000	10-14	A3CFPP5L00	5-15
A3CEPP3101	16-24	A3CEPP4900	1-3	A3CFPP1401	10-12	A3CFPP4101	10-8	A3CFPP5N01	4-12
A3CEPP3200	16-22	A3CEPP4A01	16-1	A3CFPP1600	6-28	A3CFPP4202	12-19	A3CFPP5R00	12-9
A3CEPP3301	12-20	A3CEPP4B00	8-23	A3CFPP1700	5-18	A3CFPP4300	12-17	A3CFPP5S00	8-1
A3CEPP3301	15-9	A3CEPP4C00	9-1	A3CFPP1901	11-13	A3CFPP4400	12-4	A3CFPP6B00	2-1
A3CEPP3401	15-5	A3CEPP4D00	5-17	A3CFPP1E01	9-10	A3CFPP4500	12-22	A3CFPP6C00	5-10
A3CEPP3501	15-6	A3CEPP4E00	3-14	A3CFPP1G00	12-6	A3CFPP4500	15-7	A3CFPP6D00	6-2
A3CEPP3600	15-4	A3CEPP4F00	11-16	A3CFPP1J01	6-4	A3CFPP4600	12-21	A3CFPP6L00	7-14
A3CEPP3701	14-2	A3CEPP4G00	10-21	A3CFPP1J01	9-16	A3CFPP4700	12-13	A3CFPP6M00	10-22
A3CEPP3800	14-1	A3CEPP4H00	11-15	A3CFPP1K01	10-6	A3CFPP4800	12-10	A3CFPP6N00	10-23
A3CEPP3900	15-11	A3CEPP4K00	12-23	A3CFPP1N02	7-12	A3CFPP4900	12-12	A3EW944600	21-10
A3CEPP3A00	14-5	A3CEPP4L00	9-19	A3CFPP1P00	10-19	A3CFPP4A00	12-15	A4FJ150101	59-2
A3CEPP3B00	14-3	A3CEPP4M01	16-27	A3CFPP2702	1-4	A3CFPP4C00	12-14	A4FJ150200	59-5
A3CEPP3C00	14-12	A3CEPP4N00	8-24	A3CFPP2A01	2-2	A3CFPP4C00	16-8	A4FJ150301	51-11
A3CEPP3D01	14-6	A3CEPP4P00	8-25	A3CFPP2B00	11-7	A3CFPP4F00	12-8	A4FJ230700	56-13
A3CEPP3E01	11-5	A3CEPP4Q01	1-11	A3CFPP2C00	8-2	A3CFPP4G00	7-1	A4FJ819200	50-32
A3CEPP3F00	14-7	A3CEPP4R00	16-25	A3CFPP2E00	8-15	A3CFPP4H00	7-3	A4FJM40J01	59-4
A3CEPP3G00	14-19	A3CEPP4S00	16-26	A3CFPP2E00	9-8	A3CFPP4L00	7-4	A4FJM40K01	59-4
A3CEPP3H01	15-12	A3CEPP4U00	13-15	A3CFPP2E00	12-5	A3CFPP4N00	7-2	A4FJM40M01	59-4
A3CEPP3J01	15-15	A3CEPP4V00	13-14	A3CFPP2H01	11-14	A3CFPP4Q00	7-6	A4FJN10001	61-4
A3CEPP3K00	15-14	A3CEPP4X00	12-24	A3CFPP2H01	13-13	A3CFPP4R00	6-1	A4FJN10101	61-10
A3CEPP3L00	14-9	A3CEPP4Y00	13-11	A3CFPP2Q01	10-20	A3CFPP4S01	6-27	A4FJR70222	51-10
A3CEPP3M00	14-17	A3CEPP5000	12-18	A3CFPP2R00	2-5	A3CFPP4T01	5-11	A4FJR70322	51-10
A3CEPP3N01	14-8	A3CEPP5100	14-14	A3CFPP2S00	13-4	A3CFPP4T01	14-4	A4FJR70422	51-10
A3CEPP3P00	14-15	A3CEPP5200	7-13	A3CFPP2X00	10-11	A3CFPP4U01	5-12	A4MG130900	62-31
A3CEPP3Q00	14-10	A3CEPP5300	11-17	A3CFPP3500	9-14	A3CFPP4V00	5-6	A4NNWY1	28-9
A3CEPP3R00	14-16	A3CEPP5400	7-8	A3CFPP3800	9-13	A3CFPP4X01	5-5	A55V161201	20-27
A3CEPP3S00	14-18	A3CEPP5500	7-9	A3CFPP3900	8-10	A3CFPP5200	5-4	A5AY131100	60-5
A3CEPP3T00	13-8	A3CEPP5700	10-2	A3CFPP3C00	8-9	A3CFPP5300	4-5	A5AY131803	62-33
A3CEPP3U00	13-3	A3CEPP5A00	14-21	A3CFPP3D01	8-6	A3CFPP5400	5-13	A5AYR70000	60-4
A3CEPP3V00	13-10	A3CEPP5B00	1-18	A3CFPP3J01	9-5	A3CFPP5602	6-10	A5AYR70100	60-4
A3CEPP3X00	14-11	A3CEPP5C00	15-18	A3CFPP3J01	12-1	A3CFPP5801	6-5	A5AYR70300	32-7
A3CEPP4000	13-7	A3CF103400	8-12	A3CFPP3M00	16-4	A3CFPP5A00	4-9	A5C0231300	56-12
A3CEPP4100	13-2	A3CF103400	9-17	A3CFPP3P01	8-7	A3CFPP5B01	3-2	A5C1101100	37-8
A3CEPP4201	15-8	A3CF103400	12-16	A3CFPP3R00	8-4	A3CFPP5C01	3-6	A5C1104400	37-10
A3CEPP4301	15-1	A3CF113900	1-15	A3CFPP3T00	16-6	A3CFPP5F03	3-3	A5C1104700	37-5
A3CEPP4403	7-5	A3CF116100	1-16	A3CFPP3U00	10-15	A3CFPP5G03	3-1	A5C1104800	37-6

Parts No.	Page No.	Parts No.	Page No.	Parts No.	Page No.	Parts No.	Page No.	Parts No.	Page No.
A5C1105500	29-7	A5C1564101	34-17	A5C1M90000	62-43	A61F130100	62-39	A61FR72100	23-4
A5C1112800	31-6	A5C1564101	36-18	A5C1M92000	20-18	A61F130200	62-38	V116030804	66-12
A5C1112900	31-16	A5C1565500	33-6	A5C1N10B00	20-16	A61F130300	17-26	V116033003	66-11
A5C1115200	30-1	A5C1565600	34-20	A5C1N10D00	20-16	A61F130400	17-27	V116040803	66-15
A5C1120700	26-1	A5C1565600	36-21	A5C1N14300	24-1	A61F130500	66-14	V500010052	65-7
A5C1122600	20-17	A5C1590500	46-22	A5C1N14400	23-2	A61F130600	66-13	V500010081	65-1
A5C1130800	61-3	A5C1591200	47-26	A5C1N15601	20-26	A61F130700	61-13	V500010082	65-2
A5C1131600	62-26	A5C1591900	47-3	A5C1R70800	34-19	A61F130800	62-41	V500010083	65-3
A5C1131900	62-2	A5C1592100	48-8	A5C1R70800	36-20	A61F140200	25-1	V500010084	65-4
A5C1132001	18-20	A5C1593100	48-40	A5C1R70911	20-3	A61F141100	30-10	V500020040	66-10
A5C1132301	17-30	A5C1593200	48-42	A5C1R71600	17-15	A61F168200	30-9	V500020052	65-9
A5C1133700	18-9	A5C1627100	38-9	A61D148200	17-29	A61F241800	55-12	V500020069	65-16
A5C1133800	62-36	A5C1627300	38-10	A61D148300	58-2	A61F400000	26-24	V500020082	65-10
A5C1133900	62-37	A5C1627500	38-3	A61D400200	26-25	A61F403300	26-12	V500020098	65-5
A5C1134800	59-16	A5C1627900	38-11	A61D401102	26-3	A61F403400	26-13	V500020099	65-6
A5C1137303	20-22	A5C1628000	38-4	A61D401202	26-3	A61FH00500	25-5	V500020100	65-8
A5C1137402	62-4	A5C1628100	39-19	A61D401301	26-3	A61FH00800	25-9	V500020110	65-17
A5C1137800	61-2	A5C1628100	41-20	A61D401400	26-3	A61FH02001	62-9	V502010026	60-11
A5C1138800	62-5	A5C1700101	43-8	A61D942600	19-9	A61FM31100	23-8	V502010032	62-40
A5C1139400	62-24	A5C1701400	43-7	A61DM10000	54-12	A61FM40600	59-8	V570010021	65-11
A5C1139900	62-10	A5C1711000	44-6	A61DN10400	64-1	A61FM70003	20-1	V570010050	65-15
A5C1141800	58-17	A5C1711500	45-16	A61DN10B01	26-22	A61FM70103	20-1	V570010057	65-12
A5C1142000	58-6	A5C1810100	49-2	A61DR70000	31-1	A61FM70203	20-1	V570010059	65-13
A5C1160601	17-31	A5C1810200	49-13	A61DR70100	54-30	A61FM90100	62-42	V570010060	65-14
A5C1160901	18-16	A5C1810401	50-1	A61DR70200	54-7	A61FM90200	22-27	V651010002	58-14
A5C1161800	18-12	A5C1810900	50-24	A61DR70300	54-36	A61FM90500	55-13	V651010002	60-8
A5C1166501	18-14	A5C1811600	46-19	A61DR70500	26-18	A61FM90800	59-20	V800500300	43-22
A5C1167800	20-9	A5C1812200	49-4	A61DR70600	26-18	A61FM90A00	58-21	V800500300	44-7
A5C1192100	66-5	A5C1813900	50-22	A61DR70700	26-18	A61FM90B00	61-14	V865300026	62-30
A5C1263300	22-10	A5C1814200	50-20	A61DR71200	26-18	A61FN10F00	27-21		
A5C1263400	22-26	A5C1814300	49-23	A61E940100	17-13	A61FN10Y00	30-5		
A5C1551701	44-18	A5C1815700	49-11	A61EH00101	62-7	A61FN11200	31-24		
A5C1562200	33-30	A5C1825000	50-30	A61EN10200	61-11	A61FN11900	25-11		
A5C1562200	35-35	A5C1947000	66-6	A61EN10300	63-1	A61FN11V00	29-9		
A5C1563100	34-1	A5C1947100	66-6	A61EN10400	51-14	A61FN12H01	43-37		
A5C1563100	36-1	A5C1H01A11	22-21	A61EN10900	63-1	A61FR71200	59-11		
A5C1563400	34-9	A5C1H02A01	62-25	A61ER70000	25-12	A61FR71300	19-2		
A5C1563400	36-10	A5C1M10400	27-16	A61ER70400	56-22	A61FR71600	55-2		
A5C1563500	34-4	A5C1M10A00	24-2	A61F100600	60-12	A61FR71700	47-29		
A5C1563500	36-4	A5C1M90000	62-35	A61F130001	29-4	A61FR71800	44-25		

# EXTERNAL PARTS

P 1

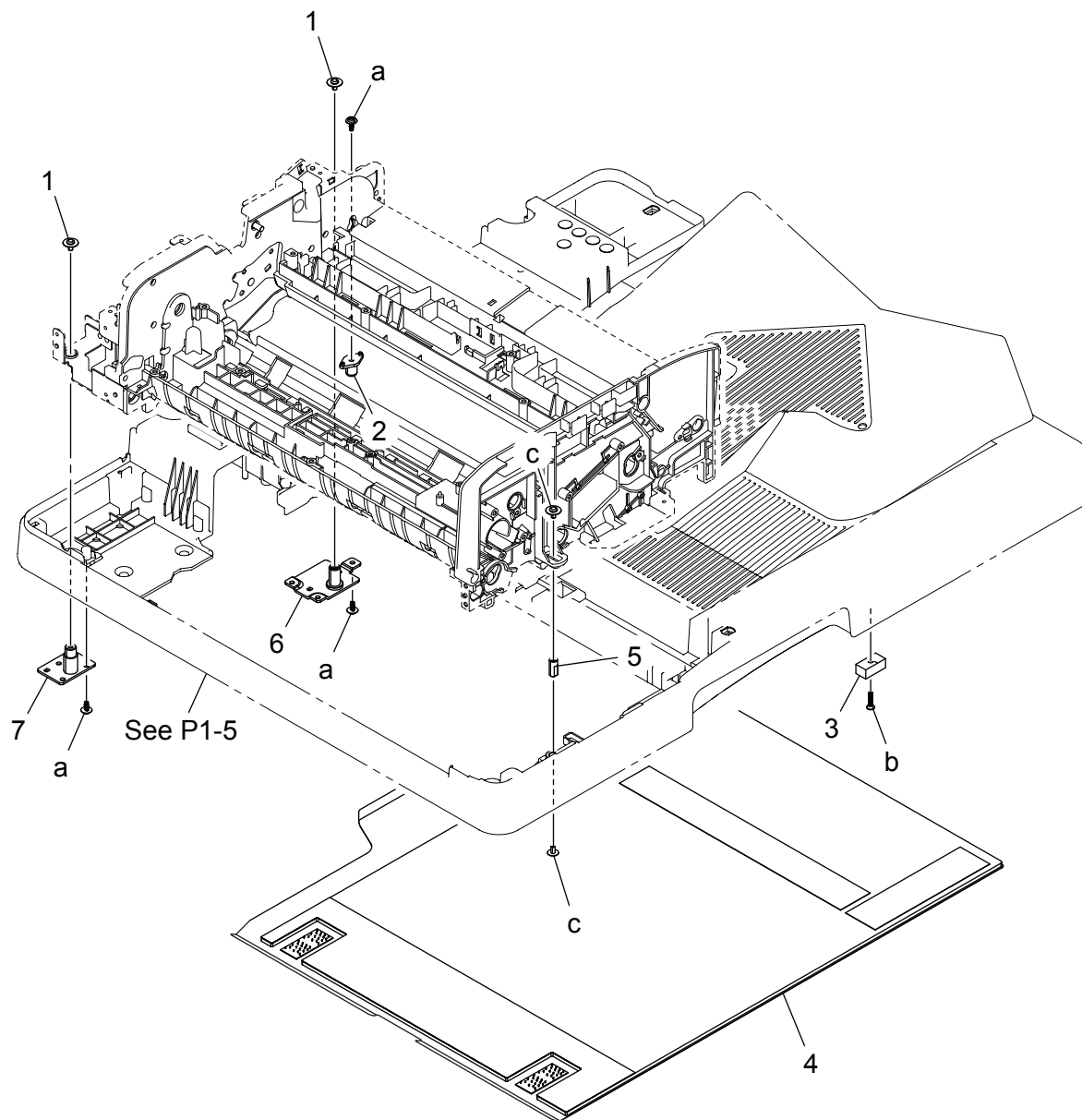






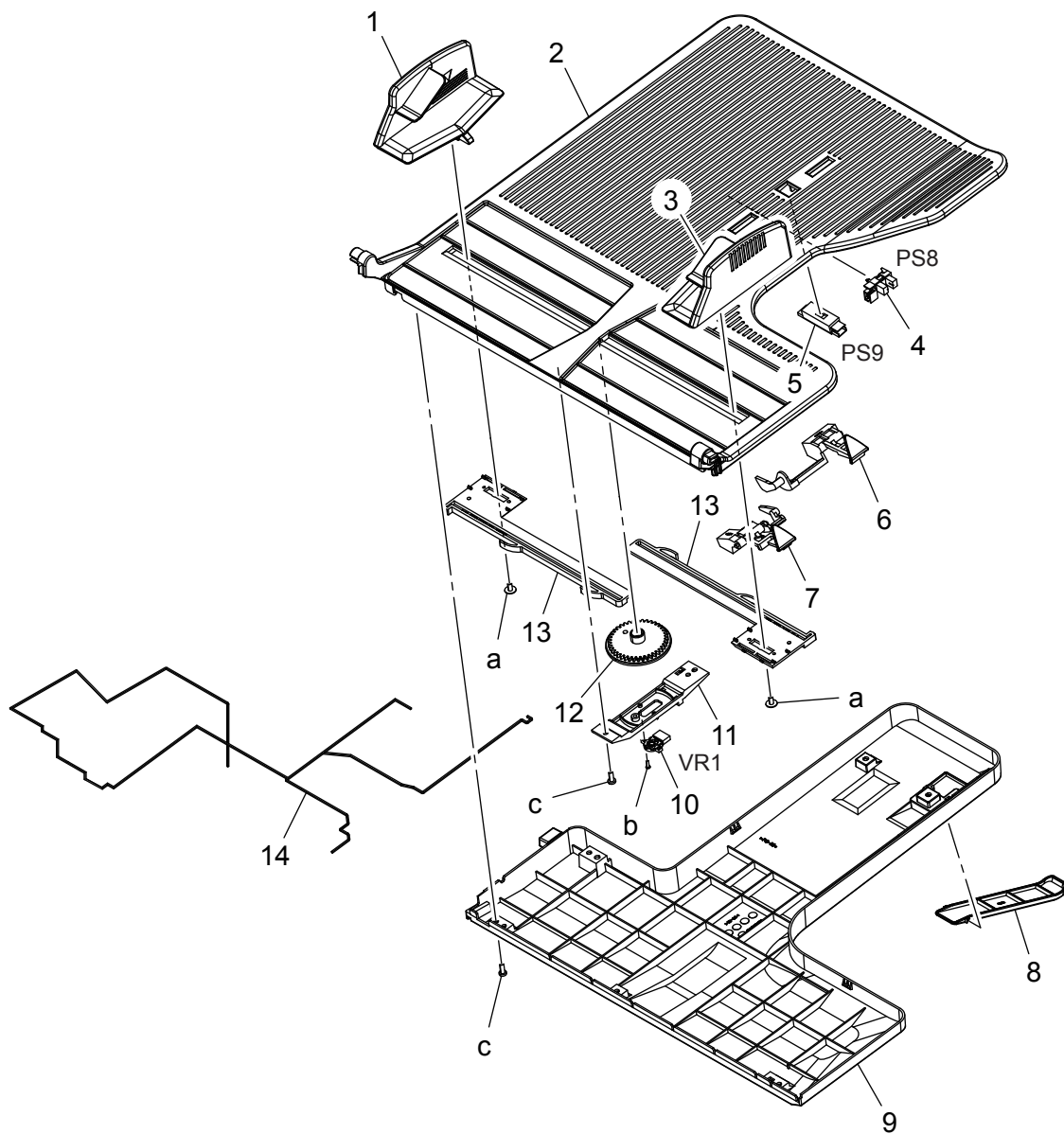
# EXTERNAL PARTS

P 2





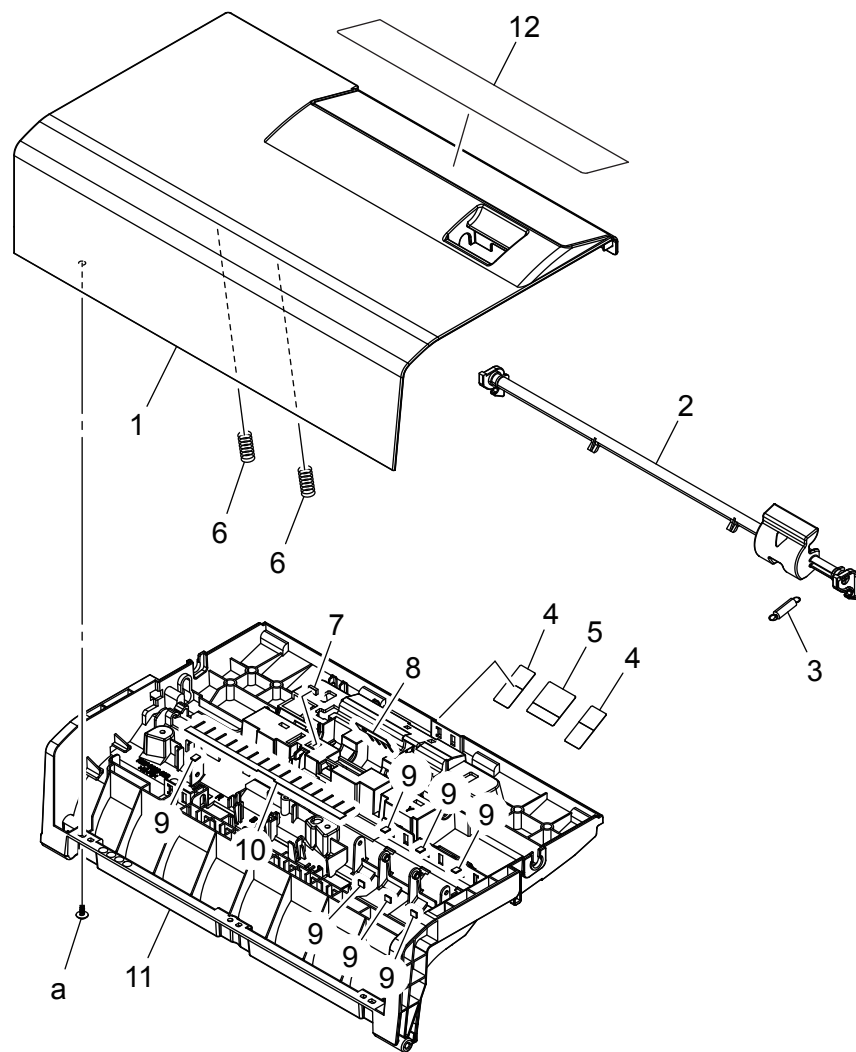
# PAPER FEED TRAY SECTION



# PAPER FEED TRAY SECTION

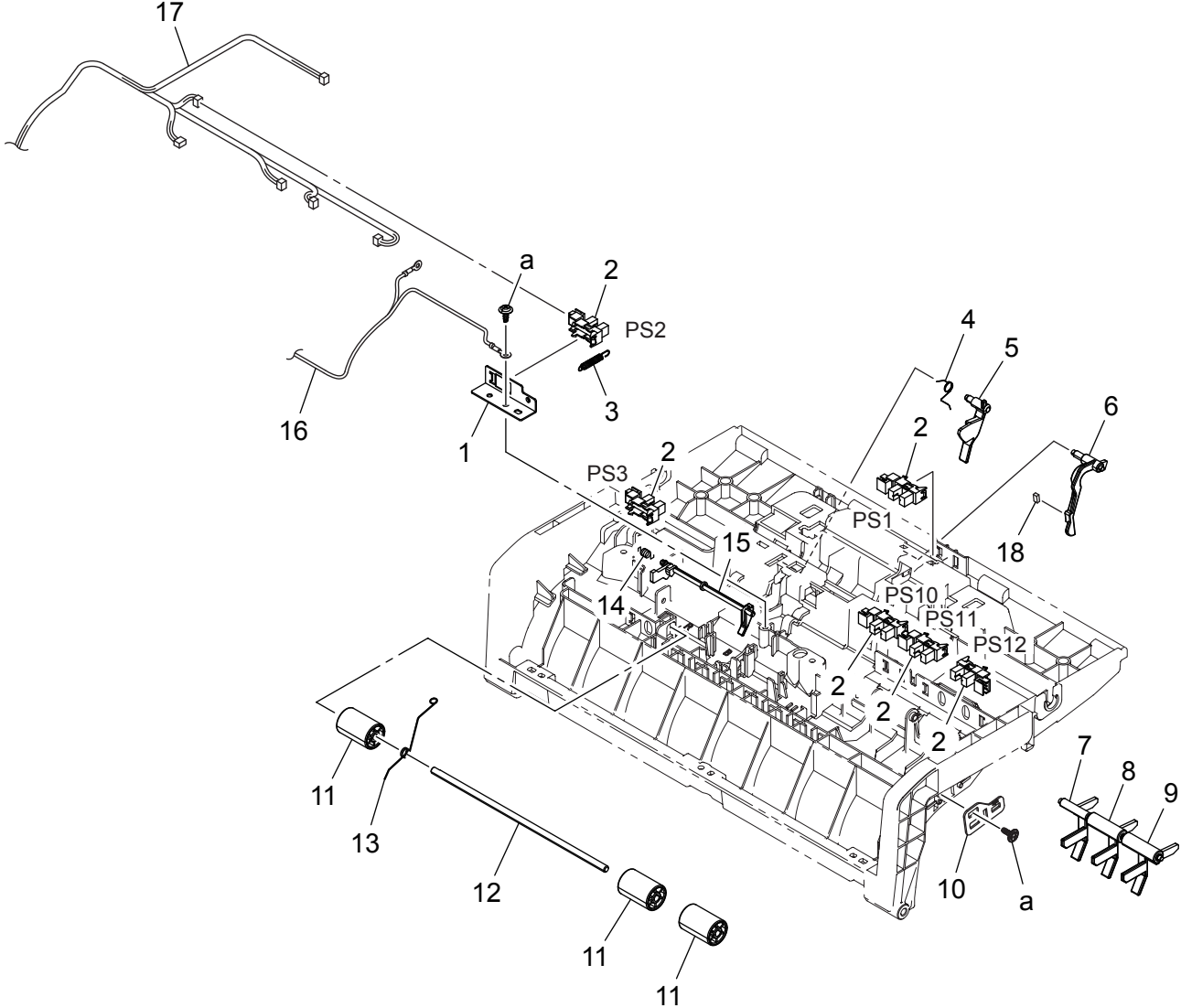
Key	Part No.	Description	Destinations	Class	QTY	Standard parts
1	A3CFPP5G03	Regulating Plate		C	1	a-A143PP0B00 b-A143PP8R00 c-A143PP0A00
2	A3CFPP5B01	Cover		C	1	
3	A3CFPP5F03	Regulating Plate		C	1	
4	A108M50100	Photointerrupter		B	1	
5	A108M50000	Photoreflector		B	1	
6	A3CFPP5C01	Lever		C	1	
7	A3CFPP5H01	Lever		C	1	
8	A3CFPP5J01	Lever		C	1	
9	A3CEPP4800	Tray		C	1	
10	A143PP6X00	PW Board Assy		C	1	
11	A143PP6M01	Holder		D	1	
12	A143PP6K01	Gear 40T		C	1	
13	A143PP6F01	Rack		C	2	
14	A3CEPP4E00	Wire Harness Assy		D	1	

# PAPER TAKE-UP SECTION





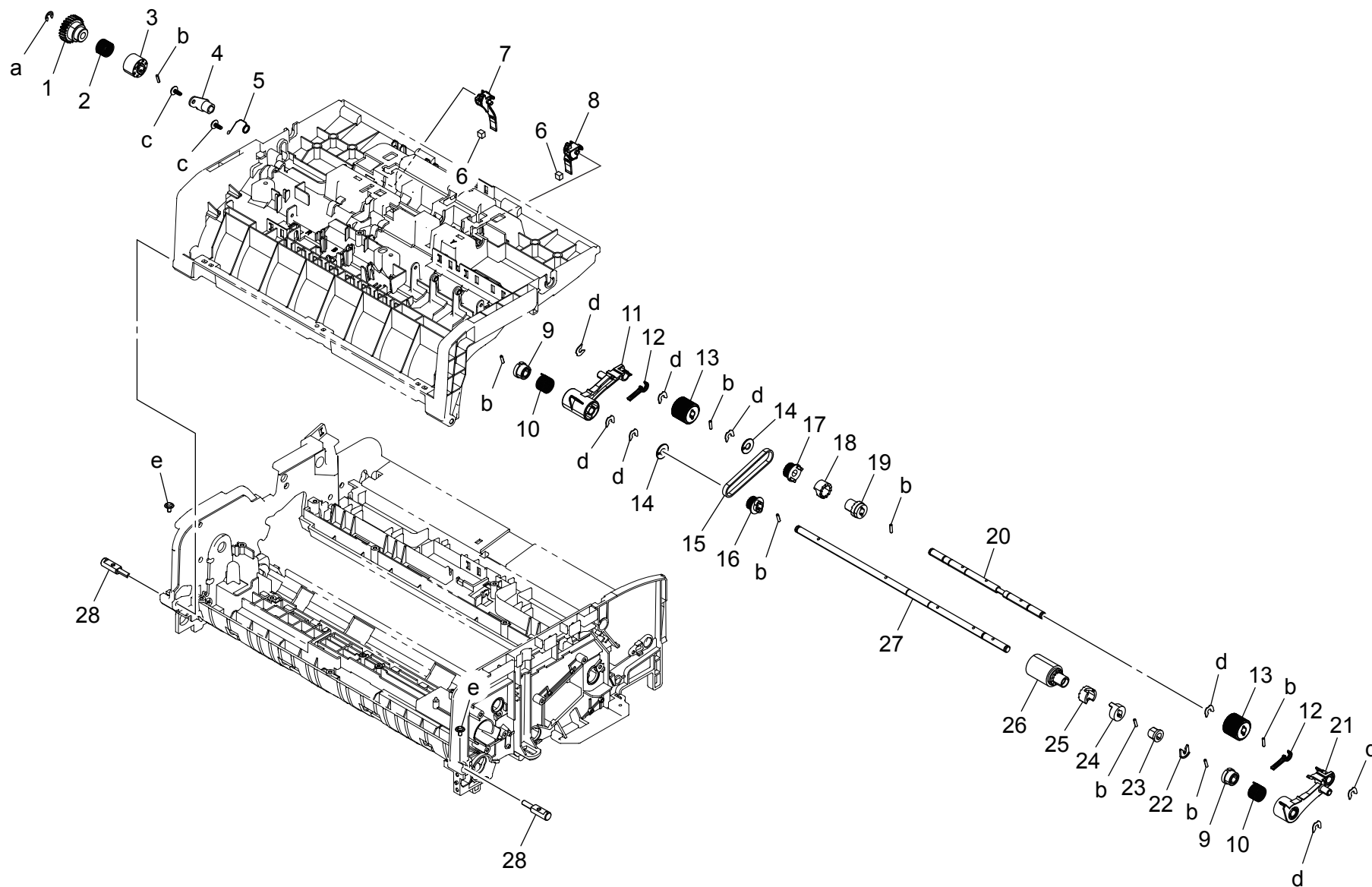
PAPER TAKE-UP SECTION



Key	Part No.	Description	Destinations	Class	QTY	Standard parts
1	A3CFPP5K00	Bracket		D	1	a-A3CFPP2G00
2	A108M50100	Photointerrupter		B	6	
3	A143PP6900	Tension Spring		C	1	
4	A3CFPP5200	Torsion Spring		C	1	
5	A3CFPP4X01	Lever		C	1	
6	A3CFPP4V00	Lever		C	1	
7	A143PP5J01	Lever		C	1	
8	A143PP5K01	Lever		C	1	
9	A143PP5M01	Lever		C	1	
10	A3CFPP6C00	Bracket		D	1	
11	A3CFPP4T01	Roller		C	3	
12	A3CFPP4U01	Shaft		D	1	
13	A3CFPP5400	Torsion Spring		C	1	
14	A143PP1B00	Torsion Spring		C	1	
15	A3CFPP5L00	Lever		C	1	
16	A143PP7301	Wire Harness Assy		D	1	
17	A3CEPP4D00	Wire Harness Assy		D	1	
18	A3CFPP1700	Magnet		D	1	



# PAPER TAKE-UP SECTION

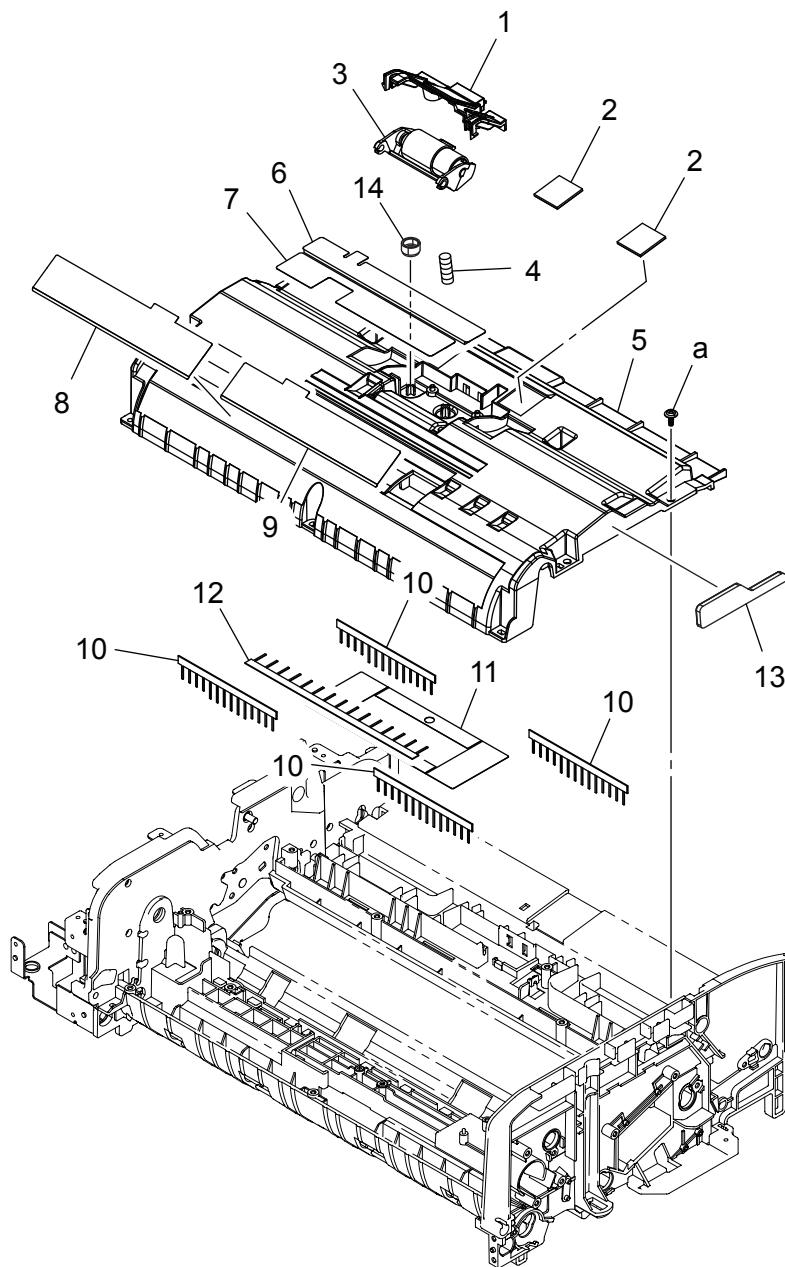


PAPER TAKE-UP SECTION

Key	Part No.	Description	Destinations	Class	QTY	Standard parts
1	A3CFPP4R00	Gear		C	1	a-A143PP0Q00 b-A143PP4S00 c-A3CFPP2G00 d-A143PP5501 e-A143PP7M00
2	A3CFPP6D00	Torsion Spring		C	1	
3	A143PP4X01	Holder		C	1	
4	A3CFPP1J01	Bushing		C	1	
5	A3CFPP5801	Torsion Spring		C	1	
6	A143PP9G00	Damper		C	2	
7	A143PP5U02	Stopper		C	1	
8	A143PP5T02	Stopper		C	1	
9	A143PP4T01	Holder		C	2	
10	A3CFPP5602	Torsion Spring		C	2	
11	A143PP4V02	Lever		C	1	
12	A143PP5301	Stopper		C	2	
13	A143PP5200	Roller		A	2	
14	A143PP5Y01	Flange		D	2	
15	A143563300	TIMING BELT 134L		C	1	
16	A143PP5A00	Pulley 19T		C	1	
17	A143PP5000	Pulley 21T		C	1	
18	A143PP5101	Coupling		C	1	
19	A143PP4Y00	Holder		C	1	
20	A143PP5403	Shaft		D	1	
21	A143PP4R03	Lever		C	1	
22	A143PP5B01	Stop Ring		C	1	
23	A143PP5901	Bushing		C	1	
24	A143PP5601	Coupling		C	1	
25	A143PP6601	Coupling		C	1	
26	A143563100	Roller (給紙)		A	1	
27	A3CFPP4S01	Shaft		D	1	
28	A3CFPP1600	Shaft		D	2	

# PAPER TRANSPORT SECTION

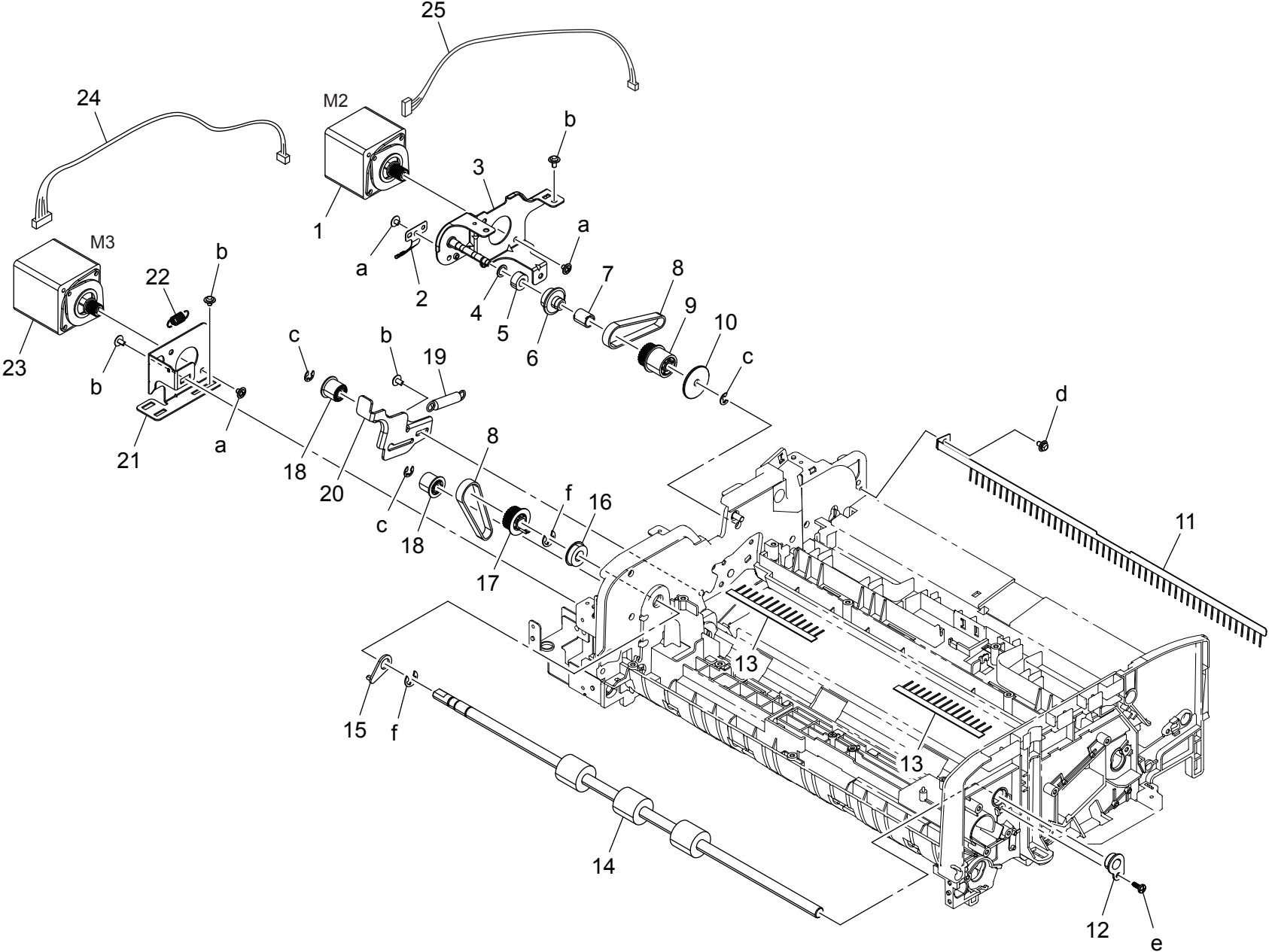
P 7



PAPER TRANSPORT SECTION

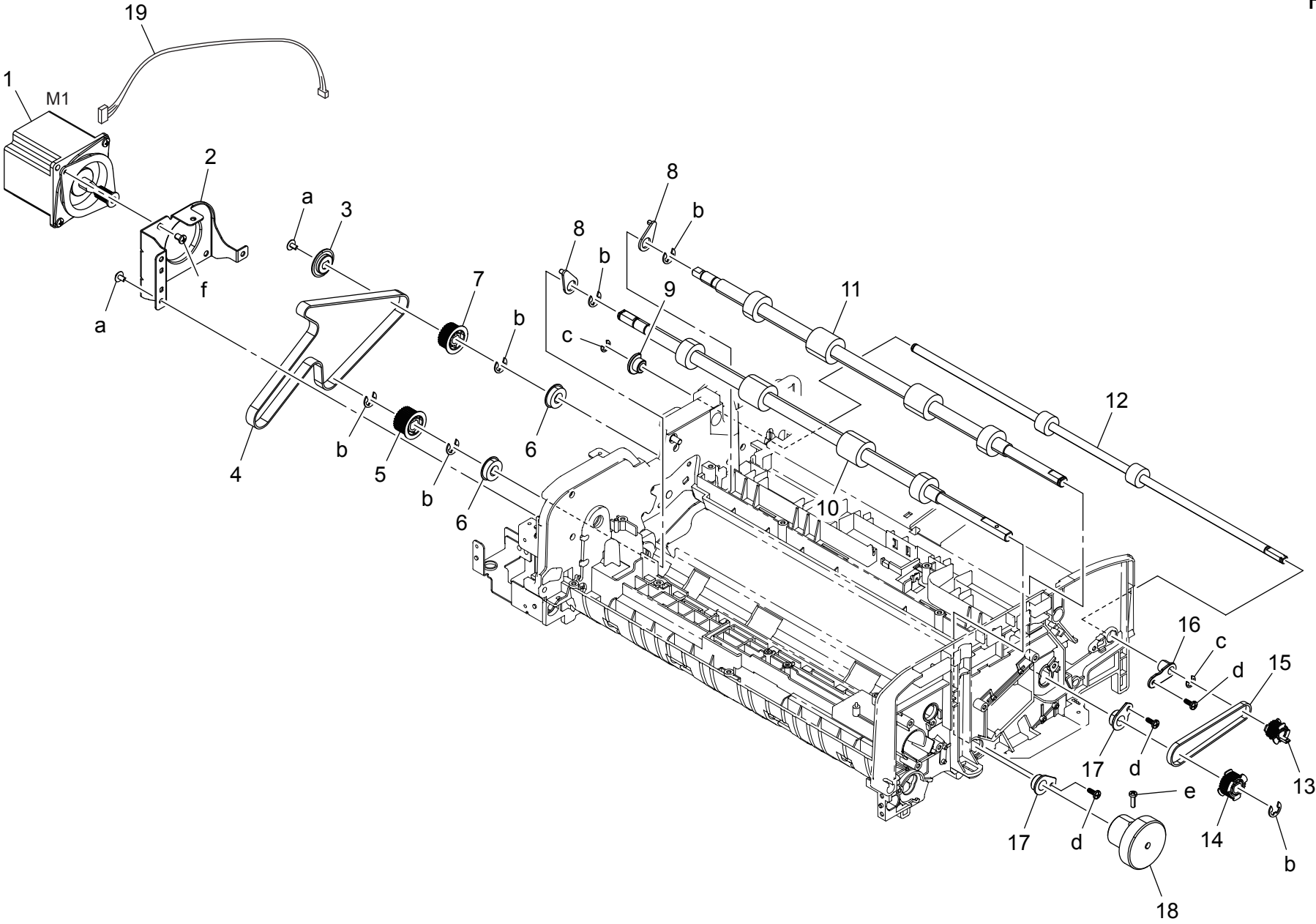
Key	Part No.	Description	Destinations	Class	QTY	Standard parts
1	A3CFPP4G00	Cover Assy		C	1	a-A3CFPP6K00
2	A3CFPP4N00	Pad		C	2	
3	A3CFPP4H00	Roller Assy		A	1	
4	A3CFPP4L00	Pressure Spring		C	1	
5	A3CEPP4403	Guide		C	1	
6	A3CFPP4Q00	Film		C	1	
7	A143PP4P01	Film		C	1	
8	A3CEPP5400	Film		C	1	
9	A3CEPP5500	Film		C	1	
10	A143PP1X00	NEUTRALIZING BRUSH		C	4	
11	A3CEPP4701	Film		C	1	
12	A3CFPP1N02	Neutralizing Brush		C	1	
13	A3CEPP5200	Sponge		D	1	
14	A3CFPP6L00	Spacer		C	1	

PAPER TRANSPORT SECTION





# PAPER TRANSPORT SECTION

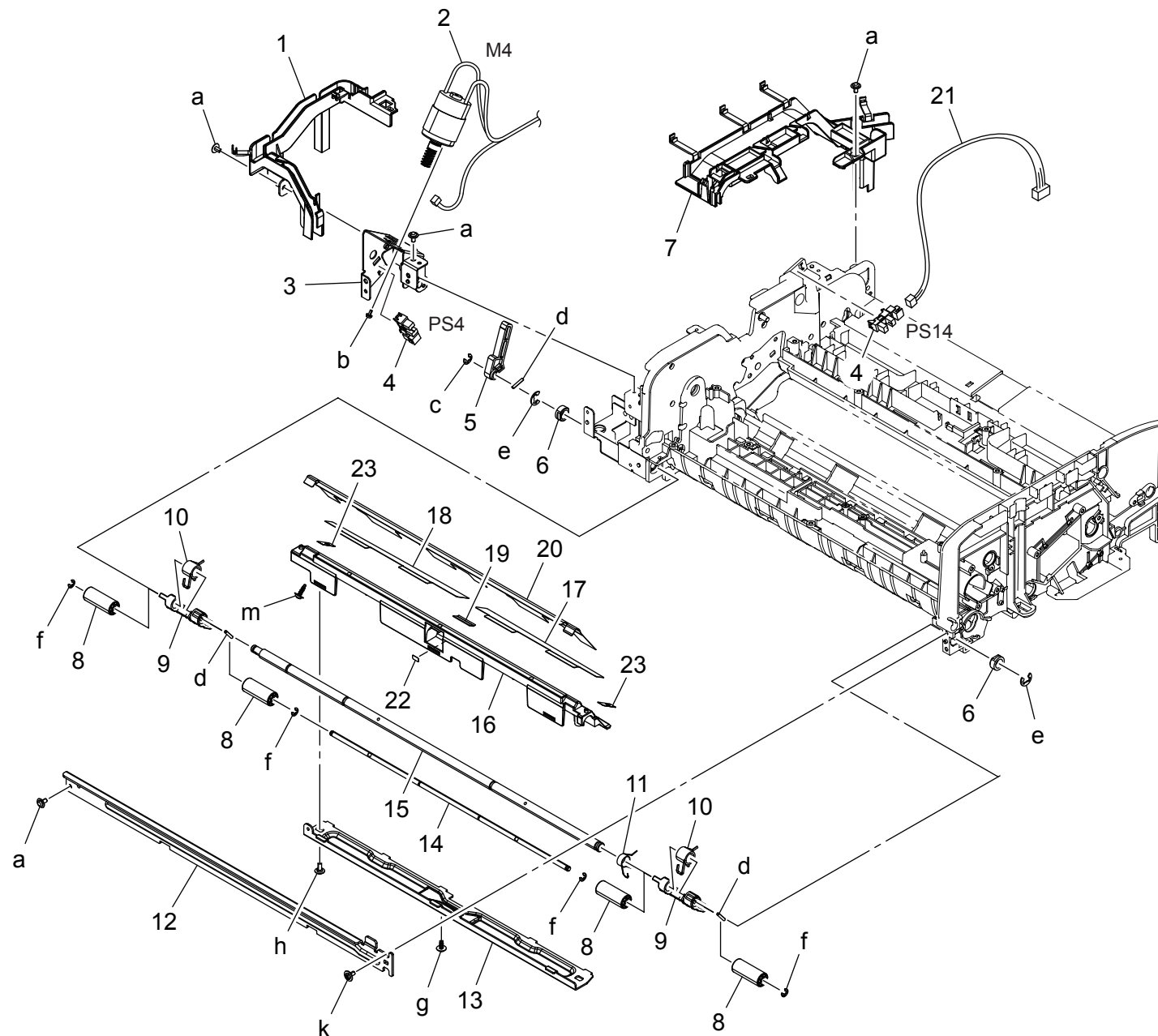


Key	Part No.	Description	Destinations	Class	QTY	Standard parts
1	A3CEPP4C00	Motor		C	1	a-A143PP7M00 b-A143PP0P00 c-A143PP0Q00 d-A143PP0A00 e-A3CFPP6E00 f-A3CEPP5900
2	A3CEPP2G01	Bracket		D	1	
3	A3CEPP2R00	Flange		C	1	
4	A3CE213300	Timing belt		C	1	
5	A3CFPP3J01	Pulley		C	1	
6	A143PP1M00	Ball Bearing		C	2	
7	A3CEPP2M00	Pulley		C	1	
8	A3CFPP2E00	Bushing		D	2	
9	A143PP4D02	Bushing		C	1	
10	A3CFPP1E01	Roller		C	1	
11	A3CEPP1F00	Roller		C	1	
12	A3CEPP1400	Roller		C	1	
13	A3CFPP3800	Pulley		C	1	
14	A3CFPP3500	Pulley		C	1	
15	A3CEPP2E00	Timing Belt		C	1	
16	A3CFPP1J01	Bushing		C	1	
17	A3CF103400	Bushing		C	2	
18	A3CEPP1S02	Fly Wheel		D	1	
19	A3CEPP4L00	Wire Harness Assy		D	1	



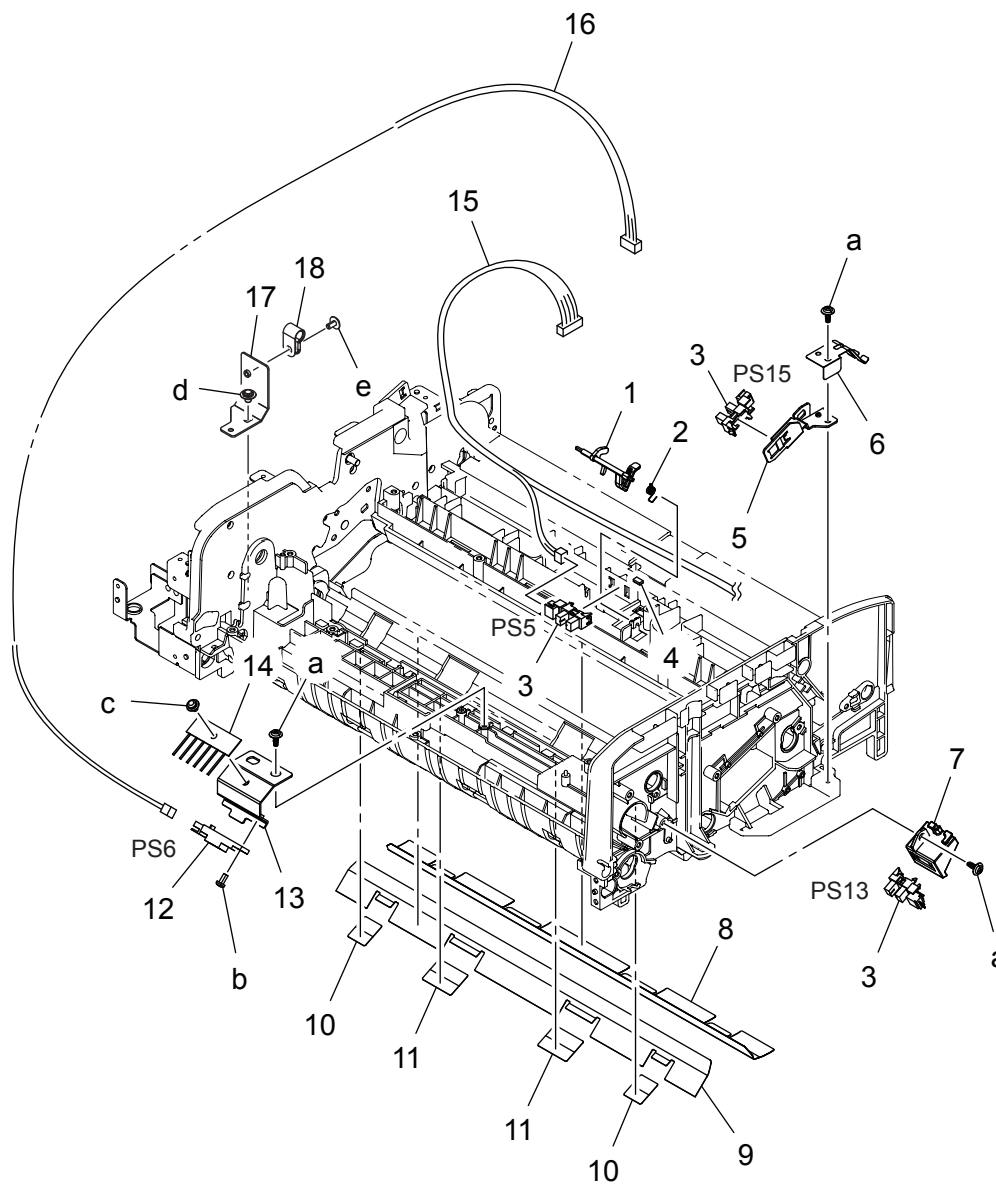
# PAPER TRANSPORT SECTION

P 10





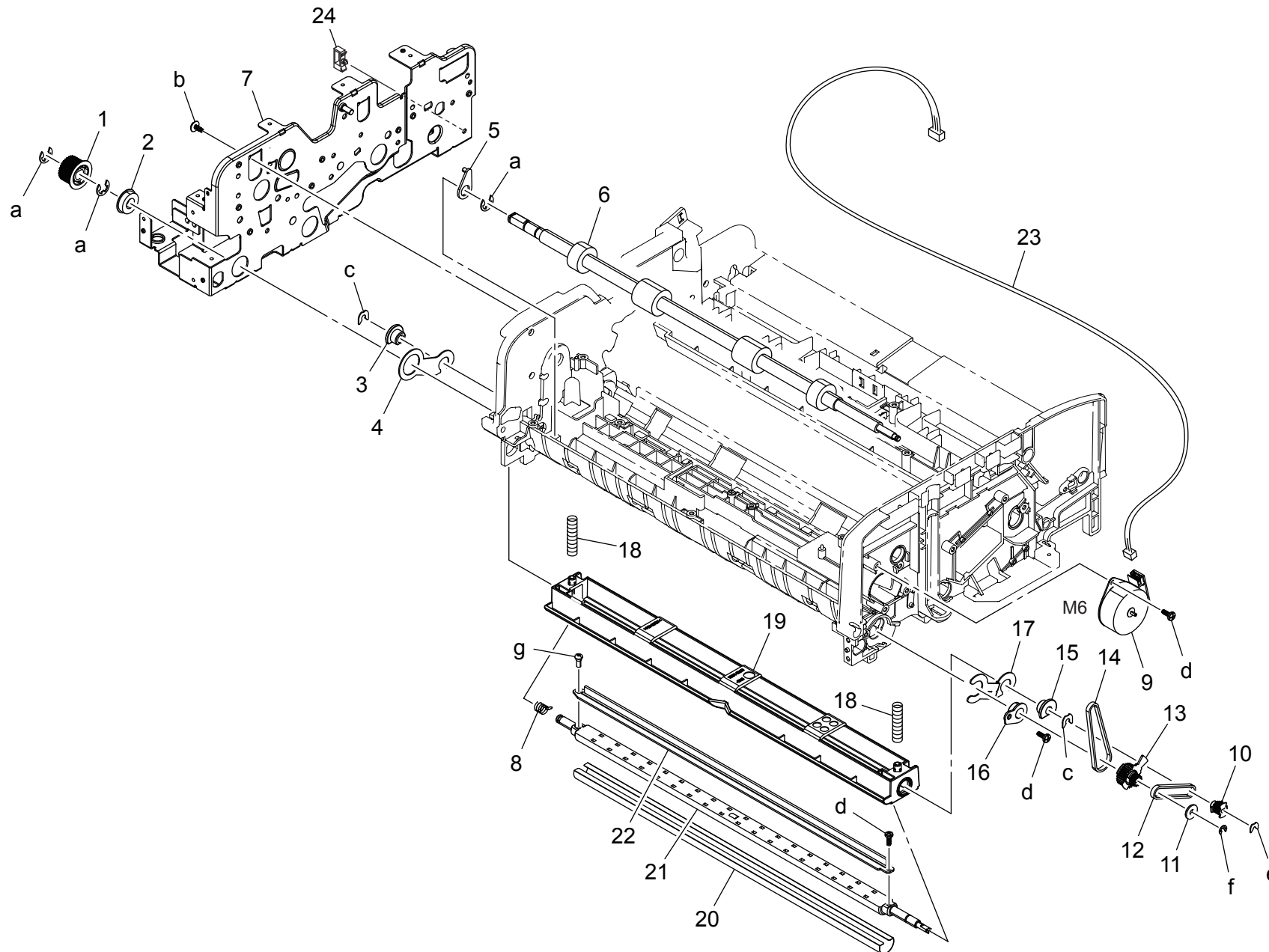
# PAPER TRANSPORT SECTION



PAPER TRANSPORT SECTION

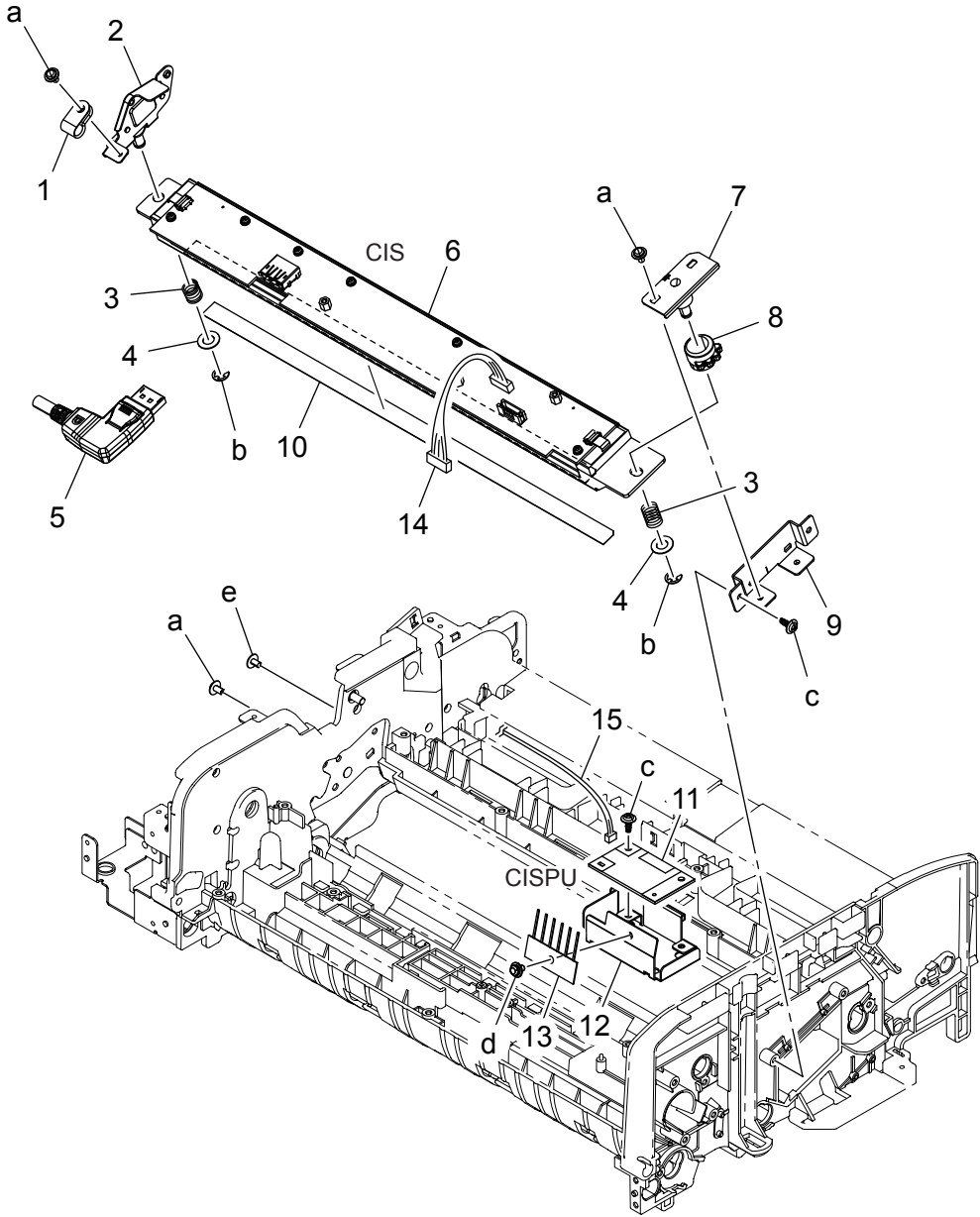
Key	Part No.	Description	Destinations	Class	QTY	Standard parts
1	A3CEPP1300	Arm		C	1	a-A3CFPP2G00 b-A143PP0D00 c-A3CFPP2Y01 d-A143PP7N00 e-A143PP7M00
2	A143PP1B00	Torsion Spring		C	1	
3	A108M50100	Photointerrupter		B	3	
4	A143PP1Y00	Sponge		C	1	
5	A3CEPP3E01	Holder		C	1	
6	A3CEPP1R00	Plate Spring		C	1	
7	A3CFPP2B00	Holder		D	1	
8	A3CEPP1L01	Film		C	1	
9	A3CEPP1K01	Film		C	1	
10	A143PP4G01	Film		C	2	
11	A143PP4F01	Film		C	2	
12	A143PP7900	Solid State Switch		B	1	
13	A3CFPP1901	Bracket		D	1	
14	A3CFPP2H01	Neutralizing Brush		C	1	
15	A3CEPP4H00	Wire Harness Assy		D	1	
16	A3CEPP4F00	Wire Harness Assy		D	1	
17	A3CEPP5300	Bracket		D	1	
18	A3CEPP2000	Clamp		C	1	

# PAPER TRANSPORT SECTION



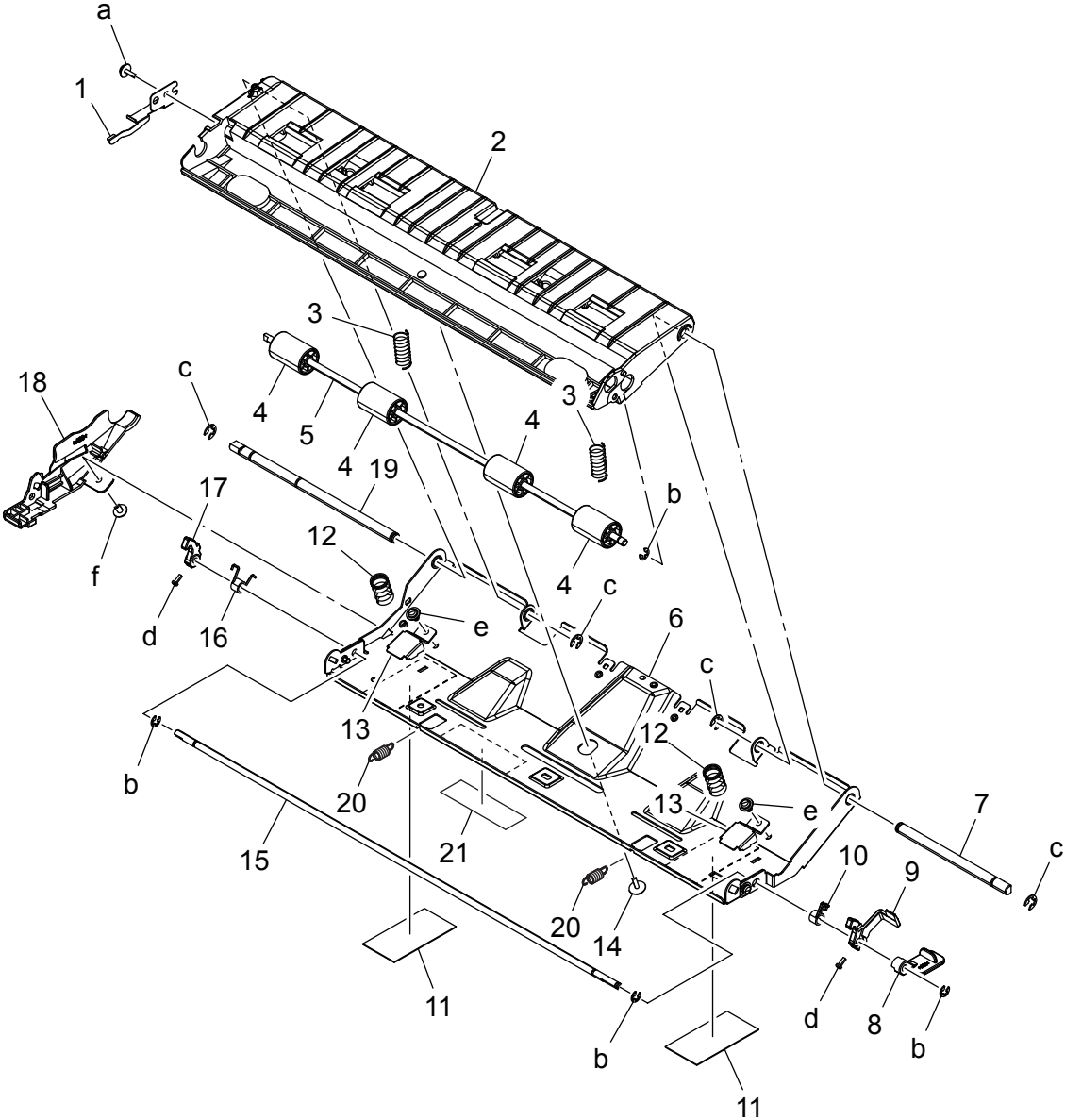


CIS SECTION

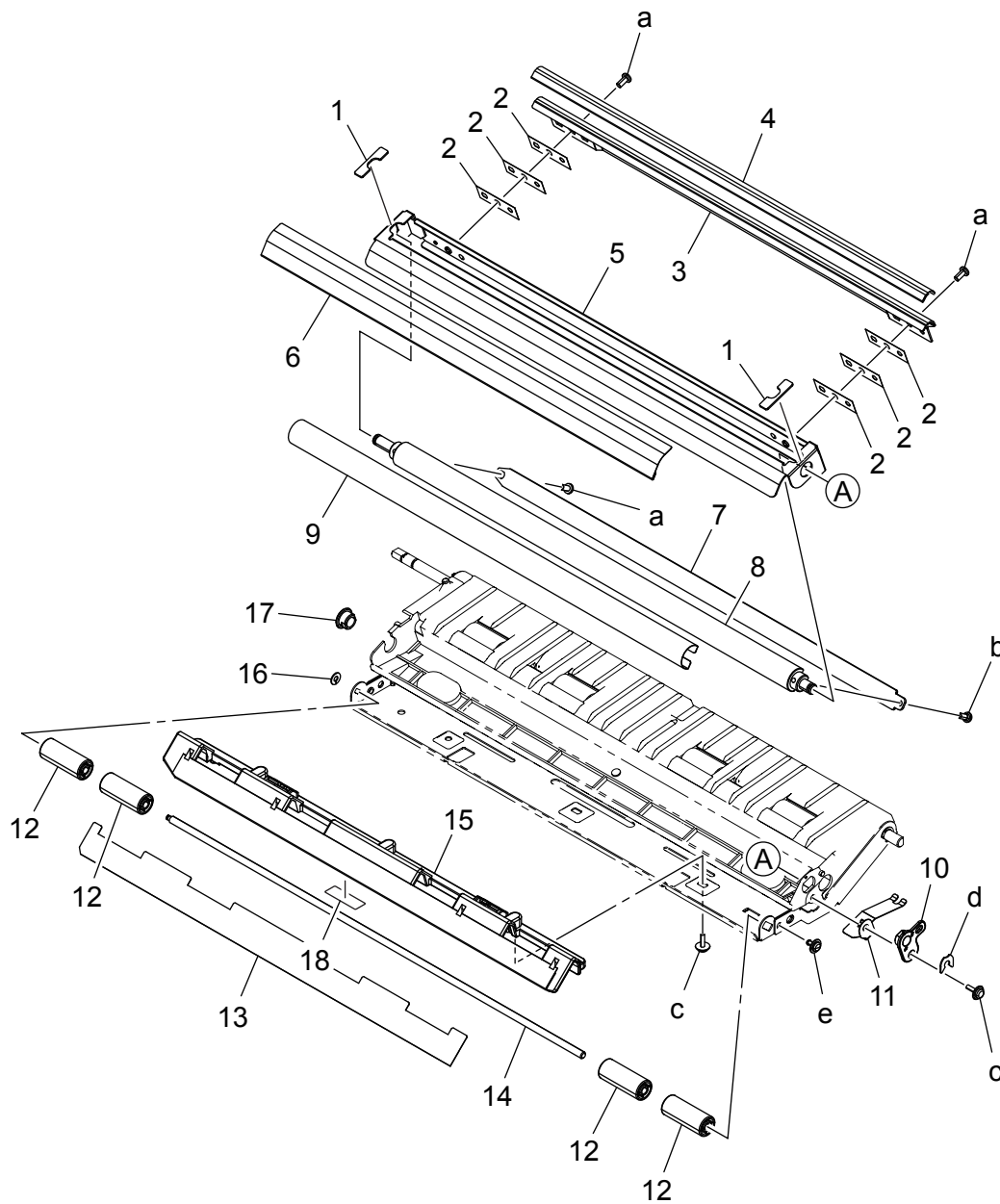


Key	Part No.	Description	Destinations	Class	QTY	Standard parts
1	A3CEPP2900	Clamp		C	1	a-A143PP7M00 b-A143PP0Q00 c-A3CFPP2G00 d-A3CFPP2Y01 e-A143PP0E00
2	A3CEPP4100	Bracket		D	1	
3	A3CEPP3U00	Pressure Spring		C	2	
4	A3CFPP2S00	Washer		C	2	
5	A3CEN11700	ADF Cable		D	1	
6	A3CEM70000	CIS		I	1	
7	A3CEPP4000	Bracket		D	1	
8	A3CEPP3T00	Adjustment Wheel		C	1	
9	A3CEPP1H00	Bracket		D	1	
10	A3CEPP3V00	Film		C	1	
11	A3CEPP4Y00	PCB Board Assy		I	1	
12	A3CEPP1J00	Bracket		D	1	
13	A3CFPP2H01	Neutralizing Brush		C	1	
14	A3CEPP4V00	Wire Harness Assy		D	1	
15	A3CEPP4U00	Wire Harness Assy		D	1	



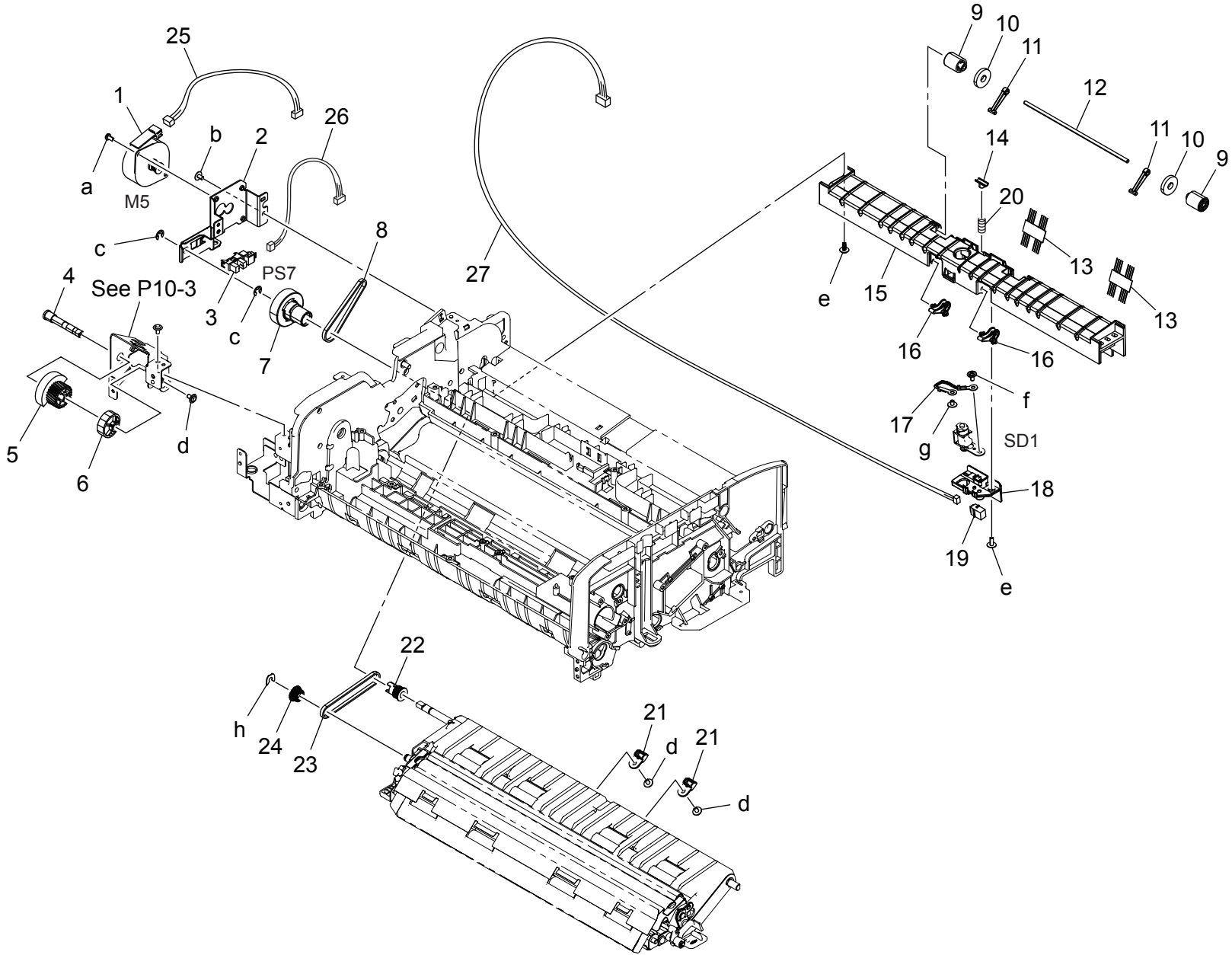






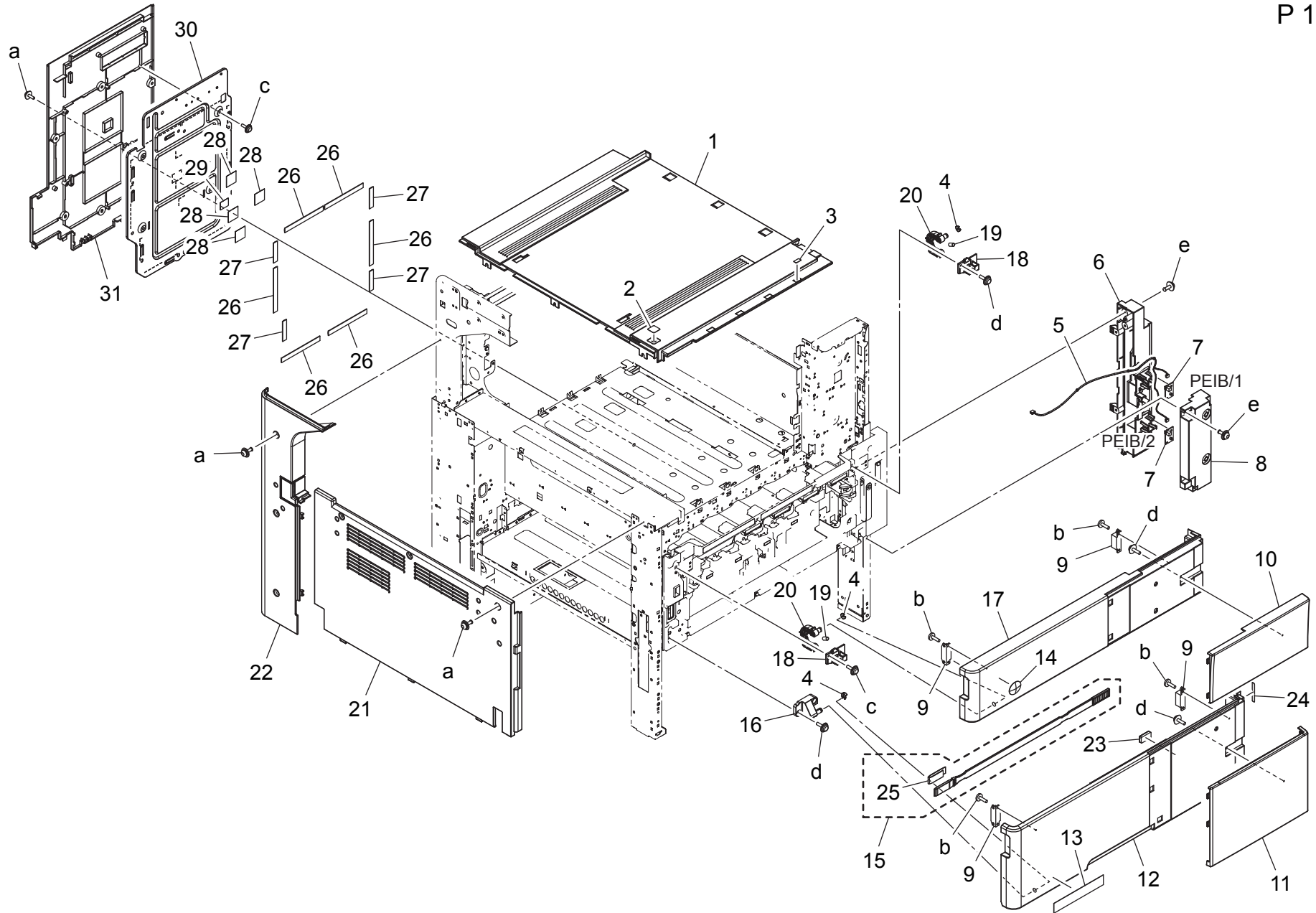
Key	Part No.	Description	Destinations	Class	QTY	Standard parts
1	A3CEPP4301	Spacer		C	2	a-A143PP0D00 b-A3CEPP2500 c-A3CFPP2G00 d-A143PP5501 e-A143PP0E00
2	A3CEPP2800	Film		C	6	
3	A3CEPP2700	Mounting Plate		D	1	
4	A3CEPP3600	Film		C	1	
5	A3CEPP3401	Mounting Plate		D	1	
6	A3CEPP3501	Film		C	1	
7	A3CFPP4500	Brush		C	1	
8	A3CEPP4201	Shaft		D	1	
9	A3CEPP3301	Sheet		C	1	
10	A3CEPP2X01	Bushing		C	1	
11	A3CEPP3900	Plate Spring		C	1	
12	A3CEPP3H01	Roll		C	4	
13	A3CEPP1N00	Film		C	1	
14	A3CEPP3K00	Shaft		D	1	
15	A3CEPP3J01	Guide		C	1	
16	A143PP1S00	Washer		C	1	
17	A3CEPP2Y00	Bushing		C	1	
18	A3CEPP5C00	Label		C	1	

CIS SECTION





# EXTERNAL PARTS



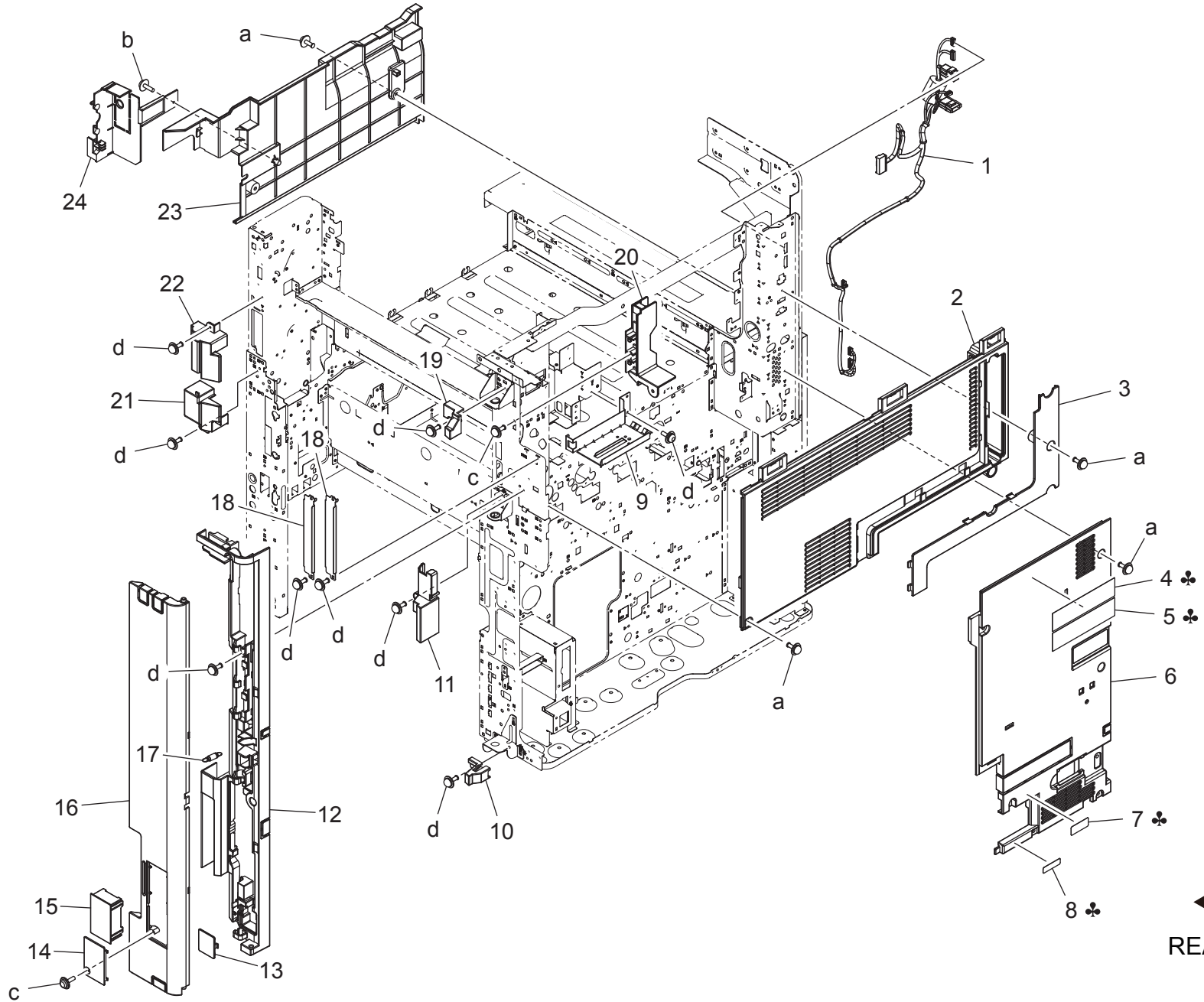
bizhub 454e





# EXTERNAL PARTS

P 18



REAR SIDE

bizhub 454e

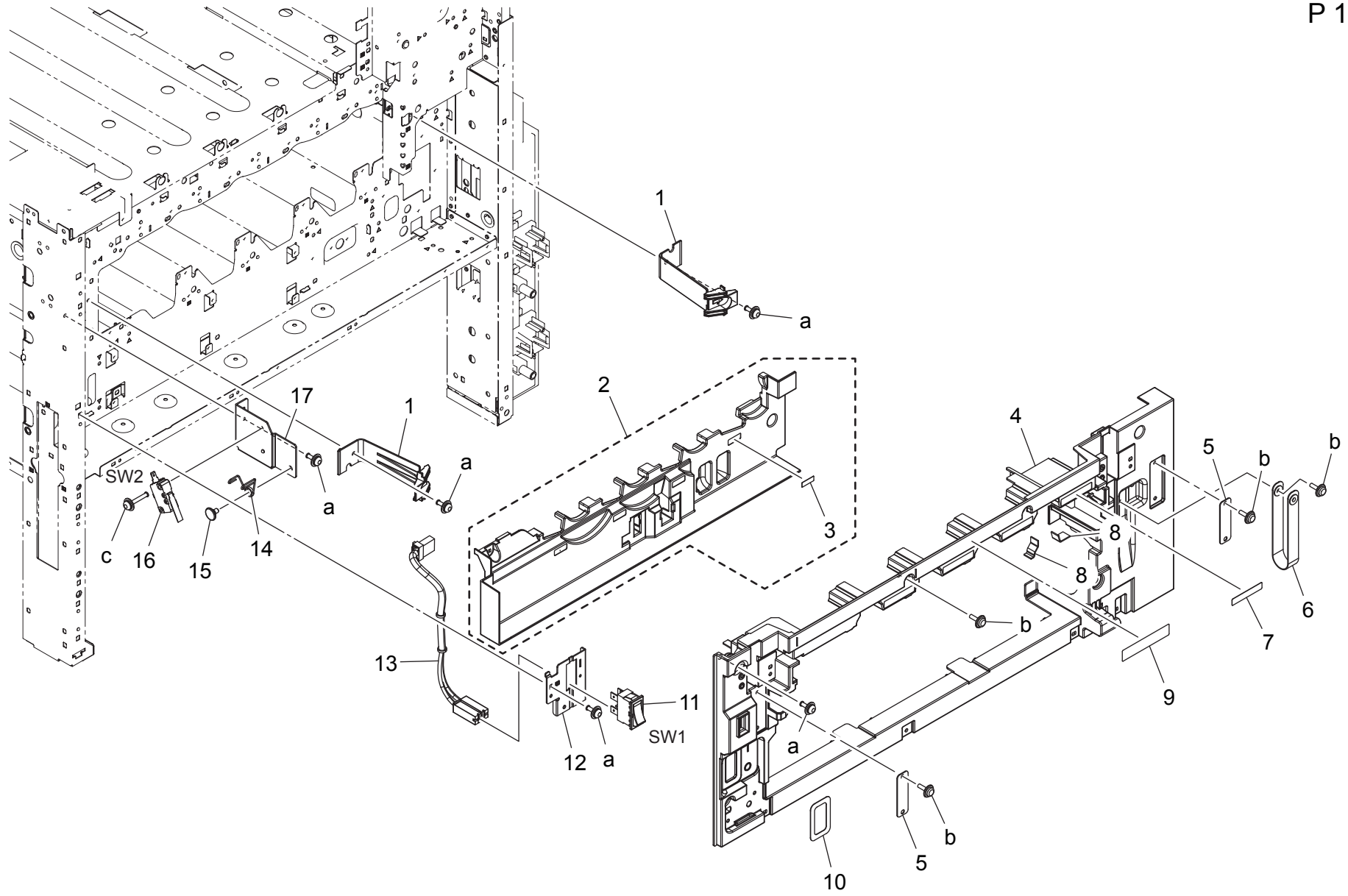


Order here  
8 (495) 646-0426  
www.km-shop.ru

ПЯТЫЙ ПАРТНЕР



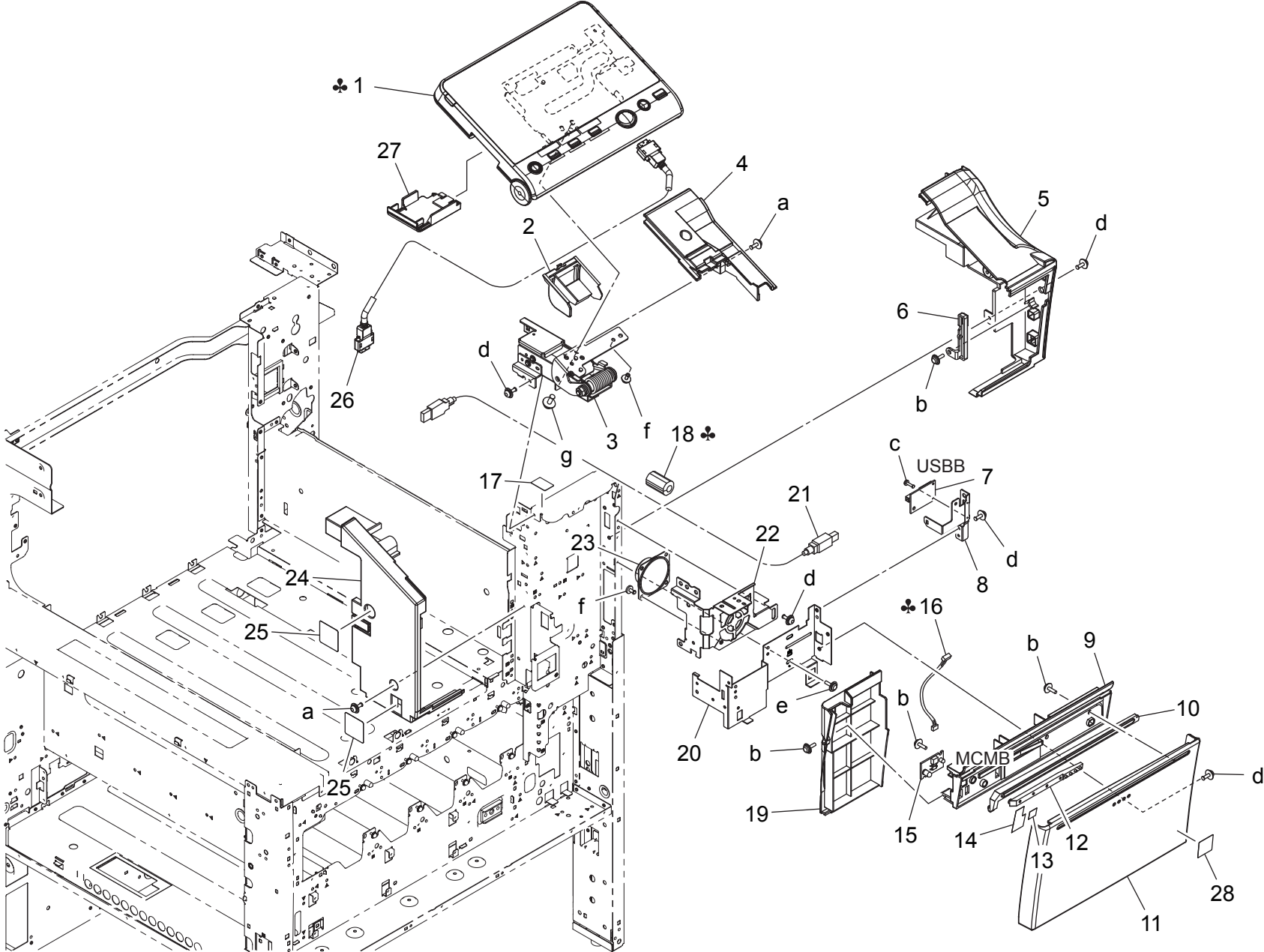
# INNER COVER SECTION



INNER COVER SECTION

Key	Part No.	Description	Destinations	Class	QTY	Standard parts
1	A161165700	Fixing Claw		D	2	a-V116030803 b-V153030803 c-V116031603
2	A61FR71300	Cover /Front (2nd) Assy		C	1	
3	A161943000	Label		C	1	
4	A161165007	Cover /Front		C	1	
5	4038101401	SUCTION PLATE		D	2	
6	A0ED162401	Band		D	1	
7	A161942500	Label DR/K		D	1	
8	A161165300	Protection Part		C	2	
9	A61D942600	Label		C	1	
10	A161942000	Label		D	1	
11	4038M60000	SEESAW-SWITCH		C	1	
12	A161135100	Mounting Plate		D	1	
13	A2XKN10C00	AC Wiring /B		D	1	
14	A161151300	Torsion Coil spring		D	1	
15	4038228702	SHOULDER SCREW		C	1	
16	9J06M60100	MICRO SWITCH		C	1	
17	A161151100	Mounting Plate		D	1	

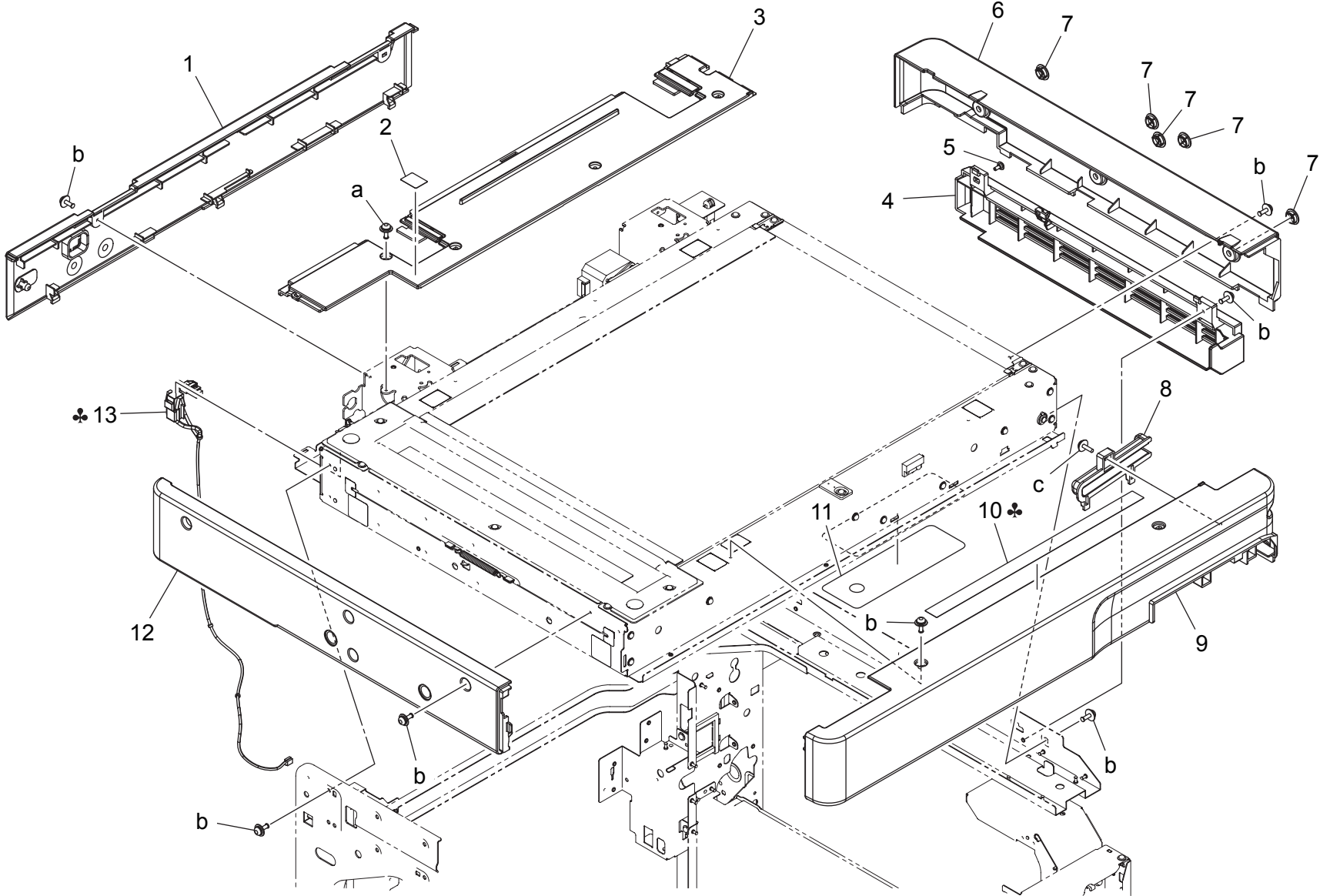
# OPERATION PANEL SECTION



OPERATION PANEL SECTION

Key	Part No.	Description	Destinations	Class	QTY	Standard parts	
1	A61FM70003	Panel assembly	操作パネル ASSY	I	1	a-V116030804 b-V153030803 c-V111020603 d-V116030803 e-V137030803 f-V126030603 g-V125041003	
1	A61FM70103	Panel assembly	操作パネル ASSY	I	1		
1	A61FM70203	Panel assembly	操作パネル ASSY	I	1		
2	A161190900	Cover	カバー (操作パネル下・ヒンジ)	C	1		
3	A5C1R70911	Mounting Plate Assy	操作パネル取付板 Assy	C	1		
4	A161162604	Cover	カバー (IR 前柱・中)	C	1		
5	A161161503	Cover	カバー (IR 前柱・右)	C	1		
6	A161164000	Cover	カバー (目隠し・USB)	D	1		
7	A0P0H02500	PWB assembly(PWB-UCN ASSY)	基板 ASSY (PWB-UCN ASSY)	D	1		
8	A161138002	Mounting Plate	取付板 (USB ポート)	D	1		
9	A5C1167800	Light blocking Cover	遮光カバー	D	1		
10	A161167000	Lens	レンズ (ライトガイド・上)	D	1		
11	A161161702	Cover	カバー	C	1		
12	A161167100	Lens	レンズ (ライトガイド・中)	D	1		
13	A161167400	Light blocking Sheet /2	遮光シート /2	D	1		
14	A161167300	Light blocking Sheet /1	遮光シート /1	D	1		
15	A161H00U01	PWB Assembly(PWB-LED ASSY)	基板 ASSY (PWB-LED ASSY)	C	1		
16	A5C1N10B00	Indicating Wiring/3	表示束線 /3	D	1		
16	A5C1N10D00	InIndicating Wiring/4	表示束線 /4	D	1		
17	A5C1122600	Spacer	スペーサ	D	1		
18	A5C1M92000	Ferritecore	フェライトコア	C,D1,D3,E,F2,G1,I,K	D		1
19	A161161900	Cover	カバー (パネル下・内左)	D	1		
20	A161164104	Mounting Plate	取付板 (パネル下)	D	1		
21	A0P0N15300	Cable	ケーブル	C	1		
22	A5C1137303	Mounting Plate	取付板	D	1		
23	A0P0M73100	Speaker	スピーカ	D	1		
24	A161161401	Cover	カバー (IR 前柱・左)	C	1		
25	A161162400	Seal	シール (目隠し)	C	2		
26	A5C1N15601	Interface Cable	インターフェースケーブル	D	1		
27	A55V161201	Cover	カバー (パネル裏面)	C	1		
28	A011946200	Label Emperon	ラベル Emperon	D	1		

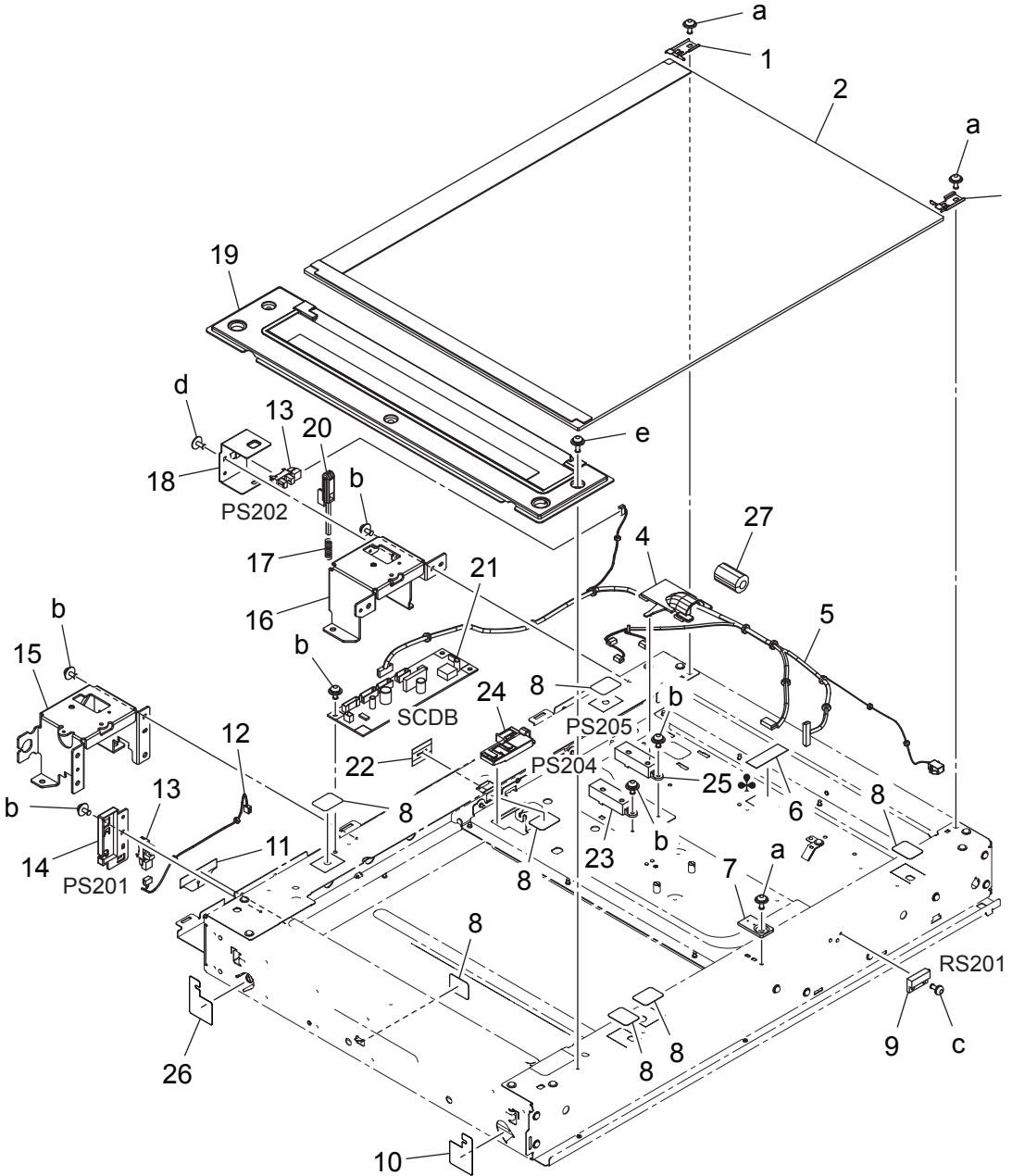
IR COVER SECTION



Key	Part No.	Description	Destinations	Class	QTY	Standard parts
1	A161170203	Read Cover /Rear		C	1	a-V116030804 b-V116030803 c-V153030803
2	A161940602	Label		D	1	
3	A161170701	Read Cover		C	1	
4	A161170602	Read Cover		C	1	
5	A00J169300	Shoulder screw		C	1	
6	A161170400	Read Cover /Right		C	1	
7	A02E167700	Cover		C	5	
8	A161170800	Holder		D	1	
9	A161170100	Read Cover /Front		C	1	
10	A121944700	Label Prohibit	B,G2	C	1	
10	A3EW944600	Label	A,A1	C	1	
11	A161282100	Ground Sheet		D	1	
12	A161170300	Read Cover /Left		C	1	
13	A161N11C01	Scanner Relay harness /100V	A,A1	D	1	

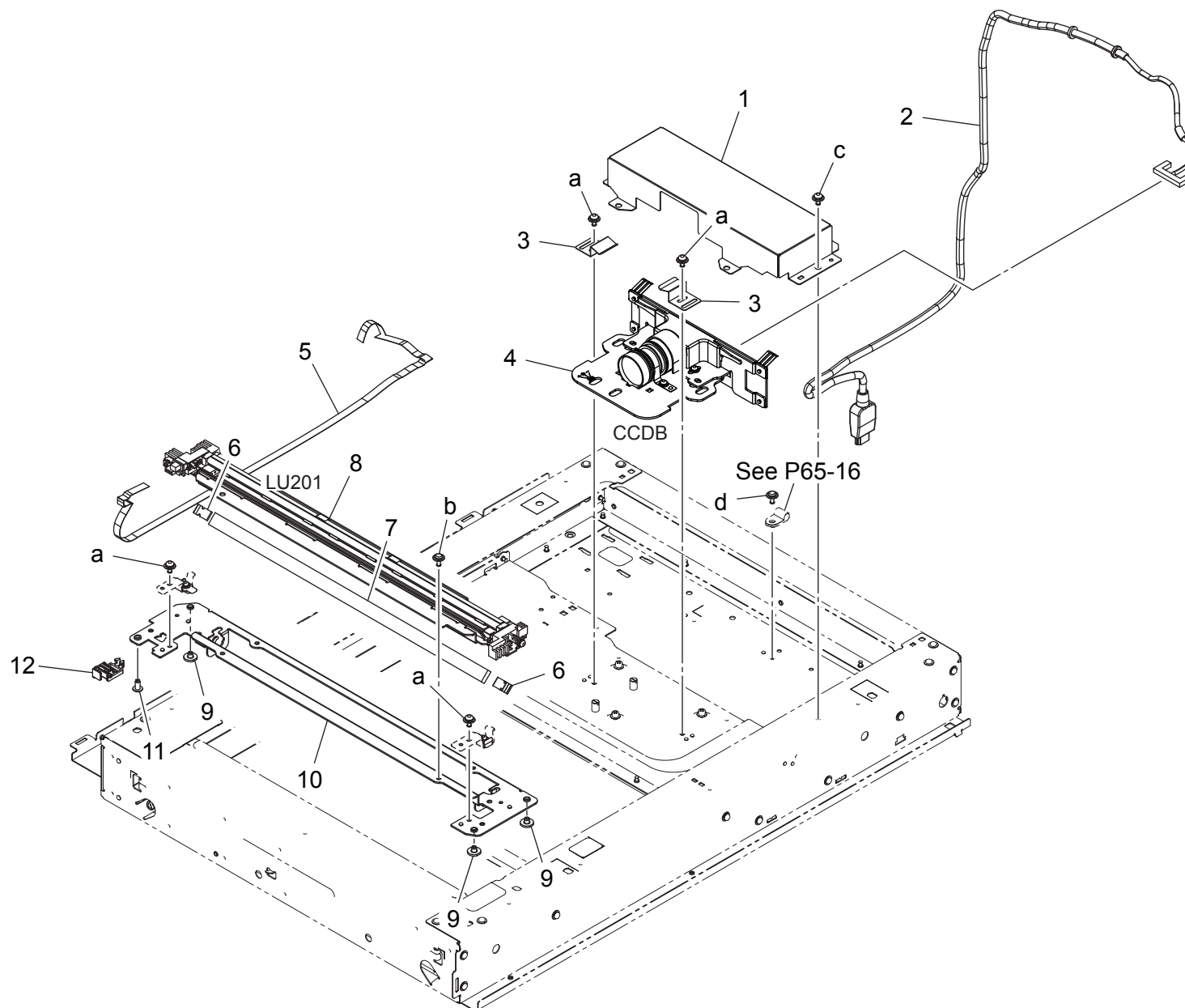


SCANNER SECTION



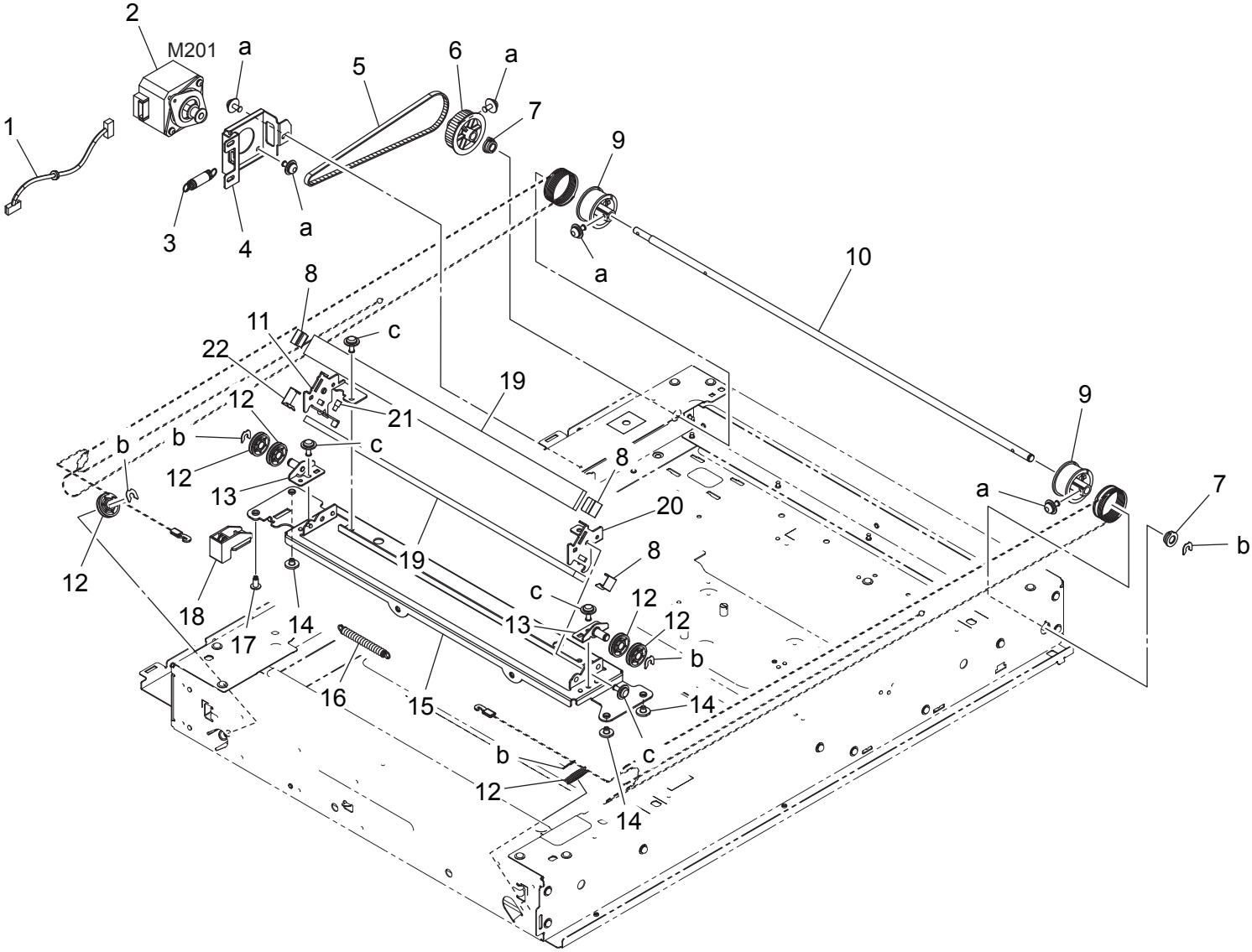


# SCANNER SECTION

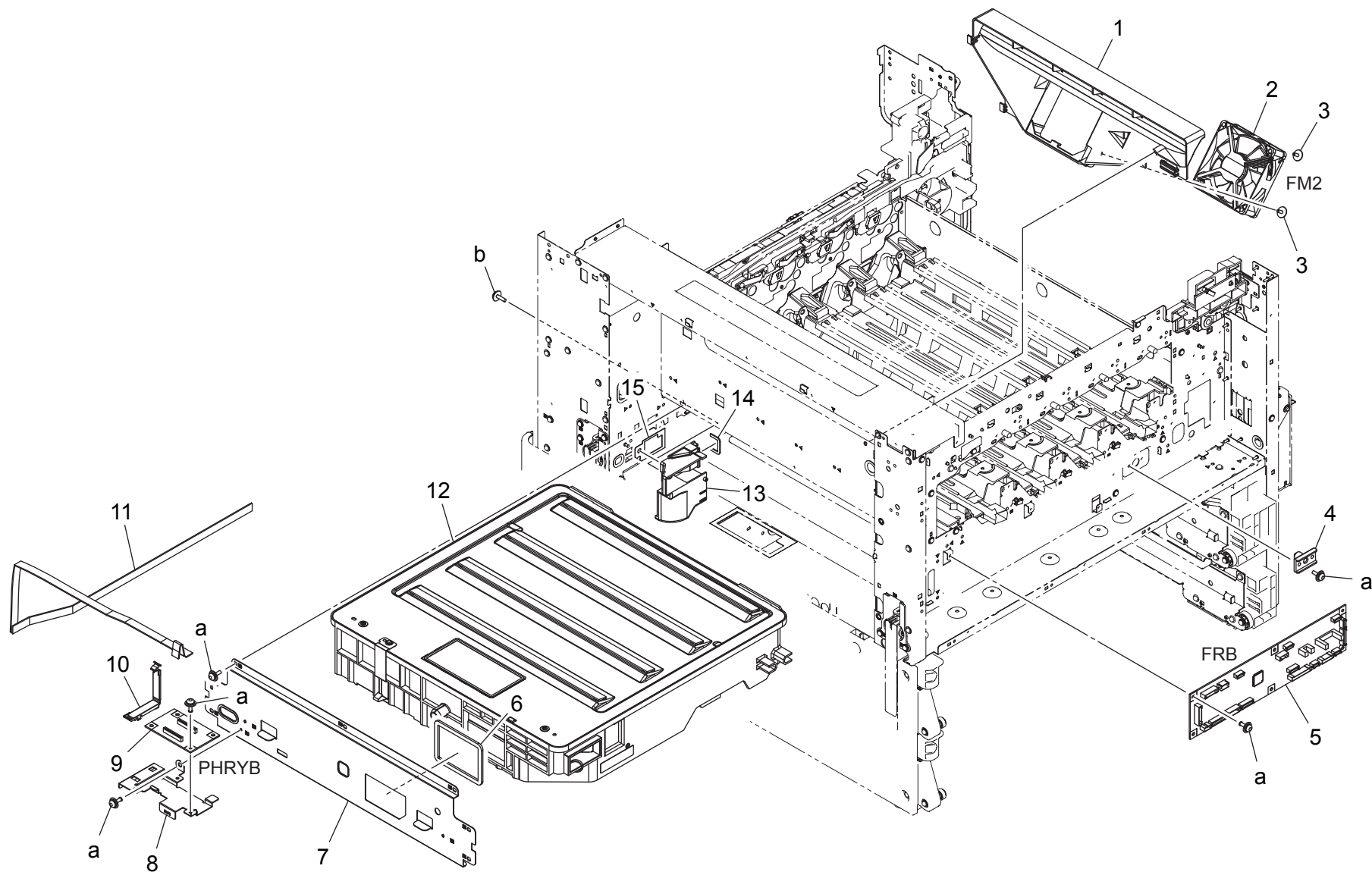




SCANNER SECTION



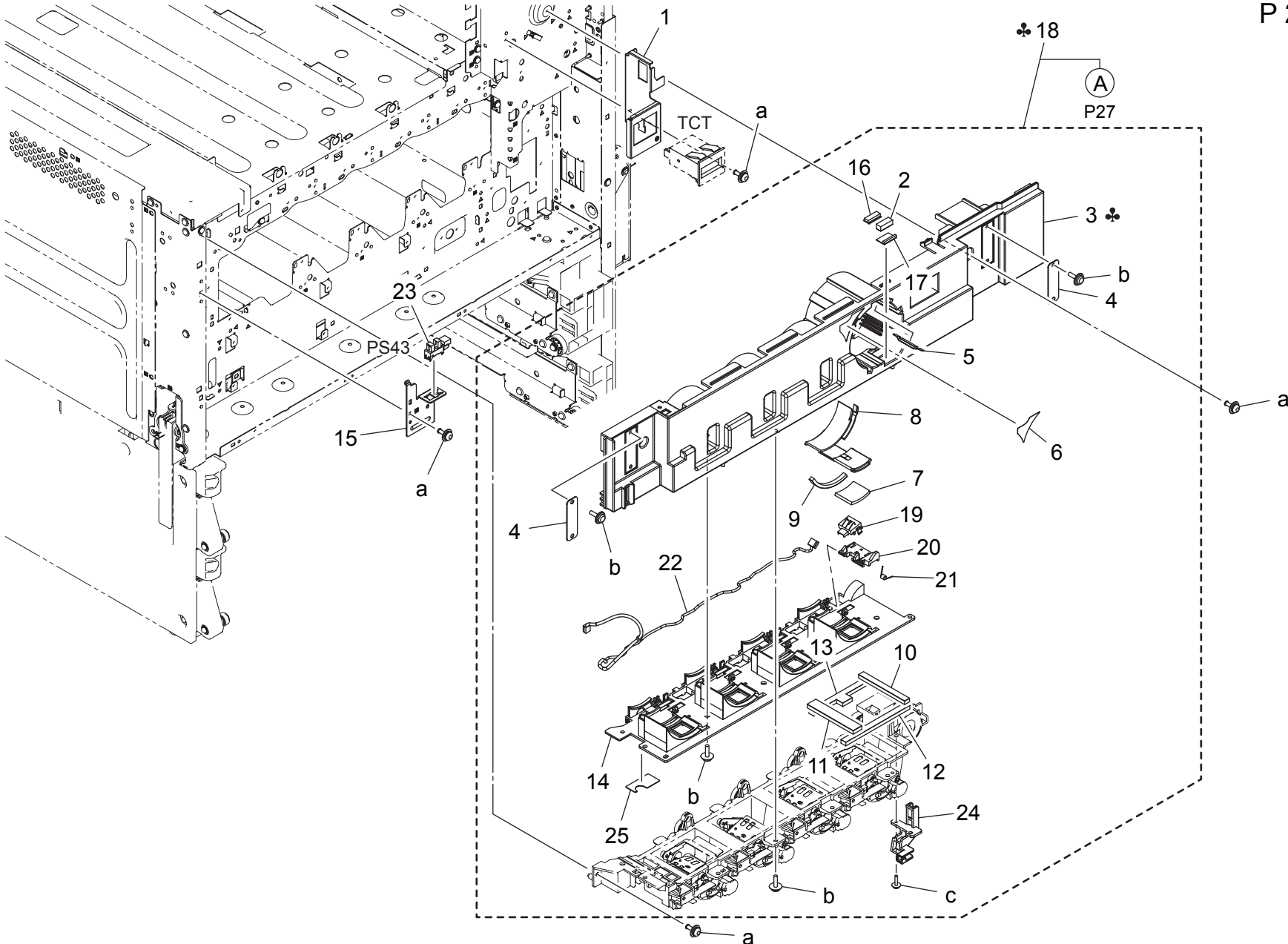








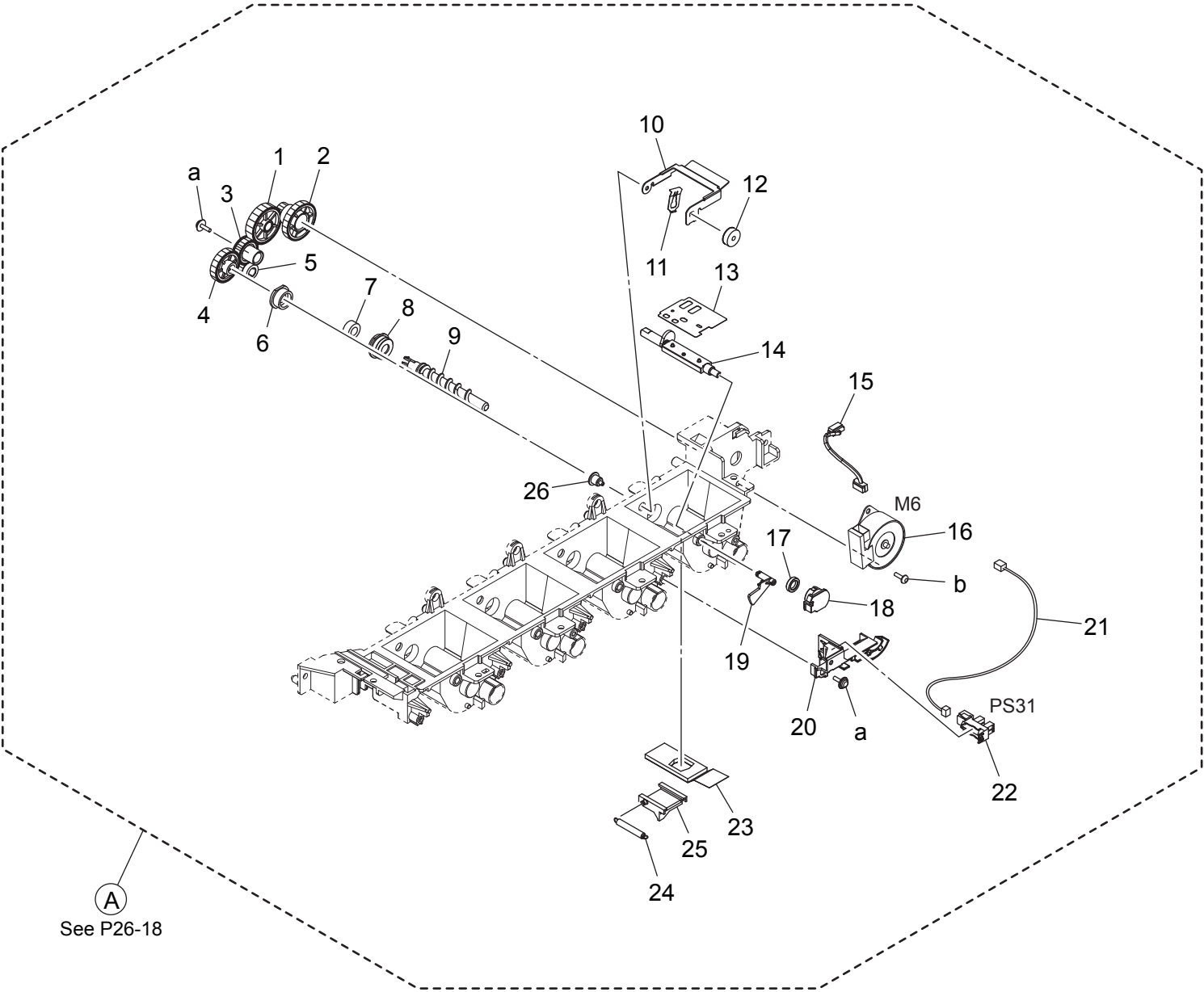
TONER SUPPLY SECTION



TONER SUPPLY SECTION

Key	Part No.	Description	Destinations	Class	QTY	Standard parts
1	A5C1120700	Reinforce Plate		D	1	a-V116030803 b-V153030803 c-V153031004
2	A161403701	Seal		D	1	
3	A61D401102	Cover	B,G2	D	1	
3	A61D401202	Cover	C	D	1	
3	A61D401301	Cover	A,A1	D	1	
3	A61D401400	Cover	D1,D3,E,F2,G1,I,K	D	1	
4	4038101401	SUCTION PLATE		D	2	
5	A161403901	Spacer		D	1	
6	A0ED940600	Label Toner 1		D	1	
7	A161402502	Seal		D	1	
8	A161402402	Shutter		D	1	
9	A161403800	Seal		D	1	
10	A161403500	Seal		D	1	
11	A161403600	Seal		D	1	
12	A61F403300	Seal		D	1	
13	A61F403400	Seal		D	1	
14	A161402114	Cover		D	1	
15	A161135502	Mounting Plate		D	1	
16	A161404001	Seal /1		D	1	
17	A161404100	Seal /2		D	1	
18	A61DR70500	Sub Hopper Assy	A,A1	I	1	
18	A61DR70600	Sub Hopper Assy	B,G2	I	1	
18	A61DR70700	Sub Hopper Assy	C	I	1	
18	A61DR71200	Sub Hopper Assy	D1,D3,E,F2,G1,I,K	I	1	
19	A0EDM60001	Relay Connector		D	1	
20	A2XK400001	Holder		D	1	
21	A2XK400100	Torsion Coil spring		D	1	
22	A61DN10B01	Toner Detection harness /2		D	1	
23	A108M50100	Photointerrupter		B	1	
24	A61F400000	Holder		D	1	
25	A61D400200	Partition		D	1	

TONER SUPPLY SECTION



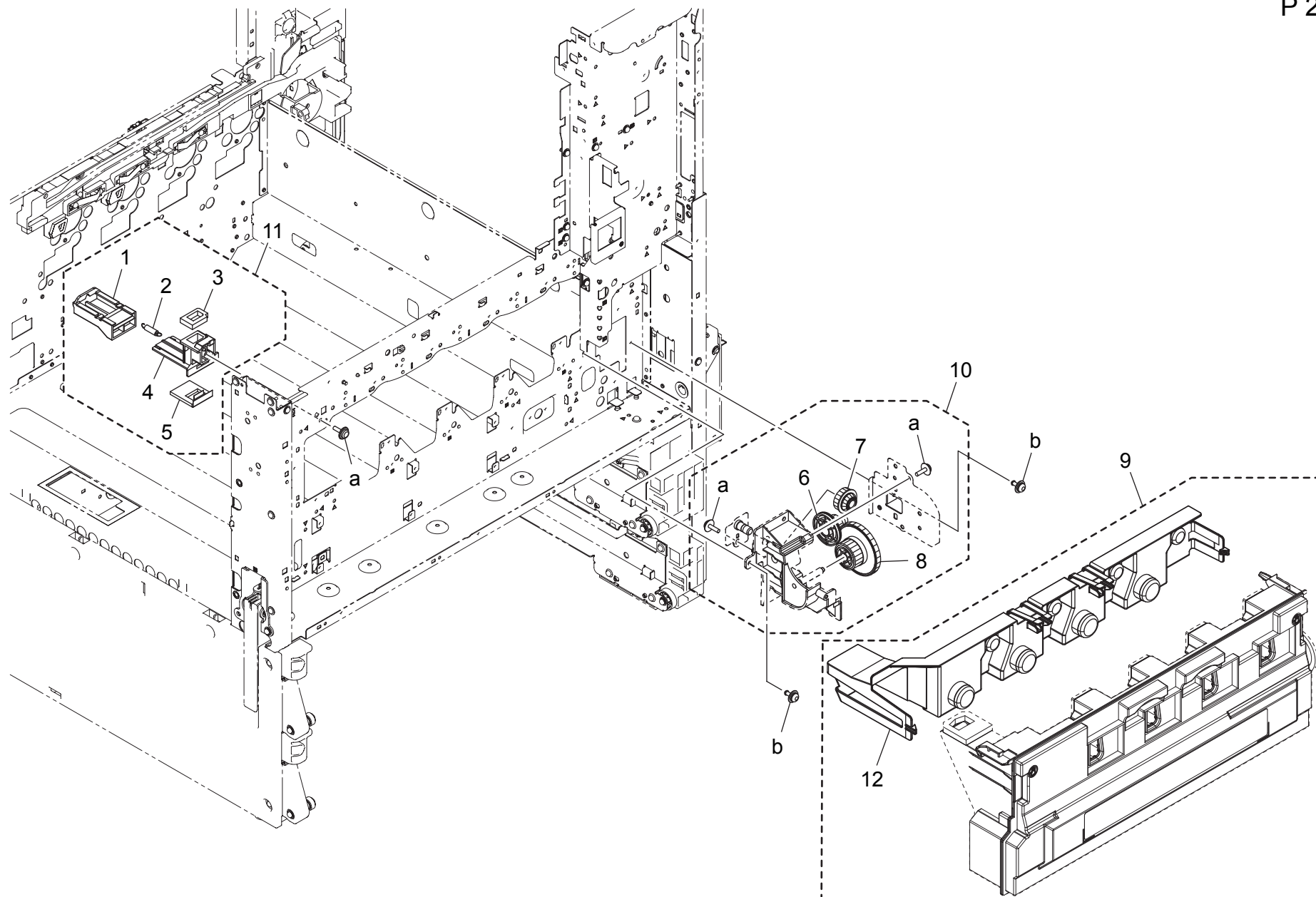
A  
See P26-18

TONER SUPPLY SECTION

Key	Part No.	Description	Destinations	Class	QTY	Standard parts
1	A161401400	Gear 43T		C	1	a-V153030803 b-V145030803
2	A161401300	Gear 17/65T		C	1	
3	A161401200	Gear 28T		C	1	
4	A161401100	Gear 36T		C	1	
5	A161401000	Gear 18T		C	1	
6	4163510201	BUSHING		C	1	
7	4576536301	SEAL		D	1	
8	A161403100	Holder		C	1	
9	A161400100	Screw		C	1	
10	A161400401	Detecting Plate		D	1	
11	A161404200	Fixing Plate		D	1	
12	A161400601	Detecting Seal		D	1	
13	A161400300	Agitating Part		D	1	
14	A161400200	Agitating Shaft		D	1	
15	A161N12801	Toner Drive harness /K		D	1	
16	A5C1M10400	Stepping motor		C	1	
17	4333501201	SEAL		D	1	
18	A161403000	Bushing		D	1	
19	A161404300	Detecting Actuator		D	1	
20	A161400701	Mounting Plate		D	1	
21	A61FN10F00	Toner Detection harness		D	1	
22	A108M50100	Photointerrupter		B	1	
23	A161403200	Seal		D	1	
24	4036534801	TENSION SPRING		C	1	
25	A0ED401000	Shutter		D	1	
26	A161400800	Pin		D	1	



# WASTE TONER BOX SECTION

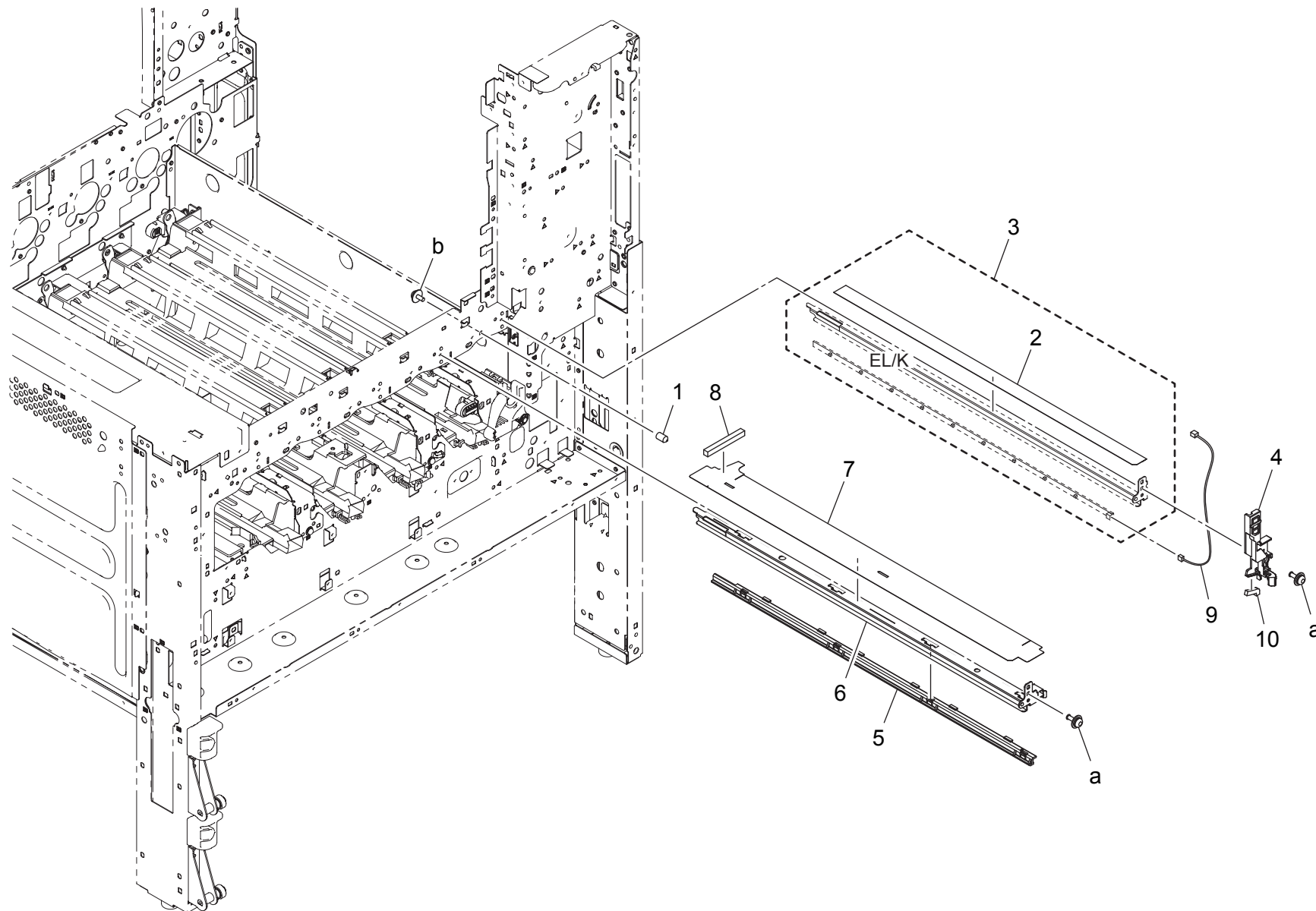


bizhub 454e

# WASTE TONER BOX SECTION

Key	Part No.	Description	Destinations	Class	QTY	Standard parts
1	A0ED363100	Shutter		D	1	a-V153030803 b-V125030818
2	A0ED363200	Pulling Coil spring		D	1	
3	A0ED363400	Seal		D	1	
4	A0ED363000	Pipe		D	1	
5	A0ED363301	Seal		D	1	
6	A161245100	Gear 16/40T		D	1	
7	A0ED245000	Gear 20/20T		D	1	
8	A161245400	Gear 16/51T		D	1	
9	A4NNWY1	WASTE TONER BOX		A	1	
10	A161F21002	Waste Toner Drive		C	1	
11	A0EDF36001	Waste Toner Pipe		C	1	
12	A161362000	Cover		C	1	

# ERASE LAMP SECTION

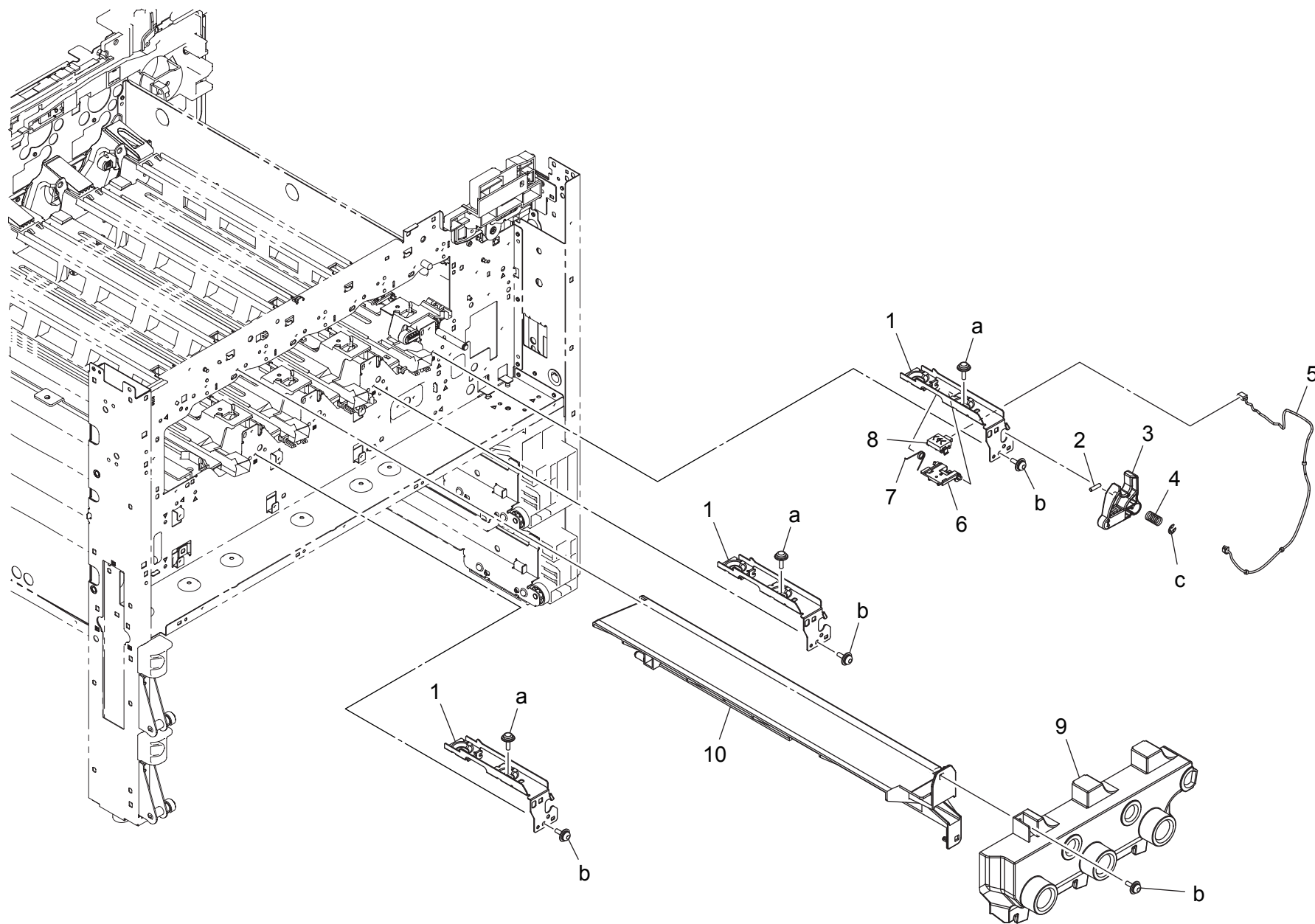


ERASE LAMP SECTION

Key	Part No.	Description	Destinations	Class	QTY	Standard parts
1	A0ED103100	Pin		D	1	a-V116030803 b-V116030603
2	A161107400	Light blocking Part		C	1	
3	A161R70011	Eraser (Black) Assy		C	1	
4	A61F130001	Holder		D	1	
5	A0ED105400	Rail		D	1	
6	A161105600	Rail		D	1	
7	A5C1105500	Light blocking Part		D	1	
8	A161107100	Seal		D	1	
9	A61FN11V00	Neutralizing Wiring		D	1	
10	A2XK130000	Light blocking Seal		D	1	



# DV LOCK LEVER SECTION

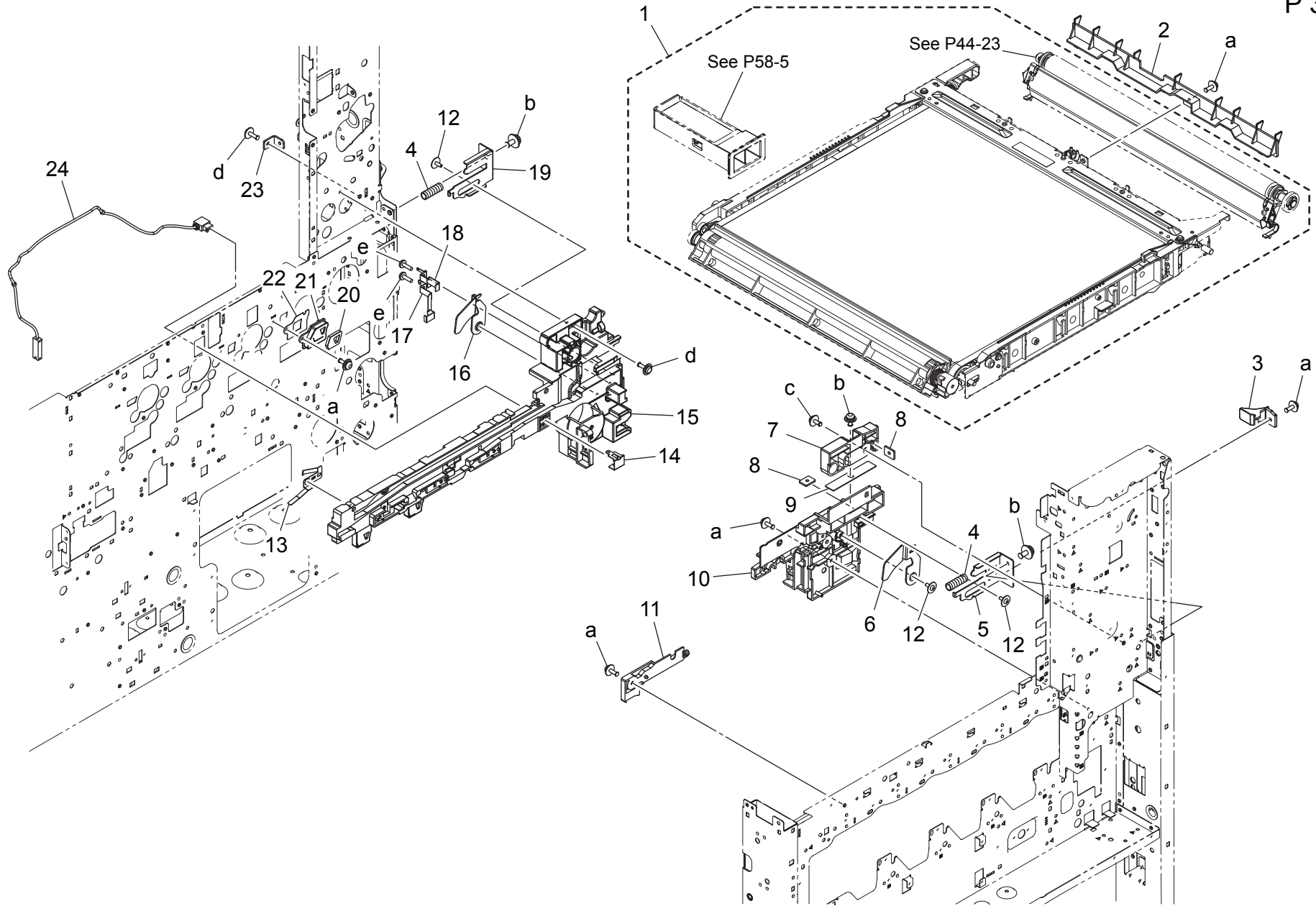


# DV LOCK LEVER SECTION

Key	Part No.	Description	Destinations	Class	QTY	Standard parts
1	A5C1115200	Reinforce Plate		D	3	a-V153030803 b-V116030803 c-V217040001
2	56AA17471	PIN B 3X12		C	1	
3	A161116202	Release Lever		D	1	
4	A161119500	Compressing Coil spring		D	1	
5	A61FN10Y00	Photoconductor Wiring		D	1	
6	A0ED104801	Holder		C	1	
7	A0ED105700	Torsion Coil spring		D	1	
8	A0EDM60001	Relay Connector		D	1	
9	A61F168200	Cover /Inside		D	1	
10	A61F141100	Cover		D	1	

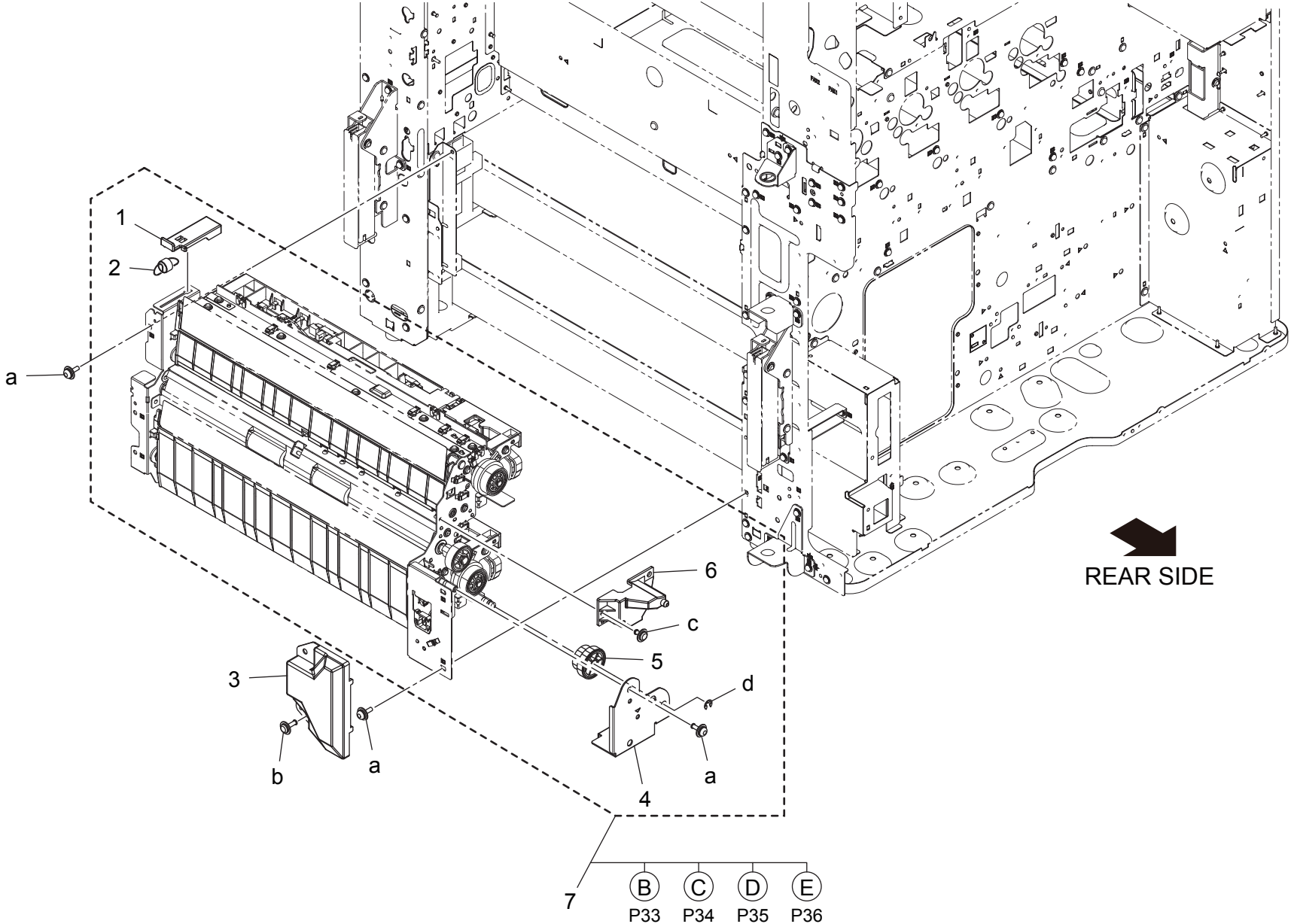
# TRANSFER UNIT

P 31



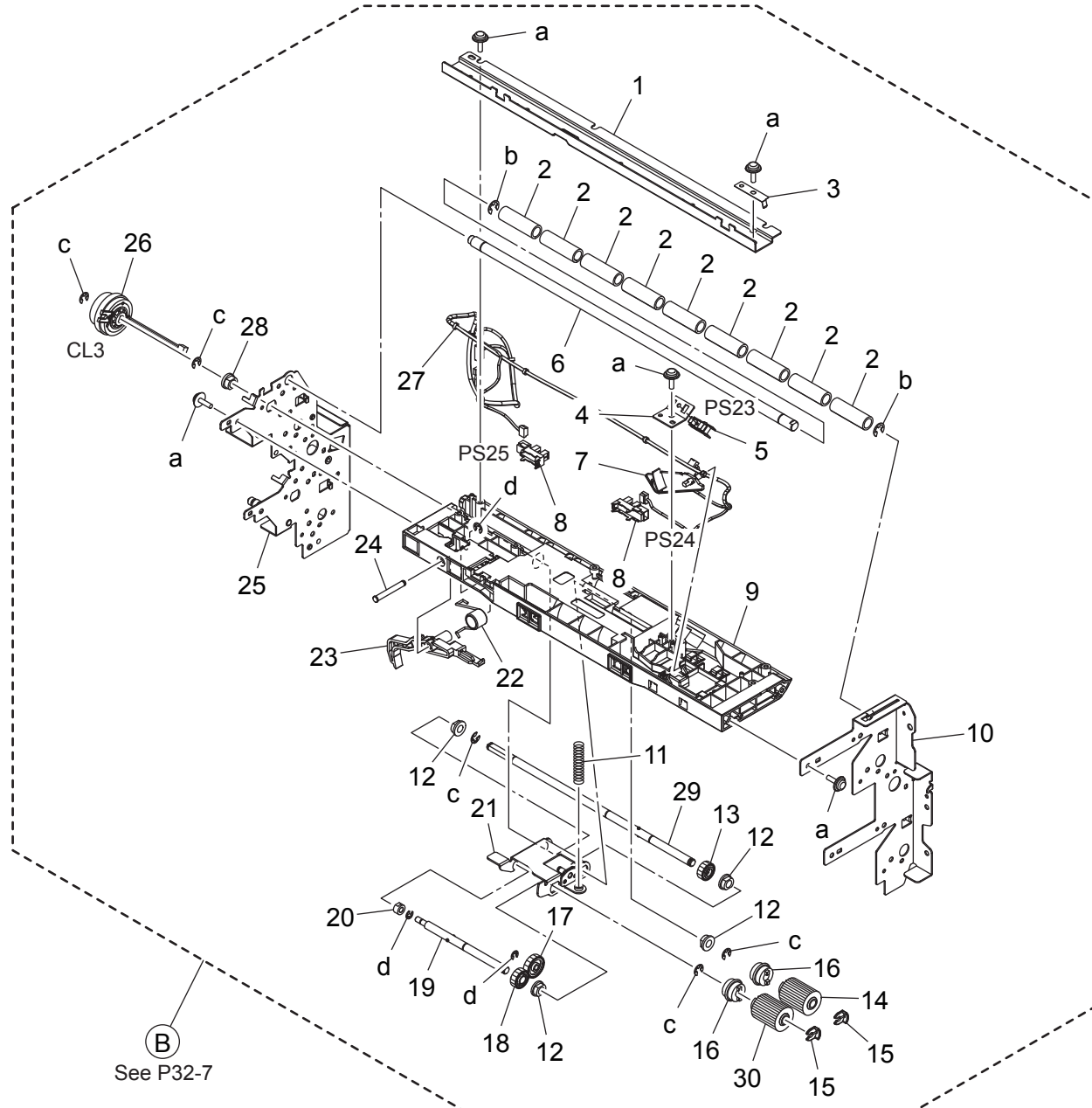


PAPER FEED SECTION





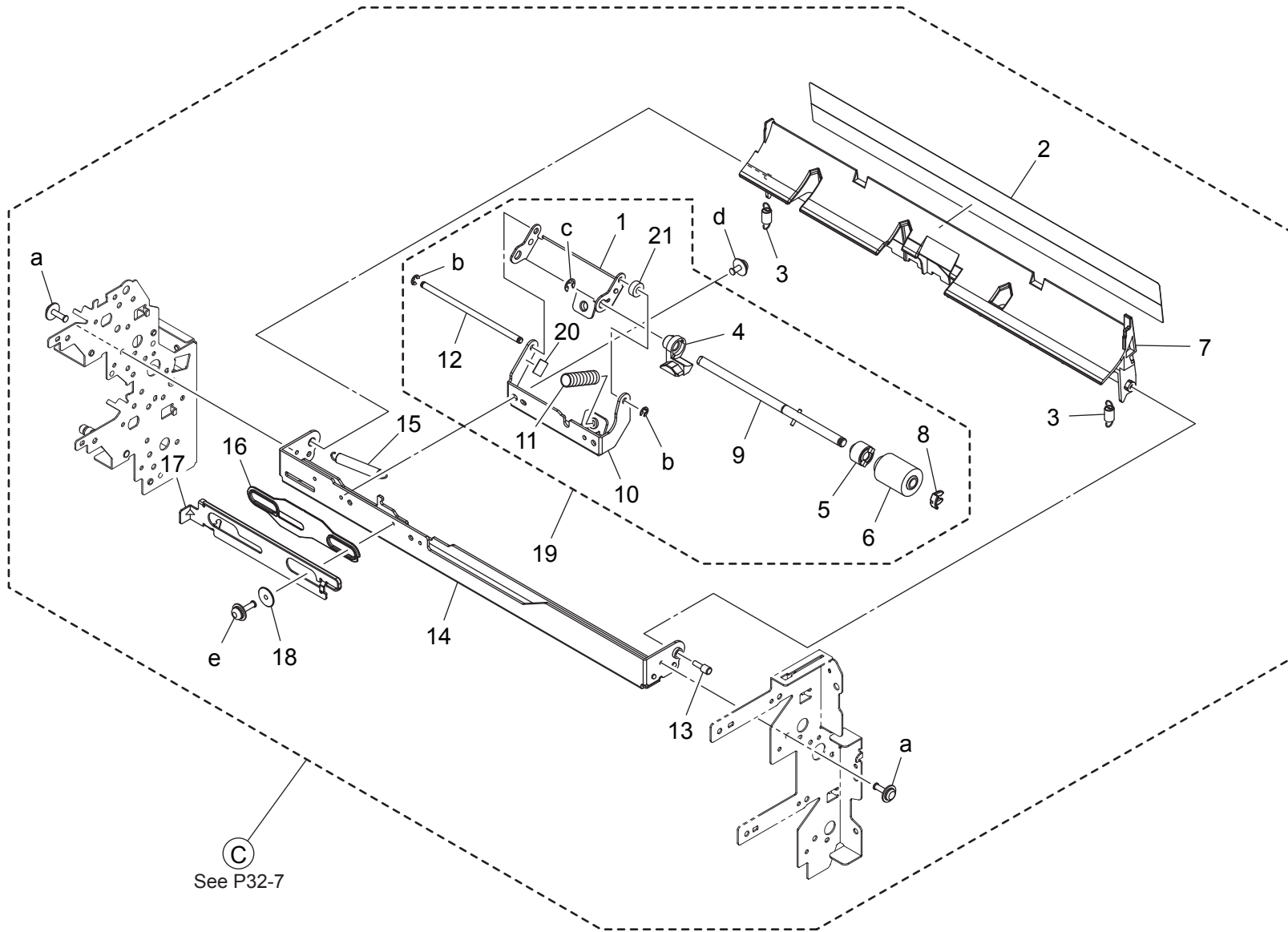
# 1ST PAPER FEED SECTION





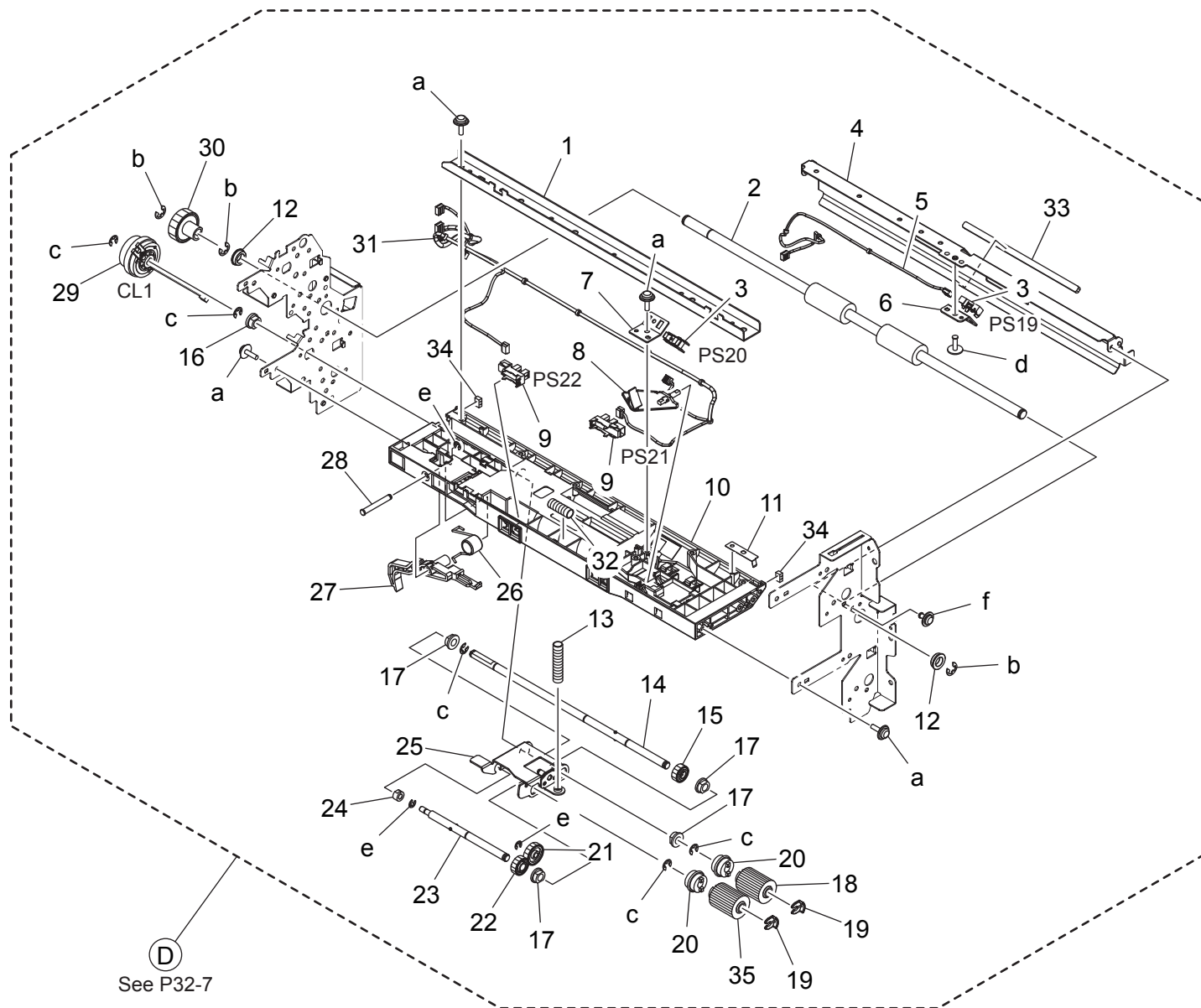


# 1ST PAPER FEED SECTION





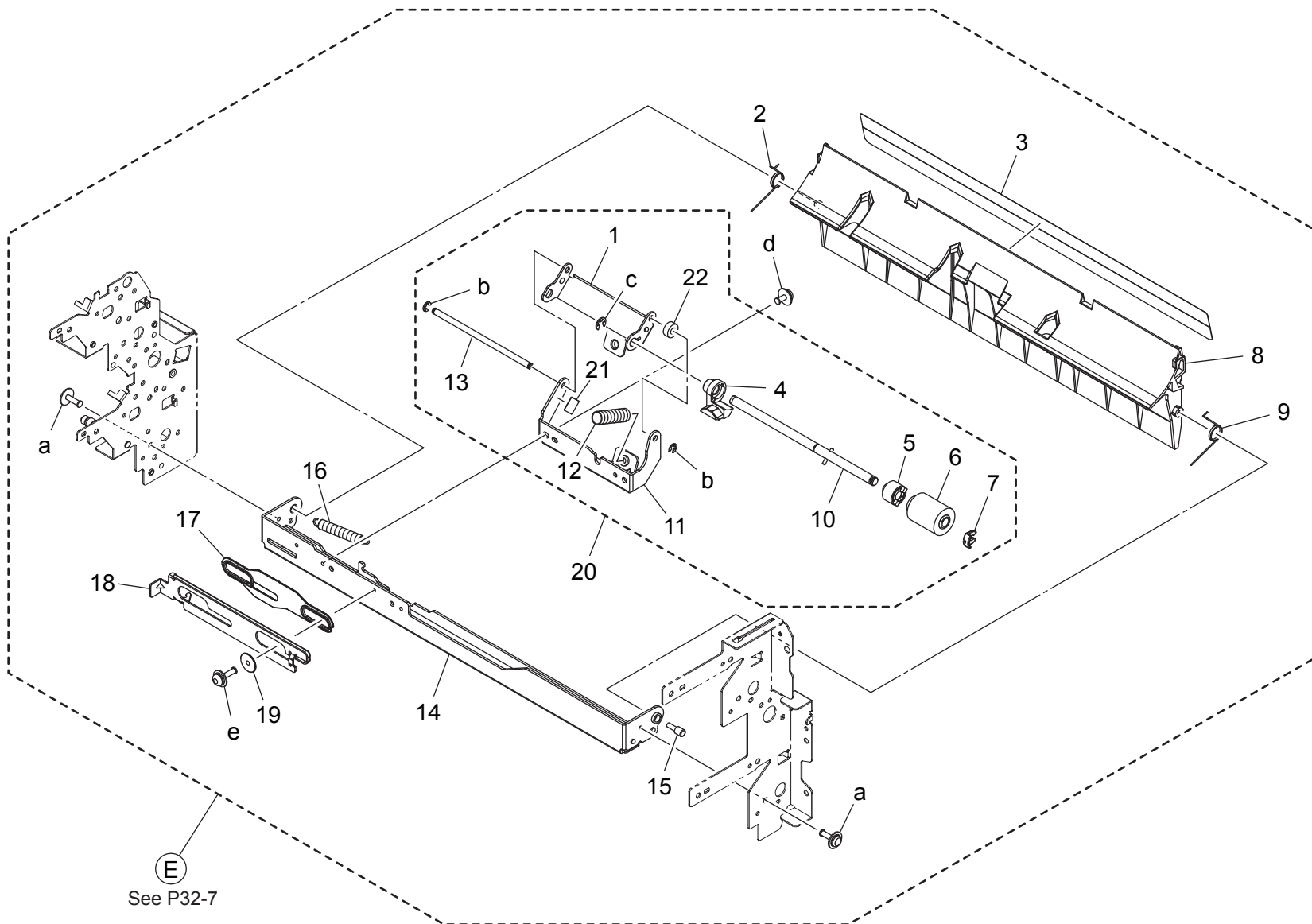
# 2ND PAPER FEED SECTION



## 2ND PAPER FEED SECTION

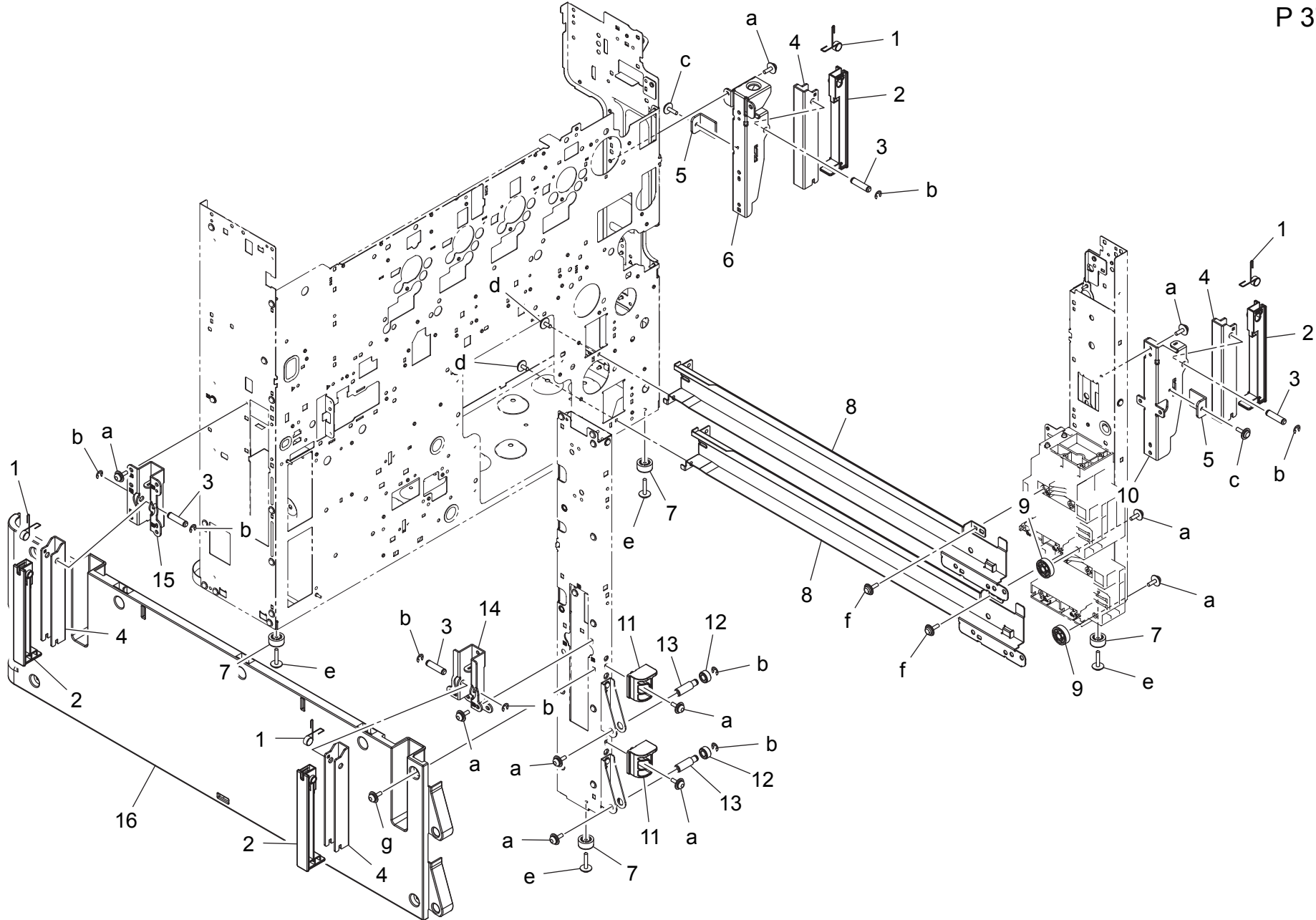
Key	Part No.	Description	Destinations	Class	QTY	Standard parts
1	A161561000	Reinforce Plate		D	1	a-V153030803 b-V217050001 c-V217040001 d-V137030803 e-V217030001 f-V144030603
2	A161578100	Drive Roller		C	1	
3	A0EDM50100	Photoreflector		I	2	
4	A161578200	Guide Plate		D	1	
5	A161N12701	Conveyance Detection harness		D	1	
6	A161571100	Mounting Plate		D	1	
7	A161560900	Mounting Plate		D	1	
8	A161561600	Actuator		C	1	
9	A108M50100	Photointerrupter		B	2	
10	A161560300	Paper feed Frame		D	1	
11	A161560600	Ground Plate		D	1	
12	A00J617900	Ball Bearing		B	2	
13	A161562800	Compressing Coil spring		C	1	
14	A161560500	Shaft		D	1	
15	A161562400	Gear 26T		C	1	
16	A00J663200	Bushing		C	1	
17	4131300301	BUSHING		C	4	
18	A00J563600	Roller		A	1	
19	56AA40490	SHAFT STOPPER 4		C	2	
20	A02E561100	Clutch		C	2	
21	A161562300	Gear 34T		C	1	
22	A161562600	Gear 28T		C	1	
23	A161562000	Shaft		D	1	
24	A161562500	Bushing		C	1	
25	A161562101	Holder		D	1	
26	A161567400	Torsion Spring		C	1	
27	A161567300	Lever		C	1	
28	A02E560800	Shaft		D	1	
29	A02EM20200	Clutch		B	1	
30	A2XK709000	Gear 24T		C	1	
31	A2XKN10H01	Paperfeed Wiring /2		D	1	
32	A161563000	Compressing Coil spring		C	1	
33	A161578700	Cushion		C	1	
34	A161568901	Cushion		D	2	
35	A5C1562200	Roller		A	1	

# 2ND PAPER FEED SECTION





# CASSETTE RAIL SECTION

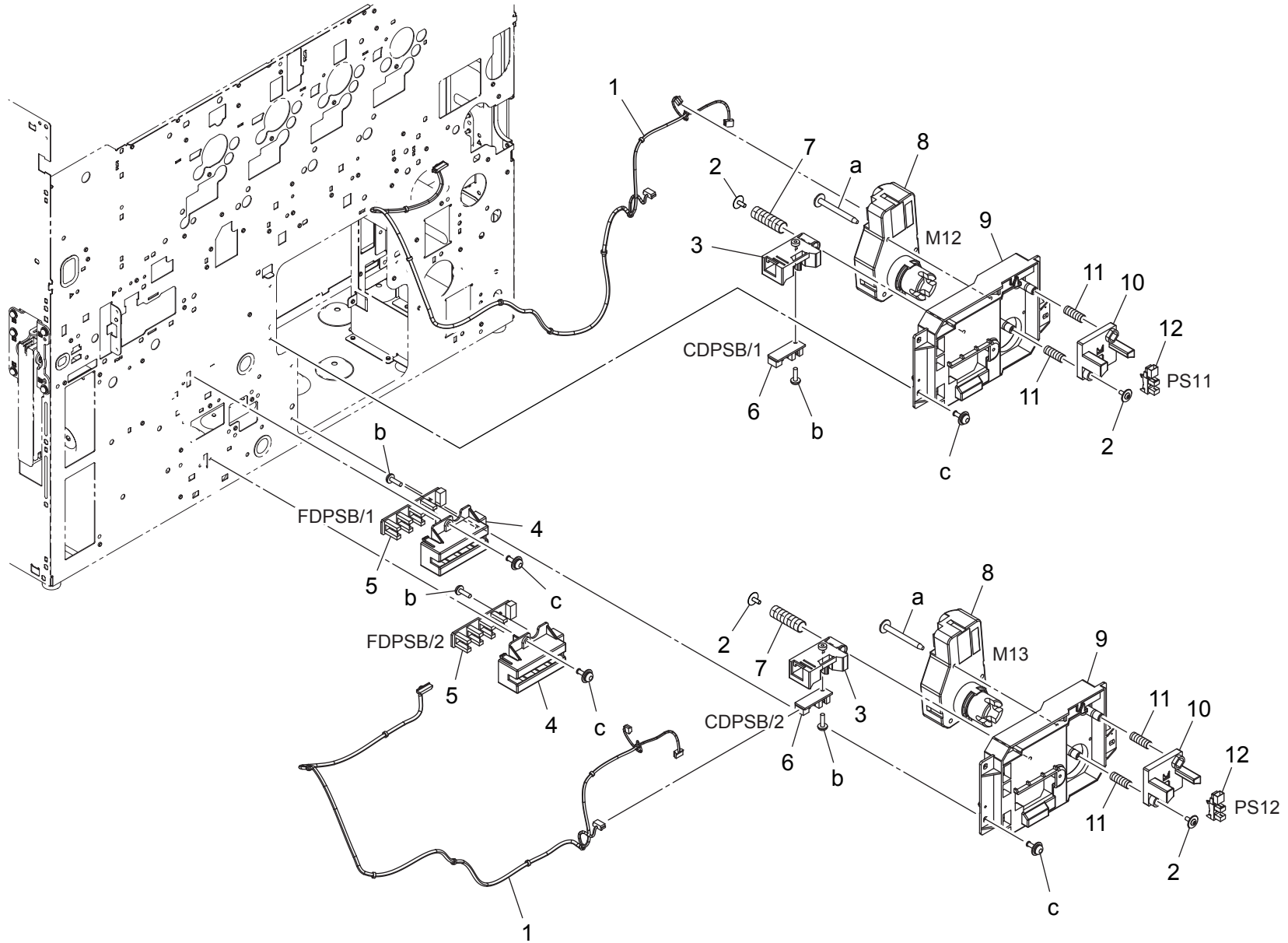


# CASSETTE RAIL SECTION

Key	Part No.	Description	Destinations	Class	QTY	Standard parts
1	A161104300	Torsion Coil spring		D	4	a-V116030803 b-V217040001 c-V137030803 d-V144030603 e-V137031203 f-V153030803 g-V116030804
2	A161103700	Cover		D	4	
3	A161104200	Shaft		D	4	
4	A161101900	Lever		D	4	
5	A5C1104700	Mounting Plate		D	2	
6	A5C1104800	Mounting Plate		D	1	
7	0996305501	RUBBER FOOT		C	4	
8	A5C1101100	Rail		D	2	
9	A161103901	Roll		D	2	
10	A5C1104400	Mounting Plate		D	1	
11	A161102300	Stopper		D	2	
12	A161623400	Roll		D	2	
13	A161105200	Shaft		D	2	
14	A161101600	Mounting Plate		D	1	
15	A161101700	Mounting Plate		D	1	
16	A161104002	Holder		D	1	



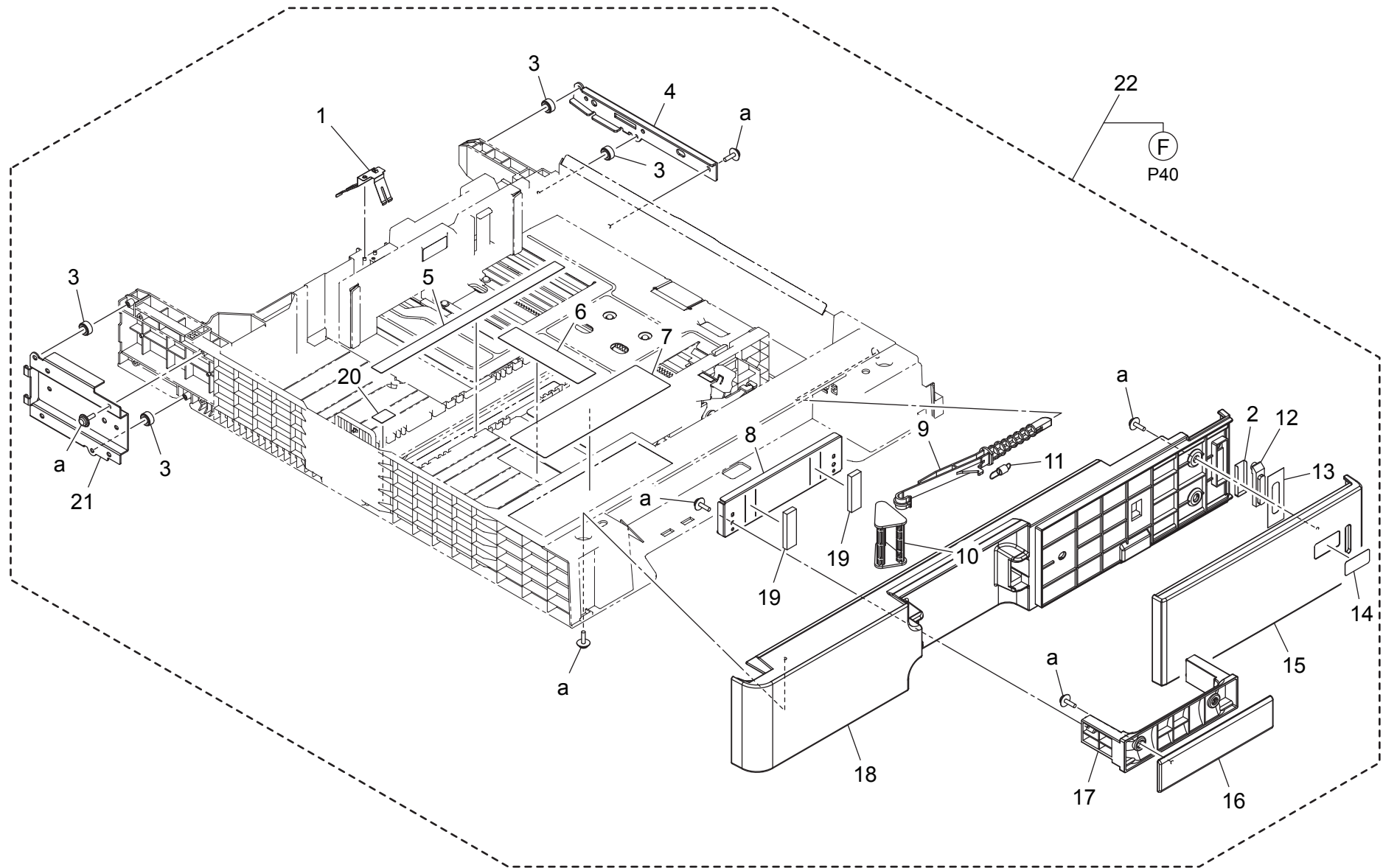
# PAPER SIZE DETECTION SECTION



Key	Part No.	Description	Destinations	Class	QTY	Standard parts
1	A161N10N01	Paperfeed Wiring /Rear		D	2	a-V153033003 b-V145030803 c-V116030803
2	4163529301	SCREW		C	4	
3	A5C1627500	Holder		C	2	
4	A5C1628000	Holder		C	2	
5	A161M50600	Photointerrupter		C	2	
6	A161M50501	Photointerrupter		C	2	
7	4002311002	Pressure Spring		C	2	
8	9J06M10300	MOTOR		B	2	
9	A5C1627100	Holder		D	2	
10	A5C1627300	Holder		D	2	
11	A5C1627900	Compressing Coil spring		D	4	
12	A108M50100	Photointerrupter		B	2	

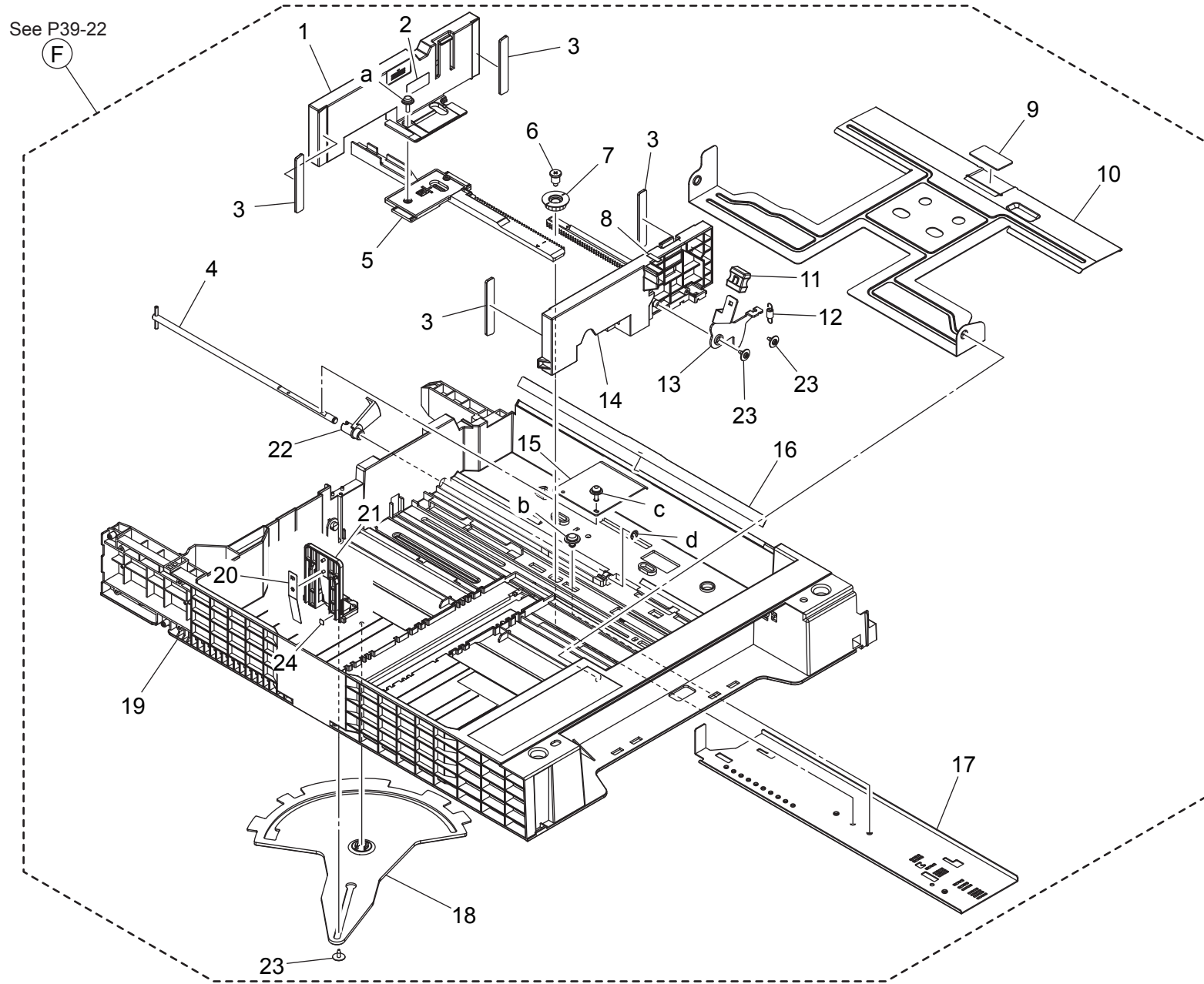


# 1ST CASSETTE SECTION



Key	Part No.	Description	Destinations	Class	QTY	Standard parts
1	A161622100	Ground Plate	アース板 (カセット)	D	1	a-V153030803
2	A161626200	Sheet	シート (反射板)	D	1	
3	A161623400	Roll	ころ	D	4	
4	A161623101	Reinforce Plate /Right	補強板/右	D	1	
5	A00J942202	Label FD	ラベル FD	C	1	
6	A02E941500	Label Cd	ラベル CD	C	1	
7	A161943802	Label	ラベル (用紙補給)	C	1	
8	A161626300	Holder	ホルダ (取手)	D	1	
9	A161626502	Lever	レバー (ロック)	C	1	
10	A161626601	Lever	レバー (解除)	C	1	
11	A161626800	Pulling Coil spring	引張りコイルばね (ロックレバー)	C	1	
12	A161626000	Lens	レンズ (ライトガイド・給紙)	D	1	
13	A161626100	Light blocking Sheet	遮光シート	D	1	
14	A161943100	Label 1	ラベル 給紙段数表示 1	C	1	
15	A161625012	Cover	カバー (カセット右)	C	1	
16	A161625900	Cover	カバー (カセット取手)	C	1	
17	A161626900	Handle	取手 (カセット)	C	1	
18	A161625114	Cover	カバー (カセット 1 s t)	C	1	
19	A5C1628100	Cushion	クッション	D	2	
20	A02E941300	Label Fd	ラベル FD	C	1	
21	A161623301	Reinforce Plate /Left	補強板/左	D	1	
22	A161F6201K	1st Cassette	1 段目カセット	S	1	

# 1ST CASSETTE SECTION

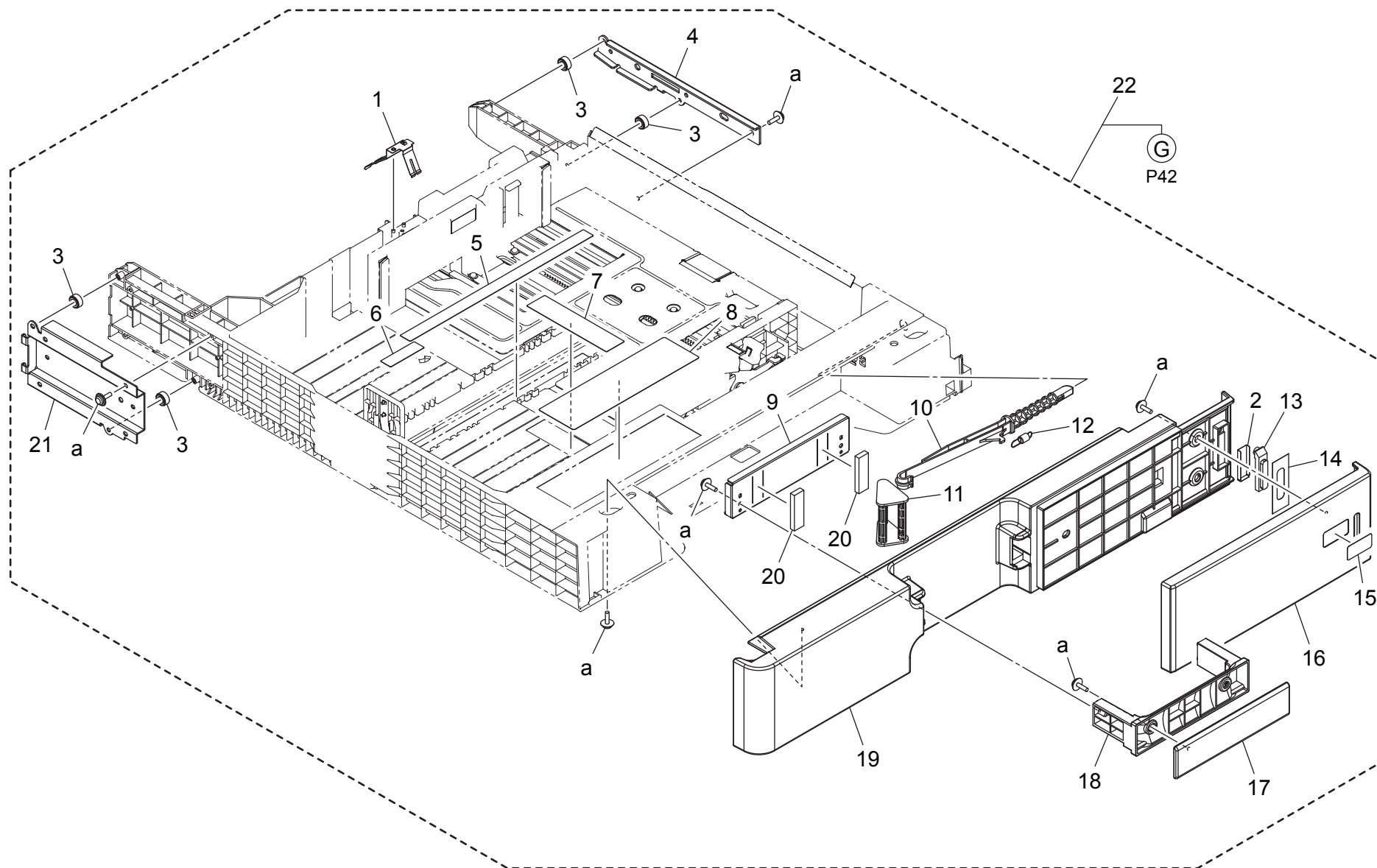


Key	Part No.	Description	Destinations	Class	QTY	Standard parts
1	A161620903	Regulating Plate /Rear		C	1	a-V153030803 b-V144040603 c-V116030803 d-V217040001
2	A161943700	Label Max Level		C	1	
3	A161624100	Cushion		C	4	
4	A161621600	Lifting Shaft		D	1	
5	A161621100	Rack		C	1	
6	A161620600	Shoulder screw		D	1	
7	A161620701	Gear		D	1	
8	A161943000	Label		C	1	
9	4030322601	FRICTION SHEET		C	1	
10	A161620400	Lifting Plate		D	1	
11	4037320401	KNOB		C	1	
12	A0ED621400	Pulling Coil spring		D	1	
13	A161621300	Lever		D	1	
14	A161620802	Regulating Plate /Front		C	1	
15	4030320601	LEVER		D	1	
16	A0ED620200	Guide		C	1	
17	A161621900	Mounting Plate		D	1	
18	A161621411	Lever		C	1	
19	A161620103	Paper feed Cassette		D	1	
20	A161621800	Plate spring		C	1	
21	A161621701	Regulating Plate		C	1	
22	A0ED620701	Actuator		C	1	
23	4163529301	SCREW		C	3	
24	A02E940300	Label		C	1	

bizhub 454e

# 2ND CASSETTE SECTION

P 41



bizhub 454e

## 2ND CASSETTE SECTION

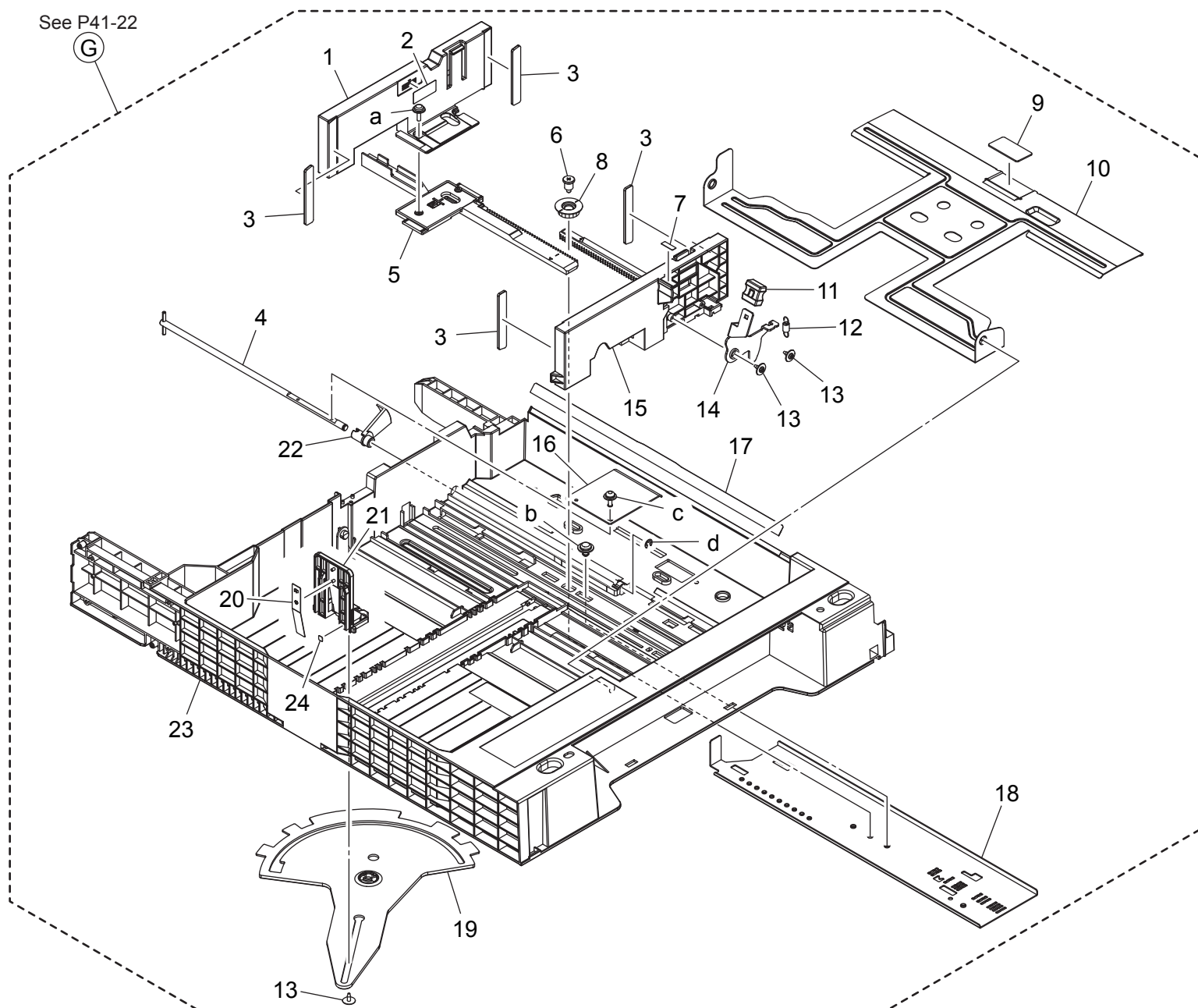
Key	Part No.	Description	Destinations	Class	QTY	Standard parts
1	A161622100	Ground Plate		D	1	a-V153030803
2	A161626200	Sheet		D	1	
3	A161623400	Roll		D	4	
4	A161633101	Reinforce Plate /Right		D	1	
5	A00J942202	Label FD		C	1	
6	A161943500	Label		C	1	
7	A161943601	Label		C	1	
8	A161943802	Label		C	1	
9	A161626300	Holder		D	1	
10	A161636502	Lever		C	1	
11	A161626601	Lever		C	1	
12	A161626800	Pulling Coil spring		C	1	
13	A161626000	Lens		D	1	
14	A161626100	Light blocking Sheet		D	1	
15	A161943200	Label 2		C	1	
16	A161635012	Cover		C	1	
17	A161625900	Cover		C	1	
18	A161626900	Handle		C	1	
19	A161635115	Cover		C	1	
20	A5C1628100	Cushion		D	2	
21	A161633202	Reinforce Plate /Left		D	1	
22	A161F6301L	2nd Cassette		S	1	



# 2ND CASSETTE SECTION

See P41-22

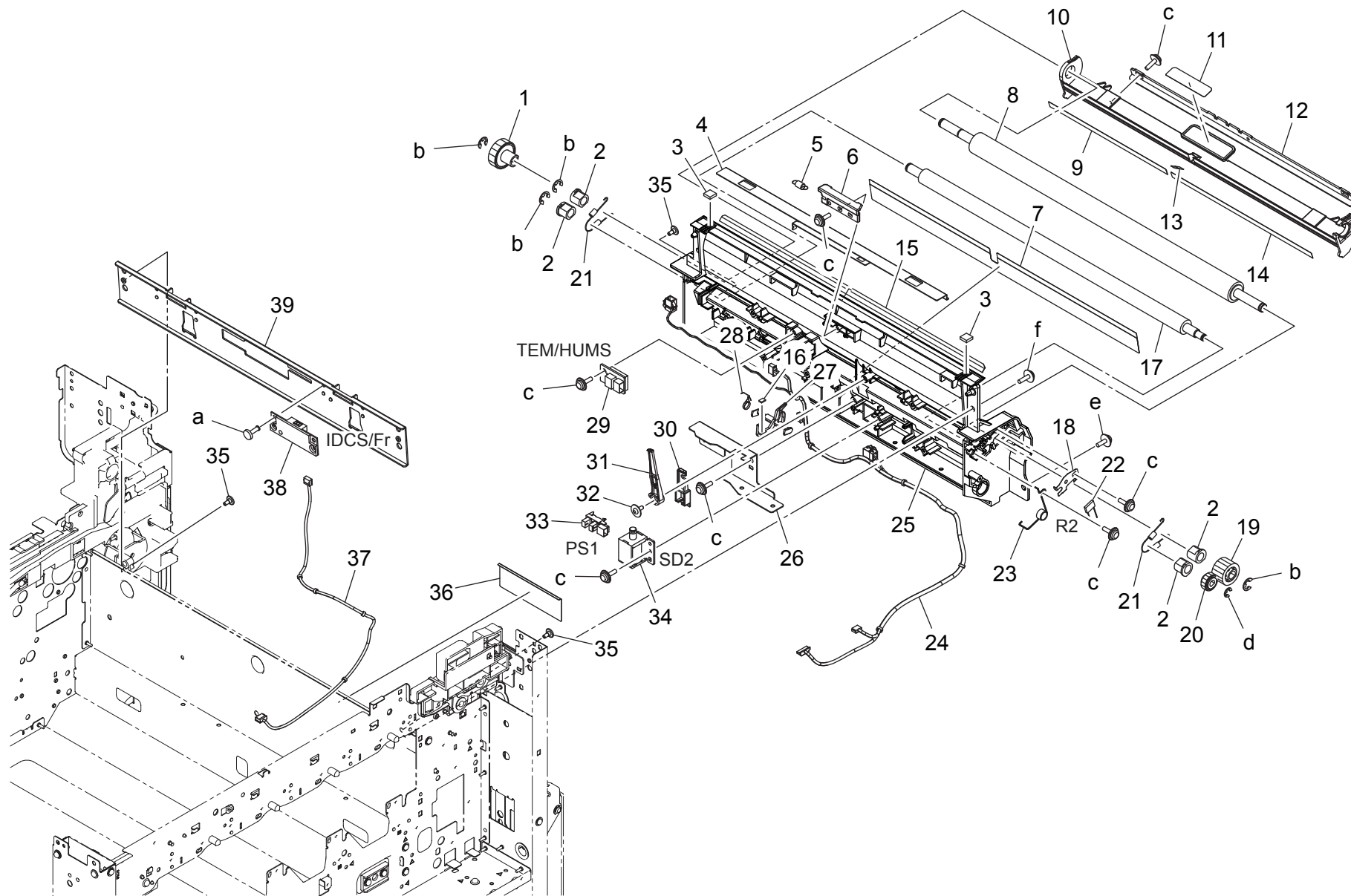
P 42





# CONVEYANCE SECTION

P 43



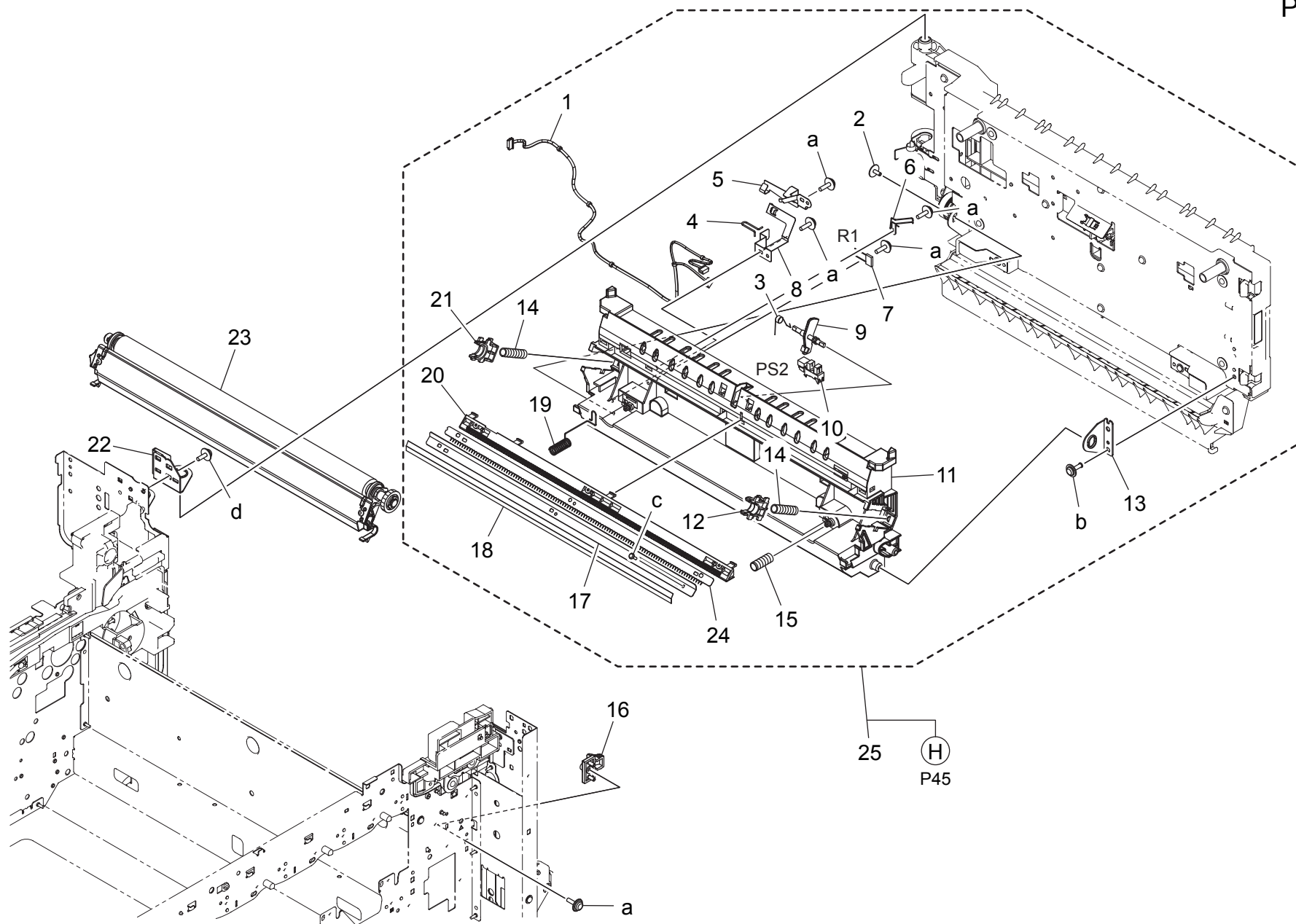
bizhub 454e

CONVEYANCE SECTION

Key	Part No.	Description	Destinations	Class	QTY	Standard parts
1	A2XK709000	Gear 24T	ギア 24 T	C	1	a-V118030803 b-V217060001 c-V153030803 d-V217040001 e-V116030803 f-V153031003
2	A161702200	Bushing	すべり軸受	C	4	
3	A161701900	Seal /A	シール / A	D	2	
4	A0ED705800	Cover	カバー (レジストセンサ)	D	1	
5	A0ED702800	Pulling Spring	引張りばね	D	1	
6	A161706001	Holding Shutter	押さえシャッター	D	1	
7	A5C1701400	Guide Sheet /B	ガイドシート / B	D	1	
8	A5C1700101	Roller	ローラ (タイミング駆動)	C	1	
9	4038353701	GUIDE	ガイド	C	1	
10	A161700600	Guide Plate /Middle	ガイド板 / 中	D	1	
11	A161946300	Label M2	ラベル M 2	D	1	
12	A02E712902	Reinforce Plate	補強板	D	1	
13	4038353901	GUIDE	ガイド	C	1	
14	A0ED700600	Guide Sheet	ガイドシート (T / R・前)	D	1	
15	A161701301	Guide Sheet /A	ガイドシート / A	C	1	
16	A161702100	Cushion /C	クッション / C	C	1	
17	A0ED700200	Roller	ローラ (タイミング加圧)	D	1	
18	A161700800	Ground Plate /D	アース板 / D	D	1	
19	A0ED700300	Gear 20T	ギア (A) 20 T	D	1	
20	A0ED700700	Gear 14T	ギア (B) 14 T	D	1	
21	A161702000	Conveyance Spring /A	搬送ばね / A	C	2	
22	V800500300	FIXED POWER RESISTORS	固定抵抗器	D	1	
23	A0ED703200	Torsion Coil spring	ねじりコイルばね (タイミングアース)	D	1	
24	A2XKN10G00	Conveyance Detection harness /H	搬送検知束線 / H (内ガイド)	D	1	
25	A161700107	Guide Plate /Inside	ガイド板 / 内	D	1	
26	A161700300	Mounting Plate /B	取付板 / B	D	1	
27	A161701703	Actuator /T	アクチュエータ / T	C	1	
28	A161701100	Spring /A	ばね / A	C	1	
29	A0P0M50400	Humidity sensor	温湿度センサ	C	1	
30	A161700700	Arm /2	アーム / 2	D	1	
31	A161700401	Arm /1	アーム / 1	D	1	
32	4163529301	SCREW	ねじ	C	1	
33	A108M50100	Photointerrupter	透過型センサ	B	1	
34	A034M20100	Conveyance Solenoid	搬送ソレノイド	C	1	
35	4011585202	SHOULDER SCREW	段ねじ	C	3	
36	A161701800	Protection Sheet	保護シート	D	1	
37	A61FN12H01	Sensor Wiring	センサ束線	D	1	
38	A161M50000	Photo sensing	光電変換素子 (IDCセンサ)	I	1	
39	A161700901	Reinforce Plate	補強板	D	1	

# VERTICAL TRANSPORT SECTION

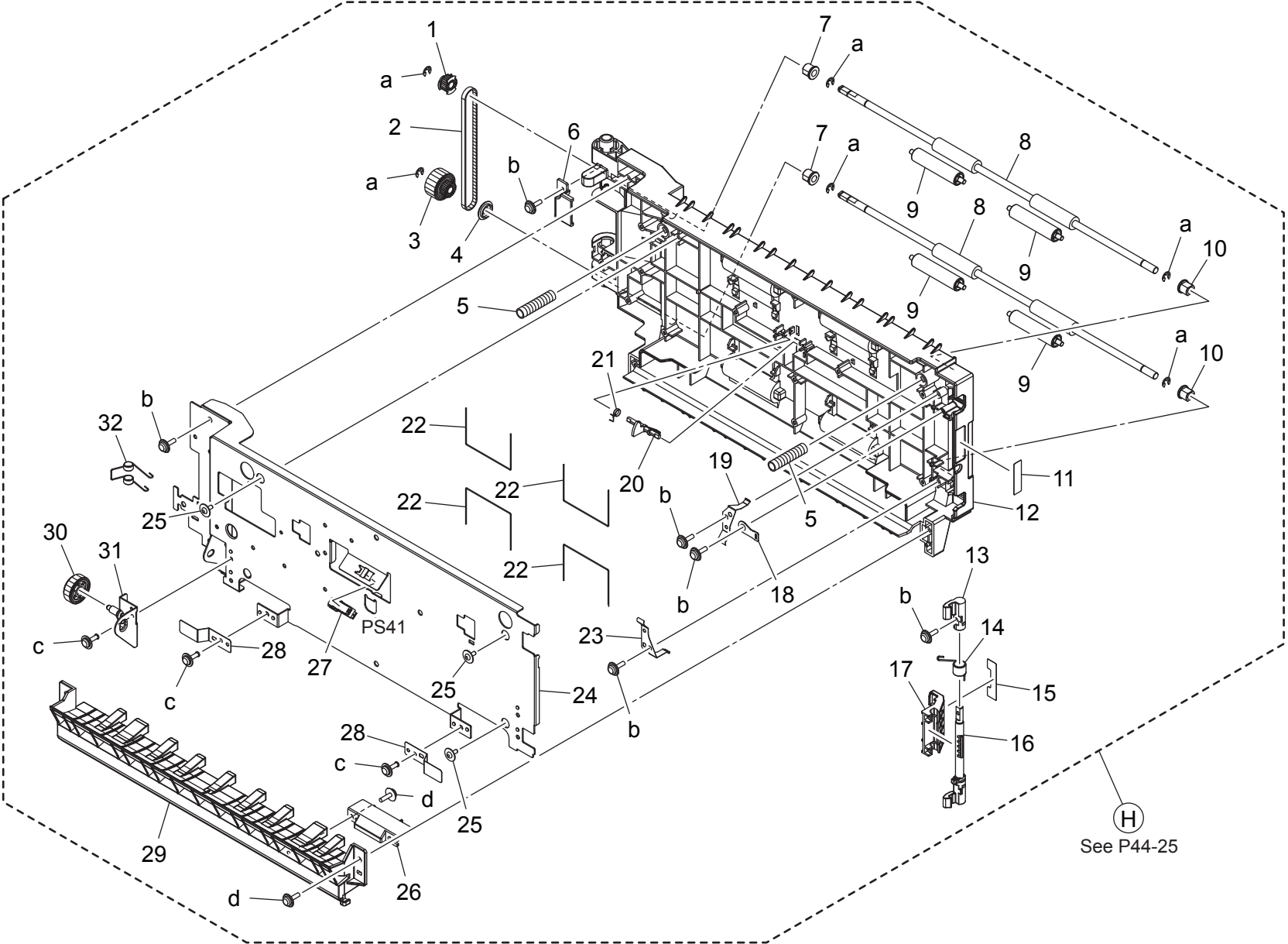
P 44



bizhub 454e

Key	Part No.	Description	Destinations	Class	QTY	Standard parts
1	A161N10H01	Conveyance Wiring	搬送束線	D	1	a-V153030803 b-V137030803 c-V162020504 d-V116030803
2	4163529301	SCREW	ねじ	C	1	
3	A161712700	Spring /C	ばね / C	D	1	
4	A161712400	Ground Spring /A	アースばね / A	D	1	
5	A161711100	Ground Plate /C	アース板 / C	D	1	
6	A5C1711000	Ground Spring /B	アースばね / B	D	1	
7	V800500300	FIXED POWER RESISTORS	固定抵抗器	D	1	
8	A161710900	Ground Plate /A	アース板 / A (2次接点)	D	1	
9	A0ED703800	Actuator	アクチュエータ (ループセンサ)	D	1	
10	A108M50100	Photointerrupter	透過型センサ	B	1	
11	A161710102	Holder /A	ホルダ / A	D	1	
12	A161550700	Transfer Holder /2	転写ホルダ / 2	C	1	
13	A161711800	Support Plate /Front	支点板 / 前	D	1	
14	A0ED551000	Compressing Coil spring /2	圧縮コイルばね / 2	C	2	
15	A0ED551100	Compressing Coil spring	圧縮コイルばね (転前)	D	1	
16	A161712300	Fixing Part /Lower	固定部材 / 下	D	1	
17	A0ED550900	Mounting Plate	取付板 (除電上)	D	1	
18	A5C1551701	Guide Seal	ガイドシール	D	1	
19	A161712500	Ground Spring /C	アースばね / C	D	1	
20	A161551600	Mounting Plate	取付板 (除電下)	D	1	
21	A161551500	Transfer Holder /2	転写ホルダ / 2 (後 / Rear)	C	1	
22	A161104101	Adjusting Plate	調整板 (搬送扉上)	D	1	
23	A161R71400	2nd Image Transfer Roller Assy	2次転写ローラー Assy	A	1	
24	A0ED550800	Neutralizing Part	除電部材	D	1	
25	A61FR71800	Vertical Transport Assy	縦搬送 Assy	S	1	

# VERTICAL TRANSPORT SECTION

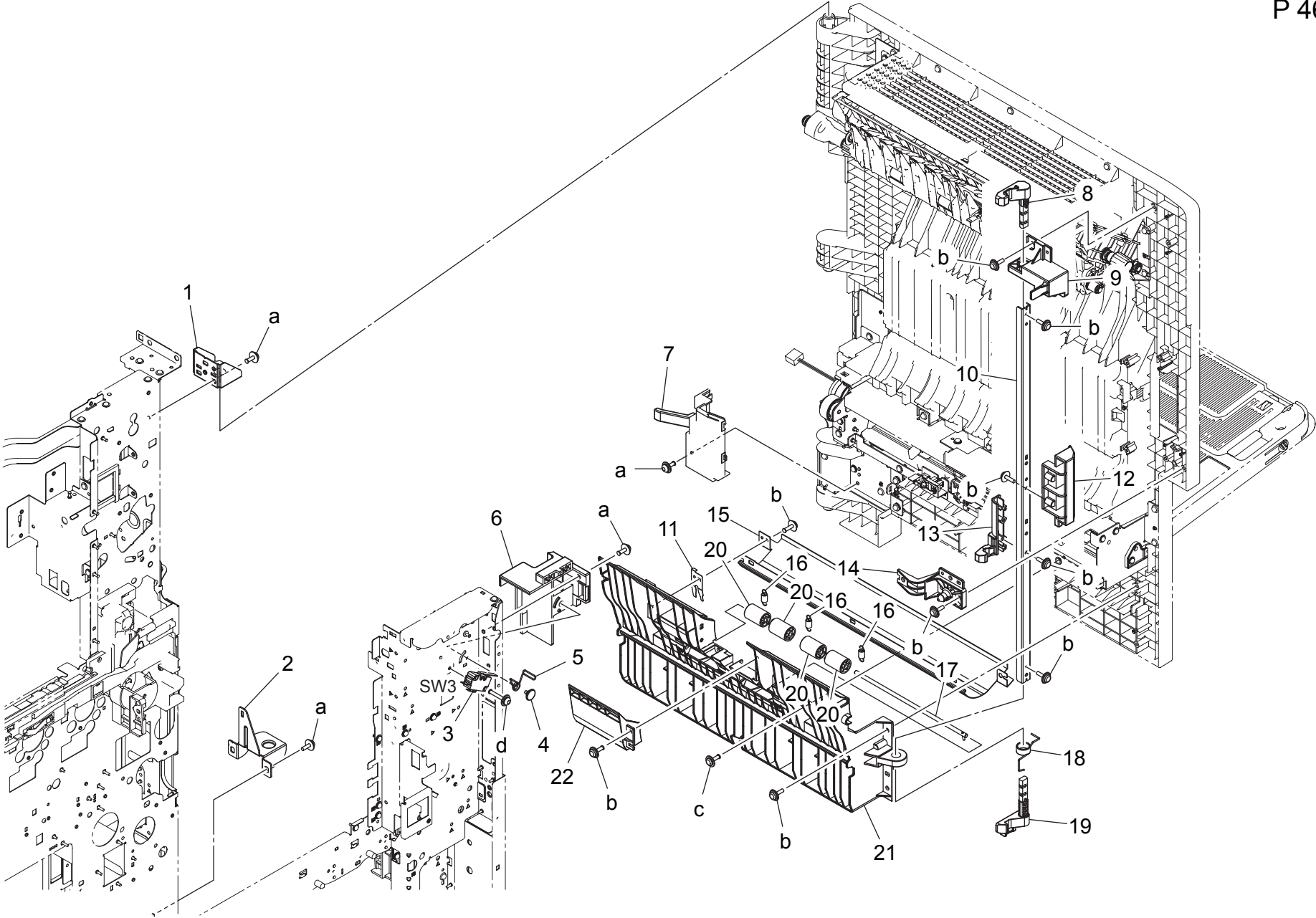


VERTICAL TRANSPORT SECTION

Key	Part No.	Description	Destinations	Class	QTY	Standard parts
1	A0ED811700	Pulley 22T	プーリ (ADU 第3) 22 T	C	1	a-V217040001 b-V153030803 c-V137030803 d-V153031003
2	A161719000	Drive Belt 266L	駆動ベルト 266 L	C	1	
3	A161709100	Gear 22/23T	ギア 22/23 T	D	1	
4	A0ED811900	Collar	カラー (ADU 第2 R)	D	1	
5	A161711200	Pressing Spring	押圧ばね	D	2	
6	A161712600	Cover /C	カバー / C	D	1	
7	A161713100	Bushing /1	すべり軸受 / 1	D	2	
8	A161710500	Roller /A	ローラ / A	D	2	
9	A161825700	Idler Roller /A	従動ローラ / A	D	4	
10	A02E815200	BUSHING	軸受	C	2	
11	A161946400	Label M6	ラベル M 6	D	1	
12	A161710203	Guide Plate /A	ガイド板 / A	D	1	
13	A161711300	Lock Shaft /A	ロック軸 / A	C	1	
14	A161711700	Spring /B	ばね / B	C	1	
15	A161946200	Label M1	ラベル M 1	D	1	
16	A5C1711500	Lock Shaft	ロック軸	C	1	
17	A161711600	Open/close Lever	開閉レバー	C	1	
18	A161714500	Fixing Part	固定部材	D	1	
19	A161712000	Ground Plate /D	アース板 / D	D	1	
20	A161713500	Actuator	アクチュエータ (ADU 下 JAM 検)	C	1	
21	A161712800	Spring /D	ばね / D	D	1	
22	A161714600	Conveyance Spring /B	搬送ばね / B	D	4	
23	A161712100	Ground Plate /E	アース板 / E	D	1	
24	A161710404	Mounting Plate	取付板	D	1	
25	4163529301	SCREW	ねじ	C	3	
26	A161816300	Lock Plate	ロックプレート	D	1	
27	A108M50100	Photointerrupter	透過型センサ	B	1	
28	A0ED702400	Plate spring	板ばね (タイミング前ガイド)	D	2	
29	A161710300	Guide Plate /B	ガイド板 / B	D	1	
30	A161719100	Gear 23T	ギア 23 T	C	1	
31	A161711900	Support Plate /Rear	支点板 / 奥	D	1	
32	A161712900	Ground Spring /D	アースばね / D	D	1	

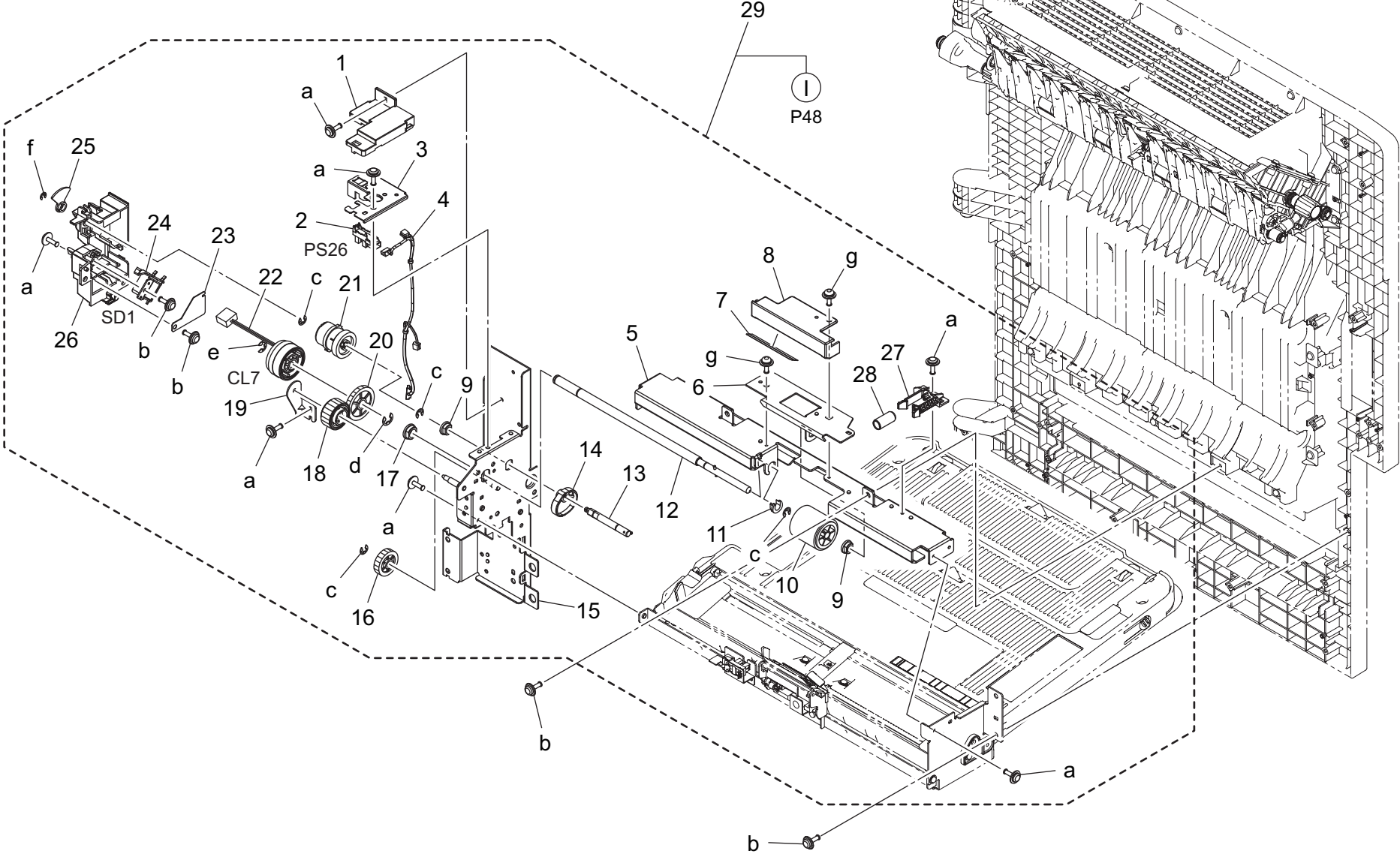


VERTICAL CONVEYANCE DOOR SECTION





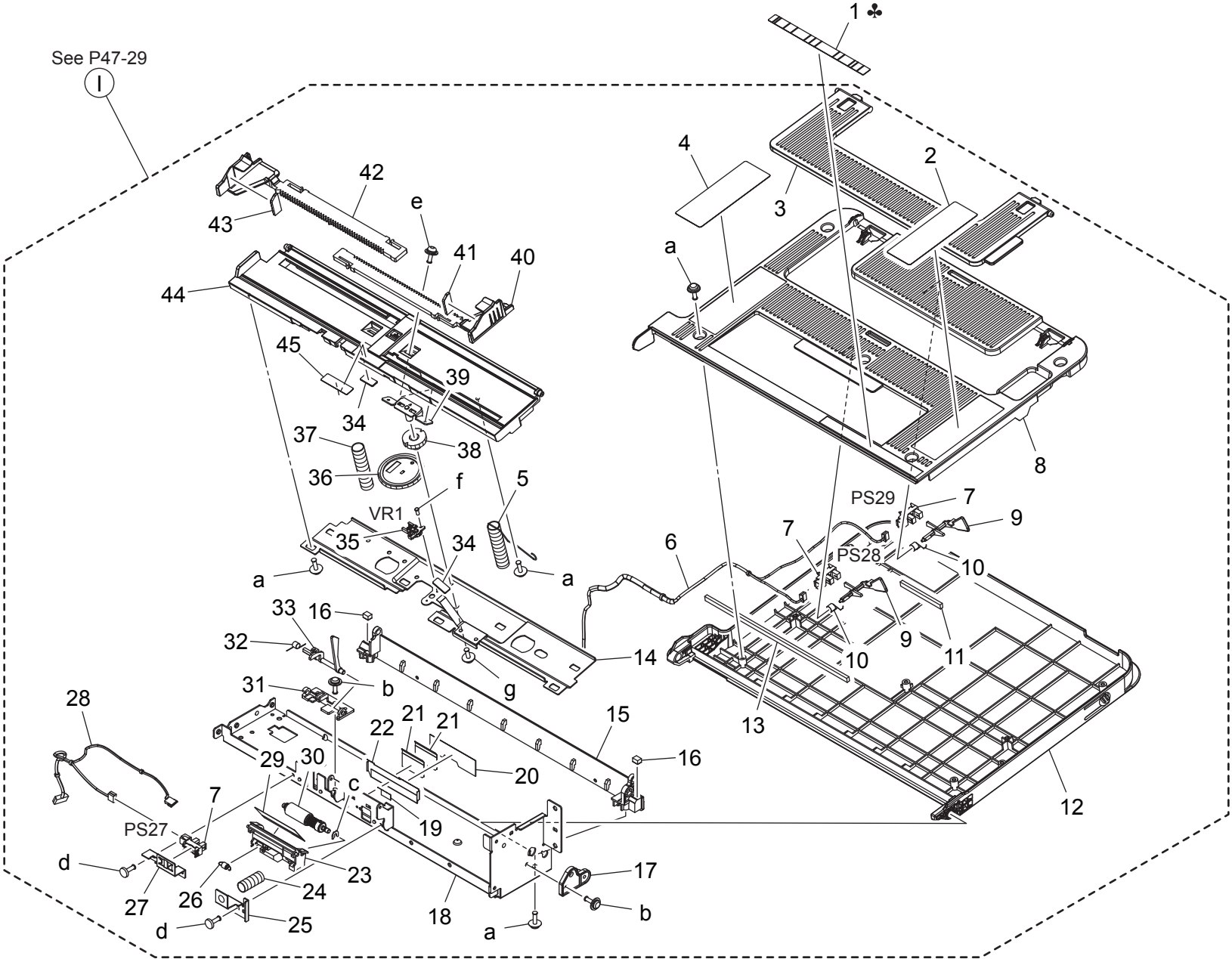
BYPASS TRAY SECTION



# BYPASS TRAY SECTION

Key	Part No.	Description	Destinations	Class	QTY	Standard parts
1	A161592801	Wiring Cover /A		D	1	a-V137030803 b-V153030803 c-V217040001 d-V217060001 e-V217050001 f-V217030001 g-V116030803
2	A108M50100	Photointerrupter		B	1	
3	A5C1591900	Mounting Plate		D	1	
4	A161N12200	Paperfeed Drive harness /1		D	1	
5	A161590201	Paper feed Frame		D	1	
6	A161594100	Reinforce Plate		D	1	
7	A161594700	Guide Sheet		C	1	
8	A161591700	Auxiliary Guide		D	1	
9	A02E596300	Bushing		C	2	
10	A00F623201	Roller		B	1	
11	A161594400	Slide Stopper		C	1	
12	A161591500	Paper feed Shaft		D	1	
13	A161591400	Drive Shaft		D	1	
14	A161593300	Paper feed Cam		C	1	
15	A161F59001	Caulking(Mounting Plate Drive Frame )		D	1	
16	A02E595400	Gear 22T		C	1	
17	4131353202	BUSHING		C	1	
18	A161590800	Bypass Gear 24T		C	1	
19	A161590600	Reinforce Plate		D	1	
20	A02E596100	Gear 30T		C	1	
21	A02E595100	Clutch assy		C	1	
22	A02EM20100	Clutch		B	1	
23	A0ED597800	Cover		D	1	
24	9J06M20000	SOLENOID		B	1	
25	A161591300	Light blocking Plate		C	1	
26	A5C1591200	Drive Cover		D	1	
27	A161594800	Hold Claw		C	1	
28	A161594900	Coil spring		C	1	
29	A61FR71700	Multiple Bypass tray Assy		S	1	

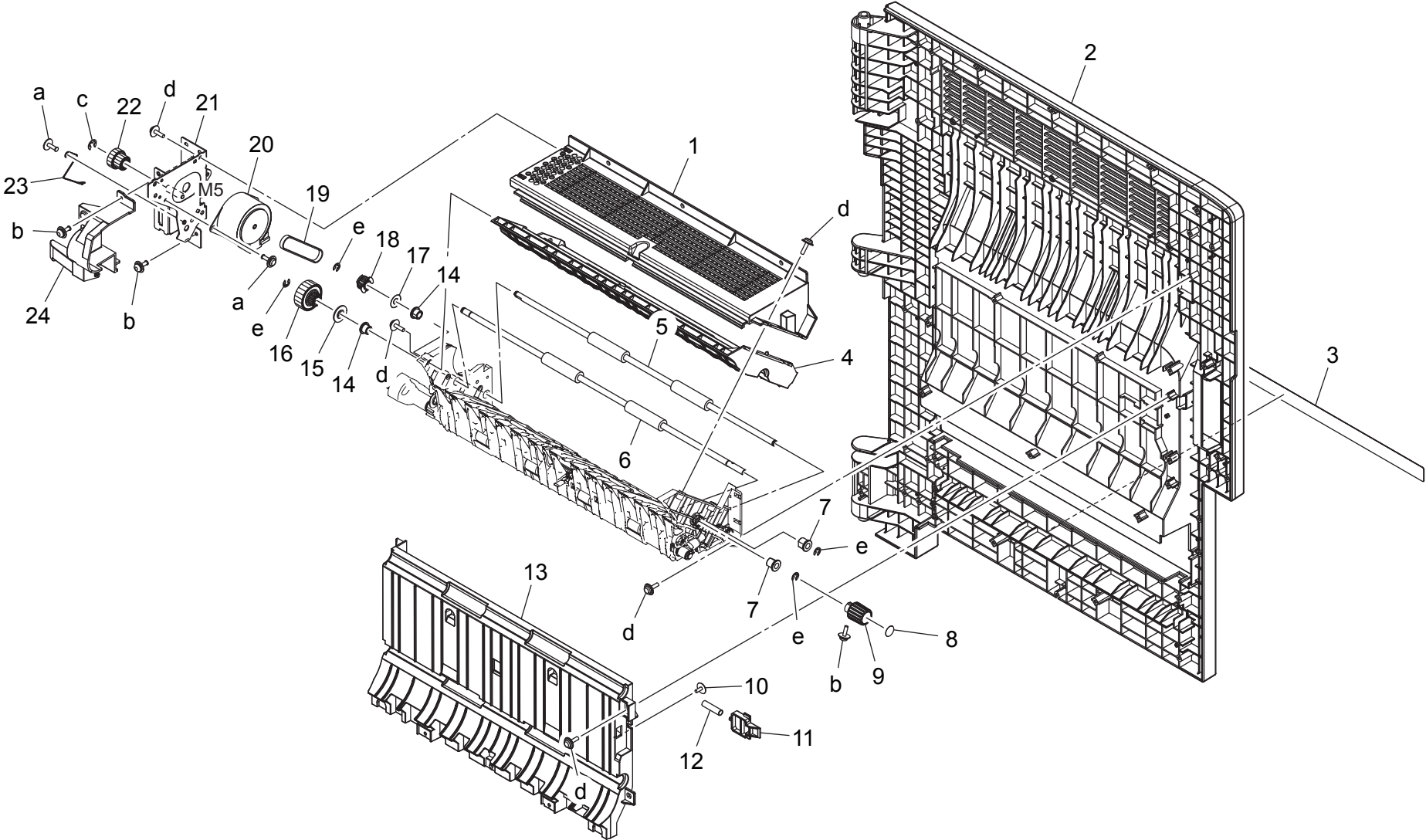
# BYPASS TRAY SECTION



BYPASS TRAY SECTION

Key	Part No.	Description	Destinations	Class	QTY	Standard parts	
1	A161944101	Label Scale/Metric	ラベル 手差し/メトリック	A,A1,C,D1,D3,E,F2,G 1,I,K	C	1	a-V153030803 b-V137030803 c-V218030086 d-V118030803 e-V116030804 f-V111170403 g-V116030803
1	A161944201	Label Scale/Inch	ラベル 手差し/インチ	B,G2	C	1	
2	A161944300	Label Paper Supply 1	ラベル 用紙補給 1		D	1	
3	A161592200	Auxiliary Tray	補助トレイ		C	1	
4	A161944400	Label Paper Supply 2	ラベル 用紙補給 2		D	1	
5	A161593600	Compressing Coil spring	圧縮コイルばね		C	1	
6	A161N11Q01	Paperfeed Detection harness /1	給紙検知束線 / 1 (マル手 F D)		D	1	
7	A108M50100	Photointerrupter	透過型センサ		B	3	
8	A5C1592100	Bypass Tray /Upper	手差しトレイ/上		C	1	
9	A161592400	Actuator	アクチュエータ		C	2	
10	A161592501	Torsion Spring	ねじりばね		C	2	
11	A161592600	Holding Cover /2	押さえカバー / 2		D	1	
12	A161592002	Bypass Tray	手差しトレイ		C	1	
13	A161592300	Holding Cover	押さえカバー		D	1	
14	A161593701	Mounting Plate	取付板		D	1	
15	A161590303	Support Holder	支点ホルダ		D	1	
16	A161594201	Cushion	クッション		D	2	
17	A161591600	Hold Plate	保持板		C	1	
18	A161590101	Bypass Frame	手差しフレーム		D	1	
19	A161595600	Slide Guide	すべりガイド		C	1	
20	A161595100	Seal	シール		C	1	
21	4030340301	GUIDE	ガイド		C	2	
22	A161595300	Separating Plate	分離板		C	1	
23	A161595000	Holder	ホルダ		D	1	
24	4030347501	PRESSURE SPRING	圧縮コイルばね		C	1	
25	A161595400	Hold Plate	保持板		D	1	
26	A161595200	Pulling Coil spring	引張りコイルばね		C	1	
27	A161591800	Sensor Holder	センサホルダ		D	1	
28	A161N10X00	Paperfeed Detection harness /2	給紙検知束線 / 2 (マル手 C D)		D	1	
29	A02E597600	Guide	ガイド (捌き後)		C	1	
30	4658015106	Roller Assy	ローラ ASSY		A	1	
31	A161591100	Sensor Holder	センサホルダ		D	1	
32	A161591000	Torsion Spring	ねじりばね ( P E )		C	1	
33	A161590901	Actuator	アクチュエータ ( P E )		C	1	
34	A161593800	Friction Plate	摩擦板		C	2	
35	A161M50400	VR	ボリュームム		D	1	
36	A161594300	Regulating Gear 41T	規制ギア 4 1 T		C	1	
37	A161593400	Compressing Coil spring	圧縮コイルばね		C	1	
38	A02E592100	Gear 20T	ギヤ 2 0 T		C	1	
39	A161R7A000	Caulking Gear Mounting Plate	ギア取付板カシメ A s s y		D	1	
40	A5C1593100	Regulating Plate /L	規制板 / L		C	1	
41	A161594600	Brake Part /F	ブレーキ材 / F		C	1	
42	A5C1593200	Regulating Plate /R	規制板 / R		C	1	
43	A161594500	Brake Part	ブレーキ材		C	1	
44	A161593001	Lifting Plate	押し上げ板		D	1	
45	A161594000	Separating Sheet	分離シート		C	1	

REVERSAL UNIT

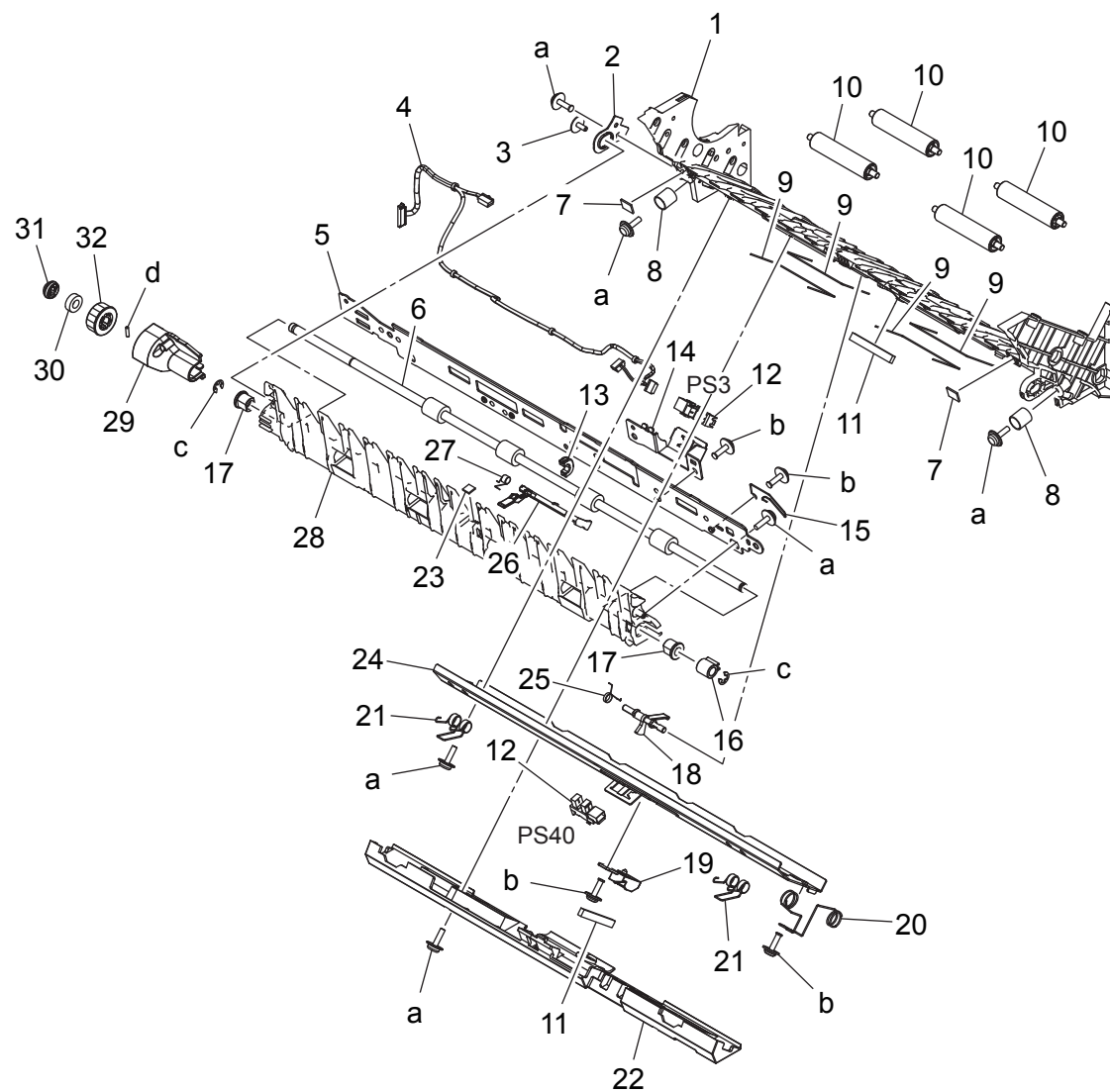






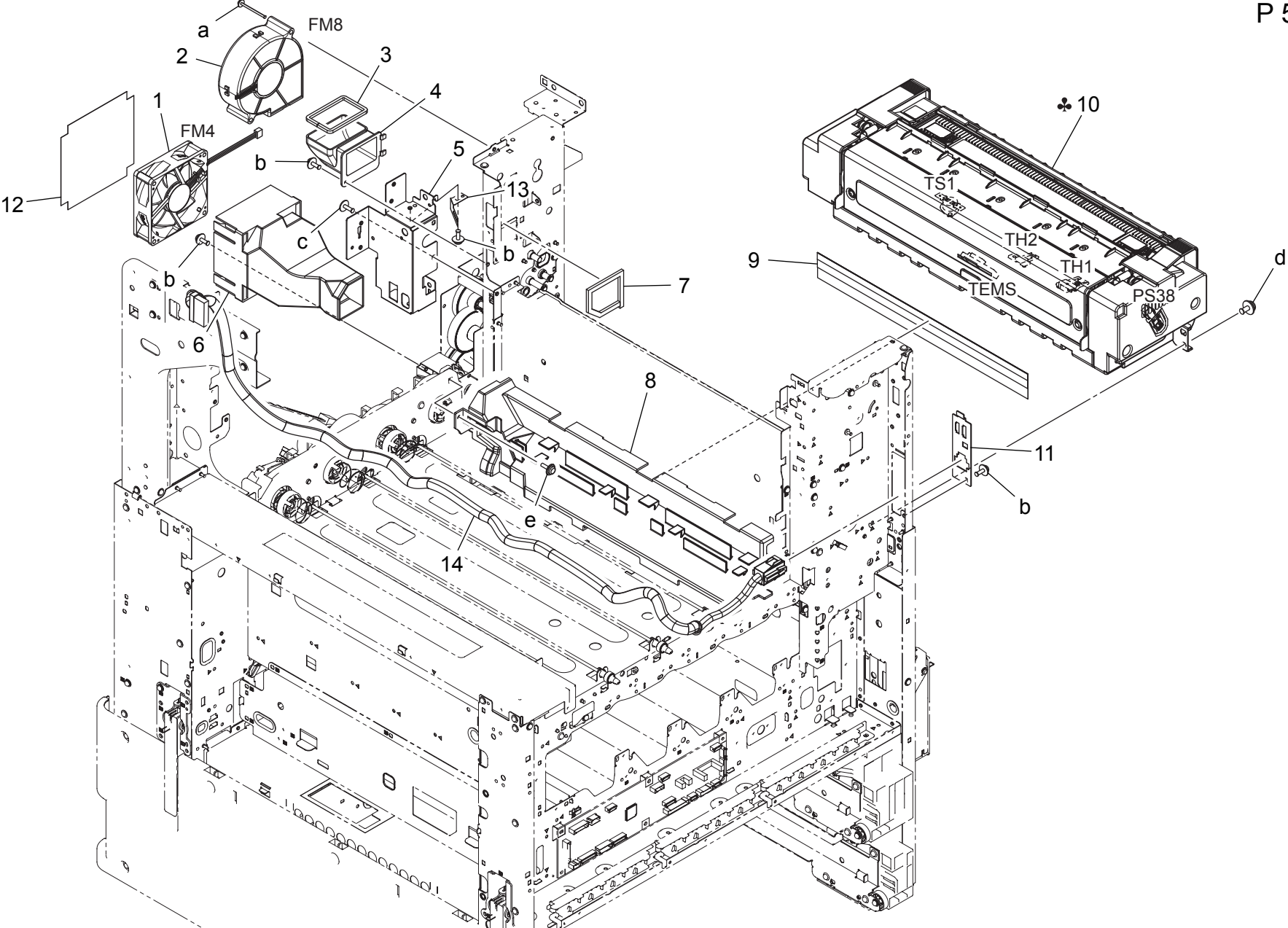
# REVERSAL UNIT

P 50



Key	Part No.	Description	Destinations	Class	QTY	Standard parts
1	A5C1810401	Guide Plate		D	1	a-V153030803 b-V137030803 c-V217040001 d-V237200850
2	A161814401	Mounting Plate /3		D	1	
3	4163529301	SCREW		C	1	
4	A161N12100	Conveyance Drive harness /Upper		D	1	
5	A161810801	Mounting Plate /2		D	1	
6	A161810600	Roller /1		C	1	
7	A161825300	Cushion /A		D	2	
8	A161813600	Pressing Spring /A		C	2	
9	A0ED815100	Holding Part		D	4	
10	A161825700	Idler Roller /A		D	4	
11	A161825800	Cushion /B		D	2	
12	A108M50100	Photointerrupter		B	2	
13	A161819500	Bushing /C		C	1	
14	A161825100	Mounting Plate /4		D	1	
15	A161819400	Contact /C		D	1	
16	A161814500	Bushing/B		C	1	
17	A02E815200	BUSHING		C	2	
18	A161813200	Actuator		C	1	
19	A161825400	Wiring Part		D	1	
20	A5C1814200	Contact /A		D	1	
21	A161813400	Torsion Coil spring		D	2	
22	A5C1813900	Cover /A		D	1	
23	A161826000	Cushion /B		D	1	
24	A5C1810900	Mounting Plate /1		D	1	
25	A161712800	Spring /D		D	1	
26	A161813001	Actuator		C	1	
27	A161813100	Torsion Coil spring		C	1	
28	A161810503	Guide Plate /4		D	1	
29	A161825500	Cover /D		D	1	
30	A5C1825000	Bushing		C	1	
31	A161825000	Bushing		C	1	
32	A4FJ819200	Gear 17T		C	1	

FUSING SECTION

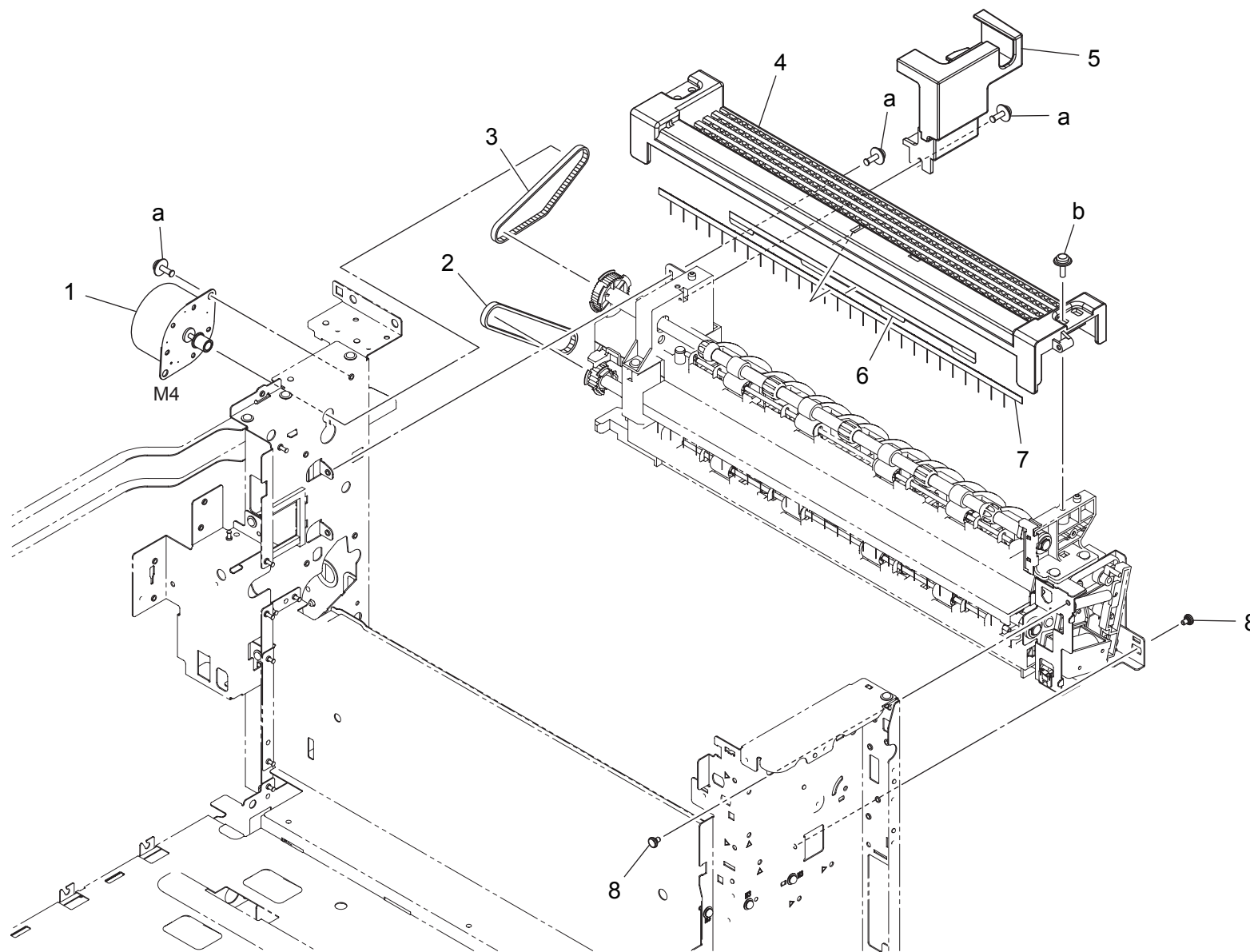


# FUSING SECTION

Key	Part No.	Description	Destinations	Class	QTY	Standard parts
1	A0EDM10500	Fan motor		C	1	a-V116033503 b-V116030803 c-V137030803 d-V116041003 e-V153030803
2	9313100072	FAN MOTOR		C	1	
3	A2XK143400	Seal		D	1	
4	A2XK140300	Duct		D	1	
5	A161121103	Mounting Plate		D	1	
6	A161140500	Duct		D	1	
7	A161121401	Seal /Upper		D	1	
8	A161140400	Duct		D	1	
9	A161102700	Seal		D	1	
10	A4FJR70222	Fusing Unit 100V	A,A1	A	1	
10	A4FJR70322	Fusing Unit 120V	B,G2	A	1	
10	A4FJR70422	Fusing Unit 230V	C,D1,D3,E,F2,G1,I,K	A	1	
11	A4FJ150301	Mounting Plate		D	1	
12	A0ED146900	Filter		C	1	
13	A161122500	Ground Plate		D	1	
14	A61EN10400	Heater Relay harness		D	1	

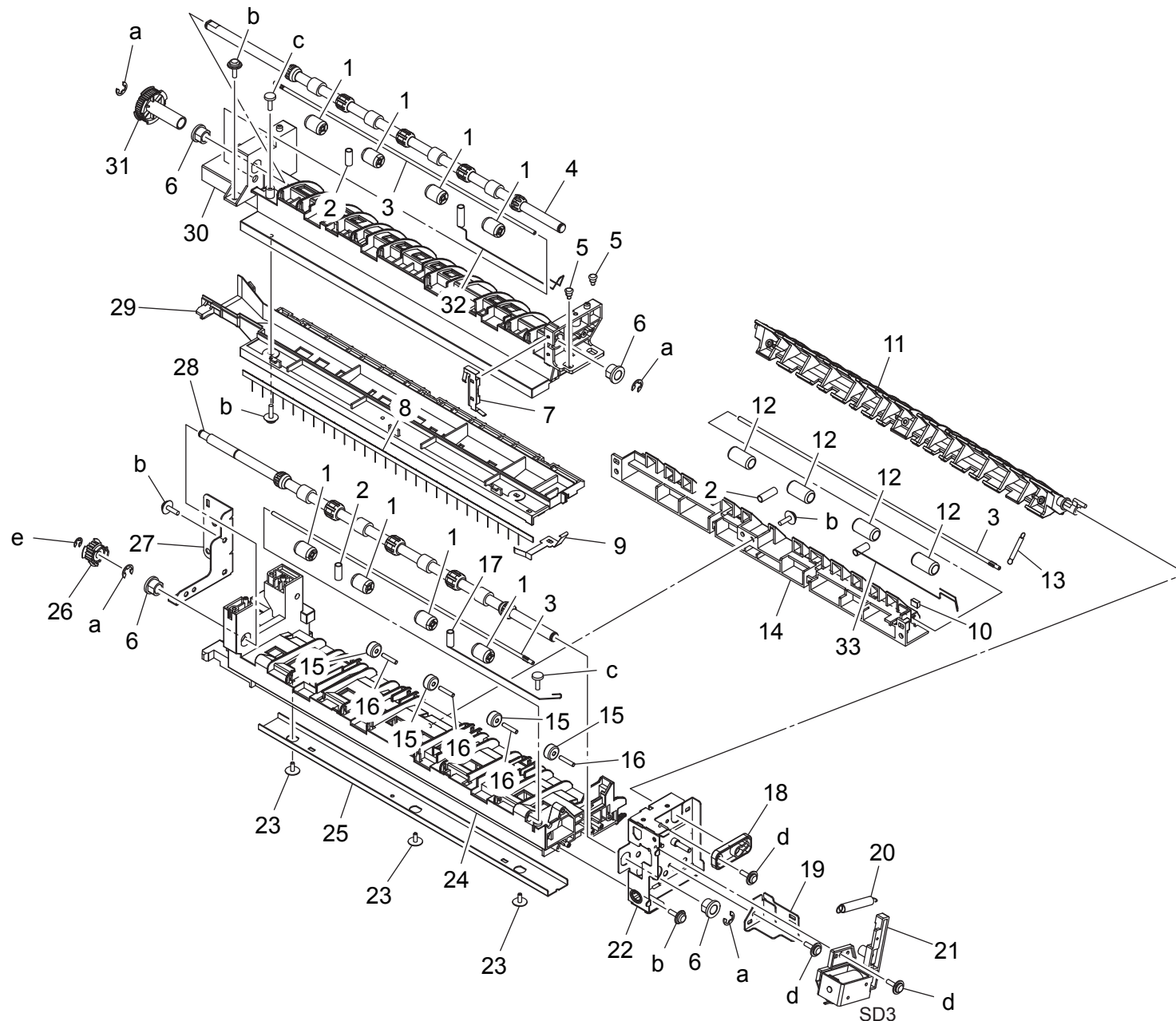


# PAPER EXIT SECTION





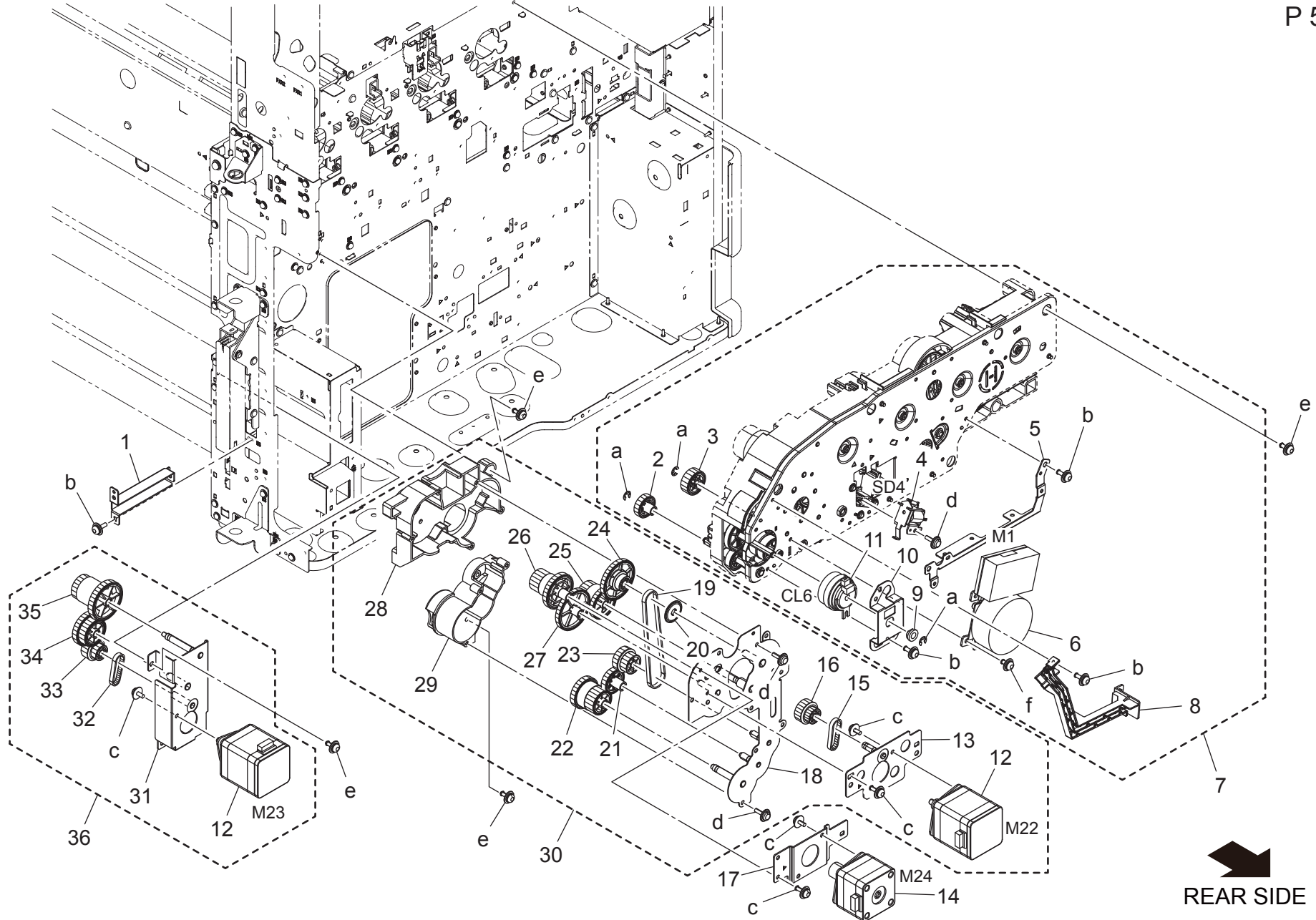
# PAPER EXIT SECTION



Key	Part No.	Description	Destinations	Class	QTY	Standard parts
1	4004590301	ROLL		C	8	a-V217060001 b-V153030803 c-V149030803 d-V137030803 e-V217040001
2	A161892400	Spring	ばね (排紙)	C	3	
3	4025598401	SHAFT	シャフト	D	3	
4	A161895400	Roller	ローラ (反転)	C	1	
5	1164202801	SHOULDER SCREW	段ねじ	D	2	
6	A0ED891100	Bushing	すべり軸受	D	4	
7	A161895502	Ground Contact /Upper	アース接点/上	D	1	
8	A161894000	Neutralizing Brush	除電ブラシ	C	1	
9	A161895600	Ground Contact /Lower	アース接点/下	D	1	
10	A161893600	Cushion	クッション	D	1	
11	A161890401	Guide Lever	ガイドレバー	D	1	
12	A0P0901100	Roll	ころ	C	4	
13	A161892100	Spring	ばね (ガイドレバー)	C	1	
14	A161890203	Guide Part /Lower	ガイド部材/下	D	1	
15	A0ED897700	Collar	カラー (排紙)	C	4	
16	4036254901	PIN	ピン	D	4	
17	A161900100	Ground Spring	アースばね (排紙)	C	1	
18	A161891000	Bushing	すべり軸受	D	1	
19	A161892300	Mounting Plate	取付板 (パネル)	D	1	
20	A161892000	Spring	ばね (経路切替 SL)	D	1	
21	A161R72600	Solenoid Assy	ソレノイド A s s y	C	1	
22	A161F89002	Caulking(Mounting Plate)	取付板カシメ	D	1	
23	4163529301	SCREW	ねじ	C	3	
24	A161890102	Paper exit Main body	排紙本体	D	1	
25	A161893500	Regulating Plate	規制板 (ダクト)	D	1	
26	A161891301	Pulley 18T	プーリー 18 T	D	1	
27	A161892902	Fixing Part	固定部材	D	1	
28	A161890300	Roller	ローラ (排紙)	C	1	
29	A161895212	Paper exit Guide /Lower	排紙ガイド/下	D	1	
30	A161895113	Paper exit Guide /Upper	排紙ガイド/上	D	1	
31	A161895800	Pulley 44T	プーリー 44 T	D	1	
32	A161900201	Ground Spring	アースばね (反転)	C	1	
33	A161900300	Ground Spring	アースばね (排紙前)	C	1	



# MAIN DRIVE/ PAPER FEED DRIVE SECTION



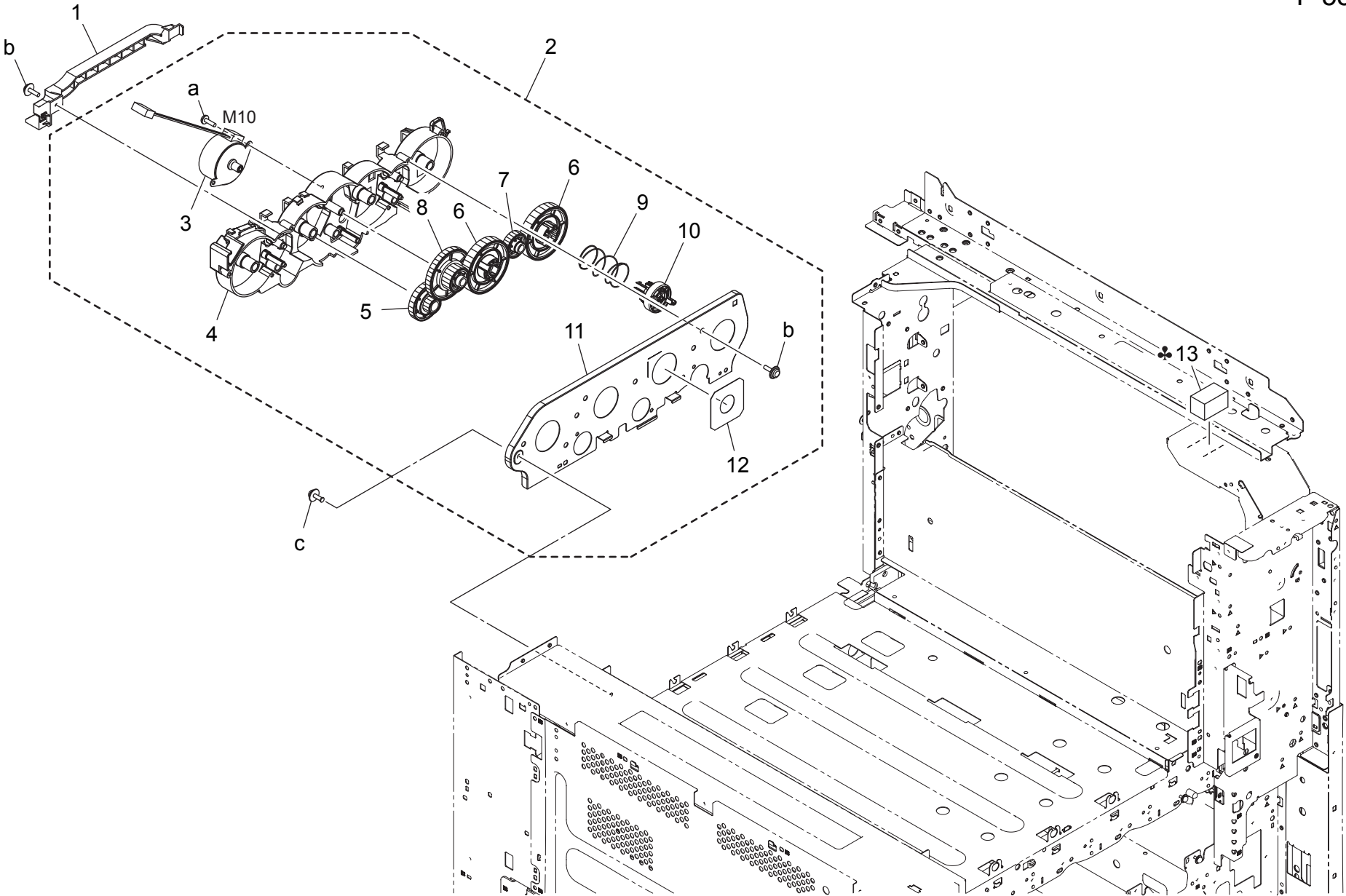
  
REAR SIDE

bizhub 454e

MAIN DRIVE/ PAPER FEED DRIVE SECTION

Key	Part No.	Description	Destinations	Class	QTY	Standard parts
1	A161105500	Reinforce Plate		D	1	a-V217040001 b-V116030803 c-V116030603 d-V153030803 e-V125030818 f-V116030504
2	A161257800	Gear 20T		C	1	
3	A161254000	Gear 22T		C	1	
4	A161M20300	Flapper solenoid		C	1	
5	A161216101	Mounting Plate		D	1	
6	A161M10001	brushless Motor /40		I	1	a-V217040001 b-V116030803 c-V116030603 d-V153030803 e-V125030818 f-V116030504
7	A61DR70200	Main Drive Assy		C	1	
8	A161134701	Guide		D	1	
9	A161210200	Bushing		D	1	
10	A161253900	Hold Plate		D	1	
11	A161M20201	Clutch		C	1	
12	A61DM10000	HB Stepping motor		C	2	
13	A2XKF21200	Caulking(Hold Plate Paper Feed Drive)		D	1	
14	A2XKM10000	Stepping motor		C	1	
15	A0HT811400	Timing belt 76L		D	1	
16	A2XK259600	Gear 24/24T		D	1	a-V217040001 b-V116030803 c-V116030603 d-V153030803 e-V125030818 f-V116030504
17	A2XK221400	Mounting Plate		D	1	
18	A2XKF21100	Caulking(Hold Plate Paper Feed DriveH)		D	1	
19	A2XK224000	Conveyance Belt		D	1	
20	A2XK224100	Collar		D	1	
21	A2XK222600	Gear 28T		D	1	a-V217040001 b-V116030803 c-V116030603 d-V153030803 e-V125030818 f-V116030504
22	A161220700	Gear 28/28T		D	1	
23	A2XK222500	Gear 26/30T		D	1	
24	A2XK253000	Gear 24/26/47T		D	1	
25	A2XK220000	Gear 23/35T		D	1	
26	A161259800	Gear 19/32T		D	1	a-V217040001 b-V116030803 c-V116030603 d-V153030803 e-V125030818 f-V116030504
27	A2XK253300	Gear 23/48T		D	1	
28	A2XK220900	Holder		D	1	
29	A2XK220800	Holder		D	1	
30	A61DR70100	Paper Feed Drive Assy		C	1	
31	A2XKF22000	Caulking(Hold Plate)		D	1	a-V217040001 b-V116030803 c-V116030603 d-V153030803 e-V125030818 f-V116030504
32	A0HT811400	Timing belt 76L		D	1	
33	A2XK259600	Gear 24/24T		D	1	
34	A2XK222100	Gear 25/38T		D	1	
35	A2XK222200	Gear 22/36T		D	1	
36	A61DR70300	Vertical conveyance Drive Assy		S	1	

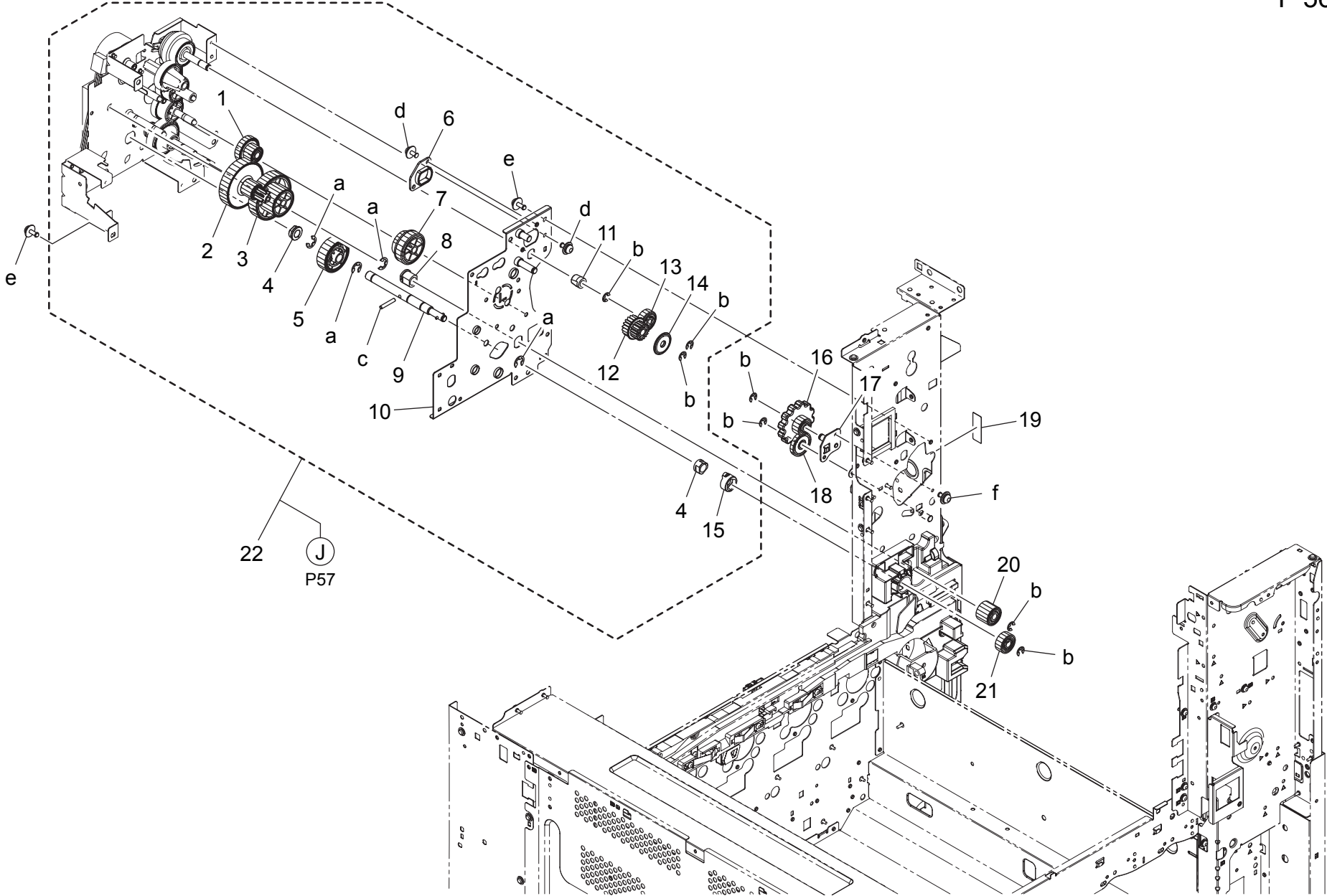
TONER BOTTLE DRIVE SECTION



# TONER BOTTLE DRIVE SECTION

Key	Part No.	Description	Destinations	Class	QTY	Standard parts
1	A161241600	Guide		D	1	a-V145030803 b-V153030803 c-V116030803
2	A61FR71600	Toner Bottle Drive Assy		S	1	
3	A161M10300	Stepping motor		C	1	
4	A161240100	Drive Holder		D	1	
5	A161240300	Gear 18/91T		D	1	
6	A161240600	Gear 65T		D	2	
7	A161240500	Gear 29T		D	1	
8	A161240400	Gear 29/62T		D	1	
9	4038541202	PRESSURE SPRING		C	1	
10	A161240700	Joint		C	1	
11	A161241500	Mounting Plate		D	1	
12	A61F241800	Seal		D	1	
13	A61FM90500	Gasket	C,D1,D3,E,F2,G1,I,K	D	1	

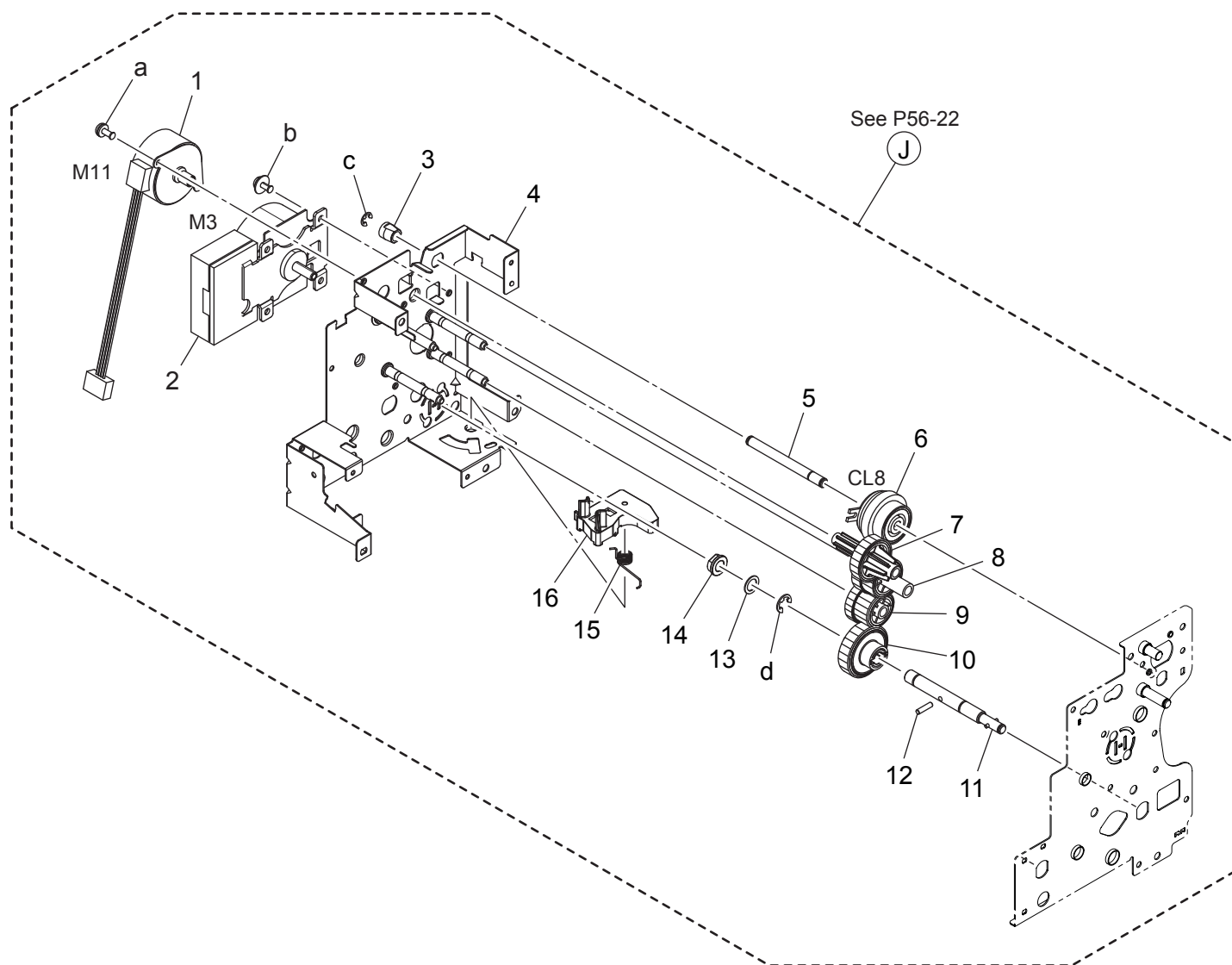
# FUSING DRIVE SECTION



# FUSING DRIVE SECTION

Key	Part No.	Description	Destinations	Class	QTY	Standard parts
1	A2XK254200	Gear 18/62T		D	1	a-V217060001 b-V217040001 c-V237301850 d-V116030603 e-V125030818 f-V116030803
2	A161254300	Gear 18/57T		D	1	
3	A161254400	Gear 33/55T		D	1	
4	A03U812800	Slide Shaft Holder		B	1	
5	A161254500	Gear 38T		D	1	
6	A161232200	Bushing		D	1	
7	A2XK228800	Gear 22/22T		D	1	
8	A161702200	Bushing		C	1	
9	A161256300	Shaft		D	1	
10	A2XKF25102	Caulking(Mounting Plate Fuser Drive 2H)		D	1	
11	A161232300	Bushing		D	1	
12	A5C0231300	Gear 17/18T		C	1	
13	A4FJ230700	Gear 19T		D	1	
14	A2XK224100	Collar		D	1	
15	A161232401	Collar		D	1	
16	A161122002	Gear 12T		D	1	
17	A161F10901	Caulking		D	1	
18	A161121900	Gear 17T		D	1	
19	A161941100	Label M4		D	1	
20	A161228701	Gear 16T		C	1	
21	A161254600	Gear		C	1	
22	A61ER70400	Fusing Drive Assy		S	1	
23	A161254700	Bushing		D	1	

# FUSING DRIVE SECTION

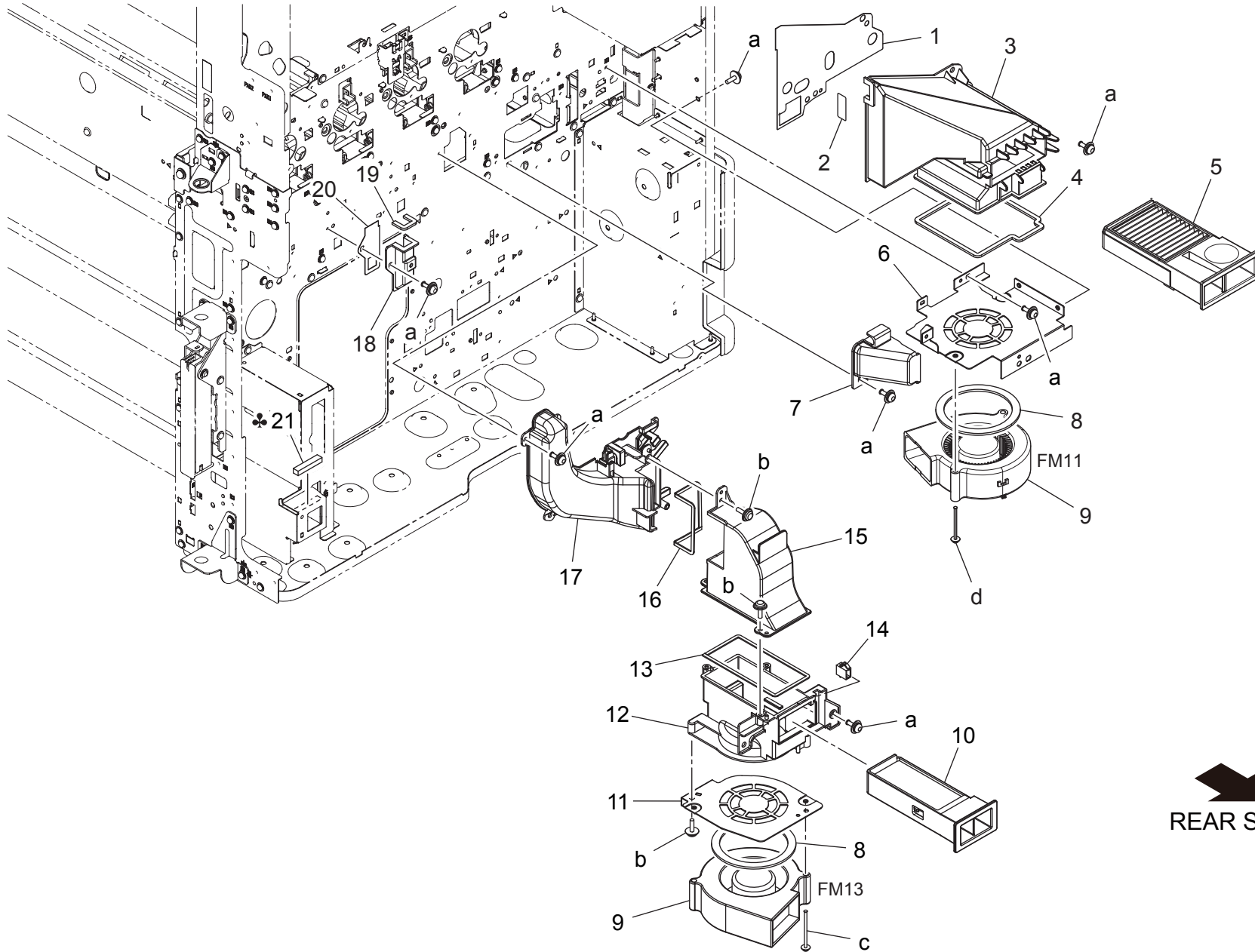


# FUSING DRIVE SECTION

Key	Part No.	Description	Destinations	Class	QTY	Standard parts
1	A161M10300	Stepping motor		C	1	a-V115030603 b-V116030603 c-V217040001 d-V217060001
2	A2XKM10300	Brushless motor		I	1	
3	A161232300	Bushing		D	1	
4	A2XKF25015	Caulking(Mounting Plate Fuser Drive H)		D	1	
5	A161231800	Shaft		D	1	
6	A161M20400	Clutch		C	1	
7	A161230600	Gear 27T		D	1	
8	A2XK230500	Gear 24/52T		D	1	
9	A2XK228000	Gear 22/50T		D	1	
10	A161228100	Gear 33T		D	1	
11	A161228312	Shaft (定着)		D	1	
12	56AA17471	PIN B 3X12		C	1	
13	A161228600	Lever		D	1	
14	A03U812800	Slide Shaft Holder		B	1	
15	A161258501	Torsion Coil spring		D	1	
16	A1RF505400	Slide Spacer		D	1	



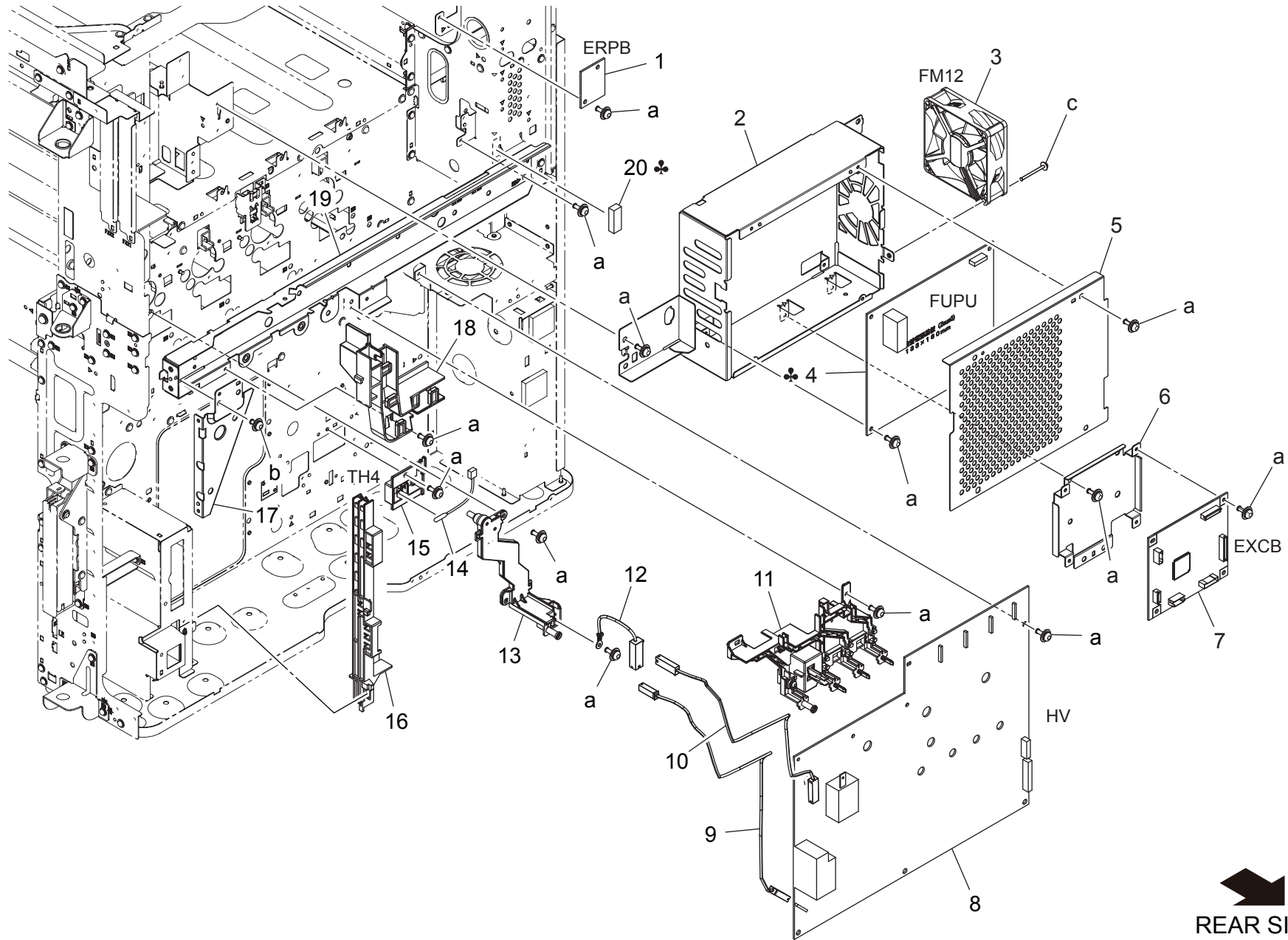
# OZONE DUCT SECTION



# OZONE DUCT SECTION

Key	Part No.	Description	Destinations	Class	QTY	Standard parts
1	A161146900	Seal /4		D	1	a-V116030803 b-V153030803 c-V116034003 d-V116033503
2	A61D148300	Seal		D	1	
3	A161147500	Duct /1		D	1	
4	A161143500	Seal /1		D	1	
5	A161R72800	Toner Filter Assy		A	1	
6	A5C1142000	Mounting Plate		D	1	
7	A161141500	Duct /2		D	1	
8	A02E117300	Seal		C	2	
9	9313100072	FAN MOTOR		C	2	
10	A161R72700	Ozone Filter Assy		A	1	
11	A161142200	Mounting Plate		D	1	
12	A161147001	Duct /3		D	1	
13	A161145300	Seal /2		D	1	
14	V651010002	connector		D	1	
15	A161141902	Duct /2		D	1	
16	A161145201	Seal /1		D	1	
17	A5C1141800	Duct /1		D	1	
18	A161147600	Duct		D	1	
19	A161146600	Seal /3		D	1	
20	A161146500	Seal		D	1	
21	A61FM90A00	Gasket	C,D1,D3,E,F2,G1,I,K	D	1	

# HIGH VOLTAGE SECTION

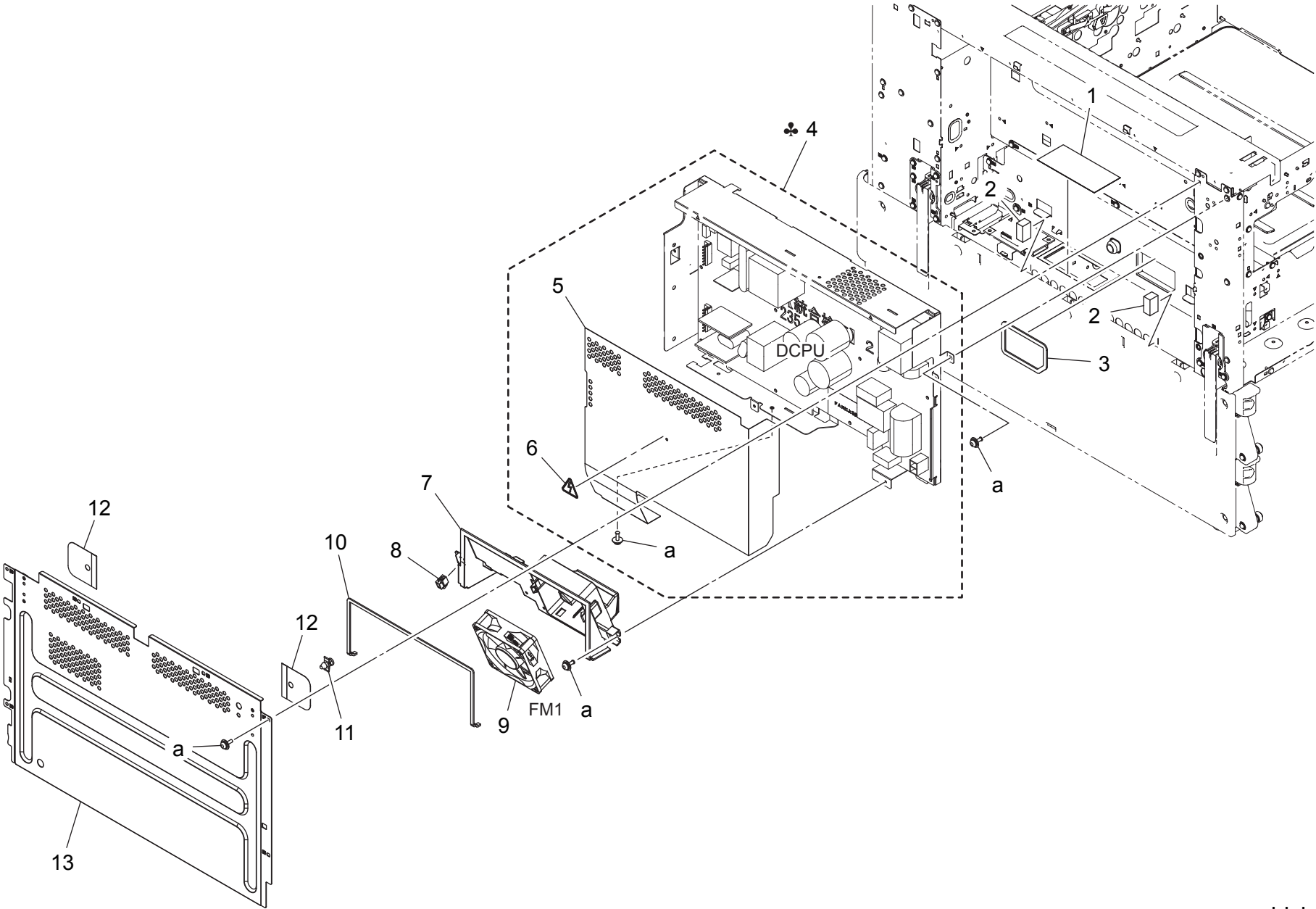


  
REAR SIDE  
bizhub 454e

# HIGH VOLTAGE SECTION

Key	Part No.	Description	Destinations	Class	QTY	Standard parts
1	A161H00C02	PWB Assembly(PWB-DC ASSY)		C	1	a-V116030803 b-V116030603 c-V116033003
2	A4FJ150101	Shield Case		D	1	
3	4139M10000	FAN MOTOR		B	1	
4	A4FJM40J01	Fixing Power source /100V	A,A1	I	1	
4	A4FJM40K01	Fixing Power source /120V	B,G2	I	1	
4	A4FJM40M01	Fixing Power source /230V	C,D1,D3,E,F2,G1,I,K	I	1	
5	A4FJ150200	Shield Plate		D	1	
6	A2XK131700	Mounting Plate		D	1	
7	A2XKH00600	PWB Assembly(PWB-EX)		C	1	
8	A61FM40600	High voltage unit		I	1	
9	A161N11K00	Neutralizing Wiring		D	1	
10	A161N11300	Transfer Wiring /2		D	1	
11	A61FR71200	DV Contact Assy		D	1	
12	A161N12P01	Charging Wiring /K		D	1	
13	A161R70211	HV Contact Assy		D	1	
14	A0P0M50300	Thermistor		C	1	
15	A161137701	Holder		D	1	
16	A5C1134800	Guide		D	1	
17	A161132800	Reinforce Plate		D	1	
18	A161132101	Guide		D	1	
19	A161132504	Mounting Plate		D	1	
20	A61FM90800	Gasket	C,D1,D3,E,F2,G1,I,K	D	1	

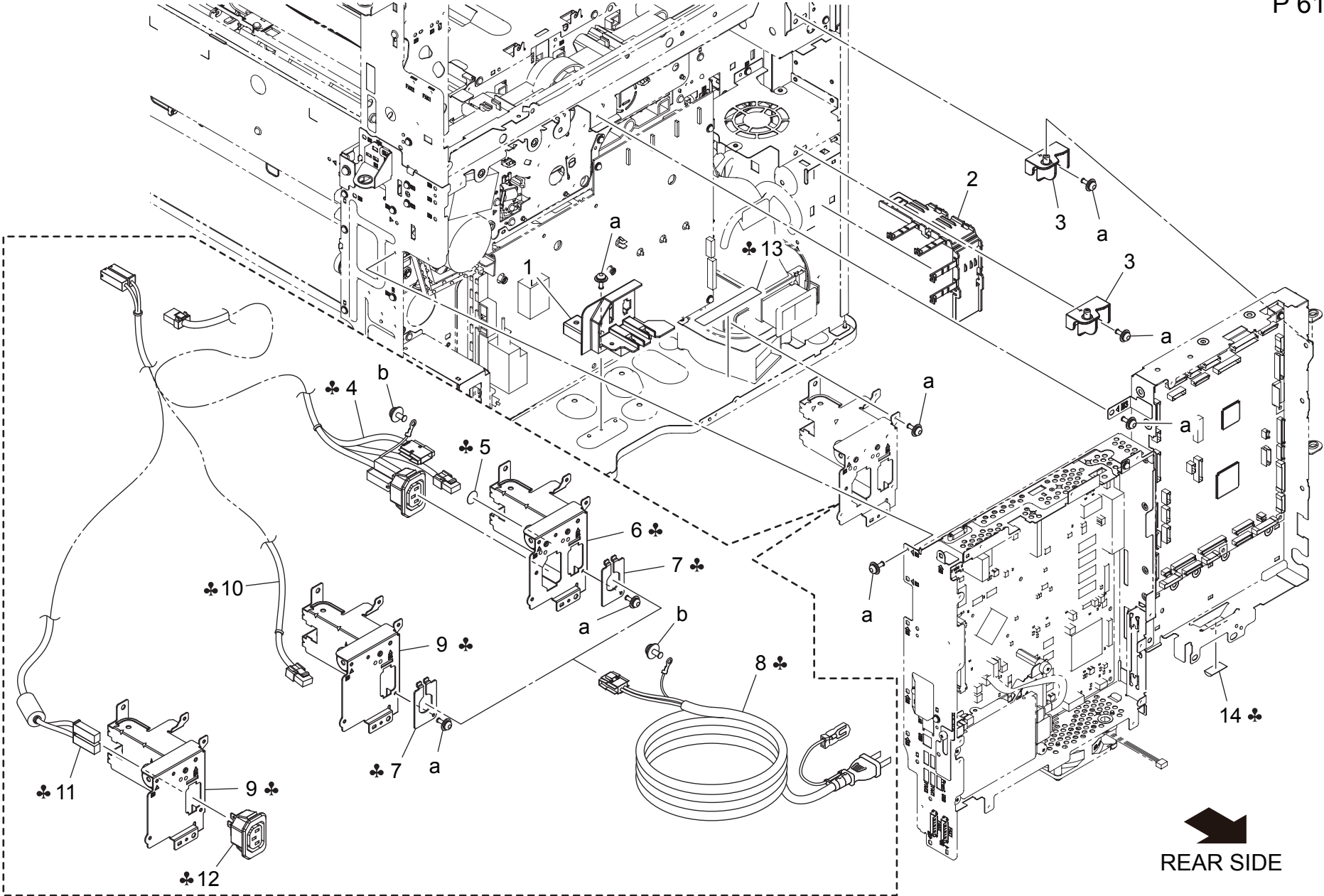
# MAIN POWER SUPPLY SECTION



# MAIN POWER SUPPLY SECTION

Key	Part No.	Description	Destinations	Class	QTY	Standard parts
1	A161145000	Filter		C	1	a-V116030803
2	A161144500	Seal /3		C	2	
3	A161143601	Seal /3		D	1	
4	A5AYR70000	Power supply Assy /100V		I	1	
4	A5AYR70100	Power supply Assy /200V	A,A1,B,G2 C,D1,D3,E,F2,G1,I,K	I	1	
5	A5AY131100	Sheet		D	1	
6	A0CR953400	Label		C	1	
7	A161140800	Cooling Duct		D	1	
8	V651010002	connector		D	1	
9	4139M10000	FAN MOTOR		B	1	
10	A161143400	Seal /1		D	1	
11	V502010026	SUPPORT		D	1	
12	A61F100600	Sheet		D	2	
13	A161100603	Cover		D	1	

ELECTRICAL COMPONENTS



REAR SIDE

bizhub 454e

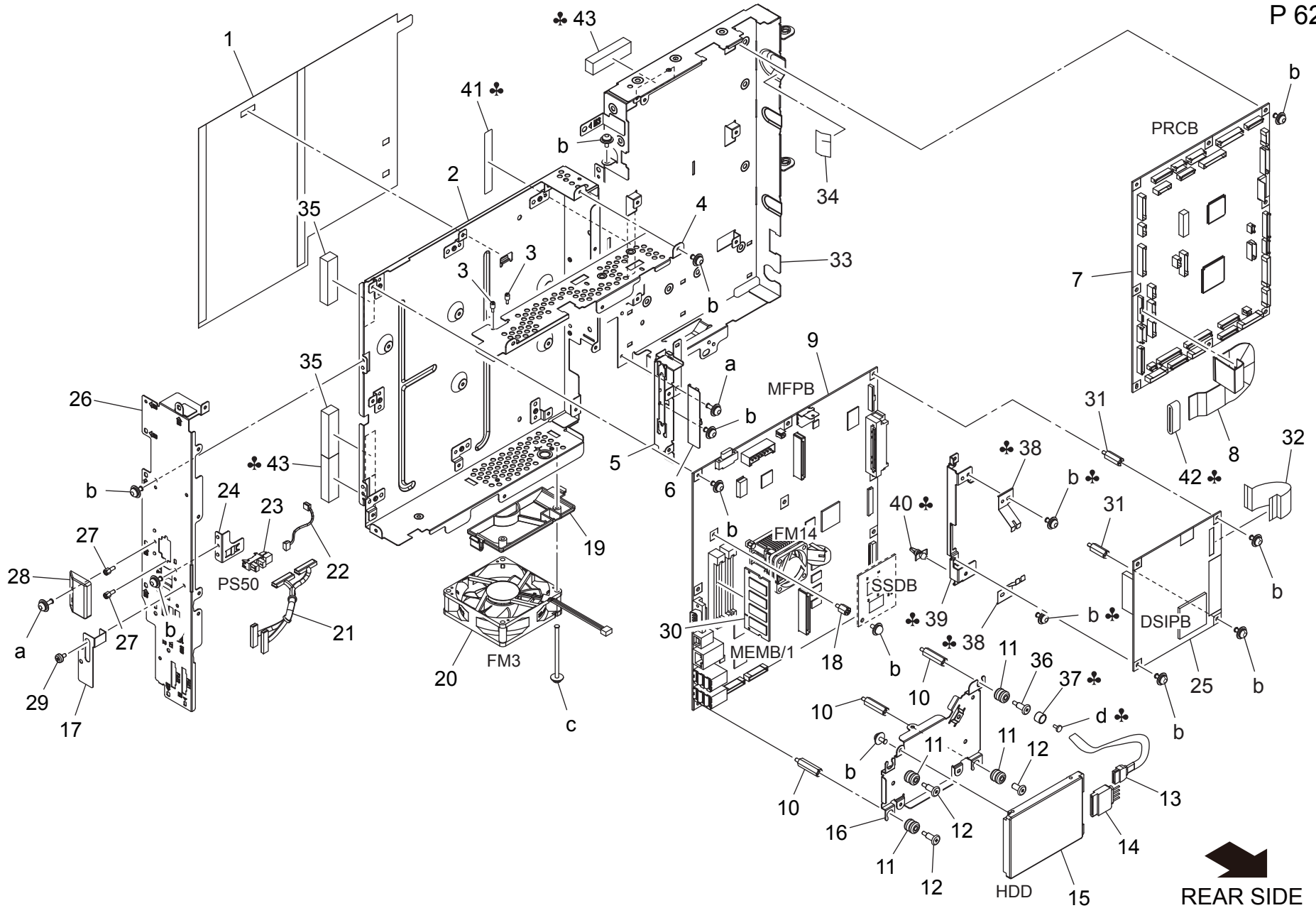
# ELECTRICAL COMPONENTS

Key	Part No.	Description	Destinations	Class	QTY	Standard parts
1	A161131401	Holder		D	1	a-V116030803 b-V116040803
2	A5C1137800	Holder		D	1	
3	A5C1130800	Support Shaft		D	2	
4	A4FJN10001	AC Wiring /100V		D	1	
5	9J06730101	LABEL	A,A1	D	1	
6	A161130502	Mounting Plate	A,A1	D	1	
7	A0ED135700	Mounting Plate	A,A1,B,G2	D	1	
8	A0EDN30002	Power source Cord /100V	A,A1	D	1	
8	A0PON30000	Power source Cord /120V	B,G2	D	1	
9	A161130603	Mounting Plate	B,C,D1,D3,E,F2,G1,G2,I,K	D	1	
10	A4FJN10101	AC Wiring /120V	B,G2	D	1	
11	A61EN10200	AC Wiring /230V	C,D1,D3,E,F2,G1,I,K	D	1	
12	A02EN12513	Power supply Wiring	C,D1,D3,E,F2,G1,I,K	D	1	
13	A61F130700	Tape	C,D1,D3,E,F2,G1,I,K	D	1	
14	A61FM90B00	Gasket	C,D1,D3,E,F2,G1,I,K	D	1	



# ELECTRICAL COMPONENTS

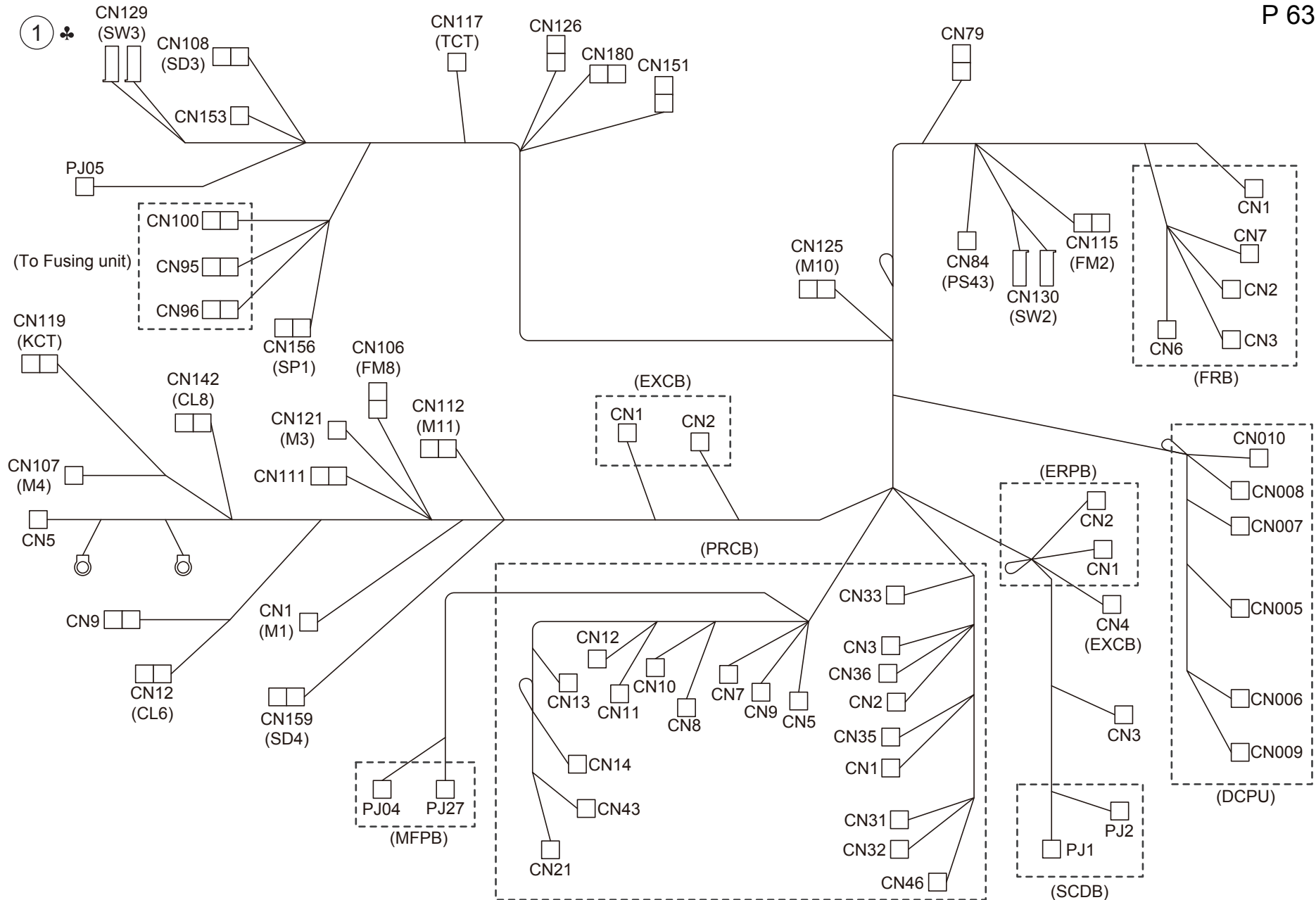
P 62



REAR SIDE  
bizhub 454e

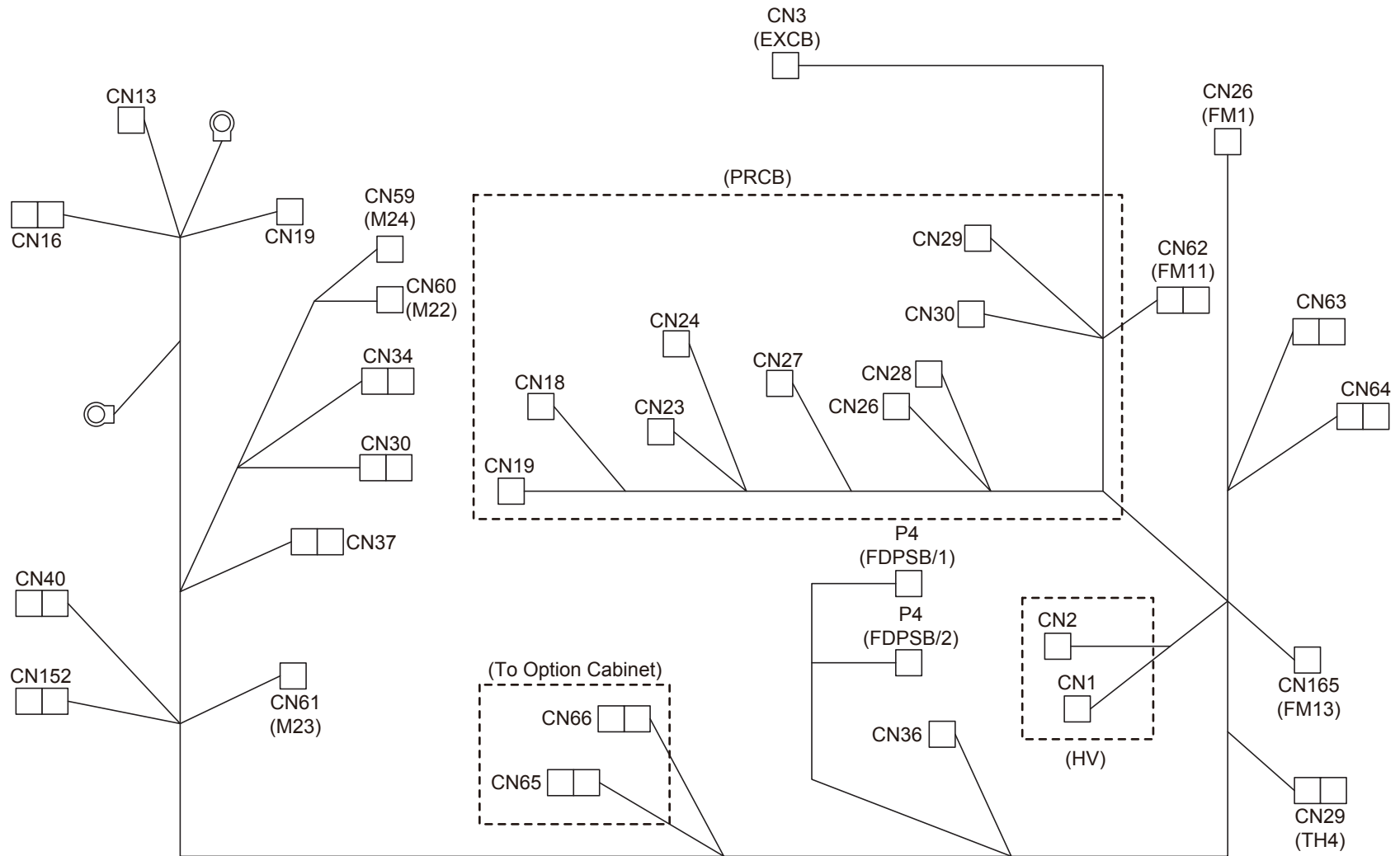
Key	Part No.	Description	Destinations	Class	QTY	Standard parts
1	A161134500	Sheet	シート (HV 基板)	D	1	a-V116030803 b-V116030603 c-V116034003 d-V118030603
2	A5C1131900	Shield Case	シールドケース	D	1	
3	A161138601	Shoulder screw	段ねじ	C	2	
4	A5C1137402	Mounting Plate	取付板	D	1	
5	A5C1138800	Mounting Plate	取付板	D	1	
6	A161137501	Cover	カバー (I / F 基板)	D	1	
7	A61EH00101	PWB Assembly(PWB-MCH)	基板 ASSY (PWB-MCH)	I	1	
8	A161N11800	Flatcable /50	フラットケーブル / 50	C	1	
9	A61FH02001	PWB assembly (PWB-MFP)	基板 ASSY (PWB-MFP)	I	1	
10	A5C1139900	Shoulder screw	段ねじ (HDD Assy)	D	3	
11	A0P0144400	Bushing	ブッシュ (HDD)	D	4	
12	A0P0144300	Shoulder screw	段ねじ (HDD)	D	3	
13	A0PON15100	Cable	ケーブル	C	1	
14	A0PON15200	Cable	ケーブル	C	1	
15	A2X0M72C00	HDD	HDD	I	1	
16	A161130701	Mounting Plate	取付板 (HDD)	D	1	
17	A161139501	Cover	蓋 (USB)	D	1	
18	A161137600	Shoulder screw	段ねじ (SSD)	D	1	
19	A161140101	Duct	ダクト (コント冷却)	D	1	
20	A0EDM10500	Fan motor	ファンモータ	C	1	
21	A161N12602	Control Relay harness	制御中継束線 (FAX 中継)	D	1	
22	A161N11B00	Controller Detection harness	コントローラ検知束線	D	1	
23	A108M50100	Photointerrupter	透過型センサ	B	1	
24	A5C1139400	Mounting Plate	取付板	D	1	
25	A5C1H02A01	PWB assembly(PWB-DS)	基板 ASSY (PWB-DS)	I	1	
26	A5C1131600	Mounting Plate	取付板	D	1	
27	A161137900	Screw	ねじ (D-SUB)	C	2	
28	A0ED131900	Cover	カバー (D-sub)	D	1	
29	A0P0742300	Shoulder screw	段ねじ	C	1	
30	V865300026	MEMORY MODULES	MEMORY MODULES	C	1	
31	A4MG130900	Shoulder screw	段ねじ (DS 基板)	D	2	
32	A161N15500	Interface Flatcable	インターフェースフラットケーブル	C	1	
33	A5AY131803	Shield Case	シールドケース	C	1	
34	A161135700	Protection Seal	保護シール	C	1	
35	A5C1M90000	Gasket	ガスケット	D	2	
36	A5C1133800	Shoulder screw	段ねじ	C	1	
37	A5C1133900	Compressing Coil spring	圧縮コイルばね	C	1	
38	A61F130200	Ground Plate	アース板	C	2	
39	A61F130100	Mounting Plate	取付板	C	1	
40	V502010032	spacer	サーキットボードスペーサー	D	1	
41	A61F130800	Seal	シール	D	1	
42	A61FM90100	Ferritecore	フェライトコア	D	1	
43	A5C1M90000	Gasket	ガスケット	D	2	

# WIRING



Key	Part No.	Description	Destinations	Class	QTY	Standard parts
1	A61EN10300	Main body Wiring /Front	A,A1	D	1	
1	A61EN10900	Main body Wiring /Front	B,C,D1,D3,E,F2,G1,G 2,I,K	D	1	

1





# WIRING ACCESSORIES AND JIGS

P 65

1 	6 White 	11 	16 	21	26	31	36
2 	7 	12 	17 ♣ 	22	27	32	37
3 	8 	13 	18 	23	28	33	38
4 	9 ♣ 	14 	19	24	29	34	39
5 	10 	15 	20	25	30	35	40

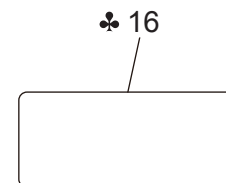
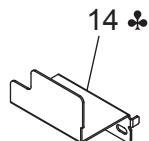
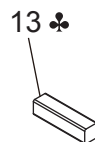
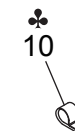
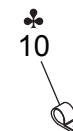
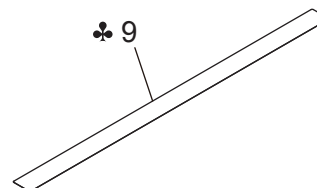
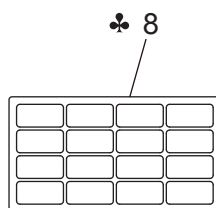
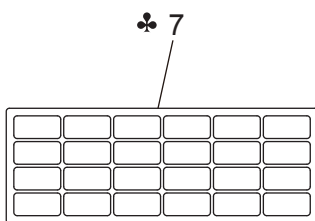
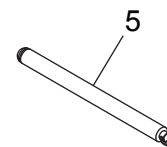
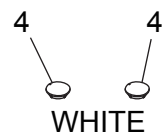
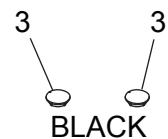
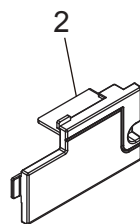
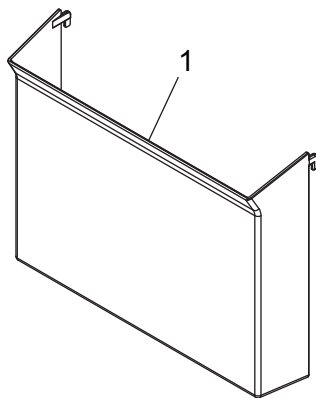
bizhub 454e





# ACCESSORY PARTS

P 66





# MAINTENANCE LIST

● The items with no Page/Key numbers are not handled as spare parts.

No.	Section	PM Parts Description	Maintenance Cycle (K=1,000)		Parts No.	Destinations	Page/Key	Note
			QTY	Replace				
1	ADF Section	Pick-up roller	2	200K	A143PP5200		P6-13	*2, *7
2		Feed roller	1	200K	A143563100		P6-26	*2, *7
3		Separation roller	1	200K	A3CFPP4H00		P7-3	*2, *7
4	Paper feed section	Tray 1 pick-up roller	1	300k	A5C1562200		P33-30	*2, *4
5		Tray 1 feed roller	1	300k	A00J563600		P33-14	*2, *4
6		Tray 1 separation roller	1	300k	A00J563600		P34-6	*2, *4
7		Tray 2 pick-up roller	1	300k	A5C1562200		P35-35	*2, *4
8		Tray 2 feed roller	1	300k	A00J563600		P35-18	*2, *4
9		Tray 2 separation roller	1	300k	A00J563600		P36-6	*2, *4
10		Manual bypass tray feed roller	1	200k	A00F623201		P47-10	*2, *4
11		Manual bypass tray separation roller assy	1	200k	4658015106		P48-30	*2, *4
12	Processing section	Toner cartridge/K *1	1	24.4k	-			
13		Drum unit/K *1	1	130k	-			*3
14		Developing unit/Y,M,C,K	1	580k(JP)	-			*3
15		Developing unit/Y,M,C,K	1	590k(US)	-			*3
16		Developing unit/Y,M,C,K	1	600k(EU)	-			*3
17		Ozone filter	1	300k	A161R72700		P58-10	*3, *5
18	Toner filter	1	300k	A161R72800		P58-5	*3, *5	
19	Image transfer section	Waste toner box *1	1	100k	A4NNWY1		P28-9	*6
20		Transfer belt unit	1	300k	A61DR70000		P31-1	*3
21		Transfer roller unit	1	300k	A161R71400		P44-23	*3, *5
22	Fusing section	Fusing unit 100V	1	580k	A4FJR70222	Aera 100V	P51-10	*3
23		Fusing unit 120V	1	590k	A4FJR70322	Aera 110-127V	P51-10	*3
24		Fusing unit 230V	1	600k	A4FJR70422	Aera 220-240V	P51-10	*3

\*1: The parts can be replaced either by user or service engineer.

\*2: Actual durable cycle (life counter value)

\*3: Field standard yield

\*4: Replace those three parts at the same time.

\*5: The ozone filter and the transfer roller unit are furnished with the transfer belt unit so that all of them are replaced at same time.

\*6: A waste toner full condition is detected with detecting the actual waste toner emissions.

\*7: Replace those parts at the same time.

# メンテナンスリスト

● ページ / キーナンバーのないものは、アフターサービス部品ではありません。

No.	区分	PM 部品名称	サイクル (K=1,000)		部品番号	仕向地	頁 / キー	備考
			員数	交換				
1	ADF 部	ピックアップローラー	2	200K	A143PP5200		P6-13	*2, *7
2		給紙ローラー	1	200K	A143563100		P6-26	*2, *7
3		分離ローラー Assy	1	200K	A3CFPP4H00		P7-3	*2, *7
4	給紙部	トレイ1ピックアップローラー	1	300k	A5C1562200		P33-30	*2, *4
5		トレイ1給紙ローラー	1	300k	A00J563600		P33-14	*2, *4
6		トレイ1分離ローラー	1	300k	A00J563600		P34-6	*2, *4
7		トレイ2ピックアップローラー	1	300k	A5C1562200		P35-35	*2, *4
8		トレイ2給紙ローラー	1	300k	A00J563600		P35-18	*2, *4
9		トレイ2分離ローラー	1	300k	A00J563600		P36-6	*2, *4
10		手差しトレイ給紙ローラー	1	200k	A00F623201		P47-10	*2, *4
11		手差しトレイ分離ローラー Assy	1	200k	4658015106		P48-30	*2, *4
12	プロセス部	トナーカートリッジ / K *1	1	24.4k	-			
13		ドラムユニット / K *1	1	130k	-			*3
14		現像ユニット / Y,M,C,K	1	580k(JP)	-			*3
15		現像ユニット / Y,M,C,K	1	590k(US)	-			*3
16		現像ユニット / Y,M,C,K	1	600k(EU)	-			*3
17		オゾンフィルター	1	300k	A161R72700		P58-10	*3, *5
18		トナーフィルター	1	300k	A161R72800		P58-5	*3, *5
19	転写部	廃棄トナーボックス *1	1	100k	A4NNWY1		P28-9	*6
20		転写ベルトユニット	1	300k	A61DR70000		P31-1	*3
21		転写ローラーユニット	1	300k	A161R71400		P44-23	*3, *5
22	定着部	定着ユニット 100V	1	580k	A4FJR70222	Aera 100V	P51-10	*3
23		定着ユニット 120V	1	590k	A4FJR70322	Aera 110-127V	P51-10	*3
24		定着ユニット 230V	1	600k	A4FJR70422	Aera 220-240V	P51-10	*3

\*1: ユーザー / サービス交換の選択が可能。

\*2: ライフカウンター値

\*3: 市場標準印刷枚数値

\*4: 同時交換する。

\*5: 転写ベルトユニット (A161R713) に同梱されており、同時交換する。

\*6: 廃棄トナーフル検知は、実際の廃棄トナー充填量を検知して行う。

\*7: 3点同時交換すること。

## DESTINATION

Destination No.		Destinations		V	Hz	Model No.
A	A1	JAPAN		100	50/60	A61E001
	A2	JAPAN				
B		USA, CANADA		120	60	A61E011 A61E012
C		EUROPEAN TYPE		220-240	50/60	A61E021
D	D1	S.E ASIA TYPE	THAILAND, SRI LANKA, SINGAPORE, MALAYSIA, HONG KONG, PAKISTAN, INDIA, BANGLADESH, INDONESIA	220-240	50/60	A61E041
	D3	OCEANIA TYPE	AUSTRALIA, NEW ZEALAND	220-240	50/60	A61E041
E		PHILIPPINES		220-240	50/60	A61E041
F	F1	SAUDI ARABIA				
	F2	SAUDI ARABIA		220-240	50/60	A61E041
G	G1	C.S AMERICA		220-240	50/60	A61E041
	G2	C.S AMERICA		120	60	A61E011
H		TAIWAN				
I		JORDAN, LEBANON, SYRIA, SOUTH AFRICA, IRAQ, IRAN, N.YEMEN, CAMEROON, UAE, BAHRAIN, OMAN, QATAR, KUWAIT, KENYA, TUNISIA, IVORY COAST, MOROCCO		220-240	50/60	A61E041
J		CHINA				
K		KOREA		220-240	50/60	A61E041

bizhub 454e