

KONICA MINOLTA

PARTS GUIDE MANUAL

JUNE 2017

bizhub 458
A9HH

INFORMATION FOR PARTS GUIDE MANUAL

To find correct Parts No., refer to the "HOW TO MAKE THE BEST USE OF THIS MANUAL" in the following page.

HOW TO MAKE THE BEST USE OF THIS MANUAL

- 1 When you order, please check the proper figures beforehand that are on Our Parts Guide Manual, and order with the appropriate figures.
- 2 For screws, Nuts, Washers, retaining rings and Pins which are used in this model, one letter is shown on the Standard parts column of Parts list and exploded diagrams.
- 3 In order to maintain safety of the product, some specific parts composed of this product are set up as "essential safety parts".
- 4 The assigned parts number for the "essential safety parts" is indicated as "SP00-****".
When replacing these parts, follow precautions for disassembling and installing which are listed in the Service Manual.
Do not use any parts that are not set up as
- 5 ♣ means that there are exclusive parts for each destination.
Please check the appropriate destination when you order.
- 6 Revision Mark
Marked as ▲ on the illustration shows that the revision has been made.
- 7 All rights reserved. (any reprints or quotations are prohibited.)
Use of this parts guide manual should be strictly supervised to avoid disclosure of confidential information.

パーツガイドマニュアルのご案内

サービス部品をご発注の際には、下記に示す“パーツガイドマニュアルの活用にあたって”をご参照の上、正しい部品番号にてお願い致します。

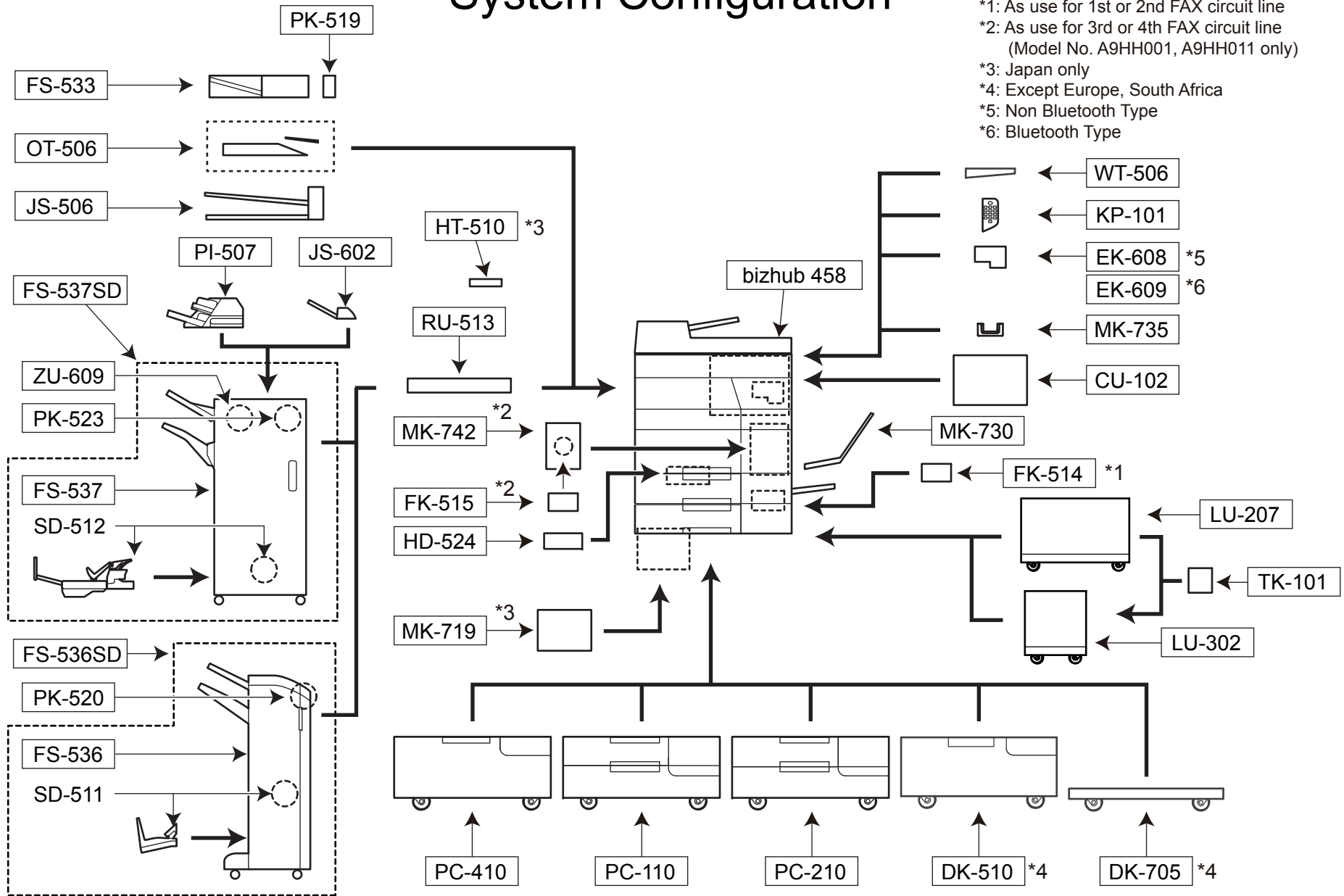
パーツガイドマニュアルの活用にあたって

- 1 部品発注の際には、掲載されている部品番号の桁数を確認し、掲載されている桁数で発注願います。
- 2 この製品に使用されているネジ、ナット、ワッシャー、止め輪、ピンなどは、リストの右側の Standard parts 欄に a,b,c,…… で表示し、イラストにも a,b,c,…… 表示してあります。
- 3 製品の安全性を維持する為に、製品に使用される特定の部品を「重要保安部品」として設定しています。
- 4 重要保安部品の部品番号は、“SP00-****”と記載されていますので、部品交換時は、サービスマニュアル記載の分解・組み立ての注意事項に従って作業をして下さい。
また、指定以外の部品は一切使用しないで下さい。
- 5 本文に ♣ が表示されている部品は、仕向け地毎に専用部品がある事を意味しています。
オーダーされる時は、仕向け地を確認して下さい。
- 6 改訂記号について
イラスト上に ▲ 印が表示されている部分は、改訂された事を表します。
- 7 著作権所有（無断転載及び無断引用の禁止）
本パーツガイドマニュアルについては、機密保持等その扱いには十分注意して下さい。万一取り扱いを誤った場合には、法律で処罰されることがあります。

11/07/2016

System Configuration

- *1: As use for 1st or 2nd FAX circuit line
- *2: As use for 3rd or 4th FAX circuit line
(Model No. A9HH001, A9HH011 only)
- *3: Japan only
- *4: Except Europe, South Africa
- *5: Non Bluetooth Type
- *6: Bluetooth Type



bizhub 458

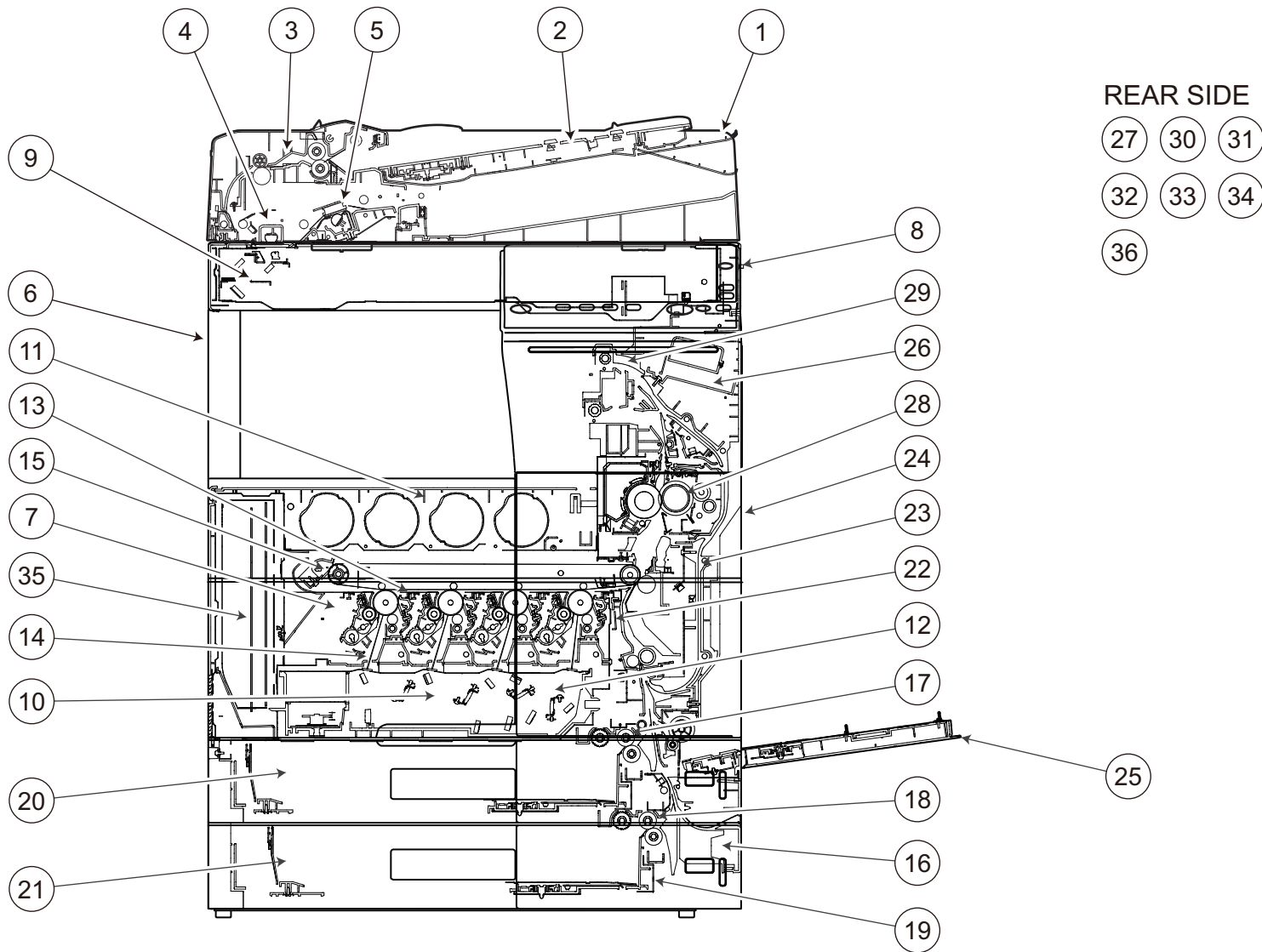
GENERAL CONTENTS

No.	Description	Model
1	Digital MFP B/W	bizhub 458
2	Working Table	WT-506
3	Other Option	KP-101
4	Local IF Kit	EK-608
5	Local IF Kit	EK-609
6	Mount Kit	MK-735
7	Other Option	CU-102
8	Mount Kit	MK-730
9	Fax Kit	FK-514
10	Paper Feeder	LU-207
11	Other Option	TK-101
12	Paper Feeder	LU-302
13	Desk	DK-705
14	Desk	DK-510
15	Paper Feeder	PC-210
16	Paper Feeder	PC-110
17	Paper Feeder	PC-410
18	Finisher/Sorter	FS-536
19	Punch Unit	PK-520
20	Finisher/Sorter	FS-536SD
21	Finisher/Sorter	FS-537
22	Punch Unit	PK-523

bizhub 458

No.	Description	Model
23	Folding Unit	ZU-609
24	Finisher/Sorter	FS-537SD
25	Job Separator	JS-506
26	Output Tray	OT-506
27	Finisher/Sorter	FS-533
28	Punch Unit	PK-519
29	Post Inserter	PI-507
30	Job Separator	JS-602
31	Heater	HT-510
32	Finisher/Sorter	RU-513
33	Mount Kit	MK-742
34	Fax Kit	FK-515
35	HDD	HD-524
36	Other Option	MK-719

Section Configuration



CONTENTS

No.	DESCRIPTION	名称	PAGE No.
1	EXTERNAL PARTS (DF-704)	外装部 (DF-704)	P1 P2
2	PAPER FEED TRAY SECTION (DF-704)	給紙トレイ部 (DF-704)	P3
3	PAPER TAKE-UP SECTION (DF-704)	給紙部 (DF-704)	P4 P5 P6
4	PAPER TRANSPORT SECTION (DF-704)	搬送部 (DF-704)	P7 P8 P9 P10 P11 P12
5	CIS SECTION (DF-704)	C I S 部 (DF-704)	P13 P14 P15 P16
6	External Parts Section	外装部	P17 P18
7	Inner Cover Section	2次カバー部	P19
8	Operation Panel Section	操作部	P20
9	Scanner Section	スキャナー部	P21 P22 P23 P24
10	PH Section	P H 部	P25
11	Toner Supply Section	トナー補給部	P26 P27
12	Toner Collection Section	トナー回収部	P28
13	Photo Conductor Section	感光体部	P29
14	Developing Section	現像部	P30
15	1st Transfer Section	1次転写部	P31
16	Paper Feed Section	給紙部	P32
17	Tray 1 Paper Feed Section	トレイ1 給紙部	P33 P34
18	Tray 2 Paper Feed Section	トレイ2 給紙部	P35 P36
19	Tray Section	トレイ部	P37 P38
20	Tray 1 Section	トレイ1部	P39 P40
21	Tray 2 Section	トレイ2部	P41 P42
22	2nd Transfer Section/Registration Section	2次転写部 / レジスト部	P43
23	2nd Transfer Section/Vertical Conveyance Section	2次転写部 / 垂直搬送部	P44 P45
24	Vertical Conveyance Section	垂直搬送部	P46
25	Bypass Tray Section	手差しトレイ部	P47 P48 P49
26	Duplex Section	両面部	P50 P51 P52
27	The Paper Cooling Fan Section	用紙冷却ファン部	P53
28	Fusing Section	定着部	P54
29	Paper Exit /Reverse Section	排紙 / 反転部	P55 P56
30	Main Drive/ Paper Feed Drive Section	メイン駆動 / 給紙駆動部	P57 P58
31	Toner Supply Drive Section	トナー補給駆動部	P59
32	Fusing Drive Section	定着駆動部	P60 P61
33	Toner Suction Fan Section	トナー吸引ファン部	P62
34	High Voltage Section	高圧電源部	P63
35	Low Voltage Section	低圧電源部	P64
36	Electrical Components Section	電装部	P65 P66
37	Wiring	束線	P67 P68 P69
38	Wiring Accessories And Jigs	配線部品・治具	P70
39	Accessory Parts	同梱部品	P71 P72

INDEX

Parts No.	Page No.
0996305501	37-7
1164202801	56-10
4002311002	38-7
4004590301	56-4
4011585202	43-4
4025598401	56-7
4030301703	34-11
4030301703	36-12
4030320601	40-15
4030320601	42-16
4030322601	40-9
4030322601	42-9
4030340301	48-15
4030347501	48-19
4034352501	33-2
4036307501	22-6
4036534801	27-25
4037320401	40-11
4037320401	42-11
4038101401	19-11
4038101401	26-4
4038228702	19-18
4038353701	43-36
4038353901	43-37
4038541202	59-7
4038M60000	19-14
4040561000	34-2
4040561000	36-3
4131300301	33-12
4131300301	35-17
4131353202	47-17
4136N30000	71-15
4139M10000	25-2
4139M10000	63-17
4139M10000	64-10
4163510201	27-5
4163529301	25-3
4163529301	31-22
4163529301	38-12
4163529301	40-23

Parts No.	Page No.
4163529301	42-13
4163529301	43-11
4163529301	44-2
4163529301	45-25
4163529301	50-15
4163529301	52-3
4163529301	64-11
4333501201	27-17
4470402401	19-23
4532341001	34-13
4532341001	36-15
4576536301	27-7
4581162501	22-8
4658015106	48-26
56AA40490	17-4
56AA40490	33-30
56AA40490	34-23
56AA40490	35-35
56AA40490	36-24
65AA-9920	70-23
9313100072	51-11
9313100072	53-6
9313100072	62-7
9321240011	47-24
9381420021	71-15
9381430031	71-15
9J06M10300	38-8
9J06M60100	19-17
9J06M60100	46-3
9J06PJG100	70-24
9J06PJP100	70-25
9J07330801	6-15
A00F623201	47-10
A00F941100	50-20
A00J106202	17-24
A00J169100	18-8
A00J169100	20-17
A00J169100	71-2
A00J169300	21-5
A00J169300	55-13

Parts No.	Page No.
A00J265300	22-7
A00J563600	6-24
A00J563600	33-14
A00J563600	34-6
A00J563600	35-18
A00J563600	36-6
A00J617900	35-12
A00J663200	33-28
A00J663200	35-16
A00J945500	17-14
A00JH00D00	17-7
A00JN30200	65-19
A011946200	20-24
A02E117300	62-6
A02E149900	18-6
A02E167700	21-7
A02E167700	71-3
A02E560800	33-24
A02E560800	35-28
A02E561100	33-16
A02E561100	35-20
A02E595100	47-21
A02E595400	47-16
A02E596100	47-20
A02E596300	47-9
A02E597600	48-25
A02E712902	43-41
A02E815200	45-10
A02E815200	50-11
A02E815200	52-17
A02E940300	40-24
A02E940300	42-24
A02EM20000	43-21
A02EM20100	47-22
A02EM20200	35-29
A02EN12513	65-12
A034M20100	43-10
A03U812800	60-8
A03U812800	61-14
A07H570500	6-26

Parts No.	Page No.
A0ED103100	29-10
A0ED111000	31-4
A0ED111400	31-12
A0ED112000	31-14
A0ED135700	65-16
A0ED135700	65-23
A0ED162401	19-6
A0ED163000	17-2
A0ED245000	28-7
A0ED271200	23-7
A0ED271300	23-6
A0ED273600	24-12
A0ED274300	24-19
A0ED274400	24-8
A0ED276301	24-16
A0ED363001	28-4
A0ED363200	28-2
A0ED363312	28-5
A0ED363400	28-3
A0ED401000	27-24
A0ED550800	44-24
A0ED550900	44-17
A0ED551000	44-14
A0ED551100	44-15
A0ED563900	34-5
A0ED563900	36-5
A0ED597800	47-23
A0ED620200	40-16
A0ED620200	42-17
A0ED620701	40-22
A0ED620701	42-22
A0ED621400	40-12
A0ED621400	42-12
A0ED700200	43-34
A0ED700300	43-19
A0ED700600	43-18
A0ED700700	43-32
A0ED702400	45-28
A0ED702800	43-26
A0ED705800	43-25

Parts No.	Page No.
A0ED712100	46-8
A0ED811700	45-1
A0ED811700	50-25
A0ED811900	45-4
A0ED815100	52-9
A0ED891100	56-1
A0ED897700	56-28
A0ED940600	26-6
A0ED940700	17-3
A0EDM10500	66-18
A0EDM50100	33-5
A0EDM50100	35-3
A0EDM60001	26-19
A0EDM60001	30-1
A0EDN30002	65-24
A0G6411200	17-9
A0HF952400	21-10
A0P0742300	55-17
A0P0M50300	63-9
A0P0N15100	66-13
A108M50000	3-5
A143114600	1-18
A143563300	6-22
A143PP0200	1-2
A143PP1B00	5-4
A143PP1M00	8-16
A143PP1M00	9-6
A143PP1M00	12-2
A143PP1S00	15-16
A143PP1X00	7-10
A143PP1X00	8-13
A143PP1Y00	11-4
A143PP2901	2-6
A143PP3P01	10-27
A143PP4D02	9-9
A143PP4D02	12-3
A143PP4H01	12-11
A143PP4P01	7-7
A143PP5200	6-13
A143PP5301	6-12

Parts No.	Page No.	Parts No.	Page No.	Parts No.	Page No.	Parts No.	Page No.	Parts No.	Page No.
A143PP5901	6-19	A161107400	29-2	A161146900	62-1	A161258501	61-16	A161401000	27-6
A143PP5A00	6-23	A161110105	31-13	A161147500	62-2	A161261902	22-15	A161401100	27-4
A143PP5B01	6-21	A161110202	31-10	A161147600	62-13	A161262002	22-16	A161401200	27-3
A143PP5F01	4-2	A161110300	31-11	A161151100	19-20	A161262200	22-14	A161401300	27-1
A143PP5J01	5-11	A161110400	31-7	A161151200	46-5	A161263000	22-11	A161401400	27-2
A143PP5K01	5-12	A161110601	31-3	A161151300	19-19	A161268200	22-3	A161402115	26-14
A143PP5M01	5-13	A161112101	31-23	A161160300	17-8	A161268300	22-1	A161402403	26-8
A143PP5R04	4-3	A161112200	31-8	A161161201	18-20	A161271000	23-9	A161402502	26-7
A143PP5T03	6-8	A161112300	31-16	A161162400	20-18	A161271000	24-14	A161403000	27-18
A143PP5U03	6-11	A161112400	31-24	A161162803	18-7	A161271100	23-11	A161403101	27-8
A143PP5V00	4-4	A161112500	31-5	A161162900	18-18	A161271100	24-17	A161403200	27-23
A143PP5Y01	6-14	A161112600	31-9	A161163900	18-16	A161273113	24-15	A161403500	26-10
A143PP6800	5-7	A161112700	31-21	A161165300	19-5	A161273401	24-13	A161403600	26-11
A143PP6800	11-14	A161116202	30-2	A161165602	17-16	A161273500	24-18	A161403701	26-2
A143PP6900	5-3	A161119500	30-3	A161167000	20-23	A161273701	24-11	A161403800	26-9
A143PP6F01	3-13	A161121300	46-1	A161167100	20-28	A161273800	24-20	A161403901	26-5
A143PP6K01	3-12	A161122002	60-22	A161167300	20-27	A161274500	24-22	A161404001	26-16
A143PP6M01	3-11	A161122500	53-15	A161167400	20-26	A161274600	24-21	A161404100	26-17
A143PP6X00	3-10	A161130301	25-8	A161170800	21-8	A161275113	24-23	A161404200	27-11
A143PP7301	5-18	A161131401	65-2	A161190903	20-2	A161275213	24-24	A161404300	27-22
A143PP8600	16-10	A161132801	63-5	A161210200	58-13	A161275300	24-9	A161508400	31-2
A143PP8D01	16-17	A161135100	19-15	A161228312	61-13	A161275400	24-10	A161550700	44-12
A143PP8F00	1-13	A161135504	19-22	A161228601	61-17	A161275500	24-6	A161551500	44-21
A143PP8F00	16-19	A161137100	46-4	A161228701	60-13	A161275600	24-5	A161551600	44-20
A143PP9300	8-5	A161137701	63-8	A161230600	61-8	A161275700	24-3	A161560112	33-10
A143PP9G00	6-9	A161137802	25-10	A161232200	60-6	A161276000	24-4	A161560302	35-10
A161101600	37-15	A161137900	66-25	A161232300	60-17	A161276500	24-7	A161560500	33-29
A161101701	37-16	A161140400	54-4	A161232300	61-3	A161278600	23-1	A161560500	35-14
A161101900	37-4	A161141500	62-8	A161232401	60-21	A161278900	23-3	A161560900	33-4
A161102500	46-2	A161141700	31-18	A161240300	59-5	A161280211	22-20	A161560900	35-7
A161103700	37-12	A161143400	64-8	A161240400	59-4	A161280300	22-17	A161561000	35-1
A161103901	37-10	A161143500	62-3	A161240600	59-6	A161281100	22-24	A161561100	32-1
A161104101	44-22	A161143601	64-3	A161240700	59-8	A161281300	22-22	A161561200	32-2
A161104200	37-3	A161144500	64-2	A161245100	28-6	A161281600	22-4	A161561600	33-7
A161104300	37-1	A161144801	31-17	A161245400	28-8	A161362000	28-11	A161561600	35-8
A161105200	37-14	A161145000	64-1	A161254300	60-2	A161400100	27-9	A161562000	33-19
A161105400	25-5	A161146200	31-19	A161254500	60-5	A161400401	27-10	A161562000	35-23
A161105500	57-16	A161146400	25-16	A161254600	60-14	A161400601	27-12	A161562101	33-21
A161105600	29-7	A161146500	62-12	A161254700	60-4	A161400701	27-21	A161562101	35-25
A161107100	29-9	A161146600	62-11	A161256300	60-9	A161400800	27-26	A161562300	33-17

Parts No.	Page No.	Parts No.	Page No.	Parts No.	Page No.	Parts No.	Page No.	Parts No.	Page No.
A161562300	35-21	A161590101	48-13	A161620107	40-19	A161626200	39-2	A161712100	45-23
A161562400	33-13	A161590201	47-5	A161620400	40-10	A161626200	41-2	A161712300	44-16
A161562400	35-15	A161590304	48-11	A161620400	42-10	A161626502	39-9	A161712401	44-4
A161562500	33-20	A161590600	47-19	A161620600	40-6	A161626602	39-10	A161712500	44-19
A161562500	35-24	A161590800	47-18	A161620600	42-6	A161626602	41-11	A161712600	45-6
A161562600	33-18	A161590901	48-29	A161620701	40-7	A161626800	39-11	A161712700	44-3
A161562600	35-22	A161591000	48-28	A161620701	42-8	A161626800	41-12	A161712800	45-21
A161562800	33-11	A161591100	48-27	A161620803	40-14	A161626900	39-17	A161712800	52-25
A161562800	35-13	A161591300	47-25	A161620803	42-15	A161626900	41-18	A161712900	45-5
A161563000	35-32	A161591400	47-13	A161620904	40-1	A161630102	42-23	A161713100	45-7
A161563300	34-12	A161591500	47-12	A161620904	42-1	A161631411	42-19	A161713500	45-20
A161563300	36-13	A161591600	48-12	A161621100	40-5	A161633101	41-4	A161714500	45-18
A161563901	34-14	A161591700	47-8	A161621100	42-5	A161633202	41-21	A161714600	45-22
A161563901	36-14	A161591800	48-22	A161621300	40-13	A161635117	41-19	A161719000	45-2
A161564001	34-10	A161592200	49-2	A161621300	42-14	A161636502	41-10	A161810305	46-20
A161564001	36-11	A161592300	49-10	A161621411	40-18	A161700301	43-14	A161810503	52-28
A161564200	34-16	A161592400	49-7	A161621600	40-4	A161700401	43-12	A161810600	52-6
A161564200	36-17	A161592501	49-8	A161621600	42-4	A161700600	43-39	A161810801	52-5
A161564300	34-18	A161592600	49-9	A161621701	40-21	A161700700	43-13	A161811001	46-10
A161564300	36-19	A161592800	47-1	A161621701	42-21	A161700901	43-1	A161811100	46-12
A161564400	34-15	A161592900	46-7	A161621800	40-20	A161701100	43-15	A161811302	46-14
A161564400	36-16	A161593300	47-14	A161621800	42-20	A161701301	43-28	A161811500	46-9
A161565102	32-4	A161593400	48-33	A161621900	40-17	A161701703	43-17	A161813001	52-26
A161565302	33-9	A161593600	48-31	A161621900	42-18	A161701800	43-5	A161813100	52-27
A161566000	33-1	A161593800	49-15	A161622100	39-1	A161701900	43-24	A161813200	52-18
A161567300	33-23	A161594100	47-6	A161622100	41-1	A161702000	43-22	A161813300	50-21
A161567300	35-27	A161594201	48-10	A161623104	39-4	A161702101	43-16	A161813400	52-21
A161567400	33-22	A161594300	49-18	A161623301	39-21	A161702200	43-23	A161813600	52-8
A161567400	35-26	A161594400	47-11	A161623400	37-13	A161702200	61-12	A161814401	52-2
A161568600	34-3	A161594500	48-1	A161623400	39-3	A161706001	43-27	A161814500	52-16
A161568700	36-9	A161594600	48-3	A161623400	41-3	A161710103	44-11	A161814601	50-9
A161568800	36-2	A161594700	47-7	A161624100	40-3	A161710300	45-29	A161814700	50-12
A161568901	35-34	A161594800	47-27	A161624100	42-3	A161710405	45-24	A161815000	46-21
A161571100	35-6	A161594900	47-28	A161625114	39-18	A161710500	45-8	A161815100	50-7
A161575101	32-6	A161595000	48-18	A161625900	39-16	A161711200	44-26	A161815300	46-16
A161576100	32-5	A161595100	48-14	A161625900	41-17	A161711300	45-13	A161815400	46-19
A161578100	35-2	A161595200	48-21	A161626000	39-12	A161711600	45-17	A161815800	50-17
A161578212	35-4	A161595300	48-16	A161626000	41-13	A161711700	45-14	A161815900	46-17
A161578700	35-33	A161595400	48-20	A161626100	39-13	A161711901	45-31	A161816200	46-22
A161579011	32-8	A161595600	48-17	A161626100	41-14	A161712000	45-19	A161816300	45-26

Parts No.	Page No.	Parts No.	Page No.	Parts No.	Page No.	Parts No.	Page No.	Parts No.	Page No.
A161816400	50-22	A161946400	45-11	A2X0949100	19-10	A3CEPP1U00	16-12	A3CEPP3F00	14-7
A161819400	52-15	A161F21013	28-10	A2X0M10000	57-8	A3CEPP1V01	16-21	A3CEPP3G00	14-19
A161819500	52-13	A161F56028	33-25	A2X0M10600	50-23	A3CEPP1X01	16-16	A3CEPP3H01	15-12
A161825000	52-31	A161F59002	47-15	A2X0M72C00	66-11	A3CEPP1Y00	16-11	A3CEPP3J01	15-15
A161825102	52-14	A161F89003	56-26	A2XK130000	29-4	A3CEPP2000	11-10	A3CEPP3K00	15-14
A161825301	52-7	A161H00U01	20-20	A2XK144201	25-17	A3CEPP2302	1-9	A3CEPP3L00	14-9
A161825400	52-19	A161M10300	61-1	A2XK163102	17-17	A3CEPP2403	16-18	A3CEPP3M00	14-17
A161825700	45-9	A161M20300	57-14	A2XK163201	17-10	A3CEPP2601	16-13	A3CEPP3N01	14-8
A161825700	52-10	A161M20400	61-7	A2XK163401	17-11	A3CEPP2700	15-3	A3CEPP3P00	14-15
A161825800	52-11	A161M50000	43-2	A2XK163701	17-20	A3CEPP2800	15-2	A3CEPP3Q00	14-10
A161826001	52-33	A161M50400	49-14	A2XK165000	17-18	A3CEPP2E00	9-15	A3CEPP3R00	14-16
A161890205	56-18	A161M50501	38-6	A2XK165700	17-19	A3CEPP2G01	9-2	A3CEPP3S00	14-18
A161891000	56-21	A161M50600	38-5	A2XK254200	60-1	A3CEPP2H01	8-3	A3CEPP3T00	13-8
A161892300	56-22	A161M50A00	22-23	A2XK400001	26-20	A3CEPP2J01	8-21	A3CEPP3X00	14-11
A161892400	56-5	A161N10H01	44-1	A2XK400100	26-21	A3CEPP2K00	8-17	A3CEPP4301	15-1
A161893601	56-20	A161N10K00	17-5	A2XK709000	35-30	A3CEPP2M00	9-7	A3CEPP4407	7-5
A161894000	55-14	A161N11300	63-12	A2XK710100	44-9	A3CEPP2Q00	8-18	A3CEPP4701	7-11
A161894000	56-11	A161N11C01	21-13	A2XKN10C00	19-16	A3CEPP2R00	9-3	A3CEPP4800	3-9
A161894100	55-15	A161N11K00	63-13	A2XKN10H01	35-31	A3CEPP2S00	8-20	A3CEPP4A01	16-1
A161895502	56-12	A161N12200	47-4	A3CE213300	9-4	A3CEPP2T01	10-30	A3CEPP4B00	8-23
A161895600	56-13	A161N12701	35-5	A3CEPP1204	12-7	A3CEPP2U00	16-23	A3CEPP4C00	9-1
A161900100	56-29	A161N12801	27-15	A3CEPP1300	11-1	A3CEPP2V00	16-2	A3CEPP4E00	3-14
A161900201	56-9	A161N14100	22-5	A3CEPP1400	9-12	A3CEPP2X01	15-10	A3CEPP4F00	11-16
A161900300	56-19	A161N14201	22-12	A3CEPP1500	8-14	A3CEPP2Y00	15-17	A3CEPP4G00	10-2
A161940400	17-23	A161N15J00	66-14	A3CEPP1701	16-9	A3CEPP3000	16-7	A3CEPP4H00	11-15
A161941100	60-12	A161R72200	22-2	A3CEPP1802	1-12	A3CEPP3101	16-24	A3CEPP4K00	12-23
A161942000	19-13	A161R72811	62-4	A3CEPP1900	1-7	A3CEPP3200	16-22	A3CEPP4L00	9-19
A161942500	19-7	A1DMN13700	66-27	A3CEPP1A00	16-20	A3CEPP3301	12-20	A3CEPP4M01	16-6
A161943000	19-3	A1RF505400	61-15	A3CEPP1B03	2-4	A3CEPP3301	15-9	A3CEPP4N00	8-24
A161943000	40-8	A1RF517100	57-11	A3CEPP1C00	14-20	A3CEPP3401	15-5	A3CEPP4P00	8-25
A161943000	42-7	A1UD192400	37-9	A3CEPP1E02	16-15	A3CEPP3501	15-6	A3CEPP4R00	16-4
A161943100	39-14	A1UD947400	71-10	A3CEPP1F00	9-11	A3CEPP3600	15-4	A3CEPP4S00	16-5
A161943200	41-15	A1UDM50200	22-9	A3CEPP1G01	8-11	A3CEPP3702	14-2	A3CEPP4V00	13-14
A161943301	71-7	A1UDN30200	71-15	A3CEPP1H01	13-9	A3CEPP3800	14-1	A3CEPP4X00	12-24
A161943400	71-6	A2UPN30000	71-15	A3CEPP1J00	13-12	A3CEPP3900	15-11	A3CEPP4Y00	13-11
A161943700	40-2	A2UPN30100	71-15	A3CEPP1M02	1-10	A3CEPP3A00	14-5	A3CEPP5000	12-18
A161943700	42-2	A2UPN30300	71-15	A3CEPP1N00	15-13	A3CEPP3B00	14-3	A3CEPP5100	14-14
A161946100	50-13	A2UPN30601	71-15	A3CEPP1Q00	14-13	A3CEPP3C00	14-12	A3CEPP5400	7-8
A161946200	45-15	A2X0901100	56-15	A3CEPP1S03	9-18	A3CEPP3D01	14-6	A3CEPP5500	7-9
A161946300	43-40	A2X0945701	18-4	A3CEPP1T01	16-14	A3CEPP3E01	11-5	A3CEPP5700	10-31

Parts No.	Page No.	Parts No.	Page No.	Parts No.	Page No.	Parts No.	Page No.	Parts No.	Page No.
A3CEPP5A00	14-21	A3CFPP4400	12-4	A3GNM71C00	23-13	A5C1280100	22-18	A5C1711500	45-16
A3CEPP5B00	1-14	A3CFPP4500	12-22	A3GNM71C00	63-21	A5C1404500	19-12	A5C1711800	44-13
A3CEPP5C00	15-18	A3CFPP4500	15-7	A3GNM71C00	66-28	A5C1404500	26-15	A5C1715100	44-5
A3CEPP6R00	13-1	A3CFPP4600	12-21	A4EU138000	66-8	A5C1404600	27-13	A5C1811600	46-18
A3CEPP7100	11-2	A3CFPP4700	12-13	A4FJ150101	63-2	A5C1551701	44-18	A5C1811803	52-20
A3CF103400	8-12	A3CFPP4800	12-10	A4FJ150200	63-18	A5C1560600	33-3	A5C1811901	52-23
A3CF103400	9-17	A3CFPP4900	12-12	A4FJ150301	54-3	A5C1560600	35-11	A5C1814200	50-14
A3CF103400	12-16	A3CFPP4A00	12-15	A4FJ230700	60-19	A5C1562200	33-15	A5C1814300	50-28
A3CF113900	1-16	A3CFPP4C00	12-14	A4FJ819200	52-32	A5C1562200	35-19	A5C1815200	46-13
A3CF116100	1-19	A3CFPP4C00	16-8	A4FJM40K01	63-16	A5C1563100	34-1	A5C1815700	50-16
A3CF116400	1-17	A3CFPP4F00	12-8	A4FJM40M01	63-16	A5C1563100	36-1	A5C1825000	52-30
A3CFPP1600	4-8	A3CFPP4G00	7-1	A4FJN10101	65-14	A5C1563400	34-9	A5C1825500	52-29
A3CFPP1700	6-7	A3CFPP4H00	7-3	A4MG130900	66-3	A5C1563400	36-10	A5C1890401	56-17
A3CFPP1E02	9-10	A3CFPP4L00	7-4	A4NNWY1	28-9	A5C1563500	34-4	A5C1891100	56-6
A3CFPP1G00	12-6	A3CFPP4N00	7-2	A4NNWY3	28-9	A5C1563500	36-4	A5C1F42000	27-14
A3CFPP1J01	9-16	A3CFPP4T01	5-14	A4NNWY3	28-9	A5C1564101	34-17	A5C1H00900	25-9
A3CFPP1K01	10-4	A3CFPP4T01	14-4	A4NNWY3	28-9	A5C1564101	36-18	A5C1M10A00	24-2
A3CFPP1N03	7-12	A3CFPP4U01	5-15	A55V624700	39-23	A5C1565500	33-6	A5C1M50100	3-4
A3CFPP1P00	10-18	A3CFPP4V00	6-6	A55V624700	41-23	A5C1565600	34-19	A5C1M50100	5-2
A3CFPP2704	1-4	A3CFPP5200	5-8	A5AWP00100	70-21	A5C1565600	36-7	A5C1M50100	10-3
A3CFPP2A01	2-2	A3CFPP5300	6-10	A5AWP00100	70-22	A5C1590500	46-11	A5C1M50100	11-3
A3CFPP2B00	11-7	A3CFPP5400	5-16	A5AY131100	64-5	A5C1591200	47-26	A5C1M50100	16-3
A3CFPP2C00	8-2	A3CFPP5B02	3-2	A5C1101101	37-8	A5C1591900	47-3	A5C1M50100	19-8
A3CFPP2E00	8-15	A3CFPP5C01	3-6	A5C1104400	37-11	A5C1624300	39-8	A5C1M50100	22-13
A3CFPP2E00	9-8	A3CFPP5F03	3-3	A5C1104700	37-18	A5C1624300	41-9	A5C1M50100	27-20
A3CFPP2E00	12-5	A3CFPP5G03	3-1	A5C1104800	37-6	A5C1625001	39-15	A5C1M50100	33-8
A3CFPP2R00	2-3	A3CFPP5H01	3-7	A5C1105500	29-8	A5C1627101	38-9	A5C1M50100	35-9
A3CFPP2S00	13-4	A3CFPP5J01	3-8	A5C1106000	37-19	A5C1627300	38-10	A5C1M50100	38-13
A3CFPP3500	9-14	A3CFPP5K01	5-1	A5C1112800	31-6	A5C1627900	38-11	A5C1M50100	43-7
A3CFPP3800	9-13	A3CFPP5L00	5-5	A5C1112900	31-15	A5C1628000	38-4	A5C1M50100	44-10
A3CFPP3900	8-10	A3CFPP5N01	4-11	A5C1121202	46-6	A5C1628500	39-19	A5C1M50100	45-27
A3CFPP3C00	8-9	A3CFPP5R00	12-9	A5C1130800	65-7	A5C1628500	41-20	A5C1M50100	47-2
A3CFPP3D01	8-6	A3CFPP5S00	8-1	A5C1134800	63-14	A5C1635001	41-16	A5C1M50100	48-24
A3CFPP3J01	9-5	A3CFPP6B00	2-1	A5C1137800	65-3	A5C1700101	43-35	A5C1M50100	49-6
A3CFPP3J01	12-1	A3CFPP6C00	5-17	A5C1142001	62-5	A5C1700800	43-42	A5C1M50100	52-12
A3CFPP3M00	10-28	A3CFPP6L00	7-14	A5C1160401	17-6	A5C1701400	43-31	A5C1M92000	20-11
A3CFPP3P01	8-7	A3CFPP6T00	16-25	A5C1167800	20-22	A5C1703200	43-43	A5C1N10B00	20-29
A3CFPP3R00	8-4	A3CFPP6U00	4-10	A5C1192100	71-4	A5C1710200	45-12	A5C1N14300	24-1
A3CFPP4202	12-19	A3CFPP7000	6-1	A5C1263300	22-10	A5C1710900	44-8	A5C1N30000	65-19
A3CFPP4301	12-17	A3EW944600	21-12	A5C1263400	22-26	A5C1711000	44-6	A5C1R70800	34-8

Parts No.	Page No.	Parts No.	Page No.	Parts No.	Page No.	Parts No.	Page No.	Parts No.	Page No.
A5C1R70800	36-20	A795942401	39-7	A79J143001	53-9	A79J221200	58-14	A79J831300	51-2
A5C1R71600	17-15	A795942401	41-8	A79J143200	53-10	A79J222500	58-19	A79J831501	50-2
A5C1R72222	20-21	A797102701	54-2	A79J143300	72-3	A79J223100	58-9	A79J831600	50-5
A5C1R90000	22-25	A797105400	29-6	A79J143402	53-3	A79J226200	58-6	A79J832000	51-8
A61D148300	62-14	A797N30000	71-15	A79J143600	53-8	A79J226301	58-7	A79J832100	51-10
A61D400200	26-22	A79J100600	64-12	A79J143800	53-7	A79J226400	58-8	A79J832200	51-5
A61DM10000	57-6	A79J101800	25-7	A79J145000	53-5	A79J226500	58-11	A79J832300	51-12
A61DM10000	58-15	A79J120700	53-16	A79J145100	53-1	A79J226600	58-5	A79J832400	51-9
A61DN10B01	26-23	A79J120801	53-17	A79J145200	53-2	A79J226700	58-12	A79J890201	56-33
A61DR70022	31-1	A79J130900	66-10	A79J146300	25-13	A79J226800	58-16	A79J890311	56-30
A61EN10401	54-5	A79J131102	66-15	A79J146400	62-10	A79J231100	60-11	A79J891300	55-4
A61F130001	29-3	A79J131601	66-21	A79J146500	25-14	A79J253000	58-18	A79J892000	56-25
A61F140200	25-1	A79J131701	63-19	A79J146700	71-5	A79J253300	58-3	A79J893200	55-9
A61F168200	30-4	A79J132001	18-12	A79J147401	25-15	A79J254200	57-7	A79J893500	56-31
A61F400001	26-1	A79J132311	18-11	A79J147501	25-12	A79J254400	60-3	A79J893700	56-27
A61F403300	26-12	A79J132500	63-1	A79J148302	53-11	A79J259800	58-2	A79J893800	56-34
A61F403401	26-13	A79J132601	63-4	A79J149100	53-18	A79J403100	26-24	A79J894000	55-10
A61F940400	17-23	A79J133001	63-3	A79J149100	53-20	A79J576400	33-26	A79J894500	56-32
A61FM90200	66-26	A79J133100	65-21	A79J149100	72-9	A79J701600	47-31	A79J895200	56-3
A61FN10F00	27-19	A79J133200	65-13	A79J149200	53-19	A79J701700	47-32	A79J895400	56-8
A61FN11200	31-20	A79J133200	65-15	A79J149200	53-21	A79J810100	50-6	A79J895602	56-2
A61FN11V00	29-5	A79J134200	66-6	A79J149200	72-10	A79J810900	52-24	A79J895700	55-12
A61FN12H01	43-3	A79J134500	66-1	A79J160700	17-21	A79J811700	52-1	A79J895800	55-11
A61FR71200	63-11	A79J134701	57-18	A79J162100	18-2	A79J812201	50-8	A79J897000	55-21
A64J222200	57-2	A79J136000	65-11	A79J162200	18-19	A79J813700	50-10	A79J897100	55-19
A64J222400	57-3	A79J136000	65-17	A79J163301	17-12	A79J813902	52-22	A79J897200	55-20
A64J222500	57-4	A79J136000	65-22	A79J163500	18-3	A79J814901	50-19	A79J897300	58-4
A64J231801	61-5	A79J136100	63-6	A79J165002	19-4	A79J819000	50-26	A79J897300	60-20
A64J231901	61-6	A79J138400	63-7	A79J165700	19-1	A79J819800	50-27	A79J897401	55-3
A64J257800	57-12	A79J139000	65-10	A79J166303	18-9	A79J821000	52-34	A79J897501	56-36
A64J363700	28-1	A79J139000	65-18	A79J168200	72-5	A79J829900	51-15	A79J897612	55-1
A64J709100	45-3	A79J139700	65-8	A79J168400	18-17	A79J830001	51-14	A79J897800	56-16
A64J719100	45-30	A79J140501	53-12	A79J168501	18-10	A79J830100	51-1	A79J898211	56-35
A64J815500	46-15	A79J140801	64-6	A79J168600	72-7	A79J830200	51-7	A79J898300	55-2
A64J891200	56-14	A79J140900	64-9	A79J168700	72-6	A79J830300	51-4	A79J898400	55-6
A64J891500	55-16	A79J141501	53-13	A79J170601	21-4	A79J830500	50-3	A79J898500	55-22
A64J891500	56-37	A79J142600	53-14	A79J220000	58-10	A79J830600	50-1	A79J941200	39-5
A64JR71400	28-12	A79J142701	53-4	A79J220700	58-17	A79J831000	51-13	A79J941200	41-5
A64JR7A000	57-5	A79J142800	72-2	A79J220800	58-20	A79J831100	50-4	A79J941300	39-20
A782945000	71-9	A79J142902	72-1	A79J220900	58-1	A79J831200	51-3	A79J941500	39-6

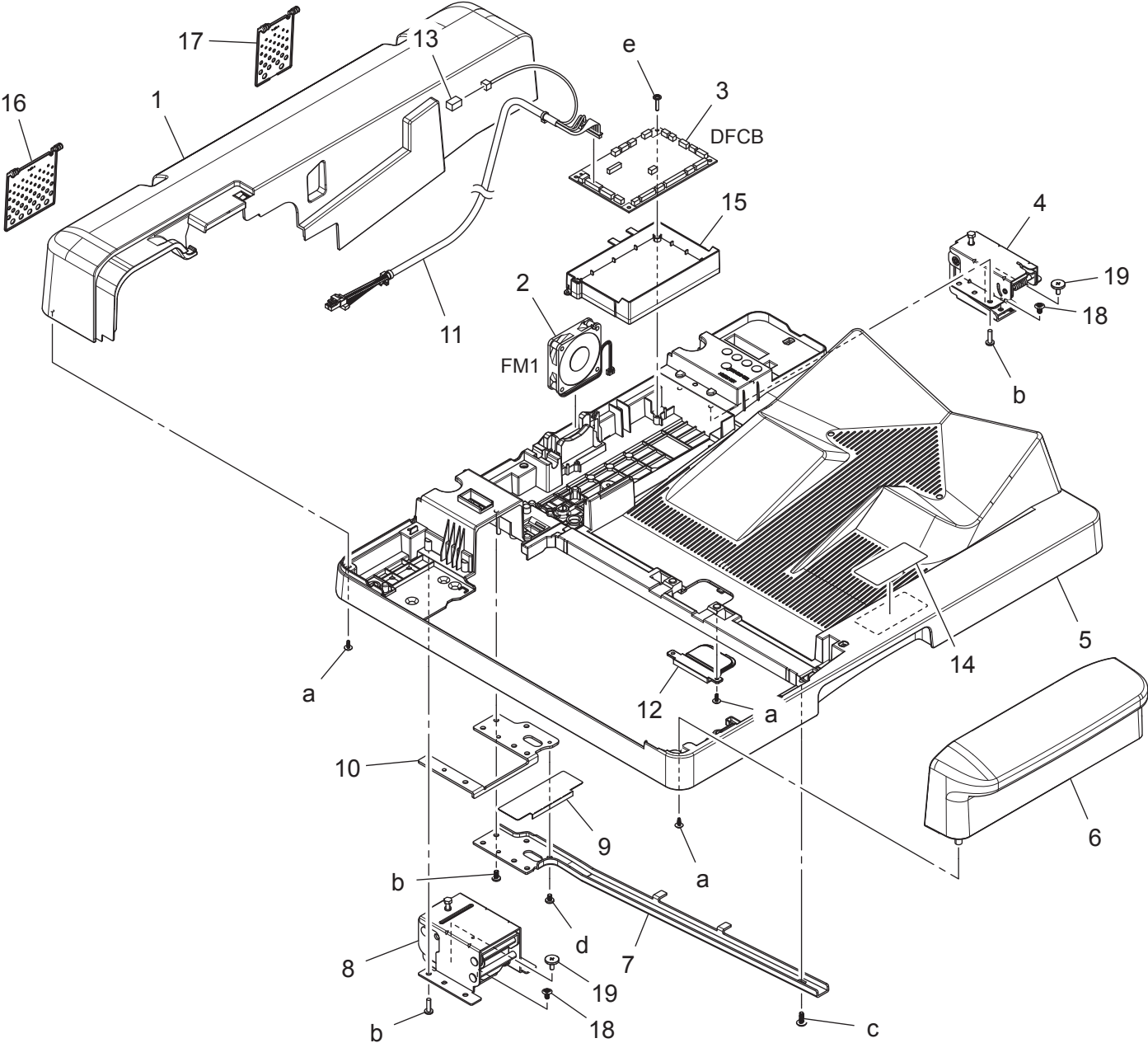
Parts No.	Page No.	Parts No.	Page No.	Parts No.	Page No.	Parts No.	Page No.	Parts No.	Page No.
A79J943500	41-6	A7PU102201	37-2	A7PU241600	59-1	A7PU944301	49-4	A85GN11701	13-5
A79J943600	41-7	A7PU102301	37-5	A7PU270100	23-10	A7PU944401	49-1	A85GPP0000	1-11
A79JM11300	61-2	A7PU104000	37-17	A7PU270600	23-12	A7PU944500	48-35	A85GPP0100	5-19
A79JM11400	57-17	A7PU106100	38-14	A7PU567500	34-22	A7PU944900	48-9	A85GPP0200	13-15
A79JM90200	65-6	A7PU109000	43-44	A7PU567600	34-21	A7PU947000	71-11	A85GPP0300	4-1
A79JM90A00	25-18	A7PU130400	66-19	A7PU567700	34-20	A7PU947100	71-11	A85GPP0401	1-5
A79JN10400	55-8	A7PU130811	65-4	A7PU568400	34-7	A7PU947200	71-11	A85GPP0500	10-29
A79JN10500	57-1	A7PU133211	65-5	A7PU569100	32-3	A7PU947301	71-11	A85GPP0601	10-1
A79JN10600	43-9	A7PU134700	66-12	A7PU577500	36-23	A7PUF60000	49-11	A85GPP0700	1-6
A79JN10701	52-4	A7PU134800	66-7	A7PU577600	36-22	A7PUH01A01	22-21	A85GPP0800	1-1
A79JN10800	33-27	A7PU135402	20-15	A7PU577700	36-21	A7PUM10400	55-7	A85GPP0901	4-9
A79JN10900	43-8	A7PU138002	20-10	A7PU578400	36-8	A7PUM10700	27-16	A85GPP0A01	10-23
A79JN10C00	25-11	A7PU138100	20-8	A7PU592000	49-13	A7PUM10700	59-2	A85GPP0B01	13-7
A79JN10Q00	55-5	A7PU138200	20-7	A7PU592100	49-3	A7PUN10302	18-1	A85GPP0C01	13-2
A79JN15600	20-30	A7PU138301	20-9	A7PU593000	48-5	A7PUN10401	38-1	A85GPP0E01	13-13
A79JR70211	57-9	A7PU139800	66-23	A7PU593100	48-8	A7PUN10501	38-2	A85GPP0F01	13-10
A79JR71100	44-23	A7PU140100	66-17	A7PU593200	48-7	A7PUN10700	66-20	A85GPP0G00	11-8
A79JR72400	56-24	A7PU141800	62-9	A7PU593201	48-7	A7PUN10800	66-16	A85GPP0H00	11-9
A79JR72600	20-12	A7PU160100	17-1	A7PU593500	49-12	A7PUN10900	49-17	A85GPP0J00	11-11
A79K121900	60-15	A7PU160800	17-22	A7PU593700	49-16	A7PUN10A00	48-23	A85GPP0K00	14-22
A79K122400	60-23	A7PU160902	18-15	A7PU594000	48-34	A7PUN10B01	49-19	A85GPP0M00	1-3
A79K228001	61-10	A7PU161400	20-19	A7PU595500	48-6	A7PUN14000	23-5	A85GPP0N01	4-12
A79K228101	61-11	A7PU161701	20-25	A7PU596000	48-32	A7PUN14500	23-2	A85GPP0Q00	15-8
A79K228800	60-7	A7PU161806	18-13	A7PU596100	48-4	A7PUN15300	20-13	A85GPP0R00	8-22
A79K230501	61-9	A7PU161900	20-16	A7PU596200	48-2	A7PUR70100	23-4	A85GPP0S00	8-19
A79K231001	60-10	A7PU162600	20-3	A7PU596700	48-30	A7PUR70500	29-1	A85GPP0T00	13-3
A79K254000	57-13	A7PU164100	20-14	A7PU596900	47-30	A7PUR71000	23-8	A85GPP0U00	7-6
A79K255600	61-4	A7PU166101	71-8	A7PU599300	49-20	A7PUR71111	22-19	A85GPP0V00	7-13
A79M231300	60-18	A7PU168500	20-5	A7PU627500	38-3	A7PUR71711	47-29	A85GPP0W01	11-6
A79M811200	50-24	A7PU168600	20-6	A7PU700111	43-38	A7PUR71811	47-29	A85GPP0X00	8-8
A79MM40J00	63-16	A7PU168702	18-14	A7PU701000	43-20	A7PUR71900	63-10	A85GPP0Y00	1-8
A79MM40N00	63-16	A7PU169900	71-1	A7PU701100	43-29	A7PUR72222	39-22	A85GPP1400	15-19
A79MN10J01	65-20	A7PU170100	21-9	A7PU701200	43-30	A7PUR72322	41-22	A87RPP0000	10-11
A79MN10K00	65-14	A7PU170200	21-1	A7PU810200	50-18	A7V7PP0300	1-15	A87RPP0101	10-24
A79MR70100	54-1	A7PU170300	21-11	A7PU890700	56-23	A7V7PP1201	2-5	A87RPP0500	6-5
A79MR70200	54-1	A7PU170400	21-6	A7PU940600	21-2	A7V7PP2200	6-25	A87RPP0600	6-4
A79MR70300	54-1	A7PU170702	21-3	A7PU941600	22-27	A7V7PP2300	6-18	A87RPP0A01	5-9
A79MR70600	54-1	A7PU216100	57-15	A7PU941701	18-5	A7V7PP2400	6-3	A87RPP0B00	4-7
A7AHM50400	43-6	A7PU240101	59-3	A7PU944100	49-5	A7V7PP2800	6-16	A87RPP0B00	5-6
A7PU101500	64-13	A7PU241500	59-9	A7PU944200	49-5	A85GM70001	13-6	A87RPP0C00	5-10

Parts No.	Page No.
A87RPP0D01	4-5
A87RPP0E01	4-6
A87RPP0F00	6-2
A87RPP0G01	10-6
A87RPP0H00	10-9
A87RPP0J00	10-8
A87RPP0K01	10-21
A87RPP0M01	10-10
A87RPP0N01	10-7
A87RPP0Q01	10-5
A87RPP0S03	10-16
A87RPP0T00	10-12
A87RPP0U00	10-20
A87RPP0V00	10-14
A87RPP0W00	10-17
A87RPP0X00	10-19
A87RPP0Y01	10-15
A87RPP1001	10-22
A87RPP1100	10-13
A87RPP1200	11-13
A87RPP1400	11-12
A87RPP1500	10-25
A87RPP1600	10-26
A87RPP1C00	6-20
A87RPP1D00	6-17
A87RPP1U00	10-14
A9HG131900	66-2
A9HG161500	20-4
A9HG401101	26-3
A9HG401201	26-3
A9HG401301	26-3
A9HG401500	26-3
A9HG702300	45-32
A9HG830701	51-6
A9HG942600	19-9
A9HGF16102	19-2
A9HGH00500	63-20
A9HGH02A00	66-4
A9HGM40600	63-15
A9HGM70000	20-1

Parts No.	Page No.
A9HGM70100	20-1
A9HGM70200	20-1
A9HGM70300	20-1
A9HGM70400	20-1
A9HGN10200	69-1
A9HGR70100	64-4
A9HGR70200	64-4
A9HGR70300	57-10
A9HGR70500	26-18
A9HGR70600	26-18
A9HGR70700	26-18
A9HGR70800	32-7
A9HGR71200	44-25
A9HGR71300	26-18
A9HGR71400	64-4
A9HH940100	17-13
A9HHH02102	66-9
A9HHN10000	67-1
A9HHN10100	68-1
A9HHN10N00	65-9
A9HHN11000	67-1
A9HHR70000	25-4
A9HHR70100	60-16
A9HHR70200	55-18
A9HJ168800	19-21
A9HJH00500	25-6
A9HJR70500	59-10
V116030804	71-13
V116033003	71-14
V153030803	72-4
V153030804	72-8
V500010052	70-1
V500010081	70-2
V500010082	70-3
V500010083	70-4
V500010084	70-5
V500010085	70-6
V500010087	70-7
V500020040	70-9
V500020040	71-12

Parts No.	Page No.
V500020052	70-26
V500020069	70-8
V500020082	70-10
V500020098	70-11
V500020099	70-12
V500020100	70-13
V500020110	70-14
V503010002	66-24
V570010021	70-15
V570010050	70-16
V570010057	70-17
V570010058	70-18
V570010059	70-19
V570010060	70-20
V651010002	64-7
V651010025	66-22
V651010045	65-1
V800500300	43-33
V800500300	44-7
V864800107	66-5
V865300085	66-29

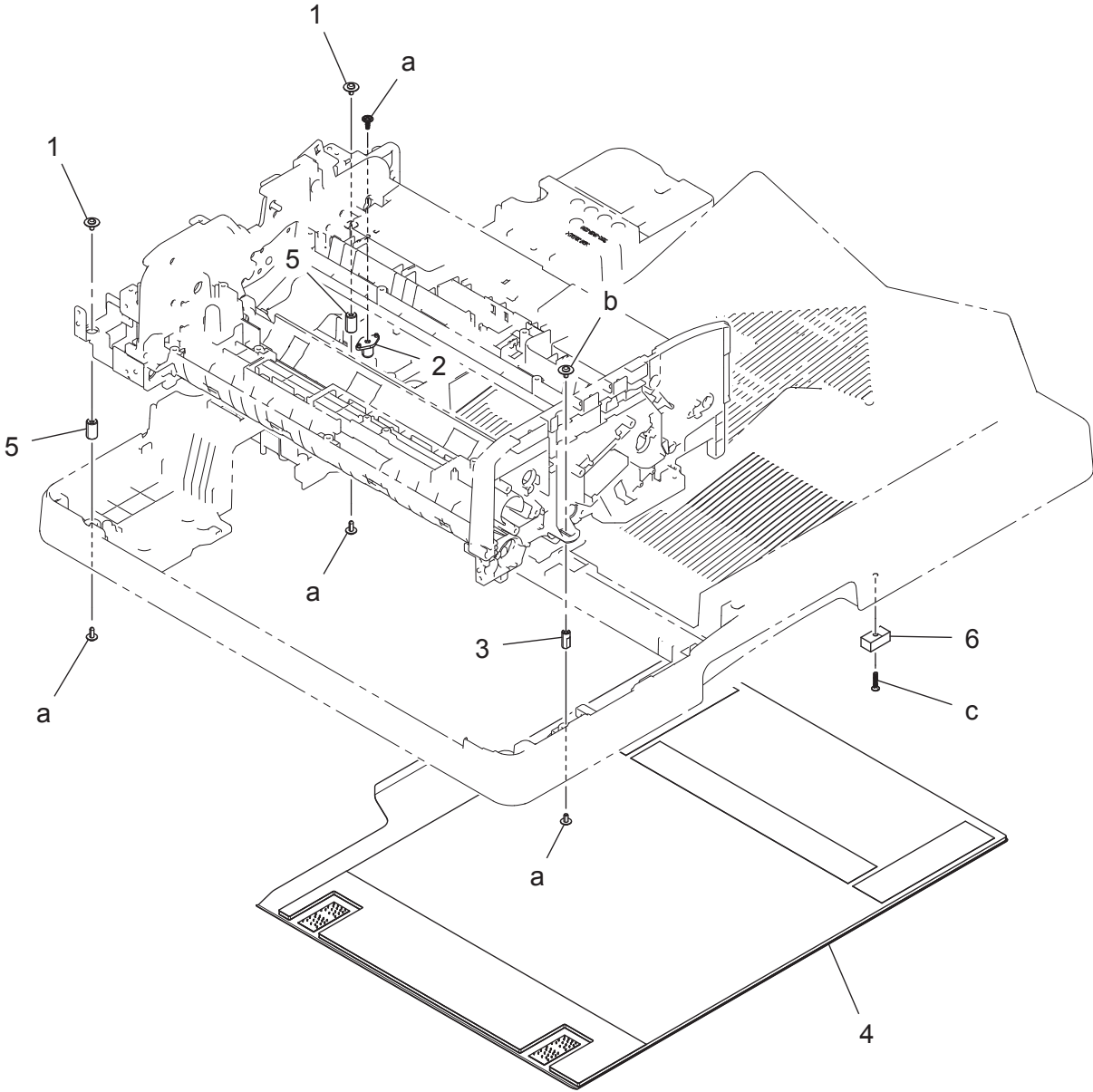
EXTERNAL PARTS (DF-704)



EXTERNAL PARTS (DF-704)

Key	Part No.	Description	Destinations	Class	QTY	Standard parts
1	A85GPP0800	Cover/ Rear		C	1	a-A3CFPP2G00 b-A87RPP1A00 c-A143PP8E01 d-A3CFPP7300 e-A7V7PP1900
2	A143PP0200	Fan Motor		C	1	
3	A85GPP0M00	PWB Assembly		I	1	
4	A3CFPP2704	Hinge-R		C	1	
5	A85GPP0401	Frame		D	1	
6	A85GPP0700	Cover/ Front		C	1	
7	A3CEPP1900	Reinforce Plate		D	1	
8	A85GPP0Y00	Hinge-L		C	1	
9	A3CEPP2302	Film		C	1	
10	A3CEPP1M02	Cover		C	1	
11	A85GPP0000	Harness		D	1	
12	A3CEPP1802	Cover		C	1	
13	A143PP8F00	Wire Harness Assy		D	1	
14	A3CEPP5B00	Label		C	1	
15	A7V7PP0300	Holder		D	1	
16	A3CF113900	Hinge Cover Left		C	1	
17	A3CF116400	Hinge Cover Right		C	1	
18	A143114600	Screw		C	2	
19	A3CF116100	Screw_two step		C	2	

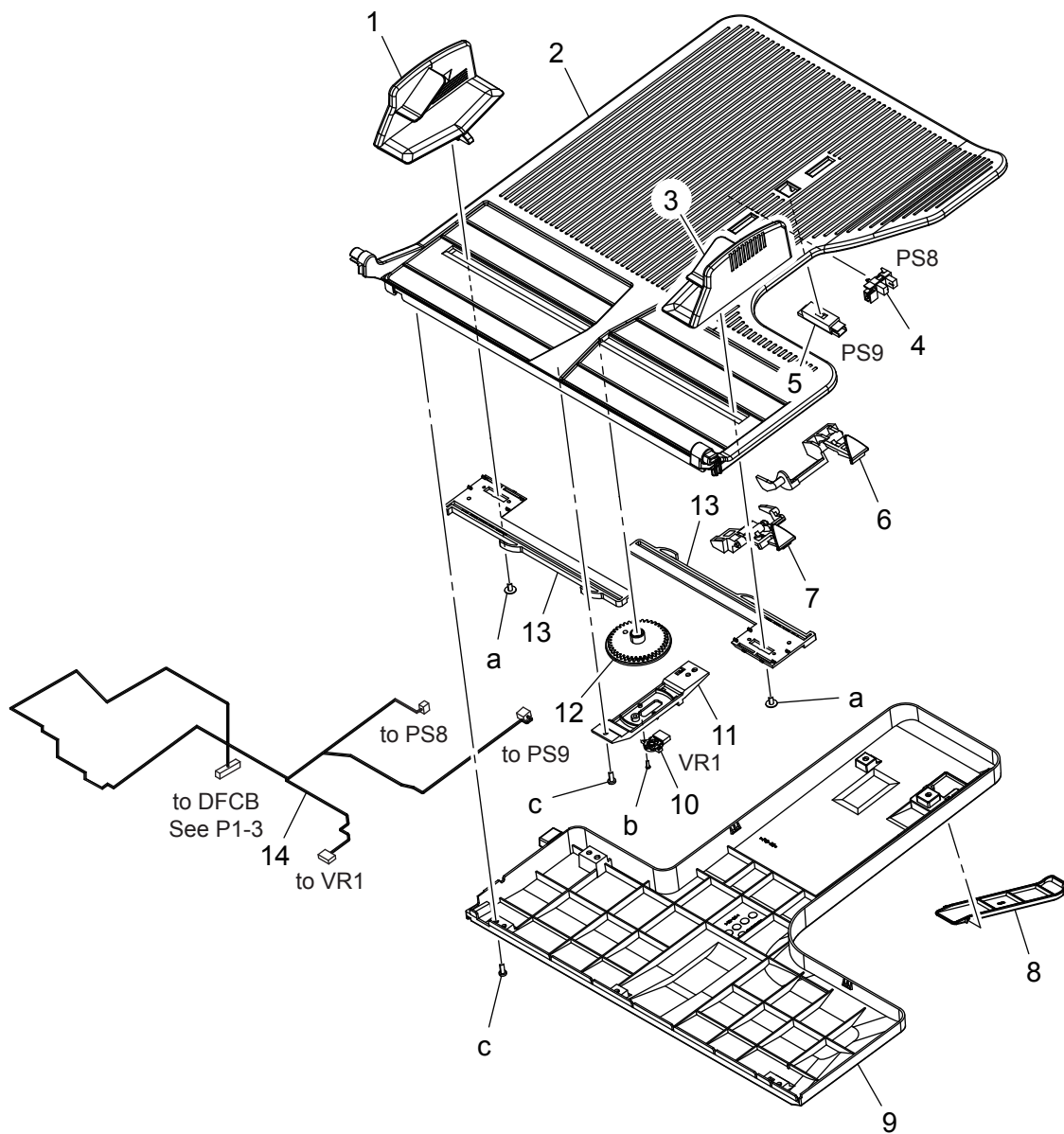
EXTERNAL PARTS (DF-704)



EXTERNAL PARTS (DF-704)

Key	Part No.	Description	Destinations	Class	QTY	Standard parts
1	A3CFPP6B00	Screw		C	2	a-A7V7PP1500 b-A143PP7M00 c-A143PP0C00
2	A3CFPP2A01	Shaft		D	1	
3	A3CFPP2R00	Guide		C	1	
4	A3CEPP1B03	White Sheet		C	1	
5	A7V7PP1201	Shaft		C	2	
6	A143PP2901	Magnet		D	1	

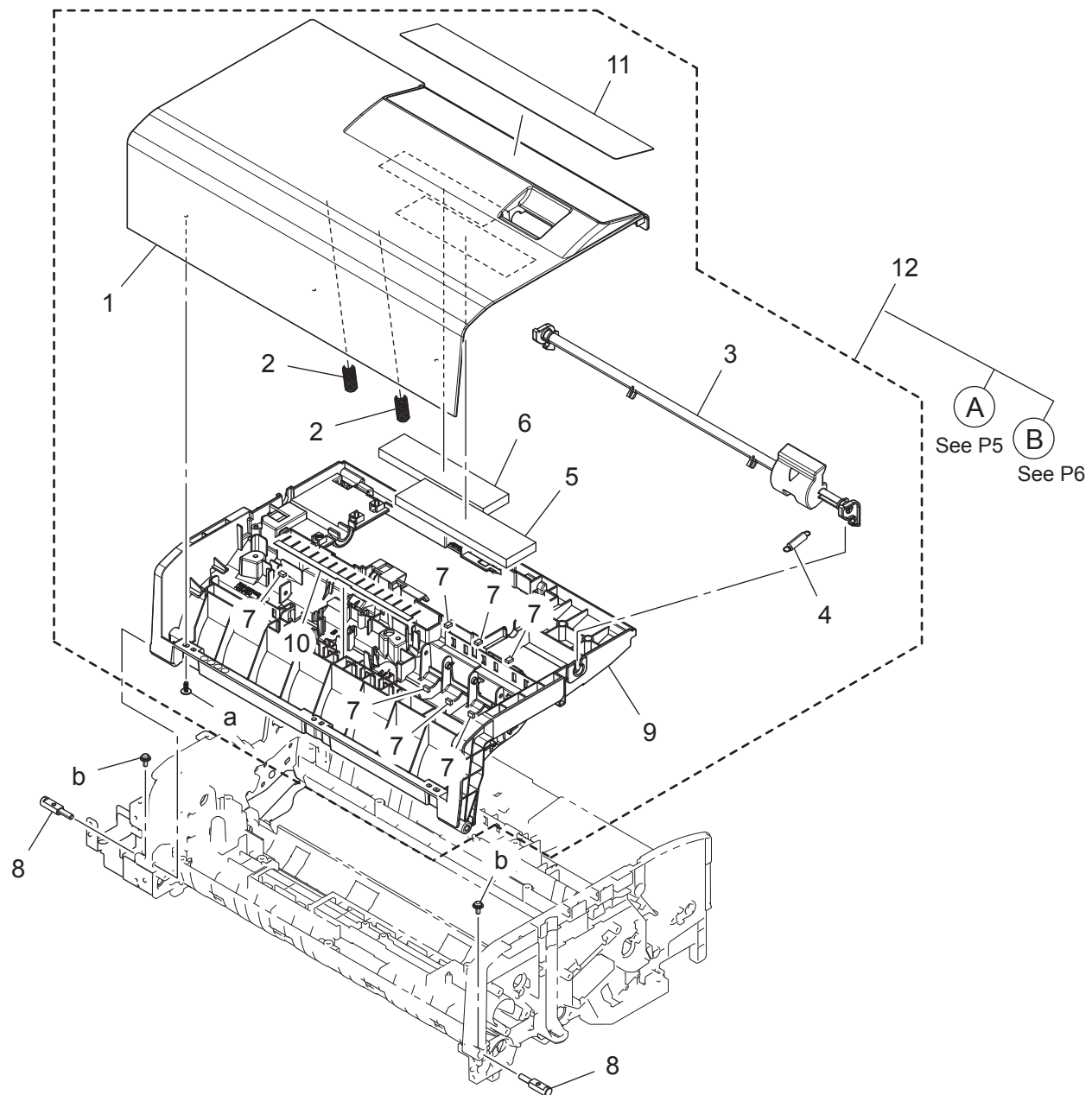
PAPER FEED TRAY SECTION (DF-704)



PAPER FEED TRAY SECTION (DF-704)

Key	Part No.	Description	Destinations	Class	QTY	Standard parts
1	A3CFPP5G03	Regulating Plate		C	1	a-A7V7PP1600 b-A143PP0M00 c-A7V7PP1800
2	A3CFPP5B02	Cover		C	1	
3	A3CFPP5F03	Regulating Plate		C	1	
4	A5C1M50100	Photointerrupter		B	1	
5	A108M50000	Photoreflector		B	1	
6	A3CFPP5C01	Lever		C	1	
7	A3CFPP5H01	Lever		C	1	
8	A3CFPP5J01	Lever		C	1	
9	A3CEPP4800	Tray		C	1	
10	A143PP6X00	PW Board Assy		C	1	
11	A143PP6M01	Holder		D	1	
12	A143PP6K01	Gear 40T		C	1	
13	A143PP6F01	Rack		C	2	
14	A3CEPP4E00	Wire Harness Assy		D	1	

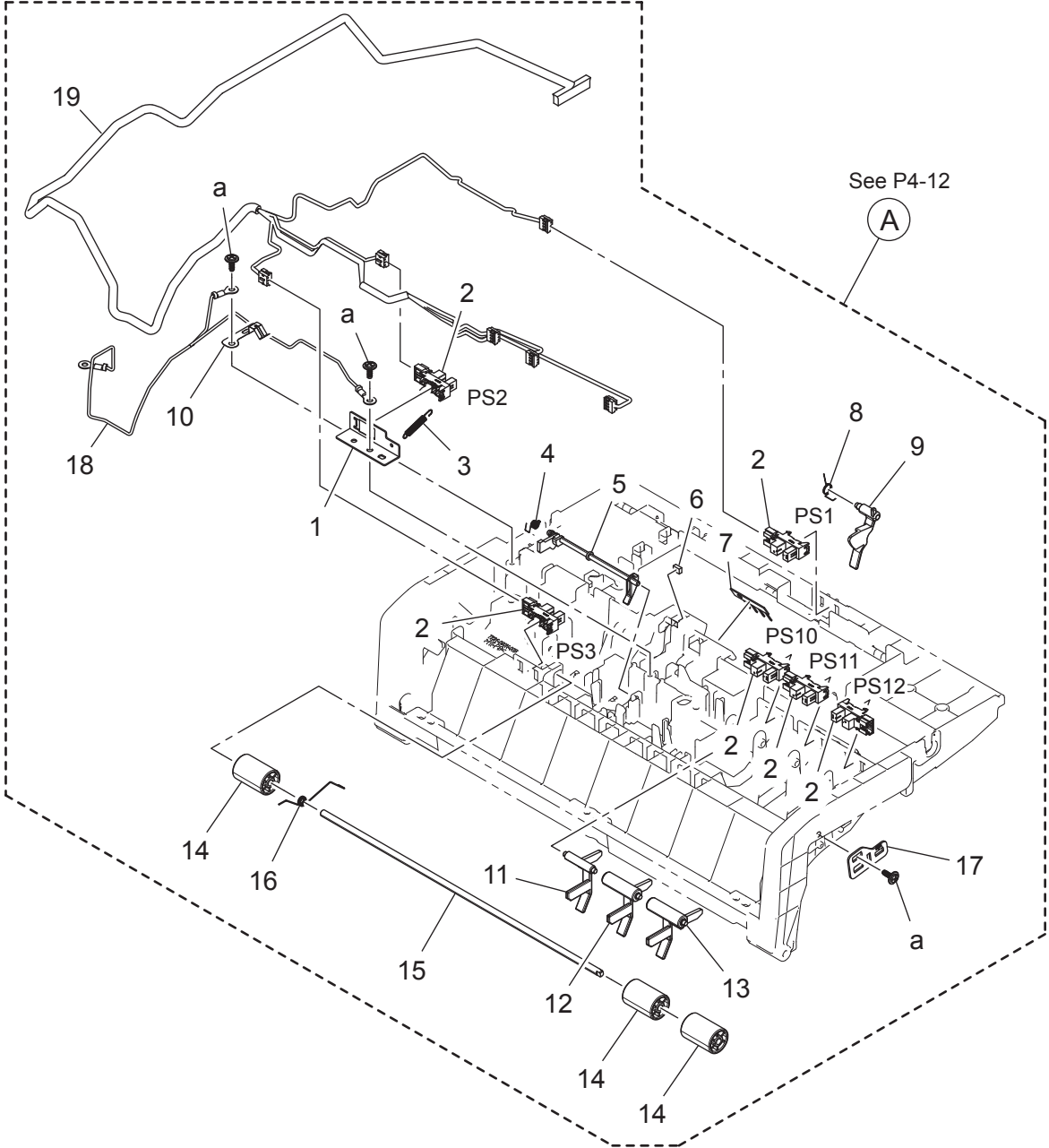
PAPER TAKE-UP SECTION (DF-704)



PAPER TAKE-UP SECTION (DF-704)

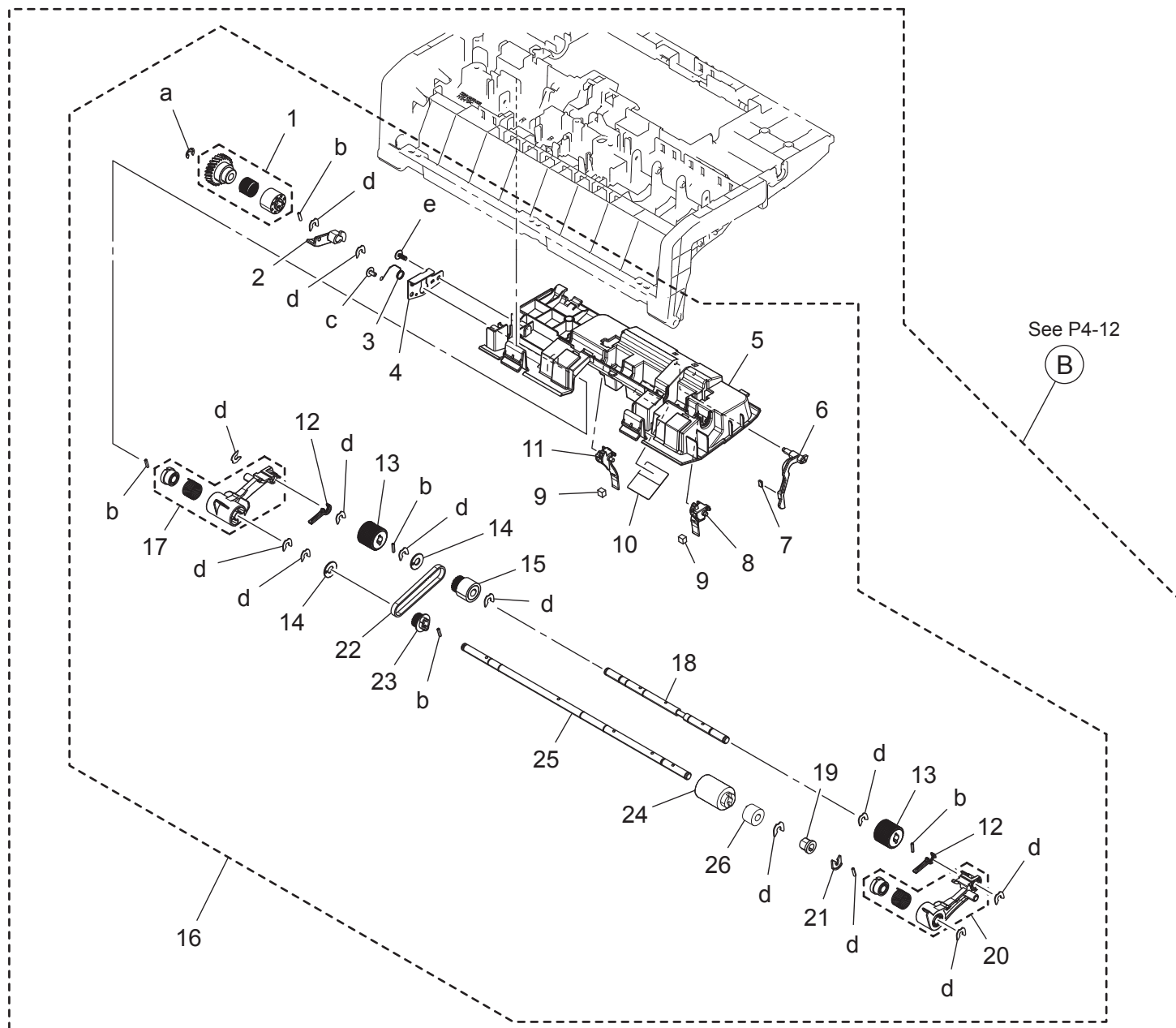
Key	Part No.	Description	Destinations	Class	QTY	Standard parts
1	A85GPP0300	Cover/ Upper		C	1	a-A3CFPP2G00 b-A143PP7M00
2	A143PP5F01	Pressure Spring		C	2	
3	A143PP5R04	Knob		C	1	
4	A143PP5V00	Tension Spring		C	1	
5	A87RPP0D01	Cushion		C	1	
6	A87RPP0E01	Cushion		C	1	
7	A87RPP0B00	Cushion		C	7	
8	A3CFPP1600	Shaft		D	2	
9	A85GPP0901	Guide		D	1	
10	A3CFPP6U00	NEUTRALIZING BRUSH		C	1	
11	A3CFPP5N01	Label		C	1	
12	A85GPP0N01	Left Cover Assy		D	1	

PAPER TAKE-UP SECTION (DF-704)



Key	Part No.	Description	Destinations	Class	QTY	Standard parts
1	A3CFPP5K01	Bracket		D	1	a-A3CFPP2G00
2	A5C1M50100	Photointerrupter		B	6	
3	A143PP6900	Tension Spring		C	1	
4	A143PP1B00	Torsion Spring		C	1	
5	A3CFPP5L00	Lever		C	1	
6	A87RPP0B00	Cushion		C	1	
7	A143PP6800	Neutralizing Brush		C	1	
8	A3CFPP5200	Torsion Spring		C	1	
9	A87RPP0A01	Lever		C	1	
10	A87RPP0C00	Plate Spring		D	1	
11	A143PP5J01	Lever		C	1	
12	A143PP5K01	Lever		C	1	
13	A143PP5M01	Lever		C	1	
14	A3CFPP4T01	Roller		C	3	
15	A3CFPP4U01	Shaft		D	1	
16	A3CFPP5400	Torsion Spring		C	1	
17	A3CFPP6C00	Bracket		D	1	
18	A143PP7301	Wire Harness Assy		D	1	
19	A85GPP0100	Harness		D	1	

PAPER TAKE-UP SECTION (DF-704)



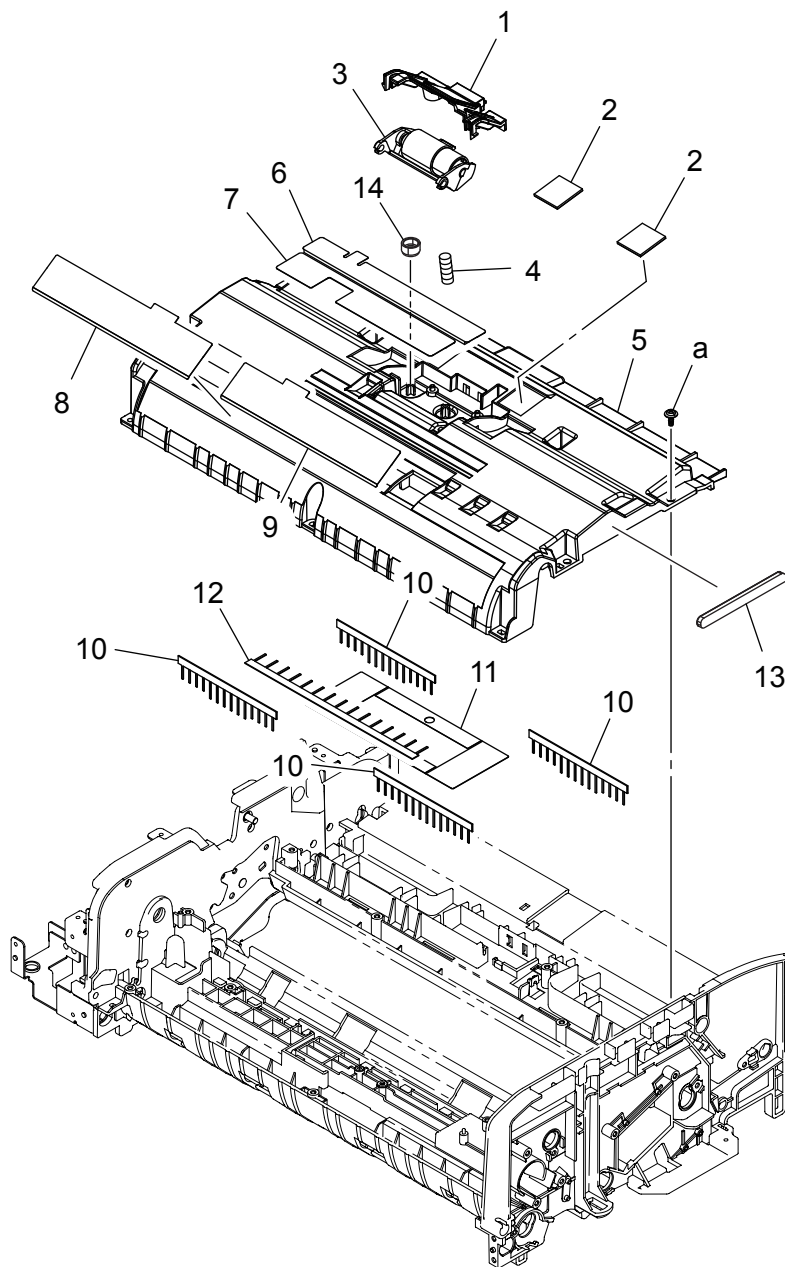
See P4-12
B

PAPER TAKE-UP SECTION (DF-704)

Key	Part No.	Description	Destinations	Class	QTY	Standard parts
1	A3CFPP7000	Gear Assy	ギア A S S Y	C	1	a-A7V7PP1700 b-A143PP4S00 c-A143PP7M00 d-A143PP5501 e-A3CFPP2G00
2	A87RPP0F00	Lever	レバー	C	1	
3	A7V7PP2400	Torsion Spring	ねじりコイルばね	C	1	
4	A87RPP0600	Mounting Plate	取付板	D	1	
5	A87RPP0500	Guide	ガイド	D	1	
6	A3CFPP4V00	Lever	レバー	C	1	
7	A3CFPP1700	Magnet	マグネット	D	1	
8	A143PP5T03	Stopper	ストッパー	C	1	
9	A143PP9G00	Damper	ダンパー	C	2	
10	A3CFPP5300	Film	フィルム	C	1	
11	A143PP5U03	Stopper	ストッパー	C	1	
12	A143PP5301	Stopper	ストッパー	C	2	
13	A143PP5200	Roller	ローラー	A	2	
14	A143PP5Y01	Flange	フランジ	D	2	
15	9J07330801	Pulley 21T	プーリ 21 T	C	1	
16	A7V7PP2800	Paper Feed Assy	給紙 A s s y	D	1	
17	A87RPP1D00	Lever Assy/ Rear	レバー A S S Y / 後	C	1	
18	A7V7PP2300	Shaft	シャフト	D	1	
19	A143PP5901	Bushing	軸受	C	1	
20	A87RPP1C00	Lever Assy/ Front	レバー A S S Y / 前	C	1	
21	A143PP5B01	Stop Ring	止め輪	C	1	
22	A143563300	TIMING BELT 134L	タイミングベルト 1 3 4 L	C	1	
23	A143PP5A00	Pulley 19T	プーリー 1 9 T	C	1	
24	A00J563600	Roller	ローラ	A	1	
25	A7V7PP2200	Shaft	シャフト	D	1	
26	A07H570500	Clutch	クラッチ	C	1	

PAPER TRANSPORT SECTION (DF-704)

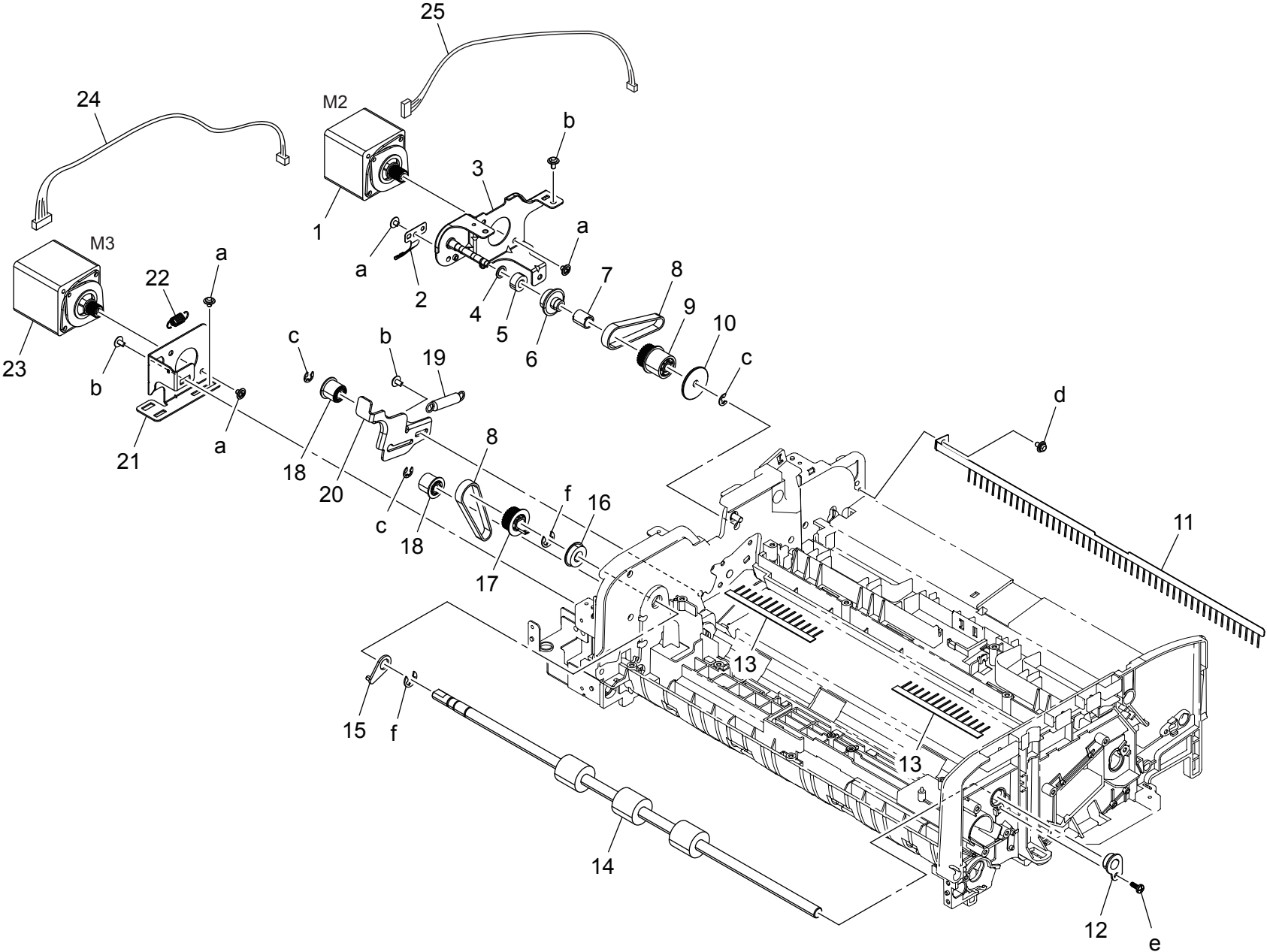
P 7



PAPER TRANSPORT SECTION (DF-704)

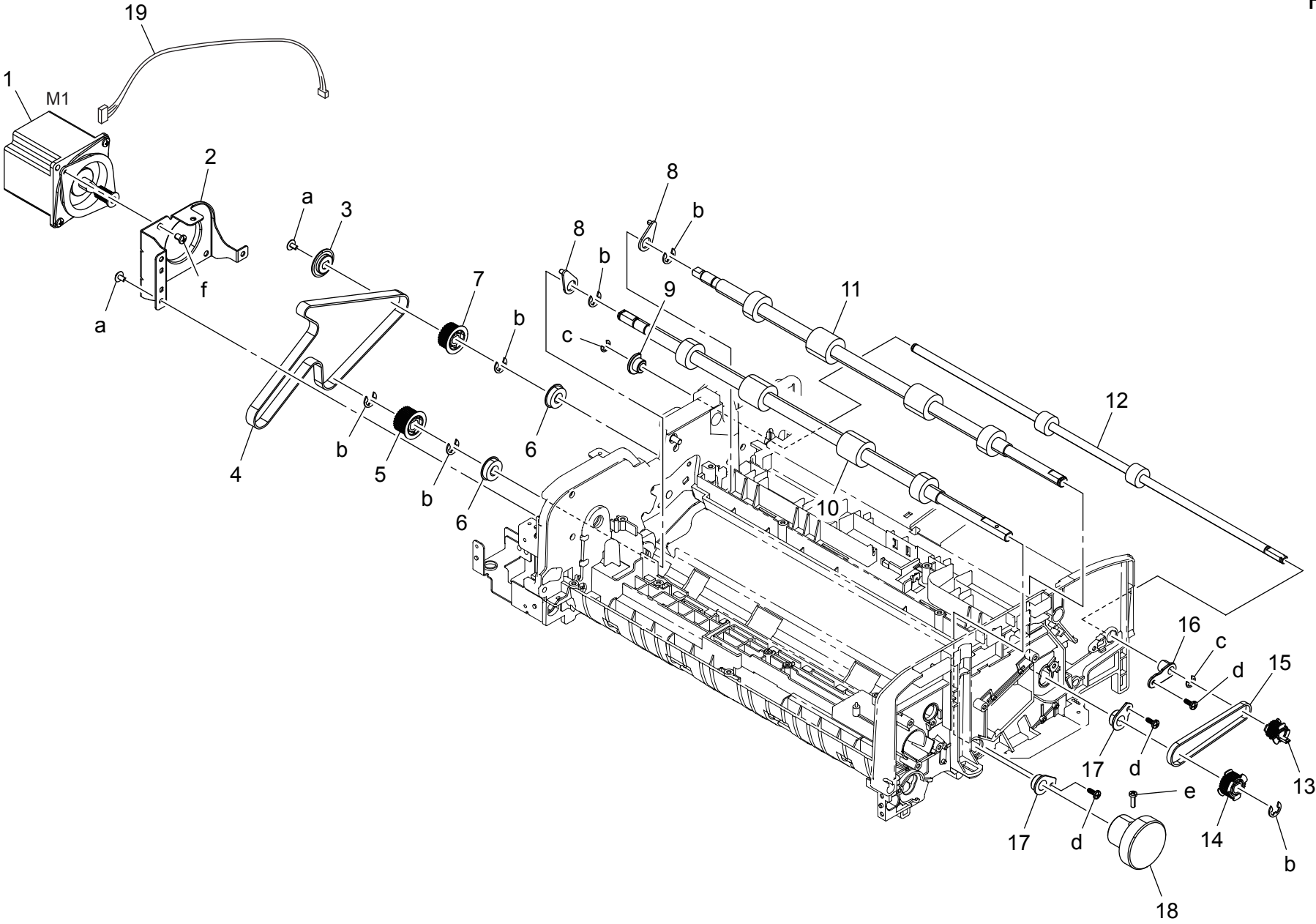
Key	Part No.	Description	Destinations	Class	QTY	Standard parts
1	A3CFPP4G00	Cover Assy		C	1	a-A3CFPP6K00
2	A3CFPP4N00	Pad		C	2	
3	A3CFPP4H00	Roller Assy		A	1	
4	A3CFPP4L00	Pressure Spring		C	1	
5	A3CEPP4407	Guide		C	1	
6	A85GPP0U00	Film		C	1	
7	A143PP4P01	Film		C	1	
8	A3CEPP5400	Film		C	1	
9	A3CEPP5500	Film		C	1	
10	A143PP1X00	NEUTRALIZING BRUSH		C	4	
11	A3CEPP4701	Film		C	1	
12	A3CFPP1N03	Neutralizing Brush		C	1	
13	A85GPP0V00	Sponge		D	1	
14	A3CFPP6L00	Spacer		C	1	

PAPER TRANSPORT SECTION (DF-704)



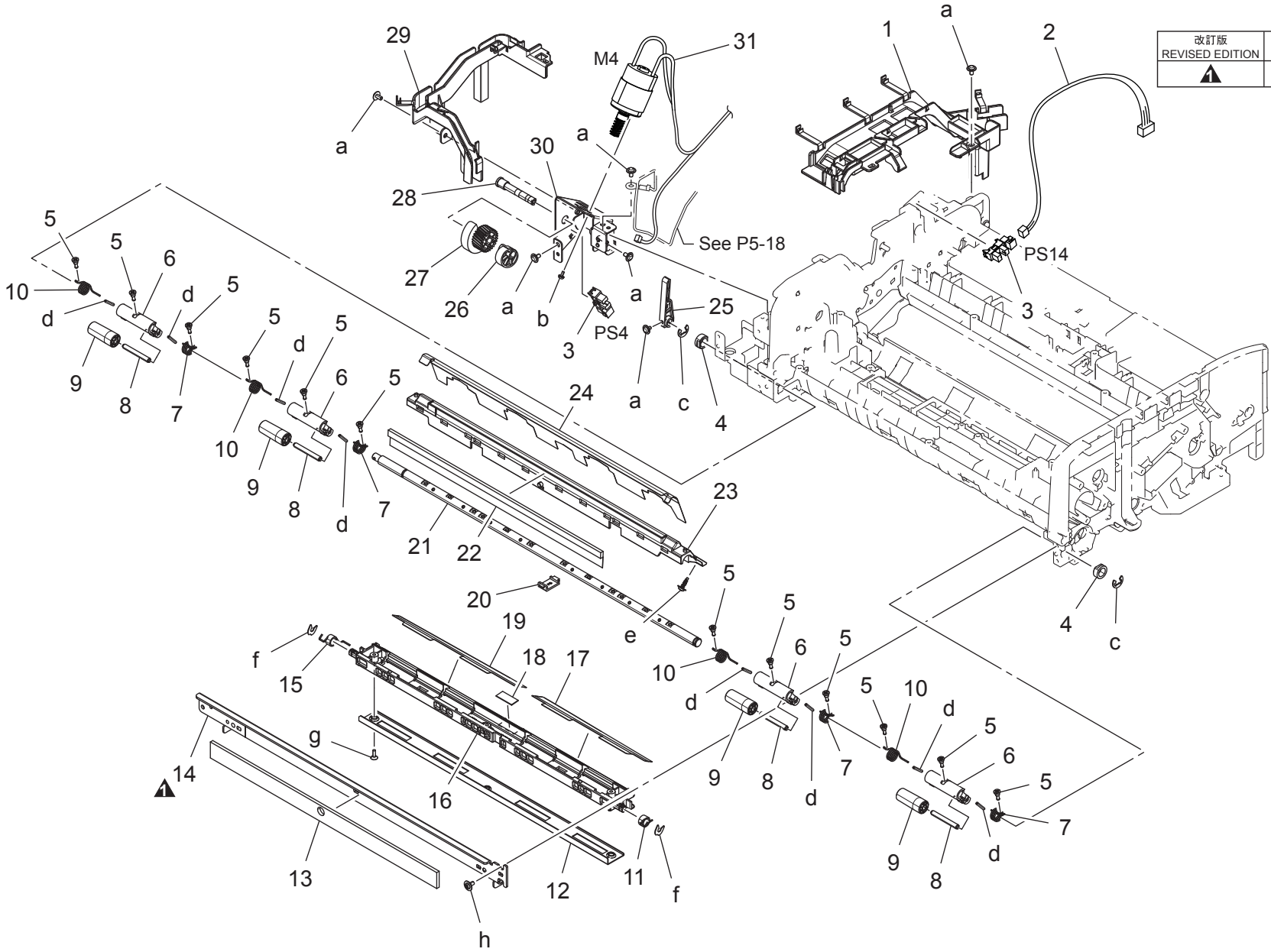
Key	Part No.	Description	Destinations	Class	QTY	Standard parts
1	A3CFPP5S00	Motor		C	1	a-A143PP7N00 b-A143PP7M00 c-A7V7PP1700 d-A3CFPP2Y01 e-A3CFPP2G00 f-A143PP0P00
2	A3CFPP2C00	Plate Spring		D	1	
3	A3CEPP2H01	Bracket		D	1	
4	A3CFPP3R00	Washer		C	1	
5	A143PP9300	BEARING		C	1	
6	A3CFPP3D01	Pulley		C	1	
7	A3CFPP3P01	Pressure Spring		C	1	
8	A85GPP0X00	Timing Belt		C	2	
9	A3CFPP3C00	Pulley		C	1	
10	A3CFPP3900	Flange		C	1	
11	A3CEPP1G01	Neutralizing Brush		C	1	
12	A3CF103400	Bushing		C	1	
13	A143PP1X00	NEUTRALIZING BRUSH		C	2	
14	A3CEPP1500	Roller		C	1	
15	A3CFPP2E00	Bushing		D	1	
16	A143PP1M00	Ball Bearing		C	1	
17	A3CEPP2K00	Pulley		C	1	
18	A3CEPP2Q00	Pulley		C	2	
19	A85GPP0S00	Tension Spring		C	1	
20	A3CEPP2S00	Bracket		D	1	
21	A3CEPP2J01	Bracket		D	1	
22	A85GPP0R00	Tension Spring		C	1	
23	A3CEPP4B00	Motor		C	1	
24	A3CEPP4N00	Wire Harness Assy		D	1	
25	A3CEPP4P00	Wire Harness Assy		D	1	

PAPER TRANSPORT SECTION (DF-704)



Key	Part No.	Description	Destinations	Class	QTY	Standard parts
1	A3CEPP4C00	Motor		C	1	a-A143PP7M00
2	A3CEPP2G01	Bracket		D	1	b-A143PP0P00
3	A3CEPP2R00	Flange		C	1	c-A7V7PP1700
4	A3CE213300	Timing belt		C	1	d-A3CFPP2G00
5	A3CFPP3J01	Pulley		C	1	e-A3CFPP6E00
6	A143PP1M00	Ball Bearing		C	2	f-A3CEPP5900
7	A3CEPP2M00	Pulley		C	1	
8	A3CFPP2E00	Bushing		D	2	
9	A143PP4D02	Bushing		C	1	
10	A3CFPP1E02	Roller		C	1	
11	A3CEPP1F00	Roller		C	1	
12	A3CEPP1400	Roller		C	1	
13	A3CFPP3800	Pulley		C	1	
14	A3CFPP3500	Pulley		C	1	
15	A3CEPP2E00	Timing Belt		C	1	
16	A3CFPP1J01	Bushing		C	1	
17	A3CF103400	Bushing		C	2	
18	A3CEPP1S03	Fly Wheel		D	1	
19	A3CEPP4L00	Wire Harness Assy		D	1	

PAPER TRANSPORT SECTION (DF-704)



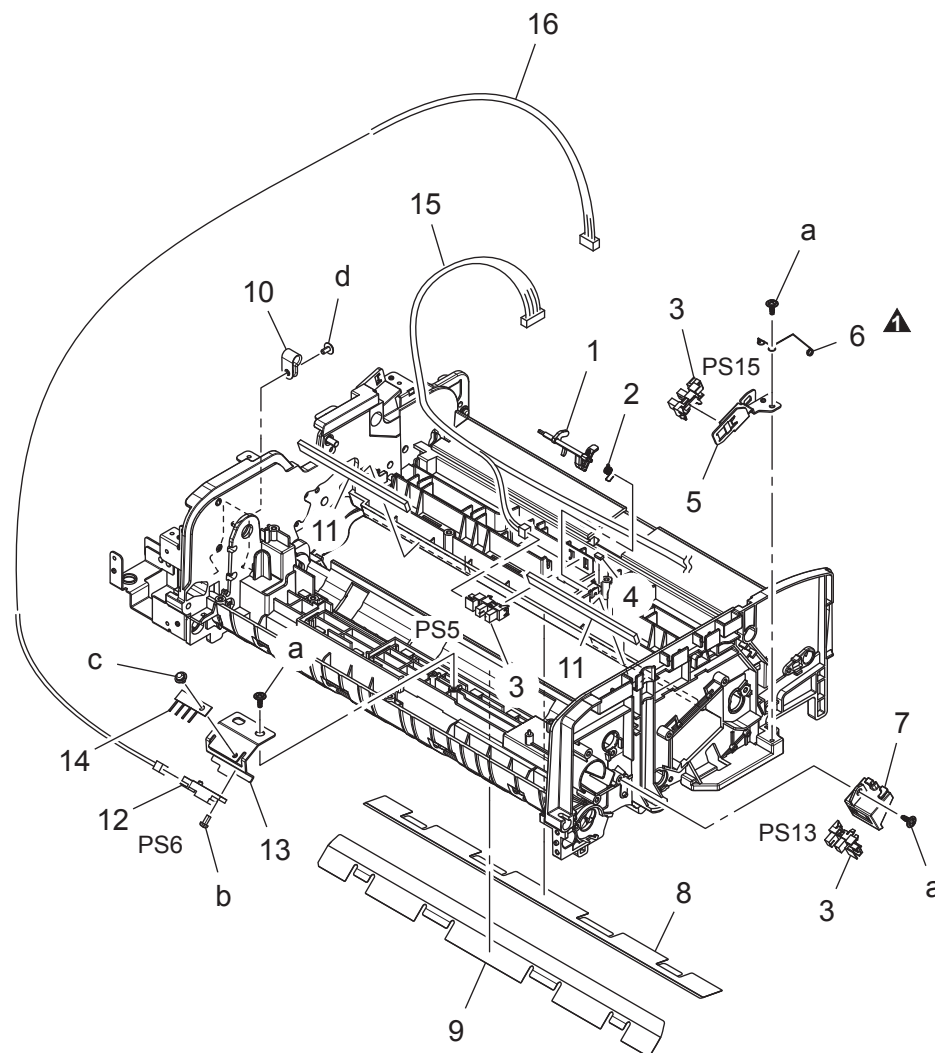
改訂版 REVISED EDITION	日付 DATE
	JANUARY 2017

Key	Part No.	Description	Destinations	Class	QTY	Standard parts
1	A85GPP0601	Guide		C	1	a-A143PP7M00
2	A3CEPP4G00	Wire Harness Assy		D	1	b-A7V7PP1100
3	A5C1M50100	Photointerrupter		B	2	c-A143PP0P00
4	A3CFPP1K01	Bushing		C	2	d-A87RPP0P00
5	A87RPP0Q01	Shoulder Screw		C	12	e-A3CFPP2V00
6	A87RPP0G01	Holder		D	4	f-A143PP5501
7	A87RPP0N01	Torsion Coil Spring		C	4	g-A87RPP0200
8	A87RPP0J00	Shaft		D	4	h-A3CFPP2F00Old
9	A87RPP0H00	Roll		C	4	h-A87RPP1M00
10	A87RPP0M01	Torsion Coil Spring		C	4	
11	A87RPP0000	Torsion Coil Spring		C	1	
12	A87RPP0T00	Guide Plate		D	1	
13	A87RPP1100	Cushion		C	1	
14	A87RPP0V00Old	Guide Plate		D	1	
14	A87RPP1U00	Guide Plate		D	1	
15	A87RPP0Y01	Torsion Coil Spring		C	1	
16	A87RPP0S03	Guide		D	1	
17	A87RPP0W00	Guide Film		C	1	
18	A3CFPP1P00	Cushion		C	1	
19	A87RPP0X00	Guide Film		C	1	
20	A87RPP0U00	Guide		D	1	
21	A87RPP0K01	Shaft		D	1	
22	A87RPP1001	Guide Film		C	1	
23	A85GPP0A01	Guide		D	1	
24	A87RPP0101	Guide Film		C	1	
25	A87RPP1500	Lever		C	1	
26	A87RPP1600	Cam		C	1	
27	A143PP3P01	Gear		C	1	
28	A3CFPP3M00	Shaft		D	1	
29	A85GPP0500	Guide		C	1	
30	A3CEPP2T01	Bracket		D	1	
31	A3CEPP5700	Motor Assy		C	1	

PAPER TRANSPORT SECTION (DF-704)

P 11

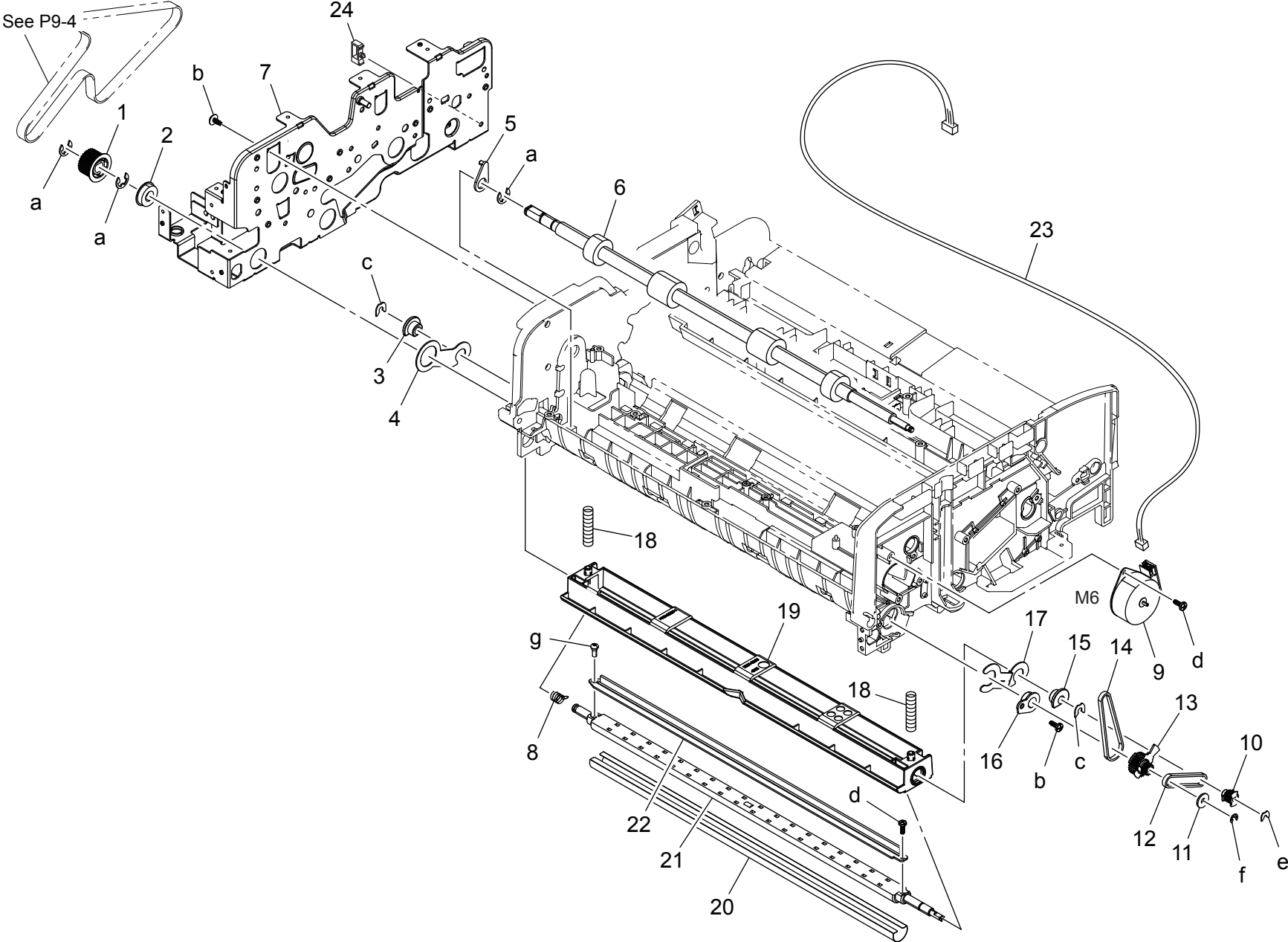
改訂版 REVISED EDITION	日付 DATE
▲	FEBRUARY 2017



PAPER TRANSPORT SECTION (DF-704)

Key	Part No.	Description	Destinations	Class	QTY	Standard parts
1	A3CEPP1300	Arm		C	1	a-A3CFPP2G00 b-A143PP0D00 c-A3CFPP2Y01 d-A143PP7M00
2	A3CEPP7100	Torsion Spring		C	1	
3	A5C1M50100	Photointerrupter		B	3	
4	A143PP1Y00	Sponge		C	1	
5	A3CEPP3E01	Holder		C	1	
6	A85GPP0W01	Wire Spring		C	1	
7	A3CFPP2B00	Holder		D	1	
8	A85GPP0G00	Guide Film		C	1	
9	A85GPP0H00	Guide Film		C	1	
10	A3CEPP2000	Clamp		C	1	
11	A85GPP0J00	Cushion		C	2	
12	A87RPP1400	Photoreflector		I	1	
13	A87RPP1200	Mounting Plate		D	1	
14	A143PP6800	Neutralizing Brush		C	1	
15	A3CEPP4H00	Wire Harness Assy		D	1	
16	A3CEPP4F00	Wire Harness Assy		D	1	

PAPER TRANSPORT SECTION (DF-704)

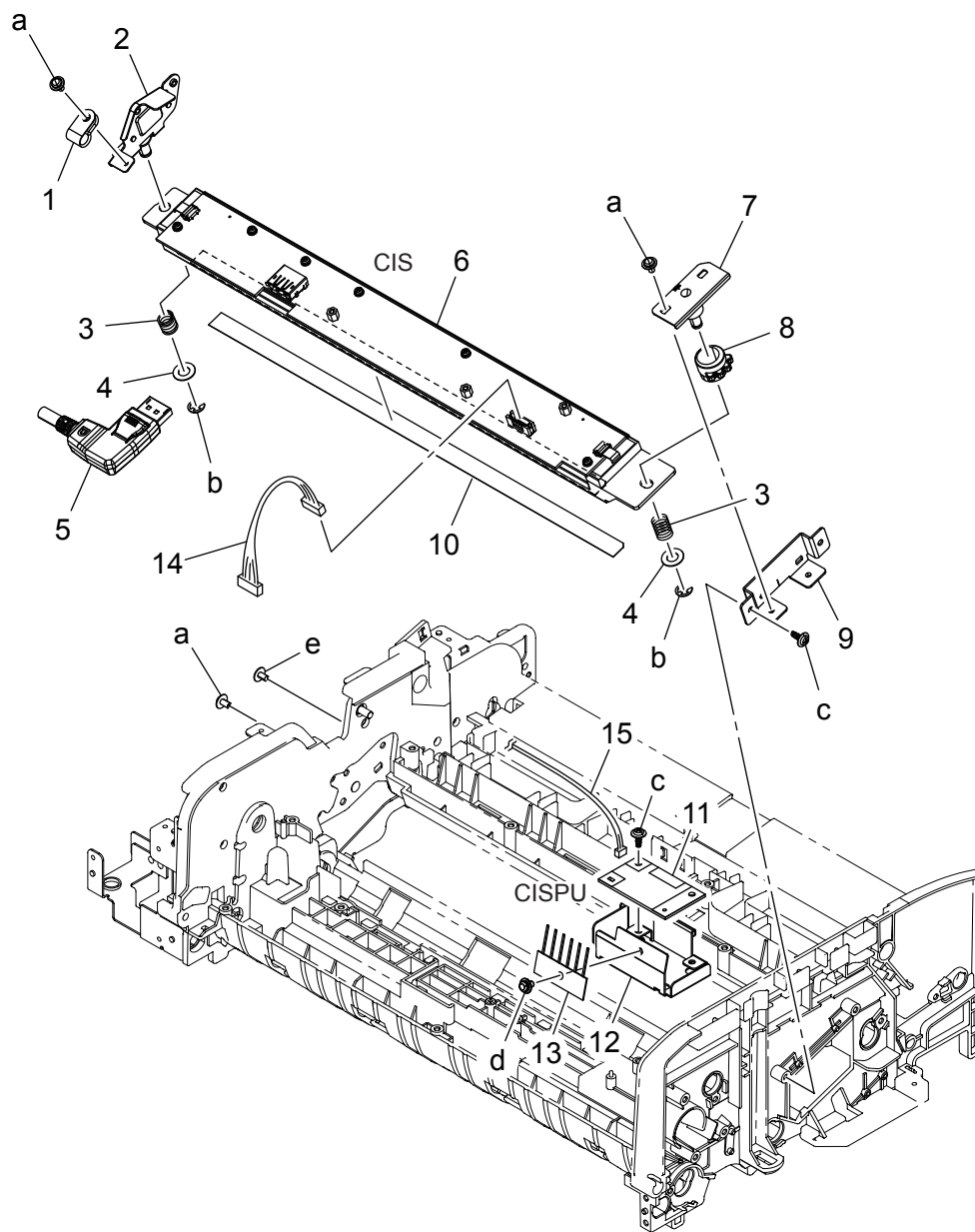


PAPER TRANSPORT SECTION (DF-704)

Key	Part No.	Description	Destinations	Class	QTY	Standard parts
1	A3CFPP3J01	Pulley	プーリー	C	1	a-A143PP0P00
2	A143PP1M00	Ball Bearing	ボールベアリング	C	1	b-A3CFPP2G00
3	A143PP4D02	Bushing	すべり軸受	C	1	c-A143PP5501
4	A3CFPP4400	Arm	アーム	C	1	d-A7V7PP1800
5	A3CFPP2E00	Bushing	軸受	D	1	e-A7V7PP0400
6	A3CFPP1G00	Roller	ローラー	C	1	f-A3CFPP5M00
7	A3CEPP1204	Frame Assy	フレーム A s s y	C	1	g-A3CFPP4E00
8	A3CFPP4F00	Spring	ばね	C	1	
9	A3CFPP5R00	Motor	モーター	C	1	
10	A3CFPP4800	Pulley	プーリー	C	1	
11	A143PP4H01	Flange	フランジ	D	1	
12	A3CFPP4900	Timing Belt	タイミングベルト	C	1	
13	A3CFPP4700	Pulley	プーリー	C	1	
14	A3CFPP4C00	Timing Belt	タイミングベルト	C	1	
15	A3CFPP4A00	Bushing	軸受	C	1	
16	A3CF103400	Bushing	すべり軸受	C	1	
17	A3CFPP4301	Arm	アーム	C	1	
18	A3CEPP5000	Pressure Spring	圧縮コイルばね	C	2	
19	A3CFPP4202	Cover	カバー	D	1	
20	A3CEPP3301	Sheet	シート	C	1	
21	A3CFPP4600	Shaft	シャフト	D	1	
22	A3CFPP4500	Brush	ブラシ	C	1	
23	A3CEPP4K00	Wire Harness Assy	ハーネス A S S Y	D	1	
24	A3CEPP4X00	Clamp	クランプ	C	1	

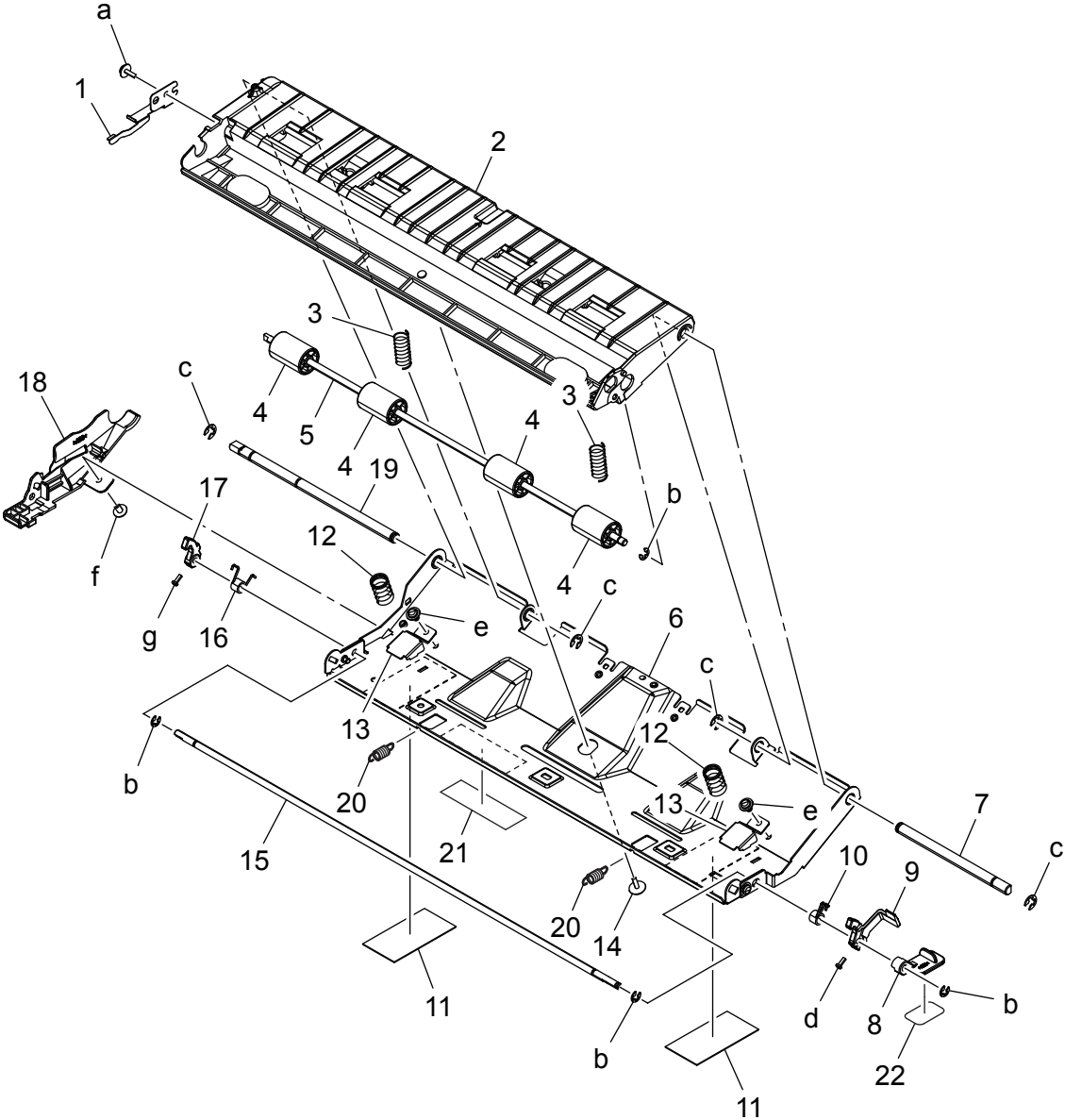


CIS SECTION (DF-704)

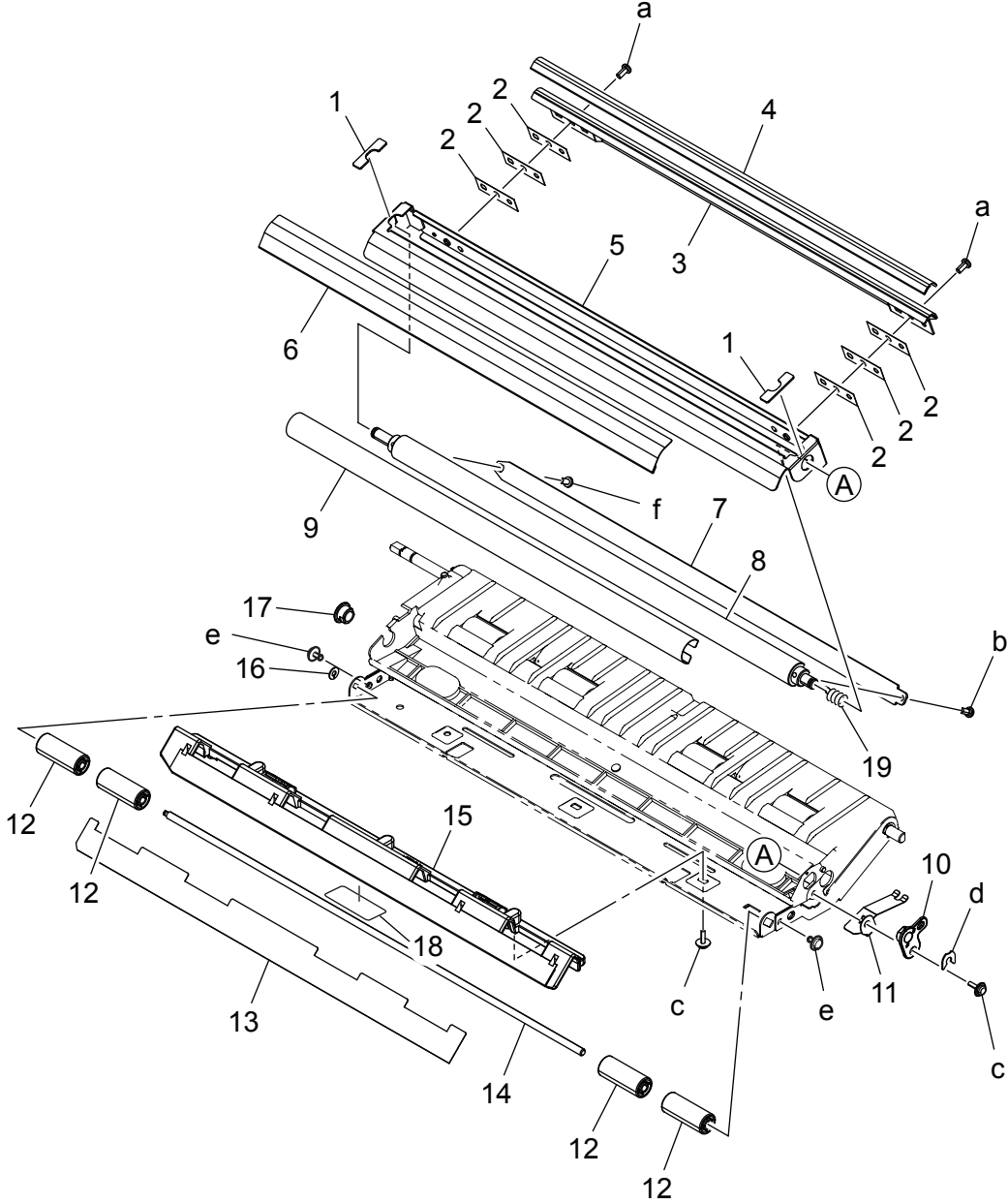


Key	Part No.	Description	Destinations	Class	QTY	Standard parts
1	A3CEPP6R00	Clamp		C	1	a-A143PP7M00 b-A7V7PP1700 c-A3CFPP2G00 d-A3CFPP2Y01 e-A143PP0E00
2	A85GPP0C01	Mounting Plate		D	1	
3	A85GPP0T00	Pressure Spring		C	2	
4	A3CFPP2S00	Washer		C	2	
5	A85GN11701	ADF Cable		D	1	
6	A85GM70001	CIS		I	1	
7	A85GPP0B01	Mounting Plate		D	1	
8	A3CEPP3T00	Adjustment Wheel		C	1	
9	A3CEPP1H01	Bracket		D	1	
10	A85GPP0F01	Guide Film		C	1	
11	A3CEPP4Y00	PCB Board Assy		I	1	
12	A3CEPP1J00	Bracket		D	1	
13	A85GPP0E01	Neutralizing Brush		D	1	
14	A3CEPP4V00	Wire Harness Assy		D	1	
15	A85GPP0200	Harness		D	1	

CIS SECTION (DF-704)

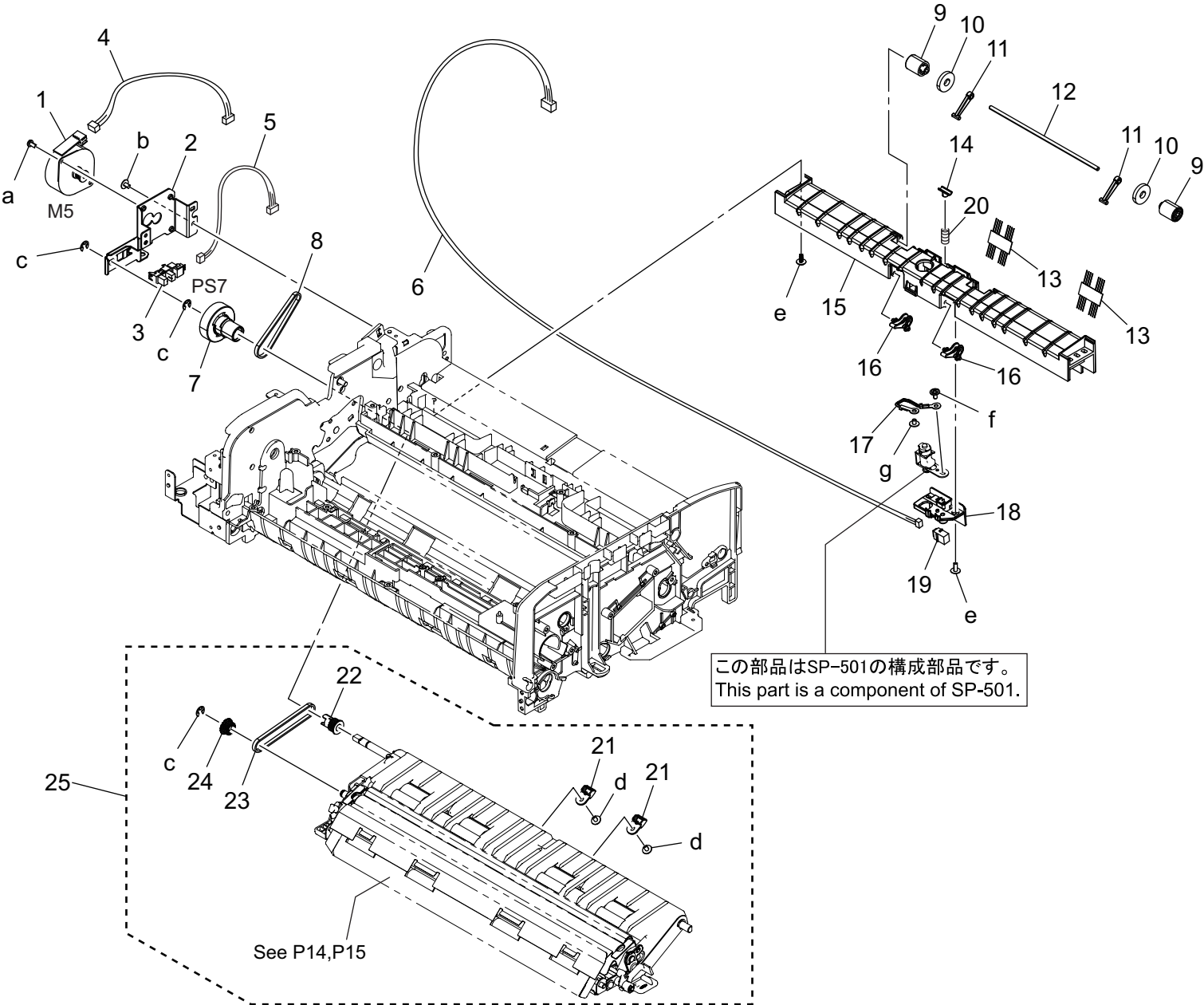


Key	Part No.	Description	Destinations	Class	QTY	Standard parts
1	A3CEPP3800	Plate Spring		C	1	a-A3CFPP2G00 b-A3CFPP5M00 c-A7V7PP1700 d-A3CEPP1P00 e-A143PP0E00 f-A143PP7M00 g-A85GPP0D00
2	A3CEPP3702	Cover		C	1	
3	A3CEPP3B00	Pressure Spring		C	2	
4	A3CFPP4T01	Roller		C	4	
5	A3CEPP3A00	Shaft		D	1	
6	A3CEPP3D01	Bracket		D	1	
7	A3CEPP3F00	Shaft		D	1	
8	A3CEPP3N01	Lever		C	1	
9	A3CEPP3L00	Lever		C	1	
10	A3CEPP3Q00	Torsion Spring		C	1	
11	A3CEPP3X00	Sheet		C	2	
12	A3CEPP3C00	Pressure Spring		C	2	
13	A3CEPP1Q00	Mounting Plate		D	2	
14	A3CEPP5100	Screw		C	1	
15	A3CEPP3P00	Shaft		D	1	
16	A3CEPP3R00	Torsion Spring		C	1	
17	A3CEPP3M00	Lever		C	1	
18	A3CEPP3S00	Cover		C	1	
19	A3CEPP3G00	Shaft		D	1	
20	A3CEPP1C00	Tension Spring		C	2	
21	A3CEPP5A00	Label		C	1	
22	A85GPP0K00	Label DF1		C	1	



Key	Part No.	Description	Destinations	Class	QTY	Standard parts
1	A3CEPP4301	Spacer		C	2	a-A143PP0D00 b-A3CFPP4E00 c-A3CFPP2G00 d-A7V7PP1700 e-A143PP0E00 f-A7V7PP1800
2	A3CEPP2800	Film		C	6	
3	A3CEPP2700	Mounting Plate		D	1	
4	A3CEPP3600	Film		C	1	
5	A3CEPP3401	Mounting Plate		D	1	
6	A3CEPP3501	Film		C	1	
7	A3CFPP4500	Brush		C	1	
8	A85GPP0Q00	Shaft		D	1	
9	A3CEPP3301	Sheet		C	1	
10	A3CEPP2X01	Bushing		C	1	
11	A3CEPP3900	Plate Spring		C	1	
12	A3CEPP3H01	Roll		C	4	
13	A3CEPP1N00	Film		C	1	
14	A3CEPP3K00	Shaft		D	1	
15	A3CEPP3J01	Guide		C	1	
16	A143PP1S00	Washer		C	1	
17	A3CEPP2Y00	Bushing		C	1	
18	A3CEPP5C00	Label		C	1	
19	A85GPP1400	Spring		C	1	

CIS SECTION (DF-704)



この部品はSP-501の構成部品です。
This part is a component of SP-501.

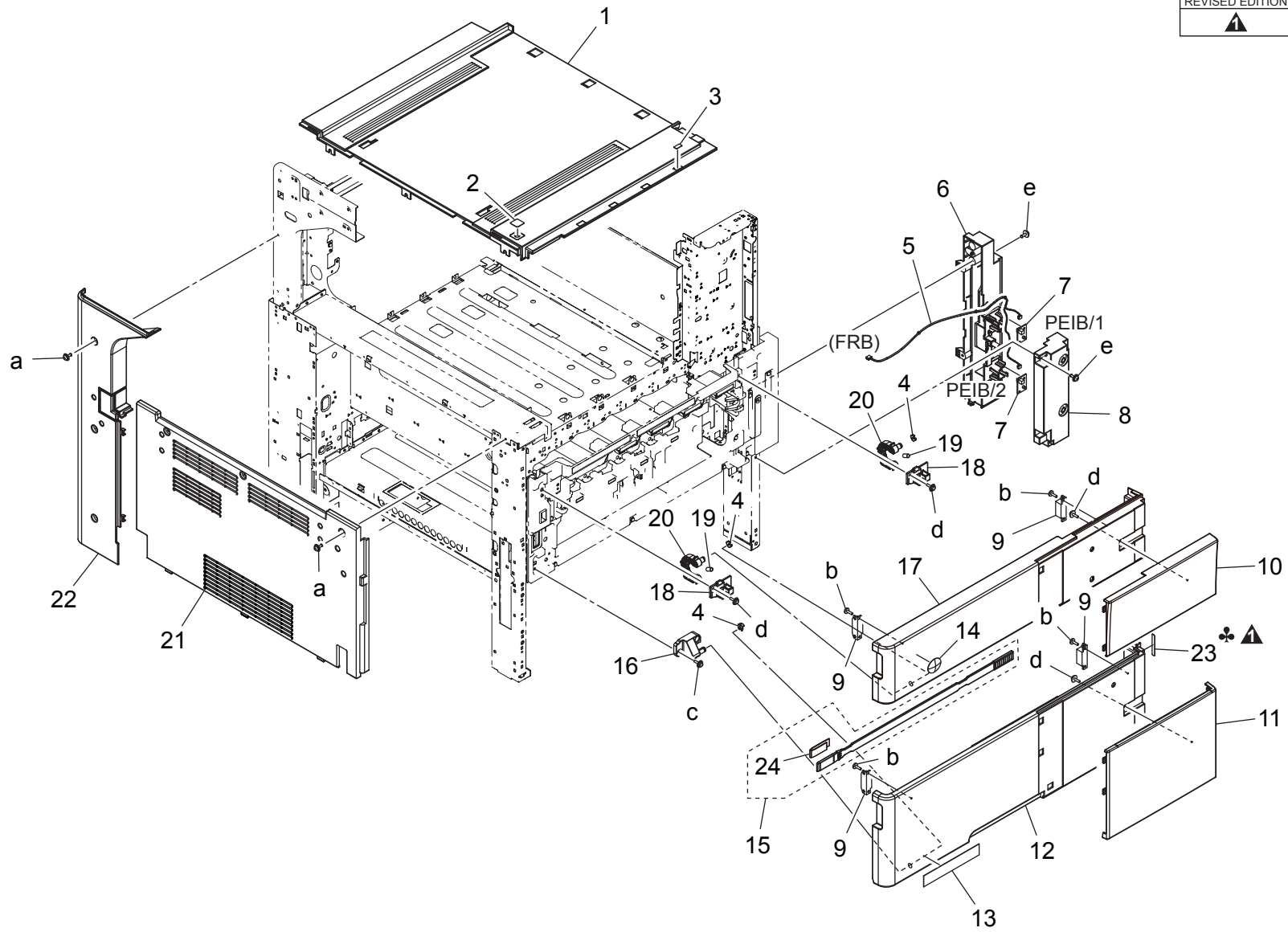
See P14,P15

Key	Part No.	Description	Destinations	Class	QTY	Standard parts
1	A3CEPP4A01	Motor		C	1	a-A143PP0D00
2	A3CEPP2V00	Bracket		D	1	b-A7V7PP1800
3	A5C1M50100	Photointerrupter		B	1	c-A7V7PP1700
4	A3CEPP4R00	Wire Harness Assy		D	1	d-A143PP7M00
5	A3CEPP4S00	Wire Harness Assy		D	1	e-A3CFPP2G00
6	A3CEPP4M01	Wire Harness Assy		D	1	f-A7V7PP1600
7	A3CEPP3000	Pulley		C	1	g-A143PP7N00
8	A3CFPP4C00	Timing Belt		C	1	
9	A3CEPP1701	Roll		C	2	
10	A143PP8600	Washer		C	2	
11	A3CEPP1Y00	Crank		C	2	
12	A3CEPP1U00	Shaft		D	1	
13	A3CEPP2601	Brush		C	2	
14	A3CEPP1T01	Holder		C	1	
15	A3CEPP1E02	Guide		C	1	
16	A3CEPP1X01	Lever		C	2	
17	A143PP8D01	Wire Harness Assy		D	1	
18	A3CEPP2403	Holder		C	1	
19	A143PP8F00	Wire Harness Assy		D	1	
20	A3CEPP1A00	Pressure Spring		C	1	
21	A3CEPP1V01	Cam		C	2	
22	A3CEPP3200	Pulley		C	1	
23	A3CEPP2U00	Timing Belt		C	1	
24	A3CEPP3101	Pulley		C	1	
25	A3CFPP6T00	Guide Assy		D	1	

External Parts Section

P 17

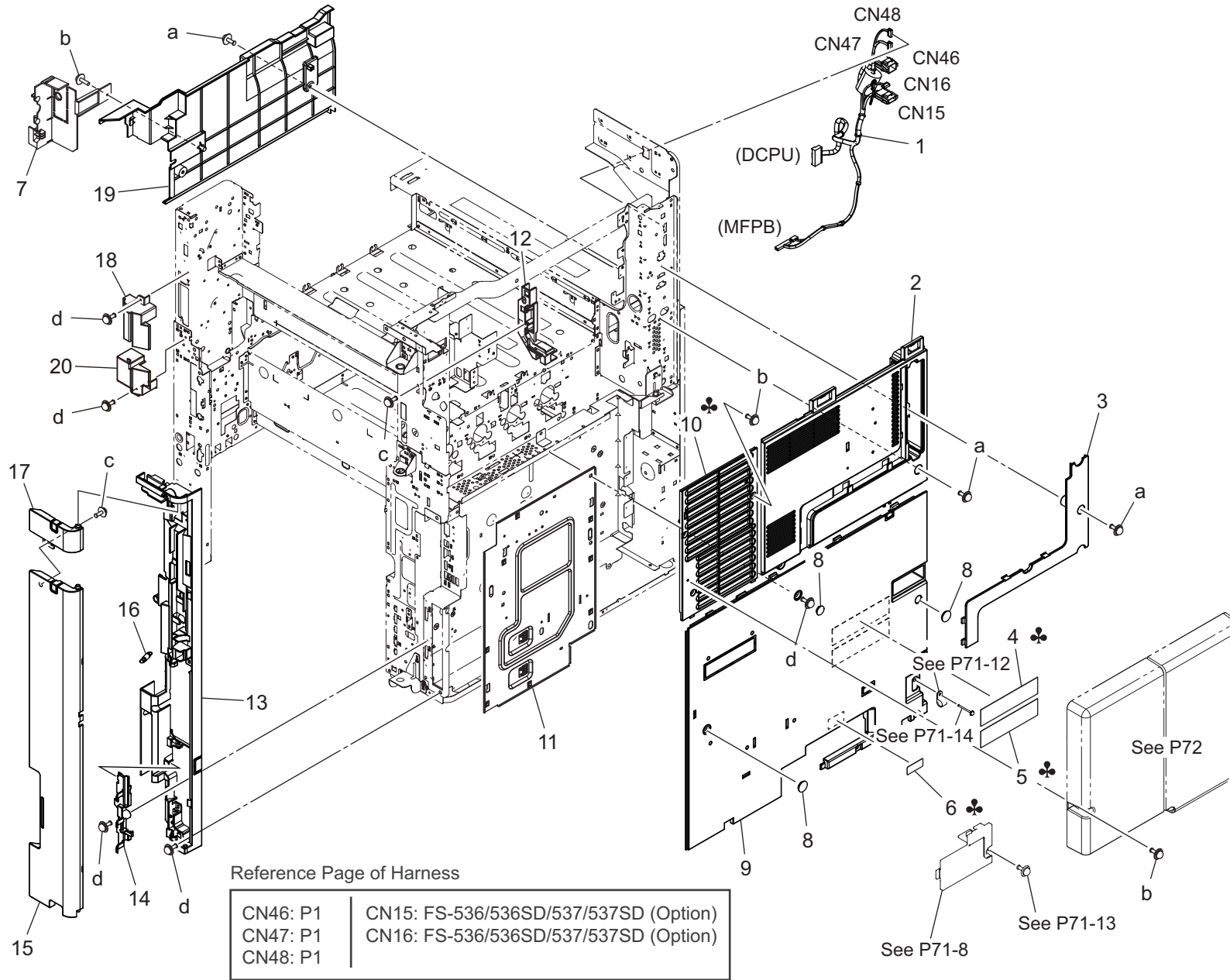
改訂版 REVISED EDITION	日付 DATE
	MAY 2017



External Parts Section

Key	Part No.	Description	Destinations	Class	QTY	Standard parts
1	A7PU160100	Cover /Upper		C	1	a-V116030804 b-V149030803 c-V153030803 d-V153031004 e-V116030803
2	A0ED163000	Seal		C	1	
3	A0ED940700	Label Toner 2		D	1	
4	56AA40490	SHAFT STOPPER 4		C	3	
5	A161N10K00	Indicating Wiring		D	1	
6	A5C1160401	Cover		C	1	
7	A00JH00D00	PWB Assembly LED1		C	2	
8	A161160300	Cover		C	1	
9	A0G6411200	Magnet /X		D	4	
10	A2XK163201	Open/close Cover /Front		C	1	
11	A2XK163401	Open/close Cover /Front		C	1	
12	A79J163301	Open/close Cover /Front		C	1	
13	A9HH940100	Label bizhub 458		D	1	
14	A00J945500	Logo Mark		C	1	
15	A5C1R71600	Cleaning Material		C	1	
16	A161165602	Support Shaft		C	1	
17	A2XK163102	Open/close Cover /Front		C	1	
18	A2XK165000	Open/close Shaft		C	2	
19	A2XK165700	Compressing Spring		C	2	
20	A2XK163701	Hinge		C	2	
21	A79J160700	Cover /Left		C	1	
22	A7PU160800	Cover /Left		C	1	
23	A161940400	Label	A,A1,B,C,D1,D3,E,F2 .G1,G2,I,K,H	C	1	
23	A61F940400	Label	J	C	1	
24	A00J106202	Cleaning Pad		C	1	

External Parts Section



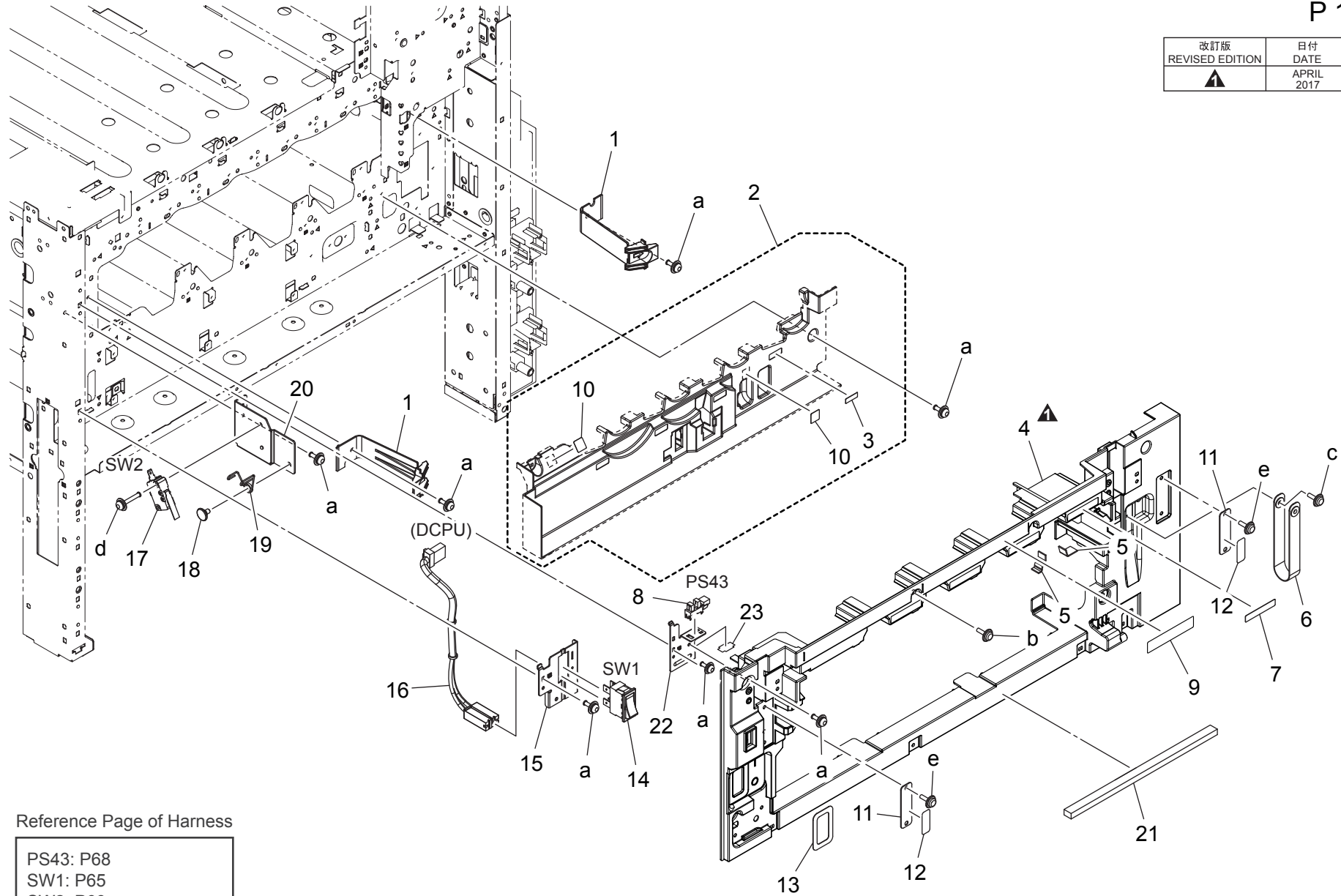
REAR SIDE
bizhub 458



Key	Part No.	Description	Destinations	Class	QTY	Standard parts
1	A7PUN10302	FNS Relay harness	F N S 中継束線	D	1	a-V116030804 b-V153030804 c-V153030803 d-V116030803
2	A79J162100	Cover	カバー	C	1	
3	A79J163500	Cover	カバー	C	1	
4	A2X0945701	Label	ラベル (2プラグ注意)	C	1	
5	A7PU941701	Label Caution	ラベル アース注意	C	1	
6	A02E149900	Label	ラベル (定格)	C	1	
7	A161162803	Cover	カバー (排紙・奥右)	C	1	
8	A00J169100	Cover	蓋	C	3	
9	A79J166303	Cover	カバー	C	1	
10	A79J168501	Cover	カバー	C	1	
11	A79J132311	Shield Plate	シールド板	C	1	
12	A79J132001	Guide	ガイド	D	1	
13	A7PU161806	Cover	カバー	C	1	
14	A7PU168702	Cover	カバー	D	1	
15	A7PU160902	Cover	カバー	C	1	
16	A161163900	Pulling Coil spring	引張りコイルばね	C	1	
17	A79J168400	Cover /Right rear	カバー/右後	C	1	
18	A161162900	Cover	カバー (右前・定着2次)	D	1	
19	A79J162200	Cover	カバー	C	1	
20	A161161201	Cover	カバー (右前・定着1次)	D	1	

Inner Cover Section

改訂版 REVISED EDITION	日付 DATE
▲	APRIL 2017



Reference Page of Harness

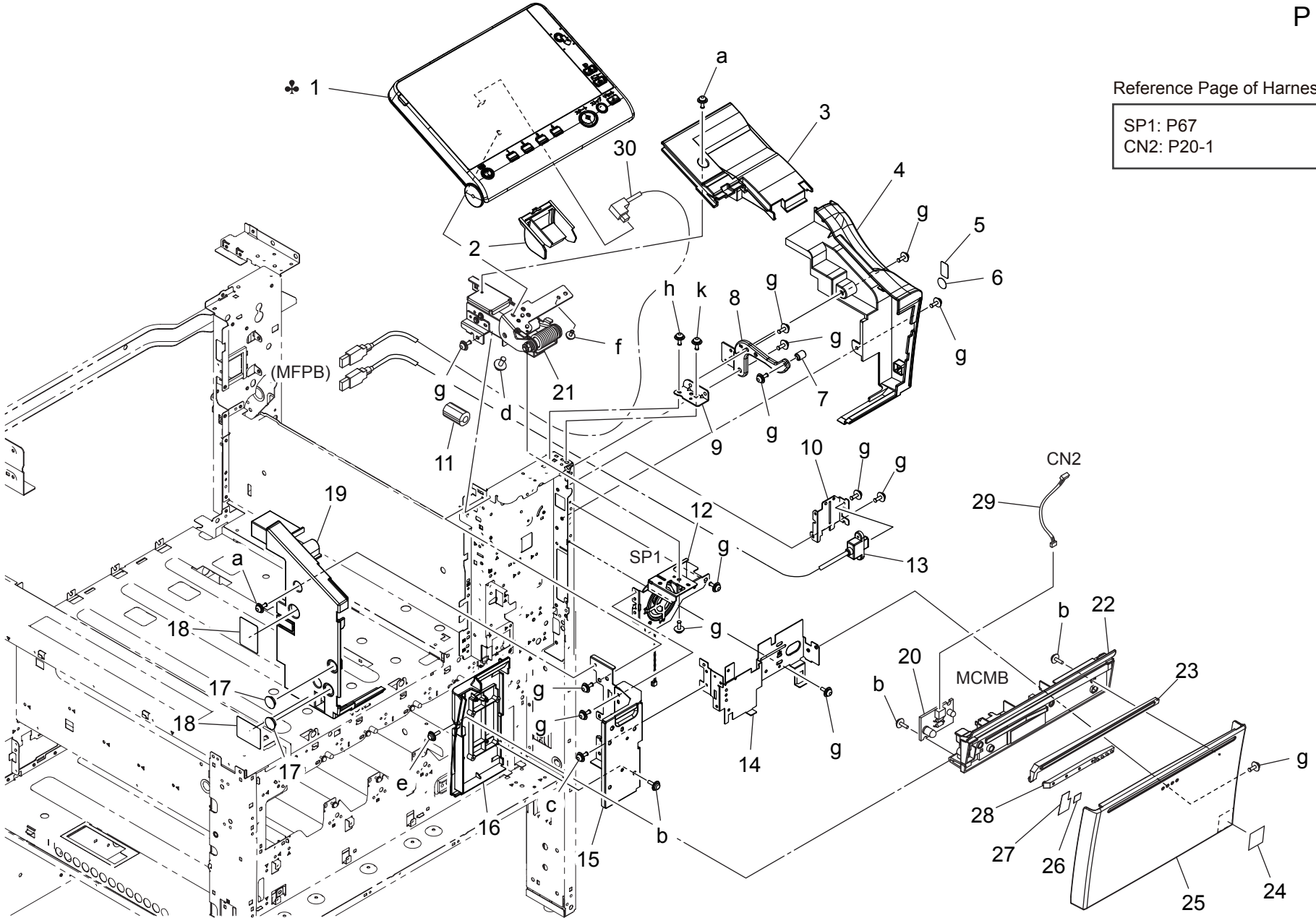
PS43: P68
SW1: P65
SW2: P68

Key	Part No.	Description	Destinations	Class	QTY	Standard parts
1	A79J165700	Fixing Claw		D	2	a-V116030803 b-V153030804 c-V153031003 d-V116031603 e-V153030803
2	A9HGF16102	Cover Front Assy		D	1	
3	A161943000	Label		C	1	
4	A79J165002	Cover /Front		C	1	
5	A161165300	Protection Part		C	2	
6	A0ED162401	Band		D	1	
7	A161942500	Label DR/K		D	1	
8	A5C1M50100	Photointerrupter		B	1	
9	A9HG942600	Label		D	1	
10	A2X0949100	Label		C	2	
11	4038101401	SUCTION PLATE		D	2	
12	A5C1404500	Seal		C	2	
13	A161942000	Label		D	1	
14	4038M60000	SEESAW-SWITCH		C	1	
15	A161135100	Mounting Plate		D	1	
16	A2XKN10C00	AC Wiring /B		D	1	
17	9J06M60100	MICRO SWITCH		C	1	
18	4038228702	SHOULDER SCREW		C	1	
19	A161151300	Torsion Coil spring		D	1	
20	A161151100	Mounting Plate		D	1	
21	A9HJ168800	Seal		D	1	
22	A161135504	Mounting Plate		D	1	
23	4470402401	Stopper		D	1	

Operation Panel Section

Reference Page of Harness

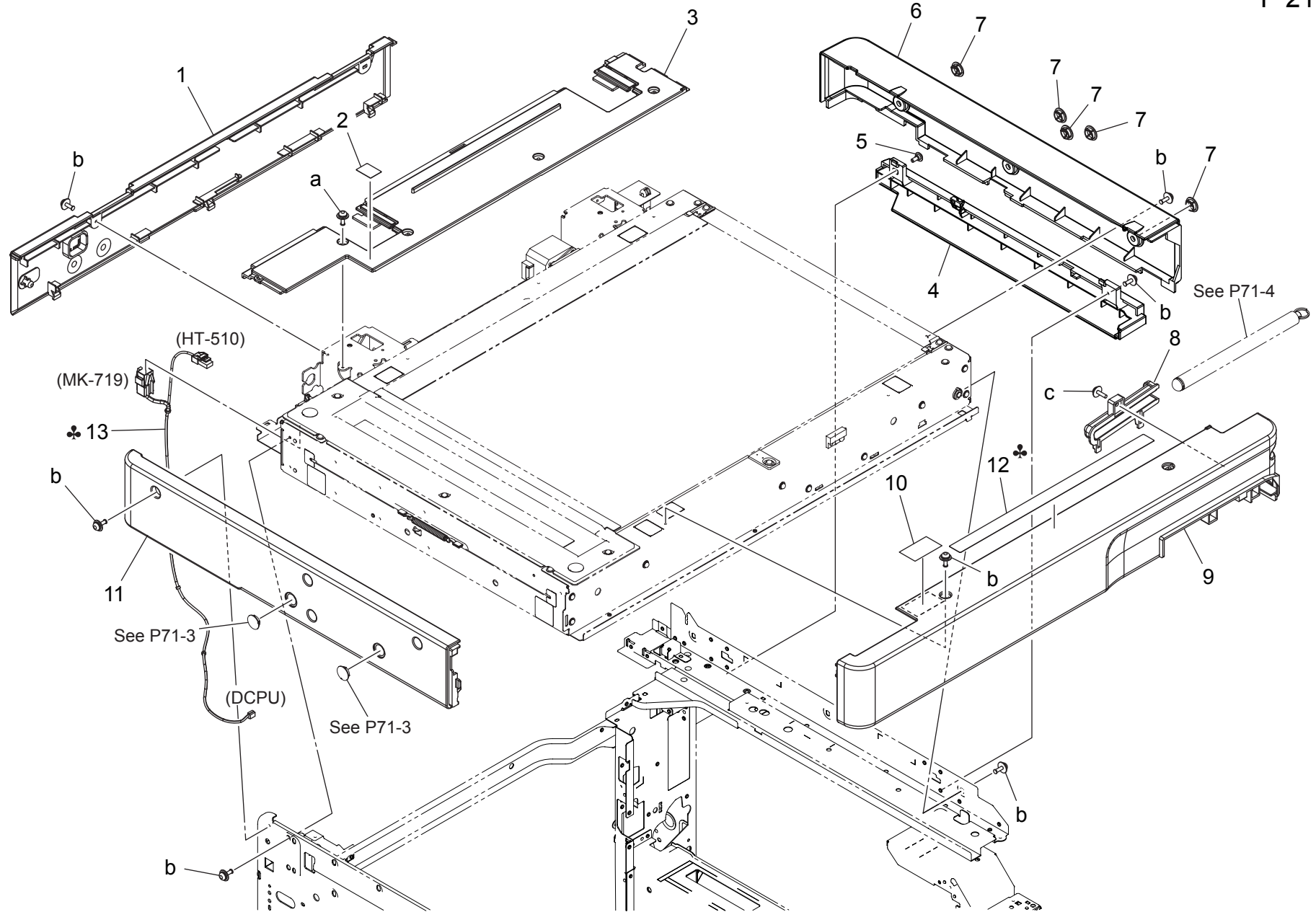
SP1: P67
CN2: P20-1



Key	Part No.	Description	Destinations	Class	QTY	Standard parts
1	A9HGM70000	Panel assembly	A,A1	I	1	a-V116030804
1	A9HGM70100	Panel assembly	B,D1,D3,E,F2,G1,G2, I(Except SOUTH AFRI CA),K	I	1	b-V153030803
1	A9HGM70200	Panel assembly	C,I(SOUTH AFRICA)	I	1	c-V125030818
1	A9HGM70300	Panel assembly	J	I	1	d-V125041003
1	A9HGM70400	Panel assembly	H	I	1	e-V153030804
2	A161190903	Cover		C	1	f-V126030603
3	A7PU162600	Cover		C	1	g-V116030803
4	A9HG161500	Cover		D	1	h-V116030603
5	A7PU168500	Seal		C	1	k-V137030803
6	A7PU168600	Seal		C	1	
7	A7PU138200	Connecting Shaft		D	1	
8	A7PU138100	Reinforce Plate		D	1	
9	A7PU138301	Reinforce Plate		D	1	
10	A7PU138002	Mounting Plate		D	1	
11	A5C1M92000	Ferritecore		D	1	
12	A79JR72600	Speaker Assy		D	1	
13	A7PUN15300	Interface Cable		D	1	
14	A7PU164100	Mounting Plate		D	1	
15	A7PU135402	Support Plate		D	1	
16	A7PU161900	Cover		C	1	
17	A00J169100	Cover		C	2	
18	A161162400	Seal		C	2	
19	A7PU161400	Cover		C	1	
20	A161H00U01	PWB Assembly(PWB-LED ASSY)		C	1	
21	A5C1R72222	Mounting Plate Assy		C	1	
22	A5C1167800	Light blocking Cover		D	1	
23	A161167000	Lens		D	1	
24	A011946200	Label Emperon		D	1	
25	A7PU161701	Cover		C	1	
26	A161167400	Light blocking Sheet /2		D	1	
27	A161167300	Light blocking Sheet /1		D	1	
28	A161167100	Lens		D	1	
29	A5C1N10B00	Indicating Wiring/3		D	1	
30	A79JN15600	Interface Cable		C	1	

Scanner Section

P 21

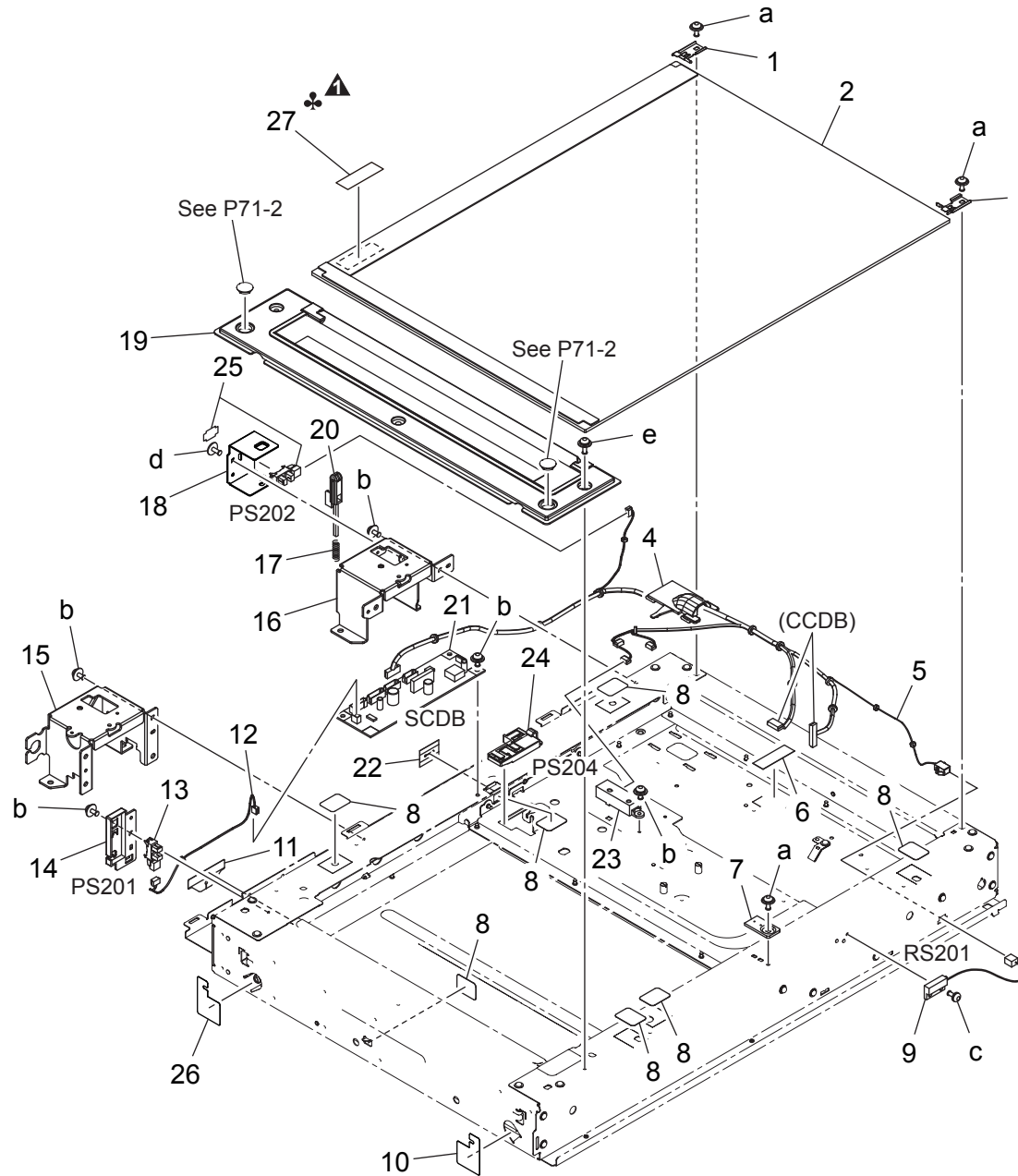


Key	Part No.	Description	Destinations	Class	QTY	Standard parts
1	A7PU170200	Read Cover /Rear		C	1	a-V116030804 b-V116030803 c-V153030803
2	A7PU940600	Label		D	1	
3	A7PU170702	Read Cover		C	1	
4	A79J170601	Read Cover		C	1	
5	A00J169300	Shoulder screw		C	1	
6	A7PU170400	Read Cover /Right		C	1	
7	A02E167700	Cover		C	5	
8	A161170800	Holder		D	1	
9	A7PU170100	Read Cover /Front		C	1	
10	A0HF952400	Label		C	1	
11	A7PU170300	Read Cover /Left		C	1	
12	A3EW944600	Label	A,A1	C	1	
13	A161N11C01	Scanner Relay harness /100V	A,A1	D	1	

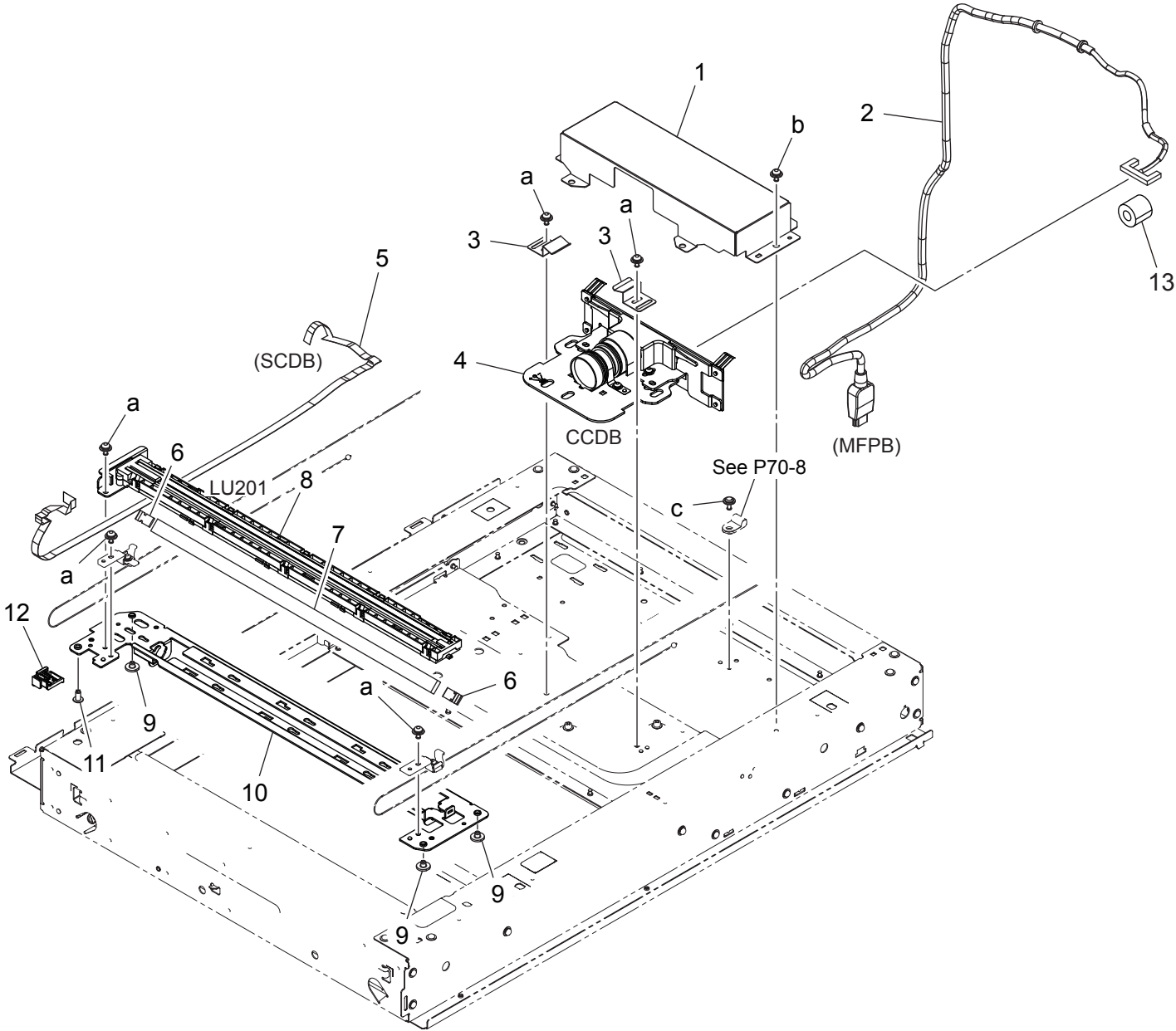
Scanner Section

P 22

改訂版 REVISED EDITION	日付 DATE
	MAY 2017



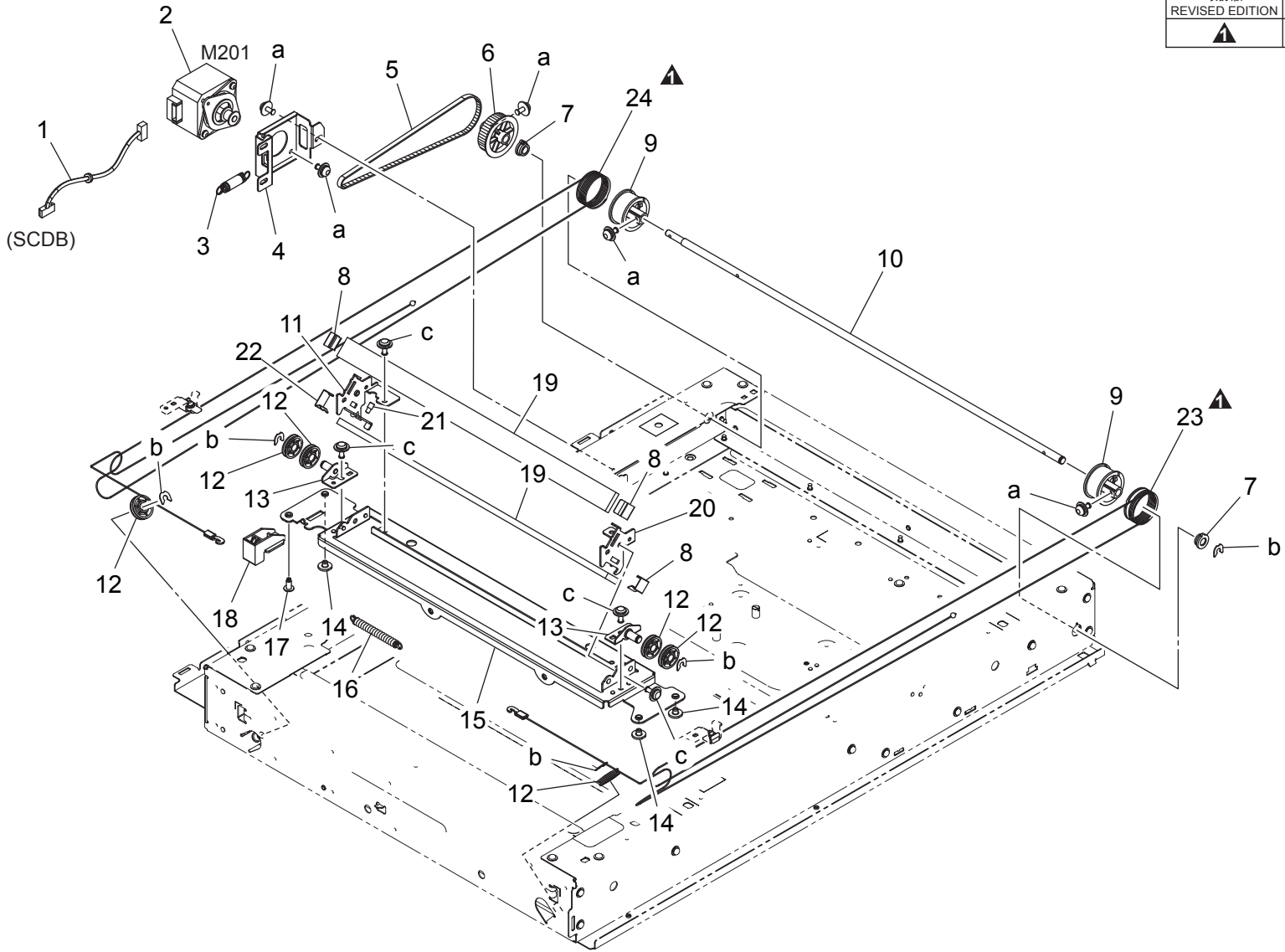
Key	Part No.	Description	Destinations	Class	QTY	Standard parts
1	A161268300	Holding Plate		D	1	a-V121030604 b-V116030603 c-V115030603 d-V137030603 e-V116030804
2	A161R72200	Original Glass Assy		C	1	
3	A161268200	Holding Plate		D	1	
4	A161281600	Guide		D	1	
5	A161N14100	Scanner Wiring /1		D	1	
6	4036307501	Tape		D	1	
7	A00J265300	Regulating Plate		C	1	
8	4581162501	SEAL		C	7	
9	A1UDM50200	Lead Switch		C	1	
10	A5C1263300	Seal		C	1	
11	A161263000	Seal		D	1	
12	A161N14201	Scanner Wiring /2		D	1	
13	A5C1M50100	Photointerrupter		B	1	
14	A161262200	Cover		D	1	
15	A161261902	Frame		D	1	
16	A161262002	Frame		D	1	
17	A161280300	Compressing Coil spring		C	1	
18	A5C1280100	Mounting Plate		D	1	
19	A7PUR71111	Slit Glass Assy		C	1	
20	A161280211	Lever		D	1	
21	A7PUH01A01	PWB Assembly (ID)		I	1	
22	A161281300	Seal		D	1	
23	A161M50A00	APS Photoreflector		C	1	
24	A161281100	Guide		D	1	
25	A5C1R90000	Photo Interrupter		B	1	
26	A5C1263400	Seal		C	1	
27	A7PU941600	Label	J	C	1	



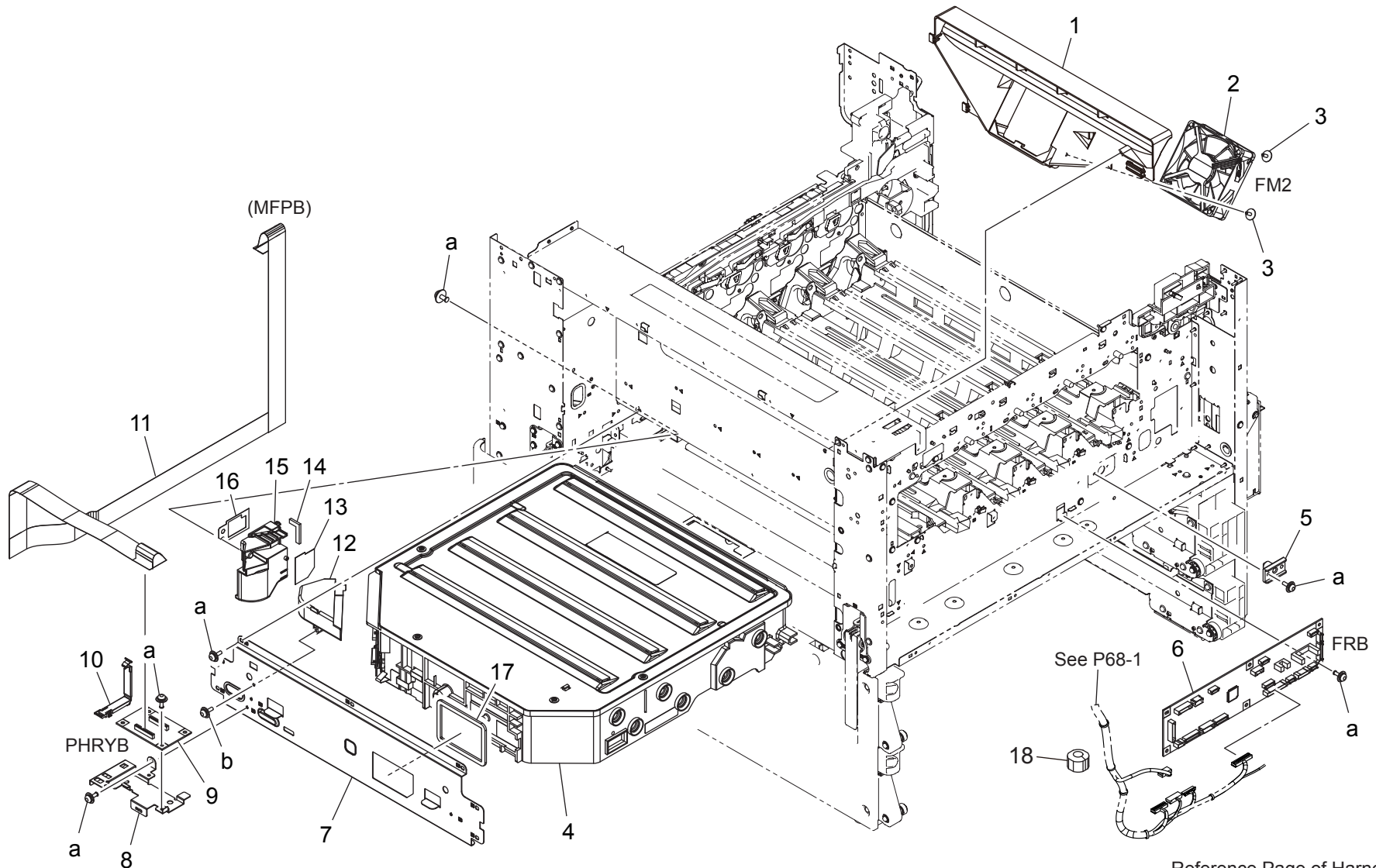
Key	Part No.	Description	Destinations	Class	QTY	Standard parts
1	A161278600	Cover		D	1	a-V116030603 b-V127030516 c-V137030804
2	A7PUN14500	CCD Cable		D	1	
3	A161278900	Plate spring		D	2	
4	A7PUR70100	CCD Lens Assy		I	1	
5	A7PUN14000	Flatcable /Scanner		D	1	
6	A0ED271300	Plate spring		D	2	
7	A0ED271200	Mirror		D	1	
8	A7PUR71000	LED Lighting Assy		I	1	
9	A161271000	Bushing		D	3	
10	A7PU270100	Frame		D	1	
11	A161271100	Bushing		D	1	
12	A7PU270600	Guide		D	1	
13	A3GNM71C00	Ferrite core		D	1	

Scanner Section

改訂版 REVISED EDITION	日付 DATE
▲	MAY 2017



Key	Part No.	Description	Destinations	Class	QTY	Standard parts
1	A5C1N14300	Scanner Wiring		D	1	a-V116030603 b-V218040086 c-V137030603
2	A5C1M10A00	Stepping motor		C	1	
3	A161275700	Pulling Spring		D	1	
4	A161276000	Mounting Plate		D	1	
5	A161275600	Timing belt 335L		D	1	
6	A161275500	Pulley 103T		D	1	
7	A161276500	Bearing		D	2	
8	A0ED274400	Plate spring		D	3	
9	A161275300	Pulley		D	2	
10	A161275400	Shaft		D	1	
11	A161273701	Mounting Plate		D	1	
12	A0ED273600	Pulley		C	6	
13	A161273401	Mounting Plate		D	2	
14	A161271000	Bushing		D	3	
15	A161273113	Frame		D	1	
16	A0ED276301	Pulling Spring		D	1	
17	A161271100	Bushing		D	1	
18	A161273500	Guide Part		D	1	
19	A0ED274300	Mirror		D	2	
20	A161273800	Mounting Plate		D	1	
21	A161274600	Adjusting Screw		C	1	
22	A161274500	Plate spring /1		D	1	
23	A161275113	Wire /Front		C	1	
24	A161275213	Wire /Rear		C	1	

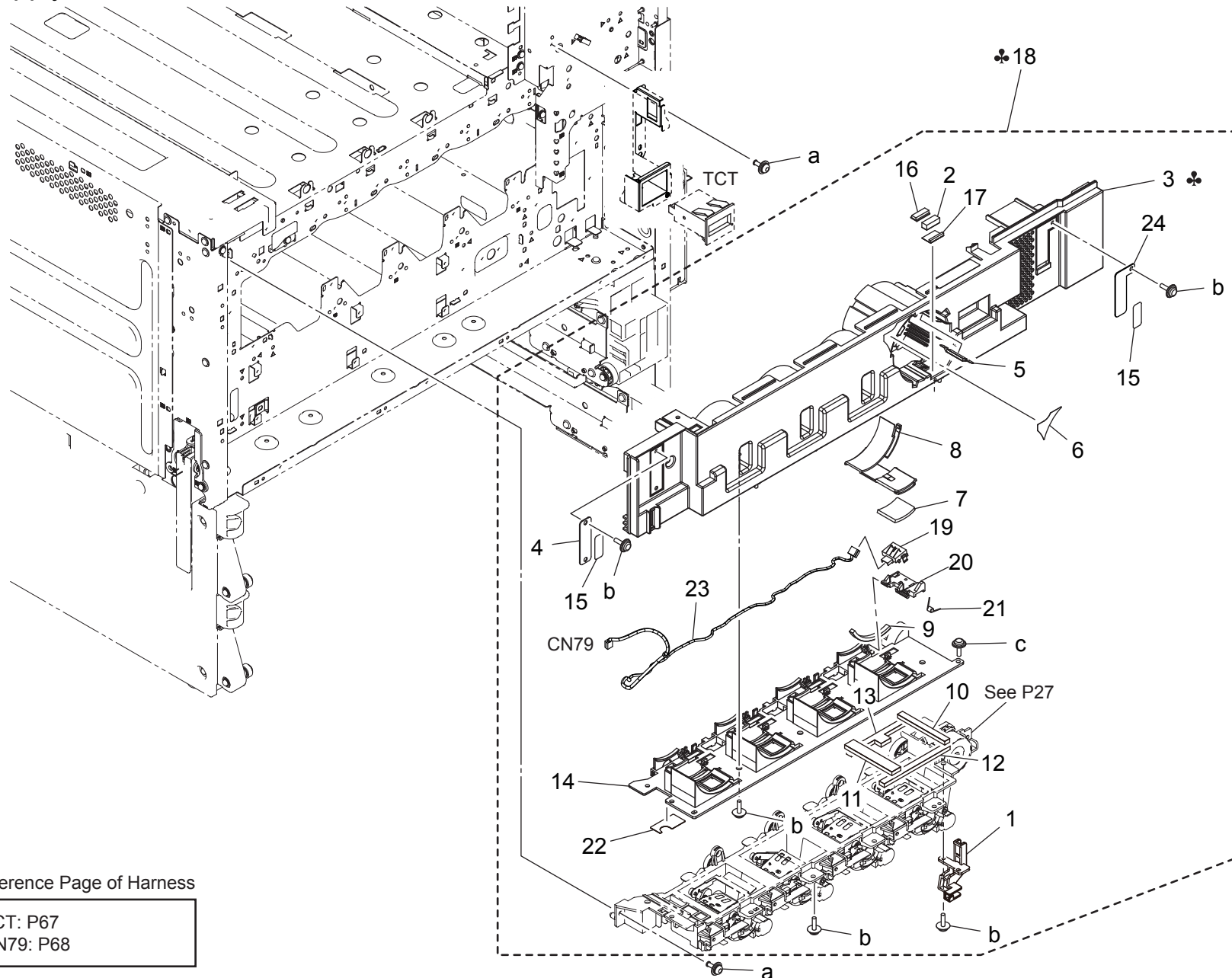


Reference Page of Harness

FM2: P68

Key	Part No.	Description	Destinations	Class	QTY	Standard parts
1	A61F140200	Duct		D	1	a-V116030803 b-V153030803
2	4139M10000	Fan motor		B	1	
3	4163529301	SCREW		C	2	
4	A9HHR70000	Print Head Assy		I	1	
5	A161105400	Positioning Plate		D	1	
6	A9HJH00500	FRB		I	1	
7	A79J101800	Mounting Plate		D	1	
8	A161130301	Mounting Plate		D	1	
9	A5C1H00900	PWB Assembly(PWB-LD1 ASSY)		C	1	
10	A161137802	Holder		D	1	
11	A79JN10C00	I/F Flatcable /1		C	1	
12	A79J147501	Duct /3		D	1	
13	A79J146300	Seal		C	1	
14	A79J146500	Cushion		C	1	
15	A79J147401	Duct /2		D	1	
16	A161146400	Seal		D	1	
17	A2XK144201	Seal /2		D	1	
18	A79JM90A00	Ferritecore		D	1	

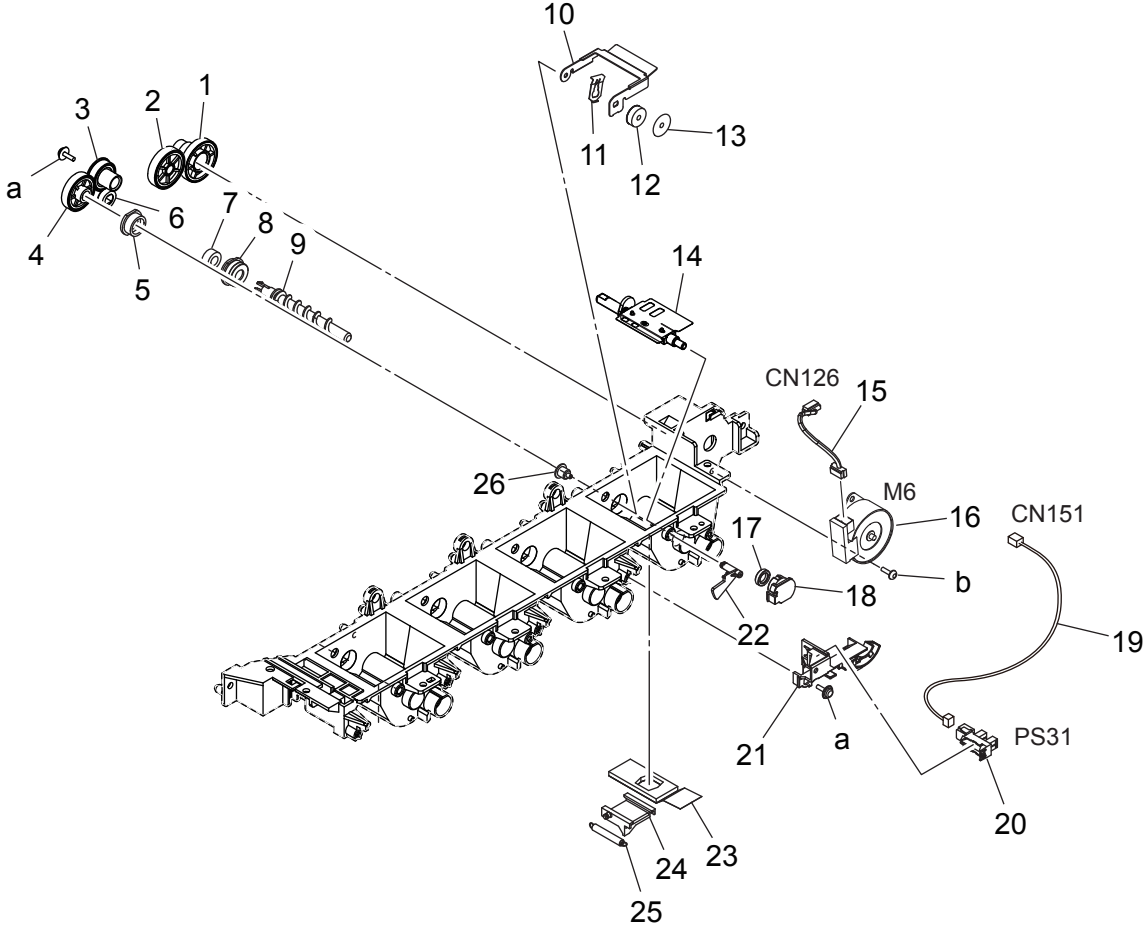
Toner Supply Section



Reference Page of Harness

TCT: P67
CN79: P68

Key	Part No.	Description	Destinations	Class	QTY	Standard parts
1	A61F400001	Holder		D	1	a-V116030803 b-V153030803 c-V153031004
2	A161403701	Seal		D	1	
3	A9HG401101	Cover	B,G2	D	1	
3	A9HG401201	Cover	C,I(SOUTH AFRICA)	D	1	
3	A9HG401301	Cover	A,A1	D	1	
3	A9HG401500	Cover	D1,D3,E,F2,G1,I(Exc ept SOUTH AFRICA),K J,H	D		
4	4038101401	SUCTION PLATE		D	1	
5	A161403901	Spacer		D	1	
6	A0ED940600	Label Toner 1		D	1	
7	A161402502	Seal		D	1	
8	A161402403	Shutter		D	1	
9	A161403800	Seal		D	1	
10	A161403500	Seal		D	1	
11	A161403600	Seal		D	1	
12	A61F403300	Seal		D	1	
13	A61F403401	Seal		D	1	
14	A161402115	Cover		D	1	
15	A5C1404500	Seal		C	2	
16	A161404001	Seal /1		D	1	
17	A161404100	Seal /2		D	1	
18	A9HGR70500	Sub Hopper Assy	A,A1	I	1	
18	A9HGR70600	Sub Hopper Assy	B,G2	I	1	
18	A9HGR70700	Sub Hopper Assy	C,I(SOUTH AFRICA)	I	1	
18	A9HGR71300	Sub Hopper Assy	D1,D3,E,F2,G1,I(Exc ept SOUTH AFRICA),K J,H	I	1	
19	A0EDM60001	Relay Connector		D	1	
20	A2XK400001	Holder		D	1	
21	A2XK400100	Torsion Coil spring		D	1	
22	A61D400200	Partition		D	1	
23	A61DN10B01	Toner Detection harness /2		D	1	
24	A79J403100	Suction Plate		D	1	



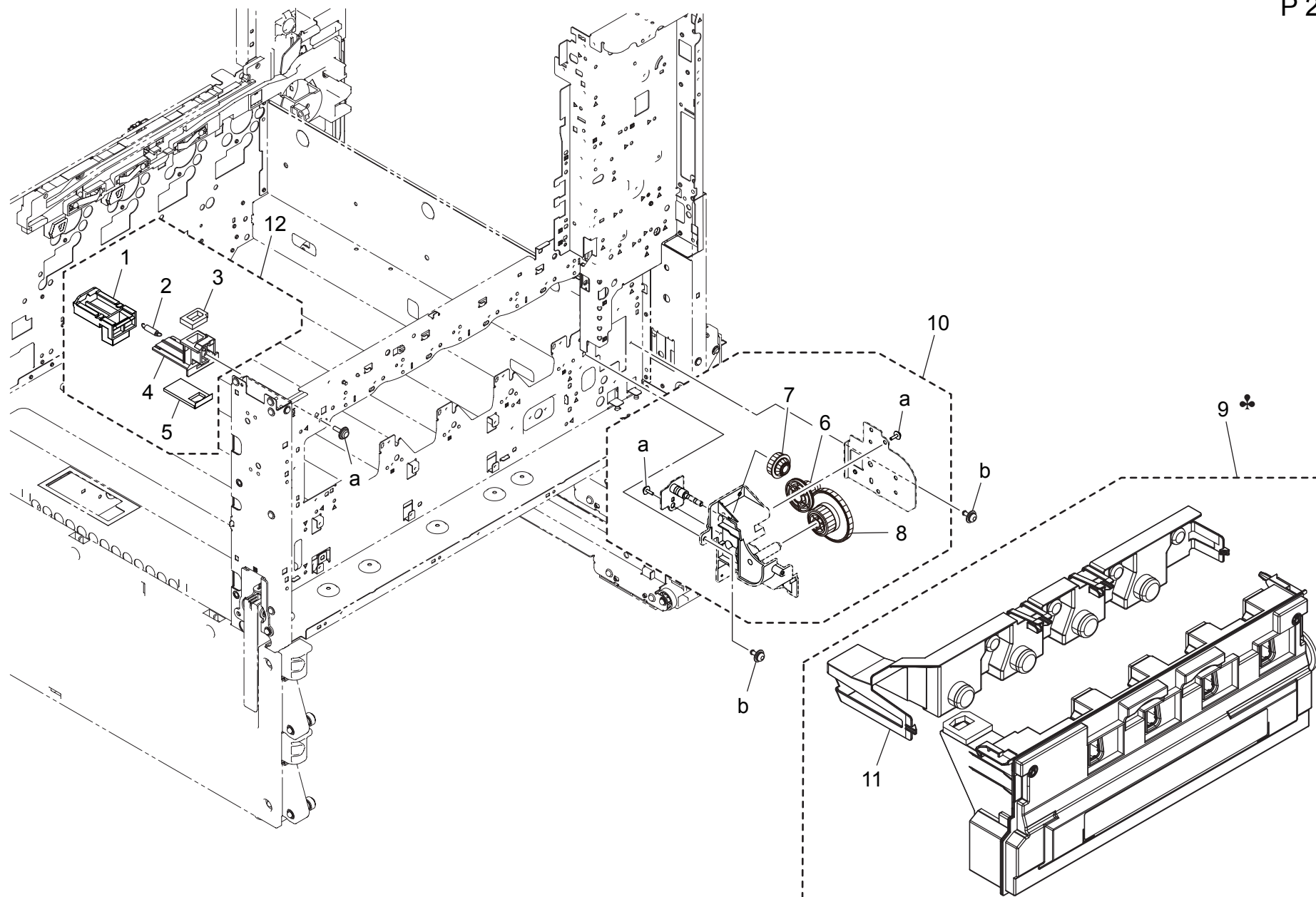
Reference Page of Harness

CN126: P67
CN151: P67

Key	Part No.	Description	Destinations	Class	QTY	Standard parts
1	A161401300	Gear 17/65T		C	1	a-V153030803 b-V145030803
2	A161401400	Gear 43T		C	1	
3	A161401200	Gear 28T		C	1	
4	A161401100	Gear 36T		C	1	
5	4163510201	BUSHING 軸受		C	1	
6	A161401000	Gear 18T		C	1	
7	4576536301	SEAL シール		D	1	
8	A161403101	Holder ホルダ		C	1	
9	A161400100	Screw スクリュー		C	1	
10	A161400401	Detecting Plate 検出板		D	1	
11	A161404200	Fixing Plate 固定板		D	1	
12	A161400601	Detecting Seal 検出シール		D	1	
13	A5C1404600	Washer ワッシャ		D	1	
14	A5C1F42000	Agitating Shaft 攪拌軸 ASSY		D	1	
15	A161N12801	Toner Drive harness /K トナー駆動束線 / K		D	1	
16	A7PUM10700	Stepping motor ステッピングモータ		C	1	
17	4333501201	SEAL シール		D	1	
18	A161403000	Bushing すべり軸受		D	1	
19	A61FN10F00	Toner Detection harness トナー検知束線		D	1	
20	A5C1M50100	Photointerrupter 透過型センサ		B	1	
21	A161400701	Mounting Plate 取付板 (TE センサ)		D	1	
22	A161404300	Detecting Actuator 検出アクチュエータ		D	1	
23	A161403200	Seal シール (DV シャッター)		D	1	
24	A0ED401000	Shutter シャッター		D	1	
25	4036534801	TENSION SPRING 引張コイルばね		C	1	
26	A161400800	Pin ピン		D	1	



Toner Collection Section

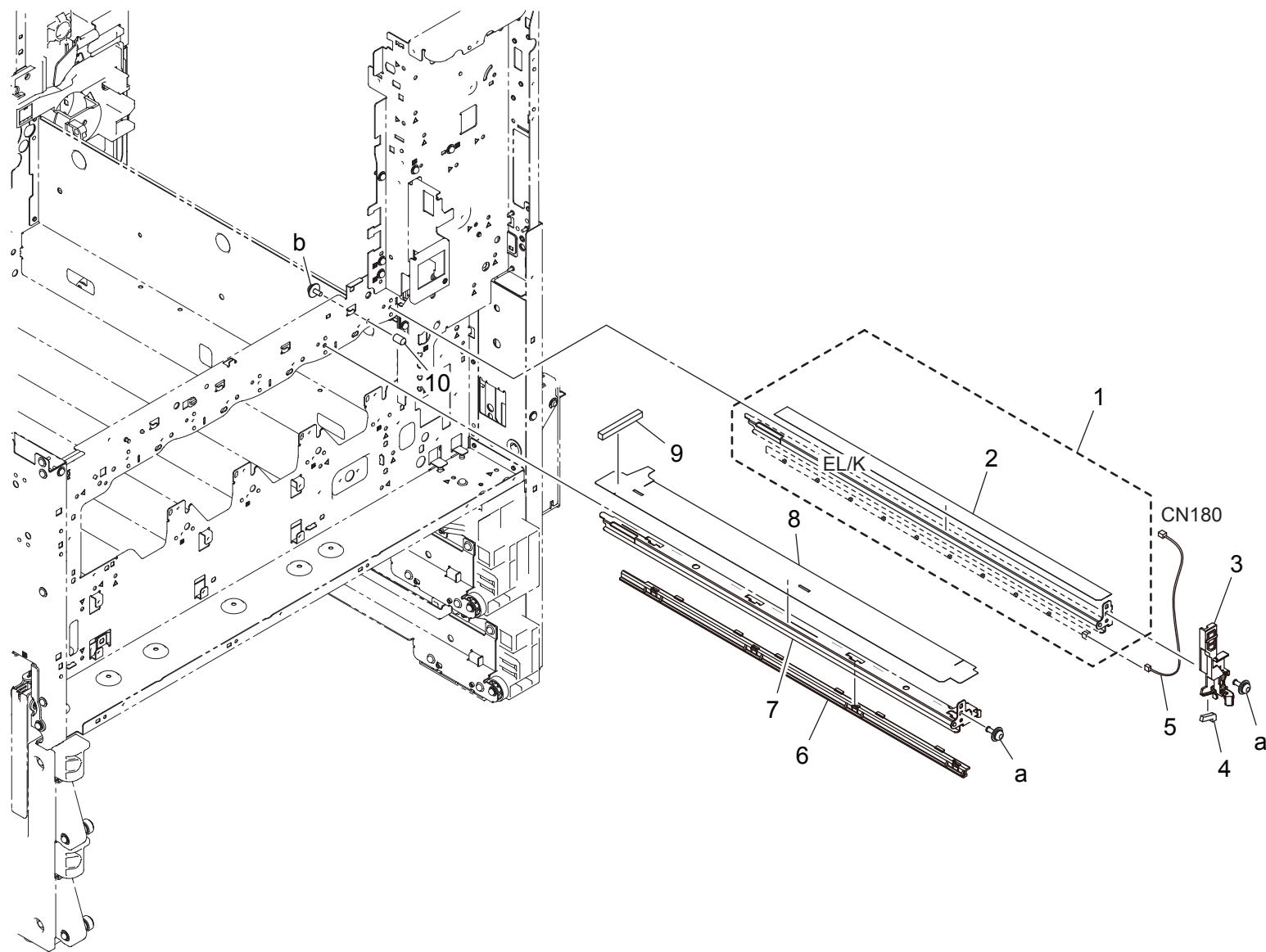


Toner Collection Section

Key	Part No.	Description	Destinations	Class	QTY	Standard parts
1	A64J363700	Shutter		D	1	a-V153030803 b-V125030818
2	A0ED363200	Pulling Coil spring		D	1	
3	A0ED363400	Seal		D	1	
4	A0ED363001	Pipe		D	1	
5	A0ED363312	Seal		D	1	
6	A161245100	Gear 16/40T		D	1	
7	A0ED245000	Gear 20/20T		D	1	
8	A161245400	Gear 16/51T		D	1	
9	A4NNWY3	WASTE TONER BOX	廃棄トナーボックス	A	1	
9	A4NNWY3	WASTE TONER BOX	廃棄トナーボックス	A	1	
9	A4NNWY1	WASTE TONER BOX	廃棄トナーボックス	A	1	
10	A161F21013	Waste Toner Drive	廃トナー駆動	C	1	
11	A161362000	Cover	蓋	C	1	
12	A64JR71400	Waste Toner Pipe	廃トナーパイプ	C	1	

D1, D3, E, F2, G1,
I(Except SOUTH AFRI
CA), K,J,H
C, I(SOUTH AFRICA)
B,G2
A,A1

Photo Conductor Section

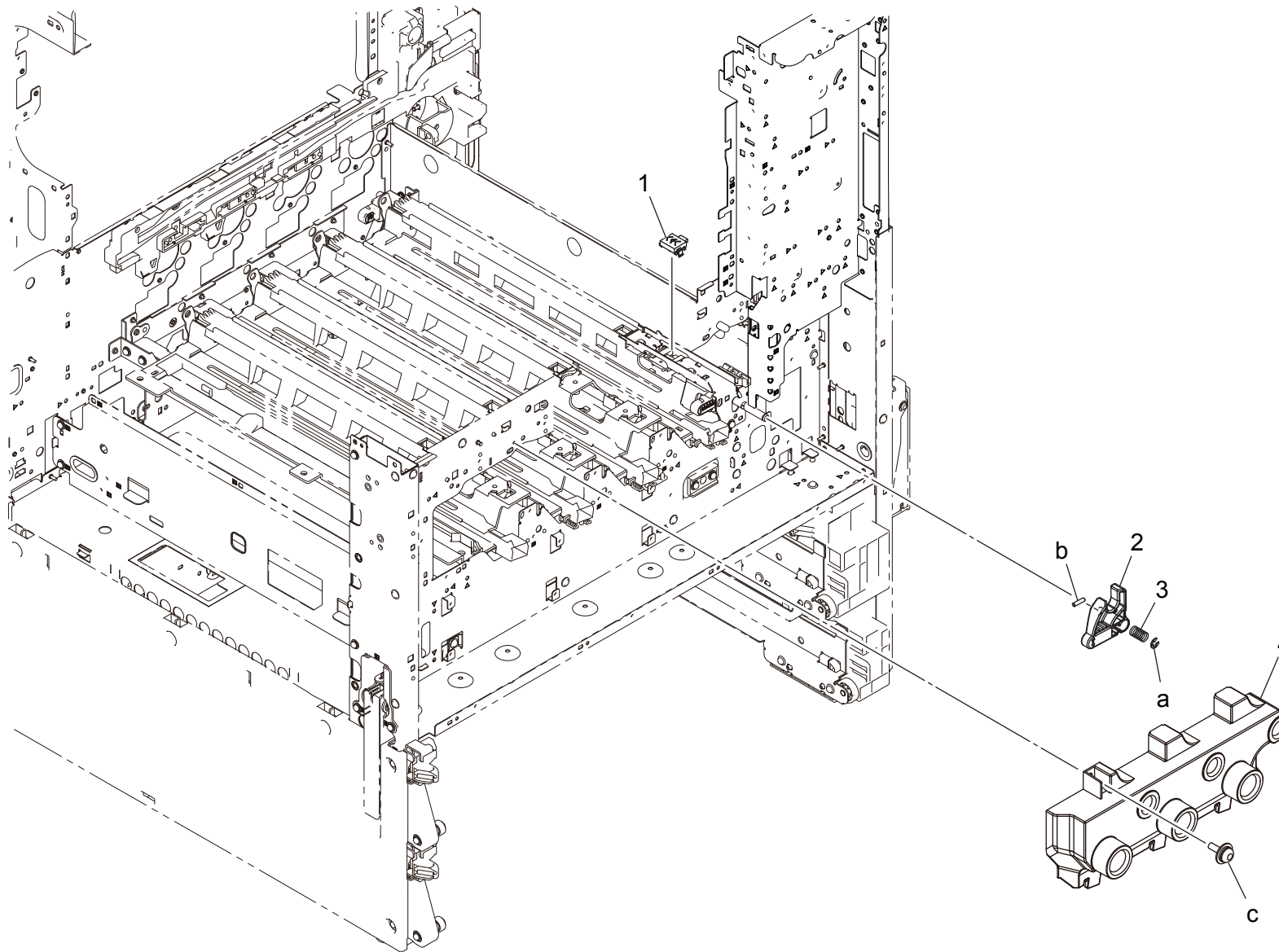


Reference Page of Harness

CN180: P67

bizhub 458

Key	Part No.	Description	Destinations	Class	QTY	Standard parts
1	A7PUR70500	Eraser (Black) Assy		C	1	a-V116030803 b-V116030603
2	A161107400	Light blocking Part		C	1	
3	A61F130001	Holder		D	1	
4	A2XK130000	Light blocking Seal		D	1	
5	A61FN11V00	Neutralizing Wiring		D	1	
6	A797105400	Rail		D	1	
7	A161105600	Rail		D	1	
8	A5C1105500	Light blocking Part		D	1	
9	A161107100	Seal		D	1	
10	A0ED103100	Pin		D	1	

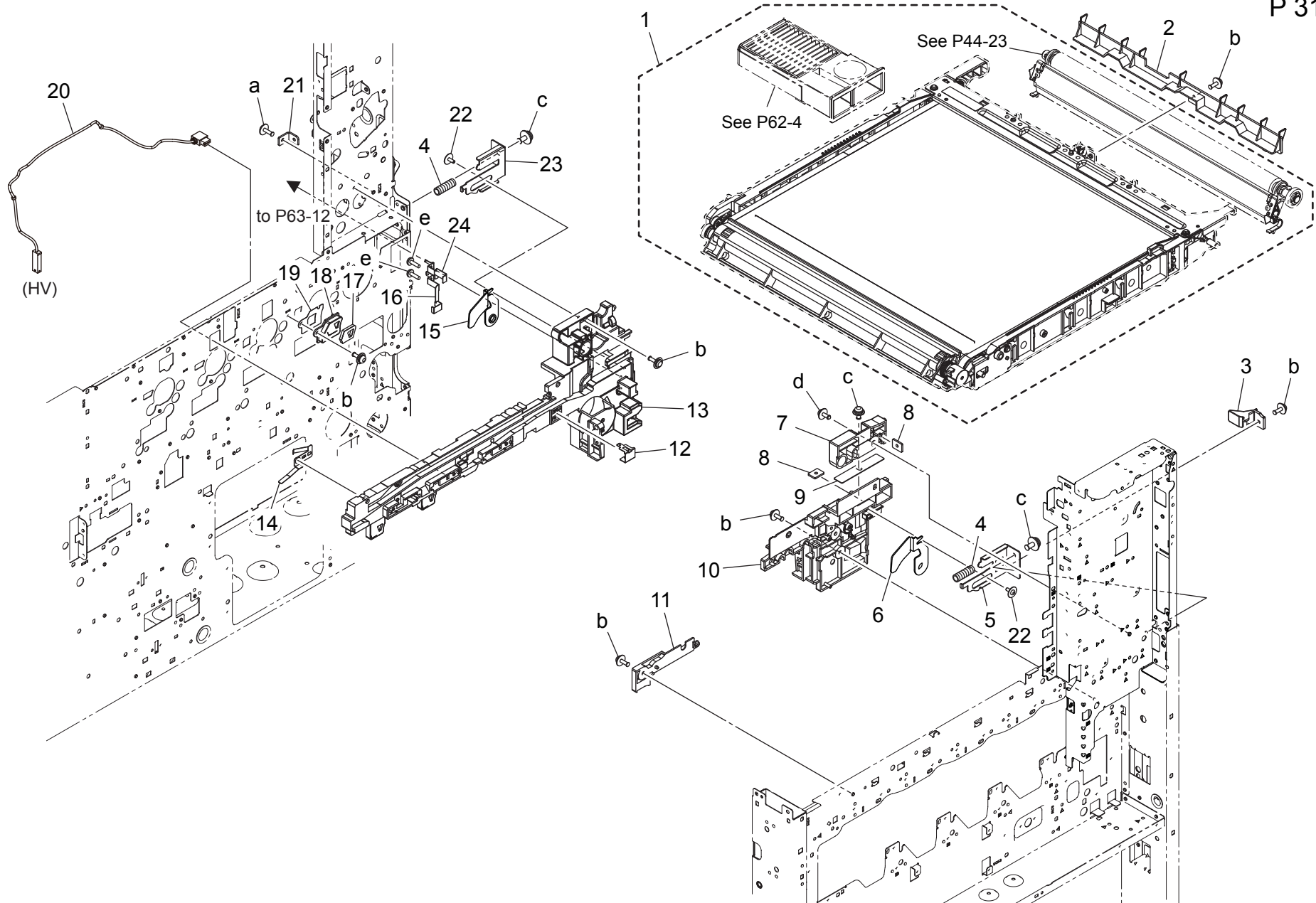


Key	Part No.	Description	Destinations	Class	QTY	Standard parts
1	A0EDM60001	Relay Connector		D	1	a-V217040001 b-V234301250 c-V116030803
2	A161116202	Release Lever		D	1	
3	A161119500	Compressing Coil spring		D	1	
4	A61F168200	Cover /Inside		D	1	



1st Transfer Section

P 31



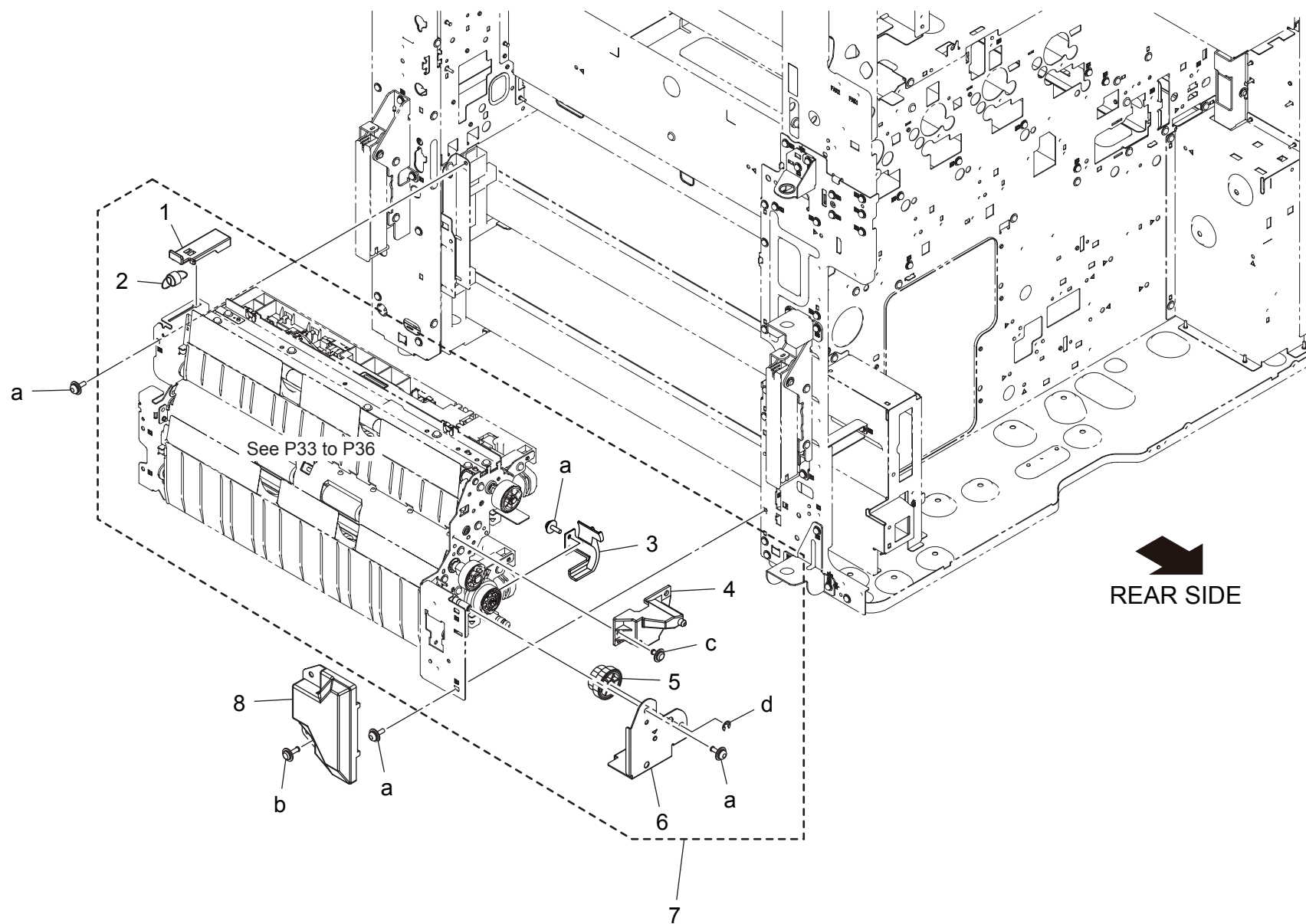
bizhub 458

1st Transfer Section

Key	Part No.	Description	Destinations	Class	QTY	Standard parts
1	A61DR70022	Intermediate Image Transfer Kit		A	1	a-V137030803 b-V116030803 c-V116040803 d-V125030818 e-V145030803
2	A161508400	Guide		C	1	
3	A161110601	Lock Part		D	1	
4	A0ED111000	Compressing Coil spring		D	2	
5	A161112500	Lever /Front		D	1	
6	A5C1112800	Arm /Front		D	1	
7	A161110400	Fusing Rail /Front		D	1	
8	A161112200	Mounting Plate		D	2	
9	A161112600	Adjusting Plate		D	1	
10	A161110202	Rail		D	1	
11	A161110300	Rail		D	1	
12	A0ED111400	Contact /K		D	1	
13	A161110105	Rail		D	1	
14	A0ED112000	Contact		D	1	
15	A5C1112900	Arm /Rear		D	1	
16	A161112300	Contact		D	1	
17	A161144801	Seal		C	1	
18	A161141700	Duct		D	1	
19	A161146200	Seal		D	1	
20	A61FN11200	Transfer Wiring		D	1	
21	A161112700	Mounting Plate		D	1	
22	4163529301	SCREW		C	2	
23	A161112101	Lever /Rear		D	1	
24	A161112400	Contact		D	1	

Paper Feed Section

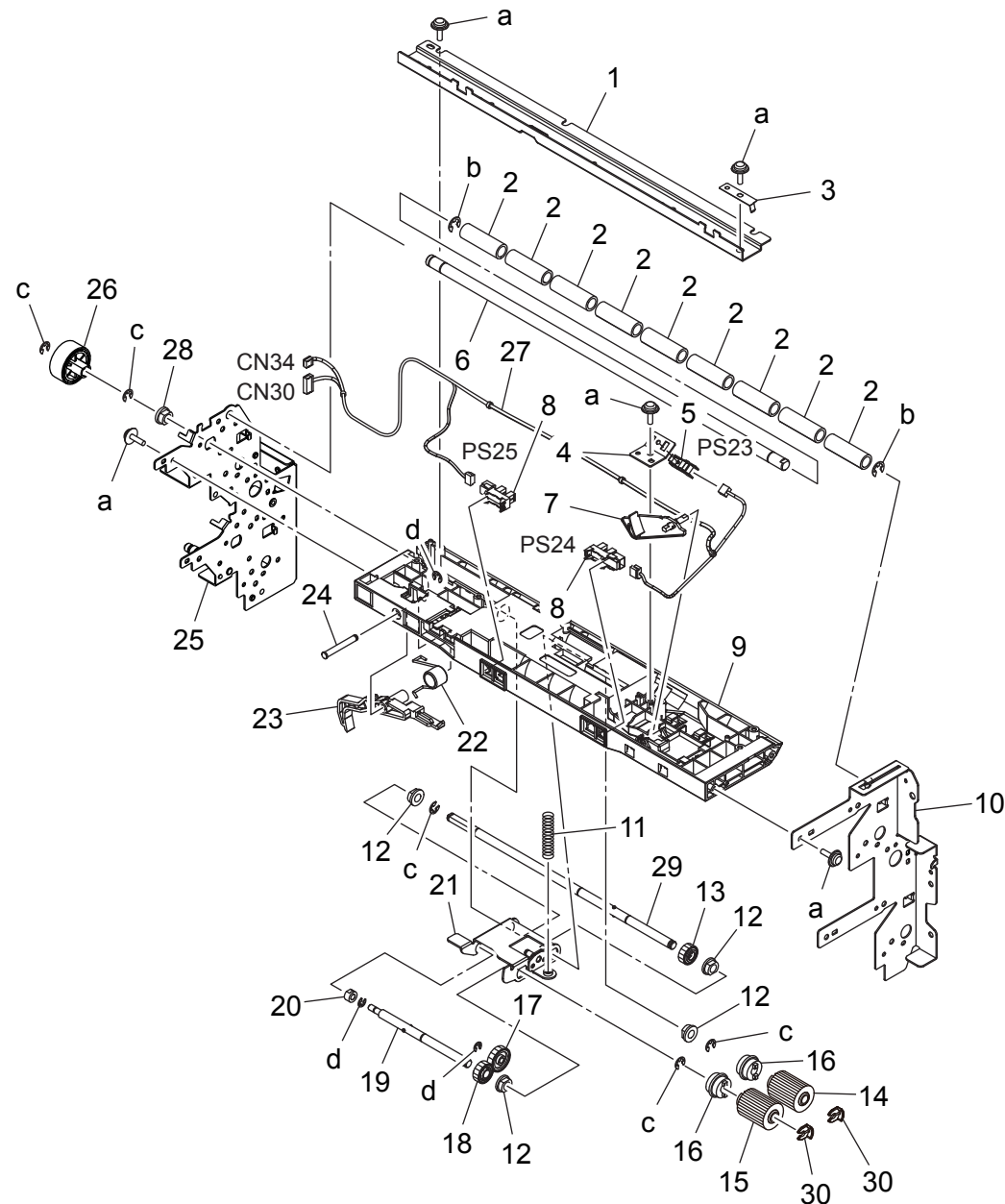
P 32



Paper Feed Section

Key	Part No.	Description	Destinations	Class	QTY	Standard parts
1	A161561100	Holder		D	1	a-V116030803 b-V137030803 c-V144030603 d-V217040001
2	A161561200	Pulling Coil spring		D	1	
3	A7PU569100	Cover		D	1	
4	A161565102	Mounting Plate		D	1	
5	A161576100	Gear 21/26T		C	1	
6	A161575101	Mounting Plate		D	1	
7	A9HGR70800	Paper Feed Assy		S	1	
8	A161579011	Cover		D	1	

Tray 1 Paper Feed Section



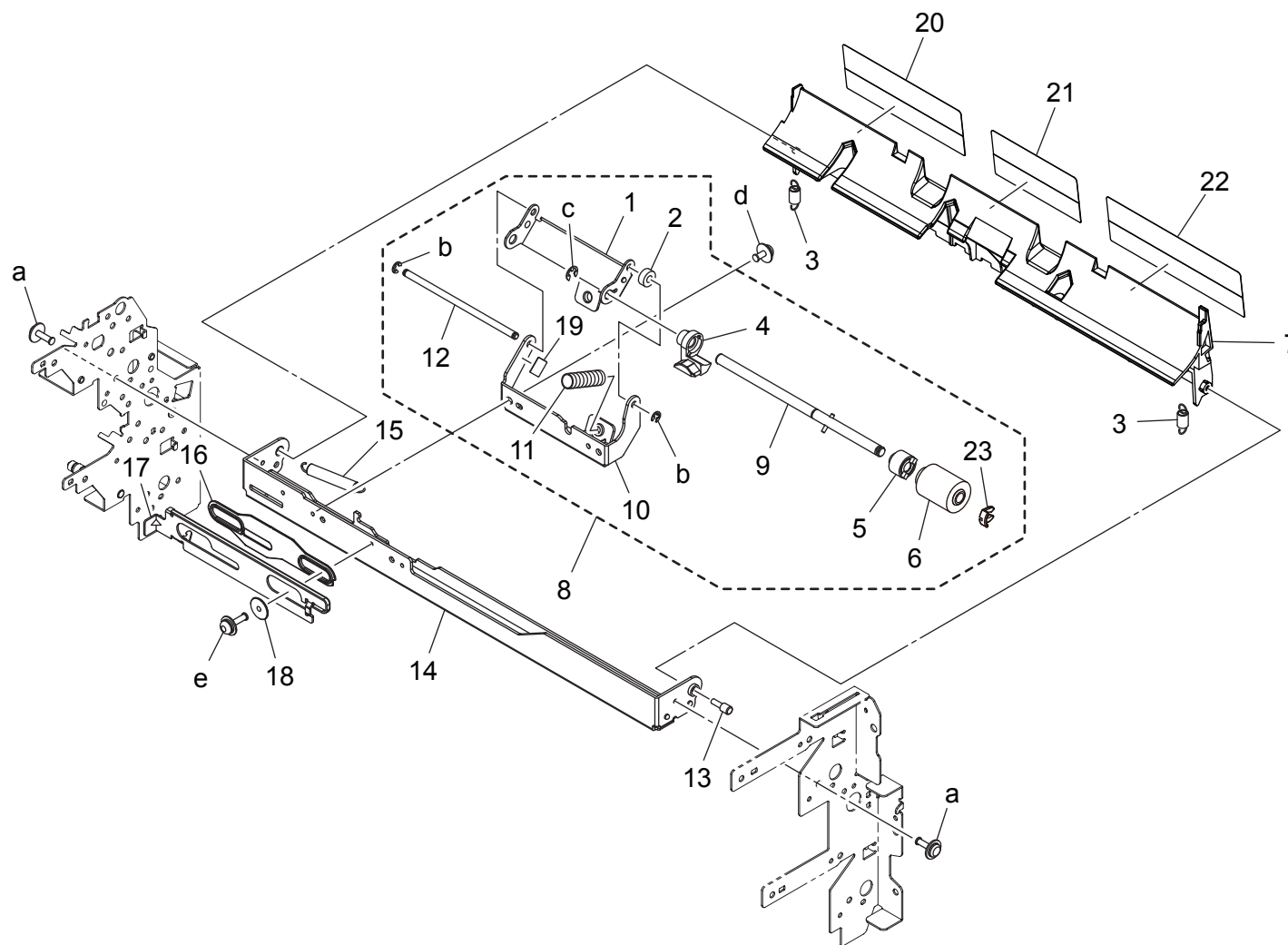
Reference Page of Harness

CN30: P69
CN34: P69

Tray 1 Paper Feed Section

Key	Part No.	Description	Destinations	Class	QTY	Standard parts
1	A161566000	Reinforce Plate		D	1	a-V153030803 b-V217050001 c-V217040001 d-V217030001
2	4034352501	ROLLER		C	9	
3	A5C1560600	Ground Plate		D	1	
4	A161560900	Mounting Plate		D	1	
5	A0EDM50100	Photorelector		I	1	
6	A5C1565500	Shaft		D	1	
7	A161561600	Actuator		C	1	
8	A5C1M50100	Photointerrupter		B	2	
9	A161565302	Paper feed Frame		D	1	
10	A161560112	Frame /Front		D	1	
11	A161562800	Compressing Coil spring		C	1	
12	4131300301	BUSHING		C	4	
13	A161562400	Gear 26T		C	1	
14	A00J563600	Roller		A	1	
15	A5C1562200	Roller		A	1	
16	A02E561100	Clutch		C	2	
17	A161562300	Gear 34T		C	1	
18	A161562600	Gear 28T		C	1	
19	A161562000	Shaft		D	1	
20	A161562500	Bushing		C	1	
21	A161562101	Holder		D	1	
22	A161567400	Torsion Spring		C	1	
23	A161567300	Lever		C	1	
24	A02E560800	Shaft		D	1	
25	A161F56028	Caulking(Frame)		D	1	
26	A79J576400	Gear 24T		C	1	
27	A79JN10800	Paperfeed Relay harness		D	1	
28	A00J663200	Bushing		C	1	
29	A161560500	Shaft		D	1	
30	56AA40490	SHAFT STOPPER 4		C	2	

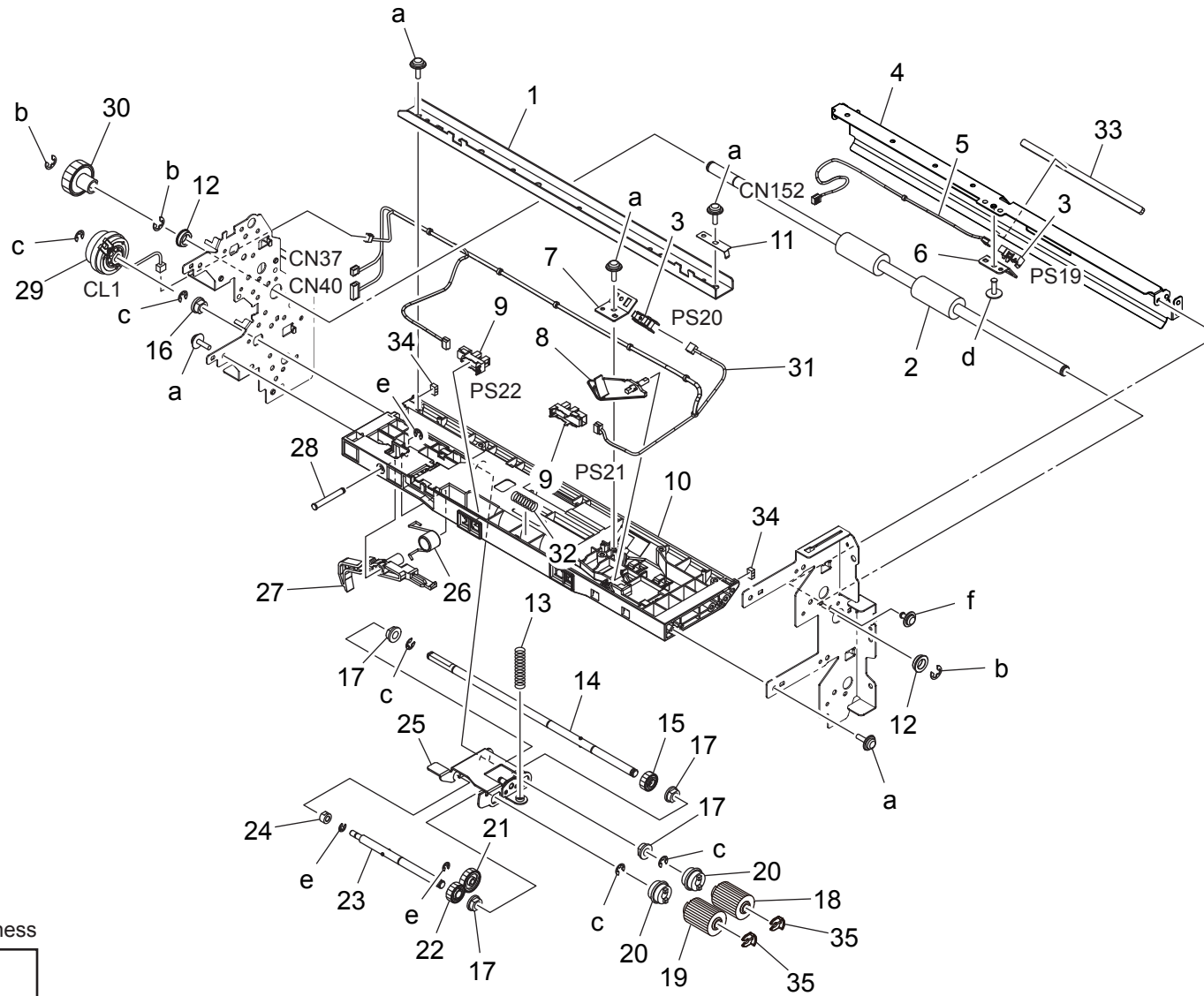
Tray 1 Paper Feed Section



Tray 1 Paper Feed Section

Key	Part No.	Description	Destinations	Class	QTY	Standard parts
1	A5C1563100	Holder		D	1	a-V137030803 b-V217030001 c-V217040001 d-V116030603 e-V116031003
2	4040561000	Spacer		D	1	
3	A161568600	Pulling Coil spring		C	2	
4	A5C1563500	Guide		D	1	
5	A0ED563900	Torque limiter		C	1	
6	A00J563600	Roller		A	1	
7	A7PU568400	Guide Plate		C	1	
8	A5C1R70800	Separation Roller Assy		C	1	
9	A5C1563400	Shaft		D	1	
10	A161564001	Mounting Plate		D	1	
11	4030301703	PRESSURE SPRING		C	1	
12	A161563300	Shaft		D	1	
13	4532341001	SHOULDER SCREW		D	1	
14	A161563901	Mounting Plate		D	1	
15	A161564400	Pulling Coil spring		C	1	
16	A161564200	Spacer		D	1	
17	A5C1564101	Lever		D	1	
18	A161564300	Spacer		D	1	
19	A5C1565600	Sheet		C	1	
20	A7PU567700	Guide		C	1	
21	A7PU567600	Guide		C	1	
22	A7PU567500	Guide		C	1	
23	56AA40490	SHAFT STOPPER 4		C	1	

Tray 2 Paper Feed Section

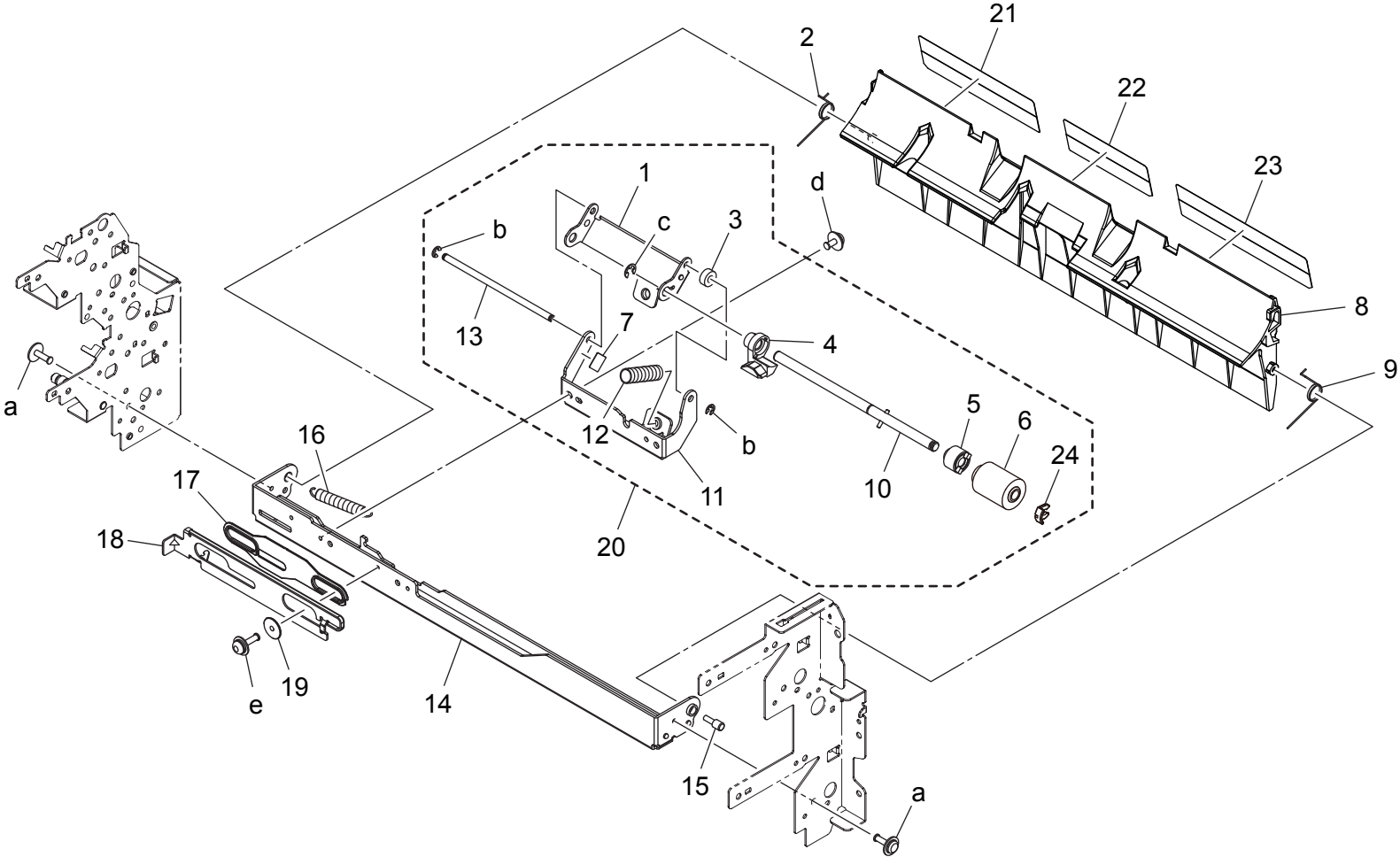


Reference Page of Harness

CN37: P69
CN40: P69
CN152: P69

Key	Part No.	Description	Destinations	Class	QTY	Standard parts
1	A161561000	Reinforce Plate		D	1	a-V153030803 b-V217050001 c-V217040001 d-V137030803 e-V217030001 f-V144030603
2	A161578100	Drive Roller		C	1	
3	A0EDM50100	Photorelector		I	2	
4	A161578212	Guide Plate		D	1	
5	A161N12701	Conveyance Detection harness		D	1	
6	A161571100	Mounting Plate		D	1	
7	A161560900	Mounting Plate		D	1	
8	A161561600	Actuator		C	1	
9	A5C1M50100	Photointerrupter		B	2	
10	A161560302	Paper feed Frame		D	1	
11	A5C1560600	Ground Plate		D	1	
12	A00J617900	Ball Bearing		B	2	
13	A161562800	Compressing Coil spring		C	1	
14	A161560500	Shaft		D	1	
15	A161562400	Gear 26T		C	1	
16	A00J663200	Bushing		C	1	
17	4131300301	BUSHING		C	4	
18	A00J563600	Roller		A	1	
19	A5C1562200	Roller		A	1	
20	A02E561100	Clutch		C	2	
21	A161562300	Gear 34T		C	1	
22	A161562600	Gear 28T		C	1	
23	A161562000	Shaft		D	1	
24	A161562500	Bushing		C	1	
25	A161562101	Holder		D	1	
26	A161567400	Torsion Spring		C	1	
27	A161567300	Lever		C	1	
28	A02E560800	Shaft		D	1	
29	A02EM20200	Clutch		B	1	
30	A2XK709000	Gear 24T		C	1	
31	A2XKN10H01	Paperfeed Wiring /2		D	1	
32	A161563000	Compressing Coil spring		C	1	
33	A161578700	Cushion		C	1	
34	A161568901	Cushion		D	2	
35	56AA40490	SHAFT STOPPER 4		C	2	

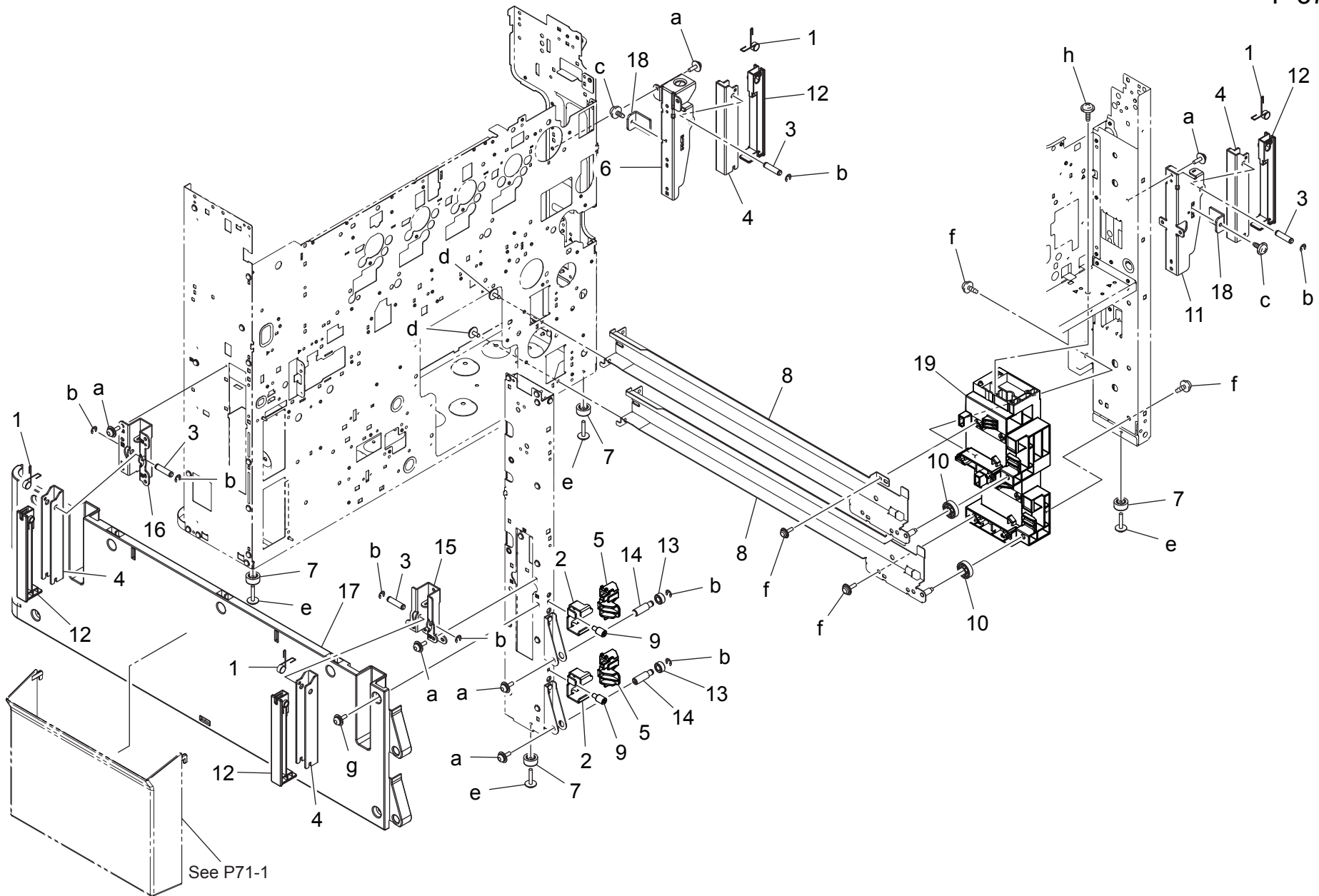
Tray 2 Paper Feed Section



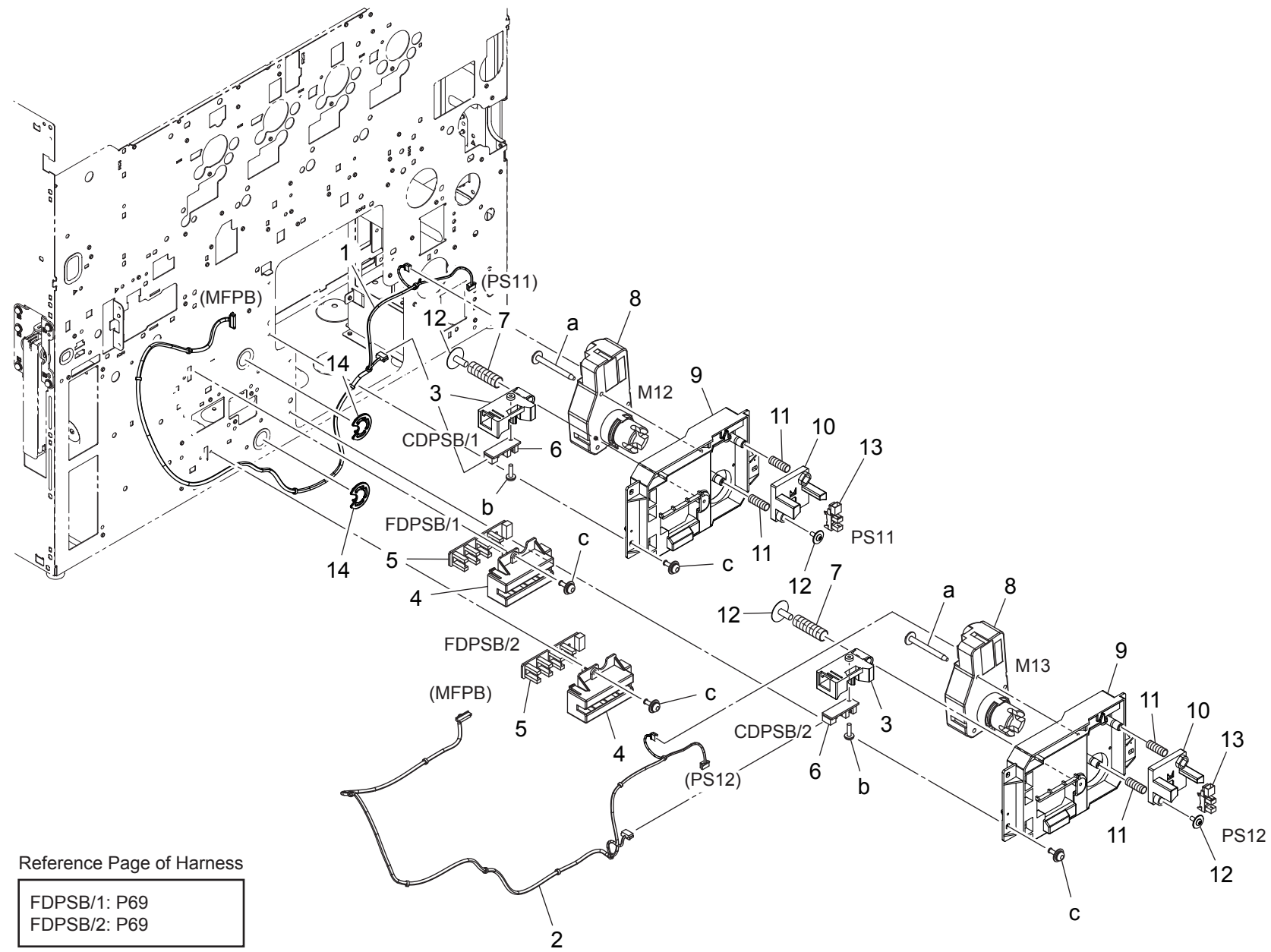
Key	Part No.	Description	Destinations	Class	QTY	Standard parts
1	A5C1563100	Holder		D	1	a-V137030803 b-V217030001 c-V217040001 d-V116030603 e-V116031003
2	A161568800	Torsion Coil spring		C	1	
3	4040561000	Spacer		D	1	
4	A5C1563500	Guide		D	1	
5	A0ED563900	Torque limiter		C	1	
6	A00J563600	Roller		A	1	
7	A5C1565600	Sheet		C	1	
8	A7PU578400	Guide Plate		C	1	
9	A161568700	Torsion Coil spring		C	1	
10	A5C1563400	Shaft		D	1	
11	A161564001	Mounting Plate		D	1	
12	4030301703	PRESSURE SPRING		C	1	
13	A161563300	Shaft		D	1	
14	A161563901	Mounting Plate		D	1	
15	4532341001	SHOULDER SCREW		D	1	
16	A161564400	Pulling Coil spring		C	1	
17	A161564200	Spacer		D	1	
18	A5C1564101	Lever		D	1	
19	A161564300	Spacer		D	1	
20	A5C1R70800	Separation Roller Assy		C	1	
21	A7PU577700	Guide		C	1	
22	A7PU577600	Guide		C	1	
23	A7PU577500	Guide		C	1	
24	56AA40490	SHAFT STOPPER 4		C	1	

Tray Section

P 37



Key	Part No.	Description	Destinations	Class	QTY	Standard parts
1	A161104300	Torsion Coil spring		D	4	a-V116030803 b-V217040001 c-V137030803 d-V144030603 e-V137031203 f-V153030803 g-V116030804 h-V153031004
2	A7PU102201	Mounting Plate		D	2	
3	A161104200	Shaft		D	4	
4	A161101900	Lever		D	4	
5	A7PU102301	Stopper		D	2	
6	A5C1104800	Mounting Plate		D	1	
7	0996305501	RUBBER FOOT		C	4	
8	A5C1101101	Rail /ASSY		D	2	
9	A1UD192400	Shoulder screw /2		C	2	
10	A161103901	Roll		D	2	
11	A5C1104400	Mounting Plate		D	1	
12	A161103700	Cover		D	4	
13	A161623400	Roll		D	2	
14	A161105200	Shaft		D	2	
15	A161101600	Mounting Plate		D	1	
16	A161101701	Mounting Plate		D	1	
17	A7PU104000	Holder		D	1	
18	A5C1104700	Mounting Plate		D	2	
19	A5C1106000	Holder		D	1	

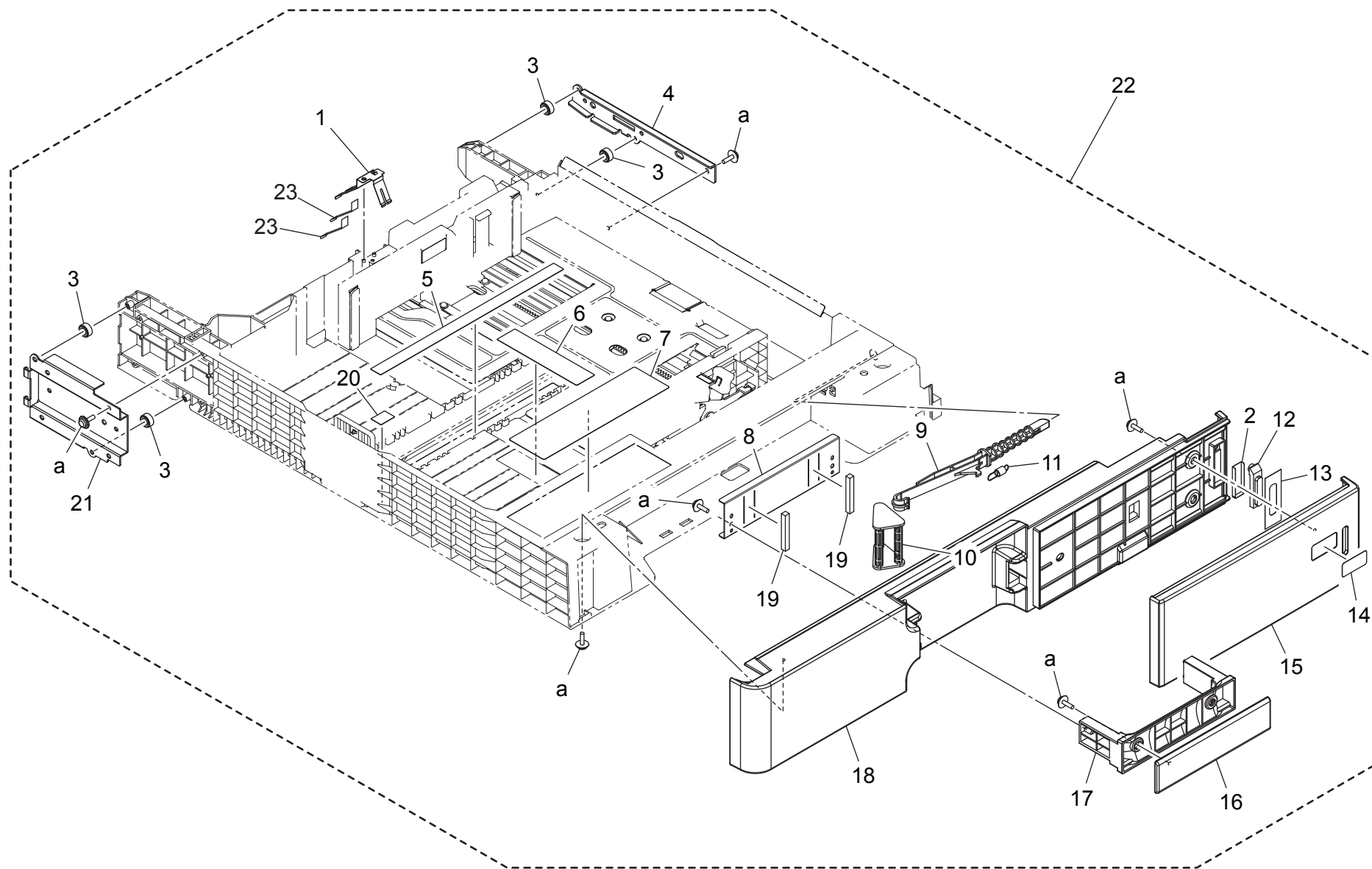


Reference Page of Harness

FDPSB/1: P69
 FDPSB/2: P69

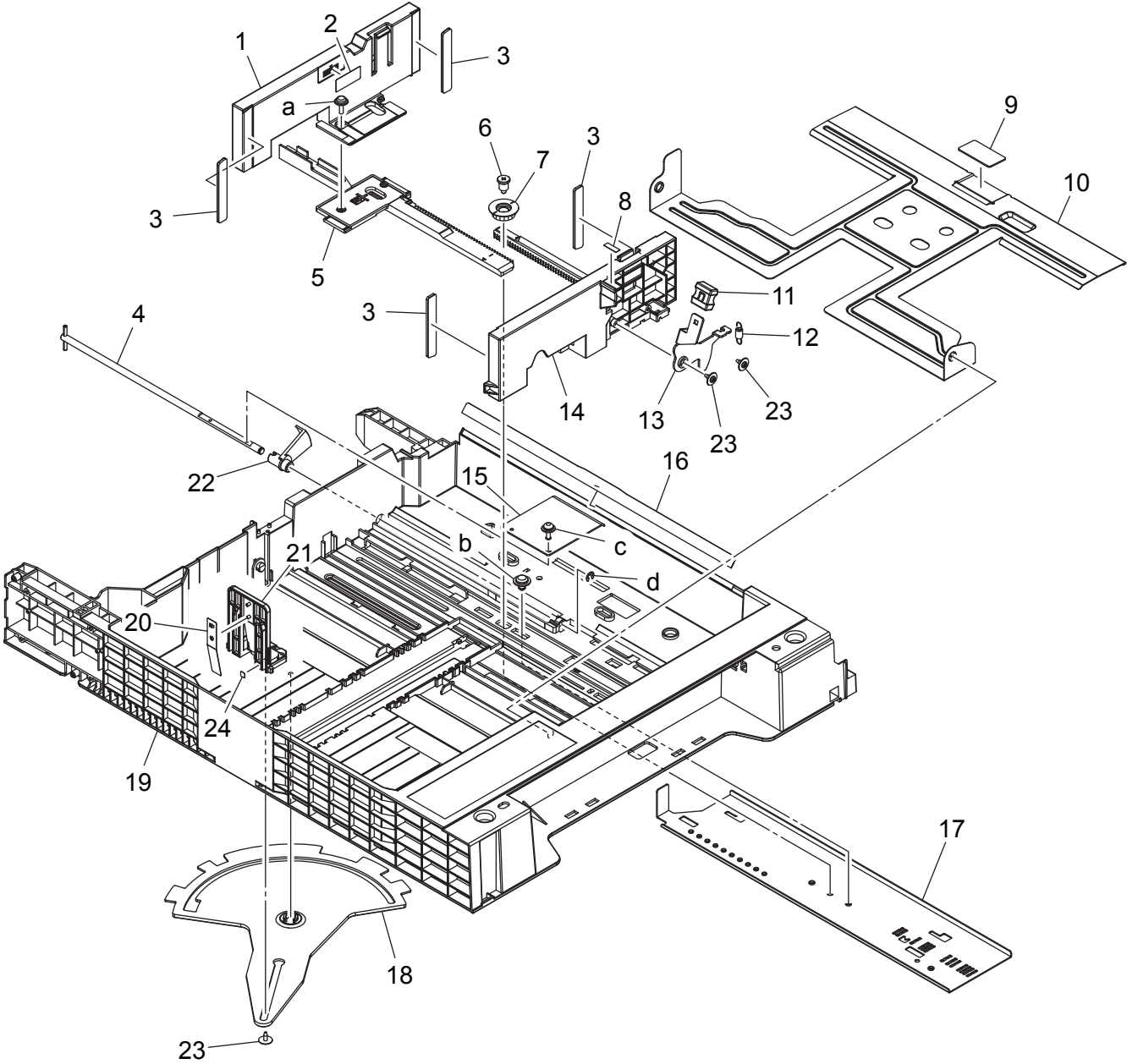
Key	Part No.	Description	Destinations	Class	QTY	Standard parts
1	A7PUN10401	Harness /Paperfeed		D	1	a-V153033003 b-V145030803 c-V116030803
2	A7PUN10501	Harness /Paperfeed		D	1	
3	A7PU627500	Holder		D	2	
4	A5C1628000	Holder		C	2	
5	A161M50600	Photointerrupter		C	2	
6	A161M50501	Photointerrupter		C	2	
7	4002311002	Pressure Spring		C	2	
8	9J06M10300	MOTOR		B	2	
9	A5C1627101	Holder		D	2	
10	A5C1627300	Holder		D	2	
11	A5C1627900	Compressing Coil spring		D	4	
12	4163529301	SCREW		C	4	
13	A5C1M50100	Photointerrupter		B	2	
14	A7PU106100	Cover		D	2	

Tray 1 Section



Key	Part No.	Description	Destinations	Class	QTY	Standard parts
1	A161622100	Ground Plate		D	1	a-V153030803
2	A161626200	Sheet		D	1	
3	A161623400	Roll		D	4	
4	A161623104	Reinforce Plate /Right		D	1	
5	A79J941200	Label FD		C	1	
6	A79J941500	Label CD		C	1	
7	A795942401	Label		C	1	
8	A5C1624300	Holder		D	1	
9	A161626502	Lever		C	1	
10	A161626602	Lever		C	1	
11	A161626800	Pulling Coil spring		C	1	
12	A161626000	Lens		D	1	
13	A161626100	Light blocking Sheet		D	1	
14	A161943100	Label 1		C	1	
15	A5C1625001	Cover		C	1	
16	A161625900	Cover		C	1	
17	A161626900	Handle		C	1	
18	A161625114	Cover		C	1	
19	A5C1628500	Cushion		D	2	
20	A79J941300	Label FD		C	1	
21	A161623301	Reinforce Plate /Left		D	1	
22	A7PUR72222	Cassette Assy /1st		S	1	
23	A55V624700	Protection Sheet		C	2	

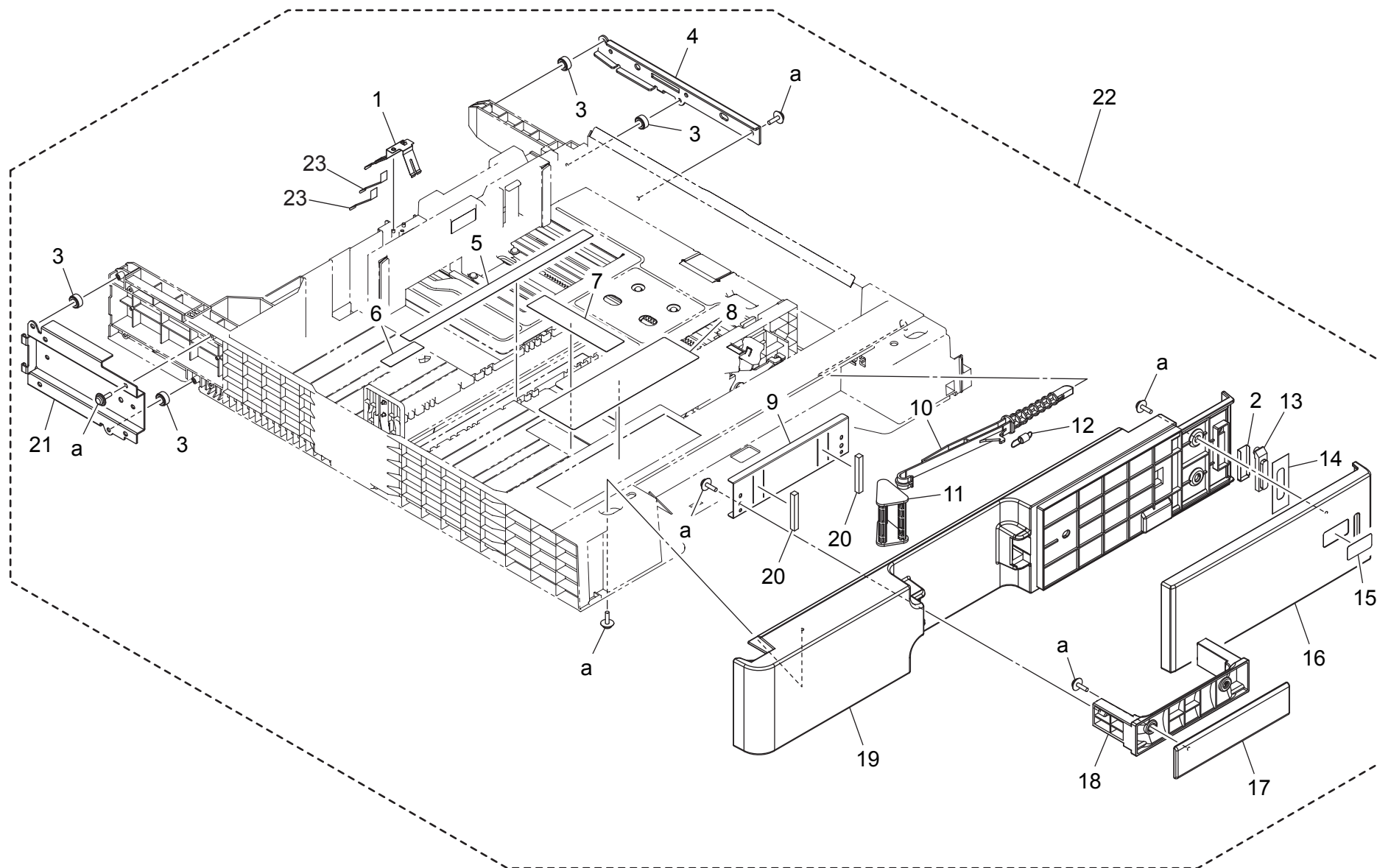
Tray 1 Section



Key	Part No.	Description	Destinations	Class	QTY	Standard parts
1	A161620904	Regulating Plate /Rear		C	1	a-V153030803 b-V144040603 c-V116030803 d-V217040001
2	A161943700	Label Max Level		C	1	
3	A161624100	Cushion		C	4	
4	A161621600	Lifting Shaft		D	1	
5	A161621100	Rack		C	1	
6	A161620600	Shoulder screw		D	1	
7	A161620701	Gear		D	1	
8	A161943000	Label		C	1	
9	4030322601	FRICTION SHEET		C	1	
10	A161620400	Lifting Plate		D	1	
11	4037320401	KNOB		C	1	
12	A0ED621400	Pulling Coil spring		D	1	
13	A161621300	Lever		D	1	
14	A161620803	Regulating Plate /Front		C	1	
15	4030320601	LEVER		D	1	
16	A0ED620200	Guide		C	1	
17	A161621900	Mounting Plate		D	1	
18	A161621411	Lever		C	1	
19	A161620107	Paper feed Cassette		D	1	
20	A161621800	Plate spring		C	1	
21	A161621701	Regulating Plate		C	1	
22	A0ED620701	Actuator		C	1	
23	4163529301	SCREW		C	3	
24	A02E940300	Label		C	1	

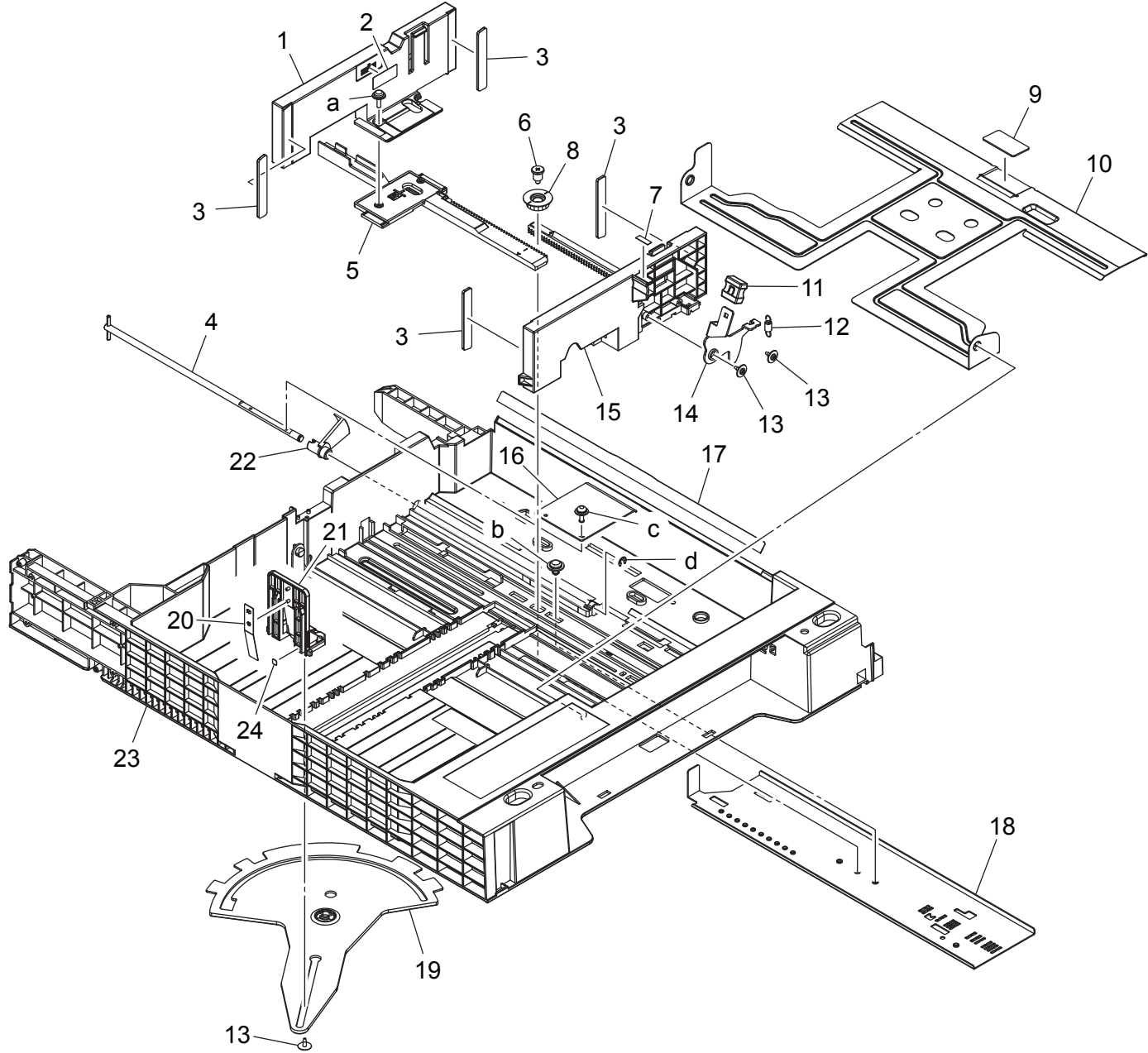
Tray 2 Section

P 41



Key	Part No.	Description	Destinations	Class	QTY	Standard parts
1	A161622100	Ground Plate	アース板 (カセット)	D	1	a-V153030803
2	A161626200	Sheet	シート (反射板)	D	1	
3	A161623400	Roll	ころ	D	4	
4	A161633101	Reinforce Plate /Right	補強板/右	D	1	
5	A79J941200	Label FD	ラベル F D スケール / 1	C	1	
6	A79J943500	Label FD	ラベル F D スケール	C	1	
7	A79J943600	Label CD	ラベル C D スケール	C	1	
8	A795942401	Label	ラベル (用紙補給)	C	1	
9	A5C1624300	Holder	ホルダ (取手)	D	1	
10	A161636502	Lever	レバー (ロック)	C	1	
11	A161626602	Lever	レバー (解除)	C	1	
12	A161626800	Pulling Coil spring	引張りコイルばね (ロックレバー)	C	1	
13	A161626000	Lens	レンズ (ライトガイド・給紙)	D	1	
14	A161626100	Light blocking Sheet	遮光シート	D	1	
15	A161943200	Label 2	ラベル 給紙段数表示 2	C	1	
16	A5C1635001	Cover	カバー (カセット右)	C	1	
17	A161625900	Cover	カバー (カセット取手)	C	1	
18	A161626900	Handle	取手 (カセット)	C	1	
19	A161635117	Cover	カバー (カセット 2 nd)	C	1	
20	A5C1628500	Cushion	クッション	D	2	
21	A161633202	Reinforce Plate /Left	補強板/左	D	1	
22	A7PUR72322	Cassette Assy /2nd	2 段目カセット A s s y	S	1	
23	A55V624700	Protection Sheet	保護シート	C	2	

Tray 2 Section

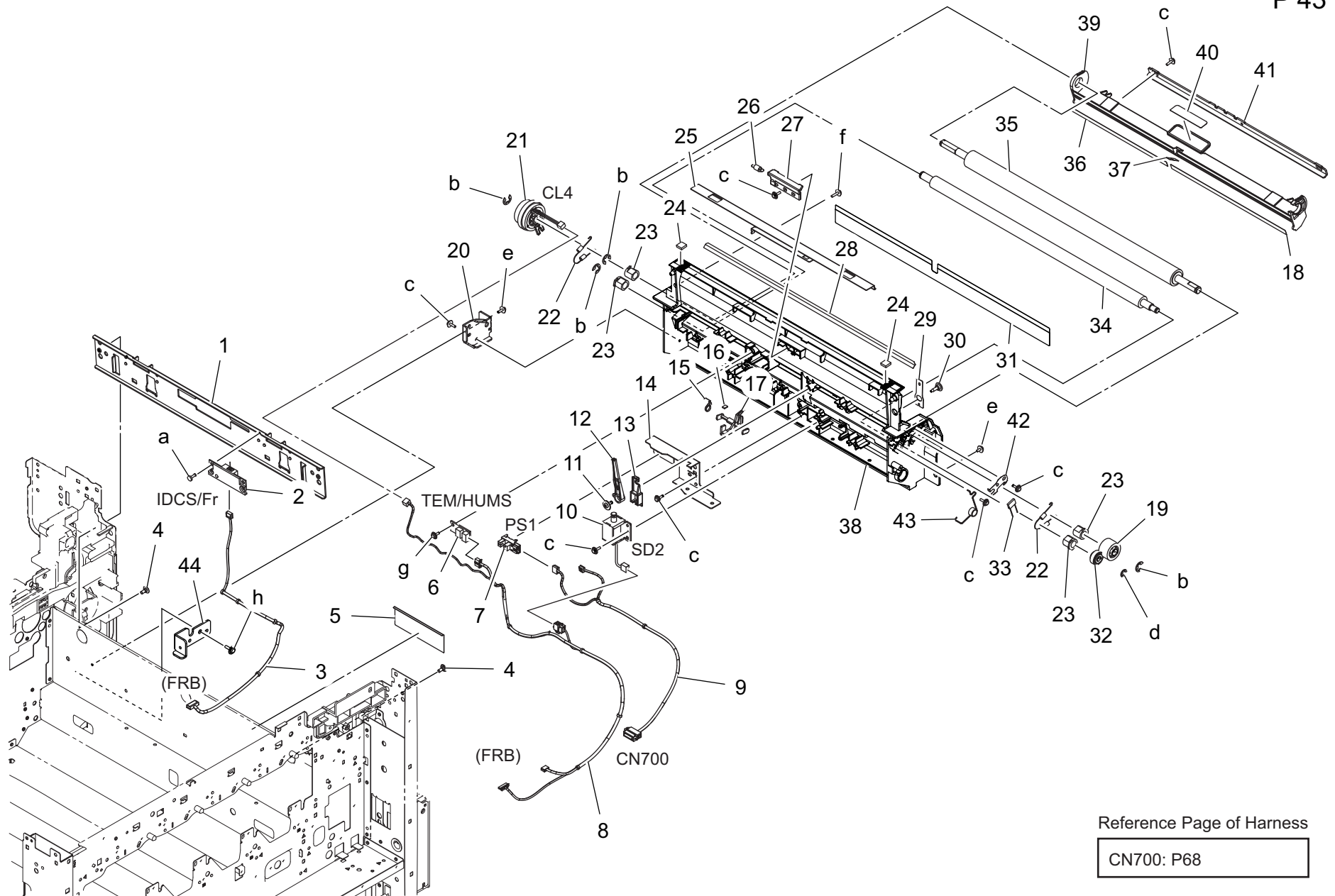


Key	Part No.	Description	Destinations	Class	QTY	Standard parts
1	A161620904	Regulating Plate /Rear		C	1	a-V153030803 b-V144040603 c-V116030803 d-V217040001
2	A161943700	Label Max Level		C	1	
3	A161624100	Cushion		C	4	
4	A161621600	Lifting Shaft		D	1	
5	A161621100	Rack		C	1	
6	A161620600	Shoulder screw		D	1	
7	A161943000	Label		C	1	
8	A161620701	Gear		D	1	
9	4030322601	FRICITION SHEET		C	1	
10	A161620400	Lifting Plate		D	1	
11	4037320401	KNOB		C	1	
12	A0ED621400	Pulling Coil spring		D	1	
13	4163529301	SCREW		C	3	
14	A161621300	Lever		D	1	
15	A161620803	Regulating Plate /Front		C	1	
16	4030320601	LEVER		D	1	
17	A0ED620200	Guide		C	1	
18	A161621900	Mounting Plate		D	1	
19	A161631411	Lever		C	1	
20	A161621800	Plate spring		C	1	
21	A161621701	Regulating Plate		C	1	
22	A0ED620701	Actuator		C	1	
23	A161630102	Paper feed Cassette		D	1	
24	A02E940300	Label		C	1	



2nd Transfer Section/Registration Section

P 43



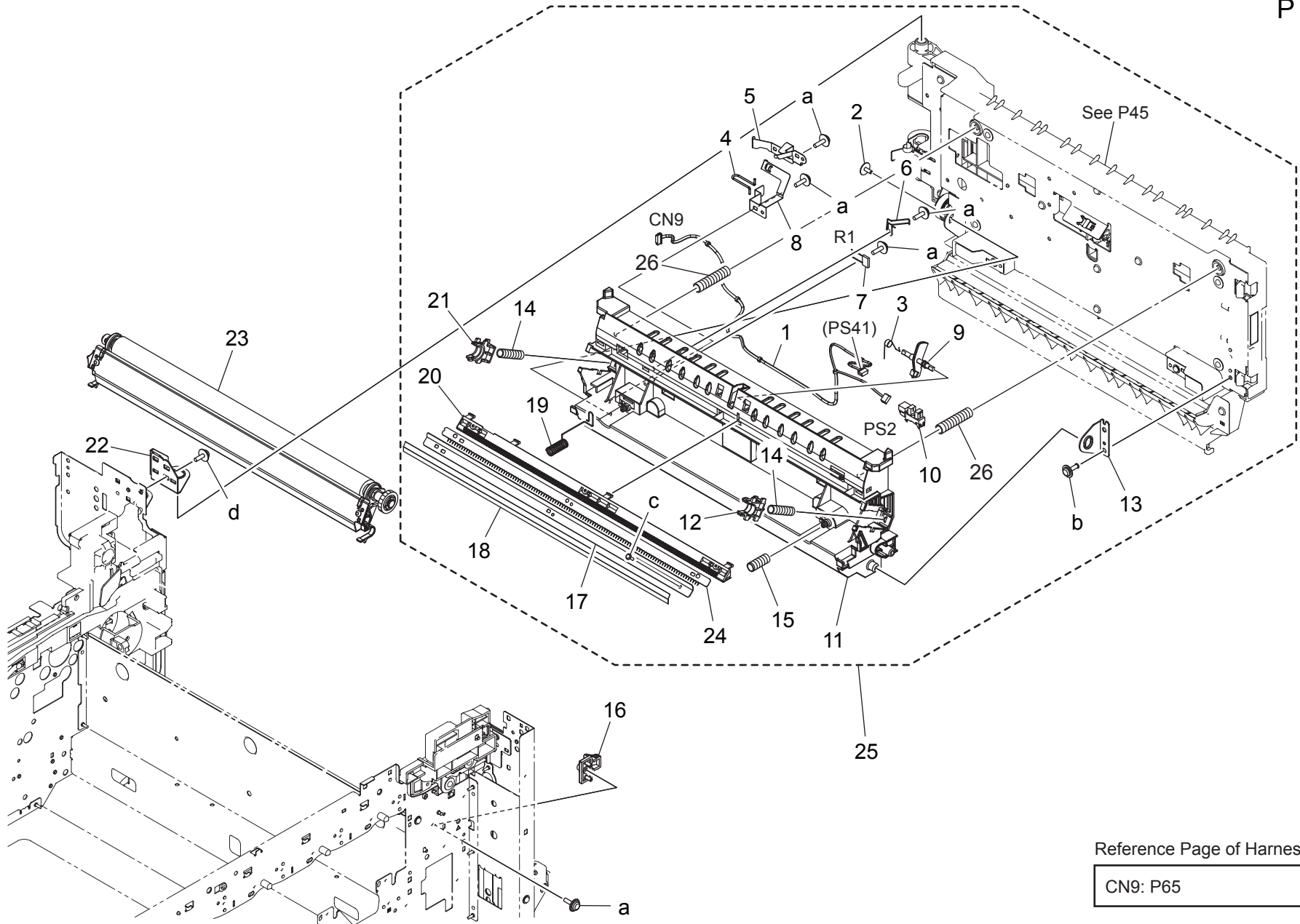
Reference Page of Harness

CN700: P68

bizhub 458

Key	Part No.	Description	Destinations	Class	QTY	Standard parts
1	A161700901	Reinforce Plate		D	1	a-V118030803
2	A161M50000	Photo sensing		I	1	b-V217060001
3	A61FN12H01	Sensor Wiring		D	1	c-V153030803
4	4011585202	SHOULDER SCREW		C	2	d-V217040001
5	A161701800	Protection Sheet		D	1	e-V116030803
6	A7AHM50400	Humidity sensor		I	1	f-V153031003
7	A5C1M50100	Photointerrupter		B	1	g-V145030803
8	A79JN10900	Conveyance Wiring		D	1	h-V137030803
9	A79JN10600	Sensor Relay harness /1		D	1	
10	A034M20100	Conveyance Solenoid		C	1	
11	4163529301	SCREW		C	1	
12	A161700401	Arm /1		D	1	
13	A161700700	Arm /2		D	1	
14	A161700301	Mounting Plate /B		D	1	
15	A161701100	Spring /A		C	1	
16	A161702101	Cushion /C		C	1	
17	A161701703	Actuator /T		C	1	
18	A0ED700600	Guide Sheet		D	1	
19	A0ED700300	Gear 20T		D	1	
20	A7PU701000	Reinforce Plate		D	1	
21	A02EM20000	Clutch		B	1	
22	A161702000	Conveyance Spring /A		C	2	
23	A161702200	Bushing		C	4	
24	A161701900	Seal /A		D	2	
25	A0ED705800	Cover		D	1	
26	A0ED702800	Pulling Spring		D	1	
27	A161706001	Holding Shutter		D	1	
28	A161701301	Guide Sheet /A		C	1	
29	A7PU701100	Plate spring		D	1	
30	A7PU701200	Shoulder screw		C	1	
31	A5C1701400	Guide Sheet /B		D	1	
32	A0ED700700	Gear 14T		D	1	
33	V800500300	FIXED POWER RESISTORS		D	1	
34	A0ED700200	Roller		D	1	
35	A5C1700101	Roller		C	1	
36	4038353701	GUIDE		C	1	
37	4038353901	GUIDE		C	1	
38	A7PU700111	Guide Plate /Inside		D	1	
39	A161700600	Guide Plate /Middle		D	1	
40	A161946300	Label M2		D	1	
41	A02E712902	Reinforce Plate		D	1	
42	A5C1700800	Ground Plate /D		D	1	
43	A5C1703200	Torsion Coil spring		D	1	
44	A7PU109000	Reinforce Plate		D	1	

2nd Transfer Section/Vertical Conveyance Section

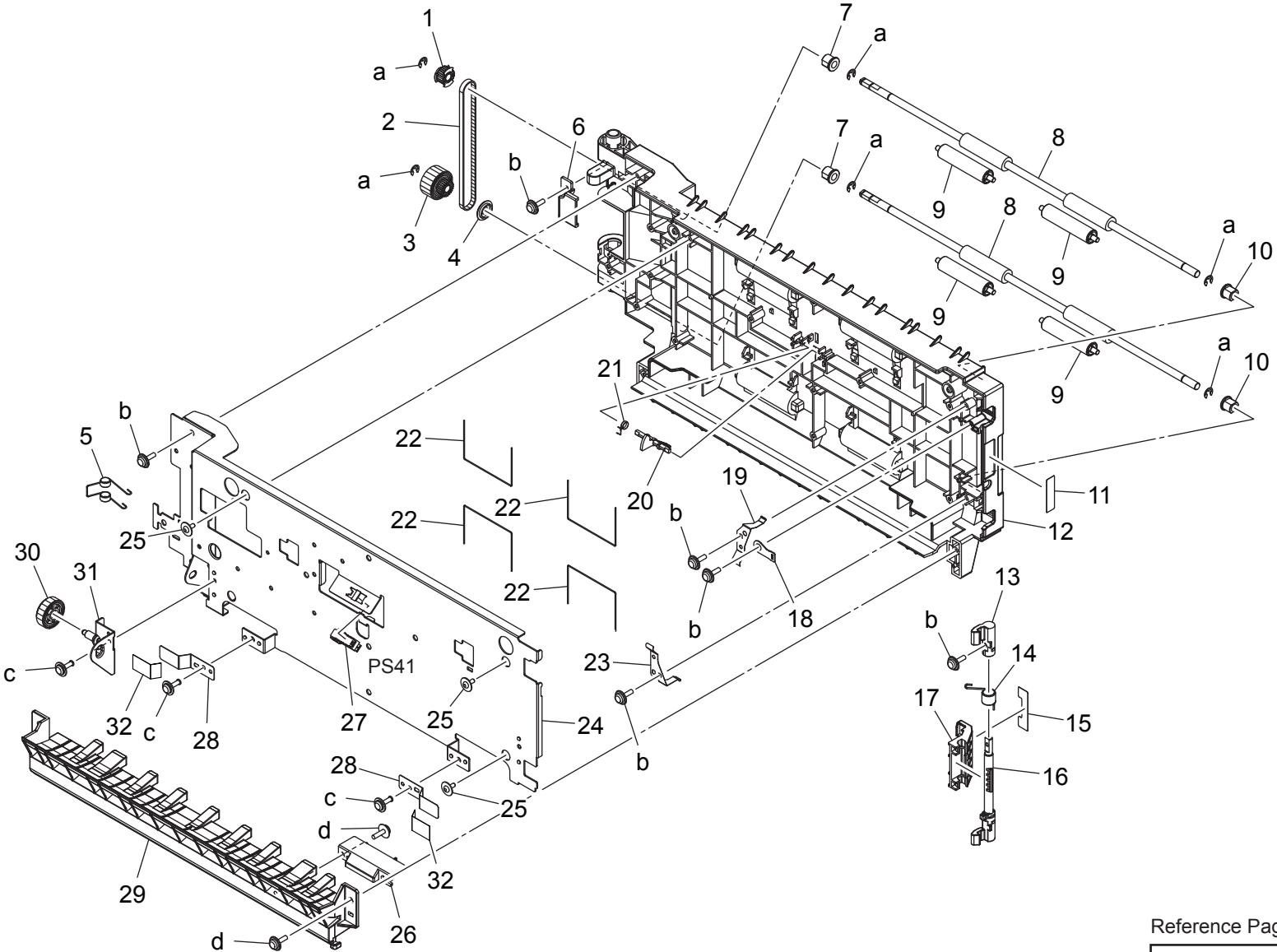


Reference Page of Harness

CN9: P65

Key	Part No.	Description	Destinations	Class	QTY	Standard parts
1	A161N10H01	Conveyance Wiring		D	1	a-V153030803 b-V137030803 c-V162020504 d-V116030803
2	4163529301	SCREW		C	1	
3	A161712700	Spring /C		D	1	
4	A161712401	Ground Spring /A		D	1	
5	A5C1715100	Ground Plate /C		D	1	
6	A5C1711000	Ground Spring /B		D	1	
7	V800500300	FIXED POWER RESISTORS		D	1	
8	A5C1710900	Ground Plate /A		D	1	
9	A2XK710100	Actuator /A		D	1	
10	A5C1M50100	Photointerrupter		B	1	
11	A161710103	Holder /A		D	1	
12	A161550700	Transfer Holder /2		C	1	
13	A5C1711800	Support Plate /Front		D	1	
14	A0ED551000	Compressing Coil spring /2		C	2	
15	A0ED551100	Compressing Coil spring		D	1	
16	A161712300	Fixing Part /Lower		D	1	
17	A0ED550900	Mounting Plate		D	1	
18	A5C1551701	Guide Seal		D	1	
19	A161712500	Ground Spring /C		D	1	
20	A161551600	Mounting Plate		D	1	
21	A161551500	Transfer Holder /2		C	1	
22	A161104101	Adjusting Plate		D	1	
23	A79JR71100	2nd Image Transfer Roller Assy		C	1	
24	A0ED550800	Neutralizing Part		D	1	
25	A9HGR71200	Vertical Transport Assy		S	1	
26	A161711200	Pressing Spring		D	2	

2nd Transfer Section/Vertical Conveyance Section



Reference Page of Harness

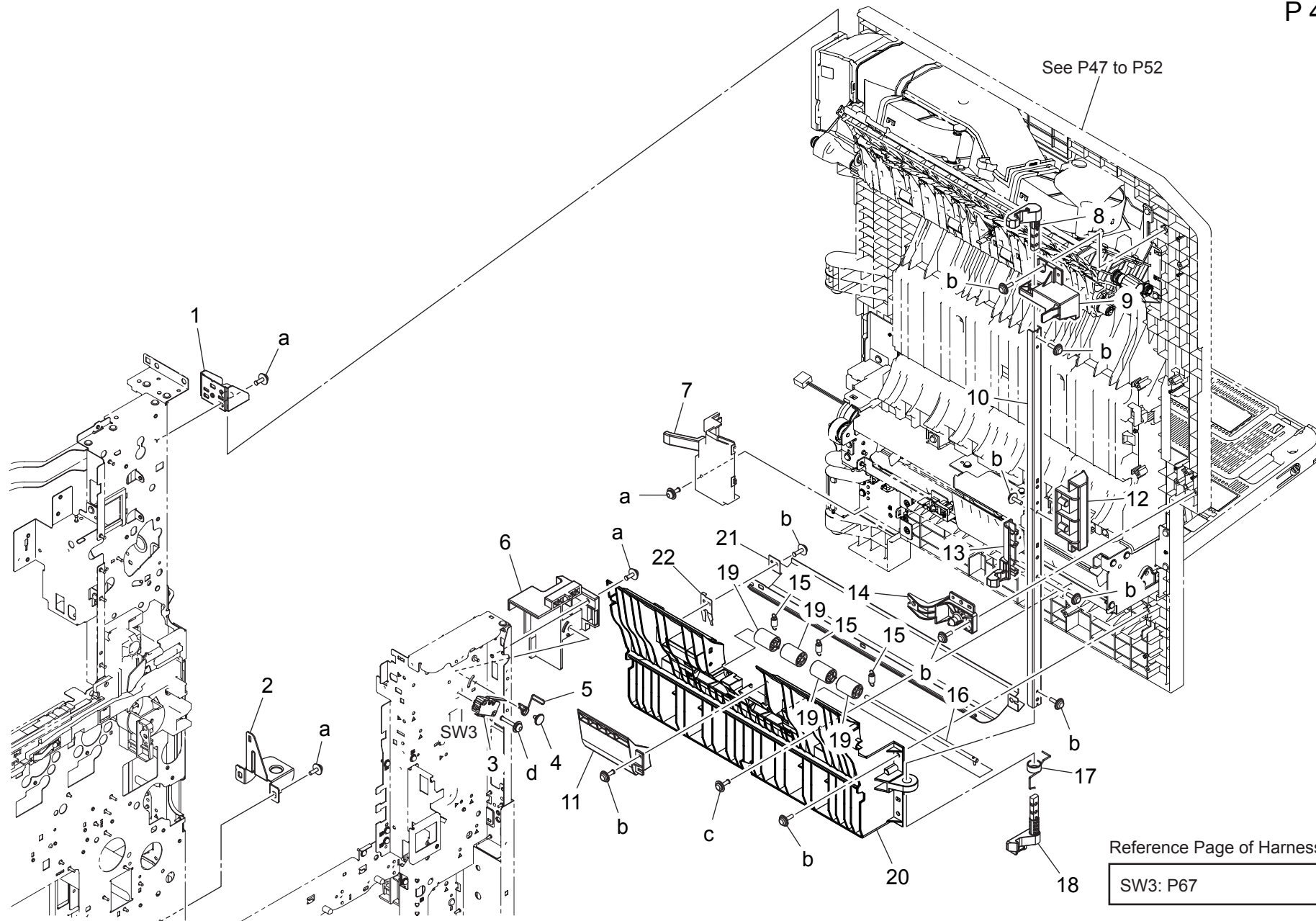
PS41: P44

2nd Transfer Section/Vertical Conveyance Section

Key	Part No.	Description	Destinations	Class	QTY	Standard parts
1	A0ED811700	Pulley 22T	プーリ (ADU 第3) 22 T	C	1	a-V217040001 b-V153030803 c-V137030803 d-V153031003
2	A161719000	Drive Belt 266L	駆動ベルト 266 L	C	1	
3	A64J709100	Gear 22/23T	ギア 22/23 T	C	1	
4	A0ED811900	Collar	カラー (ADU 第2 R)	D	1	
5	A161712900	Ground Spring /D	アースばね / D	D	1	
6	A161712600	Cover /C	カバー / C	D	1	
7	A161713100	Bushing /1	すべり軸受 / 1	D	2	
8	A161710500	Roller /A	ローラ / A	D	2	
9	A161825700	Idler Roller /A	従動ローラ / A	D	4	
10	A02E815200	BUSHING	軸受	C	2	
11	A161946400	Label M6	ラベル M 6	D	1	
12	A5C1710200	Guide Plate /A	ガイド板 / A	D	1	
13	A161711300	Lock Shaft /A	ロック軸 / A	C	1	
14	A161711700	Spring /B	ばね / B	C	1	
15	A161946200	Label M1	ラベル M 1	D	1	
16	A5C1711500	Lock Shaft	ロック軸	C	1	
17	A161711600	Open/close Lever	開閉レバー	C	1	
18	A161714500	Fixing Part	固定部材	D	1	
19	A161712000	Ground Plate /D	アース板 / D	D	1	
20	A161713500	Actuator	アクチュエータ (ADU 下 JAM 検)	C	1	
21	A161712800	Spring /D	ばね / D	D	1	
22	A161714600	Conveyance Spring /B	搬送ばね / B	D	4	
23	A161712100	Ground Plate /E	アース板 / E	D	1	
24	A161710405	Mounting Plate	取付板	D	1	
25	4163529301	SCREW	ねじ	C	3	
26	A161816300	Lock Plate	ロックプレート	D	1	
27	A5C1M50100	Photointerrupter	透過型センサ	B	1	
28	A0ED702400	Plate spring	板ばね (タイミング前ガイド)	D	2	
29	A161710300	Guide Plate /B	ガイド板 / B	D	1	
30	A64J719100	Gear 23T	ギア 23 T	C	1	
31	A161711901	Support Plate /Rear	支点板 / 奥	D	1	
32	A9HG702300	Protection Sheet	保護シート	D	2	

Vertical Conveyance Section

P 46

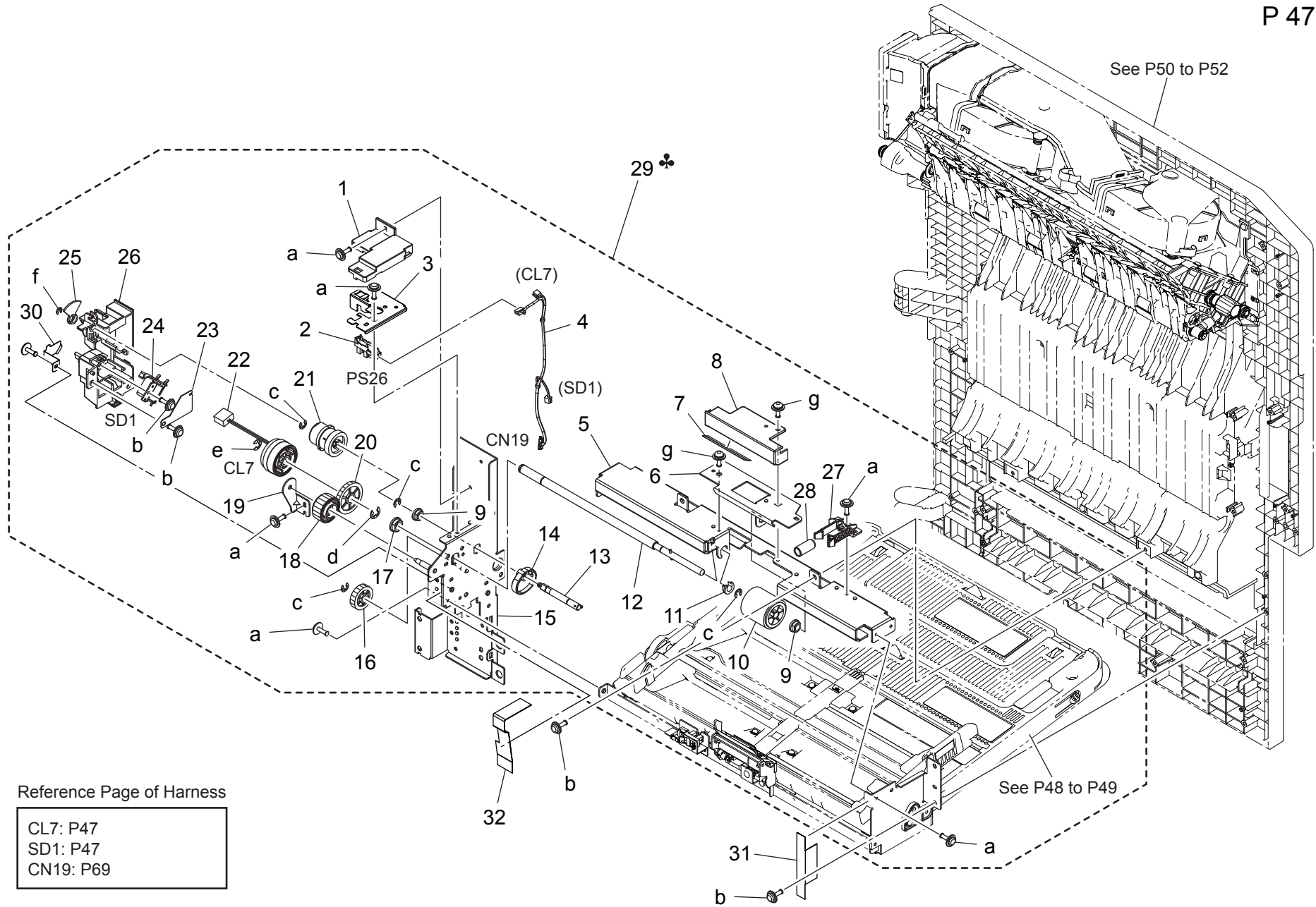


bizhub 458

Key	Part No.	Description	Destinations	Class	QTY	Standard parts
1	A161121300	Adjusting Plate		D	1	a-V116030803 b-V153030803 c-V137030804 d-V116031603
2	A161102500	Adjusting Plate		D	1	
3	9J06M60100	MICRO SWITCH		C	1	
4	A161137100	Shoulder screw		D	1	
5	A161151200	Torsion Coil spring		D	1	
6	A5C1121202	Holder		D	1	
7	A161592900	Wiring Cover /B		D	1	
8	A0ED712100	Lock Claw		C	1	
9	A161811500	Support Part /Upper		D	1	
10	A161811001	Lock Plate		D	1	
11	A5C1590500	Paper feed Guide		D	1	
12	A161811100	Open/close Handle		C	1	
13	A5C1815200	Lock /Middle		C	1	
14	A161811302	Lock Part /Lower		D	1	
15	A64J815500	Pulling Spring		C	3	
16	A161815300	Shaft		D	1	
17	A161815900	Torsion Coil spring		C	1	
18	A5C1811600	Lock Claw /Lower		C	1	
19	A161815400	Roll		C	4	
20	A161810305	Guide Plate /2		D	1	
21	A161815000	Guide Door		D	1	
22	A161816200	Ground Guide		D	1	

Bypass Tray Section

P 47



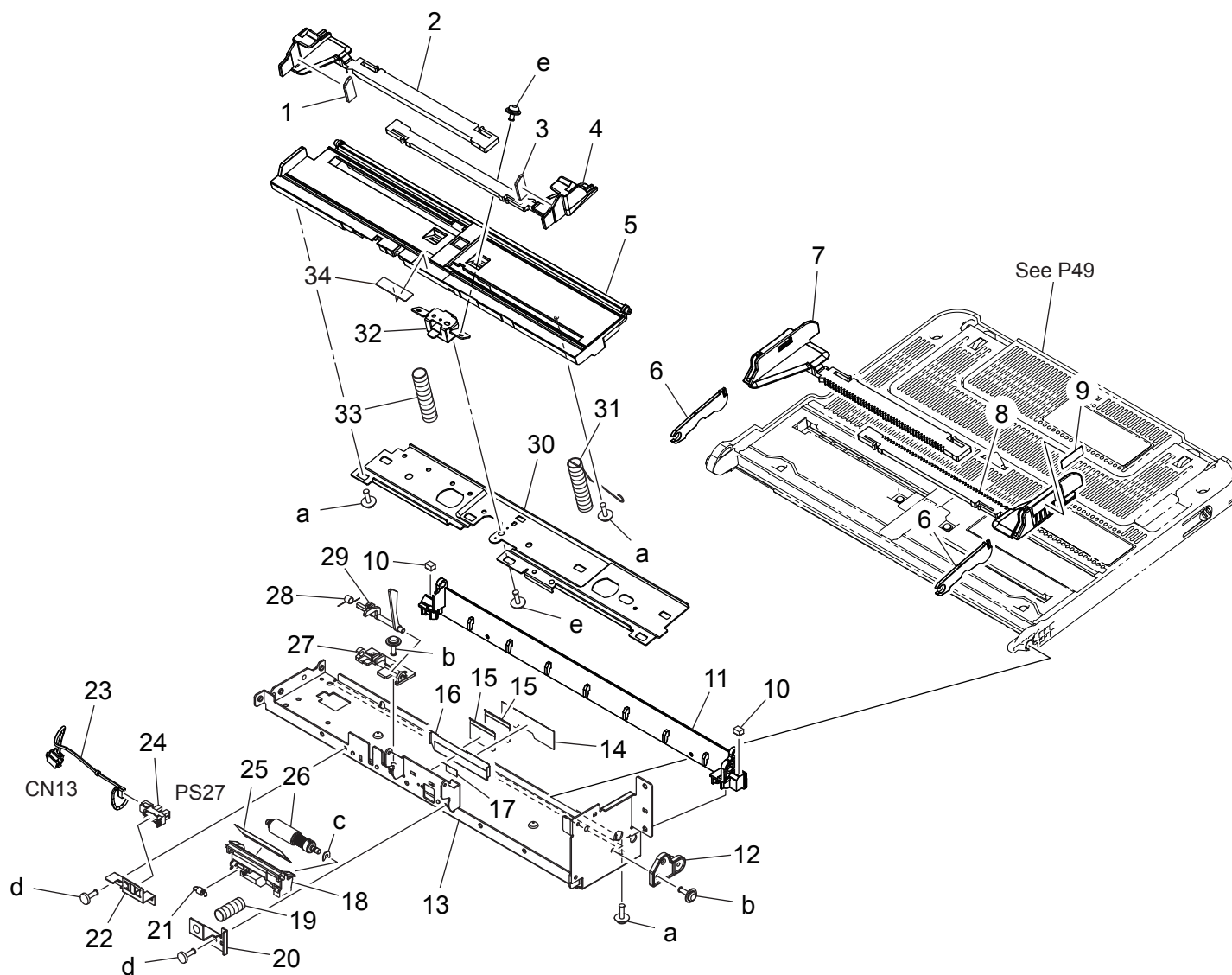
Reference Page of Harness

CL7: P47
 SD1: P47
 CN19: P69

Bypass Tray Section

Key	Part No.	Description	Destinations	Class	QTY	Standard parts
1	A161592800	Wiring Cover /A		D	1	a-V137030803 b-V153030803 c-V217040001 d-V217060001 e-V217050001 f-V217030001 g-V116030803
2	A5C1M50100	Photointerrupter		B	1	
3	A5C1591900	Mounting Plate		D	1	
4	A161N12200	Paperfeed Drive harness /1		D	1	
5	A161590201	Paper feed Frame		D	1	
6	A161594100	Reinforce Plate		D	1	
7	A161594700	Guide Sheet		C	1	
8	A161591700	Auxiliary Guide		D	1	
9	A02E596300	Bushing		C	2	
10	A00F623201	Roller		B	1	
11	A161594400	Slide Stopper		C	1	
12	A161591500	Paper feed Shaft		D	1	
13	A161591400	Drive Shaft		D	1	
14	A161593300	Paper feed Cam		C	1	
15	A161F59002	Caulking(Mounting Plate Drive Frame)		D	1	
16	A02E595400	Gear 22T		C	1	
17	4131353202	BUSHING		C	1	
18	A161590800	Bypass Gear 24T		C	1	
19	A161590600	Reinforce Plate		D	1	
20	A02E596100	Gear 30T		C	1	
21	A02E595100	Clutch assy		C	1	
22	A02EM20100	Clutch		B	1	
23	A0ED597800	Cover		D	1	
24	9321240011	SOLENOID		C	1	
25	A161591300	Light blocking Plate		C	1	
26	A5C1591200	Drive Cover		D	1	
27	A161594800	Hold Claw		C	1	
28	A161594900	Coil spring		C	1	
29	A7PUR71711	Manual Feed Tray Assy /Metric	A,A1,C,D1,D3,E,F2,G 1,I,K,J,H	S	1	
29	A7PUR71811	Manual Feed Tray Assy /Inch	B,G2	S	1	
30	A7PU596900	Auxiliary Cover		D	1	
31	A79J701600	Sound shield Plate		C	1	
32	A79J701700	Sound shield Plate		C	1	

Bypass Tray Section



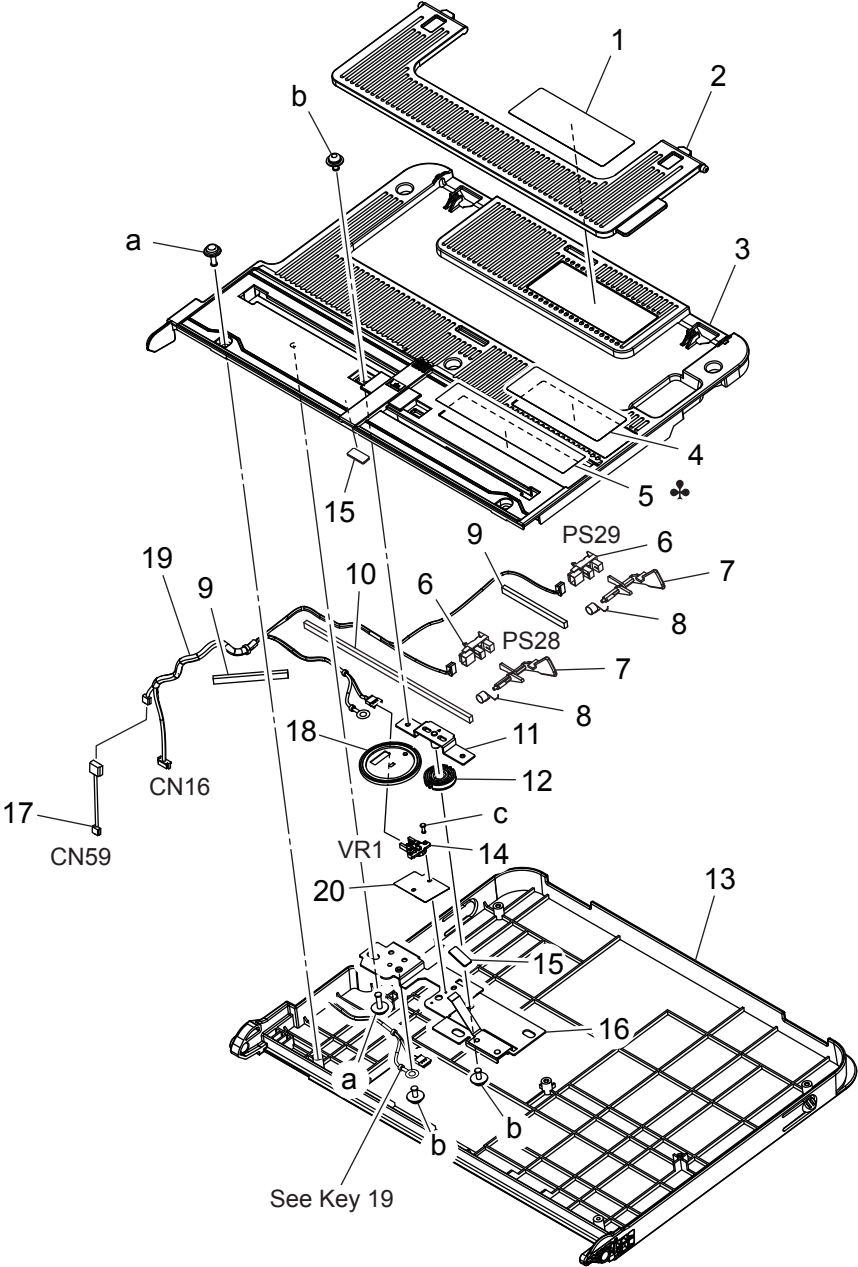
Reference Page of Harness

CN13: P69

Bypass Tray Section

Key	Part No.	Description	Destinations	Class	QTY	Standard parts
1	A161594500	Brake Part		C	1	a-V153030803 b-V137030803 c-V218030086 d-V118030803 e-V116030604
2	A7PU596200	Regulating Plate /R		C	1	
3	A161594600	Brake Part /F		C	1	
4	A7PU596100	Regulating Plate /L		C	1	
5	A7PU593000	Lifting Plate		D	1	
6	A7PU595500	Lever		C	2	
7	A7PU593200Old	Regulating Plate /R		C	1	
7	A7PU593201	Regulating Plate /R		C	1	
8	A7PU593100	Regulating Plate /F		C	1	
9	A7PU944900	Label		C	1	
10	A161594201	Cushion		D	2	
11	A161590304	Support Holder		D	1	
12	A161591600	Hold Plate		C	1	
13	A161590101	Bypass Frame		D	1	
14	A161595100	Seal		C	1	
15	4030340301	GUIDE		C	2	
16	A161595300	Separating Plate		C	1	
17	A161595600	Slide Guide		C	1	
18	A161595000	Holder		D	1	
19	4030347501	PRESSURE SPRING		C	1	
20	A161595400	Hold Plate		D	1	
21	A161595200	Pulling Coil spring		C	1	
22	A161591800	Sensor Holder		D	1	
23	A7PUN10A00	Harness/ Sensor		D	1	
24	A5C1M50100	Photointerrupter		B	1	
25	A02E597600	Guide		C	1	
26	4658015106	Roller Assy		A	1	
27	A161591100	Sensor Holder		D	1	
28	A161591000	Torsion Spring		C	1	
29	A161590901	Actuator		C	1	
30	A7PU596700	Mounting Plate		D	1	
31	A161593600	Compressing Coil spring		C	1	
32	A7PU596000	Mounting Plate		D	1	
33	A161593400	Compressing Coil spring		C	1	
34	A7PU594000	Separating Sheet		C	1	
35	A7PU944500	Label		C	1	

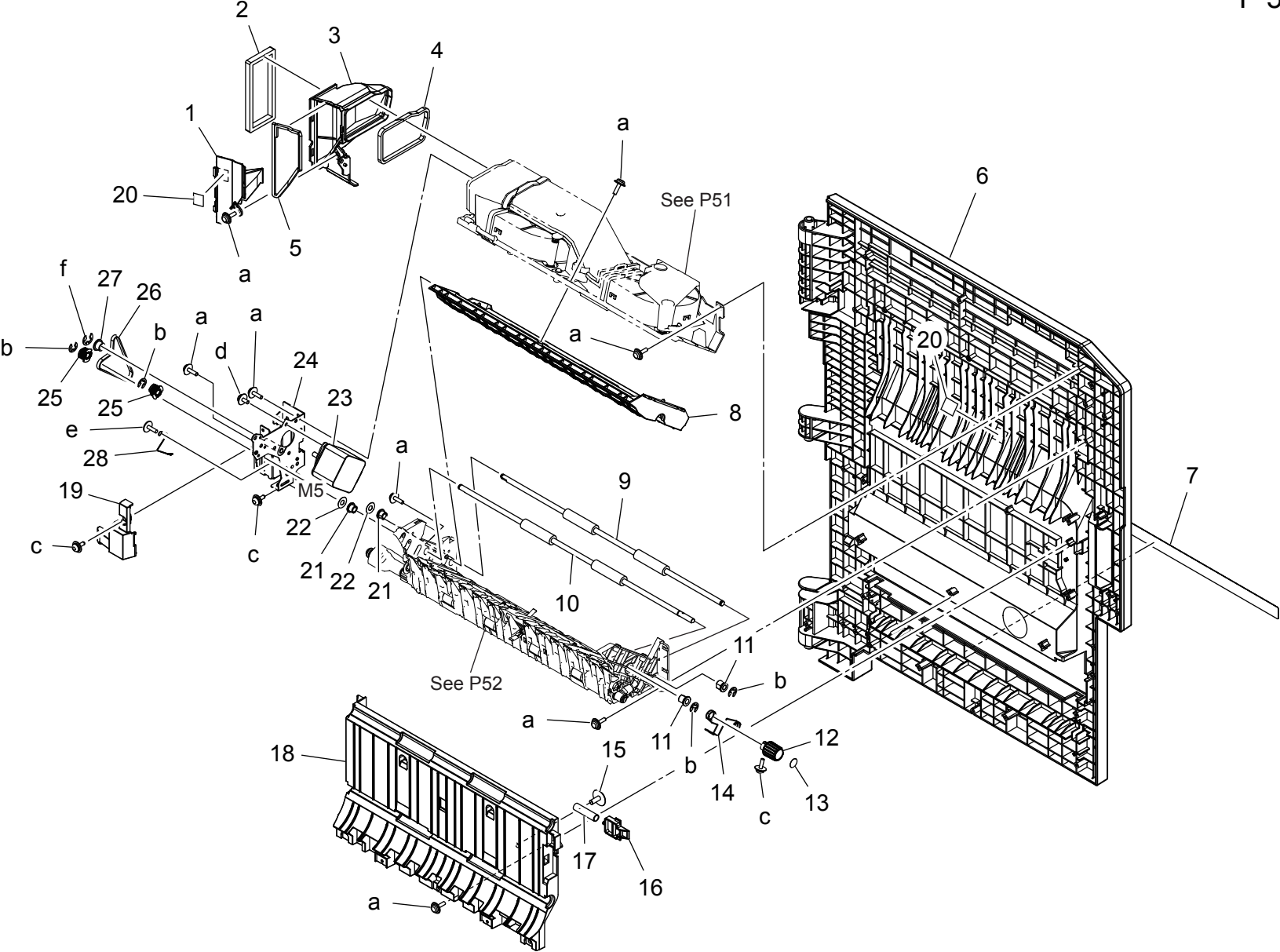
Bypass Tray Section



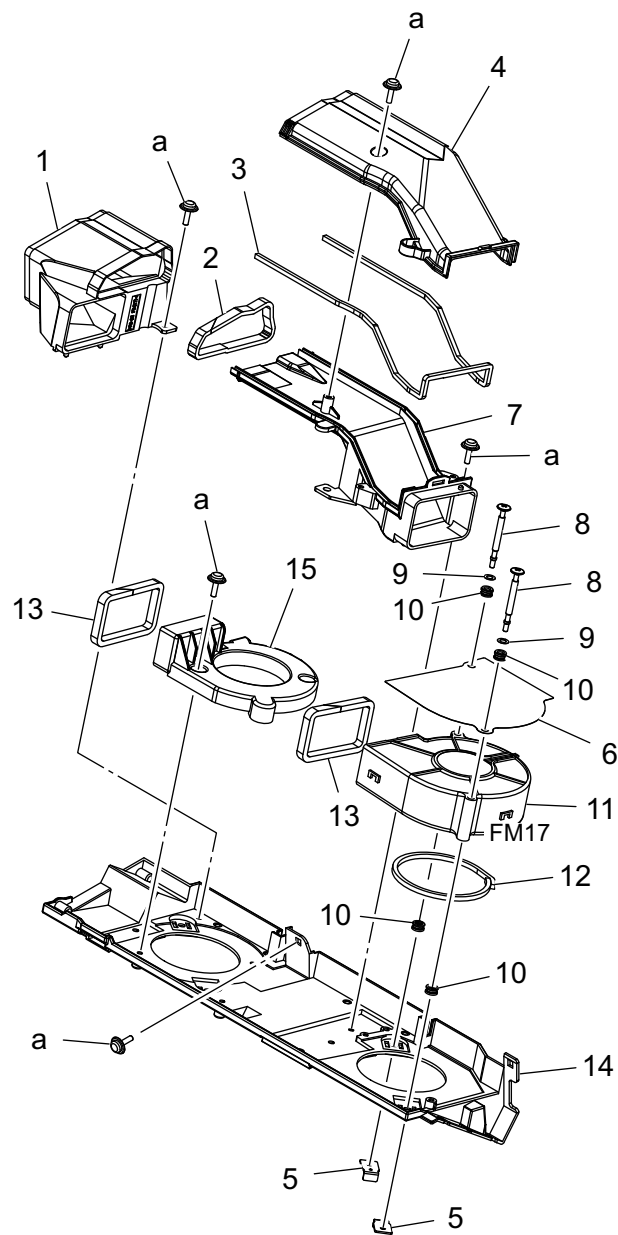
Reference Page of Harness

CN16: P69
 CN59: P69

Key	Part No.	Description	Destinations	Class	QTY	Standard parts
1	A7PU944401	Label Paper supply		C	1	a-V153030803 b-V116030603 c-V111170403
2	A161592200	Auxiliary Tray		C	1	
3	A7PU592100	Bypass Tray /Upper		C	1	
4	A7PU944301	Label Paper supply		C	1	
5	A7PU944100	Label Metric	A,A1,C,D1,D3,E,F2,G 1,I,K,J,H	C	1	
5	A7PU944200	Label Inch	B,G2	C	1	
6	A5C1M50100	Photointerrupter		B	2	
7	A161592400	Actuator		C	2	
8	A161592501	Torsion Spring		C	2	
9	A161592600	Holding Cover /2		D	2	
10	A161592300	Holding Cover		D	1	
11	A7PUF60000	Mounting Plate		D	1	
12	A7PU593500	Gear		C	1	
13	A7PU592000	Bypass Tray		C	1	
14	A161M50400	VR		D	1	
15	A161593800	Friction Plate		C	2	
16	A7PU593700	Mounting Plate		D	1	
17	A7PUN10900	Harness/ Relay		D	1	
18	A161594300	Regulating Gear 41T		C	1	
19	A7PUN10B01	Harness/ Sensor		D	1	
20	A7PU599300	Insulating Sheet		D	1	



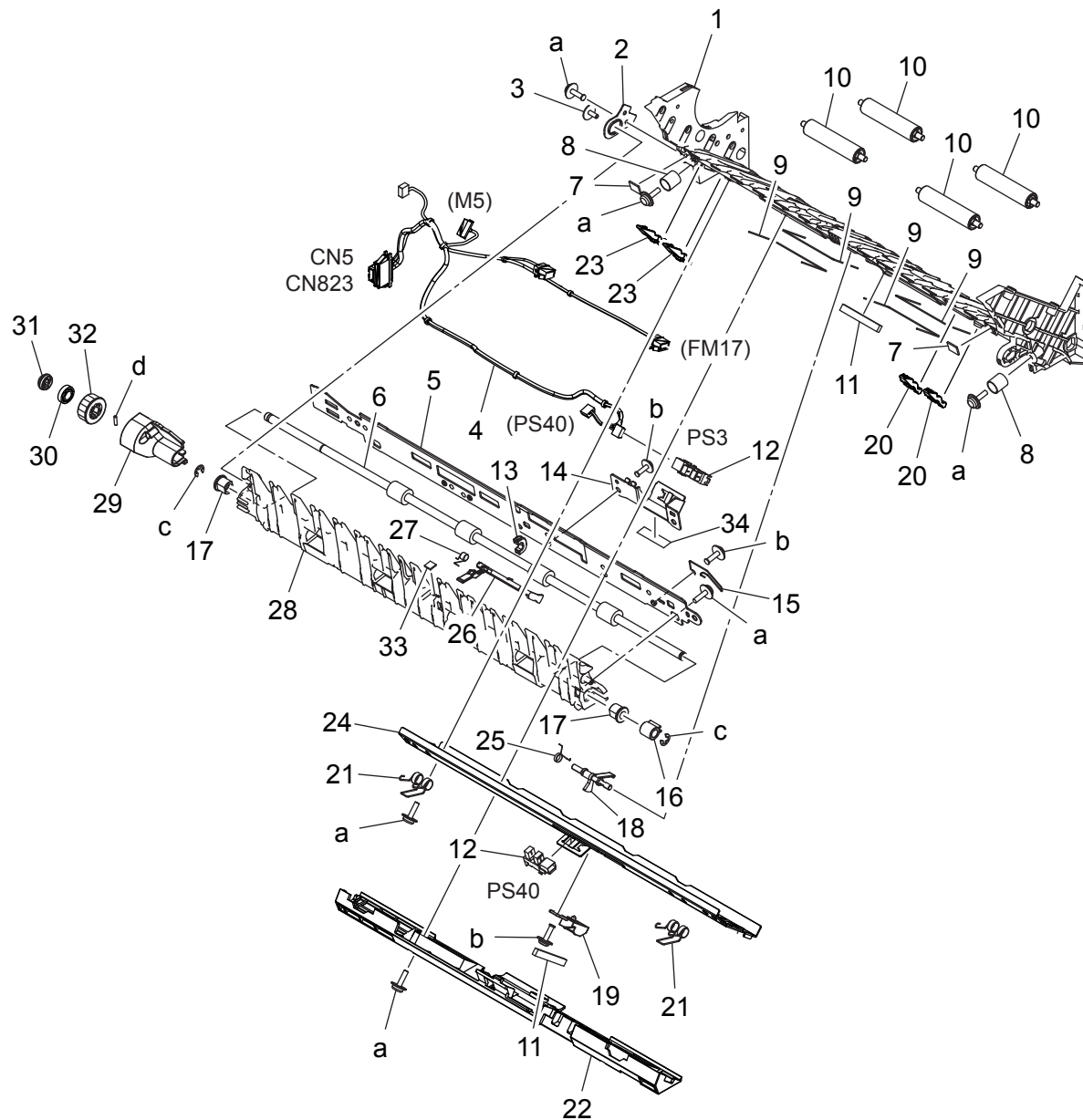
Key	Part No.	Description	Destinations	Class	QTY	Standard parts
1	A79J830600	Duct	ダクト	D	1	a-V153030803
2	A79J831501	Seal	シール (ユニット側)	C	1	b-V217040001
3	A79J830500	Duct	ダクト	D	1	c-V116030803
4	A79J831100	Cushion	クッション	C	1	d-V116030603
5	A79J831600	Cushion	クッション	C	1	e-V137030803
6	A79J810100	Guide Door /Right	ガイド扉/右	C	1	f-V217050001
7	A161815100	Cover Door	カバー扉	C	1	
8	A79J812201	Guide Plate	ガイド板	D	1	
9	A161814601	Roller /C	ローラ/ C	C	1	
10	A79J813700	Roller	ローラ	C	1	
11	A02E815200	BUSHING	軸受	C	2	
12	A161814700	Knob /A	ノブ/ A	C	1	
13	A161946100	Label M5	ラベル M 5	C	1	
14	A5C1814200	Contact /A	接点/ A	D	1	
15	4163529301	SCREW	ねじ	C	1	
16	A5C1815700	Open/close Claw	開閉爪	C	1	
17	A161815800	Swing Spring	揺動ばね	C	1	
18	A7PU810200	Guide Plate /1	ガイド板	D	1	
19	A79J814901	Cover	カバー	D	1	
20	A00F941100	Label	ラベル (高温マーク)	D	2	
21	A161813300	Bushing /A	ズベリ軸受/ A	C	2	
22	A161816400	Spacer /A	スペーサ/ A	C	2	
23	A2X0M10600	Stepping motor	ステッピングモーター	C	1	
24	A79M811200	Frame /ASSY	フレーム/ ASSY	D	1	
25	A0ED811700	Pulley 22T	プーリ (ADU 第3) 22 T	C	2	
26	A79J819000	Timing belt 200L	タイミングベルト 200 L	C	1	
27	A79J819800	Roll	ころ	C	1	
28	A5C1814300	Contact /B	接点/ B	D	1	



Reference Page of Harness

FM17: P52

Key	Part No.	Description	Destinations	Class	QTY	Standard parts
1	A79J830100	Duct		D	1	a-V153030803
2	A79J831300	Cushion		C	1	
3	A79J831200	Cushion		C	1	
4	A79J830300	Duct		D	1	
5	A79J832200	Mounting Plate		D	2	
6	A9HG830701	Cover		D	1	
7	A79J830200	Duct		D	1	
8	A79J832000	Shoulder screw		C	2	
9	A79J832400	Washer		C	2	
10	A79J832100	Support Rubber		D	4	
11	9313100072	FAN MOTOR		C	1	
12	A79J832300	Seal		C	1	
13	A79J831000	Cushion		C	2	
14	A79J830001	Holder		D	1	
15	A79J829900	Cover		D	1	



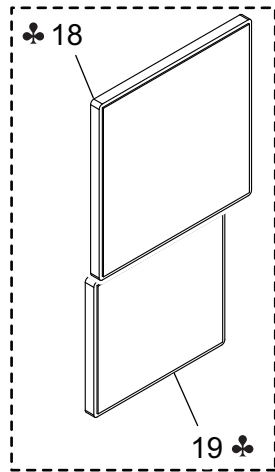
Reference Page of Harness

PS40: P52
 CN5: P67
 CN823: P67

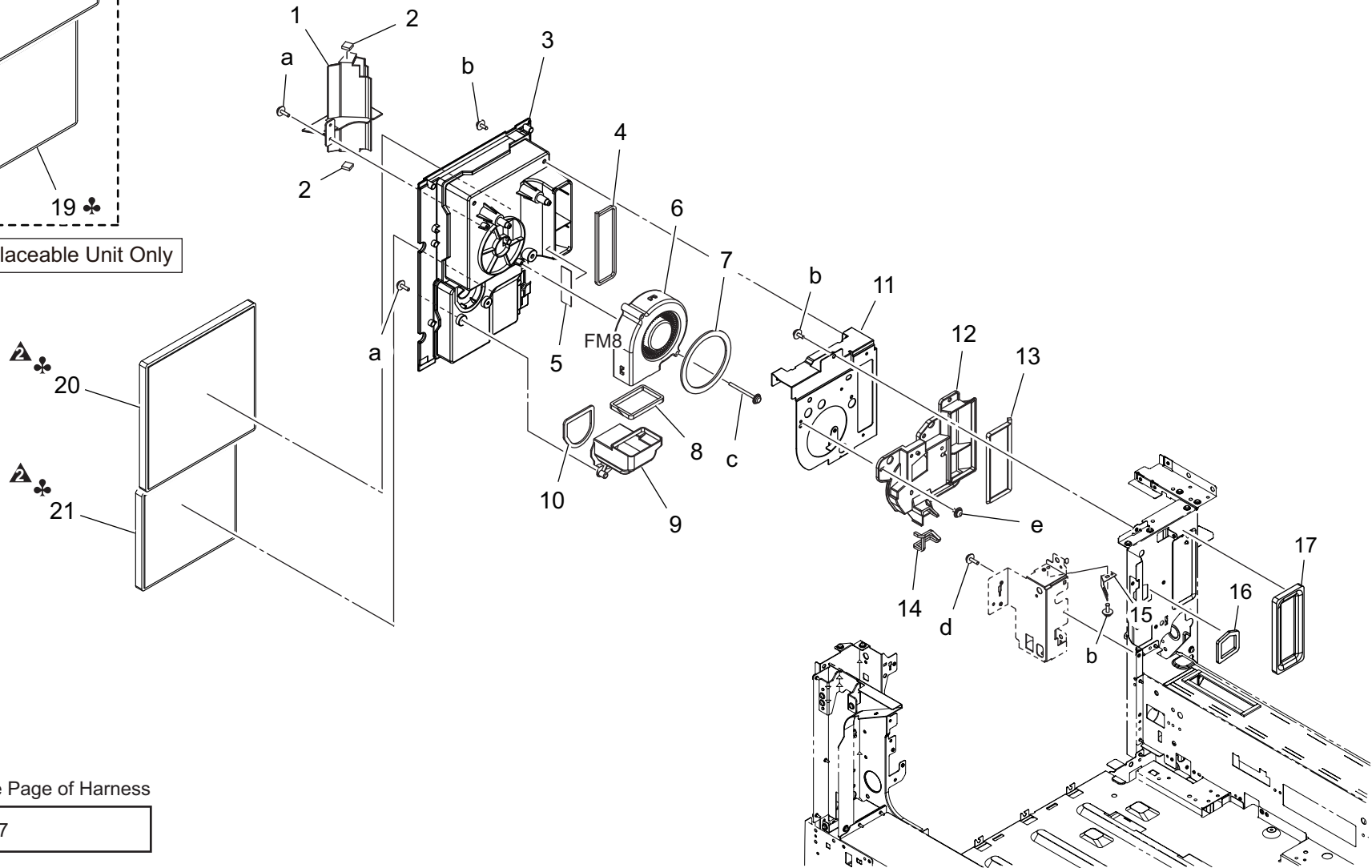
Key	Part No.	Description	Destinations	Class	QTY	Standard parts
1	A79J811700	Guide Plate		D	1	a-V153030803 b-V137030803 c-V217040001 d-V234200850
2	A161814401	Mounting Plate /3		D	1	
3	4163529301	SCREW		C	1	
4	A79JN10701	Conveyance Relay harness		D	1	
5	A161810801	Mounting Plate /2		D	1	
6	A161810600	Roller /1		C	1	
7	A161825301	Cushion /A		D	2	
8	A161813600	Pressing Spring /A		C	2	
9	A0ED815100	Holding Part		D	4	
10	A161825700	Idler Roller /A		D	4	
11	A161825800	Cushion /B		D	2	
12	A5C1M50100	Photointerrupter		B	2	
13	A161819500	Bushing /C		C	1	
14	A161825102	Mounting Plate /4		D	1	
15	A161819400	Contact /C		D	1	
16	A161814500	Bushing/B		C	1	
17	A02E815200	BUSHING		C	2	
18	A161813200	Actuator		C	1	
19	A161825400	Wiring Part		D	1	
20	A5C1811803	Guide Plate /Front		D	2	
21	A161813400	Torsion Coil spring		D	2	
22	A79J813902	Cover		D	1	
23	A5C1811901	Guide Plate /Rear		D	2	
24	A79J810900	Mounting Plate		D	1	
25	A161712800	Spring /D		D	1	
26	A161813001	Actuator		C	1	
27	A161813100	Torsion Coil spring		C	1	
28	A161810503	Guide Plate /4		D	1	
29	A5C1825500	Cover /D		D	1	
30	A5C1825000	Bushing		C	1	
31	A161825000	Bushing		C	1	
32	A4FJ819200	Gear 17T		C	1	
33	A161826001	Cushion /B		D	1	
34	A79J821000	Protection Part		C	1	

The Paper Cooling Fan Section

改訂版 REVISED EDITION	日付 DATE
	MAY 2017



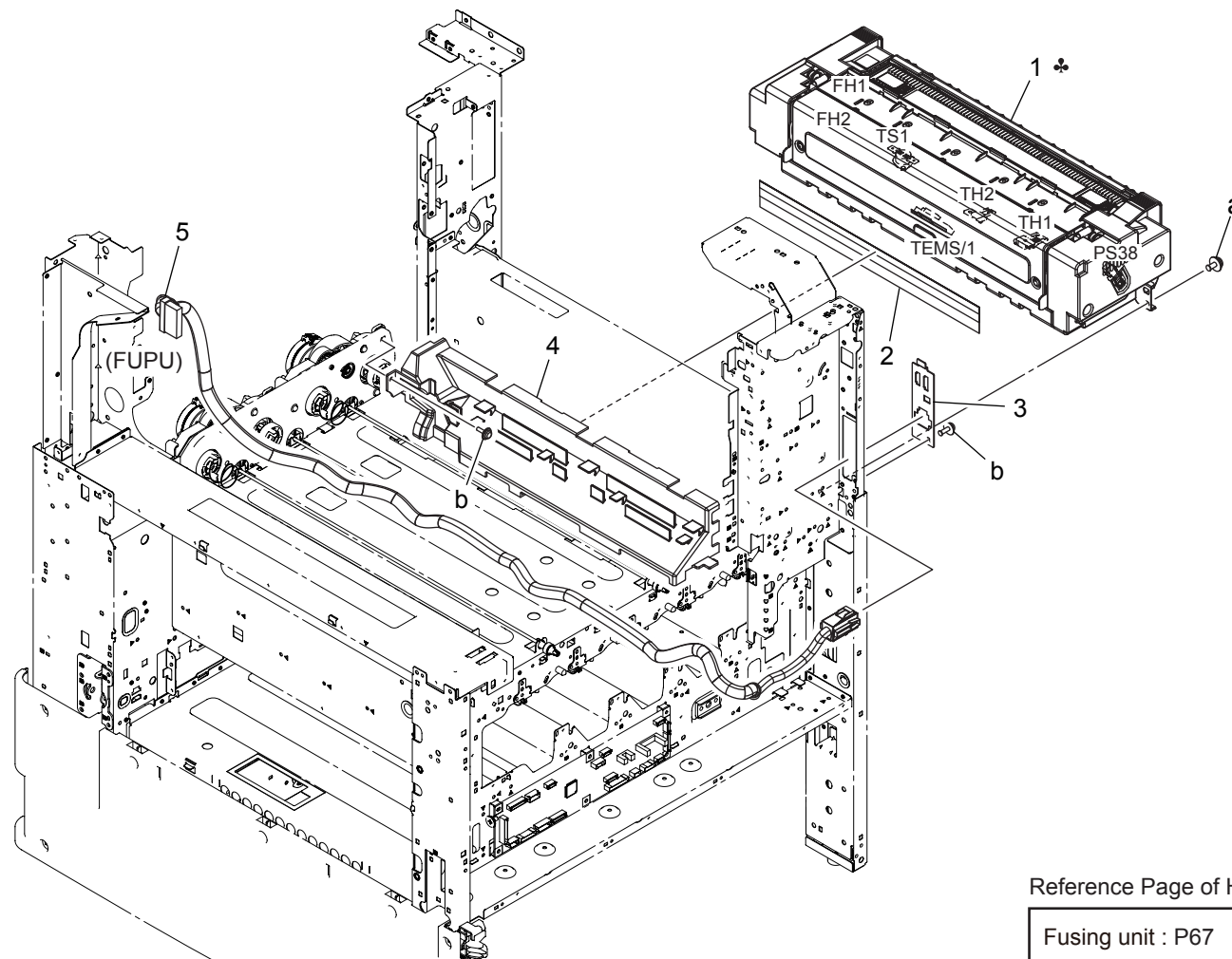
Field Replaceable Unit Only



Reference Page of Harness

FM8: P67

Key	Part No.	Description	Destinations	Class	QTY	Standard parts
1	A79J145100	Guide Plate		D	1	a-V153030803 b-V116030803 c-V153033503 d-V137030803 e-V116030603
2	A79J145200	Cushion		C	2	
3	A79J143402	Duct		D	1	
4	A79J142701	Cushion		C	1	
5	A79J145000	Seal		C	1	
6	9313100072	FAN MOTOR		C	1	
7	A79J143800	Cushion		C	1	
8	A79J143600	Cushion		C	1	
9	A79J143001	Duct		D	1	
10	A79J143200	Cushion		C	1	
11	A79J148302	Mounting Plate		D	1	
12	A79J140501	Duct		D	1	
13	A79J141501	Cushion		C	1	
14	A79J142600	Cushion		C	1	
15	A161122500	Ground Plate		D	1	
16	A79J120700	Cushion		C	1	
17	A79J120801	Seal		C	1	
18	A79J149100	Filter	A,A1,B,G2	C	1	
19	A79J149200	Filter	A,A1,B,G2	C	1	
20	A79J149100	Filter	J	C	1	
21	A79J149200	Filter	J	C	1	



Reference Page of Harness

Fusing unit : P67

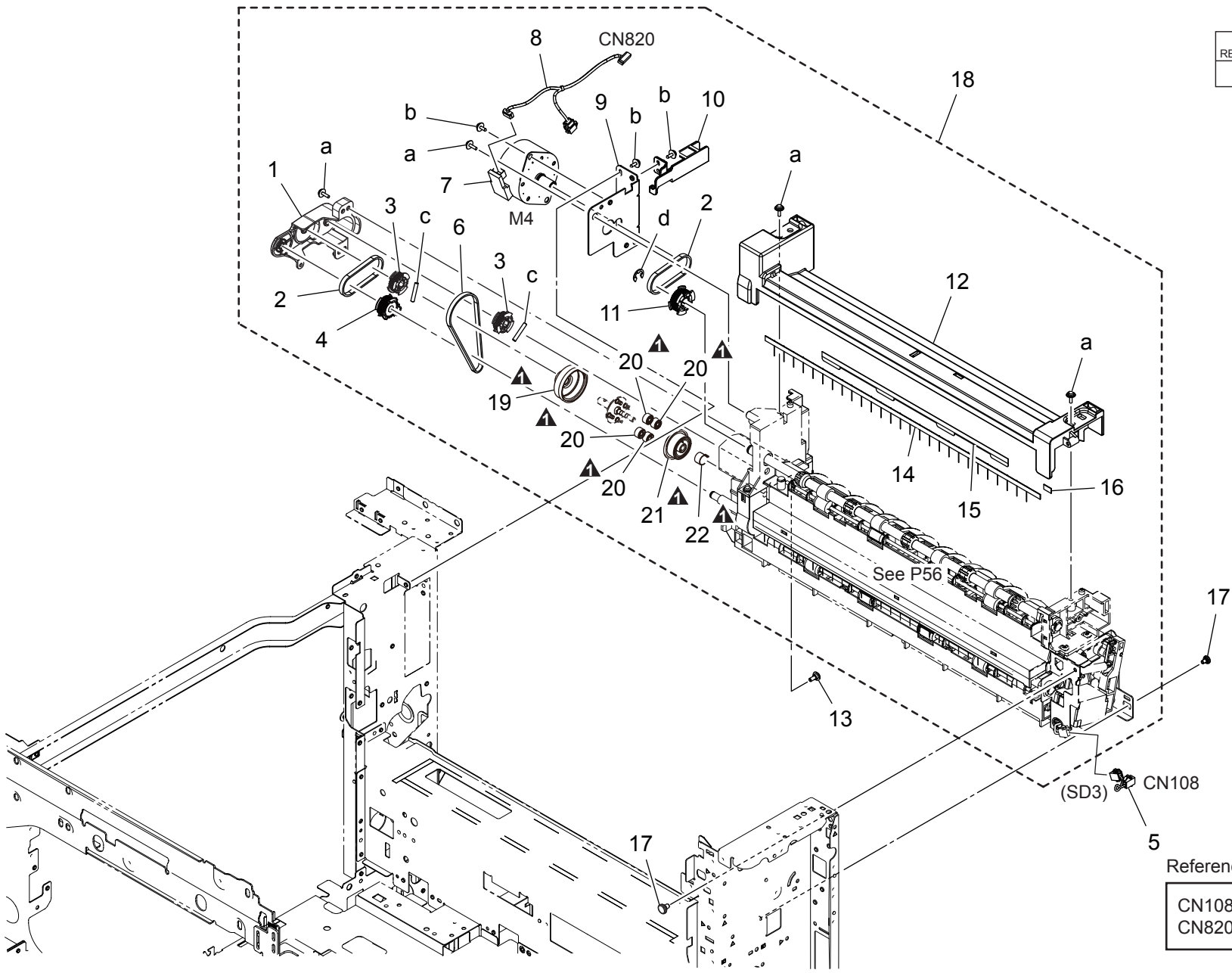
bizhub 458

Fusing Section

Key	Part No.	Description	Destinations	Class	QTY	Standard parts
1	A79MR70100	Fusing Unit 100V	定着ユニット 100V	A,A1	1	a-V116041003 b-V116030803
1	A79MR70200	Fusing Unit 120V	定着ユニット 120V	B,G2	1	
1	A79MR70300	Fusing Unit 220-240V	定着ユニット 220-240V	C,D1,D3,E,F2,G1,I,K ,J	1	
1	A79MR70600	Fusing Unit 110V	定着ユニット 110V	H	1	
2	A797102701	Seal	シール	C	1	
3	A4FJ150301	Mounting Plate	取付板 (定着コネクタ/0)	D	1	
4	A161140400	Duct	ダクト (TB 冷却)	D	1	
5	A61EN10401	Heater Relay harness	ヒーター中継束線	D	1	

Paper Exit /Reverse Section

改訂版 REVISED EDITION	日付 DATE
▲	JANUARY 2017



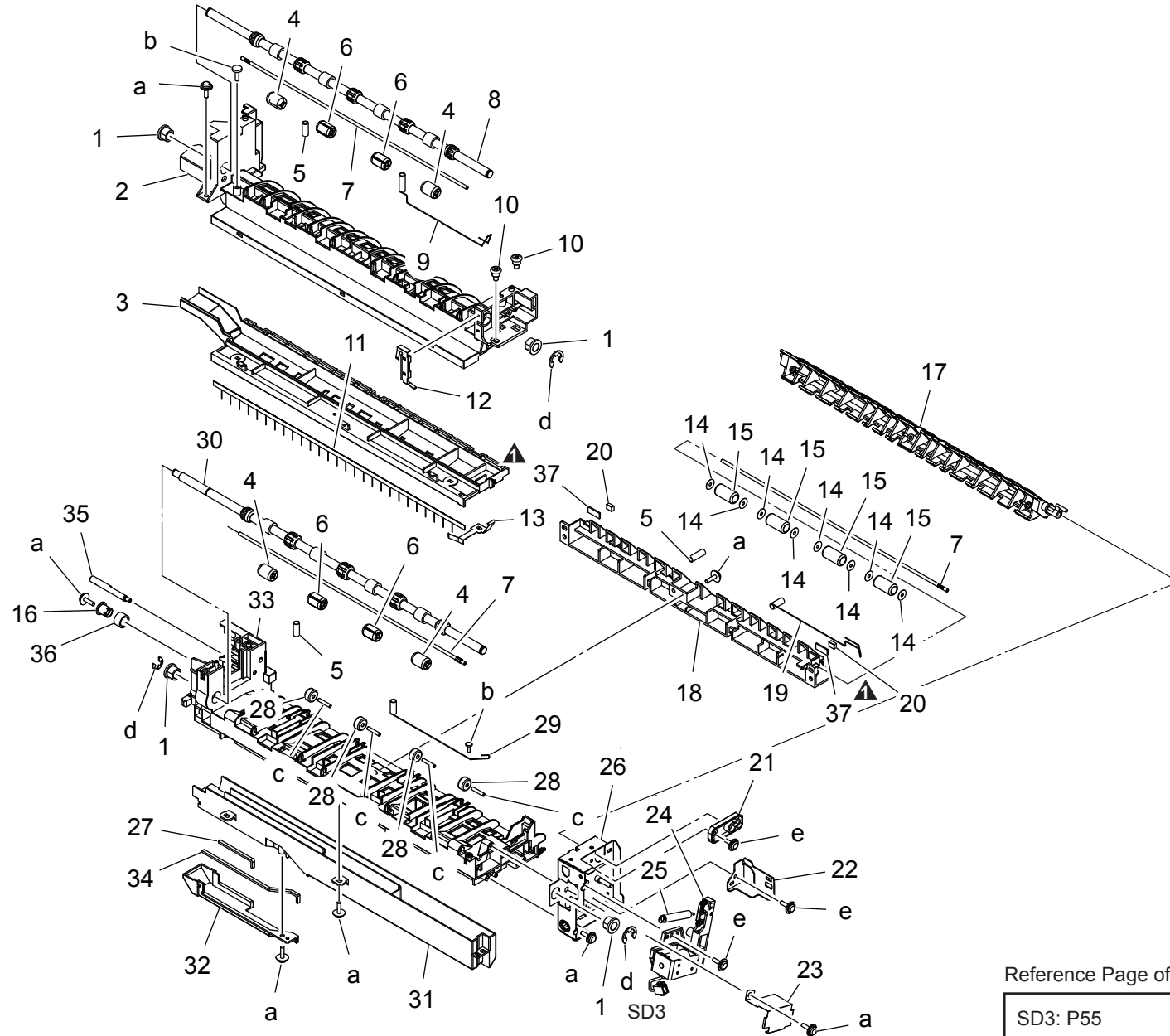
Reference Page of Harness

CN108: P67
CN820: P67

Key	Part No.	Description	Destinations	Class	QTY	Standard parts
1	A79J897612	Holder	ホルダ	D	1	a-V153030803 b-V116030803 c-V234201250 d-V217060001
2	A79J898300	Timing belt 116L	タイミングベルト 116 L	C	2	
3	A79J897401	Pulley 28T	プーリ 28 T	C	2	
4	A79J891300	Pulley 28T	プーリ 28 T	C	1	
5	A79JN10Q00	Relay Wiring /5	中継束線 /5	D	1	
6	A79J898400	Timing Belt 216L	タイミングベルト 216 L	C	1	
7	A7PUM10400	Stepping motor	ステッピングモータ	C	1	
8	A79JN10400	Drive Relay harness /1	駆動中継束線 /1	D	1	
9	A79J893200	Mounting Plate	取付板	D	1	
10	A79J894000	Guide	ガイド	D	1	
11	A79J895800	Pulley 33T	プーリ 33 T	C	1	
12	A79J895700	Paper exit Cover	排紙カバー	D	1	
13	A00J169300	Shoulder screw	段ねじ	C	1	
14	A161894000	Neutralizing Brush	除電ブラシ	C	1	
15	A161894100	Sheet	シート (除電ブラシ)	D	1	
16	A64J891500	Sheet	シート	D	1	
17	A0P0742300	Shoulder screw	段ねじ	C	2	
18	A9HHR70200	Paper Exit Assy	排紙 Assy	S	1	
19	A79J897100	Gear 56T	ギア 56 T	C	1	
20	A79J897200	Gear 16T	ギア 16 T	C	4	
21	A79J897000	Gear 24T/20T	ギア 24 T / 20 T	C	1	
22	A79J898500	Spring	ばね	C	1	

Paper Exit /Reverse Section

改訂版 REVISED EDITION	日付 DATE
▲	APRIL 2017

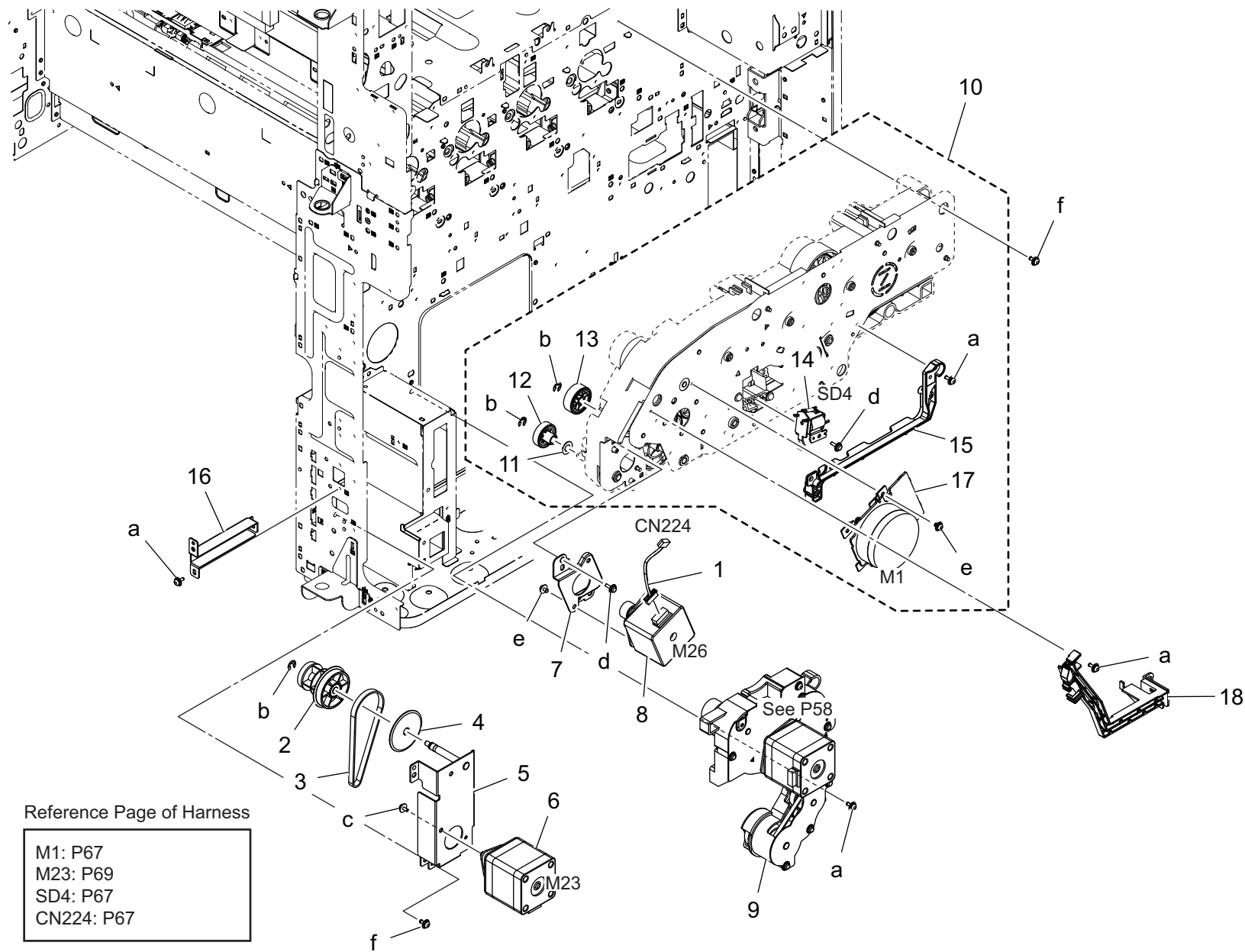


Reference Page of Harness

SD3: P55

Key	Part No.	Description	Destinations	Class	QTY	Standard parts
1	A0ED891100	Bushing		D	4	a-V153030803 b-V149030803 c-V234301650 d-V217060001 e-V137030803
2	A79J895602	Paper exit Guide /Upper		D	1	
3	A79J895200	Paper exit Guide /Lower		D	1	
4	4004590301	ROLL		C	4	
5	A161892400	Spring		C	3	
6	A5C1891100	Roll		D	4	
7	4025598401	SHAFT		D	3	
8	A79J895400	Roller		C	1	
9	A161900201	Ground Spring		C	1	
10	1164202801	SHOULDER SCREW		D	2	
11	A161894000	Neutralizing Brush		C	1	
12	A161895502	Ground Contact /Upper		D	1	
13	A161895600	Ground Contact /Lower		D	1	
14	A64J891200	Washer		D	8	
15	A2X0901100	Roll		C	4	
16	A79J897800	Collar		C	1	
17	A5C1890401	Guide Lever		D	1	
18	A161890205	Guide Part /Lower		D	1	
19	A161900300	Ground Spring		C	1	
20	A161893601	Cushion		D	2	
21	A161891000	Bushing		D	1	
22	A161892300	Mounting Plate		D	1	
23	A7PU890700	Cover		D	1	
24	A79JR72400	Solenoid Assy		C	1	
25	A79J892000	Pulling Coil spring		C	1	
26	A161F89003	Caulking(Mounting Plate)		D	1	
27	A79J893700	Cushion		C	1	
28	A0ED897700	Collar		C	4	
29	A161900100	Ground Spring		C	1	
30	A79J890311	Roller		C	1	
31	A79J893500	Duct		D	1	
32	A79J894500	Duct		D	1	
33	A79J890201	Paper exit Main body		D	1	
34	A79J893800	Cushion		C	1	
35	A79J898211	Shaft		D	1	
36	A79J897501	Roll		C	1	
37	A64J891500	Sheet		D	2	

Main Drive/ Paper Feed Drive Section



Reference Page of Harness

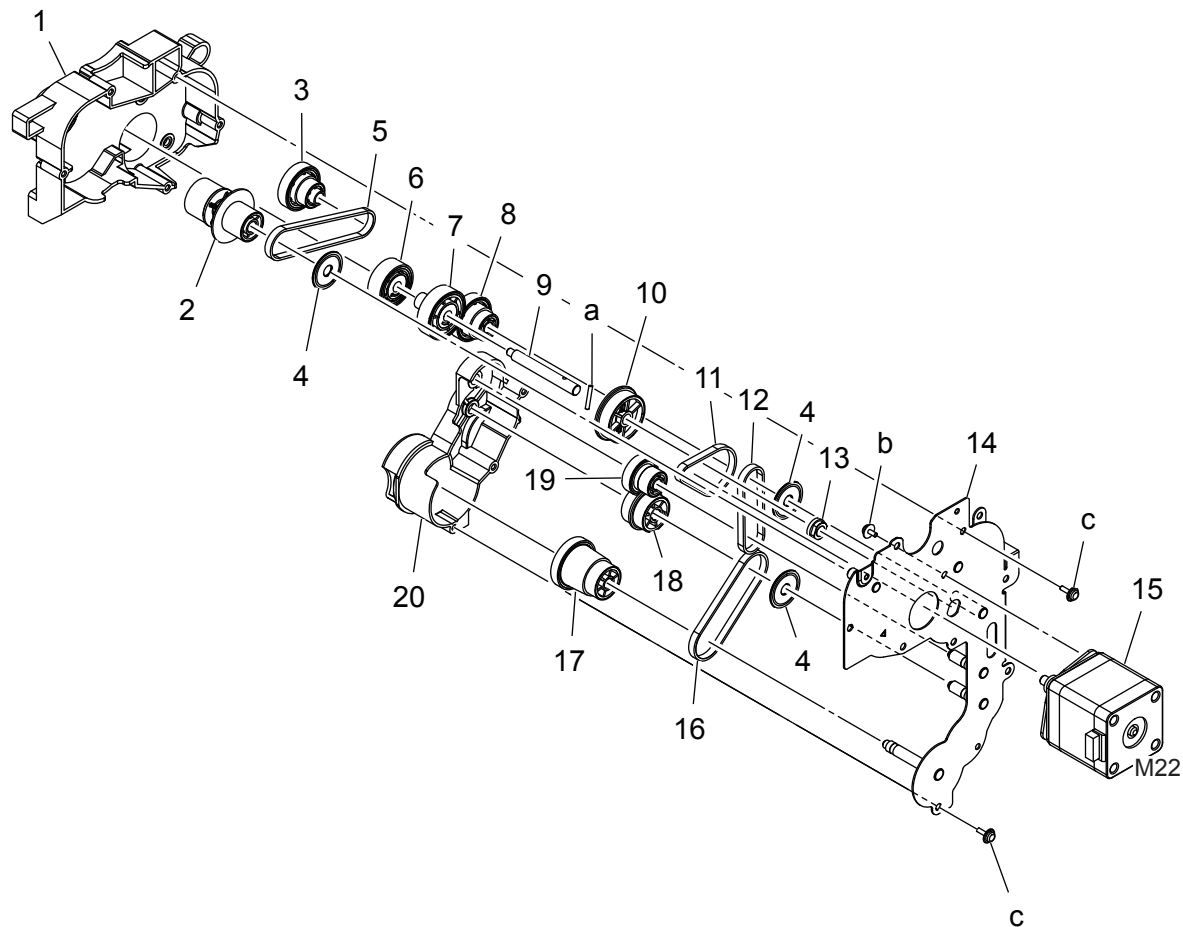
- M1: P67
- M23: P69
- SD4: P67
- CN224: P67


REAR SIDE

Main Drive/ Paper Feed Drive Section

Key	Part No.	Description	Destinations	Class	QTY	Standard parts
1	A79JN10500	Drive Relay harness /2		D	1	a-V116030803 b-V217040001 c-V116030603 d-V153030803 e-V116030504 f-V125030818
2	A64J222200	Gear 22/55T		C	1	
3	A64J222400	Belt 214L		C	1	
4	A64J222500	Washer		D	1	
5	A64JR7A000	Caution(Hold Plate)		D	1	
6	A61DM10000	HB Stepping motor		C	1	
7	A79J254200	Mounting Plate		D	1	
8	A2X0M10000	Stepping motor		C	1	
9	A79JR70211	Paper Feed Drive Assy		S	1	
10	A9HGR70300	Main Drive Assy		S	1	
11	A1RF517100	Spacer /A		D	1	
12	A64J257800	Gear 20T		C	1	
13	A79K254000	Gear 23T		C	1	
14	A161M20300	Flapper solenoid		C	1	
15	A7PU216100	Guide		D	1	
16	A161105500	Reinforce Plate		D	1	
17	A79JM11400	DC Brushless motor /40		I	1	
18	A79J134701	Guide		D	1	

Main Drive/ Paper Feed Drive Section



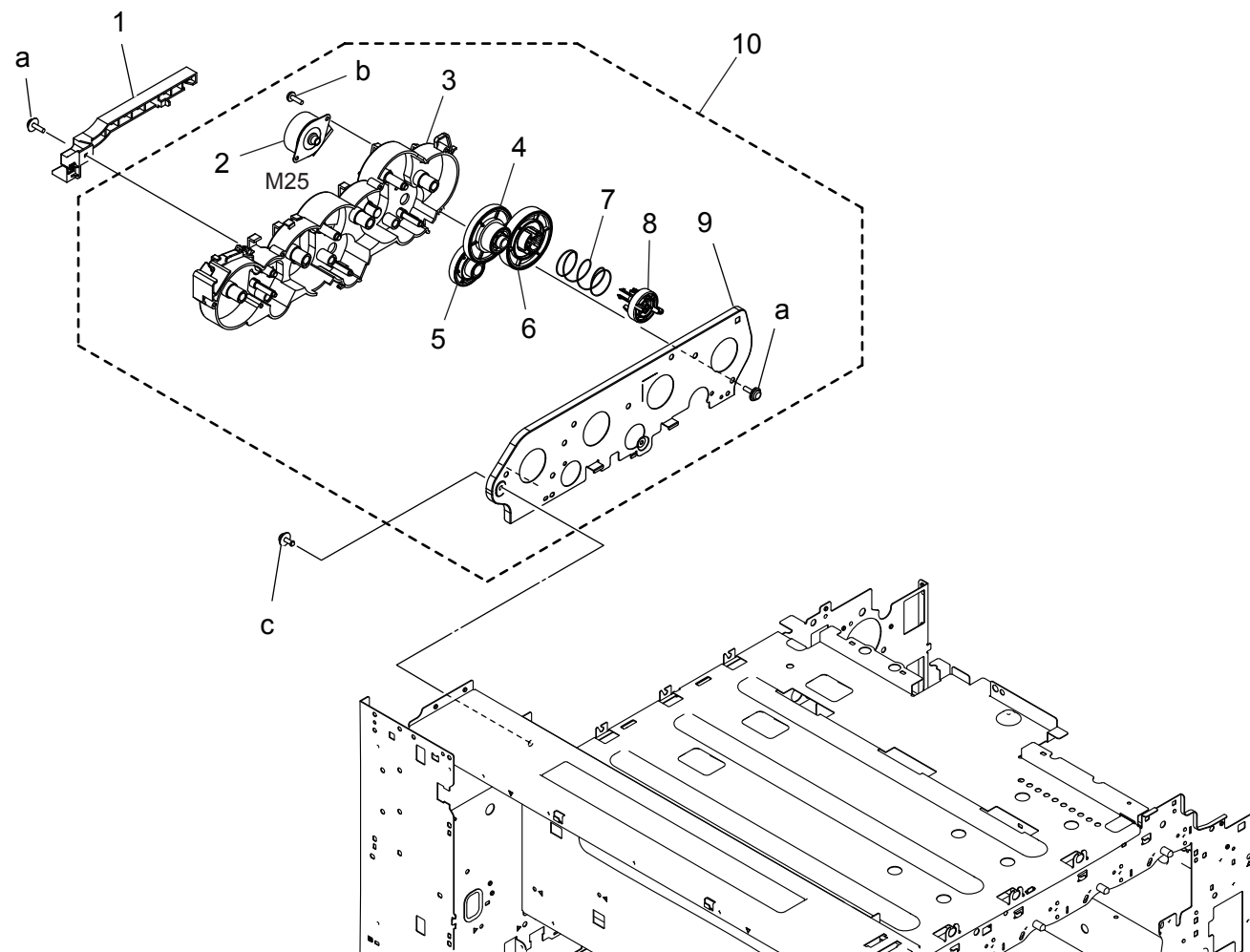
Reference Page of Harness

M22: P69


REAR SIDE

Main Drive/ Paper Feed Drive Section

Key	Part No.	Description	Destinations	Class	QTY	Standard parts
1	A79J220900	Holder		C	1	a-V234201450 b-V127030604 c-V153031004
2	A79J259800	Gear 19T		C	1	
3	A79J253300	Gear 29T		C	1	
4	A79J897300	Collar		C	3	
5	A79J226600	Timing belt 180L		C	1	
6	A79J226200	Gear 23T		C	1	
7	A79J226301	Gear 32T		C	1	
8	A79J226400	Gear 30T		C	1	
9	A79J223100	Shaft		D	1	
10	A79J220000	Pulley 44T		C	1	
11	A79J226500	Timing belt 112L		C	1	
12	A79J226700	Timing belt 126L		C	1	
13	A161210200	Bushing		D	1	
14	A79J221200	Frame /ASSY		D	1	
15	A61DM10000	HB Stepping motor		C	1	
16	A79J226800	Timing belt 156L		C	1	
17	A79J220700	Gear 28T		C	1	
18	A79J253000	Pulley 24T		C	1	
19	A79J222500	Pulley 24T		C	1	
20	A79J220800	Holder		C	1	



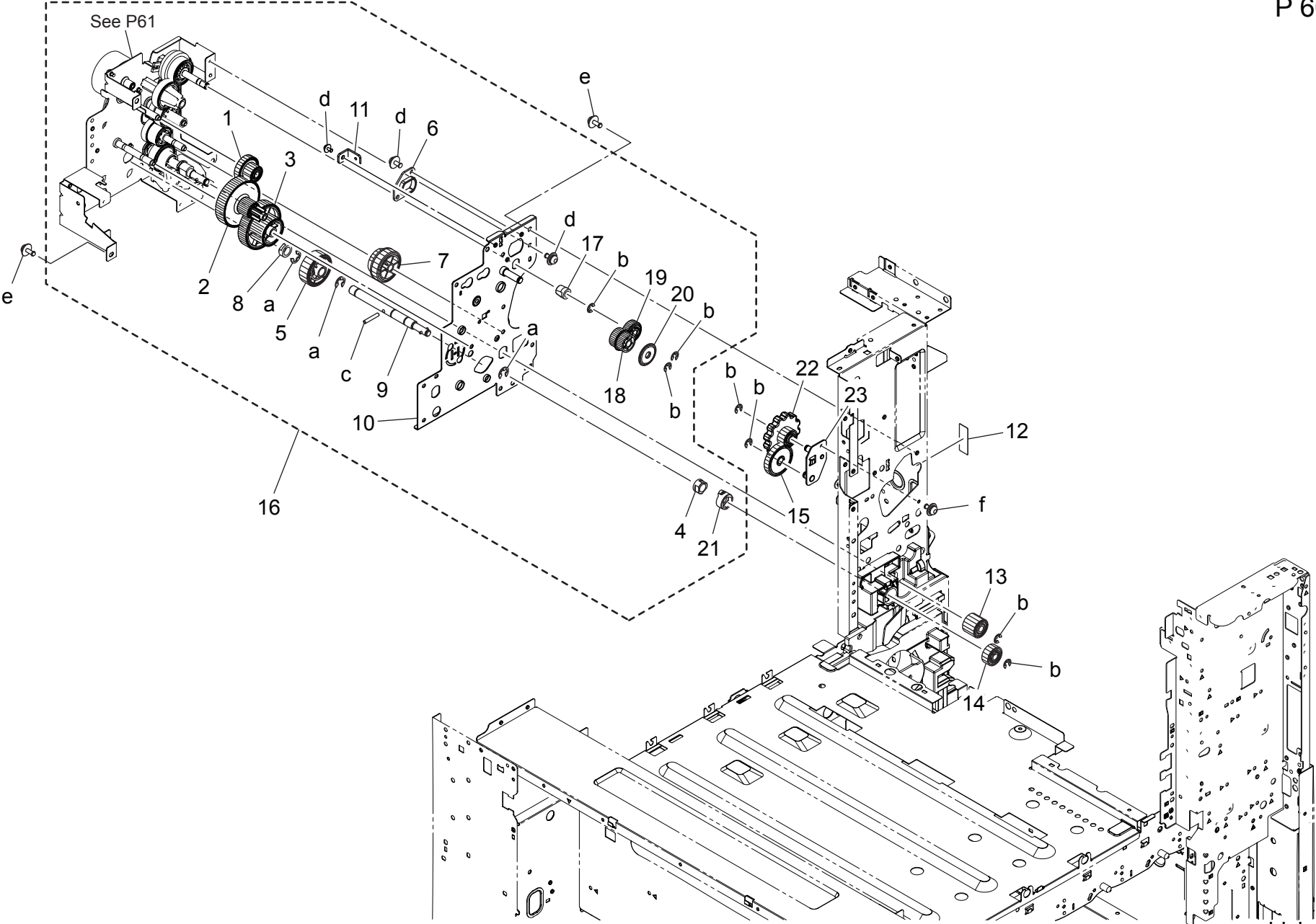
Reference Page of Harness

M25: P67

bizhub 458

Key	Part No.	Description	Destinations	Class	QTY	Standard parts
1	A7PU241600	Guide		D	1	a-V153030803 b-V145030803 c-V116030803
2	A7PUM10700	Stepping motor		C	1	
3	A7PU240101	Drive Holder		D	1	
4	A161240400	Gear 29/62T		D	1	
5	A161240300	Gear 18/91T		D	1	
6	A161240600	Gear 65T		D	1	
7	4038541202	PRESSURE SPRING		C	1	
8	A161240700	Joint		C	1	
9	A7PU241500	Mounting Plate		D	1	
10	A9HJR70500	Toner Bottle Drive Assy		S	1	

Fusing Drive Section



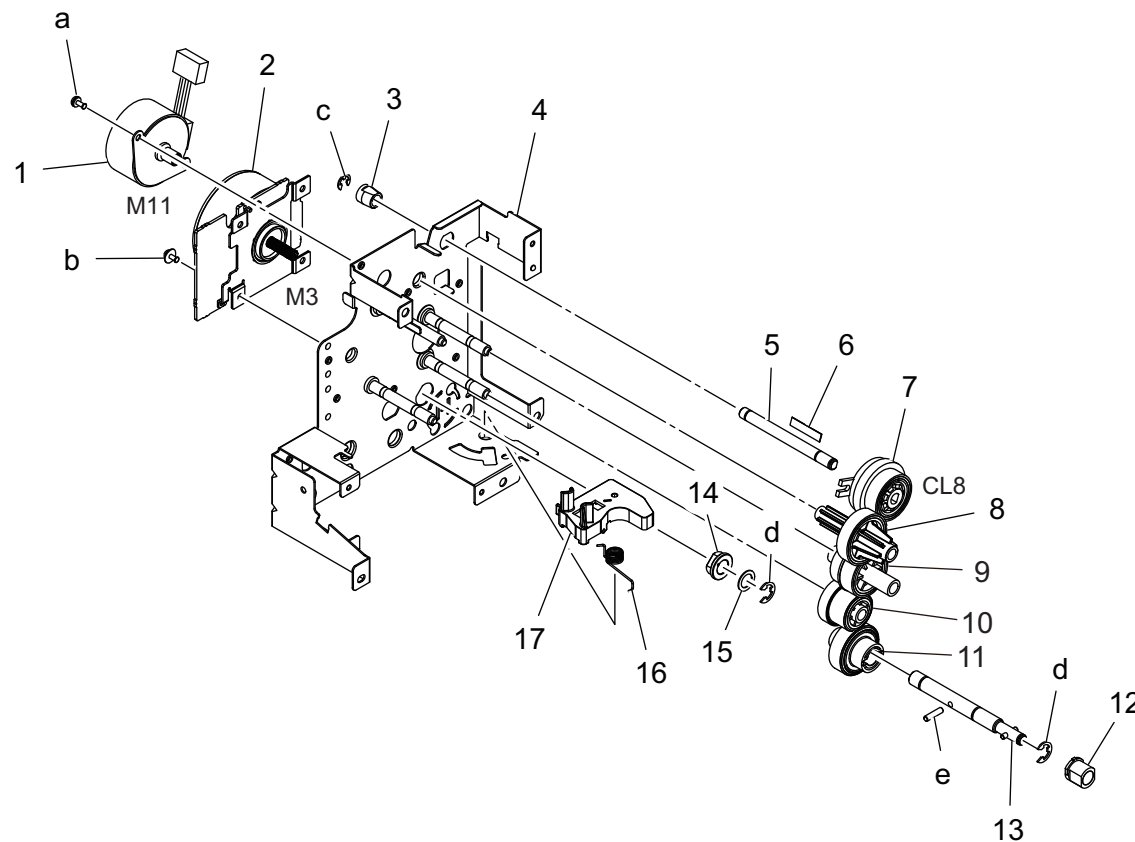
bizhub 458

Fusing Drive Section

Key	Part No.	Description	Destinations	Class	QTY	Standard parts
1	A2XK254200	Gear 18/62T		D	1	a-V217060001 b-V217040001 c-V234301850 d-V116030603 e-V125030818 f-V116030803
2	A161254300	Gear 18/57T		D	1	
3	A79J254400	Gear 55T/33T		C	1	
4	A161254700	Bushing		D	1	
5	A161254500	Gear 38T		D	1	
6	A161232200	Bushing		D	1	
7	A79K228800	Gear 24T/20T		C	1	
8	A03U812800	Slide Shaft Holder		B	1	
9	A161256300	Shaft		D	1	
10	A79K231001	Mounting Plate		D	1	
11	A79J231100	Mounting Plate		D	1	
12	A161941100	Label M4		D	1	
13	A161228701	Gear 16T		C	1	
14	A161254600	Gear		C	1	
15	A79K121900	Gear 23T		C	1	
16	A9HHR70100	Fusing Drive Assy		S	1	
17	A161232300	Bushing		D	1	
18	A79M231300	Gear 15T		C	1	
19	A4FJ230700	Gear 19T		D	1	
20	A79J897300	Collar		C	1	
21	A161232401	Collar		D	1	
22	A161122002	Gear 12T		D	1	
23	A79K122400	Mounting Plate		D	1	

Fusing Drive Section

P 61

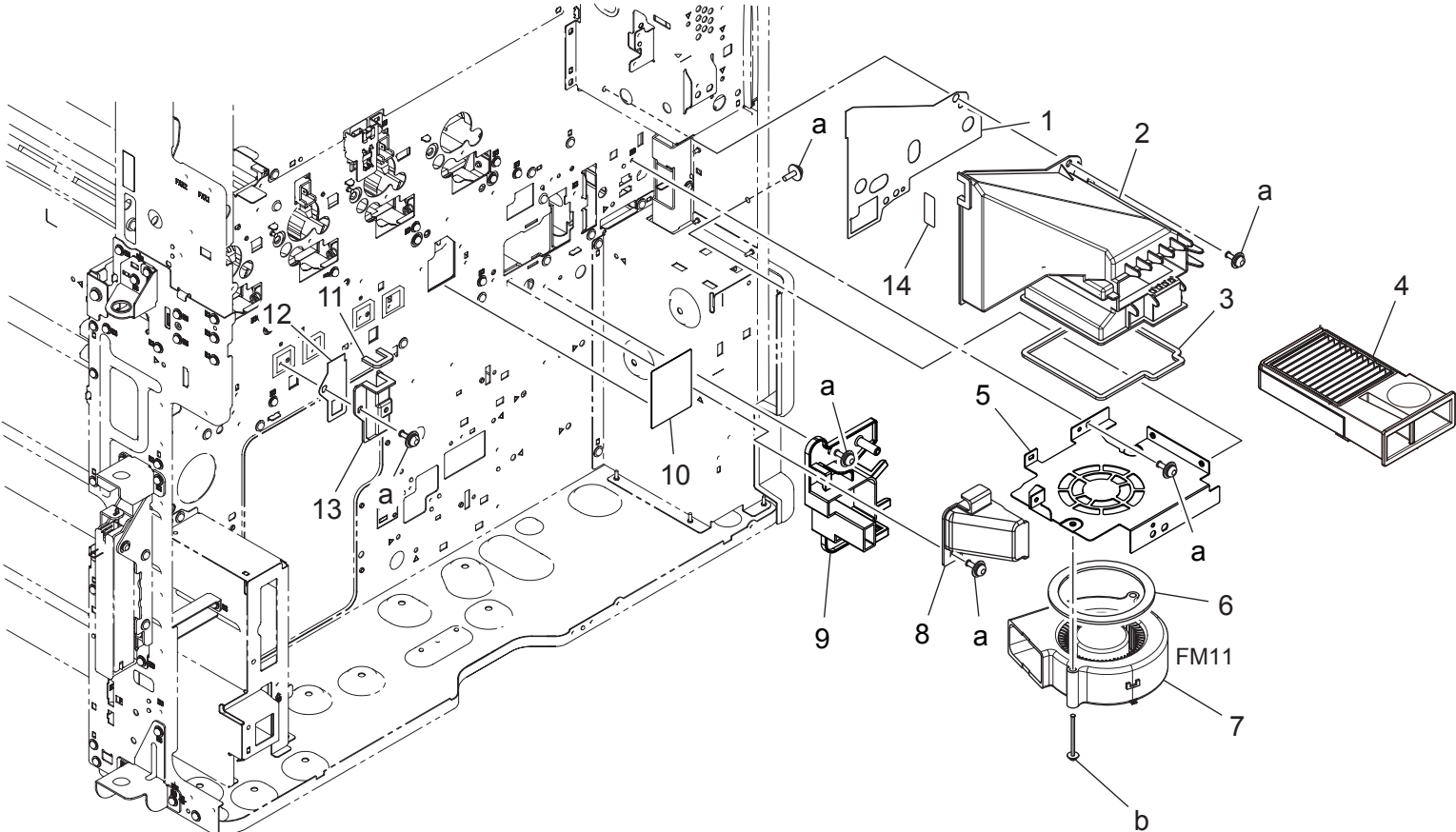


Reference Page of Harness

M3: P67
M11: P67
CL8: P67

Key	Part No.	Description	Destinations	Class	QTY	Standard parts
1	A161M10300	Stepping motor		C	1	a-V115030603 b-V116030603 c-V217040001 d-V217060001 e-V234301250
2	A79JM11300	DC Brushless motor /30		I	1	
3	A161232300	Bushing		D	1	
4	A79K255600	Mounting Plate		D	1	
5	A64J231801	Shaft		D	1	
6	A64J231901	Spacer		D	1	
7	A161M20400	Clutch		C	1	
8	A161230600	Gear 27T		D	1	
9	A79K230501	Gear 42T/24T		C	1	
10	A79K228001	Gear 44T/24T		C	1	
11	A79K228101	Gear 33T		C	1	
12	A161702200	Bushing		C	1	
13	A161228312	Shaft		D	1	
14	A03U812800	Slide Shaft Holder		B	1	
15	A1RF505400	Slide Spacer		D	1	
16	A161258501	Torsion Coil spring		D	1	
17	A161228601	Lever		D	1	

Toner Suction Fan Section



Reference Page of Harness

FM11: P69



REAR SIDE

bizhub 458

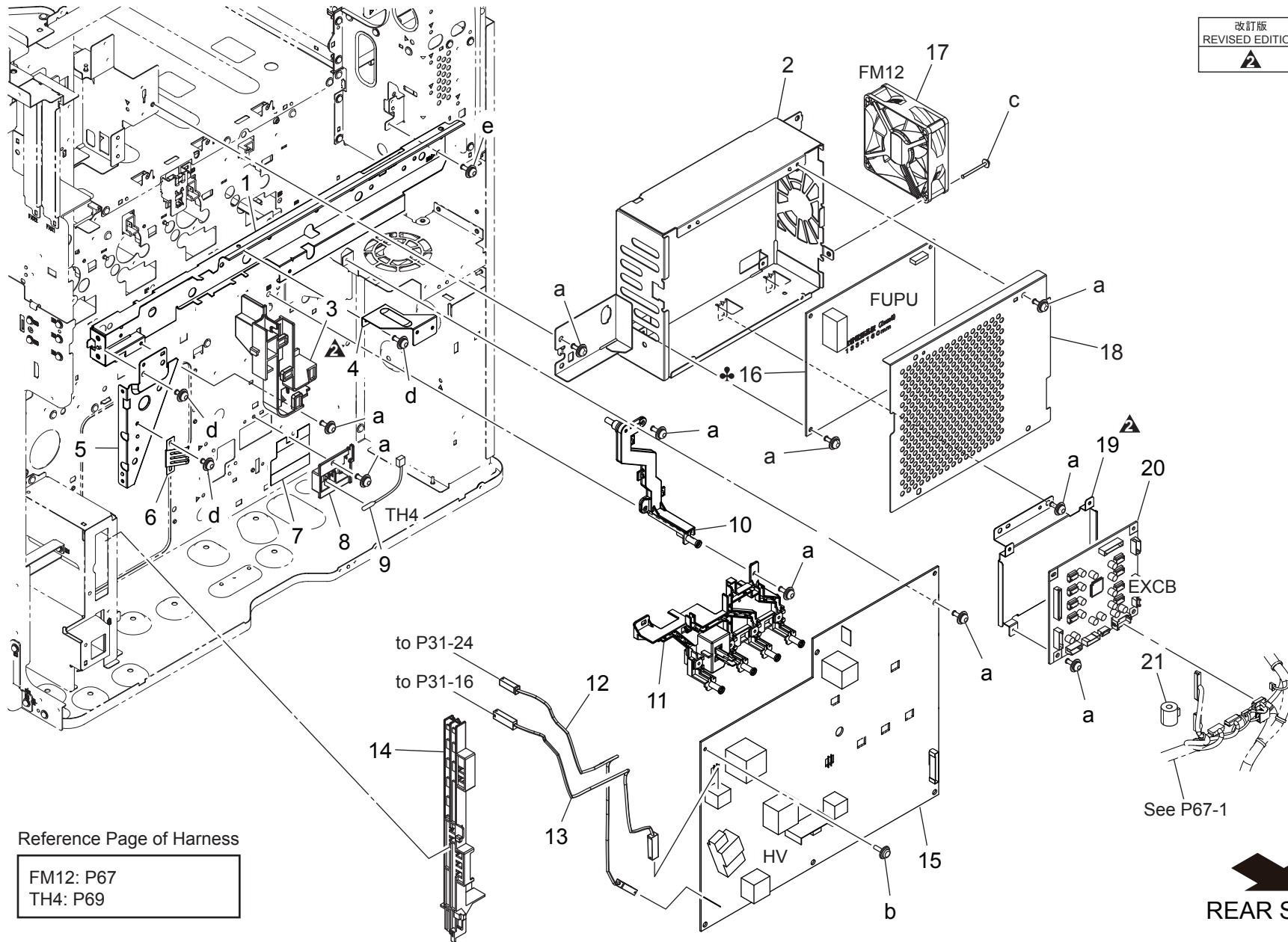


Toner Suction Fan Section

Key	Part No.	Description	Destinations	Class	QTY	Standard parts
1	A161146900	Seal /4		D	1	a-V116030803 b-V116033503
2	A161147500	Duct /1		D	1	
3	A161143500	Seal /1		D	1	
4	A161R72811	Toner Filter Assy		A	1	
5	A5C1142001	Mounting Plate		D	1	
6	A02E117300	Seal		C	1	
7	9313100072	FAN MOTOR		C	1	
8	A161141500	Duct /2		D	1	
9	A7PU141800	Holder		D	1	
10	A79J146400	Seal		C	1	
11	A161146600	Seal /3		D	1	
12	A161146500	Seal		D	1	
13	A161147600	Duct		D	1	
14	A61D148300	Seal		D	1	

High Voltage Section

改訂版 REVISED EDITION	日付 DATE
	MAY 2017



Reference Page of Harness

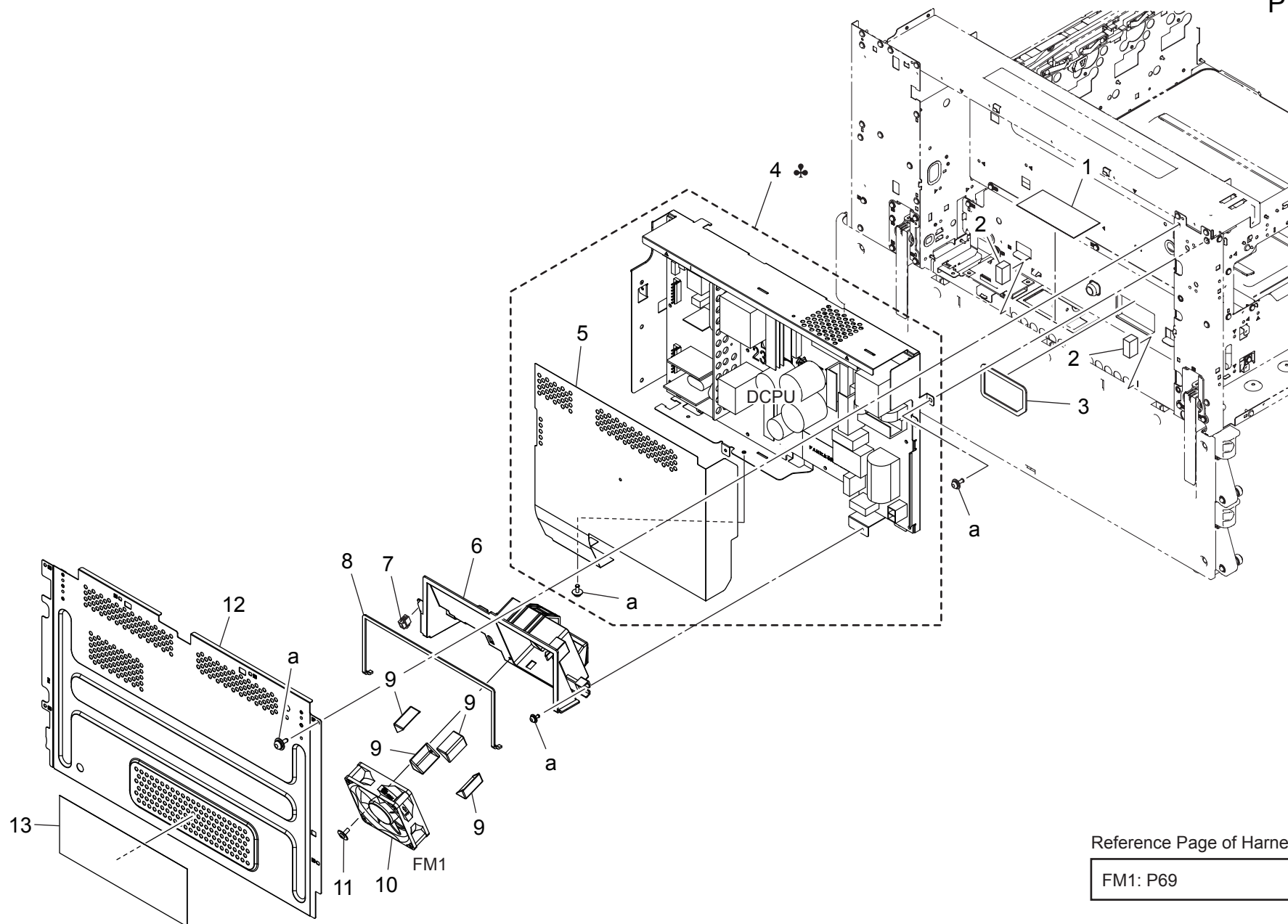
FM12: P67
TH4: P69

REAR SIDE

Key	Part No.	Description	Destinations	Class	QTY	Standard parts
1	A79J132500	Mounting Plate		D	1	a-V116030803 b-V153030804 c-V116033003 d-V116030603 e-V125030818
2	A4FJ150101	Shield Case		D	1	
3	A79J133001	Guide		D	1	
4	A79J132601	Mounting Plate		D	1	
5	A161132801	Reinforce Plate		D	1	
6	A79J136100	Plate spring		D	1	
7	A79J138400	Sheet		C	1	
8	A161137701	Holder		D	1	
9	A0P0M50300	Thermistor		C	1	
10	A7PUR71900	HV Contact Assy		D	1	
11	A61FR71200	DV Contact Assy		D	1	
12	A161N11300	Transfer Wiring /2		D	1	
13	A161N11K00	Neutralizing Wiring		D	1	
14	A5C1134800	Guide		D	1	
15	A9HGM40600	High voltage unit		I	1	
16	A4FJM40M01	Fixing Power source /230V	C,D1,D3,E,F2,G1,I,K	I	1	
16	A79MM40J00	Fixing Power source /100V	J	I	1	
16	A79MM40N00	Fixing Power source /120V	A,A1	I	1	
16	A4FJM40K01	Fixing Power source /120V	B,G2	I	1	
17	4139M10000	Fan motor	H	I	1	
18	A4FJ150200	Shield Plate		B	1	
19	A79J131701	Mounting Plate		D	1	
20	A9HGH00500	PWB Assembly(EXCB)		D	1	
21	A3GNM71C00	Ferrite core		I	1	

Low Voltage Section

P 64



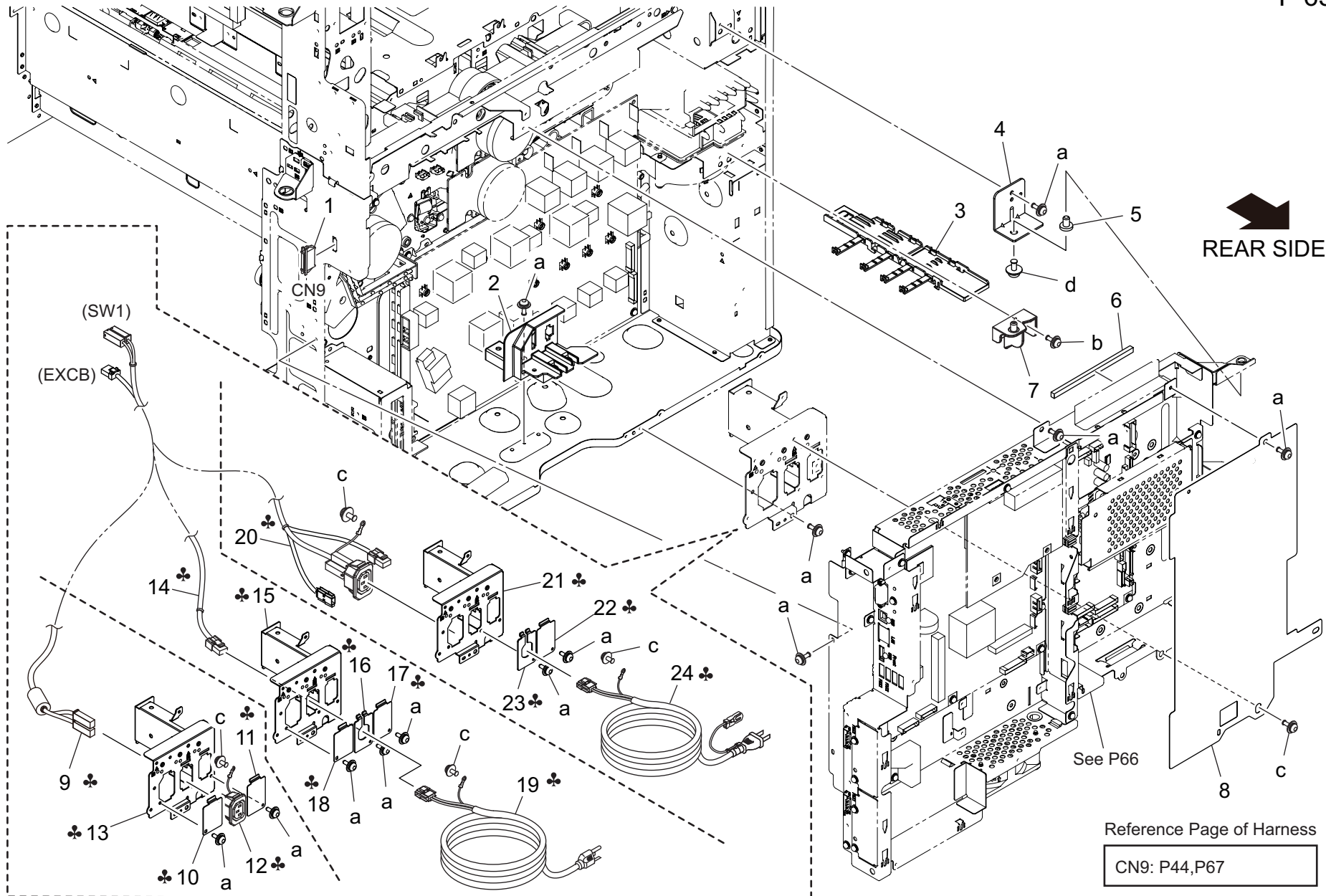
Reference Page of Harness

FM1: P69

bizhub 458

Key	Part No.	Description	Destinations	Class	QTY	Standard parts
1	A161145000	Filter		C	1	a-V116030803
2	A161144500	Seal /3		C	2	
3	A161143601	Seal /3		D	1	
4	A9HGR70100	Power supply Assy /100V		I	1	
4	A9HGR70200	Power supply Assy /200V	A,A1,B,G2 C,D1,D3,E,F2,G1,I,K ,J	I	1	
4	A9HGR71400	Power Supply Assy /110V	H	I	1	
5	A5AY131100	Sheet		D	1	
6	A79J140801	Cooling Duct		D	1	
7	V651010002	connector		D	1	
8	A161143400	Seal /1		D	1	
9	A79J140900	Vibrationproof Rubber		D	4	
10	4139M10000	Fan motor		B	1	
11	4163529301	SCREW		C	1	
12	A79J100600	Cover		D	1	
13	A7PU101500	Filter		C	1	

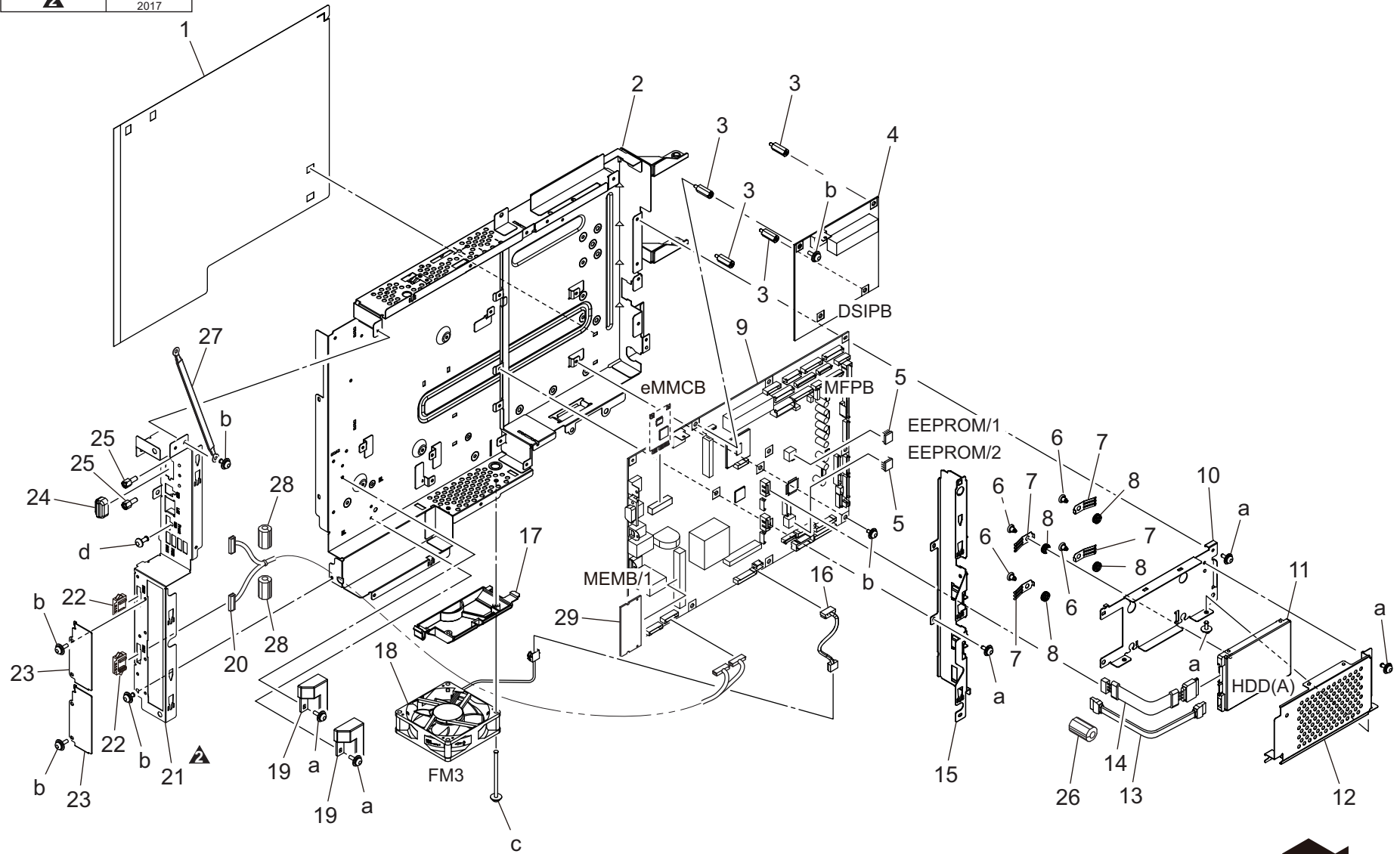
Electrical Components Section



Key	Part No.	Description	Destinations	Class	QTY	Standard parts
1	V651010045	WtoW Connector	W t o W コネクタ	D	1	a-V116030803 b-V116030804 c-V116040803 d-V116040603
2	A161131401	Holder	ホルダ (CN)	D	1	
3	A5C1137800	Holder	ホルダ (FFC)	D	1	
4	A7PU130811	Support Shaft	支点軸	D	1	
5	A7PU133211	Shaft	軸	D	1	
6	A79JM90200	Cushion	クッション	C	1	
7	A5C1130800	Support Shaft	支点軸	C	1	
8	A79J139700	Sheet	シート	D	1	
9	A9HHN10N00	AC Wiring /230V	AC 束線 / 230 V	D	1	
10	A79J139000	Cover	カバー C,D1,D3,E,F2,G1,I,K J	D	1	
11	A79J136000	Mounting Plate	取付板	D	1	
12	A02EN12513	Power supply Wiring	給電束線 C,D1,D3,E,F2,G1,I,K J	D	1	
13	A79J133200	Mounting Plate	取付板 (インレット / 北米)	D	1	
14	A4FJN10101	AC Wiring /120V	AC 束線 / 120 V (ハロゲン)	D	1	
14	A79MN10K00	AC Wiring /110V	AC 束線 / 110 V (Halogen)	D	1	
15	A79J133200	Mounting Plate	取付板 (インレット / 北米)	D	1	
16	A0ED135700	Mounting Plate	取付板 (電源コード)	D	1	
17	A79J136000	Mounting Plate	取付板	D	1	
18	A79J139000	Cover	カバー	D	1	
19	A5C1N30000	Power code /120V	電源コード / 120 V (北米 / 15 A)	C	1	
19	A00JN30200	Power code	電源コード (台湾)	H	1	
20	A79MN10J01	AC Wiring /100V	AC 束線 / 100 V	A,A1	1	
21	A79J133100	Mounting Plate	取付板 (インレット / 国・欧)	A,A1	1	
22	A79J136000	Mounting Plate	取付板	A,A1	1	
23	A0ED135700	Mounting Plate	取付板 (電源コード)	A,A1	1	
24	A0EDN30002	Power source Cord /100V	電源コード / 100 V	A,A1	1	

Electrical Components Section

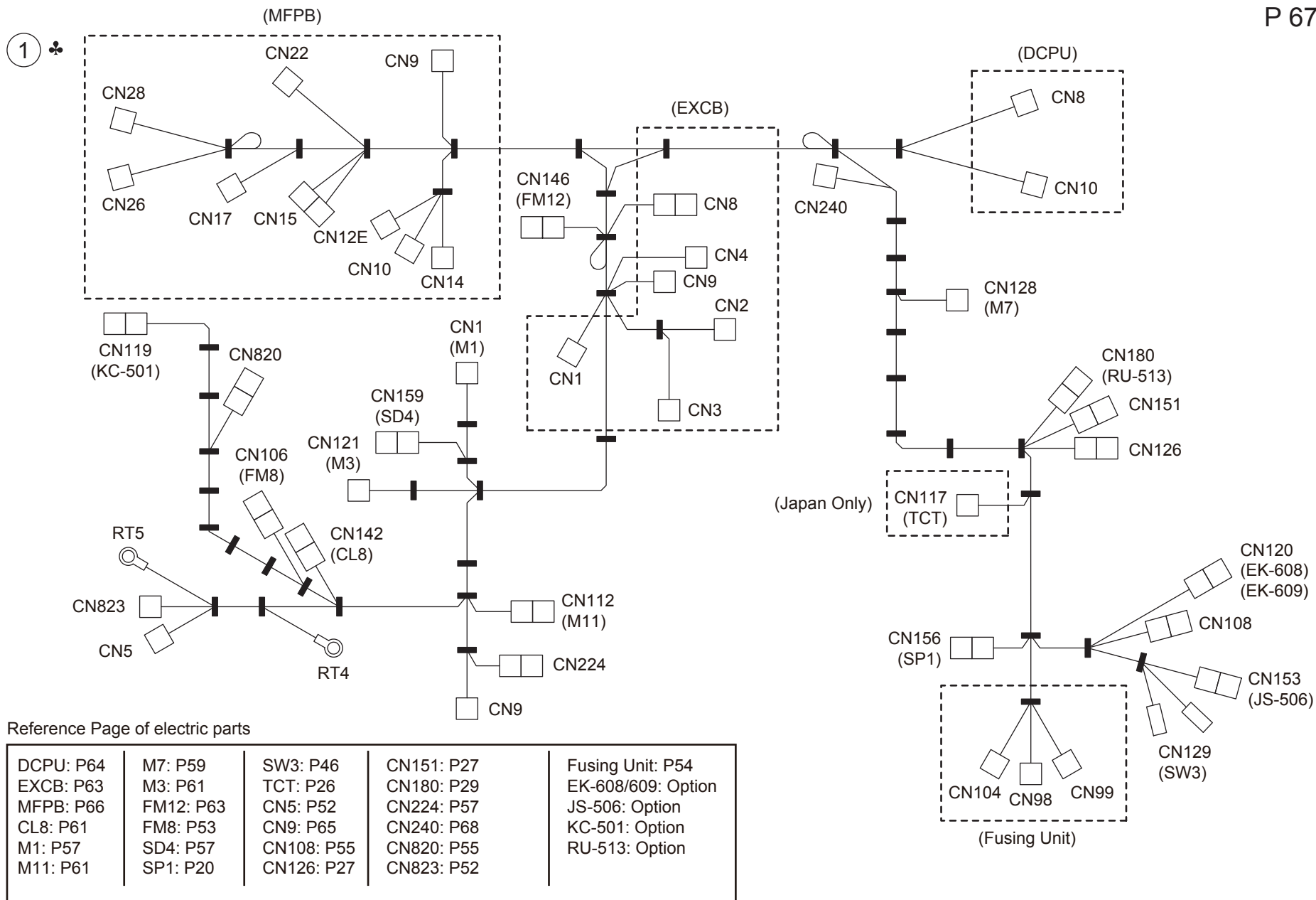
改訂版 REVISED EDITION	日付 DATE
	MARCH 2017




REAR SIDE

bizhub 458

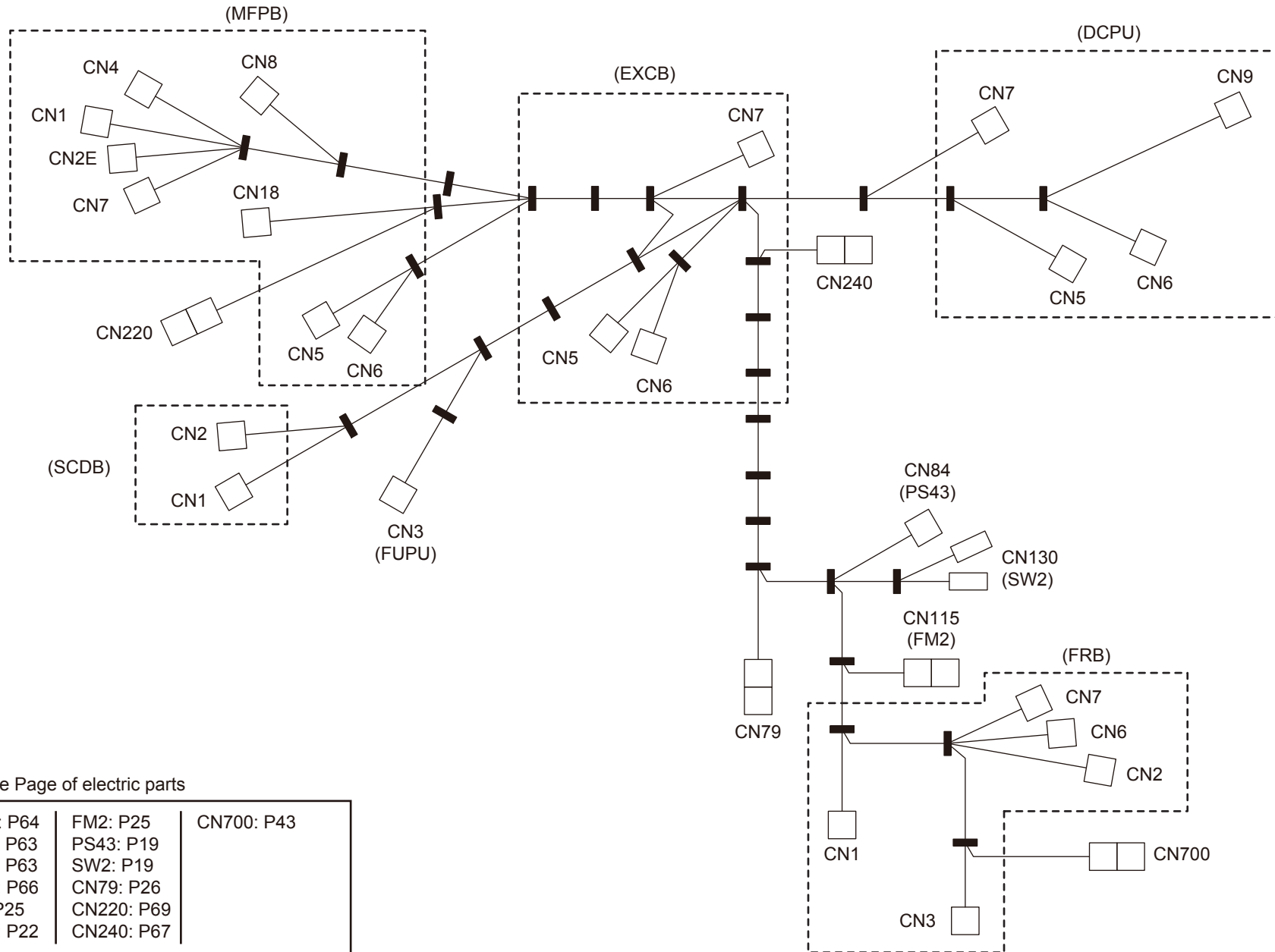
Key	Part No.	Description	Destinations	Class	QTY	Standard parts
1	A79J134500	Sheet	シート	D	1	a-V116030803 b-V116030603 c-V116034003 d-V111030603
2	A9HG131900	Mounting Plate	取付板 (Cont)	D	1	
3	A4MG130900	Shoulder screw	段ねじ (DS 基板)	D	4	
4	A9HGH02A00	PWB Assembly(PWB-DS)	基板 ASSY (PWB-DS)	I	1	
5	V864800107	EEPROM (2 pieces)	EEPROM (2個セット)	D	2	
6	A79J134200	Shoulder screw	段ねじ	C	4	
7	A7PU134800	Ground Plate spring	アース板ばね	D	4	
8	A4EU138000	Support Rubber	支持ゴム	D	4	
9	A9HHH02102	PWB Assembly(PWB-MFP)	基板 ASSY (PWB-MFP)	I	1	
10	A79J130900	Mounting Plate	取付板 / HDD	D	1	
11	A2X0M72C00	HDD	HDD	I	1	
12	A7PU134700	Cover	カバー	D	1	
13	A0PON15100	Cable	ケーブル	C	1	
14	A161N15J00	Power source Cable	電源ケーブル (SATA CABLE)	C	1	
15	A79J131102	Mounting Plate	取付板	D	1	
16	A7PUN10800	Harness /Relay	中継束線	D	1	
17	A7PU140100	Duct	ダクト	D	1	
18	A0EDM10500	Fan motor	ファンモータ	C	1	
19	A7PU130400	Guide	ガイド	D	2	
20	A7PUN10700	Harness /Fax relay	中継束線 (FAX)	D	1	
21	A79J131601	Mounting Plate	取付板	D	1	
22	V651010025	connector	W t o W コネクタ	V	2	
23	A7PU139800	Cover	カバー	D	2	
24	V503010002	Connector Cover	コネクタカバー	D	1	
25	A161137900	Screw	ねじ (D-SUB)	C	2	
26	A61FM90200	Ferritecore	フェライトコア	D	1	
27	A1DMN13700	Grounding Wire /3	アース線 / 3	D	1	
28	A3GNM71C00	Ferrite core	フェライトコア	D	2	
29	V865300085	MEMORY MODULES	MEMORY MODULES	C	1	



Key	Part No.	Description	Destinations	Class	QTY	Standard parts
1	A9HHN10000	Main body Wiring /1	A,A1	D	1	
1	A9HHN11000	Main body Wiring /1	B,C,D1,D3,E,F2,G1,G 2,I,K,J,H	D	1	

Wiring

1

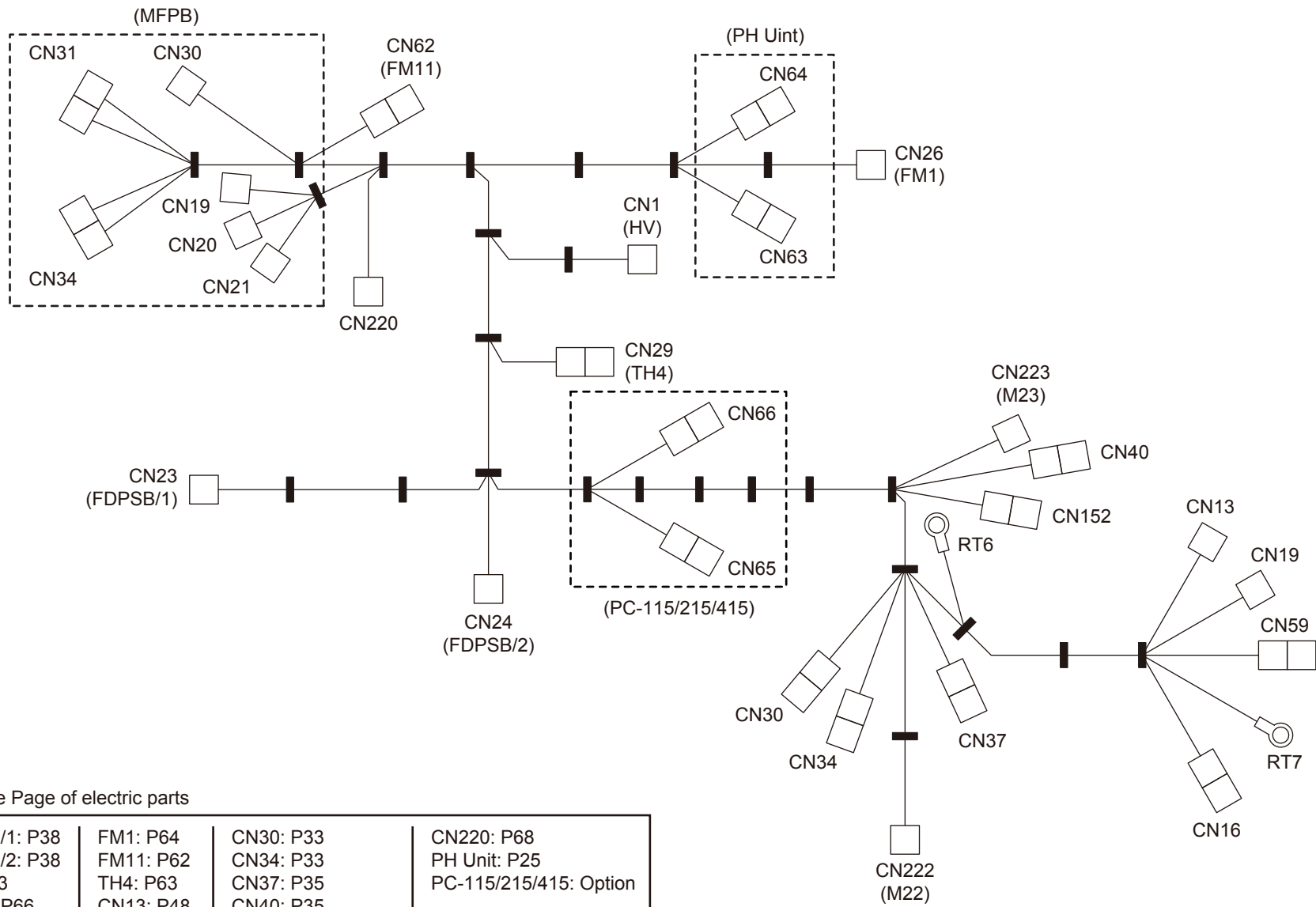


Reference Page of electric parts

DCPU: P64	FM2: P25	CN700: P43
EXCB: P63	PS43: P19	
FUPU: P63	SW2: P19	
MFPB: P66	CN79: P26	
FRB: P25	CN220: P69	
SCDB: P22	CN240: P67	

Key	Part No.	Description	Destinations	Class	QTY	Standard parts
1	A9HHN10100	Main body Wiring /2 本体束線 / 2		D	1	

1



Reference Page of electric parts

FDPSB/1: P38	FM1: P64	CN30: P33	CN220: P68
FDPSB/2: P38	FM11: P62	CN34: P33	PH Unit: P25
HV: P63	TH4: P63	CN37: P35	PC-115/215/415: Option
MFPB: P66	CN13: P48	CN40: P35	
M22: P58	CN16: P49	CN59: P49	
M23: P57	CN19: P47	CN152: P35	

Key	Part No.	Description	Destinations	Class	QTY	Standard parts
1	A9HGN10200	Main body Wiring /3 本体束線 / 3		D	1	

Wiring Accessories And Jigs

P 70

1 	6 	11 	16 	21 	26 ♣ 	31	36
2 White 	7 White 	12 White 	17 	22 	27	32	37
3 	8 	13 White 	18 	23 	28	33	38
4 	9 	14 	19 	24 	29	34	39
5 	10 	15 	20 	25 	30	35	40

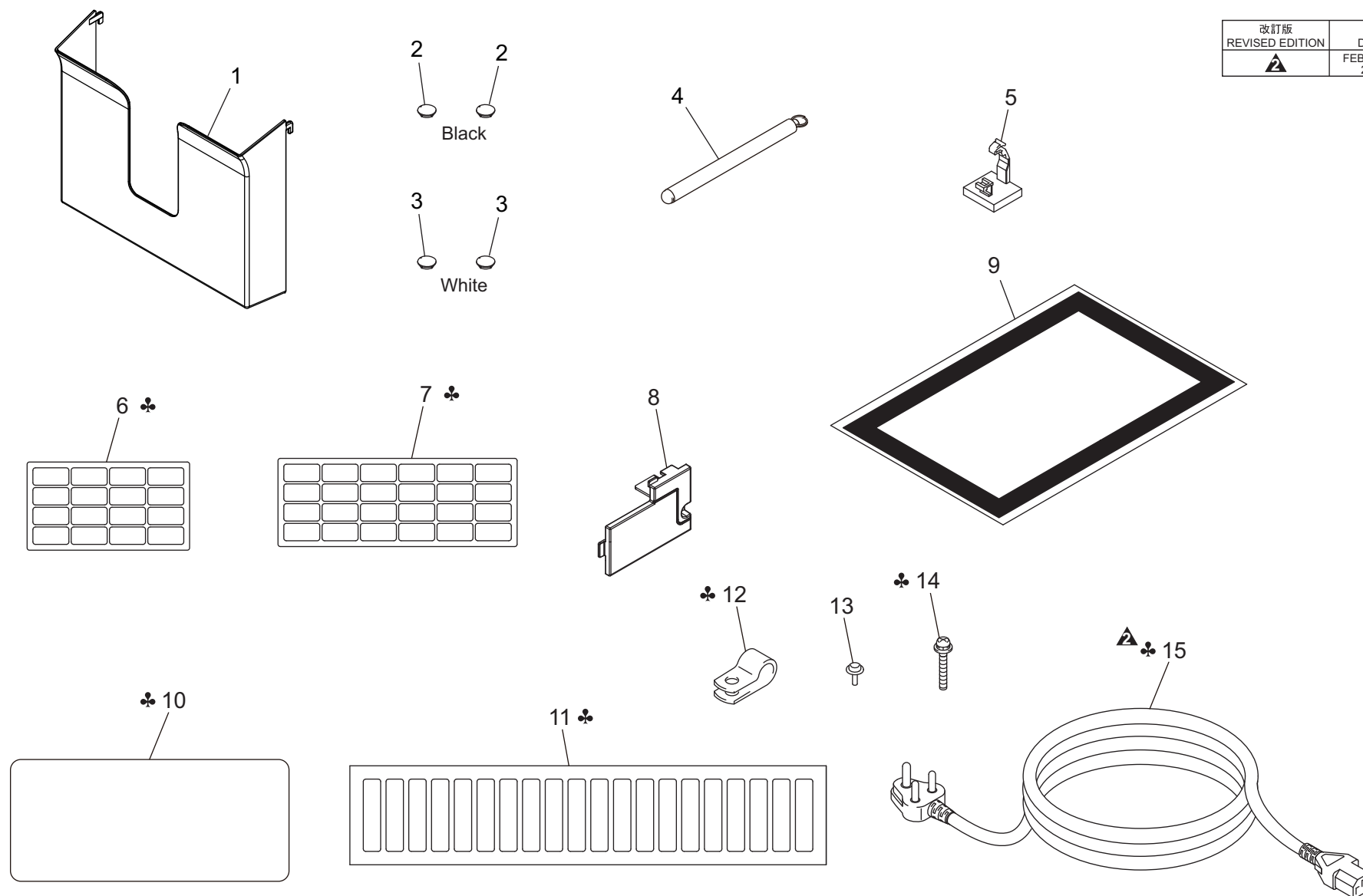
bizhub 458

Key	Part No.	Description	Destinations	Class	QTY	Standard parts
1	V500010052	SADDLE		D		
2	V500010081	Locking Wire Saddle		D		
3	V500010082	Locking Wire Saddle		D		
4	V500010083	Locking Wire Saddle		D		
5	V500010084	Locking Wire Saddle		D		
6	V500010085	Locking Wire Saddle		D		
7	V500010087	FClamp		D		
8	V500020069	Clamp		D		
9	V500020040	clamp		D		
10	V500020082	Clamping for FFC		D		
11	V500020098	Mini Locking wire saddle		D		
12	V500020099	Mini Locking wire saddle		D		
13	V500020100	Mini Locking wire saddle		D		
14	V500020110	FG Clamp		D		
15	V570010021	Saddle		D		
16	V570010050	Locking Edge Saddle		D		
17	V570010057	Wing Edge Saddle		D		
18	V570010058	Wing Edge Saddle		D		
19	V570010059	Wing Edge Saddle		D		
20	V570010060	Wing Edge Saddle		D		
21	A5AWP00100	Cleaning Pad		S	1	
22	A5AWP00100	Cleaning Pad		S	1	
23	65AA-9920	HYDROWIPE		D	1	
24	9J06PJP100	JIG		S	1	
25	9J06PJP100	Color chart/A3 size		C	1	
26	V500020052	bushing	A,A1,B,G2,H	D	1	

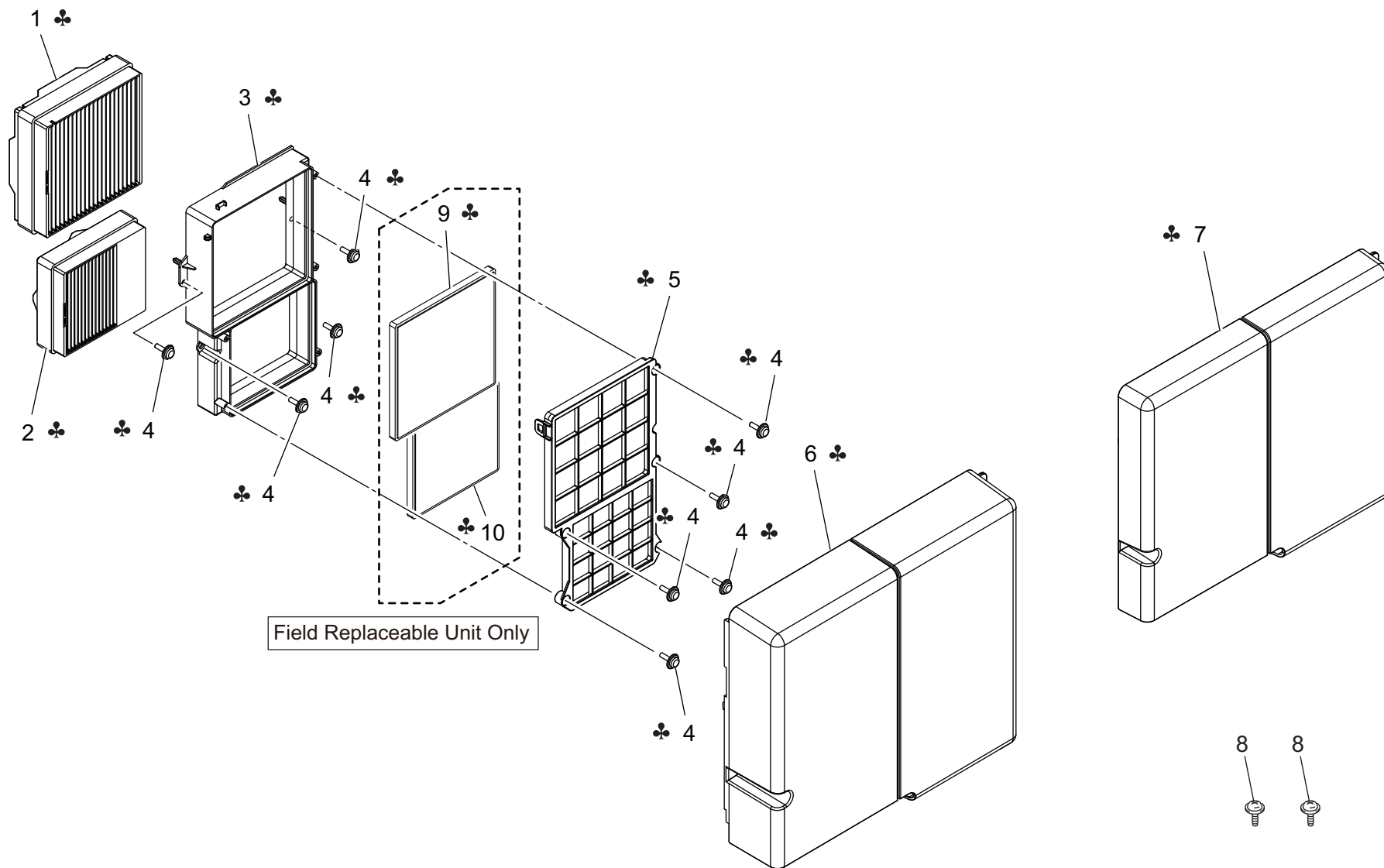
Accessory Parts

P 71

改訂版 REVISED EDITION	日付 DATE
	FEBRUARY 2017



Key	Part No.	Description	Destinations	Class	QTY	Standard parts
1	A7PU169900	Holder		C	1	
2	A00J169100	Cover		C	2	
3	A02E167700	Cover		C	2	
4	A5C1192100	Pen		C	1	
5	A79J146700	Holder		D	1	
6	A161943400	Label Paper Size/Inch	B,G2	C	1	
7	A161943301	Label Paper Size/Metric	A,A1,C,D1,D3,E,F2,G 1,I,K,J,H	C	1	
8	A7PU166101	Cover		C	1	
9	A782945000	Adjusting Sheet		S	1	
10	A1UD947400	Label		C	1	
11	A7PU947000	Label Panel sheet	A,A1	C	1	
11	A7PU947100	Label Panel sheet	B,D1,D3,E,F2,G1,I(E xcept SOUTH AFRICA) ,K	C	1	
11	A7PU947200	Label Panel sheet	J	C	1	
11	A7PU947301	Label Panel sheet	H	C	1	
12	V500020040	clamp	C,D1,D3,E,F2,G1,I,K ,J	D	1	
13	V116030804	Screw		V	1	
14	V116033003	Screw		V	1	
15	A797N30000	Power code /230V	C,D1,D3,E,F2,G1,I,K I(Israel)	D	1	
15	9381420021	POWER CORD	電源コード / 230 V (I s r a e l) プラグ付電源コード	D3(New Zealand)	D	1
15	A2UPN30000	Power code /230V	電源コード / 230 V (インド / スリラ D1(India)	D	1	
15	A2UPN30300	Power code (220-240V)	電源コード (2 2 0 - 2 4 0 V)	G1(Peru)	D	1
15	4136N30000	POWER CODE	プラグ電源コード	D1(Pakistan),G1(Lat in America),I(Nepal ,Maldives),K	D	1
15	A2UPN30100	Power code (220-240V)	電源コード (2 2 0 - 2 4 0 V)	F2,I(UAE,Bahrain,Qa tar,Oman,Ymen,Kuwei t)	D	1
15	A2UPN30601	Power code (220-240V)	電源コード (2 2 0 - 2 4 0 V)	G2(Brazil)	D	1
15	A1UDN30200	Power cord /230V	電源コード / 230 V (アルゼンチン)	G1(Argentine)	C	1
15	9381430031	POWER CORD	プラグ付電源コード	J	D	1



Key	Part No.	Description	Destinations	Class	QTY	Standard parts
1	A79J142902	Filter /UFP	フィルタ / UFP	C	1	
2	A79J142800	Filter /UFP	フィルタ / UFP	C	1	
3	A79J143300	Duct	ダクト	D	1	
4	V153030803	Screw	カップ頭タッピンねじ B タイト	V	9	
5	A79J168200	Cover	カバー	D	1	
6	A79J168700	Cover	カバー	C	1	
7	A79J168600	Cover	カバー	C	1	
8	V153030804	screw	カップ頭タッピンねじ B タイト	V	2	
9	A79J149100	Filter	フィルタ (活性炭 A)	C	1	
10	A79J149200	Filter	フィルタ (活性炭 B)	C	1	

MAINTENANCE LIST

● The items with no Page/Key numbers are not handled as spare parts.

No.	Section	PM Parts Description	Maintenance Cycle (K=1,000)		Parts No.	Destinations	Page/Key	Note
			QTY	Replace				
1	ADF Section	Pick-up roller	2	200K	A143PP5200		P6-13	*1, *2
2		Feed roller	1	200K	A00J563600		P6-24	*1, *2
3		Separation roller assy	1	200K	A3CFPP4H00		P7-3	*1, *2
4	Paper feed section	Tray 1 pick-up roller	1	300k	A5C1562200		P33-15	*1, *2
5		Tray 1 feed roller	1	300k	A00J563600		P33-14	*1, *2
6		Tray 1 separation roller	1	300k	A00J563600		P34-6	*1, *2
7		Tray 2 pick-up roller	1	300k	A5C1562200		P35-19	*1, *2
8		Tray 2 feed roller	1	300k	A00J563600		P35-18	*1, *2
9		Tray 2 separation roller	1	300k	A00J563600		P36-6	*1, *2
10		Manual bypass tray feed roller	1	200k	A00F623201		P47-10	*1, *2
11		Manual bypass tray separation roller assy	1	200k	4658015106		P48-26	*1, *2
12	Processing section	Toner cartridge/K *3	1	24.4k	-			
13		Drum unit/K *3	1	160k	-			*4
14		Developing unit/K	1	600k	-			*4
15		Waste toner box *3	1	100k	A4NNWY3	A,A1	P28-9	*4
16			1	100k	A4NNWY3	B,C,G2,I(SOUTH)	P28-9	*4
17	Image transfer section	Transfer belt unit	1	300k	A61DR70022		P31-1	*4, *5
18	Fusing section	Fusing unit	1	600k	A79MR70100	100V	P54-1	*4
19			1	600k	A79MR70200	120V	P54-1	*4
20			1	600k	A79MR70300	220-240V	P54-1	*4

*1: Life counter value

*2: Replace these parts at the same time.

*3: The parts can be replaced either by user or service engineer.

*4: Field standard yield

*5: The Transfer roller unit are furnished with the Transfer belt unit and Toner filter so that all of them are replaced at same time.

メンテナンスリスト

● ページ / キーナンバーのないものは、アフターサービス部品ではありません。

No.	区分	PM 部品名称	サイクル (K=1,000)		部品番号	仕向地	頁 / キー	備考
			員数	交換				
1	ADF 部	ピックアップローラー	2	200K	A143PP5200		P6-13	*1, *2
2		給紙ローラー	1	200K	A00J563600		P6-24	*1, *2
3		分離ローラー Assy	1	200K	A3CFPP4H00		P7-3	*1, *2
4	給紙部	トレイ1ピックアップローラー	1	300k	A5C1562200		P33-15	*1, *2
5		トレイ1給紙ローラー	1	300k	A00J563600		P33-14	*1, *2
6		トレイ1分離ローラー	1	300k	A00J563600		P34-6	*1, *2
7		トレイ2ピックアップローラー	1	300k	A5C1562200		P35-19	*1, *2
8		トレイ2給紙ローラー	1	300k	A00J563600		P35-18	*1, *2
9		トレイ2分離ローラー	1	300k	A00J563600		P36-6	*1, *2
10		手差しトレイ給紙ローラー	1	200k	A00F623201		P47-10	*1, *2
11		手差しトレイ分離ローラー Assy	1	200k	4658015106		P48-26	*1, *2
12	プロセス部	トナーカートリッジ /K *3	1	24.4k	-			
13		ドラムユニット /K *3	1	155k	-			*4
14		現像ユニット /K	1	600k	-			*4
15		廃棄トナーボックス *3	1	100k	A4NNWY3	A.A1	P28-9	*4
16			1	100k	A4NNWY3	B.C.G2,I(SOUTH)	P28-9	*4
17	転写部	転写ベルトユニット	1	300k	A61DR70022		P31-1	*4, *5
18	定着部	定着ユニット	1	600k	A79MR70100	100V	P54-1	*4
19			1	600k	A79MR70200	120V	P54-1	*4
20			1	600k	A79MR70300	220-240V	P54-1	*4

*1: ライフカウンター値

*2: 同時交換のこと

*3: ユーザー / サービス交換の選択が可能。

*4: 市場標準印刷枚数値

*5: 同梱される転写ローラーユニットとトナーフィルターも同時交換のこと

DESTINATION

Destination No.		Destinations		V	Hz	Model No.
A	A1	JAPAN		100	50/60	A9HH001
	A2	JAPAN				
B		USA, CANADA		120	60	A9HH011 A9HH012
C		EUROPEAN TYPE		220-240	50/60	A9HH021
D	D1	S.E ASIA TYPE	THAILAND, SRI LANKA, SINGAPORE, MALAYSIA, HONG KONG, PAKISTAN, INDIA, BANGLADESH, INDONESIA	220-240	50/60	A9HH041
	D3	OCEANIA TYPE	AUSTRALIA, NEW ZEALAND	220-240	50/60	A9HH041
E		PHILIPPINES		220-240	50/60	A9HH041
F	F1	SAUDI ARABIA				
	F2	SAUDI ARABIA		220-240	50/60	A9HH041
G	G1	C.S AMERICA		220-240	50/60	A9HH041
	G2	C.S AMERICA		120	60	A9HH011
H		TAIWAN		110	60	A9HH071
I		JORDAN, LEBANON, SYRIA, SOUTH AFRICA, IRAQ, IRAN, N.YEMEN, CAMEROON, UAE, BAHRAIN, OMAN, QATAR, KUWAIT, KENYA, TUNISIA, IVORY COAST, MOROCCO		220-240	50/60	A9HH021 A9HH041
J		CHINA		220-240	50/60	A9HH081
K		KOREA		220-240	50/60	A9HH041

bizhub 458