

KONICA MINOLTA

PARTS GUIDE MANUAL

APRIL 2020

bizhub 458e
AA6U

INFORMATION FOR PARTS GUIDE MANUAL

To find correct Parts No., refer to the "HOW TO MAKE THE BEST USE OF THIS MANUAL" in the following page.

HOW TO MAKE THE BEST USE OF THIS MANUAL

- 1 When you order, please check the proper figures beforehand that are on Our Parts Guide Manual, and order with the appropriate figures.
- 2 For screws, Nuts, Washers, retaining rings and Pins which are used in this model, one letter is shown on the Standard parts column of Parts list and exploded diagrams.
- 3 In order to maintain safety of the product, some specific parts composed of this product are set up as "essential safety parts".
- 4 The assigned parts number for the "essential safety parts" is indicated as "SP00-****".
When replacing these parts, follow precautions for disassembling and installing which are listed in the Service Manual.
Do not use any parts that are not set up as
- 5 ♣ means that there are exclusive parts for each destination.
Please check the appropriate destination when you order.
- 6 All rights reserved. (any reprints or quotations are prohibited.)
Use of this parts guide manual should be strictly supervised to avoid disclosure of confidential information.

パーツガイドマニュアルのご案内

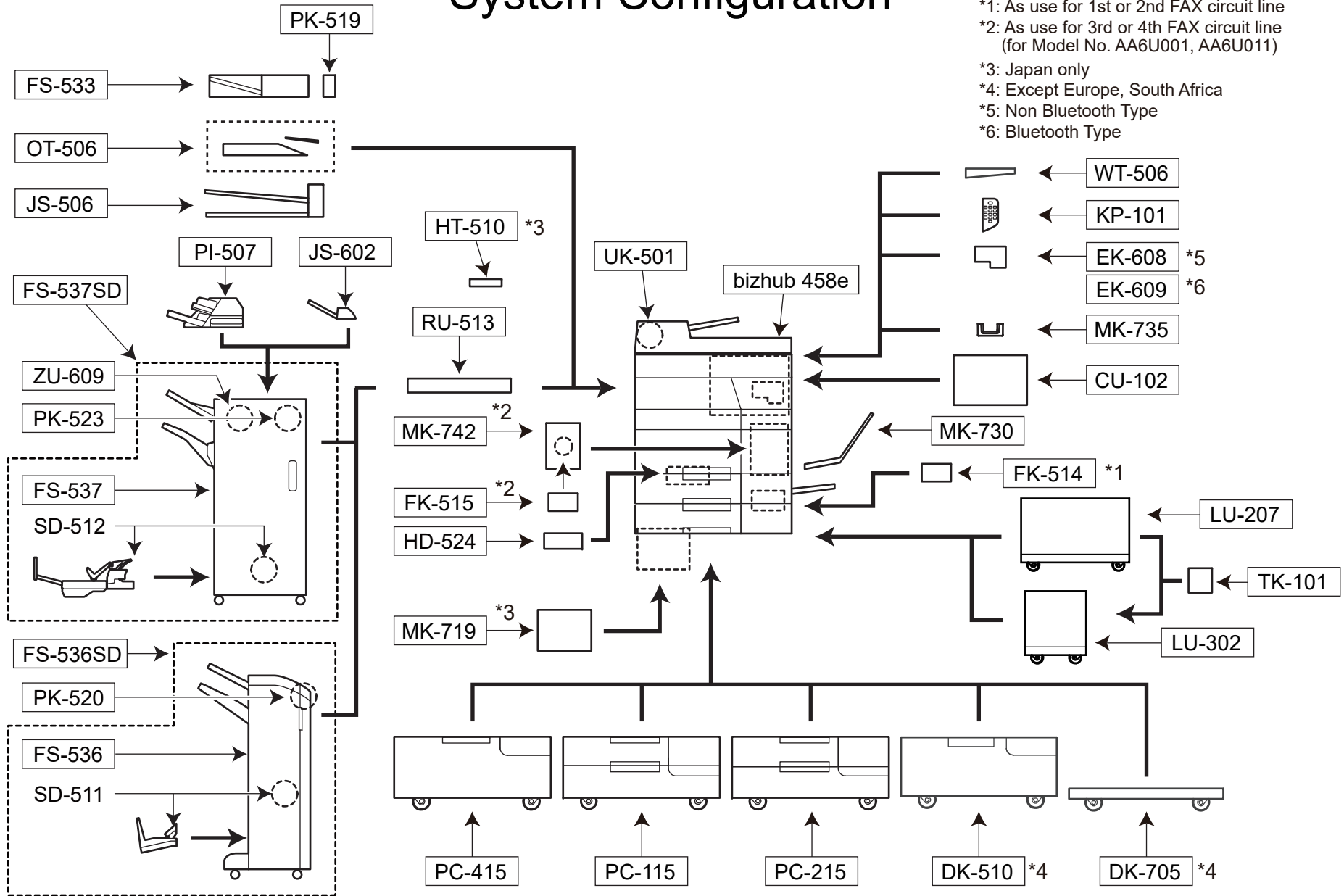
サービス部品をご発注の際には、下記に示す“パーツガイドマニュアルの活用にあたって”をご参照の上、正しい部品番号にてお願い致します。

パーツガイドマニュアルの活用にあたって

- 1 部品発注の際には、掲載されている部品番号の桁数を確認し、掲載されている桁数で発注願います。
- 2 この製品に使用されているネジ、ナット、ワッシャー、止め輪、ピンなどは、リストの右側の Standard parts 欄に a,b,c,…… で表示し、イラストにも a,b,c,…… 表示してあります。
- 3 製品の安全性を維持する為に、製品に使用される特定の部品を「重要保安部品」として設定しています。
- 4 重要保安部品の部品番号は、“SP00-****”と記載されていますので、部品交換時は、サービスマニュアル記載の分解・組み立ての注意事項に従って作業をして下さい。
また、指定以外の部品は一切使用しないで下さい。
- 5 本文に ♣ が表示されている部品は、仕向け地毎に専用部品がある事を意味しています。
オーダーされる時は、仕向け地を確認して下さい。
- 6 著作権所有（無断転載及び無断引用の禁止）
本パーツガイドマニュアルについては、機密保持等その扱いには十分注意して下さい。万一取り扱いを誤った場合には、法律で処罰される場合があります。

10/12/2017

System Configuration



- *1: As use for 1st or 2nd FAX circuit line
- *2: As use for 3rd or 4th FAX circuit line (for Model No. AA6U001, AA6U011)
- *3: Japan only
- *4: Except Europe, South Africa
- *5: Non Bluetooth Type
- *6: Bluetooth Type

GENERAL CONTENTS

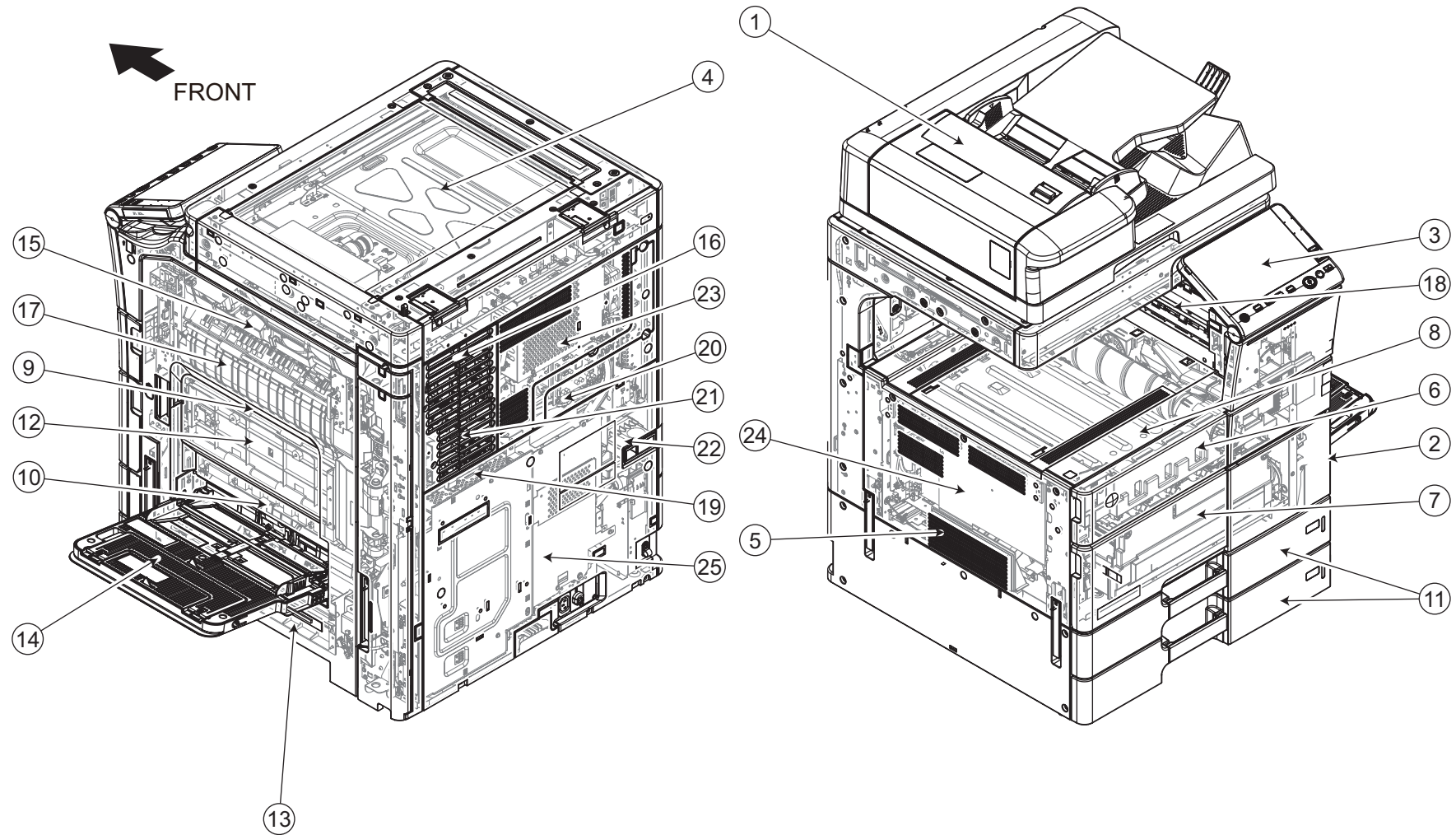
No.	Description	Model
1	Digital MFP B/W	bizhub 458e
2	Finisher/Sorter	FS-536
3	Finisher/Sorter	FS-536SD
4	Finisher/Sorter	FS-537
5	Finisher/Sorter	FS-537SD
6	Job Separator	JS-602
7	Punch Unit	PK-520
8	Punch Unit	PK-523
9	Folding Unit	ZU-609
10	Post Inserter	PI-507
11	Output Tray	OT-506
12	Paper Feeder	PC-115
13	Paper Feeder	PC-215
14	Paper Feeder	PC-415
15	Paper Feeder	LU-207
16	Paper Feeder	LU-302
17	Desk	DK-510
18	Desk	DK-705
19	Finisher/Sorter	RU-513
20	Other Option	MK-719
21	Mount Kit	MK-730
22	Mount Kit	MK-735

bizhub 458e

No.	Description	Model
23	Mount Kit	MK-742
24	Heater	HT-510
25	Working Table	WT-506
26	Other Option	TK-101
27	Other Option	CU-102
28	Punch Unit	PK-519
29	Other Option	UK-501
30	Fax Kit	FK-514
31	Fax Kit	FK-515
32	Local IF Kit	EK-608
33	Local IF Kit	EK-609
34	HDD	HD-524
35	Other Option	KP-101
36	Job Separator	JS-506
37	Finisher/Sorter	FS-533

bizhub 458e

Section Configuration



bizhub 458e

CONTENTS

No.	DESCRIPTION	名称	PAGE No.
1	Auto document feed Section	原稿送り部	P1 P2 P3 P4 P5 P6 P7 P8 P9 P10 P11 P12 P13 P14
2	External Parts Section	外装部	P15 P16 P17
3	Operation Panel Section	操作部	P18
4	Scanner Section	スキャナ一部	P19 P20 P21 P22
5	Write Section (PH Section)	書き込み部 (PH 部)	P23
6	Toner supply Section	トナー補給部	P24 P25
7	Toner collecting Section	トナー回収部	P26
8	Developing section/ Photo conductor section	感光体部 / 現像部	P27 P28
9	1st Transfer Section	1次転写部	P29
10	Tray 1/2 paper feed Section	トレイ1/2 給紙部	P30 P31 P32 P33 P34
11	Tray 1/2 Section	トレイ1/2部	P35 P36 P37 P38 P39 P40
12	Registration Section/ 2nd Transfer Section	レジスト部 / 2次転写部	P41 P42 P43
13	Vertical conveyance Section	垂直搬送部	P44
14	Manual bypass Tray Section	手差しトレイ部	P45 P46 P47
15	Duplex Section	両面部	P48 P49 P50
16	The Paper Cooling Fan Section	用紙冷却ファン部	P51
17	Fusing Section	定着部	P52
18	Paper Exit /Reverse Section	排紙 / 反転部	P53 P54
19	Main Drive/ Paper Feed Drive Section	メイン駆動 / 給紙駆動部	P55 P56
20	Toner Supply Drive Section	トナー補給駆動部	P57
21	Fusing Drive Section	定着駆動部	P58 P59
22	Toner Suction Fan Section	トナー吸引ファン部	P60
23	High Voltage Section	高圧電源部	P61
24	Low Voltage Section	低圧電源部	P62
25	Electric Parts Section	電装部	P63 P64
26	Wiring	束線	P65 P66 P67
27	Wiring Accessories	配線部品	P68
28	Jigs	治具・サービス資材	P69
29	Accessory Parts	同梱部品	P70 P71

INDEX

Parts No.	Page No.
07BA12352	15-9
0996305501	35-7
1164202801	54-10
15BY561200	1-25
4002311002	36-7
4004590301	54-4
4011585202	41-4
4025598401	54-7
4030301703	32-11
4030301703	34-12
4030320601	38-19
4030320601	40-19
4030322602	38-16
4030322602	40-16
4030340301	46-15
4030347501	46-19
4034352501	31-2
4036307501	20-6
4036534801	25-24
4038101401	17-12
4038101401	24-4
4038228702	17-18
4038353701	41-18
4038353901	41-37
4038541202	57-9
4040561000	32-2
4040561000	34-3
4131253701	7-35
4131253701	9-2
4131253701	14-1
4131300301	31-12
4131300301	33-17
4131353202	45-17
4136N30000	70-14
4139M10001	23-2
4139M10001	61-17
4139M10001	62-10
4163510201	25-7
4163529301	5-1
4163529301	13-17

Parts No.	Page No.
4163529301	23-3
4163529301	29-12
4163529301	36-12
4163529301	38-25
4163529301	40-25
4163529301	41-11
4163529301	42-2
4163529301	43-25
4163529301	48-15
4163529301	50-3
4163529301	62-11
4333501201	25-17
4470402401	17-22
4532341001	32-13
4532341001	34-15
4556M10000	3-1
4576536301	25-8
4581162501	20-8
4658015106	46-26
56AA40490	15-4
65AA-9920	69-2
9313100072	49-11
9313100072	51-6
9313100072	60-7
9321240011	45-24
9335140071	6-13
9335140071	11-5
9381420021	70-14
9381430031	70-14
9J06M10300	36-8
9J06M60100	17-17
9J06M60100	44-3
9J06PJG100	69-5
9J06PJP100	69-3
9J07160200	1-14
9J07210802	1-9
9J07300801	5-8
9J07330102	7-7
9J07330801	7-6
9J07331901	7-14

Parts No.	Page No.
9J07340901	8-4
9J07341102	5-13
A00F623201	45-10
A00F941100	48-31
A00J106202	15-24
A00J169100	16-8
A00J169100	18-17
A00J169100	70-2
A00J169300	19-5
A00J169300	53-14
A00J265300	20-7
A00J563600	7-11
A00J617900	33-12
A00J945500	15-14
A00JH00D00	15-7
A00V240600	8-18
A00V240600	11-11
A00V240600	13-3
A011946200	18-24
A02E117300	60-6
A02E149900	16-6
A02E167700	19-7
A02E167700	70-15
A02E560800	31-24
A02E560800	33-28
A02E561100	31-16
A02E561100	33-20
A02E595100	45-21
A02E595400	45-16
A02E596100	45-20
A02E597600	46-25
A02E712902	41-36
A02E815200	43-10
A02E815200	45-9
A02E815200	48-11
A02E815200	50-17
A02E940300	38-26
A02E940300	40-26
A02EM20000	41-21
A02EM20100	45-22

Parts No.	Page No.
A02EM20200	33-29
A02EN12513	63-17
A034M20100	41-10
A07H570500	7-10
A0ED103100	27-10
A0ED111000	29-4
A0ED111400	29-17
A0ED112000	29-14
A0ED135700	63-7
A0ED162401	17-6
A0ED163000	15-2
A0ED271200	21-7
A0ED271300	21-6
A0ED273600	22-12
A0ED274200	22-23
A0ED274300	22-19
A0ED274400	22-8
A0ED276301	22-16
A0ED363001	26-4
A0ED363200	26-2
A0ED363312	26-5
A0ED363400	26-3
A0ED401000	25-25
A0ED550800	42-24
A0ED550900	42-17
A0ED551000	42-14
A0ED551100	42-15
A0ED563900	32-5
A0ED563900	34-5
A0ED597800	45-23
A0ED620200	38-18
A0ED620200	40-18
A0ED620701	38-34
A0ED620701	40-34
A0ED700200	41-34
A0ED700300	41-38
A0ED700600	41-19
A0ED700700	41-39
A0ED702400	43-28
A0ED702800	41-26

Parts No.	Page No.
A0ED705800	41-25
A0ED712100	44-8
A0ED811700	43-1
A0ED811700	48-25
A0ED811900	43-4
A0ED815100	50-9
A0ED891100	54-1
A0ED897700	54-28
A0ED940600	24-6
A0ED940700	15-3
A0EDM10500	64-18
A0EDM50100	31-5
A0EDM50100	33-3
A0EDM60001	24-19
A0EDM60001	28-1
A0HF952400	19-11
A0HT561202	8-5
A0HU250500	11-16
A0P0217500	30-9
A0P0742300	12-24
A0P0742300	53-18
A0P0M50300	11-1
A0P0M50300	61-9
A0P0N15100	64-13
A108260700	7-27
A108266300	13-15
A108561500	5-12
A108703100	6-30
A108703100	11-38
A108890500	5-9
A108891300	5-11
A108M50000	4-7
A108M50000	6-8
A161101600	35-15
A161101701	35-16
A161101900	35-4
A161102500	44-2
A161103700	35-12
A161103901	35-10
A161104101	42-22

Parts No.	Page No.	Parts No.	Page No.	Parts No.	Page No.	Parts No.	Page No.	Parts No.	Page No.
A161104200	35-3	A161145000	62-1	A161254500	58-5	A161400601	25-12	A161562300	33-21
A161104300	35-1	A161146200	29-15	A161254600	58-13	A161400701	25-20	A161562400	31-13
A161105200	35-14	A161146400	23-16	A161254700	58-4	A161400800	25-26	A161562400	33-15
A161105400	23-5	A161146500	60-12	A161258501	59-14	A161401000	25-6	A161562500	31-20
A161105500	55-17	A161146600	60-11	A161261902	20-15	A161401100	25-5	A161562500	33-24
A161105600	27-3	A161146900	60-1	A161262002	20-16	A161401300	25-2	A161562600	31-18
A161107100	27-5	A161147500	60-2	A161262200	20-14	A161402115	24-14	A161562600	33-22
A161107400	27-6	A161147600	60-13	A161263000	20-11	A161402403	24-8	A161562800	31-11
A161110105	29-21	A161151100	17-1	A161268200	20-3	A161402502	24-7	A161562800	33-13
A161110202	29-10	A161151200	44-5	A161268300	20-1	A161403000	25-18	A161563300	32-12
A161110300	29-11	A161151300	17-19	A161270102	21-10	A161403101	25-9	A161563300	34-13
A161110400	29-7	A161160300	15-8	A161270600	21-12	A161403200	25-23	A161563901	32-14
A161110601	29-3	A161161201	16-20	A161271000	21-9	A161403500	24-10	A161563901	34-14
A161112101	29-22	A161162400	18-18	A161271000	22-14	A161403600	24-11	A161564001	32-10
A161112200	29-8	A161162803	16-7	A161271100	21-11	A161403701	24-2	A161564001	34-11
A161112300	29-20	A161162900	16-18	A161271100	22-17	A161403800	24-9	A161564200	32-16
A161112400	29-23	A161163900	16-16	A161273113	22-15	A161403901	24-5	A161564200	34-17
A161112500	29-5	A161165300	17-5	A161273401	22-13	A161404001	24-16	A161564300	32-18
A161112600	29-9	A161165602	15-16	A161273500	22-18	A161404100	24-17	A161564300	34-19
A161112700	29-25	A161167000	18-23	A161273701	22-11	A161404200	25-14	A161564400	32-15
A161116202	28-2	A161167100	18-28	A161273800	22-20	A161404300	25-19	A161564400	34-16
A161119500	28-3	A161167300	18-27	A161274500	22-22	A161550700	42-12	A161565102	30-5
A161121300	44-1	A161167400	18-26	A161274600	22-21	A161551500	42-21	A161565302	31-9
A161122002	58-22	A161170800	19-8	A161275113	22-26	A161551600	42-20	A161566000	31-1
A161131401	63-1	A161190903	18-2	A161275213	22-24	A161560112	31-10	A161567300	31-23
A161132801	61-5	A161210200	3-7	A161275300	22-9	A161560302	33-10	A161567300	33-27
A161135100	17-15	A161210200	4-13	A161275400	22-10	A161560500	31-15	A161567400	31-22
A161135504	17-21	A161210200	56-13	A161275500	22-6	A161560500	33-14	A161567400	33-26
A161137100	44-4	A161228601	59-17	A161275600	22-5	A161560900	31-4	A161568600	32-3
A161137701	61-8	A161230600	59-8	A161276000	22-4	A161560900	33-7	A161568700	34-9
A161137802	23-10	A161230700	58-19	A161276500	22-7	A161561000	33-1	A161568800	34-2
A161137900	64-25	A161232200	58-6	A161278600	21-1	A161561100	30-1	A161568901	33-34
A161140400	52-4	A161232300	58-17	A161278900	21-3	A161561200	30-2	A161571100	33-6
A161141500	60-8	A161232300	59-3	A161280211	20-20	A161561601	31-7	A161576100	30-4
A161141700	29-16	A161232401	58-21	A161280300	20-17	A161561601	33-8	A161578100	33-2
A161143400	62-8	A161240301	57-5	A161281100	20-24	A161562000	31-19	A161578214	33-4
A161143500	60-3	A161240400	57-8	A161281300	20-22	A161562000	33-23	A161578700	33-33
A161143601	62-3	A161240600	57-6	A161281600	20-4	A161562101	31-21	A161579011	30-7
A161144500	62-2	A161240700	57-10	A161400100	25-10	A161562101	33-25	A161590101	46-13
A161144801	29-13	A161254300	58-2	A161400401	25-11	A161562300	31-17	A161590201	45-5

Parts No.	Page No.	Parts No.	Page No.	Parts No.	Page No.	Parts No.	Page No.	Parts No.	Page No.
A161590304	46-11	A161620600	38-5	A161700401	41-12	A161811302	44-14	A161900100	54-29
A161590600	45-19	A161620600	40-5	A161700600	41-32	A161811500	44-9	A161900201	54-9
A161590800	45-18	A161620701	38-6	A161700700	41-13	A161813001	50-26	A161900300	54-19
A161590901	46-29	A161620701	40-6	A161700901	41-1	A161813100	50-27	A161940400	15-23
A161591000	46-28	A161620904	38-1	A161701100	41-15	A161813200	50-18	A161941100	58-11
A161591100	46-27	A161620904	40-1	A161701301	41-28	A161813300	48-21	A161942000	17-13
A161591300	45-25	A161621100	38-3	A161701703	41-17	A161813400	50-21	A161942500	17-7
A161591400	45-13	A161621100	40-3	A161701800	41-5	A161813600	50-8	A161943000	17-23
A161591500	45-12	A161621411	38-24	A161701900	41-24	A161814401	50-2	A161943000	38-14
A161591600	46-12	A161621600	38-35	A161702000	41-22	A161814500	50-16	A161943000	40-14
A161591700	45-8	A161621600	40-35	A161702101	41-16	A161814601	48-9	A161943100	37-14
A161591800	46-22	A161622100	37-1	A161702200	41-23	A161814700	48-12	A161943200	39-15
A161592200	47-2	A161622100	39-1	A161702200	59-12	A161815000	44-21	A161943301	70-6
A161592300	47-10	A161623301	37-6	A161706001	41-27	A161815100	48-7	A161943400	70-5
A161592400	47-7	A161623400	35-13	A161710103	42-11	A161815300	44-16	A161943700	38-4
A161592501	47-8	A161623400	37-3	A161710405	43-24	A161815400	44-19	A161943700	40-4
A161592600	47-9	A161623400	39-3	A161710500	43-8	A161815800	48-17	A161946100	48-13
A161592800	45-1	A161624100	38-2	A161711200	42-26	A161815900	44-17	A161946200	43-15
A161592900	44-7	A161624100	40-2	A161711300	43-13	A161816200	44-22	A161946300	41-40
A161593300	45-14	A161625114	37-18	A161711600	43-17	A161816400	48-22	A161946400	43-11
A161593400	46-33	A161625900	37-16	A161711700	43-14	A161819200	50-32	A161F56028	31-25
A161593600	46-31	A161625900	39-17	A161711901	43-31	A161819500	50-13	A161F59002	45-15
A161593800	47-15	A161626000	37-12	A161712000	43-19	A161825000	50-31	A161F89003	54-26
A161594100	45-6	A161626000	39-13	A161712100	43-23	A161825102	50-14	A161H00U01	18-20
A161594201	46-10	A161626100	37-13	A161712300	42-16	A161825301	50-7	A161M10300	59-1
A161594300	47-18	A161626100	39-14	A161712401	42-4	A161825400	50-19	A161M20300	55-14
A161594400	45-11	A161626200	37-2	A161712500	42-19	A161825700	43-9	A161M20401	59-7
A161594500	46-1	A161626200	39-2	A161712600	43-6	A161825700	50-10	A161M50000	41-2
A161594600	46-3	A161626502	37-9	A161712700	42-3	A161825800	50-11	A161M50400	47-14
A161594700	45-7	A161626602	37-10	A161712800	43-21	A161826001	50-33	A161M50501	36-6
A161594800	45-27	A161626602	39-11	A161712800	50-25	A161890205	54-18	A161M50600	36-5
A161594900	45-28	A161626800	37-11	A161712900	43-5	A161891000	54-21	A161M50A00	20-23
A161595000	46-18	A161626800	39-12	A161713500	43-20	A161892300	54-22	A161M50A00	20-27
A161595100	46-14	A161626900	37-17	A161714500	43-18	A161892400	54-5	A161N10H01	42-1
A161595200	46-21	A161626900	39-18	A161714600	43-22	A161893601	54-20	A161N10K00	15-5
A161595300	46-16	A161631411	40-24	A161719000	43-2	A161894000	53-15	A161N11300	61-12
A161595400	46-20	A161633202	39-6	A161810305	44-20	A161894000	54-11	A161N11C01	19-13
A161595600	46-17	A161635117	39-19	A161810503	50-28	A161894100	53-16	A161N11K00	61-13
A161620400	38-17	A161636502	39-10	A161810801	50-5	A161895503	54-12	A161N12200	45-4
A161620400	40-17	A161700301	41-14	A161811001	44-10	A161895601	54-13	A161N12701	33-5

Parts No.	Page No.	Parts No.	Page No.	Parts No.	Page No.	Parts No.	Page No.	Parts No.	Page No.
A161N12801	25-15	A3CK272001	9-7	A5C1137800	63-2	A5C1700800	41-42	A5C1M72H00	64-11
A161N14000	21-5	A3CK272200	9-11	A5C1142001	60-5	A5C1701400	41-31	A5C1M92000	18-11
A161N14100	20-5	A3CK272600	9-6	A5C1160401	15-6	A5C1703201	41-43	A5C1N10B00	18-29
A161N14201	20-12	A3CK300102	12-15	A5C1167800	18-22	A5C1710900	42-8	A5C1N14300	22-1
A161N15J00	64-14	A3CK300200	11-25	A5C1192100	70-3	A5C1711000	42-6	A5C1R71600	15-15
A161R71433	42-23	A3CK300200	12-10	A5C1228700	58-12	A5C1711500	43-16	A5C1R90000	7-20
A161R71433	42-23	A3CK565100	8-8	A5C1263300	20-10	A5C1711801	42-13	A5C1R90000	9-24
A161R72200	20-2	A3CK568300	8-11	A5C1263400	20-26	A5C1715100	42-5	A5C1R90000	11-22
A161R72811	60-4	A3CK940000	13-16	A5C1280100	20-18	A5C1810603	50-6	A5C1R90000	12-4
A1DMN13700	64-26	A3CKH00200	10-4	A5C1404600	25-28	A5C1811101	44-12	A5C1R90000	13-7
A1RF505400	59-15	A3CKM10300	14-4	A5C1551701	42-18	A5C1811600	44-18	A5C1R90000	14-13
A1RF517100	55-11	A3CKM20000	7-25	A5C1560600	31-3	A5C1811803	50-20	A5C1R90000	20-25
A1UD192400	35-9	A3EW944600	19-10	A5C1560600	33-11	A5C1811901	50-23	A61D148300	60-14
A1UD947400	70-9	A3EWM90300	4-25	A5C1563100	32-1	A5C1814200	48-14	A61D400200	24-22
A1UDM50100	4-10	A3EWM90300	64-27	A5C1563100	34-1	A5C1814300	48-28	A61DM10000	55-6
A1UDM50200	20-9	A49FM90100	21-13	A5C1563400	32-9	A5C1815200	44-13	A61DM10000	56-15
A1UDN30200	70-14	A4EU138000	64-8	A5C1563400	34-10	A5C1815700	48-16	A61DN10B01	24-23
A2UPN30100	70-14	A4FJ150101	61-2	A5C1563500	32-4	A5C1825000	50-30	A61F140200	23-1
A2UPN30300	70-14	A4FJ150200	61-18	A5C1563500	34-4	A5C1825500	50-29	A61F400001	24-25
A2UPN30601	70-14	A4FJM40K01	61-16	A5C1563901	32-14	A5C1890401	54-17	A61F403300	24-12
A2X0901100	54-15	A4FJM40M01	61-16	A5C1563901	34-14	A5C1891100	54-6	A61F403401	24-13
A2X0945701	16-4	A4FJN10101	63-14	A5C1564101	32-17	A5C1F42000	25-13	A61F940400	15-23
A2X0M10000	55-8	A4MG130900	64-3	A5C1564101	34-18	A5C1M10A00	22-2	A61FM31100	21-8
A2X0M10300	7-28	A55V624700	37-5	A5C1565500	31-6	A5C1M50100	4-5	A61FN10F00	25-21
A2X0M10600	48-23	A55V624700	39-5	A5C1565600	32-20	A5C1M50100	5-10	A61FN11200	29-24
A2XK130000	27-2	A5AWP00100	69-1	A5C1565600	34-7	A5C1M50100	6-15	A61FN11V00	27-9
A2XK144201	23-17	A5AY131100	62-5	A5C1590500	44-11	A5C1M50100	7-15	A61FN12H01	41-3
A2XK163102	15-17	A5C0PJG000	69-8	A5C1591200	45-26	A5C1M50100	17-20	A61FR71200	61-11
A2XK163201	15-10	A5C1101101	35-8	A5C1591900	45-3	A5C1M50100	20-13	A64J222400	55-3
A2XK163401	15-11	A5C1104400	35-11	A5C1624300	37-8	A5C1M50100	25-22	A64J222500	55-4
A2XK163701	15-20	A5C1104700	35-18	A5C1624300	39-9	A5C1M50100	31-8	A64J231801	59-5
A2XK165000	15-18	A5C1104800	35-6	A5C1625001	37-15	A5C1M50100	33-9	A64J231901	59-6
A2XK165700	15-19	A5C1105500	27-7	A5C1627103	36-9	A5C1M50100	36-13	A64J257800	55-12
A2XK254200	58-1	A5C1106000	35-19	A5C1627300	36-10	A5C1M50100	41-7	A64J363700	26-1
A2XK400001	24-20	A5C1112800	29-6	A5C1627900	36-11	A5C1M50100	42-10	A64J564101	31-14
A2XK400100	24-21	A5C1112900	29-19	A5C1628000	36-4	A5C1M50100	43-27	A64J564101	32-6
A2XK709000	33-30	A5C1121202	44-6	A5C1628500	37-19	A5C1M50100	45-2	A64J564101	33-18
A2XK710100	42-9	A5C1130800	63-5	A5C1628500	39-7	A5C1M50100	46-24	A64J564101	34-6
A2XKN10C00	17-16	A5C1134200	64-6	A5C1635001	39-16	A5C1M50100	47-6	A64J564201	31-29
A2XKN10H01	33-31	A5C1134800	61-14	A5C1700101	41-35	A5C1M50100	50-12	A64J564201	33-19

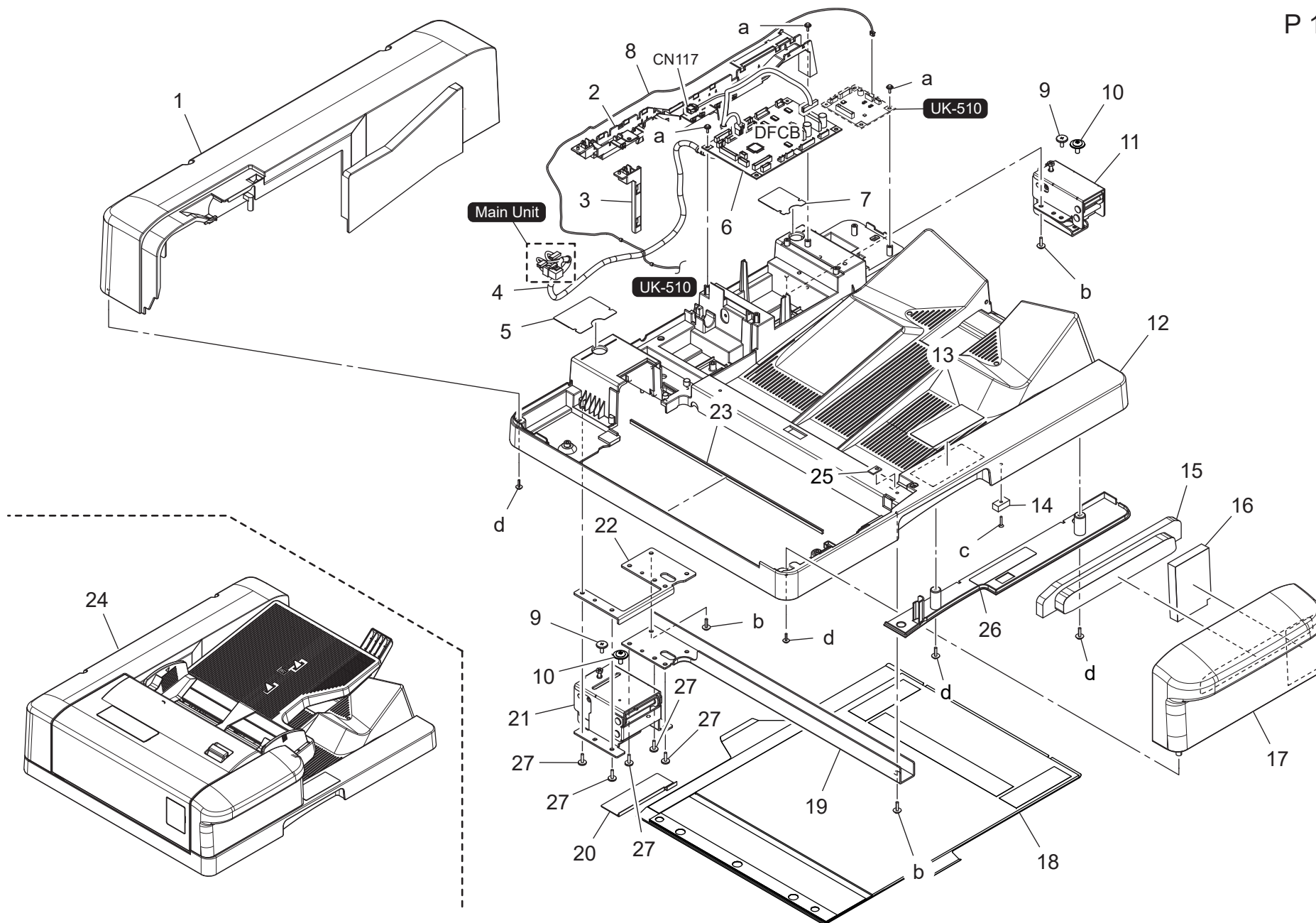
Parts No.	Page No.	Parts No.	Page No.	Parts No.	Page No.	Parts No.	Page No.	Parts No.	Page No.
A64J709100	43-3	A782113801	1-11	A782211600	7-26	A782264000	12-21	A782272200	9-9
A64J719100	43-30	A782113901	1-5	A782211700	7-30	A782264101	12-1	A782272301	9-12
A64J815500	44-15	A782114001	1-7	A782211800	7-34	A782264202	12-3	A782272401	9-8
A64J891200	54-14	A782114100	1-27	A782211900	7-24	A782264300	11-28	A782272800	9-27
A64J891500	54-34	A782115600	13-5	A782212000	7-23	A782264300	12-12	A782561000	4-22
A64JR70600	55-10	A782115700	8-25	A782212300	11-4	A782264400	12-5	A782561115	4-12
A64JR71111	32-19	A782115700	11-3	A782212500	14-5	A782264501	11-27	A782561126	4-12
A64JR71111	34-20	A782115700	13-4	A782212600	8-22	A782264600	12-16	A782561703	4-3
A64JR71400	26-12	A782115800	14-8	A782212702	7-29	A782264700	12-18	A782561801	5-14
A64JR7A000	55-5	A782116201	10-5	A782213000	8-24	A782264800	12-9	A782561900	5-6
A782100001	9-28	A782116301	10-3	A782213100	11-35	A782264900	2-12	A782562001	4-8
A782100102	9-20	A782116801	9-5	A782213300	11-32	A782265102	13-8	A782562101	7-2
A782100200	9-19	A782117000	2-2	A782213400	9-25	A782265201	12-7	A782562101	12-23
A782100301	9-14	A782117100	2-5	A782213500	13-2	A782265300	12-20	A782562400	4-17
A782100400	9-13	A782117500	1-22	A782214300	7-33	A782265600	13-11	A782562400	6-32
A782100501	9-16	A782117600	1-23	A782214400	8-21	A782265700	13-10	A782562600	4-11
A782100600	9-17	A782117700	13-26	A782215100	8-27	A782265800	13-33	A782563800	13-9
A782100701	9-18	A782117800	13-36	A782215700	11-6	A782266000	13-12	A782565011	5-16
A782100802	9-21	A782117900	8-19	A782215800	7-31	A782266100	13-30	A782565301	6-14
A782101000	7-18	A782117900	11-12	A782230700	11-36	A782266200	13-18	A782566000	3-10
A782101600	7-17	A782117900	13-6	A782230900	13-1	A782266300	13-23	A782566800	4-19
A782101700	2-10	A782118000	11-20	A782231000	11-10	A782266401	13-21	A782566900	4-20
A782101900	14-14	A782118300	11-13	A782260200	9-26	A782266502	13-14	A782568200	8-6
A782102900	11-7	A782119300	1-20	A782260400	9-22	A782266601	13-27	A782568500	4-16
A782103200	14-12	A782125400	2-15	A782260501	9-23	A782266700	13-32	A782568600	8-7
A782103600	13-24	A782125500	2-16	A782260600	9-1	A782266800	13-22	A782568701	8-9
A782104301	12-6	A782125600	2-6	A782260700	9-3	A782266900	13-13	A782568901	7-8
A782104500	14-17	A782130001	1-2	A782262101	11-30	A782267000	13-25	A782569000	7-3
A782104700	9-15	A782130301	2-1	A782262200	11-21	A782267100	13-28	A782569200	7-12
A782105001	2-4	A782130500	3-15	A782262300	11-33	A782267200	13-19	A782569300	7-19
A782105101	2-3	A782130600	1-3	A782262501	11-26	A782268001	13-31	A782569801	7-9
A782106200	1-10	A782160001	1-1	A782262700	11-31	A782268201	13-29	A782569900	7-13
A782110009	1-12	A782160101	1-17	A782262800	2-11	A782268301	12-14	A782570400	6-2
A782110100	1-26	A782160200	1-16	A782262800	11-23	A782268500	12-8	A782570602	6-3
A782110600	1-19	A782160300	1-15	A782262900	11-15	A782268900	11-19	A782570800	3-14
A782111000	2-8	A782210200	14-3	A782263000	11-17	A782269200	11-29	A782570900	5-15
A782111100	2-9	A782210800	14-2	A782263201	12-13	A782269200	12-11	A782571100	3-8
A782111200	2-14	A782211300	7-32	A782263300	11-24	A782269300	12-19	A782571201	3-12
A782112305	1-18	A782211400	7-22	A782263700	11-34	A782269500	12-17	A782571300	3-4
A782113702	1-21	A782211500	7-21	A782263801	11-14	A782269800	11-18	A782571400	3-6

Parts No.	Page No.	Parts No.	Page No.	Parts No.	Page No.	Parts No.	Page No.	Parts No.	Page No.
A782571500	3-5	A782704700	6-27	A782N10200	7-38	A795565500	40-29	A79J134500	64-1
A782571600	3-3	A782704800	6-12	A782N10300	4-21	A795565600	38-28	A79J134701	55-18
A782571800	5-7	A782704901	6-24	A782N10400	4-23	A795565600	40-28	A79J136000	63-12
A782571900	5-5	A782705600	6-35	A782N10501	11-37	A795565700	38-20	A79J136100	61-6
A782572000	3-9	A782707201	7-36	A782N10700	13-35	A795565700	40-20	A79J138400	61-7
A782572101	5-4	A782707300	6-1	A782N10801	7-16	A795565800	38-21	A79J139000	63-13
A782572101	6-10	A782707400	7-4	A782N10900	10-2	A795565800	40-21	A79J139700	63-19
A782572900	3-11	A782710000	8-16	A782N11100	6-16	A795565900	38-22	A79J140502	51-12
A782573401	3-13	A782710100	8-17	A782N11200	1-8	A795565900	40-22	A79J140801	62-6
A782573501	7-5	A782710201	8-15	A782N11800	2-13	A795620800	38-15	A79J140900	62-9
A782573601	4-18	A782710806	8-13	A782N11800	13-34	A795620800	40-15	A79J141501	51-13
A782573612	4-18	A782711000	8-20	A782N12001	10-6	A795621301	38-10	A79J142600	51-14
A782573800	3-16	A782711800	8-3	A782N12100	9-10	A795621301	40-10	A79J142701	51-4
A782573901	5-17	A782711901	8-2	A782N12200	10-7	A795621901	38-23	A79J142800	71-2
A782576000	8-10	A782712300	8-12	A782N12300	11-2	A795621901	40-23	A79J142902	71-1
A782576100	7-1	A782714100	8-26	A782N12400	12-22	A795622600	38-9	A79J143001	51-9
A782600101	4-4	A782714200	8-1	A782N12600	11-9	A795622600	40-9	A79J143200	51-10
A782600900	4-9	A782890000	14-10	A782N12700	8-28	A795622700	38-8	A79J143300	71-3
A782601500	4-6	A782890111	14-16	A782P18000	4-26	A795622700	40-8	A79J143402	51-3
A782700400	6-11	A782890200	14-18	A782R70066	1-24	A795942401	37-7	A79J143600	51-8
A782700801	6-7	A782890600	14-15	A782R70100	9-4	A795942401	39-8	A79J143800	51-7
A782700900	6-26	A782890711	14-9	A782R70200	10-1	A795R71000	21-4	A79J145000	51-5
A782701000	6-19	A782891001	2-7	A782R70311	4-24	A796H01A00	20-21	A79J145100	51-1
A782701100	6-18	A782891500	14-11	A782R70433	6-34	A797102701	52-2	A79J145200	51-2
A782701200	6-17	A782891600	14-6	A782R70800	7-39	A797105400	27-4	A79J146300	23-13
A782701400	6-25	A782891700	14-7	A782R71100	4-28	A79J100600	62-12	A79J146400	60-10
A782701501	6-29	A782891800	4-15	A782R71200	4-27	A79J101801	23-7	A79J146500	23-14
A782701900	6-36	A782891901	4-14	A795273900	22-25	A79J120700	51-17	A79J146700	70-4
A782702600	6-31	A782940100	1-13	A795275700	22-3	A79J120801	51-16	A79J147401	23-15
A782702700	6-22	A782940300	13-20	A795565000	38-27	A79J122200	44-23	A79J147501	23-12
A782702801	6-20	A782940400	6-4	A795565000	40-27	A79J130900	64-10	A79J148304	51-11
A782703001	6-23	A782945003	70-8	A795565100	38-30	A79J131102	64-15	A79J149100	51-18
A782703401	6-6	A782H0010A	1-6	A795565100	40-30	A79J131601	64-21	A79J149200	51-19
A782704003	6-5	A782M10000	8-23	A795565200	38-31	A79J131701	61-19	A79J160700	15-21
A782704101	6-33	A782M10000	11-39	A795565200	40-31	A79J132311	16-11	A79J162100	16-2
A782704200	6-21	A782M10100	3-2	A795565300	38-32	A79J132500	61-1	A79J162201	16-19
A782704200	8-14	A782M10200	11-8	A795565300	40-32	A79J132601	61-4	A79J163301	15-12
A782704301	7-37	A782M10400	12-2	A795565400	38-33	A79J133001	61-3	A79J163500	16-3
A782704400	6-28	A782N10000	1-4	A795565400	40-33	A79J133100	63-8	A79J165002	17-4
A782704501	6-9	A782N10100	8-29	A795565500	38-29	A79J133200	63-15	A79J165201	17-8

Parts No.	Page No.	Parts No.	Page No.	Parts No.	Page No.	Parts No.	Page No.	Parts No.	Page No.
A79J165700	17-2	A79J403100	24-24	A79J831600	48-5	A79J941500	37-21	A7AH621200	40-13
A79J166303	16-9	A79J508400	29-2	A79J832000	49-8	A79J943500	39-23	A7AHH02D02	64-28
A79J168200	71-5	A79J566000	38-7	A79J832100	49-10	A79J943600	39-21	A7AHM50400	41-6
A79J168400	16-17	A79J566000	40-7	A79J832200	49-6	A79JF12100	51-15	A7AHN30000	70-14
A79J168501	16-10	A79J576400	31-26	A79J832300	49-12	A79JM90200	63-18	A7PU101500	62-13
A79J168600	71-8	A79J596000	46-35	A79J832400	49-9	A79JM90A00	66-2	A7PU102201	35-2
A79J168700	71-4	A79J596200	47-21	A79J890201	54-33	A79JN10400	53-2	A7PU102301	35-5
A79J170300	19-12	A79J620100	38-36	A79J890311	54-30	A79JN10500	55-1	A7PU104000	35-17
A79J170601	19-4	A79J622500	38-11	A79J891300	53-4	A79JN10600	41-9	A7PU106100	36-14
A79J220000	56-10	A79J622500	40-11	A79J892000	54-25	A79JN10701	50-4	A7PU109000	29-18
A79J220701	56-17	A79J623100	37-4	A79J893200	53-9	A79JN10800	31-27	A7PU109100	16-21
A79J220800	56-20	A79J630100	40-36	A79J893501	54-31	A79JN10901	41-8	A7PU130300	23-8
A79J220901	56-1	A79J633100	39-4	A79J893700	54-27	A79JN10Q00	54-16	A7PU130400	64-19
A79J221200	56-14	A79J701600	45-31	A79J893800	54-38	A79JJP000	69-4	A7PU130700	63-20
A79J222200	55-2	A79J701700	45-32	A79J894000	53-10	A79JJP100	69-7	A7PU134700	64-12
A79J222500	56-19	A79J810100	48-6	A79J894500	54-32	A79JR70100	62-4	A7PU134800	64-7
A79J223101	56-9	A79J810902	50-24	A79J895200	54-3	A79JR70222	55-9	A7PU135402	18-15
A79J226200	56-6	A79J811700	50-1	A79J895400	54-8	A79JR71400	26-10	A7PU135700	63-7
A79J226301	56-7	A79J812202	48-8	A79J895603	54-2	A79JR71933	45-29	A7PU138002	18-10
A79J226400	56-8	A79J813700	48-10	A79J895702	53-13	A79JR72144	37-20	A7PU138100	18-8
A79J226500	56-11	A79J813903	50-22	A79J895800	53-7	A79JR72244	39-20	A7PU138200	18-7
A79J226600	56-5	A79J814901	48-29	A79J896500	53-12	A79JR72400	54-24	A7PU138301	18-9
A79J226700	56-12	A79J816600	48-20	A79J896600	53-11	A79JR72600	18-12	A7PU139800	64-23
A79J226800	56-16	A79J816700	48-19	A79J897000	53-24	A79K121900	58-15	A7PU140100	64-17
A79J231100	58-14	A79J816800	48-30	A79J897100	53-22	A79K122400	58-23	A7PU141800	60-9
A79J231300	58-18	A79J819000	48-26	A79J897200	53-23	A79K228001	59-10	A7PU160100	15-1
A79J245000	26-7	A79J819800	48-27	A79J897300	56-4	A79K228101	59-11	A7PU160800	15-22
A79J245100	26-6	A79J821000	50-34	A79J897300	58-20	A79K228800	58-7	A7PU160902	16-15
A79J245400	26-8	A79J829900	49-15	A79J897401	53-3	A79K254000	55-13	A7PU161400	18-19
A79J253000	56-18	A79J830001	49-14	A79J897501	54-36	A79M121700	24-1	A7PU161701	18-25
A79J253300	56-3	A79J830100	49-1	A79J897612	53-1	A79M122700	24-1	A7PU161806	16-13
A79J254200	55-7	A79J830200	49-7	A79J897800	54-37	A79M811200	48-24	A7PU161900	18-16
A79J254400	58-3	A79J830300	49-4	A79J897900	53-21	A79MM40N00	61-16	A7PU162600	18-3
A79J259800	56-2	A79J830500	48-3	A79J898211	54-35	A79MN10J01	63-11	A7PU164100	18-14
A79J401400	25-29	A79J830600	48-1	A79J898300	53-20	A79MN10K00	63-14	A7PU166101	70-7
A79J401600	25-30	A79J831000	49-13	A79J898400	53-6	A79MR70700	41-44	A7PU168500	18-5
A79J401700	25-1	A79J831100	48-4	A79J898500	53-5	A79MR70800	48-32	A7PU168600	18-6
A79J401800	25-3	A79J831200	49-3	A79J941200	37-22	A7AH621000	38-12	A7PU168702	16-14
A79J401900	25-27	A79J831300	49-2	A79J941200	39-22	A7AH621000	40-12	A7PU169900	70-1
A79J402600	25-4	A79J831501	48-2	A79J941300	37-23	A7AH621200	38-13	A7PU170101	19-9

Parts No.	Page No.	Parts No.	Page No.	Parts No.	Page No.	Parts No.	Page No.	Parts No.	Page No.
A7PU170200	19-1	A7PU627500	36-3	A7PUN10700	64-20	AA6RN30000	63-9	AAJ5WY1	26-9
A7PU170400	19-6	A7PU663200	31-28	A7PUN10800	64-16	AA6RN30100	63-10	V116030804	70-11
A7PU170702	19-3	A7PU663200	33-16	A7PUN10900	47-17	AA6RR70400	62-4	V116033003	70-12
A7PU216100	55-15	A7PU700111	41-33	A7PUN10A00	46-23	AA6RR70600	24-18	V500010061	68-20
A7PU240101	57-4	A7PU701000	41-20	A7PUN10B01	47-19	AA6RR70611	24-18	V500010081	68-1
A7PU241500	57-7	A7PU701100	41-29	A7PUN14500	21-2	AA6RR70700	24-18	V500010082	68-2
A7PU241600	57-1	A7PU701200	41-30	A7PUN15700	18-30	AA6RR70711	24-18	V500010083	68-3
A7PU254800	58-8	A7PU710201	43-12	A7PUP00100	18-31	AA6RR70800	24-18	V500010084	68-4
A7PU254800	59-16	A7PU710301	43-29	A7PUR71133	20-19	AA6RR70811	24-18	V500010085	68-17
A7PU560100	31-10	A7PU810201	48-18	A7PUR71900	61-10	AA6RR71100	24-18	V500020018	68-19
A7PU560200	31-25	A7PU810800	50-5	A7PUR73100	18-21	AA6RR71111	24-18	V500020040	70-13
A7PU565300	31-9	A7PU825500	50-29	A8JEN30200	63-10	AA6RR71200	62-4	V500020052	68-8
A7PU567500	32-8	A7PU890700	54-23	A8WC707100	69-6	AA6TR70111	55-19	V500020069	68-14
A7PU567600	32-22	A7PU940600	19-2	A90G945700	16-4	AA6TR70211	30-8	V500020073	68-23
A7PU567700	32-21	A7PU941600	20-28	A90GN15300	18-13	AA6U230500	59-9	V500020080	68-16
A7PU568400	32-7	A7PU941701	16-5	A9HG131900	64-2	AA6U231000	58-10	V500020082	68-9
A7PU569100	30-3	A7PU944301	47-4	A9HG161500	18-4	AA6U255600	59-4	V500020098	68-5
A7PU577500	34-21	A7PU944401	47-1	A9HG702300	43-32	AA6U940100	15-13	V500020099	68-6
A7PU577600	34-23	A7PU944500	46-36	A9HG830701	49-5	AA6UH02101	64-9	V500020100	68-7
A7PU577700	34-22	A7PU944700	47-5	A9HGH00501	61-20	AA6UN10000	65-1	V500020110	68-21
A7PU578400	34-8	A7PU944800	47-5	A9HGH02A00	64-4	AA6UN10400	52-5	V501010002	68-22
A7PU578500	34-8	A7PU944900	46-9	A9HGM40600	61-15	AA6UN11000	65-1	V503010002	64-24
A7PU592000	47-13	A7PU947001	70-10	A9HGN10200	67-1	AA6UR70100	23-4	V570010021	68-10
A7PU592201	47-3	A7PU947101	70-10	A9HGR71200	42-25	AA6UR70211	58-16	V570010050	68-15
A7PU592901	46-5	A7PU947201	70-10	A9HHN10100	66-1	AA6UR70300	52-1	V570010057	68-11
A7PU593000	46-5	A7PU947302	70-10	A9HHN10N00	63-16	AA6UR70400	52-1	V570010058	68-18
A7PU593100	46-8	A7PUF60001	47-11	A9HHR70200	53-19	AA6UR70500	52-1	V570010059	68-12
A7PU593201	46-7	A7PUM10100	59-2	A9HJ168800	17-11	AA6UR70600	52-1	V570010060	68-13
A7PU593400	46-33	A7PUM10400	53-8	A9HJH00501	23-6	AA6V130000	27-1	V651010002	62-7
A7PU593500	47-12	A7PUM10700	25-16	A9HJR70500	57-3	AA6V137200	52-3	V651010025	64-22
A7PU593600	46-31	A7PUM10700	57-2	AA2J560000	32-23	AA6V169000	17-24	V651010034	11-40
A7PU593700	47-16	A7PUM11201	55-16	AA2J560000	34-24	AA6V169100	17-25	V651010045	63-6
A7PU594000	46-34	A7PUM70004	18-1	AA6R401100	24-3	AA6V169300	15-25	V800500300	41-41
A7PU595500	46-6	A7PUM70104	18-1	AA6R401200	24-3	AA6V228300	59-13	V800500300	42-7
A7PU596100	46-4	A7PUM70204	18-1	AA6R401300	24-3	AA6V256300	58-9	V864800107	64-5
A7PU596200	46-2	A7PUM70303	18-1	AA6R401500	24-3	AA6V362001	26-11		
A7PU596700	46-30	A7PUM70403	18-1	AA6R942600	17-9	AA6VR70111	29-1		
A7PU596800	46-30	A7PUN10302	16-1	AA6RH00800	23-9	AA6VR70300	27-8		
A7PU596900	45-30	A7PUN10401	36-1	AA6RM60000	17-14	AA6VR70700	17-3		
A7PU599300	47-20	A7PUN10501	36-2	AA6RN10600	23-11	AAJ50Y1	26-9		

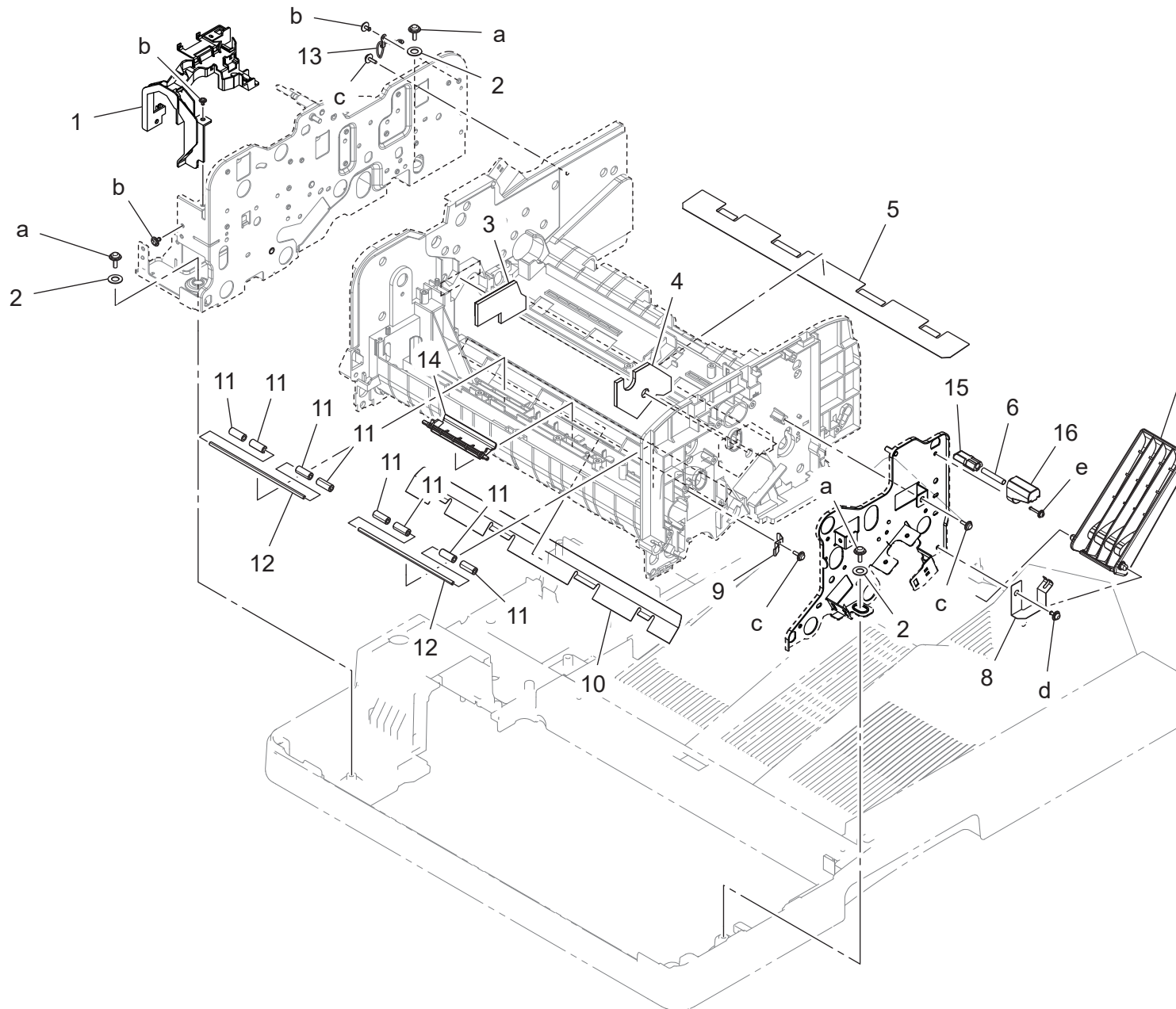
Auto document feed Section



Key	Part No.	Description	Destinations	Class	QTY	Standard parts
1	A782160001	Protection Cover /Rear		C	1	a-V153030803 b-V153041203 c-V147031403 d-V153031004
2	A782130001	Wiring Guide /1		D	1	
3	A782130600	Wiring Guide /3		D	1	
4	A782N10000	ADF Wiring /1		D	1	
5	A782113901	Sheet /Left		C	1	
6	A782H0010A	DFCB ASSY		I	1	
7	A782114001	Sheet /Right		C	1	
8	A782N11200	ADF Wiring /13		D	1	
9	9J07210802	Shoulder Screw		C	2	
10	A782106200	Fixing Screw		C	2	
11	A782113801	Hinge /Right		D	1	
12	A782110009	Base frame		D	1	
13	A782940100	Label /1		C	1	
14	9J07160200	MAGNET		D	1	
15	A782160300	Sound shield Cushion /2		C	1	
16	A782160200	Sound shield Cushion /1		C	1	
17	A782160101	Protection Cover /Front		C	1	
18	A782112305	Holding Mat /1		C	1	
19	A782110600	Reinforce Plate /1		D	1	
20	A782119300	Seal /Rear		C	1	
21	A782113702	Hinge /Left		D	1	
22	A782117500	Reinforce Plate /2		D	1	
23	A782117600	Cushion		C	1	
24	A782R70066	ADF ASSY		D	1	
25	15BY561200	Cover Spacer		D	1	
26	A782110100	Cover /Lower		D	1	
27	A782114100	Screw		C	5	

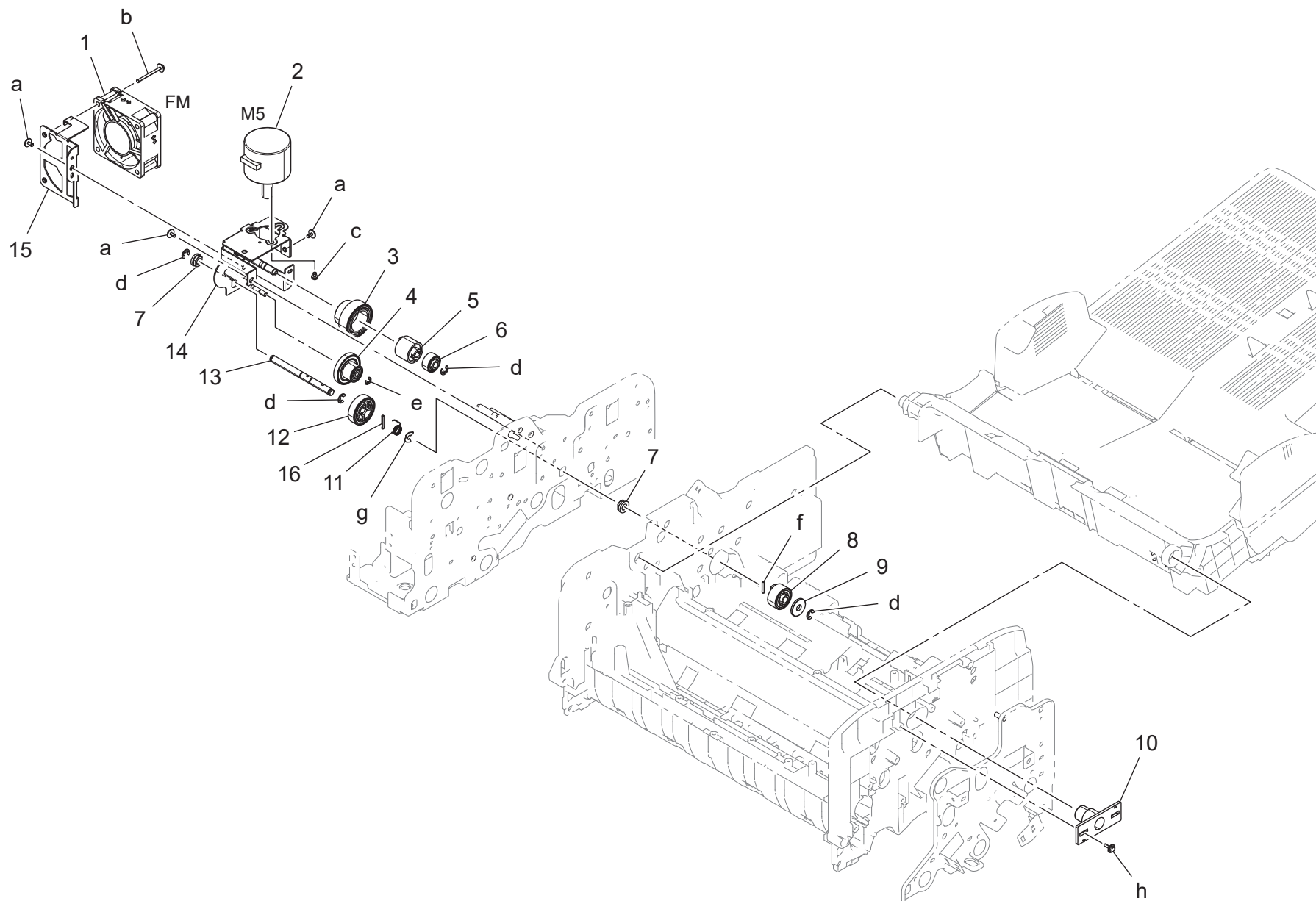
Auto document feed Section

P 2



Key	Part No.	Description	Destinations	Class	QTY	Standard parts
1	A782130301	Wiring Guide /2		D	1	a-V153041003 b-V144030603 c-V153030803 d-V116030803 e-V127031203
2	A782117000	Washer		C	3	
3	A782105101	Cushion		C	1	
4	A782105001	Cushion		C	1	
5	A782117100	Guide Film		C	1	
6	A782125600	Compressing Coil Spring		D	1	
7	A782891001	Auxiliary Plate /1		C	1	
8	A782111000	Ground Plate spring /1		D	1	
9	A782111100	Ground Plate spring /2		D	1	
10	A782101700	Guide Sheet		D	1	
11	A782262800	Roll		C	8	
12	A782264900	Shaft		D	2	
13	A782N11800	ADF Wiring /19		D	1	
14	A782111200	Guide		D	1	
15	A782125400	Stopper Shaft		D	1	
16	A782125500	Holder		D	1	

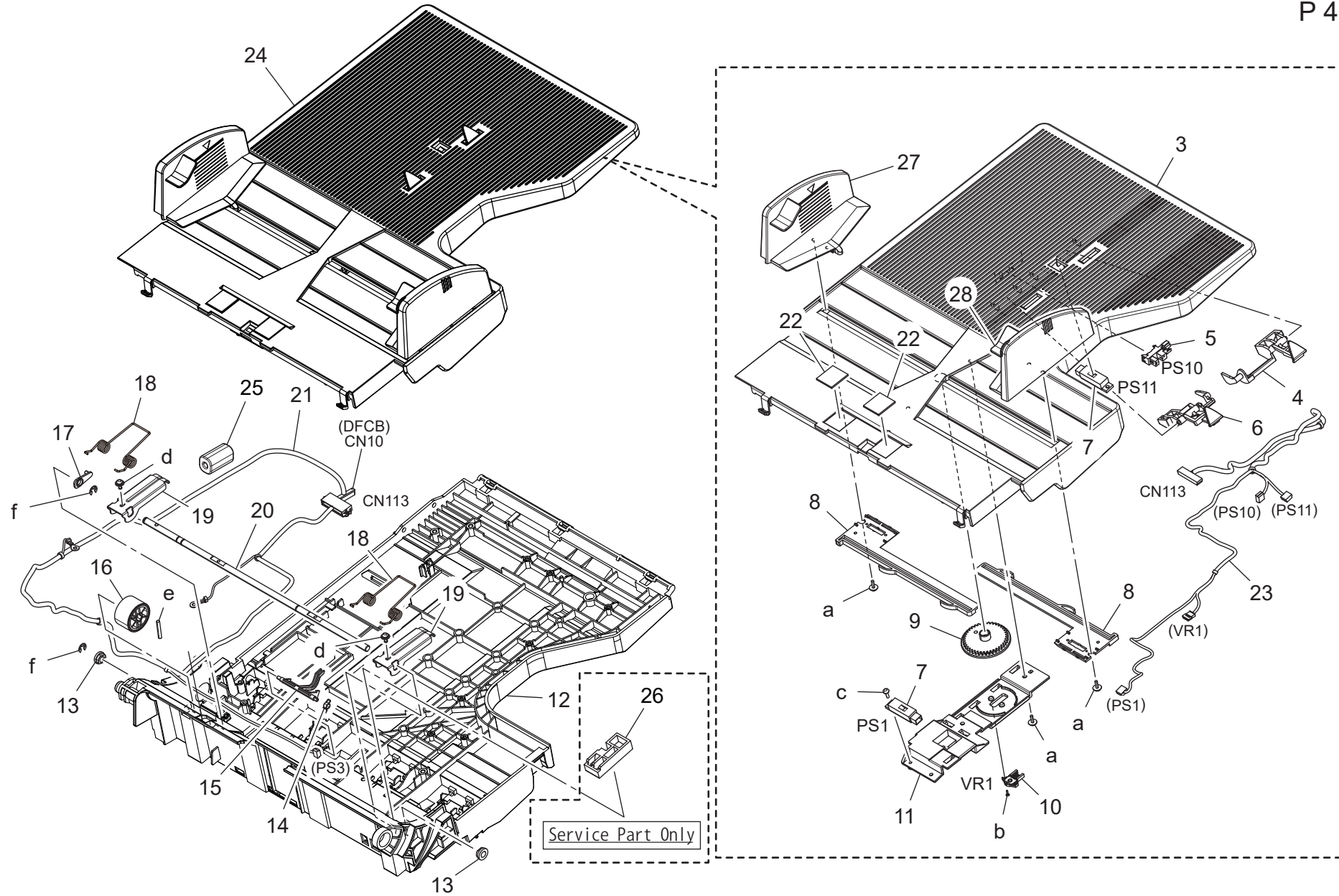
Auto document feed Section



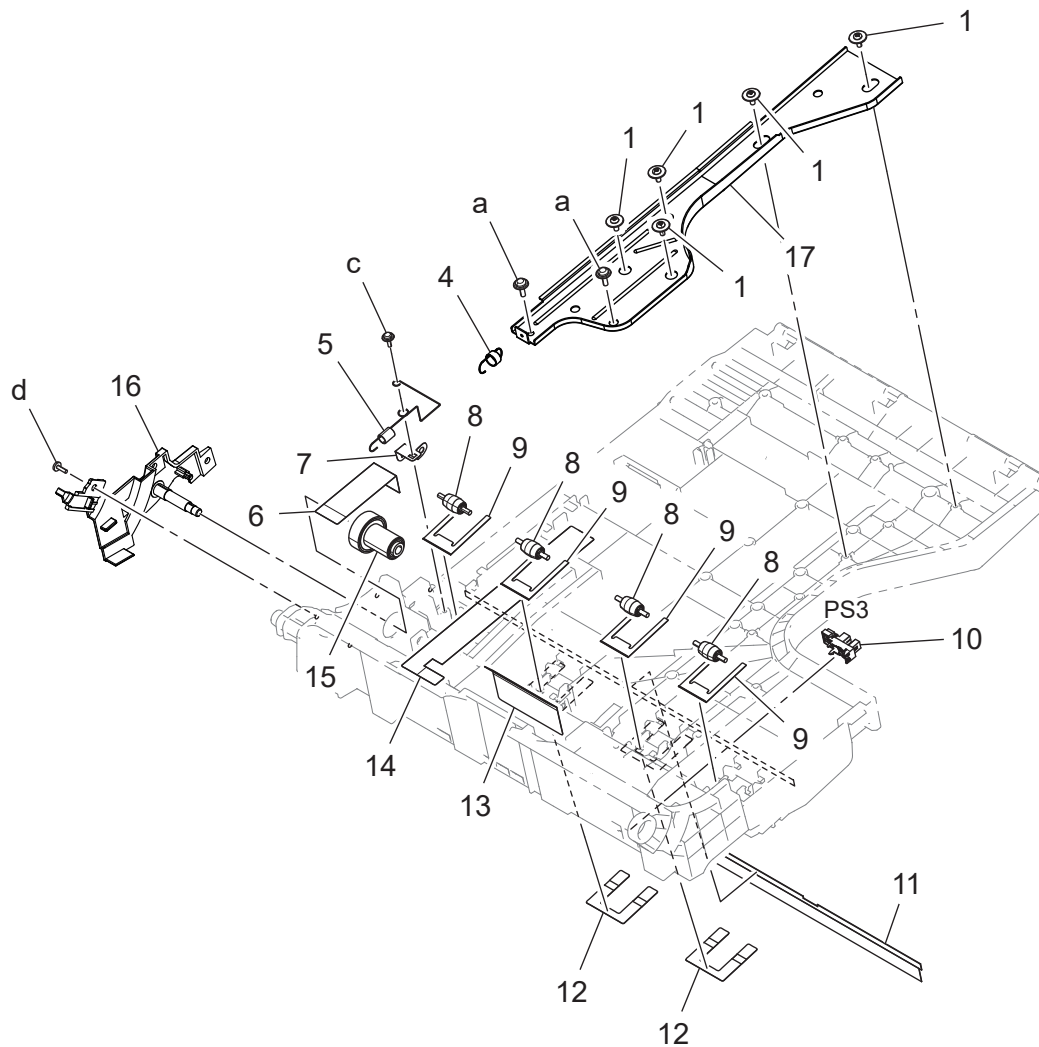
Key	Part No.	Description	Destinations	Class	QTY	Standard parts
1	4556M10000	Fan Motor		B	1	a-V144030603
2	A782M10100	Brushless motor		C	1	b-V116033003
3	A782571600	Gear /8 39T		C	1	c-V115030403
4	A782571300	Gear /3 47T/18T		C	1	d-V217040003
5	A782571500	Torque limiter		C	1	e-V217030003
6	A782571400	Gear /7 25T		C	1	f-V234201250
7	A161210200	Bushing		D	2	g-V218040086
8	A782571100	Gear /5 18T		C	1	h-V153030803
9	A782572000	Flange		C	1	
10	A782566000	Mounting Plate		D	1	
11	A782572900	Torsion Coil spring /5		C	1	
12	A782571201	Gear /4 32T		C	1	
13	A782573401	Shaft		D	1	
14	A782570800	Mounting Plate		D	1	
15	A782130500	Mounting Plate		D	1	
16	A782573800	Pin		D	1	

bizhub 458e

Auto document feed Section



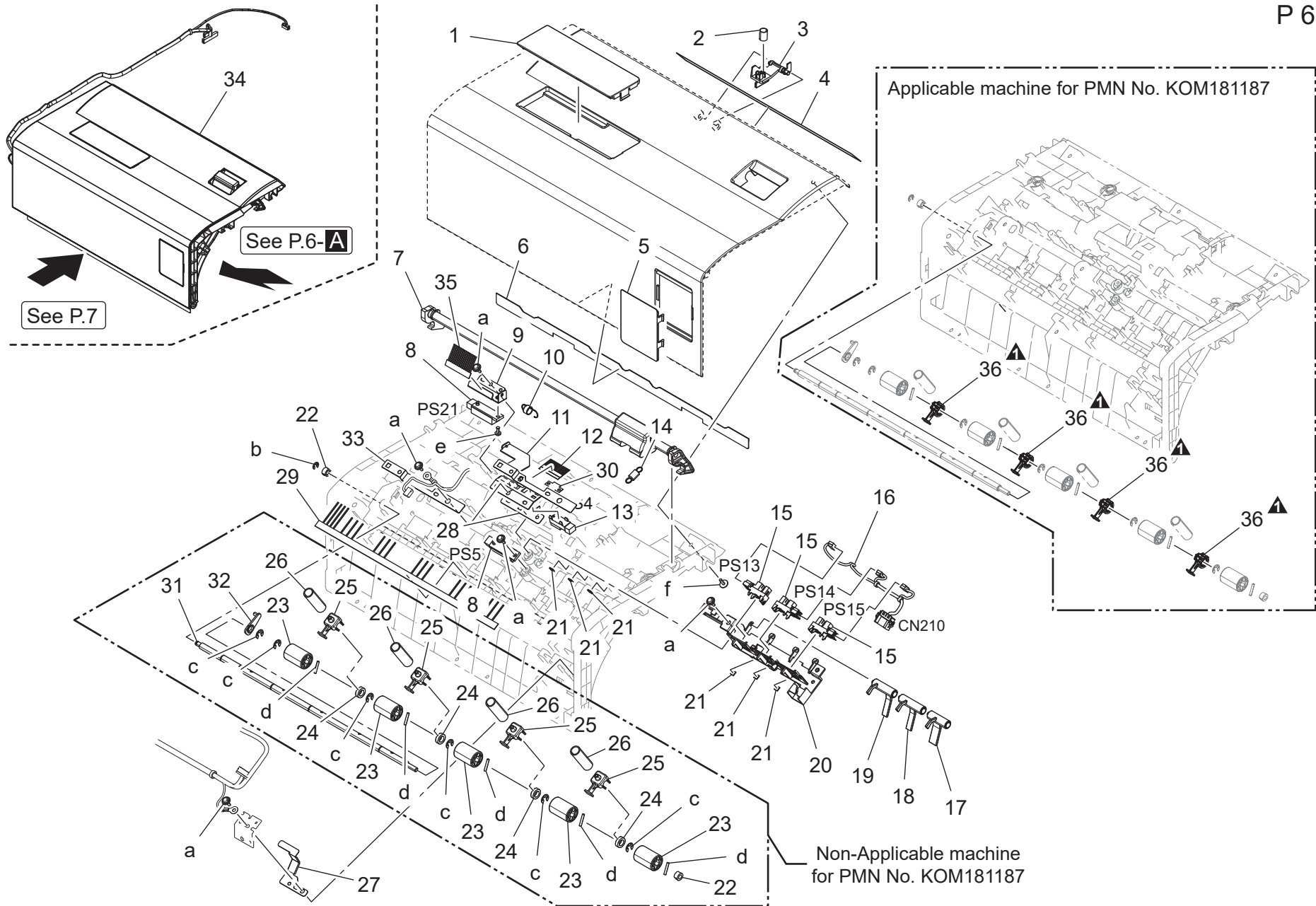
Key	Part No.	Description	Destinations	Class	QTY	Standard parts
3	A782561703	Lifting Plate		C	1	a-V153030803 b-V166170504 c-V145030803 d-V116030803 e-V234302050 f-V217040003
4	A782600101	Arm /1		C	1	
5	A5C1M50100	Photointerrupter		B	1	
6	A782601500	Arm /2		C	1	
7	A108M50000	Photorelector		B	2	
8	A782562001	Rack		C	2	
9	A782600900	Gear 40T		C	1	
10	A1UDM50100	VR		D	1	
11	A782562600	Mounting Plate		D	1	
12	A782561115Old	Tray		D	1	
12	A782561126	Tray		D	1	
13	A161210200	Bushing		D	2	
14	A782891901	Paper exit Spring /6		C	1	
15	A782891800	Actuator		C	1	
16	A782568500	Gear /7 34T		C	1	
17	A782562400	Washer		C	1	
18	A782573601Old	Torsion Coil spring /A		C	2	
18	A782573612	Torsion Coil spring /A		C	2	
19	A782566800	Lever		D	2	
20	A782566900	Shaft		D	1	
21	A782N10300	ADF Wiring /4		C	1	
22	A782561000	Friction Plate		C	2	
23	A782N10400	ADF Wiring /5		C	1	
24	A782R70311	Lifting Plate ASSY		D	1	
25	A3EWM90300	Ferritecore		D	1	
26	A782P18000	Reinforce Part		D	1	
27	A782R71200	Regulating Plate Assy /Rear		D	1	
28	A782R71100	Regulating Plate Assy /Front		D	1	



Key	Part No.	Description	Destinations	Class	QTY	Standard parts	
1	4163529301	SCREW		C	5	a-V153041003 c-V153030803 d-V149030803	
4	A782572101	Pulling Coil spring		C	1		
5	A782571900	Pulling Coil spring		C	1		
6	A782561900	Protection Seal /2		D	1		
7	A782571800	Ground Plate		C	1		
8	9J07300801	ROLL		C	4		
9	A108890500	Plate spring		D	4		
10	A5C1M50100	Photointerrupter		B	1		
11	A108891300	Neutralizing Brush		C	1		
12	A108561500	Guide		D	2		
13	9J07341102	GUIDE		D	1		
14	A782561801	Protection Seal /1		D	1		
15	A782570900	Gear /6 23T		C	1		
16	A782565011	Cover		D	1		
17	A782573901	Reinforce Plate /1		D	1		

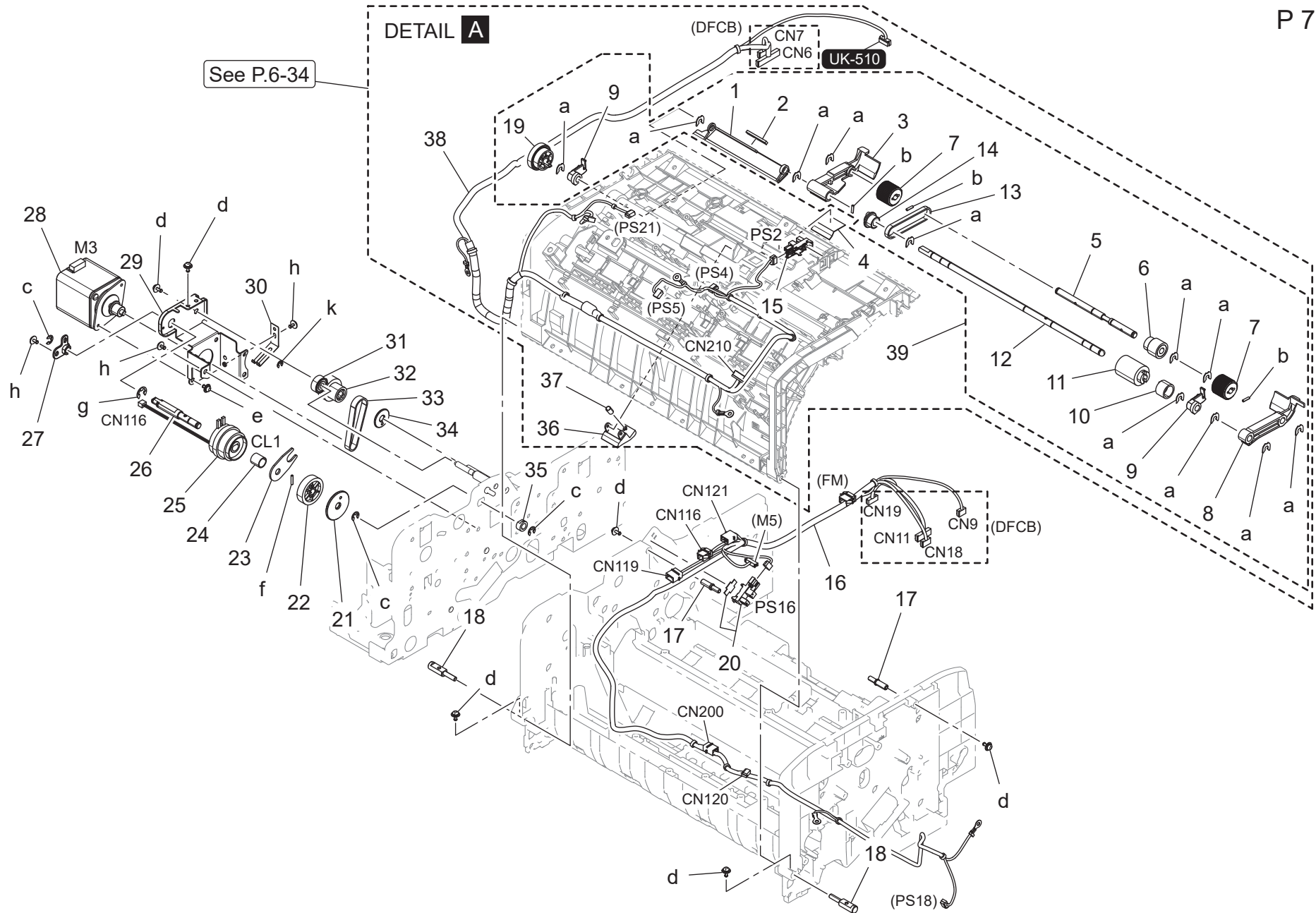
bizhub 458e

Auto document feed Section



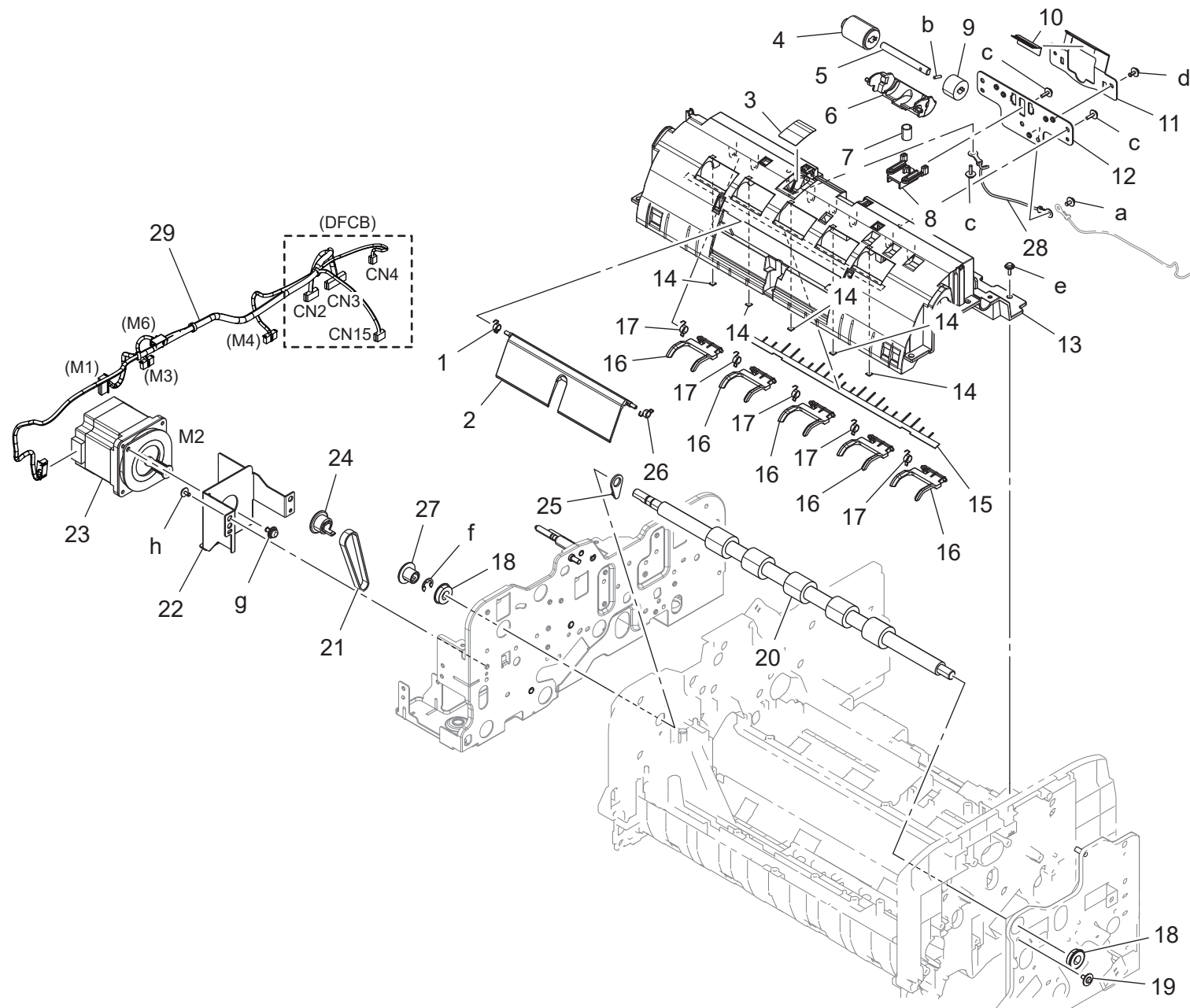
Key	Part No.	Description	Destinations	Class	QTY	Standard parts
1	A782707300	Protection Cover /Upper		C	1	a-V153030803
2	A782570400	Spring		C	1	b-V217030003
3	A782570602	Lever /1		D	1	c-V217040003
4	A782940400	Label		C	1	d-V234201250
5	A782704003	Protection Cover /Lower		C	1	e-V135030603
6	A782703401	Sealing Rubber		C	1	f-V153030804
7	A782700801	Open/close Lever		D	1	
8	A108M50000	Photoreflector		B	2	
9	A782704501	Mounting Plate		D	1	
10	A782572101	Pulling Coil spring		C	1	
11	A782700400	Mounting Plate		D	1	
12	A782704800	Neutralizing Brush		C	1	
13	9335140071	Solid State Switch		B	1	
14	A782565301	Pulling Coil spring		C	1	
15	A5C1M50100	Photointerrupter		B	3	
16	A782N11100	ADF Wiring /12		D	1	
17	A782701200	Actuator /3		C	1	
18	A782701100	Actuator /2		C	1	
19	A782701000	Actuator /1		C	1	
20	A782702801	Mounting Plate		D	1	
21	A782704200	Adjusting Cushion		C	6	
22	A782702700	Bushing		C	2	
23	A782703001	Idler Roll		D	5	
24	A782704901	Ball bearing		C	4	
25	A782701400	Rotation Pedestal		D	4	
26	A782700900	Compressing Spring		C	4	
27	A782704700	Ground Plate /Lower		D	1	
28	A782704400	Scatteringprevention Plate		D	1	
29	A782701501	Neutralizing Brush		C	1	
30	A108703100	Stopper		D	1	
31	A782702600	Rotation Shaft		D	1	
32	A782562400	Washer		C	1	
33	A782704101	Ground Plate		C	1	
34	A782R70433	TOP Cover ASSY		D	1	
35	A782705600	Neutralizing Brush /1		D	1	
36	A782701900	Bushing		C	4	

Auto document feed Section



Key	Part No.	Description	Destinations	Class	QTY	Standard parts
1	A782576100	Guide Plate		D	1	a-V218040086
2	A782562101	Cushion		C	1	b-V234200850
3	A782569000	Arm /Front		C	1	c-V217040003
4	A782707400	Light blocking Part		D	1	d-V116030803
5	A782573501	Shaft		D	1	e-V116030603
6	9J07330801	Pulley 21T		C	1	f-V234201050
7	9J07330102	Roller		A	2	g-V217060003
8	A782568901	Arm /Front		C	1	h-V144030603
9	A782569801	Lever /2		C	2	k-V217030003
10	A07H570500	Clutch		C	1	
11	A00J563600	Roller		A	1	
12	A782569200	Paper feed Shaft		D	1	
13	A782569900	Timing belt 128L		C	1	
14	9J07331901	Pulley 19T		C	1	
15	A5C1M50100	Photointerrupter		B	1	
16	A782N10801	ADF Wiring /9		D	1	
17	A782101600	Positioning Shaft /1		C	2	
18	A782101000	Shaft		C	2	
19	A782569300	Gear /2 25T		C	1	
20	A5C1R90000	Photo Interrupter		B	1	
21	A782211500	Ring		D	1	
22	A782211400	Gear 27T		C	1	
23	A782212000	Holder		D	1	
24	A782211900	Compressing Spring		C	1	
25	A3CKM20000	Clutch		C	1	
26	A782211600	Shaft		D	1	
27	A108260700	Bushing		D	1	
28	A2X0M10300	Stepping motor		C	1	
29	A782212702	Mounting Plate		D	1	
30	A782211700	Ground Plate		C	1	
31	A782215800	Gear		D	1	
32	A782211300	Pulley 27T		C	1	
33	A782214300	Timing belt 124L		C	1	
34	A782211800	Flange		C	1	
35	4131253701	BUSHING		C	1	
36	A782707201	Guide /J		D	1	
37	A782704301	Spring		C	1	
38	A782N10200	ADF Wiring /3		D	1	
39	A782R70800	Pick Up ASSY		C	1	

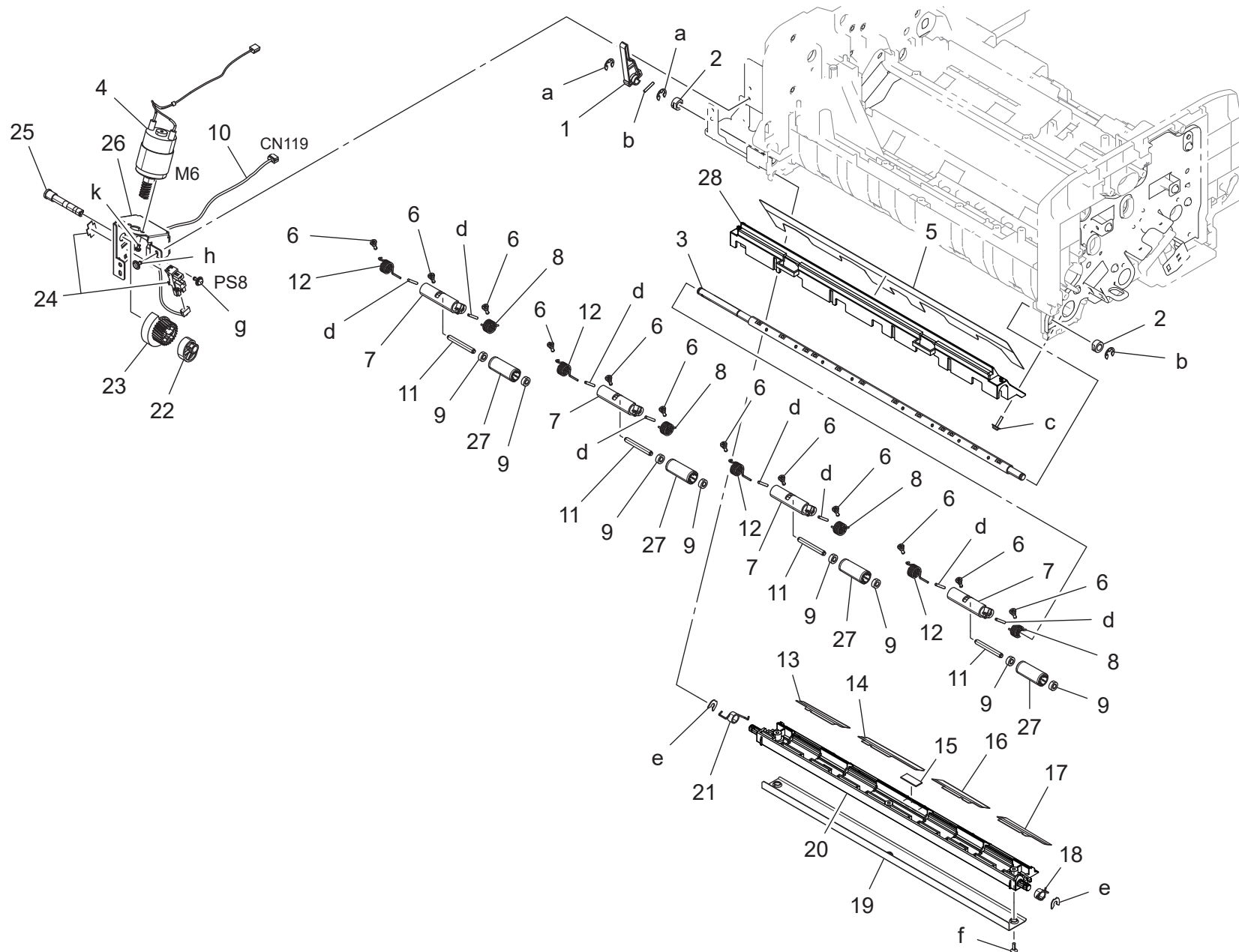
Auto document feed Section



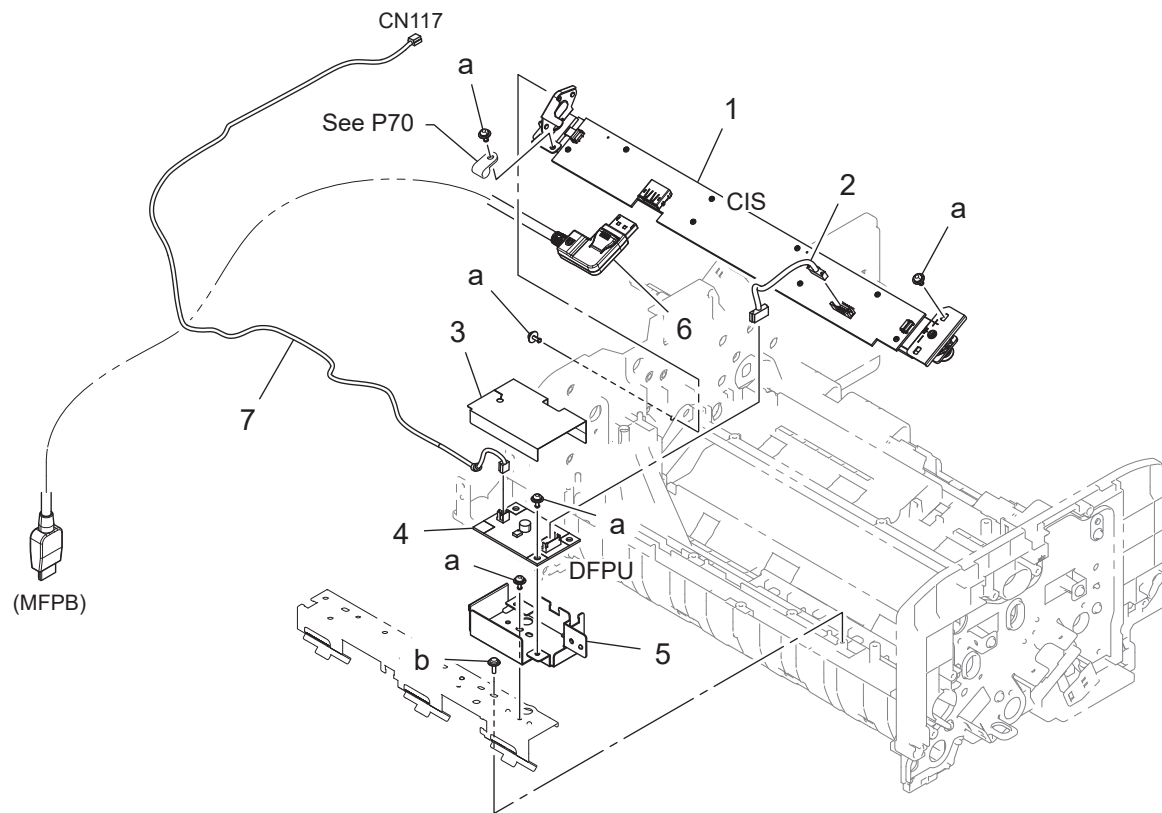
Key	Part No.	Description	Destinations	Class	QTY	Standard parts
1	A782714200	Spring /Lower		C	1	a-V116030603
2	A782711901	Lever /1		C	1	b-V234200850
3	A782711800	Protection Seal		C	1	c-V153030803
4	9J07340901	ROLLER		A	1	d-V116030803
5	A0HT561202	Shaft		C	1	e-V153031004
6	A782568200	Holder		C	1	f-V217060003
7	A782568600	Spring		C	1	g-V116040803
8	A3CK565100	Holder		D	1	h-V144030603
9	A782568701	Torque limiter		A	1	
10	A782576000	Neutralizing Brush		C	1	
11	A3CK568300	Guide		D	1	
12	A782712300	Mounting Plate /2		D	1	
13	A782710806	Guide		D	1	
14	A782704200	Adjusting Cushion		C	5	
15	A782710201	Neutralizing Brush		C	1	
16	A782710000	Lever /Upper		C	5	
17	A782710100	Spring /1		C	5	
18	A00V240600	Ball Bearing		B	2	
19	A782117900	Shoulder screw		C	1	
20	A782711000	Conveyance Roller		C	1	
21	A782214400	Timing belt 150L		C	1	
22	A782212600	Mounting Plate /B		D	1	
23	A782M10000	Stepping motor		C	1	
24	A782213000	Gear 23T		C	1	
25	A782115700	Washer /1		C	1	
26	A782714100	Spring /Lower		C	1	
27	A782215100	Collar		C	1	
28	A782N12700	ADF Wiring /B		D	1	
29	A782N10100	ADF Wiring /2		D	1	

Auto document feed Section

P 9

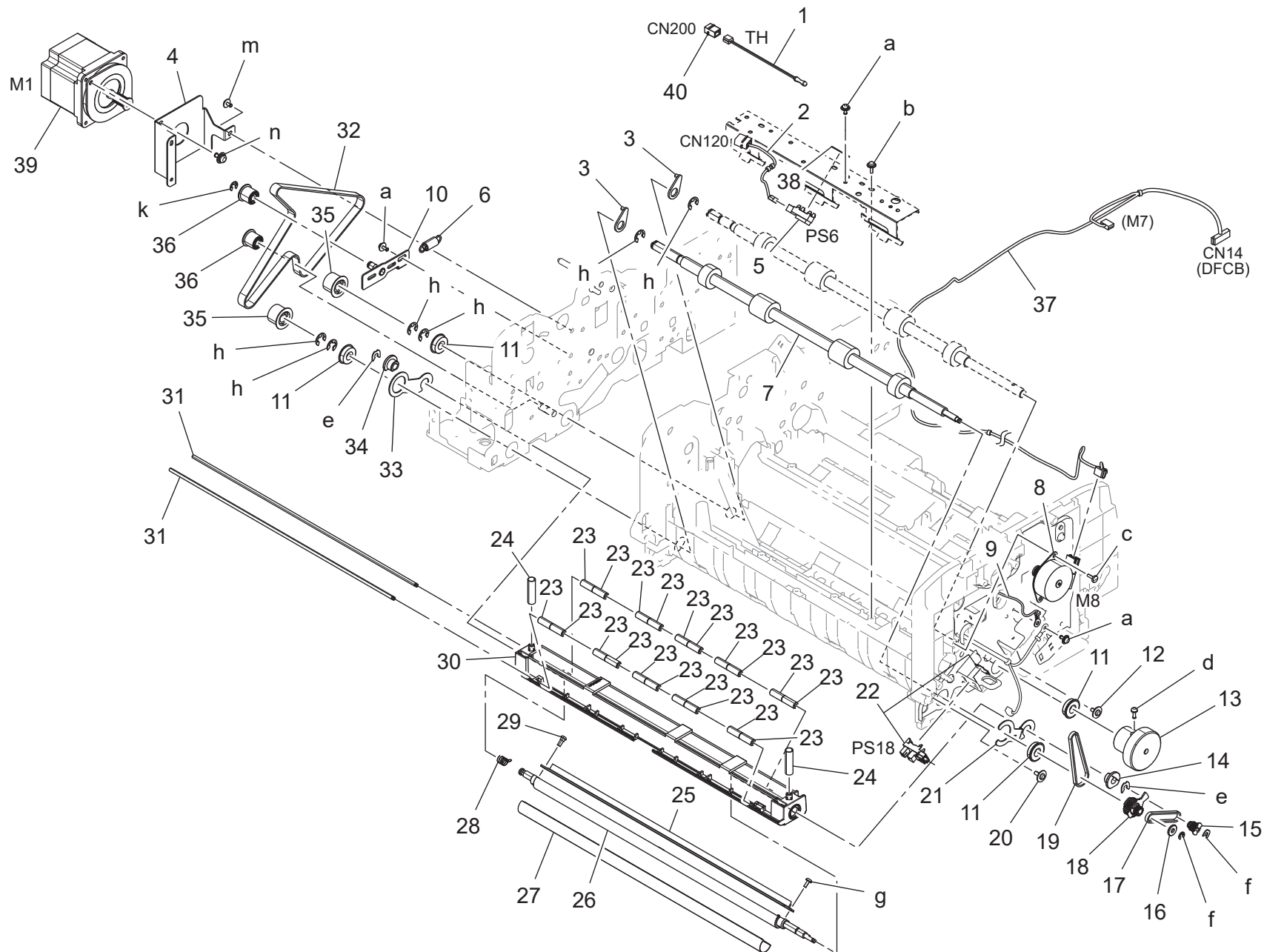


Key	Part No.	Description	Destinations	Class	QTY	Standard parts
1	A782260600	Lever		C	1	a-V217050003
2	4131253701	BUSHING		C	2	b-V234201250
3	A782260700	Support Shaft		D	1	c-V153031003
4	A782R70100	Breakaway Motor ASSY		C	1	d-V234201450
5	A782116801	Guide		C	1	e-V218040086
6	A3CK272600	Shoulder screw		C	12	f-V147030803
7	A3CK272001	Lever		C	4	g-V116030803
8	A782272401	Torsion Coil spring /2		C	4	h-V144030603
9	A782272200	Ball bearing /1		C	8	k-V115260403
10	A782N12100	ADF Wiring /30		D	1	
11	A3CK272200	Shaft		D	4	
12	A782272301	Torsion Coil spring /1		C	4	
13	A782100400	Guide /2		C	1	
14	A782100301	Guide /1		C	1	
15	A782104700	Cushion		C	1	
16	A782100501	Guide /3		C	1	
17	A782100600	Guide /4		C	1	
18	A782100701	Torsion Coil spring		C	1	
19	A782100200	Reinforce Plate		D	1	
20	A782100102	Guide		C	1	
21	A782100802	Torsion Coil spring		C	1	
22	A782260400	Cam		C	1	
23	A782260501	Gear 26T		C	1	
24	A5C1R90000	Photo Interrupter		B	1	
25	A782213400	Shaft		D	1	
26	A782260200	Fixing Plate		D	1	
27	A782272800	Roll		C	4	
28	A782100001	Guide		D	1	

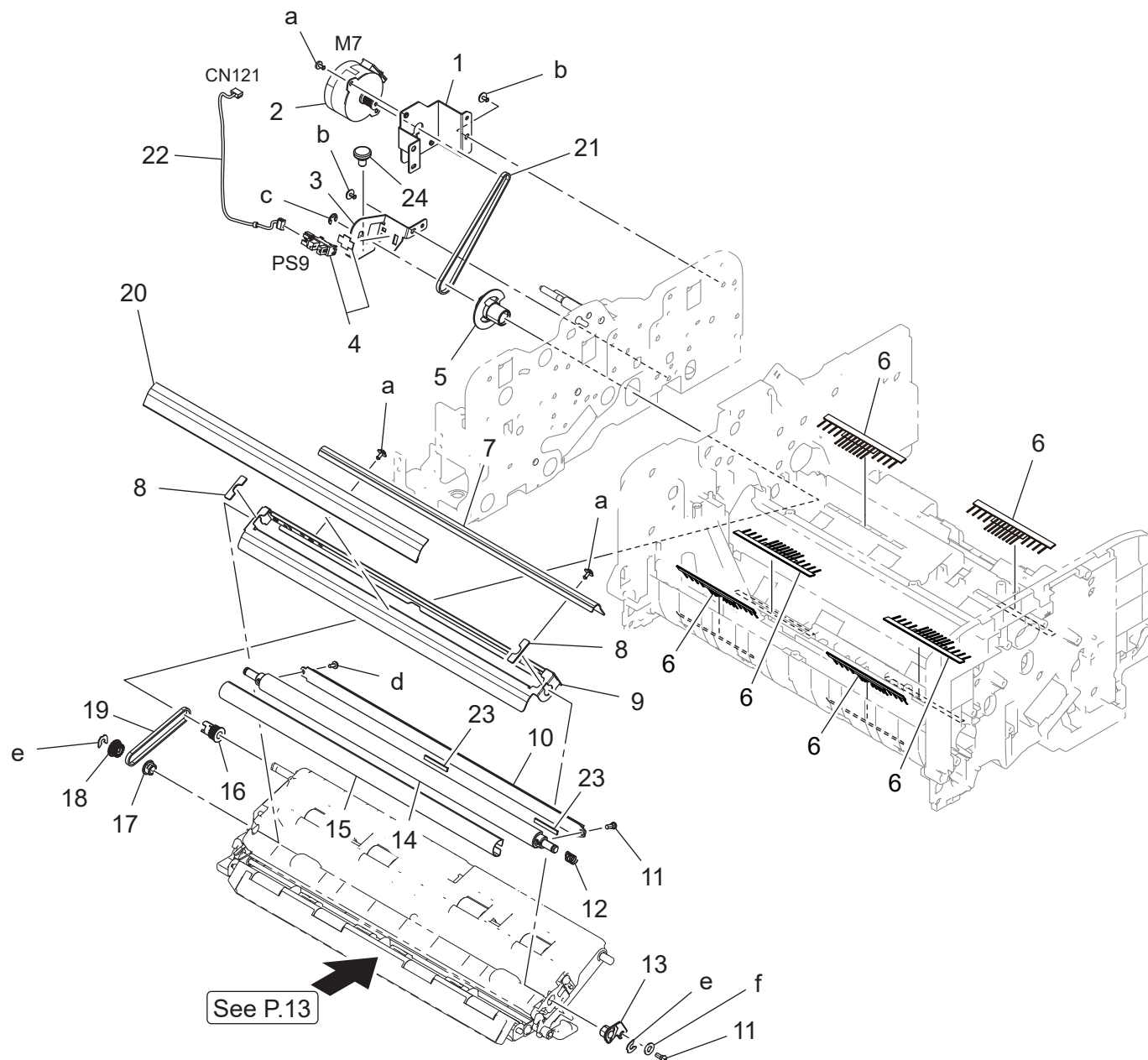


Key	Part No.	Description	Destinations	Class	QTY	Standard parts
1	A782R70200	CIS Assy		I	1	a-V116030803 b-V153030803
2	A782N10900	ADF Wiring /10		D	1	
3	A782116301	Wiring Cover		C	1	
4	A3CKH00200	PWB Assembly(PWB-DC Assy)		I	1	
5	A782116201	Plate		D	1	
6	A782N12001	ADF Cable		D	1	
7	A782N12200	ADF Wiring /40		D	1	

Auto document feed Section



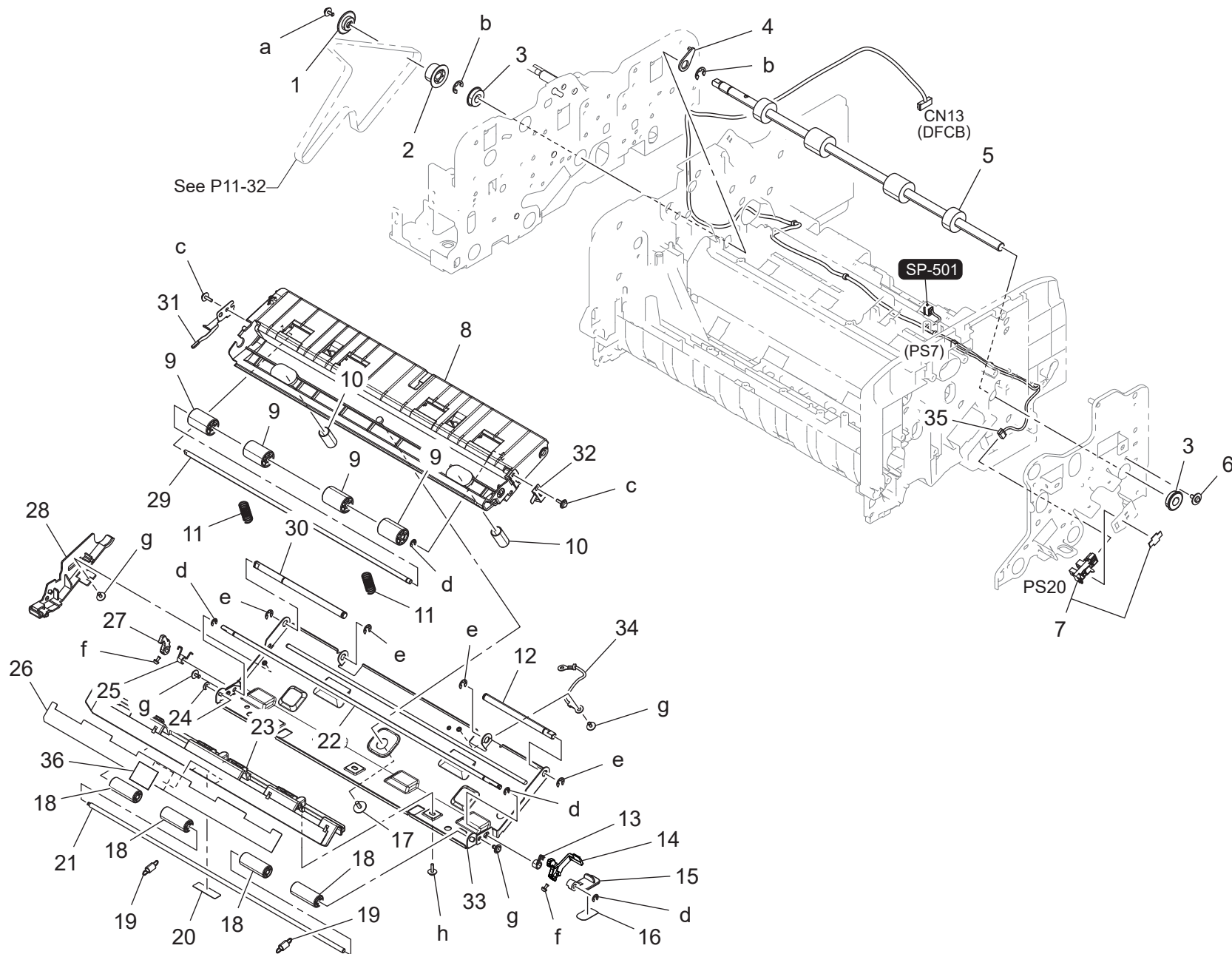
Key	Part No.	Description	Destinations	Class	QTY	Standard parts
1	A0P0M50300	Thermistor		C	1	a-V116030803
2	A782N12300	ADF Wiring /50		D	1	b-V153030803
3	A782115700	Washer /1		C	2	c-V149030803
4	A782212300	Mounting Plate		D	1	d-V115030803
5	9335140071	Solid State Switch		B	1	e-V218040086
6	A782215700	Pulling Coil spring		D	1	f-V218030086
7	A782102900	Roller		D	1	g-V145030603
8	A782M10200	Stepping motor		C	1	h-V217060003
9	A782N12600	ADF Wiring /A		D	1	k-V217040003
10	A782231000	Tension Plate		D	1	m-V144030603
11	A00V240600	Ball Bearing		B	4	n-V116040803
12	A782117900	Shoulder screw		C	1	
13	A782118300	Weight		D	1	
14	A782263801	Bushing		C	1	
15	A782262900	Pulley 14T		C	1	
16	A0HU250500	Flange		D	1	
17	A782263000	Belt 100L		C	1	
18	A782269800	Pulley T25		C	1	
19	A782268900	Belt 140L		C	1	
20	A782118000	Shoulder screw		C	1	
21	A782262200	Arm		D	1	
22	A5C1R90000	Photo Interrupter		B	1	
23	A782262800	Roll		C	20	
24	A782263300	Compressing Coil spring		C	2	
25	A3CK300200	Brush		C	1	
26	A782262501	Shaft		D	1	
27	A782264501	Sheet		C	1	
28	A782264300	Spring		D	1	
29	A782269200	Shoulder screw		C	1	
30	A782262101	Guide		C	1	
31	A782262700	Shaft		D	2	
32	A782213300	Timing belt 468L		C	1	
33	A782262300	Arm		D	1	
34	A782263700	Bushing		C	1	
35	A782213100	Pulley /2 27T		C	2	
36	A782230700	Pulley		C	2	
37	A782N10501	ADF Wiring /6		D	1	
38	A108703100	Stopper		D	1	
39	A782M10000	Stepping motor		C	1	
40	V651010034	Connector		V	1	



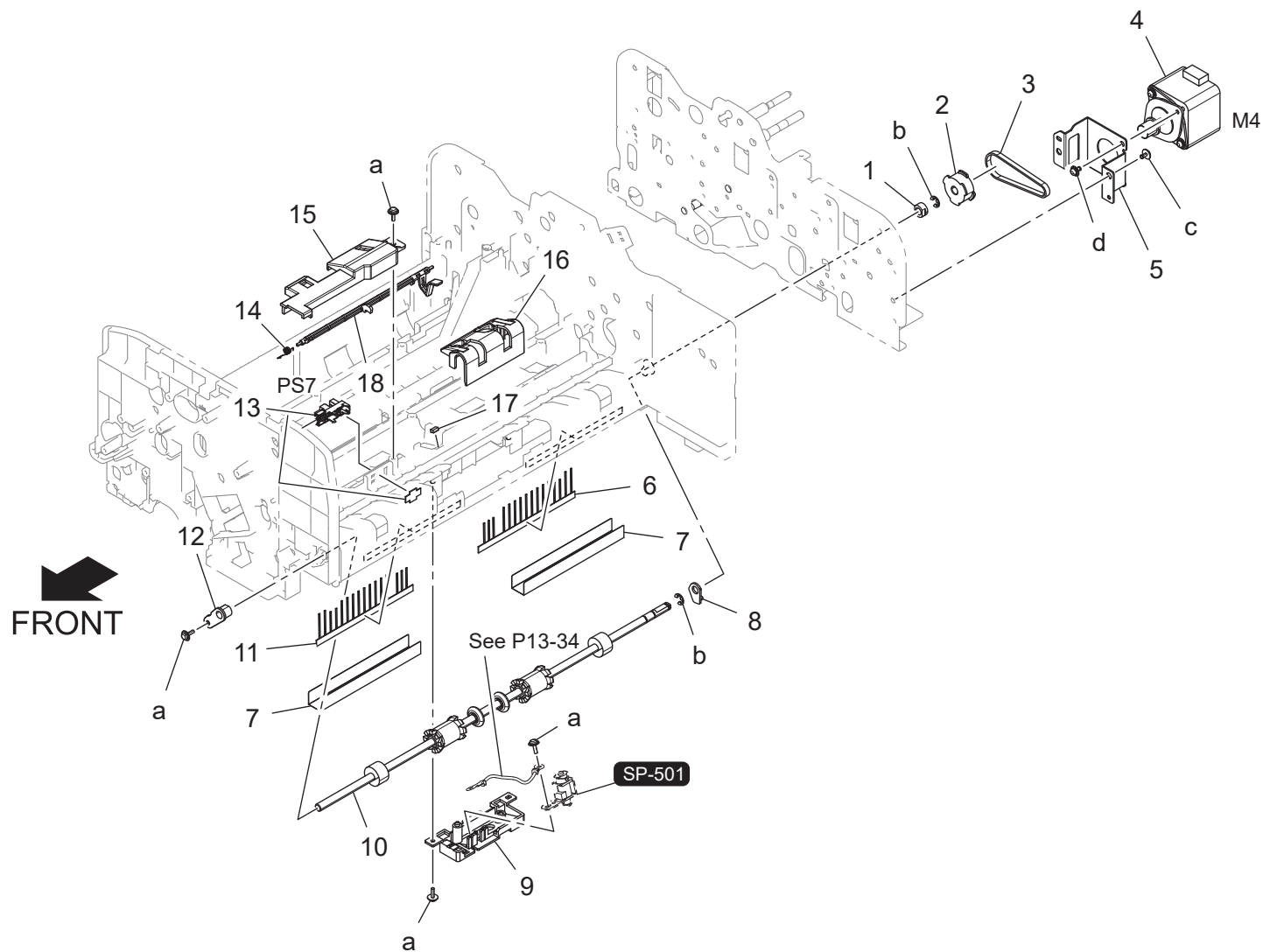
Key	Part No.	Description	Destinations	Class	QTY	Standard parts
1	A782264101	Mounting Plate		D	1	a-V143030603 b-V144030603 c-V217040003 d-V145030603 e-V218040086 f-V207030003
2	A782M10400	Stepping motor		C	1	
3	A782264202	Mounting Plate		D	1	
4	A5C1R90000	Photo Interrupter		B	1	
5	A782264400	Pulley T25		C	1	
6	A782104301	Neutralizing Brush		D	6	
7	A782265201	Mounting Plate		D	1	
8	A782268500	Spacer		D	2	
9	A782264800	Housing		D	1	
10	A3CK300200	Brush		C	1	
11	A782269200	Shoulder screw		C	2	
12	A782264300	Spring		D	1	
13	A782263201	Bushing		C	1	
14	A782268301	Shaft		D	1	
15	A3CK300102	Sheet		C	1	
16	A782264600	Pulley T18		C	1	
17	A782269500	Bushing		C	1	
18	A782264700	Pulley /2 T18		C	1	
19	A782269300	Belt 154L		C	1	
20	A782265300	Sheet /1		D	1	
21	A782264000	Belt 230L		C	1	
22	A782N12400	ADF Wiring /60		D	1	
23	A782562101	Cushion		C	2	
24	A0P0742300	Shoulder screw		C	1	



Auto document feed Section



Key	Part No.	Description	Destinations	Class	QTY	Standard parts
1	A782230900	Flange		C	1	a-V116030803
2	A782213500	Pulley 27T		C	1	b-V217060003
3	A00V240600	Ball Bearing		B	2	c-V153030803
4	A782115700	Washer /1		C	1	d-V217030003
5	A782115600	Roller		D	1	e-V217040003
6	A782117900	Shoulder screw		C	1	f-V115260503
7	A5C1R90000	Photo Interrupter		B	1	g-V144030603
8	A782265102	Conveyance Guide		D	1	h-V149030803
9	A782563800	Idling Roller		C	4	
10	A782265700	Compressing Coil spring		C	2	
11	A782265600	Compressing Coil		C	2	
12	A782266000	Open/close Shaft /Front		D	1	
13	A782266900	Open/close Spring /Left		D	1	
14	A782266502	Lock Part /Front		D	1	
15	A108266300	Lock Lever		C	1	
16	A3CK940000	Label		C	1	
17	4163529301	SCREW		C	1	
18	A782266200	Roll		C	4	
19	A782267200	Pulling Coil spring /3		C	2	
20	A782940300	Cover Film		C	1	
21	A782266401	Shaft		D	1	
22	A782266800	Open/close Shaft		D	1	
23	A782266300	Guide		D	1	
24	A782103600	Slide Stopper		C	1	
25	A782267000	Open/close Spring /Right		D	1	
26	A782117700	Conveyance Guide		D	1	
27	A782266601	Lock Part /Rear		D	1	
28	A782267100	Cover		D	1	
29	A782268201	Shaft		D	1	
30	A782266100	Shaft		D	1	
31	A782268001	Plate spring		D	1	
32	A782266700	Ground Plate spring		D	1	
33	A782265800	Cover /1		D	1	
34	A782N11800	ADF Wiring /19		D	1	
35	A782N10700	ADF Wiring /8		D	1	
36	A782117800	Guide /Middle		D	1	

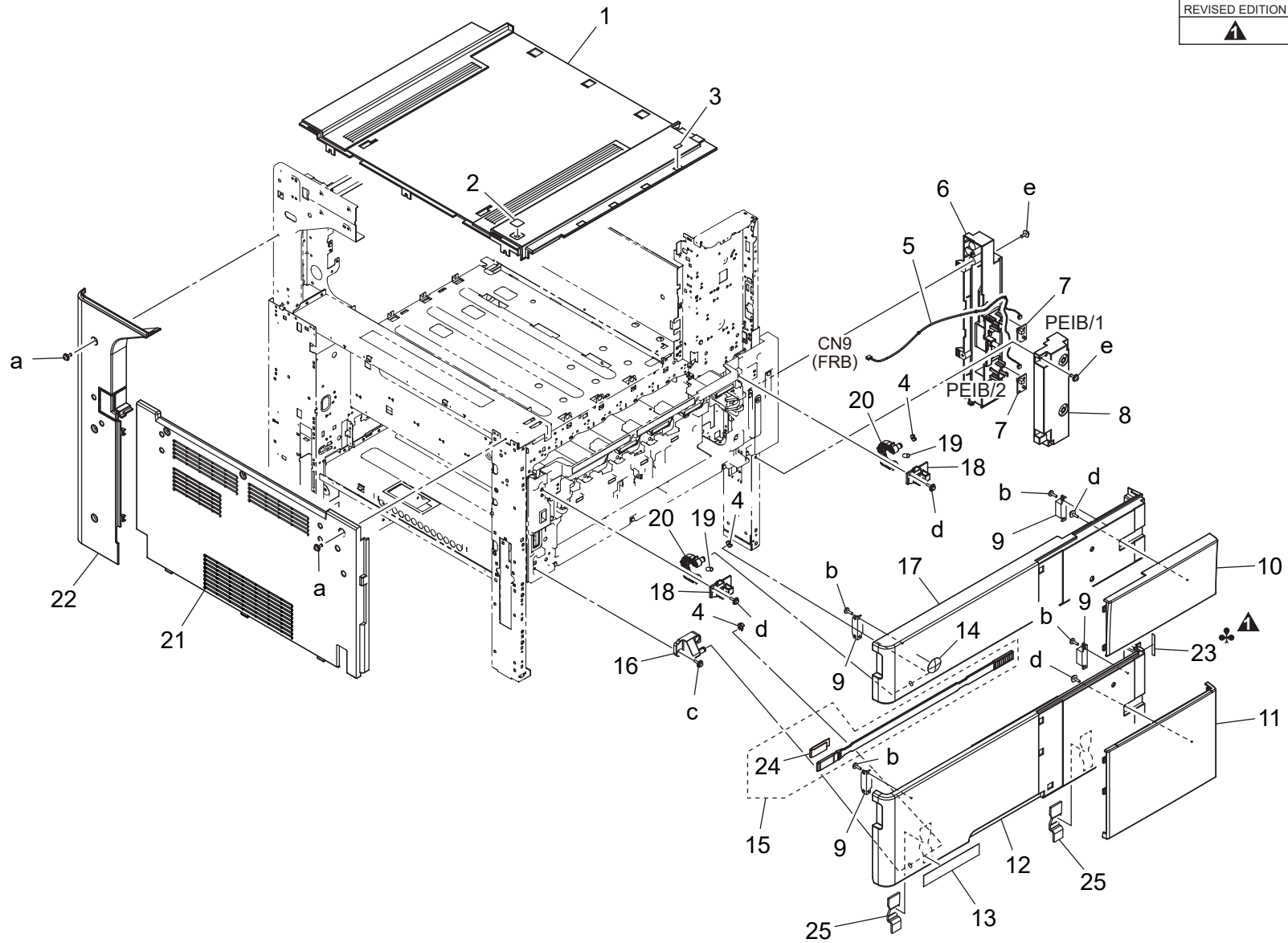


Key	Part No.	Description	Destinations	Class	QTY	Standard parts
1	4131253701	BUSHING		C	1	a-V153030803 b-V217040003 c-V144030603 d-V116030603
2	A782210800	Pulley 34T		C	1	
3	A782210200	Paper exit Timing belt 148L		C	1	
4	A3CKM10300	Stepping motor		C	1	
5	A782212500	Mounting Plate		D	1	
6	A782891600	Neutralizing Brush /2		C	1	
7	A782891700	Wiring Cover		D	2	
8	A782115800	Paper exit Washer		C	1	
9	A782890711	Mounting Pedestal		D	1	
10	A782890000	Paper exit Roller		C	1	
11	A782891500	Neutralizing Brush /1		C	1	
12	A782103200	Bushing		C	1	
13	A5C1R90000	Photo Interrupter		B	1	
14	A782101900	Paper exit Spring		C	1	
15	A782890600	Sensor Cover		D	1	
16	A782890111	Paper exit Cover		D	1	
17	A782104500	Cushion		C	1	
18	A782890200	Paper exit Actuator		C	1	

bizhub 458e

External Parts Section

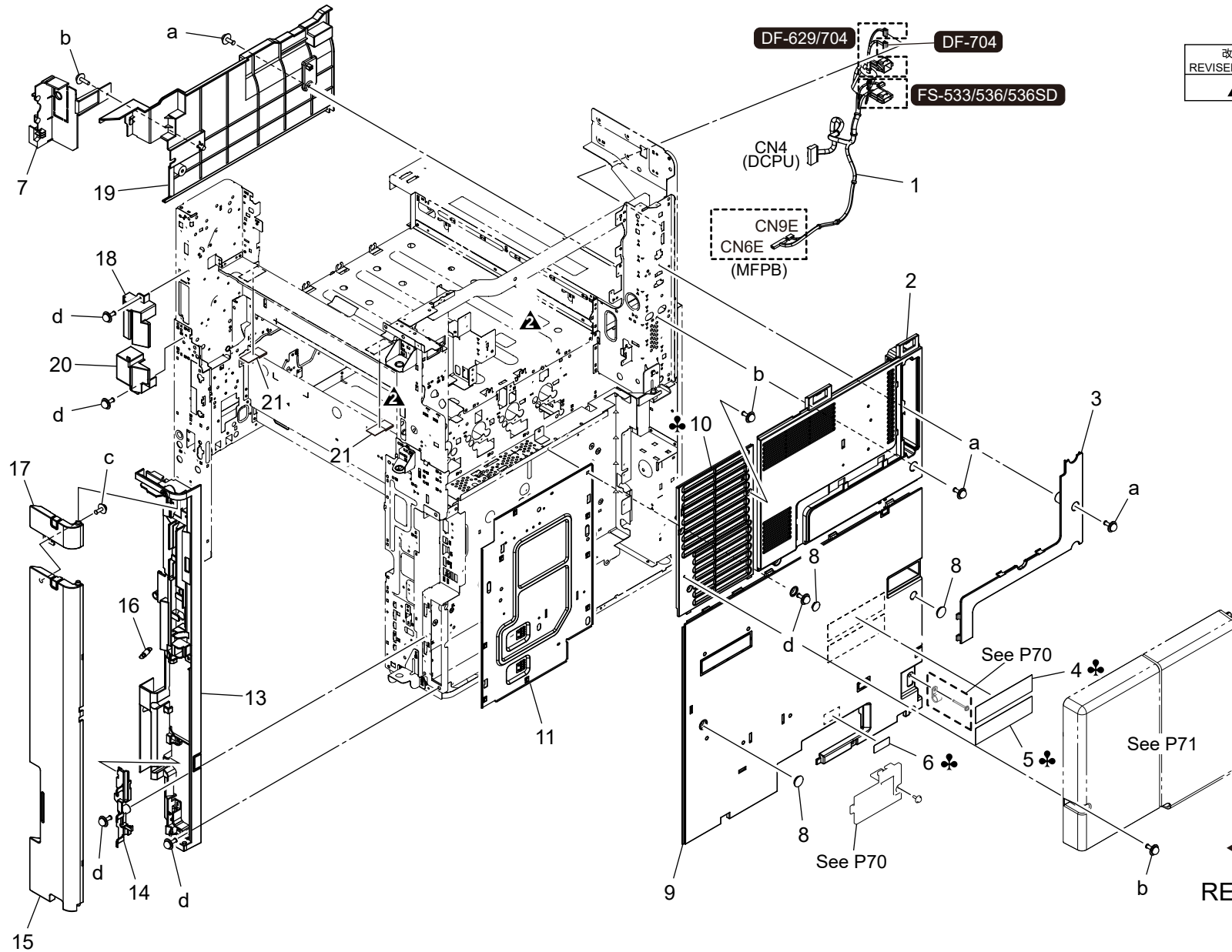
改訂版 REVISED EDITION	日付 DATE
▲	JUNE 2018



Key	Part No.	Description	Destinations	Class	QTY	Standard parts
1	A7PU160100	Cover /Upper		C	1	a-V116030804 b-V149030803 c-V153030803 d-V153031004 e-V116030803
2	A0ED163000	Seal		C	1	
3	A0ED940700	Label Toner 2		D	1	
4	56AA40490	SHAFT STOPPER 4		C	3	
5	A161N10K00	Indicating Wiring		D	1	
6	A5C1160401	Cover		C	1	
7	A00JH00D00	PWB Assembly LED1		C	2	
8	A161160300	Cover		C	1	
9	07BA12352	Magnet Catch		C	4	
10	A2XK163201	Open/close Cover /Front		C	1	
11	A2XK163401	Open/close Cover /Front		C	1	
12	A79J163301	Open/close Cover /Front		C	1	
13	AA6U940100	Label bizhub 458e		D	1	
14	A00J945500	Logo Mark		C	1	
15	A5C1R71600	Cleaning Material		C	1	
16	A161165602	Support Shaft		C	1	
17	A2XK163102	Open/close Cover /Front		C	1	
18	A2XK165000	Open/close Shaft		C	2	
19	A2XK165700	Compressing Spring		C	2	
20	A2XK163701	Hinge		C	2	
21	A79J160700	Cover /Left		C	1	
22	A7PU160800	Cover /Left		C	1	
23	A161940400	Label	A,A1,B,C,D1,D3,E,F2 .G1,G2,H,I,K	C	1	
23	A61F940400	Label	ラベル (電源 SW お知らせ・中国)	C	1	
24	A00J106202	Cleaning Pad	J	C	1	
25	AA6V169300	Holding Part	押さえ部材	D	2	

External Parts Section

改訂版 REVISED EDITION	日付 DATE
	AUGUST 2018



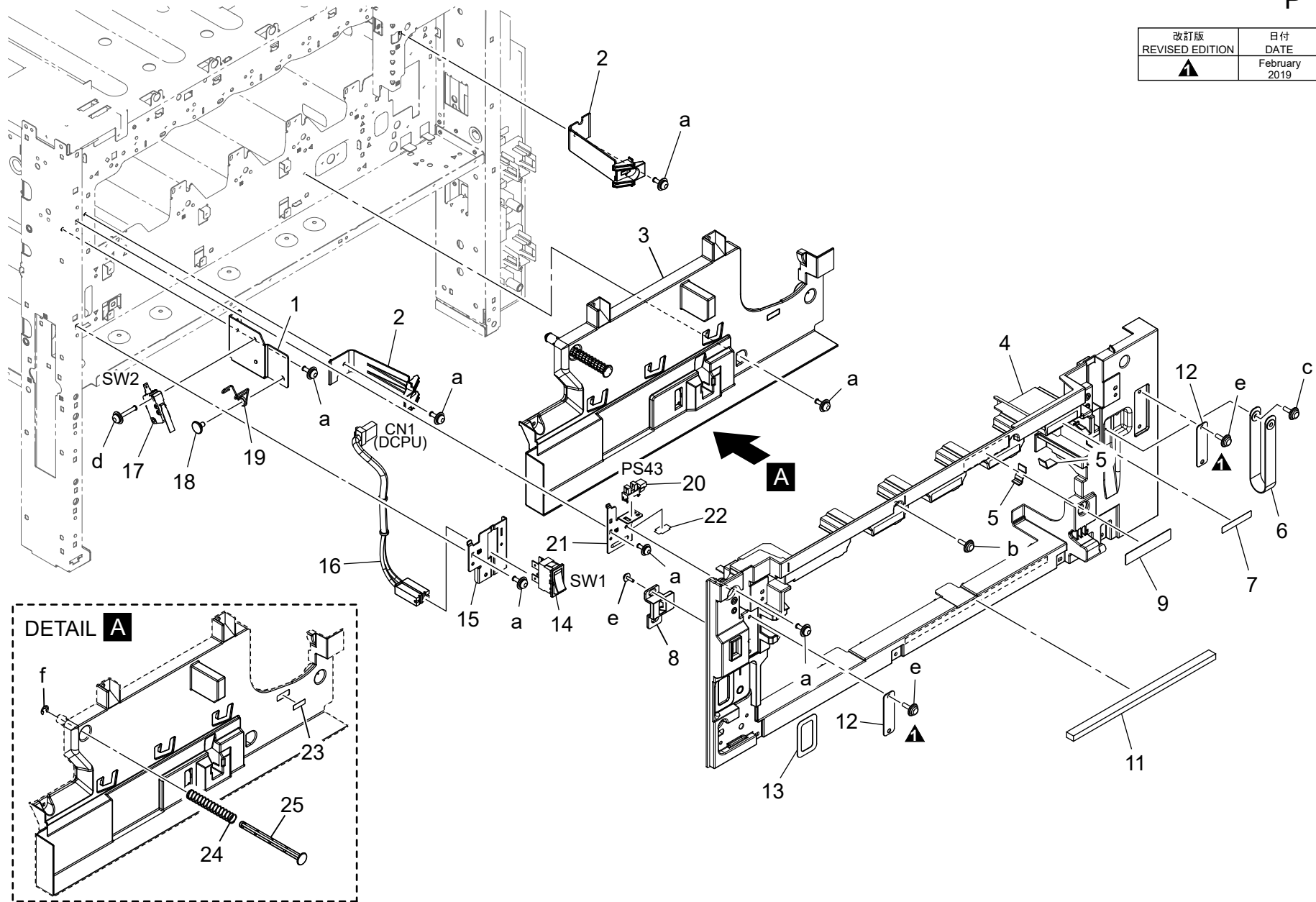
 REAR SIDE

Key	Part No.	Description	Destinations	Class	QTY	Standard parts
1	A7PUN10302	FNS Relay harness		D	1	a-V116030804 b-V153030804 c-V153030803 d-V116030803
2	A79J162100	Cover		C	1	
3	A79J163500	Cover		C	1	
4	A2X0945701	Label		C	1	
4	A90G945700	Label Caution		D	1	
5	A7PU941701	Label Caution		C	1	
6	A02E149900	Label		C	1	
7	A161162803	Cover		C	1	
8	A00J169100	Cover		D	3	
9	A79J166303	Cover		C	1	
10	A79J168501	Cover		C	1	
11	A79J132311	Shield Plate		C	1	
13	A7PU161806	Cover		C	1	
14	A7PU168702	Cover		D	1	
15	A7PU160902	Cover		C	1	
16	A161163900	Pulling Coil spring		C	1	
17	A79J168400	Cover /Right rear		C	1	
18	A161162900	Cover		D	1	
19	A79J162201	Cover		C	1	
20	A161161201	Cover		D	1	
21	A7PU109100	Cushion		C	2	

External Parts Section

P 17

改訂版 REVISED EDITION	日付 DATE
▲	February 2019

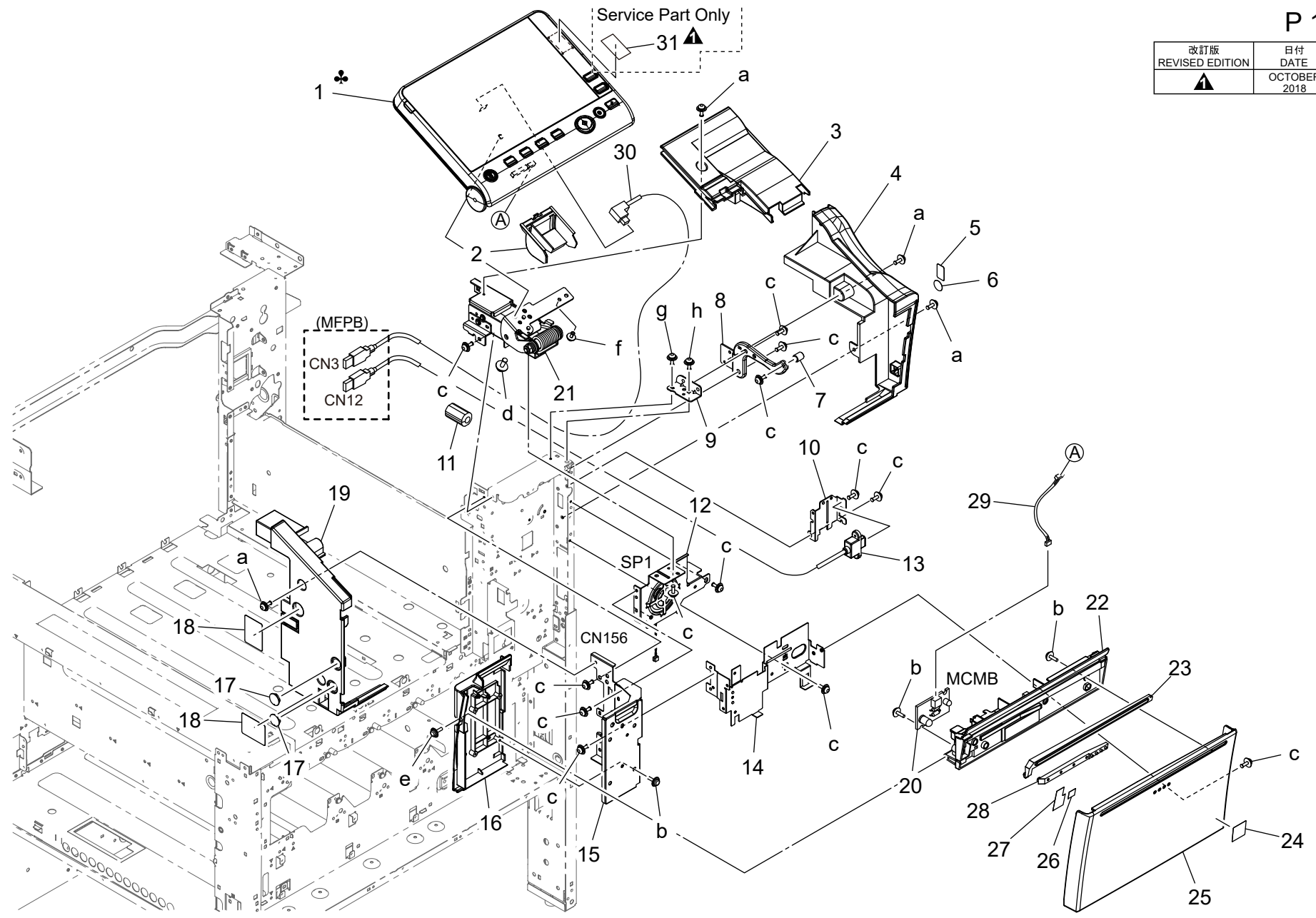


bizhub 458e

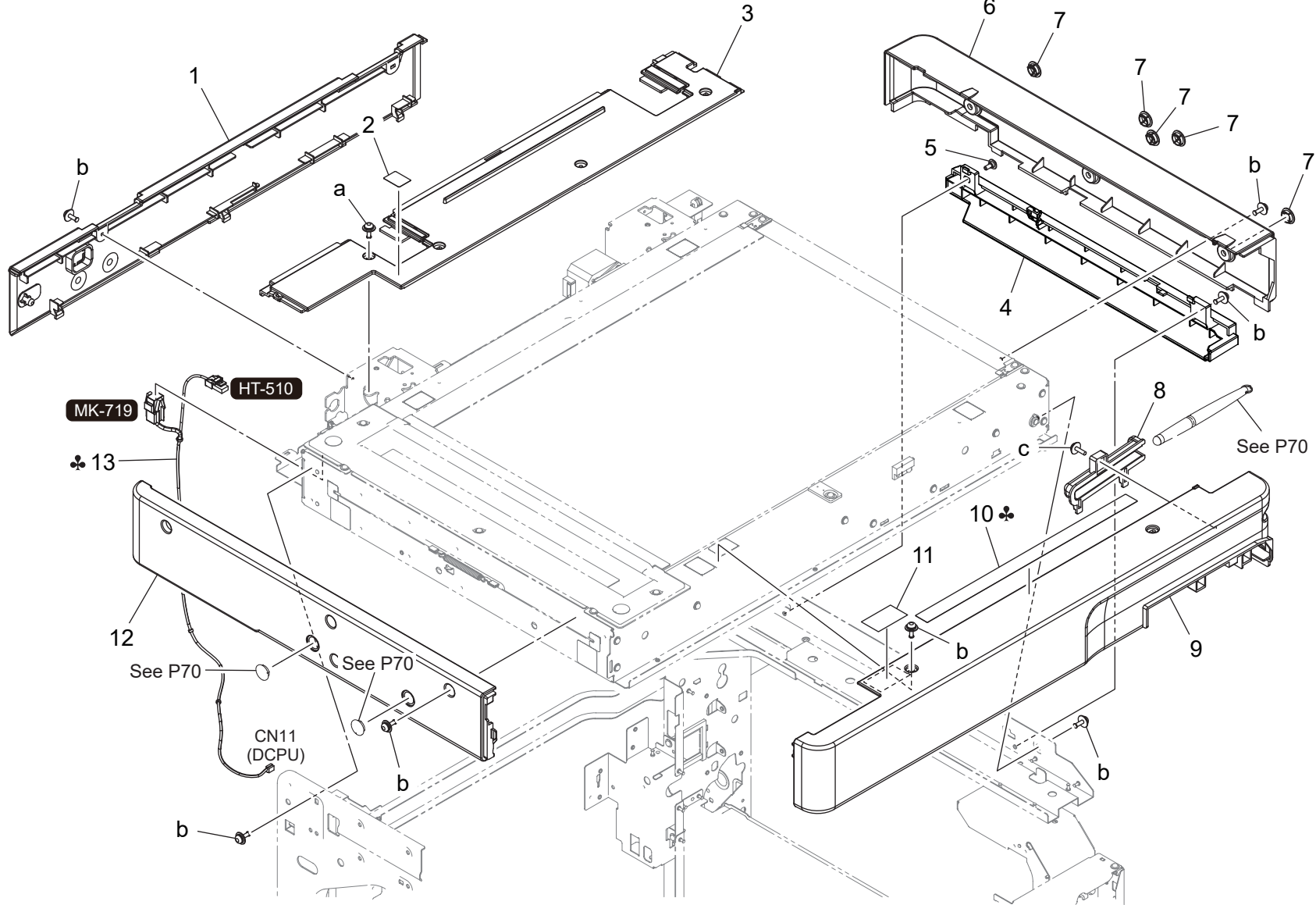
Key	Part No.	Description	Destinations	Class	QTY	Standard parts
1	A161151100	Mounting Plate	取付板 (安全 SW __前カバー)	D	1	a-V116030803
2	A79J165700	Fixing Claw	固定爪	D	2	b-V153030804
3	AA6VR70700	Front Cover Assy	前カバー A S S Y	D	1	c-V153031003
4	A79J165002	Cover /Front	カバー /前	C	1	d-V116031603
5	A161165300	Protection Part	保護材	C	2	e-V153030803
6	A0ED162401	Band	バンド	D	1	f-V217040001
7	A161942500	Label DR/K	ラベル DR 挿入目標 K	D	1	
8	A79J165201	Receiving Part	受け部材	D	1	
9	AA6R942600	Label	ラベル (TN 操作 4・Z)	D	1	
11	A9HJ168800	Seal	シール	D	1	
12	4038101401	SUCTION PLATE	吸着板	D	2	
13	A161942000	Label	ラベル (電源 SW)	D	1	
14	AA6RM60000	Rocker switch	波形スイッチ	C	1	
15	A161135100	Mounting Plate	取付板 (メイン SW)	D	1	
16	A2XKN10C00	AC Wiring /B	A C 束線 / B	D	1	
17	9J06M60100	MICRO SWITCH	マイクロスイッチ	C	1	
18	4038228702	SHOULDER SCREW	段ねじ	C	1	
19	A161151300	Torsion Coil spring	ねじリコイルばね	D	1	
20	A5C1M50100	Photointerrupter	透過型センサ	B	1	
21	A161135504	Mounting Plate	取付板 (センサ / 前扉)	D	1	
22	4470402401	Stopper	ストッパー	D	1	
23	A161943000	Label	ラベル	C	1	
24	AA6V169000	Spring	ばね (8 N)	D	1	
25	AA6V169100	Slide Shaft	スライド軸	D	1	

Operation Panel Section

改訂版 REVISED EDITION	日付 DATE
	OCTOBER 2018



Key	Part No.	Description	Destinations	Class	QTY	Standard parts
1	A7PUM70004	Panel assembly	A,A1	I	1	a-V116030804 b-V153030803 c-V116030803 d-V125041003 e-V153030804 f-V126030603 g-V116030603 h-V137030803
1	A7PUM70104	Panel assembly	B,D1,D3,E,F2,G1,G2, I(EXCEPT SOUTH AFRI CA),K	I	1	
1	A7PUM70204	Panel assembly	C,I(SOUTH AFRICA)	I	1	
1	A7PUM70403	Panel assembly	H	I	1	
1	A7PUM70303	Panel assembly	J	I	1	
2	A161190903	Cover		C	1	
3	A7PU162600	Cover		C	1	
4	A9HG161500	Cover		D	1	
5	A7PU168500	Seal		C	1	
6	A7PU168600	Seal		C	1	
7	A7PU138200	Connecting Shaft		D	1	
8	A7PU138100	Reinforce Plate		D	1	
9	A7PU138301	Reinforce Plate		D	1	
10	A7PU138002	Mounting Plate		D	1	
11	A5C1M92000	Ferritecore		D	1	
12	A79JR72600	Speaker Assy		D	1	
13	A90GN15300	Interface Cable		D	1	
14	A7PU164100	Mounting Plate		D	1	
15	A7PU135402	Support Plate		D	1	
16	A7PU161900	Cover		C	1	
17	A00J169100	Cover		D	2	
18	A161162400	Seal		C	2	
19	A7PU161400	Cover		C	1	
20	A161H00U01	PWB Assembly(PWB-LED ASSY)		C	1	
21	A7PUR73100	Mounting Plate Assy		C	1	
22	A5C1167800	Light blocking Cover		D	1	
23	A161167000	Lens		D	1	
24	A011946200	Label Emperon		D	1	
25	A7PU161701	Cover		C	1	
26	A161167400	Light blocking Sheet /2		D	1	
27	A161167300	Light blocking Sheet /1		D	1	
28	A161167100	Lens		D	1	
29	A5C1N10B00	Indicating Wiring/3		D	1	
30	A7PUN15700	Interface Cable		D	1	
31	A7PUP00100	Seal		C	1	



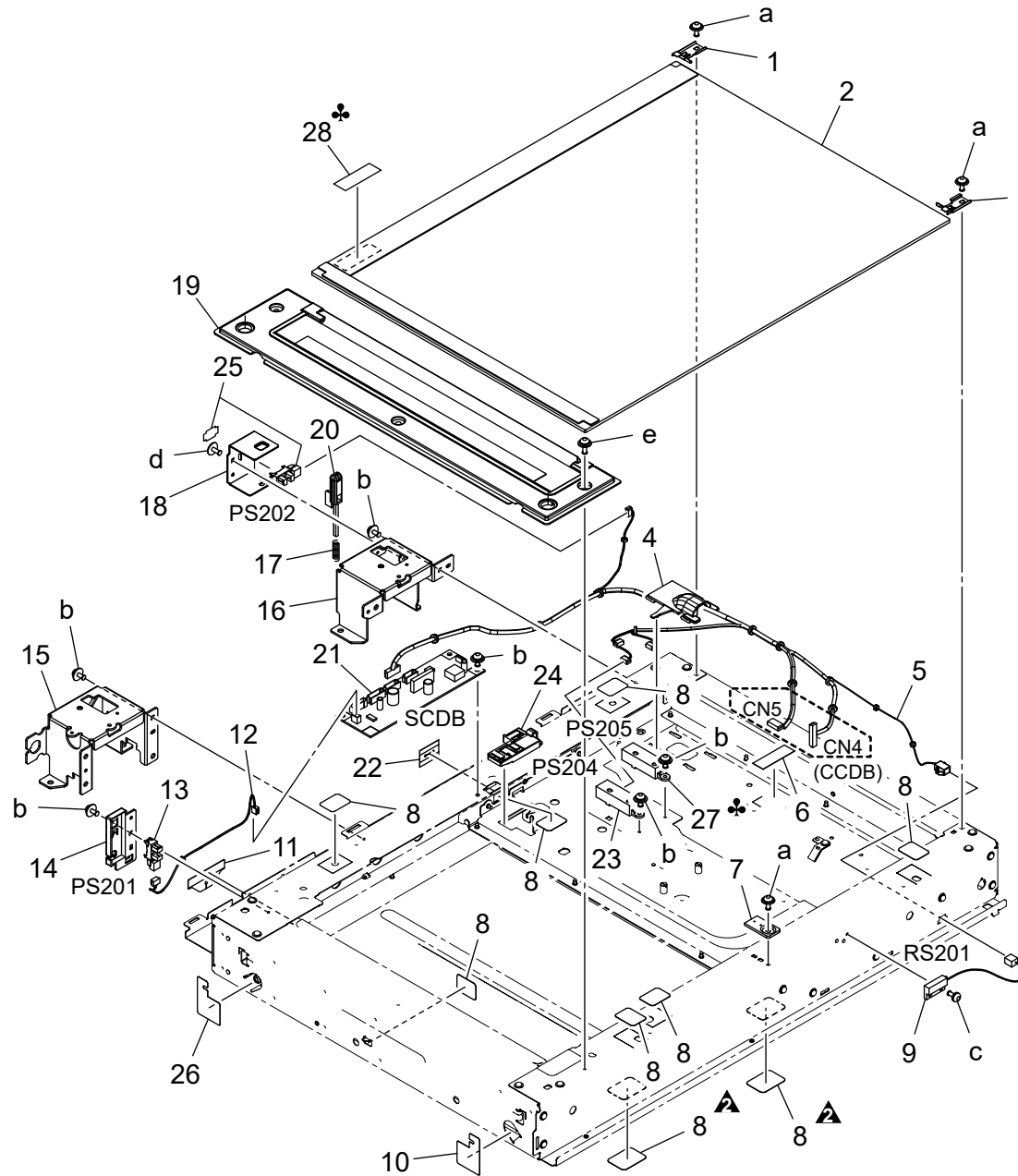
Scanner Section

Key	Part No.	Description	Destinations	Class	QTY	Standard parts
1	A7PU170200	Read Cover /Rear		C	1	a-V116030804 b-V116030803 c-V153030803
2	A7PU940600	Label		D	1	
3	A7PU170702	Read Cover		C	1	
4	A79J170601	Read Cover		C	1	
5	A00J169300	Shoulder screw		C	1	
6	A7PU170400	Read Cover /Right		C	1	
7	A02E167700	Cover		C	5	
8	A161170800	Holder		D	1	
9	A7PU170101	Read Cover /Front		C	1	
10	A3EW944600	Label	A,A1	C	1	
11	A0HF952400	Label		C	1	
12	A79J170300	Read Cover /Left		C	1	
13	A161N11C01	Scanner Relay harness /100V	A,A1	D	1	

Scanner Section

P 20

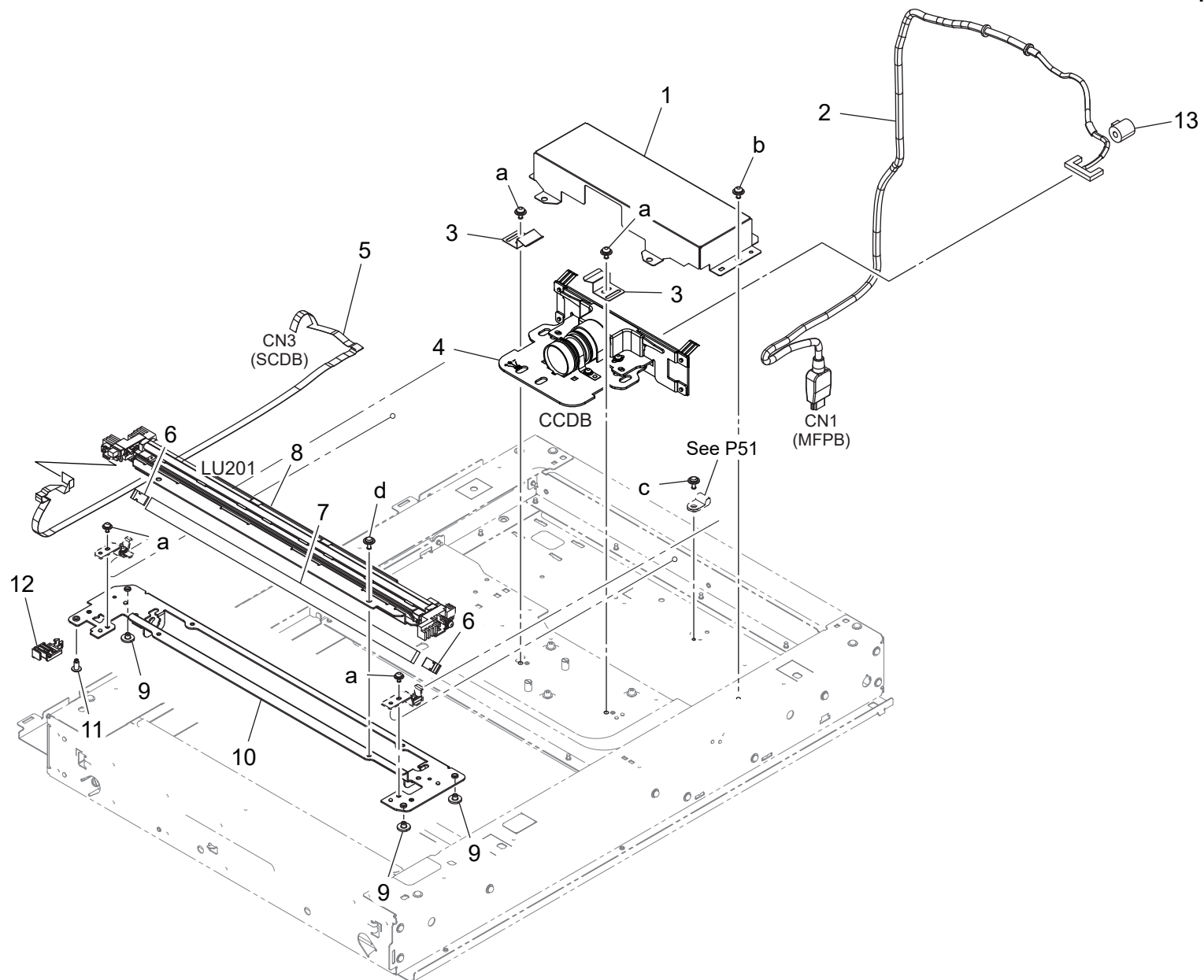
改訂版 REVISED EDITION	日付 DATE
	NOVEMBER 2018



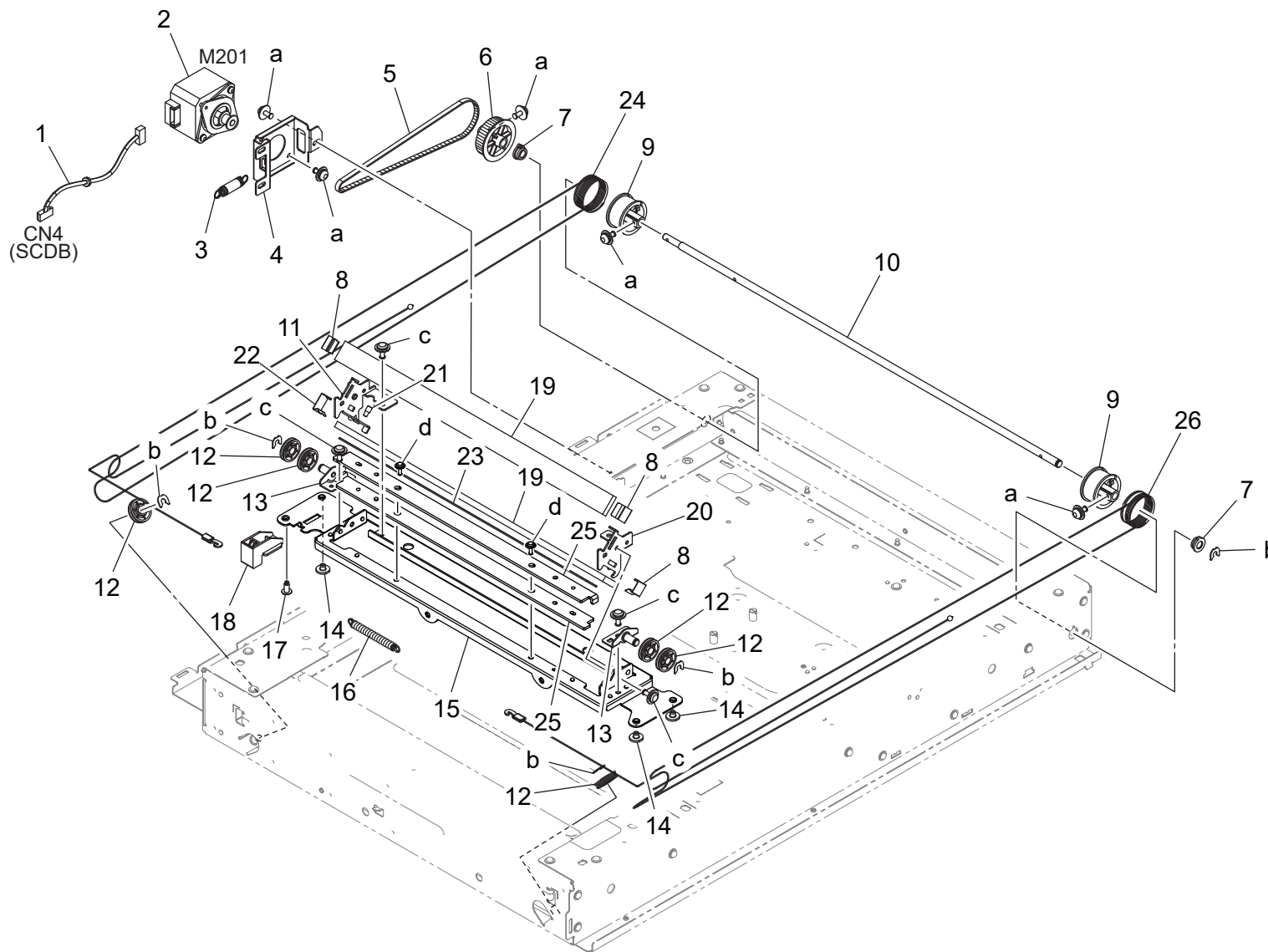
Key	Part No.	Description	Destinations	Class	QTY	Standard parts
1	A161268300	Holding Plate		D	1	a-V121030604 b-V116030603 c-V115030603 d-V137030603 e-V116030804
2	A161R72200	Original Glass Assy		C	1	
3	A161268200	Holding Plate		D	1	
4	A161281600	Guide		D	1	
5	A161N14100	Scanner Wiring /1		D	1	
6	4036307501	Tape		D	1	
7	A00J265300	Regulating Plate		C	1	
8	4581162501	SEAL		C	9	
9	A1UDM50200	Lead Switch		C	1	
10	A5C1263300	Seal		C	1	
11	A161263000	Seal		D	1	
12	A161N14201	Scanner Wiring /2		D	1	
13	A5C1M50100	Photointerrupter		B	1	
14	A161262200	Cover		D	1	
15	A161261902	Frame		D	1	
16	A161262002	Frame		D	1	
17	A161280300	Compressing Coil spring		C	1	
18	A5C1280100	Mounting Plate		D	1	
19	A7PUR71133	Slit Glass Assy		C	1	
20	A161280211	Lever		D	1	
21	A796H01A00	Scanner drive board Assembly		I	1	
22	A161281300	Seal		D	1	
23	A161M50A00	APS Photoreflector		C	1	
24	A161281100	Guide		D	1	
25	A5C1R90000	Photo Interrupter		B	1	
26	A5C1263400	Seal		C	1	
27	A161M50A00	APS Photoreflector	D1,D3,E,F2,G1,I(EXC EPT SOUTH AFRICA),K	C	1	
28	A7PU941600	Label	J	C	1	

Scanner Section

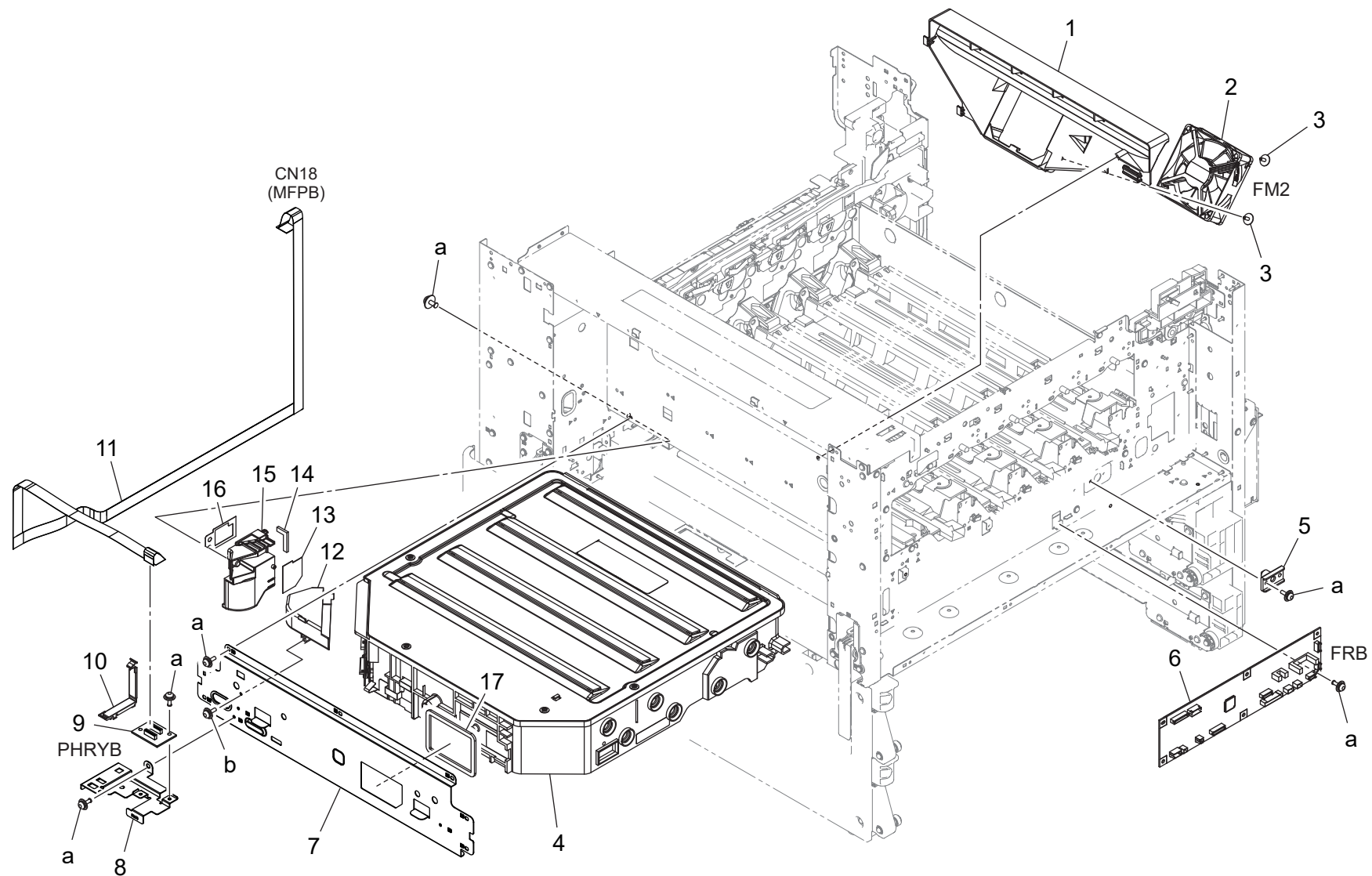
P 21



Key	Part No.	Description	Destinations	Class	QTY	Standard parts
1	A161278600	Cover		D	1	a-V116030603 b-V127030516 c-V137030804 d-V137030603
2	A7PUN14500	CCD Cable		D	1	
3	A161278900	Plate spring		D	2	
4	A795R71000	CCD ASSY		I	1	
5	A161N14000	Scanner Wiring /4		D	1	
6	A0ED271300	Plate spring		D	2	
7	A0ED271200	Mirror		D	1	
8	A61FM31100	Lamp		D	1	
9	A161271000	Bushing		D	3	
10	A161270102	Frame		D	1	
11	A161271100	Bushing		D	1	
12	A161270600	Guide		D	1	
13	A49FM90100	Ferritecore		D	1	



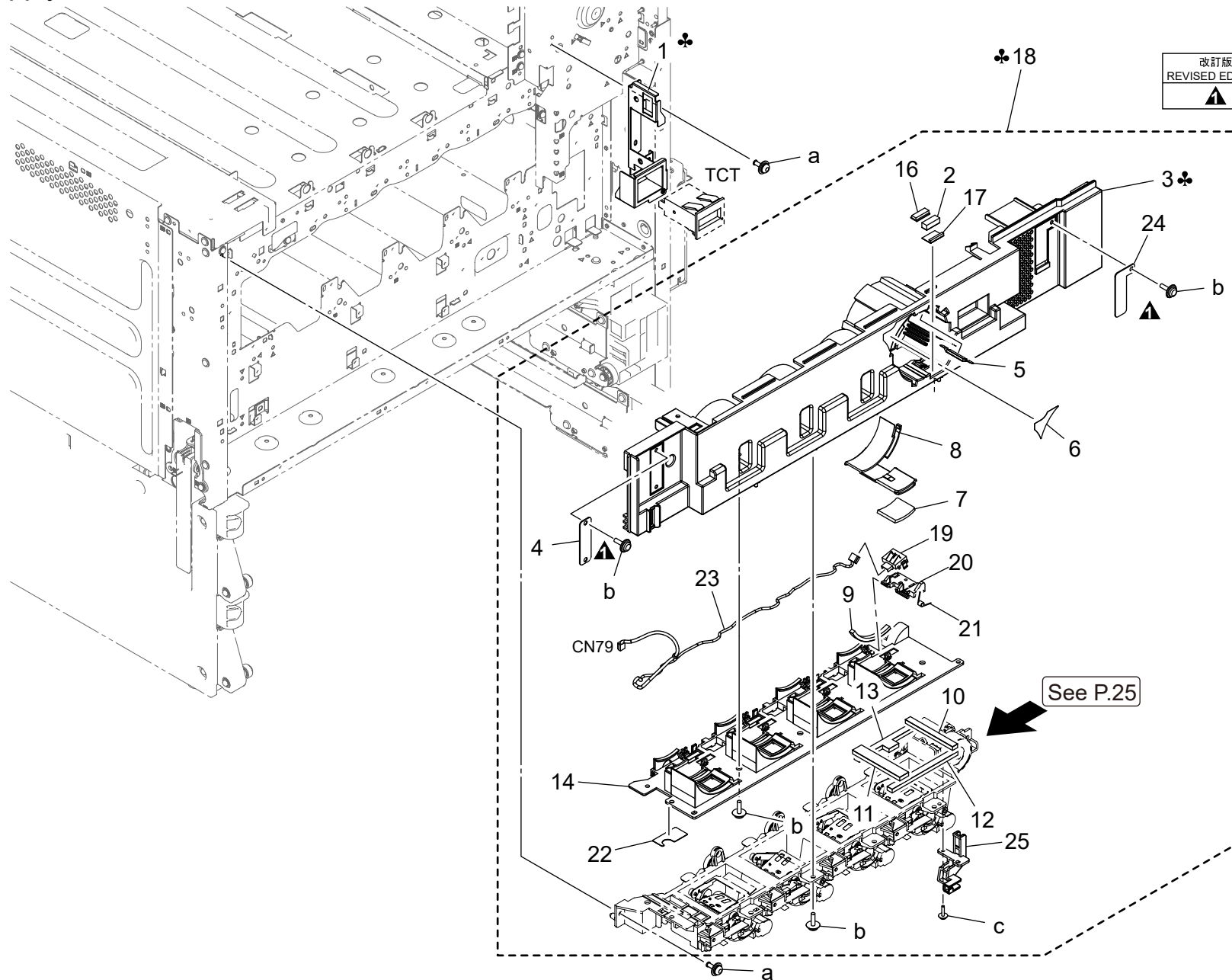
Key	Part No.	Description	Destinations	Class	QTY	Standard parts
1	A5C1N14300	Scanner Wiring		D	1	a-V116030603 b-V218040086 c-V137030603 d-V137030803
2	A5C1M10A00	Stepping motor		C	1	
3	A795275700	Pulling Spring		D	1	
4	A161276000	Mounting Plate		D	1	
5	A161275600	Timing belt 335L		D	1	
6	A161275500	Pulley 103T		D	1	
7	A161276500	Bearing		D	2	
8	A0ED274400	Plate spring		D	3	
9	A161275300	Pulley		D	2	
10	A161275400	Shaft		D	1	
11	A161273701	Mounting Plate		D	1	
12	A0ED273600	Pulley		C	6	
13	A161273401	Mounting Plate		D	2	
14	A161271000	Bushing		D	3	
15	A161273113	Frame		D	1	
16	A0ED276301	Pulling Spring		D	1	
17	A161271100	Bushing		D	1	
18	A161273500	Guide Part		D	1	
19	A0ED274300	Mirror		D	2	
20	A161273800	Mounting Plate		D	1	
21	A161274600	Adjusting Screw		C	1	
22	A161274500	Plate spring /1		D	1	
23	A0ED274200	Vibrationproof Plate		D	1	
24	A161275213	Wire /Rear		C	1	
25	A795273900	Vibrationproof Plate		D	2	
26	A161275113	Wire /Front		C	1	



Key	Part No.	Description	Destinations	Class	QTY	Standard parts
1	A61F140200	Duct		D	1	a-V116030803 b-V153030803
2	4139M10001	Fan motor		B	1	
3	4163529301	SCREW		C	2	
4	AA6UR70100	Print Head Assy		I	1	
5	A161105400	Positioning Plate		D	1	
6	A9HJH00501	FRB		I	1	
7	A79J101801	Mounting Plate		D	1	
8	A7PU130300	Mounting Plate		D	1	
9	AA6RH00800	PHRYB		D	1	
10	A161137802	Holder		D	1	
11	AA6RN10600	I/F Flatcable		C	1	
12	A79J147501	Duct /3		D	1	
13	A79J146300	Seal		C	1	
14	A79J146500	Cushion		C	1	
15	A79J147401	Duct /2		D	1	
16	A161146400	Seal		D	1	
17	A2XK144201	Seal /2		D	1	

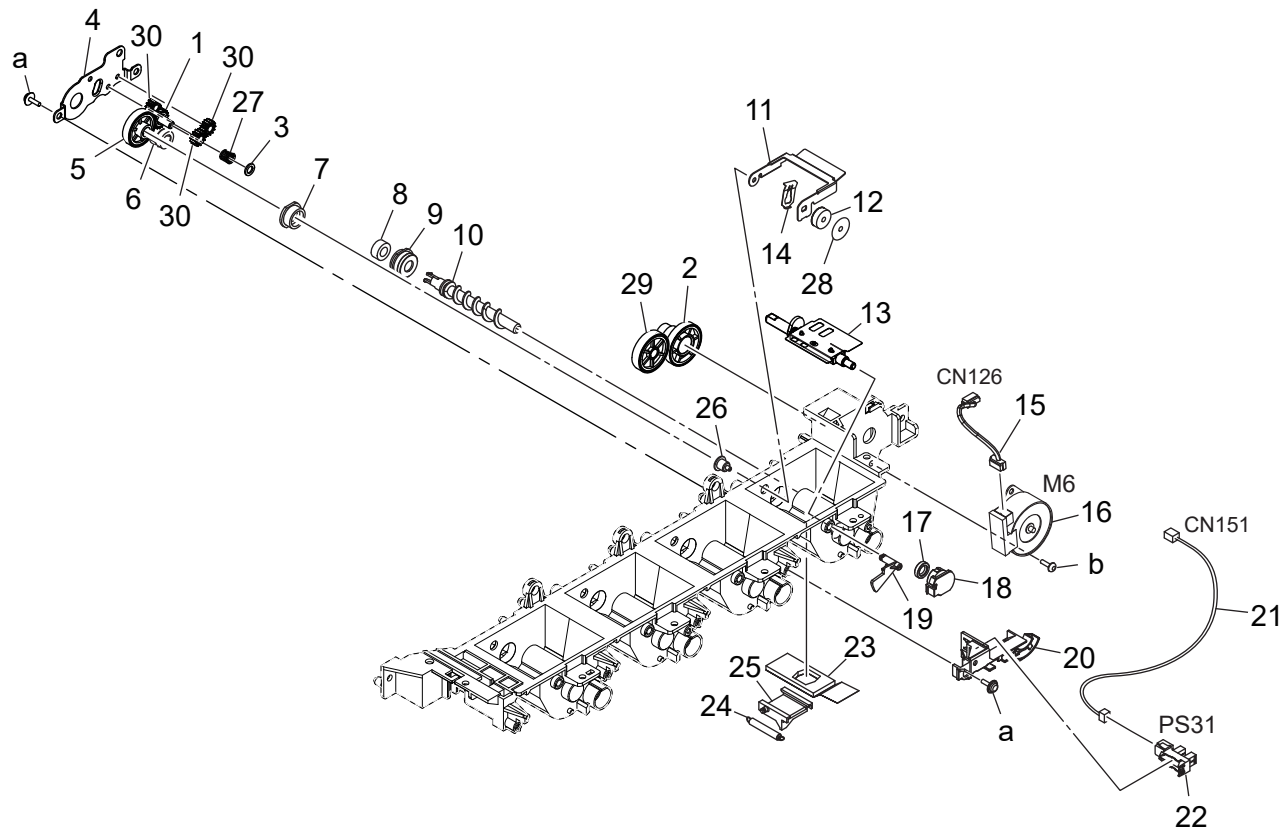
Toner supply Section

改訂版 REVISED EDITION	日付 DATE
▲	February 2019



Key	Part No.	Description	Destinations	Class	QTY	Standard parts
1	A79M121700	Reinforce Plate	補強板 (I R 前右 S O / 国内)	A,A1	1	a-V116030803 b-V153030803 c-V153031004
1	A79M122700	Reinforce Plate	補強板 (I R 前右 S O)	B,C,D1,D3,E,F2,G1,G 2,I,K,H,J	1	
2	A161403701	Seal	シール (トナー拭き取り)	D	1	
3	AA6R401100	Cover	カバー (トナーボトル X - U S)	B,G2	1	
3	AA6R401200	Cover	カバー (トナーボトル X - E U)	C,I(SOUTH AFRICA)	1	
3	AA6R401300	Cover	カバー (トナーボトル X - J P)	A,A1	1	
3	AA6R401500	Cover	カバー (トナーボトル X - A P)	D1,D3,E,F2,G1,I(EXC EPT SOUTH AFRICA),K ,H,J	1	
4	4038101401	SUCTION PLATE	吸着板	D	1	
5	A161403901	Spacer	スペーサ (調整部材)	D	1	
6	A0ED940600	Label Toner 1	ラベル (T N 操作 1)	D	1	
7	A161402502	Seal	シール (補給口)	D	1	
8	A161402403	Shutter	シャッター (補給口)	D	1	
9	A161403800	Seal	シール (シャッター)	D	1	
10	A161403500	Seal	シール (補給口)	D	1	
11	A161403600	Seal	シール (補給口)	D	1	
12	A61F403300	Seal	シール	D	1	
13	A61F403401	Seal	シール	D	1	
14	A161402115	Cover	カバー (補給口)	D	1	
16	A161404001	Seal /1	シール / 1 (トナー拭き取り)	D	1	
17	A161404100	Seal /2	シール / 2 (トナー拭き取り)	D	1	
18	AA6RR70600Old	Sub Hopper Assy	サブホッパー A s s y	A,A1	1	
18	AA6RR70611	Sub Hopper Assy	サブホッパー A s s y	A,A1	1	
18	AA6RR70700Old	Sub Hopper Assy	サブホッパー A s s y	B,G2	1	
18	AA6RR70711	Sub Hopper Assy	サブホッパー A s s y	B,G2	1	
18	AA6RR70800Old	Sub Hopper Assy	サブホッパー A s s y	C,I(SOUTH AFRICA)	1	
18	AA6RR70811	Sub Hopper Assy	サブホッパー A s s y	C,I(SOUTH AFRICA)	1	
18	AA6RR71100Old	Sub Hopper Assy	サブホッパー A s s y	D1,D3,E,F2,G1,I(EXC EPT SOUTH AFRICA),K ,H,J	1	
18	AA6RR71111	Sub Hopper Assy	サブホッパー A s s y	D1,D3,E,F2,G1,I(EXC EPT SOUTH AFRICA),K ,H,J	1	
19	A0EDM60001	Relay Connector	中継コネクタ (基板接点)	D	1	
20	A2XK400001	Holder	ホルダ (接点)	D	1	
21	A2XK400100	Torsion Coil spring	ねじりコイルばね	D	1	
22	A61D400200	Partition	仕切	D	1	
23	A61DN10B01	Toner Detection harness /2	トナー検知束線 / 2	D	1	
24	A79J403100	Suction Plate	吸着板	D	1	
25	A61F400001	Holder	ホルダ	D	1	

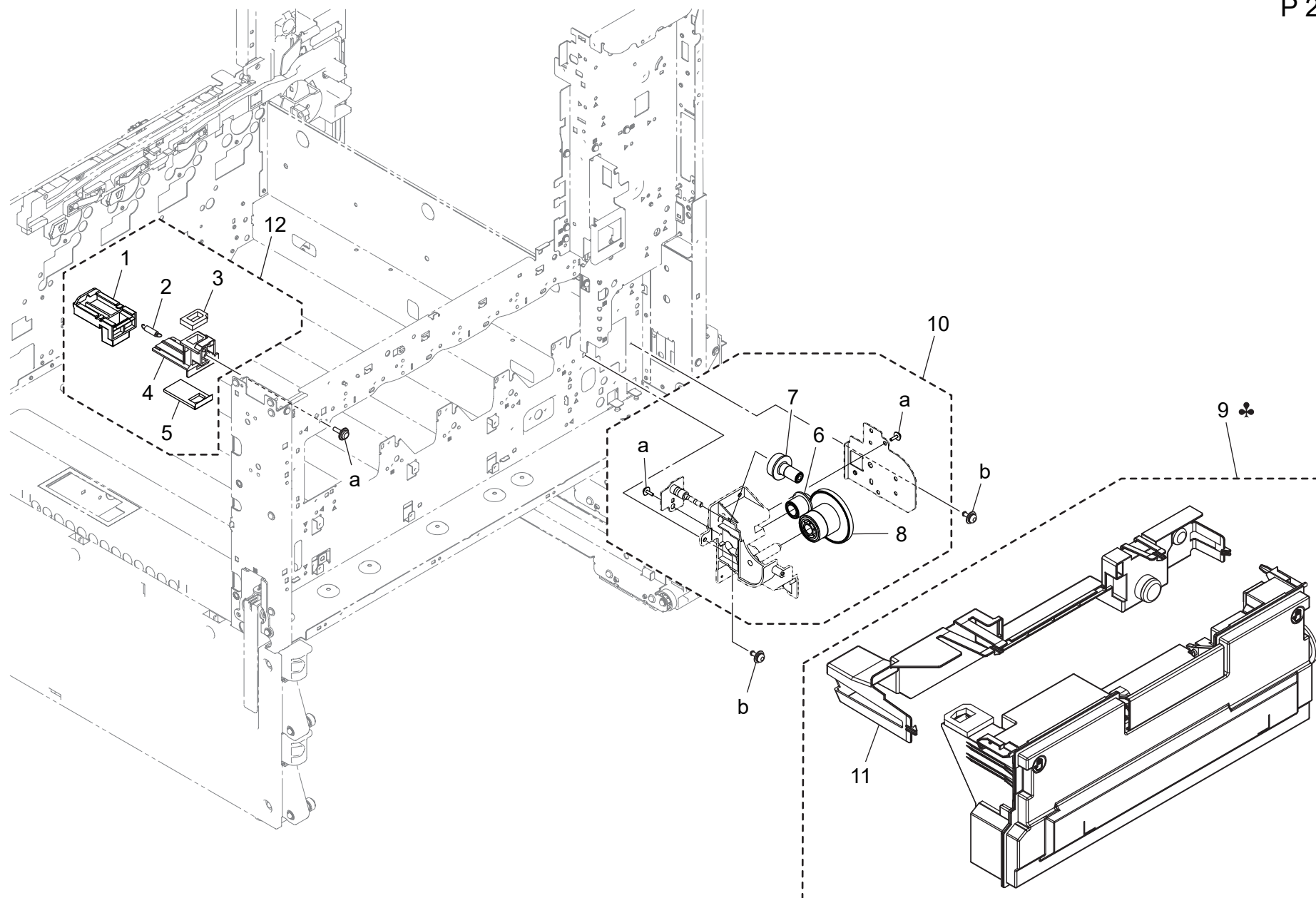
Toner supply Section



Toner supply Section

Key	Part No.	Description	Destinations	Class	QTY	Standard parts
1	A79J401700	Gear 18T		C	1	a-V153030803 b-V145030803
2	A161401300	Gear 17/65T		C	1	
3	A79J401800	Washer		C	1	
4	A79J402600	Mounting Plate		D	1	
5	A161401100	Gear 36T		C	1	
6	A161401000	Gear 18T		C	1	
7	4163510201	BUSHING		C	1	
8	4576536301	SEAL		D	1	
9	A161403101	Holder		C	1	
10	A161400100	Screw		C	1	
11	A161400401	Detecting Plate		D	1	
12	A161400601	Detecting Seal		D	1	
13	A5C1F42000	Agitating Shaft		D	1	
14	A161404200	Fixing Plate		D	1	
15	A161N12801	Toner Drive harness /K		D	1	
16	A7PUM10700	Stepping motor		C	1	
17	4333501201	SEAL		D	1	
18	A161403000	Bushing		D	1	
19	A161404300	Detecting Actuator		D	1	
20	A161400701	Mounting Plate		D	1	
21	A61FN10F00	Toner Detection harness		D	1	
22	A5C1M50100	Photointerrupter		B	1	
23	A161403200	Seal		D	1	
24	4036534801	TENSION SPRING		C	1	
25	A0ED401000	Shutter		D	1	
26	A161400800	Pin		D	1	
27	A79J401900	Spring		C	1	
28	A5C1404600	Washer		D	1	
29	A79J401400	Gear 40T		C	1	
30	A79J401600	Gear 20T		C	3	

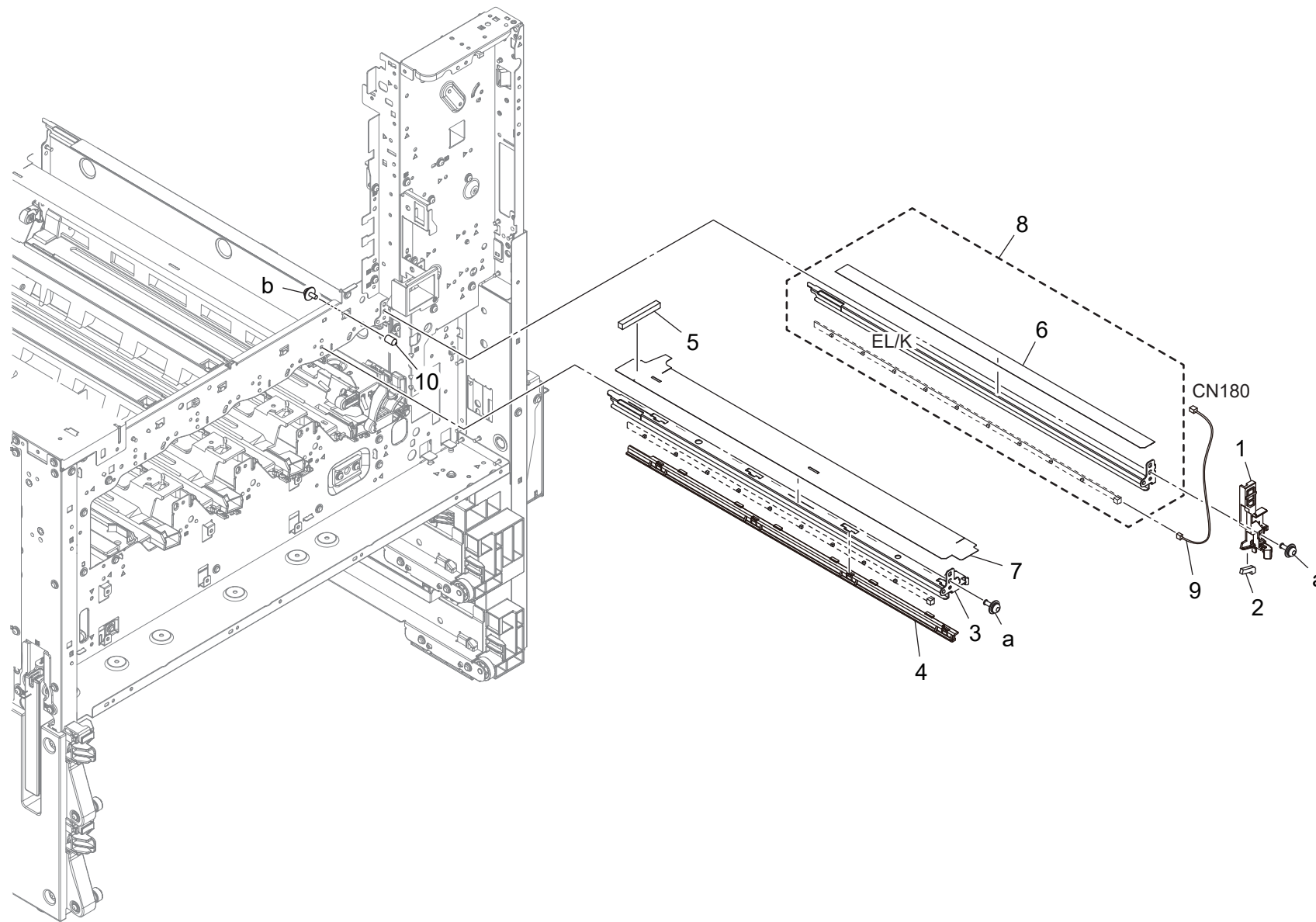
Toner collecting Section



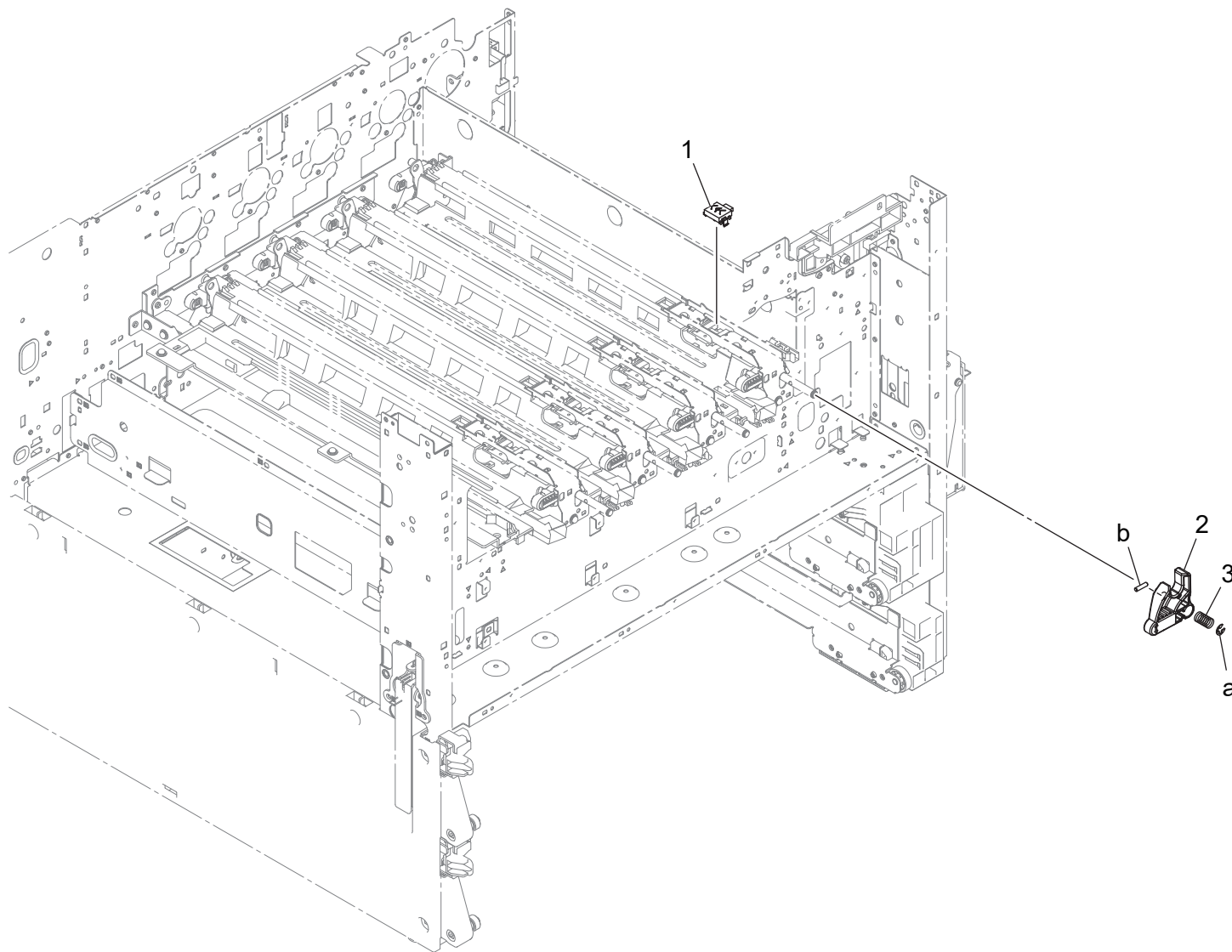
bizhub 458e

Key	Part No.	Description	Destinations	Class	QTY	Standard parts
1	A64J363700	Shutter		D	1	a-V153030803 b-V125030818
2	A0ED363200	Pulling Coil spring		D	1	
3	A0ED363400	Seal		D	1	
4	A0ED363001	Pipe		D	1	
5	A0ED363312	Seal		D	1	
6	A79J245100	Gear 14T/17T		C	1	
7	A79J245000	Gear 20T/8T		C	1	
8	A79J245400	Gear 62T/16T		C	1	
9	AAJ50Y1	Waste Toner Box	A,A1,B,G2	A	1	
9	AAJ5WY1	Waste Toner Box	C,D1,D3,E,F2,G1,I,K ,H,J	A	1	
10	A79JR71400	Waste Toner Drive Assy		C	1	
11	AA6V362001	Cover		C	1	
12	A64JR71400	Waste Toner Pipe		C	1	

Developing section/ Photo conductor section

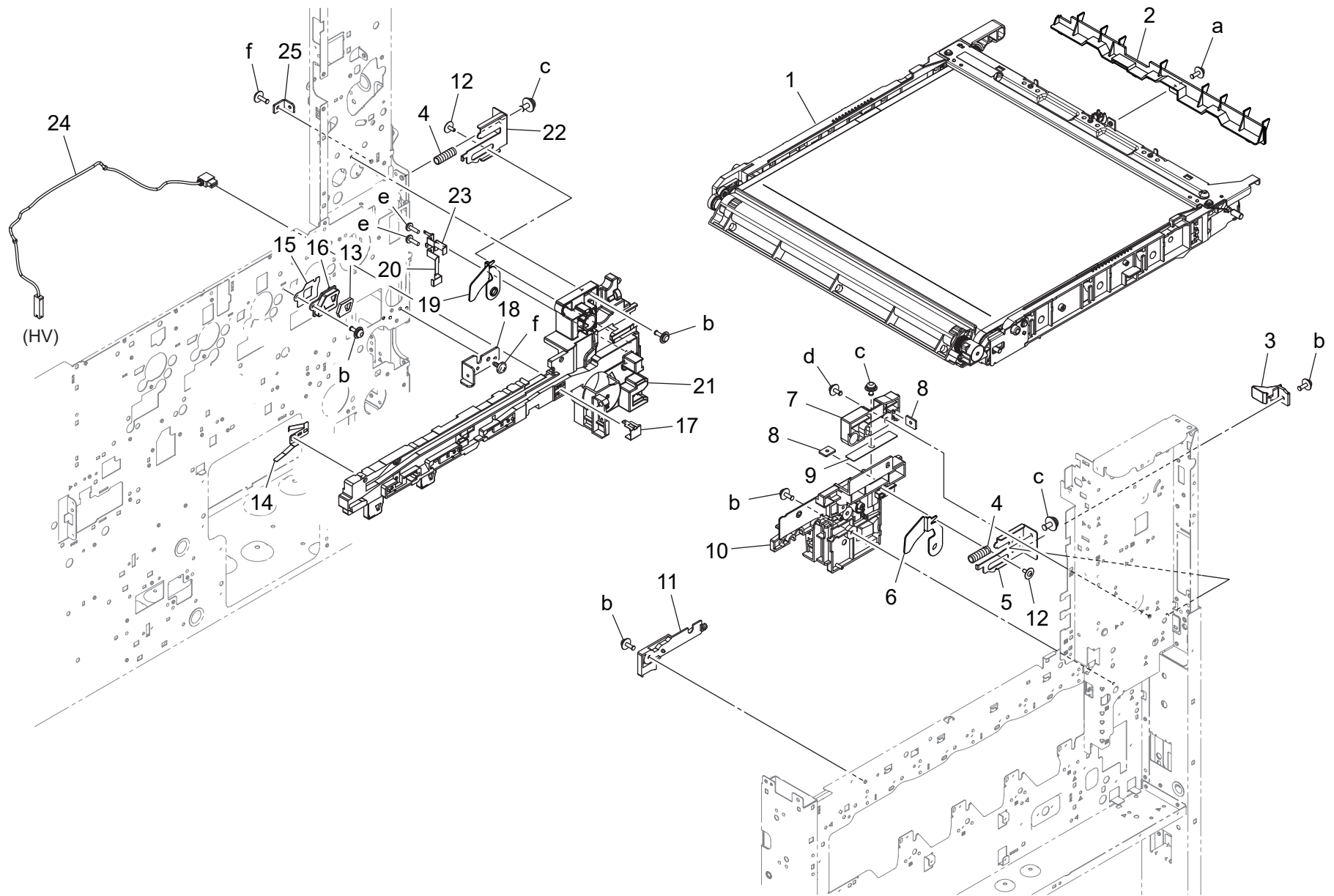


Key	Part No.	Description	Destinations	Class	QTY	Standard parts
1	AA6V130000	Holder		D	1	a-V116030803 b-V116030603
2	A2XK130000	Light blocking Seal		D	1	
3	A161105600	Rail		D	1	
4	A797105400	Rail		D	1	
5	A161107100	Seal		D	1	
6	A161107400	Light blocking Part		C	1	
7	A5C1105500	Light blocking Part		D	1	
8	AA6VR70300	Eraser (Black) Assy		C	1	
9	A61FN11V00	Neutralizing Wiring		D	1	
10	A0ED103100	Pin		D	1	



Key	Part No.	Description	Destinations	Class	QTY	Standard parts
1	A0EDM60001	Relay Connector		D	1	a-V217040003 b-V234301250
2	A161116202	Release Lever		D	1	
3	A161119500	Compressing Coil spring		D	1	

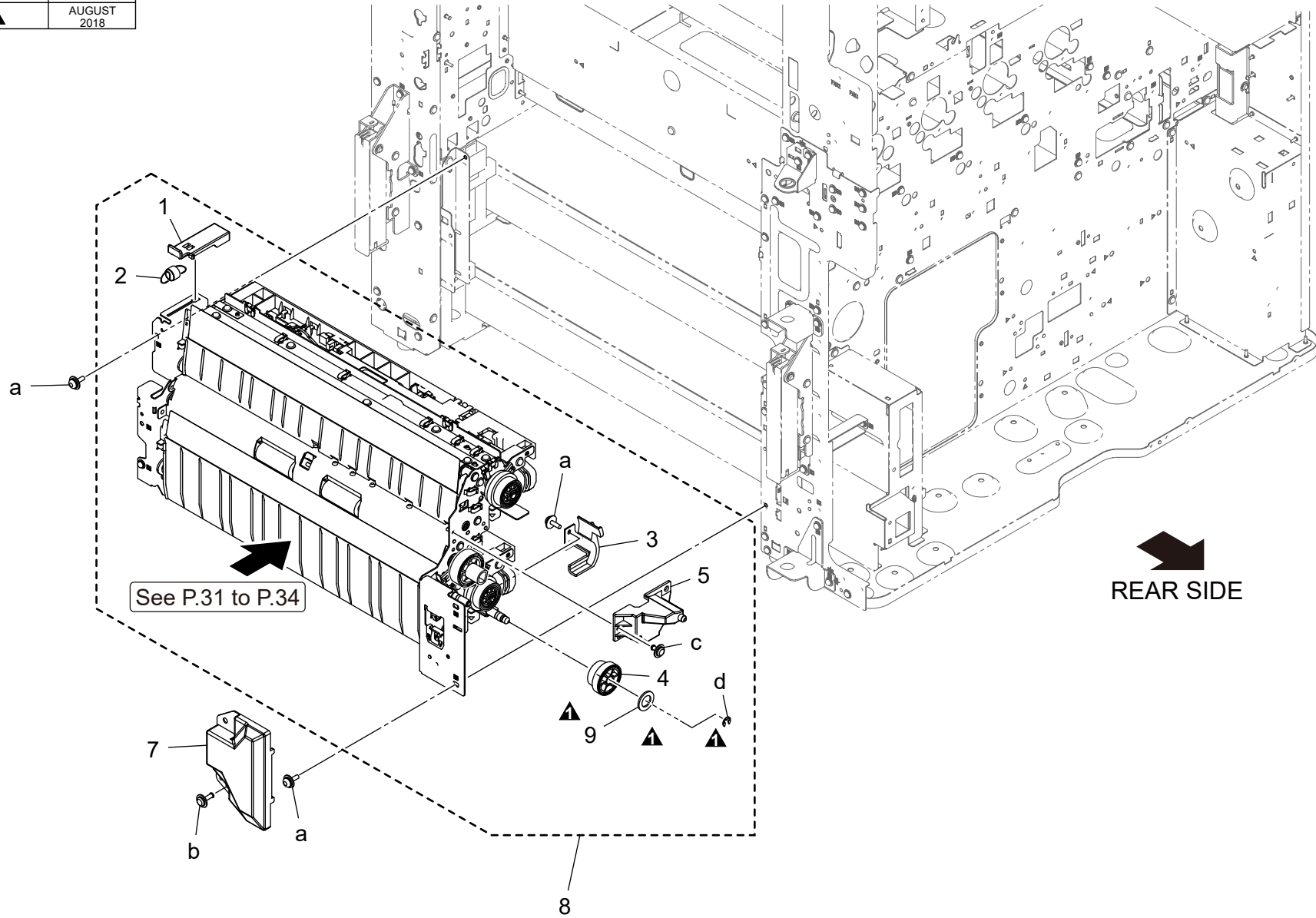
1st Transfer Section



Key	Part No.	Description	Destinations	Class	QTY	Standard parts
1	AA6VR70111	Intermediate Image Transfer Unit	中間転写 (BK 2 nd) Assy	A	1	a-V116030804
2	A79J508400	Guide	ガイド	D	1	b-V116030803
3	A161110601	Lock Part	ロック部材	D	1	c-V116040803
4	A0ED111000	Compressing Coil spring	圧縮コイルばね	D	2	d-V125030818
5	A161112500	Lever /Front	レバー /前	D	1	e-V145030803
6	A5C1112800	Arm /Front	アーム /前	D	1	f-V137030803
7	A161110400	Fusing Rail /Front	定着レール /前	D	1	
8	A161112200	Mounting Plate	取付板 (板ナット)	D	2	
9	A161112600	Adjusting Plate	調整板	D	1	
10	A161110202	Rail	レール (中転前)	D	1	
11	A161110300	Rail	レール (中転前従動)	D	1	
12	4163529301	SCREW	ねじ	C	2	
13	A161144801	Seal	シール	C	1	
14	A0ED112000	Contact	接点 (グラウンド)	D	1	
15	A161146200	Seal	シール	D	1	
16	A161141700	Duct	ダクト	D	1	
17	A0ED111400	Contact /K	接点 / K	D	1	
18	A7PU109000	Reinforce Plate	補強板	D	1	
19	A5C1112900	Arm /Rear	アーム /後	D	1	
20	A161112300	Contact	接点 (2次転写)	D	1	
21	A161110105	Rail	レール (中転後)	D	1	
22	A161112101	Lever /Rear	レバー /後	D	1	
23	A161112400	Contact	接点 (除電)	D	1	
24	A61FN11200	Transfer Wiring	転写束線	D	1	
25	A161112700	Mounting Plate	取付板	D	1	

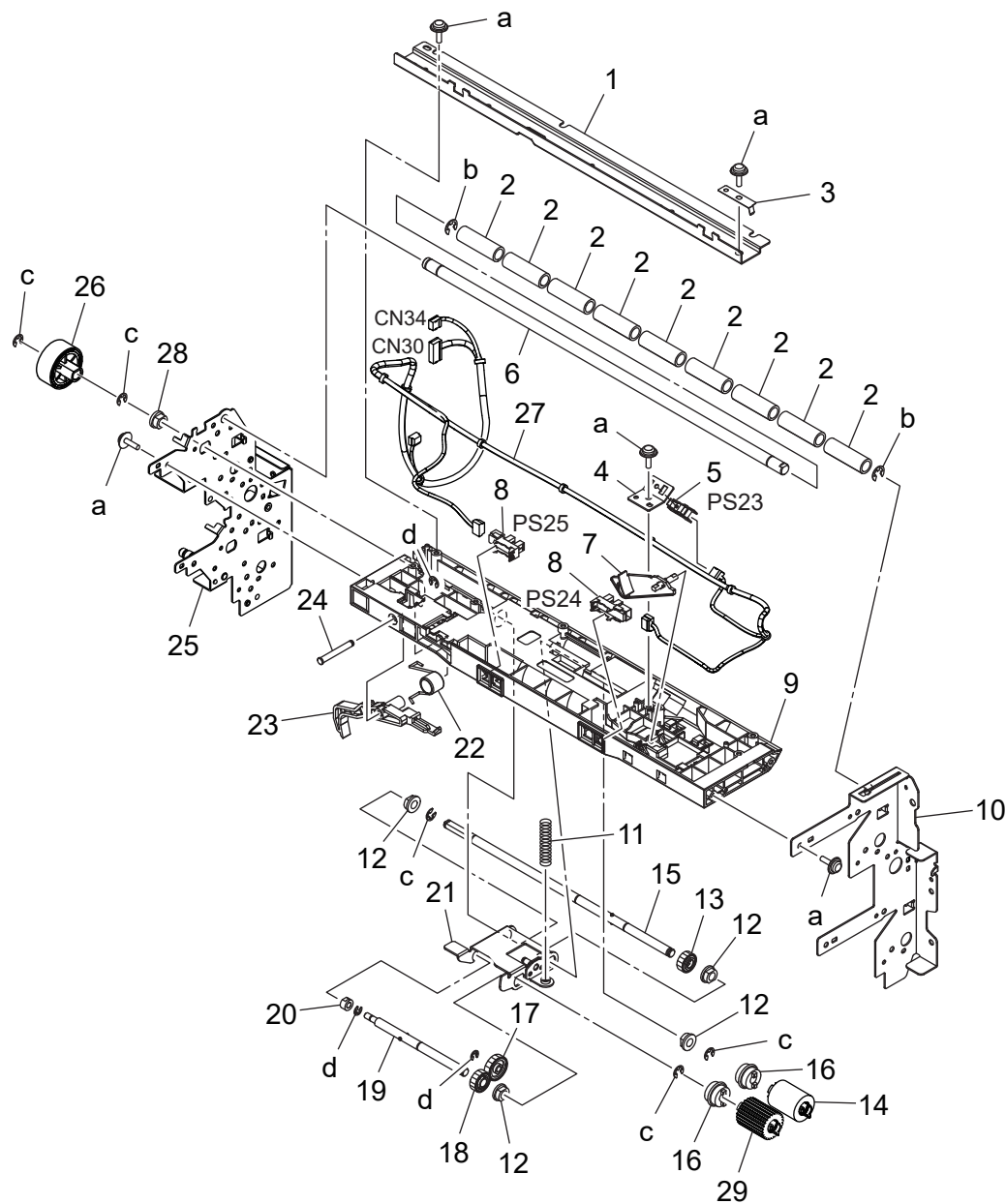
Tray 1/2 paper feed Section

改訂版 REVISED EDITION	日付 DATE
▲	AUGUST 2018



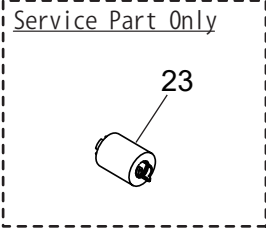
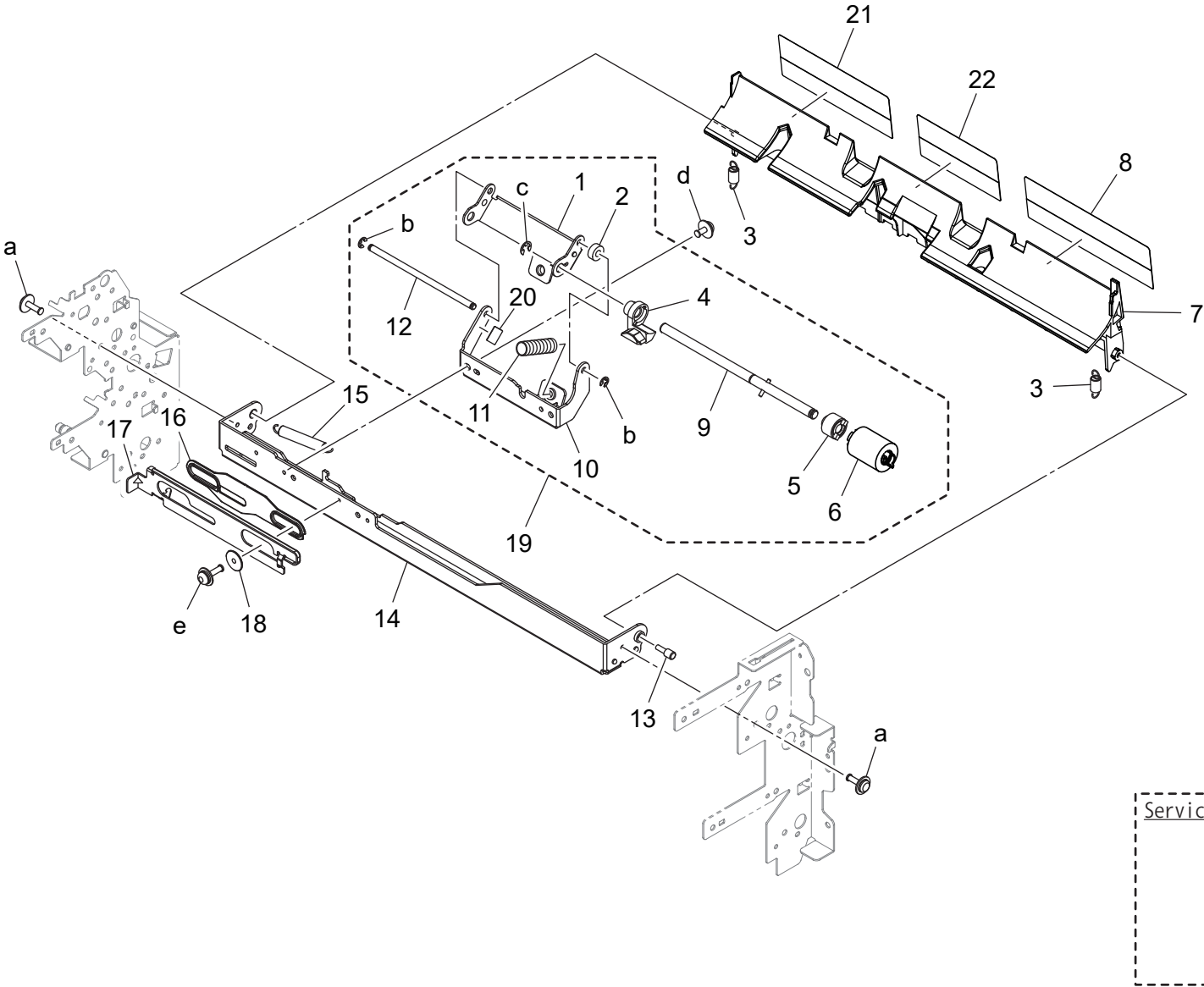
Key	Part No.	Description	Destinations	Class	QTY	Standard parts
1	A161561100	Holder		D	1	a-V116030803 b-V137030803 c-V144030603 d-V217040001
2	A161561200	Pulling Coil spring		D	1	
3	A7PU569100	Cover		D	1	
4	A161576100	Gear 21/26T		C	1	
5	A161565102	Mounting Plate		D	1	
7	A161579011	Cover		D	1	
8	AA6TR70211	Paper Feed Assy		S	1	
9	A0P0217500	Spacer		C	1	

Tray 1/2 paper feed Section



Key	Part No.	Description	Destinations	Class	QTY	Standard parts
1	A161566000	Reinforce Plate		D	1	a-V153030803 b-V217050001 c-V217040001 d-V217030001
2	4034352501	ROLLER		C	9	
3	A5C1560600	Ground Plate		D	1	
4	A161560900	Mounting Plate		D	1	
5	A0EDM50100	Photorelector		I	1	
6	A5C1565500	Shaft		D	1	
7	A161561601	Actuator		C	1	
8	A5C1M50100	Photointerrupter		B	2	
9	A161565302Old	Paper feed Frame		D	1	
9	A7PU565300	Paper feed Frame		D	1	
10	A161560112Old	Frame /Front		D	1	
10	A7PU560100	Frame /Front		D	1	
11	A161562800	Compressing Coil spring		C	1	
12	4131300301	BUSHING		C	4	
13	A161562400	Gear 26T		C	1	
14	A64J564101	Paper feed Roller		A	1	
15	A161560500	Shaft		D	1	
16	A02E561100	Clutch		C	2	
17	A161562300	Gear 34T		C	1	
18	A161562600	Gear 28T		C	1	
19	A161562000	Shaft		D	1	
20	A161562500	Bushing		C	1	
21	A161562101	Holder		D	1	
22	A161567400	Torsion Spring		C	1	
23	A161567300	Lever		C	1	
24	A02E560800	Shaft		D	1	
25	A161F56028Old	Caulking(Frame)		D	1	
25	A7PU560200	Frame		D	1	
26	A79J576400	Gear 24T		C	1	
27	A79JN10800	Paperfeed Relay harness		D	1	
28	A7PU663200	Bushing		C	1	
29	A64J564201	Paper feed Roller		A	1	

Tray 1/2 paper feed Section



bizhub 458e

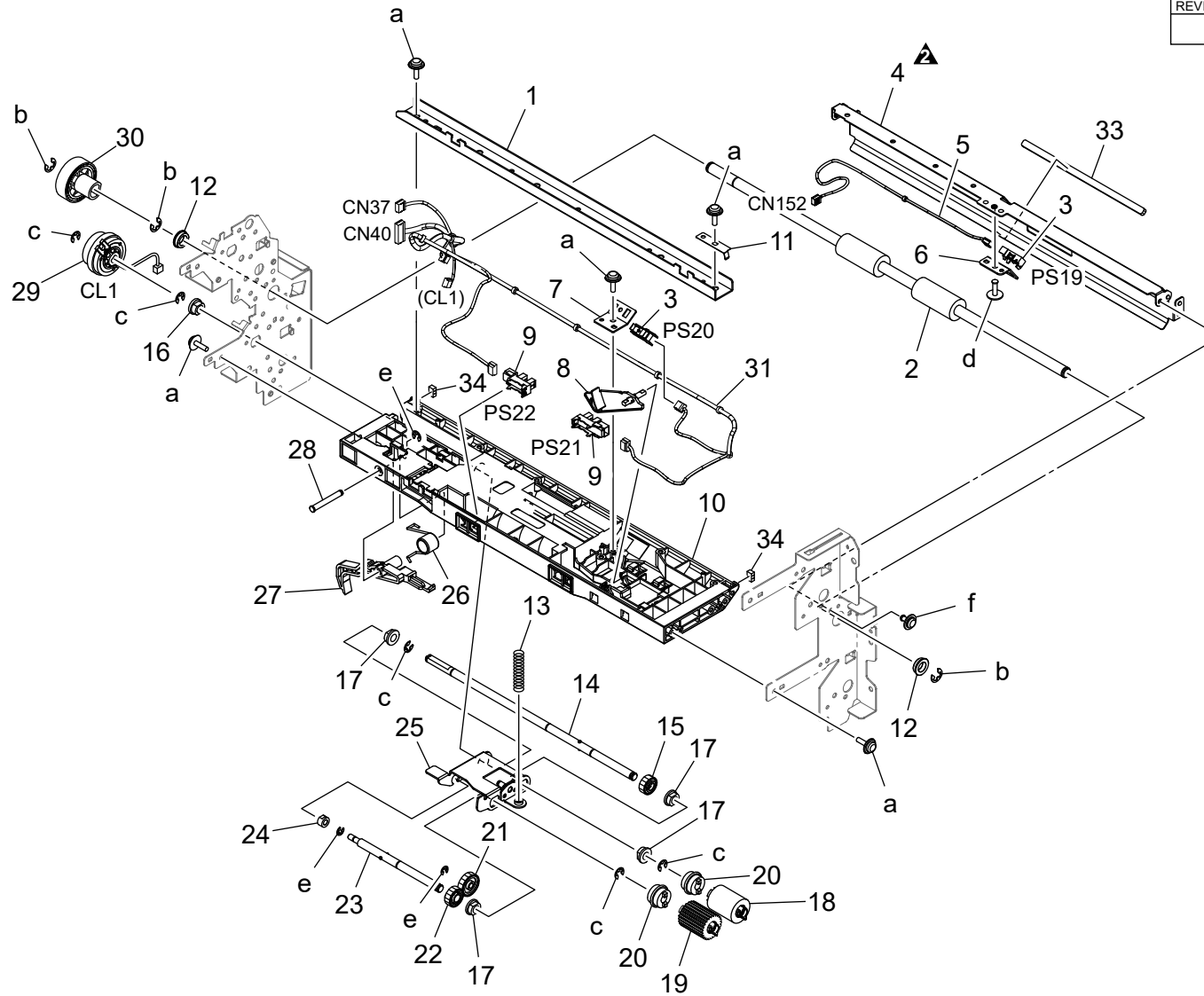


Key	Part No.	Description	Destinations	Class	QTY	Standard parts
1	A5C1563100	Holder		D	1	a-V137030803 b-V217030001 c-V217040001 d-V116030603 e-V116031003
2	4040561000	Spacer		D	1	
3	A161568600	Pulling Coil spring		C	2	
4	A5C1563500	Guide		D	1	
5	A0ED563900	Torque limiter		C	1	
6	A64J564101	Paper feed Roller		A	1	
7	A7PU568400	Guide Plate		C	1	
8	A7PU567500	Guide		C	1	
9	A5C1563400	Shaft		D	1	
10	A161564001	Mounting Plate		D	1	
11	4030301703	PRESSURE SPRING		C	1	
12	A161563300	Shaft		D	1	
13	4532341001	SHOULDER SCREW		D	1	
14	A161563901Old	Mounting Plate		D	1	
14	A5C1563901	Mounting Plate		D	1	
15	A161564400	Pulling Coil spring		C	1	
16	A161564200	Spacer		D	1	
17	A5C1564101	Lever		D	1	
18	A161564300	Spacer		D	1	
19	A64JR71111	Separation Roller Assy		C	1	
20	A5C1565600	Sheet		C	1	
21	A7PU567700	Guide		C	1	
22	A7PU567600	Guide		C	1	
23	AA2J560000	Paper feed Roller		A	1	



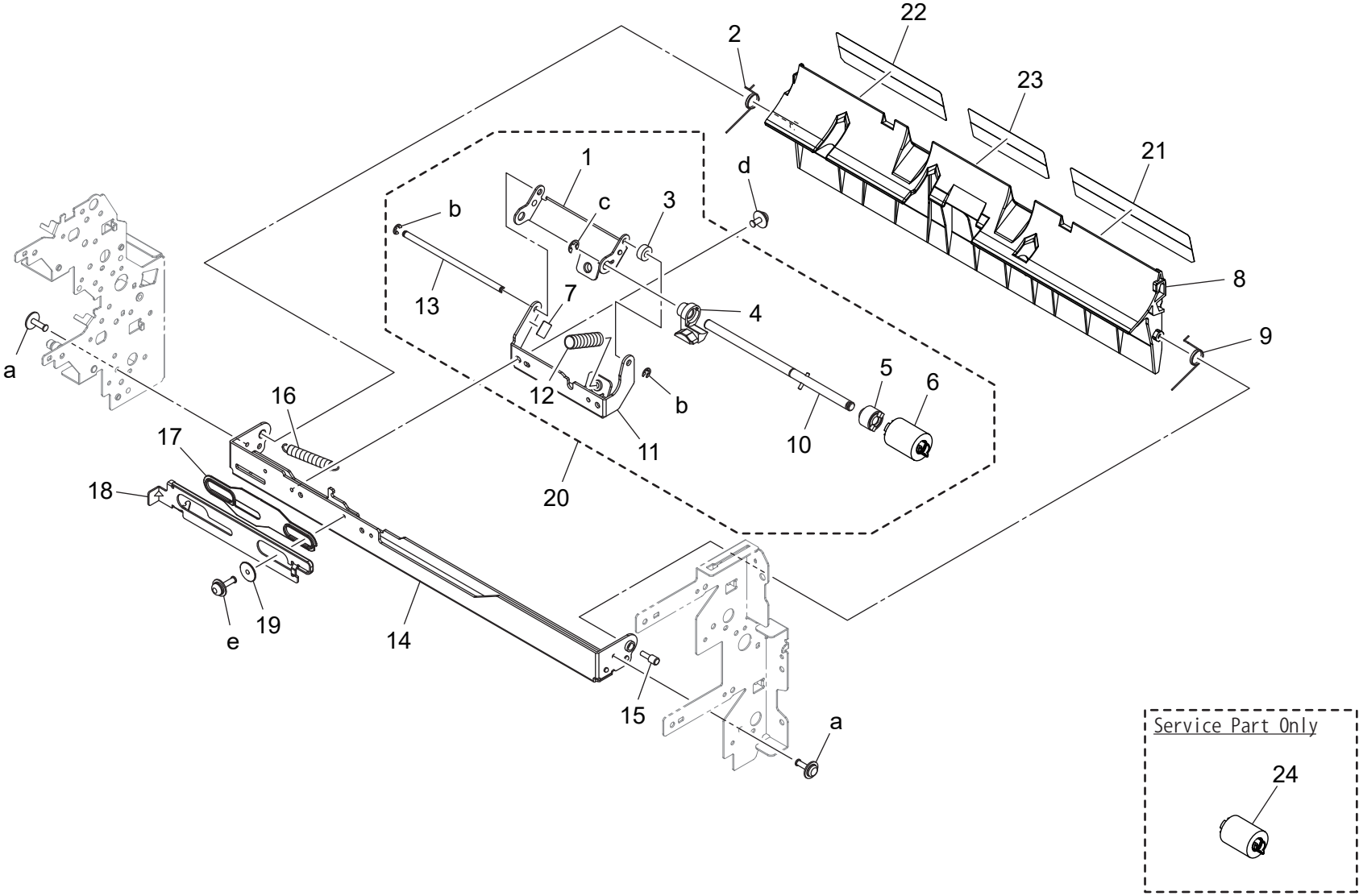
Tray 1/2 paper feed Section

改訂版 REVISED EDITION	日付 DATE
	January 2019



Key	Part No.	Description	Destinations	Class	QTY	Standard parts
1	A161561000	Reinforce Plate		D	1	a-V153030803 b-V217050001 c-V217040001 d-V137030803 e-V217030001 f-V144030603
2	A161578100	Drive Roller		C	1	
3	A0EDM50100	Photorelector		I	2	
4	A161578214	Guide Plate		D	1	
5	A161N12701	Conveyance Detection harness		D	1	
6	A161571100	Mounting Plate		D	1	
7	A161560900	Mounting Plate		D	1	
8	A161561601	Actuator		C	1	
9	A5C1M50100	Photointerrupter		B	2	
10	A161560302	Paper feed Frame		D	1	
11	A5C1560600	Ground Plate		D	1	
12	A00J617900	Ball Bearing		B	2	
13	A161562800	Compressing Coil spring		C	1	
14	A161560500	Shaft		D	1	
15	A161562400	Gear 26T		C	1	
16	A7PU663200	Bushing		C	1	
17	4131300301	BUSHING		C	4	
18	A64J564101	Paper feed Roller		A	1	
19	A64J564201	Paper feed Roller		A	1	
20	A02E561100	Clutch		C	2	
21	A161562300	Gear 34T		C	1	
22	A161562600	Gear 28T		C	1	
23	A161562000	Shaft		D	1	
24	A161562500	Bushing		C	1	
25	A161562101	Holder		D	1	
26	A161567400	Torsion Spring		C	1	
27	A161567300	Lever		C	1	
28	A02E560800	Shaft		D	1	
29	A02EM20200	Clutch		B	1	
30	A2XK709000	Gear 24T		C	1	
31	A2XKN10H01	Paperfeed Wiring /2		D	1	
33	A161578700	Cushion		C	1	
34	A161568901	Cushion		D	2	

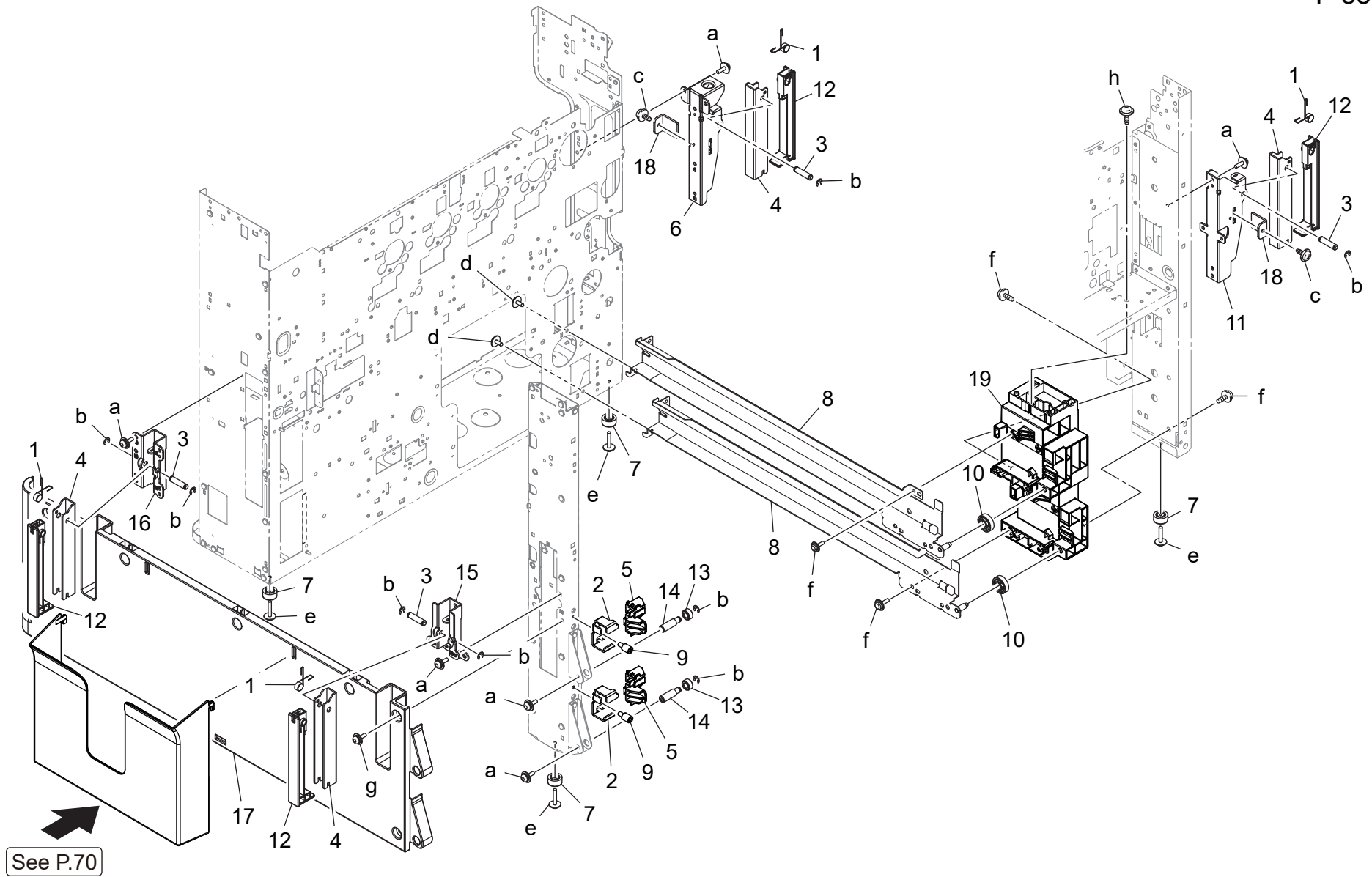
Tray 1/2 paper feed Section



bizhub 458e

Key	Part No.	Description	Destinations	Class	QTY	Standard parts
1	A5C1563100	Holder		D	1	a-V137030803 b-V217030001 c-V217040001 d-V116030603 e-V116031003
2	A161568800	Torsion Coil spring		C	1	
3	4040561000	Spacer		D	1	
4	A5C1563500	Guide		D	1	
5	A0ED563900	Torque limiter		C	1	
6	A64J564101	Paper feed Roller		A	1	
7	A5C1565600	Sheet		C	1	
8	A7PU578400Old	Guide Plate		C	1	
8	A7PU578500	Guide Plate		C	1	
9	A161568700	Torsion Coil spring		C	1	
10	A5C1563400	Shaft		D	1	
11	A161564001	Mounting Plate		D	1	
12	4030301703	PRESSURE SPRING		C	1	
13	A161563300	Shaft		D	1	
14	A161563901Old	Mounting Plate		D	1	
14	A5C1563901	Mounting Plate		D	1	
15	4532341001	SHOULDER SCREW		D	1	
16	A161564400	Pulling Coil spring		C	1	
17	A161564200	Spacer		D	1	
18	A5C1564101	Lever		D	1	
19	A161564300	Spacer		D	1	
20	A64JR71111	Separation Roller Assy		C	1	
21	A7PU577500	Guide		C	1	
22	A7PU577700	Guide		C	1	
23	A7PU577600	Guide		C	1	
24	AA2J560000	Paper feed Roller		A	1	

Tray 1/2 Section

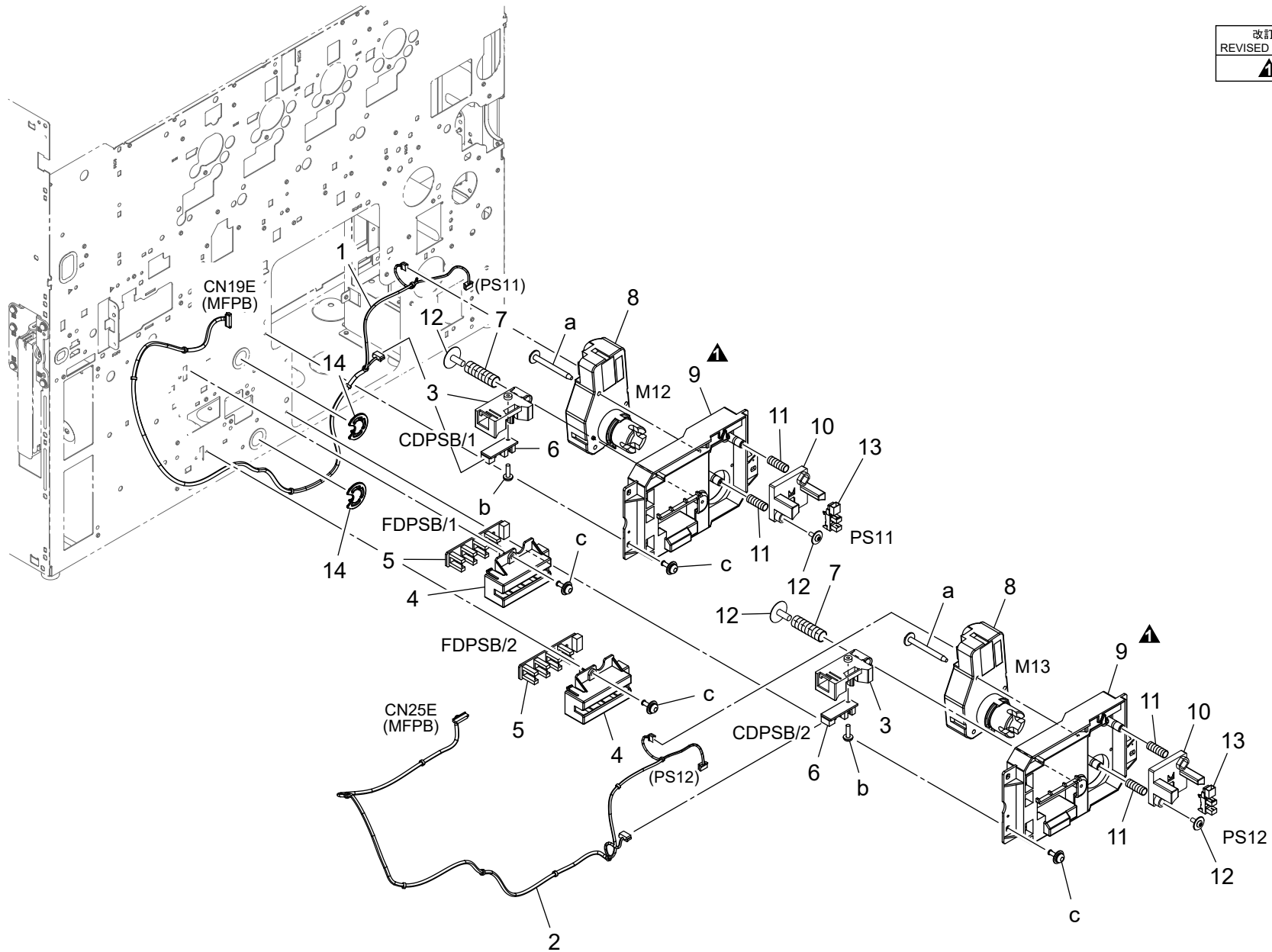


See P.70

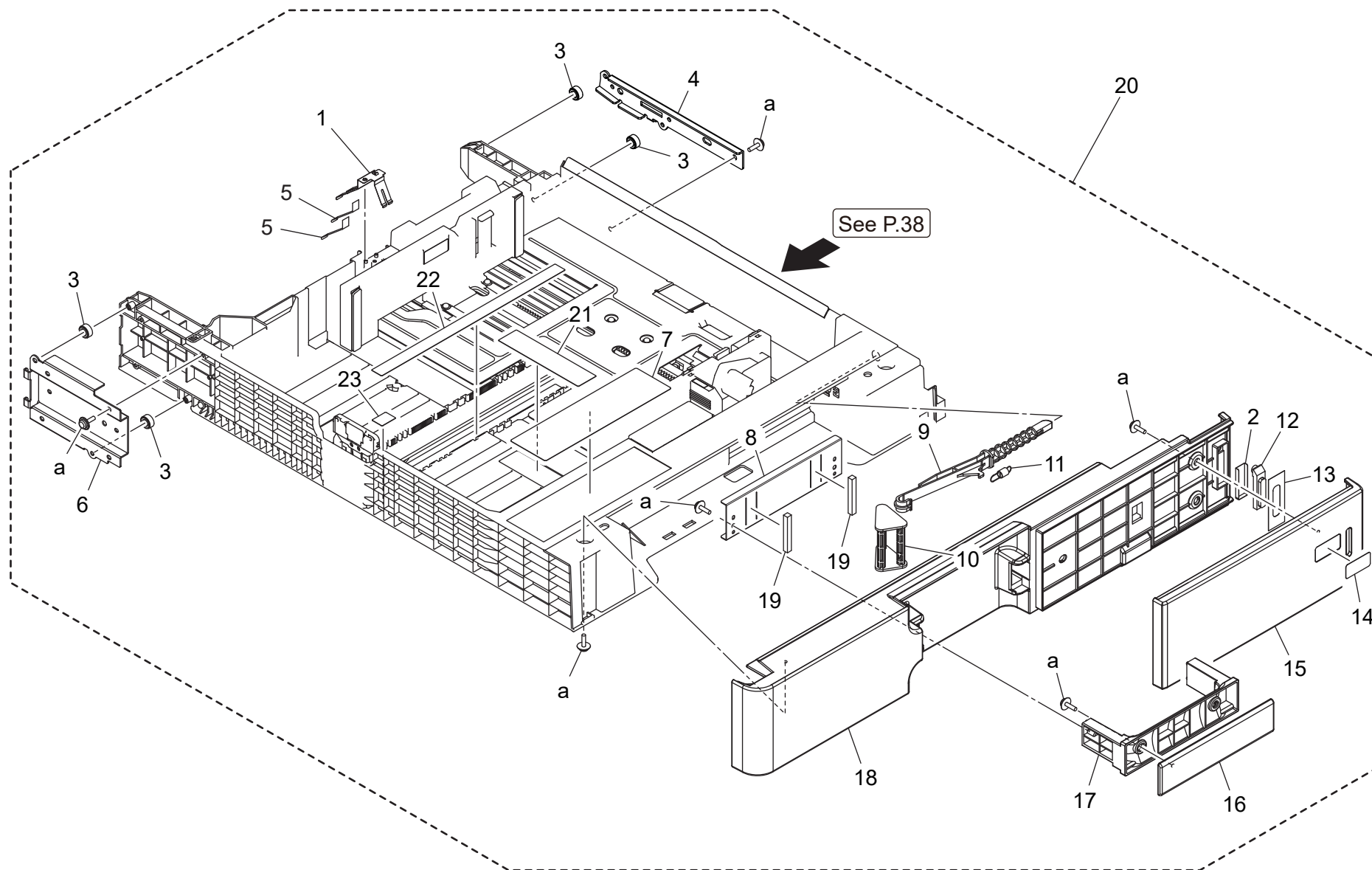
Key	Part No.	Description	Destinations	Class	QTY	Standard parts
1	A161104300	Torsion Coil spring		D	4	a-V116030803 b-V217040001 c-V137030803 d-V144030603 e-V137031203 f-V153030803 g-V116030804 h-V153031004
2	A7PU102201	Mounting Plate		D	2	
3	A161104200	Shaft		D	4	
4	A161101900	Lever		D	4	
5	A7PU102301	Stopper		D	2	
6	A5C1104800	Mounting Plate		D	1	
7	0996305501	RUBBER FOOT		C	4	
8	A5C1101101	Rail /ASSY		D	2	
9	A1UD192400	Shoulder screw /2		C	2	
10	A161103901	Roll		D	2	
11	A5C1104400	Mounting Plate		D	1	
12	A161103700	Cover		D	4	
13	A161623400	Roll		D	2	
14	A161105200	Shaft		D	2	
15	A161101600	Mounting Plate		D	1	
16	A161101701	Mounting Plate		D	1	
17	A7PU104000	Holder		D	1	
18	A5C1104700	Mounting Plate		D	2	
19	A5C1106000	Holder		D	1	

Tray 1/2 Section

改訂版 REVISED EDITION	日付 DATE
▲	January 2019



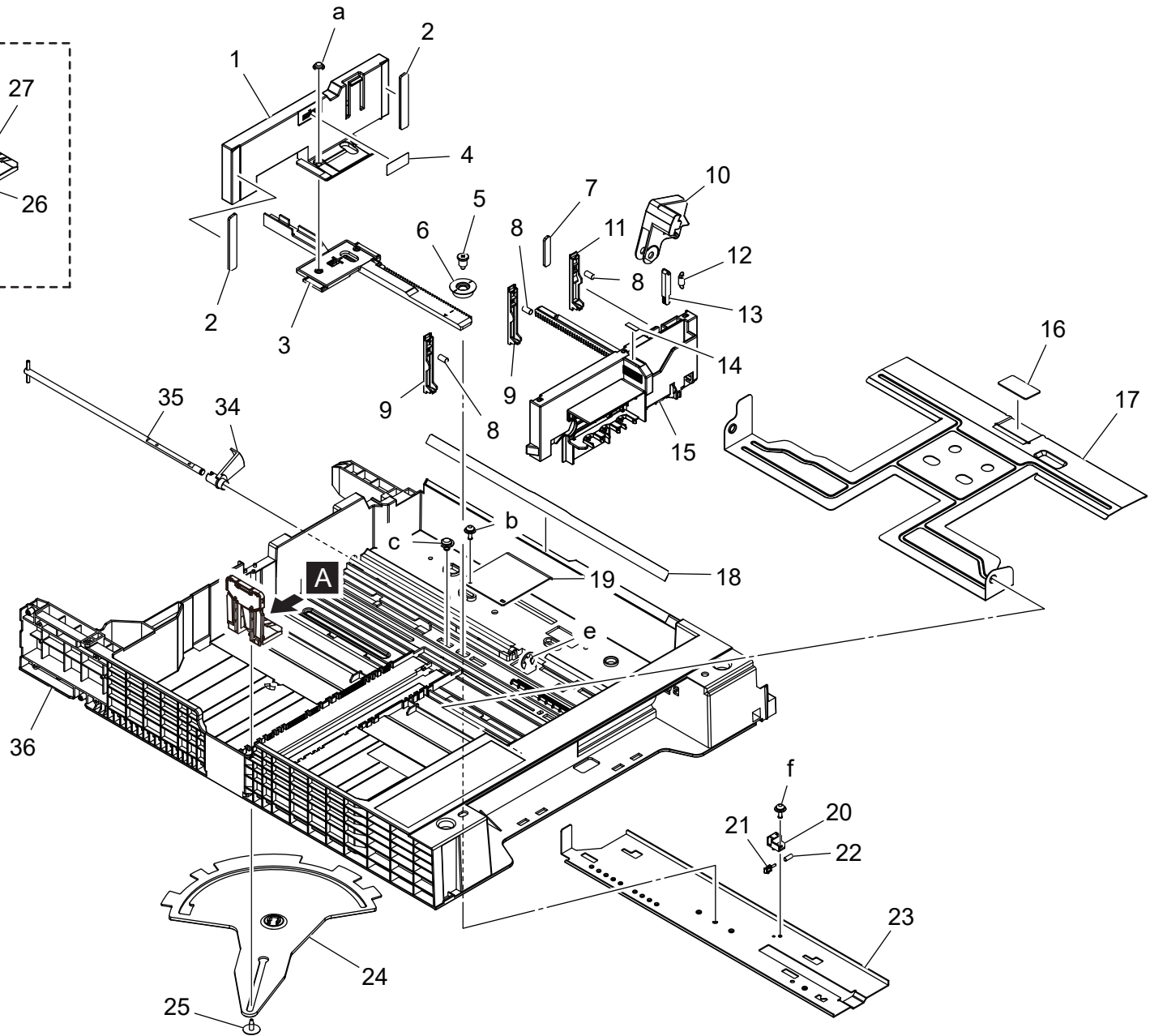
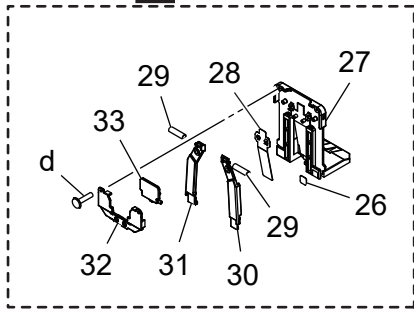
Key	Part No.	Description	Destinations	Class	QTY	Standard parts
1	A7PUN10401	Harness /Paperfeed		D	1	a-V153033003 b-V145030803 c-V116030803
2	A7PUN10501	Harness /Paperfeed		D	1	
3	A7PU627500	Holder		D	2	
4	A5C1628000	Holder		C	2	
5	A161M50600	Photointerrupter		C	2	
6	A161M50501	Photointerrupter		C	2	
7	4002311002	Pressure Spring		C	2	
8	9J06M10300	MOTOR		B	2	
9	A5C1627103	Holder		D	2	
10	A5C1627300	Holder		D	2	
11	A5C1627900	Compressing Coil spring		D	4	
12	4163529301	SCREW		C	4	
13	A5C1M50100	Photointerrupter		B	2	
14	A7PU106100	Cover		D	2	



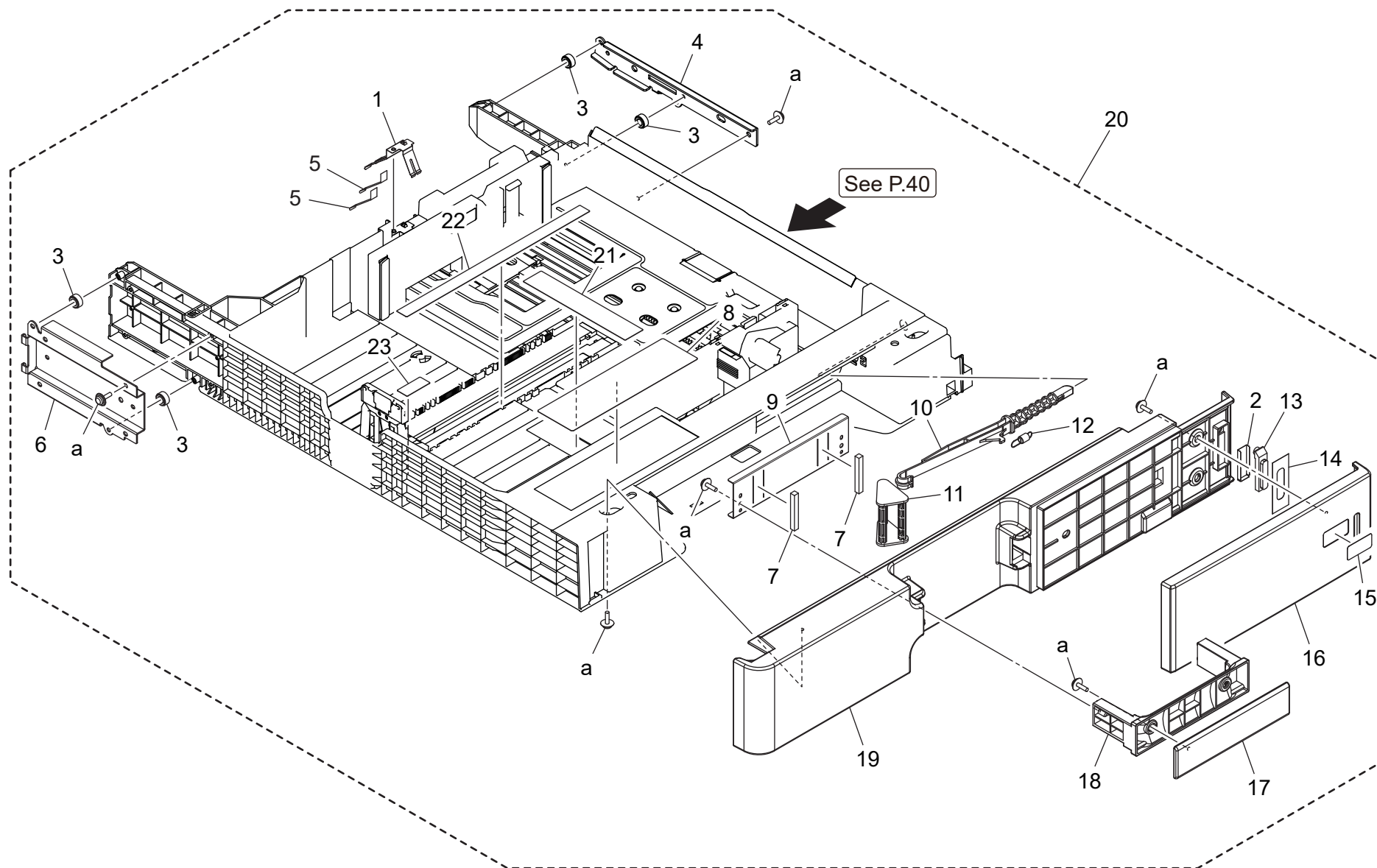
Key	Part No.	Description	Destinations	Class	QTY	Standard parts
1	A161622100	Ground Plate		D	1	a-V153030803
2	A161626200	Sheet		D	1	
3	A161623400	Roll		D	4	
4	A79J623100	Reinforce Plate /Right		D	1	
5	A55V624700	Protection Sheet		C	2	
6	A161623301	Reinforce Plate /Left		D	1	
7	A795942401	Label		C	1	
8	A5C1624300	Holder		D	1	
9	A161626502	Lever		C	1	
10	A161626602	Lever		C	1	
11	A161626800	Pulling Coil spring		C	1	
12	A161626000	Lens		D	1	
13	A161626100	Light blocking Sheet		D	1	
14	A161943100	Label 1		C	1	
15	A5C1625001	Cover		C	1	
16	A161625900	Cover		C	1	
17	A161626900	Handle		C	1	
18	A161625114	Cover		C	1	
19	A5C1628500	Cushion		D	2	
20	A79JR72144	1st Cassette Assy		S	1	
21	A79J941500	Label CD		C	1	
22	A79J941200	Label FD		C	1	
23	A79J941300	Label FD		C	1	

Tray 1/2 Section

DETAIL A



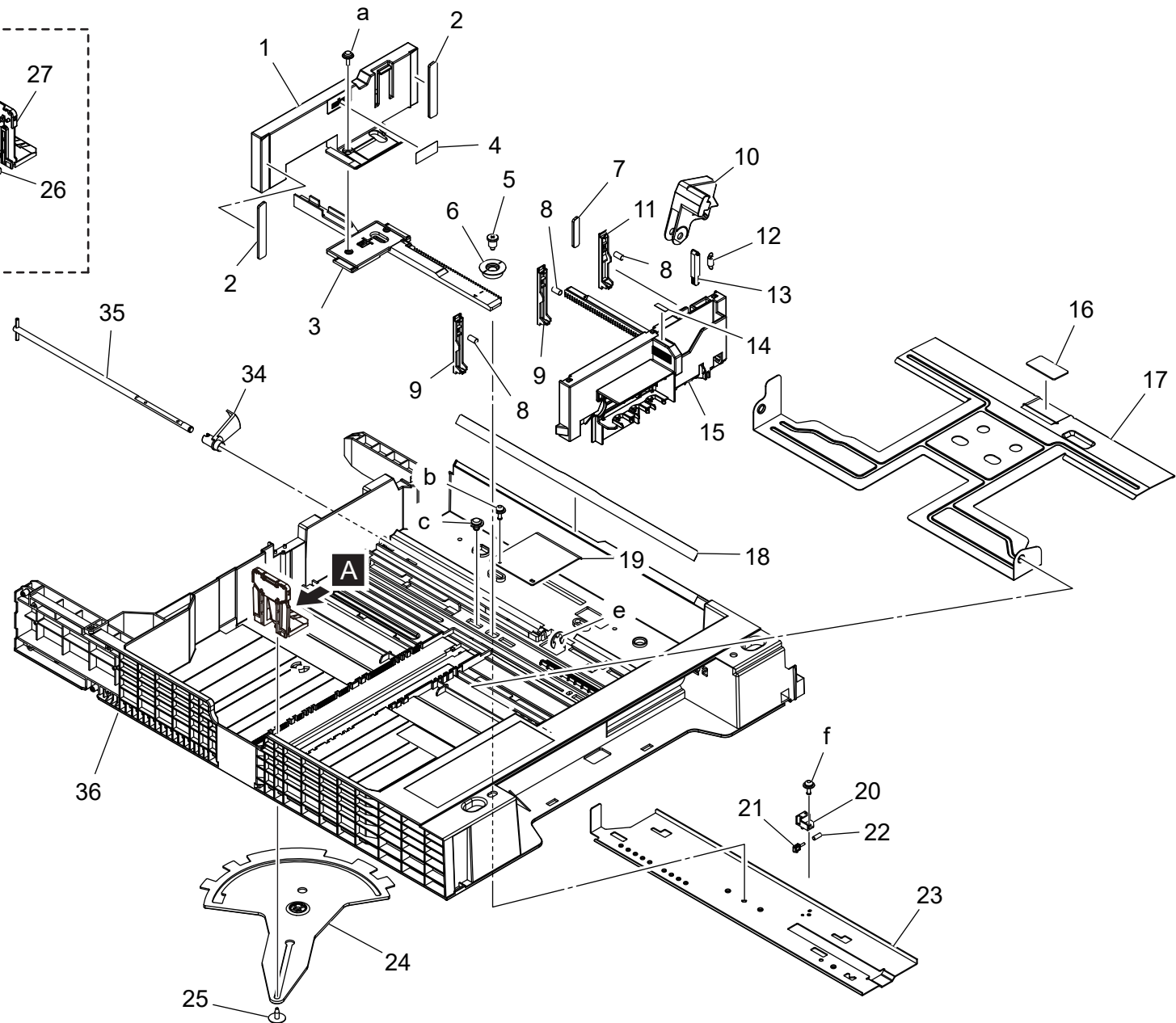
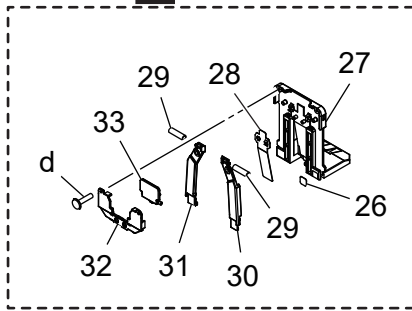
Key	Part No.	Description	Destinations	Class	QTY	Standard parts
1	A161620904	Regulating Plate /Rear		C	1	a-V153030803 b-V116030803 c-V144040603 d-V166170504 e-V217040001 f-V127030604
2	A161624100	Cushion		C	2	
3	A161621100	Rack		C	1	
4	A161943700	Label Max Level		C	1	
5	A161620600	Shoulder screw		D	1	
6	A161620701	Gear		D	1	
7	A79J566000	Cushion		C	1	
8	A795622700	Compressing Spring		C	3	
9	A795622600	Auxiliary Guide /2		C	2	
10	A795621301	Operation Lever		C	1	
11	A79J622500	Auxiliary Guide /1		C	1	
12	A7AH621000	Pulling Coil spring		C	1	
13	A7AH621200	Lock Lever		D	1	
14	A161943000	Label		C	1	
15	A795620800	Regulating Plate		C	1	
16	4030322602	FRICTION SHEET		C	1	
17	A161620400	Lifting Plate		D	1	
18	A0ED620200	Guide		C	1	
19	4030320601	LEVER		D	1	
20	A795565700	Holder		C	1	
21	A795565800	Lever		C	1	
22	A795565900	Compressing Spring		C	1	
23	A795621901	Mounting Plate		D	1	
24	A161621411	Lever		C	1	
25	4163529301	SCREW		C	1	
26	A02E940300	Label		C	1	
27	A795565000	Regulating Plate		D	1	
28	A795565600	Plate spring		C	1	
29	A795565500	Compressing Spring		C	2	
30	A795565100	Lock Lever		C	1	
31	A795565200	Lock Lever		C	1	
32	A795565300	Cover		C	1	
33	A795565400	Operation Lever		C	1	
34	A0ED620701	Actuator		C	1	
35	A161621600	Lifting Shaft		D	1	
36	A79J620100	Paper feed Cassette		D	1	



Key	Part No.	Description	Destinations	Class	QTY	Standard parts
1	A161622100	Ground Plate	アース板 (カセット)	D	1	a-V153030803
2	A161626200	Sheet	シート (反射板)	D	1	
3	A161623400	Roll	ころ	D	4	
4	A79J633100	Reinforce Plate /Right	補強板/右	D	1	
5	A55V624700	Protection Sheet	保護シート	C	2	
6	A161633202	Reinforce Plate /Left	補強板/左	D	1	
7	A5C1628500	Cushion	クッション	D	2	
8	A795942401	Label	ラベル (用紙補給)	C	1	
9	A5C1624300	Holder	ホルダ (取手)	D	1	
10	A161636502	Lever	レバー (ロック)	C	1	
11	A161626602	Lever	レバー (解除)	C	1	
12	A161626800	Pulling Coil spring	引張りコイルばね (ロックレバー)	C	1	
13	A161626000	Lens	レンズ (ライトガイド・給紙)	D	1	
14	A161626100	Light blocking Sheet	遮光シート	D	1	
15	A161943200	Label 2	ラベル 給紙段数表示 2	C	1	
16	A5C1635001	Cover	カバー (カセット右)	C	1	
17	A161625900	Cover	カバー (カセット取手)	C	1	
18	A161626900	Handle	取手 (カセット)	C	1	
19	A161635117	Cover	カバー (カセット 2 nd)	C	1	
20	A79JR72244	2nd Cassette Assy	2 段目カセット ASSY	S	1	
21	A79J943600	Label CD	ラベル CD スケール	C	1	
22	A79J941200	Label FD	ラベル FD スケール / 1	C	1	
23	A79J943500	Label FD	ラベル FD スケール	C	1	

Tray 1/2 Section

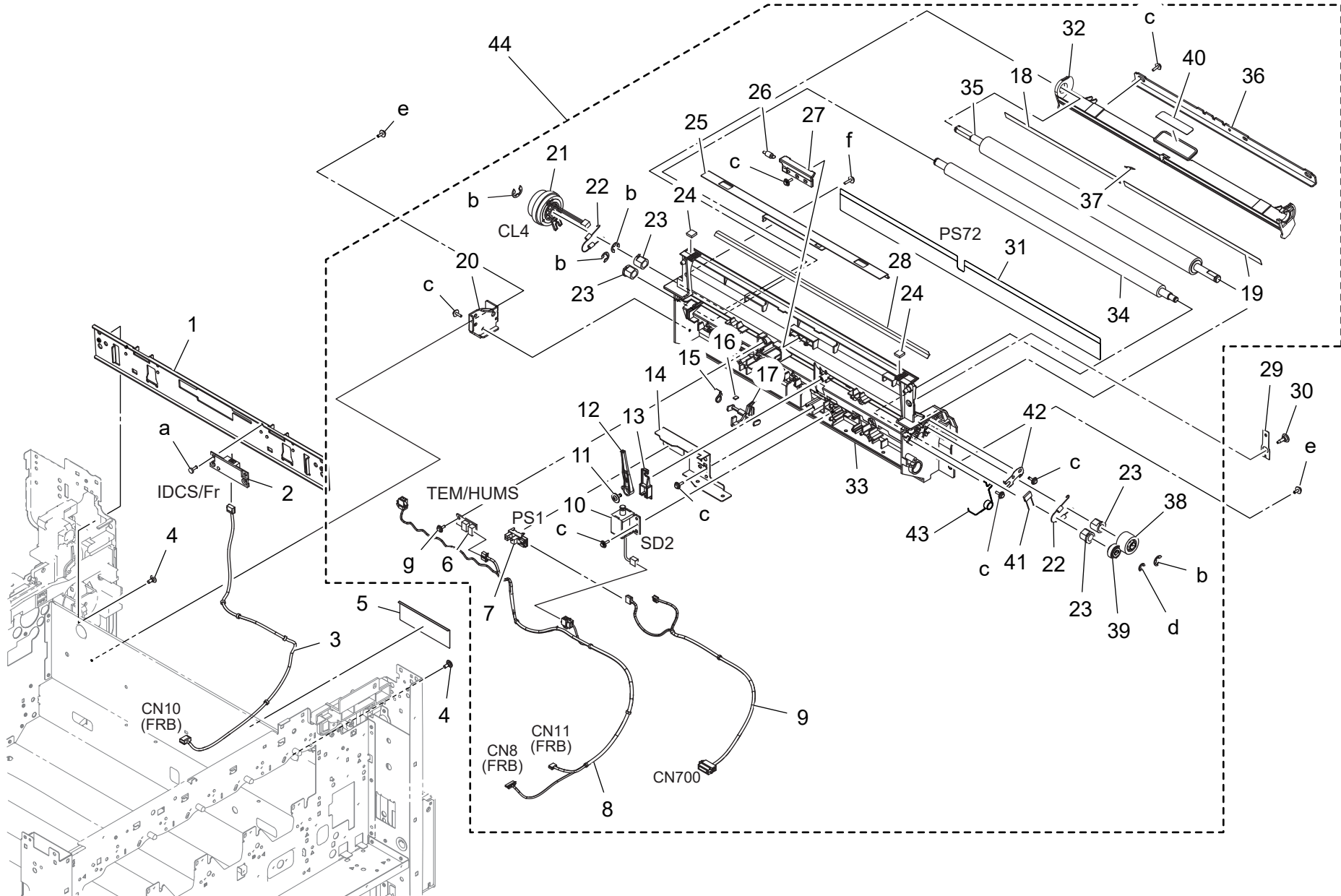
DETAIL A



Key	Part No.	Description	Destinations	Class	QTY	Standard parts
1	A161620904	Regulating Plate /Rear		C	1	a-V153030803 b-V116030803 c-V144040603 d-V166170504 e-V217040001 f-V127030604
2	A161624100	Cushion		C	2	
3	A161621100	Rack		C	1	
4	A161943700	Label Max Level		C	1	
5	A161620600	Shoulder screw		D	1	
6	A161620701	Gear		D	1	
7	A79J566000	Cushion		C	1	
8	A795622700	Compressing Spring		C	3	
9	A795622600	Auxiliary Guide /2		C	2	
10	A795621301	Operation Lever		C	1	
11	A79J622500	Auxiliary Guide /1		C	1	
12	A7AH621000	Pulling Coil spring		C	1	
13	A7AH621200	Lock Lever		D	1	
14	A161943000	Label		C	1	
15	A795620800	Regulating Plate		C	1	
16	4030322602	FRICTION SHEET		C	1	
17	A161620400	Lifting Plate		D	1	
18	A0ED620200	Guide		C	1	
19	4030320601	LEVER		D	1	
20	A795565700	Holder		C	1	
21	A795565800	Lever		C	1	
22	A795565900	Compressing Spring		C	1	
23	A795621901	Mounting Plate		D	1	
24	A161631411	Lever		C	1	
25	4163529301	SCREW		C	1	
26	A02E940300	Label		C	1	
27	A795565000	Regulating Plate		D	1	
28	A795565600	Plate spring		C	1	
29	A795565500	Compressing Spring		C	2	
30	A795565100	Lock Lever		C	1	
31	A795565200	Lock Lever		C	1	
32	A795565300	Cover		C	1	
33	A795565400	Operation Lever		C	1	
34	A0ED620701	Actuator		C	1	
35	A161621600	Lifting Shaft		D	1	
36	A79J630100	Paper feed Cassette		D	1	

Registration Section/ 2nd Transfer Section

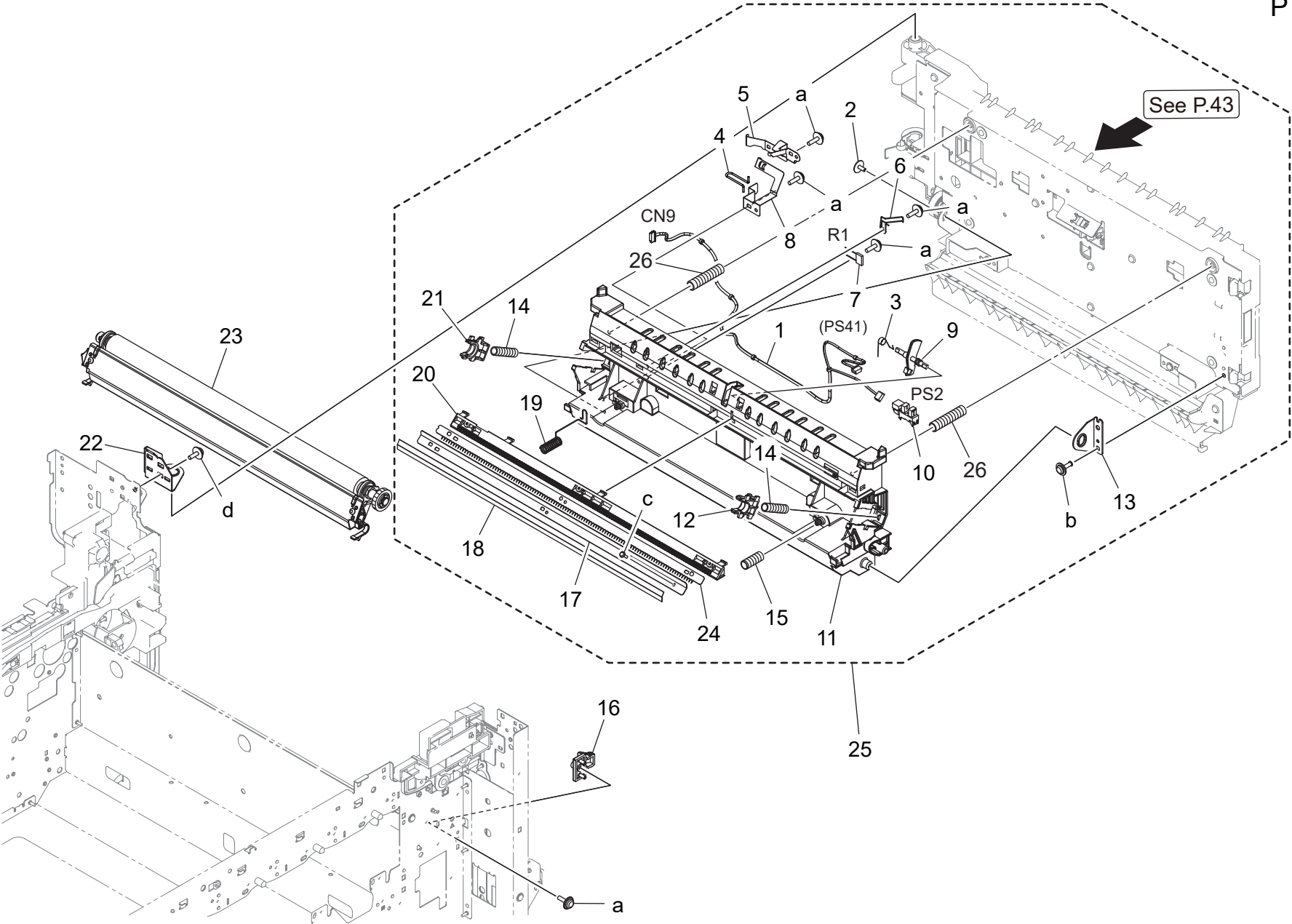
P 41



bizhub 458e

Key	Part No.	Description	Destinations	Class	QTY	Standard parts
1	A161700901	Reinforce Plate		D	1	a-V118030803 b-V217060001 c-V153030803 d-V217040001 e-V116030803 f-V153031003 g-V145030803
2	A161M50000	Photo sensing		I	1	
3	A61FN12H01	Sensor Wiring		D	1	
4	4011585202	SHOULDER SCREW		C	2	
5	A161701800	Protection Sheet		D	1	
6	A7AHM50400	Humidity sensor		I	1	
7	A5C1M50100	Photointerrupter		B	1	
8	A79JN10901	Conveyance Wiring		D	1	
9	A79JN10600	Sensor Relay harness /1		D	1	
10	A034M20100	Conveyance Solenoid		C	1	
11	4163529301	SCREW		C	1	
12	A161700401	Arm /1		D	1	
13	A161700700	Arm /2		D	1	
14	A161700301	Mounting Plate /B		D	1	
15	A161701100	Spring /A		C	1	
16	A161702101	Cushion /C		C	1	
17	A161701703	Actuator /T		C	1	
18	4038353701	GUIDE		C	1	
19	A0ED700600	Guide Sheet		D	1	
20	A7PU701000	Reinforce Plate		D	1	
21	A02EM20000	Clutch		B	1	
22	A161702000	Conveyance Spring /A		C	2	
23	A161702200	Bushing		C	4	
24	A161701900	Seal /A		D	2	
25	A0ED705800	Cover		D	1	
26	A0ED702800	Pulling Spring		D	1	
27	A161706001	Holding Shutter		D	1	
28	A161701301	Guide Sheet /A		C	1	
29	A7PU701100	Plate spring		D	1	
30	A7PU701200	Shoulder screw		C	1	
31	A5C1701400	Guide Sheet /B		D	1	
32	A161700600	Guide Plate /Middle		D	1	
33	A7PU700111	Guide Plate /Inside		D	1	
34	A0ED700200	Roller		D	1	
35	A5C1700101	Roller		C	1	
36	A02E712902	Reinforce Plate		D	1	
37	4038353901	GUIDE		C	1	
38	A0ED700300	Gear 20T		D	1	
39	A0ED700700	Gear 14T		D	1	
40	A161946300	Label M2		D	1	
41	V800500300	FIXED POWER RESISTORS		D	1	
42	A5C1700800	Ground Plate /D		D	1	
43	A5C1703201	Torsion Coil spring		D	1	
44	A79MR70700	Conveyance Assy		S	1	

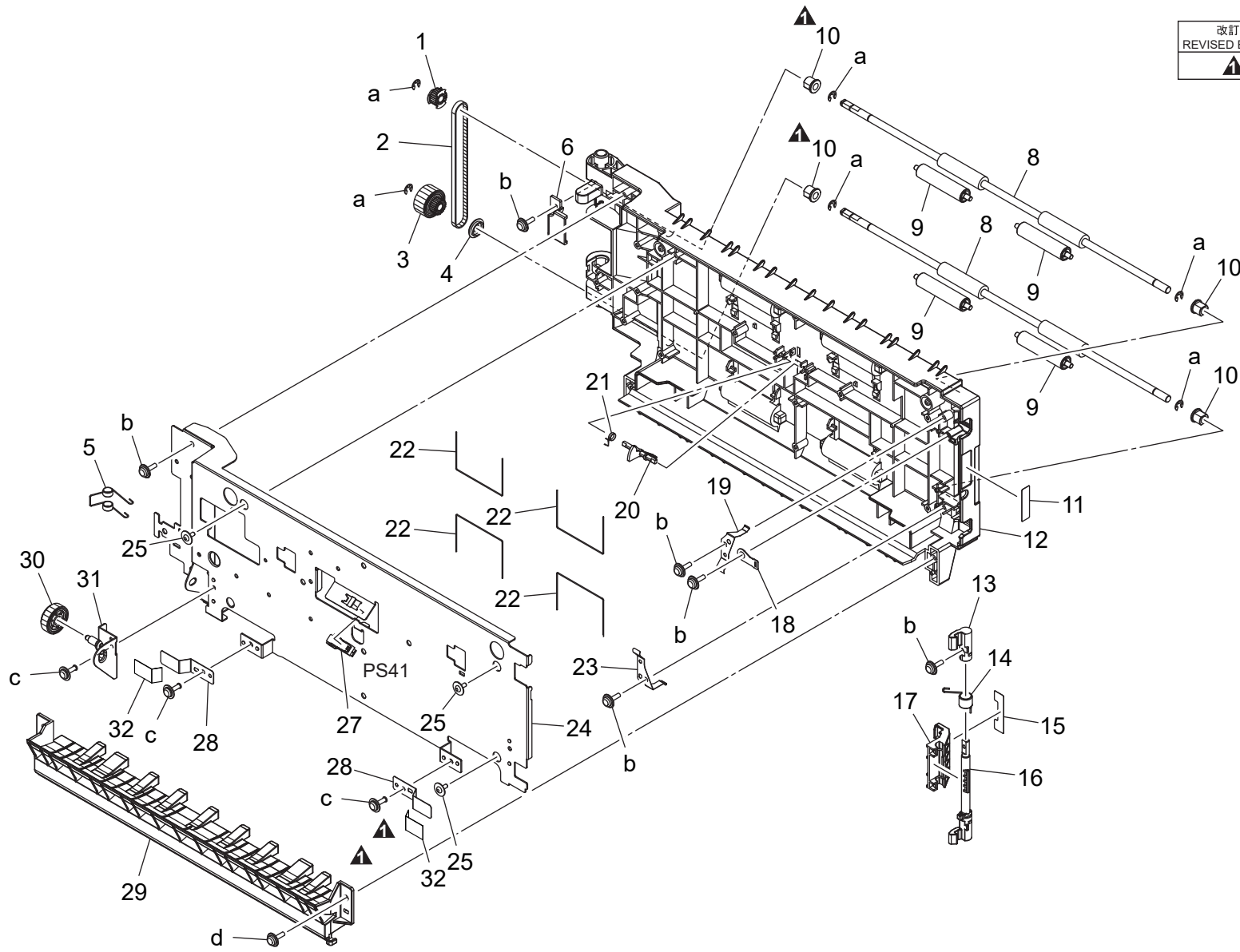
Registration Section/ 2nd Transfer Section



Key	Part No.	Description	Destinations	Class	QTY	Standard parts
1	A161N10H01	Conveyance Wiring		D	1	a-V153030803 b-V137030803 c-V162020504 d-V116030803
2	4163529301	SCREW		C	1	
3	A161712700	Spring /C		D	1	
4	A161712401	Ground Spring /A		D	1	
5	A5C1715100	Ground Plate /C		D	1	
6	A5C1711000	Ground Spring /B		D	1	
7	V800500300	FIXED POWER RESISTORS		D	1	
8	A5C1710900	Ground Plate /A		D	1	
9	A2XK710100	Actuator /A		D	1	
10	A5C1M50100	Photointerrupter		B	1	
11	A161710103	Holder /A		D	1	
12	A161550700	Transfer Holder /2		C	1	
13	A5C1711801	Support Plate /Front		D	1	
14	A0ED551000	Compressing Coil spring /2		C	2	
15	A0ED551100	Compressing Coil spring		D	1	
16	A161712300	Fixing Part /Lower		D	1	
17	A0ED550900	Mounting Plate		D	1	
18	A5C1551701	Guide Seal		D	1	
19	A161712500	Ground Spring /C		D	1	
20	A161551600	Mounting Plate		D	1	
21	A161551500	Transfer Holder /2		C	1	
22	A161104101	Adjusting Plate		D	1	
23	A161R71433	2nd Image Transfer Rollor Assy	B,C,D1,D3,E,F2,G1,G 2,H,I,J,K	A	1	
23	A161R71433	2nd Image Transfer Rollor Assy	A,A1	A	1	
24	A0ED550800	Neutralizing Part		D	1	
25	A9HGR71200	Vertical Transport Assy		S	1	
26	A161711200	Pressing Spring		D	2	

Registration Section/ 2nd Transfer Section

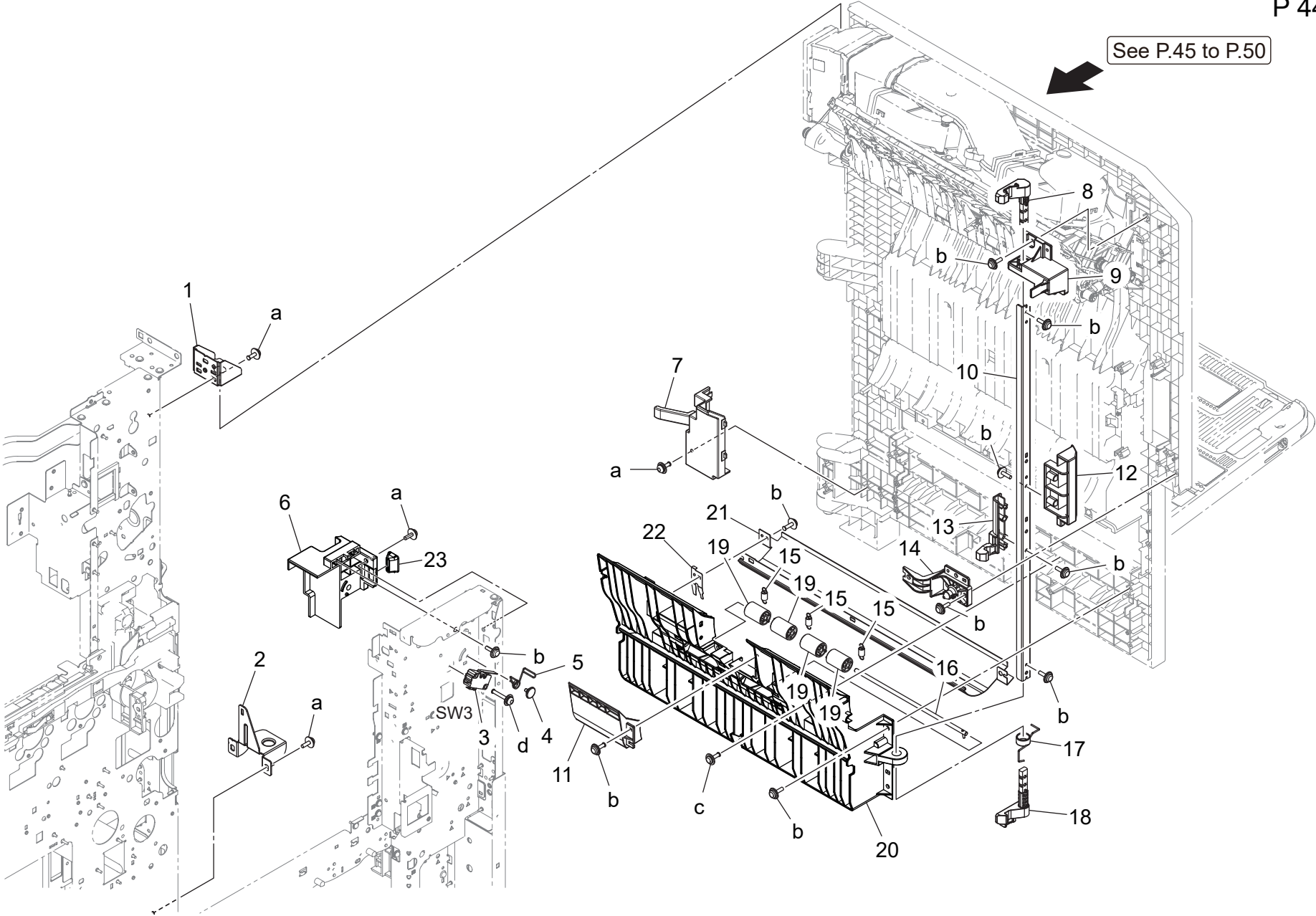
改訂版 REVISED EDITION	日付 DATE
▲	JUNE 2018



Key	Part No.	Description	Destinations	Class	QTY	Standard parts	
1	A0ED811700	Pulley 22T	プーリ (ADU 第3) 22 T	C	1	a-V217040001 b-V153030803 c-V137030803 d-V153031003	
2	A161719000	Drive Belt 266L	駆動ベルト 266 L	C	1		
3	A64J709100	Gear 22/23T	ギア 22/23 T	C	1		
4	A0ED811900	Collar	カラー (ADU 第2 R)	D	1		
5	A161712900	Ground Spring /D	アースばね / D	D	1		
6	A161712600	Cover /C	カバー / C	D	1		
8	A161710500	Roller /A	ローラ / A	D	2		
9	A161825700	Idler Roller /A	従動ローラ / A	D	4		
10	A02E815200	BUSHING	軸受	C	4		
11	A161946400	Label M6	ラベル M 6	D	1		
12	A7PU710201	Guide Plate /A	ガイド板 / A	D	1		
13	A161711300	Lock Shaft /A	ロック軸 / A	C	1		
14	A161711700	Spring /B	ばね / B	C	1		
15	A161946200	Label M1	ラベル M 1	D	1		
16	A5C1711500	Lock Shaft	ロック軸	C	1		
17	A161711600	Open/close Lever	開閉レバー	C	1		
18	A161714500	Fixing Part	固定部材	D	1		
19	A161712000	Ground Plate /D	アース板 / D	D	1		
20	A161713500	Actuator	アクチュエータ (ADU 下 JAM 検)	C	1		
21	A161712800	Spring /D	ばね / D	D	1		
22	A161714600	Conveyance Spring /B	搬送ばね / B	D	4		
23	A161712100	Ground Plate /E	アース板 / E	D	1		
24	A161710405	Mounting Plate	取付板	D	1		
25	4163529301	SCREW	ねじ	C	3		
27	A5C1M50100	Photointerrupter	透過型センサ	B	1		
28	A0ED702400	Plate spring	板ばね (タイミング前ガイド)	D	2		
29	A7PU710301	Guide Plate /B	ガイド板 / B	D	1		
30	A64J719100	Gear 23T	ギア 23 T	C	1		
31	A161711901	Support Plate /Rear	支点板 / 奥	D	1		
32	A9HG702300	Protection Sheet	保護シート	D	2		

Vertical conveyance Section

See P.45 to P.50

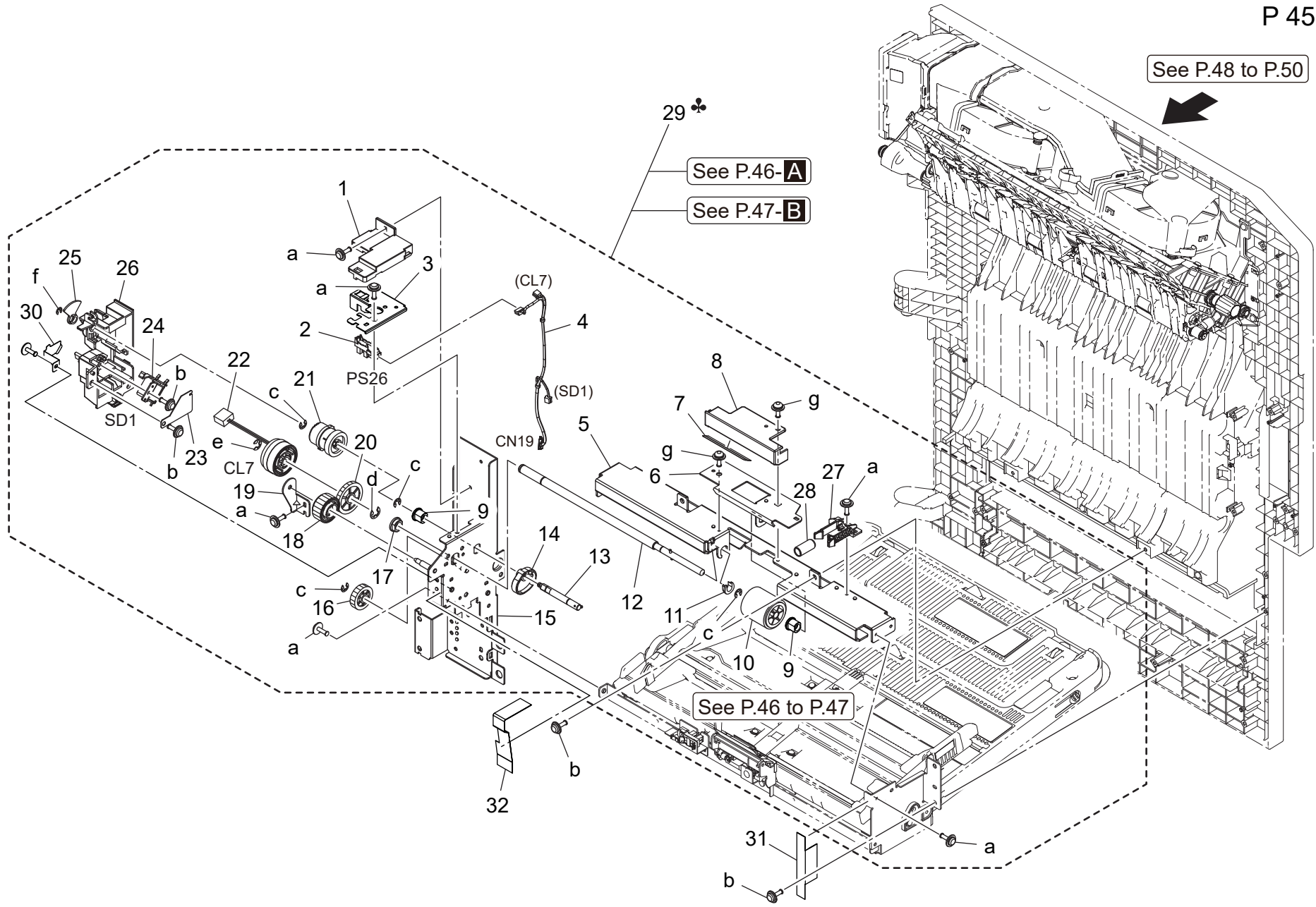


Key	Part No.	Description	Destinations	Class	QTY	Standard parts
1	A161121300	Adjusting Plate		D	1	a-V116030803 b-V153030803 c-V137030804 d-V116031603
2	A161102500	Adjusting Plate		D	1	
3	9J06M60100	MICRO SWITCH		C	1	
4	A161137100	Shoulder screw		D	1	
5	A161151200	Torsion Coil spring		D	1	
6	A5C1121202	Holder		D	1	
7	A161592900	Wiring Cover /B		D	1	
8	A0ED712100	Lock Claw		C	1	
9	A161811500	Support Part /Upper		D	1	
10	A161811001	Lock Plate		D	1	
11	A5C1590500	Paper feed Guide		D	1	
12	A5C1811101	Open/close Handle		C	1	
13	A5C1815200	Lock /Middle		C	1	
14	A161811302	Lock Part /Lower		D	1	
15	A64J815500	Pulling Spring		C	3	
16	A161815300	Shaft		D	1	
17	A161815900	Torsion Coil spring		C	1	
18	A5C1811600	Lock Claw /Lower		C	1	
19	A161815400	Roll		C	4	
20	A161810305	Guide Plate /2		D	1	
21	A161815000	Guide Door		D	1	
22	A161816200	Ground Guide		D	1	
23	A79J122200	Collar		D	1	

Manual bypass Tray Section

P 45

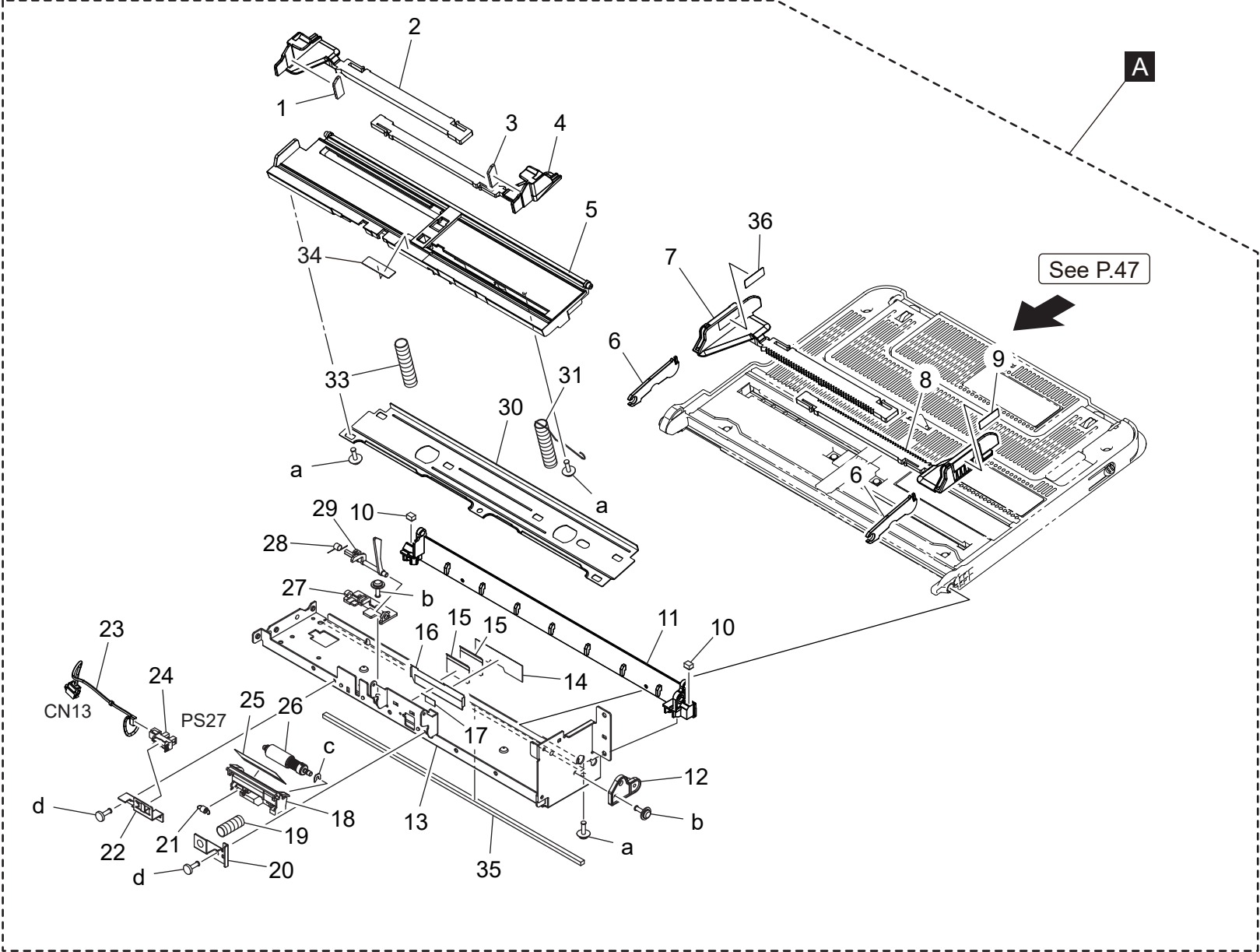
See P.48 to P.50



bizhub 458e

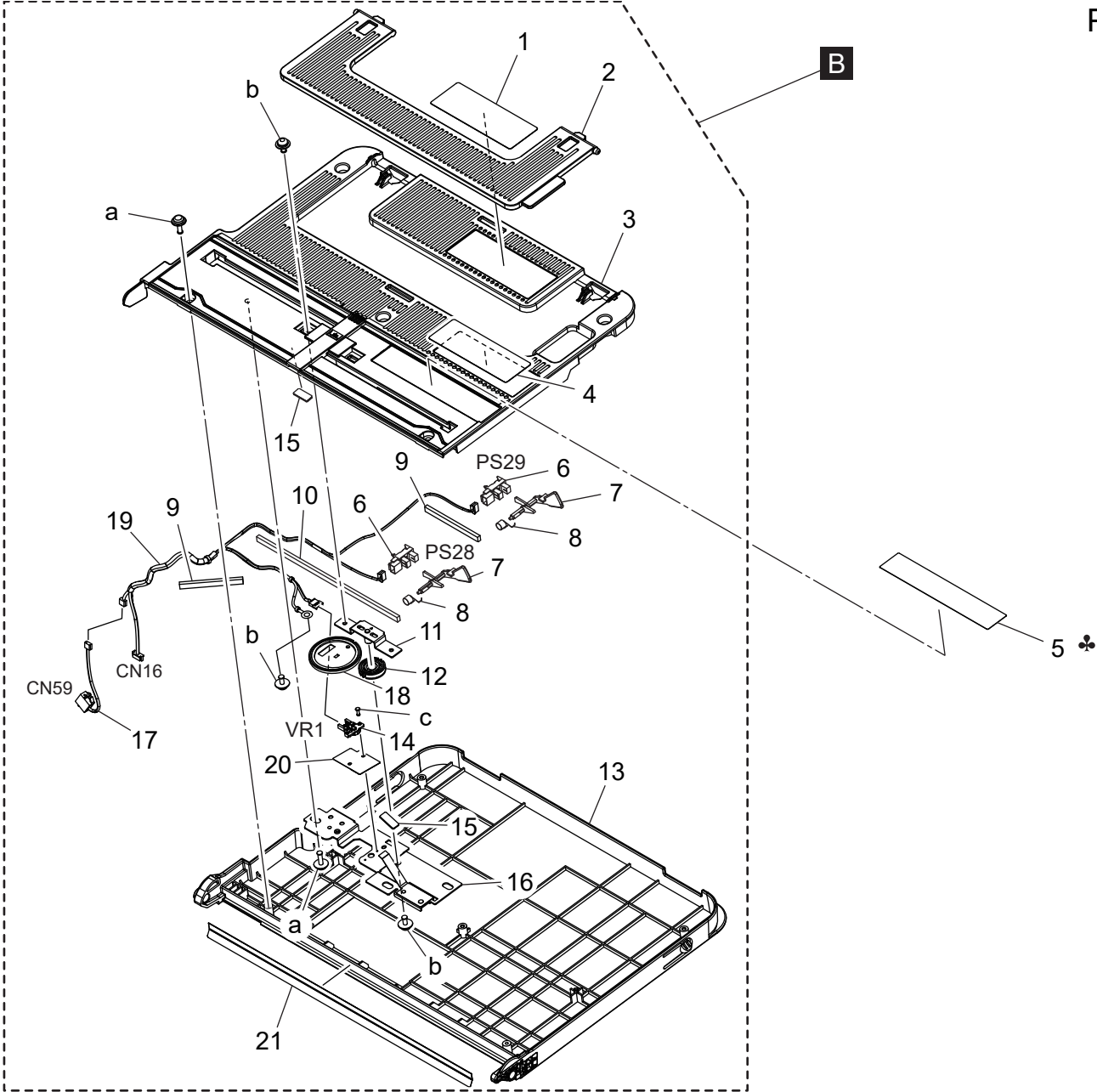
Key	Part No.	Description	Destinations	Class	QTY	Standard parts
1	A161592800	Wiring Cover /A		D	1	a-V137030803 b-V153030803 c-V217040001 d-V217060001 e-V217050001 f-V217030001 g-V116030803
2	A5C1M50100	Photointerrupter		B	1	
3	A5C1591900	Mounting Plate		D	1	
4	A161N12200	Paperfeed Drive harness /1		D	1	
5	A161590201	Paper feed Frame		D	1	
6	A161594100	Reinforce Plate		D	1	
7	A161594700	Guide Sheet		C	1	
8	A161591700	Auxiliary Guide		D	1	
9	A02E815200	BUSHING		C	2	
10	A00F623201	Roller		B	1	
11	A161594400	Slide Stopper		C	1	
12	A161591500	Paper feed Shaft		D	1	
13	A161591400	Drive Shaft		D	1	
14	A161593300	Paper feed Cam		C	1	
15	A161F59002	Caulking(Mounting Plate Drive Frame)		D	1	
16	A02E595400	Gear 22T		C	1	
17	4131353202	BUSHING		C	1	
18	A161590800	Bypass Gear 24T		C	1	
19	A161590600	Reinforce Plate		D	1	
20	A02E596100	Gear 30T		C	1	
21	A02E595100	Clutch assy		C	1	
22	A02EM20100	Clutch		B	1	
23	A0ED597800	Cover		D	1	
24	9321240011	SOLENOID		C	1	
25	A161591300	Light blocking Plate		C	1	
26	A5C1591200	Drive Cover		D	1	
27	A161594800	Hold Claw		C	1	
28	A161594900	Coil spring		C	1	
29	A79JR71933	Bypass Tray Assy		S	1	
30	A7PU596900	Auxiliary Cover		D	1	
31	A79J701600	Sound shield Plate		C	1	
32	A79J701700	Sound shield Plate		C	1	

Manual bypass Tray Section



Key	Part No.	Description	Destinations	Class	QTY	Standard parts
1	A161594500	Brake Part		C	1	a-V153030803 b-V137030803 c-V218030086 d-V118030803
2	A7PU596200	Regulating Plate /R		C	1	
3	A161594600	Brake Part /F		C	1	
4	A7PU596100	Regulating Plate /L		C	1	
5	A7PU593000Old	Lifting Plate		D	1	
5	A7PU592901	Lifting Plate		D	1	
6	A7PU595500	Lever		C	2	
7	A7PU593201	Regulating Plate /R		C	1	
8	A7PU593100	Regulating Plate /F		C	1	
9	A7PU944900	Label		C	1	
10	A161594201	Cushion		D	2	
11	A161590304	Support Holder		D	1	
12	A161591600	Hold Plate		C	1	
13	A161590101	Bypass Frame		D	1	
14	A161595100	Seal		C	1	
15	4030340301	GUIDE		C	2	
16	A161595300	Separating Plate		C	1	
17	A161595600	Slide Guide		C	1	
18	A161595000	Holder		D	1	
19	4030347501	PRESSURE SPRING		C	1	
20	A161595400	Hold Plate		D	1	
21	A161595200	Pulling Coil spring		C	1	
22	A161591800	Sensor Holder		D	1	
23	A7PUN10A00	Harness/ Sensor		D	1	
24	A5C1M50100	Photointerrupter		B	1	
25	A02E597600	Guide		C	1	
26	4658015106	Roller Assy		A	1	
27	A161591100	Sensor Holder		D	1	
28	A161591000	Torsion Spring		C	1	
29	A161590901	Actuator		C	1	
30	A7PU596700Old	Mounting Plate		D	1	
30	A7PU596800	Mounting Plate		D	1	
31	A161593600Old	Compressing Coil spring		C	1	
31	A7PU593600	Compressing Coil spring		C	1	
33	A161593400Old	Compressing Coil spring		C	1	
33	A7PU593400	Compressing Coil spring		C	1	
34	A7PU594000	Separating Sheet		C	1	
35	A79J596000	Sound shield Cushion		C	1	
36	A7PU944500	Label		C	1	

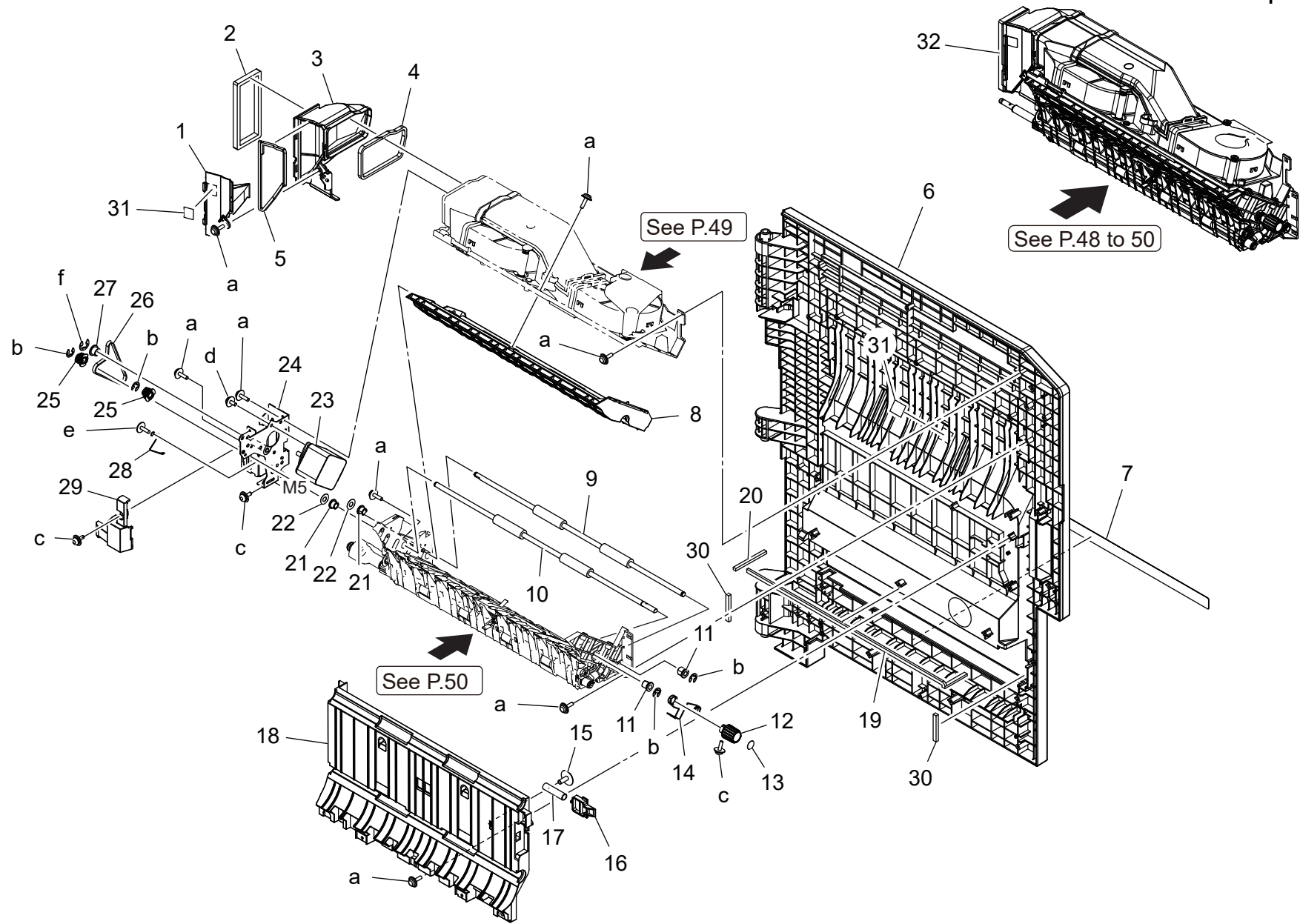
Manual bypass Tray Section



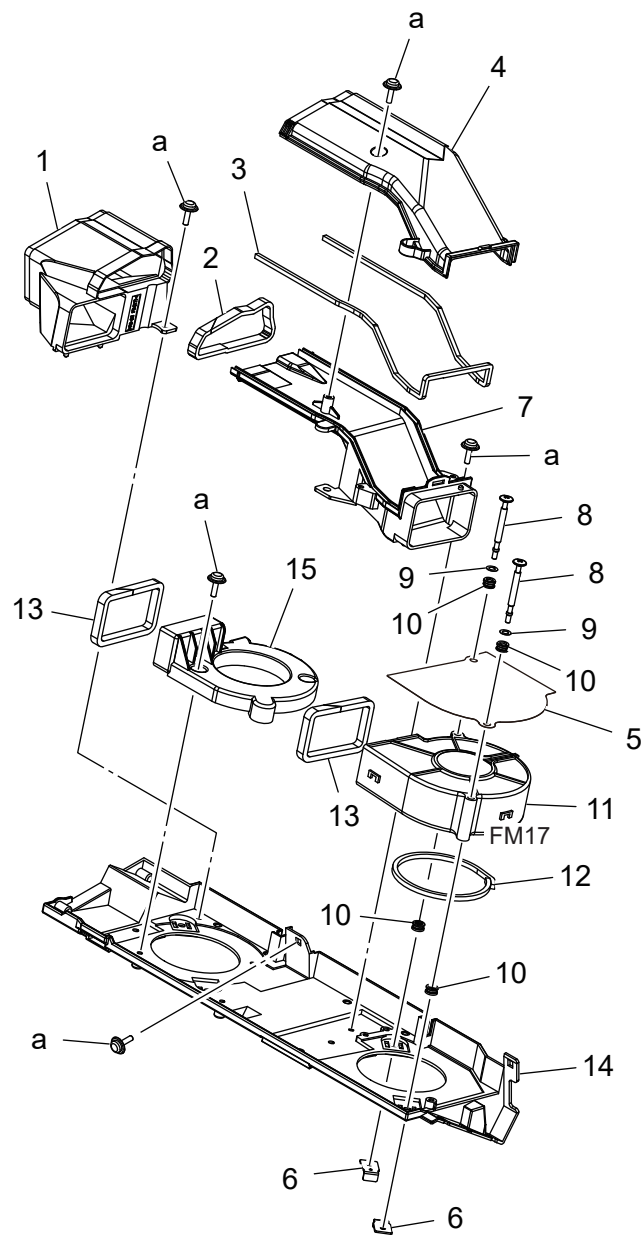
Key	Part No.	Description	Destinations	Class	QTY	Standard parts
1	A7PU944401	Label Paper supply		C	1	a-V153030803 b-V116030603 c-V111170403
2	A161592200	Auxiliary Tray		C	1	
3	A7PU592201	Bypass Tray /Upper		C	1	
4	A7PU944301	Label Paper supply		C	1	
5	A7PU944700	Label Metric	A,A1,C,D1,D3,E,F2,G 1,I,K,H,J	C	1	
5	A7PU944800	Label Inch	B,G2	C	1	
6	A5C1M50100	Photointerrupter		B	2	
7	A161592400	Actuator		C	2	
8	A161592501	Torsion Spring		C	2	
9	A161592600	Holding Cover /2		D	2	
10	A161592300	Holding Cover		D	1	
11	A7PUF60001	Mounting Plate		D	1	
12	A7PU593500	Gear		C	1	
13	A7PU592000	Bypass Tray		C	1	
14	A161M50400	VR		D	1	
15	A161593800	Friction Plate		C	2	
16	A7PU593700	Mounting Plate		D	1	
17	A7PUN10900	Harness/ Relay		D	1	
18	A161594300	Regulating Gear 41T		C	1	
19	A7PUN10B01	Harness/ Sensor		D	1	
20	A7PU599300	Insulating Sheet		D	1	
21	A79J596200	Sound shield Plate		C	1	

Duplex Section

P 48



Key	Part No.	Description	Destinations	Class	QTY	Standard parts
1	A79J830600	Duct	ダクト	D	1	a-V153030803
2	A79J831501	Seal	シール (ユニット側)	C	1	b-V217040001
3	A79J830500	Duct	ダクト	D	1	c-V116030803
4	A79J831100	Cushion	クッション	C	1	d-V116030603
5	A79J831600	Cushion	クッション	C	1	e-V137030803
6	A79J810100	Guide Door /Right	ガイド扉/右	C	1	f-V217050001
7	A161815100	Cover Door	カバー扉	C	1	
8	A79J812202	Guide Plate	ガイド板	D	1	
9	A161814601	Roller /C	ローラ / C	C	1	
10	A79J813700	Roller	ローラ	C	1	
11	A02E815200	BUSHING	軸受	C	2	
12	A161814700	Knob /A	ノブ / A	C	1	
13	A161946100	Label M5	ラベル M 5	C	1	
14	A5C1814200	Contact /A	接点 / A	D	1	
15	4163529301	SCREW	ねじ	C	1	
16	A5C1815700	Open/close Claw	開閉爪	C	1	
17	A161815800	Swing Spring	揺動ばね	C	1	
18	A7PU810201	Guide Plate /1	ガイド板	D	1	
19	A79J816700	Sound shield Seal /3	防音シール / 3	C	1	
20	A79J816600	Sound shield Seal /2	防音シール / 2	C	1	
21	A161813300	Bushing /A	ズベリ軸受 / A	C	2	
22	A161816400	Spacer /A	スペーサ / A	C	2	
23	A2X0M10600	Stepping motor	ステッピングモーター	C	1	
24	A79M811200	Frame /ASSY	フレーム / ASSY	D	1	
25	A0ED811700	Pulley 22T	プーリ (ADU 第3) 22 T	C	2	
26	A79J819000	Timing belt 200L	タイミングベルト 200 L	C	1	
27	A79J819800	Roll	ころ	C	1	
28	A5C1814300	Contact /B	接点 / B	D	1	
29	A79J814901	Cover	カバー	D	1	
30	A79J816800	Sound shield Seal /4	防音シール / 4	C	2	
31	A00F941100	Label	ラベル (高温マーク)	D	2	
32	A79MR70800	Reverse Assy	反転 A s s y	C	1	

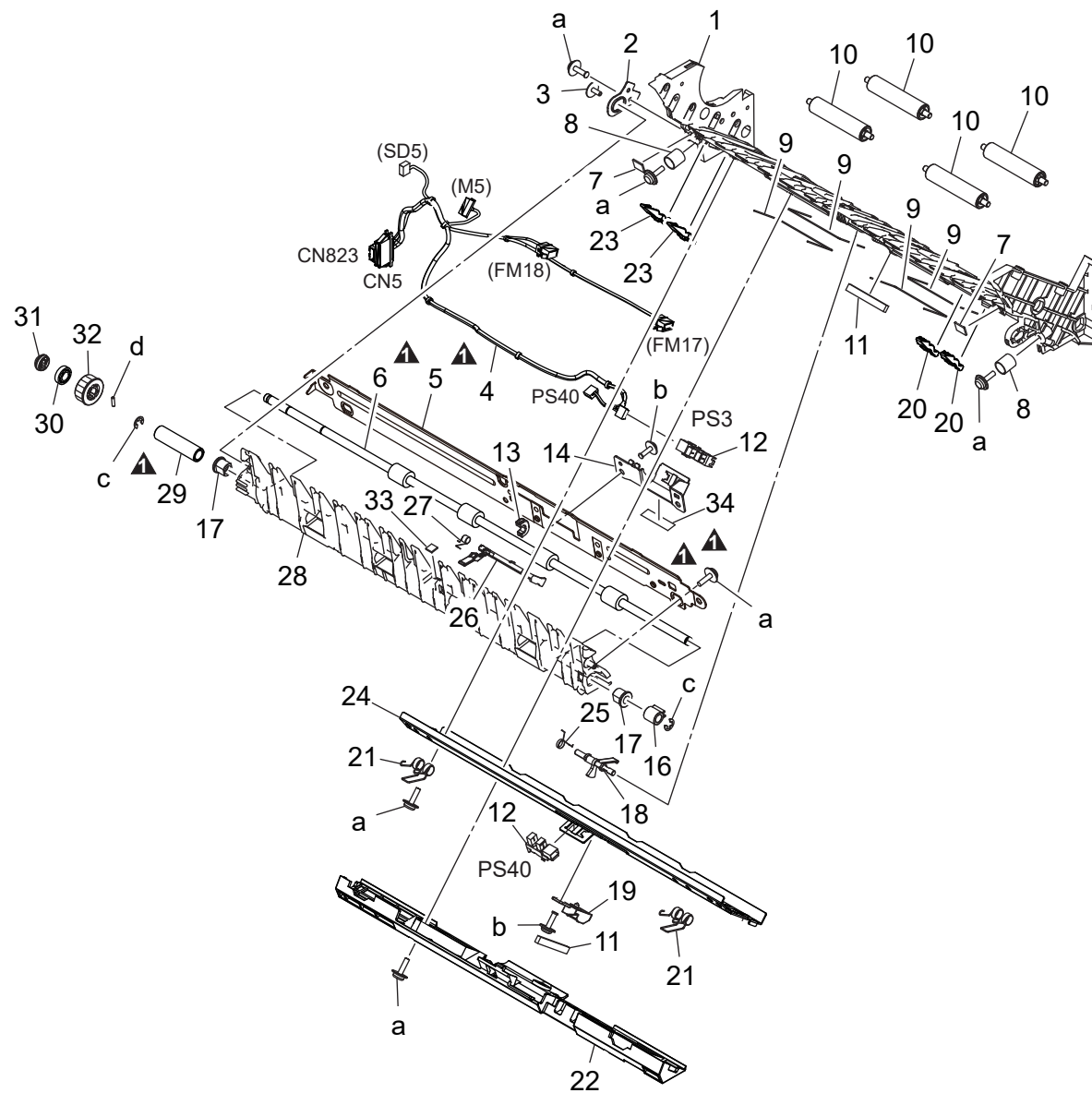


Key	Part No.	Description	Destinations	Class	QTY	Standard parts
1	A79J830100	Duct		D	1	a-V153030803
2	A79J831300	Cushion		C	1	
3	A79J831200	Cushion		C	1	
4	A79J830300	Duct		D	1	
5	A9HG830701	Cover		D	1	
6	A79J832200	Mounting Plate		D	2	
7	A79J830200	Duct		D	1	
8	A79J832000	Shoulder screw		C	2	
9	A79J832400	Washer		C	2	
10	A79J832100	Support Rubber		D	4	
11	9313100072	FAN MOTOR		C	1	
12	A79J832300	Seal		C	1	
13	A79J831000	Cushion		C	2	
14	A79J830001	Holder		D	1	
15	A79J829900	Cover		D	1	

Duplex Section

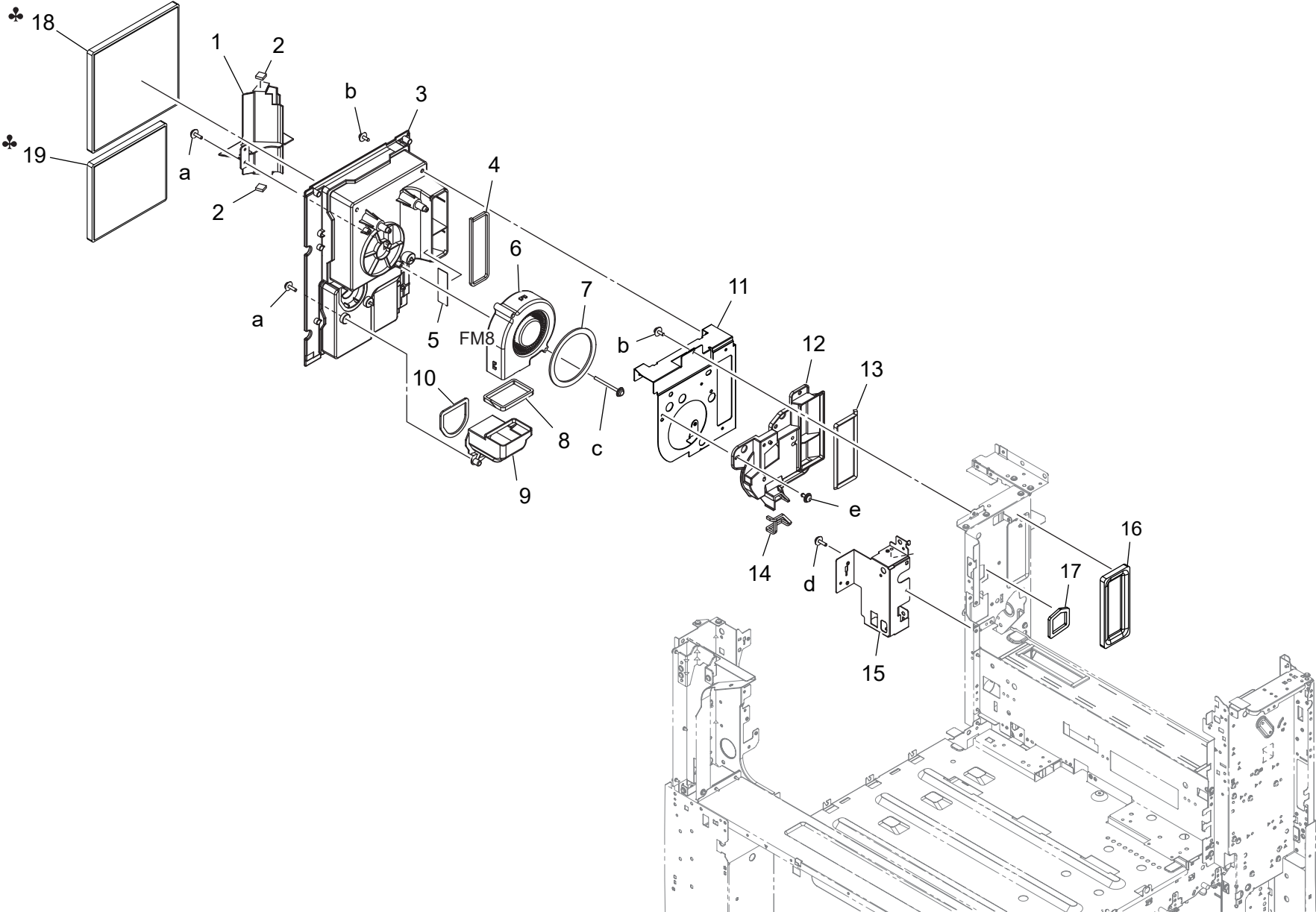
P 50

改訂版 REVISED EDITION	日付 DATE
▲	MARCH 2018

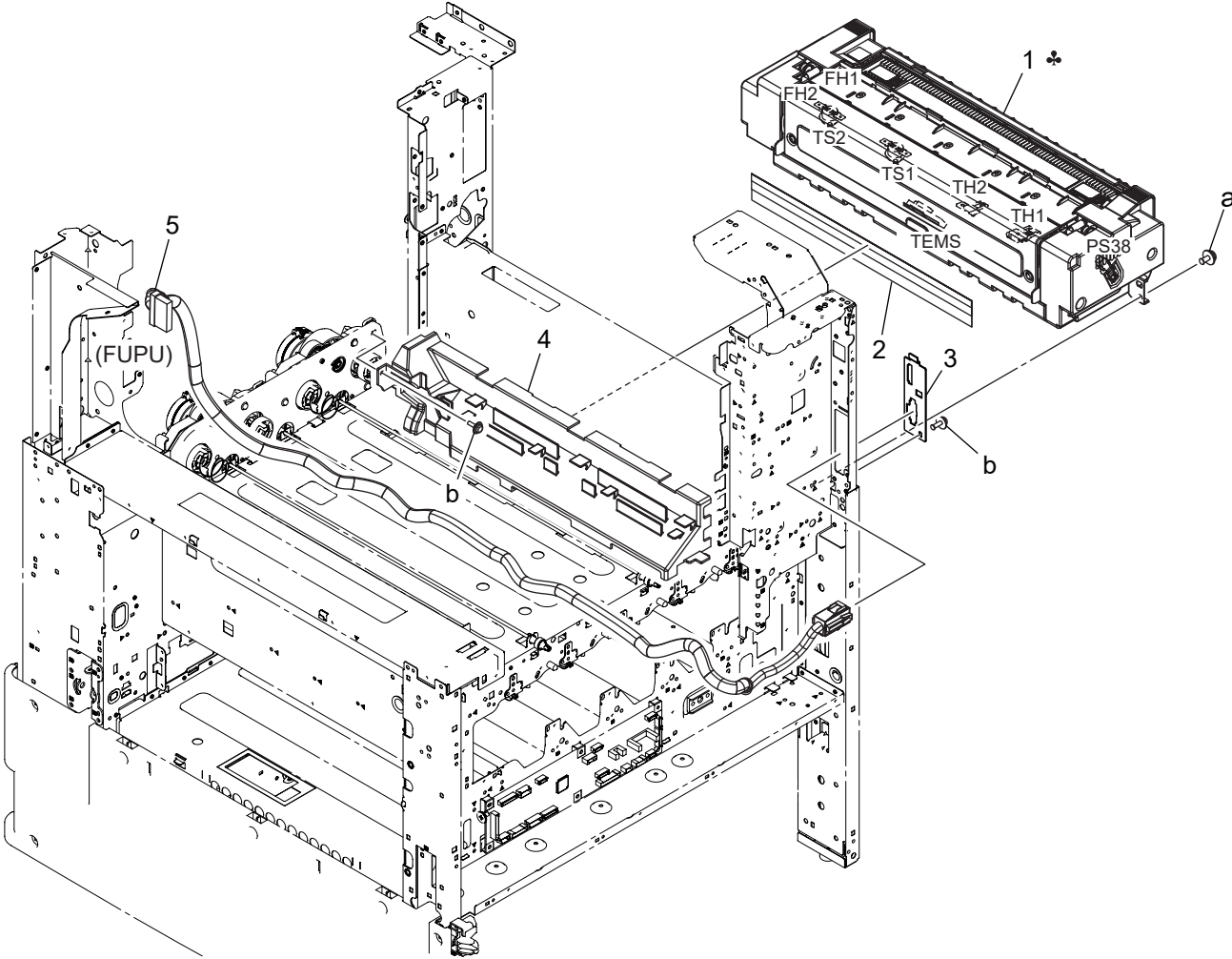


Key	Part No.	Description	Destinations	Class	QTY	Standard parts
1	A79J811700	Guide Plate	ガイド板	D	1	a-V153030803 b-V137030803 c-V217040001 d-V234200850
2	A161814401	Mounting Plate /3	取付板 / 3	D	1	
3	4163529301	SCREW	ねじ	C	1	
4	A79JN10701	Conveyance Relay harness	搬送中継束線	D	1	
5	A161810801Old	Mounting Plate /2	取付板 / 2	D	1	
5	A7PU810800	Mounting Plate /2	取付板 / 2	D	1	
6	A5C1810603	Roller /1	ローラ / 1	C	1	
7	A161825301	Cushion /A	クッション / A	D	2	
8	A161813600	Pressing Spring /A	押圧ばね / A	C	2	
9	A0ED815100	Holding Part	押さえ材 (ADU 第1 R)	D	4	
10	A161825700	Idler Roller /A	従動ローラ / A	D	4	
11	A161825800	Cushion /B	クッション / B	D	2	
12	A5C1M50100	Photointerrupter	透過型センサ	B	2	
13	A161819500	Bushing /C	すべり軸受 / C	C	1	
14	A161825102	Mounting Plate /4	取付板 / 4	D	1	
16	A161814500	Bushing /B	すべり軸受 / B	C	1	
17	A02E815200	BUSHING	軸受	C	2	
18	A161813200	Actuator	アクチュエータ (ADU 上 JAM 検)	C	1	
19	A161825400	Wiring Part	配線部材	D	1	
20	A5C1811803	Guide Plate /Front	ガイド板 / 前	D	2	
21	A161813400	Torsion Coil spring	ねじりコイルばね (ガイド押さえ)	D	2	
22	A79J813903	Cover	カバー	D	1	
23	A5C1811901	Guide Plate /Rear	ガイド板 / 奥	D	2	
24	A79J810902	Mounting Plate	取付板	D	1	
25	A161712800	Spring /D	ばね / D	D	1	
26	A161813001	Actuator	アクチュエータ (排紙 JAM 検)	C	1	
27	A161813100	Torsion Coil spring	ねじりコイルばね (排紙 JAM 検)	C	1	
28	A161810503	Guide Plate /4	ガイド板 / 4 (排紙前)	D	1	
29	A5C1825500Old	Cover /D	カバー / D	D	1	
29	A7PU825500	Collar	カラー	D	1	
30	A5C1825000	Bushing	すべり軸受	C	1	
31	A161825000	Bushing	すべり軸受 (排紙ドッキング丸2)	C	1	
32	A161819200	Gear 18T	ギア 18 T	C	1	
33	A161826001	Cushion /B	クッション / B	D	1	
34	A79J821000	Protection Part	保護部材	C	1	

The Paper Cooling Fan Section



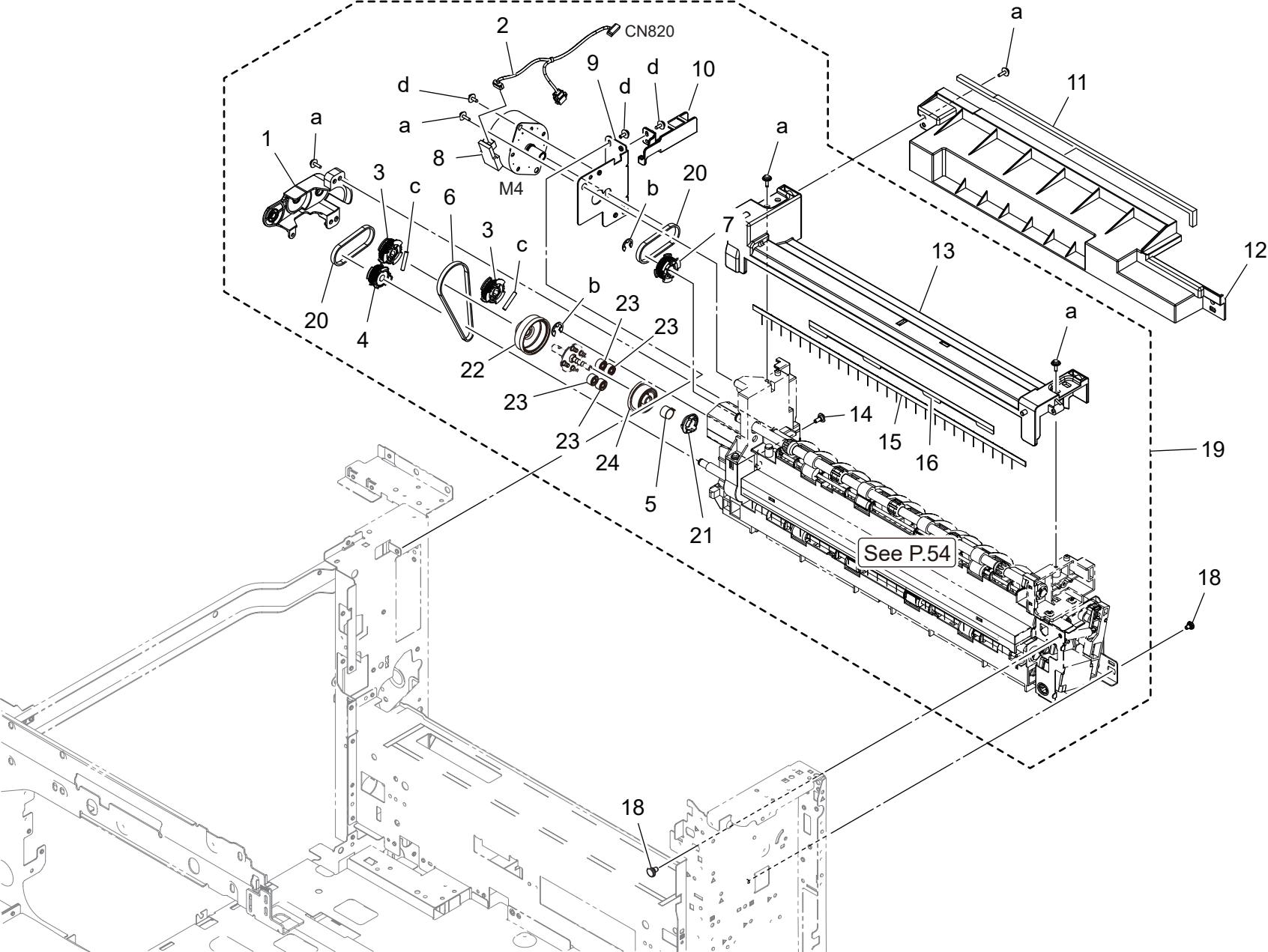
Key	Part No.	Description	Destinations	Class	QTY	Standard parts
1	A79J145100	Guide Plate		D	1	a-V153030803 b-V116030803 c-V153033503 d-V137030803 e-V116030603
2	A79J145200	Cushion		C	2	
3	A79J143402	Duct		D	1	
4	A79J142701	Cushion		C	1	
5	A79J145000	Seal		C	1	
6	9313100072	FAN MOTOR		C	1	
7	A79J143800	Cushion		C	1	
8	A79J143600	Cushion		C	1	
9	A79J143001	Duct		D	1	
10	A79J143200	Cushion		C	1	
11	A79J148304	Mounting Plate		D	1	
12	A79J140502	Duct		D	1	
13	A79J141501	Cushion		C	1	
14	A79J142600	Cushion		C	1	
15	A79JF12100	Mounting Plate		D	1	
16	A79J120801	Seal		C	1	
17	A79J120700	Cushion		C	1	
18	A79J149100	Filter	J	C	1	
19	A79J149200	Filter	J	C	1	



Fusing Section

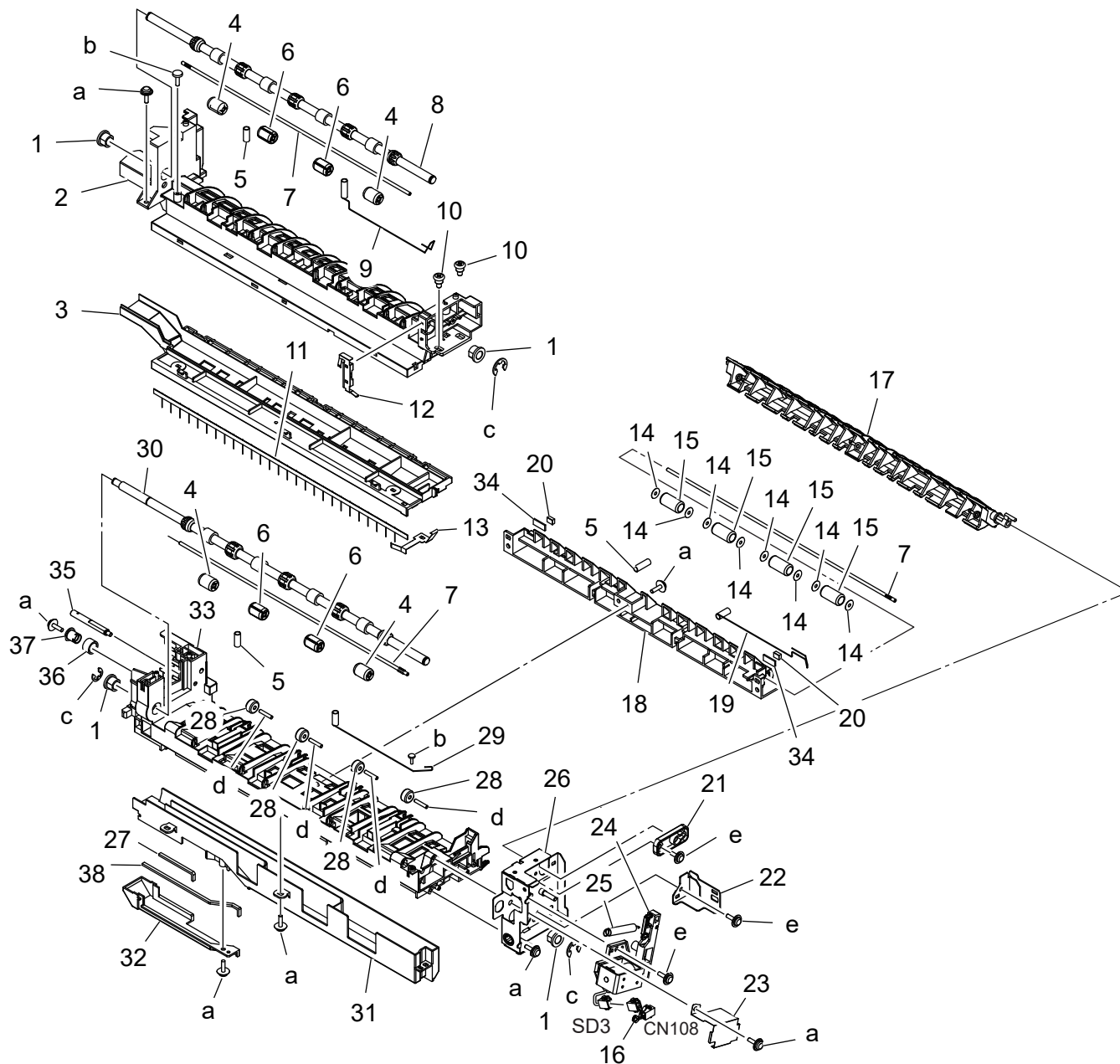
Key	Part No.	Description	Destinations	Class	QTY	Standard parts
1	AA6UR70300	Fusing Unit (100V)	定着ユニット (100 V)	A,A1	1	a-V116041003 b-V116030803
1	AA6UR70400	Fusing Unit (120V)	定着ユニット (120 V)	B,G2	1	
1	AA6UR70500	Fusing Unit (220-240V)	定着ユニット (220-240 V)	C,D1,D3,E,F2,G1,I,K ,J	1	
1	AA6UR70600	Fusing Unit (110V)	定着ユニット (110 V)	H	1	
2	A797102701	Seal	シール	C	1	
3	AA6V137200	Mounting Plate	取付板 (定着コネクタ/1)	D	1	
4	A161140400	Duct	ダクト (TB 冷却)	D	1	
5	AA6UN10400	Heater Relay harness /1	ヒーター中継束線/1	D	1	

Paper Exit /Reverse Section



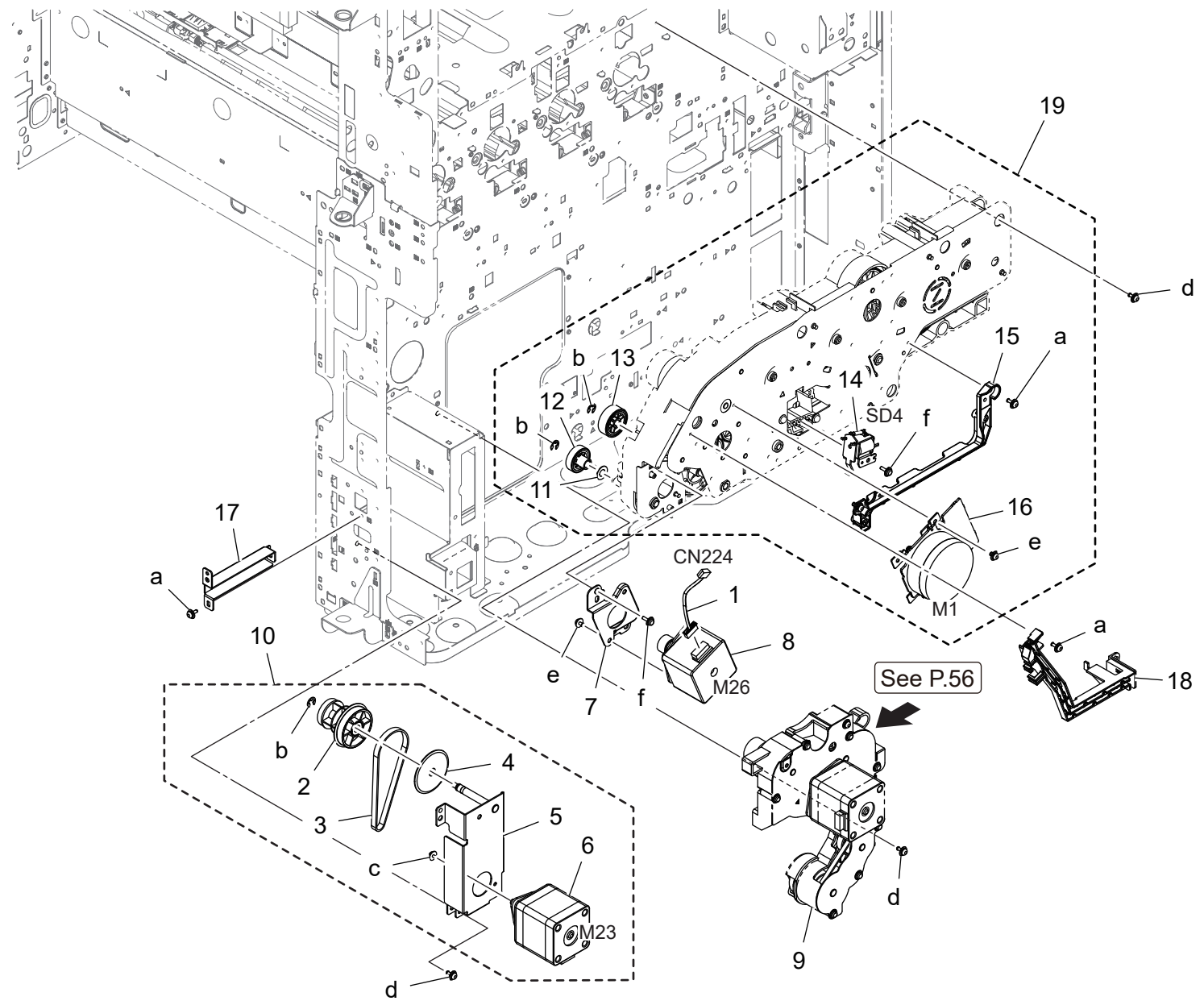
Key	Part No.	Description	Destinations	Class	QTY	Standard parts
1	A79J897612	Holder	ホルダ	D	1	a-V153030803 b-V217060001 c-V234201250 d-V116030803
2	A79JN10400	Drive Relay harness /1	駆動中継束線 / 1	D	1	
3	A79J897401	Pulley 28T	プーリ 28 T	C	2	
4	A79J891300	Pulley 28T	プーリ 28 T	C	1	
5	A79J898500	Spring	ばね	C	1	
6	A79J898400	Timing Belt 216L	タイミングベルト 216 L	C	1	
7	A79J895800	Pulley 33T	プーリ 33 T	C	1	
8	A7PUM10400	Stepping motor	ステッピングモータ	C	1	
9	A79J893200	Mounting Plate	取付板	D	1	
10	A79J894000	Guide	ガイド	D	1	
11	A79J896600	Cushion	クッション	C	1	
12	A79J896500	Guide	ガイド	D	1	
13	A79J895702	Paper exit Cover	排紙カバー	D	1	
14	A00J169300	Shoulder screw	段ねじ	C	1	
15	A161894000	Neutralizing Brush	除電ブラシ	C	1	
16	A161894100	Sheet	シート (除電ブラシ)	D	1	
18	A0P0742300	Shoulder screw	段ねじ	C	2	
19	A9HHR70200	Paper Exit Assy	排紙 A s s y	S	1	
20	A79J898300	Timing belt 116L	タイミングベルト 116 L	C	2	
21	A79J897900	Collar	カラー (排紙減速ばね)	C	1	
22	A79J897100	Gear 56T	ギア 56 T	C	1	
23	A79J897200	Gear 16T	ギア 16 T	C	4	
24	A79J897000	Gear 24T/20T	ギア 24 T / 20 T	C	1	

Paper Exit /Reverse Section



Key	Part No.	Description	Destinations	Class	QTY	Standard parts
1	A0ED891100	Bushing		D	4	a-V153030803 b-V149030803 c-V217060001 d-V234301650 e-V137030803
2	A79J895603	Paper exit Guide /Upper		D	1	
3	A79J895200	Paper exit Guide /Lower		D	1	
4	4004590301	ROLL		C	4	
5	A161892400	Spring		C	3	
6	A5C1891100	Roll		D	4	
7	4025598401	SHAFT		D	3	
8	A79J895400	Roller		C	1	
9	A161900201	Ground Spring		C	1	
10	1164202801	SHOULDER SCREW		D	2	
11	A161894000	Neutralizing Brush		C	1	
12	A161895503	Ground Contact /Upper		D	1	
13	A161895601	Ground Contact /Lower		D	1	
14	A64J891200	Washer		D	8	
15	A2X0901100	Roll		C	4	
16	A79JN10Q00	Relay Wiring /5		D	1	
17	A5C1890401	Guide Lever		D	1	
18	A161890205	Guide Part /Lower		D	1	
19	A161900300	Ground Spring		C	1	
20	A161893601	Cushion		D	2	
21	A161891000	Bushing		D	1	
22	A161892300	Mounting Plate		D	1	
23	A7PU890700	Cover		D	1	
24	A79JR72400	Solenoid Assy		C	1	
25	A79J892000	Pulling Coil spring		C	1	
26	A161F89003	Caulking(Mounting Plate)		D	1	
27	A79J893700	Cushion		C	1	
28	A0ED897700	Collar		C	4	
29	A161900100	Ground Spring		C	1	
30	A79J890311	Roller		C	1	
31	A79J893501	Duct		D	1	
32	A79J894500	Duct		D	1	
33	A79J890201	Paper exit Main body		D	1	
34	A64J891500	Sheet		D	2	
35	A79J898211	Shaft		D	1	
36	A79J897501	Roll		C	1	
37	A79J897800	Collar		C	1	
38	A79J893800	Cushion		C	1	

Main Drive/ Paper Feed Drive Section

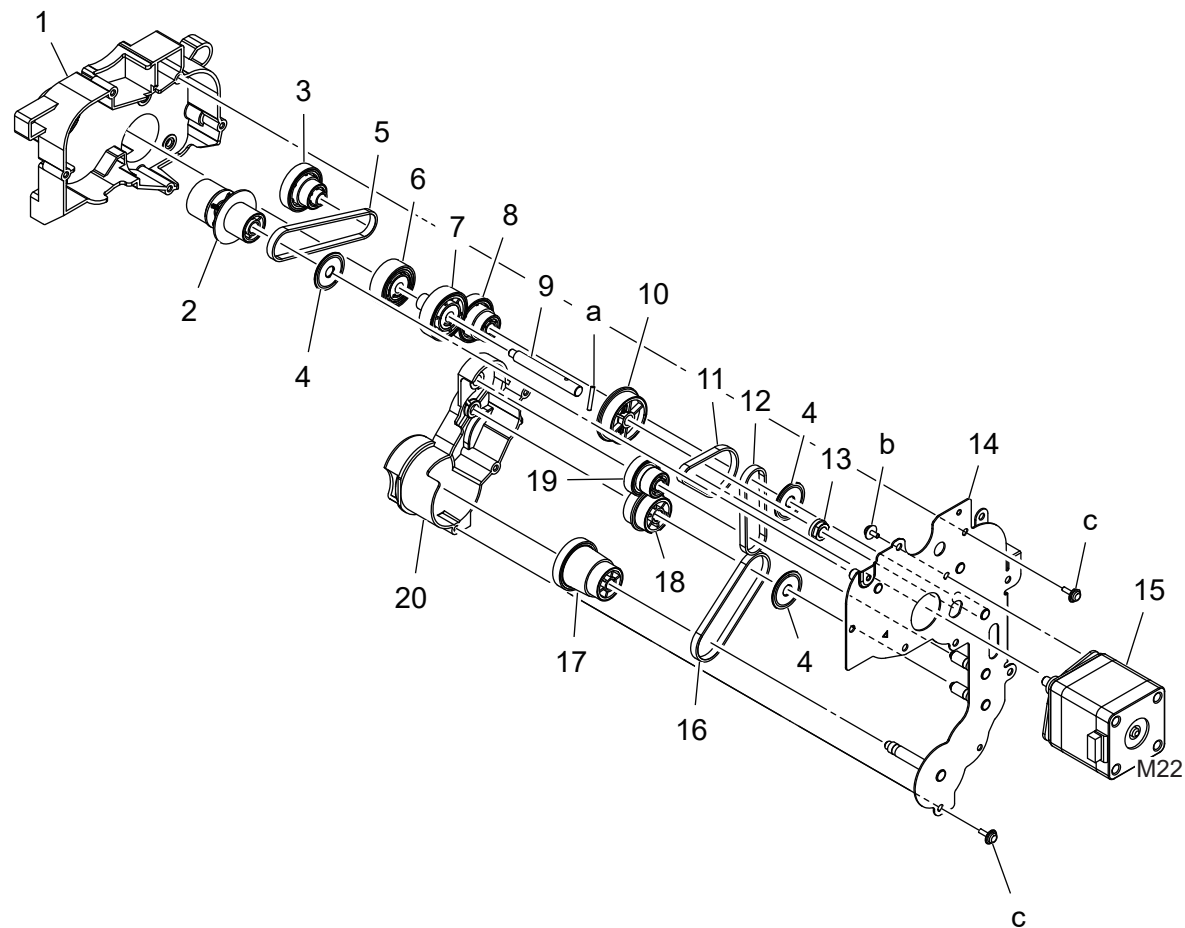



REAR SIDE

bizhub 458e

Key	Part No.	Description	Destinations	Class	QTY	Standard parts
1	A79JN10500	Drive Relay harness /2		D	1	a-V116030803
2	A79J222200	Gear 22/55T		C	1	b-V217040003
3	A64J222400	Belt 214L		C	1	c-V116030603
4	A64J222500	Washer		D	1	d-V125030818
5	A64JR7A000	Cauking(Hold Plate)		D	1	e-V116030504
6	A61DM10000	HB Stepping motor		C	1	f-V153030803
7	A79J254200	Mounting Plate		D	1	
8	A2X0M10000	Stepping motor		C	1	
9	A79JR70222	Paper Feed Drive Assy		S	1	
10	A64JR70600	Vertical conveyance Drive Assy		S	1	
11	A1RF517100	Spacer /A		D	1	
12	A64J257800	Gear 20T		C	1	
13	A79K254000	Gear 23T		C	1	
14	A161M20300	Flapper solenoid		C	1	
15	A7PU216100	Guide		D	1	
16	A7PUM11201	brushless Motor /40		C	1	
17	A161105500	Reinforce Plate		D	1	
18	A79J134701	Guide		D	1	
19	AA6TR70111	Main Drive Assy		C	1	

Main Drive/ Paper Feed Drive Section



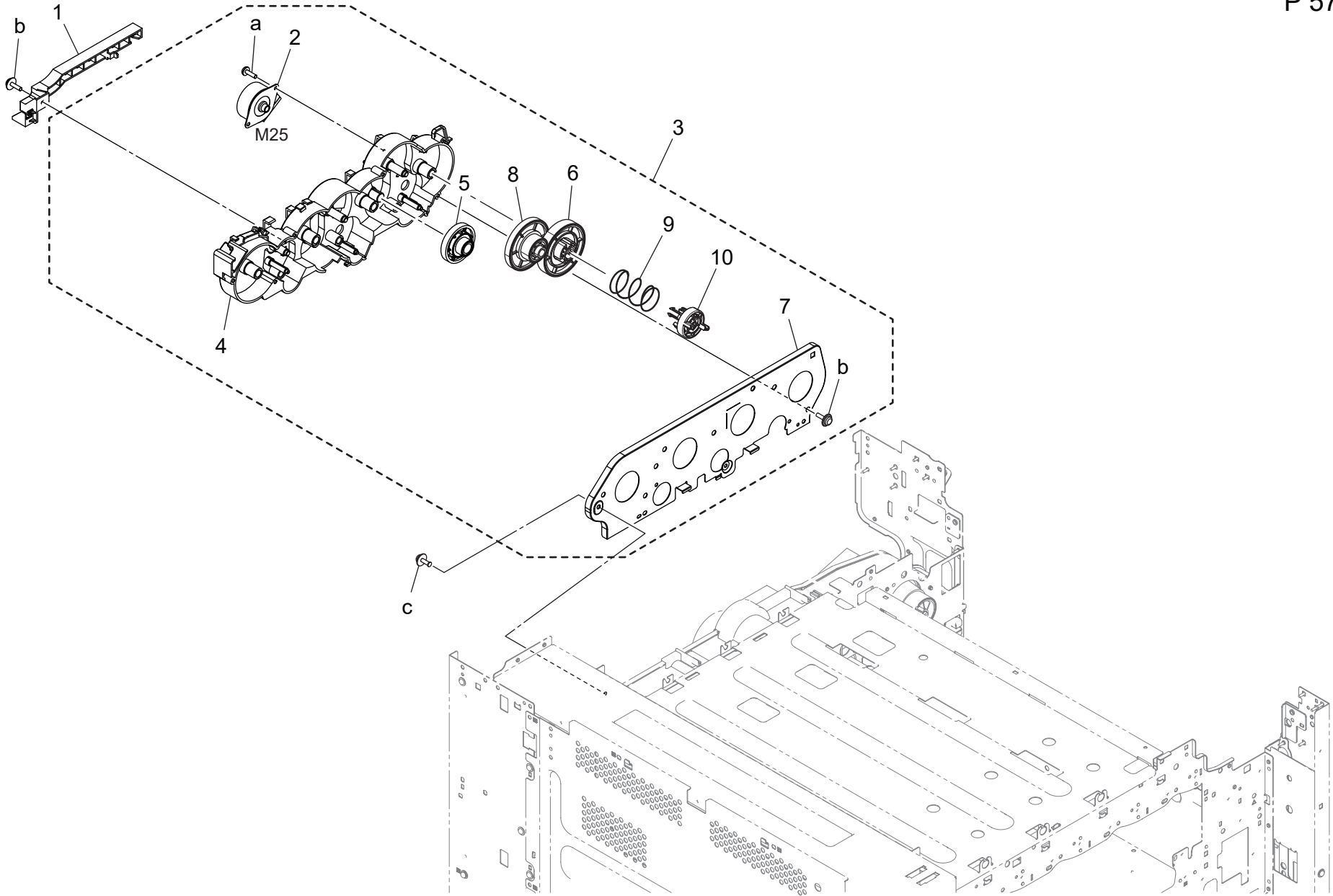

REAR SIDE

bizhub 458e

Main Drive/ Paper Feed Drive Section

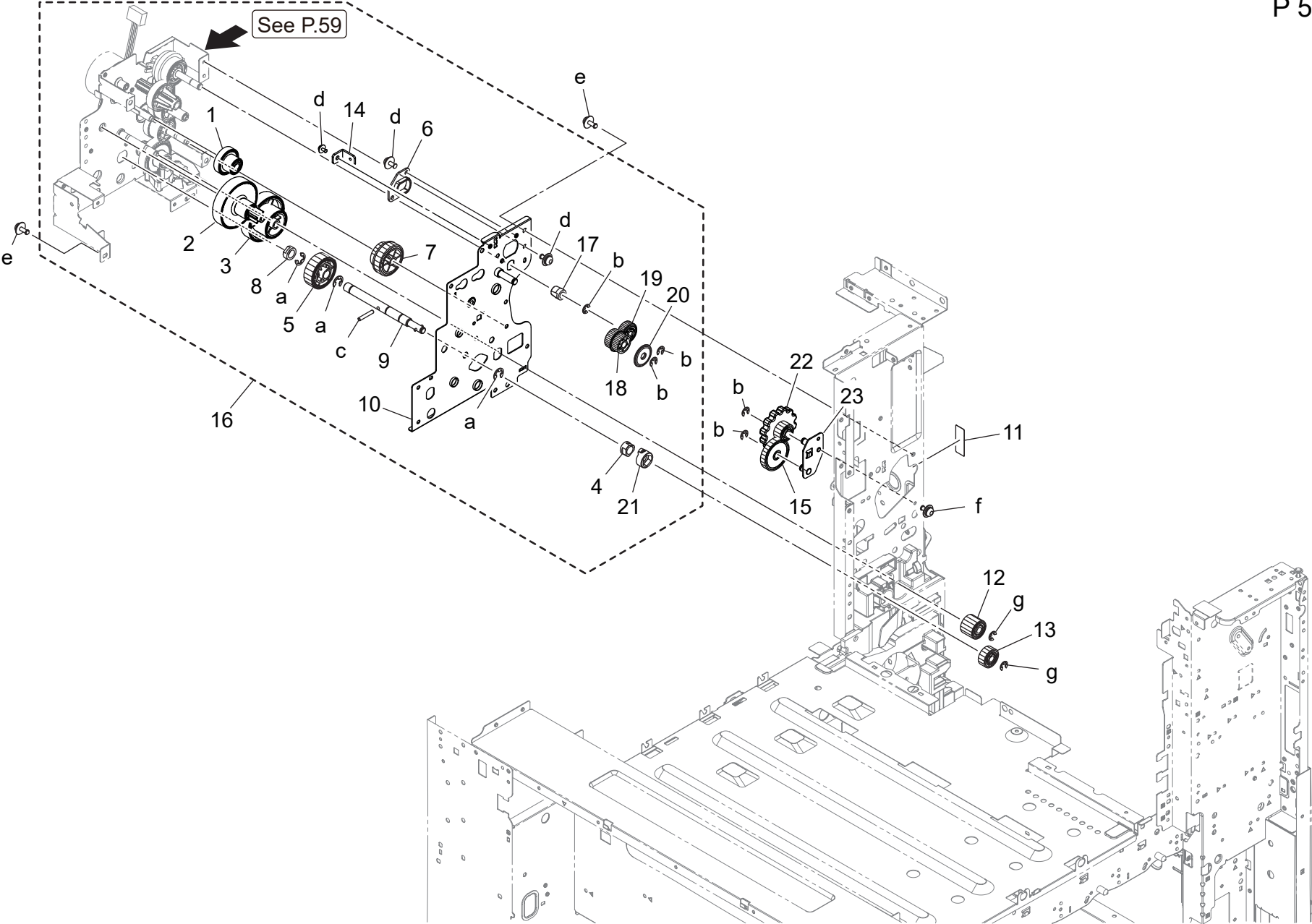
Key	Part No.	Description	Destinations	Class	QTY	Standard parts
1	A79J220901	Holder		C	1	a-V234201450 b-V127030604 c-V153031004
2	A79J259800	Gear 19T		C	1	
3	A79J253300	Gear 29T		C	1	
4	A79J897300	Collar		C	3	
5	A79J226600	Timing belt 180L		C	1	
6	A79J226200	Gear 23T		C	1	
7	A79J226301	Gear 32T		C	1	
8	A79J226400	Gear 30T		C	1	
9	A79J223101	Shaft (1st Docking)		D	1	
10	A79J220000	Pulley 44T		C	1	
11	A79J226500	Timing belt 112L		C	1	
12	A79J226700	Timing belt 126L		C	1	
13	A161210200	Bushing		D	1	
14	A79J221200	Frame /ASSY		D	1	
15	A61DM10000	HB Stepping motor		C	1	
16	A79J226800	Timing belt 156L		C	1	
17	A79J220701	Gear 28T		C	1	
18	A79J253000	Pulley 24T		C	1	
19	A79J222500	Pulley 24T		C	1	
20	A79J220800	Holder		C	1	

Toner Supply Drive Section



Key	Part No.	Description	Destinations	Class	QTY	Standard parts
1	A7PU241600	Guide		D	1	a-V145030803 b-V153030803 c-V116030803
2	A7PUM10700	Stepping motor		C	1	
3	A9HJR70500	Toner Bottle Drive Assy		S	1	
4	A7PU240101	Drive Holder		D	1	
5	A161240301	Gear 18/91T		D	1	
6	A161240600	Gear 65T		D	1	
7	A7PU241500	Mounting Plate		D	1	
8	A161240400	Gear 29/62T		D	1	
9	4038541202	PRESSURE SPRING		C	1	
10	A161240700	Joint		C	1	

Fusing Drive Section

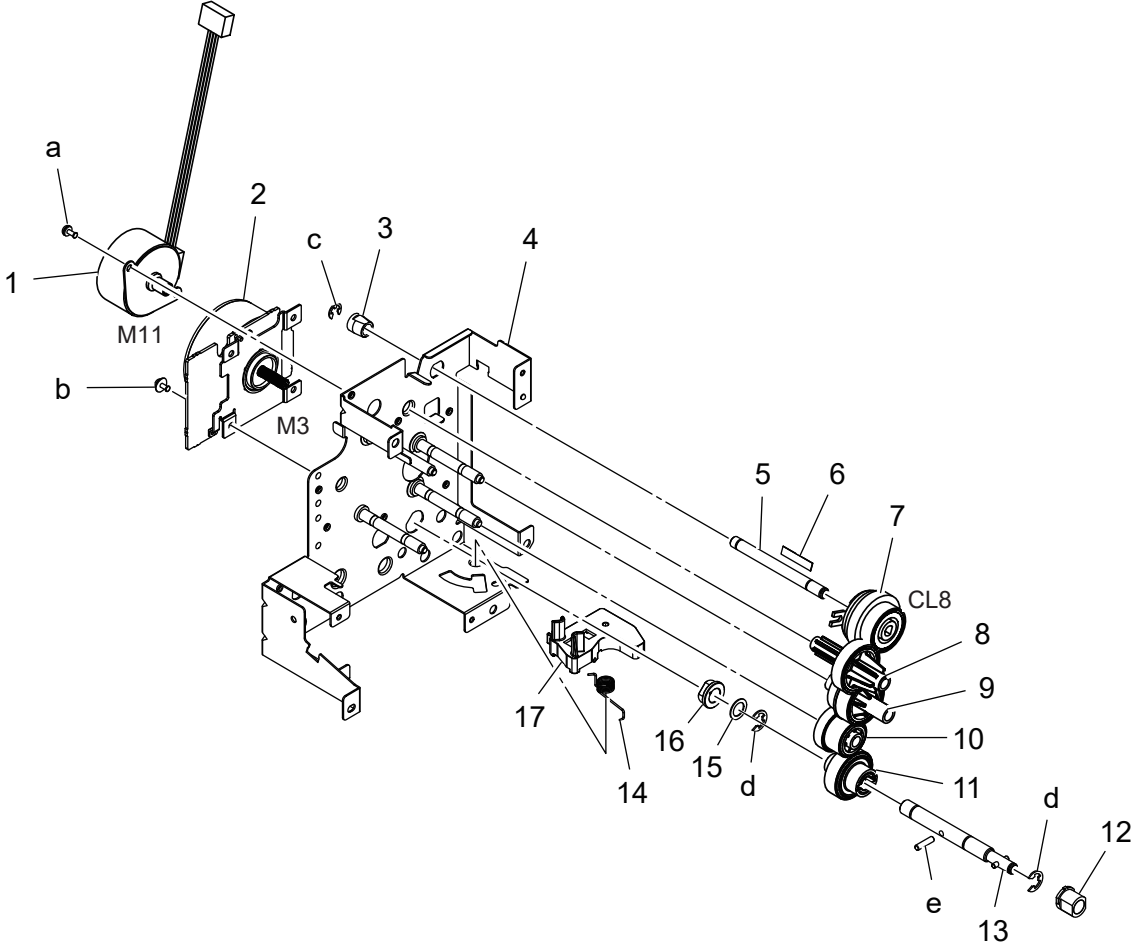


bizhub 458e

Fusing Drive Section

Key	Part No.	Description	Destinations	Class	QTY	Standard parts
1	A2XK254200	Gear 18/62T		D	1	a-V217060001 b-V217040001 c-V234301850 d-V116030603 e-V125030818 f-V116030803 g-V217040003
2	A161254300	Gear 18/57T		D	1	
3	A79J254400	Gear 55T/33T		C	1	
4	A161254700	Bushing		D	1	
5	A161254500	Gear 38T		D	1	
6	A161232200	Bushing		D	1	
7	A79K228800	Gear 24T/20T		C	1	
8	A7PU254800	Slide Bearing		B	1	
9	AA6V256300	Shaft		D	1	
10	AA6U231000	Mounting Plate		D	1	
11	A161941100	Label M4		D	1	
12	A5C1228700	Gear		C	1	
13	A161254600	Gear		C	1	
14	A79J231100	Mounting Plate		D	1	
15	A79K121900	Gear 23T		C	1	
16	AA6UR70211	Fusing Drive Assy		S	1	
17	A161232300	Bushing		D	1	
18	A79J231300	Gear 16T		C	1	
19	A161230700	Gear 18T		C	1	
20	A79J897300	Collar		C	1	
21	A161232401	Collar		D	1	
22	A161122002	Gear 12T		D	1	
23	A79K122400	Mounting Plate		D	1	

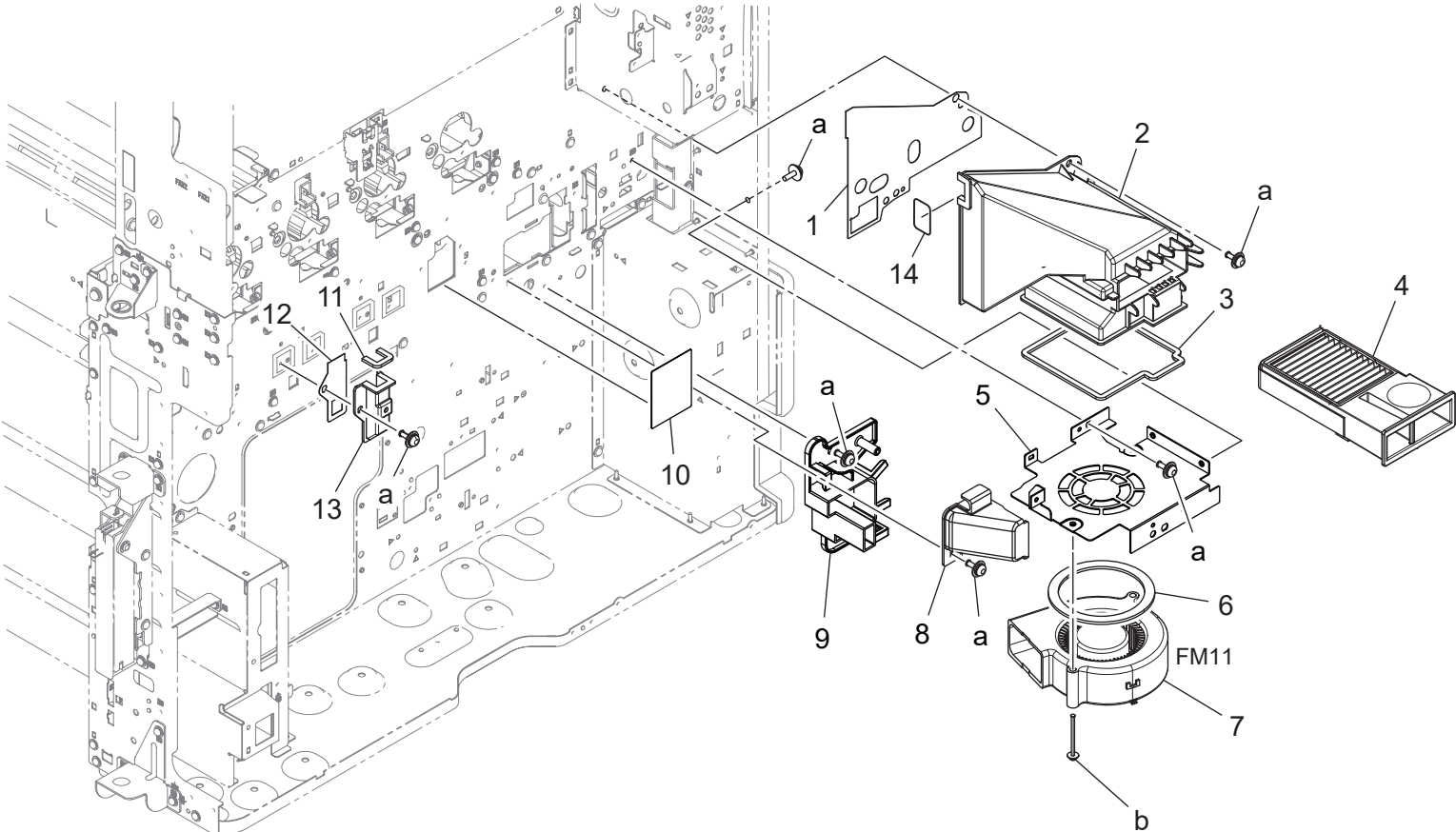
Fusing Drive Section



Fusing Drive Section

Key	Part No.	Description	Destinations	Class	QTY	Standard parts
1	A161M10300	Stepping motor		C	1	a-V115030603 b-V116030603 c-V217040001 d-V217060001 e-V234301250
2	A7PUM10100	Brushless motor /30		I	1	
3	A161232300	Bushing		D	1	
4	AA6U255600	Mounting Plate		D	1	
5	A64J231801	Shaft		D	1	
6	A64J231901	Spacer		D	1	
7	A161M20401	Clutch		C	1	
8	A161230600	Gear 27T		D	1	
9	AA6U230500	Gear 26/42T		C	1	
10	A79K228001	Gear 44T/24T		C	1	
11	A79K228101	Gear 33T		C	1	
12	A161702200	Bushing		C	1	
13	AA6V228300	Shaft		D	1	
14	A161258501	Torsion Coil spring		D	1	
15	A1RF505400	Slide Spacer		D	1	
16	A7PU254800	Slide Bearing		B	1	
17	A161228601	Lever		D	1	

Toner Suction Fan Section



REAR SIDE

bizhub 458e

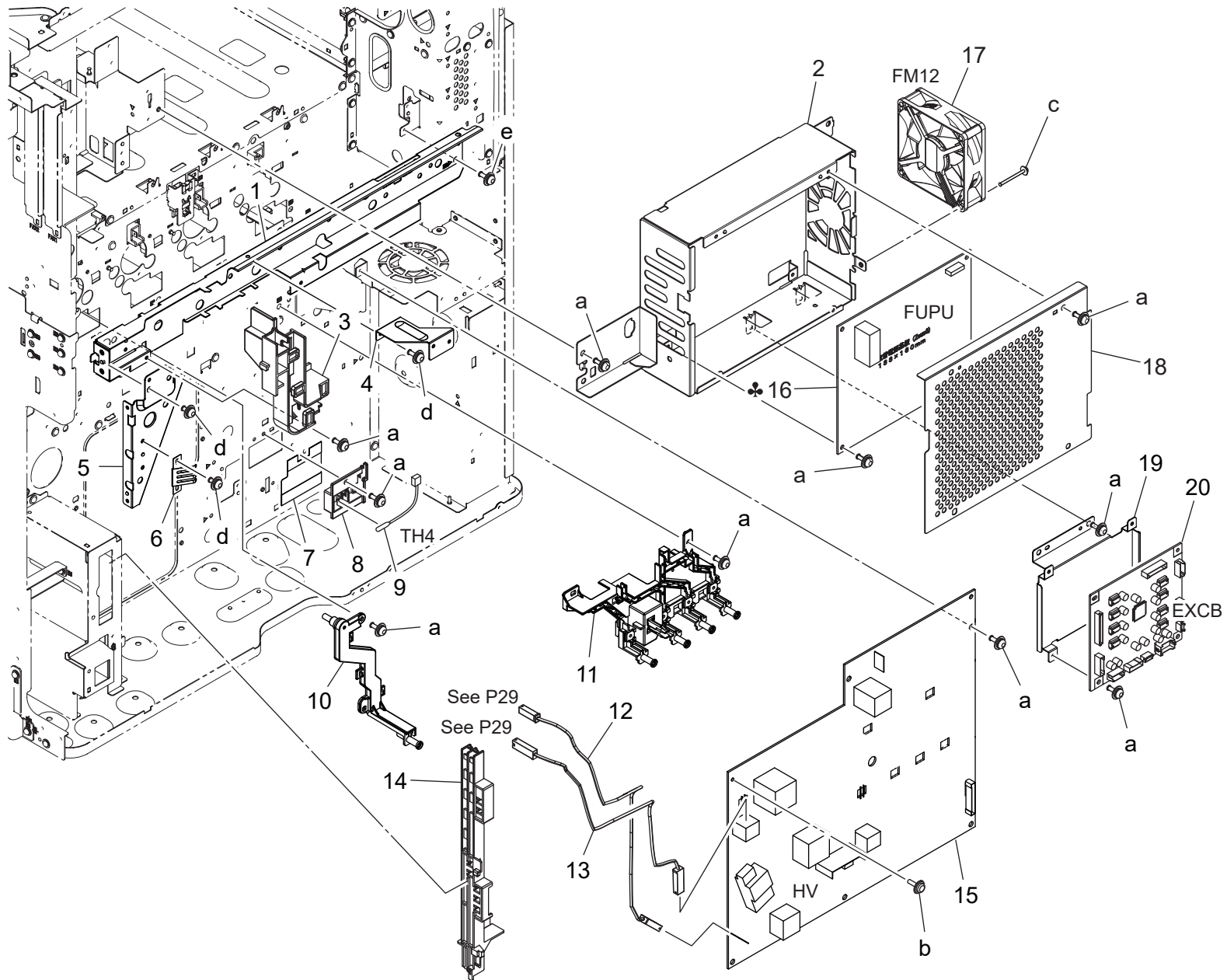


Toner Suction Fan Section

Key	Part No.	Description	Destinations	Class	QTY	Standard parts
1	A161146900	Seal /4		D	1	a-V116030803 b-V116033503
2	A161147500	Duct /1		D	1	
3	A161143500	Seal /1		D	1	
4	A161R72811	Toner Filter Assy		A	1	
5	A5C1142001	Mounting Plate		D	1	
6	A02E117300	Seal		C	1	
7	9313100072	FAN MOTOR		C	1	
8	A161141500	Duct /2		D	1	
9	A7PU141800	Holder		D	1	
10	A79J146400	Seal		C	1	
11	A161146600	Seal /3		D	1	
12	A161146500	Seal		D	1	
13	A161147600	Duct		D	1	
14	A61D148300	Seal		D	1	

High Voltage Section

P 61



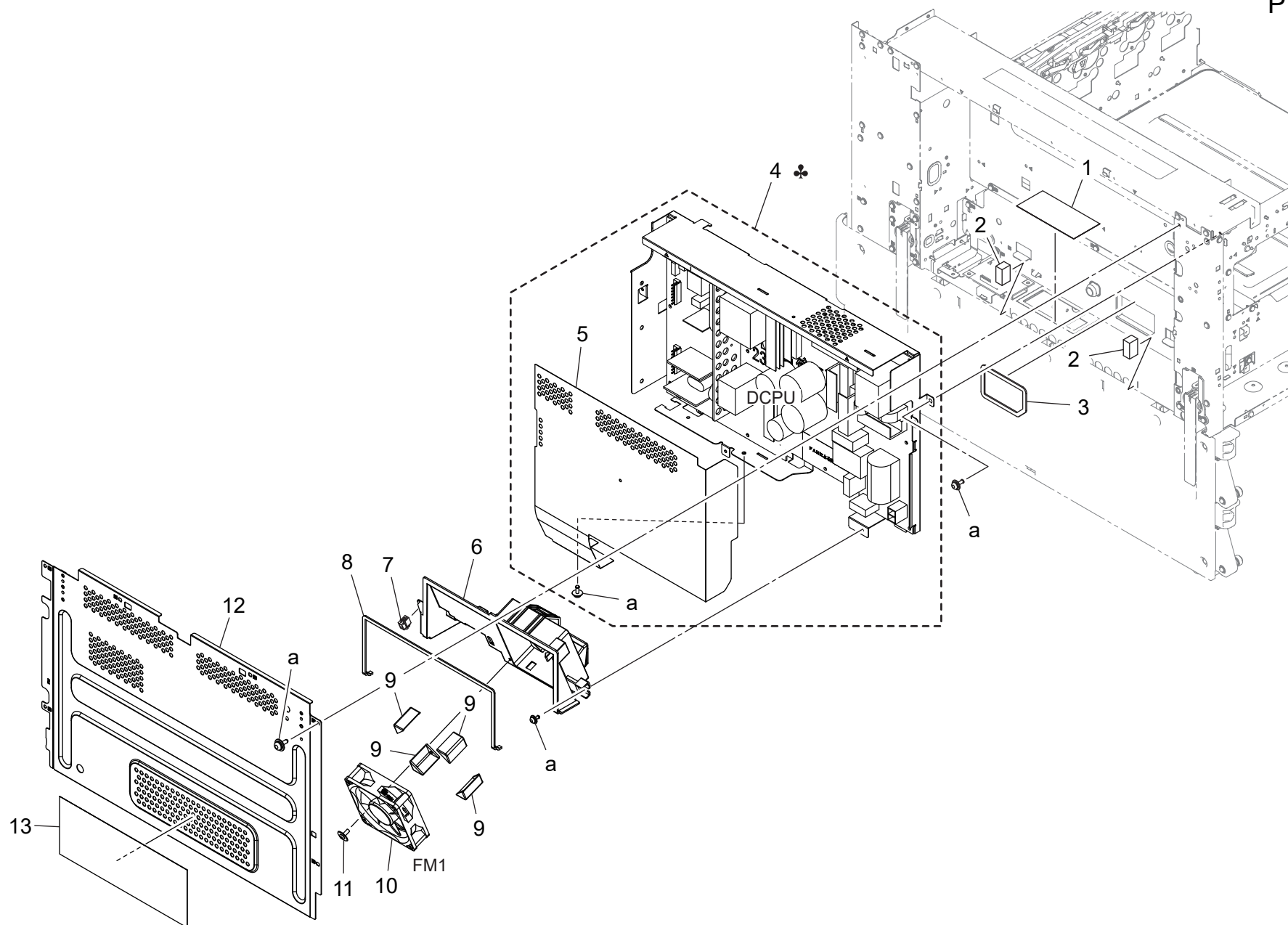

REAR SIDE

bizhub 458e

Key	Part No.	Description	Destinations	Class	QTY	Standard parts
1	A79J132500	Mounting Plate		D	1	a-V116030803 b-V153030804 c-V116033003 d-V116030603 e-V125030818
2	A4FJ150101	Shield Case		D	1	
3	A79J133001	Guide		D	1	
4	A79J132601	Mounting Plate		D	1	
5	A161132801	Reinforce Plate		D	1	
6	A79J136100	Plate spring		D	1	
7	A79J138400	Sheet		C	1	
8	A161137701	Holder		D	1	
9	A0P0M50300	Thermistor		C	1	
10	A7PUR71900	HV Contact Assy		D	1	
11	A61FR71200	DV Contact Assy		D	1	
12	A161N11300	Transfer Wiring /2		D	1	
13	A161N11K00	Neutralizing Wiring		D	1	
14	A5C1134800	Guide		D	1	
15	A9HGM40600	High voltage unit		I	1	
16	A4FJM40M01	Fixing Power source /230V	C,D1,D3,E,F2,G1,I,K	I	1	
16	A79MM40N00	Fixing Power source /120V	J	I	1	
16	A4FJM40K01	Fixing Power source /120V	A,A1,B,G2	I	1	
17	4139M10001	Fan motor	H	B	1	
18	A4FJ150200	Shield Plate		D	1	
19	A79J131701	Mounting Plate		D	1	
20	A9HGH00501	PWB Assembly(EXCB)		I	1	

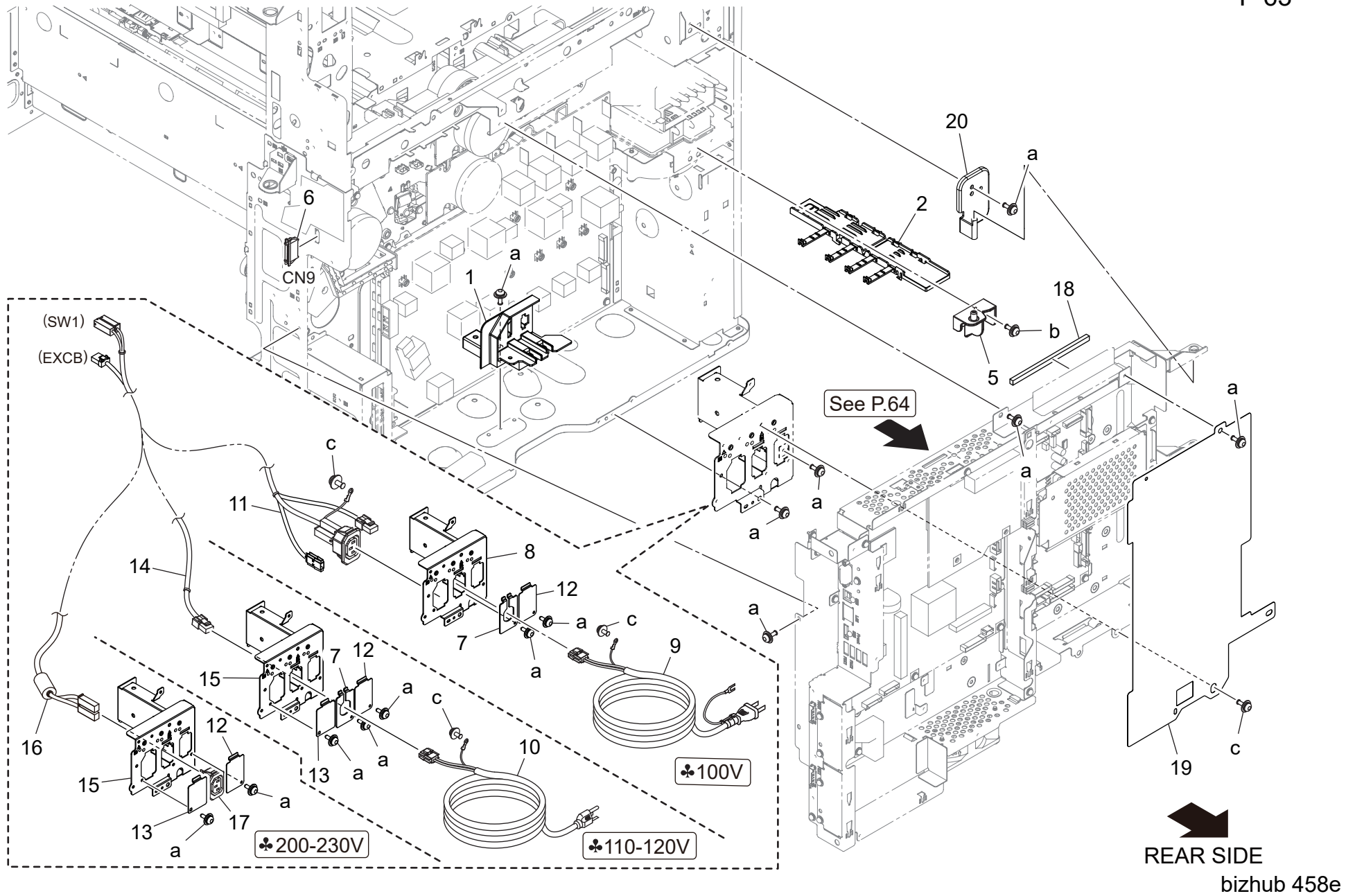
Low Voltage Section

P 62

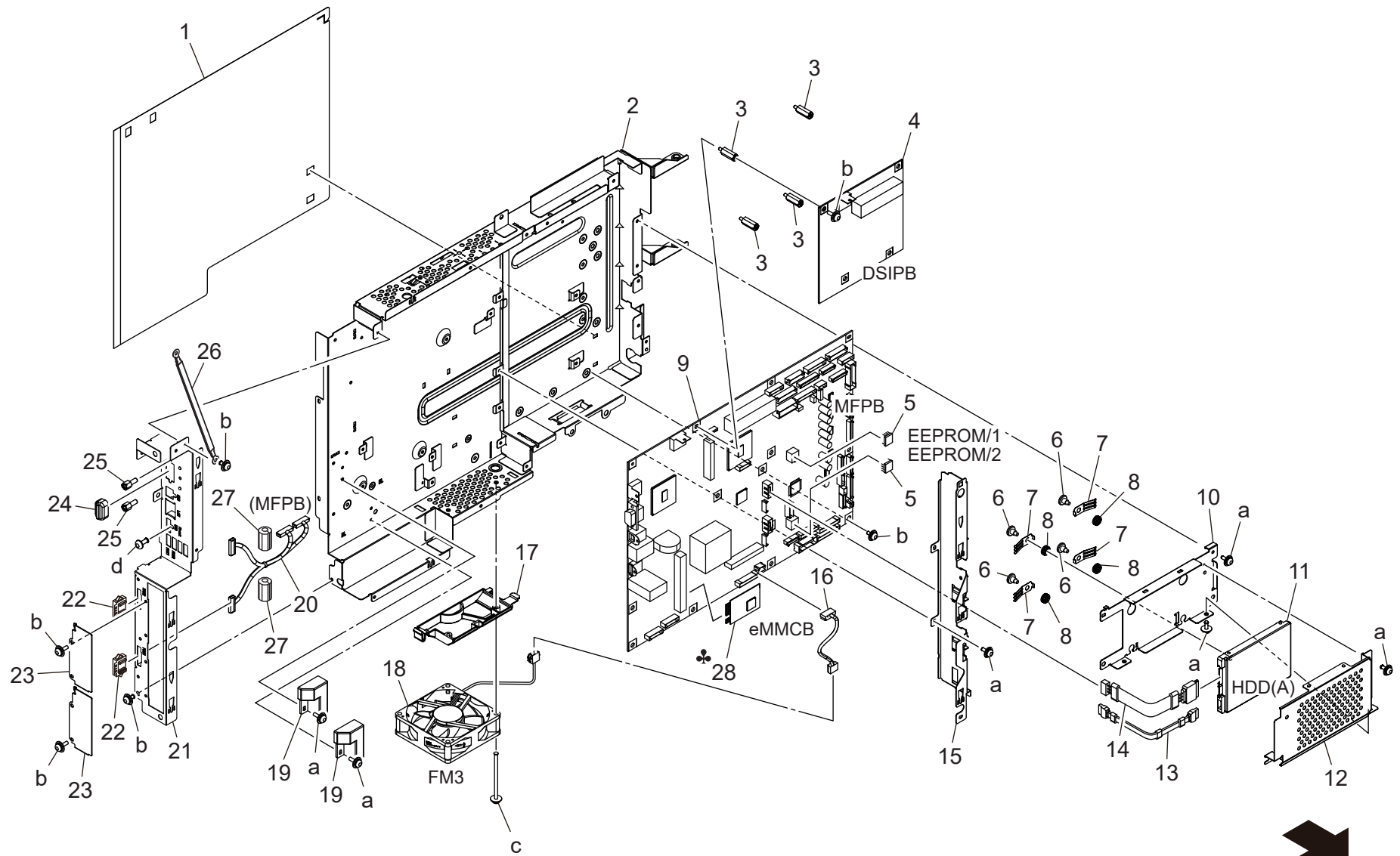


bizhub 458e

Key	Part No.	Description	Destinations	Class	QTY	Standard parts
1	A161145000	Filter		C	1	a-V116030803
2	A161144500	Seal /3		C	2	
3	A161143601	Seal /3		D	1	
4	A79JR70100	Power supply Assy /230V	低圧電源 A s s y / 2 3 0 V	I	1	
4	AA6RR70400	Power supply Assy (100V)	低圧電源 A s s y (1 0 0 V)	I	1	
4	AA6RR71200	Power Supply Assy (110V)	低圧電源 A s s y (1 1 0 V)	H	1	
5	A5AY131100	Sheet	シート	D	1	
6	A79J140801	Cooling Duct	冷却ダクト	D	1	
7	V651010002	connector	W t o W コネクタ	D	1	
8	A161143400	Seal /1	シール / 1 (L V ・ P H)	D	1	
9	A79J140900	Vibrationproof Rubber	防振ゴム	D	4	
10	4139M10001	Fan motor	ファンモータ	B	1	
11	4163529301	SCREW	ねじ	C	1	
12	A79J100600	Cover	カバー	D	1	
13	A7PU101500	Filter	フィルタ	C	1	



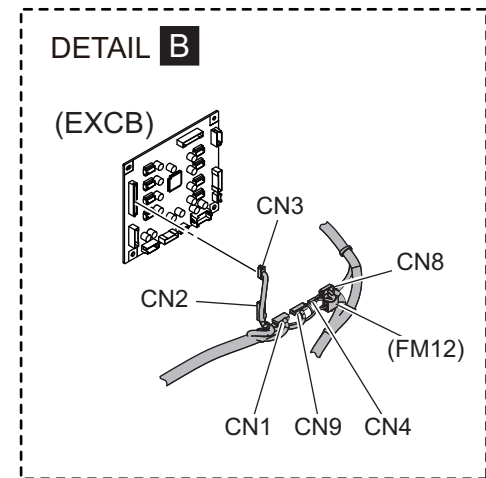
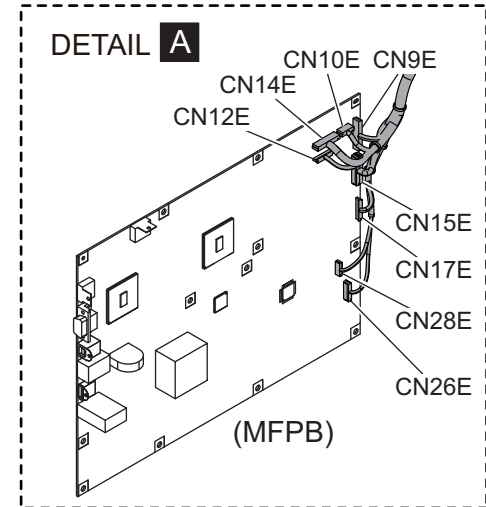
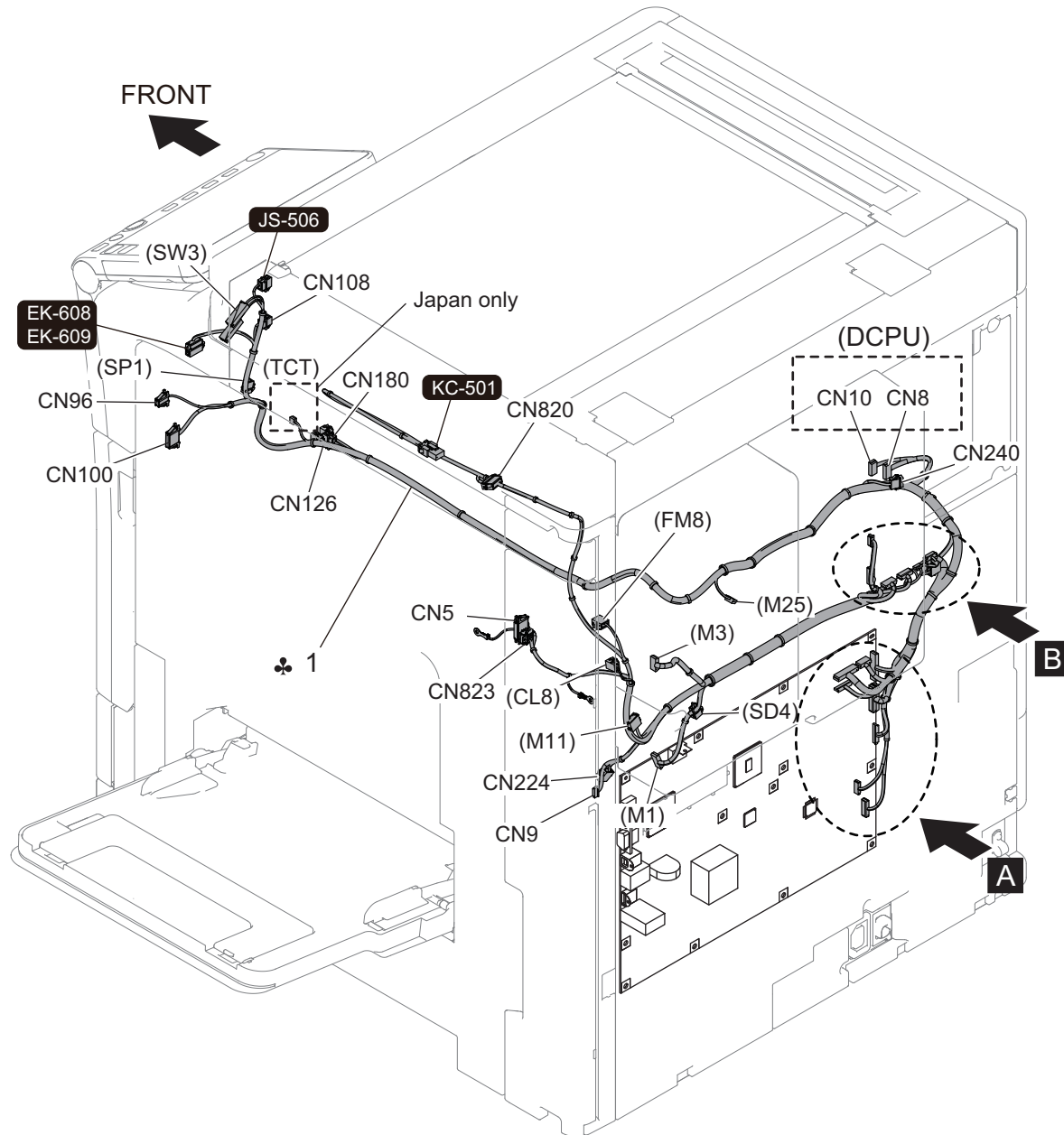
Key	Part No.	Description		Destinations	Class	QTY	Standard parts
1	A161131401	Holder	ホルダ (CN)		D	1	a-V116030803 b-V116030804 c-V116040803
2	A5C1137800	Holder	ホルダ (FFC)		D	1	
5	A5C1130800	Support Shaft	支点軸		C	1	
6	V651010045	WtoW Connector	W t o W コネクタ		D	1	
7	A0ED135700	Mounting Plate	取付板 (電源コード)	A,A1,B,G2	D	1	
7	A7PU135700	Mounting Plate	取付板 (電源コード)	H	D	1	
8	A79J133100	Mounting Plate	取付板 (インレット/国・欧)	A,A1	D	1	
9	AA6RN30000	Power code (100V)	電源コード (100V)	A,A1	D	1	
10	AA6RN30100	Power code (120V)	電源コード (120V)	B,G2	D	1	
10	A8JEN30200	Power code	電源コード (台湾)	H	C	1	
11	A79MN10J01	AC Wiring /100V	AC 束線 / 100V	A,A1	D	1	
12	A79J136000	Mounting Plate	取付板		D	1	
13	A79J139000	Cover	カバー	B,C,D1,D3,E,F2,G1,G 2,I,K,H,J	D	1	
14	A4FJN10101	AC Wiring /120V	AC 束線 / 120V (ハロゲン)	B,G2	D	1	
14	A79MN10K00	AC Wiring /110V	AC 束線 / 110V (Halogen)	H	D	1	
15	A79J133200	Mounting Plate	取付板 (インレット/北米)	B,C,D1,D3,E,F2,G1,G 2,I,K,H,J	D	1	
16	A9HHN10N00	AC Wiring /230V	AC 束線 / 230V	C,D1,D3,E,F2,G1,I,K J	D	1	
17	A02EN12513	Power supply Wiring	給電束線	C,D1,D3,E,F2,G1,I,K J	D	1	
18	A79JM90200	Cushion	クッション		C	1	
19	A79J139700	Sheet	シート		D	1	
20	A7PU130700	Mounting Plate	取付板 (コントBOX上)		D	1	



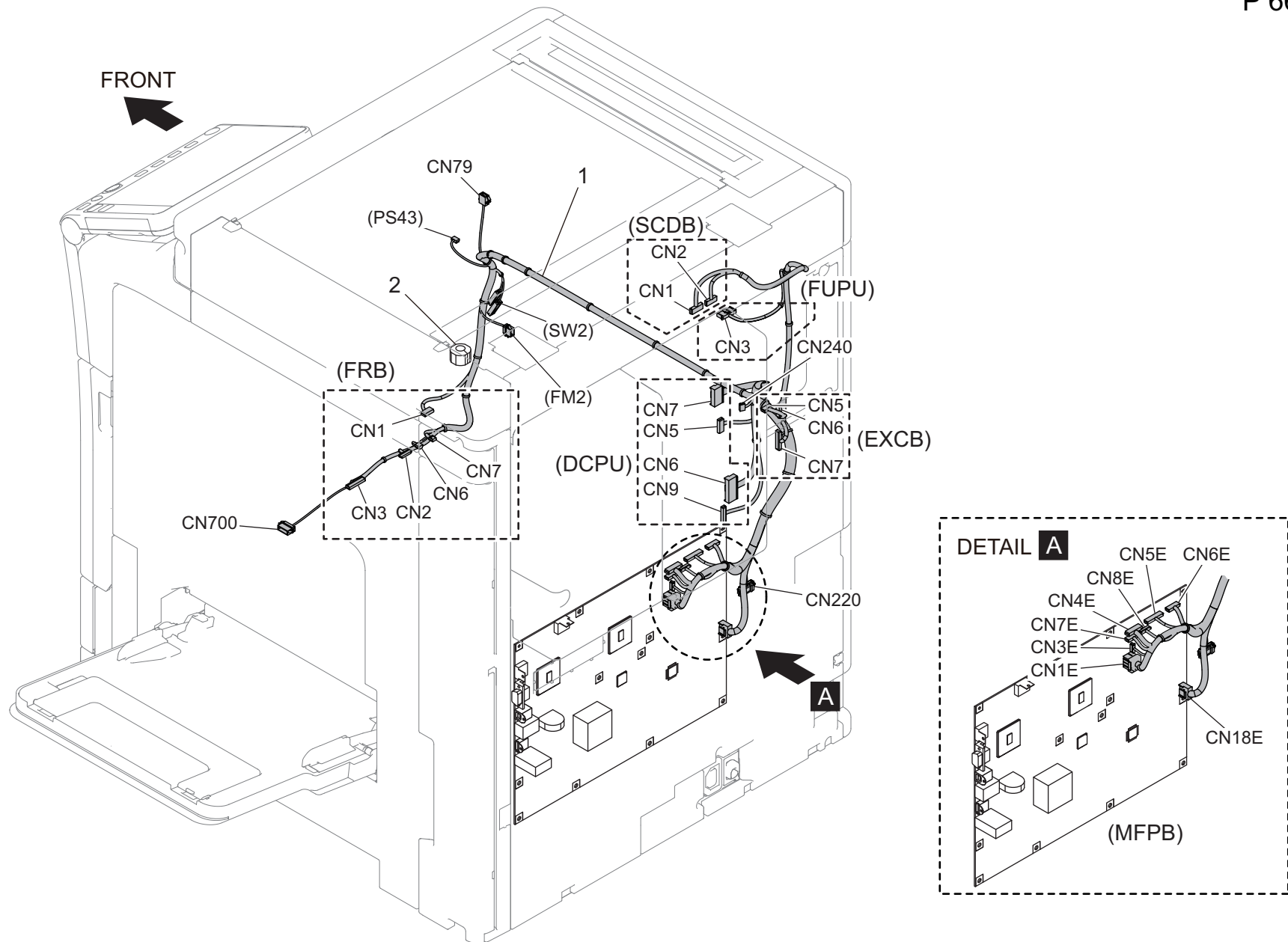
REAR SIDE

bizhub 458e

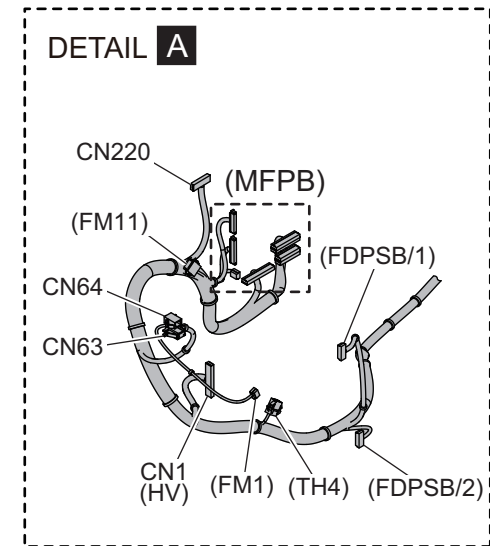
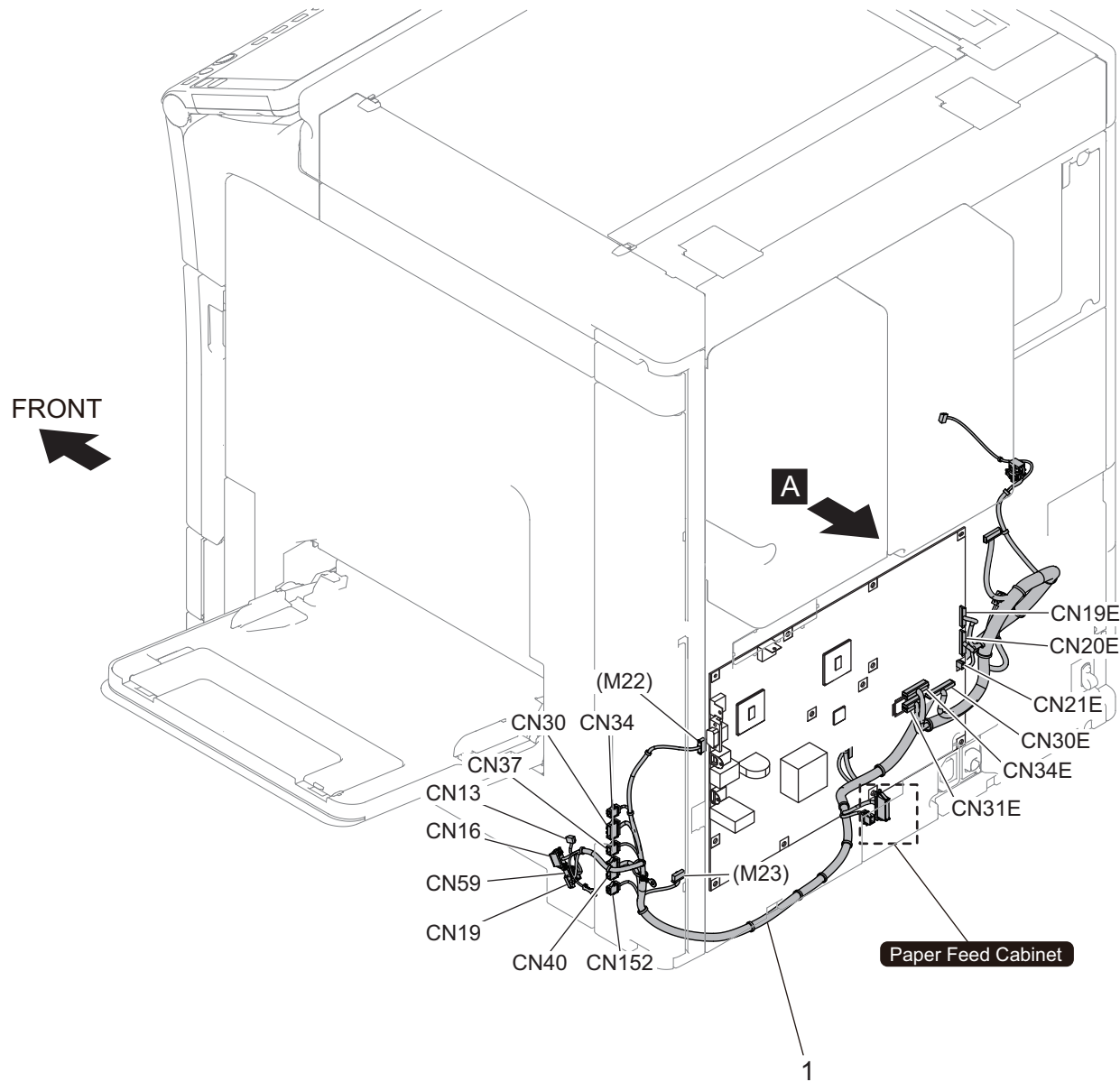
Key	Part No.	Description	Destinations	Class	QTY	Standard parts
1	A79J134500	Sheet		D	1	a-V116030803 b-V116030603 c-V116034003 d-V111030603
2	A9HG131900	Mounting Plate		D	1	
3	A4MG130900	Shoulder screw		D	4	
4	A9HG130900	PWB Assembly(PWB-DS)		I	1	
5	V864800107	EEPROM (2 pieces)		D	2	
6	A5C1134200	Shoulder screw		C	4	
7	A7PU134800	Ground Plate spring		D	4	
8	A4EU138000	Support Rubber		D	4	
9	AA6UH02101	PWB Assembly (PWB-MFP)		I	1	
10	A79J130900	Mounting Plate		D	1	
11	A5C1M72H00	HDD		I	1	
12	A7PU134700	Cover		D	1	
13	A0PON15100	Cable		C	1	
14	A161N15J00	Power source Cable		C	1	
15	A79J131102	Mounting Plate		D	1	
16	A7PUN10800	Harness /Relay		D	1	
17	A7PU140100	Duct		D	1	
18	A0EDM10500	Fan motor		C	1	
19	A7PU130400	Guide		D	2	
20	A7PUN10700	Harness /Fax relay		D	1	
21	A79J131601	Mounting Plate		D	1	
22	V651010025	connector		V	2	
23	A7PU139800	Cover		D	2	
24	V503010002	Connector Cover		D	1	
25	A161137900	Screw		C	2	
26	A1DMN13700	Grounding Wire /3		D	1	
27	A3EWM90300	Ferritecore		D	2	
28	A7AHH02D02	PWB Assembly(PWB-EMMC ASSY with TPM)	A,A1,B,C,D1,D3,E,F2 ,G1,G2,I,K	I	1	



Key	Part No.	Description	Destinations	Class	QTY	Standard parts
1	AA6UN10000	Main body Wiring /1	A,A1	D	1	
1	AA6UN11000	Main body Wiring /1	B,C,D1,D3,E,F2,G1,G 2,I,K,H,J	D	1	



Key	Part No.	Description	Destinations	Class	QTY	Standard parts
1	A9HHN10100	Main body Wiring /2		D	1	
2	A79JM90A00	Ferritecore		D	1	



Key	Part No.	Description	Destinations	Class	QTY	Standard parts
1	A9HGN10200	Main body Wiring /3	本体束線 / 3	D	1	

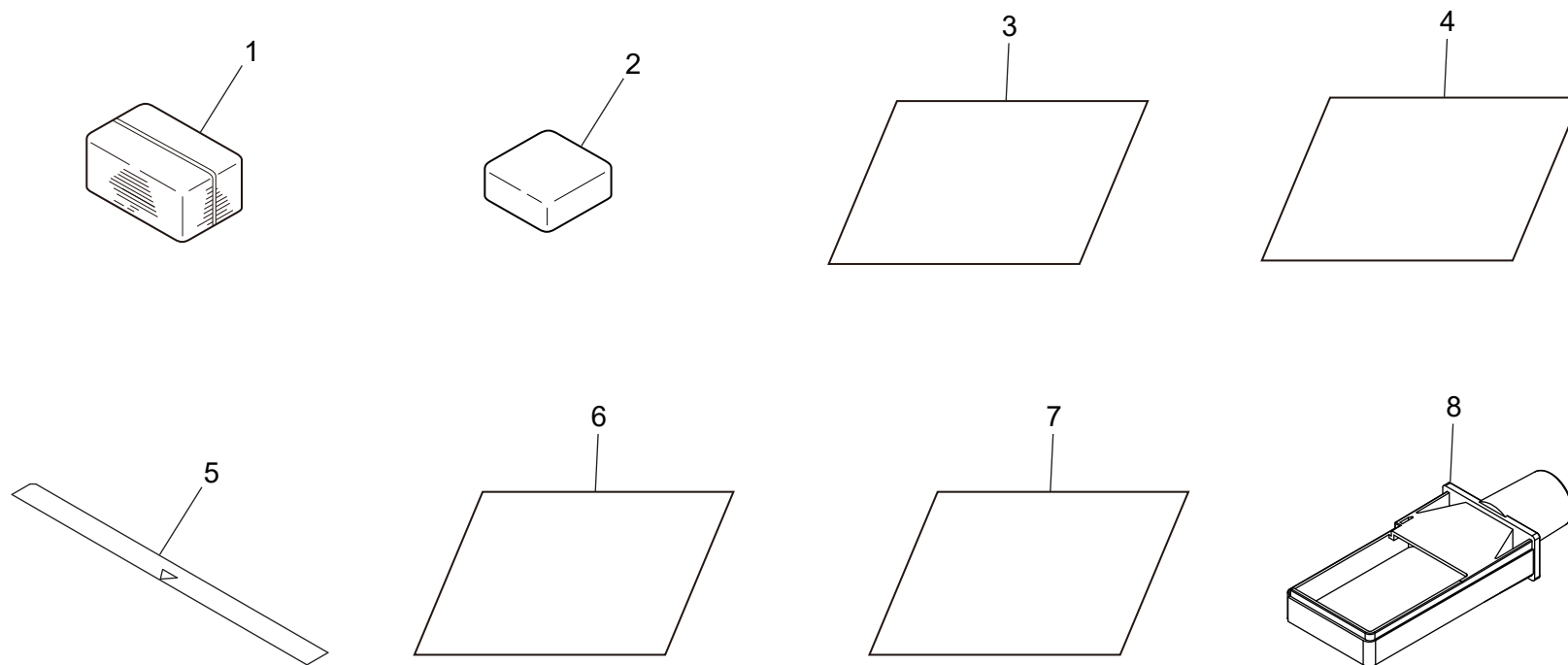
Wiring Accessories

P 68

1 White 5.2 11.5	6 White 3.1 6.2	11 24.6 28.0	16 ϕ 16.0	21 7.0	26	31	36
2 7.2 11.5	7 White 5.3 11	12 28 15.9	17 31.8 18	22 ♣ L=100	27	32	37
3 15.2 18.5	8 ♣ 10.7 19.8	13 20.1 15.9	18 28.0	23 ♣ 17.2	28	33	38
4 13.7 16	9 33	14 4.0	19 ϕ 5.6	24	29	34	39
5 5.8 7.9	10 8.5 11.2	15 14.2 11.4	20 16.5	25	30	35	40

bizhub 458e

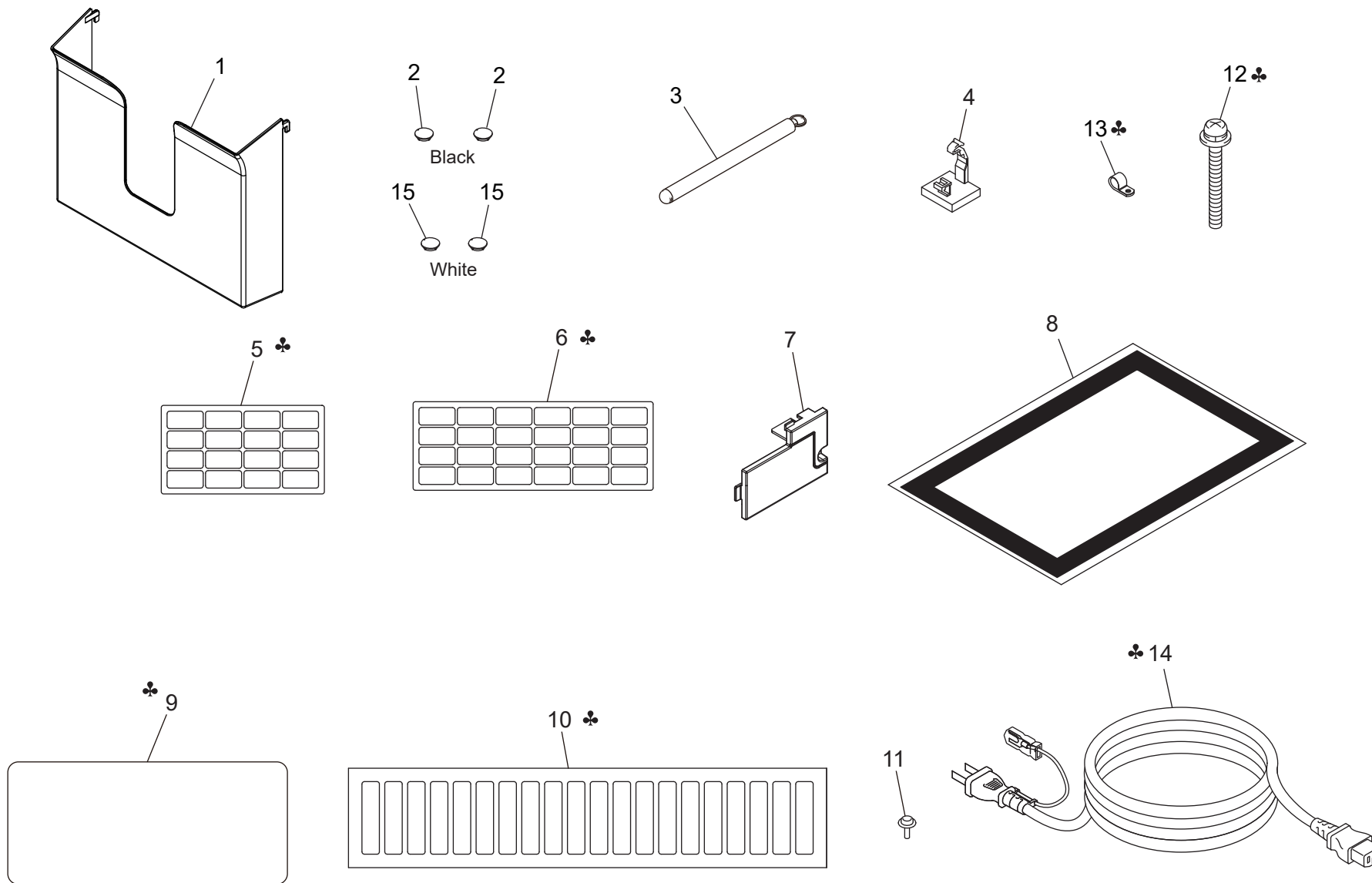
Key	Part No.	Description	Destinations	Class	QTY	Standard parts
1	V500010081	Locking Wire Saddle		D		
2	V500010082	Locking Wire Saddle		D		
3	V500010083	Locking Wire Saddle		D		
4	V500010084	Locking Wire Saddle		D		
5	V500020098	Mini Locking wire saddle		D		
6	V500020099	Mini Locking wire saddle		D		
7	V500020100	Mini Locking wire saddle		D		
8	V500020052	bushing	A,A1,B,G2	D		
9	V500020082	Clamping for FFC		D		
10	V570010021	Saddle		D		
11	V570010057	Wing Edge Saddle		D		
12	V570010059	Wing Edge Saddle		D		
13	V570010060	Wing Edge Saddle		D		
14	V500020069	Clamp		D		
15	V570010050	Locking Edge Saddle		D		
16	V500020080	Nylon Clamp		D		
17	V500010085	Locking Wire Saddle		D		
18	V570010058	Wing Edge Saddle		D		
19	V500020018	clamp		D		
20	V500010061	saddle		D		
21	V500020110	FG Clamp		D		
22	V501010002	band	G2(Brazil)	D		
23	V500020073	bushing	H	D		



Key	Part No.	Description	Destinations	Class	QTY	Standard parts
1	A5AWP00100	Cleaning Pad		S	1	
2	65AA-9920	HYDROWIPE		S	1	
3	9J06PJP100	Color chart/A3 size		S	1	
4	A79JPJP000	Test chart/A3 size		S	1	
5	9J06PJG100	DF reading chart		S	1	
6	A8WC707100	Adjusting Sheet	(UK-501)	S	1	
7	A79JPJP100	Test chart/11x17 size		S	1	
8	A5C0PJG000	Jig		S	1	

Accessory Parts

P 70



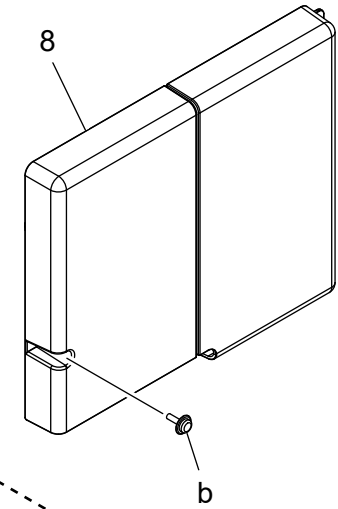
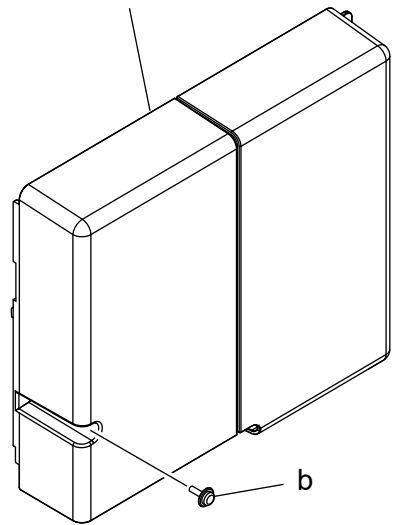
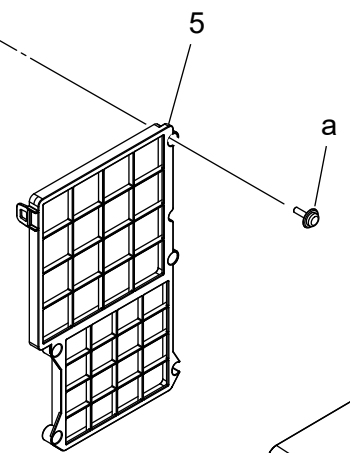
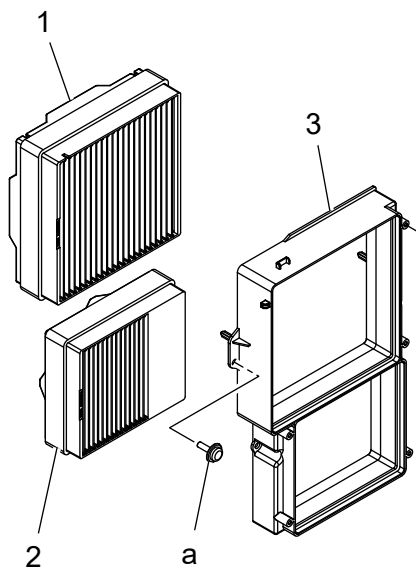
Key	Part No.	Description	Destinations	Class	QTY	Standard parts
1	A7PU169900	Holder		C	1	
2	A00J169100	Cover		D	2	
3	A5C1192100	Pen		C	1	
4	A79J146700	Holder		D	1	
5	A161943400	Label Paper Size/Inch	B,G2	C	1	
6	A161943301	Label Paper Size/Metric	A,A1,C,D1,D3,E,F2,G 1,I,K,H,J	C	1	
7	A7PU166101	Cover		C	1	
8	A782945003	Adjusting Sheet		S	1	
9	A1UD947400	Label	A,A1	C	1	
10	A7PU947001	Label Panel sheet	A,A1	C	1	
10	A7PU947101	Label Panel sheet	B,D1,D3,E,F2,G1,G2, (EXCEPT SOUTH AFRICA),K	C	1	
10	A7PU947302	Label Panel sheet	H	C	1	
10	A7PU947201	Label Panel sheet	J	C	1	
11	V116030804	Screw		V	1	
12	V116033003	Screw		V	1	
13	V500020040	clamp	C,D1,D3,E,F2,G1,I,K ,J	D	1	
14	4136N30000	POWER CODE	プラグ電源コード D1,G1,I,K(Pakistan, Latin America, Nepal, Maldives, Korea)	D	1	
14	9381420021	POWER CORD	プラグ付電源コード D3(New Zealand)	D	1	
14	A1UDN30200	Power cord /230V	電源コード / 230 V (アルゼンチン) G1(Argentina)	C	1	
14	A2UPN30100	Power code (220-240V)	電源コード (220-240 V) D1,F2,(Saudi Arabia, Kuwait, UAE, Bahrain, Qatar, Oman, Yemen, HongKong)	D	1	
14	A2UPN30300	Power code (220-240V)	電源コード (220-240 V) G1(Peru)	D	1	
14	A2UPN30601	Power code (220-240V)	電源コード (220-240 V) G2(Brazil)	D	1	
14	A7AHN30000	Power code /230V	電源コード / 230 V (インド) D1(India)	D	1	
14	9381430031	POWER CORD	プラグ付電源コード J	D	1	
15	A02E167700	Cover		C	2	

Accessory Parts

Model No. [AA6U021]

Except Model No. [AA6U021]

P 71



改訂版 REVISED EDITION	日付 DATE
	January 2019

Accessory Parts

Key	Part No.	Description	Destinations	Class	QTY	Standard parts
1	A79J142902	Filter /UFP	C,I(SOUTH AFRICA)	C		a-V153030803 b-V153030804
2	A79J142800	フィルタ / U F P	C,I(SOUTH AFRICA)	C		
3	A79J143300	Filter /UFP	C,I(SOUTH AFRICA)	D		
4	A79J168700	Duct	C,I(SOUTH AFRICA)	C	1	
5	A79J168200	ダクト	C,I(SOUTH AFRICA)	D		
		カバー	C,I(SOUTH AFRICA)	C		
8	A79J168600	カバー	A,A1,B,D1,D3,E,F2,G 1,G2,I(EXCEPT SOUTH AFRICA),K,H,J	C	1	



MAINTENANCE LIST

● The items with no Page/Key numbers are not handled as spare parts.

No.	Section	PM Parts Description	Maintenance Cycle (K=1,000)		Parts No.	Destinations	Page/Key	Note
			QTY	Replace				
1	Tray 1	Tray 1 pick-up roller	1	300k	A64J564201		P31-29	*1*2
2		Tray 1 feed roller	1	300k	A64J564101		P31-14	*1*2
3		Tray 1 separation roller	1	300k	A64J564101		P32-6	*1*2
4	Tray 2	Tray 2 pick-up roller	1	300k	A64J564201		P33-19	*1*2
5		Tray 2 feed roller	1	300k	A64J564101		P33-18	*1*2
6		Tray 2 separation roller	1	300k	A64J564101		P34-6	*1*2
7	Manual bypass tray	Manual bypass tray feed roller	1	200k	A00F623201		P45-10	*1*2
8		Manual bypass tray separation roller assy	1	200k	4658015106		P46-26	*1*2
9	Processing section	Toner cartridge/K *3	1	26k	-			*4
10		Drum unit/K *3	1	285k	-			*4
11		Developing unit/K	1	600k	-			*4
12		Toner filter	1	300k	A161R72811		P60-4	*4
13		Waste toner box *3	1	300k	AAJ50Y1	A,A1,B,G2	P26-9	*4
14			1	300k	AAJ5WY1	C,D,E,F2,G1,I,K,H,J	P26-9	*4
15	Image transfer section	Transfer Belt Unit	1	300k	AA6VR70111		P29-1	*4
16		Transfer roller unit	1	300k	A161R71433		P42-23	*4
17	Fusing Section	Fusing unit	1	600k	AA6UR70300	A,A1	P52-1	*4
18			1	600k	AA6UR70400	B,G2	P52-1	*4
19			1	600k	AA6UR70500	C,D,E,F2,G1,I,K,H,J	P52-1	*4
20			1	600k	AA6UR70600	H	P52-1	*4
21	Dual scan document feeder	Pick-up roller	1	200k	9J07330102		P7-7	*1*2
22		Feed roller	1	200k	A00J563600		P7-11	*1*2
23		Separation roller	1	200k	9J07340901		P8-4	*1*2

*1: Life counter value

*2: Replace these parts at the same time.

*3: The parts can be replaced either by user or service engineer.

*4: Field standard yield

*: The part names used on this page follow the ones used in the Service Manual and they are occasionally different from those written in other pages.

メンテナンスリスト

● ページ / キーナンバーのないものは、アフターサービス部品ではありません。

No.	区分	PM 部品名称	サイクル (K=1,000)		部品番号	仕向地	頁 / キー	備考
			員数	交換				
1	トレイ 1	トレイ 1 ビックアップローラー	1	300k	A64J564201		P31-29	*1*2
2		トレイ 1 給紙ローラー	1	300k	A64J564101		P31-14	*1*2
3		トレイ 1 分離ローラー	1	300k	A64J564101		P32-6	*1*2
4	トレイ 2	トレイ 2 ビックアップローラー	1	300k	A64J564201		P33-19	*1*2
5		トレイ 2 給紙ローラー	1	300k	A64J564101		P33-18	*1*2
6		トレイ 2 分離ローラー	1	300k	A64J564101		P34-6	*1*2
7	手差し	手差しトレイ給紙ローラー	1	200k	A00F623201		P45-10	*1*2
8		手差しトレイ分離ローラー Assy.	1	200k	4658015106		P46-26	*1*2
9	プロセス部	トナーカートリッジ /K *3	1	26k	-			
10		ドラムユニット /K *3	1	275k	-			*4
11		現像ユニット /K	1	600k	-			*4
12		トナーフィルター	1	300k	A161R72811		P60-4	*4
13		廃棄トナーボックス *3	1	300k	AAJ50Y1	A,A1,B,G2	P26-9	*4
14			1	300k	AAJ5WY1	C,D,E,F2,G1,I,K,H,J	P26-9	*4
15	転写部	転写ベルトユニット	1	300k	AA6VR70111		P29-1	*4
16		転写ローラーユニット	1	300k	A161R71433		P42-23	*4
17	定着部	定着ユニット	1	600k	AA6UR70300	A,A1	P52-1	*4
18			1	600k	AA6UR70400	B,G2	P52-1	*4
19			1	600k	AA6UR70500	C,D,E,F2,G1,I,K,H,J	P52-1	*4
20			1	600k	AA6UR70600	H	P52-1	*4
21	両面同時原稿送り装置	ビックアップローラー	2	200k	9J07330102		P7-7	*1*2
22		給紙ローラー	1	200k	A00J563600		P7-11	*1*2
23		分離ローラー	1	200k	9J07340901		P8-4	*1*2

*1: ライフカウンター値

*2: 同時交換のこと

*3: ユーザー / サービス交換の選択が可能

*4: 市場標準印刷枚数値

*: ここに記載されている部品名称はサービスマニュアルで使用されている部品名称であり、他のページに記載されている部品名称とは異なる場合があります。

DESTINATION

Destination No.		Destinations		V	Hz	Model No.
A	A1	JAPAN		100	50/60	AA6U001
	A2	JAPAN				
B		USA, CANADA		120	60	AA6U011, AA6U012
C		EUROPEAN TYPE		220-240	50/60	AA6U021
D	D1	S.E ASIA TYPE	THAILAND, SRI LANKA, SINGAPORE, MALAYSIA, HONG KONG, PAKISTAN, INDIA, BANGLADESH, INDONESIA	220-240	50/60	AA6U041
	D3	OCEANIA TYPE	AUSTRALIA, NEW ZEALAND	220-240	50/60	AA6U041
E		PHILIPPINES		220-240	50/60	AA6U041
F	F1	SAUDI ARABIA				
	F2	SAUDI ARABIA		220-240	50/60	AA6U041
G	G1	C.S AMERICA		220-240	50/60	AA6U041
	G2	C.S AMERICA		120	60	AA6U011
H		TAIWAN		110	60	AA6U071
I		JORDAN, LEBANON, SYRIA, SOUTH AFRICA, IRAQ, IRAN, N.YEMEN, CAMEROON, UAE, BAHRAIN, OMAN, QATAR, KUWAIT, KENYA, TUNISIA, IVORY COAST, MOROCCO		220-240	50/60	AA6U021 AA6U041
J		CHINA		220-240	50/60	AA6U081
K		KOREA		220-240	50/60	AA6U041

bizhub 458e