

KONICA MINOLTA

PARTS GUIDE MANUAL

APRIL 2022

bizhub 4700i
ACTA

INFORMATION FOR PARTS GUIDE MANUAL

To find correct Parts No., refer to the "HOW TO MAKE THE BEST USE OF THIS MANUAL" in the following page.

HOW TO MAKE THE BEST USE OF THIS MANUAL

- 1 When you order, please check the proper figures beforehand that are on Our Parts Guide Manual, and order with the appropriate figures.
- 2 For screws, Nuts, Washers, retaining rings and Pins which are used in this model, one letter is shown on the Standard parts column of Parts list and exploded diagrams.
- 3 In order to maintain safety of the product, some specific parts composed of this product are set up as "essential safety parts".
- 4 The assigned parts number for the "essential safety parts" is indicated as "SP00-****".
When replacing these parts, follow precautions for disassembling and installing which are listed in the Service Manual.
Do not use any parts that are not set up as
- 5 ♣ means that there are exclusive parts for each destination.
Please check the appropriate destination when you order.
- 6 Revision Mark
Marked as ▲ on the illustration shows that the revision has been made.
- 7 All rights reserved. (any reprints or quotations are prohibited.)
Use of this parts guide manual should be strictly supervised to avoid disclosure of confidential information.

パーツガイドマニュアルのご案内

サービス部品をご発注の際には、下記に示す“パーツガイドマニュアルの活用にあたって”をご参照の上、正しい部品番号にてお願い致します。

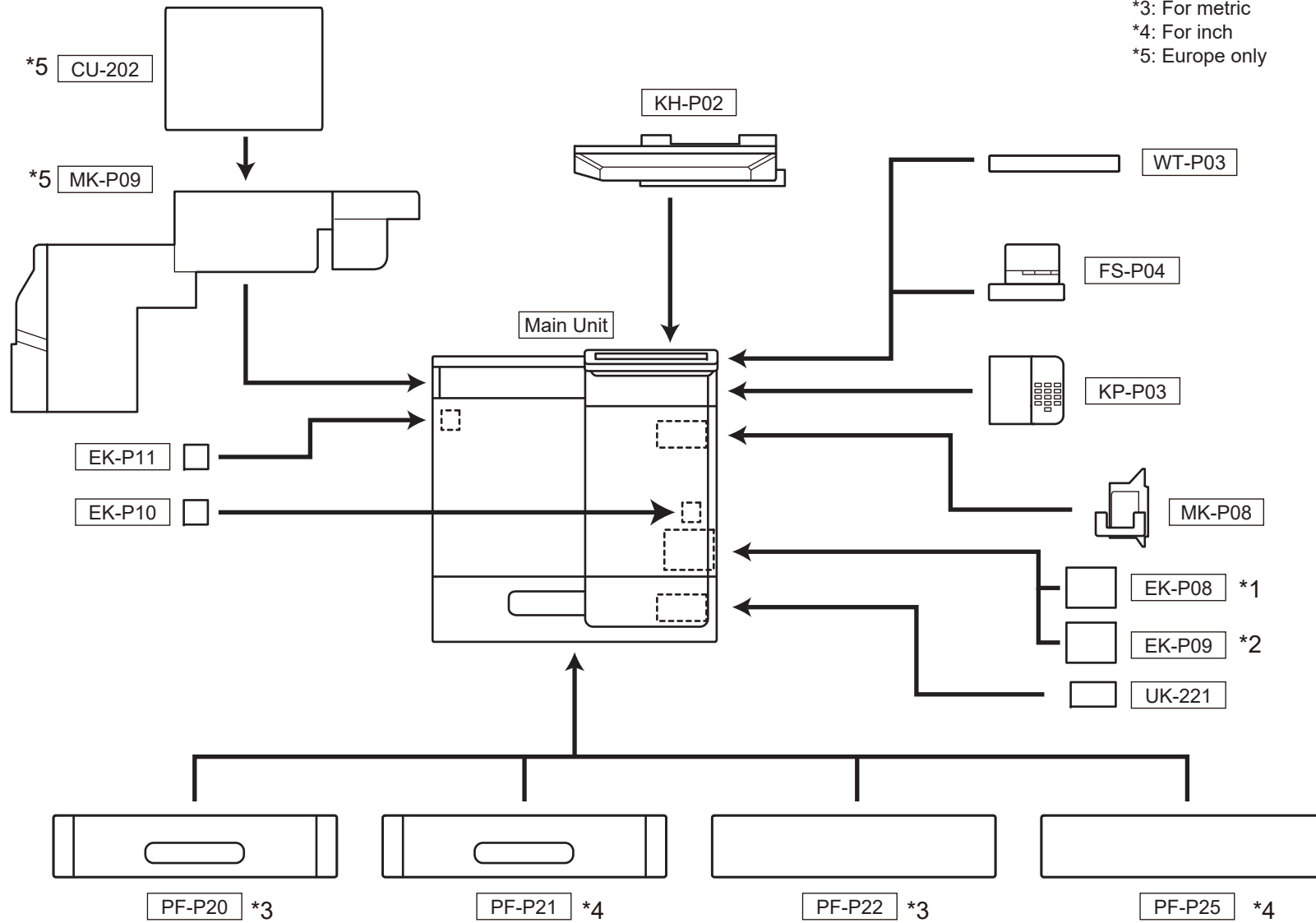
パーツガイドマニュアルの活用にあたって

- 1 部品発注の際には、掲載されている部品番号の桁数を確認し、掲載されている桁数で発注願います。
- 2 この製品に使用されているネジ、ナット、ワッシャー、止め輪、ピンなどは、リストの右側の Standard parts 欄に a,b,c,……で表示し、イラストにも a,b,c,……表示してあります。
- 3 製品の安全性を維持する為に、製品に使用される特定の部品を「重要保安部品」として設定しています。
- 4 重要保安部品の部品番号は、“SP00-****”と記載されていますので、部品交換時は、サービスマニュアル記載の分解・組み立ての注意事項に従って作業をして下さい。
また、指定以外の部品は一切使用しないで下さい。
- 5 本文に ♣ が表示されている部品は、仕向け地毎に専用部品がある事を意味しています。
オーダーされる時は、仕向け地を確認して下さい。
- 6 改訂記号について
イラスト上に▲印が表示されている部分は、改訂された事を表します。
- 7 著作権所有（無断転載及び無断引用の禁止）
本パーツガイドマニュアルについては、機密保持等その扱いには十分注意して下さい。万一取り扱いを誤った場合には、法律で処罰されることがあります。

08/06/2020

System Configuration

- *1: Non Bluetooth Type
- *2: Bluetooth Type
- *3: For metric
- *4: For inch
- *5: Europe only



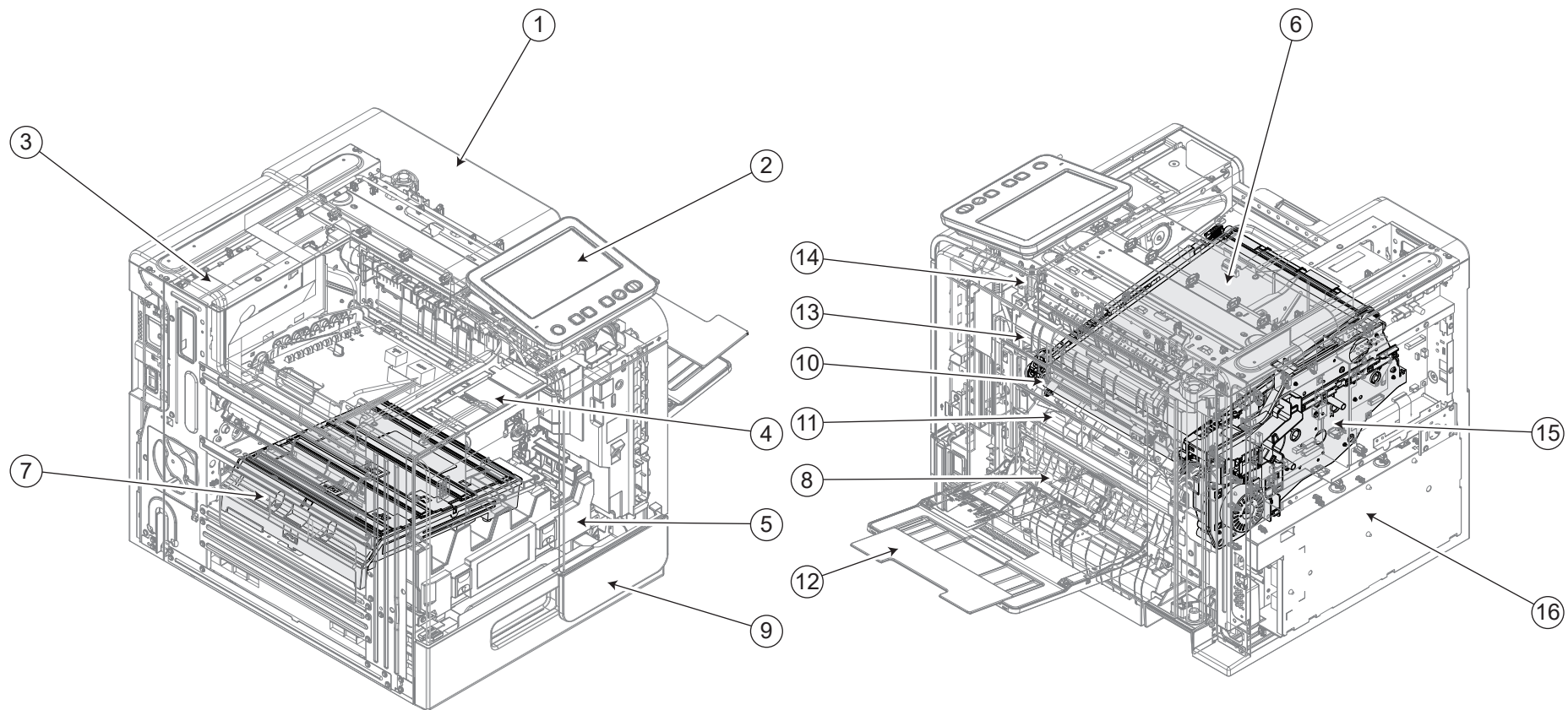
bizhub 4700i

GENERAL CONTENTS

No.	Description	Model
1	Printer B/W	bizhub 4700i
2	Other Option	CU-202
3	Other Option	EK-P08
4	Other Option	EK-P09
5	Other Option	EK-P10
6	Other Option	EK-P11
7	Finisher/Sorter	FS-P04
8	Other Option	KH-P02
9	Other Option	KP-P03
10	Mount Kit	MK-P08
11	Mount Kit	MK-P09
12	Paper Feeder	PF-P20
13	Paper Feeder	PF-P21
14	Paper Feeder	PF-P22
15	Paper Feeder	PF-P25
16	Other Option	UK-221
17	Other Option	WT-P03

bizhub 4700i

Section Configuration



CONTENTS

No.	DESCRIPTION	名称	PAGE No.
1	External Parts	外装部	P1 P2
2	Operation Panel Section	操作部	P3
3	Cooling Section	冷却部	P4
4	Toner Supply Section	トナー補給部	P5 P6
5	Toner Collection Section	トナー回収部	P7 P8
6	1st Transfer Section	1次転写部	P9
7	Write Section	書き込み部	P10
8	Paper Feed Section	給紙部	P11 P12 P13
9	Tray Section	トレイ部	P14 P15 P16
10	2nd Transfer Section	2次転写部	P17
11	Vertical Conveyance Section	垂直搬送部	P18 P19
12	Bypass Tray Section	手差しトレイ部	P20 P21 P22
13	Fusing Section	定着部	P23
14	Paper Exit Section	排紙部	P24
15	Drive Section	駆動部	P25 P26
16	Electrical Parts	電装部	P27 P28 P29
17	Wiring	束線	P30
18	Wiring Accessories	配線部品	P31
19	Service Tool	サービスツール	P32
20	Accessory Parts	同梱部品	P33

INDEX

Parts No.	Page No.
0996305501	14-7
1134304301	12-12
1134304301	13-7
1134304301	19-13
1134304301	21-8
4136N30000	33-2
4163529301	27-22
4532341001	11-5
4538373201	19-19
56AA40490	21-38
65AA-9920	32-2
9335140051	8-11
9381420021	33-2
9381430031	33-2
9J04534301	15-11
9J06M10300	25-4
9J06M60100	27-4
9J08890700	16-22
A00J169200	24-4
A00J945500	1-10
A02E167700	3-1
A02E561100	13-9
A02E815200	13-20
A02E940300	1-18
A02E940300	7-3
A0ED563900	15-5
A0EDM50100	13-1
A0EDM60001	6-4
A0EDN30101	33-2
A0HFN12200	33-4
A0HR211900	19-30
A0VD562300	22-14
A0VD700302	18-3
A0VD703700	19-8
A0VDN30000	33-2
A11U560000	15-6
A161151300	27-9
A161620701	16-4
A161M50000	11-7
A2UPN30100	33-2

Parts No.	Page No.
A3GN134500	29-3
A3GN401000	6-2
A3GN701800	18-8
A5AWP00100	32-1
A5C1562200	21-34
A5C1M50100	8-10
A5C1M50100	12-18
A5C1M50100	13-3
A5C1M50100	18-20
A5C1M50100	19-22
A5C1M50100	21-15
A5C1M50100	24-23
A5C1M50100	27-2
A64J564101	13-10
A64J564201	13-11
A795565500	16-15
A795622700	16-2
A797151500	28-5
A797162000	1-5
A797M60100	14-10
A7AH267201	3-17
A7AH562300	13-13
A7AH562400	13-8
A7AH562600	13-12
A7AH562900	13-5
A7AH604401	22-11
A7AH604501	22-2
A7AHM20401	21-21
A7AHM20501	12-24
A7AHM20501	13-19
A7AHM20501	19-34
A7AHM20501	26-5
A7AHM50400	12-20
A7AHN30000	33-2
A7PU168500	2-10
A7PU168600	2-9
A7PU941701	2-11
A7PUM10700	6-1
A92E158100	4-2
A93E100300	10-1

Parts No.	Page No.
A93E101702	2-3
A93E101803	2-4
A93E103001	14-5
A93E103200	14-6
A93E103300	14-4
A93E105100	27-3
A93E108101	2-12
A93E110100	9-5
A93E110300	7-12
A93E110400	9-1
A93E110600	9-3
A93E110801	25-6
A93E121301	14-9
A93E132001	27-18
A93E132103	27-21
A93E132200	27-20
A93E133201	23-2
A93E133300	11-10
A93E133600	25-5
A93E134200	28-4
A93E134300	27-7
A93E134400	27-15
A93E134801	27-10
A93E135000	27-1
A93E135211	27-5
A93E135401	27-8
A93E135900	27-13
A93E136911	27-6
A93E137100	29-10
A93E137200	29-7
A93E137300	29-1
A93E137400	29-5
A93E137600	29-2
A93E137700	29-8
A93E137800	29-9
A93E150600	4-11
A93E150800	4-12
A93E151500	4-18
A93E151700	1-3
A93E151800	4-19

Parts No.	Page No.
A93E151900	23-1
A93E152400	4-7
A93E152600	9-4
A93E152701	4-6
A93E152801	4-4
A93E153000	23-5
A93E153200	4-21
A93E153300	4-22
A93E153400	4-20
A93E153500	1-17
A93E154000	4-23
A93E155001	4-3
A93E155100	4-5
A93E156900	4-9
A93E157000	4-17
A93E157200	2-8
A93E157300	4-10
A93E160103	1-2
A93E160214	1-6
A93E160302	1-7
A93E160603	1-13
A93E160700	1-14
A93E161002	3-24
A93E161102	3-13
A93E161201	3-25
A93E161301	2-6
A93E161400	3-10
A93E161902	2-5
A93E162001	2-7
A93E162701	1-15
A93E162801	1-4
A93E163011	8-7
A93E163111	8-9
A93E164000	1-16
A93E164502	7-2
A93E165113	8-1
A93E165200	7-17
A93E165301	8-2
A93E166103	2-1
A93E166200	2-2

Parts No.	Page No.
A93E168000	7-15
A93E168100	1-12
A93E168300	7-16
A93E190202	3-16
A93E190300	3-6
A93E190900	3-21
A93E191000	3-4
A93E191302	3-23
A93E191601	3-3
A93E191701	3-19
A93E192401	3-22
A93E192700	3-20
A93E220102	26-16
A93E220201	26-9
A93E220300	26-12
A93E220401	26-11
A93E221100	26-15
A93E221200	26-14
A93E221300	26-13
A93E222100	26-10
A93E222300	26-4
A93E222500	26-1
A93E222600	26-2
A93E222700	26-3
A93E222800	26-6
A93E223100	26-18
A93E230301	12-25
A93E230400	12-22
A93E230500	12-21
A93E230600	12-2
A93E230700	12-23
A93E240000	8-3
A93E240100	8-4
A93E240500	8-5
A93E240600	8-6
A93E362201	7-10
A93E362301	7-7
A93E362402	7-8
A93E362501	7-11
A93E363701	7-6

Parts No.	Page No.	Parts No.	Page No.	Parts No.	Page No.	Parts No.	Page No.	Parts No.	Page No.
A93E363803	7-9	A93E592104	22-10	A93E620500	15-2	A93E702114	18-1	A93E812100	19-21
A93E363900	7-13	A93E592201	22-1	A93E620601	15-12	A93E702400	18-4	A93E813201	19-28
A93E364100	7-14	A93E592300	21-6	A93E620701	15-9	A93E702500	18-11	A93E813302	19-27
A93E400200	6-5	A93E592500	21-42	A93E620801	15-18	A93E702600	18-19	A93E813501	19-31
A93E400300	6-6	A93E592800	21-27	A93E620901	15-13	A93E703102	11-3	A93E813700	19-32
A93E400400	6-16	A93E592900	21-41	A93E621000	15-3	A93E703200	11-4	A93E813800	19-24
A93E400500	6-12	A93E593100	21-33	A93E621100	15-10	A93E703300	18-22	A93E814001	19-16
A93E400800	6-9	A93E593200	21-40	A93E622103	16-5	A93E703400	18-2	A93E814100	19-18
A93E400900	6-8	A93E593300	21-36	A93E622203	16-1	A93E703600	18-12	A93E814202	19-23
A93E401400	6-3	A93E593400	21-35	A93E622501	16-9	A93E703700	18-26	A93E814300	19-10
A93E401500	6-13	A93E593800	21-28	A93E622601	16-3	A93E703800	18-25	A93E814401	19-12
A93E401700	6-10	A93E593900	21-37	A93E622700	16-8	A93E703900	18-9	A93E814500	19-11
A93E402000	6-7	A93E594100	21-10	A93E623100	4-15	A93E704100	18-6	A93E814702	19-9
A93E402601	27-11	A93E594200	19-26	A93E623200	4-13	A93E704200	18-23	A93E814800	19-25
A93E510902	18-18	A93E594312	21-17	A93E623301	14-8	A93E704301	18-7	A93E815100	19-15
A93E511102	18-21	A93E594400	21-12	A93E623301	15-15	A93E704600	18-24	A93E815200	19-14
A93E560501	13-6	A93E594600	22-5	A93E623400	15-17	A93E704700	18-16	A93E815302	19-29
A93E562100	13-15	A93E594700	21-14	A93E623602	7-5	A93E704800	12-7	A93E816102	24-1
A93E562200	13-2	A93E595600	21-11	A93E624000	16-11	A93E704900	18-17	A93E816200	24-17
A93E562411	13-4	A93E595700	21-13	A93E625000	16-14	A93E705000	12-1	A93E816302	24-15
A93E562800	13-21	A93E596201	21-30	A93E625100	16-13	A93E705200	11-8	A93E816402	24-14
A93E563400	13-14	A93E596300	21-2	A93E625202	16-10	A93E705301	12-8	A93E816502	24-11
A93E565800	13-22	A93E597100	21-23	A93E625300	16-19	A93E705401	12-5	A93E816700	24-13
A93E566100	13-16	A93E597200	22-3	A93E625800	16-18	A93E706100	12-11	A93E816802	24-12
A93E566200	13-17	A93E597300	22-13	A93E625900	16-17	A93E706200	18-13	A93E890103	24-16
A93E566400	13-18	A93E597500	21-39	A93E626000	4-16	A93E707000	18-5	A93E890202	24-3
A93E590100	22-12	A93E597600	21-18	A93E626501	15-20	A93E707100	18-10	A93E890300	24-19
A93E590203	21-22	A93E597800	21-9	A93E626600	4-14	A93E707200	18-14	A93E890601	24-20
A93E590302	21-1	A93E597900	21-25	A93E626702	16-12	A93E707300	12-9	A93E890703	24-10
A93E590402	20-3	A93E598000	21-26	A93E700401	11-6	A93E707800	11-11	A93E890800	24-8
A93E590500	21-20	A93E598200	22-6	A93E700600	12-3	A93E708300	18-15	A93E890900	24-5
A93E590600	21-19	A93E598400	21-45	A93E700800	12-6	A93E810118	19-35	A93E891000	24-24
A93E590800	21-29	A93E598600	21-16	A93E700902	12-10	A93E810211	19-20	A93E891200	24-9
A93E591002	22-8	A93E598800	21-43	A93E701101	12-4	A93E810502	19-36	A93E891300	24-22
A93E591300	21-32	A93E599700	21-44	A93E701211	12-17	A93E810600	19-4	A93E891500	24-2
A93E591600	21-5	A93E599800	22-16	A93E701300	12-15	A93E810701	19-3	A93E891600	24-6
A93E591700	21-31	A93E599900	22-15	A93E701500	12-16	A93E810800	19-2	A93E892300	24-18
A93E591800	21-7	A93E620214	15-1	A93E701600	12-13	A93E810900	19-39	A93E892500	24-26
A93E591900	21-3	A93E620301	15-19	A93E701700	12-14	A93E811400	19-17	A93E895100	24-21
A93E592002	22-7	A93E620401	15-16	A93E701902	11-2	A93E812000	19-33	A93E895500	24-7

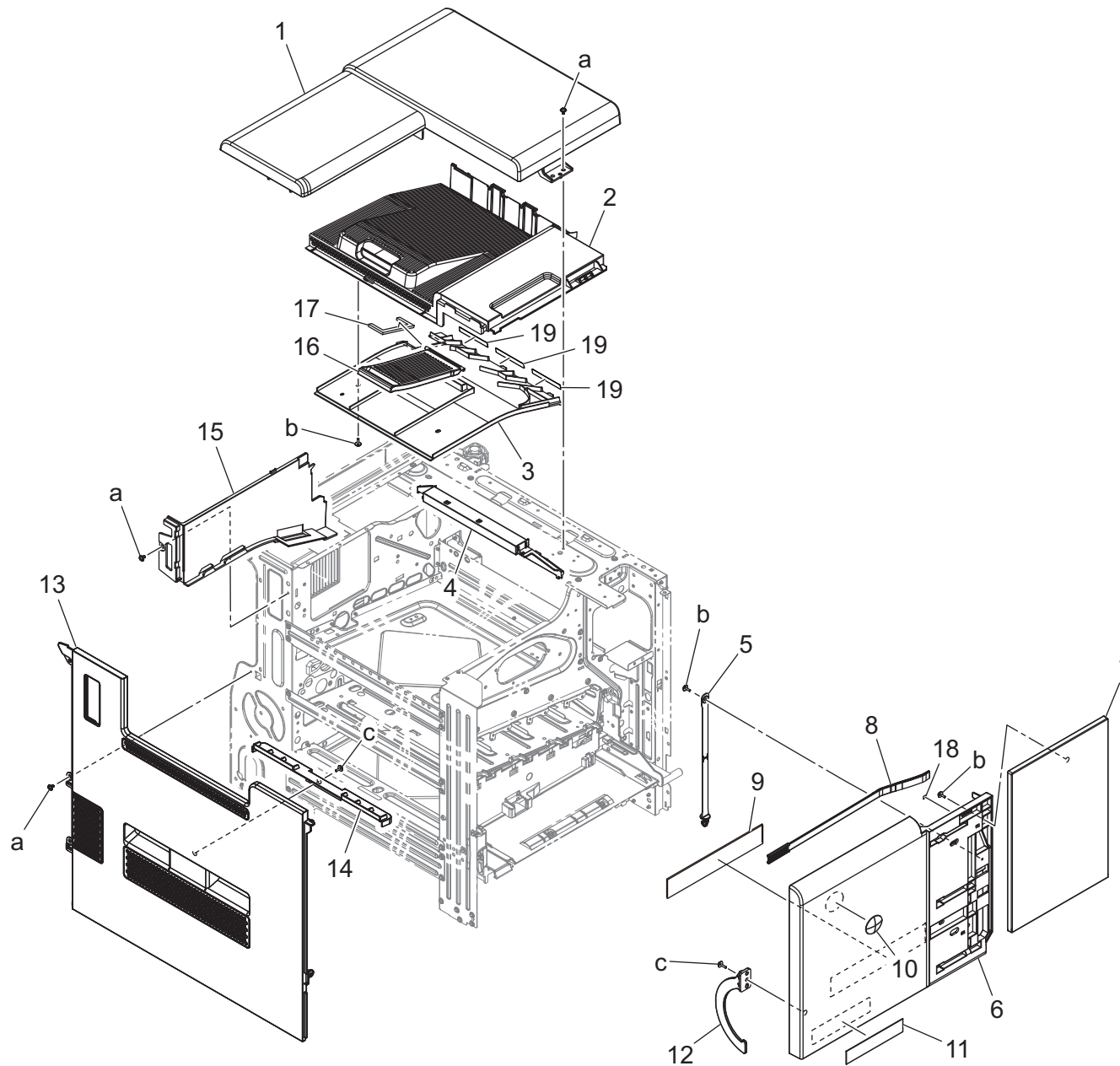
Parts No.	Page No.
A93E940400	15-21
A93E940500	15-22
A93E940600	7-4
A93E940701	14-3
A93E940800	14-2
A93E942100	19-7
A93E943200	33-1
A93E943800	22-9
A93E944200	20-2
A93E944500	19-5
A93E944600	19-6
A93EM10000	4-8
A93EM10600	4-1
A93EM60000	27-19
A93EM72001	3-2
A93EN10000	29-17
A93EN10201	27-16
A93EN10B00	19-37
A93EN10G00	27-17
A93EN10J00	11-9
A93EN10K00	24-25
A93EN10M00	21-24
A93EN10N00	18-28
A93EN12000	27-14
AA2J135101	29-12
AA2J191201	3-8
AA2J191300	3-5
AA2J191600	3-26
AA2J191800	3-7
AA2J193000	3-14
AA2J193100	3-18
AA2J621000	16-6
AA2J621200	16-7
AA2J629000	16-20
AA2J629200	16-16
AA2J943701	16-21
AA2J944500	22-4
AA2JH00C00	29-15
AA2JM11000	25-3
AA2JM11000	26-7

Parts No.	Page No.
AAJNN10100	29-11
AAJRM71000	29-18
AAJRR70500	17-2
AAJRR70622	29-13
AAJRR70722	29-13
AAJRR71322	26-19
AAJRR71500	17-1
AAJRR71633	20-1
AAJRR71900	1-8
AAJRR72100	26-17
AAJRR72200	21-4
AAJT169001	1-1
AAJT191401	3-15
AAJT191500	3-9
AAJT195001	3-12
AAJTM70101	3-11
AAJTM70201	3-11
AAJTM70300	3-11
AAJTN12311	3-27
ACT8R70100	23-3
ACT8R70200	23-3
ACT9105000	33-3
ACT9150100	25-1
ACT9150200	1-19
ACT9165002	7-18
ACT9400100	6-15
ACT9400200	5-2
ACT9562500	13-24
ACT9620100	15-14
ACT9626101	15-7
ACT9626201	15-8
ACT9626300	15-4
ACT9700100	12-19
ACT9813100	19-1
ACT9941100	1-9
ACT9F62003	14-1
ACT9M40300	28-1
ACT9N10001	8-8
ACT9N10200	30-1
ACT9N10300	29-16

Parts No.	Page No.
ACT9N10400	28-3
ACT9N10600	13-23
ACT9R70300	9-2
ACT9R70500	25-2
ACT9R70600	29-14
ACT9R70700	11-1
ACT9R70900	10-2
ACT9R71100	28-2
ACTA400000	6-14
ACTA401200	27-12
ACTA405001	6-14
ACTA940100	1-11
ACTAH01003	29-6
ACTAH02014	29-4
ACTAN10000	6-11
ACTAN10100	23-4
ACTAR70200	5-1
ACTAR70300	5-1
ACTE011	7-1
ACTEWY1	7-1
V500010082	31-1
V500010083	31-2
V500020098	31-3
V500020099	31-4
V500020100	31-5
V570010056	31-6
V570010057	31-7
V570010060	31-8
V651010001	26-8
V800500300	18-27

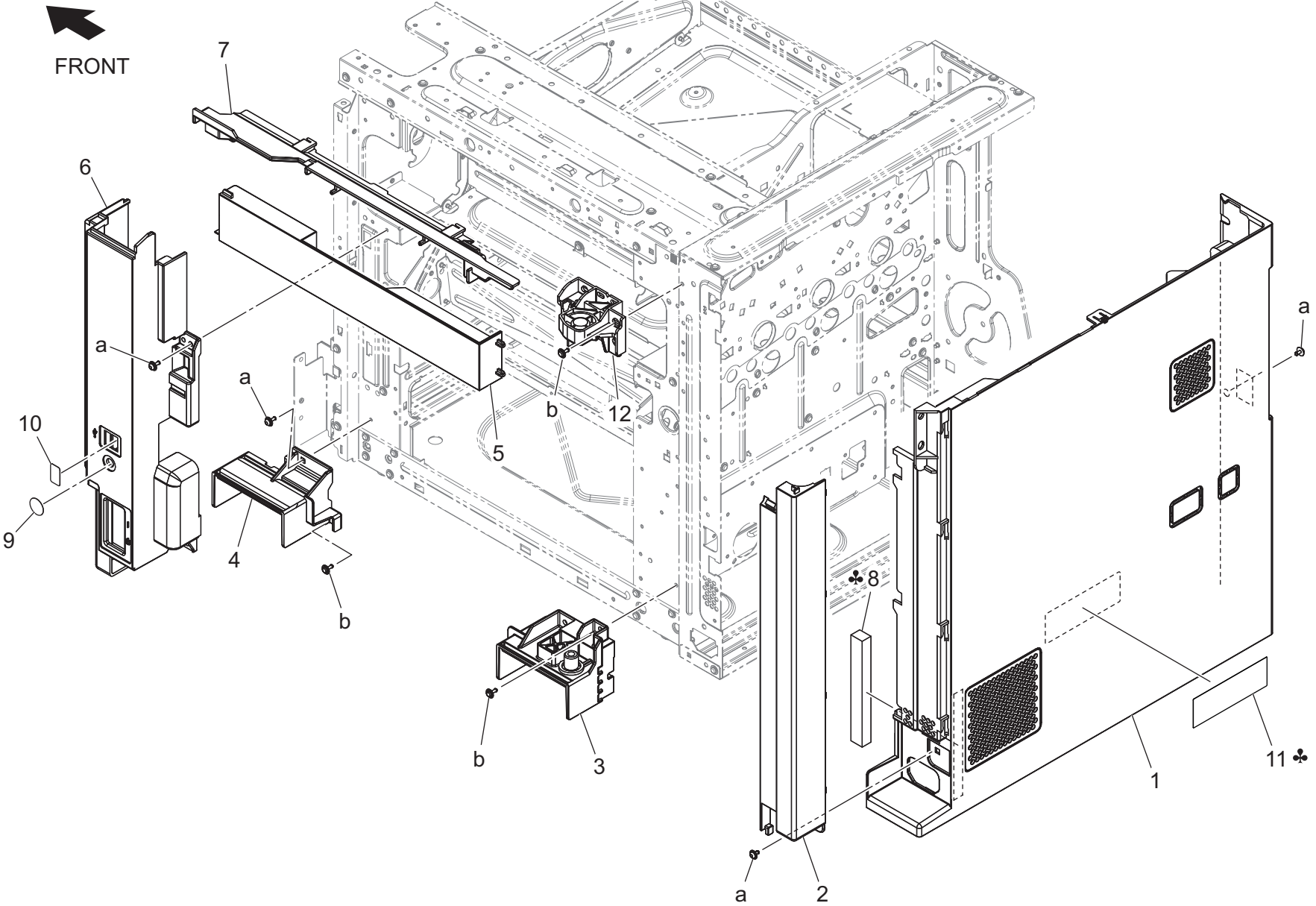
External Parts

P 1



Key	Part No.	Description	Destinations	Class	QTY	Standard parts
1	AAJT169001	Cover /Upper		D	1	a-V127030604 b-V153030803 c-V153031004
2	A93E160103	Paper exit Cover		D	1	
3	A93E151700	Duct		D	1	
4	A93E162801	Paper exit Cover		D	1	
5	A797162000	Band		D	1	
6	A93E160214	Open/close Cover /Front		D	1	
7	A93E160302	Open/close Cover /Front		D	1	
8	AAJRR71900	Cleaning Material		C	1	
9	ACT9941100	Sheet		D	1	
10	A00J945500	Logo Mark		C	1	
11	ACTA940100	Label bizhub 4700i		D	1	
12	A93E168100	Support Arm		C	1	
13	A93E160603	Cover		D	1	
14	A93E160700	Cover		D	1	
15	A93E162701	Paper exit Cover		D	1	
16	A93E164000	Paper exit Tray /2		D	1	
17	A93E153500	Seal		D	1	
18	A02E940300	Label		C	1	
19	ACT9150200	Seal		D	3	

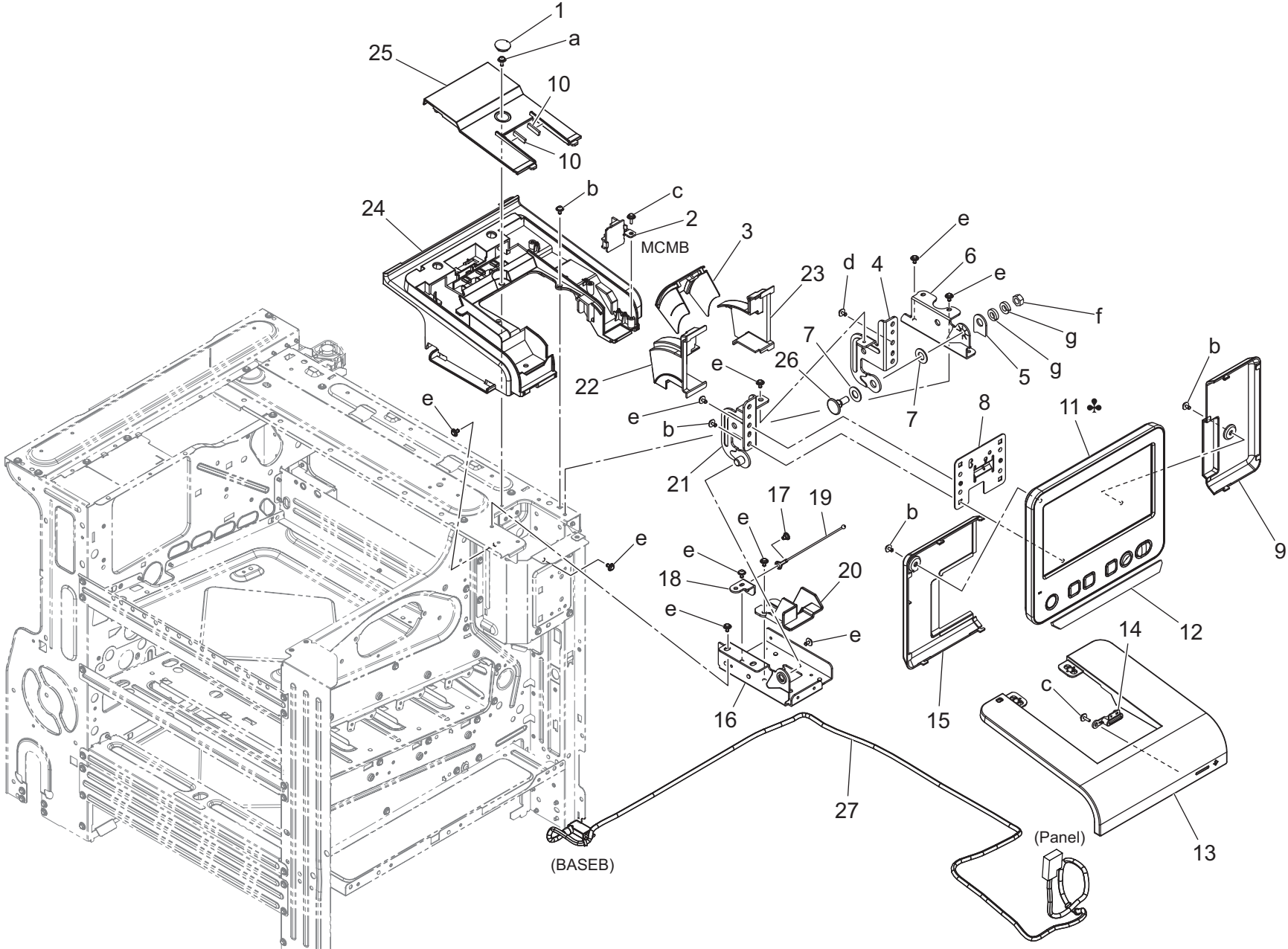
External Parts



External Parts

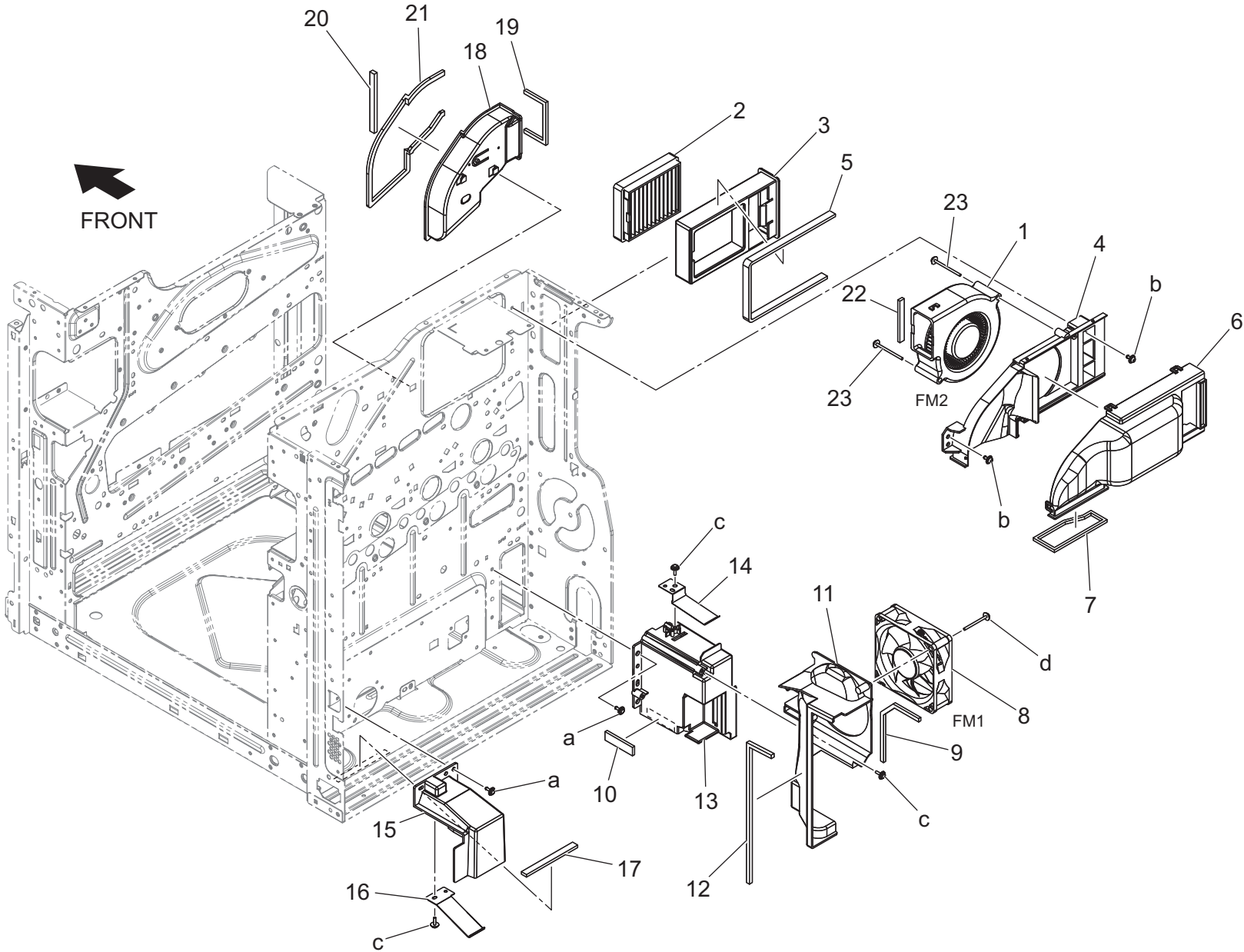
Key	Part No.	Description	Destinations	Class	QTY	Standard parts
1	A93E166103	Cover		D	1	a-V116030804 b-V144030803
2	A93E166200	Cover		D	1	
3	A93E101702	Handle		D	1	
4	A93E101803	Handle		D	1	
5	A93E161902	Cover		D	1	
6	A93E161301	Cover /Right front		D	1	
7	A93E162001	Cover		D	1	
8	A93E157200	Seal	C,D1,D3,E,F2,I,J	D	1	
9	A7PU168600	Seal		C	1	
10	A7PU168500	Seal		C	1	
11	A7PU941701	Label Caution	C,I	C	1	
12	A93E108101	Adjusting Plate		D	1	

Operation Panel Section



Key	Part No.	Description	Destinations	Class	QTY	Standard parts
1	A02E167700	Cover		C	1	a-V116030804 b-V127030604 c-V153030803 d-V144030803 e-V144030603 f-V195060003 g-V205060003
2	A93EM72001	Indicating Unit		C	1	
3	A93E191601	Cover		D	1	
4	A93E191000	Hinge		D	1	
5	AA2J191300	Spacer		D	1	
6	A93E190300	Mounting Plate /Right		D	1	
7	AA2J191800	Slide Spacer		D	2	
8	AA2J191201	Mounting Plate		D	1	
9	AAJT191500	Cover /Right rear		D	1	
10	A93E161400	Brake Part		D	2	
11	AAJTM70101	Panel assembly	B,D1,D3,E,F2,G2,I(E xcept Sout Africa)	I		
11	AAJTM70201	Panel assembly		I	1	
11	AAJTM70300	Panel Assy	C,I	I	1	
12	AAJT195001	Cushion	J	D	1	
13	A93E161102	Panel		D	1	
14	AA2J193000	Indicating Part		D	1	
15	AAJT191401	Cover /Left rear		D	1	
16	A93E190202	Mounting Plate		D	1	
17	A7AH267201	Shoulder screw		C	1	
18	AA2J193100	Mounting Plate		D	1	
19	A93E191701	Wire		D	1	
20	A93E192700	Guide Part		D	1	
21	A93E190900	Hinge /ASSY		D	1	
22	A93E192401	Cover		D	1	
23	A93E191302	Cover		D	1	
24	A93E161002	Panel		D	1	
25	A93E161201	Panel		D	1	
26	AA2J191600	Shaft		D	1	
27	AAJTN12311	Interface Cable		D	1	

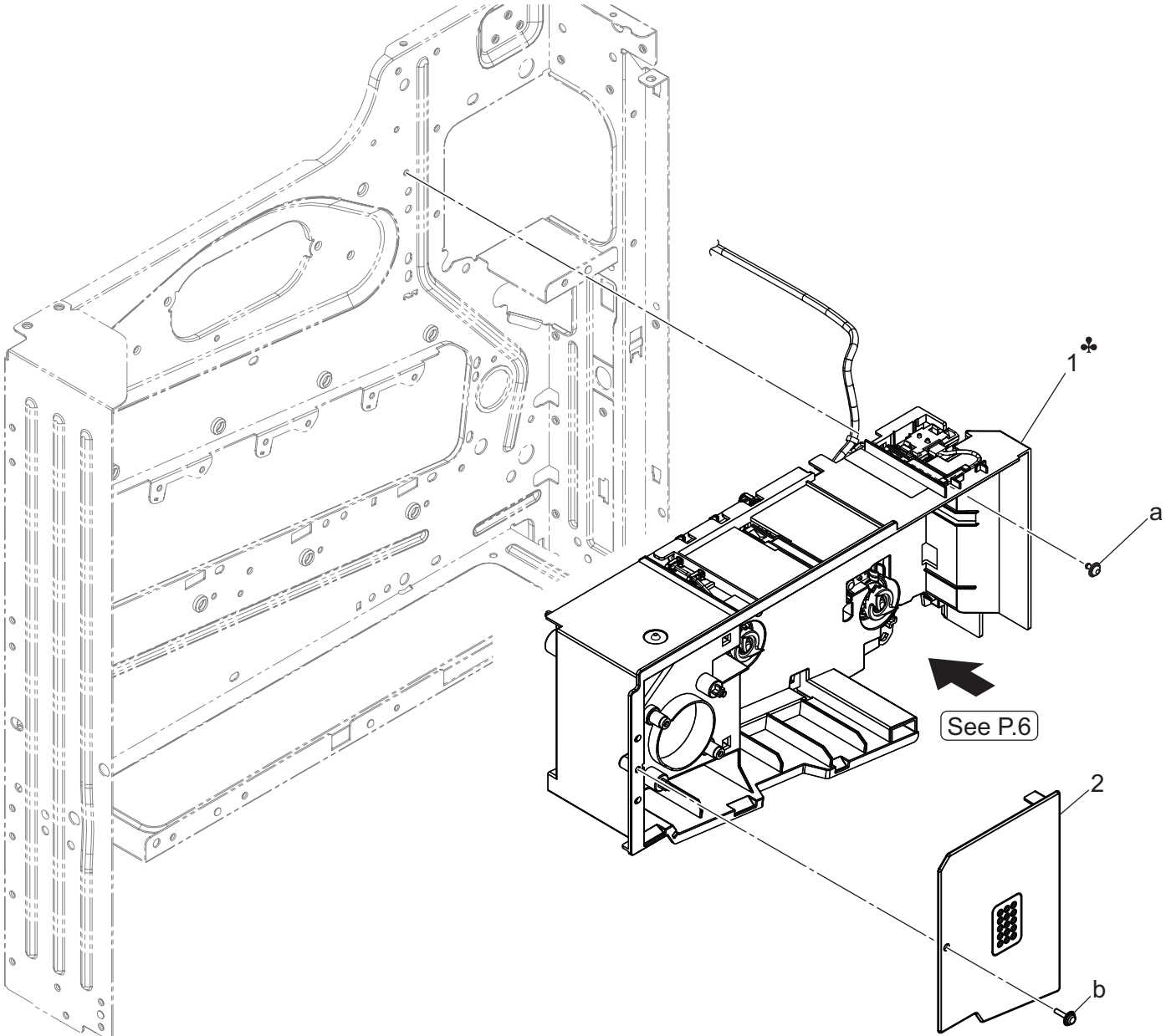
Cooling Section



Key	Part No.	Description	Destinations	Class	QTY	Standard parts
1	A93EM10600	Fan motor		C	1	a-V144030603 b-V125030803 c-V153030803 d-V153033503
2	A92E158100	Dust-proof Filter		B	1	
3	A93E155001	Filter Holder		D	1	
4	A93E152801	Duct		D	1	
5	A93E155100	Seal		D	1	
6	A93E152701	Duct		D	1	
7	A93E152400	Seal		D	1	
8	A93EM10000	Fan motor		C	1	
9	A93E156900	Seal		D	1	
10	A93E157300	Seal		D	1	
11	A93E150600	Duct		D	1	
12	A93E150800	Seal		D	1	
13	A93E623200	Cover		D	1	
14	A93E626600	Plate spring		D	1	
15	A93E623100	Cover		D	1	
16	A93E626000	Plate spring		D	1	
17	A93E157000	Seal		D	1	
18	A93E151500	Duct		D	1	
19	A93E151800	Seal		D	1	
20	A93E153400	Seal		D	1	
21	A93E153200	Seal		D	1	
22	A93E153300	Seal		D	1	
23	A93E154000	Screw /B		D	2	



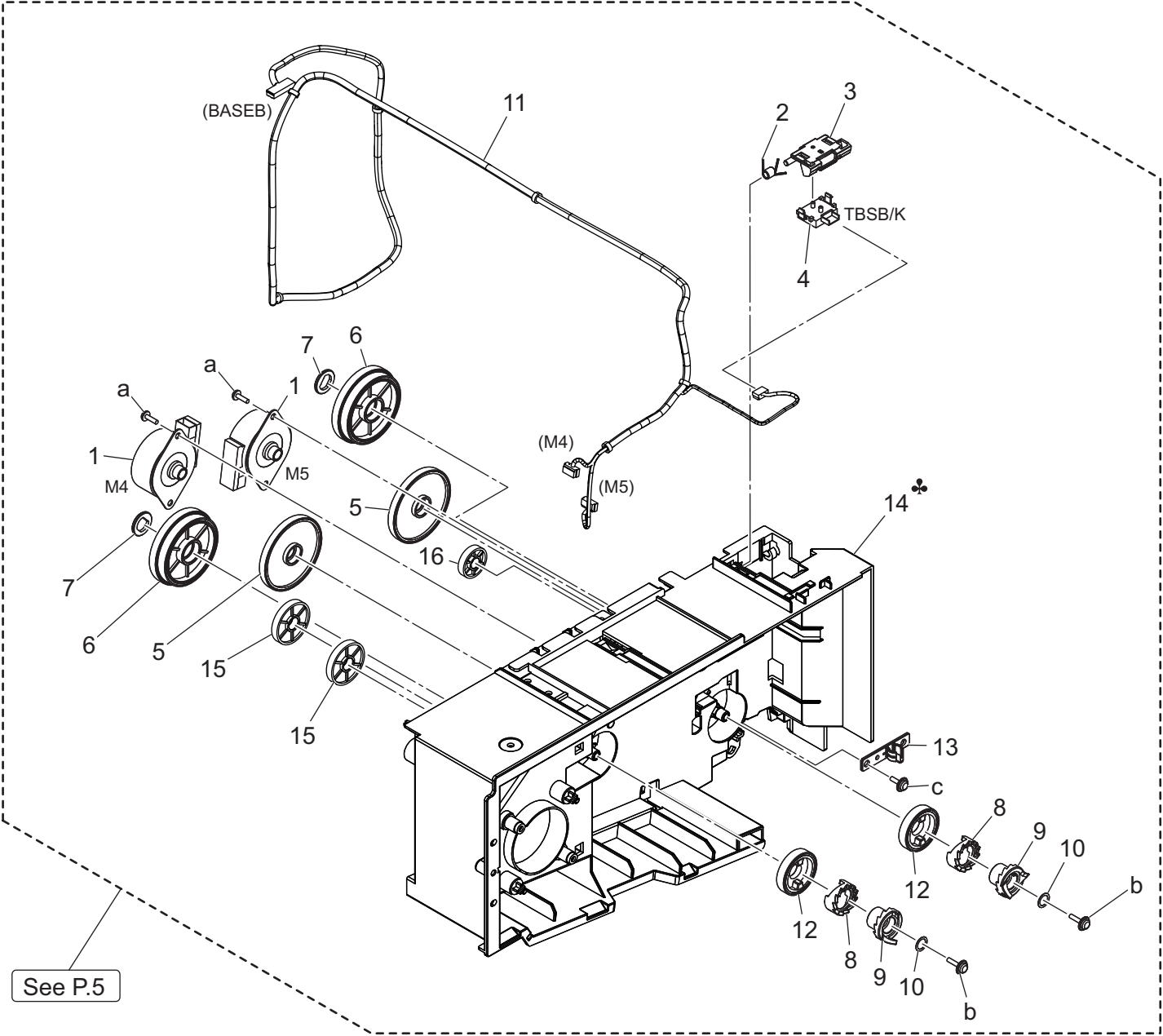
Toner Supply Section



Toner Supply Section

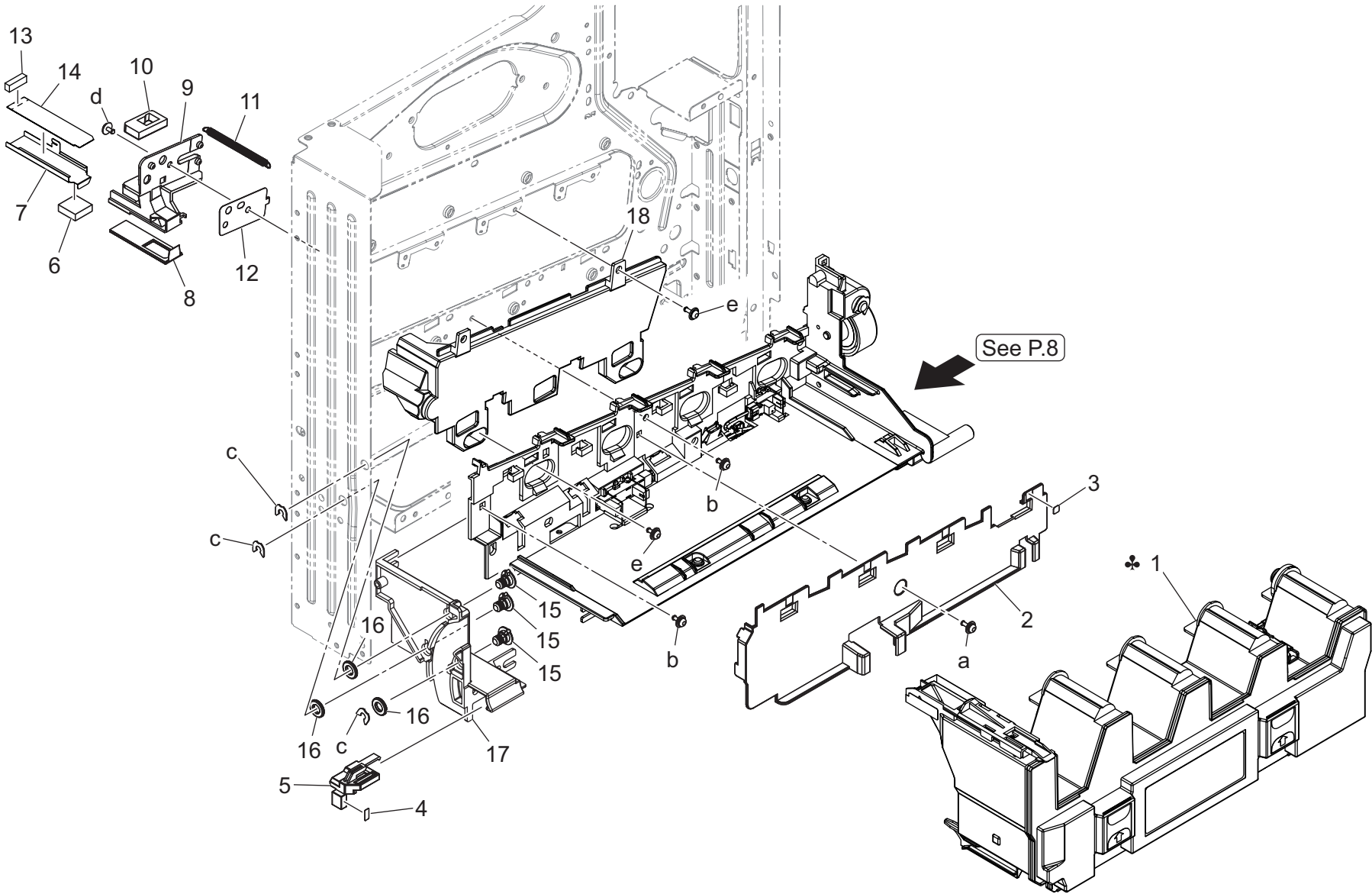
Key	Part No.	Description	Destinations	Class	QTY	Standard parts
1	ACTAR70200	TB Drive ASSY	T B ホルダ S F P (欧州 / 北米)	S	1	a-V127030604 b-V153031004
1	ACTAR70300	TB Drive ASSY (JP)	T B ホルダ S F P (国内)	S	1	
2	ACT9400200	Cover	カバー (F a x スピーカ)	D	1	

Toner Supply Section



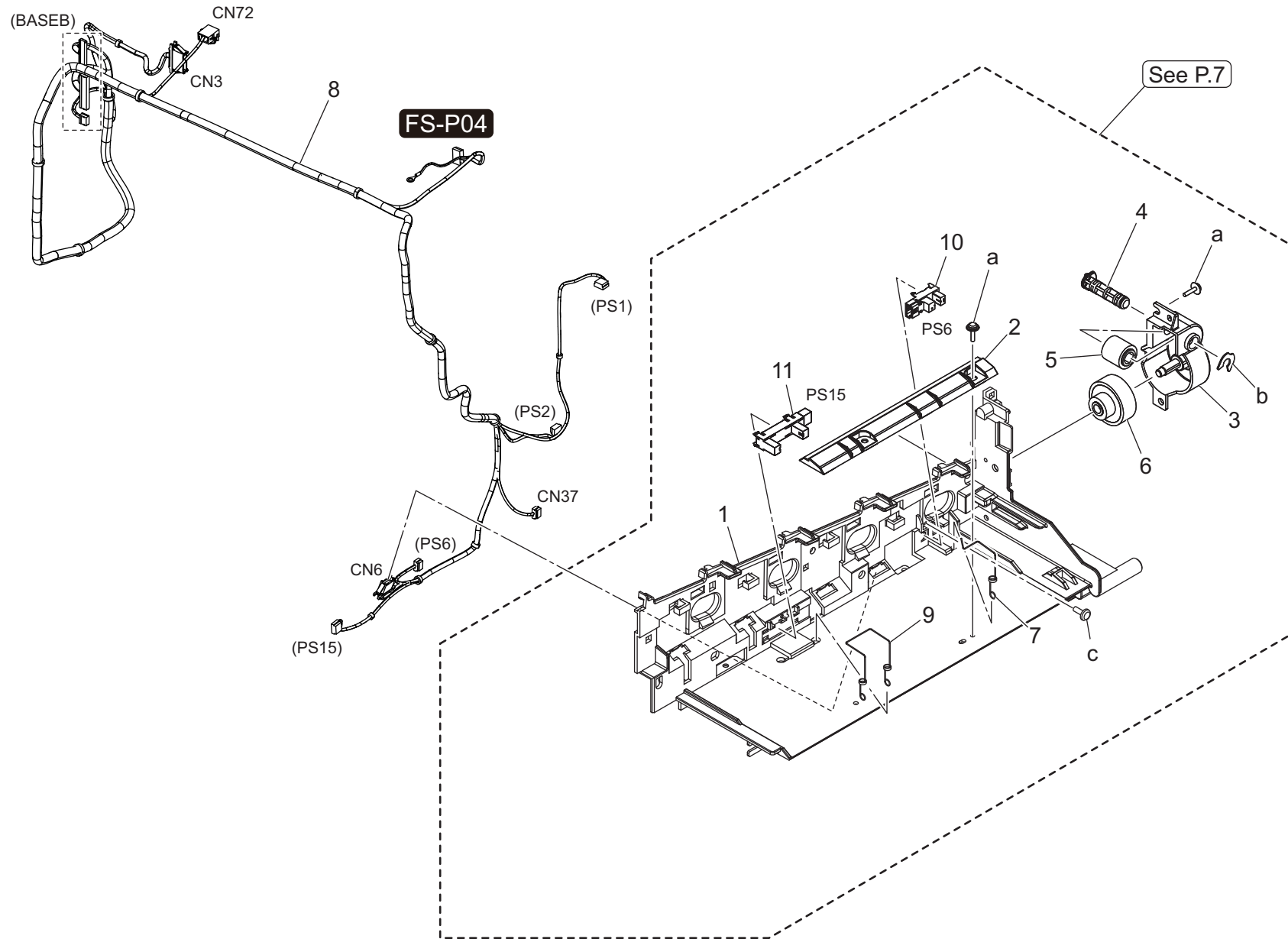
Key	Part No.	Description	Destinations	Class	QTY	Standard parts
1	A7PUM10700	Stepping motor		C	2	a-V145030803 b-V153031004 c-V153030803
2	A3GN401000	Torsion Coil spring		C	1	
3	A93E401400	Mounting Plate		D	1	
4	A0EDM60001	Relay Connector		D	1	
5	A93E400200	Gear 20/107T		C	2	
6	A93E400300	Gear 49/86T		C	2	
7	A93E402000	Holding Part		D	2	
8	A93E400900	Coupling		C	2	
9	A93E400800	Coupling		C	2	
10	A93E401700	Washer		D	2	
11	ACTAN10000	Toner Control Harness /2		D	1	
12	A93E400500	Gear 30T		C	2	
13	A93E401500	Lock Part		D	1	
14	ACTA400000	Holder	B,C,G2,I(South Africa)	D	1	
14	ACTA405001	Holder	D1,D3,E,F2,(Except South Africa),J	D	1	
15	ACT9400100	Gear		D	2	
16	A93E400400	Gear 25T		C	1	

Toner Collection Section



Key	Part No.	Description	Destinations	Class	QTY	Standard parts
1	ACTE011	Waste Toner Bottle	B,G2	A	1	a-V116030804 b-V125030803 c-V218040086 d-V144030603 e-V116030804
1	ACTEWY1	Waste Toner Bottle	C,D1,D3,E,F2,I,J	A	1	
2	A93E164502	Cover		D	1	
3	A02E940300	Label		C	1	
4	A93E940600	Label		D	1	
5	A93E623602	Stopper		D	1	
6	A93E363701	Seal		D	1	
7	A93E362301	Shutter		D	1	
8	A93E362402	Seal		D	1	
9	A93E363803	Holder		D	1	
10	A93E362201	Seal		D	1	
11	A93E362501	Pulling Coil spring		C	1	
12	A93E110300	Ground Spring		D	1	
13	A93E363900	Seal		D	1	
14	A93E364100	Seal		D	1	
15	A93E168000	Shaft		D	3	
16	A93E168300	Roll		D	3	
17	A93E165200	Cover /B		D	1	
18	ACT9165002	Cover		D	1	

Toner Collection Section

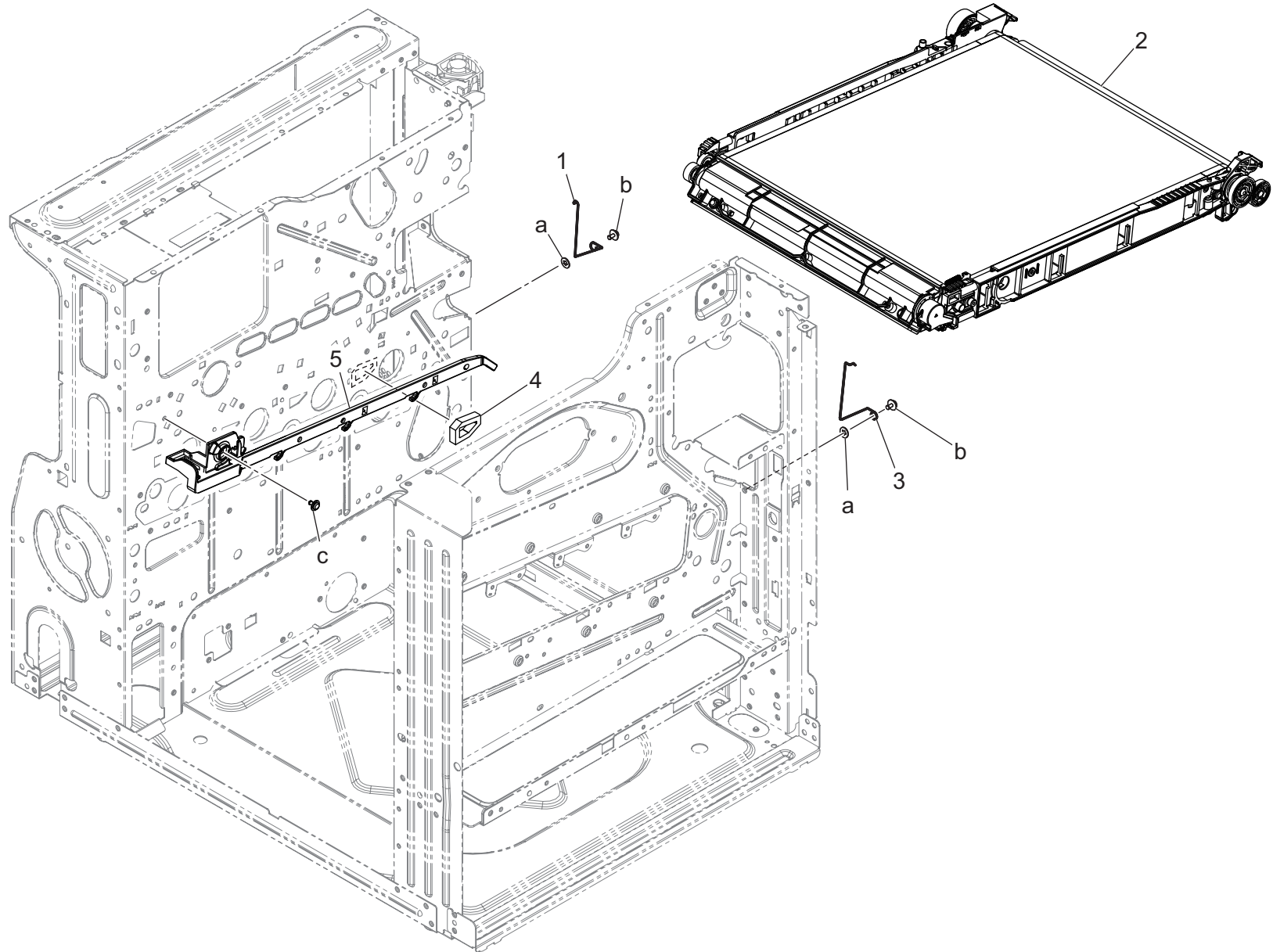


Toner Collection Section

Key	Part No.	Description	Destinations	Class	QTY	Standard parts
1	A93E165113	Cover		D	1	a-V153031004 b-V218060086 c-V162020404
2	A93E165301	Lock Claw		D	1	
3	A93E240000	Drive Holder		D	1	
4	A93E240100	Connecting Shaft		D	1	
5	A93E240500	Gear 10T		C	1	
6	A93E240600	Gear 13/20T		C	1	
7	A93E163011	Pulling Coil spring		C	1	
8	ACT9N10001	Photoconductor Harness		D	1	
9	A93E163111	Pulling Coil spring		C	1	
10	A5C1M50100	Photointerrupter		B	1	
11	9335140051	Solid State Switch		B	1	

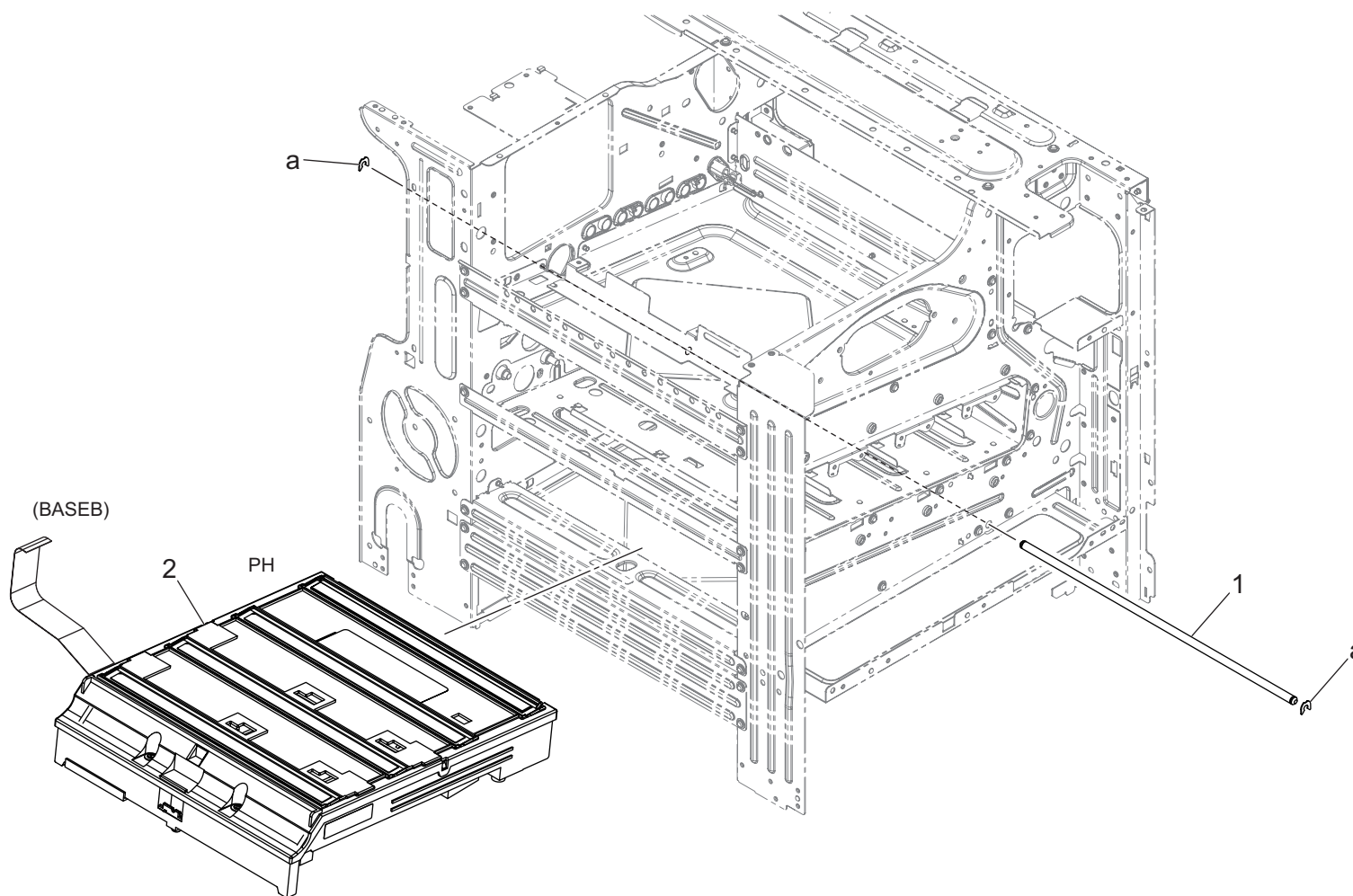
1st Transfer Section

P 9



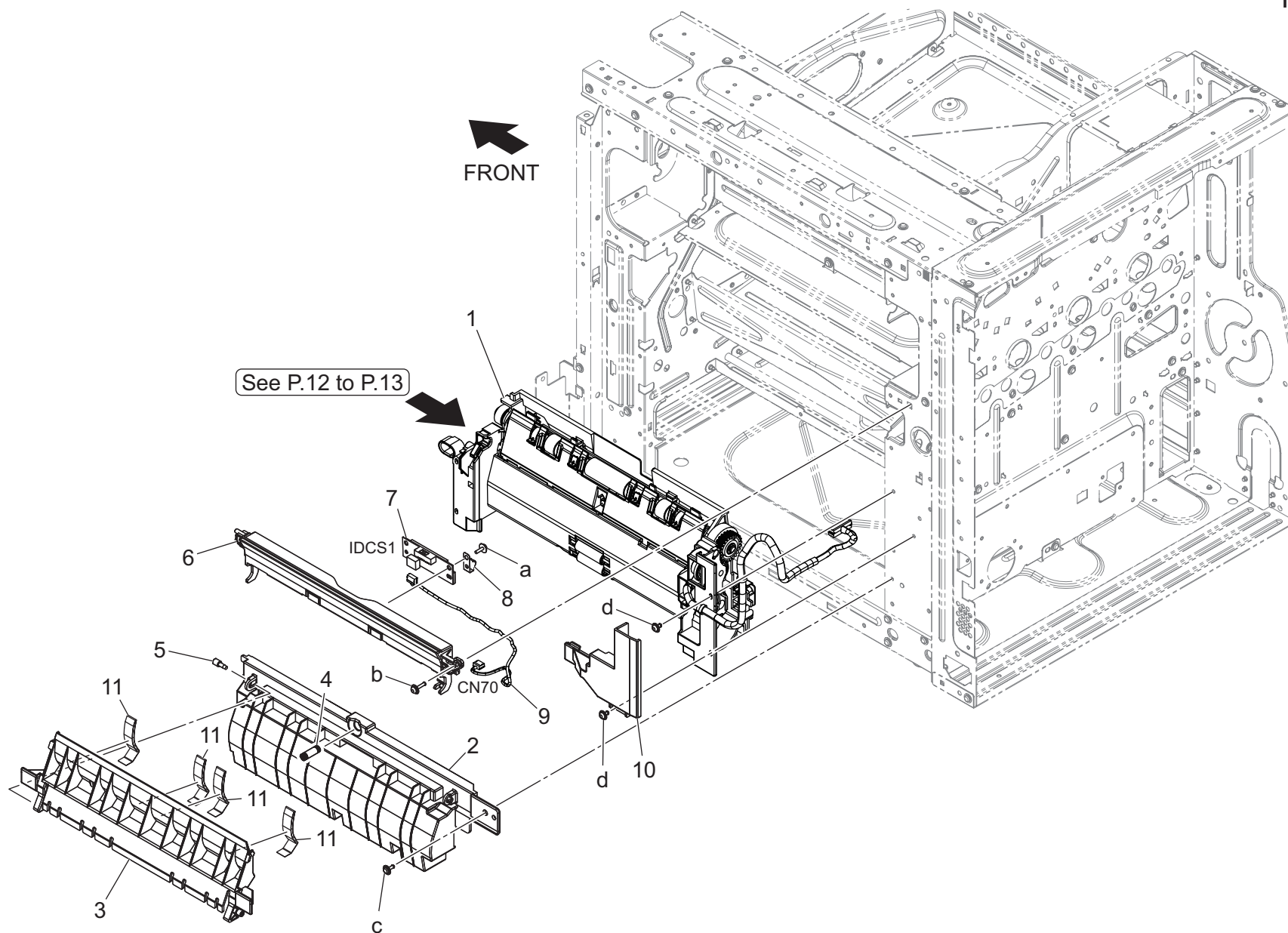
1st Transfer Section

Key	Part No.	Description	Destinations	Class	QTY	Standard parts
1	A93E110400	Fixing Spring		D	1	a-V211030080 b-V116030603 c-V144030603
2	ACT9R70300	Transfer Unit		B	1	
3	A93E110600	Fixing Spring		D	1	
4	A93E152600	Seal		D	1	
5	A93E110100	Rail /Rear		D	1	

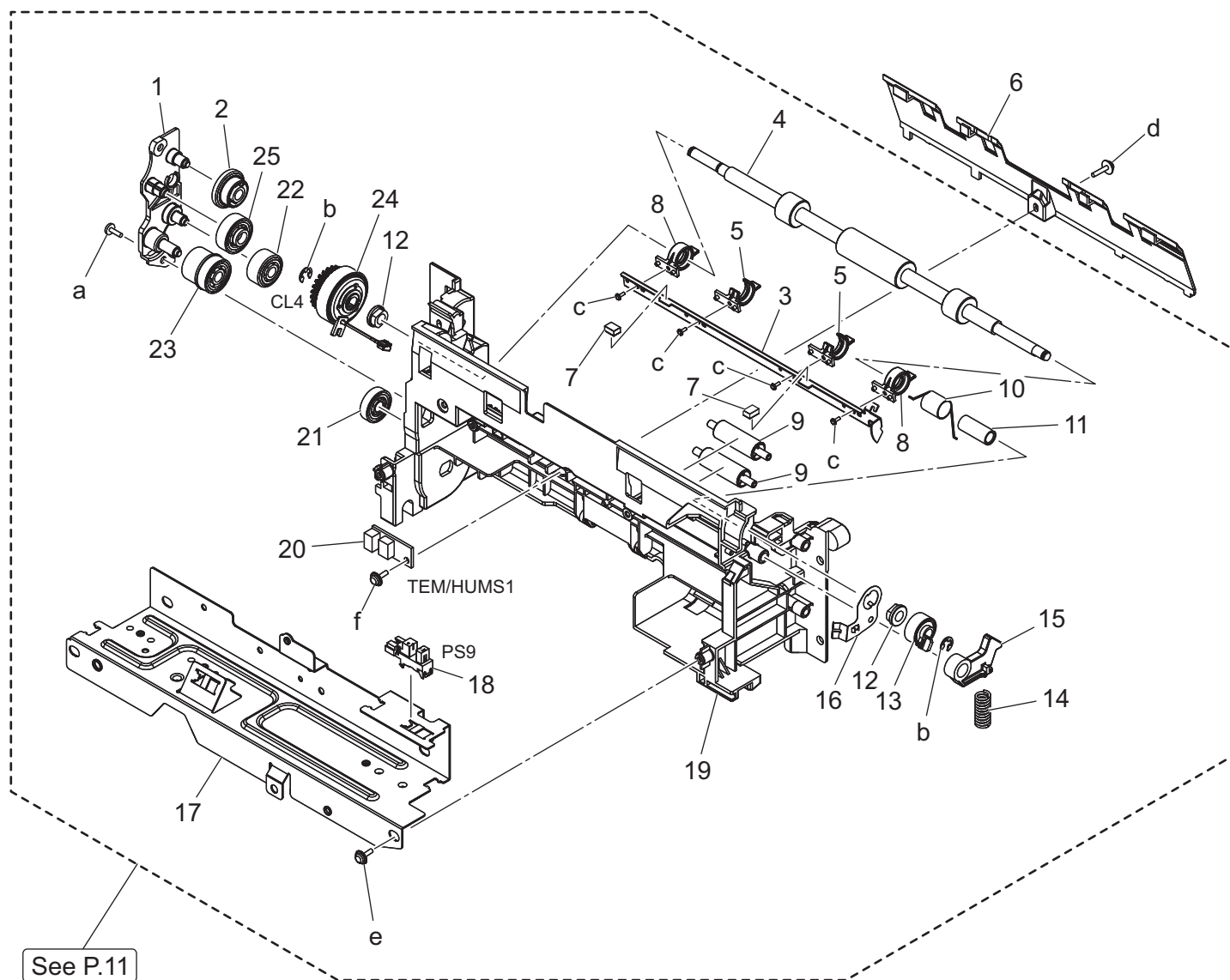


Write Section

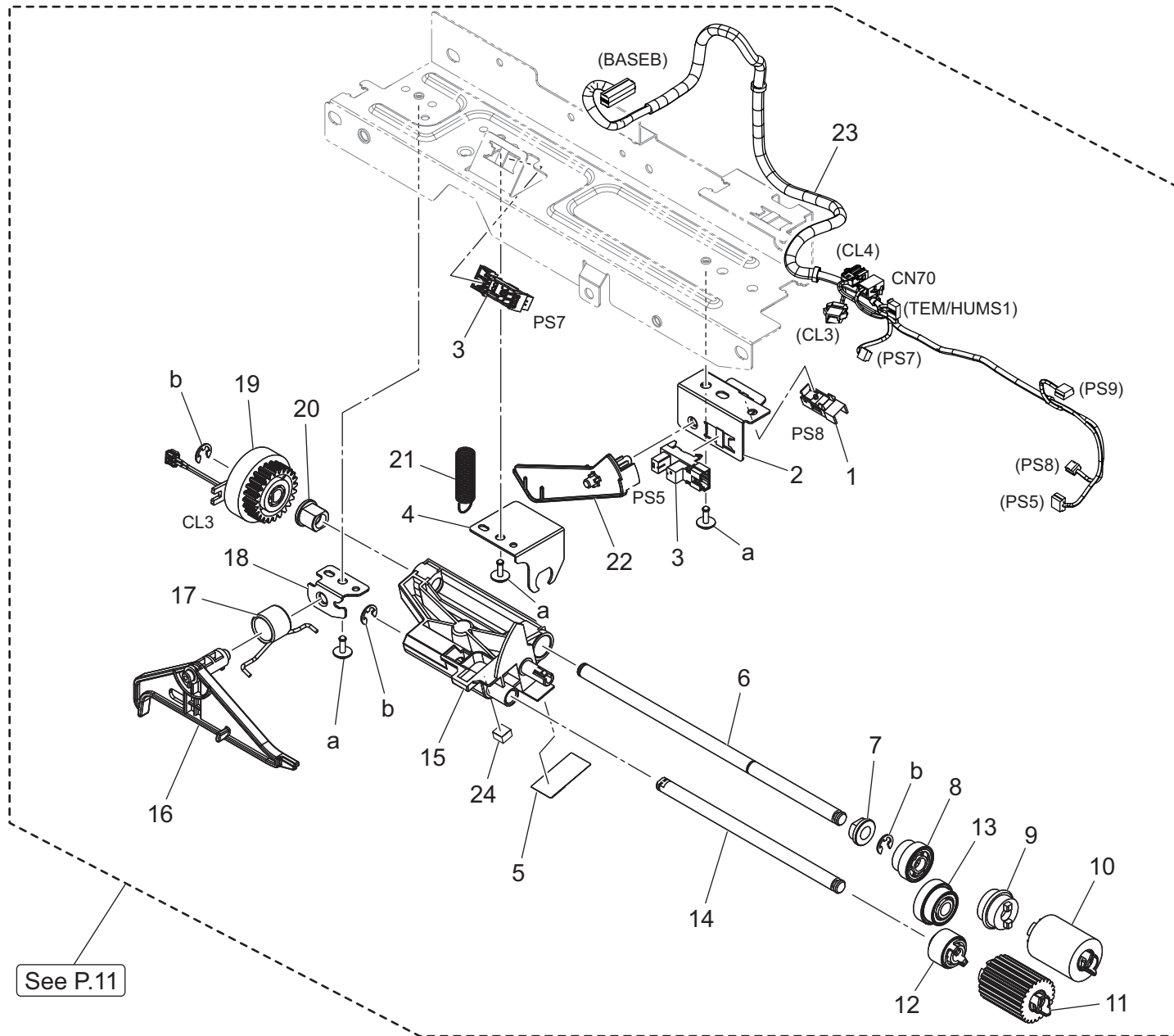
Key	Part No.	Description	Destinations	Class	QTY	Standard parts
1	A93E100300	Shaft		D	1	a-V218040086
2	ACT9R70900	Print Head Assy		I	1	



Key	Part No.	Description	Destinations	Class	QTY	Standard parts
1	ACT9R70700	Conveyance/ Paper Feed Assy		S	1	a-V153030803 b-V116031203 c-V144030803 d-V127030604
2	A93E701902	Guide		D	1	
3	A93E703102	Open/close Guide		D	1	
4	A93E703200	Compressing Coil spring		C	1	
5	4532341001	SHOULDER SCREW		D	1	
6	A93E700401	Conveyance Guide		D	1	
7	A161M50000	Photo sensing		I	1	
8	A93E705200	Ground Plate		D	1	
9	A93EN10J00	Relay harness /2		D	1	
10	A93E133300	Cover		D	1	
11	A93E707800	Sheet		D	4	

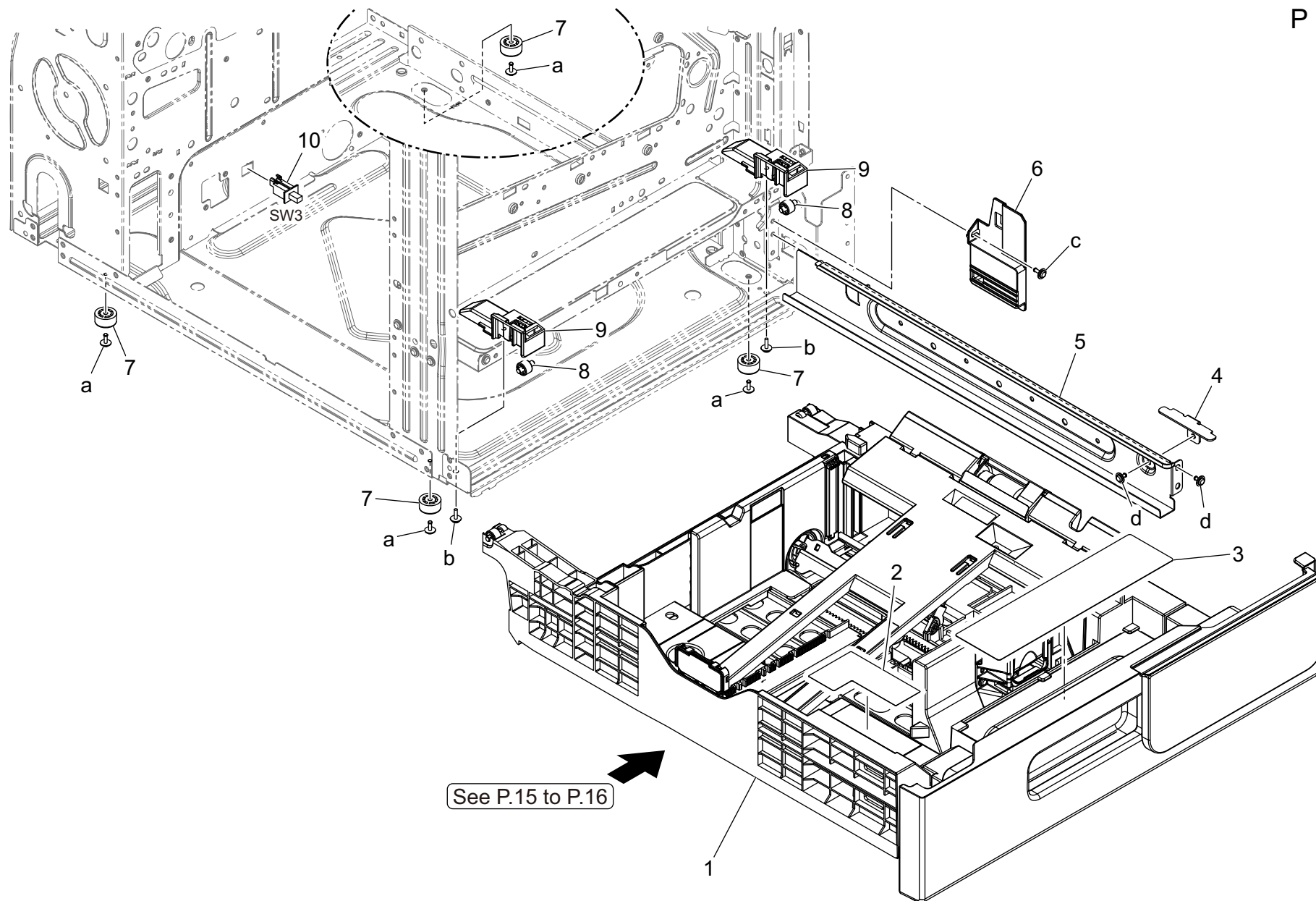


Key	Part No.	Description	Destinations	Class	QTY	Standard parts
1	A93E705000	Holder		D	1	a-V149030803 b-V217040003 c-V162020404 d-V116031203 e-V153030803 f-V153031004
2	A93E230600	Gear 20T		C	1	
3	A93E700600	Mounting Plate		D	1	
4	A93E701101	Roller		C	1	
5	A93E705401	Stopper Part		D	2	
6	A93E700800	Guide		D	1	
7	A93E704800	Cushion		D	2	
8	A93E705301	Stopper Part		D	2	
9	A93E707300	Roll		C	2	
10	A93E700902	Torsion Coil spring		C	1	
11	A93E706100	Bushing		D	1	
12	1134304301	BUSHING		C	2	
13	A93E701600	Gear 20T		C	1	
14	A93E701700	Compressing Coil spring		C	1	
15	A93E701300	Lever		C	1	
16	A93E701500	Ground Plate		D	1	
17	A93E701211	Reinforce Plate		D	1	
18	A5C1M50100	Photointerrupter		B	1	
19	ACT9700100	Conveyance Guide		D	1	
20	A7AHM50400	Humidity sensor		I	1	
21	A93E230500	Gear 17T		C	1	
22	A93E230400	Gear 17T		C	1	
23	A93E230700	Gear 17/18T		C	1	
24	A7AHM20501	Clutch		C	1	
25	A93E230301	Gear 19T		C	1	



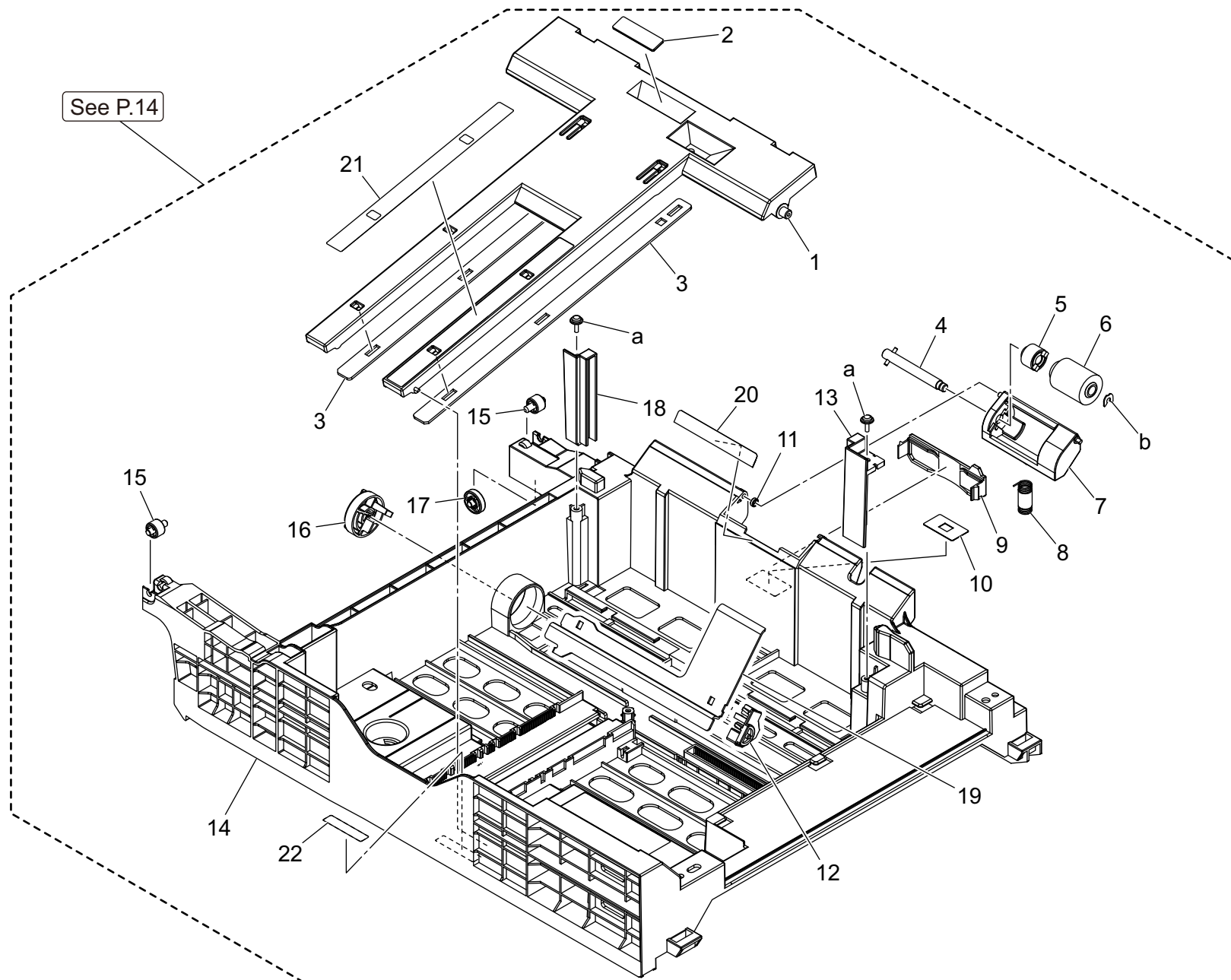
See P.11

Tray Section



Tray Section

P 15

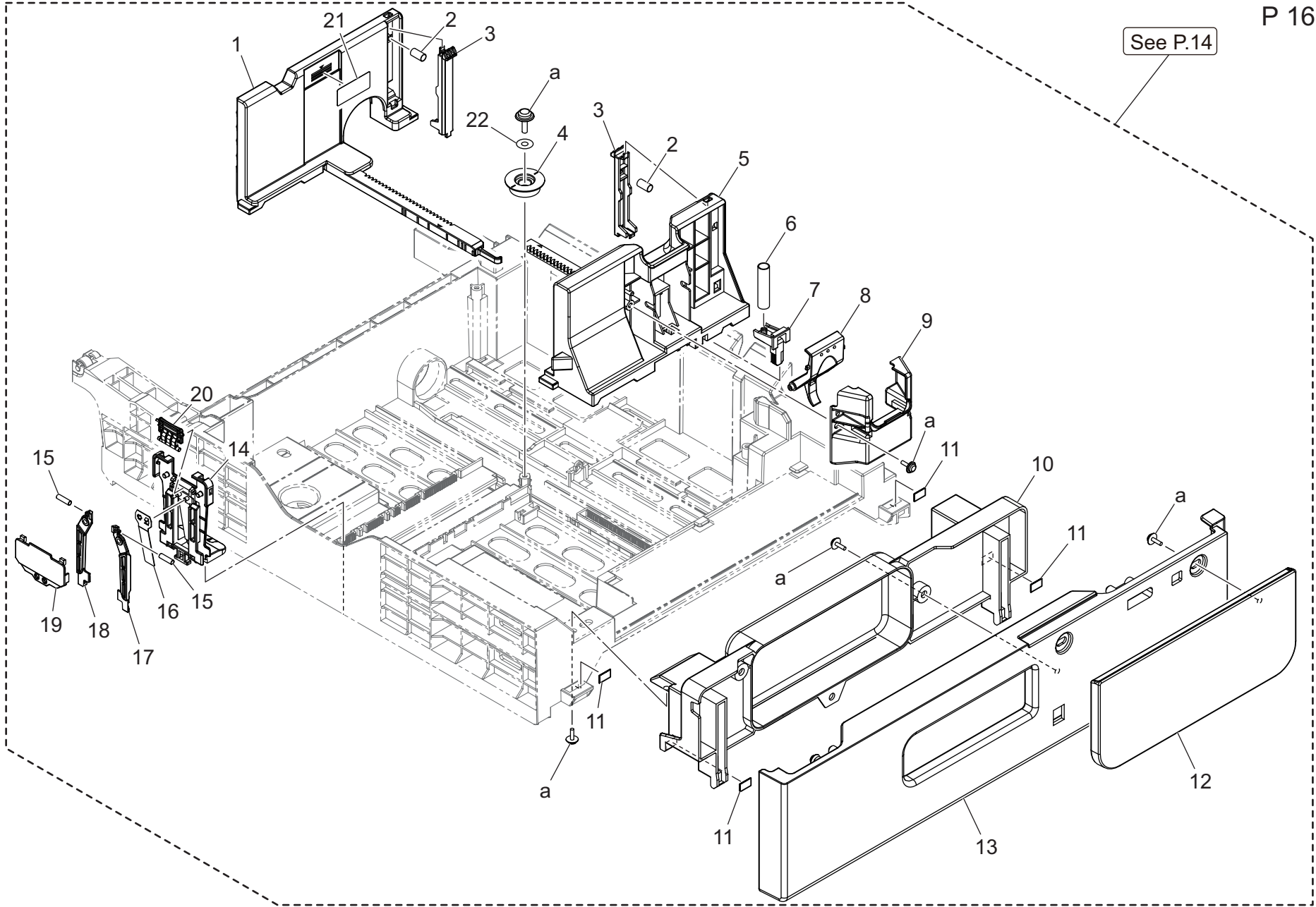


bizhub 4700i

Tray Section

P 16

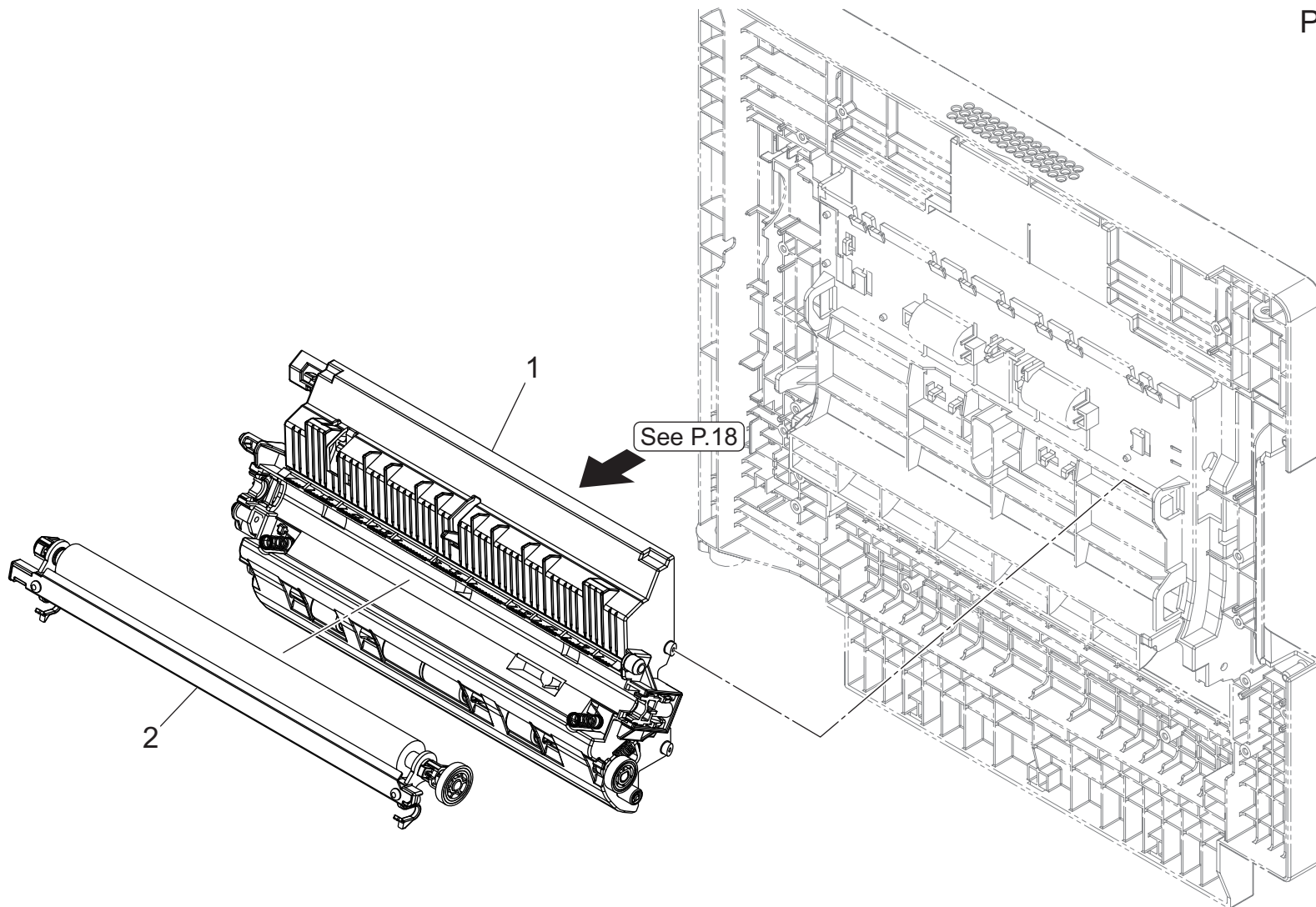
See P.14



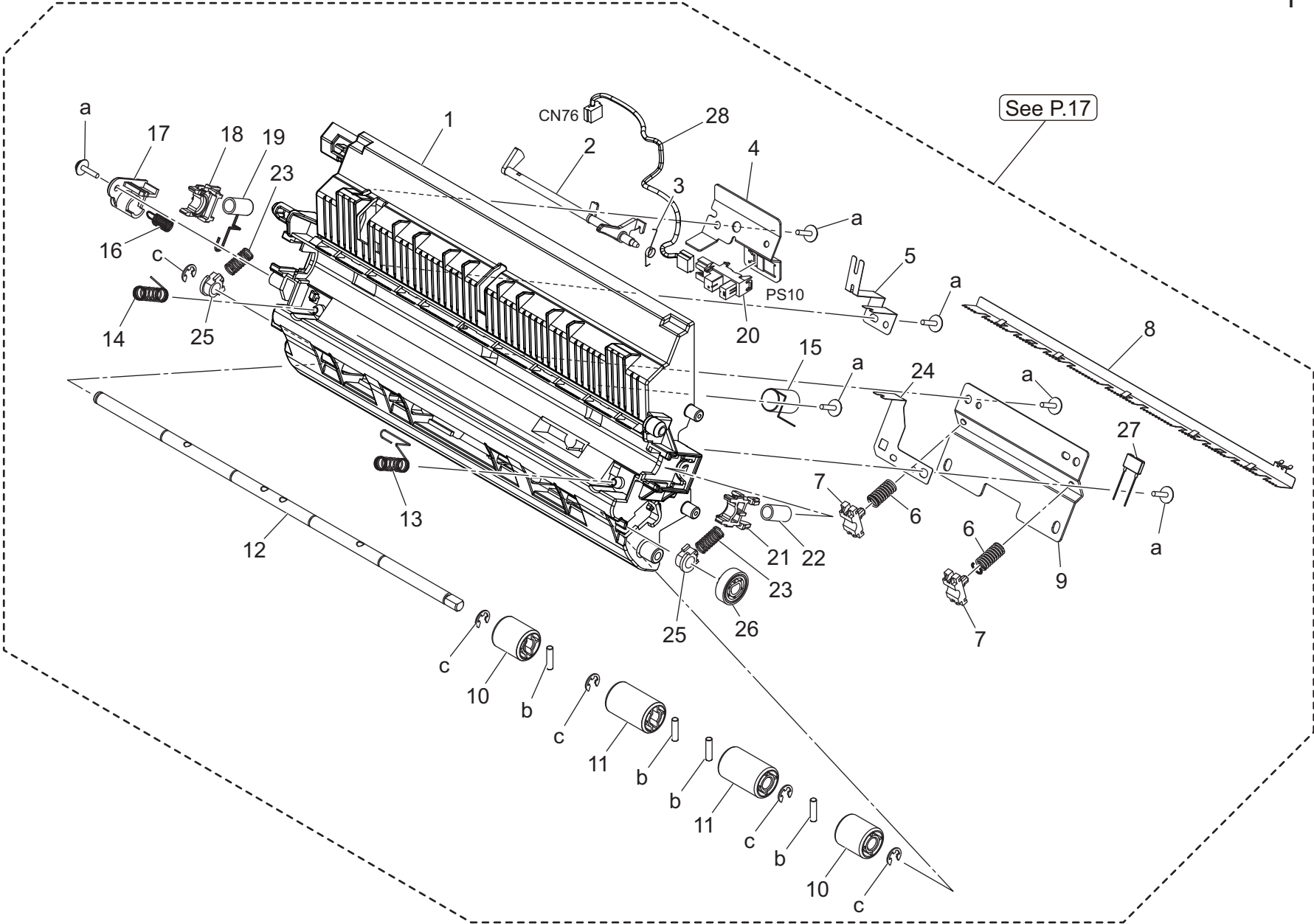
bizhub 4700i

2nd Transfer Section

P 17



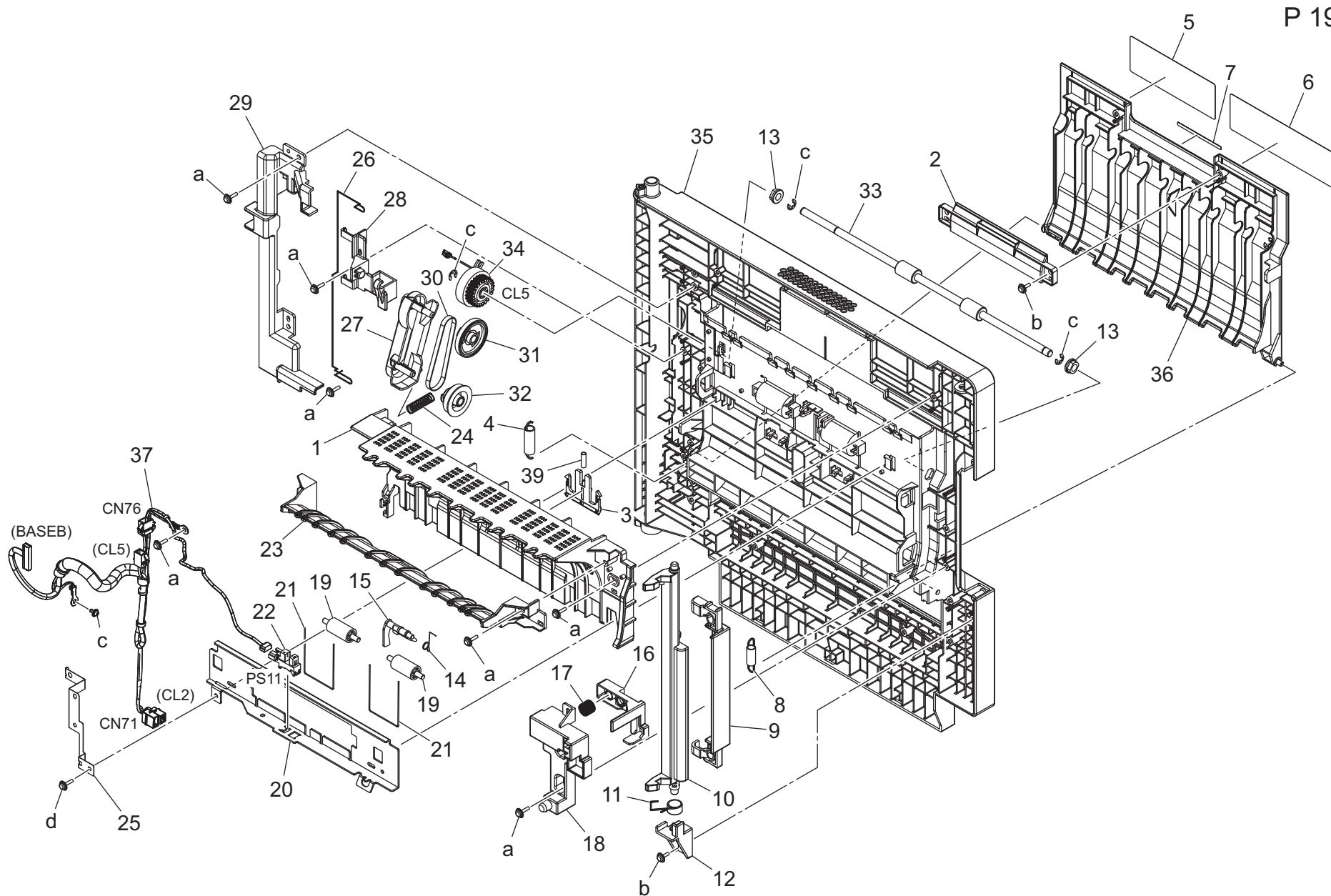
Vertical Conveyance Section



Key	Part No.	Description	Destinations	Class	QTY	Standard parts
1	A93E702114	Conveyance Guide		D	1	a-V153031004 b-V234301250 c-V217040003
2	A93E703400	Actuator		C	1	
3	A0VD700302	Torsion Coil spring		C	1	
4	A93E702400	Mounting Plate		D	1	
5	A93E707000	Ground Plate		D	1	
6	A93E704100	Compressing Coil spring		C	2	
7	A93E704301	Bushing		D	2	
8	A3GN701800	Neutralizing Part		D	1	
9	A93E703900	Mounting Plate		D	1	
10	A93E707100	Roll Outside		C	2	
11	A93E702500	Roll		C	2	
12	A93E703600	Shaft		D	1	
13	A93E706200	Compressing Spring		C	1	
14	A93E707200	Compressing Spring		C	1	
15	A93E708300	Compressing Coil spring		C	1	
16	A93E704700	Compressing Coil spring		C	1	
17	A93E704900	Cover		D	1	
18	A93E510902	Receiving Part /Rear		D	1	
19	A93E702600	Compressing Coil spring		C	1	
20	A5C1M50100	Photointerrupter		B	1	
21	A93E511102	Receiving Part /Front		D	1	
22	A93E703300	Compressing Coil spring		C	1	
23	A93E704200	Compressing Coil spring		C	2	
24	A93E704600	Ground Plate		D	1	
25	A93E703800	Bushing		D	2	
26	A93E703700	Gear 20T		C	1	
27	V800500300	FIXED POWER RESISTORS		D	1	
28	A93EN10N00	Relay harness /5		D	1	

Vertical Conveyance Section

P 19

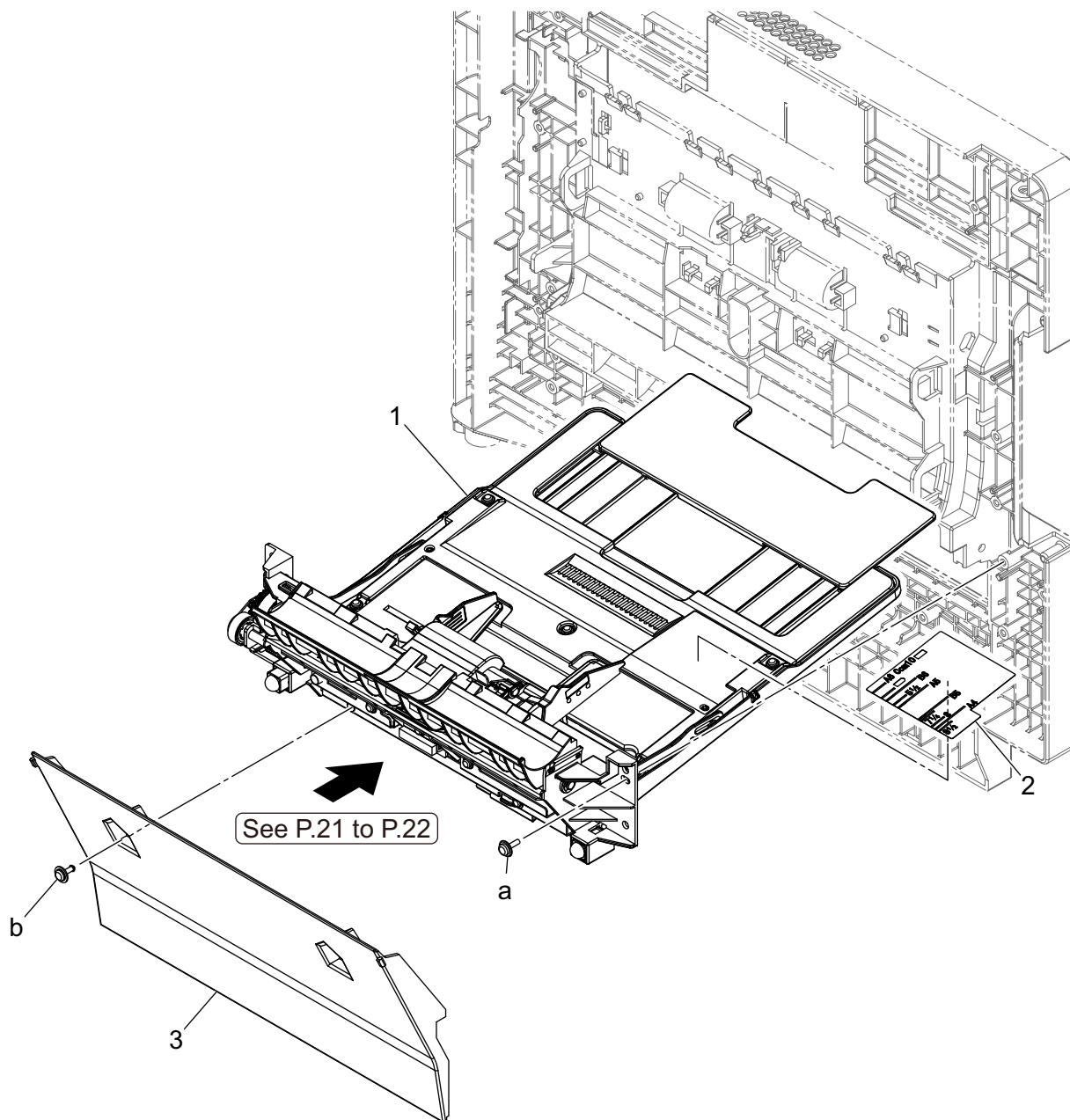


bizhub 4700i

Vertical Conveyance Section

Key	Part No.	Description	Destinations	Class	QTY	Standard parts
1	ACT9813100	Guide /Upper		D	1	a-V153031004 b-V153030803 c-V217040003 d-V144030603
2	A93E810800	Handle	ガイド /上	D	1	
3	A93E810701	Lock Part	取手	D	1	
4	A93E810600	Pulling Coil spring	ロック部材	D	1	
5	A93E944500	Label	引張りコイルばね (ユニット引込用)	C	1	
6	A93E944600	Operation Label	ラベル (禁止用紙)	D	1	
7	A93E942100	Label	操作ラベル	D	1	
8	A0VD703700	Pulling Coil spring	ラベル (ADU扉)	D	1	
9	A93E814702	Handle	引張りコイルばね (ユニット引込用)	D	1	
10	A93E814300	Lock Lever	取手	D	1	
11	A93E814500	Torsion Coil spring	ロックレバー	C	1	
12	A93E814401	Holder	ねじりコイルばね	C	1	
13	1134304301	BUSHING	ホルダ (ロックレバー下)	D	1	
14	A93E815200	Torsion Coil spring	軸受	C	2	
15	A93E815100	Actuator	ねじりコイルばね (PSD)	C	1	
16	A93E814001	Lever	アクチュエータ (PSD)	C	1	
17	A93E811400	Compressing Coil spring	レバー	D	1	
18	A93E814100	Cover	圧縮コイルばね	D	1	
19	4538373201	ROLL	カバー (開閉検出)	D	1	
20	A93E810211	Reinforce Plate	ころ	D	2	
21	A93E812100	Spring	補強板	D	1	
22	A5C1M50100	Photointerrupter	ばね (ローラ圧接)	C	2	
23	A93E814202	Guide	透過型センサ	B	1	
24	A93E813800	Compressing Coil spring	ガイド (両面)	D	1	
25	A93E814800	Ground Plate	圧縮コイルばね (DUP 駆動圧接)	C	1	
26	A93E594200	Ground Contact	アース板 (DUP 搬送)	D	1	
27	A93E813302	Swing Housing	アース接点	D	1	
28	A93E813201	Positioning Shaft	揺動ハウジング	D	1	
29	A93E815302	Cover	位置決め軸	D	1	
30	A0HR211900	Drive Belt /5	カバー (ハーネス)	D	1	
31	A93E813501	Gear 31T	駆動ベルト /5 (B40S2M148)	C	1	
32	A93E813700	Gear 23T	ギア 31T	C	1	
33	A93E812000	Roller	ギア 23T	C	1	
34	A7AHM20501	Clutch	ローラ (両面搬送)	C	1	
35	A93E810118	Door	クラッチ (Z=24)	C	1	
36	A93E810502	Open/close Guide	扉 (右)	D	1	
37	A93EN10B00	Conveyance Wiring /1	開閉ガイド	D	1	
39	A93E810900	Compressing Coil spring	搬送束線 /1	D	1	
			圧縮コイルばね	C	1	

Bypass Tray Section

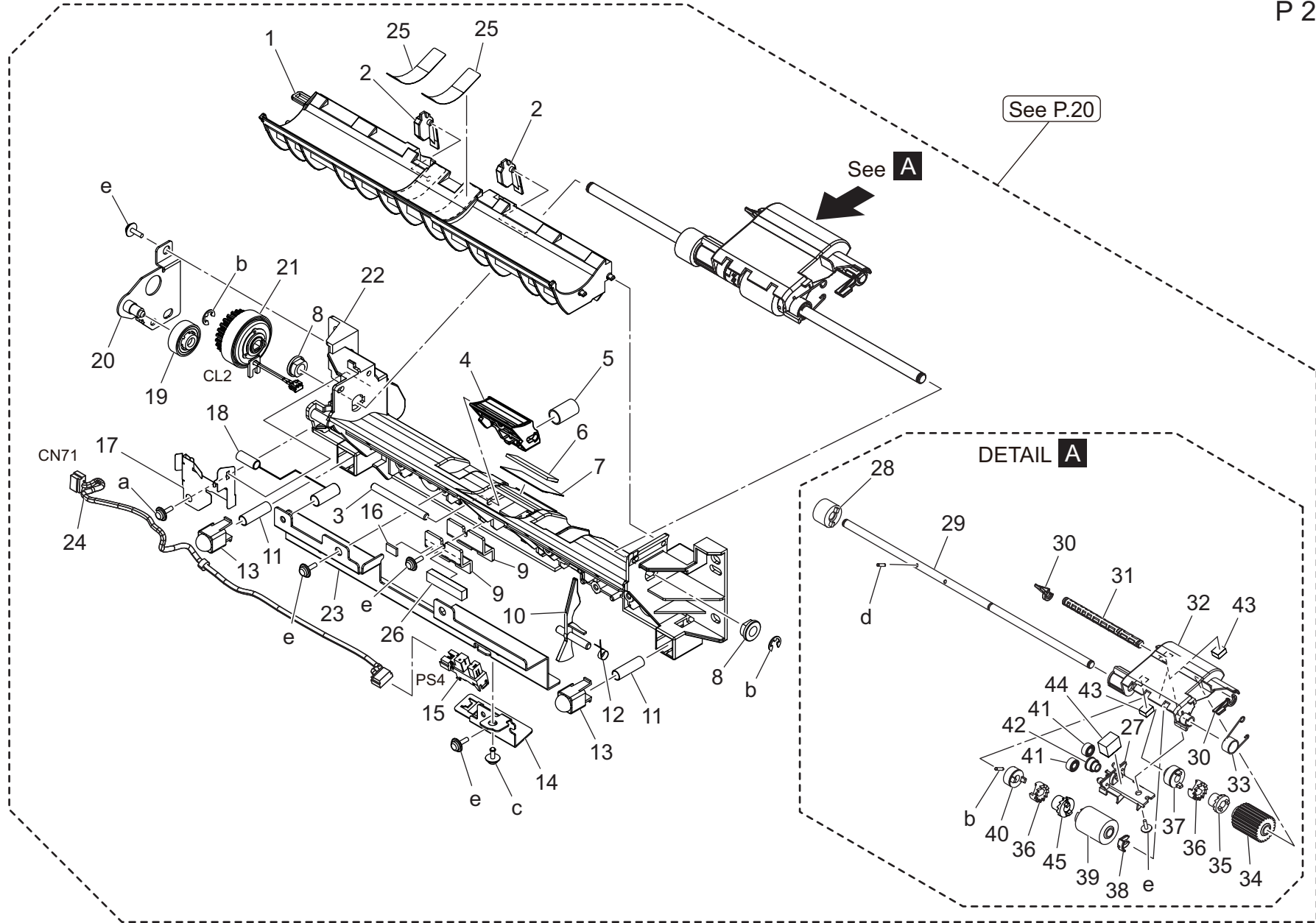


Bypass Tray Section

Key	Part No.	Description	Destinations	Class	QTY	Standard parts
1	AAJRR71633	Manual Bypass Assy		S	1	a-V153030804 b-V144030603
2	A93E944200	Label		D	1	
3	A93E590402	Guide		D	1	

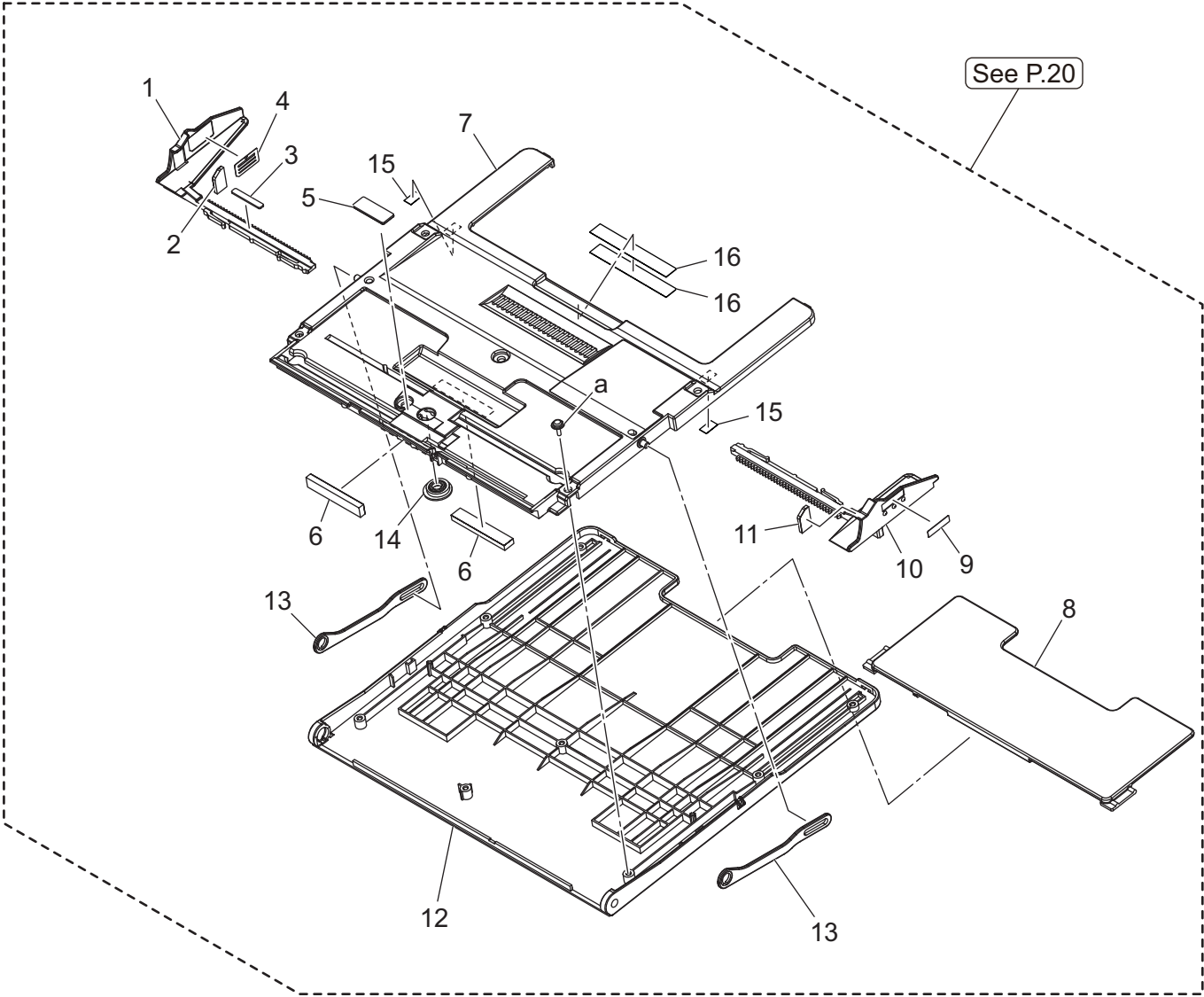
Bypass Tray Section

P 21



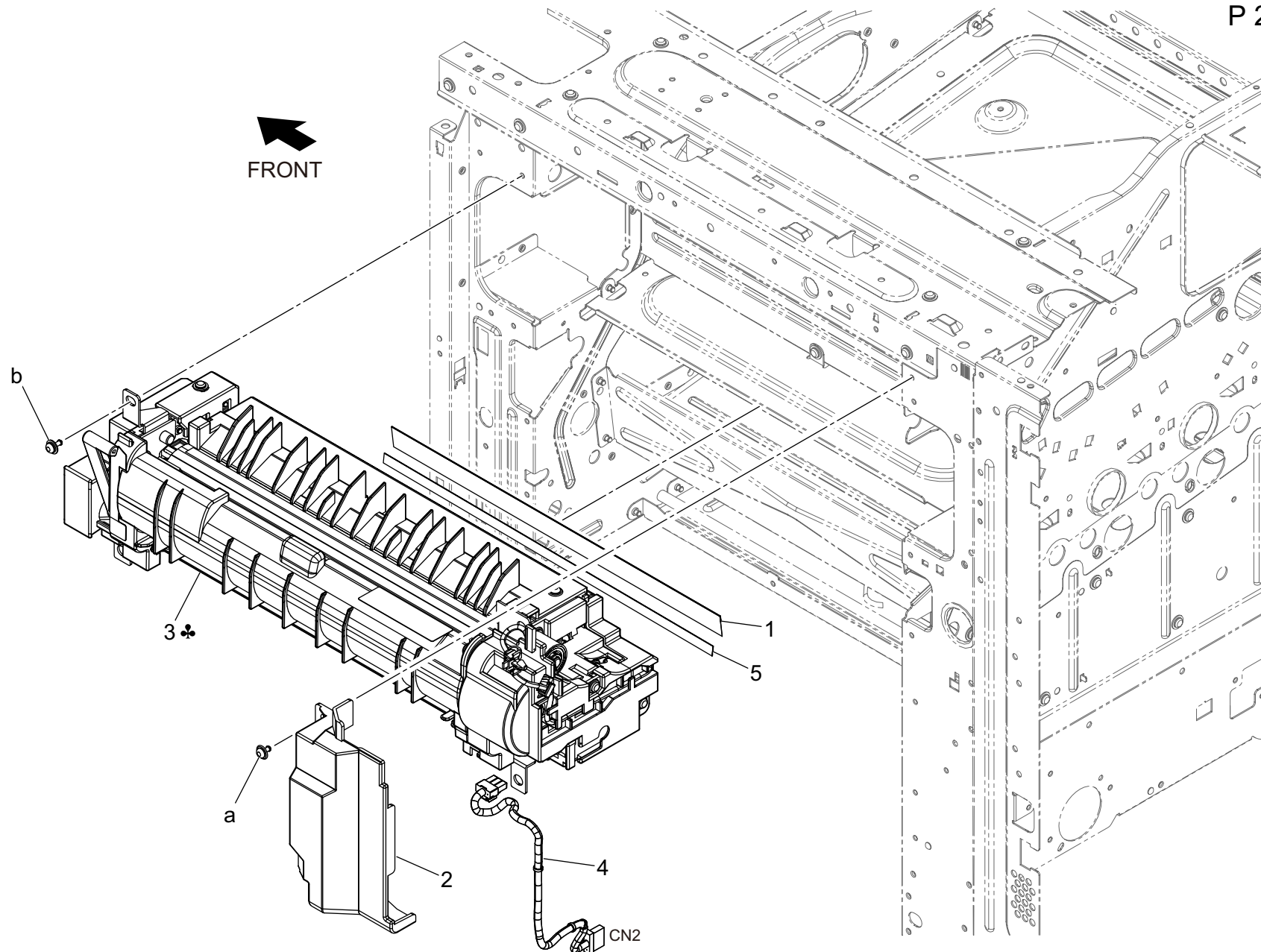
Key	Part No.	Description	Destinations	Class	QTY	Standard parts
1	A93E590302	Guide	ガイド (両面)	D	1	a-V153030804 b-V217040003 c-V125030803 d-V231200850 e-V153030803
2	A93E596300	Shutter	シャッター	C	2	
3	A93E591900	Support Shaft	支点軸 (さばきホルダ)	D	1	
4	AAJRR72200	Friction Sheet Assy	摩擦板 Assy	B	1	
5	A93E591600	Compressing Coil spring	圧縮コイルばね	C	1	
6	A93E592300	Separating Pad	分離パッド (前さばき)	C	1	
7	A93E591800	Cover Sheet	カバーシート (さばき)	C	1	
8	1134304301	BUSHING	軸受	C	2	
9	A93E597800	Vibrationproof Part	防振材	D	2	
10	A93E594100	Actuator	アクチュエータ (エンブティ)	C	1	
11	A93E595600	Compressing Coil spring	圧縮コイルばね (可動ガイド)	C	2	
12	A93E594400	Torsion Spring	ねじりばね (PE)	C	1	
13	A93E595700	Holding Cap	押さえキャップ	D	2	
14	A93E594700	Mounting Plate	取付板 (フォトセンサ)	D	1	
15	A5C1M50100	Photointerrupter	透過型センサ	B	1	
16	A93E598600	Neutralizing Sheet /2	除電シート /2	C	1	
17	A93E594312	Ground Plate	アース板	D	1	
18	A93E597600	Ground Part	アース材 (PE 取付板)	D	1	
19	A93E590600	Bypass Gear 17T	ギア 17T	C	1	
20	A93E590500	Mounting Plate	取付板	D	1	
21	A7AHM20401	Clutch	クラッチ (Z = 24)	C	1	
22	A93E590203	Paper feed Frame	給紙フレーム	D	1	
23	A93E597100	Reinforce Part	補強部材	D	1	
24	A93EN10M00	Relay harness /4	中継束線 /4	D	1	
25	A93E597900	Sheet	シート (摺動)	D	2	
26	A93E598000	Cushion	クッション	D	1	
27	A93E592800	Holder	ホルダ (アイドルギア)	D	1	
28	A93E593800	Torque limiter	トルクリミッタ (市販品)	C	1	
29	A93E590800	Shaft	軸 (給紙R)	D	1	
30	A93E596201	Lock Lever	ロックレバー	C	2	
31	A93E591700	Shaft	軸 (ピックR)	D	1	
32	A93E591300	Holder	ホルダ (ローラ)	D	1	
33	A93E593100	Torsion Coil spring	ねじりコイルばね	C	1	
34	A5C1562200	Roller	ローラ (ピック)	A	1	
35	A93E593400	Drive Coupling /2	駆動カップリング /2	C	1	
36	A93E593300	Drive Coupling /1	駆動カップリング /1	C	2	
37	A93E593900	Gear 28T	ギア 28T	C	1	
38	56AA40490	Shaft Stopper /4	軸 ストップ /4	C	1	
39	A93E597500	Roller	ローラ (給紙)	B	1	
40	A93E593200	Gear 26T	ギア 26T	C	1	
41	A93E592900	Gear 17T	ギア 17T	C	2	
42	A93E592500	Gear 17T	ギア 17T	C	1	
43	A93E598800	Cushion /1	クッション /1	D	2	
44	A93E599700	Cushion	クッション (ピックホルダ)	D	1	
45	A93E598400	Drive Coupling	駆動カップリング (導電)	D	1	

Bypass Tray Section



Key	Part No.	Description	Destinations	Class	QTY	Standard parts
1	A93E592201	Regulating Plate /R		C	1	a-V153030804
2	A7AH604501	Brake Part		C	1	
3	A93E597200	Friction Part		D	1	
4	AA2J944500	Label		C	1	
5	A93E594600	Separating Sheet		C	1	
6	A93E598200	Cushion		D	2	
7	A93E592002	Holder		C	1	
8	A93E591002	Tray		C	1	
9	A93E943800	Label		D	1	
10	A93E592104	Regulating Plate /F		C	1	
11	A7AH604401	Brake Part /F		C	1	
12	A93E590100	Tray		C	1	
13	A93E597300	Stopper Part		C	2	
14	A0VD562300	Gear 16T		D	1	
15	A93E599900	Duplex Tape /2		D	2	
16	A93E599800	Duplex Tape /1		D	2	

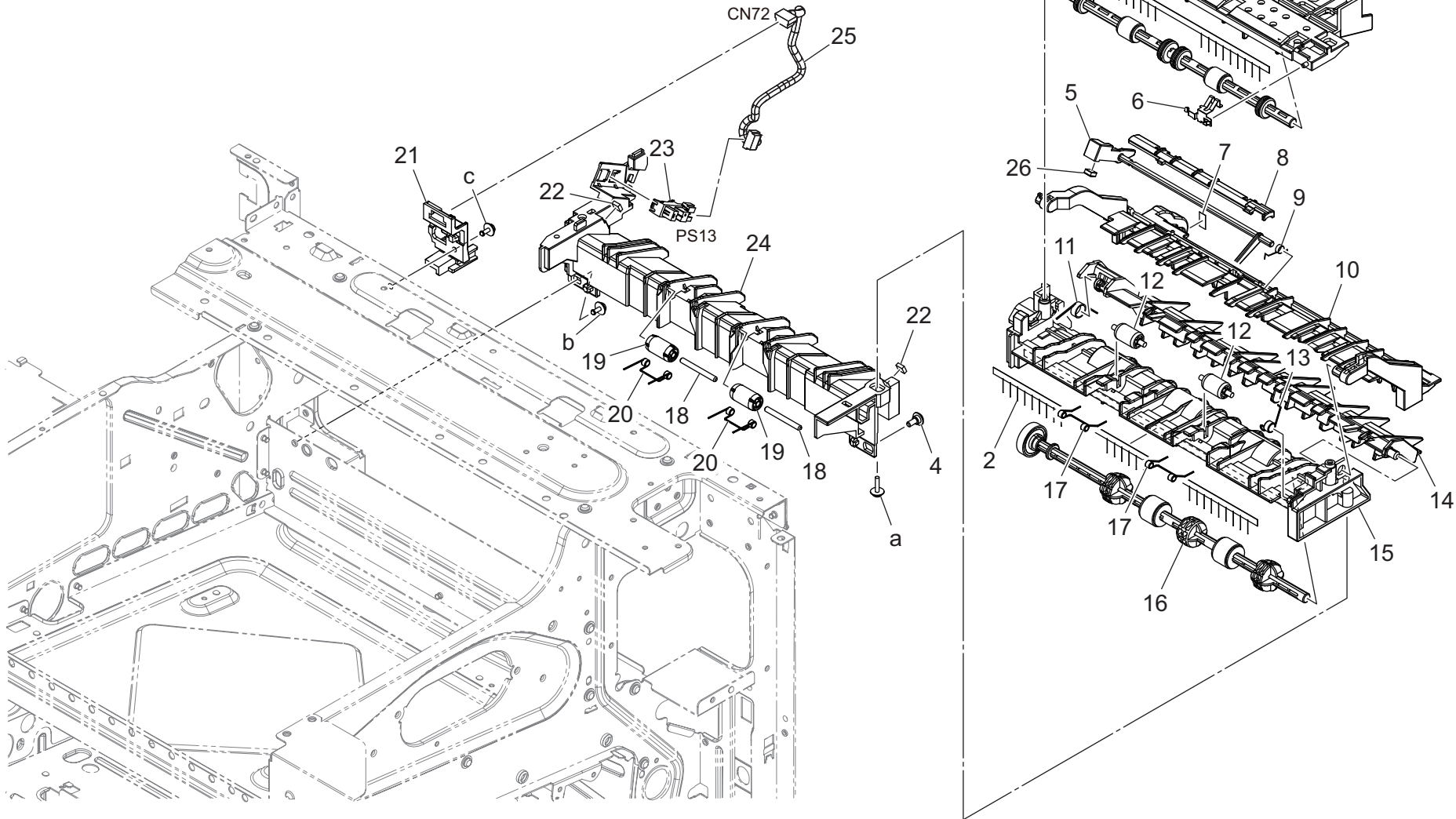
Fusing Section



Fusing Section

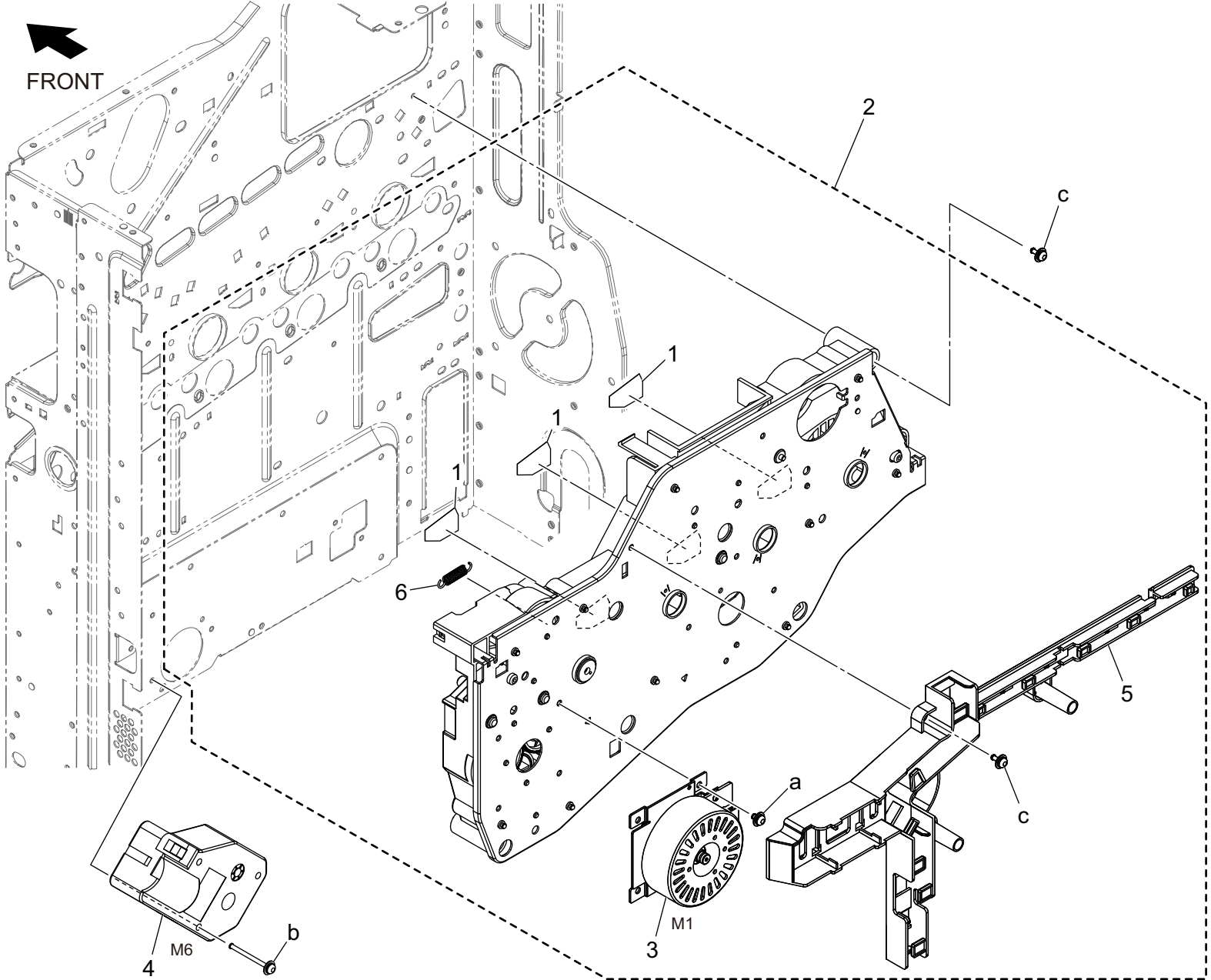
Key	Part No.	Description	Destinations	Class	QTY	Standard parts
1	A93E151900	Shield Sheet		D	1	a-V127030604 b-V127030604
2	A93E133201	Cover		D	1	
3	ACT8R70100	Fusing Unit (120V)	B,G2	B	1	
3	ACT8R70200	Fusing Unit (230V)	C,D1,D3,E,F2,I,J	B	1	
4	ACTAN10100	Fusing Relay Harness /1		D	1	
5	A93E153000	Moistureproof Sheet		D	1	

Paper Exit Section



Key	Part No.	Description	Destinations	Class	QTY	Standard parts
1	A93E816102	Reverse/Exit Roller		C	1	a-V153031004 b-V125030803 c-V127030604
2	A93E891500	Neutralizing Brush		D	2	
3	A93E890202	Paper exit Guide /Upper		D	1	
4	A00J169200	Shoulder screw		C	2	
5	A93E890900	Actuator		C	1	
6	A93E891600	Contact		D	1	
7	A93E895500	Label		D	1	
8	A93E890800	Guide		D	1	
9	A93E891200	Torsion Coil spring		C	1	
10	A93E890703	Separating Guide		D	1	
11	A93E816502	Torsion Coil spring		C	1	
12	A93E816802	Roll		C	2	
13	A93E816700	Torsion Coil spring		C	1	
14	A93E816402	Guide		D	1	
15	A93E816302	Guide		D	1	
16	A93E890103	Paper exit Roller		C	1	
17	A93E816200	Spring		C	2	
18	A93E892300	Shaft		D	2	
19	A93E890300	Roll		C	2	
20	A93E890601	Spring		C	2	
21	A93E895100	Hold Plate		D	1	
22	A93E891300	Cushion		D	2	
23	A5C1M50100	Photointerrupter		B	1	
24	A93E891000	Paper exit Holder		D	1	
25	A93EN10K00	Relay harness /3		D	1	
26	A93E892500	Cushion		D	1	

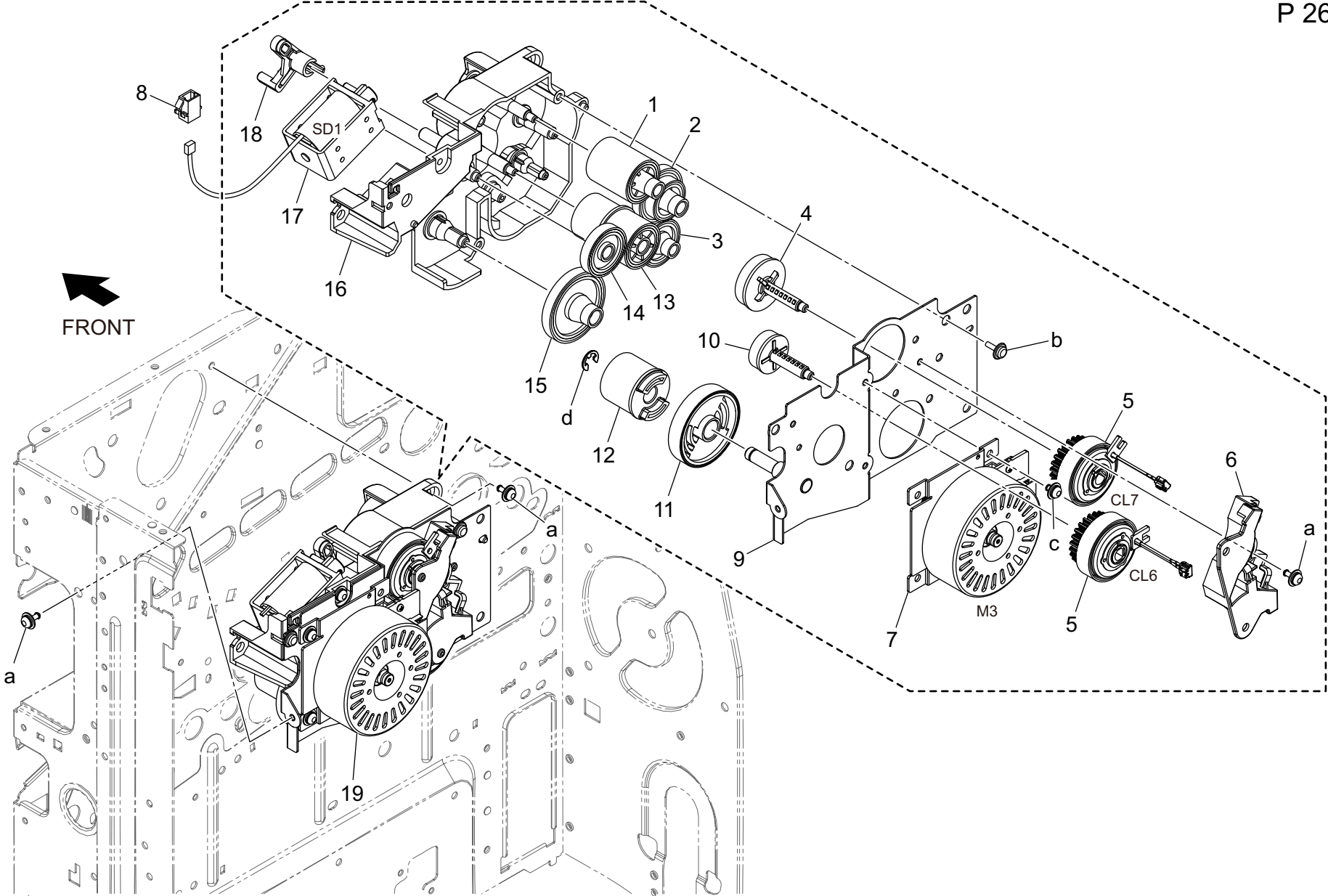
Drive Section



Drive Section

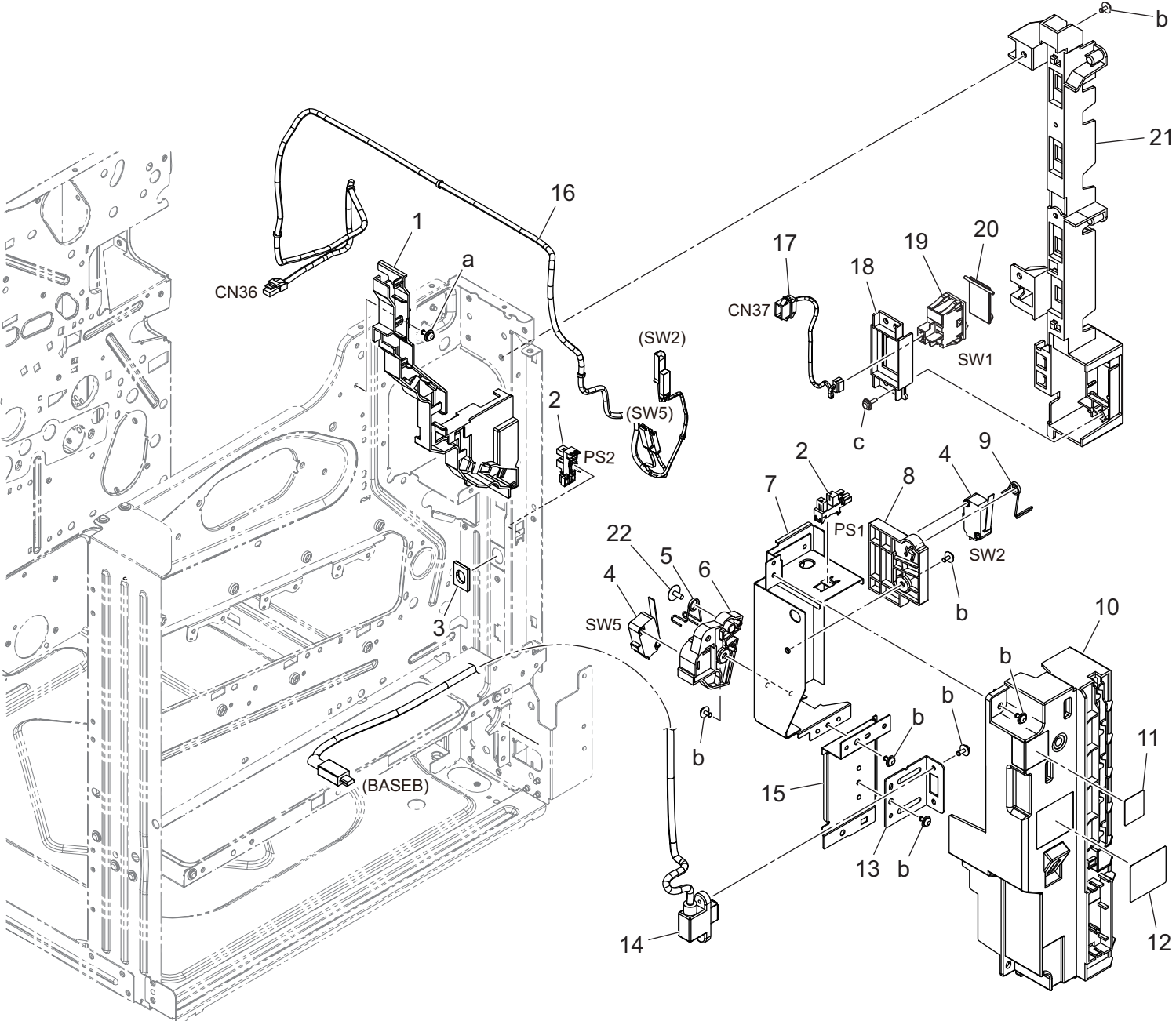
Key	Part No.	Description	Destinations	Class	QTY	Standard parts
1	ACT9150100	Seal		D	3	a-V116030504 b-V116033003 c-V125030803
2	ACT9R70500	Main Drive Assy		C	1	
3	AA2JM11000	Brushless motor /30		C	1	
4	9J06M10300	MOTOR		B	1	
5	A93E133600	Holder		D	1	
6	A93E110801	Pulling Coil spring		C	1	

Drive Section

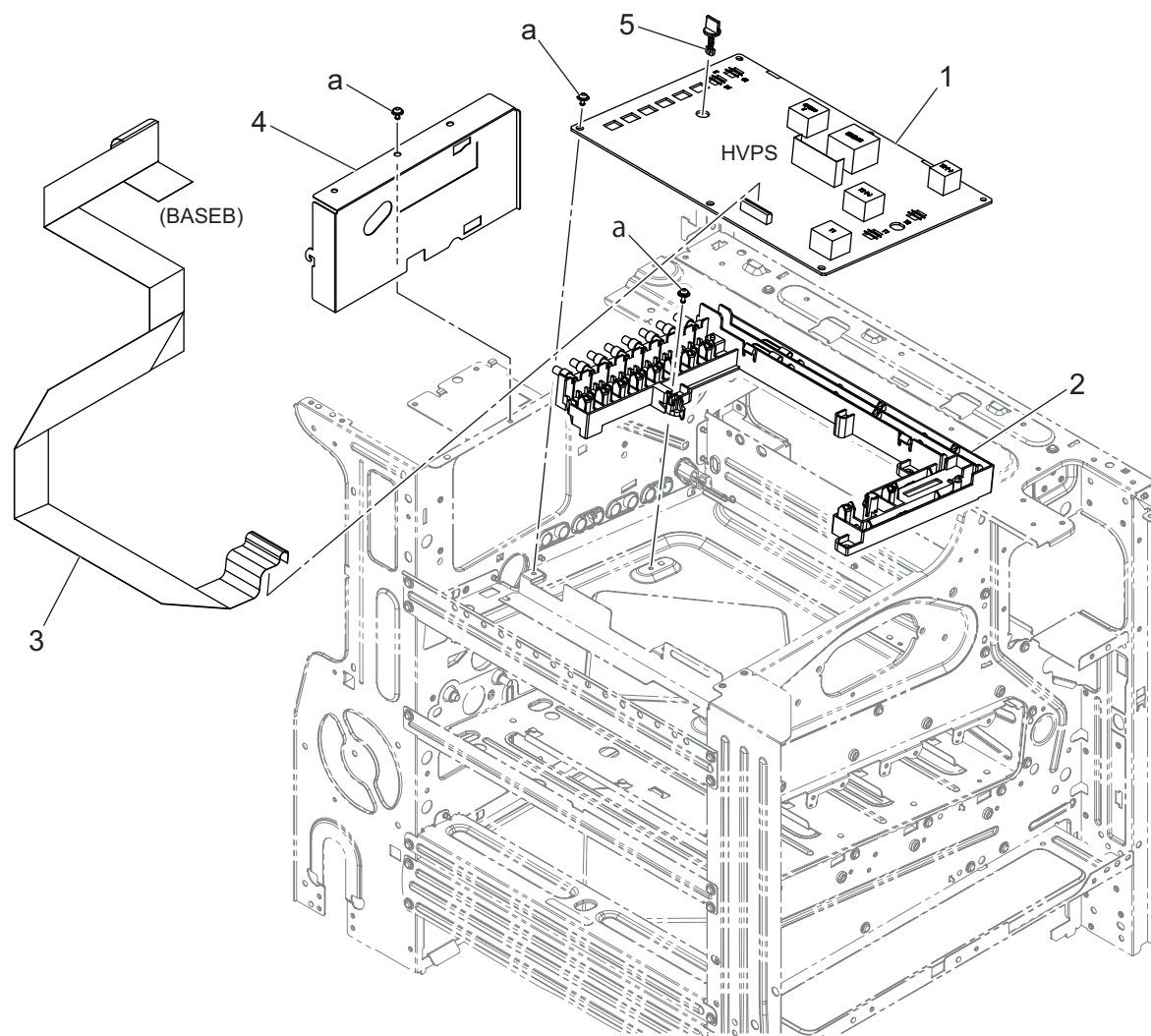


Key	Part No.	Description	Destinations	Class	QTY	Standard parts
1	A93E222500	Gear 20T		C	1	a-V125030803 b-V153030803 c-V116030603 d-V217050003
2	A93E222600	Gear 24/26T		C	1	
3	A93E222700	Gear 28T		C	1	
4	A93E222300	Gear 23T		C	1	
5	A7AHM20501	Clutch		C	2	
6	A93E222800	Holder		D	1	
7	AA2JM11000	Brushless motor /30		C	1	
8	V651010001	connector		D	1	
9	A93E220201	Drive Side plate		D	1	
10	A93E222100	Gear 21T		C	1	
11	A93E220401	Gear 71T		C	1	
12	A93E220300	Gear 22T		C	1	
13	A93E221300	Gear 20/21T		C	1	
14	A93E221200	Gear 23T		C	1	
15	A93E221100	Gear 34T		C	1	
16	A93E220102	Drive Holder		D	1	
17	AAJRR72100	Solenoid Assy		C	1	
18	A93E223100	Lever		C	1	
19	AAJRR71322	Fusing Drive Assy		S	1	

Electrical Parts

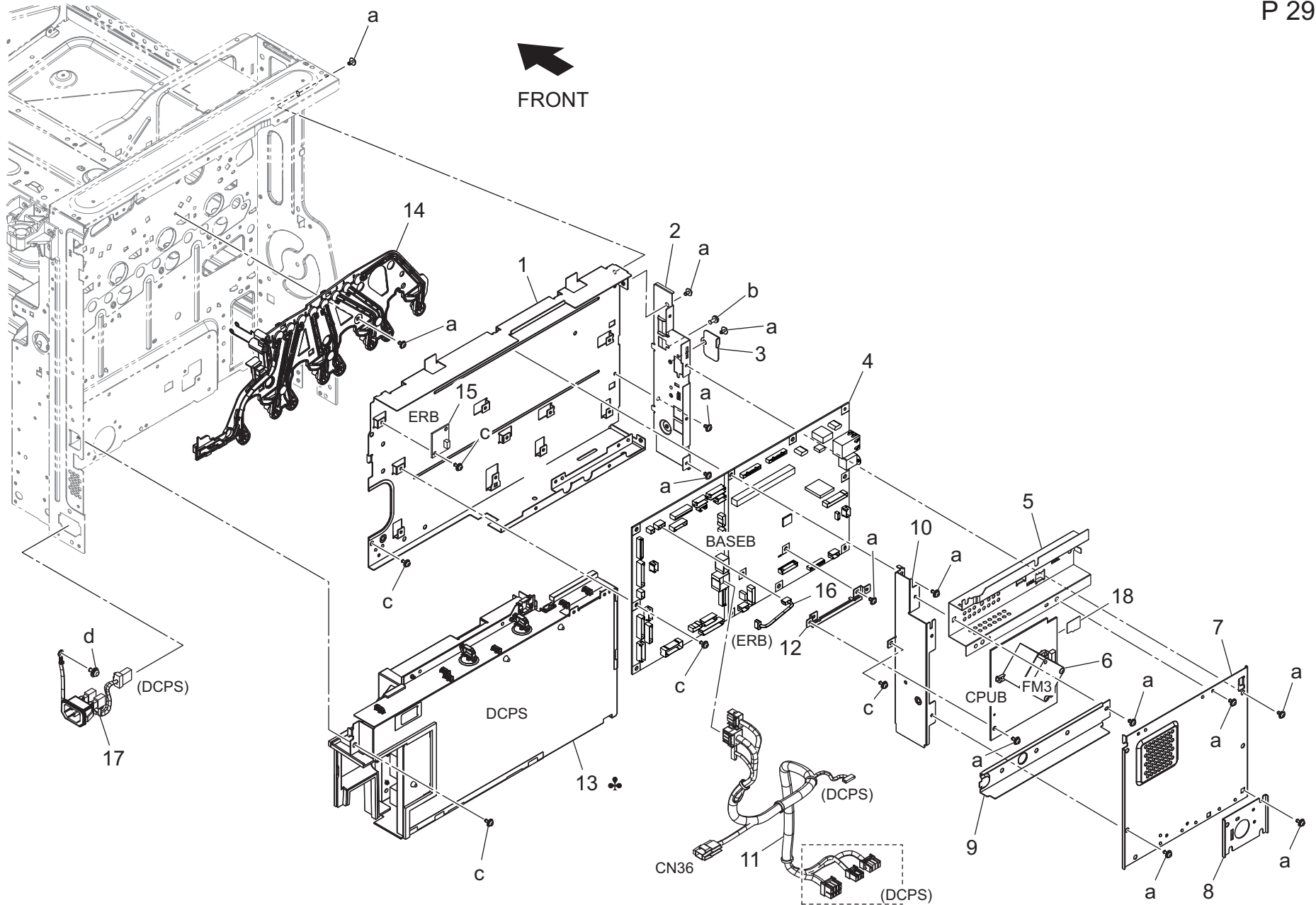


Key	Part No.	Description	Destinations	Class	QTY	Standard parts
1	A93E135000	Wiring Guide		D	1	a-V125030803 b-V127030604 c-V153030803
2	A5C1M50100	Photointerrupter		B	2	
3	A93E105100	Seal		D	1	
4	9J06M60100	Micro Switch		C	2	
5	A93E135211	Torsion Coil spring		C	1	
6	A93E136911	Holder		D	1	
7	A93E134300	Mounting Plate		D	1	
8	A93E135401	Holder		D	1	
9	A161151300	Torsion Coil spring		D	1	
10	A93E134801	Cover		D	1	
11	A93E402601	Label /K		D	1	
12	ACTA401200	Label		D	1	
13	A93E135900	Mounting Plate		D	1	
14	A93EN12000	I/F Cable		D	1	
15	A93E134400	Mounting Plate		D	1	
16	A93EN10201	Interlock Wiring		D	1	
17	A93EN10G00	Relay harness /1		D	1	
18	A93E132001	Mounting Plate		D	1	
19	A93EM60000	Rocker switch		C	1	
20	A93E132200	Cover		D	1	
21	A93E132103	Cover		D	1	
22	4163529301	SCREW		C	1	



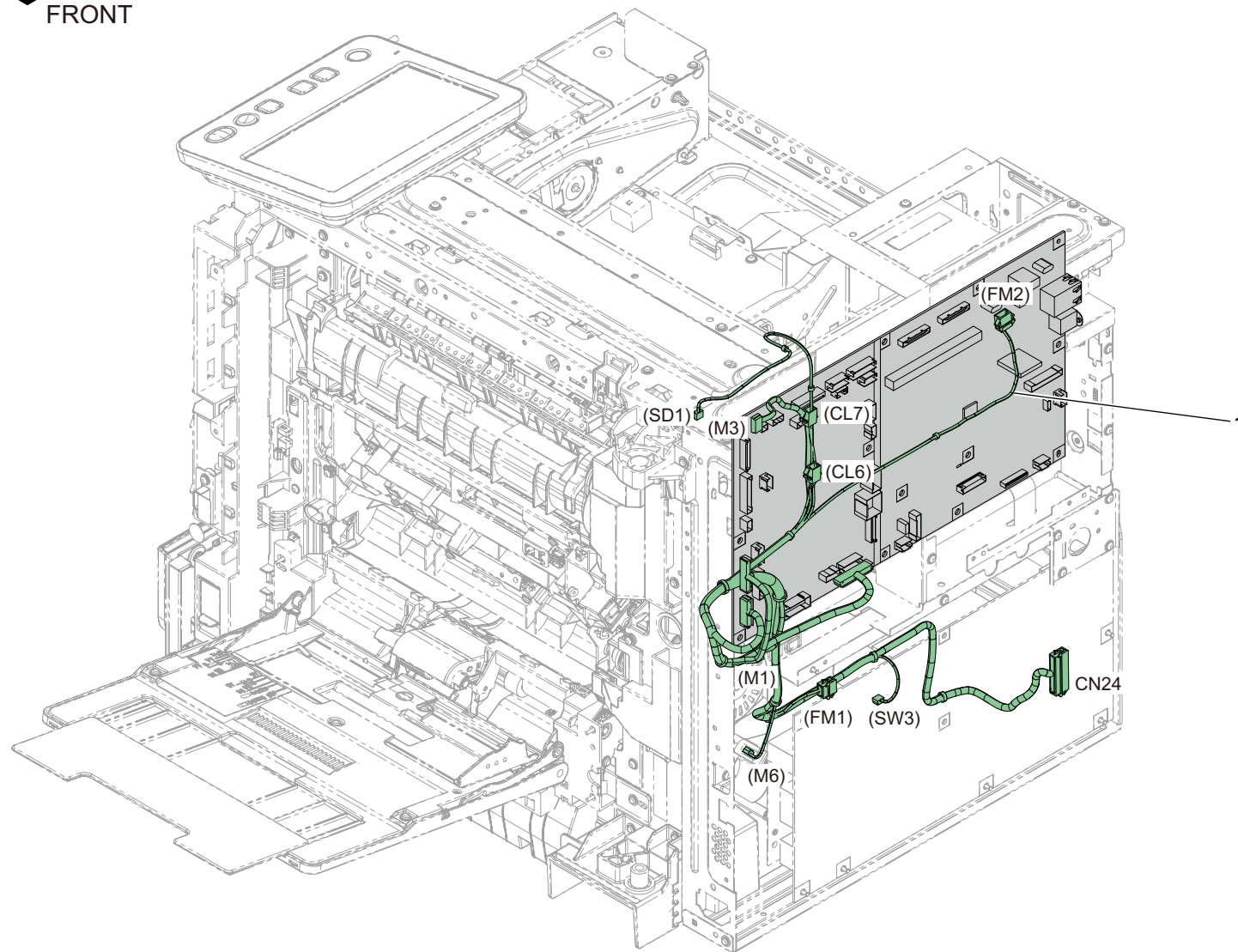
Key	Part No.	Description	Destinations	Class	QTY	Standard parts
1	ACT9M40300	HV Board Assembly		I	1	a-V127030604
2	ACT9R71100	HV Board Contact Assy		D	1	
3	ACT9N10400	HV Flat Cable		D	1	
4	A93E134200	Mounting Plate		D	1	
5	A797151500	Stopper Shaft		C	1	

Electrical Parts



bizhub 4700i

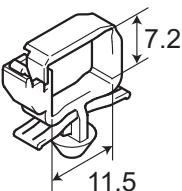
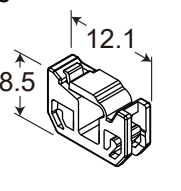
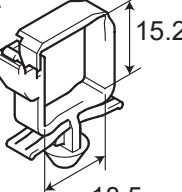
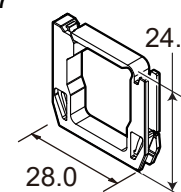
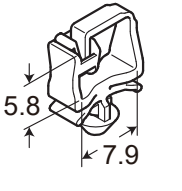
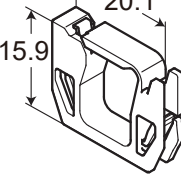
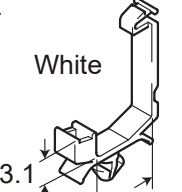
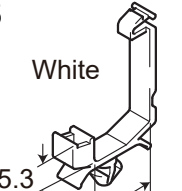
Key	Part No.	Description	Destinations	Class	QTY	Standard parts
1	A93E137300	Mounting Plate		D	1	a-V127030604 b-V111030603 c-V125030803 d-V116040803
2	A93E137600	Mounting Plate		D	1	
3	A3GN134500	Shield Plate		D	1	
4	ACTAH02014	Base Board Assembly		I	1	
5	A93E137400	Shield Plate /2		D	1	
6	ACTAH01003	CPU Board Assembly		I	1	
7	A93E137200	Shield Plate /1		D	1	
8	A93E137700	Mounting Plate		D	1	
9	A93E137800	Mounting Plate		D	1	
10	A93E137100	Mounting Plate		D	1	
11	AAJNN10100	Power supply Wiring		D	1	
12	AA2J135101	Mounting Plate		D	1	
13	AAJRR70622	Power supply Assy (100V)	B,G2	I	1	
13	AAJRR70722	Power supply Assy (230V)	C,D1,D3,E,F2,I,J	I	1	
14	ACT9R70600	HV Contact Assy		D	1	
15	AA2JH00C00	ERB ASSY		C	1	
16	ACT9N10300	Interface Harness		D	1	
17	A93EN10000	AC Wiring		D	1	
18	AAJRM71000	Memory		I	1	



Key	Part No.	Description		Destinations	Class	QTY	Standard parts
1	ACT9N10200	Main Body Drive Harness	本体駆動束線		D	1	

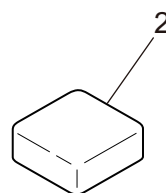
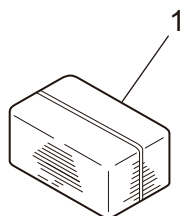
Wiring Accessories

P 31

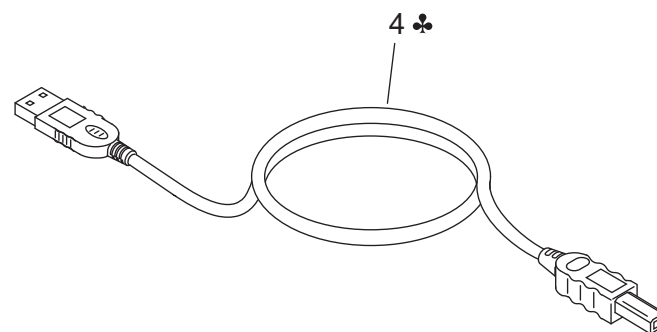
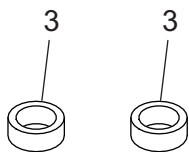
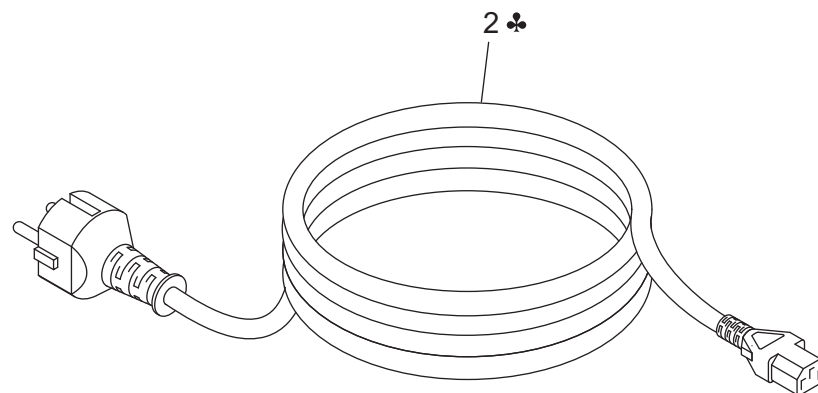
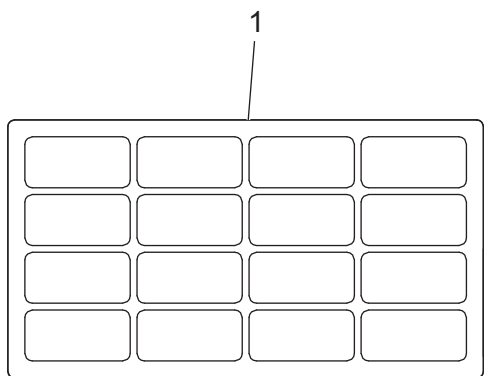
1 	6 	11	16	21	26	31	36
2 	7 	12	17	22	27	32	37
3 	8 	13	18	23	28	33	38
4 White 	9	14	19	24	29	34	39
5 White 	10	15	20	25	30	35	40

bizhub 4700i

Key	Part No.	Description	Destinations	Class	QTY	Standard parts
1	V500010082	Locking Wire Saddle		D		
2	V500010083	Locking Wire Saddle		D		
3	V500020098	Mini Locking wire saddle		D		
4	V500020099	Mini Locking wire saddle		D		
5	V500020100	Mini Locking wire saddle		D		
6	V570010056	Locking Edge Saddle		D		
7	V570010057	Wing Edge Saddle		D		
8	V570010060	Wing Edge Saddle		D		



Key	Part No.	Description	Destinations	Class	QTY	Standard parts
1	A5AWP00100	Cleaning Pad		S	1	
2	65AA-9920	Hydrowipe		S	1	



Key	Part No.	Description	Destinations	Class	QTY	Standard parts	
1	A93E943200	Label		D	1		
2	A0EDN30101	Power source Cord /120V	電源コード /120V	D	1		
2	A0VDN30000	Power code	電源コード (欧州)	C,I	1		
2	9381430031	POWER CORD	プラグ付電源コード	J	1		
2	A2UPN30100	Power code (220-240V)	電源コード (220-240V)	(Saudi Arabia,Kuwait,UAE)	D		1
2	9381420021	POWER CORD	プラグ付電源コード	(New Zealand)	D		1
2	4136N30000	POWER CODE	プラグ電源コード	(Nepal,Maldives)	D		1
2	A7AHN30000	Power code /230V	電源コード /230V (インド)	(India)	D		1
3	ACT9105000	Rubber foot	ゴム足		D		2
4	A0HFN12200	Cable	ケーブル (USBケーブル 1.5m)	(India)	D		1

MAINTENANCE LIST

● The items with no Page/Key numbers are not handled as spare parts.

No.	Section	PM Parts Description	Maintenance Cycle (K=1,000)		Parts No.	Destinations	Page/Key	Note
			QTY	Replace				
1	Paper feed section	Tray 1 feed roller	1	200K	A64J564101		P13-10	*2 *4
2		Tray 1 pick-up roller	1	200K	A64J564201		P13-11	*2 *4
3		Tray 1 separation roller	1	200K	A11U560000		P15-6	*2 *4
4		Manual bypass tray feed roller	1	200K	A93E597500		P21-39	*2 *4
5		Manual bypass tray pick-up roller	1	200K	A5C1562200		P21-34	*2 *4
6		Manual bypass tray separation pad	1	200K	AAJRR72200		P21-4	*2 *4
7	Processing section	Toner cartridge/K	1	21K	-			*1 *3
8		Imaging unit/K	1	200K(US)	-			*1 *3
9		Imaging unit/K	1	175K(EU)	-			*1 *3
10		Toner filter	1	200K	A92E158100		P4-2	*2
11		Waster toner bottle	1	36K(US)	ACTE011	B,G2	P7-1	*1 *3 *5
12		Waster toner bottle	1	36K(EU)	ACTEWY1	C,D1,D3,E,F2,I,J	P7-1	*1 *3 *5
13	Image transfer section	Transfer belt unit	1	200K(US)	ACT9R70300	B,G2	P9-2	*3
14		Transfer belt unit	1	175K(EU)	ACT9R70300	C,D1,D3,E,F2,I,J	P9-2	*3
15		Transfer roller	1	200K(US)	AAJRR70500	B,G2	P17-2	*3
16		Transfer roller	1	175K(EU)	AAJRR70500	C,D1,D3,E,F2,I,J	P17-2	*3
17	Fusing section	Fusing unit	1	400K	ACT8R70100	(120V)	P23-3	*3
18		Fusing unit	1	400K	ACT8R70200	(220-240V)	P23-3	*3

*1: The parts can be replaced either by user or service engineer.

*2: Life counter value

*3: Field standard yield

*4: Replace these parts at the same time.

*5: A waste toner full condition is detected with detecting the actual waste toner emissions.

*: The part names used on this page follow the ones used in the Service Manual and they are occasionally different from those written in other pages.

メンテナンスリスト

● ページ / キーナンバーのないものは、アフターサービス部品ではありません。

No.	区分	P M 部品名称	サイクル (K=1,000)		部品番号	仕向地	頁 / キー	備考
			員数	交換				
1	給紙部	トレイ1給紙ローラー	1	200K	A64J564101		P13-10	*2 *4
2		トレイ1ピックアップローラー	1	200K	A64J564201		P13-11	*2 *4
3		トレイ1分離ローラー	1	200K	A11U560000		P15-6	*2 *4
4		手差しトレイ給紙ローラー	1	200K	A93E597500		P21-39	*2 *4
5		手差しトレイピックアップローラー	1	200K	A5C1562200		P21-34	*2 *4
6		手差しトレイ分離パッド	1	200K	AAJRR72200		P21-4	*2 *4
7	プロセス部	トナーカートリッジ /K	1	21K	-			*1 *3
8		イメージングユニット /K	1	200K(US)	-			*1 *3
9		イメージングユニット /K	1	175K(EU)	-			*1 *3
10		トナーフィルター	1	200K	A92E158100		P4-2	*2
11		廃トナーボトル	1	36K(US)	ACTE011	B,G2	P7-1	*1 *3 *5
12		廃トナーボトル	1	36K(EU)	ACTEWY1	C,D1,D3,E,F2,I,J	P7-1	*1 *3 *5
13	転写部	転写ベルトユニット	1	200K(US)	ACT9R70300	B,G2	P9-2	*3
14		転写ベルトユニット	1	175K(EU)	ACT9R70300	C,D1,D3,E,F2,I,J	P9-2	*3
15		転写ローラー	1	200K(US)	AAJRR70500	B,G2	P17-2	*3
16		転写ローラー	1	175K(EU)	AAJRR70500	C,D1,D3,E,F2,I,J	P17-2	*3
17	定着部	定着ユニット	1	400K	ACT8R70100	(120V)	P23-3	*3
18		定着ユニット	1	400K	ACT8R70200	(220-240V)	P23-3	*3

*1: ユーザー / サービス交換の選択が可能。

*2: ライフカウンター値

*3: 市場標準印刷枚数値

*4: 同時交換のこと。

*5: 廃棄トナー検知は、実際の廃棄トナー充填量を検知して行う。

*: ここに記載されている部品名称はサービスマニュアルで使用されている部品名称であり、他のページに記載されている部品名称とは異なる場合があります。

DESTINATION

Destination No.		Destinations		V	Hz	Model No.
A	A1	JAPAN				
	A2	JAPAN				
B		USA, CANADA		120	60	ACTA011
C		EUROPEAN TYPE		220-240	50/60	ACTA021
D	D1	S.E ASIA TYPE	THAILAND, SRI LANKA, SINGAPORE, MALAYSIA, HONG KONG, PAKISTAN, INDIA, BANGLADESH, INDONESIA	220-240	50/60	ACTA041
	D3	OCEANIA TYPE	AUSTRALIA, NEW ZEALAND	220-240	50/60	ACTA041
E		PHILIPPINES		220-240	50/60	ACTA041
F	F1	SAUDI ARABIA				
	F2	SAUDI ARABIA		220-240	50/60	ACTA041
G	G1	C.S AMERICA				
	G2	C.S AMERICA		120-127	60	ACTA011
H		TAIWAN				
I		JORDAN, LEBANON, SYRIA, SOUTH AFRICA, IRAQ, IRAN, N.YEMEN, CAMEROON, UAE, BAHRAIN, OMAN, QATAR, KUWAIT, KENYA, TUNISIA, IVORY COAST, MOROCCO		220-240	50/60	ACTA021,0 41
J		CHINA		220-240	50/60	ACTA081
K		KOREA				

bizhub 4700i