

KONICA MINOLTA

PARTS GUIDE MANUAL

JANUARY 2018

bizhub 4702P
AAFH

INFORMATION FOR PARTS GUIDE MANUAL

To find correct Parts No., refer to the "HOW TO MAKE THE BEST USE OF THIS MANUAL" in the following page.

HOW TO MAKE THE BEST USE OF THIS MANUAL

- 1 When you order, please check the proper figures beforehand that are on Our Parts Guide Manual, and order with the appropriate figures.
- 2 For screws, Nuts, Washers, retaining rings and Pins which are used in this model, one letter is shown on the Standard parts column of Parts list and exploded diagrams.
- 3 In order to maintain safety of the product, some specific parts composed of this product are set up as "essential safety parts".
- 4 The assigned parts number for the "essential safety parts" is indicated as "SP00-****".
When replacing these parts, follow precautions for disassembling and installing which are listed in the Service Manual.
Do not use any parts that are not set up as
- 5 ♣ means that there are exclusive parts for each destination.
Please check the appropriate destination when you order.
- 6 Revision Mark
Marked as ▲ on the illustration shows that the revision has been made.
- 7 All rights reserved. (any reprints or quotations are prohibited.)
Use of this parts guide manual should be strictly supervised to avoid disclosure of confidential information.

パーツガイドマニュアルのご案内

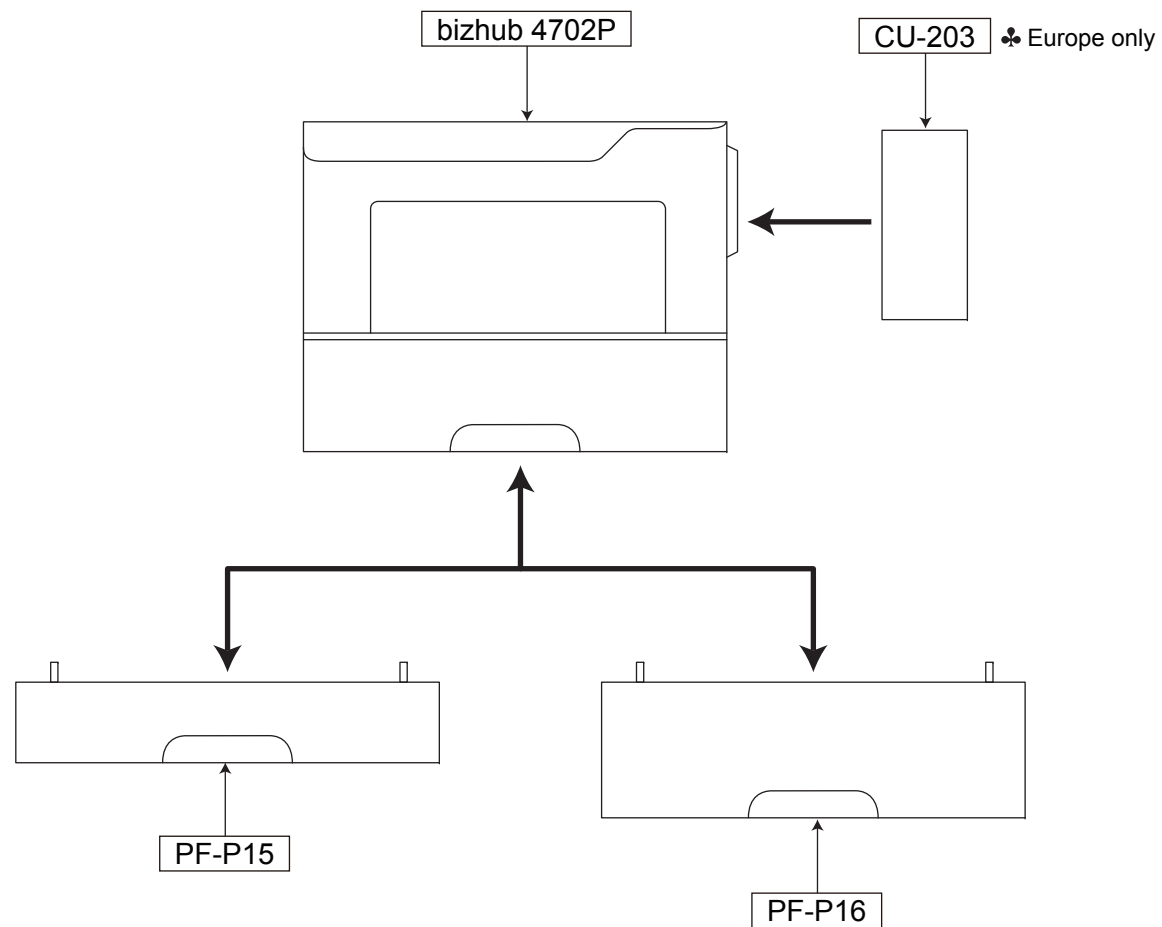
サービス部品をご発注の際には、下記に示す“パーツガイドマニュアルの活用にあたって”をご参照の上、正しい部品番号にてお願い致します。

パーツガイドマニュアルの活用にあたって

- 1 部品発注の際には、掲載されている部品番号の桁数を確認し、掲載されている桁数で発注願います。
- 2 この製品に使用されているネジ、ナット、ワッシャー、止め輪、ピンなどは、リストの右側の Standard parts 欄に a,b,c,……で表示し、イラストにも a,b,c,……表示してあります。
- 3 製品の安全性を維持する為に、製品に使用される特定の部品を「重要保安部品」として設定しています。
- 4 重要保安部品の部品番号は、“SP00-****”と記載されていますので、部品交換時は、サービスマニュアル記載の分解・組み立ての注意事項に従って作業をして下さい。
また、指定以外の部品は一切使用しないで下さい。
- 5 本文に ♣ が表示されている部品は、仕向け地毎に専用部品がある事を意味しています。
オーダーされる時は、仕向け地を確認して下さい。
- 6 改訂記号について
イラスト上に▲印が表示されている部分は、改訂された事を表します。
- 7 著作権所有（無断転載及び無断引用の禁止）
本パーツガイドマニュアルについては、機密保持等その扱いには十分注意して下さい。万一取り扱いを誤った場合には、法律で処罰されることがあります。

01/25/2018

System Configuration

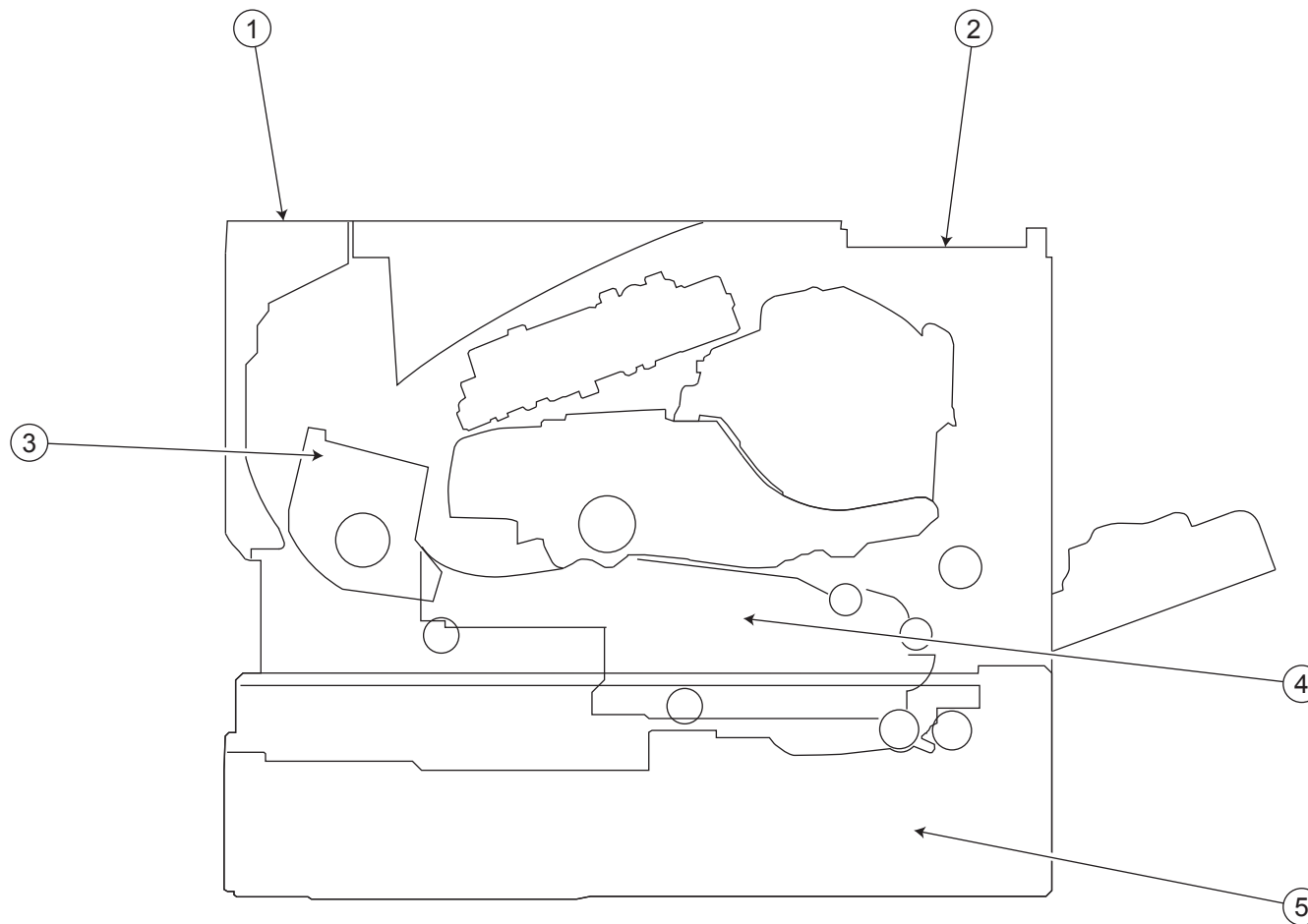


bizhub 4702P

GENERAL CONTENTS

No.	Description	Model
1	Printer B/W	bizhub 4702P
2	Paper Feeder	PF-P15
3	Paper Feeder	PF-P16
4	Other Option	CU-203

Section Configuration



CONTENTS

No.	DESCRIPTION	名称	PAGE No.
1	External Parts	外装部	P1
2	Operation Panel section	操作部	P2
3	Electrical Components Section	電装部	P3 P4 P5 P6
4	Paper Transport Section	搬送部	P7 P8
5	Tray Section	トレイ部	P9
6	Accessory Parts	同梱部品	P10

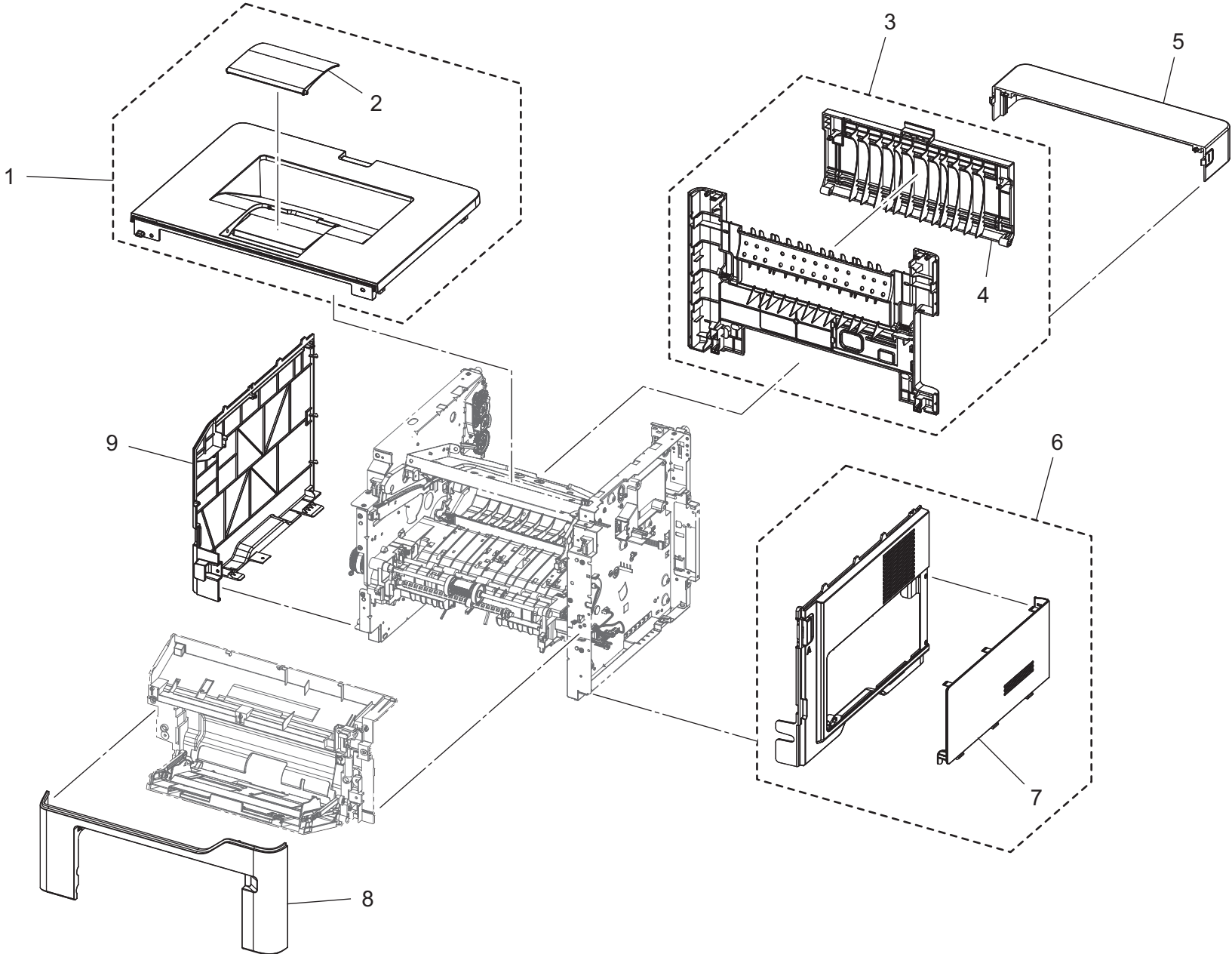
INDEX

1/1

Parts No.	Page No.
4136N30000	10-1
9381420021	10-1
A1UDN30200	10-1
A2UPN30100	10-1
A2UPN30300	10-1
A2UPN30501	10-1
A63NPP0Q00	6-5
A63NPP0S00	6-6
A63NPP0Y00	8-1
A6WDPP0701	1-5
A6WDPP0R00	6-4
AA1PPP0A00	4-2
AA1PPP0B00	5-1
AA1PPP0D00	7-1
AA1PPP0E00	7-3
AA1PPP0G00	9-3
AAFHPP1100	5-2
AAFHPP1300	3-2
AAFHPP1400	3-2
AAFHPP1700	7-4
AAFHPP1900	7-2
AAFHPP1A00	3-1
AAFHPP1B00	8-2
AAFHPP1C01	3-4
AAFHPP1D01	3-4
AAFHPP1E00	6-2
AAFHPP1F00	5-4
AAFHPP1G00	5-7
AAFHPP1H00	5-3
AAFHPP1K00	3-5
AAFHPP1M00	5-5
AAFHPP1N00	5-6
AAFHPP1N00	6-3
AAFHPP1S00	9-1
AAFHPP1V00	1-2
AAFHPP1W00	1-4
AAFHPP2100	1-7
AAFHPP2300	4-5
AAFHPP2400	4-3
AAFHPP2500	4-4

Parts No.	Page No.
AAFHPP2801	3-3
AAFHPP2900	8-3
AAFHPP2A01	8-5
AAFHPP2B00	6-1
AAFHPP2D00	4-1
AAFHPP2E00	4-6
AAFHPP2F00	1-8
AAFHPP2G00	1-6
AAFHPP2H00	1-9
AAFHPP2J00	1-3
AAFHPP2K00	1-1
AAFHPP2M00	2-1
AAFHPP2N00	9-2
AAFHPP2P00	8-4
AAFHPP2Q00	2-2
AAFHPP2R00	2-3
AAFHPP2S00	2-4
AAFHPP2T00	7-5

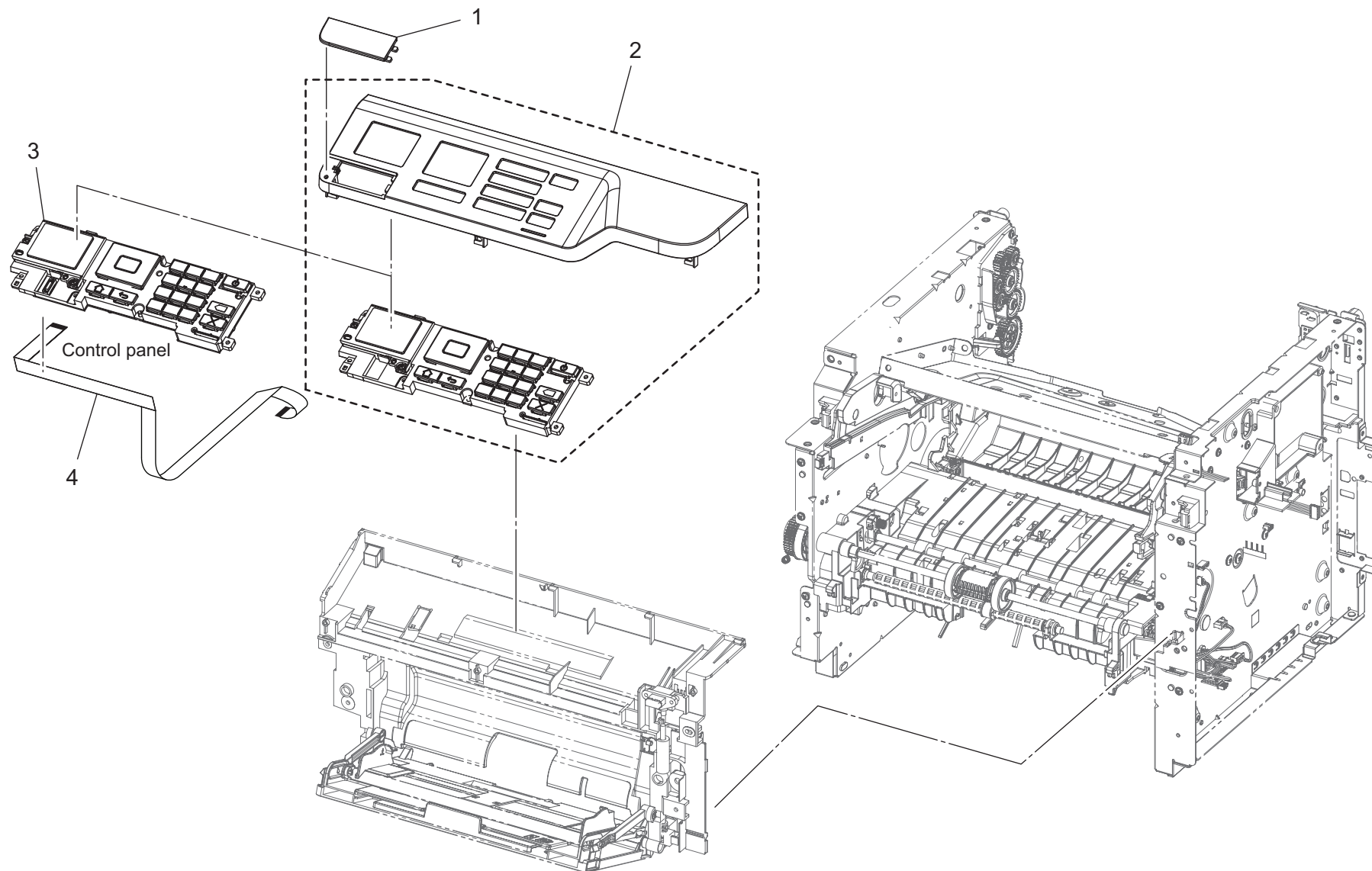
External Parts



External Parts

Key	Part No.	Description	Destinations	Class	QTY	Standard parts
1	AAFHPP2K00	Cover/Upper Assy		D	1	
2	AAFHPP1V00	Tray		D	1	
3	AAFHPP2J00	Cover/Rear Assy		D	1	
4	AAFHPP1W00	Door/Rear		D	1	
5	A6WDPP0701	Cover		C	1	
6	AAFHPP2G00	Cover/Right Assy		D	1	
7	AAFHPP2100	Cover		D	1	
8	AAFHPP2F00	Cover*Front		D	1	
9	AAFHPP2H00	Cover/Left		D	1	

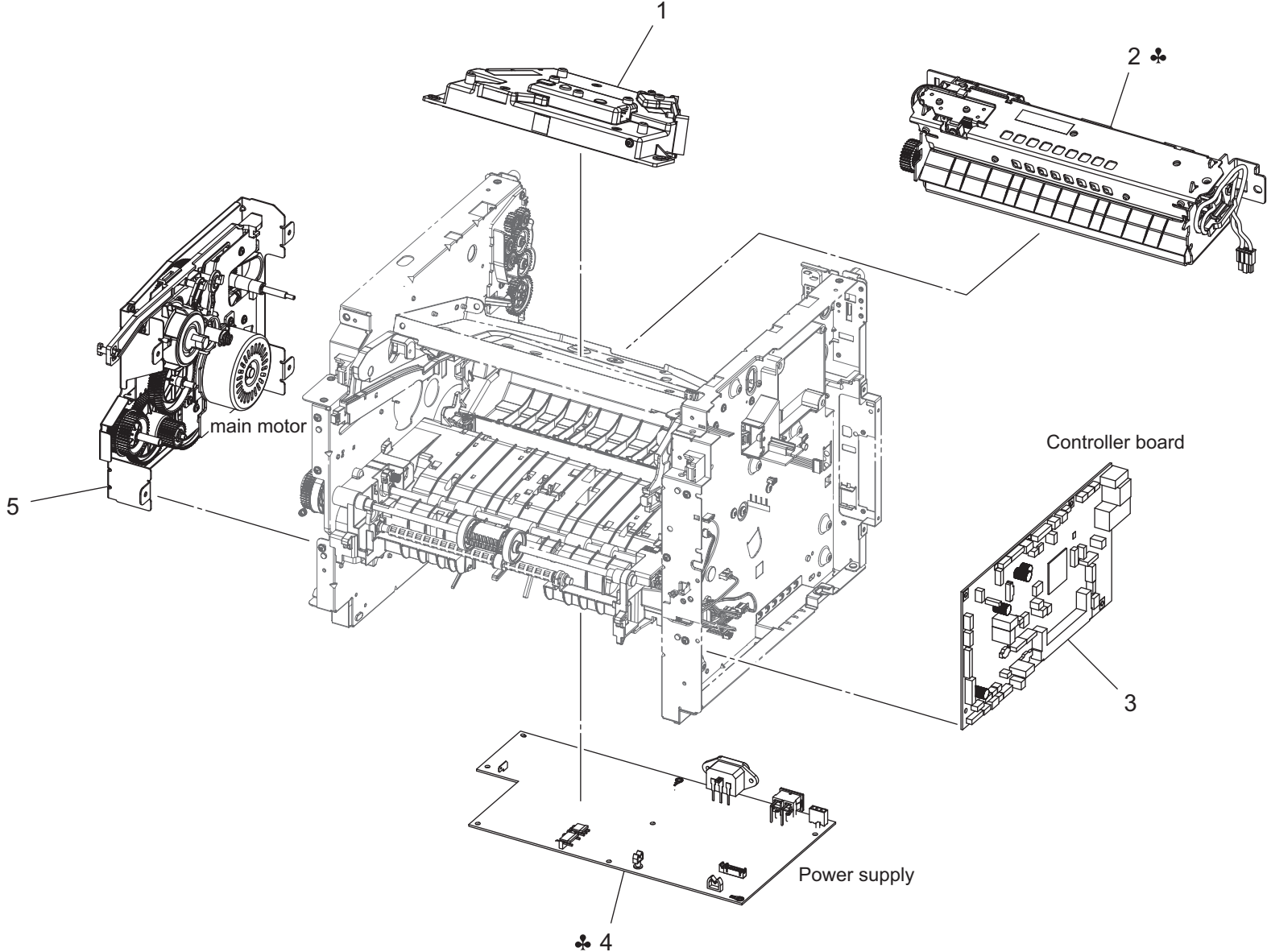
Operation Panel section



Operation Panel section

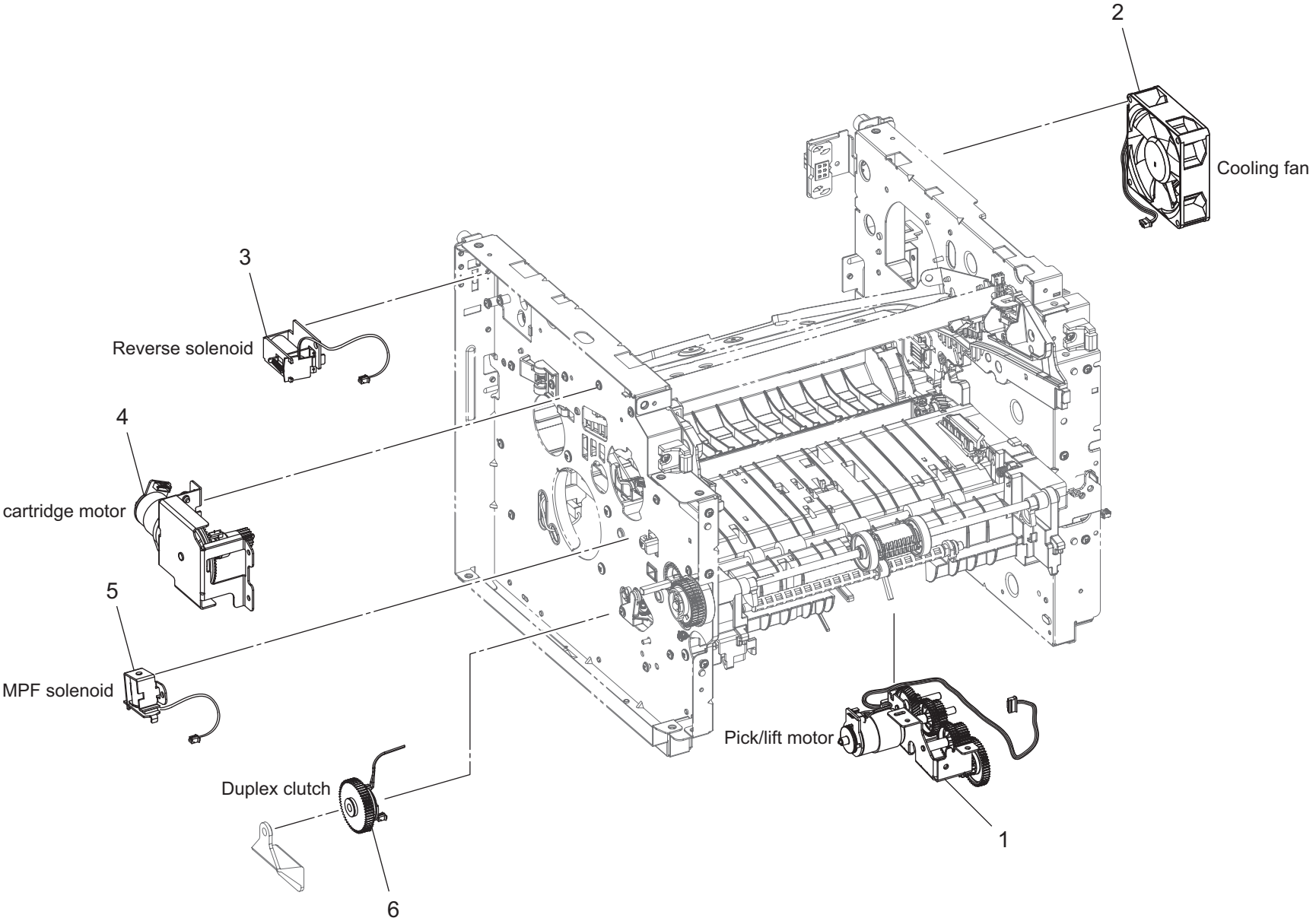
Key	Part No.	Description	Destinations	Class	QTY	Standard parts
1	AAFHPP2M00	Cover		D	1	
2	AAFHPP2Q00	Panel Cover/Button Assy		D	1	
3	AAFHPP2R00	PWB assembly/ Control panel		I	1	
4	AAFHPP2S00	Flatcable		D	1	

Electrical Components Section



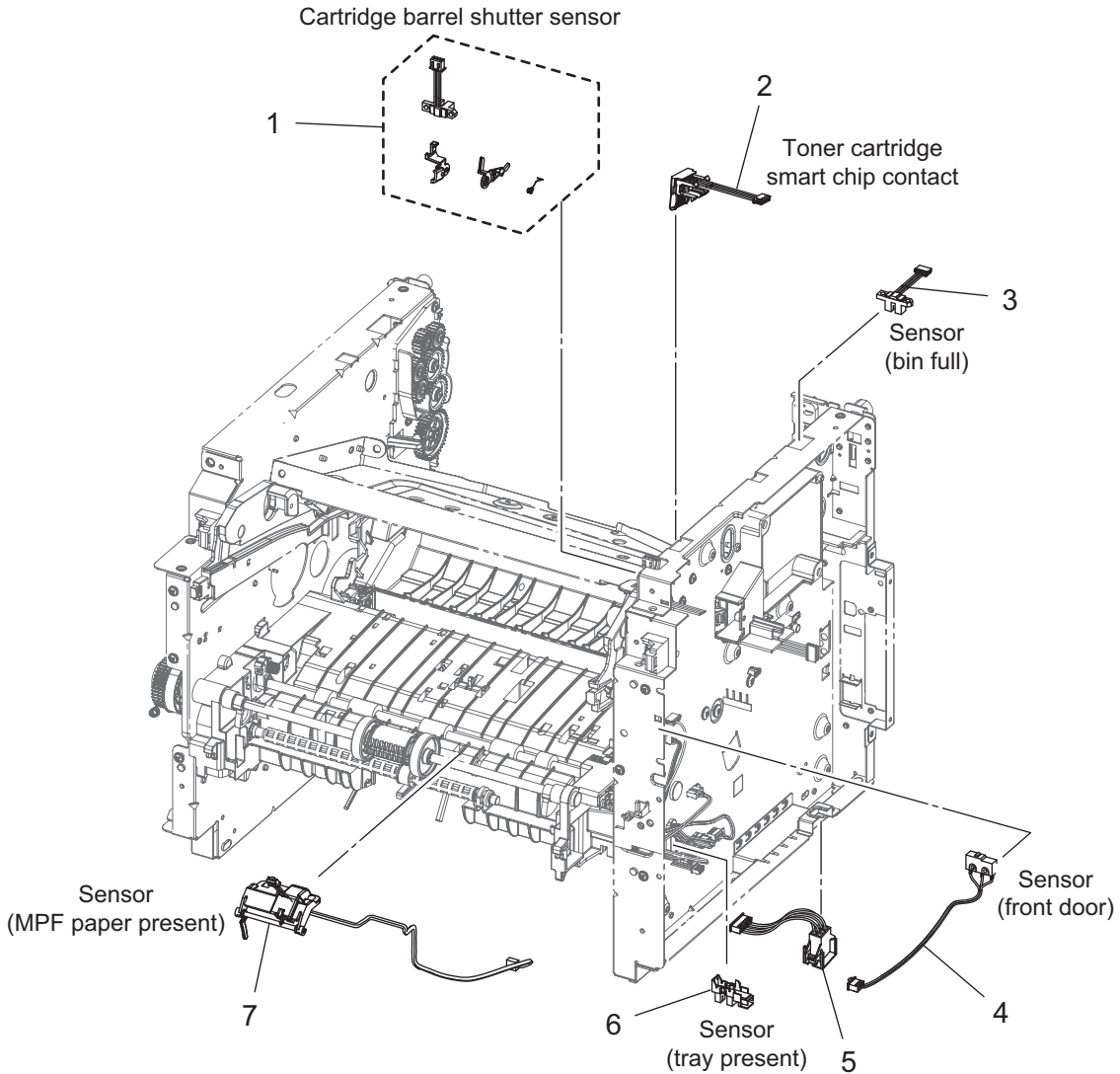
Key	Part No.	Description	Destinations	Class	QTY	Standard parts
1	AAFHPP1A00	Print Head Assy		I	1	
2	AAFHPP1300	Fusing Unit (110V)	B,G2	B	1	
2	AAFHPP1400	Fusing Unit (220V)	C,D1,D3,E,F2,G1,I	B	1	
3	AAFHPP2801	PWB assembly/ Controller		I	1	
4	AAFHPP1C01	Power supply Assy (100V/110V)	B,G2	I	1	
4	AAFHPP1D01	Power supply Assy (220V)	C,D1,D3,E,F2,G1,I	I	1	
5	AAFHPP1K00	Main Drive Assy		C	1	

Electrical Components Section

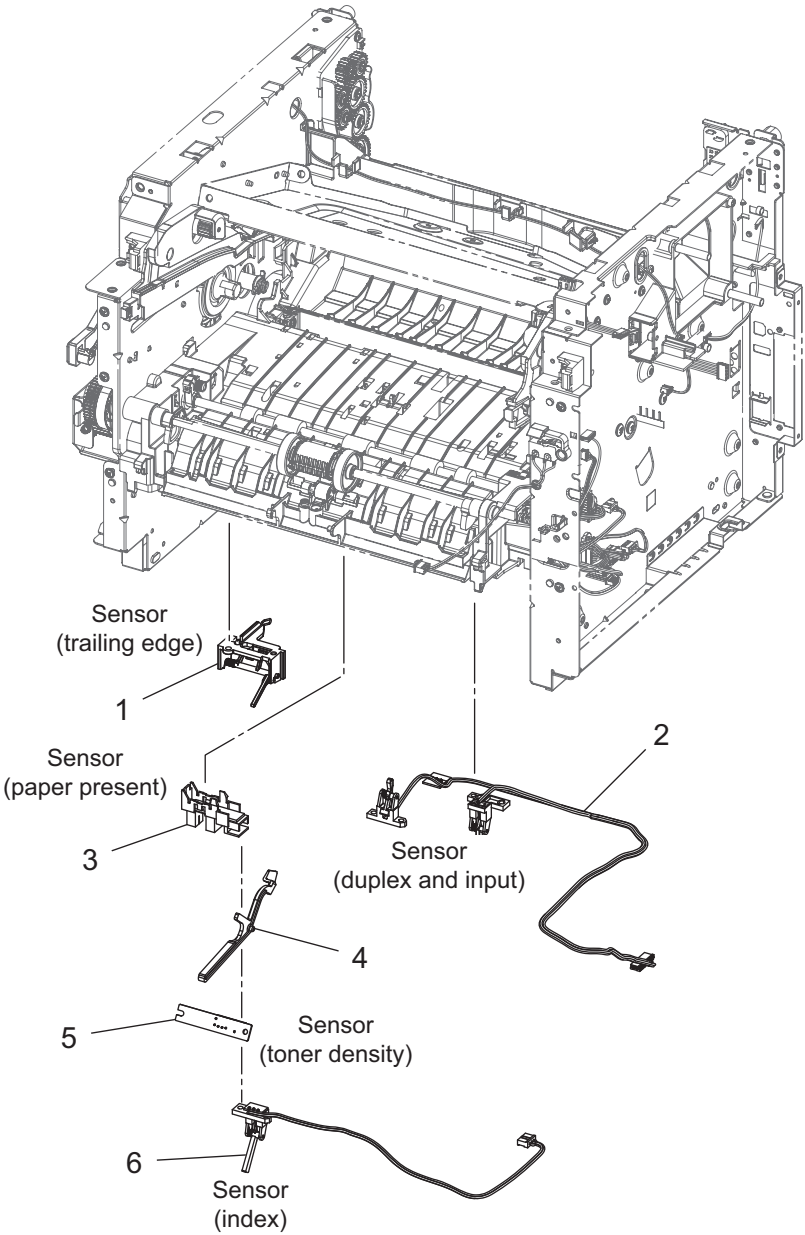


Electrical Components Section

Key	Part No.	Description	Destinations	Class	QTY	Standard parts
1	AAFHPP2D00	Paper Take-up Drive Assy		C	1	
2	AA1PPP0A00	Fun motor		C	1	
3	AAFHPP2400	Solenoid		C	1	
4	AAFHPP2500	Cartridge Gear Assy		C	1	
5	AAFHPP2300	Solenoid		C	1	
6	AAFHPP2E00	Clutch		C	1	



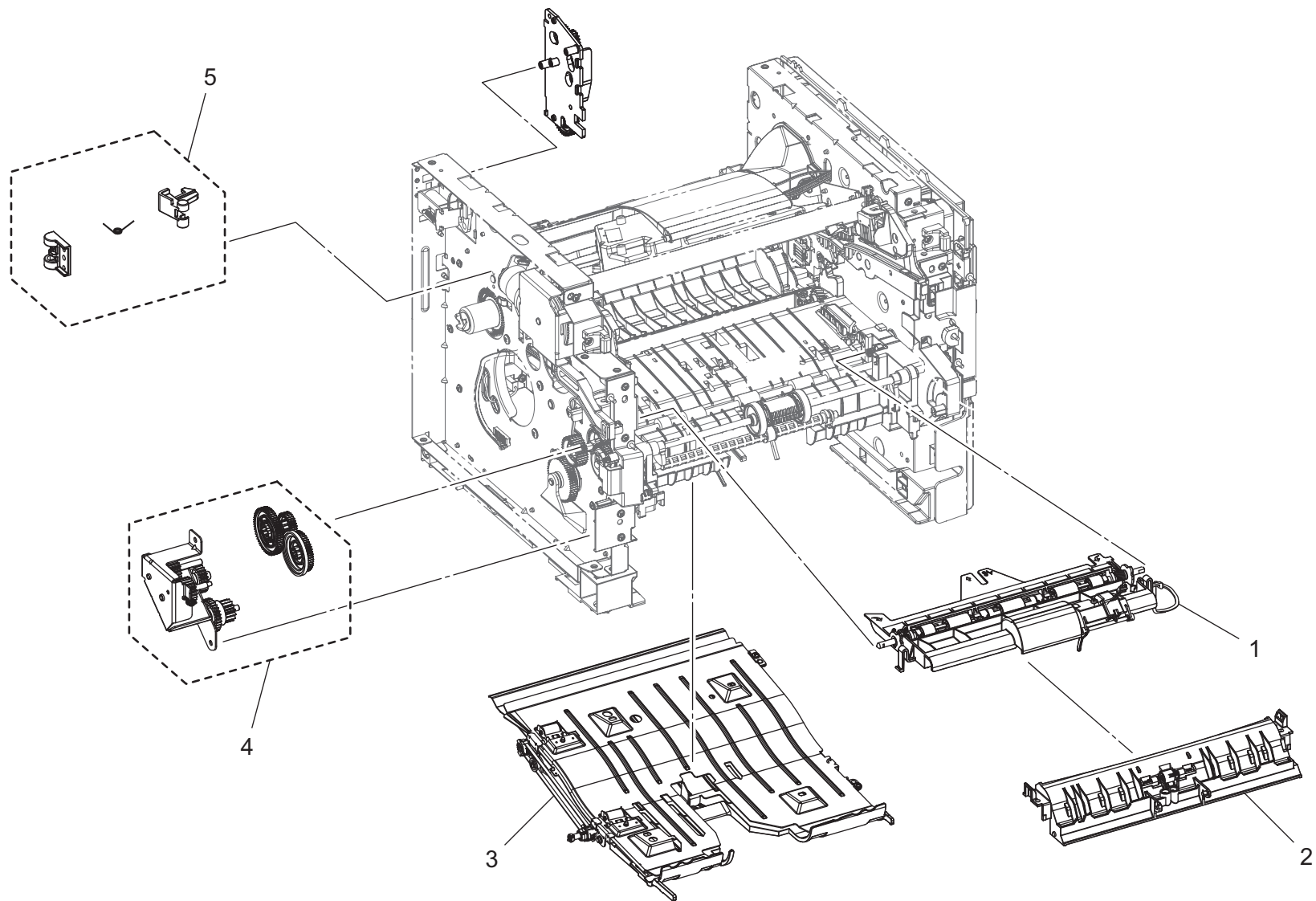
Key	Part No.	Description	Destinations	Class	QTY	Standard parts
1	AA1PPP0B00	Sensor Kit		C	1	
2	AAFHPP1100	Contact/Toner Cartridge		C	1	
3	AAFHPP1H00	Sensor		C	1	
4	AAFHPP1F00	Sensor		C	1	
5	AAFHPP1M00	Interconnect harness		D	1	
6	AAFHPP1N00	Sensor Assy		C	1	
7	AAFHPP1G00	Sensor		C	1	



Key	Part No.	Description	Destinations	Class	QTY	Standard parts
1	AAFHPP2B00	Sensor		C	1	
2	AAFHPP1E00	Sensor Assy		C	1	
3	AAFHPP1N00	Sensor Assy		C	1	
4	A6WDPP0R00	Actuator		C	1	
5	A63NPP0Q00	Sensor		I	1	
6	A63NPP0S00	Sensor		I	1	

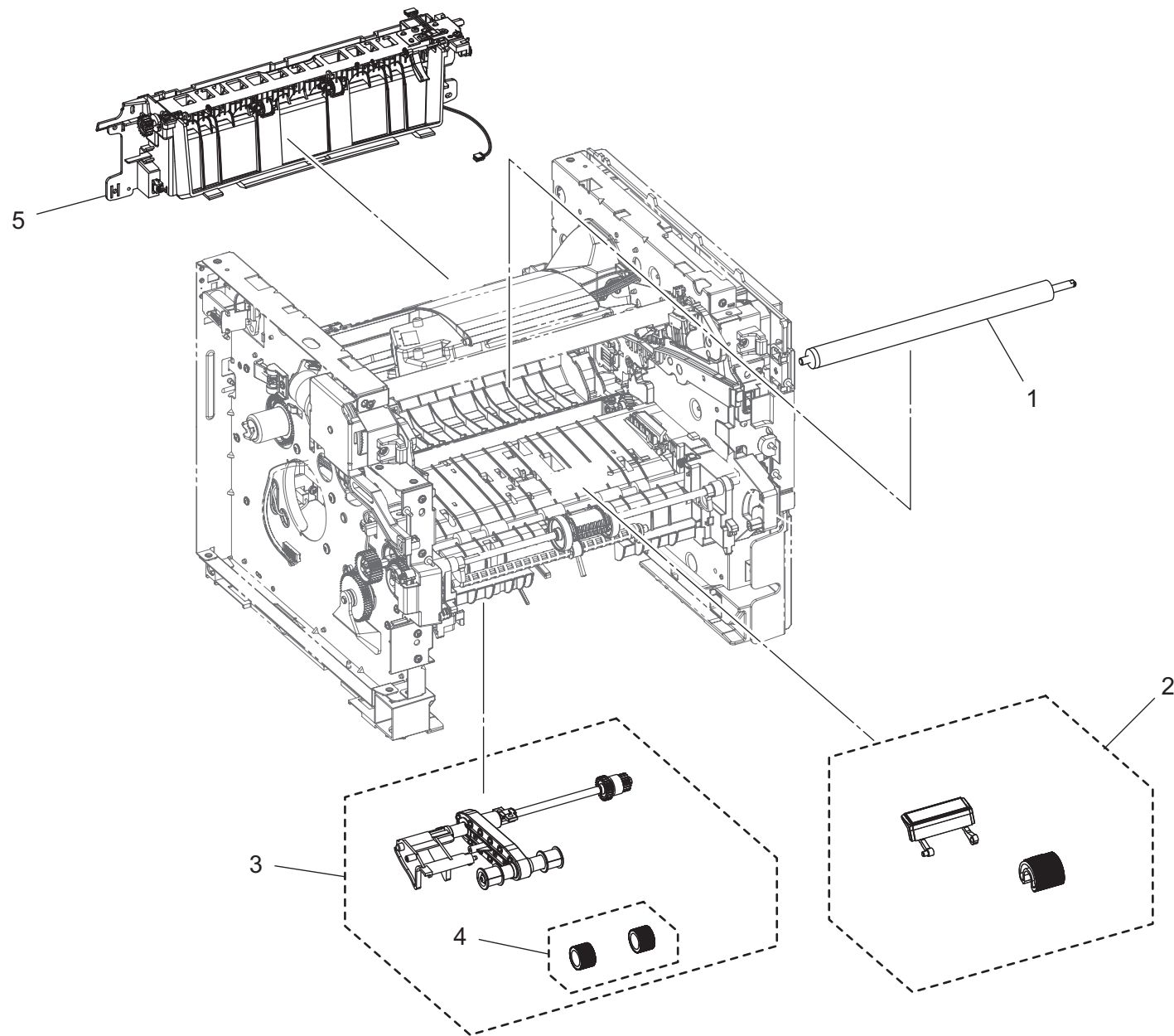
Paper Transport Section

P 7



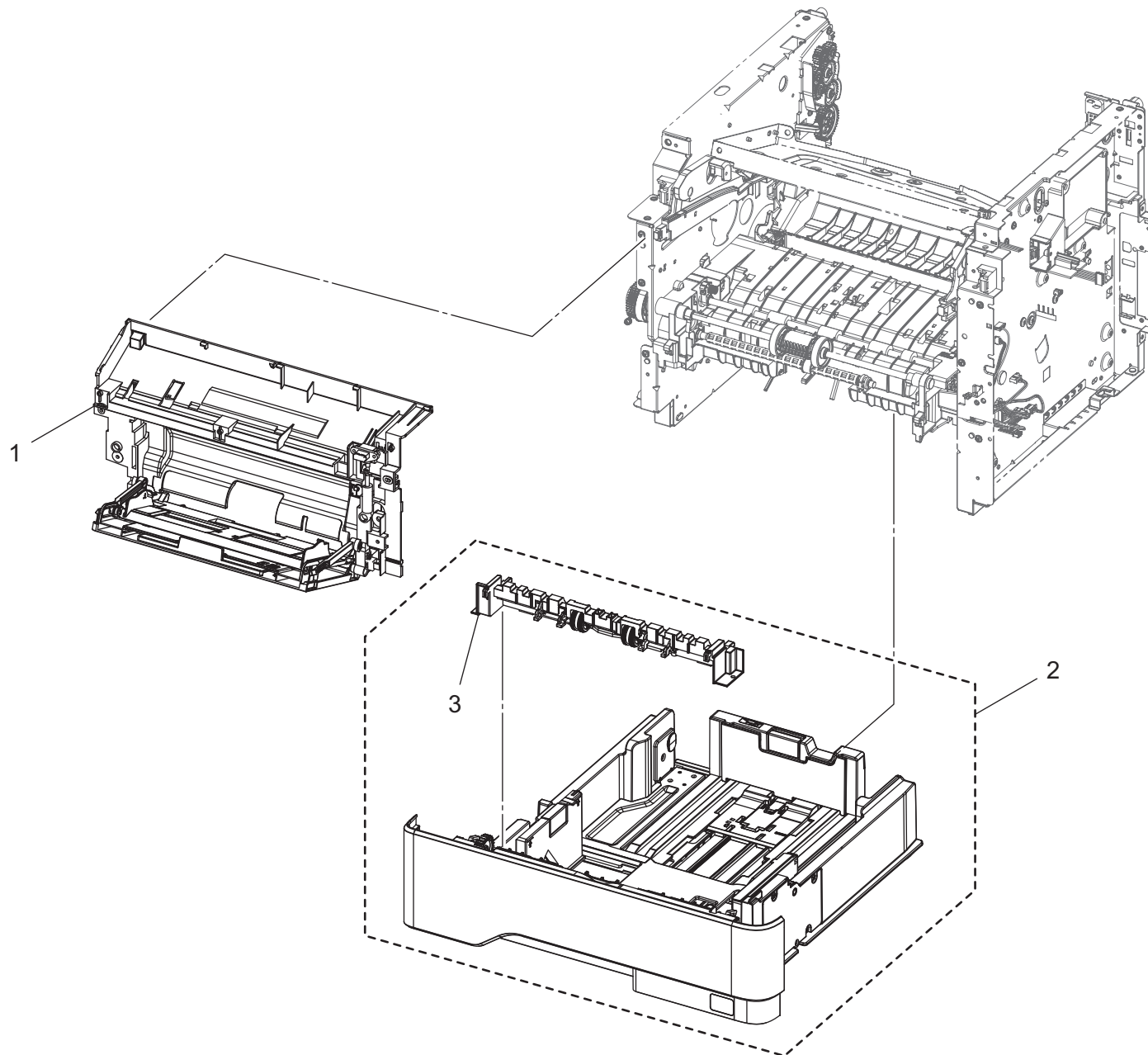
Key	Part No.	Description	Destinations	Class	QTY	Standard parts
1	AA1PPP0D00	JAM Guide Assy JAMガイド Assy		D	1	
2	AAFHPP1900	Front Guide Assy 前ガイド Assy		D	1	
3	AA1PPP0E00	Duplex Assy 両面 Assy		C	1	
4	AAFHPP1700	MPF Drive Assy MPF 駆動 Assy		C	1	
5	AAFHPP2T00	Lever Assy レバー Assy		C	1	

Paper Transport Section



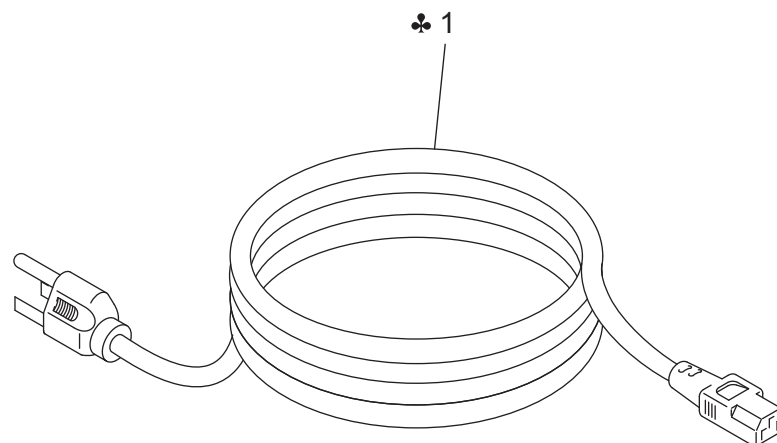
Key	Part No.	Description	Destinations	Class	QTY	Standard parts
1	A63NPP0Y00	Transfer Roller		B	1	
2	AAFHPP1B00	Paper Feed/Separation Pad Kit		B	1	
3	AAFHPP2900	Pick-up Roller Assy		C	1	
4	AAFHPP2P00	Pick tire Set(2 pcs/set)		B	1	
5	AAFHPP2A01	Reverse Assy		B	1	

Tray Section



Tray Section

Key	Part No.	Description	Destinations	Class	QTY	Standard parts
1	AAFHPP1S00	MFP Assy		C	1	
2	AAFHPP2N00	Cassette Assy/550 Sheet		C	1	
3	AA1PPP0G00	Separation Roller Assy		B	1	



Key	Part No.	Description	Destinations	Class	QTY	Standard parts
1	4136N30000	POWER CODE プラグ電源コード	D1(Pakistan, Latin America)	D	1	
1	9381420021	POWER CORD プラグ付電源コード	D3(New Zealand)	D	1	
1	A1UDN30200	Power cord /230V 電源コード /230V (アルゼンチン)	G1(Argentina)	C	1	
1	A2UPN30100	Power code (220-240V) 電源コード (220-240V)	I(UAE, Bahrain, Qatar, Oman, Yemen, HongKong, Saudi Arabia, Kuwait)	D	1	
1	A2UPN30300	Power code (220-240V) 電源コード (220-240V)	G1(Peru)	D	1	
1	A2UPN30501	Power code /230V 電源コード /230V (ブラジル)	G2(Brazil)	D	1	

MAINTENANCE LIST

● The items with no Page/Key numbers are not handled as spare parts.

No.	Section	PM Parts Description	Maintenance Cycle (K=1,000)		Parts No.	Destinations	Page/Key	Note
			QTY	Replace				
1	Electrical Components Section	Fusing Unit	1	200K	AAFHPP1300	B,G2	P3-2	
2			1	200K	AAFHPP1400	C,D1,D3,E,F2,G1,I	P3-2	
3	Paper Transport Section	Transfer Roller	1	200K	A63NPP0Y00		P8-1	
4		Paper Feed/Separation Pad Kit	1	200K	AAFHPP1B00		P8-2	
5		Pick tire Set(2 pcs/set)	1	200K	AAFHPP2P00		P8-4	
6	Tray Section	Separation Roller Assy	1	200K	AA1PPP0G00		P9-3	

*: The part names used on this page follow the ones used in the Service Manual and they are occasionally different from those written in other pages.

メンテナンスリスト

● ページ / キーナンバーのないものは、アフターサービス部品ではありません。

No.	区分	P M 部品名称	サイクル (K=1,000)		部品番号	仕向地	頁 / キー	備考
			員数	交換				
1	電装部	定着ユニット	1	200K	AAFHPP1300	B,G2	P3-2	
2			1	200K	AAFHPP1400	C,D1,D3,E,F2,G1,I	P3-2	
3	搬送部	転写ローラー	1	200K	A63NPP0Y00		P8-1	
4		給紙 / 分離パッドキット	1	200K	AAFHPP1B00		P8-2	
5		ピックタイヤ (2個入りセット)	1	200K	AAFHPP2P00		P8-4	
6	トレイ部	分離ローラー A s y	1	200K	AA1PPP0G00		P9-3	

*: ここに記載されている部品名称はサービスマニュアルで使用されている部品名称であり、他のページに記載されている部品名称とは異なる場合があります。

DESTINATION

Destination No.		Destinations		V	Hz	Model No.
A	A1	JAPAN				
	A2	JAPAN				
B		USA, CANADA		120	60	AAFH011
C		EUROPEAN TYPE		220-240	50/60	AAFH021
D	D1	S.E ASIA TYPE	THAILAND, SRI LANKA, SINGAPORE, MALAYSIA, HONG KONG, PAKISTAN, INDIA, BANGLADESH, INDONESIA	220-240	50/60	AAFH041
	D3	OCEANIA TYPE	AUSTRALIA, NEW ZEALAND	220-240	50/60	AAFH041
E		PHILIPPINES		220-240	50/60	AAFH041
F	F1	SAUDI ARABIA				
	F2	SAUDI ARABIA		220-240	50/60	AAFH041
G	G1	C.S AMERICA		220-240	50/60	AAFH041
	G2	C.S AMERICA		120	60	AAFH011
H		TAIWAN				
I		JORDAN, LEBANON, SYRIA, SOUTH AFRICA, IRAQ, IRAN, N.YEMEN, CAMEROON, UAE, BAHRAIN, OMAN, QATAR, KUWAIT, KENYA, TUNISIA, IVORY COAST, MOROCCO		220-240	50/60	AAFH021 AAFH041
J		CHINA				
K		KOREA				

bizhub 4702P