

KONICA MINOLTA

# *PARTS GUIDE MANUAL*

---

NOVEMBER 2020

*bizhub 4750i*  
*ACT8*

## INFORMATION FOR PARTS GUIDE MANUAL

To find correct Parts No., refer to the "HOW TO MAKE THE BEST USE OF THIS MANUAL" in the following page.

### HOW TO MAKE THE BEST USE OF THIS MANUAL

- 1 When you order, please check the proper figures beforehand that are on Our Parts Guide Manual, and order with the appropriate figures.
- 2 For screws, Nuts, Washers, retaining rings and Pins which are used in this model, one letter is shown on the Standard parts column of Parts list and exploded diagrams.
- 3 In order to maintain safety of the product, some specific parts composed of this product are set up as "essential safety parts".
- 4 The assigned parts number for the "essential safety parts" is indicated as "SP00-\*\*\*\*".  
When replacing these parts, follow precautions for disassembling and installing which are listed in the Service Manual.  
Do not use any parts that are not set up as
- 5 ♣ means that there are exclusive parts for each destination.  
Please check the appropriate destination when you order.
- 6 All rights reserved. (any reprints or quotations are prohibited.)  
Use of this parts guide manual should be strictly supervised to avoid disclosure of confidential information.

## パーツガイドマニュアルのご案内

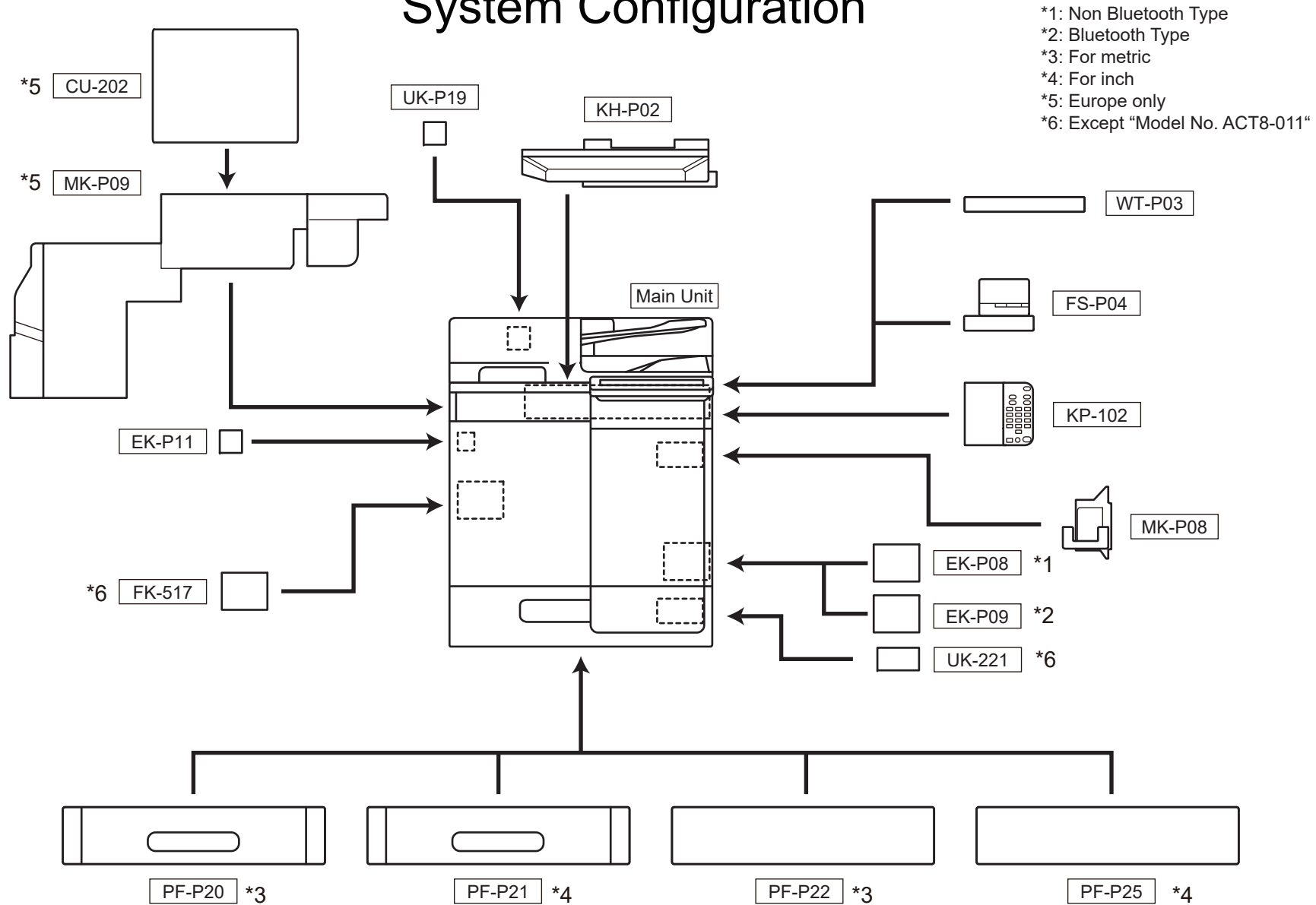
サービス部品をご発注の際には、下記に示す“パーツガイドマニュアルの活用にあたって”をご参照の上、正しい部品番号にてお願い致します。

### パーツガイドマニュアルの活用にあたって

- 1 部品発注の際には、掲載されている部品番号の桁数を確認し、掲載されている桁数で発注願います。
- 2 この製品に使用されているネジ、ナット、ワッシャー、止め輪、ピンなどは、リストの右側の Standard parts 欄に a,b,c,…… で表示し、イラストにも a,b,c,…… 表示してあります。
- 3 製品の安全性を維持する為に、製品に使用される特定の部品を「重要保安部品」として設定しています。
- 4 重要保安部品の部品番号は、“SP00-\*\*\*\*”と記載されていますので、部品交換時は、サービスマニュアル記載の分解・組み立ての注意事項に従って作業をして下さい。  
また、指定以外の部品は一切使用しないで下さい。
- 5 本文に ♣ が表示されている部品は、仕向け地毎に専用部品がある事を意味しています。  
オーダーされる時は、仕向け地を確認して下さい。
- 6 著作権所有（無断転載及び無断引用の禁止）  
本パーツガイドマニュアルについては、機密保持等その扱いには十分注意して下さい。万一取り扱いを誤った場合には、法律で処罰される場合があります。

08/06/2020

# System Configuration



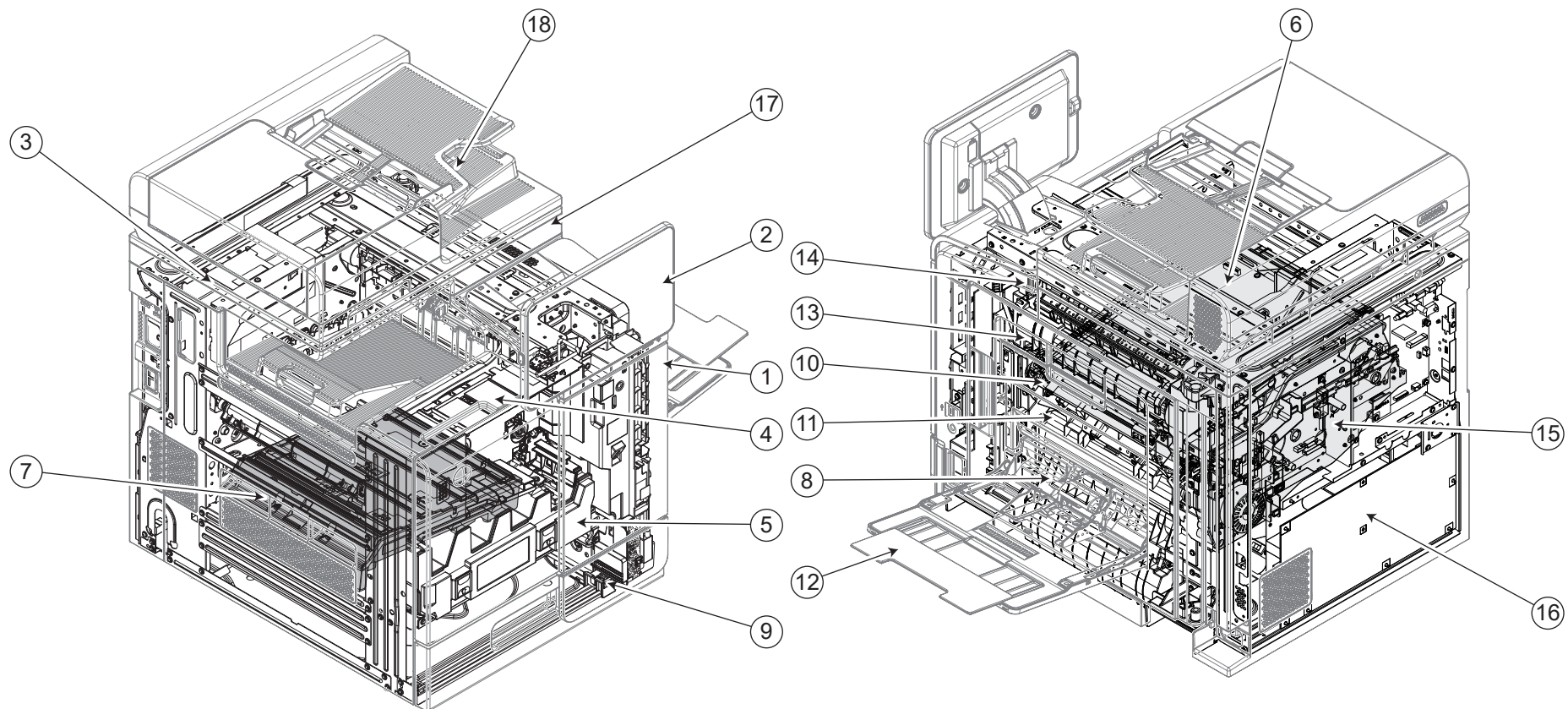
bizhub 4750i

# GENERAL CONTENTS

No.	Description	Model
1	Printer B/W	bizhub 4750i
2	Other Option	CU-202
3	Other Option	EK-P08
4	Other Option	EK-P09
5	Other Option	EK-P11
6	Finisher/Sorter	FS-P04
7	Other Option	KH-P02
8	Other Option	KP-102
9	Mount Kit	MK-P08
10	Mount Kit	MK-P09
11	Paper Feeder	PF-P20
12	Paper Feeder	PF-P21
13	Paper Feeder	PF-P22
14	Paper Feeder	PF-P25
15	Other Option	UK-P19
16	Other Option	UK-221
17	Other Option	WT-P03
18	Fax Kit	FK-517

bizhub 4750i

# Section Configuration



# CONTENTS

No.	DESCRIPTION	名称	PAGE No.
1	External Parts	外装部	P1 P2
2	Operation Panel Section	操作部	P3
3	Cooling Section	冷却部	P4
4	Toner Supply Section	トナー補給部	P5 P6
5	Toner Collection Section	トナー回収部	P7 P8
6	1st Transfer Section	1次転写部	P9
7	Write Section	書き込み部	P10
8	Paper Feed Section	給紙部	P11 P12 P13
9	Tray Section	トレイ部	P14 P15 P16
10	2nd Transfer Section	2次転写部	P17
11	Vertical Conveyance Section	垂直搬送部	P18 P19
12	Bypass Tray Section	手差しトレイ部	P20 P21 P22
13	Fusing Section	定着部	P23
14	Paper Exit Section	排紙部	P24
15	Drive Section	駆動部	P25 P26
16	Electrical Parts	電装部	P27 P28 P29
17	Scanner Section	スキャナー部	P30
18	Auto document feeder section	自動原稿送り部	P31 P32 P33 P34 P35 P36 P37 P38 P39
19	Wiring	束線	P40
20	Wiring Accessories	配線部品	P41
21	Service Tool	サービスツール	P42
22	Accessory Parts	同梱部品	P43

# INDEX

Parts No.	Page No.
0996305501	14-7
1134304301	12-12
1134304301	13-7
1134304301	19-13
1134304301	21-8
4131253701	35-26
4163529301	27-22
4163529301	38-23
4532341001	11-5
4538373201	19-19
56AA40490	21-38
65AA-9920	42-2
9335140051	8-11
9335140071	37-22
9J04534301	15-11
9J06M10000	33-10
9J06M10300	25-4
9J06M60100	27-4
9J08890700	16-22
A00J169200	24-4
A00J663200	38-21
A00J663200	39-11
A00J945500	1-10
A02E167700	3-1
A02E561100	13-9
A02E815200	13-20
A02E940300	1-18
A02E940300	7-3
A0ED563900	15-5
A0EDM50100	13-1
A0EDM60001	6-4
A0EDN30101	43-2
A0HR211900	19-30
A0P0M73100	5-3
A0VD562300	22-14
A0VD700302	18-3
A0VD703700	19-8
A0VDN30000	43-2
A108M50000	36-14
A11U560000	15-6

Parts No.	Page No.
A161137600	29-21
A161151300	27-9
A161620701	16-4
A161M50000	11-7
A3GN134500	29-3
A3GN401000	6-2
A3GN701800	18-8
A3GNM93100	30-19
A3GNM93100	33-16
A5AWP00100	42-1
A5C1562200	21-34
A5C1M50100	8-10
A5C1M50100	12-18
A5C1M50100	13-3
A5C1M50100	18-20
A5C1M50100	19-22
A5C1M50100	21-15
A5C1M50100	24-23
A5C1M50100	27-2
A5C1M50100	30-17
A64J564101	13-10
A64J564201	13-11
A795565500	16-15
A795622700	16-2
A797151500	28-5
A797162000	1-5
A797M60100	14-10
A7AH267201	3-17
A7AH562300	13-13
A7AH562400	13-8
A7AH562600	13-12
A7AH562900	13-5
A7AH604401	22-11
A7AH604501	22-2
A7AHM20401	21-21
A7AHM20501	12-24
A7AHM20501	13-19
A7AHM20501	19-34
A7AHM20501	26-5
A7AHM50400	12-20

Parts No.	Page No.
A7AHM90000	30-1
A7AHM90000	37-19
A7PU168500	2-10
A7PU168600	2-9
A7PU941701	2-11
A7PUM10700	6-1
A85CM55600	37-26
A85CM55600	39-8
A879130300	29-23
A879H01W03	29-24
A92E135400	29-16
A92E137100	29-26
A92E137200	29-25
A92E158100	4-2
A92EN12300	29-27
A92EN12800	29-28
A93E100300	10-1
A93E101702	2-3
A93E101803	2-4
A93E103001	14-5
A93E103200	14-6
A93E103300	14-4
A93E105100	27-3
A93E108101	2-12
A93E110100	9-5
A93E110300	7-12
A93E110400	9-1
A93E110600	9-3
A93E110801	25-6
A93E121301	14-9
A93E132001	27-18
A93E132103	27-21
A93E132200	27-20
A93E133201	23-2
A93E133300	11-10
A93E133600	25-5
A93E134200	28-4
A93E134300	27-7
A93E134400	27-15
A93E134700	27-24

Parts No.	Page No.
A93E134801	27-10
A93E135000	27-1
A93E135211	27-5
A93E135401	27-8
A93E135900	27-13
A93E136911	27-6
A93E137100	29-10
A93E137200	29-7
A93E137300	29-1
A93E137400	29-5
A93E137600	29-2
A93E137700	29-8
A93E137800	29-9
A93E150600	4-11
A93E150800	4-12
A93E151500	4-18
A93E151700	1-3
A93E151800	4-19
A93E151900	23-1
A93E152400	4-7
A93E152600	9-4
A93E152701	4-6
A93E152801	4-4
A93E153000	23-5
A93E153200	4-21
A93E153300	4-22
A93E153400	4-20
A93E153500	1-17
A93E154000	4-23
A93E155001	4-3
A93E155100	4-5
A93E156900	4-9
A93E157000	4-17
A93E157200	2-8
A93E157300	4-10
A93E160103	1-2
A93E160214	1-6
A93E160302	1-7
A93E160603	1-13
A93E160700	1-14

Parts No.	Page No.
A93E161002	3-24
A93E161102	3-13
A93E161201	3-25
A93E161301	2-6
A93E161400	3-10
A93E161902	2-5
A93E162001	2-7
A93E162701	1-15
A93E162801	1-4
A93E163011	8-7
A93E163111	8-9
A93E164000	1-16
A93E164502	7-2
A93E165113	8-1
A93E165200	7-17
A93E165301	8-2
A93E166103	2-1
A93E166200	2-2
A93E168000	7-15
A93E168100	1-12
A93E168300	7-16
A93E190202	3-16
A93E190300	3-6
A93E190900	3-21
A93E191000	3-4
A93E191302	3-23
A93E191601	3-3
A93E191701	3-19
A93E192401	3-22
A93E192700	3-20
A93E192800	3-28
A93E220102	26-16
A93E220201	26-9
A93E220300	26-12
A93E220401	26-11
A93E221100	26-15
A93E221200	26-14
A93E221300	26-13
A93E222100	26-10
A93E222300	26-4

Parts No.	Page No.	Parts No.	Page No.	Parts No.	Page No.	Parts No.	Page No.	Parts No.	Page No.
A93E222500	26-1	A93E265712	38-1	A93E271401	35-4	A93E277000	33-3	A93E282111	38-5
A93E222600	26-2	A93E265800	37-23	A93E271501	35-2	A93E277101	35-7	A93E282200	38-3
A93E222700	26-3	A93E265900	38-22	A93E271801	35-15	A93E277201	35-10	A93E282200	39-6
A93E222800	26-6	A93E266000	37-2	A93E272101	35-1	A93E277300	34-15	A93E282700	39-13
A93E223100	26-18	A93E266100	32-10	A93E272300	35-17	A93E277500	35-11	A93E282800	38-17
A93E230301	12-25	A93E266100	37-18	A93E272600	36-20	A93E277602	35-24	A93E282800	39-4
A93E230400	12-22	A93E266800	32-6	A93E272700	36-8	A93E277700	34-5	A93E283200	38-19
A93E230500	12-21	A93E266900	33-19	A93E272813	36-1	A93E277802	34-6	A93E283300	38-20
A93E230600	12-2	A93E267000	33-14	A93E272900	36-16	A93E277901	35-23	A93E285600	37-17
A93E230700	12-23	A93E267100	33-17	A93E273000	36-19	A93E278001	35-21	A93E285700	38-2
A93E240000	8-3	A93E267200	33-2	A93E273100	36-17	A93E278200	35-22	A93E285900	37-5
A93E240100	8-4	A93E267300	33-7	A93E273200	36-5	A93E278301	34-2	A93E286002	37-7
A93E240500	8-5	A93E267400	33-15	A93E273301	36-13	A93E278400	36-4	A93E286100	37-12
A93E240600	8-6	A93E267500	33-12	A93E273401	36-12	A93E278501	35-20	A93E286200	37-13
A93E260300	30-16	A93E267601	33-20	A93E273501	36-10	A93E278600	36-3	A93E286300	37-11
A93E260400	30-14	A93E267701	33-18	A93E273601	36-2	A93E278800	35-30	A93E286500	37-3
A93E260501	30-15	A93E267800	33-23	A93E273701	32-2	A93E278900	35-18	A93E286700	37-8
A93E260600	30-21	A93E267900	33-13	A93E273801	32-5	A93E279000	34-21	A93E286800	37-9
A93E260701	30-11	A93E268000	33-22	A93E273901	32-3	A93E279200	35-29	A93E286901	37-16
A93E260800	30-8	A93E268100	33-21	A93E274000	32-13	A93E279400	35-28	A93E287000	37-14
A93E260900	30-9	A93E268200	32-8	A93E274100	32-7	A93E279500	36-21	A93E287100	37-10
A93E261000	30-7	A93E268301	32-1	A93E274300	35-8	A93E280101	39-5	A93E287200	37-6
A93E261200	30-20	A93E268401	32-1	A93E274511	36-11	A93E280201	39-18	A93E287400	37-4
A93E261300	30-23	A93E268501	32-12	A93E274800	35-14	A93E280300	39-17	A93E288000	37-20
A93E261400	30-24	A93E268602	32-11	A93E274900	36-18	A93E280400	39-16	A93E288200	37-15
A93E261500	30-13	A93E268702	32-11	A93E275124	34-9	A93E280511	39-7	A93E288900	35-6
A93E262802	30-6	A93E269000	39-12	A93E275200	34-14	A93E280601	39-14	A93E362201	7-10
A93E262901	30-25	A93E269100	39-10	A93E275300	34-10	A93E280700	38-15	A93E362301	7-7
A93E263200	30-5	A93E270000	33-8	A93E275411	34-12	A93E280800	38-8	A93E362402	7-8
A93E263500	30-20	A93E270101	36-6	A93E275500	34-11	A93E280900	39-19	A93E362501	7-11
A93E263600	30-21	A93E270200	35-5	A93E275600	34-13	A93E281000	38-7	A93E363701	7-6
A93E264000	30-26	A93E270400	35-13	A93E275700	34-16	A93E281200	39-21	A93E363803	7-9
A93E264202	30-12	A93E270500	35-12	A93E276000	36-9	A93E281312	39-9	A93E363900	7-13
A93E265000	33-9	A93E270701	34-18	A93E276100	33-11	A93E281412	39-2	A93E364100	7-14
A93E265100	32-9	A93E270803	34-3	A93E276402	35-27	A93E281500	39-3	A93E400200	6-5
A93E265200	32-9	A93E270900	34-4	A93E276501	35-25	A93E281600	39-15	A93E400300	6-6
A93E265300	38-12	A93E270900	38-4	A93E276600	35-9	A93E281700	38-18	A93E400400	6-16
A93E265400	38-13	A93E271000	34-1	A93E276702	35-19	A93E281800	38-6	A93E400500	6-12
A93E265500	38-11	A93E271200	35-3	A93E276800	34-8	A93E281900	38-9	A93E400800	6-9
A93E265601	38-10	A93E271313	35-16	A93E276900	34-7	A93E282000	38-14	A93E400900	6-8



Parts No.	Page No.	Parts No.	Page No.	Parts No.	Page No.	Parts No.	Page No.	Parts No.	Page No.
A93E401400	6-3	A93E593400	21-35	A93E622501	16-9	A93E703700	18-26	A93E814202	19-23
A93E401500	6-13	A93E593800	21-28	A93E622601	16-3	A93E703800	18-25	A93E814300	19-10
A93E401700	6-10	A93E593900	21-37	A93E622700	16-8	A93E703900	18-9	A93E814401	19-12
A93E402000	6-7	A93E594100	21-10	A93E623100	4-15	A93E704100	18-6	A93E814500	19-11
A93E402601	27-11	A93E594200	19-26	A93E623200	4-13	A93E704200	18-23	A93E814702	19-9
A93E510902	18-18	A93E594312	21-17	A93E623301	14-8	A93E704301	18-7	A93E814800	19-25
A93E511102	18-21	A93E594400	21-12	A93E623301	15-15	A93E704600	18-24	A93E815100	19-15
A93E560501	13-6	A93E594600	22-5	A93E623400	15-17	A93E704700	18-16	A93E815200	19-14
A93E562100	13-15	A93E594700	21-14	A93E623602	7-5	A93E704800	12-7	A93E815302	19-29
A93E562200	13-2	A93E595600	21-11	A93E624000	16-11	A93E704900	18-17	A93E815400	19-38
A93E562411	13-4	A93E595700	21-13	A93E625000	16-14	A93E705000	12-1	A93E816102	24-1
A93E562800	13-21	A93E596201	21-30	A93E625100	16-13	A93E705200	11-8	A93E816200	24-17
A93E563400	13-14	A93E596300	21-2	A93E625202	16-10	A93E705301	12-8	A93E816302	24-15
A93E565800	13-22	A93E597100	21-23	A93E625300	16-19	A93E705401	12-5	A93E816402	24-14
A93E566100	13-16	A93E597200	22-3	A93E625800	16-18	A93E706100	12-11	A93E816502	24-11
A93E566200	13-17	A93E597300	22-13	A93E625900	16-17	A93E706200	18-13	A93E816700	24-13
A93E566400	13-18	A93E597500	21-39	A93E626000	4-16	A93E707000	18-5	A93E816802	24-12
A93E590100	22-12	A93E597600	21-18	A93E626501	15-20	A93E707100	18-10	A93E890103	24-16
A93E590203	21-22	A93E597800	21-9	A93E626600	4-14	A93E707200	18-14	A93E890202	24-3
A93E590302	21-1	A93E597900	21-25	A93E626702	16-12	A93E707300	12-9	A93E890300	24-19
A93E590402	20-3	A93E598000	21-26	A93E700401	11-6	A93E707700	11-12	A93E890601	24-20
A93E590500	21-20	A93E598200	22-6	A93E700600	12-3	A93E707800	11-11	A93E890703	24-10
A93E590600	21-19	A93E598400	21-45	A93E700800	12-6	A93E708300	18-15	A93E890800	24-8
A93E590800	21-29	A93E598600	21-16	A93E700902	12-10	A93E810118	19-35	A93E890900	24-5
A93E591002	22-8	A93E598800	21-43	A93E701101	12-4	A93E810211	19-20	A93E891000	24-24
A93E591300	21-32	A93E599700	21-44	A93E701211	12-17	A93E810502	19-36	A93E891200	24-9
A93E591600	21-5	A93E599800	22-16	A93E701300	12-15	A93E810600	19-4	A93E891300	24-22
A93E591700	21-31	A93E599900	22-15	A93E701500	12-16	A93E810701	19-3	A93E891500	24-2
A93E591800	21-7	A93E620214	15-1	A93E701600	12-13	A93E810800	19-2	A93E891600	24-6
A93E591900	21-3	A93E620301	15-19	A93E701700	12-14	A93E810900	19-39	A93E892300	24-18
A93E592002	22-7	A93E620401	15-16	A93E701902	11-2	A93E811400	19-17	A93E892500	24-26
A93E592104	22-10	A93E620500	15-2	A93E702114	18-1	A93E812000	19-33	A93E895100	24-21
A93E592201	22-1	A93E620601	15-12	A93E702400	18-4	A93E812100	19-21	A93E895500	24-7
A93E592300	21-6	A93E620701	15-9	A93E702500	18-11	A93E813201	19-28	A93E940400	15-21
A93E592500	21-42	A93E620801	15-18	A93E702600	18-19	A93E813302	19-27	A93E940500	15-22
A93E592800	21-27	A93E620901	15-13	A93E703102	11-3	A93E813501	19-31	A93E940600	7-4
A93E592900	21-41	A93E621000	15-3	A93E703200	11-4	A93E813700	19-32	A93E940701	14-3
A93E593100	21-33	A93E621100	15-10	A93E703300	18-22	A93E813800	19-24	A93E940800	14-2
A93E593200	21-40	A93E622103	16-5	A93E703400	18-2	A93E814001	19-16	A93E942100	19-7
A93E593300	21-36	A93E622203	16-1	A93E703600	18-12	A93E814100	19-18	A93E943200	43-1

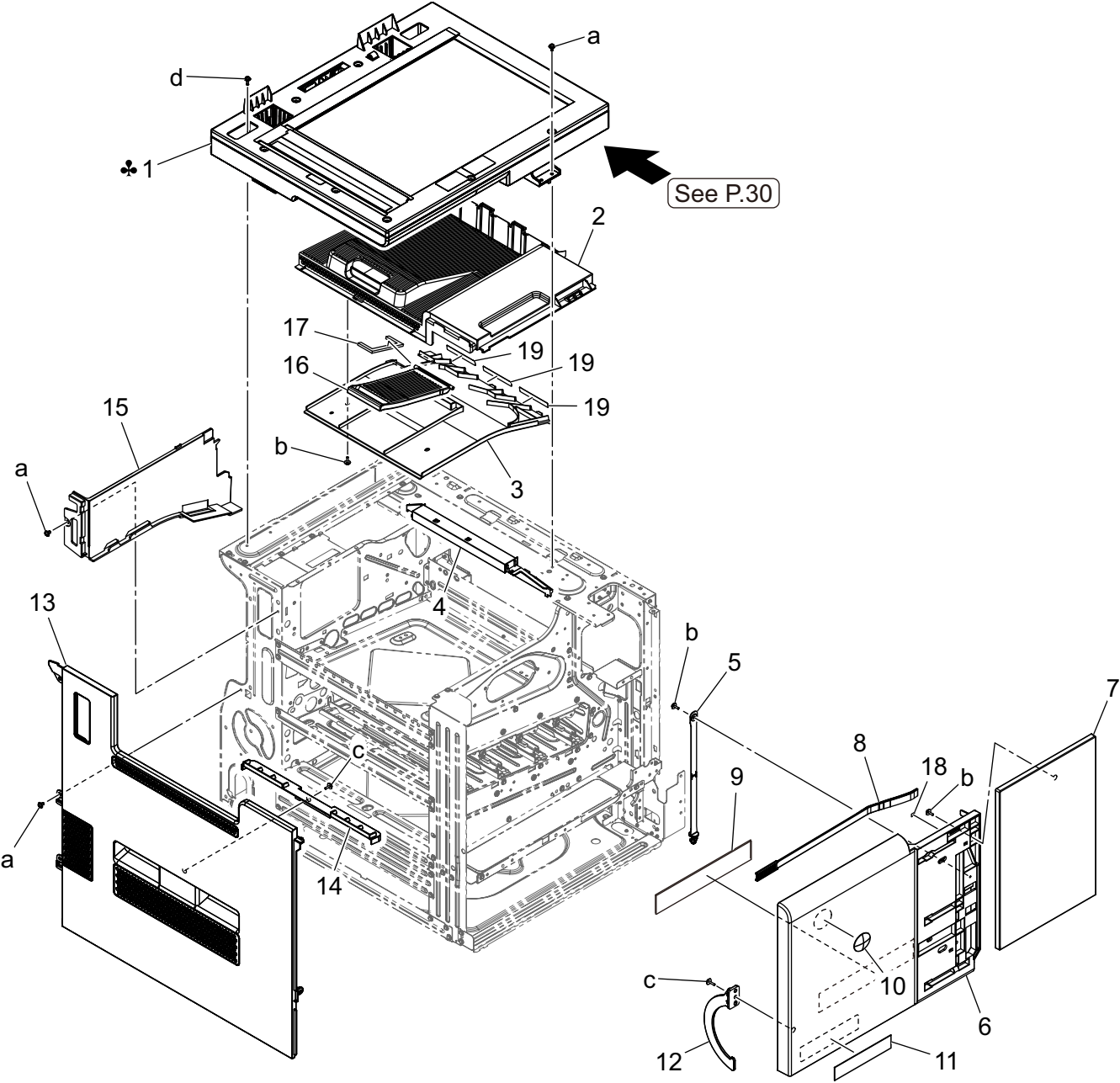
Parts No.	Page No.
A93E943800	22-9
A93E944200	20-2
A93E944500	19-5
A93E944600	19-6
A93E945600	34-19
A93E945700	31-2
A93E945900	32-4
A93EH00901	33-1
A93EM10000	4-8
A93EM10600	4-1
A93EM10K00	30-10
A93EM10M00	39-1
A93EM21000	39-20
A93EM21100	38-16
A93EM60000	27-19
A93EM70005	3-11
A93EM72001	3-2
A93EM72100	3-30
A93EN10000	29-17
A93EN10201	27-16
A93EN10B00	19-37
A93EN10G00	27-17
A93EN10J00	11-9
A93EN10K00	24-25
A93EN10M00	21-24
A93EN10N00	18-28
A93EN11000	30-22
A93EN11100	30-18
A93EN11200	30-18
A93EN11300	30-3
A93EN11501	37-25
A93EN11600	36-15
A93EN11700	33-4
A93EN11800	33-5
A93EN11900	33-6
A93EN11B01	37-24
A93EN11C00	39-22
A93EN11D01	34-17
A93EN11G00	37-21
A93EN11H00	37-21

Parts No.	Page No.
A93EN11K00	33-4
A93EN11M00	33-5
A93EN12000	27-14
A93EN12100	27-27
A93EN12300	3-27
A93EN12400	3-31
A93EN12500	27-26
AA1KN10000	43-5
AA2J135101	29-12
AA2J139800	29-22
AA2J191201	3-8
AA2J191300	3-5
AA2J191600	3-26
AA2J191800	3-7
AA2J192100	3-9
AA2J192200	3-15
AA2J192801	3-29
AA2J193000	3-14
AA2J193100	3-18
AA2J195000	3-12
AA2J621000	16-6
AA2J621200	16-7
AA2J629000	16-20
AA2J629200	16-16
AA2J943701	16-21
AA2J944500	22-4
AA2J948600	43-3
AA2JH00C00	29-15
AA2JH02T00	29-20
AA2JM11000	25-3
AA2JM11000	26-7
AA2JM70600	27-25
AA2JM72700	29-19
AA2JM72F01	27-23
AAJNN10100	29-11
AAJNR70155	31-1
AAJNR70255	31-1
AAJNR70300	1-1
AAJNR70400	1-1
AAJNR70733	34-20

Parts No.	Page No.
AAJNR70800	36-7
AAJNR70900	37-1
AAJNR71000	30-2
AAJNR71100	30-2
AAJNR71200	30-4
AAJRR70500	17-2
AAJRR70600	29-13
AAJRR70700	29-13
AAJRR71322	26-19
AAJRR71500	17-1
AAJRR71633	20-1
AAJRR71900	1-8
AAJRR72100	26-17
AAJRR72200	21-4
ACT8940100	1-11
ACT8R70100	23-3
ACT8R70200	23-3
ACT9105000	43-4
ACT9150100	25-1
ACT9150200	1-19
ACT9165002	7-18
ACT9400001	6-14
ACT9400100	6-15
ACT9400200	5-2
ACT9401200	27-12
ACT9405001	6-14
ACT9562500	13-24
ACT9620100	15-14
ACT9626101	15-7
ACT9626201	15-8
ACT9626300	15-4
ACT9700100	12-19
ACT9813100	19-1
ACT9941100	1-9
ACT9F62003	14-1
ACT9H01003	29-6
ACT9H02013	29-4
ACT9M40300	28-1
ACT9N10001	8-8
ACT9N10100	6-11

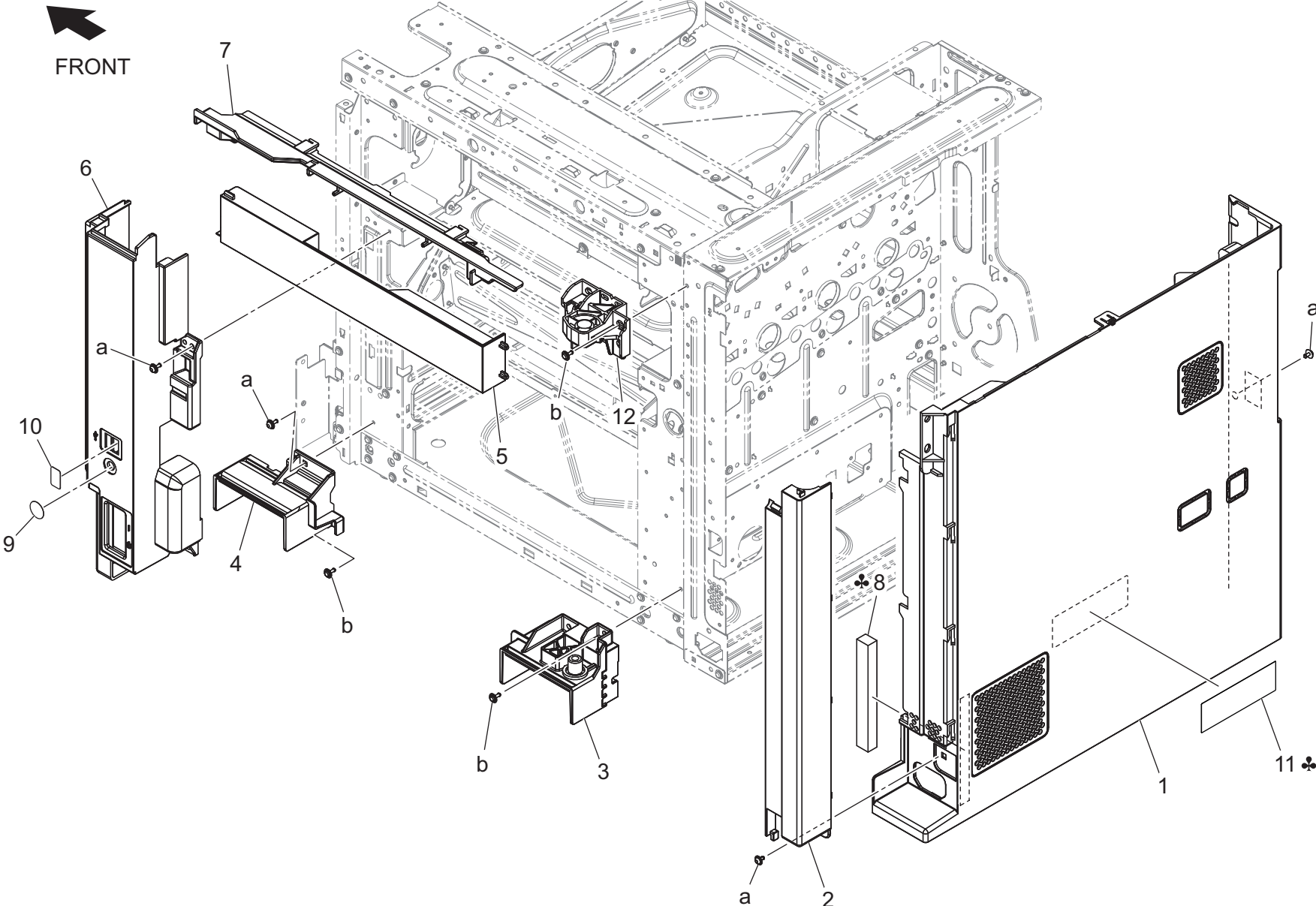
Parts No.	Page No.
ACT9N10200	40-1
ACT9N10300	29-18
ACT9N10400	28-3
ACT9N10600	13-23
ACT9R70300	9-2
ACT9R70400	5-1
ACT9R70500	25-2
ACT9R70600	29-14
ACT9R70700	11-1
ACT9R70900	10-2
ACT9R71100	28-2
ACT9R71200	5-1
ACTAN10100	23-4
ACTE011	7-1
ACTEWY1	7-1
V500010082	41-1
V500010083	41-2
V500020098	41-3
V500020099	41-4
V500020100	41-5
V570010021	41-9
V570010050	41-10
V570010056	41-6
V570010057	41-7
V570010060	41-8
V651010001	26-8
V800500300	18-27

External Parts



Key	Part No.	Description	Destinations	Class	QTY	Standard parts
1	AAJNR70300	OPTICAL UNIT	C,D1,D3,E,F2,G1,I,K B,G2,H	S		a-V127030604 b-V153030803 c-V153031004 d-V116031003
1	AAJNR70400	OPTICAL UNIT		S	1	
2	A93E160103	Paper exit Cover	D	1		
3	A93E151700	Duct	D	1		
4	A93E162801	Paper exit Cover	D	1		
5	A797162000	Band	D	1		
6	A93E160214	Open/close Cover /Front	D	1		
7	A93E160302	Open/close Cover /Front	D	1		
8	AAJRR71900	Cleaning Material	C	1		
9	ACT9941100	Sheet	D	1		
10	A00J945500	Logo Mark	C	1		
11	ACT8940100	Label bizhub 4750i	D	1		
12	A93E168100	Support Arm	C	1		
13	A93E160603	Cover	D	1		
14	A93E160700	Cover	D	1		
15	A93E162701	Paper exit Cover	D	1		
16	A93E164000	Paper exit Tray /2	D	1		
17	A93E153500	Seal	D	1		
18	A02E940300	Label	C	1		
19	ACT9150200	Seal	D	3		

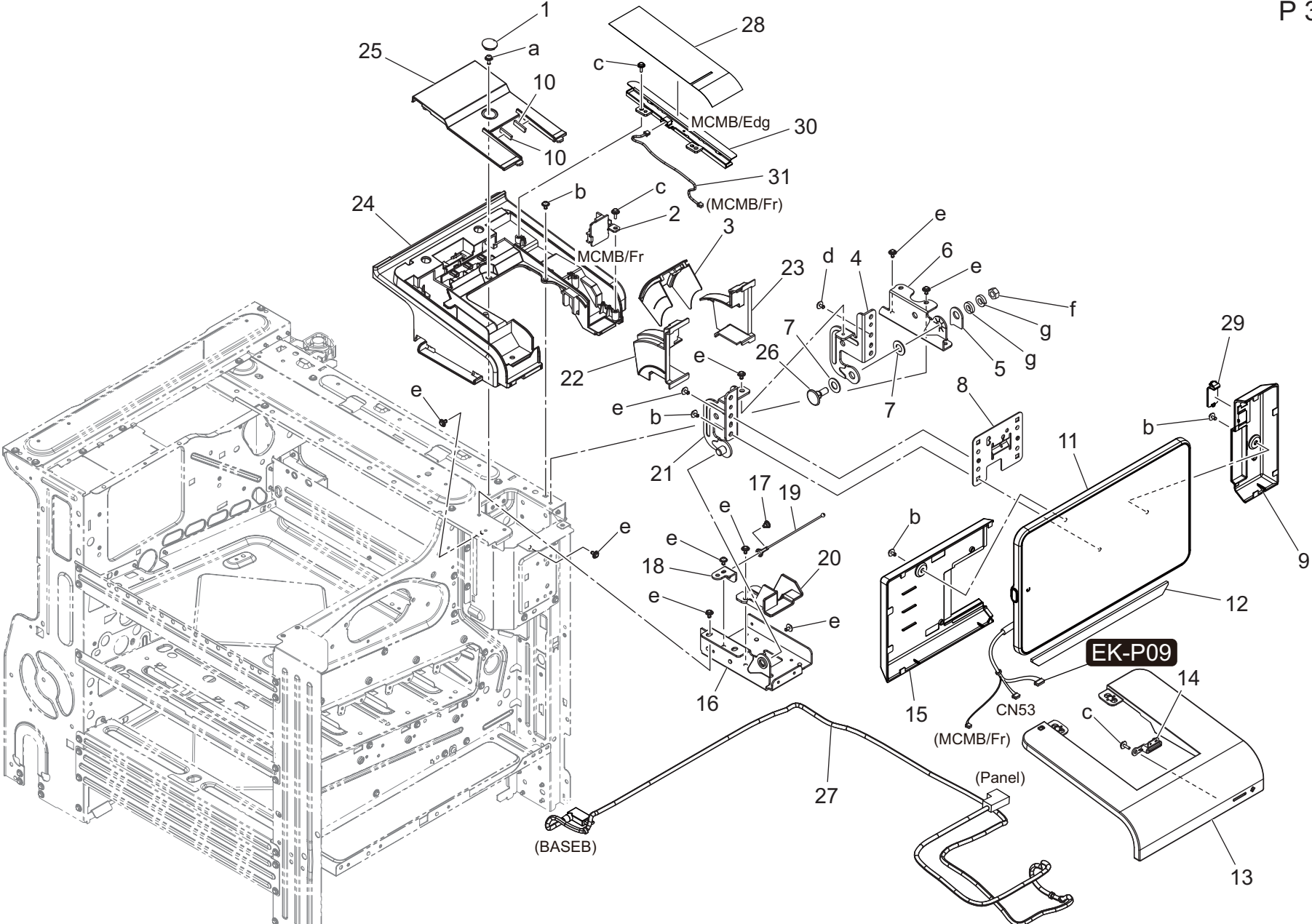
External Parts



# External Parts

Key	Part No.	Description	Destinations	Class	QTY	Standard parts
1	A93E166103	Cover		D	1	a-V116030804 b-V144030803
2	A93E166200	Cover		D	1	
3	A93E101702	Handle		D	1	
4	A93E101803	Handle		D	1	
5	A93E161902	Cover		D	1	
6	A93E161301	Cover /Right front		D	1	
7	A93E162001	Cover		D	1	
8	A93E157200	Seal	C,D1,D3,E,F2,G1,I,K	D	1	
9	A7PU168600	Seal		C	1	
10	A7PU168500	Seal		C	1	
11	A7PU941701	Label Caution	C,I	C	1	
12	A93E108101	Adjusting Plate		D	1	

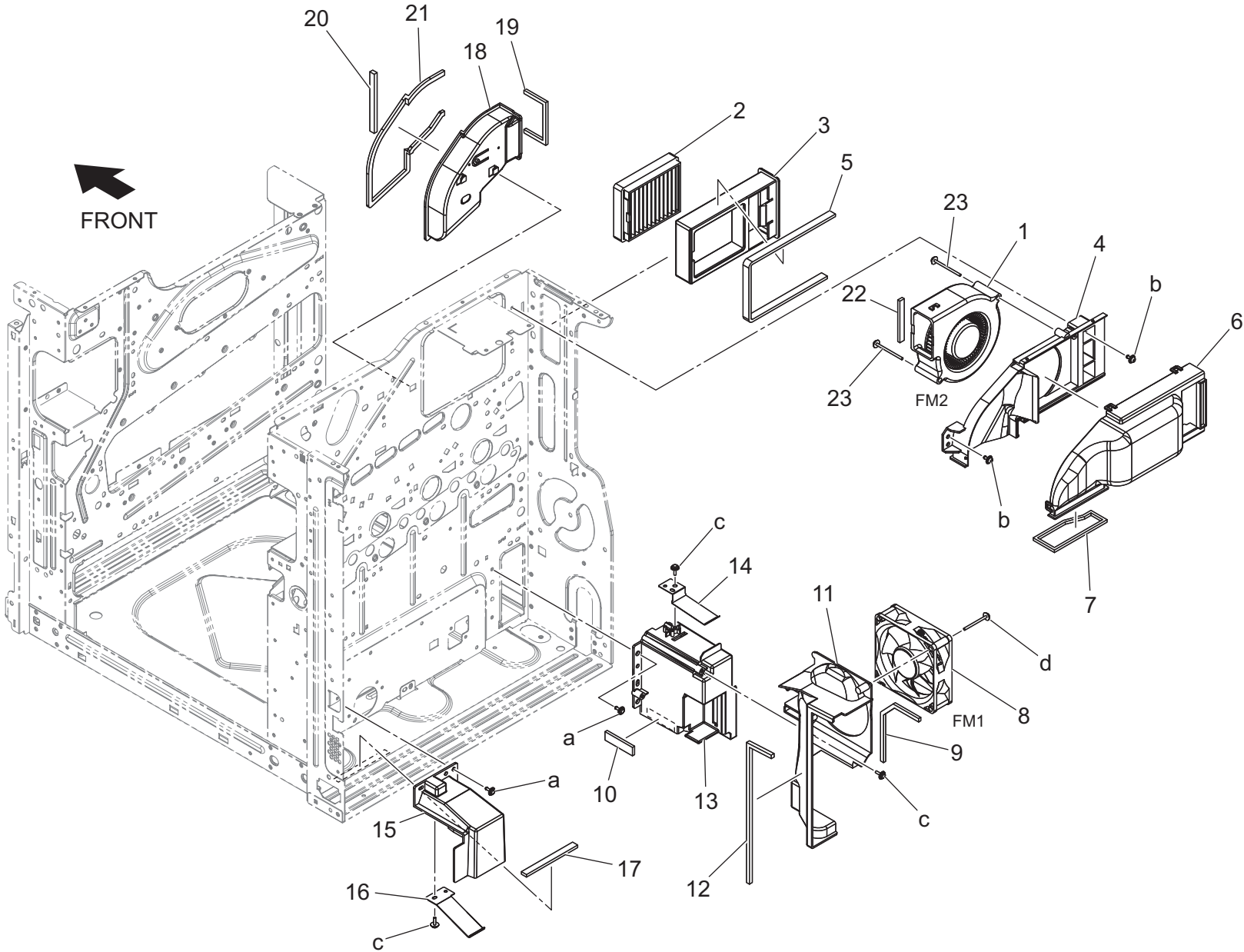
Operation Panel Section



Key	Part No.	Description	Destinations	Class	QTY	Standard parts
1	A02E167700	Cover		C	1	a-V116030804
2	A93EM72001	Indicating Unit	表示ユニット (フロント LED ユニット)	C	1	b-V127030604
3	A93E191601	Cover	カバー (可動)	D	1	c-V153030803
4	A93E191000	Hinge	ヒンジ (右)	D	1	d-V144030803
5	AA2J191300	Spacer	スペーサ	D	1	e-V144030603
6	A93E190300	Mounting Plate /Right	取付板/右 (操作パネル)	D	1	f-V195060003
7	AA2J191800	Slide Spacer	すべりスペーサ	D	2	g-V205060003
8	AA2J191201	Mounting Plate	取付板 (パネル)	D	1	
9	AA2J192100	Cover /Right rear	カバー/右後 (パネル)	D	1	
10	A93E161400	Brake Part	ブレーキ材	D	2	
11	A93EM70005	Panel Assy	操作パネル A s s y	I	1	
12	AA2J195000	Cushion	クッション (パネル)	D	1	
13	A93E161102	Panel	パネル (下、白)	D	1	
14	AA2J193000	Indicating Part	表示部材	D	1	
15	AA2J192200	Cover /Left rear	カバー/左後 (パネル)	D	1	
16	A93E190202	Mounting Plate	取付板 (操作パネル)	D	1	
17	A7AH267201	Shoulder screw	段ねじ	C	1	
18	AA2J193100	Mounting Plate	取付板	D	1	
19	A93E191701	Wire	ワイヤ	D	1	
20	A93E192700	Guide Part	ガイド部材	D	1	
21	A93E190900	Hinge /ASSY	ヒンジ / A S S Y	D	1	
22	A93E192401	Cover	カバー (左後・中)	D	1	
23	A93E191302	Cover	カバー (右後・中)	D	1	
24	A93E161002	Panel	パネル (下)	D	1	
25	A93E161201	Panel	パネル (下、白分割)	D	1	
26	AA2J191600	Shaft	軸 (ヒンジ)	D	1	
27	A93EN12300	Interface Cable	インターフェースケーブル (10パネル)	D	1	
28	A93E192800	Reflecting Sheet /C	反射シート / C	D	1	
29	AA2J192801	Cover	カバー (キー蓋 (パネル))	D	1	
30	A93EM72100	Indicating Unit	表示ユニット (サイド LED ユニット)	C	1	
31	A93EN12400	Harness	束線 (フロント LED-サイド LED)	D	1	

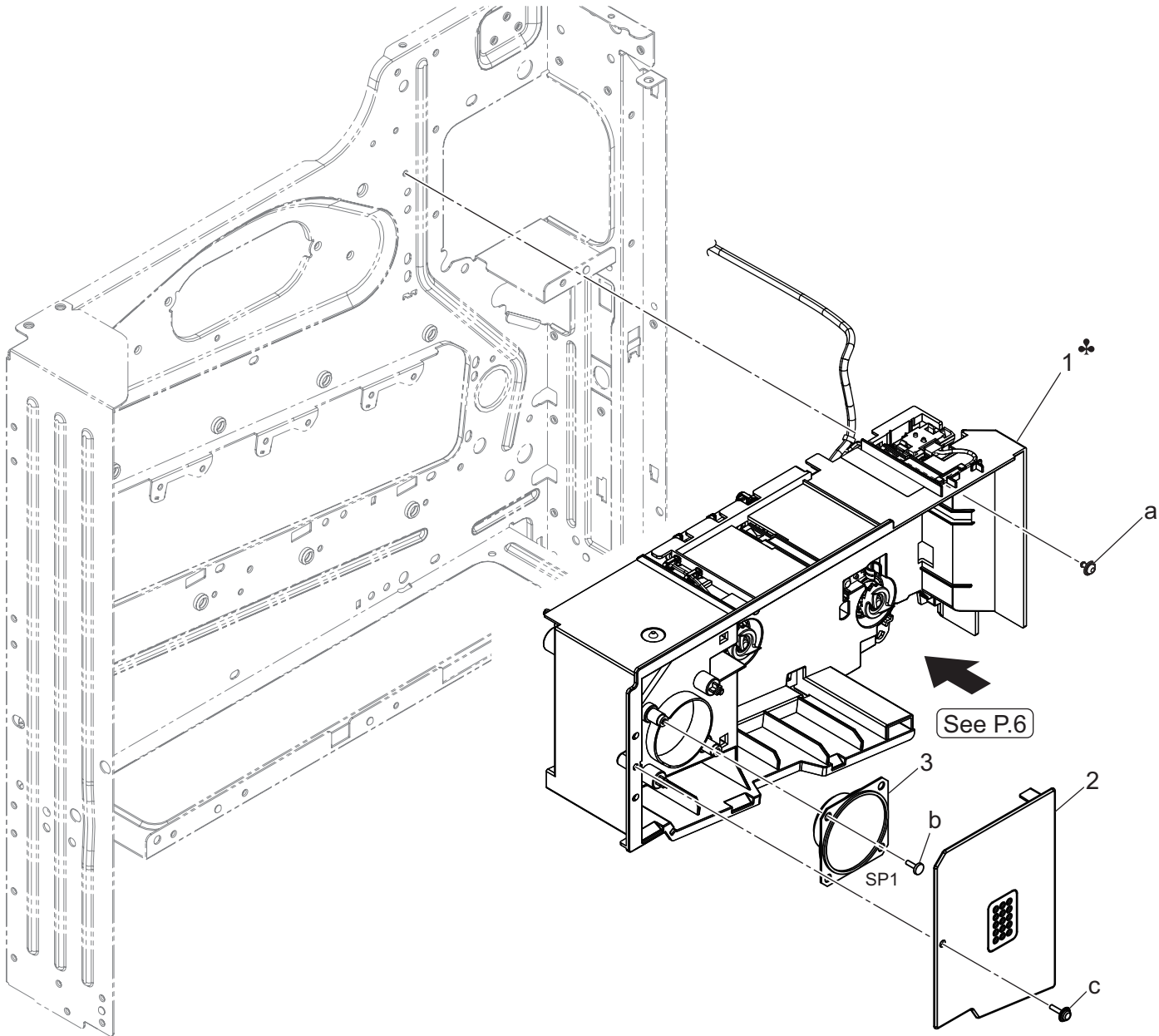


Cooling Section



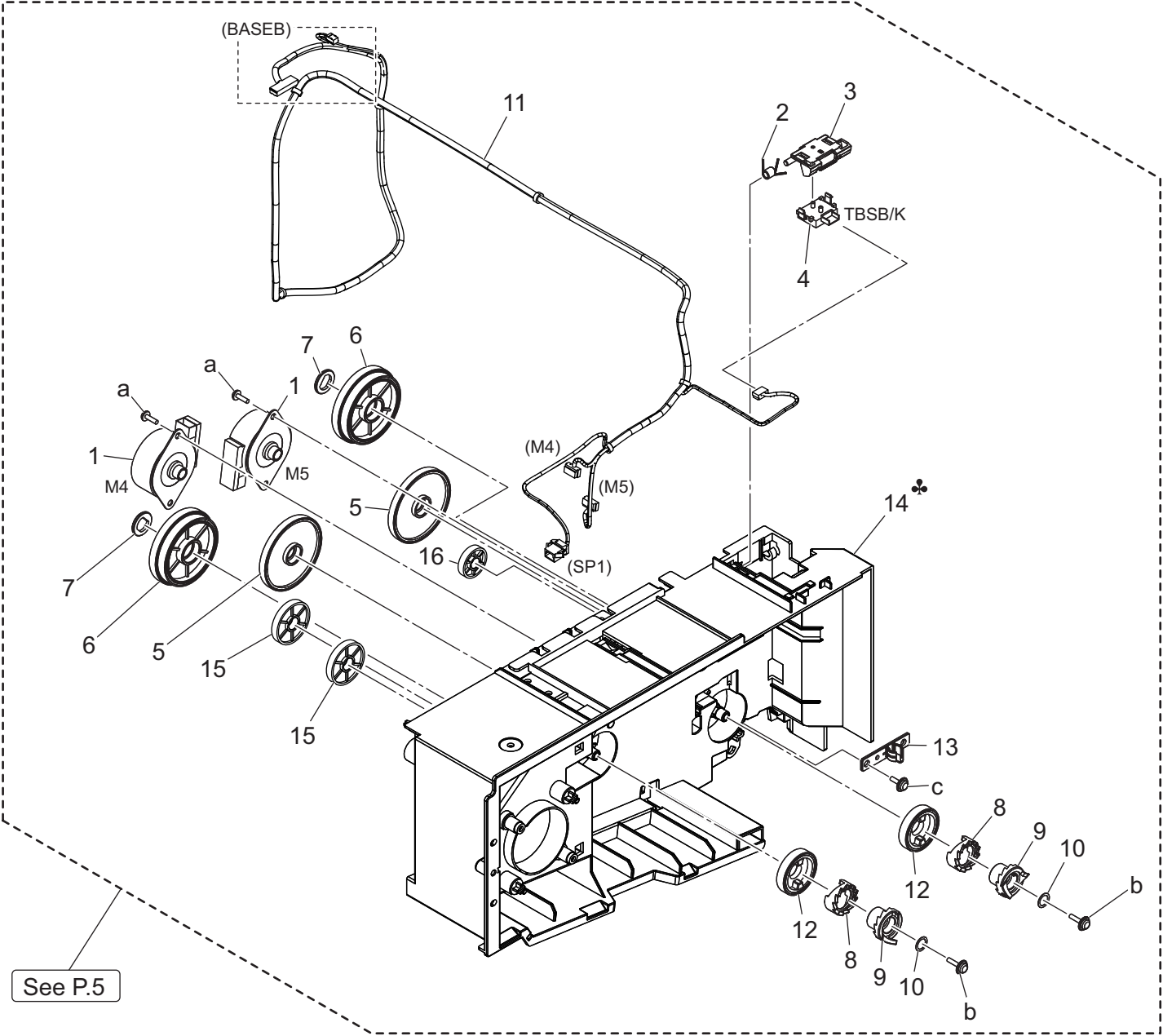


Toner Supply Section



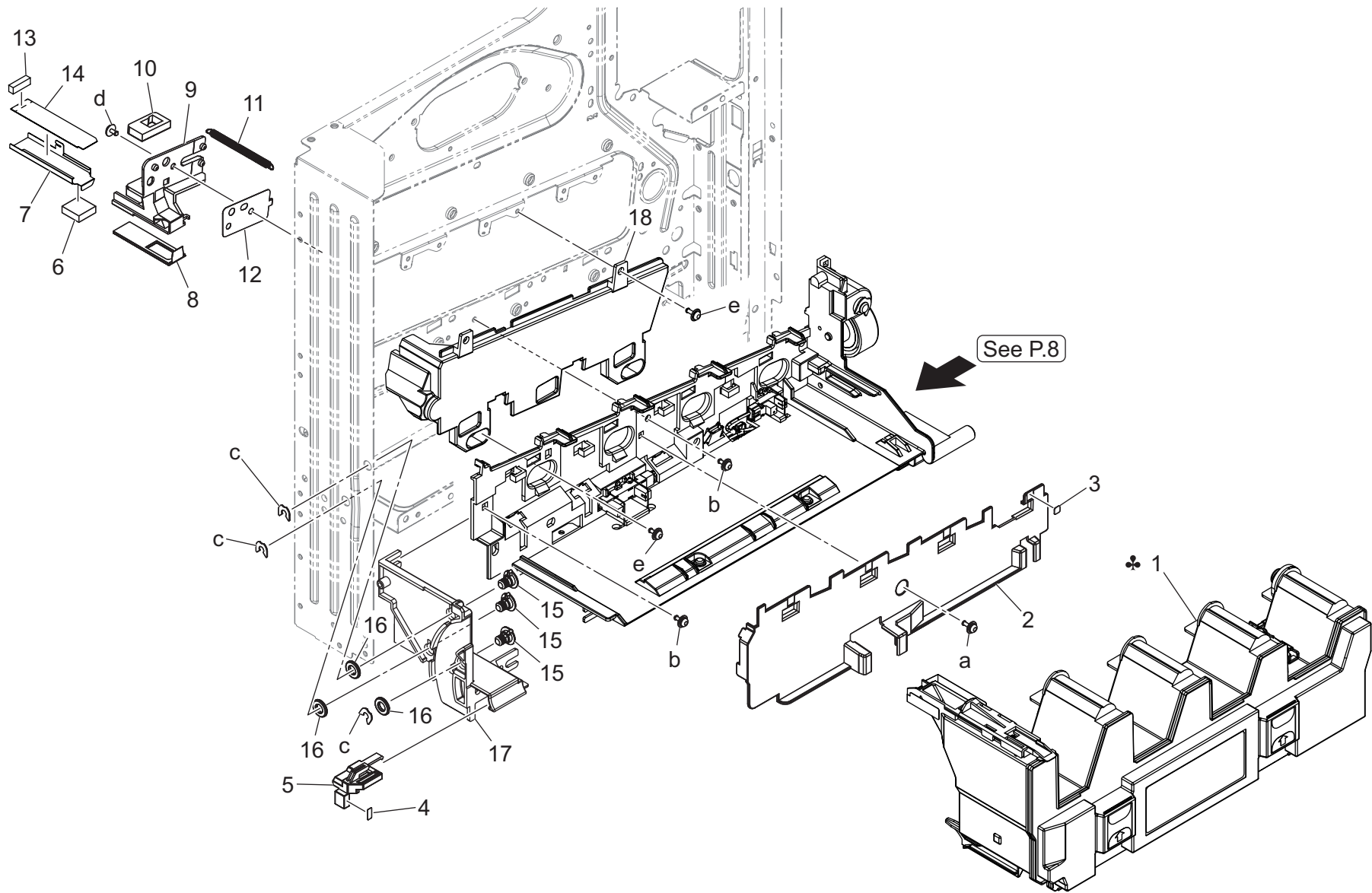


# Toner Supply Section





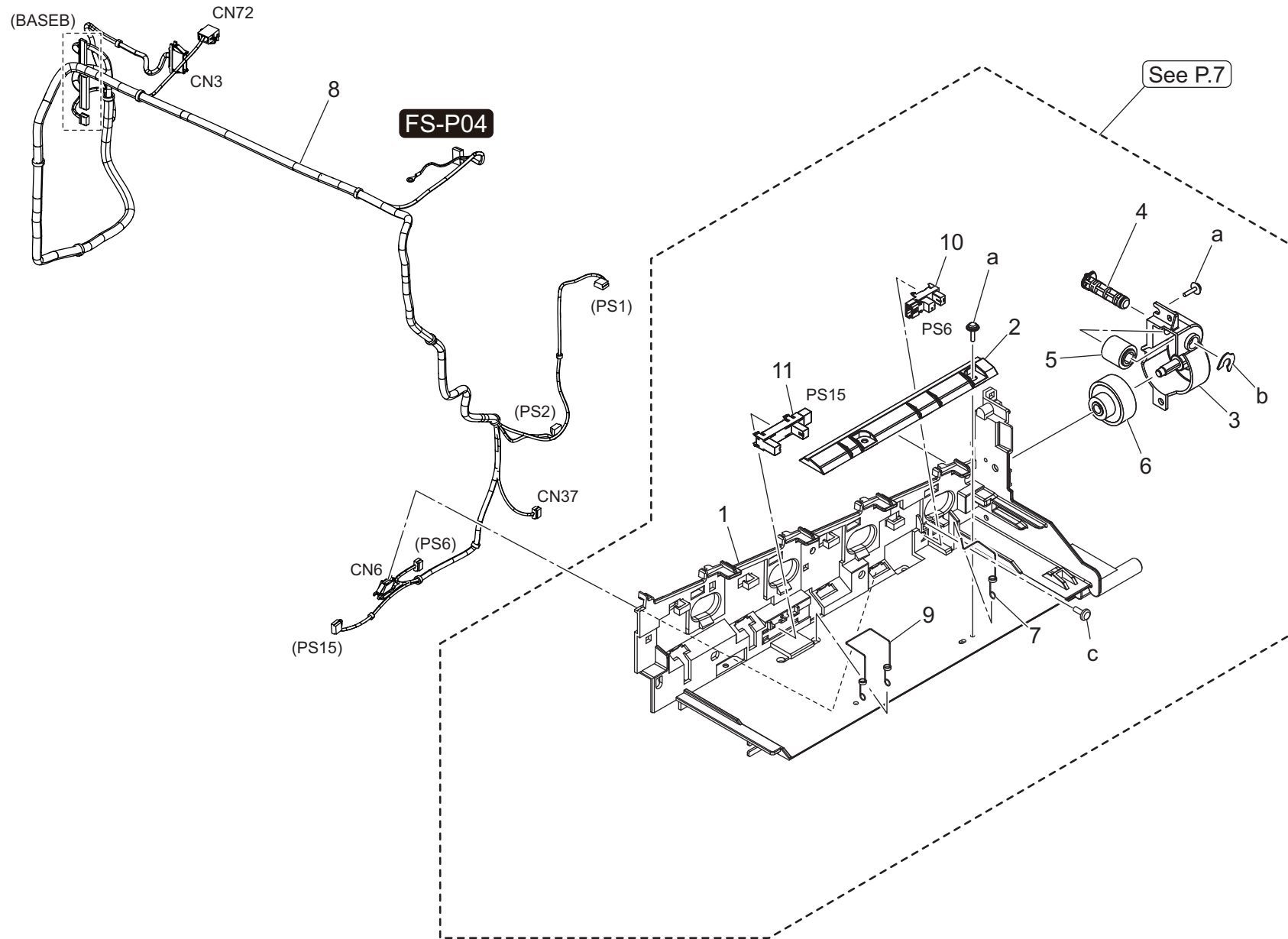
# Toner Collection Section



Key	Part No.	Description	Destinations	Class	QTY	Standard parts
1	ACTE011	Waste Toner Bottle	B,G2,H	A	1	a-V116030804 b-V125030803 c-V218040086 d-V144030603 e-V116030804
1	ACTEWY1	Waste Toner Bottle	C,D1,D3,E,F2,G1,I,K	A	1	
2	A93E164502	Cover		D	1	
3	A02E940300	Label		C	1	
4	A93E940600	Label		D	1	
5	A93E623602	Stopper		D	1	
6	A93E363701	Seal		D	1	
7	A93E362301	Shutter		D	1	
8	A93E362402	Seal		D	1	
9	A93E363803	Holder		D	1	
10	A93E362201	Seal		D	1	
11	A93E362501	Pulling Coil spring		C	1	
12	A93E110300	Ground Spring		D	1	
13	A93E363900	Seal		D	1	
14	A93E364100	Seal		D	1	
15	A93E168000	Shaft		D	3	
16	A93E168300	Roll		D	3	
17	A93E165200	Cover /B		D	1	
18	ACT9165002	Cover		D	1	

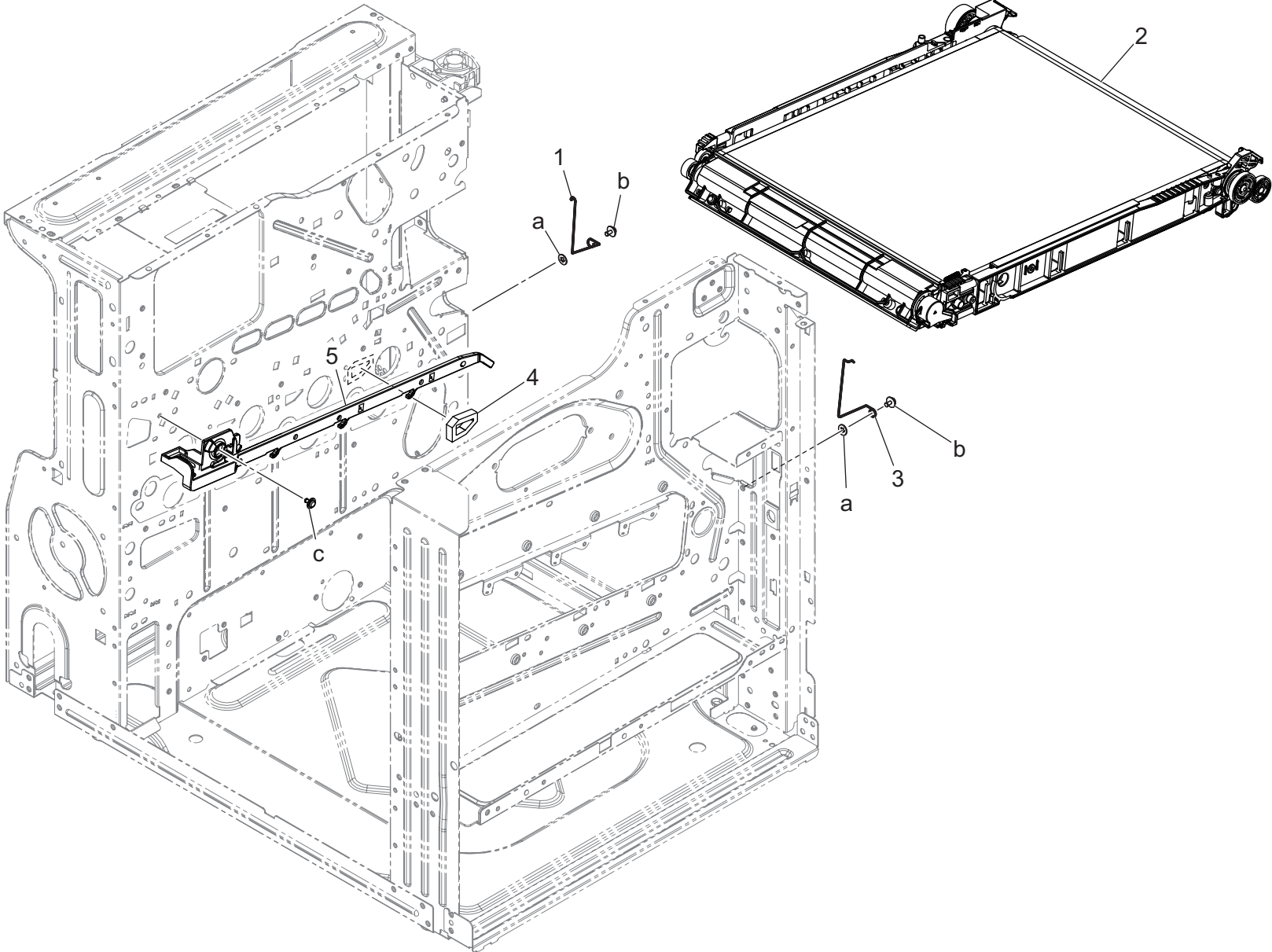


# Toner Collection Section



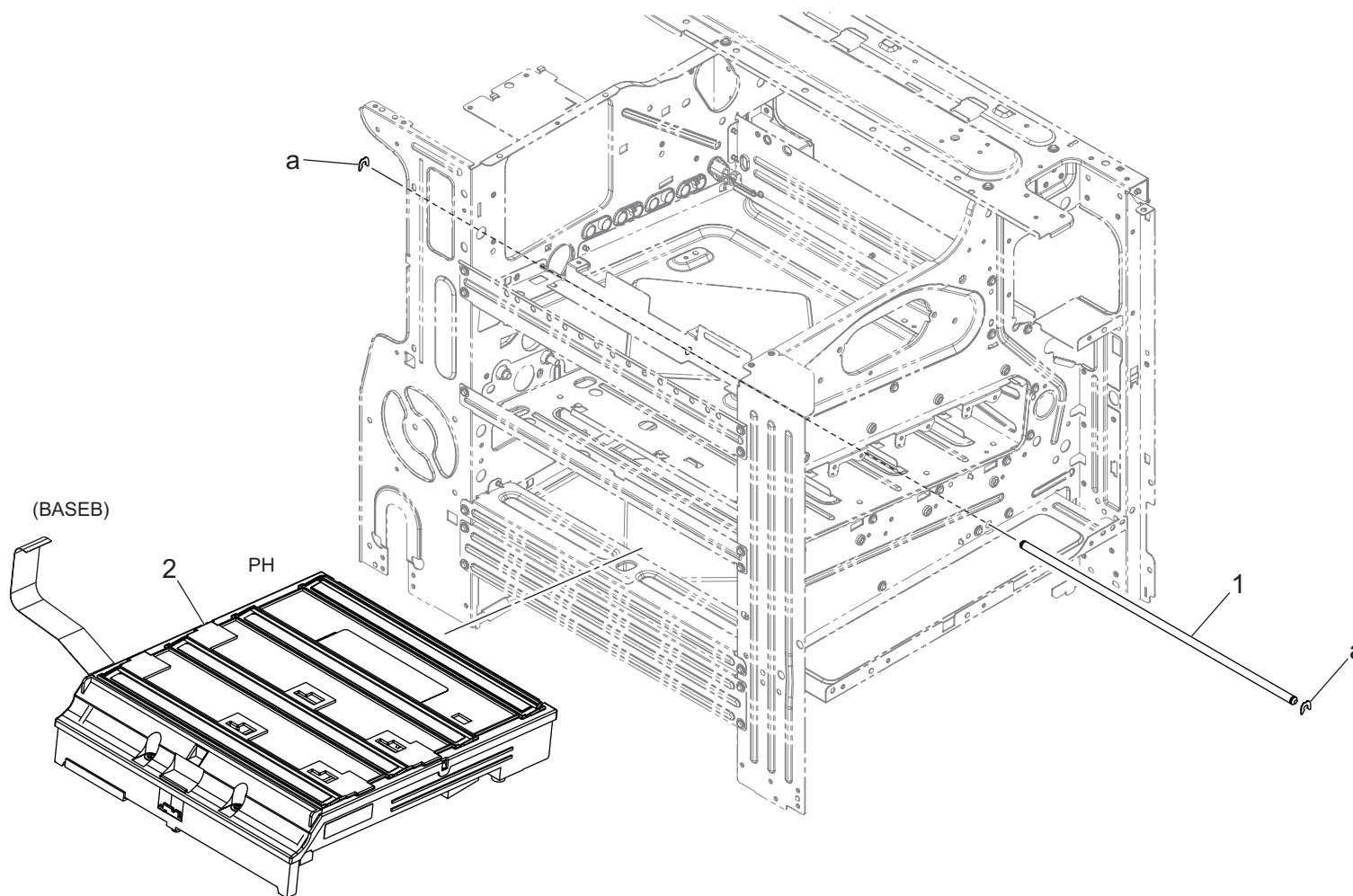
Key	Part No.	Description	Destinations	Class	QTY	Standard parts
1	A93E165113	Cover		D	1	a-V153031004 b-V218060086 c-V162020404
2	A93E165301	Lock Claw		D	1	
3	A93E240000	Drive Holder		D	1	
4	A93E240100	Connecting Shaft		D	1	
5	A93E240500	Gear 10T		C	1	
6	A93E240600	Gear 13/20T		C	1	
7	A93E163011	Pulling Coil spring		C	1	
8	ACT9N10001	Photoconductor Harness		D	1	
9	A93E163111	Pulling Coil spring		C	1	
10	A5C1M50100	Photointerrupter		B	1	
11	9335140051	SOLID STATE SWITCH		B	1	

1st Transfer Section



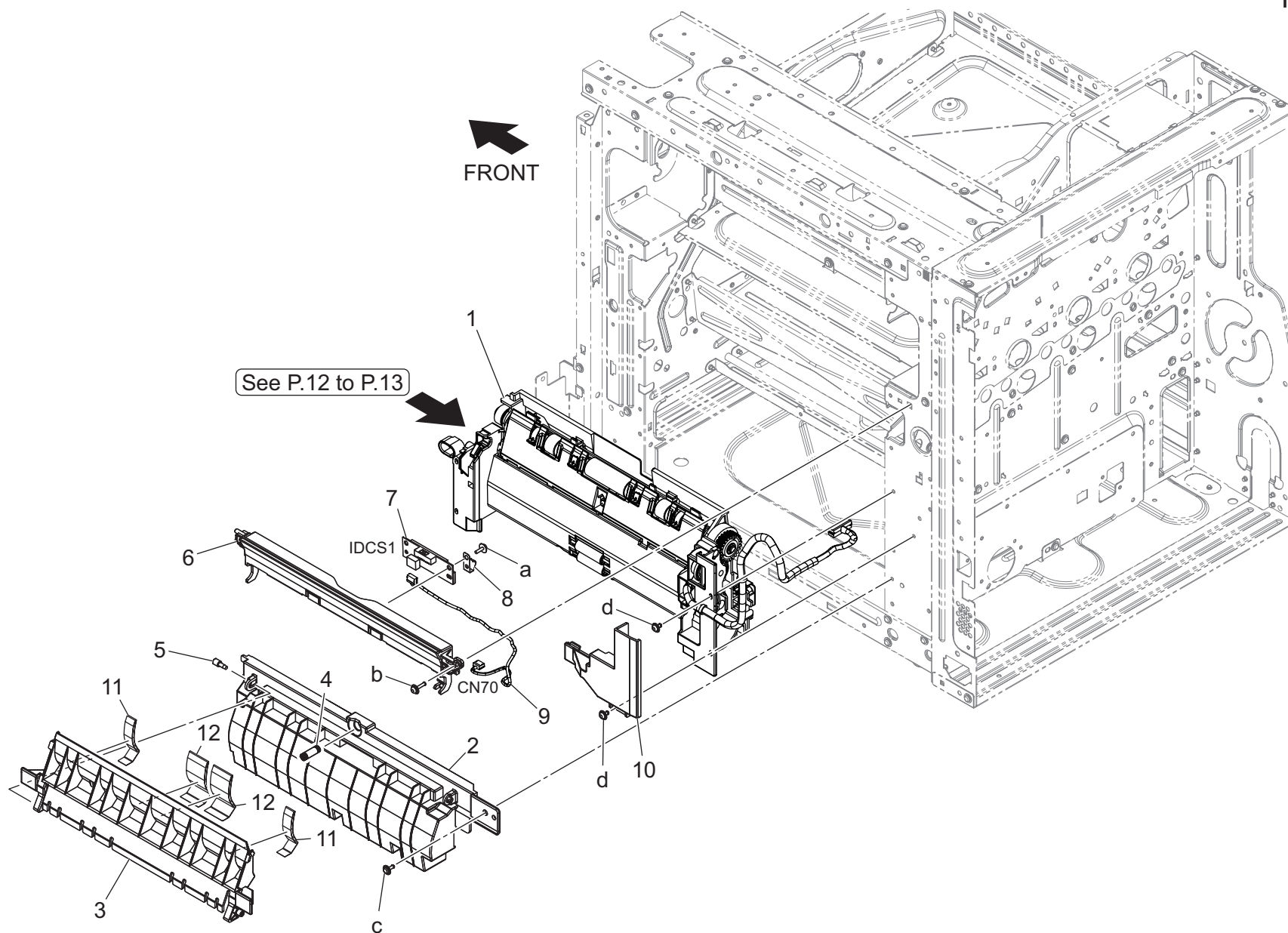
1st Transfer Section

Key	Part No.	Description	Destinations	Class	QTY	Standard parts
1	A93E110400	Fixing Spring		D	1	a-V211030080 b-V116030603 c-V144030603
2	ACT9R70300	Transfer Unit		B	1	
3	A93E110600	Fixing Spring		D	1	
4	A93E152600	Seal		D	1	
5	A93E110100	Rail /Rear		D	1	



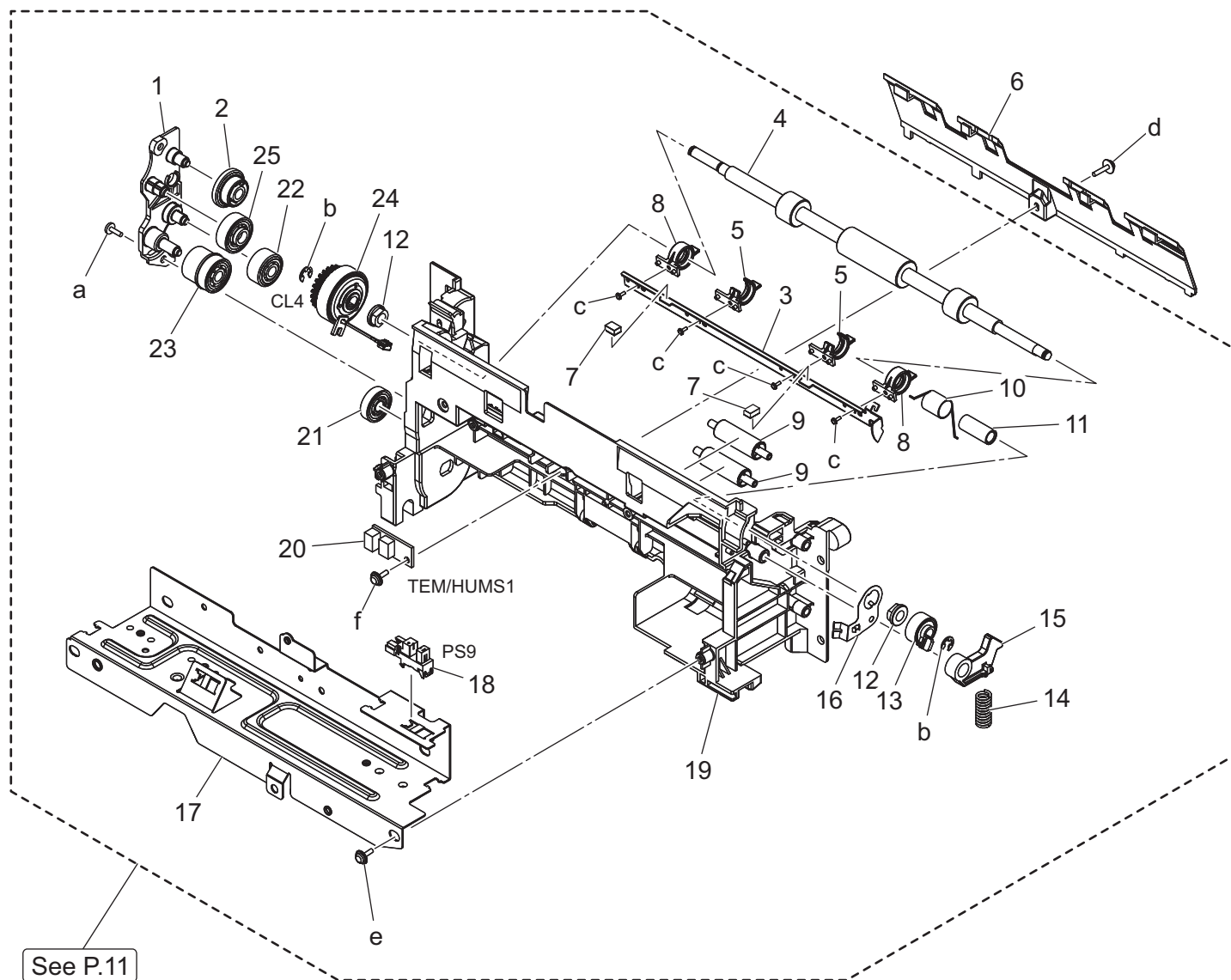
Write Section

Key	Part No.	Description	Destinations	Class	QTY	Standard parts
1	A93E100300	Shaft		D	1	a-V218040086
2	ACT9R70900	Print Head Assy		I	1	

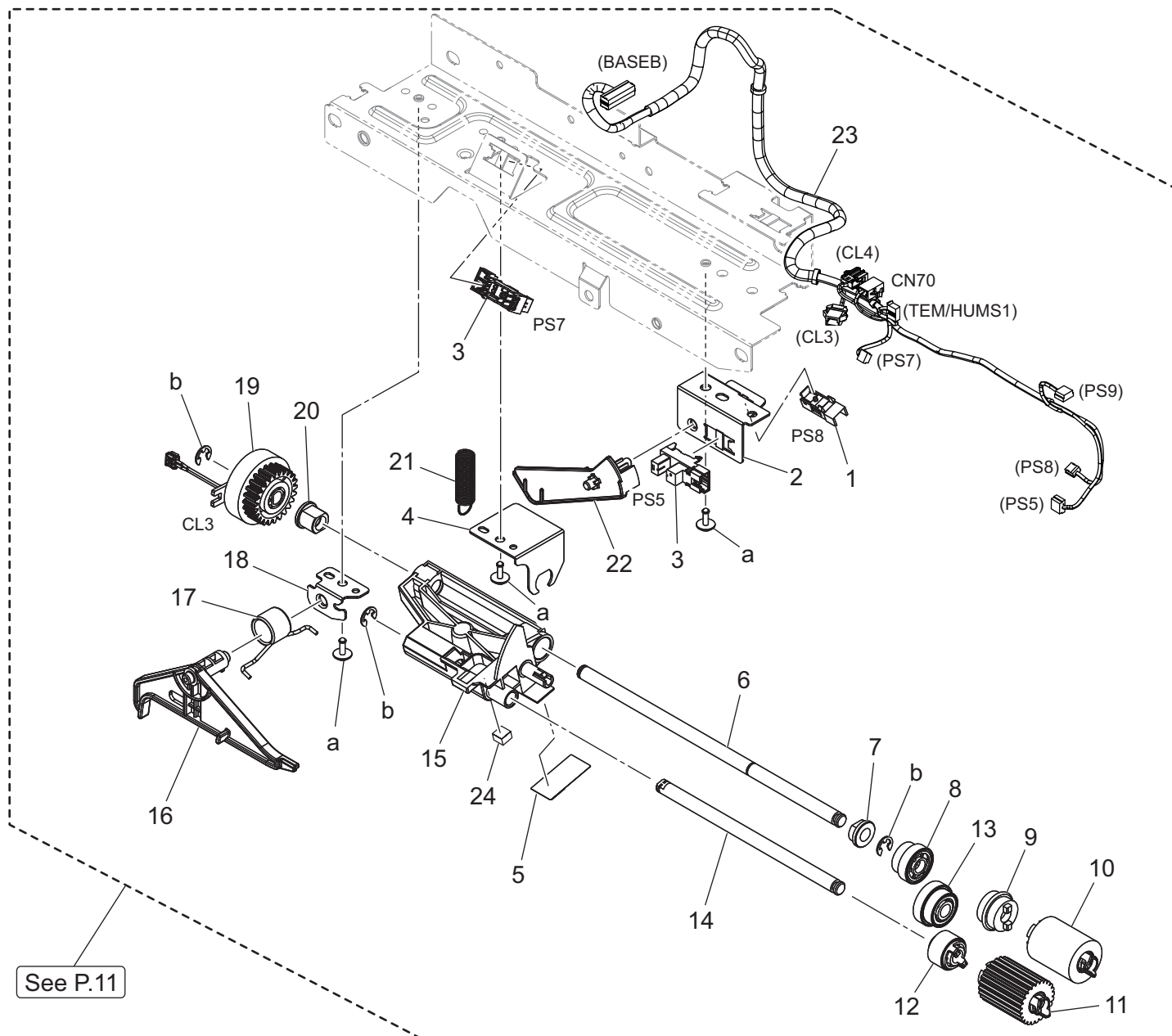


Key	Part No.	Description	Destinations	Class	QTY	Standard parts
1	ACT9R70700	Conveyance/ Paper Feed Assy		S	1	a-V153030803 b-V116031203 c-V144030803 d-V127030604
2	A93E701902	Guide		D	1	
3	A93E703102	Open/close Guide		D	1	
4	A93E703200	Compressing Coil spring		C	1	
5	4532341001	SHOULDER SCREW		D	1	
6	A93E700401	Conveyance Guide		D	1	
7	A161M50000	Photo sensing		I	1	
8	A93E705200	Ground Plate		D	1	
9	A93EN10J00	Relay harness /2		D	1	
10	A93E133300	Cover		D	1	
11	A93E707800	Sheet		D	2	
12	A93E707700	Sheet		D	2	





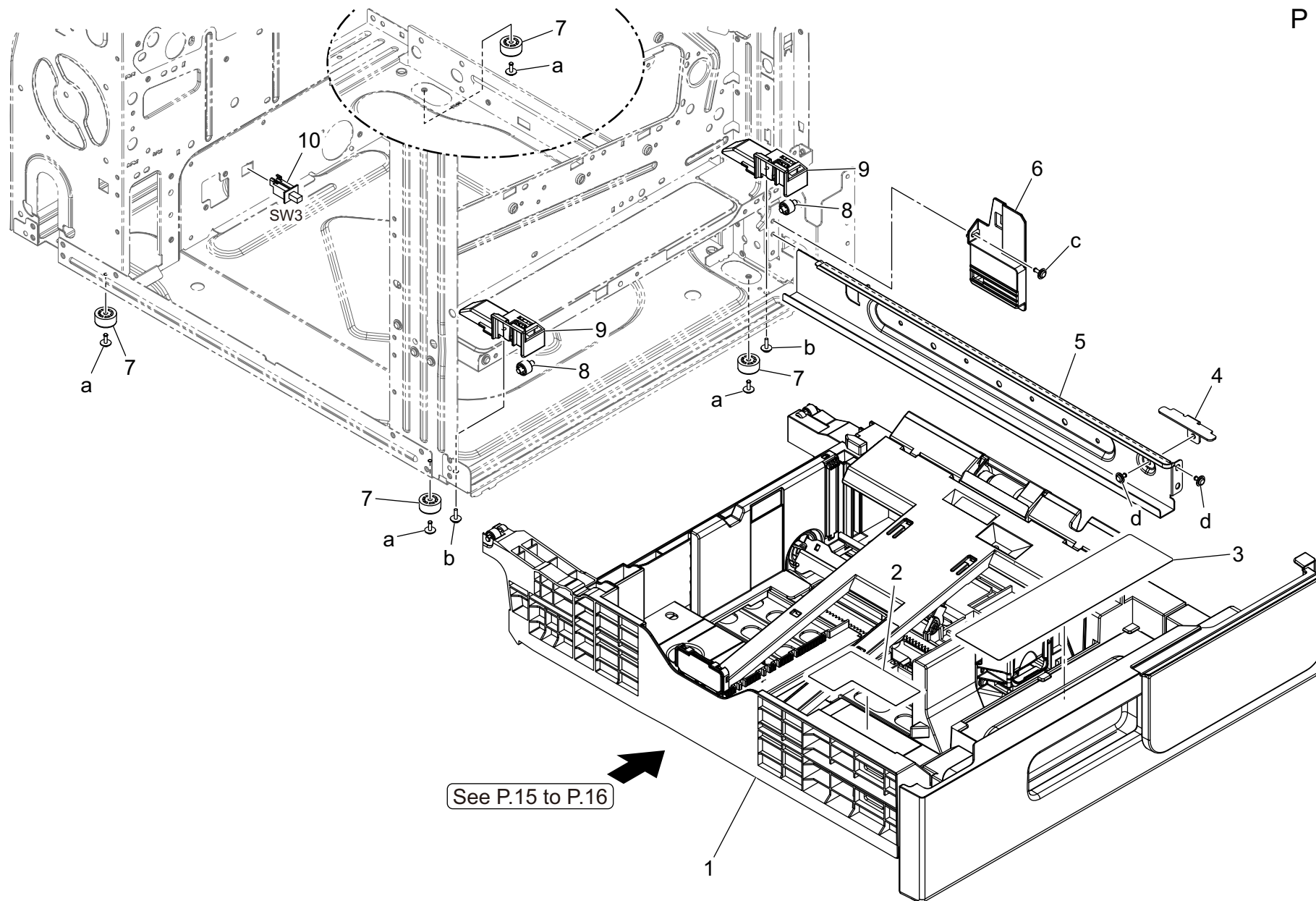
Key	Part No.	Description	Destinations	Class	QTY	Standard parts
1	A93E705000	Holder		D	1	a-V149030803 b-V217040003 c-V162020404 d-V116031203 e-V153030803 f-V153031004
2	A93E230600	Gear 20T	ホルダ (給紙駆動) ギア 20 T	C	1	
3	A93E700600	Mounting Plate	取付板	D	1	
4	A93E701101	Roller	ローラ (ゲート搬送)	C	1	
5	A93E705401	Stopper Part	突当て部材 (半円)	D	2	
6	A93E700800	Guide	ガイド (RR 前)	D	1	
7	A93E704800	Cushion	クッション	D	2	
8	A93E705301	Stopper Part	突当て部材 (円筒)	D	2	
9	A93E707300	Roll	ころ	C	2	
10	A93E700902	Torsion Coil spring	ねじりコイルばね	C	1	
11	A93E706100	Bushing	すべり軸受 (ねじりコイルばね)	D	1	
12	1134304301	BUSHING	軸受	C	2	
13	A93E701600	Gear 20T	ギア 20 T	C	1	
14	A93E701700	Compressing Coil spring	圧縮コイルばね (30)	C	1	
15	A93E701300	Lever	レバー	C	1	
16	A93E701500	Ground Plate	アース板	D	1	
17	A93E701211	Reinforce Plate	補強板	D	1	
18	A5C1M50100	Photointerrupter	透過型センサ	B	1	
19	ACT9700100	Conveyance Guide	搬送ガイド (内)	D	1	
20	A7AHM50400	Humidity sensor	温湿度センサ	I	1	
21	A93E230500	Gear 17T	ギア 17 T	C	1	
22	A93E230400	Gear 17T	ギア 17 T	C	1	
23	A93E230700	Gear 17/18T	ギア 17/18 T	C	1	
24	A7AHM20501	Clutch	クラッチ (Z = 24)	C	1	
25	A93E230301	Gear 19T	ギア 19 T	C	1	



See P.11

Key	Part No.	Description	Destinations	Class	QTY	Standard parts
1	A0EDM50100	Photoreflector		I	1	a-V144030803 b-V217040003
2	A93E562200	Mounting Plate		D	1	
3	A5C1M50100	Photointerrupter		B	2	
4	A93E562411	Mounting Plate		D	1	
5	A7AH562900	Protection Sheet		C	1	
6	A93E560501	Paper feed Shaft		D	1	
7	1134304301	BUSHING		C	1	
8	A7AH562400	Paper feed Gear		C	1	
9	A02E561100	Clutch		C	1	
10	A64J564101	Paper feed Roller		A	1	
11	A64J564201	Paper feed Roller		A	1	
12	A7AH562600	Conveyance Gear 28T		C	1	
13	A7AH562300	Idling Gear		C	1	
14	A93E563400	Shaft		D	1	
15	A93E562100	Pressing Lever		D	1	
16	A93E566100	Release Lever		D	1	
17	A93E566200	Torsion Spring		C	1	
18	A93E566400	Mounting Plate		D	1	
19	A7AHM20501	Clutch		C	1	
20	A02E815200	BUSHING		C	1	
21	A93E562800	Compressing Coil spring		C	1	
22	A93E565800	Actuator		D	1	
23	ACT9N10600	Main Body Harness /3		D	1	
24	ACT9562500	Cushion		D	1	

# Tray Section

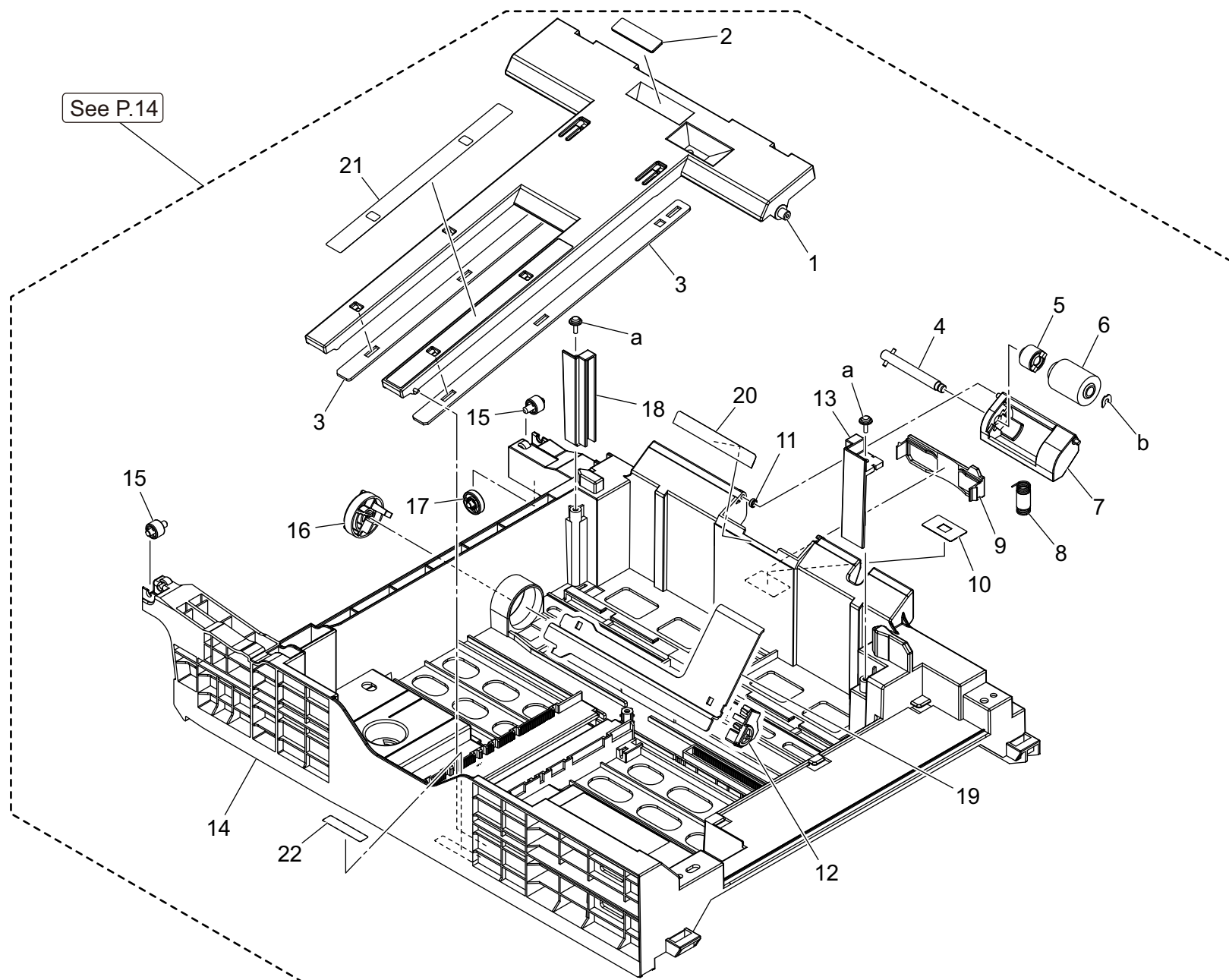


# Tray Section

Key	Part No.	Description	Destinations	Class	QTY	Standard parts
1	ACT9F62003	Cassette ASSY		S	1	a-V125030803 b-V153030803 c-V144030803 d-V144030603
2	A93E940800	Label		D	1	
3	A93E940701	Label		D	1	
4	A93E103300	Reinforce Plate		D	1	
5	A93E103001	Rail		D	1	
6	A93E103200	Cover		D	1	
7	0996305501	RUBBER FOOT		C	4	
8	A93E623301	Roll		D	2	
9	A93E121301	Guide		D	2	
10	A797M60100	Switch		C	1	

# Tray Section

P 15



bizhub 4750i

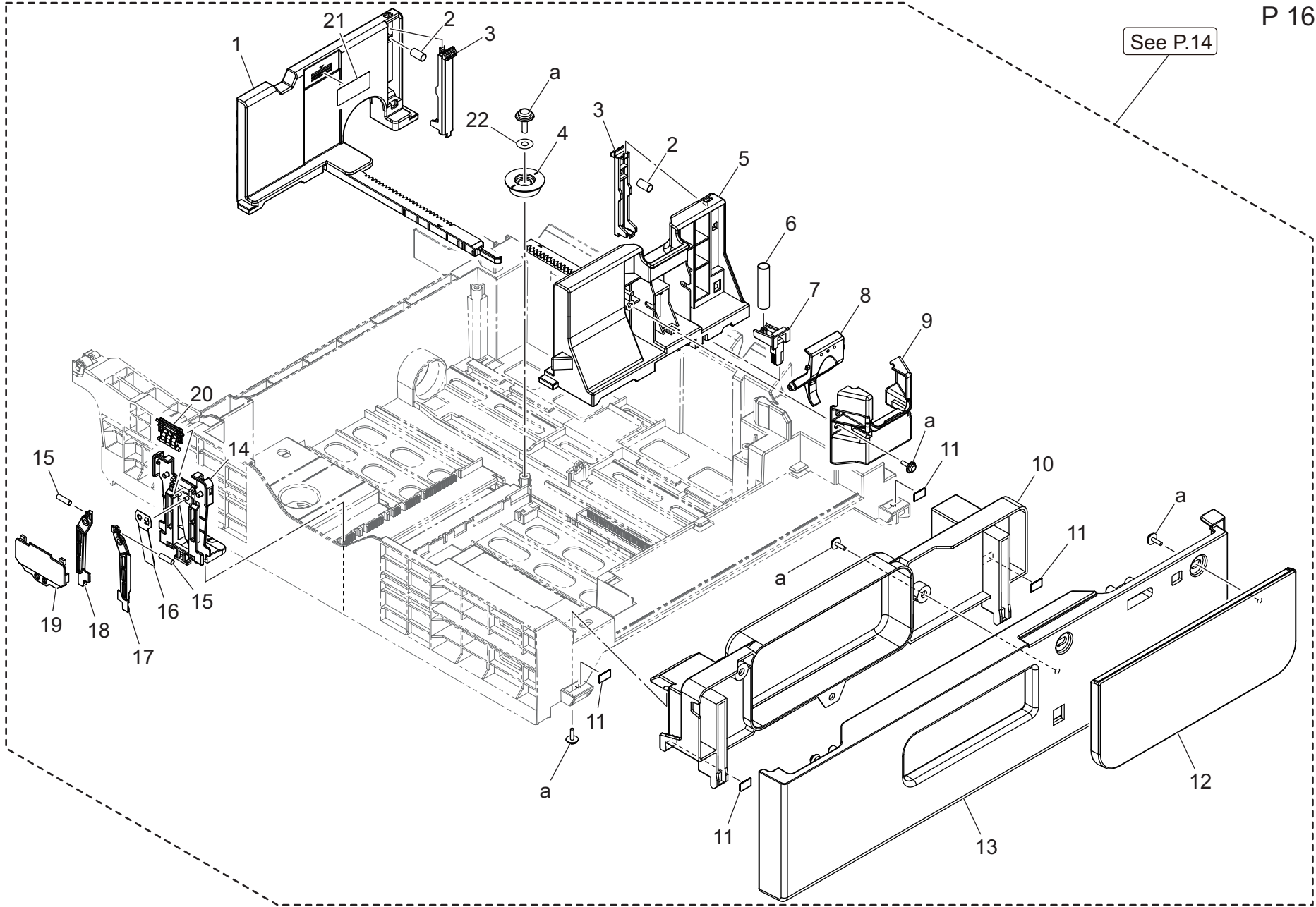
Key	Part No.	Description	Destinations	Class	QTY	Standard parts
1	A93E620214	Lifting Plate		D	1	a-V153030804 b-V218030086
2	A93E620500	Separating Sheet		C	1	
3	A93E621000	Reinforce Plate		D	2	
4	ACT9626300	Shaft		D	1	
5	A0ED563900	Torque limiter		C	1	
6	A11U560000	Roller		A	1	
7	ACT9626101	Holder		D	1	
8	ACT9626201	Compressing Coil spring		C	1	
9	A93E620701	Cover		D	1	
10	A93E621100	Hold Part		D	1	
11	9J04534301	Collar		D	1	
12	A93E620601	Support Shaft		D	1	
13	A93E620901	Guide Stopper /Front		D	1	
14	ACT9620100	Paper feed Cassette		D	1	
15	A93E623301	Roll		D	2	
16	A93E620401	Lifting Coupling		C	1	
17	A93E623400	Roll		C	1	
18	A93E620801	Guide Stopper /Rear		D	1	
19	A93E620301	Lifting Lever		D	1	
20	A93E626501	Guide		C	1	
21	A93E940400	Label		D	1	
22	A93E940500	Label		D	1	



# Tray Section

P 16

See P.14

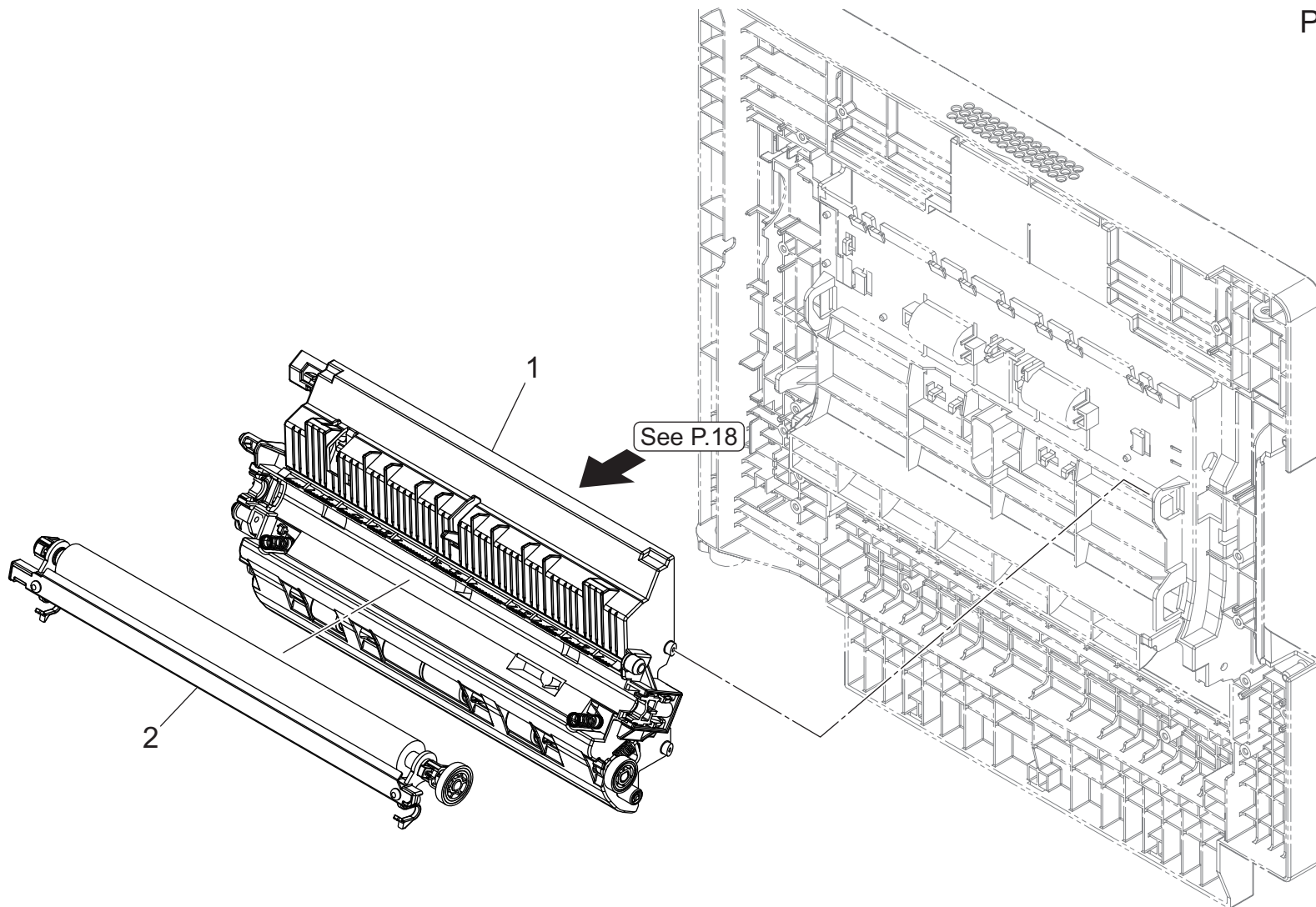


bizhub 4750i

Key	Part No.	Description	Destinations	Class	QTY	Standard parts
1	A93E622203	Regulating Plate		C	1	a-V153030804
2	A795622700	Compressing Spring		C	2	
3	A93E622601	Auxiliary Guide		D	2	
4	A161620701	Gear		D	1	
5	A93E622103	Regulating Plate		C	1	
6	AA2J621000	Compressing Spring		C	1	
7	AA2J621200	Lock Lever /2		D	1	
8	A93E622700	Lock Lever		C	1	
9	A93E622501	Holder		D	1	
10	A93E625202	Cover		D	1	
11	A93E624000	Spacer		D	4	
12	A93E626702	Cover		D	1	
13	A93E625100	Cover		D	1	
14	A93E625000	Regulating Plate		C	1	
15	A795565500	Compressing Spring		C	2	
16	AA2J629200	Plate spring		D	1	
17	A93E625900	Lock Lever		C	1	
18	A93E625800	Lock Lever		C	1	
19	A93E625300	Cover		D	1	
20	AA2J629000	Operation Lever		D	1	
21	AA2J943701	Label		D	1	
22	9J08890700	WASHER		C	1	

## 2nd Transfer Section

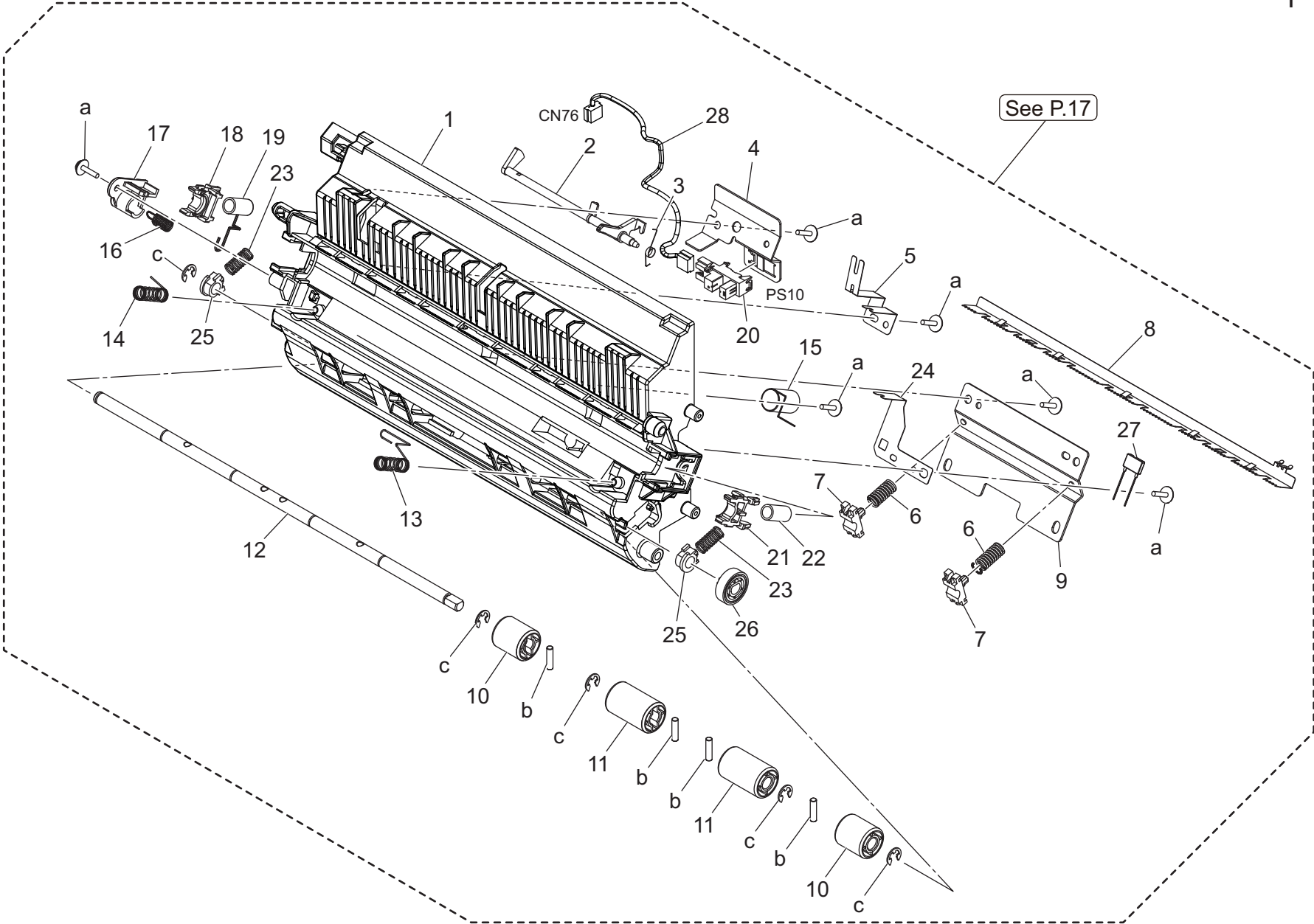
P 17



# 2nd Transfer Section

Key	Part No.	Description	Destinations	Class	QTY	Standard parts
1	AAJRR71500	Conveyance Assy		S	1	
2	AAJRR70500	2nd Transfer Roller Unit		B	1	

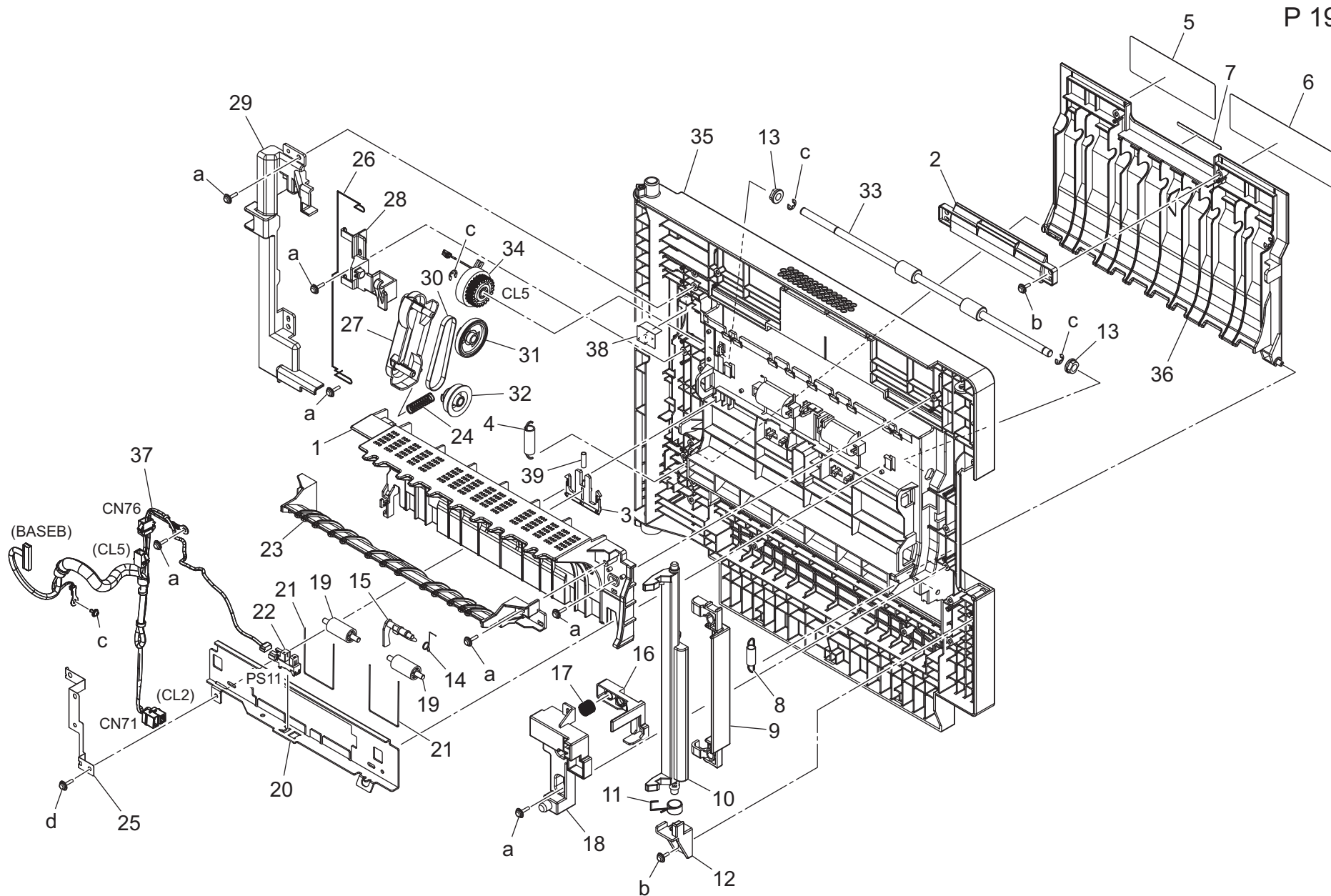
Vertical Conveyance Section



Key	Part No.	Description	Destinations	Class	QTY	Standard parts
1	A93E702114	Conveyance Guide		D	1	a-V153031004 b-V234301250 c-V217040003
2	A93E703400	Actuator		C	1	
3	A0VD700302	Torsion Coil spring		C	1	
4	A93E702400	Mounting Plate		D	1	
5	A93E707000	Ground Plate		D	1	
6	A93E704100	Compressing Coil spring		C	2	
7	A93E704301	Bushing		D	2	
8	A3GN701800	Neutralizing Part		D	1	
9	A93E703900	Mounting Plate		D	1	
10	A93E707100	Roll Outside		C	2	
11	A93E702500	Roll		C	2	
12	A93E703600	Shaft		D	1	
13	A93E706200	Compressing Spring		C	1	
14	A93E707200	Compressing Spring		C	1	
15	A93E708300	Compressing Coil spring		C	1	
16	A93E704700	Compressing Coil spring		C	1	
17	A93E704900	Cover		D	1	
18	A93E510902	Receiving Part /Rear		D	1	
19	A93E702600	Compressing Coil spring		C	1	
20	A5C1M50100	Photointerrupter		B	1	
21	A93E511102	Receiving Part /Front		D	1	
22	A93E703300	Compressing Coil spring		C	1	
23	A93E704200	Compressing Coil spring		C	2	
24	A93E704600	Ground Plate		D	1	
25	A93E703800	Bushing		D	2	
26	A93E703700	Gear 20T		C	1	
27	V800500300	FIXED POWER RESISTORS		D	1	
28	A93EN10N00	Relay harness /5		D	1	

# Vertical Conveyance Section

P 19



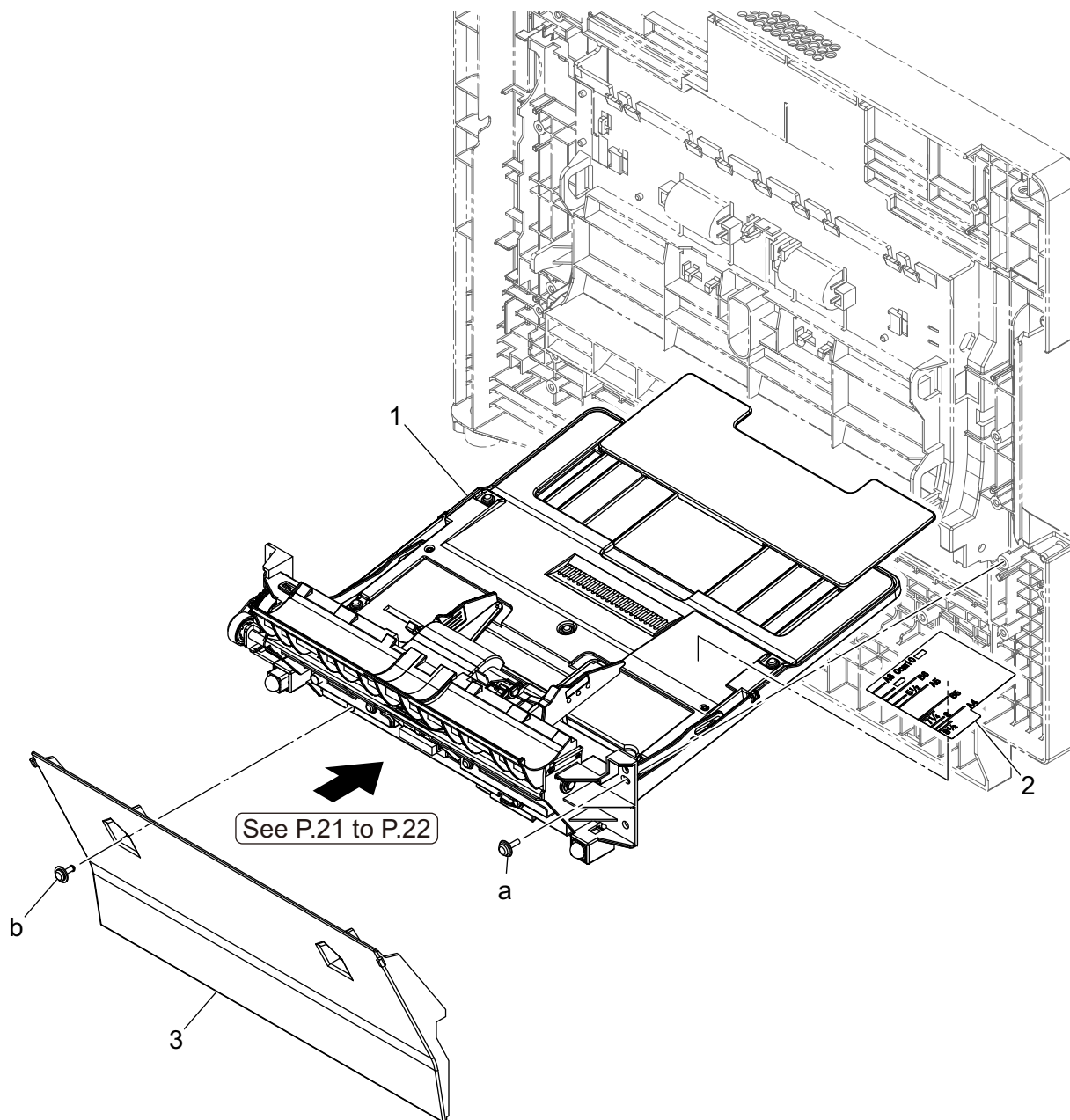
bizhub 4750i

# Vertical Conveyance Section

Key	Part No.	Description	Destinations	Class	QTY	Standard parts
1	ACT9813100	Guide /Upper	ガイド /上	D	1	a-V153031004 b-V153030803 c-V217040003 d-V144030603
2	A93E810800	Handle	取手	D	1	
3	A93E810701	Lock Part	ロック部材	D	1	
4	A93E810600	Pulling Coil spring	引張りコイルばね (ユニット引込用)	C	1	
5	A93E944500	Label	ラベル (禁止用紙)	D	1	
6	A93E944600	Operation Label	操作ラベル	D	1	
7	A93E942100	Label	ラベル (ADU 扉)	D	1	
8	A0VD703700	Pulling Coil spring	引張りコイルばね (ユニット引込用)	D	1	
9	A93E814702	Handle	取手	D	1	
10	A93E814300	Lock Lever	ロックレバー	C	1	
11	A93E814500	Torsion Coil spring	ねじりコイルばね	C	1	
12	A93E814401	Holder	ホルダ (ロックレバー下)	D	1	
13	1134304301	BUSHING	軸受	C	2	
14	A93E815200	Torsion Coil spring	ねじりコイルばね (PSD)	C	1	
15	A93E815100	Actuator	アクチュエータ (PSD)	C	1	
16	A93E814001	Lever	レバー	D	1	
17	A93E811400	Compressing Coil spring	圧縮コイルばね	D	1	
18	A93E814100	Cover	カバー (開閉検出)	D	1	
19	4538373201	ROLL	ころ	D	2	
20	A93E810211	Reinforce Plate	補強板	D	1	
21	A93E812100	Spring	ばね (ローラ圧接)	C	2	
22	A5C1M50100	Photointerrupter	透過型センサ	B	1	
23	A93E814202	Guide	ガイド (両面)	D	1	
24	A93E813800	Compressing Coil spring	圧縮コイルばね (DUP 駆動圧接)	C	1	
25	A93E814800	Ground Plate	アース板 (DUP 搬送)	D	1	
26	A93E594200	Ground Contact	アース接点	D	1	
27	A93E813302	Swing Housing	揺動ハウジング	D	1	
28	A93E813201	Positioning Shaft	位置決め軸	D	1	
29	A93E815302	Cover	カバー (ハーネス)	D	1	
30	A0HR211900	Drive Belt /5	駆動ベルト /5 (B 4 0 S 2 M 1 4 8)	C	1	
31	A93E813501	Gear 31T	ギア 31 T	C	1	
32	A93E813700	Gear 23T	ギア 23 T	C	1	
33	A93E812000	Roller	ローラ (両面搬送)	C	1	
34	A7AHM20501	Clutch	クラッチ (Z = 2 4)	C	1	
35	A93E810118	Door	扉 (右)	D	1	
36	A93E810502	Open/close Guide	開閉ガイド	D	1	
37	A93EN10B00	Conveyance Wiring /1	搬送束線 / 1	D	1	
38	A93E815400	Wiring Cover	配線カバー	D	1	
39	A93E810900	Compressing Coil spring	圧縮コイルばね	C	1	



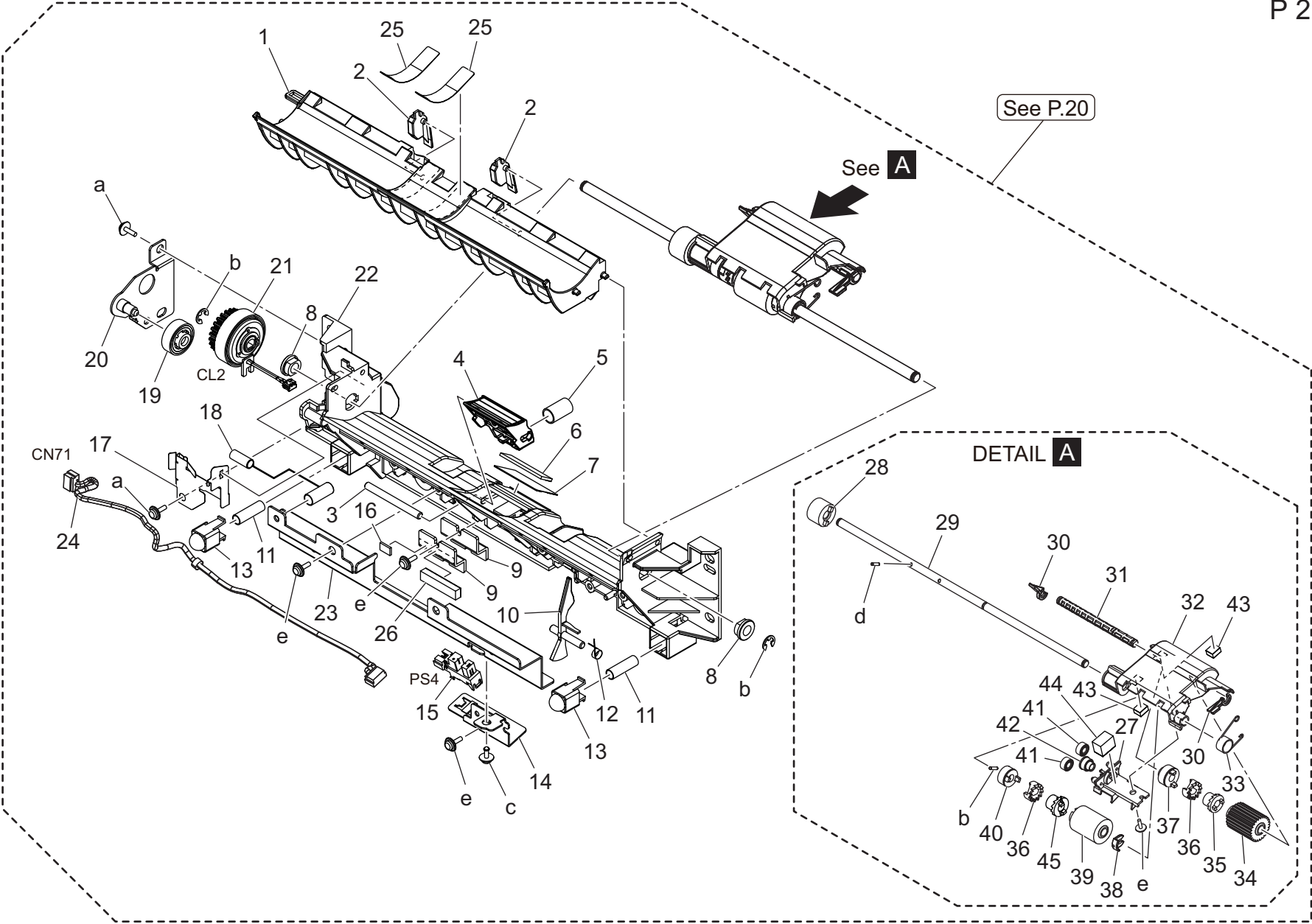
# Bypass Tray Section



# Bypass Tray Section

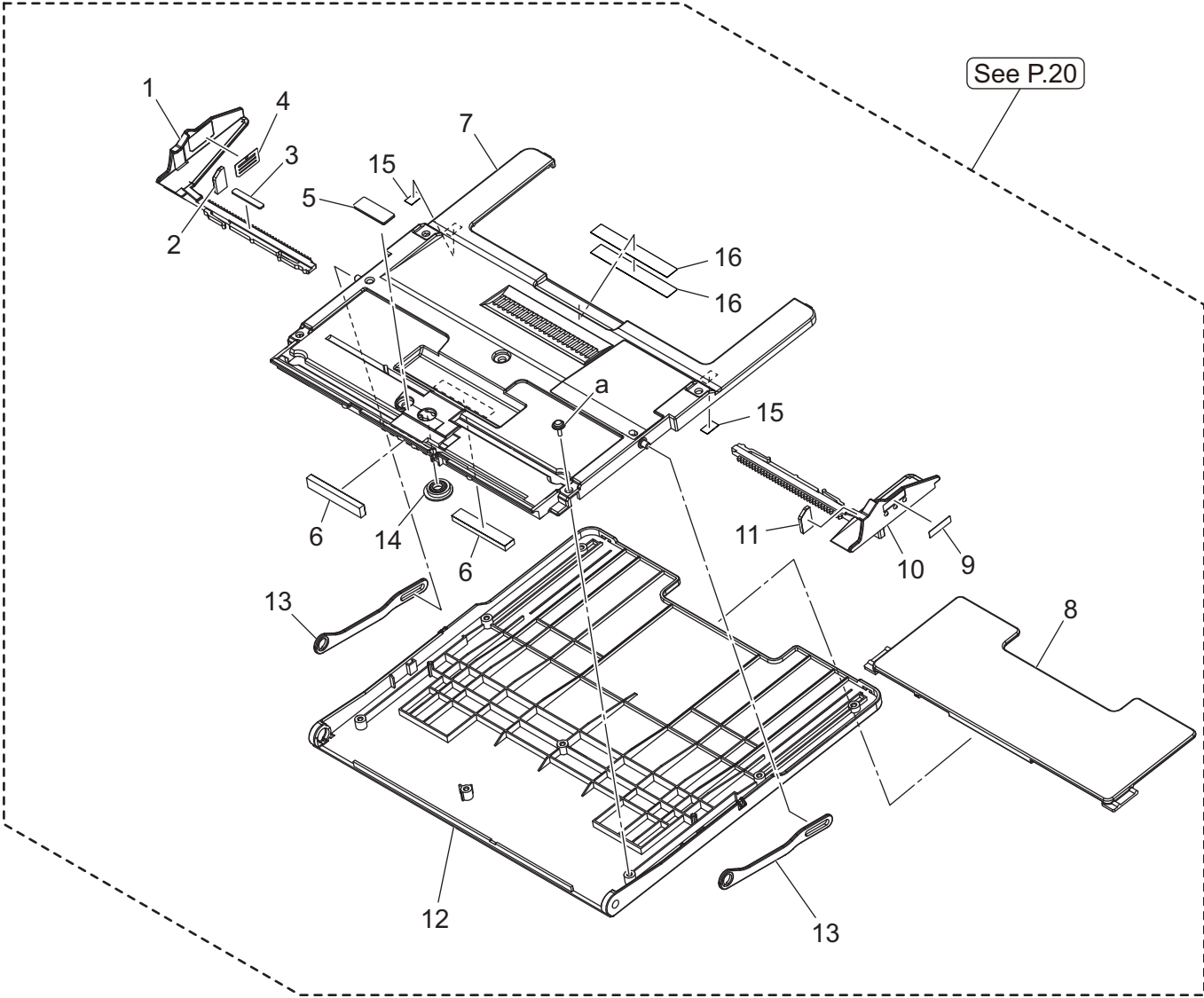
Key	Part No.	Description	Destinations	Class	QTY	Standard parts
1	AAJRR71633	Manual Bypass Assy		S	1	a-V153030804
2	A93E944200	Label		D	1	b-V144030803
3	A93E590402	Guide		D	1	

# Bypass Tray Section



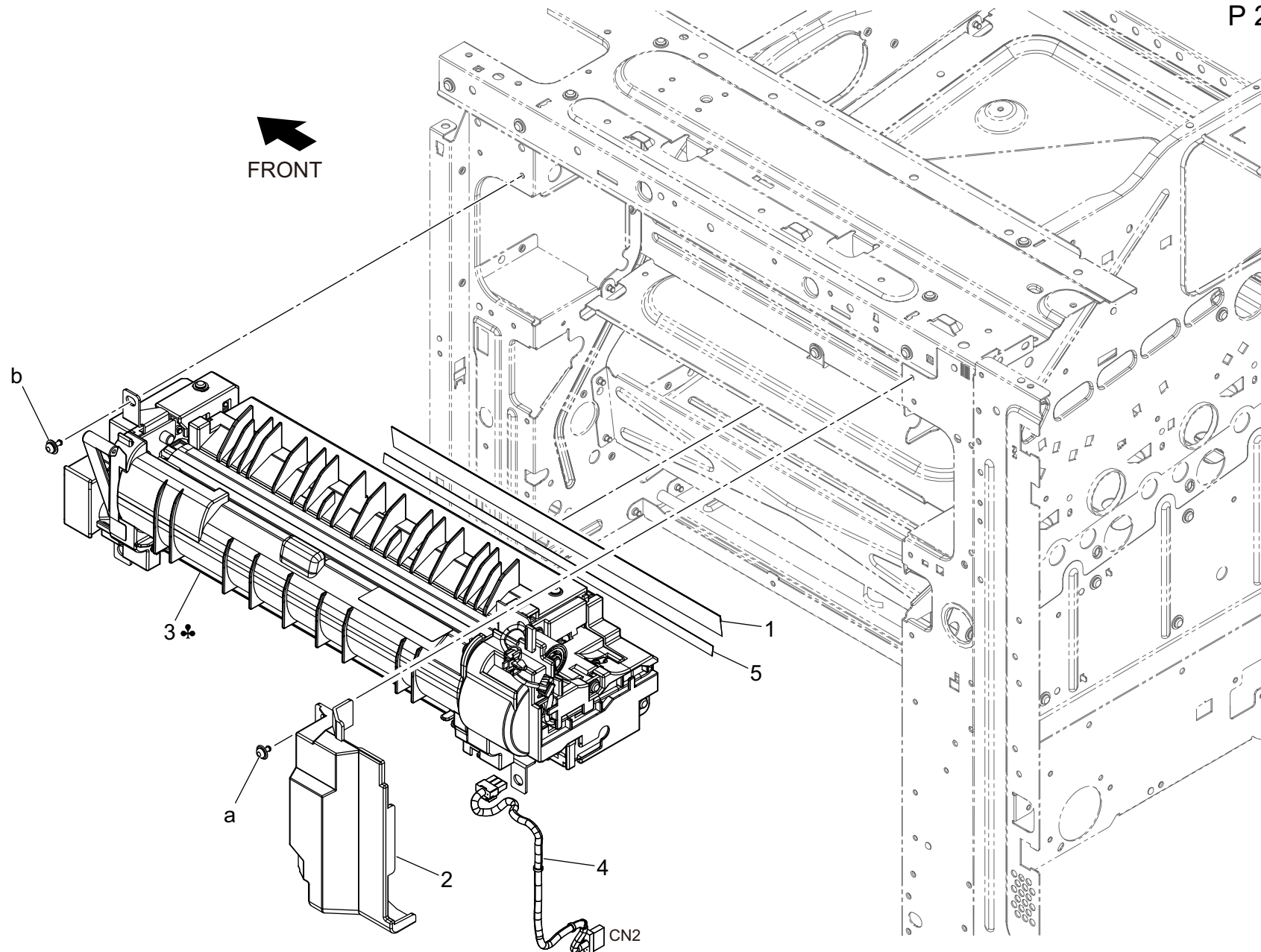
Key	Part No.	Description	Destinations	Class	QTY	Standard parts
1	A93E590302	Guide	ガイド (両面)	D	1	a-V153030804 b-V217040003 c-V125030803 d-V231200850 e-V153030803
2	A93E596300	Shutter	シャッター	C	2	
3	A93E591900	Support Shaft	支点軸 (さばきホルダ)	D	1	
4	AAJRR72200	Friction Sheet Assy	摩擦板 Assy	B	1	
5	A93E591600	Compressing Coil spring	圧縮コイルばね	C	1	
6	A93E592300	Separating Pad	分離パッド (前さばき)	C	1	
7	A93E591800	Cover Sheet	カバーシート (さばき)	C	1	
8	1134304301	BUSHING	軸受	C	2	
9	A93E597800	Vibrationproof Part	防振材	D	2	
10	A93E594100	Actuator	アクチュエータ (エンブティ)	C	1	
11	A93E595600	Compressing Coil spring	圧縮コイルばね (可動ガイド)	C	2	
12	A93E594400	Torsion Spring	ねじりばね (PE)	C	1	
13	A93E595700	Holding Cap	押さえキャップ	D	2	
14	A93E594700	Mounting Plate	取付板 (フォトセンサ)	D	1	
15	A5C1M50100	Photointerrupter	透過型センサ	B	1	
16	A93E598600	Neutralizing Sheet /2	除電シート / 2	C	1	
17	A93E594312	Ground Plate	アース板	D	1	
18	A93E597600	Ground Part	アース材 (PE 取付板)	D	1	
19	A93E590600	Bypass Gear 17T	ギア 17 T	C	1	
20	A93E590500	Mounting Plate	取付板	D	1	
21	A7AHM20401	Clutch	クラッチ (Z = 2 4)	C	1	
22	A93E590203	Paper feed Frame	給紙フレーム	D	1	
23	A93E597100	Reinforce Part	補強部材	D	1	
24	A93EN10M00	Relay harness /4	中継束線 / 4	D	1	
25	A93E597900	Sheet	シート (摺動)	D	2	
26	A93E598000	Cushion	クッション	D	1	
27	A93E592800	Holder	ホルダ (アイドルギア)	D	1	
28	A93E593800	Torque limiter	トルクリミッタ (市販品)	C	1	
29	A93E590800	Shaft	軸 (給紙 R)	D	1	
30	A93E596201	Lock Lever	ロックレバー	C	2	
31	A93E591700	Shaft	軸 (ピック R)	D	1	
32	A93E591300	Holder	ホルダ (ローラ)	D	1	
33	A93E593100	Torsion Coil spring	ねじりコイルばね	C	1	
34	A5C1562200	Roller	ローラ (ピック)	A	1	
35	A93E593400	Drive Coupling /2	駆動カップリング / 2	C	1	
36	A93E593300	Drive Coupling /1	駆動カップリング / 1	C	2	
37	A93E593900	Gear 28T	ギア 28 T	C	1	
38	56AA40490	SHAFT STOPPER 4	軸ストッパ 4	C	1	
39	A93E597500	Roller	ローラ (給紙)	B	1	
40	A93E593200	Gear 26T	ギア 26 T	C	1	
41	A93E592900	Gear 17T	ギア 17 T	C	2	
42	A93E592500	Gear 17T	ギア 17 T	C	1	
43	A93E598800	Cushion /1	クッション / 1	D	2	
44	A93E599700	Cushion	クッション (ピックホルダ)	D	1	
45	A93E598400	Drive Coupling	駆動カップリング (導電)	D	1	

Bypass Tray Section



Key	Part No.	Description	Destinations	Class	QTY	Standard parts
1	A93E592201	Regulating Plate /R		C	1	a-V153030804
2	A7AH604501	Brake Part		C	1	
3	A93E597200	Friction Part		D	1	
4	AA2J944500	Label		C	1	
5	A93E594600	Separating Sheet		C	1	
6	A93E598200	Cushion		D	2	
7	A93E592002	Holder		C	1	
8	A93E591002	Tray		C	1	
9	A93E943800	Label		D	1	
10	A93E592104	Regulating Plate /F		C	1	
11	A7AH604401	Brake Part /F		C	1	
12	A93E590100	Tray		C	1	
13	A93E597300	Stopper Part		C	2	
14	A0VD562300	Gear 16T		D	1	
15	A93E599900	Duplex Tape /2		D	2	
16	A93E599800	Duplex Tape /1		D	2	

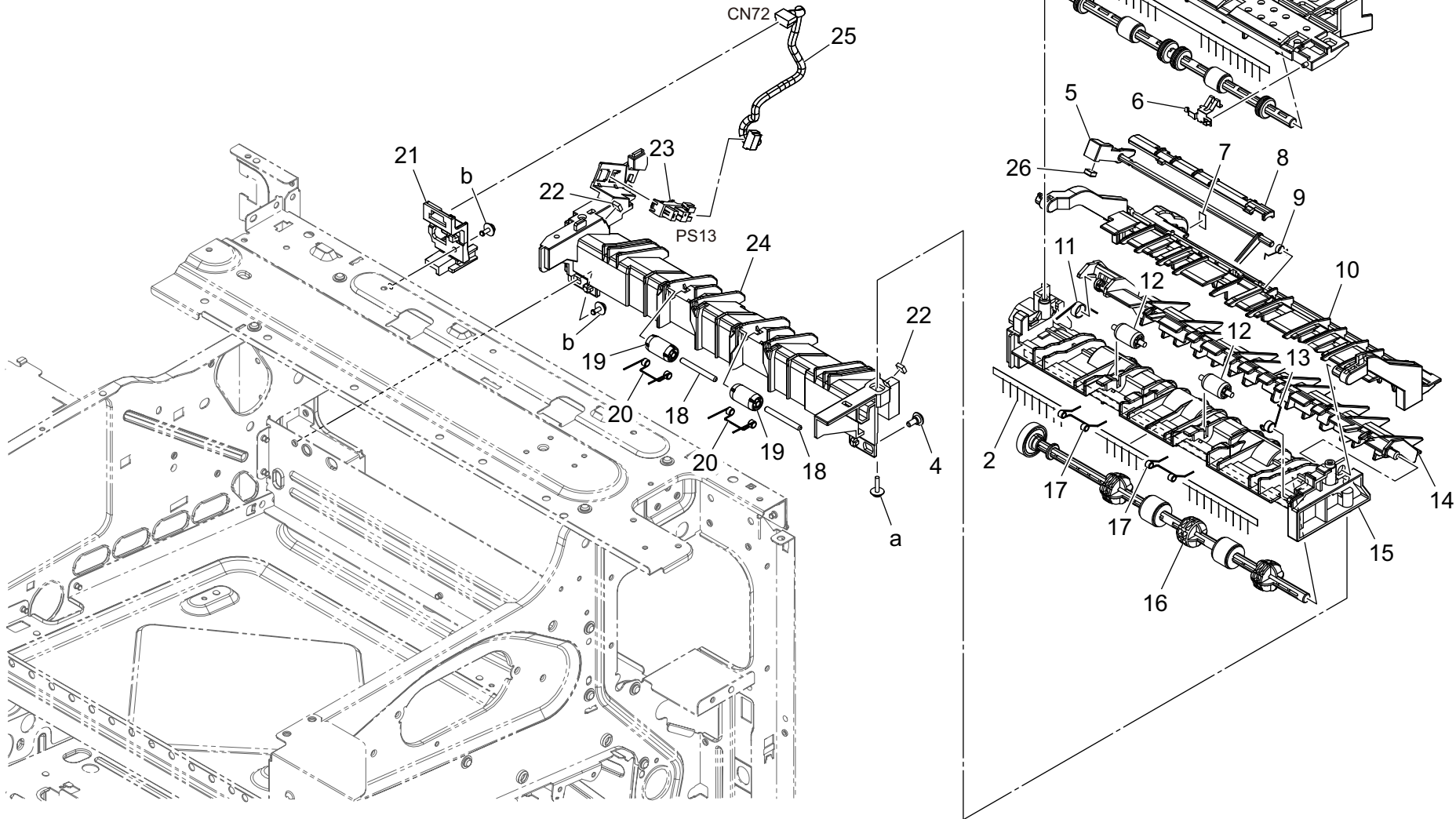
# Fusing Section



Key	Part No.	Description	Destinations	Class	QTY	Standard parts
1	A93E151900	Shield Sheet		D	1	a-V127030604 b-V125030803
2	A93E133201	Cover		D	1	
3	ACT8R70100	Fusing Unit (120V)	B,G2,H	B	1	
3	ACT8R70200	Fusing Unit (230V)	C,D1,D3,E,F2,G1,I,K	B	1	
4	ACTAN10100	Fusing Relay Harness /1		D	1	
5	A93E153000	Moistureproof Sheet		D	1	

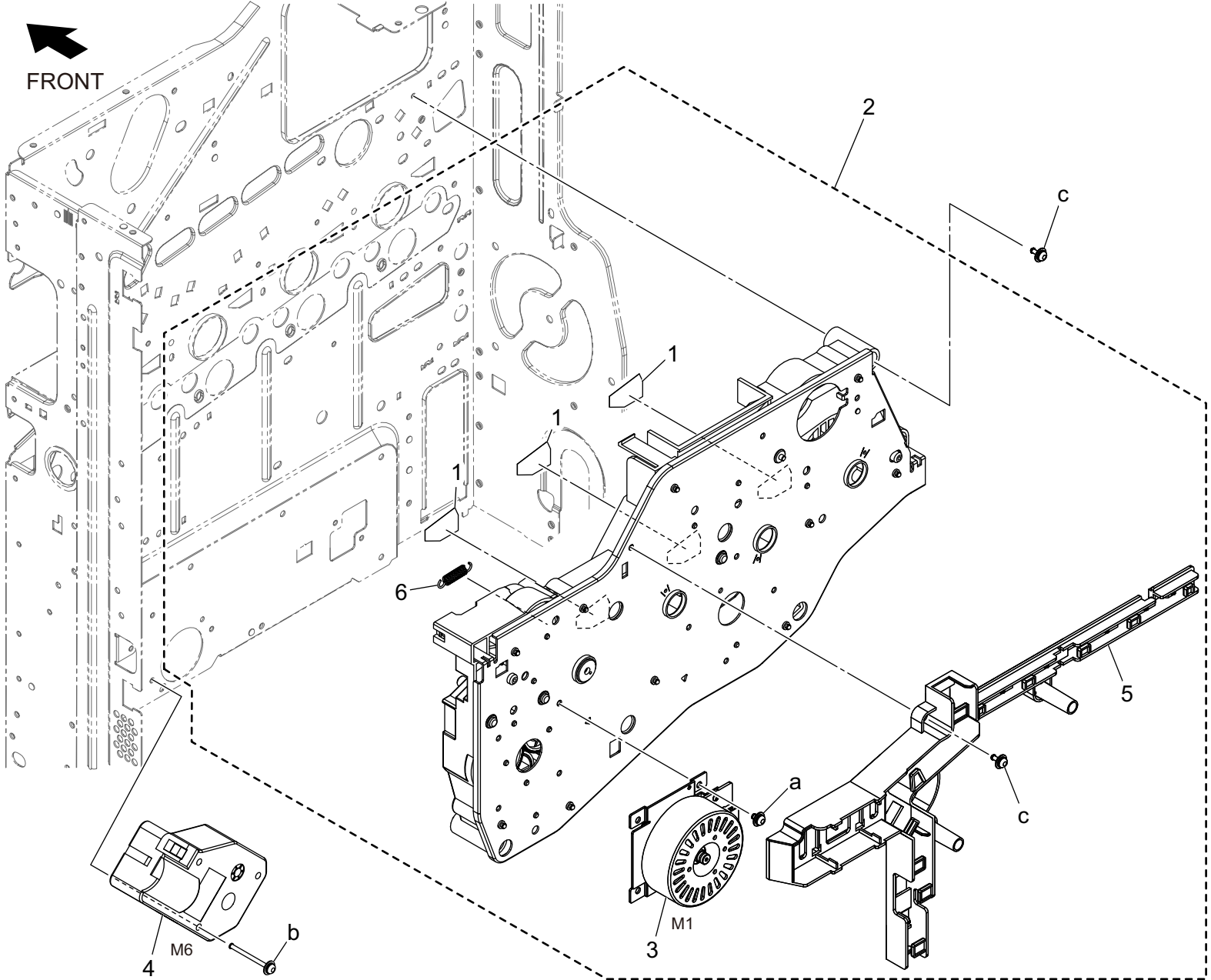


# Paper Exit Section



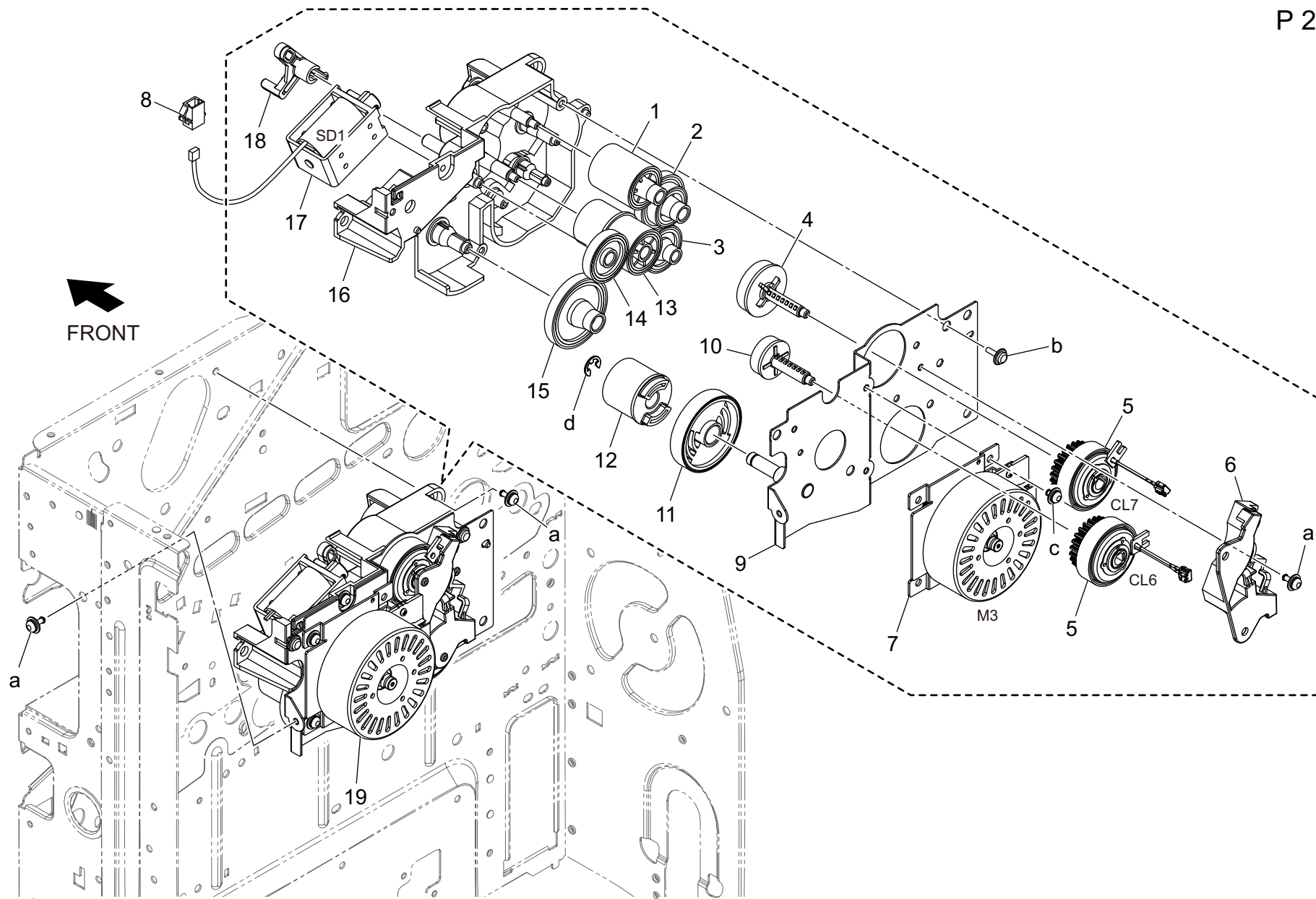
Key	Part No.	Description	Destinations	Class	QTY	Standard parts
1	A93E816102	Reverse/Exit Roller		C	1	a-V153031004 b-V125030803
2	A93E891500	Neutralizing Brush		D	2	
3	A93E890202	Paper exit Guide /Upper		D	1	
4	A00J169200	Shoulder screw		C	2	
5	A93E890900	Actuator		C	1	
6	A93E891600	Contact		D	1	
7	A93E895500	Label		D	1	
8	A93E890800	Guide		D	1	
9	A93E891200	Torsion Coil spring		C	1	
10	A93E890703	Separating Guide		D	1	
11	A93E816502	Torsion Coil spring		C	1	
12	A93E816802	Roll		C	2	
13	A93E816700	Torsion Coil spring		C	1	
14	A93E816402	Guide		D	1	
15	A93E816302	Guide		D	1	
16	A93E890103	Paper exit Roller		C	1	
17	A93E816200	Spring		C	2	
18	A93E892300	Shaft		D	2	
19	A93E890300	Roll		C	2	
20	A93E890601	Spring		C	2	
21	A93E895100	Hold Plate		D	1	
22	A93E891300	Cushion		D	2	
23	A5C1M50100	Photointerrupter		B	1	
24	A93E891000	Paper exit Holder		D	1	
25	A93EN10K00	Relay harness /3		D	1	
26	A93E892500	Cushion		D	1	

Drive Section



Key	Part No.	Description	Destinations	Class	QTY	Standard parts
1	ACT9150100	Seal		D	3	a-V116030504 b-V116033003 c-V125030803
2	ACT9R70500	Main Drive Assy		C	1	
3	AA2JM11000	Brushless motor /30		C	1	
4	9J06M10300	MOTOR		B	1	
5	A93E133600	Holder		D	1	
6	A93E110801	Pulling Coil spring		C	1	

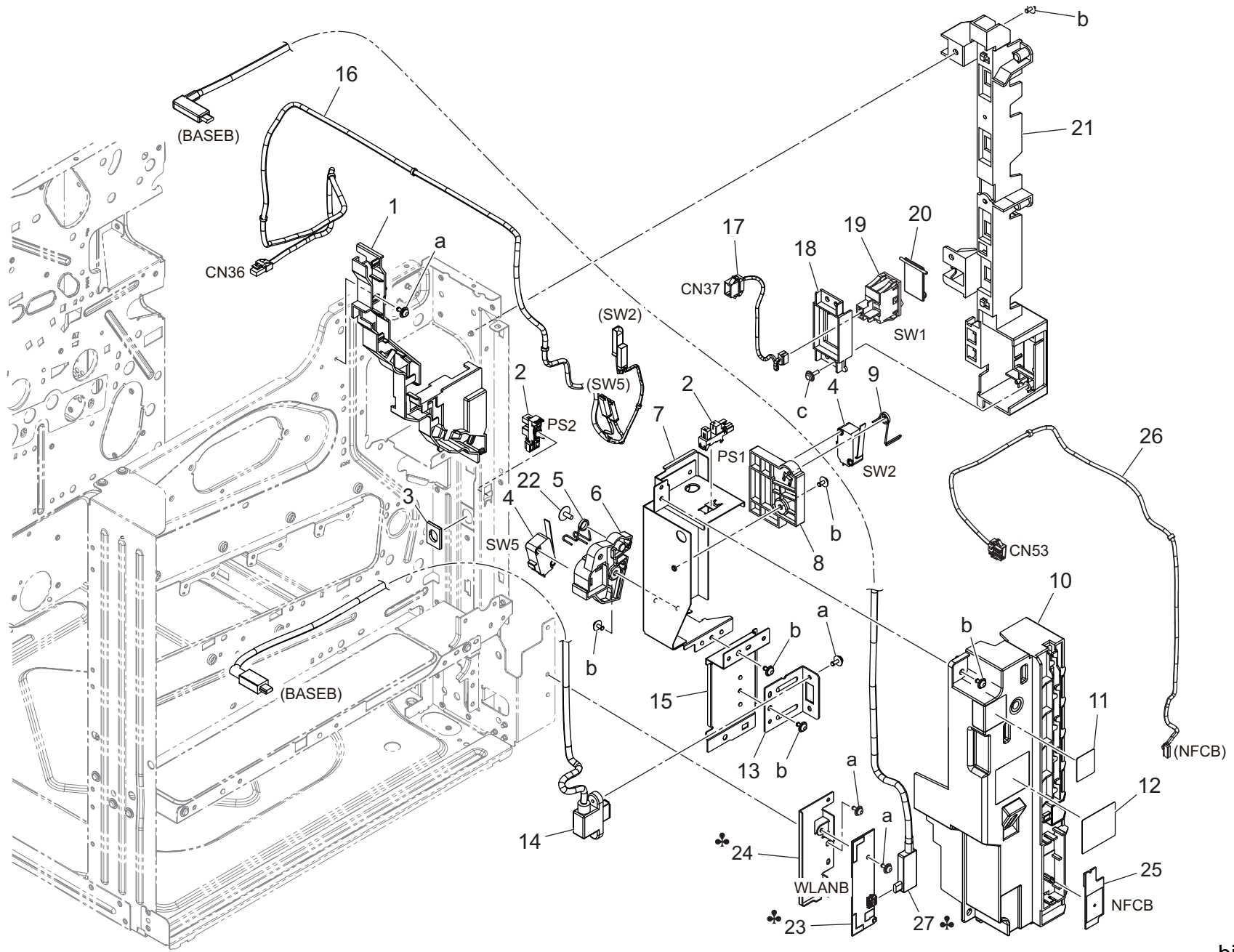
# Drive Section



Key	Part No.	Description	Destinations	Class	QTY	Standard parts
1	A93E222500	Gear 20T		C	1	a-V125030803 b-V153030803 c-V116030504 d-V217050003
2	A93E222600	Gear 24/26T		C	1	
3	A93E222700	Gear 28T		C	1	
4	A93E222300	Gear 23T		C	1	
5	A7AHM20501	Clutch		C	2	
6	A93E222800	Holder		D	1	
7	AA2JM11000	Brushless motor /30		C	1	
8	V651010001	connector		D	1	
9	A93E220201	Drive Side plate		D	1	
10	A93E222100	Gear 21T		C	1	
11	A93E220401	Gear 71T		C	1	
12	A93E220300	Gear 22T		C	1	
13	A93E221300	Gear 20/21T		C	1	
14	A93E221200	Gear 23T		C	1	
15	A93E221100	Gear 34T		C	1	
16	A93E220102	Drive Holder		D	1	
17	AAJRR72100	Solenoid Assy		C	1	
18	A93E223100	Lever		C	1	
19	AAJRR71322	Fusing Drive Assy		S	1	

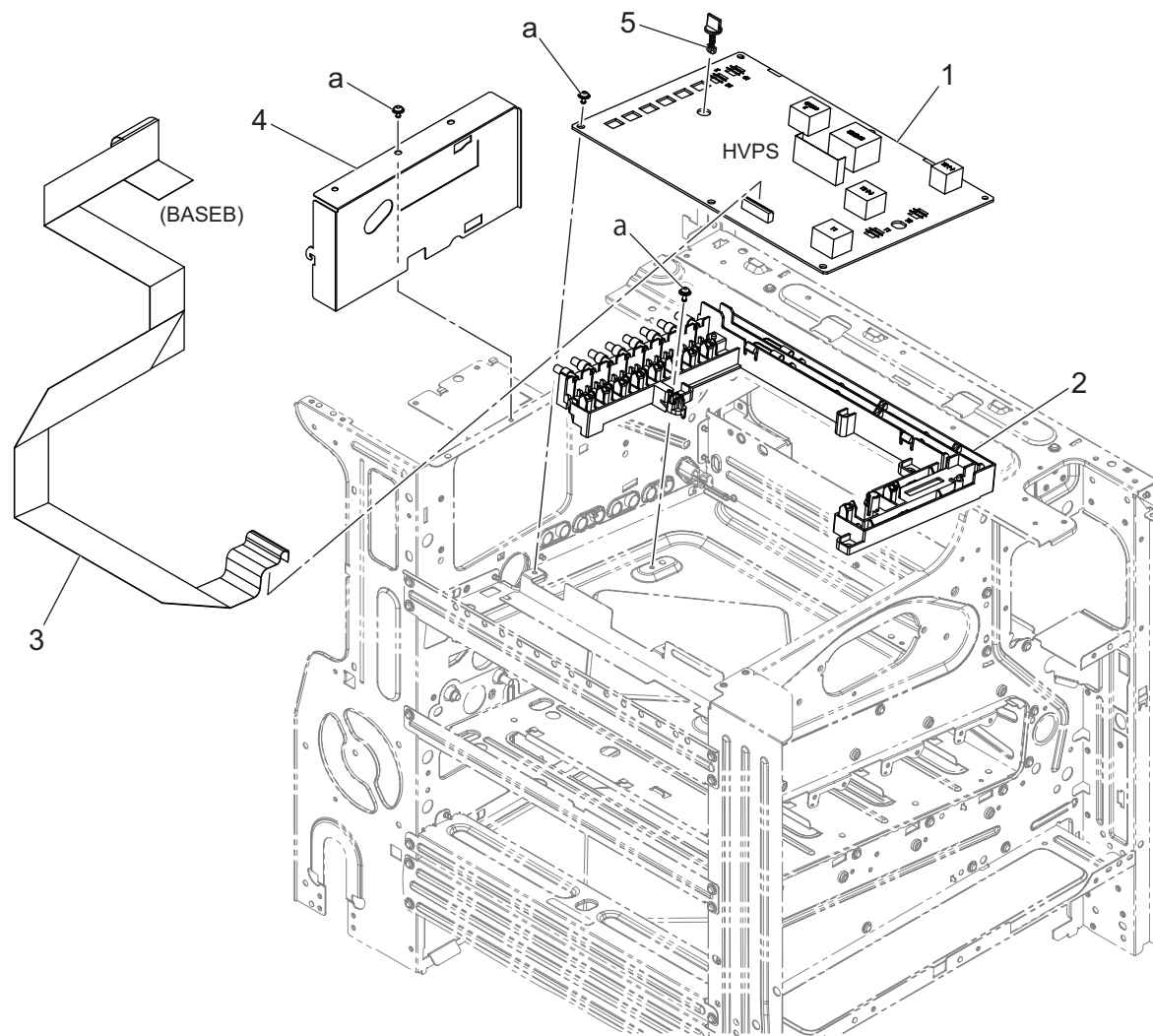
# Electrical Parts

P 27



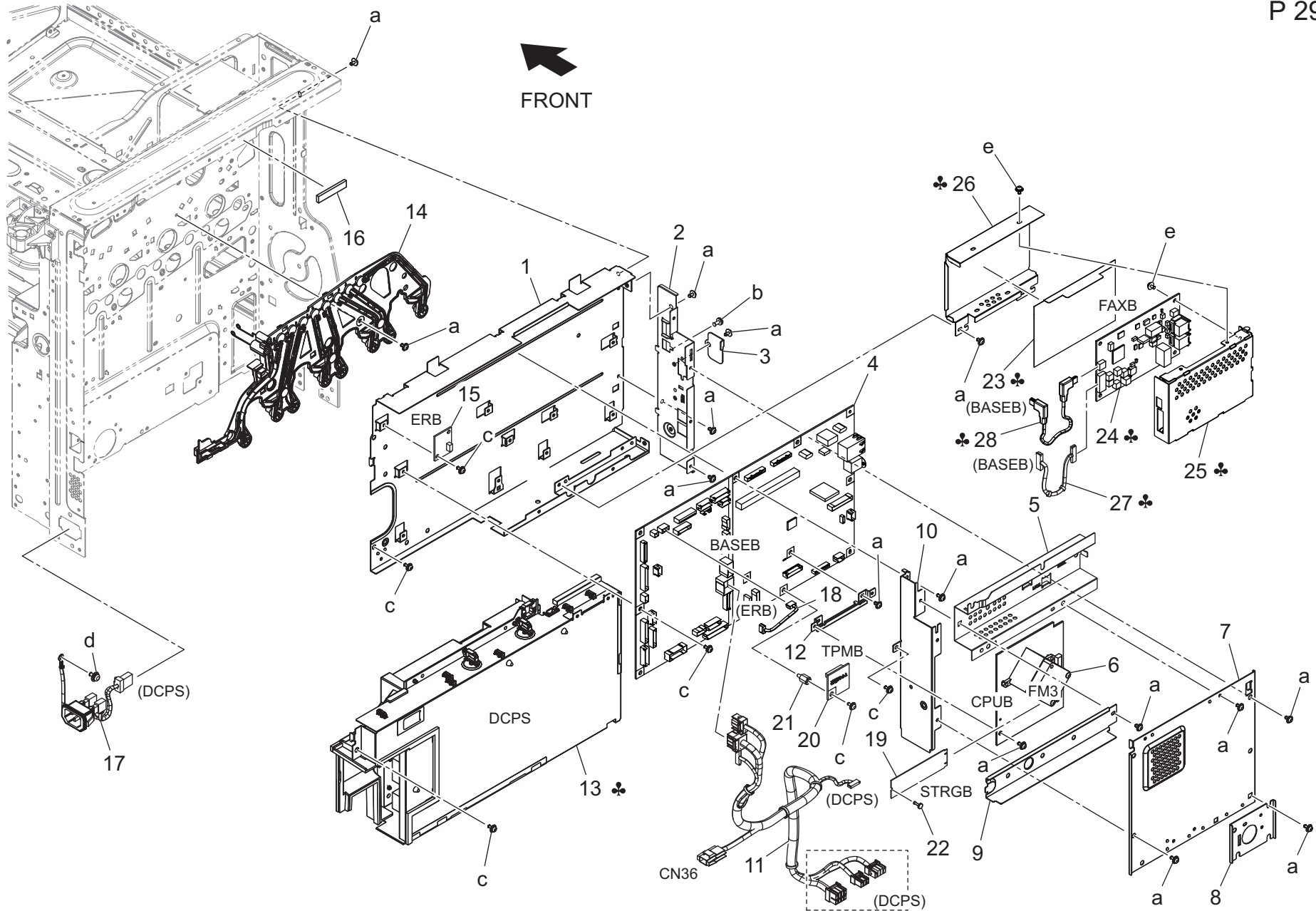
Key	Part No.	Description	Destinations	Class	QTY	Standard parts
1	A93E135000	Wiring Guide		D	1	a-V125030803 b-V127030604 c-V153030803
2	A5C1M50100	Photointerrupter		B	2	
3	A93E105100	Seal		D	1	
4	9J06M60100	MICRO SWITCH		C	2	
5	A93E135211	Torsion Coil spring		C	1	
6	A93E136911	Holder	ホルダ (microSW・右)	D	1	
7	A93E134300	Mounting Plate	取付板 (右前上)	D	1	
8	A93E135401	Holder	ホルダ (マイクロSW・前)	D	1	
9	A161151300	Torsion Coil spring	ねじリコイルばね	D	1	
10	A93E134801	Cover	カバー (右前)	D	1	
11	A93E402601	Label /K	ラベル/K	D	1	
12	ACT9401200	Label	ラベル (トナー表示/MFP)	D	1	
13	A93E135900	Mounting Plate	取付板 (USB)	D	1	
14	A93EN12000	I/F Cable	I/Fケーブル (Front USB)	D	1	
15	A93E134400	Mounting Plate	取付板 (右前下)	D	1	
16	A93EN10201	Interlock Wiring	インターロック束線	D	1	
17	A93EN10G00	Relay harness /1	中継束線/1	D	1	
18	A93E132001	Mounting Plate	取付板 (メインSW)	D	1	
19	A93EM60000	Rocker switch	波形スイッチ	C	1	
20	A93E132200	Cover	カバー	D	1	
21	A93E132103	Cover	カバー (mainSW)	D	1	
22	4163529301	SCREW	ねじ	C	1	
23	AA2JM72F01	Interface Board	インターフェース基板 (WiFi)	B,G2,H	1	
24	A93E134700	Mounting Plate	取付板 (wifi)	B,G2,H	1	
25	AA2JM70600	Interface Unit	インターフェースユニット (NFCユニット)	C	1	
26	A93EN12500	Wiring	束線 (NFC用)	D	1	
27	A93EN12100	I/F Cable	I/Fケーブル (WLAN USB)	B,G2,H	1	





Key	Part No.	Description	Destinations	Class	QTY	Standard parts
1	ACT9M40300	HV Board Assembly		I	1	a-V127030604
2	ACT9R71100	HV Board Contact Assy		D	1	
3	ACT9N10400	HV Flat Cable		D	1	
4	A93E134200	Mounting Plate		D	1	
5	A797151500	Stopper Shaft		C	1	

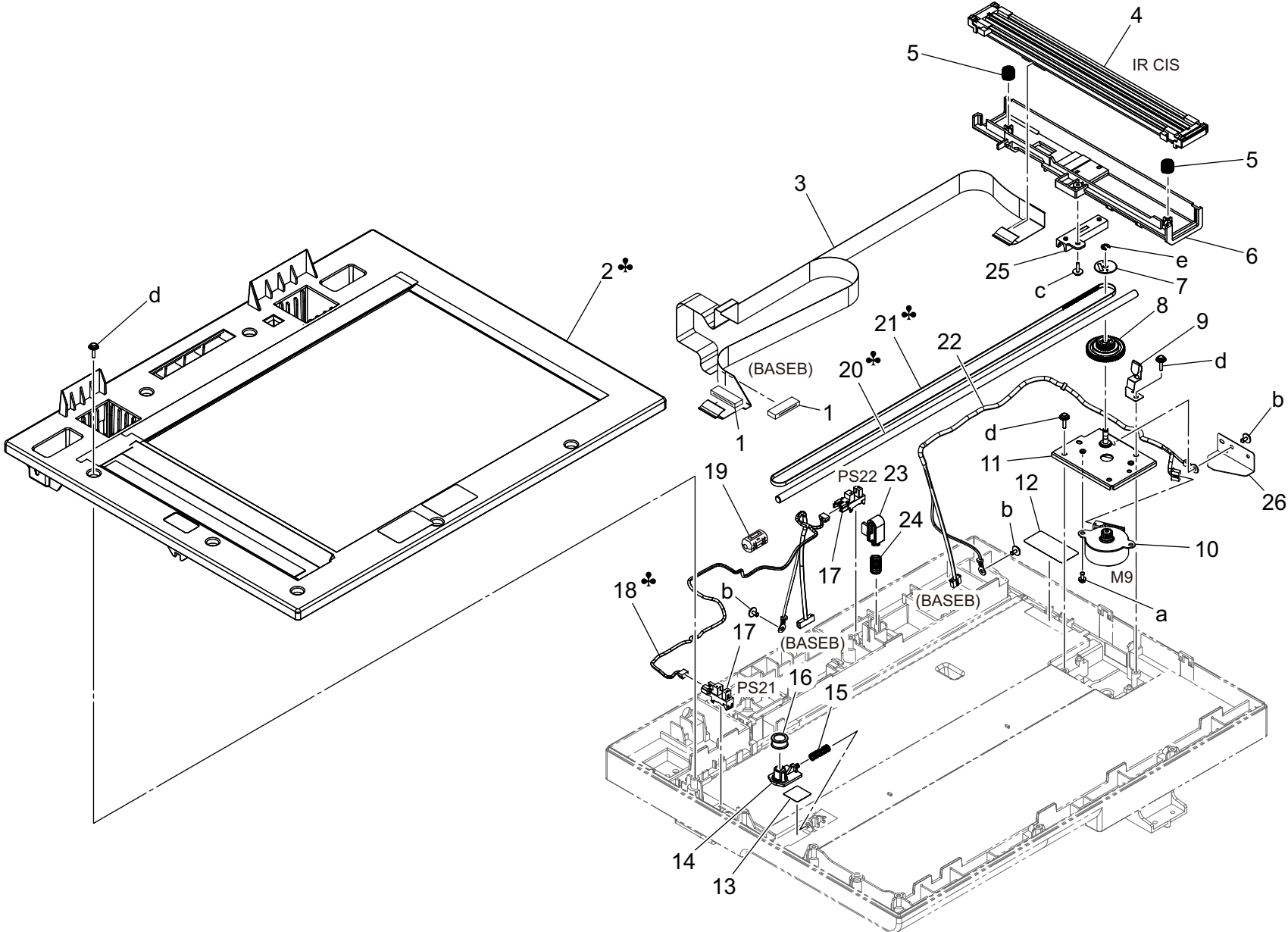
# Electrical Parts



bizhub 4750i

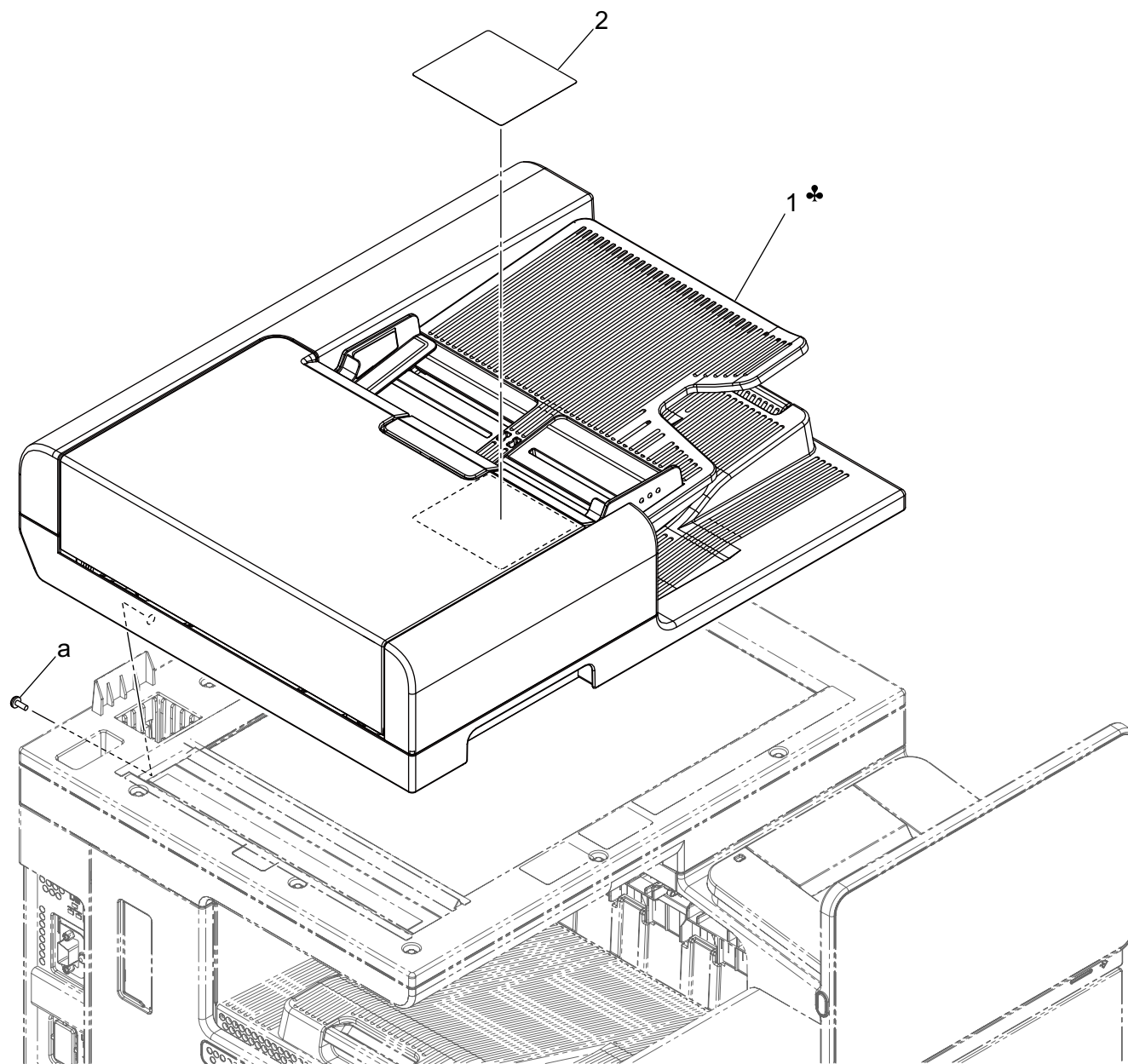


Key	Part No.	Description	Destinations	Class	QTY	Standard parts
1	A93E137300	Mounting Plate		D	1	a-V127030604 b-V111030603 c-V125030803 d-V116040803 e-V116030603
2	A93E137600	Mounting Plate		D	1	
3	A3GN134500	Shield Plate		D	1	
4	ACT9H02013	Base Board Assembly		I	1	
5	A93E137400	Shield Plate /2		D	1	
6	ACT9H01003	CPU Board Assembly		I	1	
7	A93E137200	Shield Plate /1		D	1	
8	A93E137700	Mounting Plate		D	1	
9	A93E137800	Mounting Plate		D	1	
10	A93E137100	Mounting Plate		D	1	
11	AAJNN10100	Power supply Wiring		D	1	
12	AA2J135101	Mounting Plate		D	1	
13	AAJRR70600	Power supply Assy (100V)	B,G2,H	I	1	
13	AAJRR70700	Power supply Assy (230V)	C,D1,D3,E,F2,G1,I,K	I	1	
14	ACT9R70600	HV Contact Assy		D	1	
15	AA2JH00C00	ERB ASSY		C	1	
16	A92E135400	Insulating Part /2		D	1	
17	A93EN10000	AC Wiring		D	1	
18	ACT9N10300	Interface Harness		D	1	
19	AA2JM72700	Storage Board		C	1	
20	AA2JH02T00	PWB Assembly(PWB-TPM)		C	1	
21	A161137600	Shoulder screw		D	1	
22	AA2J139800	Screw		D	1	
23	A879130300	Insulating Part	B,G2,H	D	1	
24	A879H01W03	FAX Assembly	B,G2,H	I	1	
25	A92E137200	Cover	B,G2,H	D	1	
26	A92E137100	Mounting Plate	B,G2,H	D	1	
27	A92EN12300	Power source Cable /F	B,G2,H	D	1	
28	A92EN12800	I/F Cable /F	B,G2,H	D	1	



Key	Part No.	Description	Destinations	Class	QTY	Standard parts
1	A7AHM90000	Connector		D	2	a-V115030603 b-V144030603 c-V153030803 d-V153031004 e-V217030003
2	AAJNR71100	Upper Cover Assy (IR/LGL)	B,G2,H	C	1	
2	AAJNR71000	Upper Cover Assy (IR/A4)	C,D1,D3,E,F2,G1,I,K	C	1	
3	A93EN11300	Scanner Flat Cable		C	1	
4	AAJNR71200	CIS unit/ IR		I	1	
5	A93E263200	Compressing Coil spring		C	2	
6	A93E262802	Frame		D	1	
7	A93E261000	Cap		D	1	
8	A93E260800	Gear 24/60T		C	1	
9	A93E260900	Ground Plate		D	1	
10	A93EM10K00	Stepping Motor		C	1	
11	A93E260701	Mounting Plate /ASSY		D	1	
12	A93E264202	Sheet		D	1	
13	A93E261500	Sheet		D	1	
14	A93E260400	Holder		D	1	
15	A93E260501	Compressing Coil spring		C	1	
16	A93E260300	Pulley		C	1	
17	A5C1M50100	Photointerrupter		B	2	
18	A93EN11100	Scanner Detection Harness /1	C,D1,D3,E,F2,G1,I,K	D	1	
18	A93EN11200	Scanner Detection Harness /2	B,G2,H	D	1	
19	A3GNM93100	Ferrite core		D	1	
20	A93E261200	Guide Shaft	C,D1,D3,E,F2,G1,I,K	D	1	
20	A93E263500	Guide Shaft	B,G2,H	D	1	
21	A93E260600	Timing belt 788L	C,D1,D3,E,F2,G1,I,K	C	1	
21	A93E263600	Timing belt 894L	B,G2,H	C	1	
22	A93EN11000	Scanner Drive Harness		D	1	
23	A93E261300	Lever		D	1	
24	A93E261400	Compressing Coil spring		C	1	
25	A93E262901	Guide		D	1	
26	A93E264000	Shield Plate		D	1	

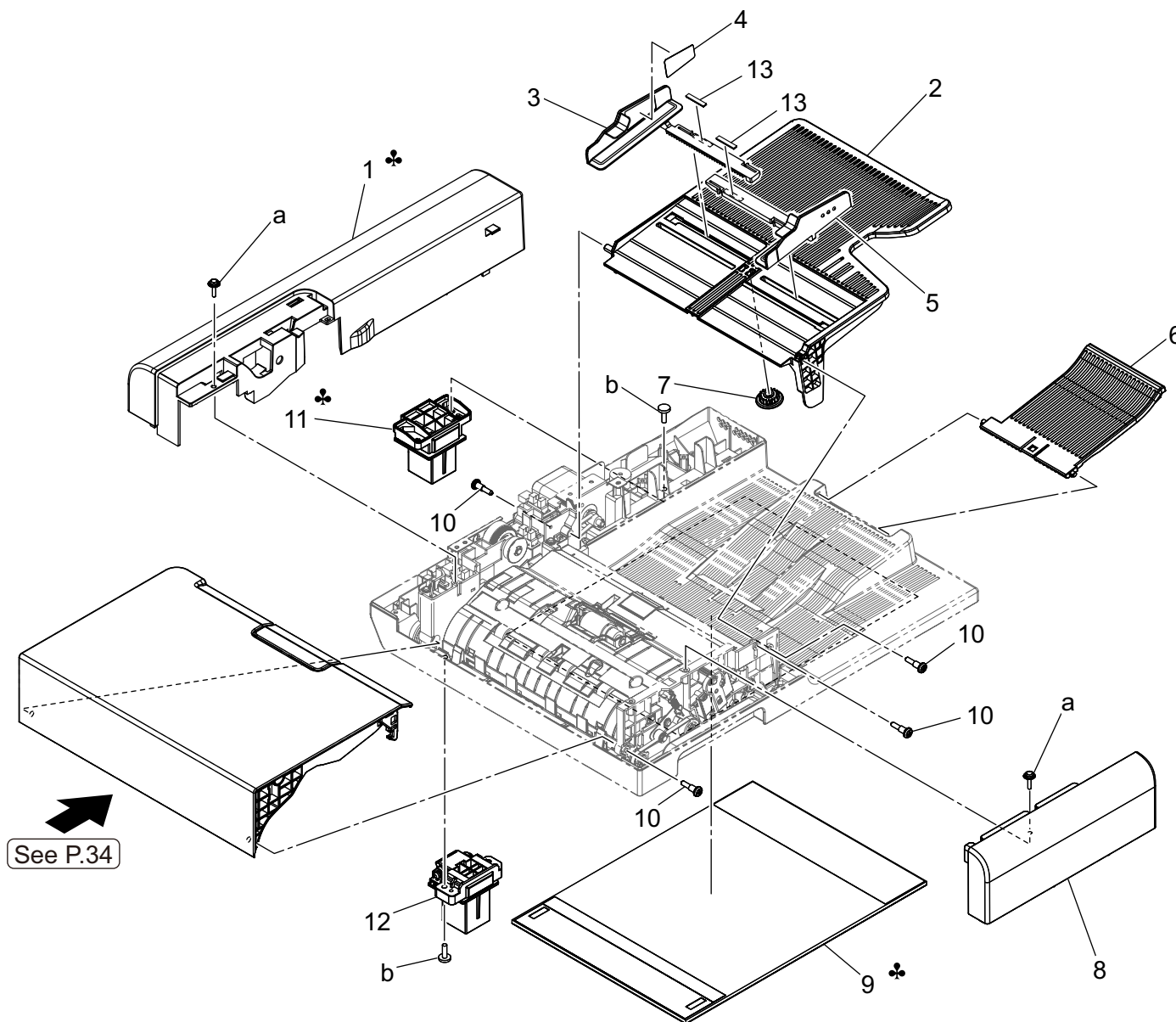
# Auto document feeder section



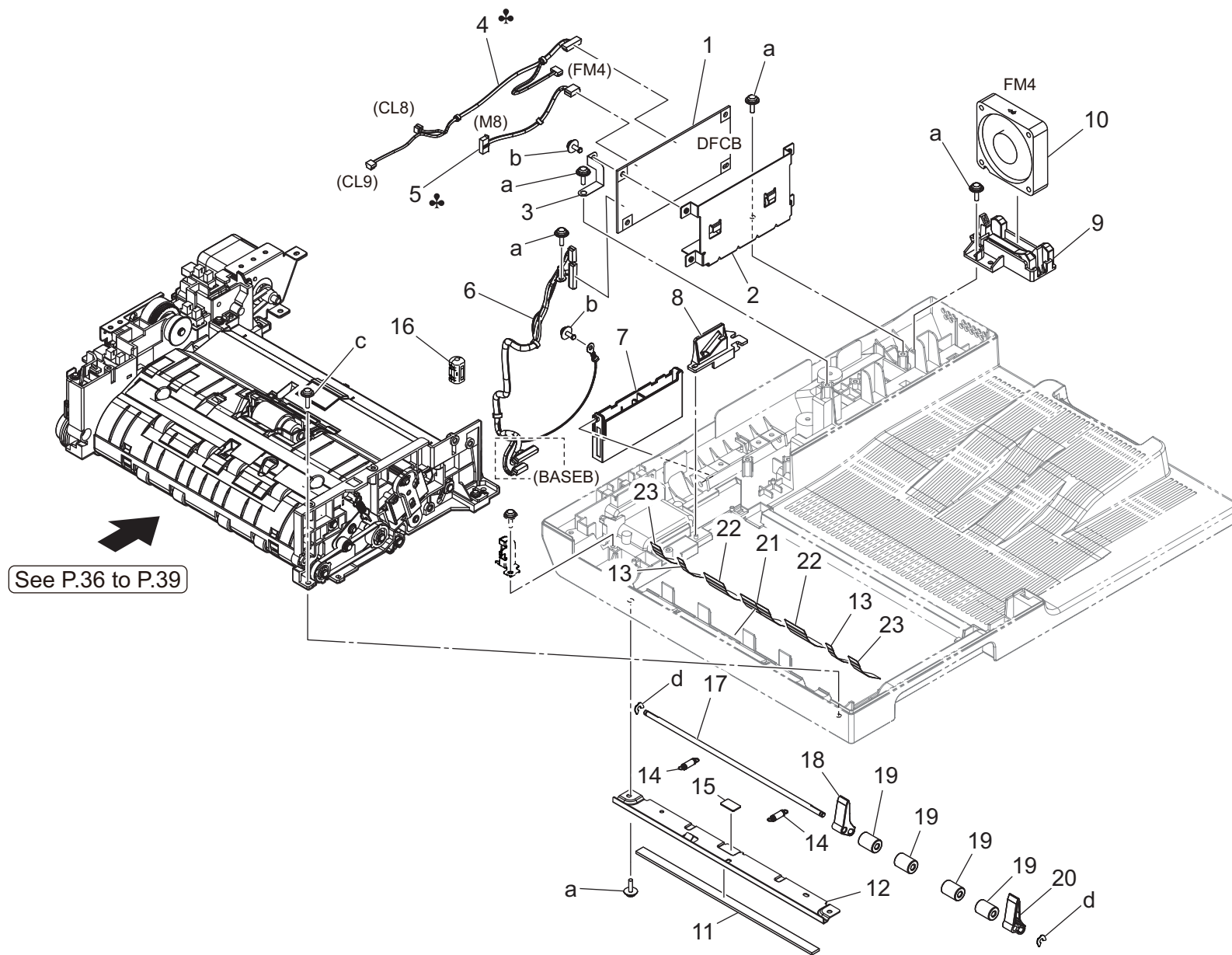
Auto document feeder section

Key	Part No.	Description	Destinations	Class	QTY	Standard parts
1	AAJNR70155	Auto Document Feeder	搬送ユニット (センチ)	S	1	a-V145040803
1	AAJNR70255	Auto Document Feeder	搬送ユニット (インチ)	S	1	
2	A93E945700	Label	ラベル (禁止原稿 / JP 以外)	D	1	



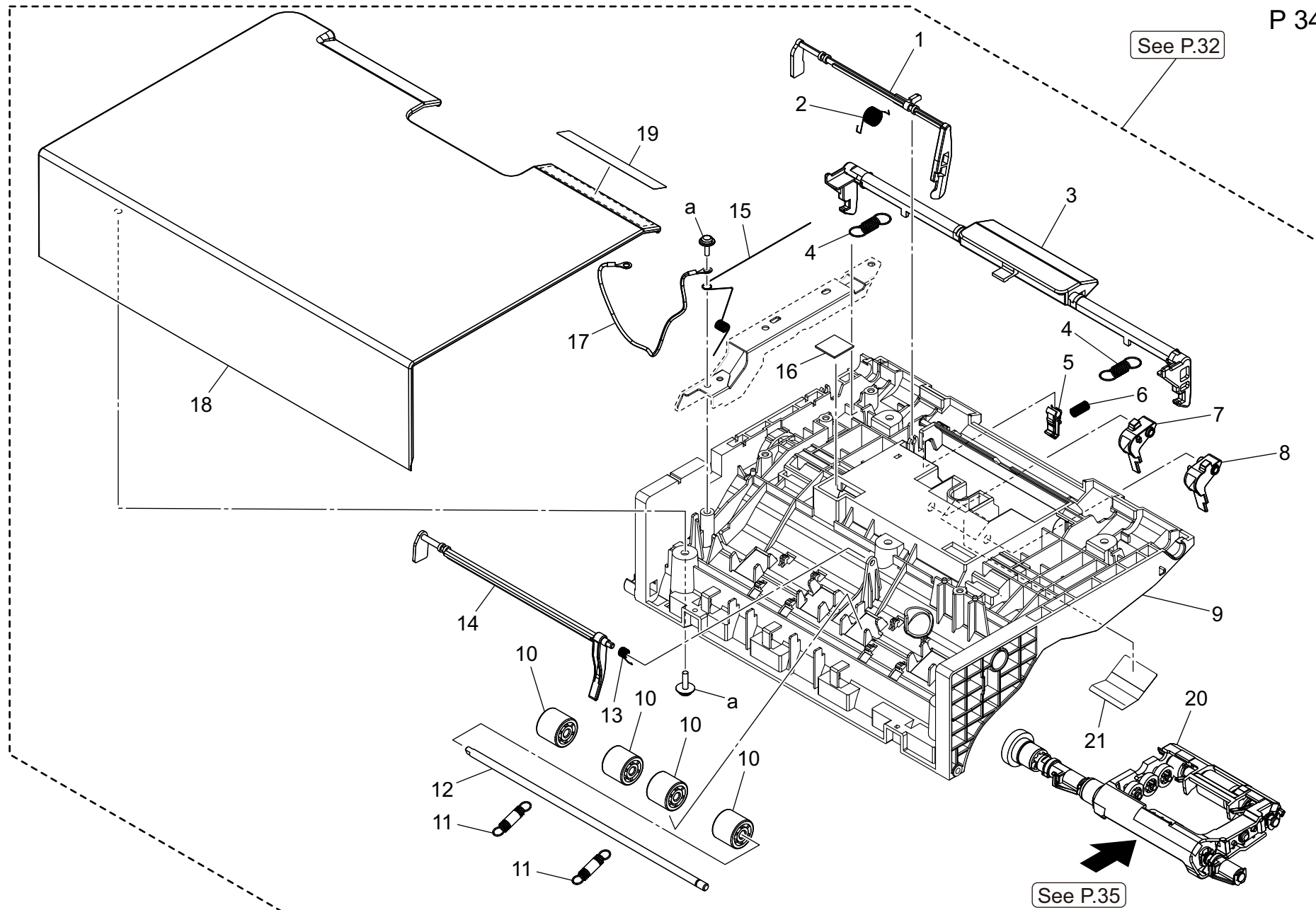


Key	Part No.	Description	Destinations	Class	QTY	Standard parts
1	A93E268301	Cover /Rear	カバー／後 (DF-A4)	D	1	a-V153031004 b-V153041003
1	A93E268401	Cover /Rear	カバー／後 (DF-LG)	D	1	
2	A93E273701	Tray	トレイ (原稿)	C	1	
3	A93E273901	Rack	ラック (サイド規制 (奥))	C	1	
4	A93E945900	Label	ラベル (原稿積載 Max 表示)	D	1	
5	A93E273801	Rack	ラック (サイド規制 (前))	C	1	
6	A93E266800	Paper exit Tray	排紙トレイ (延長)	C	1	
7	A93E274100	Regulating Gear	規制ギア	C	1	
8	A93E268200	Cover /Front	カバー／前 (DF)	D	1	
9	A93E265100	Original Mat	原稿マット (A4)	C	1	
9	A93E265200	Original Mat	原稿マット (LGL)	C	1	
10	A93E266100	Hold Shaft	保持軸	D	4	
11	A93E268602	Hinge /Right	ヒンジ／右 (A4)	C	1	
11	A93E268702	Hinge /Right	ヒンジ／右 (LGL)	C	1	
12	A93E268501	Hinge /Left	ヒンジ／左	C	1	
13	A93E274000	Pad	パッド (サイド規制)	D	2	

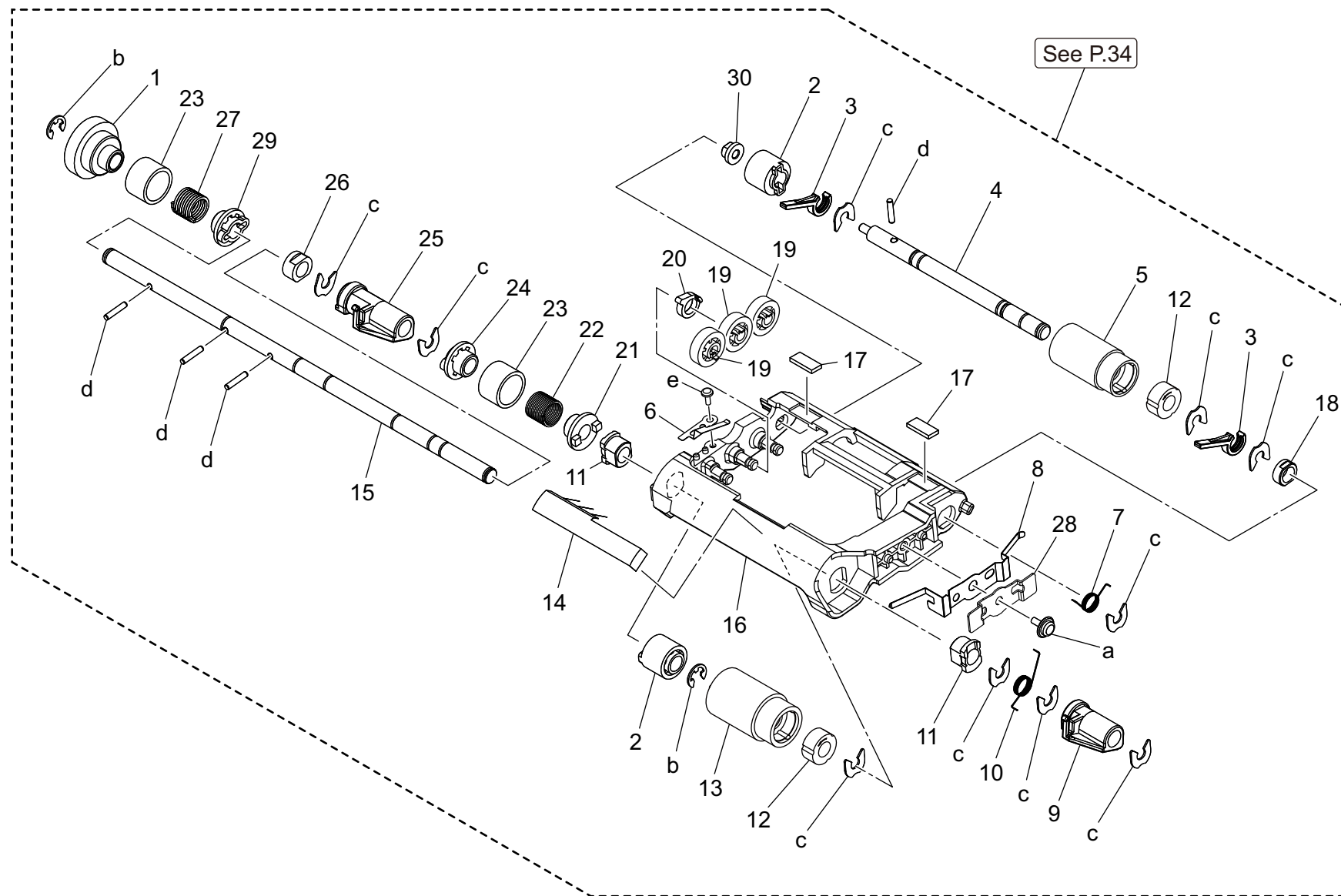


Key	Part No.	Description	Destinations	Class	QTY	Standard parts
1	A93EH00901	ADF Control Board Assy	ADF 制御基板 A S S Y	I	1	a-V153030803 b-V125030803 c-V153031203 d-V218030086
2	A93E267200	Mounting Plate	取付板 (基板)	D	1	
3	A93E277000	BKT EARTH BOARD	アース板 (基板)	D	1	
4	A93EN11700	Conveyance Harness /1	搬送束線 / 1	D	1	
4	A93EN11K00	Conveyance Harness /2	搬送束線 / 2 ( L E G A L )	D	1	
5	A93EN11800	ADF Drive Harness /1	ADF 駆動束線 / 1	D	1	
5	A93EN11M00	ADF Drive Harness /2	ADF 駆動束線 / 2 ( L E G A L )	D	1	
6	A93EN11900	ADF Control Harness	ADF 制御束線	D	1	
7	A93E267300	Wiring Guide	配線ガイド	D	1	
8	A93E270000	Holder	ホルダ	D	1	
9	A93E265000	Holder	ホルダ	D	1	
10	9J06M10000	Fan motor	ファンモーター	C	1	
11	A93E276100	Cushion	クッション ( R 1 下 )	D	1	
12	A93E267500	Reinforce Plate	補強板 ( R 1 )	D	1	
13	A93E267900	Guide Film /2	ガイドフィルム / 2	D	2	
14	A93E267000	Pulling Coil spring	引張りコイルばね ( R 1 )	C	2	
15	A93E267400	Reflecting Pad	反射パッド	D	1	
16	A3GNM93100	Ferrite core	フェライトコア	D	1	
17	A93E267100	Shaft	軸 ( R 1 )	D	1	
18	A93E267701	Lever /Rear	レバー / 後	C	1	
19	A93E266900	Roll	ころ ( R 1 )	D	4	
20	A93E267601	Lever /Front	レバー / 前	C	1	
21	A93E268100	Guide Film /4	ガイドフィルム / 4	D	1	
22	A93E268000	Guide Film /3	ガイドフィルム / 3	D	2	
23	A93E267800	Guide Film /1	ガイドフィルム / 1	D	2	

# Auto document feeder section



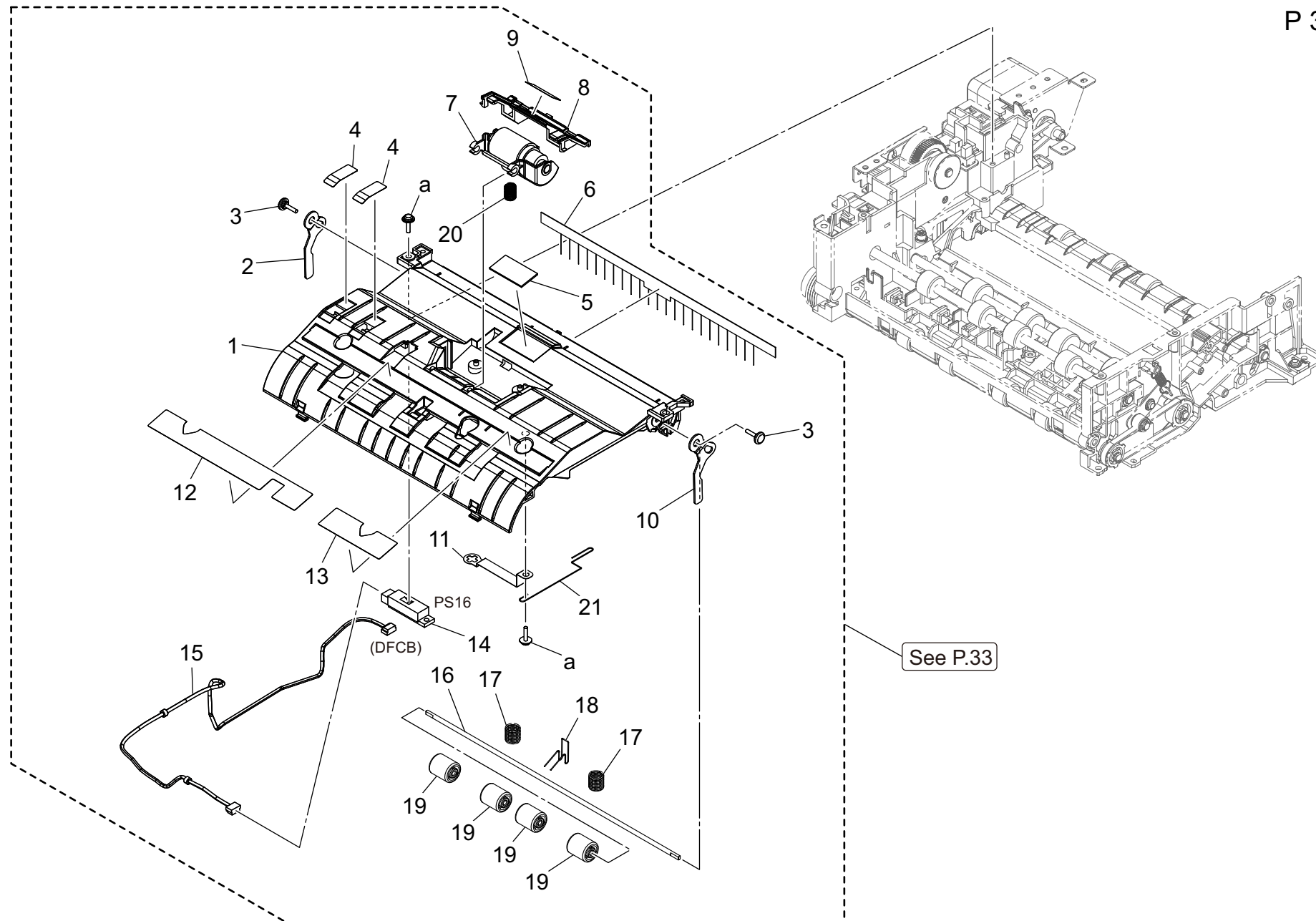
Key	Part No.	Description	Destinations	Class	QTY	Standard parts
1	A93E271000	Actuator		C	1	a-V153030803
2	A93E278301	Torsion Spring		C	1	
3	A93E270803	Lock Lever		C	1	
4	A93E270900	Pulling Coil spring		C	2	
5	A93E277700	Lever		D	1	
6	A93E277802	Compressing Coil spring		C	1	
7	A93E276900	Stopper /2		D	1	
8	A93E276800	Stopper /1		D	1	
9	A93E275124	Guide /Upper		C	1	
10	A93E275300	Idler Roll		D	4	
11	A93E275500	Pulling Coil spring		C	2	
12	A93E275411	Shaft		D	1	
13	A93E275600	Torsion Coil spring		C	1	
14	A93E275200	Actuator		C	1	
15	A93E277300	Ground Spring		D	1	
16	A93E275700	Light blocking Part		D	1	
17	A93EN11D01	Ground Harness /3		D	1	
18	A93E270701	Cover /Upper		D	1	
19	A93E945600	Label		D	1	
20	AAJNR70733	Feed Roller Assy		S	1	
21	A93E279000	Guide		D	1	



Key	Part No.	Description	Destinations	Class	QTY	Standard parts
1	A93E272101	Paper feed Gear 20T	給紙ギア 20 T	C	1	a-V149030803 b-V217040003 c-V218040086 d-V231201050 e-V162020404
2	A93E271501	Gear 20T	ギア 20 T	C	2	
3	A93E271200	Stopper Lever	ストッパレバー	C	2	
4	A93E271401	Shaft	軸 (ピックアップ)	D	1	
5	A93E270200	Roller /ASSY	ローラ / ASSY (ピック)	C	1	
6	A93E288900	Plate spring	板ばね	D	1	
7	A93E277101	Ground Spring /1	アースばね / 1	C	1	
8	A93E274300	Ground Plate	アース板 (ピックアップ)	D	1	
9	A93E276600	Bushing /2	すべり軸受 / 2	D	1	
10	A93E277201	Ground Spring /2	アースばね / 2	C	1	
11	A93E277500	Bushing	すべり軸受	D	2	
12	A93E270500	Clutch	クラッチ (ワンウェイ)	D	2	
13	A93E270400	Roller /ASSY	ローラ / ASSY (給紙)	C	1	
14	A93E274800	Neutralizing Brush	除電ブラシ (給紙)	D	1	
15	A93E271801	Paper feed Shaft	給紙軸	D	1	
16	A93E271313	Holder	ホルダ (ピックアップ)	D	1	
17	A93E272300	Cushion	クッション (ピックホルダ)	D	2	
18	A93E278900	Bushing /2	すべり軸受 / 2	D	1	
19	A93E276702	Idling Gear 21T	アイドラギア 21 T	C	3	
20	A93E278501	Cam	カム (ピックホルダ)	D	1	
21	A93E278001	Holder /2	ホルダ / 2 (ワンウェイ)	D	1	
22	A93E278200	Spring /2	ばね / 2 (トルクリミッタ)	C	1	
23	A93E277901	Cover	カバー (トルクリミッタ)	D	2	
24	A93E277602	Holder	ホルダ (ワンウェイ)	D	1	
25	A93E276501	Bushing /1	すべり軸受 / 1	D	1	
26	4131253701	BUSHING	軸受	C	1	
27	A93E276402	Spring	ばね (トルクリミッタ)	C	1	
28	A93E279400	Reinforce Plate	補強板 (アース)	D	1	
29	A93E279200	Holder	ホルダ (ワンウェイ / 持ち上げ)	D	1	
30	A93E278800	Bushing /1	すべり軸受 / 1	D	1	



# Auto document feeder section

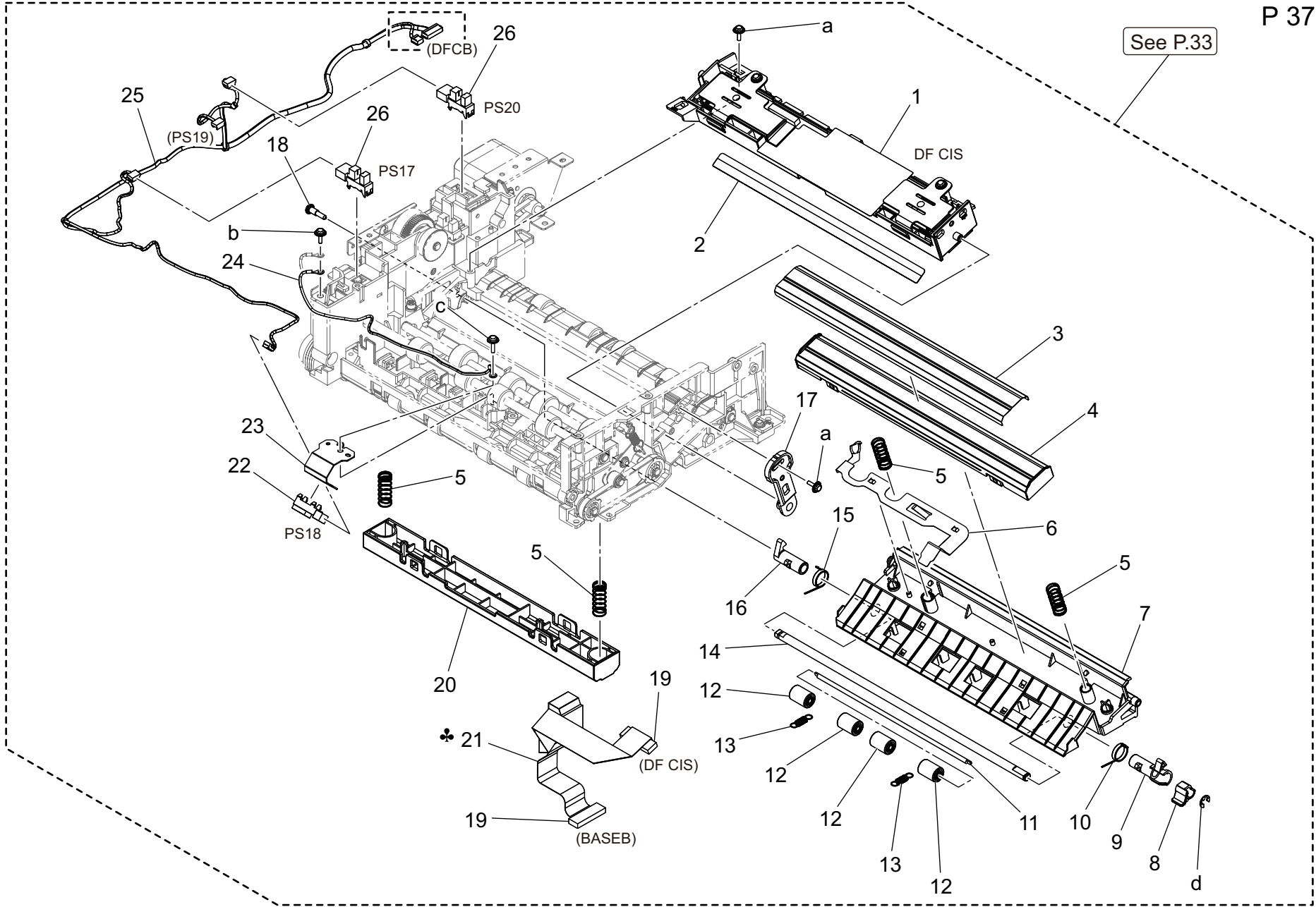


Key	Part No.	Description	Destinations	Class	QTY	Standard parts
1	A93E272813	Paper feed Guide		D	1	a-V153031004
2	A93E273601	Lever		D	1	
3	A93E278600	Shoulder screw		D	2	
4	A93E278400	Cover		D	2	
5	A93E273200	Pad		C	1	
6	A93E270101	Neutralizing Brush		D	1	
7	AAJNR70800	Separation Roller Assy		C	1	
8	A93E272700	Holder		D	1	
9	A93E276000	Guide Film		C	1	
10	A93E273501	Lever		D	1	
11	A93E274511	Ground Plate		D	1	
12	A93E273401	Guide /Rear		D	1	
13	A93E273301	Guide /Front		D	1	
14	A108M50000	Photorelector		B	1	
15	A93EN11600	ADF Detection Harness /2		D	1	
16	A93E272900	Shaft		D	1	
17	A93E273100	Compressing Coil spring		C	2	
18	A93E274900	Ground Spring		D	1	
19	A93E273000	Roll		D	4	
20	A93E272600	Compressing Coil spring		C	1	
21	A93E279500	Ground Spring		D	1	



# Auto document feeder section

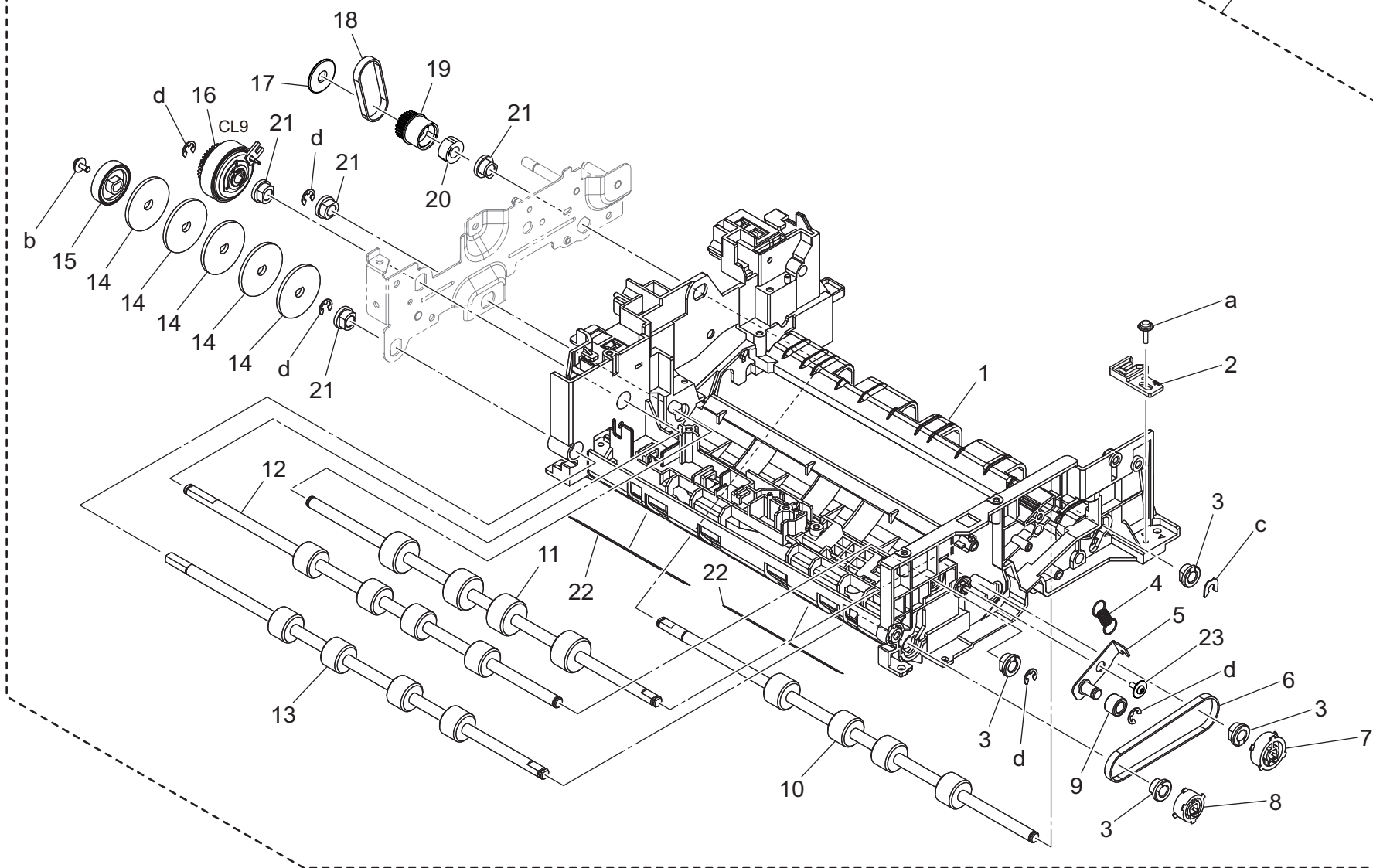
See P.33



Key	Part No.	Description	Destinations	Class	QTY	Standard parts
1	AAJNR70900	CIS unit/ ADF	C I S ユニット / ADF	I	1	a-V153030803 b-V144030603 c-V153031003 d-V217040003
2	A93E266000	Guide Film	ガイドフィルム	D	1	
3	A93E286500	Read Sheet	読取シート (読取り_白)	D	1	
4	A93E287400	Guide Part	ガイド部材 (読取り_裏)	D	1	
5	A93E285900	Spring	ばね (GUIDE SCAN SIDE 1)	C	4	
6	A93E287200	Ground Plate	アース板 (R 2_読取り)	D	1	
7	A93E286002	Conveyance Holder	搬送ホルダ	D	1	
8	A93E286700	Lock Lever	ロックレバー (R 2_前_1)	C	1	
9	A93E286800	Lock Hook	ロックフック (前)	C	1	
10	A93E287100	Spring	ばね (LOWER GUIDE HOOK)	C	1	
11	A93E286300	Shaft	軸 (R 2)	D	1	
12	A93E286100	Idler Roller	従動ローラ (R 2)	D	4	
13	A93E286200	Spring	ばね (IDEL ROLLER R 2)	C	2	
14	A93E287000	Lock Shaft	ロック軸 (R 2_開閉)	D	1	
15	A93E288200	Spring	ばね (LOWER GUIDO HOOK)	C	1	
16	A93E286901	Lock Hook	ロックフック (後)	C	1	
17	A93E285600	Support Frame	支持フレーム (C I S _ F I X)	D	1	
18	A93E266100	Hold Shaft	保持軸	D	1	
19	A7AHM90000	Connector	コネクタ	D	2	
20	A93E288000	Guide	ガイド (読み取り)	D	1	
21	A93EN11G00	ADF Flat Cable	ADF フラットケーブル (A 4)	C,D1,D3,E,F2,G1,I,K B,G2,H	D	1
21	A93EN11H00	ADF Flat Cable	ADF フラットケーブル (L e g a l)		D	1
22	9335140071	Solid State Switch	反射型フォトスイッチ		B	1
23	A93E265800	Mounting Plate	取付板 (第1センサ)		D	1
24	A93EN11B01	Ground Harness /1	アース束線 / 1 (1 s t S C A N)	D	1	
25	A93EN11501	ADF Detection Harness /1	ADF 検知束線 / 1	D	1	
26	A85CM55600	Photo Sensor	フォトセンサ	C	2	

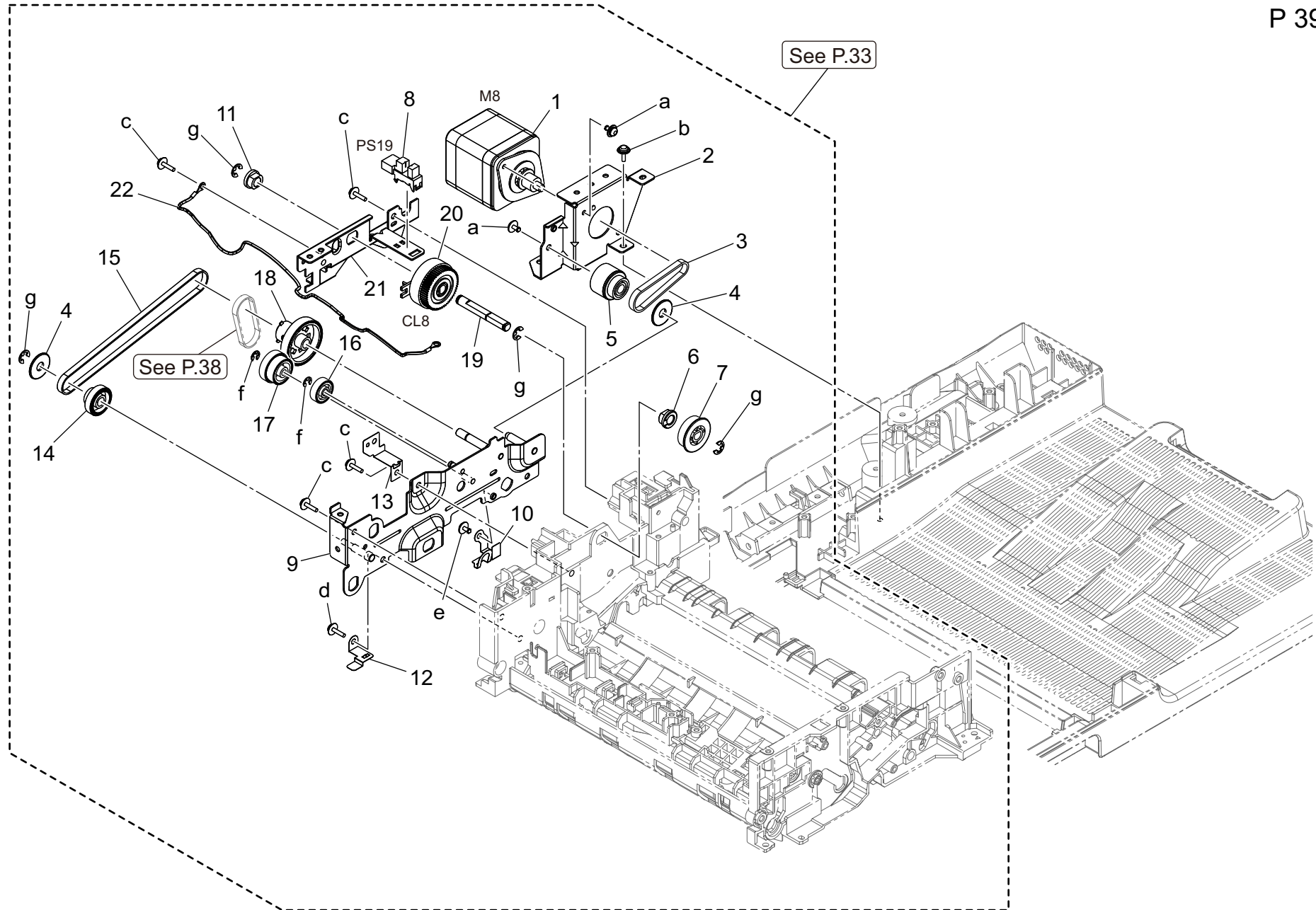
# Auto document feeder section

See P.33



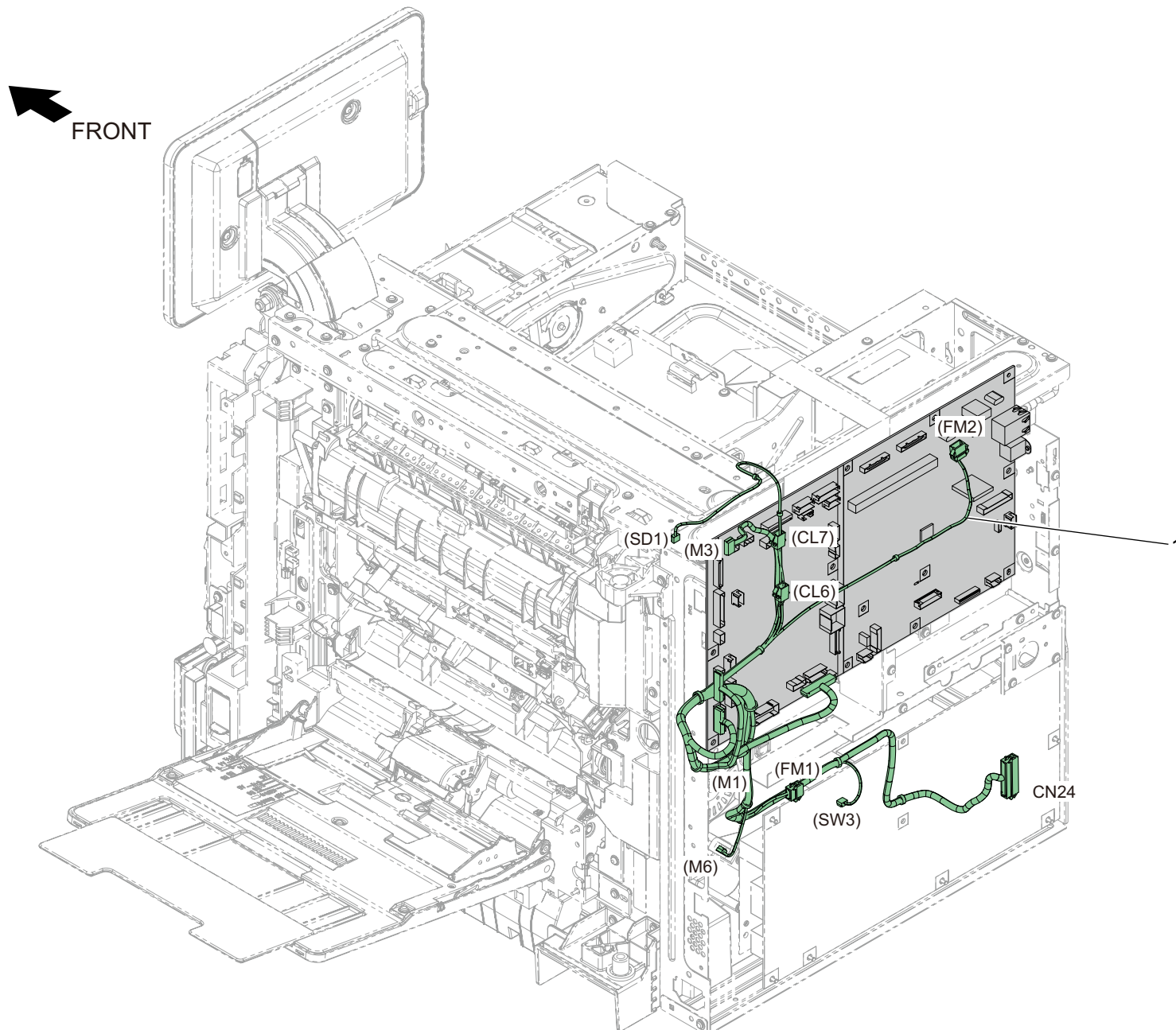
Key	Part No.	Description	Destinations	Class	QTY	Standard parts
1	A93E265712	Frame		D	1	a-V153031003 b-V125030803 c-V218040086 d-V217040003
2	A93E285700	Support Holder		D	1	
3	A93E282200	Bushing		D	4	
4	A93E270900	Pulling Coil spring		C	1	
5	A93E282111	Tension Plate /ASSY		D	1	
6	A93E281800	Timing belt 178L		C	1	
7	A93E281000	Pulley 30T		C	1	
8	A93E280800	Pulley 25T		C	1	
9	A93E281900	Idling Pulley		D	1	
10	A93E265601	Roller		C	1	
11	A93E265500	Roller		C	1	
12	A93E265300	Roller		C	1	
13	A93E265400	Roller		C	1	
14	A93E282000	Fly wheel		D	5	
15	A93E280700	Gear 36T		C	1	
16	A93EM21100	Clutch		C	1	
17	A93E282800	Flange		D	1	
18	A93E281700	Timing belt 96L		C	1	
19	A93E283200	Pulley 23T		C	1	
20	A93E283300	Drum		D	1	
21	A00J663200	Bushing		B	4	
22	A93E265900	Guide Film		D	2	
23	4163529301	SCREW		C	1	

# Auto document feeder section



Key	Part No.	Description	Destinations	Class	QTY	Standard parts
1	A93EM10M00	Stepping Motor		C	1	a-V116030603 b-V153030803 c-V153031004 d-V153031003 e-V144030603 f-V217030003 g-V217040003
2	A93E281412	Mounting Plate 取付板 (DF モーター)		D	1	
3	A93E281500	Timing belt 114L タイミングベルト 114 L		C	1	
4	A93E282800	Flange フランジ		D	2	
5	A93E280101	Gear 24/31T ギア 24/31 T		C	1	
6	A93E282200	Bushing すべり軸受		D	1	
7	A93E280511	Gear 19T ギア 19 T		C	1	
8	A85CM55600	Photo Sensor フォトセンサ		C	1	
9	A93E281312	Drive Frame /ASSY 駆動フレーム / ASSY (DF)		D	1	
10	A93E269100	Ground Plate アース板		D	1	
11	A00J663200	Bushing すべり軸受		B	1	
12	A93E269000	Ground Plate アース板		D	1	
13	A93E282700	Ground Plate アース板 (駆動側)		D	1	
14	A93E280601	Gear 19/30T ギア 19/30 T		C	1	
15	A93E281600	Timing belt 278L タイミングベルト 278 L		C	1	
16	A93E280400	Gear 30T ギア 30 T		C	1	
17	A93E280300	Gear 32/34T ギア 32/34 T		C	1	
18	A93E280201	Gear 22/50T ギア 22/50 T		C	1	
19	A93E280900	Shaft 軸 (クラッチ)		D	1	
20	A93EM21000	Clutch クラッチ		C	1	
21	A93E281200	Auxiliary Frame 補助フレーム (DF 駆動)		D	1	
22	A93EN11C00	Ground Harness /2 アース束線 /2 (ROLLER)		D	1	

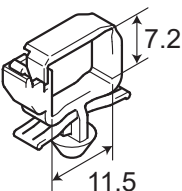
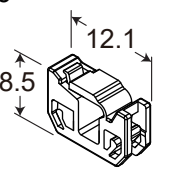
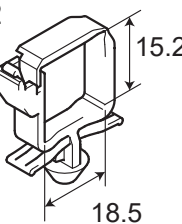
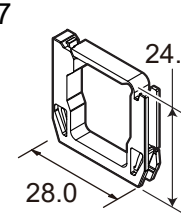
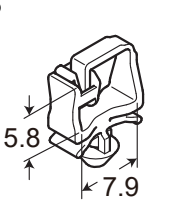
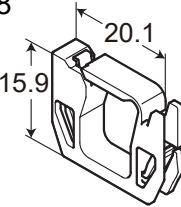
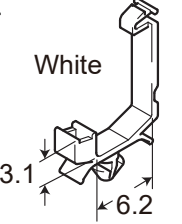
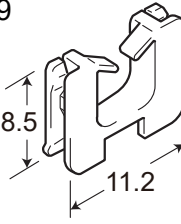
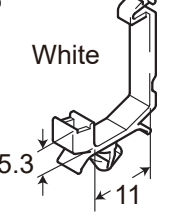
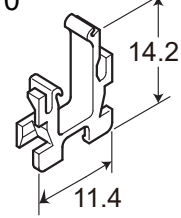




Key	Part No.	Description		Destinations	Class	QTY	Standard parts
1	ACT9N10200	Main Body Drive Harness	本体駆動束線		D	1	

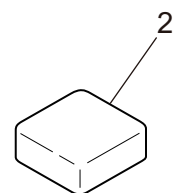
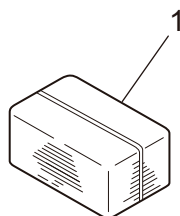
# Wiring Accessories

P 41

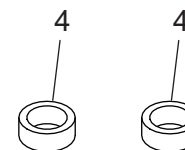
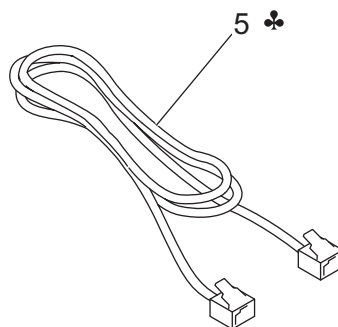
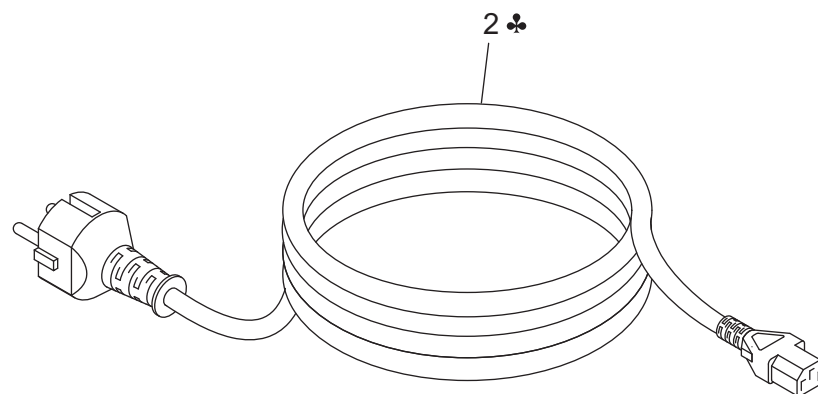
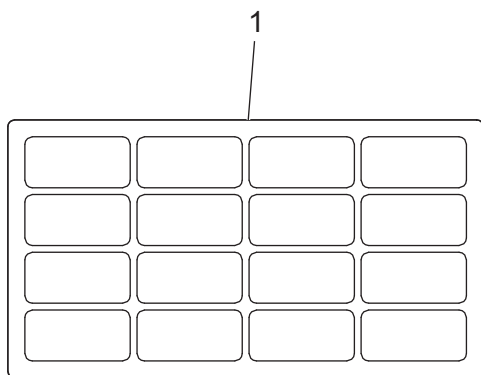
1 	6 	11	16	21	26	31	36
2 	7 	12	17	22	27	32	37
3 	8 	13	18	23	28	33	38
4 White 	9 	14	19	24	29	34	39
5 White 	10 	15	20	25	30	35	40

bizhub 4750i

Key	Part No.	Description	Destinations	Class	QTY	Standard parts
1	V500010082	Locking Wire Saddle		D		
2	V500010083	Locking Wire Saddle		D		
3	V500020098	Mini Locking wire saddle		D		
4	V500020099	Mini Locking wire saddle		D		
5	V500020100	Mini Locking wire saddle		D		
6	V570010056	Locking Edge Saddle		D		
7	V570010057	Wing Edge Saddle		D		
8	V570010060	Wing Edge Saddle		D		
9	V570010021	Saddle		D		
10	V570010050	Locking Edge Saddle		D		



Key	Part No.	Description	Destinations	Class	QTY	Standard parts
1	A5AWP00100	Cleaning Pad		S	1	
2	65AA-9920	HYDROWIPE		S	1	



Key	Part No.	Description	Destinations	Class	QTY	Standard parts
1	A93E943200	Label		D	1	
2	A0EDN30101	Power source Cord /120V	B,G2,H	D	1	
2	A0VDN30000	Power code	C,I	C	1	
3	AA2J948600	Label		D	1	
4	ACT9105000	Rubber foot		D	2	
5	AA1KN10000	Cable	B,G2,H	D	1	



# MAINTENANCE LIST

● The items with no Page/Key numbers are not handled as spare parts.

No.	Section	PM Parts Description	Maintenance Cycle (K=1,000)		Parts No.	Destinations	Page/Key	Note
			QTY	Replace				
1	Paper feed section	Tray 1 feed roller	1	200K	A64J564101		P13-10	*2 *4
2		Tray 1 pick-up roller	1	200K	A64J564201		P13-11	*2 *4
3		Tray 1 separation roller	1	200K	A11U560000		P15-6	*2 *4
4		Manual bypass tray feed roller	1	200K	A93E597500		P21-39	*2 *4
5		Manual bypass tray pick-up roller	1	200K	A5C1562200		P21-34	*2 *4
6		Manual bypass tray separation pad	1	200K	AAJRR72200		P21-4	*2 *4
7	Processing section	Toner cartridge/K	1	21K	-			*1 *3
8		Imaging unit/K	1	200K	-			*1 *3
9		Toner filter	1	200K	A92E158100		P4-2	*2
10		Waster toner bottle	1	36K(US)	ACTE011	B,D3,G2,H	P7-1	*1 *3 *5
11	Waster toner bottle	1	36K(EU)	ACTEWY1	C,I	P7-1	*1 *3 *5	
12	Image transfer section	Transfer belt unit	1	200K	ACT9R70300		P9-2	*3
13		Transfer roller	1	200K	AAJRR70500		P17-2	*3
14	Fusing section	Fusing unit	1	400K	ACT8R70100	(110-120V)	P23-3	*3
15		Fusing unit	1	400K	ACT8R70200	(220-240V)	P23-3	*3

\*1: The parts can be replaced either by user or service engineer.

\*2: Life counter value

\*3: Field standard yield

\*4: Replace these parts at the same time.

\*5: A waste toner full condition is detected with detecting the actual waste toner emissions.

\*: The part names used on this page follow the ones used in the Service Manual and they are occasionally different from those written in other pages.

# メンテナンスリスト

● ページ / キーナンバーのないものは、アフターサービス部品ではありません。

No.	区分	PM 部品名称	サイクル (K=1,000)		部品番号	仕向地	頁 / キー	備考
			員数	交換				
1	給紙部	トレイ1給紙ローラー	1	200K	A64J564101		P13-10	*2 *4
2		トレイ1ピックアップローラー	1	200K	A64J564201		P13-11	*2 *4
3		トレイ1分離ローラー	1	200K	A11U560000		P15-6	*2 *4
4		手差しトレイ給紙ローラー	1	200K	A93E597500		P21-39	*2 *4
5		手差しトレイピックアップローラー	1	200K	A5C1562200		P21-34	*2 *4
6		手差しトレイ分離パッド	1	200K	AAJRR72200		P21-4	*2 *4
7	プロセス部	トナーカートリッジ /K	1	21K	-			*1 *3
8		イメージングユニット /K	1	200K	-			*1 *3
9		トナーフィルター	1	200K	A92E158100		P4-2	*2
10		廃トナーボトル	1	36K(US)	ACTE011	B,D3,G2,H	P7-1	*1 *3 *5
11		廃トナーボトル	1	36K(EU)	ACTEWY1	C,I	P7-1	*1 *3 *5
12	転写部	転写ベルトユニット	1	200K	ACT9R70300		P9-2	*3
13		転写ローラー	1	200K	AAJRR70500		P17-2	*3
14	定着部	定着ユニット	1	400K	ACT8R70100	(110-120V)	P23-3	*3
15		定着ユニット	1	400K	ACT8R70200	(220-240V)	P23-3	*3

\*1: ユーザー / サービス交換の選択が可能。

\*2: ライフカウンター値

\*3: 市場標準印刷枚数値

\*4: 同時交換のこと。

\*5: 廃棄トナーフル検知は、実際の廃棄トナー充填量を検知して行う。

\*: ここに記載されている部品名称はサービスマニュアルで使用されている部品名称であり、他のページに記載されている部品名称とは異なる場合があります。

## DESTINATION

Destination No.		Destinations		V	Hz	Model No.
A	A1	JAPAN				
	A2	JAPAN				
B		USA, CANADA		120	60	ACT8011,0 12
C		EUROPEAN TYPE		220-240	50/60	ACT8021
D	D1	S.E ASIA TYPE	THAILAND, SRI LANKA, SINGAPORE, MALAYSIA, HONG KONG, PAKISTAN, INDIA, BANGLADESH, INDONESIA	220-240	50/60	ACT8041
	D3	OCEANIA TYPE	AUSTRALIA, NEW ZEALAND	220-240	50/60	ACT8041
E		PHILIPPINES		220-240	50/60	ACT8041
F	F1	SAUDI ARABIA				
	F2	SAUDI ARABIA		220-240	50/60	ACT8041
G	G1	C.S AMERICA		220-240	50/60	ACT8041
	G2	C.S AMERICA		120-127	60	ACT8011
H		TAIWAN		110	60	ACT8011
I		JORDAN, LEBANON, SYRIA, SOUTH AFRICA, IRAQ, IRAN, N.YEMEN, CAMEROON, UAE, BAHRAIN, OMAN, QATAR, KUWAIT, KENYA, TUNISIA, IVORY COAST, MOROCCO		220-240	50/60	ACT8021,0 41
J		CHINA				
K		KOREA		220-240	50/60	ACT8041

bizhub 4750i