

KONICA MINOLTA

# *PARTS GUIDE MANUAL*

---

*NOVEMBER 2008*

*bizhub 501*  
*A0R5*

## INFORMATION FOR PARTS GUIDE MANUAL

To find correct Parts No., refer to the "HOW TO MAKE THE BEST USE OF THIS MANUAL" in the following page.

### HOW TO MAKE THE BEST USE OF THIS MANUAL

- 1 When you order, please check the proper figures beforehand that are on Our Parts Guide Manual, and order with the appropriate figures.
- 2 For screws, Nuts, Washers, retaining rings and Pins which are used in this model, one letter is shown on the Standard parts column of Parts list and exploded diagrams.
- 3 In order to maintain safety of the product, some specific parts composed of this product are set up as "essential safety parts".
- 4 The assigned parts number for the "essential safety parts" is indicated as "SP00-\*\*\*\*".  
When replacing these parts, follow precautions for disassembling and installing which are listed in the Service Manual.  
Do not use any parts that are not set up as
- 5 ♣ means that there are exclusive parts for each destination.  
Please check the appropriate destination when you order.
- 6 Revision Mark  
Marked as ▲ on the illustration shows that the revision has been made.
- 7 All rights reserved. (any reprints or quotations are prohibited.)  
Use of this parts guide manual should be strictly supervised to avoid disclosure of confidential information.

## パーツガイドマニュアルのご案内

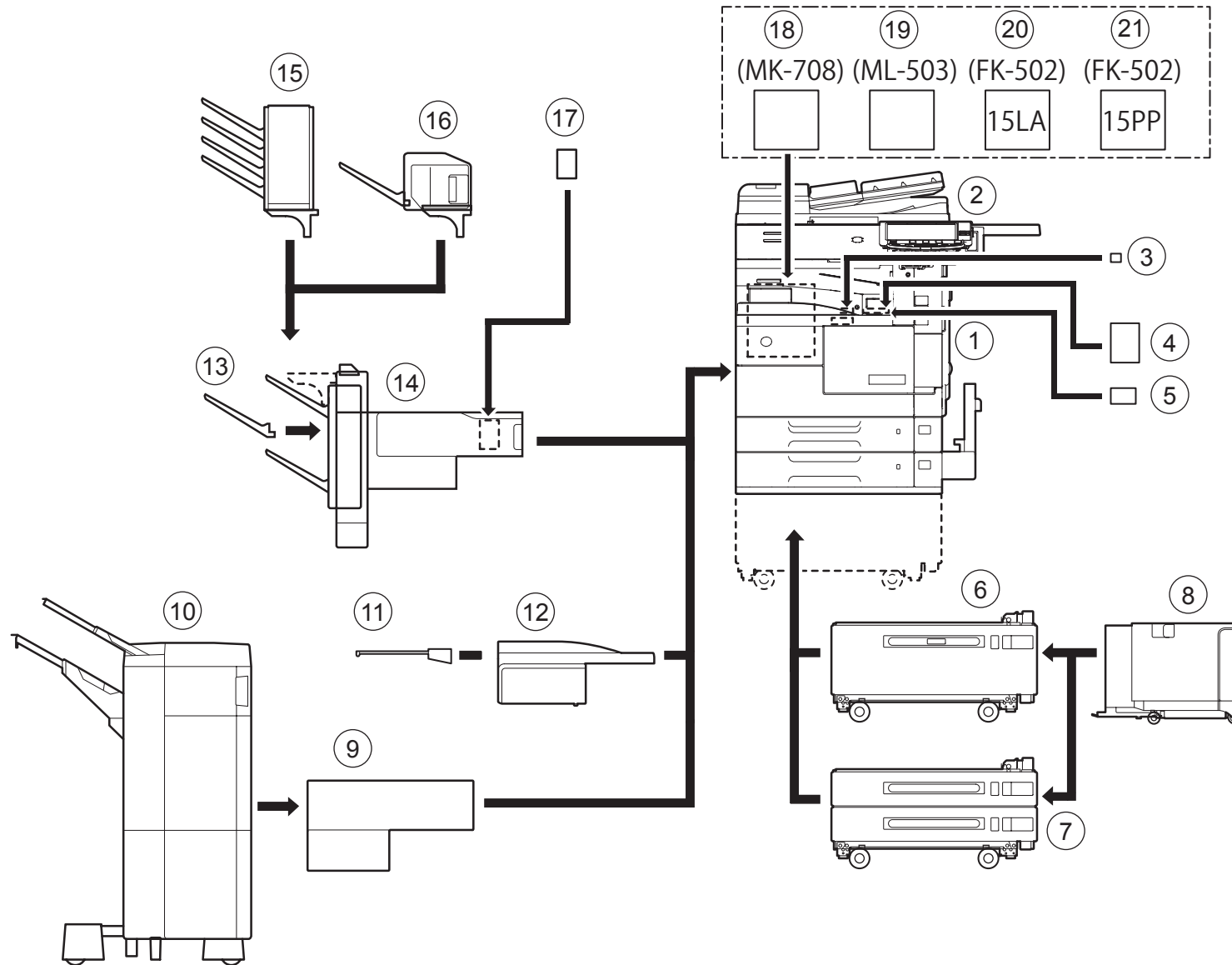
サービス部品をご発注の際には、下記に示す“パーツガイドマニュアルの活用にあたって”をご参照の上、正しい部品番号にてお願い致します。

### パーツガイドマニュアルの活用にあたって

- 1 部品発注の際には、掲載されている部品番号の桁数を確認し、掲載されている桁数で発注願います。
- 2 この製品に使用されているネジ、ナット、ワッシャー、止め輪、ピンなどは、リストの右側の Standard parts 欄に a,b,c,……で表示し、イラストにも a,b,c,……表示してあります。
- 3 製品の安全性を維持する為に、製品に使用される特定の部品を「重要保安部品」として設定しています。
- 4 重要保安部品の部品番号は、“SP00-\*\*\*\*”と記載されていますので、部品交換時は、サービスマニュアル記載の分解・組み立ての注意事項に従って作業をして下さい。  
また、指定以外の部品は一切使用しないで下さい。
- 5 本文に ♣ が表示されている部品は、仕向け地毎に専用部品がある事を意味しています。  
オーダーされる時は、仕向け地を確認して下さい。
- 6 改訂記号について  
イラスト上に▲印が表示されている部分は、改訂された事を表します。
- 7 著作権所有（無断転載及び無断引用の禁止）  
本パーツガイドマニュアルについては、機密保持等その扱いには十分注意して下さい。万一取り扱いを誤った場合には、法律で処罰されることがあります。

04/18/2008

# SYSTEM OUTLINE

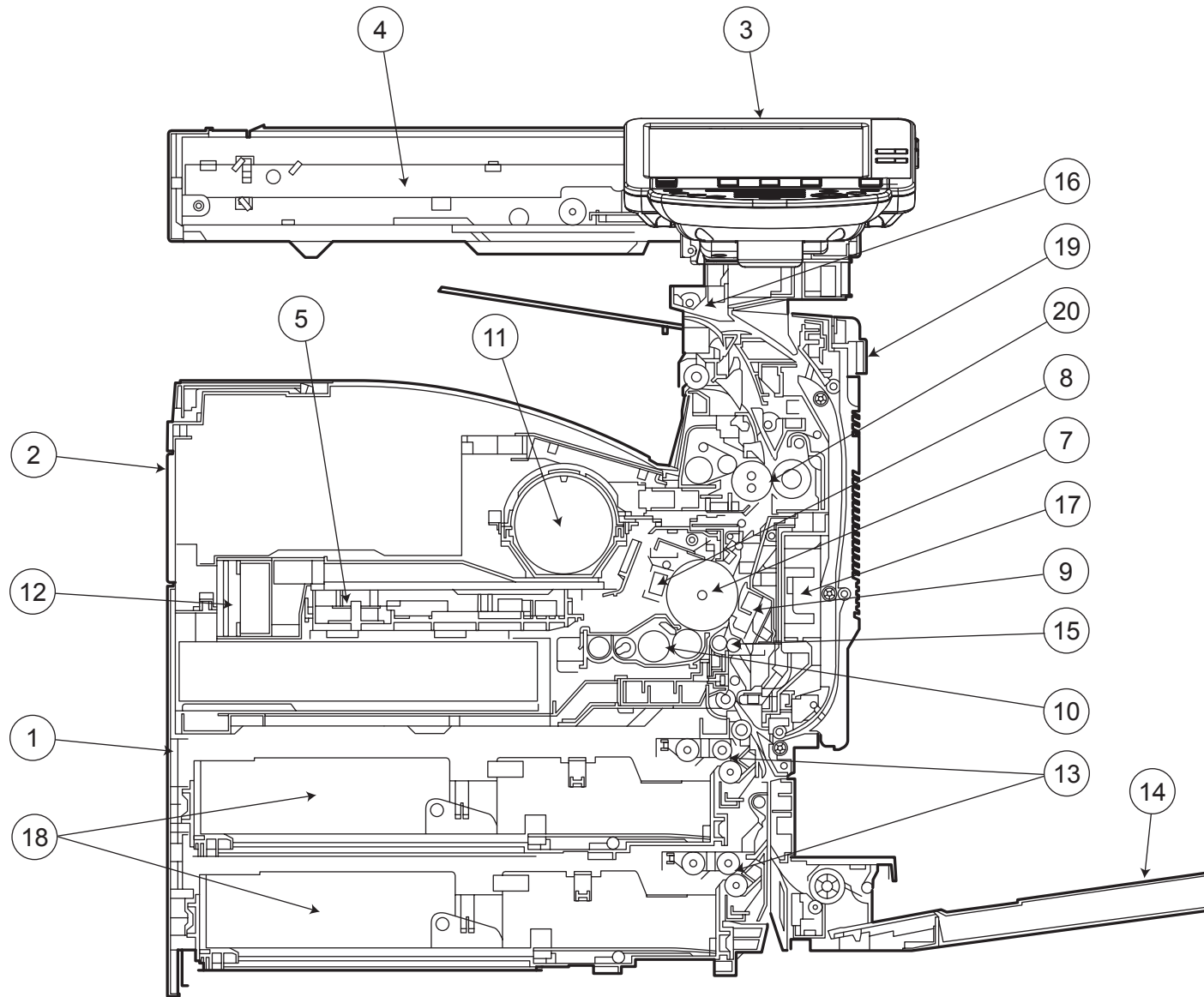


# GENERAL CONTENTS

No.	Description	Model
1	DIGITAL MFP B/W	bizhub 501
2	DOCUMENT FEEDER	DF-613
3	PRINT CONTROLLER	IC-207
4	OTHER OPTION	EK-703
5	OTHER OPTION	HD-509
6	PAPER FEEDER	PC-407
7	PAPER FEEDER	PC-206
8	PAPER FEEDER	LU-203
9	OTHER OPTION	RU-507
10	SORTER/FINISHER	FS-523
11	STACKER	JS-502
12	OTHER OPTION	OT-504
13	OTHER OPTION	OT-602
14	SORTER/FINISHER	FS-522
15	SORTER/FINISHER	MT-502
16	SORTER/FINISHER	SD-507
17	PUNCH UNIT	PU-501
18	FAX CONTROLLER	MK-708
19	FAX CONTROLLER	ML-503
20	FAX CONTROLLER	FK-502

bizhub 501

# DIAGRAMS OF MAIN PARTS SECTION



# CONTENTS

No.	DESCRIPTION	名称	PAGE No.
1	MAIN FRAME	骨格	P1 P2 P3 P4
2	EXTERNAL PARTS	外装	P5 P6
3	OPERATION UNIT	操作部	P7
4	OPTICS UNIT	光学部	P8 P9 P10
5	WRITE UNIT	書き込みユニット	P11
6	DRIVING UNIT	駆動部	P12 P13 P14 P15 P16
7	DRUM CARTRIDGE	ドラムカートリッジ	P17 P18 P19 P20
8	CHARGING UNIT	帯電極	P21
9	TRANSFER SEPARATOR CORONA UNIT	転写分離極	P22
10	DEVELOPING UNIT	現像ユニット	P23 P24
11	TONER SUPPLY UNIT	トナー補給部	P25 P26 P27 P28 P29
12	DEVELOPING SUCTION UNIT	現像サクションユニット	P30
13	PAPER FEED UNIT	給紙部	P31 P32 P33 P34
14	MANUAL FEED UNIT	手差しユニット	P35 P36 P37
15	REGISTRATION UNIT	レジストユニット	P38
16	TURNOVER UNIT	反転部	P39 P40
17	CONVEYANCE UNIT	搬送部	P41
18	CASSETTE	カセット	P42
19	AUTO DUPLEX UNIT	自動両面ユニット	P43 P44 P45 P46 P47 P48
20	FIXING UNIT	定着部	P49 P50 P51 P52 P53 P54
21	ELECTRIC PARTS	電装部	P55 P56 P57 P58
22	WIRING	束線	P59 P60 P61 P62 P63 P64 P65 P66 P67 P68
23	WIRING ACCESSORY AND JIGS	配線部品 治具	P69 P70
24	ACCESSORY PARTS	アクセサリパーツ	P71

# INDEX

Parts No.	Page No.	Parts No.	Page No.	Parts No.	Page No.	Parts No.	Page No.	Parts No.	Page No.
000V -18- 1	70-12	1900 4141 0	12-6	26NA 2056 0	20-10	26NA 3075 0	24-28	26NA 4537 1	38-20
000V -18- 2	70-12	1900 4141 0	13-5	26NA 2057 0	19-2	26NA 3077 0	24-4	26NA 4538 1	41-19
000V 1001 0	70-7	1900 4141 0	14-4	26NA 2058 0	20-4	26NA 3084 0	24-19	26NA 4549 0	21-14
000V 1002 0	70-8	1900 4141 0	15-17	26NA 2071 0	20-13	26NA 3085 0	24-3	26NA 4549 0	41-11
000V 1003 0	70-9	1900 4142 0	14-6	26NA 2076 0D	19-4	26NA 3086 0	24-25	26NA 4552 0	41-1
000V 1004 0	70-10	1921 4171 0	51-3	26NA 2086 0D	19-11	26NA 3087 0	13-26	26NA 5037 0	12-21
000V 1005 0	70-11	25AA 7553 0	47-16	26NA 2087 0	19-13	26NA 3093 0	24-27	26NA 5321 1	50-17
00Z9 2450 8	69-20	25HA 2510 0	21-2	26NA 2092 0	19-1	26NA 3094 0	24-5	26NA 5329 0	51-12
00Z9 2451 2	69-21	25HA 3215 2	26-6	26NA 2095 0	18-7	26NA 3095 0	24-10	26NA 5346 0	51-6
00Z9 2452 4	69-22	26NA -909 2E	11-2	26NA 2107 0	19-9	26NA 3096 0	24-9	26NA 5349 0	54-9
0294 2064 0	23-9	26NA -918 2E	18-6	26NA 2116 0	20-8	26NA 3101 0	24-30	26NA 5359 0	12-22
0830 2014 0	6-20	26NA -951 2E	10-20	26NA 2128 0	19-19	26NA 3204 0	26-14	26NA 5359 0	13-20
0928 3033 01	46-7	26NA 1240 1	6-22	26NA 2133 0	18-9	26NA 3209 0	26-25	26NA 5361 0	54-8
0992 3014 01	42-36	26NA 1255 0	5-11	26NA 2134 0	17-2	26NA 3220 0	26-23	26NA 5362 0	49-8
1052 4412 01	31-22	26NA 1520 0	13-24	26NA 2136 0	17-20	26NA 3228 0	26-21	26NA 5371 2	49-5
1065 3086 01	31-19	26NA 1560 0	13-4	26NA 2136 0	24-21	26NA 3230 0	26-27	26NA 5372 0	49-6
1065 3086 01	33-25	26NA 1728 0	12-3	26NA 2138 0	17-5	26NA 3231 1E	25-16	26NA 5374 0	49-17
1067 2501 01	31-27	26NA 1728 0	13-19	26NA 2140 0	17-14	26NA 3242 0	25-14	26NA 5377 0	49-19
1067 2501 01	33-22	26NA 1728 0	15-2	26NA 2142 0	17-13	26NA 3243 0	26-28	26NA 5384 0	51-11
1067 2502 01	36-26	26NA 1728 0	16-6	26NA 2143 0	17-17	26NA 3254 0	26-22	26NA 5403 0	50-1
1067 2513 01	16-30	26NA 1757 0	15-10	26NA 2144 0	17-22	26NA 3255 0	26-24	26NA 5414 0	51-25
1075 2565 01	36-7	26NA 1758 0	13-21	26NA 2517 0	21-11	26NA 3256 0	26-9	26NA 5419 0	51-24
1134 3041 01	33-10	26NA 1759 0	15-11	26NA 2518 0	21-9	26NA 3259 0	25-12	26NA 5423 0	49-18
1134 3041 01	45-3	26NA 2014 0	20-9	26NA 2608 0	22-3	26NA 3266 0	25-6	26NA 5423 0	50-3
1134 3042 02	37-20	26NA 2016 0	20-14	26NA 2623 0	22-5	26NA 3268 0	25-4	26NA 5424 0	51-10
1136 2060 0	24-14	26NA 2017 0	20-15	26NA 2625 0	22-11	26NA 3269 0	26-29	26NA 5428 0	50-16
1139 3169 01	40-1	26NA 2020 0	18-8	26NA 2626 0	22-12	26NA 3287 0	27-9	26NA 5429 0	51-7
1149 3454 01	34-29	26NA 2022 0	20-7	26NA 3009 0	24-8	26NA 3290 0	26-26	26NA 5430 0	54-12
1155 2518 01	16-28	26NA 2024 2	17-6	26NA 3021 1G	24-24	26NA 3291 0	26-16	26NA 6115 0	9-6
1164 2155 01	1-6	26NA 2025 0F	18-3	26NA 3036 0	24-22	26NA 3292 0	26-17	26NA 6130 0	9-4
1164 3065 01	54-21	26NA 2027 0	17-8	26NA 3044 0	24-17	26NA 3293 0	26-15	26NA 6131 0	10-17
1200 2105 02	39-14	26NA 2029 0	17-12	26NA 3045 0	23-8	26NA 3294 0	25-13	26NA 6134 0	10-21
1200 5212 04	33-7	26NA 2030 0	17-9	26NA 3047 0	23-2	26NA 3295 0	25-15	26NA 6137 0	10-14
1274 3603 01	42-29	26NA 2030 0	32-13	26NA 3049 0	23-1	26NA 3296 0	26-7	26NA 6138 0	10-4
12QV 4066 0	38-18	26NA 2031 0	17-10	26NA 3063 0	24-23	26NA 3297 0	26-13	26NA 6139 0	10-23
1300 3322 17	36-24	26NA 2037 0D	19-10	26NA 3065 0	24-16	26NA 4082 0	38-12	26NA 6141 0	10-22
13QA 1033 0	15-7	26NA 2038 0	19-7	26NA 3066 0	24-15	26NA 4256 0	47-17	26NA 6153 1	10-5
13QA 7602 1	38-17	26NA 2042 0	19-5	26NA 3070 0	24-13	26NA 4507 1	41-10	26NA 6154 0	10-7
13QA 8552 1	38-7	26NA 2048 0	18-2	26NA 3072 0	23-4	26NA 4514 1	38-23	26NA 6155 1	10-12
13RN 7312 0	58-11	26NA 2055 3	20-11	26NA 3073 0	24-11	26NA 4536 0	38-21	26NA 6156 0	10-3

Parts No.	Page No.	Parts No.	Page No.	Parts No.	Page No.	Parts No.	Page No.	Parts No.	Page No.
26NA 6159 0	10-13	26NA R712 00	56-18	4002 3779 01	39-17	4030 3011 03	31-24	4030 3052 01	16-25
26NA 6160 0	10-8	26TA -235 0	19-17	4002 7306 01	42-20	4030 3011 03	33-27	4030 3053 01	16-27
26NA 6161 0	10-6	26TA -236 0	19-18	4011 3012 01	55-1	4030 3012 01	31-25	4030 3054 01	16-29
26NA 6173 2	8-1	26TA -237 1	19-22	4011 3020 01	42-27	4030 3012 01	33-28	4030 3055 01	16-26
26NA 6175 1	10-26	26TA 2032 0	17-7	4011 3021 01	42-26	4030 3013 01	32-17	4030 3057 01	16-19
26NA 6181 2	8-4	26TA 2053 1	19-15	4011 5852 02	39-5	4030 3013 01	34-9	4030 3059 01	16-35
26NA 6184 0	10-31	26TA 2088 1	19-12	4011 5852 02	45-12	4030 3014 01	32-7	4030 3060 01	16-34
26NA 6194 0	10-2	26TA 2146 0	19-26	4030 0151 01	32-15	4030 3014 01	34-7	4030 3063 01	33-35
26NA 6206 0	10-18	26TA 2147 0	19-25	4030 0151 01	34-11	4030 3016 12	31-30	4030 3064 01	33-32
26NA 6213 0	5-10	26TA 2148 0	19-24	4030 0207 04	39-16	4030 3016 12	33-11	4030 3067 01	16-21
26NA 6216 0	8-14	26TA 2149 0	19-23	4030 0216 05	37-9	4030 3017 03	32-6	4030 3068 01	33-34
26NA 6228 0	8-5	26TA 2151 0	20-6	4030 2005 02	1-16	4030 3017 03	34-5	4030 3069 01	33-33
26NA 6232 0	10-32	26TA 2154 0	19-16	4030 2006 01	1-1	4030 3018 01	33-6	4030 3077 01	32-16
26NA 6239 1	10-11	26TA 2161 1	19-20	4030 2007 01	1-13	4030 3019 02	33-9	4030 3077 01	34-10
26NA 6245 1	8-13	26TA 3258 0	25-7	4030 2008 02	1-14	4030 3021 01	33-36	4030 3078 01	32-4
26NA 6528 0	4-2	26TA 3261 0	25-10	4030 2009 01	3-3	4030 3022 01	33-26	4030 3078 01	34-3
26NA 6529 0	4-1	26TA 3264 0	25-8	4030 2010 01	1-5	4030 3023 03	31-15	4030 3079 01	32-9
26NA 7325 1	22-9	26TA 3296 0	27-2	4030 2011 01	1-3	4030 3025 02	32-14	4030 3079 01	34-2
26NA 7325 1	56-17	26TA 3297 0	27-3	4030 2018 01	2-1	4030 3025 02	34-17	4030 3080 01	32-8
26NA 7357 0	58-12	26TA 3298 0	27-6	4030 2022 01	48-6	4030 3026 02	32-10	4030 3081 01	55-10
26NA 7373 2	57-1	26TA 3299 0	27-4	4030 2023 01	48-8	4030 3027 02	32-11	4030 3083 01	55-12
26NA 8006 1	25-5	26TA 3301 0	26-18	4030 2029 02	1-12	4030 3030 01	31-18	4030 3084 01	31-2
26NA 8251 3	25-11	26TA 6251 0	8-9	4030 2038 02	1-11	4030 3030 01	33-24	4030 3085 01	31-16
26NA 8804 1	23-10	26TA 6252 1	10-9	4030 2039 02	3-4	4030 3031 01	33-8	4030 3086 01	31-3
26NA 8846 1	57-6	26TA 6253 0	10-10	4030 2041 02	1-8	4030 3032 03	32-2	4030 3087 01	31-1
26NA 9019 1	59-1	26TA 8452 1	8-10	4030 2042 02	1-2	4030 3034 01	31-8	4030 3088 01	31-14
26NA 9031 1	62-9	26TA R701 00	19-21	4030 2062 01	3-2	4030 3034 01	33-14	4030 3091 01	55-2
26NA 9035 1	59-2	26TA R702 00	24-7	4030 2080 01	2-19	4030 3036 01	31-13	4030 3092 01	33-31
26NA JG01 1	70-6	27LA 5383 0	54-7	4030 2081 01	1-15	4030 3036 01	34-18	4030 3093 01	36-17
26NA R701 00	57-7	27LA 5419 0	54-2	4030 3001 03	31-28	4030 3037 01	32-12	4030 3095 01	34-19
26NA R702 00	13-3	27LA 5446 0	3-10	4030 3002 02	31-10	4030 3037 01	34-16	4030 3105 01	34-12
26NA R703 00	18-4	27LA 7391 0	57-2	4030 3002 02	33-16	4030 3039 01	32-18	4030 3107 01	34-22
26NA R704 00	17-23	27LA 7399 0	58-17	4030 3003 01	31-12	4030 3039 01	34-8	4030 3108 01	32-1
26NA R705 00	17-4	27LA 8003 2E	12-1	4030 3003 01	33-21	4030 3041 02	31-4	4030 3112 02	33-1
26NA R706 00	18-5	27LA 8051 1	57-3	4030 3004 01	31-20	4030 3042 02	33-5	4030 3114 02	34-23
26NA R707 00	24-12	27LA 8803 1	56-9	4030 3005 01	31-7	4030 3046 03	55-16	4030 3115 01	34-30
26NA R708 00	23-3	3920 4526 0	17-24	4030 3005 01	33-13	4030 3047 02	55-4	4030 3116 01	34-24
26NA R709 00	3-9	4002 3108 01	42-37	4030 3008 01	31-11	4030 3048 02	55-13	4030 3117 02	34-27
26NA R710 00	12-19	4002 3110 01	55-6	4030 3008 01	33-17	4030 3049 01	55-14	4030 3121 01	34-34
26NA R711 00	10-1	4002 3131 01	55-5	4030 3010 02	33-37	4030 3051 01	16-22	4030 3122 01	34-33



Parts No.	Page No.	Parts No.	Page No.	Parts No.	Page No.	Parts No.	Page No.	Parts No.	Page No.
4030 3123 01	34-32	4030 3424 01	35-19	4030 3524 01	57-15	4030 3821 01	39-18	4030 5855 01	52-6
4030 3124 03	34-13	4030 3427 01	36-23	4030 3703 01	44-1	4030 3823 01	40-8	4030 5856 01	52-9
4030 3125 01	32-5	4030 3428 01	35-17	4030 3707 01	46-8	4030 3824 01	45-11	4030 5856 01	53-9
4030 3125 01	34-14	4030 3429 02	36-1	4030 3708 01	46-10	4030 3825 02	45-10	4030 5857 01	52-7
4030 3128 01	33-4	4030 3430 01	36-18	4030 3709 01	46-15	4030 3826 01	40-4	4030 5858 01	52-5
4030 3129 03	34-15	4030 3432 07	36-35	4030 3710 01	43-10	4030 3829 01	45-8	4030 6214 00	42-38
4030 3134 03	34-31	4030 3434 01	36-4	4030 3713 01	43-4	4030 3834 01	39-19	4030 6215 00	42-39
4030 3135 01	34-25	4030 3435 01	37-27	4030 3725 01	43-14	4030 5717 01	53-12	4030 6810 02	68-3
4030 3201 09	42-12	4030 3436 01	37-13	4030 3726 01	43-3	4030 5750 03	53-2	4030 6811 01	31-5
4030 3203 01	42-16	4030 3437 01	37-28	4030 3733 03	43-11	4030 5753 01	53-14	4030 6812 02	67-1
4030 3205 01	42-35	4030 3438 01	35-23	4030 3734 01	43-15	4030 5802 01	52-15	4030 6813 02	67-2
4030 3206 01	42-34	4030 3441 01	36-5	4030 3735 01	44-3	4030 5803 01	54-14	4030 6814 03	68-1
4030 3207 01	42-25	4030 3444 01	36-29	4030 3737 01	46-6	4030 5805 03	52-11	4030 6818 01	68-2
4030 3208 02	55-9	4030 3445 01	36-30	4030 3738 03	46-5	4030 5805 03	53-11	4030 6824 01	59-4
4030 3211 02	42-8	4030 3446 01	37-17	4030 3739 01	46-3	4030 5806 01	52-12	4030 7306 02	37-30
4030 3212 01	42-19	4030 3447 01	36-28	4030 3740 01	46-14	4030 5808 02	53-4	4030 7307 02	37-30
4030 3214 02	42-21	4030 3448 01	35-20	4030 3741 03	46-13	4030 5809 02	53-7	4030 7308 02	37-30
4030 3215 01	42-22	4030 3455 02	37-11	4030 3742 01	46-12	4030 5810 02	53-8	4030 7315 01	1-4
4030 3216 01	42-32	4030 3456 01	35-5	4030 3743 02	46-11	4030 5811 01	54-15	4030 R705 00	16-31
4030 3217 01	42-3	4030 3457 03	35-18	4030 3744 01	43-19	4030 5812 01	52-16	4030 R707 00	36-19
4030 3218 01	42-33	4030 3460 02	37-8	4030 3745 01	43-21	4030 5816 01	52-24	4030 R708 00	36-6
4030 3222 03	42-24	4030 3463 01	37-10	4030 3748 01	43-7	4030 5817 02	52-25	4034 0151 01	35-8
4030 3223 03	42-28	4030 3464 01	36-27	4030 3749 01	43-5	4030 5820 03	52-23	4037 0104 01	55-3
4030 3224 02	42-41	4030 3465 01	36-31	4030 3749 01	46-17	4030 5821 02	52-22	4037 0906 01	31-26
4030 3224 02	55-11	4030 3467 01	36-9	4030 3750 01	46-16	4030 5822 03	52-26	4037 0906 01	33-3
4030 3226 01	42-30	4030 3472 01	37-14	4030 3755 01	44-9	4030 5823 01	52-2	4037 0906 01	36-3
4030 3227 01	42-13	4030 3473 02	37-26	4030 3760 01	46-2	4030 5827 01	52-30	4037 0906 01	37-21
4030 3228 12	42-11	4030 3474 01	35-13	4030 3805 02	40-11	4030 5827 01	53-3	4037 0906 01	39-22
4030 3229 02	42-31	4030 3475 01	35-11	4030 3806 02	45-9	4030 5834 02	54-18	4037 0906 01	55-7
4030 3401 13	36-22	4030 3476 01	35-4	4030 3807 03	40-7	4030 5836 01	52-19	4037 3204 01	42-2
4030 3402 01	35-14	4030 3477 01	35-3	4030 3808 01	40-12	4030 5839 03	52-3	4037 3213 12	42-14
4030 3404 01	35-10	4030 3478 02	36-11	4030 3809 01	39-13	4030 5840 02	52-17	4037 6899 01	37-12
4030 3412 01	37-7	4030 3479 01	36-2	4030 3810 01	39-12	4030 5841 01	54-16	4040 0780 01	57-5
4030 3414 01	37-19	4030 3481 01	35-24	4030 3811 01	45-4	4030 5842 01	52-33	4040 3096 01	31-23
4030 3415 02	37-18	4030 3484 01	35-6	4030 3812 01	45-5	4030 5843 02	52-10	4040 3096 01	33-29
4030 3416 02	36-34	4030 3486 01	37-1	4030 3813 01	45-6	4030 5844 02	52-18	4040 3097 01	31-17
4030 3417 01	36-25	4030 3487 01	37-3	4030 3814 01	45-7	4030 5845 02	52-20	4040 3097 01	33-23
4030 3419 01	36-15	4030 3489 01	35-16	4030 3817 01	40-6	4030 5847 01	52-1	4040 3443 01	36-32
4030 3420 02	36-14	4030 3492 01	35-12	4030 3818 02	40-9	4030 5848 01	52-14	4040 3495 01	35-26
4030 3422 01	36-20	4030 3523 02	57-14	4030 3819 01	40-10	4030 5854 01	52-8	4040 3496 01	35-25

Parts No.	Page No.	Parts No.	Page No.	Parts No.	Page No.	Parts No.	Page No.	Parts No.	Page No.
4040 3497 01	36-33	40LA 6114 0	8-2	4425 3013 01	31-29	50GA -169 2	16-23	50GA -513 0	47-3
4040 3833 02	39-4	40LA 6116 1E	9-16	4425 3013 01	33-15	50GA -171 0	15-3	50GA -519 0	43-9
4040 5610 00	32-19	40LA 6119 0	10-29	4425 3016 01	31-9	50GA -172 0	15-13	50GA -520 0	43-13
4040 5610 00	34-6	40LA 6121 0	10-19	4425 3016 01	33-20	50GA -173 0E	15-6	50GA -521 0	44-17
4040 5612 00	32-20	40LA 6174 1	8-12	4426 4411 02	40-5	50GA -176 0	16-33	50GA -530 0	51-1
4040 5612 00	34-4	40LA 6183 0	10-30	4470 4024 01	29-7	50GA -183 0	12-13	50GA -533 0	53-1
4040 5758 01	51-21	40LA 6192 0	10-28	4470 4024 01	53-5	50GA -186 1G	16-3	50GA -540 0	54-1
4040 6205 00	1-9	40LA 6193 0	10-27	4497 3114 01	44-5	50GA -188 0	12-27	50GA -543 0	51-2
4040 R706 00	52-13	40LA 6201 0	9-9	4497 3114 01	46-19	50GA -200 1	17-18	50GA -544 0	50-6
4040 R707 00	52-4	40LA 6246 0	9-18	4497 3116 01	44-6	50GA -205 0	19-14	50GA -546 1	51-20
40AA 2017 0	17-16	40LA 6526 0	11-3	4497 3116 01	46-20	50GA -209 0	20-12	50GA -548 0	50-20
40AA 2023 0	17-11	40LA 7384 0	58-15	4498 3388 01	39-6	50GA -217 0	19-8	50GA -550 0	3-11
40AA 3229 0	48-4	40LA 8301 1	10-15	4498 3469 01	42-15	50GA -218 0	17-15	50GA -556 0	54-11
40AA 5347 0	49-16	40LA 8351 3	9-12	4498 3825 01	42-4	50GA -250 0	21-1	50GA -626 1	8-11
40AA 7319 1	17-25	40LA 9007 1	64-5	4498 3826 01	42-5	50GA -251 0	21-16	50GA -628 0	9-5
40AA 8501 1	56-12	40LA 9022 0E	64-6	4657 3714 01	43-18	50GA -260 0	22-1	50GA -751 0	56-16
40AA 8803 1	26-19	40LA 9025 0	64-4	4658 3012 01	42-23	50GA -261 0	22-8	50GA -902 0E	58-2
40LA -215 1	19-6	40LA 9736 1	58-8	4658 3047 01	57-9	50GA -262 0	22-10	50GA -905 0	9-13
40LA -221 0	17-26	40LA R701 00	20-16	4658 3048 01	42-6	50GA -300 1	24-18	50GA -913 0	41-3
40LA -222 0	17-27	40LA R702 00	17-19	4658 3049 01	42-7	50GA -304 0	24-31	50GA 1006 0	4-5
40LA 1740 0	16-7	40LA R703 00	20-17	4658 3513 01	32-23	50GA -307 0E	24-29	50GA 1007 0E	4-4
40LA 1754 0	15-4	40LA R704 00	21-7	4658 3517 01	36-8	50GA -311 0	30-7	50GA 1010 0	2-17
40LA 1755 0	15-5	40LA R705 00	30-2	4660 7602 0	12-12	50GA -313 0	30-3	50GA 1011 0	2-22
40LA 1756 0	15-9	40LA R706 00	26-12	4660 7602 0	13-7	50GA -315 0	30-4	50GA 1013 0	2-2
40LA 2005 0	19-3	40LA R707 00	54-5	4660 7801 0	24-2	50GA -316 0	30-5	50GA 1014 0	2-10
40LA 2019 0	20-1	40LA R708 00	54-10	4660 7801 0	51-4	50GA -319 0	30-6	50GA 1015 0	2-13
40LA 2034 0D	20-5	4128 3823 01	42-1	4661 3106 01	44-12	50GA -320 1	26-1	50GA 1018 0	2-16
40LA 2036 0E	20-2	4131 2536 02	40-3	4661 3150 01	44-13	50GA -322 1	25-1	50GA 1019 0	2-14
40LA 2094 0	17-21	4131 3001 01	36-36	4661 3155 01	44-14	50GA -323 0	25-9	50GA 1021 0	2-12
40LA 2167 0	18-1	4131 3003 01	16-20	4687 3281 01	35-2	50GA -332 1	27-1	50GA 1023 0D	4-3
40LA 2501 1	21-4	4131 3003 01	31-6	50GA -153 0	13-27	50GA -333 0	27-7	50GA 1024 0	2-21
40LA 2502 0	21-13	4131 3003 01	33-12	50GA -154 0	13-25	50GA -334 1	27-5	50GA 1026 0	71-1
40LA 2504 0	21-12	4131 3004 02	36-16	50GA -155 0	13-2	50GA -336 0	29-14	50GA 1030 0	2-4
40LA 2505 0	21-5	4131 3007 02	36-13	50GA -157 0	12-18	50GA -337 0	28-9	50GA 1031 0	57-12
40LA 2507 0	21-10	4131 3053 02	35-9	50GA -159 0	13-22	50GA -380 1	38-1	50GA 1360 00	58-5
40LA 2516 0	21-6	4131 3532 02	33-2	50GA -160 1E	13-8	50GA -382 0	38-2	50GA 1503 0	13-18
40LA 2519 0	21-3	4131 4128 01	36-12	50GA -164 1F	14-9	50GA -400 0	33-38	50GA 1504 0E	16-18
40LA 2520 0	21-15	4131 4623 04	37-5	50GA -165 0E	14-13	50GA -402 0	33-39	50GA 1506 0	12-11
40LA 3227 0	26-10	4163 5293 01	34-26	50GA -167 0F	14-18	50GA -450 0	41-22	50GA 1507 0F	16-15
40LA 5443 0	50-13	4348 6206 00	1-10	50GA -168 0E	14-10	50GA -452 0	41-23	50GA 1509 1	16-2

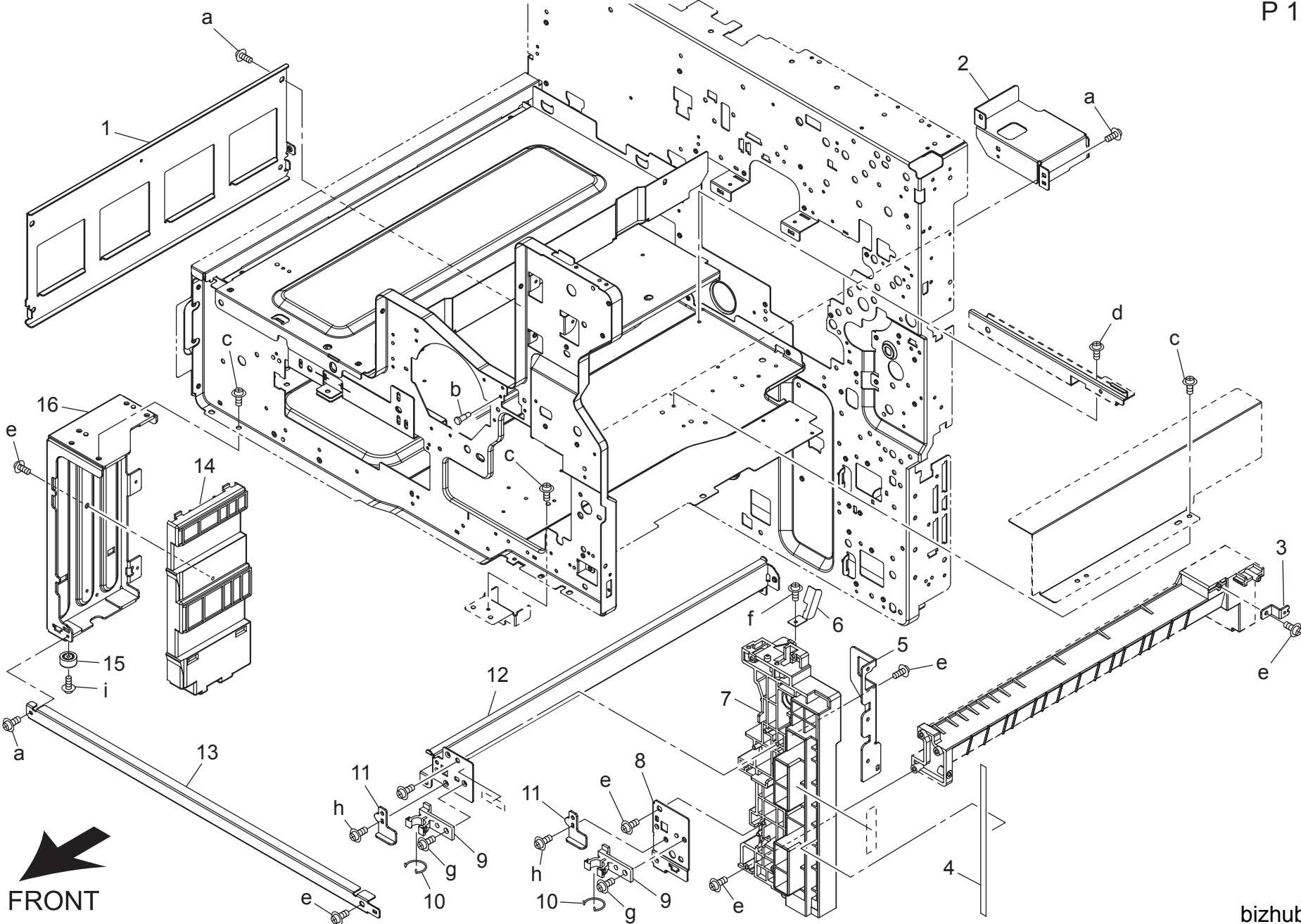
Parts No.	Page No.	Parts No.	Page No.	Parts No.	Page No.	Parts No.	Page No.	Parts No.	Page No.
50GA 1518 1E	13-9	50GA 1822 0D	16-10	50GA 3270 0	26-4	50GA 3869 1F	38-8	50GA 5003 0	47-11
50GA 1522 0E	12-17	50GA 1824 1E	16-14	50GA 3271 0	25-2	50GA 3870 0E	38-4	50GA 5004 1F	48-3
50GA 1541 0	12-25	50GA 1841 0	16-9	50GA 3272 0	25-3	50GA 3875 0D	38-3	50GA 5006 0	47-19
50GA 1545 0	12-20	50GA 1842 0	16-12	50GA 3282 2F	27-11	50GA 3879 0	38-13	50GA 5007 0	47-13
50GA 1547 0	12-26	50GA 1843 0	16-11	50GA 3285 1	27-8	50GA 4001 0	32-3	50GA 5008 0	47-20
50GA 1548 0	13-23	50GA 1851 0	16-1	50GA 3302 0	29-12	50GA 4002 0	32-22	50GA 5009 0	48-12
50GA 1550 0	12-5	50GA 1852 3I	16-5	50GA 3303 0	29-1	50GA 4003 0	32-21	50GA 5010 0	47-7
50GA 1551 0	13-6	50GA 1853 2G	16-8	50GA 3304 0	28-7	50GA 4005 0	33-18	50GA 5011 0	47-10
50GA 1552 0	12-7	50GA 1854 2G	16-17	50GA 3305 0E	29-15	50GA 4006 00	34-21	50GA 5012 0	43-2
50GA 1553 0	12-14	50GA 1855 2G	16-13	50GA 3306 0E	28-5	50GA 4007 00	34-20	50GA 5014 0	48-13
50GA 1554 0	12-15	50GA 1856 0	12-8	50GA 3307 1	29-4	50GA 4008 00	42-10	50GA 5015 0	48-14
50GA 1555 0	13-16	50GA 1857 0	12-9	50GA 3308 0E	28-1	50GA 4009 00	42-9	50GA 5016 0	43-6
50GA 1556 0	13-11	50GA 1858 0E	12-10	50GA 3309 1E	28-6	50GA 4402 0	39-21	50GA 5017 0	43-20
50GA 1557 0	13-17	50GA 1859 2G	16-16	50GA 3310 0	27-14	50GA 4406 0	39-2	50GA 5019 0	2-11
50GA 1559 0	13-12	50GA 2007 0	20-3	50GA 3311 0	27-12	50GA 4407 0	39-10	50GA 5020 0	3-6
50GA 1560 0	13-10	50GA 2035 0E	17-3	50GA 3312 0	27-10	50GA 4410 0E	39-23	50GA 5021 0	3-8
50GA 1561 0E	12-16	50GA 2104 00	12-24	50GA 3313 0	29-13	50GA 4508 0	41-9	50GA 5022 0	2-9
50GA 1562 0	13-15	50GA 2501 00	14-14	50GA 3314 0	29-10	50GA 4509 0	41-27	50GA 5023 0	3-5
50GA 1563 0	13-13	50GA 2506 0	21-8	50GA 3315 2F	28-4	50GA 4521 0D	41-7	50GA 5024 0	3-7
50GA 1564 0	13-14	50GA 2509 0	21-17	50GA 3316 1E	29-8	50GA 4522 1	41-4	50GA 5027 0	48-5
50GA 1565 0	12-23	50GA 2604 0	22-7	50GA 3317 0E	29-5	50GA 4527 0	41-26	50GA 5028 0	48-1
50GA 1566 0	12-4	50GA 2606 0E	22-13	50GA 3318 2	28-3	50GA 4528 0	41-21	50GA 5031 0	43-1
50GA 1605 0	14-1	50GA 2607 0F	22-6	50GA 3319 0	28-8	50GA 4531 1	41-18	50GA 5033 0	43-17
50GA 1610 0	14-19	50GA 2619 1E	22-2	50GA 3321 0	28-10	50GA 4532 0	41-17	50GA 5035 0	44-7
50GA 1611 0	14-5	50GA 3014 0	24-6	50GA 3322 0	26-11	50GA 4533 0	41-5	50GA 5039 0	3-1
50GA 1612 0	14-7	50GA 3015 0	24-1	50GA 3323 0E	26-3	50GA 4535 1	41-6	50GA 5040 0	47-18
50GA 1613 0	14-2	50GA 3017 0	24-26	50GA 3324 0	29-2	50GA 4539 0	41-20	50GA 5041 0	46-22
50GA 1614 0E	14-16	50GA 3018 0	24-20	50GA 3325 0	29-11	50GA 4553 0	41-8	50GA 5043 0	47-21
50GA 1616 0	14-11	50GA 3071 0	3-13	50GA 3326 0	27-13	50GA 4558 0	41-15	50GA 5045 0	48-2
50GA 1617 0	14-12	50GA 3074 0	2-15	50GA 3332 0	28-11	50GA 4559 0	41-16	50GA 5047 0E	47-2
50GA 1618 0F	14-17	50GA 3157 0	23-7	50GA 3333 0	29-9	50GA 4565 0	41-25	50GA 5048 0	47-9
50GA 1619 1	14-3	50GA 3160 0	23-6	50GA 3813 0	38-25	50GA 4569 1E	14-8	50GA 5049 0	47-6
50GA 1620 0E	14-15	50GA 3161 0	23-5	50GA 3848 0	38-10	50GA 4570 0	47-14	50GA 5051 0	47-4
50GA 1640 1E	16-32	50GA 3208 0	26-20	50GA 3849 0	38-9	50GA 4571 0	41-2	50GA 5053 0	47-1
50GA 1703 0	15-12	50GA 3210 2I	28-2	50GA 3854 1F	38-5	50GA 4572 0	47-15	50GA 5055 0	44-16
50GA 1751 0	15-16	50GA 3211 1F	29-16	50GA 3858 1F	38-6	50GA 4573 0	41-14	50GA 5056 0E	47-5
50GA 1752 0	15-14	50GA 3223 0	29-6	50GA 3861 0	38-14	50GA 4574 0	41-13	50GA 5057 0	44-15
50GA 1753 0	15-15	50GA 3251 0	26-8	50GA 3865 0E	38-11	50GA 4575 0	41-12	50GA 5058 00	43-16
50GA 1760 1E	15-8	50GA 3252 0	26-2	50GA 3867 0E	38-24	50GA 5001 0	44-4	50GA 5061 00	43-12
50GA 1811 1G	16-4	50GA 3253 0	26-5	50GA 3868 0E	38-15	50GA 5001 0	46-18	50GA 5062 00	48-9

Parts No.	Page No.	Parts No.	Page No.	Parts No.	Page No.	Parts No.	Page No.	Parts No.	Page No.
50GA 5303 0	49-4	50GA 5473 1E	51-19	50GA 7349 1	56-6	50GA 9031 0	62-3	5850 9705 0	58-3
50GA 5304 0	49-13	50GA 5474 0	50-12	50GA 7350 0	56-13	50GA 9032 0E	62-4	65AA 1130 0	56-8
50GA 5307 0	49-14	50GA 5481 0	52-37	50GA 7351 0	56-14	50GA 9033 0	64-1	6852 8604 0	57-6
50GA 5308 0	49-11	50GA 5482 0	52-21	50GA 7355 0	57-17	50GA 9034 0	64-2	9313 1100 33	39-9
50GA 5330 0D	51-5	50GA 5483 0D	51-17	50GA 7359 0	56-11	50GA 9035 0	64-3	9313 1100 33	47-12
50GA 5336 0	50-18	50GA 5484 0	51-15	50GA 7376 1	56-7	50GA 9037 0	62-5	9314 1200 91	39-11
50GA 5343 0	54-6	50GA 5485 0	51-14	50GA 7377 0	58-4	50GA 9038 0	62-6	9321 2200 32	39-15
50GA 5347 0	54-13	50GA 5486 0E	53-15	50GA 7379 0E	57-18	50GA 9039 0	62-7	9322 1500 12	16-24
50GA 5351 0	54-3	50GA 5487 0	52-31	50GA 7380 0	56-15	50GA 9042 0	62-8	9322 1500 12	33-30
50GA 5359 0	49-12	50GA 5488 0	54-20	50GA 7391 0	57-10	50GA 9050 0	63-2	9326 1910 31	37-15
50GA 5360 0	49-10	50GA 5492 0	52-32	50GA 8002 0	9-17	50GA 9746 0	48-7	9332 5710 11	2-23
50GA 5365 1E	50-19	50GA 5493 1E	51-18	50GA 8051 0	4-6	50GA 9746 0	52-28	9334 2610 12	8-17
50GA 5366 0	3-12	50GA 5494 0	50-7	50GA 8052 0	57-13	50GA 9747 0E	52-29	9335 1300 61	9-8
50GA 5378 0	50-15	50GA 5495 0	53-10	50GA 8202 0	33-19	50GA 9748 0E	52-27	9335 1300 61	29-3
50GA 5389 0	49-15	50GA 6111 0	9-3	50GA 8202 0	38-22	50GA 9749 0E	38-16	9335 1300 61	46-4
50GA 5390 0	49-9	50GA 6112 0	9-14	50GA 8203 0	46-9	50GA 9795 1E	17-1	9335 1300 61	53-6
50GA 5404 0	51-13	50GA 6120 0	10-24	50GA 8401 0	56-2	50GA M32A 00	49-2	9373 2200 11	8-21
50GA 5405 0	50-14	50GA 6122 0	10-16	50GA 8451 0	56-1	50GA M33A 00	49-1	9381 4101 11	57-5
50GA 5406 0	49-7	50GA 6182 0	5-9	50GA 8601 00	40-2	50GE -530 0	51-1	9381 4101 31	57-5
50GA 5417 0	51-9	50GA 6211 0	9-15	50GA 9001 0	60-1	50GE 3315 2F	28-4	9381 4300 31	57-5
50GA 5429 0	51-8	50GA 6212 0	9-20	50GA 9002 0	66-1	50GE 5303 0	49-4	9381 4300 41	57-5
50GA 5442 0	50-11	50GA 6214 0	9-10	50GA 9003 0	63-1	50GE 8302 1	49-2	9384 1600 11	70-5
50GA 5450 0	50-5	50GA 6251 0E	9-11	50GA 9004 0	61-1	50GE 8303 1	49-1	9384 1600 11	71-7
50GA 5451 0	50-8	50GA 6252 0	9-2	50GA 9005 1	61-2	50GF -530 0	51-1	9J03 N300 00	57-5
50GA 5452 0	50-2	50GA 6258 0	9-21	50GA 9006 0	65-1	50GF 3315 2F	28-4	9J06 M103 00	55-8
50GA 5453 0	50-4	50GA 6259 0	9-19	50GA 9008 0	65-2	50GF 8302 1	49-2	9J06 M200 00	36-21
50GA 5454 0	49-3	50GA 6271 01	55-15	50GA 9009 0	65-3	50GF 8303 1	49-1	9J06 M201 00	36-10
50GA 5460 0	54-4	50GA 7227 00	53-13	50GA 9011 0E	61-3	50GF 8451 1	56-1	A00J 1682 02	5-2
50GA 5461 1	52-34	50GA 7296 00	51-16	50GA 9012 0	61-4	50GK M451 00	56-1	A00J 1685 02	5-3
50GA 5462 0	52-35	50GA 7334 0	58-1	50GA 9013 0	61-5	50GS -530 0	51-1	A00J 1689 02	5-1
50GA 5463 0	52-36	50GA 7337 1	57-11	50GA 9014 0	61-6	50GS 8302 0	49-2	A00J 1691 00	5-5
50GA 5464 0E	50-9	50GA 7338 1	57-4	50GA 9016 0	61-7	50GS 8303 0	49-1	A00J 1699 01	71-6
50GA 5465 0	4-9	50GA 7339 0	57-19	50GA 9017 1	66-2	56AA 1783 0	22-4	A00J 1919 00	7-10
50GA 5466 0	4-8	50GA 7341 0	56-3	50GA 9019 0	61-8	56AA 8551 1	9-7	A00J 5894 00	31-21
50GA 5467 0	4-7	50GA 7342 0	56-19	50GA 9020 0	65-5	56AA 8553 1	8-3	A00J 6234 00	42-17
50GA 5468 0	4-10	50GA 7343 0	56-10	50GA 9024 0	61-9	56QA 7507 0	10-25	A00J 9437 00	71-15
50GA 5469 0	51-23	50GA 7344 0	57-8	50GA 9026 0	62-1	56UA 9792 0	8-15	A00J 9455 00	71-13
50GA 5470 0	51-22	50GA 7346 0E	57-16	50GA 9027 0	62-2	56UA 9792 0	24-32	A00J H00E 00	5-4
50GA 5471 0	54-19	50GA 7347 0	56-4	50GA 9029 0	65-4	56UA 9792 0	41-24	A02E 1683 00	7-22
50GA 5472 1	54-17	50GA 7348 1	56-5	50GA 9030 0	64-7	57AA 8203 0	38-19	A02E 1694 00	7-18


Parts No.	Page No.	Parts No.	Page No.	Parts No.	Page No.	Parts No.	Page No.	Parts No.	Page No.
A02E 1911 00	7-7	A0R5 1029 00	71-2	A0R5 1712 00	71-5	A0R5 8704 00	39-1	V500 0100 07	69-25
A02E 1912 00	7-16	A0R5 1032 00	2-8	A0R5 1713 00	5-15	A0R5 8705 00	39-3	V500 0100 08	69-2
A02E 1913 02	7-5	A0R5 1033 00	2-5	A0R5 1714 00	6-13	A0R5 8711 00	39-8	V500 0100 20	69-12
A02E 1914 02	7-11	A0R5 1126 00	1-7	A0R5 1715 00	6-11	A0R5 8820 00	39-7	V500 0100 22	69-1
A02E 1915 02	7-12	A0R5 1137 00	2-18	A0R5 1716 00	6-14	A0R5 9421 01	35-22	V500 0100 26	69-17
A02E 1916 01	7-4	A0R5 1354 00	58-18	A0R5 1719 00	6-24	A0R5 9421 01	44-11	V500 0100 28	69-18
A02E 1917 01	7-15	A0R5 1356 00	58-7	A0R5 1761 01	6-12	A0R5 9422 00	6-21	V500 0100 29	69-19
A02E 1918 00	7-17	A0R5 1357 00	58-16	A0R5 1762 00	6-5	A0R5 9426 00	5-12	V500 0100 35	69-38
A02E 1921 01	7-20	A0R5 1361 00	58-13	A0R5 2650 00	8-16	A0R5 9428 00	45-2	V500 0100 46	69-10
A02E 1922 01	7-25	A0R5 1362 00	58-14	A0R5 2651 00	7-6	A0R5 9430 00	37-24	V500 0100 47	69-33
A02E 1923 01	7-24	A0R5 1363 00	6-9	A0R5 2653 00	8-7	A0R5 9434 01	42-47	V500 0100 61	69-11
A02E 1924 00	7-19	A0R5 1364 00	6-8	A0R5 2654 00	8-6	A0R5 9435 01	42-46	V500 0200 05	69-14
A02E 1925 00	7-23	A0R5 1374 00	58-9	A0R5 2657 00	8-8	A0R5 9451 01	6-25	V500 0200 10	69-28
A02E 1926 01	7-21	A0R5 1388 00	8-19	A0R5 5611 00	34-1	A0R5 A162 00	6-19	V500 0200 27	69-40
A02E 1927 01	7-9	A0R5 1389 01	8-18	A0R5 5630 00	34-28	A0R5 A620 02	42-18	V500 0200 29	69-37
A02E 1928 01	7-1	A0R5 1601 00	6-15	A0R5 6003 00	35-15	A0R5 H010 06	58-6	V500 0200 55	69-39
A02E 1930 00	7-3	A0R5 1603 00	6-10	A0R5 6008 00	37-25	A0R5 H030 00	8-20	V501 0100 01	69-29
A02E 1931 01	7-8	A0R5 1604 00	5-6	A0R5 6009 00	35-1	A0R5 M103 00	12-2	V501 0100 06	69-27
A02E 1932 01	7-14	A0R5 1605 00	6-4	A0R5 6010 00	37-2	A0R5 M103 00	13-1	V501 0100 09	70-4
A02E 1933 00	7-13	A0R5 1607 00	6-6	A0R5 6011 00	37-4	A0R5 M103 00	15-1	V501 0100 12	69-32
A02E 1934 00	7-2	A0R5 1608 00	6-23	A0R5 6023 00	37-22	A0R5 M710 00	7-26	V502 0100 17	70-1
A02E 2639 00	2-7	A0R5 1621 00	5-14	A0R5 6025 00	35-7	A0R5 N100 00	59-5	V502 0100 44	69-34
A02E 9412 00	42-43	A0R5 1623 00	5-8	A0R5 6026 00	37-16	A0R5 N101 00	59-6	V502 0100 45	69-35
A02E 9481 00	7-27	A0R5 1624 00	5-7	A0R5 6042 00	35-21	A0R5 N105 00	59-3	V502 0100 46	69-36
A02E 9482 00	7-27	A0R5 1625 00	5-13	A0R5 6059 00	37-23	A0R5 R700 00	11-1	V502 0100 54	58-10
A02E 9483 00	7-27	A0R5 1634 00	6-26	A0R5 6066 00	37-6	A0R5 R701 00	30-1	V570 0100 07	69-15
A02E 9484 00	7-27	A0R5 1641 00	42-44	A0R5 6108 01	37-29	A0R5 R706 00	35-27	V570 0100 08	69-16
A02E 9485 00	7-27	A0R5 1651 00	42-45	A0R5 6221 00	42-40	A0R5 R707 00	9-1	V570 0100 12	69-23
A02E 9486 00	7-29	A0R5 1674 00	6-3	A0R5 6299 00	42-42	A0R5 R708 00	35-27	V570 0100 21	69-30
A02E 9487 00	7-29	A0R5 1675 01	6-1	A0R5 8102 00	47-8	A0R5 R709 00	35-27	V570 0100 23	69-6
A02E 9488 00	7-29	A0R5 1676 00	6-17	A0R5 8105 00	48-11	A0RA 1701 01	71-14	V570 0100 26	69-7
A02E 9489 00	7-29	A0R5 1677 00	71-3	A0R5 8129 00	44-2	SP00 -011 2	50-10	V570 0100 27	69-8
A02E 9490 00	7-28	A0R5 1678 01	6-2	A0R5 8130 00	44-10	V116 0306 03	71-12	V570 0100 28	69-9
A02E 9491 00	7-28	A0R5 1679 00	6-16	A0R5 8136 00	45-1	V121 0306 03	71-10	V570 0100 31	69-31
A02E 9492 00	7-28	A0R5 1680 00	71-4	A0R5 8137 00	43-8	V121 0308 04	71-11	V570 0100 39	69-4
A02E 9493 00	7-28	A0R5 1681 01	5-18	A0R5 8138 00	46-21	V123 0450 03	71-9	V570 0100 50	69-13
A02E 9494 00	7-30	A0R5 1682 12	5-17	A0R5 8206 00	46-1	V137 0308 04	71-8	V590 0400 02	57-20
A0R5 1012 01	2-20	A0R5 1707 01	5-16	A0R5 8221 00	48-10	V500 0100 03	69-3	V651 0100 01	69-24
A0R5 1016 00	2-3	A0R5 1708 01	6-7	A0R5 8251 00	44-8	V500 0100 04	69-5	V651 0100 05	70-2
A0R5 1017 00	2-6	A0R5 1711 00	6-18	A0R5 8703 00	39-20	V500 0100 05	69-26	V651 0200 01	70-3

MAIN FRAME

P 1



  
**FRONT**

 Order here  
 8 (495) 646-0426  
 ПЯТЫЙ ПАРТНЕР [www.km-shop.ru](http://www.km-shop.ru)

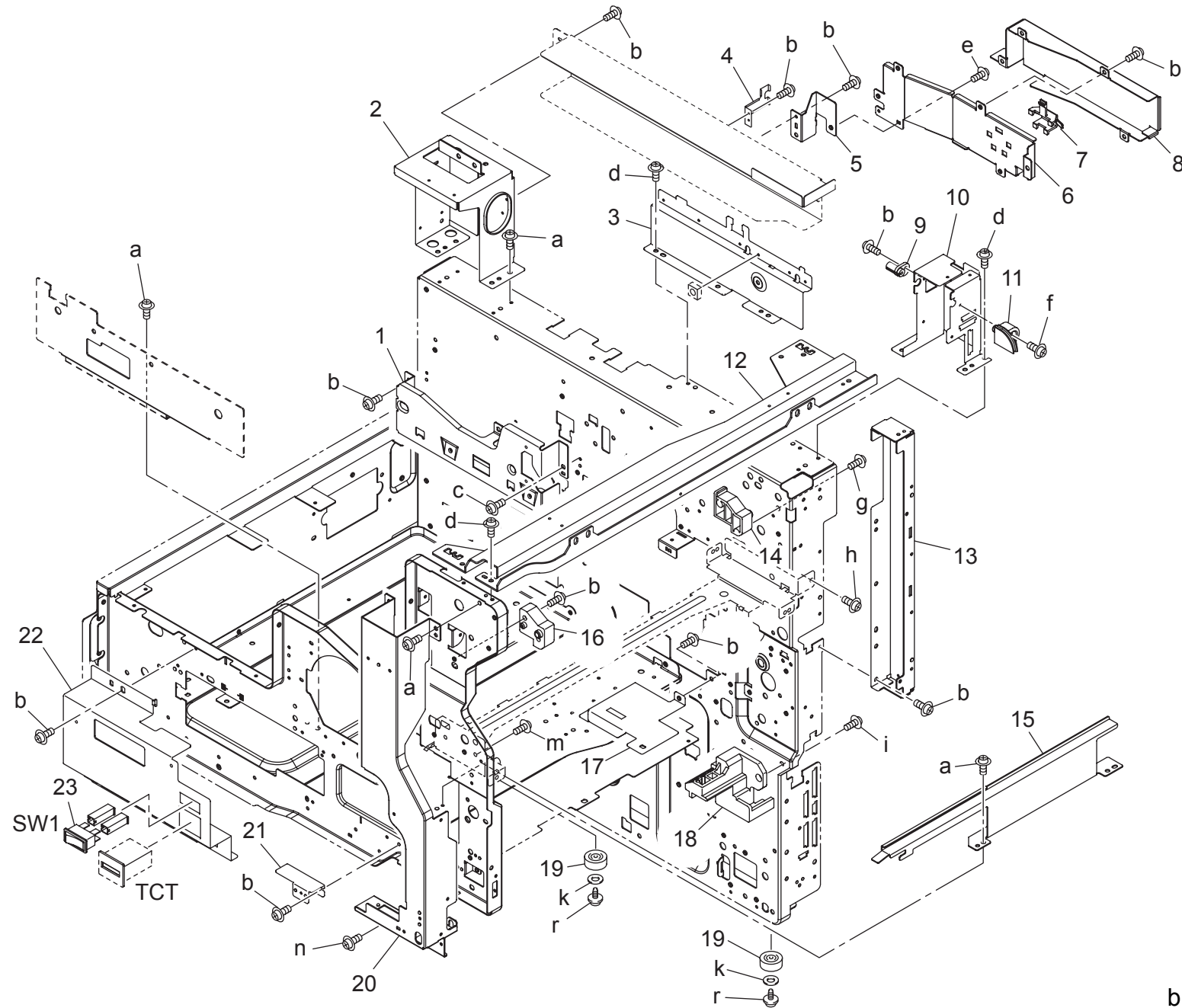
bizhub 501

# MAIN FRAME

Key	Part No.	Description	Destinations	Class	QTY	Standard parts
1	4030 2006 01	REINFORCE PLATE		D	1	a-V137 0306 03 b-1079 2219 01 c-V144 0306 03 d-V121 0306 03 e-V153 0410 03 f-V153 0308 03 g-V137 0408 03 h-V116 0308 03 i-V135 0310 03
2	4030 2042 02	BRACKET		D	1	
3	4030 2011 01	BRACKET		D	1	
4	4030 7315 01	LABEL		D	1	
5	4030 2010 01	BRACKET		D	1	
6	1164 2155 01	CONTACT		C	1	
7	A0R5 1126 00	Support Part		D	1	
8	4030 2041 02	BRACKET		D	1	
9	4040 6205 00	Holder		D	2	
10	4348 6206 00	Stop ring		D	2	
11	4030 2038 02	STOPPER		D	2	
12	4030 2029 02	RAIL		D	1	
13	4030 2007 01	REINFORCE PLATE		D	1	
14	4030 2008 02	RAIL		D	1	
15	4030 2081 01	SPACER		D	1	
16	4030 2005 02	REINFORCE PLATE		D	1	

# MAIN FRAME

P 2

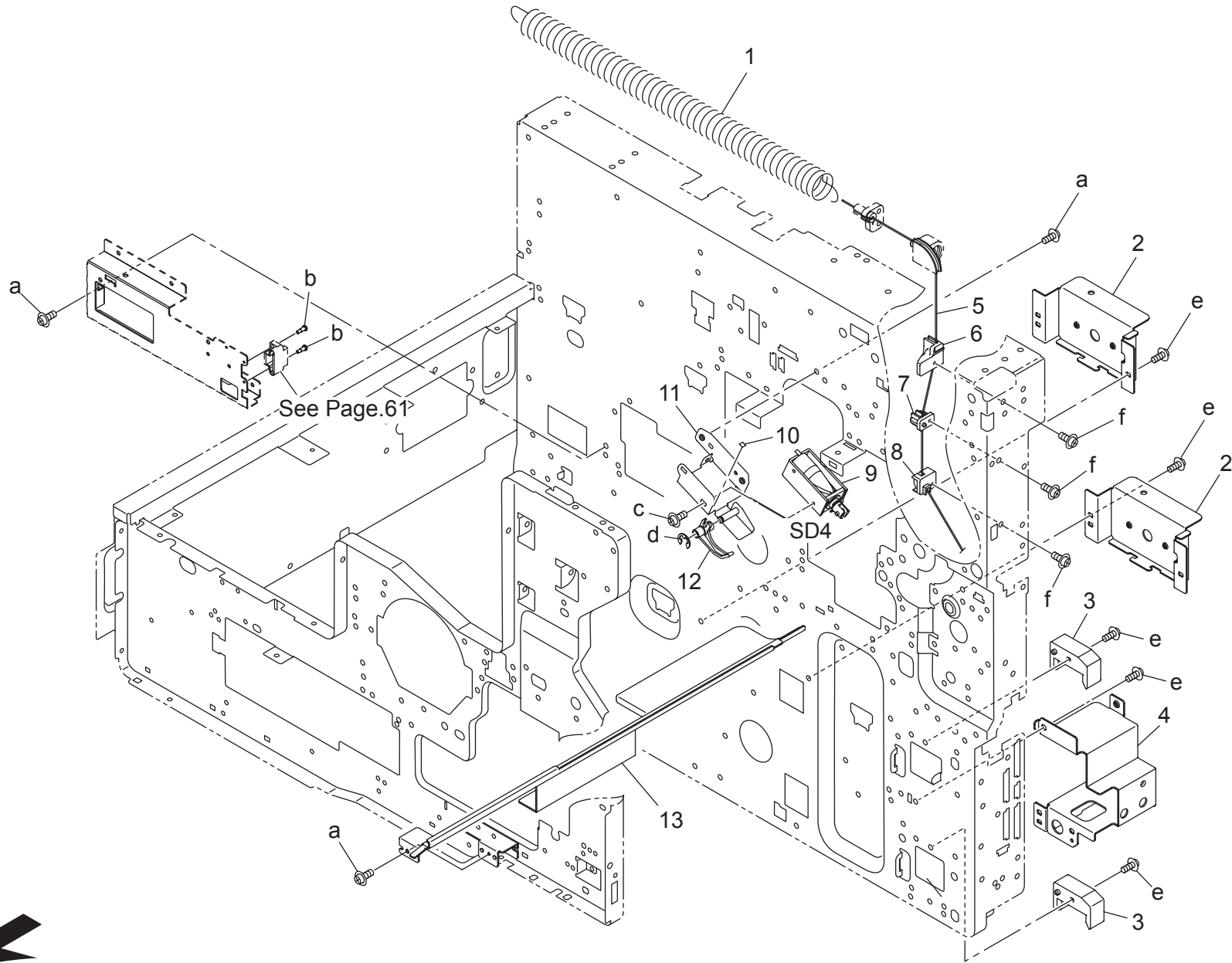




Key	Part No.	Description	Destinations	Class	QTY	Standard parts
1	4030 2018 01	BRACKET	取付板	D	1	a-V144 0306 03
2	50GA 1013 0	READ MOUNTING PEDESTAL /LEFT	読取取り付け台/左	D	1	b-V121 0306 03
3	A0R5 1016 00	Board Mounting Stay /Rear	基板取り付けステー/奥	D	1	c-V137 0308 03
4	50GA 1030 0	EXTERNAL SUPPORT PLATE /1	外装支持板/1	D	1	d-V137 0306 03
5	A0R5 1033 00	Holding Plate /C	押さえ板/C	D	1	e-V121 0306 04
6	A0R5 1017 00	Holding Plate /A	押さえ板/A	D	1	f-V121 0314 03
7	A02E 2639 00	Cord clamp	コード押え (パネルハーネス)	D	1	g-V151 0408 03
8	A0R5 1032 00	Holding Plate /B	押さえ板/B	D	1	h-V121 0304 03
9	50GA 5022 0	WIRE SUPPORT PART 4	ワイヤー支持部材 4	C	1	i-V153 0410 03
10	50GA 1014 0	READ MOUNTING PEDESTAL /RIGHT	読取取り付け台/右	D	1	k-V207 0300 01
11	50GA 5019 0	WIRE SUPPORT PART 1	ワイヤー支持部材 1	C	1	m-V123 0306 03
12	50GA 1021 0	READ MOUNTING STAY	読取取り付けステー	D	1	n-V153 0408 03
13	50GA 1015 0	BOARD MOUNTING STAY /RIGHT	基板取り付けステー/右	D	1	r-V137 0310 03
14	50GA 1019 0	ADU LOCK PART/REAR	A D U ロック部材/奥	C	1	
15	50GA 3074 0	DEVELOPING RAIL /LEFT	現像 レール/左	D	1	
16	50GA 1018 0	ADU LOCK PART/ FRONT	A D U ロック部材/前	C	1	
17	50GA 1010 0	REINFORCE STAY /2	補強ステー/2	D	1	
18	A0R5 1137 00	Holder	ホルダ	D	1	
19	4030 2080 01	RUBBER FOOT	ゴム足	D	2	
20	A0R5 1012 01	Reinforce Stay /4	補強ステー/4	D	1	
21	50GA 1024 0	MOUNTING PLATE /1	取り付け板/1	D	1	
22	50GA 1011 0	REINFORCE STAY /3	補強ステー/3	D	1	
23	9332 5710 11	SWITCH	スイッチ	C	1	

# MAIN FRAME

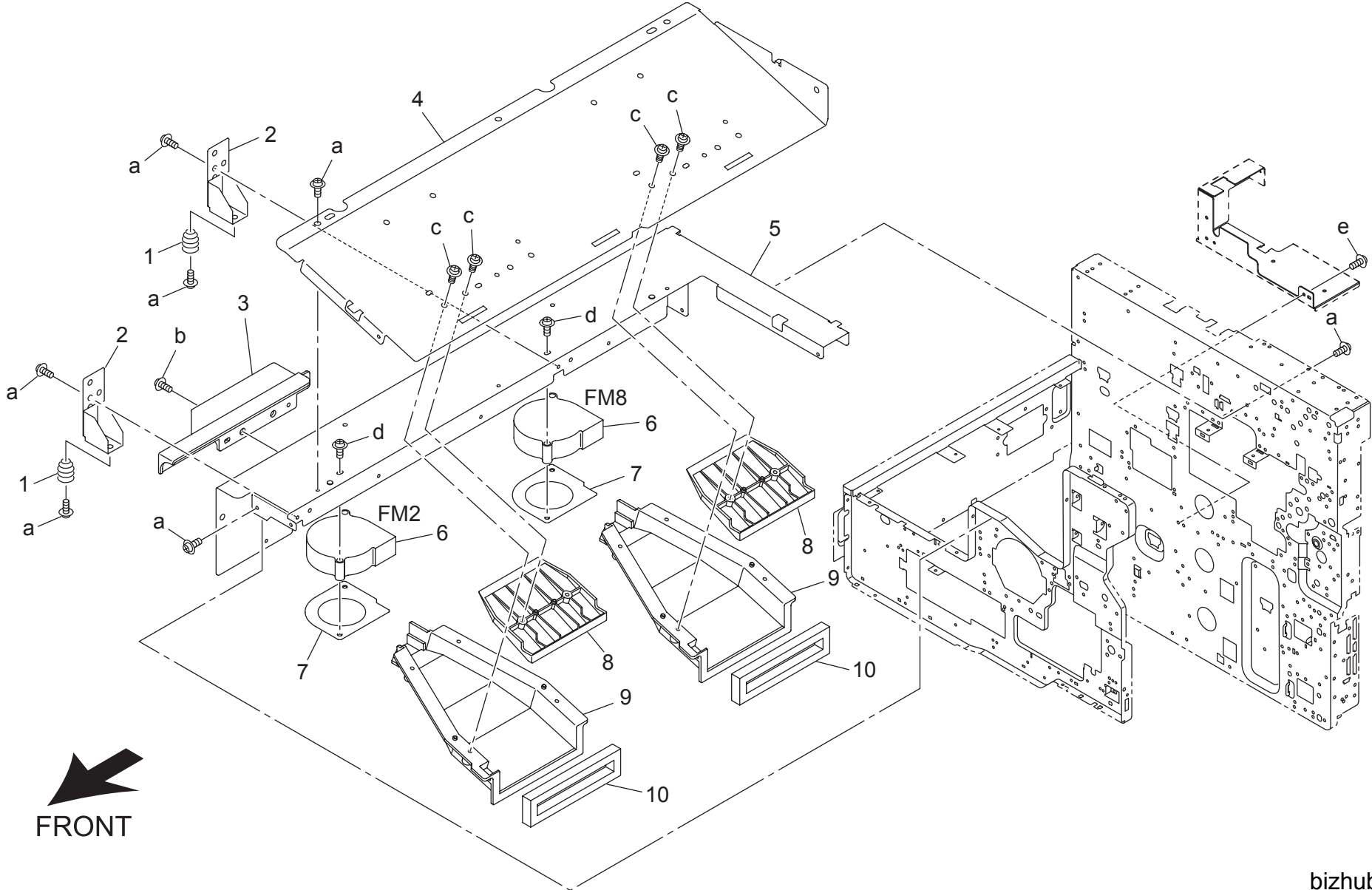
P 3



FRONT

Key	Part No.	Description		Destinations	Class	QTY	Standard parts
1	50GA 5039 0	ADU HOLDING SPRING	ADU 押えバネ		C	1	a-V121 0306 03 b-1079 2219 01 c-V121 0304 03 d-V217 0400 50 e-V137 0306 03 f-V151 0308 03
2	4030 2062 01	BRACKET	取付板		D	2	
3	4030 2009 01	GUIDE	ガイド		D	2	
4	4030 2039 02	BRACKET	取付板		D	1	
5	50GA 5023 0	ADU STOPPER WIRE	ADU 突き当てワイヤー		C	1	
6	50GA 5020 0	WIRE SUPPORT PART 2	ワイヤー支持部材 2		C	1	
7	50GA 5024 0	WIRE SUPPORT PART 5	ワイヤー支持部材 5		C	1	
8	50GA 5021 0	WIRE SUPPORT PART 3	ワイヤー支持部材 3		C	1	
9	26NA R709 00	ADU SOLENOID SHAFT ASSY	ADU ソレノイド軸部組		D	1	
10	27LA 5446 0	SOLENOID STOPPER	ソレノイドストッパ		D	1	
11	50GA -550 0	SOLENOID MOUNTING PLATE CAULKI	ソレノイド取り付け板カシメ		D	1	
12	50GA 5366 0	SOLENOID ACTUATOR	ソレノイドアクチュエタ		C	1	
13	50GA 3071 0	DEVELOPING RAIL /RIGHT	現像 レール/右		D	1	

MAIN FRAME

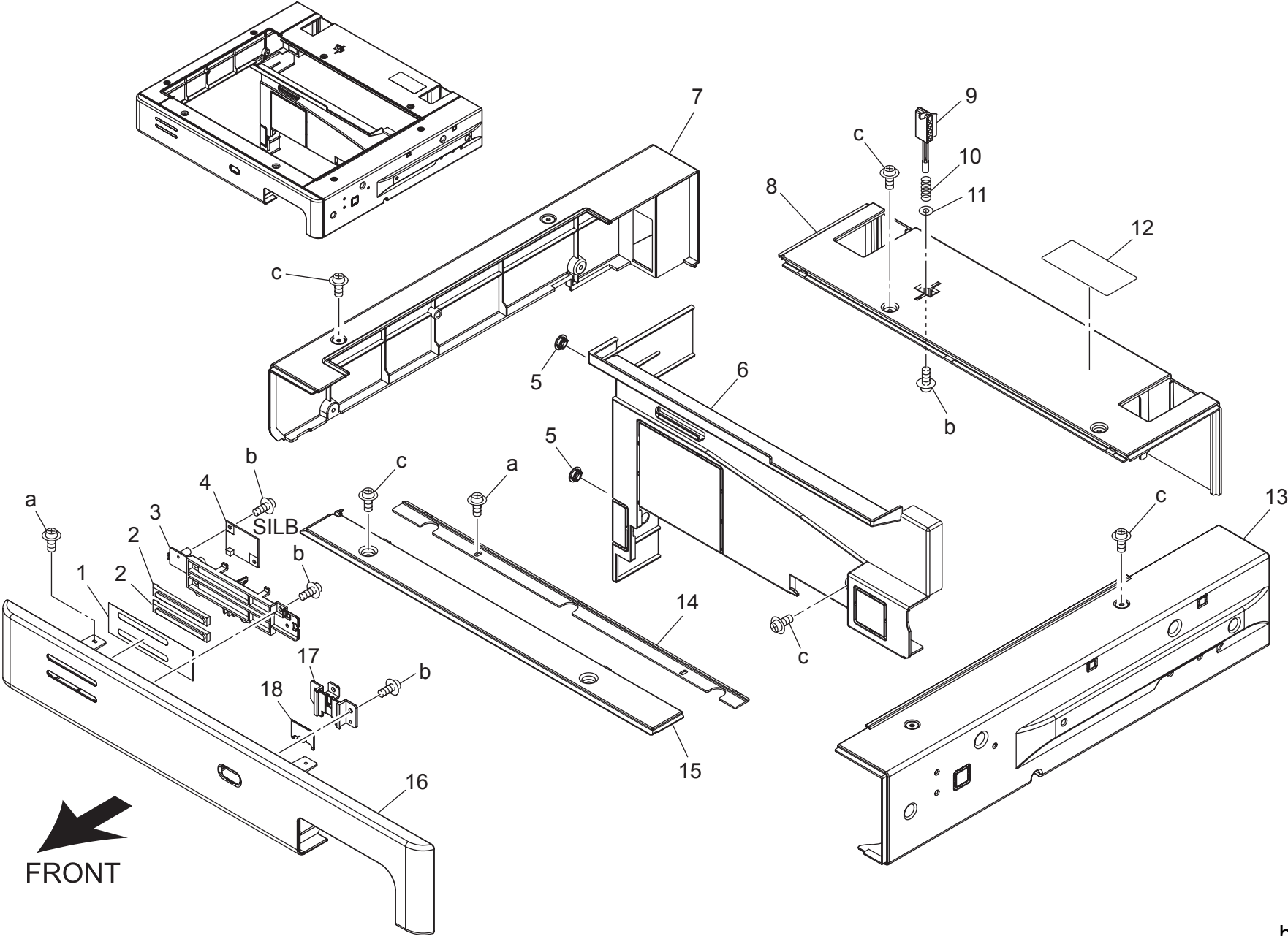


FRONT

# MAIN FRAME

Key	Part No.	Description	Destinations	Class	QTY	Standard parts
1	26NA 6529 0	WRITING MOUNT SPRING		D	2	a-V121 0306 03 b-V121 0306 04 c-V151 0308 03 d-V121 0320 03 e-V137 0306 03
2	26NA 6528 0	WRITING MOUNT PART		D	2	
3	50GA 1023 0D	Guide Part /F		D	1	
4	50GA 1007 0E	Reinforce Stay /B		D	1	
5	50GA 1006 0	SUPPLY STAY /A		D	1	
6	50GA 8051 0	COOLING FAN MOTOR		C	2	
7	50GA 5467 0	FAN MOUNTING PLATE		D	2	
8	50GA 5466 0	ROLLER COOLING DUCT 4		D	2	
9	50GA 5465 0	ROLLER COOLING DUCT 3		D	2	
10	50GA 5468 0	SEALING PART		D	2	

EXTERNAL PARTS



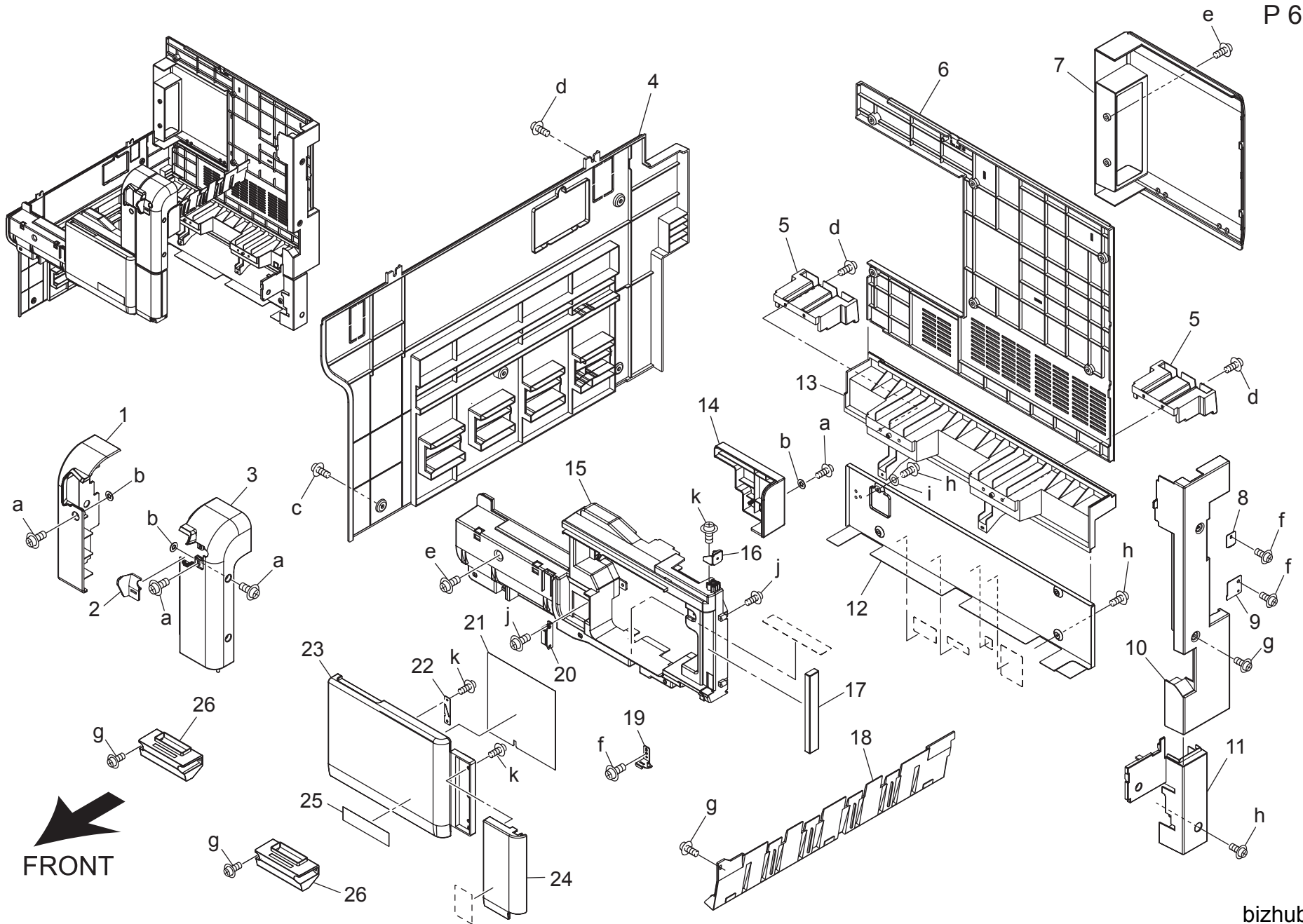
EXTERNAL PARTS

Key	Part No.	Description	Destinations	Class	QTY	Standard parts
1	A00J 1689 02	Light blocking Plate		C	1	a-V121 0306 03 b-V151 0308 03 c-V121 0306 04
2	A00J 1682 02	Lens /B		C	2	
3	A00J 1685 02	Light blocking Cover /C		D	1	
4	A00J H00E 00	PWB Assembly LED2		I	1	
5	A00J 1691 00	Cover		C	2	
6	A0R5 1604 00	Cover /Rear		C	1	
7	A0R5 1624 00	Read Cover /Left		C	1	
8	A0R5 1623 00	Read Cover /Rear		C	1	
9	50GA 6182 0	ADF DETECTION ACTUATOR		C	1	
10	26NA 6213 0	DETECTING SPRING		C	1	
11	26NA 1255 0	SPRING REGULATING SHEET		C	1	
12	A0R5 9426 00	Label		C	1	
13	A0R5 1625 00	Read Cover /Right		C	1	
14	A0R5 1621 00	Part /Front		D	1	
15	A0R5 1713 00	Mounting Plate /2		D	1	
16	A0R5 1707 01	Read Cover /Front		C	1	
17	A0R5 1682 12	Guide		C	1	
18	A0R5 1681 01	Cover		C	1	



# EXTERNAL PARTS

P 6



FRONT

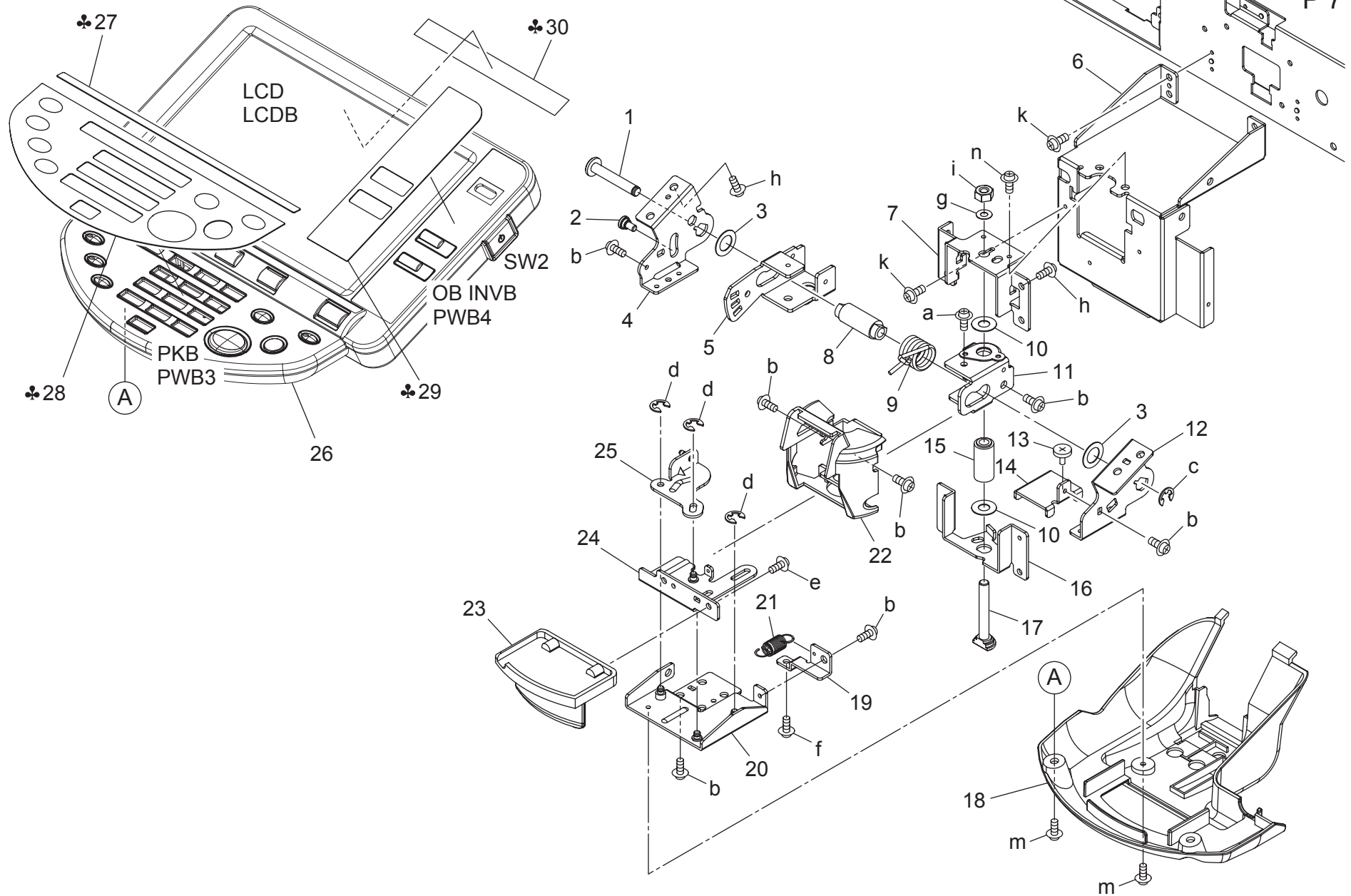
bizhub 501



## EXTERNAL PARTS

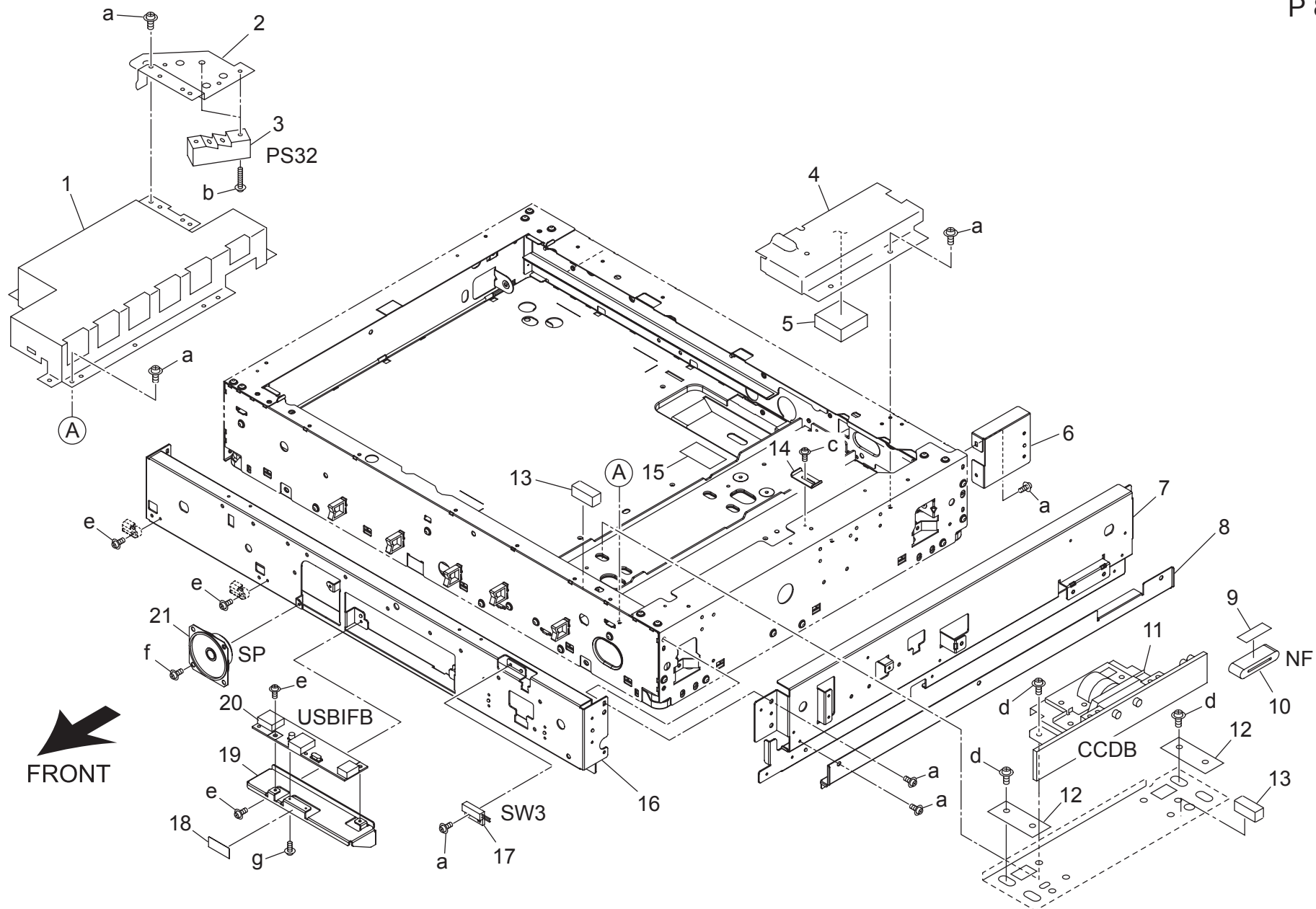
Key	Part No.	Description	Destinations	Class	QTY	Standard parts
1	A0R5 1675 01	Operation Cover /Left		C	1	a-V121 0310 03
2	A0R5 1678 01	Operation Cover /3		C	1	b-V211 0300 80
3	A0R5 1674 00	Operation Cover /Right		C	1	c-V137 0306 04
4	A0R5 1605 00	Cover /Left		C	1	d-V137 0310 04
5	A0R5 1762 00	Handle		D	2	e-V121 0308 04
6	A0R5 1607 00	Cover /1		C	1	f-V121 0306 03
7	A0R5 1708 01	Cover		C	1	g-V121 0306 04
8	A0R5 1364 00	Cover		D	1	h-V137 0308 04
9	A0R5 1363 00	Cover		D	1	i-V209 0300 03
10	A0R5 1603 00	Rear Cover /Right		C	1	j-V145 0308 03
11	A0R5 1715 00	Cover		C	1	k-V151 0308 03
12	A0R5 1761 01	Cover		C	1	
13	A0R5 1714 00	Cover /2		C	1	
14	A0R5 1716 00	Auxiliary Cover /1		C	1	
15	A0R5 1601 00	Main body Cover /Front		C	1	
16	A0R5 1679 00	Plate		D	1	
17	A0R5 1676 00	Cover		C	1	
18	A0R5 1711 00	Paper exit Cover /A		C	1	
19	A0R5 A162 00	FULCRUM PLATE ASSY		D	1	
20	0830 2014 0	STOPPER MATERIAL		C	1	
21	A0R5 9422 00	Label		C	1	
22	26NA 1240 1	MAGNET PRESSURE PLATE		D	1	
23	A0R5 1608 00	Cover		C	1	
24	A0R5 1719 00	Cover		C	1	
25	A0R5 9451 01	Label		C	1	
26	A0R5 1634 00	Front Lifting Handle		C	2	

# OPERATION UNIT



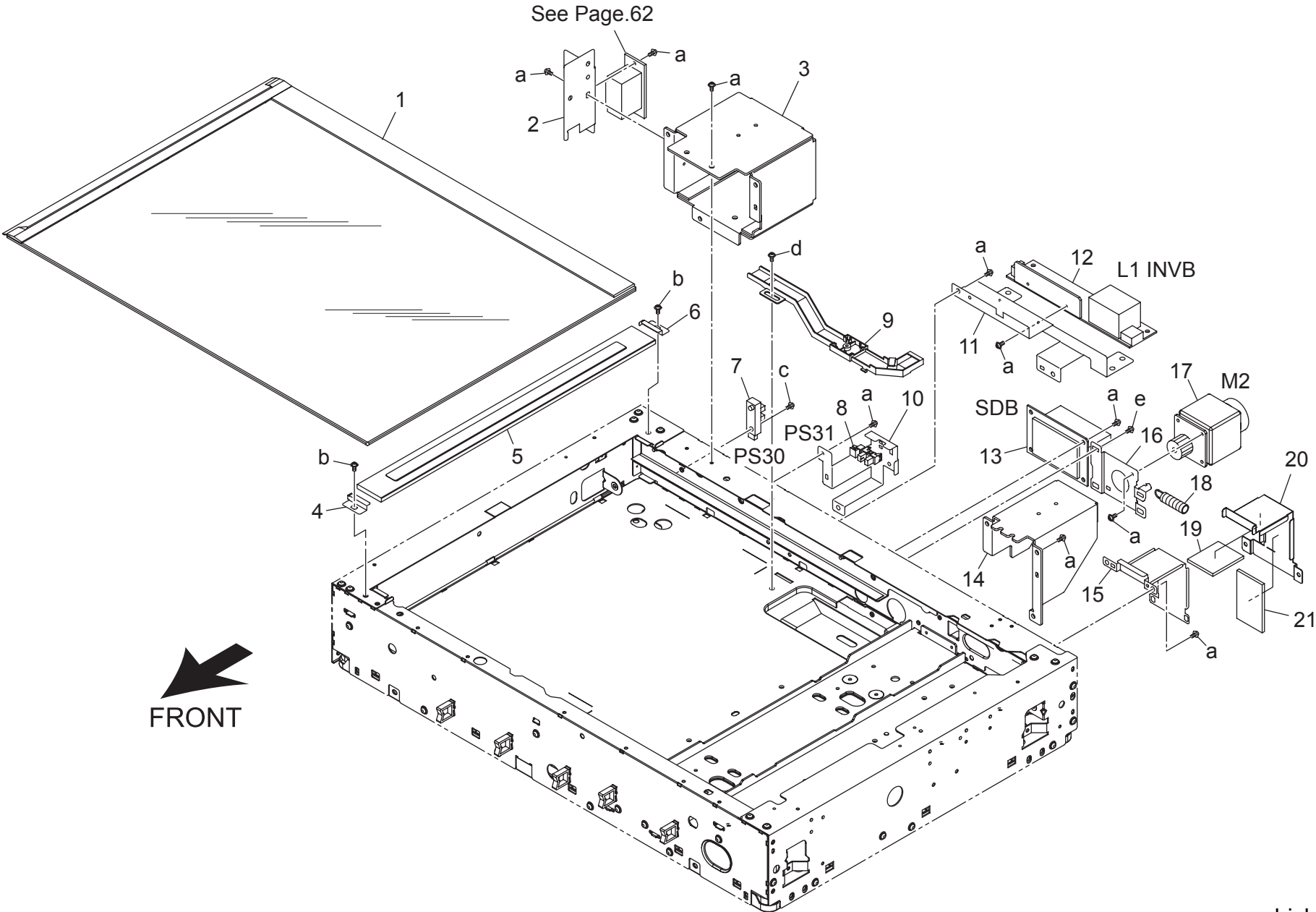
Key	Part No.	Description	Destinations	Class	QTY	Standard parts
1	A02E 1928 01	Stay		D	1	a-V116 0306 03
2	A02E 1934 00	Shoulder screw		C	1	b-V137 0306 03
3	A02E 1930 00	Washer		C	2	c-V217 0500 01
4	A02E 1916 01	Bracket		D	1	d-V217 0300 01
5	A02E 1913 02	Arm		D	1	e-V153 0308 03
6	A0R5 2651 00	Auxiliary Plate /A		D	1	f-V137 0308 03
7	A02E 1911 00	Bracket		D	1	g-V205 0600 03
8	A02E 1931 01	Collar		D	1	h-V136 0308 03
9	A02E 1927 01	Torsion Spring		C	1	i-V195 0600 03
10	A00J 1919 00	Washer		C	2	k-V121 0306 03
11	A02E 1914 02	Arm		D	1	m-9646 0308 14
12	A02E 1915 02	Bracket		D	1	n-9735 0306 14
13	A02E 1933 00	Shoulder screw		C	1	
14	A02E 1932 01	Reinforce Plate		D	1	
15	A02E 1917 01	Collar		D	1	
16	A02E 1912 00	Bracket		D	1	
17	A02E 1918 00	Stay		D	1	
18	A02E 1694 00	Cover		C	1	
19	A02E 1924 00	Bracket		D	1	
20	A02E 1921 01	Bracket		D	1	
21	A02E 1926 01	Pulling Spring		C	1	
22	A02E 1683 00	Cover		C	1	
23	A02E 1925 00	Handle		C	1	
24	A02E 1923 01	Lever		C	1	
25	A02E 1922 01	Lever		C	1	
26	A0R5 M710 00	Panel assembly		I	1	
27	A02E 9481 00	Panel sheet		C	1	
27	A02E 9482 00	Panel sheet		C	1	
27	A02E 9483 00	Panel sheet		C	1	
27	A02E 9484 00	Panel sheet		C	1	
27	A02E 9485 00	Panel sheet		C	1	
28	A02E 9490 00	Panel sheet		C	1	
28	A02E 9491 00	Panel sheet		C	1	
28	A02E 9492 00	Panel sheet		C	1	
28	A02E 9493 00	Panel sheet		C	1	
29	A02E 9486 00	Panel sheet		C	1	
29	A02E 9487 00	Panel sheet		C	1	
29	A02E 9488 00	Panel sheet		C	1	
29	A02E 9489 00	Panel sheet		C	1	
30	A02E 9494 00	Panel sheet		C	1	

# OPTICS UNIT



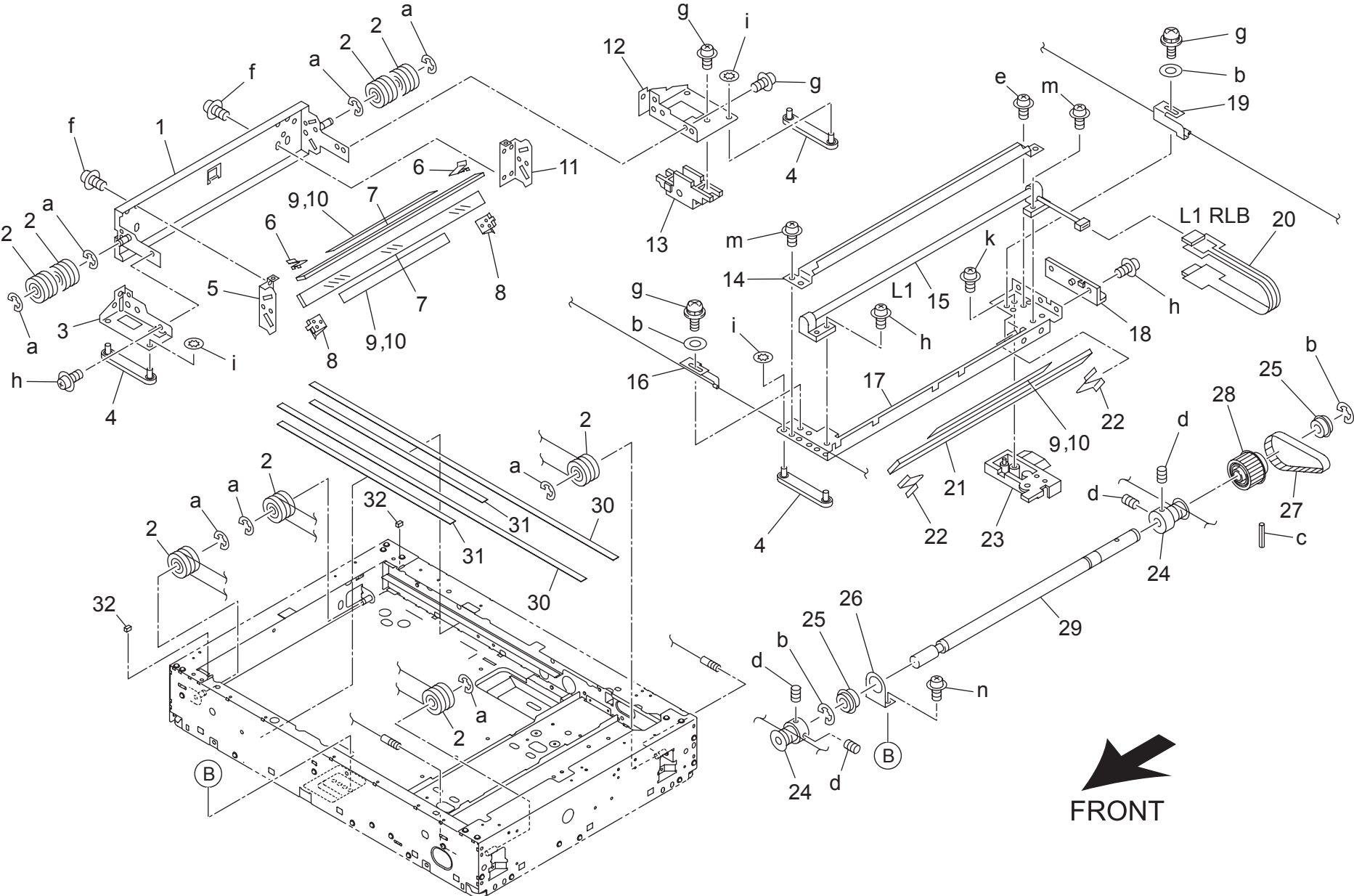
Key	Part No.	Description	Destinations	Class	QTY	Standard parts
1	26NA 6173 2	LENS COVER		C	1	a-V121 0306 03
2	40LA 6114 0	MOUNTING PLATE		D	1	b-V118 0320 03
3	56AA 8553 1	APS SENSOR 2		B	1	c-V121 0304 04
4	26NA 6181 2	WIRING GUIDE PLATE 1		D	1	d-V123 0306 03
5	26NA 6228 0	WIRING HOLD PART 1		D	1	e-V118 0306 03
6	A0R5 2654 00	Auxiliary Plate /C		D	1	f-V111 0206 03
7	A0R5 2653 00	Auxiliary Plate /B		D	1	g-V121 0308 03
8	A0R5 2657 00	Auxiliary Plate /D		D	1	
9	26TA 6251 0	FIXING SEAL		C	1	
10	26TA 8452 1	NOISE FILTER /1		C	1	
11	50GA -626 1	CCD UNIT		I	1	
12	40LA 6174 1	SCREW FIXING PLATE		D	2	
13	26NA 6245 1	EARTH SPRING 3		D	2	
14	26NA 6216 0	GLASS HOLDING PLATE		C	1	
15	56UA 9792 0	HIGE VOLTAGE CAUTION LABEL		C	1	
16	A0R5 2650 00	Mounting Plate /A		D	1	
17	9334 2610 12	REED SWITCH		C	1	
18	A0R5 1389 01	Label		D	1	
19	A0R5 1388 00	Plate		D	1	
20	A0R5 H030 00	I/F BOARD/H ASSY		C	1	
21	9373 2200 11	LOUDSPEAKER		D	1	

OPTICS UNIT



Key	Part No.	Description	Destinations	Class	QTY	Standard parts
1	A0R5 R707 00	ORIGINAL TABLE GLASS ASSY	原稿台ガラス ASSY	C	1	a-V121 0306 03 b-V121 0304 04 c-V118 0310 03 d-V123 0306 03 e-V123 0308 03
2	50GA 6252 0	ADF CONNECTOR /1	ADF コネクタ / 1	D	1	
3	50GA 6111 0	ADF MOUNTING PLATE /LEFT	ADF 取り付け板 / 左	D	1	
4	26NA 6130 0	GLASS HOLDER PLATE FRONT	ガラス押さえ板 前	C	1	
5	50GA -628 0	ORIGINAL TABLE GLASS ASSY 2	原稿台ガラス部組 / 2	C	1	
6	26NA 6115 0	GLASS HOLDER PLATE REAR	ガラス押さえ板 奥	C	1	
7	56AA 8551 1	PHOTO SENSOR	フォトセンサ	B	1	
8	9335 1300 61	PHOTO INTERRUPTER	フォトインタラプタ	B	1	
9	40LA 6201 0	WIRING GUIDE PART 3	束線ガイド部材 3	D	1	
10	50GA 6214 0	MOUNTING PLATE /2	センサ取り付け板 / 2	D	1	
11	50GA 6251 0E	Board Mounting Plate /No.1	基板取り付け板 / 1号	D	1	
12	40LA 8351 3	LAMP STARTER	ランプ点灯器	B	1	
13	50GA -905 0	SCANNER DRIVE BOAD ASSY	スキャナ駆動基板部組	I	1	
14	50GA 6112 0	ADF MOUNTING PLATE /RIGHT	ADF 取り付け板 / 右	D	1	
15	50GA 6211 0	WIRING GUIDE PLATE 2	束線ガイド板 2	D	1	
16	40LA 6116 1E	Motor Mounting Plate	モータ取付板	D	1	
17	50GA 8002 0	SCANNER DRIVE MOTOR	スキャナー駆動モータ	C	1	
18	40LA 6246 0	MOTOR TENSION SPRING 1	モータテンションバネ 1	C	1	
19	50GA 6259 0	WIRING HOLDING PART /2	束線押さえ部材 / 2	D	1	
20	50GA 6212 0	WIRING GUIDE PLATE 3	束線ガイド板 3	D	1	
21	50GA 6258 0	WIRING HOLDING PART /1	束線押さえ部材 / 1	D	1	

OPTICS UNIT

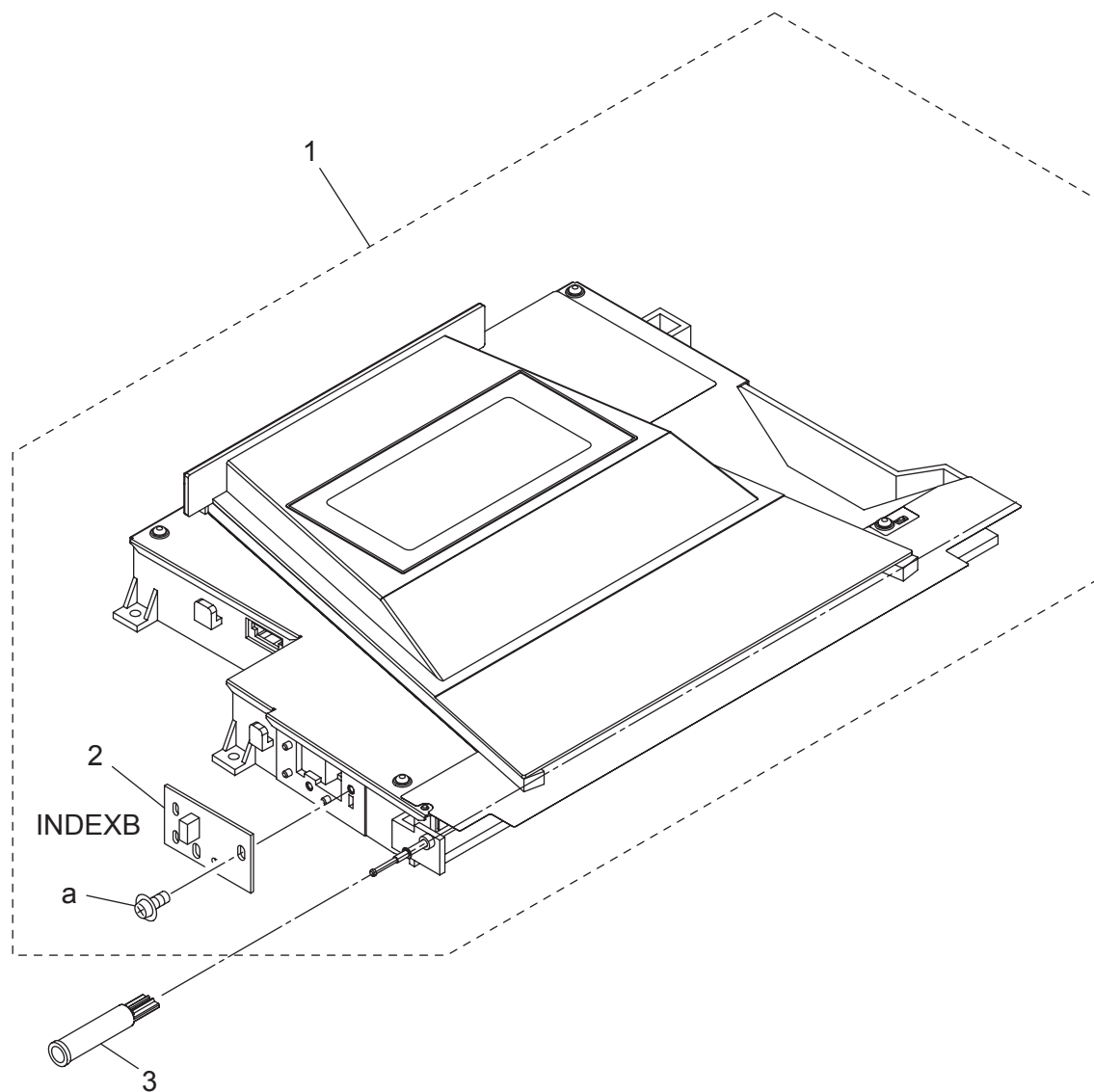




Key	Part No.	Description	Destinations	Class	QTY	Standard parts
1	26NA R711 00	MIRROR MOUNT PLATE 2 ASSY	ミラー取付板 / 2 部組	D	1	a-V217 0400 50
2	26NA 6194 0	BEARING	ワイヤーブーリ	C	8	b-V217 0600 50
3	26NA 6156 0	OPTICS SLIDE PLATE FRONT	光学スライド板 前	D	1	c-V233 3018 50
4	26NA 6138 0	SLIDE PART	スライド部材	D	3	d-V193 0406 04
5	26NA 6153 1	MIRROR SUPPORT PLATE FRONT	ミラー支持板 前	D	1	e-V121 0304 03
6	26NA 6161 0	MIRROR PRESSURE SPRING 4	ミラー押圧パネ 4	C	2	f-V118 0310 03
7	26NA 6154 0	OPTICS MIRROR 2	光学ミラー 2	C	2	g-V123 0306 03
8	26NA 6160 0	MIRROR PRESSURE SPRING 3	ミラー押圧パネ 3	C	2	h-V123 0308 03
9	26TA 6252 1	MIRROR REINFORCE PART 1	ミラー補強部材 1	D	3	i-V226 0300 50
10	26TA 6253 0	STICKING PART1	貼り部材 1	D	3	k-V151 0306 03
11	26NA 6239 1	MIRROR SUPPORT PLATE REAR	ミラー支持板 奥	D	1	m-V118 0303 03
12	26NA 6155 1	OPTICS SLIDE PLATE REAR	光学スライド板 奥	D	1	n-V121 0304 04
13	26NA 6159 0	WIRING GUIDE PART 2	束線ガイド部材 2	D	1	
14	26NA 6137 0	REFLECT MIRROR	反射鏡	C	1	
15	40LA 8301 1	EXPOSURE LAMP	露光ランプ	A	1	
16	50GA 6122 0	OPTICAL WIRE FRONT	光学ワイヤー 前	C	1	
17	26NA 6131 0	MIRROR MOUNT PLATE 1	ミラー取り付け板 1	C	1	
18	26NA 6206 0	MIRROR ADJUSTING SCREW	ミラー調整ネジ	D	1	
19	40LA 6121 0	OPTICS WIRE REAR	光学ワイヤー 奥	C	1	
20	26NA -951 2E	POWERING BOARD ASSY	給電基板部組	C	1	
21	26NA 6134 0	OPTICS MIRROR 1	光学ミラー 1	C	1	
22	26NA 6141 0	MIRROR PRESSURE SPRING	ミラー押圧パネ	B	2	
23	26NA 6139 0	WIRING GUIDE PART 1	束線ガイド部材 1	D	1	
24	50GA 6120 0	WIRE DRIVE PULLEY	ワイヤー駆動ブーリ	C	2	
25	56QA 7507 0	BEARING/8	駆動軸受 8	C	2	
26	26NA 6175 1	PULLEY FIXED PLATE	フーリーコティイタ ( 04 / 2 )	D	1	
27	40LA 6193 0	MOTOR BELT 160L	モータベルト 160 L	C	1	
28	40LA 6192 0	DRIVING PULLEY 55T	駆動ブーリ 55 T	C	1	
29	40LA 6119 0	DRIVE SHAFT	駆動軸	D	1	
30	40LA 6183 0	OPTICS SLIDE SHEET 1	光学スライドシート 1	D	2	
31	26NA 6184 0	OPTICS SLIDE SHEET 2	光学スライドシート 2	C	2	
32	26NA 6232 0	READING SEAL/7	読取 シール / 7	D	2	

# WRITE UNIT

P 11

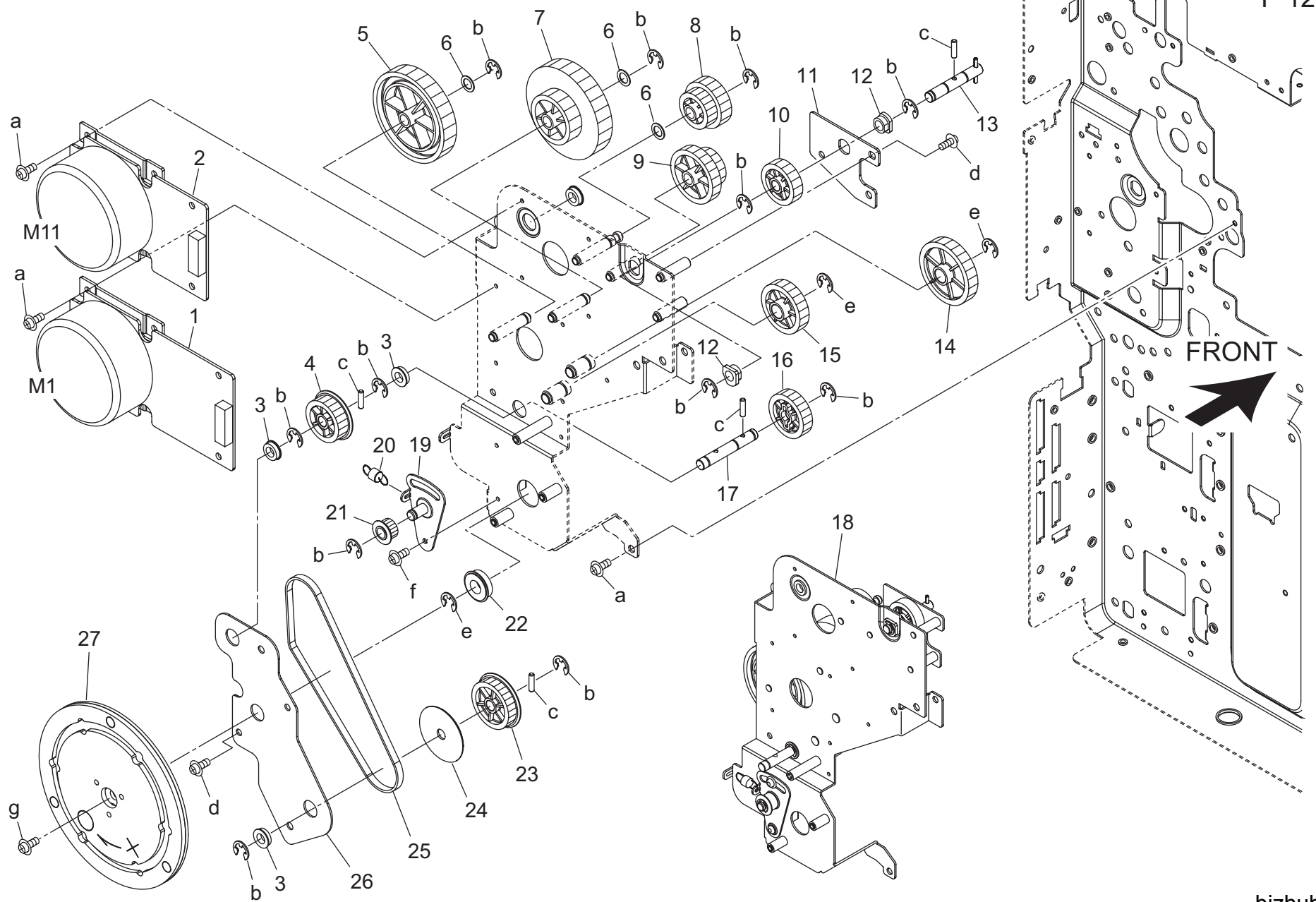


# WRITE UNIT

Key	Part No.	Description	Destinations	Class	QTY	Standard parts
1	A0R5 R700 00	Write Unit		B	1	a-V151 0308 03
2	26NA -909 2E	INDEX ASSY		I	1	
3	40LA 6526 0	WRITING CLEANER KNOB		C	1	

# DRIVING UNIT

P 12



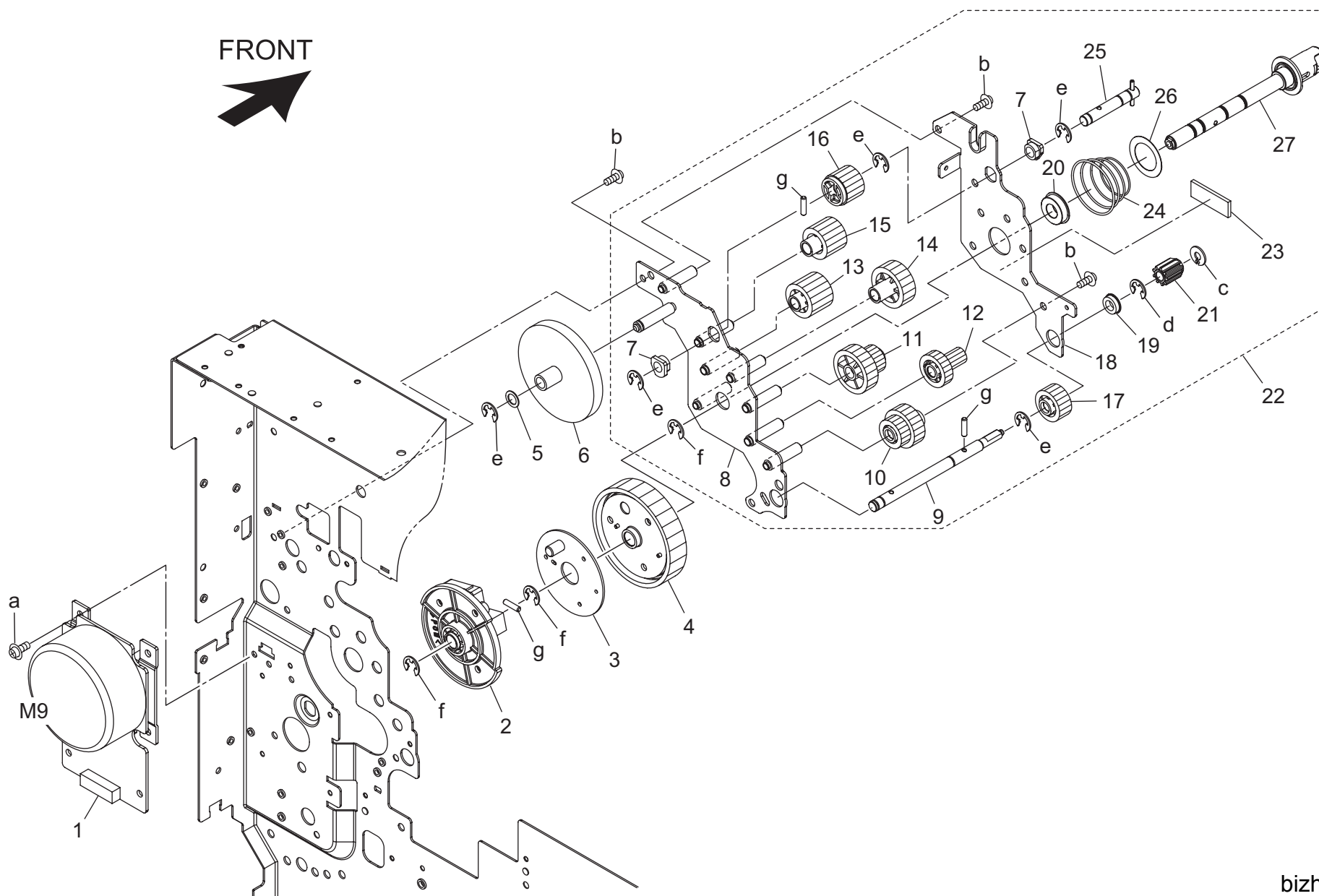
# DRIVING UNIT

Key	Part No.	Description	Destinations	Class	QTY	Standard parts
1	27LA 8003 2E	DC BRUSHLESS MOTOR/30	DC ブラシレス モータ / 30	C	1	a-V121 0304 03 b-V217 0400 50 c-V237 2012 50 d-V121 0306 03 e-V217 0600 50 f-V123 0306 03 g-V123 0408 03
2	A0R5 M103 00	DC Brushless motor /30	DC ブラシレスモータ / 30	C	1	
3	26NA 1728 0	BALL BEARING	現像駆動軸受	C	3	
4	50GA 1566 0	DRIVE PULLEY UPPER 40T	駆動プーリ 上 40 T	C	1	
5	50GA 1550 0	GEAR /A 30/100T	ギア / A 30 / 100 T	C	1	
6	1900 4141 0	PLYSLIDER 6	ポリスライダ 6	C	3	
7	50GA 1552 0	GEAR /C 35/102T	ギア / C 35 / 102 T	C	1	
8	50GA 1856 0	Conveyance Gear /A 27/50T	搬送ギア / A 27 / 50 T	C	1	
9	50GA 1857 0	Conveyance Gear/B 27/41T	搬送ギア / B 27 / 41 T	C	1	
10	50GA 1858 0E	CONVEYANCE GEAR /C	搬送ギア / C	C	1	
11	50GA 1506 0	DRIVE PANEL /F	駆動 パネル / F	D	1	
12	4660 7602 0	PAPER FEED SHAFT HOLDER	給紙送り出し軸受	B	2	
13	50GA -183 0	SHAFT ASSY	軸部組	D	1	
14	50GA 1553 0	Gear/D 45T	ギア / D 45 T	C	1	
15	50GA 1554 0	Gear/E 35T	ギア / E 35 T	C	1	
16	50GA 1561 0E	GEAR /I 31T	ギア / I 31 T	C	1	
17	50GA 1522 0E	Idling Shaft /B	アイドル軸 / B	D	1	
18	50GA -157 0	RU DRIVE ASSY	RU 駆動部組	C	1	
19	26NA R710 00	TENSION PLATE CAULKING	テンション板カシメ	D	1	
20	50GA 1545 0	TENSION SPRING	テンションバネ	C	1	
21	26NA 5037 0	IDLER PULLEY 18T	アイドルプーリ 18 T	C	1	
22	26NA 5359 0	BALL BEARING	定着軸受 下	A	1	
23	50GA 1565 0	DEVELOPING DRIVE PULLEY LOWER 45T	現像駆動プーリ 下 45 T	C	1	
24	50GA 2104 00	Stopper Plate	ストッププレート	D	1	
25	50GA 1541 0	BELT 296L	ベルト 296 L	C	1	
26	50GA 1547 0	DRIVE PANEL /I	駆動 パネル / I	D	1	
27	50GA -188 0	DRUM ROTATION PLATE/D ASSY	ドラム回転プレート / D 部組	C	1	

# DRIVING UNIT

P 13

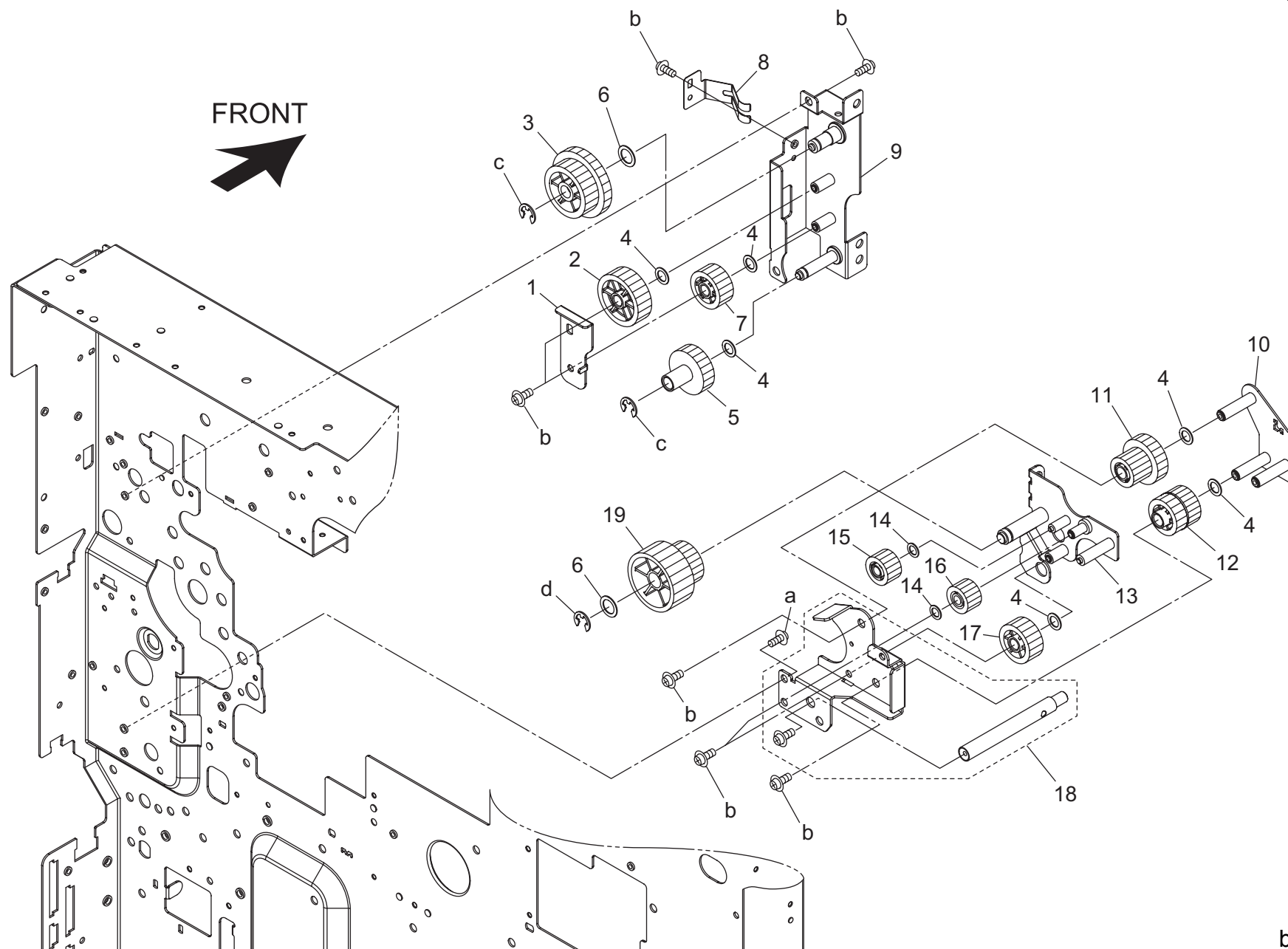
FRONT



Key	Part No.	Description	Destinations	Class	QTY	Standard parts
1	A0R5 M103 00	DC Brushless motor /30	D C ブラシレスモータ / 3 0	C	1	a-V121 0304 03
2	50GA -155 0	DUMPER PLATE ASSY	ダンパープレート部組	C	1	b-V121 0306 03
3	26NA R702 00	DRIVE PLATE COMBINED	駆動プレートカシメ	C	1	c-V221 0300 50
4	26NA 1560 0	DRUM DRIVING GEAR 108T	ドラム駆動ギア 1 0 8 T	C	1	d-V217 0300 50
5	1900 4141 0	PLYSLIDER 6	ポリスライダー 6	C	1	e-V217 0400 50
6	50GA 1551 0	GEAR B 105T	ギア B 1 0 5 T	C	1	f-V217 0600 50
7	4660 7602 0	PAPER FEED SHAFT HOLDER	給紙送り出し軸受	B	2	g-V237 2012 50
8	50GA -160 1E	CAULKING ASSY	カシメ部組	D	1	
9	50GA 1518 1E	Agitating Shaft	攪拌軸	D	1	
10	50GA 1560 0	GEAR /H 19/26T	ギア / H 1 9 / 2 6 T	C	1	
11	50GA 1556 0	AGITATING GEAR /UPPER 17/30T	攪拌ギア / 上 1 7 / 3 0 T	C	1	
12	50GA 1559 0	GEAR G 22T	ギア G 2 2 T	C	1	
13	50GA 1563 0	GEAR K 23T	ギア K 2 3 T	C	1	
14	50GA 1564 0	GEAR L 28T	ギア L 2 8 T	C	1	
15	50GA 1562 0	GEAR J 21T	ギア J 2 1 T	C	1	
16	50GA 1555 0	COLLECTION GEAR 20T	回収ギア 2 0 T	C	1	
17	50GA 1557 0	AGITATING GEAR 21T	攪拌ギア 2 1 T	C	1	
18	50GA 1503 0	DRIVE PANEL /C	駆動 パネル / C	D	1	
19	26NA 1728 0	BALL BEARING	現像駆動軸受	C	1	
20	26NA 5359 0	BALL BEARING	定着軸受 下	A	1	
21	26NA 1758 0	AGITATING COUPLING B	攪拌カップリング B	C	1	
22	50GA -159 0	DRUM DRIVE ASSY	ドラム駆動部組	C	1	
23	50GA 1548 0	PRESSING PART	押圧部材	D	1	
24	26NA 1520 0	COUPLING SPRING	カップリングバネ	B	1	
25	50GA -154 0	SHAFT ASSY	軸部組	D	1	
26	26NA 3087 0	SPRING SPACER	バネスペーサー	C	1	
27	50GA -153 0	DRUM INPUT SHAFT ASSY	ドラム入力軸部組	C	1	

# DRIVING UNIT

P 14



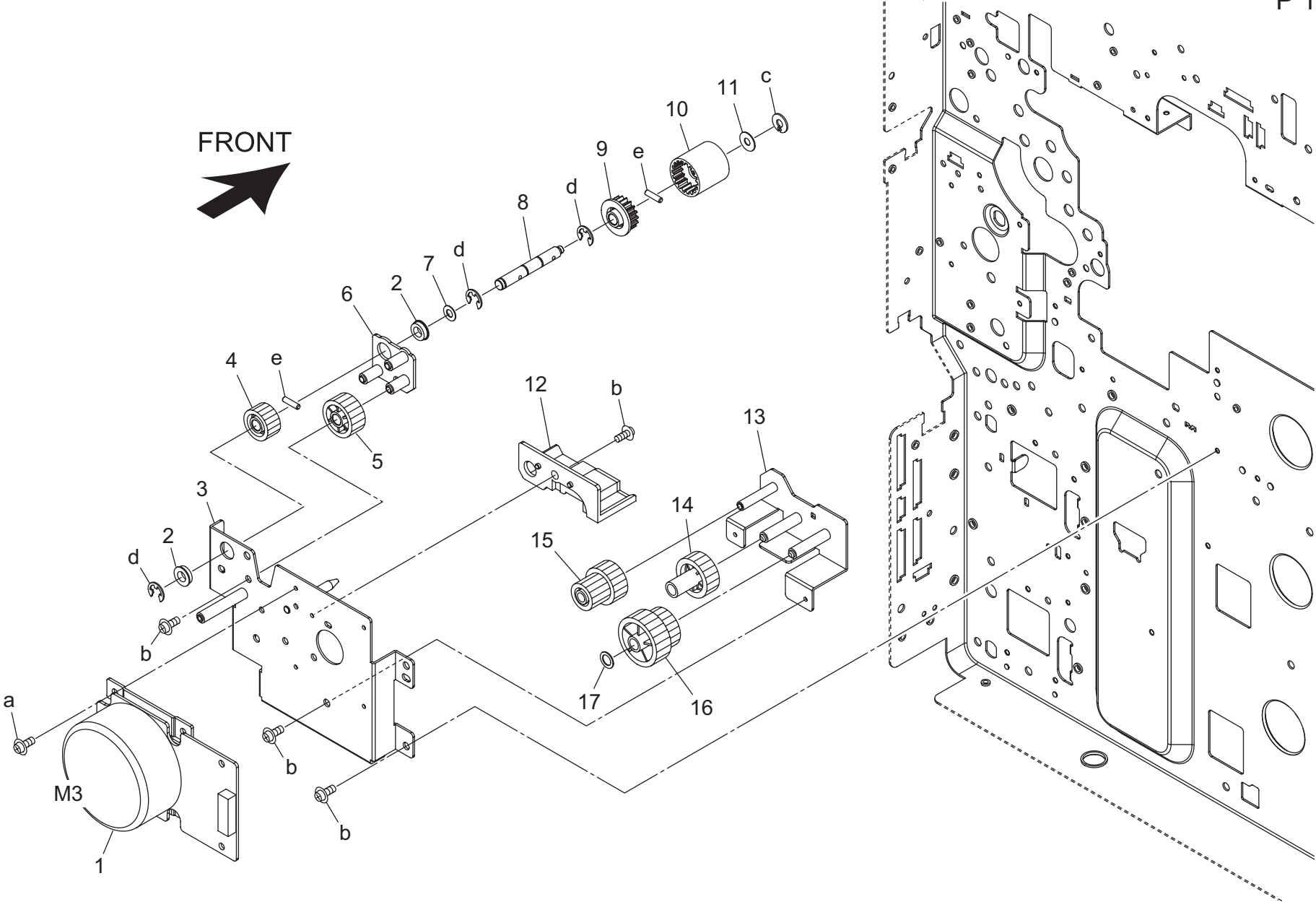


DRIVING UNIT

Key	Part No.	Description	Destinations	Class	QTY	Standard parts
1	50GA 1605 0	PAPER FEED PROTECTION PANEL	給紙保護パネル	D	1	a-9735 0306 14 b-V121 0306 03 c-V217 0400 50 d-V217 0600 50
2	50GA 1613 0	Paper feed Gear/C 38T	給紙ギア / C 38 T	C	1	
3	50GA 1619 1	ADU Input Gear 28/49T	A D U 入力ギア 28 / 49 T	C	1	
4	1900 4141 0	POLYSLIDER 6	ポリスライダ ー 6	C	6	
5	50GA 1611 0	PAPER FEED GEAR A 32T	給紙ギア A 32 T	C	1	
6	1900 4142 0	POLYSLIDER 8	ポリスライダ ー 8	C	2	
7	50GA 1612 0	Paper feed Gear/B 27T	給紙ギア / B 27 T	C	1	
8	50GA 4569 1E	CONVEYANCE EARTH PLATE	搬送アース板	D	1	
9	50GA -164 1F	CAULKING ASSY	カシメ部組	D	1	
10	50GA -168 0E	CAULKING ASSY	カシメ部組	D	1	
11	50GA 1616 0	Paper feed Gear /F 21/23T	給紙ギア / F 21 / 23 T	C	1	
12	50GA 1617 0	Paper feed Gear /G 19/26T	給紙ギア / G 19 / 26 T	C	1	
13	50GA -165 0E	CAULKING ASSY	カシメ部組	D	1	
14	50GA 2501 00	SPACER	スペーサ	C	2	
15	50GA 1620 0E	PAPER FEED GEAR /I 20T	給紙 ギア / I 20 T	C	1	
16	50GA 1614 0E	PAPER FEED GEAR /D 19T	給紙 ギア / D 19 T	C	1	
17	50GA 1618 0F	PAPER FEED GEAR /H 28T	給紙 ギア / H 28 T	C	1	
18	50GA -167 0F	CAULKING ASSY	カシメ部組	D	1	
19	50GA 1610 0	Paper feed Drive Gear 29/62T	給紙駆動ギア 29 / 62 T	C	1	



# DRIVING UNIT

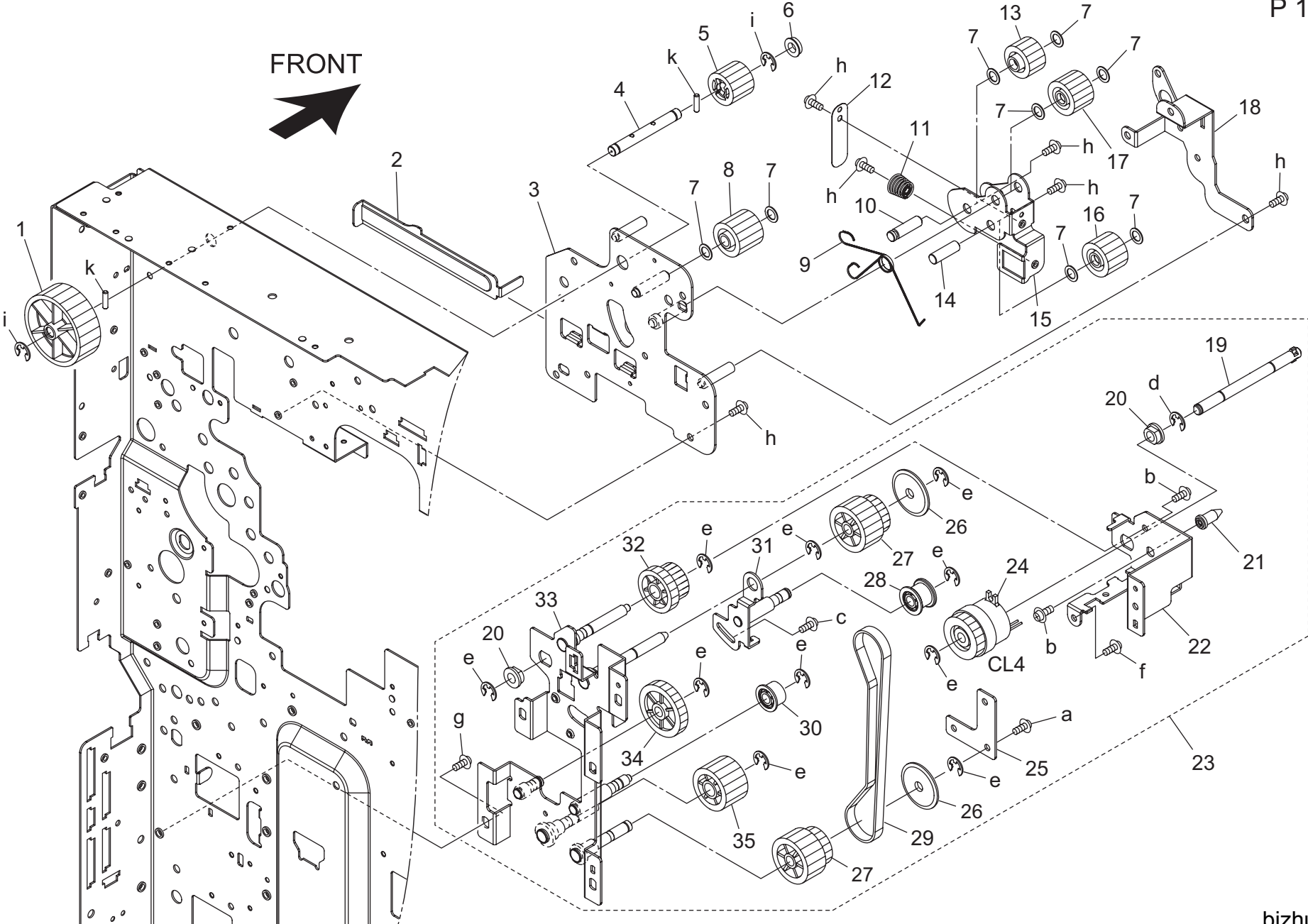


# DRIVING UNIT

Key	Part No.	Description	Destinations	Class	QTY	Standard parts
1	A0R5 M103 00	DC Brushless motor /30	D C ブラシレスモーター / 3 0	C	1	a-V121 0304 03 b-V121 0306 03 c-V221 0400 50 d-V217 0400 50 e-V237 2012 50
2	26NA 1728 0	BALL BEARING	現像駆動軸受	C	2	
3	50GA -171 0	CAULKING ASSY	カシメ部組	D	1	
4	40LA 1754 0	DEVELOPING DRIVE GEAR 6 32T	現像駆動歯車 6 3 2 T	C	1	
5	40LA 1755 0	DEVELOPING DRIVE GEAR 7 39T	現像駆動歯車 7 3 9 T	C	1	
6	50GA -173 0E	CAULKING ASSY	カシメ部組	D	1	
7	13QA 1033 0	SHAFT SPACER	軸スペーサー	C	1	
8	50GA 1760 1E	Developing Drive Shaft	現像駆動軸	D	1	
9	40LA 1756 0	DEVELOPING INPUT COUPLING A	現像入力カップリング A	C	1	
10	26NA 1757 0	DEVELOPING INPUT COUPLING B	現像入力カップリング B	C	1	
11	26NA 1759 0	SPACER B	スペーサー B	C	1	
12	50GA 1703 0	DUST PROOF COVER	防塵カバー	C	1	
13	50GA -172 0	CAULKING ASSY	カシメ部組	D	1	
14	50GA 1752 0	DEVELOPING DRIVE GEAR 2 27T	現像駆動歯車 2 2 7 T	B	1	
15	50GA 1753 0	DEVELOPING DRIVE GEAR /3 25/28T	現像駆動歯車 / 3 2 5 / 2 8 T	B	1	
16	50GA 1751 0	DEVELOPING DRIVE GEAR /1 26/52T	現像駆動歯車 / 1 2 6 / 5 2 T	B	1	
17	1900 4141 0	PLYSLIDER 6	ポリスライダ 6	C	1	



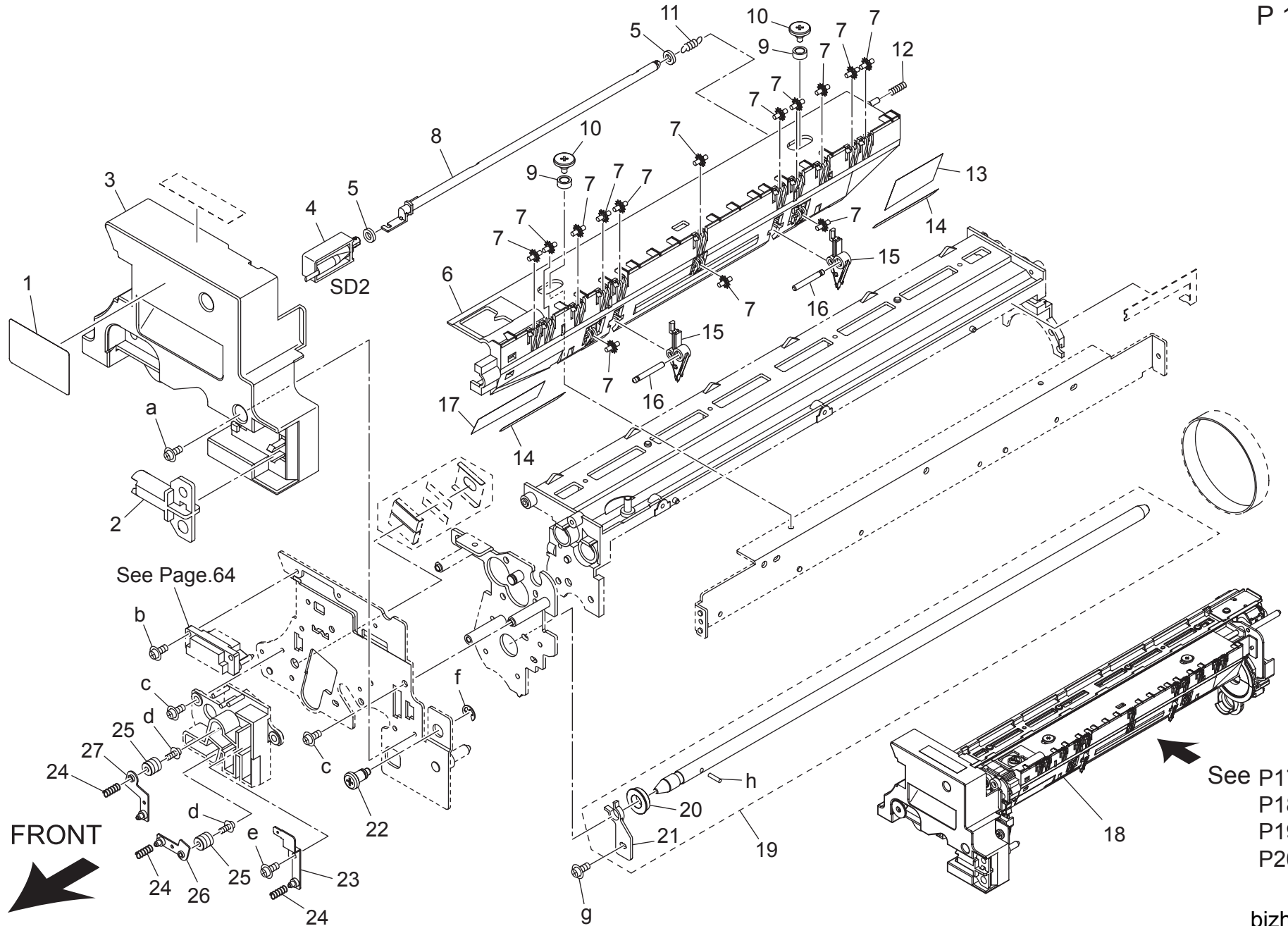
DRIVING UNIT



Key	Part No.	Description	Destinations	Class	QTY	Standard parts
1	50GA 1851 0	FIXING GEAR A 80T		B	1	a-9646 0306 13
2	50GA 1509 1	DRIVE PRESSING STAY		C	1	b-9646 0306 14
3	50GA -186 1G	CAULKING ASSY		C	1	c-9646 0308 14
4	50GA 1811 1G	FIXING INPUT SHAFT		C	1	d-9721 0400 01
5	50GA 1852 3I	Fixing Gear/B 18T		B	1	e-4425 3001 01
6	26NA 1728 0	BALL BEARING		C	1	f-9735 0306 14
7	40LA 1740 0	DRIVING SPACER 1		C	8	g-9743 0408 14
8	50GA 1853 2G	Fixing Gear/C 19T		B	1	h-V121 0306 03
9	50GA 1841 0	FIXING SWING SPRING		C	1	i-V217 0400 50
10	50GA 1822 0D	Fixing Idling Shaft		C	1	k-V237 2012 50
11	50GA 1843 0	FIXING PRESSING SPRING		C	1	
12	50GA 1842 0	LEVER PRESSING SPRING		D	1	
13	50GA 1855 2G	Fixing Gear/E 18T		B	1	
14	50GA 1824 1E	Fixing Idling Shaft /2		D	1	
15	50GA 1507 0F	Drive Panel /G		D	1	
16	50GA 1859 2G	Fixing Gear /F 19T		B	1	
17	50GA 1854 2G	Fixing Gear/D 19T		B	1	
18	50GA 1504 0E	Drive Panel /D		C	1	
19	4030 3057 01	SHAFT		D	1	
20	4131 3003 01	BUSHING		C	2	
21	4030 3067 01	SHAFT		D	1	
22	4030 3051 01	BRACKET		D	1	
23	50GA -169 2	LOWER PAPER FEED DRIVE ASSY		C	1	
24	9322 1500 12	CLUTCH		C	1	
25	4030 3052 01	BRACKET		D	1	
26	4030 3055 01	COLLAR		C	2	
27	4030 3053 01	PULLEY 28/36T		C	2	
28	1155 2518 01	PULLEY		C	1	
29	4030 3054 01	TIMING BELT 324L		C	1	
30	1067 2513 01	PULLEY		C	1	
31	4030 R705 00	BRACKET ASSY		C	1	
32	50GA 1640 1E	Paper feed Gear 19/33T		C	1	
33	50GA -176 0	PAPER FEED STAKE ASSY		D	1	
34	4030 3060 01	GEAR 30T		C	1	
35	4030 3059 01	GEAR 24T		C	1	

# DRUM CARTRIDGE

P 17



See Page.64

See P17  
P18  
P19  
P20

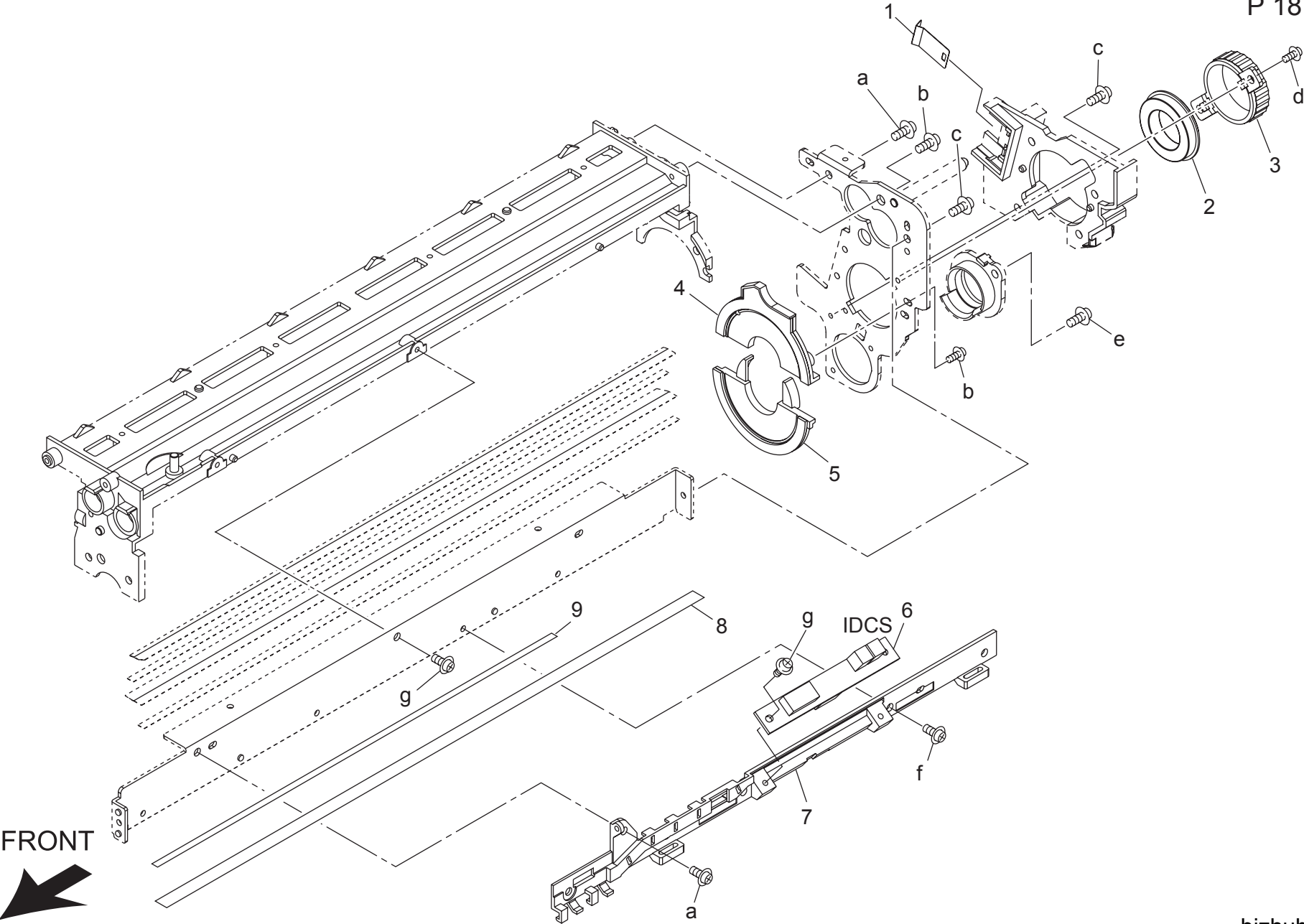
bizhub 501

# DRUM CARTRIDGE

Key	Part No.	Description	Destinations	Class	QTY	Standard parts
1	50GA 9795 1E	Toner Indicating Label		C	1	a-V121 0304 04
2	26NA 2134 0	DRUM ROTARY PART		C	1	b-V121 0308 03
3	50GA 2035 0E	CARTRIDGE COVER /FRONT		C	1	c-V121 0306 03
4	26NA R705 00	SEPARATE SOLENOID ASSY		C	1	d-V118 0306 03
5	26NA 2138 0	SOLENOID SEAL		C	2	e-V151 0308 03
6	26NA 2024 2	SEPARATE GUIDE PLATE		C	1	f-V217 0400 50
7	26TA 2032 0	SEPARATE AUXILIARY ROLLER		C	14	g-V121 0310 04
8	26NA 2027 0	SEPARATE RELEASE LEVER		C	1	h-V233 2012 50
9	26NA 2030 0	SEPARATE ROCKING COLLAR		C	2	
10	26NA 2031 0	SEPARATE ROCKING SCREW		C	2	
11	40AA 2023 0	SEPARATOR RELEASE SPRING		C	1	
12	26NA 2029 0	SEPARATE ROCKING SPRING		C	1	
13	26NA 2142 0	PAPER GUIDE SHEET C		C	1	
14	26NA 2140 0	PAPER GUIDE SHEET A		C	2	
15	50GA -218 0	SEPARATING CLAW ASSY		C	2	
16	40AA 2017 0	SEPARATOR FULCRUM SHAFT		C	2	
17	26NA 2143 0	PAPER GUIDE SHEET D		C	1	
18	50GA -200 1	DRUM UNIT		B	1	
19	40LA R702 00	DRUM SHAFT ASSY		D	1	
20	26NA 2136 0	DRUM SUPPORT SHAFT HOLDER		C	1	
21	40LA 2094 0	DRUM SUPPORT PART		C	1	
22	26NA 2144 0	CARTRIDGE SCREW		C	1	
23	26NA R704 00	DEVELOPING ELECTRIFY COMBINED		C	1	
24	3920 4526 0	ELECTRODE CONNECTING SPRING B		C	3	
25	40AA 7319 1	CHARGING INPUT SPRING		C	2	
26	40LA -221 0	CHARGE POWERING /A CAULKING		D	1	
27	40LA -222 0	CHARGE POWERING /B CAULKING		D	1	

# DRUM CARTRIDGE

P 18



FRONT

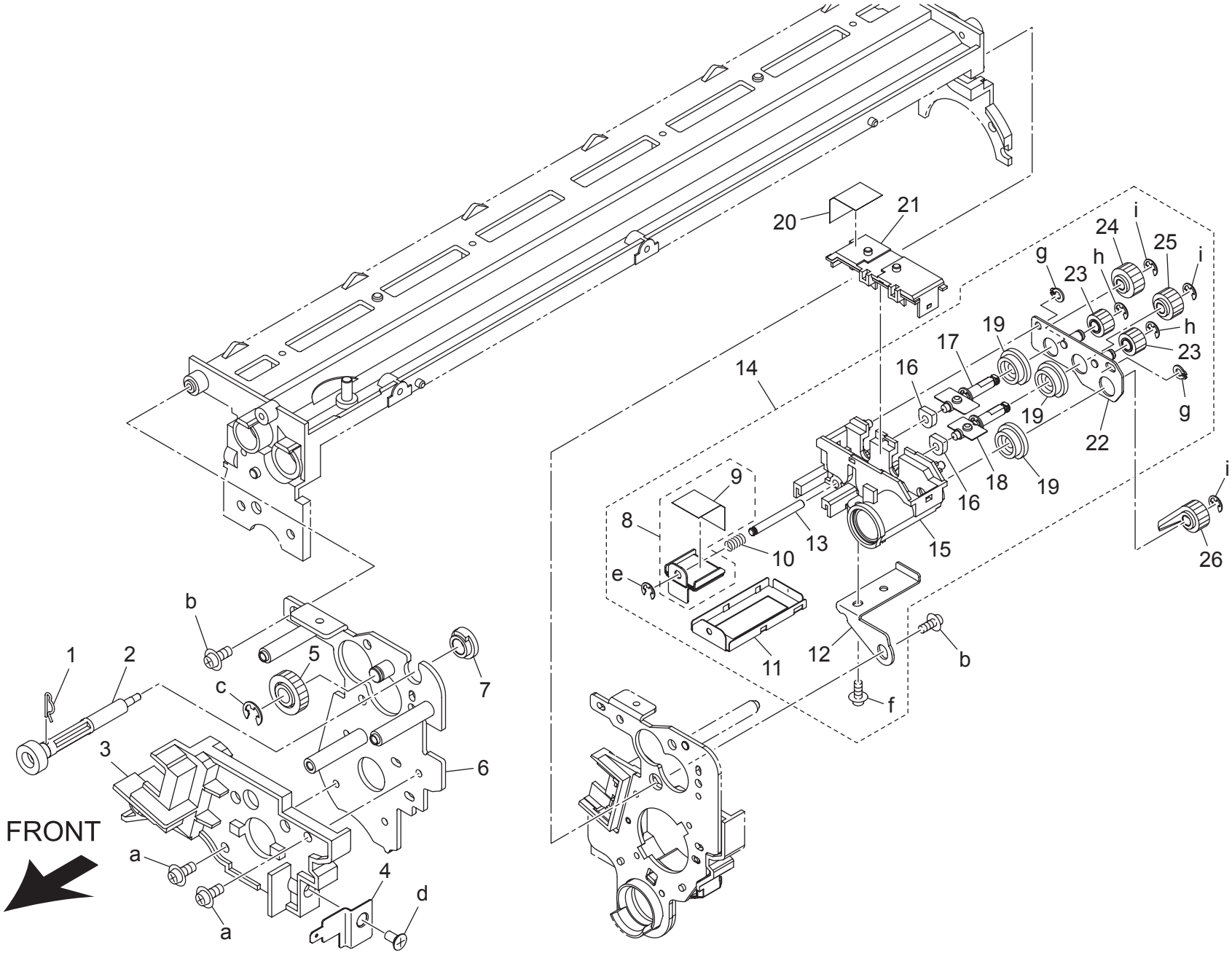




# DRUM CARTRIDGE

Key	Part No.	Description	Destinations	Class	QTY	Standard parts
1	40LA 2167 0	ELECTRODE PRESSING SPRING		C	1	a-V151 0310 03 b-V151 0312 03 c-V121 0306 03 d-V121 0304 04 e-V123 0306 03 f-V121 0304 03 g-V151 0308 03
2	26NA 2048 0	DRUM SHAFT HOLDER F		C	1	
3	26NA 2025 0F	Shaft holder Support Part		D	1	
4	26NA R703 00	BLADE SEAL BLOCK R ASSY		B	1	
5	26NA R706 00	BLADE SEAL BLOCK 2 ASSY		B	1	
6	26NA -918 2E	TONER DETECTED BOARD ASSY		C	1	
7	26NA 2095 0	WIRING GUIDE PART		D	1	
8	26NA 2020 0	TONER GUIDE SHEET		C	1	
9	26NA 2133 0	MOUNTING SHEET B		D	1	

# DRUM CARTRIDGE

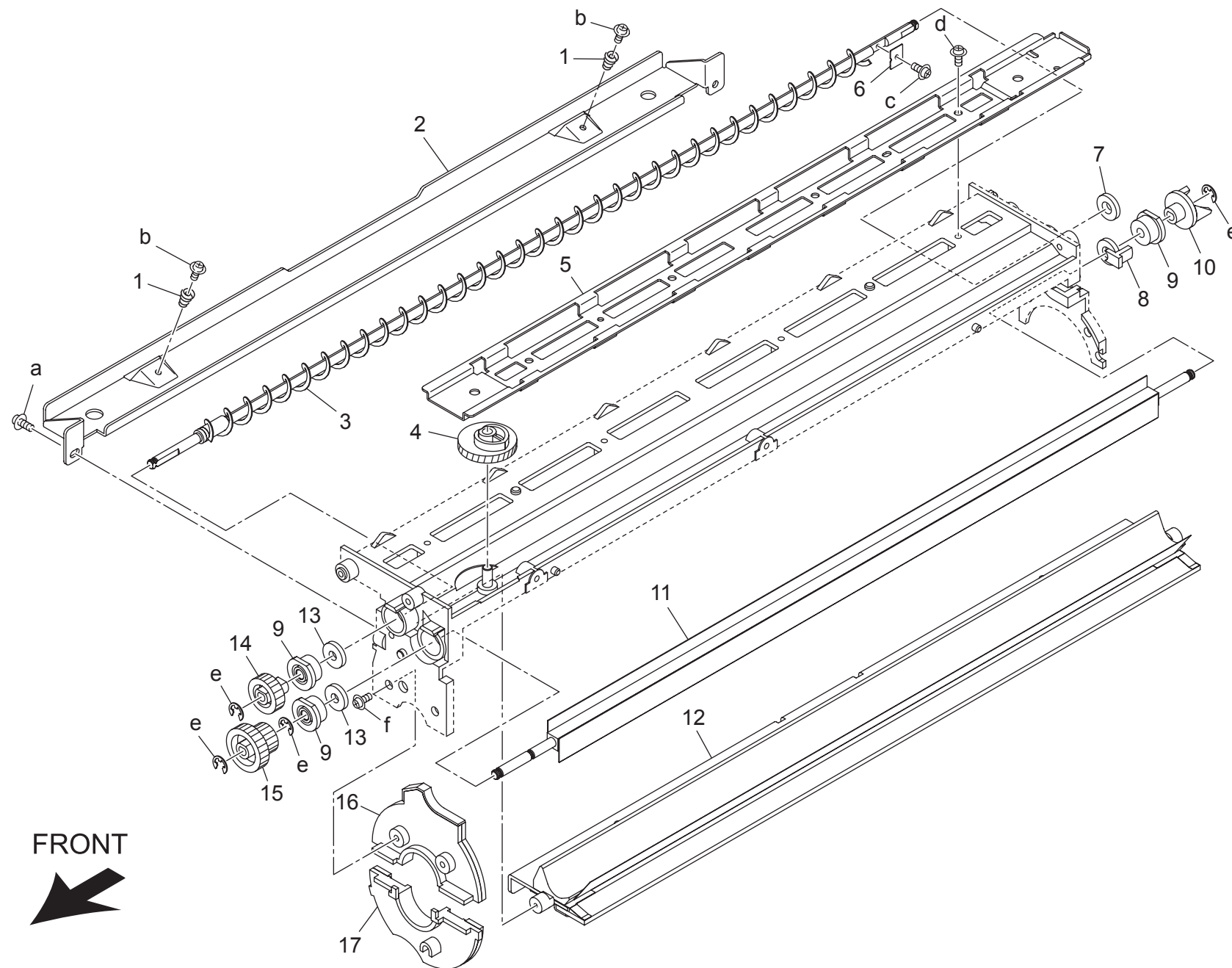


DRUM CARTRIDGE

Key	Part No.	Description	Destinations	Class	QTY	Standard parts
1	26NA 2092 0	SHAFT FIXED PART		C	1	a-V121 0306 03
2	26NA 2057 0	SEPARATION ROCKING GEAR 18T		C	1	b-V151 0310 03
3	40LA 2005 0	ELECTRODE GUIDE PART /FRONT		D	1	c-V217 0400 50
4	26NA 2076 0D	Transfer Power supply Plate		C	1	d-V147 0308 03
5	26NA 2042 0	IDLER GEAR 25T		C	1	e-V217 0200 50
6	40LA -215 1	PANEL /FRONT CAULKING		D	1	f-V151 0308 03
7	26NA 2038 0	ROCKING SHAFT HOLDER		C	1	g-V221 0300 50
8	50GA -217 0	COLLECTING COVER ASSY		D	1	h-V217 0250 50
9	26NA 2107 0	COLLECTING SEAL		C	1	i-V217 0300 50
10	26NA 2037 0D	Collection Spring		C	1	
11	26NA 2086 0D	Collection Cover /B		C	1	
12	26TA 2088 1	CLEANER FIXING PART		D	1	
13	26NA 2087 0	CLEANER AUXILIARY PART		C	1	
14	50GA -205 0	SCREW GUIDE PART/REAR ASSY		C	1	
15	26TA 2053 1	SCREW GUIDE PART /REAR		D	1	
16	26TA 2154 0	RECYCLING SHAFT HOLDER		C	2	
17	26TA -235 0	RECYCLING SHAFT/1 ASSY		D	1	
18	26TA -236 0	RECYCLING SHAFT/2 ASSY		D	1	
19	26NA 2128 0	SCREW SHAFT HOLDER B		C	3	
20	26TA 2161 1	SPEWING PV SHEET B		C	1	
21	26TA R701 00	COLLECT COVER C ASSY		D	1	
22	26TA -237 1	DRIVE SUPPORT PANEL/1 CAULKING		D	1	
23	26TA 2149 0	TONER CONVEYANCE GEAR 4 13T		C	2	
24	26TA 2148 0	TONER CONVEYANCE GEAR 3 16T		C	1	
25	26TA 2147 0	TONER CONVEYANCE GEAR 2 18T		C	1	
26	26TA 2146 0	TONER CONVEYANCE GEAR 1 19T		C	1	

# DRUM CARTRIDGE

P 20



FRONT



DRUM CARTRIDGE

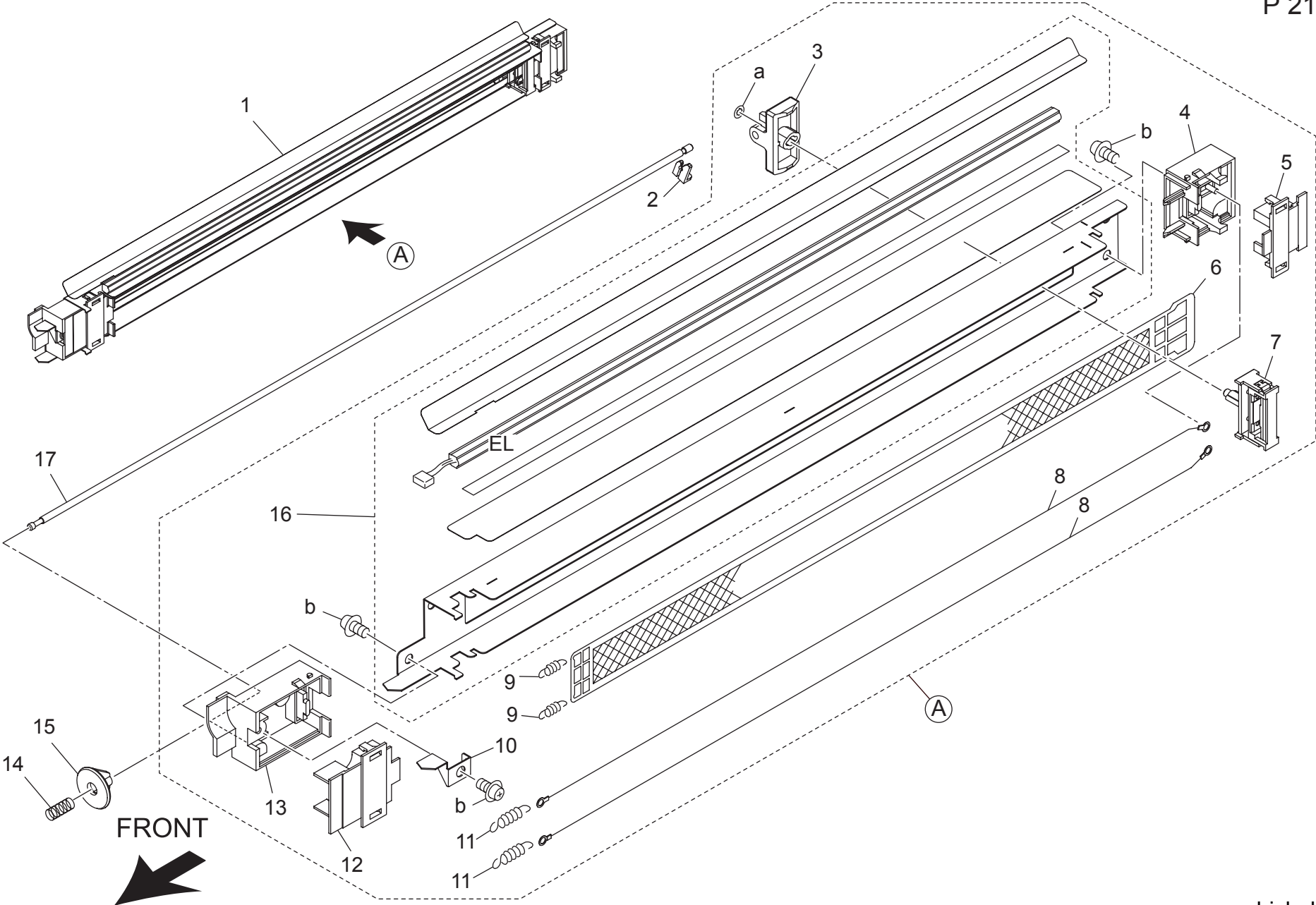
Key	Part No.	Description	Destinations	Class	QTY	Standard parts
1	40LA 2019 0	BLADE PRESSURE SPRING		C	2	a-V121 0304 04 b-V118 0304 03 c-V111 0202 03 d-V151 0308 03 e-V217 0300 50 f-V151 0312 03
2	40LA 2036 0E	Cartridge Reinforce Part		D	1	
3	50GA 2007 0	TONER COLLECTION SCREW		D	1	
4	26NA 2058 0	SEPARATION ROCKING CAM		C	1	
5	40LA 2034 0D	Cartridge Rail		D	1	
6	26TA 2151 0	AGITATOR PLATE A		D	1	
7	26NA 2022 0	CLEANER COLLECT SEAL		C	1	
8	26NA 2116 0	SHAFT HOLDER SPACER		C	1	
9	26NA 2014 0	SCREW SHAFT HOLDER		C	3	
10	26NA 2056 0	TONER COLLECT COUPLING		B	1	
11	26NA 2055 3	TONER AGITATE SHAFT		D	1	
12	50GA -209 0	DRUM CLEANING BLADE ASSY		A	1	
13	26NA 2071 0	FELT A		C	2	
14	26NA 2016 0	SCREW GEAR 24T		C	1	
15	26NA 2017 0	AGITATING GEAR 19/30T		C	1	
16	40LA R701 00	BLADE SEAL BLOCK F ASSY		B	1	
17	40LA R703 00	BLADE SEAL BLOCK 1 ASSY		B	1	



ПЯТЫЙ ПАРТНЕР

# CHARGING UNIT

P 21

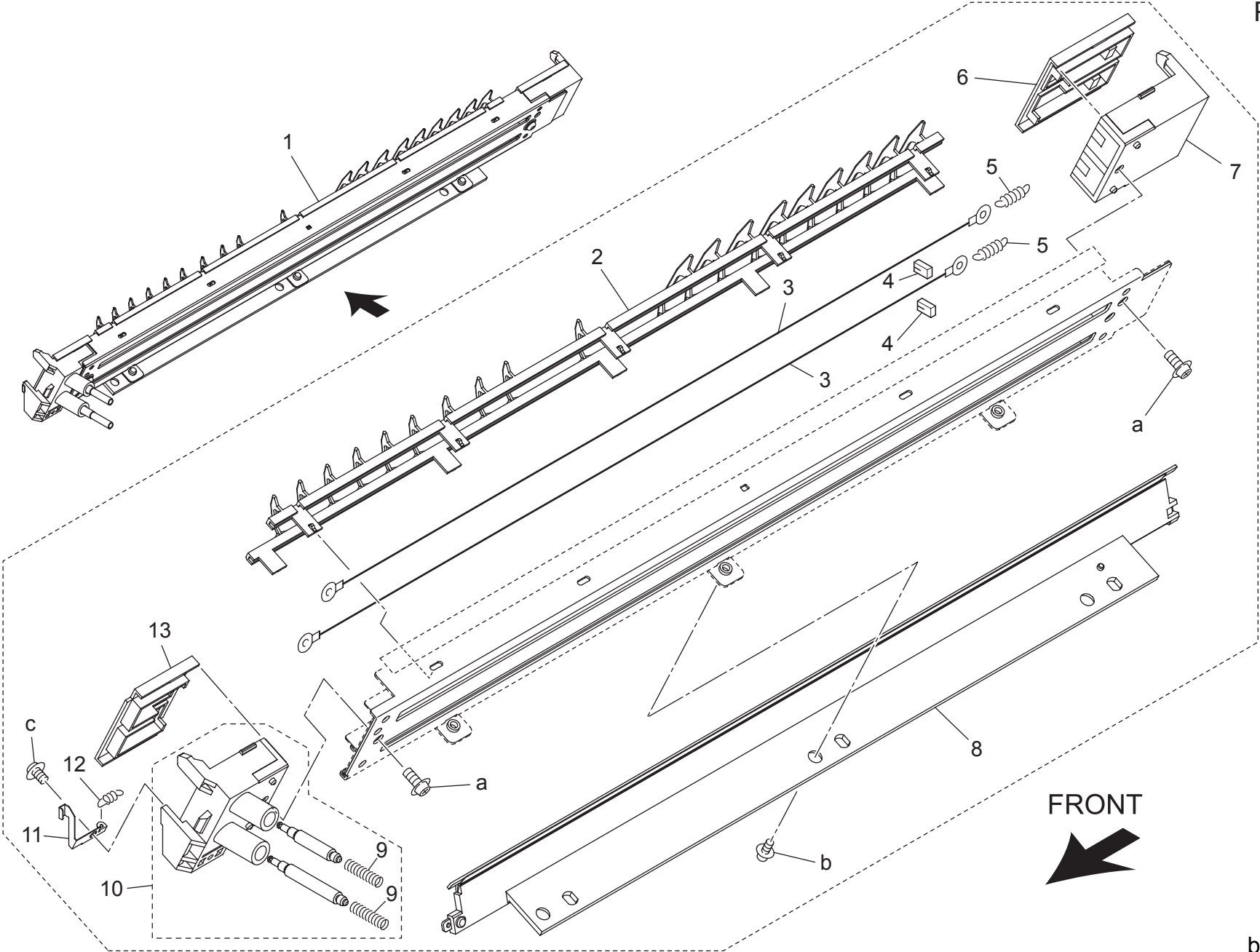


# CHARGING UNIT

Key	Part No.	Description	Destinations	Class	QTY	Standard parts
1	50GA -250 0	CHARGE CORONA UNIT	帯電極	B	1	a-V226 0300 50 b-V151 0306 03
2	25HA 2510 0	SHAFT STOPPER PART	軸ストッパー部材	B	1	
3	40LA 2519 0	CHARGE CLEANIG KNOB	帯電清掃ノブ	C	1	
4	40LA 2501 1	CHARGING BLOCK REAR	帯電ブロック 奥	C	1	
5	40LA 2505 0	SPARK ARRESTER PREVENTIVE PLATE REAR	落雷防止板 奥	B	1	
6	40LA 2516 0	CHARGING CONTROL PLATE	帯電制御プレート	B	1	
7	40LA R704 00	CHARGING CLEANING ASSY	帯電清掃部組	C	1	
8	50GA 2506 0	CHARGING WIRE	帯電ワイヤー	C	2	
9	26NA 2518 0	CHARGING SPRING	帯電バネ	B	2	
10	40LA 2507 0	CHARGING ELECTRODE PLATE	帯電給電板	C	1	
11	26NA 2517 0	WIRE TENSION SPRING	ワイヤー引張りバネ	B	2	
12	40LA 2504 0	SPARK ARRESTER PREVENTIVE PLATE FRONT	落雷防止板 前	B	1	
13	40LA 2502 0	CHARGING BLOCK FRONT	帯電ブロック 前	C	1	
14	26NA 4549 0	LIFTING SPRING 2	持ち上げバネ 2	C	1	
15	40LA 2520 0	CHARGING CLEANING HANDLE	帯電清掃把手	C	1	
16	50GA -251 0	CHARGE DISCHARGING PLATE ASSY	帯電放電プレート部組	C	1	
17	50GA 2509 0	CHARGING CLEANING SHAFT	帯電清掃軸	C	1	



TRANSFER SEPARATOR CORONA UNIT

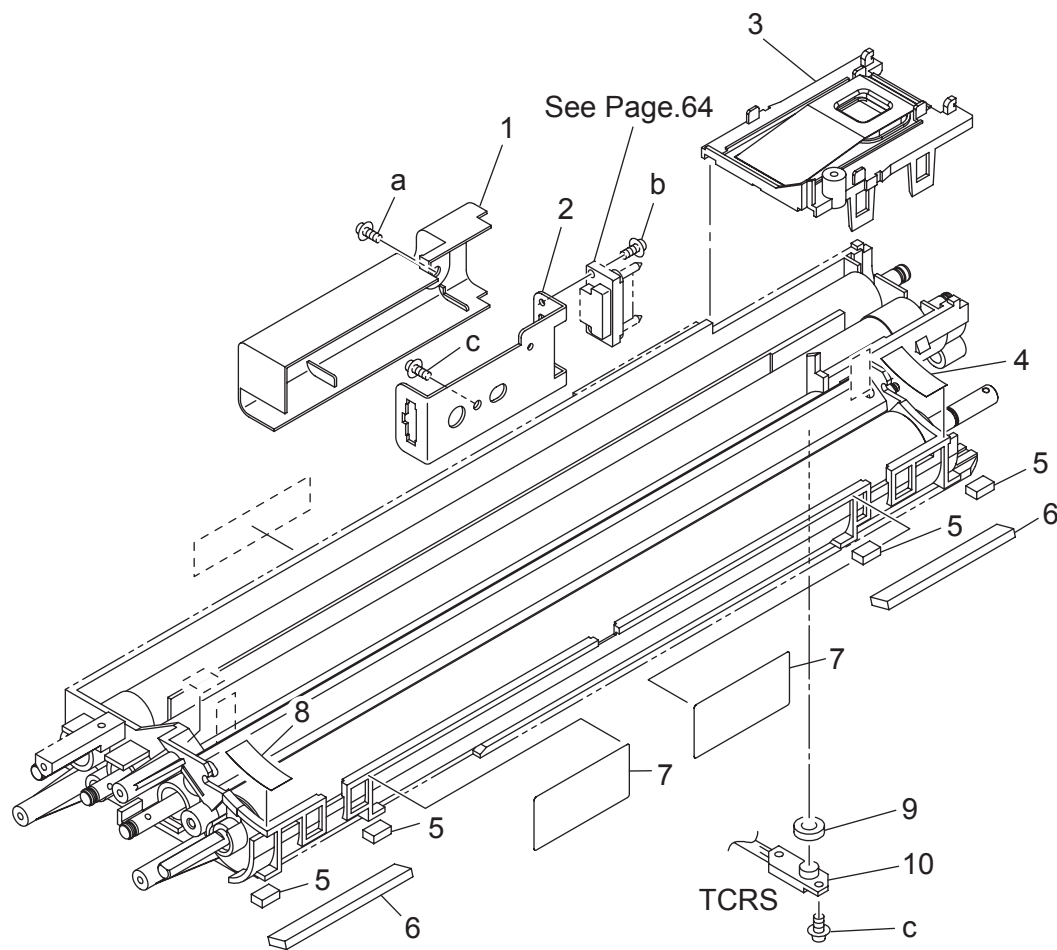


Order here  
8 (495) 646-0426  
www.km-shop.ru



# TRANSFER SEPARATOR CORONA UNIT

Key	Part No.	Description	Destinations	Class	QTY	Standard parts
1	50GA -260 0	TRANSFER SEPARATING CORONA UNIT		A	1	a-V151 0308 03 b-V123 0306 03 c-V145 2606 03
2	50GA 2619 1E	SEPARATION BRIDGE		C	1	
3	26NA 2608 0	DISCHARGE WIRE		A	2	
4	56AA 1783 0	TRANSFER HOLDING RUBBER		A	2	
5	26NA 2623 0	WIRE TENSION SPRING		B	2	
6	50GA 2607 0F	SPARK PREVENTING PLATE /REAR		C	1	
7	50GA 2604 0	TRANSFER SEPARATOR BLOCK REAR		C	1	
8	50GA -261 0	TRANSFER GUIDE PLATE ASSY		C	1	
9	26NA 7325 1	ELECTRODE CONNECTING SPRING A		B	2	
10	50GA -262 0	TRANSFER SEPARATOR BLOCK FRONT ASSY		C	1	
11	26NA 2625 0	ELECTRODE PLATE		D	1	
12	26NA 2626 0	ELECTRODE SPRING		B	1	
13	50GA 2606 0E	SPARK PREVENTING PLATE /FRONT		C	1	



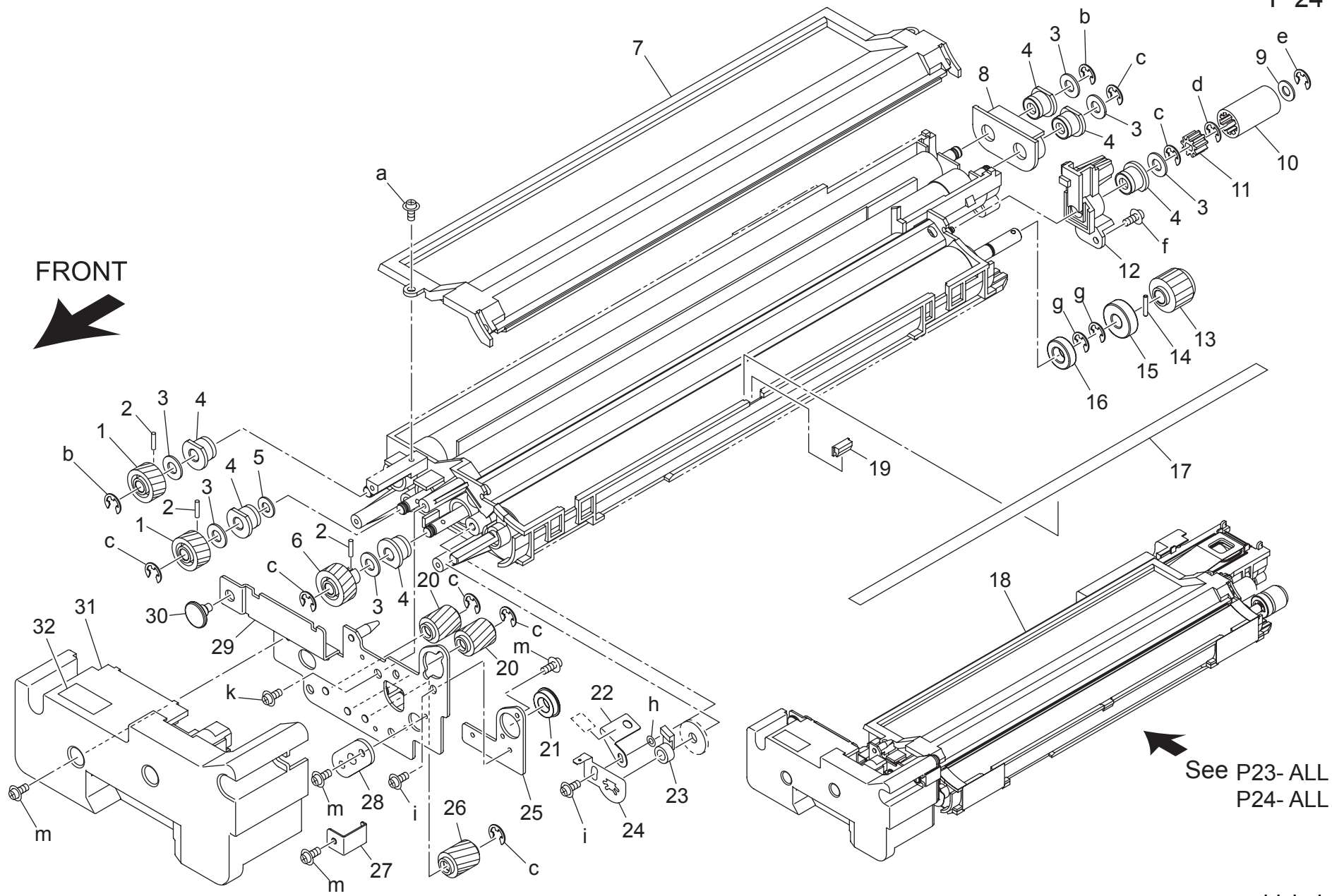
FRONT



Key	Part No.	Description	Destinations	Class	QTY	Standard parts
1	26NA 3049 0	DEVELOPING ELECTRODE COVER	現像給電カバー	D	1	a-V121 0306 03 b-V118 0306 03 c-V151 0306 03
2	26NA 3047 0	DEVELOPING ELECTRODE STAY	現像給電ステー	D	1	
3	26NA R708 00	DEVELOPING COVER PART A ASSY	現像カバー部材 / A 部組	C	1	
4	26NA 3072 0	SCATTER PREVENTING SHEET 4	飛散防止シート / 4	C	1	
5	50GA 3161 0	DEVELOPING SUCTION SEAL C	現像サクシヨンシール / C	C	4	
6	50GA 3160 0	DEVELOPING SUCTION SEAL B	現像サクシヨンシール / B	C	2	
7	50GA 3157 0	SCATTER PREVENTING SHEET /A	飛散防止シート / A	C	2	
8	26NA 3045 0	SCATTER PREVENTING SHEET 3	飛散防止シート / 3	C	1	
9	0294 2064 0	L DETECTING SEAL	L 検シール	C	1	
10	26NA 8804 1	TONER DENSITY SENSOR	トナー濃度センサー	B	1	

# DEVELOPING UNIT

P 24



See P23- ALL  
P24- ALL

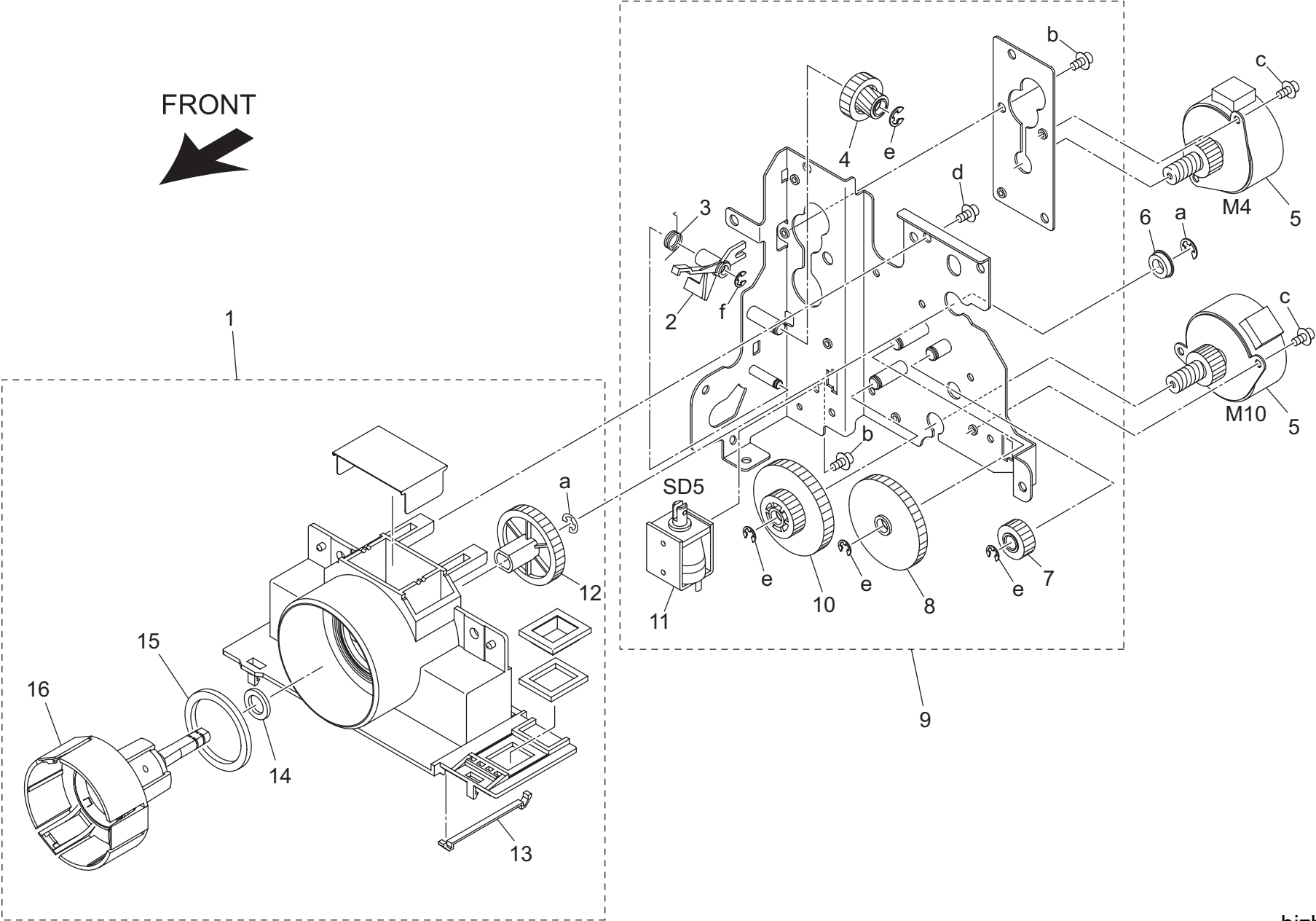
bizhub 501

# DEVELOPING UNIT

Key	Part No.	Description	Destinations	Class	QTY	Standard parts
1	50GA 3015 0	AGITATING GEAR B 20T	攪拌ギア B 20 T	B	2	a-V121 0306 04
2	4660 7801 0	PIN A D2X10	ピン A D 2 X 1 0	B	3	b-V217 0500 50
3	26NA 3085 0	SHAFT HOLDER SPACER	軸受スペーサー	C	6	c-V217 0400 50
4	26NA 3077 0	DEVELOPING SHAFT HOLDER	現像軸受	B	6	d-V217 0300 50
5	26NA 3094 0	DEVELOPING SEAL S	現像シール S	C	1	e-V221 0300 50
6	50GA 3014 0	AGITATING GEAR A 22T	攪拌ギア A 22 T	B	1	f-V151 0306 03
7	26TA R702 00	DEVELOPING COVER ASSY	現像蓋部組	C	1	g-V217 0600 50
8	26NA 3009 0	DEVELOPING COVER PART /B	現像カバー部材 / B	D	1	h-V207 0600 03
9	26NA 3096 0	SPACER C	スペーサー C	C	1	i-V123 0306 03
10	26NA 3095 0	AGITATE COUPLING A	攪拌カップリング A	C	1	k-V151 0308 03
11	26NA 3073 0	AGITATE COUPLING	攪拌カップリング	B	1	m-V121 0306 03
12	26NA R707 00	DEVELOPING COVER PART C ASSY	現像カバー部材 / C 部組	D	1	
13	26NA 3070 0	DEVELOPING GEAR	現像ギア	C	1	
14	1136 2060 0	PIN A	ピン (A)	C	1	
15	26NA 3066 0	BALL BEARING	現像案内軸受	C	1	
16	26NA 3065 0	DEVELOPING SHAFT HOLDER REAR	現像軸受 奥	C	1	
17	26NA 3044 0	SPEWING PREVENTIVE SHEET 2	飛散防止シート 2	D	1	
18	50GA -300 1	DEVELOPING UNIT	現像器	B	1	
19	26NA 3084 0	DEVELOPING BLOCK	現像ブロック	D	1	
20	50GA 3018 0	IDLING GEAR 2 15T	アイドルギア 2 15 T	B	2	
21	26NA 2136 0	DRUM SUPPORT SHAFT HOLDER	ドラム支持軸受	C	1	
22	26NA 3036 0	DEVELOPING CONNECTING PLATE	現像連結板	D	1	
23	26NA 3063 0	DEVELOPING SHAFT HOLDER FRONT	現像軸受 前	C	1	
24	26NA 3021 1G	Magnet Adjusting Plate	マグネット調整板	D	1	
25	26NA 3086 0	SHAFT HOLDER FULCRUM PART	軸受支持部材	C	1	
26	50GA 3017 0	IDLING GEAR 1 15T	アイドルギア 1 15 T	B	1	
27	26NA 3093 0	DEVELOPING SUPPORT STOPPER	現像支持ストッパ	D	1	
28	26NA 3075 0	DEVELOPING ADJUSTING CAM FRONT	現像調整カム 前	D	1	
29	50GA -307 0E	DEVELOPING STAY CAULKING	現像ステーカシメ	D	1	
30	26NA 3101 0	POSITIONING SCREW	位置決めネジ	C	1	
31	50GA -304 0	DEVELOPING COVER ASSY	現像カバー部組	C	1	
32	56UA 9792 0	HIGE VOLTAGE CAUTION LABEL	高圧注意ラベル	C	1	

# TONER SUPPLY UNIT

FRONT



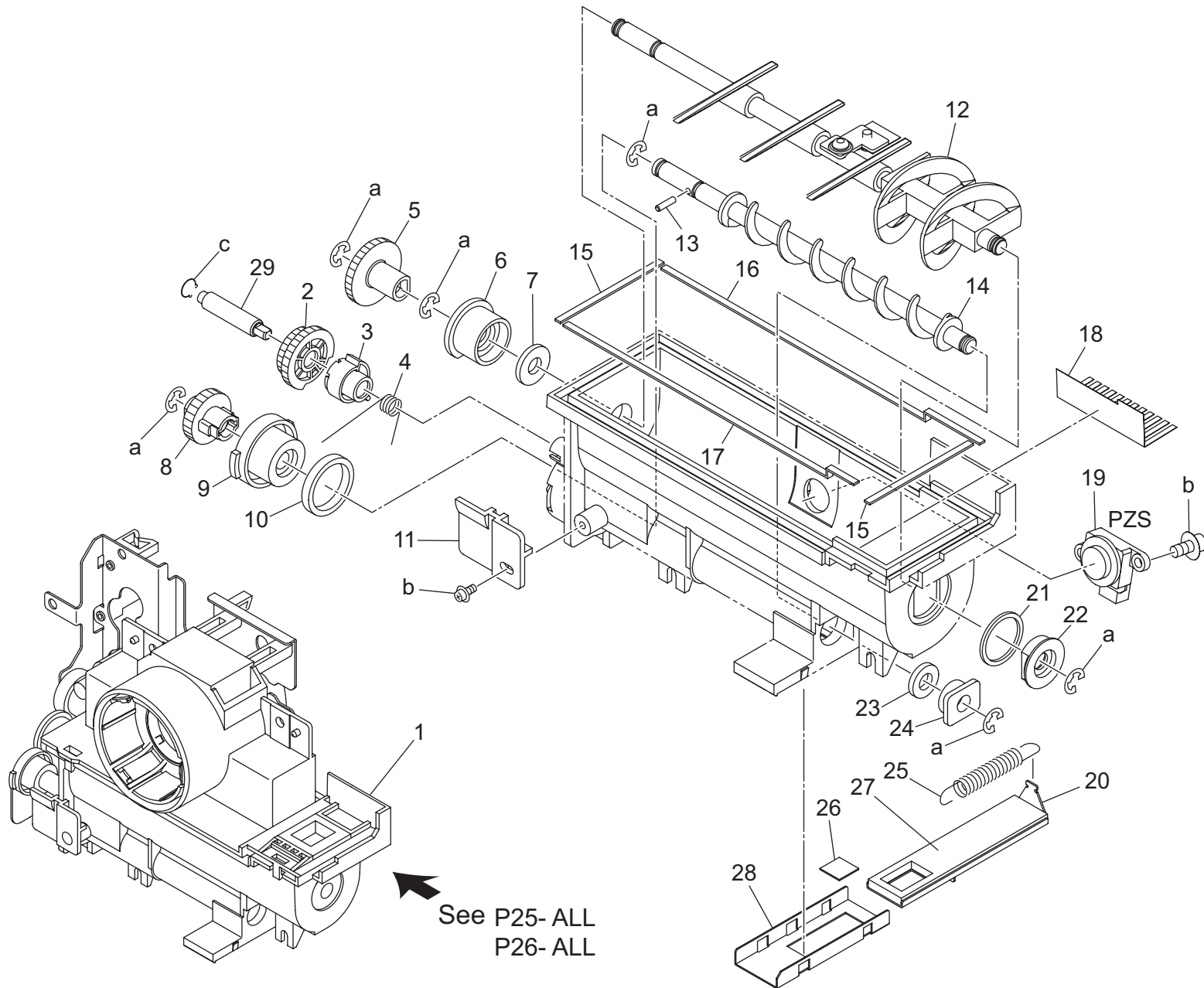
TONER SUPPLY UNIT

Key	Part No.	Description	Destinations	Class	QTY	Standard parts
1	50GA -322 1	TONER SUPPLY MAIN/UPPER ASSY		C	1	a-V217 0500 50 b-V121 0304 03 c-V122 0304 03 d-V151 0306 03 e-V217 0400 50 f-V217 0300 50
2	50GA 3271 0	LOCK ARM	トナー補給本体／上部組 ロックアーム	C	1	
3	50GA 3272 0	LOCK SPRING	ロックバネ	C	1	
4	26NA 3268 0	TONER CONVEYANCE GEAR /5 16/23T	トナー搬送歯車／5 16／23 T	C	1	
5	26NA 8006 1	TONER SUPPLY MOTOR	トナー補給モータ	B	2	
6	26NA 3266 0	TONER SUPPLY SHAFT HOLDER	トナー補給軸受	C	1	
7	26TA 3258 0	TONER SUPPLY REGULATING GEAR 18T	トナー補給規制歯車 18 T	C	1	
8	26TA 3264 0	TONER SUPPLY GEAR /2 16/51T	トナー補給歯車／2 16／51 T	C	1	
9	50GA -323 0	TONER CONVEYING DRIVE ASSY	トナー補給駆動部組	C	1	
10	26TA 3261 0	TONER SUPPLY GEAR /1 23/51T	トナー補給歯車／1 23／51 T	C	1	
11	26NA 8251 3	PAPER FEED SOLENOID	給紙ソレノイド	C	1	
12	26NA 3259 0	TONER SUPPLY REGULATING GEAR 42T	トナー補給駆動歯車 42 T	C	1	
13	26NA 3294 0	TONER SUPPLY SEAL 4	トナー補給シール 4	D	1	
14	26NA 3242 0	TONER SUPPLY SEAL /REAR	トナー補給シール／奥	C	1	
15	26NA 3295 0	TONER SUPPLY HOLDING SEAL /A	トナー補給ホルダーシール／A	C	1	
16	26NA 3231 1E	TONER SUPPLY HOLDING MAIN BODY	トナー補給ホルダ本体	C	1	

# TONER SUPPLY UNIT

P 26

FRONT



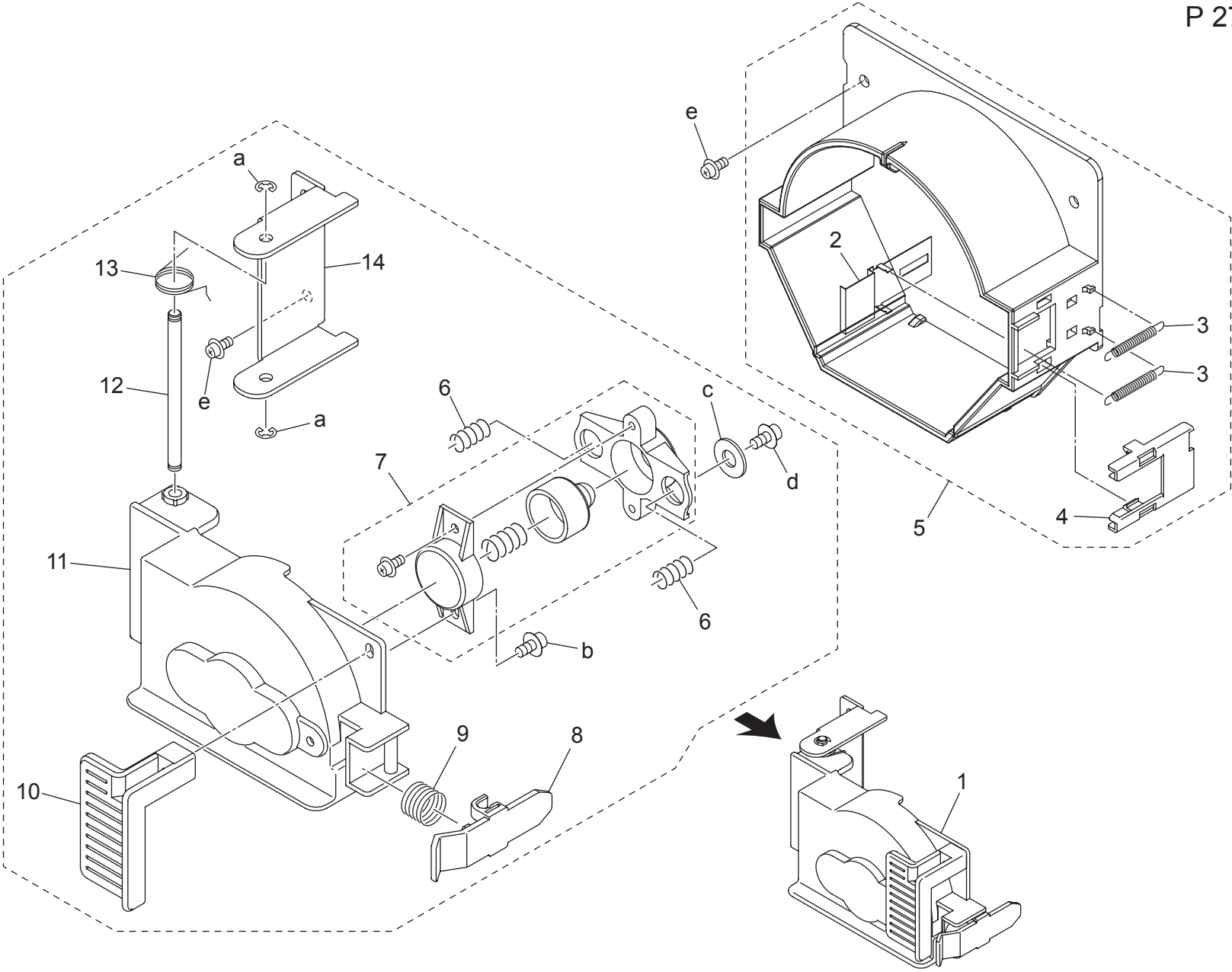
See P25- ALL  
P26- ALL



# TONER SUPPLY UNIT

Key	Part No.	Description	Destinations	Class	QTY	Standard parts
1	50GA -320 1	TONER SUPPLY UNIT		I	1	a-V217 0400 50 b-V151 0308 03 c-V221 0400 50
2	50GA 3252 0	TONER CONVEYANCE GEAR /3 20/25T	トナー搬送歯車 / 3 20 / 25 T	C	1	
3	50GA 3323 0E	TONER SUPPLY DRIVE CAM	トナー補給駆動カム	C	1	
4	50GA 3270 0	STOPPER SPRING	突き当てバネ	C	1	
5	50GA 3253 0	TONER CONVEYANCE GEAR 4 27T	トナー搬送歯車 4 27 T	C	1	
6	25HA 3215 2	TONER CONVEYANCE SHAFT HOLDER A	トナー搬送軸受 A	C	1	
7	26NA 3296 0	FELT C	フェルト C	C	1	
8	50GA 3251 0	TONER SUPPLY REGULATING GEAR 21T	トナー補給規制歯車 21 T	C	1	
9	26NA 3256 0	TONER CONVEYANCE BEARING /LEFT	トナー搬送軸受 / 左	C	1	
10	40LA 3227 0	SCREW SEAL PART MIDDLE	スクリーシール部材 中	D	1	
11	50GA 3322 0	SPRING REGULATING PART A	バネ規制部材 A	C	1	
12	40LA R706 00	AGITATE SCREW ASSY	攪拌スクリー部組	D	1	
13	26NA 3297 0	PIN	ピン	C	1	
14	26NA 3204 0	TONER SUPPLY SCREW	トナー補給スクリー	C	1	
15	26NA 3293 0	TONER SUPPLY SEAL 3	トナー補給シール 3	C	2	
16	26NA 3291 0	TONER SUPPLY SEAL 1	トナー補給シール 1	C	1	
17	26NA 3292 0	TONER SUPPLY SEAL 2	トナー補給シール 2	C	1	
18	26TA 3301 0	TONER AGITATE SHEET FRONT	トナー攪拌シート 前	C	1	
19	40AA 8803 1	LEVEL DETECTION SENSOR	残量検知センサ	C	1	
20	50GA 3208 0	TONER SUPPLY OPEN CLOSE PLATE	トナー補給開閉板	D	1	
21	26NA 3228 0	SCREW SEAL PART UPPER	スクリーシール部材 上	C	1	
22	26NA 3254 0	TONER AGITATE SHAFT HOLDER	トナー攪拌軸受	C	1	
23	26NA 3220 0	SCREW SEAL PART LOWER	スクリーシール部材 下	C	1	
24	26NA 3255 0	TONER AGITATE SHAFT HOLDER RIGHT	トナー搬送軸受 右	C	1	
25	26NA 3209 0	TONER SUPPLY OPEN CLOSE SPRING	トナー補給開閉バネ	B	1	
26	26NA 3290 0	SPEWING PREVENTIVE SPACER	飛散防止スペーサー	C	1	
27	26NA 3230 0	TONER SUPPLY OPEN CLOSE SHEET	トナー補給開閉シート	C	1	
28	26NA 3243 0	TONER SUPPLY OPEN CLOSE COVER	トナー補給開閉カバー	C	1	
29	26NA 3269 0	TONER AGITATING SHAFT /2	トナー攪拌軸 / 2	D	1	

TONER SUPPLY UNIT



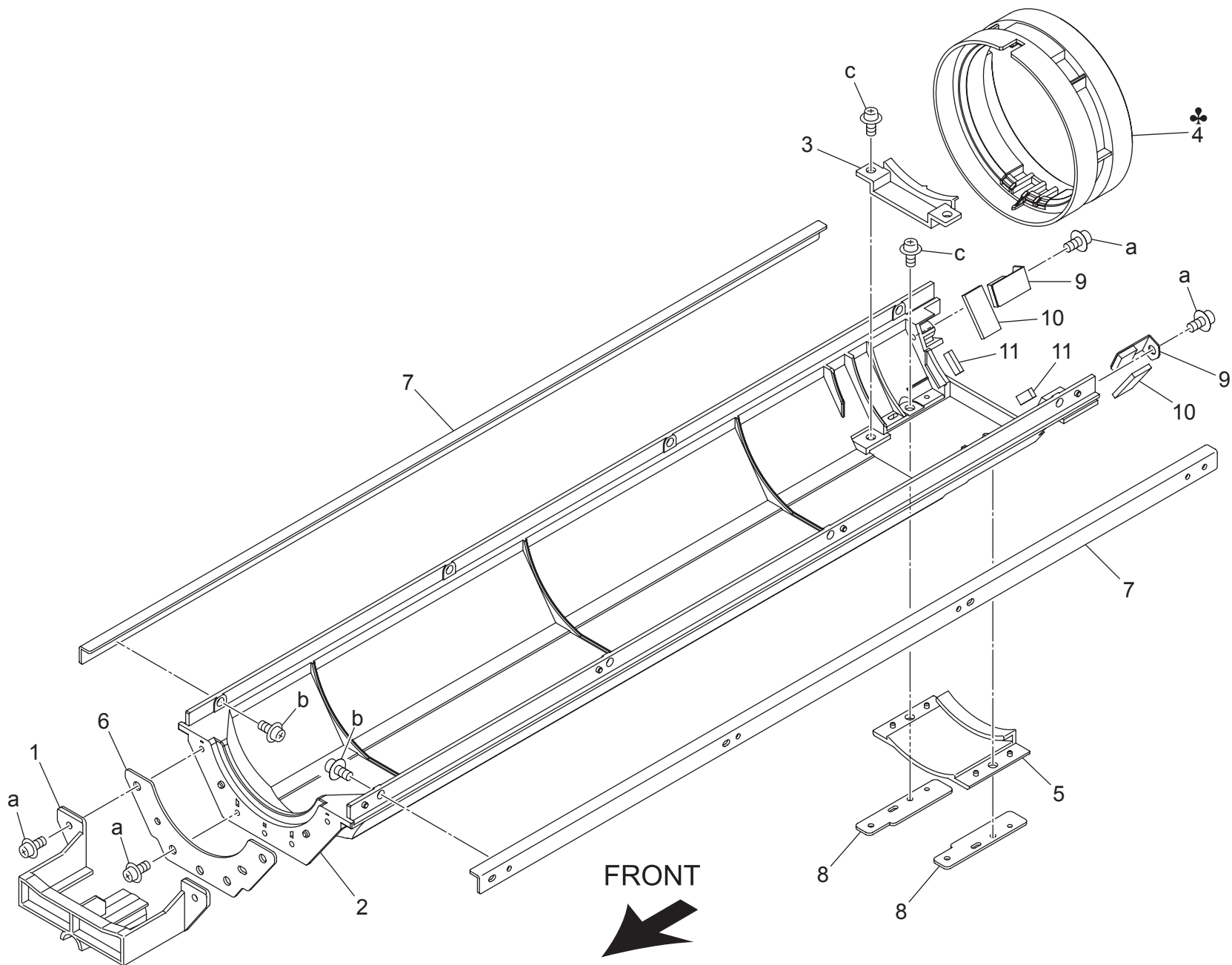
FRONT



# TONER SUPPLY UNIT

Key	Part No.	Description	Destinations	Class	QTY	Standard parts
1	50GA -332 1	TONER CARTRIDGE PRESSING ASSY	トナーカートリッジ押圧部組	C	1	a-V217 0300 50 b-V151 0308 03 c-00Z6 1042 1 d-V151 0410 03 e-V121 0306 03
2	26TA 3296 0	CARTRIDGE REGULATING PLATE	カートリッジ規制板	C	1	
3	26TA 3297 0	CARTRIDGE REGULATING SPRING	カートリッジ規制バネ	C	2	
4	26TA 3299 0	COVER PART	カバー部材	C	1	
5	50GA -334 1	TONER SUPPLY GUIDE PART ASSY	トナー補給ガイド部材部組	C	1	
6	26TA 3298 0	CARTRIDGE PRESSING SPRING 3	カートリッジ押圧バネ / 3	C	2	
7	50GA -333 0	PRESSING ASSY	押圧部組	C	1	
8	50GA 3285 1	CARTRIDGE PRESSING HANDLE	カートリッジ押圧把手	C	1	
9	26NA 3287 0	CARTRIDGE PRESSING SPRING 2	カートリッジ押圧バネ 2	C	1	
10	50GA 3312 0	CARTRIDGE PRESSING HANDLE B	カートリッジ押圧把手 B	C	1	
11	50GA 3282 2F	Cartridge Pressing Pedestal	カートリッジ押圧台	C	1	
12	50GA 3311 0	TONER SUPPLY SUPPORT SHAFT	トナー補給支点軸	D	1	
13	50GA 3326 0	TONER SUPPLY OPEN CLOSE SPRING	トナー補給開閉バネ A	C	1	
14	50GA 3310 0	TONER SUPPLY SUPPORT PLATE	トナー補給支点板	D	1	

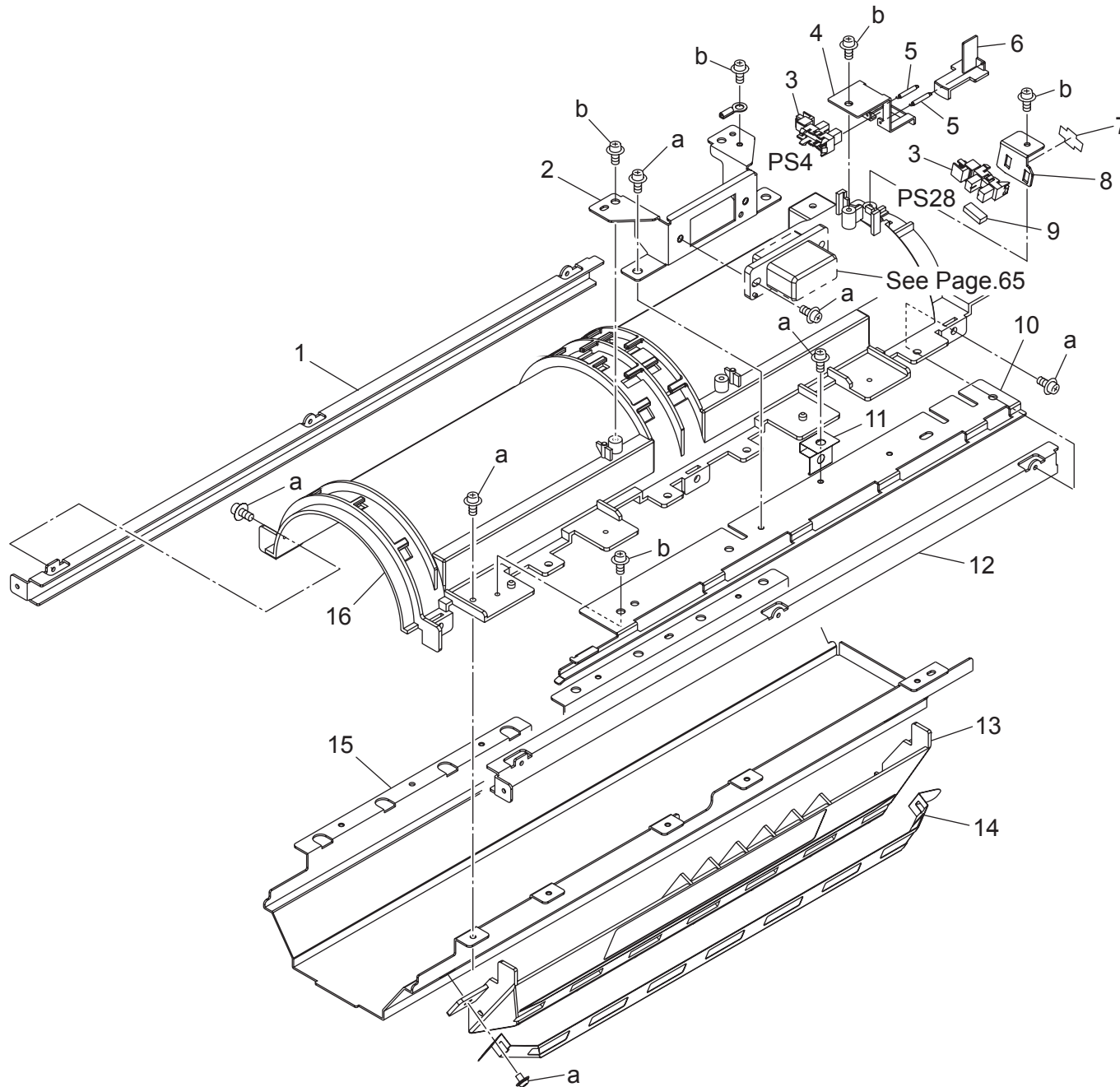
# TONER SUPPLY UNIT



# TONER SUPPLY UNIT

Key	Part No.	Description	Destinations	Class	QTY	Standard parts
1	50GA 3308 0E	TONER SUPPLY PULLING LEVER		C	1	a-V151 0308 03 b-V118 0304 03 c-V121 0306 03
2	50GA 3210 2I	Toner supply Guide Plate /Lower		C	1	
3	50GA 3318 2	TONER SUPPLY AUXILIARY COVER B		C	1	
4	50GA 3315 2F	Toner supply Index Part	A	C	1	
4	50GE 3315 2F	Toner supply Index Part	B,G2	C	1	
4	50GF 3315 2F	Toner supply Index Part	C,D1,D3,E,F1,F2,G1,H,I,J,K	C	1	
5	50GA 3306 0E	TONER SUPPLY AUXILIARY COVER		C	1	
6	50GA 3309 1E	LEVER MOUNTING PLATE		C	1	
7	50GA 3304 0	TONER SUPPLY GUIDE RAIL /MIDDLE		D	2	
8	50GA 3319 0	MOUNTING PLATE /A		D	2	
9	50GA -337 0	MOUNTING PART /A ASSY		C	2	
10	50GA 3321 0	REGULATING SEAL A		C	2	
11	50GA 3332 0	SCATTER PREVENTING SEAL B		C	2	

# TONER SUPPLY UNIT



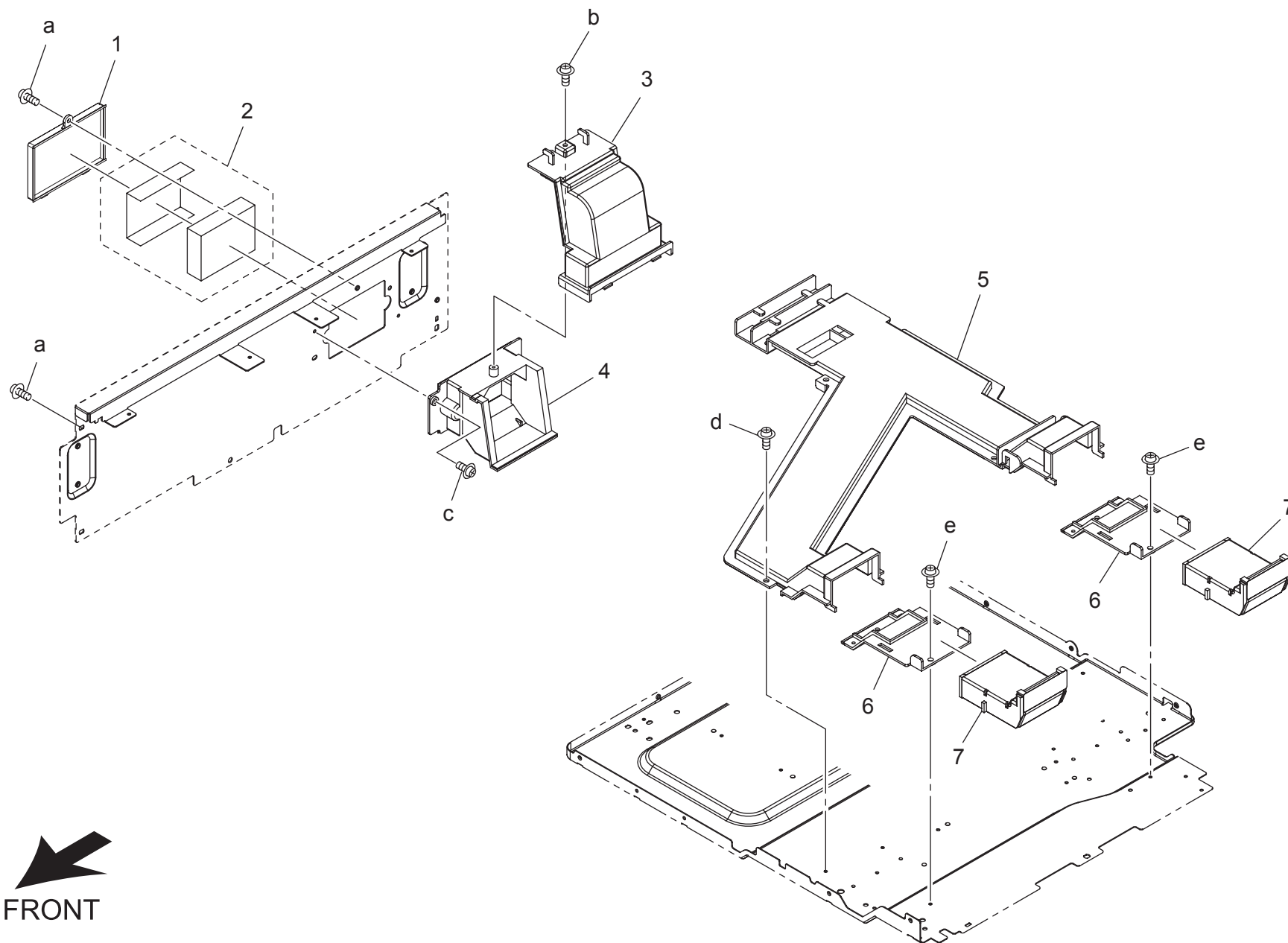
FRONT



# TONER SUPPLY UNIT

Key	Part No.	Description	Destinations	Class	QTY	Standard parts
1	50GA 3303 0	TONER SUPPLY GUIDE RAIL/LEFT	トナー補給ガイドレール/左	D	1	a-V121 0304 03 b-V151 0308 03
2	50GA 3324 0	CORD MOUNTING PLATE/1	コード取付板/1	D	1	
3	9335 1300 61	PHOTO INTERRUPTER	フォトインタラプタ	B	2	
4	50GA 3307 1	MOUNTING PLATE	センサ取付板	C	1	
5	50GA 3317 0E	SLIDE SPRING /A	スライドバネ/ A	C	2	
6	50GA 3223 0	DETECTION ACTUATOR	検知アクチュエタ	C	1	
7	4470 4024 01	STOPPER	ストッパ	D	1	
8	50GA 3316 1E	MOUNTING PLATE /B	センサ取り付け板/ B	C	1	
9	50GA 3333 0	SCATTER PREVENTING SEAL C	飛散防止シール/ C	C	1	
10	50GA 3314 0	RAIL/LEFT	レール/左	D	1	
11	50GA 3325 0	TONER SUPPLY EARTH PLATE 1	トナー補給アース板 1	C	1	
12	50GA 3302 0	TONER SUPPLY GUIDE RAIL/RIGHT	トナー補給ガイドレール/右	D	1	
13	50GA 3313 0	COOLING COVER E	冷却カバー E	C	1	
14	50GA -336 0	FILTER MOUNTING PLATE ASSY	フィルタ取り付け板部組	A	1	
15	50GA 3305 0E	TONER SUPPLY PROTECTION PART	トナー補給保護部材	D	1	
16	50GA 3211 1F	TONER SUPPLY GUIDE PLATE /UPPER	トナー補給ガイド板/上	C	1	

# DEVELOPING SUCTION UNIT

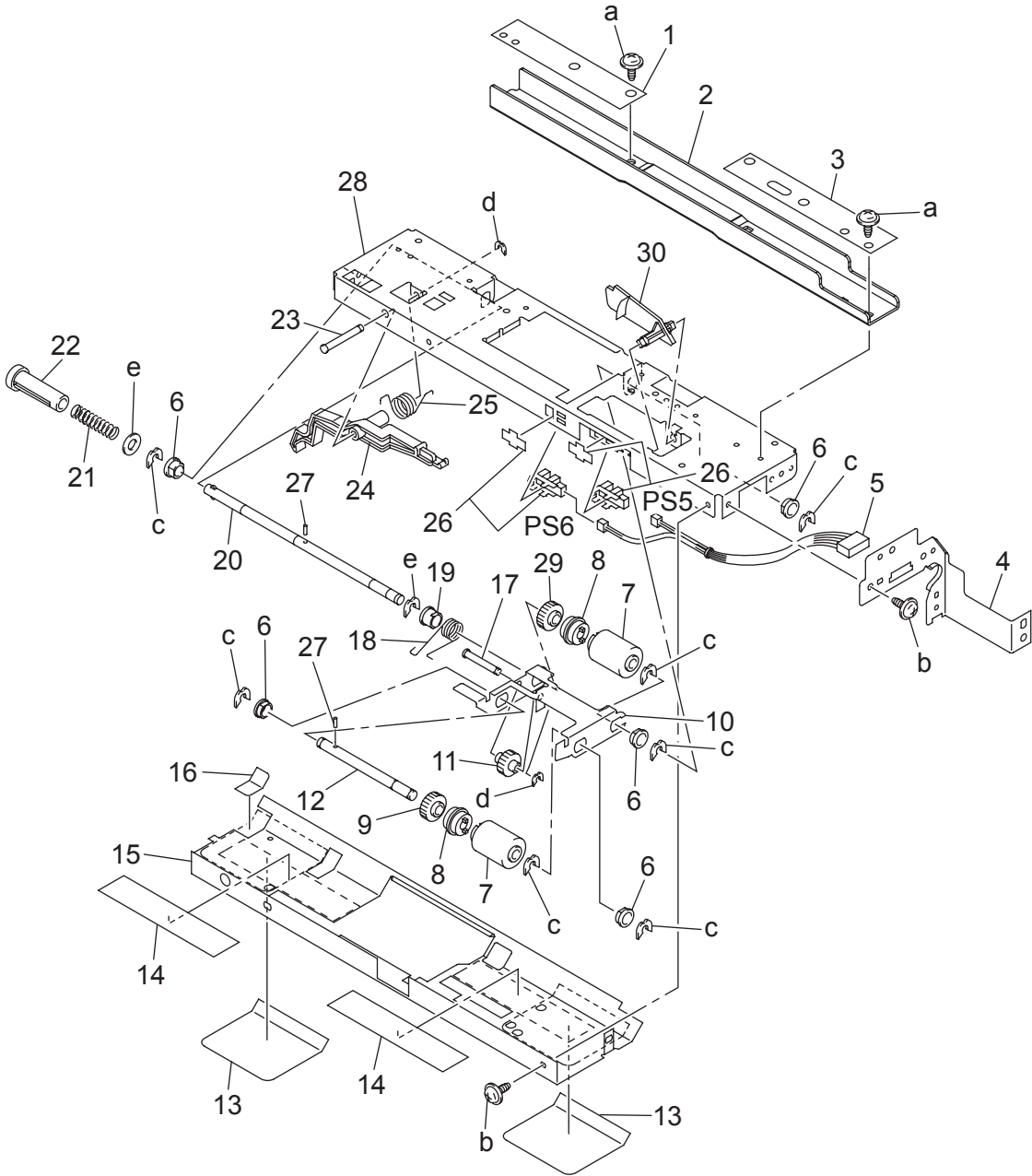




DEVELOPING SUCTION UNIT

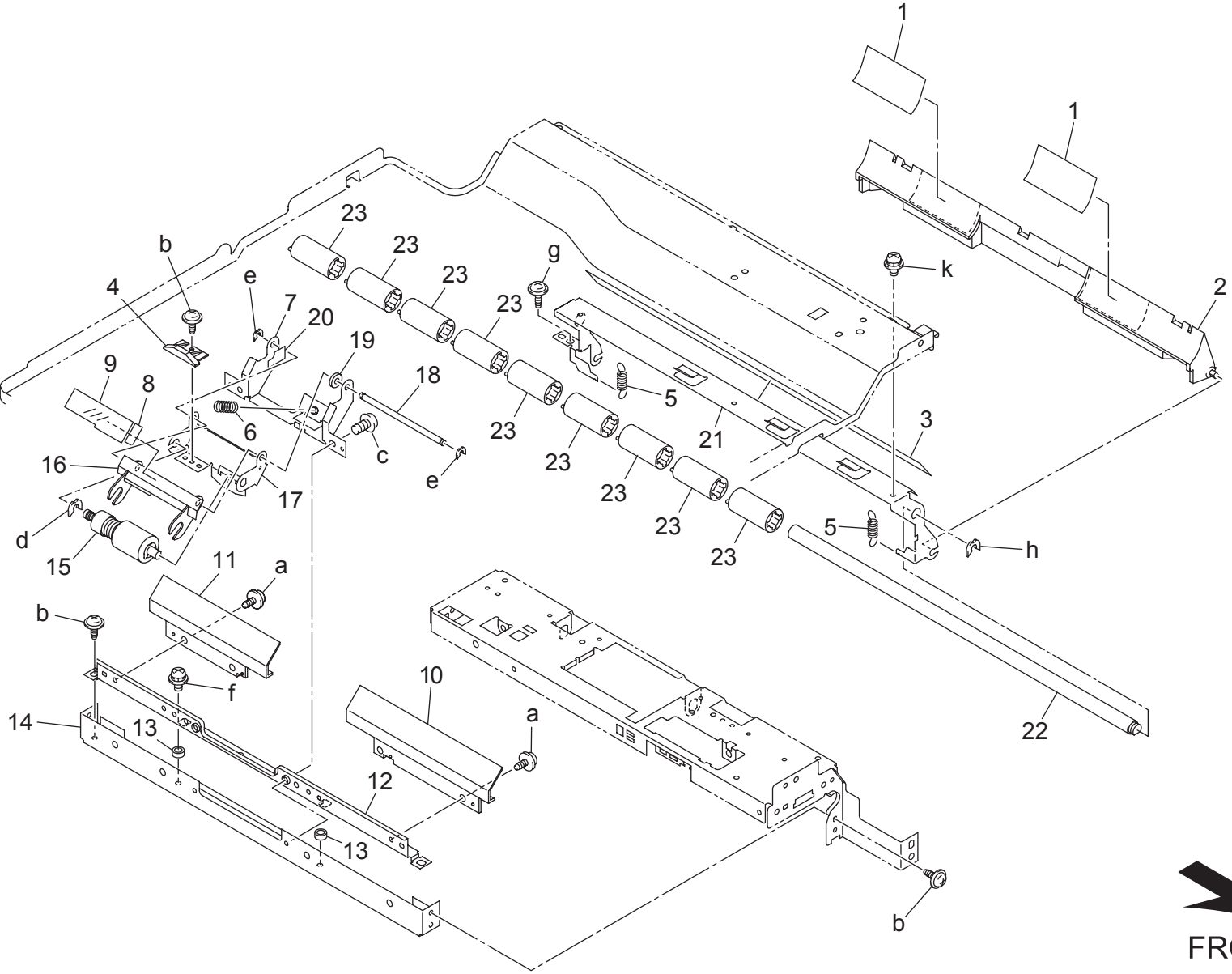
Key	Part No.	Description	Destinations	Class	QTY	Standard parts
1	A0R5 R701 00	Filter Cover ASSY		A	1	a-V121 0306 03 b-V151 0308 03 c-V137 0308 03 d-V144 0306 03 e-V144 0308 03
2	40LA R705 00	SUCTION FILTER A ASSY		A	1	
3	50GA -313 0	SUCTION COVER 6 ASSY		D	1	
4	50GA -315 0	FAN COVER ASSY		D	1	
5	50GA -316 0	SUCTION COVER /1 ASSY		D	1	
6	50GA -319 0	SUCTION COVER 8 ASSY		D	2	
7	50GA -311 0	SUCTION COVER 2 ASSY		A	2	

PAPER FEED UNIT



Key	Part No.	Description	Destinations	Class	QTY	Standard parts
1	4030 3087 01	REINFORCE PLATE		D	1	a-9735 0308 14 b-9735 0306 14 c-4425 3001 01 d-4425 3002 01 e-9715 0600 01
2	4030 3084 01	REINFORCE PLATE		D	1	
3	4030 3086 01	REINFORCE PLATE		D	1	
4	4030 3041 02	FRAME		D	1	
5	4030 6811 01	WIRE HARNESS ASSY		D	1	
6	4131 3003 01	BUSHING		C	5	
7	4030 3005 01	ROLLER		A	2	
8	4030 3034 01	CLUTCH		C	2	
9	4425 3016 01	GEAR 32T		C	1	
10	4030 3002 02	HOLDER		D	1	
11	4030 3008 01	GEAR 29T		C	1	
12	4030 3003 01	SHAFT		D	1	
13	4030 3036 01	GUIDE		C	2	
14	4030 3088 01	WEIGHT		C	2	
15	4030 3023 03	GUIDE PLATE		D	1	
16	4030 3085 01	COVER		C	1	
17	4040 3097 01	SHAFT		D	1	
18	4030 3030 01	TORSION SPRING		C	1	
19	1065 3086 01	BUSHING		C	1	
20	4030 3004 01	SHAFT		C	1	
21	A00J 5894 00	PRESSURE SPRING		C	1	
22	1052 4412 01	JOINT		C	1	
23	4040 3096 01	SHAFT		D	1	
24	4030 3011 03	LEVER		C	1	
25	4030 3012 01	TORSION SPRING		C	1	
26	4037 0906 01	PHOTO INTERRUPTER		B	2	
27	1067 2501 01	PIN		C	2	
28	4030 3001 03	FRAME		D	1	
29	4425 3013 01	GEAR 30T		C	1	
30	4030 3016 12	ACTUATOR		C	1	

PAPER FEED UNIT

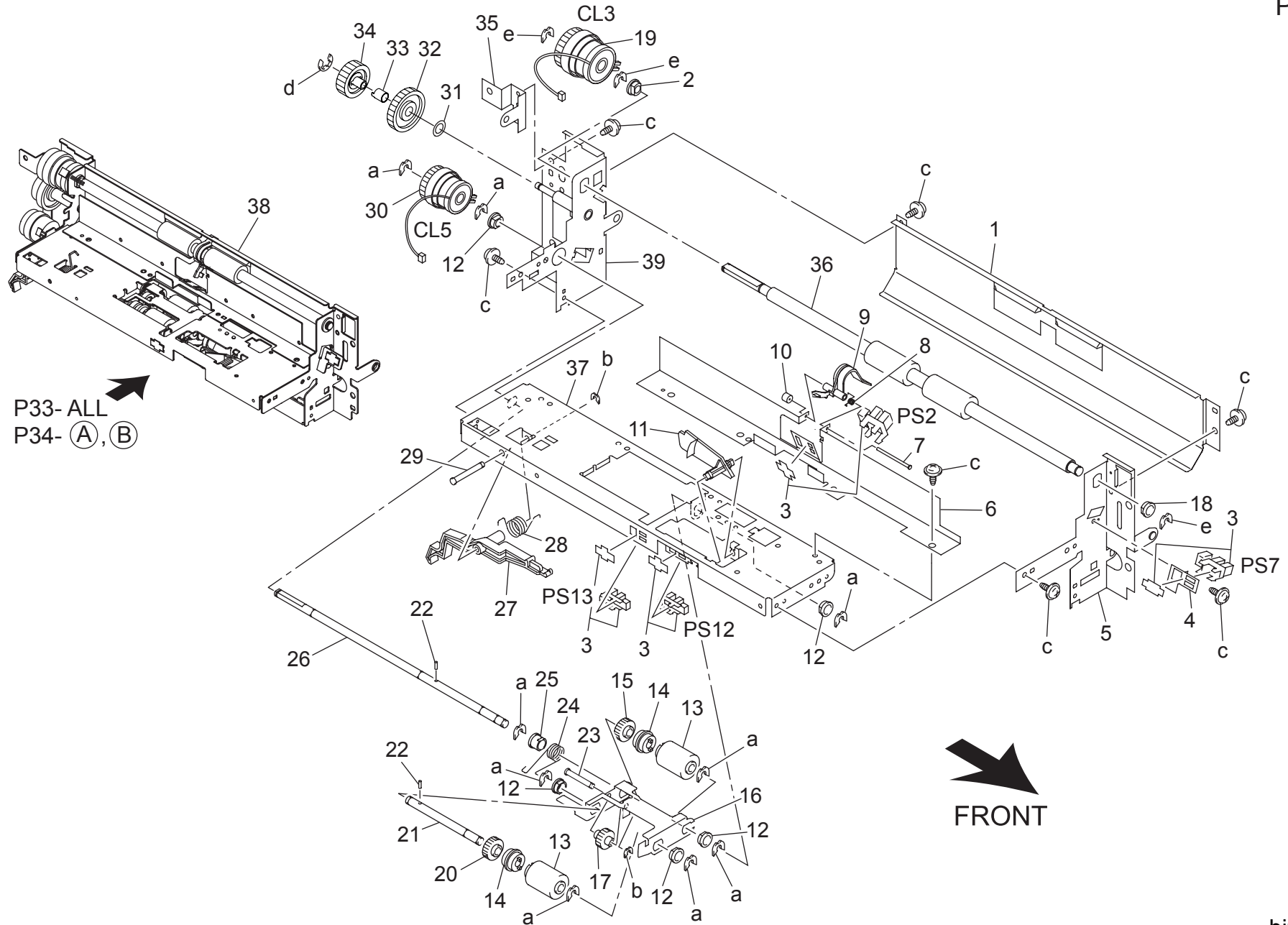


Key	Part No.	Description	Destinations	Class	QTY	Standard parts
1	4030 3108 01	GUIDE		C	2	a-9735 0308 14
2	4030 3032 03	GUIDE		C	1	b-9735 0306 14
3	50GA 4001 0	ROLLER GUIDE SHEET		C	1	c-9743 0308 14
4	4030 3078 01	LEVER		C	1	d-4425 3001 01
5	4030 3125 01	TENSION SPRING		C	2	e-4425 3002 01
6	4030 3017 03	PRESSURE SPRING		C	1	f-9646 0308 14
7	4030 3014 01	BRACKET		D	1	g-9739 0308 14
8	4030 3080 01	GUIDE		C	1	h-1066 1151 01
9	4030 3079 01	GUIDE		C	1	k-9646 0306 14
10	4030 3026 02	GUIDE		D	1	
11	4030 3027 02	GUIDE		D	1	
12	4030 3037 01	REINFORCE PLATE		D	1	
13	26NA 2030 0	SEPARATE ROCKING COLLAR		C	2	
14	4030 3025 02	BRACKET		D	1	
15	4030 0151 01	SEPARATION ROLLER ASSY		A	1	
16	4030 3077 01	GUIDE		D	1	
17	4030 3013 01	HOLDER		D	1	
18	4030 3039 01	SHAFT		D	1	
19	4040 5610 00	Spacer		D	1	
20	4040 5612 00	Spacer		D	1	
21	50GA 4003 0	ROLLER MOUNTING PLATE UPPER		D	1	
22	50GA 4002 0	PAPER FEED ROLLER SHAFT		C	1	
23	4658 3513 01	ROLLER		C	9	



# PAPER FEED UNIT

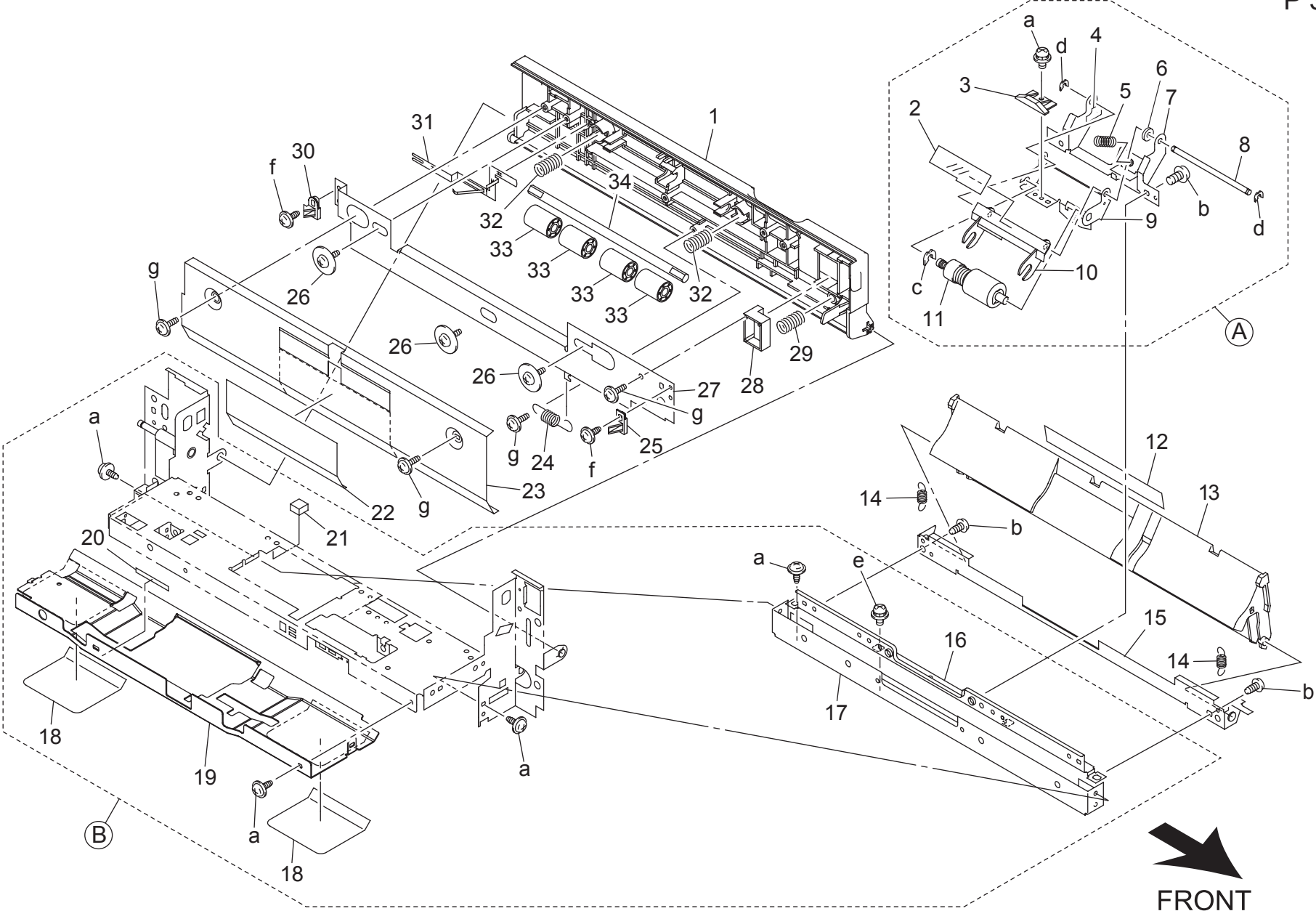
P 33



P33- ALL  
P34- (A), (B)

Key	Part No.	Description	Destinations	Class	QTY	Standard parts
1	4030 3112 02	GUIDE PLATE	ガイド板	D	1	a-4425 3001 01 b-4425 3002 01 c-9735 0306 14 d-9721 0400 01 e-1066 1151 01
2	4131 3532 02	BUSHING	軸受	C	1	
3	4037 0906 01	PHOTO INTERRUPTER	フォトインタラプター	B	4	
4	4030 3128 01	BRACKET	取付板	D	1	
5	4030 3042 02	FRAME	フレーム	D	1	
6	4030 3018 01	BRACKET	取付板	C	1	
7	1200 5212 04	PIN	ピン	D	1	
8	4030 3031 01	TORSION SPRING	ねじりコイルばね	C	1	
9	4030 3019 02	ACTUATOR	アクチュエータ	C	1	
10	1134 3041 01	COLLAR	カラー	D	1	
11	4030 3016 12	ACTUATOR	アクチュエータ	C	1	
12	4131 3003 01	BUSHING	軸受	C	5	
13	4030 3005 01	ROLLER	ローラ	A	2	
14	4030 3034 01	CLUTCH	クラッチ	C	2	
15	4425 3013 01	GEAR 30T	ギヤ 30 T	C	1	
16	4030 3002 02	HOLDER	ホルダ	D	1	
17	4030 3008 01	GEAR 29T	ギヤ 29 T	C	1	
18	50GA 4005 0	PAPER FEED SHAFT HOLDER	給紙軸受	C	1	
19	50GA 8202 0	CONVEYANCE CLUTCH	搬送 クラッチ	C	1	
20	4425 3016 01	GEAR 32T	ギヤ 32 T	C	1	
21	4030 3003 01	SHAFT	シャフト	D	1	
22	1067 2501 01	PIN	ピン	C	2	
23	4040 3097 01	SHAFT	シャフト	D	1	
24	4030 3030 01	TORSION SPRING	ねじりコイルばね	C	1	
25	1065 3086 01	BUSHING	シクウケ	C	1	
26	4030 3022 01	SHAFT	シャフト	D	1	
27	4030 3011 03	LEVER	レバー	C	1	
28	4030 3012 01	TORSION SPRING	ねじりコイルばね	C	1	
29	4040 3096 01	SHAFT	シャフト	D	1	
30	9322 1500 12	CLUTCH	クラッチ	C	1	
31	4030 3092 01	WASHER	ワッシャ	D	1	
32	4030 3064 01	GEAR 33T	ギヤ 33 T	C	1	
33	4030 3069 01	SLEEVE	スリーブ	D	1	
34	4030 3068 01	GEAR 26T	ギヤ 26 T	C	1	
35	4030 3063 01	BRACKET	取付板	D	1	
36	4030 3021 01	ROLLER	ローラ	C	1	
37	4030 3010 02	FRAME	フレーム	C	1	
38	50GA -400 0	LOWER PAPER ASSY	給紙 2 部組	S	1	
39	50GA -402 0	FRAME ASSY	フレーム A S S Y	D	1	

PAPER FEED UNIT

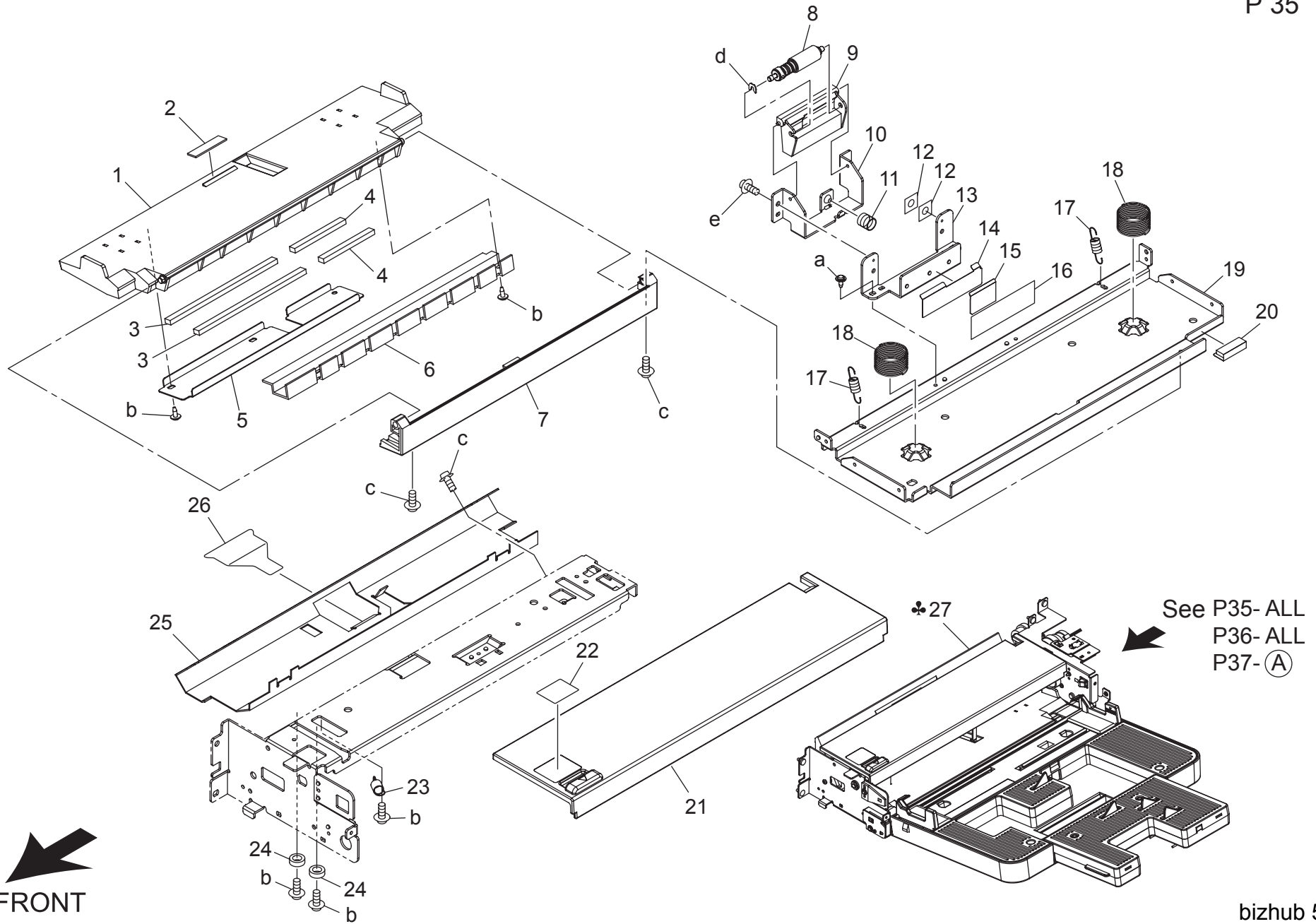




Key	Part No.	Description	Destinations	Class	QTY	Standard parts
1	A0R5 5611 00	Door		C	1	a-9735 0306 14 b-9743 0308 14 c-4425 3001 01 d-4425 3002 01 e-9646 0308 14 f-9735 0308 14 g-9739 0308 14
2	4030 3079 01	GUIDE		C	1	
3	4030 3078 01	LEVER		C	1	
4	4040 5612 00	Spacer		D	1	
5	4030 3017 03	PRESSURE SPRING		C	1	
6	4040 5610 00	Spacer		D	1	
7	4030 3014 01	BRACKET		D	1	
8	4030 3039 01	SHAFT		D	1	
9	4030 3013 01	HOLDER		D	1	
10	4030 3077 01	GUIDE		D	1	
11	4030 0151 01	SEPARATION ROLLER ASSY		A	1	
12	4030 3105 01	GUIDE		C	1	
13	4030 3124 03	GUIDE		D	1	
14	4030 3125 01	TENSION SPRING		C	2	
15	4030 3129 03	BRACKET		D	1	
16	4030 3037 01	REINFORCE PLATE		D	1	
17	4030 3025 02	BRACKET		D	1	
18	4030 3036 01	GUIDE		C	2	
19	4030 3095 01	GUIDE PLATE		C	1	
20	50GA 4007 00	FILM		C	1	
21	50GA 4006 00	CUSHION		C	1	
22	4030 3107 01	GUIDE		C	1	
23	4030 3114 02	GUIDE PLATE		D	1	
24	4030 3116 01	TENSION SPRING		C	1	
25	4030 3135 01	LEVER		C	1	
26	4163 5293 01	SCREW		C	3	
27	4030 3117 02	BRACKET		D	1	
28	A0R5 5630 00	Handle		C	1	
29	1149 3454 01	PRESSURE SPRING		C	1	
30	4030 3115 01	LEVER		C	1	
31	4030 3134 03	EARTH GROUND		C	1	
32	4030 3123 01	PRESSURE SPRING		C	2	
33	4030 3122 01	ROLL		C	4	
34	4030 3121 01	SHAFT		D	1	

# MANUAL FEED UNIT

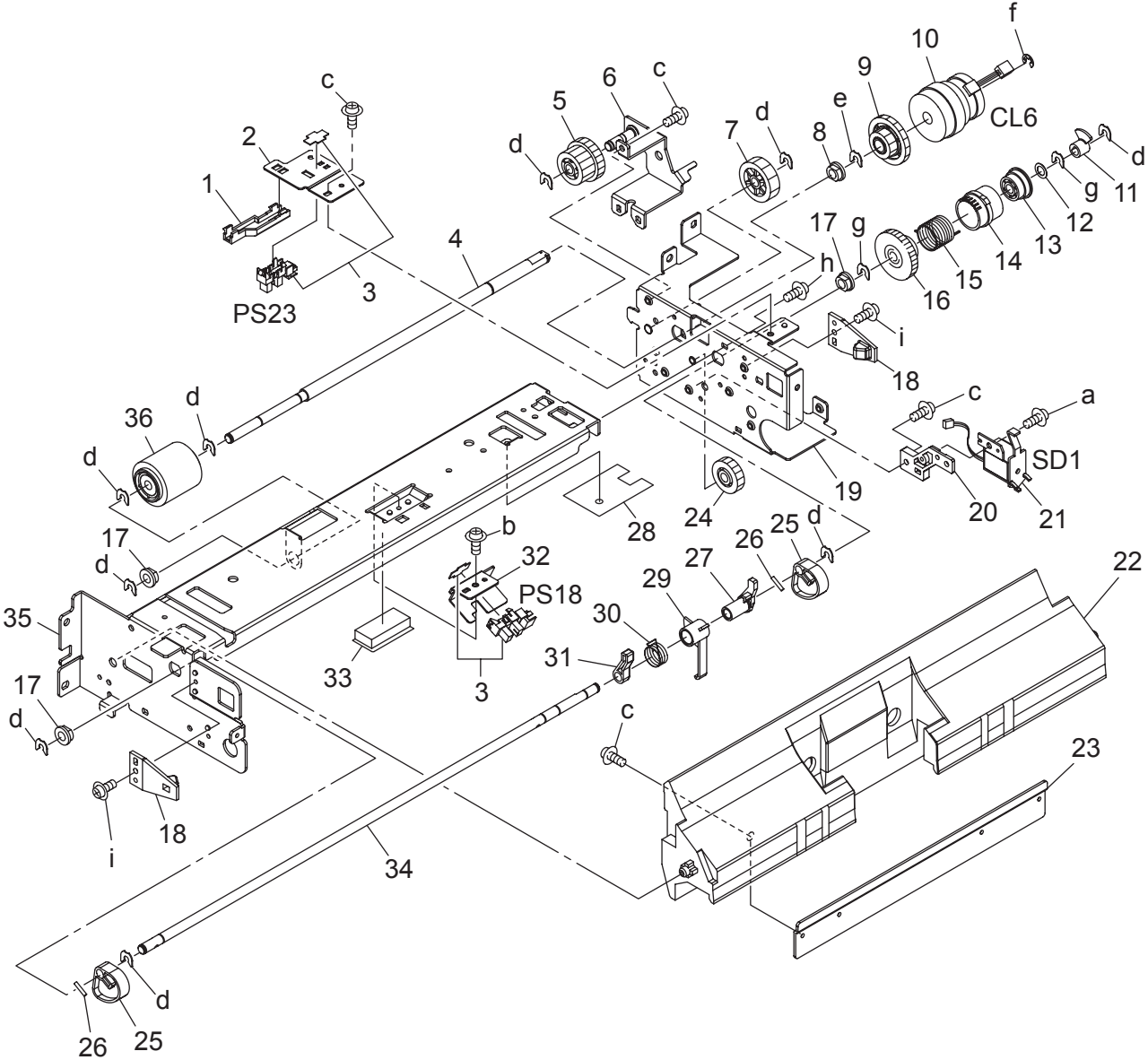
P 35



Key	Part No.	Description	Destinations	Class	QTY	Standard parts
1	A0R5 6009 00	Lifting Plate		D	1	a-V144 0308 03 b-V153 0308 03 c-V137 0308 03 d-V218 0300 86 e-V116 0306 03
2	4687 3281 01	FRICTION SHEET		C	1	
3	4030 3477 01	SEAL		C	2	
4	4030 3476 01	SEAL		C	2	
5	4030 3456 01	REINFORCE PLATE		D	1	
6	4030 3484 01	WEIGHT		D	1	
7	A0R5 6025 00	Holder		D	1	
8	4034 0151 01	SEPARATION ROLLER		A	1	
9	4131 3053 02	HOLDER		D	1	
10	4030 3404 01	BRACKET		D	1	
11	4030 3475 01	PRESSURE SPRING		C	1	
12	4030 3492 01	SPACER		C	2	
13	4030 3474 01	BRACKET		D	1	
14	4030 3402 01	GUIDE PLATE		C	1	
15	A0R5 6003 00	Guide Sheet		C	1	
16	4030 3489 01	SEAL		C	1	
17	4030 3428 01	TENSION SPRING		C	2	
18	4030 3457 03	PRESSURE SPRING		C	2	
19	4030 3424 01	BRACKET		D	1	
20	4030 3448 01	CUSHION		C	1	
21	A0R5 6042 00	Cover /Upper		D	1	
22	A0R5 9421 01	Label		C	1	
23	4030 3438 01	TENSION SPRING		C	1	
24	4030 3481 01	COLLAR		C	2	
25	4040 3496 01	GUIDE		D	1	
26	4040 3495 01	GUIDE		C	1	
27	A0R5 R706 00	Multi Bypass UNIT	A	C	1	
27	A0R5 R708 00	Multi Bypass UNIT	B,G2	C	1	
27	A0R5 R709 00	Multi Bypass UNIT	C,D1,D3,E,F1,F2,G1,H,I ,J,K	C	1	



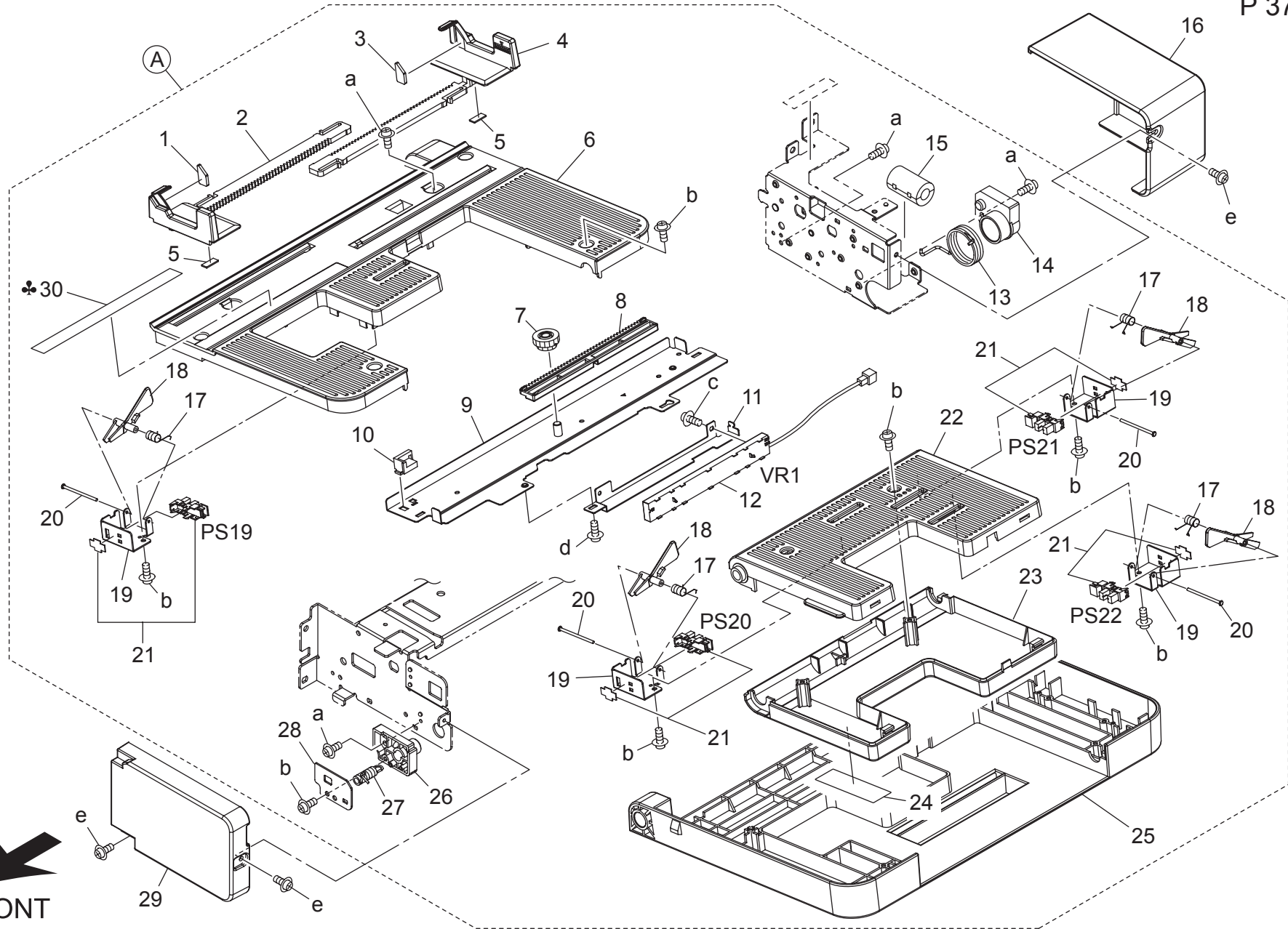
MANUAL FEED UNIT



Key	Part No.	Description	Destinations	Class	QTY	Standard parts
1	4030 3429 02	MEMBER		D	1	a-V153 0308 03
2	4030 3479 01	BRACKET	押え材 取付板	D	1	b-V137 0306 03
3	4037 0906 01	PHOTO INTERRUPTER	フォトインタラプター	B	2	c-V137 0308 03
4	4030 3434 01	SHAFT	シャフト	D	1	d-V218 0400 86
5	4030 3441 01	GEAR 20/25T	ギヤ 20/25 T	C	1	e-V217 0600 01
6	4030 R708 00	BRACKET ASSY	取付板 ASSY	D	1	f-V218 0600 86
7	1075 2565 01	GEAR 25T	ギヤ 25 T	C	1	g-V217 0400 01
8	4658 3517 01	BUSHING	軸受	C	1	h-V136 0308 03
9	4030 3467 01	GEAR 16/30T	ギヤ 16/30 T	C	1	i-V144 0308 03
10	9J06 M201 00	CLUTCH	クラッチ	C	1	
11	4030 3478 02	SHIELD PLATE	遮光板	D	1	
12	4131 4128 01	WASHER	ワッシャ	C	1	
13	4131 3007 02	DRUM	ドラム	D	1	
14	4030 3420 02	RATCHET	ラチェット	C	1	
15	4030 3419 01	TORSION SPRING	ねじりコイルばね	B	1	
16	4131 3004 02	GEAR 30T	ギヤ 30 T	C	1	
17	4030 3093 01	BUSHING	軸受	C	3	
18	4030 3430 01	LEVER	レバー	C	2	
19	4030 R707 00	BRACKET ASSY	取付板 ASSY	C	1	
20	4030 3422 01	HOLDER	ホルダ	D	1	
21	9J06 M200 00	SOLENOID	フラッパースレノイド	C	1	
22	4030 3401 13	HOLDER	ホルダ	D	1	
23	4030 3427 01	REINFORCE PLATE	補強板	D	1	
24	1300 3322 17	GEAR 20T	ギヤ 20 T	C	1	
25	4030 3417 01	CAM	カム	C	2	
26	1067 2502 01	PIN	ピン	D	2	
27	4030 3464 01	HOLDER	ホルダ	D	1	
28	4030 3447 01	GUIDE	ガイド	C	1	
29	4030 3444 01	ACTUATOR	アクチュエータ	C	1	
30	4030 3445 01	TORSION SPRING	ねじりコイルばね	C	1	
31	4030 3465 01	HOLDER	ホルダ	D	1	
32	4040 3443 01	BRACKET	取付板	D	1	
33	4040 3497 01	CUSHION	防振材	C	1	
34	4030 3416 02	SHAFT	シャフト	D	1	
35	4030 3432 07	BRACKET	取付板	C	1	
36	4131 3001 01	ROLLER	ローラ	A	1	

# MANUAL FEED UNIT

P 37

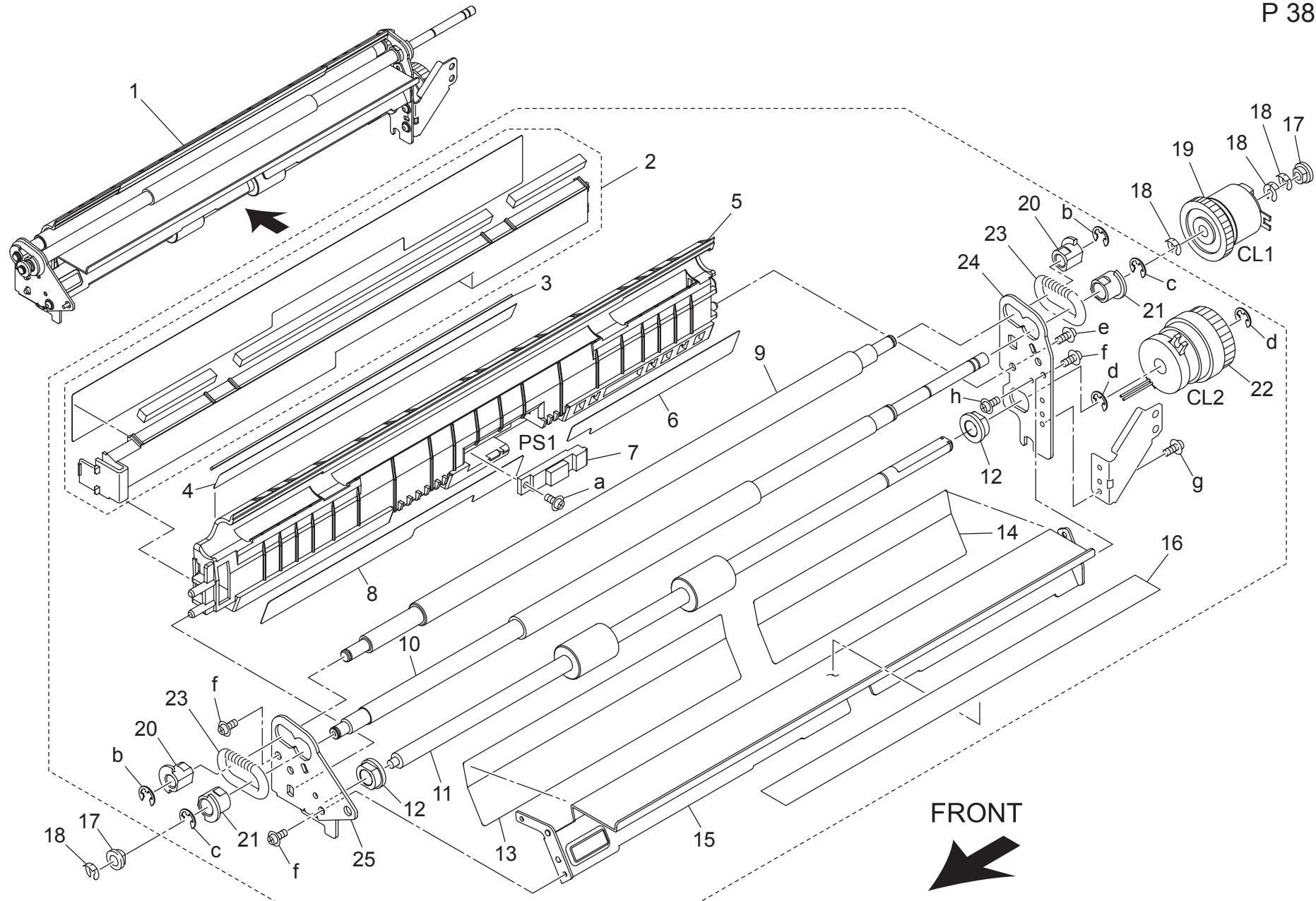


bizhub 501

Key	Part No.	Description	Destinations	Class	QTY	Standard parts
1	4030 3486 01	BRAKE		C	1	a-V137 0308 03 b-V153 0308 03 c-V116 0306 03 d-V137 0306 03 e-V137 0308 04
2	A0R5 6010 00	Regulating Plate		C	1	
3	4030 3487 01	BRAKE		C	1	
4	A0R5 6011 00	Regulating Plate		C	1	
5	4131 4623 04	CLEANING PAD		C	2	
6	A0R5 6066 00	Cover		C	1	
7	4030 3412 01	GEAR 13/18T		C	1	
8	4030 3460 02	RACK		C	1	
9	4030 0216 05	BRACKET ASSY		D	1	
10	4030 3463 01	STOPPER		D	1	
11	4030 3455 02	BRACKET		D	1	
12	4037 6899 01	RESISTOR		D	1	
13	4030 3436 01	TORSION SPRING		C	1	
14	4030 3472 01	HOLDER		D	1	
15	9326 1910 31	FERRITE CORE		D	1	
16	A0R5 6026 00	Cover		C	1	
17	4030 3446 01	TORSION SPRING		C	4	
18	4030 3415 02	ACTUATOR		C	4	
19	4030 3414 01	BRACKET		D	4	
20	1134 3042 02	SHAFT		D	4	
21	4037 0906 01	PHOTO INTERRUPTER		B	4	
22	A0R5 6023 00	Tray		C	1	
23	A0R5 6059 00	Cover		C	1	
24	A0R5 9430 00	Label		C	1	
25	A0R5 6008 00	Tray		C	1	
26	4030 3473 02	HOLDER		D	1	
27	4030 3435 01	TORSION SPRING		C	1	
28	4030 3437 01	BRACKET		D	1	
29	A0R5 6108 01	Cover /Front		C	1	
30	4030 7306 02	SCALE METRIC		C	1	
30	4030 7308 02	SCALE INCH	A	C	1	
30	4030 7307 02	SCALE METRIC	B,G2 C,D1,D3,E,F1,F2,G1,H,I J,K	D	1	

# REGISTRATION UNIT

P 38



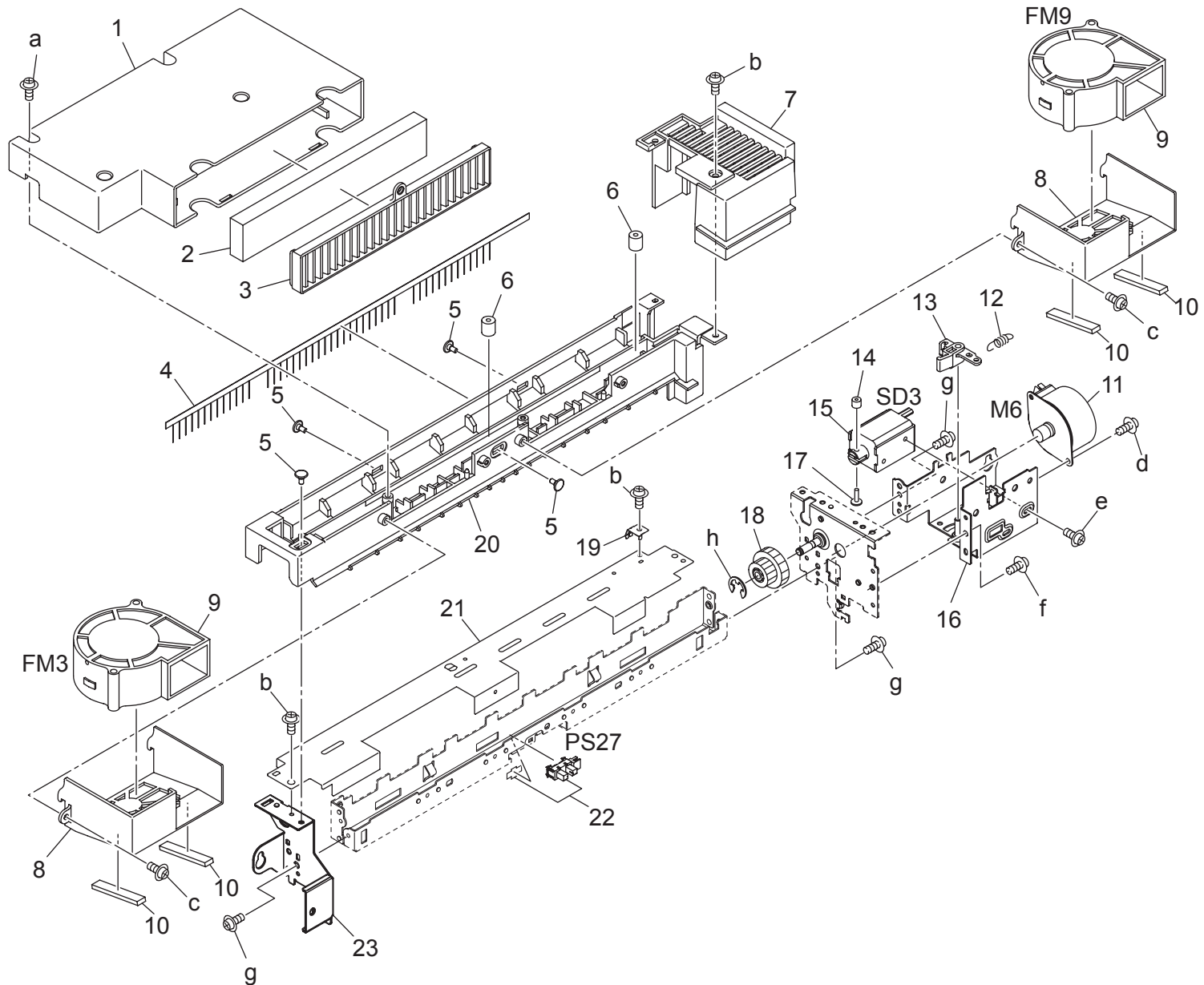


# REGISTRATION UNIT

Key	Part No.	Description	Destinations	Class	QTY	Standard parts
1	50GA -380 1	REGISTRATION ASSY	レジスト部組	C	1	a-V145 0308 03
2	50GA -382 0	REGISTRATION CLEANER ASSY	レジストクリーナー部組	C	1	b-V217 0400 50
3	50GA 3875 0D	Regist Dust-proof Part	レジスト防塵部材	C	1	c-V217 0500 50
4	50GA 3870 0E	Transfer Guide Sheet	転写ガイドシート	C	1	d-V217 0600 50
5	50GA 3854 1F	Regist Main body	レジスト 本体	D	1	e-V151 0308 03
6	50GA 3858 1F	Paper feed Regulating Sheet	給紙規制シート	C	1	f-V144 0306 03
7	13QA 8552 1	SENSOR 2	センサ 2	B	1	g-V123 0306 03
8	50GA 3869 1F	Paper feed Regulating Sheet /Middle	給紙規制シート/中	C	1	h-V121 0314 03
9	50GA 3849 0	REGISTRATION ROLLER B	レジスト ローラ B	C	1	
10	50GA 3848 0	REGISTRATION ROLLER A	レジストローラ A	B	1	
11	50GA 3865 0E	PAPER FEED CONNECTING ROLLER	給紙連結ローラ	B	1	
12	26NA 4082 0	PAPER FEED SLIDE BUSHING	給紙滑り軸受	B	2	
13	50GA 3879 0	REGIST GUIDE SHEET FRONT	レジストガイドシート 前	C	1	
14	50GA 3861 0	REJIST GUIDE SHEET REAR	レジストガイドシート 奥	C	1	
15	50GA 3868 0E	Regist Guide Plate	レジストガイド板	D	1	
16	50GA 9749 0E	Drum Caution Label	ドラム注意ラベル	D	1	
17	13QA 7602 1	SHAFT HOLDER 2	軸受 2	C	2	
18	12QV 4066 0	SHAFT POSITIONING PART	軸位置決め部材	C	4	
19	57AA 8203 0	CONVEYANCE DRIVE CLUTCH	搬送駆動クラッチ	C	1	
20	26NA 4537 1	REGISTRATION UNIT SHAFT HOLDER /2	レジスト軸受/2	B	2	
21	26NA 4536 0	REGISTRATION UNIT SHAFT HOLDER /1	レジスト軸受/1	B	2	
22	50GA 8202 0	CONVEYANCE CLUTCH	搬送 クラッチ	C	1	
23	26NA 4514 1	REGISTRATION UNIT SPRING	レジストバネ	B	2	
24	50GA 3867 0E	REGIST SUPPORT PANEL /REAR	レジスト支持パネル/奥	D	1	
25	50GA 3813 0	REGIST SUPPORT PANEL FRONT	レジスト支持パネル/前	D	1	

# TURNOVER UNIT

P 39



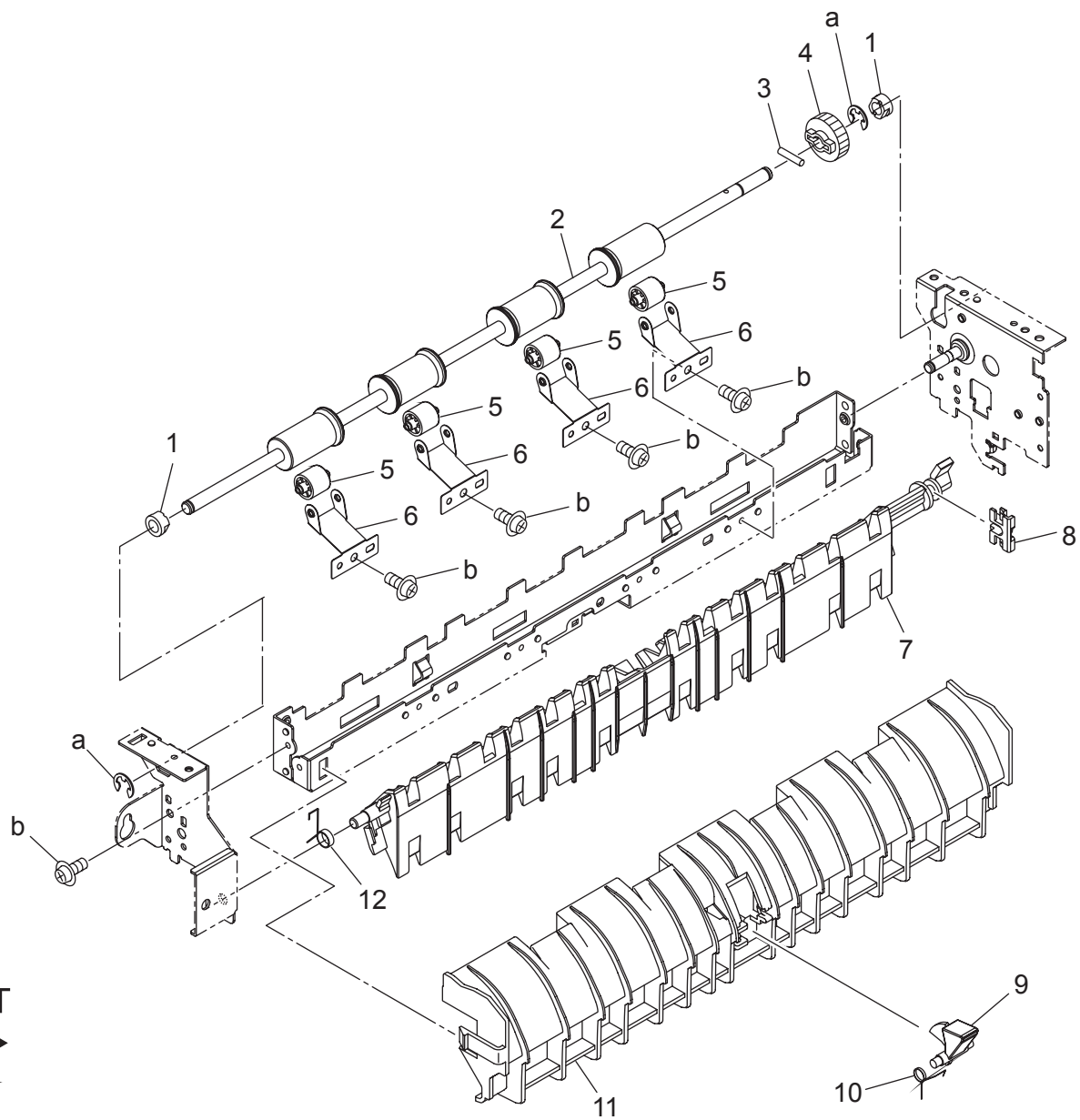
FRONT



Key	Part No.	Description	Destinations	Class	QTY	Standard parts
1	A0R5 8704 00	Cover	カバー	C	1	a-V153 0310 03 b-V136 0308 03 c-V153 0306 03 d-V135 0308 03 e-V116 0306 03 f-V137 0306 03 g-V121 0306 03 h-V218 0400 86
2	50GA 4406 0	PAPER EXIT SUCTION FILTER	排紙サクシヨンフィルタ	A	1	
3	A0R5 8705 00	Cover /Right	カバー／右	C	1	
4	4040 3833 02	NEUTRALIZING BRUSH	除電ブラシ	D	1	
5	4011 5852 02	SHOULDER SCREW	段ねじ	C	4	
6	4498 3388 01	COLLAR	カラー	C	2	
7	A0R5 8820 00	Cover /Upper	カバー／上	D	1	
8	A0R5 8711 00	Cover	カバー	D	2	
9	9313 1100 33	FAN MOTOR	ファンモータ	C	2	
10	50GA 4407 0	PAPER EXIT SEAL /1	排紙 シール／1	C	4	
11	9314 1200 91	MOTOR	バルスモータ	C	1	
12	4030 3810 01	TENSION SPRING	引張コイルばね	C	1	
13	4030 3809 01	LEVER	レバー	C	1	
14	1200 2105 02	COLLAR	カラー	D	1	
15	9321 2200 32	SOLENOID	直流プランジャソレノイド	C	1	
16	4030 0207 04	BRACKET ASSY	取付板 A S S Y	D	1	
17	4002 3779 01	PIN	ピン	D	1	
18	4030 3821 01	GEAR	ギヤ	C	1	
19	4030 3834 01	EARTH GROUND	アース	C	1	
20	A0R5 8703 00	Guide Part	ガイド材	D	1	
21	50GA 4402 0	MOUNTING STAY /RIGHT	取り付けステー／右	D	1	
22	4037 0906 01	PHOTO INTERRUPTER	フォトインタラプター	B	1	
23	50GA 4410 0E	Paper exit Panel /Front	排紙 パネル／前	D	1	

# TURNOVER UNIT

P 40



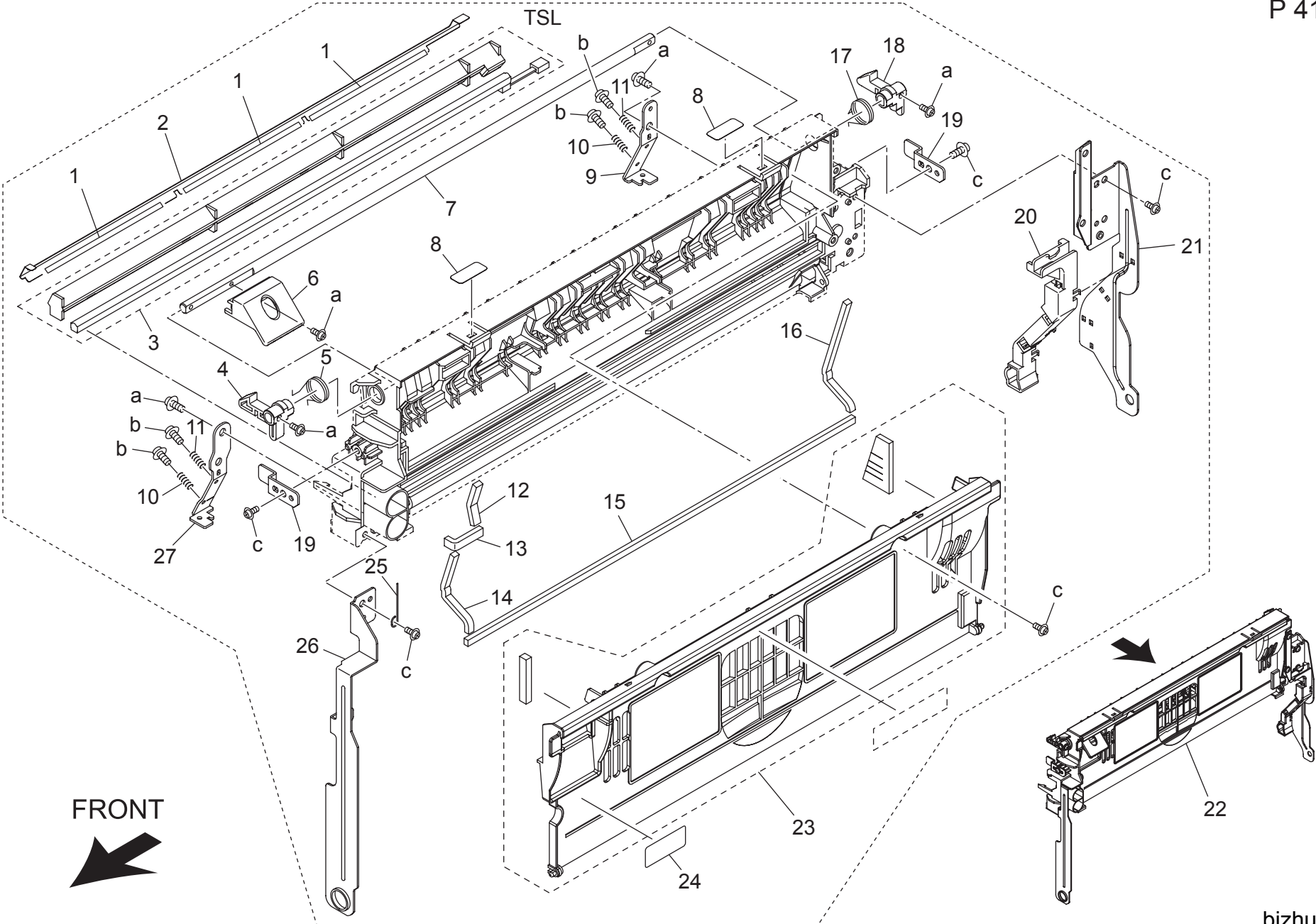
FRONT



# TURNOVER UNIT

Key	Part No.	Description	Destinations	Class	QTY	Standard parts
1	1139 3169 01	BUSHING		C	2	a-V218 0400 86 b-V137 0306 03
2	50GA 8601 00	Paper exit Roller /1		C	1	
3	4131 2536 02	PIN		C	1	
4	4030 3826 01	GEAR		C	1	
5	4426 4411 02	ROLL		C	4	
6	4030 3817 01	PLATE SPRING		C	4	
7	4030 3807 03	GUIDE		D	1	
8	4030 3823 01	BUSHING		D	1	
9	4030 3818 02	ACTUATOR		C	1	
10	4030 3819 01	TORSION SPRING		C	1	
11	4030 3805 02	GUIDE		D	1	
12	4030 3808 01	TORSION SPRING		C	1	

CONVEYANCE UNIT



FRONT



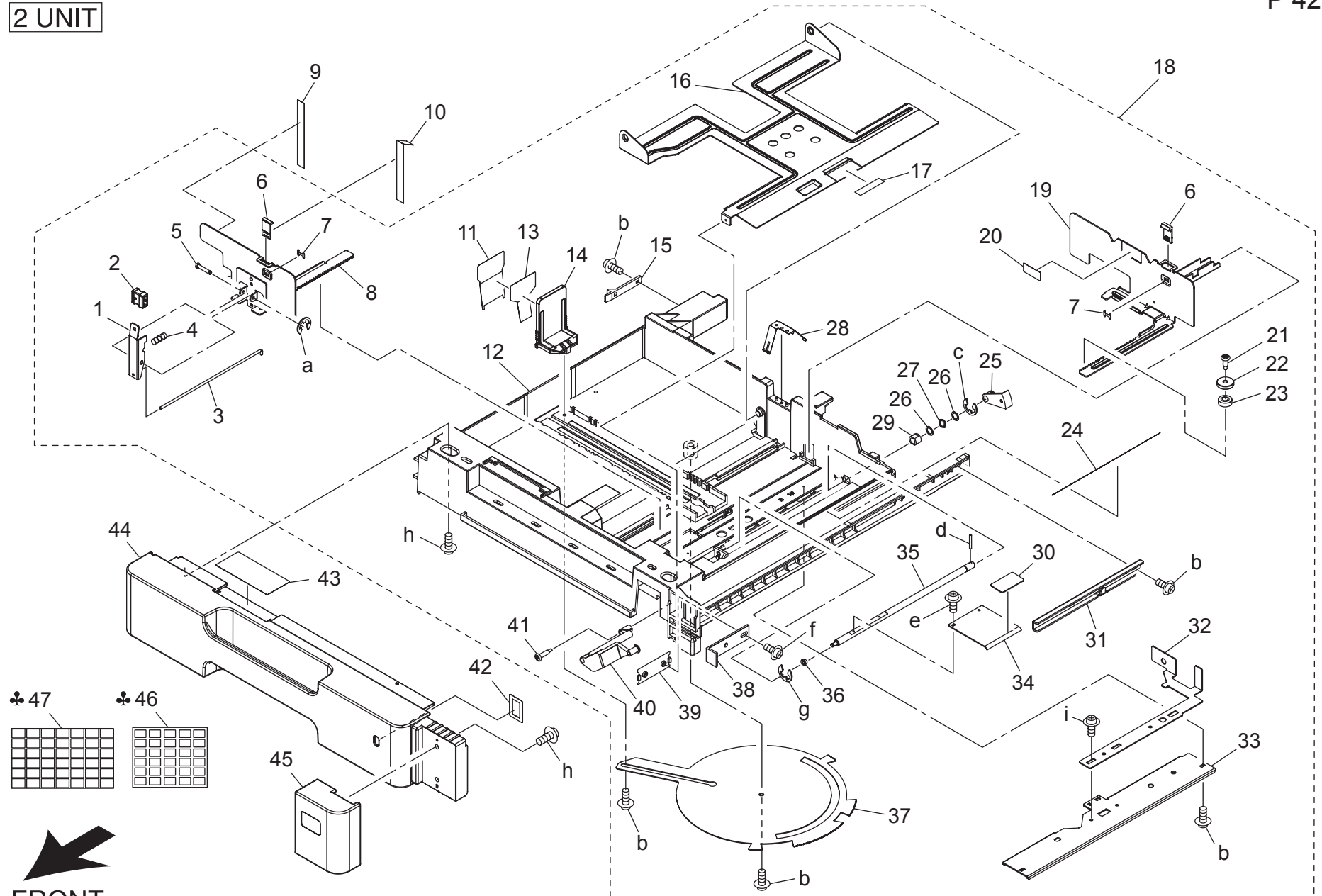
# CONVEYANCE UNIT

Key	Part No.	Description	Destinations	Class	QTY	Standard parts
1	26NA 4552 0	STICKING PART		C	3	a-V121 0306 03 b-V111 0304 03 c-V151 0308 03
2	50GA 4571 0	PTL LIGHT BLOCKING SHEET		C	1	
3	50GA -913 0	PTL		I	1	
4	50GA 4522 1	OPEN CLOSE LEVER 1		C	1	
5	50GA 4533 0	LOCK SPRING 2		C	1	
6	50GA 4535 1	CONVEYANCE HANDLE		C	1	
7	50GA 4521 0D	Conveyance Open/close Shaft		D	1	
8	50GA 4553 0	CONVEYANCE COVER SHEET		C	2	
9	50GA 4508 0	LIFTING PLATE		D	1	
10	26NA 4507 1	LIFT UP SPRING		C	2	
11	26NA 4549 0	LIFTING SPRING 2		C	2	
12	50GA 4575 0	CONVEYANCE COVER PART 5		D	1	
13	50GA 4574 0	CONVEYANCE COVER PART 4		D	1	
14	50GA 4573 0	CONVEYANCE COVER PART 3		D	1	
15	50GA 4558 0	CONVEYANCE COVER PART 1		D	1	
16	50GA 4559 0	CONVEYANCE COVER PART 2		D	1	
17	50GA 4532 0	LOCK SPRING 1		C	1	
18	50GA 4531 1	OPEN CLOSE LEVER 2		C	1	
19	26NA 4538 1	STOPPER PLATE		D	2	
20	50GA 4539 0	CORD COVER		D	1	
21	50GA 4528 0	CONVEYANCE SUPPORT PLATE /2		D	1	
22	50GA -450 0	CONVEYANCE UNIT		C	1	
23	50GA -452 0	CONVEYANCE COVER ASSY		D	1	
24	56UA 9792 0	HIGE VOLTAGE CAUTION LABEL		C	1	
25	50GA 4565 0	EARTH SHAFT 1		D	1	
26	50GA 4527 0	CONVEYANCE SUPPORT PLATE 1		D	1	
27	50GA 4509 0	EARTH PLATE		D	1	

# CASSETTE

P 42

2 UNIT



bizhub 501

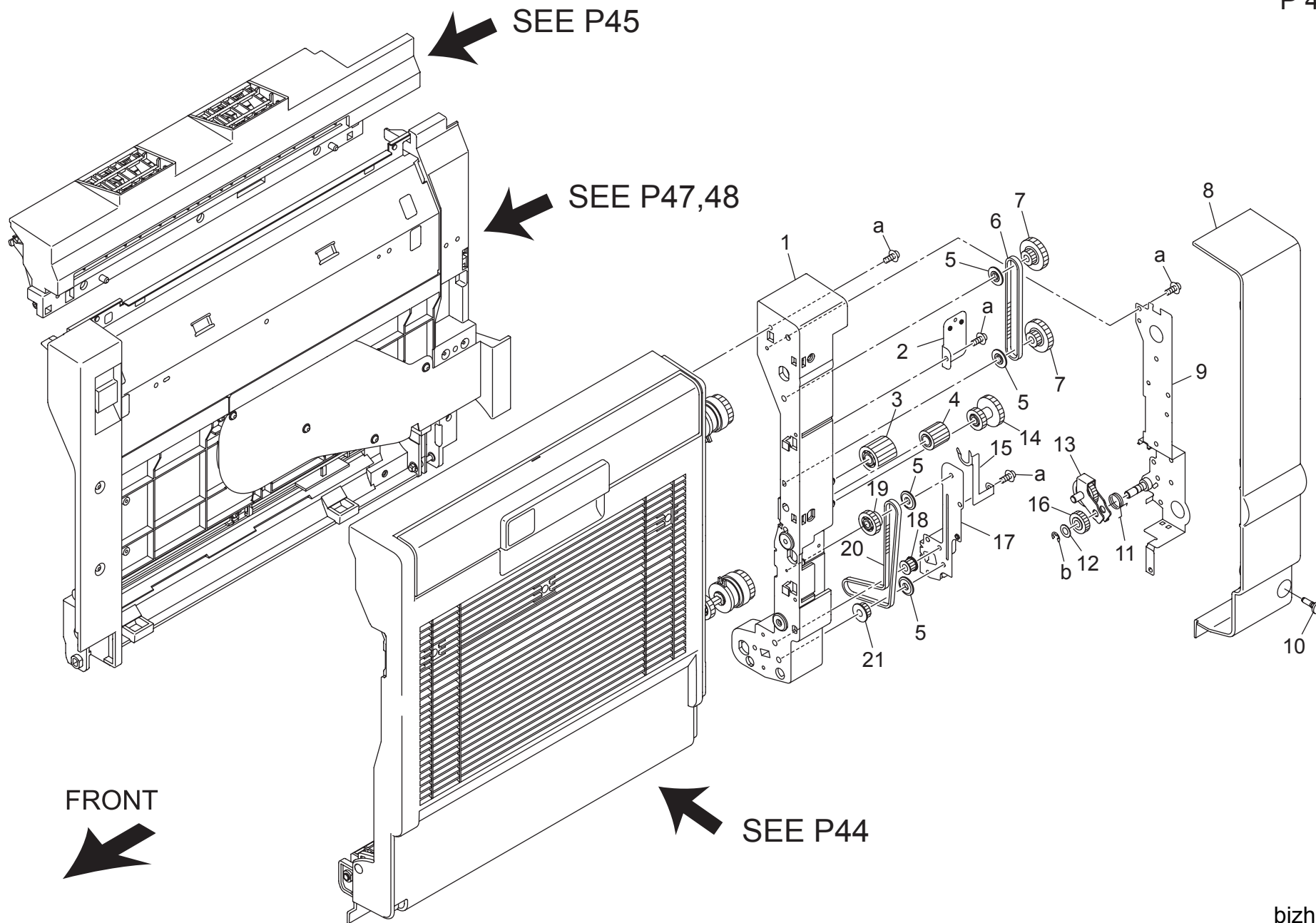
Order here  
8 (495) 646-0426  
www.km-shop.ru



Key	Part No.	Description	Destinations	Class	QTY	Standard parts
1	4128 3823 01	LEVER		C	1	a-4425 3002 01
2	4037 3204 01	KNOB		C	1	b-V153 0308 03
3	4030 3217 01	SHAFT		D	1	c-V217 0600 01
4	4498 3825 01	PRESSURE SPRING		C	1	d-V232 3025 09
5	4498 3826 01	SHAFT		D	1	e-V116 0308 03
6	4658 3048 01	GUIDE		C	2	f-V137 0310 03
7	4658 3049 01	STOPPER		C	2	g-V217 0300 01
8	4030 3211 02	REGULATING PLATE		C	1	h-V153 0410 03
9	50GA 4009 00	REGULATING PART /B		C	1	i-V144 0406 03
10	50GA 4008 00	REGULATING PART /A		C	1	
11	4030 3228 12	GUIDE		C	1	
12	4030 3201 09	Cassette		C	1	
13	4030 3227 01	GUIDE		C	1	
14	4037 3213 12	REGULATING PLATE		C	1	
15	4498 3469 01	STOPPER		D	1	
16	4030 3203 01	LIFTING PLATE		C	1	
17	A00J 6234 00	FRICITION PLATE		C	1	
18	A0R5 A620 02	CASSETTE ASSY		S	1	
19	4030 3212 01	REGULATING PLATE		C	1	
20	4002 7306 01	LABEL CARRYING CAPACITY		C	1	
21	4030 3214 02	SHOULDER SCREW		C	1	
22	4030 3215 01	GUIDE		D	1	
23	4658 3012 01	GEAR 14 T		C	1	
24	4030 3222 03	GUIDE		C	1	
25	4030 3207 01	ACTUATOR		C	1	
26	4011 3021 01	WASHER		C	2	
27	4011 3020 01	WASHER		C	1	
28	4030 3223 03	Earth ground		C	1	
29	1274 3603 01	BUSHING		C	1	
30	4030 3226 01	FRICITION SHEET		C	1	
31	4030 3229 02	REINFORCE PLATE		D	1	
32	4030 3216 01	BRACKET		D	1	
33	4030 3218 01	BRACKET		D	1	
34	4030 3206 01	LEVER		D	1	
35	4030 3205 01	SHAFT		D	1	
36	0992 3014 01	BUSHING		C	1	
37	4002 3108 01	LEVER		C	1	
38	4030 6214 00	Stopper		C	1	
39	4030 6215 00	Plate nut		C	1	
40	A0R5 6221 00	Detecting Lever		C	1	
41	4030 3224 02	SHOULDER SCREW		C	1	
42	A0R5 6299 00	Seal		C	1	
43	A02E 9412 00	Label Paper Supply		C	1	
44	A0R5 1641 00	Cover		C	1	
45	A0R5 1651 00	Cover /Right		C	1	
46	A0R5 9435 01	Label	B,G2	C	1	
47	A0R5 9434 01	Label	A,C,D1,D3,E,F1,F2,G1,H I,J,K	C	1	

# AUTO DUPLEX UNIT

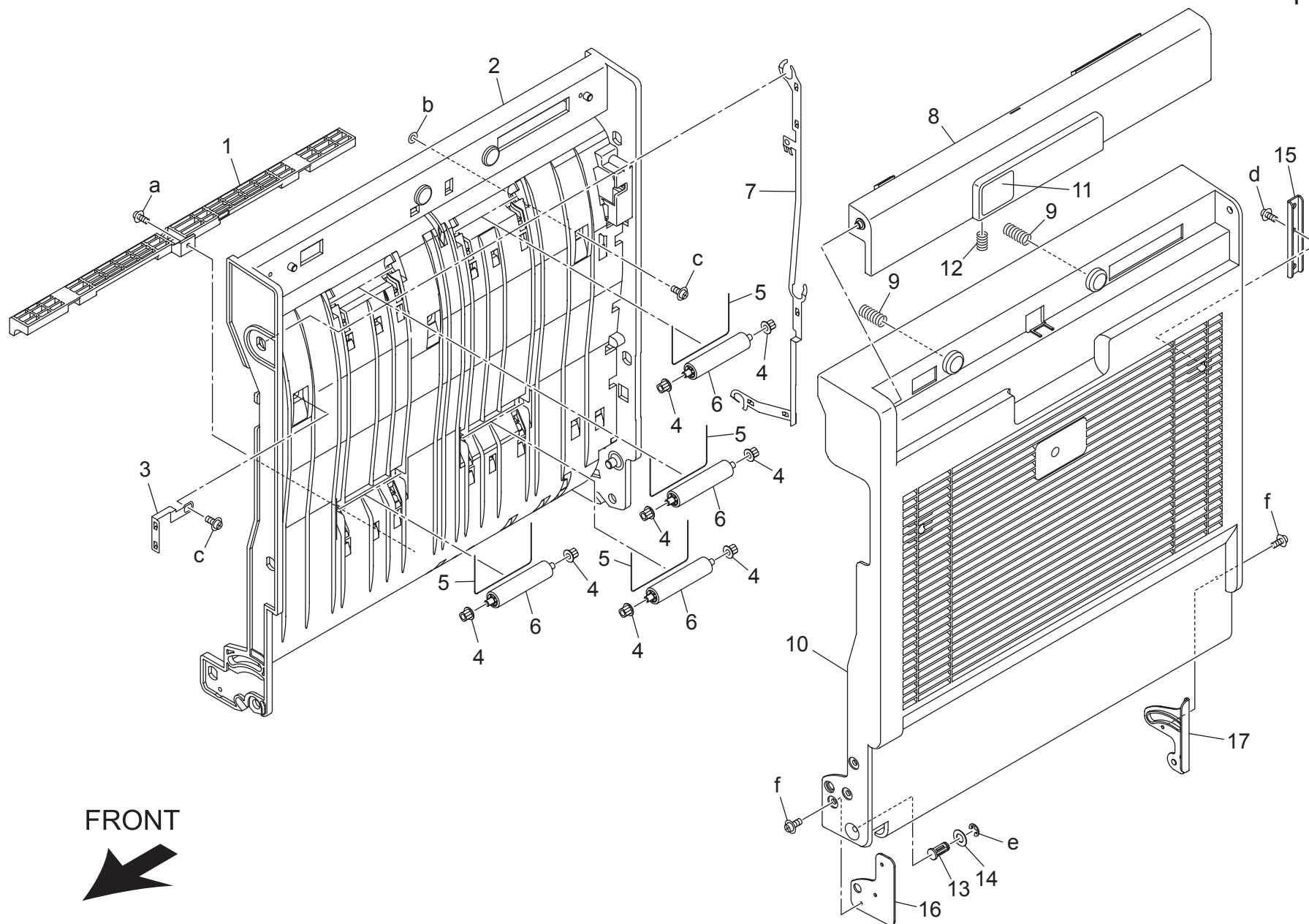
P 43



Key	Part No.	Description	Destinations	Class	QTY	Standard parts
1	50GA 5031 0	ADU DRIVE MAIN BODY		D	1	a-9739 0308 14 b-4425 3001 01
2	50GA 5012 0	ADU SUPPORT PLATE		D	1	
3	4030 3726 01	GEAR		C	1	
4	4030 3713 01	GEAR		C	1	
5	4030 3749 01	COLLAR		C	4	
6	50GA 5016 0	ADU DRIVE BELT UPPER 213L		C	1	
7	4030 3748 01	PULLEY		C	2	
8	A0R5 8137 00	Drive Cover		C	1	
9	50GA -519 0	DRIVE PLATE/1 CAULKING		C	1	
10	4030 3710 01	SHOULDER SCREW		C	1	
11	4030 3733 03	TORSION SPRING		C	1	
12	50GA 5061 00	ROTATION SPACER		C	1	
13	50GA -520 0	DRIVE PLATE 2CAULKING		C	1	
14	4030 3725 01	GEAR		C	1	
15	4030 3734 01	EARTH GROUND		C	1	
16	50GA 5058 00	INPUT GEAR /1		C	1	
17	50GA 5033 0	ADU DRIVE PLATE /2		D	1	
18	4657 3714 01	ROLL		C	1	
19	4030 3744 01	PULLEY		C	1	
20	50GA 5017 0	ADU DRIVE BELT LOWER 312L		C	1	
21	4030 3745 01	PULLEY		C	1	

# AUTO DUPLEX UNIT

P 44



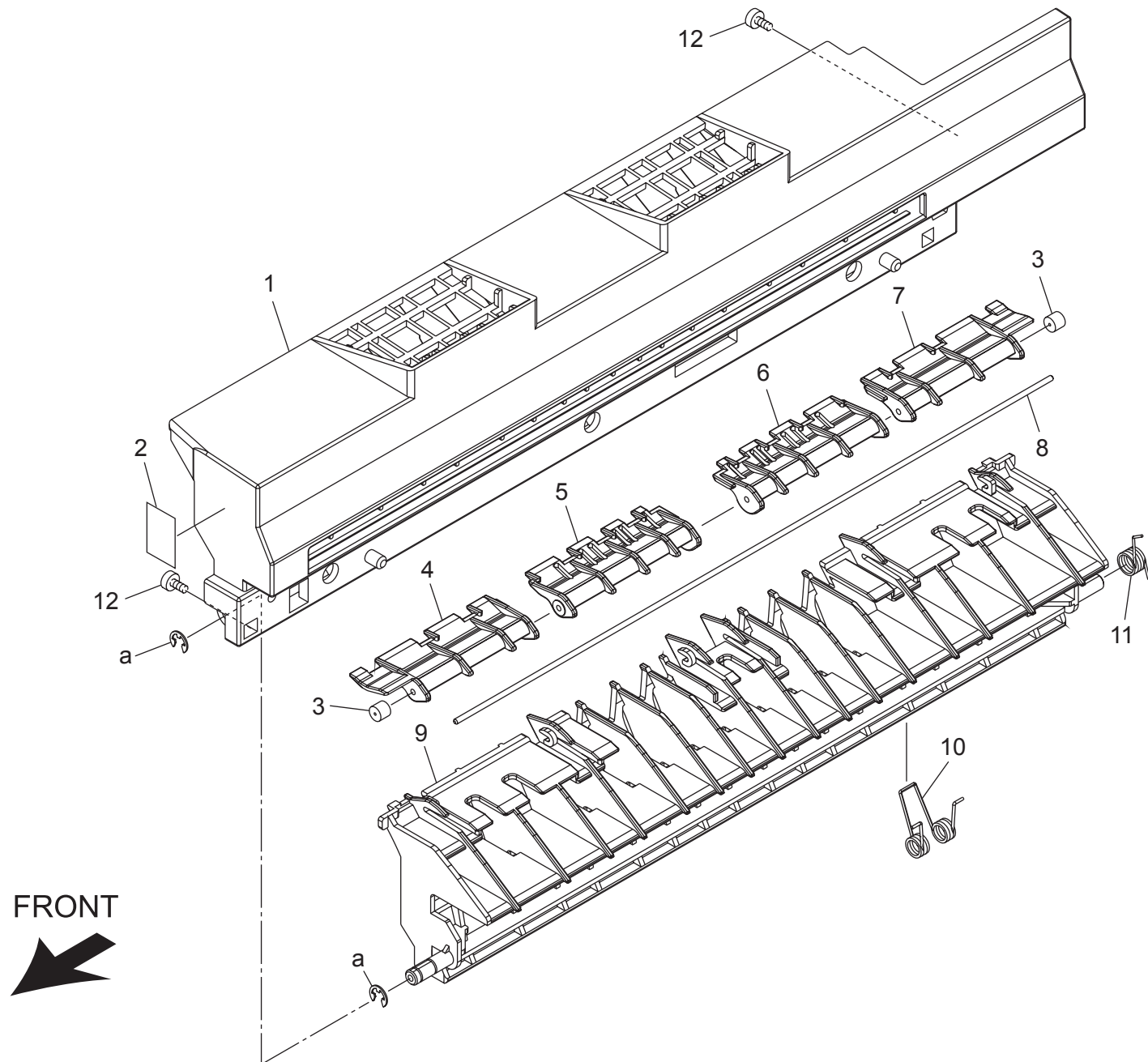
FRONT



Key	Part No.	Description	Destinations	Class	QTY	Standard parts
1	4030 3703 01	GUIDE		D	1	a-9739 0308 14 b-V211 0400 80 c-V126 0410 03 d-V151 0306 03 e-V217 0400 50 f-V118 0304 03
2	A0R5 8129 00	Main body		C	1	
3	4030 3735 01	EARTH GROUND		C	1	
4	50GA 5001 0	SHAFT ROLLER PART		C	8	
5	4497 3114 01	MEMBER		C	4	
6	4497 3116 01	ROLL		C	4	
7	50GA 5035 0	ADU EARTH PLATE 2		C	1	
8	A0R5 8251 00	Lever		C	1	
9	4030 3755 01	PRESSURE SPRING		C	2	
10	A0R5 8130 00	Cover		C	1	
11	A0R5 9421 01	Label		C	1	
12	4661 3106 01	PRESSURE SPRING		C	1	
13	4661 3150 01	PIN		D	1	
14	4661 3155 01	WASHER		D	1	
15	50GA 5057 0	REINFORCE PLATE /2		D	1	
16	50GA 5055 0	REINFORCE PLATE /1		D	1	
17	50GA -521 0	DOOR HINGE		C	1	

# AUTO DUPLEX UNIT

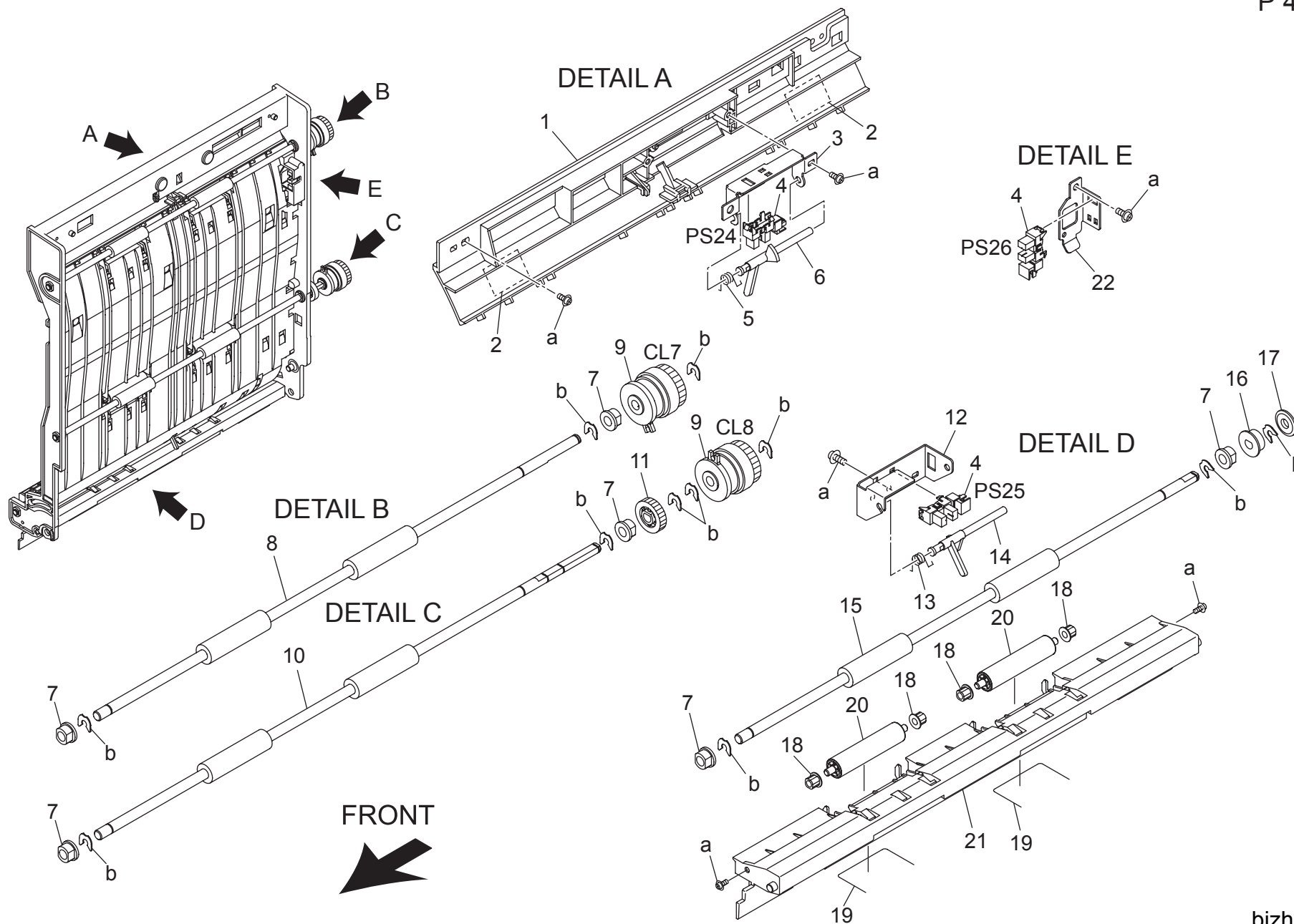
P 45



# AUTO DUPLEX UNIT

Key	Part No.	Description	Destinations	Class	QTY	Standard parts
1	A0R5 8136 00	Entrance Guide		C	1	a-4425 3001 01
2	A0R5 9428 00	Label		C	1	
3	1134 3041 01	COLLAR		D	2	
4	4030 3811 01	GUIDE		D	1	
5	4030 3812 01	GUIDE		D	1	
6	4030 3813 01	GUIDE		D	1	
7	4030 3814 01	GUIDE		D	1	
8	4030 3829 01	SHAFT		D	1	
9	4030 3806 02	GUIDE		D	1	
10	4030 3825 02	TORSION SPRING		C	1	
11	4030 3824 01	TORSION SPRING		C	1	
12	4011 5852 02	SHOULDER SCREW		C	2	

# AUTO DUPLEX UNIT

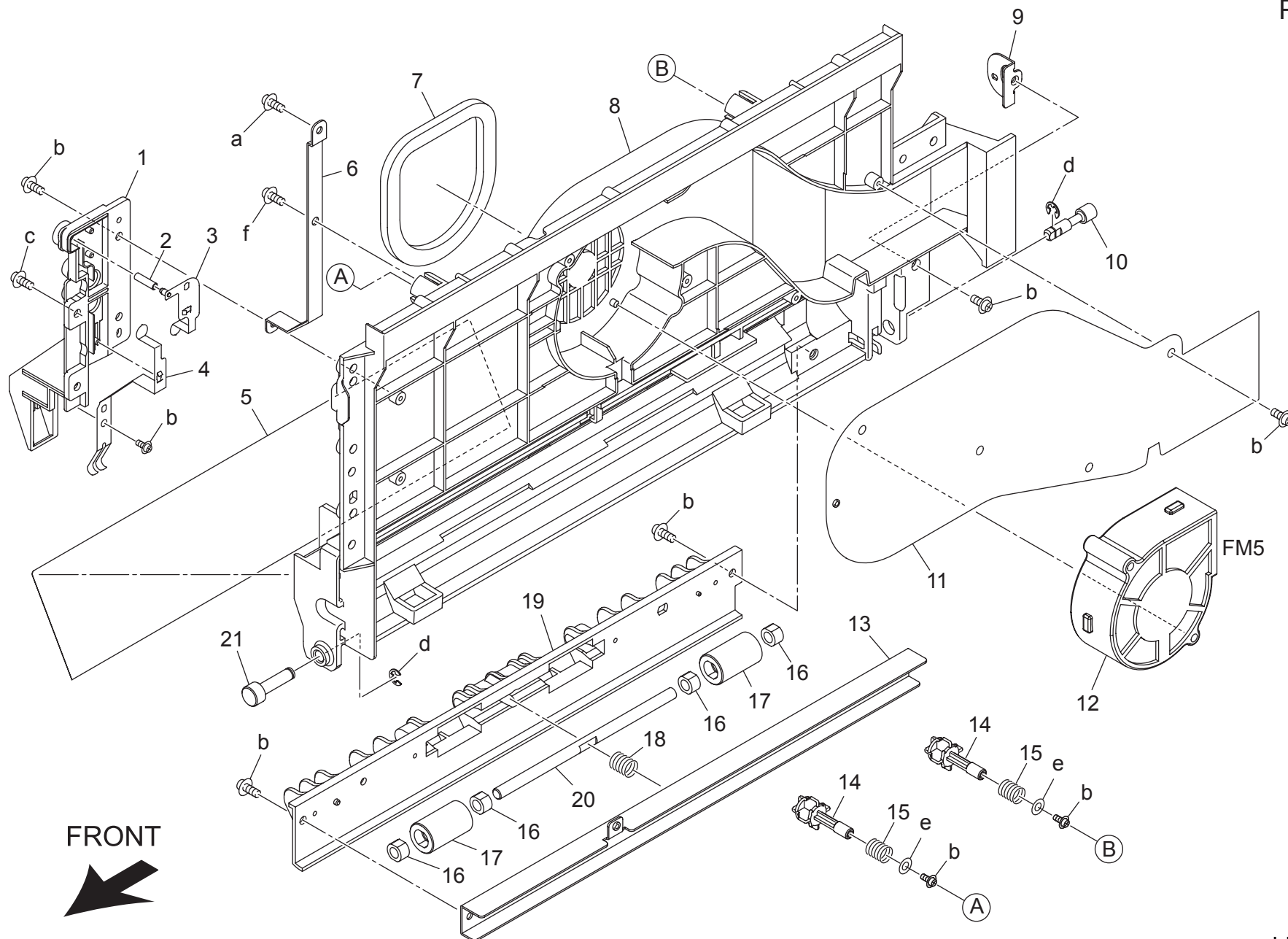




Key	Part No.	Description	Destinations	Class	QTY	Standard parts
1	A0R5 8206 00	Guide /Upper		C	1	a-9739 0308 14 b-4425 3001 01
2	4030 3760 01	GUIDE		C	2	
3	4030 3739 01	BRACKET		D	1	
4	9335 1300 61	PHOTO INTERRUPTER		B	3	
5	4030 3738 03	TORSION SPRING		C	1	
6	4030 3737 01	ACTUATOR		C	1	
7	0928 3033 01	BUSHING		C	6	
8	4030 3707 01	ROLLER		C	1	
9	50GA 8203 0	ADU CLUTCH		C	2	
10	4030 3708 01	ROLLER		C	1	
11	4030 3743 02	GEAR		C	1	
12	4030 3742 01	BRACKET		D	1	
13	4030 3741 03	TORSION SPRING		C	1	
14	4030 3740 01	ACTUATOR		C	1	
15	4030 3709 01	ROLLER		C	1	
16	4030 3750 01	PULLEY		C	1	
17	4030 3749 01	COLLAR		C	1	
18	50GA 5001 0	SHAFT ROLLER PART		C	4	
19	4497 3114 01	MEMBER		C	2	
20	4497 3116 01	ROLL		C	2	
21	A0R5 8138 00	Paper exit Guide		C	1	
22	50GA 5041 0	FIXING PLATE		D	1	

# AUTO DUPLEX UNIT

P 47



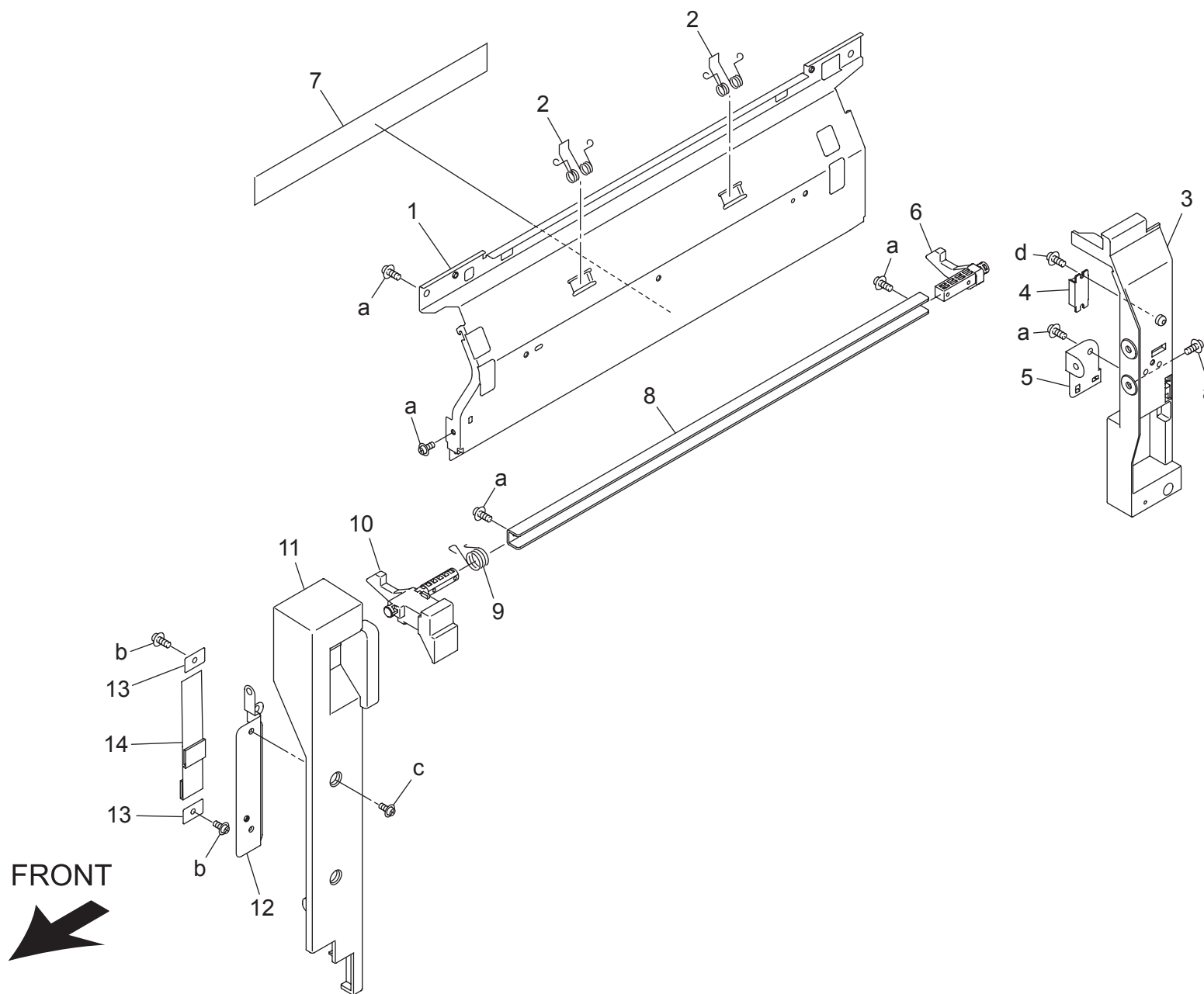
FRONT



Key	Part No.	Description	Destinations	Class	QTY	Standard parts
1	50GA 5053 0	HV CASING		C	1	a-V121 0306 03 b-9739 0308 14 c-V151 0312 03 d-V217 0400 50 e-V207 0400 03 f-V123 0314 03
2	50GA 5047 0E	HV POWER SUPPLY SPRING		C	1	
3	50GA -513 0	SHAFT SUPPORTING PLATE		C	1	
4	50GA 5051 0	TRANSFER POWER SUPPLY PLATE		C	1	
5	50GA 5056 0E	Conveyance Guide Sheet		C	1	
6	50GA 5049 0	CONVEYANCE CONNECTING PLATE		D	1	
7	50GA 5010 0	DUCT CONNECTING PART		D	1	
8	A0R5 8102 00	Cover		C	1	
9	50GA 5048 0	DUCT SUPPLY PLATE		D	1	
10	50GA 5011 0	ADU CONNECTING SHAFT		D	1	
11	50GA 5003 0	DUCT COVER PLATE		D	1	
12	9313 1100 33	FAN MOTOR		C	1	
13	50GA 5007 0	CONVEYANCE SUPPORT PLATE		D	1	
14	50GA 4570 0	CONVEYANCE PRESSING PART		C	2	
15	50GA 4572 0	CONVEYANCE PRESSING SPRING		C	2	
16	25AA 7553 0	SLIDE SHAFT HOLDER		C	4	
17	26NA 4256 0	BY PASS FEED DRIVEN ROLLER		C	2	
18	50GA 5040 0	PAPER FEED CONVEYANCE SPRING		C	1	
19	50GA 5006 0	ADU PAPER EXIT PLATE		D	1	
20	50GA 5008 0	PAPER FEED IDLER SHAFT		D	1	
21	50GA 5043 0	ADU SUPPORT SHAFT		D	1	

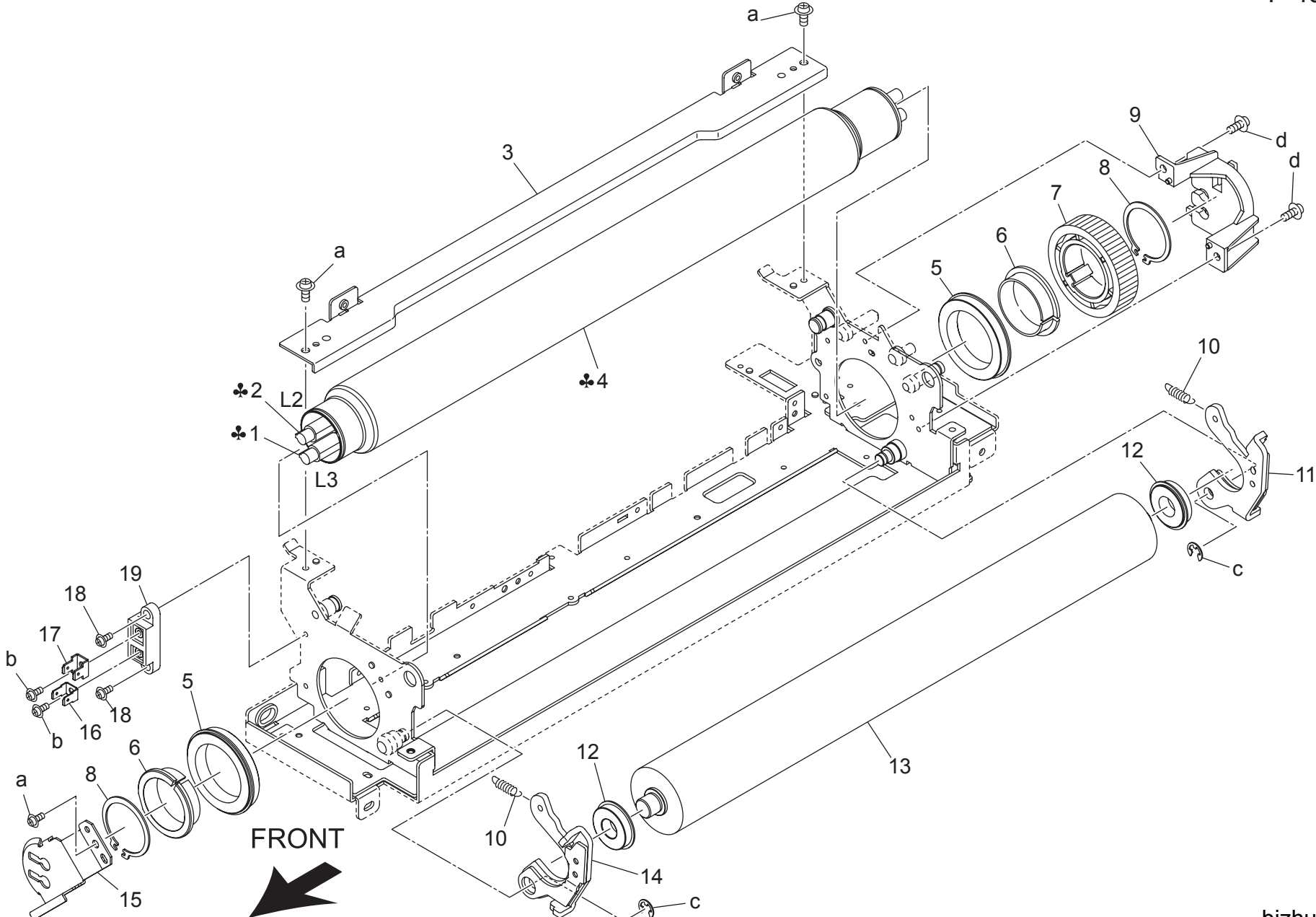
# AUTO DUPLEX UNIT

P 48



Key	Part No.	Description	Destinations	Class	QTY	Standard parts
1	50GA 5028 0	FIXING COVER PLATE		D	1	a-9739 0308 14 b-9735 0306 14 c-V127 0306 03 d-9732 0308 14
2	50GA 5045 0	FIXING PRESSING SPRING		C	2	
3	50GA 5004 1F	ADU DOOR /REAR		C	1	
4	40AA 3229 0	MAGNET CATCH		C	1	
5	50GA 5027 0	ADU EARTH PLATE 1		C	1	
6	4030 2022 01	PAWL		C	1	
7	50GA 9746 0	HIGH TEMP CAUTION LABEL		C	1	
8	4030 2023 01	BRACKET		D	1	
9	50GA 5062 00	LOCK SPRING		C	1	
10	A0R5 8221 00	Lock Claw /Front		C	1	
11	A0R5 8105 00	Door /Front		C	1	
12	50GA 5009 0	ADU REINFORCE PLATE		D	1	
13	50GA 5014 0	BELT REINFORCE PLATE		D	2	
14	50GA 5015 0	ADU OPEN CLOSE BELT		C	1	

FIXING UNIT

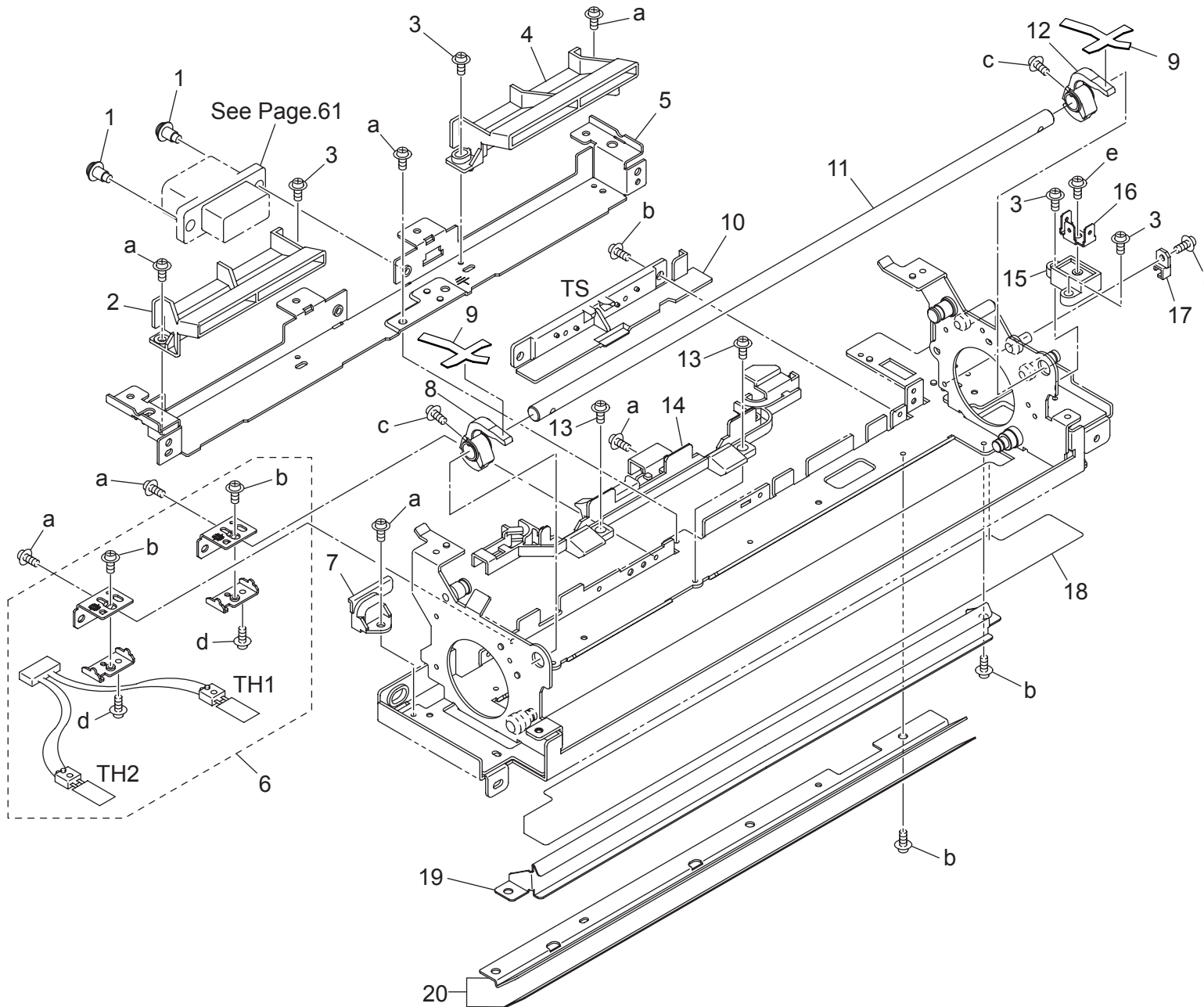


# FIXING UNIT

Key	Part No.	Description	Destinations	Class	QTY	Standard parts
1	50GA M33A 00	FIXING HEATER /2	A	I	1	a-V121 0304 03 b-V122 0306 03 c-V217 0400 50 d-V123 0306 03
1	50GE 8303 1	FIXING HEATER 2	B,G2,H	I	1	
1	50GF 8303 1	FIXING HEATER 2	C,D1,D3,E,F2,G1,I,J,K	I	1	
1	50GS 8303 0	FIXING HEATER 2	F1	I	1	
2	50GA M32A 00	FIXING HEATER /1	A	I	1	
2	50GE 8302 1	FIXING HEATER 1	B,G2,H	I	1	
2	50GF 8302 1	FIXING HEATER 1	C,D1,D3,E,F2,G1,I,J,K	I	1	
2	50GS 8302 0	FIXING HEATER 1	F1	I	1	
3	50GA 5454 0	REINFORCE STAY		D	1	
4	50GA 5303 0	FIXING ROLLER UPPER	A	A	1	
4	50GE 5303 0	FIXING ROLLER UPPER	定着 ローラ/上	A	1	
5	26NA 5371 2	BALL BEARING	定着 軸受 上	A	2	
6	26NA 5372 0	HEAT INSULATING SLEEVE A	断熱スリーブ A	A	2	
7	50GA 5406 0	FIXING GEAR 46T	定着歯車 46 T	B	1	
8	26NA 5362 0	FIXING FIXED PART	定着固定部材	C	2	
9	50GA 5390 0	LAMP SUPPORT PART REAR	ランプ支持部材 奥	C	1	
10	50GA 5360 0	PRESSURE SPRING	圧着バネ	C	2	
11	50GA 5308 0	PRESSING ARM /REAR	押圧アーム/奥	C	1	
12	50GA 5359 0	FIXING BEARING LOWER	定着 軸受/下	A	2	
13	50GA 5304 0	FIXING ROLLER LOWER	定着 ローラ/下	A	1	
14	50GA 5307 0	PRESSING ARM /FRONT	押圧アーム/前	C	1	
15	50GA 5389 0	LAMP SUPPORT PART /FRONT	ランプ支持部材/前	D	1	
16	40AA 5347 0	TERMINAL PLATE 1	端子板 1	D	1	
17	26NA 5374 0	TERMINAL PLATE A	端子板 A	D	1	
18	26NA 5423 0	TERMINAL FIXING SCREW	端子固定ネジ	C	2	
19	26NA 5377 0	TERMINAL PEDESTAL A	端子台 A	D	1	

# FIXING UNIT

P 50



FRONT

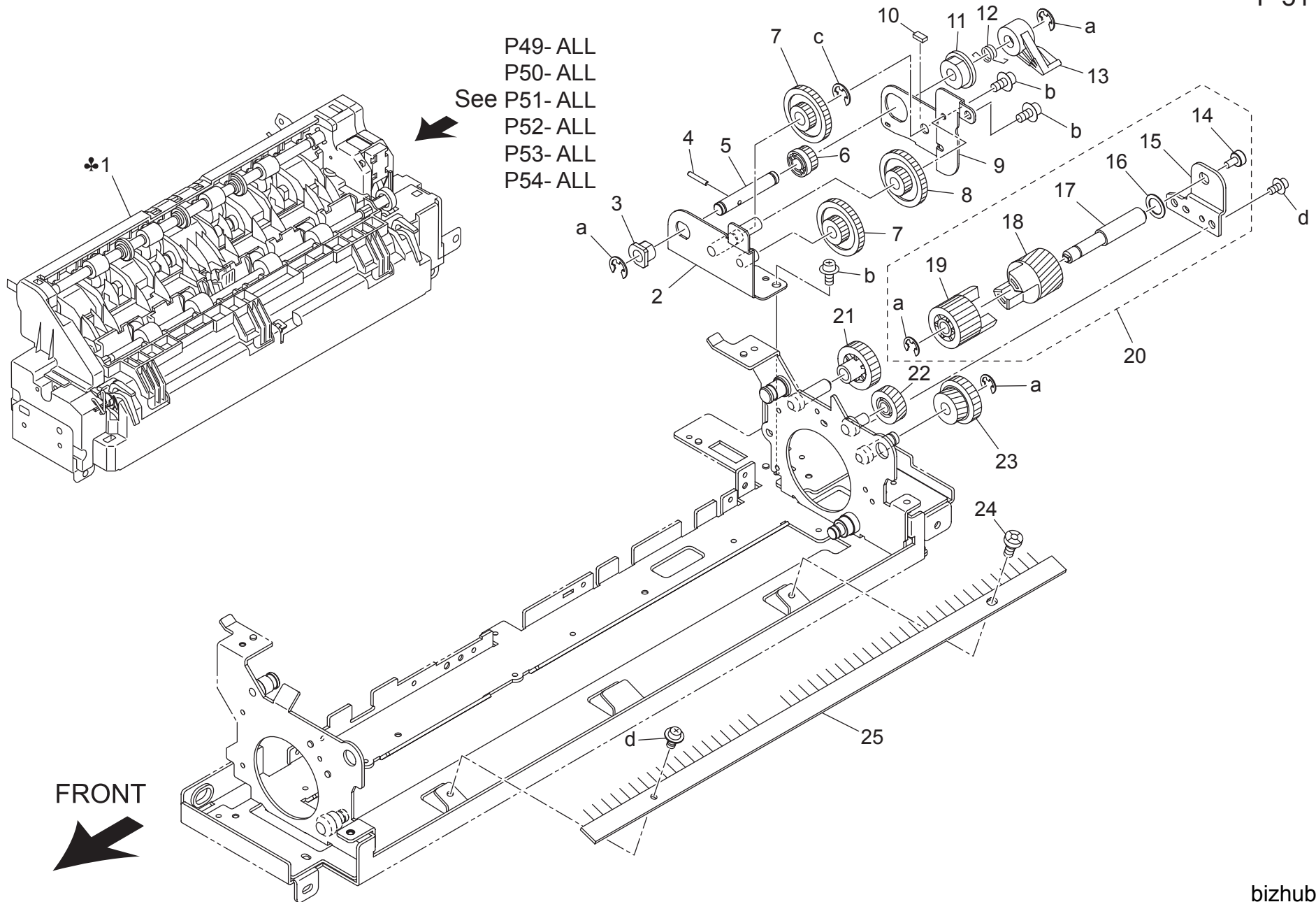




Key	Part No.	Description	Destinations	Class	QTY	Standard parts
1	26NA 5403 0	MOUNT SCREW	取り付けネジ	C	2	a-V121 0304 03 b-V123 0306 03 c-V118 0406 03 d-V123 0310 03 e-V122 0306 03 f-V111 0304 03
2	50GA 5452 0	ROLLER COOLING DUCT FRONT	ローラ冷却ダクト 前	D	1	
3	26NA 5423 0	TERMINAL FIXING SCREW	端子固定ネジ	C	4	
4	50GA 5453 0	ROLLER COOLING DUCT REAR	ローラ冷却ダクト 奥	D	1	
5	50GA 5450 0	CLEANER SUPPORT PART /2	クリーナー支持部材 / 2	D	1	
6	50GA -544 0	FIXING SENSOR ASSY	定着センサ部組	A	1	
7	50GA 5494 0	COVER PART	カバー部材	C	1	
8	50GA 5451 0	RELEASE LEVER FRONT	解除レバー	C	1	
9	50GA 5464 0E	Lever Insulating Part	レバー断熱部材	D	2	
10	SP00 -011 2	FUSE MOUNTING PLATE ASSY 26NA 535	ヒューズ部組	A	1	
11	50GA 5442 0	FIXING PRESSING STOPPER	定着押圧ストッパ	D	1	
12	50GA 5474 0	RELEASE LEVER REAR	解除レバー 奥	C	1	
13	40LA 5443 0	TERMINAL FIXING SCREW 2	端子固定ネジ 2	C	2	
14	50GA 5405 0	WIRING GUIDE PART B	束線ガイド部材 B	D	1	
15	50GA 5378 0	TERMINAL PEDESTAL B	端子台 B	C	1	
16	26NA 5428 0	TERMINAL PLATE	端子板	D	1	
17	26NA 5321 1	WIRING GUIDE PART A	束線ガイド部材 A	D	1	
18	50GA 5336 0	FIXING INSULATING SHEET C	定着断熱シート / C	D	1	
19	50GA 5365 1E	FIXING ENTRANCE PLATE	定着進入板	D	1	
20	50GA -548 0	FIXING ENTRANCE PLATE 2 ASSY	定着進入板 / 2 部組	C	1	

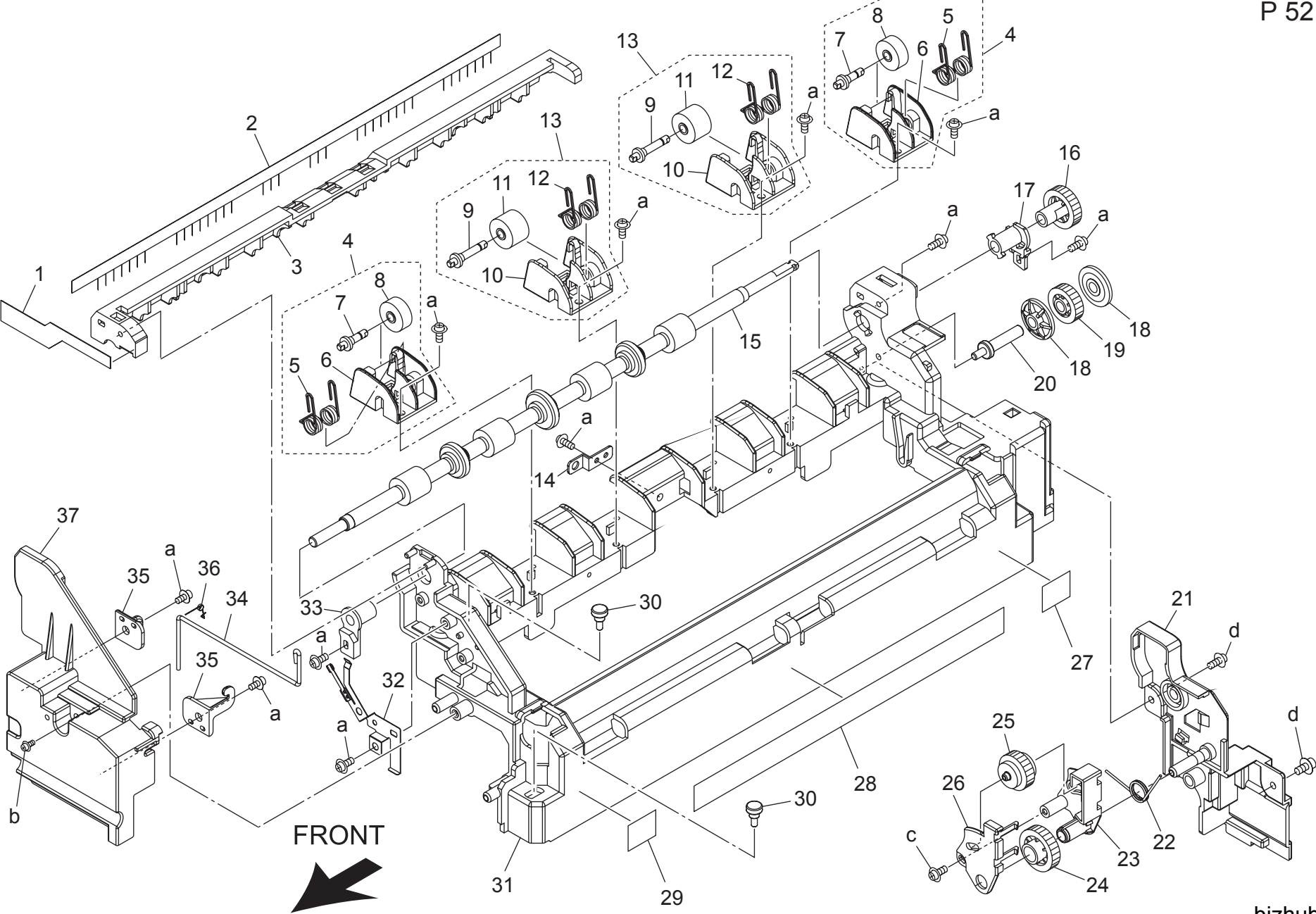
# FIXING UNIT

P 51



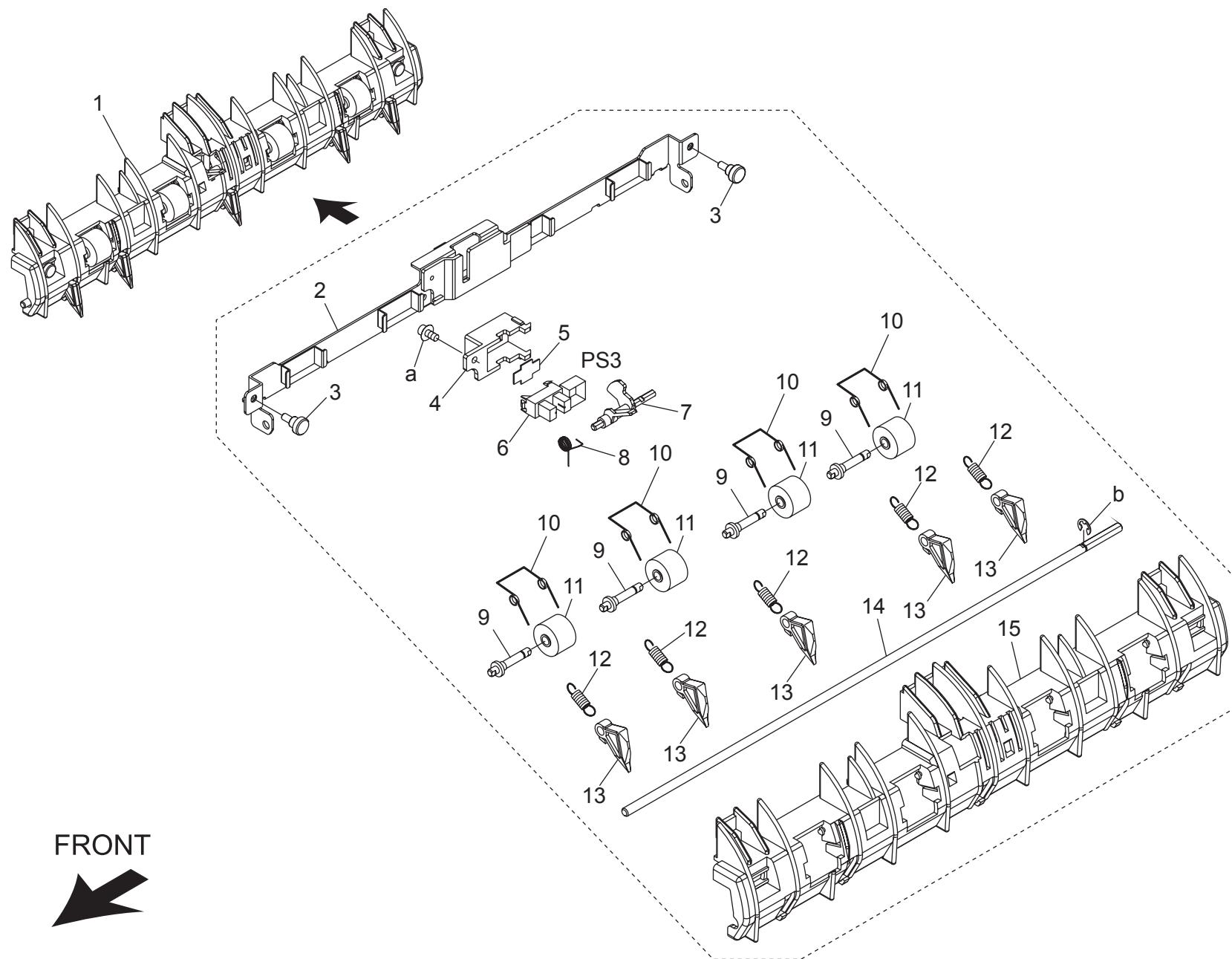
Key	Part No.	Description	Destinations	Class	QTY	Standard parts
1	50GA -530 0	FIXING UNIT	定着ユニット	A	1	a-V217 0400 50
1	50GE -530 0	FIXING UNIT	定着ユニット	B,G2,H	1	b-V121 0304 03
1	50GF -530 0	FIXING UNIT	定着ユニット	C,D1,D3,E,F2,G1,I,J,K	1	c-V217 0500 50
1	50GS -530 0	FIXING UNIT	定着ユニット	F1	1	d-V123 0306 03
2	50GA -543 0	AUXILIARY PART CAULKING	補助部材カシメ	D	1	
3	1921 4171 0	PAPER LIFT UP LEVER BUSHING	ペーパー押し上げレバー軸受	B	1	
4	4660 7801 0	PIN A D2X10	ピン A D 2 X 1 0	B	1	
5	50GA 5330 0D	Cleaner Idling Shaft /A	クリーナーアイドル軸 / A	D	1	
6	26NA 5346 0	CLEANER GEAR A 18T	クリーナーギア A 1 8 T	C	1	
7	26NA 5429 0	FIXING DRIVE GEAR /D 18/44T	定着駆動歯車 / D 1 8 / 4 4 T	B	2	
8	50GA 5429 0	FIXING DRIVE GEAR /D 14/44T	定着駆動歯車 / D 1 4 / 4 4 T	B	1	
9	50GA 5417 0	AUXILIARY PART	補助部材	D	1	
10	26NA 5424 0	LEVER STOPPER PART	レバーストッパ部材	D	1	
11	26NA 5384 0	FIXING CLEANER SHAFT HOLDER C	定着清掃軸受 C	C	1	
12	26NA 5329 0	LEVER SPRING	レバーバネ	C	1	
13	50GA 5404 0	FIXING CLEANING LEVER	定着清掃レバー	C	1	
14	50GA 5485 0	GEAR REGULATING SHAFT	ギア規制軸	D	1	
15	50GA 5484 0	MOUNTING PLATE	取り付け板	D	1	
16	50GA 7296 00	FUSING SPACER	定着スペーサ	C	1	
17	50GA 5483 0D	Idling Shaft /D	アイドル軸 / D	D	1	
18	50GA 5493 1E	FIXING INPUT GEAR 19T	定着入力ギア 1 9 T	B	1	
19	50GA 5473 1E	FIXING INPUT GEAR /2 19T	定着入力ギア / 2 1 9 T	B	1	
20	50GA -546 1	FIXING INPUT GEAR ASSY	定着入力ギア部組	A	1	
21	4040 5758 01	GEAR /20T	ギヤ / 2 0 T	C	1	
22	50GA 5470 0	FIXING IDLING GEAR B 15T	定着アイドルギア B 1 5 T	B	1	
23	50GA 5469 0	Fixing Idling Gear /A 14/20T	定着アイドルギア / A 1 4 / 2 0 T	B	1	
24	26NA 5419 0	FIXING GUIDE SCREW	定着ガイドネジ	C	1	
25	26NA 5414 0	NEUTRALIZING BRUSH	除電ブラシ	C	1	

FIXING UNIT



Key	Part No.	Description	Destinations	Class	QTY	Standard parts
1	4030 5847 01	NETURALIZING MEMBER		C	1	a-V151 0308 03 b-V123 0308 03 c-9739 0308 14 d-V151 0308 04
2	4030 5823 01	NEUTRALIZING BRUSH		C	1	
3	4030 5839 03	HOLDER		D	1	
4	4040 R707 00	EXIT ROLL HOLDER 2 ASSY		A	2	
5	4030 5858 01	TORSION SPRING		C	2	
6	4030 5855 01	HOLDER		D	2	
7	4030 5857 01	SHAFT		D	2	
8	4030 5854 01	ROLL		C	2	
9	4030 5856 01	SHAFT		D	2	
10	4030 5843 02	HOLDER		D	2	
11	4030 5805 03	ROLL		C	2	
12	4030 5806 01	TORSION SPRING		C	2	
13	4040 R706 00	EXIT ROLL HOLDER 1 ASSY		A	2	
14	4030 5848 01	POSITIONING PLATE		D	1	
15	4030 5802 01	ROLLER		C	1	
16	4030 5812 01	GEAR 21T		C	1	
17	4030 5840 02	BUSHING		C	1	
18	4030 5844 02	COLLAR		C	2	
19	4030 5836 01	GEAR 19T		C	1	
20	4030 5845 02	SHOULDER SCREW		D	1	
21	50GA 5482 0	FIXING COVER REAR		C	1	
22	4030 5821 02	TORSION SPRING		C	1	
23	4030 5820 03	HOLDER		D	1	
24	4030 5816 01	GEAR 19T		C	1	
25	4030 5817 02	GEAR 19T		C	1	
26	4030 5822 03	HOLDER		D	1	
27	50GA 9748 0E	Lever Indicating Label /Rear		C	1	
28	50GA 9746 0	HIGH TEMP CAUTION LABEL		C	1	
29	50GA 9747 0E	Lever Indicating Label /Front		C	1	
30	4030 5827 01	SHOULDER SCREW		C	2	
31	50GA 5487 0	FIXING CASING		D	1	
32	50GA 5492 0	EARTH PLATE		C	1	
33	4030 5842 01	BUSHING		C	1	
34	50GA 5461 1	CLEANER LOCK SHAFT		D	1	
35	50GA 5462 0	SHAFT SUPPORT PART		C	2	
36	50GA 5463 0	CLEANER LOCK SPRING		C	1	
37	50GA 5481 0	FIXING COVER FRONT		C	1	

# FIXING UNIT



FRONT

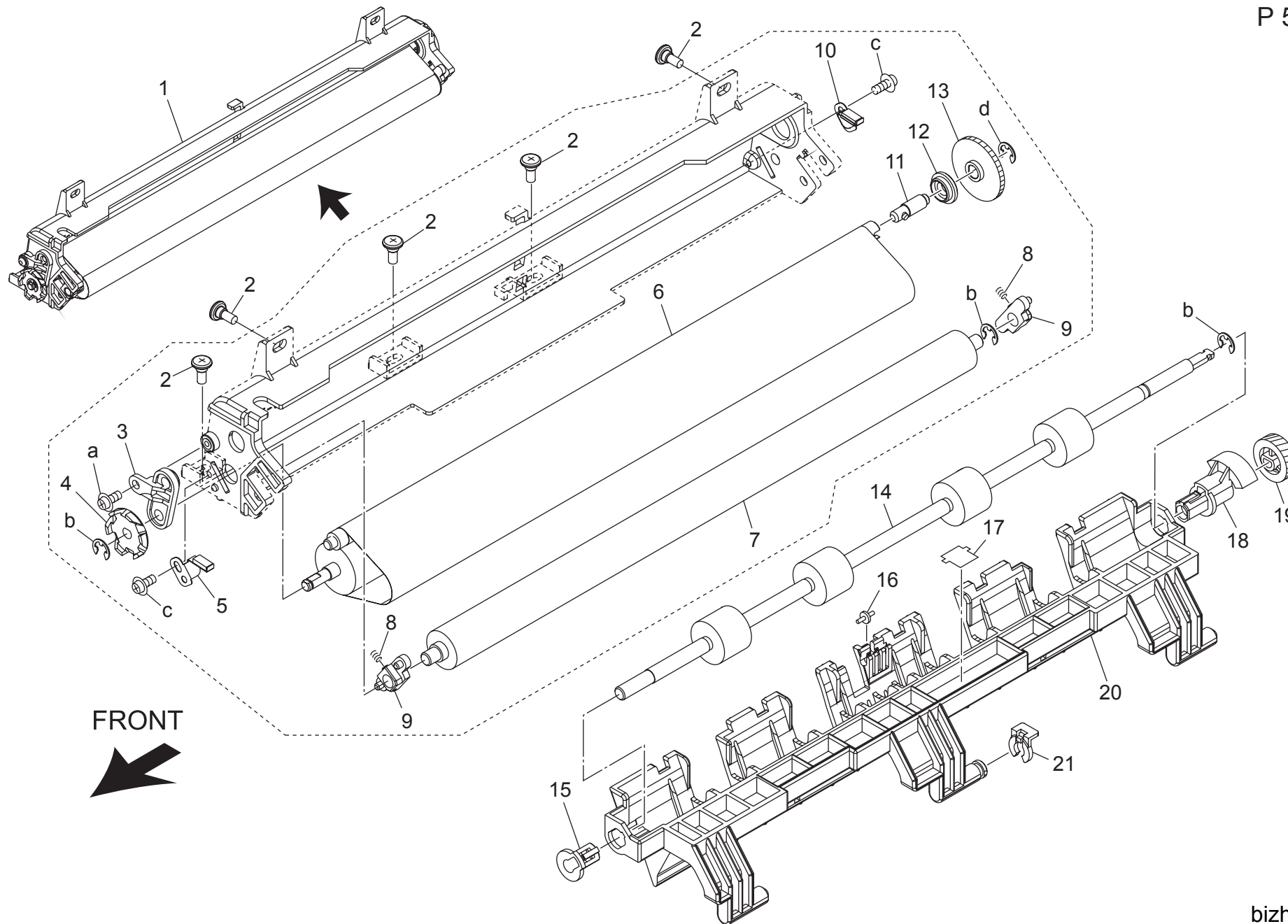


# FIXING UNIT

Key	Part No.	Description	Destinations	Class	QTY	Standard parts
1	50GA -533 0	FIXING CLAW ASSY		A	1	a-V151 0308 03 b-V217 0300 50
2	4030 5750 03	BRACKET	定着爪部組 取付板	D	1	
3	4030 5827 01	SHOULDER SCREW	段ねじ	C	2	
4	4030 5808 02	HOLDER	ホルダ	D	1	
5	4470 4024 01	STOPPER	ストッパ	D	1	
6	9335 1300 61	PHOTO INTERRUPTER	フォトインタラプタ	B	1	
7	4030 5809 02	ACTUATOR	アクチュエータ	C	1	
8	4030 5810 02	TORSION SPRING	ねじりコイルばね	C	1	
9	4030 5856 01	SHAFT	シャフト	D	4	
10	50GA 5495 0	ROLLER PRESSING SPRING	ローラ押圧バネ	C	4	
11	4030 5805 03	ROLL	ころ	C	4	
12	4030 5717 01	TENSION SPRING	引張コイルばね	C	5	
13	50GA 7227 00	FIXING CLAW	定着 爪	C	5	
14	4030 5753 01	SHAFT	シャフト	D	1	
15	50GA 5486 0E	CONVEYANCE GUIDE PART /LEFT	搬送ガイド部材/左	D	1	

# FIXING UNIT

P 54



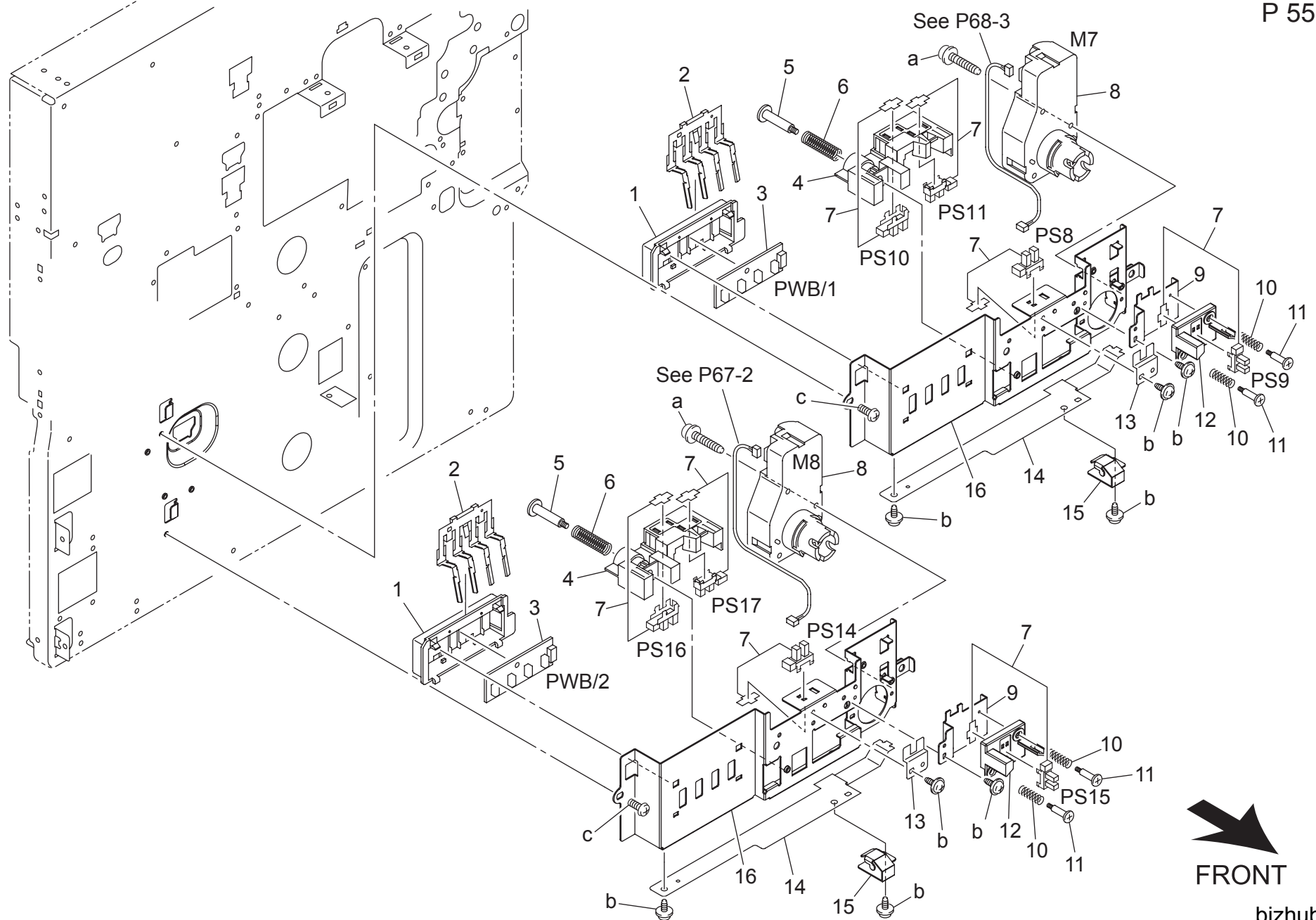


# FIXING UNIT

Key	Part No.	Description	Destinations	Class	QTY	Standard parts
1	50GA -540 0	FIXING CLEANER ASSY	定着クリーナー部組	A	1	a-V121 0306 03 b-V217 0400 50 c-V151 0306 03 d-V217 0300 50
2	27LA 5419 0	FIXING GUIDE SCREW	定着ガイドネジ	C	5	
3	50GA 5351 0	FIXING CLEANING BUSHING	定着清掃軸受	C	1	
4	50GA 5460 0	CLEANER LOCK GEAR	クリーナーロックギア	C	1	
5	40LA R707 00	REGULATING PLATE FRONT ASSY	規制板ノ前 部組	C	1	
6	50GA 5343 0	WEB	ウェブ	C	1	
7	27LA 5383 0	FIXING CLEANER ROLLER	定着清掃ローラ	B	1	
8	26NA 5361 0	CLEANER PRESSURE SPRING	クリーナー押圧バネ	B	2	
9	26NA 5349 0	FIXING CLEANER SHAFT HOLDER A	定着清掃軸受 A	C	2	
10	40LA R708 00	REGULATING PLATE REAR ASSY	規制板ノ奥 部組	C	1	
11	50GA -556 0	CLEANER DRIVING SHAFT ASSY	クリーナー駆動軸部組	D	1	
12	26NA 5430 0	FIXING CLEANER SHAFT HOLDER A	定着清掃軸受 A	C	1	
13	50GA 5347 0	CLEANER GEAR B 34T	クリーナーギア B 34 T	B	1	
14	4030 5803 01	ROLLER	ローラ	C	1	
15	4030 5811 01	BUSHING	軸受	C	1	
16	4030 5841 01	ROLL	ころ	C	1	
17	50GA 5472 1	PROTECTION PART	保護部材	D	1	
18	4030 5834 02	BUSHING	軸受	C	1	
19	50GA 5471 0	PAPER EXIT GEAR 18T	排紙ギア 18 T	B	1	
20	50GA 5488 0	CONVEYANCE GUIDE PART RIGHT	搬送ガイド部材 右	C	1	
21	1164 3065 01	STOPPER RING	トメリング	D	1	

# ELECTRIC PARTS

P 55



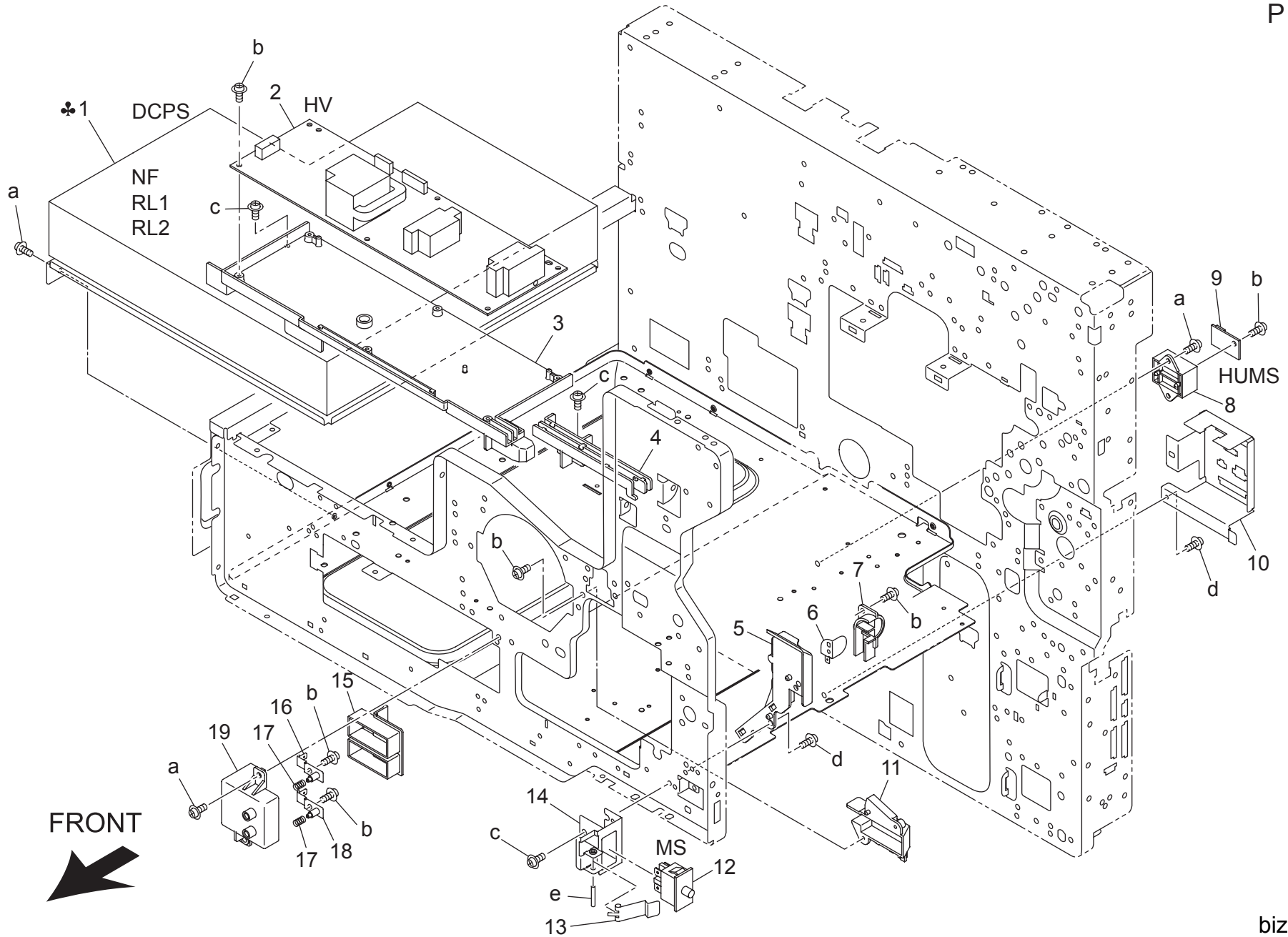
FRONT

bizhub 501

# ELECTRIC PARTS

Key	Part No.	Description	Destinations	Class	QTY	Standard parts
1	4011 3012 01	HOLDER	ホルダ	D	2	a-V116 0330 03 b-V137 0306 03 c-V136 0408 03
2	4030 3091 01	LEVER	レバー	C	2	
3	4037 0104 01	PWB ASSY	基板 A S S Y	C	2	
4	4030 3047 02	HOLDER	ホルダ	D	2	
5	4002 3131 01	SHOULDER SCREW	段ねじ	C	2	
6	4002 3110 01	PRESSURE SPRING	圧縮コイルばね	C	2	
7	4037 0906 01	PHOTO INTERRUPTER	フォトインタラプター	B	8	
8	9J06 M103 00	MOTOR	マグネットモータ	B	2	
9	4030 3208 02	BRACKET	取付板	D	2	
10	4030 3081 01	PRESSURE SPRING	圧縮コイルばね	C	4	
11	4030 3224 02	SHOULDER SCREW	段ねじ	C	4	
12	4030 3083 01	HOLDER	ホルダ	D	2	
13	4030 3048 02	BRACKET	取付板	D	2	
14	4030 3049 01	BRACKET	取付板	D	2	
15	50GA 6271 01	LIFTING STAY	押上げステー	C	2	
16	4030 3046 03	BRACKET	取付板	D	2	

# ELECTRIC PARTS

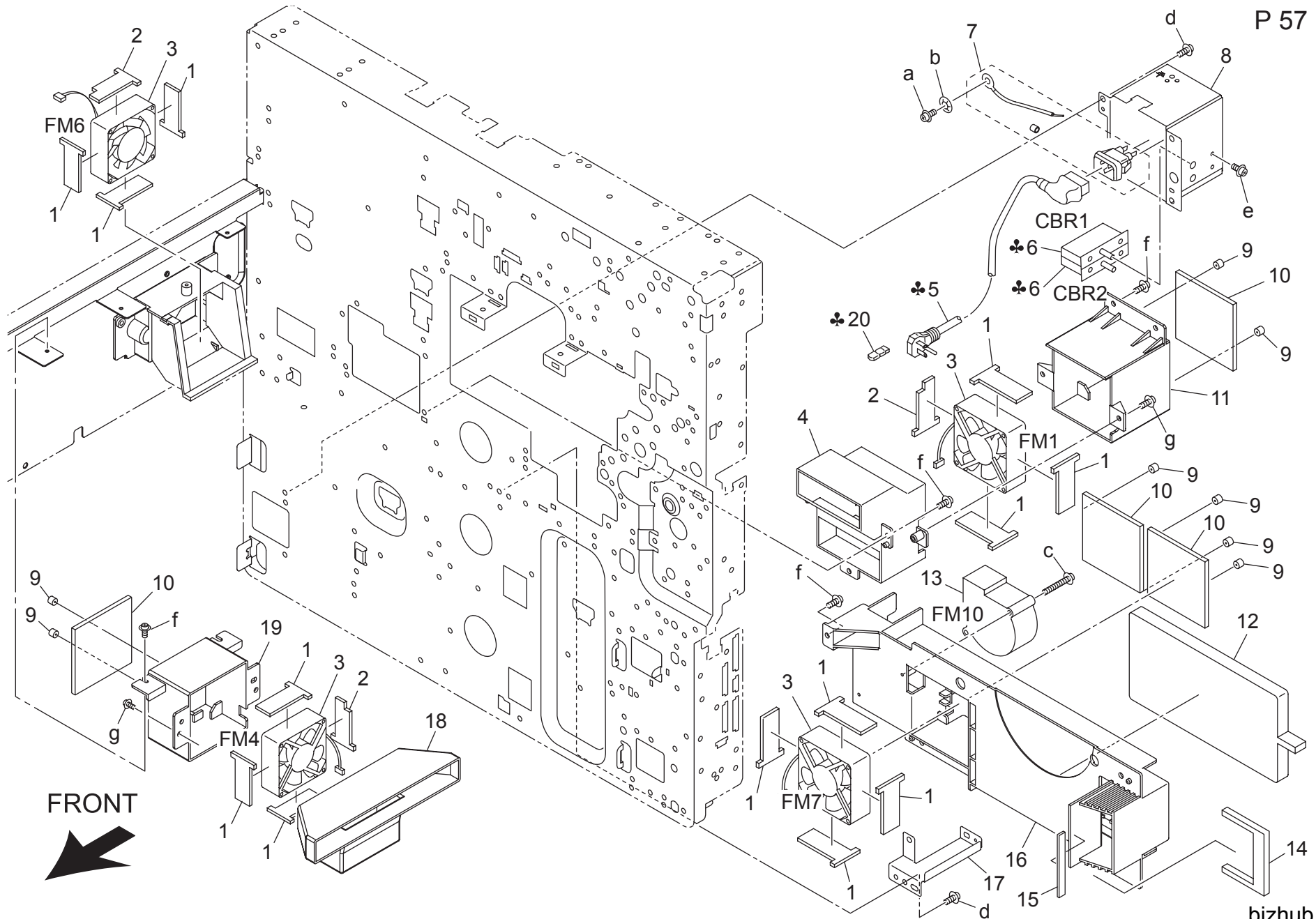


FRONT  
➔

Key	Part No.	Description	Destinations	Class	QTY	Standard parts
1	50GA 8451 0	DC POWER SOURCE 1	D C 電源 / 1	I	1	a-V121 0306 03 b-V151 0308 03 c-V144 0306 03 d-V137 0306 03 e-V233 3018 50
1	50GF 8451 1	DC POWER SOURCE 1	D C 電源 / 1	I	1	
1	50GK M451 00	DC POWER SOURCE /1	D C 電源 / 1	I	1	
2	50GA 8401 0	HIGH VOLTAGE POWER SOURCE	高圧 電源	I	1	
3	50GA 7341 0	HV MOUNTING PEDESTAL	高圧取付台	D	1	
4	50GA 7347 0	WIRING GUIDE PART 1	束線ガイド部材 1	D	1	
5	50GA 7348 1	WIRING GUIDE PART 2	束線ガイド部材 2	C	1	
6	50GA 7349 1	CONTACT PLATE A	接点板 A	C	1	
7	50GA 7376 1	HV COVER PART	高圧カバー材	C	1	
8	65AA 1130 0	SUPPORT PART	センサ支持部材	D	1	
9	27LA 8803 1	PROCESS SENSOR	プロセス センサ	B	1	
10	50GA 7343 0	WIRING MOUNTING PLATE	束線取り付け板	D	1	
11	50GA 7359 0	CORD COVER	コードカバー	D	1	
12	40AA 8501 1	DOOR SWITCH	ドアスイッチ	B	1	
13	50GA 7350 0	SWITCH GUIDE PLATE A	スイッチ案内板 A	D	1	
14	50GA 7351 0	SWITCH MOUNTING PLATE	スイッチ取り付け板	D	1	
15	50GA 7380 0	COVER PLATE	カバー板	D	1	
16	50GA -751 0	HIGH VOLTAGE CONNECTING PLATE S ASS Y	高圧連結板 S 部組	D	1	
17	26NA 7325 1	ELECTRODE CONNECTING SPRING A	電極連結バネ A	B	2	
18	26NA R712 00	HIGH VOLTAGE CONNECTING PLATE B ASS Y	高圧連結板 / B 部組	D	1	
19	50GA 7342 0	CONTACT PEDESTAL 1	接点台 1	D	1	

# ELECTRIC PARTS

P 57

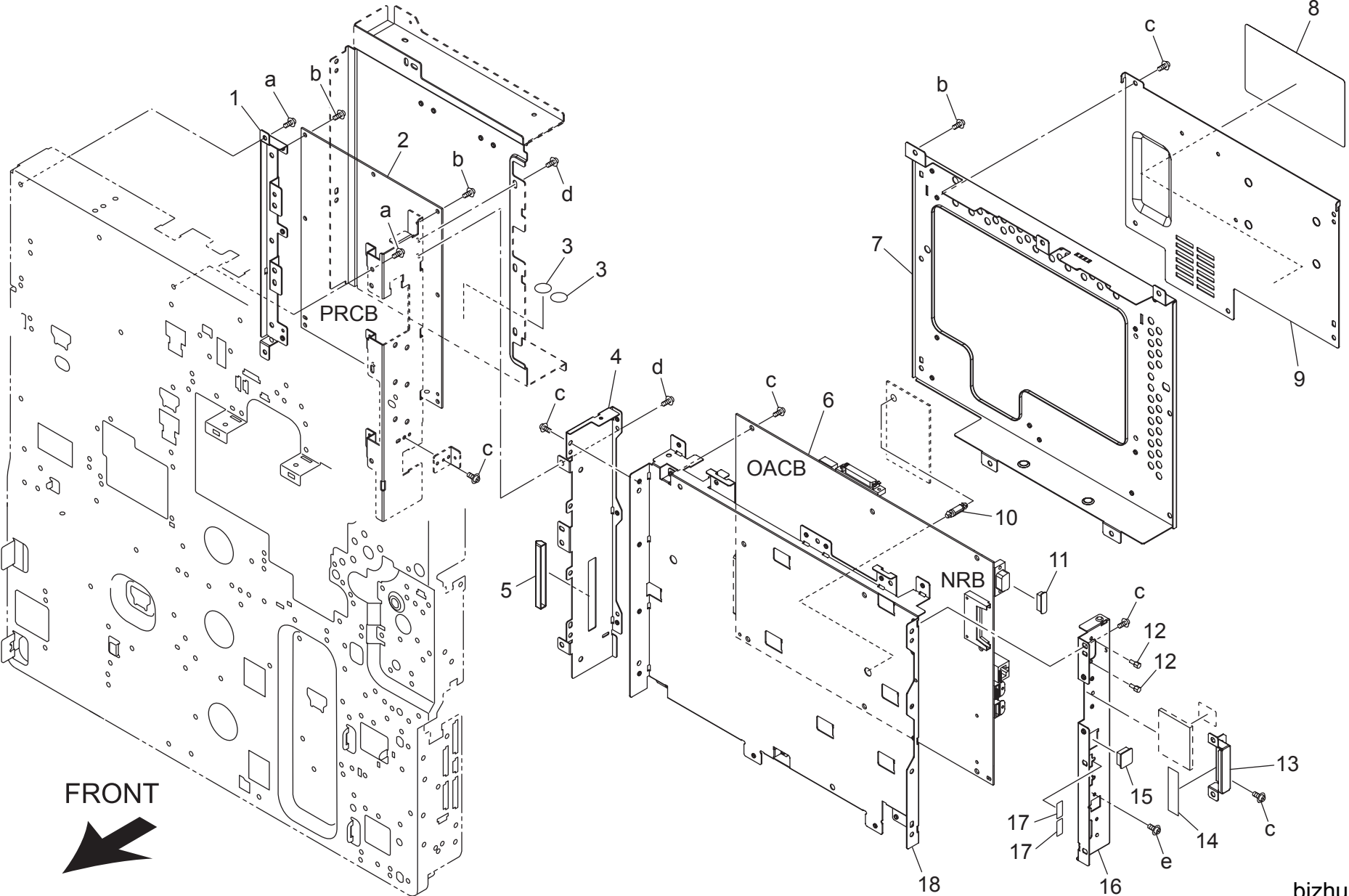


bizhub 501

## ELECTRIC PARTS

Key	Part No.	Description	Destinations	Class	QTY	Standard parts
1	26NA 7373 2	DUST PROOFSEAL 5		C	13	a-V118 0406 21
2	27LA 7391 0	Dustproof Seal		C	3	b-V208 0400 50
3	27LA 8051 1	MAIN BODY FAN MOTOR		B	4	c-V151 0335 03
4	50GA 7338 1	POWER SOURCE COOLING DUCT/2		D	1	d-V137 0306 03
5	4040 0780 01	POWER CORD	A	C	1	e-V123 0306 03
5	9381 4101 31	POWER CORD	B,G2	C	1	f-V121 0306 03
5	9381 4101 11	POWER CORD	D1,D3,E,F2,G1,I,K	D	1	g-V151 0308 03
5	9381 4300 41	POWER CORD	D1,D3,E,F2,G1,I,K	C	1	
5	9381 4300 31	POWER CORD	J	D	1	
5	9J03 N300 00	POWER CORD /120V	H	D	1	
6	26NA 8846 1	CIRCUIT BREAKER	A,B,F1,G2,H	B	2	
6	6852 8604 0	BLACKER	C,D1,D3,E,F2,G1,I,J,K	D	2	
7	26NA R701 00	POWER SOCKET ASSY		D	1	
8	50GA 7344 0	CORD MOUNTING PLATE		D	1	
9	4658 3047 01	COLLAR		C	8	
10	50GA 7391 0	DUST PROOF FILTER		C	4	
11	50GA 7337 1	POWER SOURCE COOLING DUCT/1		D	1	
12	50GA 1031 0	OZONE FILTER		A	1	
13	50GA 8052 0	SYSTEM COOLING FAN		C	1	
14	4030 3523 02	CUSHION		C	1	
15	4030 3524 01	CUSHION		C	1	
16	50GA 7346 0E	FAN MOUNTING BOARD /REAR		D	1	
17	50GA 7355 0	DUCT MOUNTING PLATE		D	1	
18	50GA 7379 0E	DRUM COOLING DUCT /2		D	1	
19	50GA 7339 0	DRUM COOLING DUCT/1		D	1	
20	V590 0400 02	Terminal Cap	A	D	1	

ELECTRIC PARTS



FRONT



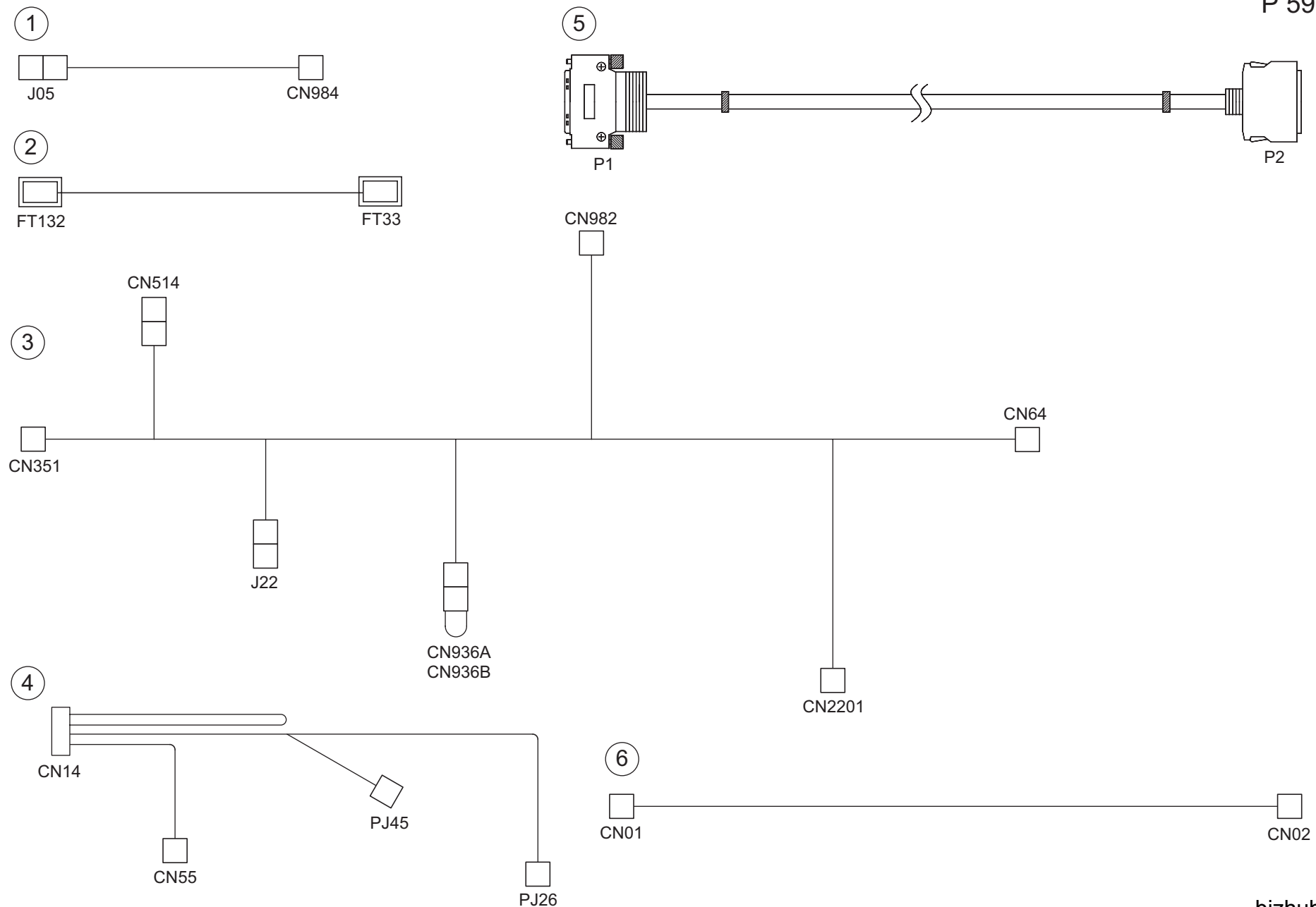


Key	Part No.	Description	Destinations	Class	QTY	Standard parts
1	50GA 7334 0	BOARD MOUNTING STAY/2		D	1	a-V137 0306 03 b-V121 0306 03 c-V121 0304 03 d-V127 0306 03 e-V111 0306 21
2	50GA -902 0E	MAIN CONTROL BOARD UNIT		I	1	
3	5850 9705 0	LABEL SCREW COVER		D	2	
4	50GA 7377 0	BOARD COVER PLATE/C		D	1	
5	50GA 1360 00	Protection Cover /A		D	1	
6	A0R5 H010 06	CONTROL BOARD ASSY		I	1	
7	A0R5 1356 00	Board Cover Plate /A		D	1	
8	40LA 9736 1	CORD CAUTION LABEL		D	1	
9	A0R5 1374 00	Board Cover Plate /E		D	1	
10	V502 0100 54	mini double board post		D	1	
11	13RN 7312 0	TERMINAL PROTECTION COVER 1		D	1	
12	26NA 7357 0	CONTACT FIXING SCREW A		C	2	
13	A0R5 1361 00	Cover		D	1	
14	A0R5 1362 00	Cushion		C	1	
15	40LA 7384 0	CONTACT PROTECTION COVER		D	1	
16	A0R5 1357 00	Board Cover /B		D	1	
17	27LA 7399 0	CONTACT PROTECTION SEAL		C	2	
18	A0R5 1354 00	Board Mounting Plate		D	1	



# WIRING

P 59

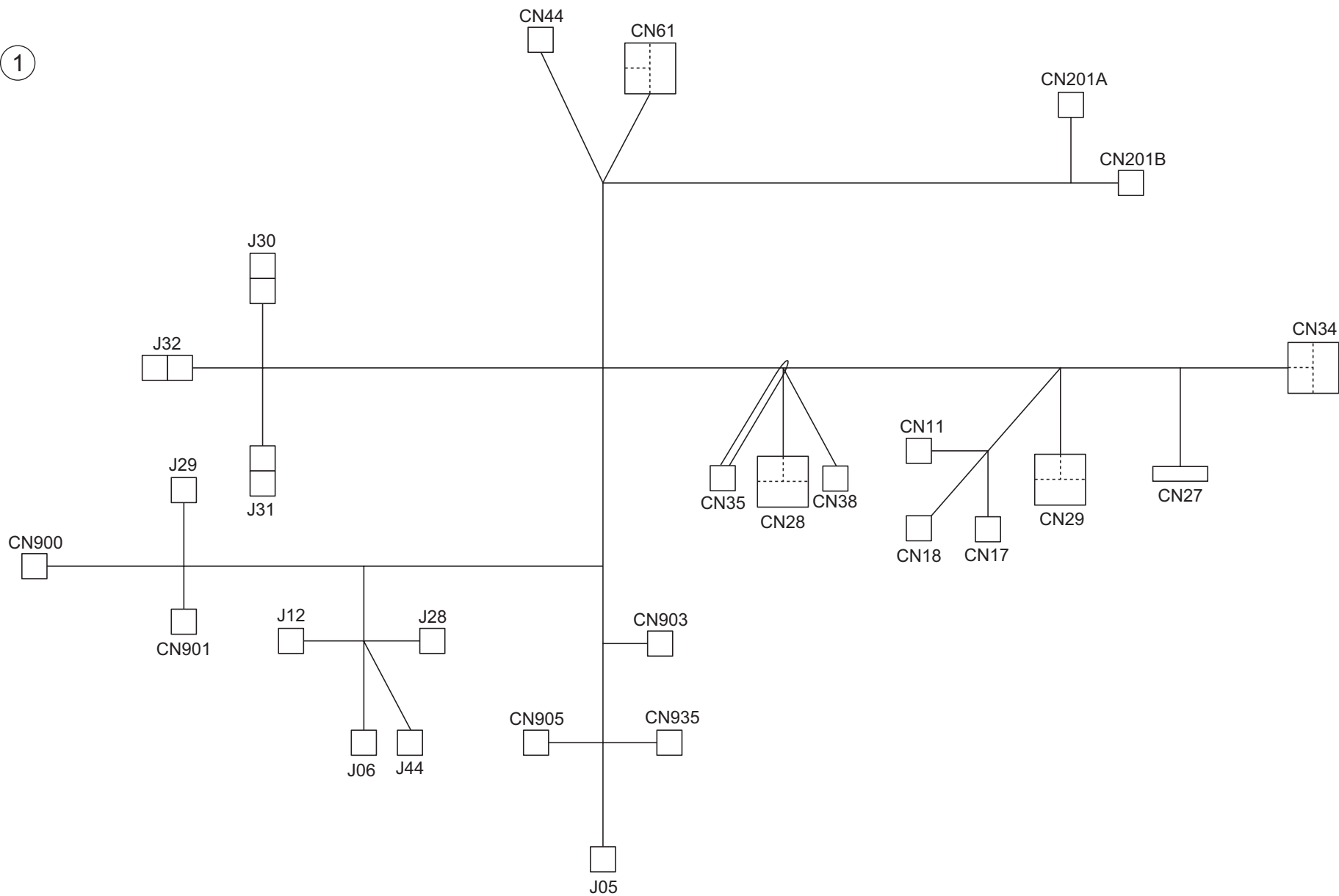


bizhub 501

WIRING

Key	Part No.	Description		Destinations	Class	QTY	Standard parts
1	26NA 9019 1	TONER SUPPLY WIRING 1	トナー補給束線 1		D	1	
2	26NA 9035 1	DEVELOPING RELAY WIRING 2	現像中継束線 2		D	1	
3	A0R5 N105 00	Scanner Wiring	スキャナー束線		D	1	
4	4030 6824 01	WIRE HARNESS ASSY	ハーネス A S S Y		D	1	
5	A0R5 N100 00	Ope.unit Cable	操作部ケーブル		C	1	
6	A0R5 N101 00	I/O Relay harness	I / O 中継束線		D	1	

1

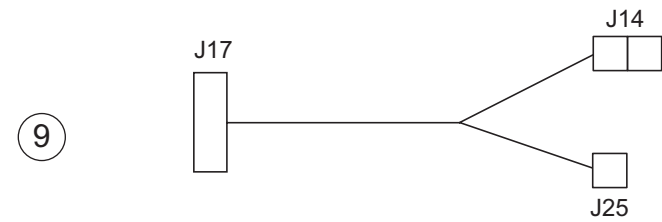
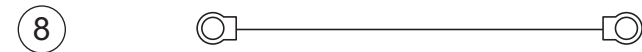
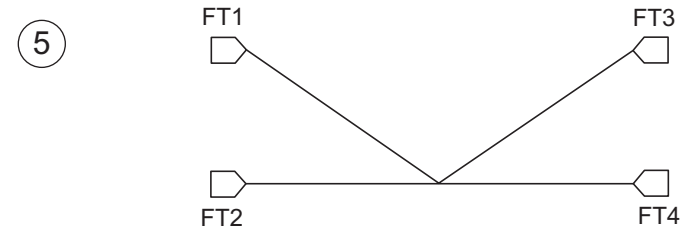
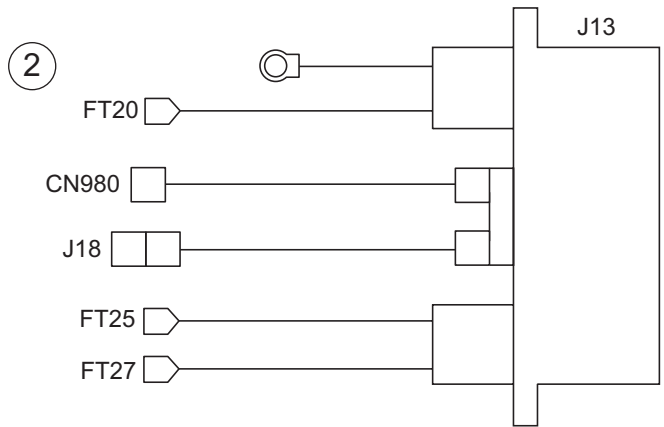
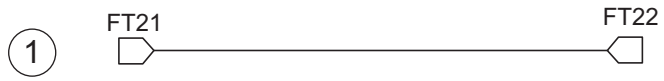


# WIRING

Key	Part No.	Description	Destinations	Class	QTY	Standard parts
1	50GA 9001 0	MAIN BODY WIRING UPPER 本体 束線／上		D	1	

# WIRING

P 61



# WIRING

Key	Part No.	Description	Destinations	Class	QTY	Standard parts
1	50GA 9004 0	FUSE CORD 1	ヒューズコード 1	D	1	
2	50GA 9005 1	FIXING POWER SUPPLY WIRING	定着給電束線	D	1	
3	50GA 9011 0E	AC Power supply Wiring /1	A C 給電束線 / 1	D	1	
4	50GA 9012 0	AC POWER SUPPLY WIRING 2	A C 給電束線 / 2	D	1	
5	50GA 9013 0	AC POWER SUPPLY WIRING 3	A C 給電束線 / 3	D	1	
6	50GA 9014 0	FIXING RELAY WIRING 2	定着中継束線 2	D	1	
7	50GA 9016 0	OPTICAL RELAY WIRING	光学中継束線	D	1	
8	50GA 9019 0	CONVEYANCE EARTH WIRING	搬送アース束線	D	1	
9	50GA 9024 0	DEVELOPING RELAY WIRING	現像中継束線	D	1	

# WIRING

P 62

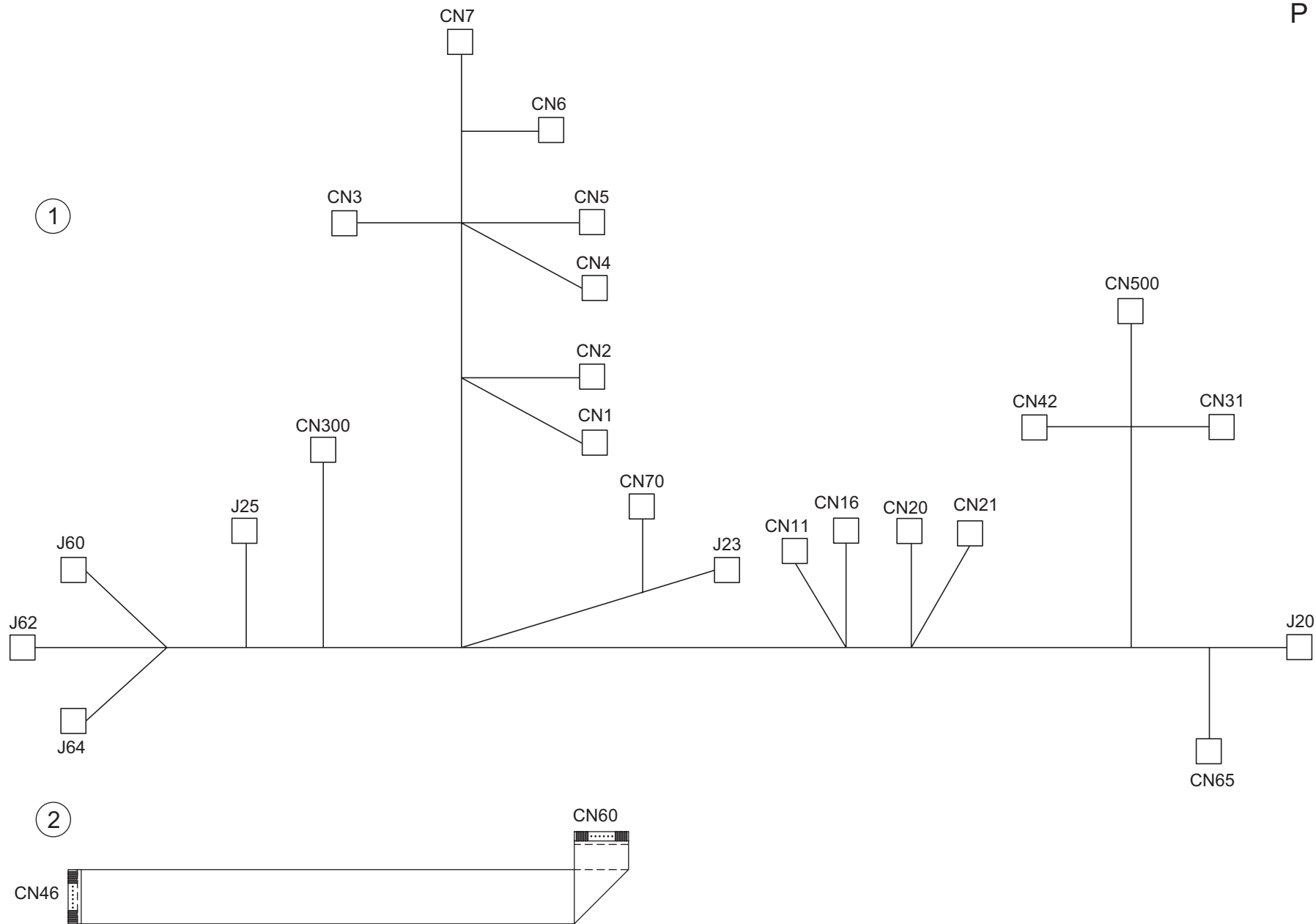


bizhub 501



# WIRING

Key	Part No.	Description	Destinations	Class	QTY	Standard parts
1	50GA 9026 0	LAMP RELAY WIRING		D	1	
2	50GA 9027 0	DC INTERLOCK WIRING		D	1	
3	50GA 9031 0	RELAY WIRING		D	1	
4	50GA 9032 0E	CONVEYANCE SUCTION WIRING		D	1	
5	50GA 9037 0	REGISTRATION WIRING		D	1	
6	50GA 9038 0	HIGH VOLTAGE WIRING 1		D	1	
7	50GA 9039 0	HIGH VOLTAGE WIRING 2		D	1	
8	50GA 9042 0	OPTION RELAY WIRING		D	1	
9	26NA 9031 1	RELAY WIRING 1		D	1	

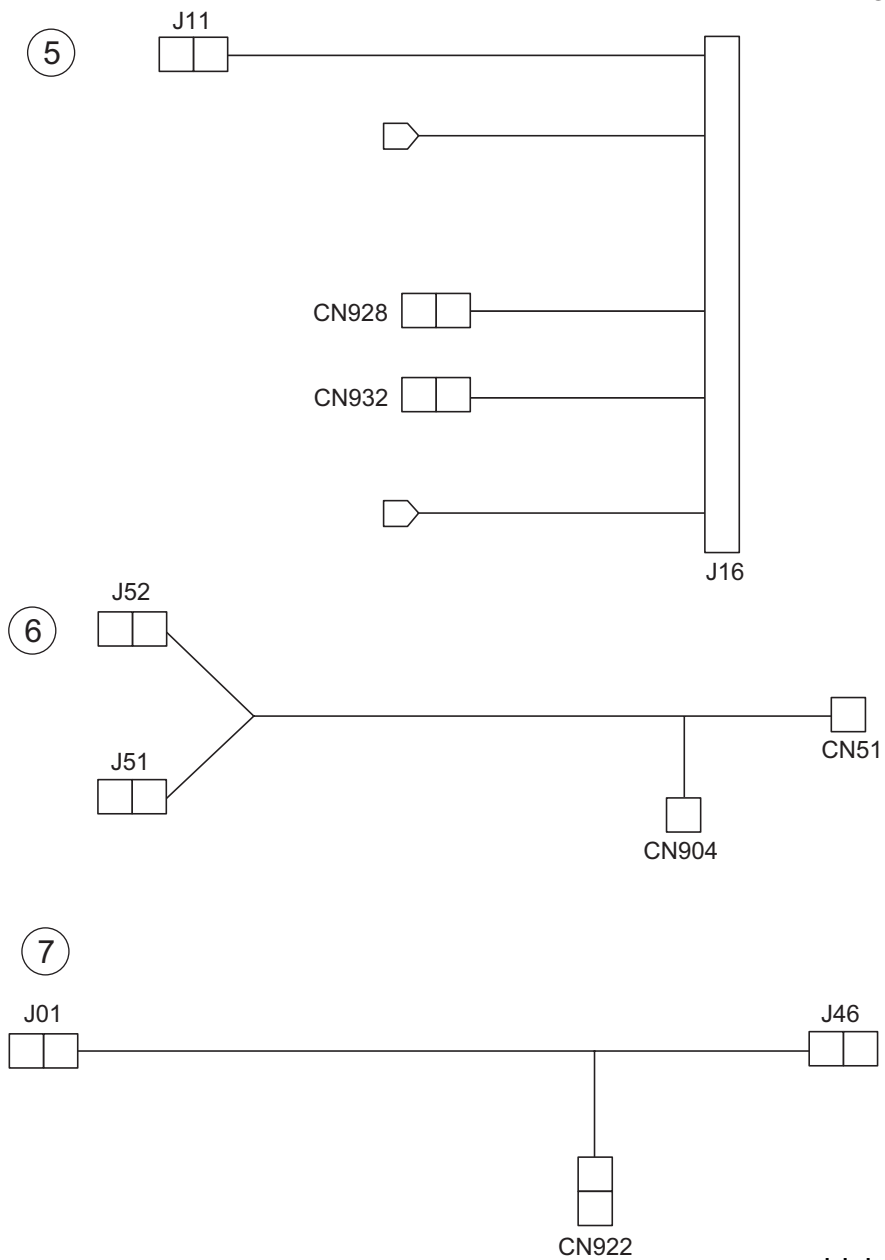
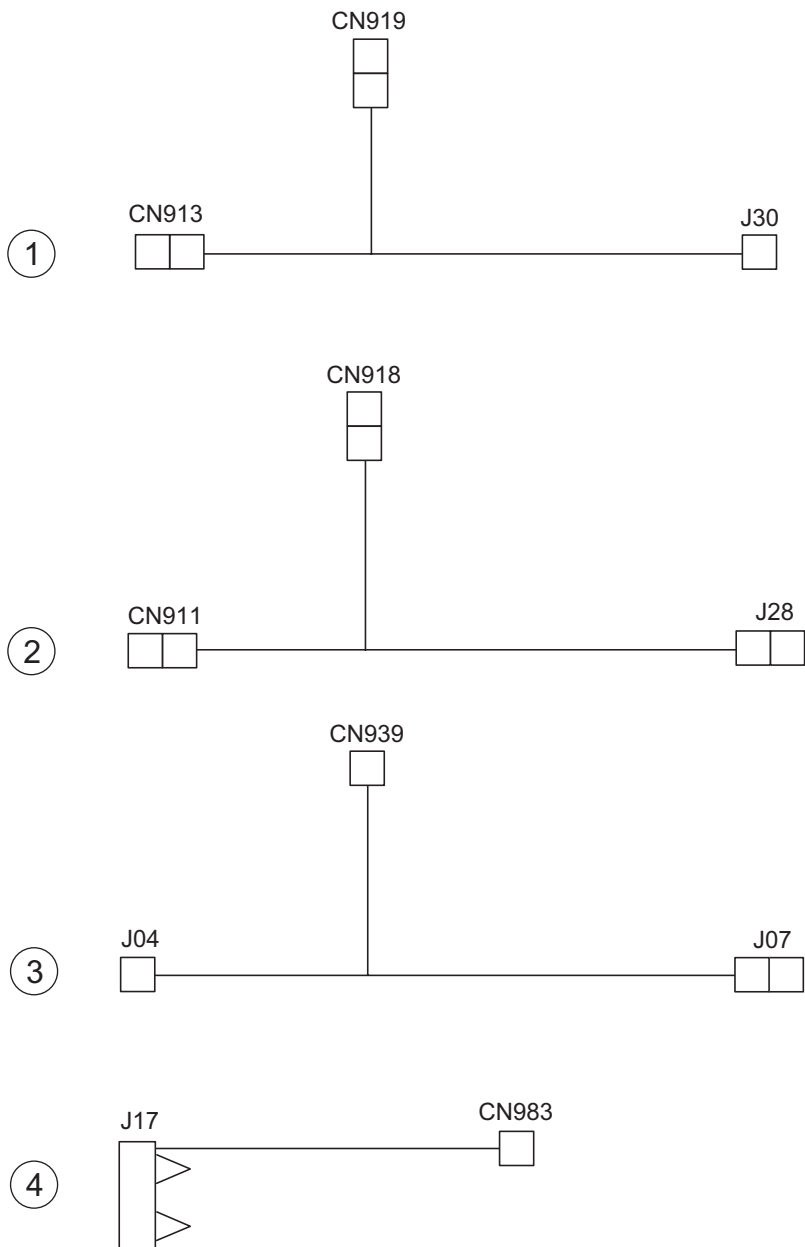


# WIRING

Key	Part No.	Description	Destinations	Class	QTY	Standard parts
1	50GA 9003 0	DC POWER SOURCE WIRING		D	1	
2	50GA 9050 0	AD WIRING		C	1	

# WIRING

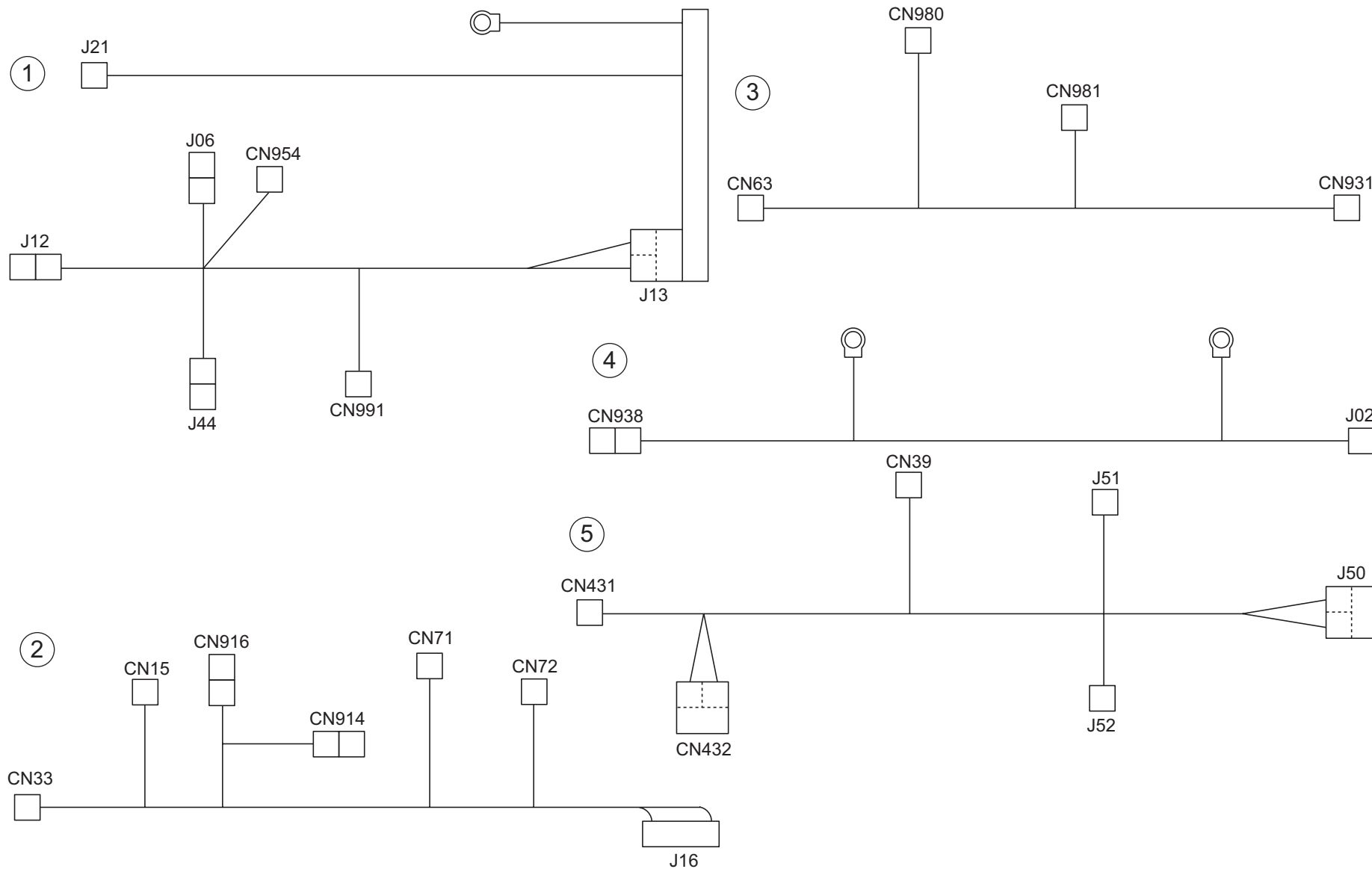
P 64



bizhub 501

# WIRING

Key	Part No.	Description	Destinations	Class	QTY	Standard parts
1	50GA 9033 0	INTERNAL COOLING WIRING		D	1	
2	50GA 9034 0	FIXING COOLING WIRING		D	1	
3	50GA 9035 0	PAPER FEED RELAY WIRING UPPER		D	1	
4	40LA 9025 0	DEVELOPMENT WIRING		D	1	
5	40LA 9007 1	DRUM WIRING		D	1	
6	40LA 9022 0E	POLYGON RELAY WIRING		D	1	
7	50GA 9030 0	REGISTRATION RELAY WIRING		D	1	

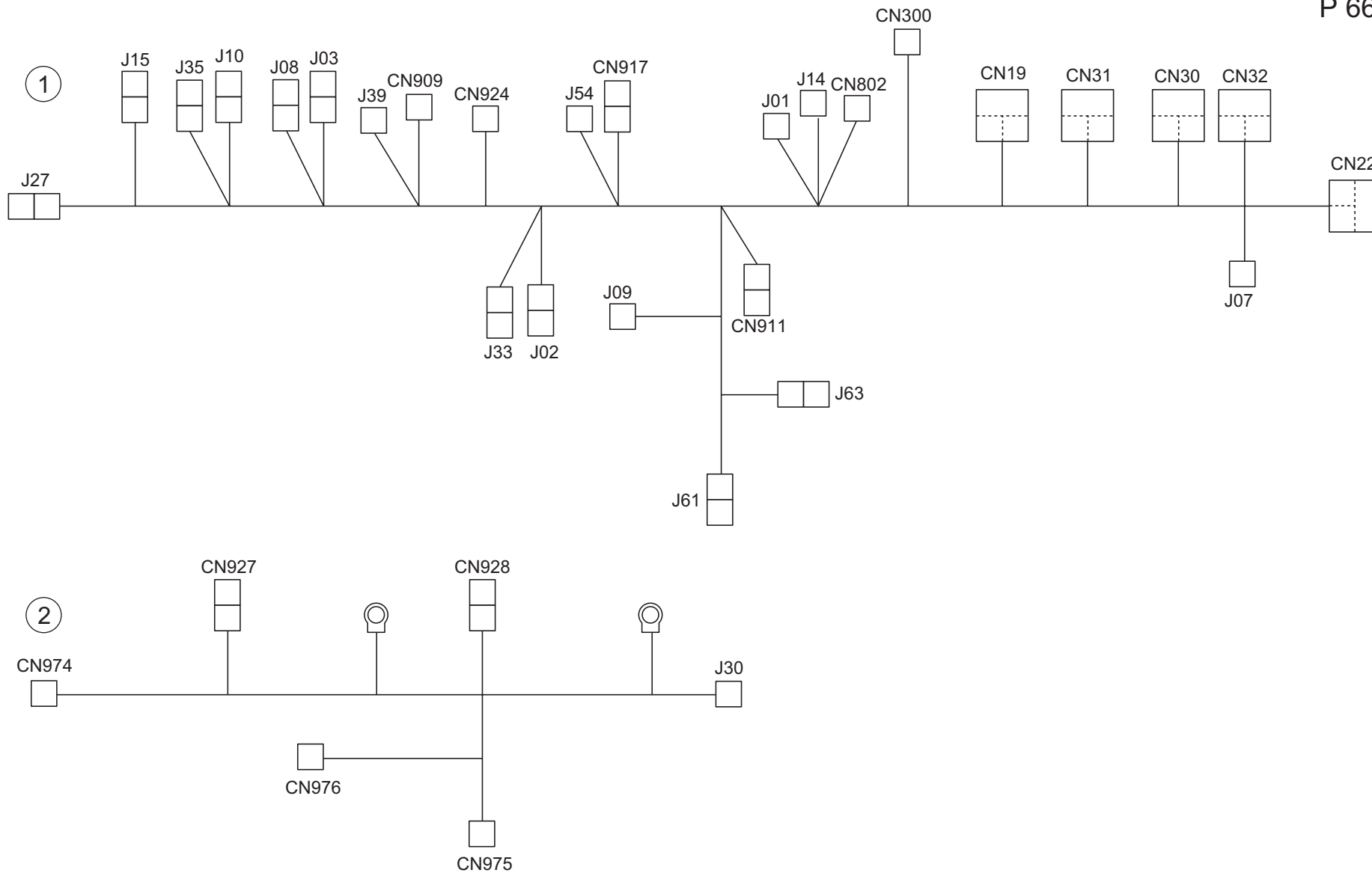


# WIRING

Key	Part No.	Description	Destinations	Class	QTY	Standard parts
1	50GA 9006 0	FIXING RELAY WIRING		D	1	
2	50GA 9008 0	DRUM RELAY WIRING		D	1	
3	50GA 9009 0	OPTICAL WIRING		D	1	
4	50GA 9029 0	CONVEYANCE RELAY WIRING		D	1	
5	50GA 9020 0	LD RELAY WIRING		D	1	

# WIRING

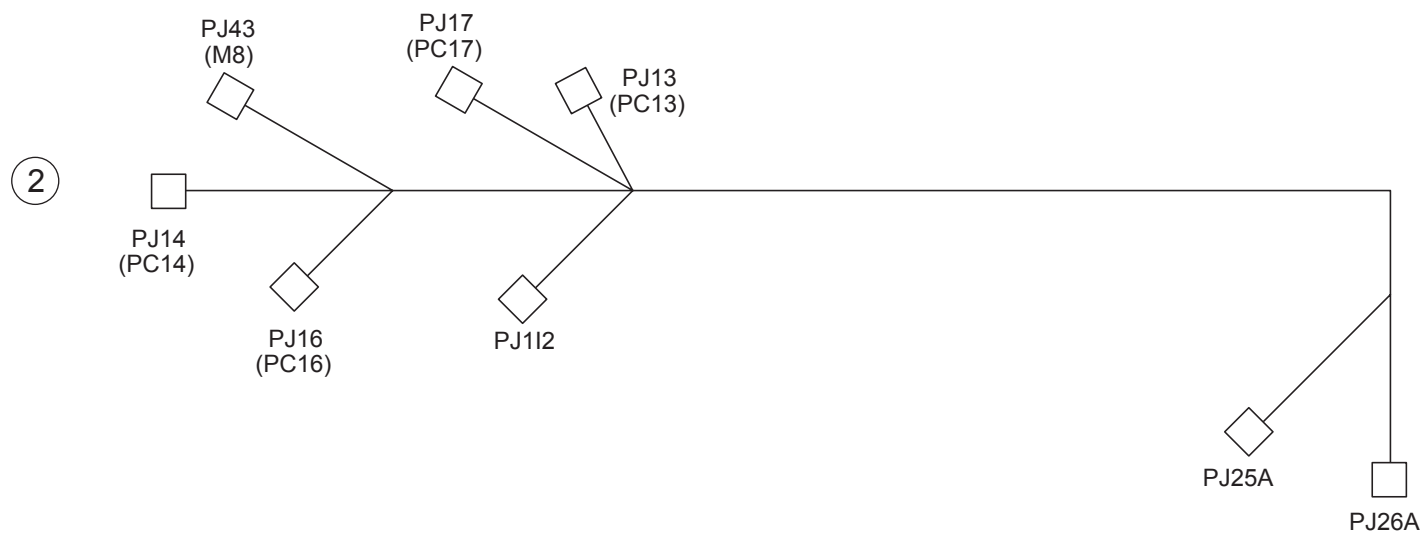
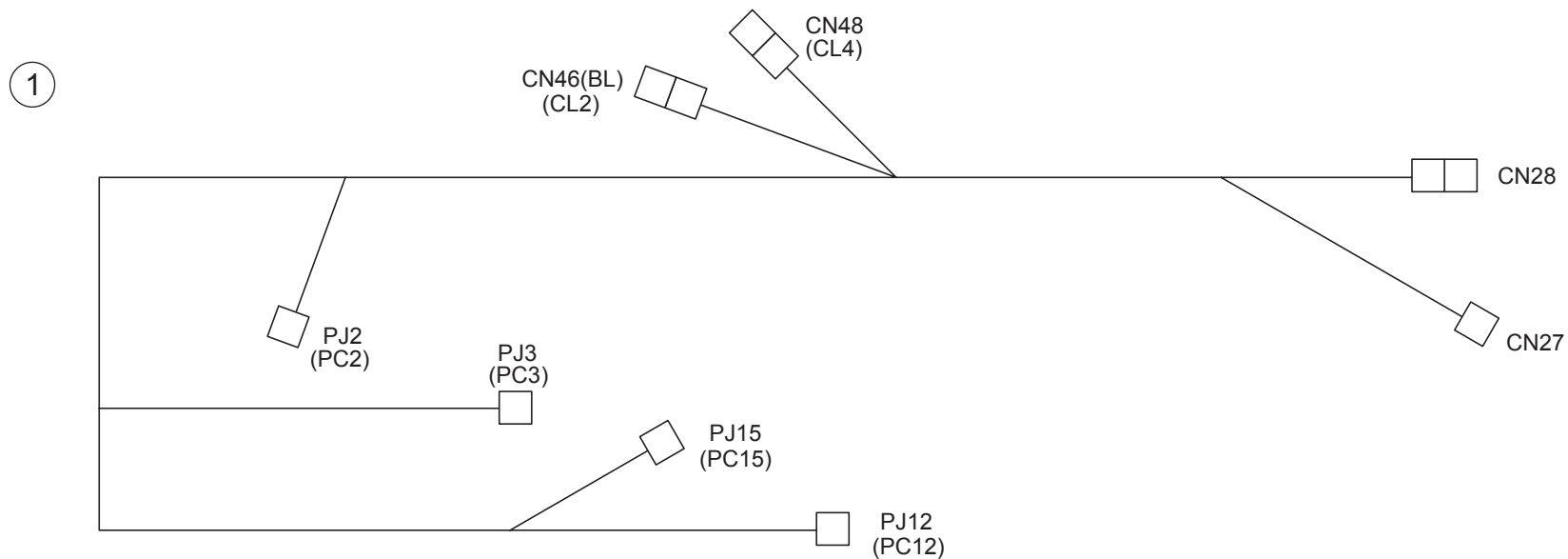
P 66





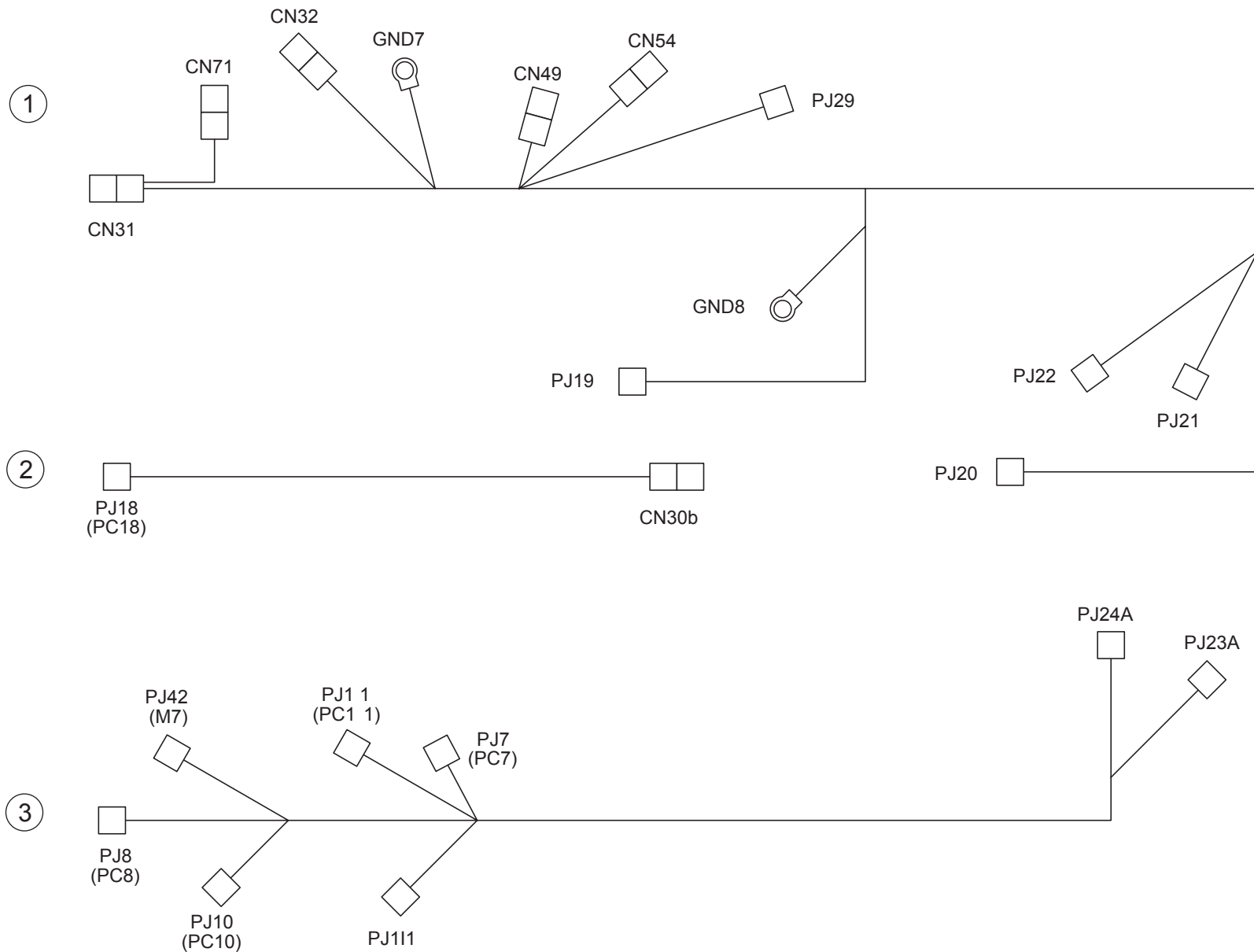
# WIRING

Key	Part No.	Description	Destinations	Class	QTY	Standard parts
1	50GA 9002 0	MAIN BODY WIRING LOWER		D	1	
2	50GA 9017 1	ADU WIRING		D	1	



# WIRING

Key	Part No.	Description	Destinations	Class	QTY	Standard parts
1	4030 6812 02	WIRE HARNESS ASSY		D	1	
2	4030 6813 02	WIRE HARNESS ASSY		D	1	



# WIRING

Key	Part No.	Description	Destinations	Class	QTY	Standard parts
1	4030 6814 03	WIRE HARNESS ASSY		D	1	
2	4030 6818 01	WIRE HARNESS ASSY		D	1	
3	4030 6810 02	WIRE HARNESS ASSY		D	1	

# WIRING ACCESSORY AND JIGS

P 69

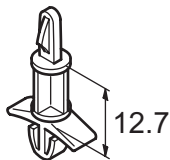
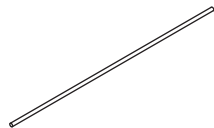
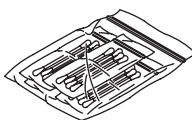
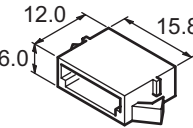
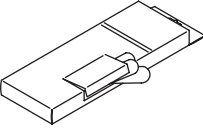
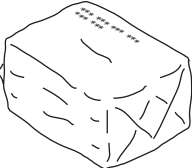
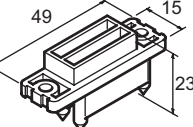
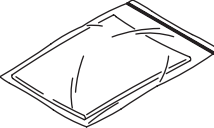
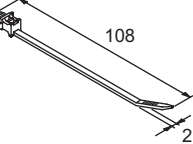
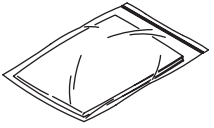
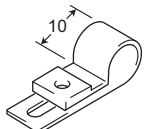

1 	6 	11 	16 	21 	26 	31 	36 
2 	7 	12 	17 	22 	27 	32 	37 
3 	8 	13 	18 	23 	28 	33 	38 
4 	9 	14 	19 	24 	29 	34 	39 
5 	10 	15 	20 	25 	30 	35 	40 

bizhub 501

Key	Part No.	Description	Destinations	Class	QTY	Standard parts
1	V500 0100 22	saddle	ロッキングワイヤーサドル	D		
2	V500 0100 08	saddle	ロッキングワイヤーサドル	D		
3	V500 0100 03	Saddle	ロッキングワイヤーサドル	D		
4	V570 0100 39	bushing	スクウェアブッシュ	D		
5	V500 0100 04	saddle	ロッキングワイヤーサドル	D		
6	V570 0100 23	saddle	エッジサドル	D		
7	V570 0100 26	saddle	ロッキングエッジサドル	D		
8	V570 0100 27	saddle	ロッキングエッジサドル	D		
9	V570 0100 28	saddle	ロッキングエッジサドル	D		
10	V500 0100 46	saddle	ミニロッキングワイヤーサドル	D		
11	V500 0100 61	saddle	ミニロッキングワイヤーサドル	D		
12	V500 0100 20	Saddle	ミニロッキングワイヤーサドル	D		
13	V570 0100 50	Locking Edge Saddle	ロッキングエッジサドル	D		
14	V500 0200 05	clamp	ナイロンクランプ	C		
15	V570 0100 07	saddle	スーパーサドル	D		
16	V570 0100 08	saddle	スーパーサドル	D		
17	V500 0100 26	saddle	ミニサドル	D		
18	V500 0100 28	saddle	ミニサドル	D		
19	V500 0100 29	saddle	ミニサドル	D		
20	00Z9 2450 8	Edging	エッジング (ナチュラル)	C		
21	00Z9 2451 2	Edging	エッジング (ナチュラル)	C		
22	00Z9 2452 4	Edging	エッジング (ナチュラル)	D		
23	V570 0100 12	saddle	エッジサドル	D		
24	V651 0100 01	connector	W t o W コネクタ	D		
25	V500 0100 07	saddle	ロッキングワイヤーサドル	D		
26	V500 0100 05	saddle	ロッキングワイヤーサドル	D		
27	V501 0100 06	band	結束バンド	D		
28	V500 0200 10	clip	コードクリップ (M)	D		
29	V501 0100 01	band	結束バンド	D		
30	V570 0100 21	Saddle	エッジサドル	D		
31	V570 0100 31	holder	エッジホルダー	D		
32	V501 0100 12	band	結束バンド	D		
33	V500 0100 47	saddle	ミニサドル	D		
34	V502 0100 44	PCB Support	PCB サポート	D		
35	V502 0100 45	PCB Support	PCB サポート	D		
36	V502 0100 46	PCB Support	PCB サポート	D		
37	V500 0200 29	clamp	耐熱クランプ	D		
38	V500 0100 35	saddle	ワイヤーサドル	D		
39	V500 0200 55	clamp	ミニクランプ	D		
40	V500 0200 27	lifter	ハーネスリフター	D		

# WIRING ACCESSORY AND JIGS

P 70

<p>1</p>  <p>12.7</p>	<p>6</p> 	<p>11 ♣</p> 					
<p>2</p>  <p>12.0 15.8 6.0</p>	<p>7</p> 	<p>12 ♣</p> 					
<p>3</p>  <p>49 15 23.2</p>	<p>8</p> 						
<p>4</p>  <p>108 2.5</p>	<p>9</p> 						
<p>5</p>  <p>10</p>	<p>10</p> 						

bizhub 501

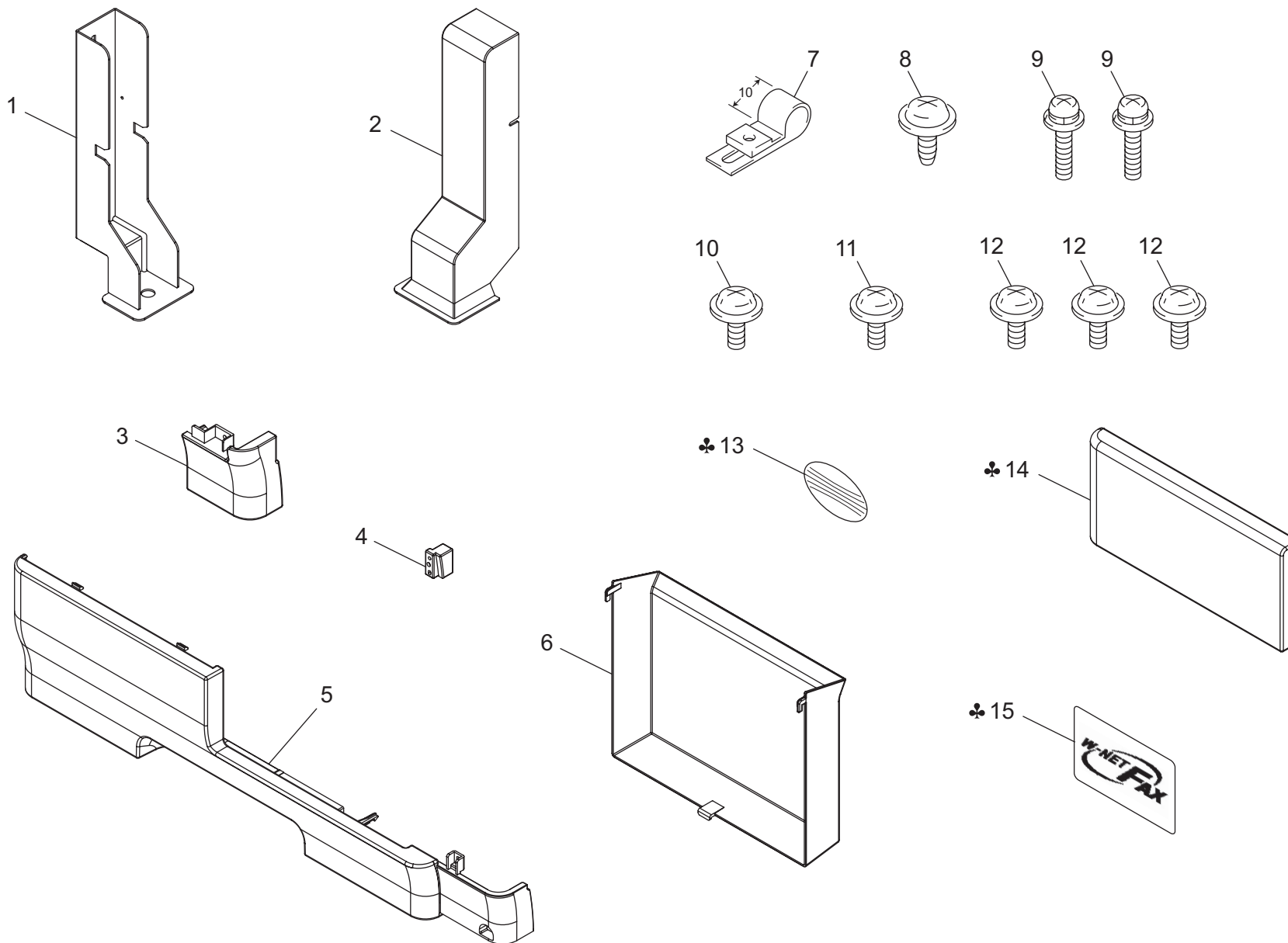


WIRING ACCESSORY AND JIGS

Key	Part No.	Description	Destinations	Class	QTY	Standard parts
1	V502 0100 17	support		D		
2	V651 0100 05	CONNECTOR	ロッキングサーキットボードサポート W t o W コネクタ	D		
3	V651 0200 01	connector	ドロワーコネクタ	D		
4	V501 0100 09	band	結束バンド	D		
5	9384 1600 11	P-CLIP 10D	コート`オサエ	D		
6	26NA JG01 1	Optic Unit Positioning Jig	光学位置決め治具	D		
7	000V 1001 0	GLOVES	ポリエチレン手袋 100 SET 200枚	S		
8	000V 1002 0	DUST BAG	ダストバッグ 10枚	S		
9	000V 1003 0	DEVE COLLECTING SHEET	デベ回収シート 10枚	S		
10	000V 1004 0	COLLECTING HAND BAG	回収用手提げ袋 100枚	S		
11	000V 1005 0	COTTON SWAB	綿棒 40枚	S		
12	000V -18- 1	CLEANING PAD	クリーニングパット (30枚)	A		A,C,D1,D3,E,F1,F2,G1,H I,J,K
12	000V -18- 2	CLEANING PAD	クリーニングパット (30枚)	A		C,D1,D3,E,F1,F2,G1,H,I J,K A

# ACCESSORY PARTS

P 71



Key	Part No.	Description		Destinations	Class	QTY	Standard parts
1	50GA 1026 0	ENCLOSED INSTALLING PLATE A			C	1	
2	A0R5 1029 00	Cover			C	1	
3	A0R5 1677 00	Cover /Right			C	1	
4	A0R5 1680 00	Cover			C	1	
5	A0R5 1712 00	Cover			C	1	
6	A00J 1699 01	Holder			C	1	
7	9384 1600 11	P-CLIP 10D			D	1	
8	V137 0308 04	screw			D	1	
9	V123 0450 03	Screw			C	2	
10	V121 0306 03	screw			D	1	
11	V121 0308 04	screw			D	1	
12	V116 0306 03	Screw			D	3	
13	A00J 9455 00	Logo Mark		C,D1,D3,E,F1,F2,G1,H,I J,K	C	1	
14	A0RA 1701 01	Cover /Left front		C,D1,D3,E,F1,F2,G1,H,I J,K	C	1	
15	A00J 9437 00	Label		A	D	1	

# MAINTENANCE LIST

● The items with no Page/Key numbers are not handled as spare parts.

No.	Section	PM Parts Description	Maintenance Cycle (K=1,000)		Parts No.	Destinations	Page/Key	Note
			QTY	Replace				
1	Photo Conductor Section	Drum	1	250K	-			
2		Cleaning Blade assy	1	250K	50GA-2090		P20-12	
3		Drum unit (without drum)	1	750K	50GA-2001		P17-18	
4	Transfer/separation section	Transfer/separation unit	1	500K	50GA-2600		P22-1	
5	Developing section	Developer	1	250K	-			
6		Developing unit	1	750K	50GA-3001		P24-18	
7	Main Body	Filter mounting plate assy	1	250K	50GA-3360		P29-14	
8		Ozone Filter	1	250K	50GA10310		P57-12	
9		Suction Filter/A assy	1	250K	40LAR70500		P30-2	
10		Filter cover assy	1	250K	A0R5R70100		P30-1	
11		Suction Cover 2 assy	2	250K	50GA-3110		P30-7	
12	Paper feed section	Pick-up roller	2	300K	4030300501		P31-7/P33-13	
13		Feed roller	2	300K	4030300501		P31-7/P33-13	
14		Separation roller assy(Tray 1, 2)	2	300K	4030015101		P32-15/P34-11	
15	Bypass tray section	Paper feed roller	1	200K	4131300101		P36-36	
16		Separation roller assy	1	200K	4034015101		P35-8	
17	Registration section	Loop roller	1	1250K	50GA38650E		P38-11	
18		Registration roller /Rt	1	1250K	50GA38480		P38-10	
19		Registration bearing /Rt	2	1250K	26NA45360		P38-21	
20		Registration bearing /Lt	2	1250K	26NA45371		P38-20	
21		Loop bearing	2	1250K	26NA40820		P38-12	
22	Fusing section	Fusing roller	1	250K	50GA53030	A B,C,D1,D3,E,F2,G1,G	P49-4	
23		Fusing roller	1	250K	50GE53030		P49-4	
24		Fusing pressure roller	1	250K	50GA53040		P49-13	
25		Fusing web	1	250K	50GA-5400		P54-1	
26		Heat insulating sleeve /A	2	250K	26NA53720		P49-6	
27		Fusing bearing /Up	2	250K	26NA53712		P49-5	
28		Fusing bearing /Lw	2	250K	50GA53590		P49-12	
29		Fusing sensor assy	1	500K	50GA-5440		P50-6	
30		Fuse holder assy	1	500K	SP00-0112		P50-10	
31		Fusing claw assy	1	500K	50GA-5330		P53-1	
32		Fusing driven roller /A assy	2	250K	4040R70600		P52-13	
33		Fusing driven roller /B assy	2	250K	4040R70700		P52-4	
34	Fusing input gear assy	1	500K	50GA-5461	P51-20			
35	Paper reverse section	Paper exit suction filter	1	250K	50GA44060		P39-2	
36	Write section	Write unit	1	1250K	A0R5R70000		P11-1	

# メンテナンスリスト

● ページ / キーナンバーのないものは、アフターサービス部品ではありません。

No.	区分	PM 部品名称	サイクル (K=1,000)		部品番号	仕向地	頁 / キー	備考
			員数	交換				
1	感光体部	ドラム	1	250K	-			
2		クリーニングブレード assy	1	250K	50GA-2090		P20-12	
3		ドラムユニット (ドラムなし)	1	750K	50GA-2001		P17-18	
4	転写 / 分離極部	転写 / 分離極ユニット	1	500K	50GA-2600		P22-1	
5	現像部	現像剤	1	250K	-			
6		現像ユニット	1	750K	50GA-3001		P24-18	
7	本体部	フィルタ取付板 assy	1	250K	50GA-3360		P29-14	
8		オゾンフィルタ	1	250K	50GA10310		P57-12	
9		サクシオンフィルタ /A assy	1	250K	40LAR70500		P30-2	
10		フィルタカバー assy	1	250K	A0R5R70100		P30-1	
11		サクシオンカバー /2 assy	2	250K	50GA-3110		P30-7	
12	給紙部	ピックアップローラ	2	300K	4030300501		P31-7/P33-13	
13		給紙ローラ	2	300K	4030300501		P31-7/P33-13	
14		分離ローラ assy (トレイ 1、2)	2	300K	4030015101		P32-15/P34-11	
15	手差しトレイ部	給紙ローラ	1	200K	4131300101		P36-36	
16		分離ローラ assy	1	200K	4034015101		P35-8	
17	レジスト部	ループローラ	1	1250K	50GA38650E		P38-11	
18		レジストローラ /Rt	1	1250K	50GA38480		P38-10	
19		レジスト軸受 /Rt	2	1250K	26NA45360		P38-21	
20		レジスト軸受 /Lt	2	1250K	26NA45371		P38-20	
21		ループ軸受	2	1250K	26NA40820		P38-12	
22	定着部	定着ローラ	1	250K	50GA53030	A	P49-4	
23		定着ローラ	1	250K	50GE53030	B,C,D1,D3,E,F2,G1,G2,I	P49-4	
24		定着加圧ローラ	1	250K	50GA53040		P49-13	
25		定着ウェブ	1	250K	50GA-5400		P54-1	
26		断熱スリーブ /A	2	250K	26NA53720		P49-6	
27		定着軸受 /Up	2	250K	26NA53712		P49-5	
28		定着軸受 /Lw	2	250K	50GA53590		P49-12	
29		定着センサ assy	1	500K	50GA-5440		P50-6	
30		ヒューズ取付板 assy	1	500K	SP00-0112		P50-10	
31		定着爪 assy	1	500K	50GA-5330		P53-1	
32		定着従動ローラ /A assy	2	250K	4040R70600		P52-13	
33		定着従動ローラ /B assy	2	250K	4040R70700		P52-4	
34		定着入力ギア assy	1	500K	50GA-5461		P51-20	
35	反転部	排紙サクシオンフィルタ	1	250K	50GA44060		P39-2	
36	書き込み部	書き込みユニット	1	1250K	A0R5R70000		P11-1	

## DESTINATION

Destination No.		Destinations		V	Hz	Model No.
A	A1	JAPAN		100	50/60	A0R5001
	A2	JAPAN		100	50/60	A0R5001
B		USA, CANADA		120	60	A0R5011/ A0R5012
C		EUROPEAN TYPE		220-240	50/60	A0R5021
D	D1	S.E ASIA TYPE	THAILAND, SRI LANKA, SINGAPORE, MALAYSIA, HONG KONG, PAKISTAN, INDIA, BANGLADESH, INDONESIA	220-240	50/60	A0R5041
	D3	OCEANIA TYPE	AUSTRALIA, NEW ZEALAND	220-240	50/60	A0R5041
E		PHILIPPINES		220-240	50/60	A0R5041
F	F1	SAUDI ARABIA		127	60	A0R50M1
	F2	SAUDI ARABIA		220-240	50/60	A0R5041
G	G1	C.S AMERICA		220-240	50/60	A0R5041
	G2	C.S AMERICA		120	60	A0R5011
H		TAIWAN		110	60	A0R5071
I		JORDAN, LEBANON, SYRIA, SOUTH AFRICA, IRAQ, IRAN, N.YEMEN, CAMEROON, UAE, BAHRAIN, OMAN, QATAR, KUWAIT, KENYA, TUNISIA, IVORY COAST, MOROCCO		220-240	50/60	A0R5041
J		CHINA		220-240	50	A0R5081
K		KOREA		220-240	50/60	A0R5041

bizhub 501