

KONICA MINOLTA

PARTS GUIDE MANUAL

DECEMBER 2010

bizhub 502/bizhub 552

bizhub 602/bizhub 652

A2WU

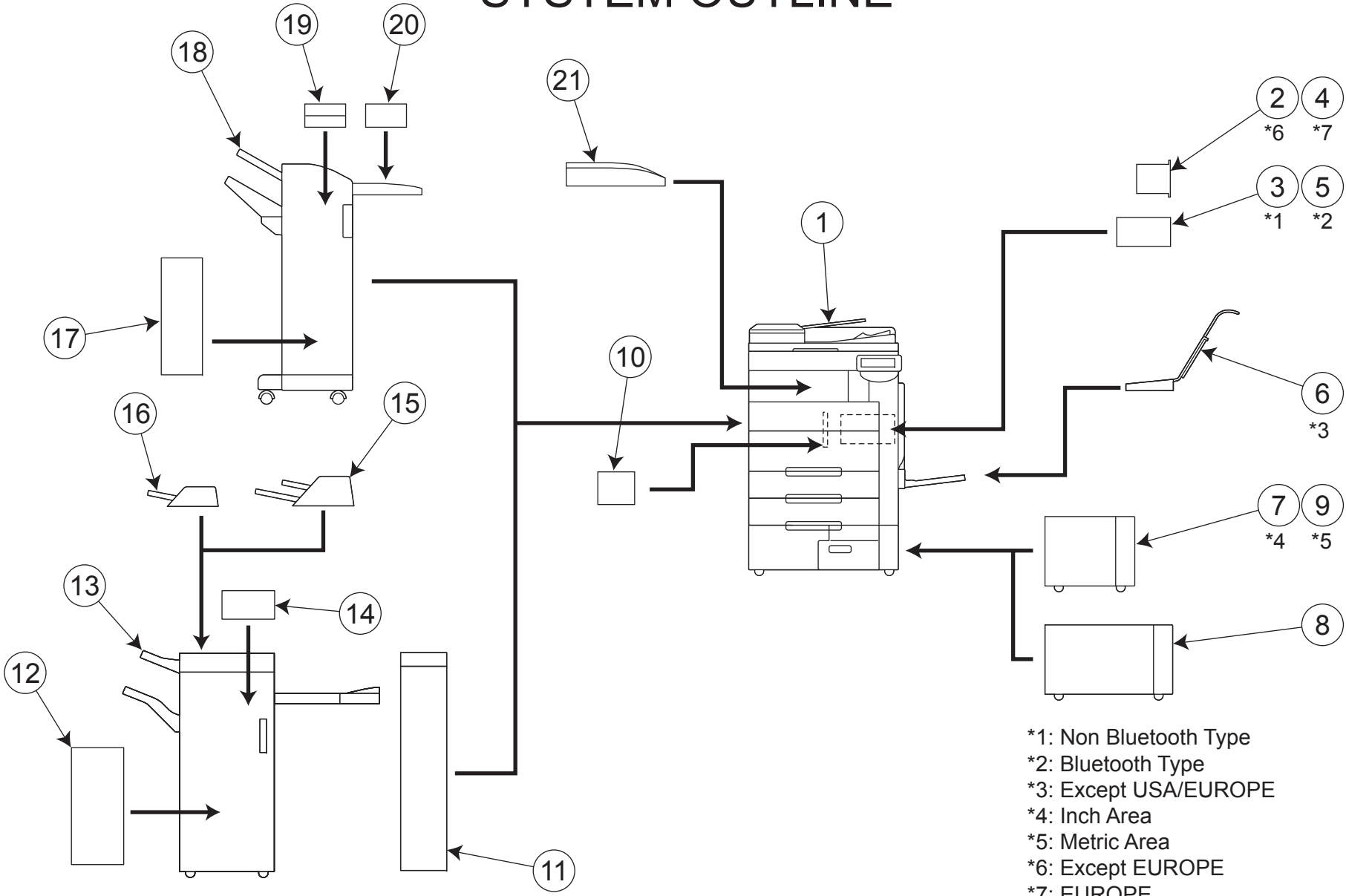
INFORMATION FOR PARTS GUIDE MANUAL

To find correct Parts No., refer to the "HOW TO MAKE THE BEST USE OF THIS MANUAL" in the following page.

HOW TO MAKE THE BEST USE OF THIS MANUAL

- 1 When you order, please check the proper figures beforehand that are on Our Parts Guide Manual, and order with the appropriate figures.
- 2 For screws, Nuts, Washers, retaining rings and Pins which are used in this model, one letter is shown on the Standard parts column of Parts list and exploded diagrams.
- 3 In order to maintain safety of the product, some specific parts composed of this product are set up as "essential safety parts".
- 4 The assigned parts number for the "essential safety parts" is indicated as "SP00-****".
When replacing these parts, follow precautions for disassembling and installing which are listed in the Service Manual.
Do not use any parts that are not set up as
- 5 ♣ means that there are exclusive parts for each destination.
Please check the appropriate destination when you order.
- 6 Revision Mark
Marked as ▲ on the illustration shows that the revision has been made.
- 7 All rights reserved. (any reprints or quotations are prohibited.)
Use of this parts guide manual should be strictly supervised to avoid disclosure of confidential information.

SYSTEM OUTLINE



- *1: Non Bluetooth Type
- *2: Bluetooth Type
- *3: Except USA/EUROPE
- *4: Inch Area
- *5: Metric Area
- *6: Except EUROPE
- *7: EUROPE

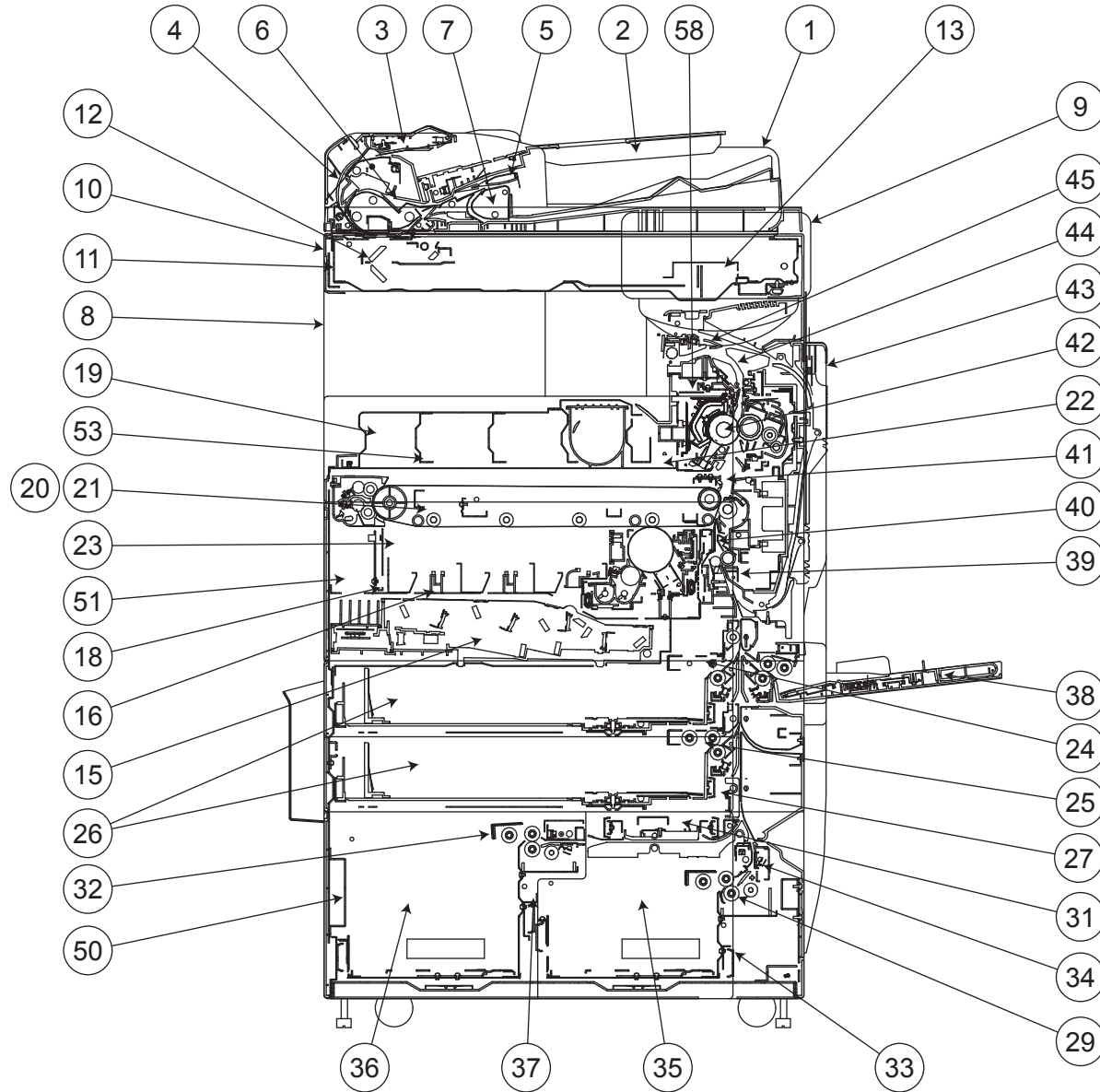
bizhub 502/bizhub 552/bizhub 602/bizhub 652

GENERAL CONTENTS

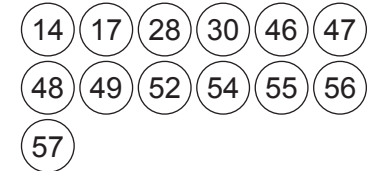
No.	Description	Model
1	DIGITAL MFP B/W	bizhub 502/bizhub 552/bizhub 602/bizhub 652
2	FAX CONTROLLER	FK-502
3	OTHER OPTION	EK-604
4	FAX CONTROLLER	FK-502
5	OTHER OPTION	EK-605
6	OTHER OPTION	MK-715
7	PAPER FEEDER	LU-301
8	PAPER FEEDER	LU-204
9	PAPER FEEDER	LU-301
10	OTHER OPTION	MK-720
11	OTHER OPTION	ZU-606
12	OTHER OPTION	SD-508
13	SORTER/FINISHER	FS-526
14	PUNCH UNIT	PK-516
15	OTHER OPTION	PI-505
16	OTHER OPTION	JS-602
17	SORTER/FINISHER	SD-509
18	SORTER/FINISHER	FS-527
19	PUNCH UNIT	PK-517
20	STACKER	JS-603
21	OTHER OPTION	OT-503

bizhub 502/bizhub 552/bizhub 602/bizhub 652

DIAGRAMS OF MAIN PARTS SECTION



REAR SIDE



bizhub 502/bizhub 552/bizhub 602/bizhub 652

CONTENTS

No.	DESCRIPTION	PAGE No.
1	ADF EXTERNAL PARTS	P1 P2
2	ADF PAPER FEED TRAY	P3
3	ADF PAPER FEED SECTION	P4
4	ADF CONVEYANCE SECTION	P5 P6 P7 P8
5	ADF SWITCH SECTION	P9
6	ADF DRIVE SECTION	P10 P11
7	ADF PAPER EXIT SECTION	P12
8	EXTERNAL PARTS	P13 P14 P15 P16
9	CONTROL PANEL	P17 P18
10	IR COVER	P19
11	IR FRAME	P20
12	SCANNER SECTION	P21 P22
13	CCD UNIT/SCANNER DRIVE	P23
14	IR BOARD SECTION	P24
15	PH UNIT	P25
16	TONER RAIL	P26
17	CONTACT SECTION	P27
18	OZONE DUCT	P28
19	TONER SUPPLY SECTION	P29
20	TRANSFER UNIT	P30
21	TRANSFER RAIL SECTION	P31
22	ERASE LAMP	P32
23	TONER COLLECT SECTION	P33
24	1ST PAPER FEED	P34 P35
25	2ND PAPER FEED	P36 P37
26	CASSETTE ASSY	P38 P39
27	CASSETTE RAIL	P40
28	SIZE DETECTING SECTION	P41
29	1000-SHEET PAPER FEED SECTION	P42 P43
30	LCC DRIVE	P44
31	LEVEL CONVEYANCE SECTION	P45 P46
32	1500-SHEET PAPER FEED SECTION	P47 P48
33	LCC CASSETTE RAIL	P49
34	LCC LENGTH CONVEYANCE SECTION	P50
35	1000-SHEET TRAY	P51
36	1500-SHEET TRAY	P52
37	CASSETTE TRAY	P53
38	MANUAL FEED TRAY UNIT	P54 P55 P56 P57

bizhub 502/bizhub 552/bizhub 602/bizhub 652

No.	DESCRIPTION	PAGE No.
39	PAPER EXIT CONVEYANCE SECTION	P58 P59 P60
40	REGISTRATION SENSOR	P61
41	ROTATION DETECTING SENSOR	P62
42	FUSING SECTION	P63
43	ADU	P64 P65
44	PAPER EXIT SECTION	P66
45	REVERSAL UNIT	P67 P68
46	MAIN DRIVE UNIT	P69
47	FUSING DRIVE UNIT	P70
48	BOTTLE DRIVE SECTION	P71
49	EJECT DRIVE SECTION	P72
50	MAIN FRAME	P73
51	I/U FRAME SECTION	P74
52	REAR FAN SECTION	P75 P76
53	DOOR SAFE SWITCH	P77
54	HIGH VOLTAGE UNIT	P78
55	MAIN POWER SUPPLY UNIT	P79
56	SHIELD BOX	P80 P81 P82
57	REAR ELECTRICAL SECTION	P83
58	IH POWER SUPPLY	P84
59	WIRING	P85 P86 P87 P88 P89 P90 P91
60	WIRING ACCESSORIES AND JIGS	P92 P93
61	ACCESSORY PARTS	P94

INDEX

Parts No.	Page No.
0816 6201 01	23-30
0910 3620 01	64-13
0957 1491 01	73-29
1033 4402 03	4-13
1038 4006 01	92-37
1050 4805 01	92-38
1052 4301 02	92-39
1053 4812 01	93-2
1065 3086 01	34-16
1065 3086 01	36-23
1065 3086 01	56-17
1065 5872 02	93-3
1065 5872 02	93-4
1067 2501 01	4-17
1067 2501 01	6-3
1067 2501 01	56-8
1067 2501 01	64-27
1067 2503 01	8-28
1134 3041 01	47-2
1134 3041 01	54-11
1134 3042 02	47-5
1134 3042 02	54-3
1144 5200 01	59-19
1151 3300 01	40-4
1154 4670 01	8-35
1164 3065 01	69-7
1164 3504 03	58-7
1164 3509 01	58-30
1164 3527 02	58-6
1200 1646 03	64-10
1200 1646 03	68-2
1200 1646 03	72-7
1200 3121 09	8-20
1200 3121 09	22-12
1200 3121 09	70-10
1200 3201 08	5-15
1500 2660 13	44-43
15AG 5028 0	42-38
26NA 4544 0	51-20
26NA 4544 0	52-19

Parts No.	Page No.
4002 1458 01	23-4
4002 1480 02	21-12
4002 1481 01	21-11
4002 2581 01	1-4
4002 3110 01	41-15
4002 3131 01	41-14
4002 5042 02	61-27
4002 7306 01	38-23
4004 1829 02	81-19
4004 2248 02	70-37
4004 2547 01	44-23
4004 2547 01	69-28
4004 2582 01	70-6
4004 3512 02	62-10
4004 4710 02	59-18
4004 4722 02	59-7
4004 4723 01	59-14
4004 5339 01	72-21
4004 5903 01	67-24
4004 5903 01	68-6
4004 5987 01	66-37
4004 6854 01	32-5
4004 6854 01	80-9
4011 3012 01	41-13
4011 5852 02	68-8
4025 2283 01	81-3
4025 2285 02	19-22
4025 3534 01	60-6
4025 3556 01	61-21
4025 3568 01	58-26
4025 3572 01	58-16
4025 3674 02	61-11
4025 3676 01	61-6
4025 4709 02	59-13
4025 4719 02	59-24
4025 4720 01	59-26
4025 4725 01	59-16
4025 4906 01	59-3
4025 4907 01	59-4
4025 4908 01	59-9

Parts No.	Page No.
4025 4909 01	59-11
4025 4910 01	59-5
4025 5939 01	68-19
4025 5984 01	67-25
4025 5984 01	68-14
4030 1040 02	13-10
4030 3003 01	56-7
4030 3008 01	34-13
4030 3008 01	36-20
4030 3016 12	34-8
4030 3016 12	36-14
4030 3039 01	35-15
4030 3039 01	37-13
4030 3039 01	57-17
4030 3047 02	41-17
4030 3081 01	41-2
4030 3083 01	41-5
4030 3091 01	41-7
4030 3093 01	66-15
4030 3093 01	67-7
4030 3093 01	68-9
4030 3122 01	34-4
4030 3122 01	36-5
4030 3122 01	46-14
4030 3125 01	35-10
4030 3125 01	37-10
4030 3125 01	57-24
4030 3206 01	38-21
4030 3214 02	38-1
4030 3215 01	38-2
4030 3223 03	39-22
4030 3224 02	41-4
4030 3226 01	38-15
4030 3228 12	39-16
4030 3823 01	67-14
4036 1410 01	22-4
4036 1410 01	57-8
4036 1720 01	23-14
4036 2241 02	70-38
4036 2258 01	70-36

Parts No.	Page No.
4036 2311 01	31-10
4036 2485 01	28-13
4036 2485 01	76-13
4036 2524 01	70-22
4036 2549 01	70-19
4036 3517 01	69-5
4036 3557 01	61-26
4036 3590 02	60-12
4036 3597 02	60-2
4036 3659 01	54-34
4036 3659 01	60-4
4036 3673 01	61-9
4036 3675 02	58-12
4036 4712 01	59-15
4036 4730 01	59-23
4036 4911 01	59-12
4036 5347 02	29-9
4036 5348 01	29-8
4036 5349 03	29-7
4036 5785 01	54-26
4036 5913 01	66-36
4036 5966 01	46-11
4036 5966 01	50-3
4036 5966 01	65-12
4036 5966 01	66-3
4036 5966 01	67-26
4036 5966 01	80-18
4037 0104 01	41-8
4037 0775 01	83-14
4037 0901 01	33-10
4037 0903 01	22-18
4037 0903 01	23-12
4037 2239 02	83-11
4037 2247 01	81-1
4037 3204 01	38-7
4037 R709 00	59-1
4038 1014 01	13-27
4038 2281 04	13-29
4038 2282 03	13-31
4038 2293 01	25-7

Parts No.	Page No.
4038 2294 01	25-3
4038 2295 01	25-5
4038 5407 01	71-9
4038 5411 01	71-6
4038 5412 02	71-10
4038 5413 01	71-8
4040 3097 01	34-19
4040 3097 01	36-24
4040 3097 01	56-15
4040 M401 00	20-5
40AA 8803 1	29-31
4120 1014 02	13-3
4120 1014 02	14-22
4128 3823 01	38-8
4131 2536 02	8-17
4131 2536 02	10-2
4131 2537 01	8-15
4131 2537 01	9-5
4131 2537 01	10-20
4131 2626 01	8-18
4131 3003 01	34-6
4131 3003 01	36-11
4131 3003 01	56-2
4131 3003 01	57-15
4131 3003 01	64-6
4131 3003 01	65-17
4131 3532 02	37-6
4131 4623 04	54-36
4136 6751 01	13-30
4138 5866 01	60-14
4348 3049 01	35-3
4348 3049 01	37-4
4349 1311 01	5-18
4425 3013 01	34-12
4425 3013 01	36-16
4425 3013 01	56-13
4425 3016 01	34-18
4425 3016 01	36-25
4425 3016 01	56-9
4469 3465 01	3-10

Parts No.	Page No.
4469 3465 01	4-14
4475 2603 02	13-5
4475 2603 02	14-19
4497 3106 03	64-2
4498 3825 01	38-5
4498 3826 01	38-9
4537 3317 01	38-4
4556 M100 00	73-11
4556 M100 00	79-3
4581 1625 01	20-2
4641 3414 01	3-15
4641 3415 01	3-18
4641 3417 02	3-13
4641 3436 01	3-17
4641 3503 01	3-32
4641 3514 01	4-35
4643 3007 01	4-4
4643 3215 01	9-4
4643 4605 01	61-18
4657 3713 01	64-16
4657 3734 01	65-4
4657 3735 01	64-25
4657 3735 01	65-8
4657 3743 01	65-30
4658 3012 01	38-3
4658 3516 02	9-25
4658 3516 02	10-14
5400 4720 0	53-7
55VA 1554 1	45-13
55VA 4061 0	53-6
55VA 4093 0	51-2
55VA 4093 0	52-1
55VA 4212 0	42-23
55VA 4212 0	44-13
55VA 4212 0	47-26
56AA 1708 0	50-14
56AA 1733 0	50-13
56AA 4038 0	42-31
56AA 4038 0	47-32
56AA 4043 0	43-5

Parts No.	Page No.
56AA 4043 0	48-5
56AA 4044 0	48-7
56AA 4045 0	43-26
56AA 4045 0	48-30
56AA 4049 0	13-8
56AA 4049 0	14-21
56AA 4049 0	34-7
56AA 4049 0	35-16
56AA 4049 0	36-12
56AA 4049 0	37-16
56AA 4049 0	42-10
56AA 4049 0	43-15
56AA 4049 0	44-6
56AA 4049 0	46-5
56AA 4049 0	47-10
56AA 4049 0	48-17
56AA 4049 0	56-6
56AA 4049 0	57-16
56AA 4051 0	43-25
56AA 4051 0	48-29
56AA 4054 0	43-20
56AA 4171 1	39-11
56AA 4171 1	46-28
56AA 4171 1	49-13
56AA 7505 0	43-27
56AA 7505 0	48-26
56AA 8201 2	42-22
56AA 8201 2	47-27
56AA 8306 1D	49-2
56AA 8452 0	83-16
56AE 8452 0	83-16
56AF 8452 1	83-16
56QA 1123 0	39-14
56QA 1123 0	49-12
56QA 1519 0	44-28
56QA 4024 0D	43-23
56QA 4024 0D	48-28
56QA 5711 0	46-18
56QA 5717 0	46-8
56QA 5721 0	46-33

Parts No.	Page No.
56QA 5724 0	46-7
56QA 5804 1D	51-14
56QA 5804 1D	52-14
56QA 5805 0D	53-9
56QA 5806 0D	53-5
56QA 5807 0D	53-13
56QA 5811 0	51-4
56QA 5812 0	51-27
56QA 5815 0	53-15
56QA 5842 0	53-1
56QA 5845 0	53-8
56QA 5847 0D	51-15
56QA 5849 0D	53-14
56QA 5906 0D	53-17
56QA 5911 0	52-4
56QA 5912 0	52-26
56QA 5915 0D	53-18
56QE 8826 1	83-18
57AA 1701 0	53-4
57AA 8203 0	34-24
57AA 8203 0	36-31
57AA 9787 0	53-12
65AA 3250 1	29-4
65AA 3250 1	33-20
9313 1000 72	28-12
9313 1000 72	60-21
9313 1000 72	75-3
9313 1000 72	76-11
9313 1100 33	74-8
9313 1500 21	24-14
9314 1300 21	71-12
9321 2200 32	67-23
9326 1810 51	11-21
9326 2820 11	13-11
9334 2610 12	20-4
9334 2610 12	77-6
9335 1400 61	20-8
9335 1400 71	6-25
9335 1400 81	23-17
9335 1400 81	23-18

Parts No.	Page No.
9335 1910 52	9-22
9335 1910 92	2-18
9381 4300 41	94-9
9384 1600 11	92-40
9454 4076 02	60-25
9454 4076 02	61-25
9J03 M100 00	80-19
9J06 1620 01	21-22
9J06 1635 00	20-7
9J06 2101 00	70-3
9J06 7301 01	83-9
9J06 M100 00	66-4
9J06 M103 00	41-16
9J06 M601 00	70-39
9J06 M601 00	77-7
9J06 PJG0 00	93-9
9J06 PJG1 00	93-10
9J07 0102 01	5-1
9J07 1300 00	2-24
9J07 1602 00	2-4
9J07 1603 02	7-2
9J07 1605 00	9-15
9J07 1606 00	6-22
9J07 2007 02	2-22
9J07 2008 01	2-23
9J07 2009 03	1-2
9J07 2010 02	11-12
9J07 2011 02	11-9
9J07 2014 03	1-6
9J07 2104 02	2-9
9J07 2105 01	2-6
9J07 2108 02	20-21
9J07 2109 01	1-11
9J07 2113 01	2-7
9J07 3008 01	5-11
9J07 3016 01	4-8
9J07 3017 02	4-5
9J07 3019 02	4-7
9J07 3020 01	4-6
9J07 3031 01	10-13

Parts No.	Page No.
9J07 3032 01	10-10
9J07 3033 01	3-8
9J07 3036 02	3-12
9J07 3037 01	3-14
9J07 3038 01	10-9
9J07 3103 13	3-30
9J07 3104 01	3-21
9J07 3105 02	3-24
9J07 3106 03	3-19
9J07 3206 01	3-16
9J07 3301 01	4-31
9J07 3302 01	4-16
9J07 3303 01	4-30
9J07 3308 01	4-32
9J07 3318 01	4-10
9J07 3319 01	4-36
9J07 3321 02	4-23
9J07 3404 01	6-7
9J07 3405 01	6-8
9J07 3408 01	6-9
9J07 3411 02	5-5
9J07 4003 01	9-23
9J07 4004 01	7-8
9J07 4005 01	7-9
9J07 4006 01	7-19
9J07 4008 01	6-21
9J07 4009 02	6-20
9J07 4012 01	6-23
9J07 4014 01	6-15
9J07 4016 01	6-12
9J07 4017 01	6-13
9J07 4107 01	7-6
9J07 4116 01	7-17
9J07 4202 04	12-18
9J07 4203 01	12-17
9J07 4204 02	12-15
9J07 4205 02	12-22
9J07 4206 01	12-16
9J07 4208 01	12-19
9J07 4209 01	12-21

bizhub 502/bizhub 552/bizhub 602/bizhub 652

Parts No.	Page No.	Parts No.	Page No.	Parts No.	Page No.	Parts No.	Page No.	Parts No.	Page No.
9J07 4302 01	8-2	9J07 4712 01	9-14	A00J 1047 00	32-9	A00J 1375 00	25-14	A00J 1602 01	13-7
9J07 4303 01	8-31	9J07 4801 01	2-17	A00J 1054 00	73-23	A00J 1376 00	44-35	A00J 1606 05	15-7
9J07 4304 01	8-21	9J07 4802 01	2-15	A00J 1056 01	25-9	A00J 1377 01	73-12	A00J 1607 02	39-4
9J07 4305 01	8-26	9J07 4808 01	2-11	A00J 1062 02	94-7	A00J 1378 00	78-5	A00J 1608 01	14-4
9J07 4306 01	8-33	9J07 4808 01	5-4	A00J 1064 00	73-20	A00J 1379 00	83-25	A00J 1609 01	14-16
9J07 4307 01	8-32	9J07 4904 01	12-1	A00J 1065 00	73-9	A00J 1380 00	70-40	A00J 1610 01	14-13
9J07 4308 01	8-19	9J07 4911 01	12-2	A00J 1070 01	32-14	A00J 1387 00	81-9	A00J 1611 02	14-5
9J07 4309 01	10-15	9J07 4912 01	12-5	A00J 1071 00	32-23	A00J 1389 00	83-10	A00J 1614 00	15-9
9J07 4311 01	10-16	9J07 4921 02	12-3	A00J 1074 01	32-18	A00J 1390 00	83-2	A00J 1618 03	16-7
9J07 4312 01	8-34	9J07 4923 02	1-8	A00J 1138 00	28-5	A00J 1391 00	83-3	A00J 1628 02	15-3
9J07 4314 01	8-22	9J07 4924 02	1-7	A00J 1149 01	28-1	A00J 1394 00	80-6	A00J 1629 01	15-5
9J07 4315 01	8-30	9J07 5002 01	4-29	A00J 1161 00	28-8	A00J 1396 00	81-10	A00J 1634 01	13-16
9J07 4316 01	8-27	9J07 5002 01	10-19	A00J 1162 01	28-6	A00J 1404 01	83-8	A00J 1635 02	13-1
9J07 4410 01	8-6	9J07 5009 01	8-37	A00J 1163 01	28-10	A00J 1405 01	83-15	A00J 1642 01	15-4
9J07 4411 01	8-4	9J07 5012 01	10-22	A00J 1164 00	28-9	A00J 1406 00	80-7	A00J 1645 01	14-8
9J07 4412 01	8-3	9J07 5019 01	10-21	A00J 1165 11	28-15	A00J 1408 00	83-17	A00J 1646 00	73-24
9J07 4413 01	8-40	9J07 5020 01	10-18	A00J 1212 00	26-8	A00J 1409 00	78-4	A00J 1647 01	13-20
9J07 4415 02	8-7	9J07 5106 01	11-14	A00J 1217 00	74-2	A00J 1410 00	80-3	A00J 1649 03	14-15
9J07 4417 01	8-5	9J07 5600 00	3-22	A00J 1232 00	74-15	A00J 1412 00	79-5	A00J 1650 00	14-14
9J07 4427 02	8-36	9J07 6807 01	3-27	A00J 1233 00	74-14	A00J 1428 00	77-11	A00J 1651 03	13-13
9J07 4430 01	8-13	9J07 8100 00	9-24	A00J 1234 00	74-11	A00J 1430 00	79-4	A00J 1660 01	13-6
9J07 4435 01	8-9	9J07 8103 00	7-20	A00J 1321 01	78-1	A00J 1435 00	79-7	A00J 1661 01	94-2
9J07 4436 01	8-39	9J07 8103 00	9-17	A00J 1325 00	84-6	A00J 1450 00	32-10	A00J 1662 00	94-1
9J07 4438 01	5-12	9J07 8900 00	12-6	A00J 1326 00	78-3	A00J 1451 01	32-11	A00J 1663 00	13-21
9J07 4441 01	8-24	9J07 9401 00	3-34	A00J 1331 01	80-8	A00J 1452 00	32-13	A00J 1664 00	13-18
9J07 4443 01	8-23	9J07 9404 00	7-3	A00J 1332 00	41-10	A00J 1506 00	75-6	A00J 1667 00	20-18
9J07 4502 02	8-1	9J07 9405 00	2-16	A00J 1335 00	80-10	A00J 1510 02	75-19	A00J 1671 03	19-9
9J07 4505 01	8-8	9J07 M103 00	1-3	A00J 1340 00	78-7	A00J 1527 00	76-7	A00J 1678 11	19-20
9J07 4601 01	9-3	9J07 M500 00	3-6	A00J 1345 00	73-15	A00J 1546 00	76-10	A00J 1681 02	14-2
9J07 4602 02	9-12	9J07 R709 00	7-10	A00J 1346 00	77-8	A00J 1548 01	76-14	A00J 1682 02	19-12
9J07 4603 02	9-26	9J07 R710 00	4-9	A00J 1347 02	83-7	A00J 1553 00	74-4	A00J 1683 01	14-1
9J07 4604 01	9-36	9J08 2104 01	6-17	A00J 1352 01	77-10	A00J 1561 02	80-20	A00J 1684 00	14-6
9J07 4605 01	9-27	9J08 2104 01	12-7	A00J 1358 00	77-5	A00J 1571 00	75-9	A00J 1685 03	19-13
9J07 4607 01	9-34	A00J 1014 00	73-17	A00J 1359 00	25-13	A00J 1572 00	75-7	A00J 1686 00	14-9
9J07 4608 02	9-30	A00J 1016 03	73-26	A00J 1363 02	83-27	A00J 1573 01	75-10	A00J 1687 00	14-10
9J07 4701 01	8-14	A00J 1023 01	25-15	A00J 1364 00	83-6	A00J 1574 01	75-11	A00J 1688 01	14-3
9J07 4703 01	9-13	A00J 1024 00	73-5	A00J 1365 00	77-9	A00J 1575 01	75-12	A00J 1689 02	19-11
9J07 4707 01	9-21	A00J 1025 00	32-15	A00J 1367 00	81-12	A00J 1576 00	75-15	A00J 1691 00	19-2
9J07 4708 01	9-20	A00J 1027 00	73-33	A00J 1369 11	79-2	A00J 1579 01	75-14	A00J 1692 00	19-7
9J07 4709 01	9-19	A00J 1044 00	73-21	A00J 1371 03	32-21	A00J 1601 00	13-17	A00J 1699 01	94-5

bizhub 502/bizhub 552/bizhub 602/bizhub 652

Parts No.	Page No.	Parts No.	Page No.	Parts No.	Page No.	Parts No.	Page No.	Parts No.	Page No.
A00J 1917 00	18-21	A00J 2658 00	21-21	A00J 3611 00	33-6	A00J 4052 00	29-33	A00J 5622 00	34-31
A00J 1918 00	18-18	A00J 2731 03	21-14	A00J 3612 00	33-7	A00J 4054 00	29-10	A00J 5623 00	34-28
A00J 1919 00	18-5	A00J 2735 01	21-7	A00J 3617 00	33-8	A00J 4055 00	29-30	A00J 5624 00	34-25
A00J 1926 01	18-17	A00J 2736 01	21-2	A00J 3618 00	33-34	A00J 4056 00	29-28	A00J 5625 01	34-32
A00J 1928 00	18-25	A00J 2737 01	21-13	A00J 3619 00	33-21	A00J 4066 00	29-32	A00J 5628 00	34-27
A00J 1929 00	18-3	A00J 2738 01	21-15	A00J 3624 00	33-26	A00J 4068 01	29-26	A00J 5633 00	35-28
A00J 2112 00	9-10	A00J 2739 00	21-10	A00J 3625 00	33-25	A00J 4069 01	29-27	A00J 5634 00	35-31
A00J 2113 00	80-2	A00J 2740 00	21-17	A00J 3626 00	33-31	A00J 4073 00	29-21	A00J 5635 00	34-11
A00J 2206 00	69-4	A00J 2741 00	21-18	A00J 3627 00	33-22	A00J 4074 00	13-25	A00J 5635 00	36-17
A00J 2250 00	69-23	A00J 2742 01	21-9	A00J 3628 00	33-32	A00J 4075 00	13-23	A00J 5635 00	42-14
A00J 2251 00	69-20	A00J 2743 00	21-5	A00J 3630 00	33-23	A00J 5201 02	31-13	A00J 5635 00	47-15
A00J 2300 00	70-9	A00J 2744 01	21-6	A00J 3650 01	33-2	A00J 5202 03	31-21	A00J 5636 00	4-34
A00J 2301 00	70-14	A00J 2751 00	23-19	A00J 3654 02	33-39	A00J 5203 00	31-11	A00J 5636 00	34-9
A00J 2302 00	70-27	A00J 2752 00	23-9	A00J 4001 12	29-6	A00J 5208 00	31-22	A00J 5636 00	36-18
A00J 2303 00	70-8	A00J 2753 00	23-8	A00J 4003 00	29-23	A00J 5209 00	31-23	A00J 5636 00	42-13
A00J 2304 00	70-24	A00J 2754 00	23-10	A00J 4004 01	29-25	A00J 5216 01	31-14	A00J 5636 00	43-16
A00J 2305 00	70-18	A00J 2758 00	23-23	A00J 4005 00	29-20	A00J 5217 01	31-20	A00J 5636 00	47-16
A00J 2306 00	70-7	A00J 2759 01	23-22	A00J 4006 11	29-2	A00J 5226 00	31-12	A00J 5636 00	48-18
A00J 2307 00	70-11	A00J 2760 00	23-20	A00J 4009 00	29-29	A00J 5232 01	31-5	A00J 5636 00	56-11
A00J 2308 00	70-17	A00J 2761 00	23-15	A00J 4012 00	29-24	A00J 5233 12	31-1	A00J 5640 00	34-17
A00J 2310 00	70-23	A00J 2762 00	23-7	A00J 4014 01	29-22	A00J 5239 01	31-18	A00J 5640 00	36-19
A00J 2312 00	70-16	A00J 2763 00	23-21	A00J 4015 01	29-14	A00J 5240 01	31-16	A00J 5646 00	35-14
A00J 2315 00	70-20	A00J 2768 00	23-24	A00J 4016 00	29-19	A00J 5241 01	31-3	A00J 5646 00	37-15
A00J 2318 01	70-12	A00J 2801 01	23-11	A00J 4017 00	29-12	A00J 5242 01	31-27	A00J 5647 00	35-17
A00J 2320 11	70-25	A00J 2802 00	23-13	A00J 4018 00	29-13	A00J 5243 00	31-26	A00J 5647 00	37-17
A00J 2321 00	70-15	A00J 2812 00	24-6	A00J 4019 00	29-17	A00J 5244 02	31-9	A00J 5648 00	37-35
A00J 2322 00	70-26	A00J 2882 03	22-19	A00J 4022 00	29-18	A00J 5601 00	34-14	A00J 5653 00	35-23
A00J 2324 00	70-13	A00J 2884 00	22-13	A00J 4023 00	29-5	A00J 5601 00	36-21	A00J 5653 00	37-29
A00J 2350 03	70-34	A00J 2886 00	22-11	A00J 4026 00	71-3	A00J 5603 02	34-15	A00J 5654 00	35-22
A00J 2352 00	70-33	A00J 2887 00	22-15	A00J 4028 01	71-11	A00J 5603 02	36-22	A00J 5655 00	35-29
A00J 2353 00	70-30	A00J 2888 00	22-10	A00J 4029 00	71-4	A00J 5604 00	34-5	A00J 5655 00	37-31
A00J 2354 00	70-28	A00J 2903 00	22-6	A00J 4030 00	71-2	A00J 5604 00	36-30	A00J 5656 00	37-30
A00J 2358 00	70-21	A00J 2905 00	23-25	A00J 4031 00	71-1	A00J 5605 02	35-7	A00J 5660 00	34-1
A00J 2629 01	20-14	A00J 2906 00	22-9	A00J 4033 00	77-4	A00J 5605 02	37-7	A00J 5663 00	34-26
A00J 2630 01	20-15	A00J 2907 00	22-3	A00J 4034 02	77-2	A00J 5610 00	37-8	A00J 5665 00	34-23
A00J 2651 00	21-16	A00J 2908 00	22-7	A00J 4037 00	71-13	A00J 5612 00	35-12	A00J 5665 00	36-29
A00J 2652 00	21-20	A00J 2909 00	22-8	A00J 4040 00	71-5	A00J 5612 00	37-12	A00J 5666 00	36-3
A00J 2653 00	21-19	A00J 2911 00	22-5	A00J 4041 02	71-7	A00J 5613 00	35-11	A00J 5668 01	34-22
A00J 2654 00	21-24	A00J 3608 00	33-9	A00J 4046 01	13-28	A00J 5613 00	37-11	A00J 5668 01	36-28
A00J 2655 00	21-23	A00J 3610 00	33-38	A00J 4047 00	13-14	A00J 5619 00	35-1	A00J 5669 00	34-2

Parts No.	Page No.	Parts No.	Page No.	Parts No.	Page No.	Parts No.	Page No.	Parts No.	Page No.
A00J 5672 11	35-21	A00J 5869 00	54-23	A00J 5941 01	54-35	A00J 5998 00	55-20	A00J 6036 00	43-24
A00J 5673 00	34-21	A00J 5870 00	56-19	A00J 5944 01	54-39	A00J 6001 04	47-23	A00J 6037 00	47-13
A00J 5673 00	36-27	A00J 5872 00	54-38	A00J 5945 01	54-37	A00J 6002 04	42-19	A00J 6038 00	47-1
A00J 5717 01	36-1	A00J 5873 00	57-14	A00J 5946 02	54-30	A00J 6003 13	42-6	A00J 6039 00	47-9
A00J 5722 00	37-5	A00J 5876 00	57-7	A00J 5947 01	55-18	A00J 6004 00	42-33	A00J 6040 02	47-6
A00J 5722 00	50-5	A00J 5877 01	57-12	A00J 5948 00	55-8	A00J 6004 00	47-33	A00J 6041 01	48-27
A00J 5723 00	36-15	A00J 5879 01	57-29	A00J 5949 00	55-11	A00J 6005 00	42-36	A00J 6042 00	42-34
A00J 5726 00	37-28	A00J 5882 00	55-17	A00J 5950 00	56-1	A00J 6005 00	47-35	A00J 6042 00	47-17
A00J 5727 00	37-1	A00J 5883 00	55-16	A00J 5951 00	54-32	A00J 6006 00	42-12	A00J 6043 01	42-15
A00J 5736 01	36-33	A00J 5886 01	55-29	A00J 5952 00	73-4	A00J 6006 00	47-14	A00J 6044 01	42-41
A00J 5737 01	36-4	A00J 5888 00	55-7	A00J 5956 00	56-10	A00J 6007 01	42-39	A00J 6047 01	43-2
A00J 5738 01	36-36	A00J 5891 00	57-11	A00J 5957 02	57-34	A00J 6008 00	42-37	A00J 6047 01	48-9
A00J 5739 00	36-35	A00J 5898 00	54-17	A00J 5958 00	56-24	A00J 6009 00	43-29	A00J 6048 00	43-6
A00J 5741 00	36-7	A00J 5902 01	55-27	A00J 5960 00	56-30	A00J 6009 00	48-31	A00J 6048 00	48-11
A00J 5742 01	36-9	A00J 5903 00	56-14	A00J 5963 00	57-36	A00J 6010 00	48-3	A00J 6050 00	42-9
A00J 5742 01	37-34	A00J 5904 00	56-16	A00J 5966 02	55-15	A00J 6011 11	47-4	A00J 6051 00	43-3
A00J 5743 01	35-9	A00J 5905 00	56-3	A00J 5967 00	56-23	A00J 6012 01	42-2	A00J 6051 00	48-10
A00J 5743 01	37-9	A00J 5907 00	56-18	A00J 5969 00	54-16	A00J 6013 00	43-7	A00J 6052 00	43-4
A00J 5744 00	35-30	A00J 5909 01	57-21	A00J 5970 00	54-33	A00J 6014 02	43-22	A00J 6052 00	48-12
A00J 5744 00	37-32	A00J 5910 02	57-19	A00J 5971 00	54-15	A00J 6014 02	48-1	A00J 6053 00	42-24
A00J 5745 00	36-6	A00J 5911 00	57-20	A00J 5972 01	54-14	A00J 6015 01	43-9	A00J 6054 00	42-25
A00J 5746 00	36-2	A00J 5912 01	57-13	A00J 5973 00	54-27	A00J 6015 01	48-24	A00J 6055 11	42-4
A00J 5748 00	35-18	A00J 5913 00	57-25	A00J 5975 11	57-22	A00J 6016 00	43-21	A00J 6056 00	43-30
A00J 5748 00	37-18	A00J 5917 00	56-27	A00J 5976 00	54-25	A00J 6016 00	48-23	A00J 6057 00	48-2
A00J 5753 02	41-9	A00J 5918 00	57-5	A00J 5977 00	54-8	A00J 6017 00	43-11	A00J 6061 00	46-17
A00J 5851 00	55-24	A00J 5920 01	57-18	A00J 5978 00	54-9	A00J 6017 00	48-13	A00J 6065 00	46-13
A00J 5853 00	54-5	A00J 5922 01	56-26	A00J 5979 00	54-6	A00J 6024 01	47-19	A00J 6066 00	46-15
A00J 5854 01	55-13	A00J 5925 00	54-28	A00J 5980 01	57-1	A00J 6027 00	42-18	A00J 6067 00	46-21
A00J 5855 00	55-12	A00J 5926 00	56-25	A00J 5981 01	55-1	A00J 6027 00	47-22	A00J 6068 02	46-19
A00J 5856 01	55-14	A00J 5928 00	56-28	A00J 5982 00	55-6	A00J 6028 00	42-17	A00J 6069 00	46-20
A00J 5857 00	55-21	A00J 5930 00	56-29	A00J 5984 01	55-10	A00J 6028 00	47-21	A00J 6071 00	45-3
A00J 5858 00	57-26	A00J 5931 01	57-27	A00J 5986 00	57-32	A00J 6030 00	42-20	A00J 6073 01	46-23
A00J 5860 00	56-21	A00J 5933 00	57-28	A00J 5987 00	35-32	A00J 6030 00	47-18	A00J 6074 01	45-5
A00J 5861 00	56-20	A00J 5934 00	57-3	A00J 5988 00	55-23	A00J 6031 01	42-28	A00J 6075 00	45-6
A00J 5862 01	56-5	A00J 5935 00	55-3	A00J 5990 00	54-10	A00J 6031 01	47-30	A00J 6076 00	46-30
A00J 5863 00	57-37	A00J 5936 00	54-19	A00J 5991 00	54-4	A00J 6032 00	42-8	A00J 6077 00	46-31
A00J 5864 00	55-2	A00J 5937 00	54-20	A00J 5992 00	55-9	A00J 6033 00	42-7	A00J 6078 00	45-4
A00J 5866 00	55-26	A00J 5938 00	54-21	A00J 5993 00	54-31	A00J 6034 00	43-28	A00J 6080 00	49-8
A00J 5867 00	55-19	A00J 5939 00	55-4	A00J 5995 00	55-22	A00J 6034 00	48-25	A00J 6081 00	49-7
A00J 5868 00	73-34	A00J 5940 02	54-22	A00J 5997 00	55-28	A00J 6035 00	47-25	A00J 6082 00	49-10

bizhub 502/bizhub 552/bizhub 602/bizhub 652

Parts No.	Page No.	Parts No.	Page No.	Parts No.	Page No.	Parts No.	Page No.	Parts No.	Page No.
A00J 6083 00	49-16	A00J 6135 00	51-1	A00J 6183 00	47-29	A00J 6234 00	51-3	A00J 6632 00	51-8
A00J 6084 00	49-5	A00J 6135 00	52-2	A00J 6184 00	40-3	A00J 6234 00	52-3	A00J 6632 00	52-8
A00J 6085 00	49-9	A00J 6137 00	51-9	A00J 6184 00	45-2	A00J 6235 00	38-17	A00J 7001 00	58-28
A00J 6086 00	49-6	A00J 6137 00	52-9	A00J 6184 00	49-3	A00J 6236 00	38-16	A00J 7002 01	58-29
A00J 6087 00	50-8	A00J 6139 00	53-19	A00J 6185 00	43-14	A00J 6301 02	40-6	A00J 7003 01	58-35
A00J 6088 00	50-9	A00J 6140 02	46-1	A00J 6185 00	48-16	A00J 6305 00	39-18	A00J 7005 01	58-32
A00J 6089 00	50-15	A00J 6141 01	46-32	A00J 6186 01	43-10	A00J 6308 00	40-8	A00J 7006 00	58-14
A00J 6090 00	50-18	A00J 6142 00	46-10	A00J 6187 00	43-1	A00J 6310 02	39-19	A00J 7009 00	44-12
A00J 6091 00	50-6	A00J 6143 00	46-4	A00J 6188 00	48-8	A00J 6311 00	39-17	A00J 7009 00	58-36
A00J 6092 01	50-23	A00J 6144 00	46-35	A00J 6190 11	51-13	A00J 6312 02	40-1	A00J 7010 00	58-17
A00J 6093 00	50-19	A00J 6145 01	46-2	A00J 6190 11	52-13	A00J 6312 02	45-1	A00J 7012 00	58-27
A00J 6094 00	50-1	A00J 6146 00	46-34	A00J 6191 01	47-3	A00J 6313 01	39-3	A00J 7015 00	58-1
A00J 6095 01	50-4	A00J 6147 00	46-3	A00J 6193 00	51-24	A00J 6314 02	39-1	A00J 7016 00	58-25
A00J 6098 00	50-21	A00J 6148 00	46-9	A00J 6194 00	42-30	A00J 6315 00	39-21	A00J 7017 01	58-4
A00J 6102 00	44-15	A00J 6150 00	51-21	A00J 6194 00	47-31	A00J 6316 00	40-2	A00J 7018 00	58-3
A00J 6103 00	44-21	A00J 6150 00	52-20	A00J 6195 00	43-17	A00J 6317 00	40-7	A00J 7019 00	58-19
A00J 6106 00	44-17	A00J 6151 01	51-6	A00J 6195 00	48-19	A00J 6318 00	40-5	A00J 7020 00	58-8
A00J 6108 01	44-20	A00J 6155 00	51-26	A00J 6196 11	43-13	A00J 6319 00	39-20	A00J 7021 01	61-8
A00J 6110 00	44-33	A00J 6155 00	52-25	A00J 6196 11	48-15	A00J 6601 00	45-12	A00J 7024 00	58-5
A00J 6111 00	44-34	A00J 6158 00	47-7	A00J 6197 00	43-19	A00J 6602 00	46-22	A00J 7025 00	61-23
A00J 6112 00	44-30	A00J 6159 01	42-40	A00J 6197 00	48-21	A00J 6603 00	51-7	A00J 7026 00	61-12
A00J 6113 00	44-2	A00J 6162 00	44-10	A00J 6198 00	43-18	A00J 6603 00	52-7	A00J 7027 00	58-15
A00J 6115 00	44-18	A00J 6163 00	44-11	A00J 6198 00	48-20	A00J 6605 00	52-21	A00J 7028 00	61-22
A00J 6116 00	44-16	A00J 6164 00	44-37	A00J 6199 01	49-1	A00J 6606 00	51-18	A00J 7029 01	61-3
A00J 6117 00	44-24	A00J 6165 00	44-38	A00J 6211 02	38-6	A00J 6606 00	52-16	A00J 7030 00	58-34
A00J 6118 00	44-32	A00J 6166 00	44-39	A00J 6212 03	38-22	A00J 6607 00	42-26	A00J 7036 00	61-4
A00J 6119 00	44-29	A00J 6168 00	44-40	A00J 6213 01	39-2	A00J 6607 00	47-38	A00J 7037 00	61-20
A00J 6120 00	44-42	A00J 6169 00	44-3	A00J 6214 00	39-5	A00J 6607 00	50-25	A00J 7038 00	61-24
A00J 6121 00	44-5	A00J 6170 00	50-24	A00J 6219 02	38-11	A00J 6608 00	42-42	A00J 7041 00	61-1
A00J 6122 00	44-22	A00J 6176 00	49-11	A00J 6220 04	38-12	A00J 6608 00	47-39	A00J 7042 00	58-24
A00J 6125 00	44-14	A00J 6177 00	44-7	A00J 6222 00	38-18	A00J 6609 00	42-44	A00J 7044 00	61-19
A00J 6126 00	44-19	A00J 6178 00	9-8	A00J 6223 00	39-12	A00J 6630 00	39-9	A00J 7045 00	61-7
A00J 6128 00	44-25	A00J 6178 00	42-5	A00J 6226 00	39-13	A00J 6630 00	46-27	A00J 7046 00	58-23
A00J 6130 00	44-41	A00J 6178 00	47-12	A00J 6226 00	46-25	A00J 6630 00	49-14	A00J 7047 00	58-20
A00J 6131 01	53-11	A00J 6179 00	42-27	A00J 6229 00	39-15	A00J 6631 00	51-19	A00J 7051 14	60-1
A00J 6132 00	51-22	A00J 6179 00	47-28	A00J 6230 01	94-8	A00J 6631 00	52-17	A00J 7052 00	60-9
A00J 6132 00	52-22	A00J 6179 00	50-7	A00J 6233 00	39-10	A00J 6632 00	42-11	A00J 7056 00	60-33
A00J 6133 00	51-16	A00J 6180 00	47-36	A00J 6233 00	46-26	A00J 6632 00	43-8	A00J 7057 00	60-7
A00J 6133 00	52-15	A00J 6181 01	42-1	A00J 6233 00	49-15	A00J 6632 00	47-11	A00J 7058 00	60-8
A00J 6134 01	49-4	A00J 6183 00	42-29	A00J 6234 00	38-14	A00J 6632 00	48-6	A00J 7059 00	60-38

bizhub 502/bizhub 552/bizhub 602/bizhub 652

Parts No.	Page No.	Parts No.	Page No.	Parts No.	Page No.	Parts No.	Page No.	Parts No.	Page No.
A00J 7060 00	60-19	A00J 7326 00	62-2	A00J 8158 01	64-37	A00J 8963 00	66-31	A00J 9430 00	94-11
A00J 7061 00	61-17	A00J 8101 24	64-23	A00J 8161 00	65-26	A00J 8964 00	68-11	A00J 9431 00	94-11
A00J 7062 00	60-10	A00J 8102 01	65-1	A00J 8162 00	65-14	A00J 8965 00	67-17	A00J 9432 00	94-10
A00J 7063 00	60-16	A00J 8103 02	64-1	A00J 8163 00	65-2	A00J 8968 01	67-9	A00J 9450 00	16-8
A00J 7064 00	60-22	A00J 8104 00	64-4	A00J 8164 00	64-34	A00J 8970 00	66-23	A00J 9454 00	16-6
A00J 7065 00	60-11	A00J 8105 04	64-36	A00J 8904 00	68-7	A00J 8971 00	66-22	A00J 9455 00	13-9
A00J 7066 00	60-35	A00J 8106 00	65-25	A00J 8905 01	67-13	A00J 8972 00	72-15	A00J H004 00	83-22
A00J 7067 00	60-20	A00J 8107 12	65-9	A00J 8911 00	67-3	A00J 8977 00	72-11	A00J H00D 00	14-7
A00J 7068 00	60-5	A00J 8108 00	64-26	A00J 8912 00	67-18	A00J 8978 00	66-30	A00J H00E 00	19-14
A00J 7069 00	58-33	A00J 8110 00	64-19	A00J 8913 00	67-20	A00J 8979 00	66-25	A00J M110 00	69-26
A00J 7071 02	62-11	A00J 8111 00	65-21	A00J 8918 01	66-1	A00J 8980 01	67-10	A00J M113 00	69-30
A00J 7072 00	61-16	A00J 8112 00	64-31	A00J 8920 01	66-27	A00J 8981 01	67-11	A00J M114 01	69-16
A00J 7073 00	60-37	A00J 8116 00	64-33	A00J 8921 01	66-6	A00J 8982 00	67-19	A00J M121 00	29-15
A00J 7075 01	62-12	A00J 8118 00	64-24	A00J 8922 00	66-7	A00J 8984 00	66-13	A00J M121 00	33-29
A00J 7078 01	58-21	A00J 8119 00	65-7	A00J 8923 00	66-9	A00J 8985 00	68-18	A00J M12B 01	22-16
A00J 7080 00	60-34	A00J 8120 00	65-6	A00J 8926 00	66-26	A00J 8989 00	66-2	A00J M141 00	84-7
A00J 7081 00	60-26	A00J 8121 00	64-30	A00J 8927 00	66-11	A00J 8991 01	67-12	A00J M200 00	44-4
A00J 7083 00	60-28	A00J 8122 00	64-15	A00J 8931 00	66-10	A00J 8992 00	68-10	A00J M303 01	32-12
A00J 7084 00	60-27	A00J 8123 00	64-14	A00J 8932 01	68-15	A00J 8993 01	68-13	A00J M410 00	24-2
A00J 7087 00	60-30	A00J 8124 00	64-12	A00J 8933 00	68-17	A00J 8994 00	72-12	A00J M603 00	83-5
A00J 7089 00	60-29	A00J 8126 00	65-31	A00J 8934 02	68-12	A00J 8995 00	68-4	A00J N107 01	83-12
A00J 7090 00	62-13	A00J 8130 00	64-9	A00J 8935 01	68-1	A00J 8997 00	66-16	A00J N10D 00	14-11
A00J 7091 00	58-2	A00J 8132 00	65-3	A00J 8936 01	68-16	A00J 9401 00	19-8	A00J N10F 01	37-25
A00J 7093 00	60-36	A00J 8133 00	65-20	A00J 8938 00	67-15	A00J 9401 00	94-12	A00J N10X 00	50-11
A00J 7094 00	60-13	A00J 8136 00	64-11	A00J 8940 00	66-17	A00J 9402 00	19-8	A00J N110 01	59-20
A00J 7095 00	60-17	A00J 8138 00	65-18	A00J 8941 00	67-22	A00J 9407 00	13-24	A00J N111 01	60-3
A00J 7102 00	59-2	A00J 8139 00	65-19	A00J 8942 00	66-24	A00J 9414 00	60-15	A00J N113 00	65-28
A00J 7104 00	59-27	A00J 8141 01	64-20	A00J 8943 00	72-6	A00J 9416 00	53-16	A00J N114 02	57-30
A00J 7107 00	59-21	A00J 8141 01	65-10	A00J 8944 00	72-19	A00J 9417 00	53-2	A00J N115 01	54-18
A00J 7108 00	59-8	A00J 8144 11	64-21	A00J 8945 00	72-20	A00J 9418 00	45-11	A00J N116 01	41-12
A00J 7111 01	61-2	A00J 8144 11	65-11	A00J 8946 00	72-14	A00J 9419 00	46-29	A00J N117 02	41-12
A00J 7113 01	58-9	A00J 8145 00	64-22	A00J 8948 00	72-18	A00J 9421 02	39-6	A00J N118 03	35-8
A00J 7114 00	59-17	A00J 8145 00	65-13	A00J 8950 00	72-2	A00J 9422 02	39-7	A00J N119 02	37-3
A00J 7115 00	58-10	A00J 8146 00	64-3	A00J 8951 00	67-6	A00J 9423 02	39-8	A00J N11A 00	52-23
A00J 7116 01	61-10	A00J 8147 00	64-35	A00J 8952 00	72-5	A00J 9424 01	38-10	A00J N11B 01	51-23
A00J 7117 00	58-11	A00J 8151 00	64-28	A00J 8953 00	72-16	A00J 9425 00	54-2	A00J N11C 01	50-22
A00J 7316 01	62-1	A00J 8152 00	64-32	A00J 8957 00	72-9	A00J 9426 01	54-24	A00J N11D 01	47-37
A00J 7323 02	62-3	A00J 8153 00	65-27	A00J 8958 00	72-8	A00J 9427 00	54-41	A00J N11E 01	42-32
A00J 7324 00	62-5	A00J 8154 00	65-16	A00J 8960 00	72-3	A00J 9428 01	54-40	A00J N11F 01	46-36
A00J 7325 02	62-4	A00J 8157 11	60-40	A00J 8961 00	66-33	A00J 9429 01	54-40	A00J N11N 01	53-3

Parts No.	Page No.	Parts No.	Page No.	Parts No.	Page No.	Parts No.	Page No.	Parts No.	Page No.
A00J N137 00	27-2	A00J R7B5 00	67-21	A01H 8101 00	2-13	A07H 7501 12	6-16	A0HT 5604 11	3-23
A00J N13C 00	31-6	A00J R7B6 00	69-22	A01H 8102 00	2-12	A07H 7502 00	6-11	A0HT 5608 12	4-1
A00J N13D 00	31-7	A00J R7B7 00	69-6	A01H 8102 00	5-3	A07H 7503 12	6-24	A0HT 5611 00	6-4
A00J N13E 00	31-24	A00J R7B9 11	70-5	A01H 8103 00	12-12	A07H 7504 00	7-12	A0HT 5612 02	6-2
A00J N13F 00	31-25	A00J R7BB 00	31-8	A01H 8105 00	12-11	A07H 7505 00	7-15	A0HT 5616 00	10-12
A00J N301 00	83-14	A00J R900 00	31-28	A01H 9402 00	2-2	A07H R705 00	8-41	A0HT 5617 00	10-11
A00J R707 00	22-14	A00J R901 00	58-22	A01H 9403 00	2-8	A07H R710 00	10-7	A0HT 5620 00	3-25
A00J R713 11	71-15	A00K 1066 01	32-19	A01H 9407 01	4-3	A0ED 9465 00	18-10	A0HT 5621 00	3-26
A00J R729 00	94-6	A00K 1067 00	32-26	A01H 9411 00	2-14	A0ED M101 00	44-31	A0HT 5622 00	4-33
A00J R731 00	28-16	A00K 1068 02	32-20	A01H 9412 00	22-1	A0ED M101 00	69-19	A0HT 5623 00	4-11
A00J R737 00	32-25	A00K 1069 02	32-22	A01H R704 00	6-14	A0ED M105 00	82-16	A0HT 5628 00	4-38
A00J R743 00	39-24	A00V 2406 00	35-5	A02E 1677 00	19-4	A0ED M720 00	82-10	A0HT 7004 00	8-29
A00J R744 00	29-3	A00V 2406 00	44-8	A02E 2756 00	23-5	A0HT 1000 00	2-21	A0HT 7006 00	10-17
A00J R7A1 00	29-16	A00V 2406 00	50-20	A02E 8907 00	68-3	A0HT 1007 00	2-3	A0HT 7008 00	7-11
A00J R7A2 00	31-2	A00V 2406 00	58-13	A02E M10A 00	23-1	A0HT 1008 00	1-10	A0HT 7009 00	7-13
A00J R7A3 00	31-4	A00V 2406 00	69-3	A02E M10C 01	69-21	A0HT 1009 00	1-12	A0HT 7010 00	7-14
A00J R7A5 00	31-15	A00V 2406 00	70-4	A03T M500 00	4-24	A0HT 1601 00	2-1	A0HT 7012 00	7-4
A00J R7A6 00	31-17	A011 9462 00	18-12	A03U 8128 00	42-21	A0HT 2101 00	11-16	A0HT 7013 00	7-16
A00J R7A7 00	31-19	A01H 1003 00	1-13	A03U 8128 00	45-10	A0HT 2102 00	11-13	A0HT 7040 00	7-7
A00J R7AA 00	34-29	A01H 1004 00	1-9	A03U 8128 00	47-24	A0HT 2105 00	11-17	A0HT 7041 00	7-21
A00J R7AB 00	34-33	A01H 1007 00	11-10	A07H 1007 00	1-14	A0HT 2106 00	11-18	A0HT 7042 00	7-18
A00J R7AE 00	36-32	A01H 1602 01	1-1	A07H 1010 00	11-20	A0HT 2107 00	11-15	A0HT 7050 11	9-2
A00J R7AF 00	44-9	A01H 5601 01	3-7	A07H 2117 00	10-3	A0HT 2200 00	9-35	A0HT 7060 01	12-14
A00J R7AJ 00	44-36	A01H 5604 02	3-35	A07H 2118 00	10-6	A0HT 2201 11	9-28	A0HT 8102 00	7-5
A00J R7AK 00	48-4	A01H 5605 02	3-33	A07H 2121 00	10-8	A0HT 2202 00	9-29	A0HT 8106 00	9-16
A00J R7AM 00	50-10	A01H 5606 00	3-5	A07H 2123 00	10-24	A0HT 2204 00	9-9	A0HT 8111 00	5-23
A00J R7AN 00	53-10	A01H 5607 13	3-31	A07H 2124 00	10-4	A0HT 2205 00	11-5	A0HT 8112 00	5-21
A00J R7AP 00	55-5	A01H 5611 00	3-28	A07H 2125 00	10-23	A0HT 2207 00	8-16	A0HT 8113 00	5-19
A00J R7AQ 00	56-22	A01H 5612 00	3-29	A07H 2126 00	10-5	A0HT 2207 00	11-7	A0HT 8114 00	5-20
A00J R7AR 00	57-4	A01H 5618 00	3-11	A07H 2603 00	8-25	A0HT 2208 00	9-7	A0HT 8115 00	5-17
A00J R7AS 00	57-38	A01H 5651 00	4-27	A07H 2606 00	8-11	A0HT 2209 00	11-4	A0HT 8117 00	5-22
A00J R7AT 00	58-31	A01H 5651 00	6-5	A07H 5700 01	4-28	A0HT 2210 00	11-8	A0HT 8900 00	12-4
A00J R7AU 00	59-10	A01H 5654 00	6-10	A07H 5701 00	4-15	A0HT 2211 00	11-6	A0HT 8901 01	5-9
A00J R7AV 00	64-7	A01H 5655 00	6-6	A07H 5702 00	4-25	A0HT 2212 00	9-32	A0HT 8902 00	9-1
A00J R7AW 00	64-17	A01H 7001 01	7-1	A07H 5703 00	4-37	A0HT 2213 00	9-33	A0HT 8904 00	5-10
A00J R7AX 11	64-18	A01H 7003 00	2-20	A07H 5704 00	4-21	A0HT 2214 00	9-6	A0HT 8907 00	5-7
A00J R7AY 00	64-29	A01H 7004 00	5-2	A07H 5705 00	4-18	A0HT 2215 00	11-3	A0HT 8912 00	9-11
A00J R7B0 00	65-22	A01H 7005 00	8-38	A07H 5706 00	4-20	A0HT 2604 00	8-12	A0HT 8912 00	12-13
A00J R7B1 00	65-29	A01H 7007 00	2-19	A07H 5707 00	4-12	A0HT 2605 00	8-10	A0HT 8914 00	5-14
A00J R7B2 00	66-34	A01H 8100 00	2-10	A07H 5708 00	4-26	A0HT 5602 00	3-1	A0HT 8917 00	5-16

bizhub 502/bizhub 552/bizhub 602/bizhub 652

Parts No.	Page No.	Parts No.	Page No.	Parts No.	Page No.	Parts No.	Page No.	Parts No.	Page No.
A0HT 8918 00	5-13	A0P0 1046 00	73-19	A0P0 1330 02	81-18	A0P0 1489 00	84-10	A0P0 1633 00	19-1
A0HT 8919 00	12-9	A0P0 1051 00	73-1	A0P0 1333 01	82-1	A0P0 1490 00	84-9	A0P0 1638 00	73-35
A0HT 9403 00	2-5	A0P0 1052 00	73-3	A0P0 1336 00	80-15	A0P0 1491 00	81-5	A0P0 1652 00	19-5
A0HT 9405 00	4-2	A0P0 1053 00	73-6	A0P0 1337 01	83-1	A0P0 1492 00	82-6	A0P0 1653 01	16-5
A0HT M200 00	9-31	A0P0 1075 00	32-3	A0P0 1338 00	83-4	A0P0 1493 00	82-20	A0P0 1654 00	15-1
A0HT N100 00	91-1	A0P0 1076 00	25-6	A0P0 1343 00	84-13	A0P0 1496 00	80-5	A0P0 1655 00	73-2
A0HT N101 02	91-2	A0P0 1077 00	25-4	A0P0 1357 00	84-4	A0P0 1497 00	80-11	A0P0 1656 01	16-2
A0HT N102 01	3-2	A0P0 1081 00	26-3	A0P0 1366 11	82-5	A0P0 1498 00	84-12	A0P0 1657 01	16-3
A0HT N103 00	90-2	A0P0 1082 01	26-11	A0P0 1382 00	73-7	A0P0 1501 00	75-1	A0P0 1658 00	19-3
A0HT N104 00	4-22	A0P0 1083 00	26-9	A0P0 1383 00	73-8	A0P0 1502 00	75-5	A0P0 1659 00	19-16
A0HT N105 02	11-1	A0P0 1084 00	26-1	A0P0 1384 00	84-11	A0P0 1503 00	75-16	A0P0 1666 00	19-17
A0HT N106 00	1-15	A0P0 1085 00	26-13	A0P0 1385 00	63-2	A0P0 1504 00	75-2	A0P0 1672 01	19-24
A0HT N107 00	9-18	A0P0 1086 23	26-6	A0P0 1386 00	41-11	A0P0 1505 00	75-17	A0P0 1674 00	18-9
A0HT N108 00	6-19	A0P0 1089 00	26-5	A0P0 1388 11	80-16	A0P0 1511 00	75-4	A0P0 1675 00	18-14
A0HT N109 00	12-23	A0P0 1090 01	73-10	A0P0 1413 00	84-1	A0P0 1521 00	76-6	A0P0 1676 00	19-6
A0HT R700 11	1-16	A0P0 1091 00	74-10	A0P0 1421 01	73-32	A0P0 1526 00	76-4	A0P0 1677 00	18-20
A0HT R701 11	7-22	A0P0 1093 00	73-31	A0P0 1436 00	79-6	A0P0 1531 00	76-9	A0P0 1679 02	18-1
A0HT R702 00	11-19	A0P0 1096 00	73-22	A0P0 1440 00	74-5	A0P0 1533 00	76-2	A0P0 1680 00	18-24
A0HT R703 00	10-26	A0P0 1097 01	26-12	A0P0 1441 00	82-7	A0P0 1537 00	76-5	A0P0 1694 00	17-3
A0HT R704 00	5-24	A0P0 1105 01	26-4	A0P0 1442 00	82-13	A0P0 1545 00	76-1	A0P0 1696 00	13-26
A0HT R705 00	3-36	A0P0 1119 00	27-3	A0P0 1443 00	82-9	A0P0 1549 00	76-3	A0P0 1697 00	18-13
A0HT R707 00	2-25	A0P0 1136 00	28-2	A0P0 1444 00	82-8	A0P0 1551 00	74-6	A0P0 1911 01	18-4
A0HT R708 00	7-23	A0P0 1141 00	26-10	A0P0 1445 01	82-3	A0P0 1575 00	75-8	A0P0 1912 00	18-19
A0HT R709 00	11-2	A0P0 1150 00	28-7	A0P0 1447 01	81-16	A0P0 1576 00	75-20	A0P0 1913 00	18-22
A0HT R710 00	10-27	A0P0 1197 00	28-11	A0P0 1448 00	82-17	A0P0 1577 00	75-13	A0P0 1914 00	18-6
A0HT R711 00	10-25	A0P0 1198 00	28-14	A0P0 1449 00	81-11	A0P0 1591 00	74-7	A0P0 1915 00	18-2
A0HT RA01 01	1-5	A0P0 1208 00	28-3	A0P0 1459 00	81-21	A0P0 1592 00	82-15	A0P0 1916 00	18-23
A0HU 7051 00	12-10	A0P0 1250 00	26-2	A0P0 1464 00	80-17	A0P0 1593 00	82-14	A0P0 1921 00	18-15
A0HU R702 00	12-24	A0P0 1251 00	74-12	A0P0 1472 01	81-4	A0P0 1603 01	14-23	A0P0 1922 00	18-7
A0P0 1012 01	25-1	A0P0 1252 00	74-1	A0P0 1473 00	81-22	A0P0 1613 00	15-6	A0P0 1923 00	18-16
A0P0 1013 11	73-18	A0P0 1253 11	26-7	A0P0 1474 01	81-8	A0P0 1616 02	16-10	A0P0 1925 00	18-8
A0P0 1015 02	73-30	A0P0 1254 00	32-8	A0P0 1476 00	80-4	A0P0 1617 00	16-9	A0P0 2281 00	69-10
A0P0 1020 00	73-38	A0P0 1304 14	80-1	A0P0 1477 00	82-19	A0P0 1619 02	16-1	A0P0 2282 00	69-13
A0P0 1026 00	32-24	A0P0 1313 01	84-8	A0P0 1479 01	82-4	A0P0 1620 03	16-4	A0P0 2284 00	69-14
A0P0 1029 00	32-17	A0P0 1315 00	84-2	A0P0 1480 00	24-9	A0P0 1621 00	14-17	A0P0 2285 00	69-11
A0P0 1033 00	32-4	A0P0 1322 00	76-8	A0P0 1481 01	24-10	A0P0 1626 00	14-18	A0P0 2287 00	69-12
A0P0 1034 01	32-7	A0P0 1323 00	78-6	A0P0 1482 01	24-11	A0P0 1627 00	15-2	A0P0 2289 00	69-9
A0P0 1039 01	32-1	A0P0 1324 00	79-1	A0P0 1483 00	80-12	A0P0 1630 01	19-10	A0P0 2355 00	70-32
A0P0 1040 01	32-6	A0P0 1328 01	82-18	A0P0 1487 01	73-28	A0P0 1631 01	19-21	A0P0 2356 01	70-29
A0P0 1043 11	73-16	A0P0 1329 01	80-13	A0P0 1488 01	83-20	A0P0 1632 01	19-18	A0P0 2359 00	70-2

bizhub 502/bizhub 552/bizhub 602/bizhub 652

Parts No.	Page No.	Parts No.	Page No.	Parts No.	Page No.	Parts No.	Page No.	Parts No.	Page No.
A0P0 2619 00	20-22	A0P0 3663 01	33-18	A0P0 5996 00	54-29	A0P0 7091 00	60-32	A0P0 H002 00	83-23
A0P0 2620 00	20-23	A0P0 3664 00	33-41	A0P0 6021 00	48-22	A0P0 7096 00	60-39	A0P0 H00C 00	69-25
A0P0 2621 02	20-20	A0P0 3681 00	33-37	A0P0 6025 00	47-34	A0P0 7105 01	59-25	A0P0 H01A 01	24-1
A0P0 2622 00	20-9	A0P0 3682 00	33-35	A0P0 6026 00	42-35	A0P0 7106 00	59-6	A0P0 H01B 00	24-13
A0P0 2631 00	20-10	A0P0 3684 00	33-33	A0P0 6060 00	45-8	A0P0 7122 00	60-24	A0P0 H025 00	24-8
A0P0 2632 01	18-26	A0P0 3685 00	33-27	A0P0 6062 00	46-16	A0P0 8128 00	64-5	A0P0 H026 01	82-2
A0P0 2633 00	20-17	A0P0 3686 00	33-36	A0P0 6064 00	46-12	A0P0 8129 00	64-8	A0P0 M100 00	50-12
A0P0 2634 00	20-12	A0P0 3824 00	25-10	A0P0 6070 00	45-7	A0P0 8166 00	65-24	A0P0 M115 00	70-1
A0P0 2638 00	20-6	A0P0 3827 00	26-15	A0P0 6152 00	52-6	A0P0 8167 00	65-5	A0P0 M121 00	65-23
A0P0 2648 00	24-18	A0P0 4010 00	29-34	A0P0 6156 00	51-25	A0P0 8168 00	65-32	A0P0 M122 00	34-30
A0P0 2670 00	20-13	A0P0 4025 00	29-35	A0P0 6157 00	52-24	A0P0 8169 00	65-33	A0P0 M122 00	44-1
A0P0 2673 00	20-11	A0P0 4067 00	29-1	A0P0 6189 00	51-10	A0P0 8170 00	65-34	A0P0 M122 00	57-35
A0P0 2675 01	20-3	A0P0 5602 00	34-20	A0P0 6189 00	52-10	A0P0 8901 01	67-28	A0P0 M122 00	72-1
A0P0 2676 00	20-1	A0P0 5602 00	36-26	A0P0 6215 00	38-13	A0P0 8902 00	67-27	A0P0 M123 00	58-37
A0P0 2678 00	20-19	A0P0 5617 00	35-13	A0P0 6216 00	38-20	A0P0 8907 00	67-8	A0P0 M124 00	67-1
A0P0 2679 00	19-19	A0P0 5617 00	37-14	A0P0 6237 00	38-19	A0P0 8910 00	67-4	A0P0 M125 00	35-27
A0P0 2732 12	21-3	A0P0 5661 01	34-3	A0P0 6238 00	39-23	A0P0 8924 00	66-29	A0P0 M126 00	37-24
A0P0 2733 00	21-8	A0P0 5676 00	35-6	A0P0 6627 00	51-12	A0P0 8929 01	66-19	A0P0 M142 00	75-18
A0P0 2734 00	21-4	A0P0 5676 00	36-10	A0P0 6627 00	52-12	A0P0 8939 00	68-5	A0P0 M401 04	84-5
A0P0 2755 00	23-6	A0P0 5680 00	35-25	A0P0 6633 00	42-43	A0P0 8949 00	72-10	A0P0 M402 02	63-4
A0P0 2766 00	23-3	A0P0 5680 00	37-22	A0P0 6634 00	46-24	A0P0 8966 00	67-5	A0P0 M403 02	63-4
A0P0 2767 00	23-2	A0P0 5681 00	35-20	A0P0 6636 00	45-9	A0P0 8973 00	72-13	A0P0 M500 00	62-8
A0P0 2785 00	23-28	A0P0 5681 00	37-20	A0P0 6638 00	51-11	A0P0 8976 00	66-28	A0P0 M503 00	73-25
A0P0 2811 00	24-5	A0P0 5704 00	35-24	A0P0 6638 00	52-11	A0P0 8983 01	66-18	A0P0 M504 00	61-13
A0P0 2813 00	24-7	A0P0 5704 00	37-21	A0P0 6639 00	51-5	A0P0 8996 00	66-12	A0P0 M705 03	17-2
A0P0 2818 01	20-16	A0P0 5707 01	35-4	A0P0 6639 00	52-5	A0P0 9000 00	72-17	A0P0 M706 03	17-2
A0P0 2892 00	22-2	A0P0 5718 00	36-34	A0P0 6640 00	42-16	A0P0 9001 00	66-38	A0P0 M707 03	17-2
A0P0 2897 00	22-17	A0P0 5719 00	36-8	A0P0 6640 00	43-12	A0P0 9002 00	66-35	A0P0 M900 00	23-27
A0P0 3607 00	33-19	A0P0 5731 00	37-26	A0P0 6640 00	47-20	A0P0 9004 00	67-31	A0P0 M900 00	81-23
A0P0 3610 00	33-30	A0P0 5751 01	41-1	A0P0 6640 00	48-14	A0P0 9005 00	66-20	A0P0 M903 00	81-2
A0P0 3611 00	33-43	A0P0 5755 00	37-27	A0P0 6664 00	44-26	A0P0 9006 00	67-29	A0P0 N100 02	85-1
A0P0 3629 00	33-12	A0P0 5875 00	56-4	A0P0 7022 00	61-5	A0P0 9007 00	66-39	A0P0 N103 00	83-28
A0P0 3640 00	33-24	A0P0 5881 00	57-31	A0P0 7053 00	60-18	A0P0 9008 00	67-30	A0P0 N104 00	90-1
A0P0 3641 00	33-13	A0P0 5887 00	57-33	A0P0 7074 00	62-14	A0P0 9009 00	66-40	A0P0 N106 01	88-1
A0P0 3642 00	33-15	A0P0 5901 00	56-12	A0P0 7076 00	62-9	A0P0 9010 00	66-8	A0P0 N108 00	63-3
A0P0 3648 00	33-1	A0P0 5942 00	54-1	A0P0 7077 01	62-7	A0P0 9011 00	66-21	A0P0 N10U 00	62-17
A0P0 3649 00	33-17	A0P0 5943 00	54-12	A0P0 7082 00	60-41	A0P0 9477 00	19-23	A0P0 N10Y 01	88-1
A0P0 3660 00	33-3	A0P0 5965 00	57-9	A0P0 7085 00	62-6	A0P0 9487 00	19-25	A0P0 N11G 00	50-16
A0P0 3661 00	33-11	A0P0 5974 00	57-10	A0P0 7088 00	60-23	A0P0 9899 00	93-11	A0P0 N12E 00	83-26
A0P0 3662 00	33-5	A0P0 5983 00	57-6	A0P0 7090 00	60-31	A0P0 A620 15	38-24	A0P0 N12F 01	81-13

bizhub 502/bizhub 552/bizhub 602/bizhub 652

Parts No.	Page No.	Parts No.	Page No.	Parts No.	Page No.	Parts No.	Page No.	Parts No.	Page No.
A0P0 N12H 00	32-16	A0P0 R733 22	63-1	A108 M501 00	32-2	A2WU 1569 00	77-1	A2WU N122 00	61-15
A0P0 N12J 00	62-15	A0P0 R734 22	63-1	A108 M501 00	33-14	A2WU 1570 00	25-12	A2WU N123 00	29-11
A0P0 N12P 00	73-27	A0P0 R735 00	67-32	A108 M501 00	41-6	A2WU 1604 00	13-2	A2WU N127 00	74-3
A0P0 N12R 00	81-20	A0P0 R736 00	72-4	A108 M501 00	42-3	A2WU 1605 00	15-10	A2WU N12G 00	25-18
A0P0 N133 00	27-4	A0P0 R737 11	66-32	A108 M501 00	47-8	A2WU 1636 00	13-4	A2WU R700 00	25-17
A0P0 N141 00	24-15	A0P0 R738 00	70-41	A108 M501 00	55-30	A2WU 1668 00	13-32	A2WU R701 00	27-1
A0P0 N142 00	24-16	A0P0 R739 11	35-33	A108 M501 00	58-18	A2WU 1669 01	25-11	A2WU R702 00	29-36
A0P0 N143 00	23-29	A0P0 R739 11	37-36	A108 M501 00	59-22	A2WU 2200 00	69-27	A2WU R703 11	30-2
A0P0 N144 00	89-2	A0P0 R740 00	35-19	A108 M501 00	62-16	A2WU 2201 00	69-8	A2WU R704 00	33-16
A0P0 N145 00	23-16	A0P0 R740 00	37-19	A108 M501 00	65-15	A2WU 2203 00	69-2	A2WU R705 00	69-24
A0P0 N146 00	19-15	A0P0 R741 00	57-23	A108 M501 00	66-14	A2WU 2204 00	69-29	A2WU R900 00	35-2
A0P0 N149 00	81-7	A0P0 R742 00	33-42	A108 M501 00	70-31	A2WU 2208 00	69-1	A2WU R900 00	37-2
A0P0 N150 00	81-6	A0P0 R750 00	61-28	A108 M501 00	74-13	A2WU 2209 01	69-31	A2WU R900 00	50-2
A0P0 N151 00	82-12	A0P0 R751 00	70-35	A108 M501 00	81-17	A2WU 2210 01	69-18	A2WV 9434 00	14-12
A0P0 N152 00	82-11	A0P0 R752 00	57-2	A108 R900 00	3-9	A2WU 2212 00	69-17	A2WV 9450 00	14-12
A0P0 N153 00	24-17	A0P0 R752 00	74-9	A108 R900 00	10-1	A2WU 3629 00	33-44	A2WV H020 01	81-14
A0P0 N300 00	83-14	A0P0 R7A1 00	35-26	A108 R900 00	12-8	A2WU 3641 00	33-28	A2WV M400 00	84-5
A0P0 R701 00	76-12	A0P0 R7A1 00	37-23	A108 R900 00	34-10	A2WU 4048 00	13-22	A2WV N10A 00	89-1
A0P0 R704 11	79-8	A0P0 R7A2 00	44-27	A108 R900 00	36-13	A2WU 4058 00	13-22	A2WY WY1	33-4
A0P0 R705 11	79-8	A0P0 R7A3 00	44-44	A108 R900 00	37-33	A2WU 4059 00	13-22	V116 0408 03	94-4
A0P0 R706 00	18-11	A0P0 R7A4 00	67-2	A108 R900 00	41-3	A2WU 9403 00	13-19	V500 0100 03	92-2
A0P0 R708 00	23-26	A0P0 R7A5 00	67-16	A108 R900 00	46-6	A2WU 9433 00	14-12	V500 0100 05	92-5
A0P0 R709 00	22-20	A0P0 R7A6 00	69-15	A108 R900 00	50-17	A2WU 9440 00	14-20	V500 0100 07	92-4
A0P0 R710 00	21-1	A0P0 R7A7 00	11-11	A108 R900 00	51-17	A2WU 9449 00	14-12	V500 0100 08	92-6
A0P0 R711 00	24-12	A0P1 M401 04	84-5	A108 R900 00	52-18	A2WU 9486 00	13-15	V500 0100 13	92-7
A0P0 R713 11	33-40	A0P1 N105 01	88-1	A108 R900 00	54-7	A2WU H001 01	80-14	V500 0100 15	92-1
A0P0 R719 00	30-1	A0P2 N106 00	88-1	A108 R900 00	55-25	A2WU H003 00	25-19	V500 0100 20	92-3
A0P0 R720 00	34-34	A0P2 N10X 00	50-11	A1DM N112 00	66-5	A2WU H020 01	81-14	V500 0100 22	92-25
A0P0 R721 00	36-37	A0P2 N10Y 00	88-1	A2WU 1339 00	83-24	A2WU M400 00	84-5	V500 0100 23	92-11
A0P0 R722 22	47-40	A0PD 1602 00	17-1	A2WU 1341 00	78-8	A2WU M407 00	78-9	V500 0100 46	92-8
A0P0 R723 11	42-45	A108 5639 00	6-1	A2WU 1342 00	26-14	A2WU M408 00	78-2	V500 0100 52	92-12
A0P0 R724 11	54-42	A108 7133 00	12-20	A2WU 1353 00	73-36	A2WU M600 00	73-14	V500 0100 53	92-13
A0P0 R725 00	51-28	A108 8913 00	5-8	A2WU 1354 00	73-13	A2WU N101 00	87-1	V500 0100 54	92-9
A0P0 R726 00	51-28	A108 M500 00	3-3	A2WU 1560 00	25-21	A2WU N102 01	86-1	V500 0100 55	92-10
A0P0 R727 11	52-27	A108 M501 00	3-4	A2WU 1561 00	25-22	A2WU N109 00	71-14	V500 0200 10	92-15
A0P0 R728 11	52-27	A108 M501 00	4-19	A2WU 1562 00	25-16	A2WU N10A 00	89-1	V500 0200 11	92-16
A0P0 R729 00	57-39	A108 M501 00	5-6	A2WU 1563 00	25-20	A2WU N10B 00	77-12	V500 0200 18	92-34
A0P0 R730 11	58-38	A108 M501 00	6-18	A2WU 1564 00	73-37	A2WU N10G 00	13-12	V500 0200 19	92-31
A0P0 R731 00	61-29	A108 M501 00	25-2	A2WU 1566 00	15-8	A2WU N10M 00	31-29	V500 0200 25	92-33
A0P0 R732 22	63-1	A108 M501 00	28-4	A2WU 1567 00	77-3	A2WU N10R 00	87-1	V500 0200 37	92-32

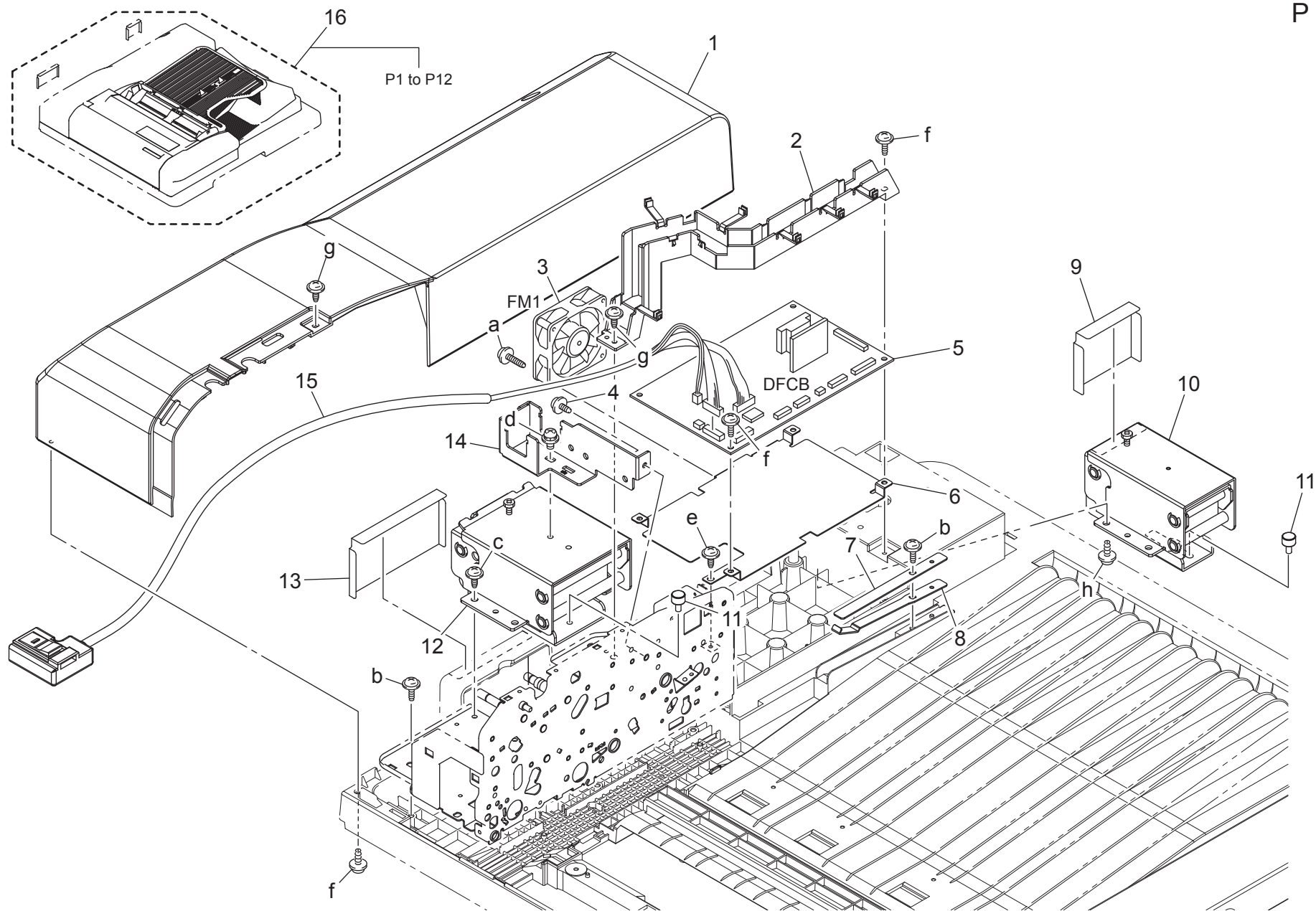
bizhub 502/bizhub 552/bizhub 602/bizhub 652

Parts No.	Page No.
V500 0200 38	92-36
V500 0200 39	92-35
V500 0200 52	93-1
V500 0200 77	92-14
V500 0200 82	93-5
V500 0200 88	92-17
V500 0200 89	92-18
V501 0100 01	93-6
V501 0100 18	93-7
V502 0100 26	83-13
V502 0100 33	24-3
V502 0100 36	24-4
V502 0100 36	84-3
V502 0100 56	83-21
V502 0100 57	83-19
V503 0100 02	94-3
V570 0100 21	92-19
V570 0100 23	92-26
V570 0100 26	92-20
V570 0100 27	92-27
V570 0100 28	92-21
V570 0100 31	92-22
V570 0100 32	92-24
V570 0100 38	92-30
V570 0100 39	92-29
V570 0100 46	92-23
V570 0100 47	92-28
V651 0200 04	25-8
V801 3000 06	3-20
V801 3000 06	54-13
V818 6000 15	93-8
V865 3000 26	81-15
V869 9000 45	61-14

bizhub 502/bizhub 552/bizhub 602/bizhub 652

ADF EXTERNAL PARTS

P 1



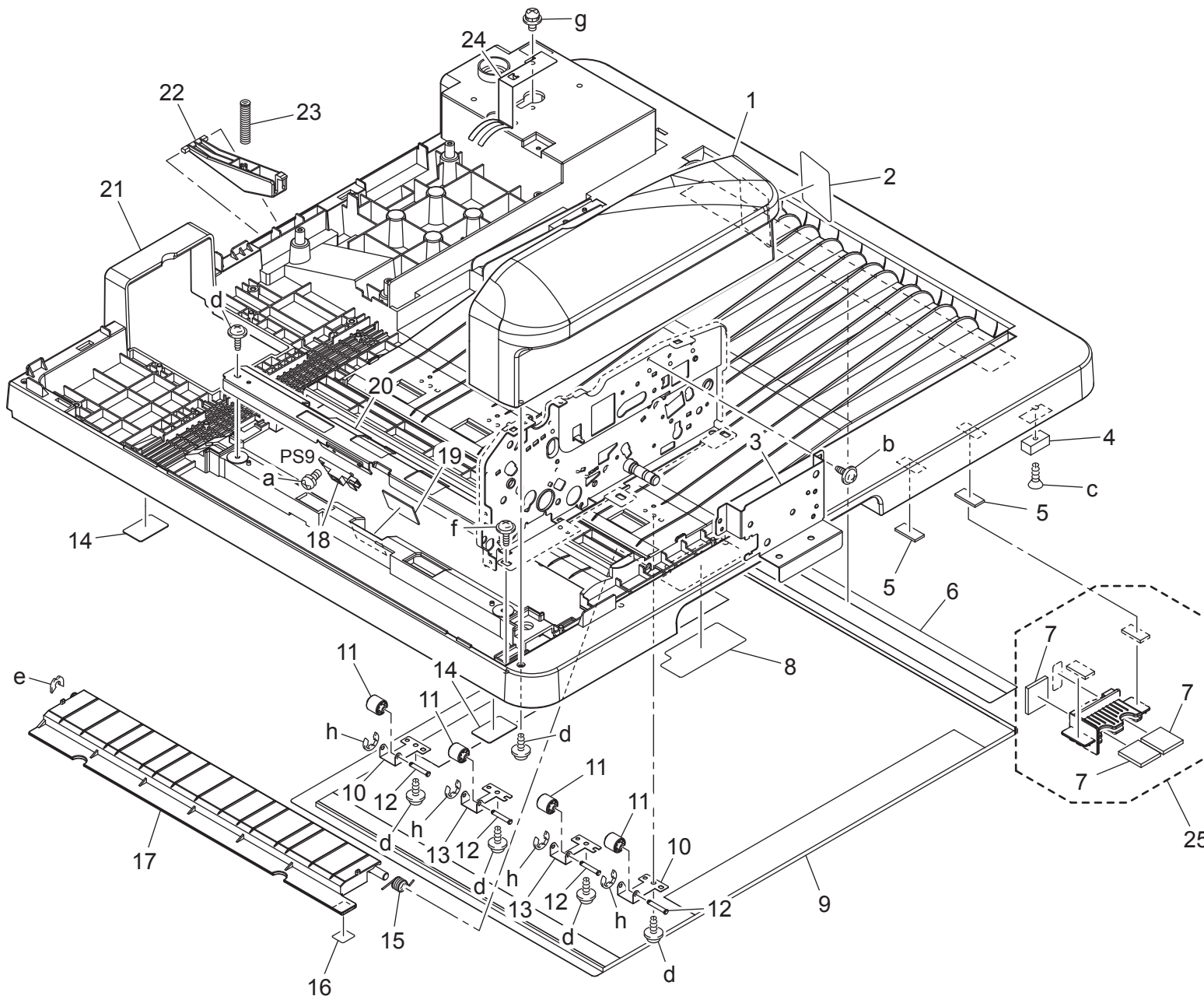
bizhub 502/bizhub 552/bizhub 602/bizhub 652

ADF EXTERNAL PARTS

Key	Part No.	Description	Destinations	Class	QTY	Standard parts
1	A01H 1602 01	REAR COVER		C	1	a-V137 0320 03
2	9J07 2009 03	GUIDE		D	1	b-V153 0408 03
3	9J07 M103 00	Fun motor		C	1	c-V137 0408 03
4	4002 2581 01	SCREW		C	1	d-V116 0408 03
5	A0HT RA01 01	PWB Assembly (PWB-ADF ASSY)		I	1	e-V144 0306 03
6	9J07 2014 03	SHIELD		D	1	f-V153 0308 03
7	9J07 4924 02	PLATE SPRING		D	1	g-V137 0308 03
8	9J07 4923 02	PLATE SPRING		D	1	h-V153 0410 03
9	A01H 1004 00	GUIDE		C	1	
10	A0HT 1008 00	Hinge		C	1	
11	9J07 2109 01	SHOULDER SCREW		C	2	
12	A0HT 1009 00	Hinge		C	1	
13	A01H 1003 00	GUIDE		C	1	
14	A07H 1007 00	Reinforce plate		D	1	
15	A0HT N106 00	ADF Wiring		D	1	
16	A0HT R700 11	Donau DF unit		D	1	

ADF EXTERNAL PARTS

P 2



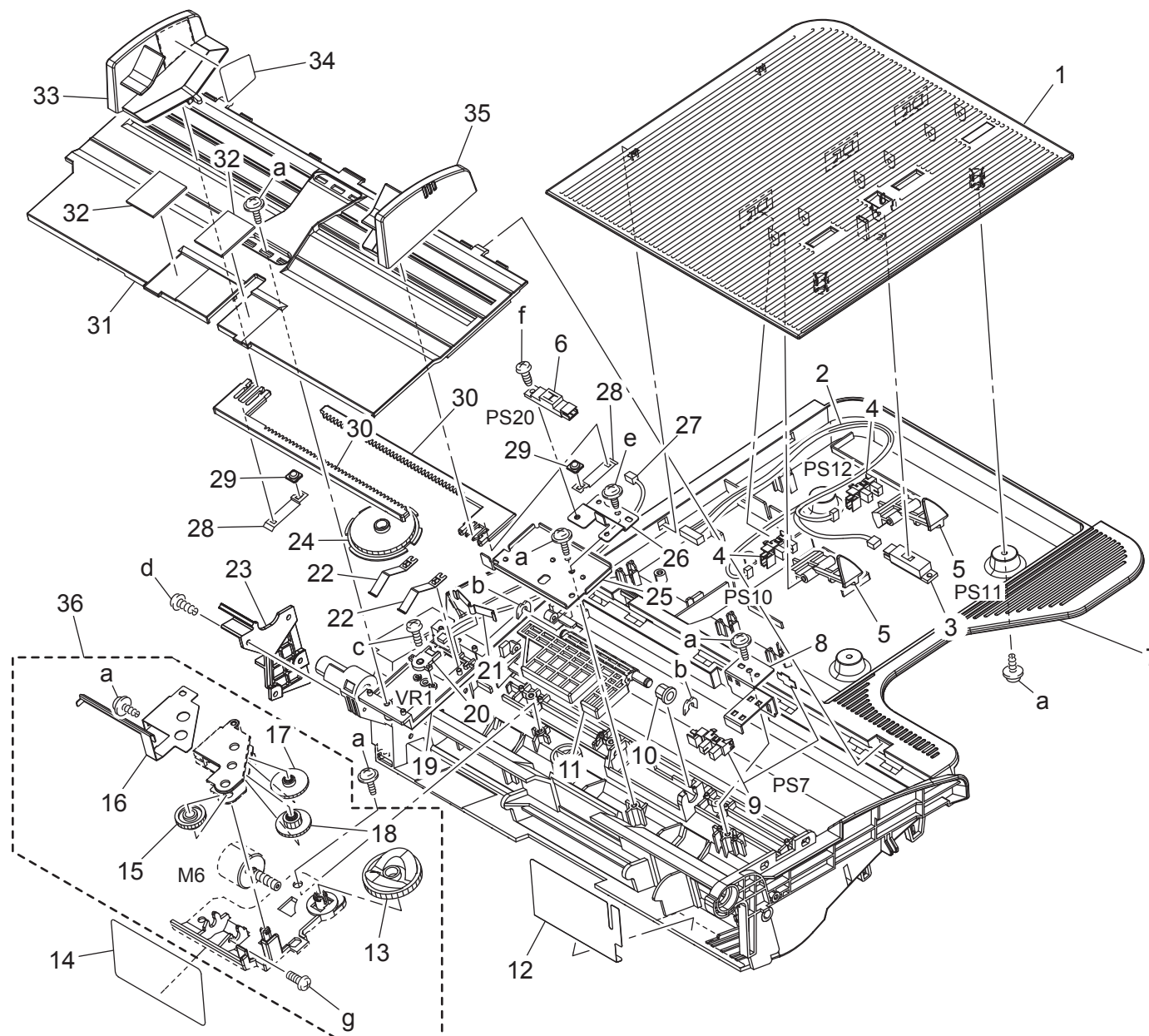
bizhub 502/bizhub 552/bizhub 602/bizhub 652

ADF EXTERNAL PARTS

Key	Part No.	Description	Destinations	Class	QTY	Standard parts
1	A0HT 1601 00	Front Cover		C	1	a-V115 0308 03 b-V144 0306 03 c-V147 0314 03 d-V153 0308 03 e-V218 0400 86 f-V153 0408 03 g-V116 0306 03 h-V217 0200 01
2	A01H 9402 00	LABEL INSERT		C	1	
3	A0HT 1007 00	Mounting Plate		D	1	
4	9J07 1602 00	MAGNET		D	1	
5	A0HT 9403 00	Hold Sheet		D	2	
6	9J07 2105 01	GUIDE		C	1	
7	9J07 2113 01	CLEANING PAD		C	3	
8	A01H 9403 00	LABEL JAM		C	1	
9	9J07 2104 02	MAT		C	1	
10	A01H 8100 00	PLATE SPRING		D	2	
11	9J07 4808 01	ROLL		C	4	
12	A01H 8102 00	SHAFT		D	4	
13	A01H 8101 00	PLATE SPRING		D	2	
14	A01H 9411 00	LABEL		C	2	
15	9J07 4802 01	TORSION SPRING		C	1	
16	9J07 9405 00	LABEL OPEN		C	1	
17	9J07 4801 01	GUIDE		C	1	
18	9335 1910 92	SOLID STATE SWITCH		B	1	
19	A01H 7007 00	SHIELD PLATE		C	1	
20	A01H 7003 00	BRACKET		D	1	
21	A0HT 1000 00	Base Frame		D	1	
22	9J07 2007 02	Lever		C	1	
23	9J07 2008 01	PRESSURE SPRING		C	1	
24	9J07 1300 00	EARTH GROUND		D	1	
25	A0HT R707 00	Cleaning Material assy		C	1	

bizhub 502/bizhub 552/bizhub 602/bizhub 652

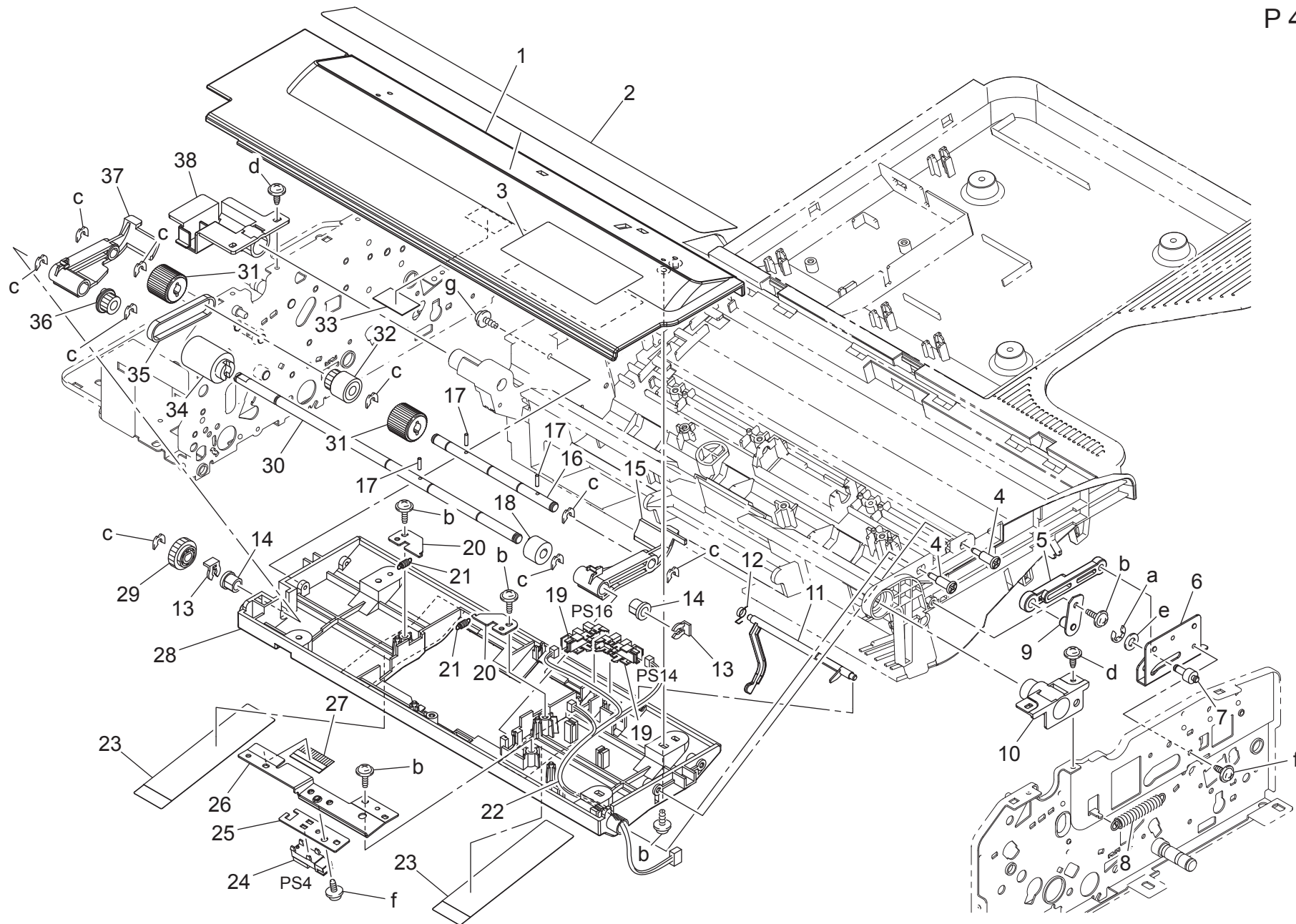
ADF PAPER FEED TRAY



bizhub 502/bizhub 552/bizhub 602/bizhub 652

Key	Part No.	Description	Destinations	Class	QTY	Standard parts
1	A0HT 5602 00	Bracket		C	1	a-V153 0308 03 b-V218 0400 86 c-V166 1705 04 d-V149 0308 03 e-V144 0306 03 f-V115 0306 03 g-V115 2604 03
2	A0HT N102 01	ADF Wiring		D	1	
3	A108 M500 00	Photoreflector		B	1	
4	A108 M501 00	Photointerrupter		B	2	
5	A01H 5606 00	ACTUATOR		C	2	
6	9J07 M500 00	PHOTOREFLECTOR		B	1	
7	A01H 5601 01	Tray		C	1	
8	9J07 3033 01	BRACKET		D	1	
9	A108 R900 00	PHOTO INTERRUPTER		I	1	
10	4469 3465 01	BUSHING		C	1	
11	A01H 5618 00	Lever		C	1	
12	9J07 3036 02	GUIDE		C	1	
13	4641 3417 02	CAM		C	1	
14	9J07 3037 01	GUIDE		C	1	
15	4641 3414 01	GEAR 14/37T		C	1	
16	9J07 3206 01	PLATE SPRING		D	1	
17	4641 3436 01	GEAR 30T		C	1	
18	4641 3415 01	GEAR 13/28T		C	1	
19	9J07 3106 03	BRACKET		D	1	
20	V801 3000 06	RESISTOR		D	1	
21	9J07 3104 01	STOPPER		C	1	
22	9J07 5600 00	PLATE SPRING		D	2	
23	A0HT 5604 11	Cover		D	1	
24	9J07 3105 02	GEAR 40T		C	1	
25	A0HT 5620 00	Reinforce Plate		D	1	
26	A0HT 5621 00	Mounting Plate		D	1	
27	9J07 6807 01	WIRE HARNESS ASSY		D	1	
28	A01H 5611 00	Plate spring		D	2	
29	A01H 5612 00	GUIDE		C	2	
30	9J07 3103 13	Rack		C	2	
31	A01H 5607 13	Lifting Plate		D	1	
32	4641 3503 01	SEAL		C	2	
33	A01H 5605 02	Regulating Plate		C	1	
34	9J07 9401 00	LABEL MAX		C	1	
35	A01H 5604 02	Regulating Plate		C	1	
36	A0HT R705 00	Lifting Motor assy		C	1	

ADF PAPER FEED SECTION

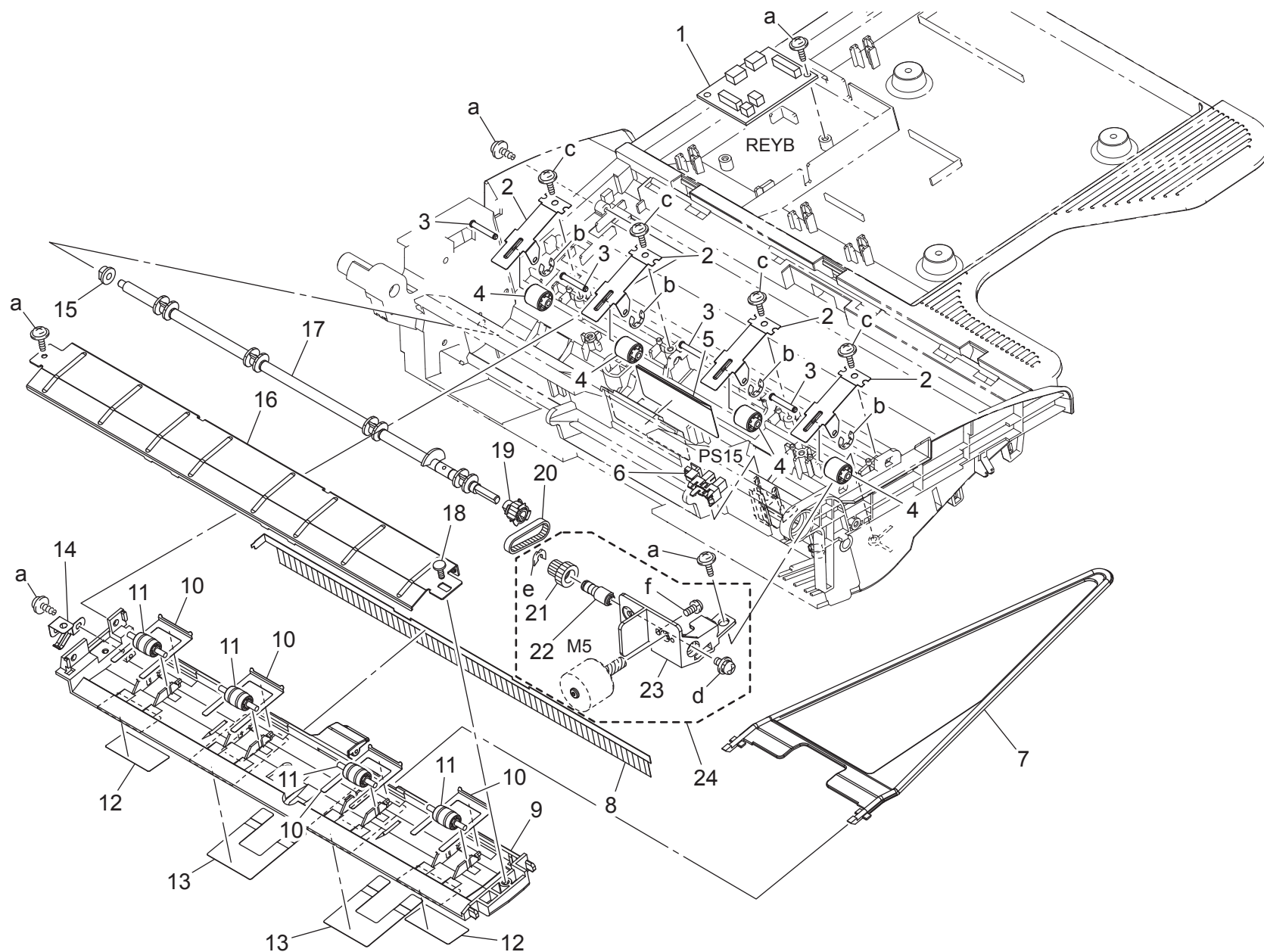


bizhub 502/bizhub 552/bizhub 602/bizhub 652

Key	Part No.	Description	Destinations	Class	QTY	Standard parts
1	A0HT 5608 12	Cover Upper		C	1	a-V217 0300 01 b-V153 0308 03 c-V218 0400 86 d-V137 0308 03 e-V206 0400 01 f-V144 0306 03 g-V153 0310 03
2	A0HT 9405 00	Label Size		C	1	
3	A01H 9407 01	LABEL JAM		C	1	
4	4643 3007 01	SHOULDER SCREW		C	2	
5	9J07 3017 02	ARM		C	1	
6	9J07 3020 01	BRACKET		D	1	
7	9J07 3019 02	SHAFT		D	1	
8	9J07 3016 01	TENSION SPRING		C	1	
9	9J07 R710 00	BRACKET ASSY		D	1	
10	9J07 3318 01	BRACKET		D	1	
11	A0HT 5623 00	Lever		C	1	
12	A07H 5707 00	Torsion spring		C	1	
13	1033 4402 03	STOPPER RING		C	2	
14	4469 3465 01	BUSHING		C	2	
15	A07H 5701 00	Arm		C	1	
16	9J07 3302 01	SHAFT		D	1	
17	1067 2501 01	PIN		C	3	
18	A07H 5705 00	Clutch		C	1	
19	A108 M501 00	Photointerrupter		B	2	
20	A07H 5706 00	Bracket		D	2	
21	A07H 5704 00	Tension spring		C	2	
22	A0HT N104 00	ADF Wiring		D	1	
23	9J07 3321 02	GUIDE		C	2	
24	A03T M500 00	Photoreflector		I	1	
25	A07H 5702 00	Bracket		D	1	
26	A07H 5708 00	Bracket		D	1	
27	A01H 5651 00	NEUTRALIZING BRUSH		D	1	
28	A07H 5700 01	Guide		C	1	
29	9J07 5002 01	GEAR 17T		C	1	
30	9J07 3303 01	SHAFT		D	1	
31	9J07 3301 01	ROLLER		A	2	
32	9J07 3308 01	PULLEY 21T		C	1	
33	A0HT 5622 00	Light blocking Part		D	1	
34	A00J 5636 00	Roller		A	1	
35	4641 3514 01	TIMING BELT 122L		C	1	
36	9J07 3319 01	PULLEY 19T		C	1	
37	A07H 5703 00	Arm		C	1	
38	A0HT 5628 00	Holder		C	1	

ADF CONVEYANCE SECTION

P 5



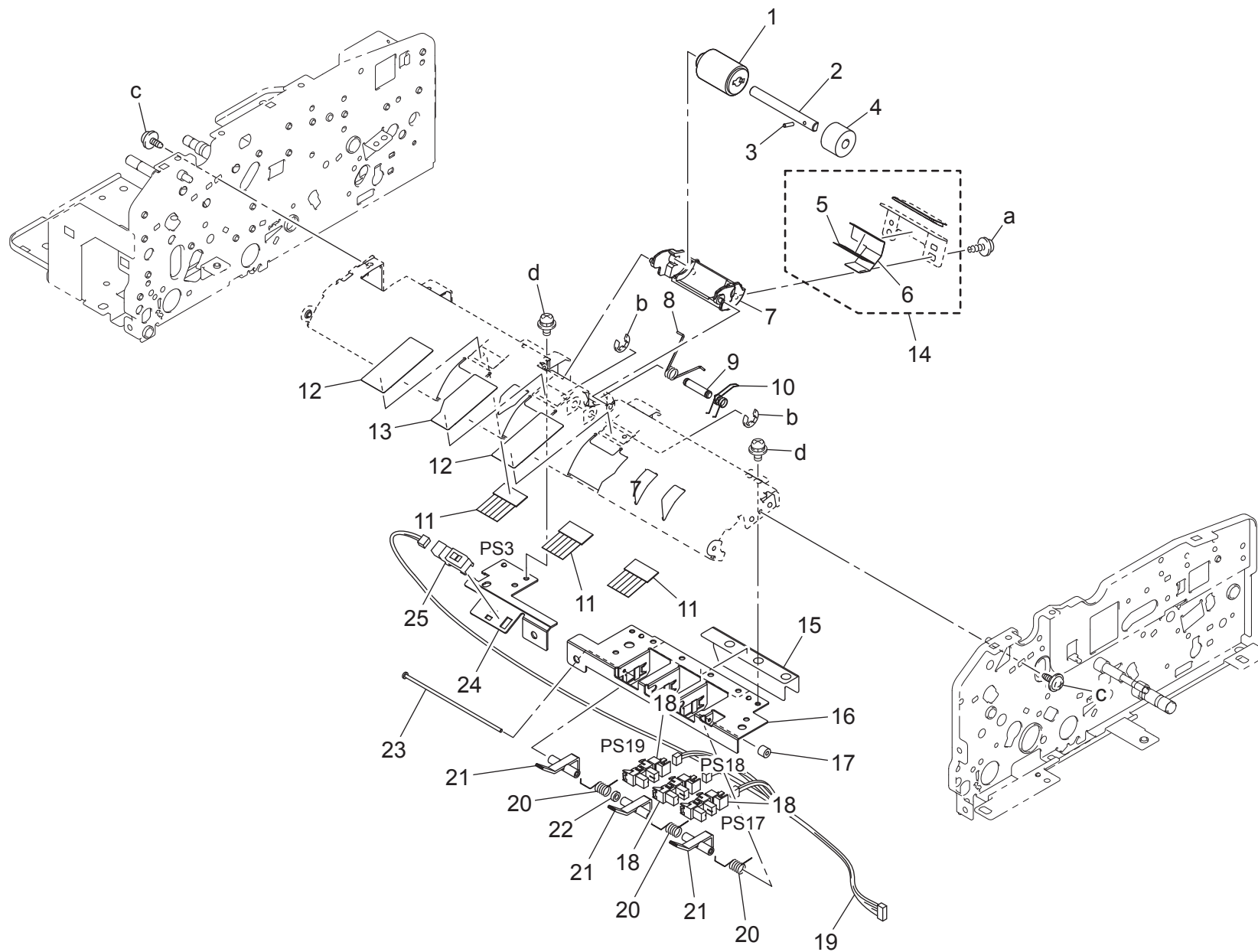
bizhub 502/bizhub 552/bizhub 602/bizhub 652

ADF CONVEYANCE SECTION

Key	Part No.	Description	Destinations	Class	QTY	Standard parts
1	9J07 0102 01	PWB Assy		C	1	a-V153 0308 03 b-V217 0200 01 c-V153 0306 03 d-V116 0306 03 e-V218 0400 86 f-V115 2604 03
2	A01H 7004 00	PLATE SPRING		D	4	
3	A01H 8102 00	SHAFT		D	4	
4	9J07 4808 01	ROLL		C	4	
5	9J07 3411 02	GUIDE		D	1	
6	A108 M501 00	Photointerrupter		B	1	
7	A0HT 8907 00	Guide		C	1	
8	A108 8913 00	Neutralizing Brush		C	1	
9	A0HT 8901 01	Guide		C	1	
10	A0HT 8904 00	Plate spring		C	4	
11	9J07 3008 01	ROLL		C	4	
12	9J07 4438 01	GUIDE		C	2	
13	A0HT 8918 00	Guide		C	2	
14	A0HT 8914 00	Ground Plate		C	1	
15	1200 3201 08	BUSHING		C	1	
16	A0HT 8917 00	Guide		C	1	
17	A0HT 8115 00	Shaft		D	1	
18	4349 1311 01	SHOULDER SCREW		C	1	
19	A0HT 8113 00	Pulley 18T		D	1	
20	A0HT 8114 00	Timing belt 76L		D	1	
21	A0HT 8112 00	Pulley 15T		D	1	
22	A0HT 8117 00	Shaft		D	1	
23	A0HT 8111 00	Holder		D	1	
24	A0HT R704 00	Pressure/Release Motor assy		C	1	

bizhub 502/bizhub 552/bizhub 602/bizhub 652

ADF CONVEYANCE SECTION



bizhub 502/bizhub 552/bizhub 602/bizhub 652

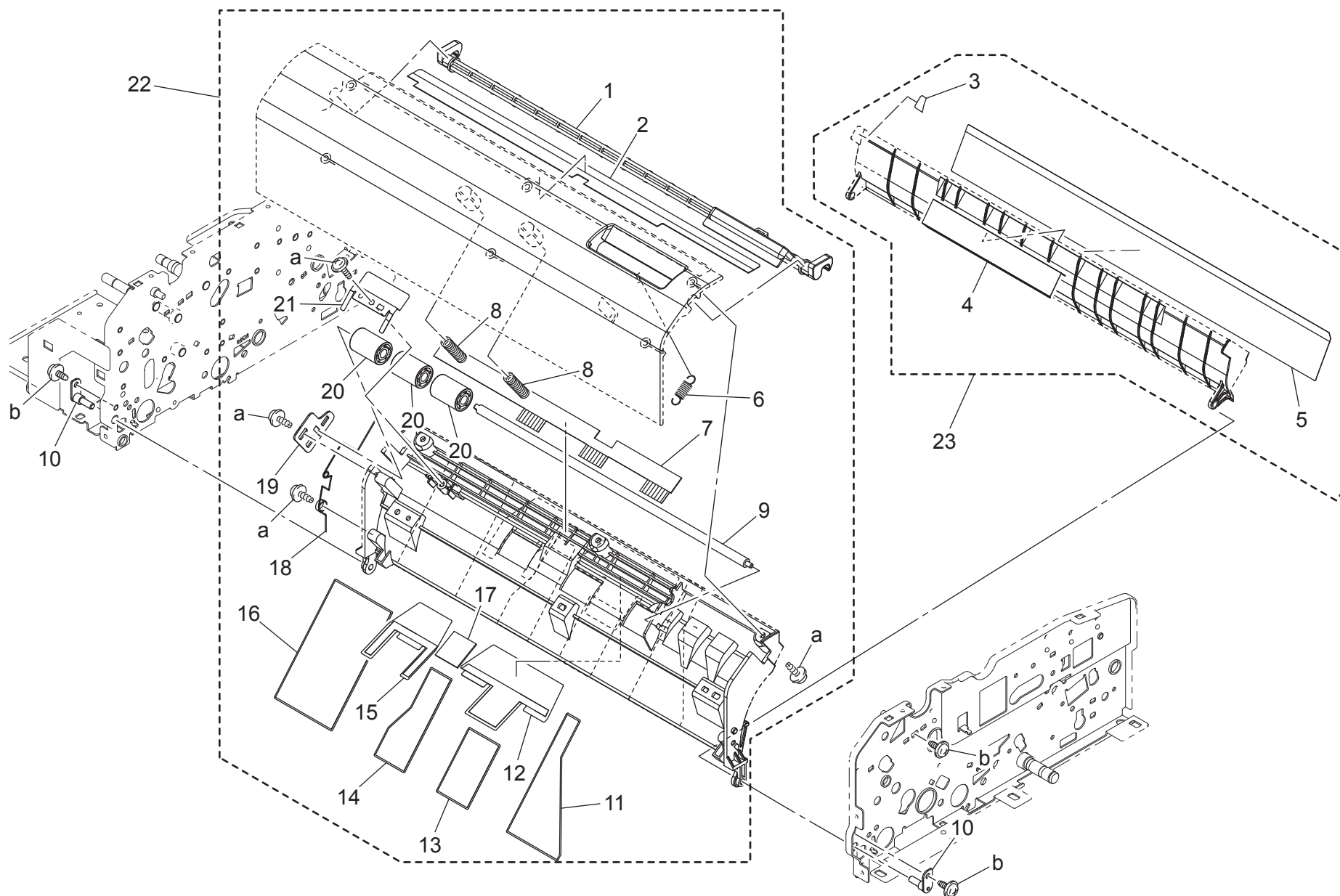
ADF CONVEYANCE SECTION

Key	Part No.	Description	Destinations	Class	QTY	Standard parts
1	A108 5639 00	Roller		A	1	a-V153 0308 03 b-V217 0300 01 c-V144 0306 03 d-V116 0306 03
2	A0HT 5612 02	Shaft		C	1	
3	1067 2501 01	PIN		C	1	
4	A0HT 5611 00	Torque limiter		B	1	
5	A01H 5651 00	NEUTRALIZING BRUSH		D	1	
6	A01H 5655 00	BRACKET		C	1	
7	9J07 3404 01	HOLDER		C	1	
8	9J07 3405 01	TORSION SPRING		C	1	
9	9J07 3408 01	SHAFT		D	1	
10	A01H 5654 00	TORSION SPRING		C	1	
11	A07H 7502 00	Neutralizing brush		C	3	
12	9J07 4016 01	GUIDE		C	2	
13	9J07 4017 01	GUIDE		C	1	
14	A01H R704 00	SEPARATOR PAD ASSY		B	1	
15	9J07 4014 01	GUIDE		C	1	
16	A07H 7501 12	Bracket		D	1	
17	9J08 2104 01	COLLAR		C	1	
18	A108 M501 00	Photointerrupter		B	3	
19	A0HT N108 00	ADF Wiring		D	1	
20	9J07 4009 02	TORSION SPRING		C	3	
21	9J07 4008 01	LEVER		C	3	
22	9J07 1606 00	WASHER		C	1	
23	9J07 4012 01	SHAFT		D	1	
24	A07H 7503 12	Bracket		D	1	
25	9335 1400 71	SOLID STATE SWITCH		B	1	

bizhub 502/bizhub 552/bizhub 602/bizhub 652

ADF CONVEYANCE SECTION

P 7



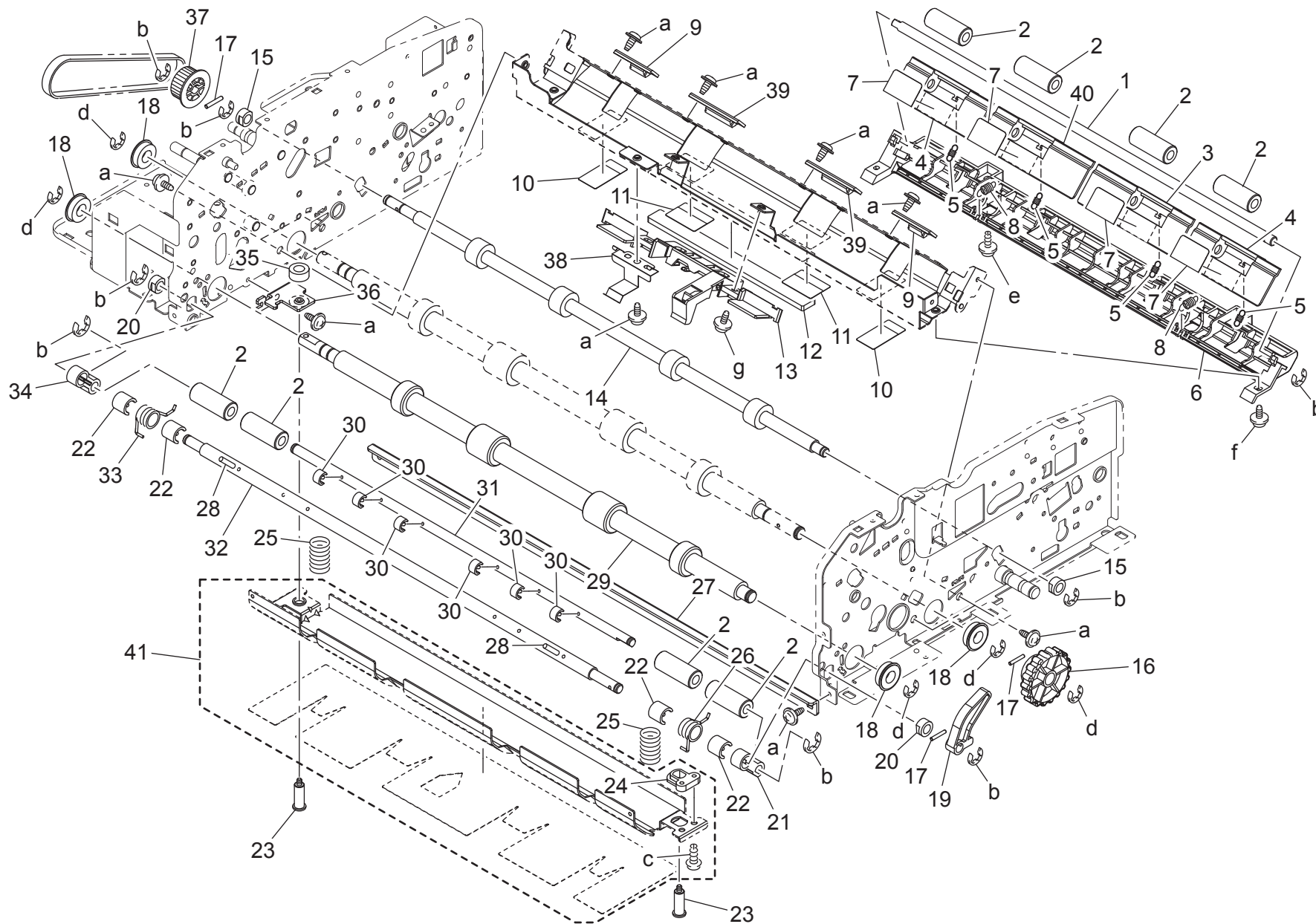
bizhub 502/bizhub 552/bizhub 602/bizhub 652

ADF CONVEYANCE SECTION

Key	Part No.	Description	Destinations	Class	QTY	Standard parts
1	A01H 7001 01	LEVER		C	1	a-V153 0308 03 b-V144 0306 03
2	9J07 1603 02	SEAL		C	1	
3	9J07 9404 00	LABEL HANDLE		D	1	
4	A0HT 7012 00	Guide		D	1	
5	A0HT 8102 00	Guide		C	1	
6	9J07 4107 01	TENSION SPRING		C	1	
7	A0HT 7040 00	Neutralizing Brush		D	1	
8	9J07 4004 01	PRESSURE SPRING		C	2	
9	9J07 4005 01	SHAFT		D	1	
10	9J07 R709 00	BRACKET ASSY		D	2	
11	A0HT 7008 00	Guide		D	1	
12	A07H 7504 00	Guide		C	1	
13	A0HT 7009 00	Guide		D	1	
14	A0HT 7010 00	Guide		D	1	
15	A07H 7505 00	Guide		C	1	
16	A0HT 7013 00	Guide		D	1	
17	9J07 4116 01	SHIELD PLATE		C	1	
18	A0HT 7042 00	Torsion Coil spring		D	1	
19	9J07 4006 01	BRACKET		D	1	
20	9J07 8103 00	ROLL		C	3	
21	A0HT 7041 00	Plate spring		D	1	
22	A0HT R701 11	Left Cover assy		D	1	
23	A0HT R708 00	Open/ciose Guide assy		D	1	

bizhub 502/bizhub 552/bizhub 602/bizhub 652

ADF CONVEYANCE SECTION

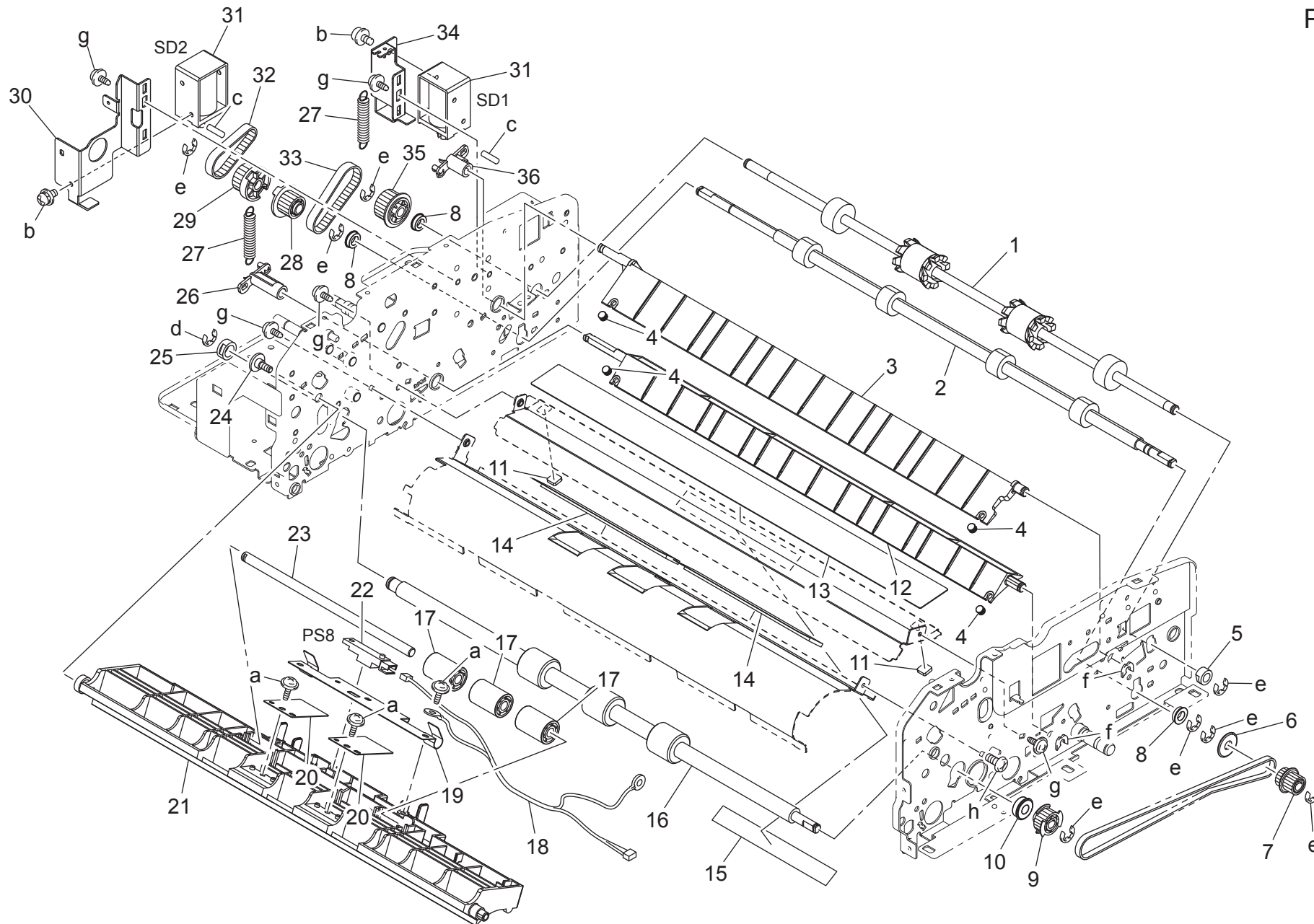


bizhub 502/bizhub 552/bizhub 602/bizhub 652

ADF CONVEYANCE SECTION

Key	Part No.	Description	Destinations	Class	QTY	Standard parts
1	9J07 4502 02	SHAFT		D	1	a-V144 0306 03 b-V217 0400 01 c-V145 0306 03 d-V217 0600 01 e-V153 0308 03 f-V137 0308 03 g-V116 0308 03
2	9J07 4302 01	ROLL		C	8	
3	9J07 4412 01	GUIDE		C	1	
4	9J07 4411 01	GUIDE		C	2	
5	9J07 4417 01	TENSION SPRING		C	4	
6	9J07 4410 01	BRACKET		C	1	
7	9J07 4415 02	GUIDE		C	4	
8	9J07 4505 01	TENSION SPRING		C	2	
9	9J07 4435 01	GUIDE		D	2	
10	A0HT 2605 00	Guide		D	2	
11	A07H 2606 00	Guide		C	2	
12	A0HT 2604 00	Guide		D	1	
13	9J07 4430 01	HOLDER		D	1	
14	9J07 4701 01	ROLLER		C	1	
15	4131 2537 01	BUSHING		C	2	
16	A0HT 2207 00	Knob		D	1	
17	4131 2536 02	PIN		C	3	
18	4131 2626 01	BALL BEARING		C	4	
19	9J07 4308 01	LEVER		C	1	
20	1200 3121 09	BUSHING		C	2	
21	9J07 4304 01	ARM		C	1	
22	9J07 4314 01	STOPPER		C	4	
23	9J07 4443 01	SHOULDER SCREW		C	2	
24	9J07 4441 01	BUSHING		C	1	
25	A07H 2603 00	Pressure spring		C	2	
26	9J07 4305 01	TORSION SPRING		C	1	
27	9J07 4316 01	REINFORCE PLATE		D	1	
28	1067 2503 01	PIN		D	2	
29	A0HT 7004 00	Roller		C	1	
30	9J07 4315 01	STOPPER		C	6	
31	9J07 4303 01	SHAFT		D	1	
32	9J07 4307 01	SHAFT		D	1	
33	9J07 4306 01	TORSION SPRING		C	1	
34	9J07 4312 01	ARM		C	1	
35	1154 4670 01	PROTECTION		C	1	
36	9J07 4427 02	BRACKET		D	1	
37	9J07 5009 01	PULLEY 32T		C	1	
38	A01H 7005 00	EARTH GROUND		D	1	
39	9J07 4436 01	GUIDE		D	2	
40	9J07 4413 01	GUIDE		C	1	
41	A07H R705 00	Guide Assy		C	1	

ADF SWITCH SECTION



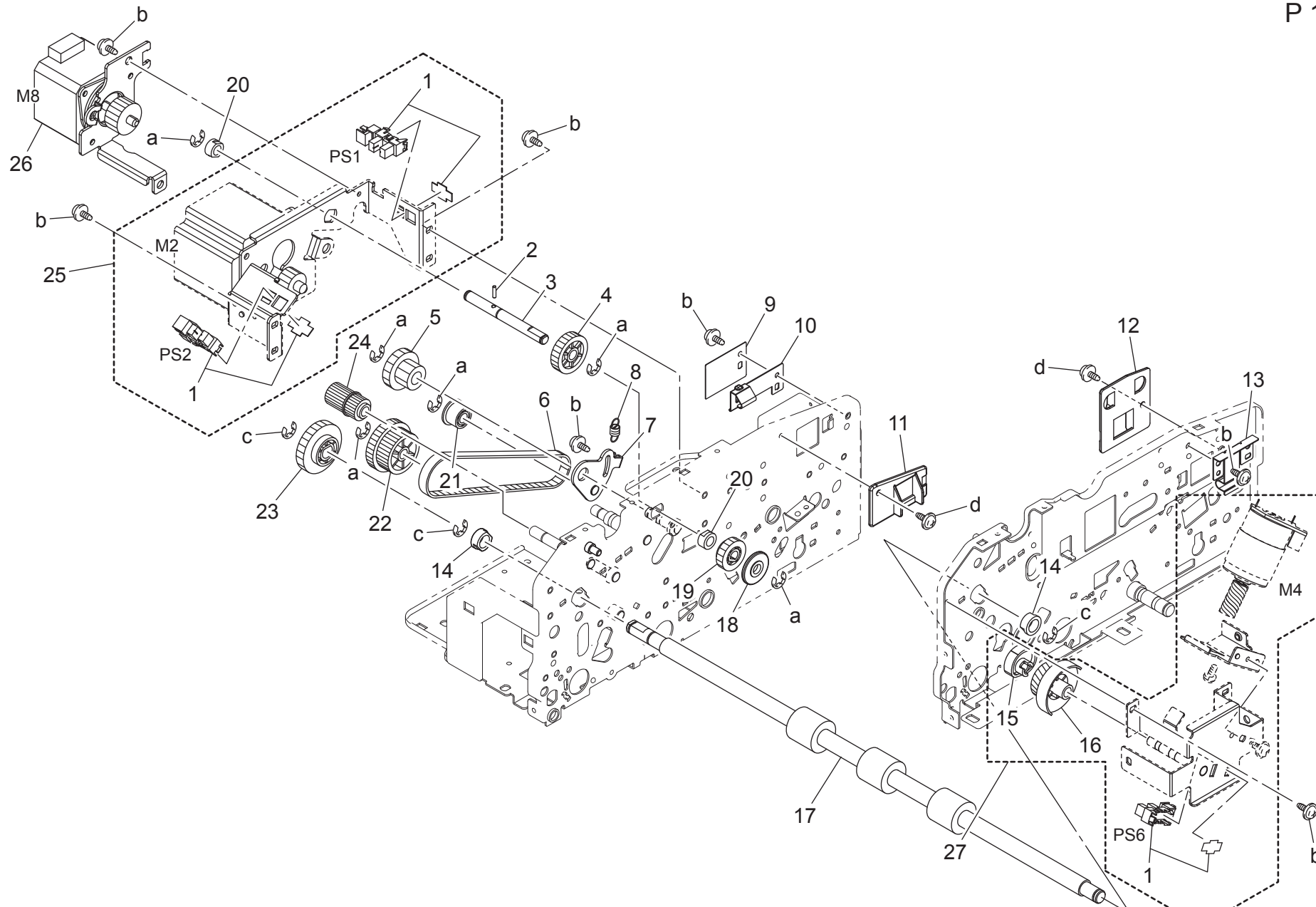
bizhub 502/bizhub 552/bizhub 602/bizhub 652

ADF SWITCH SECTION

Key	Part No.	Description	Destinations	Class	QTY	Standard parts
1	A0HT 8902 00	Roller		C	1	a-V153 0308 03 b-V116 0306 03 c-V232 3018 09 d-V217 0600 01 e-V217 0400 01 f-V218 0400 86 g-V144 0306 03 h-V143 0306 03
2	A0HT 7050 11	Roller		C	1	
3	9J07 4601 01	GUIDE		C	1	
4	4643 3215 01	BUSHING		C	4	
5	4131 2537 01	BUSHING		C	1	
6	A0HT 2214 00	Flange		D	1	
7	A0HT 2208 00	Pulley 20T		C	1	
8	A00J 6178 00	BALL BEARING		C	3	
9	A0HT 2204 00	Pulley 25T		C	1	
10	A00J 2112 00	Ball Bearing		C	1	
11	A0HT 8912 00	Cushion		D	2	
12	9J07 4602 02	GUIDE		C	1	
13	9J07 4703 01	GUIDE		C	1	
14	9J07 4712 01	GUIDE		C	2	
15	9J07 1605 00	CUSHION		C	1	
16	A0HT 8106 00	Roller		C	1	
17	9J07 8103 00	ROLL		C	3	
18	A0HT N107 00	ADF Wiring		D	1	
19	9J07 4709 01	PLATE SPRING		D	1	
20	9J07 4708 01	PLATE SPRING		D	2	
21	9J07 4707 01	GUIDE		C	1	
22	9335 1910 52	SOLID STATE SWITCH		B	1	
23	9J07 4003 01	SHAFT		D	1	
24	9J07 8100 00	SHOULDER SCREW		C	1	
25	4658 3516 02	Bushing		C	1	
26	9J07 4603 02	Lever		C	1	
27	9J07 4605 01	TENSION SPRING		C	2	
28	A0HT 2201 11	Pulley 24T		C	1	
29	A0HT 2202 00	Pulley 29T		C	1	
30	9J07 4608 02	BRACKET		D	1	
31	A0HT M200 00	Plunger solenoid		C	2	
32	A0HT 2212 00	Timing belt 100L		C	1	
33	A0HT 2213 00	Timing belt 118L		C	1	
34	9J07 4607 01	BRACKET		D	1	
35	A0HT 2200 00	Pulley 30T		C	1	
36	9J07 4604 01	LEVER		C	1	

bizhub 502/bizhub 552/bizhub 602/bizhub 652

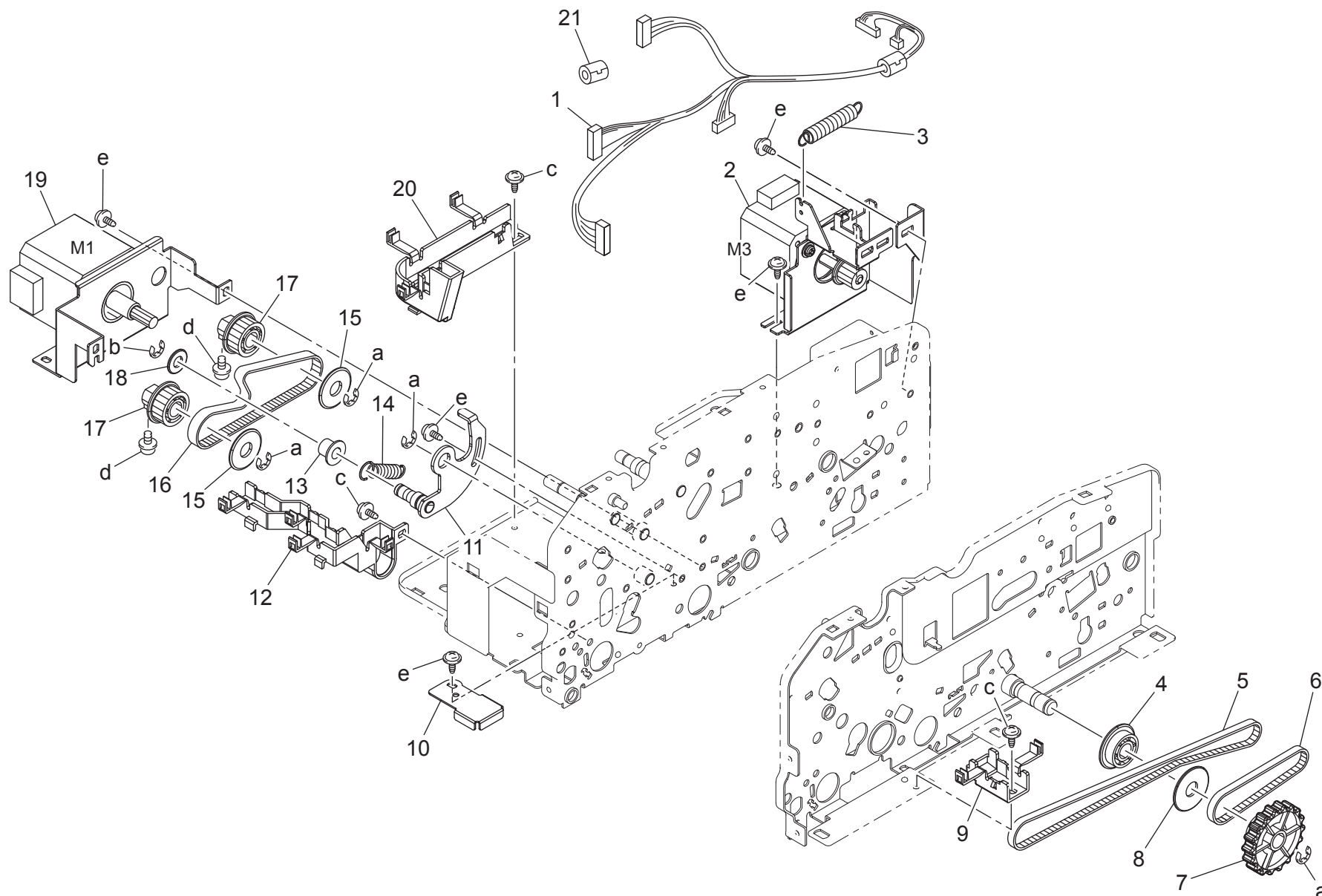
ADF DRIVE SECTION



bizhub 502/bizhub 552/bizhub 602/bizhub 652

Key	Part No.	Description	Destinations	Class	QTY	Standard parts
1	A108 R900 00	PHOTO INTERRUPTER		I	3	a-V217 0400 01 b-V144 0306 03 c-V217 0600 01 d-V137 0308 03
2	4131 2536 02	PIN		C	1	
3	A07H 2117 00	Shaft		D	1	
4	A07H 2124 00	Gear 28T		C	1	
5	A07H 2126 00	Gear 17/28T		C	1	
6	A07H 2118 00	Timing Belt 278L		C	1	
7	A07H R710 00	Tension Plate Assy		D	1	
8	A07H 2121 00	Tension spring		C	1	
9	9J07 3038 01	BRACKET		D	1	
10	9J07 3032 01	BRACKET		D	1	
11	A0HT 5617 00	Holder /Rear		D	1	
12	A0HT 5616 00	Holder /Front		D	1	
13	9J07 3031 01	BRACKET		D	1	
14	4658 3516 02	Bushing		C	2	
15	9J07 4309 01	CAM		C	1	
16	9J07 4311 01	GEAR 26T		C	1	
17	A0HT 7006 00	Roller		D	1	
18	9J07 5020 01	COLLAR		C	1	
19	9J07 5002 01	GEAR 17T		C	1	
20	4131 2537 01	BUSHING		C	2	
21	9J07 5019 01	ROLL		C	1	
22	9J07 5012 01	GEAR 40/37T		C	1	
23	A07H 2125 00	Gear 37T		C	1	
24	A07H 2123 00	Gear 15/15T		C	1	
25	A0HT R711 00	Registration Lower Motor Assy		D	1	
26	A0HT R703 00	Paper Feed Motor assy		C	1	
27	A0HT R710 00	Motor Assy		C	1	

ADF DRIVE SECTION

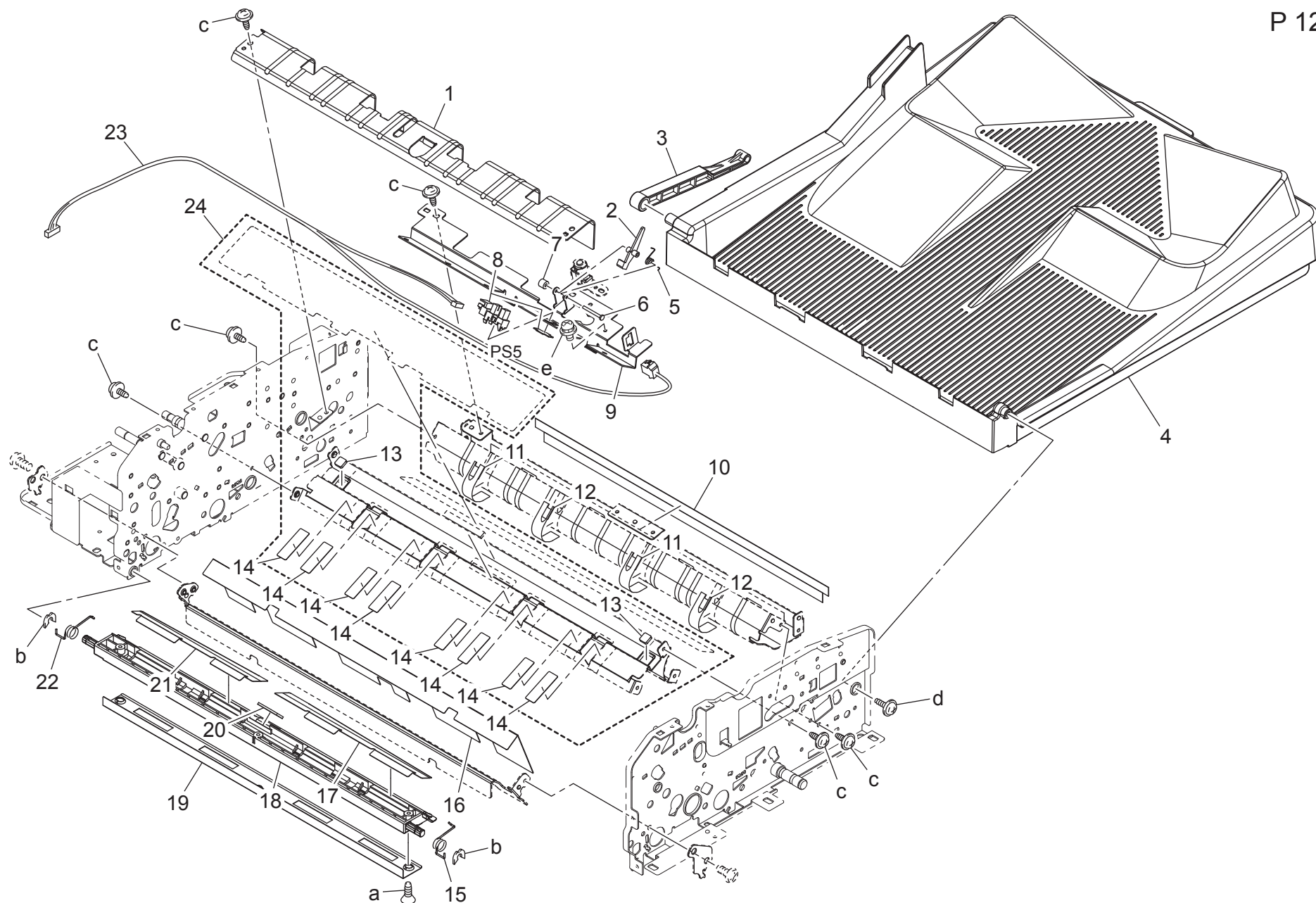


bizhub 502/bizhub 552/bizhub 602/bizhub 652

Key	Part No.	Description	Destinations	Class	QTY	Standard parts
1	A0HT N105 02	ADF Wiring		C	1	a-V217 0600 01 b-V217 0400 01 c-V137 0308 03 d-V116 0308 03 e-V144 0306 03
2	A0HT R709 00	Paper Exit Motor assy		C	1	
3	A0HT 2215 00	Pulling Coil spring		D	1	
4	A0HT 2209 00	Roll		D	1	
5	A0HT 2205 00	Timing belt 364L		C	1	
6	A0HT 2211 00	Timing belt 150L		C	1	
7	A0HT 2207 00	Knob		D	1	
8	A0HT 2210 00	Flange		D	1	
9	9J07 2011 02	GUIDE		D	1	
10	A01H 1007 00	COVER		D	1	
11	A0P0 R7A7 00	Read Drive Tension Plate		D	1	
12	9J07 2010 02	GUIDE		D	1	
13	A0HT 2102 00	Roller		D	1	
14	9J07 5106 01	TENSION SPRING		C	1	
15	A0HT 2107 00	Flange		D	2	
16	A0HT 2101 00	Timing belt 219L		C	1	
17	A0HT 2105 00	Pulley 40T		C	2	
18	A0HT 2106 00	Flange		D	1	
19	A0HT R702 00	Read Motor assy		C	1	
20	A07H 1010 00	Guide		D	1	
21	9326 1810 51	FERRITE CORE		D	1	

ADF PAPER EXIT SECTION

P 12



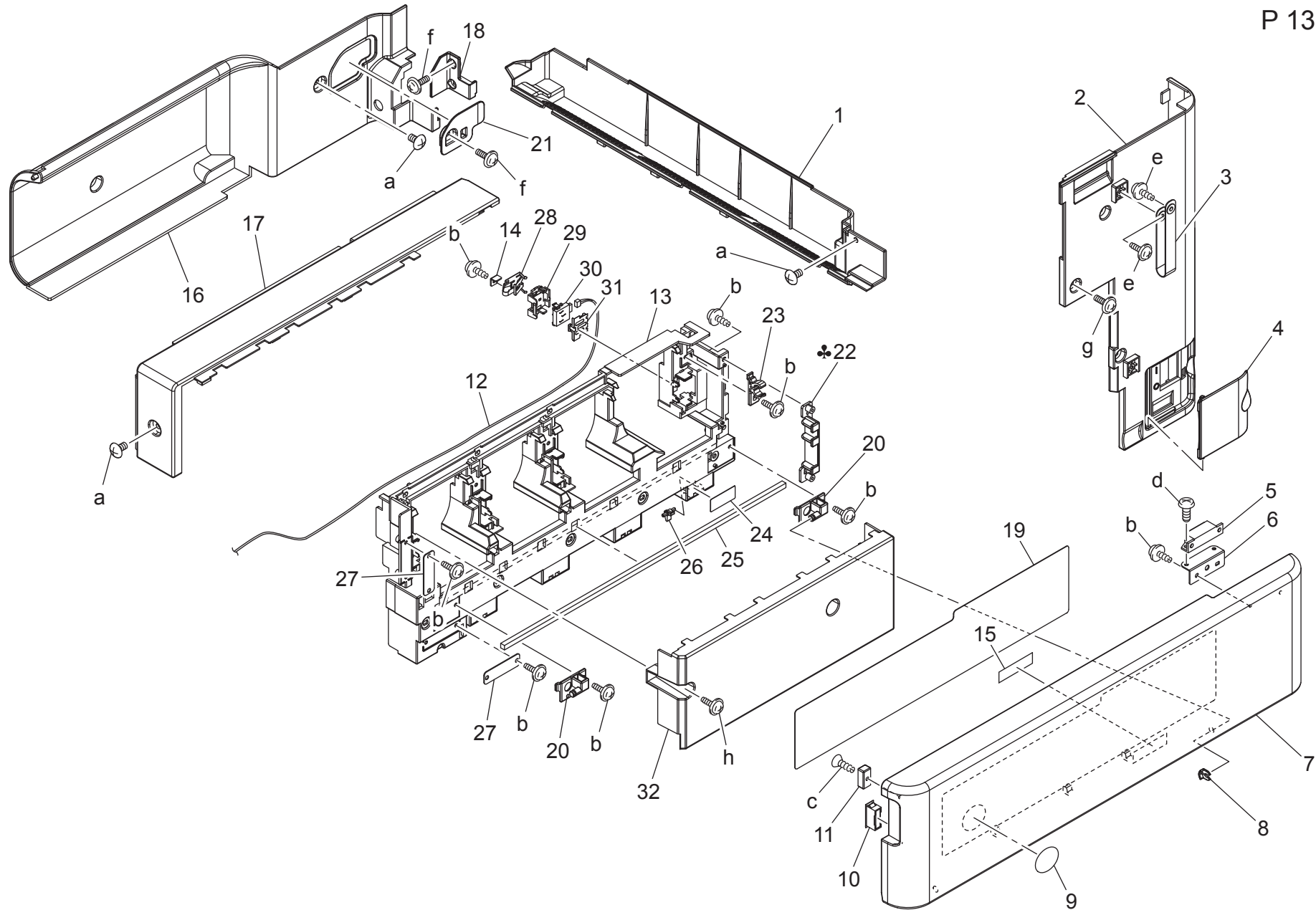
bizhub 502/bizhub 552/bizhub 602/bizhub 652

ADF PAPER EXIT SECTION

Key	Part No.	Description	Destinations	Class	QTY	Standard parts
1	9J07 4904 01	GUIDE		C	1	a-V147 0308 03 b-V218 0400 86 c-V144 0306 03 d-V153 0408 03 e-V116 0306 03
2	9J07 4911 01	LEVER		C	1	
3	9J07 4921 02	LEVER		C	1	
4	A0HT 8900 00	Paper exit Tray		C	1	
5	9J07 4912 01	TORSION SPRING		C	1	
6	9J07 8900 00	SHAFT		D	1	
7	9J08 2104 01	COLLAR		C	1	
8	A108 R900 00	PHOTO INTERRUPTER		I	1	
9	A0HT 8919 00	Bracket		D	1	
10	A0HU 7051 00	Neutralizing Brush		C	1	
11	A01H 8105 00	GUIDE		C	2	
12	A01H 8103 00	GUIDE		C	2	
13	A0HT 8912 00	Cushion		D	2	
14	A0HT 7060 01	Guide		D	8	
15	9J07 4204 02	TORSION SPRING		C	1	
16	9J07 4206 01	GUIDE		C	1	
17	9J07 4203 01	GUIDE		C	1	
18	9J07 4202 04	Guide		C	1	
19	9J07 4208 01	COVER		D	1	
20	A108 7133 00	Seal		C	1	
21	9J07 4209 01	GUIDE		C	1	
22	9J07 4205 02	TORSION SPRING		C	1	
23	A0HT N109 00	ADF Wiring		C	1	
24	A0HU R702 00	GUIDE ASSY		D	1	

bizhub 502/bizhub 552/bizhub 602/bizhub 652

EXTERNAL PARTS



bizhub 502/bizhub 552/bizhub 602/bizhub 652

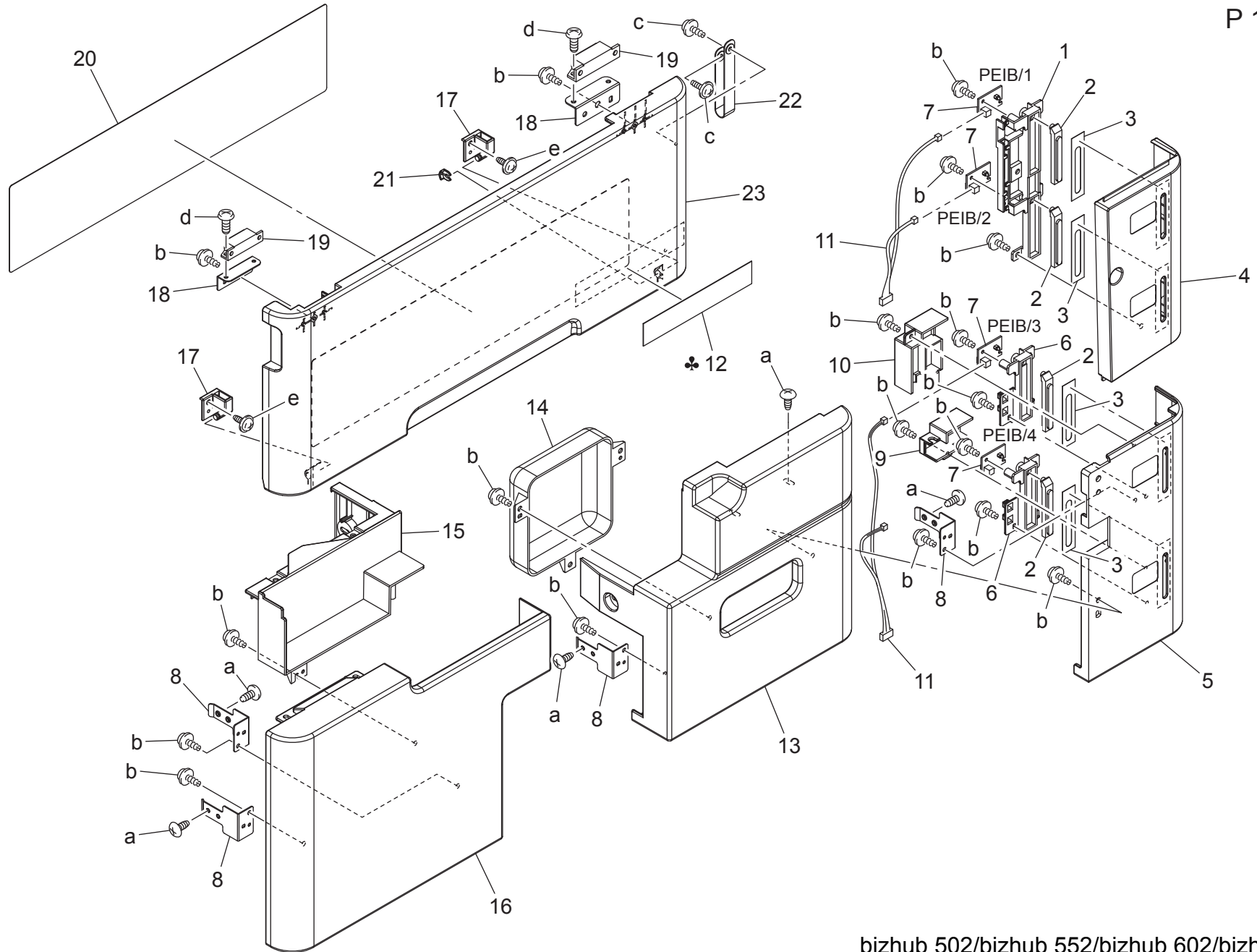
EXTERNAL PARTS

Key	Part No.	Description	Destinations	Class	QTY	Standard parts
1	A00J 1635 02	Paper exit Cover /Right		C	1	a-V114 0408 04 b-V153 0308 03 c-V147 0314 03 d-V126 0308 03 e-V153 0310 03 f-V121 0308 04 g-V121 0308 03 h-V153 0312 03
2	A2WU 1604 00	Cover /Front		C	1	
3	4120 1014 02	BAND		C	1	
4	A2WU 1636 00	Cover		C	1	
5	4475 2603 02	MAGNET CATCH		D	1	
6	A00J 1660 01	Mounting Plate /D		C	1	
7	A00J 1602 01	Open/close Cover		C	1	
8	56AA 4049 0	SHAFT STOPPER 4		C	1	
9	A00J 9455 00	Logo Mark		C	1	
10	4030 1040 02	CATCH		D	1	
11	9326 2820 11	MAGNET		D	1	
12	A2WU N10G 00	Toner Wiring		D	1	
13	A00J 1651 03	Cover /Inside		D	1	
14	A00J 4047 00	Spacer		C	1	
15	A2WU 9486 00	Label TN618		C	1	
16	A00J 1634 01	Paper exit Cover /Rear		C	1	
17	A00J 1601 00	Paper exit Cover /Front		C	1	
18	A00J 1664 00	Paper exit Cover /Right		C	1	
19	A2WU 9403 00	Label TC Exchange		C	1	
20	A00J 1647 01	Open/close Shaft		C	2	
21	A00J 1663 00	Paper exit Cover /Rear		C	1	
22	A2WU 4048 00	Regulating Block /Black	A,A1	D	1	
22	A2WU 4058 00	Regulating Block /Black	B,G2	D	1	
22	A2WU 4059 00	Regulating Block /Black	C,D1,D3,F1,F2,G1,I,K	D	1	
23	A00J 4075 00	Holder		D	1	
24	A00J 9407 00	Label K		C	1	
25	A00J 4074 00	SEAL		C	1	
26	A0P0 1696 00	Claw /Black		C	1	
27	4038 1014 01	SUCTION PLATE		D	2	
28	A00J 4046 01	Plate spring		C	1	
29	4038 2281 04	HOLDER		C	1	
30	4136 6751 01	CONNECTOR PIN		D	1	
31	4038 2282 03	PLATE SPRING		C	1	
32	A2WU 1668 00	Cover /Inside		D	1	

bizhub 502/bizhub 552/bizhub 602/bizhub 652

EXTERNAL PARTS

P 14



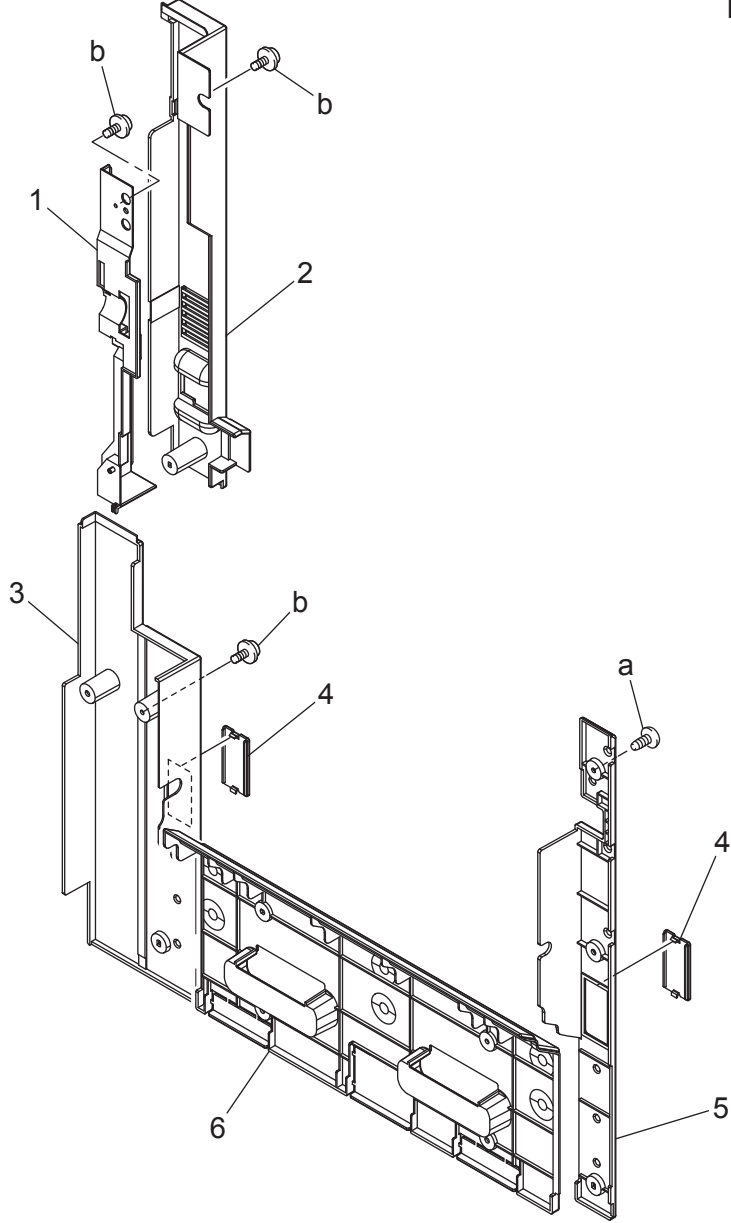
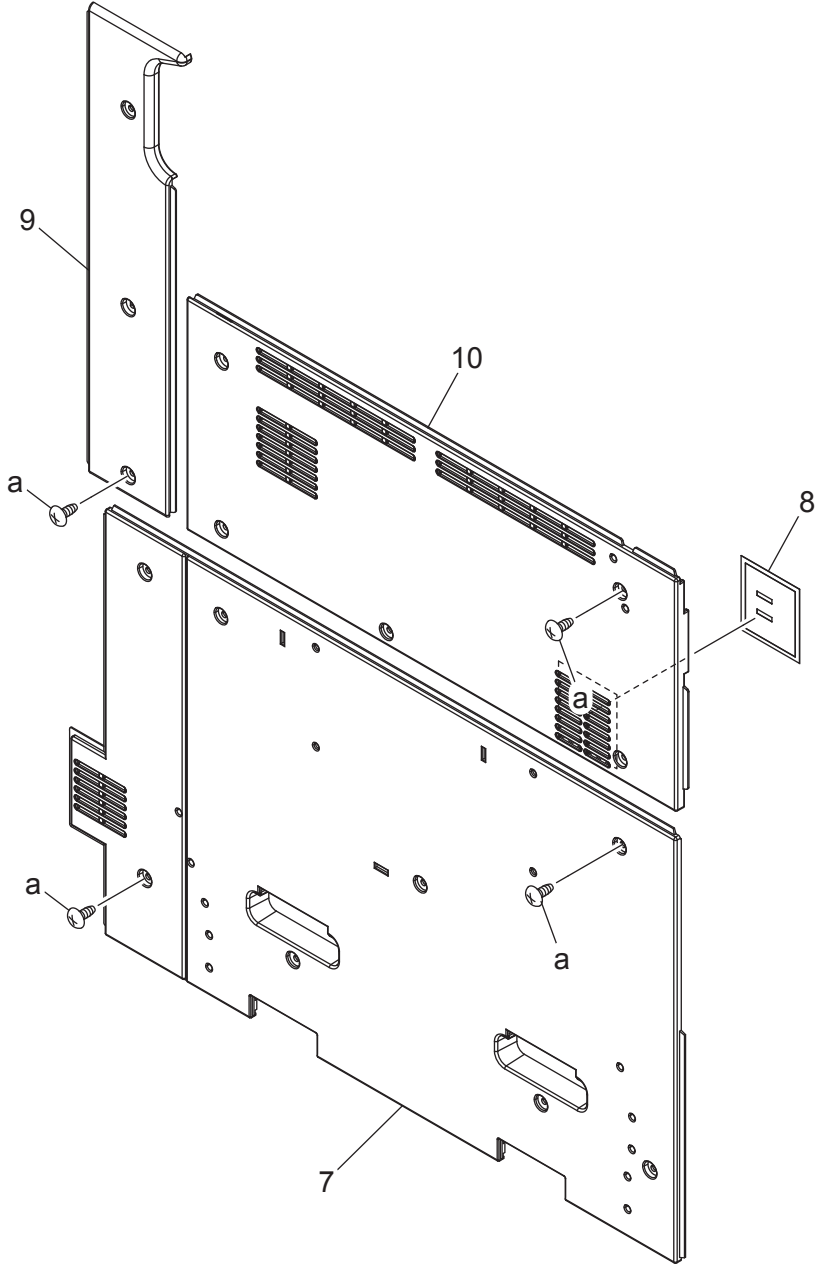
bizhub 502/bizhub 552/bizhub 602/bizhub 652

EXTERNAL PARTS

Key	Part No.	Description	Destinations	Class	QTY	Standard parts
1	A00J 1683 01	Light blocking Cover		D	1	a-V114 0408 04 b-V153 0308 03 c-V153 0310 03 d-V126 0308 03 e-V137 0408 03
2	A00J 1681 02	Lens /A		C	4	
3	A00J 1688 01	Light blocking Plate		C	4	
4	A00J 1608 01	Cover Cassette /Right		C	1	
5	A00J 1611 02	Cover LCC Info		C	1	
6	A00J 1684 00	Light blocking Cover		C	2	
7	A00J H00D 00	PWB Assembly LED1		C	4	
8	A00J 1645 01	Mounting Plate		D	4	
9	A00J 1686 00	Cover		D	1	
10	A00J 1687 00	Cover		D	1	
11	A00J N10D 00	INDICATING RELAY HARNESS/1		D	2	
12	A2WU 9449 00	Label bizhub 602	A,A1{bizhub 602}	C	1	
12	A2WU 9433 00	Label bizhub 652	B,C,G2,D1,D3,F1,F2,G1,G2,I, K{bizhub 652}	C	1	
12	A2WV 9450 00	Label bizhub 502	A,A1{bizhub 502}	C	1	
12	A2WV 9434 00	Label bizhub 552	B,C,G2,D1,D3,F1,F2,G1,G2,I, K{bizhub 552}	C	1	
13	A00J 1610 01	Cover LCC Right		C	1	
14	A00J 1650 00	Cover LCC Right		C	1	
15	A00J 1649 03	Cover LCC Left		C	1	
16	A00J 1609 01	Cover LCC Left		C	1	
17	A0P0 1621 00	Hinge		D	2	
18	A0P0 1626 00	Mounting Plate /B		D	2	
19	4475 2603 02	MAGNET CATCH		D	2	
20	A2WU 9440 00	Label		D	1	
21	56AA 4049 0	SHAFT STOPPER 4		C	1	
22	4120 1014 02	BAND		C	1	
23	A0P0 1603 01	Open/close Cover /Front		C	1	

bizhub 502/bizhub 552/bizhub 602/bizhub 652

EXTERNAL PARTS



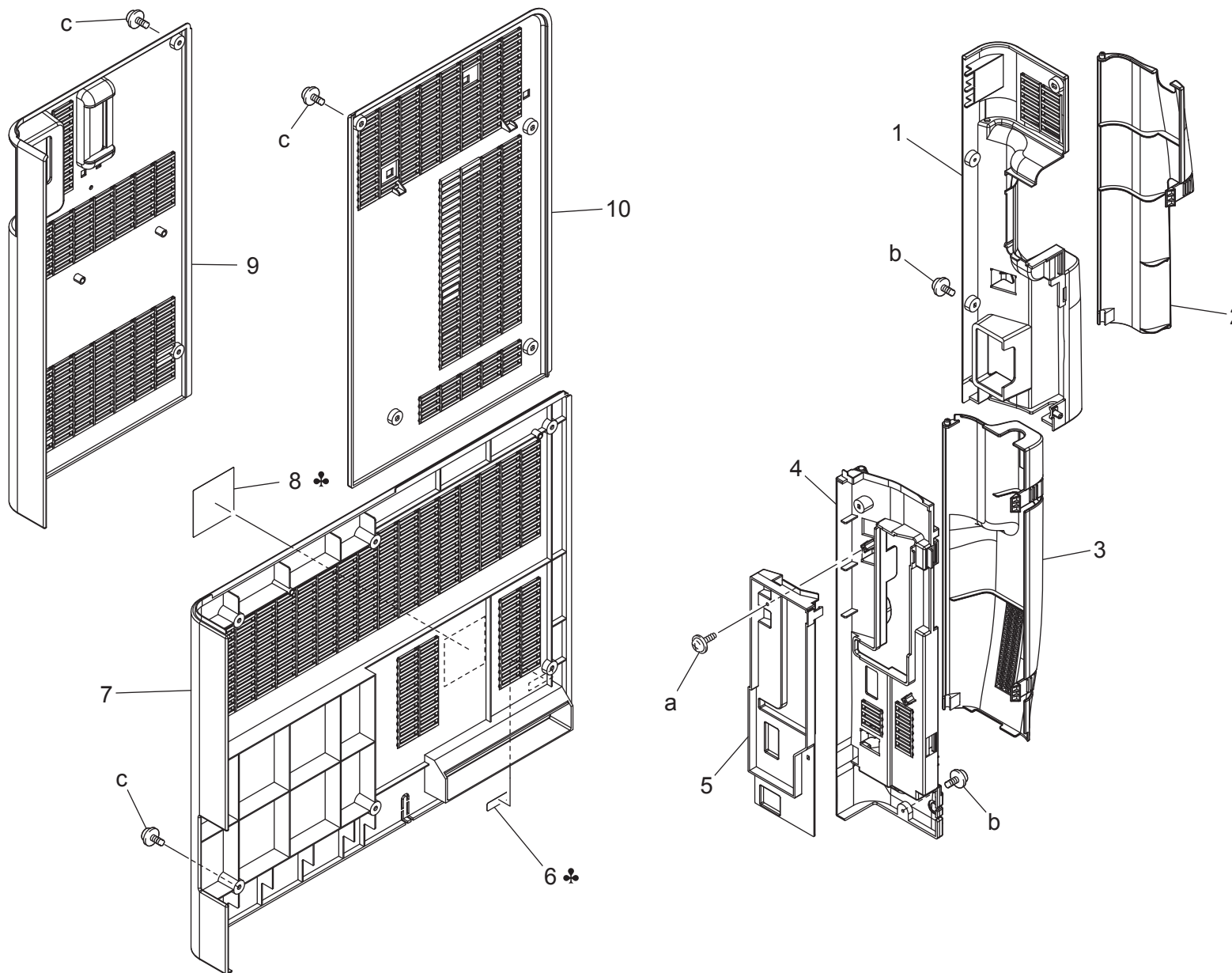
bizhub 502/bizhub 552/bizhub 602/bizhub 652

EXTERNAL PARTS

Key	Part No.	Description	Destinations	Class	QTY	Standard parts
1	A0P0 1654 00	Cover /Inside		D	1	a-V114 0408 04 b-V121 0308 03
2	A0P0 1627 00	Cover /Right rear		D	1	
3	A00J 1628 02	COVER /RIGHT REAR		C	1	
4	A00J 1642 01	Cover		C	2	
5	A00J 1629 01	Cover /Right front		C	1	
6	A0P0 1613 00	Cover /Right		D	1	
7	A00J 1606 05	Cover /Left		C	1	
8	A2WU 1566 00	Filter		C	1	
9	A00J 1614 00	Cover /Left rear		C	1	
10	A2WU 1605 00	Cover /Left front		D	1	

bizhub 502/bizhub 552/bizhub 602/bizhub 652

EXTERNAL PARTS

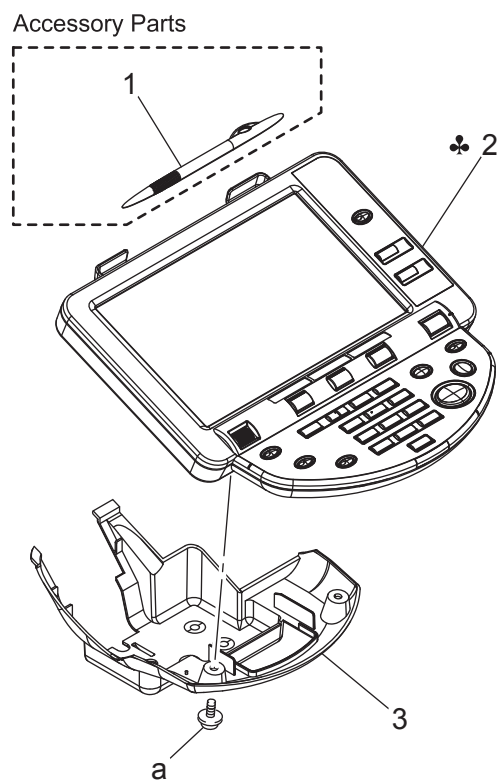


bizhub 502/bizhub 552/bizhub 602/bizhub 652

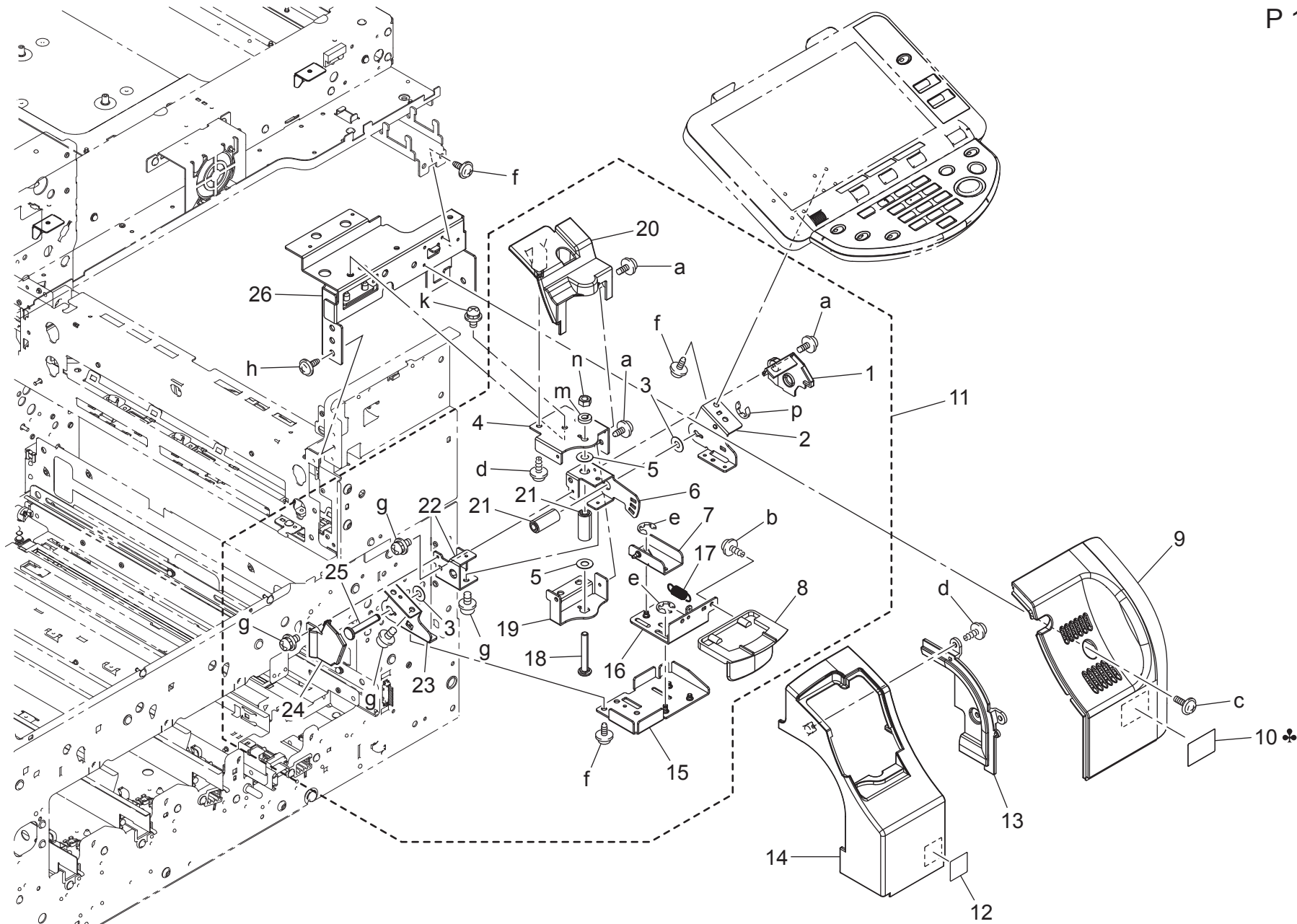
EXTERNAL PARTS

Key	Part No.	Description	Destinations	Class	QTY	Standard parts
1	A0P0 1619 02	Cover /Rear		D	1	a-V153 0308 03 b-V121 0308 03 c-V121 0308 04
2	A0P0 1656 01	Cover		C	1	
3	A0P0 1657 01	Cover		C	1	
4	A0P0 1620 03	Cover /Rear		D	1	
5	A0P0 1653 01	Cover		C	1	
6	A00J 9454 00	Label Dehumidifier SW.	A,A1,D1,D3,F1,F2,G1,I,K	C	1	
7	A00J 1618 03	Cover /Rear		C	1	
8	A00J 9450 00	Label Only connect	C,D1,D3,F2,G1,I,K	C	1	
9	A0P0 1617 00	Cover /Rear		D	1	
10	A0P0 1616 02	Cover /Rear		D	1	

bizhub 502/bizhub 552/bizhub 602/bizhub 652



CONTROL PANEL

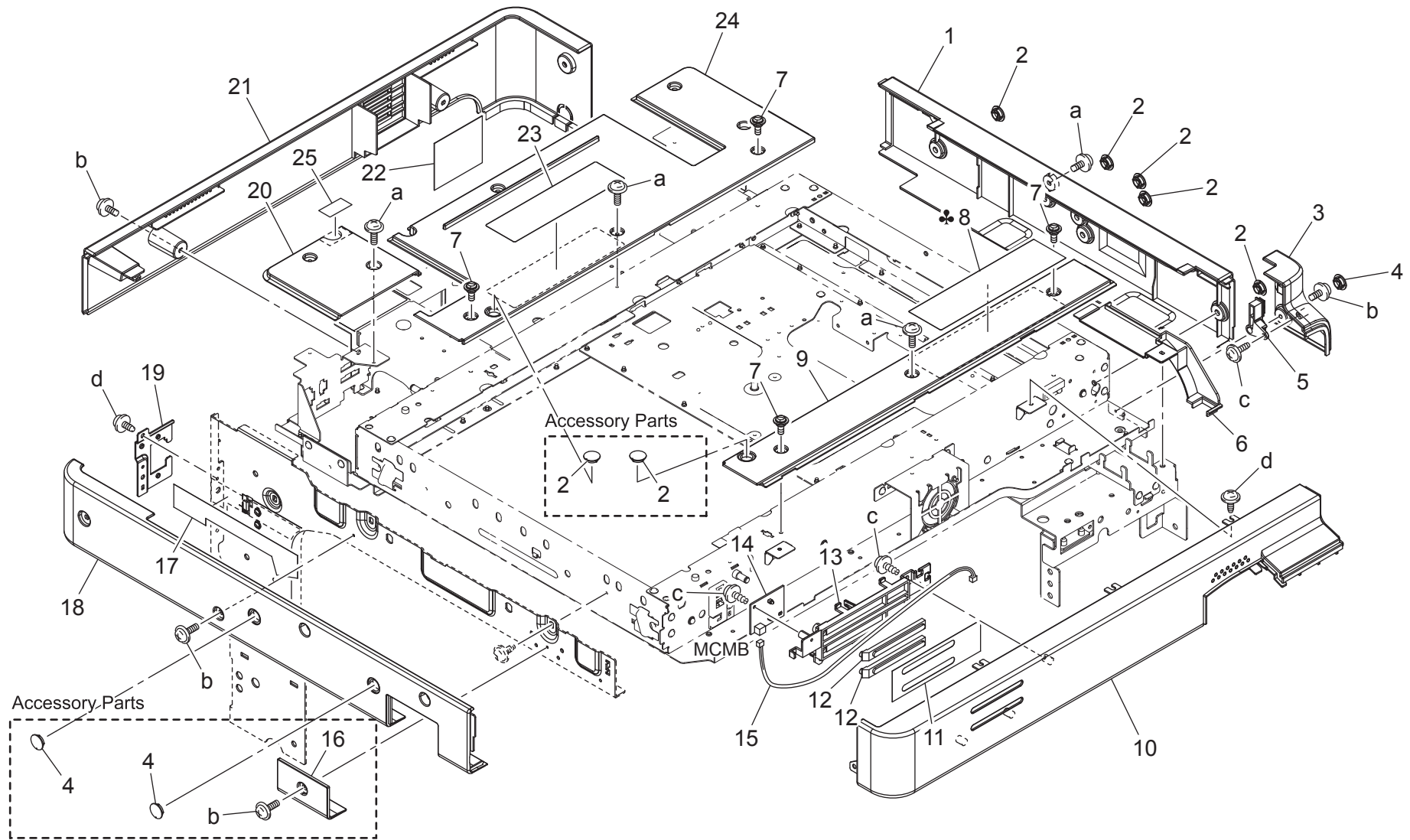


bizhub 502/bizhub 552/bizhub 602/bizhub 652

CONTROL PANEL

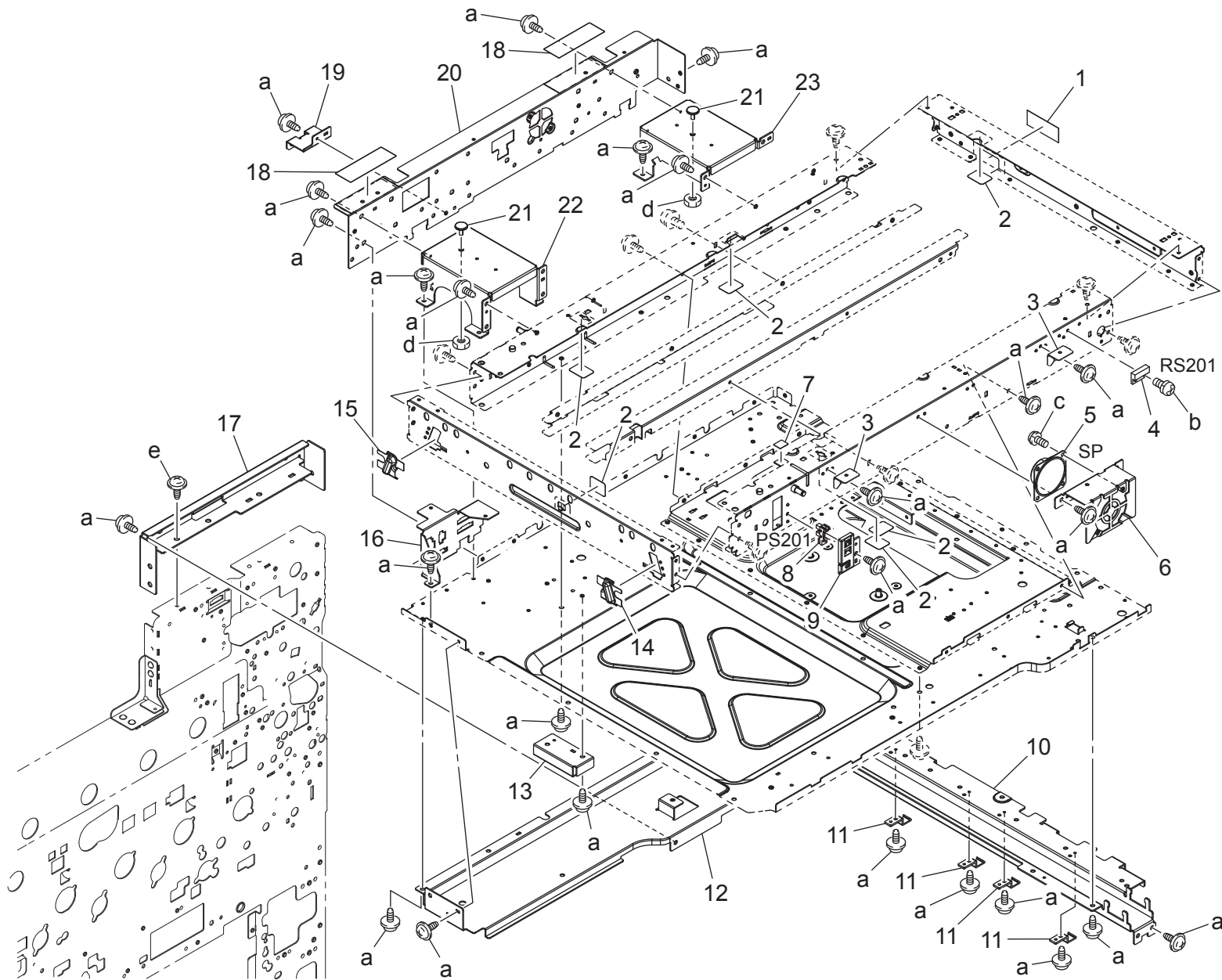
Key	Part No.	Description	Destinations	Class	QTY	Standard parts
1	A0P0 1679 02	Cover		C	1	a-V121 0308 04
2	A0P0 1915 00	Mounting Plate		D	1	b-V153 0310 03
3	A00J 1929 00	Washer		C	2	c-V121 0308 03
4	A0P0 1911 01	Mounting Plate		C	1	d-V153 0308 03
5	A00J 1919 00	Washer		C	2	e-V217 0300 01
6	A0P0 1914 00	Arm		D	1	f-V137 0306 03
7	A0P0 1922 00	Lever		D	1	g-V116 0306 03
8	A0P0 1925 00	Handle		C	1	h-V144 0406 03
9	A0P0 1674 00	Read Cover /Front		D	1	k-V116 0410 03
10	A0ED 9465 00	Label	A,A1	D	1	m-V205 0600 03
11	A0P0 R706 00	Operation panel mounting assy		C	1	n-V195 0600 03
12	A011 9462 00	Label Emperon		D	1	p-V217 0400 01
13	A0P0 1697 00	Read Cover /2		D	1	
14	A0P0 1675 00	Read Cover /1		C	1	
15	A0P0 1921 00	Mounting Plate		D	1	
16	A0P0 1923 00	Lever		D	1	
17	A00J 1926 01	Pulling Spring		C	1	
18	A00J 1918 00	Support Screw		C	1	
19	A0P0 1912 00	Mounting Plate		D	1	
20	A0P0 1677 00	Cover		C	1	
21	A00J 1917 00	Collar		D	2	
22	A0P0 1913 00	Arm		D	1	
23	A0P0 1916 00	Mounting Plate		C	1	
24	A0P0 1680 00	Cover		D	1	
25	A00J 1928 00	Support Shaft		D	1	
26	A0P0 2632 01	Frame		C	1	

bizhub 502/bizhub 552/bizhub 602/bizhub 652



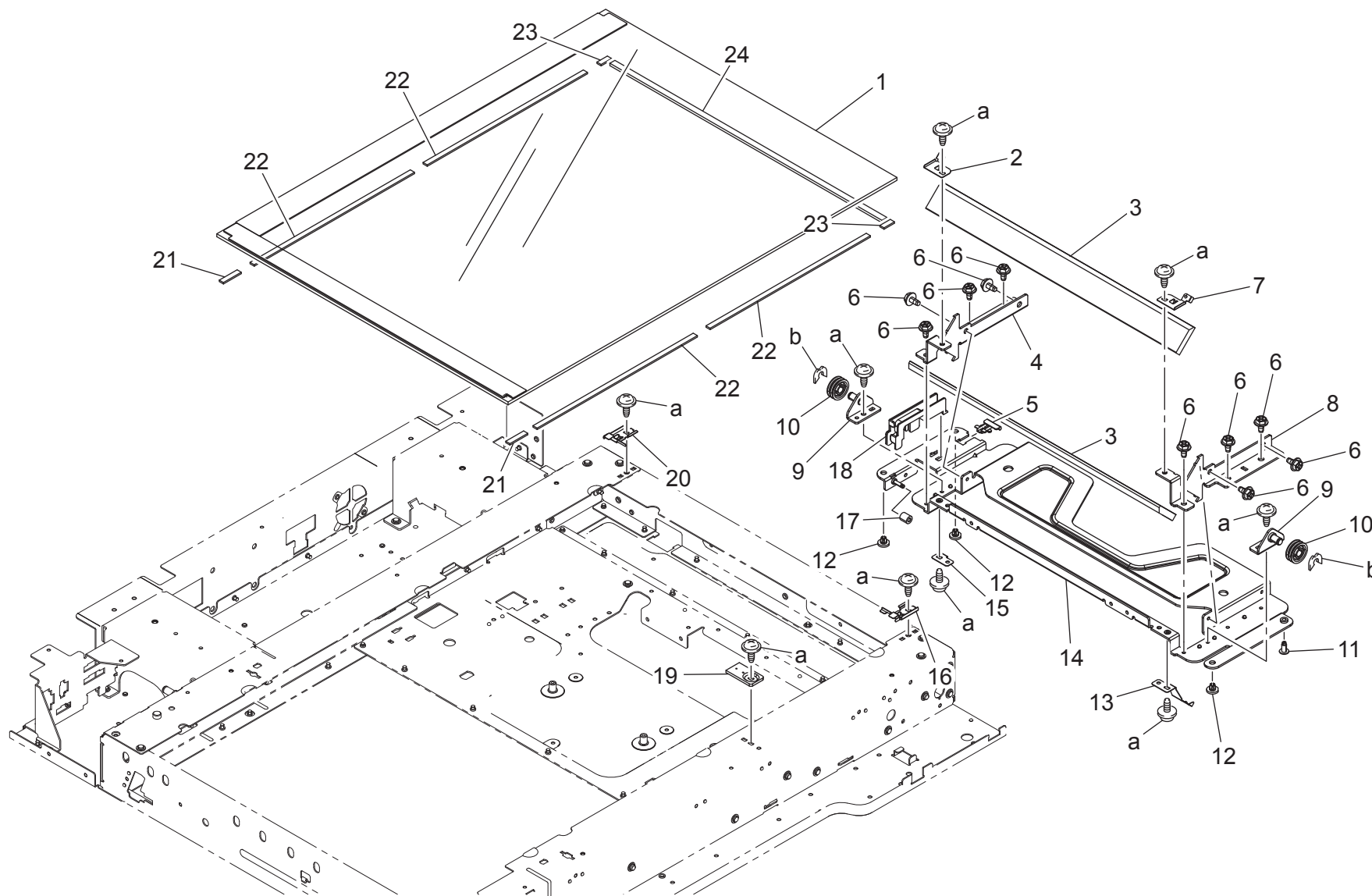
bizhub 502/bizhub 552/bizhub 602/bizhub 652

Key	Part No.	Description	Destinations	Class	QTY	Standard parts
1	A0P0 1633 00	Read Cover /Right		D	1	a-V121 0308 04 b-V121 0308 03 c-V153 0308 03 d-V137 0306 03
2	A00J 1691 00	Cover		C	7	
3	A0P0 1658 00	Read Cover /Front		D	1	
4	A02E 1677 00	Cover		C	3	
5	A0P0 1652 00	Cover		C	1	
6	A0P0 1676 00	Read Cover		D	1	
7	A00J 1692 00	Shoulder screw		C	4	
8	A00J 9401 00	Label Legal Restriction	B,F1,G2	C	1	
8	A00J 9402 00	Label	A,A1	C	1	
9	A00J 1671 03	Read Cover /Upper		C	1	
10	A0P0 1630 01	Read Cover /Front		C	1	
11	A00J 1689 02	Light blocking Plate		C	1	
12	A00J 1682 02	Lens /B		C	2	
13	A00J 1685 03	Light blocking Cover /C		D	1	
14	A00J H00E 00	PWB Assembly LED2		I	1	
15	A0P0 N146 00	Scanner Wiring /6		D	1	
16	A0P0 1659 00	Read Cover /Left		C	1	
17	A0P0 1666 00	Seal		D	1	
18	A0P0 1632 01	Read Cover /Left		C	1	
19	A0P0 2679 00	Mounting Plate		D	1	
20	A00J 1678 11	Read Cover /Upper		C	1	
21	A0P0 1631 01	Read Cover /Rear		C	1	
22	4025 2285 02	FILTER		C	1	
23	A0P0 9477 00	Label Cleaning		D	1	
24	A0P0 1672 01	Read Cover /Upper		D	1	
25	A0P0 9487 00	Label		D	1	



bizhub 502/bizhub 552/bizhub 602/bizhub 652

Key	Part No.	Description	Destinations	Class	QTY	Standard parts
1	A0P0 2676 00	Seal		D	1	a-V137 0306 03 b-V115 0308 03 c-V115 0306 03 d-V195 0400 03 e-V137 0408 03
2	4581 1625 01	SEAL		C	6	
3	A0P0 2675 01	Mounting Plate		D	2	
4	9334 2610 12	REED SWITCH		C	1	
5	4040 M401 00	LOUDSPEAKER		D	1	
6	A0P0 2638 00	Mounting Plate		D	1	
7	9J06 1635 00	SEAL		C	1	
8	9335 1400 61	SOLID STATE SWITCH		B	1	
9	A0P0 2622 00	Mounting Plate		D	1	
10	A0P0 2631 00	Reinforce Plate		D	1	
11	A0P0 2673 00	Guide		D	4	
12	A0P0 2634 00	Reinforce Plate		D	1	
13	A0P0 2670 00	Reinforce Plate		D	1	
14	A00J 2629 01	Seal		C	1	
15	A00J 2630 01	Seal		C	1	
16	A0P0 2818 01	Mounting Plate		C	1	
17	A0P0 2633 00	Mounting Plate /Right rear		C	1	
18	A00J 1667 00	Seal		C	2	
19	A0P0 2678 00	Mounting Plate		D	1	
20	A0P0 2621 02	Frame		C	1	
21	9J07 2108 02	SHOULDER SCREW		C	2	
22	A0P0 2619 00	Frame		C	1	
23	A0P0 2620 00	Frame		C	1	



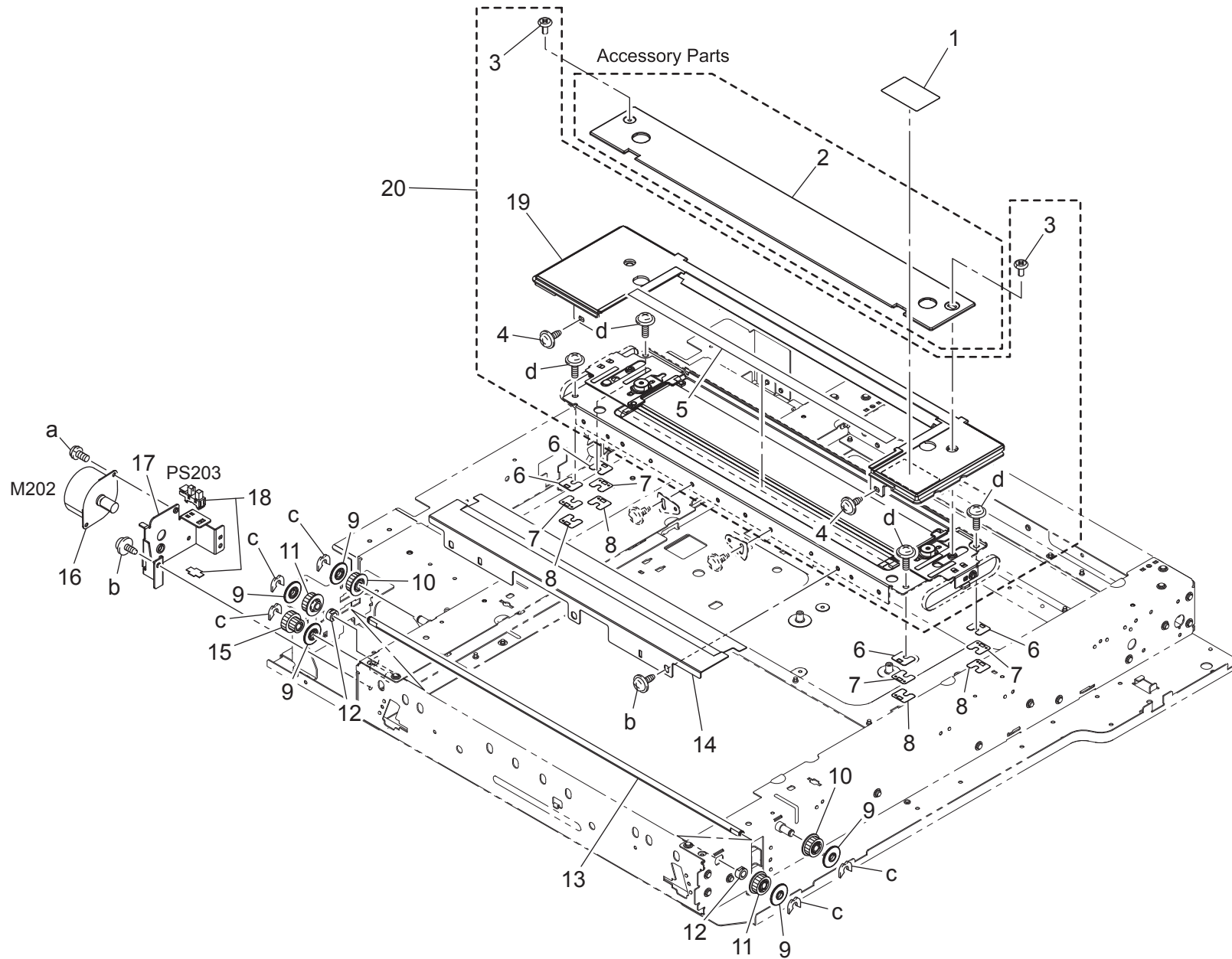
bizhub 502/bizhub 552/bizhub 602/bizhub 652

SCANNER SECTION

Key	Part No.	Description	Destinations	Class	QTY	Standard parts
1	A0P0 R710 00	Manuscript glass assy		C	1	a-V137 0306 03 b-V218 0400 86
2	A00J 2736 01	Holding Plate spring		C	1	
3	A0P0 2732 12	Mirror		C	2	
4	A0P0 2734 00	Mounting Plate		C	1	
5	A00J 2743 00	Cover		C	1	
6	A00J 2744 01	Screw		C	10	
7	A00J 2735 01	Plate spring		C	1	
8	A0P0 2733 00	Mounting Plate		C	1	
9	A00J 2742 01	Mounting Plate		D	2	
10	A00J 2739 00	Pulley		C	2	
11	4002 1481 01	BUSHING		C	1	
12	4002 1480 02	Bushing		C	3	
13	A00J 2737 01	Holding Plate spring		D	1	
14	A00J 2731 03	Frame		D	1	
15	A00J 2738 01	Holding Plate spring		D	1	
16	A00J 2651 00	Holding Plate		C	1	
17	A00J 2740 00	Pulley		C	1	
18	A00J 2741 00	Guide Part		C	1	
19	A00J 2653 00	Regulating Plate		C	1	
20	A00J 2652 00	Holding Plate		C	1	
21	A00J 2658 00	Seal		C	2	
22	9J06 1620 01	SEAL		C	4	
23	A00J 2655 00	Seal		C	2	
24	A00J 2654 00	Seal		C	1	

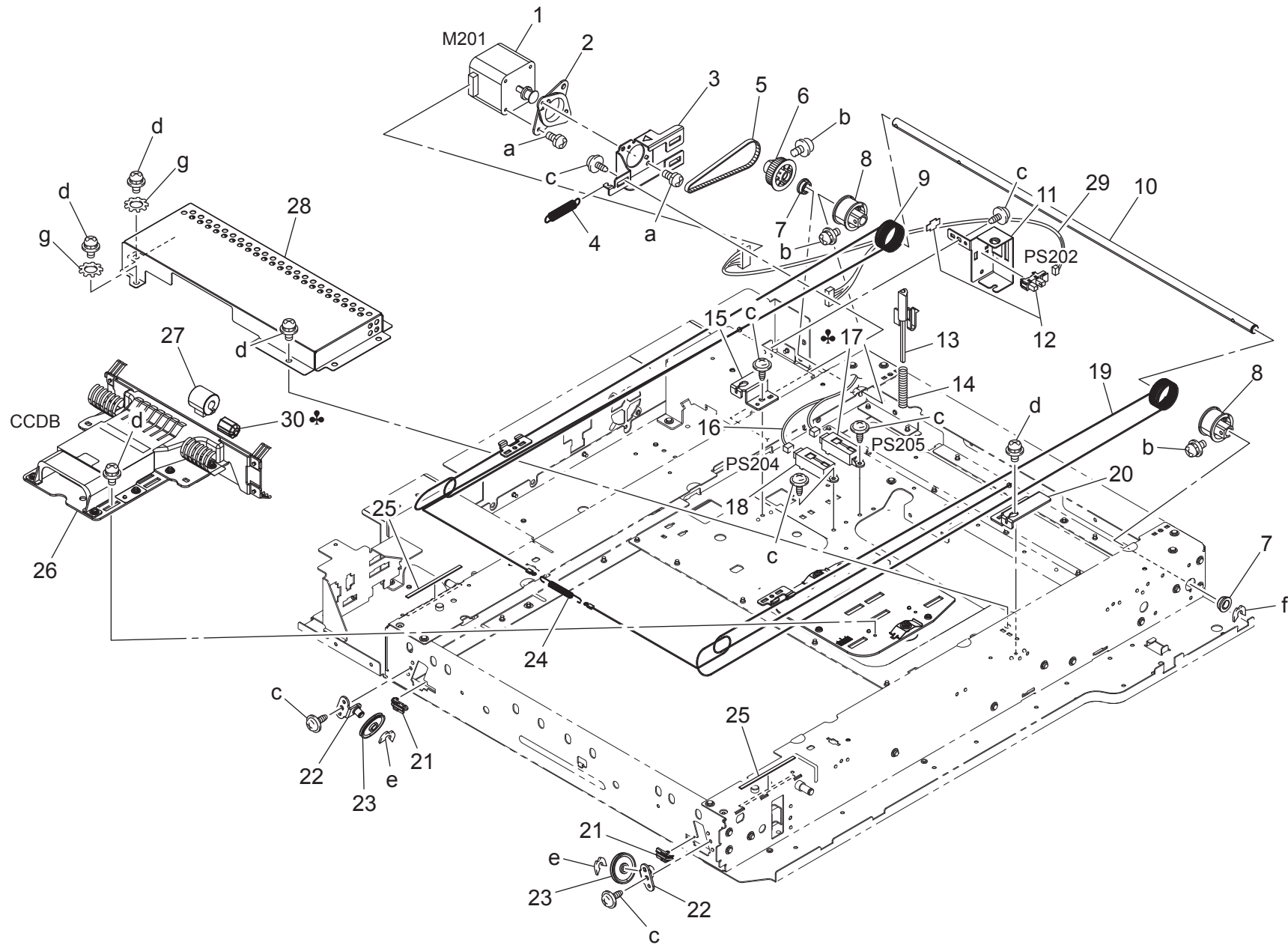
bizhub 502/bizhub 552/bizhub 602/bizhub 652

SCANNER SECTION



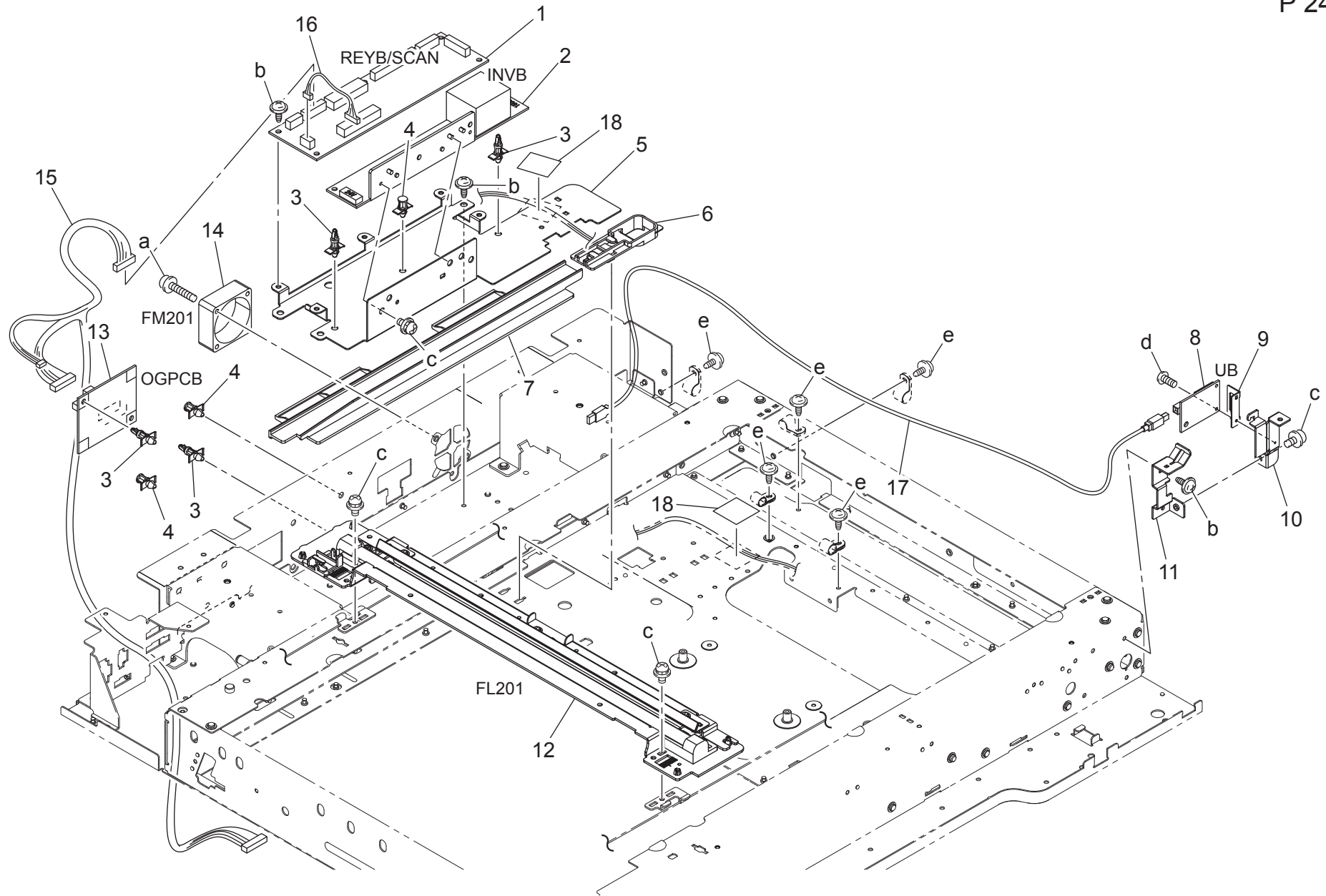
bizhub 502/bizhub 552/bizhub 602/bizhub 652

Key	Part No.	Description	Destinations	Class	QTY	Standard parts
1	A01H 9412 00	LABEL		C	1	a-V115 0306 03 b-V137 0306 03 c-V218 0400 86 d-V121 0308 03
2	A0P0 2892 00	Cover		C	1	
3	A00J 2907 00	Screw		D	2	
4	4036 1410 01	SHOULDER SCREW		C	2	
5	A00J 2911 00	Seal		C	1	
6	A00J 2903 00	Spacer		C	4	
7	A00J 2908 00	Spacer t0.2		C	4	
8	A00J 2909 00	Spacer t0.1		C	4	
9	A00J 2906 00	Flange		C	5	
10	A00J 2888 00	Pulley 37T		C	2	
11	A00J 2886 00	Pulley 37T		C	2	
12	1200 3121 09	BUSHING		C	2	
13	A00J 2884 00	Shaft		D	1	
14	A00J R707 00	SHEET ASSY		C	1	
15	A00J 2887 00	Pulley 26/34T		C	1	
16	A00J M12B 01	Stepping motor		C	1	
17	A0P0 2897 00	Mounting Plate		C	1	
18	4037 0903 01	PHOTO INTERRUPTER		B	1	
19	A00J 2882 03	Cover		C	1	
20	A0P0 R709 00	Glass movement unit		C	1	



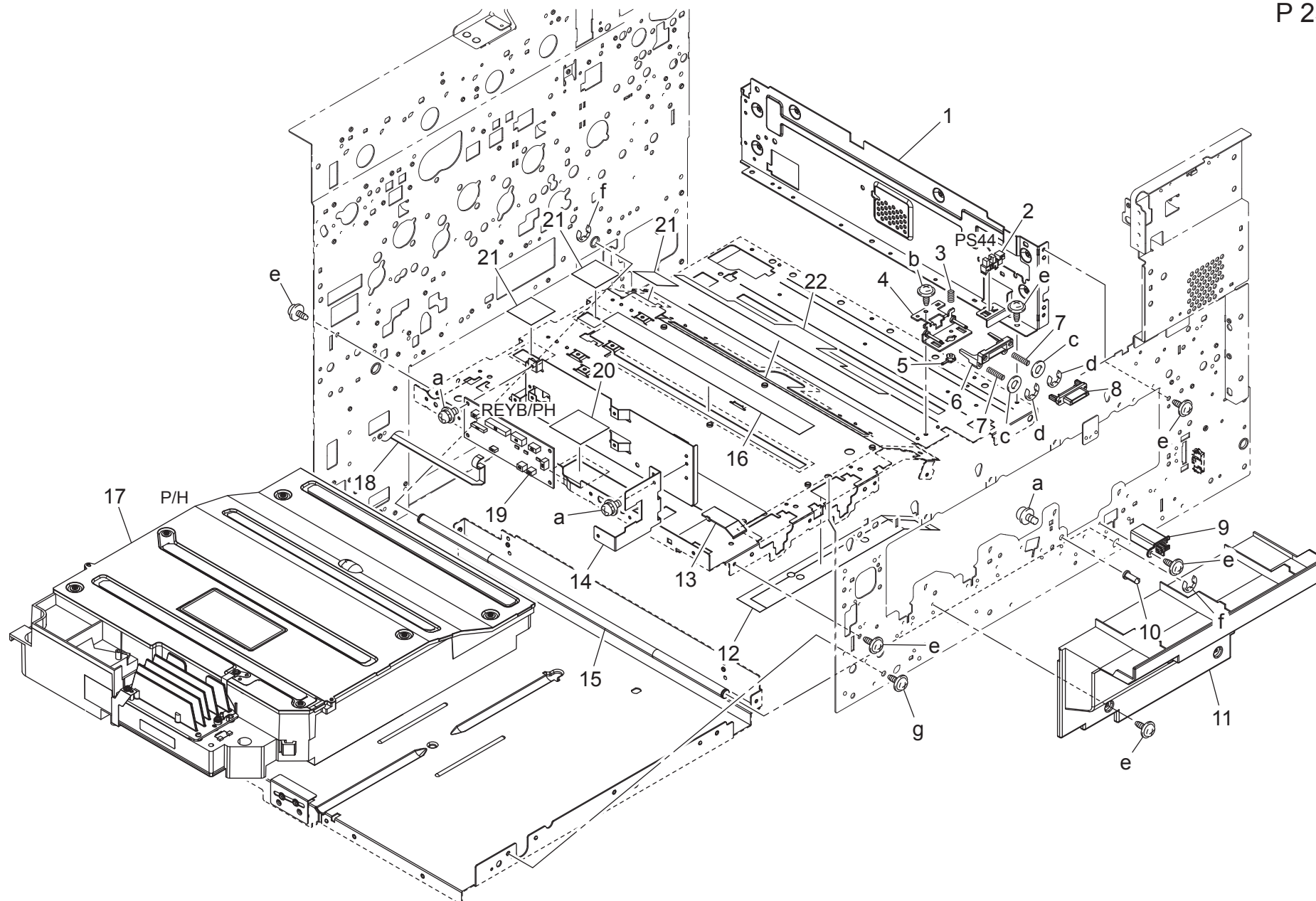
Key	Part No.	Description	Destinations	Class	QTY	Standard parts
1	A02E M10A 00	Stepping motor		C	1	a-V115 0306 03 b-V116 0308 03 c-V137 0306 03 d-V116 0306 03 e-V218 0400 86 f-V218 0600 86 g-V209 0400 03
2	A0P0 2767 00	Vibrationproof Rubber		D	1	
3	A0P0 2766 00	Mounting Plate		D	1	
4	4002 1458 01	TENSION SPRING		C	1	
5	A02E 2756 00	Belt 210L		C	1	
6	A0P0 2755 00	Pulley 84T		D	1	
7	A00J 2762 00	BUSHING		C	2	
8	A00J 2753 00	Pulley		C	2	
9	A00J 2752 00	Wire /Rear		C	1	
10	A00J 2754 00	Shaft		D	1	
11	A00J 2801 01	Mounting Plate		D	1	
12	4037 0903 01	PHOTO INTERRUPTER		B	1	
13	A00J 2802 00	Lever		C	1	
14	4036 1720 01	PRESSURE SPRING		C	1	
15	A00J 2761 00	Mounting Plate		D	1	
16	A0P0 N145 00	Scanner Wiring /5		D	1	
17	9335 1400 81	SOLID STATE SWITCH	D1,D3,F1,F2,G1,I,K	C	1	
18	9335 1400 81	SOLID STATE SWITCH		C	1	
19	A00J 2751 00	Wire /Front		C	1	
20	A00J 2760 00	Mounting Plate		D	1	
21	A00J 2763 00	Guide Part		C	2	
22	A00J 2759 01	Mounting Plate		D	2	
23	A00J 2758 00	Pulley		C	2	
24	A00J 2768 00	Pulling Spring		C	1	
25	A00J 2905 00	Seal		C	2	
26	A0P0 R708 00	CCD lens assy		C	1	
27	A0P0 M900 00	Ferritecore		D	1	
28	A0P0 2785 00	Cover		D	1	
29	A0P0 N143 00	Scanner Wiring /3		D	1	
30	0816 6201 01	FERRITE CORE	C,D1,D3,F1,F2,G1,I,K	D	1	

IR BOARD SECTION



bizhub 502/bizhub 552/bizhub 602/bizhub 652

Key	Part No.	Description	Destinations	Class	QTY	Standard parts
1	A0P0 H01A 01	PWB Assembly(PWB-IF ASSY)		I	1	a-V116 0320 03 b-V116 0308 03 c-V116 0306 03 d-V111 0206 03 e-V137 0308 03
2	A00J M410 00	Inverter unit		I	1	
3	V502 0100 33	spacer		D	4	
4	V502 0100 36	spacer		D	3	
5	A0P0 2811 00	Mounting Plate		D	1	
6	A00J 2812 00	Guide Part		C	1	
7	A0P0 2813 00	Guide Part		D	1	
8	A0P0 H025 00	PWB assembly(PWB-UCN ASSY)		D	1	
9	A0P0 1480 00	Mounting Plate		D	1	
10	A0P0 1481 01	Mounting Plate /1		D	1	
11	A0P0 1482 01	Mounting Plate /2		C	1	
12	A0P0 R711 00	1st slider assy		C	1	
13	A0P0 H01B 00	PWB Assembly(PWB-ID ASSY)		I	1	
14	9313 1500 21	FAN MOTOR		C	1	
15	A0P0 N141 00	Scanner Wiring /1		C	1	
16	A0P0 N142 00	Scanner Wiring /2		D	1	
17	A0P0 N153 00	Cable		C	1	
18	A0P0 2648 00	Tape		D	2	

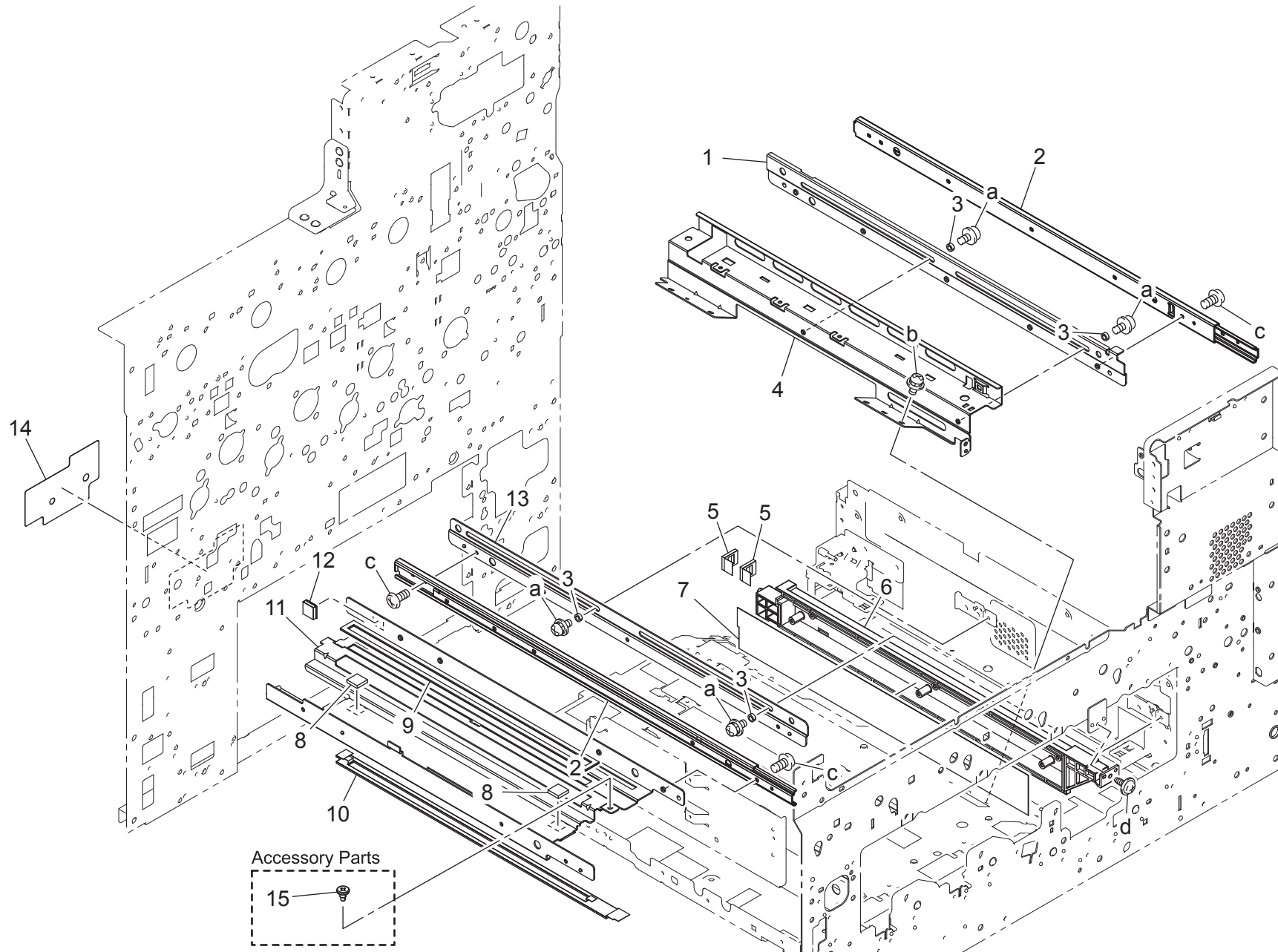


bizhub 502/bizhub 552/bizhub 602/bizhub 652

Key	Part No.	Description	Destinations	Class	QTY	Standard parts
1	A0P0 1012 01	Support Plate		D	1	a-V116 0306 03
2	A108 M501 00	Photointerrupter		B	1	b-V137 0306 03
3	4038 2294 01	SPRING		C	1	c-V207 0300 03
4	A0P0 1077 00	Mounting Plate /ASSY		C	1	d-V217 0200 01
5	4038 2295 01	HOLDER		D	1	e-V137 0308 03
6	A0P0 1076 00	Holder /Black		C	1	f-V217 0800 01
7	4038 2293 01	SPRING		C	2	g-V137 0408 03
8	V651 0200 04	Drawer CN		D	1	
9	A00J 1056 01	Guide Post		C	1	
10	A0P0 3824 00	Positioning Pin /Front		D	1	
11	A2WU 1669 01	Cover /Inside		D	1	
12	A2WU 1570 00	Seal		D	1	
13	A00J 1359 00	Holder		C	1	
14	A00J 1375 00	Mounting Plate		D	1	
15	A00J 1023 01	Shaft		D	1	
16	A2WU 1562 00	Seal		D	1	
17	A2WU R700 00	PH Assy		I	1	
18	A2WU N12G 00	Control Relay harness /3		D	1	
19	A2WU H003 00	PWB Assembly (PWB-J ASSY)		I	1	
20	A2WU 1563 00	Seal		D	1	
21	A2WU 1560 00	Seal		D	3	
22	A2WU 1561 00	Seal		D	1	

bizhub 502/bizhub 552/bizhub 602/bizhub 652

TONER RAIL



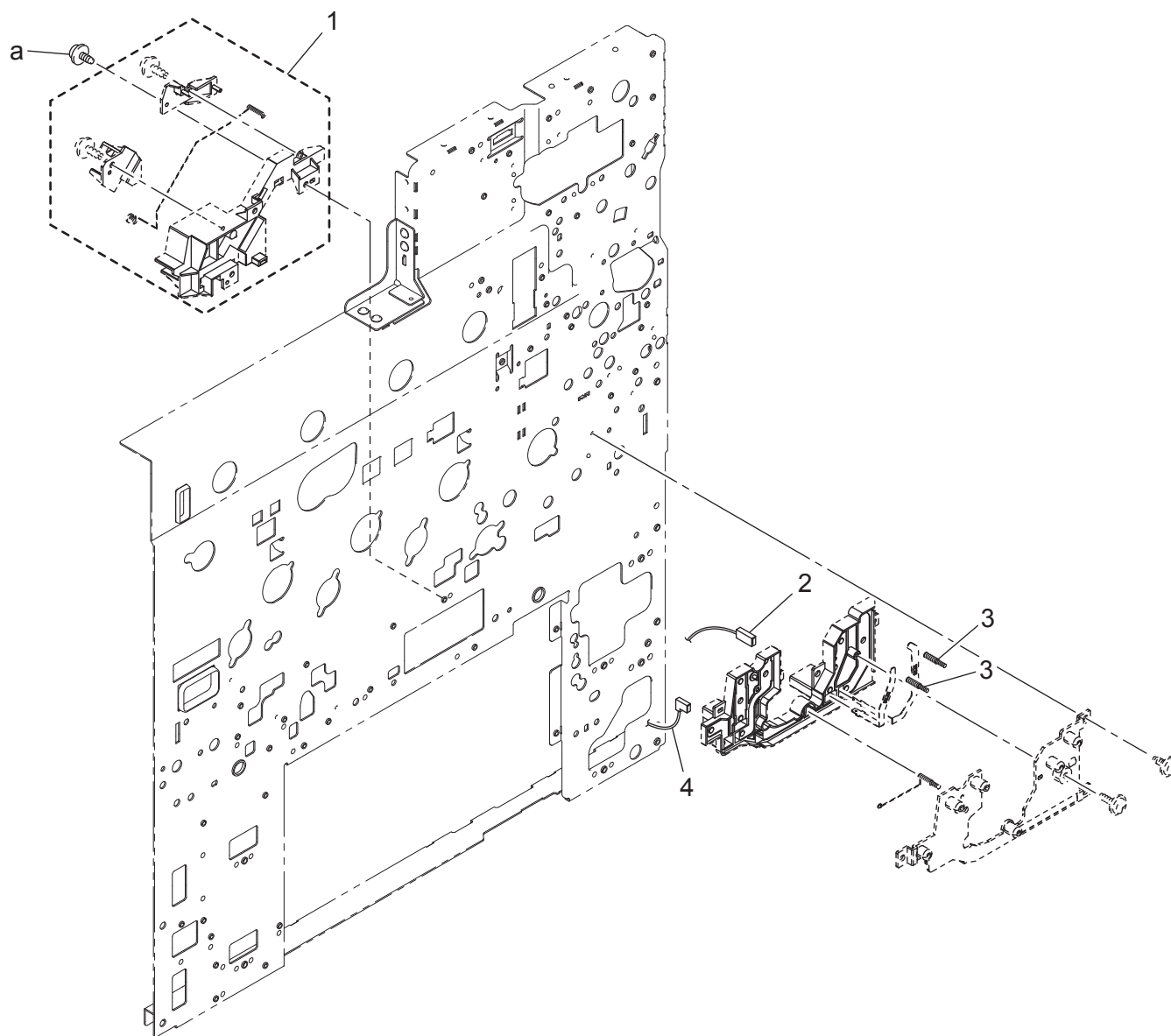
bizhub 502/bizhub 552/bizhub 602/bizhub 652

TONER RAIL

Key	Part No.	Description	Destinations	Class	QTY	Standard parts
1	A0P0 1084 00	Mounting Plate /Left		D	1	a-V116 0308 03 b-V116 0306 03 c-V118 0304 03 d-V137 0308 03
2	A0P0 1250 00	Slide Rail		D	2	
3	A0P0 1081 00	Spacer		D	4	
4	A0P0 1105 01	Rail /E		D	1	
5	A0P0 1089 00	Sealing Part		D	2	
6	A0P0 1086 23	Scatteringprevention Duct		D	1	
7	A0P0 1253 11	Seal		C	1	
8	A00J 1212 00	Cushion /Lower		C	2	
9	A0P0 1083 00	Sealing Part		D	1	
10	A0P0 1141 00	Ozone Seal /Black		C	1	
11	A0P0 1082 01	Mounting Plate /Lower		D	1	
12	A0P0 1097 01	Protection Cushion		C	1	
13	A0P0 1085 00	Mounting Plate /Right		D	1	
14	A2WU 1342 00	Protection Seal		D	1	
15	A0P0 3827 00	Screw		C	1	

bizhub 502/bizhub 552/bizhub 602/bizhub 652

CONTACT SECTION



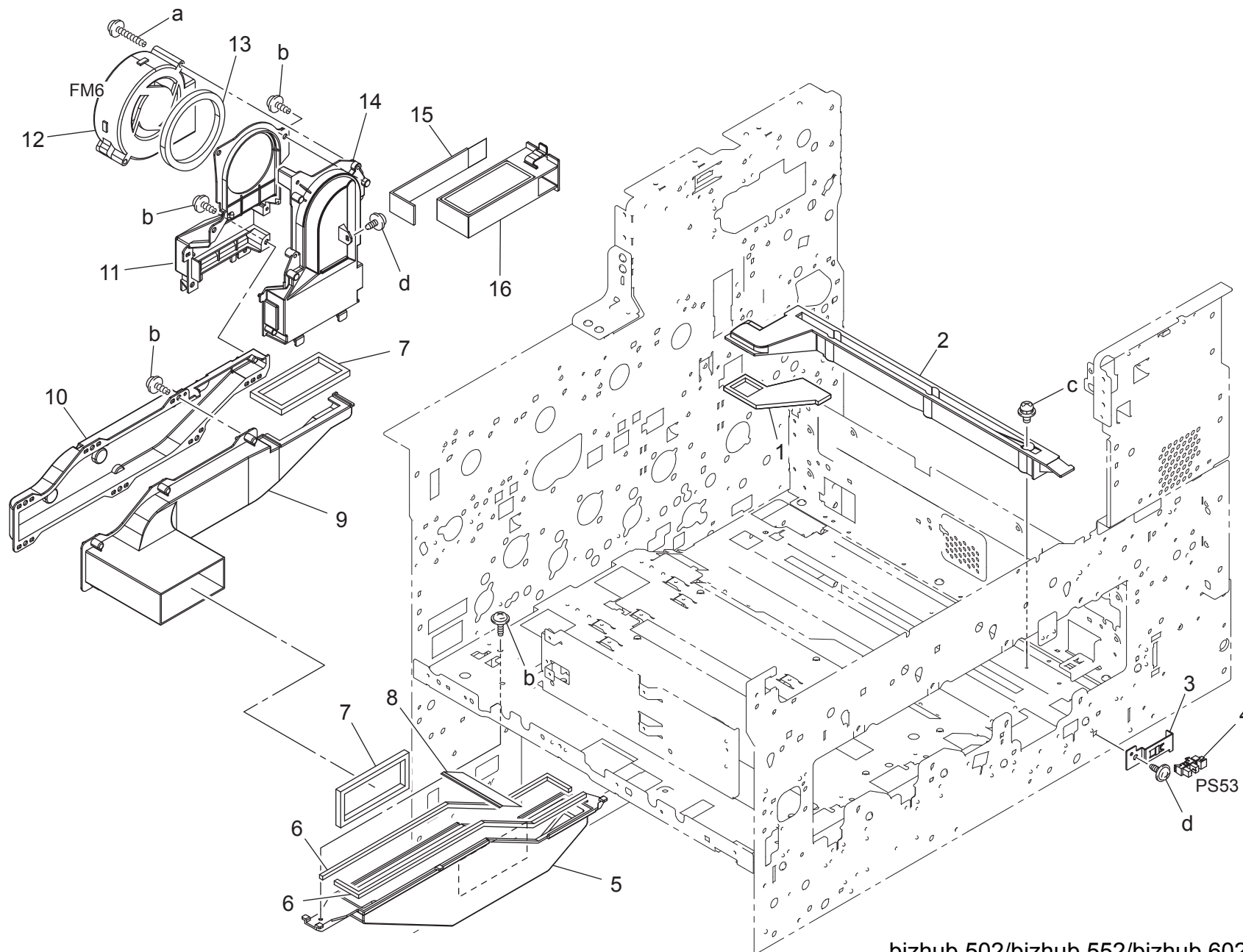
bizhub 502/bizhub 552/bizhub 602/bizhub 652

CONTACT SECTION

Key	Part No.	Description	Destinations	Class	QTY	Standard parts
1	A2WU R701 00	C/K Contact Assy		D	1	a-V137 0308 03
2	A00J N137 00	CHANGING WIRING/2		D	1	
3	A0P0 1119 00	Compressing Coil spring		D	2	
4	A0P0 N133 00	Chaging Wiring /K		D	1	

bizhub 502/bizhub 552/bizhub 602/bizhub 652

OZONE DUCT

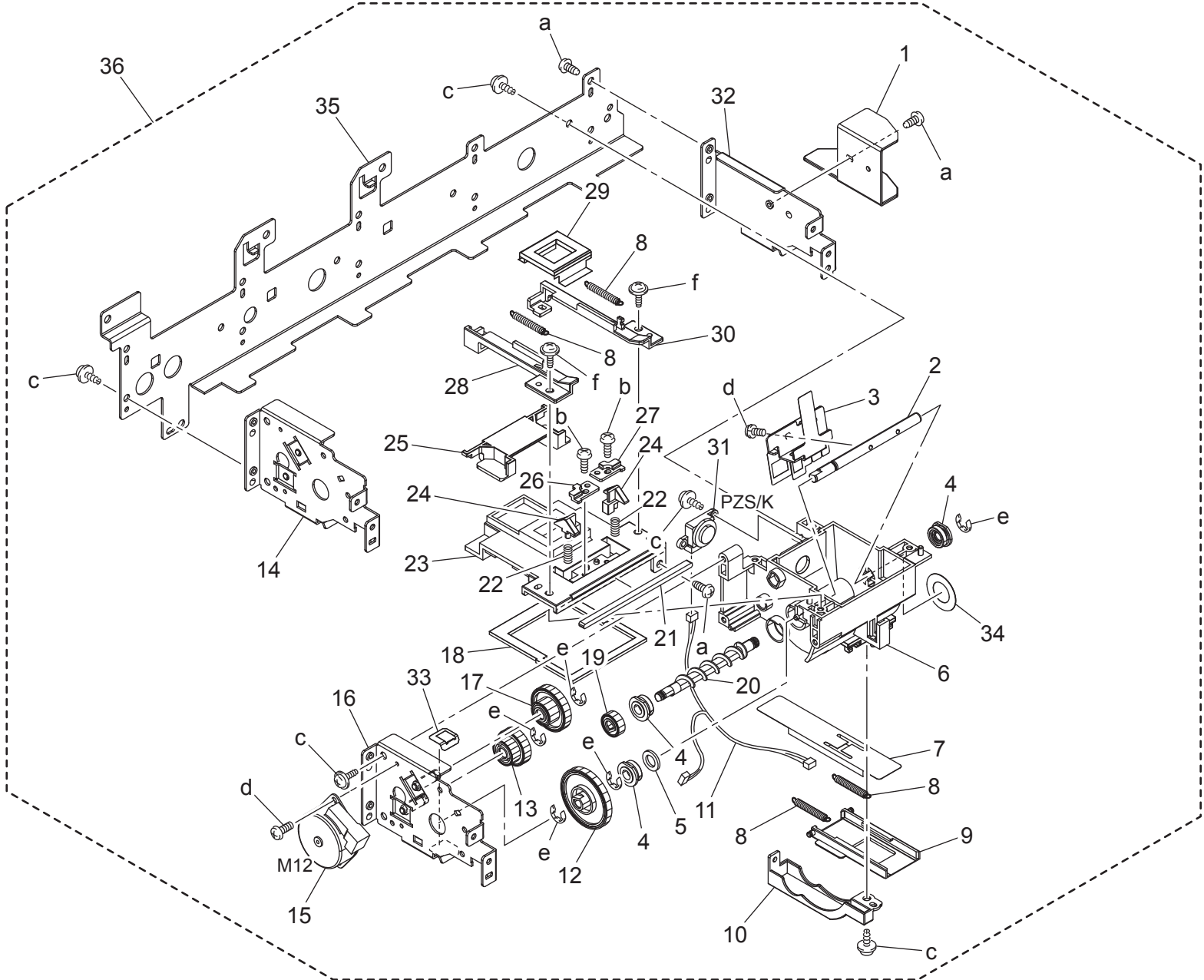


bizhub 502/bizhub 552/bizhub 602/bizhub 652

OZONE DUCT

Key	Part No.	Description	Destinations	Class	QTY	Standard parts
1	A00J 1149 01	Seal /B		C	1	a-V153 0445 03 b-V153 0308 03 c-V116 0306 03 d-V137 0306 03
2	A0P0 1136 00	Ozone Duct /B		D	1	
3	A0P0 1208 00	Mounting Plate /Black		D	1	
4	A108 M501 00	Photointerrupter		B	1	
5	A00J 1138 00	Ozone Duct /Inside		D	1	
6	A00J 1162 01	Seal /Upper		C	2	
7	A0P0 1150 00	Seal /Inside		C	2	
8	A00J 1161 00	Seal /Lower		C	1	
9	A00J 1164 00	Ozone Duct /Front		D	1	
10	A00J 1163 01	Ozone Duct /Rear		D	1	
11	A0P0 1197 00	Ozone Duct /A		D	1	
12	9313 1000 72	FAN MOTOR		C	1	
13	4036 2485 01	SEAL		C	1	
14	A0P0 1198 00	Ozone Duct /B		D	1	
15	A00J 1165 11	Seal		C	1	
16	A00J R731 00	OZONE FILTER		C	1	

TONER SUPPLY SECTION



bizhub 502/bizhub 552/bizhub 602/bizhub 652

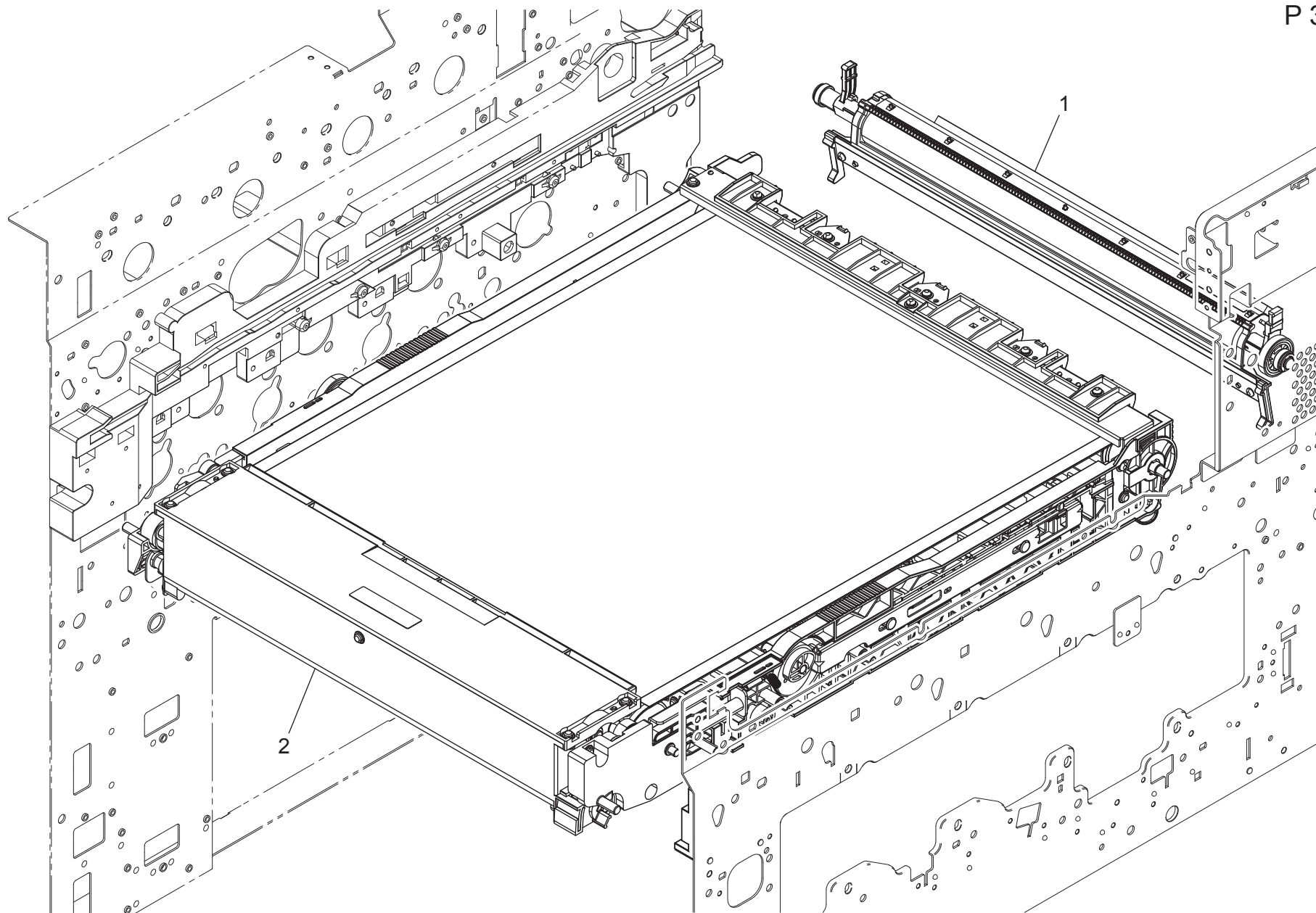
TONER SUPPLY SECTION

Key	Part No.	Description	Destinations	Class	QTY	Standard parts
1	A0P0 4067 00	Cover		D	1	a-V118 0308 03 b-V145 0308 03 c-V153 0308 03 d-V115 0308 03 e-V217 0400 01 f-V153 0310 04
2	A00J 4006 11	Agitating Shaft		D	1	
3	A00J R744 00	AGITAING PANEL		C	1	
4	65AA 3250 1	BUSHING /B		C	3	
5	A00J 4023 00	Seal		C	1	
6	A00J 4001 12	Supply Casing		D	1	
7	4036 5349 03	SEAL		C	1	
8	4036 5348 01	TENSION SPRING		C	4	
9	4036 5347 02	SHUTTER		C	1	
10	A00J 4054 00	Cover /Lower		C	1	
11	A2WU N123 00	Toner Drive harness		D	1	
12	A00J 4017 00	Gear 45T		C	1	
13	A00J 4018 00	Gear 38/35T		C	1	
14	A00J 4015 01	Drive Panel /H		D	1	
15	A00J M121 00	Stepping motor		C	1	
16	A00J R7A1 00	DRIVEPANEL/H		D	1	
17	A00J 4019 00	Gear 17/44T		C	1	
18	A00J 4022 00	Seal /A		C	1	
19	A00J 4016 00	Gear 22T		C	1	
20	A00J 4005 00	Supply Roller		C	1	
21	A00J 4073 00	SEAL		C	1	
22	A00J 4014 01	Spring /A		C	2	
23	A00J 4003 00	Cover /Upper		D	1	
24	A00J 4012 00	Regulating Claw		C	2	
25	A00J 4004 01	Shutter /H		C	1	
26	A00J 4068 01	Receiving Block /Left		C	1	
27	A00J 4069 01	Receiving Block /Right		C	1	
28	A00J 4056 00	Guide Cover /Left		C	1	
29	A00J 4009 00	Seal /S		C	1	
30	A00J 4055 00	Guide Cover /Right		C	1	
31	40AA 8803 1	Level Detection Sensor		C	1	
32	A00J 4066 00	Panel /P		D	1	
33	A00J 4052 00	Seal		C	1	
34	A0P0 4010 00	Seal		C	1	
35	A0P0 4025 00	Mounting Plate /T		D	1	
36	A2WU R702 00	Sub Hopper Assy		C	1	

bizhub 502/bizhub 552/bizhub 602/bizhub 652

TRANSFER UNIT

P 30



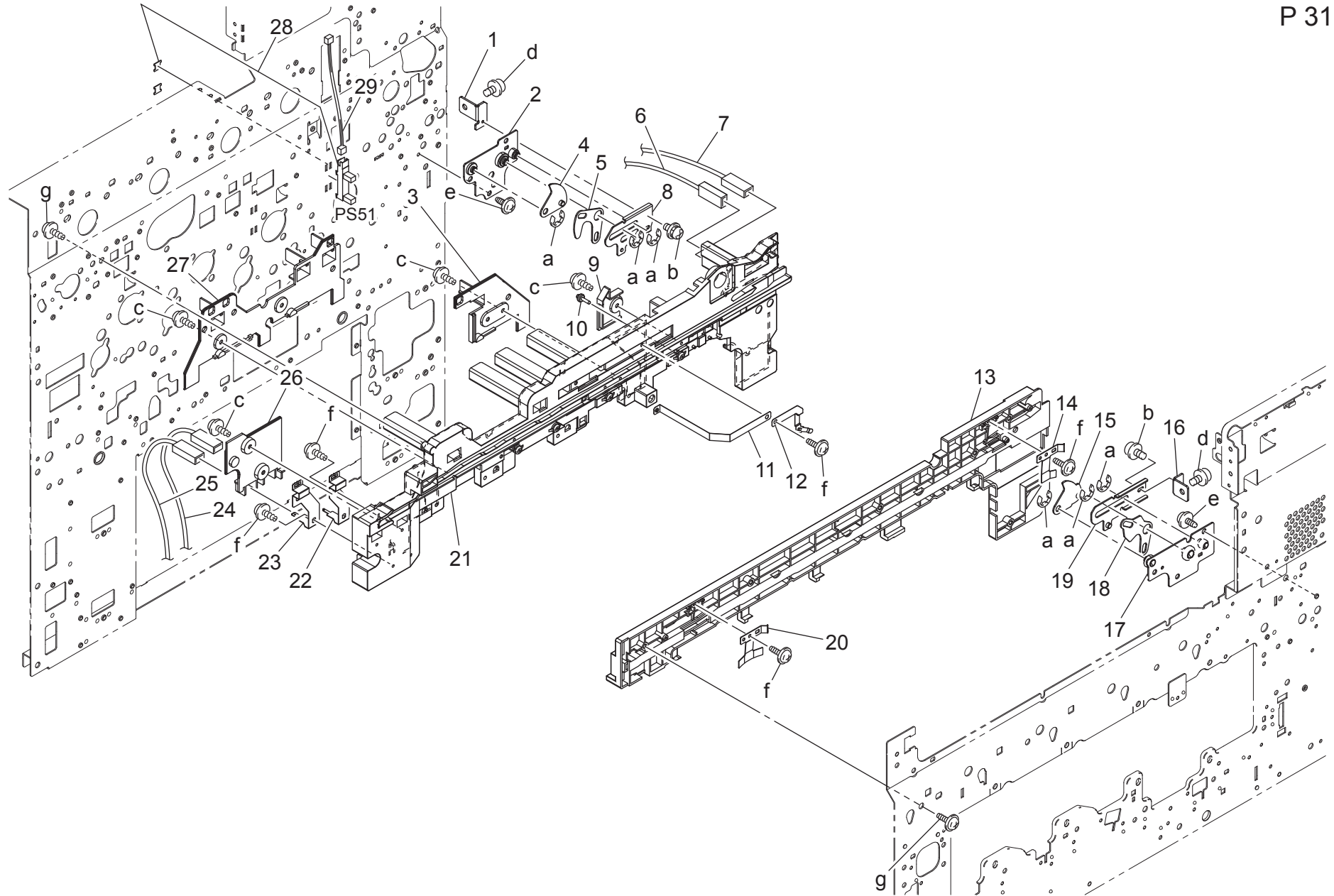
bizhub 502/bizhub 552/bizhub 602/bizhub 652

TRANSFER UNIT

Key	Part No.	Description	Destinations	Class	QTY	Standard parts
1	A0P0 R719 00	2nd transfer roller assy		A	1	
2	A2WU R703 11	Transfer Unit		A	1	

bizhub 502/bizhub 552/bizhub 602/bizhub 652

TRANSFER RAIL SECTION

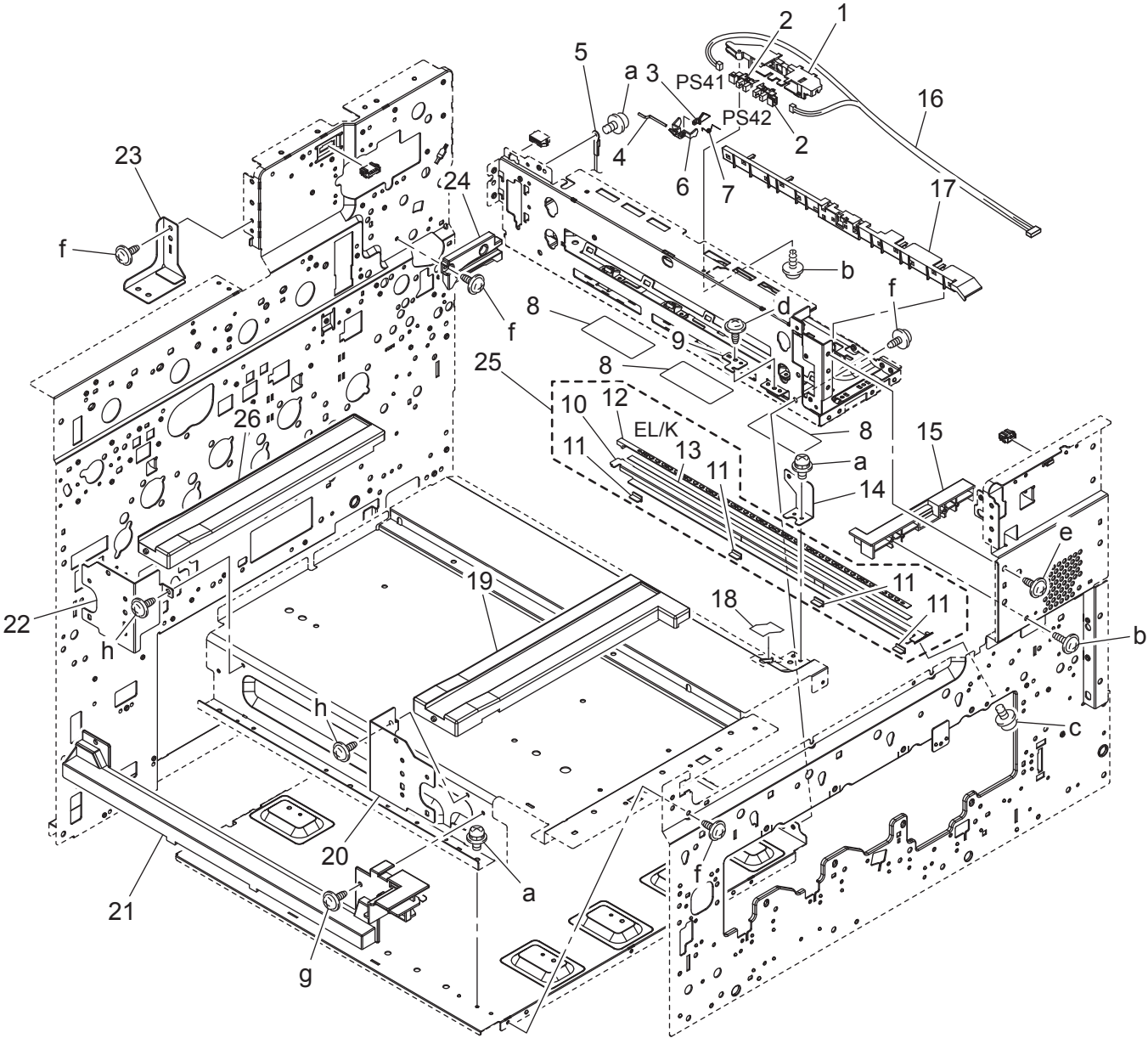


bizhub 502/bizhub 552/bizhub 602/bizhub 652

TRANSFER RAIL SECTION

Key	Part No.	Description	Destinations	Class	QTY	Standard parts
1	A00J 5233 12	Holding Plate		C	1	a-V217 0400 01
2	A00J R7A2 00	PLATE / REAR		D	1	b-V116 0306 03
3	A00J 5241 01	Cover /1		D	1	c-V137 0308 03
4	A00J R7A3 00	LOCK PLATE / REAR		D	1	d-V116 0408 03
5	A00J 5232 01	Connecting Plate		C	1	e-V137 0306 03
6	A00J N13C 00	Transfer Wiring		D	1	f-V153 0306 03
7	A00J N13D 00	Separating Wiring /E		D	1	g-V153 0408 03
8	A00J R7BB 00	SLIDE PLATE / REAR		D	1	
9	A00J 5244 02	Cover /4		C	1	
10	4036 2311 01	PIN		D	1	
11	A00J 5203 00	Contact /Black		C	1	
12	A00J 5226 00	Contact /Black		C	1	
13	A00J 5201 02	Transfer Rail /Front		D	1	
14	A00J 5216 01	Plate spring /1		D	1	
15	A00J R7A5 00	LOCK PLATE / FRONT		D	1	
16	A00J 5240 01	Holding Plate		C	1	
17	A00J R7A6 00	PLATE / FRONT		D	1	
18	A00J 5239 01	Connecting Plate		D	1	
19	A00J R7A7 00	SLIDE PLATE / FRONT		D	1	
20	A00J 5217 01	Plate spring /2		D	1	
21	A00J 5202 03	Transfer Rail /Rear		D	1	
22	A00J 5208 00	Contact		C	1	
23	A00J 5209 00	Contact		C	1	
24	A00J N13E 00	SEPARATING WIRING/1		D	1	
25	A00J N13F 00	SEPARATING WIRING/2		D	1	
26	A00J 5243 00	Cover /3		D	1	
27	A00J 5242 01	Cover /2		D	1	
28	A00J R900 00	PHOTO INTERRUPTER		B	1	
29	A2WU N10M 00	Sensor Relay harness /8		D	1	

bizhub 502/bizhub 552/bizhub 602/bizhub 652

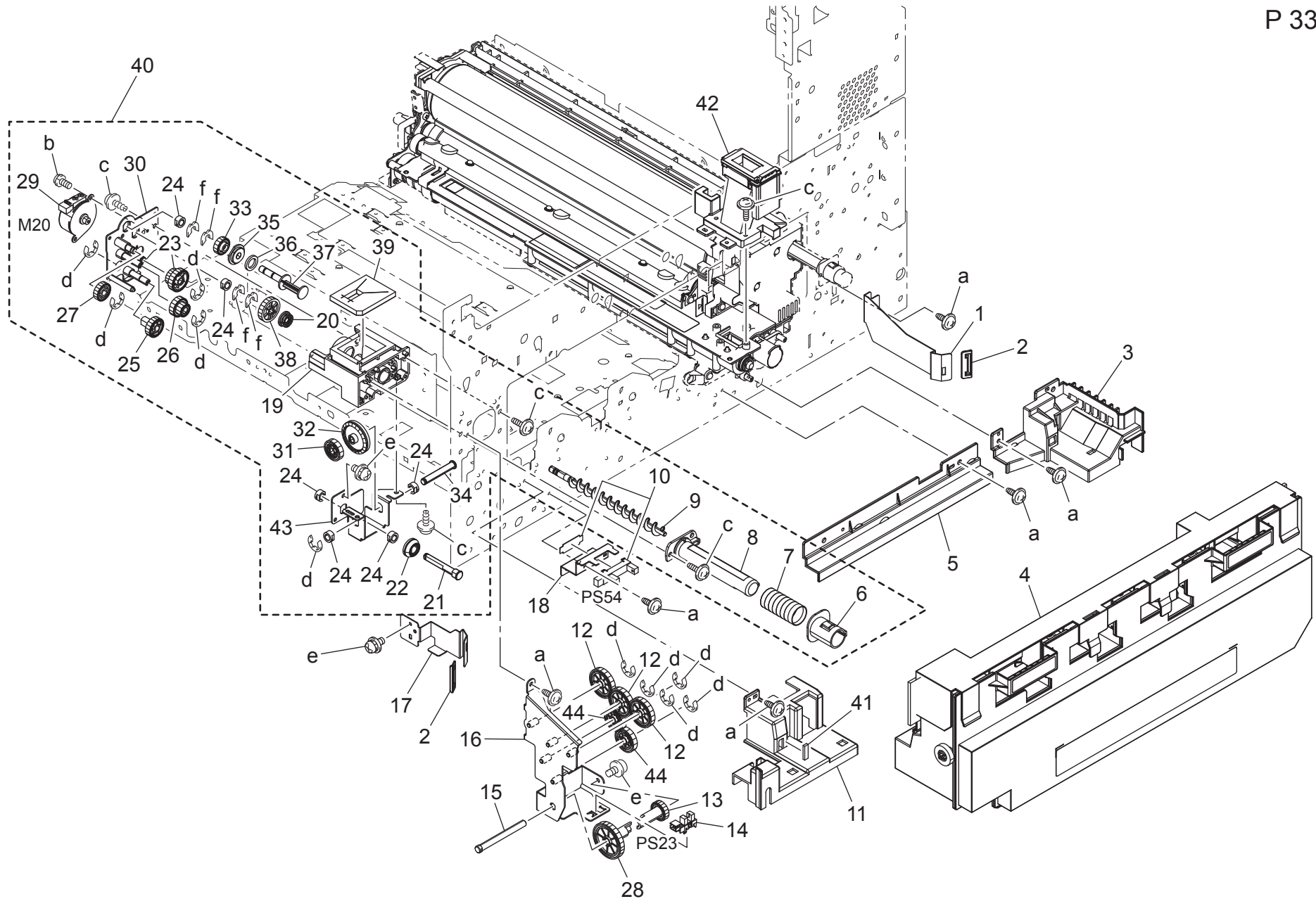


bizhub 502/bizhub 552/bizhub 602/bizhub 652

ERASE LAMP

Key	Part No.	Description	Destinations	Class	QTY	Standard parts
1	A0P0 1039 01	Holder		C	1	a-V116 0306 03
2	A108 M501 00	Photointerrupter		B	2	b-V153 0308 03
3	A0P0 1075 00	Actuator		C	1	c-V116 0308 03
4	A0P0 1033 00	Shaft		D	1	d-V137 0306 03
5	4004 6854 01	WIRE HARNESS ASSY		D	1	e-V137 0408 03
6	A0P0 1040 01	Actuator		C	1	f-V137 0308 03
7	A0P0 1034 01	Torsion Spring		D	1	g-V144 0308 03
8	A0P0 1254 00	Protection Sheet		C	3	h-V121 0406 03
9	A00J 1047 00	Mounting Plate		D	1	
10	A00J 1450 00	Mounting Plate		D	1	
11	A00J 1451 01	Mounting Plate		C	4	
12	A00J M303 01	LED array		I	1	
13	A00J 1452 00	Light blocking Part		C	1	
14	A00J 1070 01	Mounting Plate		D	1	
15	A00J 1025 00	Guide Plate /Front		D	1	
16	A0P0 N12H 00	Sensor Relay harness /2		C	1	
17	A0P0 1029 00	Guide Plate		D	1	
18	A00J 1074 01	Sheet		C	1	
19	A00K 1066 01	RAIL /FRONT		C	1	
20	A00K 1068 02	Mounting Plate /Front		D	1	
21	A00J 1371 03	Cover		D	1	
22	A00K 1069 02	Mounting Plate /Rear		D	1	
23	A00J 1071 00	Reinforce Plate		D	1	
24	A0P0 1026 00	Guide Plate /Rear		D	1	
25	A00J R737 00	ERASER LAMP ASSY		C	1	
26	A00K 1067 00	RAIL /REAR		C	1	

TONER COLLECT SECTION



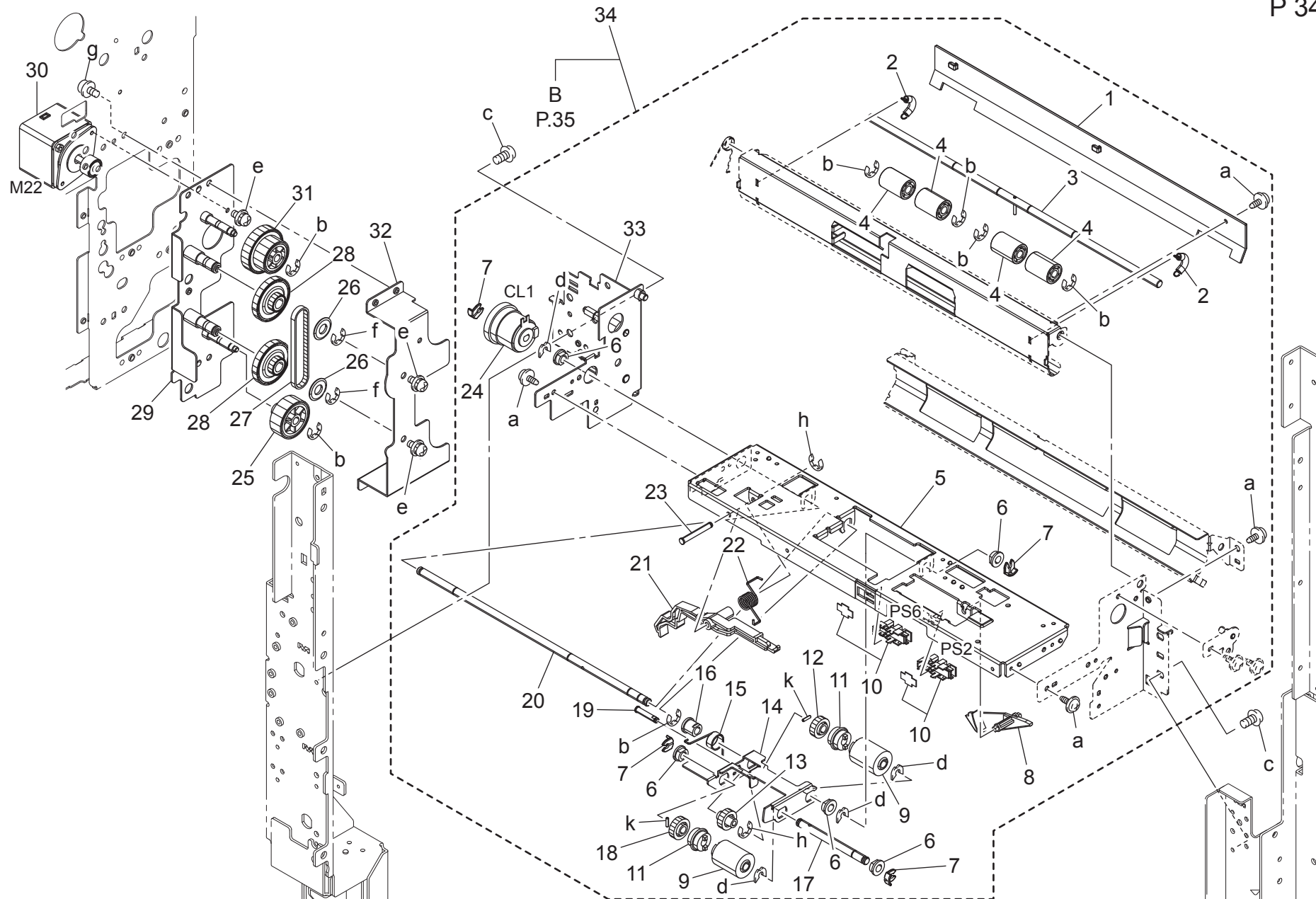
bizhub 502/bizhub 552/bizhub 602/bizhub 652

TONER COLLECT SECTION

Key	Part No.	Description	Destinations	Class	QTY	Standard parts
1	A0P0 3648 00	Fixing Plate /Right		D	1	a-V137 0306 03 b-V115 0306 03 c-V153 0308 03 d-V217 0400 01 e-V116 0306 03 f-V218 0400 86
2	A00J 3650 01	Knob		C	2	
3	A0P0 3660 00	Guide Part /Right		D	1	
4	A2WY WY1	Bottle(Toner Colection)		A	1	
5	A0P0 3662 00	Guide Part /Middle		D	1	
6	A00J 3611 00	Collection Shutter		C	1	
7	A00J 3612 00	Compressing Spring		C	1	
8	A00J 3617 00	Collection Pipe		C	1	
9	A00J 3608 00	Conveyance Screw		C	1	
10	4037 0901 01	PHOTO INTERRUPTER		B	1	
11	A0P0 3661 00	Guide Part /Left		D	1	
12	A0P0 3629 00	Gear 27T		D	3	
13	A0P0 3641 00	Drive Gear /10 17T		D	1	
14	A108 M501 00	Photointerrupter		B	1	
15	A0P0 3642 00	Shaft		D	1	
16	A2WU R704 00	Fixing Plate		D	1	
17	A0P0 3649 00	Fixing Plate /Left		D	1	
18	A0P0 3663 01	Mounting Plate		D	1	
19	A0P0 3607 00	Collection Casing		D	1	
20	65AA 3250 1	BUSHING /B		C	1	
21	A00J 3619 00	Drive Shaft /2		D	1	
22	A00J 3627 00	Gear 20T		C	1	
23	A00J 3630 00	Gear 38/35T		C	1	
24	A0P0 3640 00	Bushing		C	6	
25	A00J 3625 00	Gear 30T		C	1	
26	A00J 3624 00	Gear 30/20T		C	1	
27	A0P0 3685 00	Gear 28T		C	1	
28	A2WU 3641 00	Gear 34T		D	1	
29	A00J M121 00	Stepping motor		C	1	
30	A0P0 3610 00	Mounting Plate /ASSY		D	1	
31	A00J 3626 00	Gear 18T		C	1	
32	A00J 3628 00	Gear 40T		C	1	
33	A0P0 3684 00	Gear26T		D	1	
34	A00J 3618 00	Drive Shaft /1		D	1	
35	A0P0 3682 00	Bushing		D	1	
36	A0P0 3686 00	Seal		D	1	
37	A0P0 3681 00	Agitating Paddle		D	1	
38	A00J 3610 00	Gear 38T		C	1	
39	A00J 3654 02	Sealing Shutter		C	1	
40	A0P0 R713 11	Toner collection assy		C	1	
41	A0P0 3664 00	Seal		C	1	
42	A0P0 R742 00	Toner Supply Duct Assy		C	1	
43	A0P0 3611 00	Mounting Plate /2		D	1	
44	A2WU 3629 00	Gear 22T		D	2	

bizhub 502/bizhub 552/bizhub 602/bizhub 652

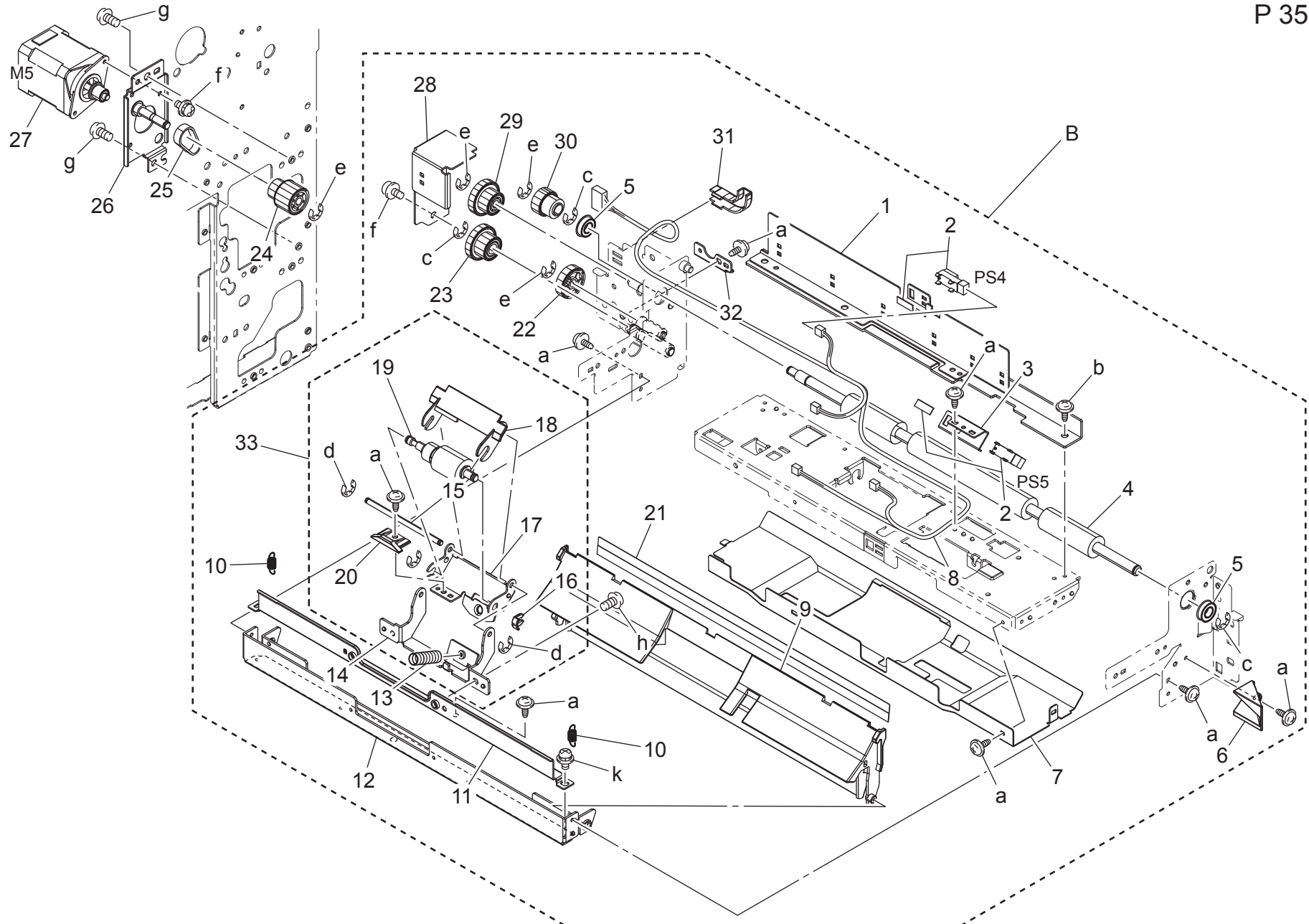
1ST PAPER FEED



bizhub 502/bizhub 552/bizhub 602/bizhub 652

Key	Part No.	Description	Destinations	Class	QTY	Standard parts
1	A00J 5660 00	Holder		C	1	a-V137 0306 03 b-V217 0400 01 c-V118 0408 03 d-V218 0400 86 e-V116 0306 03 f-V217 0600 01 g-V116 0308 03 h-V217 0300 01 k-V237 2008 50
2	A00J 5669 00	Pulling Spring /Middle		C	2	
3	A0P0 5661 01	Idler Shaft		D	1	
4	4030 3122 01	ROLL		C	4	
5	A00J 5604 00	Paper feed Frame		D	1	
6	4131 3003 01	BUSHING		C	5	
7	56AA 4049 0	SHAFT STOPPER 4		C	4	
8	4030 3016 12	ACTUATOR		C	1	
9	A00J 5636 00	Roller		A	2	
10	A108 R900 00	PHOTO INTERRUPTER		I	2	
11	A00J 5635 00	Clutch		C	2	
12	4425 3013 01	GEAR 30T		C	1	
13	4030 3008 01	GEAR 29T		C	1	
14	A00J 5601 00	Paper feed Holder		D	1	
15	A00J 5603 02	Torsion Spring		C	1	
16	1065 3086 01	BUSHING		C	1	
17	A00J 5640 00	Shaft /P		D	1	
18	4425 3016 01	GEAR 32T		C	1	
19	4040 3097 01	SHAFT		D	1	
20	A0P0 5602 00	Paper feed Shaft		D	1	
21	A00J 5673 00	Release Lever		D	1	
22	A00J 5668 01	Torsion Spring		C	1	
23	A00J 5665 00	Shaft		D	1	
24	57AA 8203 0	CONVEYANCE DRIVE CLUTCH		C	1	
25	A00J 5624 00	Gear 28T		C	1	
26	A00J 5663 00	Washer		C	2	
27	A00J 5628 00	Timing belt 160L		C	1	
28	A00J 5623 00	Gear 22/32T		C	2	
29	A00J R7AA 00	MOUNTING PLATE / PAPER FEED DRIVE		D	1	
30	A0P0 M122 00	Stepping motor		C	1	
31	A00J 5622 00	Gear 24/42T		C	1	
32	A00J 5625 01	Mounting Plate /1		D	1	
33	A00J R7AB 00	FRAME / PAPER FEED 1		D	1	
34	A0P0 R720 00	Paper feed 1 assy		C	1	

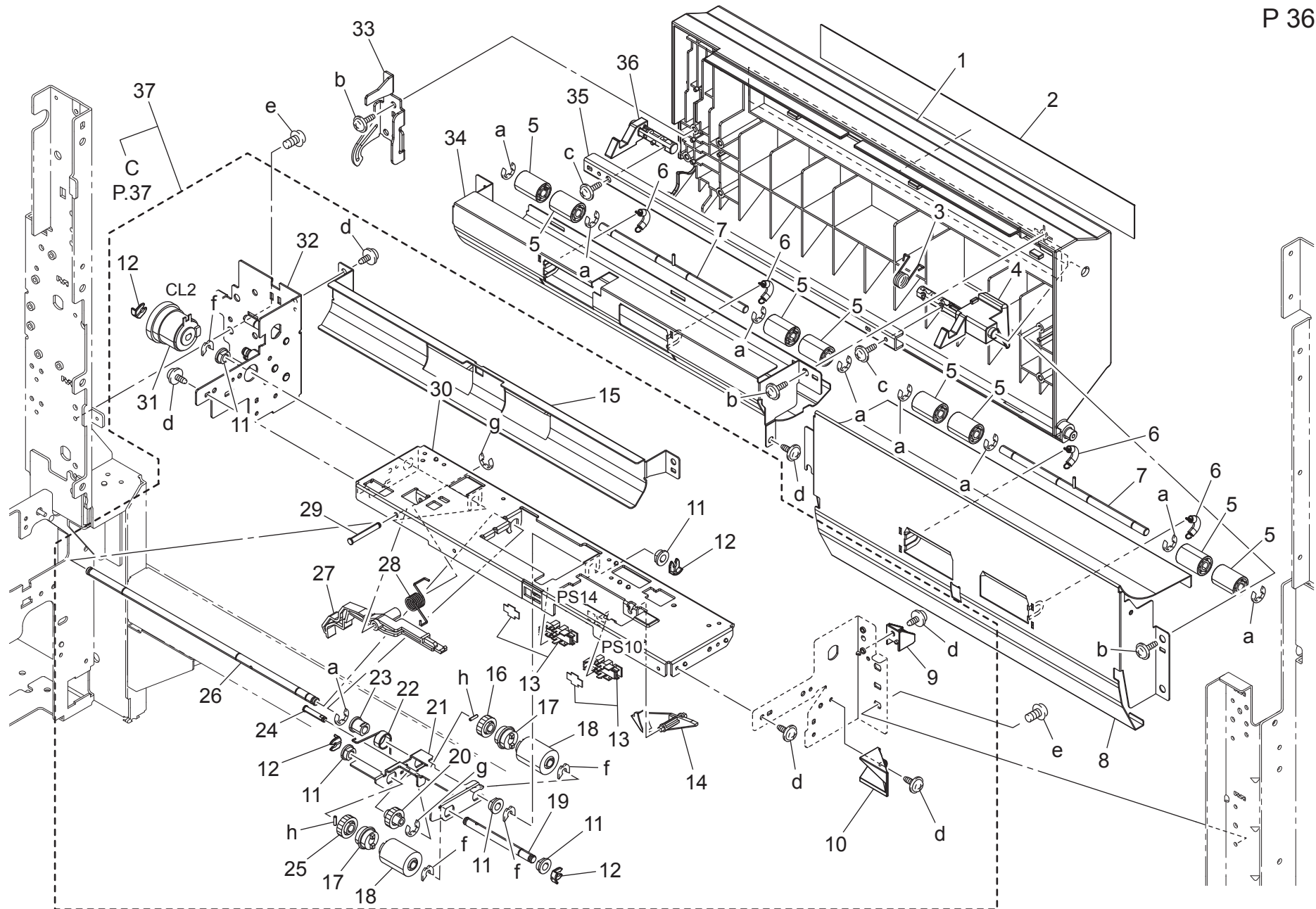
1ST PAPER FEED



bizhub 502/bizhub 552/bizhub 602/bizhub 652

Key	Part No.	Description	Destinations	Class	QTY	Standard parts
1	A00J 5619 00	Reinforce Plate /1		D	1	a-V137 0306 03
2	A2WU R900 00	Photoreflector		B	2	b-V137 0308 03
3	4348 3049 01	BRACKET		D	1	c-V217 0600 01
4	A0P0 5707 01	Conveyance Roller /1		D	1	d-V217 0300 01
5	A00V 2406 00	BALL BEARING		C	2	e-V217 0400 01
6	A0P0 5676 00	Holding Guide		D	1	f-V116 0306 03
7	A00J 5605 02	Guide Plate		D	1	g-V118 0408 03
8	A00J N118 03	Paperfeed Relay harness /3		D	1	h-V118 0308 03
9	A00J 5743 01	Guide Part		D	1	k-V116 0308 03
10	4030 3125 01	TENSION SPRING		C	2	
11	A00J 5613 00	Reinforce Plate		D	1	
12	A00J 5612 00	Mounting Plate		D	1	
13	A0P0 5617 00	Compressing Spring		D	1	
14	A00J 5646 00	Mounting Plate /S		D	1	
15	4030 3039 01	SHAFT		D	1	
16	56AA 4049 0	SHAFT STOPPER 4		C	1	
17	A00J 5647 00	Holder /S		D	1	
18	A00J 5748 00	Guide Roller /Rear		C	1	
19	A0P0 R740 00	Fieldroller assy		B	1	
20	A0P0 5681 00	Release Lever		D	1	
21	A00J 5672 11	Guide Part		C	1	
22	A00J 5654 00	Conveyance Gear /3 28T		C	1	
23	A00J 5653 00	Conveyance Gear /2 21/31T		C	1	
24	A0P0 5704 00	Gear 24T		C	1	
25	A0P0 5680 00	Conveyance Belt 74L		D	1	
26	A0P0 R7A1 00	Frame/Drive Moter		D	1	
27	A0P0 M125 00	Stepping motor		C	1	
28	A00J 5633 00	Drive Holder /1		D	1	
29	A00J 5655 00	Conveyance Gear /4 20/31T		C	1	
30	A00J 5744 00	Gear 22T		C	1	
31	A00J 5634 00	Wiring Cover /1		D	1	
32	A00J 5987 00	Positioning Plate /Rear		D	1	
33	A0P0 R739 11	Fieldroller assy		C	1	

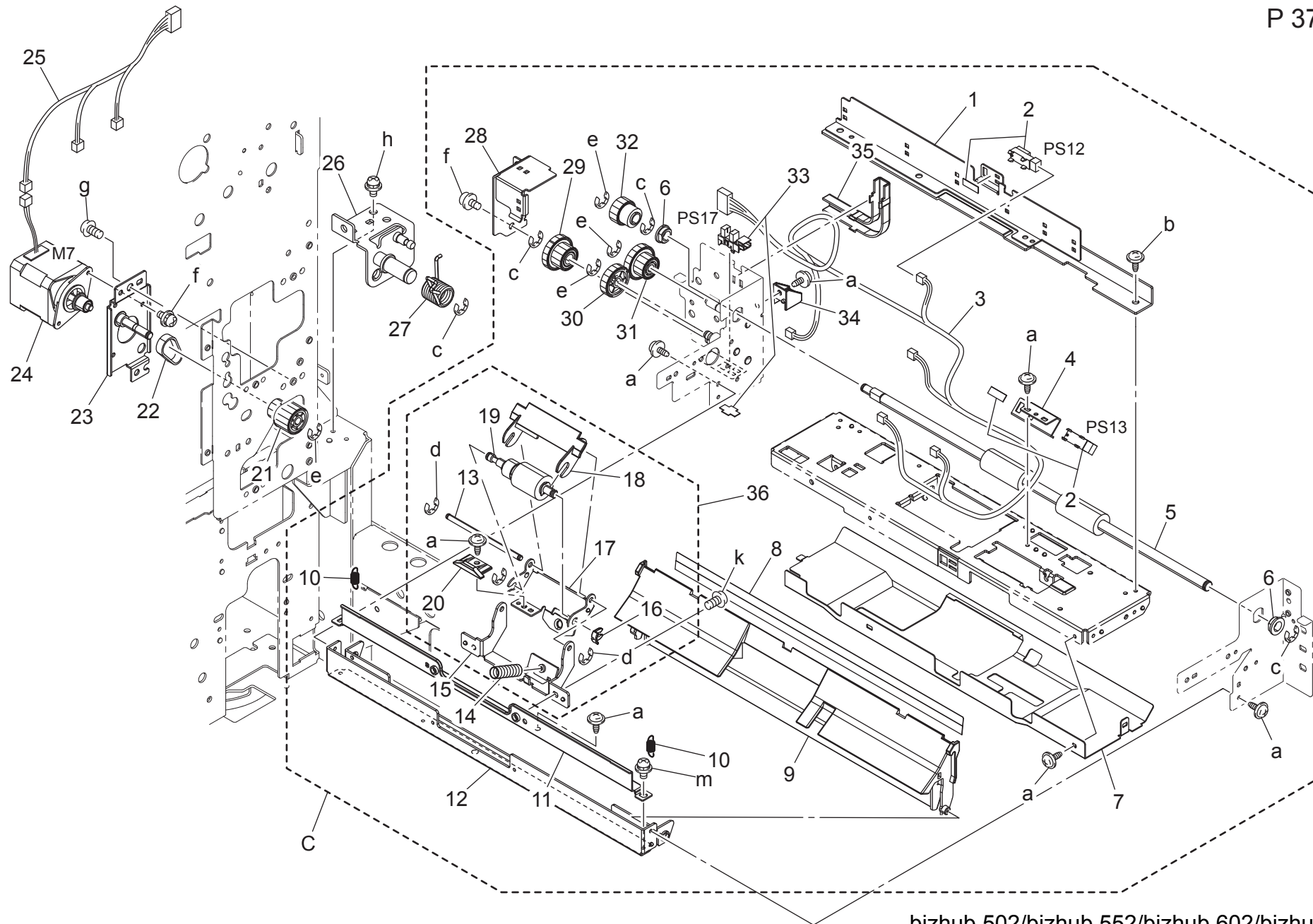
2ND PAPER FEED



bizhub 502/bizhub 552/bizhub 602/bizhub 652

Key	Part No.	Description	Destinations	Class	QTY	Standard parts
1	A00J 5717 01	Paper feed Door /Lower		C	1	a-V217 0400 01 b-V153 0408 03 c-V153 0308 03 d-V137 0306 03 e-V118 0408 03 f-V218 0400 86 g-V217 0300 01 h-V237 2008 50
2	A00J 5746 00	Attaching Cover		C	1	
3	A00J 5666 00	Torsion Spring		C	1	
4	A00J 5737 01	Lock Claw /Front		C	1	
5	4030 3122 01	ROLL		C	8	
6	A00J 5745 00	PULLING SPRING /LOWER		C	4	
7	A00J 5741 00	IDLER SHAFT		D	2	
8	A0P0 5719 00	Guide Plate /Lower		D	1	
9	A00J 5742 01	Lock Catch		C	1	
10	A0P0 5676 00	Holding Guide		D	1	
11	4131 3003 01	BUSHING		C	5	
12	56AA 4049 0	SHAFT STOPPER 4		C	4	
13	A108 R900 00	PHOTO INTERRUPTER		I	2	
14	4030 3016 12	ACTUATOR		C	1	
15	A00J 5723 00	Guide Plate		C	1	
16	4425 3013 01	GEAR 30T		C	1	
17	A00J 5635 00	Clutch		C	2	
18	A00J 5636 00	Roller		A	2	
19	A00J 5640 00	Shaft /P		D	1	
20	4030 3008 01	GEAR 29T		C	1	
21	A00J 5601 00	Paper feed Holder		D	1	
22	A00J 5603 02	Torsion Spring		C	1	
23	1065 3086 01	BUSHING		C	1	
24	4040 3097 01	SHAFT		D	1	
25	4425 3016 01	GEAR 32T		C	1	
26	A0P0 5602 00	Paper feed Shaft		D	1	
27	A00J 5673 00	Release Lever		D	1	
28	A00J 5668 01	Torsion Spring		C	1	
29	A00J 5665 00	Shaft		D	1	
30	A00J 5604 00	Paper feed Frame		D	1	
31	57AA 8203 0	CONVEYANCE DRIVE CLUTCH		C	1	
32	A00J R7AE 00	FRAME / PAPER FEED 2		D	1	
33	A00J 5736 01	Stopper Door		D	1	
34	A0P0 5718 00	Guide Plate /Upper		D	1	
35	A00J 5739 00	MOUNTING PLATE		D	1	
36	A00J 5738 01	Lock Claw /Rear		C	1	
37	A0P0 R721 00	Paper feed 2 assy		C	1	

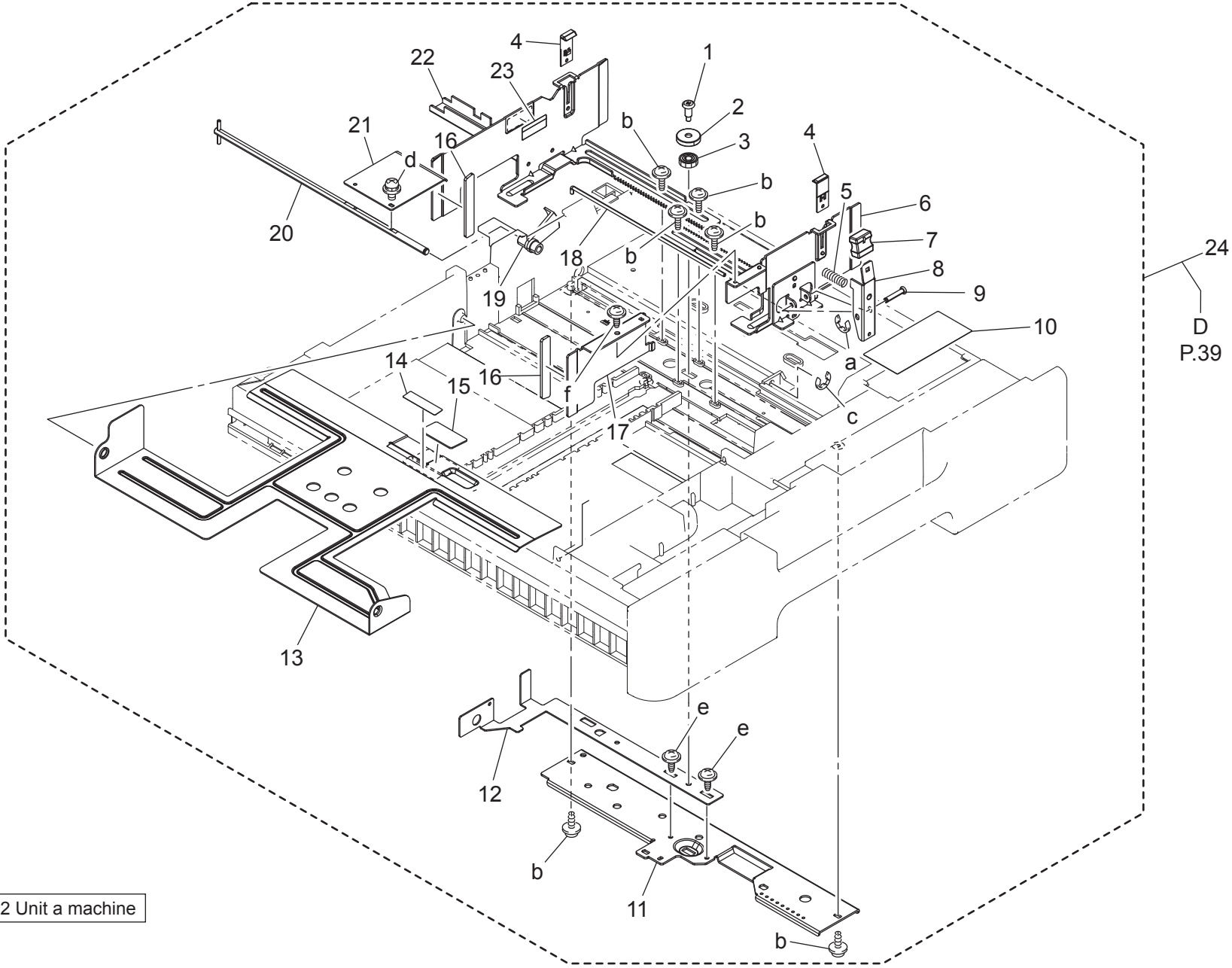
2ND PAPER FEED



bizhub 502/bizhub 552/bizhub 602/bizhub 652

Key	Part No.	Description	Destinations	Class	QTY	Standard parts
1	A00J 5727 00	Reinforce Plate /2		D	1	a-V137 0306 03
2	A2WU R900 00	Photoreflector		B	2	b-V137 0308 03
3	A00J N119 02	Paperfeed Relay harness /4		D	1	c-V217 0600 01
4	4348 3049 01	BRACKET		D	1	d-V217 0300 01
5	A00J 5722 00	Roller		C	1	e-V217 0400 01
6	4131 3532 02	BUSHING		C	2	f-V116 0306 03
7	A00J 5605 02	Guide Plate		D	1	g-V116 0408 03
8	A00J 5610 00	Guide Part		C	1	h-V116 0408 03
9	A00J 5743 01	Guide Part		D	1	k-V118 0308 03
10	4030 3125 01	TENSION SPRING		C	2	m-V116 0308 03
11	A00J 5613 00	Reinforce Plate		D	1	
12	A00J 5612 00	Mounting Plate		D	1	
13	4030 3039 01	SHAFT		D	1	
14	A0P0 5617 00	Compressing Spring		D	1	
15	A00J 5646 00	Mounting Plate /S		D	1	
16	56AA 4049 0	SHAFT STOPPER 4		C	1	
17	A00J 5647 00	Holder /S		D	1	
18	A00J 5748 00	Guide Roller /Rear		C	1	
19	A0P0 R740 00	Fieldroller assy		B	1	
20	A0P0 5681 00	Release Lever		D	1	
21	A0P0 5704 00	Gear 24T		C	1	
22	A0P0 5680 00	Conveyance Belt 74L		D	1	
23	A0P0 R7A1 00	Frame/Drive Moter		D	1	
24	A0P0 M126 00	Stepping motor		C	1	
25	A00J N10F 01	Paperfeed Drive harness		D	1	
26	A0P0 5731 00	Mounting Plate		C	1	
27	A0P0 5755 00	Torsion Spring		D	1	
28	A00J 5726 00	Drive Holder /2		D	1	
29	A00J 5653 00	Conveyance Gear /2 21/31T		C	1	
30	A00J 5656 00	Conveyance Gear /5 23T		C	1	
31	A00J 5655 00	Conveyance Gear /4 20/31T		C	1	
32	A00J 5744 00	Gear 22T		C	1	
33	A108 R900 00	PHOTO INTERRUPTER		I	1	
34	A00J 5742 01	Lock Catch		C	1	
35	A00J 5648 00	Wiring Cover /2		D	1	
36	A0P0 R739 11	Fieldroller assy		C	1	

CASSETTE ASSY



2 Unit a machine

24
D
P.39

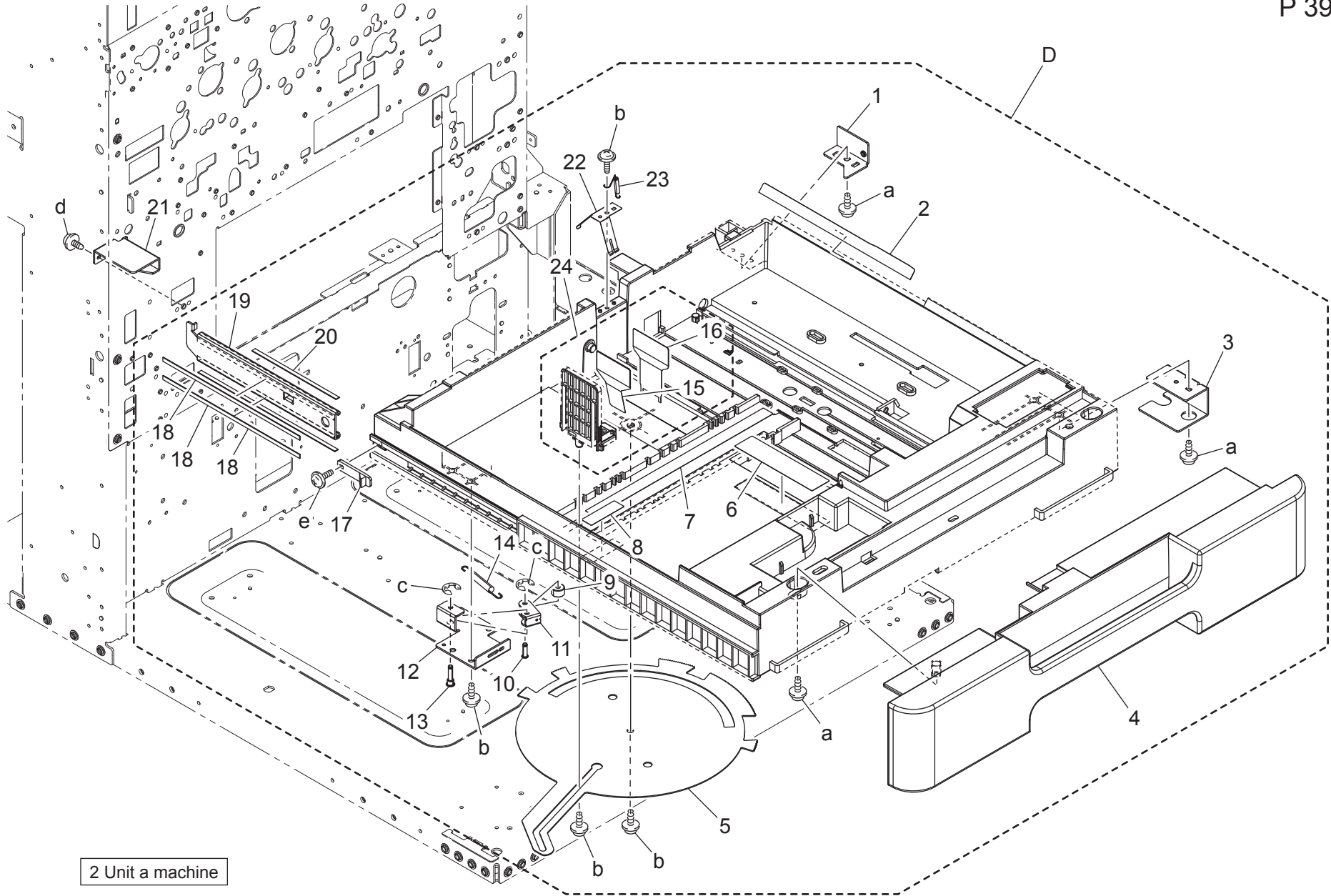
bizhub 502/bizhub 552/bizhub 602/bizhub 652

CASSETTE ASSY

Key	Part No.	Description	Destinations	Class	QTY	Standard parts
1	4030 3214 02	SHOULDER SCREW		C	2	a-V217 0300 01 b-V153 0308 03 c-V217 0400 01 d-V116 0308 03 e-V144 0406 03 f-V143 0306 03
2	4030 3215 01	GUIDE		D	2	
3	4658 3012 01	GEAR 14T		C	2	
4	4537 3317 01	GUIDE		D	4	
5	4498 3825 01	PRESSURE SPRING		C	2	
6	A00J 6211 02	Regulating Plate /ASSY		C	2	
7	4037 3204 01	KNOB		C	2	
8	4128 3823 01	LEVER		C	2	
9	4498 3826 01	SHAFT		D	2	
10	A00J 9424 01	Label		D	2	
11	A00J 6219 02	Mounting Plate		D	2	
12	A00J 6220 04	Mounting Plate		D	2	
13	A0P0 6215 00	Lifting Plate		C	2	
14	A00J 6234 00	FRICTION PLATE		C	2	
15	4030 3226 01	FRICTION SHEET		C	2	
16	A00J 6236 00	Guide Cushion		C	4	
17	A00J 6235 00	Auxiliary Plate		D	2	
18	A00J 6222 00	Lock Shaft		C	2	
19	A0P0 6237 00	Lever		C	2	
20	A0P0 6216 00	Lifting Shaft		D	2	
21	4030 3206 01	LEVER		D	2	
22	A00J 6212 03	Regulating Plate /ASSY		C	2	
23	4002 7306 01	LABEL CARRYING CAPACITY		C	2	
24	A0P0 A620 15	cassette		C	2	

bizhub 502/bizhub 552/bizhub 602/bizhub 652

CASSETTE ASSY



2 Unit a machine

bizhub 502/bizhub 552/bizhub 602/bizhub 652

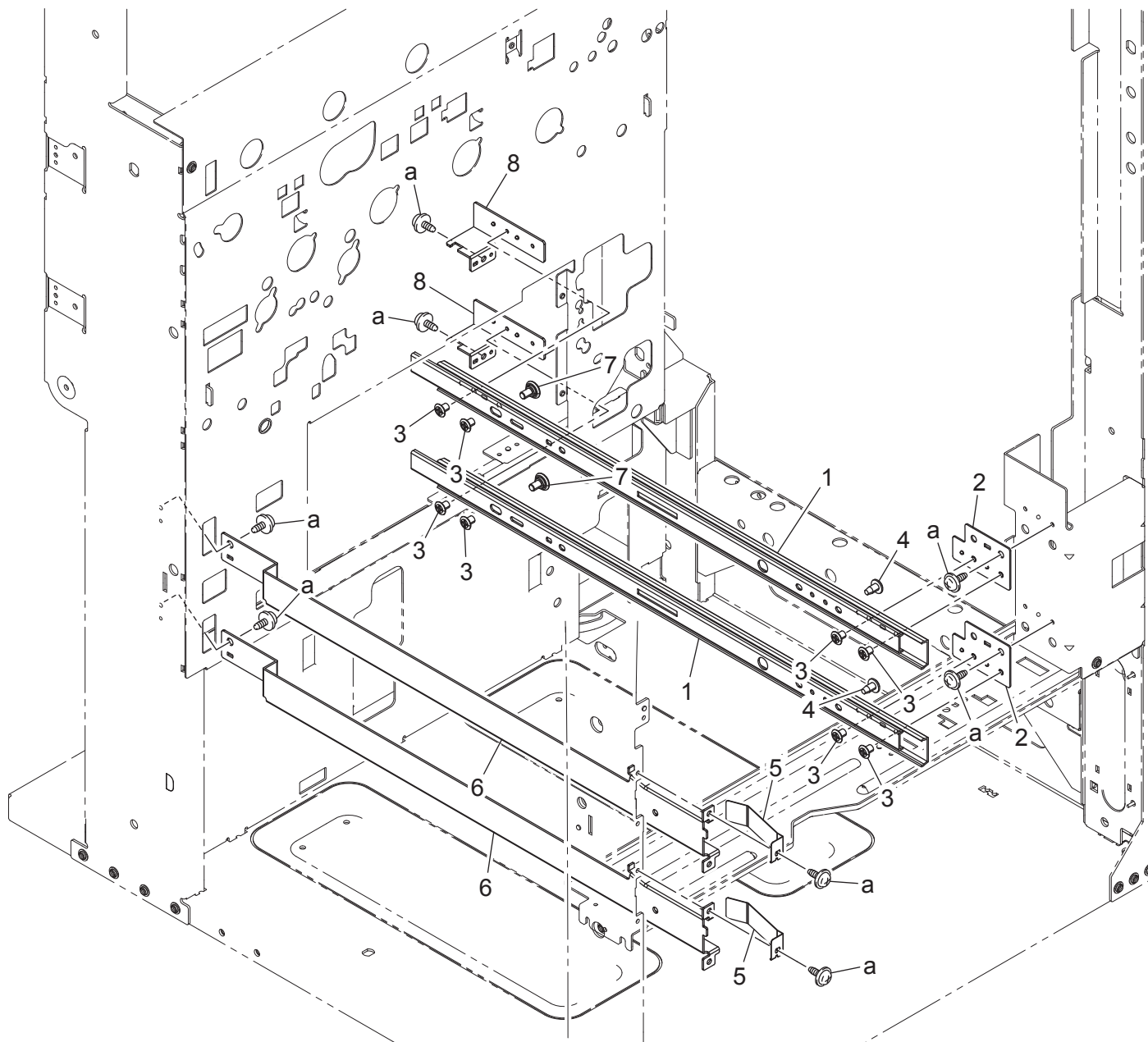
CASSETTE ASSY

Key	Part No.	Description	Destinations	Class	QTY	Standard parts
1	A00J 6314 02	Mounting Plate /B		D	2	a-V153 0410 03 b-V153 0308 03 c-V217 0300 01 d-V137 0408 03 e-V153 0310 03
2	A00J 6213 01	Guide Film		C	2	
3	A00J 6313 01	Mounting Plate /A		D	2	
4	A00J 1607 02	Cover Cassette		C	2	
5	A00J 6214 00	Lever		C	2	
6	A00J 9421 02	Label CD		C	2	
7	A00J 9422 02	Label FD		C	2	
8	A00J 9423 02	Label FD		C	2	
9	A00J 6630 00	Roll		C	2	
10	A00J 6233 00	Shaft		D	2	
11	56AA 4171 1	TRAY PRESSING PLATE		D	2	
12	A00J 6223 00	Mounting Plate /L		D	2	
13	A00J 6226 00	Shaft /L		D	2	
14	56QA 1123 0	TRAY POSITIONING SPRING		C	2	
15	A00J 6229 00	Guide Plate		C	2	
16	4030 3228 12	GUIDE		C	2	
17	A00J 6311 00	Stopper		C	2	
18	A00J 6305 00	Guide Sheet		C	6	
19	A00J 6310 02	Mounting Plate		D	2	
20	A00J 6319 00	GUIDE SHEET/2		C	2	
21	A00J 6315 00	Mounting Plate /L		D	2	
22	4030 3223 03	Earth ground		C	2	
23	A0P0 6238 00	Pulling Spring		C	2	
24	A00J R743 00	REGULATING PLATE R ASSY		C	2	

bizhub 502/bizhub 552/bizhub 602/bizhub 652

CASSETTE RAIL

P 40



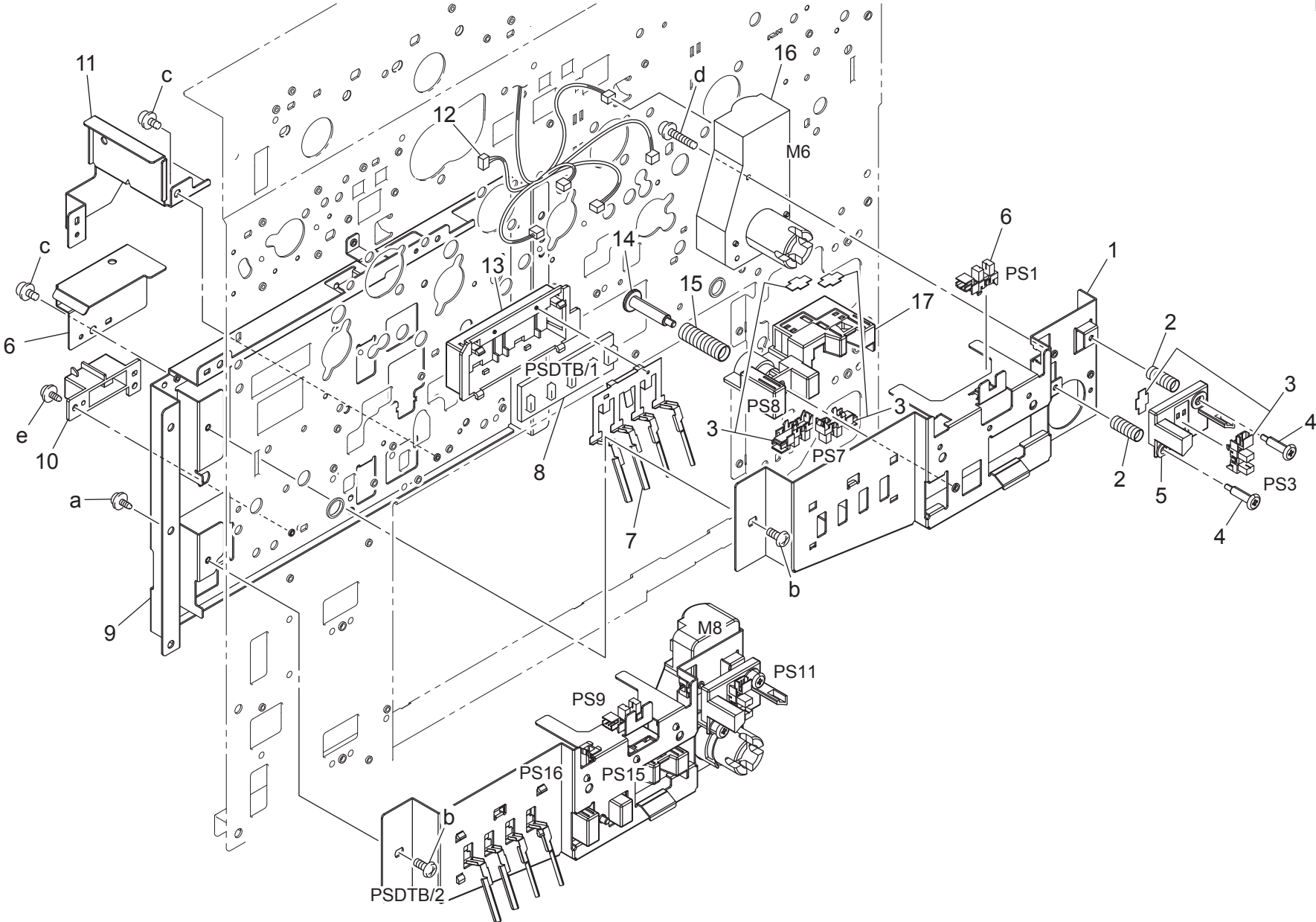
bizhub 502/bizhub 552/bizhub 602/bizhub 652

CASSETTE RAIL

Key	Part No.	Description	Destinations	Class	QTY	Standard parts
1	A00J 6312 02	Slide Rail /A		D	2	a-V137 0408 03
2	A00J 6316 00	Mounting Plate /Front		D	2	
3	A00J 6184 00	Screw		C	8	
4	1151 3300 01	SCREW		C	2	
5	A00J 6318 00	HOLDING PLATE		D	2	
6	A00J 6301 02	Mounting Plate		D	2	
7	A00J 6317 00	Screw		C	2	
8	A00J 6308 00	Mounting Plate		D	2	

bizhub 502/bizhub 552/bizhub 602/bizhub 652

SIZE DETECTING SECTION



bizhub 502/bizhub 552/bizhub 602/bizhub 652

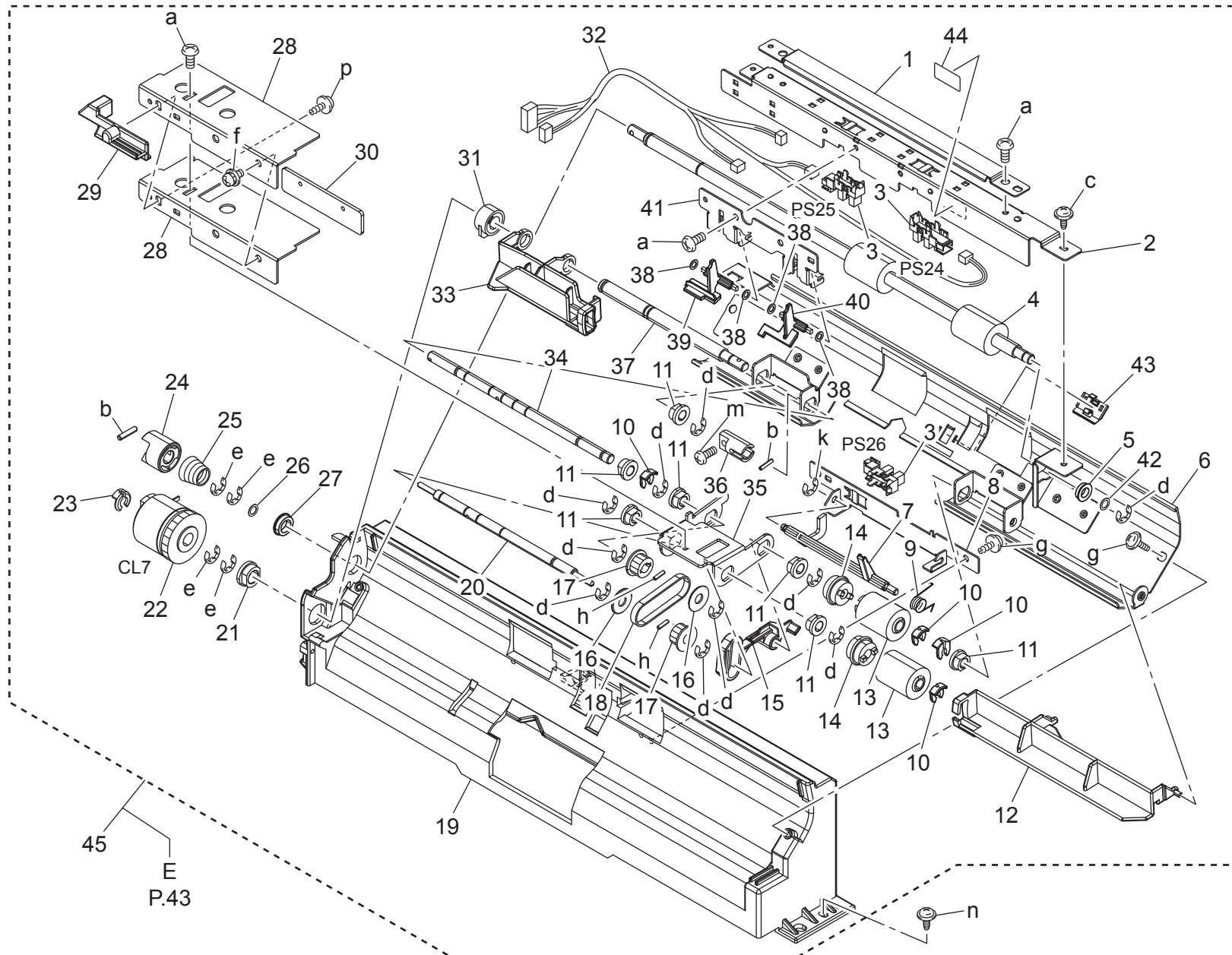
SIZE DETECTING SECTION

Key	Part No.	Description	Destinations	Class	QTY	Standard parts
1	A0P0 5751 01	Mounting Plate		D	2	a-V137 0306 03 b-V118 0408 03 c-V116 0306 03 d-V116 0330 03 e-V137 0308 03
2	4030 3081 01	PRESSURE SPRING		C	4	
3	A108 R900 00	PHOTO INTERRUPTER		I	6	
4	4030 3224 02	SHOULDER SCREW		C	4	
5	4030 3083 01	HOLDER		D	2	
6	A108 M501 00	Photointerrupter		B	2	
7	4030 3091 01	LEVER		C	2	
8	4037 0104 01	PWB ASSY		C	2	
9	A00J 5753 02	Mounting Plate		D	1	
10	A00J 1332 00	Rail /Left		C	1	
11	A0P0 1386 00	Cover		D	1	
12	A00J N116 01	Paperfeed Relay Harness /1		D	1	
12	A00J N117 02	Paperfeed Relay harness /2		D	1	
13	4011 3012 01	HOLDER		D	2	
14	4002 3131 01	SHOULDER SCREW		C	2	
15	4002 3110 01	PRESSURE SPRING		C	2	
16	9J06 M103 00	MOTOR		B	2	
17	4030 3047 02	HOLDER		D	2	

bizhub 502/bizhub 552/bizhub 602/bizhub 652

1000-SHEET PAPER FEED SECTION

P 42

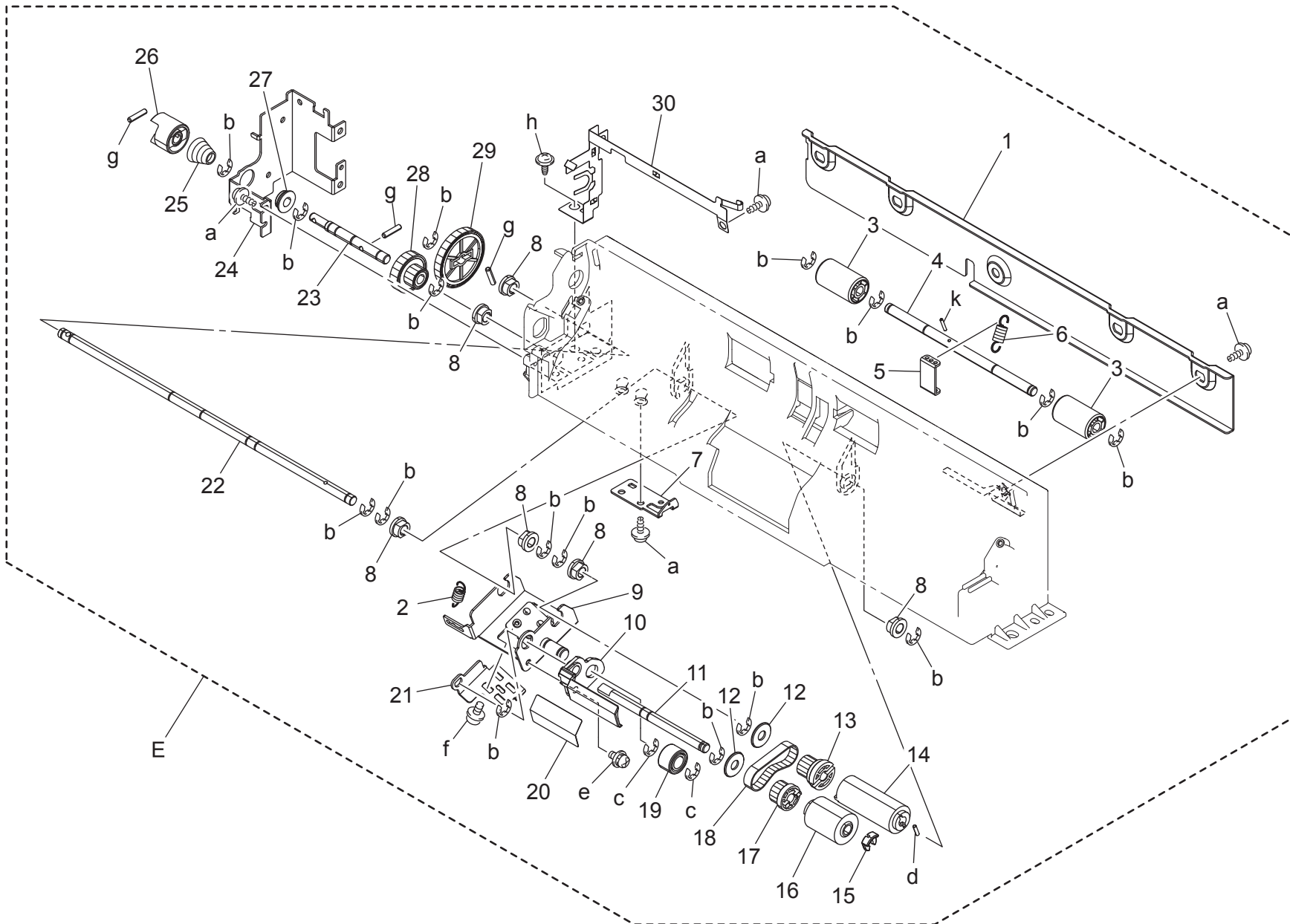


bizhub 502/bizhub 552/bizhub 602/bizhub 652

1000-SHEET PAPER FEED SECTION

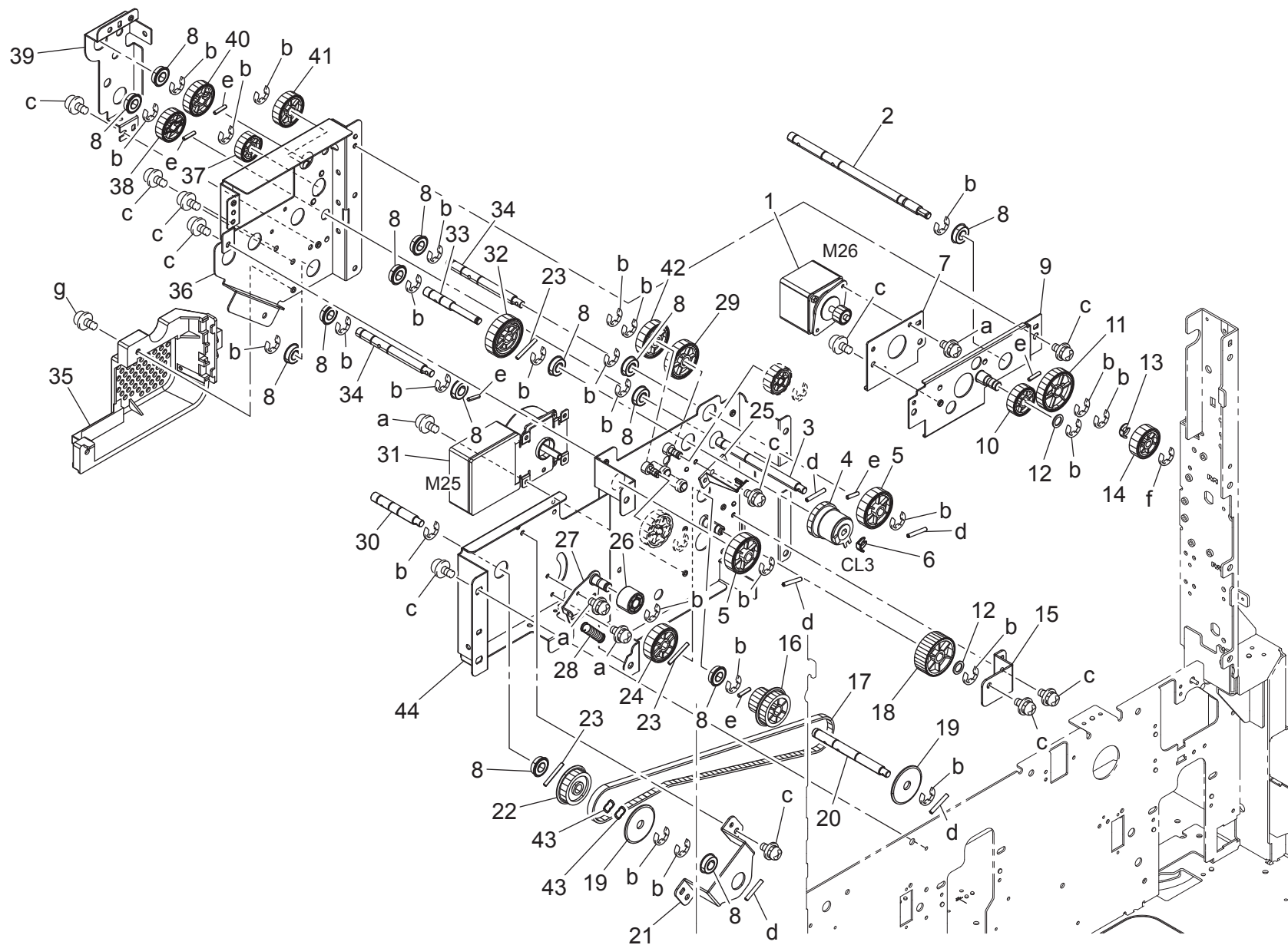
Key	Part No.	Description	Destinations	Class	QTY	Standard parts
1	A00J 6181 01	Cover		D	1	a-V118 0306 03
2	A00J 6012 01	Paper feed Cover /1		D	1	b-V233 2010 50
3	A108 M501 00	Photointerrupter		B	3	c-V127 0306 03
4	A00J 6055 11	Conveyance Roller		C	1	d-V217 0400 01
5	A00J 6178 00	BALL BEARING		C	1	e-V217 0600 01
6	A00J 6003 13	Guide Assy draw /1		D	1	f-V116 0308 03
7	A00J 6033 00	Detection Actuator /2		C	1	g-V153 0308 03
8	A00J 6032 00	Mounting Plate		D	1	h-V231 2008 50
9	A00J 6050 00	Torsion Spring		C	1	k-V218 0300 86
10	56AA 4049 0	SHAFT STOPPER 4		C	4	m-V118 0304 03
11	A00J 6632 00	Bushing		C	7	n-V127 0308 03
12	A00J 6006 00	Regulating Plate /Front		C	1	p-V153 0310 03
13	A00J 5636 00	Roller		A	2	
14	A00J 5635 00	Clutch		C	2	
15	A00J 6043 01	Actuator		C	1	
16	A0P0 6640 00	Washer		D	2	
17	A00J 6028 00	Pulley 14T		C	2	
18	A00J 6027 00	Timing belt 102L		C	1	
19	A00J 6002 04	Paper feed Base frame /2		D	1	
20	A00J 6030 00	Shaft		D	1	
21	A03U 8128 00	Slide Shaft Holder		B	1	
22	56AA 8201 2	PAPER FEED DRIVING CLUTCH		B	1	
23	55VA 4212 0	SHAFT STOPPER		C	1	
24	A00J 6053 00	Paper feed Coupling /2		C	1	
25	A00J 6054 00	Pressing Spring		C	1	
26	A00J 6607 00	Washer		D	1	
27	A00J 6179 00	Ball Bearing		C	1	
28	A00J 6031 01	Auxiliary Part		D	2	
29	A00J 6183 00	Handle		C	1	
30	A00J 6194 00	Auxiliary Part /2		C	1	
31	56AA 4038 0	PAPER FEED REGULATING BLOCK		C	1	
32	A00J N11E 01	PFU Relay harness /5		D	1	
33	A00J 6004 00	Regulating Plate /Rear		C	1	
34	A00J 6042 00	Paper feed Shaft		D	1	
35	A0P0 6026 00	Mounting Plate		D	1	
36	A00J 6005 00	Coupling		C	1	
37	A00J 6008 00	Paper feed Shaft /1		D	1	
38	15AG 5028 0	PUNCH SPACER		C	4	
39	A00J 6007 01	Detection Actuator /1		C	1	
40	A00J 6159 01	Detection Actuator /1		C	1	
41	A00J 6044 01	Mounting Plate		D	1	
42	A00J 6608 00	Washer		D	1	
43	A0P0 6633 00	Holder		D	1	
44	A00J 6609 00	Sealing Magnet		D	1	
45	A0P0 R723 11	1000-sheet paper feed assy		S	1	

1000-SHEET PAPER FEED SECTION



bizhub 502/bizhub 552/bizhub 602/bizhub 652

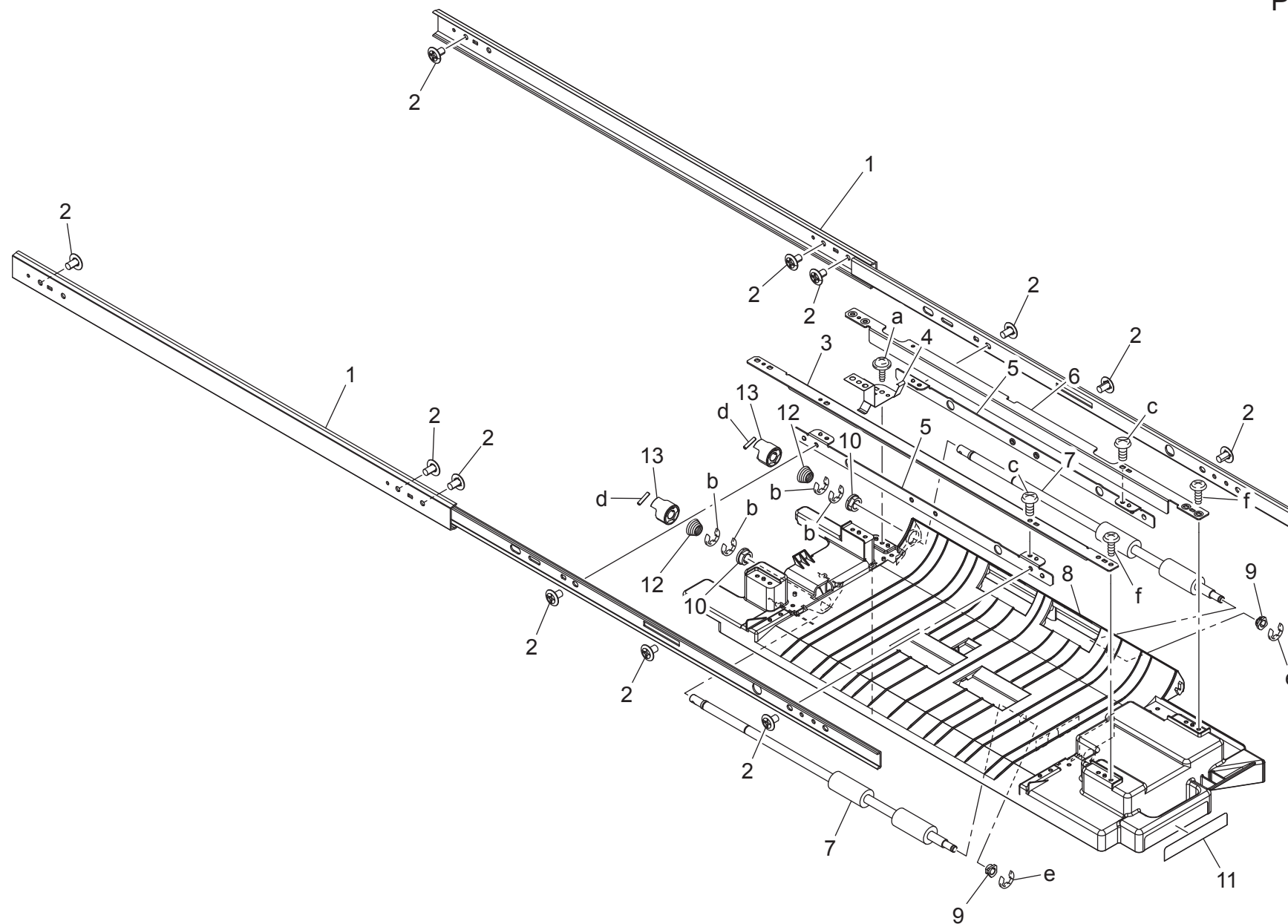
Key	Part No.	Description	Destinations	Class	QTY	Standard parts
1	A00J 6187 00	Conveyance Cover		D	1	a-V153 0308 03
2	A00J 6047 01	Pulling Spring		C	1	b-V217 0400 01
3	A00J 6051 00	Idler Roll		C	2	c-V217 0600 01
4	A00J 6052 00	Idler Shaft		D	1	d-V231 2008 50
5	56AA 4043 0	SPRING MOUNTING PLATE 1		D	1	e-V116 0308 03
6	A00J 6048 00	Pulling Spring		C	1	f-V116 0306 03
7	A00J 6013 00	Mounting Plate		D	1	g-V231 3014 50
8	A00J 6632 00	Bushing		C	6	h-V127 0308 03
9	A00J 6015 01	Mounting Plate /ASSY		D	1	k-V233 1610 50
10	A00J 6186 01	Guide Plate /2		C	1	
11	A00J 6017 00	Shaft		D	1	
12	A0P0 6640 00	Washer		D	2	
13	A00J 6196 11	Pulley 14T		C	1	
14	A00J 6185 00	Torque limiter		A	1	
15	56AA 4049 0	SHAFT STOPPER 4		C	1	
16	A00J 5636 00	Roller		A	1	
17	A00J 6195 00	Pulley 15T		C	1	
18	A00J 6198 00	Timing Belt 96L		C	1	
19	A00J 6197 00	ROLL /1		C	1	
20	56AA 4054 0	ENTRANCE GUIDE SHEET		C	1	
21	A00J 6016 00	Multi-feed Adjusting Plate		D	1	
22	A00J 6014 02	Input Shaft		D	1	
23	56QA 4024 0D	PAPER FEED INPUT SHAFT		D	1	
24	A00J 6036 00	Mounting Plate		D	1	
25	56AA 4051 0	PRESSING SPRING		C	1	
26	56AA 4045 0	PAPER FEED COUPLING PART		C	1	
27	56AA 7505 0	CLEANER SHAFT HOLDER		C	1	
28	A00J 6034 00	Gear 22/14T		C	1	
29	A00J 6009 00	Gear43T		C	1	
30	A00J 6056 00	Ground Plate /1		D	1	



bizhub 502/bizhub 552/bizhub 602/bizhub 652

Key	Part No.	Description	Destinations	Class	QTY	Standard parts
1	A0P0 M122 00	Stepping motor		C	1	a-V116 0306 03
2	A00J 6113 00	Drive Shaft /5		D	1	b-V217 0600 01
3	A00J 6169 00	Drive Shaft /1		D	1	c-V116 0408 03
4	A00J M200 00	Clutch		C	1	d-V232 3022 09
5	A00J 6121 00	Gear 32T		C	2	e-V231 3014 50
6	56AA 4049 0	SHAFT STOPPER 4		C	1	f-V217 0400 01
7	A00J 6177 00	Mounting Plate		D	1	g-V116 0308 03
8	A00V 2406 00	BALL BEARING		C	14	
9	A00J R7AF 00	MOUNTING PLATE / LCC LENGTH CONVEYANCE		D	1	
10	A00J 6162 00	Gear 31T		C	1	
11	A00J 6163 00	Gear 44T		C	1	
12	A00J 7009 00	Collar		C	2	
13	55VA 4212 0	SHAFT STOPPER		C	1	
14	A00J 6125 00	Gear 25T		C	1	
15	A00J 6102 00	Fixing Plate /1		D	1	
16	A00J 6116 00	Gear 40/33T		C	1	
17	A00J 6106 00	Timing belt 633L		C	1	
18	A00J 6115 00	Gear 67T		C	1	
19	A00J 6126 00	Holding Part /1		C	2	
20	A00J 6108 01	Drive Shaft /1		D	1	
21	A00J 6103 00	Fixing Plate		D	1	
22	A00J 6122 00	Pulley 33T		C	1	
23	4004 2547 01	PIN		D	3	
24	A00J 6117 00	Gear 29T		C	1	
25	A00J 6128 00	Regulating Part		C	1	
26	A0P0 6664 00	Tension Roll		D	1	
27	A0P0 R7A2 00	Mounting plate /Belt tension		D	1	
28	56QA 1519 0	BELT TENSION SPRING		C	1	
29	A00J 6119 00	Gear 30T		C	1	
30	A00J 6112 00	Drive Shaft /4		D	1	
31	A0ED M101 00	DC Brushless motor		C	1	
32	A00J 6118 00	Gear 33T		C	1	
33	A00J 6110 00	Drive Shaft /2		D	1	
34	A00J 6111 00	Drive Shaft /3		D	2	
35	A00J 1376 00	Cover		D	1	
36	A00J R7AJ 00	MOUNTING PLATE / LCC DRIVE 2		D	1	
37	A00J 6164 00	Gear 29T		C	1	
38	A00J 6165 00	Gear 33T		C	1	
39	A00J 6166 00	Mounting Plate		D	1	
40	A00J 6168 00	Gear 35T		C	1	
41	A00J 6130 00	Gear 35T		C	1	
42	A00J 6120 00	Gear 29T		C	1	
43	1500 2660 13	WAVE WASHER		C	2	
44	A0P0 R7A3 00	Mounting plate / LCC drive 1		D	1	

LEVEL CONVEYANCE SECTION

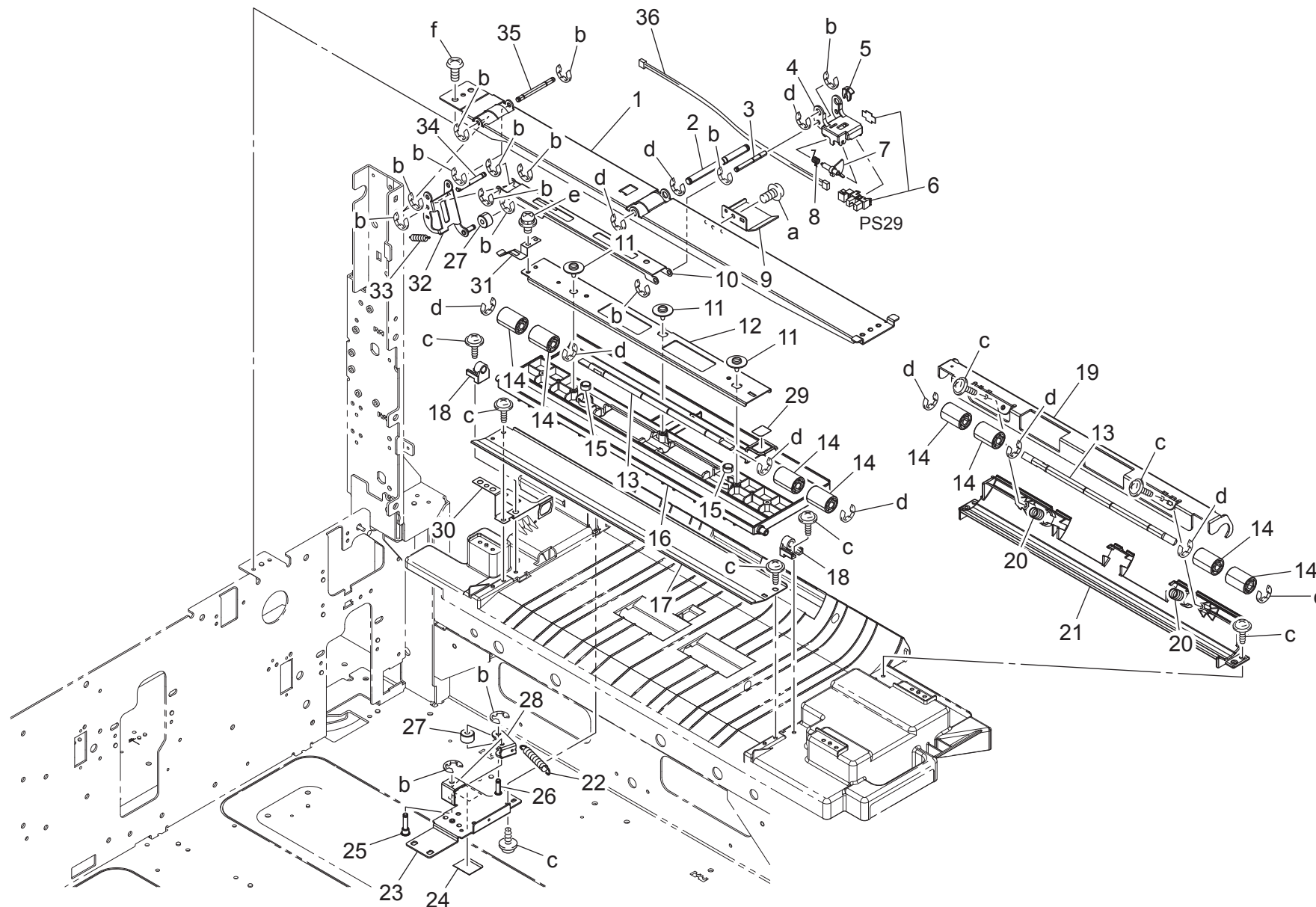


bizhub 502/bizhub 552/bizhub 602/bizhub 652

LEVEL CONVEYANCE SECTION

Key	Part No.	Description	Destinations	Class	QTY	Standard parts
1	A00J 6312 02	Slide Rail /A		D	2	a-V153 0308 03 b-V217 0600 01 c-V118 0308 03 d-V231 3014 50 e-V217 0400 01 f-V149 0308 03
2	A00J 6184 00	Screw		C	12	
3	A00J 6071 00	Mounting Plate		D	1	
4	A00J 6078 00	Ground Plate		C	1	
5	A00J 6074 01	Mounting Plate		D	2	
6	A00J 6075 00	Mounting Plate		D	1	
7	A0P0 6070 00	Conveyance Roller /A		C	2	
8	A0P0 6060 00	Conveyance Base frame		D	1	
9	A0P0 6636 00	Bushing		C	2	
10	A03U 8128 00	Slide Shaft Holder		B	2	
11	A00J 9418 00	Label LC1		C	1	
12	A00J 6601 00	COUPLING SPRING		C	2	
13	55VA 1554 1	CLEANER COUPLING PART		C	2	

LEVEL CONVEYANCE SECTION



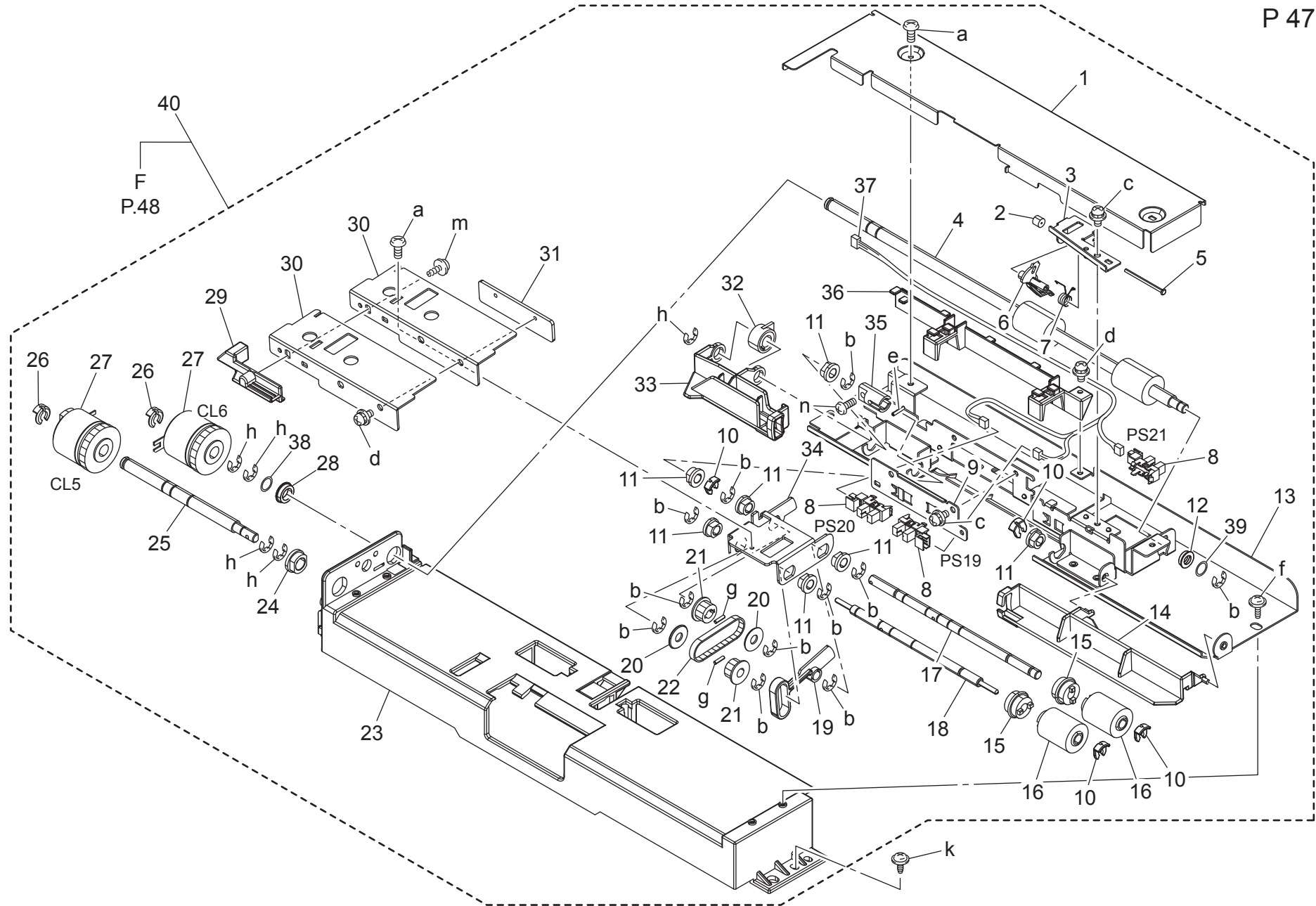
bizhub 502/bizhub 552/bizhub 602/bizhub 652

LEVEL CONVEYANCE SECTION

Key	Part No.	Description	Destinations	Class	QTY	Standard parts
1	A00J 6140 02	Mounting Plate /A		D	1	a-V118 0306 03 b-V217 0300 01 c-V153 0308 03 d-V217 0400 01 e-V116 0306 03 f-V118 0406 03
2	A00J 6145 01	Support Shaft /B		D	1	
3	A00J 6147 00	Swing Shaft /B		D	1	
4	A00J 6143 00	Sensor Block		D	1	
5	56AA 4049 0	SHAFT STOPPER 4		C	1	
6	A108 R900 00	PHOTO INTERRUPTER		I	1	
7	56QA 5724 0	PAPER DETECTION ACTUATOR		C	1	
8	56QA 5717 0	PRESSURE SPRING		C	1	
9	A00J 6148 00	Mounting Plate		D	1	
10	A00J 6142 00	Swing Panel /B		D	1	
11	4036 5966 01	SCREW		C	3	
12	A0P0 6064 00	Mounting Plate		D	1	
13	A00J 6065 00	Idler Shaft		D	2	
14	4030 3122 01	ROLL		C	8	
15	A00J 6066 00	Compressing Spring		C	2	
16	A0P0 6062 00	Conveyance Cover		C	1	
17	A00J 6061 00	Guide Plate		D	1	
18	56QA 5711 0	SUPPORT BLOCK		D	2	
19	A00J 6068 02	Mounting Plate		D	1	
20	A00J 6069 00	Compressing Spring		C	2	
21	A00J 6067 00	Guide Plate		D	1	
22	A00J 6602 00	LOCK SPRING		C	1	
23	A00J 6073 01	Mounting Plate /1		D	1	
24	A0P0 6634 00	Light blocking Sheet		C	1	
25	A00J 6226 00	Shaft /L		D	1	
26	A00J 6233 00	Shaft		D	1	
27	A00J 6630 00	Roll		C	2	
28	56AA 4171 1	TRAY PRESSING PLATE		D	1	
29	A00J 9419 00	Label LC2		C	1	
30	A00J 6076 00	Ground Plate		C	1	
31	A00J 6077 00	Ground Plate		C	1	
32	A00J 6141 01	Swing Panel /ASSY		D	1	
33	56QA 5721 0	SWING SPRING REAR		C	1	
34	A00J 6146 00	Swing Shaft /A		D	1	
35	A00J 6144 00	Support Shaft /A		D	1	
36	A00J N11F 01	PFU Relay harness /6		D	1	

bizhub 502/bizhub 552/bizhub 602/bizhub 652

1500-SHEET PAPER FEED SECTION



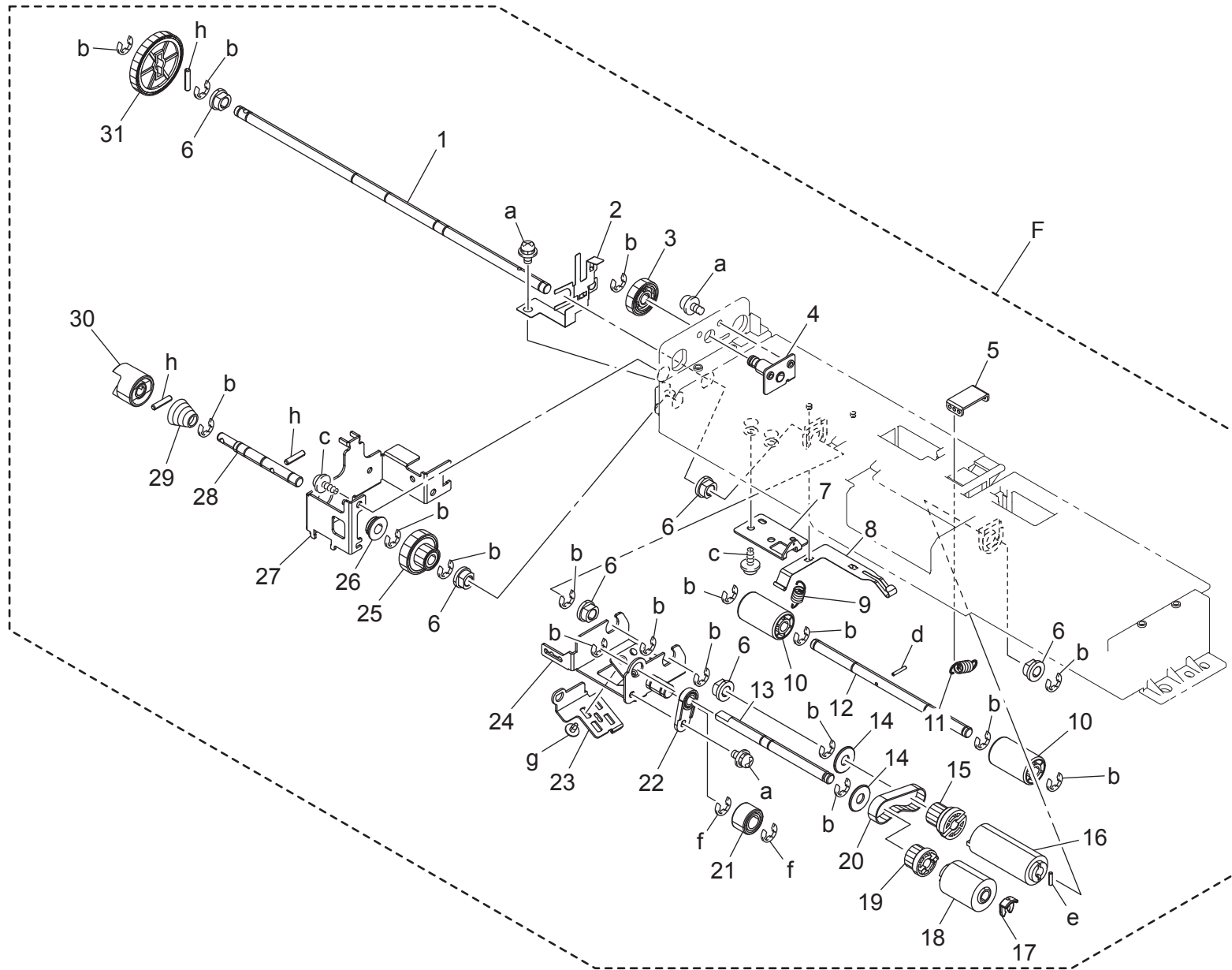
bizhub 502/bizhub 552/bizhub 602/bizhub 652

1500-SHEET PAPER FEED SECTION

Key	Part No.	Description	Destinations	Class	QTY	Standard parts
1	A00J 6038 00	Paper feed Cover		D	1	a-V118 0306 03
2	1134 3041 01	COLLAR		D	1	b-V217 0400 01
3	A00J 6191 01	Mounting Plate		D	1	c-V116 0306 03
4	A00J 6011 11	Conveyance Roller		C	1	d-V116 0308 03
5	1134 3042 02	SHAFT		D	1	e-V233 2010 50
6	A00J 6040 02	Actuator		C	1	f-V153 0308 03
7	A00J 6158 00	Torsion Spring		C	1	g-V231 2008 50
8	A108 M501 00	Photointerrupter		B	3	h-V217 0600 01
9	A00J 6039 00	Mounting Plate		D	1	k-V127 0308 03
10	56AA 4049 0	SHAFT STOPPER 4		C	4	m-V153 0310 03
11	A00J 6632 00	Bushing		C	7	n-V118 0304 03
12	A00J 6178 00	BALL BEARING		C	1	
13	A00J 6037 00	Guide Assy draw /2		D	1	
14	A00J 6006 00	Regulating Plate /Front		C	1	
15	A00J 5635 00	Clutch		C	2	
16	A00J 5636 00	Roller		A	2	
17	A00J 6042 00	Paper feed Shaft		D	1	
18	A00J 6030 00	Shaft		D	1	
19	A00J 6024 01	Level Actuator /1		C	1	
20	A0P0 6640 00	Washer		D	2	
21	A00J 6028 00	Pulley 14T		C	2	
22	A00J 6027 00	Timing belt 102L		C	1	
23	A00J 6001 04	Paper feed Base frame /1		D	1	
24	A03U 8128 00	Slide Shaft Holder		B	1	
25	A00J 6035 00	Paper feed Shaft /2		D	1	
26	55VA 4212 0	SHAFT STOPPER		C	2	
27	56AA 8201 2	PAPER FEED DRIVING CLUTCH		B	2	
28	A00J 6179 00	Ball Bearing		C	1	
29	A00J 6183 00	Handle		C	1	
30	A00J 6031 01	Auxiliary Part		D	2	
31	A00J 6194 00	Auxiliary Part /2		C	1	
32	56AA 4038 0	PAPER FEED REGULATING BLOCK		C	1	
33	A00J 6004 00	Regulating Plate /Rear		C	1	
34	A0P0 6025 00	Mounting Plate		D	1	
35	A00J 6005 00	Coupling		C	1	
36	A00J 6180 00	Wiring Cover		D	1	
37	A00J N11D 01	PFU Relay harness /4		D	1	
38	A00J 6607 00	Washer		D	1	
39	A00J 6608 00	Washer		D	1	
40	A0P0 R722 22	1500-sheet paper feed assy		S	1	

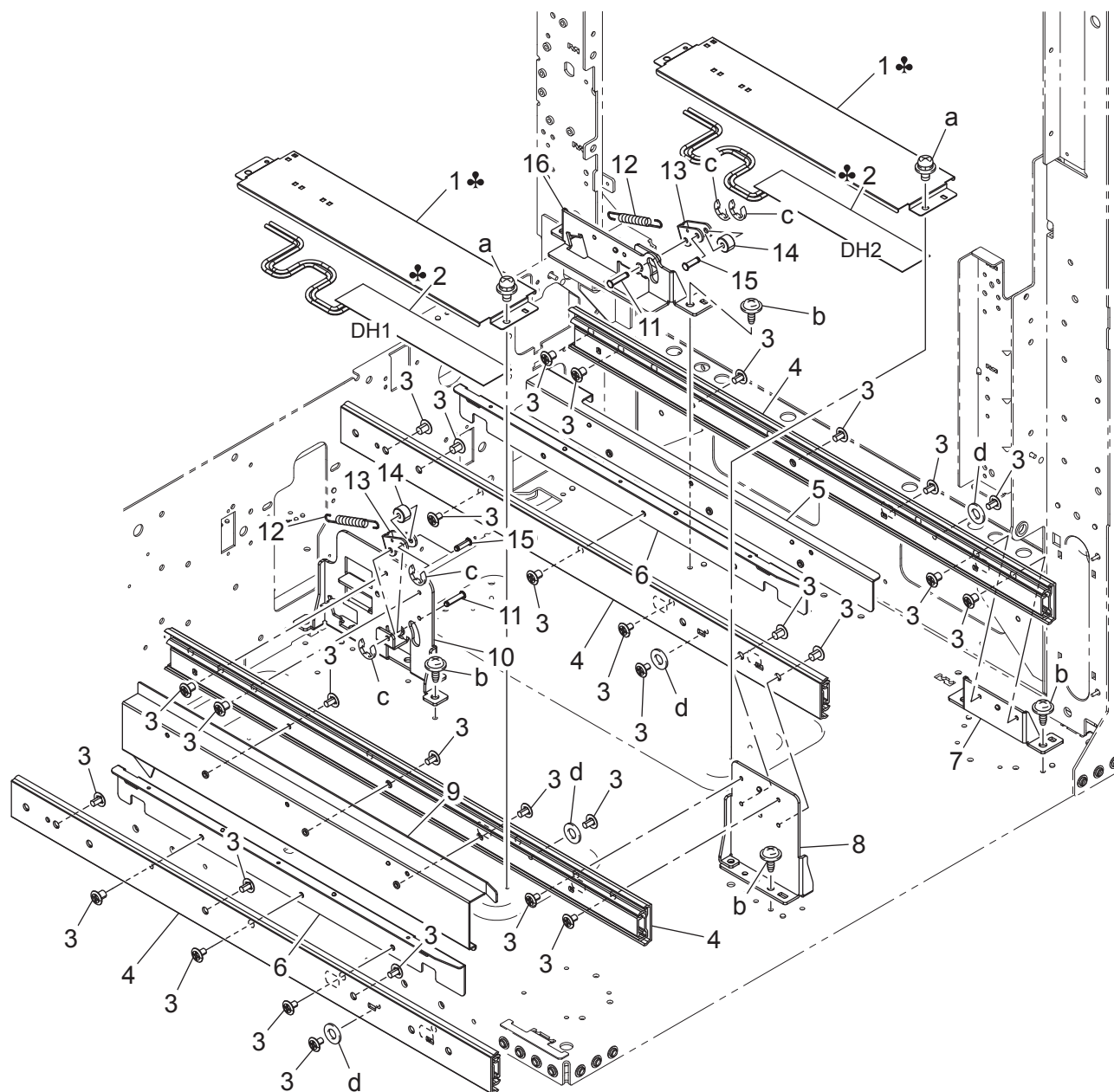
bizhub 502/bizhub 552/bizhub 602/bizhub 652

1500-SHEET PAPER FEED SECTION



bizhub 502/bizhub 552/bizhub 602/bizhub 652

Key	Part No.	Description	Destinations	Class	QTY	Standard parts
1	A00J 6014 02	Input Shaft		D	1	a-V116 0308 03 b-V217 0400 01 c-V153 0308 03 d-V233 1610 50 e-V231 2008 50 f-V217 0600 01 g-V116 0306 03 h-V231 3014 50
2	A00J 6057 00	Ground Plate /2		D	1	
3	A00J 6010 00	Gear 18T		C	1	
4	A00J R7AK 00	MOUNTING PLATE / LCC FEED DRIVE		D	1	
5	56AA 4043 0	SPRING MOUNTING PLATE 1		D	1	
6	A00J 6632 00	Bushing		C	6	
7	56AA 4044 0	SPRING MOUNTING PLATE 2		D	1	
8	A00J 6188 00	Ground Plate /Middle		C	1	
9	A00J 6047 01	Pulling Spring		C	1	
10	A00J 6051 00	Idler Roll		C	2	
11	A00J 6048 00	Pulling Spring		C	1	
12	A00J 6052 00	Idler Shaft		D	1	
13	A00J 6017 00	Shaft		D	1	
14	A0P0 6640 00	Washer		D	2	
15	A00J 6196 11	Pulley 14T		C	1	
16	A00J 6185 00	Torque limiter		A	1	
17	56AA 4049 0	SHAFT STOPPER 4		C	1	
18	A00J 5636 00	Roller		A	1	
19	A00J 6195 00	Pulley 15T		C	1	
20	A00J 6198 00	Timing Belt 96L		C	1	
21	A00J 6197 00	ROLL /1		C	1	
22	A0P0 6021 00	Guide Washer		D	1	
23	A00J 6016 00	Multi-feed Adjusting Plate		D	1	
24	A00J 6015 01	Mounting Plate /ASSY		D	1	
25	A00J 6034 00	Gear 22/14T		C	1	
26	56AA 7505 0	CLEANER SHAFT HOLDER		C	1	
27	A00J 6041 01	Paper feed Plate		D	1	
28	56QA 4024 0D	PAPER FEED INPUT SHAFT		D	1	
29	56AA 4051 0	PRESSING SPRING		C	1	
30	56AA 4045 0	PAPER FEED COUPLING PART		C	1	
31	A00J 6009 00	Gear43T		C	1	

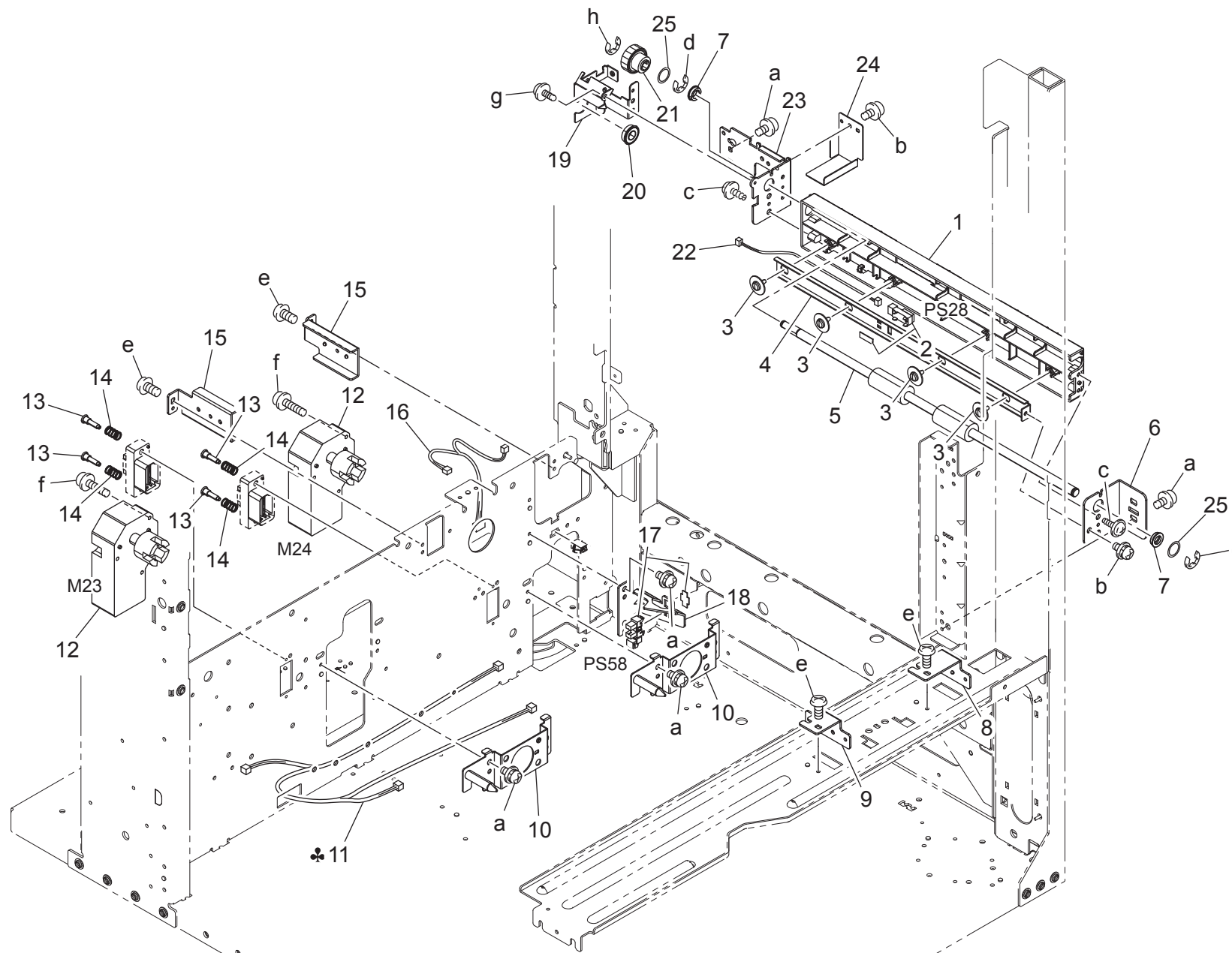


bizhub 502/bizhub 552/bizhub 602/bizhub 652

Key	Part No.	Description	Destinations	Class	QTY	Standard parts
1	A00J 6199 01	Mounting Plate	A,A1,D1,D3,F1,F2,G1,I,K	D	2	a-V116 0306 03 b-V137 0408 03 c-V217 0300 01 d-V205 0400 03
2	56AA 8306 1D	INTERNAL HEATER	A,A1,D1,D3,F1,F2,G1,I,K	D	2	
3	A00J 6184 00	Screw		C	31	
4	A00J 6134 01	Slide Rail /A		C	4	
5	A00J 6084 00	Mounting Plate		D	1	
6	A00J 6086 00	Mounting Plate		D	2	
7	A00J 6081 00	Mounting Plate		D	1	
8	A00J 6080 00	Mounting Plate /1		D	1	
9	A00J 6085 00	Mounting Plate		D	1	
10	A00J 6082 00	Mounting Plate		D	1	
11	A00J 6176 00	Shaft /L		D	2	
12	56QA 1123 0	TRAY POSITIONING SPRING		C	2	
13	56AA 4171 1	TRAY PRESSING PLATE		D	2	
14	A00J 6630 00	Roll		C	2	
15	A00J 6233 00	Shaft		D	2	
16	A00J 6083 00	Mounting Plate		D	1	

bizhub 502/bizhub 552/bizhub 602/bizhub 652

LCC LENGTH CONVEYANCE SECTION

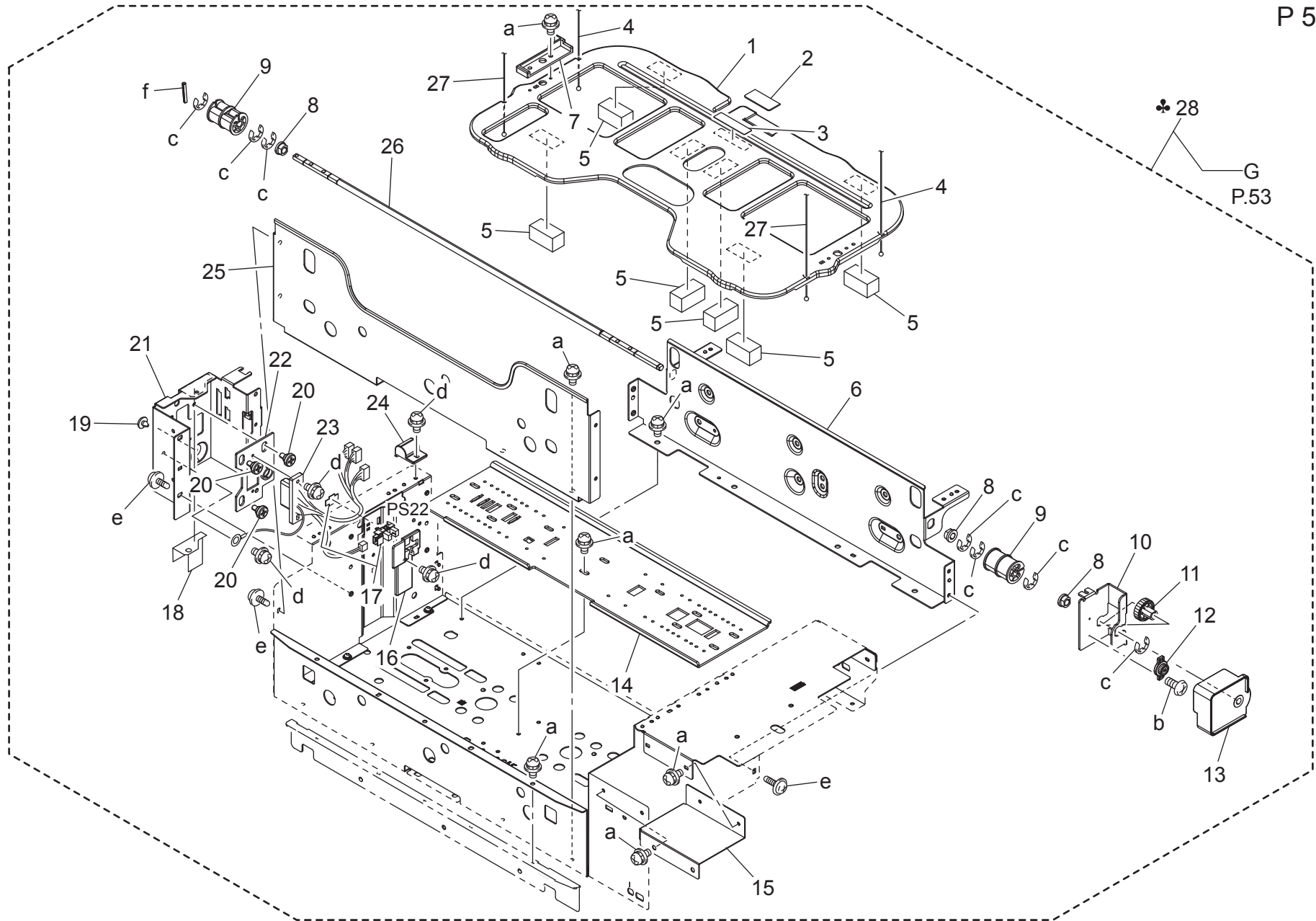


bizhub 502/bizhub 552/bizhub 602/bizhub 652

Key	Part No.	Description	Destinations	Class	QTY	Standard parts
1	A00J 6094 00	Guide Part		C	1	a-V116 0408 03
2	A2WU R900 00	Photoreflector		B	1	b-V116 0306 03
3	4036 5966 01	SCREW		C	4	c-V153 0308 03
4	A00J 6095 01	Mounting Plate /F		D	1	d-V217 0600 01
5	A00J 5722 00	Roller		C	1	e-V118 0408 03
6	A00J 6091 00	Mounting Plate		D	1	f-V116 0320 03
7	A00J 6179 00	Ball Bearing		C	2	g-V126 0306 03
8	A00J 6087 00	Mounting Plate		D	1	h-V217 0400 01
9	A00J 6088 00	Mounting Plate		D	1	
10	A00J R7AM 00	MOUNTING PLATE / UP/DOWN MOTOR		D	2	
11	A00J N10X 00	Heater Relay harness	A,A1,D1,D3,F1,F2,G1,I,K	D	1	
11	A0P2 N10X 00	Heater Relay harness	B,C,G2	D	1	
12	A0P0 M100 00	Brush Motor		B	2	
13	56AA 1733 0	SLIDE SHAFT		C	4	
14	56AA 1708 0	TERMINAL ROCKING SPRING		C	4	
15	A00J 6089 00	Mounting Plate /Rear		D	2	
16	A0P0 N11G 00	PFU Relay harness		D	1	
17	A108 R900 00	PHOTO INTERRUPTER		I	1	
18	A00J 6090 00	Mounting Plate		D	1	
19	A00J 6093 00	Mounting Plate		D	1	
20	A00V 2406 00	BALL BEARING		C	1	
21	A00J 6098 00	Clutch Assy		C	1	
22	A00J N11C 01	PFU Relay harness /3		D	1	
23	A00J 6092 01	Mounting Plate		D	1	
24	A00J 6170 00	Protection Cover /S		D	1	
25	A00J 6607 00	Washer		D	2	

1000-SHEET TRAY

P 51

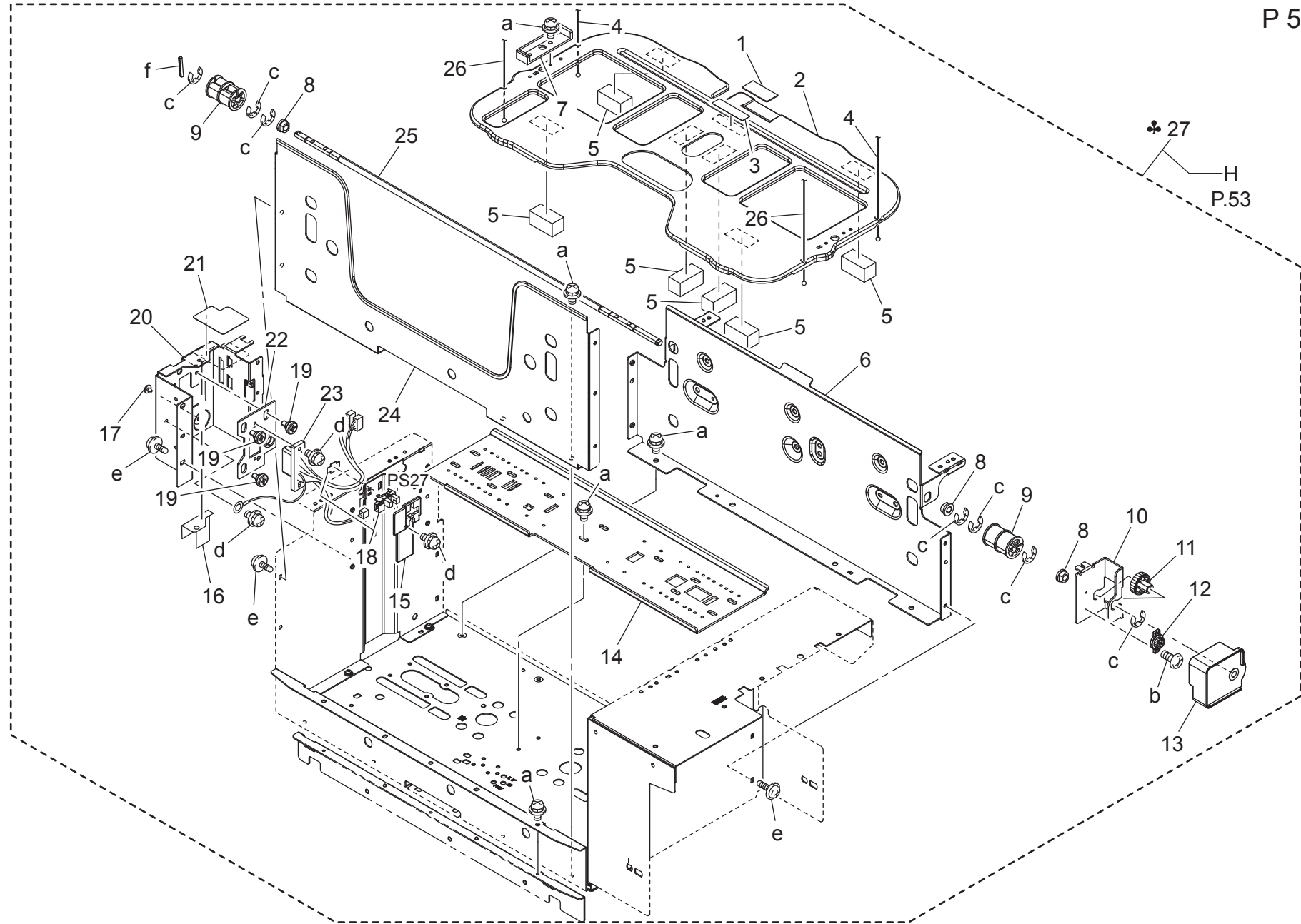


bizhub 502/bizhub 552/bizhub 602/bizhub 652

Key	Part No.	Description	Destinations	Class	QTY	Standard parts
1	A00J 6135 00	Up/down Plate		C	1	a-V116 0306 03 b-V118 0206 03 c-V217 0400 01 d-V116 0308 03 e-V127 0306 03 f-V232 3025 09
2	55VA 4093 0	DOUBLE FEED PREVENTIVE PLATE		C	1	
3	A00J 6234 00	FRICITION PLATE		C	1	
4	56QA 5811 0	LCT UP DOWN WIRE RIGHT FRONT		C	2	
5	A0P0 6639 00	Pad		C	6	
6	A00J 6151 01	Stopper Plate /1		D	1	
7	A00J 6603 00	LIGHT BLOCKING PART		C	1	
8	A00J 6632 00	Bushing		C	3	
9	A00J 6137 00	Up/down Pulley		C	2	
10	A0P0 6189 00	Regulating Plate /1		D	1	
11	A0P0 6638 00	Gear /1		C	1	
12	A0P0 6627 00	Dumper		C	1	
13	A00J 6190 11	Protection Cover		D	1	
14	56QA 5804 1D	LCT SLIDE BOARD		D	1	
15	56QA 5847 0D	EXTERNAL PROTECTION PLATE		D	1	
16	A00J 6133 00	Sensor Cover		C	1	
17	A108 R900 00	PHOTO INTERRUPTER		I	1	
18	A00J 6606 00	Protection Sheet		D	1	
19	A00J 6631 00	Stopper Rubber		C	1	
20	26NA 4544 0	REGISTRATION UNIT FIXED SCREW		C	3	
21	A00J 6150 00	Connecting Plate		D	1	
22	A00J 6132 00	Guide Plate		D	1	
23	A00J N11B 01	PFU Relay harness /2		D	1	
24	A00J 6193 00	Receiving Block		C	1	
25	A0P0 6156 00	Regulating Plate		D	1	
26	A00J 6155 00	Up/down Shaft		D	1	
27	56QA 5812 0	LCT UP DOWN WIRE RIGHT REAR		C	2	
28	A0P0 R725 00	1000-sheet tray M	A,A1,C,D1,D3,F1,F2,G1,I,K	D	1	
28	A0P0 R726 00	1000-sheet tray I	B,G2	D	1	

1500-SHEET TRAY

P 52

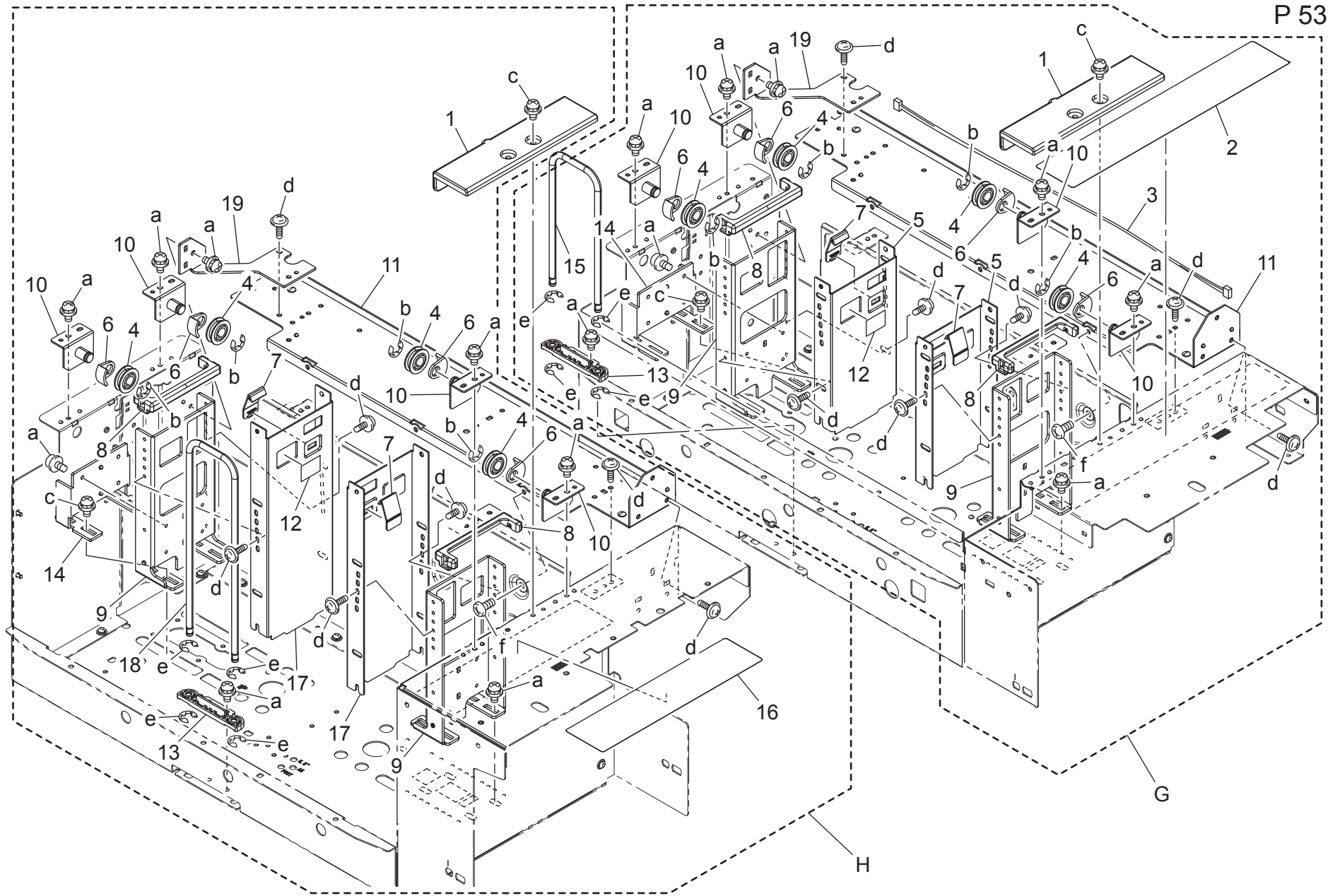


bizhub 502/bizhub 552/bizhub 602/bizhub 652

Key	Part No.	Description	Destinations	Class	QTY	Standard parts
1	55VA 4093 0	DOUBLE FEED PREVENTIVE PLATE		C	1	a-V116 0306 03 b-V118 0206 03 c-V217 0400 01 d-V116 0308 03 e-V127 0306 03 f-V232 3025 09
2	A00J 6135 00	Up/down Plate		C	1	
3	A00J 6234 00	FRICITION PLATE		C	1	
4	56QA 5911 0	LCT UP DOWN WIRE LEFT FRONT		C	2	
5	A0P0 6639 00	Pad		C	6	
6	A0P0 6152 00	Stopper Plate /2		C	1	
7	A00J 6603 00	LIGHT BLOCKING PART		C	1	
8	A00J 6632 00	Bushing		C	3	
9	A00J 6137 00	Up/down Pulley		C	2	
10	A0P0 6189 00	Regulating Plate /1		D	1	
11	A0P0 6638 00	Gear /1		C	1	
12	A0P0 6627 00	Dumper		C	1	
13	A00J 6190 11	Protection Cover		D	1	
14	56QA 5804 1D	LCT SLIDE BOARD		D	1	
15	A00J 6133 00	Sensor Cover		C	1	
16	A00J 6606 00	Protection Sheet		D	1	
17	A00J 6631 00	Stopper Rubber		C	1	
18	A108 R900 00	PHOTO INTERRUPTER		I	1	
19	26NA 4544 0	REGISTRATION UNIT FIXED SCREW		C	3	
20	A00J 6150 00	Connecting Plate		D	1	
21	A00J 6605 00	Protection Sheet		C	1	
22	A00J 6132 00	Guide Plate		D	1	
23	A00J N11A 00	PFU RELAY HARNESS/1		D	1	
24	A0P0 6157 00	Regulating Plate		D	1	
25	A00J 6155 00	Up/down Shaft		D	1	
26	56QA 5912 0	LCT UP DOWN WIRE LEFT REAR		C	2	
27	A0P0 R727 11	1500-sheet tray M	A,A1,C,D1,D3,F1,F2,G1,I,K	D	1	
27	A0P0 R728 11	1500-sheet tray I	B,G2	D	1	

CASSETTE TRAY

P 53



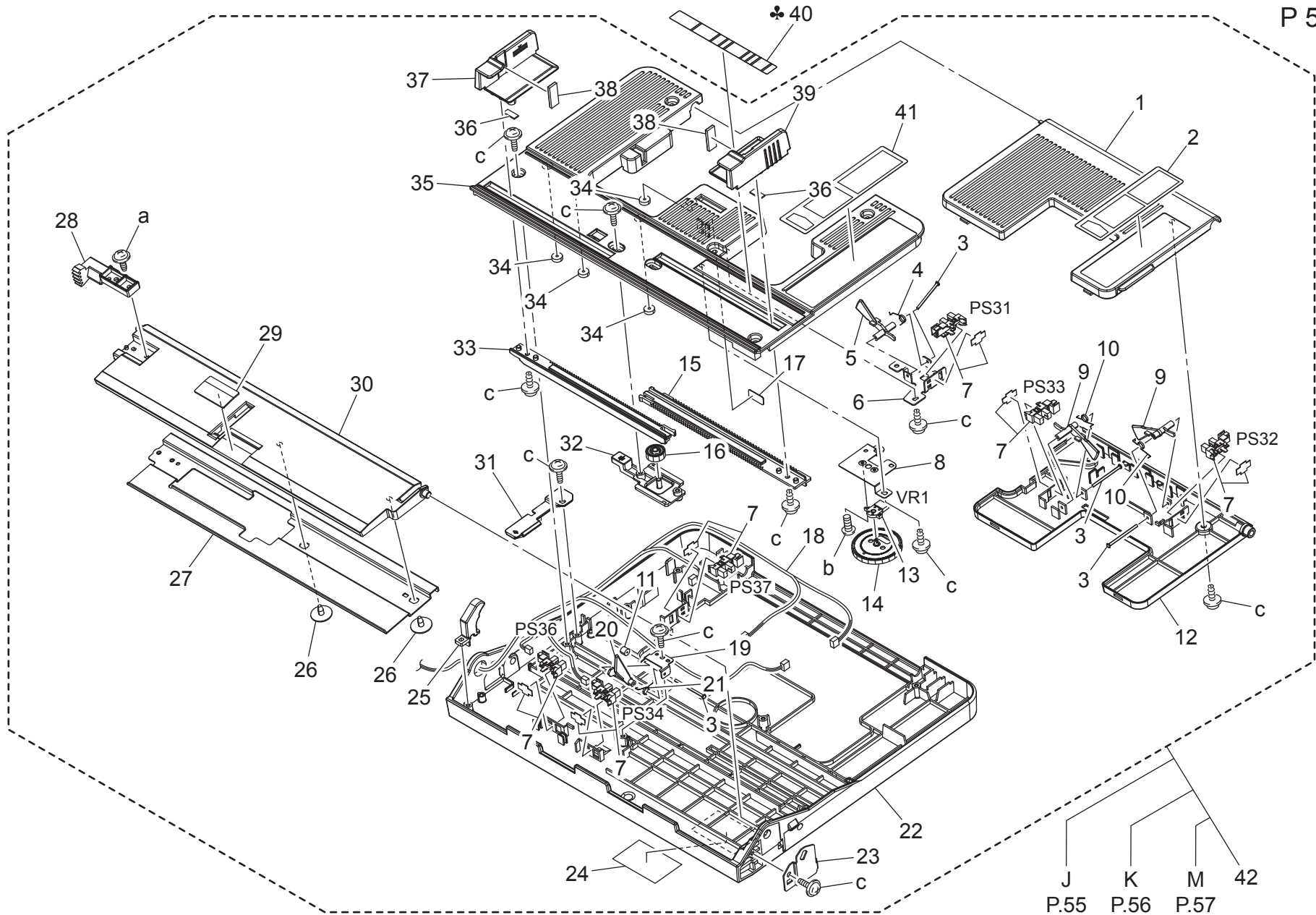
bizhub 502/bizhub 552/bizhub 602/bizhub 652

CASSETTE TRAY

Key	Part No.	Description	Destinations	Class	QTY	Standard parts
1	56QA 5842 0	PULLEY GUIDE PART		D	2	a-V116 0306 03 b-V217 0600 01 c-V116 0308 03 d-V127 0306 03 e-V217 0400 01 f-V118 0306 03
2	A00J 9417 00	Label		C	1	
3	A00J N11N 01	PFU Relay harness /8		D	1	
4	57AA 1701 0	WIRE PULLEY		C	8	
5	56QA 5806 0D	LCT GUIDE PLATE RIGHT		D	2	
6	55VA 4061 0	WIRE HOLDER A		C	8	
7	5400 4720 0	PAPER REGULATING CLAW		C	4	
8	56QA 5845 0	PROTECTION COVER		D	4	
9	56QA 5805 0D	LCT ADJUSTMENT SIDE PLATE		D	4	
10	A00J R7AN 00	SUPPORT BOARD / WIRE PULLEY		D	8	
11	A00J 6131 01	Mounting Plate		D	2	
12	57AA 9787 0	PAPER GUIDE LABEL		C	2	
13	56QA 5807 0D	SHAFT HOLDING PART		D	2	
14	56QA 5849 0D	REAR REINFORCE PLATE		D	2	
15	56QA 5815 0	PAPER GUIDE SHAFT RIGHT		D	1	
16	A00J 9416 00	Label		C	1	
17	56QA 5906 0D	LCT GUIDE PLATE LEFT		D	2	
18	56QA 5915 0D	PAPER GUIDE SHAFT LEFT		C	1	
19	A00J 6139 00	Reinforce Plate /Rear		D	2	

bizhub 502/bizhub 552/bizhub 602/bizhub 652

MANUAL FEED TRAY UNIT



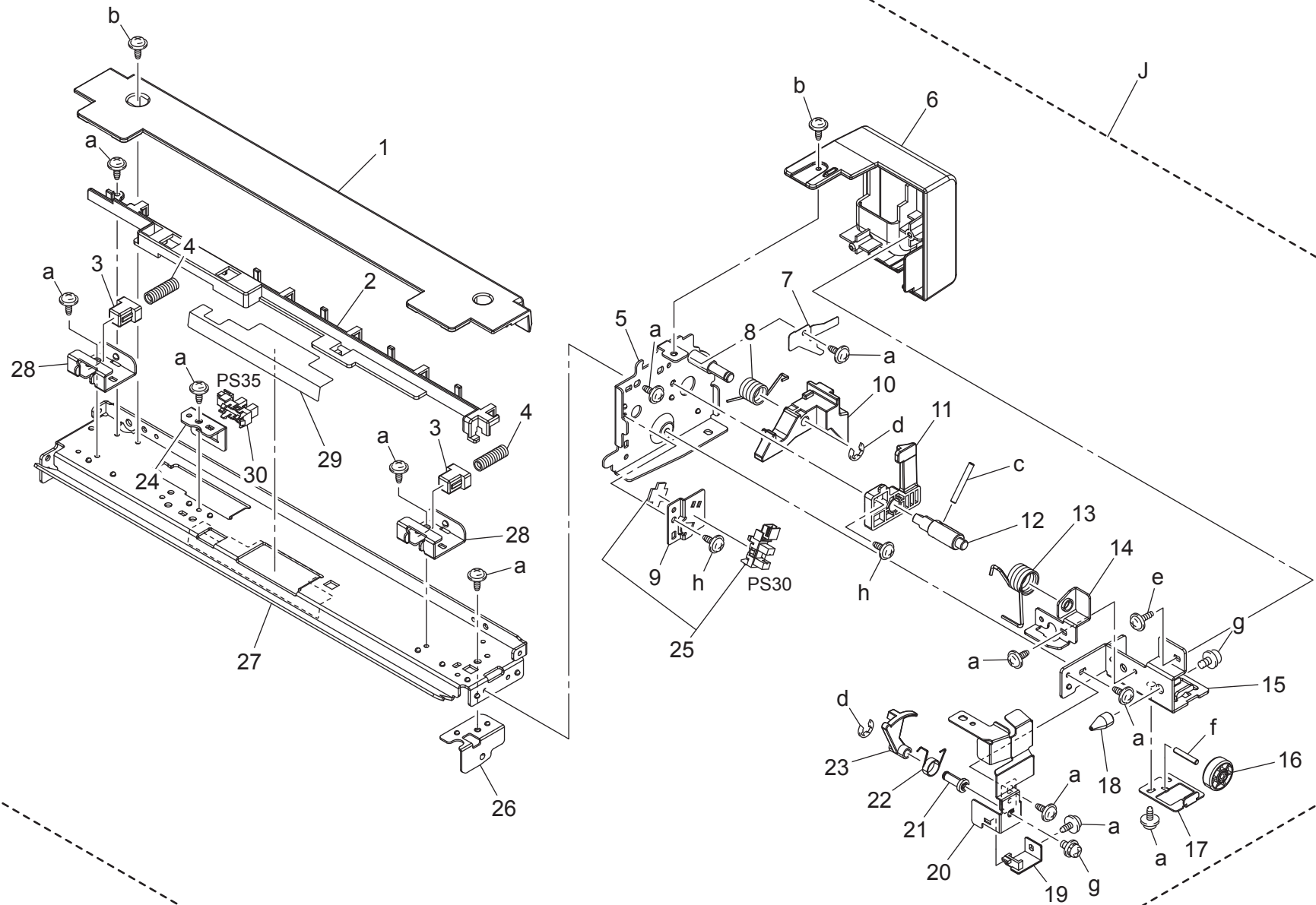
bizhub 502/bizhub 552/bizhub 602/bizhub 652

MANUAL FEED TRAY UNIT

Key	Part No.	Description	Destinations	Class	QTY	Standard parts
1	A0P0 5942 00	Bypass Tray /3		C	1	a-V137 0308 03 b-V111 1704 03 c-V153 0308 03
2	A00J 9425 00	Label		C	1	
3	1134 3042 02	SHAFT		D	4	
4	A00J 5991 00	Torsion Spring		C	1	
5	A00J 5853 00	Actuator		C	1	
6	A00J 5979 00	Mounting Plate		D	1	
7	A108 R900 00	PHOTO INTERRUPTER		I	6	
8	A00J 5977 00	Mounting Plate		D	1	
9	A00J 5978 00	Actuator		C	2	
10	A00J 5990 00	Torsion Spring		C	2	
11	1134 3041 01	COLLAR		D	1	
12	A0P0 5943 00	Bypass Tray /4		C	1	
13	V801 3000 06	RESISTOR		D	1	
14	A00J 5972 01	Gear 40T		C	1	
15	A00J 5971 00	Rack /L		C	1	
16	A00J 5969 00	Gear 18T		C	1	
17	A00J 5898 00	Seal		C	1	
18	A00J N115 01	Paperfeed Relay Harness /6		D	1	
19	A00J 5936 00	Sensor Plate		D	1	
20	A00J 5937 00	Actuator /E		C	1	
21	A00J 5938 00	Torsion Spring /E		C	1	
22	A00J 5940 02	Bypass Tray /1		C	1	
23	A00J 5869 00	Mounting Plate		D	1	
24	A00J 9426 01	Label		C	1	
25	A00J 5976 00	Holder		D	1	
26	4036 5785 01	SCREW		D	2	
27	A00J 5973 00	Mounting Plate		D	1	
28	A00J 5925 00	Lifting Lever		C	1	
29	A0P0 5996 00	Friction Plate		C	1	
30	A00J 5946 02	Lifting Plate		C	1	
31	A00J 5993 00	Holding Plate		D	1	
32	A00J 5951 00	Holder		C	1	
33	A00J 5970 00	Rack /R		C	1	
34	4036 3659 01	COLLAR		D	4	
35	A00J 5941 01	Bypass Tray /2		C	1	
36	4131 4623 04	CLEANING PAD		C	2	
37	A00J 5945 01	Regulating Plate /R		C	1	
38	A00J 5872 00	Brake Part		C	2	
39	A00J 5944 01	Regulating Plate /L		C	1	
40	A00J 9428 01	Scale Metric	A,A1,C,D1,D3,F1,F2,G1,I,K	C	1	
40	A00J 9429 01	Scale Inch	B,G2	C	1	
41	A00J 9427 00	Label		C	1	
42	A0P0 R724 11	Manual feed tray unit		C	1	

MANUAL FEED TRAY UNIT

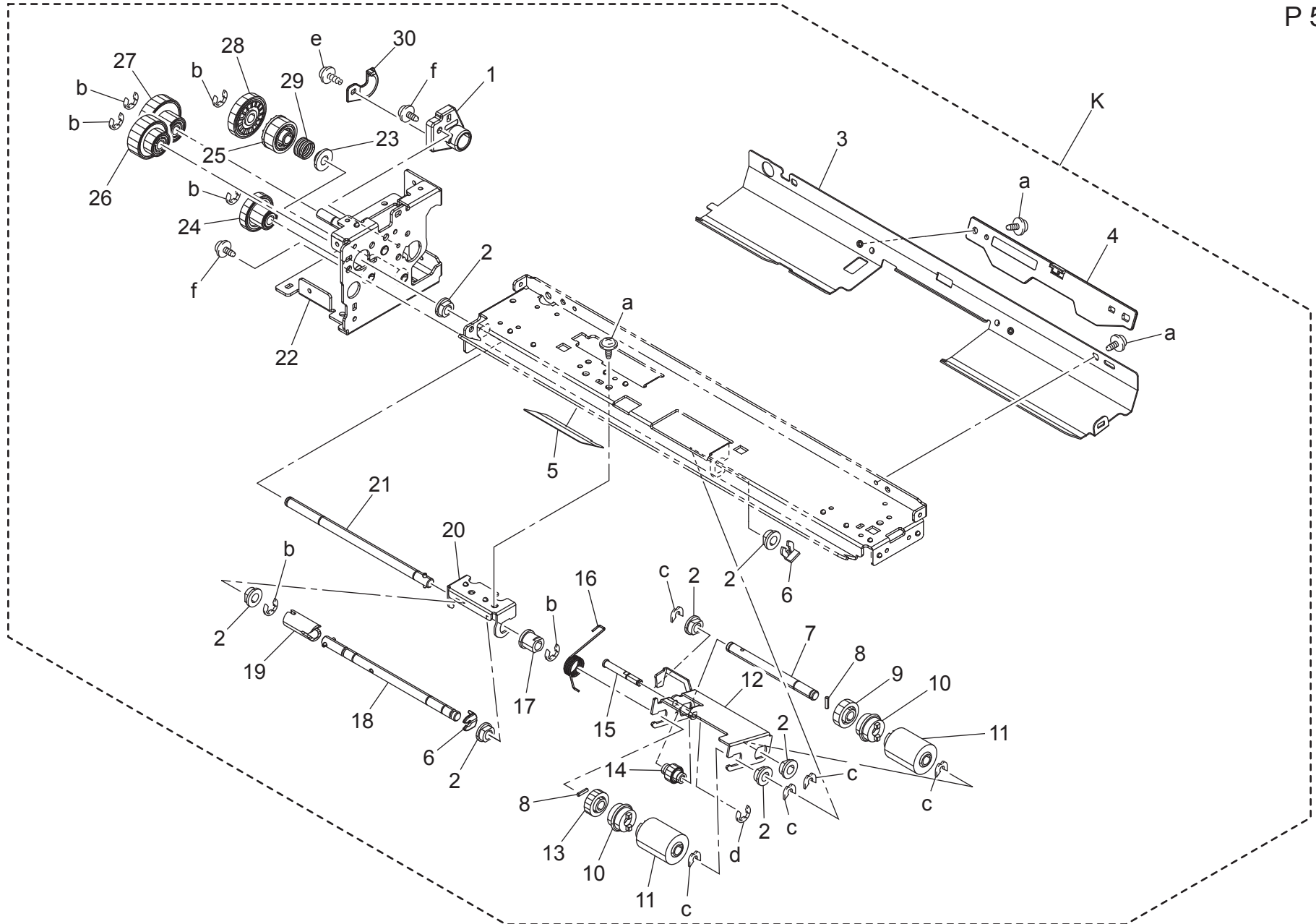
P 55



bizhub 502/bizhub 552/bizhub 602/bizhub 652

Key	Part No.	Description	Destinations	Class	QTY	Standard parts
1	A00J 5981 01	Cover /Middle		C	1	a-V137 0306 03 b-V121 0308 03 c-V232 3025 09 d-V217 0400 01 e-V153 0308 03 f-V231 3018 50 g-V116 0306 03 h-V144 0308 03
2	A00J 5864 00	Holder		D	1	
3	A00J 5935 00	Pressure Holder		C	2	
4	A00J 5939 00	Compressing Spring		C	2	
5	A00J R7AP 00	FRAME / BYPASS (FRONT)		D	1	
6	A00J 5982 00	Bypass Cover /Front		C	1	
7	A00J 5888 00	PLATE SPRING		C	1	
8	A00J 5948 00	Torsion Spring		C	1	
9	A00J 5992 00	Mounting Plate /F		D	1	
10	A00J 5984 01	Lock Lever		C	1	
11	A00J 5949 00	Holder		C	1	
12	A00J 5855 00	Shaft		D	1	
13	A00J 5854 01	Torsion Spring		C	1	
14	A00J 5856 01	Mounting Plate		D	1	
15	A00J 5966 02	Mounting Plate		D	1	
16	A00J 5883 00	Roll		C	1	
17	A00J 5882 00	Fixing Plate		D	1	
18	A00J 5947 01	Positioning Shaft		D	1	
19	A00J 5867 00	Hold Holder		C	1	
20	A00J 5998 00	Mounting Plate		D	1	
21	A00J 5857 00	Detecting Shaft		D	1	
22	A00J 5995 00	Torsion Spring		C	1	
23	A00J 5988 00	Set Actuator		C	1	
24	A00J 5851 00	Mounting Plate		D	1	
25	A108 R900 00	PHOTO INTERRUPTER		I	1	
26	A00J 5866 00	Mounting Plate		D	1	
27	A00J 5902 01	Frame		D	1	
28	A00J 5997 00	Mounting Plate		D	2	
29	A00J 5886 01	Seal		C	1	
30	A108 M501 00	Photointerrupter		B	1	

MANUAL FEED TRAY UNIT



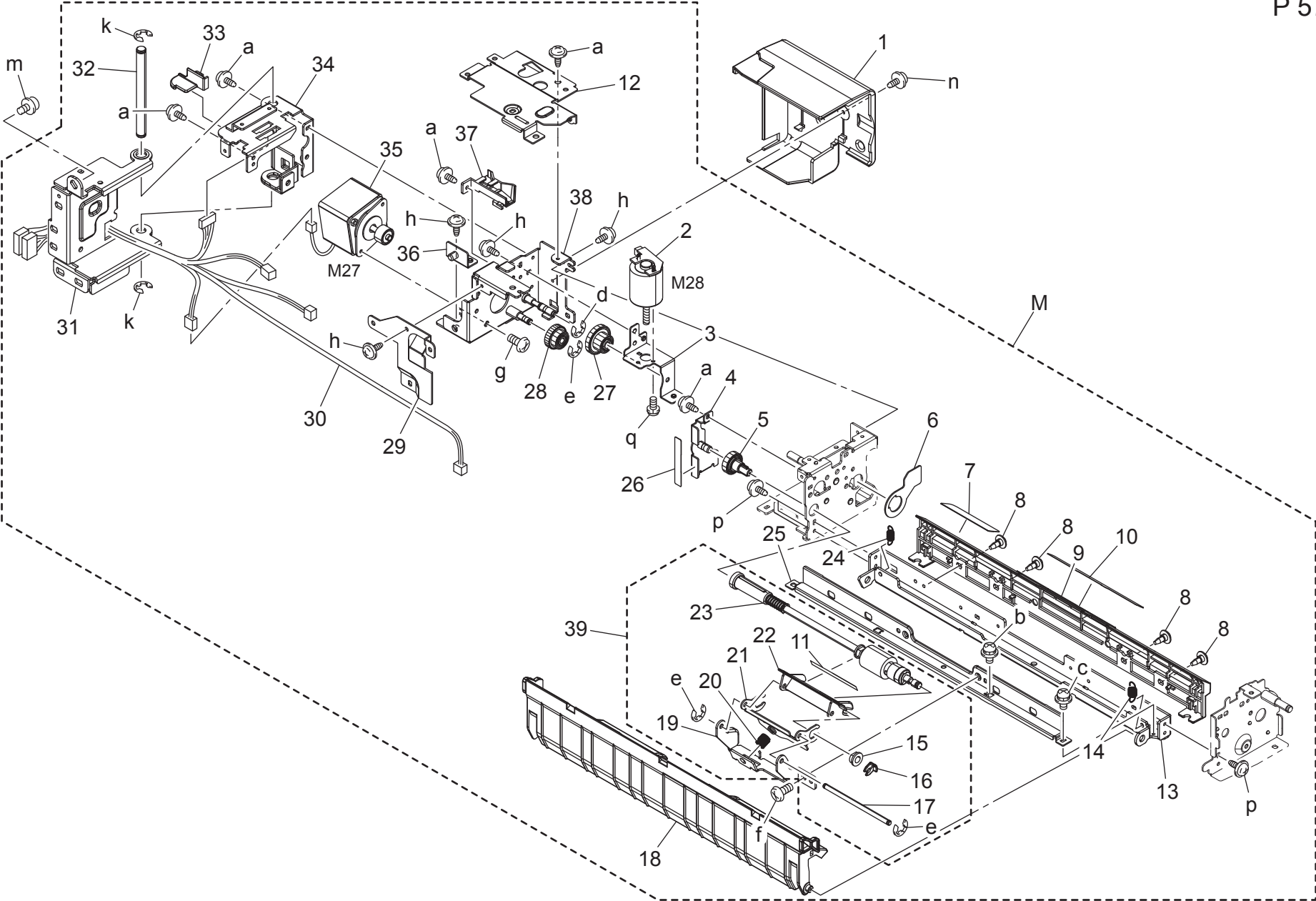
bizhub 502/bizhub 552/bizhub 602/bizhub 652

MANUAL FEED TRAY UNIT

Key	Part No.	Description	Destinations	Class	QTY	Standard parts
1	A00J 5950 00	Support Holder		C	1	a-V137 0306 03 b-V217 0400 01 c-V218 0400 86 d-V217 0300 01 e-V153 0306 03 f-V144 0308 03
2	4131 3003 01	BUSHING		C	7	
3	A00J 5905 00	Guide Plate		D	1	
4	A0P0 5875 00	Guide Plate /Front		D	1	
5	A00J 5862 01	Guide Sheet		C	1	
6	56AA 4049 0	SHAFT STOPPER 4		C	2	
7	4030 3003 01	SHAFT		D	1	
8	1067 2501 01	PIN		C	2	
9	4425 3016 01	GEAR 32T		C	1	
10	A00J 5956 00	Clutch		C	2	
11	A00J 5636 00	Roller		A	2	
12	A0P0 5901 00	Paper feed Holder		D	1	
13	4425 3013 01	GEAR 30T		C	1	
14	A00J 5903 00	Gear 20T		C	1	
15	4040 3097 01	SHAFT		D	1	
16	A00J 5904 00	Torsion Spring		C	1	
17	1065 3086 01	BUSHING		C	1	
18	A00J 5907 00	Paper feed Shaft		D	1	
19	A00J 5870 00	Paper feed Coupling		C	1	
20	A00J 5861 00	Mounting Plate		D	1	
21	A00J 5860 00	Paper feed Shaft		D	1	
22	A00J R7AQ 00	FRAME /BYPASS (REAR)		D	1	
23	A00J 5967 00	Pressing Collar		C	1	
24	A00J 5958 00	Gear 15/28T		C	1	
25	A00J 5926 00	Gear 14T		C	1	
26	A00J 5922 01	Gear 18/29T		C	1	
27	A00J 5917 00	Gear 18/35T		C	1	
28	A00J 5928 00	Gear 26T		C	1	
29	A00J 5930 00	Compressing Coil		C	1	
30	A00J 5960 00	Wiring Cover		D	1	

bizhub 502/bizhub 552/bizhub 602/bizhub 652

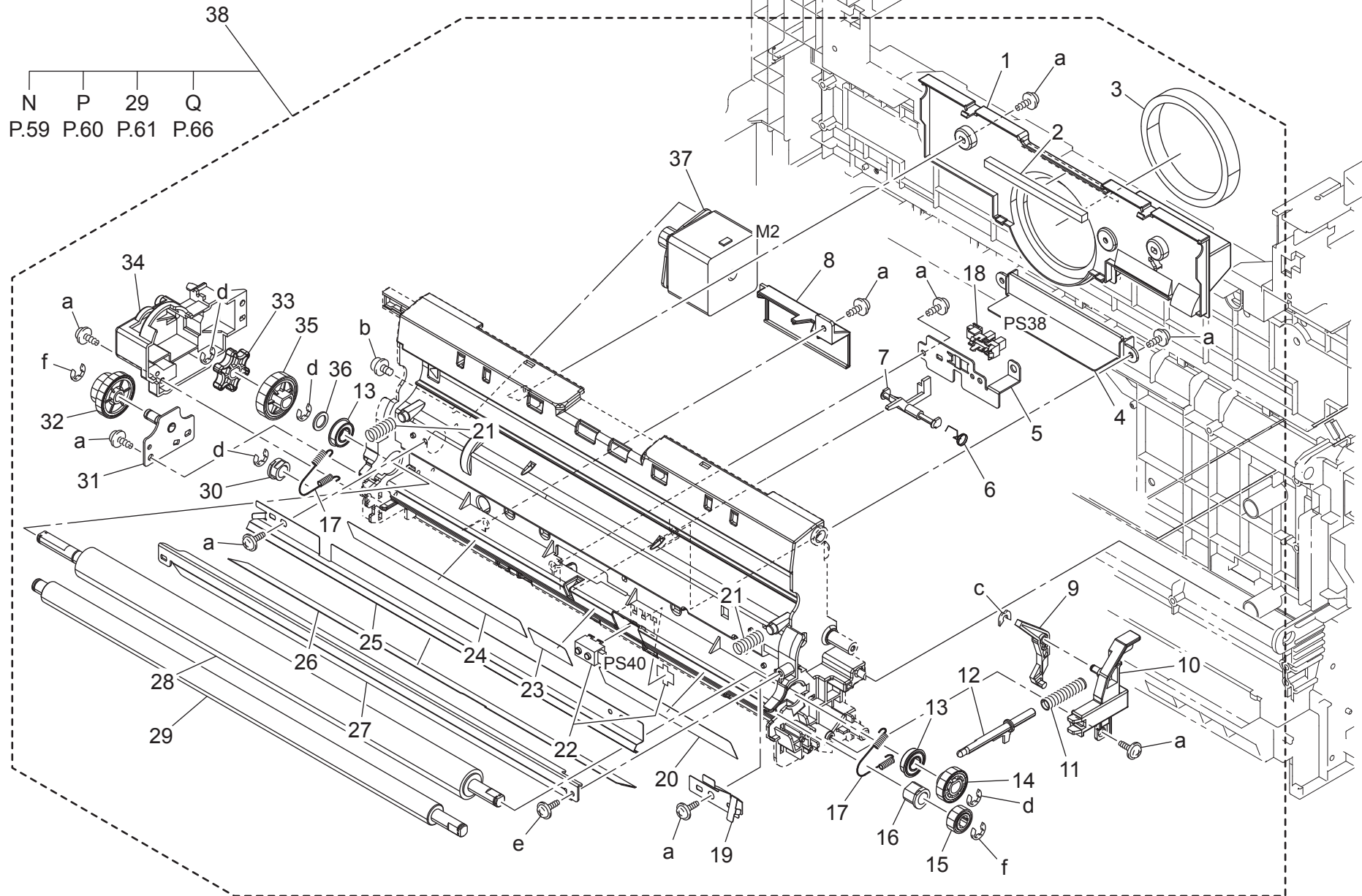
MANUAL FEED TRAY UNIT



bizhub 502/bizhub 552/bizhub 602/bizhub 652

Key	Part No.	Description	Destinations	Class	QTY	Standard parts
1	A00J 5980 01	Bypass Cover /Rear		C	1	a-V137 0308 03
2	A0P0 R752 00	MOTOR ASSY		B	1	b-V116 0308 03
3	A00J 5934 00	Mounting Plate		D	1	c-V116 0306 03
4	A00J R7AR 00	MOUNTING PLATE / BYPASS 1		D	1	d-V217 0400 01
5	A00J 5918 00	Gear 22T		C	1	e-V217 0300 01
6	A0P0 5983 00	Shutter		D	1	f-V118 0308 03
7	A00J 5876 00	Guide Sheet		C	1	g-V118 0306 03
8	4036 1410 01	SHOULDER SCREW		C	4	h-V137 0306 03
9	A0P0 5965 00	Bypass Holder /Front		D	1	k-V217 0600 01
10	A0P0 5974 00	Guide Sheet		D	1	m-V116 0412 03
11	A00J 5891 00	Guide Sheet		C	1	n-V121 0308 04
12	A00J 5877 01	Reinforce Plate		D	1	p-V144 0308 03
13	A00J 5912 01	Mounting Plate		D	1	q-V115 2605 03
14	A00J 5873 00	Pulling Spring		C	1	
15	4131 3003 01	BUSHING		C	1	
16	56AA 4049 0	SHAFT STOPPER 4		C	1	
17	4030 3039 01	SHAFT		D	1	
18	A00J 5920 01	Guide Plate		C	1	
19	A00J 5910 02	Mounting Plate /S		D	1	
20	A00J 5911 00	Compressing Spring		C	1	
21	A00J 5909 01	Holder /S		C	1	
22	A00J 5975 11	Guide Part		C	1	
23	A0P0 R741 00	Fieldroller/1 assy		B	1	
24	4030 3125 01	TENSION SPRING		C	1	
25	A00J 5913 00	Reinforce Plate		D	1	
26	A00J 5858 00	Seal		C	1	
27	A00J 5931 01	Gear 14/24T		C	1	
28	A00J 5933 00	Gear 14/50T		C	1	
29	A00J 5879 01	Mounting Plate /Rear		D	1	
30	A00J N114 02	Paperfeed Relay harness /5		D	1	
31	A0P0 5881 00	Mounting Plate /ASSY		D	1	
32	A00J 5986 00	Support Shaft		D	1	
33	A0P0 5887 00	Cover		D	1	
34	A00J 5957 02	Mounting Plate /ASSY		D	1	
35	A0P0 M122 00	Stepping motor		C	1	
36	A00J 5963 00	Mounting Plate /ASSY		D	1	
37	A00J 5863 00	Wiring Holder		D	1	
38	A00J R7AS 00	MUUNTINGPLATE/BYPASS2		D	1	
39	A0P0 R729 00	Bypass field roller assy		C	1	

PAPER EXIT CONVEYANCE SECTION



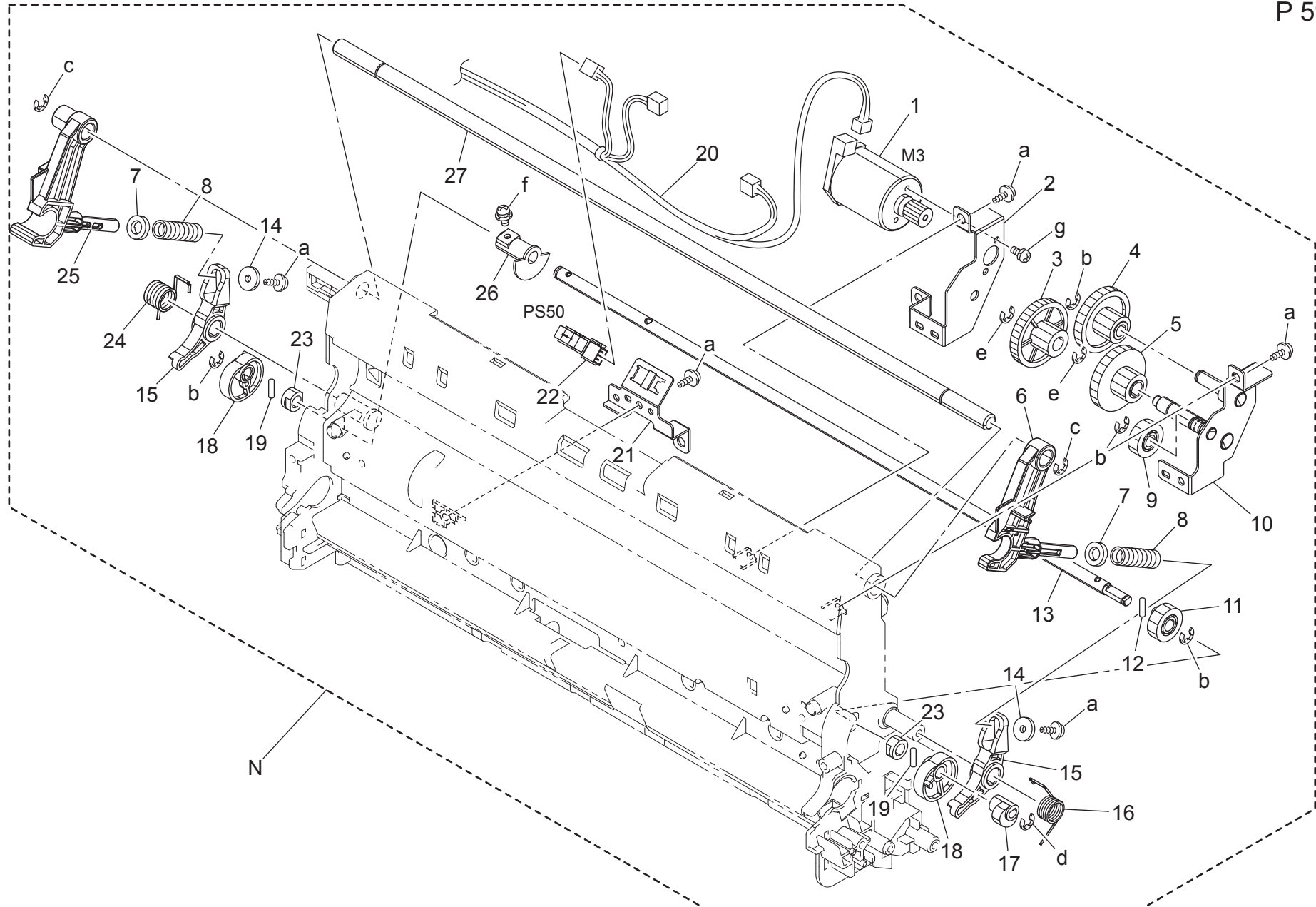
bizhub 502/bizhub 552/bizhub 602/bizhub 652

PAPER EXIT CONVEYANCE SECTION

Key	Part No.	Description	Destinations	Class	QTY	Standard parts
1	A00J 7015 00	Conveyance Duct		D	1	a-V153 0308 03 b-V116 0306 03 c-V218 0300 86 d-V217 0600 01 e-V149 0308 03 f-V217 0400 01
2	A00J 7091 00	Seal		C	1	
3	A00J 7018 00	Suction Seal		C	1	
4	A00J 7017 01	Cover		D	1	
5	A00J 7024 00	Mounting Plate		D	1	
6	1164 3527 02	TORSION SPRING		C	1	
7	1164 3504 03	ACTUATOR		C	1	
8	A00J 7020 00	Wiring Cover		D	1	
9	A00J 7113 01	Lever /1		C	1	
10	A00J 7115 00	Hold Plate		D	1	
11	A00J 7117 00	Compressing Spring		C	1	
12	4036 3675 02	LEVER		C	1	
13	A00V 2406 00	BALL BEARING		C	2	
14	A00J 7006 00	Gear 20T		C	1	
15	A00J 7027 00	Gear 14T		C	1	
16	4025 3572 01	BUSHING		C	1	
17	A00J 7010 00	Pulling Spring		C	2	
18	A108 M501 00	Photointerrupter		B	1	
19	A00J 7019 00	Ground Contact		C	1	
20	A00J 7047 00	Guide Film		C	1	
21	A00J 7078 01	Compressing Spring		C	2	
22	A00J R901 00	PHOTO INTERRUPTER		C	1	
23	A00J 7046 00	Guide Film		C	1	
24	A00J 7042 00	Guide Film		C	1	
25	A00J 7016 00	Neutralizing Holder		D	1	
26	4025 3568 01	NETURALIZING MEMBER		C	1	
27	A00J 7012 00	Guide Plate		D	1	
28	A00J 7001 00	Roller		C	1	
29	A00J 7002 01	Roller		C	1	
30	1164 3509 01	BUSHING		C	1	
31	A00J R7AT 00	MOUNTING PLATE / PAPER EXIT CONVEYANCE		D	1	
32	A00J 7005 01	Gear 34/17T		C	1	
33	A00J 7069 00	Rotation Knob		C	1	
34	A00J 7030 00	Positioning Holder		D	1	
35	A00J 7003 01	Gear 26T		C	1	
36	A00J 7009 00	Collar		C	1	
37	A0P0 M123 00	Stepping motor		C	1	
38	A0P0 R730 11	paper exit conveyance assy		C	1	

bizhub 502/bizhub 552/bizhub 602/bizhub 652

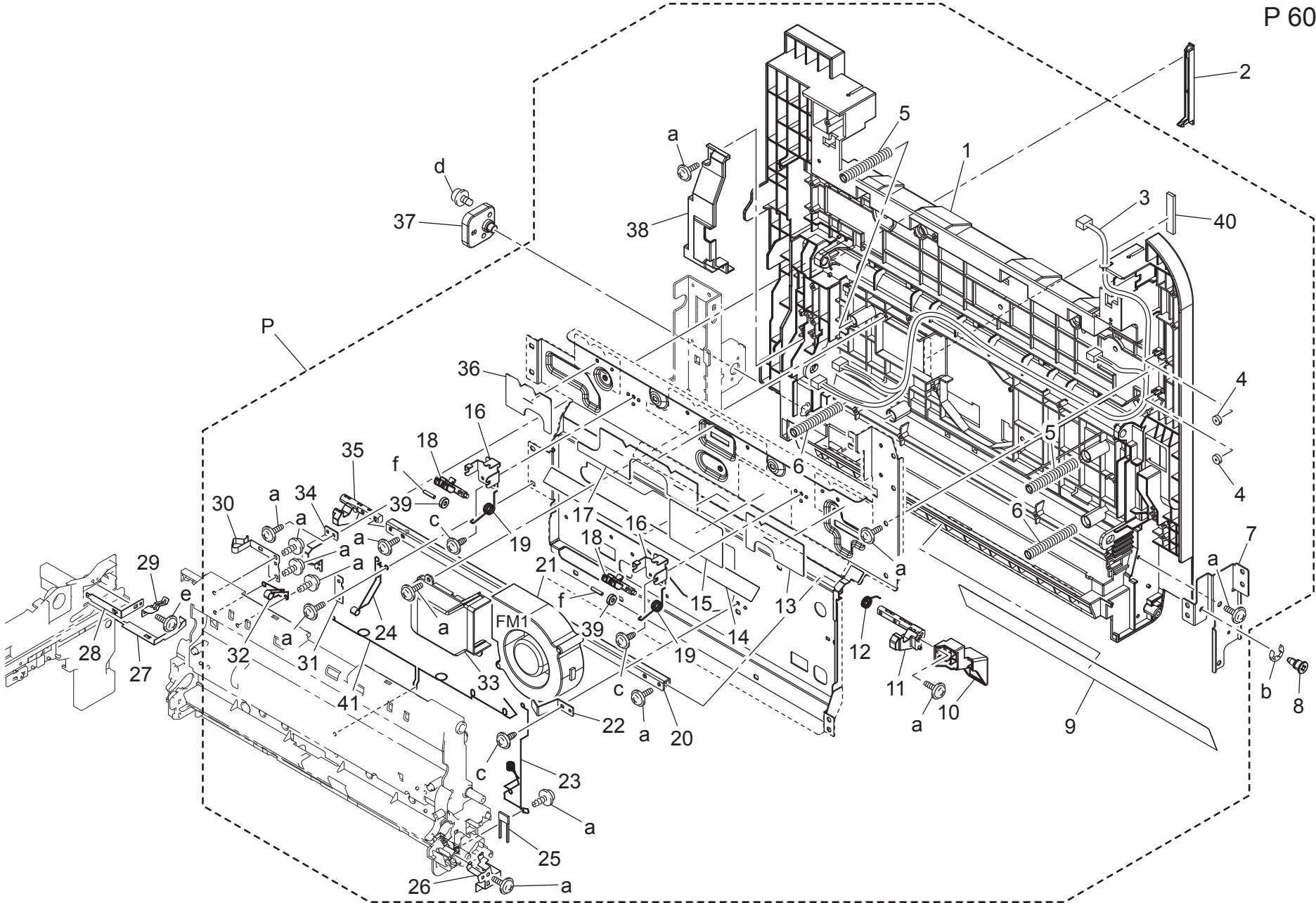
PAPER EXIT CONVEYANCE SECTION



bizhub 502/bizhub 552/bizhub 602/bizhub 652

Key	Part No.	Description	Destinations	Class	QTY	Standard parts
1	4037 R709 00	MOTOR ASSY		C	1	a-V153 0308 03 b-V217 0400 01 c-V217 0600 01 d-V217 0300 01 e-V217 0500 01 f-V116 0306 03 g-V115 2605 03
2	A00J 7102 00	Mounting Plate		D	1	
3	4025 4906 01	GEAR 16/64T		C	1	
4	4025 4907 01	GEAR 16/40T		C	1	
5	4025 4910 01	GEAR 12/40T		C	1	
6	A0P0 7106 00	Arm /Front		D	1	
7	4004 4722 02	WASHER		D	2	
8	A00J 7108 00	Compressing Spring		C	2	
9	4025 4908 01	GEAR 15T		C	1	
10	A00J R7AU 00	2ND TRANSFER RETRACTION DRIVE		D	1	
11	4025 4909 01	GEAR 15T		C	1	
12	4036 4911 01	PIN		D	1	
13	4025 4709 02	SHAFT		D	1	
14	4004 4723 01	WASHER		D	2	
15	4036 4712 01	ARM		C	2	
16	4025 4725 01	TORSION SPRING		D	1	
17	A00J 7114 00	Cam /1		C	1	
18	4004 4710 02	CAM		D	2	
19	1144 5200 01	PIN		D	2	
20	A00J N110 01	Conveyance Wiring		D	1	
21	A00J 7107 00	Mounting Plate		D	1	
22	A108 M501 00	Photointerrupter		B	1	
23	4036 4730 01	BUSHING		C	2	
24	4025 4719 02	TORSION SPRING		D	1	
25	A0P0 7105 01	Arm /Rear		C	1	
26	4025 4720 01	DETECTING PLATE		D	1	
27	A00J 7104 00	Support Shaft		D	1	

PAPER EXIT CONVEYANCE SECTION

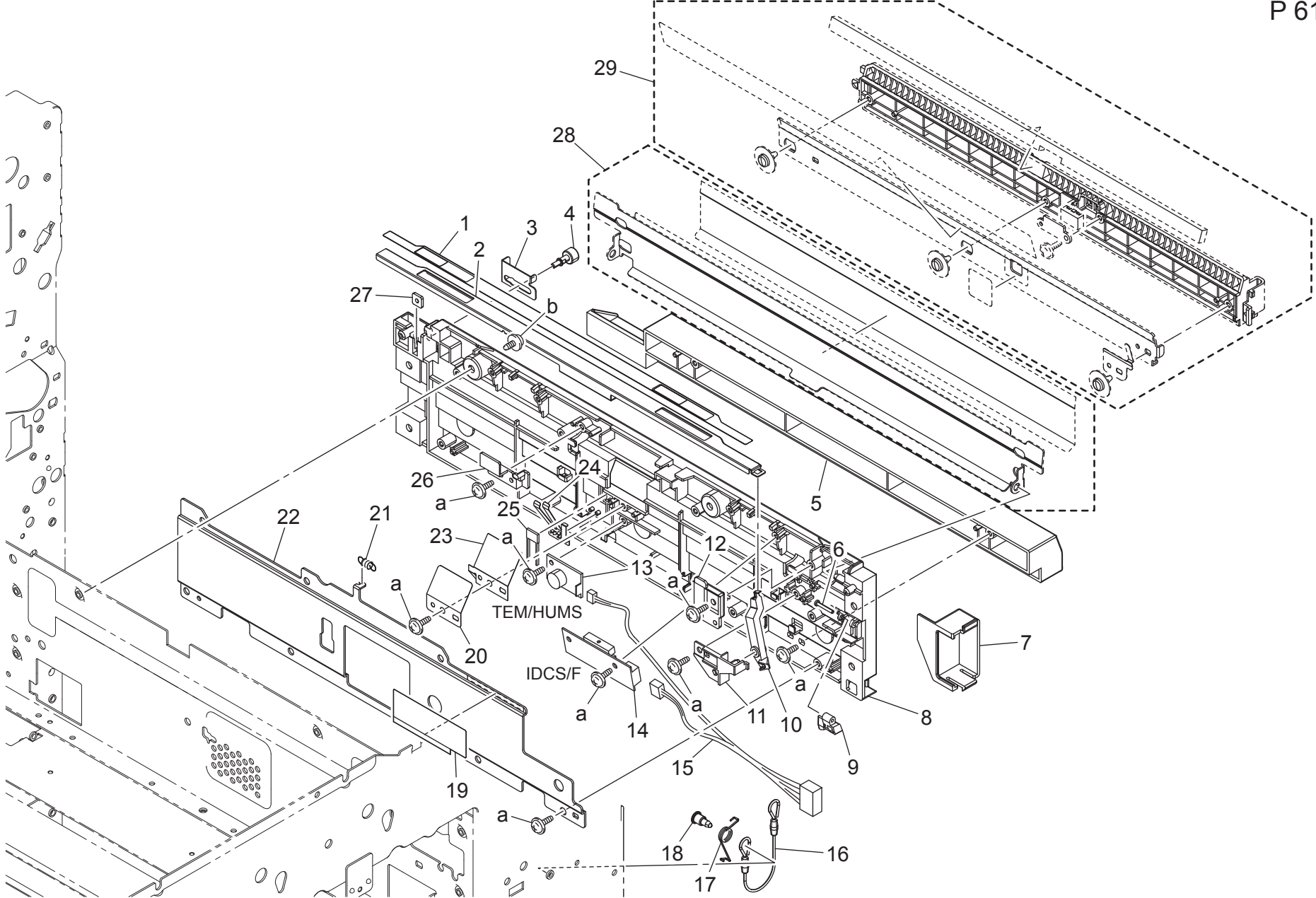


bizhub 502/bizhub 552/bizhub 602/bizhub 652

PAPER EXIT CONVEYANCE SECTION

Key	Part No.	Description	Destinations	Class	QTY	Standard parts
1	A00J 7051 14	Conveyance Cover /Right		C	1	a-V153 0308 03 b-V217 0400 01 c-V137 0306 03 d-V116 0308 03 e-V149 0308 03 f-V237 3014 50
2	4036 3597 02	Holder		D	1	
3	A00J N111 01	Conveyance Relay harness /1		D	1	
4	4036 3659 01	COLLAR		D	2	
5	A00J 7068 00	Compressing Spring		C	2	
6	4025 3534 01	PRESSURE SPRING		D	2	
7	A00J 7057 00	Reinforce Plate /Front		D	1	
8	A00J 7058 00	Shoulder screw		C	1	
9	A00J 7052 00	Guide Film		C	1	
10	A00J 7062 00	Open/close Lever /Right		C	1	
11	A00J 7065 00	Lock Lever /F		C	1	
12	4036 3590 02	TORSION SPRING		D	1	
13	A00J 7094 00	Protection Part		C	1	
14	4138 5866 01	LABEL HI-TEMP CAUTION		D	1	
15	A00J 9414 00	Label		C	1	
16	A00J 7063 00	Mounting Plate		D	2	
17	A00J 7095 00	Protection Part		C	1	
18	A0P0 7053 00	Holding Lever		D	2	
19	A00J 7060 00	Torsion Spring		C	2	
20	A00J 7067 00	Support Plate		D	1	
21	9313 1000 72	FAN MOTOR		C	1	
22	A00J 7064 00	Mounting Plate		D	1	
23	A0P0 7088 00	Contact		C	1	
24	A0P0 7122 00	Contact		C	1	
25	9454 4076 02	RESISTOR		D	1	
26	A00J 7081 00	Ground Plate		C	1	
27	A00J 7084 00	Contact		C	1	
28	A00J 7083 00	Contact		C	1	
29	A00J 7089 00	Contact		C	1	
30	A00J 7087 00	Contact		C	1	
31	A0P0 7090 00	Mounting Plate		D	1	
32	A0P0 7091 00	Contact		C	1	
33	A00J 7056 00	Conveyance Duct		D	1	
34	A00J 7080 00	Reinforce Plate		D	1	
35	A00J 7066 00	Lock Lever /R		C	1	
36	A00J 7093 00	Protection Part		C	1	
37	A00J 7073 00	Support Shaft		C	1	
38	A00J 7059 00	Wiring Cover		D	1	
39	A0P0 7096 00	Roll		D	2	
40	A00J 8157 11	Cushion		C	1	
41	A0P0 7082 00	Contact		C	1	

REGISTRATION SENSOR

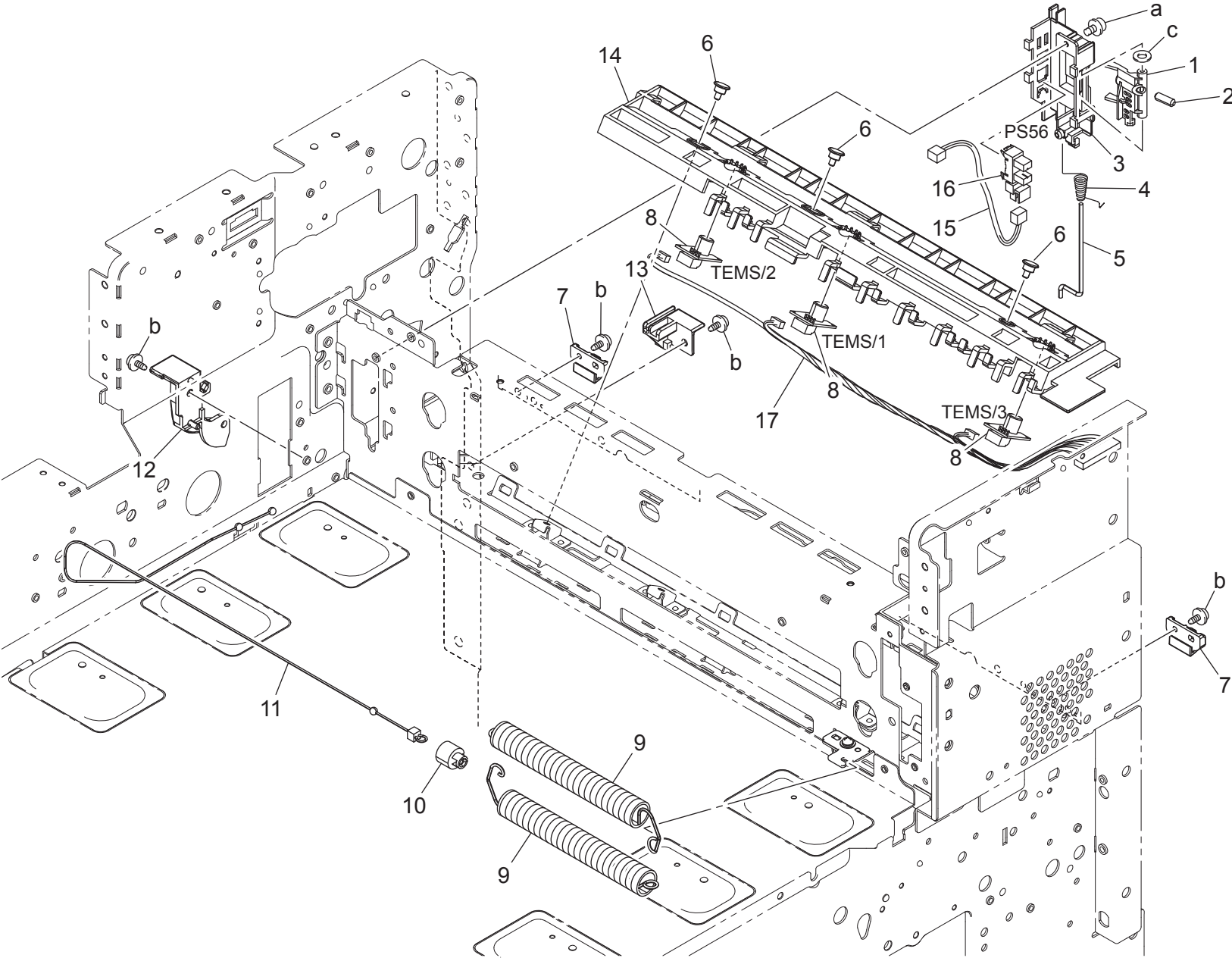


bizhub 502/bizhub 552/bizhub 602/bizhub 652

REGISTRATION SENSOR

Key	Part No.	Description	Destinations	Class	QTY	Standard parts
1	A00J 7041 00	Sensor Cover		C	1	a-V153 0308 03 b-V137 0306 03
2	A00J 7111 01	Sensor Shutter		C	1	
3	A00J 7029 01	Guide Stopper		D	1	
4	A00J 7036 00	Shoulder screw		C	1	
5	A0P0 7022 00	Guide Plate		D	1	
6	4025 3676 01	PIN		D	1	
7	A00J 7045 00	Wiring Cover		D	1	
8	A00J 7021 01	Guide Holder /Left		D	1	
9	4036 3673 01	LEVER		C	1	
10	A00J 7116 01	Lever		C	1	
11	4025 3674 02	HOLD PLATE		D	1	
12	A00J 7026 00	Guide Shutter		C	1	
13	A0P0 M504 00	Humidity sensor		C	1	
14	V869 9000 45	PHOTO SENSING ELEMENT		C	1	
15	A2WU N122 00	Sensor Relay harness /4		D	1	
16	A00J 7072 00	Hold Wire /Front		C	1	
17	A00J 7061 00	Torsion Spring		C	1	
18	4643 4605 01	SHOULDER SCREW		C	1	
19	A00J 7044 00	Sensor Cover /2		C	1	
20	A00J 7037 00	Plate spring /2		C	1	
21	4025 3556 01	TENSION SPRING		C	1	
22	A00J 7028 00	Reinforce Plate		D	1	
23	A00J 7025 00	Plate spring /1		C	1	
24	A00J 7038 00	Plate spring /3		C	1	
25	9454 4076 02	RESISTOR		D	1	
26	4036 3557 01	STOPPER		D	1	
27	4002 5042 02	PLATE NUT		D	1	
28	A0P0 R750 00	GUIDE ASSY		C	1	
29	A0P0 R731 00	Removal guide assy		C	1	

ROTATION DETECTING SENSOR



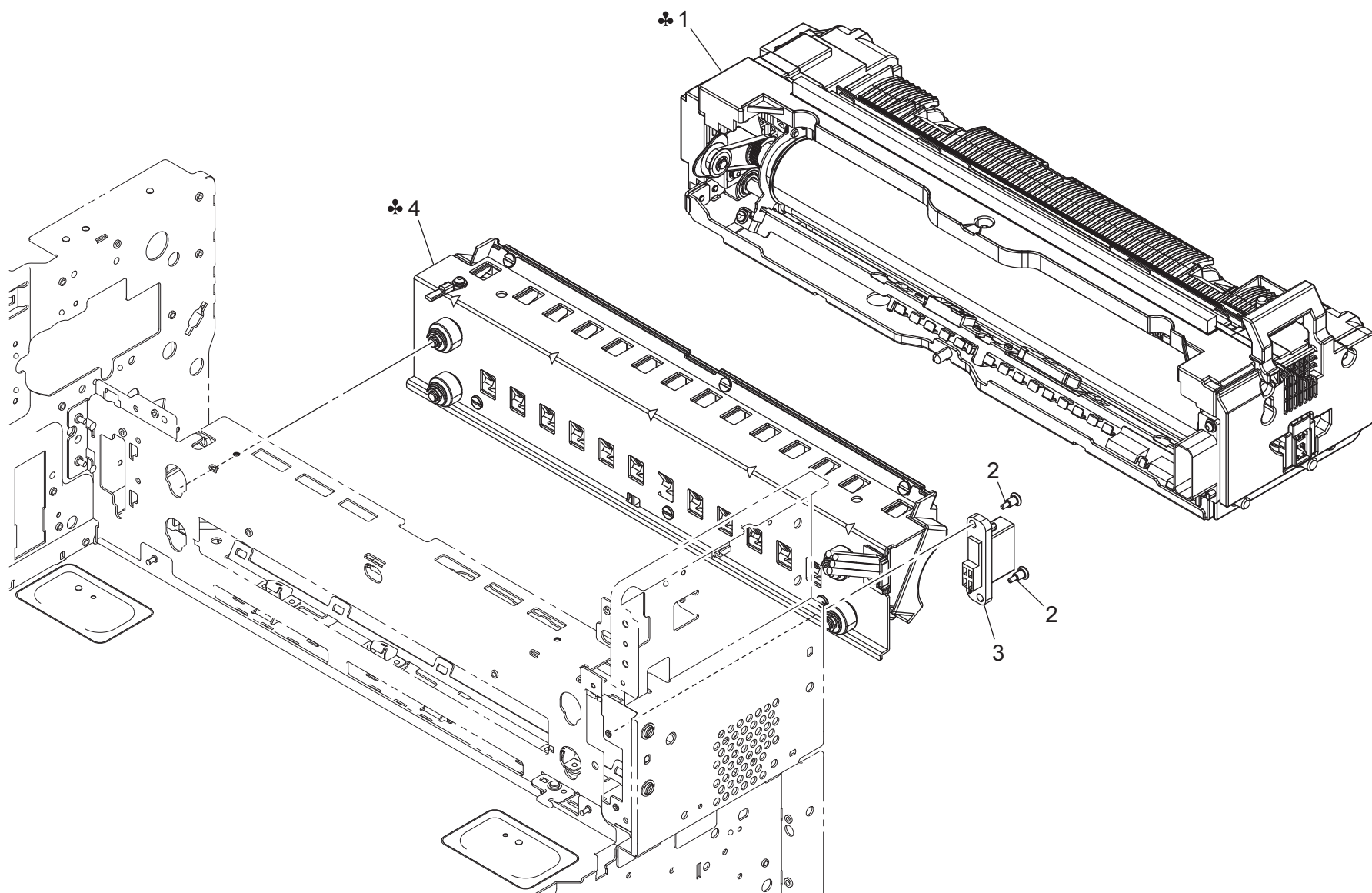
bizhub 502/bizhub 552/bizhub 602/bizhub 652

ROTATION DETECTING SENSOR

Key	Part No.	Description	Destinations	Class	QTY	Standard parts
1	A00J 7316 01	Actuator		C	1	a-V116 0306 03 b-V137 0308 03 c-V206 0200 01
2	A00J 7326 00	Pin		C	1	
3	A00J 7323 02	Holder		D	1	
4	A00J 7325 02	Torsion Spring		C	1	
5	A00J 7324 00	Shaft		C	1	
6	A0P0 7085 00	Shoulder screw		D	3	
7	A0P0 7077 01	Holder		C	2	
8	A0P0 M500 00	Temp. transfer		I	3	
9	A0P0 7076 00	Open/close Spring		C	2	
10	4004 3512 02	FLANGE		D	1	
11	A00J 7071 02	Hold Wire /Rear		C	1	
12	A00J 7075 01	Guide Wire		C	1	
13	A00J 7090 00	Guide Plate		C	1	
14	A0P0 7074 00	Guide Holder		D	1	
15	A0P0 N12J 00	Sensor Relay harness /3		D	1	
16	A108 M501 00	Photointerrupter		B	1	
17	A0P0 N10U 00	Temperature Detection harness		D	1	

bizhub 502/bizhub 552/bizhub 602/bizhub 652

FUSING SECTION

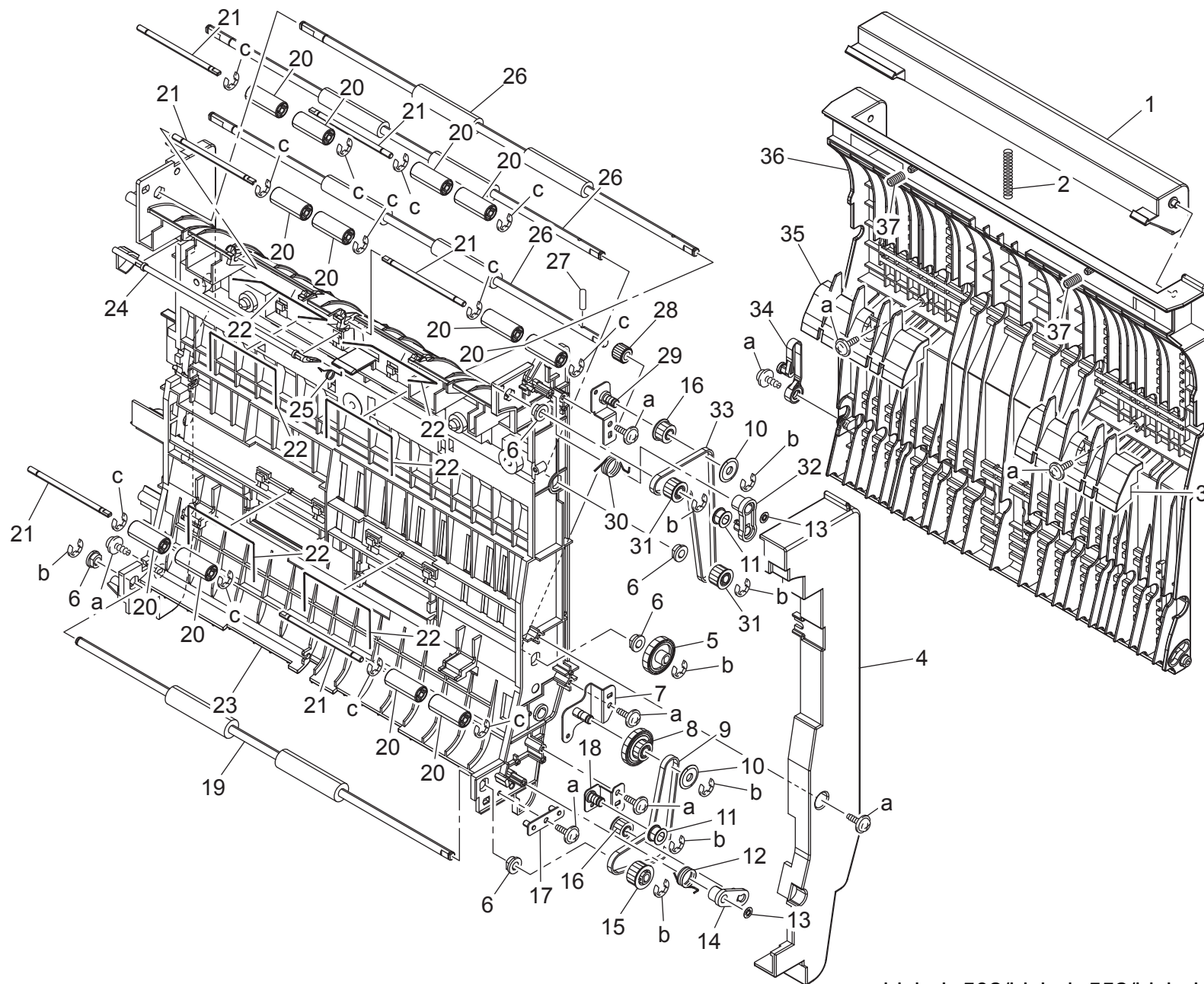


bizhub 502/bizhub 552/bizhub 602/bizhub 652

FUSING SECTION

Key	Part No.	Description	Destinations	Class	QTY	Standard parts
1	A0P0 R732 22	Fusing unit 100V	A,A1	A	1	
1	A0P0 R733 22	Fusing unit 120V	B,F1,G2	A	1	
1	A0P0 R734 22	Fusing unit 200V	C,D1,D3,F2,G1,I,K	A	1	
2	A0P0 1385 00	Shoulder screw		D	2	
3	A0P0 N108 00	AC Relay harness		C	1	
4	A0P0 M402 02	Fixing Coil	A,A1,B,F1,G2	I	1	
4	A0P0 M403 02	Fixing Coil	C,D1,D3,F2,G1,I,K	I	1	

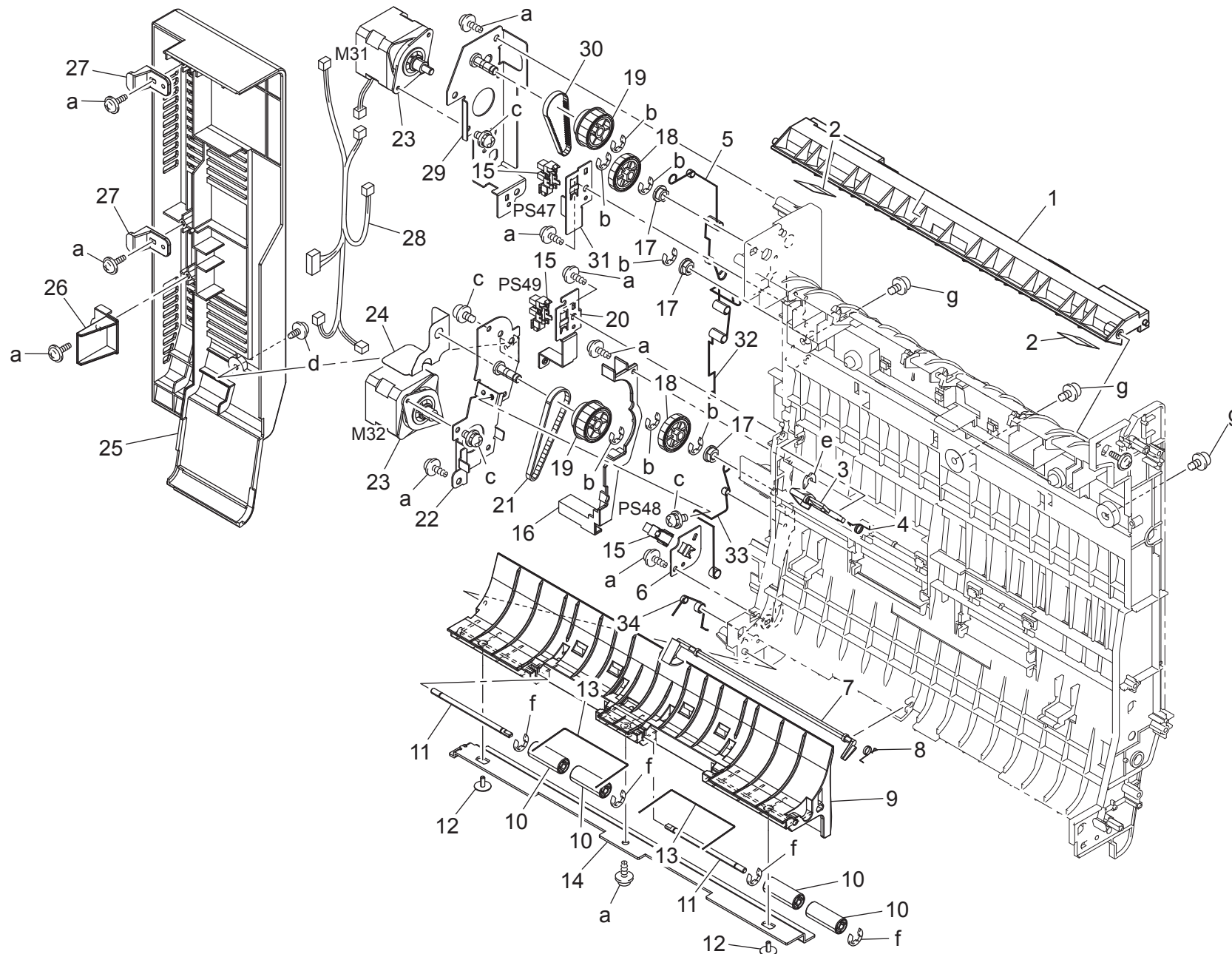
bizhub 502/bizhub 552/bizhub 602/bizhub 652



bizhub 502/bizhub 552/bizhub 602/bizhub 652

Key	Part No.	Description	Destinations	Class	QTY	Standard parts
1	A00J 8103 02	Handle		C	1	a-V153 0308 03 b-V217 0400 01 c-V217 0300 01
2	4497 3106 03	PRESSURE SPRING		C	1	
3	A00J 8146 00	Guide Part /Front		C	1	
4	A00J 8104 00	Cover /Front		C	1	
5	A0P0 8128 00	Gear 48T		C	1	
6	4131 3003 01	BUSHING		C	5	
7	A00J R7AV 00	MOUNTING PLATE /B		D	1	
8	A0P0 8129 00	Gear 22/48T		C	1	
9	A00J 8130 00	Belt 248L		C	1	
10	1200 1646 03	WASHER		D	2	
11	A00J 8136 00	Roll		C	2	
12	A00J 8124 00	Torsion Spring /Lower		C	1	
13	0910 3620 01	STOP RING		D	2	
14	A00J 8123 00	Lever		C	1	
15	A00J 8122 00	Pulley 26T		C	1	
16	4657 3713 01	PULLEY 22T		C	2	
17	A00J R7AW 00	MOUNTING PLATE /D		D	1	
18	A00J R7AX 11	MOUNTING PLATE /C		D	1	
19	A00J 8110 00	Roller /4		C	1	
20	A00J 8141 01	Roll		C	12	
21	A00J 8144 11	Shaft		C	6	
22	A00J 8145 00	Spring		C	6	
23	A00J 8101 24	Base frame		D	1	
24	A00J 8118 00	Actuator /Upper		C	1	
25	4657 3735 01	TORSION SPRING		C	1	
26	A00J 8108 00	Roller /1		C	3	
27	1067 2501 01	PIN		C	1	
28	A00J 8151 00	Knob		C	1	
29	A00J R7AY 00	MOUNTING PLATE /A		D	1	
30	A00J 8121 00	Torsion Spring /Upper		D	1	
31	A00J 8112 00	Pulley 22T		C	2	
32	A00J 8152 00	Lever		C	1	
33	A00J 8116 00	Belt 306L		C	1	
34	A00J 8164 00	STOPPER		C	1	
35	A00J 8147 00	Guide Part /Rear		C	1	
36	A00J 8105 04	Open/close Cover		C	1	
37	A00J 8158 01	Compressing Spring		C	2	

bizhub 502/bizhub 552/bizhub 602/bizhub 652



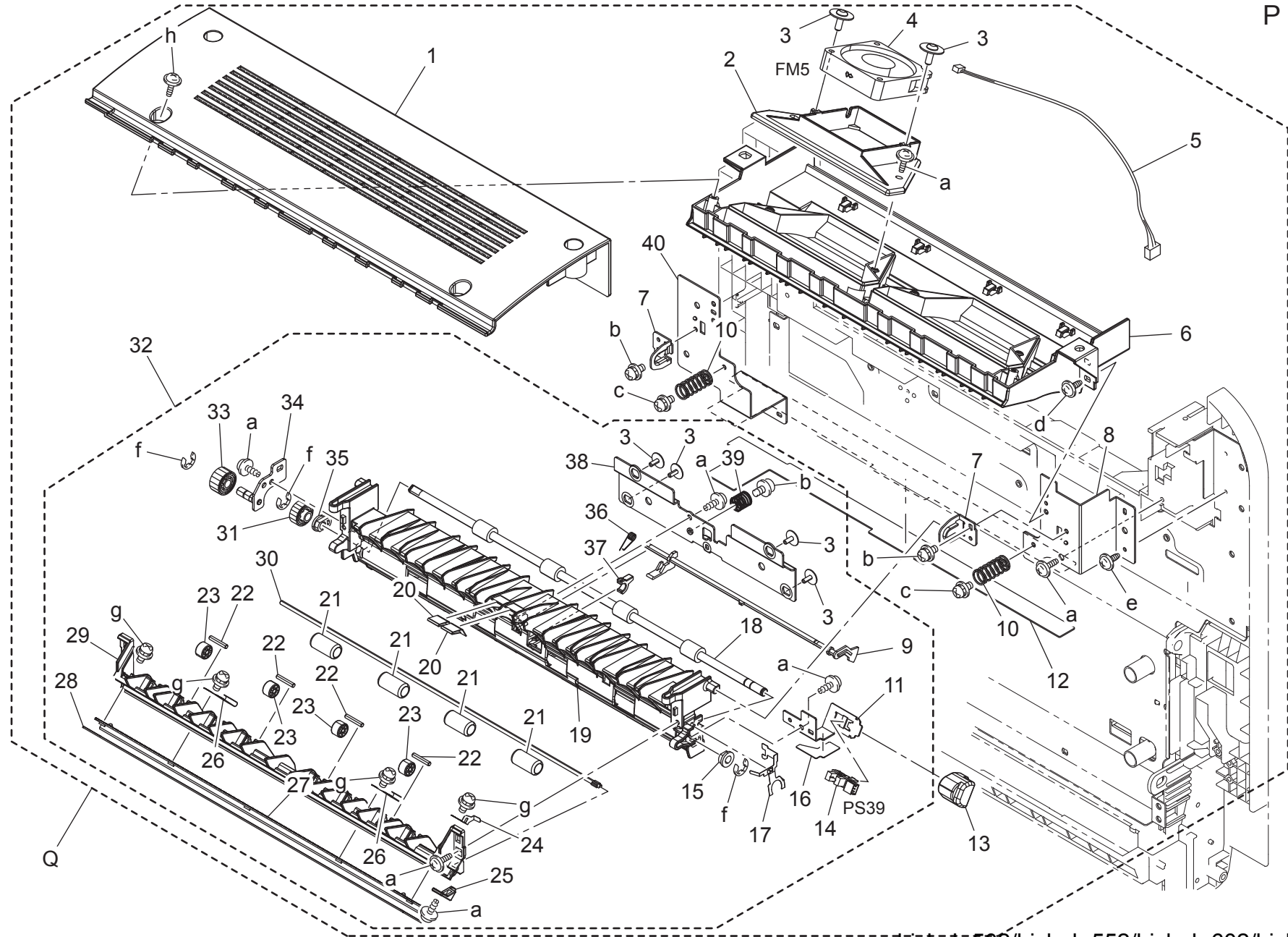
bizhub 502/bizhub 552/bizhub 602/bizhub 652

Key	Part No.	Description	Destinations	Class	QTY	Standard parts
1	A00J 8102 01	Cover /Upper		C	1	a-V153 0308 03 b-V217 0400 01 c-V116 0306 03 d-V121 0308 04 e-V218 0300 86 f-V217 0300 01 g-V125 0410 01
2	A00J 8163 00	Guide Film		C	2	
3	A00J 8132 00	Actuator		C	1	
4	4657 3734 01	TORSION SPRING		C	1	
5	A0P0 8167 00	Contact /1		C	1	
6	A00J 8120 00	Sensor Plate /Lower		D	1	
7	A00J 8119 00	Actuator /Lower		C	1	
8	4657 3735 01	TORSION SPRING		C	1	
9	A00J 8107 12	Cover /Lower		C	1	
10	A00J 8141 01	Roll		C	4	
11	A00J 8144 11	Shaft		C	2	
12	4036 5966 01	SCREW		C	2	
13	A00J 8145 00	Spring		C	2	
14	A00J 8162 00	Reinforce Plate		D	1	
15	A108 M501 00	Photointerrupter		B	3	
16	A00J 8154 00	Wiring Cover		D	1	
17	4131 3003 01	BUSHING		C	3	
18	A00J 8138 00	Gear 25T		C	2	
19	A00J 8139 00	Pulley 33/25T		C	2	
20	A00J 8133 00	Sensor Plate /Middle		D	1	
21	A00J 8111 00	Belt 160L		C	1	
22	A00J R7B0 00	DRIVE FRAME / LOWER		D	1	
23	A0P0 M121 00	Stepping motor		C	2	
24	A0P0 8166 00	Protection Film		C	1	
25	A00J 8106 00	Cover /Rear		C	1	
26	A00J 8161 00	Lever		C	1	
27	A00J 8153 00	Hook		C	2	
28	A00J N113 00	ADU Wiring		D	1	
29	A00J R7B1 00	DRIVE FRAME / UPPER		D	1	
30	4657 3743 01	TIMING BELT 134L		C	1	
31	A00J 8126 00	Sensor Plate /Upper		D	1	
32	A0P0 8168 00	Contact /2		C	1	
33	A0P0 8169 00	Contact /3		C	1	
34	A0P0 8170 00	Contact /4		C	1	

bizhub 502/bizhub 552/bizhub 602/bizhub 652

PAPER EXIT SECTION

P 66



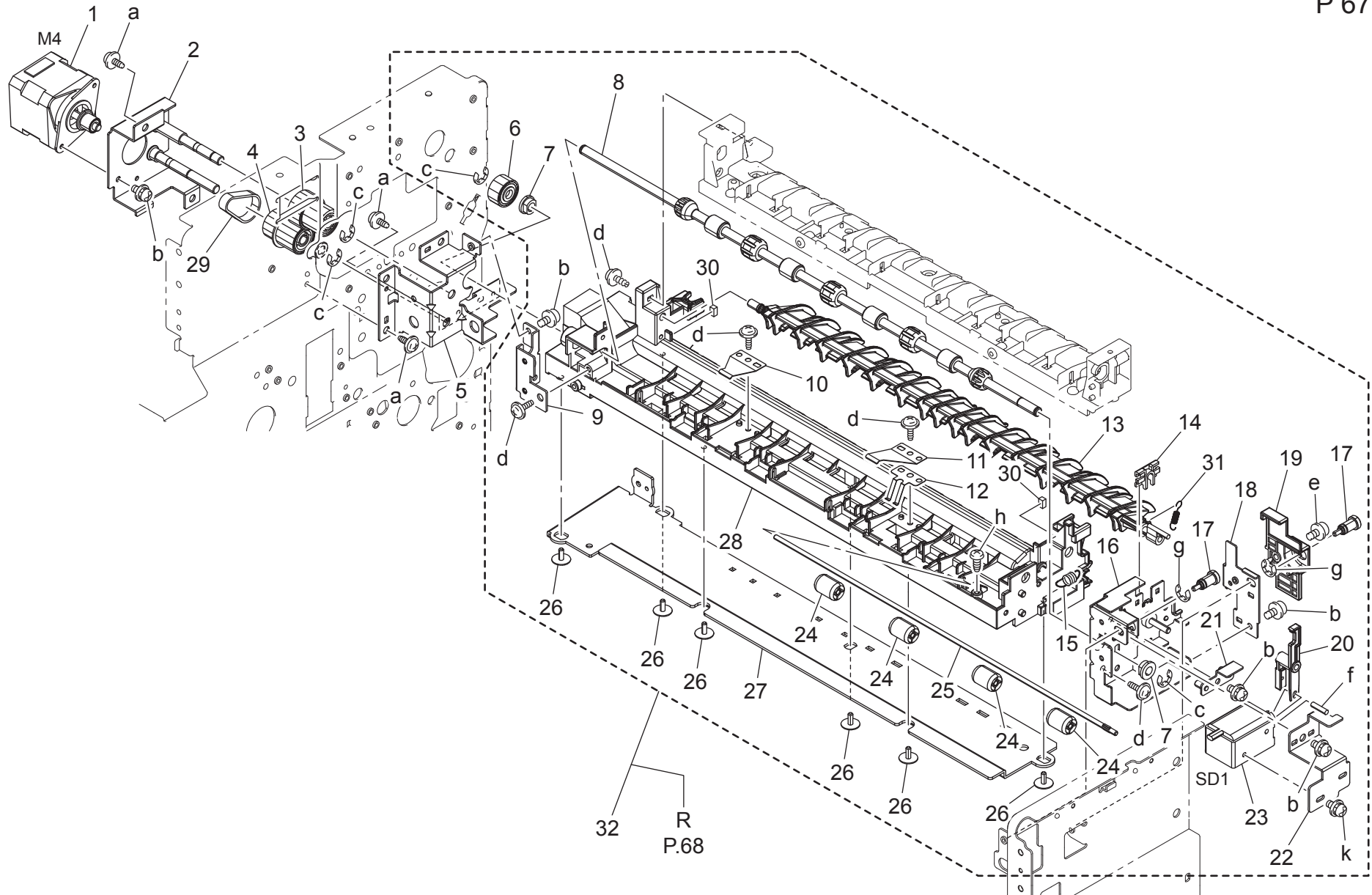
bizhub 502/bizhub 552/bizhub 602/bizhub 652

PAPER EXIT SECTION

Key	Part No.	Description	Destinations	Class	QTY	Standard parts
1	A00J 8918 01	Paper exit Cover		C	1	a-V153 0308 03
2	A00J 8989 00	Cover		D	1	b-V116 0306 03
3	4036 5966 01	SCREW		C	6	c-V116 0308 03
4	9J06 M100 00	FAN MOTOR		C	1	d-V137 0308 03
5	A1DM N112 00	Conveyance Relay harness /1		D	1	e-V137 0306 03
6	A00J 8921 01	Guide Plate		D	1	f-V217 0400 01
7	A00J 8922 00	Mounting Plate		D	2	g-V116 0310 03
8	A0P0 9010 00	Mounting Plate		D	1	h-V153 0308 04
9	A00J 8923 00	Paper exit Actuator		C	1	
10	A00J 8931 00	Compressing Spring		D	2	
11	A00J 8927 00	Sensor Plate		D	1	
12	A0P0 8996 00	Protection Part		C	1	
13	A00J 8984 00	Cover		C	1	
14	A108 M501 00	Photointerrupter		B	1	
15	4030 3093 01	BUSHING		C	1	
16	A00J 8997 00	Protection Part		C	1	
17	A00J 8940 00	Contact		C	1	
18	A0P0 8983 01	Roller		D	1	
19	A0P0 8929 01	Guide Plate		C	1	
20	A0P0 9005 00	Cushion		D	2	
21	A0P0 9011 00	Roll		C	4	
22	A00J 8971 00	Pin		C	4	
23	A00J 8970 00	Roll		C	4	
24	A00J 8942 00	Contact		C	1	
25	A00J 8979 00	Cover		C	1	
26	A00J 8926 00	Plate spring /1		C	2	
27	A00J 8920 01	Reinforce Plate		D	1	
28	A0P0 8976 00	Protection Part		C	1	
29	A0P0 8924 00	Guide Plate		D	1	
30	A00J 8978 00	Shaft		D	1	
31	A00J 8963 00	Gear 15T		C	1	
32	A0P0 R737 11	Guide assy		C	1	
33	A00J 8961 00	Gear 16T		C	1	
34	A00J R7B2 00	MOUNTING PLATE / 1ST EXIT		D	1	
35	A0P0 9002 00	Bushing		D	1	
36	4036 5913 01	TORSION SPRING		D	1	
37	4004 5987 01	BUSHING		C	1	
38	A0P0 9001 00	Mounting Plate		D	1	
39	A0P0 9007 00	Compressing Coil spring		D	1	
40	A0P0 9009 00	Mounting Plate		D	1	

REVERSAL UNIT

P 67

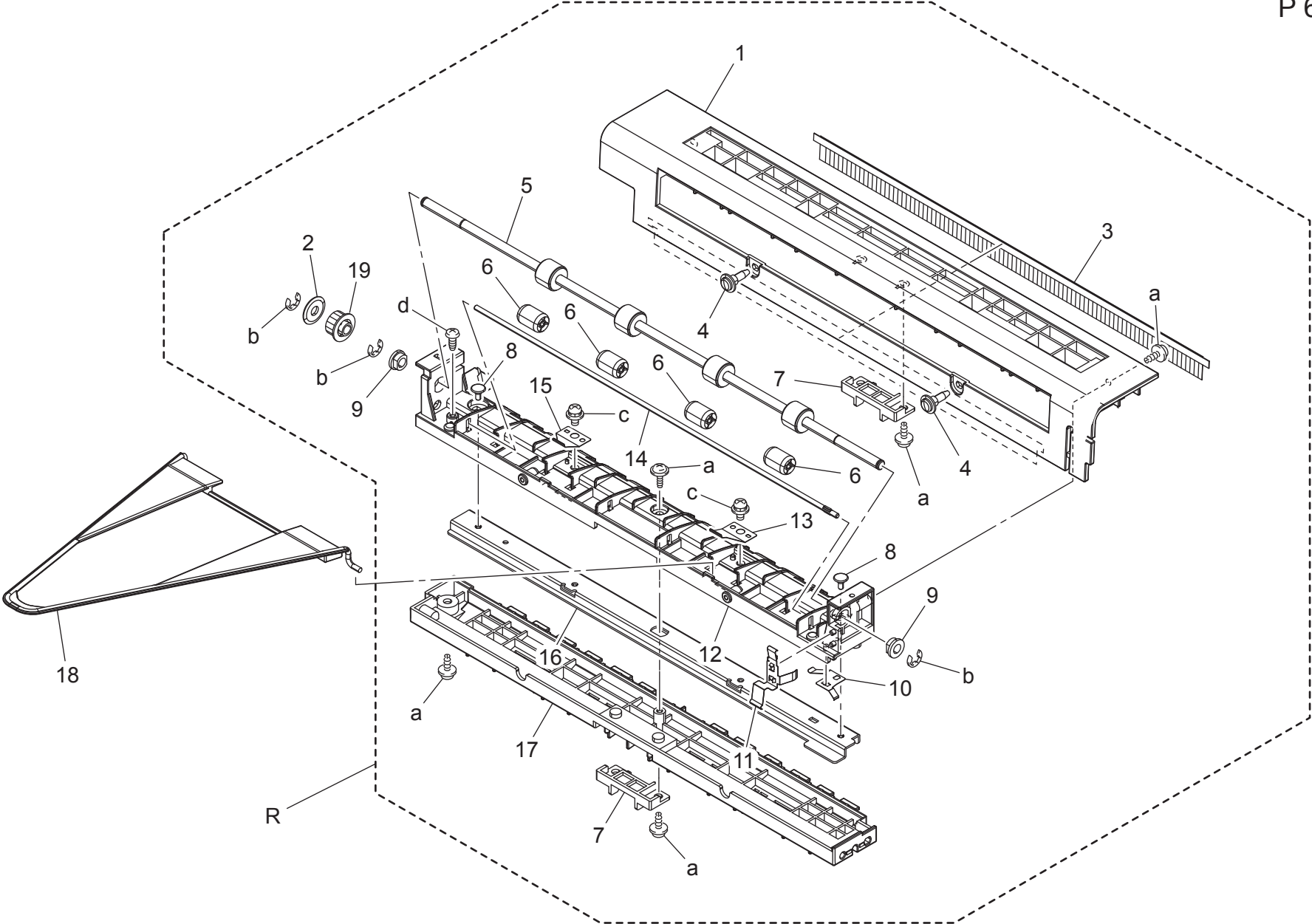


32 R
P.68

bizhub 502/bizhub 552/bizhub 602/bizhub 652

Key	Part No.	Description	Destinations	Class	QTY	Standard parts
1	A0P0 M124 00	Stepping motor		C	1	a-V137 0306 03
2	A0P0 R7A4 00	Mounting plate / Paper exit motor		D	1	b-V116 0306 03
3	A00J 8911 00	Gear 16/26T		C	1	c-V217 0400 01
4	A0P0 8910 00	Idler Gear 22T		C	1	d-V153 0308 03
5	A0P0 8966 00	Mounting Plate		D	1	e-V116 0308 03
6	A00J 8951 00	Gear 16T		C	1	f-V232 3012 09
7	4030 3093 01	BUSHING		C	2	g-V217 0500 01
8	A0P0 8907 00	Paper exit Roller		C	1	h-V149 0308 03
9	A00J 8968 01	Mounting Plate		D	1	k-V116 0305 03
10	A00J 8980 01	Plate spring		D	1	
11	A00J 8981 01	Plate spring		D	1	
12	A00J 8991 01	Contact		C	1	
13	A00J 8905 01	Guide Lever		C	1	
14	4030 3823 01	BUSHING		D	1	
15	A00J 8938 00	Pulling Spring		D	1	
16	A0P0 R7A5 00	Mounting plate / Paper exit (Front)		D	1	
17	A00J 8965 00	Shoulder screw		C	2	
18	A00J 8912 00	Mounting Plate		D	1	
19	A00J 8982 00	Cover		C	1	
20	A00J 8913 00	Lever		C	1	
21	A00J R7B5 00	REVERSAL UPPER STAKE		D	1	
22	A00J 8941 00	Mounting Plate		D	1	
23	9321 2200 32	SOLENOID		C	1	
24	4004 5903 01	ROLL		C	4	
25	4025 5984 01	SHAFT		D	1	
26	4036 5966 01	SCREW		C	6	
27	A0P0 8902 00	Mounting Plate		D	1	
28	A0P0 8901 01	Guide Plate /Lower		D	1	
29	A0P0 9006 00	Timing belt 86L		D	1	
30	A0P0 9008 00	Cushion		D	2	
31	A0P0 9004 00	Pulling Coil spring		D	1	
32	A0P0 R735 00	Riverse unit		C	1	

REVERSAL UNIT



bizhub 502/bizhub 552/bizhub 602/bizhub 652

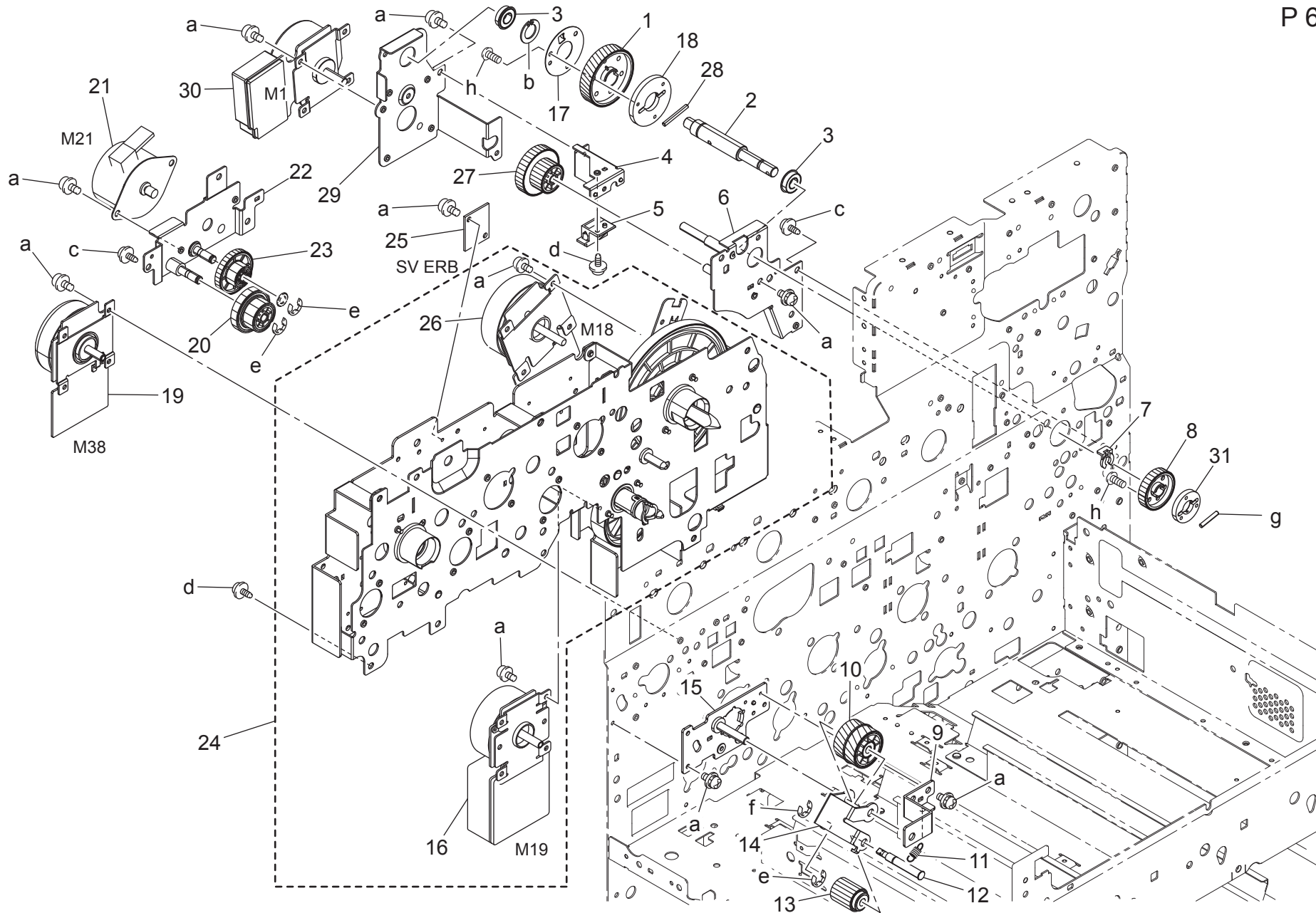


REVERSAL UNIT

Key	Part No.	Description	Destinations	Class	QTY	Standard parts
1	A00J 8935 01	Riverse/exit Cover		C	1	a-V153 0308 03 b-V217 0400 01 c-V116 0308 03 d-V149 0308 03
2	1200 1646 03	WASHER		D	1	
3	A02E 8907 00	Neutralizing brush		C	1	
4	A00J 8995 00	Shoulder screw		C	2	
5	A0P0 8939 00	Riverse/exit Roller		D	1	
6	4004 5903 01	ROLL		C	4	
7	A00J 8904 00	Bushing		C	2	
8	4011 5852 02	SHOULDER SCREW		C	2	
9	4030 3093 01	BUSHING		C	2	
10	A00J 8992 00	Contact		C	1	
11	A00J 8964 00	Contact		C	1	
12	A00J 8934 02	Guide Plate		D	1	
13	A00J 8993 01	Plate spring		C	1	
14	4025 5984 01	SHAFT		D	1	
15	A00J 8932 01	Plate spring		C	1	
16	A00J 8936 01	Mounting Plate		D	1	
17	A00J 8933 00	Guide Plate		D	1	
18	A00J 8985 00	Guide Part		C	1	
19	4025 5939 01	PULLEY 24T		C	1	

bizhub 502/bizhub 552/bizhub 602/bizhub 652

MAIN DRIVE UNIT



bizhub 502/bizhub 552/bizhub 602/bizhub 652

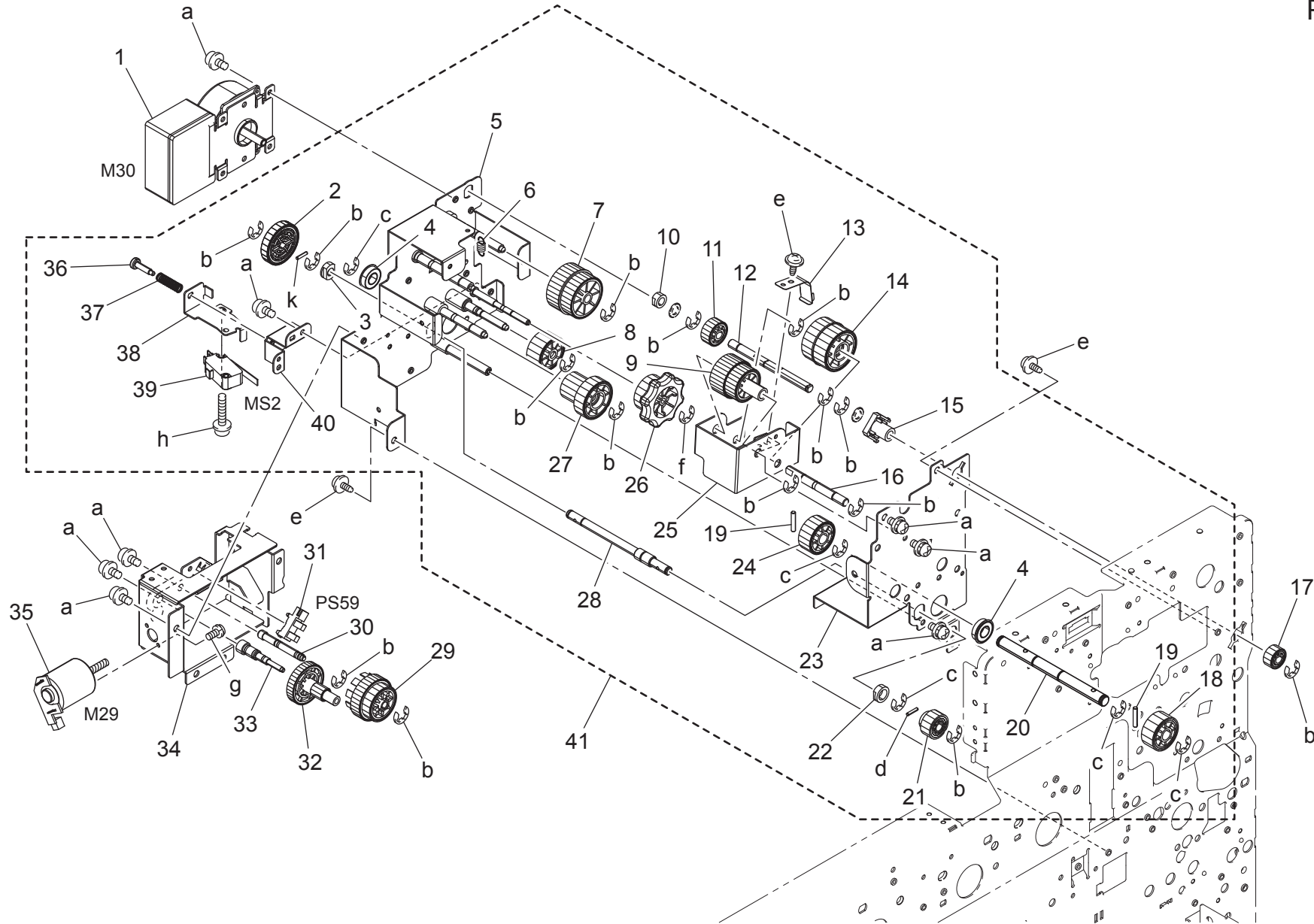
MAIN DRIVE UNIT

Key	Part No.	Description	Destinations	Class	QTY	Standard parts
1	A2WU 2208 00	Gear 88T		C	1	a-V116 0306 03 b-V223 1200 50 c-V137 0306 03 d-V137 0308 03 e-V217 0400 01 f-V217 0300 01 g-V237 3018 50 h-V118 0305 03
2	A2WU 2203 00	Transfer Shaft		D	1	
3	A00V 2406 00	BALL BEARING		C	2	
4	A00J 2206 00	Transfer Frame /C		D	1	
5	4036 3517 01	GUIDE		D	1	
6	A00J R7B7 00	TRANSFER FRAME / B		D	1	
7	1164 3065 01	STOPPER RING		D	1	
8	A2WU 2201 00	Gear 59T		C	1	
9	A0P0 2289 00	Reinforce Plate /T		C	1	
10	A0P0 2281 00	Transfer Gear /M 55/34T		C	1	
11	A0P0 2285 00	Pulling Spring		C	1	
12	A0P0 2287 00	Transfer Shaft /B		C	1	
13	A0P0 2282 00	Transfer Gear /Y 20T		C	1	
14	A0P0 2284 00	Transfer Frame /E		C	1	
15	A0P0 R7A6 00	Transfer freme / F		D	1	
16	A00J M114 01	Brushless motor /20		C	1	
17	A2WU 2212 00	Spacer		C	1	
18	A2WU 2210 01	Flange		C	1	
19	A0ED M101 00	DC Brushless motor		C	1	
20	A00J 2251 00	Gear 22/33T		C	1	
21	A02E M10C 01	Stepping motor		C	1	
22	A00J R7B6 00	TRANSFER FRAME / D		D	1	
23	A00J 2250 00	Gear 16/64T		C	1	
24	A2WU R705 00	Main Drive Assy		C	1	
25	A0P0 H00C 00	PWB Assembly(PWB-EE ASSY)		I	1	
26	A00J M110 00	Brushless motor /15		C	1	
27	A2WU 2200 00	Gear 44/60T		C	1	
28	4004 2547 01	PIN		D	1	
29	A2WU 2204 00	Transfer Frame /A		D	1	
30	A00J M113 00	Brushless motor /12		C	1	
31	A2WU 2209 01	Flange		C	1	

bizhub 502/bizhub 552/bizhub 602/bizhub 652

FUSING DRIVE UNIT

P 70

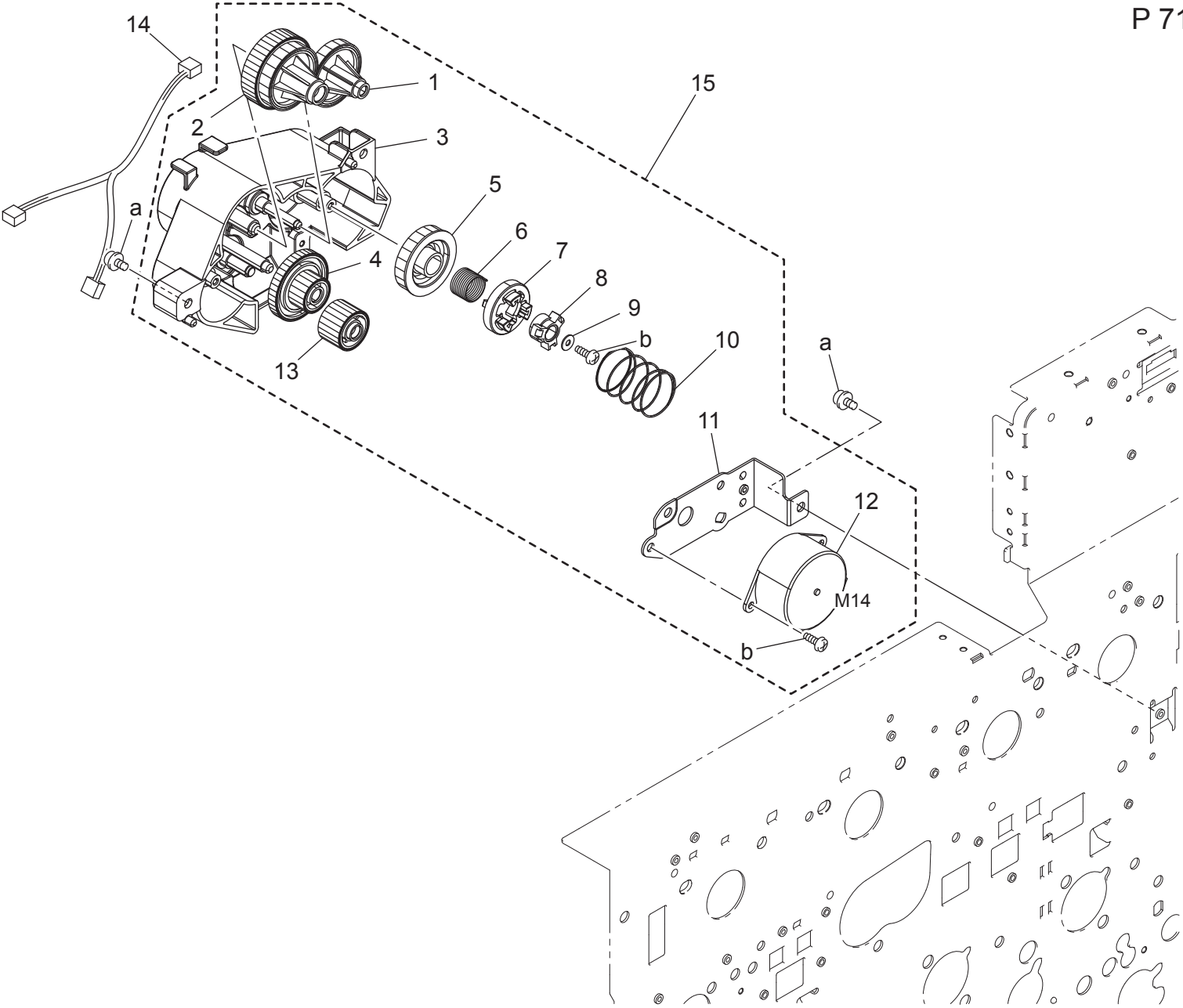


bizhub 502/bizhub 552/bizhub 602/bizhub 652

FUSING DRIVE UNIT

Key	Part No.	Description	Destinations	Class	QTY	Standard parts
1	A0P0 M115 00	Brushless motor /30		C	1	a-V116 0306 03
2	A0P0 2359 00	Pressure Gear /4 40T		C	1	b-V217 0400 01
3	9J06 2101 00	BUSHING		C	1	c-V217 0600 01
4	A00V 2406 00	BALL BEARING		C	2	d-V231 2010 50
5	A00J R7B9 11	FUSING DRIVE FRAME		D	1	e-V137 0306 03
6	4004 2582 01	TENSION SPRING		C	1	f-V217 0300 01
7	A00J 2306 00	Gear 58/62T		C	1	g-V115 2605 03
8	A00J 2303 00	Gear 30T		C	1	h-V116 0316 03
9	A00J 2300 00	Gear 52/30T		C	1	k-V231 2018 50
10	1200 3121 09	BUSHING		C	1	
11	A00J 2307 00	Gear 33T		C	1	
12	A00J 2318 01	Paper exit Shaft /1		D	1	
13	A00J 2324 00	PLATE SPRING		D	1	
14	A00J 2301 00	Gear 38/38T		C	1	
15	A00J 2321 00	Paper exit Bearing /1		C	1	
16	A00J 2312 00	Fusing Shaft /1		D	1	
17	A00J 2308 00	Gear 18T		C	1	
18	A00J 2305 00	Gear 23T		C	1	
19	4036 2549 01	PIN		D	2	
20	A00J 2315 00	Fusing Shaft /2		D	1	
21	A00J 2358 00	Gear 13T		C	1	
22	4036 2524 01	BUSHING		C	1	
23	A00J 2310 00	Fusing Frame /2		D	1	
24	A00J 2304 00	Gear 30T		C	1	
25	A00J 2320 11	Fusing Frame /3		D	1	
26	A00J 2322 00	Fusing Knob /1		C	1	
27	A00J 2302 00	Gear 35/23T		C	1	
28	A00J 2354 00	Pressure Shaft /1		D	1	
29	A0P0 2356 01	Pressure Gear /2 34/63T		C	1	
30	A00J 2353 00	PRESSURE STAKE /2		D	1	
31	A108 M501 00	Photointerrupter		B	1	
32	A0P0 2355 00	Pressure Gear /1 18/75T		B	1	
33	A00J 2352 00	PRESSURE STAKE /1		D	1	
34	A00J 2350 03	Pressure Frame /1		D	1	
35	A0P0 R751 00	MOTOR ASSY		B	1	
36	4036 2258 01	SHOULDER SCREW		C	1	
37	4004 2248 02	PRESSURE SPRING		C	1	
38	4036 2241 02	Bracket		D	1	
39	9J06 M601 00	MICRO SWITCH		C	1	
40	A00J 1380 00	Mounting Plate		D	1	
41	A0P0 R738 00	Fusing drive assy		C	1	

BOTTLE DRIVE SECTION



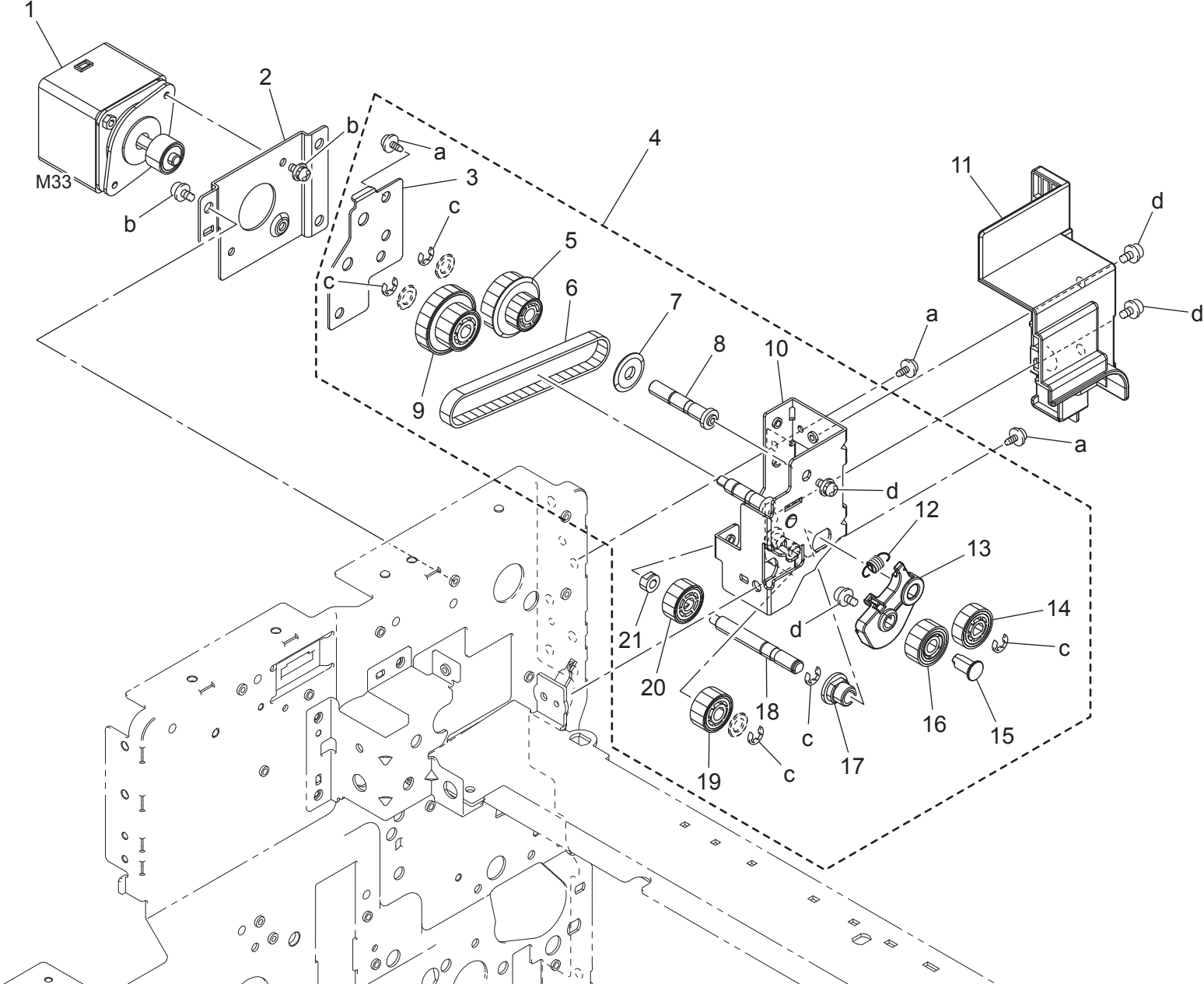
bizhub 502/bizhub 552/bizhub 602/bizhub 652

BOTTLE DRIVE SECTION

Key	Part No.	Description	Destinations	Class	QTY	Standard parts
1	A00J 4031 00	Drive Gear /3 40T		C	1	a-V116 0306 03 b-V145 0308 03
2	A00J 4030 00	Drive Gear /2 75/40T		C	1	
3	A00J 4026 00	Drive Holder /Right		D	1	
4	A00J 4029 00	Drive Gear /1 70/35T		C	1	
5	A00J 4040 00	Gear 40T		C	1	
6	4038 5411 01	SPRING		C	1	
7	A00J 4041 02	Coupling		C	1	
8	4038 5413 01	GUIDE		C	1	
9	4038 5407 01	COLLAR		C	1	
10	4038 5412 02	PRESSURE SPRING		C	1	
11	A00J 4028 01	Fixing Plate /Right		D	1	
12	9314 1300 21	MOTOR		B	1	
13	A00J 4037 00	Gear 40T		C	1	
14	A2WU N109 00	Drive Wiring /1		D	1	
15	A00J R713 11	BOTTLE DRIVE-C BK		C	1	

bizhub 502/bizhub 552/bizhub 602/bizhub 652

EJECT DRIVE SECTION



bizhub 502/bizhub 552/bizhub 602/bizhub 652

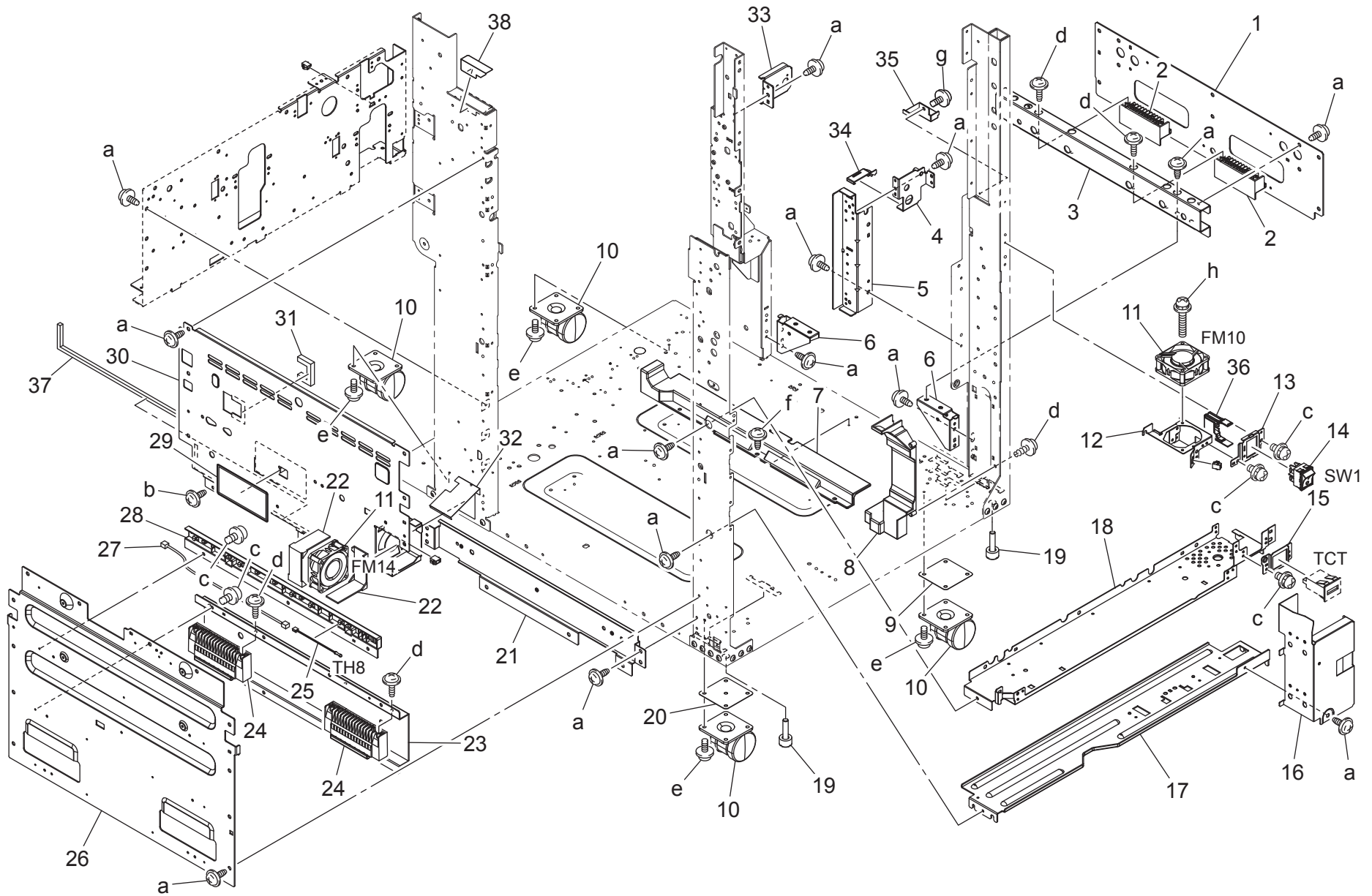
EJECT DRIVE SECTION

Key	Part No.	Description	Destinations	Class	QTY	Standard parts
1	A0P0 M122 00	Stepping motor		C	1	a-V137 0306 03 b-V116 0306 03 c-V217 0400 01 d-V116 0308 03
2	A00J 8950 00	Mounting Plate		D	1	
3	A00J 8960 00	Mounting Plate		D	1	
4	A0P0 R736 00	Paper exit belt drive assy		C	1	
5	A00J 8952 00	Pulley 24/29T		C	1	
6	A00J 8943 00	Timing belt 210L		C	1	
7	1200 1646 03	WASHER		D	1	
8	A00J 8958 00	Shaft		D	1	
9	A00J 8957 00	Gear 21/34T		C	1	
10	A0P0 8949 00	Mounting Plate /ASSY		D	1	
11	A00J 8977 00	Cover		C	1	
12	A00J 8994 00	Pulling Spring		C	1	
13	A0P0 8973 00	Cam		D	1	
14	A00J 8946 00	Gear 16T		C	1	
15	A00J 8972 00	Shaft		D	1	
16	A00J 8953 00	Gear 16T		C	1	
17	A0P0 9000 00	Bushing		D	1	
18	A00J 8948 00	Shaft		D	1	
19	A00J 8944 00	Gear 21T		C	1	
20	A00J 8945 00	Gear 21T		C	1	
21	4004 5339 01	BUSHING		C	1	

bizhub 502/bizhub 552/bizhub 602/bizhub 652

MAIN FRAME

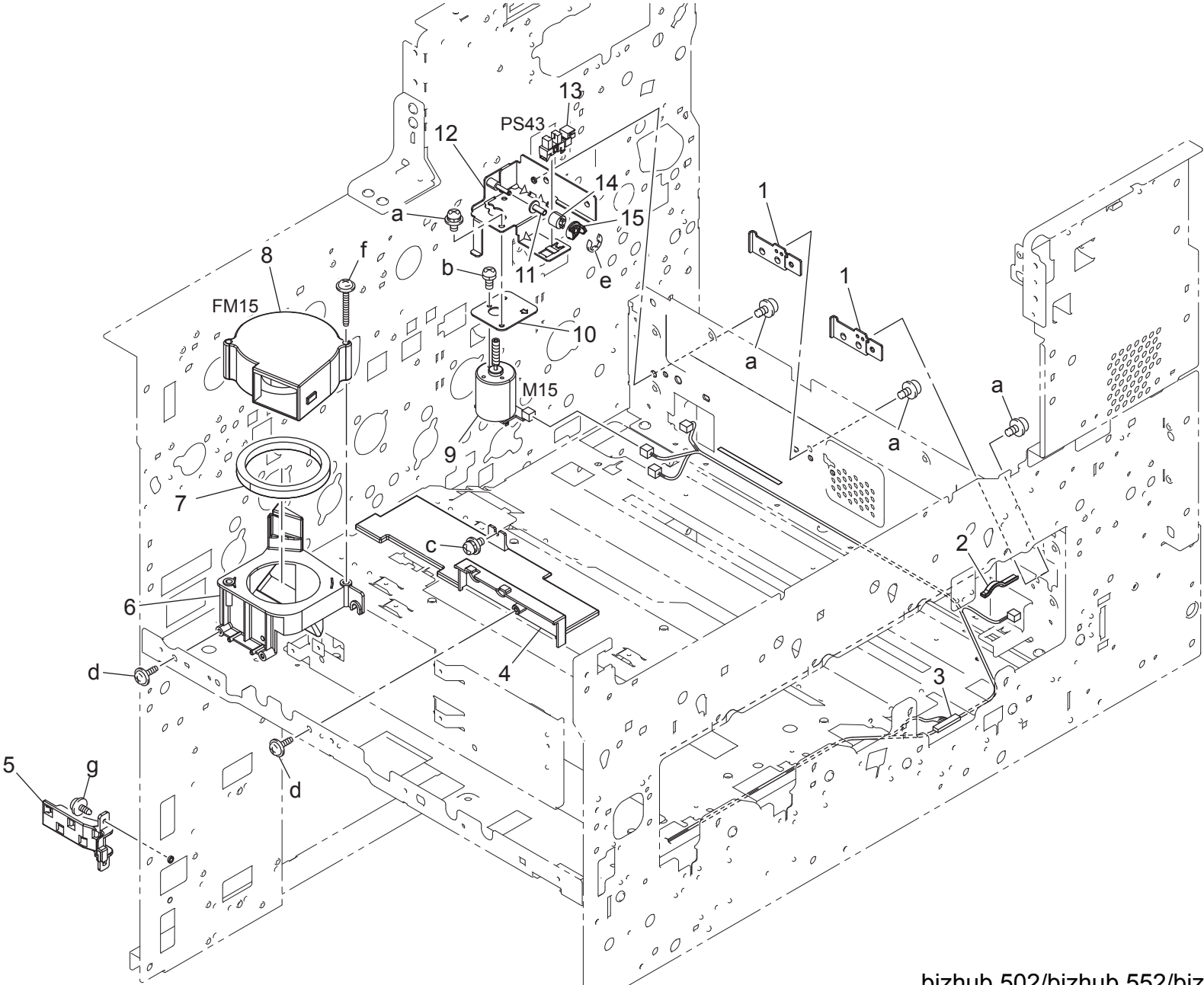
P 73



bizhub 502/bizhub 552/bizhub 602/bizhub 652

Key	Part No.	Description	Destinations	Class	QTY	Standard parts
1	A0P0 1051 00	Hold Plate /1		D	1	a-V137 0408 03
2	A0P0 1655 00	Cover Handle		C	2	b-V137 0306 03
3	A0P0 1052 00	Hold Plate /2		D	1	c-V116 0306 03
4	A00J 5952 00	Mounting Plate /ASSY		D	1	d-V153 0308 03
5	A00J 1024 00	Mounting Plate		D	1	e-V121 0406 03
6	A0P0 1053 00	Mounting Plate		D	2	f-V137 0308 03
7	A0P0 1382 00	Cover		D	1	g-V121 0308 04
8	A0P0 1383 00	Cover		D	1	h-V116 0330 03
9	A00J 1065 00	Plate		D	1	
10	A0P0 1090 01	Castor		C	4	
11	4556 M100 00	FAN MOTOR		B	2	
12	A00J 1377 01	Mounting Plate		D	1	
13	A2WU 1354 00	Mounting Plate		D	1	
14	A2WU M600 00	Rocker switch		C	1	
15	A00J 1345 00	Mounting Plate		D	1	
16	A0P0 1043 11	Mounting Plate		D	1	
17	A00J 1014 00	Stay /Lower		D	1	
18	A0P0 1013 11	Stay /Upper		D	1	
19	A0P0 1046 00	Rubber foot		C	2	
20	A00J 1064 00	Plate		D	1	
21	A00J 1044 00	Mounting Plate		D	1	
22	A0P0 1096 00	Sheet		D	2	
23	A00J 1054 00	Mounting Plate		D	1	
24	A00J 1646 00	Cover Handle		C	2	
25	A0P0 M503 00	Thermistor		C	1	
26	A00J 1016 03	Side plate /Middle		D	1	
27	A0P0 N12P 00	Temperature Relay harness		D	1	
28	A0P0 1487 01	Cover		D	1	
29	0957 1491 01	LABEL		D	1	
30	A0P0 1015 02	Side plate /Upper		D	1	
31	A0P0 1093 00	Sealing Part /2		D	1	
32	A0P0 1421 01	Protection Part		D	1	
33	A00J 1027 00	Mounting Plate		D	1	
34	A00J 5868 00	Guide Holder		C	1	
35	A0P0 1638 00	Cover		C	1	
36	A2WU 1353 00	Cover		D	1	
37	A2WU 1564 00	Seal		D	1	
38	A0P0 1020 00	Seal		C	1	

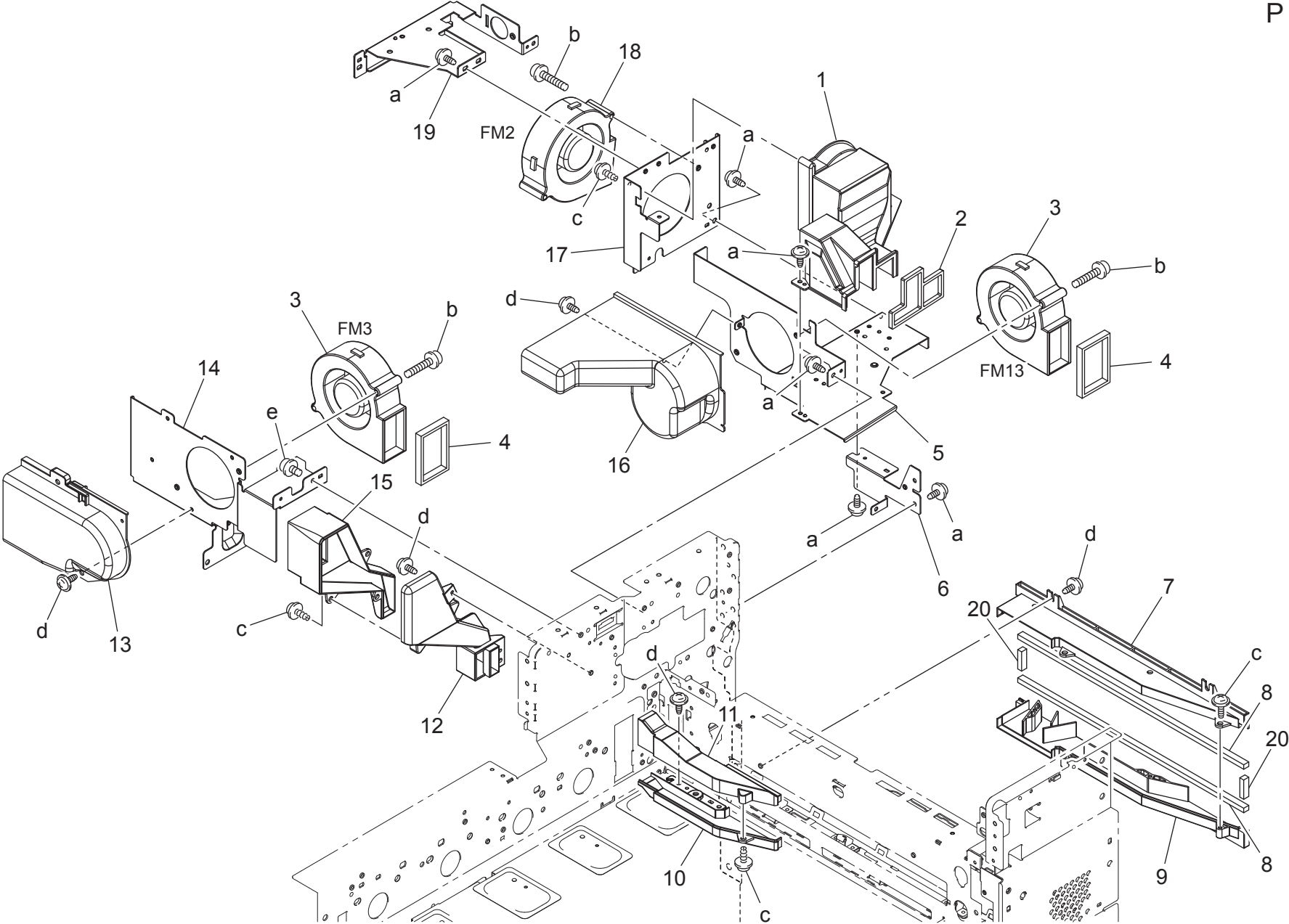
I/U FRAME SECTION



bizhub 502/bizhub 552/bizhub 602/bizhub 652

Key	Part No.	Description	Destinations	Class	QTY	Standard parts
1	A0P0 1252 00	Mounting Plate		D	2	a-V116 0306 03 b-V115 2605 03 c-V116 0308 03 d-V153 0308 03 e-V217 0200 01 f-V153 0445 03 g-V137 0308 03
2	A00J 1217 00	Protection Sheet /Black		C	1	
3	A2WU N127 00	Developing Relay harness		D	1	
4	A00J 1553 00	Mounting Plate		D	1	
5	A0P0 1440 00	Mounting Plate		D	1	
6	A0P0 1551 00	Duct		D	1	
7	A0P0 1591 00	Seal		D	1	
8	9313 1100 33	FAN MOTOR		C	1	
9	A0P0 R752 00	MOTOR ASSY		B	1	
10	A0P0 1091 00	Mounting Plate		D	1	
11	A00J 1234 00	Collar		C	1	
12	A0P0 1251 00	Mounting Plate		D	1	
13	A108 M501 00	Photointerrupter		B	1	
14	A00J 1233 00	Gear 22T		C	1	
15	A00J 1232 00	Coupling		C	1	

REAR FAN SECTION



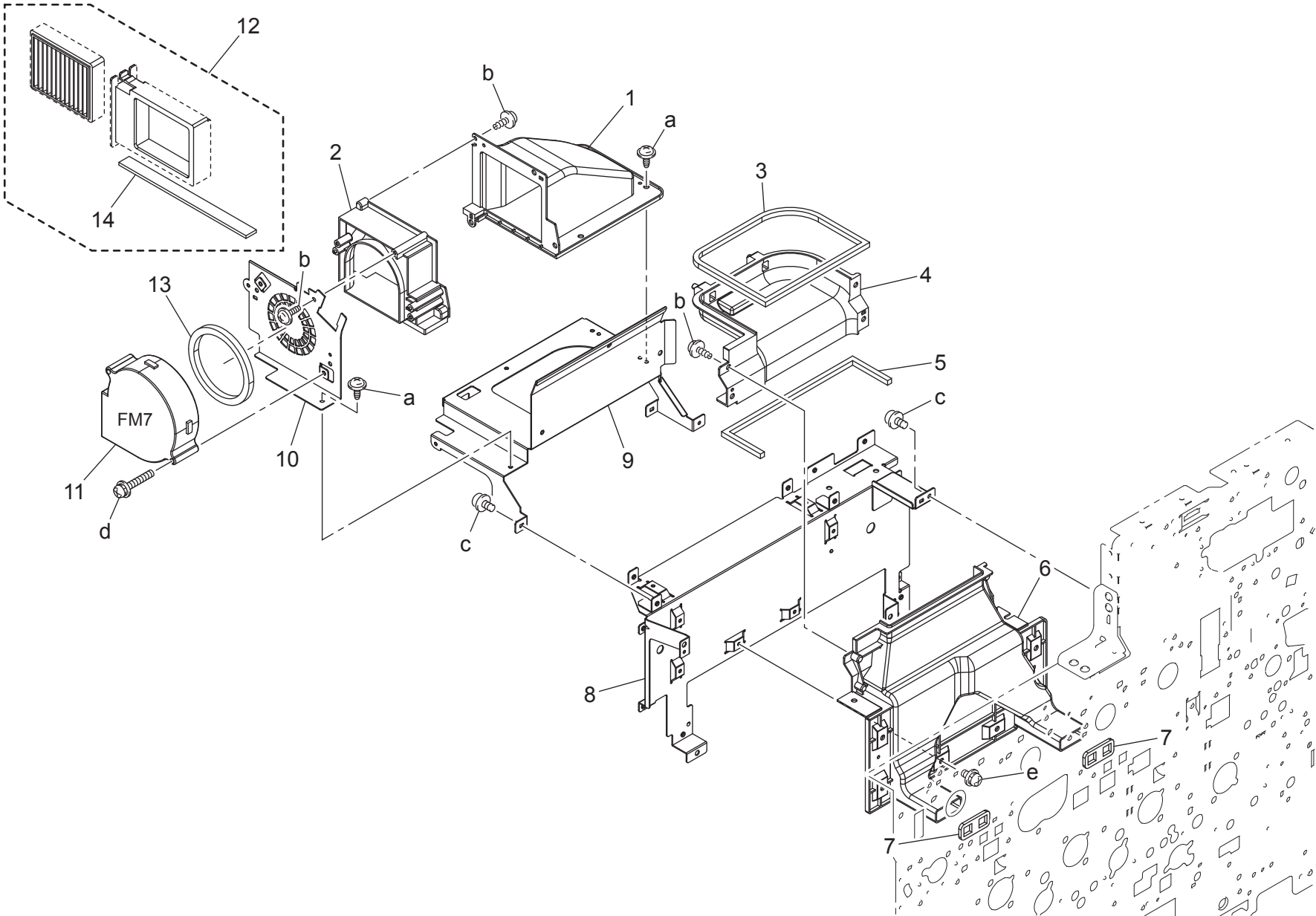
bizhub 502/bizhub 552/bizhub 602/bizhub 652

REAR FAN SECTION

Key	Part No.	Description	Destinations	Class	QTY	Standard parts
1	A0P0 1501 00	Duct		D	1	a-V137 0306 03 b-V116 0435 03 c-V153 0308 03 d-V137 0308 03 e-V116 0306 03
2	A0P0 1504 00	Seal		D	1	
3	9313 1000 72	FAN MOTOR		C	2	
4	A0P0 1511 00	Sealing Part		D	2	
5	A0P0 1502 00	Mounting Plate		D	1	
6	A00J 1506 00	Mounting Plate		D	1	
7	A00J 1572 00	Duct /2		D	1	
8	A0P0 1575 00	Seal		C	2	
9	A00J 1571 00	Duct /1		D	1	
10	A00J 1573 01	Duct /3		D	1	
11	A00J 1574 01	Duct /4		D	1	
12	A00J 1575 01	Duct /5		D	1	
13	A0P0 1577 00	Duct		D	1	
14	A00J 1579 01	Mounting Plate		D	1	
15	A00J 1576 00	Duct /6		D	1	
16	A0P0 1503 00	Duct		D	1	
17	A0P0 1505 00	Mounting Plate		C	1	
18	A0P0 M142 00	Fan motor		C	1	
19	A00J 1510 02	Mounting Plate		D	1	
20	A0P0 1576 00	Seal		C	2	

bizhub 502/bizhub 552/bizhub 602/bizhub 652

REAR FAN SECTION



bizhub 502/bizhub 552/bizhub 602/bizhub 652

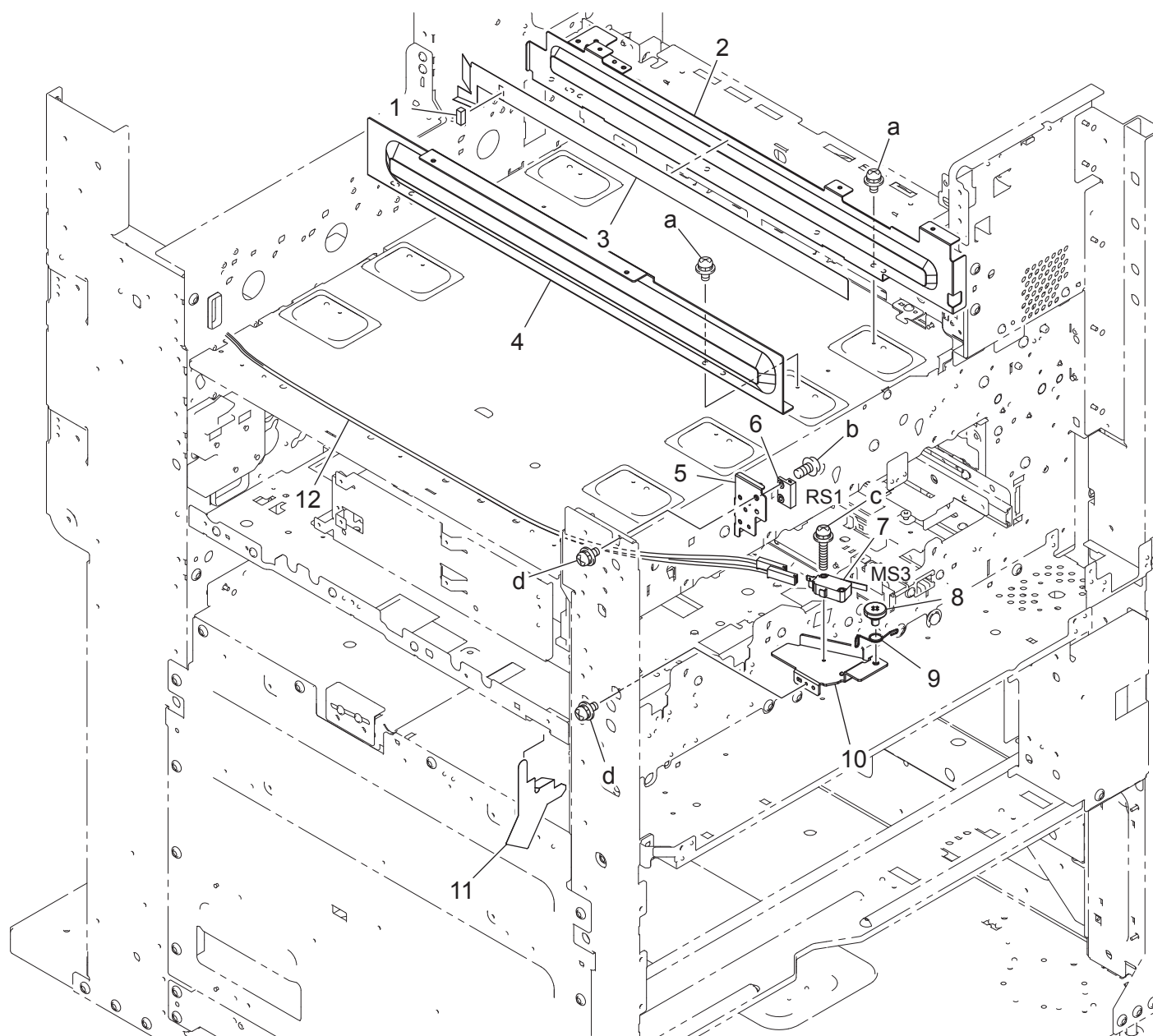
REAR FAN SECTION

Key	Part No.	Description	Destinations	Class	QTY	Standard parts
1	A0P0 1545 00	Duct		D	1	a-V137 0308 03 b-V153 0308 03 c-V116 0306 03 d-V116 0435 03 e-V116 0308 03
2	A0P0 1533 00	Duct		D	1	
3	A0P0 1549 00	Seal		D	1	
4	A0P0 1526 00	Duct		D	1	
5	A0P0 1537 00	Seal		D	1	
6	A0P0 1521 00	Duct		D	1	
7	A00J 1527 00	Seal		C	2	
8	A0P0 1322 00	Mounting Plate /ASSY		D	1	
9	A0P0 1531 00	Mounting Plate		D	1	
10	A00J 1546 00	Mounting Plate		D	1	
11	9313 1000 72	FAN MOTOR		C	1	
12	A0P0 R701 00	Smoke suction filter assy		B	1	
13	4036 2485 01	SEAL		C	1	
14	A00J 1548 01	Seal		C	1	

bizhub 502/bizhub 552/bizhub 602/bizhub 652

DOOR SAFE SWITCH

P 77



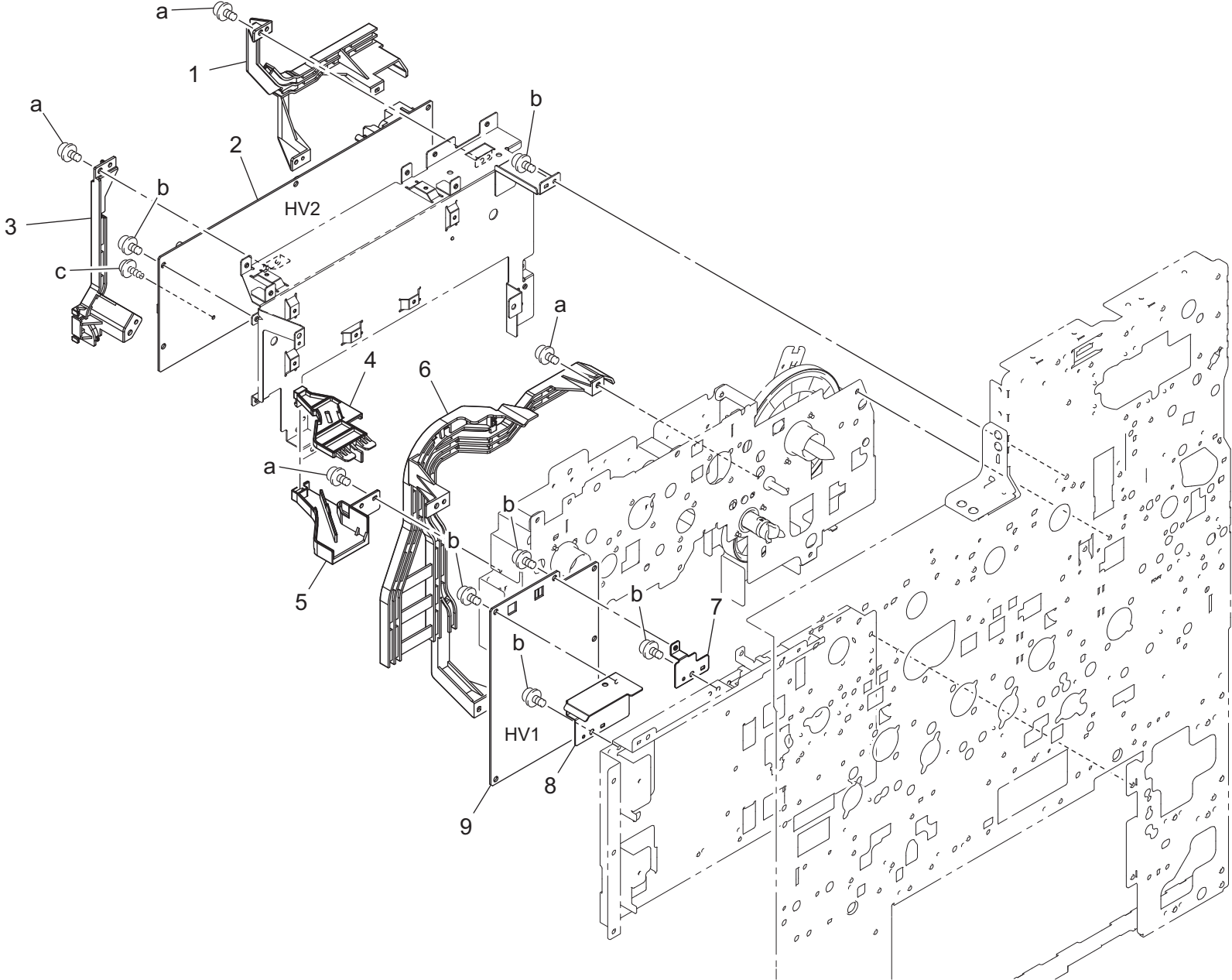
bizhub 502/bizhub 552/bizhub 602/bizhub 652

DOOR SAFE SWITCH

Key	Part No.	Description	Destinations	Class	QTY	Standard parts
1	A2WU 1569 00	Seal		D	1	a-V116 0306 03 b-V118 0306 03 c-V116 0316 03 d-V116 0308 03
2	A00J 4034 02	Guide Plate /C		D	1	
3	A2WU 1567 00	Seal		D	1	
4	A00J 4033 00	Guide Plate /B		D	1	
5	A00J 1358 00	Mounting Plate /B		D	1	
6	9334 2610 12	REED SWITCH		C	1	
7	9J06 M601 00	MICRO SWITCH		C	1	
8	A00J 1346 00	Shoulder screw		C	1	
9	A00J 1365 00	Torsion Coil		C	1	
10	A00J 1352 01	Mounting Plate		D	1	
11	A00J 1428 00	Protection Part		C	1	
12	A2WU N10B 00	Toner Relay harness		D	1	

bizhub 502/bizhub 552/bizhub 602/bizhub 652

HIGH VOLTAGE UNIT



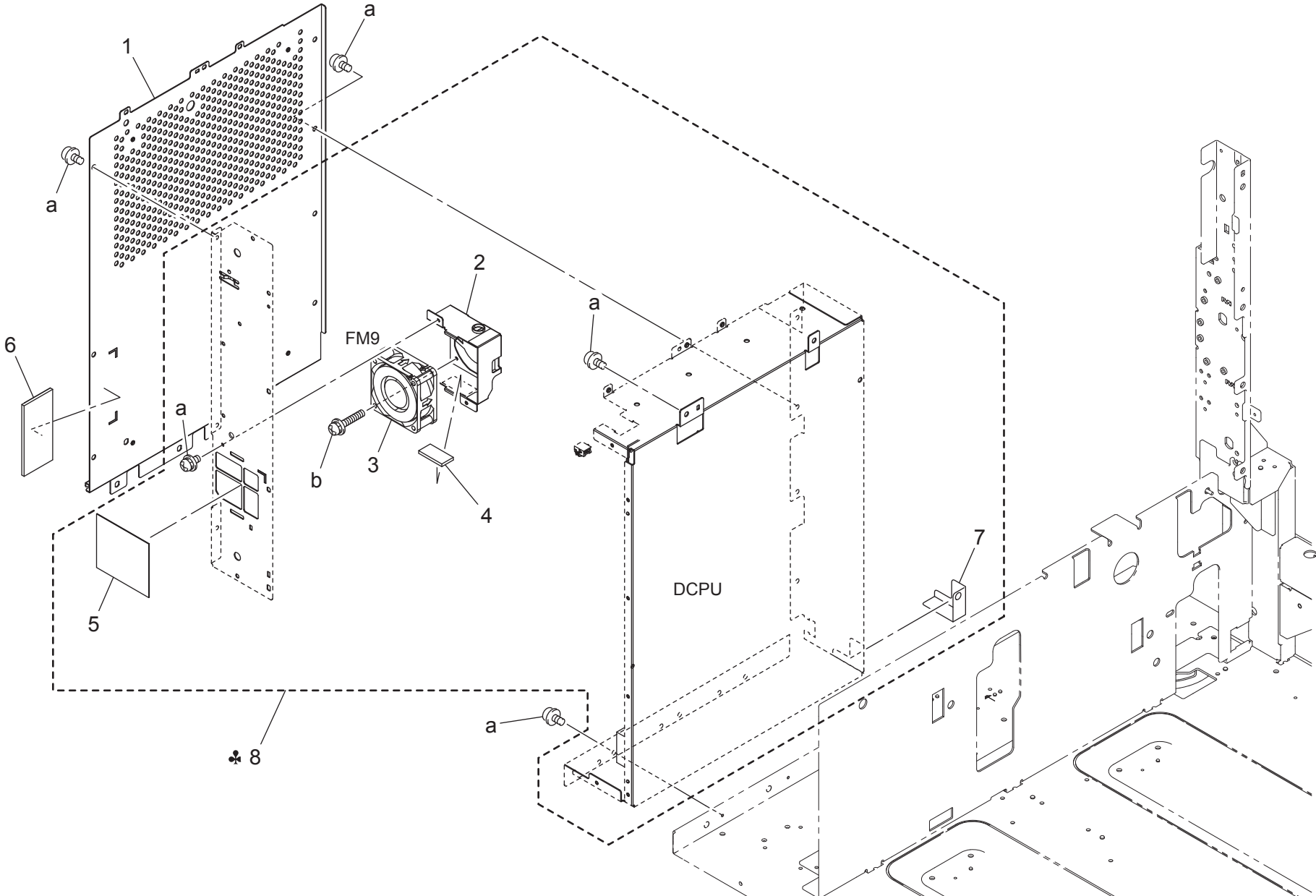
bizhub 502/bizhub 552/bizhub 602/bizhub 652

HIGH VOLTAGE UNIT

Key	Part No.	Description	Destinations	Class	QTY	Standard parts
1	A00J 1321 01	Guide Rail		D	1	a-V116 0308 03 b-V116 0306 03 c-V153 0308 03
2	A2WU M408 00	HV Power source /2		I	1	
3	A00J 1326 00	Guide Rail		D	1	
4	A00J 1409 00	Cover		C	1	
5	A00J 1378 00	Guide Holder		D	1	
6	A0P0 1323 00	Guide Rail /Right		D	1	
7	A00J 1340 00	Mounting Plate		D	1	
8	A2WU 1341 00	Mounting Plate /2		D	1	
9	A2WU M407 00	HV Power source /1		I	1	

bizhub 502/bizhub 552/bizhub 602/bizhub 652

MAIN POWER SUPPLY UNIT

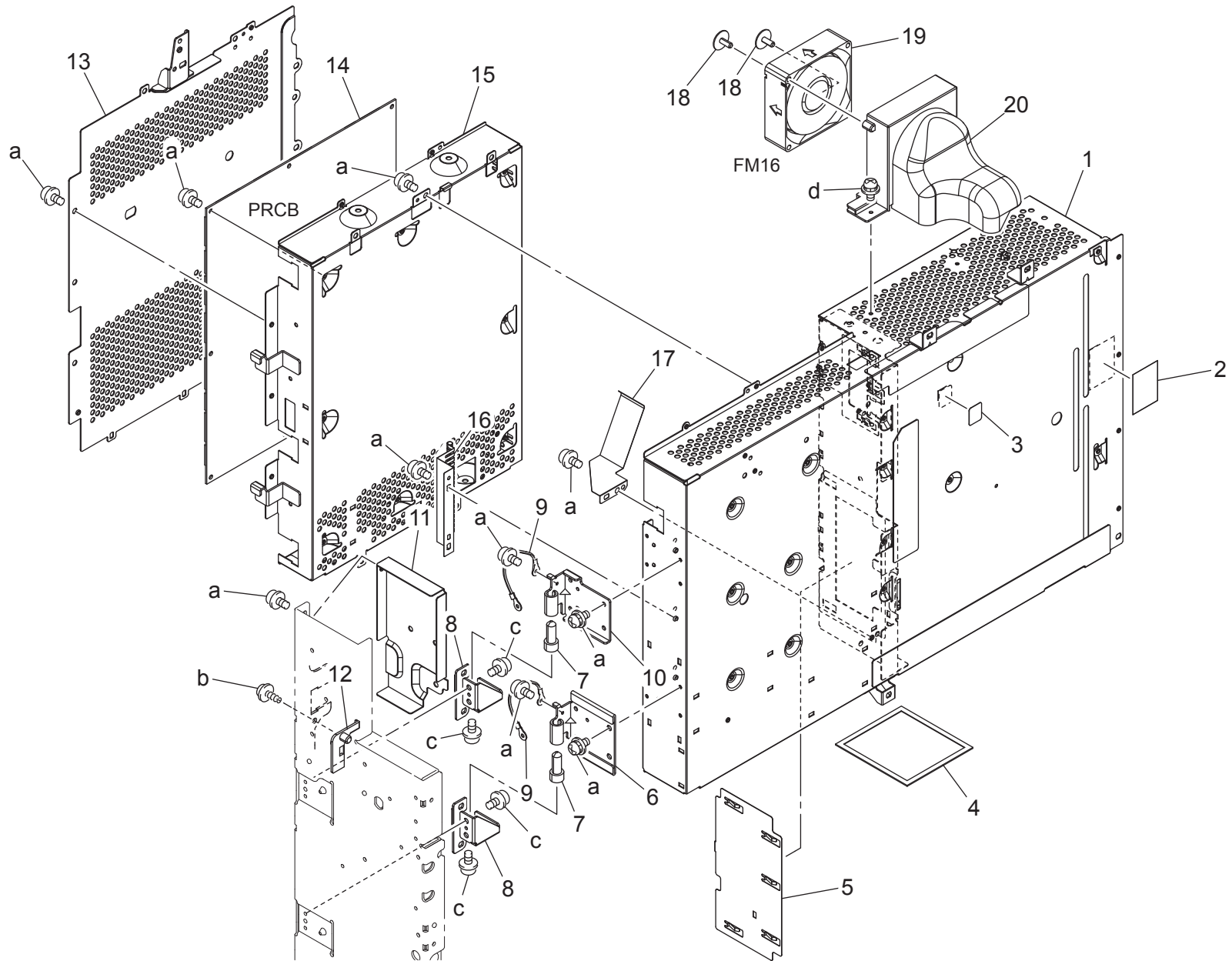


bizhub 502/bizhub 552/bizhub 602/bizhub 652

MAIN POWER SUPPLY UNIT

Key	Part No.	Description	Destinations	Class	QTY	Standard parts
1	A0P0 1324 00	Cover		C	1	a-V116 0306 03 b-V116 0330 03
2	A00J 1369 11	Mounting Plate		D	1	
3	4556 M100 00	FAN MOTOR		B	1	
4	A00J 1430 00	Seal		D	1	
5	A00J 1412 00	Dust-proof Filter		C	1	
6	A0P0 1436 00	Seal		C	1	
7	A00J 1435 00	Protection Part		C	1	
8	A0P0 R704 11	Main power assy 100V	A,A1,B,F1,G2	I	1	
8	A0P0 R705 11	Main power assy 200V	C,D1,D3,F2,G1,I,K	I	1	

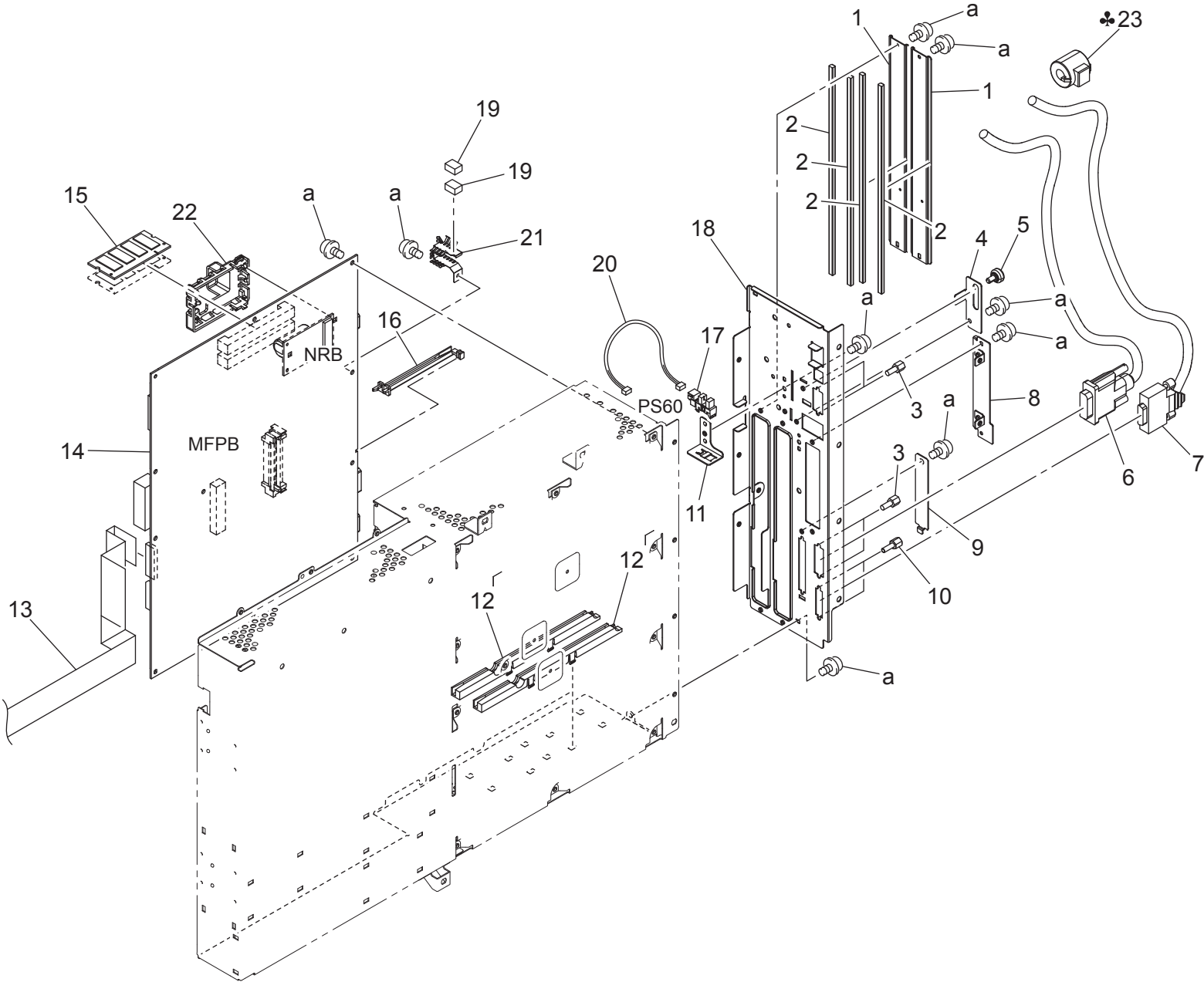
SHIELD BOX



bizhub 502/bizhub 552/bizhub 602/bizhub 652

Key	Part No.	Description	Destinations	Class	QTY	Standard parts
1	A0P0 1304 14	Mounting Plate /ASSY		D	1	a-V116 0306 03 b-V153 0308 03 c-V116 0408 03 d-V116 0308 03
2	A00J 2113 00	Insulating Sheet		C	1	
3	A00J 1410 00	Protection Part		C	1	
4	A0P0 1476 00	Filter		C	1	
5	A0P0 1496 00	Cover		D	1	
6	A00J 1394 00	Mounting Plate		C	1	
7	A00J 1406 00	Shaft		D	2	
8	A00J 1331 01	Mounting Plate		D	2	
9	4004 6854 01	WIRE HARNESS ASSY		D	2	
10	A00J 1335 00	Mounting Plate		C	1	
11	A0P0 1497 00	Cover		D	1	
12	A0P0 1483 00	Cover		D	1	
13	A0P0 1329 01	Cover /ASSY		C	1	
14	A2WU H001 01	PWB Assembly (PWB-MC ASSY)		I	1	
15	A0P0 1336 00	Mounting Plate /ASSY		C	1	
16	A0P0 1388 11	Plate spring		D	1	
17	A0P0 1464 00	Ground Plate		D	1	
18	4036 5966 01	SCREW		C	2	
19	9J03 M100 00	FAN MOTOR		B	1	
20	A00J 1561 02	Duct		D	1	

SHIELD BOX



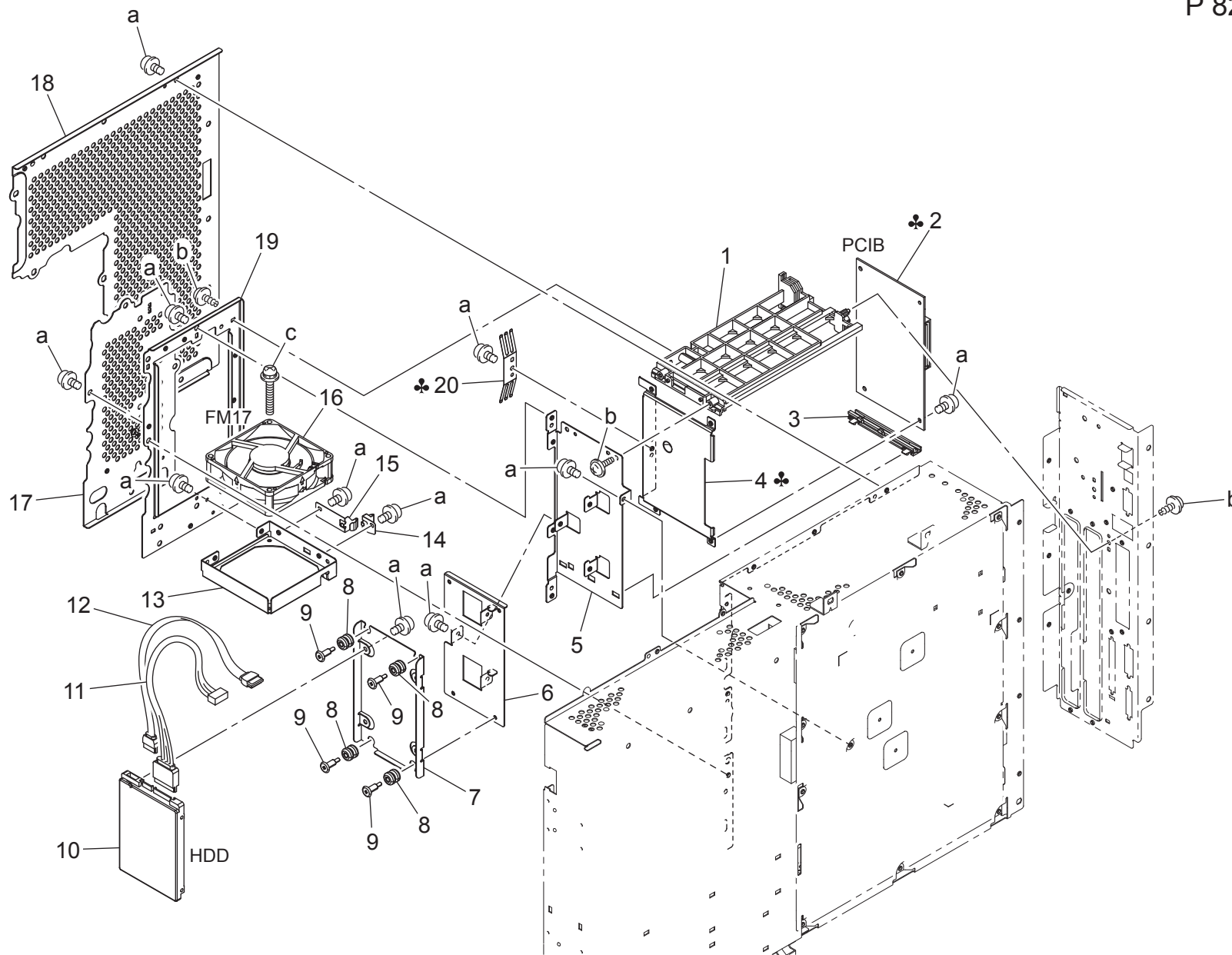
bizhub 502/bizhub 552/bizhub 602/bizhub 652

Key	Part No.	Description	Destinations	Class	QTY	Standard parts
1	4037 2247 01	COVER		C	2	a-V116 0306 03
2	A0P0 M903 00	Gasket		D	4	
3	4025 2283 01	SCREW		D	4	
4	A0P0 1472 01	Cover		C	1	
5	A0P0 1491 00	Shoulder screw		C	1	
6	A0P0 N150 00	Ope.unit Cable		C	1	
7	A0P0 N149 00	Interface Cable		C	1	
8	A0P0 1474 01	Mounting Plate		D	1	
9	A00J 1387 00	Cover		D	1	
10	A00J 1396 00	Screw		C	2	
11	A0P0 1449 00	Mounting Plate		D	1	
12	A00J 1367 00	Guide Rail		C	2	
13	A0P0 N12F 01	Control Relay harness /2		C	1	
14	A2WU H020 01	PWB assembly (PWB-MFP ASSY)	{bizhub 602/652}	I	1	
14	A2WV H020 01	PWB assembly (PWB-MFP ASSY)	{bizhub 502/552}	I	1	
15	V865 3000 26	MEMORY MODULES		C	1	
16	A0P0 1447 01	Rail		D	1	
17	A108 M501 00	Photointerrupter		B	1	
18	A0P0 1330 02	Cover		C	1	
19	4004 1829 02	CUSHION		C	2	
20	A0P0 N12R 00	Controller Relay harness /1		C	1	
21	A0P0 1459 00	Ground Plate		D	1	
22	A0P0 1473 00	Mounting Plate		D	1	
23	A0P0 M900 00	Ferritecore	C,D1,D3,F2,G1,I,K	D	1	

bizhub 502/bizhub 552/bizhub 602/bizhub 652

SHIELD BOX

P 82

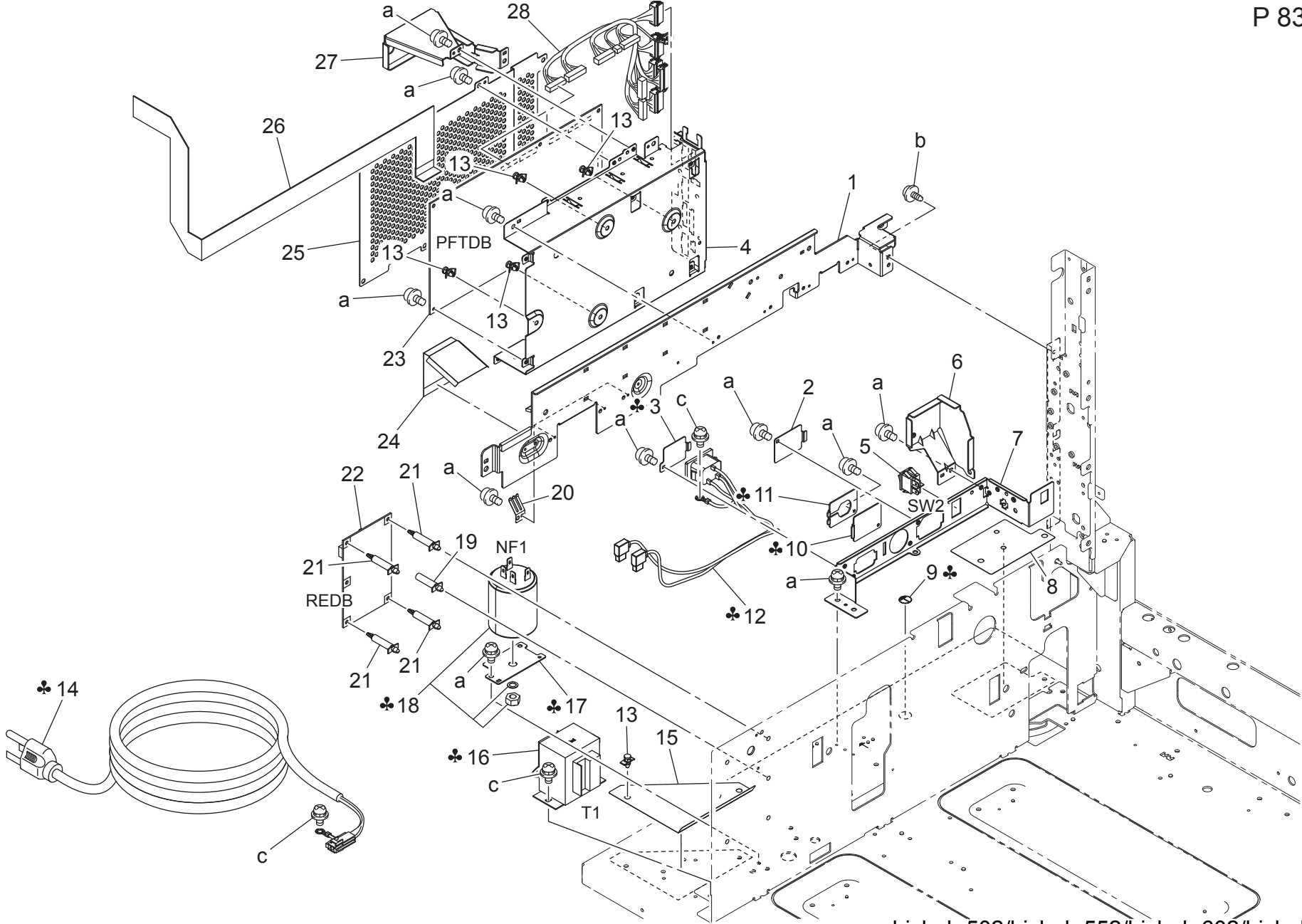


bizhub 502/bizhub 552/bizhub 602/bizhub 652

SHIELD BOX

Key	Part No.	Description	Destinations	Class	QTY	Standard parts
1	A0P0 1333 01	Rail		C	1	a-V116 0306 03 b-V153 0308 03 c-V116 0330 03
2	A0P0 H026 01	PWB assembly(PWB-PCI ASSY)	A,A1	I	1	
3	A0P0 1445 01	Rail		D	1	
4	A0P0 1479 01	Mounting Plate	A,A1	C	1	
5	A0P0 1366 11	Mounting Plate		C	1	
6	A0P0 1492 00	Mounting Plate		D	1	
7	A0P0 1441 00	Mounting Plate /1		D	1	
8	A0P0 1444 00	Bushing		D	4	
9	A0P0 1443 00	Shoulder screw		D	4	
10	A0ED M720 00	HDD		I	1	
11	A0P0 N152 00	Cable		C	1	
12	A0P0 N151 00	Cable		C	1	
13	A0P0 1442 00	Mounting Plate		D	1	
14	A0P0 1593 00	Contact		D	1	
15	A0P0 1592 00	Contact		D	1	
16	A0ED M105 00	Fan motor		C	1	
17	A0P0 1448 00	Cover		C	1	
18	A0P0 1328 01	Cover		C	1	
19	A0P0 1477 00	Rail		D	1	
20	A0P0 1493 00	Plate spring	A,A1	D	1	

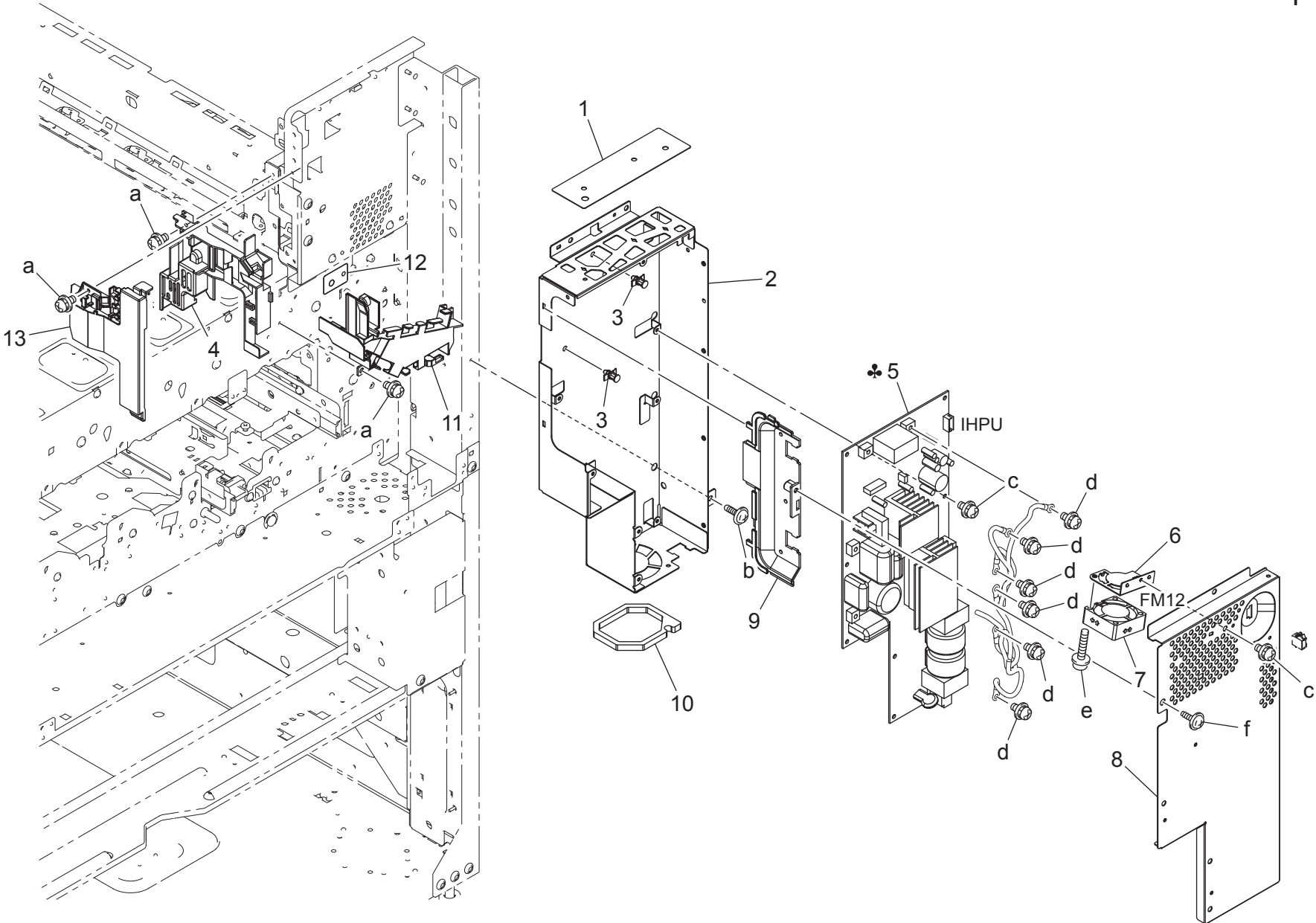
REAR ELECTRICAL SECTION



bizhub 502/bizhub 552/bizhub 602/bizhub 652

REAR ELECTRICAL SECTION

Key	Part No.	Description	Destinations	Class	QTY	Standard parts
1	A0P0 1337 01	Stay		D	1	a-V116 0306 03 b-V137 0408 03 c-V116 0408 03
2	A00J 1390 00	Cover		D	1	
3	A00J 1391 00	Cover	A,A1,B,F1,G2	D	1	
4	A0P0 1338 00	Mounting Plate /ASSY		D	1	
5	A00J M603 00	Rocker switch		C	1	
6	A00J 1364 00	Mounting Plate		D	1	
7	A00J 1347 02	Mounting Plate		D	1	
8	A00J 1404 01	Protection Part		C	1	
9	9J06 7301 01	LABEL	A,A1,B,F1,G2	D	1	
10	A00J 1389 00	Cover	C,D1,D3,F2,G1,I,K	D	1	
11	4037 2239 02	BRACKET	A,A1,B,F1,G2	D	1	
12	A00J N107 01	AC Relay harness /1	C,D1,D3,F2,G1,I,K	D	1	
13	V502 0100 26	SUPPORT		D	5	
14	4037 0775 01	POWER CORD	A,A1	D	1	
14	A0P0 N300 00	Power source Cord /120V	B,G2	D	1	
14	A00J N301 00	Power cord	F1	D	1	
15	A00J 1405 01	Protection Part		C	1	
16	56AA 8452 0	POWER SOURCE TRANSFORMER	A,A1	C	1	
16	56AF 8452 1	POWER SOURCE TRANSFORMER	D1,D3,F2,G1,I,K	C	1	
16	56AE 8452 0	POWER SOURCE TRANSFORMER	F1	C	1	
17	A00J 1408 00	Mounting Plate	C,D1,D3,F2,G1,I,K	D	1	
18	56QE 8826 1	NOISE FILTER	C,D1,D3,F2,G1,I,K	D	1	
19	V502 0100 57	Circuit Board Spacer		D	1	
20	A0P0 1488 01	Plate spring		D	3	
21	V502 0100 56	Circuit Board Spacer		D	4	
22	A00J H004 00	PWB Assembly RL		I	1	
23	A0P0 H002 00	PWB Assembly (PWB-KH ASSY)		I	1	
24	A2WU 1339 00	Cover		D	1	
25	A00J 1379 00	Cover		D	1	
26	A0P0 N12E 00	Control Relay harness /1		C	1	
27	A00J 1363 02	Mounting Plate		D	1	
28	A0P0 N103 00	Paperfeed Control harness		C	1	



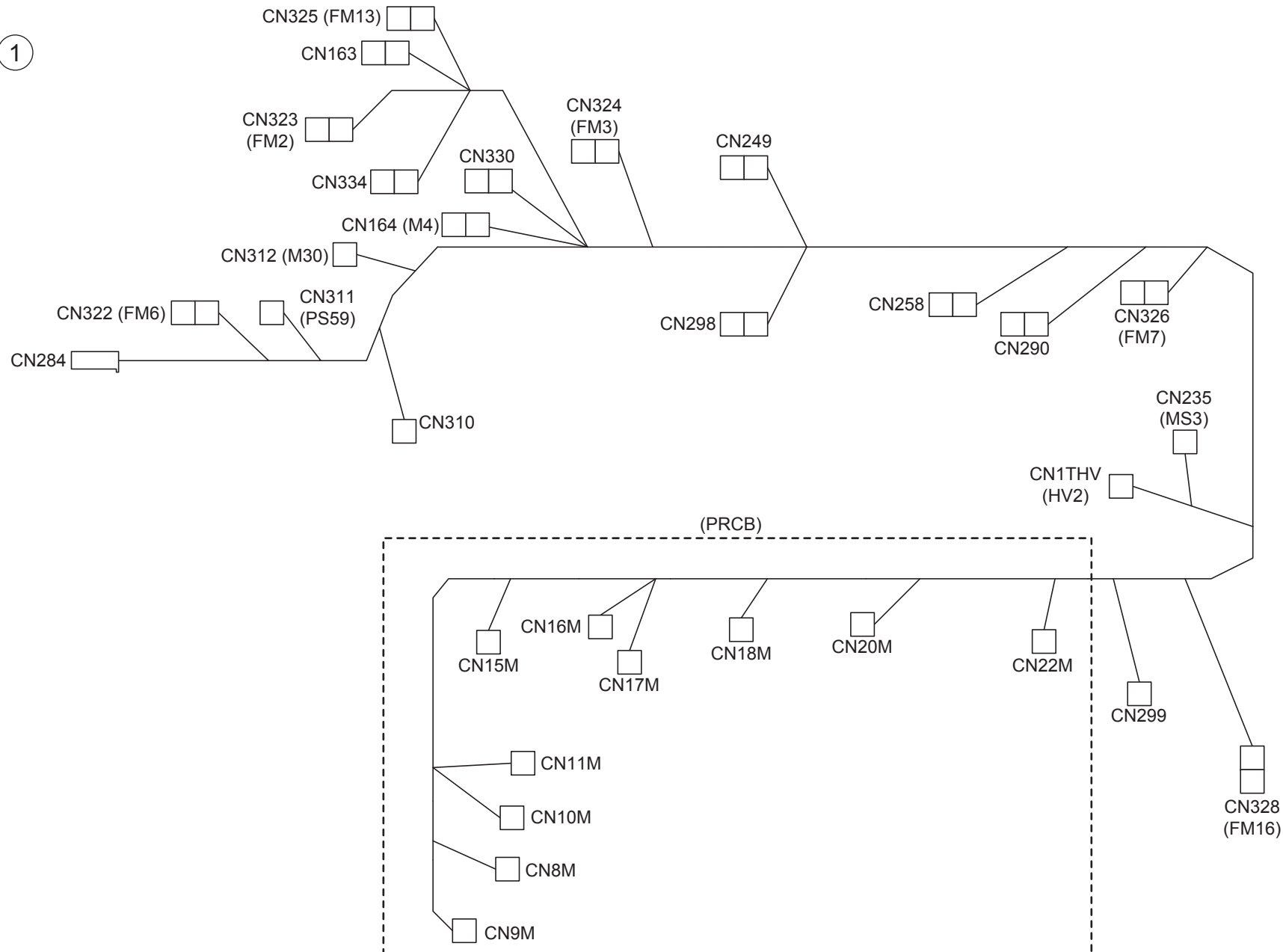
bizhub 502/bizhub 552/bizhub 602/bizhub 652

Key	Part No.	Description	Destinations	Class	QTY	Standard parts
1	A0P0 1413 00	Protection Cover		D	1	a-V116 0308 03 b-V126 0306 03 c-V116 0306 03 d-V116 0408 03 e-V116 0320 03 f-V153 0408 03
2	A0P0 1315 00	Mounting Plate /ASSY		D	1	
3	V502 0100 36	spacer		D	2	
4	A0P0 1357 00	Guide Cover		D	1	
5	A2WU M400 00	Power source	A,A1,B,F1,G2{bizhub 602/652 }	I	1	
5	A0P0 M401 04	Power source	C,D1,D3,F2,G1,I,K{bizhub 65 2}	I	1	
5	A2WV M400 00	Power source	A,A1,B,F1,G2{bizhub 502/552 }	I	1	
5	A0P1 M401 04	Power source	C,D1,D3,F2,G1,I,K{bizhub 55 2}	I	1	
6	A00J 1325 00	Mounting Plate		D	1	
7	A00J M141 00	Fan motor		C	1	
8	A0P0 1313 01	Cover		D	1	
9	A0P0 1490 00	Mounting Plate		D	1	
10	A0P0 1489 00	Seal		D	1	
11	A0P0 1384 00	Cover		D	1	
12	A0P0 1498 00	Protection Seal		D	1	
13	A0P0 1343 00	Cover Holder		D	1	

bizhub 502/bizhub 552/bizhub 602/bizhub 652

WIRING

1

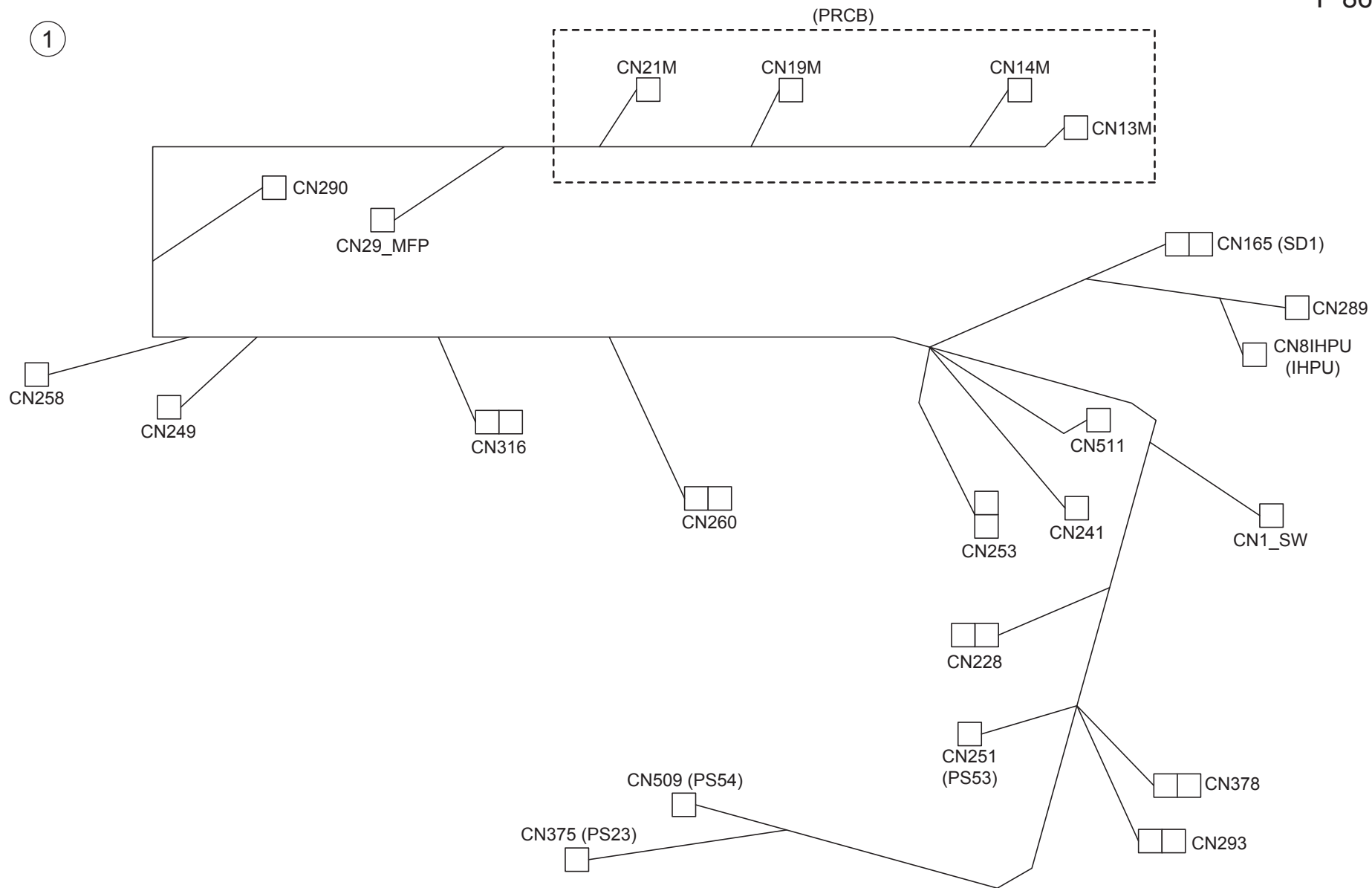


bizhub 502/bizhub 552/bizhub 602/bizhub 652

Key	Part No.	Description	Destinations	Class	QTY	Standard parts
1	A0P0 N100 02	Main body Wiring /1		C	1	

WIRING

1

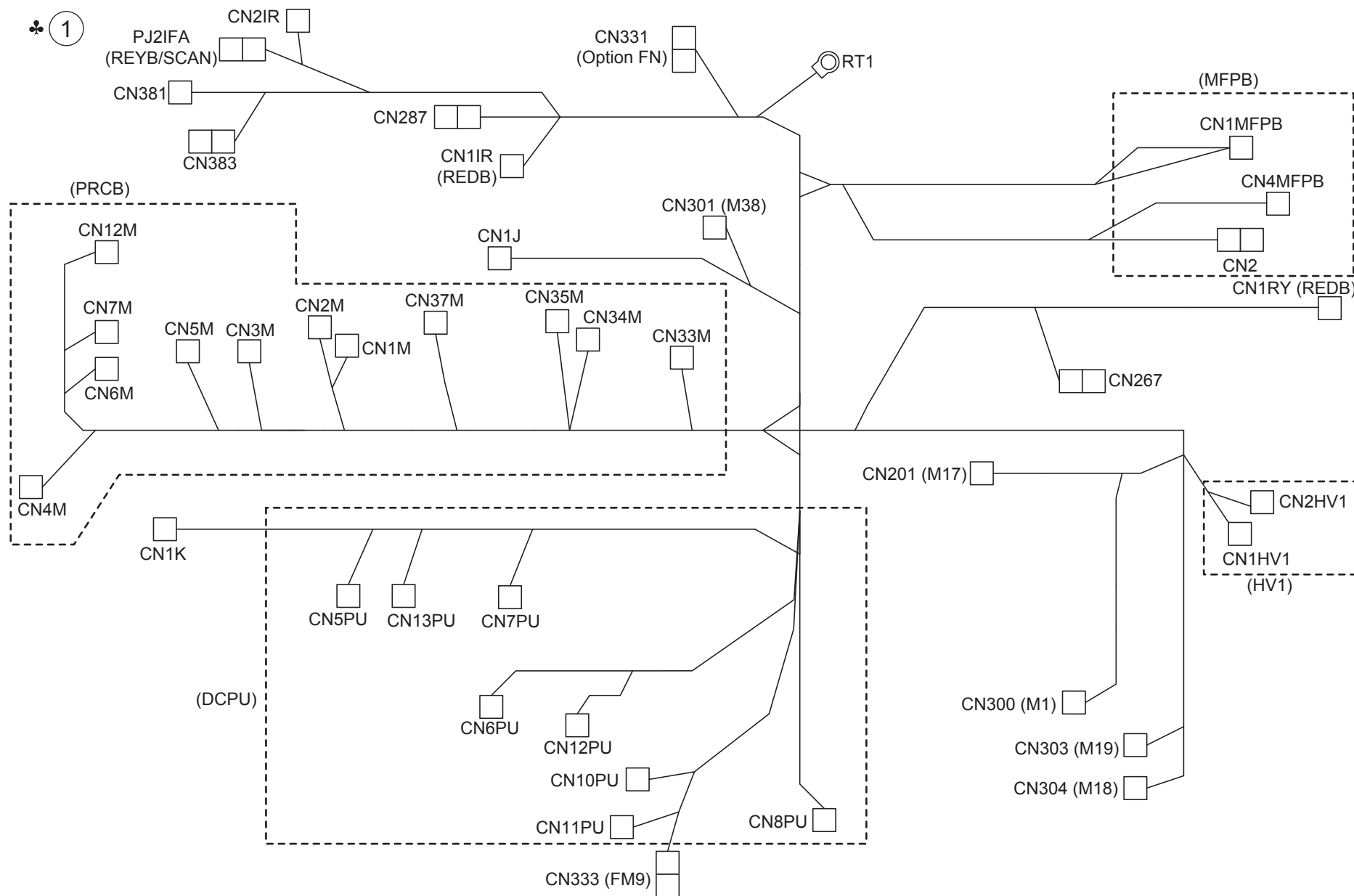


bizhub 502/bizhub 552/bizhub 602/bizhub 652

Key	Part No.	Description	Destinations	Class	QTY	Standard parts
1	A2WU N102 01	Main body Relay harness /Upper		D	1	

bizhub 502/bizhub 552/bizhub 602/bizhub 652

WIRING



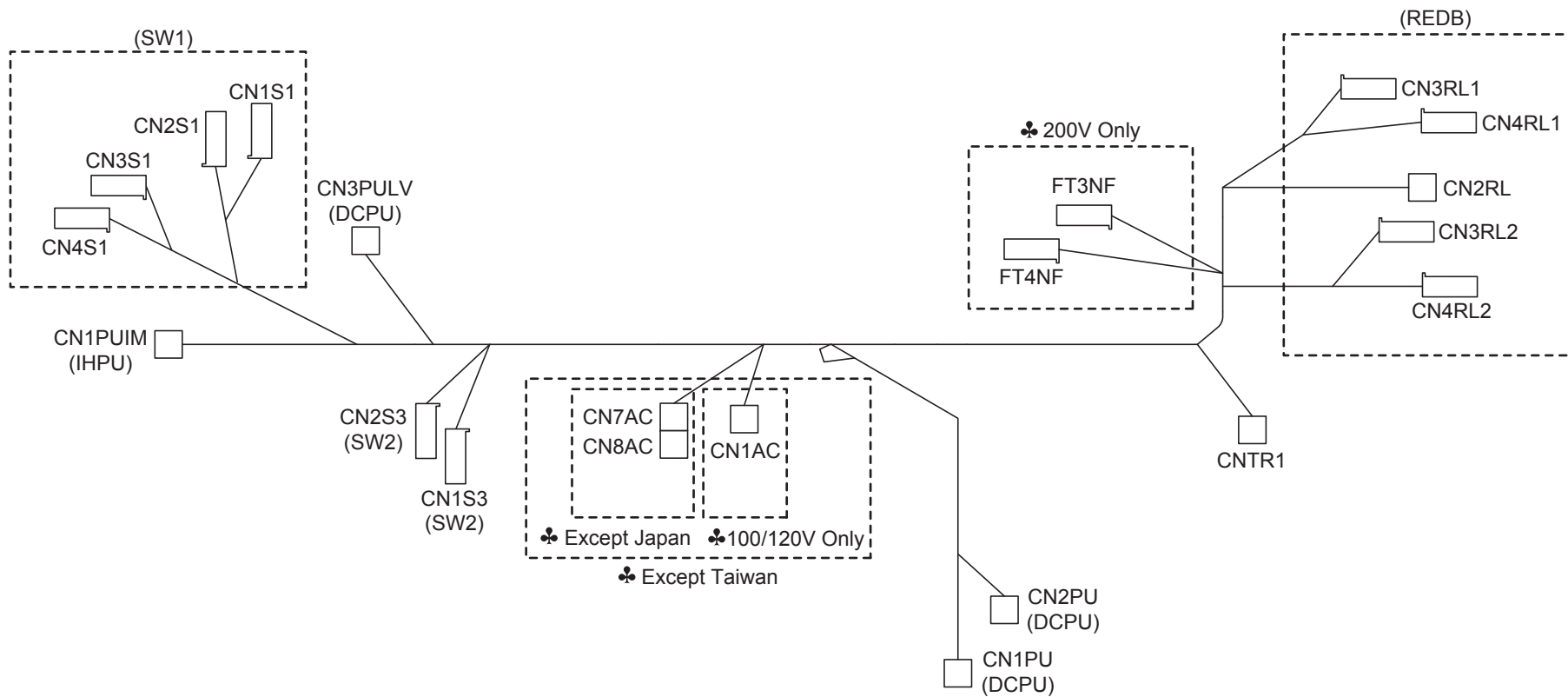
bizhub 502/bizhub 552/bizhub 602/bizhub 652

WIRING

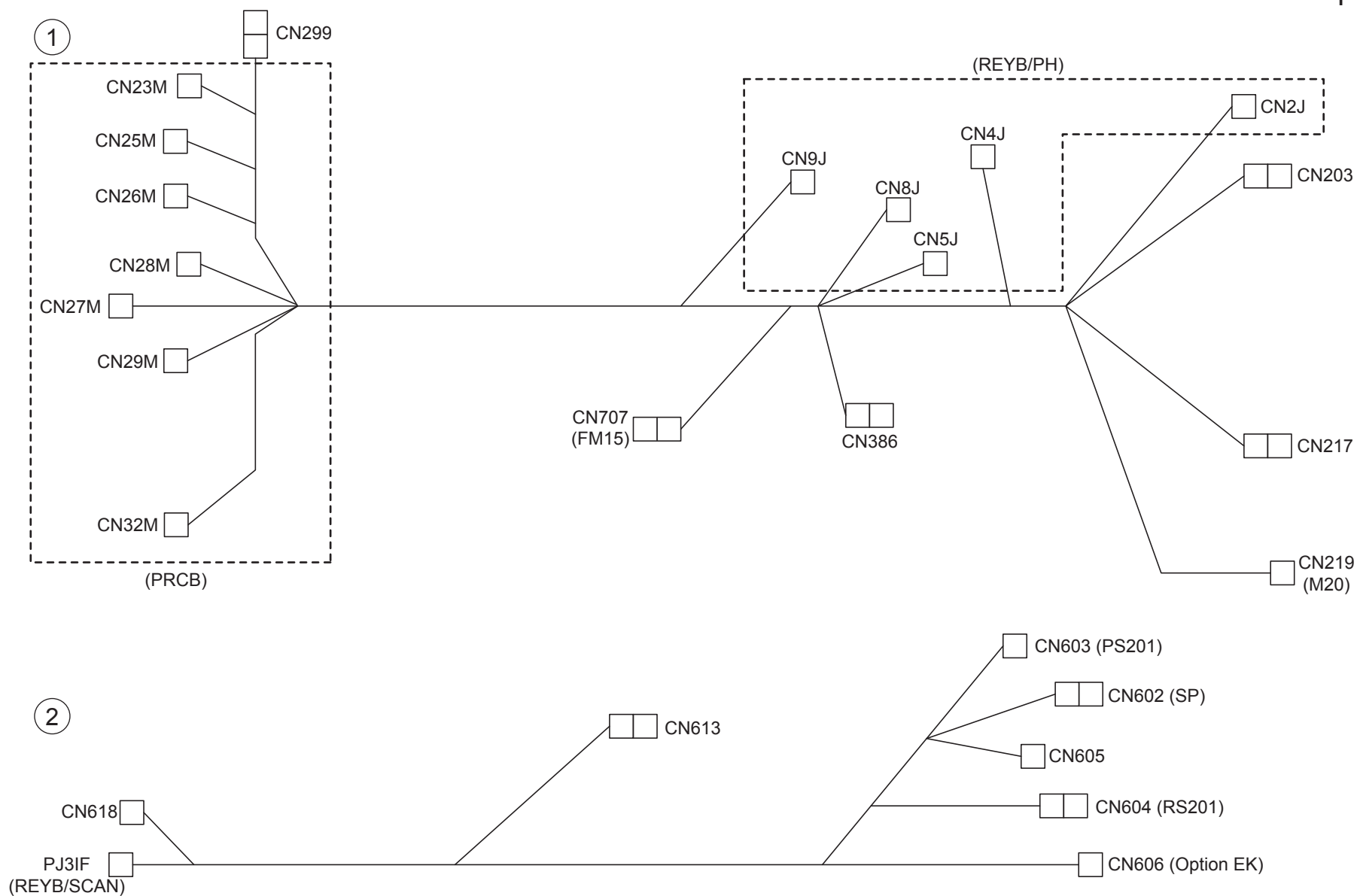
Key	Part No.	Description	Destinations	Class	QTY	Standard parts
1	A2WU N10R 00	DC Power source harness /B	A,A1	D	1	
1	A2WU N101 00	DC Power source harness /A	B,C,D1,D3,F1,F2,G1,G2,I,K	D	1	

bizhub 502/bizhub 552/bizhub 602/bizhub 652

♣ 1



Key	Part No.	Description	Destinations	Class	QTY	Standard parts
1	A0P1 N105 01	AC Wiring	A,A1	D	1	
1	A0P2 N106 00	AC Wiring	B,G2	D	1	
1	A0P0 N106 01	AC Wiring	F1	D	1	
1	A0P2 N10Y 00	AC Wiring	C	D	1	
1	A0P0 N10Y 01	AC Wiring	D1,D3,F2,G1,I,K	D	1	



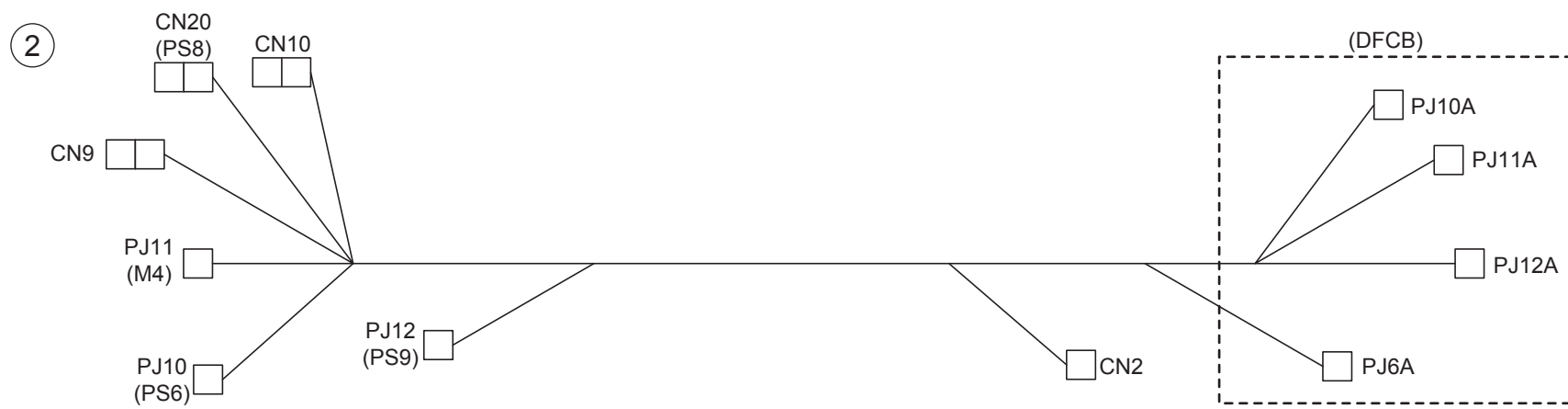
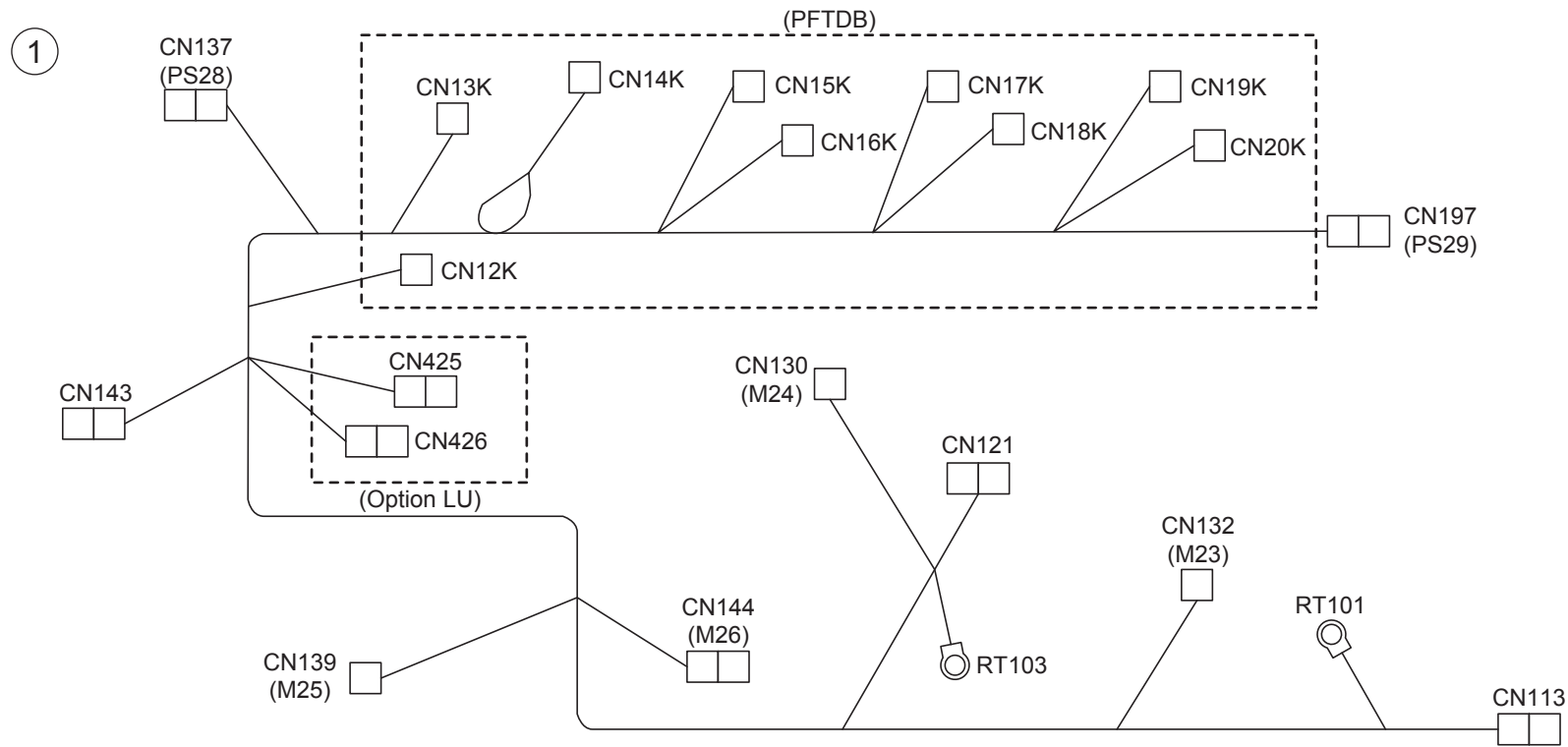
bizhub 502/bizhub 552/bizhub 602/bizhub 652



WIRING

Key	Part No.	Description	Destinations	Class	QTY	Standard parts
1	A2WU N10A 00	Main body Wiring /2	{bizhub 602/652}	D	1	
1	A2WV N10A 00	Main body Wiring /2	{bizhub 502/552}	D	1	
2	A0P0 N144 00	Scanner Wiring /4		D	1	

bizhub 502/bizhub 552/bizhub 602/bizhub 652



bizhub 502/bizhub 552/bizhub 602/bizhub 652

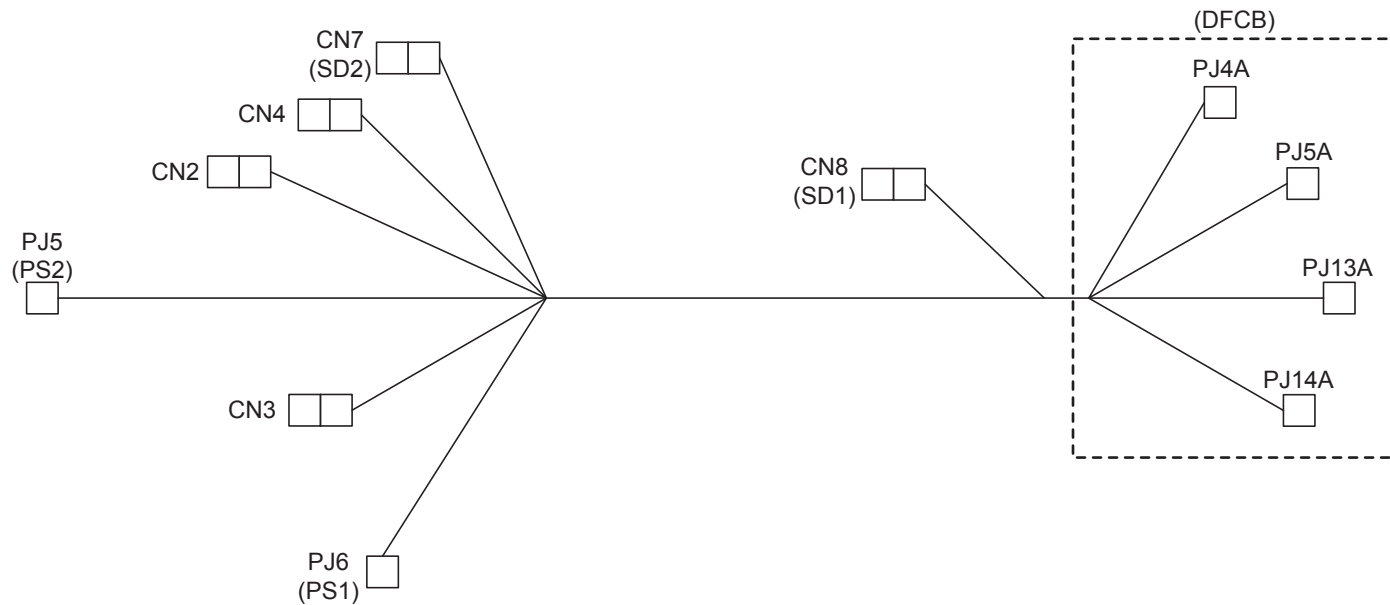
WIRING

Key	Part No.	Description	Destinations	Class	QTY	Standard parts
1	A0P0 N104 00	PFU Wiring		D	1	
2	A0HT N103 00	ADF Wiring		D	1	

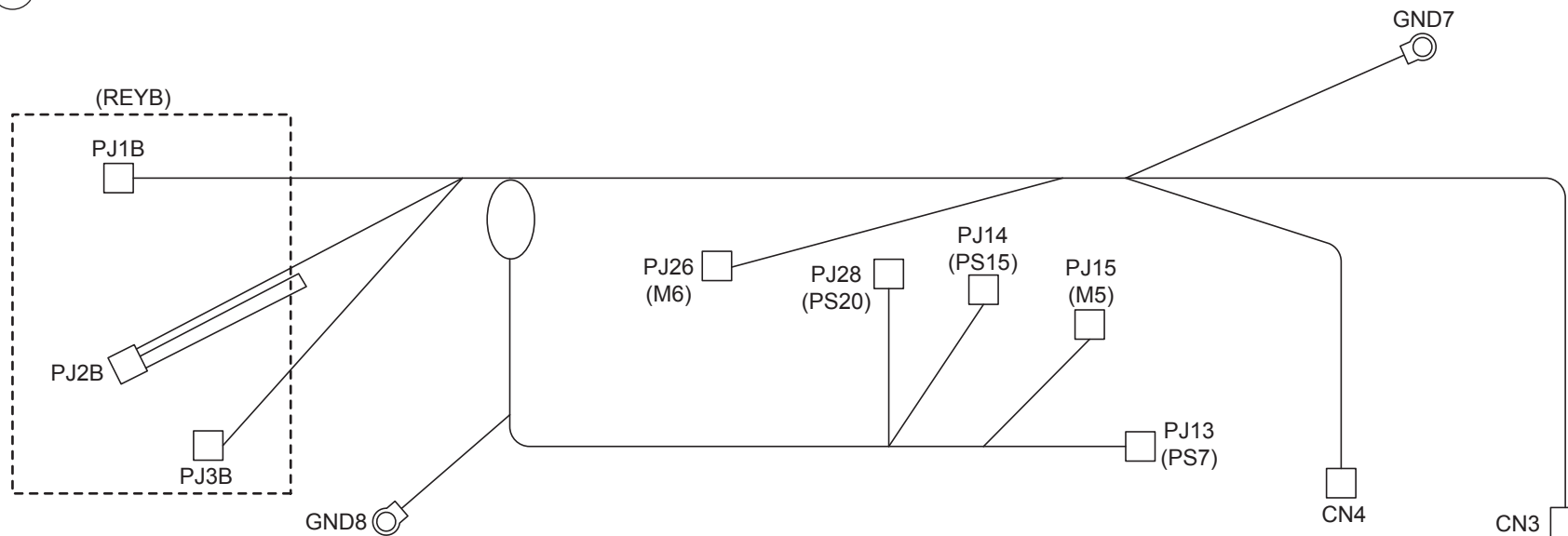
bizhub 502/bizhub 552/bizhub 602/bizhub 652

WIRING

1



2



bizhub 502/bizhub 552/bizhub 602/bizhub 652

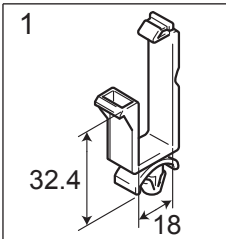
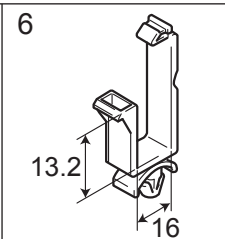
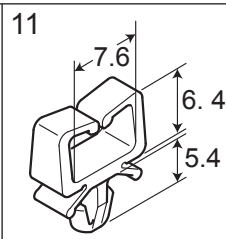
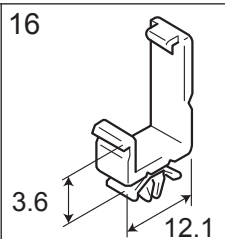
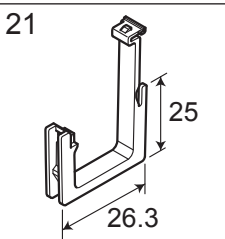
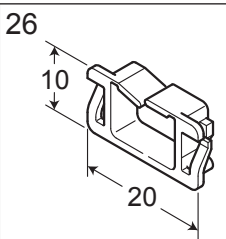
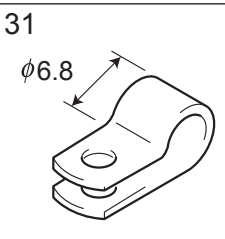
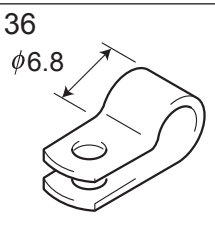
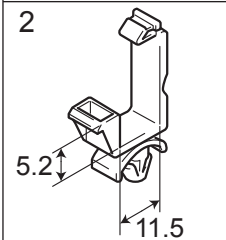
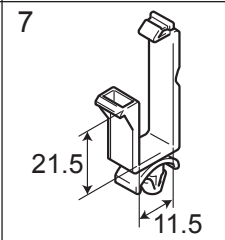
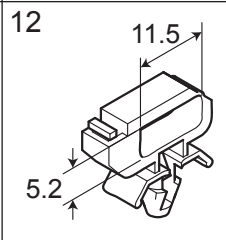
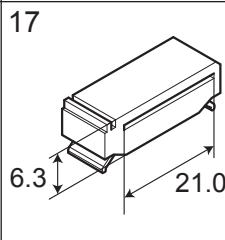
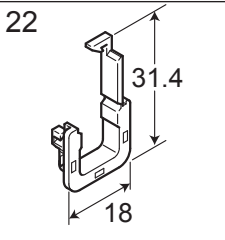
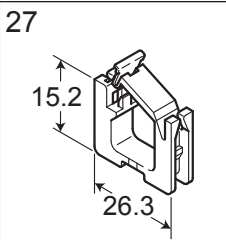
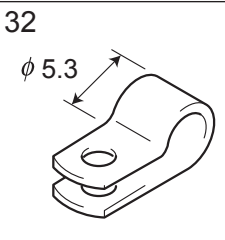
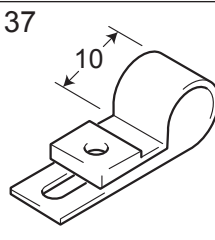
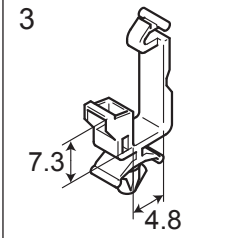
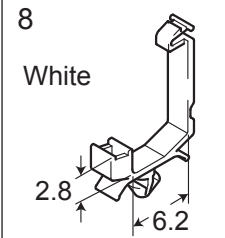
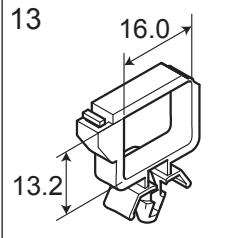
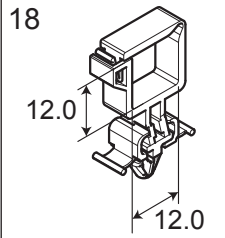
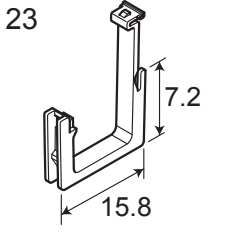
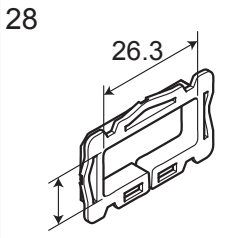
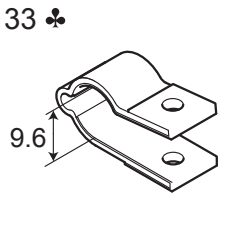
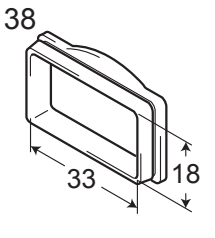
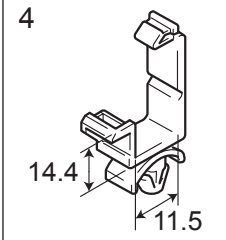
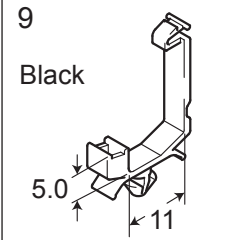
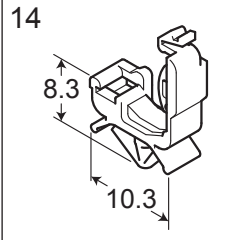
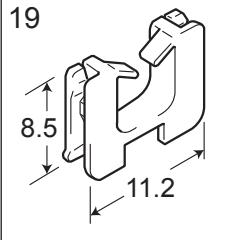
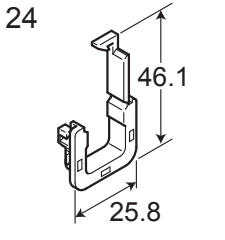
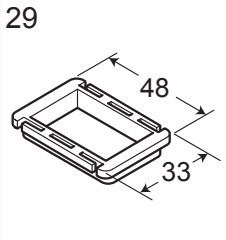
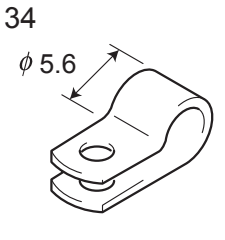
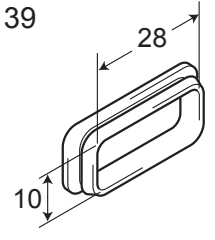
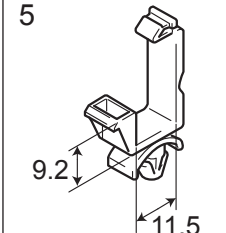
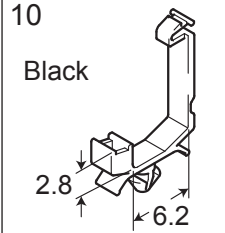
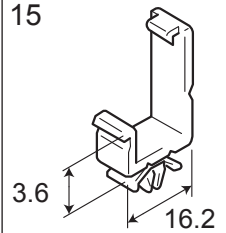
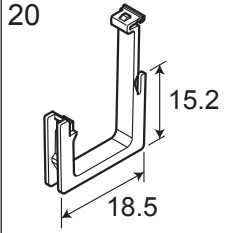
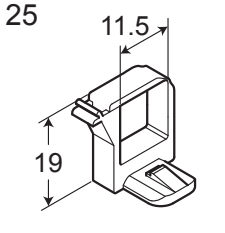
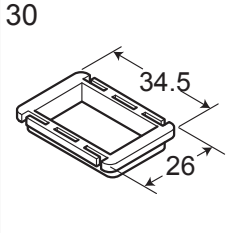
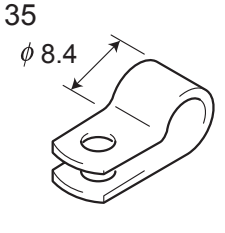
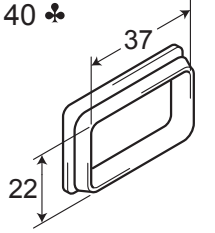
WIRING

Key	Part No.	Description	Destinations	Class	QTY	Standard parts
1	A0HT N100 00	ADF Wiring		D	1	
2	A0HT N101 02	ADF Wiring		C	1	

bizhub 502/bizhub 552/bizhub 602/bizhub 652

WIRING ACCESSORIES AND JIGS

P 92

1  32.4 18	6  13.2 16	11  7.6 6.4 5.4	16  3.6 12.1	21  25 26.3	26  10 20	31  $\phi 6.8$	36  $\phi 6.8$
2  5.2 11.5	7  21.5 11.5	12  11.5 5.2	17  6.3 21.0	22  31.4 18	27  15.2 26.3	32  $\phi 5.3$	37  10
3  7.3 4.8	8 White  2.8 6.2	13  16.0 13.2	18  12.0 12.0	23  7.2 15.8	28  26.3	33 ♣  9.6	38  33 18
4  14.4 11.5	9 Black  5.0 11	14  8.3 10.3	19  8.5 11.2	24  46.1 25.8	29  48 33	34  $\phi 5.6$	39  28 10
5  9.2 11.5	10 Black  2.8 6.2	15  3.6 16.2	20  15.2 18.5	25  11.5 19	30  34.5 26	35  $\phi 8.4$	40 ♣  37 22

bizhub 502/bizhub 552/bizhub 602/bizhub 652

Key	Part No.	Description	Destinations	Class	QTY	Standard parts
1	V500 0100 15	saddle		D		
2	V500 0100 03	Saddle		D		
3	V500 0100 20	Saddle		D		
4	V500 0100 07	saddle		D		
5	V500 0100 05	saddle		D		
6	V500 0100 08	saddle		D		
7	V500 0100 13	saddle		D		
8	V500 0100 46	saddle		D		
9	V500 0100 54	SADDLE		D		
10	V500 0100 55	SADDLE		D		
11	V500 0100 23	clip		D		
12	V500 0100 52	SADDLE		D		
13	V500 0100 53	SADDLE		D		
14	V500 0200 77	wabe Clamp		D		
15	V500 0200 10	clip		D		
16	V500 0200 11	clip		D		
17	V500 0200 88	Clamping for FFC		D		
18	V500 0200 89	CodeClamp		D		
19	V570 0100 21	Saddle		D		
20	V570 0100 26	saddle		D		
21	V570 0100 28	saddle		D		
22	V570 0100 31	holder		D		
23	V570 0100 46	SADDLE		D		
24	V570 0100 32	holder		D		
25	V500 0100 22	saddle		D		
26	V570 0100 23	saddle		D		
27	V570 0100 27	saddle		D		
28	V570 0100 47	SQUARE CLAMP		D		
29	V570 0100 39	bushing		D		
30	V570 0100 38	bushing		D		
31	V500 0200 19	clamp		D		
32	V500 0200 37	clamp		D		
33	V500 0200 25	clamp	C,D1,D3,F2,G1,I,K	D		
34	V500 0200 18	clamp		D		
35	V500 0200 39	clamp		D		
36	V500 0200 38	clamp		D		
37	1038 4006 01	INSULATING MEMBER		D		
38	1050 4805 01	INSULATING MEMBER		D		
39	1052 4301 02	GROMMENT		D		
40	9384 1600 11	P-CLIP 10D	A,A1,B,F1,G2	D		

WIRING ACCESSORIES AND JIGS

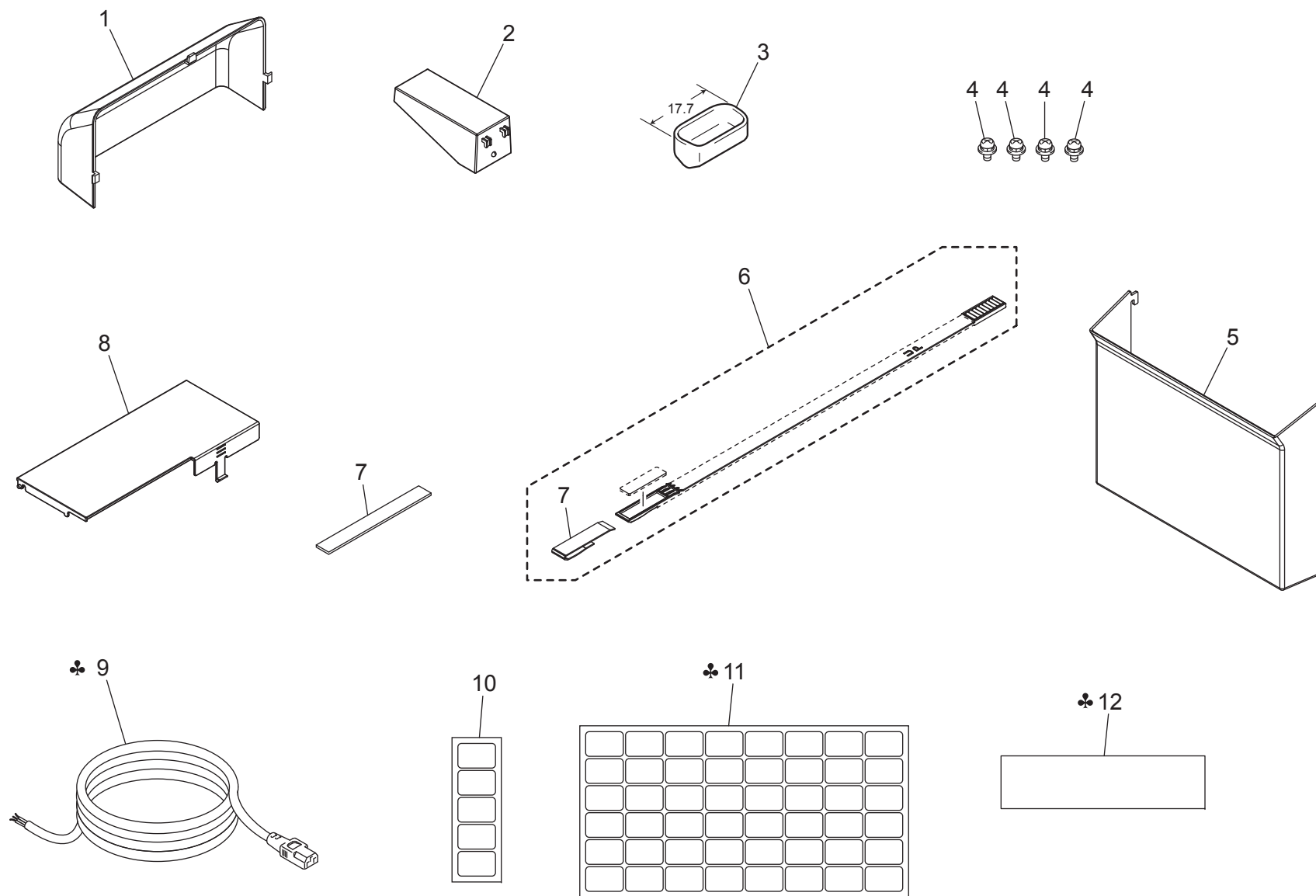
P 93

<p>1 ♣</p>	<p>6</p> <p>L=104</p>	<p>11 ♣</p>	16	21	26	31	36
<p>2</p>	<p>7</p> <p>L=100</p>	12	17	22	27	32	37
<p>3</p>	<p>8</p> <p>3P</p>	13	18	23	28	33	38
<p>4 ♣</p>	<p>9</p>	14	19	24	29	34	39
<p>5</p> <p>33</p>	<p>10</p>	15	20	25	30	35	40

bizhub 502/bizhub 552/bizhub 602/bizhub 652

Key	Part No.	Description	Destinations	Class	QTY	Standard parts
1	V500 0200 52	bushing	A,A1,B,F1,G2	D		
2	1053 4812 01	CORD CLAMP		D		
3	1065 5872 02	CORD CLAMP		D		
4	1065 5872 02	CORD CLAMP	A,A1,D1,D3,F1,F2,G1,I,K	D		
5	V500 0200 82	Clamping for FFC		V		
6	V501 0100 01	band		D		
7	V501 0100 18	BAND		D		
8	V818 6000 15	PLUG HOUSING		D		
9	9J06 PJG0 00	JIG		S	1	
10	9J06 PJG1 00	JIG		S	1	
11	A0P0 9899 00	Packing Parts	A,A1,B,C,F1,G2	S	1	

ACCESSORY PARTS



bizhub 502/bizhub 552/bizhub 602/bizhub 652

ACCESSORY PARTS

Key	Part No.	Description	Destinations	Class	QTY	Standard parts
1	A00J 1662 00	Installing Spacer /Right		C	1	
2	A00J 1661 01	Installing Spacer		C	1	
3	V503 0100 02	Connector Cover		D	1	
4	V116 0408 03	Screw		V	4	
5	A00J 1699 01	Holder		C	1	
6	A00J R729 00	CLEANING PART ASSY		C	1	
7	A00J 1062 02	Cleaning Pad		C	2	
8	A00J 6230 01	Cover		C	1	
9	9381 4300 41	POWER CORD	D1,D3,F2,G1,I,K	C	1	
10	A00J 9432 00	Label 1 2 3 4 L		C	1	
11	A00J 9430 00	Label Metric	A,A1,C,D1,D3,F1,F2,G1,I,K	C	1	
11	A00J 9431 00	Label Inch	B,G2	C	1	
12	A00J 9401 00	Label Legal Restriction	C,D1,D3,F2,G1,I,K	C	1	

bizhub 502/bizhub 552/bizhub 602/bizhub 652

MAINTENANCE LIST

● The items with no Page/Key numbers are not handled as spare parts.

No.	Section	PM Parts Description	Maintenance Cycle (K=1,000)		Parts No.	Destinations	Page/Key	Note
			QTY	Replace				
1	ADF	Pick-up roller	2	300k *1	9J07330101		P4-31	*3
2		Feed roller	1	300k *1	A00J563600		P4-34	*3
3		Separation roller	1	300k *1	A108563900		P6-1	*3
4	Tray 1	Feed roller	1	300k *1	A00J563600		P34-9	*3
5		Separation roller assy	1	300k *1	A0P0R74000		P35-19	*3
6		Pick-up roller	1	300k *1	A00J563600		P34-9	*3
7	Tray 2	Feed roller	1	300k *1	A00J563600		P36-18	*3
8		Separation roller assy	1	300k *1	A0P0R74000		P37-19	*3
9		Pick-up roller	1	300k *1	A00J563600		P36-18	*3
10	Tray 3	Feed roller	1	300k *1	A00J563600		P42-13	*3
11		Separation roller	1	300k *1	A00J563600		P43-16	*3
12		Pick-up roller	1	300k *1	A00J563600		P42-13	*3
13	Tray 4	Feed roller	1	300k *1	A00J563600		P47-16	*3
14		Separation roller	1	300k *1	A00J563600		P48-18	*3
15		Pick-up roller	1	300k *1	A00J563600		P47-16	*3
16	Manual bypass tray	Feed roller	1	300k *1	A00J563600		P56-11	*3
17		Separation roller assy	1	300k *1	A0P0R74100		P57-23	*3
18		Pick-up roller	1	300k *1	A00J563600		P56-11	*3
19	Conveyance section	Transfer roller unit	1	600k *2	A0P0R71900		P30-1	
20	Fusing section	Fusing unit	1	600k *2	A0P0R73222	100V Area	P63-1	
21		Fusing unit	1	600k *2	A0P0R73322	120V Area	P63-1	
22		Fusing unit	1	600k *2	A0P0R73422	200V Area	P63-1	
23	Processing section	Drum unit	1	300k *2	-		-	*5
24		Developing unit	1	1200k *2	-		-	
25		Ozone filter	1	300k *2	A00JR73100		P28-16	
26		Toner cartridge	1	37.5k *2	-		-	*4
27		Toner filter	1	300k *2	A0P0R70100		P76-12	
28	Image transfer section	Transfer belt unit	1	600k *2	A2WUR70311		P30-2	
29		Waste toner box	1	(160k) *2	A2WYWY1		P33-4	*4,7

*1: Actual durable cycle (life counter value)

*2: Field standard yield (Refer to the Service Manual.)

*3: Replace those three parts at the same time.

*4: The parts can be replaced either by user or service engineer.

*5: The ozone filter and the toner filter are furnished with the drum unit/K so that all of them are replaced at same time.

*6: When either black counter arrived at the replacing cycle.

*7: A waste toner full condition is detected with detecting the actual waste toner emissions.

DESTINATION

Destination No.		Destinations		V	Hz	Model No.
A	A1	JAPAN		100	50/60	A2WU001/ A2WV001
	A2	JAPAN				
B		USA, CANADA		120	60	A2WU011/ A2WU012/ A2WV011/ A2WV012
C		EUROPEAN TYPE		220-240	50/60	A2WU021/ A2WV021
D	D1	S.E ASIA TYPE	THAILAND, SRI LANKA, SINGAPORE, MALAYSIA, HONG KONG, PAKISTAN, INDIA, BANGLADESH, INDONESIA	220-240	50/60	A2WU041/ A2WV041
	D3	OCEANIA TYPE	AUSTRALIA, NEW ZEALAND	220-240	50/60	A2WU041/ A2WV041
E		PHILIPPINES		220-240	50/60	
F	F1	SAUDI ARABIA		127	60	A2WU0M1/ A2WV0M1
	F2	SAUDI ARABIA		220-240	50/60	A2WU041/ A2WV041
G	G1	C.S AMERICA		220-240	50/60	A2WU041/ A2WV041
	G2	C.S AMERICA		120	60	A2WU011/ A2WV011
H		TAIWAN				
I		JORDAN, LEBANON, SYRIA, SOUTH AFRICA, IRAQ, IRAN, N.YEMEN, CAMEROON, UAE, SAUDI ARABIA, OMAN, QATAR, KUWAIT, KENYA, TUNISIA, IVORY COAST, MOROCCO		220-240	50/60	A2WU041/ A2WV041

bizhub 502/bizhub 552/bizhub 602/bizhub 652

Destination No.	Destinations	V	Hz	Model No.
J	CHINA			
K	KOREA	220-240	50/60	A2WU041/ A2WV041

bizhub 502/bizhub 552/bizhub 602/bizhub 652