

KONICA MINOLTA

PARTS GUIDE MANUAL

MARCH 2020

bizhub 558e
AA6T

INFORMATION FOR PARTS GUIDE MANUAL

To find correct Parts No., refer to the "HOW TO MAKE THE BEST USE OF THIS MANUAL" in the following page.

HOW TO MAKE THE BEST USE OF THIS MANUAL

- 1 When you order, please check the proper figures beforehand that are on Our Parts Guide Manual, and order with the appropriate figures.
- 2 For screws, Nuts, Washers, retaining rings and Pins which are used in this model, one letter is shown on the Standard parts column of Parts list and exploded diagrams.
- 3 In order to maintain safety of the product, some specific parts composed of this product are set up as "essential safety parts".
- 4 The assigned parts number for the "essential safety parts" is indicated as "SP00-****".
When replacing these parts, follow precautions for disassembling and installing which are listed in the Service Manual.
Do not use any parts that are not set up as
- 5 ♣ means that there are exclusive parts for each destination.
Please check the appropriate destination when you order.
- 6 All rights reserved. (any reprints or quotations are prohibited.)
Use of this parts guide manual should be strictly supervised to avoid disclosure of confidential information.

パーツガイドマニュアルのご案内

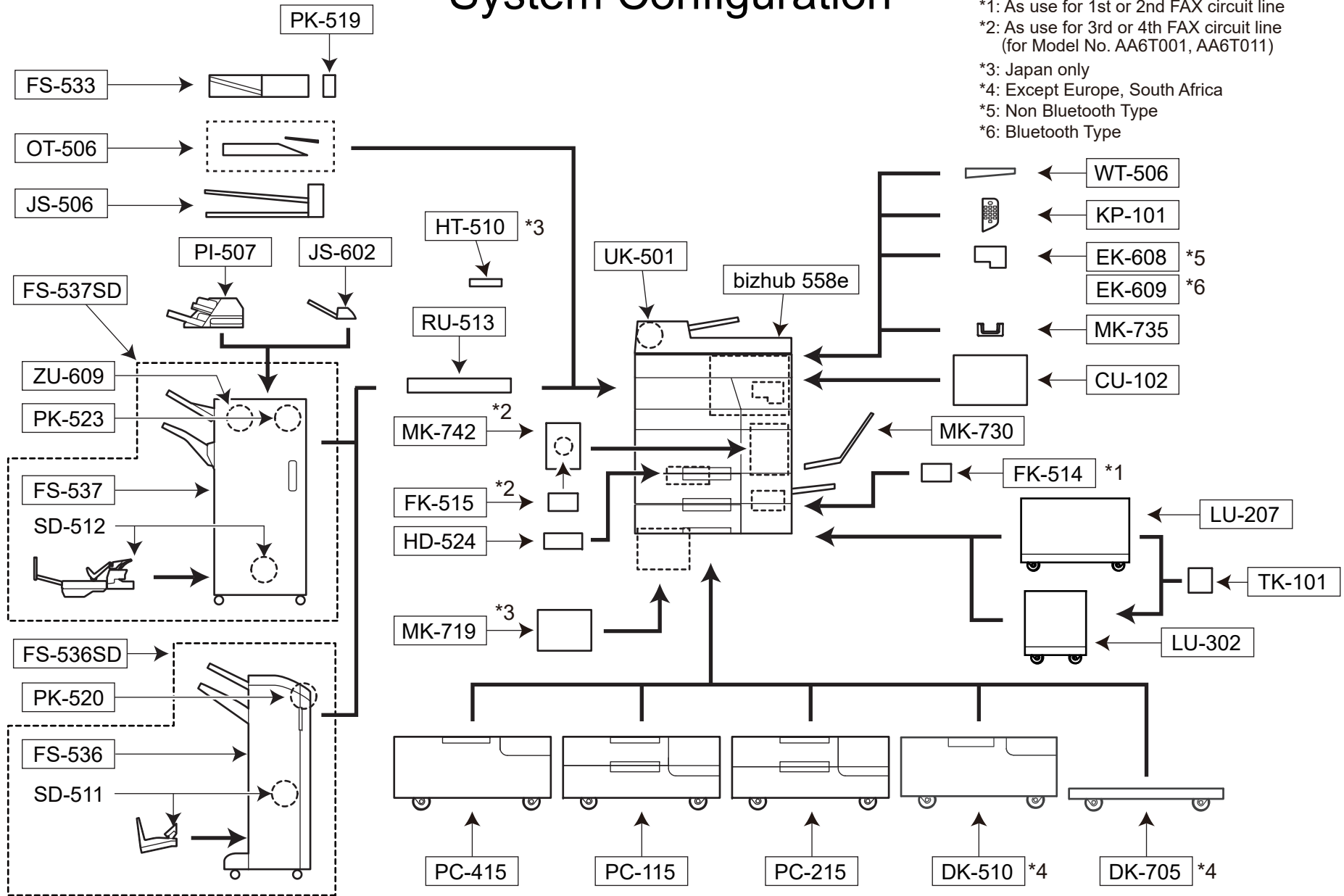
サービス部品をご発注の際には、下記に示す“パーツガイドマニュアルの活用にあたって”をご参照の上、正しい部品番号にてお願い致します。

パーツガイドマニュアルの活用にあたって

- 1 部品発注の際には、掲載されている部品番号の桁数を確認し、掲載されている桁数で発注願います。
- 2 この製品に使用されているネジ、ナット、ワッシャー、止め輪、ピンなどは、リストの右側の Standard parts 欄に a,b,c,…… で表示し、イラストにも a,b,c,…… 表示してあります。
- 3 製品の安全性を維持する為に、製品に使用される特定の部品を「重要保安部品」として設定しています。
- 4 重要保安部品の部品番号は、“SP00-****”と記載されていますので、部品交換時は、サービスマニュアル記載の分解・組み立ての注意事項に従って作業をして下さい。
また、指定以外の部品は一切使用しないで下さい。
- 5 本文に ♣ が表示されている部品は、仕向け地毎に専用部品がある事を意味しています。
オーダーされる時は、仕向け地を確認して下さい。
- 6 著作権所有（無断転載及び無断引用の禁止）
本パーツガイドマニュアルについては、機密保持等その扱いには十分注意して下さい。万一取り扱いを誤った場合には、法律で処罰される場合があります。

10/12/2017

System Configuration



- *1: As use for 1st or 2nd FAX circuit line
- *2: As use for 3rd or 4th FAX circuit line (for Model No. AA6T001, AA6T011)
- *3: Japan only
- *4: Except Europe, South Africa
- *5: Non Bluetooth Type
- *6: Bluetooth Type

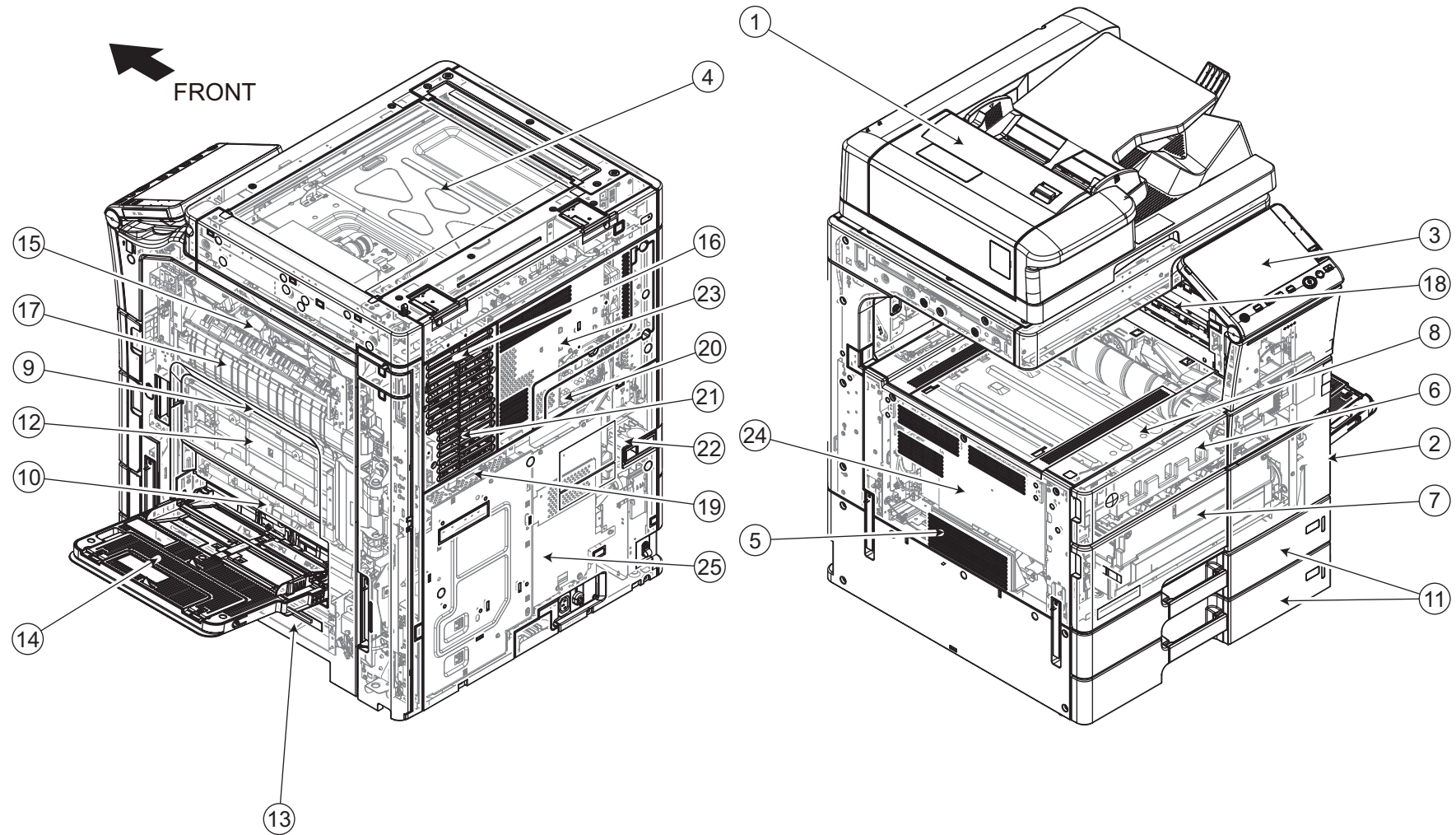
GENERAL CONTENTS

| No. | Description | Model |
|-----|-----------------|-------------|
| 1 | Digital MFP B/W | bizhub 558e |
| 2 | Finisher/Sorter | FS-536 |
| 3 | Finisher/Sorter | FS-536SD |
| 4 | Finisher/Sorter | FS-537 |
| 5 | Finisher/Sorter | FS-537SD |
| 6 | Job Separator | JS-602 |
| 7 | Punch Unit | PK-520 |
| 8 | Punch Unit | PK-523 |
| 9 | Folding Unit | ZU-609 |
| 10 | Post Inserter | PI-507 |
| 11 | Output Tray | OT-506 |
| 12 | Paper Feeder | PC-115 |
| 13 | Paper Feeder | PC-215 |
| 14 | Paper Feeder | PC-415 |
| 15 | Paper Feeder | LU-207 |
| 16 | Paper Feeder | LU-302 |
| 17 | Desk | DK-510 |
| 18 | Desk | DK-705 |
| 19 | Finisher/Sorter | RU-513 |
| 20 | Other Option | MK-719 |
| 21 | Mount Kit | MK-730 |
| 22 | Mount Kit | MK-735 |

bizhub 558e

| No. | Description | Model |
|-----|-----------------|--------|
| 23 | Mount Kit | MK-742 |
| 24 | Heater | HT-510 |
| 25 | Working Table | WT-506 |
| 26 | Other Option | TK-101 |
| 27 | Other Option | CU-102 |
| 28 | Punch Unit | PK-519 |
| 29 | Other Option | UK-501 |
| 30 | Fax Kit | FK-514 |
| 31 | Fax Kit | FK-515 |
| 32 | Local IF Kit | EK-608 |
| 33 | Local IF Kit | EK-609 |
| 34 | HDD | HD-524 |
| 35 | Other Option | KP-101 |
| 36 | Job Separator | JS-506 |
| 37 | Finisher/Sorter | FS-533 |

Section Configuration



bizhub 558e

CONTENTS

| No. | DESCRIPTION | 名称 | PAGE No. |
|-----|---|---------------|---|
| 1 | Auto document feed Section | 原稿送り部 | P1 P2 P3 P4 P5 P6 P7 P8 P9 P10 P11 P12 P13 P14 |
| 2 | External Parts Section | 外装部 | P15 P16 P17 |
| 3 | Operation Panel Section | 操作部 | P18 |
| 4 | Scanner Section | スキャナ一部 | P19 P20 P21 P22 |
| 5 | Write Section (PH Section) | 書き込み部 (PH 部) | P23 |
| 6 | Toner supply Section | トナー補給部 | P24 P25 |
| 7 | Toner collecting Section | トナー回収部 | P26 |
| 8 | Developing section/ Photo conductor section | 感光体部 / 現像部 | P27 P28 |
| 9 | 1st Transfer Section | 1次転写部 | P29 |
| 10 | Tray 1/2 paper feed Section | トレイ1 / 2 給紙部 | P30 P31 P32 P33 P34 |
| 11 | Tray 1/2 Section | トレイ1 / 2 部 | P35 P36 P37 P38 P39 P40 |
| 12 | Registration Section/ 2nd Transfer Section | レジスト部 / 2次転写部 | P41 P42 P43 |
| 13 | Vertical conveyance Section | 垂直搬送部 | P44 |
| 14 | Manual bypass Tray Section | 手差しトレイ部 | P45 P46 P47 |
| 15 | Duplex Section | 両面部 | P48 P49 P50 |
| 16 | The Paper Cooling Fan Section | 用紙冷却ファン部 | P51 |
| 17 | Fusing Section | 定着部 | P52 |
| 18 | Paper Exit /Reverse Section | 排紙 / 反転部 | P53 P54 |
| 19 | Main Drive/ Paper Feed Drive Section | メイン駆動 / 給紙駆動部 | P55 P56 |
| 20 | Toner Supply Drive Section | トナー補給駆動部 | P57 |
| 21 | Fusing Drive Section | 定着駆動部 | P58 P59 |
| 22 | Toner Suction Fan Section | トナー吸引ファン部 | P60 |
| 23 | High Voltage Section | 高圧電源部 | P61 |
| 24 | Low Voltage Section | 低圧電源部 | P62 |
| 25 | Electric Parts Section | 電装部 | P63 P64 |
| 26 | Wiring | 束線 | P65 P66 P67 |
| 27 | Wiring Accessories | 配線部品 | P68 |
| 28 | Jigs | 治具・サービス資材 | P69 |
| 29 | Accessory Parts | 同梱部品 | P70 P71 |

INDEX

| Parts No. | Page No. |
|------------|----------|
| 07BA12352 | 15-9 |
| 0996305501 | 35-7 |
| 1164202801 | 54-10 |
| 15BY561200 | 1-25 |
| 26NA17280 | 52-49 |
| 4002311002 | 36-7 |
| 4004590301 | 54-4 |
| 4011585202 | 41-4 |
| 4025598401 | 54-7 |
| 4030301703 | 32-11 |
| 4030301703 | 34-12 |
| 4030320601 | 38-19 |
| 4030320601 | 40-19 |
| 4030322602 | 38-16 |
| 4030322602 | 40-16 |
| 4030340301 | 46-15 |
| 4030347501 | 46-19 |
| 4034352501 | 31-2 |
| 4036307501 | 20-6 |
| 4036534801 | 25-24 |
| 4038101401 | 17-12 |
| 4038101401 | 24-4 |
| 4038228702 | 17-18 |
| 4038353901 | 41-37 |
| 4038541202 | 57-9 |
| 4040561000 | 32-2 |
| 4040561000 | 34-3 |
| 4131253701 | 7-35 |
| 4131253701 | 9-2 |
| 4131253701 | 14-1 |
| 4131300301 | 31-12 |
| 4131300301 | 33-17 |
| 4131353202 | 45-17 |
| 4136N30000 | 70-14 |
| 4139M10001 | 23-2 |
| 4139M10001 | 61-22 |
| 4139M10001 | 62-10 |
| 4163510201 | 25-7 |
| 4163529301 | 5-1 |
| 4163529301 | 13-17 |

| Parts No. | Page No. |
|------------|----------|
| 4163529301 | 23-3 |
| 4163529301 | 29-12 |
| 4163529301 | 36-12 |
| 4163529301 | 38-25 |
| 4163529301 | 40-25 |
| 4163529301 | 41-11 |
| 4163529301 | 42-2 |
| 4163529301 | 43-25 |
| 4163529301 | 48-15 |
| 4163529301 | 50-3 |
| 4163529301 | 62-11 |
| 4333501201 | 25-17 |
| 4470402401 | 17-22 |
| 4532341001 | 32-13 |
| 4532341001 | 34-15 |
| 4556M10000 | 3-1 |
| 4576536301 | 25-8 |
| 4581162501 | 20-8 |
| 4658015106 | 46-26 |
| 56AA40490 | 15-4 |
| 65AA-9920 | 69-2 |
| 9313100072 | 49-11 |
| 9313100072 | 51-6 |
| 9313100072 | 60-7 |
| 9313130051 | 52-27 |
| 9321220032 | 48-35 |
| 9321240011 | 45-24 |
| 9335140071 | 6-13 |
| 9335140071 | 11-5 |
| 9381420021 | 70-14 |
| 9381430031 | 70-14 |
| 9J06M10300 | 36-8 |
| 9J06M60100 | 17-17 |
| 9J06M60100 | 44-3 |
| 9J06PJG100 | 69-5 |
| 9J06PJP100 | 69-3 |
| 9J07160200 | 1-14 |
| 9J07210802 | 1-9 |
| 9J07300801 | 5-8 |
| 9J07330102 | 7-7 |

| Parts No. | Page No. |
|------------|----------|
| 9J07330801 | 7-6 |
| 9J07331901 | 7-14 |
| 9J07340901 | 8-4 |
| 9J07341102 | 5-13 |
| A00F623201 | 45-10 |
| A00F941100 | 48-38 |
| A00J106202 | 15-24 |
| A00J169100 | 16-8 |
| A00J169100 | 18-17 |
| A00J169100 | 70-2 |
| A00J169300 | 19-5 |
| A00J169300 | 53-14 |
| A00J265300 | 20-7 |
| A00J563600 | 7-11 |
| A00J617900 | 33-12 |
| A00J660800 | 52-50 |
| A00J663200 | 52-3 |
| A00J945500 | 15-14 |
| A00JH00D00 | 15-7 |
| A00V240600 | 8-18 |
| A00V240600 | 11-11 |
| A00V240600 | 13-3 |
| A011946200 | 18-24 |
| A02E117300 | 60-6 |
| A02E149900 | 16-6 |
| A02E167700 | 19-7 |
| A02E167700 | 70-15 |
| A02E560800 | 31-24 |
| A02E560800 | 33-28 |
| A02E561100 | 31-16 |
| A02E561100 | 33-20 |
| A02E595100 | 45-21 |
| A02E595400 | 45-16 |
| A02E596100 | 45-20 |
| A02E597600 | 46-25 |
| A02E815200 | 43-10 |
| A02E815200 | 45-9 |
| A02E815200 | 48-11 |
| A02E815200 | 50-17 |
| A02E940300 | 38-26 |

| Parts No. | Page No. |
|------------|----------|
| A02E940300 | 40-26 |
| A02EM20000 | 41-21 |
| A02EM20100 | 45-22 |
| A02EM20200 | 33-29 |
| A02EN12513 | 63-17 |
| A034M20100 | 41-10 |
| A07H570500 | 7-10 |
| A0ED103100 | 27-10 |
| A0ED111000 | 29-4 |
| A0ED111400 | 29-17 |
| A0ED112000 | 29-14 |
| A0ED135700 | 63-7 |
| A0ED162401 | 17-6 |
| A0ED163000 | 15-2 |
| A0ED271200 | 21-7 |
| A0ED271300 | 21-6 |
| A0ED273600 | 22-12 |
| A0ED274200 | 22-23 |
| A0ED274300 | 22-19 |
| A0ED274400 | 22-8 |
| A0ED276301 | 22-16 |
| A0ED363001 | 26-4 |
| A0ED363200 | 26-2 |
| A0ED363312 | 26-5 |
| A0ED363400 | 26-3 |
| A0ED401000 | 25-25 |
| A0ED550800 | 42-24 |
| A0ED550900 | 42-17 |
| A0ED551000 | 42-14 |
| A0ED551100 | 42-15 |
| A0ED563900 | 32-5 |
| A0ED563900 | 34-5 |
| A0ED597800 | 45-23 |
| A0ED620200 | 38-18 |
| A0ED620200 | 40-18 |
| A0ED620701 | 38-34 |
| A0ED620701 | 40-34 |
| A0ED700200 | 41-34 |
| A0ED700300 | 41-45 |
| A0ED700700 | 41-46 |

| Parts No. | Page No. |
|------------|----------|
| A0ED702400 | 43-28 |
| A0ED702800 | 41-26 |
| A0ED705800 | 41-25 |
| A0ED712100 | 44-8 |
| A0ED811700 | 43-1 |
| A0ED811700 | 48-25 |
| A0ED811900 | 43-4 |
| A0ED815100 | 50-9 |
| A0ED891100 | 54-1 |
| A0ED897700 | 54-28 |
| A0ED940600 | 24-6 |
| A0ED940700 | 15-3 |
| A0EDM10500 | 64-18 |
| A0EDM50100 | 31-5 |
| A0EDM50100 | 33-3 |
| A0EDM50100 | 41-33 |
| A0EDM60001 | 24-19 |
| A0EDM60001 | 28-1 |
| A0HF952400 | 19-11 |
| A0HT561202 | 8-5 |
| A0HU250500 | 11-16 |
| A0P0217500 | 30-9 |
| A0P0742300 | 12-24 |
| A0P0742300 | 53-18 |
| A0P0M50300 | 11-1 |
| A0P0M50300 | 61-9 |
| A0P0N15100 | 64-13 |
| A108260700 | 7-27 |
| A108266300 | 13-15 |
| A108561500 | 5-12 |
| A108703100 | 6-30 |
| A108703100 | 11-38 |
| A108890500 | 5-9 |
| A108891300 | 5-11 |
| A108M50000 | 4-7 |
| A108M50000 | 6-8 |
| A161101600 | 35-15 |
| A161101701 | 35-16 |
| A161101900 | 35-4 |
| A161102500 | 44-2 |

| Parts No. | Page No. | Parts No. | Page No. | Parts No. | Page No. | Parts No. | Page No. | Parts No. | Page No. |
|------------|----------|------------|----------|------------|----------|------------|----------|------------|----------|
| A161103700 | 35-12 | A161144500 | 62-2 | A161240600 | 57-6 | A161281300 | 20-22 | A161562000 | 33-23 |
| A161103901 | 35-10 | A161144801 | 29-13 | A161240700 | 57-10 | A161281600 | 20-4 | A161562101 | 31-21 |
| A161104101 | 42-22 | A161145000 | 62-1 | A161254300 | 58-2 | A161400100 | 25-10 | A161562101 | 33-25 |
| A161104200 | 35-3 | A161146200 | 29-15 | A161254500 | 58-5 | A161400401 | 25-11 | A161562300 | 31-17 |
| A161104300 | 35-1 | A161146400 | 23-16 | A161254600 | 58-13 | A161400601 | 25-12 | A161562300 | 33-21 |
| A161105200 | 35-14 | A161146500 | 60-12 | A161254700 | 58-4 | A161400701 | 25-20 | A161562400 | 31-13 |
| A161105400 | 23-5 | A161146600 | 60-11 | A161256300 | 58-9 | A161400800 | 25-26 | A161562400 | 33-15 |
| A161105500 | 55-17 | A161146900 | 60-1 | A161258501 | 59-14 | A161401000 | 25-6 | A161562500 | 31-20 |
| A161105600 | 27-3 | A161147500 | 60-2 | A161261902 | 20-15 | A161401100 | 25-5 | A161562500 | 33-24 |
| A161107100 | 27-5 | A161147600 | 60-13 | A161262002 | 20-16 | A161401300 | 25-2 | A161562600 | 31-18 |
| A161107400 | 27-6 | A161151100 | 17-1 | A161262200 | 20-14 | A161402115 | 24-14 | A161562600 | 33-22 |
| A161110105 | 29-21 | A161151200 | 44-5 | A161263000 | 20-11 | A161402403 | 24-8 | A161562800 | 31-11 |
| A161110202 | 29-10 | A161151300 | 17-19 | A161268200 | 20-3 | A161402502 | 24-7 | A161562800 | 33-13 |
| A161110300 | 29-11 | A161160300 | 15-8 | A161268300 | 20-1 | A161403000 | 25-18 | A161563300 | 32-12 |
| A161110400 | 29-7 | A161162400 | 18-18 | A161270102 | 21-10 | A161403101 | 25-9 | A161563300 | 34-13 |
| A161110601 | 29-3 | A161162803 | 16-7 | A161270600 | 21-12 | A161403200 | 25-23 | A161563901 | 32-14 |
| A161112101 | 29-22 | A161162900 | 16-18 | A161271000 | 21-9 | A161403500 | 24-10 | A161563901 | 34-14 |
| A161112200 | 29-8 | A161163900 | 16-16 | A161271000 | 22-14 | A161403600 | 24-11 | A161564001 | 32-10 |
| A161112300 | 29-20 | A161165300 | 17-5 | A161271100 | 21-11 | A161403701 | 24-2 | A161564001 | 34-11 |
| A161112400 | 29-23 | A161165602 | 15-16 | A161271100 | 22-17 | A161403800 | 24-9 | A161564200 | 32-16 |
| A161112500 | 29-5 | A161167000 | 18-23 | A161273113 | 22-15 | A161403901 | 24-5 | A161564200 | 34-17 |
| A161112600 | 29-9 | A161167100 | 18-28 | A161273401 | 22-13 | A161404001 | 24-16 | A161564300 | 32-18 |
| A161112700 | 29-25 | A161167300 | 18-27 | A161273500 | 22-18 | A161404100 | 24-17 | A161564300 | 34-19 |
| A161116202 | 28-2 | A161167400 | 18-26 | A161273701 | 22-11 | A161404200 | 25-14 | A161564400 | 32-15 |
| A161119500 | 28-3 | A161170800 | 19-8 | A161273800 | 22-20 | A161404300 | 25-19 | A161564400 | 34-16 |
| A161121300 | 44-1 | A161190903 | 18-2 | A161274500 | 22-22 | A161550700 | 42-12 | A161565102 | 30-5 |
| A161122002 | 58-22 | A161210200 | 3-7 | A161274600 | 22-21 | A161551500 | 42-21 | A161565302 | 31-9 |
| A161131401 | 63-1 | A161210200 | 4-13 | A161275113 | 22-26 | A161551600 | 42-20 | A161566000 | 31-1 |
| A161132801 | 61-5 | A161210200 | 56-13 | A161275213 | 22-24 | A161560112 | 31-10 | A161567300 | 31-23 |
| A161135100 | 17-15 | A161228312 | 59-13 | A161275300 | 22-9 | A161560302 | 33-10 | A161567300 | 33-27 |
| A161135504 | 17-21 | A161228601 | 59-17 | A161275400 | 22-10 | A161560500 | 31-15 | A161567400 | 31-22 |
| A161137100 | 44-4 | A161228701 | 58-12 | A161275500 | 22-6 | A161560500 | 33-14 | A161567400 | 33-26 |
| A161137701 | 61-8 | A161230600 | 59-8 | A161275600 | 22-5 | A161560900 | 31-4 | A161568600 | 32-3 |
| A161137802 | 23-10 | A161230700 | 58-19 | A161276000 | 22-4 | A161560900 | 33-7 | A161568700 | 34-9 |
| A161137900 | 64-25 | A161232200 | 58-6 | A161276500 | 22-7 | A161561000 | 33-1 | A161568800 | 34-2 |
| A161141500 | 60-8 | A161232300 | 58-17 | A161278600 | 21-1 | A161561100 | 30-1 | A161568901 | 33-34 |
| A161141700 | 29-16 | A161232300 | 59-3 | A161278900 | 21-3 | A161561200 | 30-2 | A161571100 | 33-6 |
| A161143400 | 62-8 | A161232401 | 58-21 | A161280211 | 20-20 | A161561601 | 31-7 | A161576100 | 30-4 |
| A161143500 | 60-3 | A161240301 | 57-5 | A161280300 | 20-17 | A161561601 | 33-8 | A161578100 | 33-2 |
| A161143601 | 62-3 | A161240400 | 57-8 | A161281100 | 20-24 | A161562000 | 31-19 | A161578214 | 33-4 |

| Parts No. | Page No. | Parts No. | Page No. | Parts No. | Page No. | Parts No. | Page No. | Parts No. | Page No. |
|------------|----------|------------|----------|------------|----------|------------|----------|------------|----------|
| A161578700 | 33-33 | A161595400 | 46-20 | A161633202 | 39-6 | A161810503 | 50-28 | A161894100 | 53-16 |
| A161579011 | 30-7 | A161595600 | 46-17 | A161635117 | 39-19 | A161810801 | 50-5 | A161895503 | 54-12 |
| A161590101 | 46-13 | A161620400 | 38-17 | A161636502 | 39-10 | A161811001 | 44-10 | A161895601 | 54-13 |
| A161590201 | 45-5 | A161620400 | 40-17 | A161700301 | 41-14 | A161811302 | 44-14 | A161900100 | 54-29 |
| A161590304 | 46-11 | A161620600 | 38-5 | A161700401 | 41-12 | A161811500 | 44-9 | A161900201 | 54-9 |
| A161590600 | 45-19 | A161620600 | 40-5 | A161700700 | 41-13 | A161813001 | 50-26 | A161900300 | 54-19 |
| A161590800 | 45-18 | A161620701 | 38-6 | A161700901 | 41-1 | A161813100 | 50-27 | A161940400 | 15-23 |
| A161590901 | 46-29 | A161620701 | 40-6 | A161701100 | 41-15 | A161813200 | 50-18 | A161941100 | 58-11 |
| A161591000 | 46-28 | A161620904 | 38-1 | A161701301 | 41-28 | A161813300 | 48-21 | A161942000 | 17-13 |
| A161591100 | 46-27 | A161620904 | 40-1 | A161701703 | 41-17 | A161813400 | 50-21 | A161942500 | 17-7 |
| A161591300 | 45-25 | A161621100 | 38-3 | A161701800 | 41-5 | A161813600 | 50-8 | A161943000 | 17-23 |
| A161591400 | 45-13 | A161621100 | 40-3 | A161701900 | 41-24 | A161814401 | 50-2 | A161943000 | 38-14 |
| A161591500 | 45-12 | A161621411 | 38-24 | A161702000 | 41-22 | A161814500 | 50-16 | A161943000 | 40-14 |
| A161591600 | 46-12 | A161621600 | 38-35 | A161702101 | 41-16 | A161814601 | 48-9 | A161943100 | 37-14 |
| A161591700 | 45-8 | A161621600 | 40-35 | A161702200 | 41-23 | A161814700 | 48-12 | A161943200 | 39-15 |
| A161591800 | 46-22 | A161622100 | 37-1 | A161702200 | 59-12 | A161815000 | 44-21 | A161943301 | 70-6 |
| A161592200 | 47-2 | A161622100 | 39-1 | A161706001 | 41-27 | A161815100 | 48-7 | A161943400 | 70-5 |
| A161592300 | 47-10 | A161623301 | 37-6 | A161710103 | 42-11 | A161815300 | 44-16 | A161943700 | 38-4 |
| A161592400 | 47-7 | A161623400 | 35-13 | A161710405 | 43-24 | A161815400 | 44-19 | A161943700 | 40-4 |
| A161592501 | 47-8 | A161623400 | 37-3 | A161710500 | 43-8 | A161815800 | 48-17 | A161946100 | 48-13 |
| A161592600 | 47-9 | A161623400 | 39-3 | A161711200 | 42-26 | A161815900 | 44-17 | A161946200 | 43-15 |
| A161592800 | 45-1 | A161624100 | 38-2 | A161711300 | 43-13 | A161816200 | 44-22 | A161946300 | 41-40 |
| A161592900 | 44-7 | A161624100 | 40-2 | A161711600 | 43-17 | A161816400 | 48-22 | A161946400 | 43-11 |
| A161593300 | 45-14 | A161625114 | 37-18 | A161711700 | 43-14 | A161819200 | 50-32 | A161F56028 | 31-25 |
| A161593400 | 46-33 | A161625900 | 37-16 | A161711901 | 43-31 | A161819500 | 50-13 | A161F59002 | 45-15 |
| A161593600 | 46-31 | A161625900 | 39-17 | A161712000 | 43-19 | A161825000 | 50-31 | A161F89003 | 54-26 |
| A161593800 | 47-15 | A161626000 | 37-12 | A161712100 | 43-23 | A161825102 | 50-14 | A161H00U01 | 18-20 |
| A161594100 | 45-6 | A161626000 | 39-13 | A161712300 | 42-16 | A161825301 | 50-7 | A161M10300 | 59-1 |
| A161594201 | 46-10 | A161626100 | 37-13 | A161712401 | 42-4 | A161825400 | 50-19 | A161M20300 | 55-14 |
| A161594300 | 47-18 | A161626100 | 39-14 | A161712500 | 42-19 | A161825700 | 43-9 | A161M50000 | 41-2 |
| A161594400 | 45-11 | A161626200 | 37-2 | A161712600 | 43-6 | A161825700 | 50-10 | A161M50400 | 47-14 |
| A161594500 | 46-1 | A161626200 | 39-2 | A161712700 | 42-3 | A161825800 | 50-11 | A161M50501 | 36-6 |
| A161594600 | 46-3 | A161626502 | 37-9 | A161712800 | 43-21 | A161826001 | 50-33 | A161M50600 | 36-5 |
| A161594700 | 45-7 | A161626602 | 37-10 | A161712800 | 50-25 | A161890205 | 54-18 | A161M50A00 | 20-23 |
| A161594800 | 45-27 | A161626602 | 39-11 | A161712900 | 43-5 | A161891000 | 54-21 | A161M50A00 | 20-27 |
| A161594900 | 45-28 | A161626800 | 37-11 | A161713500 | 43-20 | A161892300 | 54-22 | A161N10H01 | 42-1 |
| A161595000 | 46-18 | A161626800 | 39-12 | A161714500 | 43-18 | A161892400 | 54-5 | A161N10K00 | 15-5 |
| A161595100 | 46-14 | A161626900 | 37-17 | A161714600 | 43-22 | A161893601 | 54-20 | A161N11300 | 61-12 |
| A161595200 | 46-21 | A161626900 | 39-18 | A161719000 | 43-2 | A161894000 | 53-15 | A161N11C01 | 19-13 |
| A161595300 | 46-16 | A161631411 | 40-24 | A161810305 | 44-20 | A161894000 | 54-11 | A161N11K00 | 61-13 |

| Parts No. | Page No. | Parts No. | Page No. | Parts No. | Page No. | Parts No. | Page No. | Parts No. | Page No. |
|------------|----------|------------|----------|------------|----------|------------|----------|------------|----------|
| A161N12200 | 45-4 | A2XK163401 | 15-11 | A5C0PJG000 | 69-8 | A5C1591900 | 45-3 | A5C1M50100 | 31-8 |
| A161N12701 | 33-5 | A2XK163701 | 15-20 | A5C1101101 | 35-8 | A5C1624300 | 37-8 | A5C1M50100 | 33-9 |
| A161N12801 | 25-15 | A2XK165000 | 15-18 | A5C1104400 | 35-11 | A5C1624300 | 39-9 | A5C1M50100 | 36-13 |
| A161N14000 | 21-5 | A2XK165700 | 15-19 | A5C1104700 | 35-18 | A5C1625001 | 37-15 | A5C1M50100 | 41-7 |
| A161N14100 | 20-5 | A2XK254200 | 58-1 | A5C1104800 | 35-6 | A5C1627103 | 36-9 | A5C1M50100 | 42-10 |
| A161N14201 | 20-12 | A2XK400001 | 24-20 | A5C1105500 | 27-7 | A5C1627300 | 36-10 | A5C1M50100 | 43-27 |
| A161N15J00 | 64-14 | A2XK400100 | 24-21 | A5C1106000 | 35-19 | A5C1627900 | 36-11 | A5C1M50100 | 45-2 |
| A161R71433 | 42-23 | A2XK709000 | 33-30 | A5C1112800 | 29-6 | A5C1628000 | 36-4 | A5C1M50100 | 46-24 |
| A161R71433 | 42-23 | A2XK710100 | 42-9 | A5C1112900 | 29-19 | A5C1628500 | 37-19 | A5C1M50100 | 47-6 |
| A161R72200 | 20-2 | A2XK721300 | 52-38 | A5C1121202 | 44-6 | A5C1628500 | 39-7 | A5C1M50100 | 50-12 |
| A161R72811 | 60-4 | A2XK754200 | 52-18 | A5C1130800 | 63-5 | A5C1635001 | 39-16 | A5C1M72H00 | 64-11 |
| A1DMN13700 | 64-26 | A2XKH00A00 | 61-29 | A5C1134200 | 64-6 | A5C1700101 | 41-35 | A5C1M92000 | 18-11 |
| A1RF505400 | 59-15 | A2XKN10700 | 52-33 | A5C1134800 | 61-14 | A5C1700800 | 41-42 | A5C1N10B00 | 18-29 |
| A1RF517100 | 55-11 | A2XKN10801 | 61-30 | A5C1137800 | 63-2 | A5C1703201 | 41-43 | A5C1N14300 | 22-1 |
| A1UD192400 | 35-9 | A2XKN10C00 | 17-16 | A5C1142001 | 60-5 | A5C1710900 | 42-8 | A5C1R71600 | 15-15 |
| A1UD947400 | 70-9 | A2XKN10H01 | 33-31 | A5C1160401 | 15-6 | A5C1711000 | 42-6 | A5C1R90000 | 7-20 |
| A1UDM50100 | 4-10 | A2XKN10K00 | 61-23 | A5C1167800 | 18-22 | A5C1711500 | 43-16 | A5C1R90000 | 9-24 |
| A1UDM50200 | 20-9 | A3CK272001 | 9-7 | A5C1192100 | 70-3 | A5C1711801 | 42-13 | A5C1R90000 | 11-22 |
| A1UDN30200 | 70-14 | A3CK272200 | 9-11 | A5C1263300 | 20-10 | A5C1715100 | 42-5 | A5C1R90000 | 12-4 |
| A2UPN30100 | 70-14 | A3CK272600 | 9-6 | A5C1263400 | 20-26 | A5C1810603 | 50-6 | A5C1R90000 | 13-7 |
| A2UPN30300 | 70-14 | A3CK300102 | 12-15 | A5C1280100 | 20-18 | A5C1811101 | 44-12 | A5C1R90000 | 14-13 |
| A2UPN30601 | 70-14 | A3CK300200 | 11-25 | A5C1404600 | 25-28 | A5C1811600 | 44-18 | A5C1R90000 | 20-25 |
| A2X0145911 | 61-24 | A3CK300200 | 12-10 | A5C1551701 | 42-18 | A5C1811803 | 50-20 | A61D148300 | 60-14 |
| A2X0746300 | 52-48 | A3CK565100 | 8-8 | A5C1560600 | 31-3 | A5C1811901 | 50-23 | A61D400200 | 24-22 |
| A2X0746500 | 52-23 | A3CK568300 | 8-11 | A5C1560600 | 33-11 | A5C1814200 | 48-14 | A61DM10000 | 55-6 |
| A2X0901100 | 54-15 | A3CK940000 | 13-16 | A5C1563100 | 32-1 | A5C1814300 | 48-28 | A61DM10000 | 56-15 |
| A2X0945701 | 16-4 | A3CKH00200 | 10-4 | A5C1563100 | 34-1 | A5C1815200 | 44-13 | A61DN10B01 | 24-23 |
| A2X0M10000 | 55-8 | A3CKM10300 | 14-4 | A5C1563400 | 32-9 | A5C1815700 | 48-16 | A61F140200 | 23-1 |
| A2X0M10300 | 7-28 | A3CKM20000 | 7-25 | A5C1563400 | 34-10 | A5C1825000 | 50-30 | A61F400001 | 24-25 |
| A2X0M10600 | 48-23 | A3EW944600 | 19-10 | A5C1563500 | 32-4 | A5C1825500 | 50-29 | A61F403300 | 24-12 |
| A2XK130000 | 27-2 | A3EWM90300 | 4-25 | A5C1563500 | 34-4 | A5C1890401 | 54-17 | A61F403401 | 24-13 |
| A2XK130101 | 61-16 | A3EWM90300 | 64-27 | A5C1563901 | 32-14 | A5C1F42000 | 25-13 | A61F940400 | 15-23 |
| A2XK130500 | 61-28 | A49FM90100 | 21-13 | A5C1563901 | 34-14 | A5C1M10A00 | 22-2 | A61FM31100 | 21-8 |
| A2XK130601 | 52-1 | A4EU138000 | 64-8 | A5C1564101 | 32-17 | A5C1M50100 | 4-5 | A61FN10F00 | 25-21 |
| A2XK130801 | 52-32 | A4EU747600 | 52-31 | A5C1564101 | 34-18 | A5C1M50100 | 5-10 | A61FN11200 | 29-24 |
| A2XK138100 | 52-15 | A4MG130900 | 64-3 | A5C1565500 | 31-6 | A5C1M50100 | 6-15 | A61FN11V00 | 27-9 |
| A2XK138200 | 52-14 | A55V624700 | 37-5 | A5C1565600 | 32-20 | A5C1M50100 | 7-15 | A61FN12H01 | 41-3 |
| A2XK144201 | 23-17 | A55V624700 | 39-5 | A5C1565600 | 34-7 | A5C1M50100 | 17-20 | A61FR71200 | 61-11 |
| A2XK163102 | 15-17 | A5AWP00100 | 69-1 | A5C1590500 | 44-11 | A5C1M50100 | 20-13 | A64J222400 | 55-3 |
| A2XK163201 | 15-10 | A5AY131100 | 62-5 | A5C1591200 | 45-26 | A5C1M50100 | 25-22 | A64J222500 | 55-4 |

| Parts No. | Page No. | Parts No. | Page No. | Parts No. | Page No. | Parts No. | Page No. | Parts No. | Page No. |
|------------|----------|------------|----------|------------|----------|------------|----------|------------|----------|
| A64J231801 | 59-5 | A782104700 | 9-15 | A782130301 | 2-1 | A782262200 | 11-21 | A782267100 | 13-28 |
| A64J231901 | 59-6 | A782105001 | 2-4 | A782130500 | 3-15 | A782262300 | 11-33 | A782267200 | 13-19 |
| A64J257800 | 55-12 | A782105101 | 2-3 | A782130600 | 1-3 | A782262501 | 11-26 | A782268001 | 13-31 |
| A64J363700 | 26-1 | A782106200 | 1-10 | A782160001 | 1-1 | A782262700 | 11-31 | A782268201 | 13-29 |
| A64J564101 | 31-14 | A782110009 | 1-12 | A782160101 | 1-17 | A782262800 | 2-11 | A782268301 | 12-14 |
| A64J564101 | 32-6 | A782110100 | 1-26 | A782160200 | 1-16 | A782262800 | 11-23 | A782268500 | 12-8 |
| A64J564101 | 33-18 | A782110600 | 1-19 | A782160300 | 1-15 | A782262900 | 11-15 | A782268900 | 11-19 |
| A64J564101 | 34-6 | A782111000 | 2-8 | A782210200 | 14-3 | A782263000 | 11-17 | A782269200 | 11-29 |
| A64J564201 | 31-29 | A782111100 | 2-9 | A782210800 | 14-2 | A782263201 | 12-13 | A782269200 | 12-11 |
| A64J564201 | 33-19 | A782111200 | 2-14 | A782211300 | 7-32 | A782263300 | 11-24 | A782269300 | 12-19 |
| A64J709100 | 43-3 | A782112303 | 1-18 | A782211400 | 7-22 | A782263700 | 11-34 | A782269500 | 12-17 |
| A64J719100 | 43-30 | A782113702 | 1-21 | A782211500 | 7-21 | A782263801 | 11-14 | A782269800 | 11-18 |
| A64J815500 | 44-15 | A782113801 | 1-11 | A782211600 | 7-26 | A782264000 | 12-21 | A782272200 | 9-9 |
| A64J891100 | 54-6 | A782113901 | 1-5 | A782211700 | 7-30 | A782264101 | 12-1 | A782272301 | 9-12 |
| A64J891200 | 54-14 | A782114001 | 1-7 | A782211800 | 7-34 | A782264202 | 12-3 | A782272401 | 9-8 |
| A64J891500 | 54-34 | A782114100 | 1-27 | A782211900 | 7-24 | A782264300 | 11-28 | A782272800 | 9-27 |
| A64JM20000 | 59-7 | A782115600 | 13-5 | A782212000 | 7-23 | A782264300 | 12-12 | A782561000 | 4-22 |
| A64JR70600 | 55-10 | A782115700 | 8-25 | A782212300 | 11-4 | A782264400 | 12-5 | A782561115 | 4-12 |
| A64JR71111 | 32-19 | A782115700 | 11-3 | A782212500 | 14-5 | A782264501 | 11-27 | A782561126 | 4-12 |
| A64JR71111 | 34-20 | A782115700 | 13-4 | A782212600 | 8-22 | A782264600 | 12-16 | A782561703 | 4-3 |
| A64JR71400 | 26-12 | A782115800 | 14-8 | A782212702 | 7-29 | A782264700 | 12-18 | A782561801 | 5-14 |
| A64JR7A000 | 55-5 | A782116201 | 10-5 | A782213000 | 8-24 | A782264800 | 12-9 | A782561900 | 5-6 |
| A782100001 | 9-28 | A782116301 | 10-3 | A782213100 | 11-35 | A782264900 | 2-12 | A782562001 | 4-8 |
| A782100102 | 9-20 | A782116801 | 9-5 | A782213300 | 11-32 | A782265102 | 13-8 | A782562101 | 7-2 |
| A782100200 | 9-19 | A782117000 | 2-2 | A782213400 | 9-25 | A782265201 | 12-7 | A782562101 | 12-23 |
| A782100301 | 9-14 | A782117100 | 2-5 | A782213500 | 13-2 | A782265300 | 12-20 | A782562400 | 4-17 |
| A782100400 | 9-13 | A782117500 | 1-22 | A782214300 | 7-33 | A782265600 | 13-11 | A782562400 | 6-32 |
| A782100501 | 9-16 | A782117600 | 1-23 | A782214400 | 8-21 | A782265700 | 13-10 | A782562600 | 4-11 |
| A782100600 | 9-17 | A782117700 | 13-26 | A782215100 | 8-27 | A782265800 | 13-33 | A782563800 | 13-9 |
| A782100701 | 9-18 | A782117800 | 13-36 | A782215700 | 11-6 | A782266000 | 13-12 | A782565011 | 5-16 |
| A782100802 | 9-21 | A782117900 | 8-19 | A782215800 | 7-31 | A782266100 | 13-30 | A782565301 | 6-14 |
| A782101000 | 7-18 | A782117900 | 11-12 | A782215800 | 7-31 | A782266200 | 13-18 | A782566000 | 3-10 |
| A782101600 | 7-17 | A782117900 | 13-6 | A782230700 | 11-36 | A782266200 | 13-18 | A782566000 | 3-10 |
| A782101700 | 2-10 | A782118000 | 11-20 | A782230900 | 13-1 | A782266300 | 13-23 | A782566800 | 4-19 |
| A782101900 | 14-14 | A782118300 | 11-13 | A782231000 | 11-10 | A782266401 | 13-21 | A782566900 | 4-20 |
| A782102900 | 11-7 | A782119300 | 1-20 | A782260200 | 9-26 | A782266502 | 13-14 | A782568200 | 8-6 |
| A782103200 | 14-12 | A782125400 | 2-15 | A782260400 | 9-22 | A782266601 | 13-27 | A782568500 | 4-16 |
| A782103600 | 13-24 | A782125400 | 2-15 | A782260501 | 9-23 | A782266700 | 13-32 | A782568600 | 8-7 |
| A782104301 | 12-6 | A782125500 | 2-16 | A782260600 | 9-1 | A782266800 | 13-22 | A782568701 | 8-9 |
| A782104500 | 14-17 | A782125600 | 2-6 | A782260700 | 9-3 | A782266900 | 13-13 | A782568901 | 7-8 |
| | | A782130001 | 1-2 | A782262101 | 11-30 | A782267000 | 13-25 | A782569000 | 7-3 |

| Parts No. | Page No. | Parts No. | Page No. | Parts No. | Page No. | Parts No. | Page No. | Parts No. | Page No. |
|------------|----------|------------|----------|------------|----------|------------|----------|------------|----------|
| A782569200 | 7-12 | A782702600 | 6-31 | A782940100 | 1-13 | A795275700 | 22-3 | A79J101801 | 23-7 |
| A782569300 | 7-19 | A782702700 | 6-22 | A782940300 | 13-20 | A795565000 | 38-27 | A79J102700 | 52-9 |
| A782569801 | 7-9 | A782702801 | 6-20 | A782940400 | 6-4 | A795565000 | 40-27 | A79J103201 | 52-5 |
| A782569900 | 7-13 | A782703001 | 6-23 | A782945003 | 70-8 | A795565100 | 38-30 | A79J103301 | 52-6 |
| A782570400 | 6-2 | A782703401 | 6-6 | A782H0010A | 1-6 | A795565100 | 40-30 | A79J120700 | 51-18 |
| A782570602 | 6-3 | A782704003 | 6-5 | A782M10000 | 8-23 | A795565200 | 38-31 | A79J120801 | 51-16 |
| A782570800 | 3-14 | A782704101 | 6-33 | A782M10000 | 11-39 | A795565200 | 40-31 | A79J120900 | 58-15 |
| A782570900 | 5-15 | A782704200 | 6-21 | A782M10100 | 3-2 | A795565300 | 38-32 | A79J121713 | 24-1 |
| A782571100 | 3-8 | A782704200 | 8-14 | A782M10200 | 11-8 | A795565300 | 40-32 | A79J122200 | 44-23 |
| A782571201 | 3-12 | A782704301 | 7-37 | A782M10400 | 12-2 | A795565400 | 38-33 | A79J122713 | 24-1 |
| A782571300 | 3-4 | A782704400 | 6-28 | A782N10000 | 1-4 | A795565400 | 40-33 | A79J130200 | 61-25 |
| A782571400 | 3-6 | A782704501 | 6-9 | A782N10100 | 8-29 | A795565500 | 38-29 | A79J130900 | 64-10 |
| A782571500 | 3-5 | A782704700 | 6-27 | A782N10200 | 7-38 | A795565500 | 40-29 | A79J131102 | 64-15 |
| A782571600 | 3-3 | A782704800 | 6-12 | A782N10300 | 4-21 | A795565600 | 38-28 | A79J131601 | 64-21 |
| A782571800 | 5-7 | A782704901 | 6-24 | A782N10400 | 4-23 | A795565600 | 40-28 | A79J131701 | 61-26 |
| A782571900 | 5-5 | A782705600 | 6-35 | A782N10501 | 11-37 | A795565700 | 38-20 | A79J132311 | 16-11 |
| A782572000 | 3-9 | A782707201 | 7-36 | A782N10700 | 13-35 | A795565700 | 40-20 | A79J132500 | 61-1 |
| A782572101 | 5-4 | A782707300 | 6-1 | A782N10801 | 7-16 | A795565800 | 38-21 | A79J132601 | 61-4 |
| A782572101 | 6-10 | A782707400 | 7-4 | A782N10900 | 10-2 | A795565800 | 40-21 | A79J133001 | 61-3 |
| A782572900 | 3-11 | A782710000 | 8-16 | A782N11100 | 6-16 | A795565900 | 38-22 | A79J133100 | 63-8 |
| A782573401 | 3-13 | A782710100 | 8-17 | A782N11200 | 1-8 | A795565900 | 40-22 | A79J133200 | 63-15 |
| A782573501 | 7-5 | A782710201 | 8-15 | A782N11800 | 2-13 | A795620800 | 38-15 | A79J134500 | 64-1 |
| A782573601 | 4-18 | A782710806 | 8-13 | A782N11800 | 13-34 | A795620800 | 40-15 | A79J134701 | 55-18 |
| A782573612 | 4-18 | A782711000 | 8-20 | A782N12001 | 10-6 | A795621301 | 38-10 | A79J134900 | 61-31 |
| A782573800 | 3-16 | A782711800 | 8-3 | A782N12100 | 9-10 | A795621301 | 40-10 | A79J135001 | 51-17 |
| A782573901 | 5-17 | A782711901 | 8-2 | A782N12200 | 10-7 | A795621901 | 38-23 | A79J136000 | 63-12 |
| A782576000 | 8-10 | A782712300 | 8-12 | A782N12300 | 11-2 | A795621901 | 40-23 | A79J136100 | 61-6 |
| A782576100 | 7-1 | A782714100 | 8-26 | A782N12400 | 12-22 | A795622600 | 38-9 | A79J138300 | 52-12 |
| A782600101 | 4-4 | A782714200 | 8-1 | A782N12600 | 11-9 | A795622600 | 40-9 | A79J138400 | 61-7 |
| A782600900 | 4-9 | A782890000 | 14-10 | A782N12700 | 8-28 | A795622700 | 38-8 | A79J139000 | 63-13 |
| A782601500 | 4-6 | A782890111 | 14-16 | A782P18000 | 4-26 | A795622700 | 40-8 | A79J139700 | 63-19 |
| A782700400 | 6-11 | A782890200 | 14-18 | A782R70066 | 1-24 | A795942401 | 37-7 | A79J140502 | 51-12 |
| A782700801 | 6-7 | A782890600 | 14-15 | A782R70100 | 9-4 | A795942401 | 39-8 | A79J140801 | 62-6 |
| A782700900 | 6-26 | A782890711 | 14-9 | A782R70200 | 10-1 | A795M40B00 | 61-19 | A79J140900 | 62-9 |
| A782701000 | 6-19 | A782891001 | 2-7 | A782R70311 | 4-24 | A795M40J00 | 61-20 | A79J141501 | 51-13 |
| A782701100 | 6-18 | A782891500 | 14-11 | A782R70433 | 6-34 | A795R71000 | 21-4 | A79J142600 | 51-14 |
| A782701200 | 6-17 | A782891600 | 14-6 | A782R70800 | 7-39 | A796H01A00 | 20-21 | A79J142701 | 51-4 |
| A782701400 | 6-25 | A782891700 | 14-7 | A782R71100 | 4-28 | A796M50000 | 52-13 | A79J142800 | 71-2 |
| A782701501 | 6-29 | A782891800 | 4-15 | A782R71200 | 4-27 | A797105400 | 27-4 | A79J142902 | 71-1 |
| A782701900 | 6-36 | A782891901 | 4-14 | A795273900 | 22-25 | A79J100600 | 62-12 | A79J143001 | 51-9 |

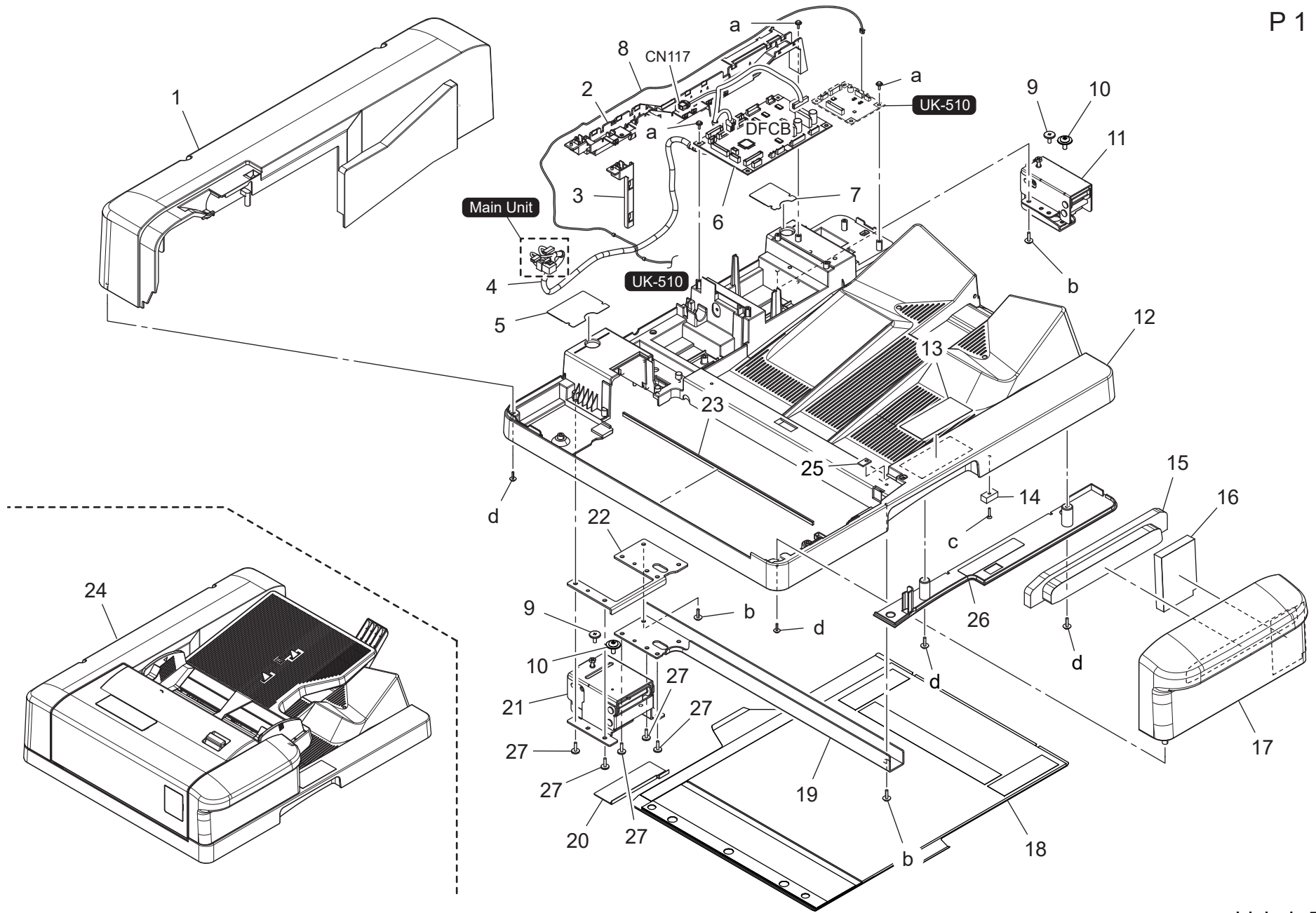
| Parts No. | Page No. | Parts No. | Page No. | Parts No. | Page No. | Parts No. | Page No. | Parts No. | Page No. |
|------------|----------|------------|----------|------------|----------|------------|----------|------------|----------|
| A79J143200 | 51-10 | A79J170601 | 19-4 | A79J620100 | 38-36 | A79J812401 | 48-29 | A79J894500 | 54-32 |
| A79J143300 | 71-3 | A79J220000 | 56-10 | A79J622500 | 38-11 | A79J812500 | 48-33 | A79J895200 | 54-3 |
| A79J143402 | 51-3 | A79J220701 | 56-17 | A79J622500 | 40-11 | A79J812600 | 48-31 | A79J895400 | 54-8 |
| A79J143600 | 51-8 | A79J220800 | 56-20 | A79J623100 | 37-4 | A79J812800 | 48-32 | A79J895603 | 54-2 |
| A79J143800 | 51-7 | A79J220901 | 56-1 | A79J630100 | 40-36 | A79J812900 | 48-34 | A79J895702 | 53-13 |
| A79J144113 | 52-28 | A79J221200 | 56-14 | A79J633100 | 39-4 | A79J813700 | 48-10 | A79J895800 | 53-7 |
| A79J144212 | 52-30 | A79J222200 | 55-2 | A79J700100 | 41-47 | A79J813903 | 50-22 | A79J896500 | 53-12 |
| A79J144411 | 52-26 | A79J222500 | 56-19 | A79J700300 | 41-39 | A79J814901 | 48-36 | A79J896600 | 53-11 |
| A79J144611 | 52-29 | A79J223101 | 56-9 | A79J700400 | 41-41 | A79J816600 | 48-20 | A79J897000 | 53-24 |
| A79J144800 | 52-36 | A79J226200 | 56-6 | A79J700500 | 41-31 | A79J816700 | 48-19 | A79J897100 | 53-22 |
| A79J145000 | 51-5 | A79J226301 | 56-7 | A79J700800 | 41-32 | A79J816800 | 48-37 | A79J897200 | 53-23 |
| A79J145100 | 51-1 | A79J226400 | 56-8 | A79J700900 | 41-36 | A79J819000 | 48-26 | A79J897300 | 56-4 |
| A79J145200 | 51-2 | A79J226500 | 56-11 | A79J701000 | 41-38 | A79J819800 | 48-27 | A79J897300 | 58-20 |
| A79J145300 | 52-35 | A79J226600 | 56-5 | A79J701200 | 41-18 | A79J821000 | 50-34 | A79J897401 | 53-3 |
| A79J146300 | 23-13 | A79J226700 | 56-12 | A79J701300 | 41-19 | A79J830001 | 49-14 | A79J897501 | 54-36 |
| A79J146400 | 60-10 | A79J226800 | 56-16 | A79J701600 | 45-31 | A79J830100 | 49-1 | A79J897612 | 53-1 |
| A79J146500 | 23-14 | A79J231100 | 58-14 | A79J701700 | 45-32 | A79J830200 | 49-7 | A79J897800 | 54-37 |
| A79J146700 | 70-4 | A79J231300 | 58-18 | A79J740401 | 52-51 | A79J830300 | 49-4 | A79J897900 | 53-21 |
| A79J147401 | 23-15 | A79J245000 | 26-7 | A79J740612 | 52-39 | A79J830500 | 48-3 | A79J898211 | 54-35 |
| A79J147501 | 23-12 | A79J245100 | 26-6 | A79J741711 | 52-46 | A79J830600 | 48-1 | A79J898300 | 53-20 |
| A79J148304 | 51-11 | A79J245400 | 26-8 | A79J741911 | 52-47 | A79J831000 | 49-13 | A79J898400 | 53-6 |
| A79J149100 | 51-19 | A79J253000 | 56-18 | A79J742000 | 52-34 | A79J831100 | 48-4 | A79J898500 | 53-5 |
| A79J149100 | 71-6 | A79J253300 | 56-3 | A79J743703 | 52-37 | A79J831200 | 49-3 | A79J941200 | 37-22 |
| A79J149200 | 51-20 | A79J254200 | 55-7 | A79J743802 | 52-2 | A79J831300 | 49-2 | A79J941200 | 39-22 |
| A79J149200 | 71-7 | A79J254400 | 58-3 | A79J744000 | 52-4 | A79J831501 | 48-2 | A79J941300 | 37-23 |
| A79J160700 | 15-21 | A79J259800 | 56-2 | A79J744200 | 52-25 | A79J831600 | 48-5 | A79J941500 | 37-21 |
| A79J162100 | 16-2 | A79J401400 | 25-29 | A79J754000 | 52-17 | A79J832000 | 49-8 | A79J943500 | 39-23 |
| A79J162201 | 16-19 | A79J401600 | 25-30 | A79J754100 | 52-16 | A79J832100 | 49-10 | A79J943600 | 39-21 |
| A79J163301 | 15-12 | A79J401700 | 25-1 | A79J754200 | 52-20 | A79J832200 | 49-6 | A79JF12100 | 51-15 |
| A79J163500 | 16-3 | A79J401800 | 25-3 | A79J754300 | 52-21 | A79J832300 | 49-12 | A79JM40H00 | 61-20 |
| A79J165002 | 17-4 | A79J401900 | 25-27 | A79J754400 | 52-10 | A79J832400 | 49-9 | A79JM90200 | 63-18 |
| A79J165201 | 17-8 | A79J402600 | 25-4 | A79J754500 | 52-11 | A79J890201 | 54-33 | A79JM90300 | 61-2 |
| A79J165700 | 17-2 | A79J403100 | 24-24 | A79J754600 | 52-8 | A79J890311 | 54-30 | A79JM90900 | 50-35 |
| A79J166303 | 16-9 | A79J508400 | 29-2 | A79J754700 | 52-7 | A79J891300 | 53-4 | A79JM90A00 | 66-2 |
| A79J168200 | 71-5 | A79J560200 | 31-25 | A79J810100 | 48-6 | A79J892000 | 54-25 | A79JN10400 | 53-2 |
| A79J168400 | 16-17 | A79J566000 | 38-7 | A79J810902 | 50-24 | A79J893200 | 53-9 | A79JN10500 | 55-1 |
| A79J168501 | 16-10 | A79J566000 | 40-7 | A79J811200 | 48-24 | A79J893501 | 54-31 | A79JN10600 | 41-9 |
| A79J168600 | 71-8 | A79J576400 | 31-26 | A79J811700 | 50-1 | A79J893700 | 54-27 | A79JN10701 | 50-4 |
| A79J168700 | 71-4 | A79J596000 | 46-35 | A79J812202 | 48-8 | A79J893800 | 54-38 | A79JN10800 | 31-27 |
| A79J170300 | 19-12 | A79J596200 | 47-21 | A79J812300 | 48-30 | A79J894000 | 53-10 | A79JN10901 | 41-8 |

| Parts No. | Page No. | Parts No. | Page No. | Parts No. | Page No. | Parts No. | Page No. | Parts No. | Page No. |
|------------|----------|------------|----------|------------|----------|------------|----------|------------|----------|
| A79JN10M01 | 63-14 | A7PU102201 | 35-2 | A7PU241600 | 57-1 | A7PU710301 | 43-29 | A7PUR71133 | 20-19 |
| A79JN10P00 | 61-21 | A7PU102301 | 35-5 | A7PU254800 | 58-8 | A7PU810201 | 48-18 | A7PUR71900 | 61-10 |
| A79JN10Q00 | 54-16 | A7PU104000 | 35-17 | A7PU254800 | 59-16 | A7PU810800 | 50-5 | A7PUR73100 | 18-21 |
| A79JJP000 | 69-4 | A7PU106100 | 36-14 | A7PU560100 | 31-10 | A7PU825500 | 50-29 | A8JE740300 | 52-24 |
| A79JJP100 | 69-7 | A7PU109000 | 29-18 | A7PU565300 | 31-9 | A7PU890700 | 54-23 | A8JE740311 | 52-24 |
| A79JR70100 | 62-4 | A7PU130300 | 23-8 | A7PU567500 | 32-8 | A7PU940600 | 19-2 | A8JE741800 | 52-41 |
| A79JR70222 | 55-9 | A7PU130400 | 64-19 | A7PU567600 | 32-22 | A7PU941600 | 20-28 | A8JE744300 | 52-40 |
| A79JR71088 | 52-22 | A7PU130700 | 63-20 | A7PU567700 | 32-21 | A7PU941701 | 16-5 | A8JE746200 | 52-42 |
| A79JR71088 | 52-22 | A7PU134700 | 64-12 | A7PU568400 | 32-7 | A7PU944301 | 47-4 | A8JE746300 | 52-43 |
| A79JR71088 | 52-22 | A7PU134800 | 64-7 | A7PU569100 | 30-3 | A7PU944401 | 47-1 | A8JE746400 | 52-44 |
| A79JR71088 | 52-22 | A7PU135402 | 18-15 | A7PU577500 | 34-21 | A7PU944500 | 46-36 | A8JE746502 | 52-31 |
| A79JR71400 | 26-10 | A7PU135700 | 63-7 | A7PU577600 | 34-23 | A7PU944700 | 47-5 | A8JEN30200 | 63-10 |
| A79JR71933 | 45-29 | A7PU138002 | 18-10 | A7PU577700 | 34-22 | A7PU944800 | 47-5 | A8KNM40A02 | 61-19 |
| A79JR72144 | 37-20 | A7PU138100 | 18-8 | A7PU578400 | 34-8 | A7PU944900 | 46-9 | A8WC707100 | 69-6 |
| A79JR72244 | 39-20 | A7PU138200 | 18-7 | A7PU578500 | 34-8 | A7PU947001 | 70-10 | A90G945700 | 16-4 |
| A79JR72400 | 54-24 | A7PU138301 | 18-9 | A7PU592000 | 47-13 | A7PU947101 | 70-10 | A90GN15300 | 18-13 |
| A79JR72600 | 18-12 | A7PU139800 | 64-23 | A7PU592201 | 47-3 | A7PU947201 | 70-10 | A9HG131900 | 64-2 |
| A79JR73600 | 48-39 | A7PU140100 | 64-17 | A7PU592901 | 46-5 | A7PU947302 | 70-10 | A9HG161500 | 18-4 |
| A79K121900 | 58-24 | A7PU141800 | 60-9 | A7PU593000 | 46-5 | A7PUF60001 | 47-11 | A9HG702300 | 43-32 |
| A79K122400 | 58-23 | A7PU160100 | 15-1 | A7PU593100 | 46-8 | A7PUM10100 | 59-2 | A9HG830701 | 49-5 |
| A79K228001 | 59-10 | A7PU160800 | 15-22 | A7PU593201 | 46-7 | A7PUM10400 | 53-8 | A9HGH00501 | 61-27 |
| A79K228101 | 59-11 | A7PU160902 | 16-15 | A7PU593400 | 46-33 | A7PUM10700 | 25-16 | A9HGH02A00 | 64-4 |
| A79K228800 | 58-7 | A7PU161400 | 18-19 | A7PU593500 | 47-12 | A7PUM10700 | 57-2 | A9HGM40600 | 61-15 |
| A79K230501 | 59-9 | A7PU161701 | 18-25 | A7PU593600 | 46-31 | A7PUM11201 | 55-16 | A9HGN10100 | 66-1 |
| A79K231001 | 58-10 | A7PU161806 | 16-13 | A7PU593700 | 47-16 | A7PUM70004 | 18-1 | A9HGN10200 | 67-1 |
| A79K254000 | 55-13 | A7PU161900 | 18-16 | A7PU594000 | 46-34 | A7PUM70104 | 18-1 | A9HGN10N00 | 63-16 |
| A79K255600 | 59-4 | A7PU162600 | 18-3 | A7PU595500 | 46-6 | A7PUM70204 | 18-1 | A9HGR71100 | 53-19 |
| A79KM40C00 | 52-19 | A7PU164100 | 18-14 | A7PU596100 | 46-4 | A7PUM70303 | 18-1 | A9HGR71200 | 42-25 |
| A79KM40D00 | 52-19 | A7PU166101 | 70-7 | A7PU596200 | 46-2 | A7PUM70403 | 18-1 | A9HJ168800 | 17-11 |
| A79KN10J01 | 63-11 | A7PU168500 | 18-5 | A7PU596700 | 46-30 | A7PUN10302 | 16-1 | A9HJH00501 | 23-6 |
| A79KN10K00 | 63-14 | A7PU168600 | 18-6 | A7PU596800 | 46-30 | A7PUN10401 | 36-1 | A9HJR70500 | 57-3 |
| A79KR70200 | 41-48 | A7PU168702 | 16-14 | A7PU596900 | 45-30 | A7PUN10501 | 36-2 | AA2J560000 | 32-23 |
| A7AH621000 | 38-12 | A7PU169900 | 70-1 | A7PU599300 | 47-20 | A7PUN10700 | 64-20 | AA2J560000 | 34-24 |
| A7AH621000 | 40-12 | A7PU170101 | 19-9 | A7PU627500 | 36-3 | A7PUN10800 | 64-16 | AA6R401100 | 24-3 |
| A7AH621200 | 38-13 | A7PU170200 | 19-1 | A7PU663200 | 31-28 | A7PUN10900 | 47-17 | AA6R401200 | 24-3 |
| A7AH621200 | 40-13 | A7PU170400 | 19-6 | A7PU663200 | 33-16 | A7PUN10A00 | 46-23 | AA6R401300 | 24-3 |
| A7AHH02D02 | 64-28 | A7PU170702 | 19-3 | A7PU701000 | 41-20 | A7PUN10B01 | 47-19 | AA6R401500 | 24-3 |
| A7AHM50400 | 41-6 | A7PU216100 | 55-15 | A7PU701100 | 41-29 | A7PUN14500 | 21-2 | AA6R942600 | 17-9 |
| A7AHN30000 | 70-14 | A7PU240101 | 57-4 | A7PU701200 | 41-30 | A7PUN15700 | 18-30 | AA6RH00800 | 23-9 |
| A7PU101500 | 62-13 | A7PU241500 | 57-7 | A7PU710201 | 43-12 | A7PUP00100 | 18-31 | AA6RH02103 | 64-9 |

| Parts No. | Page No. |
|------------|----------|
| AA6RM60000 | 17-14 |
| AA6RN10600 | 23-11 |
| AA6RN30000 | 63-9 |
| AA6RN30100 | 63-10 |
| AA6RR70300 | 23-4 |
| AA6RR70400 | 62-4 |
| AA6RR70600 | 24-18 |
| AA6RR70611 | 24-18 |
| AA6RR70700 | 24-18 |
| AA6RR70711 | 24-18 |
| AA6RR70800 | 24-18 |
| AA6RR70811 | 24-18 |
| AA6RR71100 | 24-18 |
| AA6RR71111 | 24-18 |
| AA6RR71200 | 62-4 |
| AA6T940100 | 15-13 |
| AA6TN10000 | 65-1 |
| AA6TN11000 | 65-1 |
| AA6TR70111 | 55-19 |
| AA6TR70211 | 30-8 |
| AA6TR70300 | 58-16 |
| AA6V130000 | 27-1 |
| AA6V169000 | 17-24 |
| AA6V169100 | 17-25 |
| AA6V169300 | 15-25 |
| AA6V362001 | 26-11 |
| AA6VR70111 | 29-1 |
| AA6VR70300 | 27-8 |
| AA6VR70700 | 17-3 |
| AAJ50Y1 | 26-9 |
| AAJ5WY1 | 26-9 |
| V116030804 | 70-11 |
| V116033003 | 70-12 |
| V500010061 | 68-20 |
| V500010081 | 68-1 |
| V500010082 | 68-2 |
| V500010083 | 68-3 |
| V500010084 | 68-4 |
| V500010085 | 68-17 |
| V500020018 | 68-19 |

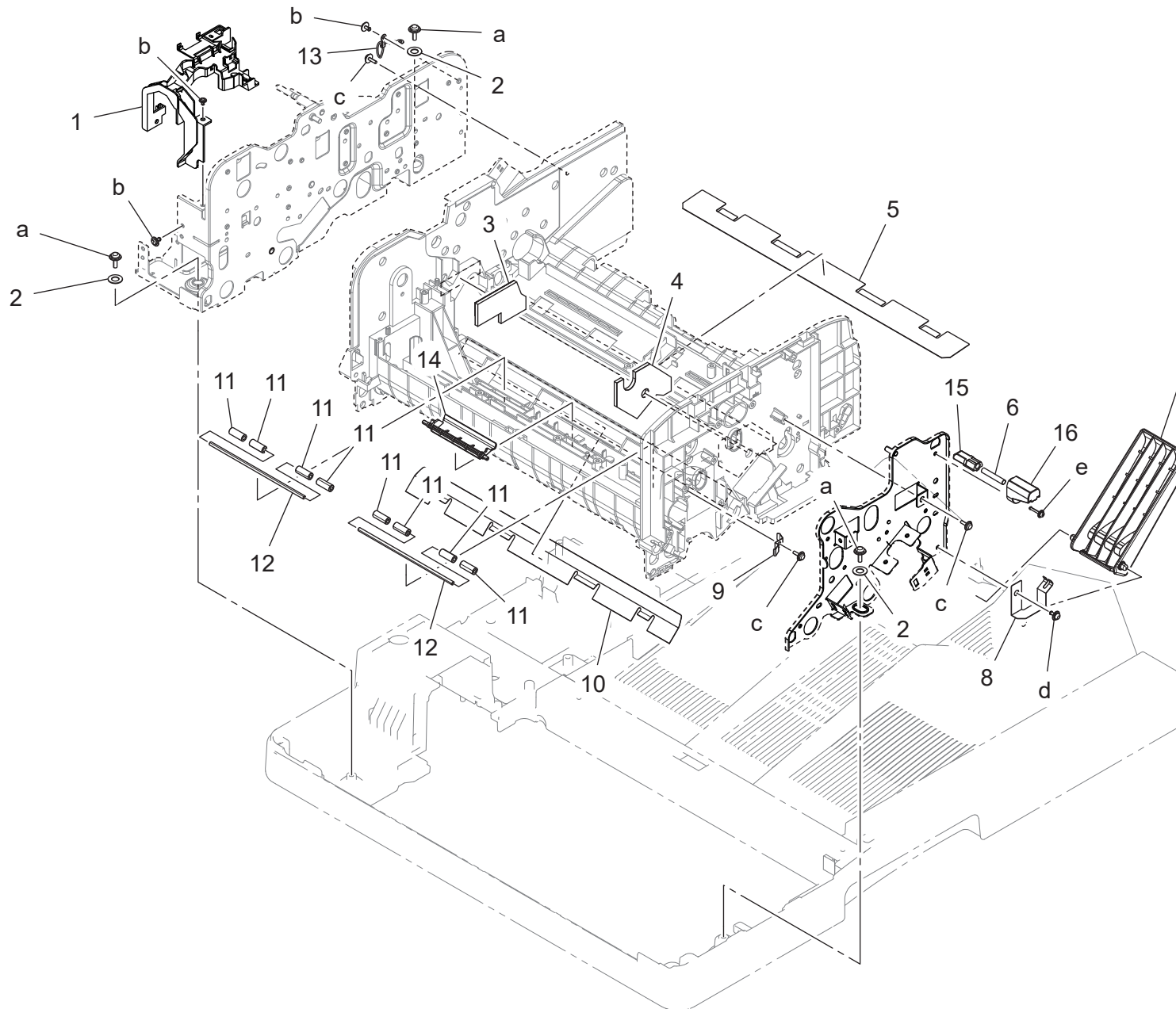
| Parts No. | Page No. |
|------------|----------|
| V500020040 | 70-13 |
| V500020052 | 68-8 |
| V500020069 | 68-14 |
| V500020073 | 68-24 |
| V500020080 | 68-16 |
| V500020082 | 68-9 |
| V500020098 | 68-5 |
| V500020099 | 68-6 |
| V500020100 | 68-7 |
| V500020110 | 68-22 |
| V501010002 | 68-23 |
| V502010036 | 61-18 |
| V502010046 | 61-17 |
| V503010002 | 64-24 |
| V570010021 | 68-10 |
| V570010038 | 68-21 |
| V570010050 | 68-15 |
| V570010057 | 68-11 |
| V570010058 | 68-18 |
| V570010059 | 68-12 |
| V570010060 | 68-13 |
| V651010002 | 62-7 |
| V651010025 | 64-22 |
| V651010034 | 11-40 |
| V651010045 | 63-6 |
| V800500300 | 41-44 |
| V800500300 | 42-7 |
| V864800107 | 64-5 |

Auto document feed Section



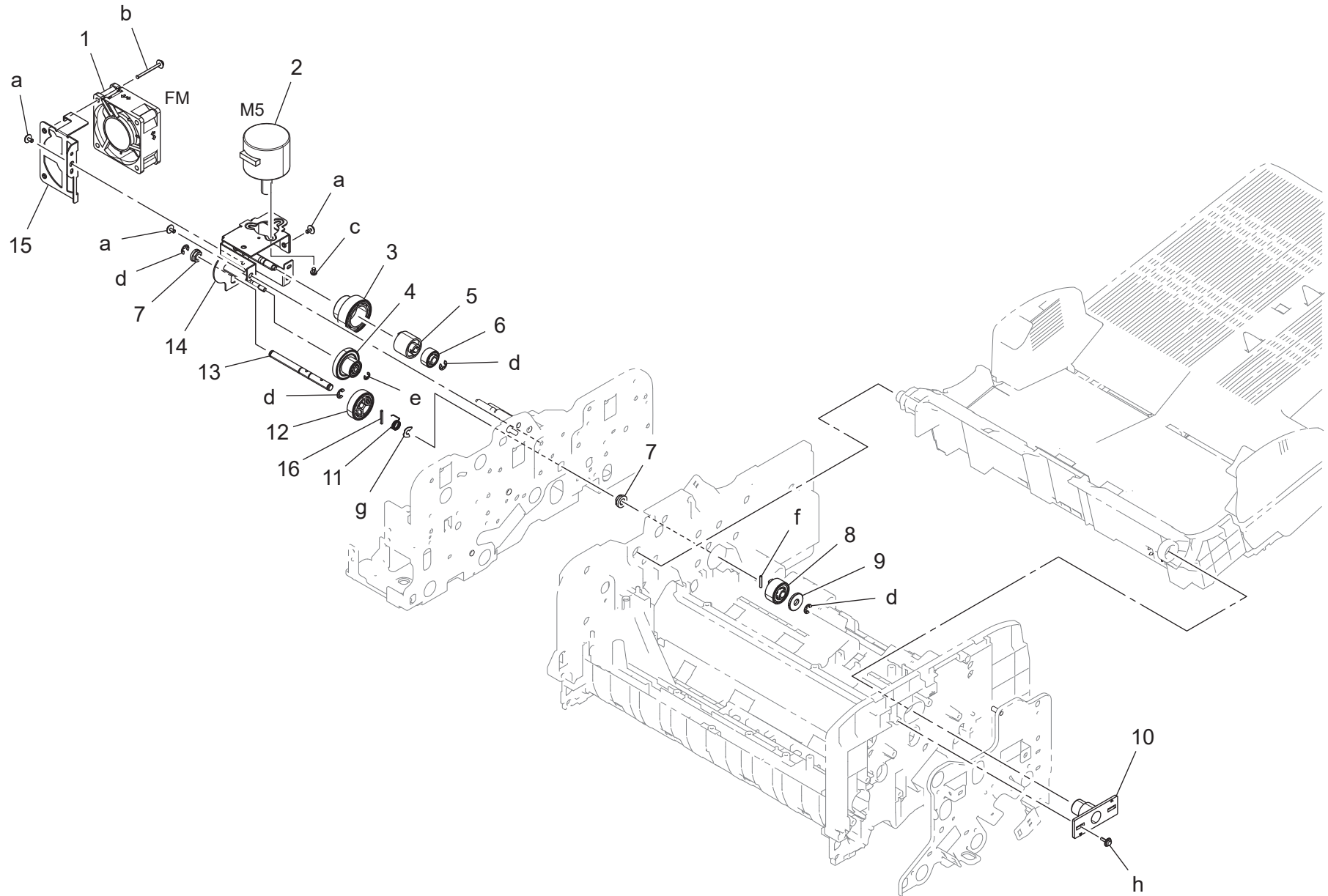
| Key | Part No. | Description | Destinations | Class | QTY | Standard parts |
|-----|------------|-------------------------|--------------|-------|-----|--|
| 1 | A782160001 | Protection Cover /Rear | | C | 1 | a-V153030803 b-V153041203 c-V147031403 d-V153031004 |
| 2 | A782130001 | Wiring Guide /1 | | D | 1 | |
| 3 | A782130600 | Wiring Guide /3 | | D | 1 | |
| 4 | A782N10000 | ADF Wiring /1 | | D | 1 | |
| 5 | A782113901 | Sheet /Left | | C | 1 | |
| 6 | A782H0010A | DFCB ASSY | | I | 1 | |
| 7 | A782114001 | Sheet /Right | | C | 1 | |
| 8 | A782N11200 | ADF Wiring /13 | | D | 1 | |
| 9 | 9J07210802 | Shoulder Screw | | C | 2 | |
| 10 | A782106200 | Fixing Screw | | C | 2 | |
| 11 | A782113801 | Hinge /Right | | D | 1 | |
| 12 | A782110009 | Base frame | | D | 1 | |
| 13 | A782940100 | Label /1 | | C | 1 | |
| 14 | 9J07160200 | MAGNET | | D | 1 | |
| 15 | A782160300 | Sound shield Cushion /2 | | C | 1 | |
| 16 | A782160200 | Sound shield Cushion /1 | | C | 1 | |
| 17 | A782160101 | Protection Cover /Front | | C | 1 | |
| 18 | A782112303 | Holding Mat /1 | | C | 1 | |
| 19 | A782110600 | Reinforce Plate /1 | | D | 1 | |
| 20 | A782119300 | Seal /Rear | | C | 1 | |
| 21 | A782113702 | Hinge /Left | | D | 1 | |
| 22 | A782117500 | Reinforce Plate /2 | | D | 1 | |
| 23 | A782117600 | Cushion | | C | 1 | |
| 24 | A782R70066 | ADF ASSY | | D | 1 | |
| 25 | 15BY561200 | Cover Spacer | | D | 1 | |
| 26 | A782110100 | Cover /Lower | | D | 1 | |
| 27 | A782114100 | Screw | | C | 5 | |
| | | | | | | |
| | | | | | | |
| | | | | | | |
| | | | | | | |
| | | | | | | |
| | | | | | | |
| | | | | | | |
| | | | | | | |
| | | | | | | |
| | | | | | | |
| | | | | | | |

Auto document feed Section



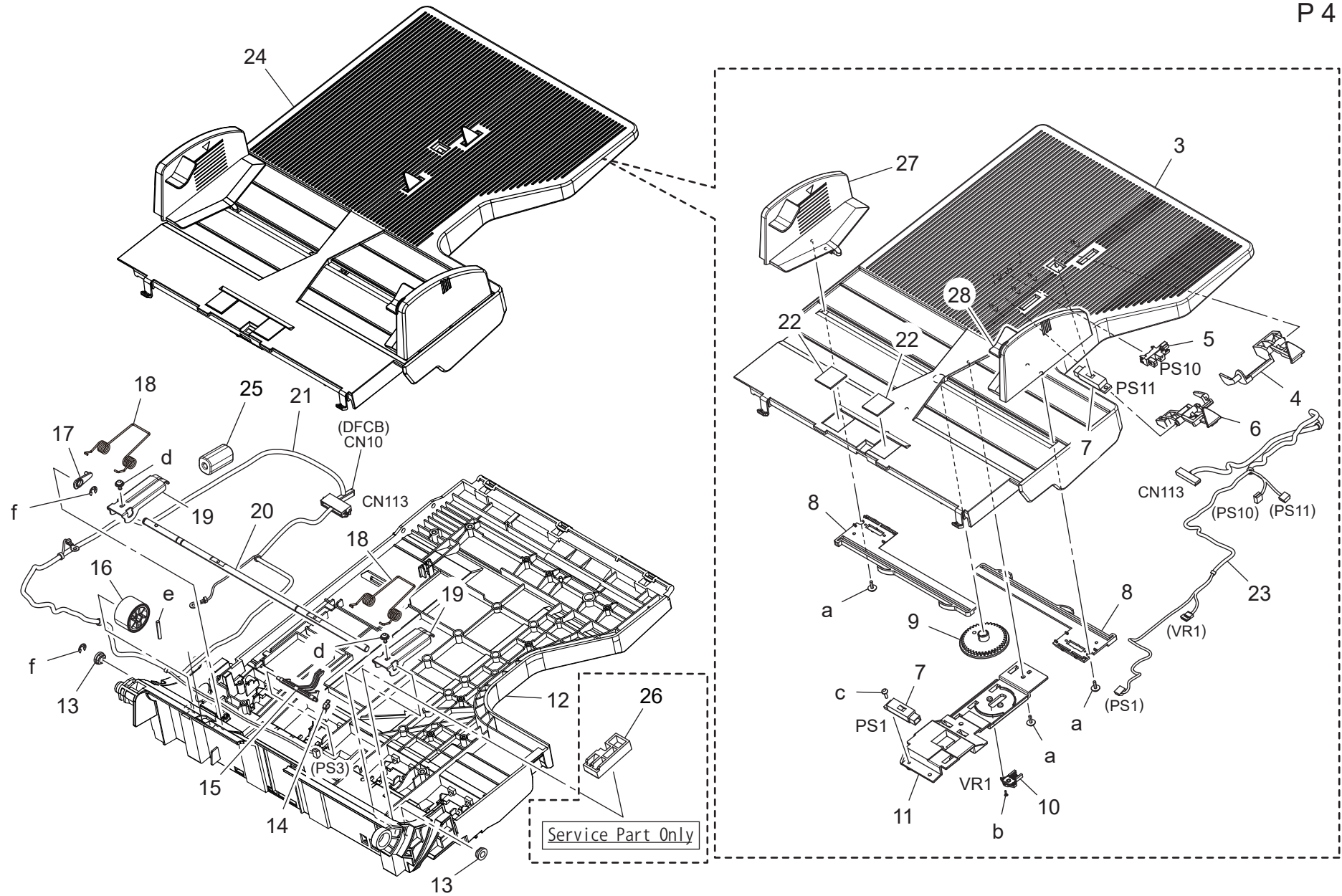
| Key | Part No. | Description | Destinations | Class | QTY | Standard parts |
|-----|------------|-------------------------|--------------|-------|-----|--|
| 1 | A782130301 | Wiring Guide /2 | | D | 1 | a-V153041003 b-V144030603 c-V153030803 d-V116030803 e-V127031203 |
| 2 | A782117000 | Washer | | C | 3 | |
| 3 | A782105101 | Cushion | | C | 1 | |
| 4 | A782105001 | Cushion | | C | 1 | |
| 5 | A782117100 | Guide Film | | C | 1 | |
| 6 | A782125600 | Compressing Coil Spring | | D | 1 | |
| 7 | A782891001 | Auxiliary Plate /1 | | C | 1 | |
| 8 | A782111000 | Ground Plate spring /1 | | D | 1 | |
| 9 | A782111100 | Ground Plate spring /2 | | D | 1 | |
| 10 | A782101700 | Guide Sheet | | D | 1 | |
| 11 | A782262800 | Roll | | C | 8 | |
| 12 | A782264900 | Shaft | | D | 2 | |
| 13 | A782N11800 | ADF Wiring /19 | | D | 1 | |
| 14 | A782111200 | Guide | | D | 1 | |
| 15 | A782125400 | Stopper Shaft | | D | 1 | |
| 16 | A782125500 | Holder | | D | 1 | |
| | | | | | | |
| | | | | | | |
| | | | | | | |
| | | | | | | |
| | | | | | | |
| | | | | | | |
| | | | | | | |
| | | | | | | |
| | | | | | | |

Auto document feed Section

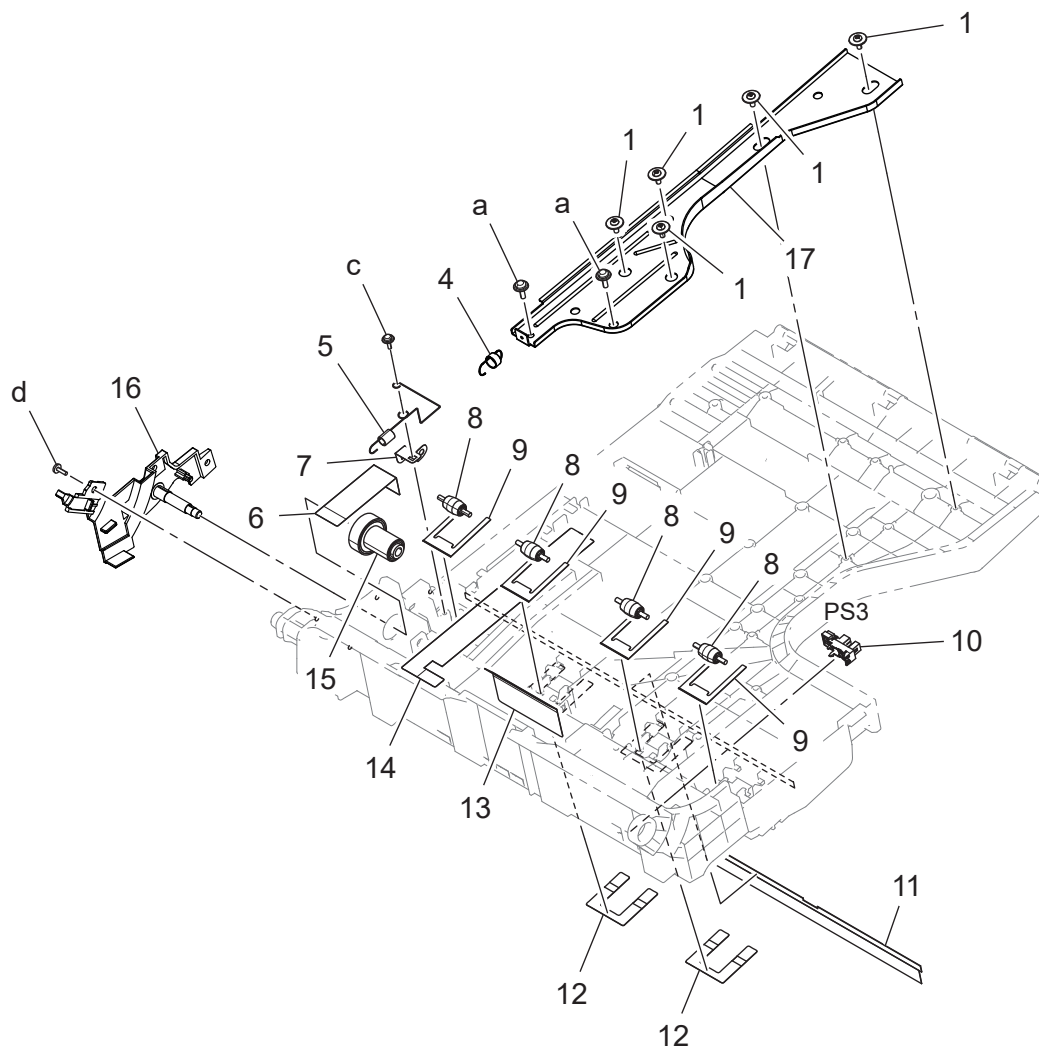


| Key | Part No. | Description | Destinations | Class | QTY | Standard parts |
|-----|------------|------------------------|--------------|-------|-----|----------------|
| 1 | 4556M10000 | Fan Motor | | B | 1 | a-V144030603 |
| 2 | A782M10100 | Brushless motor | | C | 1 | b-V116033003 |
| 3 | A782571600 | Gear /8 39T | | C | 1 | c-V115030403 |
| 4 | A782571300 | Gear /3 47T/18T | | C | 1 | d-V217040003 |
| 5 | A782571500 | Torque limiter | | C | 1 | e-V217030003 |
| 6 | A782571400 | Gear /7 25T | | C | 1 | f-V234201250 |
| 7 | A161210200 | Bushing | | D | 2 | g-V218040086 |
| 8 | A782571100 | Gear /5 18T | | C | 1 | h-V153030803 |
| 9 | A782572000 | Flange | | C | 1 | |
| 10 | A782566000 | Mounting Plate | | D | 1 | |
| 11 | A782572900 | Torsion Coil spring /5 | | C | 1 | |
| 12 | A782571201 | Gear /4 32T | | C | 1 | |
| 13 | A782573401 | Shaft | | D | 1 | |
| 14 | A782570800 | Mounting Plate | | D | 1 | |
| 15 | A782130500 | Mounting Plate | | D | 1 | |
| 16 | A782573800 | Pin | | D | 1 | |
| | | | | | | |
| | | | | | | |
| | | | | | | |
| | | | | | | |
| | | | | | | |
| | | | | | | |
| | | | | | | |
| | | | | | | |
| | | | | | | |
| | | | | | | |
| | | | | | | |
| | | | | | | |
| | | | | | | |
| | | | | | | |
| | | | | | | |
| | | | | | | |

Auto document feed Section

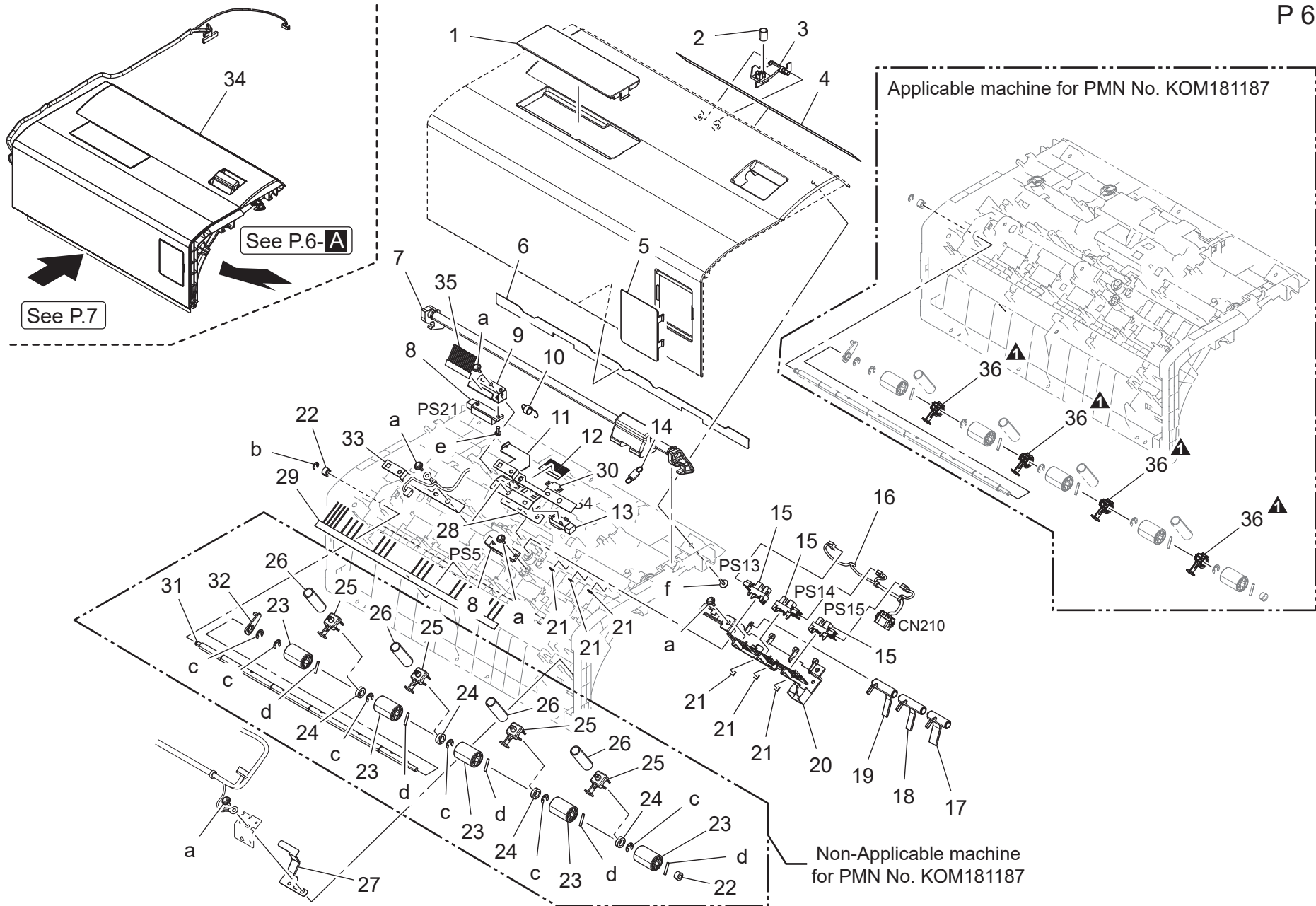


| Key | Part No. | Description | Destinations | Class | QTY | Standard parts |
|-----|---------------|------------------------------|--------------|-------|-----|----------------|
| 3 | A782561703 | Lifting Plate | | C | 1 | a-V153030803 |
| 4 | A782600101 | Arm /1 | | C | 1 | b-V166170504 |
| 5 | A5C1M50100 | Photointerrupter | | B | 1 | c-V145030803 |
| 6 | A782601500 | Arm /2 | | C | 1 | d-V116030803 |
| 7 | A108M50000 | Photorelector | | B | 2 | e-V234302050 |
| 8 | A782562001 | Rack | | C | 2 | f-V217040003 |
| 9 | A782600900 | Gear 40T | | C | 1 | |
| 10 | A1UDM50100 | VR | | D | 1 | |
| 11 | A782562600 | Mounting Plate | | D | 1 | |
| 12 | A782561115Old | Tray | | D | 1 | |
| 12 | A782561126 | Tray | | D | 1 | |
| 13 | A161210200 | Bushing | | D | 2 | |
| 14 | A782891901 | Paper exit Spring /6 | | C | 1 | |
| 15 | A782891800 | Actuator | | C | 1 | |
| 16 | A782568500 | Gear /7 34 T | | C | 1 | |
| 17 | A782562400 | Washer | | C | 1 | |
| 18 | A782573601Old | Torsion Coil spring /A | | C | 2 | |
| 18 | A782573612 | Torsion Coil spring /A | | C | 2 | |
| 19 | A782566800 | Lever | | D | 2 | |
| 20 | A782566900 | Shaft | | D | 1 | |
| 21 | A782N10300 | ADF Wiring /4 | | C | 1 | |
| 22 | A782561000 | Friction Plate | | C | 2 | |
| 23 | A782N10400 | ADF Wiring /5 | | C | 1 | |
| 24 | A782R70311 | Lifting Plate ASSY | | D | 1 | |
| 25 | A3EWM90300 | Ferritecore | | D | 1 | |
| 26 | A782P18000 | Reinforce Part | | D | 1 | |
| 27 | A782R71200 | Regulating Plate Assy /Rear | | D | 1 | |
| 28 | A782R71100 | Regulating Plate Assy /Front | | D | 1 | |
| | | | | | | |
| | | | | | | |
| | | | | | | |
| | | | | | | |
| | | | | | | |
| | | | | | | |
| | | | | | | |
| | | | | | | |
| | | | | | | |



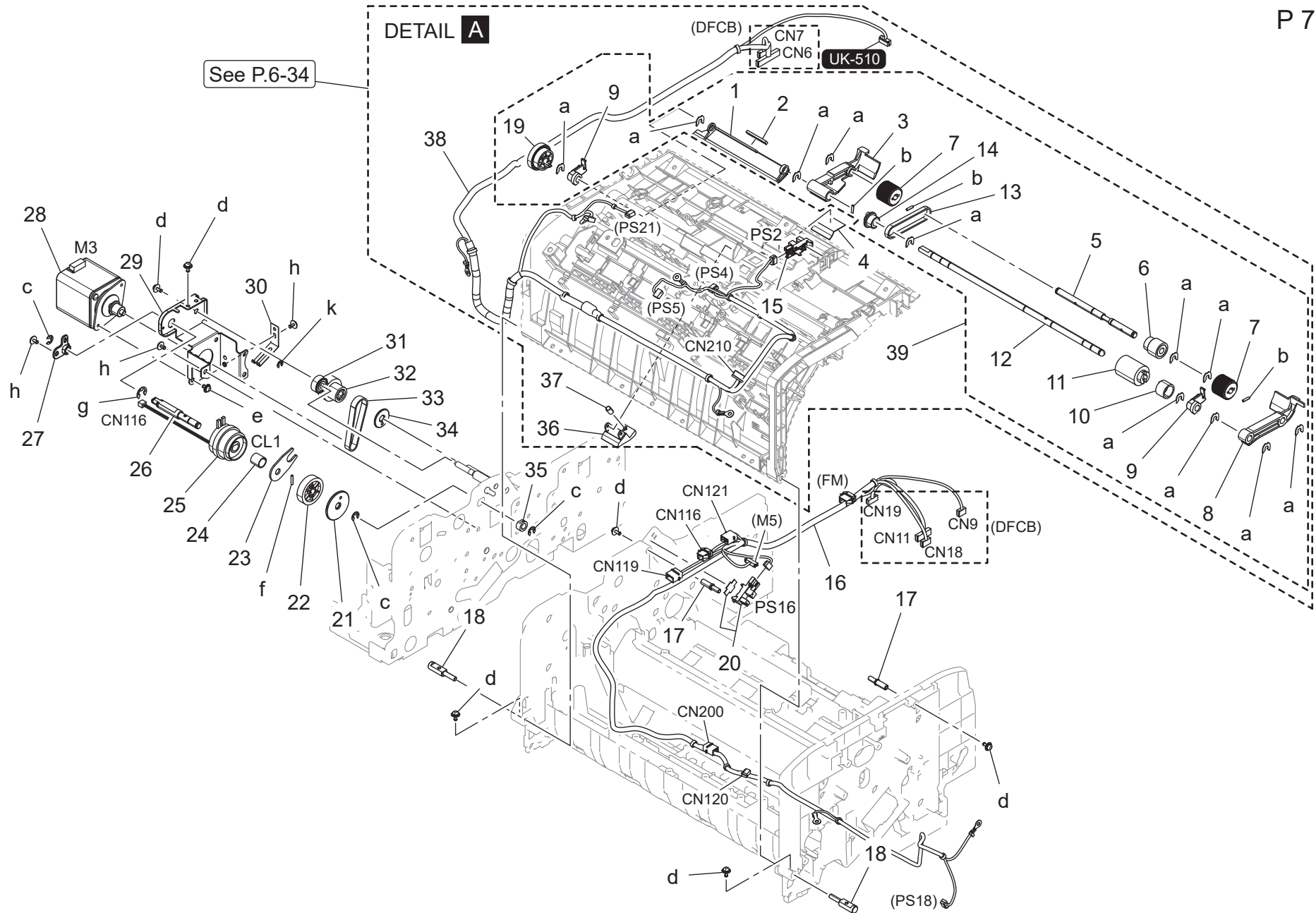
| Key | Part No. | Description | Destinations | Class | QTY | Standard parts | |
|-----|------------|---------------------|--------------|-------|-----|--|--|
| 1 | 4163529301 | SCREW | | C | 5 | a-V153041003 c-V153030803 d-V149030803 | |
| 4 | A782572101 | Pulling Coil spring | | C | 1 | | |
| 5 | A782571900 | Pulling Coil spring | | C | 1 | | |
| 6 | A782561900 | Protection Seal /2 | | D | 1 | | |
| 7 | A782571800 | Ground Plate | | C | 1 | | |
| 8 | 9J07300801 | ROLL | | C | 4 | | |
| 9 | A108890500 | Plate spring | | D | 4 | | |
| 10 | A5C1M50100 | Photointerrupter | | B | 1 | | |
| 11 | A108891300 | Neutralizing Brush | | C | 1 | | |
| 12 | A108561500 | Guide | | D | 2 | | |
| 13 | 9J07341102 | GUIDE | | D | 1 | | |
| 14 | A782561801 | Protection Seal /1 | | D | 1 | | |
| 15 | A782570900 | Gear /6 23 T | | C | 1 | | |
| 16 | A782565011 | Cover | | D | 1 | | |
| 17 | A782573901 | Reinforce Plate /1 | | D | 1 | | |
| | | | | | | | |
| | | | | | | | |
| | | | | | | | |
| | | | | | | | |
| | | | | | | | |
| | | | | | | | |
| | | | | | | | |
| | | | | | | | |

Auto document feed Section



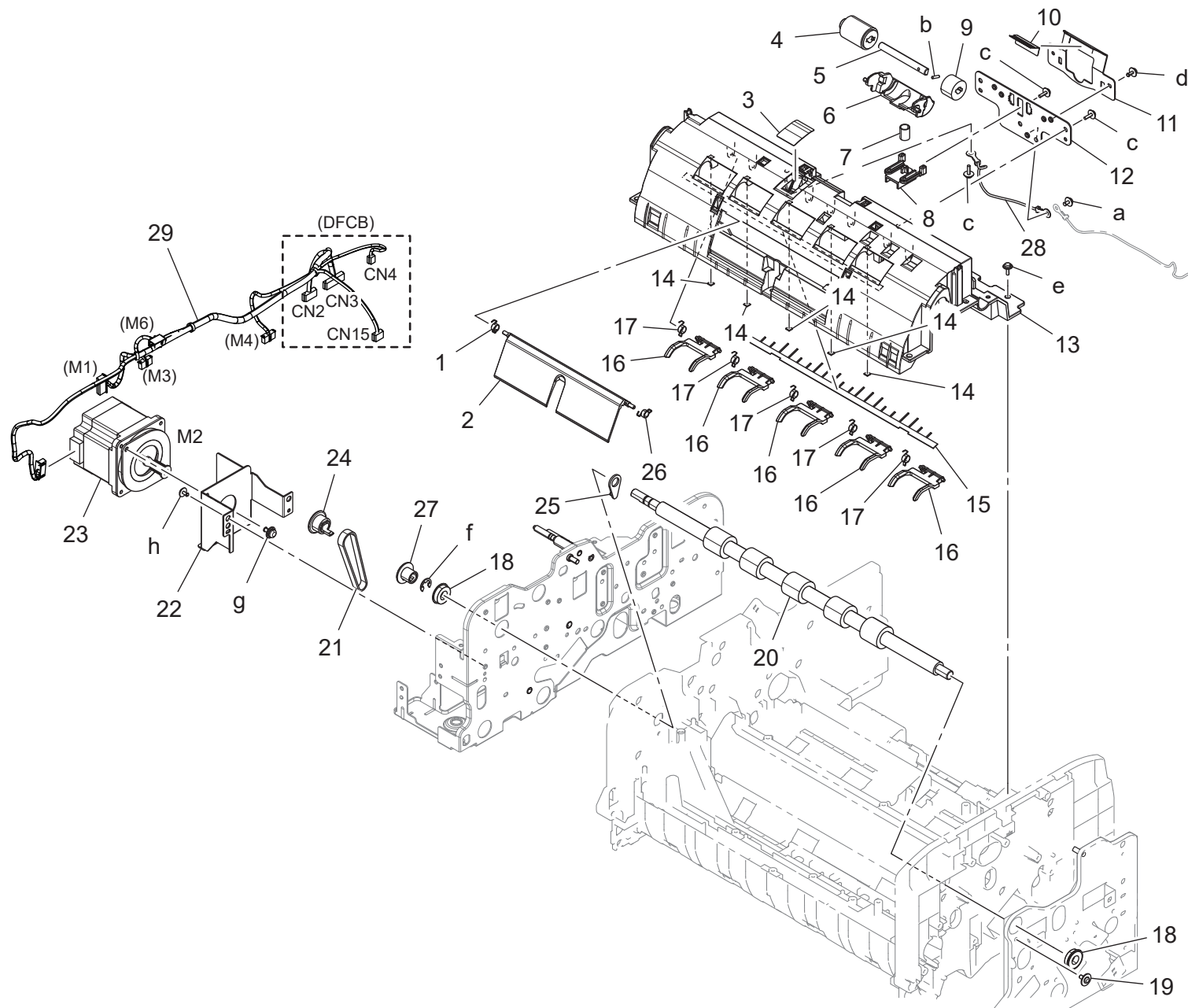
| Key | Part No. | Description | Destinations | Class | QTY | Standard parts |
|-----|------------|----------------------------|--------------|-------|-----|--|
| 1 | A782707300 | Protection Cover /Upper | | C | 1 | a-V153030803 b-V217030003 c-V217040003 d-V234201250 e-V135030603 f-V153030804 |
| 2 | A782570400 | Spring | | C | 1 | |
| 3 | A782570602 | Lever /1 | | D | 1 | |
| 4 | A782940400 | Label | | C | 1 | |
| 5 | A782704003 | Protection Cover /Lower | | C | 1 | |
| 6 | A782703401 | Sealing Rubber | | C | 1 | |
| 7 | A782700801 | Open/close Lever | | D | 1 | |
| 8 | A108M50000 | Photoreflector | | B | 2 | |
| 9 | A782704501 | Mounting Plate | | D | 1 | |
| 10 | A782572101 | Pulling Coil spring | | C | 1 | |
| 11 | A782700400 | Mounting Plate | | D | 1 | |
| 12 | A782704800 | Neutralizing Brush | | C | 1 | |
| 13 | 9335140071 | Solid State Switch | | B | 1 | |
| 14 | A782565301 | Pulling Coil spring | | C | 1 | |
| 15 | A5C1M50100 | Photointerrupter | | B | 3 | |
| 16 | A782N11100 | ADF Wiring /12 | | D | 1 | |
| 17 | A782701200 | Actuator /3 | | C | 1 | |
| 18 | A782701100 | Actuator /2 | | C | 1 | |
| 19 | A782701000 | Actuator /1 | | C | 1 | |
| 20 | A782702801 | Mounting Plate | | D | 1 | |
| 21 | A782704200 | Adjusting Cushion | | C | 6 | |
| 22 | A782702700 | Bushing | | C | 2 | |
| 23 | A782703001 | Idler Roll | | D | 5 | |
| 24 | A782704901 | Ball bearing | | C | 4 | |
| 25 | A782701400 | Rotation Pedestal | | D | 4 | |
| 26 | A782700900 | Compressing Spring | | C | 4 | |
| 27 | A782704700 | Ground Plate /Lower | | D | 1 | |
| 28 | A782704400 | Scatteringprevention Plate | | D | 1 | |
| 29 | A782701501 | Neutralizing Brush | | C | 1 | |
| 30 | A108703100 | Stopper | | D | 1 | |
| 31 | A782702600 | Rotation Shaft | | D | 1 | |
| 32 | A782562400 | Washer | | C | 1 | |
| 33 | A782704101 | Ground Plate | | C | 1 | |
| 34 | A782R70433 | TOP Cover ASSY | | D | 1 | |
| 35 | A782705600 | Neutralizing Brush /1 | | D | 1 | |
| 36 | A782701900 | Bushing | | C | 4 | |
| | | | | | | |
| | | | | | | |
| | | | | | | |
| | | | | | | |

Auto document feed Section



| Key | Part No. | Description | Destinations | Class | QTY | Standard parts |
|-----|------------|----------------------|--------------|-------|-----|----------------|
| 1 | A782576100 | Guide Plate | | D | 1 | a-V218040086 |
| 2 | A782562101 | Cushion | | C | 1 | b-V234200850 |
| 3 | A782569000 | Arm /Front | | C | 1 | c-V217040003 |
| 4 | A782707400 | Light blocking Part | | D | 1 | d-V116030803 |
| 5 | A782573501 | Shaft | | D | 1 | e-V116030603 |
| 6 | 9J07330801 | Pulley 21T | | C | 1 | f-V234201050 |
| 7 | 9J07330102 | Roller | | A | 2 | g-V217060003 |
| 8 | A782568901 | Arm /Front | | C | 1 | h-V144030603 |
| 9 | A782569801 | Lever /2 | | C | 2 | k-V217030003 |
| 10 | A07H570500 | Clutch | | C | 1 | |
| 11 | A00J563600 | Roller | | A | 1 | |
| 12 | A782569200 | Paper feed Shaft | | D | 1 | |
| 13 | A782569900 | Timing belt 128L | | C | 1 | |
| 14 | 9J07331901 | Pulley 19T | | C | 1 | |
| 15 | A5C1M50100 | Photointerrupter | | B | 1 | |
| 16 | A782N10801 | ADF Wiring /9 | | D | 1 | |
| 17 | A782101600 | Positioning Shaft /1 | | C | 2 | |
| 18 | A782101000 | Shaft | | C | 2 | |
| 19 | A782569300 | Gear /2 25T | | C | 1 | |
| 20 | A5C1R90000 | Photo Interrupter | | B | 1 | |
| 21 | A782211500 | Ring | | D | 1 | |
| 22 | A782211400 | Gear 27T | | C | 1 | |
| 23 | A782212000 | Holder | | D | 1 | |
| 24 | A782211900 | Compressing Spring | | C | 1 | |
| 25 | A3CKM20000 | Clutch | | C | 1 | |
| 26 | A782211600 | Shaft | | D | 1 | |
| 27 | A108260700 | Bushing | | D | 1 | |
| 28 | A2X0M10300 | Stepping motor | | C | 1 | |
| 29 | A782212702 | Mounting Plate | | D | 1 | |
| 30 | A782211700 | Ground Plate | | C | 1 | |
| 31 | A782215800 | Gear | | D | 1 | |
| 32 | A782211300 | Pulley 27T | | C | 1 | |
| 33 | A782214300 | Timing belt 124L | | C | 1 | |
| 34 | A782211800 | Flange | | C | 1 | |
| 35 | 4131253701 | BUSHING | | C | 1 | |
| 36 | A782707201 | Guide /J | | D | 1 | |
| 37 | A782704301 | Spring | | C | 1 | |
| 38 | A782N10200 | ADF Wiring /3 | | D | 1 | |
| 39 | A782R70800 | Pick Up ASSY | | C | 1 | |
| | | | | | | |
| | | | | | | |
| | | | | | | |

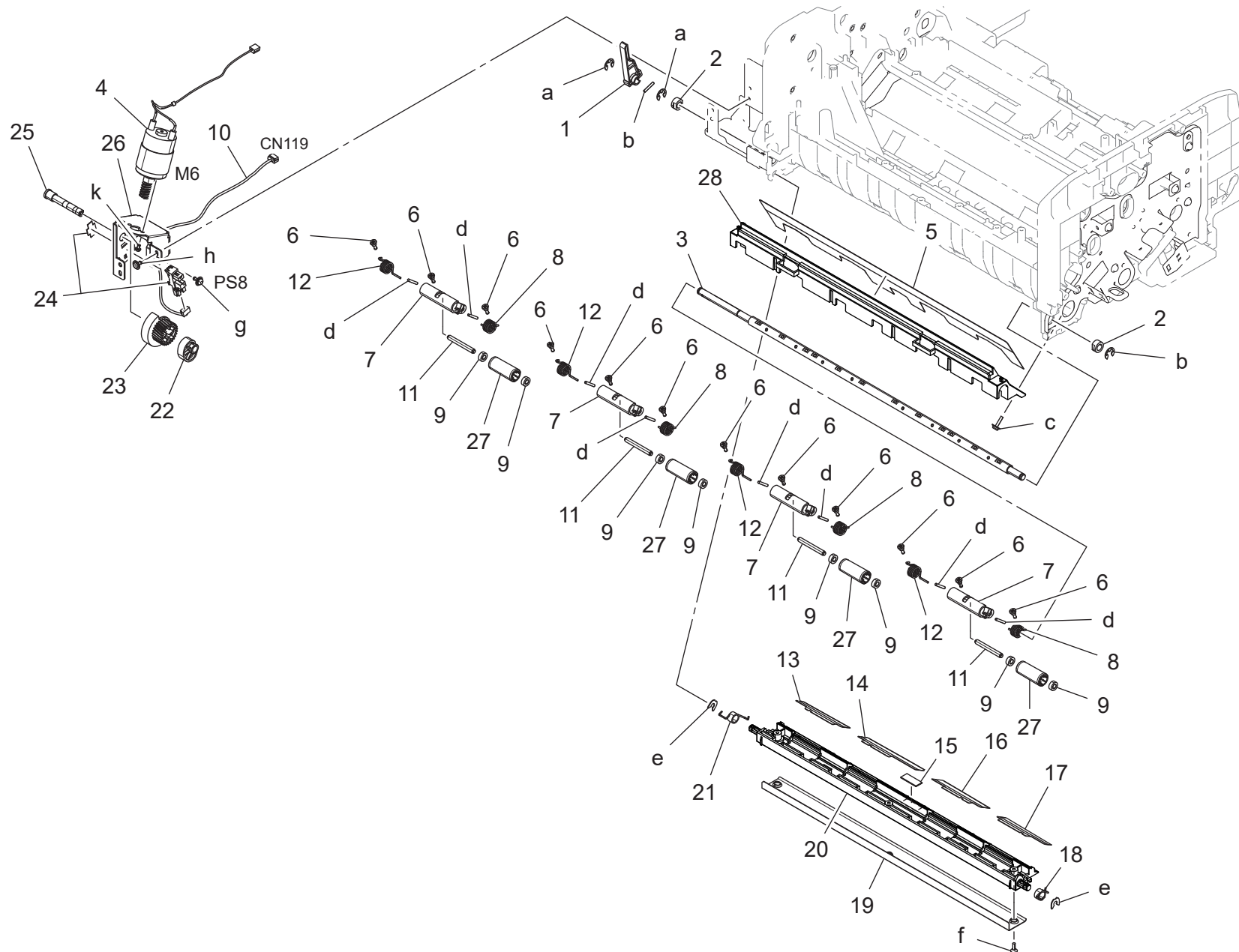
Auto document feed Section



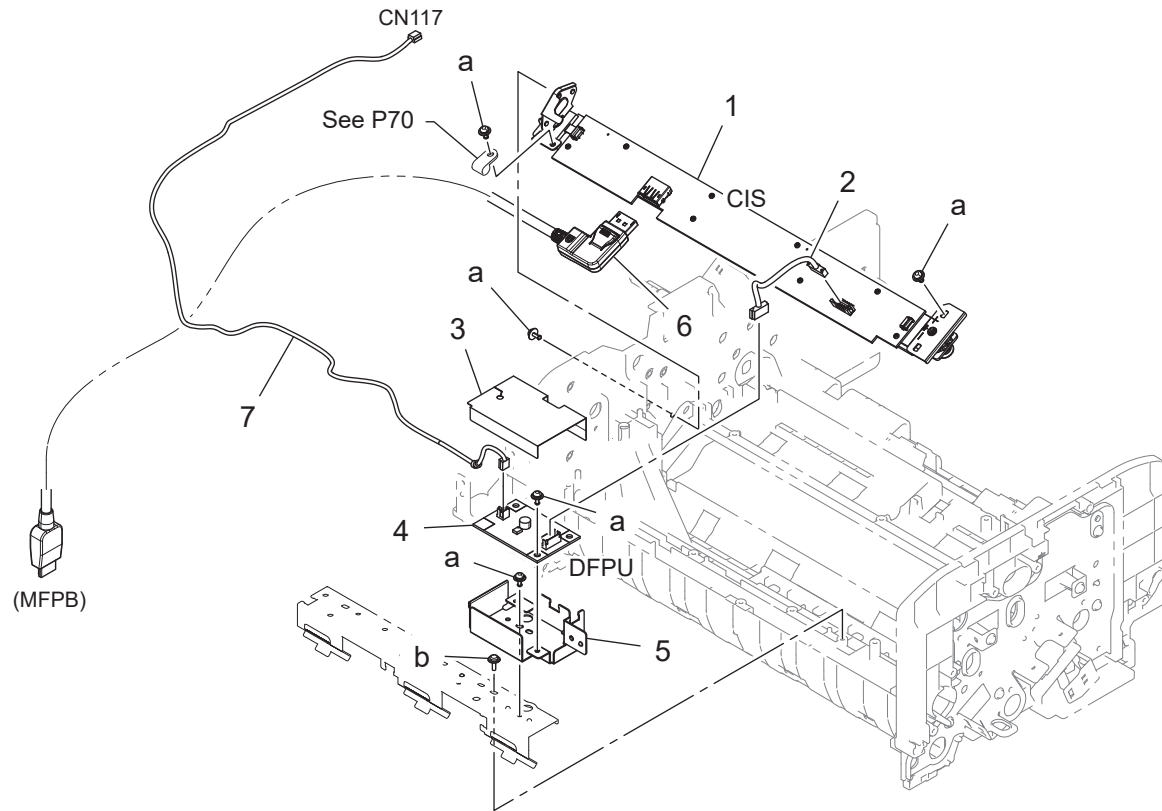
| Key | Part No. | Description | Destinations | Class | QTY | Standard parts |
|-----|------------|--------------------|--------------|-------|-----|--|
| 1 | A782714200 | Spring /Lower | | C | 1 | a-V116030603 b-V234200850 c-V153030803 d-V116030803 e-V153031004 f-V217060003 g-V116040803 h-V144030603 |
| 2 | A782711901 | Lever /1 | | C | 1 | |
| 3 | A782711800 | Protection Seal | | C | 1 | |
| 4 | 9J07340901 | ROLLER | | A | 1 | |
| 5 | A0HT561202 | Shaft | | C | 1 | |
| 6 | A782568200 | Holder | | C | 1 | |
| 7 | A782568600 | Spring | | C | 1 | |
| 8 | A3CK565100 | Holder | | D | 1 | |
| 9 | A782568701 | Torque limiter | | A | 1 | |
| 10 | A782576000 | Neutralizing Brush | | C | 1 | |
| 11 | A3CK568300 | Guide | | D | 1 | |
| 12 | A782712300 | Mounting Plate /2 | | D | 1 | |
| 13 | A782710806 | Guide | | D | 1 | |
| 14 | A782704200 | Adjusting Cushion | | C | 5 | |
| 15 | A782710201 | Neutralizing Brush | | C | 1 | |
| 16 | A782710000 | Lever /Upper | | C | 5 | |
| 17 | A782710100 | Spring /1 | | C | 5 | |
| 18 | A00V240600 | Ball Bearing | | B | 2 | |
| 19 | A782117900 | Shoulder screw | | C | 1 | |
| 20 | A782711000 | Conveyance Roller | | C | 1 | |
| 21 | A782214400 | Timing belt 150L | | C | 1 | |
| 22 | A782212600 | Mounting Plate /B | | D | 1 | |
| 23 | A782M10000 | Stepping motor | | C | 1 | |
| 24 | A782213000 | Gear 23T | | C | 1 | |
| 25 | A782115700 | Washer /1 | | C | 1 | |
| 26 | A782714100 | Spring /Lower | | C | 1 | |
| 27 | A782215100 | Collar | | C | 1 | |
| 28 | A782N12700 | ADF Wiring /B | | D | 1 | |
| 29 | A782N10100 | ADF Wiring /2 | | D | 1 | |
| | | | | | | |
| | | | | | | |
| | | | | | | |
| | | | | | | |
| | | | | | | |

Auto document feed Section

P 9



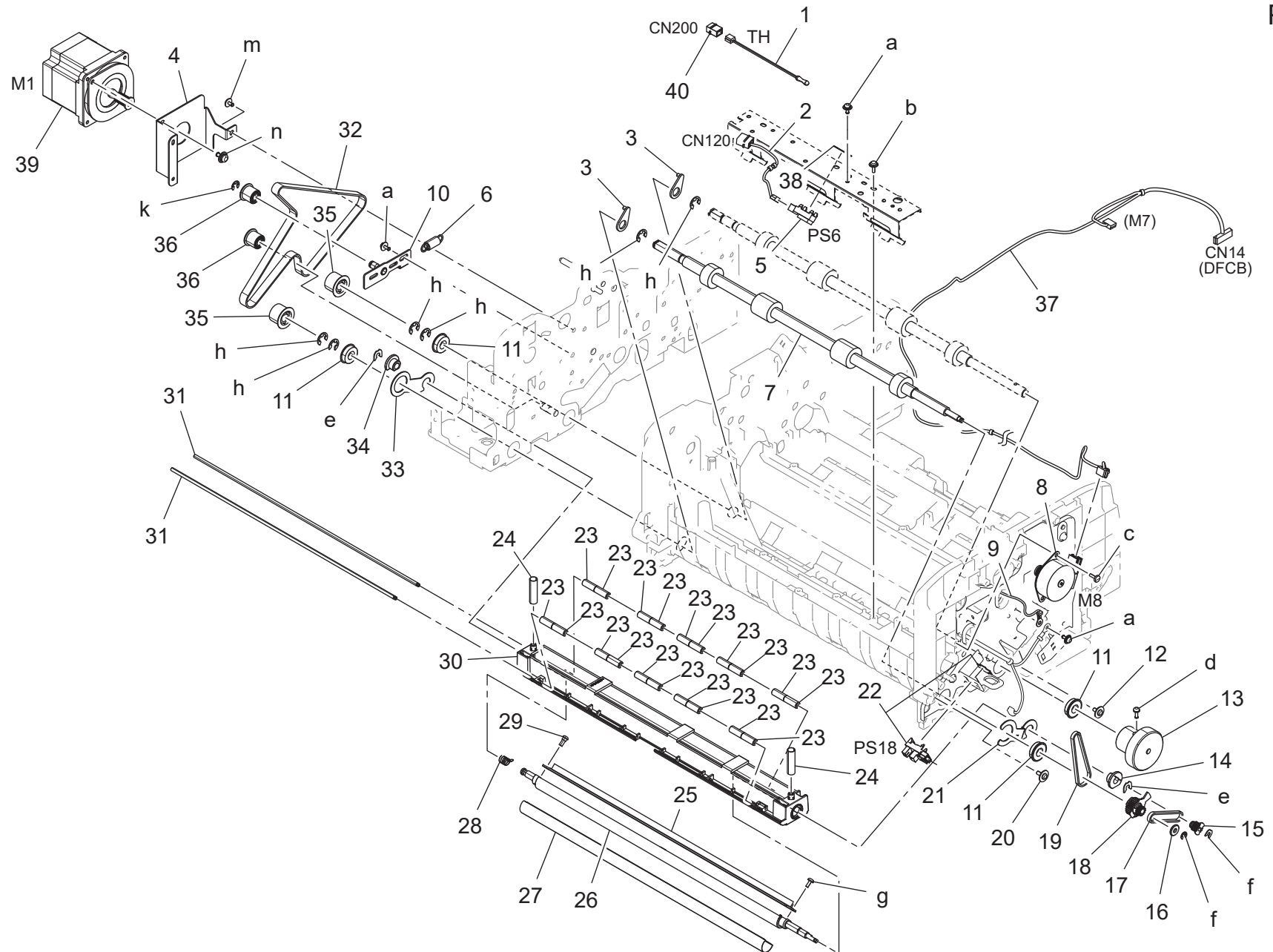
| Key | Part No. | Description | Destinations | Class | QTY | Standard parts |
|-----|------------|------------------------|--------------|-------|-----|----------------|
| 1 | A782260600 | Lever | | C | 1 | a-V217050003 |
| 2 | 4131253701 | BUSHING | | C | 2 | b-V234201250 |
| 3 | A782260700 | Support Shaft | | D | 1 | c-V153031003 |
| 4 | A782R70100 | Breakaway Motor ASSY | | C | 1 | d-V234201450 |
| 5 | A782116801 | Guide | | C | 1 | e-V218040086 |
| 6 | A3CK272600 | Shoulder screw | | C | 12 | f-V147030803 |
| 7 | A3CK272001 | Lever | | C | 4 | g-V116030803 |
| 8 | A782272401 | Torsion Coil spring /2 | | C | 4 | h-V144030603 |
| 9 | A782272200 | Ball bearing /1 | | C | 8 | k-V115260403 |
| 10 | A782N12100 | ADF Wiring /30 | | D | 1 | |
| 11 | A3CK272200 | Shaft | | D | 4 | |
| 12 | A782272301 | Torsion Coil spring /1 | | C | 4 | |
| 13 | A782100400 | Guide /2 | | C | 1 | |
| 14 | A782100301 | Guide /1 | | C | 1 | |
| 15 | A782104700 | Cushion | | C | 1 | |
| 16 | A782100501 | Guide /3 | | C | 1 | |
| 17 | A782100600 | Guide /4 | | C | 1 | |
| 18 | A782100701 | Torsion Coil spring | | C | 1 | |
| 19 | A782100200 | Reinforce Plate | | D | 1 | |
| 20 | A782100102 | Guide | | C | 1 | |
| 21 | A782100802 | Torsion Coil spring | | C | 1 | |
| 22 | A782260400 | Cam | | C | 1 | |
| 23 | A782260501 | Gear 26T | | C | 1 | |
| 24 | A5C1R90000 | Photo Interrupter | | B | 1 | |
| 25 | A782213400 | Shaft | | D | 1 | |
| 26 | A782260200 | Fixing Plate | | D | 1 | |
| 27 | A782272800 | Roll | | C | 4 | |
| 28 | A782100001 | Guide | | D | 1 | |
| | | | | | | |
| | | | | | | |
| | | | | | | |
| | | | | | | |
| | | | | | | |
| | | | | | | |
| | | | | | | |



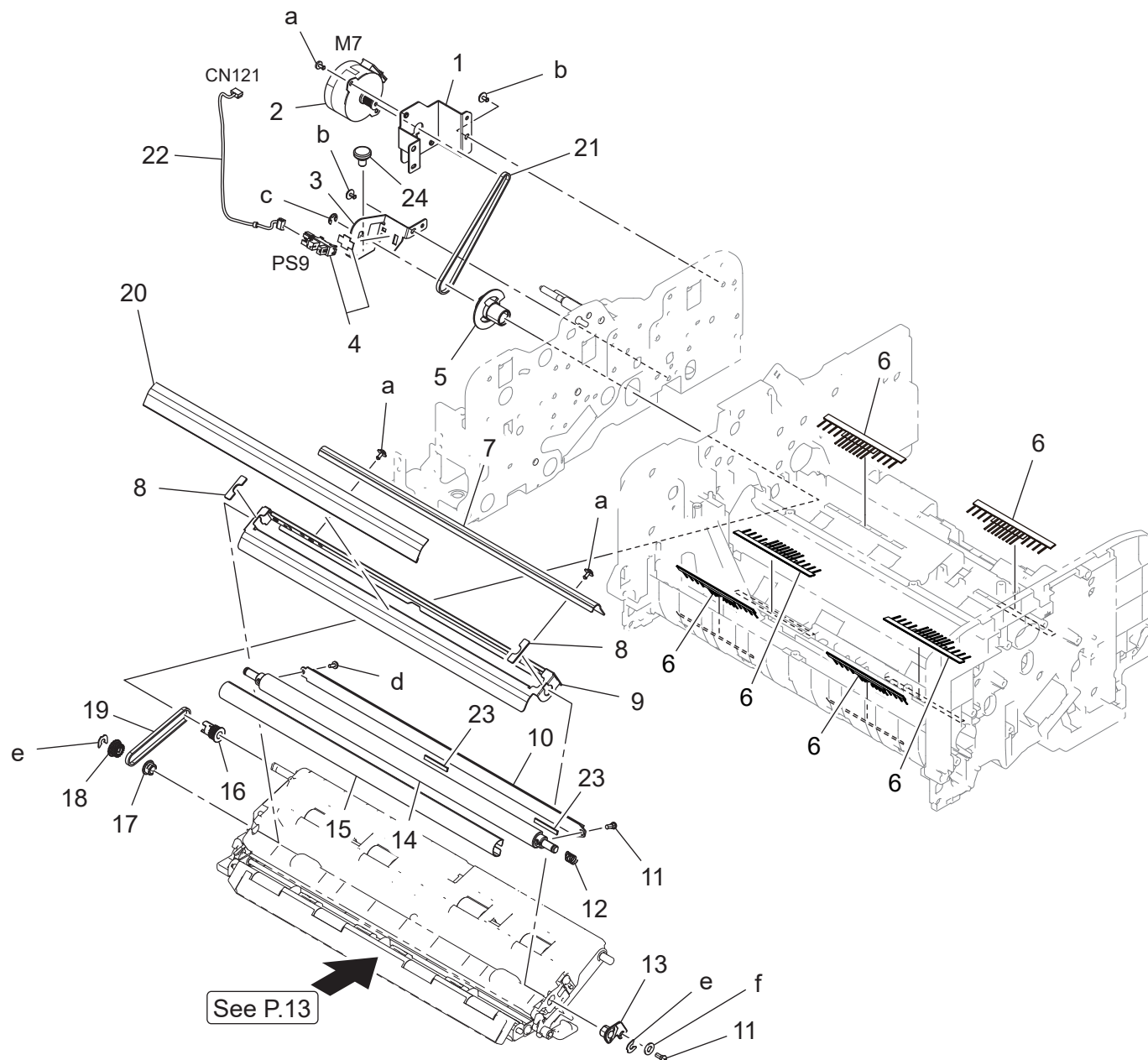
| Key | Part No. | Description | Destinations | Class | QTY | Standard parts |
|-----|------------|---------------------------|--------------|-------|-----|------------------------------|
| 1 | A782R70200 | CIS Assy | | I | 1 | a-V116030803 b-V153030803 |
| 2 | A782N10900 | ADF Wiring /10 | | D | 1 | |
| 3 | A782116301 | Wiring Cover | | C | 1 | |
| 4 | A3CKH00200 | PWB Assembly(PWB-DC Assy) | | I | 1 | |
| 5 | A782116201 | Plate | | D | 1 | |
| 6 | A782N12001 | ADF Cable | | D | 1 | |
| 7 | A782N12200 | ADF Wiring /40 | | D | 1 | |
| | | | | | | |
| | | | | | | |
| | | | | | | |
| | | | | | | |
| | | | | | | |
| | | | | | | |
| | | | | | | |
| | | | | | | |
| | | | | | | |
| | | | | | | |
| | | | | | | |
| | | | | | | |
| | | | | | | |
| | | | | | | |
| | | | | | | |



Auto document feed Section



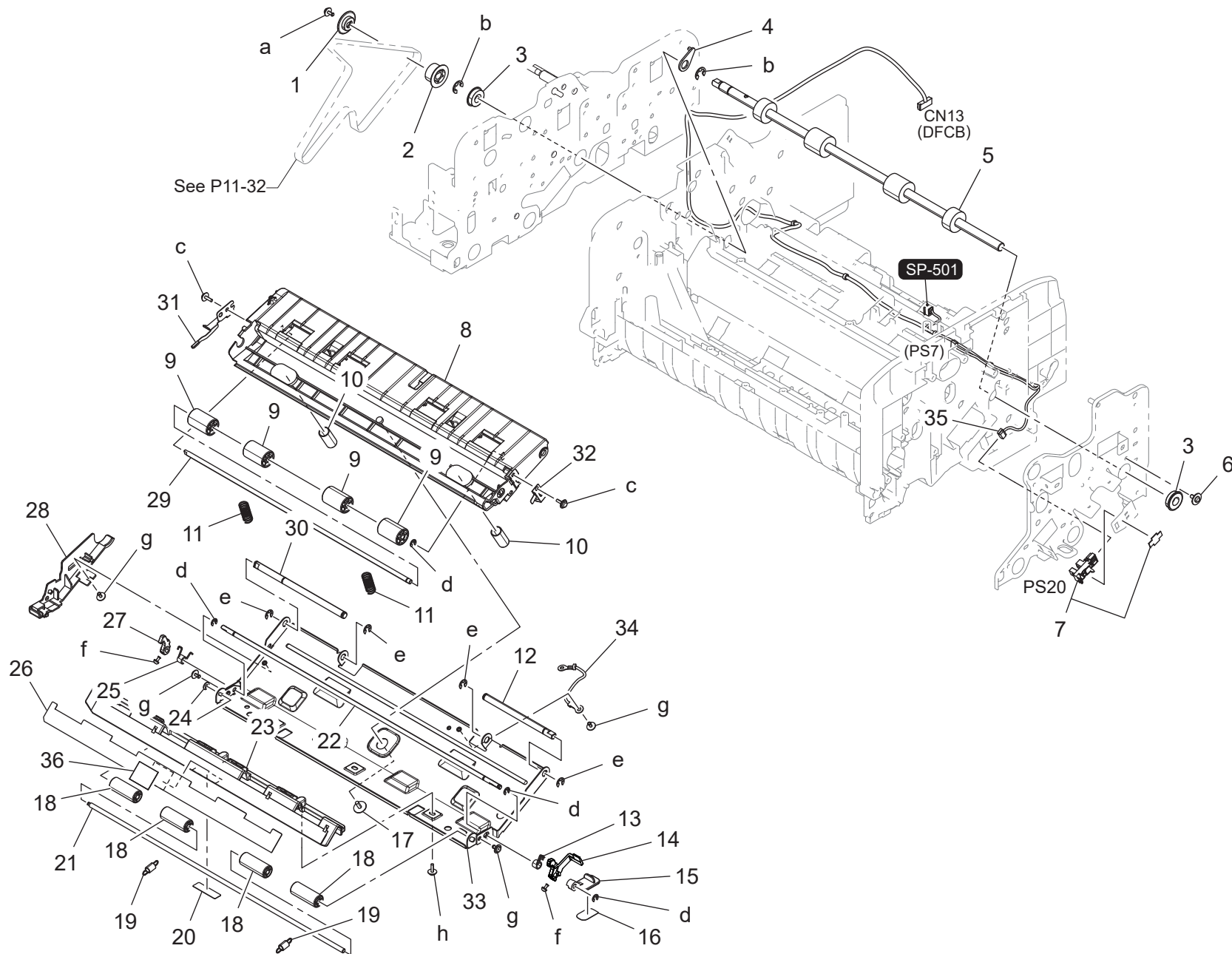
| Key | Part No. | Description | Destinations | Class | QTY | Standard parts |
|-----|------------|-------------------------|--------------|-------|-----|----------------|
| 1 | A0P0M50300 | Thermistor | | C | 1 | a-V116030803 |
| 2 | A782N12300 | ADF Wiring /50 | | D | 1 | b-V153030803 |
| 3 | A782115700 | Washer /1 | | C | 2 | c-V149030803 |
| 4 | A782212300 | Mounting Plate | | D | 1 | d-V115030803 |
| 5 | 9335140071 | Solid State Switch | | B | 1 | e-V218040086 |
| 6 | A782215700 | Pulling Coil spring | | D | 1 | f-V218030086 |
| 7 | A782102900 | Roller | | D | 1 | g-V145030603 |
| 8 | A782M10200 | Stepping motor | | C | 1 | h-V217060003 |
| 9 | A782N12600 | ADF Wiring /A | | D | 1 | k-V217040003 |
| 10 | A782231000 | Tension Plate | | D | 1 | m-V144030603 |
| 11 | A00V240600 | Ball Bearing | | B | 4 | n-V116040803 |
| 12 | A782117900 | Shoulder screw | | C | 1 | |
| 13 | A782118300 | Weight | | D | 1 | |
| 14 | A782263801 | Bushing | | C | 1 | |
| 15 | A782262900 | Pulley 14T | | C | 1 | |
| 16 | A0HU250500 | Flange | | D | 1 | |
| 17 | A782263000 | Belt 100L | | C | 1 | |
| 18 | A782269800 | Pulley T25 | | C | 1 | |
| 19 | A782268900 | Belt 140L | | C | 1 | |
| 20 | A782118000 | Shoulder screw | | C | 1 | |
| 21 | A782262200 | Arm | | D | 1 | |
| 22 | A5C1R90000 | Photo Interrupter | | B | 1 | |
| 23 | A782262800 | Roll | | C | 20 | |
| 24 | A782263300 | Compressing Coil spring | | C | 2 | |
| 25 | A3CK300200 | Brush | | C | 1 | |
| 26 | A782262501 | Shaft | | D | 1 | |
| 27 | A782264501 | Sheet | | C | 1 | |
| 28 | A782264300 | Spring | | D | 1 | |
| 29 | A782269200 | Shoulder screw | | C | 1 | |
| 30 | A782262101 | Guide | | C | 1 | |
| 31 | A782262700 | Shaft | | D | 2 | |
| 32 | A782213300 | Timing belt 468L | | C | 1 | |
| 33 | A782262300 | Arm | | D | 1 | |
| 34 | A782263700 | Bushing | | C | 1 | |
| 35 | A782213100 | Pulley /2 27T | | C | 2 | |
| 36 | A782230700 | Pulley | | C | 2 | |
| 37 | A782N10501 | ADF Wiring /6 | | D | 1 | |
| 38 | A108703100 | Stopper | | D | 1 | |
| 39 | A782M10000 | Stepping motor | | C | 1 | |
| 40 | V651010034 | Connector | | V | 1 | |
| | | | | | | |
| | | | | | | |
| | | | | | | |



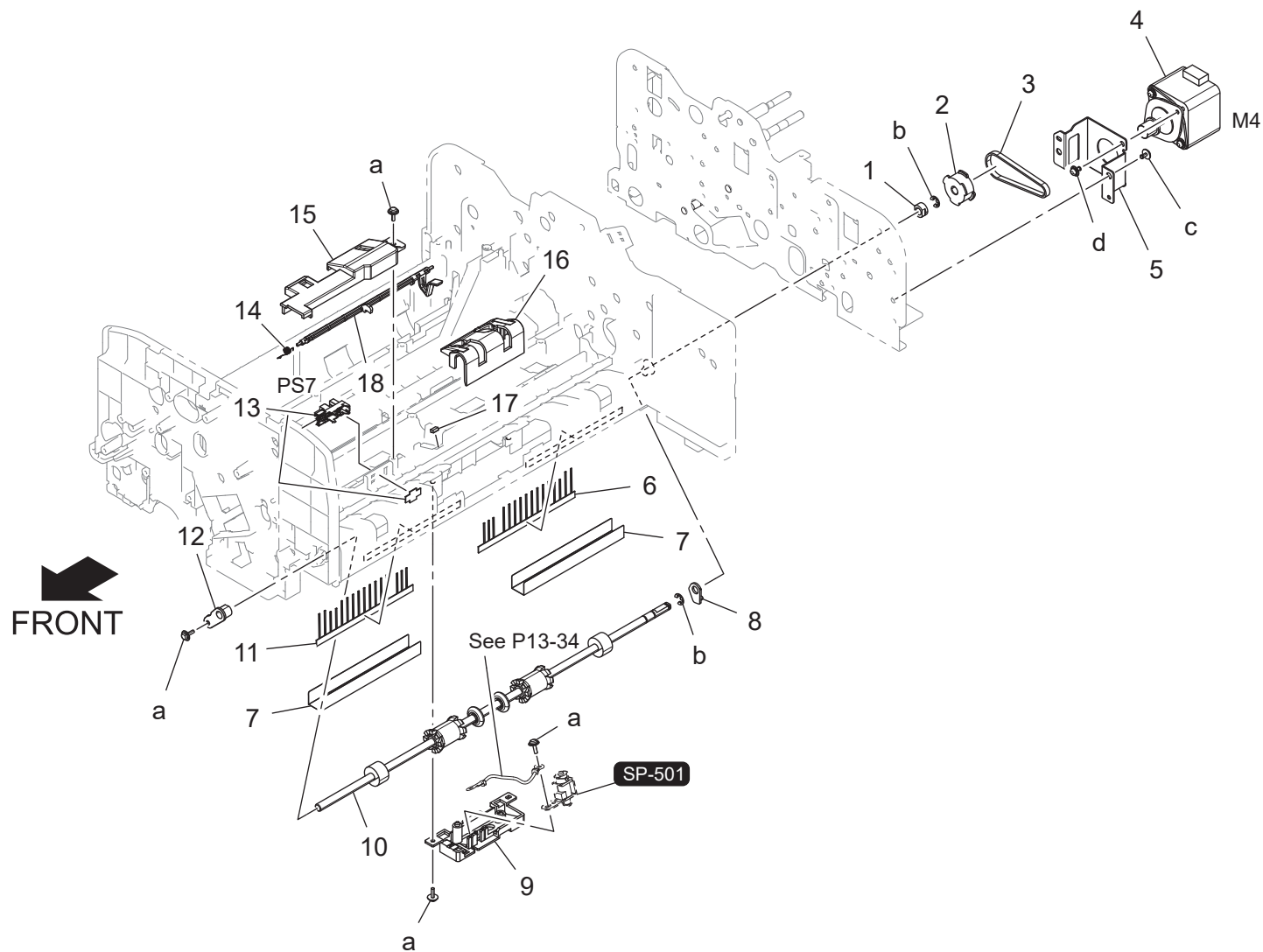
| Key | Part No. | Description | Destinations | Class | QTY | Standard parts |
|-----|------------|--------------------|--------------|-------|-----|--|
| 1 | A782264101 | Mounting Plate | | D | 1 | a-V143030603 b-V144030603 c-V217040003 d-V145030603 e-V218040086 f-V207030003 |
| 2 | A782M10400 | Stepping motor | | C | 1 | |
| 3 | A782264202 | Mounting Plate | | D | 1 | |
| 4 | A5C1R90000 | Photo Interrupter | | B | 1 | |
| 5 | A782264400 | Pulley T25 | | C | 1 | |
| 6 | A782104301 | Neutralizing Brush | | D | 6 | |
| 7 | A782265201 | Mounting Plate | | D | 1 | |
| 8 | A782268500 | Spacer | | D | 2 | |
| 9 | A782264800 | Housing | | D | 1 | |
| 10 | A3CK300200 | Brush | | C | 1 | |
| 11 | A782269200 | Shoulder screw | | C | 2 | |
| 12 | A782264300 | Spring | | D | 1 | |
| 13 | A782263201 | Bushing | | C | 1 | |
| 14 | A782268301 | Shaft | | D | 1 | |
| 15 | A3CK300102 | Sheet | | C | 1 | |
| 16 | A782264600 | Pulley T18 | | C | 1 | |
| 17 | A782269500 | Bushing | | C | 1 | |
| 18 | A782264700 | Pulley /2 T18 | | C | 1 | |
| 19 | A782269300 | Belt 154L | | C | 1 | |
| 20 | A782265300 | Sheet /1 | | D | 1 | |
| 21 | A782264000 | Belt 230L | | C | 1 | |
| 22 | A782N12400 | ADF Wiring /60 | | D | 1 | |
| 23 | A782562101 | Cushion | | C | 2 | |
| 24 | A0P0742300 | Shoulder screw | | C | 1 | |
| | | | | | | |
| | | | | | | |
| | | | | | | |
| | | | | | | |
| | | | | | | |
| | | | | | | |
| | | | | | | |
| | | | | | | |
| | | | | | | |
| | | | | | | |
| | | | | | | |



Auto document feed Section



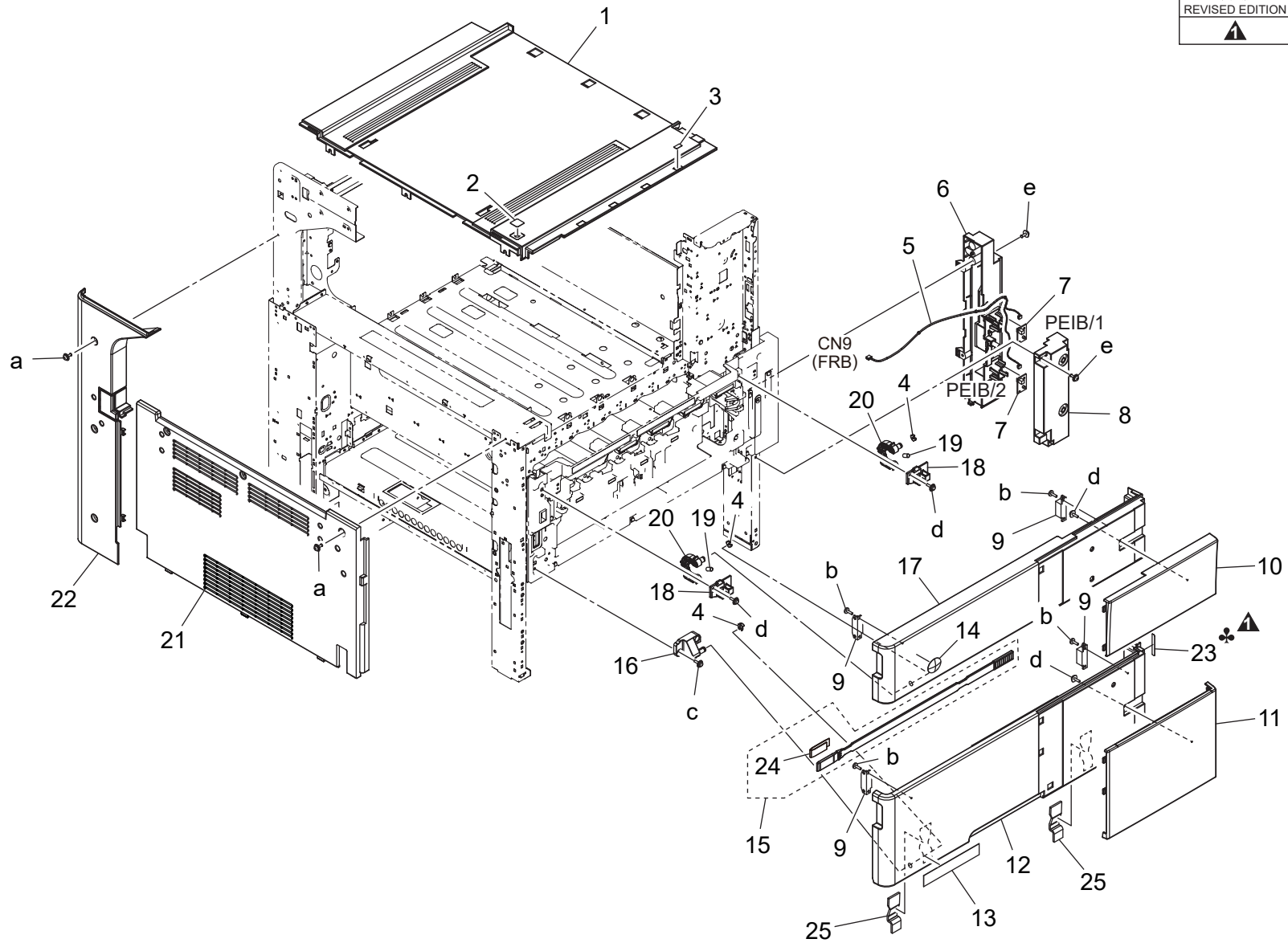
| Key | Part No. | Description | Destinations | Class | QTY | Standard parts |
|-----|------------|--------------------------|--------------|-------|-----|----------------|
| 1 | A782230900 | Flange | | C | 1 | a-V116030803 |
| 2 | A782213500 | Pulley 27T | | C | 1 | b-V217060003 |
| 3 | A00V240600 | Ball Bearing | | B | 2 | c-V153030803 |
| 4 | A782115700 | Washer /1 | | C | 1 | d-V217030003 |
| 5 | A782115600 | Roller | | D | 1 | e-V217040003 |
| 6 | A782117900 | Shoulder screw | | C | 1 | f-V115260503 |
| 7 | A5C1R90000 | Photo Interrupter | | B | 1 | g-V144030603 |
| 8 | A782265102 | Conveyance Guide | | D | 1 | h-V149030803 |
| 9 | A782563800 | Idling Roller | | C | 4 | |
| 10 | A782265700 | Compressing Coil spring | | C | 2 | |
| 11 | A782265600 | Compressing Coil | | C | 2 | |
| 12 | A782266000 | Open/close Shaft /Front | | D | 1 | |
| 13 | A782266900 | Open/close Spring /Left | | D | 1 | |
| 14 | A782266502 | Lock Part /Front | | D | 1 | |
| 15 | A108266300 | Lock Lever | | C | 1 | |
| 16 | A3CK940000 | Label | | C | 1 | |
| 17 | 4163529301 | SCREW | | C | 1 | |
| 18 | A782266200 | Roll | | C | 4 | |
| 19 | A782267200 | Pulling Coil spring /3 | | C | 2 | |
| 20 | A782940300 | Cover Film | | C | 1 | |
| 21 | A782266401 | Shaft | | D | 1 | |
| 22 | A782266800 | Open/close Shaft | | D | 1 | |
| 23 | A782266300 | Guide | | D | 1 | |
| 24 | A782103600 | Slide Stopper | | C | 1 | |
| 25 | A782267000 | Open/close Spring /Right | | D | 1 | |
| 26 | A782117700 | Conveyance Guide | | D | 1 | |
| 27 | A782266601 | Lock Part /Rear | | D | 1 | |
| 28 | A782267100 | Cover | | D | 1 | |
| 29 | A782268201 | Shaft | | D | 1 | |
| 30 | A782266100 | Shaft | | D | 1 | |
| 31 | A782268001 | Plate spring | | D | 1 | |
| 32 | A782266700 | Ground Plate spring | | D | 1 | |
| 33 | A782265800 | Cover /1 | | D | 1 | |
| 34 | A782N11800 | ADF Wiring /19 | | D | 1 | |
| 35 | A782N10700 | ADF Wiring /8 | | D | 1 | |
| 36 | A782117800 | Guide /Middle | | D | 1 | |
| | | | | | | |
| | | | | | | |
| | | | | | | |
| | | | | | | |



| Key | Part No. | Description | Destinations | Class | QTY | Standard parts |
|-----|------------|-----------------------------|--------------|-------|-----|--|
| 1 | 4131253701 | BUSHING | | C | 1 | a-V153030803 b-V217040003 c-V144030603 d-V116030603 |
| 2 | A782210800 | Pulley 34T | | C | 1 | |
| 3 | A782210200 | Paper exit Timing belt 148L | | C | 1 | |
| 4 | A3CKM10300 | Stepping motor | | C | 1 | |
| 5 | A782212500 | Mounting Plate | | D | 1 | |
| 6 | A782891600 | Neutralizing Brush /2 | | C | 1 | |
| 7 | A782891700 | Wiring Cover | | D | 2 | |
| 8 | A782115800 | Paper exit Washer | | C | 1 | |
| 9 | A782890711 | Mounting Pedestal | | D | 1 | |
| 10 | A782890000 | Paper exit Roller | | C | 1 | |
| 11 | A782891500 | Neutralizing Brush /1 | | C | 1 | |
| 12 | A782103200 | Bushing | | C | 1 | |
| 13 | A5C1R90000 | Photo Interrupter | | B | 1 | |
| 14 | A782101900 | Paper exit Spring | | C | 1 | |
| 15 | A782890600 | Sensor Cover | | D | 1 | |
| 16 | A782890111 | Paper exit Cover | | D | 1 | |
| 17 | A782104500 | Cushion | | C | 1 | |
| 18 | A782890200 | Paper exit Actuator | | C | 1 | |
| | | | | | | |
| | | | | | | |
| | | | | | | |
| | | | | | | |
| | | | | | | |
| | | | | | | |
| | | | | | | |
| | | | | | | |
| | | | | | | |

External Parts Section

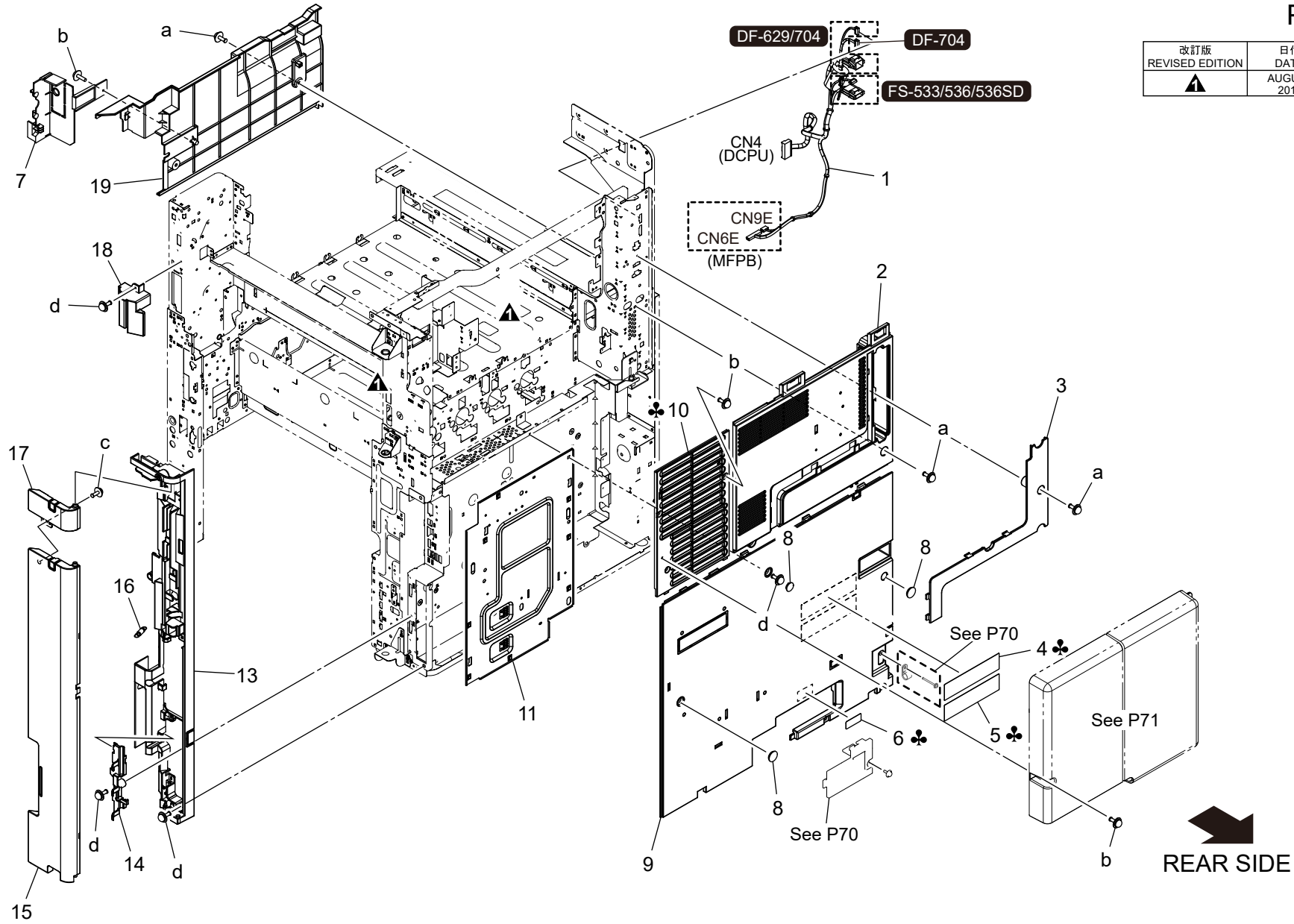
| | |
|------------------------|--------------|
| 改訂版 REVISED EDITION | 日付 DATE |
| ▲ | JUNE 2018 |



| Key | Part No. | Description | Destinations | Class | QTY | Standard parts |
|-----|------------|-------------------------|-------------------------------------|-------|-----|--|
| 1 | A7PU160100 | Cover /Upper | | C | 1 | a-V116030804 b-V149030803 c-V153030803 d-V153031004 e-V116030803 |
| 2 | A0ED163000 | Seal | | C | 1 | |
| 3 | A0ED940700 | Label Toner 2 | | D | 1 | |
| 4 | 56AA40490 | SHAFT STOPPER 4 | | C | 3 | |
| 5 | A161N10K00 | Indicating Wiring | | D | 1 | |
| 6 | A5C1160401 | Cover | | C | 1 | |
| 7 | A00JH00D00 | PWB Assembly LED1 | | C | 2 | |
| 8 | A161160300 | Cover | | C | 1 | |
| 9 | 07BA12352 | Magnet Catch | | C | 4 | |
| 10 | A2XK163201 | Open/close Cover /Front | | C | 1 | |
| 11 | A2XK163401 | Open/close Cover /Front | | C | 1 | |
| 12 | A79J163301 | Open/close Cover /Front | | C | 1 | |
| 13 | AA6T940100 | Label bizhub 558e | | D | 1 | |
| 14 | A00J945500 | Logo Mark | | C | 1 | |
| 15 | A5C1R71600 | Cleaning Material | | C | 1 | |
| 16 | A161165602 | Support Shaft | | C | 1 | |
| 17 | A2XK163102 | Open/close Cover /Front | | C | 1 | |
| 18 | A2XK165000 | Open/close Shaft | | C | 2 | |
| 19 | A2XK165700 | Compressing Spring | | C | 2 | |
| 20 | A2XK163701 | Hinge | | C | 2 | |
| 21 | A79J160700 | Cover /Left | | C | 1 | |
| 22 | A7PU160800 | Cover /Left | | C | 1 | |
| 23 | A161940400 | Label | A,A1,B,C,D1,D3,E,F2 .G1,G2,H,I,K | C | 1 | |
| 23 | A61F940400 | Label | ラベル (電源 SW お知らせ・中国) | C | 1 | |
| 24 | A00J106202 | Cleaning Pad | J | C | 1 | |
| 25 | AA6V169300 | Holding Part | 押さえ部材 | D | 2 | |
| | | | | | | |
| | | | | | | |
| | | | | | | |
| | | | | | | |
| | | | | | | |
| | | | | | | |
| | | | | | | |
| | | | | | | |

External Parts Section

| | |
|---|----------------|
| 改訂版 REVISED EDITION | 日付 DATE |
|  | AUGUST 2018 |



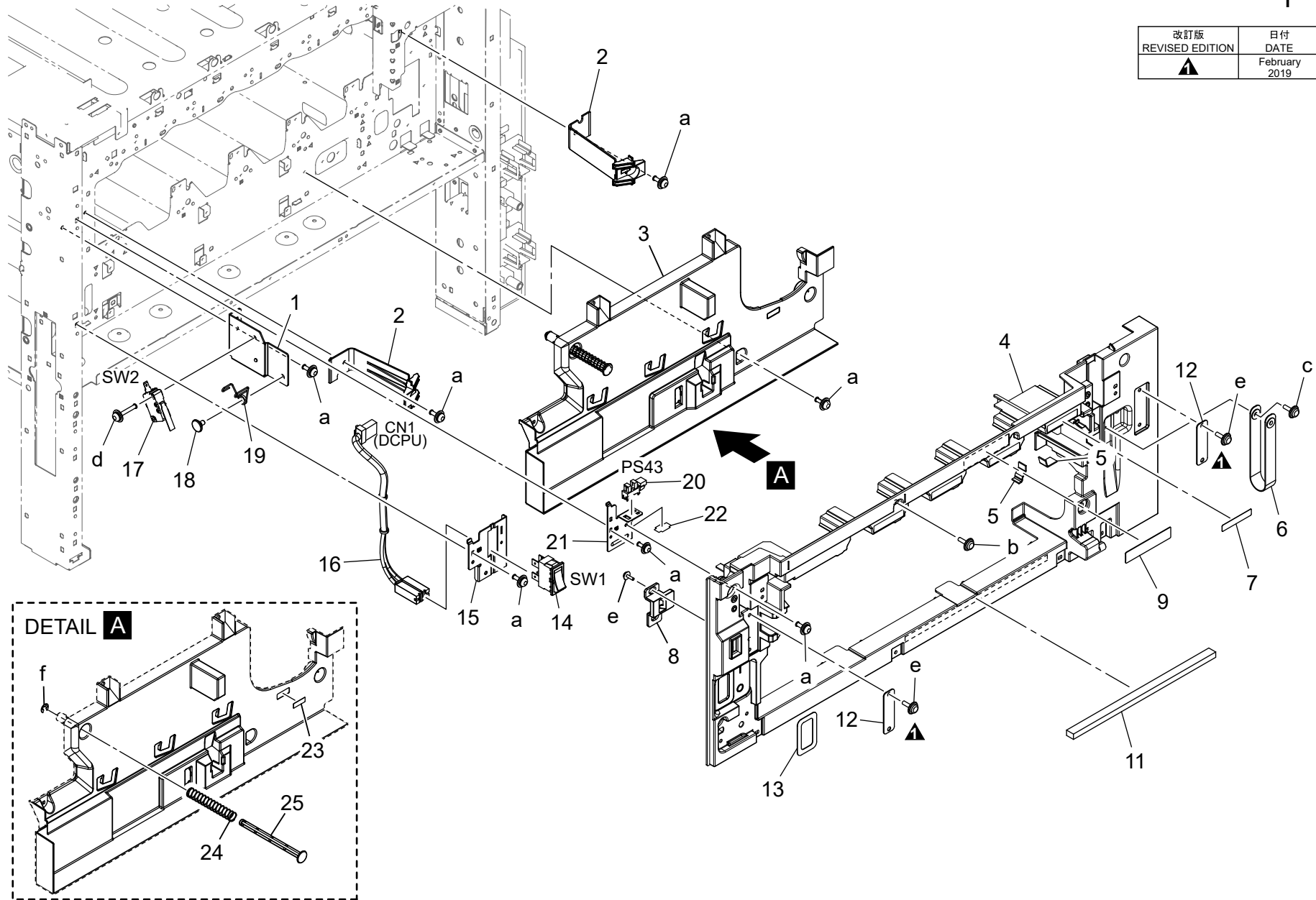
 REAR SIDE

| Key | Part No. | Description | Destinations | Class | QTY | Standard parts |
|-----|------------|---------------------|---------------|-------|-----|--|
| 1 | A7PUN10302 | FNS Relay harness | F N S 中継束線 | D | 1 | a-V116030804 b-V153030804 c-V153030803 d-V116030803 |
| 2 | A79J162100 | Cover | カバー | C | 1 | |
| 3 | A79J163500 | Cover | カバー | C | 1 | |
| 4 | A2X0945701 | Label | ラベル (2プラグ注意) | C | 1 | |
| 4 | A90G945700 | Label Caution | ラベル (2プラグ注意) | D | 1 | |
| 5 | A7PU941701 | Label Caution | ラベル アース注意 | C | 1 | |
| 6 | A02E149900 | Label | ラベル (定格) | C | 1 | |
| 7 | A161162803 | Cover | カバー (排紙・奥右) | C | 1 | |
| 8 | A00J169100 | Cover | 蓋 | D | 3 | |
| 9 | A79J166303 | Cover | カバー | C | 1 | |
| 10 | A79J168501 | Cover | カバー | C | 1 | |
| 11 | A79J132311 | Shield Plate | シールド板 | C | 1 | |
| 13 | A7PU161806 | Cover | カバー | C | 1 | |
| 14 | A7PU168702 | Cover | カバー | D | 1 | |
| 15 | A7PU160902 | Cover | カバー | C | 1 | |
| 16 | A161163900 | Pulling Coil spring | 引張りコイルばね | C | 1 | |
| 17 | A79J168400 | Cover /Right rear | カバー／右後 | C | 1 | |
| 18 | A161162900 | Cover | カバー (右前・定着2次) | D | 1 | |
| 19 | A79J162201 | Cover | カバー | C | 1 | |
| | | | | | | |
| | | | | | | |
| | | | | | | |
| | | | | | | |
| | | | | | | |
| | | | | | | |
| | | | | | | |
| | | | | | | |
| | | | | | | |
| | | | | | | |
| | | | | | | |
| | | | | | | |
| | | | | | | |
| | | | | | | |

External Parts Section

P 17


| | |
|------------------------|------------------|
| 改訂版 REVISED EDITION | 日付 DATE |
| ▲ | February 2019 |

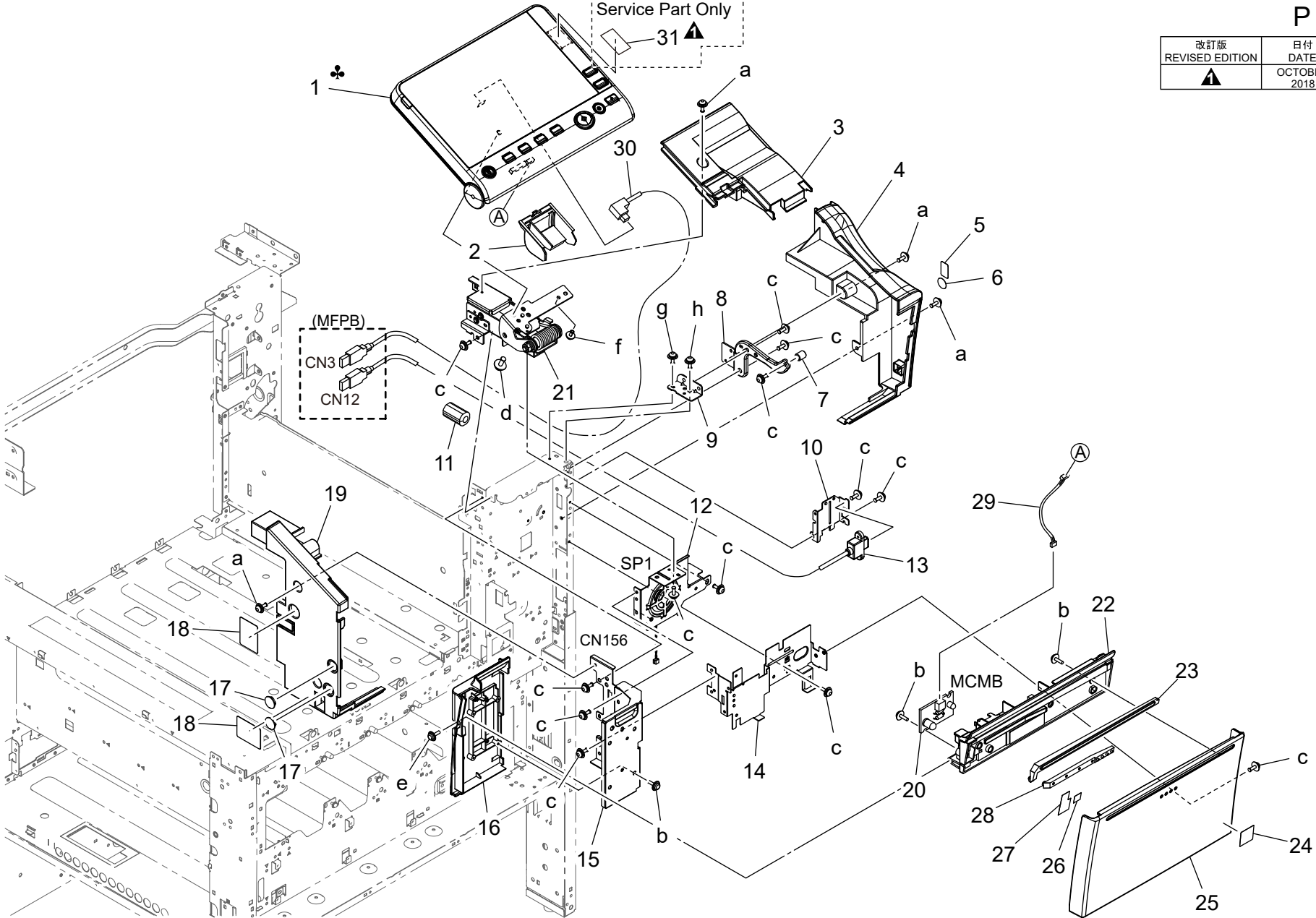


bizhub 558e

| Key | Part No. | Description | Destinations | Class | QTY | Standard parts |
|-----|------------|---------------------|--------------------|-------|-----|----------------|
| 1 | A161151100 | Mounting Plate | 取付板 (安全 SW __前カバー) | D | 1 | a-V116030803 |
| 2 | A79J165700 | Fixing Claw | 固定爪 | D | 2 | b-V153030804 |
| 3 | AA6VR70700 | Front Cover Assy | 前カバー A S S Y | D | 1 | c-V153031003 |
| 4 | A79J165002 | Cover /Front | カバー／前 | C | 1 | d-V116031603 |
| 5 | A161165300 | Protection Part | 保護材 | C | 2 | e-V153030803 |
| 6 | A0ED162401 | Band | バンド | D | 1 | f-V217040001 |
| 7 | A161942500 | Label DR/K | ラベル DR 挿入目標 K | D | 1 | |
| 8 | A79J165201 | Receiving Part | 受け部材 | D | 1 | |
| 9 | AA6R942600 | Label | ラベル (TN 操作4・Z) | D | 1 | |
| 11 | A9HJ168800 | Seal | シール | D | 1 | |
| 12 | 4038101401 | SUCTION PLATE | 吸着板 | D | 2 | |
| 13 | A161942000 | Label | ラベル (電源 SW) | D | 1 | |
| 14 | AA6RM60000 | Rocker switch | 波形スイッチ | C | 1 | |
| 15 | A161135100 | Mounting Plate | 取付板 (メイン SW) | D | 1 | |
| 16 | A2XKN10C00 | AC Wiring /B | A C 束線 / B | D | 1 | |
| 17 | 9J06M60100 | MICRO SWITCH | マイクロスイッチ | C | 1 | |
| 18 | 4038228702 | SHOULDER SCREW | 段ねじ | C | 1 | |
| 19 | A161151300 | Torsion Coil spring | ねじリコイルばね | D | 1 | |
| 20 | A5C1M50100 | Photointerrupter | 透過型センサ | B | 1 | |
| 21 | A161135504 | Mounting Plate | 取付板 (センサ／前扉) | D | 1 | |
| 22 | 4470402401 | Stopper | ストッパー | D | 1 | |
| 23 | A161943000 | Label | ラベル | C | 1 | |
| 24 | AA6V169000 | Spring | ばね (8 N) | D | 1 | |
| 25 | AA6V169100 | Slide Shaft | スライド軸 | D | 1 | |
| | | | | | | |
| | | | | | | |
| | | | | | | |
| | | | | | | |
| | | | | | | |
| | | | | | | |
| | | | | | | |
| | | | | | | |

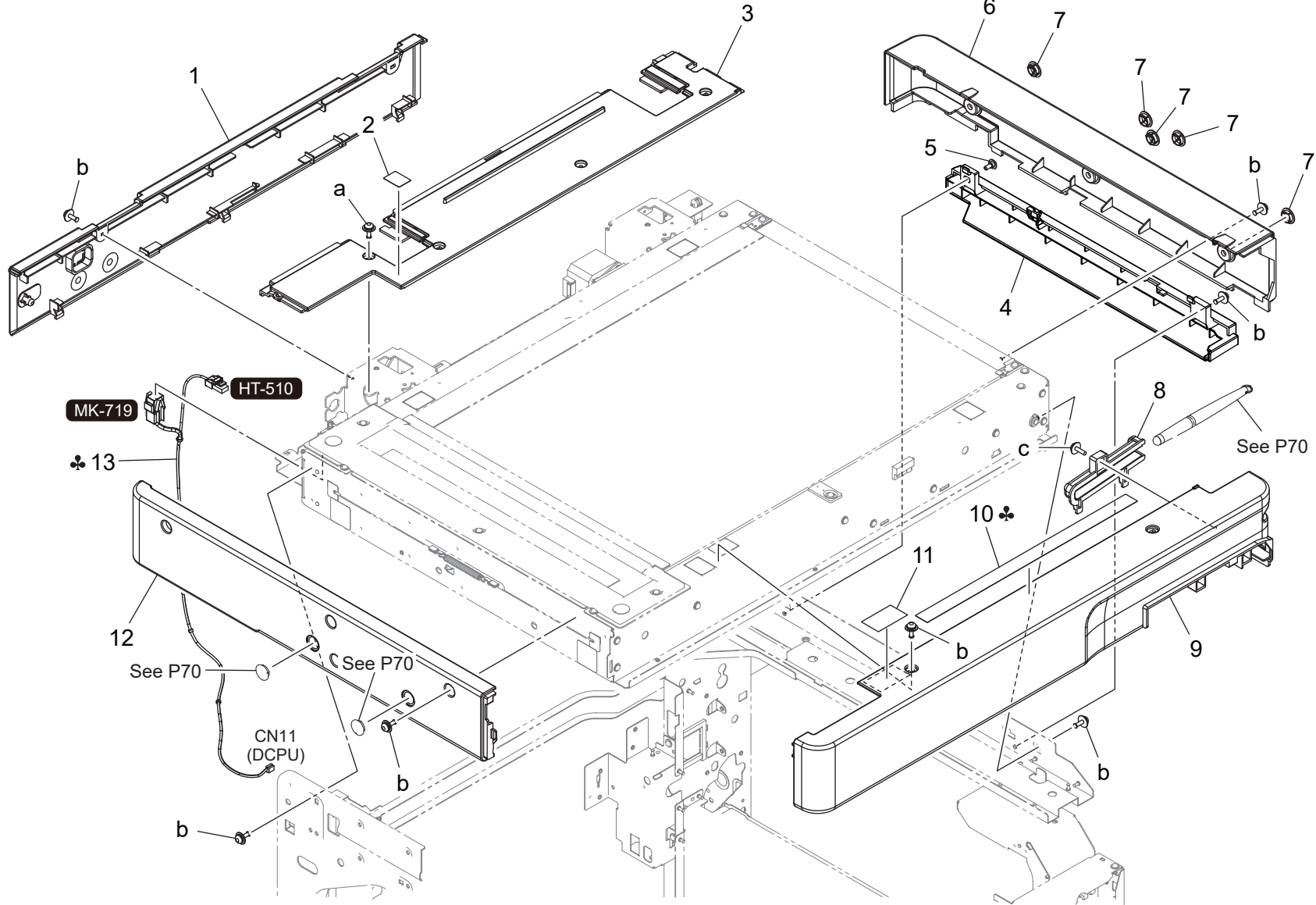
Operation Panel Section

| | |
|---|-----------------|
| 改訂版 REVISED EDITION | 日付 DATE |
|  | OCTOBER 2018 |



bizhub 558e

| Key | Part No. | Description | Destinations | Class | QTY | Standard parts |
|-----|------------|----------------------------|---|-------|-----|--|
| 1 | A7PUM70004 | Panel assembly | A,A1 | I | 1 | a-V116030804 b-V153030803 c-V116030803 d-V125041003 e-V153030804 f-V126030603 g-V116030603 h-V137030803 |
| 1 | A7PUM70104 | Panel assembly | B,D1,D3,E,F2,G1,G2, I(EXCEPT SOUTH AFRI CA),K | I | 1 | |
| 1 | A7PUM70204 | Panel assembly | C,I(SOUTH AFRICA) | I | 1 | |
| 1 | A7PUM70403 | Panel assembly | H | I | 1 | |
| 1 | A7PUM70303 | Panel assembly | J | I | 1 | |
| 2 | A161190903 | Cover | | C | 1 | |
| 3 | A7PU162600 | Cover | | C | 1 | |
| 4 | A9HG161500 | Cover | | D | 1 | |
| 5 | A7PU168500 | Seal | | C | 1 | |
| 6 | A7PU168600 | Seal | | C | 1 | |
| 7 | A7PU138200 | Connecting Shaft | | D | 1 | |
| 8 | A7PU138100 | Reinforce Plate | | D | 1 | |
| 9 | A7PU138301 | Reinforce Plate | | D | 1 | |
| 10 | A7PU138002 | Mounting Plate | | D | 1 | |
| 11 | A5C1M92000 | Ferritecore | | D | 1 | |
| 12 | A79JR72600 | Speaker Assy | | D | 1 | |
| 13 | A90GN15300 | Interface Cable | | D | 1 | |
| 14 | A7PU164100 | Mounting Plate | | D | 1 | |
| 15 | A7PU135402 | Support Plate | | D | 1 | |
| 16 | A7PU161900 | Cover | | C | 1 | |
| 17 | A00J169100 | Cover | | D | 2 | |
| 18 | A161162400 | Seal | | C | 2 | |
| 19 | A7PU161400 | Cover | | C | 1 | |
| 20 | A161H00U01 | PWB Assembly(PWB-LED ASSY) | | C | 1 | |
| 21 | A7PUR73100 | Mounting Plate Assy | | C | 1 | |
| 22 | A5C1167800 | Light blocking Cover | | D | 1 | |
| 23 | A161167000 | Lens | | D | 1 | |
| 24 | A011946200 | Label Emperon | | D | 1 | |
| 25 | A7PU161701 | Cover | | C | 1 | |
| 26 | A161167400 | Light blocking Sheet /2 | | D | 1 | |
| 27 | A161167300 | Light blocking Sheet /1 | | D | 1 | |
| 28 | A161167100 | Lens | | D | 1 | |
| 29 | A5C1N10B00 | Indicating Wiring/3 | | D | 1 | |
| 30 | A7PUN15700 | Interface Cable | | D | 1 | |
| 31 | A7PUP00100 | Seal | | C | 1 | |
| | | | | | | |
| | | | | | | |
| | | | | | | |
| | | | | | | |

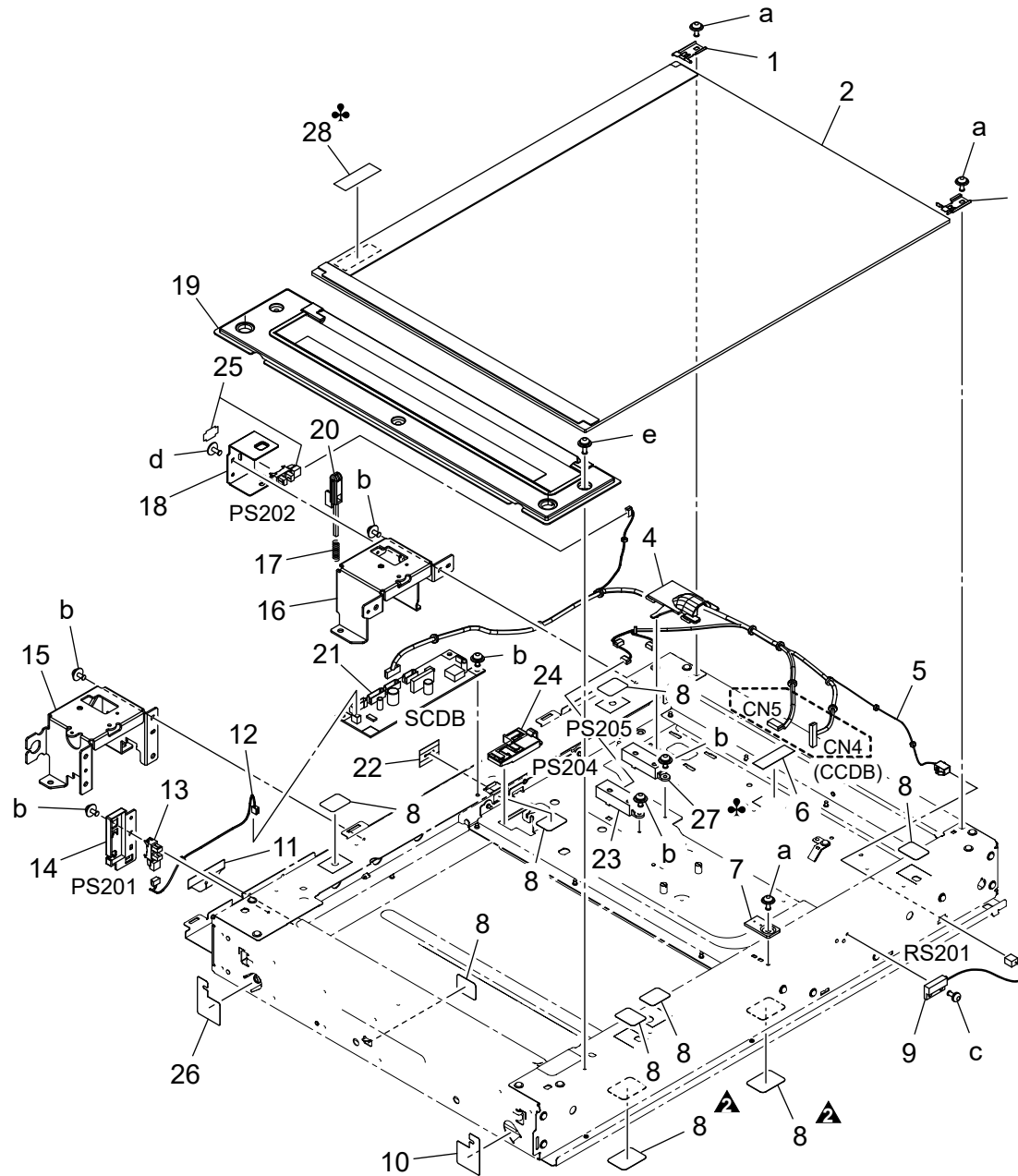


| Key | Part No. | Description | Destinations | Class | QTY | Standard parts |
|-----|------------|-----------------------------|--------------|-------|-----|--|
| 1 | A7PU170200 | Read Cover /Rear | | C | 1 | a-V116030804 b-V116030803 c-V153030803 |
| 2 | A7PU940600 | Label | | D | 1 | |
| 3 | A7PU170702 | Read Cover | | C | 1 | |
| 4 | A79J170601 | Read Cover | | C | 1 | |
| 5 | A00J169300 | Shoulder screw | | C | 1 | |
| 6 | A7PU170400 | Read Cover /Right | | C | 1 | |
| 7 | A02E167700 | Cover | | C | 5 | |
| 8 | A161170800 | Holder | | D | 1 | |
| 9 | A7PU170101 | Read Cover /Front | | C | 1 | |
| 10 | A3EW944600 | Label | A,A1 | C | 1 | |
| 11 | A0HF952400 | Label | | C | 1 | |
| 12 | A79J170300 | Read Cover /Left | | C | 1 | |
| 13 | A161N11C01 | Scanner Relay harness /100V | A,A1 | D | 1 | |
| | | | | | | |
| | | | | | | |
| | | | | | | |
| | | | | | | |
| | | | | | | |
| | | | | | | |
| | | | | | | |
| | | | | | | |
| | | | | | | |

Scanner Section

P 20

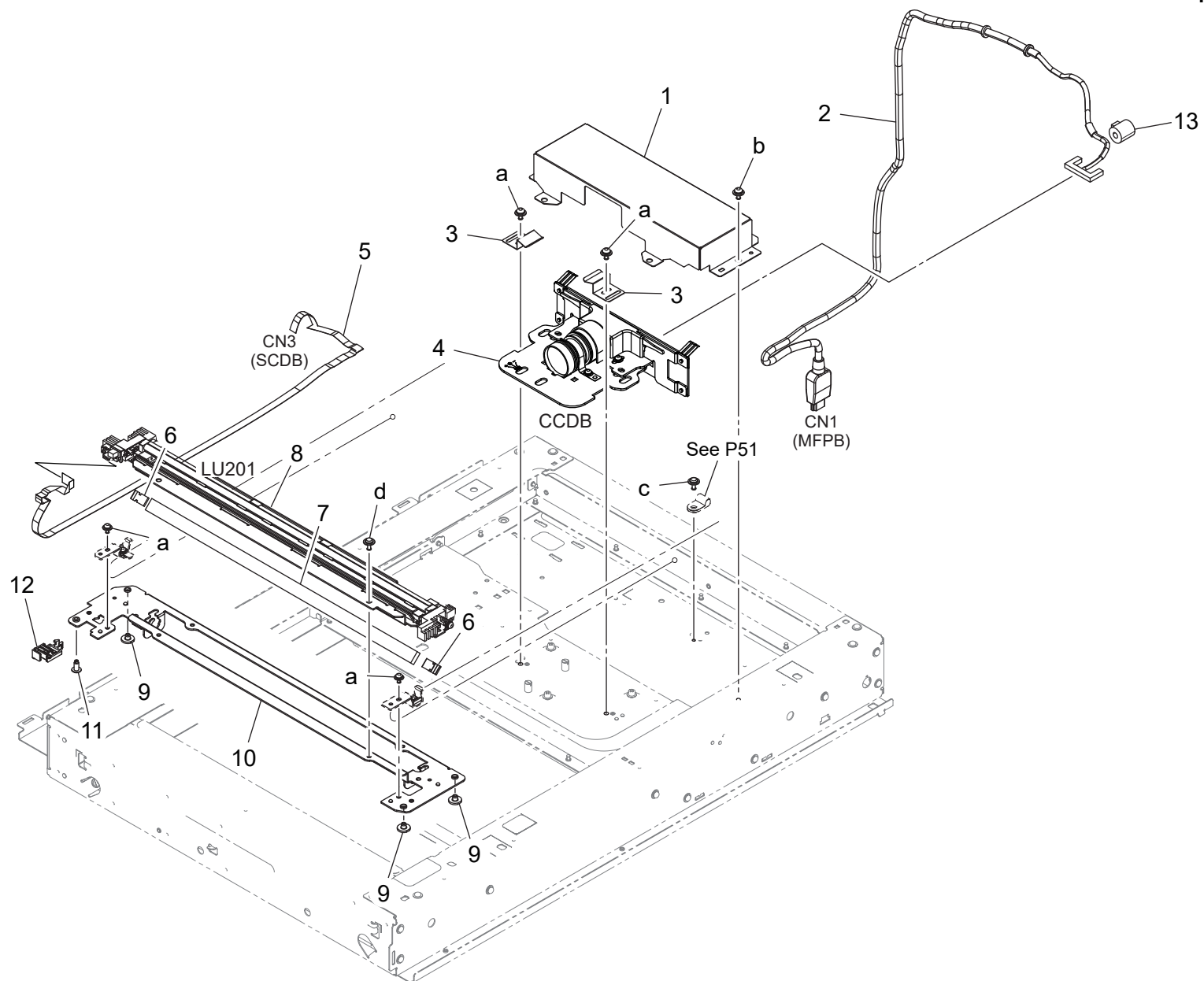
| | |
|---|------------------|
| 改訂版 REVISED EDITION | 日付 DATE |
|  | NOVEMBER 2018 |



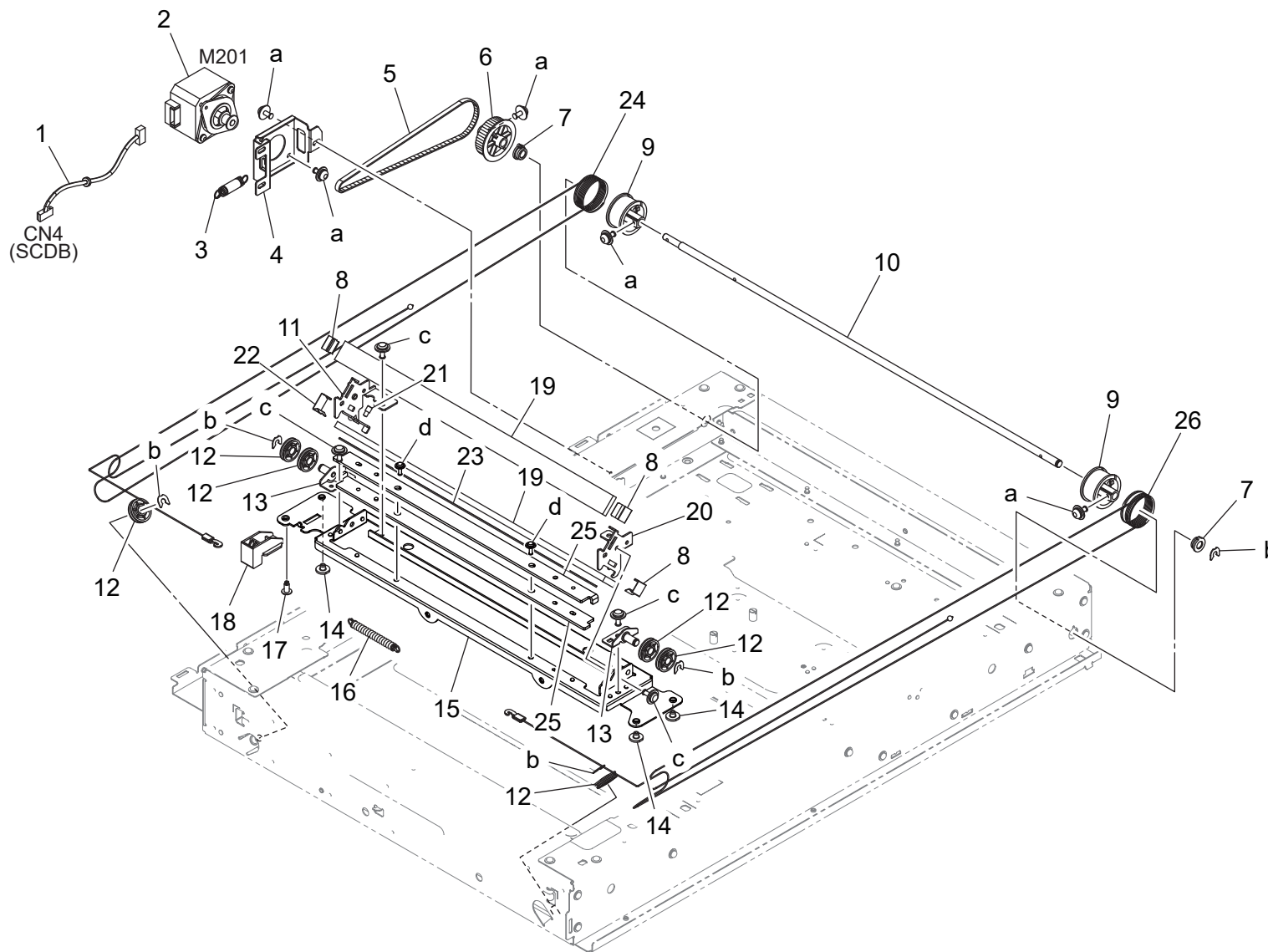
| Key | Part No. | Description | Destinations | Class | QTY | Standard parts |
|-----|------------|------------------------------|--|-------|-----|--|
| 1 | A161268300 | Holding Plate | | D | 1 | a-V121030604 b-V116030603 c-V115030603 d-V137030603 e-V116030804 |
| 2 | A161R72200 | Original Glass Assy | | C | 1 | |
| 3 | A161268200 | Holding Plate | | D | 1 | |
| 4 | A161281600 | Guide | | D | 1 | |
| 5 | A161N14100 | Scanner Wiring /1 | | D | 1 | |
| 6 | 4036307501 | Tape | | D | 1 | |
| 7 | A00J265300 | Regulating Plate | | C | 1 | |
| 8 | 4581162501 | SEAL | | C | 9 | |
| 9 | A1UDM50200 | Lead Switch | | C | 1 | |
| 10 | A5C1263300 | Seal | | C | 1 | |
| 11 | A161263000 | Seal | | D | 1 | |
| 12 | A161N14201 | Scanner Wiring /2 | | D | 1 | |
| 13 | A5C1M50100 | Photointerrupter | | B | 1 | |
| 14 | A161262200 | Cover | | D | 1 | |
| 15 | A161261902 | Frame | | D | 1 | |
| 16 | A161262002 | Frame | | D | 1 | |
| 17 | A161280300 | Compressing Coil spring | | C | 1 | |
| 18 | A5C1280100 | Mounting Plate | | D | 1 | |
| 19 | A7PUR71133 | Slit Glass Assy | | C | 1 | |
| 20 | A161280211 | Lever | | D | 1 | |
| 21 | A796H01A00 | Scanner drive board Assembly | | I | 1 | |
| 22 | A161281300 | Seal | | D | 1 | |
| 23 | A161M50A00 | APS Photoreflector | | C | 1 | |
| 24 | A161281100 | Guide | | D | 1 | |
| 25 | A5C1R90000 | Photo Interrupter | | B | 1 | |
| 26 | A5C1263400 | Seal | | C | 1 | |
| 27 | A161M50A00 | APS Photoreflector | D1,D3,E,F2,G1,I(EXC EPT SOUTH AFRICA),K | C | 1 | |
| 28 | A7PU941600 | Label | J ラベル (サンプルエリア・中国) | C | 1 | |
| | | | | | | |
| | | | | | | |
| | | | | | | |
| | | | | | | |
| | | | | | | |
| | | | | | | |
| | | | | | | |

Scanner Section

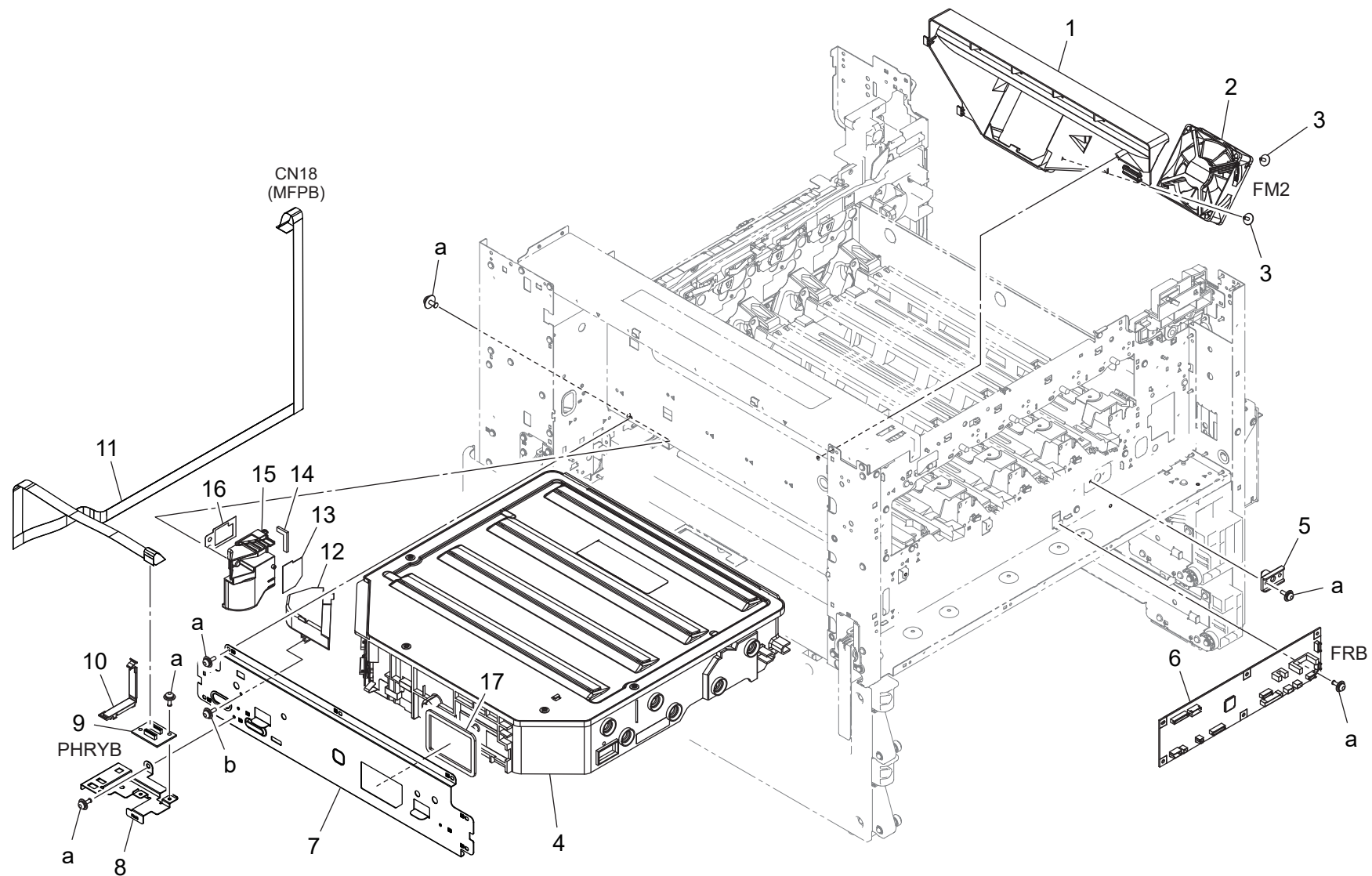
P 21



| Key | Part No. | Description | Destinations | Class | QTY | Standard parts |
|-----|------------|-------------------|--------------|-------|-----|--|
| 1 | A161278600 | Cover | | D | 1 | a-V116030603 b-V127030516 c-V137030804 d-V137030603 |
| 2 | A7PUN14500 | CCD Cable | | D | 1 | |
| 3 | A161278900 | Plate spring | | D | 2 | |
| 4 | A795R71000 | CCD ASSY | | I | 1 | |
| 5 | A161N14000 | Scanner Wiring /4 | | D | 1 | |
| 6 | A0ED271300 | Plate spring | | D | 2 | |
| 7 | A0ED271200 | Mirror | | D | 1 | |
| 8 | A61FM31100 | Lamp | | D | 1 | |
| 9 | A161271000 | Bushing | | D | 3 | |
| 10 | A161270102 | Frame | | D | 1 | |
| 11 | A161271100 | Bushing | | D | 1 | |
| 12 | A161270600 | Guide | | D | 1 | |
| 13 | A49FM90100 | Ferritecore | | D | 1 | |
| | | | | | | |
| | | | | | | |
| | | | | | | |
| | | | | | | |
| | | | | | | |
| | | | | | | |
| | | | | | | |
| | | | | | | |
| | | | | | | |



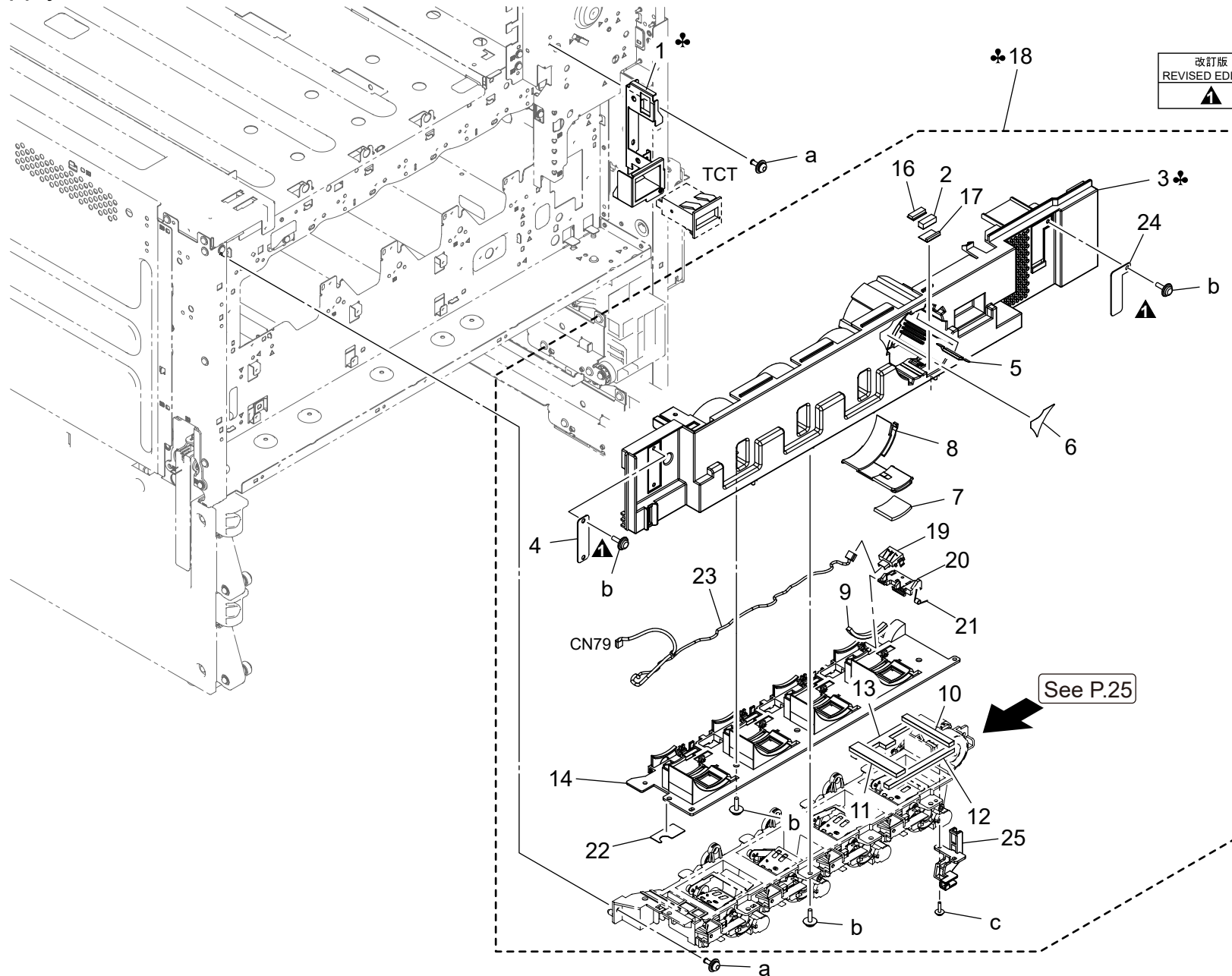
| Key | Part No. | Description | Destinations | Class | QTY | Standard parts |
|-----|------------|----------------------|--------------|-------|-----|--|
| 1 | A5C1N14300 | Scanner Wiring | | D | 1 | a-V116030603 b-V218040086 c-V137030603 d-V137030803 |
| 2 | A5C1M10A00 | Stepping motor | | C | 1 | |
| 3 | A795275700 | Pulling Spring | | D | 1 | |
| 4 | A161276000 | Mounting Plate | | D | 1 | |
| 5 | A161275600 | Timing belt 335L | | D | 1 | |
| 6 | A161275500 | Pulley 103T | | D | 1 | |
| 7 | A161276500 | Bearing | | D | 2 | |
| 8 | A0ED274400 | Plate spring | | D | 3 | |
| 9 | A161275300 | Pulley | | D | 2 | |
| 10 | A161275400 | Shaft | | D | 1 | |
| 11 | A161273701 | Mounting Plate | | D | 1 | |
| 12 | A0ED273600 | Pulley | | C | 6 | |
| 13 | A161273401 | Mounting Plate | | D | 2 | |
| 14 | A161271000 | Bushing | | D | 3 | |
| 15 | A161273113 | Frame | | D | 1 | |
| 16 | A0ED276301 | Pulling Spring | | D | 1 | |
| 17 | A161271100 | Bushing | | D | 1 | |
| 18 | A161273500 | Guide Part | | D | 1 | |
| 19 | A0ED274300 | Mirror | | D | 2 | |
| 20 | A161273800 | Mounting Plate | | D | 1 | |
| 21 | A161274600 | Adjusting Screw | | C | 1 | |
| 22 | A161274500 | Plate spring /1 | | D | 1 | |
| 23 | A0ED274200 | Vibrationproof Plate | | D | 1 | |
| 24 | A161275213 | Wire /Rear | | C | 1 | |
| 25 | A795273900 | Vibrationproof Plate | | D | 2 | |
| 26 | A161275113 | Wire /Front | | C | 1 | |
| | | | | | | |
| | | | | | | |
| | | | | | | |
| | | | | | | |
| | | | | | | |
| | | | | | | |
| | | | | | | |
| | | | | | | |



| Key | Part No. | Description | Destinations | Class | QTY | Standard parts |
|-----|------------|-------------------|--------------|-------|-----|------------------------------|
| 1 | A61F140200 | Duct | | D | 1 | a-V116030803 b-V153030803 |
| 2 | 4139M10001 | Fan motor | | B | 1 | |
| 3 | 4163529301 | SCREW | | C | 2 | |
| 4 | AA6RR70300 | Print Head Assy | | I | 1 | |
| 5 | A161105400 | Positioning Plate | | D | 1 | |
| 6 | A9HJH00501 | FRB | | I | 1 | |
| 7 | A79J101801 | Mounting Plate | | D | 1 | |
| 8 | A7PU130300 | Mounting Plate | | D | 1 | |
| 9 | AA6RH00800 | PHRYB | | D | 1 | |
| 10 | A161137802 | Holder | | D | 1 | |
| 11 | AA6RN10600 | I/F Flatcable | | C | 1 | |
| 12 | A79J147501 | Duct /3 | | D | 1 | |
| 13 | A79J146300 | Seal | | C | 1 | |
| 14 | A79J146500 | Cushion | | C | 1 | |
| 15 | A79J147401 | Duct /2 | | D | 1 | |
| 16 | A161146400 | Seal | | D | 1 | |
| 17 | A2XK144201 | Seal /2 | | D | 1 | |
| | | | | | | |
| | | | | | | |
| | | | | | | |
| | | | | | | |
| | | | | | | |
| | | | | | | |
| | | | | | | |
| | | | | | | |
| | | | | | | |
| | | | | | | |
| | | | | | | |

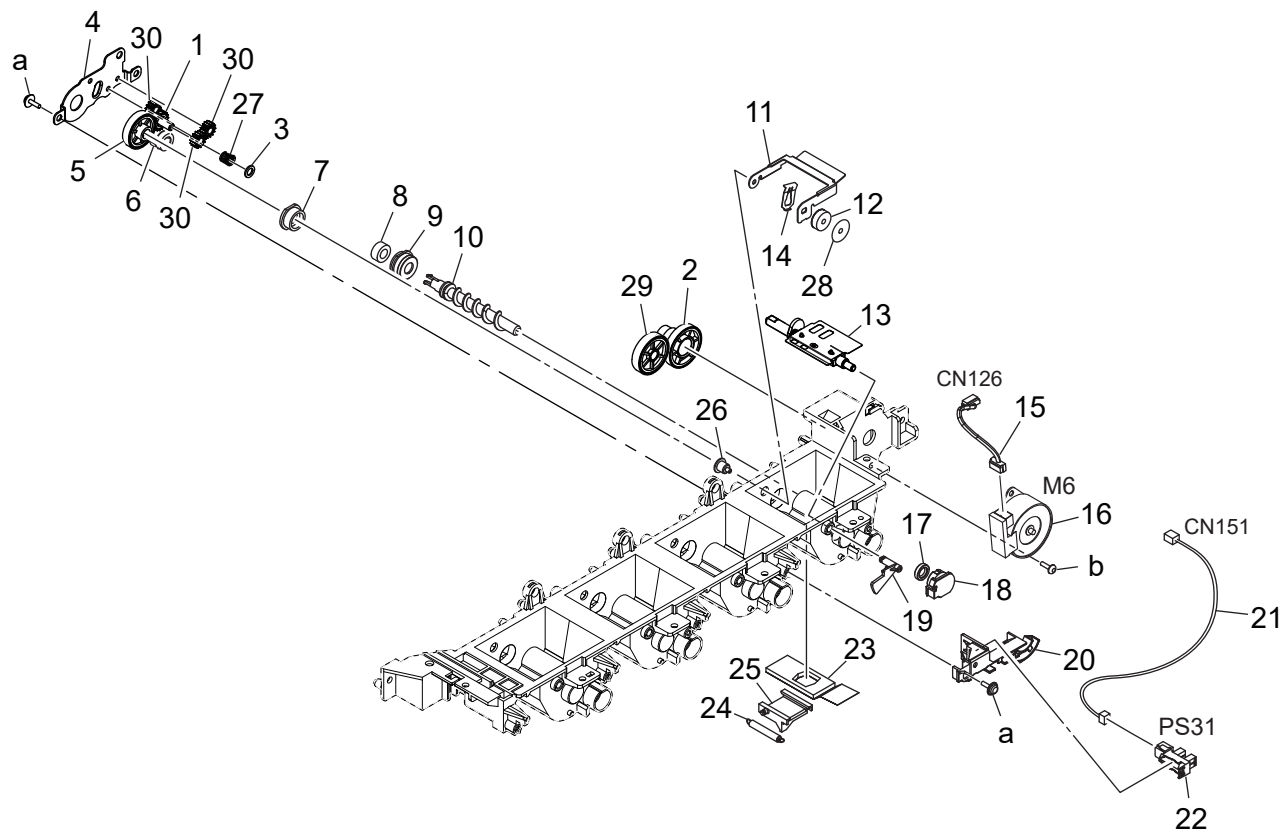
Toner supply Section

| | |
|------------------------|------------------|
| 改訂版 REVISED EDITION | 日付 DATE |
| ▲ | February 2019 |



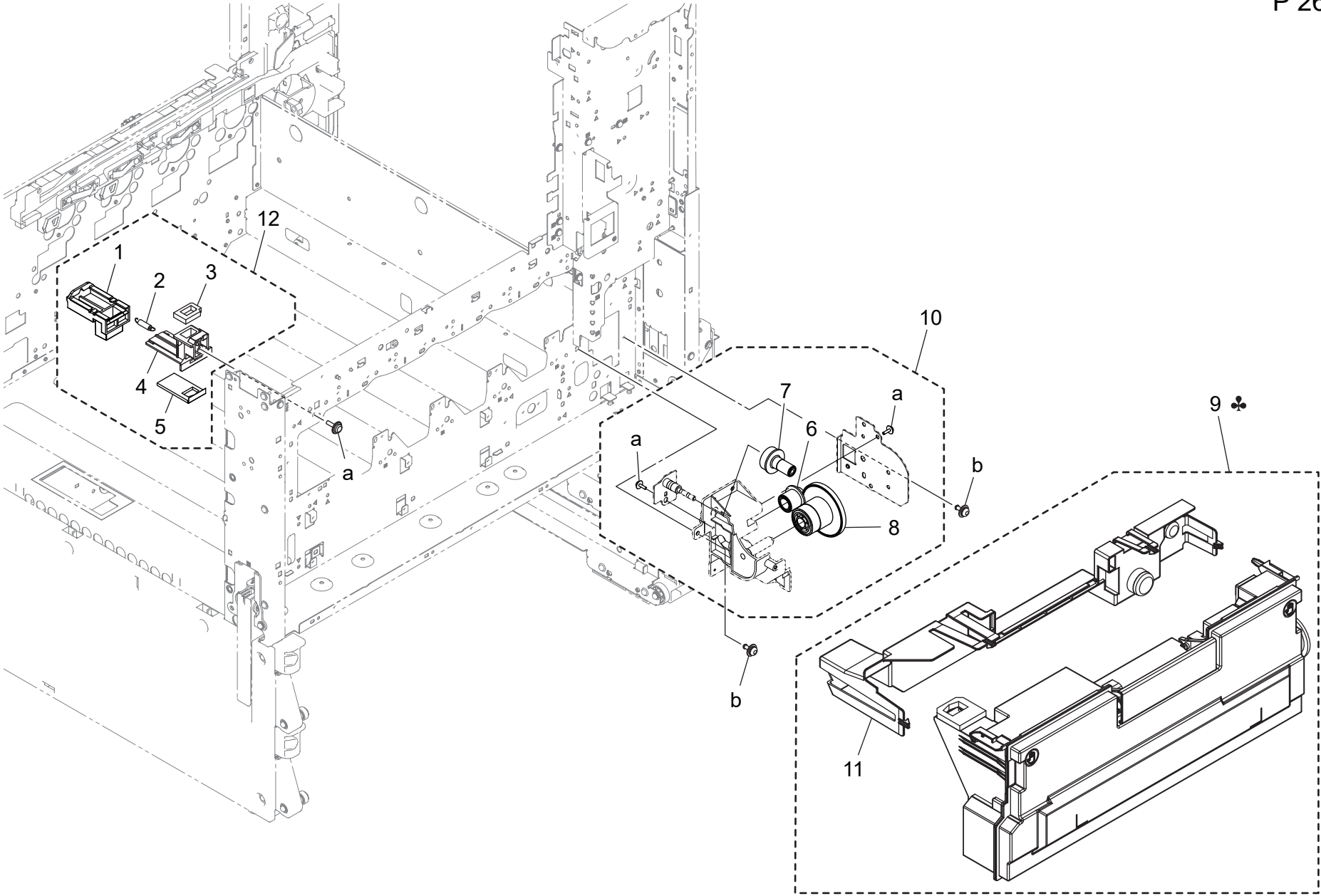
| Key | Part No. | Description | Destinations | Class | QTY | Standard parts |
|-----|---------------|----------------------------|--|-------|-----|--|
| 1 | A79J121713 | Reinforce Plate | A,A1 | D | 1 | a-V116030803 b-V153030803 c-V153031004 |
| 1 | A79J122713 | Reinforce Plate | B,C,D1,D3,E,F2,G1,G 2,I,K,H,J | D | 1 | |
| 2 | A161403701 | Seal | | D | 1 | |
| 3 | AA6R401100 | Cover | B,G2 | D | 1 | |
| 3 | AA6R401200 | Cover | C,I(SOUTH AFRICA) | D | 1 | |
| 3 | AA6R401300 | Cover | A,A1 | D | 1 | |
| 3 | AA6R401500 | Cover | D1,D3,E,F2,G1,I(EXC EPT SOUTH AFRICA),K ,H,J | D | 1 | |
| 4 | 4038101401 | SUCTION PLATE | | D | 1 | |
| 5 | A161403901 | Spacer | | D | 1 | |
| 6 | A0ED940600 | Label Toner 1 | | D | 1 | |
| 7 | A161402502 | Seal | | D | 1 | |
| 8 | A161402403 | Shutter | | D | 1 | |
| 9 | A161403800 | Seal | | D | 1 | |
| 10 | A161403500 | Seal | | D | 1 | |
| 11 | A161403600 | Seal | | D | 1 | |
| 12 | A61F403300 | Seal | | D | 1 | |
| 13 | A61F403401 | Seal | | D | 1 | |
| 14 | A161402115 | Cover | | D | 1 | |
| 16 | A161404001 | Seal /1 | | D | 1 | |
| 17 | A161404100 | Seal /2 | | D | 1 | |
| 18 | AA6RR70600Old | Sub Hopper Assy | A,A1 | S | 1 | |
| 18 | AA6RR70611 | Sub Hopper Assy | A,A1 | S | 1 | |
| 18 | AA6RR70700Old | Sub Hopper Assy | B,G2 | S | 1 | |
| 18 | AA6RR70711 | Sub Hopper Assy | B,G2 | S | 1 | |
| 18 | AA6RR70800Old | Sub Hopper Assy | C,I(SOUTH AFRICA) | S | 1 | |
| 18 | AA6RR70811 | Sub Hopper Assy | C,I(SOUTH AFRICA) | S | 1 | |
| 18 | AA6RR71100Old | Sub Hopper Assy | D1,D3,E,F2,G1,I(EXC EPT SOUTH AFRICA),K ,H,J | S | 1 | |
| 18 | AA6RR71111 | Sub Hopper Assy | D1,D3,E,F2,G1,I(EXC EPT SOUTH AFRICA),K ,H,J | S | 1 | |
| 19 | A0EDM60001 | Relay Connector | | D | 1 | |
| 20 | A2XK400001 | Holder | | D | 1 | |
| 21 | A2XK400100 | Torsion Coil spring | | D | 1 | |
| 22 | A61D400200 | Partition | | D | 1 | |
| 23 | A61DN10B01 | Toner Detection harness /2 | | D | 1 | |
| 24 | A79J403100 | Suction Plate | | D | 1 | |
| 25 | A61F400001 | Holder | | D | 1 | |
| | | | | | | |
| | | | | | | |
| | | | | | | |

Toner supply Section



| Key | Part No. | Description | Destinations | Class | QTY | Standard parts |
|-----|------------|-------------------------|--------------|-------|-----|------------------------------|
| 1 | A79J401700 | Gear 18T | | C | 1 | a-V153030803 b-V145030803 |
| 2 | A161401300 | Gear 17/65T | | C | 1 | |
| 3 | A79J401800 | Washer | | C | 1 | |
| 4 | A79J402600 | Mounting Plate | | D | 1 | |
| 5 | A161401100 | Gear 36T | | C | 1 | |
| 6 | A161401000 | Gear 18T | | C | 1 | |
| 7 | 4163510201 | BUSHING | | C | 1 | |
| 8 | 4576536301 | SEAL | | D | 1 | |
| 9 | A161403101 | Holder | | C | 1 | |
| 10 | A161400100 | Screw | | C | 1 | |
| 11 | A161400401 | Detecting Plate | | D | 1 | |
| 12 | A161400601 | Detecting Seal | | D | 1 | |
| 13 | A5C1F42000 | Agitating Shaft | | D | 1 | |
| 14 | A161404200 | Fixing Plate | | D | 1 | |
| 15 | A161N12801 | Toner Drive harness /K | | D | 1 | |
| 16 | A7PUM10700 | Stepping motor | | C | 1 | |
| 17 | 4333501201 | SEAL | | D | 1 | |
| 18 | A161403000 | Bushing | | D | 1 | |
| 19 | A161404300 | Detecting Actuator | | D | 1 | |
| 20 | A161400701 | Mounting Plate | | D | 1 | |
| 21 | A61FN10F00 | Toner Detection harness | | D | 1 | |
| 22 | A5C1M50100 | Photointerrupter | | B | 1 | |
| 23 | A161403200 | Seal | | D | 1 | |
| 24 | 4036534801 | TENSION SPRING | | C | 1 | |
| 25 | A0ED401000 | Shutter | | D | 1 | |
| 26 | A161400800 | Pin | | D | 1 | |
| 27 | A79J401900 | Spring | | C | 1 | |
| 28 | A5C1404600 | Washer | | D | 1 | |
| 29 | A79J401400 | Gear 40T | | C | 1 | |
| 30 | A79J401600 | Gear 20T | | C | 3 | |
| | | | | | | |
| | | | | | | |
| | | | | | | |
| | | | | | | |
| | | | | | | |
| | | | | | | |

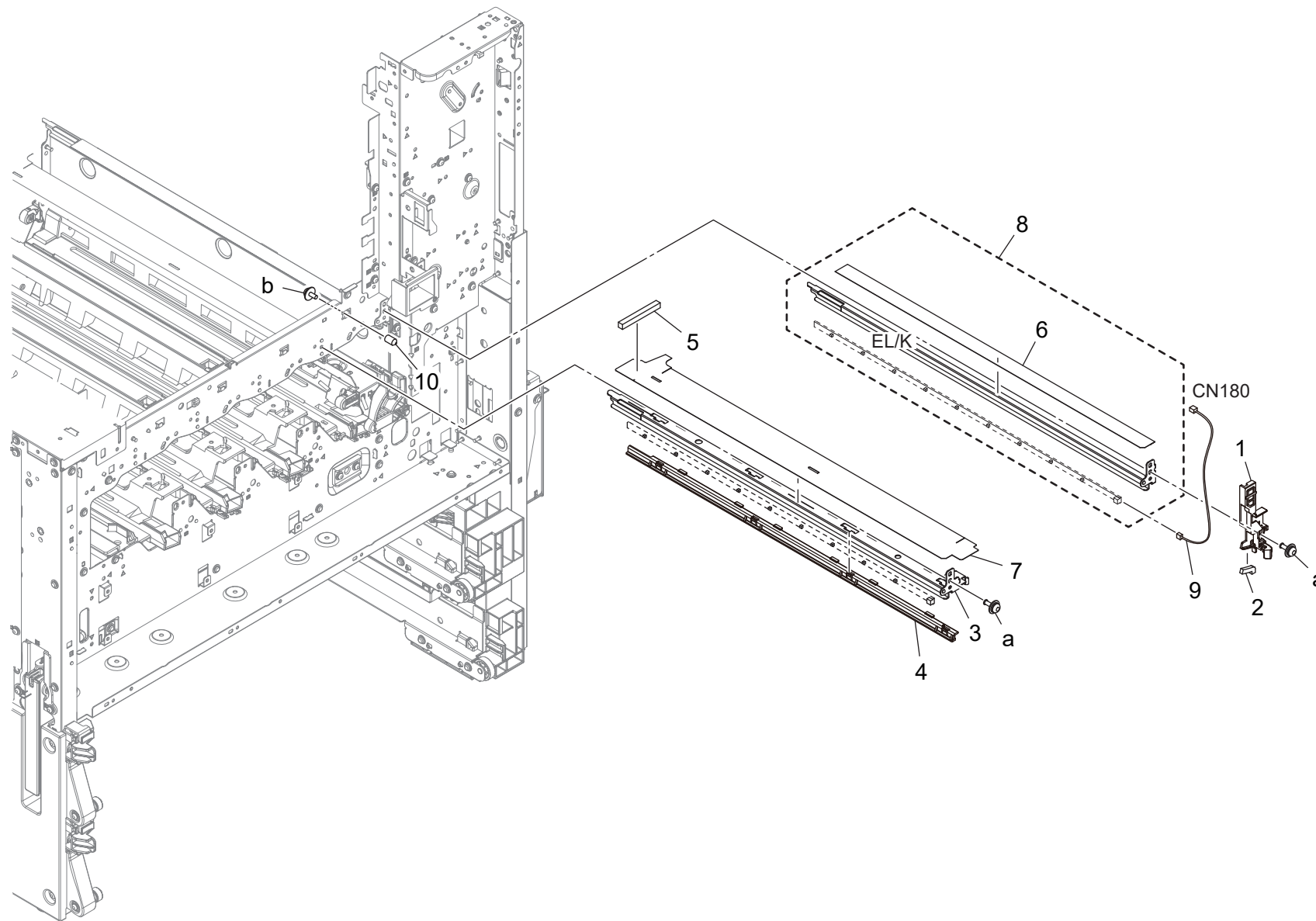
Toner collecting Section



bizhub 558e

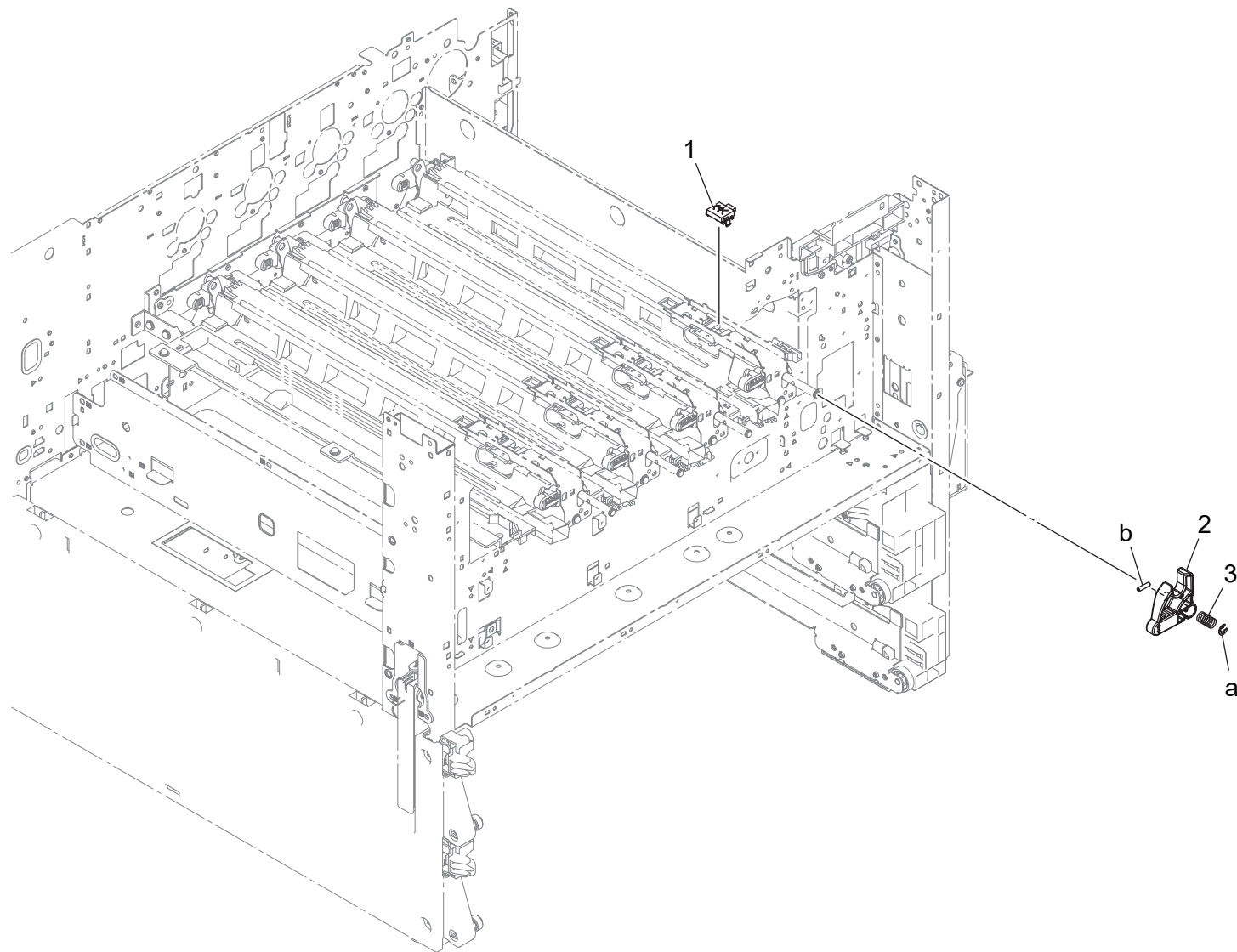
| Key | Part No. | Description | Destinations | Class | QTY | Standard parts |
|-----|------------|------------------------|-----------------------------|-------|-----|------------------------------|
| 1 | A64J363700 | Shutter | | D | 1 | a-V153030803 b-V125030818 |
| 2 | A0ED363200 | Pulling Coil spring | | D | 1 | |
| 3 | A0ED363400 | Seal | | D | 1 | |
| 4 | A0ED363001 | Pipe | | D | 1 | |
| 5 | A0ED363312 | Seal | | D | 1 | |
| 6 | A79J245100 | Gear 14T/17T | | C | 1 | |
| 7 | A79J245000 | Gear 20T/8T | | C | 1 | |
| 8 | A79J245400 | Gear 62T/16T | | C | 1 | |
| 9 | AAJ50Y1 | Waste Toner Box | A,A1,B,G2 | A | 1 | |
| 9 | AAJ5WY1 | Waste Toner Box | C,D1,D3,E,F2,G1,I,K ,H,J | A | 1 | |
| 10 | A79JR71400 | Waste Toner Drive Assy | | C | 1 | |
| 11 | AA6V362001 | Cover | | C | 1 | |
| 12 | A64JR71400 | Waste Toner Pipe | | C | 1 | |
| | | | | | | |
| | | | | | | |
| | | | | | | |
| | | | | | | |
| | | | | | | |
| | | | | | | |
| | | | | | | |
| | | | | | | |
| | | | | | | |

Developing section/ Photo conductor section



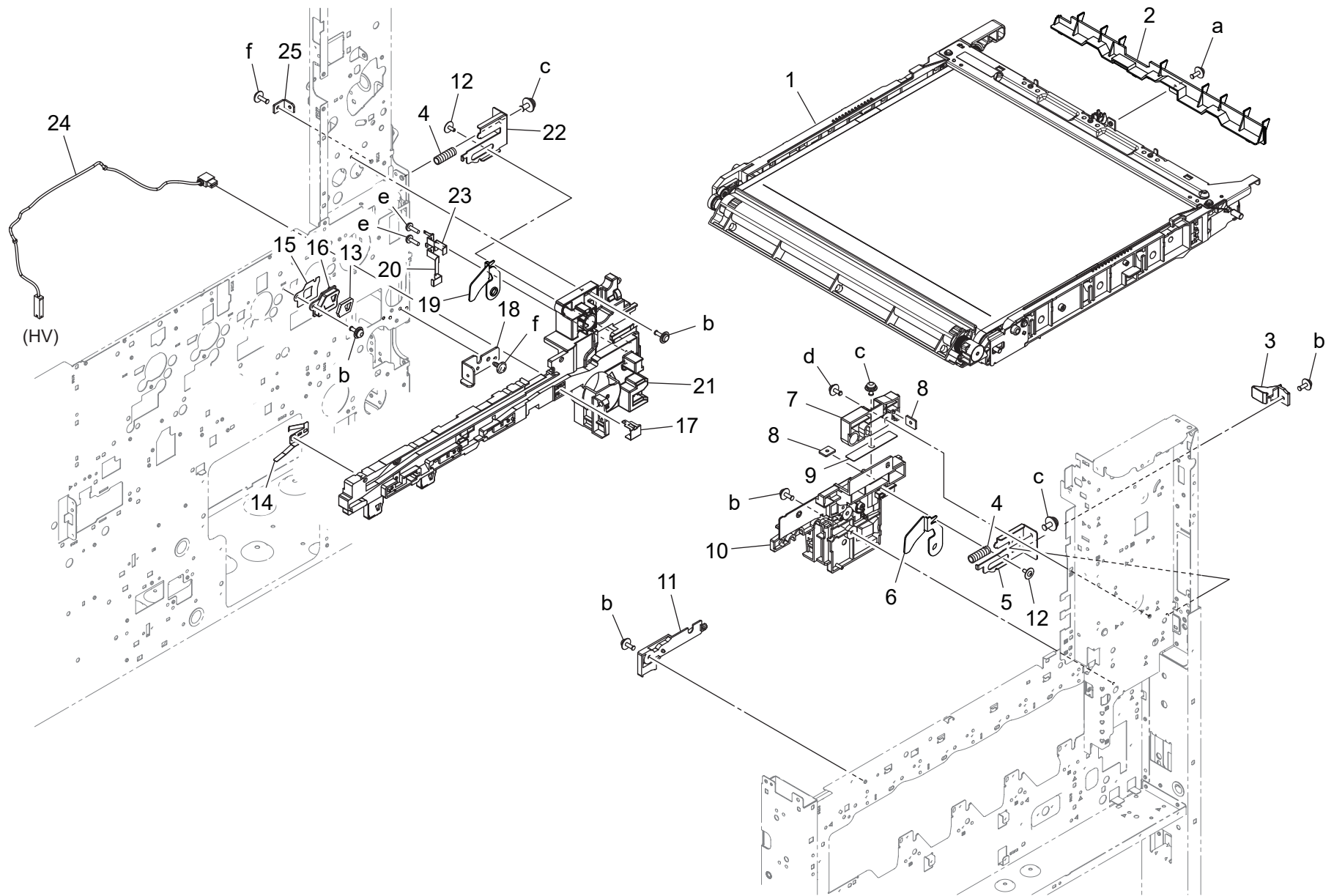
| Key | Part No. | Description | Destinations | Class | QTY | Standard parts |
|-----|------------|---------------------|--------------|-------|-----|------------------------------|
| 1 | AA6V130000 | Holder | | D | 1 | a-V116030803 b-V116030603 |
| 2 | A2XK130000 | Light blocking Seal | | D | 1 | |
| 3 | A161105600 | Rail | | D | 1 | |
| 4 | A797105400 | Rail | | D | 1 | |
| 5 | A161107100 | Seal | | D | 1 | |
| 6 | A161107400 | Light blocking Part | | C | 1 | |
| 7 | A5C1105500 | Light blocking Part | | D | 1 | |
| 8 | AA6VR70300 | Eraser (Black) Assy | | C | 1 | |
| 9 | A61FN11V00 | Neutralizing Wiring | | D | 1 | |
| 10 | A0ED103100 | Pin | | D | 1 | |
| | | | | | | |
| | | | | | | |
| | | | | | | |
| | | | | | | |
| | | | | | | |
| | | | | | | |
| | | | | | | |
| | | | | | | |
| | | | | | | |
| | | | | | | |
| | | | | | | |

Developing section/ Photo conductor section



| Key | Part No. | Description | Destinations | Class | QTY | Standard parts |
|-----|------------|-------------------------|--------------|-------|-----|------------------------------|
| 1 | A0EDM60001 | Relay Connector | | D | 1 | a-V217040003 b-V234301250 |
| 2 | A161116202 | Release Lever | | D | 1 | |
| 3 | A161119500 | Compressing Coil spring | | D | 1 | |
| | | | | | | |
| | | | | | | |
| | | | | | | |
| | | | | | | |
| | | | | | | |
| | | | | | | |
| | | | | | | |
| | | | | | | |
| | | | | | | |
| | | | | | | |
| | | | | | | |
| | | | | | | |
| | | | | | | |
| | | | | | | |
| | | | | | | |
| | | | | | | |
| | | | | | | |
| | | | | | | |
| | | | | | | |
| | | | | | | |

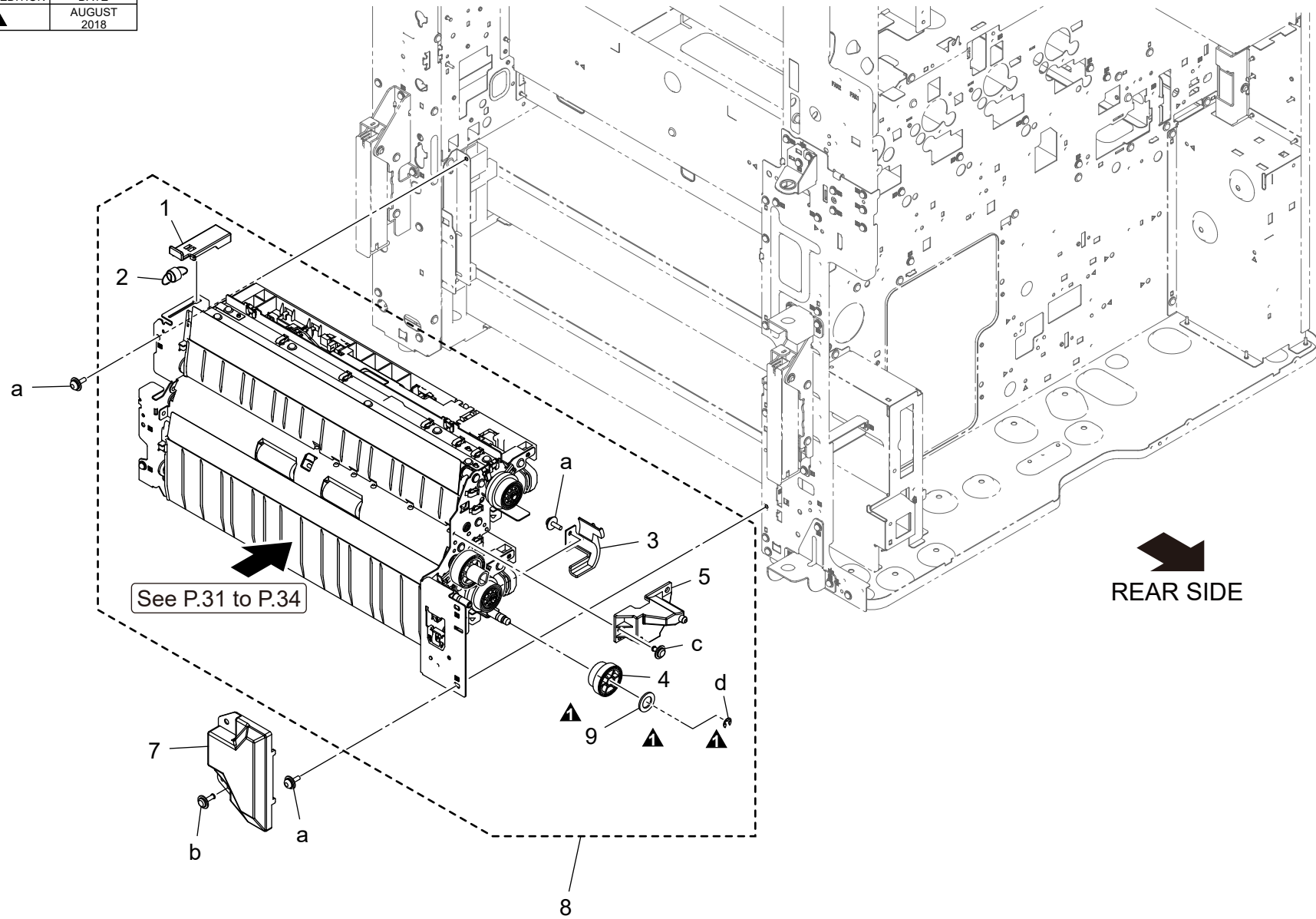
1st Transfer Section



| Key | Part No. | Description | Destinations | Class | QTY | Standard parts |
|-----|------------|----------------------------------|------------------------|-------|-----|----------------|
| 1 | AA6VR70111 | Intermediate Image Transfer Unit | 中間転写 (BK 2 nd) A s s y | A | 1 | a-V116030804 |
| 2 | A79J508400 | Guide | ガイド | D | 1 | b-V116030803 |
| 3 | A161110601 | Lock Part | ロック部材 | D | 1 | c-V116040803 |
| 4 | A0ED111000 | Compressing Coil spring | 圧縮コイルばね | D | 2 | d-V125030818 |
| 5 | A161112500 | Lever /Front | レバー/前 | D | 1 | e-V145030803 |
| 6 | A5C1112800 | Arm /Front | アーム/前 | D | 1 | f-V137030803 |
| 7 | A161110400 | Fusing Rail /Front | 定着レール/前 | D | 1 | |
| 8 | A161112200 | Mounting Plate | 取付板 (板ナット) | D | 2 | |
| 9 | A161112600 | Adjusting Plate | 調整板 | D | 1 | |
| 10 | A161110202 | Rail | レール (中転前) | D | 1 | |
| 11 | A161110300 | Rail | レール (中転前従動) | D | 1 | |
| 12 | 4163529301 | SCREW | ねじ | C | 2 | |
| 13 | A161144801 | Seal | シール | C | 1 | |
| 14 | A0ED112000 | Contact | 接点 (グラウンド) | D | 1 | |
| 15 | A161146200 | Seal | シール | D | 1 | |
| 16 | A161141700 | Duct | ダクト | D | 1 | |
| 17 | A0ED111400 | Contact /K | 接点/K | D | 1 | |
| 18 | A7PU109000 | Reinforce Plate | 補強板 | D | 1 | |
| 19 | A5C1112900 | Arm /Rear | アーム/後 | D | 1 | |
| 20 | A161112300 | Contact | 接点 (2次転写) | D | 1 | |
| 21 | A161110105 | Rail | レール (中転後) | D | 1 | |
| 22 | A161112101 | Lever /Rear | レバー/後 | D | 1 | |
| 23 | A161112400 | Contact | 接点 (除電) | D | 1 | |
| 24 | A61FN11200 | Transfer Wiring | 転写束線 | D | 1 | |
| 25 | A161112700 | Mounting Plate | 取付板 | D | 1 | |
| | | | | | | |
| | | | | | | |
| | | | | | | |
| | | | | | | |
| | | | | | | |
| | | | | | | |
| | | | | | | |
| | | | | | | |

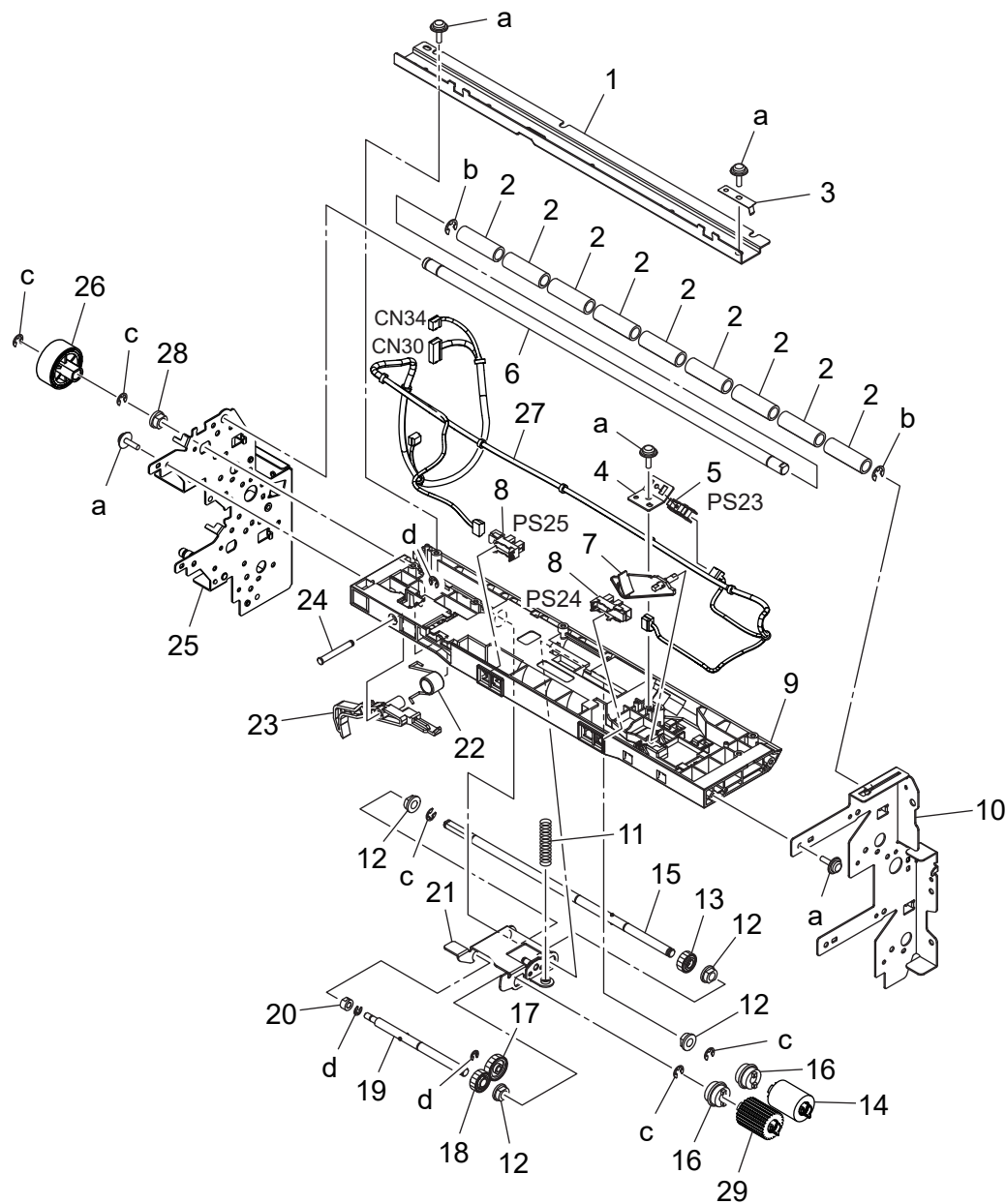
Tray 1/2 paper feed Section

| | |
|------------------------|----------------|
| 改訂版 REVISED EDITION | 日付 DATE |
| ▲ | AUGUST 2018 |



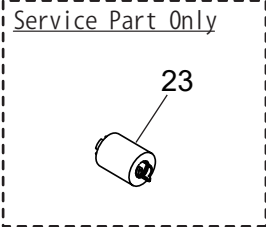
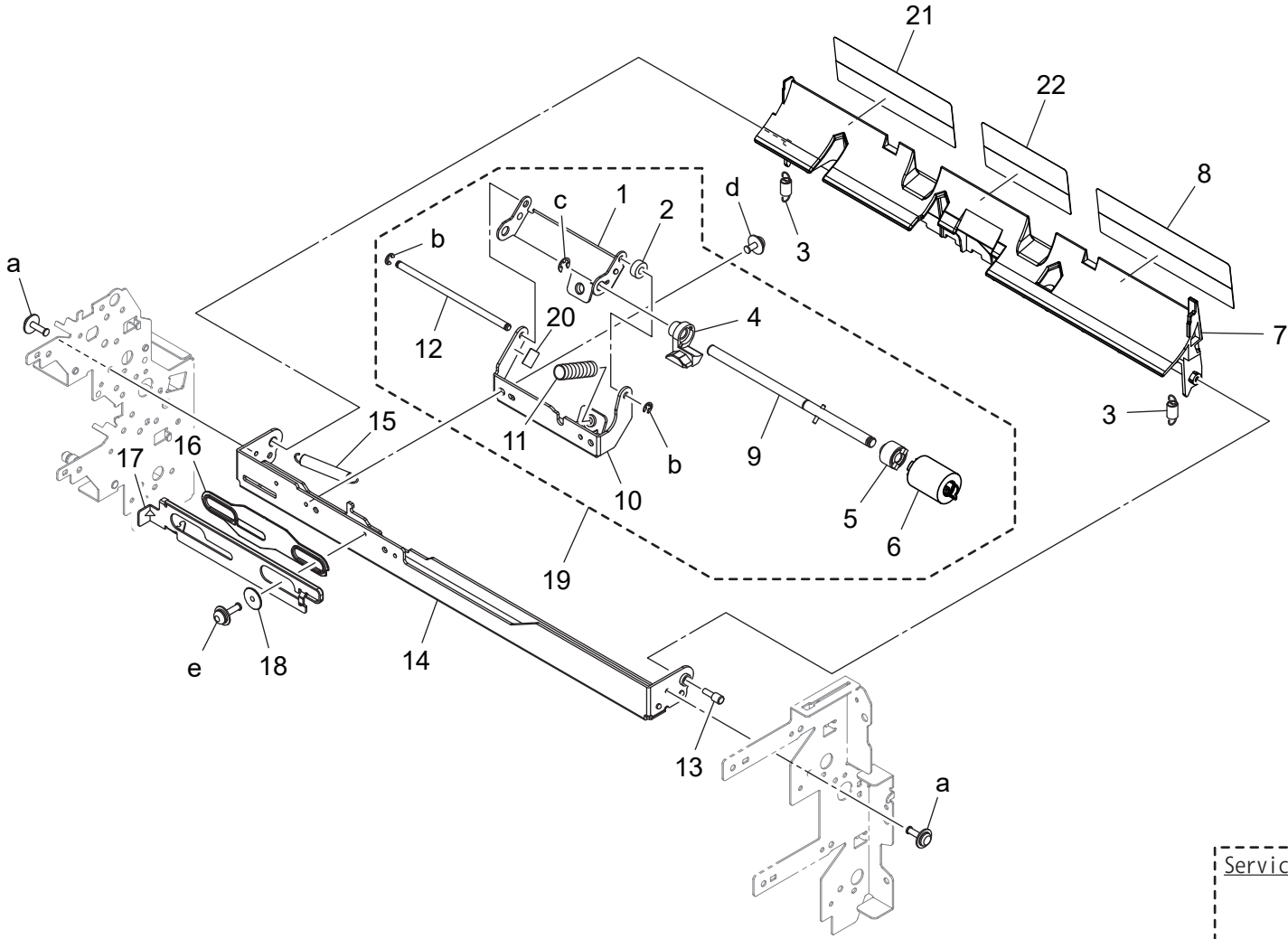
| Key | Part No. | Description | Destinations | Class | QTY | Standard parts |
|-----|------------|---------------------|--------------|-------|-----|--|
| 1 | A161561100 | Holder | | D | 1 | a-V116030803 b-V137030803 c-V144030603 d-V217040001 |
| 2 | A161561200 | Pulling Coil spring | | D | 1 | |
| 3 | A7PU569100 | Cover | | D | 1 | |
| 4 | A161576100 | Gear 21/26T | | C | 1 | |
| 5 | A161565102 | Mounting Plate | | D | 1 | |
| 7 | A161579011 | Cover | | D | 1 | |
| 8 | AA6TR70211 | Paper Feed Assy | | S | 1 | |
| 9 | A0P0217500 | Spacer | | C | 1 | |
| | | | | | | |
| | | | | | | |
| | | | | | | |
| | | | | | | |
| | | | | | | |
| | | | | | | |
| | | | | | | |
| | | | | | | |
| | | | | | | |
| | | | | | | |
| | | | | | | |
| | | | | | | |
| | | | | | | |
| | | | | | | |

Tray 1/2 paper feed Section



| Key | Part No. | Description | Destinations | Class | QTY | Standard parts |
|-----|---------------|-------------------------|--------------|-------|-----|--|
| 1 | A161566000 | Reinforce Plate | | D | 1 | a-V153030803 b-V217050001 c-V217040001 d-V217030001 |
| 2 | 4034352501 | ROLLER | | C | 9 | |
| 3 | A5C1560600 | Ground Plate | | D | 1 | |
| 4 | A161560900 | Mounting Plate | | D | 1 | |
| 5 | A0EDM50100 | Photorelector | | I | 1 | |
| 6 | A5C1565500 | Shaft | | D | 1 | |
| 7 | A161561601 | Actuator | | C | 1 | |
| 8 | A5C1M50100 | Photointerrupter | | B | 2 | |
| 9 | A161565302Old | Paper feed Frame | | D | 1 | |
| 9 | A7PU565300 | Paper feed Frame | | D | 1 | |
| 10 | A161560112Old | Frame /Front | | D | 1 | |
| 10 | A7PU560100 | Frame /Front | | D | 1 | |
| 11 | A161562800 | Compressing Coil spring | | C | 1 | |
| 12 | 4131300301 | BUSHING | | C | 4 | |
| 13 | A161562400 | Gear 26T | | C | 1 | |
| 14 | A64J564101 | Paper feed Roller | | A | 1 | |
| 15 | A161560500 | Shaft | | D | 1 | |
| 16 | A02E561100 | Clutch | | C | 2 | |
| 17 | A161562300 | Gear 34T | | C | 1 | |
| 18 | A161562600 | Gear 28T | | C | 1 | |
| 19 | A161562000 | Shaft | | D | 1 | |
| 20 | A161562500 | Bushing | | C | 1 | |
| 21 | A161562101 | Holder | | D | 1 | |
| 22 | A161567400 | Torsion Spring | | C | 1 | |
| 23 | A161567300 | Lever | | C | 1 | |
| 24 | A02E560800 | Shaft | | D | 1 | |
| 25 | A161F56028Old | Caulking(Frame) | | D | 1 | |
| 25 | A79J560200 | Frame | | D | 1 | |
| 26 | A79J576400 | Gear 24T | | C | 1 | |
| 27 | A79JN10800 | Paperfeed Relay harness | | D | 1 | |
| 28 | A7PU663200 | Bushing | | C | 1 | |
| 29 | A64J564201 | Paper feed Roller | | A | 1 | |
| | | | | | | |
| | | | | | | |
| | | | | | | |
| | | | | | | |
| | | | | | | |

Tray 1/2 paper feed Section



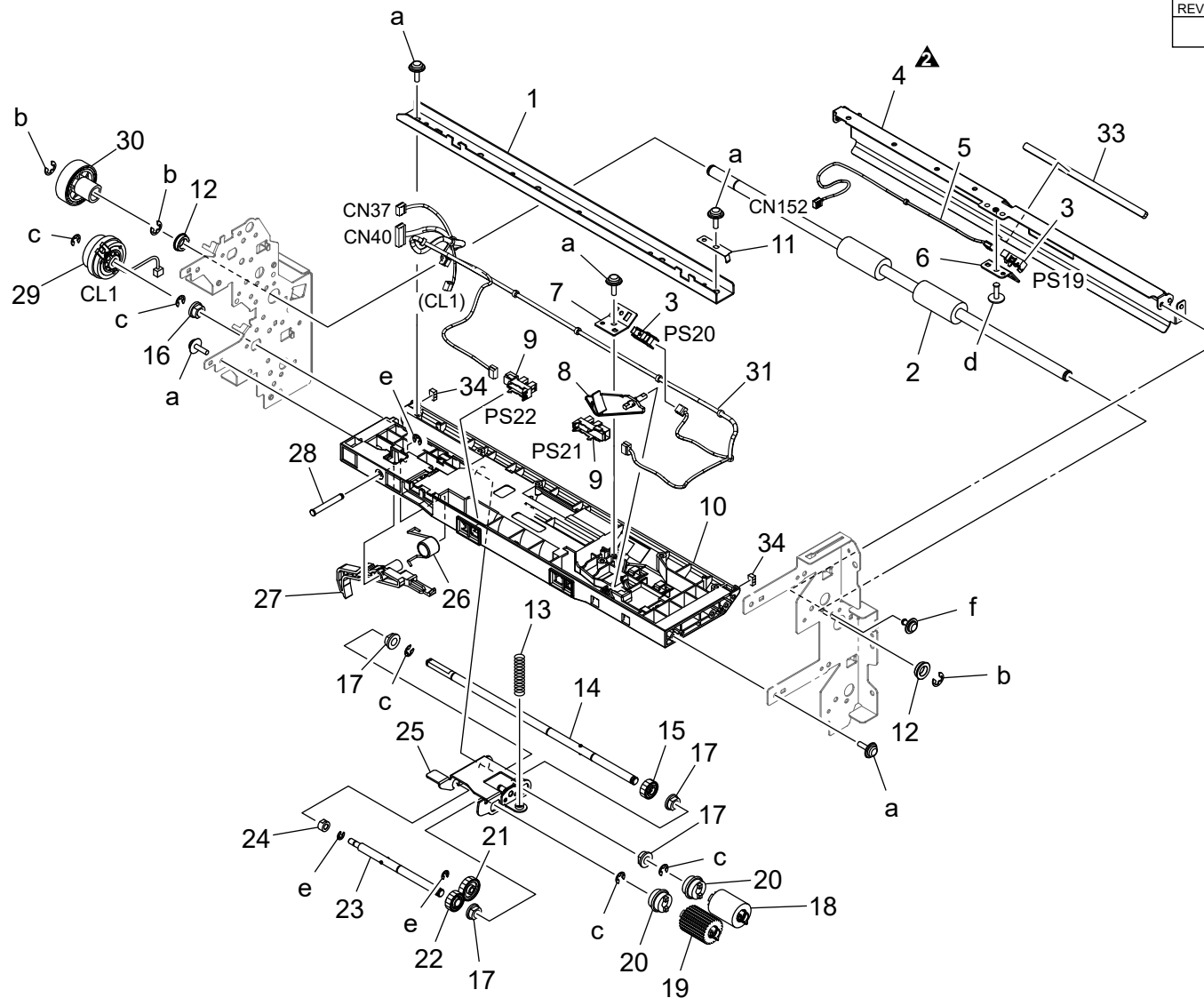
bizhub 558e



| Key | Part No. | Description | Destinations | Class | QTY | Standard parts |
|-----|---------------|------------------------|--------------|-------|-----|--|
| 1 | A5C1563100 | Holder | | D | 1 | a-V137030803 b-V217030001 c-V217040001 d-V116030603 e-V116031003 |
| 2 | 4040561000 | Spacer | | D | 1 | |
| 3 | A161568600 | Pulling Coil spring | | C | 2 | |
| 4 | A5C1563500 | Guide | | D | 1 | |
| 5 | A0ED563900 | Torque limiter | | C | 1 | |
| 6 | A64J564101 | Paper feed Roller | | A | 1 | |
| 7 | A7PU568400 | Guide Plate | | C | 1 | |
| 8 | A7PU567500 | Guide | | C | 1 | |
| 9 | A5C1563400 | Shaft | | D | 1 | |
| 10 | A161564001 | Mounting Plate | | D | 1 | |
| 11 | 4030301703 | PRESSURE SPRING | | C | 1 | |
| 12 | A161563300 | Shaft | | D | 1 | |
| 13 | 4532341001 | SHOULDER SCREW | | D | 1 | |
| 14 | A161563901Old | Mounting Plate | | D | 1 | |
| 14 | A5C1563901 | Mounting Plate | | D | 1 | |
| 15 | A161564400 | Pulling Coil spring | | C | 1 | |
| 16 | A161564200 | Spacer | | D | 1 | |
| 17 | A5C1564101 | Lever | | D | 1 | |
| 18 | A161564300 | Spacer | | D | 1 | |
| 19 | A64JR71111 | Separation Roller Assy | | C | 1 | |
| 20 | A5C1565600 | Sheet | | C | 1 | |
| 21 | A7PU567700 | Guide | | C | 1 | |
| 22 | A7PU567600 | Guide | | C | 1 | |
| 23 | AA2J560000 | Paper feed Roller | | A | 1 | |
| | | | | | | |
| | | | | | | |
| | | | | | | |
| | | | | | | |
| | | | | | | |
| | | | | | | |
| | | | | | | |
| | | | | | | |
| | | | | | | |
| | | | | | | |
| | | | | | | |
| | | | | | | |
| | | | | | | |
| | | | | | | |
| | | | | | | |
| | | | | | | |
| | | | | | | |

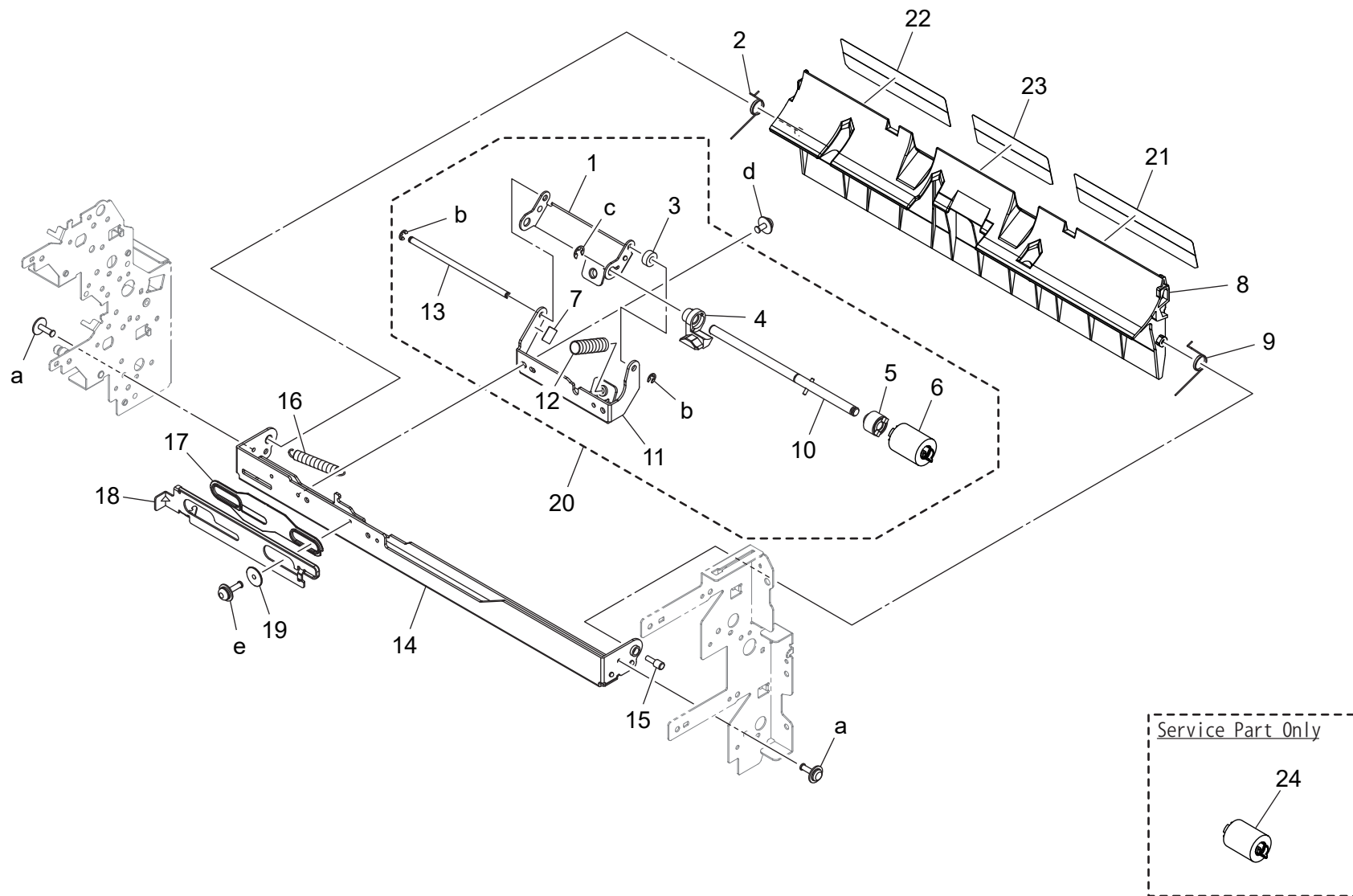
Tray 1/2 paper feed Section

| | |
|------------------------|-----------------|
| 改訂版 REVISED EDITION | 日付 DATE |
| | January 2019 |



| Key | Part No. | Description | Destinations | Class | QTY | Standard parts |
|-----|------------|------------------------------|--------------|-------|-----|--|
| 1 | A161561000 | Reinforce Plate | | D | 1 | a-V153030803 b-V217050001 c-V217040001 d-V137030803 e-V217030001 f-V144030603 |
| 2 | A161578100 | Drive Roller | | C | 1 | |
| 3 | A0EDM50100 | Photorelector | | I | 2 | |
| 4 | A161578214 | Guide Plate | | D | 1 | |
| 5 | A161N12701 | Conveyance Detection harness | | D | 1 | |
| 6 | A161571100 | Mounting Plate | | D | 1 | |
| 7 | A161560900 | Mounting Plate | | D | 1 | |
| 8 | A161561601 | Actuator | | C | 1 | |
| 9 | A5C1M50100 | Photointerrupter | | B | 2 | |
| 10 | A161560302 | Paper feed Frame | | D | 1 | |
| 11 | A5C1560600 | Ground Plate | | D | 1 | |
| 12 | A00J617900 | Ball Bearing | | B | 2 | |
| 13 | A161562800 | Compressing Coil spring | | C | 1 | |
| 14 | A161560500 | Shaft | | D | 1 | |
| 15 | A161562400 | Gear 26T | | C | 1 | |
| 16 | A7PU663200 | Bushing | | C | 1 | |
| 17 | 4131300301 | BUSHING | | C | 4 | |
| 18 | A64J564101 | Paper feed Roller | | A | 1 | |
| 19 | A64J564201 | Paper feed Roller | | A | 1 | |
| 20 | A02E561100 | Clutch | | C | 2 | |
| 21 | A161562300 | Gear 34T | | C | 1 | |
| 22 | A161562600 | Gear 28T | | C | 1 | |
| 23 | A161562000 | Shaft | | D | 1 | |
| 24 | A161562500 | Bushing | | C | 1 | |
| 25 | A161562101 | Holder | | D | 1 | |
| 26 | A161567400 | Torsion Spring | | C | 1 | |
| 27 | A161567300 | Lever | | C | 1 | |
| 28 | A02E560800 | Shaft | | D | 1 | |
| 29 | A02EM20200 | Clutch | | B | 1 | |
| 30 | A2XK709000 | Gear 24T | | C | 1 | |
| 31 | A2XKN10H01 | Paperfeed Wiring /2 | | D | 1 | |
| 33 | A161578700 | Cushion | | C | 1 | |
| 34 | A161568901 | Cushion | | D | 2 | |
| | | | | | | |
| | | | | | | |
| | | | | | | |
| | | | | | | |
| | | | | | | |

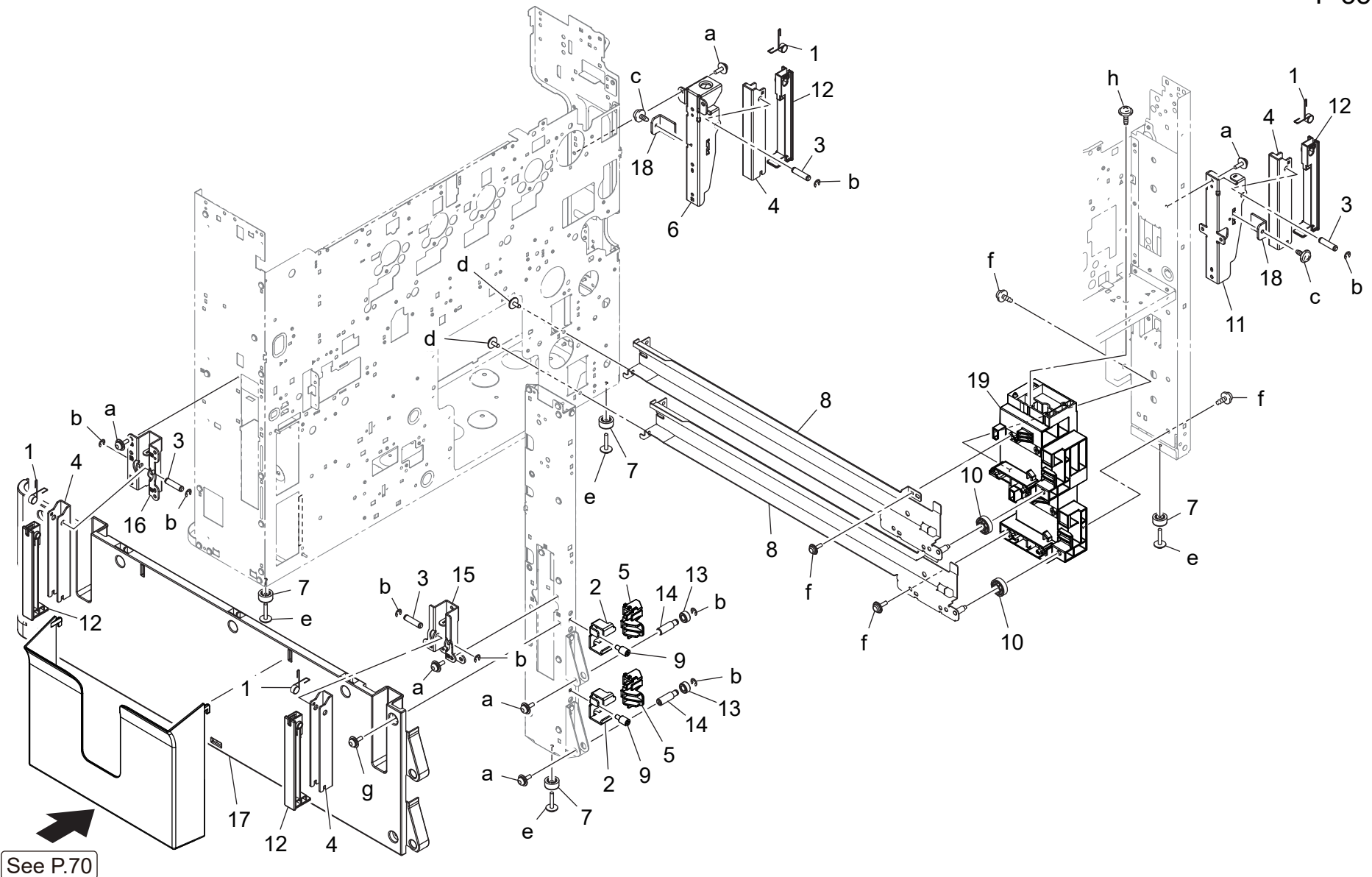
Tray 1/2 paper feed Section



bizhub 558e

| Key | Part No. | Description | Destinations | Class | QTY | Standard parts |
|-----|---------------|------------------------|--------------|-------|-----|--|
| 1 | A5C1563100 | Holder | | D | 1 | a-V137030803 b-V217030001 c-V217040001 d-V116030603 e-V116031003 |
| 2 | A161568800 | Torsion Coil spring | | C | 1 | |
| 3 | 4040561000 | Spacer | | D | 1 | |
| 4 | A5C1563500 | Guide | | D | 1 | |
| 5 | A0ED563900 | Torque limiter | | C | 1 | |
| 6 | A64J564101 | Paper feed Roller | | A | 1 | |
| 7 | A5C1565600 | Sheet | | C | 1 | |
| 8 | A7PU578400Old | Guide Plate | | C | 1 | |
| 8 | A7PU578500 | Guide Plate | | C | 1 | |
| 9 | A161568700 | Torsion Coil spring | | C | 1 | |
| 10 | A5C1563400 | Shaft | | D | 1 | |
| 11 | A161564001 | Mounting Plate | | D | 1 | |
| 12 | 4030301703 | PRESSURE SPRING | | C | 1 | |
| 13 | A161563300 | Shaft | | D | 1 | |
| 14 | A161563901Old | Mounting Plate | | D | 1 | |
| 14 | A5C1563901 | Mounting Plate | | D | 1 | |
| 15 | 4532341001 | SHOULDER SCREW | | D | 1 | |
| 16 | A161564400 | Pulling Coil spring | | C | 1 | |
| 17 | A161564200 | Spacer | | D | 1 | |
| 18 | A5C1564101 | Lever | | D | 1 | |
| 19 | A161564300 | Spacer | | D | 1 | |
| 20 | A64JR71111 | Separation Roller Assy | | C | 1 | |
| 21 | A7PU577500 | Guide | | C | 1 | |
| 22 | A7PU577700 | Guide | | C | 1 | |
| 23 | A7PU577600 | Guide | | C | 1 | |
| 24 | AA2J560000 | Paper feed Roller | | A | 1 | |
| | | | | | | |
| | | | | | | |
| | | | | | | |
| | | | | | | |
| | | | | | | |
| | | | | | | |
| | | | | | | |
| | | | | | | |

Tray 1/2 Section

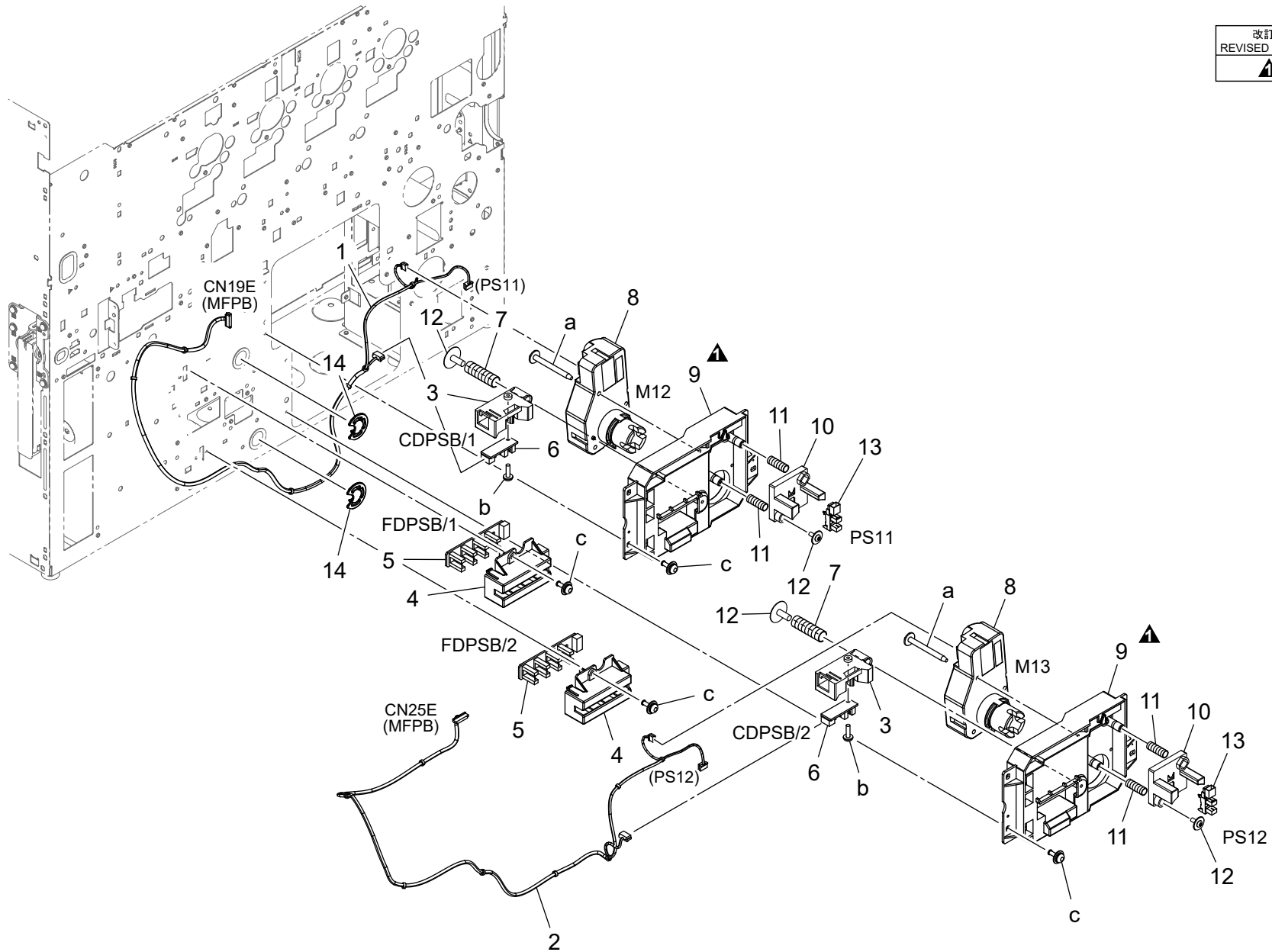


See P.70

| Key | Part No. | Description | Destinations | Class | QTY | Standard parts |
|-----|------------|---------------------|--------------|-------|-----|--|
| 1 | A161104300 | Torsion Coil spring | | D | 4 | a-V116030803 b-V217040001 c-V137030803 d-V144030603 e-V137031203 f-V153030803 g-V116030804 h-V153031004 |
| 2 | A7PU102201 | Mounting Plate | | D | 2 | |
| 3 | A161104200 | Shaft | | D | 4 | |
| 4 | A161101900 | Lever | | D | 4 | |
| 5 | A7PU102301 | Stopper | | D | 2 | |
| 6 | A5C1104800 | Mounting Plate | | D | 1 | |
| 7 | 0996305501 | RUBBER FOOT | | C | 4 | |
| 8 | A5C1101101 | Rail /ASSY | | D | 2 | |
| 9 | A1UD192400 | Shoulder screw /2 | | C | 2 | |
| 10 | A161103901 | Roll | | D | 2 | |
| 11 | A5C1104400 | Mounting Plate | | D | 1 | |
| 12 | A161103700 | Cover | | D | 4 | |
| 13 | A161623400 | Roll | | D | 2 | |
| 14 | A161105200 | Shaft | | D | 2 | |
| 15 | A161101600 | Mounting Plate | | D | 1 | |
| 16 | A161101701 | Mounting Plate | | D | 1 | |
| 17 | A7PU104000 | Holder | | D | 1 | |
| 18 | A5C1104700 | Mounting Plate | | D | 2 | |
| 19 | A5C1106000 | Holder | | D | 1 | |
| | | | | | | |
| | | | | | | |
| | | | | | | |
| | | | | | | |
| | | | | | | |
| | | | | | | |
| | | | | | | |
| | | | | | | |
| | | | | | | |

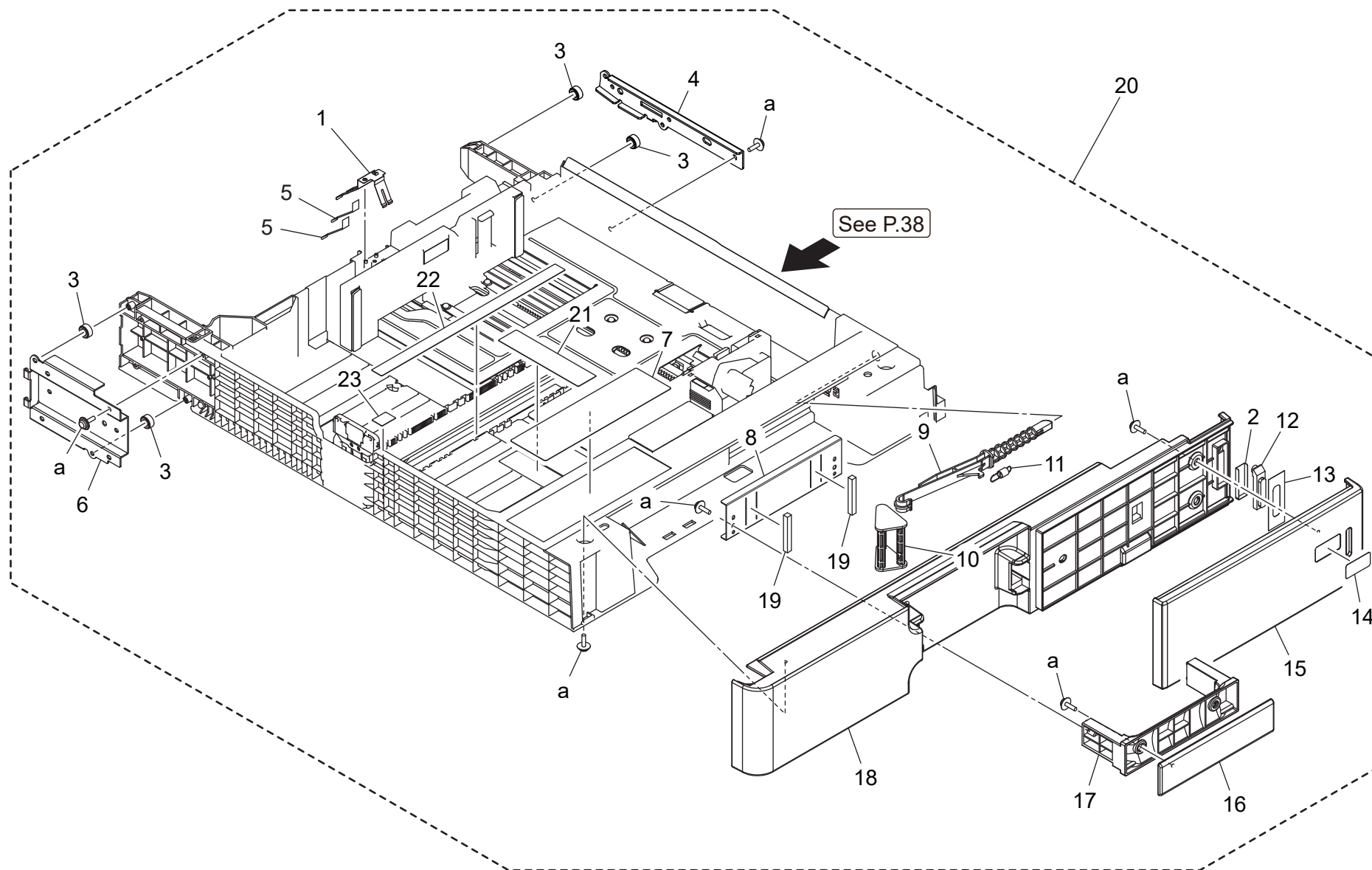
Tray 1/2 Section

| | |
|------------------------|-----------------|
| 改訂版 REVISED EDITION | 日付 DATE |
| ▲ | January 2019 |



| Key | Part No. | Description | Destinations | Class | QTY | Standard parts |
|-----|------------|-------------------------|--------------|-------|-----|--|
| 1 | A7PUN10401 | Harness /Paperfeed | | D | 1 | a-V153033003 b-V145030803 c-V116030803 |
| 2 | A7PUN10501 | Harness /Paperfeed | | D | 1 | |
| 3 | A7PU627500 | Holder | | D | 2 | |
| 4 | A5C1628000 | Holder | | C | 2 | |
| 5 | A161M50600 | Photointerrupter | | C | 2 | |
| 6 | A161M50501 | Photointerrupter | | C | 2 | |
| 7 | 4002311002 | Pressure Spring | | C | 2 | |
| 8 | 9J06M10300 | MOTOR | | B | 2 | |
| 9 | A5C1627103 | Holder | | D | 2 | |
| 10 | A5C1627300 | Holder | | D | 2 | |
| 11 | A5C1627900 | Compressing Coil spring | | D | 4 | |
| 12 | 4163529301 | SCREW | | C | 4 | |
| 13 | A5C1M50100 | Photointerrupter | | B | 2 | |
| 14 | A7PU106100 | Cover | | D | 2 | |
| | | | | | | |
| | | | | | | |
| | | | | | | |
| | | | | | | |
| | | | | | | |
| | | | | | | |
| | | | | | | |
| | | | | | | |
| | | | | | | |

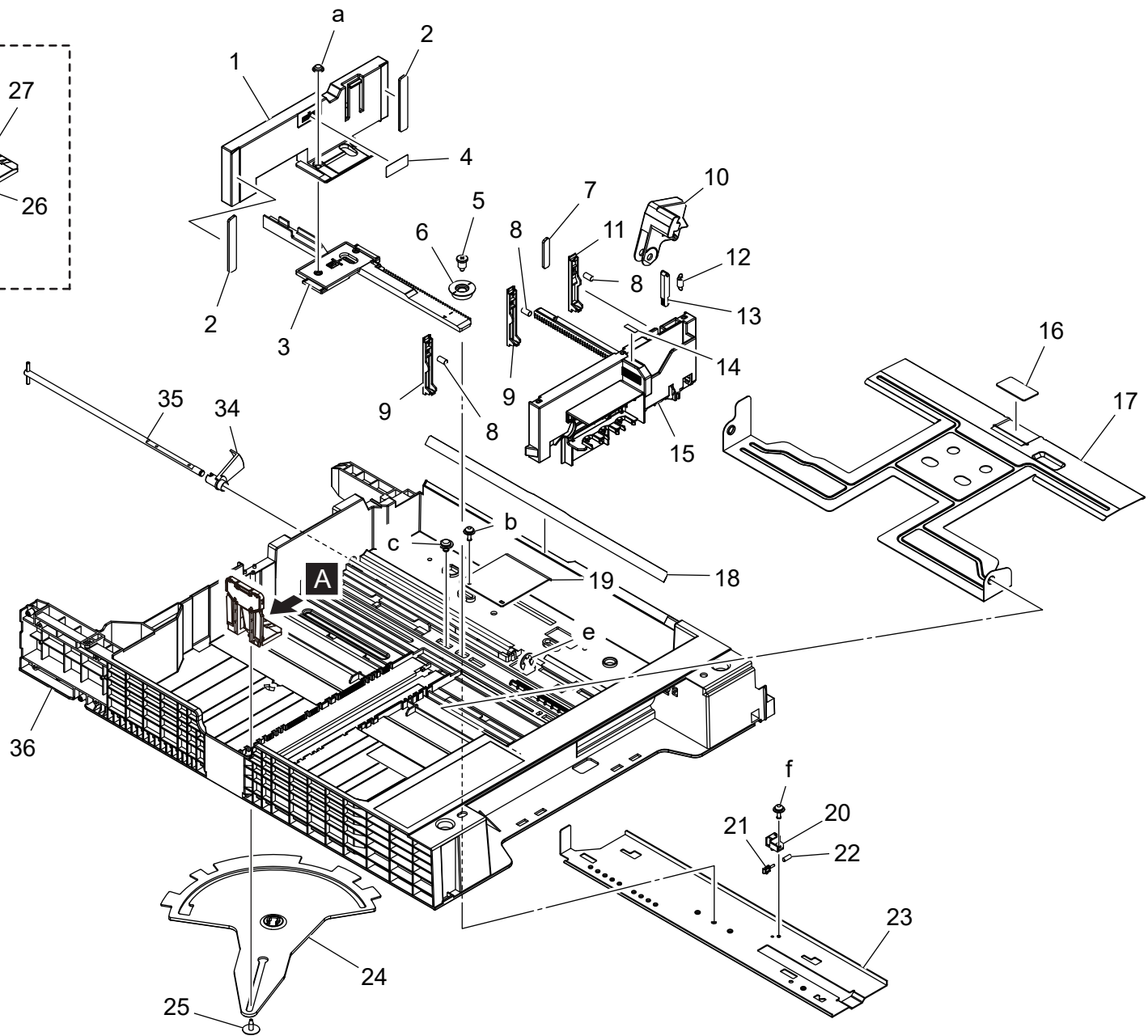
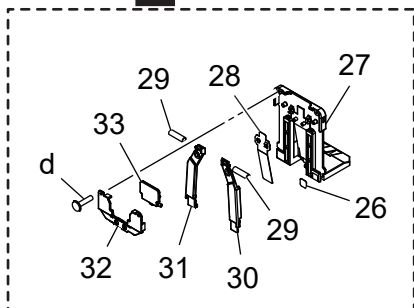
Tray 1/2 Section



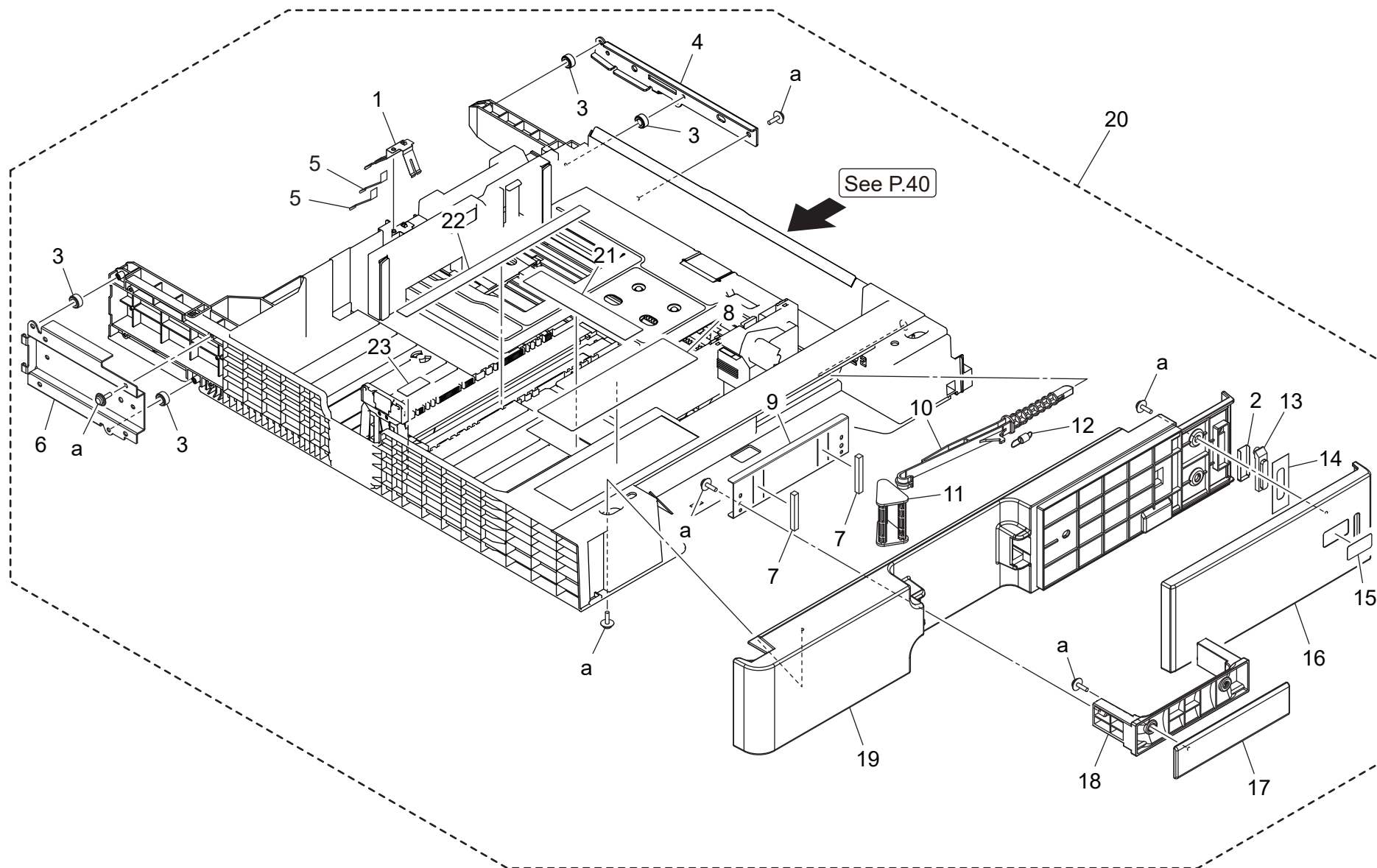
| Key | Part No. | Description | Destinations | Class | QTY | Standard parts |
|-----|------------|------------------------|--------------|-------|-----|----------------|
| 1 | A161622100 | Ground Plate | | D | 1 | a-V153030803 |
| 2 | A161626200 | Sheet | | D | 1 | |
| 3 | A161623400 | Roll | | D | 4 | |
| 4 | A79J623100 | Reinforce Plate /Right | | D | 1 | |
| 5 | A55V624700 | Protection Sheet | | C | 2 | |
| 6 | A161623301 | Reinforce Plate /Left | | D | 1 | |
| 7 | A795942401 | Label | | C | 1 | |
| 8 | A5C1624300 | Holder | | D | 1 | |
| 9 | A161626502 | Lever | | C | 1 | |
| 10 | A161626602 | Lever | | C | 1 | |
| 11 | A161626800 | Pulling Coil spring | | C | 1 | |
| 12 | A161626000 | Lens | | D | 1 | |
| 13 | A161626100 | Light blocking Sheet | | D | 1 | |
| 14 | A161943100 | Label 1 | | C | 1 | |
| 15 | A5C1625001 | Cover | | C | 1 | |
| 16 | A161625900 | Cover | | C | 1 | |
| 17 | A161626900 | Handle | | C | 1 | |
| 18 | A161625114 | Cover | | C | 1 | |
| 19 | A5C1628500 | Cushion | | D | 2 | |
| 20 | A79JR72144 | 1st Cassette Assy | | S | 1 | |
| 21 | A79J941500 | Label CD | | C | 1 | |
| 22 | A79J941200 | Label FD | | C | 1 | |
| 23 | A79J941300 | Label FD | | C | 1 | |
| | | | | | | |
| | | | | | | |
| | | | | | | |
| | | | | | | |
| | | | | | | |
| | | | | | | |
| | | | | | | |
| | | | | | | |
| | | | | | | |
| | | | | | | |
| | | | | | | |
| | | | | | | |
| | | | | | | |

Tray 1/2 Section

DETAIL A



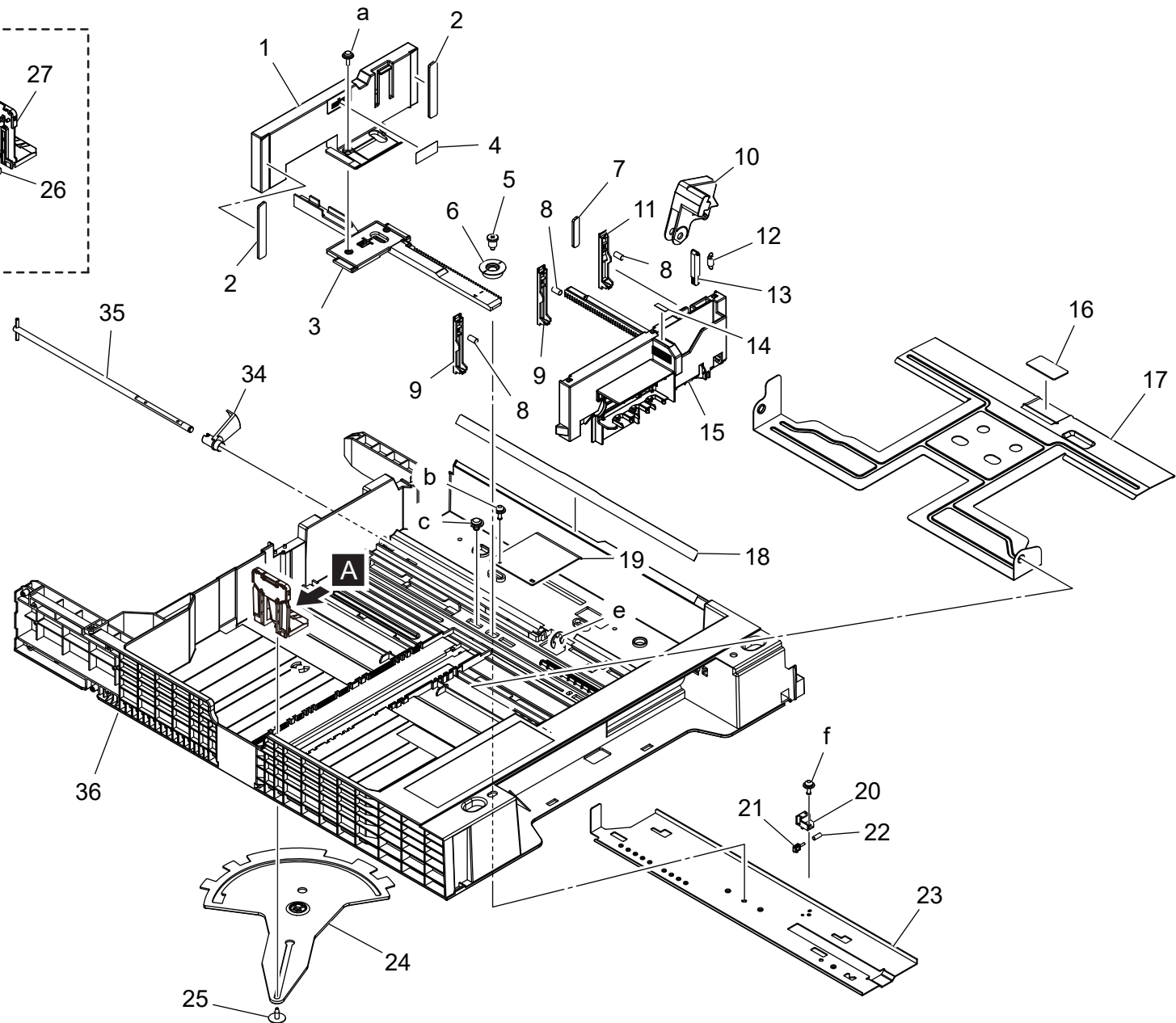
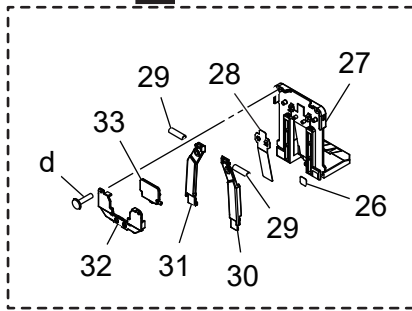
| Key | Part No. | Description | Destinations | Class | QTY | Standard parts |
|-----|------------|------------------------|--------------|-------|-----|--|
| 1 | A161620904 | Regulating Plate /Rear | | C | 1 | a-V153030803 b-V116030803 c-V144040603 d-V166170504 e-V217040001 f-V127030604 |
| 2 | A161624100 | Cushion | | C | 2 | |
| 3 | A161621100 | Rack | | C | 1 | |
| 4 | A161943700 | Label Max Level | | C | 1 | |
| 5 | A161620600 | Shoulder screw | | D | 1 | |
| 6 | A161620701 | Gear | | D | 1 | |
| 7 | A79J566000 | Cushion | | C | 1 | |
| 8 | A795622700 | Compressing Spring | | C | 3 | |
| 9 | A795622600 | Auxiliary Guide /2 | | C | 2 | |
| 10 | A795621301 | Operation Lever | | C | 1 | |
| 11 | A79J622500 | Auxiliary Guide /1 | | C | 1 | |
| 12 | A7AH621000 | Pulling Coil spring | | C | 1 | |
| 13 | A7AH621200 | Lock Lever | | D | 1 | |
| 14 | A161943000 | Label | | C | 1 | |
| 15 | A795620800 | Regulating Plate | | C | 1 | |
| 16 | 4030322602 | FRICTION SHEET | | C | 1 | |
| 17 | A161620400 | Lifting Plate | | D | 1 | |
| 18 | A0ED620200 | Guide | | C | 1 | |
| 19 | 4030320601 | LEVER | | D | 1 | |
| 20 | A795565700 | Holder | | C | 1 | |
| 21 | A795565800 | Lever | | C | 1 | |
| 22 | A795565900 | Compressing Spring | | C | 1 | |
| 23 | A795621901 | Mounting Plate | | D | 1 | |
| 24 | A161621411 | Lever | | C | 1 | |
| 25 | 4163529301 | SCREW | | C | 1 | |
| 26 | A02E940300 | Label | | C | 1 | |
| 27 | A795565000 | Regulating Plate | | D | 1 | |
| 28 | A795565600 | Plate spring | | C | 1 | |
| 29 | A795565500 | Compressing Spring | | C | 2 | |
| 30 | A795565100 | Lock Lever | | C | 1 | |
| 31 | A795565200 | Lock Lever | | C | 1 | |
| 32 | A795565300 | Cover | | C | 1 | |
| 33 | A795565400 | Operation Lever | | C | 1 | |
| 34 | A0ED620701 | Actuator | | C | 1 | |
| 35 | A161621600 | Lifting Shaft | | D | 1 | |
| 36 | A79J620100 | Paper feed Cassette | | D | 1 | |
| | | | | | | |
| | | | | | | |
| | | | | | | |
| | | | | | | |



| Key | Part No. | Description | Destinations | Class | QTY | Standard parts |
|-----|------------|------------------------|--------------|-------|-----|----------------|
| 1 | A161622100 | Ground Plate | | D | 1 | a-V153030803 |
| 2 | A161626200 | Sheet | | D | 1 | |
| 3 | A161623400 | Roll | | D | 4 | |
| 4 | A79J633100 | Reinforce Plate /Right | | D | 1 | |
| 5 | A55V624700 | Protection Sheet | | C | 2 | |
| 6 | A161633202 | Reinforce Plate /Left | | D | 1 | |
| 7 | A5C1628500 | Cushion | | D | 2 | |
| 8 | A795942401 | Label | | C | 1 | |
| 9 | A5C1624300 | Holder | | D | 1 | |
| 10 | A161636502 | Lever | | C | 1 | |
| 11 | A161626602 | Lever | | C | 1 | |
| 12 | A161626800 | Pulling Coil spring | | C | 1 | |
| 13 | A161626000 | Lens | | D | 1 | |
| 14 | A161626100 | Light blocking Sheet | | D | 1 | |
| 15 | A161943200 | Label 2 | | C | 1 | |
| 16 | A5C1635001 | Cover | | C | 1 | |
| 17 | A161625900 | Cover | | C | 1 | |
| 18 | A161626900 | Handle | | C | 1 | |
| 19 | A161635117 | Cover | | C | 1 | |
| 20 | A79JR72244 | 2nd Cassette Assy | | S | 1 | |
| 21 | A79J943600 | Label CD | | C | 1 | |
| 22 | A79J941200 | Label FD | | C | 1 | |
| 23 | A79J943500 | Label FD | | C | 1 | |
| | | | | | | |
| | | | | | | |
| | | | | | | |
| | | | | | | |
| | | | | | | |
| | | | | | | |
| | | | | | | |
| | | | | | | |
| | | | | | | |
| | | | | | | |
| | | | | | | |
| | | | | | | |
| | | | | | | |
| | | | | | | |
| | | | | | | |

Tray 1/2 Section

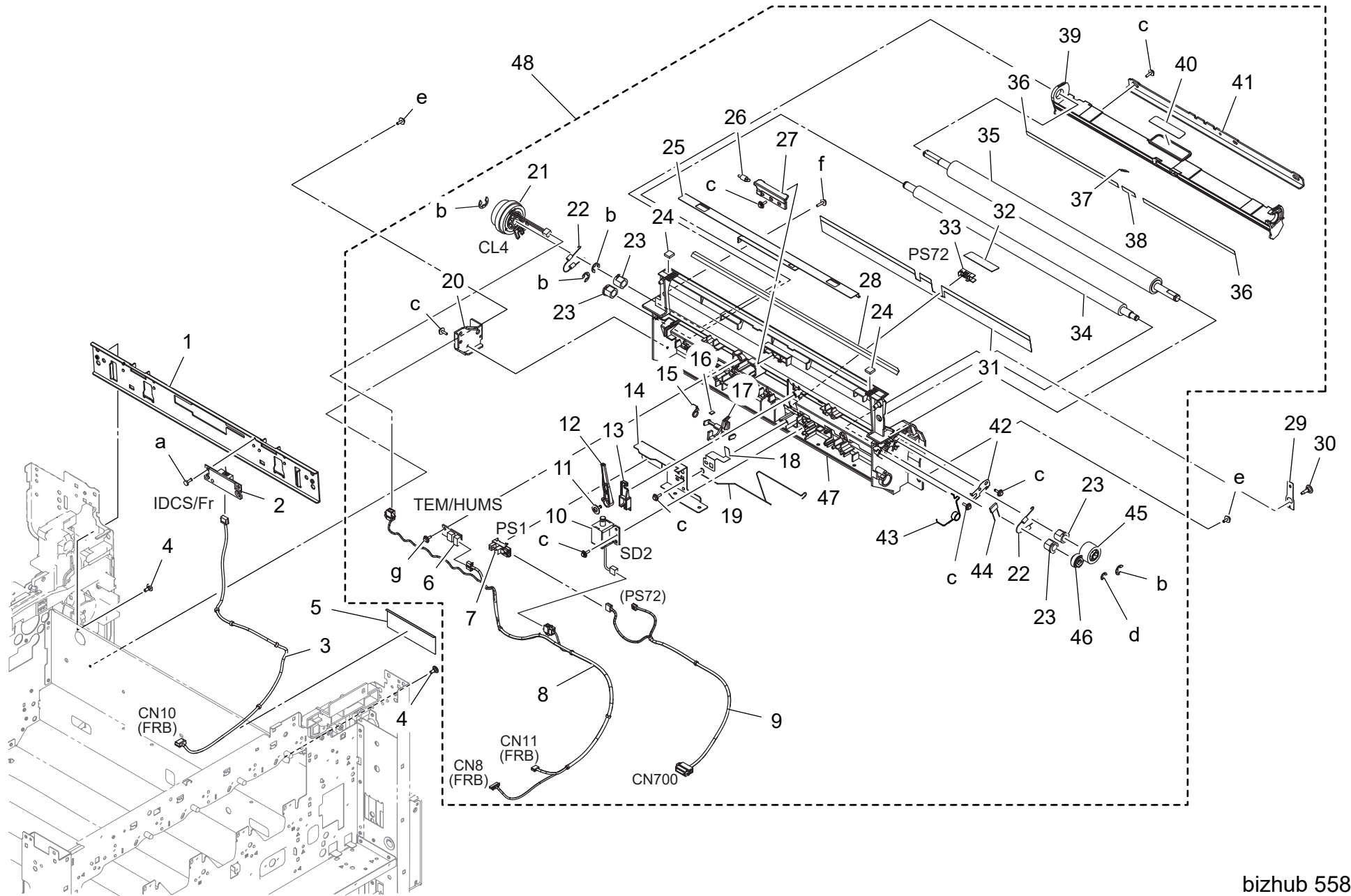
DETAIL A



| Key | Part No. | Description | Destinations | Class | QTY | Standard parts |
|-----|------------|------------------------|--------------|-------|-----|--|
| 1 | A161620904 | Regulating Plate /Rear | | C | 1 | a-V153030803 b-V116030803 c-V144040603 d-V166170504 e-V217040001 f-V127030604 |
| 2 | A161624100 | Cushion | | C | 2 | |
| 3 | A161621100 | Rack | | C | 1 | |
| 4 | A161943700 | Label Max Level | | C | 1 | |
| 5 | A161620600 | Shoulder screw | | D | 1 | |
| 6 | A161620701 | Gear | | D | 1 | |
| 7 | A79J566000 | Cushion | | C | 1 | |
| 8 | A795622700 | Compressing Spring | | C | 3 | |
| 9 | A795622600 | Auxiliary Guide /2 | | C | 2 | |
| 10 | A795621301 | Operation Lever | | C | 1 | |
| 11 | A79J622500 | Auxiliary Guide /1 | | C | 1 | |
| 12 | A7AH621000 | Pulling Coil spring | | C | 1 | |
| 13 | A7AH621200 | Lock Lever | | D | 1 | |
| 14 | A161943000 | Label | | C | 1 | |
| 15 | A795620800 | Regulating Plate | | C | 1 | |
| 16 | 4030322602 | FRICTION SHEET | | C | 1 | |
| 17 | A161620400 | Lifting Plate | | D | 1 | |
| 18 | A0ED620200 | Guide | | C | 1 | |
| 19 | 4030320601 | LEVER | | D | 1 | |
| 20 | A795565700 | Holder | | C | 1 | |
| 21 | A795565800 | Lever | | C | 1 | |
| 22 | A795565900 | Compressing Spring | | C | 1 | |
| 23 | A795621901 | Mounting Plate | | D | 1 | |
| 24 | A161631411 | Lever | | C | 1 | |
| 25 | 4163529301 | SCREW | | C | 1 | |
| 26 | A02E940300 | Label | | C | 1 | |
| 27 | A795565000 | Regulating Plate | | D | 1 | |
| 28 | A795565600 | Plate spring | | C | 1 | |
| 29 | A795565500 | Compressing Spring | | C | 2 | |
| 30 | A795565100 | Lock Lever | | C | 1 | |
| 31 | A795565200 | Lock Lever | | C | 1 | |
| 32 | A795565300 | Cover | | C | 1 | |
| 33 | A795565400 | Operation Lever | | C | 1 | |
| 34 | A0ED620701 | Actuator | | C | 1 | |
| 35 | A161621600 | Lifting Shaft | | D | 1 | |
| 36 | A79J630100 | Paper feed Cassette | | D | 1 | |
| | | | | | | |
| | | | | | | |
| | | | | | | |
| | | | | | | |

Registration Section/ 2nd Transfer Section

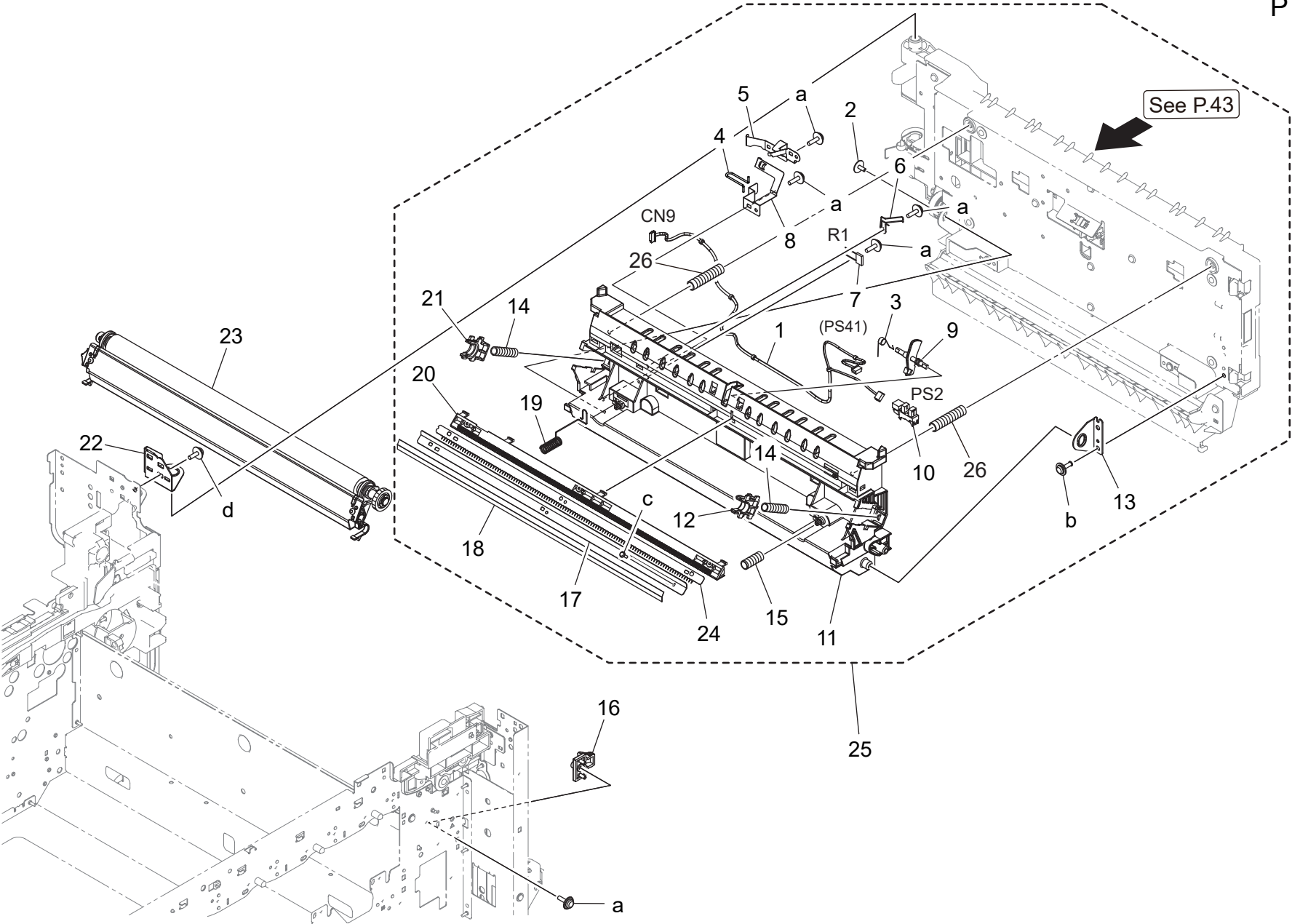
P 41



bizhub 558e

| Key | Part No. | Description | Destinations | Class | QTY | Standard parts |
|-----|------------|-------------------------|--------------|-------|-----|----------------|
| 1 | A161700901 | Reinforce Plate | | D | 1 | a-V118030803 |
| 2 | A161M50000 | Photo sensing | | I | 1 | b-V217060001 |
| 3 | A61FN12H01 | Sensor Wiring | | D | 1 | c-V153030803 |
| 4 | 4011585202 | SHOULDER SCREW | | C | 2 | d-V217040001 |
| 5 | A161701800 | Protection Sheet | | D | 1 | e-V116030803 |
| 6 | A7AHM50400 | Humidity sensor | | I | 1 | f-V153031003 |
| 7 | A5C1M50100 | Photointerrupter | | B | 1 | g-V145030803 |
| 8 | A79JN10901 | Conveyance Wiring | | D | 1 | |
| 9 | A79JN10600 | Sensor Relay harness /1 | | D | 1 | |
| 10 | A034M20100 | Conveyance Solenoid | | C | 1 | |
| 11 | 4163529301 | SCREW | | C | 1 | |
| 12 | A161700401 | Arm /1 | | D | 1 | |
| 13 | A161700700 | Arm /2 | | D | 1 | |
| 14 | A161700301 | Mounting Plate /B | | D | 1 | |
| 15 | A161701100 | Spring /A | | C | 1 | |
| 16 | A161702101 | Cushion /C | | C | 1 | |
| 17 | A161701703 | Actuator /T | | C | 1 | |
| 18 | A79J701200 | Ground Plate | | D | 1 | |
| 19 | A79J701300 | Contact | | C | 1 | |
| 20 | A7PU701000 | Reinforce Plate | | D | 1 | |
| 21 | A02EM20000 | Clutch | | B | 1 | |
| 22 | A161702000 | Conveyance Spring /A | | C | 2 | |
| 23 | A161702200 | Bushing | | C | 4 | |
| 24 | A161701900 | Seal /A | | D | 2 | |
| 25 | A0ED705800 | Cover | | D | 1 | |
| 26 | A0ED702800 | Pulling Spring | | D | 1 | |
| 27 | A161706001 | Holding Shutter | | D | 1 | |
| 28 | A161701301 | Guide Sheet /A | | C | 1 | |
| 29 | A7PU701100 | Plate spring | | D | 1 | |
| 30 | A7PU701200 | Shoulder screw | | C | 1 | |
| 31 | A79J700500 | Guide Sheet | | C | 1 | |
| 32 | A79J700800 | Guide Sheet | | C | 1 | |
| 33 | A0EDM50100 | Photoreflector | | I | 1 | |
| 34 | A0ED700200 | Roller | | D | 1 | |
| 35 | A5C1700101 | Roller | | C | 1 | |
| 36 | A79J700900 | Guide Sheet | | C | 2 | |
| 37 | 4038353901 | GUIDE | | C | 1 | |
| 38 | A79J701000 | Guide Sheet | | C | 1 | |
| 39 | A79J700300 | Guide Plate /Middle | | D | 1 | |
| 40 | A161946300 | Label M2 | | D | 1 | |
| 41 | A79J700400 | Reinforce Plate | | D | 1 | |
| 42 | A5C1700800 | Ground Plate /D | | D | 1 | |
| 43 | A5C1703201 | Torsion Coil spring | | D | 1 | |
| 44 | V800500300 | FIXED POWER RESISTORS | | D | 1 | |
| 45 | A0ED700300 | Gear 20T | | D | 1 | |
| 46 | A0ED700700 | Gear 14T | | D | 1 | |
| 47 | A79J700100 | Guide Plate /Inside | | D | 1 | |
| 48 | A79KR70200 | Conveyance Assy | | S | 1 | |

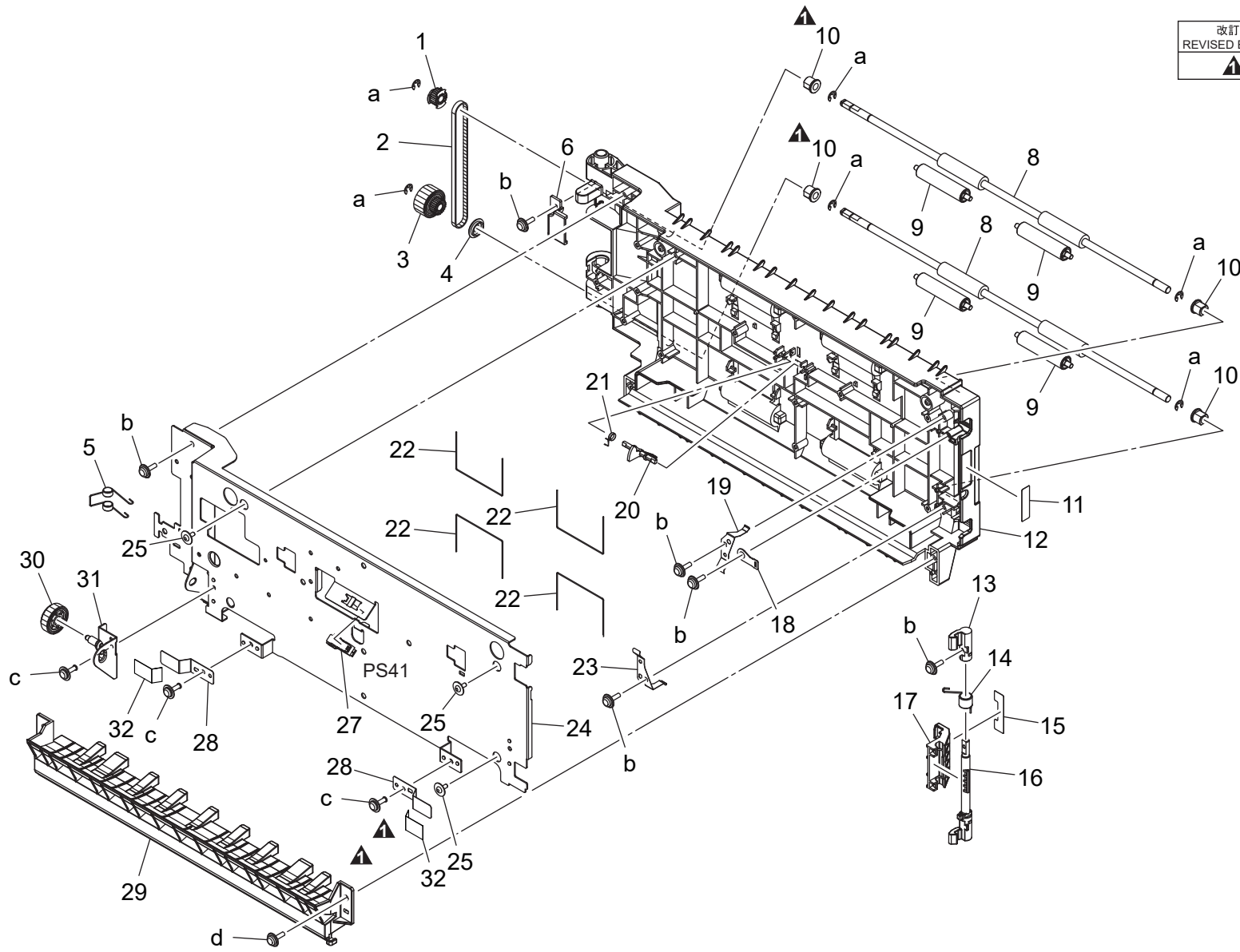
Registration Section/ 2nd Transfer Section



| Key | Part No. | Description | Destinations | Class | QTY | Standard parts |
|-----|------------|--------------------------------|----------------------------------|-------|-----|--|
| 1 | A161N10H01 | Conveyance Wiring | | D | 1 | a-V153030803 b-V137030803 c-V162020504 d-V116030803 |
| 2 | 4163529301 | SCREW | | C | 1 | |
| 3 | A161712700 | Spring /C | | D | 1 | |
| 4 | A161712401 | Ground Spring /A | | D | 1 | |
| 5 | A5C1715100 | Ground Plate /C | | D | 1 | |
| 6 | A5C1711000 | Ground Spring /B | | D | 1 | |
| 7 | V800500300 | FIXED POWER RESISTORS | | D | 1 | |
| 8 | A5C1710900 | Ground Plate /A | | D | 1 | |
| 9 | A2XK710100 | Actuator /A | | D | 1 | |
| 10 | A5C1M50100 | Photointerrupter | | B | 1 | |
| 11 | A161710103 | Holder /A | | D | 1 | |
| 12 | A161550700 | Transfer Holder /2 | | C | 1 | |
| 13 | A5C1711801 | Support Plate /Front | | D | 1 | |
| 14 | A0ED551000 | Compressing Coil spring /2 | | C | 2 | |
| 15 | A0ED551100 | Compressing Coil spring | | D | 1 | |
| 16 | A161712300 | Fixing Part /Lower | | D | 1 | |
| 17 | A0ED550900 | Mounting Plate | | D | 1 | |
| 18 | A5C1551701 | Guide Seal | | D | 1 | |
| 19 | A161712500 | Ground Spring /C | | D | 1 | |
| 20 | A161551600 | Mounting Plate | | D | 1 | |
| 21 | A161551500 | Transfer Holder /2 | | C | 1 | |
| 22 | A161104101 | Adjusting Plate | | D | 1 | |
| 23 | A161R71433 | 2nd Image Transfer Rollor Assy | B,C,D1,D3,E,F2,G1,G 2,H,I,J,K | A | 1 | |
| 23 | A161R71433 | 2nd Image Transfer Rollor Assy | A,A1 | A | 1 | |
| 24 | A0ED550800 | Neutralizing Part | | D | 1 | |
| 25 | A9HGR71200 | Vertical Transport Assy | | S | 1 | |
| 26 | A161711200 | Pressing Spring | | D | 2 | |
| | | | | | | |
| | | | | | | |
| | | | | | | |
| | | | | | | |
| | | | | | | |
| | | | | | | |
| | | | | | | |
| | | | | | | |
| | | | | | | |

Registration Section/ 2nd Transfer Section

| | |
|------------------------|--------------|
| 改訂版 REVISED EDITION | 日付 DATE |
| ▲ | JUNE 2018 |

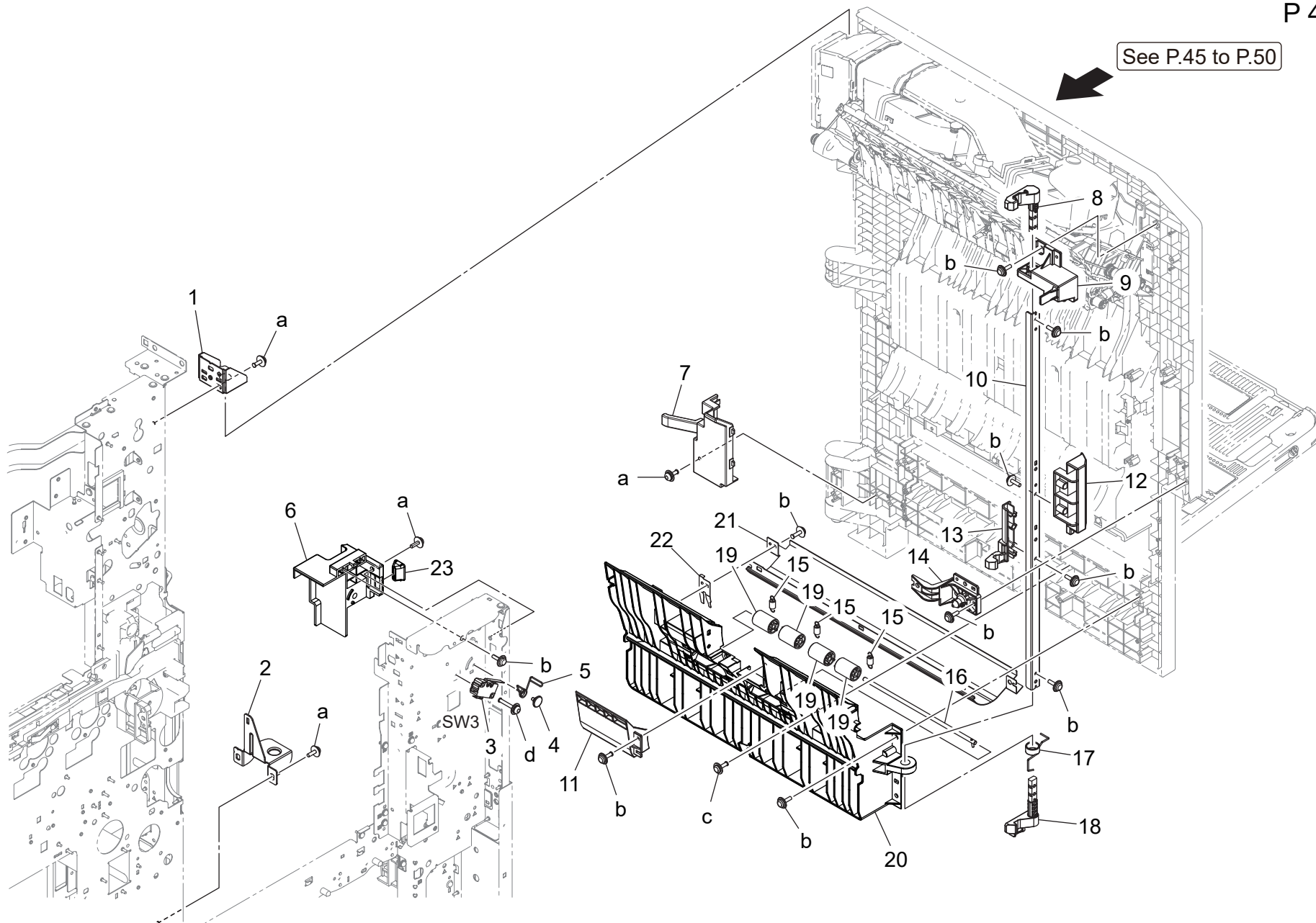


| Key | Part No. | Description | Destinations | Class | QTY | Standard parts | |
|-----|------------|----------------------|-----------------------|-------|-----|--|--|
| 1 | A0ED811700 | Pulley 22T | プーリ (ADU 第3) 22 T | C | 1 | a-V217040001 b-V153030803 c-V137030803 d-V153031003 | |
| 2 | A161719000 | Drive Belt 266L | 駆動ベルト 266 L | C | 1 | | |
| 3 | A64J709100 | Gear 22/23T | ギア 22/23 T | C | 1 | | |
| 4 | A0ED811900 | Collar | カラー (ADU 第2 R) | D | 1 | | |
| 5 | A161712900 | Ground Spring /D | アースばね / D | D | 1 | | |
| 6 | A161712600 | Cover /C | カバー / C | D | 1 | | |
| 8 | A161710500 | Roller /A | ローラ / A | D | 2 | | |
| 9 | A161825700 | Idler Roller /A | 従動ローラ / A | D | 4 | | |
| 10 | A02E815200 | BUSHING | 軸受 | C | 4 | | |
| 11 | A161946400 | Label M6 | ラベル M 6 | D | 1 | | |
| 12 | A7PU710201 | Guide Plate /A | ガイド板 / A | D | 1 | | |
| 13 | A161711300 | Lock Shaft /A | ロック軸 / A | C | 1 | | |
| 14 | A161711700 | Spring /B | ばね / B | C | 1 | | |
| 15 | A161946200 | Label M1 | ラベル M 1 | D | 1 | | |
| 16 | A5C1711500 | Lock Shaft | ロック軸 | C | 1 | | |
| 17 | A161711600 | Open/close Lever | 開閉レバー | C | 1 | | |
| 18 | A161714500 | Fixing Part | 固定部材 | D | 1 | | |
| 19 | A161712000 | Ground Plate /D | アース板 / D | D | 1 | | |
| 20 | A161713500 | Actuator | アクチュエータ (ADU 下 JAM 検) | C | 1 | | |
| 21 | A161712800 | Spring /D | ばね / D | D | 1 | | |
| 22 | A161714600 | Conveyance Spring /B | 搬送ばね / B | D | 4 | | |
| 23 | A161712100 | Ground Plate /E | アース板 / E | D | 1 | | |
| 24 | A161710405 | Mounting Plate | 取付板 | D | 1 | | |
| 25 | 4163529301 | SCREW | ねじ | C | 3 | | |
| 27 | A5C1M50100 | Photointerrupter | 透過型センサ | B | 1 | | |
| 28 | A0ED702400 | Plate spring | 板ばね (タイミング前ガイド) | D | 2 | | |
| 29 | A7PU710301 | Guide Plate /B | ガイド板 / B | D | 1 | | |
| 30 | A64J719100 | Gear 23T | ギア 23 T | C | 1 | | |
| 31 | A161711901 | Support Plate /Rear | 支点板 / 奥 | D | 1 | | |
| 32 | A9HG702300 | Protection Sheet | 保護シート | D | 2 | | |
| | | | | | | | |
| | | | | | | | |
| | | | | | | | |
| | | | | | | | |
| | | | | | | | |
| | | | | | | | |
| | | | | | | | |
| | | | | | | | |

Vertical conveyance Section

P 44

See P.45 to P.50

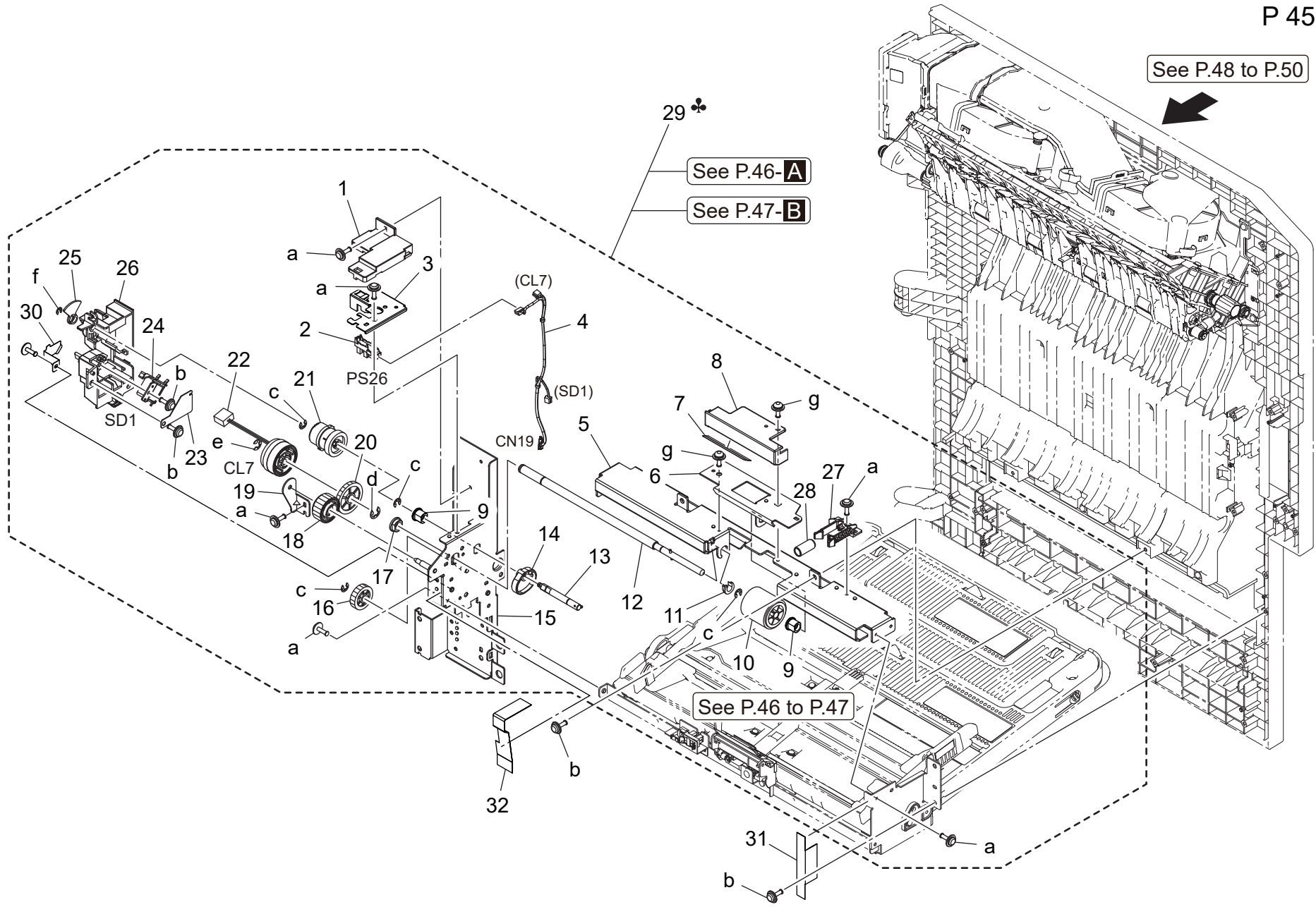


| Key | Part No. | Description | Destinations | Class | QTY | Standard parts |
|-----|------------|---------------------|--------------|-------|-----|--|
| 1 | A161121300 | Adjusting Plate | | D | 1 | a-V116030803 b-V153030803 c-V137030804 d-V116031603 |
| 2 | A161102500 | Adjusting Plate | | D | 1 | |
| 3 | 9J06M60100 | MICRO SWITCH | | C | 1 | |
| 4 | A161137100 | Shoulder screw | | D | 1 | |
| 5 | A161151200 | Torsion Coil spring | | D | 1 | |
| 6 | A5C1121202 | Holder | | D | 1 | |
| 7 | A161592900 | Wiring Cover /B | | D | 1 | |
| 8 | A0ED712100 | Lock Claw | | C | 1 | |
| 9 | A161811500 | Support Part /Upper | | D | 1 | |
| 10 | A161811001 | Lock Plate | | D | 1 | |
| 11 | A5C1590500 | Paper feed Guide | | D | 1 | |
| 12 | A5C1811101 | Open/close Handle | | C | 1 | |
| 13 | A5C1815200 | Lock /Middle | | C | 1 | |
| 14 | A161811302 | Lock Part /Lower | | D | 1 | |
| 15 | A64J815500 | Pulling Spring | | C | 3 | |
| 16 | A161815300 | Shaft | | D | 1 | |
| 17 | A161815900 | Torsion Coil spring | | C | 1 | |
| 18 | A5C1811600 | Lock Claw /Lower | | C | 1 | |
| 19 | A161815400 | Roll | | C | 4 | |
| 20 | A161810305 | Guide Plate /2 | | D | 1 | |
| 21 | A161815000 | Guide Door | | D | 1 | |
| 22 | A161816200 | Ground Guide | | D | 1 | |
| 23 | A79J122200 | Collar | | D | 1 | |
| | | | | | | |
| | | | | | | |
| | | | | | | |
| | | | | | | |
| | | | | | | |
| | | | | | | |
| | | | | | | |
| | | | | | | |
| | | | | | | |
| | | | | | | |
| | | | | | | |
| | | | | | | |

Manual bypass Tray Section

P 45

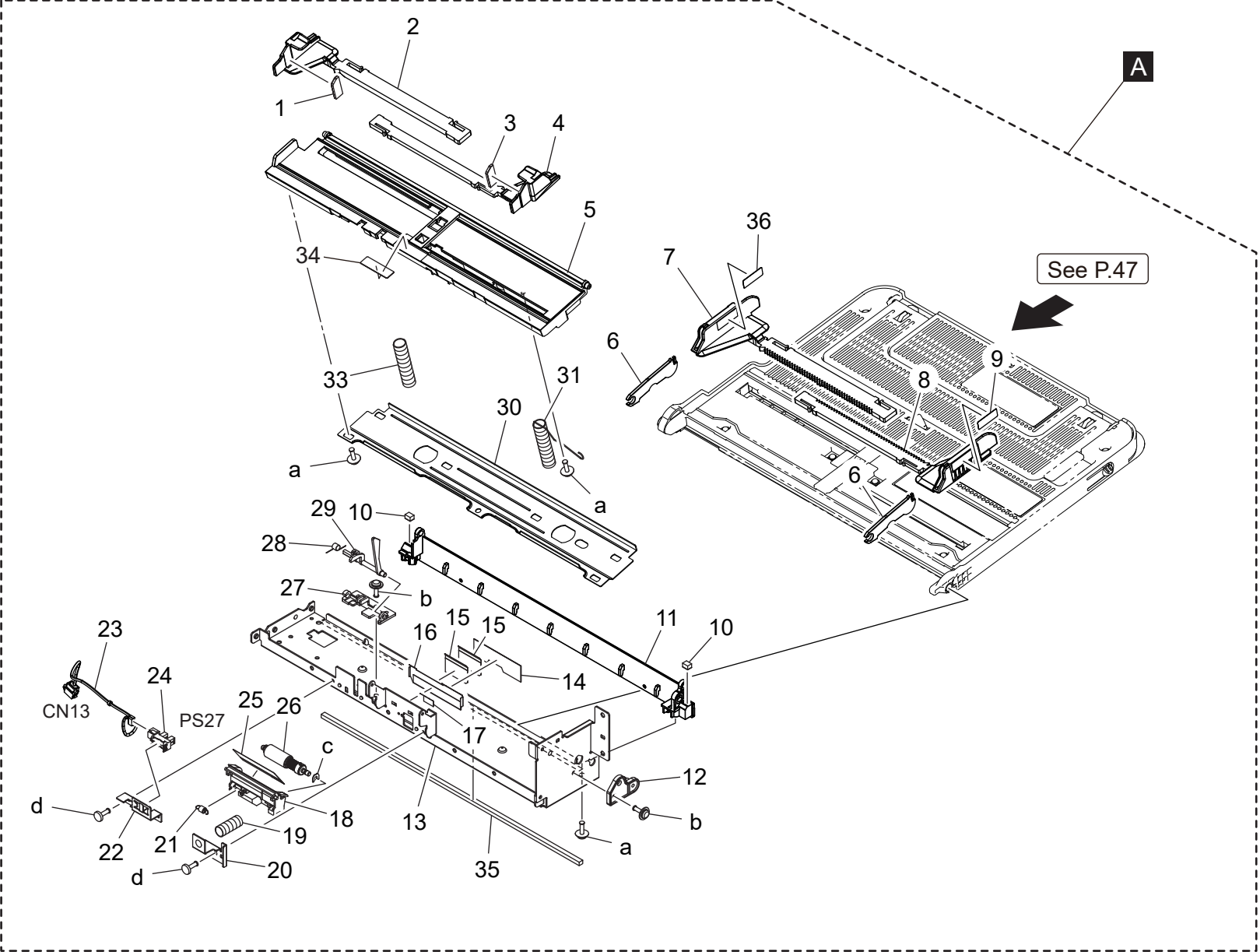
See P.48 to P.50



bizhub 558e

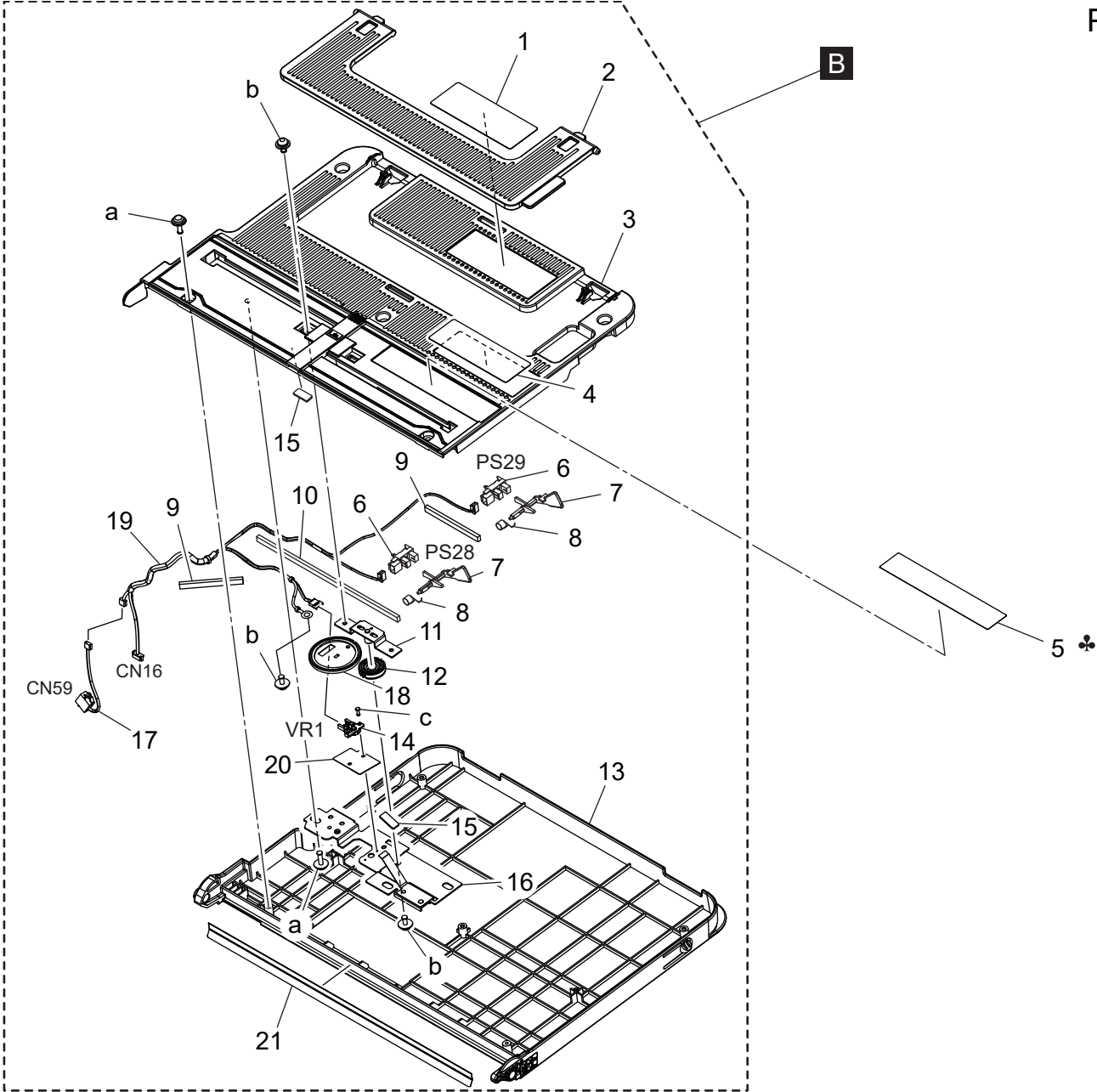
| Key | Part No. | Description | Destinations | Class | QTY | Standard parts |
|-----|------------|---------------------------------------|--------------|-------|-----|--|
| 1 | A161592800 | Wiring Cover /A | | D | 1 | a-V137030803 b-V153030803 c-V217040001 d-V217060001 e-V217050001 f-V217030001 g-V116030803 |
| 2 | A5C1M50100 | Photointerrupter | | B | 1 | |
| 3 | A5C1591900 | Mounting Plate | | D | 1 | |
| 4 | A161N12200 | Paperfeed Drive harness /1 | | D | 1 | |
| 5 | A161590201 | Paper feed Frame | | D | 1 | |
| 6 | A161594100 | Reinforce Plate | | D | 1 | |
| 7 | A161594700 | Guide Sheet | | C | 1 | |
| 8 | A161591700 | Auxiliary Guide | | D | 1 | |
| 9 | A02E815200 | BUSHING | | C | 2 | |
| 10 | A00F623201 | Roller | | B | 1 | |
| 11 | A161594400 | Slide Stopper | | C | 1 | |
| 12 | A161591500 | Paper feed Shaft | | D | 1 | |
| 13 | A161591400 | Drive Shaft | | D | 1 | |
| 14 | A161593300 | Paper feed Cam | | C | 1 | |
| 15 | A161F59002 | Caulking(Mounting Plate Drive Frame) | | D | 1 | |
| 16 | A02E595400 | Gear 22T | | C | 1 | |
| 17 | 4131353202 | BUSHING | | C | 1 | |
| 18 | A161590800 | Bypass Gear 24T | | C | 1 | |
| 19 | A161590600 | Reinforce Plate | | D | 1 | |
| 20 | A02E596100 | Gear 30T | | C | 1 | |
| 21 | A02E595100 | Clutch assy | | C | 1 | |
| 22 | A02EM20100 | Clutch | | B | 1 | |
| 23 | A0ED597800 | Cover | | D | 1 | |
| 24 | 9321240011 | SOLENOID | | C | 1 | |
| 25 | A161591300 | Light blocking Plate | | C | 1 | |
| 26 | A5C1591200 | Drive Cover | | D | 1 | |
| 27 | A161594800 | Hold Claw | | C | 1 | |
| 28 | A161594900 | Coil spring | | C | 1 | |
| 29 | A79JR71933 | Bypass Tray Assy | | S | 1 | |
| 30 | A7PU596900 | Auxiliary Cover | | D | 1 | |
| 31 | A79J701600 | Sound shield Plate | | C | 1 | |
| 32 | A79J701700 | Sound shield Plate | | C | 1 | |
| | | | | | | |
| | | | | | | |
| | | | | | | |
| | | | | | | |
| | | | | | | |

Manual bypass Tray Section



| Key | Part No. | Description | Destinations | Class | QTY | Standard parts |
|-----|---------------|-------------------------|---------------|-------|-----|--|
| 1 | A161594500 | Brake Part | | C | 1 | a-V153030803 b-V137030803 c-V218030086 d-V118030803 |
| 2 | A7PU596200 | Regulating Plate /R | 規制板 / R | C | 1 | |
| 3 | A161594600 | Brake Part /F | ブレーキ材 / F | C | 1 | |
| 4 | A7PU596100 | Regulating Plate /L | 規制板 / L | C | 1 | |
| 5 | A7PU593000Old | Lifting Plate | 押上げ板 | D | 1 | |
| 5 | A7PU592901 | Lifting Plate | 押上げ板 | D | 1 | |
| 6 | A7PU595500 | Lever | レバー | C | 2 | |
| 7 | A7PU593201 | Regulating Plate /R | 規制板 / R | C | 1 | |
| 8 | A7PU593100 | Regulating Plate /F | 規制板 / F | C | 1 | |
| 9 | A7PU944900 | Label | ラベル | C | 1 | |
| 10 | A161594201 | Cushion | クッション | D | 2 | |
| 11 | A161590304 | Support Holder | 支点ホルダ | D | 1 | |
| 12 | A161591600 | Hold Plate | 保持板 | C | 1 | |
| 13 | A161590101 | Bypass Frame | 手差しフレーム | D | 1 | |
| 14 | A161595100 | Seal | シール | C | 1 | |
| 15 | 4030340301 | GUIDE | ガイド | C | 2 | |
| 16 | A161595300 | Separating Plate | 分離板 | C | 1 | |
| 17 | A161595600 | Slide Guide | すべりガイド | C | 1 | |
| 18 | A161595000 | Holder | ホルダ | D | 1 | |
| 19 | 4030347501 | PRESSURE SPRING | 圧縮コイルばね | C | 1 | |
| 20 | A161595400 | Hold Plate | 保持板 | D | 1 | |
| 21 | A161595200 | Pulling Coil spring | 引張りコイルばね | C | 1 | |
| 22 | A161591800 | Sensor Holder | センサホルダ | D | 1 | |
| 23 | A7PUN10A00 | Harness/ Sensor | センサ束線 | D | 1 | |
| 24 | A5C1M50100 | Photointerrupter | 透過型センサ | B | 1 | |
| 25 | A02E597600 | Guide | ガイド (捌き後) | C | 1 | |
| 26 | 4658015106 | Roller Assy | ローラ A S S Y | A | 1 | |
| 27 | A161591100 | Sensor Holder | センサホルダ | D | 1 | |
| 28 | A161591000 | Torsion Spring | ねじりばね (P E) | C | 1 | |
| 29 | A161590901 | Actuator | アクチュエータ (P E) | C | 1 | |
| 30 | A7PU596700Old | Mounting Plate | 取付板 | D | 1 | |
| 30 | A7PU596800 | Mounting Plate | 取付板 | D | 1 | |
| 31 | A161593600Old | Compressing Coil spring | 圧縮コイルばね | C | 1 | |
| 31 | A7PU593600 | Compressing Coil spring | 圧縮コイルばね | C | 1 | |
| 33 | A161593400Old | Compressing Coil spring | 圧縮コイルばね | C | 1 | |
| 33 | A7PU593400 | Compressing Coil spring | 圧縮コイルばね | C | 1 | |
| 34 | A7PU594000 | Separating Sheet | 分離シート | C | 1 | |
| 35 | A79J596000 | Sound shield Cushion | 防音クッション | C | 1 | |
| 36 | A7PU944500 | Label | ラベル (積載量) | C | 1 | |
| | | | | | | |
| | | | | | | |
| | | | | | | |

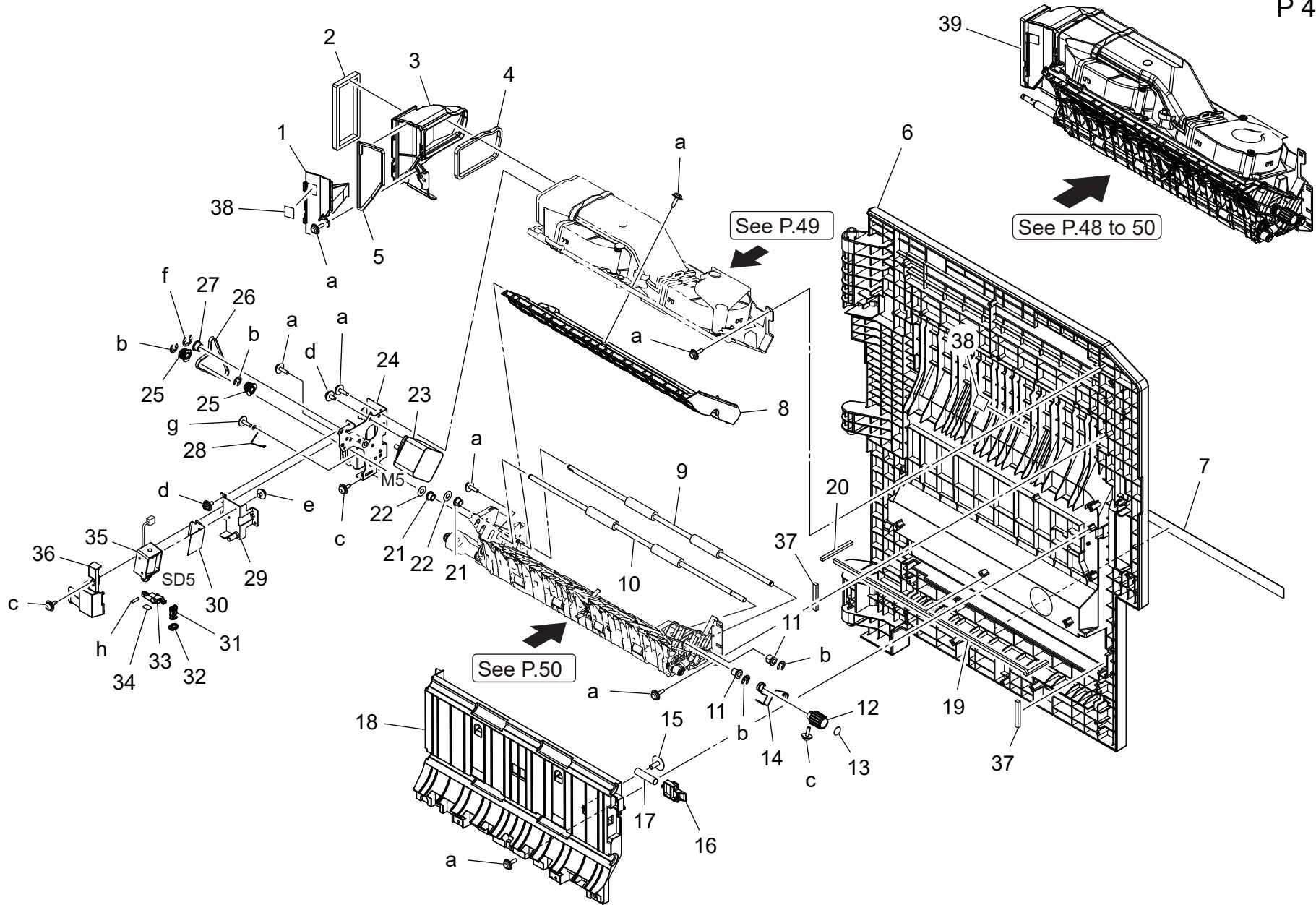
Manual bypass Tray Section



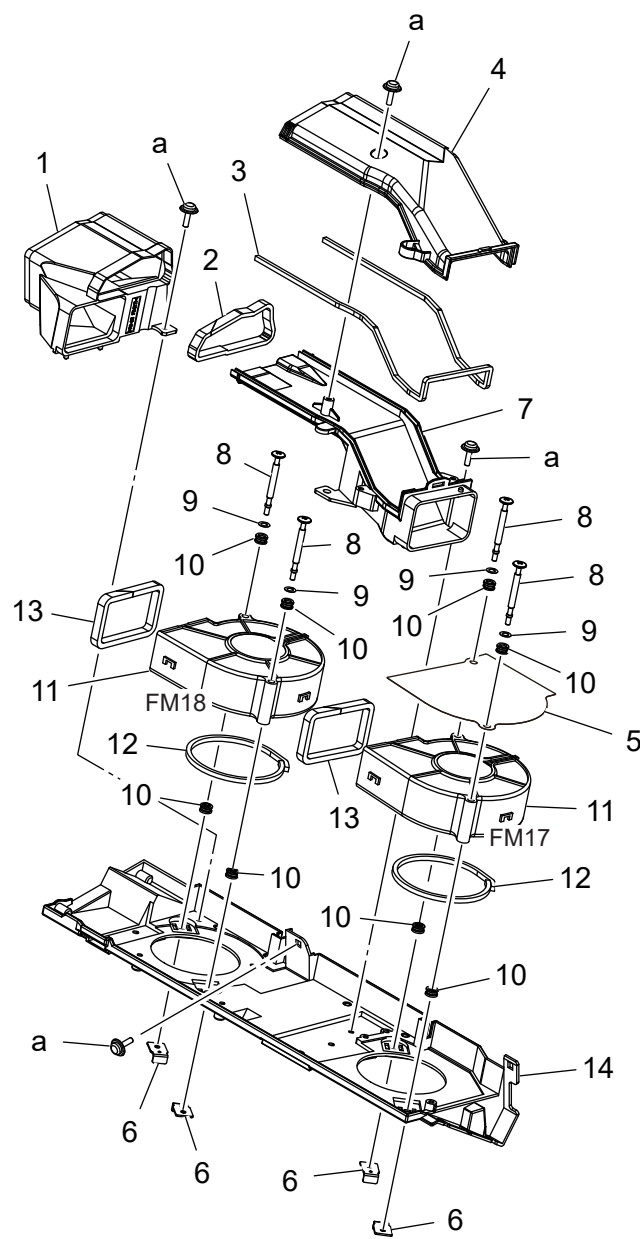
| Key | Part No. | Description | Destinations | Class | QTY | Standard parts |
|-----|------------|---------------------|----------------------------------|-------|-----|--|
| 1 | A7PU944401 | Label Paper supply | | C | 1 | a-V153030803 b-V116030603 c-V111170403 |
| 2 | A161592200 | Auxiliary Tray | | C | 1 | |
| 3 | A7PU592201 | Bypass Tray /Upper | | C | 1 | |
| 4 | A7PU944301 | Label Paper supply | | C | 1 | |
| 5 | A7PU944700 | Label Metric | A,A1,C,D1,D3,E,F2,G 1,I,K,H,J | C | 1 | |
| 5 | A7PU944800 | Label Inch | B,G2 | C | 1 | |
| 6 | A5C1M50100 | Photointerrupter | | B | 2 | |
| 7 | A161592400 | Actuator | | C | 2 | |
| 8 | A161592501 | Torsion Spring | | C | 2 | |
| 9 | A161592600 | Holding Cover /2 | | D | 2 | |
| 10 | A161592300 | Holding Cover | | D | 1 | |
| 11 | A7PUF60001 | Mounting Plate | | D | 1 | |
| 12 | A7PU593500 | Gear | | C | 1 | |
| 13 | A7PU592000 | Bypass Tray | | C | 1 | |
| 14 | A161M50400 | VR | | D | 1 | |
| 15 | A161593800 | Friction Plate | | C | 2 | |
| 16 | A7PU593700 | Mounting Plate | | D | 1 | |
| 17 | A7PUN10900 | Harness/ Relay | | D | 1 | |
| 18 | A161594300 | Regulating Gear 41T | | C | 1 | |
| 19 | A7PUN10B01 | Harness/ Sensor | | D | 1 | |
| 20 | A7PU599300 | Insulating Sheet | | D | 1 | |
| 21 | A79J596200 | Sound shield Plate | | C | 1 | |
| | | | | | | |
| | | | | | | |
| | | | | | | |
| | | | | | | |
| | | | | | | |
| | | | | | | |
| | | | | | | |
| | | | | | | |
| | | | | | | |

Duplex Section

P 48



| Key | Part No. | Description | Destinations | Class | QTY | Standard parts |
|-----|------------|----------------------|-------------------|-------|-----|----------------|
| 1 | A79J830600 | Duct | ダクト | D | 1 | a-V153030803 |
| 2 | A79J831501 | Seal | シール (ユニット側) | C | 1 | b-V217040001 |
| 3 | A79J830500 | Duct | ダクト | D | 1 | c-V116030803 |
| 4 | A79J831100 | Cushion | クッション | C | 1 | d-V116030603 |
| 5 | A79J831600 | Cushion | クッション | C | 1 | e-V116030403 |
| 6 | A79J810100 | Guide Door /Right | ガイド扉/右 | C | 1 | f-V217050001 |
| 7 | A161815100 | Cover Door | カバー扉 | C | 1 | g-V137030803 |
| 8 | A79J812202 | Guide Plate | ガイド板 | D | 1 | h-V232301209 |
| 9 | A161814601 | Roller /C | ローラ / C | C | 1 | |
| 10 | A79J813700 | Roller | ローラ | C | 1 | |
| 11 | A02E815200 | BUSHING | 軸受 | C | 2 | |
| 12 | A161814700 | Knob /A | ノブ / A | C | 1 | |
| 13 | A161946100 | Label M5 | ラベル M 5 | C | 1 | |
| 14 | A5C1814200 | Contact /A | 接点 / A | D | 1 | |
| 15 | 4163529301 | SCREW | ねじ | C | 1 | |
| 16 | A5C1815700 | Open/close Claw | 開閉爪 | C | 1 | |
| 17 | A161815800 | Swing Spring | 揺動ばね | C | 1 | |
| 18 | A7PU810201 | Guide Plate /1 | ガイド板 | D | 1 | |
| 19 | A79J816700 | Sound shield Seal /3 | 防音シール / 3 | C | 1 | |
| 20 | A79J816600 | Sound shield Seal /2 | 防音シール / 2 | C | 1 | |
| 21 | A161813300 | Bushing /A | ずべり軸受 / A | C | 2 | |
| 22 | A161816400 | Spacer /A | スペーサ / A | C | 2 | |
| 23 | A2X0M10600 | Stepping motor | ステッピングモーター | C | 1 | |
| 24 | A79J811200 | Frame /ASSY | フレーム / ASSY | D | 1 | |
| 25 | A0ED811700 | Pulley 22T | プーリ (ADU 第3) 22 T | C | 2 | |
| 26 | A79J819000 | Timing belt 200L | タイミングベルト 200 L | C | 1 | |
| 27 | A79J819800 | Roll | ころ | C | 1 | |
| 28 | A5C1814300 | Contact /B | 接点 / B | D | 1 | |
| 29 | A79J812401 | Mounting Plate /ASSY | 取付板 / ASSY | D | 1 | |
| 30 | A79J812300 | Cover | カバー | D | 1 | |
| 31 | A79J812600 | Lever | レバー | C | 1 | |
| 32 | A79J812800 | Bushing | ブッシュ | D | 1 | |
| 33 | A79J812500 | Lever | レバー | C | 1 | |
| 34 | A79J812900 | Seal | シール | C | 1 | |
| 35 | 9321220032 | SOLENOID | 直流プランジャソレノイド | C | 1 | |
| 36 | A79J814901 | Cover | カバー | D | 1 | |
| 37 | A79J816800 | Sound shield Seal /4 | 防音シール / 4 | C | 2 | |
| 38 | A00F941100 | Label | ラベル (高温マーク) | D | 2 | |
| 39 | A79JR73600 | Reverse Assy | 反転 A s s y | C | 1 | |
| | | | | | | |
| | | | | | | |
| | | | | | | |

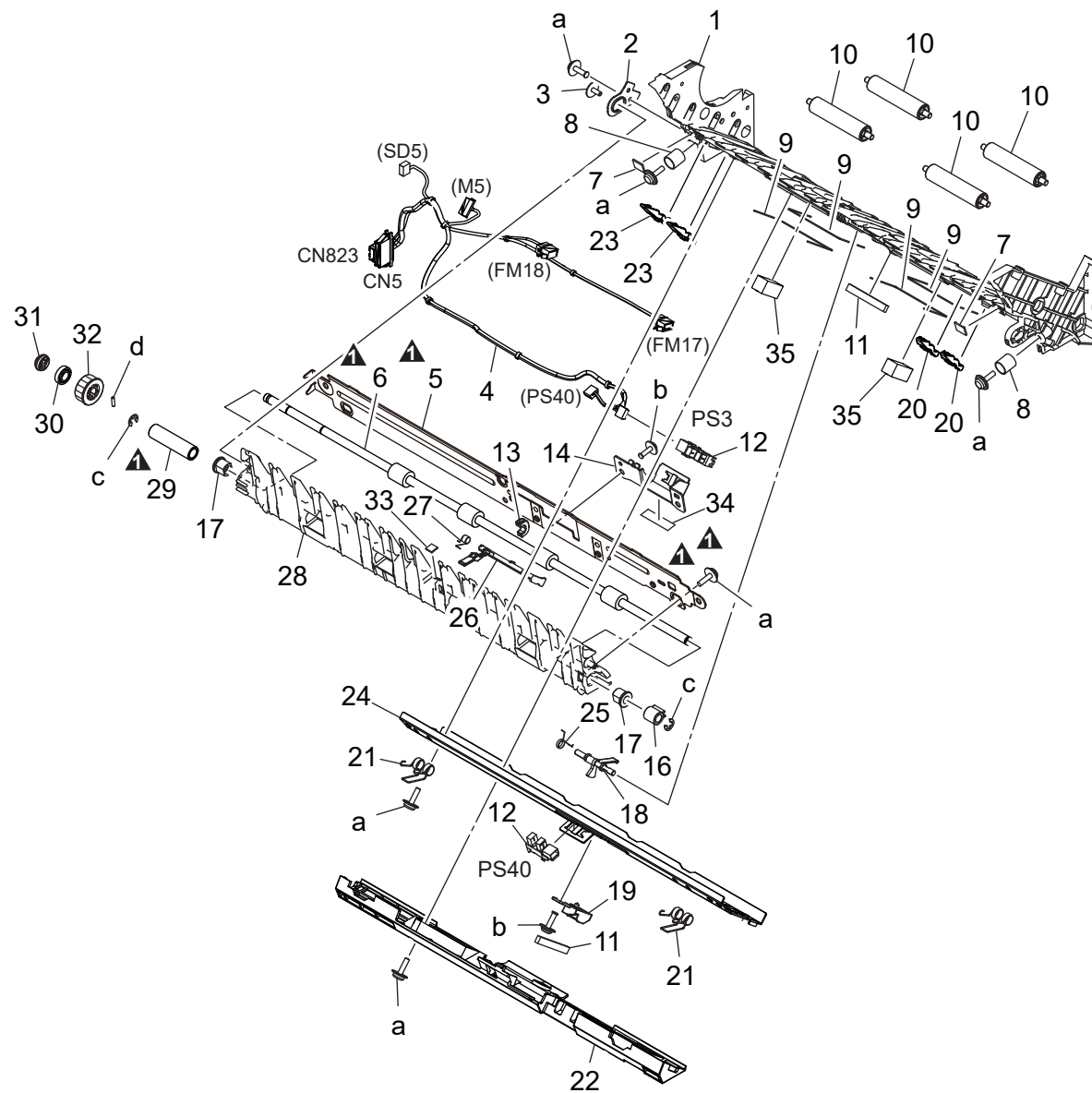


| Key | Part No. | Description | Destinations | Class | QTY | Standard parts |
|-----|------------|----------------|--------------|-------|-----|----------------|
| 1 | A79J830100 | Duct | | D | 1 | a-V153030803 |
| 2 | A79J831300 | Cushion | | C | 1 | |
| 3 | A79J831200 | Cushion | | C | 1 | |
| 4 | A79J830300 | Duct | | D | 1 | |
| 5 | A9HG830701 | Cover | | D | 1 | |
| 6 | A79J832200 | Mounting Plate | | D | 4 | |
| 7 | A79J830200 | Duct | | D | 1 | |
| 8 | A79J832000 | Shoulder screw | | C | 4 | |
| 9 | A79J832400 | Washer | | C | 4 | |
| 10 | A79J832100 | Support Rubber | | D | 8 | |
| 11 | 9313100072 | FAN MOTOR | | C | 2 | |
| 12 | A79J832300 | Seal | | C | 2 | |
| 13 | A79J831000 | Cushion | | C | 2 | |
| 14 | A79J830001 | Holder | | D | 1 | |
| | | | | | | |
| | | | | | | |
| | | | | | | |
| | | | | | | |
| | | | | | | |
| | | | | | | |
| | | | | | | |
| | | | | | | |
| | | | | | | |

Duplex Section

P 50

| | |
|------------------------|---------------|
| 改訂版 REVISED EDITION | 日付 DATE |
| ▲ | MARCH 2018 |

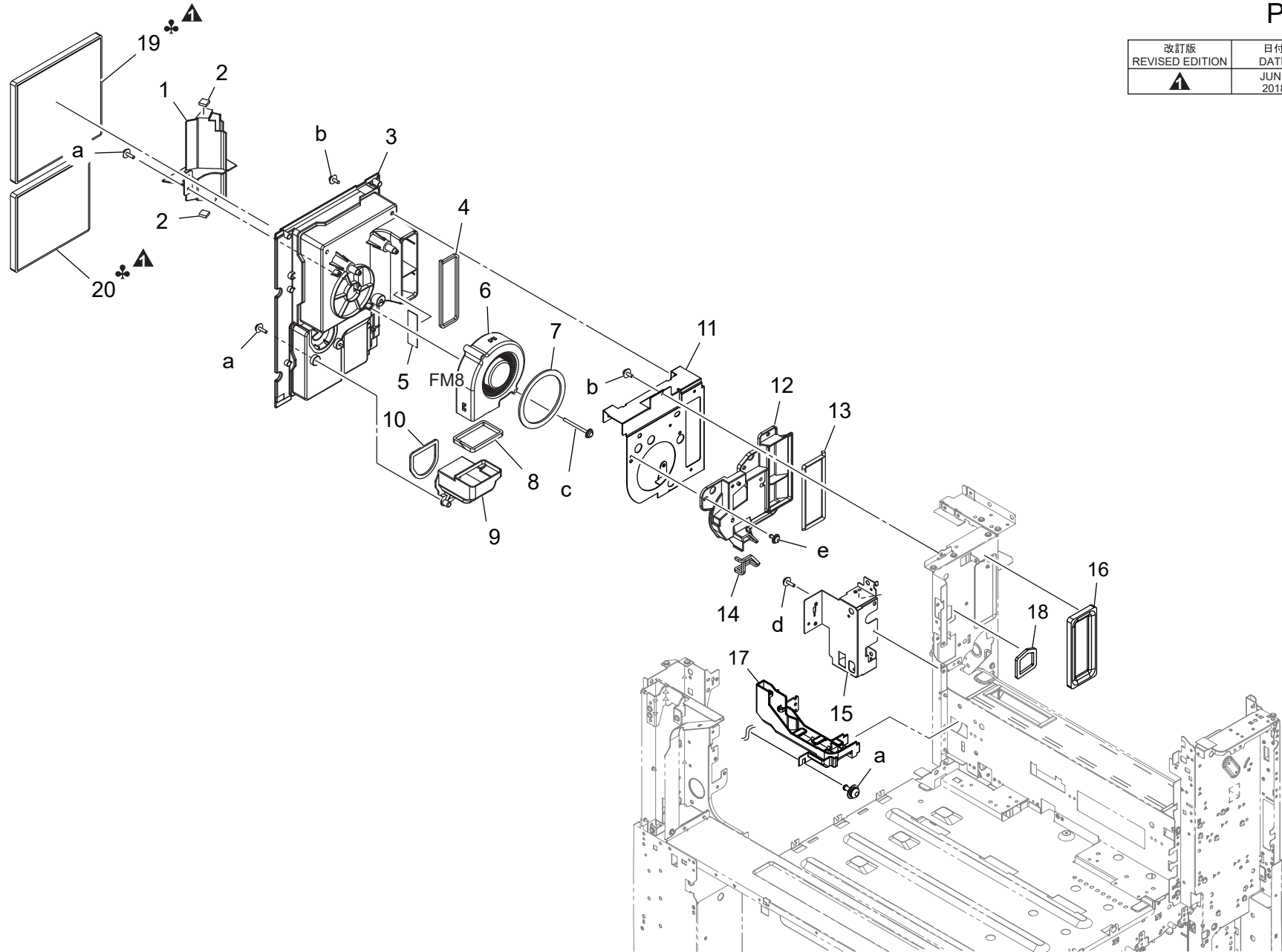


| Key | Part No. | Description | Destinations | Class | QTY | Standard parts |
|-----|---------------|--------------------------|-----------------------|-------|-----|--|
| 1 | A79J811700 | Guide Plate | ガイド板 | D | 1 | a-V153030803 b-V137030803 c-V217040001 d-V234200850 |
| 2 | A161814401 | Mounting Plate /3 | 取付板 / 3 | D | 1 | |
| 3 | 4163529301 | SCREW | ねじ | C | 1 | |
| 4 | A79JN10701 | Conveyance Relay harness | 搬送中継束線 | D | 1 | |
| 5 | A161810801Old | Mounting Plate /2 | 取付板 / 2 | D | 1 | |
| 5 | A7PU810800 | Mounting Plate /2 | 取付板 / 2 | D | 1 | |
| 6 | A5C1810603 | Roller /1 | ローラ / 1 | C | 1 | |
| 7 | A161825301 | Cushion /A | クッション / A | D | 2 | |
| 8 | A161813600 | Pressing Spring /A | 押圧ばね / A | C | 2 | |
| 9 | A0ED815100 | Holding Part | 押さえ材 (ADU 第1 R) | D | 4 | |
| 10 | A161825700 | Idler Roller /A | 従動ローラ / A | D | 4 | |
| 11 | A161825800 | Cushion /B | クッション / B | D | 2 | |
| 12 | A5C1M50100 | Photointerrupter | 透過型センサ | B | 2 | |
| 13 | A161819500 | Bushing /C | すべり軸受 / C | C | 1 | |
| 14 | A161825102 | Mounting Plate /4 | 取付板 / 4 | D | 1 | |
| 16 | A161814500 | Bushing /B | すべり軸受 / B | C | 1 | |
| 17 | A02E815200 | BUSHING | 軸受 | C | 2 | |
| 18 | A161813200 | Actuator | アクチュエータ (ADU 上 JAM 検) | C | 1 | |
| 19 | A161825400 | Wiring Part | 配線部材 | D | 1 | |
| 20 | A5C1811803 | Guide Plate /Front | ガイド板 / 前 | D | 2 | |
| 21 | A161813400 | Torsion Coil spring | ねじりコイルばね (ガイド押さえ) | D | 2 | |
| 22 | A79J813903 | Cover | カバー | D | 1 | |
| 23 | A5C1811901 | Guide Plate /Rear | ガイド板 / 奥 | D | 2 | |
| 24 | A79J810902 | Mounting Plate | 取付板 | D | 1 | |
| 25 | A161712800 | Spring /D | ばね / D | D | 1 | |
| 26 | A161813001 | Actuator | アクチュエータ (排紙 JAM 検) | C | 1 | |
| 27 | A161813100 | Torsion Coil spring | ねじりコイルばね (排紙 JAM 検) | C | 1 | |
| 28 | A161810503 | Guide Plate /4 | ガイド板 / 4 (排紙前) | D | 1 | |
| 29 | A5C1825500Old | Cover /D | カバー / D | D | 1 | |
| 29 | A7PU825500 | Collar | カラー | D | 1 | |
| 30 | A5C1825000 | Bushing | すべり軸受 | C | 1 | |
| 31 | A161825000 | Bushing | すべり軸受 (排紙ドッキング丸2) | C | 1 | |
| 32 | A161819200 | Gear 18T | ギア 18 T | C | 1 | |
| 33 | A161826001 | Cushion /B | クッション / B | D | 1 | |
| 34 | A79J821000 | Protection Part | 保護部材 | C | 1 | |
| 35 | A79JM90900 | Gasket | ガスケット | D | 2 | |
| | | | | | | |
| | | | | | | |
| | | | | | | |

The Paper Cooling Fan Section

P 51

| | |
|------------------------|--------------|
| 改訂版 REVISED EDITION | 日付 DATE |
| ▲ | JUNE 2018 |

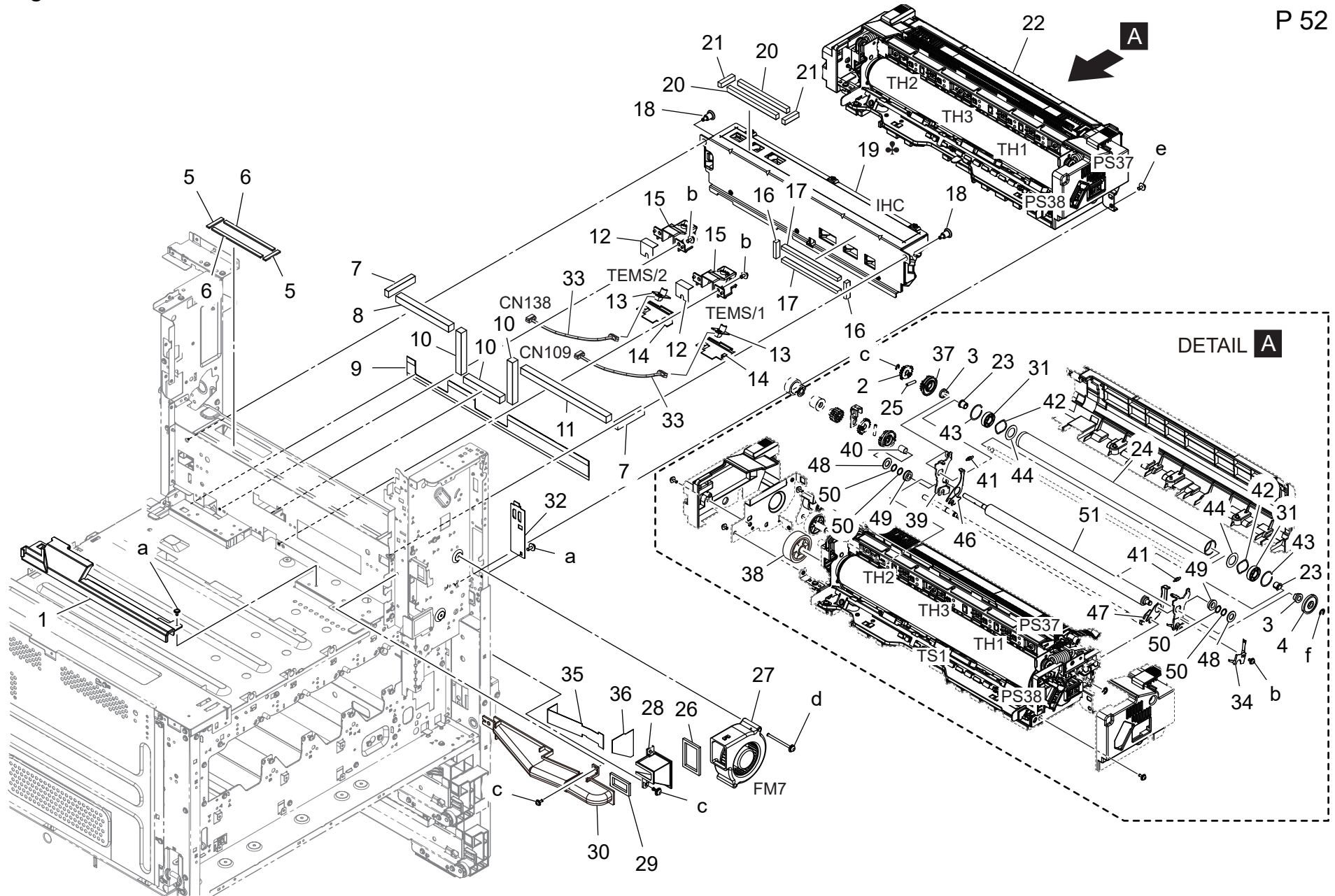


bizhub 558e

| Key | Part No. | Description | Destinations | Class | QTY | Standard parts |
|-----|------------|----------------|--------------|-------|-----|--|
| 1 | A79J145100 | Guide Plate | | D | 1 | a-V153030803 b-V116030803 c-V153033503 d-V137030803 e-V116030603 |
| 2 | A79J145200 | Cushion | | C | 2 | |
| 3 | A79J143402 | Duct | | D | 1 | |
| 4 | A79J142701 | Cushion | | C | 1 | |
| 5 | A79J145000 | Seal | | C | 1 | |
| 6 | 9313100072 | FAN MOTOR | | C | 1 | |
| 7 | A79J143800 | Cushion | | C | 1 | |
| 8 | A79J143600 | Cushion | | C | 1 | |
| 9 | A79J143001 | Duct | | D | 1 | |
| 10 | A79J143200 | Cushion | | C | 1 | |
| 11 | A79J148304 | Mounting Plate | | D | 1 | |
| 12 | A79J140502 | Duct | | D | 1 | |
| 13 | A79J141501 | Cushion | | C | 1 | |
| 14 | A79J142600 | Cushion | | C | 1 | |
| 15 | A79JF12100 | Mounting Plate | | D | 1 | |
| 16 | A79J120801 | Seal | | C | 1 | |
| 17 | A79J135001 | Guide | | D | 1 | |
| 18 | A79J120700 | Cushion | | C | 1 | |
| 19 | A79J149100 | Filter | J | C | 1 | |
| 20 | A79J149200 | Filter | J | C | 1 | |
| | | | | | | |
| | | | | | | |
| | | | | | | |
| | | | | | | |
| | | | | | | |
| | | | | | | |
| | | | | | | |
| | | | | | | |
| | | | | | | |



Fusing Section

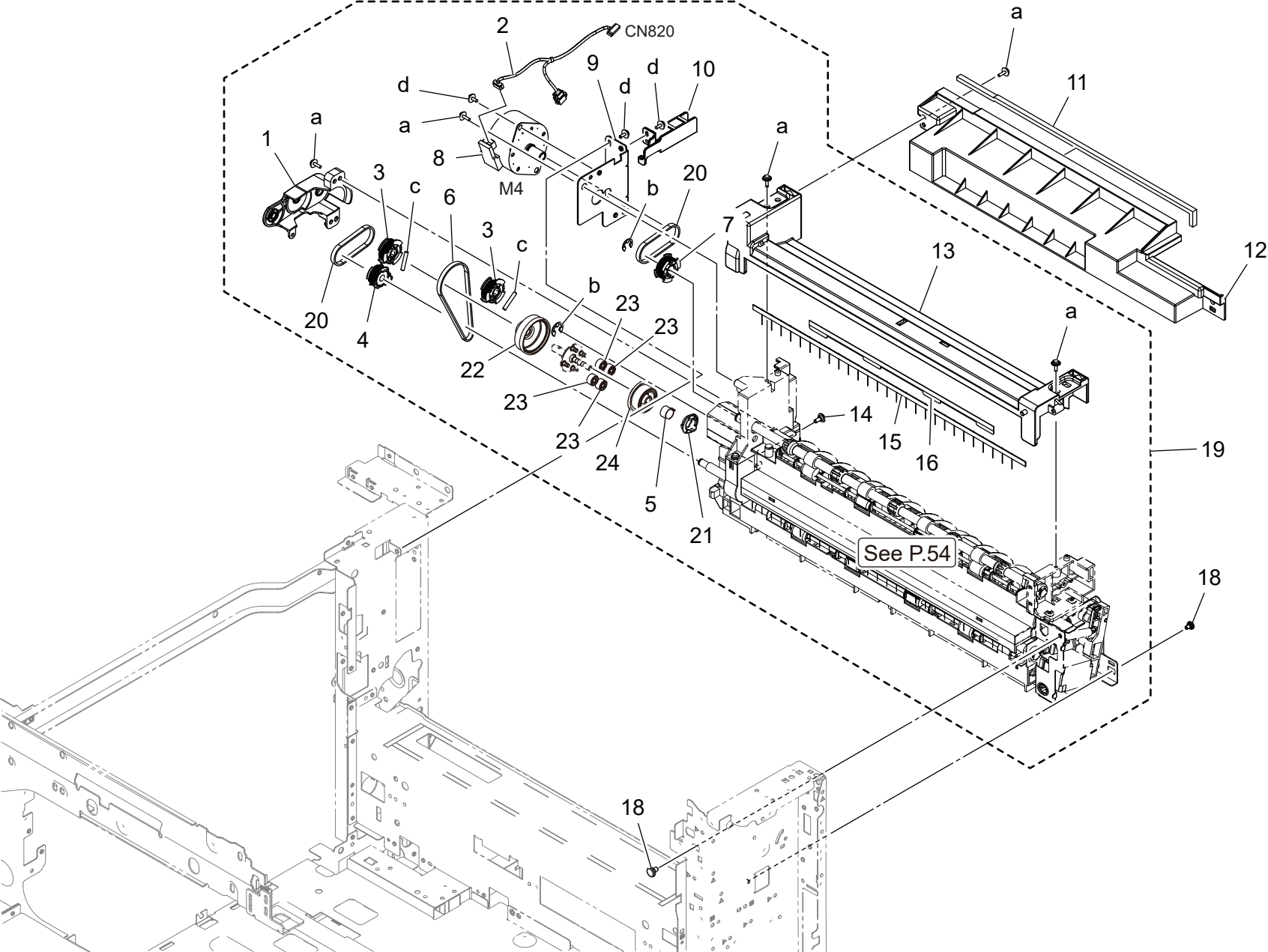


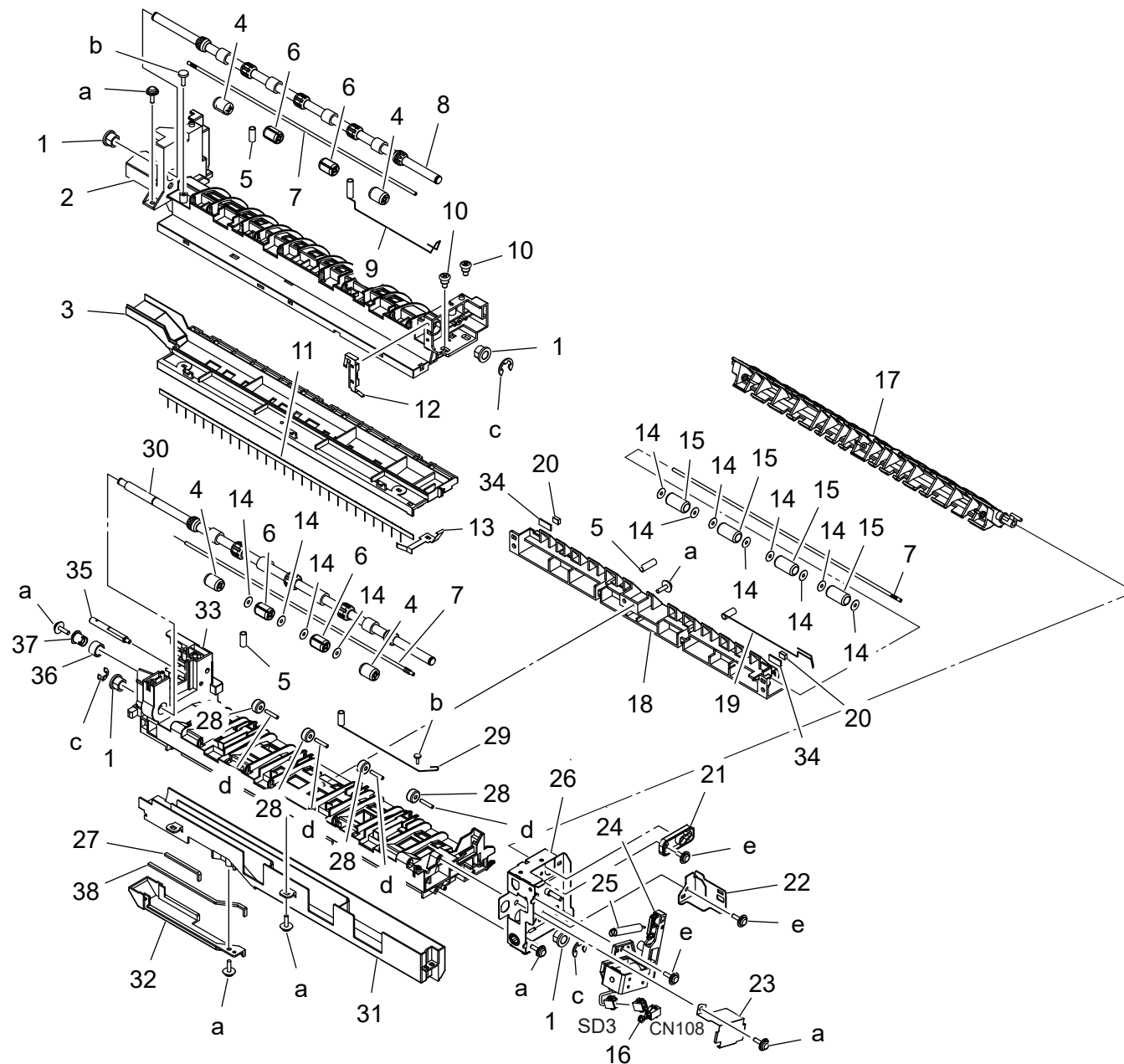
| Key | Part No. | Description | Destinations | Class | QTY | Standard parts |
|-----|---------------|---------------------------|--------------------------|-------|-----|----------------|
| 1 | A2XK130601 | Wiring Guide | | D | 1 | a-V116030803 |
| 2 | A79J743802 | Gear | | C | 1 | b-V116030603 |
| 3 | A00J663200 | Bushing | | B | 2 | c-V217030003 |
| 4 | A79J744000 | Cam | | D | 1 | d-V116033503 |
| 5 | A79J103201 | Cushion | | C | 2 | e-V116041003 |
| 6 | A79J103301 | Cushion | | C | 2 | f-V217040003 |
| 7 | A79J754700 | Cushion | | C | 2 | |
| 8 | A79J754600 | Cushion | | C | 1 | |
| 9 | A79J102700 | Seal | | C | 1 | |
| 10 | A79J754400 | Cushion | | C | 3 | |
| 11 | A79J754500 | Cushion | | C | 1 | |
| 12 | A79J138300 | Sheet | | D | 2 | |
| 13 | A796M50000 | Temp. transfer | | I | 2 | |
| 14 | A2XK138200 | Protection Plate | | D | 2 | |
| 15 | A2XK138100 | Holder | | D | 2 | |
| 16 | A79J754100 | Cushion | | C | 2 | |
| 17 | A79J754000 | Cushion | | C | 2 | |
| 18 | A2XK754200 | Shoulder screw | | C | 2 | |
| 19 | A79KM40C00 | Fixing Coil/100V-120V | A,A1,B,G2,H | I | 1 | |
| 19 | A79KM40D00 | Fixing Coil/230V | C,D1,D3,E,F2,G1,I,K J | I | 1 | |
| 20 | A79J754200 | Cushion | | C | 2 | |
| 21 | A79J754300 | Cushion | | C | 2 | |
| 22 | A79JR71088 | Fusing Unit | D1,D3,E,F2,G1,I,K,J | B | 1 | |
| 22 | A79JR71088 | Fusing Unit | ,H | C | 1 | |
| 22 | A79JR71088 | Fusing Unit | C | B | 1 | |
| 22 | A79JR71088 | Fusing Unit | B,G2 | B | 1 | |
| 22 | A79JR71088 | Fusing Unit | A,A1 | B | 1 | |
| 23 | A2X0746500 | Bushing | | C | 2 | |
| 24 | A8JE740300Old | Roller | | C | 1 | |
| 24 | A8JE740311 | Roller | | C | 1 | |
| 25 | A79J744200 | Compressing Coil spring | | C | 1 | |
| 26 | A79J144411 | Cushion | | C | 1 | |
| 27 | 9313130051 | FAN MOTOR | | B | 1 | |
| 28 | A79J144113 | Duct | | D | 1 | |
| 29 | A79J144611 | Cushion | | C | 1 | |
| 30 | A79J144212 | Duct | | D | 1 | |
| 31 | A8JE746502Old | Bushing | | C | 2 | |
| 31 | A4EU747600 | Ball bearing | | C | 2 | |
| 32 | A2XK130801 | Mounting Plate | | D | 1 | |
| 33 | A2XKN10700 | Temperature Relay harness | | D | 2 | |
| 34 | A79J742000 | Contact | | C | 1 | |
| 35 | A79J145300 | Sheet | | C | 1 | |
| 36 | A79J144800 | Sheet | | C | 1 | |
| 37 | A79J743703 | Drive Cam | | D | 1 | |
| 38 | A2XK721300 | Gear | | D | 1 | |
| 39 | A79J740612 | Mounting Plate /Rear | | D | 1 | |
| 40 | A8JE744300 | Collar | | C | 1 | |
| 41 | A8JE741800 | Pulling Coil spring | | C | 2 | |
| 42 | A8JE746200 | Holding Plate | | D | 2 | |
| 43 | A8JE746300 | Fixing Ring | | D | 2 | |
| 44 | A8JE746400 | Washer | | D | 2 | |
| 46 | A79J741711 | Mounting Plate /Rear | | D | 1 | |
| 47 | A79J741911 | Mounting Plate /Front | | D | 1 | |
| 48 | A2X0746300 | Spacer | | D | 2 | |

| Key | Part No. | Description | Destinations | Class | QTY | Standard parts |
|-----|------------|-----------------|--------------|-------|-----|----------------|
| 49 | 26NA17280 | BALL BEARING | | B | 2 | |
| 50 | A00J660800 | Washer | | D | 4 | |
| 51 | A79J740401 | Cleaning Roller | | C | 1 | |
| | | | | | | |
| | | | | | | |
| | | | | | | |
| | | | | | | |
| | | | | | | |
| | | | | | | |
| | | | | | | |
| | | | | | | |
| | | | | | | |
| | | | | | | |

bizhub 558e

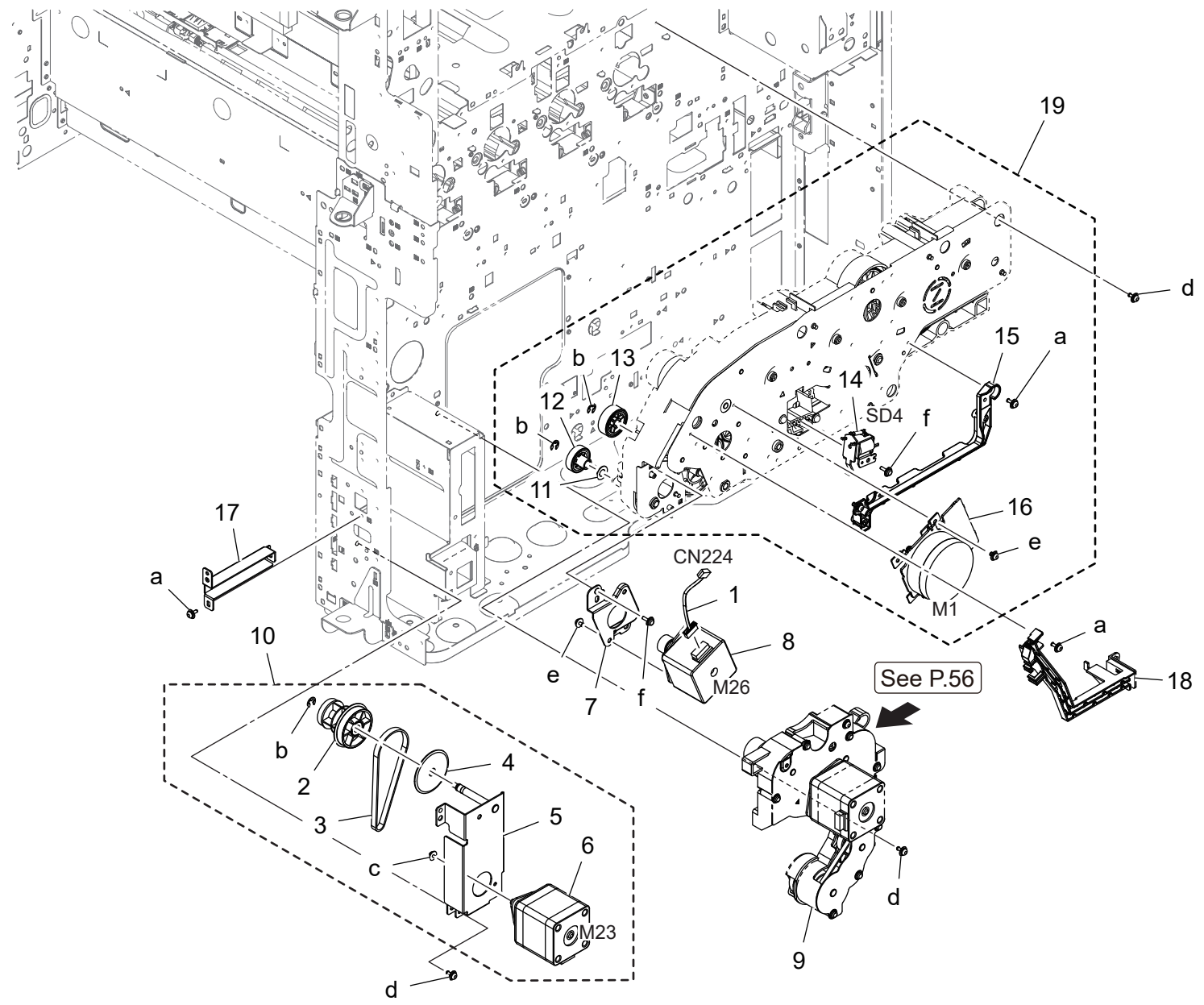
Paper Exit /Reverse Section





| Key | Part No. | Description | Destinations | Class | QTY | Standard parts |
|-----|------------|--------------------------|--------------|-------|-----|--|
| 1 | A0ED891100 | Bushing | | D | 4 | a-V153030803 b-V149030803 c-V217060001 d-V234301650 e-V137030803 |
| 2 | A79J895603 | Paper exit Guide /Upper | | D | 1 | |
| 3 | A79J895200 | Paper exit Guide /Lower | | D | 1 | |
| 4 | 4004590301 | ROLL | | C | 4 | |
| 5 | A161892400 | Spring | | C | 3 | |
| 6 | A64J891100 | Roll | | D | 4 | |
| 7 | 4025598401 | SHAFT | | D | 3 | |
| 8 | A79J895400 | Roller | | C | 1 | |
| 9 | A161900201 | Ground Spring | | C | 1 | |
| 10 | 1164202801 | SHOULDER SCREW | | D | 2 | |
| 11 | A161894000 | Neutralizing Brush | | C | 1 | |
| 12 | A161895503 | Ground Contact /Upper | | D | 1 | |
| 13 | A161895601 | Ground Contact /Lower | | D | 1 | |
| 14 | A64J891200 | Washer | | D | 12 | |
| 15 | A2X0901100 | Roll | | C | 4 | |
| 16 | A79JN10Q00 | Relay Wiring /5 | | D | 1 | |
| 17 | A5C1890401 | Guide Lever | | D | 1 | |
| 18 | A161890205 | Guide Part /Lower | | D | 1 | |
| 19 | A161900300 | Ground Spring | | C | 1 | |
| 20 | A161893601 | Cushion | | D | 2 | |
| 21 | A161891000 | Bushing | | D | 1 | |
| 22 | A161892300 | Mounting Plate | | D | 1 | |
| 23 | A7PU890700 | Cover | | D | 1 | |
| 24 | A79JR72400 | Solenoid Assy | | C | 1 | |
| 25 | A79J892000 | Pulling Coil spring | | C | 1 | |
| 26 | A161F89003 | Caulking(Mounting Plate) | | D | 1 | |
| 27 | A79J893700 | Cushion | | C | 1 | |
| 28 | A0ED897700 | Collar | | C | 4 | |
| 29 | A161900100 | Ground Spring | | C | 1 | |
| 30 | A79J890311 | Roller | | C | 1 | |
| 31 | A79J893501 | Duct | | D | 1 | |
| 32 | A79J894500 | Duct | | D | 1 | |
| 33 | A79J890201 | Paper exit Main body | | D | 1 | |
| 34 | A64J891500 | Sheet | | D | 2 | |
| 35 | A79J898211 | Shaft | | D | 1 | |
| 36 | A79J897501 | Roll | | C | 1 | |
| 37 | A79J897800 | Collar | | C | 1 | |
| 38 | A79J893800 | Cushion | | C | 1 | |
| | | | | | | |
| | | | | | | |
| | | | | | | |

Main Drive/ Paper Feed Drive Section

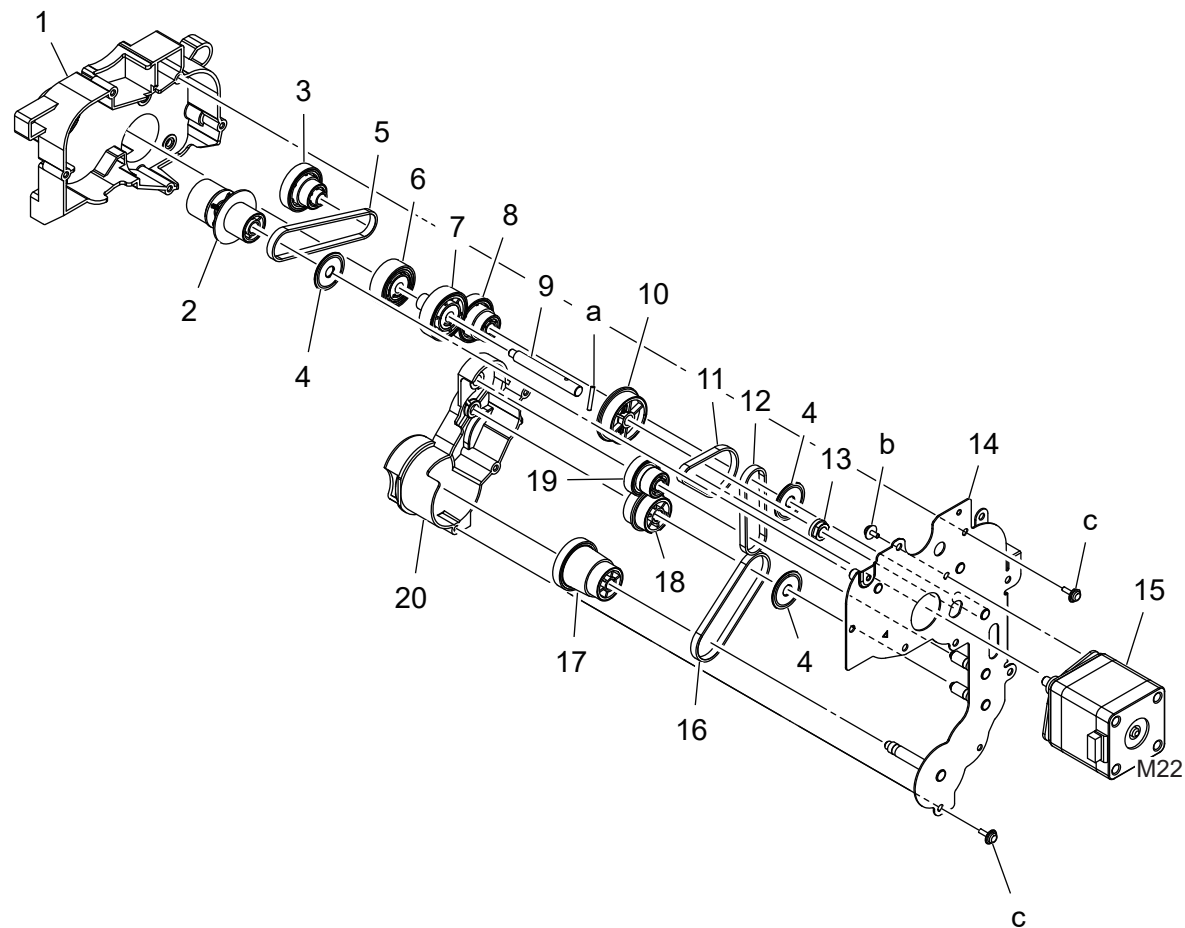


REAR SIDE

bizhub 558e

Main Drive/ Paper Feed Drive Section

P 56

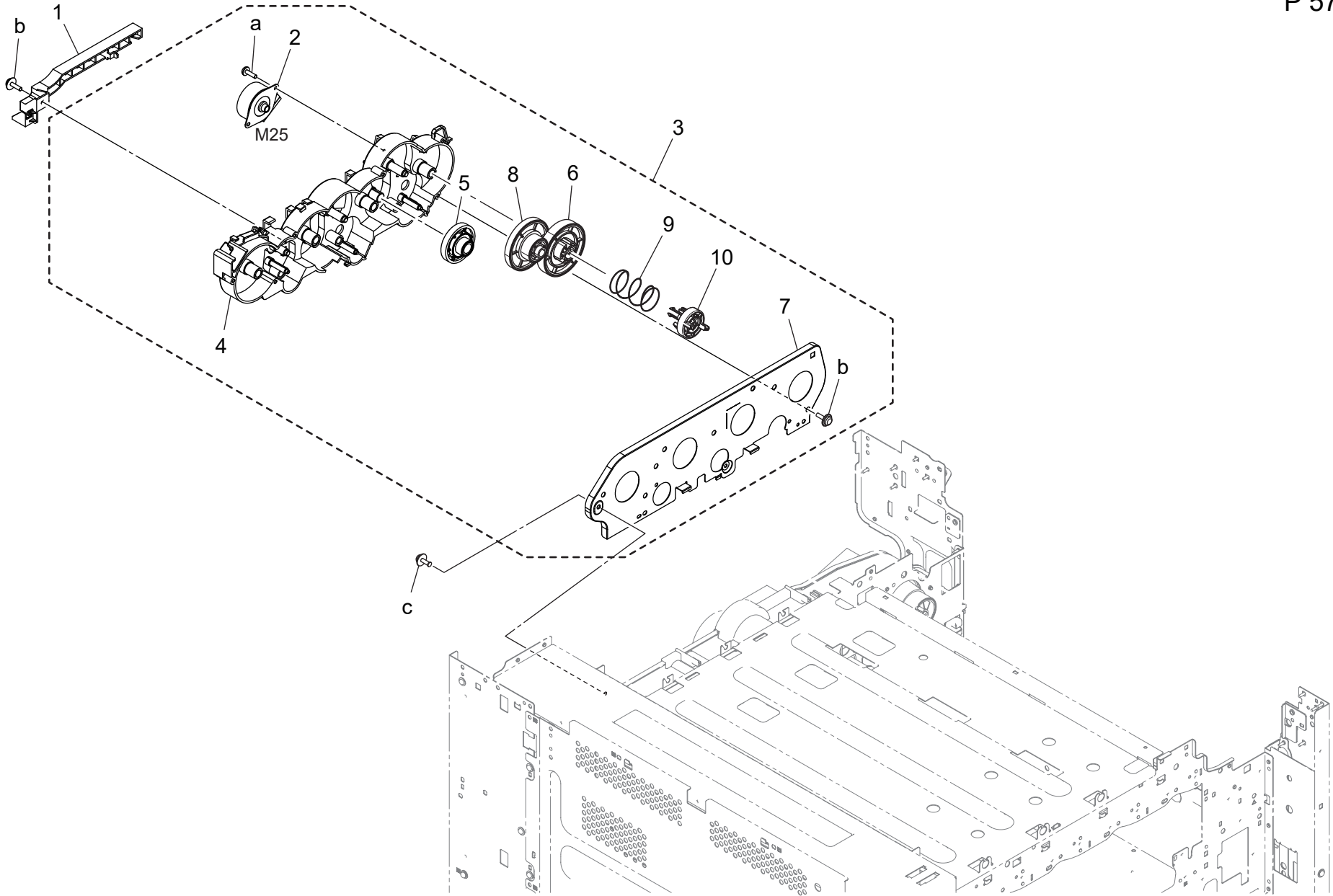


REAR SIDE

bizhub 558e

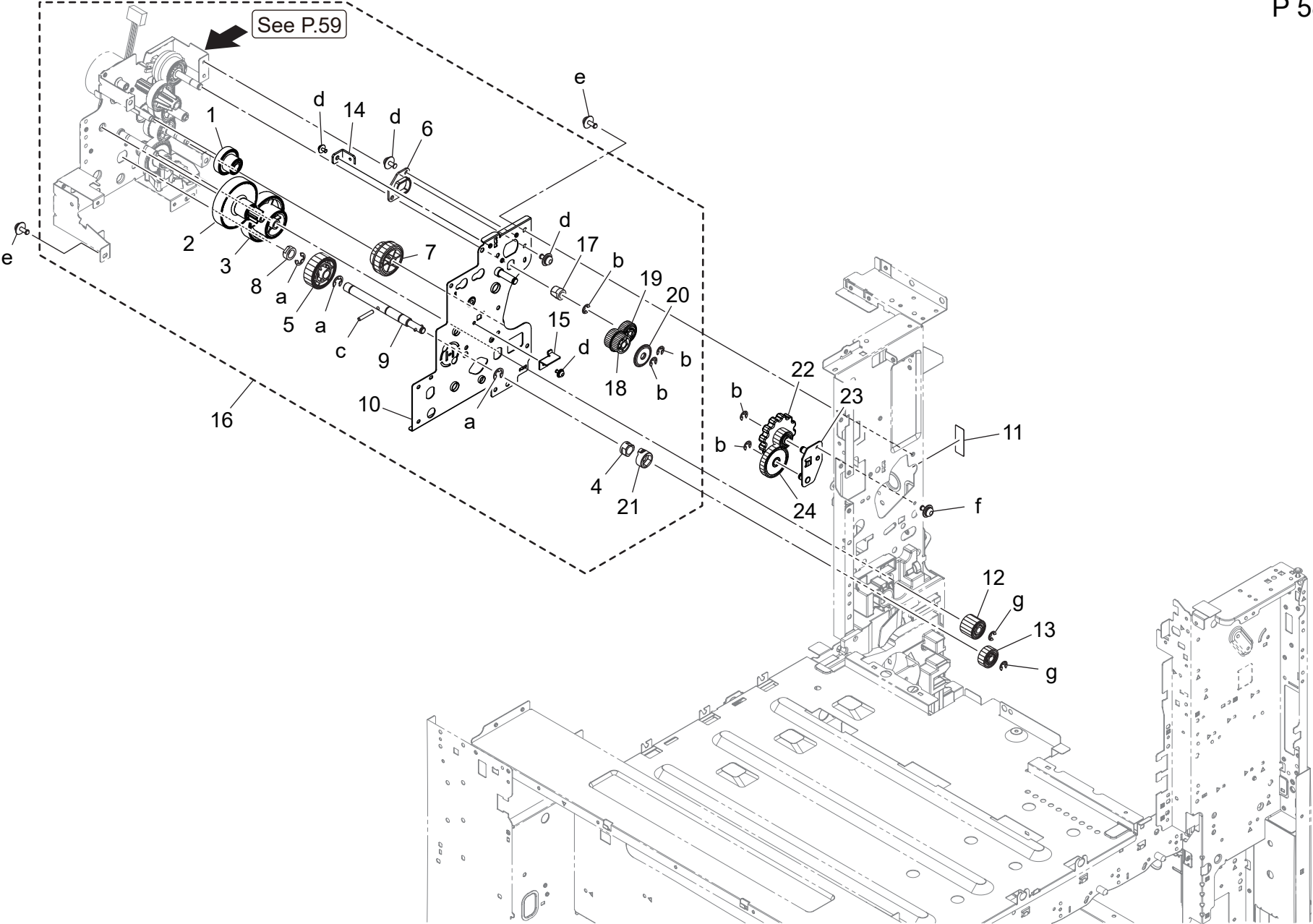
| Key | Part No. | Description | Destinations | Class | QTY | Standard parts |
|-----|------------|----------------------|--------------|-------|-----|--|
| 1 | A79J220901 | Holder | | C | 1 | a-V234201450 b-V127030604 c-V153031004 |
| 2 | A79J259800 | Gear 19T | | C | 1 | |
| 3 | A79J253300 | Gear 29T | | C | 1 | |
| 4 | A79J897300 | Collar | | C | 3 | |
| 5 | A79J226600 | Timing belt 180L | | C | 1 | |
| 6 | A79J226200 | Gear 23T | | C | 1 | |
| 7 | A79J226301 | Gear 32T | | C | 1 | |
| 8 | A79J226400 | Gear 30T | | C | 1 | |
| 9 | A79J223101 | Shaft (1st ドッキング) | | D | 1 | |
| 10 | A79J220000 | Pulley 44T | | C | 1 | |
| 11 | A79J226500 | Timing belt 112L | | C | 1 | |
| 12 | A79J226700 | Timing belt 126L | | C | 1 | |
| 13 | A161210200 | Bushing | | D | 1 | |
| 14 | A79J221200 | Frame /ASSY | | D | 1 | |
| 15 | A61DM10000 | HB Stepping motor | | C | 1 | |
| 16 | A79J226800 | Timing belt 156L | | C | 1 | |
| 17 | A79J220701 | Gear 28T | | C | 1 | |
| 18 | A79J253000 | Pulley 24T | | C | 1 | |
| 19 | A79J222500 | Pulley 24T | | C | 1 | |
| 20 | A79J220800 | Holder | | C | 1 | |
| | | | | | | |
| | | | | | | |
| | | | | | | |
| | | | | | | |
| | | | | | | |
| | | | | | | |
| | | | | | | |
| | | | | | | |
| | | | | | | |
| | | | | | | |
| | | | | | | |
| | | | | | | |
| | | | | | | |

Toner Supply Drive Section



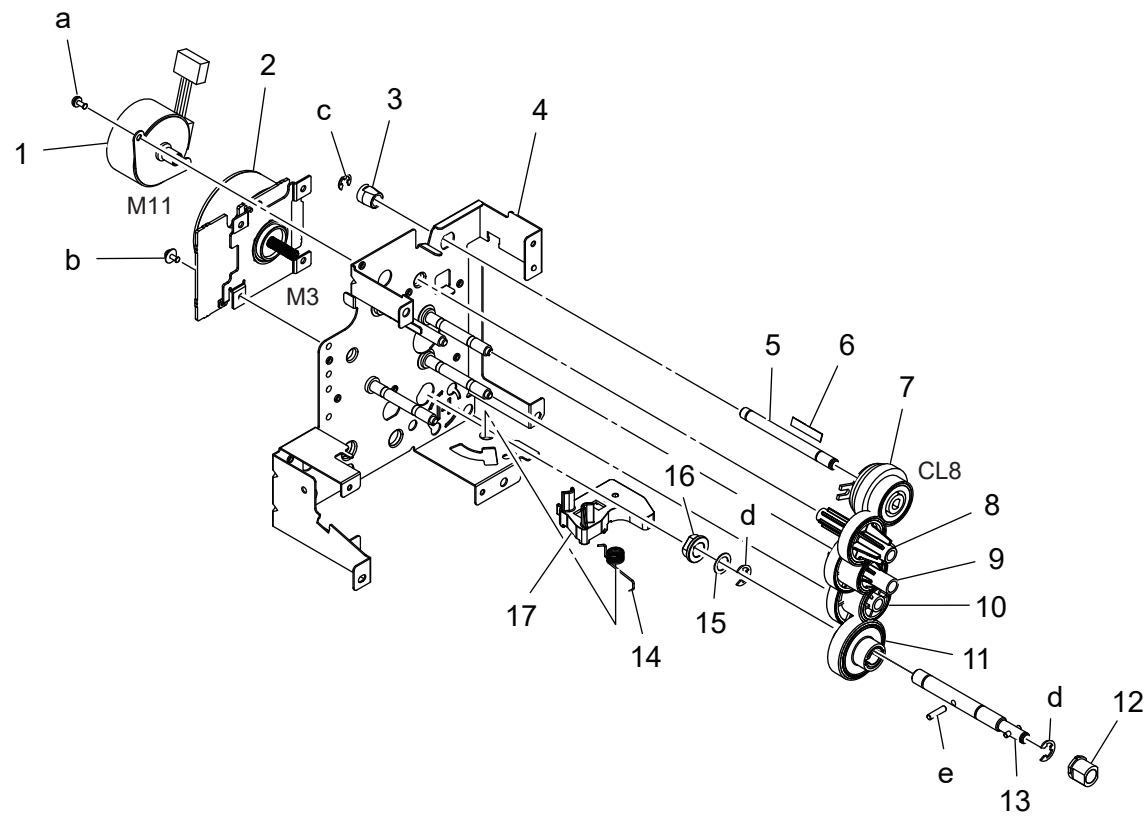
| Key | Part No. | Description | Destinations | Class | QTY | Standard parts |
|-----|------------|-------------------------|--------------|-------|-----|--|
| 1 | A7PU241600 | Guide | | D | 1 | a-V145030803 b-V153030803 c-V116030803 |
| 2 | A7PUM10700 | Stepping motor | | C | 1 | |
| 3 | A9HJR70500 | Toner Bottle Drive Assy | | S | 1 | |
| 4 | A7PU240101 | Drive Holder | | D | 1 | |
| 5 | A161240301 | Gear 18/91T | | D | 1 | |
| 6 | A161240600 | Gear 65T | | D | 1 | |
| 7 | A7PU241500 | Mounting Plate | | D | 1 | |
| 8 | A161240400 | Gear 29/62T | | D | 1 | |
| 9 | 4038541202 | PRESSURE SPRING | | C | 1 | |
| 10 | A161240700 | Joint | | C | 1 | |
| | | | | | | |
| | | | | | | |
| | | | | | | |
| | | | | | | |
| | | | | | | |
| | | | | | | |
| | | | | | | |
| | | | | | | |
| | | | | | | |
| | | | | | | |
| | | | | | | |
| | | | | | | |

Fusing Drive Section



| Key | Part No. | Description | Destinations | Class | QTY | Standard parts |
|-----|------------|-------------------|--------------|-------|-----|--|
| 1 | A2XK254200 | Gear 18/62T | | D | 1 | a-V217060001 b-V217040001 c-V234301850 d-V116030603 e-V125030818 f-V116030803 g-V217040003 |
| 2 | A161254300 | Gear 18/57T | | D | 1 | |
| 3 | A79J254400 | Gear 55T/33T | | C | 1 | |
| 4 | A161254700 | Bushing | | D | 1 | |
| 5 | A161254500 | Gear 38T | | D | 1 | |
| 6 | A161232200 | Bushing | | D | 1 | |
| 7 | A79K228800 | Gear 24T/20T | | C | 1 | |
| 8 | A7PU254800 | Slide Bearing | | B | 1 | |
| 9 | A161256300 | Shaft | | D | 1 | |
| 10 | A79K231001 | Mounting Plate | | D | 1 | |
| 11 | A161941100 | Label M4 | | D | 1 | |
| 12 | A161228701 | Gear 16T | | C | 1 | |
| 13 | A161254600 | Gear | | C | 1 | |
| 14 | A79J231100 | Mounting Plate | | D | 1 | |
| 15 | A79J120900 | Stopper | | D | 1 | |
| 16 | AA6TR70300 | Fusing Drive Assy | | S | 1 | |
| 17 | A161232300 | Bushing | | D | 1 | |
| 18 | A79J231300 | Gear 16T | | C | 1 | |
| 19 | A161230700 | Gear 18T | | C | 1 | |
| 20 | A79J897300 | Collar | | C | 1 | |
| 21 | A161232401 | Collar | | D | 1 | |
| 22 | A161122002 | Gear 12T | | D | 1 | |
| 23 | A79K122400 | Mounting Plate | | D | 1 | |
| 24 | A79K121900 | Gear 23T | | C | 1 | |
| | | | | | | |
| | | | | | | |
| | | | | | | |
| | | | | | | |
| | | | | | | |
| | | | | | | |
| | | | | | | |
| | | | | | | |
| | | | | | | |

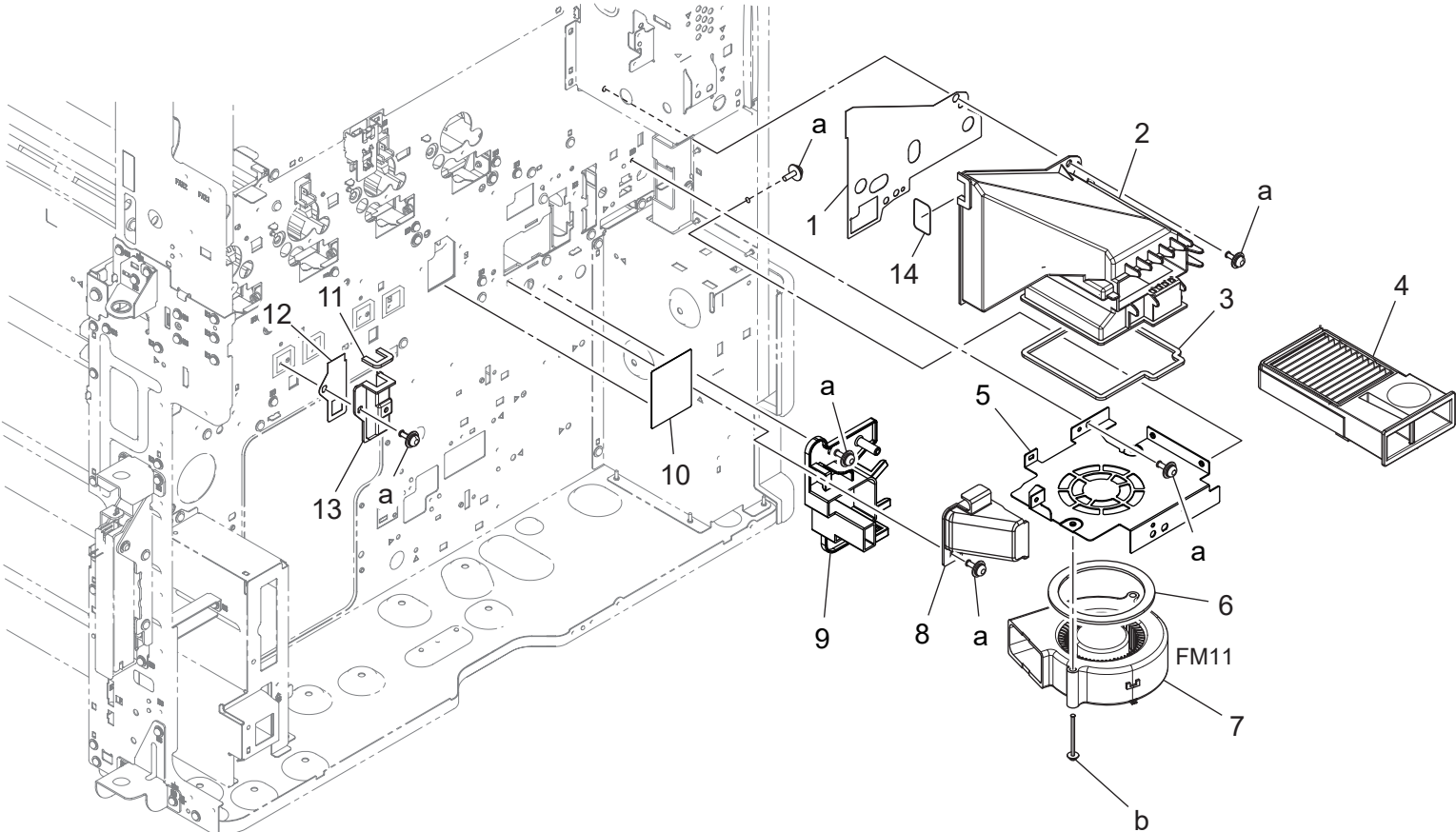
Fusing Drive Section



Fusing Drive Section

| Key | Part No. | Description | Destinations | Class | QTY | Standard parts |
|-----|------------|---------------------|--------------|-------|-----|--|
| 1 | A161M10300 | Stepping motor | | C | 1 | a-V115030603 b-V116030603 c-V217040001 d-V217060001 e-V234301250 |
| 2 | A7PUM10100 | Brushless motor /30 | | I | 1 | |
| 3 | A161232300 | Bushing | | D | 1 | |
| 4 | A79K255600 | Mounting Plate | | D | 1 | |
| 5 | A64J231801 | Shaft | | D | 1 | |
| 6 | A64J231901 | Spacer | | D | 1 | |
| 7 | A64JM20000 | Clutch | | C | 1 | |
| 8 | A161230600 | Gear 27T | | D | 1 | |
| 9 | A79K230501 | Gear 42T/24T | | C | 1 | |
| 10 | A79K228001 | Gear 44T/24T | | C | 1 | |
| 11 | A79K228101 | Gear 33T | | C | 1 | |
| 12 | A161702200 | Bushing | | C | 1 | |
| 13 | A161228312 | Shaft | | D | 1 | |
| 14 | A161258501 | Torsion Coil spring | | D | 1 | |
| 15 | A1RF505400 | Slide Spacer | | D | 1 | |
| 16 | A7PU254800 | Slide Bearing | | B | 1 | |
| 17 | A161228601 | Lever | | D | 1 | |
| | | | | | | |
| | | | | | | |
| | | | | | | |
| | | | | | | |
| | | | | | | |
| | | | | | | |
| | | | | | | |
| | | | | | | |
| | | | | | | |
| | | | | | | |

Toner Suction Fan Section



REAR SIDE

bizhub 558e

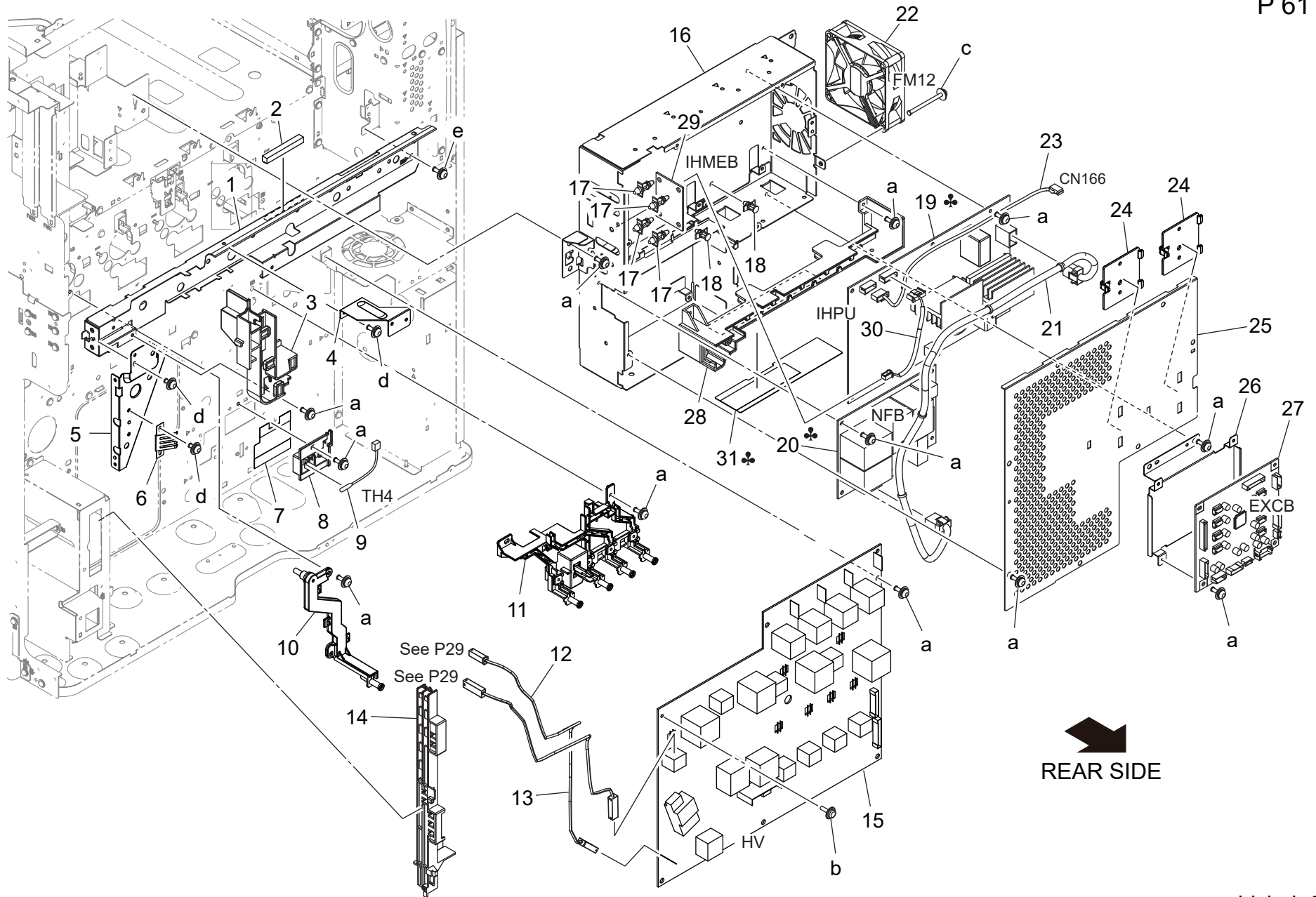


Toner Suction Fan Section

| Key | Part No. | Description | Destinations | Class | QTY | Standard parts |
|-----|------------|-------------------|--------------|-------|-----|------------------------------|
| 1 | A161146900 | Seal /4 | | D | 1 | a-V116030803 b-V116033503 |
| 2 | A161147500 | Duct /1 | | D | 1 | |
| 3 | A161143500 | Seal /1 | | D | 1 | |
| 4 | A161R72811 | Toner Filter Assy | | A | 1 | |
| 5 | A5C1142001 | Mounting Plate | | D | 1 | |
| 6 | A02E117300 | Seal | | C | 1 | |
| 7 | 9313100072 | FAN MOTOR | | C | 1 | |
| 8 | A161141500 | Duct /2 | | D | 1 | |
| 9 | A7PU141800 | Holder | | D | 1 | |
| 10 | A79J146400 | Seal | | C | 1 | |
| 11 | A161146600 | Seal /3 | | D | 1 | |
| 12 | A161146500 | Seal | | D | 1 | |
| 13 | A161147600 | Duct | | D | 1 | |
| 14 | A61D148300 | Seal | | D | 1 | |
| | | | | | | |
| | | | | | | |
| | | | | | | |
| | | | | | | |
| | | | | | | |
| | | | | | | |
| | | | | | | |
| | | | | | | |

High Voltage Section

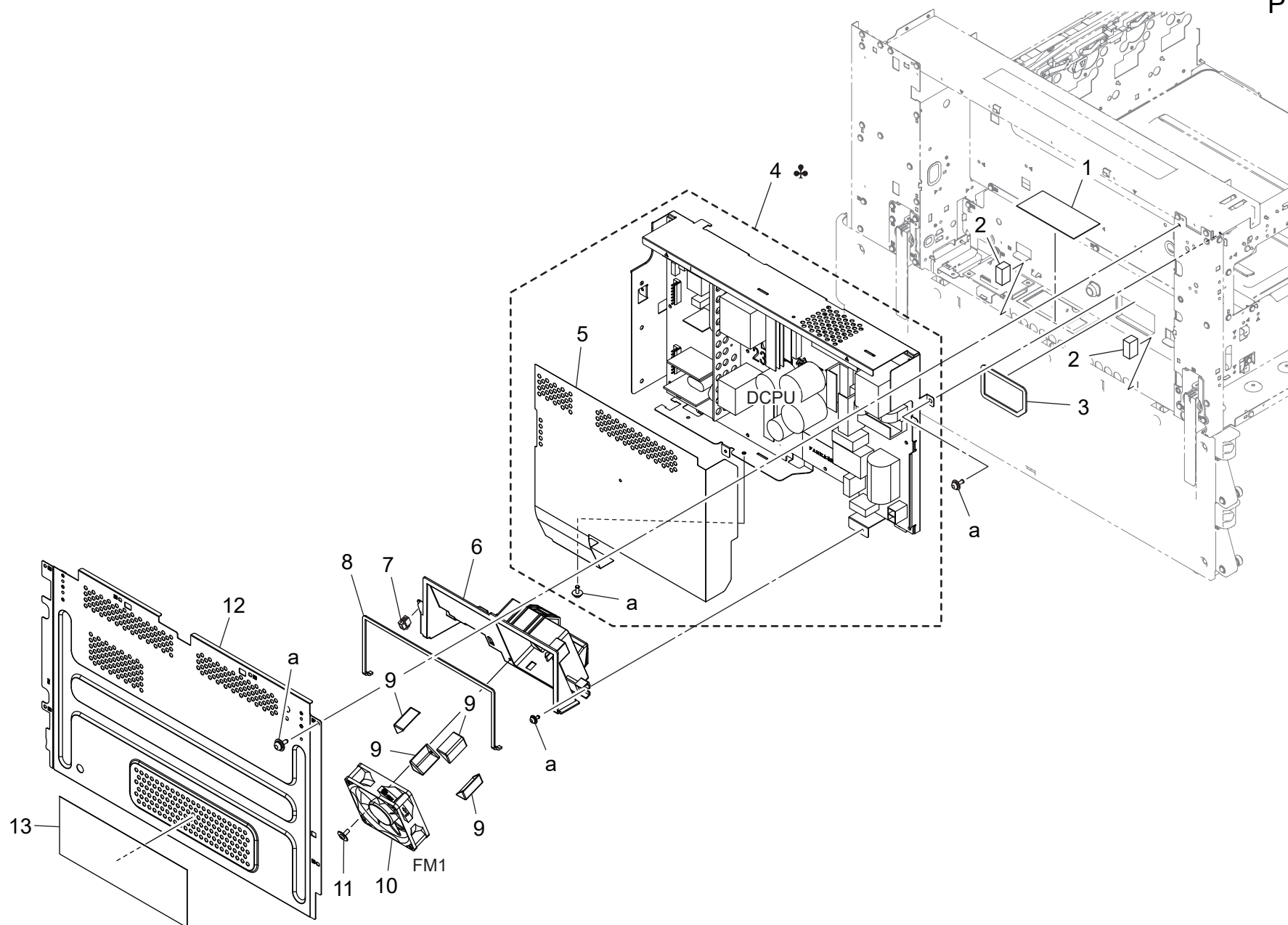
P 61



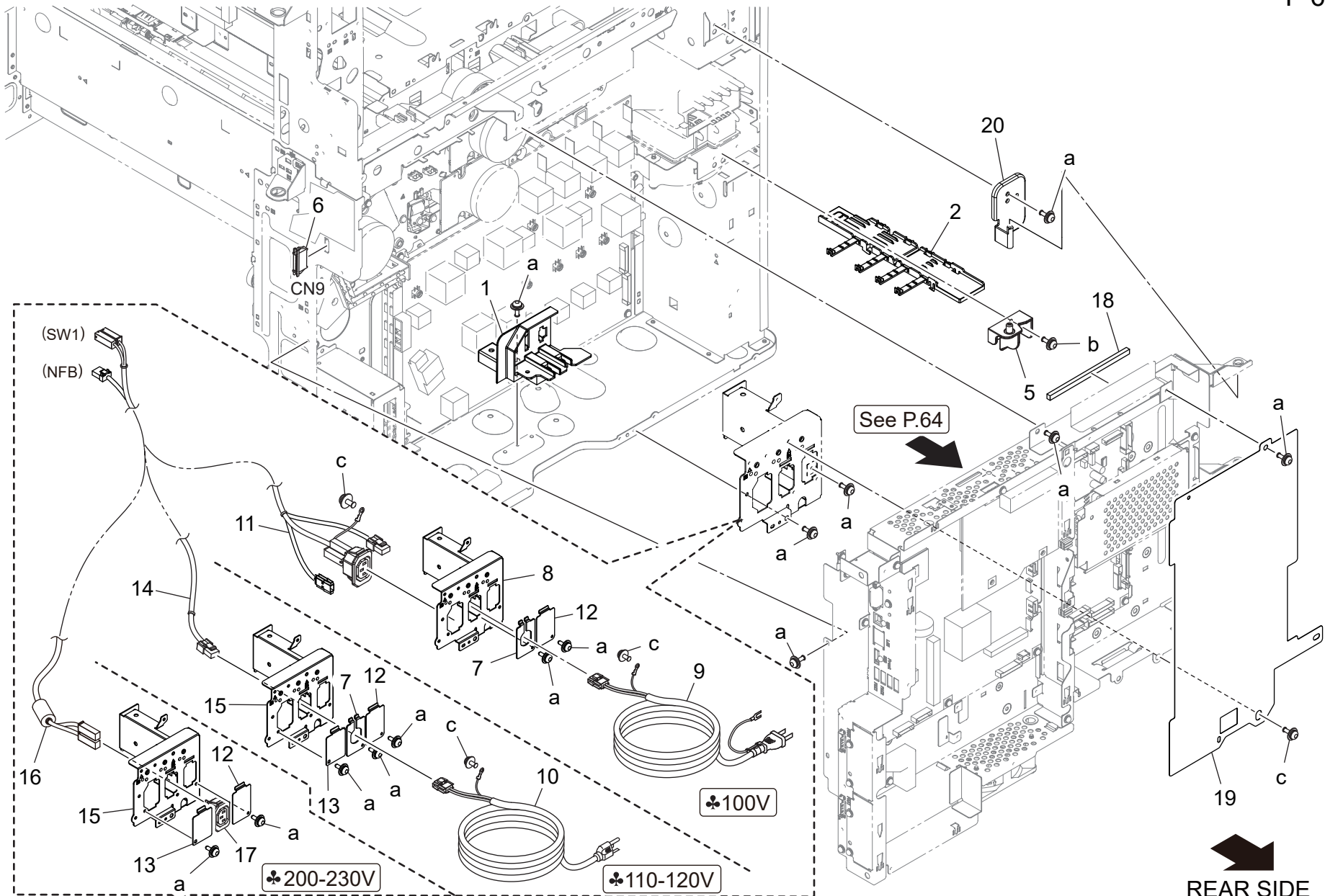
| Key | Part No. | Description | Destinations | Class | QTY | Standard parts |
|-----|------------|---------------------------|-----------------------|-------|-----|--|
| 1 | A79J132500 | Mounting Plate | | D | 1 | a-V116030803 b-V153030804 c-V116033003 d-V116030603 e-V125030818 |
| 2 | A79JM90300 | Cushion | | C | 1 | |
| 3 | A79J133001 | Guide | | D | 1 | |
| 4 | A79J132601 | Mounting Plate | | D | 1 | |
| 5 | A161132801 | Reinforce Plate | | D | 1 | |
| 6 | A79J136100 | Plate spring | | D | 1 | |
| 7 | A79J138400 | Sheet | | C | 1 | |
| 8 | A161137701 | Holder | | D | 1 | |
| 9 | A0P0M50300 | Thermistor | | C | 1 | |
| 10 | A7PUR71900 | HV Contact Assy | | D | 1 | |
| 11 | A61FR71200 | DV Contact Assy | | D | 1 | |
| 12 | A161N11300 | Transfer Wiring /2 | | D | 1 | |
| 13 | A161N11K00 | Neutralizing Wiring | | D | 1 | |
| 14 | A5C1134800 | Guide | | D | 1 | |
| 15 | A9HGM40600 | High voltage unit | | I | 1 | |
| 16 | A2XK130101 | Shield Case | | D | 1 | |
| 17 | V502010046 | PCB Support | | D | 4 | |
| 18 | V502010036 | spacer | | D | 2 | |
| 19 | A795M40B00 | Power source /230V | 電源 / 230 V (IH 電源) | I | 1 | |
| 19 | A8KNM40A02 | Power source /100V | 電源 / 100 V (IH 電源) | I | 1 | |
| 20 | A795M40J00 | Noise filter /100V | ノイズフィルタ / 100 V | C | 1 | |
| 20 | A79JM40H00 | Noise filter /230V | ノイズフィルタ / 230 V | C | 1 | |
| 21 | A79JN10P00 | Power source Wiring | 電源束線 | D | 1 | |
| 22 | 4139M10001 | Fan motor | ファンモータ | B | 1 | |
| 23 | A2XKN10K00 | Fixing Relay harness | 定着中継束線 | D | 1 | |
| 24 | A2X0145911 | Cover | カバー (IH Box) | D | 2 | |
| 25 | A79J130200 | Shield Plate | シールド板 | D | 1 | |
| 26 | A79J131701 | Mounting Plate | 取付板 | D | 1 | |
| 27 | A9HGH00501 | PWB Assembly(EXCB) | 基板 ASSY (EXCB) | I | 1 | |
| 28 | A2XK130500 | Guide | ガイド (IH 電源 中) | D | 1 | |
| 29 | A2XKH00A00 | PWB Assembly(PWB-CR ASSY) | 基板 ASSY (PWB-CR ASSY) | C | 1 | |
| 30 | A2XKN10801 | Fixing Control harness | 定着制御束線 | D | 1 | |
| 31 | A79J134900 | Insulating Sheet | 絶縁シート (IH) | C | 1 | |
| | | | | | | |
| | | | | | | |
| | | | | | | |
| | | | | | | |

Low Voltage Section

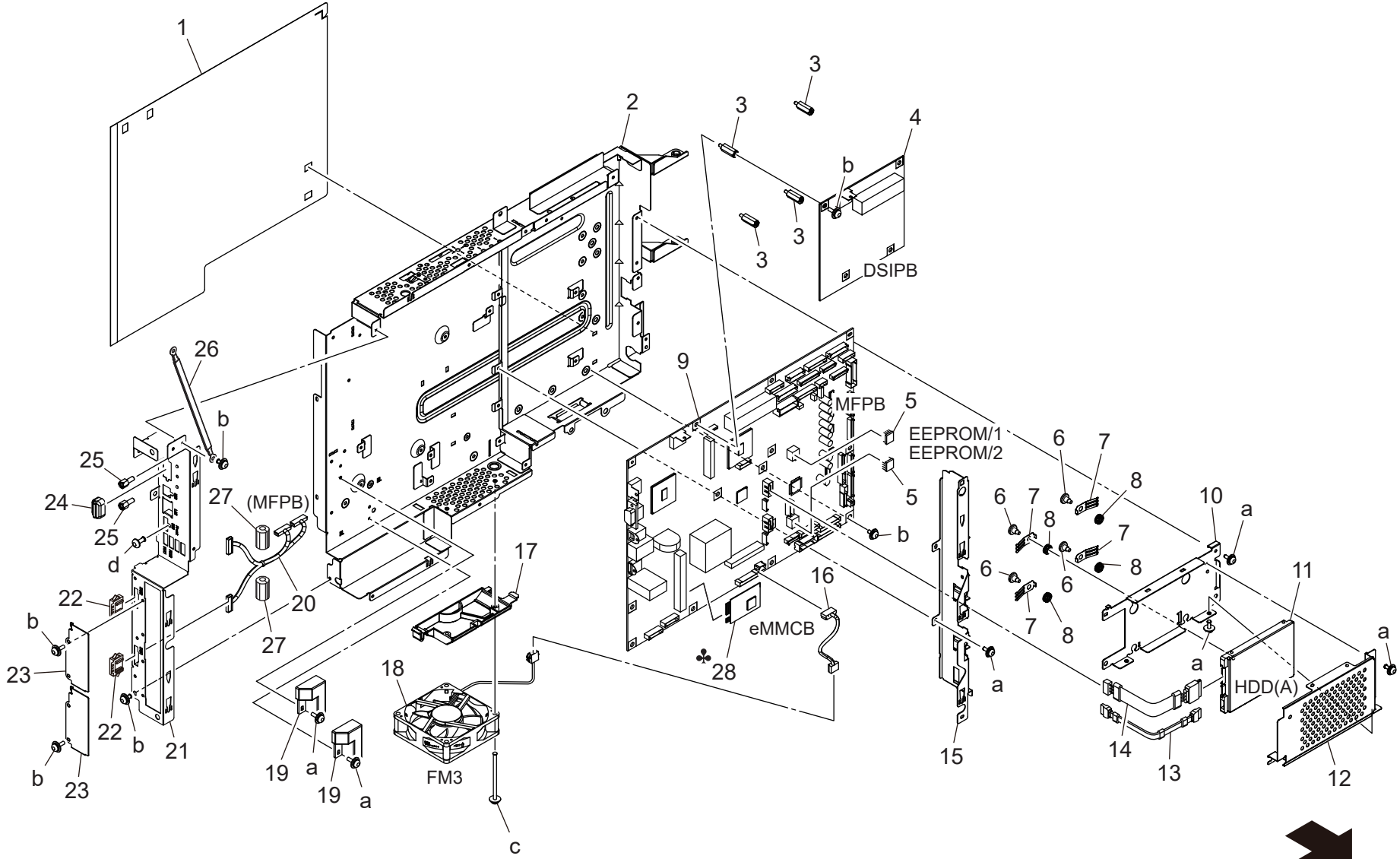
P 62



bizhub 558e



| Key | Part No. | Description | Destinations | Class | QTY | Standard parts |
|-----|------------|---------------------|----------------------------------|-------|-----|--|
| 1 | A161131401 | Holder | | D | 1 | a-V116030803 b-V116030804 c-V116040803 |
| 2 | A5C1137800 | Holder | | D | 1 | |
| 5 | A5C1130800 | Support Shaft | | C | 1 | |
| 6 | V651010045 | WtoW Connector | | D | 1 | |
| 7 | A0ED135700 | Mounting Plate | | D | 1 | |
| 7 | A7PU135700 | Mounting Plate | A,A1,B,G2 | D | 1 | |
| 8 | A79J133100 | Mounting Plate | H | D | 1 | |
| 9 | AA6RN30000 | Power code (100V) | A,A1 | D | 1 | |
| 10 | AA6RN30100 | Power code (120V) | B,G2 | D | 1 | |
| 10 | A8JEN30200 | Power code | H | C | 1 | |
| 11 | A79KN10J01 | AC Wiring /100V | A,A1 | D | 1 | |
| 12 | A79J136000 | Mounting Plate | | D | 1 | |
| 13 | A79J139000 | Cover | B,C,D1,D3,E,F2,G1,G 2,I,K,H,J | D | 1 | |
| 14 | A79JN10M01 | AC Wiring /120V | B,G2 | D | 1 | |
| 14 | A79KN10K00 | AC Wiring /110V | H | D | 1 | |
| 15 | A79J133200 | Mounting Plate | B,C,D1,D3,E,F2,G1,G 2,I,K,H,J | D | 1 | |
| 16 | A9HGN10N00 | AC Wiring /230V | C,D1,D3,E,F2,G1,I,K J | D | 1 | |
| 17 | A02EN12513 | Power supply Wiring | C,D1,D3,E,F2,G1,I,K J | D | 1 | |
| 18 | A79JM90200 | Cushion | | C | 1 | |
| 19 | A79J139700 | Sheet | | D | 1 | |
| 20 | A7PU130700 | Mounting Plate | | D | 1 | |
| | | | | | | |
| | | | | | | |
| | | | | | | |
| | | | | | | |
| | | | | | | |
| | | | | | | |
| | | | | | | |
| | | | | | | |
| | | | | | | |
| | | | | | | |

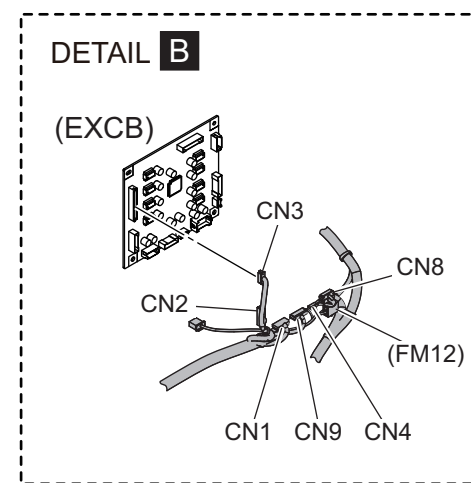
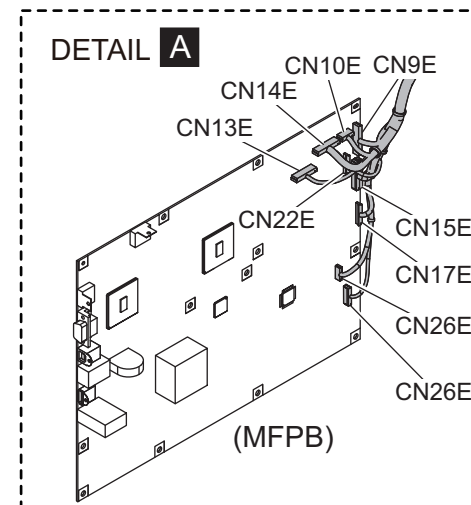
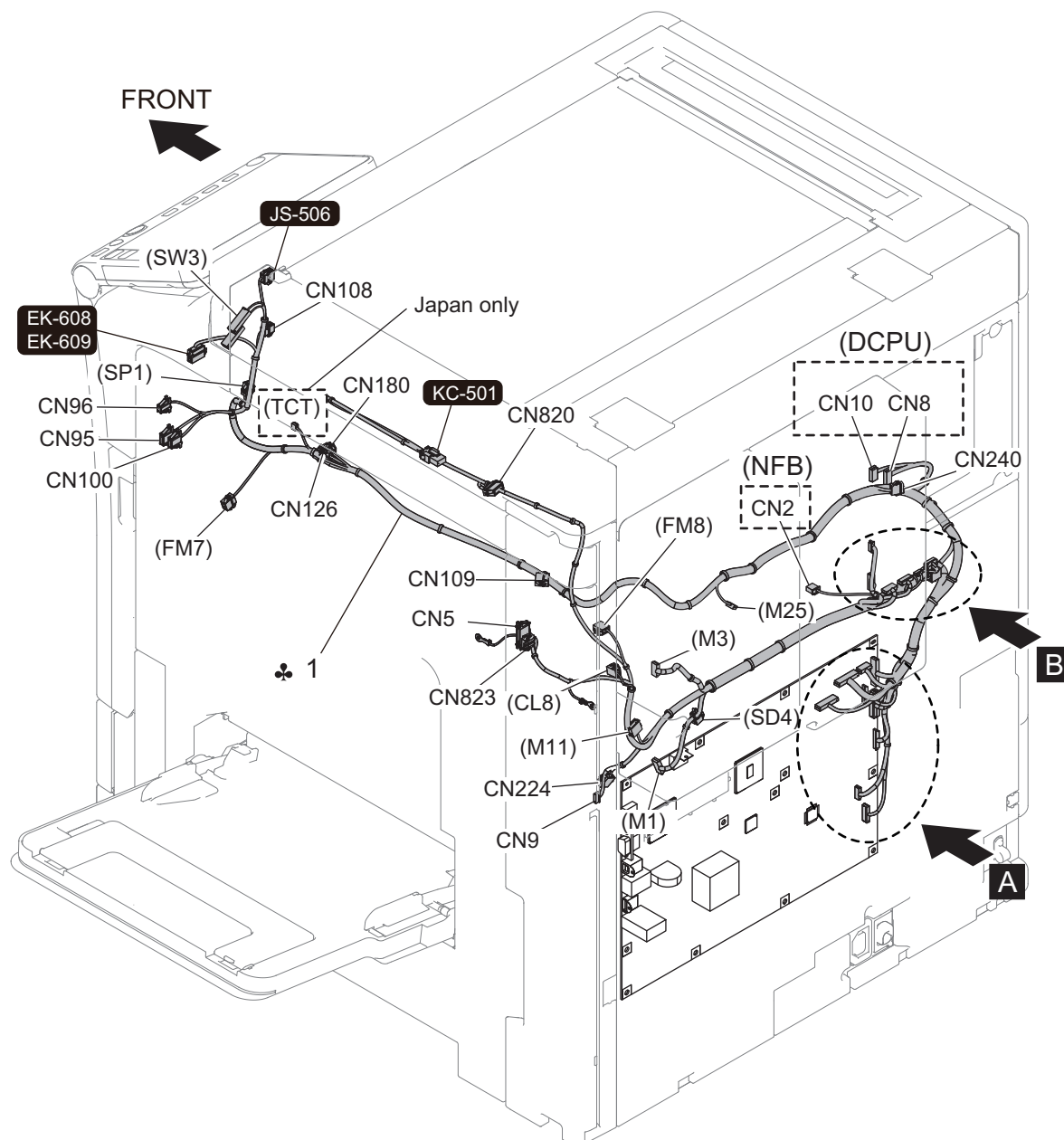


REAR SIDE

bizhub 558e

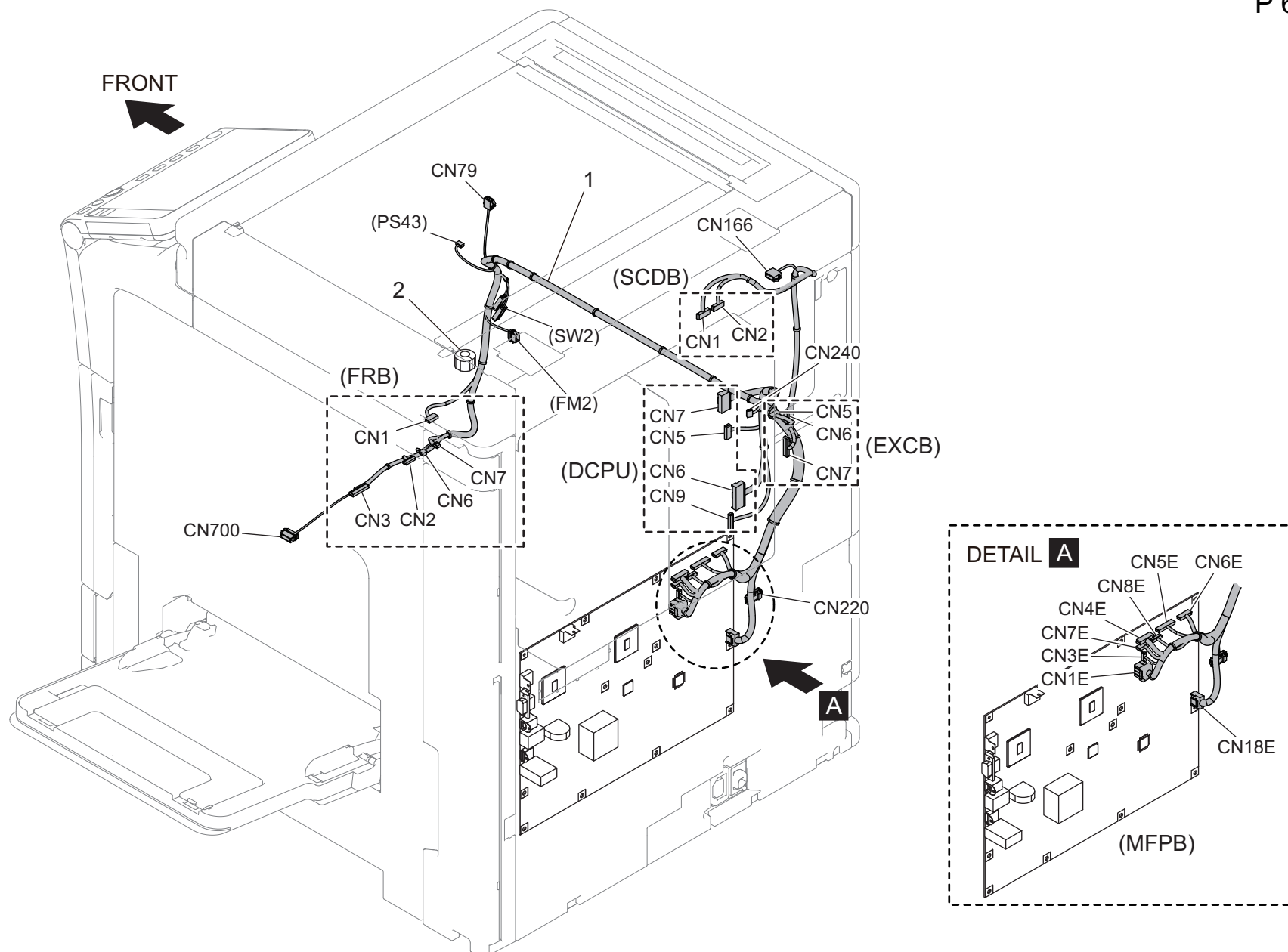


| Key | Part No. | Description | Destinations | Class | QTY | Standard parts |
|-----|------------|---------------------------------------|-------------------------------------|-------|-----|--|
| 1 | A79J134500 | Sheet | | D | 1 | a-V116030803 b-V116030603 c-V116034003 d-V111030603 |
| 2 | A9HG131900 | Mounting Plate | | D | 1 | |
| 3 | A4MG130900 | Shoulder screw | | D | 4 | |
| 4 | A9HG130900 | PWB Assembly(PWB-DS) | | I | 1 | |
| 5 | V864800107 | EEPROM (2 pieces) | | D | 2 | |
| 6 | A5C1134200 | Shoulder screw | | C | 4 | |
| 7 | A7PU134800 | Ground Plate spring | | D | 4 | |
| 8 | A4EU138000 | Support Rubber | | D | 4 | |
| 9 | AA6RH02103 | PWB Assembly (PWB-MFP) | | I | 1 | |
| 10 | A79J130900 | Mounting Plate | | D | 1 | |
| 11 | A5C1M72H00 | HDD | | I | 1 | |
| 12 | A7PU134700 | Cover | | D | 1 | |
| 13 | A0PON15100 | Cable | | C | 1 | |
| 14 | A161N15J00 | Power source Cable | | C | 1 | |
| 15 | A79J131102 | Mounting Plate | | D | 1 | |
| 16 | A7PUN10800 | Harness /Relay | | D | 1 | |
| 17 | A7PU140100 | Duct | | D | 1 | |
| 18 | A0EDM10500 | Fan motor | | C | 1 | |
| 19 | A7PU130400 | Guide | | D | 2 | |
| 20 | A7PUN10700 | Harness /Fax relay | | D | 1 | |
| 21 | A79J131601 | Mounting Plate | | D | 1 | |
| 22 | V651010025 | connector | | V | 2 | |
| 23 | A7PU139800 | Cover | | D | 2 | |
| 24 | V503010002 | Connector Cover | | D | 1 | |
| 25 | A161137900 | Screw | | C | 2 | |
| 26 | A1DMN13700 | Grounding Wire /3 | | D | 1 | |
| 27 | A3EWM90300 | Ferritecore | | D | 2 | |
| 28 | A7AHH02D02 | PWB Assembly(PWB-EMMC ASSY with TPM) | A,A1,B,C,D1,D3,E,F2 ,G1,G2,H,I,K | I | 1 | |
| | | | | | | |
| | | | | | | |
| | | | | | | |
| | | | | | | |
| | | | | | | |
| | | | | | | |
| | | | | | | |
| | | | | | | |
| | | | | | | |
| | | | | | | |
| | | | | | | |
| | | | | | | |
| | | | | | | |
| | | | | | | |
| | | | | | | |
| | | | | | | |
| | | | | | | |

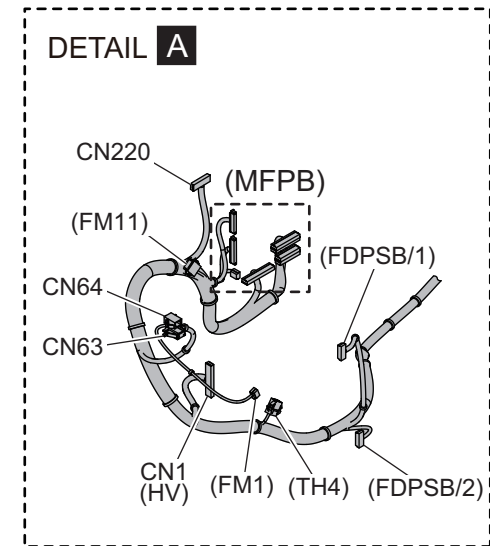
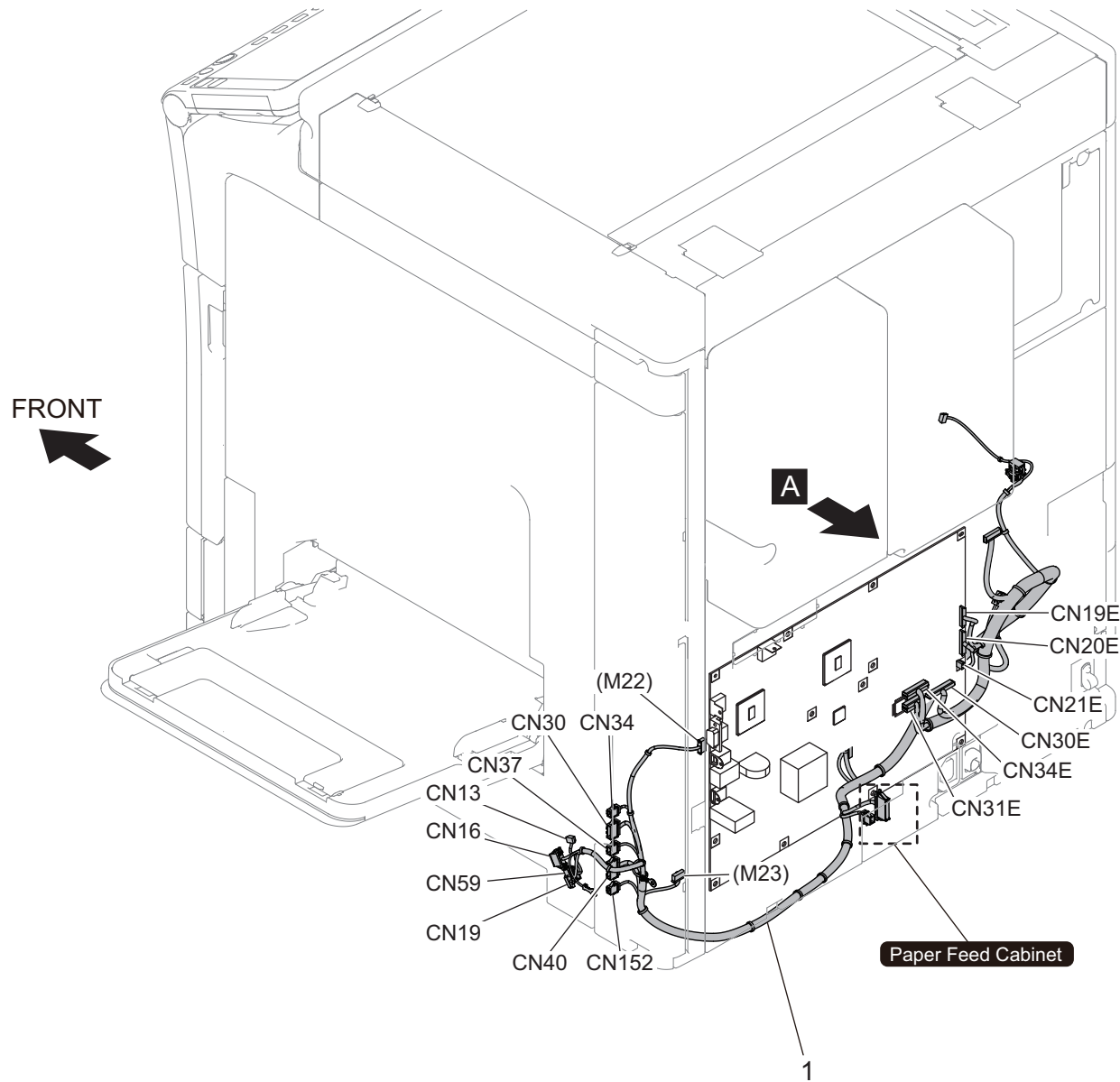


bizhub 558e

| Key | Part No. | Description | Destinations | Class | QTY | Standard parts |
|-----|------------|---------------------|--|-------|-----|----------------|
| 1 | AA6TN10000 | Main body Wiring /1 | | D | 1 | |
| 1 | AA6TN11000 | Main body Wiring /1 | A,A1 B,C,D1,D3,E,F2,G1,G 2,I,K,H,J | D | 1 | |
| | | | | | | |
| | | | | | | |
| | | | | | | |
| | | | | | | |
| | | | | | | |
| | | | | | | |
| | | | | | | |
| | | | | | | |
| | | | | | | |
| | | | | | | |
| | | | | | | |
| | | | | | | |
| | | | | | | |
| | | | | | | |
| | | | | | | |
| | | | | | | |
| | | | | | | |
| | | | | | | |
| | | | | | | |
| | | | | | | |

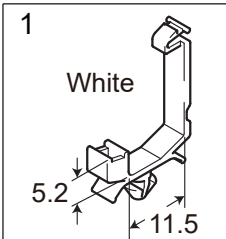
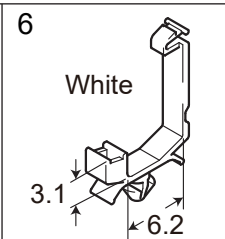
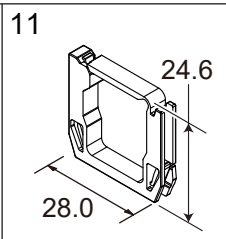
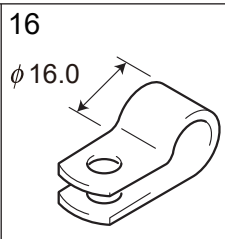
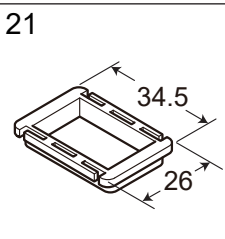
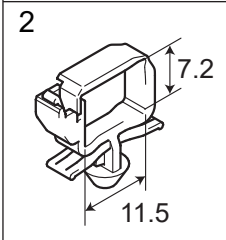
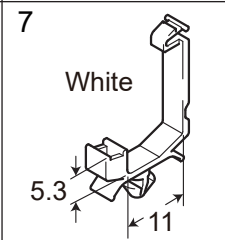
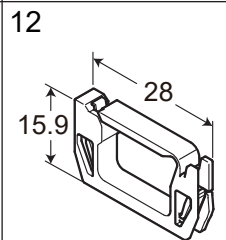
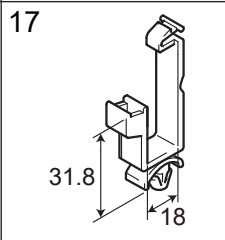
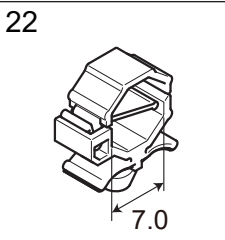
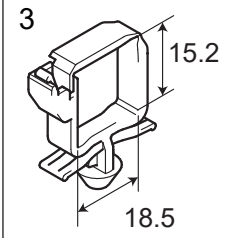
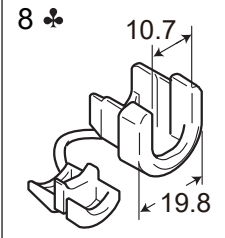
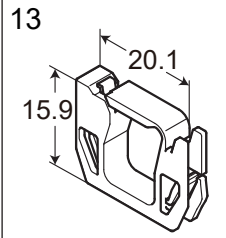
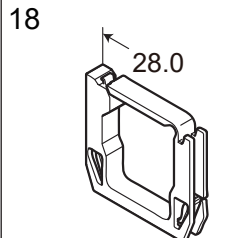
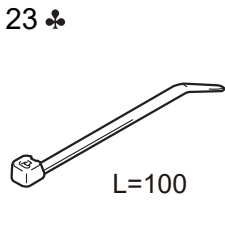
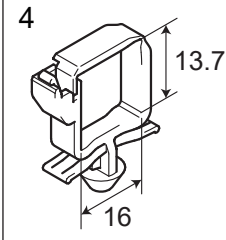
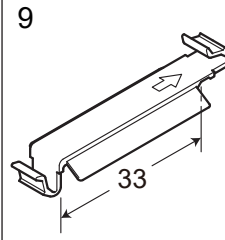
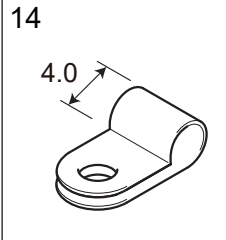
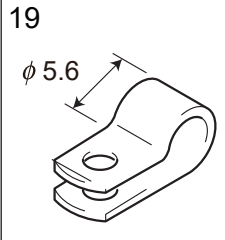
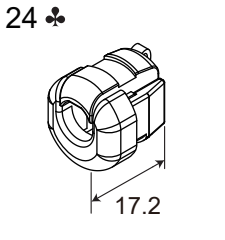
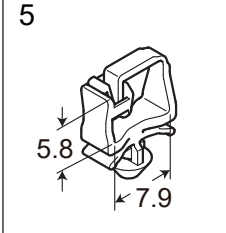
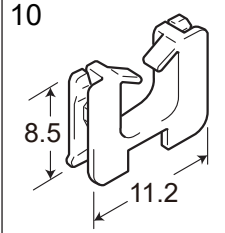
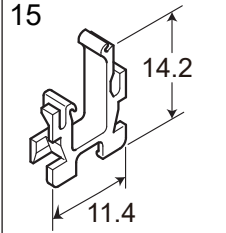
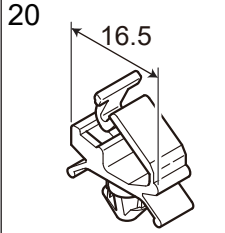


| Key | Part No. | Description | Destinations | Class | QTY | Standard parts |
|-----|------------|---------------------|--------------|-------|-----|----------------|
| 1 | A9HGN10100 | Main body Wiring /2 | | D | 1 | |
| 2 | A79JM90A00 | Ferritecore | | D | 1 | |
| | | | | | | |
| | | | | | | |
| | | | | | | |
| | | | | | | |
| | | | | | | |
| | | | | | | |
| | | | | | | |
| | | | | | | |
| | | | | | | |
| | | | | | | |



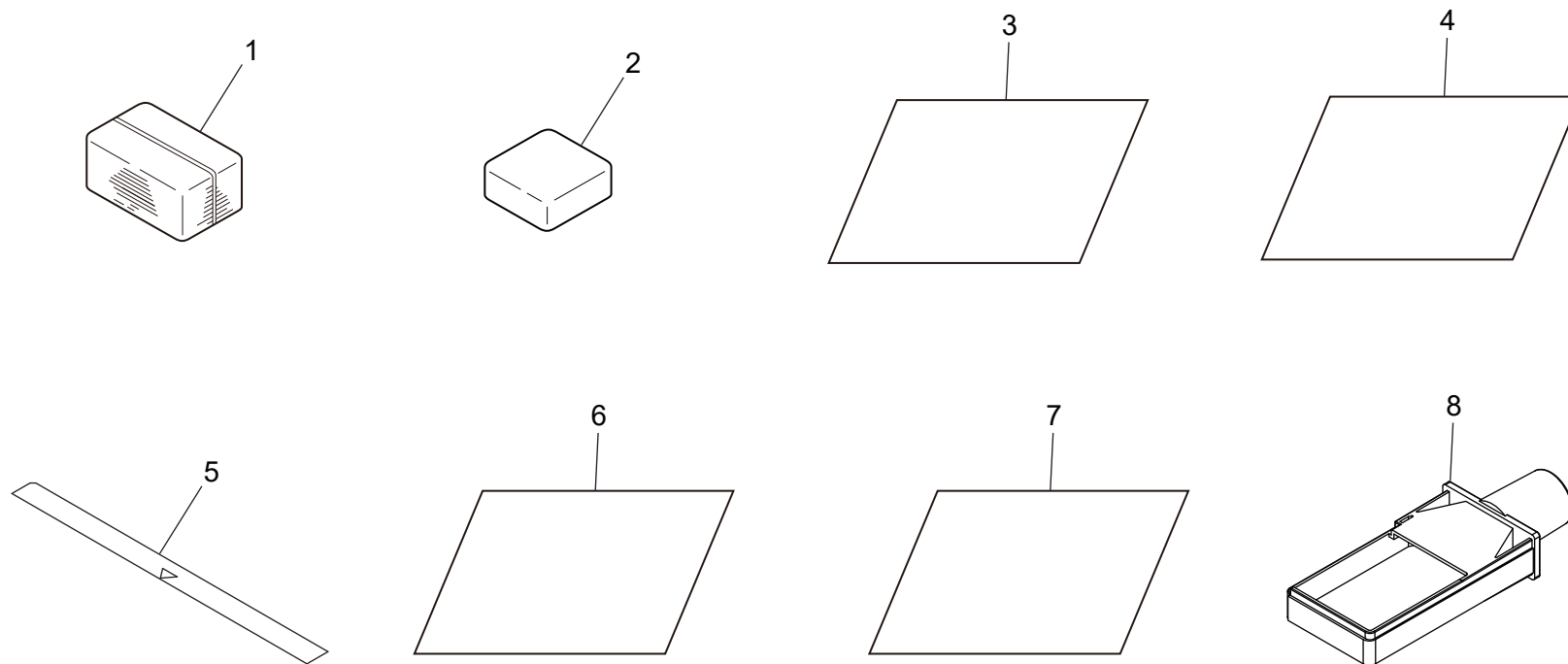
Wiring Accessories

P 68

| | | | | | | | |
|---|---|---|---|--|----|----|----|
| 1 White  | 6 White  | 11  | 16 ϕ 16.0  | 21  | 26 | 31 | 36 |
| 2  | 7 White  | 12  | 17  | 22  | 27 | 32 | 37 |
| 3  | 8 ♣  | 13  | 18  | 23 ♣ L=100  | 28 | 33 | 38 |
| 4  | 9  | 14  | 19 ϕ 5.6  | 24 ♣  | 29 | 34 | 39 |
| 5  | 10  | 15  | 20  | 25 | 30 | 35 | 40 |

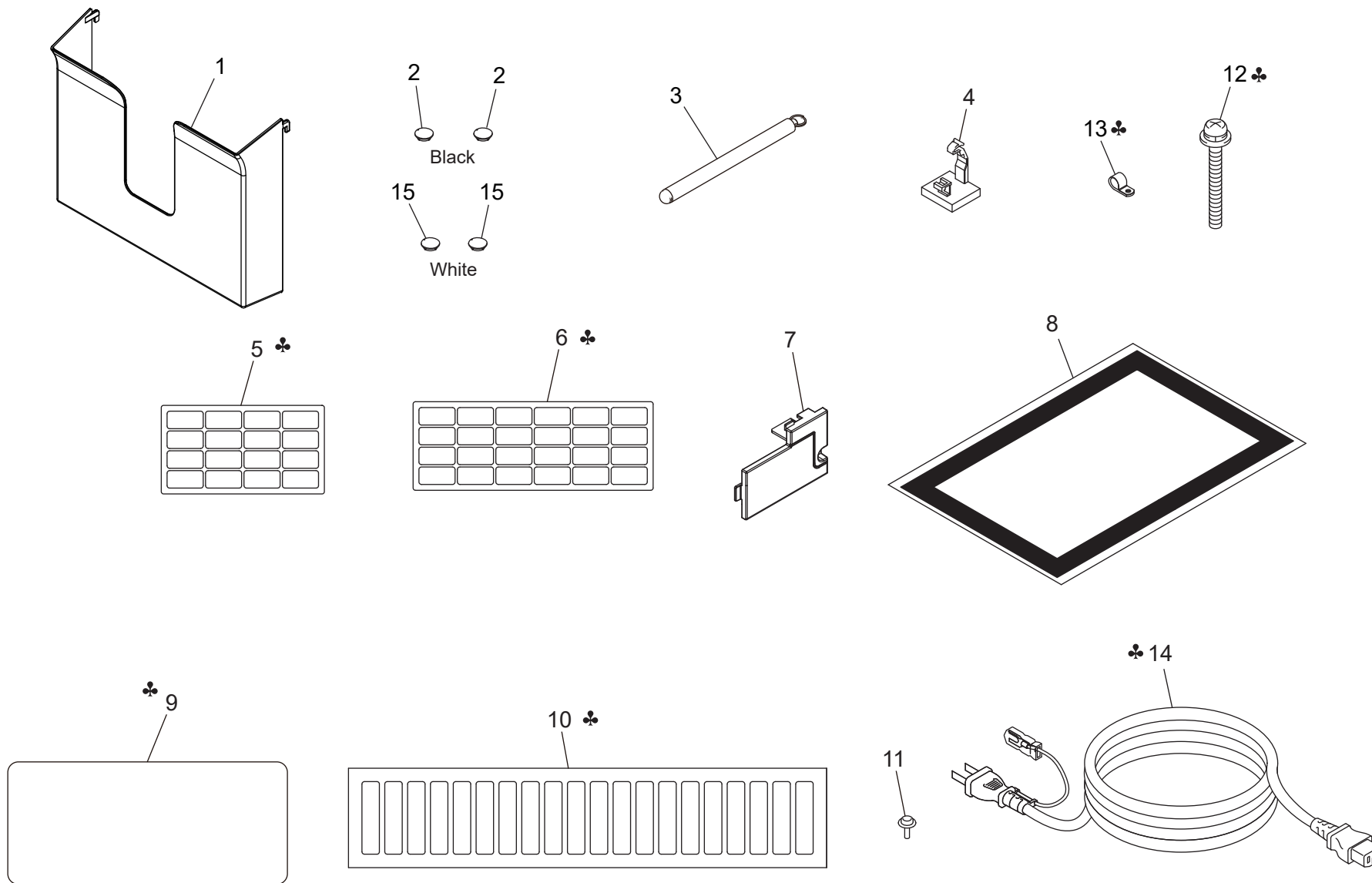
bizhub 558e

| Key | Part No. | Description | Destinations | Class | QTY | Standard parts |
|-----|------------|--------------------------|--------------|-------|-----|----------------|
| 1 | V500010081 | Locking Wire Saddle | | D | | |
| 2 | V500010082 | Locking Wire Saddle | | D | | |
| 3 | V500010083 | Locking Wire Saddle | | D | | |
| 4 | V500010084 | Locking Wire Saddle | | D | | |
| 5 | V500020098 | Mini Locking wire saddle | | D | | |
| 6 | V500020099 | Mini Locking wire saddle | | D | | |
| 7 | V500020100 | Mini Locking wire saddle | | D | | |
| 8 | V500020052 | bushing | A,A1,B,G2 | D | | |
| 9 | V500020082 | Clamping for FFC | | D | | |
| 10 | V570010021 | Saddle | | D | | |
| 11 | V570010057 | Wing Edge Saddle | | D | | |
| 12 | V570010059 | Wing Edge Saddle | | D | | |
| 13 | V570010060 | Wing Edge Saddle | | D | | |
| 14 | V500020069 | Clamp | | D | | |
| 15 | V570010050 | Locking Edge Saddle | | D | | |
| 16 | V500020080 | Nylon Clamp | | D | | |
| 17 | V500010085 | Locking Wire Saddle | | D | | |
| 18 | V570010058 | Wing Edge Saddle | | D | | |
| 19 | V500020018 | clamp | | D | | |
| 20 | V500010061 | saddle | | D | | |
| 21 | V570010038 | bushing | | D | | |
| 22 | V500020110 | FG Clamp | | D | | |
| 23 | V501010002 | band | G2(Brazil) | D | | |
| 24 | V500020073 | bushing | H | D | 1 | |
| | | | | | | |
| | | | | | | |
| | | | | | | |
| | | | | | | |
| | | | | | | |
| | | | | | | |
| | | | | | | |
| | | | | | | |
| | | | | | | |



Accessory Parts

P 70



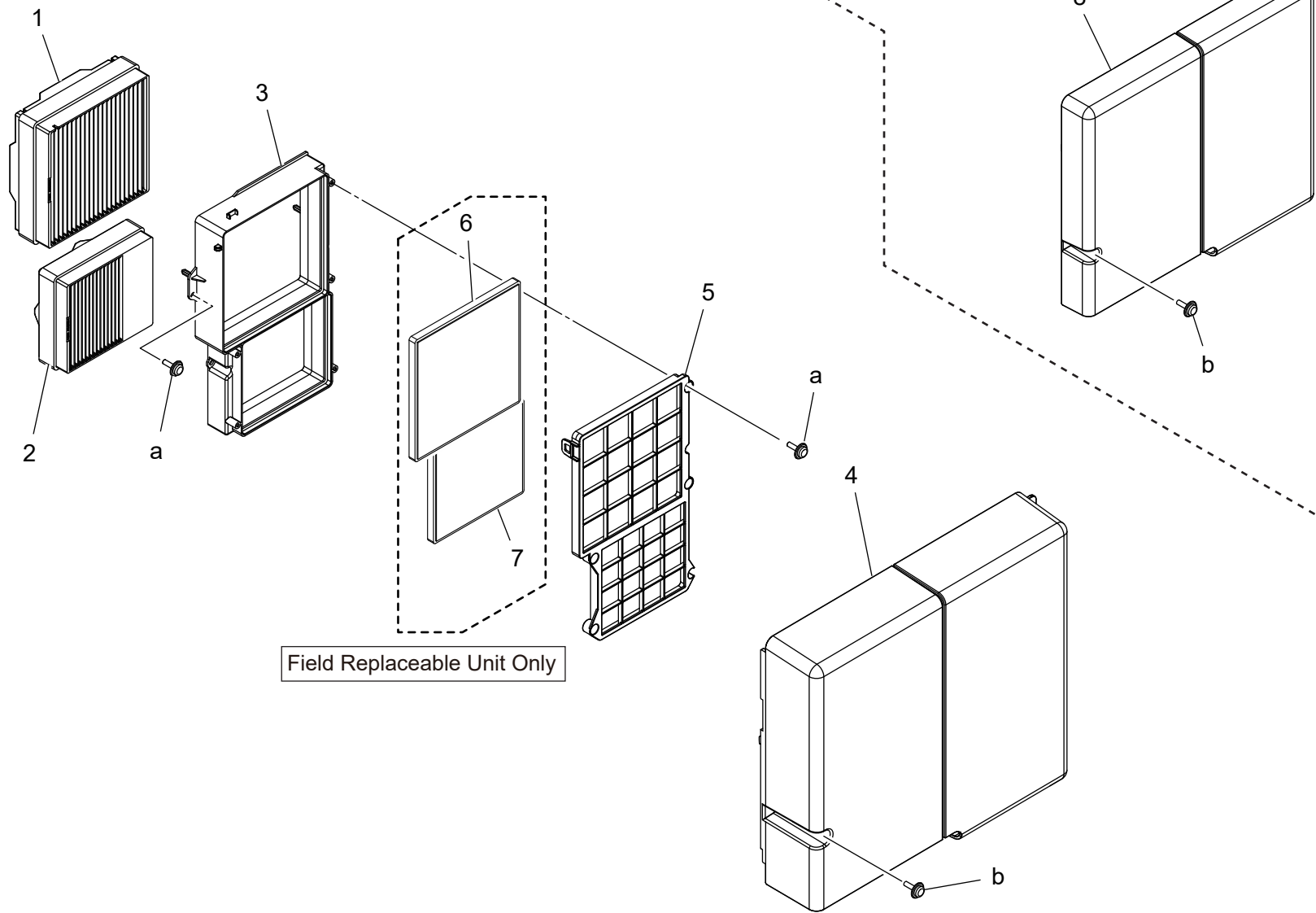
| Key | Part No. | Description | Destinations | Class | QTY | Standard parts |
|-----|------------|-------------------------|---|-------|-----|----------------|
| 1 | A7PU169900 | Holder | | C | 1 | |
| 2 | A00J169100 | Cover | | D | 2 | |
| 3 | A5C1192100 | Pen | | C | 1 | |
| 4 | A79J146700 | Holder | | D | 1 | |
| 5 | A161943400 | Label Paper Size/Inch | B,G2 | C | 1 | |
| 6 | A161943301 | Label Paper Size/Metric | A,A1,C,D1,D3,E,F2,G 1,I,K,H,J | C | 1 | |
| 7 | A7PU166101 | Cover | | C | 1 | |
| 8 | A782945003 | Adjusting Sheet | | S | 1 | |
| 9 | A1UD947400 | Label | A,A1 | C | 1 | |
| 10 | A7PU947001 | Label Panel sheet | A,A1 | C | 1 | |
| 10 | A7PU947101 | Label Panel sheet | B,D1,D3,E,F2,G1,G2, (EXCEPT SOUTH AFRI CA),K | C | 1 | |
| 10 | A7PU947302 | Label Panel sheet | H | C | 1 | |
| 10 | A7PU947201 | Label Panel sheet | J | C | 1 | |
| 11 | V116030804 | Screw | | V | 1 | |
| 12 | V116033003 | Screw | | V | 1 | |
| 13 | V500020040 | clamp | C,D1,D3,E,F2,G1,I,K J | D | 1 | |
| 14 | 4136N30000 | POWER CODE | | D | 1 | |
| 14 | 9381420021 | POWER CORD | | D | 1 | |
| 14 | A2UPN30601 | Power code (220-240V) | G2(Brazil) | D | 1 | |
| 14 | A7AHN30000 | Power code /230V | D1(India) | D | 1 | |
| 14 | A2UPN30300 | Power code (220-240V) | G1(Peru) | D | 1 | |
| 14 | A2UPN30100 | Power code (220-240V) | D1,F2,I(Saudi Arabi a, Kuwait, UAE, Bah rain, Qatar, Oman, Ymen, HongKong) | D | 1 | |
| 14 | A1UDN30200 | Power cord /230V | G1(Argentina) | C | 1 | |
| 14 | 9381430031 | POWER CORD | J | D | 1 | |
| 15 | A02E167700 | Cover | | C | 2 | |
| | | | | | | |
| | | | | | | |
| | | | | | | |
| | | | | | | |
| | | | | | | |
| | | | | | | |

Accessory Parts

Model No. [AA6T021]

Except Model No. [AA6T021]

P 71



MAINTENANCE LIST

● The items with no Page/Key numbers are not handled as spare parts.

| No. | Section | PM Parts Description | Maintenance Cycle (K=1,000) | | Parts No. | Destinations | Page/Key | Note |
|-----|---------------------------|---|-----------------------------|---------|------------|---------------------|----------|------|
| | | | QTY | Replace | | | | |
| 1 | Tray 1 | Tray 1 pick-up roller | 1 | 300k | A64J564201 | | P31-29 | *1*2 |
| 2 | | Tray 1 feed roller | 1 | 300k | A64J564101 | | P31-14 | *1*2 |
| 3 | | Tray 1 separation roller | 1 | 300k | A64J564101 | | P32-6 | *1*2 |
| 4 | Tray 2 | Tray 2 pick-up roller | 1 | 300k | A64J564201 | | P33-19 | *1*2 |
| 5 | | Tray 2 feed roller | 1 | 300k | A64J564101 | | P33-18 | *1*2 |
| 6 | | Tray 2 separation roller | 1 | 300k | A64J564101 | | P34-6 | *1*2 |
| 7 | Manual bypass tray | Manual bypass tray feed roller | 1 | 200k | A00F623201 | | P45-10 | *1*2 |
| 8 | | Manual bypass tray separation roller assy | 1 | 200k | 4658015106 | | P46-26 | *1*2 |
| 9 | Processing section | Toner cartridge/K *3 | 1 | 26k | - | | | *4 |
| 10 | | Drum unit/K *3 | 1 | 285k | - | | | *4 |
| 11 | | Developing unit/K | 1 | 600k | - | | | *4 |
| 12 | | Toner filter | 1 | 300k | A161R72811 | | P60-4 | *4 |
| 13 | | Waste toner box *3 | 1 | 300k | AAJ50Y1 | A,A1,B,G2 | P26-9 | *4 |
| 14 | | | 1 | 300k | AAJ5WY1 | C,D,E,F2,G1,I,K,H,J | P26-9 | *4 |
| 15 | Image transfer section | Transfer Belt Unit | 1 | 300k | AA6VR70111 | | P29-1 | *4 |
| 16 | | Transfer roller unit | 1 | 300k | A161R71433 | | P42-23 | *4 |
| 17 | Fusing Section | Fusing unit | 1 | 1,200k | A79JR71088 | | P52-22 | *4 |
| 18 | Dual scan document feeder | Pick-up roller | 1 | 200k | 9J07330102 | | P7-7 | *1*2 |
| 19 | | Feed roller | 1 | 200k | A00J563600 | | P7-11 | *1*2 |
| 20 | | Separation roller | 1 | 200k | 9J07340901 | | P8-4 | *1*2 |

*1: Life counter value

*2: Replace these parts at the same time.

*3: The parts can be replaced either by user or service engineer.

*4: Field standard yield

*: The part names used on this page follow the ones used in the Service Manual and they are occasionally different from those written in other pages.

メンテナンスリスト

● ページ / キーナンバーのないものは、アフターサービス部品ではありません。

| No. | 区分 | PM 部品名称 | サイクル (K=1,000) | | 部品番号 | 仕向地 | 頁 / キー | 備考 |
|-----|------------|--------------------|----------------|--------|------------|---------------------|--------|------|
| | | | 員数 | 交換 | | | | |
| 1 | トレイ 1 | トレイ 1 ビックアップローラー | 1 | 300k | A64J564201 | | P31-29 | *1*2 |
| 2 | | トレイ 1 給紙ローラー | 1 | 300k | A64J564101 | | P31-14 | *1*2 |
| 3 | | トレイ 1 分離ローラー | 1 | 300k | A64J564101 | | P32-6 | *1*2 |
| 4 | トレイ 2 | トレイ 2 ビックアップローラー | 1 | 300k | A64J564201 | | P33-19 | *1*2 |
| 5 | | トレイ 2 給紙ローラー | 1 | 300k | A64J564101 | | P33-18 | *1*2 |
| 6 | | トレイ 2 分離ローラー | 1 | 300k | A64J564101 | | P34-6 | *1*2 |
| 7 | 手差し | 手差しトレイ給紙ローラー | 1 | 200k | A00F623201 | | P45-10 | *1*2 |
| 8 | | 手差しトレイ分離ローラー Assy. | 1 | 200k | 4658015106 | | P46-26 | *1*2 |
| 9 | プロセス部 | トナーカートリッジ /K *3 | 1 | 26k | - | | | |
| 10 | | ドラムユニット /K *3 | 1 | 285k | - | | | *4 |
| 11 | | 現像ユニット /K | 1 | 600k | - | | | *4 |
| 12 | | トナーフィルター | 1 | 300k | A161R72811 | | P60-4 | *4 |
| 13 | | 廃棄トナーボックス *3 | 1 | 300k | AAJ50Y1 | A,A1,B,G2 | P26-9 | *4 |
| 14 | | | 1 | 300k | AAJ5WY1 | C,D,E,F2,G1,I,K,H,J | P26-9 | *4 |
| 15 | 転写部 | 転写ベルトユニット | 1 | 300k | AA6VR70111 | | P29-1 | *4 |
| 16 | | 転写ローラーユニット | 1 | 300k | A161R71433 | | P42-23 | *4 |
| 17 | 定着部 | 定着ユニット | 1 | 1,200k | A79JR71088 | | P52-22 | *4 |
| 18 | 両面同時原稿送り装置 | ビックアップローラー | 2 | 200k | 9J07330102 | | P7-7 | *1*2 |
| 19 | | 給紙ローラー | 1 | 200k | A00J563600 | | P7-11 | *1*2 |
| 20 | | 分離ローラー | 1 | 200k | 9J07340901 | | P8-4 | *1*2 |

*1: ライフカウンター値

*2: 同時交換のこと

*3: ユーザー / サービス交換の選択が可能

*4: 市場標準印刷枚数値

*: ここに記載されている部品名称はサービスマニュアルで使用されている部品名称であり、他のページに記載されている部品名称とは異なる場合があります。

DESTINATION

| Destination No. | | Destinations | | V | Hz | Model No. |
|-----------------|----|--|---|---------|-------|---------------------|
| A | A1 | JAPAN | | 100 | 50/60 | AA6T001 |
| | A2 | JAPAN | | | | |
| B | | USA, CANADA | | 120 | 60 | AA6T011, AA6T012 |
| C | | EUROPEAN TYPE | | 220-240 | 50/60 | AA6T021 |
| D | D1 | S.E ASIA TYPE | THAILAND, SRI LANKA, SINGAPORE, MALAYSIA, HONG KONG, PAKISTAN, INDIA, BANGLADESH, INDONESIA | 220-240 | 50/60 | AA6T041 |
| | D3 | OCEANIA TYPE | AUSTRALIA, NEW ZEALAND | 220-240 | 50/60 | AA6T041 |
| E | | PHILIPPINES | | 220-240 | 50/60 | AA6T041 |
| F | F1 | SAUDI ARABIA | | | | |
| | F2 | SAUDI ARABIA | | 220-240 | 50/60 | AA6T041 |
| G | G1 | C.S AMERICA | | 220-240 | 50/60 | AA6T041 |
| | G2 | C.S AMERICA | | 120 | 60 | AA6T011 |
| H | | TAIWAN | | 110 | 60 | AA6T071 |
| I | | JORDAN, LEBANON, SYRIA, SOUTH AFRICA, IRAQ, IRAN, N.YEMEN, CAMEROON, UAE, BAHRAIN, OMAN, QATAR, KUWAIT, KENYA, TUNISIA, IVORY COAST, MOROCCO | | 220-240 | 50/60 | AA6T021 AA6T041 |
| J | | CHINA | | 220-240 | 50/60 | AA6T081 |
| K | | KOREA | | 220-240 | 50/60 | AA6T041 |

bizhub 558e