

KONICA MINOLTA

PARTS GUIDE MANUAL

MAY 2013

*bizhub 600/bizhub 600RM/bizhub
750/bizhub 750RM
57AA*

INFORMATION FOR PARTS GUIDE MANUAL

To find correct Parts No., refer to the "HOW TO MAKE THE BEST USE OF THIS MANUAL" in the following page.

HOW TO MAKE THE BEST USE OF THIS MANUAL

- 1 When you order, please check the proper figures beforehand that are on Our Parts Guide Manual, and order with the appropriate figures.
- 2 For screws, Nuts, Washers, retaining rings and Pins which are used in this model, one letter is shown on the Standard parts column of Parts list and exploded diagrams.
- 3 In order to maintain safety of the product, some specific parts composed of this product are set up as "essential safety parts".
- 4 The assigned parts number for the "essential safety parts" is indicated as "SP00-****".
When replacing these parts, follow precautions for disassembling and installing which are listed in the Service Manual.
Do not use any parts that are not set up as
- 5 ♣ means that there are exclusive parts for each destination.
Please check the appropriate destination when you order.
- 6 Revision Mark
Marked as ▲ on the illustration shows that the revision has been made.
- 7 All rights reserved. (any reprints or quotations are prohibited.)
Use of this parts guide manual should be strictly supervised to avoid disclosure of confidential information.

パーツガイドマニュアルのご案内

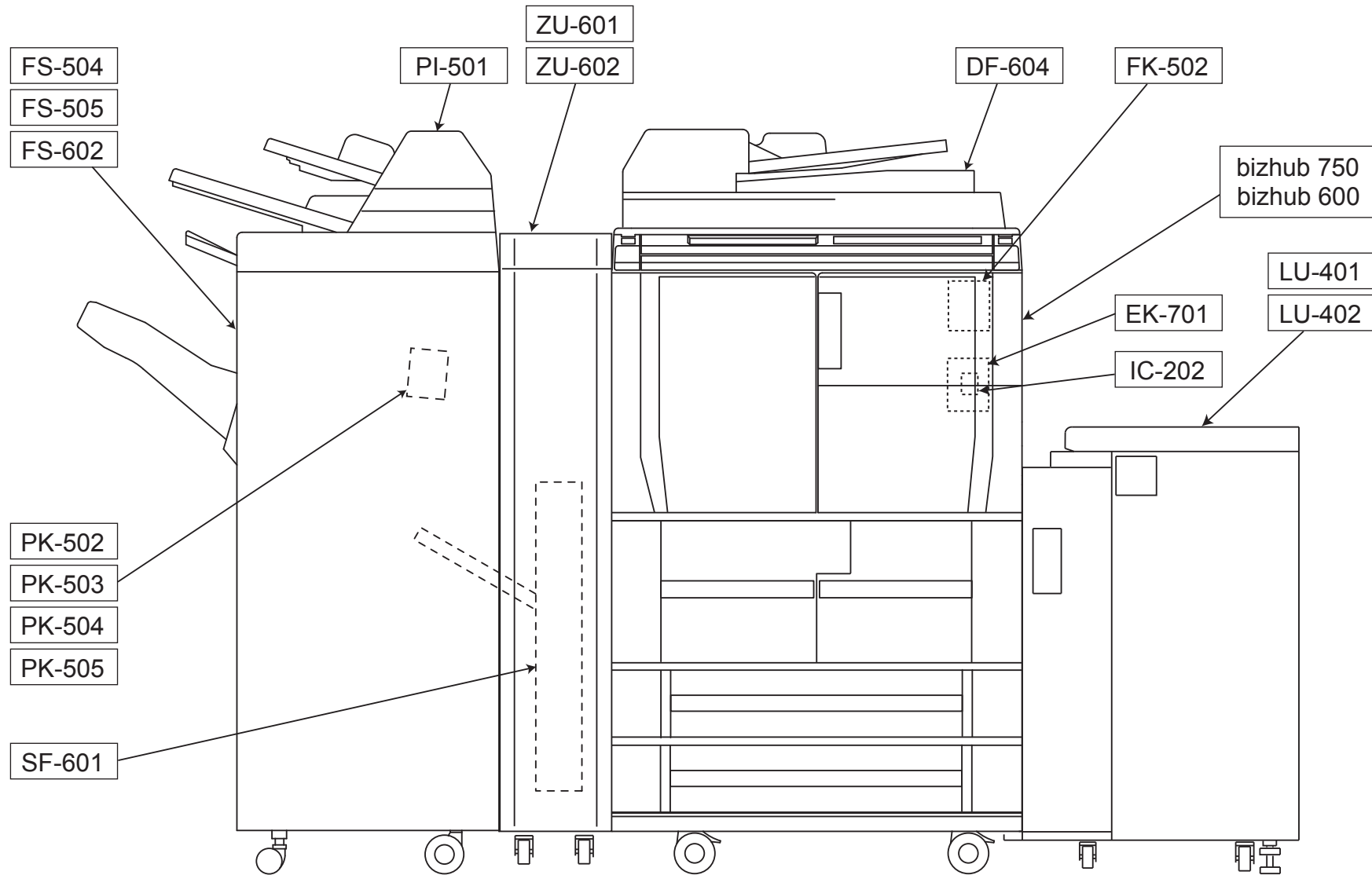
サービス部品をご発注の際には、下記に示す“パーツガイドマニュアルの活用にあたって”をご参照の上、正しい部品番号にてお願い致します。

パーツガイドマニュアルの活用にあたって

- 1 部品発注の際には、掲載されている部品番号の桁数を確認し、掲載されている桁数で発注願います。
- 2 この製品に使用されているネジ、ナット、ワッシャー、止め輪、ピンなどは、リストの右側の Standard parts 欄に a,b,c,……で表示し、イラストにも a,b,c,……表示してあります。
- 3 製品の安全性を維持する為に、製品に使用される特定の部品を「重要保安部品」として設定しています。
- 4 重要保安部品の部品番号は、“SP00-****”と記載されていますので、部品交換時は、サービスマニュアル記載の分解・組み立ての注意事項に従って作業をして下さい。
また、指定以外の部品は一切使用しないで下さい。
- 5 本文に ♣ が表示されている部品は、仕向け地毎に専用部品がある事を意味しています。
オーダーされる時は、仕向け地を確認して下さい。
- 6 改訂記号について
イラスト上に ▲ 印が表示されている部分は、改訂された事を表します。
- 7 著作権所有（無断転載及び無断引用の禁止）
本パーツガイドマニュアルについては、機密保持等その扱いには十分注意して下さい。万一取り扱いを誤った場合には、法律で処罰されることがあります。

07/14/2005

SYSTEM OUTLINE



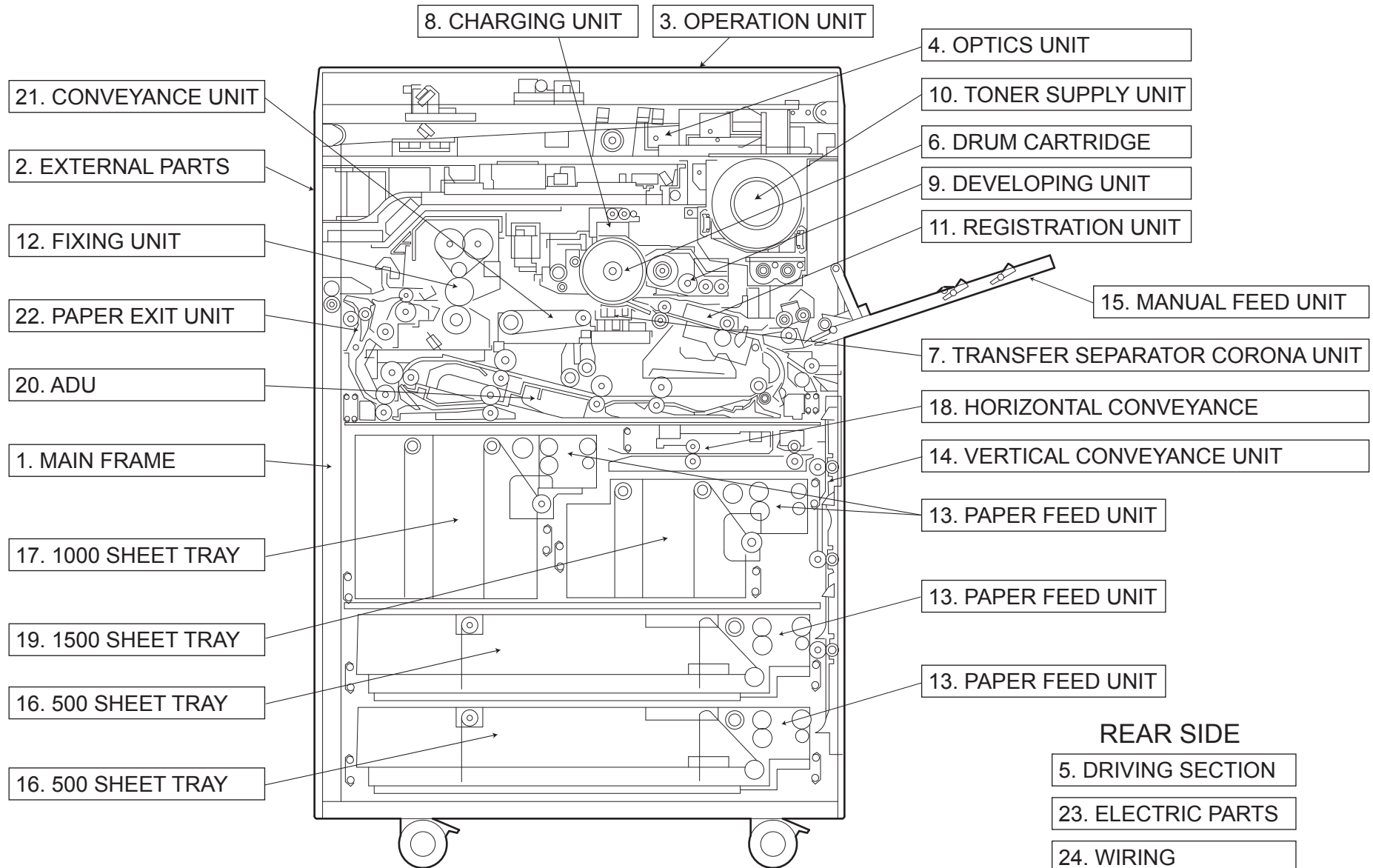
bizhub 600/bizhub 600RM/bizhub 750/bizhub 750RM

GENERAL CONTENTS

No.	Description	Model
1	DIGITAL MFP B/W	bizhub 600/bizhub 600RM/bizhub 750/bizhub 750RM
2	DOCUMENT FEEDER	DF-604
3	SORTER/FINISHER	FS-504
4	SORTER/FINISHER	FS-505
5	SORTER/FINISHER	FS-602
6	PAPER FEEDER	LU-401
7	PAPER FEEDER	LU-402
8	OTHER OPTION	PI-501
9	PUNCH UNIT	PK-502
10	PUNCH UNIT	PK-503
11	PUNCH UNIT	PK-504
12	PUNCH UNIT	PK-505
13	OTHER OPTION	ZU-601
14	OTHER OPTION	ZU-602
15	SORTER/FINISHER	SF-601
16	FAX CONTROLLER	FK-502
17	OTHER OPTION	EK-701
18	PRINT CONTROLLER	IC-202

bizhub 600/bizhub 600RM/bizhub 750/bizhub 750RM

DIAGRAMS OF MAIN PARTS SECTION



bizhub 600/bizhub 600RM/bizhub 750/bizhub 750RM

CONTENTS

No.	DESCRIPTION	名称	PAGE No.
1	MAIN FRAME	骨格	P1
2	EXTERNAL PARTS	外装	P2 P3 P4
3	OPERATION UNIT	操作部	P5 P6
4	OPTICS UNIT	光学部	P7 P8 P9 P10 P11
5	DRIVING SECTION	駆動部	P12 P13 P14 P15
6	DRUM CARTRIDGE	ドラムカートリッジ	P16 P17 P18 P19
7	TRANSFER SEPARATOR CORONA UNIT	転写分離極	P20
8	CHARGING UNIT	帯電極	P21
9	DEVELOPING UNIT	現像ユニット	P22
10	TONER SUPPLY UNIT	トナー補給部	P23 P24 P25
11	REGISTRATION UNIT	レジストユニット	P26
12	FIXING UNIT	定着部	P27 P28 P29 P30 P31 P32 P33 P34 P35 P36 P37 P38 P39
13	PAPER FEED UNIT	給紙部	P40 P41 P42
14	VERTICAL CONVEYANCE UNIT	垂直搬送ユニット	P43 P44
15	MANUAL FEED UNIT	手差しユニット	P45 P46 P47
16	500 SHEET TRAY	500 枚トレイ	P48 P49
17	1000 SHEET TRAY	1000 枚トレイ	P50 P51
18	HORIZONTAL CONVEYANCE	水平搬送	P52
19	1500 SHEET TRAY	1500 枚トレイ	P53 P54
20	ADU	ADU	P55 P56 P57 P58 P59 P60 P61 P62
21	CONVEYANCE UNIT	搬送部	P63 P64
22	PAPER EXIT UNIT	排紙部	P65
23	ELECTRIC PARTS	電装	P66 P67 P68
24	WIRING	束線	P69 P70 P71 P72 P73 P74 P75 P76 P77 P78 P79
25	WIRING ACCESSORY AND JIGS	配線部品 治具	P80 P81
26	ACCESSORY PARTS	同梱部品	P82

bizhub 600/bizhub 600RM/bizhub 750/bizhub 750RM

INDEX

Parts No.	Page No.	Parts No.	Page No.	Parts No.	Page No.	Parts No.	Page No.	Parts No.	Page No.
000V-18-1	81-19	00Z921324	80-32	08AA85512	40-15	13QA40610	58-35	25SA61710	7-12
000V-18-2	81-19	00Z921370	80-33	08AA85512	41-18	13QEJG010	81-31	25SA61861	8-7
000V10010	81-20	00Z921916	80-34	08AA85512	43-8	14GA46970	82-7	25SA61881	8-5
000V10020	81-21	00Z921930	80-35	08AA85512	45-21	14GE45470	26-27	25SA62070	9-11
000V10030	81-22	00Z921931	80-36	08AA85512	46-18	14GE45470	57-1	25SA62080	9-10
000V10040	81-23	00Z921941	80-37	08AA85512	47-20	14GE45470	65-9	25SA62160	10-4
000V10050	81-24	00Z921942	80-38	08AA85512	48-16	15AA80050	12-14	25SA77170	16-18
00M6-2-00	81-26	00Z921990	81-1	08AA85512	49-19	25AA40100	40-19	25SA77180	16-13
00VC-2-00	81-27	00Z922310	81-2	08AA85512	51-6	25AA47500	61-10	26MA74060	38-20
00VD-1000	81-28	00Z922320	81-3	08AA85512	52-1	25AA49520	45-27	26NA40820	44-4
00Z920013	80-1	00Z922410	81-4	08AA85512	54-6	25AA50080	59-27	26NA40820	57-8
00Z920016	80-2	00Z922450	81-5	08AA85512	55-7	25AA75530	26-3	26NA40820	58-1
00Z920017	80-3	00Z922470	81-6	08AA85512	56-9	25AA75530	52-9	26NA42061	42-10
00Z920020	80-5	00Z924512	81-7	08AA85512	57-16	25AA77360	45-14	26NA42560	42-16
00Z920021	80-6	00Z925103	81-8	08AA85512	59-14	25AA77730	45-11	26NA42560	43-5
00Z920022	80-7	00Z925106	81-9	08AA85512	60-7	25BA77191	37-4	26NA42560	52-10
00Z920025	80-8	00Z925110	81-10	08AA85512	64-13	25BA77262	15-12	26NA42560	60-3
00Z920026	80-9	00Z926257	81-11	08AA85512	65-7	25HA15210	16-28	26NA42560	65-18
00Z920051	80-10	00Z926258	81-12	090020410	1-4	25HE97070	67-13	26NA45440	27-11
00Z920054	80-11	00Z926259	81-13	120A10521	81-29	25SA-6201	7-10	26NA45440	49-20
00Z920057	80-12	00Z930002	81-14	129X48350	56-14	25SA10200	1-2	26NA45440	51-2
00Z920062	80-13	048644480	65-1	129X48360	55-8	25SA10431	1-8	26NA45440	54-2
00Z920066	80-14	059076510	40-2	129XJG011	81-30	25SA15270	13-20	26NA54030	33-3
00Z920067	80-15	07AA75090	28-17	12AA77080	24-22	25SA15280	13-19	26NA54030	35-13
00Z920068	80-16	07AA75090	34-20	12AJ77031	14-5	25SA15390	13-14	26NA54190	27-1
00Z920074	80-17	07BA12352	47-21	12AJ77031	15-5	25SA20280	17-4	26NA73570	66-8
00Z920091	80-18	07BA54721	19-16	12QV40650	12-6	25SA20640	16-8	26NA73732	4-26
00Z920094	80-19	08AA76010	16-17	12QV40650	13-9	25SA20670	16-24	26NA82513	19-15
00Z920096	80-20	08AA76010	26-15	12QV40650	34-22	25SA25180	21-9	26NAR70100	67-3
00Z920105	80-21	08AA76010	40-7	12QV40650	45-28	25SA40960	40-10	26NG88611	67-1
00Z920106	80-22	08AA76010	42-3	12QV40650	52-19	25SA40960	42-6	26NR88612	67-1
00Z920110	80-23	08AA76010	45-2	12QV40650	58-30	25SA53691	27-9	27LA80012E	62-9
00Z920123	80-24	08AA76010	50-8	12QV40660	12-33	25SA61420	9-8	27LA80032E	14-24
00Z920125	80-25	08AA76010	53-8	12QV40660	42-9	25SA61420	10-5	27LA80032E	15-24
00Z921102	80-26	08AA76010	57-4	12QV40660	57-10	25SA61460	9-13	27LA80511	65-8
00Z921103	80-27	08AA76010	58-12	12QV40660	58-11	25SA61470	9-3	27LA87520	5-2
00Z921104	80-28	08AA85512	1-47	13FQ82510	4-39	25SA61540	10-8	27LA88031	67-15
00Z921303	80-29	08AA85512	4-6	13GQ45511	46-15	25SA61550	10-6	27LAR90100	6-9
00Z921321	80-30	08AA85512	7-5	13NT80511	67-8	25SA61650	7-18	323584531	67-14
00Z921323	80-31	08AA85512	26-30	13QA10170	7-25	25SA61700	7-14	392015650	16-2

bizhub 600/bizhub 600RM/bizhub 750/bizhub 750RM

Parts No.	Page No.	Parts No.	Page No.	Parts No.	Page No.	Parts No.	Page No.	Parts No.	Page No.
396040681	45-1	540076050	62-2	55VA42120	12-2	56AA-2100	19-26	56AA12140	4-1
396040681	46-4	540076050	63-9	55VA42120	14-3	56AA-2271	18-12	56AA12150	4-4
396077240	45-25	540076060	29-3	55VA42120	15-3	56AA-3281	25-24	56AA12160	4-3
40AA30270	65-26	540076060	36-8	55VA42120	41-24	56AA-3322	25-22	56AA12170	4-20
40AA32290	26-14	540077052	47-15	55VA46890	26-1	56AA-3330	24-29	56AA12180	4-19
40AA85011	4-7	544077201	36-34	55VA47920	51-10	56AA-3821	64-15	56AA12270	3-7
40AA88031	24-18	552012250	65-21	55VA47920	54-8	56AA-4151	49-29	56AA12340	2-21
4470402401	52-49	55FA12101	4-17	55VA61931	8-19	56AA-4151	50-21	56AA12481	4-41
454053391	36-16	55FA40320	40-18	55VA62020	7-8	56AA-4151	53-21	56AA12620	2-7
454075040	36-19	55FA42330	45-12	55VA75540	41-26	56AA-4161	48-32	56AA12751	48-38
45AA20400	19-11	55FA61130	10-2	55VA76700	7-20	56AA-4451	43-24	56AA12761	48-36
45AA20400	20-15	55FA61140	10-3	55VA76710	7-23	56AA-4471	43-23	56AA15082	15-28
45AA20400	21-4	55FA80521	68-5	55VA77120	12-11	56AA-4501	43-19	56AA15101	12-47
462076010	61-5	55GA53652	28-26	55VA77130	12-9	56AA-4632	45-33	56AA15131	14-34
466076020	24-15	55GA53652	30-14	55VA77420	64-4	56AA-4721	45-31	56AA15131	15-34
466076020	25-16	55GA53652	36-28	55VA77430	64-3	56AA-4771	47-24	56AA15152	14-33
466076020	28-19	55GA75510	58-14	55VA77440	64-2	56AA-4790	45-20	56AA15152	15-33
466076020	35-7	55GA75520	58-16	55VA77740	46-12	56AA-5011	65-45	56AA15190D	15-35
466076020	46-13	55GA76550	20-9	55VA78110	7-1	56AA-5490	39-20	56AA15271D	12-45
466077130	47-5	55GA77680	24-8	55VA79030	42-8	56AA-5640	35-19	56AA15281	14-36
466077220	45-26	55GA86010	4-43	55VA79030	46-14	56AA-5651	35-22	56AA15281	15-36
466078030	22-6	55TA61110	9-1	55VA79150	48-13	56AA-5681	38-27	56AA15321	14-27
500075010	7-19	55TA61120	9-6	55VA80122	7-9	56AA-6261	10-12	56AA15321	15-27
540015162	12-27	55TA61130	9-5	55VA85521	27-3	56AA-6271	10-13	56AA15411	14-18
540030170	22-5	55TA61151	8-18	55VA85521	39-1	56AA-6421	7-26	56AA15411	15-18
540040562	45-5	55TA61161	8-24	55VA87543	5-3	56AA-9102E	19-14	56AA15460	14-2
540040562	46-26	55TA61320	8-1	55WA10300	1-9	56AA10031D	1-40	56AA15460	15-2
540047200	51-8	55TA61341	10-9	55WA10310	1-14	56AA10061	1-41	56AA15471	14-22
540047200	54-9	55TA84561	67-14	55WA30010	16-16	56AA10081	1-7	56AA15471	15-22
540053460	29-11	55VA15470	12-7	55WA30010	22-2	56AA10280	1-39	56AA15490	14-6
540053460	36-2	55VA15541	12-31	55WA61150	9-12	56AA10300	1-36	56AA15490	15-6
540053510	29-23	55VA15541	52-21	56AA-0190	59-37	56AA10300	23-6	56AA15521	14-23
540053510	36-5	55VA15541	58-24	56AA-0371	62-23	56AA10300	49-17	56AA15521	15-23
540053540	36-24	55VA20680	19-1	56AA-0400	61-9	56AA10480	66-5	56AA15590	12-21
540076050	12-5	55VA40610	49-3	56AA-1121	55-22	56AA10550	1-6	56AA15590	13-15
540076050	13-4	55VA40610	50-10	56AA-1421	3-20	56AA10560	1-3	56AA17011	13-2
540076050	14-4	55VA40610	53-10	56AA-1431	3-21	56AA10600	1-19	56AA17011	14-14
540076050	15-4	55VA40930	49-1	56AA-1462	1-42	56AA10610	1-27	56AA17011	15-14
540076050	45-17	55VA40930	50-13	56AA-1660	14-31	56AA12120	4-2	56AA17030	16-21
540076050	58-31	55VA40930	53-13	56AA-1660	15-31	56AA12130	4-44	56AA17040	20-27

bizhub 600/bizhub 600RM/bizhub 750/bizhub 750RM

Parts No.	Page No.	Parts No.	Page No.	Parts No.	Page No.	Parts No.	Page No.	Parts No.	Page No.
56AA17060	48-21	56AA17471	22-4	56AA17900	30-2	56AA25030	21-21	56AA32390	25-10
56AA17071	63-14	56AA17471	24-26	56AA17900	35-3	56AA25090	21-19	56AA32400	25-3
56AA17071	64-6	56AA17471	26-22	56AA20030	19-6	56AA25141	21-23	56AA32410	25-9
56AA17080	1-20	56AA17471	59-23	56AA20040	18-13	56AA25150	21-8	56AA32420	25-1
56AA17090	52-20	56AA17471	63-18	56AA20090	16-31	56AA25170	21-18	56AA32432	23-7
56AA17090	58-29	56AA17480	12-4	56AA20170	18-4	56AA25230	21-11	56AA32440	23-11
56AA17100	19-12	56AA17480	14-9	56AA20400	18-1	56AA25301	21-2	56AA32450	23-10
56AA17110	30-1	56AA17480	15-9	56AA20430	19-13	56AA25330	21-16	56AA32462	23-17
56AA17110	35-14	56AA17480	41-20	56AA20441	19-9	56AA25340	21-17	56AA32521	23-16
56AA17121	41-4	56AA17480	44-2	56AA20450D	19-25	56AA25380	21-5	56AA32560	24-7
56AA17130	30-4	56AA17480	52-24	56AA20460	19-10	56AA25400	21-6	56AA32591	24-5
56AA17130	35-16	56AA17480	58-23	56AA20510	16-19	56AA25450	21-10	56AA32610	23-2
56AA17140	20-12	56AA17500	25-12	56AA20520	16-12	56AA26040	20-11	56AA32620	23-3
56AA17160	21-20	56AA17510	40-12	56AA20560	16-23	56AA26050	20-22	56AA32630	23-9
56AA17300	43-9	56AA17520	16-11	56AA20590D	16-29	56AA26082	20-6	56AA32640	23-8
56AA17310	20-23	56AA17520	24-10	56AA20700	19-4	56AA26090	20-13	56AA32650	24-12
56AA17310	42-13	56AA17531	14-16	56AA20750	18-6	56AA26120	20-25	56AA32660	24-11
56AA17310	46-17	56AA17531	15-16	56AA20750	19-5	56AA26172	20-19	56AA32670	25-7
56AA17310	49-11	56AA17531	18-8	56AA20760	16-9	56AA26180	20-18	56AA32680	25-5
56AA17310	50-7	56AA17531	29-4	56AA20770	17-19	56AA26192	20-16	56AA32700	24-3
56AA17310	53-7	56AA17531	36-9	56AA20810	16-22	56AA26250	20-10	56AA32710	23-12
56AA17321	12-13	56AA17551	29-21	56AA20870	13-11	56AA26280	20-14	56AA32720	25-14
56AA17321	24-9	56AA17551	37-7	56AA20910	46-30	56AA26310	20-26	56AA32730	24-27
56AA17321	32-4	56AA17551	44-7	56AA20960	19-7	56AA26310	32-11	56AA32740	24-23
56AA17321	38-4	56AA17551	57-13	56AA20980	19-2	56AA30150	22-22	56AA32751	23-13
56AA17321	46-16	56AA17551	58-22	56AA21061	16-25	56AA30420	22-15	56AA32761	23-14
56AA17321	65-15	56AA17551	59-1	56AA21071	16-14	56AA32011	25-6	56AA32770	24-32
56AA17330	1-22	56AA17551	61-14	56AA21080	19-17	56AA32020	25-4	56AA40010	41-11
56AA17350	61-26	56AA17580	20-3	56AA21120	17-15	56AA32030	24-1	56AA40032E	41-10
56AA17361	59-25	56AA17590	19-24	56AA21130	17-13	56AA32060	24-28	56AA40070	40-8
56AA17390	17-14	56AA17620	1-13	56AA21150	17-7	56AA32090	24-6	56AA40100G	41-2
56AA17390	20-24	56AA17630	1-12	56AA21160	17-3	56AA32130	24-24	56AA40120	41-1
56AA17410	17-1	56AA17640	1-11	56AA21190	19-18	56AA32140	24-16	56AA40171	41-16
56AA17420	19-8	56AA17700	64-5	56AA21200	19-19	56AA32151	25-2	56AA40190	41-17
56AA17461	27-13	56AA17760	40-1	56AA21210	19-20	56AA32160	25-8	56AA40210	41-12
56AA17461	47-14	56AA17760	41-21	56AA21220	19-21	56AA32260D	25-23	56AA40230	41-19
56AA17461	61-25	56AA17760	42-18	56AA21230	19-22	56AA32270	25-11	56AA40281	40-21
56AA17461	63-4	56AA17821	26-12	56AA21240	19-23	56AA32280	24-34	56AA40290	40-13
56AA17471	14-10	56AA17830	20-21	56AA21250	18-10	56AA32312	24-31	56AA40300	40-11
56AA17471	15-10	56AA17840	20-29	56AA21260	19-3	56AA32351	24-4	56AA40310	41-15

bizhub 600/bizhub 600RM/bizhub 750/bizhub 750RM

Parts No.	Page No.	Parts No.	Page No.	Parts No.	Page No.	Parts No.	Page No.	Parts No.	Page No.
56AA40330	42-21	56AA41440	49-8	56AA42100D	46-29	56AA42640	46-23	56AA45460	63-27
56AA40341	40-20	56AA41450	49-13	56AA42111	47-12	56AA42652	45-34	56AA45470	63-19
56AA40370	41-13	56AA41460	48-5	56AA42120	45-30	56AA42661D	46-33	56AA45480	63-20
56AA40380	41-6	56AA41471	49-33	56AA42160	45-9	56AA42680D	46-34	56AA45490	63-26
56AA40390	41-3	56AA41481	49-34	56AA42170	45-18	56AA42701	46-19	56AA45510	63-25
56AA40430	42-22	56AA41491	48-11	56AA42241	46-7	56AA44071	43-18	56AA46100	26-2
56AA40440	42-23	56AA41560	1-16	56AA42260	47-11	56AA44082	44-1	56AA46110	26-13
56AA40450	12-1	56AA41572	49-28	56AA42340	47-4	56AA44101	43-20	56AA46160	26-31
56AA40450	41-9	56AA41600	48-19	56AA42350	47-13	56AA44150	43-2	56AA46202	26-25
56AA40460	40-17	56AA41610	48-10	56AA42360D	47-27	56AA44200	43-4	56AA46401	26-17
56AA40481	42-2	56AA41610	50-4	56AA42360D	48-29	56AA44210D	43-21	56AA46450	26-4
56AA40490	40-5	56AA41610	53-4	56AA42370	47-19	56AA44231	44-3	56AA46500D	26-40
56AA40490	42-5	56AA41621	48-37	56AA42370	48-18	56AA44240	44-6	56AA46852	26-21
56AA40510	41-8	56AA41640	49-15	56AA42380	47-17	56AA44250	43-14	56AA46881	26-38
56AA40520	40-16	56AA41650	49-16	56AA42391	47-23	56AA44260	43-16	56AA46930	26-26
56AA41022D	48-28	56AA41650	51-7	56AA42420	47-6	56AA44321	44-17	56AA48012	65-49
56AA41051	48-34	56AA41650	54-7	56AA42430	45-4	56AA44421	44-16	56AA48032	65-14
56AA41061	48-30	56AA41660	48-17	56AA42440	46-5	56AA44430	43-7	56AA48041	65-16
56AA41082	49-32	56AA41671	49-9	56AA42450	46-2	56AA44430	52-25	56AA48051	65-50
56AA41091	48-41	56AA41680	48-20	56AA42450	56-7	56AA44440	65-43	56AA48091	65-13
56AA41110	49-6	56AA41690	49-12	56AA42450	57-18	56AA44451	43-26	56AA48100	65-11
56AA41120	49-5	56AA41690	51-3	56AA42450	59-10	56AA45053	63-30	56AA48110	65-30
56AA41160	48-14	56AA41690	54-3	56AA42450	65-4	56AA45082	63-17	56AA48130	65-51
56AA41160	50-2	56AA41711	1-37	56AA42460	46-24	56AA45090	63-7	56AA48140	65-23
56AA41160	53-2	56AA41711	49-27	56AA42500	46-21	56AA45101	63-28	56AA48150	65-34
56AA41190	48-7	56AA41711	52-28	56AA42510	45-19	56AA45112D	63-29	56AA48182	65-52
56AA41200	48-6	56AA41741	1-38	56AA42522	46-25	56AA45170	63-13	56AA48190	65-35
56AA41211	48-35	56AA41741	49-24	56AA42530	46-10	56AA45181	63-32	56AA48200	65-36
56AA41220D	48-31	56AA41741	52-22	56AA42541	46-11	56AA45191	63-31	56AA48220	65-20
56AA41230	48-22	56AA41760	1-32	56AA42550	57-17	56AA45210	64-7	56AA48250	65-38
56AA41290D	48-40	56AA41760	49-25	56AA42550	59-5	56AA45222	63-34	56AA48260	65-37
56AA41330	48-15	56AA41760	52-5	56AA42550	65-3	56AA45300	64-10	56AA50130	61-20
56AA41340	48-8	56AA42011	45-32	56AA42570	57-20	56AA45320	63-6	56AA50140	56-11
56AA41351E	48-3	56AA42031	45-3	56AA42570	59-17	56AA45330	63-15	56AA50160	56-3
56AA41371	49-30	56AA42040	46-8	56AA42570	65-5	56AA45400	63-23	56AA50191	56-29
56AA41380	49-14	56AA42050	46-9	56AA42580	46-27	56AA45410	63-24	56AA50201	55-25
56AA41390	49-23	56AA42061	46-6	56AA42590	46-22	56AA45420D	63-36	56AA50210	55-9
56AA41390	50-15	56AA42070	45-29	56AA42600D	46-31	56AA45430D	63-33	56AA50240	56-13
56AA41390	53-15	56AA42080	47-26	56AA42610	47-10	56AA45440	63-22	56AA50250	61-19
56AA41431	49-31	56AA42090D	46-32	56AA42621	47-25	56AA45450D	63-37	56AA50311E	56-22

Parts No.	Page No.	Parts No.	Page No.	Parts No.	Page No.	Parts No.	Page No.	Parts No.	Page No.
56AA50331	56-25	56AA51072	59-22	56AA52380	59-32	56AA53621E	39-8	56AA54220	39-17
56AA50341	56-27	56AA51081	60-1	56AA52390D	59-36	56AA53630	36-20	56AA54240	33-10
56AA50351	56-26	56AA51102	59-21	56AA52400	4-23	56AA53650	36-12	56AA54250D	38-26
56AA50362E	56-24	56AA51110	58-20	56AA52420	59-9	56AA53650	39-14	56AA54270	32-10
56AA50381	56-10	56AA51191	61-28	56AA52431	59-24	56AA53660	36-25	56AA54270	38-15
56AA50400	60-20	56AA51200D	56-23	56AA52440	60-6	56AA53710	34-7	56AA54292	37-12
56AA50410	55-15	56AA51210	60-25	56AA52451	59-26	56AA53721	34-17	56AA54301	39-9
56AA50420	55-17	56AA51220D	60-24	56AA52460	59-4	56AA53733	28-4	56AA54340	38-5
56AA50430	60-16	56AA51230D	60-26	56AA52470	59-28	56AA53733	35-4	56AA54350	29-6
56AA50440	60-17	56AA51250D	60-27	56AA52470	60-5	56AA53741	28-1	56AA54350	36-27
56AA50450	59-31	56AA51301	57-19	56AA52480	59-19	56AA53741	35-9	56AA54360	38-17
56AA50480	60-19	56AA51311	57-23	56AA52490	59-29	56AA53751	28-5	56AA54370	38-3
56AA50490	61-4	56AA51380	61-3	56AA52780	59-20	56AA53751	35-11	56AA54380	38-7
56AA50510	55-12	56AA51390	55-6	56AA53032	38-13	56AA53780	34-5	56AA54391	38-23
56AA50520	55-2	56AA51430	55-3	56AA53052	36-13	56AA53802	35-10	56AA54401	38-24
56AA50530	55-4	56AA51451	56-5	56AA53071	34-6	56AA53820	28-22	56AA54410	34-1
56AA50541	55-21	56AA51460	60-8	56AA53121	38-8	56AA53820	35-8	56AA54420	34-2
56AA50551	55-26	56AA51470	60-14	56AA53151	38-25	56AA53830	28-23	56AA54430	34-3
56AA50621	61-17	56AA51480	60-15	56AA53160	38-9	56AA53830	39-13	56AA54440	34-4
56AA50630	61-21	56AA51490	60-12	56AA53172	38-18	56AA53840	27-20	56AA54463D	37-13
56AA50641	61-27	56AA51500	58-15	56AA53180	38-16	56AA53840	34-14	56AA54471	34-9
56AA50670	61-22	56AA51521	60-13	56AA53200	32-7	56AA53871	33-12	56AA54480	34-11
56AA50680	61-13	56AA51540	60-4	56AA53200	38-10	56AA53942	33-8	56AA54500	39-7
56AA50690D	61-29	56AA51550	56-1	56AA53210	33-11	56AA53951	35-17	56AA54530	37-10
56AA50700	61-6	56AA51550	60-11	56AA53240	32-9	56AA54010D	39-19	56AA54541	34-26
56AA50710	61-7	56AA51572	60-22	56AA53240	38-14	56AA54020	39-2	56AA54550	33-7
56AA50730	61-8	56AA51590	59-11	56AA53370	38-1	56AA54051	39-6	56AA54573	38-19
56AA50771	55-23	56AA51611	61-30	56AA53390	33-6	56AA54061E	39-24	56AA54583	38-11
56AA50791	61-16	56AA51810	58-5	56AA53431	36-35	56AA54071	39-22	56AA54640	34-16
56AA50800	61-18	56AA52211	59-38	56AA53450	33-5	56AA54080	28-7	56AA54660	32-8
56AA50910	63-35	56AA52221	59-42	56AA53461	34-19	56AA54080	35-6	56AA54660	38-12
56AA50920	63-2	56AA52231	59-40	56AA53470	29-16	56AA54121	36-30	56AA54671	29-20
56AA50930	63-3	56AA52260	59-8	56AA53470	37-5	56AA54180	35-1	56AA54671	37-9
56AA50940	61-15	56AA52272	59-41	56AA53481	39-25	56AA54190	27-2	56AA61071	9-15
56AA50951	57-25	56AA52281	59-39	56AA53491	39-26	56AA54190	34-18	56AA61111	7-32
56AA51010	57-22	56AA52290	59-30	56AA53500	39-23	56AA54210	38-2	56AA61151	8-17
56AA51020	55-5	56AA52311	55-13	56AA53562	37-11	56AA54220	27-21	56AA61180	9-14
56AA51040	56-4	56AA52320	55-14	56AA53582	36-26	56AA54220	30-11	56AA61290	7-11
56AA51050	61-24	56AA52361	60-23	56AA53590	36-21	56AA54220	32-1	56AA61290	10-1
56AA51060	55-1	56AA52370	60-9	56AA53610	36-10	56AA54220	36-22	56AA61330	8-8

bizhub 600/bizhub 600RM/bizhub 750/bizhub 750RM

Parts No.	Page No.	Parts No.	Page No.	Parts No.	Page No.	Parts No.	Page No.	Parts No.	Page No.
56AA61372	7-33	56AA77020	15-11	56AA77470	58-17	56AA82012	26-24	56AAR70600	16-3
56AA61400	7-16	56AA77060	13-16	56AA77480	57-24	56AA82012	41-23	56AAR70700	21-12
56AA61410	7-13	56AA77070	13-13	56AA77490	61-11	56AA82022	16-4	56AAR70800	21-14
56AA61420	7-2	56AA77081	18-3	56AA77520	14-7	56AA83071	21-3	56AAR70900	21-22
56AA61431	7-3	56AA77090	14-21	56AA77520	15-7	56AA83071	64-8	56AAR71000	20-5
56AA61440	9-2	56AA77090	15-21	56AA77530	12-8	56AA84012	68-2	56AAR71100	20-4
56AA61461	7-31	56AA77100	18-5	56AA77550	58-26	56AA84520	68-21	56AAR71200	22-16
56AA61470D	7-28	56AA77110	18-7	56AA77560	58-8	56AA85511	7-6	56AAR71300	64-9
56AA61481	7-27	56AA77120	14-13	56AA77570	58-6	56AA85521	26-7	56AAR71400	64-11
56AA61530	7-22	56AA77120	15-13	56AA77590	40-3	56AA85531	8-11	56AAR71500	63-16
56AA61540	7-4	56AA77130	14-1	56AA77700	20-7	56AA85601	47-16	56AAR71600	42-7
56AA61570	7-15	56AA77130	15-1	56AA77711	12-16	56AA85601	48-9	56AAR71700	49-7
56AA61580	8-14	56AA77140	12-10	56AA77750	22-7	56AA88421	67-9	56AAR71800	44-5
56AA68121	11-2	56AA77160	45-24	56AA77810	63-8	56AA88720	6-4	56AAR71900	43-12
56AA70170	4-27	56AA77170	45-23	56AA77831	13-1	56AA90141E	76-6	56AAR72000	40-22
56AA70190	5-28	56AA77180	45-7	56AA77840	26-23	56AA90240	76-5	56AAR72100	40-6
56AA73090	68-10	56AA77190	65-31	56AA77850	65-33	56AA90420E	76-1	56AAR72200	42-15
56AA73121	67-17	56AA77200	65-29	56AA77860	65-28	56AA90440E	76-4	56AAR72300	45-13
56AA73150	68-3	56AA77210	27-14	56AA77890	21-13	56AA90540E	79-1	56AAR72400	45-6
56AA73160	68-20	56AA77220	28-2	56AA77900	21-15	56AA90642E	77-1	56AAR72500	46-1
56AA73171	67-18	56AA77220	34-8	56AA77910	21-7	56AA90651	76-3	56AAR72600	9-7
56AA73210	68-15	56AA77231	28-8	56AA77920	25-21	56AA90660E	76-2	56AAR72600	10-7
56AA73230	68-9	56AA77231	34-13	56AA77930	25-20	56AA90780E	77-3	56AAR72900	8-3
56AA73271	68-8	56AA77240	24-14	56AA77940	25-15	56AA90810E	77-2	56AAR73000	1-10
56AA73282	68-14	56AA77250	18-9	56AA77950	25-17	56AA90891E	78-1	56AAR73100	59-3
56AA73321	1-45	56AA77260	16-15	56AA77960	45-10	56AA90902E	78-2	56AAR73100	65-32
56AA73680	8-12	56AA77270	25-18	56AA77970	20-17	56AA93630	78-6	56AAR73300	15-29
56AA75040	16-7	56AA77280	25-13	56AA77980	65-27	56AA93701	63-5	56AE-7420	67-1
56AA75050	46-20	56AA77290	24-19	56AA77990	50-12	56AA93701	78-3	56AE32390	25-10
56AA75050	59-7	56AA77300	24-21	56AA77990	53-17	56AA93711	63-10	56AE43410	50-16
56AA75061	28-18	56AA77310	24-25	56AA80031	1-24	56AA93711	78-4	56AE43410	53-16
56AA75061	34-10	56AA77320	24-20	56AA80031	48-1	56AA93721	63-12	56AE53052	36-13
56AA76510	14-15	56AA77330	24-13	56AA80061	24-17	56AA93721	78-5	56AE83031	36-15
56AA76510	15-15	56AA77340	29-5	56AA80112	14-17	56AA97140	67-5	56AE83041	36-14
56AA76520	14-8	56AA77340	36-1	56AA80112	15-17	56AAR70100	61-23	56AE83051	39-16
56AA76520	15-8	56AA77350	36-11	56AA80112	61-12	56AAR70200	56-12	56AE84520	68-21
56AA76530	12-15	56AA77380	44-9	56AA80541	4-25	56AAR70300	49-26	56AER70100	50-14
56AA76590	44-8	56AA77431	59-2	56AA80541	66-3	56AAR70400	66-7	56AER70100	53-14
56AA76590	58-27	56AA77450	58-25	56AA80551	8-9	56AAR70500	1-5	56AF83031	36-15
56AA76600	58-28	56AA77460	58-13	56AA80551	59-18	56AAR70500	6-3	56AF83041	36-14

bizhub 600/bizhub 600RM/bizhub 750/bizhub 750RM

Parts No.	Page No.	Parts No.	Page No.	Parts No.	Page No.	Parts No.	Page No.	Parts No.	Page No.
56AF83051	39-16	56QA-2260	16-30	56QA15270	13-22	56QA48120	65-47	56QA54530	36-31
56AF84521	68-21	56QA-5750	52-29	56QA20030	13-23	56QA48160	65-6	56QA54540	34-12
56AF84540	67-10	56QA10120	68-26	56QA20040	17-10	56QA48210	65-24	56QA57021	52-48
56AF90330	79-2	56QA10450	66-4	56QA20080	13-24	56QA48231	65-25	56QA57030	52-42
56AK83040	36-14	56QA10460	66-28	56QA20230	16-27	56QA48240	65-39	56QA57040	52-39
56AS83030	36-15	56QA10470	66-12	56QA20320	17-20	56QA48290	65-40	56QA57050	52-23
56AS83040	36-14	56QA10491	68-27	56QA25010	21-24	56QA48300	65-41	56QA57060	52-13
56AS83050	39-16	56QA10521	66-24	56QA26010	20-8	56QA48310	65-22	56QA57070	52-38
56BA-1421	3-10	56QA10531	66-27	56QA40080	42-12	56QA50650	56-28	56QA57080	52-18
56BA-1431F	3-3	56QA10540	66-25	56QA40270	42-20	56QA51030	61-2	56QA57090	52-45
56BA12230	3-6	56QA10550	66-1	56QA40550	42-19	56QA51120	58-21	56QA57100	52-43
56BA12240	3-5	56QA10560D	66-29	56QA42670	46-28	56QA51240	59-16	56QA57110	52-11
56BA12311	2-6	56QA10570	66-2	56QA42720	46-3	56QA51260	56-8	56QA57130	52-31
56BA12360	2-2	56QA10690	1-46	56QA42740	45-16	56QA51271	56-19	56QA57141E	52-32
56BA12531	3-29	56QA11040	1-33	56QA44180	43-1	56QA51280	56-6	56QA57150D	52-33
56BA42301	47-8	56QA11050	1-28	56QA44190	43-6	56QA51560	60-21	56QA57160D	52-34
56BA44030	43-11	56QA11060	1-29	56QA44300	44-15	56QA51820	58-32	56QA57170	52-2
56BA44043	43-3	56QA11060	1-35	56QA44310	44-21	56QA52300	60-18	56QA57200	52-16
56BAR70100	2-12	56QA11180	1-23	56QA44400	44-19	56QA52830	55-24	56QA57210	52-4
56BAR70200	2-13	56QA11210	1-48	56QA44410	44-18	56QA52920	62-12	56QA57230D	52-35
56BAR70300	2-14	56QA11220	1-49	56QA44550	43-13	56QA52940	62-4	56QA57240	52-3
56GA30700	22-8	56QA11230	1-15	56QA44560	43-25	56QA53040	39-4	56QA57250D	52-36
56GA30710	22-1	56QA11230	1-34	56QA44570	44-20	56QA53200	30-3	56QA57260	52-47
56GA47440	26-9	56QA11240	49-35	56QA44580	43-22	56QA53200	35-15	56QA57270	52-8
56GA73431	59-33	56QA11300	52-6	56QA44590	43-27	56QA54330	32-5	56QA57280	52-26
56GA73431	65-46	56QA11330	52-44	56QA45030	64-14	56QA54330	38-6	56QA57290	52-17
56GA76010	42-17	56QA12200	4-42	56QA46011	26-39	56QA54400	29-12	56QA57310	52-27
56GA76010	43-17	56QA15021	12-40	56QA46030	26-29	56QA54400	36-3	56QA57360	52-40
56GA76010	56-2	56QA15030	12-43	56QA46051	26-11	56QA54410	29-13	56QA57370	52-12
56GA76010	60-10	56QA15050	12-34	56QA46060	26-5	56QA54410	36-33	56QA57380	52-14
56GA76010	65-17	56QA15060	12-48	56QA46080	26-41	56QA54420	29-14	56QA57390	52-37
56GA76030	26-33	56QA15070	12-46	56QA46090	26-28	56QA54420	36-32	56QA57400	52-46
56QA-0820	52-30	56QA15080	12-44	56QA46530	26-37	56QA54430	36-18	56QA57410	52-7
56QA-0920	1-31	56QA15090	12-41	56QA46600	26-42	56QA54490	28-6	56QA58041D	51-15
56QA-0930	1-30	56QA15120	12-39	56QA46610	26-43	56QA54490	35-12	56QA58041D	54-13
56QA-1460	48-33	56QA15130	12-37	56QA46620	26-34	56QA54500	34-23	56QA58050D	51-12
56QA-1640	12-42	56QA15190	12-24	56QA46910	26-10	56QA54510	30-5	56QA58050D	54-10
56QA-1720	12-35	56QA15240	13-21	56QA48061	65-2	56QA54510	35-2	56QA58060D	51-13
56QA-1761	14-32	56QA15250	13-7	56QA48070	65-48	56QA54520	39-21	56QA58070D	51-17
56QA-1761	15-32	56QA15260	13-17	56QA48081	65-12	56QA54530	29-10	56QA58070D	54-16

bizhub 600/bizhub 600RM/bizhub 750/bizhub 750RM

Parts No.	Page No.	Parts No.	Page No.	Parts No.	Page No.	Parts No.	Page No.	Parts No.	Page No.
56QA58090D	51-18	56QA73880	68-17	56QA90730	79-12	56UA97040	3-28	57AA10090	68-18
56QA58090D	54-17	56QA75010	13-10	56QA90740	79-13	56UA97300	17-18	57AA10510	66-26
56QA58110	50-5	56QA75020	13-3	56QA90750	79-14	57AA-0300	62-21	57AA10590	68-6
56QA58120	50-6	56QA75040	26-35	56QA90760	79-15	57AA-0450	59-34	57AA10620	66-11
56QA58150	51-1	56QA75050	26-32	56QA97300	35-5	57AA-1810	13-25	57AA10650	66-10
56QA58181	50-20	56QA75050	58-33	56QA97770	62-5	57AA-1830	13-26	57AA10660	66-13
56QA58181	53-22	56QA75060	63-11	56QA97770	82-6	57AA-1880	14-30	57AA10710	1-25
56QA58281E	51-14	56QA75070	57-3	56QA97840	4-38	57AA-3310	24-33	57AA107300	4-51
56QA58281E	54-12	56QA76540	58-9	56QA97850	17-9	57AA-3600	26-46	57AA11260	1-26
56QA58290	50-3	56QA76550	58-7	56QA97860	16-5	57AA-4001	42-14	57AA11310	1-17
56QA58290	53-3	56QA76580	58-4	56QA97870	16-10	57AA-4031	40-14	57AA11320	1-18
56QA58300	50-23	56QA77020	12-28	56QA97880	22-17	57AA-5301	27-17	57AA12010	3-11
56QA58361	50-22	56QA77030	12-29	56QA97990	55-18	57AA-5440	29-18	57AA12020	3-8
56QA58400D	50-19	56QA77040	12-3	56QAR70100	62-1	57AA-5450	32-25	57AA12050	3-18
56QA58400D	53-20	56QA77050	12-30	56QAR70200	16-20	57AA-5470	32-23	57AA12060	3-12
56QA58440	50-11	56QA77060	12-12	56QAR70300	63-1	57AA-5550	27-27	57AA12090	2-1
56QA58440	53-11	56QA77071F	12-26	56QAR70400	45-22	57AA-5640	28-36	57AA12100	2-4
56QA58470D	51-11	56QA77111	13-12	56QAR70500	54-1	57AA-5650	28-34	57AA12110	4-14
56QA58490D	51-16	56QA77210	36-17	56QAR70800	67-1	57AA-5660	28-37	57AA12120	4-24
56QA58490D	54-15	56QA77390	62-3	56QE88261	67-14	57AA-5670	28-32	57AA12130	4-15
56QA58640	50-18	56QA77400	62-8	56QF84551	67-11	57AA-5680	29-33	57AA12200	3-9
56QA58640	53-19	56QA77510	12-23	56RE12030	3-14	57AA-5690	32-24	57AA12250	4-22
56QA59060D	54-11	56QA77520	12-22	56RE12040	3-17	57AA-6304H	8-16	57AA12250	48-24
56QA59110	53-5	56QA77530	44-11	56RE12450	3-16	57AA-6501	11-1	57AA12260	4-21
56QA59120	53-6	56QA80560	4-10	56RE44140E	43-10	57AA-7000	5-1	57AA12260	48-23
56QA59150D	54-14	56QA80560	64-1	56RE97410	82-2	57AA-7060	6-15	57AA12270	4-18
56QA59300	53-24	56QA80560	66-6	56RER70100	3-22	57AA-7190	67-4	57AA12280	4-16
56QA59361	53-23	56QA80570	62-15	56RER70100	82-4	57AA-9016G	66-15	57AA12320	2-22
56QA61130	7-21	56QA80570	68-1	56UA12700	3-23	57AA-9021J	67-6	57AA12330	2-9
56QA61140	7-17	56QA90210	78-7	56UA70321	5-18	57AA-9021J	67-6	57AA12460	3-19
56QA61301	7-30	56QA90260E	79-3	56UA70350	5-12	57AA-9032E	5-13	57AA12490	4-5
56QA61620	8-22	56QA90270E	79-4	56UA70370	5-8	57AA-9041E	56-15	57AA12520	3-15
56QA61670	10-10	56QA90350	79-5	56UA70390	5-24	57AA-9051E	5-17	57AA12540	2-16
56QA61680	10-11	56QA90462	8-10	56UA70400	5-26	57AA-9063H	66-14	57AA12540	82-5
56QA73080	68-16	56QA90480E	79-6	56UA70420	5-19	57AA-9063H	66-14	57AA12600	4-45
56QA73320	1-43	56QA90620	79-7	56UA73420	66-22	57AA-9092H	7-7	57AA12610	4-49
56QA73330	1-44	56QA90630	79-8	56UA73440	66-23	57AA-9512I	66-18	57AA12620	4-52
56QA73430	68-25	56QA90700	79-9	56UA80510	66-36	57AA-9522H	66-17	57AA12640	4-46
56QA73850	68-24	56QA90710	79-10	56UA85510E	26-36	57AA-K010	28-16	57AA12670	4-48
56QA73870	68-19	56QA90720	79-11	56UA89080	66-21	57AA-PM25	82-8	57AA12680	4-50

bizhub 600/bizhub 600RM/bizhub 750/bizhub 750RM

Parts No.	Page No.	Parts No.	Page No.	Parts No.	Page No.	Parts No.	Page No.	Parts No.	Page No.
57AA12710	4-11	57AA30090	22-19	57AA50060	56-31	57AA53100E	27-37	57AA53560	32-13
57AA12720	4-40	57AA30120	22-20	57AA50090	56-30	57AA53110	30-22	57AA53570	32-18
57AA12730	4-47	57AA30130	22-21	57AA50260	58-36	57AA53120	27-24	57AA53580	32-3
57AA12740	4-12	57AA30211	22-23	57AA50290	56-32	57AA53130	27-25	57AA53590	27-19
57AA12750	4-8	57AA30260	22-18	57AA50300	58-34	57AA53141	27-33	57AA53600	27-18
57AA12780	3-4	57AA32010	24-30	57AA50320	56-18	57AA53151	27-23	57AA53640	32-12
57AA12790	2-8	57AA32300	23-4	57AA50760	62-6	57AA53160	27-36	57AA53650	32-19
57AA12800	2-3	57AA32330	24-2	57AA50820	62-22	57AA53170	27-22	57AA53660	32-20
57AA12820	3-2	57AA32510	23-1	57AA50850	62-16	57AA53180	27-26	57AA53670	32-21
57AA12830	3-1	57AA40090	41-30	57AA50860	55-19	57AA53190	27-6	57AA53690	29-27
57AA12840	4-13	57AA40250	42-24	57AA50870	55-27	57AA53200	27-5	57AA53710	28-24
57AA12850	4-9	57AA40350	40-4	57AA50880	55-20	57AA53200	39-3	57AA53720	28-29
57AA15080	14-28	57AA40420	42-1	57AA50900	56-16	57AA53210E	27-7	57AA53730	28-38
57AA15110	12-38	57AA40470	41-7	57AA50960	55-28	57AA53220	27-4	57AA53740	28-35
57AA15120	12-32	57AA40610	41-22	57AA51090	61-1	57AA53230	27-34	57AA53770	29-28
57AA15190	14-35	57AA40620	41-28	57AA51130	57-12	57AA53240	27-32	57AA53780	29-29
57AA15260	12-36	57AA40630	41-27	57AA51140	59-6	57AA53250	27-30	57AA53800	27-28
57AA15310	14-26	57AA40630	44-13	57AA51150	57-14	57AA53260	28-20	57AA53810	30-28
57AA15310	15-26	57AA41010	48-39	57AA51160	57-15	57AA53270	32-14	57AA53820	27-29
57AA15420	12-19	57AA41071	48-12	57AA51170	58-18	57AA53280	30-17	57AA53820	36-37
57AA15600	14-25	57AA41250	48-2	57AA51180	58-19	57AA53290	28-21	57AA53830	29-30
57AA15900	13-6	57AA41360	48-4	57AA51440	60-2	57AA53300	30-10	57AA53840	29-31
57AA17010	49-4	57AA41420	49-2	57AA51570	56-20	57AA53310	29-25	57AA53850	32-22
57AA17010	50-9	57AA41630	49-18	57AA51590	56-21	57AA53320	28-14	57AA53860	29-2
57AA17010	53-9	57AA41730	49-22	57AA51830	57-7	57AA53330	28-12	57AA53870	32-16
57AA20030	17-6	57AA42310	47-3	57AA51840	55-11	57AA53340	28-25	57AA53880	30-18
57AA20050	16-32	57AA42320	47-7	57AA51930	59-35	57AA53350	32-17	57AA53890	30-19
57AA20060	17-2	57AA42330	47-1	57AA52790	57-21	57AA53360	30-12	57AA53900	29-32
57AA20080	17-8	57AA42400	47-2	57AA52810	62-7	57AA53370	30-20	57AA53910	29-1
57AA20130	16-33	57AA42410	47-9	57AA52840	55-10	57AA53380	30-23	57AA53920	31-12
57AA20140	16-34	57AA44270	43-15	57AA52850	62-24	57AA53390	30-16	57AA53930	31-11
57AA20150	16-35	57AA44600	44-14	57AA52880	57-9	57AA53400	30-9	57AA53940	31-1
57AA20161	16-36	57AA44610	44-10	57AA52960	62-14	57AA53440	29-26	57AA53970	30-27
57AA20171	16-37	57AA45500	63-21	57AA52970	62-20	57AA53470	30-25	57AA53980	30-26
57AA20181	16-38	57AA46020	26-8	57AA52980	62-13	57AA53480	30-29	57AA53990	31-13
57AA20201	18-11	57AA46040	26-44	57AA53010	29-24	57AA53510E	30-30	57AA54010	31-10
57AA20220	16-26	57AA46150	26-6	57AA53030	27-31	57AA53520	28-27	57AA54020	31-5
57AA20250	16-6	57AA46300	26-45	57AA53070	28-31	57AA53530	28-30	57AA54030	31-8
57AA26340	20-2	57AA48270	65-44	57AA53080	30-24	57AA53540	28-39	57AA54040	31-9
57AA26350	20-1	57AA48320	65-10	57AA53090E	30-21	57AA53550	32-2	57AA54070	32-15

bizhub 600/bizhub 600RM/bizhub 750/bizhub 750RM

Parts No.	Page No.	Parts No.	Page No.	Parts No.	Page No.	Parts No.	Page No.	Parts No.	Page No.
57AA54080	31-3	57AA70420	6-6	57AA76590	57-5	57AA82030	12-20	57AA90820	73-4
57AA54090	27-10	57AA70430	6-5	57AA77010	14-19	57AA82030	42-4	57AA90850	73-5
57AA54100	27-12	57AA70430	6-11	57AA77020	14-11	57AA82030	57-11	57AA90860	70-4
57AA54110	27-8	57AA70440	6-8	57AA77030	14-12	57AA82030	58-10	57AA90880	74-1
57AA54130	31-14	57AA70460	6-7	57AA77050	13-8	57AA83010E	9-9	57AA90910	74-2
57AA54140	31-6	57AA70470	6-2	57AA77060	28-13	57AA83510	9-4	57AA93610	74-3
57AA54170	28-10	57AA70490	6-10	57AA77070	27-15	57AA839100	63-38	57AA93630	74-4
57AA54170	34-24	57AA70500	6-12	57AA77080	29-9	57AA84511	68-22	57AA93660	74-5
57AA54200	27-35	57AA70510	6-14	57AA77090	29-15	57AA84521E	31-7	57AA93680	74-6
57AA54210	28-33	57AA70530	5-15	57AA77100	29-17	57AA84531	67-7	57AA97120	20-28
57AA57010	52-41	57AA70540	5-14	57AA77110	29-7	57AA84610	28-28	57AA97180E	62-11
57AA58420	50-1	57AA70550	3-26	57AA77110	36-4	57AA88010	30-13	57AA97201E	45-15
57AA58420	53-1	57AA70601E	5-16	57AA77120	29-8	57AA88021	30-7	57AA97211E	26-19
57AA58450	51-4	57AA70610	5-25	57AA77120	36-29	57AA88040	30-6	57AA97221E	26-20
57AA58450	54-4	57AA70620	5-4	57AA77130	29-19	57AA88060	30-8	57AA97231E	62-10
57AA58480	51-5	57AA70630	5-11	57AA77130	37-3	57AA90010E	70-2	57AA97241E	39-18
57AA59480	54-5	57AA70640	5-10	57AA77150	12-18	57AA90020	70-5	57AA97251E	32-6
57AA605100	47-22	57AA70650	5-22	57AA77170	36-6	57AA90030	70-3	57AA97261E	31-2
57AA61240	8-25	57AA70660	5-23	57AA77180	36-7	57AA90040	71-1	57AA97261E	34-21
57AA61250	8-23	57AA70670	5-9	57AA77210	28-11	57AA90050	70-1	57AA97271E	28-3
57AA61280	8-20	57AA70680	5-21	57AA77210	34-15	57AA90060	1-21	57AA97271E	35-18
57AA61520	7-24	57AA73040	67-19	57AA77220	28-9	57AA90060	71-2	57AA97281E	57-2
57AA61660	8-15	57AA73060	68-7	57AA77220	34-25	57AA90160	69-4	57AA97291E	65-19
57AA61700	8-4	57AA73070	68-4	57AA77380	44-12	57AA90200	72-5	57AA97400	3-24
57AA61760	8-21	57AA73130	67-20	57AA77410	58-3	57AA90220	69-1	57AA97421E	59-15
57AA61770	7-29	57AA73290	66-34	57AA77420	58-2	57AA90230	69-9	57AA97431F	55-16
57AA70010	3-25	57AA73510	67-21	57AA77440	59-12	57AA90250	69-6	57AA97760	33-9
57AA70100	5-6	57AA73530	68-28	57AA77480	59-13	57AA90280	69-3	57AA97780	38-21
57AA70110	5-5	57AA73540	68-29	57AA77510	57-6	57AA90300	69-7	57AA97810	51-9
57AA70130	3-30	57AA73550	68-30	57AA77720	41-25	57AA90310	69-8	57AA97810	53-12
57AA70140	3-31	57AA73570	67-2	57AA77760	22-9	57AA90340	73-1	57AA97821G	17-16
57AA70150	5-7	57AA73710D	66-31	57AA77770	22-10	57AA90360	69-2	57AA97831G	31-4
57AA70160	6-1	57AA73740	66-35	57AA77780	22-11	57AA90500	71-4	57AA97840	5-29
57AA70170	5-20	57AA73770	66-33	57AA77790	22-12	57AA90510	72-1	57AA97840	82-1
57AA70300	4-31	57AA73780	68-13	57AA77800	22-13	57AA90600	49-10	57AA97870	48-27
57AA70310	4-30	57AA73790	68-11	57AA77820	13-5	57AA90600	73-2	57AA97880	47-18
57AA70320	4-32	57AA73810	66-32	57AA80080	13-18	57AA90610	73-3	57AA97901	48-25
57AA70340	4-33	57AA73860	66-30	57AA80080	14-20	57AA90670	71-3	57AA97901	82-3
57AA70350	6-13	57AA75030	28-15	57AA80080	15-20	57AA90790	69-5	57AA97910	4-34
57AA70410	6-16	57AA75060	65-42	57AA80080	25-19	57AA90800	78-8	57AA97920	4-35

bizhub 600/bizhub 600RM/bizhub 750/bizhub 750RM

Parts No.	Page No.
57AA97930	4-36
57AA97940	4-37
57AA97950	23-15
57AA97960	48-26
57AAJG010	81-16
57AAJG020	81-17
57AAJG030	81-18
57AAR70100	62-19
57AAR70200	4-28
57AAR70300	17-11
57AAR70400	2-5
57AAR70500	2-15
57AAR70600	2-10
57AAR70700	3-13
57AAR70900	2-11
57AAR71000	16-1
57AAR71100	18-2
57AAR71200	17-17
57AAR71300	17-12
57AAR71400	21-1
57AAR71500	20-20
57AAR71600	22-14
57AAR71700	22-3
57AAR71800	64-12
57AAR72000	41-29
57AAR72100	49-21
57AAR72300	29-22
57AAR72400	50-17
57AAR72400	53-18
57AAR72500	8-2
57AAR72600	8-13
57AAR72700	8-6
57AAR72800	68-12
57AAR72900	66-9
57AAR73100	26-18
57AAR73200	27-16
57AAR73300	23-5
57AAR73400	14-29
57AAR73500	12-17
57AE-1880	15-30

Parts No.	Page No.
57AE-5300	33-1
57AE-5440	33-2
57AE-7190	67-4
57AE-9522H	66-17
57AE-PM25	82-8
57AE10620	66-11
57AE50820	62-22
57AE52820	62-18
57AE52830	62-17
57AE53060	39-5
57AE54700	37-1
57AE54710	39-15
57AE54720	35-21
57AE54730E	34-27
57AE54740	33-4
57AE54750	35-20
57AE54760	36-38
57AE54770	39-12
57AE54780	36-36
57AE54790	38-22
57AE70100	5-6
57AE70110	5-5
57AE75040	39-10
57AE77010	15-19
57AE84511	68-22
57AE88010	37-2
57AE88040	37-6
57AE90031	75-1
57AE90081	75-2
57AE90340	72-2
57AE93610	72-4
57AE93620	71-5
57AE93680	75-4
57AE97180E	62-11
57AEJG010	81-15
57AER70100	4-29
57AER70300	37-8
57AER70400	66-9
57AER70500	23-5
57AF-5301	33-1

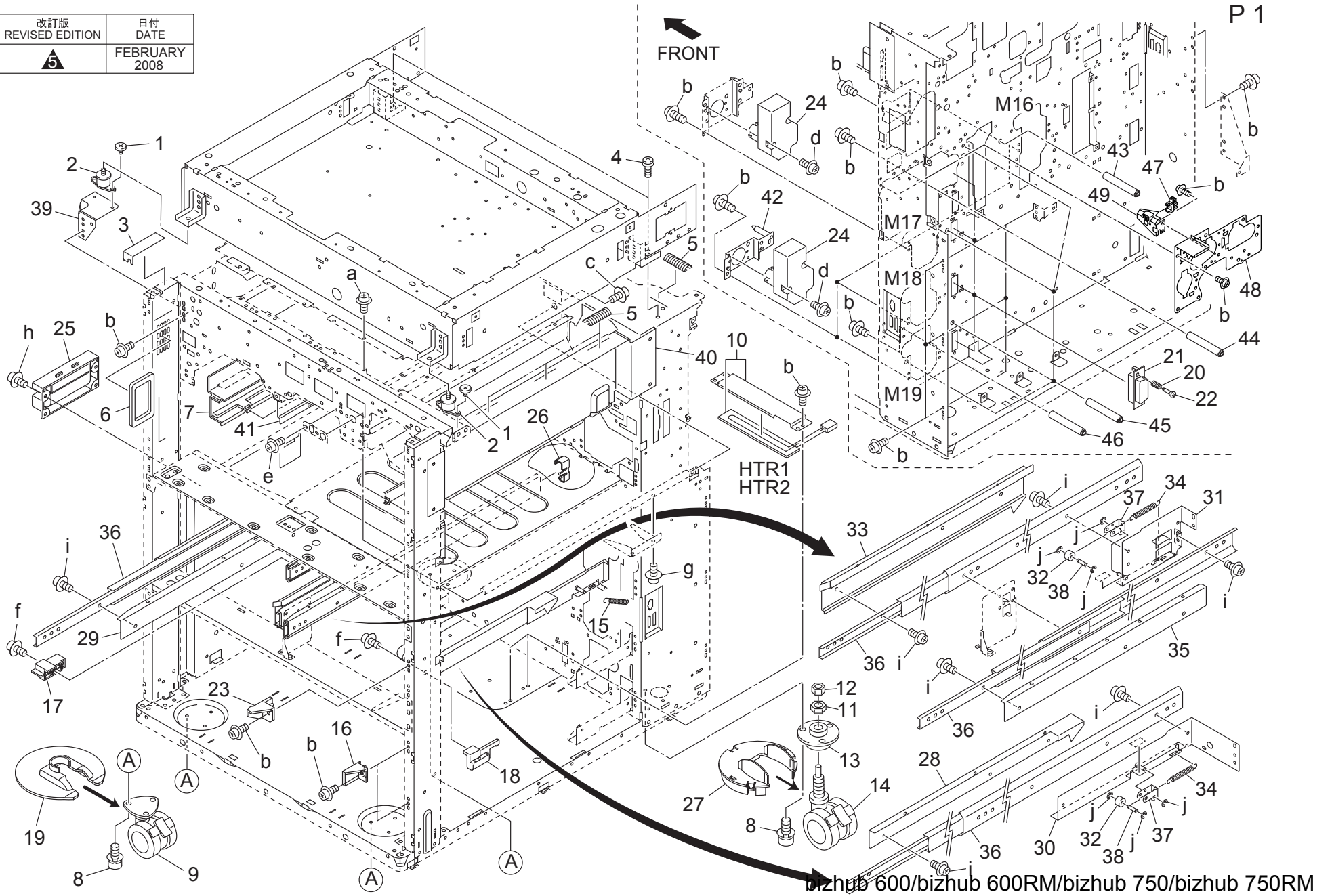
Parts No.	Page No.
57AF-7000	5-1
57AF-7190	67-4
57AF-9522H	66-17
57AF12790	2-19
57AF12800	2-17
57AF73610	2-18
57AF73620	2-20
57AF84512	68-22
57AF84531	67-7
57AF88710	5-27
57AF88720	66-19
57AF88730	66-20
57AF88730	67-12
57AF90310	72-3
57AF90820	75-5
57AF93611	75-3
57AF97180E	62-11
57AF97740	56-17
57AF97740	68-23
57AFR70300	33-2
57AFR70400	23-5
57AG-9521G	66-17
57AG70100	5-6
57AG70110	5-5
57AK-5300	33-1
57AK-7190	67-4
57AK-7420	67-1
57AK-9521G	66-17
57AK70100	5-6
57AK70110	5-5
57AN-5300	33-1
57AN-5440	33-2
57AN-9522I	66-17
57AN88610	67-1
57AN97180E	62-11
57AS-5300	33-1
57AS-5440	33-2
57AS-7420	67-1
57AS97180E	62-11
57BA-9063H	66-14

Parts No.	Page No.
57BA-9063H	66-14
57BA12010	3-11
57BA77410	58-3
57BA77420	58-2
57BA90040	71-1
57BE-5300	33-1
57BF-5301	33-1
57BK-5300	33-1
57BN-5300	33-1
57BS-5300	33-1
65AA11300	67-16
65AA40100	41-5
65AA86030	3-27
7050K0020	81-25
A03U263601	1-1
A03U812800	12-25
A03U812800	26-16
A03U812800	40-9
A03U812800	41-14
A03U812800	45-8
A03U812800	52-15
A03X565611	42-11
SP00-0012	39-11
SP00-0022	36-23
SP00-0201	30-15
V500010013	80-4

bizhub 600/bizhub 600RM/bizhub 750/bizhub 750RM

MAIN FRAME

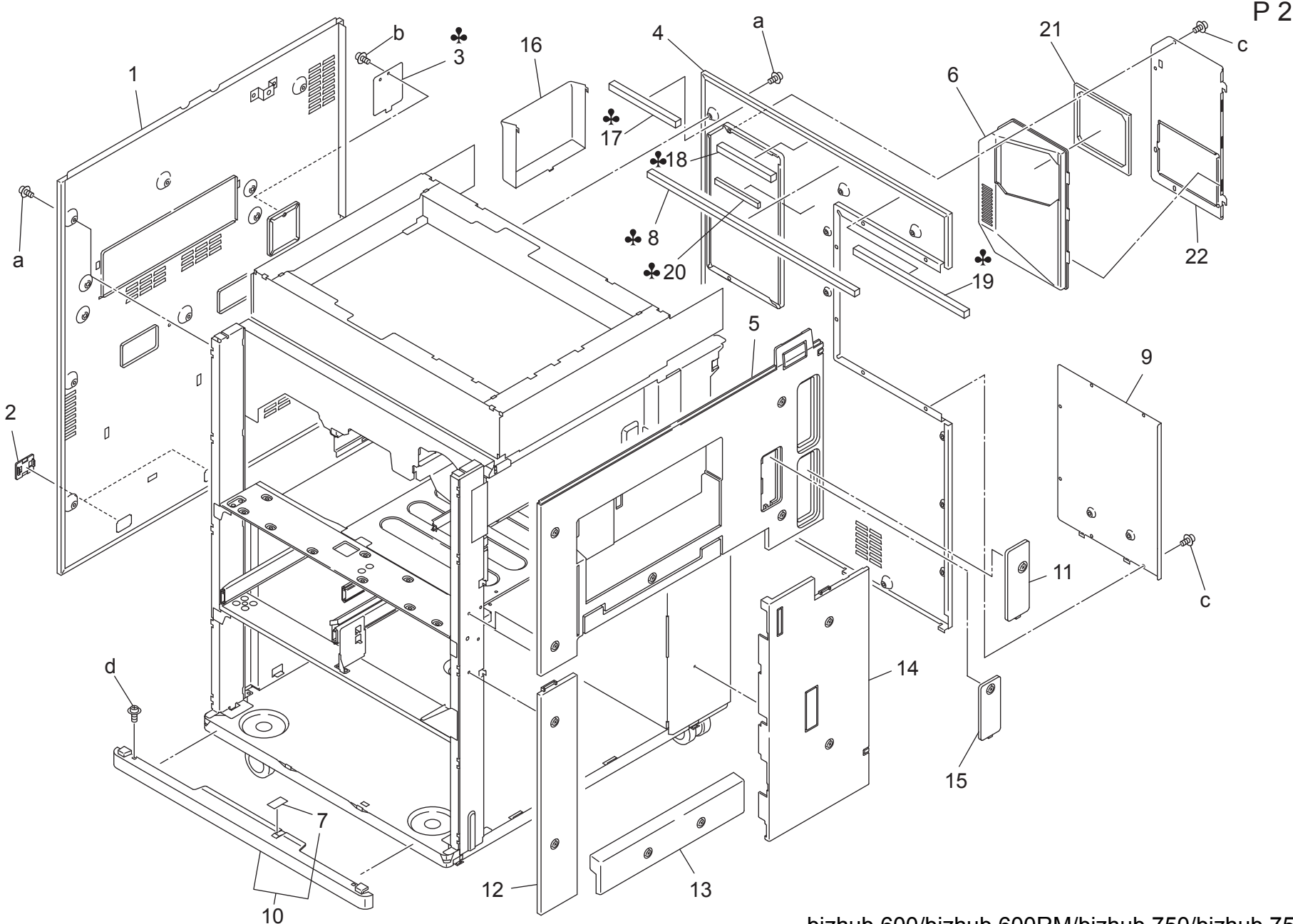
改訂版 REVISED EDITION	日付 DATE
	FEBRUARY 2008



bizhub 600/bizhub 600RM/bizhub 750/bizhub 750RM

Key	Part No.	Description	Destinations	Class	QTY	Standard parts
1	A03U263601	Optical Screw		C	4	a-00Z193041 b-00Z194061 c-00Z196081 d-00Z193201 e-00Z164061 f-00Z253081 g-00Z193061 h-00Z194081 i-00Z184041 j-00Z670306
2	25SA10200	READ SUPPORT RUBBER	光学ねじ	D	2	
3	56AA10560	COOLING SEAL 2	読み取り支持ゴム	C	2	
4	090020410	SPRING HANGER SCREW	冷却シール 2	C	2	
5	56AAR70500	EARTH SPRING ASSY	バネ掛けネジ	C	6	
6	56AA10550	COOLING SEAL 1	アースバネ部組	C	1	
7	56AA10081	Cleaner Cooling Duct	冷却シール 1	C	1	
8	25SA10431	LOCKING SCREW	クリーナー冷却ダクト	C	1	
9	55WA10300	MAIN BODY SUPPORT ROLLER X	ロックネジ	C	12	
10	56AAR73000	HEATER MOUNTING PLATE ASSY	本体支持ローラ X	C	3	
11	56AA17640	ADJUSTING PART 2	ヒーター取り付け板部組	B	2	
12	56AA17630	ADJUSTING PART	調整部材 2	C	2	
13	56AA17620	CARRIAGE ADJUSTING PART	調整部材	C	2	
14	55WA10310	MAIN BODY SUPPORT ROLLER Y	架台調整部材	C	2	
15	56QA11230	TRAY POSITIONING SPRING	本体支持ローラ Y	C	1	
16	56AA41560	TRAY STOPPER	トレイ位置決めバネ	C	1	
17	57AA11310	CONVEYANCE PROTECTION COVER L	トレイ突き当てストッパ	C	2	
18	57AA11320	CONVEYANCE PROTECTION COVER R	搬送保護カバー 左	C	1	
19	56AA10600	Bottom Plate Cover Part	搬送保護カバー 右	C	1	
20	56AA17080	TERMINAL ROCKING SPRING	底板カバー部材	D	2	
21	57AA90060	Paper Feed Control Wiring	端子揺動バネ	C	4	
22	56AA17330	SLIDE SHAFT	給紙制御束線	C	4	
23	56QA11180	TRAY STOPPER STOPPER	スライド軸	C	4	
24	56AA80031	CASSETTE DRIVE MOTOR	トレイ突き当てストッパ	D	1	
25	57AA10710	MAIN BODY LIFTING HANDLE	カセット駆動モータ	B	1	
26	57AA11260	Wiring Protection Cover	本体持ち上げ把手	C	1	
27	56AA10610	Bottom Plate Cover Part /Rear	束線保護カバー	C	1	
28	56QA11050	TRAY MOUNTING PLATE RIGHT	底板カバー部材 / 奥	D	1	
29	56QA11060	TRAY MOUNTING PLATE	トレイ取付板 右	C	1	
30	56QA-0930	RAIL PLATE CAULKING	トレイ取り付け板	C	1	
31	56QA-0920	RAIL PLATE CAULKING	レール板カシメ	D	1	
32	56AA41760	TRAY LOCKING ROLLER	レール板カシメ	C	1	
33	56QA11040	TRAY MOUNTING PLATE LEFT	トレイロックコロ	C	2	
34	56QA11230	TRAY POSITIONING SPRING	トレイ取付板 左	D	1	
35	56QA11060	TRAY MOUNTING PLATE	トレイ位置決めバネ	C	1	
36	56AA10300	Slide Rail /A	トレイ取り付け板	C	1	
37	56AA41711	TRAY PRESSING PLATE	スライドレール / A	C	3	
38	56AA41741	TRAY LOCKING PIN	トレイ押圧板	D	2	
39	56AA10280	REINFORCE PART /UPPER	トレイロックピン	C	2	
40	56AA10031D	Main body Stay /Right	補強部材 / 上	D	1	
41	56AA10061	DRUM RAIL /LEFT	本体 ステア / 右	D	1	
42	56AA-1462	MOTOR PLATE CAULKING	ドラム レール / 左	D	1	
43	56QA73320	DRIVE SUPPORT SHAFT	モーター板カシメ	D	3	
44	56QA73330	DRIVE SUPPORT SHAFT /K	駆動支持軸	D	1	
45	56AA73321	DRIVE POSITIONING SHAFT	駆動支持軸 / K	D	1	
46	56QA10690	DRIVE POSITIONING SHAFT /K	駆動位置決め軸	D	4	
47	08AA85512	Photo Sensor	駆動位置決め軸 / K	D	1	
48	56QA11210	DRIVE AUXILIARY PLATE	フォトセンサ	B	1	
49	56QA11220	CONVEYANCE POSITIONING PLATE	駆動補助板	D	1	
			搬送位置決め板	D	1	

EXTERNAL PARTS



P 2

bizhub 600/bizhub 600RM/bizhub 750/bizhub 750RM

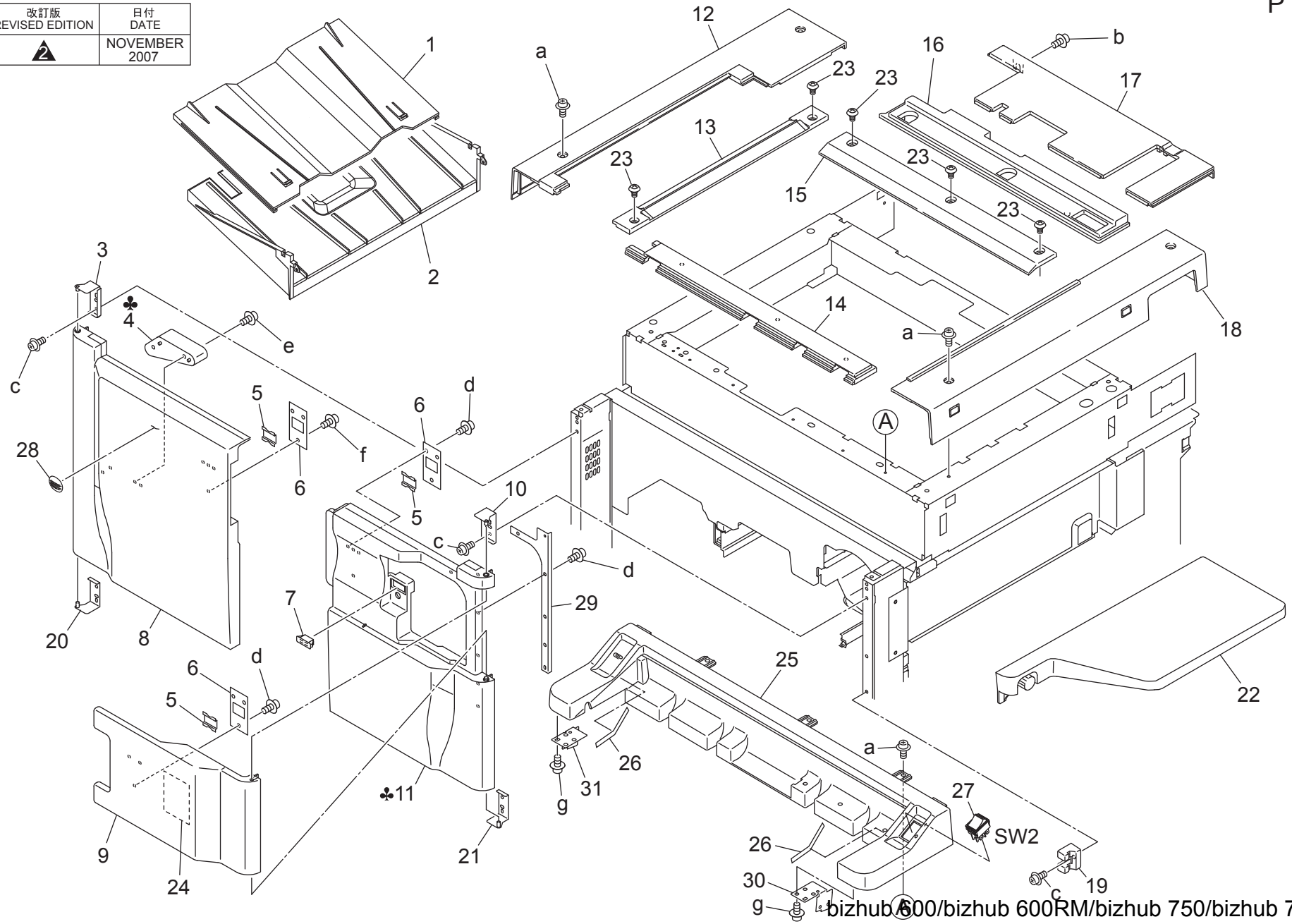
EXTERNAL PARTS

Key	Part No.	Description	Destinations	Class	QTY	Standard parts
1	57AA12090	SIDE COVER LEFT		C	1	a-00Z144062 b-00Z184062 c-00Z183062 d-00Z194061
2	56BA12360	EXTERNAL AUXILIARY PART/LEFT		C	2	
3	57AA12800	SIDE COVER	A,B,F1,G2	C	1	
4	57AA12100	REAR COVER		C	1	
5	57AAR70400	Side Cover/A Assy		C	1	
6	56BA12311	OZONE GUIDE DUCT		C	1	
7	56AA12620	TRAY SLIDE SHEET		C	1	
8	57AA12790	OZONE REGULATING PART 1	A,B,F1,G2	C	1	
9	57AA12330	EXTERNAL COVER PART REAR		C	1	
10	57AAR70600	CASSETTE AUXILIARY SHEET ASSY		C	1	
11	57AAR70900	CONNECTOR COVER ASSY		C	1	
12	56BAR70100	Side Cover/B Assy		C	1	
13	56BAR70200	Side Cover/C Assy		C	1	
14	56BAR70300	SIDE COVER D ASSY		C	1	
15	57AAR70500	EXTERNAL AUXILIARY PART R ASSY		C	1	
16	57AA12540	ACCESSARIES HOLDING PANEL		C	1	
17	57AF12800	OZONE REGULATING PART 2	C,D1,D3,E,F2,G1,H,I ,J,K	C	1	
18	57AF73610	EXTERNAL EARTH PART UPPER	C,D1,D3,E,F2,G1,H,I ,J,K	D	1	
19	57AF12790	OZONE REGULATING PART 1	C,D1,D3,E,F2,G1,H,I ,J,K	C	1	
20	57AF73620	External Earth Part /Lower	C,D1,D3,E,F2,G1,H,I ,J,K	D	1	
21	56AA12340	OZONE SEALING PAD		C	1	
22	57AA12320	OZONE GUIDE PLATE		C	1	

bizhub 600/bizhub 600RM/bizhub 750/bizhub 750RM

EXTERNAL PARTS

改訂版 REVISED EDITION	日付 DATE
	NOVEMBER 2007




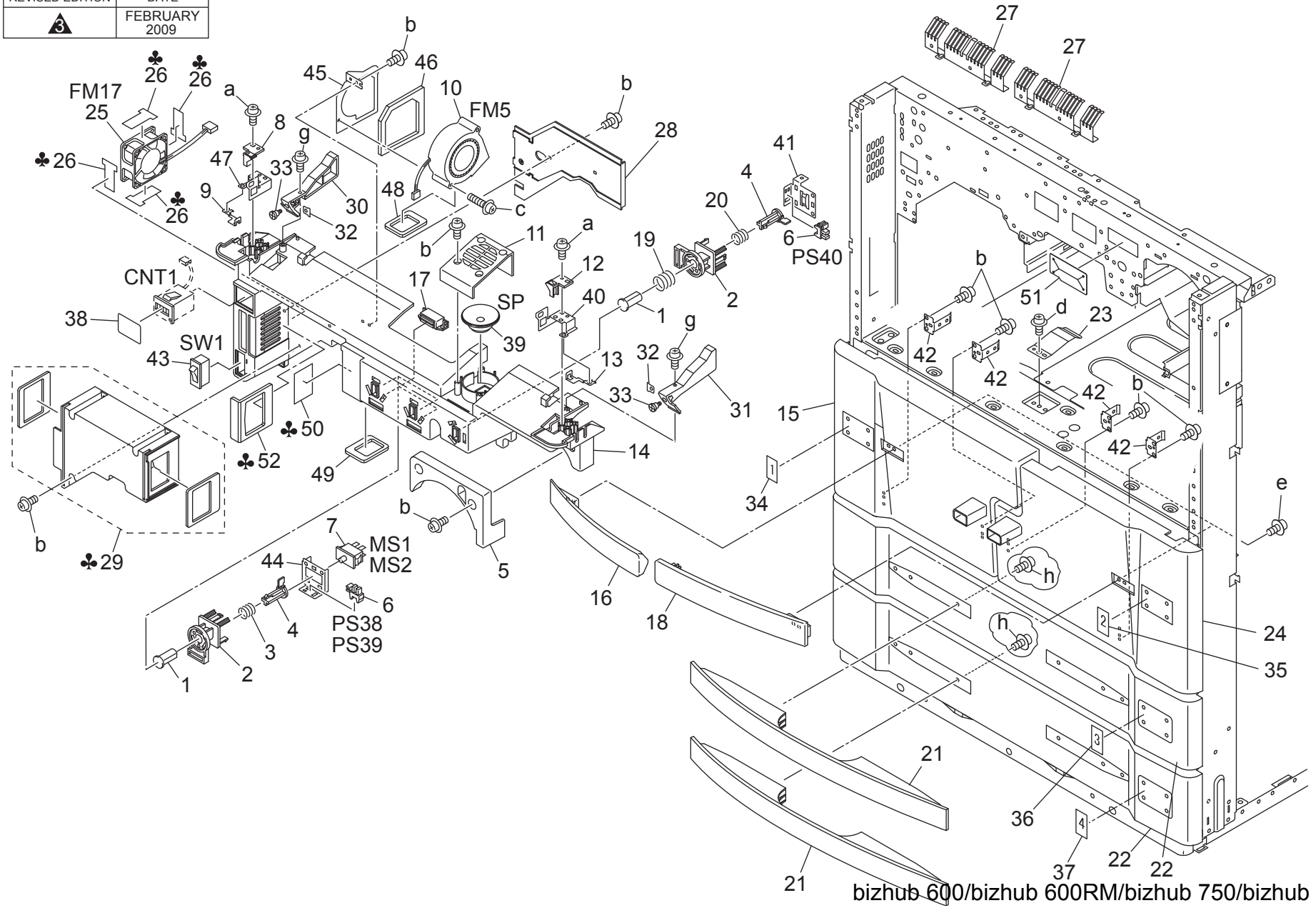
bizhub 600/bizhub 600RM/bizhub 750/bizhub 750RM

EXTERNAL PARTS

Key	Part No.	Description	Destinations	Class	QTY	Standard parts
1	57AA12830	PAPER EXIT TRAY 2 排紙皿 2	A,B,C,D1,D3,E,F1,F2 .G1,G2,H,I,J,K	C	1	a-00Z144062 b-00Z194062 c-00Z194061 d-00Z253081 e-00Z253121 f-00Z253061 g-00Z254101
2	57AA12820	PAPER EXIT TRAY 1 排紙皿 1	A,B,C,D1,D3,E,F1,F2 .G1,G2,H,I,J,K	C	1	
3	56BA-1431F	External Open/Shut Hinge /F Assy 外装開閉ヒンジ / F 部組		D	1	
4	57AA12780	LEVER DETECT MATERIAL レバー検知部材	B,C,D1,D3,E,F1,F2,G 1,G2,H,I,J,K	C	1	
5	56BA12240	EXTERNAL LOCK PLATE 外装ロック板		D	3	
6	56BA12230	EXTERNAL LOCK COVER 外装ロックカバー		C	3	
7	56AA12270	EXTERNAL LOCKING PART 外装ロック部材		C	1	
8	57AA12020	FRONT DOOR LEFT 前面扉 左		C	1	
9	57AA12200	TONER SUPPLY COVER トナー補給カバー		C	1	
10	56BA-1421	External Open/Shut Hinge /E Assy 外装開閉ヒンジ / E 部組		D	1	
11	57AA12010	FRONT DOOR RIGHT 前面扉 右	{bizhub 750}	C	1	
11	57BA12010	FRONT DOOR RIGHT 前面扉 右	{bizhub 600}	C	1	
12	57AA12060	READ COVER LEFT 読み取りカバー 左		C	1	
13	57AAR70700	ORIGINAL STOPPER PLATE LEFT A 原稿突き当て板 左部		C	1	
14	56RE12030	READ COVER /FRONT 読取カバー /前		C	1	
15	57AA12520	ORIGINAL STOPPER PLATE REAR 原稿突き当て板 奥		C	1	
16	56RE12450	READ COVER /MIDDLE 読取カバー /中		C	1	
17	56RE12040	READ COVER /REAR 読取カバー /奥		C	1	
18	57AA12050	READ COVER RIGHT 読み取りカバー 右		C	1	
19	57AA12460	FRONT OPEN CLOSE STOPPER RIGH 前面開閉ストッパ 右		C	1	
20	56AA-1421	External Open/Shut Hinge /C Assy 外装開閉ヒンジ / C 部組		D	1	
21	56AA-1431	External Open/Shut Hinge /D Assy 外装開閉ヒンジ / D 部組		D	1	
22	56RER70100	WORKING TABLE ワーキングテーブル		C	1	
23	56UA12700	Fixing Screw 固定ネジ		C	5	
24	57AA97400	TONER CAUTION LABEL トナー注意ラベル		C	1	
25	57AA70010	OPERATION UNIT COVER UPPER 操作部カバー 上		C	1	
26	57AA70550	OPERATION SEAL 操作部シール		C	2	
27	65AA86030	Power Source Switch 電源スイッチ		C	1	
28	56UA97040	LABEL ラベル		C	1	
29	56BA12531	FRONT REINFORCE PLATE 前面補強板		D	1	
30	57AA70130	OPE UNIT POSITIONING SIDE PLA 操作部位置決め板 / 右		D	1	
31	57AA70140	OPE UNT POSITIONING PLATE /L 操作部位置決め板 / 左		D	1	

EXTERNAL PARTS

改訂版 REVISED EDITION	日付 DATE
	FEBRUARY 2009



bizhub 600/bizhub 600RM/bizhub 750/bizhub 750RM

EXTERNAL PARTS

Key	Part No.	Description	Destinations	Class	QTY	Standard parts
1	56AA12140	SWITCH CONNECTING ACTUATOR	スイッチ連結アクチュエタ	C	3	a-00Z244141 b-00Z253081 c-00Z164351 d-00Z193041 e-00Z183061 g-00Z253121 h-00Z254141
2	56AA12120	Switch Guide Part	スイッチガイド部材	C	3	
3	56AA12160	CONTACT PRESSING SPRING 1	接点押圧バネ 1	C	2	
4	56AA12150	SWITCH PRESSING ACTUATOR	スイッチ押圧アクチュエタ	C	3	
5	57AA12490	TONER AUXILIARY COVER	トナー補助カバー	C	1	
6	08AA85512	Photo Sensor	フォトセンサ	B	3	
7	40AA85011	Door Switch	ドアスイッチ	B	2	
8	57AA12750	OPERATION UNIT LOCK PART LEFT	操作部ロック部材 左	C	1	
9	57AA12850	OPERATION UNIT EARTH SPRING LEFT	操作部アースバネ 左	C	1	
10	56QA80560	Developing Cooling Fan	現像冷却ファン	C	1	
11	57AA12710	OPERATION UNIT COVER COVER	操作部カバー蓋	C	1	
12	57AA12740	OPERATION UNIT LOCK PART RIGHT	操作部ロック部材 右	C	1	
13	57AA12840	OPERATION UNIT EARTH SPRING RIGHT	操作部アースバネ 右	C	1	
14	57AA12110	OPERATION UNIT COVER LOWER	操作部カバー 下	C	1	
15	57AA12130	TRAY COVER LEFT	トレイカバー 左	C	1	
16	57AA12280	TRAY COVER HANDLE LEFT	トレイカバー把手 左	C	1	
17	55FA12101	MAGNET CATCH X	マグネットキャッチ X	C	2	
18	57AA12270	TRAY COVER HANDLE RIGHT	トレイカバー把手 右	C	1	
19	56AA12180	CONTACT PRESSING SPRING 3	接点押圧バネ 3	C	1	
20	56AA12170	CONTACT PRESSING SPRING 2	接点押圧バネ 2	C	1	
21	57AA12260	TRAY COVER HANDLE	トレイカバー把手	C	2	
22	57AA12250	CASSETTE COVER	カセットカバー	C	2	
23	56AA52400	LOCKING SPRING	ロックバネ	D	1	
24	57AA12120	TRAY COVER RIGHT	トレイカバー 右	C	1	
25	56AA80541	FAN MOTOR 1	ファンモータ 1	B	1	
26	26NA73732	DUST PROOFSEAL 5	防塵シール/5	A	4	
27	56AA70170	OPERATION UNIT EARTH PLATE LOWER	操作部アース板 下	D	2	
28	57AAR70200	CLEANER SUCTION COVER ASSY	クリーナーサククションカバー部組	C	1	
29	57AER70100	CLEANER DUCT ASSY	クリーナーダクト部組	B,C,D1,D3,E,F1,F2,G 1,G2,H,I,J,K	C	1
30	57AA70310	OPERATION UNIT SUPPORT BLOCK LEFT	操作部支持ブロック 左	D	1	
31	57AA70300	OPERATION UNIT SUPPORT BLOCK RIGHT	操作部支持ブロック 右	D	1	
32	57AA70320	OPERATION UNIT REGULATING PLATE	操作部規制板	D	2	
33	57AA70340	OPERATION UNIT REGULATING SCREW	操作部規制ネジ	C	2	
34	57AA97910	PAPER INDICATION LABEL 1	給紙表示ラベル 1	C	1	
35	57AA97920	PAPER INDICATION LABEL 2	給紙表示ラベル 2	C	1	
36	57AA97930	PAPER FEED INDICATION LABEL 3	給紙表示ラベル 3	C	1	
37	57AA97940	PAPER FEED INDICATION LABEL 4	給紙表示ラベル 4	C	1	
38	56QA97840	Cover Label	カバーラベル	D	1	
39	13FQ82510	MONITOR SPEAKER UNIT	モニタスピーカユニット	C	1	
40	57AA12720	OPE UNIT POSITIONING SIDE PLA	操作部位置決め側板/右	D	1	
41	56AA12481	SWITCH FIXING PLATE /B	スイッチ固定板/B	D	1	
42	56QA12200	LCT COVER ARM /B	LCT カバーアーム/B	D	4	
43	55GA86010	Power Source Switch	電源スイッチ	B	1	
44	56AA12130	SWITCH FIXING PLATE	スイッチ固定板	D	2	
45	57AA12600	EXTERNAL COOLING PLATE	外装冷却板	D	1	
46	57AA12640	EXTERNAL COOLING SEAL /4	外装冷却シール/4	D	1	
47	57AA12730	OPE UNIT POSITIONING SIDE PLA	操作部位置決め側板/左	D	1	
48	57AA12670	EXTERNAL COOLING SEAL /7	外装冷却シール/7	D	1	
49	57AA12610	EXTERNAL COOLING SEAL /1	外装冷却シール/1	D	1	
50	57AA12680	EXTERNAL COOLING SEAL /8	外装冷却シール/8	A	D	1
51	57AA107300	Protection Sheet	保護シート	C	1	
52	57AA12620	EXTERNAL COOLING SEAL/2	外装冷却シール/2	D	1	

bizhub 600/bizhub 600RM/bizhub 750/bizhub 750RM

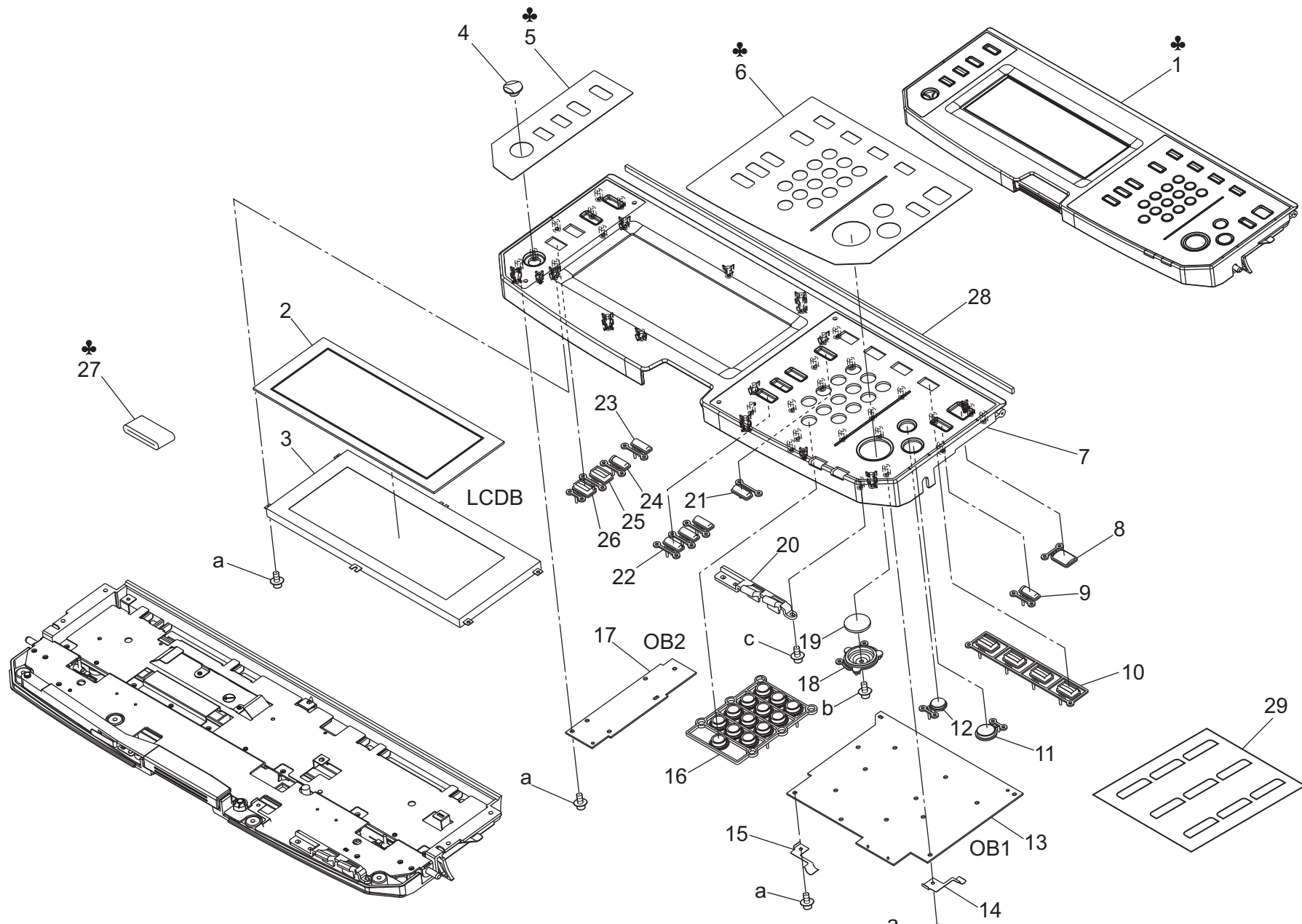


Order here
8 (495) 646-0426
www.km-shop.ru

ПЯТЫЙ ПАРТНЕР

OPERATION UNIT

P 5



bizhub 600/bizhub 600RM/bizhub 750/bizhub 750RM

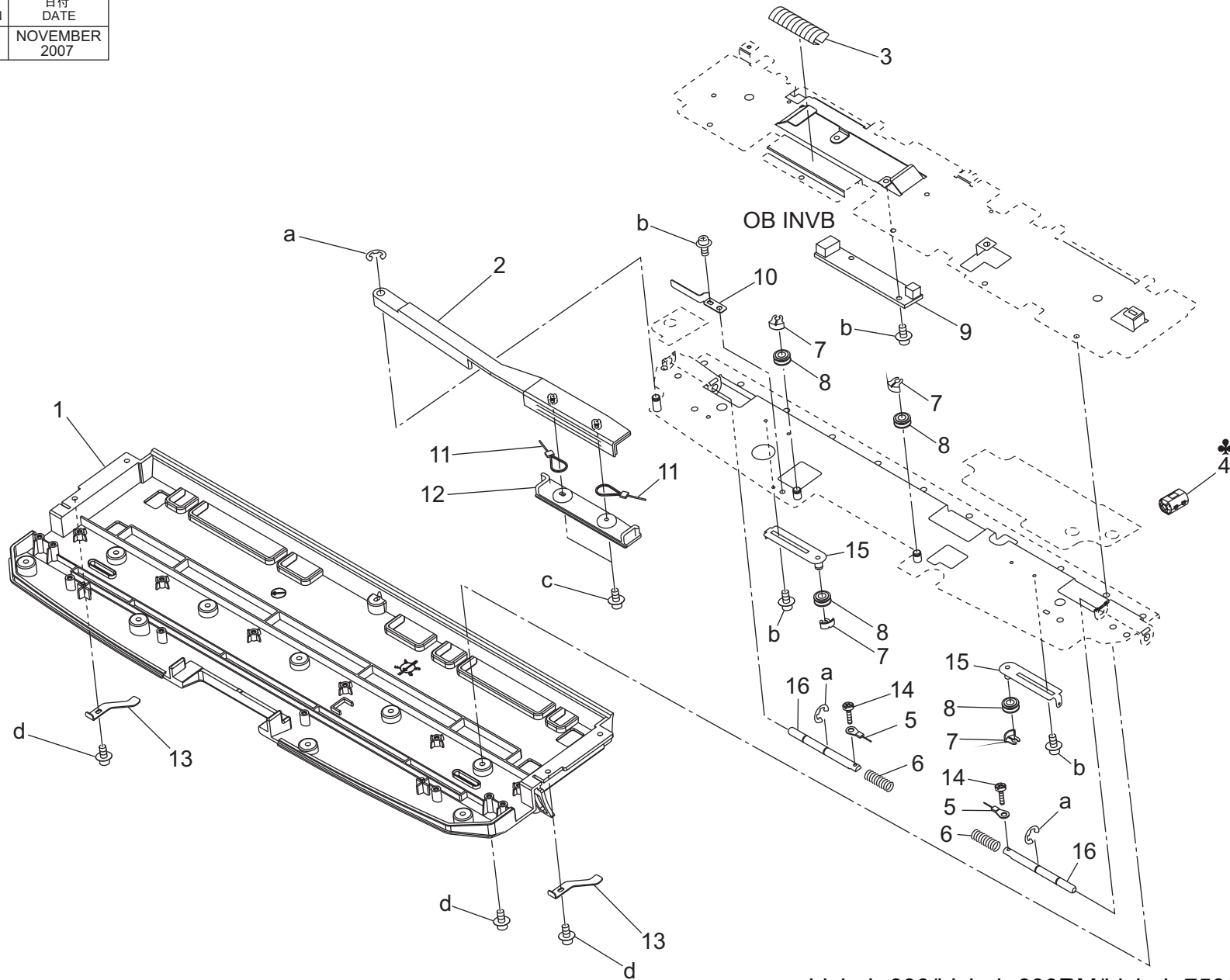
OPERATION UNIT

Key	Part No.	Description	Destinations	Class	QTY	Standard parts
1	57AA-7000	OPERATION UNIT	操作部ユニット	I	1	a-00Z253081 b-00Z253061 c-00Z253101
1	57AF-7000	OPERATION BOARD	操作部ユニット	I	1	
2	27LA87520	TOUCH KEY BOARD	タッチキー基板	C	1	
3	55VA87543	INDICATING BOARD	表示基板	I	1	
4	57AA70620	OPERATION UNIT BUTTON B	操作部ボタン B	C	1	
5	57AA70110	OPERATION UNIT SHEET LEFT	操作部シート 左	C	1	
5	57AE70110	OPERATION SHEET LEFT	操作部シート 左	C	1	
5	57AG70110	OPERATION UNIT SHEET REFT	操作部シート 左 中国	C	1	
5	57AK70110	OPERATION UNIT SHEET REFT	操作部シート 左 台湾	C	1	
6	57AA70100	OPERATION UNIT SHEET RIGHT	操作部シート 右	C	1	
6	57AE70100	OPERATION SHEET RIGHT	操作部シート 右	C	1	
6	57AG70100	OPERATION UNIT SHEET RIGHT	操作部シート 右 中国	C	1	
6	57AK70100	OPERATION UNIT SHEET RIGHT	操作部シート 右 台湾	C	1	
7	57AA70150	OPERATION UNIT COVER A	操作部カバー A	C	1	
8	56UA70370	OPERATION UNIT BUTTON R	操作部ボタン R	C	1	
9	57AA70670	Operation Unit Button /I	操作部ボタン / I	C	1	
10	57AA70640	OPERATION UNIT BUTTON M	操作部ボタン M	C	1	
11	57AA70630	OPERATION UNIT BUTTON S	操作部ボタン S	C	1	
12	56UA70350	OPERATION UNIT BUTTON P	操作部ボタン P	C	1	
13	57AA-9032E	OPERATION BOARD /1 ASSY	操作基板 / 1 部組	I	1	
14	57AA70540	OPERATION UNIT EARTH SPRING LEFT	操作部アースバネ 左	C	1	
15	57AA70530	OPERATION UNIT EARTH SPRING RIGHT	操作部アースバネ 右	C	1	
16	57AA70601E	OPE. UNIT BUTTON /T	操作部 ボタン / T	C	1	
17	57AA-9051E	OPERATION BOARD /2 ASSY	操作基板 / 2 部組	I	1	
18	56UA70321	OPE UNIT BUTTON C	操作部ボタン C	C	1	
19	56UA70420	OPERATION UNIT BUTTON D	操作部ボタン D	C	1	
20	57AA70170	LAMP COVER	ランプカバー	C	1	
21	57AA70680	OPERATION UNIT BUTTON K	操作部ボタン K	C	1	
22	57AA70650	OPERATION UNIT BUTTON J	操作部ボタン J	C	3	
23	57AA70660	Operation Unit Button /E	操作部ボタン / E	C	1	
24	56UA70390	OPERATION UNIT BUTTON H	操作部ボタン H	C	1	
25	57AA70610	OPERATION UNIT BUTTON U	操作部ボタン U	C	1	
26	56UA70400	OPERATION UNIT BUTTON U	操作部ボタン U	C	1	
27	57AF88710	OPERATION FERRITE CORE	操作 フェライトコア	D	1	
28	56AA70190	OPERATION UNIT SEAL REAR	操作部シール 奥	C	1	
29	57AA97840	POWER SOURCE INDICATING LABEL	電源表示ラベル 2	C	1	

bizhub 600/bizhub 600RM/bizhub 750/bizhub 750RM

OPERATION UNIT

改訂版 REVISED EDITION	日付 DATE
	NOVEMBER 2007



bizhub 600/bizhub 600RM/bizhub 750/bizhub 750RM

OPERATION UNIT

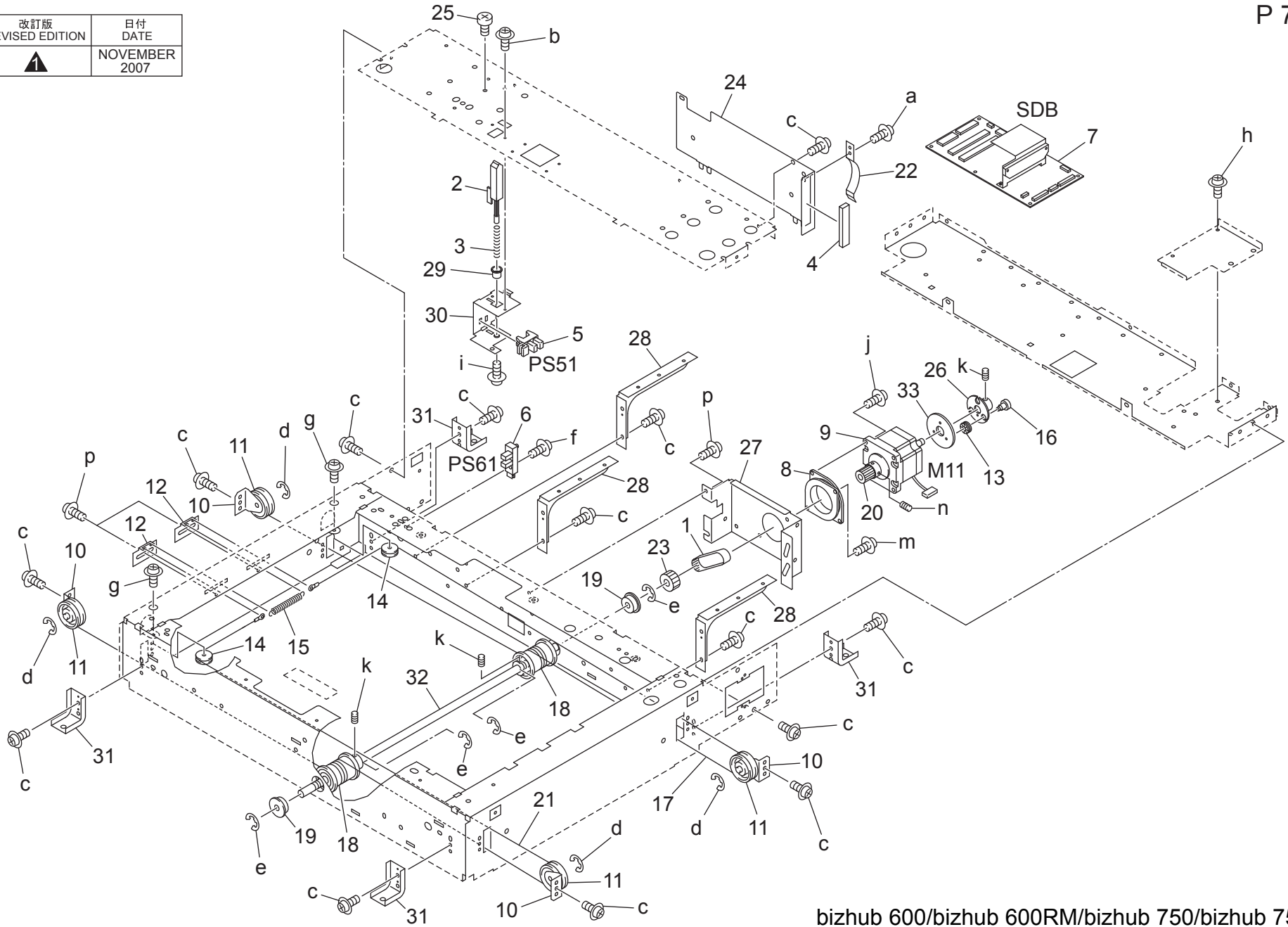
Key	Part No.	Description	Destinations	Class	QTY	Standard parts
1	57AA70160	OPERATION UNIT COVER B		C	1	a-V217040050 b-00Z193041 c-00Z253061 d-00Z253101
2	57AA70470	OPERATION UNIT LOCK LEVER		C	1	
3	56AAR70500	EARTH SPRING ASSY		C	1	
4	56AA88720	FERRITECORE 2	C,D1,D3,E,F2,G1,H,I J,K	C	1	
5	57AA70430	OPERATION UNIT LOCK WIRE		C	2	
6	57AA70420	OPERATION UNIT LOCK SPRING		C	2	
7	57AA70460	PULLEY COVER PART		C	4	
8	57AA70440	OPERATION UNIT LOCK PULLEY		C	4	
9	27LAR90100	INDICATING STARTER		C	1	
10	57AA70490	LEVER TENSION SPRING		C	1	
11	57AA70430	OPERATION UNIT LOCK WIRE		C	2	
12	57AA70500	LEVER COVER		C	1	
13	57AA70350	OPERATION UNIT TENSION SPRING		C	2	
14	57AA70510	WIRE LOCK SCREW		C	2	
15	57AA-7060	PULLEY BACKPLATE CAULKING		D	2	
16	57AA70410	OPE UNIT LOCK SHAFT		D	2	

bizhub 600/bizhub 600RM/bizhub 750/bizhub 750RM

OPTICS UNIT

P 7

改訂版 REVISED EDITION	日付 DATE
	NOVEMBER 2007



bizhub 600/bizhub 600RM/bizhub 750/bizhub 750RM

OPTICS UNIT

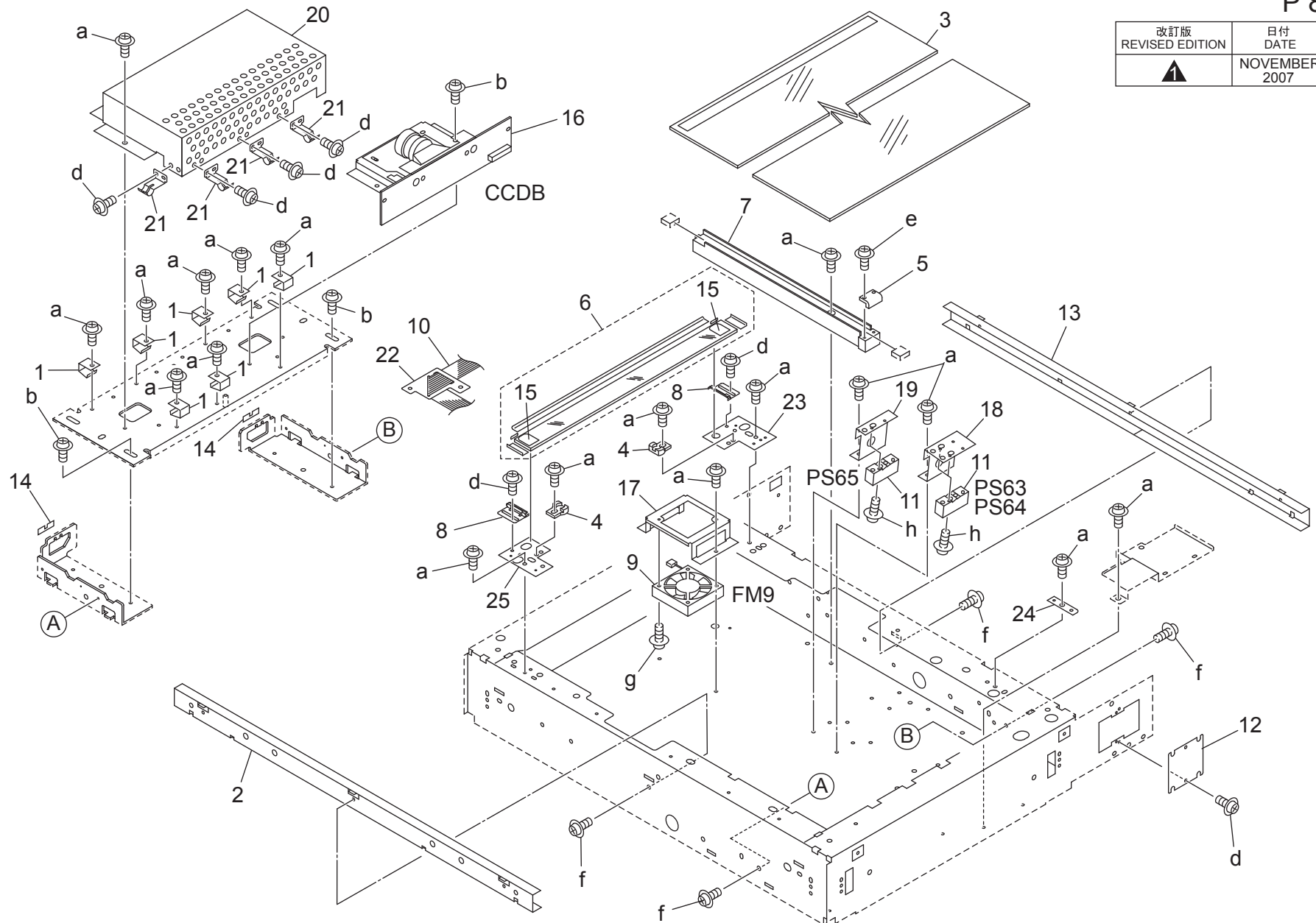
Key	Part No.	Description	Destinations	Class	QTY	Standard parts
1	55VA78110	READING DRIVE BELT 174L		C	1	a-00Z193041
2	56AA61420	ADF DETECTING ACTUATOR	ADF 検知アクチュエタ	C	1	b-00Z193061
3	56AA61431	ADF DETECTION SPRING	ADF 検知バネ	C	1	c-00Z194061
4	56AA61540	READ EARTH PART RIGHT REAR	読み取りアース部材 右後	C	1	d-V217040050
5	08AA85512	Photo Sensor	フォトセンサ	B	1	e-00Z670906
6	56AA85511	Photo Sensor	フォトセンサ	B	1	f-00Z184121
7	57AA-9092H	Scanner Drive Board Assy	スキャナー駆動基板部組	I	1	g-00Z194081
8	55VA62020	MOTOR FIXING PART	モータ固定部材	C	1	h-00Z194041
9	55VA80122	Optical Drive Motor	光学駆動モータ	B	1	i-00Z253061
10	25SA-6201	Pulley MT Plate /F Unit	プーリー取付板/前部組	D	4	j-00Z184101
11	56AA61290	BUSHING	光学アイドラプーリー	C	4	k-00Z474063
12	25SA61710	SPRING FIXING PLATE	バネ固定板	D	2	m-00Z194051
13	56AA61410	MOTOR AUXILIARY RUBBER	モータ補助ゴム	C	1	n-00Z474083
14	25SA61700	WIRE GUIDE ROLLER	ワイヤーガイドコロ	C	2	p-00Z164061
15	56AA61570	WIRE TENSION SPRING	ワイヤーテンションバネ	C	1	
16	56AA61400	MOTOR AUXILIARY SCREW	モータ補助ネジ	C	1	
17	56QA61140	Read Drive Wire /Rear	読取駆動ワイヤー/奥	C	1	
18	25SA61650	DRIVE PULLEY	駆動プーリー	C	2	
19	500075010	BALL BEARING	読み取り駆動軸受	C	2	
20	55VA76700	Read Drive Pulley /1 38T	読取駆動プーリー/1 38 T	C	1	
21	56QA61130	Read Drive Wire/ Front	読取駆動ワイヤー/前	C	1	
22	56AA61530	READ EARTH SPRING RIGHT REAR	読み取りアースバネ 右後	C	1	
23	55VA76710	Read Drive Pulley /2 76T	読取駆動プーリー/2 76 T	B	1	
24	57AA61520	READ EARTH PLATE RIGHT REAR	読み取りアース板 右後ろ	D	1	
25	13QA10170	HINGE HOLDING SCREW	ヒンジ押さえネジ	C	1	
26	56AA-6421	MOTOR AUX PART CAULKING	モータ補助部材カシメ	D	1	
27	56AA61481	MOTOR SUPPORT PLATE	モータ支持板	D	1	
28	56AA61470D	Read Reinforce Plate	読取補強板	D	3	
29	57AA61770	SPRING REGULATING PART	バネ規制部材	D	1	
30	56QA61301	MOUNTING PART	センサ取り付け部材	D	1	
31	56AA61461	READ SUPPORT PART	読取支持部材	D	4	
32	56AA61111	READ DRIVE SHAFT	読取駆動軸	D	1	
33	56AA61372	MOTOR AUXILIARY PART /1	モータ補助部材/1	D	1	

bizhub 600/bizhub 600RM/bizhub 750/bizhub 750RM

OPTICS UNIT

P 8

改訂版 REVISED EDITION	日付 DATE
	NOVEMBER 2007



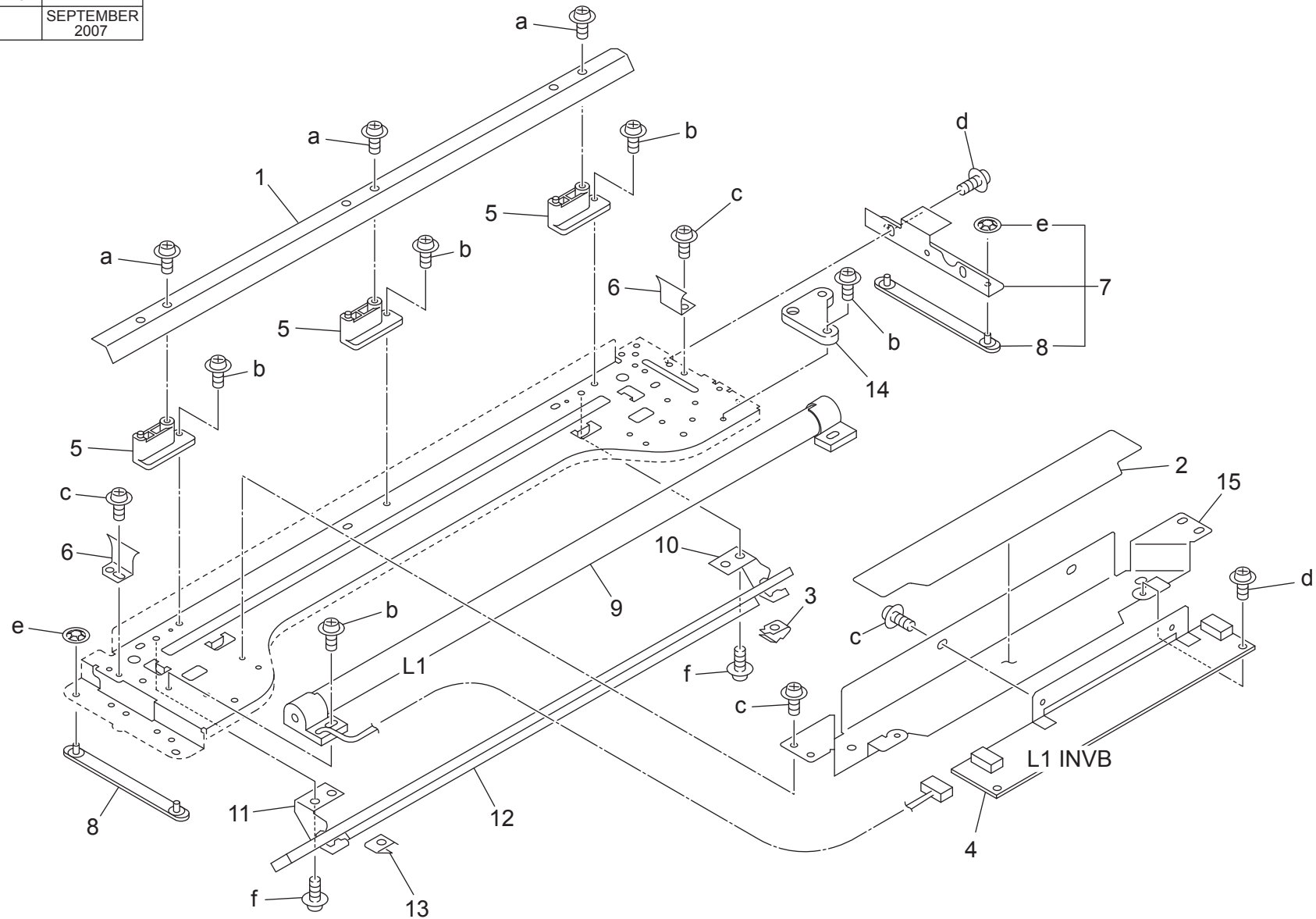
bizhub 600/bizhub 600RM/bizhub 750/bizhub 750RM

Key	Part No.	Description	Destinations	Class	QTY	Standard parts
1	55TA61320	LENS EARTH SPRING		C	7	a-00Z194041 b-00Z164081 d-00Z193041 e-00Z253101 f-00Z194061 g-00Z183161 h-00Z183181
2	57AAR72500	GUIDE RAIL F ASSY		D	1	
3	56AAR72900	ORIGINAL GLASS ASSY		C	1	
4	57AA61700	GLASS STOPPER PART		C	2	
5	25SA61881	CORD HOLDER		D	1	
6	57AAR72700	Original Glass /1 Assy		C	1	
7	25SA61861	CORD GUIDE PART		D	1	
8	56AA61330	GLASS HOLDER		C	2	
9	56AA80551	Fan Motor /2		B	1	
10	56QA90462	AD WIRING		D	1	
11	56AA85531	APS Sensor /2		B	2	
12	56AA73680	KEY COUNTER INNER COVER		D	1	
13	57AAR72600	GUIDE RAIL R ASSY		D	1	
14	56AA61580	WIRE REGURATION SHEET		C	2	
15	57AA61660	GLASS PROTECTION SHEET 2		C	2	
16	57AA-6304H	CCD UNIT		I	1	
17	56AA61151	FAN SUPPORT PLATE		D	1	
18	55TA61151	Mounting Plate		D	1	
19	55VA61931	Mounting Plate		D	1	
20	57AA61280	LENS LIGHT BLOCKING COVER		D	1	
21	57AA61760	BOARD EARTH PLATE /B		D	4	
22	56QA61620	WIRING FIXING PART		D	1	
23	57AA61250	GLASS STOPPER PLATE /REAR		D	1	
24	55TA61161	READ POSITIONING PLATE		D	1	
25	57AA61240	GLASS STOPPER PLATE /FRONT		D	1	

bizhub 600/bizhub 600RM/bizhub 750/bizhub 750RM

OPTICS UNIT

改訂版 REVISED EDITION	日付 DATE
	SEPTEMBER 2007



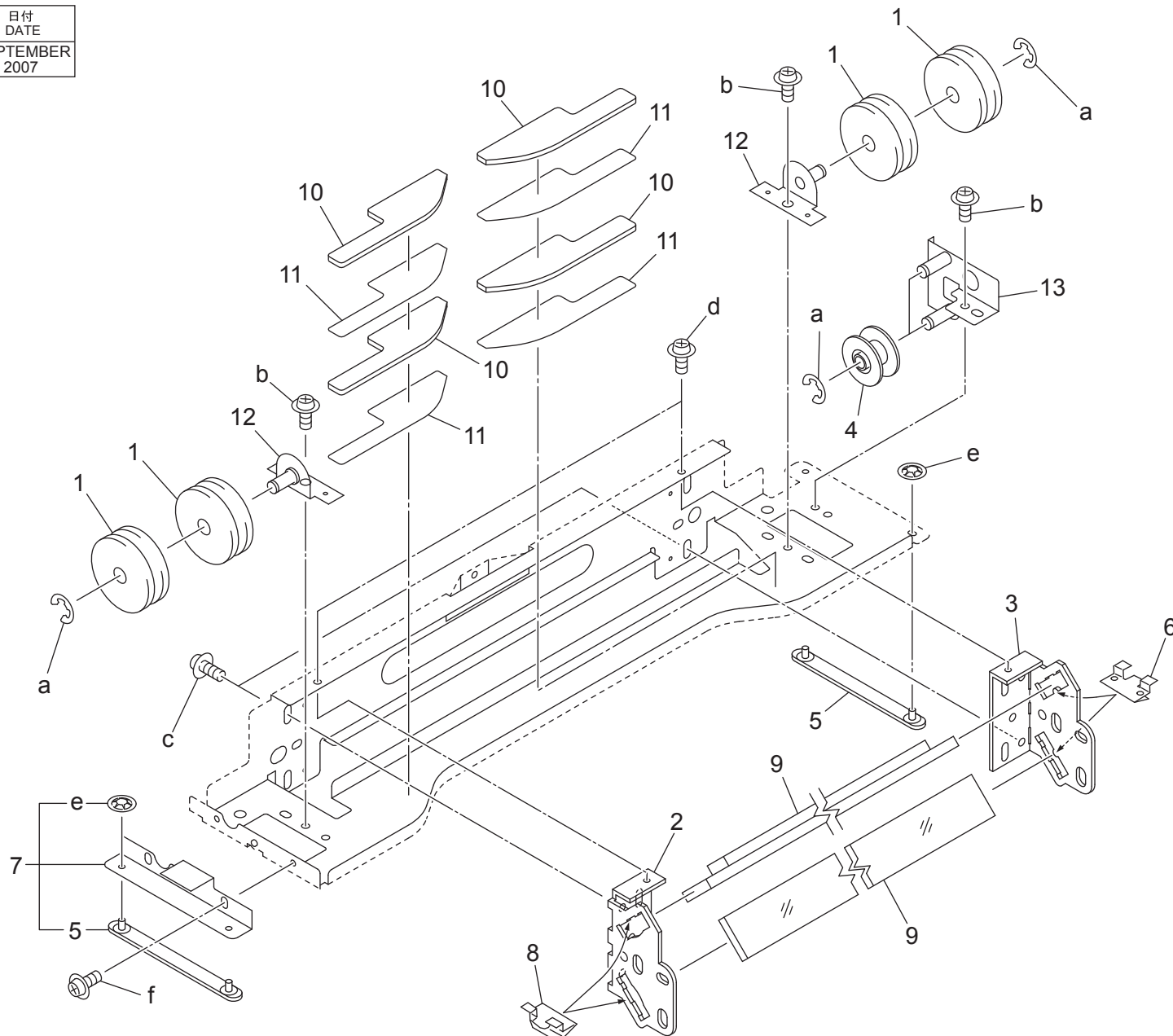
bizhub 600/bizhub 600RM/bizhub 750/bizhub 750RM

Key	Part No.	Description	Destinations	Class	QTY	Standard parts
1	55TA61110	REFLECT MIRROR 1		D	1	a-00Z253083 b-00Z193061 c-00Z193041 d-00Z163061 e-V201030004 f-00Z193031
2	56AA61440	POWER SOURCE PROTECTION SHEET		C	1	
3	25SA61470	MIRROR HOLDER 2		C	1	
4	57AA83510	Lamp Starter		I	1	
5	55TA61130	MIRROR SUPPORT PART		D	3	
6	55TA61120	REFLECT MIRROR 2		D	2	
7	56AAR72600	SIDE GUIDE PLATE ASSY		C	1	
8	25SA61420	OPTICS SLIDE PART		C	2	
9	57AA83010E	Exposure Lamp		I	1	
10	25SA62080	MIRROR POSITIONING PLATE 4		D	1	
11	25SA62070	MIRROR POSITIONING PLATE 3		D	1	
12	55WA61150	READ MIRROR 1		C	1	
13	25SA61460	MIRROR HOLDER 1		D	1	
14	56AA61180	CORD HOLDER PART B		C	1	
15	56AA61071	POWER SOURCE SUPPORT PLATE		D	1	

bizhub 600/bizhub 600RM/bizhub 750/bizhub 750RM

OPTICS UNIT

改訂版 REVISED EDITION	日付 DATE
	SEPTEMBER 2007



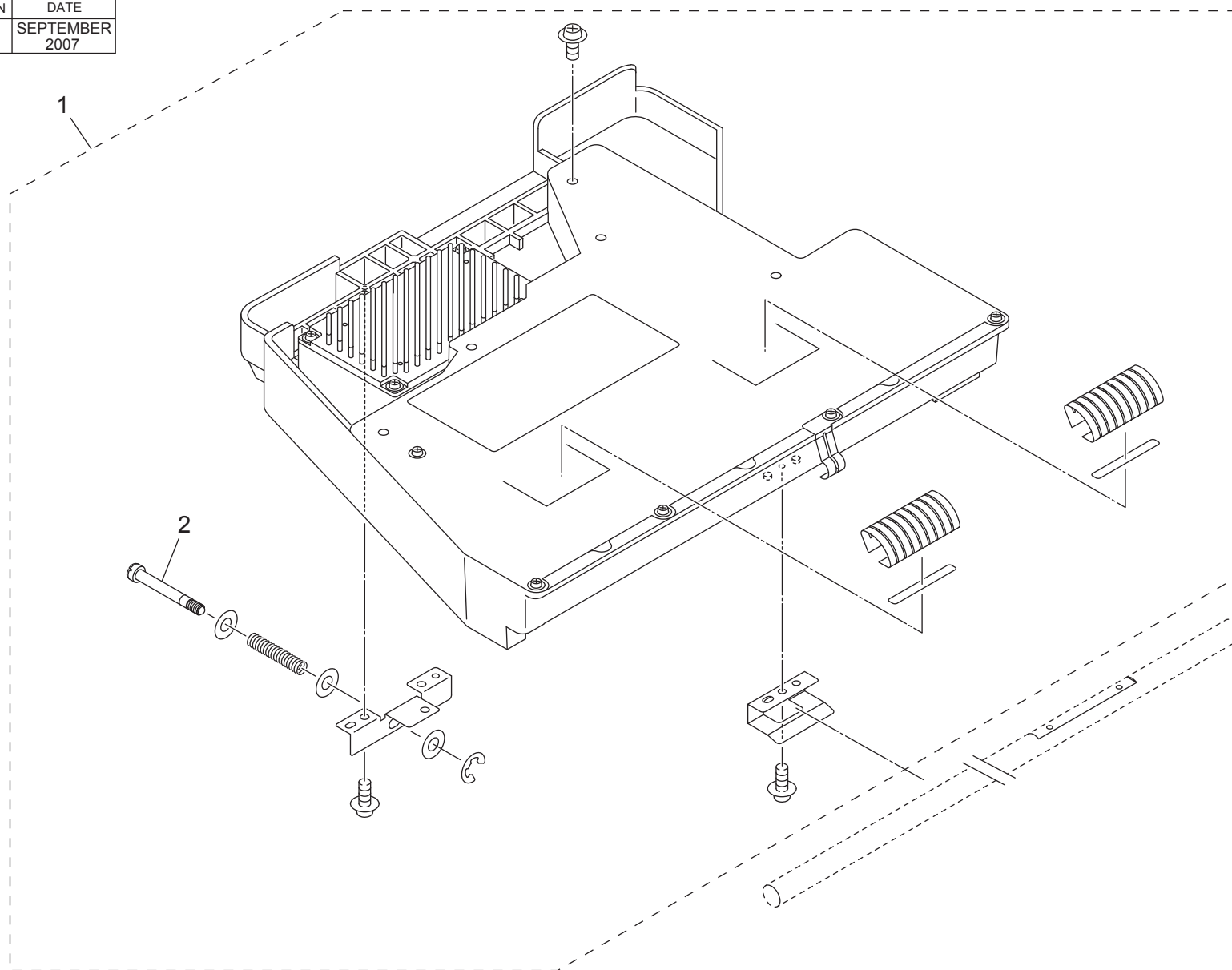
bizhub 600/bizhub 600RM/bizhub 750/bizhub 750RM

Key	Part No.	Description	Destinations	Class	QTY	Standard parts
1	56AA61290	BUSHING		C	4	a-V217040050 b-00Z194041 c-00Z164061 d-00Z193121 e-V201030004 f-00Z163061
2	55FA61130	MIRROR POSITION PLATE	光学アイドラープーリ ミラー位置決め板	D	1	
3	55FA61140	MIRROR POSITION PLATE 2	ミラー位置決め板 2	D	1	
4	25SA62160	CORD GUIDE PULLEY 2	コードガイドプーリ 2	C	2	
5	25SA61420	OPTICS SLIDE PART	光学スライド部材	C	2	
6	25SA61550	MIRROR HOLDER 4	ミラー押え 4	C	2	
7	56AAR72600	SIDE GUIDE PLATE ASSY	側面ガイド部組	C	1	
8	25SA61540	MIRROR HOLDER 3	ミラー押え 3	C	2	
9	55TA61341	READING MIRROR 2	読取ミラー 2	C	2	
10	56QA61670	OPTICAL REINFORCE PLATE /V	光学補強板 / V	D	4	
11	56QA61680	OPTICAL REINFORCE SEAL /V	光学補強シール / V	D	4	
12	56AA-6261	Pulley Support Plate /A Caulking	プーリ支持板 / A カシメ	D	2	
13	56AA-6271	Pulley Support Plate /B Caulking	プーリ支持板 / B カシメ	D	1	

bizhub 600/bizhub 600RM/bizhub 750/bizhub 750RM

OPTICS UNIT

改訂版 REVISED EDITION	日付 DATE
	SEPTEMBER 2007



bizhub 600/bizhub 600RM/bizhub 750/bizhub 750RM

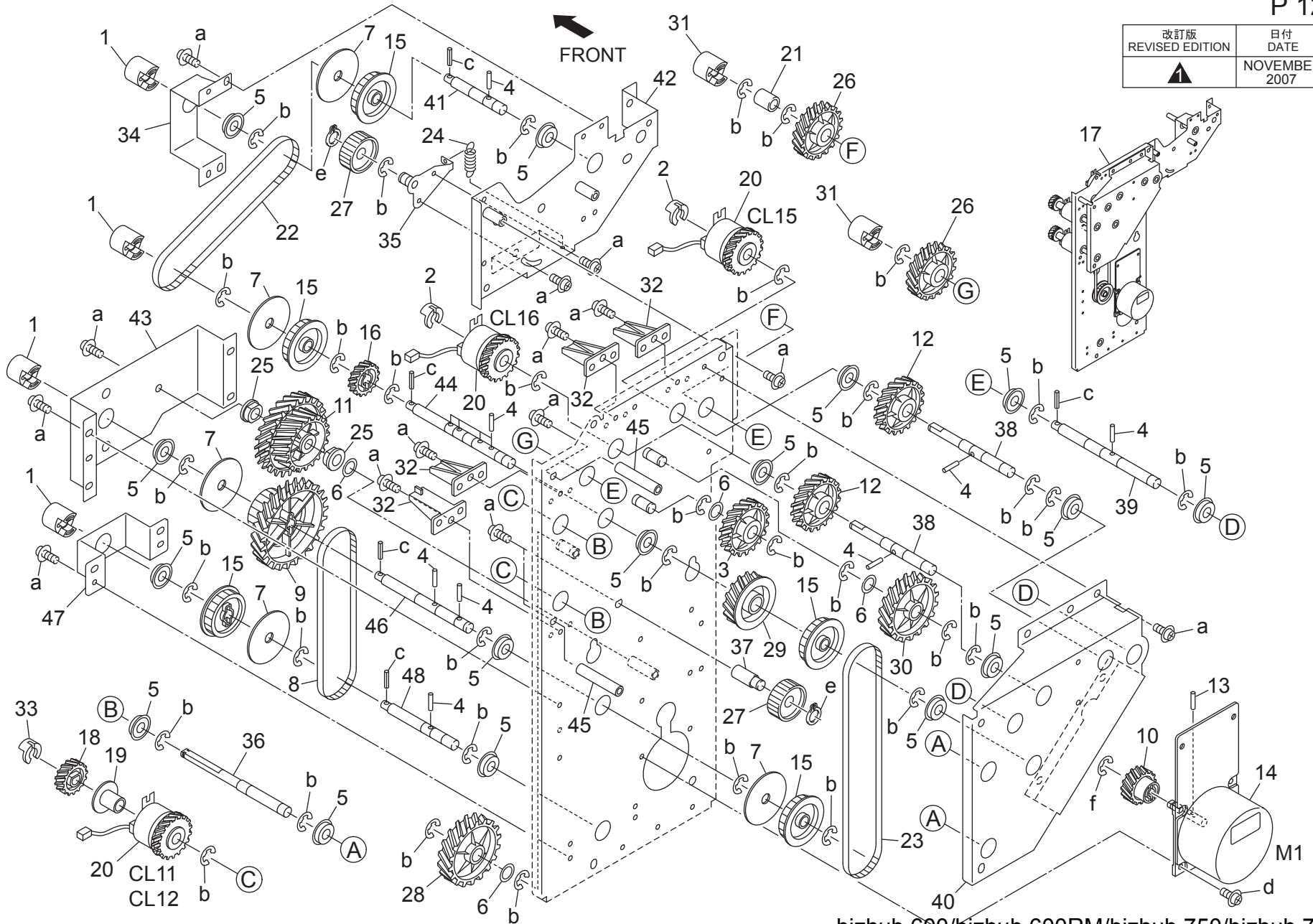
OPTICS UNIT

Key	Part No.	Description	Destinations	Class	QTY	Standard parts
1	57AA-6501	WRITE UNIT		I	1	
2	56AA68121	WRITE FIXING SHAFT		D	1	

bizhub 600/bizhub 600RM/bizhub 750/bizhub 750RM

DRIVING SECTION

改訂版 REVISED EDITION	日付 DATE
	NOVEMBER 2007

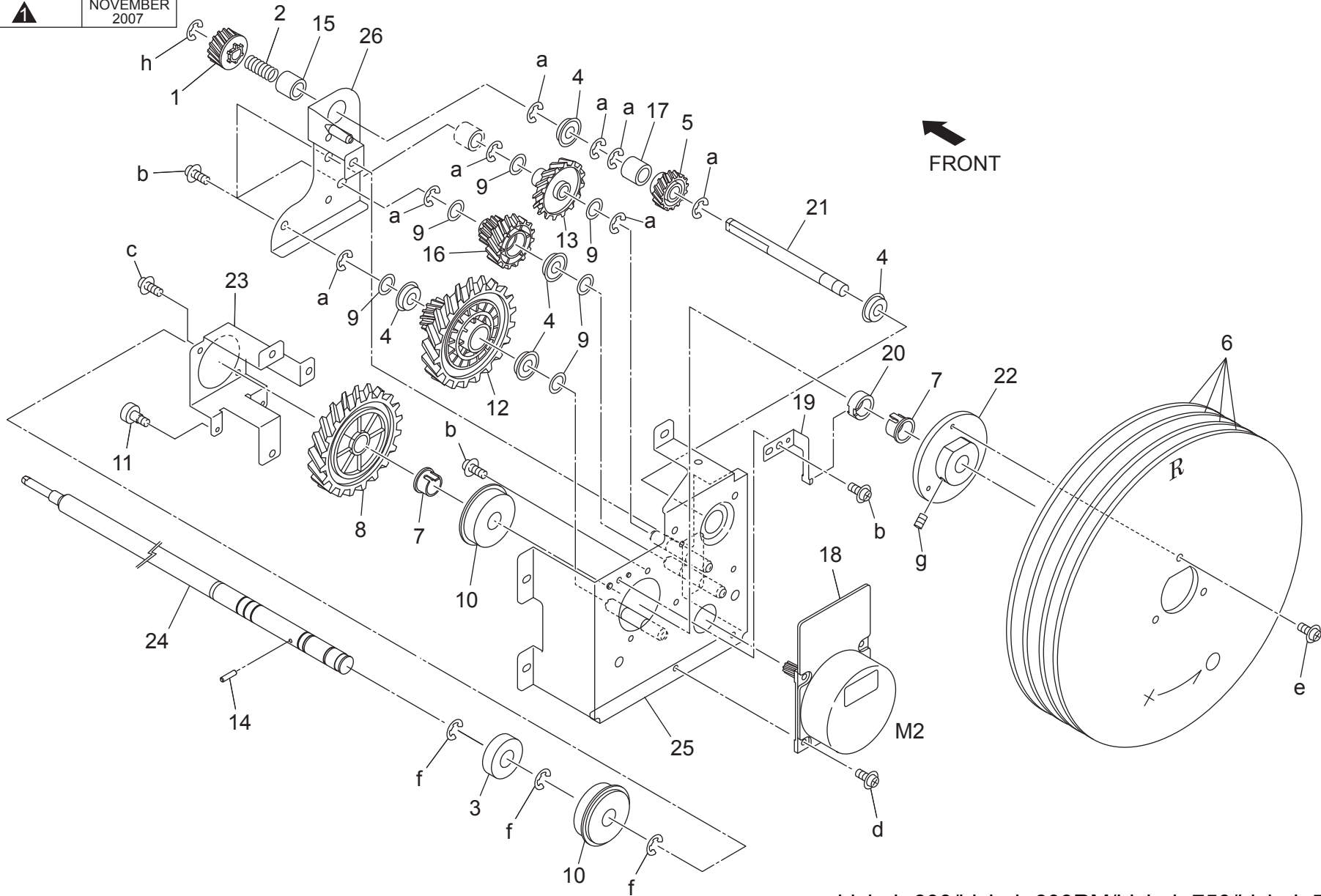


bizhub 600/bizhub 600RM/bizhub 750/bizhub 750RM

Key	Part No.	Description	Destinations	Class	QTY	Standard parts
1	56AA40450	PAPER FEED COUPLING PART	給紙カップリング部材	C	4	a-00Z194061 b-00Z670606 c-00Z713206 d-00Z184061 e-00Z680803 f-V217040050
2	55VA42120	SHAFT STOPPER	軸ストッパー	C	2	
3	56QA77040	CONVEYANCE DRIVE GEAR 2 31T	搬送駆動歯車 2 31 T	C	1	
4	56AA17480	PIN B	ピン B	C	11	
5	540076050	BALL BEARING	駆動軸受	B	18	
6	12QV40650	SPACER	スペーサー	B	4	
7	55VA15470	BELT GUIDE PLATE	ベルトガイドプレート	C	5	
8	56AA77530	Paper Feed Drive Belt /1 336L	給紙駆動ベルト/1 336 L	C	1	
9	55VA77130	PAPER FEED DRIVE GEAR /C 36/63T	給紙駆動歯車/C 36/63 T	B	1	
10	56AA77140	PAPER FEED DRIVING GEAR 23T	給紙駆動歯車 23 T	C	1	
11	55VA77120	PAPER FEED DRIVING GEAR B 58T/40T	給紙駆動歯車 B 58 T / 40 T	C	1	
12	56QA77060	CONVEYANCE DRIVING GEAR 4 30T	搬送駆動歯車 4 30 T	C	2	
13	56AA17321	PIN A D2X12	ピン A D 2 X 12	B	1	
14	15AA80050	DC Brushless Motor /40	D C ブラシレスモーター/40	B	1	
15	56AA76530	Paper Feed Driving Pulley 36T	給紙駆動プーリー 36 T	C	5	
16	56AA77711	CONVEYANCE DRIVING GEAR 1 24T	搬送駆動歯車 1 24 T	C	1	
17	57AAR73500	Paper Feed Drive Assy	給紙駆動部組	D	1	
18	57AA77150	CONVEYANCE INPUT GEAR 23T	搬送入力ギア 23 T	C	1	
19	57AA15420	PAPER FEED COUPLING COLLAR	給紙カップリングカラー	C	1	
20	57AA82030	CONVEYANCE DRIVE CLUTCH	搬送駆動クラッチ	C	3	
21	56AA15590	DRUM COUPLING COLLAR	ドラムカップリングカラー	C	1	
22	56QA77520	Paper Feed Drive Belt /Right 636L	給紙駆動ベルト/右 636 L	C	1	
23	56QA77510	Paper Feed Drive Belt /Upper 447L	給紙駆動ベルト/上 447 L	C	1	
24	56QA15190	BELT TENSION SPRING	ベルトテンションバネ	C	1	
25	A03U812800	Slide Shaft Holder	すべり軸受	B	2	
26	56QA77071F	Conveyance Drive Gear /5 32T	搬送駆動歯車/5 32 T	C	2	
27	540015162	BELT TENSION ROLLER	ベルトテンションコロ	B	2	
28	56QA77020	CONVEYANCE DRIVING GEAR 45T	搬送駆動歯車 45 T	C	1	
29	56QA77030	CONVEYANCE DRIVE GEAR 1 28T	搬送駆動歯車 1 28 T	C	1	
30	56QA77050	CONVEYANCE DRIVE GEAR 3 41T	搬送駆動歯車 3 41 T	C	1	
31	55VA15541	CLEANER COUPLING PART	クリーナーカップリング部材	C	2	
32	57AA15120	CLUTCH REGULATING PART	クラッチ規制部材	C	4	
33	12QV40660	SHAFT POSITIONING PART	軸位置決め部材	C	1	
34	56QA15050	PAPER FEED DRIVE BOARD /REAR	給紙駆動基板/奥	D	1	
35	56QA-1720	BELT TENSION SHAFT CAULKING	ベルトテンション軸カシメ	D	1	
36	57AA15260	CONVEYANCE DRIVE SHAFT /2	搬送駆動軸/2	D	1	
37	56QA15130	BELT TENSION SHAFT /RIGHT	ベルトテンション軸/右	D	1	
38	57AA15110	CONVEYANCE DRIVE SHAFT	搬送駆動軸	D	2	
39	56QA15120	CONVEYANCE COUPLING SHAFT /1	搬送カップリング軸/1	D	1	
40	56QA15021	PAPER FEED DRIVE BOARD /UPPER	給紙駆動基板/上	D	1	
41	56QA15090	PAPER FEED COUPLING SHAFT /1	給紙カップリング軸/1	D	1	
42	56QA-1640	1500PF DRIVE PLATE CAULKING	1500 給紙駆動基板カシメ	D	1	
43	56QA15030	PAPER FEED DRIVE BOARD /MIDDLE	給紙駆動基板/中	D	1	
44	56QA15080	PAPER FEED COUPLING SHAFT /2	給紙カップリング軸/2	D	1	
45	56AA15271D	Paper feed Support Shaft	給紙支持軸	D	2	
46	56QA15070	PAPER FEED COUPLING SHAFT /3	給紙カップリング軸/3	D	1	
47	56AA15101	PAPER FEED DRIVE BOARD /MIDDLE	給紙駆動基板/中	D	1	
48	56QA15060	PAPER FEED COUPLING SHAFT /4	給紙カップリング軸/4	D	1	

DRIVING SECTION

改訂版 REVISED EDITION	日付 DATE
	NOVEMBER 2007



bizhub 600/bizhub 600RM/bizhub 750/bizhub 750RM

DRIVING SECTION

Key	Part No.	Description	Destinations	Class	QTY	Standard parts
1	56AA77831	TONER COLLECTING GEAR 4 22T	トナー回収ギア 4 2 2 T	C	1	a-00Z670606
2	56AA17011	FIXING COUPLING SPRING	定着カップリングバネ	C	1	b-00Z194061
3	56QA75020	Drum Rotary Bearing/ 2	ドラム回転軸受/ 2	C	1	c-00Z184041
4	540076050	BALL BEARING	駆動軸受	B	5	d-00Z184061
5	57AA77820	Toner Collection Gear /3 27T	トナー回収ギア/ 3 2 7 T	C	1	e-00Z163141
6	57AA15900	DRUM ROTATION PLATE	ドラム回転プレート	D	4	f-00Z682003
7	56QA15250	DRUM COLLAR	ドラムカラー	C	2	g-00Z474063
8	57AA77050	DRUM DRIVE GEAR 2 79T	ドラム駆動歯車 2 7 9 T	C	1	h-00Z670506
9	12QV40650	SPACER	スペーサー	B	6	
10	56QA75010	Drum Rotary Bearing/ 1	ドラム回転軸受/ 1	C	2	
11	56AA20870	TERMINAL FIXING SCREW	端子固定ネジ	C	1	
12	56QA77111	Drum Driving Gear /1 111 /25T	ドラム駆動歯車/ 1 1 1 1 / 2 5 T	C	1	
13	56AA77070	TONER COLLECTING GEAR 2 46T	トナー回収ギア 2 4 6 T	C	1	
14	25SA15390	DRIVE POSITION PIN D4X33	駆動位置決めピン D 4 X 3 3	C	1	
15	56AA15590	DRUM COUPLING COLLAR	ドラムカップリングカラー	C	1	
16	56AA77060	TONER COLLECTING GEAR 1 61T 21T	トナー回収ギア 1 6 1 T 2 1 T	C	1	
17	56QA15260	DRUM COUPLING COLLAR	ドラムカップリングカラー	C	1	
18	57AA80080	DC Brushless Motor /15	DC ブラシレスモータ/ 1 5	C	1	
19	25SA15280	DRUM EARTH SPRING	ドラムアースバネ	C	1	
20	25SA15270	EARTH SHAFT HOLDER	アース軸受	C	1	
21	56QA15240	TONER COLLECTION SHAFT/2	トナー回収軸/ 2	D	1	
22	56QA15270	Mounting Part	取り付け部材	C	1	
23	56QA20030	SHAFT POSITIONING BOARD	軸位置決め基板	D	1	
24	56QA20080	DRUM ROTATION SHAFT	ドラム回転軸	D	1	
25	57AA-1810	DRUM DRIVE BASE PLATE CAULKING	ドラム駆動基板カシメ	D	1	
26	57AA-1830	DRUM DRIVE BASE PLATE/2 CAULKING	ドラム駆動基板/ 2 カシメ	D	1	

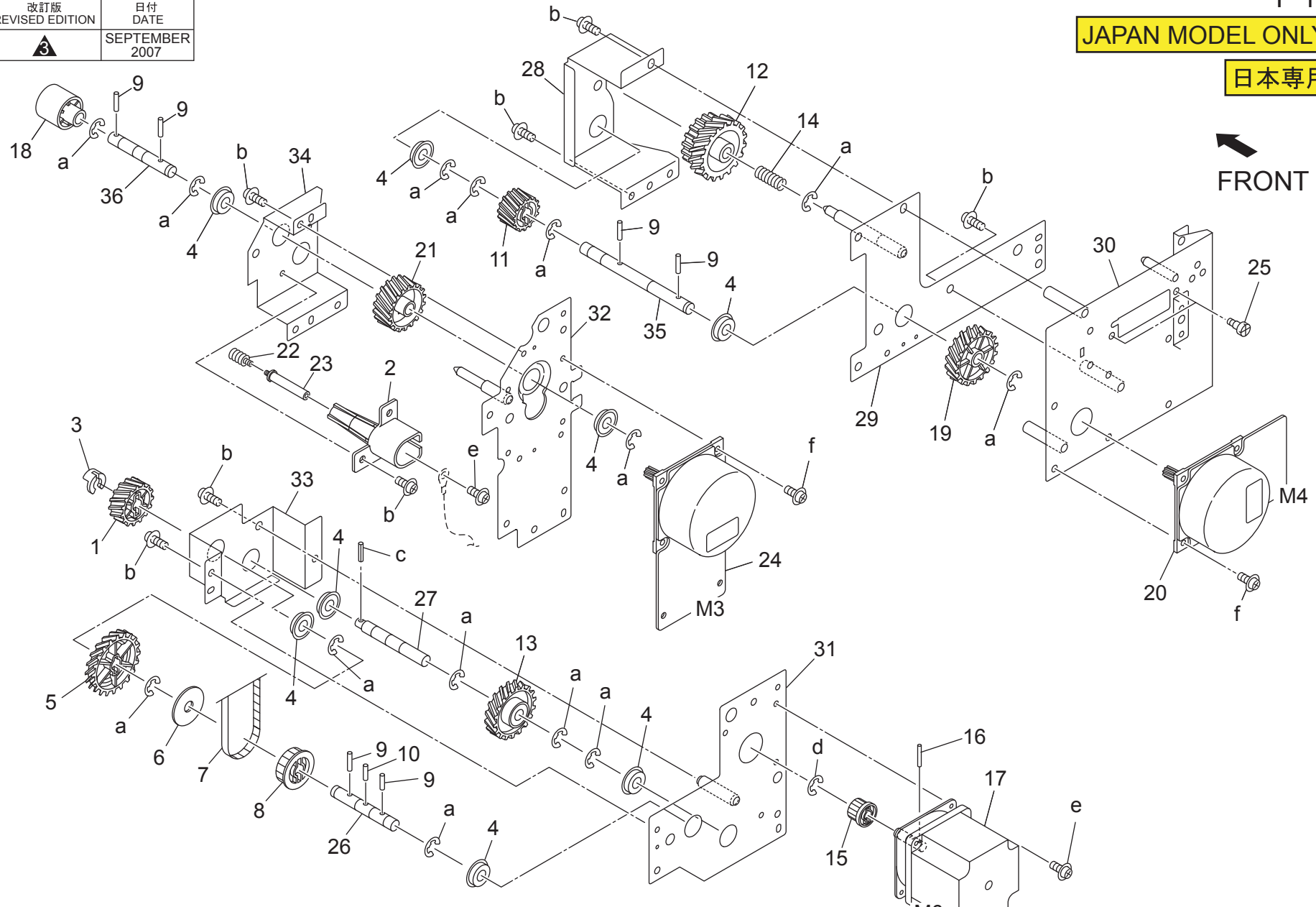
DRIVING SECTION

JAPAN MODEL ONLY

日本専用

FRONT

改訂版 REVISED EDITION	日付 DATE
	SEPTEMBER 2007



bizhub 600/bizhub 600RM/bizhub 750/bizhub 750RM

DRIVING SECTION

Key	Part No.	Description	Destinations	Class	QTY	Standard parts
1	56AA77130	BY PASS FEED DRIVING GEAR 2 28T	手差し駆動ギア 2 28 T	A	1	a-00Z670606 b-00Z194061 c-00Z713206 d-V217040050 e-00Z193061 f-00Z184061
2	56AA15460	HIGH VOLTAGE GUIDE PART	高圧ガイド部材	A	1	
3	55VA42120	SHAFT STOPPER	軸ストッパー	A	1	
4	540076050	BALL BEARING	駆動軸受	A	8	
5	12AJ77031	GEAR 2 42T	歯車 2 42 T	A	1	
6	56AA15490	PULLEY GUIDE PLATE	プーリガイド板	A	1	
7	56AA77520	By-Pass Drive Belt /1 192L	手差し駆動ベルト /1 192 L	A	1	
8	56AA76520	BY PASS FEED DRIVING PULLEY 2 26T	手差し駆動プーリ 2 26 T	A	1	
9	56AA17480	PIN B	ピン B	A	6	
10	56AA17471	PIN B 3X12	ピン B 3 X 12	A	1	
11	57AA77020	FIXING DRIVE GEAR 2 27T	定着駆動歯車 2 27 T	A	1	
12	57AA77030	FIXING INPUT GEAR 36/39T	定着入力歯車 36 / 39 T	A	1	
13	56AA77120	BY PASS FEED DRIVING GEAR 1 36T	手差し駆動ギア 1 36 T	A	1	
14	56AA17011	FIXING COUPLING SPRING	定着カップリングバネ	A	1	
15	56AA76510	BY PASS FEED DRIVING PULLEY 1 15T	手差し駆動プーリ 1 15 T	A	1	
16	56AA17531	PIN A D2X10	ピン A D 2 X 10	A	1	
17	56AA80112	Paper Exit Drive Motor	排紙駆動モータ	A	1	
18	56AA15411	DEVELOPING COUPLING PART	現像カップリング部材	A	1	
19	57AA77010	FIXING DRIVE GEAR /1	定着駆動歯車 /1	A	1	
20	57AA80080	DC Brushless Motor /15	D C ブラシレスモータ /15	A	1	
21	56AA77090	DEVELOPING DRIVING GEAR 64T	現像駆動歯車 64 T	A	1	
22	56AA15471	CONTACT SPRING	接点バネ	A	1	
23	56AA15521	CONTACT SHAFT	接点軸	A	1	
24	27LA80032E	DC BRUSHLESS MOTOR/30	D C ブラシレス モータ /30	A	1	
25	57AA15600	ELECTRIC MOUNTING SCREW	電装取り付けネジ	A	2	
26	57AA15310	BY PASS DRIVE SHAFT 1	手差し駆動軸 1	A	1	
27	56AA15321	BY-PASS FEED DRIVING SHAFT/2	手差し駆動軸 /2	A	1	
28	57AA15080	FIXING DRIVE BASE PLATE/3	定着駆動基板 /3	D	1	
29	57AAR73400	Fixing Drive Base Plate/2 Caulking	定着駆動基板 /2 カシメ	D	1	
30	57AA-1880	FIXING DRIVE BASE PLATE/1 CAULKING	定着駆動基板 /1 カシメ	D	1	
31	56AA-1660	BY-PASS DRIVE BASE PLATE CAULKING	手差し駆動基板カシメ	D	1	
32	56QA-1761	DEVELOPING DRIVE BASE PLATE CAULKING	現像駆動基板カシメ	D	1	
33	56AA15152	BY-PASS DRIVE BASE PLATE/2	手差し駆動基板 /2	D	1	
34	56AA15131	DEVELOPING DRIVE BASE PLATE/2	現像駆動基板 /2	D	1	
35	57AA15190	FIXING DRIVE SHAFT/1	定着駆動軸 /1	C	1	
36	56AA15281	DEVELOPING DRIVE SHAFT	現像駆動軸	A	1	

bizhub 600/bizhub 600RM/bizhub 750/bizhub 750RM

DRIVING SECTION

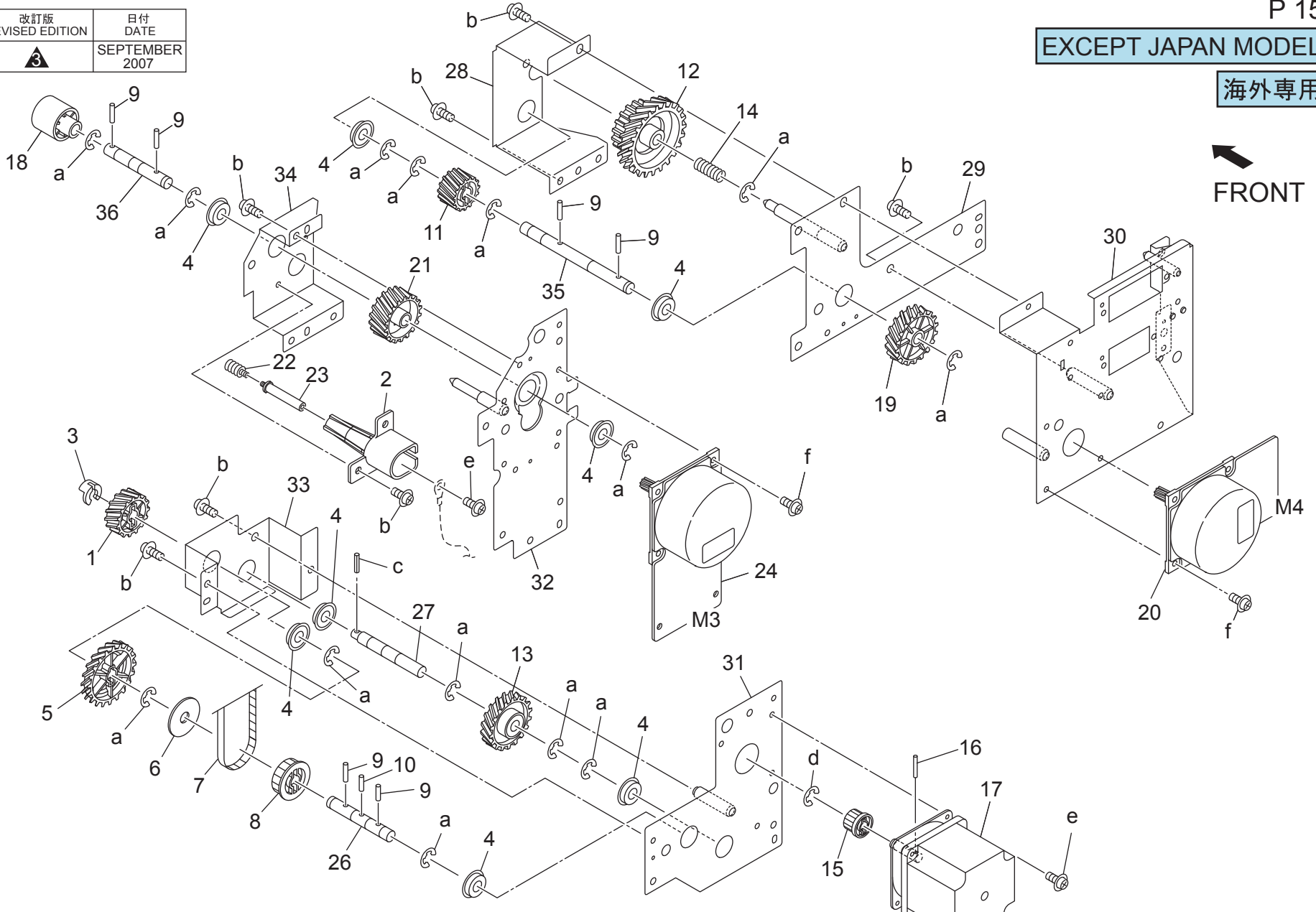
P 15

改訂版 REVISED EDITION	日付 DATE
	SEPTEMBER 2007

EXCEPT JAPAN MODEL

海外専用

FRONT



bizhub 600/bizhub 600RM/bizhub 750/bizhub 750RM



Key	Part No.	Description	Destinations	Class	QTY	Standard parts	
1	56AA77130	BY PASS FEED DRIVING GEAR 2 28T	手差し駆動ギア 2 28 T	B,C,D1,D3,E,F1,F2,G 1,G2,H,I,J,K	C	1	a-00Z670606 b-00Z194061 c-00Z713206 d-V217040050 e-00Z193061 f-00Z184061
2	56AA15460	HIGH VOLTAGE GUIDE PART	高圧ガイド部材	B,C,D1,D3,E,F1,F2,G 1,G2,H,I,J,K	C	1	
3	55VA42120	SHAFT STOPPER	軸ストッパー	B,C,D1,D3,E,F1,F2,G 1,G2,H,I,J,K	C	1	
4	540076050	BALL BEARING	駆動軸受	B,C,D1,D3,E,F1,F2,G 1,G2,H,I,J,K	B	8	
5	12AJ77031	GEAR 2 42T	歯車 2 42 T	B,C,D1,D3,E,F1,F2,G 1,G2,H,I,J,K	C	1	
6	56AA15490	PULLEY GUIDE PLATE	プーリガイド板	B,C,D1,D3,E,F1,F2,G 1,G2,H,I,J,K	C	1	
7	56AA77520	By-Pass Drive Belt /1 192L	手差し駆動ベルト / 1 192 L	B,C,D1,D3,E,F1,F2,G 1,G2,H,I,J,K	C	1	
8	56AA76520	BY PASS FEED DRIVING PULLEY 2 26T	手差し駆動プーリ 2 26 T	B,C,D1,D3,E,F1,F2,G 1,G2,H,I,J,K	C	1	
9	56AA17480	PIN B	ピン B	B,C,D1,D3,E,F1,F2,G 1,G2,H,I,J,K	C	6	
10	56AA17471	PIN B 3X12	ピン B 3 X 12	B,C,D1,D3,E,F1,F2,G 1,G2,H,I,J,K	C	1	
11	56AA77020	FIXING DRIVING GEAR 2 22T	定着駆動歯車 2 22 T	B,C,D1,D3,E,F1,F2,G 1,G2,H,I,J,K	C	1	
12	25BA77262	FIXING INPUT GEAR 50T 36T	定着入力歯車 50 T 36 T	B,C,D1,D3,E,F1,F2,G 1,G2,H,I,J,K	B	1	
13	56AA77120	BY PASS FEED DRIVING GEAR 1 36T	手差し駆動ギア 1 36 T	B,C,D1,D3,E,F1,F2,G 1,G2,H,I,J,K	C	1	
14	56AA17011	FIXING COUPLING SPRING	定着カップリングバネ	B,C,D1,D3,E,F1,F2,G 1,G2,H,I,J,K	C	1	
15	56AA76510	BY PASS FEED DRIVING PULLEY 1 15T	手差し駆動プーリ 1 15 T	B,C,D1,D3,E,F1,F2,G 1,G2,H,I,J,K	C	1	
16	56AA17531	PIN A D2X10	ピン A D 2 X 10	B,C,D1,D3,E,F1,F2,G 1,G2,H,I,J,K	C	1	
17	56AA80112	Paper Exit Drive Motor	排紙駆動モータ	B,C,D1,D3,E,F1,F2,G 1,G2,H,I,J,K	B	1	
18	56AA15411	DEVELOPING COUPLING PART	現像カップリング部材	B,C,D1,D3,E,F1,F2,G 1,G2,H,I,J,K	C	1	
19	57AE77010	FIXING DRIVE GEAR 1 70T	定着駆動歯車 1 70 T	B,C,D1,D3,E,F1,F2,G 1,G2,H,I,J,K	B	1	
20	57AA80080	DC Brushless Motor /15	D C ブラシレスモータ / 15	B,C,D1,D3,E,F1,F2,G 1,G2,H,I,J,K	C	1	
21	56AA77090	DEVELOPING DRIVING GEAR 64T	現像駆動歯車 64 T	B,C,D1,D3,E,F1,F2,G 1,G2,H,I,J,K	C	1	
22	56AA15471	CONTACT SPRING	接点バネ	B,C,D1,D3,E,F1,F2,G 1,G2,H,I,J,K	C	1	
23	56AA15521	CONTACT SHAFT	接点軸	B,C,D1,D3,E,F1,F2,G 1,G2,H,I,J,K	D	1	
24	27LA80032E	DC BRUSHLESS MOTOR/30	D C ブラシレス モータ / 30	B,C,D1,D3,E,F1,F2,G 1,G2,H,I,J,K	C	1	
26	57AA15310	BY PASS DRIVE SHAFT 1	手差し駆動軸 1	B,C,D1,D3,E,F1,F2,G 1,G2,H,I,J,K	D	1	
27	56AA15321	BY-PASS FEED DRIVING SHAFT/2	手差し駆動軸 / 2	B,C,D1,D3,E,F1,F2,G 1,G2,H,I,J,K	D	1	
28	56AA15082	FIXING DRIVE BASE PLATE/3	定着駆動基板 / 3		D	1	
29	56AAR73300	Fixing Drive Base Plate/2 Caulking	定着駆動基板 / 2 カシメ		D	1	
30	57AE-1880	FIXING DRIVE BASE PLATE/1 CAULKING	定着駆動基板 / 1 カシメ		D	1	

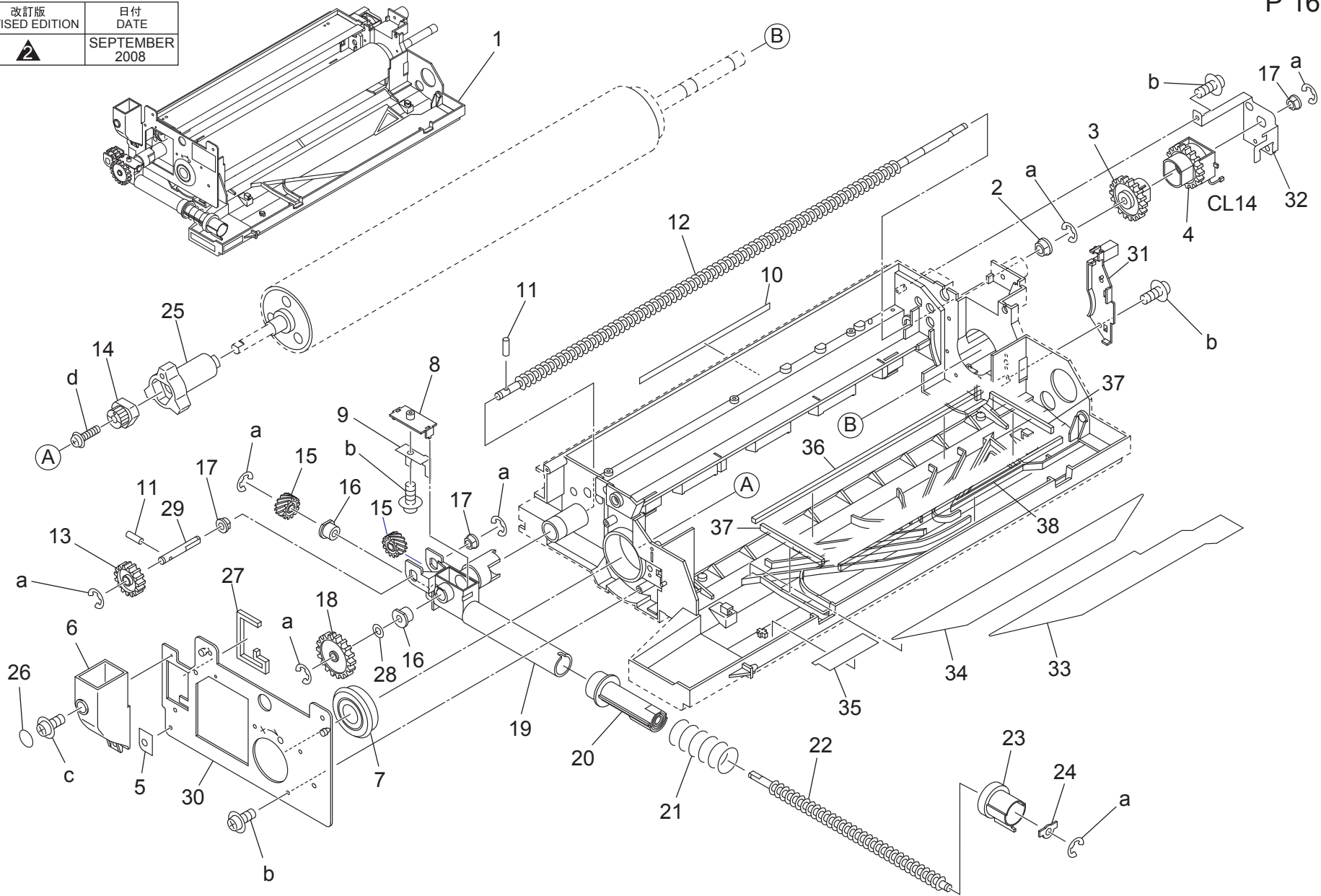
Key	Part No.	Description	Destinations	Class	QTY	Standard parts
31	56AA-1660	BY-PASS DRIVE BASE PLATE CAULKING		D	1	
32	56QA-1761	DEVELOPING DRIVE BASE PLATE CAULKING		D	1	
33	56AA15152	BY-PASS DRIVE BASE PLATE/2		D	1	
34	56AA15131	DEVELOPING DRIVE BASE PLATE/2		D	1	
35	56AA15190D	Fixing Drive Shaft /1		C	1	
36	56AA15281	DEVELOPING DRIVE SHAFT	B,C,D1,D3,E,F1,F2,G 1,G2,H,I,J,K	D	1	

bizhub 600/bizhub 600RM/bizhub 750/bizhub 750RM

DRUM CARTRIDGE

P 16

改訂版 REVISED EDITION	日付 DATE
	SEPTEMBER 2008



bizhub 600/bizhub 600RM/bizhub 750/bizhub 750RM

DRUM CARTRIDGE

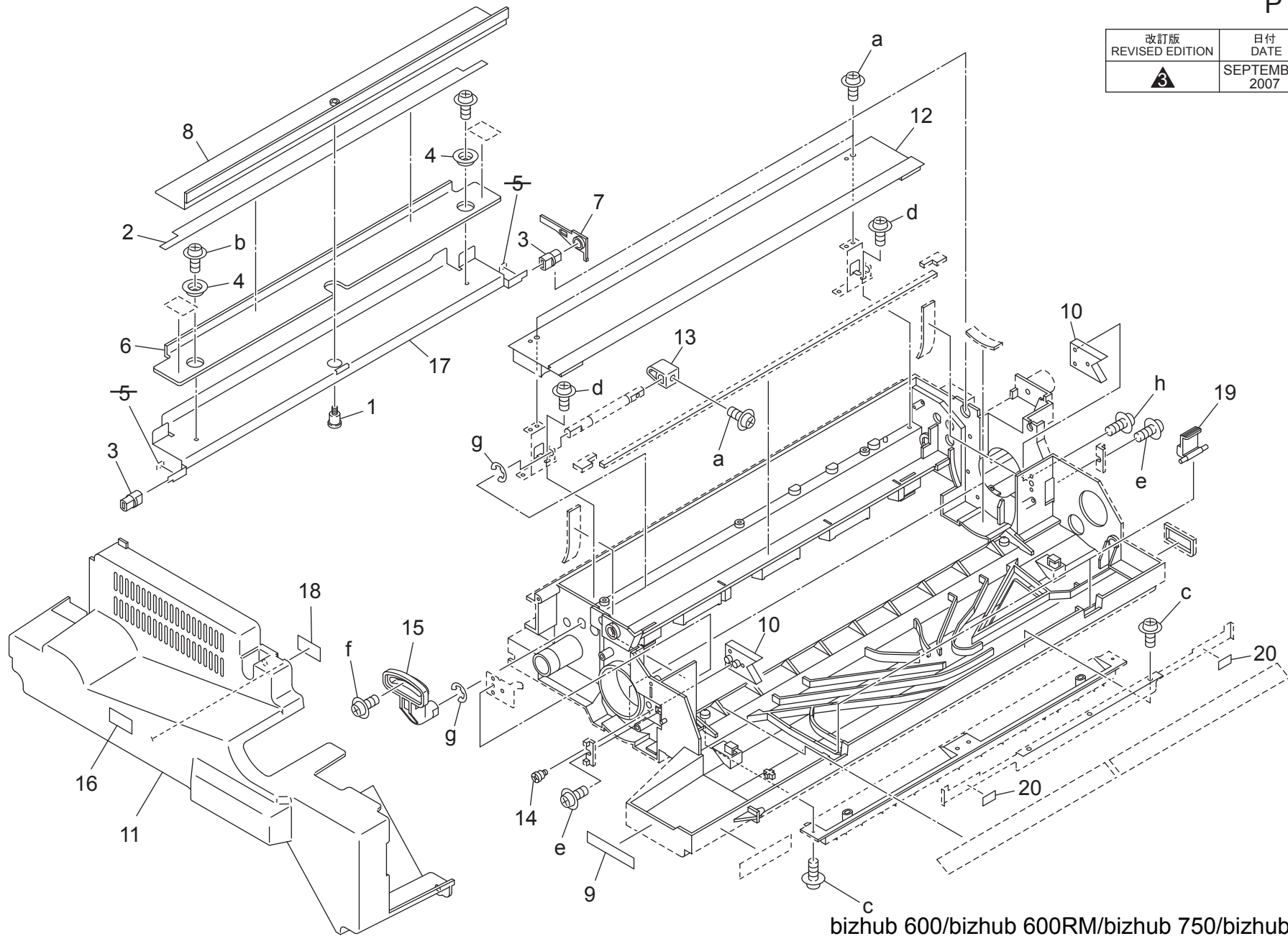
Key	Part No.	Description	Destinations	Class	QTY	Standard parts
1	57AAR71000	DRUM CARTRIDGE UNIT	ドラムカートリッジユニット	C	1	a-V217040050 b-00Z253081 c-00Z193081 d-00Z164181
2	392015650	SLIDE BUSHING/C	滑り軸受 / C	C	1	
3	56AAR70600	Clutch Connecting Gear Assy	クラッチ連結歯車部組	C	1	
4	56AA82022	CLEANER CLUTCH	クリーナークラッチ	B	1	
5	56QA97860	GUIDE LABEL 2	ガイドラベル 2	D	1	
6	57AA20250	CLEANER COOLING DUCT	クリーナー冷却ダクト	C	1	
7	56AA75040	Drum Rotary Bearing/ 2	ドラム回転軸受 / 2	C	1	
8	25SA20640	TONER COLLECTION BLOCK B	トナー回収ブロック B	C	1	
9	56AA20760	TONER AGITATING SHEET	トナー攪拌シート	C	1	
10	56QA97870	GUIDE LABEL 3	ガイドラベル 3	D	1	
11	56AA17520	PIN A D3X10	ピン A D 3 X 1 0	C	2	
12	56AA20520	TONER RECYCLING SCREW 1	トナーリサイクルスクリュー 1	D	1	
13	25SA77180	TONER CONVEYANCE GEAR B 26T	トナー搬送歯車 B 2 6 T	C	1	
14	56AA21071	DRUM FIXING COUPLING 2	ドラム固定カップリング 2	D	1	
15	56AA77260	TONER RECYCLING GEAR 17T	トナーリサイクル歯車 1 7 T	C	2	
16	55WA30010	DEVELOPING SHAFT HOLDER	現像軸受	C	2	
17	08AA76010	DRUM DRIVING SHAFT HOLDER	ドラム駆動軸受	C	3	
18	25SA77170	TONER CONVEYANCE GEAR A 38T	トナー搬送歯車 A 3 8 T	C	1	
19	56AA20510	TONER RECYCLING BLOCK	トナーリサイクルブロック	C	1	
20	56QAR70200	Toner Collecting Pipe	トナー回収パイプ	C	1	
21	56AA17030	OPEN CLOSE SPRING	開閉バネ	C	1	
22	56AA20810	TONER RECYCLING SCREW 2	トナーリサイクルスクリュー 2	C	1	
23	56AA20560	TONER SLIDE COVER	トナーライドカバー	C	1	
24	25SA20670	TONER CONVEYANCE SHAFT HOLDER	トナー搬送軸受	C	1	
25	56AA21061	DRUM FIXING COUPLING	ドラム固定カップリング	D	1	
26	57AA20220	CLEANER COOLING SHEET	クリーナー冷却シート	C	1	
27	56QA20230	CLEANER SUCTION SEAL	クリーナーサククションシール	D	1	
28	25HA15210	SPACER E	スペーサー E	C	1	
29	56AA20590D	Screw Drive Shaft	スクリュー駆動軸	D	1	
30	56QA-2260	DRUM POSITION BOARD CAULKING	ドラム位置決め基板カシメ	D	1	
31	56AA20090	WIRING COVER PART	束線カバー部材	D	1	
32	57AA20050	CLUTCH SUPPORT PLATE	クラッチ支持板	D	1	
33	57AA20130	DEVELOPING SUCTION SHEET /1	現像サククションシート / 1	C	1	
34	57AA20140	DEVELOPING SUCTION SHEET /2	現像サククションシート / 2	C	1	
35	57AA20150	DEVELOPING SUCTION SHEET /3	現像サククションシート / 3	C	1	
36	57AA20161	DEVELOPING COOLING SEAL /A	現像冷却シール / A	D	1	
37	57AA20171	DEVELOPING COOLING SEAL /B	現像冷却シール / B	D	1	
38	57AA20181	DEVELOPING COOLING SEAL /C	現像冷却シール / C	D	1	

bizhub 600/bizhub 600RM/bizhub 750/bizhub 750RM

DRUM CARTRIDGE

P 17

改訂版 REVISED EDITION	日付 DATE
	SEPTEMBER 2007



bizhub 600/bizhub 600RM/bizhub 750/bizhub 750RM

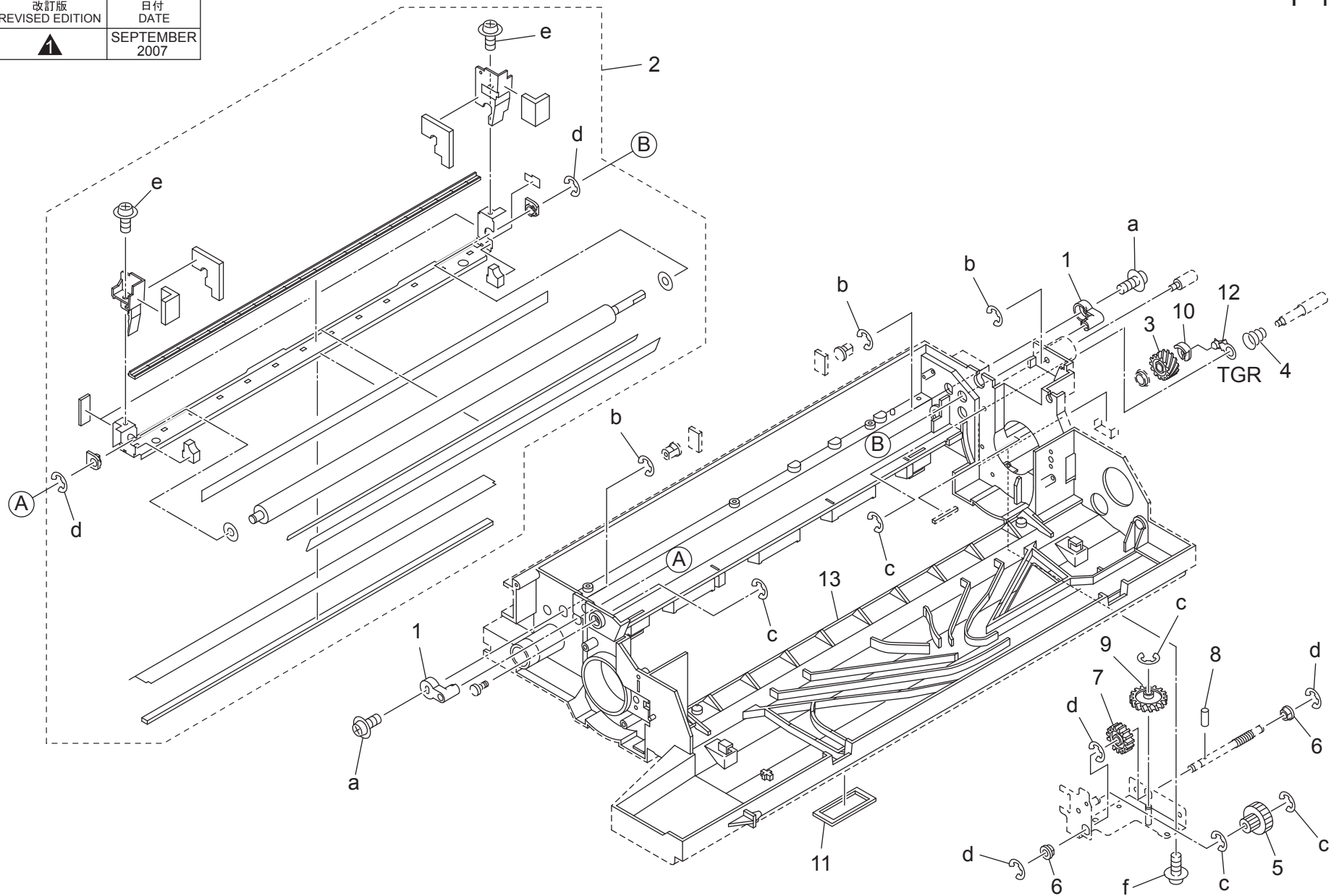
DRUM CARTRIDGE

Key	Part No.	Description	Destinations	Class	QTY	Standard parts
1	56AA17410	BLADE ROTARY SCREW		C	1	a-00Z193061 b-00Z193041 c-00Z253081 d-00Z253063 e-00Z193081 f-00Z163101 g-V217040050 h-00Z163081
2	57AA20060	CLEANER AUXILIARY SEAL		C	1	
3	56AA21160	HINGE		C	2	
4	25SA20280	BLADE POSITION BLOCK		C	2	
6	57AA20030	BLADE TENSION PLATE		D	1	
7	56AA21150	BLADE FULCRUM SHAFT HOLDER		C	1	
8	57AA20080	CLEANER BLADE		A	1	
9	56QA97850	GUIDE LABEL 1		D	1	
10	56QA20040	Developing Base Part		C	2	
11	57AAR70300	Drum Cover Assy		C	1	
12	57AAR71300	Cleaner Cover Assy		D	1	
13	56AA21130	BLADE RELEASE CAM		C	1	
14	56AA17390	STANDARD SCREW		C	2	
15	56AA21120	BLADE RELEASE LEVER		C	1	
16	57AA97821G	Caution Label /1		C	1	
17	57AAR71200	BLADE SUPPORT PLATE CAULKING		C	1	
18	56UA97300	Laser Caution Label /1		C	1	
19	56AA20770	DEVELOPING STOPPER		D	2	
20	56QA20320	DEVELOPING PRESSURE SHEET		D	2	

bizhub 600/bizhub 600RM/bizhub 750/bizhub 750RM

DRUM CARTRIDGE

改訂版 REVISED EDITION	日付 DATE
	SEPTEMBER 2007



bizhub 600/bizhub 600RM/bizhub 750/bizhub 750RM

DRUM CARTRIDGE

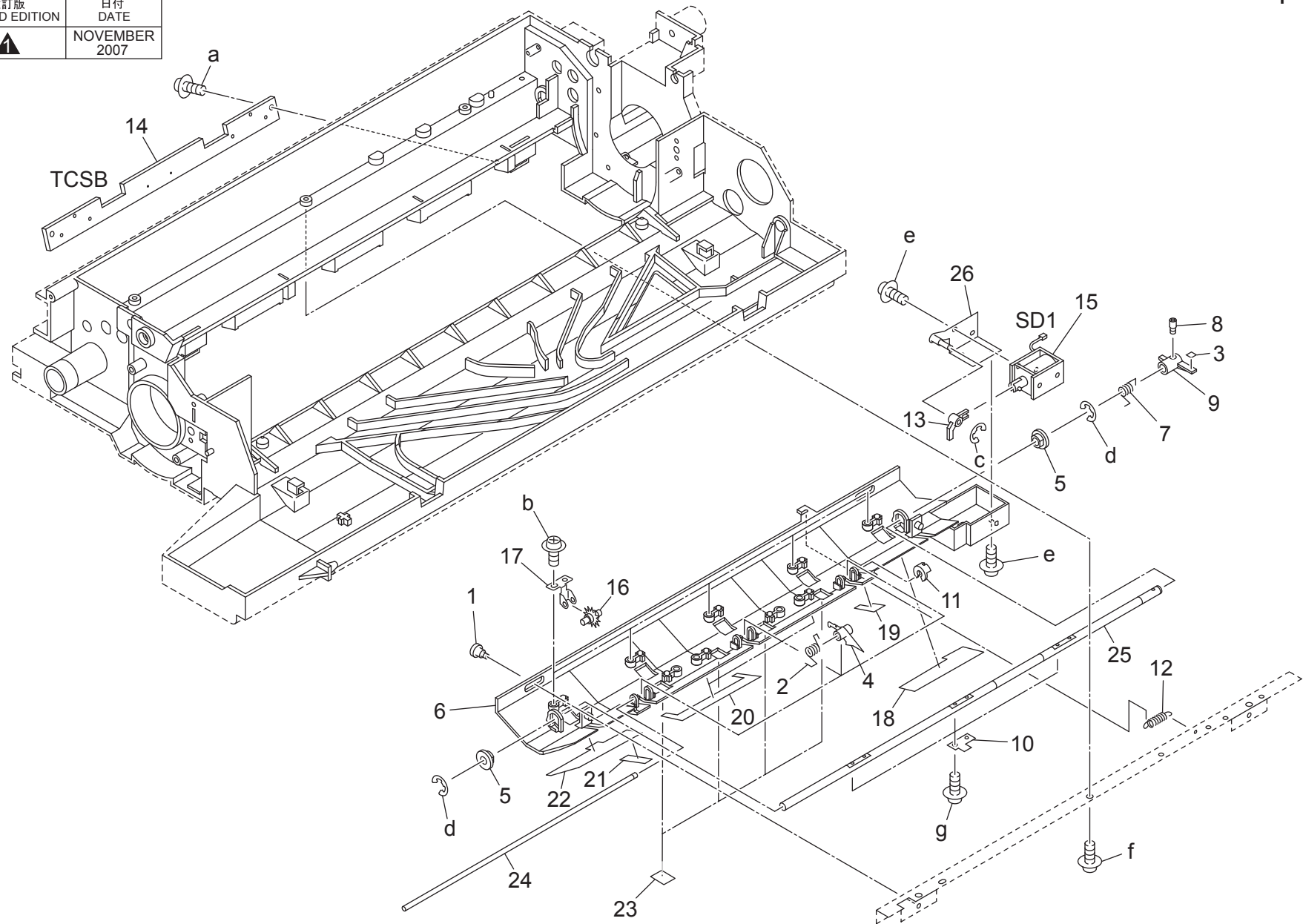
Key	Part No.	Description	Destinations	Class	QTY	Standard parts
1	56AA20400	SHAFT POSITIONING PART 軸位置決め部材		C	2	a-00Z163061 b-00Z670606 c-00Z670306 d-V217040050 e-00Z193061 f-00Z253081
2	57AAR71100	COLLECTING ROLLER ASSY 回収ローラ部組		A	1	
3	56AA77081	CLEANER IDLING GEAR 21T クリーナーアイドル歯車 21 T		C	1	
4	56AA20170	CONTACT PRESSING SPRING 接点押圧バネ		C	1	
5	56AA77100	SEPARATION DRIVING GEAR 26T 18T 分離駆動歯車 26 T 18 T		C	1	
6	56AA20750	SEPARATION FULCRUM SHAFT HOLDER 分離支点軸受		C	2	
7	56AA77110	SEPARATION IDLING GEAR 40T 分離アイドル歯車 40 T		C	1	
8	56AA17531	PIN A D2X10 ピン A D 2 X 1 0		C	1	
9	56AA77250	SEPARATION ROCKING GEAR 41T 分離揺動歯車 41 T		C	1	
10	56AA21250	SHAFT STOPPER 5 軸ストッパー 5		C	1	
11	57AA20201	DEVELOPING COOLING SEAL RIGHT 現像冷却シール 右		C	1	
12	56AA-2271	CLEANER POWERING CAULKING クリーナー給電ピンカシメ		D	1	
13	56AA20040	PAPER GUIDE PART 紙ガイド部材		D	1	

bizhub 600/bizhub 600RM/bizhub 750/bizhub 750RM



DRUM CARTRIDGE

改訂版 REVISED EDITION	日付 DATE
	NOVEMBER 2007



bizhub 600/bizhub 600RM/bizhub 750/bizhub 750RM

DRUM CARTRIDGE

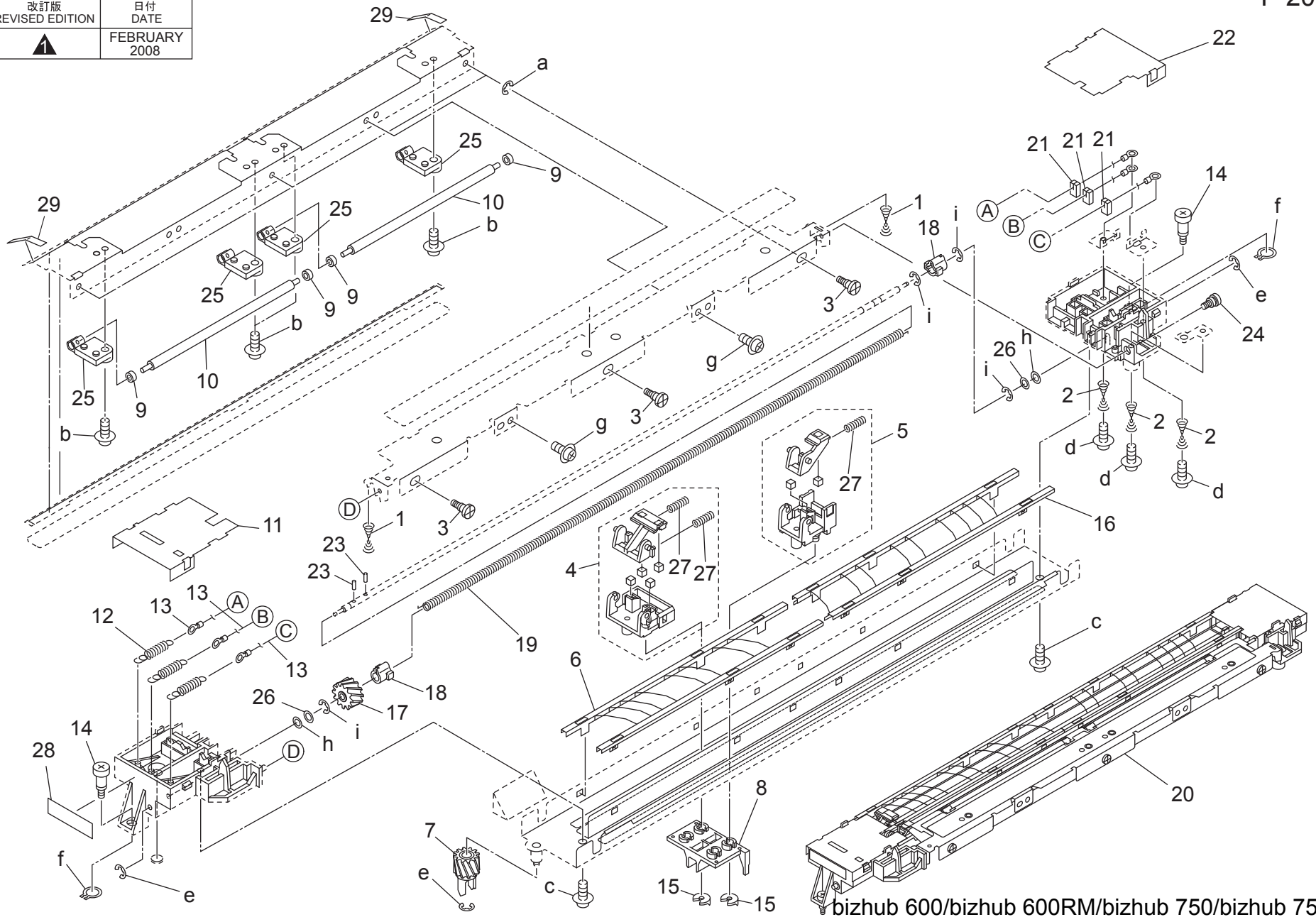
Key	Part No.	Description	Destinations	Class	QTY	Standard parts
1	55VA20680	SEPARATION POSITIONING SCREW		C	2	a-00Z243083 b-00Z243061 c-00Z670206 d-V217040050 e-00Z193041 f-00Z253081 g-00Z113041
2	56AA20980	SEPARATION PRESSING SPRING		C	3	
3	56AA21260	SPACER		C	1	
4	56AA20700	DRUM SEPARATING CLAW		A	3	
5	56AA20750	SEPARATION FULCRUM SHAFT HOLDER		C	2	
6	56AA20030	Separation Guide Part		C	1	
7	56AA20960	SOLENOID RELEASE SPRING		C	1	
8	56AA17420	SEPARATE SCREW		C	1	
9	56AA20441	ROCKING CAM		C	1	
10	56AA20460	RELEASE PLATE		D	3	
11	45AA20400	STOPPER PART		A	1	
12	56AA17100	SEPARATION ROCKING SPRING		C	1	
13	56AA20430	RELEASE CAM		C	1	
14	56AA-9102E	Toner Control Sensor Assy		C	1	
15	26NA82513	Paper Feed Solenoid		B	1	
16	07BA54721	PAPER HOLDING CLAW		C	5	
17	56AA21080	FIXING PART		C	5	
18	56AA21190	SEPARATION GUIDE SEAL 1		C	1	
19	56AA21200	SEPARATION GUIDE SEAL 2		C	1	
20	56AA21210	SEPARATION GUIDE SEAL 3		C	2	
21	56AA21220	SEPARATION GUIDE SEAL 4		D	1	
22	56AA21230	SEPARATION GUIDE SEAL 5		D	1	
23	56AA21240	SEPARATION GUIDE SEAL 6		D	1	
24	56AA17590	Separation Support Shaft		D	1	
25	56AA20450D	Swing Shaft		D	1	
26	56AA-2100	SOLENOIDE MT PLATE CAULKING		D	1	

bizhub 600/bizhub 600RM/bizhub 750/bizhub 750RM

TRANSFER SEPARATOR CORONA UNIT

P 20

改訂版 REVISED EDITION	日付 DATE
	FEBRUARY 2008



bizhub 600/bizhub 600RM/bizhub 750/bizhub 750RM

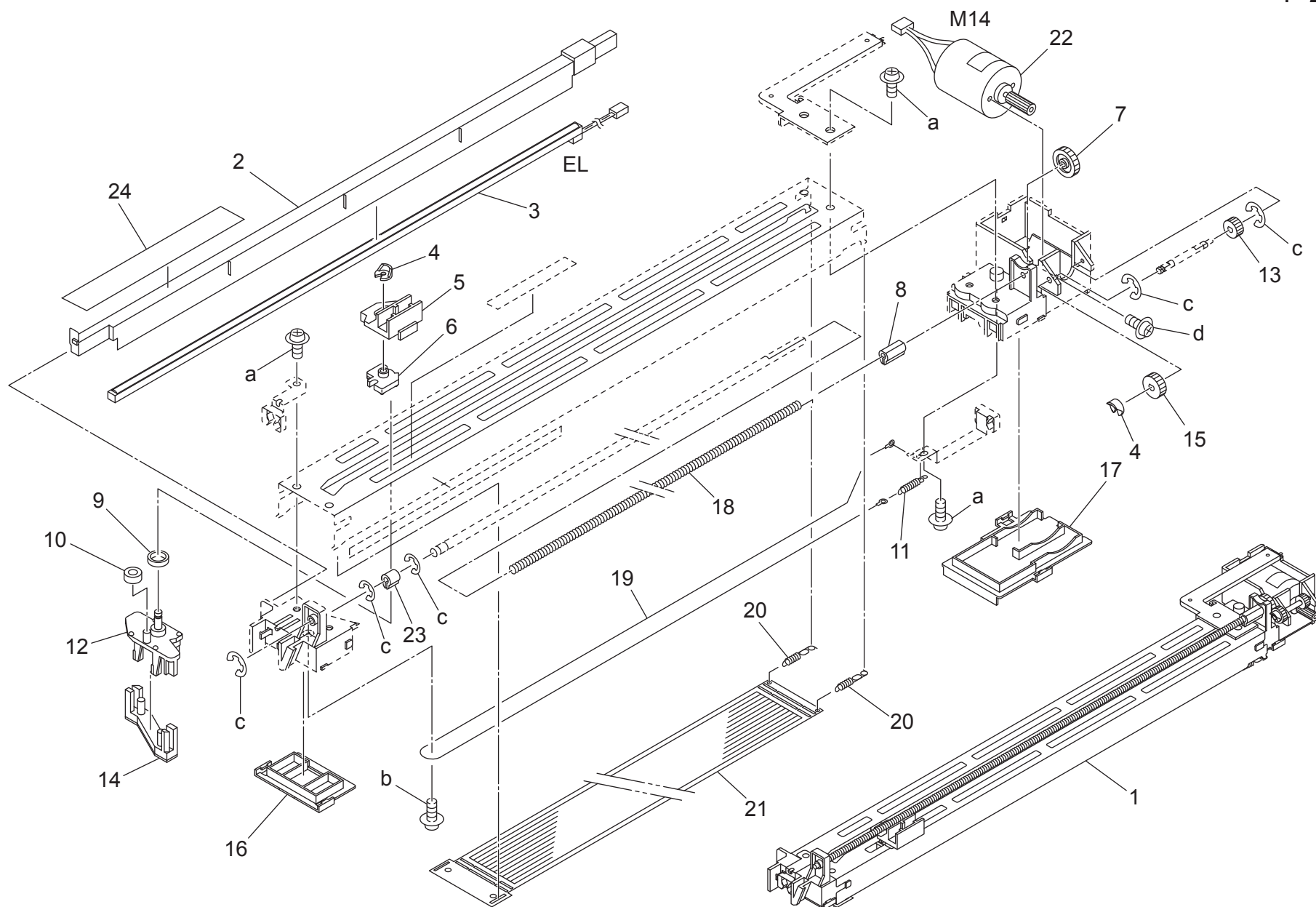
TRANSFER SEPARATOR CORONA UNIT

Key	Part No.	Description	Destinations	Class	QTY	Standard parts
1	57AA26350	PRESSURE SPRING		C	2	a-00Z670306
2	57AA26340	POWERING SPRING		C	3	b-00Z183061
3	56AA17580	ADJUSTING SCREW		C	3	c-00Z253081
4	56AAR71100	SEPARATION CLEANING ASSY		A	1	d-00Z112061
5	56AAR71000	TRANSFER CLEANING ASSY		A	1	e-00Z670206
6	56AA26082	SEPARATING BRIDGE		C	1	f-00Z600506
7	56AA77700	CLEANING GEAR 1 14T 14T		C	1	g-00Z193061
8	56QA26010	SLIDE BLOCK		C	1	h-00Z610501
9	55GA76550	Transfer Guide Bearing /2		C	4	i-V217040050
10	56AA26250	TRANSFER GUIDE ROLLER		C	2	
11	56AA26040	SPARK PREVENTING PLATE FRONT		C	1	
12	56AA17140	WIRE TENSION SPRING		C	3	
13	56AA26090	DISCHARGING WIRE		A	3	
14	56AA26280	ELECTRODE FIXING SCREW		C	2	
15	45AA20400	STOPPER PART		A	2	
16	56AA26192	SEPARATING BRIDGE REAR		C	1	
17	56AA77970	CLEANING GEAR 2 14T 14T		C	1	
18	56AA26180	ELECTRODE CLEANING JOINT		C	2	
19	56AA26172	ELECTRODECLEANINGSPRING		C	1	
20	57AAR71500	TRANSFER SEPARATION UNIT		B	1	
21	56AA17830	TRANSFER HOLDING RUBBER		A	3	
22	56AA26050	SPARK PREVENTING PLATE REAR		C	1	
23	56AA17310	PIN		C	2	
24	56AA17390	STANDARD SCREW		C	1	
25	56AA26120	TRANSFER GUIDE SHAFT HOLDER		C	4	
26	56AA26310	SPACER 5		C	2	
27	56AA17040	WIRE CLEANING SPRING		C	3	
28	57AA97120	HV Caution Label		C	1	
29	56AA17840	DRUM PROTECTION SHEET		C	2	

bizhub 600/bizhub 600RM/bizhub 750/bizhub 750RM

CHARGING UNIT

P 21



bizhub 600/bizhub 600RM/bizhub 750/bizhub 750RM

CHARGING UNIT

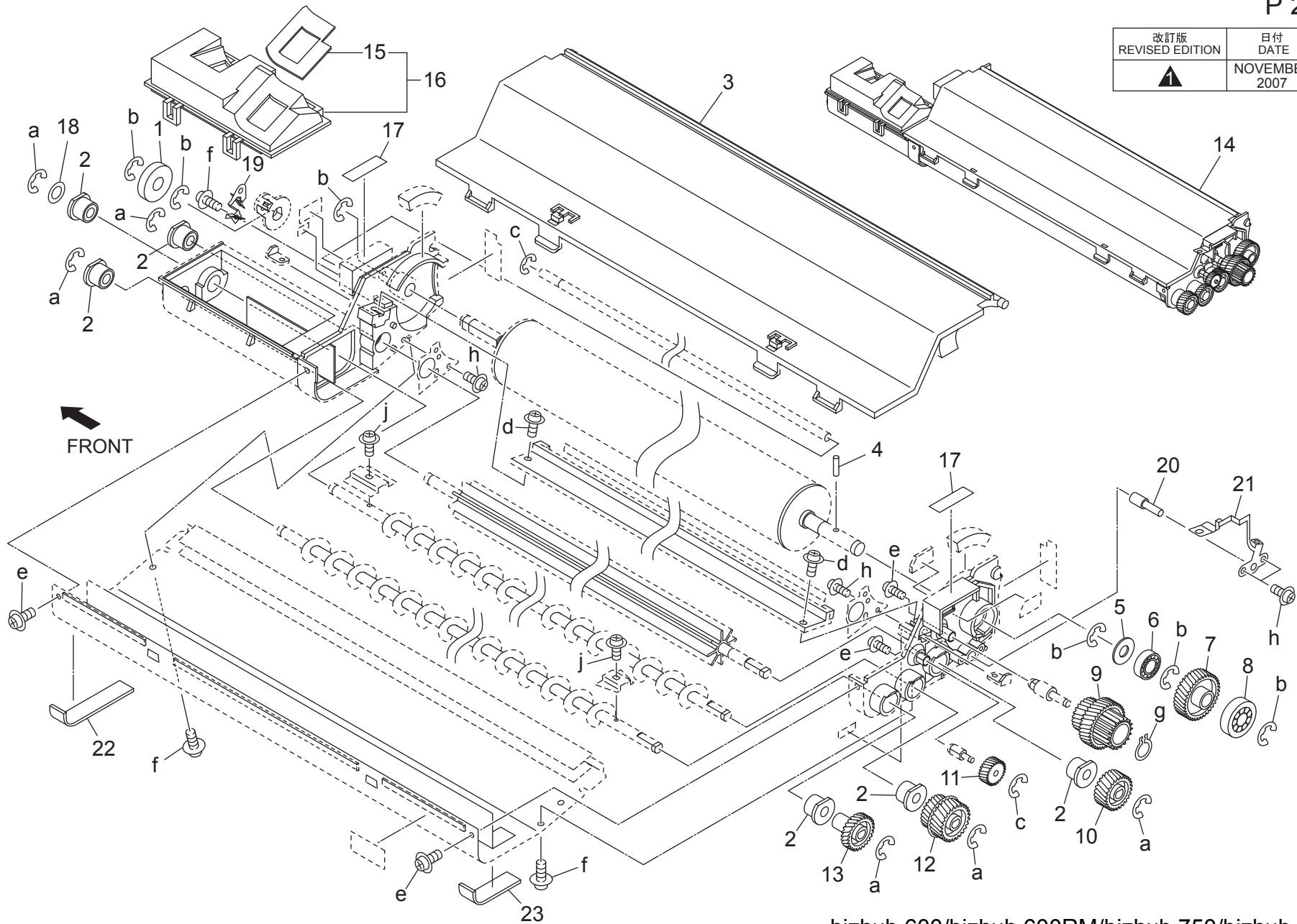
Key	Part No.	Description	Destinations	Class	QTY	Standard parts
1	57AAR71400	CHARGING CORONA UNIT		B	1	a-00Z253081 b-00Z242051 c-00Z670206 d-00Z11B061
2	56AA25301	PCL COVER		C	1	
3	56AA83071	PCL		B	1	
4	45AA20400	STOPPER PART		A	2	
5	56AA25380	CHARGE SLIDE PART		A	1	
6	56AA25400	CHARGE CLEANING BASE PLATE		A	1	
7	56AA77910	CHARGE CLEANING GEAR 4 28T		C	1	
8	56AA25150	ELECTRODE CLEANING JOINT		C	1	
9	25SA25180	CHARGING SLIDE COLLAR		C	1	
10	56AA25450	CHARGE SLIDE COLLAR 2		C	1	
11	56AA25230	CHARGE TENSION SPRING		B	1	
12	56AAR70700	CHARGE CLEANER BLOCK U ASSY		A	1	
13	56AA77890	CHARGE CLEANING GEAR 2 15T		C	1	
14	56AAR70800	CHARGE CLEANER BLOCK L ASSY		A	1	
15	56AA77900	CHARGE CLEANING GEAR 3 18T		C	1	
16	56AA25330	SPARK PREVENTING PART FRONT	落雷防止部材 前	C	1	
17	56AA25340	SPARK PREVENTING PART REAR	落雷防止部材 奥	C	1	
18	56AA25170	ELECTRODE CLEANING SPRING	電極清掃バネ	C	1	
19	56AA25090	CHARGE WIRE	帯電ワイヤー	A	1	
20	56AA17160	CHARGING CONTROL SPRING	帯電制御バネ	C	2	
21	56AA25030	CHARGE CONTROL PLATE	帯電制御プレート	A	1	
22	56AAR70900	Charge Cleaning Motor Assy	帯電清掃モータ部組	B	1	
23	56AA25141	ELECTRODE CLEANING JOINT FRONT	電極清掃ジョイント 前	C	1	
24	56QA25010	CHARGE SEAL	帯電シール	C	1	

bizhub 600/bizhub 600RM/bizhub 750/bizhub 750RM

DEVELOPING UNIT

P 22

改訂版 REVISED EDITION	日付 DATE
▲	NOVEMBER 2007



bizhub 600/bizhub 600RM/bizhub 750/bizhub 750RM

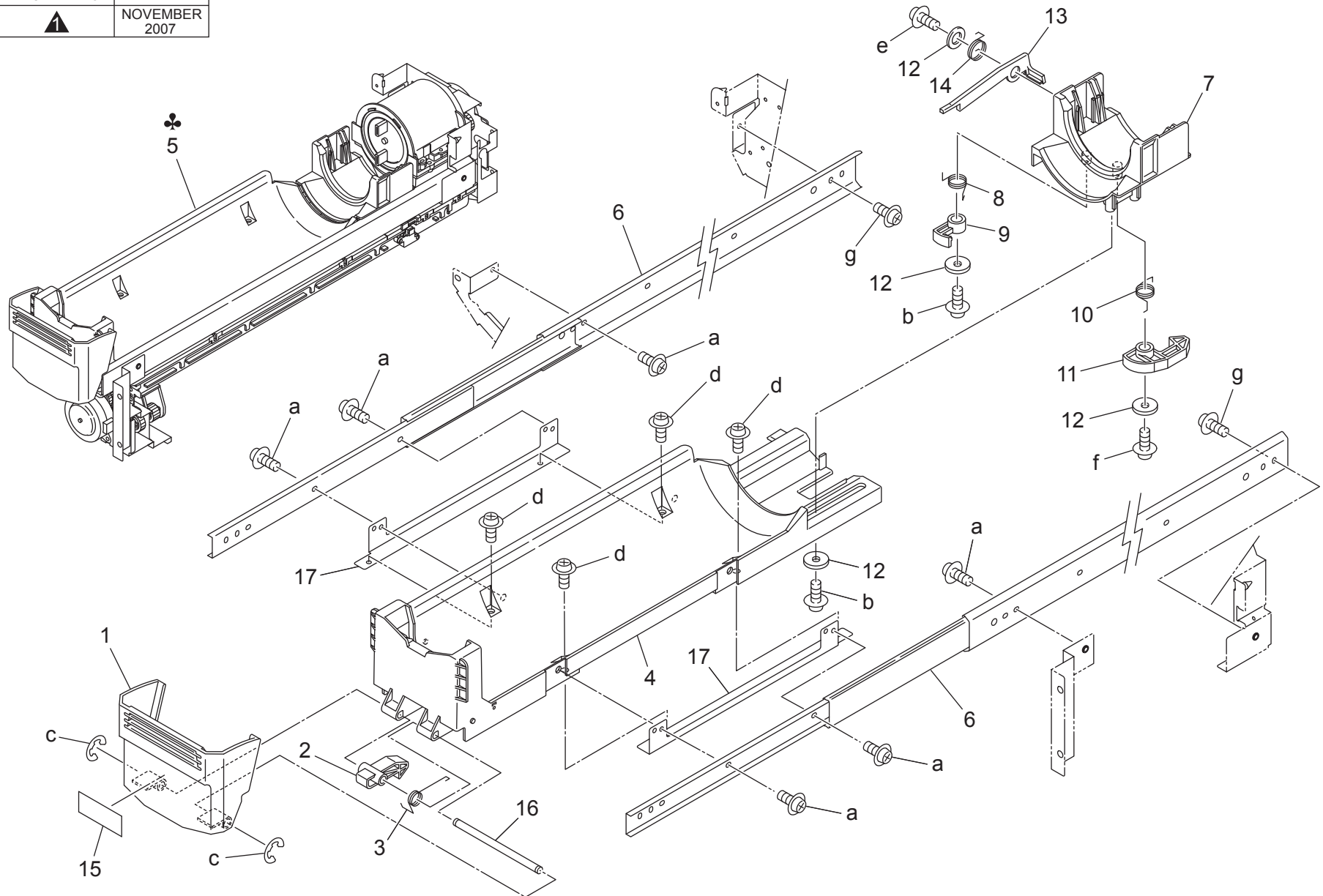
DEVELOPING UNIT

Key	Part No.	Description	Destinations	Class	QTY	Standard parts
1	56GA30710	DEVELOPING STOPPER ROLLER B	現像突き当てコロ B	C	1	a-V217040050 b-00Z670606 c-00Z670206 d-00Z163101 e-00Z193061 f-00Z253101 g-00Z600406 h-00Z253081 j-00Z183045
2	55WA30010	DEVELOPING SHAFT HOLDER	現像軸受	C	6	
3	57AAR71700	Developing Cover Assy	現像蓋部組	C	1	
4	56AA17471	PIN B 3X12	ピン B 3 X 1 2	C	1	
5	540030170	SPEWING PREVENTIVE FELT	飛散防止フェルト	C	1	
6	466078030	BALL BEARING	ボールベアリング	B	1	
7	56AA77750	DEVELOPING DRIVING GEAR 36T	現像駆動歯車 36 T	C	1	
8	56GA30700	DEVELOPING STOPPER ROLLER A	現像突き当てコロ A	C	1	
9	57AA77760	DEVELOPING INPUT GEAR 36/23T	現像入力歯車 36 / 2 3 T	B	1	
10	57AA77770	DEVELOPING AGITATING GEAR 23T	現像攪拌歯車 2 3 T	B	1	
11	57AA77780	DEVELOPING IDLING GEAR 21T	現像アイドル歯車 2 1 T	B	1	
12	57AA77790	SCREW GEAR LEFT 23/26T	スクリュー歯車 左 2 3 / 2 6 T	B	1	
13	57AA77800	SCREW GEAR RIGHT 26T	スクリュー歯車 右 2 6 T	B	1	
14	57AAR71600	DEVELOPING UNIT	現像器	B	1	
15	56AA30420	SCATTER PREVENTING PAD NO 3	飛散防止パッド 3号	C	1	
16	56AAR71200	DEVELOPING COVER PART ASSY	現像カバー部材部組	C	1	
17	56QA97880	GUIDE LABEL 4	ガイドラベル 4	D	2	
18	57AA30260	DEVELOPING AGITATING SPACER	現像攪拌スペーサー	C	1	
19	57AA30090	DEVELOPING BIAS SPRING	現像バイアスバネ	C	1	
20	57AA30120	DEVELOPING BIAS PIN REAR	現像バイアスピン 奥	C	1	
21	57AA30130	DEVELOPING BIAS SPRING REAR	現像バイアスバネ 奥	C	1	
22	56AA30150	SCATTER PREVENTING PAD /LOWER	飛散防止パッド / 下	D	1	
23	57AA30211	SCATTER PREVENTING PAD /A	飛散防止パッド / A	D	1	

bizhub 600/bizhub 600RM/bizhub 750/bizhub 750RM

TONER SUPPLY UNIT

改訂版 REVISED EDITION	日付 DATE
	NOVEMBER 2007



bizhub 600/bizhub 600RM/bizhub 750/bizhub 750RM

TONER SUPPLY UNIT

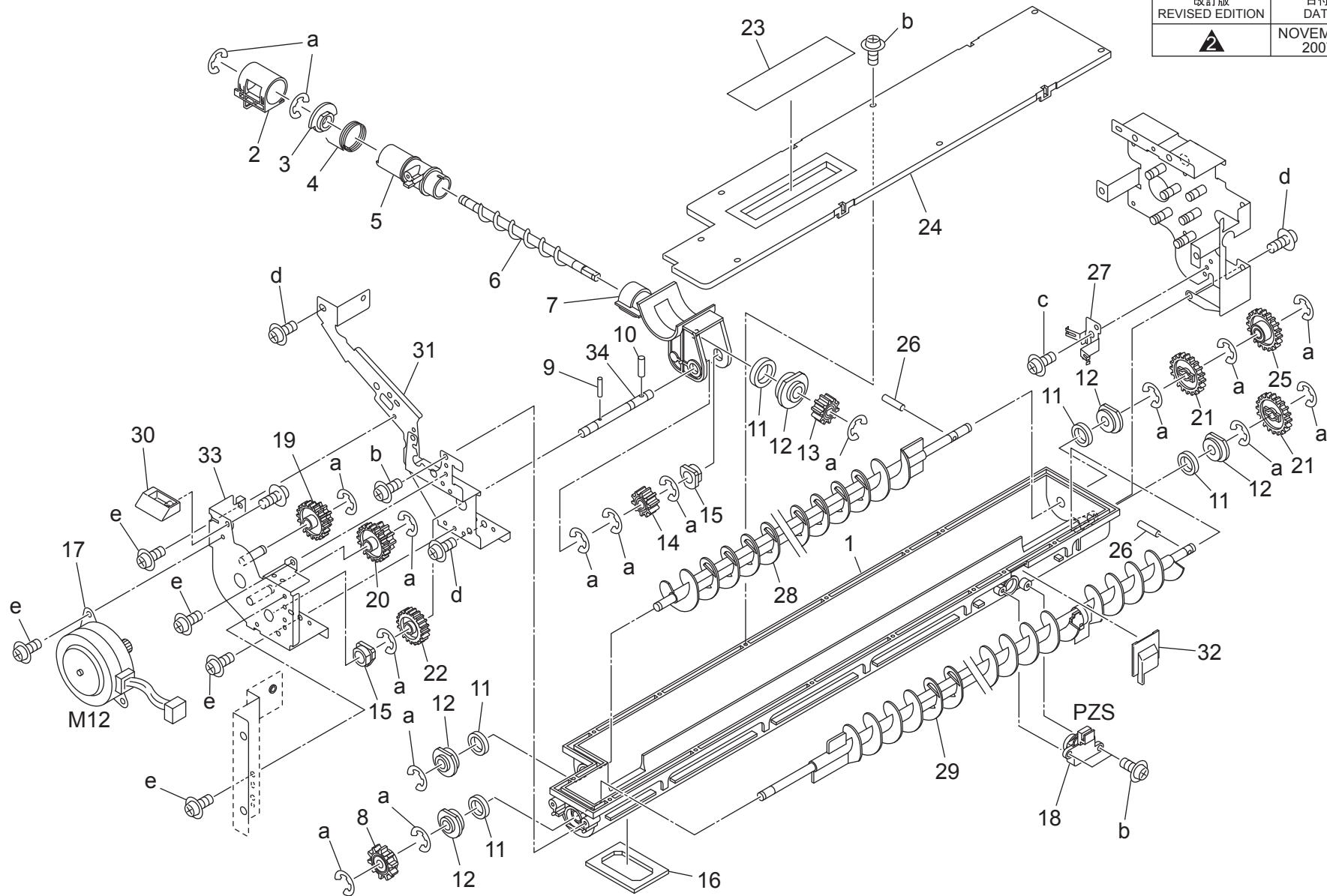
Key	Part No.	Description	Destinations	Class	QTY	Standard parts
1	57AA32510	LEVER		C	1	a-00Z184041 b-00Z253081 c-V217040050 d-00Z144062 e-00Z243083 f-00Z253101 g-00Z184051
2	56AA32610	TONER SUPPLY LOCKING PART		C	1	
3	56AA32620	TONER SUPPLY LOCKING SPRING		C	1	
4	57AA32300	Cartridge Pressing Part		D	1	
5	57AAR73300	Toner Supply Unit	A	I	1	
5	57AER70500	Toner Supply Unit	B,G2	I	1	
5	57AFR70400	Toner Supply Unit	C,D1,D3,E,F1,F2,G1, H,I,J,K	I	1	
6	56AA10300	Slide Rail /A		C	2	
7	56AA32432	Cartridge Holding Part		C	1	
8	56AA32640	LOCKING SPRING B		C	1	
9	56AA32630	Locking Part /B		C	1	
10	56AA32450	LOCKING SPRING A		C	1	
11	56AA32440	LOCKING PART A		C	1	
12	56AA32710	GUIDE SPACER		C	4	
13	56AA32751	LOCKING PART C		C	1	
14	56AA32761	LOCKING SPRING C		C	1	
15	57AA97950	Toner Indicating Label		C	1	
16	56AA32521	LEVER SHAFT		D	1	
17	56AA32462	AUXILIARY PLATE		D	2	

bizhub 600/bizhub 600RM/bizhub 750/bizhub 750RM

TONER SUPPLY UNIT

P 24

改訂版 REVISED EDITION	日付 DATE
	NOVEMBER 2007



bizhub 600/bizhub 600RM/bizhub 750/bizhub 750RM

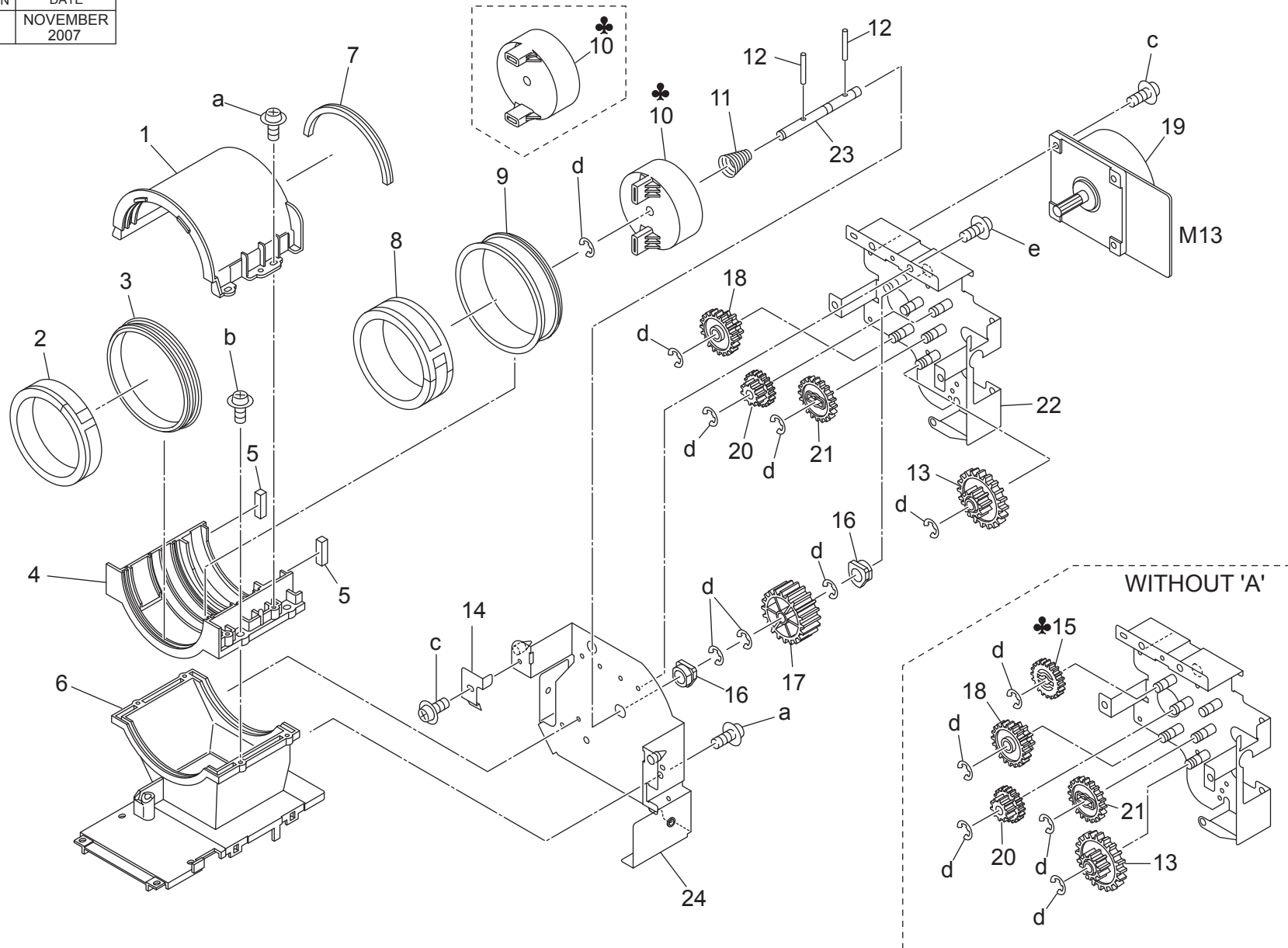
TONER SUPPLY UNIT

Key	Part No.	Description	Destinations	Class	QTY	Standard parts
1	56AA32030	Toner Supply Main Bbody /Lower	トナー補給 本体/下	D	1	a-V217040050 b-00Z253081 c-00Z193041 d-00Z243083 e-00Z193061
2	57AA32330	TONER SUPPLY OPEN CLOSE COVER	トナー補給開閉蓋	C	1	
3	56AA32700	SCREW SHAFT HOLDER	スクリュー軸受	C	1	
4	56AA32351	TONER SUPPLY OPEN SHUT SPRING	トナー補給開閉バネ	C	1	
5	56AA32591	TONER SUPPLY BLOCK B	トナー補給ブロック B	C	1	
6	56AA32090	TONER SUPPLY SCREW	トナー補給スクリュー	D	1	
7	56AA32560	TONER SUPPLY BLOCK A	トナー補給ブロック A	C	1	
8	55GA77680	TONER AGITATOR GEAR A 25T	トナー攪拌歯車 A 25 T	B	1	
9	56AA17321	PIN A D2X12	ピン A D 2 X 12	B	1	
10	56AA17520	PIN A D3X10	ピン A D 3 X 10	C	1	
11	56AA32660	TONER CONVEYING SEAL	トナー搬送シール	C	5	
12	56AA32650	TONER CONVEYING SHAFT HOLDER	トナー搬送軸受	C	5	
13	56AA77330	SCREW GEAR 15T	スクリュー歯車 15 T	C	1	
14	56AA77240	SCREW INPUT GEAR 15T	スクリュー入力歯車 15 T	C	1	
15	466076020	PAPER FEED SHAFT HOLDER	給紙送り出し軸受	B	2	
16	56AA32140	TONER SUPPLY SEAL	トナー補給シール	C	1	
17	56AA80061	TONER SUPPLY MOTOR	トナー補給モータ	B	1	
18	40AA88031	Level Detection Sensor	残量検知センサ	C	1	
19	56AA77290	IDLING GEAR C 51T 15T	アイドル歯車 C 51 T 15 T	C	1	
20	56AA77320	IDLING GEAR D 47T 20T	アイドル歯車 D 47 T 20 T	C	1	
21	56AA77300	AGITATING GEAR 37T	攪拌歯車 37 T	C	2	
22	12AA77080	GEAR H 27T	歯車 H 27 T	C	1	
23	56AA32740	TONER SEALING SHEET A	トナーシールシート A	C	1	
24	56AA32130	Main Body Cover /Lower	本体カバー/下	C	1	
25	56AA77310	TONER SUPPLY INPUT GEAR 30T	トナー補給入力歯車 30 T	C	1	
26	56AA17471	PIN B 3X12	ピン B 3 X 12	C	2	
27	56AA32730	SCREW EARTH PLATE	スクリューアース板	C	1	
28	56AA32060	Agitating Screw /Left	攪拌スクリュー/左	I	1	
29	56AA-3330	SCREW RIGHT	スクリュー 右	D	1	
30	57AA32010	LOCK PART	ロック部材	C	1	
31	56AA32312	TONER SUPPLY MOUNTING PLATE/A	トナー補給取り付け板/ A	D	1	
32	56AA32770	COVER	カバー	D	1	
33	57AA-3310	SCREW DRIVE BASEPLATE CAULKING	スクリュー駆動板カシメ	D	1	
34	56AA32280	DRIVE INPUT SHAFT	駆動入力軸	D	1	

bizhub 600/bizhub 600RM/bizhub 750/bizhub 750RM

TONER SUPPLY UNIT

改訂版 REVISED EDITION	日付 DATE
	NOVEMBER 2007



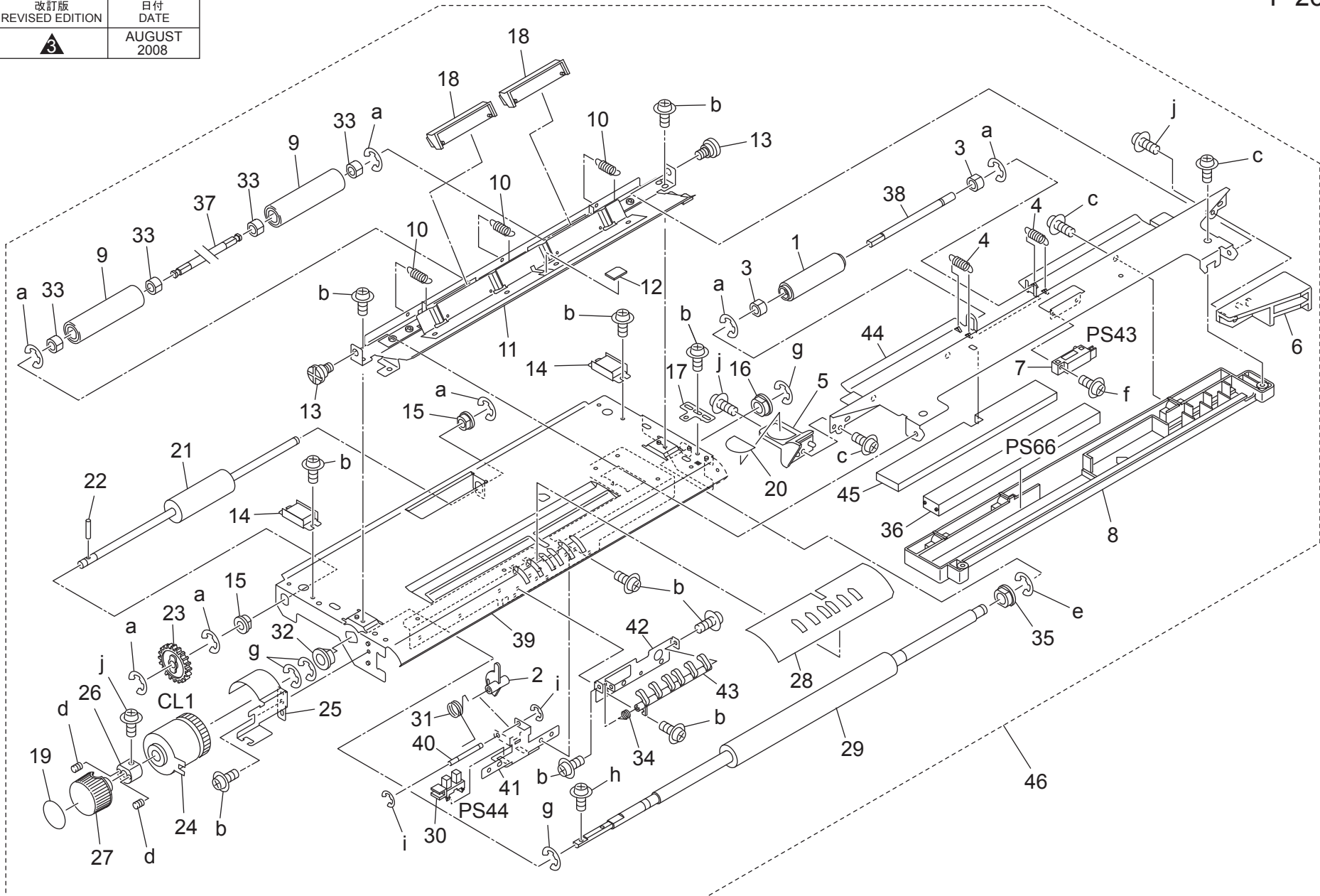
bizhub 600/bizhub 600RM/bizhub 750/bizhub 750RM

Key	Part No.	Description	Destinations	Class	QTY	Standard parts
1	56AA32420	MAIN BODY COVER UPPER		C	1	a-00Z243083 b-00Z253081 c-00Z183041 d-V217040050 e-00Z193061
2	56AA32151	TONER SEALING PART A		C	1	
3	56AA32400	Toner Supply Sleeve /Front		C	1	
4	56AA32020	TONER SUPPLY MAIN BODY UPPER		C	1	
5	56AA32680	TONER SEALING PART D		C	2	
6	56AA32011	TONER SUPPLY MAIN BODY		C	1	
7	56AA32670	TONER SEALING PART C		C	1	
8	56AA32160	TONER SEALING PART B		C	1	
9	56AA32410	Toner Supply Sleeve /Rear		C	1	
10	56AA32390	CARTRIDGE DRIVING PART	A,C,D1,D3,E,F1,F2,G 1,H,I,J,K	C	1	
10	56AE32390	CARTRIDGE DRIVING PART		C	1	
11	56AA32270	DRIVE RELEASE SPRING	B,G2	C	1	
12	56AA17500	PIN		C	2	
13	56AA77280	IDLING GEAR B 44T 16T		C	1	
14	56AA32720	EARTH PLATE A		C	1	
15	56AA77940	IDLING GEAR G 20T		C	1	
16	466076020	PAPER FEED SHAFT HOLDER		B	2	
17	56AA77950	CARTRIDGE GEAR 33T		C	1	
18	56AA77270	IDLING GEAR A 53T 14T		C	1	
19	57AA80080	DC Brushless Motor /15		C	1	
20	56AA77930	IDLING GEAR F 15T 20T		C	1	
21	56AA77920	IDLING GEAR E 30T		C	1	
22	56AA-3322	TONER SUPPLY BASEPLATE CAULKING		C	1	
23	56AA32260D	Cartridge Drive Shaft		D	1	
24	56AA-3281	REINFORCE PLATE CAULKING		D	1	

bizhub 600/bizhub 600RM/bizhub 750/bizhub 750RM

REGISTRATION UNIT

改訂版 REVISED EDITION	日付 DATE
	AUGUST 2008



bizhub 600/bizhub 600RM/bizhub 750/bizhub 750RM

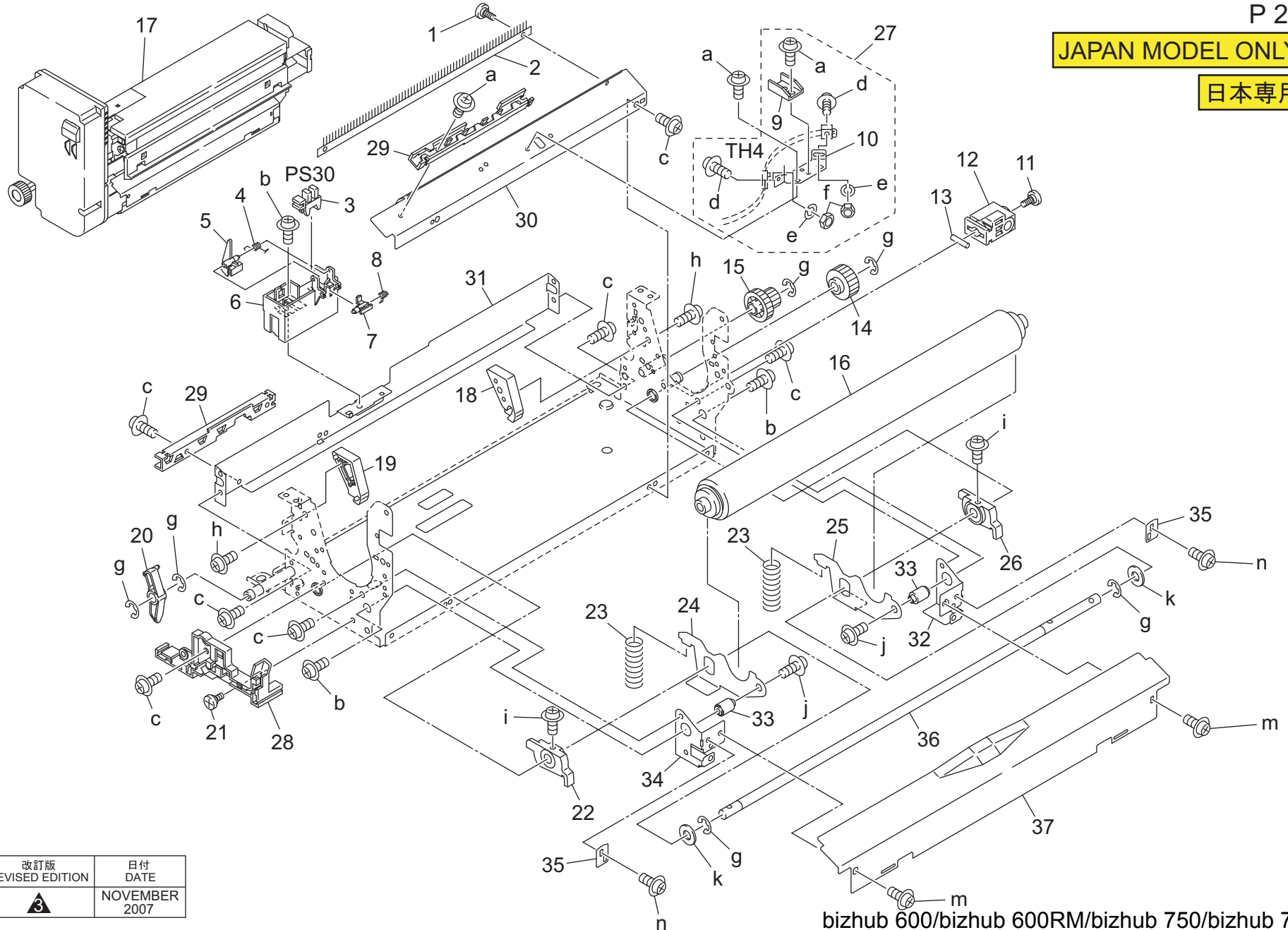
Key	Part No.	Description	Destinations	Class	QTY	Standard parts
1	55VA46890	Driven Rubber	従動ゴム	B	1	a-V217040050
2	56AA46100	REGISTRATION PAPER FEED ACTUATOR	レジスト給紙アクチュエタ	C	1	b-00Z193041
3	25AA75530	SLIDE SHAFT HOLDER	滑り軸受	C	2	c-00Z253081
4	56AA46450	REGISTRATION FEEDING SPRING	レジスト送り出しバネ	C	2	d-00Z473063
5	56QA46060	Transfer Guide Handle	転写ガイド把手	C	1	e-V217080050
6	57AA46150	REGISTRATION STOPPER PART	レジスト突き当て部材	C	1	f-00Z183101
7	56AA85521	Conveyance Photo Sensor	搬送フォトセンサ	B	1	g-00Z670606
8	57AA46020	CASING	センサケーシング	D	1	h-00Z183061
9	56GA47440	ADU DRIVEN ROLLER S	A D U 従動ローラ S	B	2	i-00Z670206
10	56QA46910	REGISTRATION PRESSING SPRING UPPER	レジスト押圧バネ 上	C	3	j-00Z193061
11	56QA46051	REGISTRATION ENTRANCE PLATE	レジスト進入板	D	1	
12	56AA17821	PREVENTING RUBBER	防止ゴム	C	1	
13	56AA46110	REGISTRATION OPEN SHUT SCREW	レジスト開閉ネジ	C	2	
14	40AA32290	MAGNET CATCH	マグネットキャッチ	C	2	
15	08AA76010	DRUM DRIVING SHAFT HOLDER	ドラム駆動軸受	C	2	
16	A03U812800	Slide Shaft Holder	すべり軸受	B	1	
17	56AA46401	REGISTRATION POSITIONING PLATE	レジスト位置決め板	D	1	
18	57AAR73100	Registration Cleaner Assy	レジスト清掃部組 上	C	2	
19	57AA97211E	Jam Release Label /2	ジャム解除ラベル /2	C	1	
20	57AA97221E	Jam Release Label /3	ジャム解除ラベル /3	C	1	
21	56AA46852	CONVEYANCE DRIVING ROLLER T	搬送駆動ローラ T	C	1	
22	56AA17471	PIN B 3X12	ピン B 3 X 1 2	C	1	
23	56AA77840	DRIVING GEAR 30T	駆動ギア 30 T	C	1	
24	56AA82012	PAPER FEED DRIVING CLUTCH	給紙駆動クラッチ	B	1	
25	56AA46202	REGISTRATION DRIVING BASE PLATE	レジスト駆動基板	D	1	
26	56AA46930	CLUTCH FIXING PART	クラッチ固定部材	D	1	
27	14GE45470	Rotation Knob	回転ノブ	C	1	
28	56QA46090	REGISTRATION ENTRANCE SHEET	レジスト進入シート	C	1	
29	56QA46030	REGISTRATION ROLLER	レジストローラ	C	1	
30	08AA85512	Photo Sensor	フォトセンサ	B	1	
31	56AA46160	PRESSING SPRING LOWER	センサ押圧バネ 下	C	1	
32	56QA75050	Paper Feed Slide Bushing	給紙滑り軸受	C	1	
33	56GA76030	SLIDE SHAFT HOLDER	滑り軸受	C	4	
34	56QA46620	REGISTRATION GUIDE SPRING	レジストガイドバネ	C	1	
35	56QA75040	Registration Slide Bushing	レジスト滑り軸受	C	1	
36	56UA85510E	Paper Compensating Sensor	転写紙補正センサ	C	1	
37	56QA46530	REGIST DRIVEN SHFT	レジスト従動軸	D	1	
38	56AA46881	REGIST IDLER SHAFT/S	レジスト従動軸 / S	D	1	
39	56QA46011	REGIST MAIN BODY /LOWER	レジスト 本体 / 下	D	1	
40	56AA46500D	Regist Shaft	レジストセンサ軸	D	1	
41	56QA46080	MOUNTING PLATE	センサ取り付け板	D	1	
42	56QA46600	REGIST ENTRANCE STAY	レジスト進入ステー	D	1	
43	56QA46610	REGIST ENTRANCE PART	レジスト進入部材	D	1	
44	57AA46040	TRANSFER FEEDING PLATE	転写送り出し板	D	1	
45	57AA46300	HOLDING PAD	センサ押さえパッド	D	1	
46	57AA-3600	REGISTRATION ASSY	レジストユニット	S	1	

FIXING UNIT

P 27

JAPAN MODEL ONLY

日本専用



改訂版 REVISED EDITION	日付 DATE
	NOVEMBER 2007

bizhub 600/bizhub 600RM/bizhub 750/bizhub 750RM

Order here
8 (495) 646-0426
ПЯТЫЙ ПАРТНЕР www.km-shop.ru

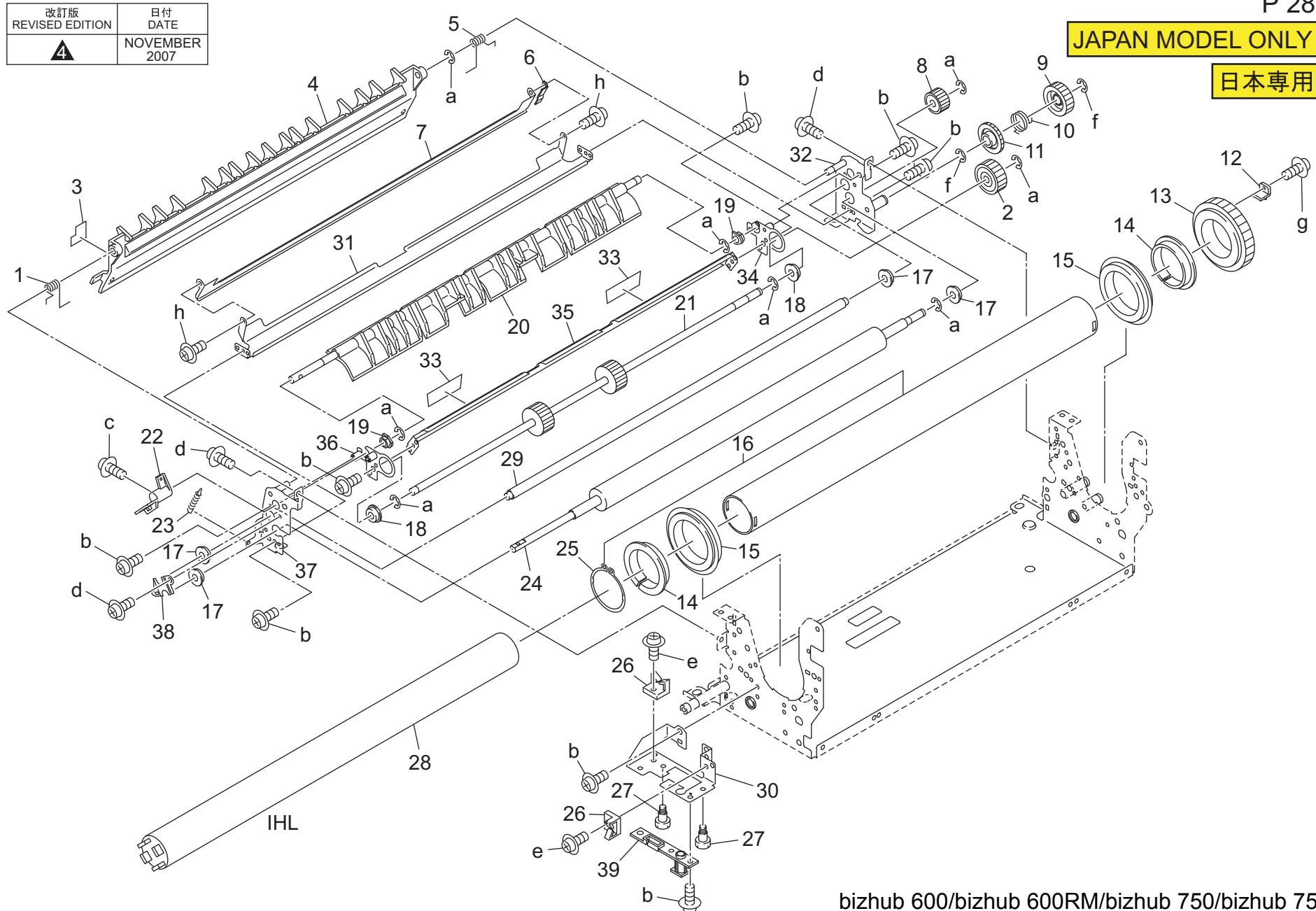
Key	Part No.	Description	Destinations	Class	QTY	Standard parts
1	26NA54190	FIXING GUIDE SCREW	定着ガイドネジ	A	1	a-00Z193061
2	56AA54190	NEUTRALIZING BRUSH	除電ブラシ	A	1	b-00Z194061
3	55VA85521	PHOTO SENSOR	フォトセンサ	A	1	c-00Z193041
4	57AA53220	PAPER EXIT DETECTION SPRING	排紙検知バネ	A	1	d-00Z113101
5	57AA53200	PAPER EXIT ACTUATOR	排紙アクチュエータ	A	1	e-00Z620301
6	57AA53190	PAPER EXIT BLOCK	排紙センサブロック	A	1	f-00Z510301
7	57AA53210E	Paper Detection Cam	紙検知カム	A	1	g-00Z670606
8	57AA54110	PAPER DETECTION SPRING	紙検知バネ	A	1	h-00Z253081
9	25SA53691	HOLDER PART	センサ押さえ部材	A	1	i-V121041003
10	57AA54090	SUPPORT PART LOWER	センサ支持部材 下	A	1	j-00Z184061
11	26NA45440	REGISTRATION UNIT FIXED SCREW	レジスト固定ネジ	A	1	k-00Z610801
12	57AA54100	PRESSURE KNOB	圧着ノブ	A	1	m-00ZAA0015
13	56AA17461	PIN A	ピン A	B	1	n-00Z163061
14	56AA77210	PAPER EXIT IDLING GEAR 1 25T	排紙アイドル歯車 1 25 T	A	1	
15	57AA77070	FIXING IDLING GEAR A 24/14 T	定着アイドルギア A 24 / 14 T	A	1	
16	57AAR73200	ROLLER/LOWER ASSY	ローラ/下部組	A	1	
17	57AA-5301	FIXING UNIT	定着ユニット	A	1	
18	57AA53600	OPEN CLOSE BLOCK REAR	開閉ブロック 奥	A	1	
19	57AA53590	OPEN CLOSE BLOCK FRONT	開閉ブロック 前	A	1	
20	56AA53840	Paper Exit Guide Lever	排紙案内レバー	A	1	
21	56AA54220	FIXING SCREW 2	固定ネジ 2	A	1	
22	57AA53170	PRESSURE CAM FRONT	圧着カム 前	A	1	
23	57AA53151	PRESSURE SPRING	圧着バネ	A	2	
24	57AA53120	PRESSURE LEVER FRONT	圧着レバー 前	A	1	
25	57AA53130	PRESSURE LEVER REAR	圧着レバー 奥	A	1	
26	57AA53180	PRESSURE CAM REAR	圧着カム 奥	A	1	
27	57AA-5550	SENSOR/LOWER ASSY	センサ/下部組	A	1	
28	57AA53800	WIRING GUIDE PART /FRONT	束線ガイド部材/前	A	1	
29	57AA53820	WIRING GUIDE PART /LOWER	束線ガイド部材/下	A	2	
30	57AA53250	STAY /LOWER	センサステー/下	A	1	
31	57AA53030	FIXING REINFORCE STAY/LEFT	定着補強ステー/左	A	1	
32	57AA53240	MAIN BODY REINFORCE PANEL /REA	本体補強パネル/奥	A	1	
33	57AA53141	PRESSURE SHAFT	圧着軸	A	2	
34	57AA53230	MAIN BODY REINFORCE PANEL /FRO	本体補強パネル/前	A	1	
35	57AA54200	STOPPER PLATE /RIGHT	突当て板/右	A	2	
36	57AA53160	ROLLER RELEASE SHAFT	ローラ解除軸	A	1	
37	57AA53100E	Fixing Entrance Plate /Lower	定着進入板/下	A	1	

FIXING UNIT

P 28

JAPAN MODEL ONLY

日本専用



bizhub 600/bizhub 600RM/bizhub 750/bizhub 750RM

Key	Part No.	Description	Destinations	Class	QTY	Standard parts
1	56AA53741	PAPER EXIT PRESSING SPRING FRONT	排紙押圧バネ 前	A	1	a-V217040050 b-00Z193041 c-00Z193061 d-00ZAA0015 e-00Z184061 f-00Z670606 g-00Z163101 h-00Z383061
2	56AA77220	PAPER EXIT DRIVING GEAR 1 24T	排紙駆動歯車 1 24 T	A	1	
3	57AA97271E	Jam Release Label /8	ジャム解除ラベル/8	A	1	
4	56AA53733	PAPEREXITENTRANCEPLATE UPP	排紙進入板/上	A	1	
5	56AA53751	PAPER EXIT PRESSING SPRING REAR	排紙押圧バネ 奥	A	1	
6	56QA54490	PAPER EXIT RELEASE HANDLE	排紙解除把手	A	1	
7	56AA54080	PAPER EXIT GUIDE PLATE LOWER	排紙ガイド板 下	A	1	
8	56AA77231	PAPER EXIT DRIVING GEAR 2 18T	排紙駆動歯車 2 18 T	A	1	
9	57AA77220	PAPER EXIT IDLING GEAR 2 25T	排紙アイドル歯車 2 25 T	A	1	
10	57AA54170	SPRING REAR	バネ 奥	A	1	
11	57AA77210	PAPER EXIT IDLING GEAR 1 25T	排紙アイドル歯車 1 25 T	A	1	a-V217040050 b-00Z193041 c-00Z193061 d-00ZAA0015 e-00Z184061 f-00Z670606 g-00Z163101 h-00Z383061
12	57AA53330	GEAR FIXING BLOCK	ギア固定ブロック	A	1	
13	57AA77060	FIXING DRIVE GEAR 60T	定着駆動歯車 60 T	A	1	
14	57AA53320	INSULATING SLEEVE	断熱スリーブ	A	2	
15	57AA75030	FIXING ROLLER BEARING UPPER	定着転がり軸受 上	A	2	
16	57AA-K010	FIXING ROLLER UPPER SET	定着ローラー上セット	A	1	
17	07AA75090	METAL 1	軸受 1	A	4	
18	56AA75061	Fixing Paper Exit Bearing	定着排紙軸受	A	2	
19	466076020	PAPER FEED SHAFT HOLDER	給紙送り出し軸受	A	2	
20	57AA53260	PAPER EXIT GUIDE PART	排紙案内部材	A	1	
21	57AA53290	Fixing Paper Exit Roller	定着排紙ローラ	A	1	a-V217040050 b-00Z193041 c-00Z193061 d-00ZAA0015 e-00Z184061 f-00Z670606 g-00Z163101 h-00Z383061
22	56AA53820	Positioning Lever	位置決めレバー	A	1	
23	56AA53830	REGULATING SPRING 1	規制バネ 1	A	1	
24	57AA53710	PAPER PRESSING ROLLER	紙押圧ローラ	A	1	
25	57AA53340	ROLLER FIXING PART	ローラ固定部材	A	1	
26	55GA53652	WIRING HOLDING PART	束線ホルダー部材	A	2	a-V217040050 b-00Z193041 c-00Z193061 d-00ZAA0015 e-00Z184061 f-00Z670606 g-00Z163101 h-00Z383061
27	57AA53520	ELECTRIC MOUNTING SCREW FRONT	電装取り付けネジ 前	A	2	
28	57AA84610	FIXING COIL 1	定着コイル 1	A	1	
29	57AA53720	PAPER PRESSING SHAFT	紙押圧軸	A	1	
30	57AA53530	ELECTRIC FIXING PLATE/LOWER	電装固定板/下	A	1	
31	57AA53070	FIXING PAPER EXIT MAIN BODY /L	定着排紙本体/下	A	1	a-V217040050 b-00Z193041 c-00Z193061 d-00ZAA0015 e-00Z184061 f-00Z670606 g-00Z163101 h-00Z383061
32	57AA-5670	PAPER EXIT PANEL/REARCAULKING	排紙パネル/奥カシメ	A	1	
33	57AA54210	PAPER EXIT GUIDE SHEET /1	排紙案内シート/1	A	2	
34	57AA-5650	PAPER EXIT MAIN BODY/REARCAUKI	排紙本体/奥カシメ	A	1	
35	57AA53740	PAPER EXIT GUIDE PANEL /LOWER	排紙案内パネル/下	A	1	
36	57AA-5640	PAPER EXIT MAIN BODY/FRONTCAUL	排紙本体/前カシメ	A	1	a-V217040050 b-00Z193041 c-00Z193061 d-00ZAA0015 e-00Z184061 f-00Z670606 g-00Z163101 h-00Z383061
37	57AA-5660	PAPER EXIT PANEL/FRONTCAULKING	排紙パネル/前カシメ	A	1	
38	57AA53730	SHAFT MOUNTING PLATE	軸取り付け板	A	1	
39	57AA53540	GUIDE BLOCK	ガイドブロック	A	1	

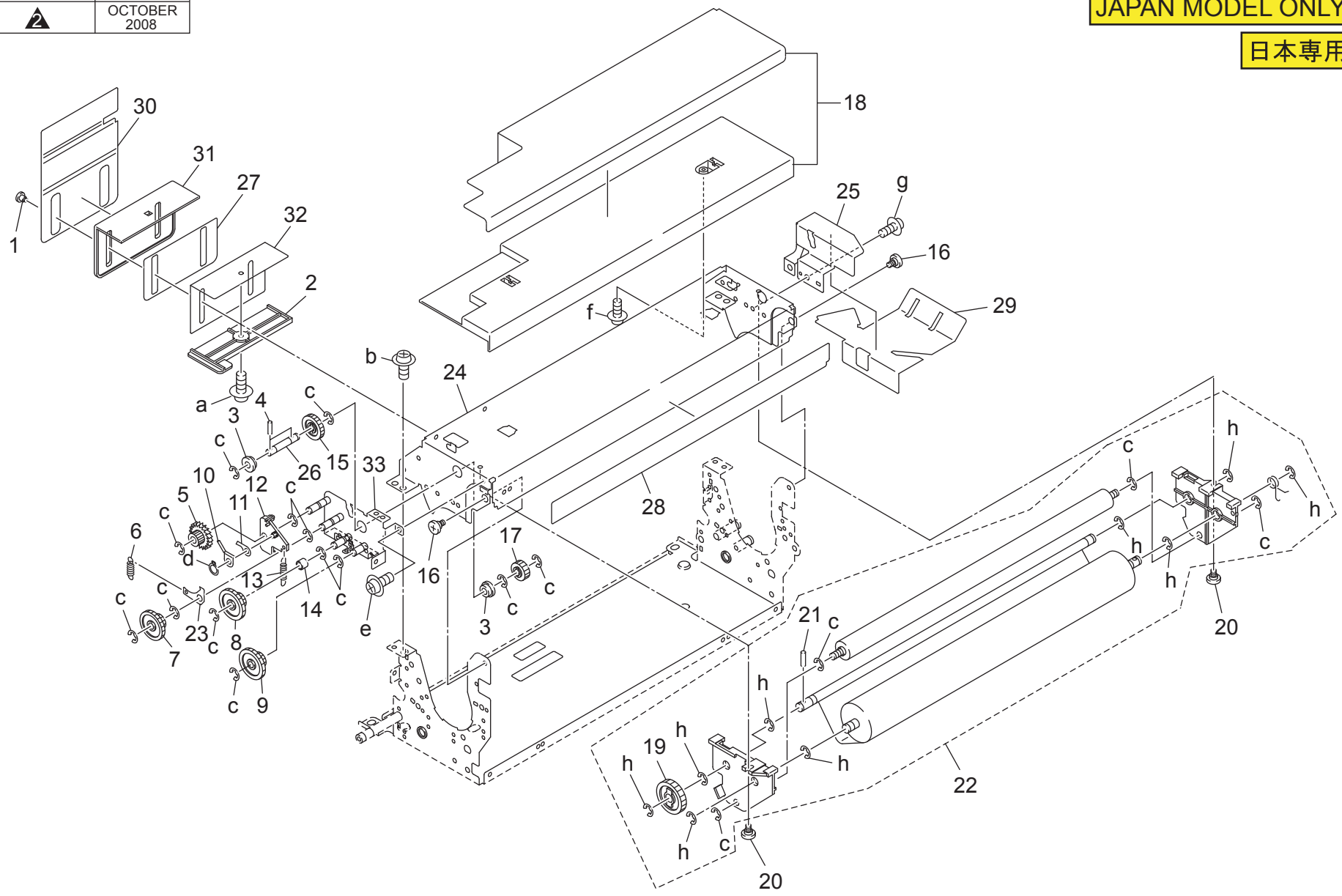
FIXING UNIT

P 29

JAPAN MODEL ONLY

日本専用

改訂版 REVISED EDITION	日付 DATE
	OCTOBER 2008



bizhub 600/bizhub 600RM/bizhub 750/bizhub 750RM

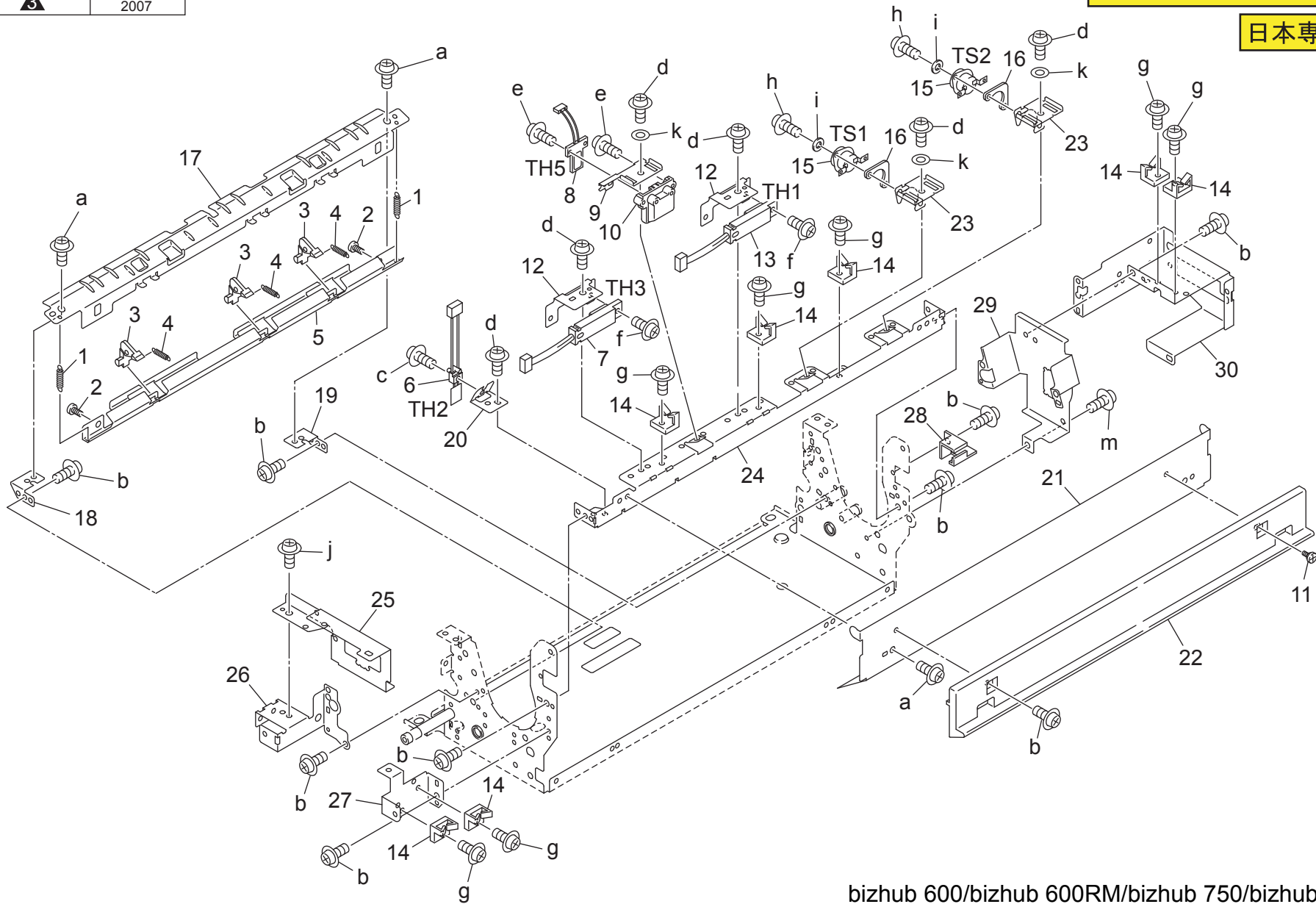
Key	Part No.	Description	Destinations	Class	QTY	Standard parts
1	57AA53910	FIXING LIFTING SCREW	定着持ち上げネジ	A	2	a-00Z183041 b-00ZAA0016 c-V217040050 d-00Z600306 e-00Z193041 f-00Z253101 g-00Z194061 h-00Z670606
2	57AA53860	FIXING LIFTING COVER LOWER	定着持ち上げカバー 下	A	1	
3	540076060	FIXING CLEANING SHAFT HOLDER A	定着清掃軸受 A	A	2	
4	56AA17531	PIN A D2X10	ピン A D 2 X 10	A	2	
5	56AA77340	FIXING CLEANING GEAR 1 18T	定着清掃歯車 1 18 T	A	1	
6	56AA54350	SOLENOID PULLING SPRING	ソレノイド引張りバネ	A	1	
7	57AA77110	FIXING CLEANING GEAR D 44/11T	定着清掃ギア D 44 / 11 T	A	1	
8	57AA77120	FIXING CLEANING GEAR E 27/11T	定着清掃ギア E 27 / 11 T	A	1	
9	57AA77080	FIXING CLEANING GEAR A 27/16T	定着清掃ギア A 27 / 16 T	A	1	
10	56QA54530	HOLDING SPRING	押えバネ	A	1	
11	540053460	ROCKING CLAW	揺動爪	A	1	
12	56QA54400	ROCKING LEVER	揺動レバー	A	1	
13	56QA54410	SOLENOID PULLING SPRING	ソレノイド引張りバネ	A	1	
14	56QA54420	STOPPER PART	ストッパ部材	A	1	
15	57AA77090	FIXING CLEANING GEAR B 21T	定着清掃ギア B 21 T	A	1	
16	56AA53470	FIXING FULCRUM SHAFT	定着支点軸	A	2	
17	57AA77100	FIXING CLEANING GEAR C 15 T	定着清掃ギア C 15 T	A	1	
18	57AA-5440	UPPER PLATE ASSY	天板部組	A	1	
19	57AA77130	FIXING CLEANING GEAR F 29T	定着清掃ギア F 29 T	A	1	
20	56AA54671	FIXING CLEANING SCREW	定着清掃ネジ	A	2	
21	56AA17551	PIN A	ピン A	A	1	
22	57AAR72300	WEB UNIT	ウェブユニット	A	1	
23	540053510	REGULATE CLAW	規制爪	A	1	
24	57AA53010	FIXING MAIN BODY/UPPER	定着 本体 / 上	C	1	
25	57AA53310	FIXING HANDLE/REAR	定着把手 / 奥	C	1	
26	57AA53440	DRIVE INPUT SHAFT / FRONT	駆動入力軸 / 前	D	1	
27	57AA53690	Insulating Sheet / Middle	断熱シート / 中	C	1	
28	57AA53770	Insulating Sheet / Right	断熱シート / 右	C	1	
29	57AA53780	Insulating Sheet / Rear	断熱シート / 奥	C	1	
30	57AA53830	Insulating Sheet / Left	断熱シート / 左	C	1	
31	57AA53840	FIXING LIFTING COVER / UPPER	定着持ち上げカバー / 上	C	1	
32	57AA53900	FIXING LIFTING PANEL / FRONT	定着持ち上げパネル / 前	C	1	
33	57AA-5680	SUPPORT PANEL / FRONT CAULKING	支点パネル / 前カシメ	D	1	

FIXING UNIT

改訂版 REVISED EDITION	日付 DATE
	NOVEMBER 2007

JAPAN MODEL ONLY

日本専用



bizhub 600/bizhub 600RM/bizhub 750/bizhub 750RM

Key	Part No.	Description	Destinations	Class	QTY	Standard parts
1	56AA17110	JAM DETECTING SPRING	ジャム検知パネ	A	2	a-00ZAA0015
2	56AA17900	FIXING PAPER EXIT SCREW	定着排紙ネジ	A	2	b-00Z193041
3	56QA53200	FIXING CLAW LOWER	定着爪 下	A	3	c-00Z163101
4	56AA17130	SEPARATING SPRING LOWER	分離パネ 下	A	3	d-00Z163061
5	56QA54510	FIXING PAPER EXIT PLATE UPPER	定着排紙板 上	A	1	e-00Z253081 f-00Z163081
6	57AA88040	TEMPERATURE SENSOR 2	温度センサ 2	A	1	g-00Z184061
7	57AA88021	TEMPERATURE SENSOR E	温度センサ E	A	1	h-00Z183061
8	57AA88060	TEMPERATURE SENSOR 5	温度センサ 5	A	1	i-00Z620301
9	57AA53400	MOUNTING PLATE A	センサ取り付け板 A	A	1	j-00ZAA0016
10	57AA53300	COVER	センサカバー	A	1	k-00Z610401 m-00Z383061
11	56AA54220	FIXING SCREW 2	固定ネジ 2	A	1	
12	57AA53360	MOUNTING PLATE MIDDLE	センサ取り付け板 中	A	2	
13	57AA88010	TEMPERATURE SENSOR C	温度センサ C	A	1	
14	55GA53652	WIRING HOLDING PART	束線ホルダー部材	A	6	
15	SP00-0201	THERMOSTAT	サーモスタット	A	1	
16	57AA53390	FUSE INSULATING SPACER	ヒューズ断熱スペーサー	A	1	
17	57AA53280	EXIT GUIDE PANEL /LOWER	出口ガイドパネル/下	A	1	
18	57AA53880	EXIT FIXING PLATE /FRONT	出口固定板/前	A	1	
19	57AA53890	EXIT FIXING PLATE /REAR	出口固定板/奥	A	1	
20	57AA53370	MOUNTING PLATE /FRONT	センサ取り付け板/前	A	1	
21	57AA53090E	Fixing Entrance Plate /Upper	定着進入板/上	A	1	
22	57AA53110	FIXING ENTRANCE COVER /UPPER	定着進入カバー/上	A	1	
23	57AA53380	FUSE MOUNTING PLATE	ヒューズ取り付け板	A	1	
24	57AA53080	FIXING STAY /UPPER	定着センサステー/上	A	1	
25	57AA53470	HEATER HOLDING PANEL /FRONT	ヒーターホルダーパネル/前	A	1	
26	57AA53980	BOARD SUPPORT PLATE /LEFT	基板支持板/左	A	1	
27	57AA53970	BOARD SUPPORT PLATE /RIGHT	基板支持板/右	A	1	
28	57AA53810	WIRING GUIDE PART /RIGHT	束線ガイド部材/右	A	1	
29	57AA53480	HEATER HOLDING PANEL /REAR	ヒーターホルダーパネル/奥	A	1	
30	57AA53510E	Electric Mounting Panel /Rear	電装取付パネル/奥	A	1	

bizhub 600/bizhub 600RM/bizhub 750/bizhub 750RM

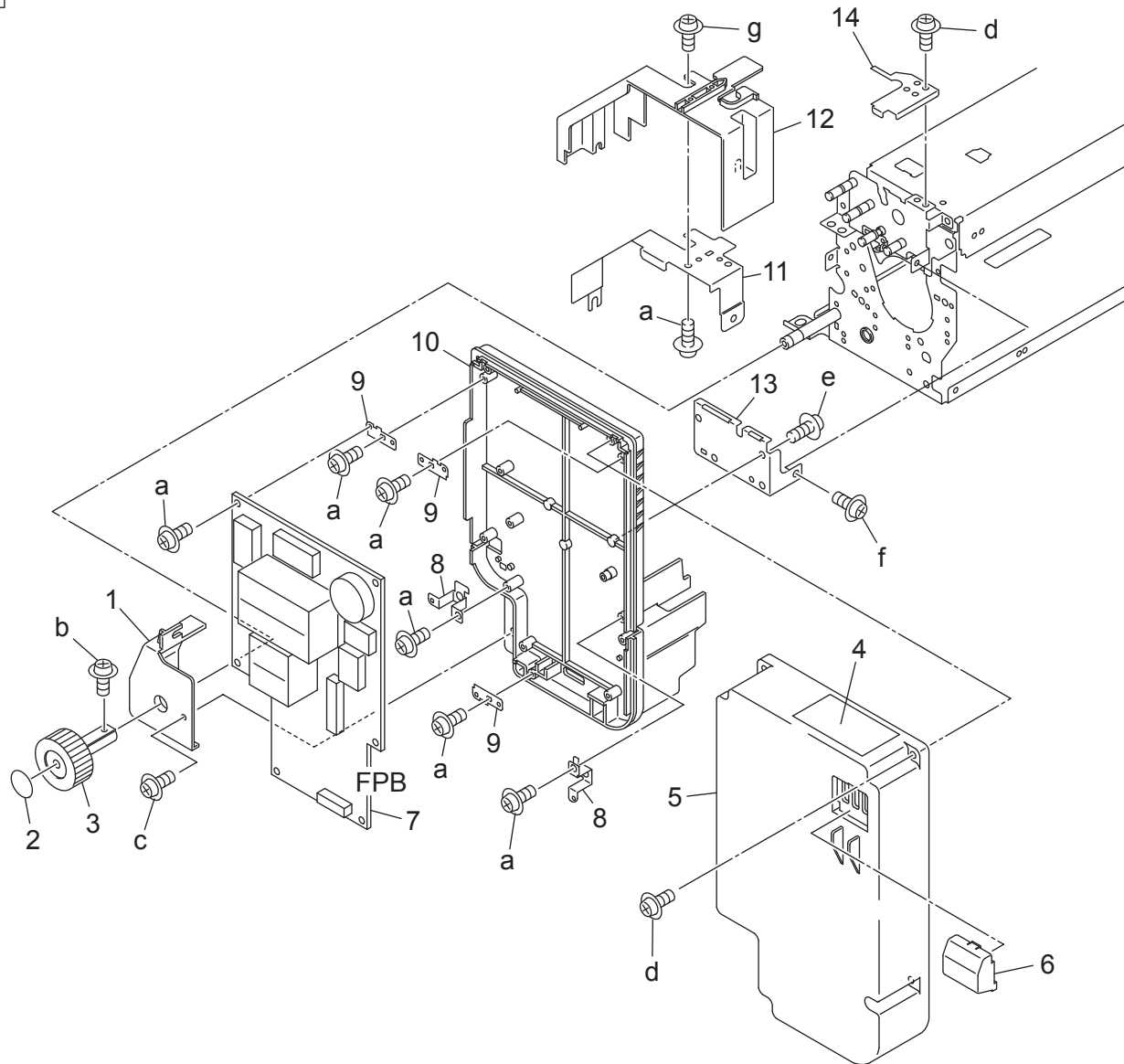
FIXING UNIT

P 31

JAPAN MODEL ONLY

日本専用

改訂版 REVISED EDITION	日付 DATE
	NOVEMBER 2007



bizhub 600/bizhub 600RM/bizhub 750/bizhub 750RM

FIXING UNIT

Key	Part No.	Description	Destinations	Class	QTY	Standard parts
1	57AA53940	FIXING COVER LEFT	定着カバー 左	A	1	a-00Z253081 b-00Z193081 c-00Z144082 d-00ZAA0016 e-00Z253061 f-00Z164101 g-00Z163081
2	57AA97261E	Jam Release Label /7	ジャム解除ラベル/7	A	1	
3	57AA54080	ROTATION KNOB FRONT	回転ノブ 前	A	1	
4	57AA97831G	Caution Label /1	注意ラベル/1	A	1	
5	57AA54020	FIXING POWER SUPPLY COVER FRONT	定着給電カバー 前	A	1	
6	57AA54140	POWER SOURCE DUCT FRONT	電源ダクト 前	A	1	
7	57AA84521E	Heater Power Source /1	ヒーター 電源/1	A	1	
8	57AA54030	FRONT MOUNTING PLATE A	前面取り付け板 A	A	2	
9	57AA54040	FRONT MOUNTING PLATE B	前面取り付け板 B	A	3	
10	57AA54010	FIXING POWER SUPPLY COVER MIDDLE	定着給電カバー 中	A	1	
11	57AA53930	FIXING COVER PANEL FRONT	定着カバーパネル 前	A	1	
12	57AA53920	FIXING COVER COVER FRONT	定着カバー蓋 前	A	1	
13	57AA53990	BOARD SUPPORT PLATE /FRONT	基板支持板/前	A	1	
14	57AA54130	HOLDING PLATE	押さえ板	A	1	

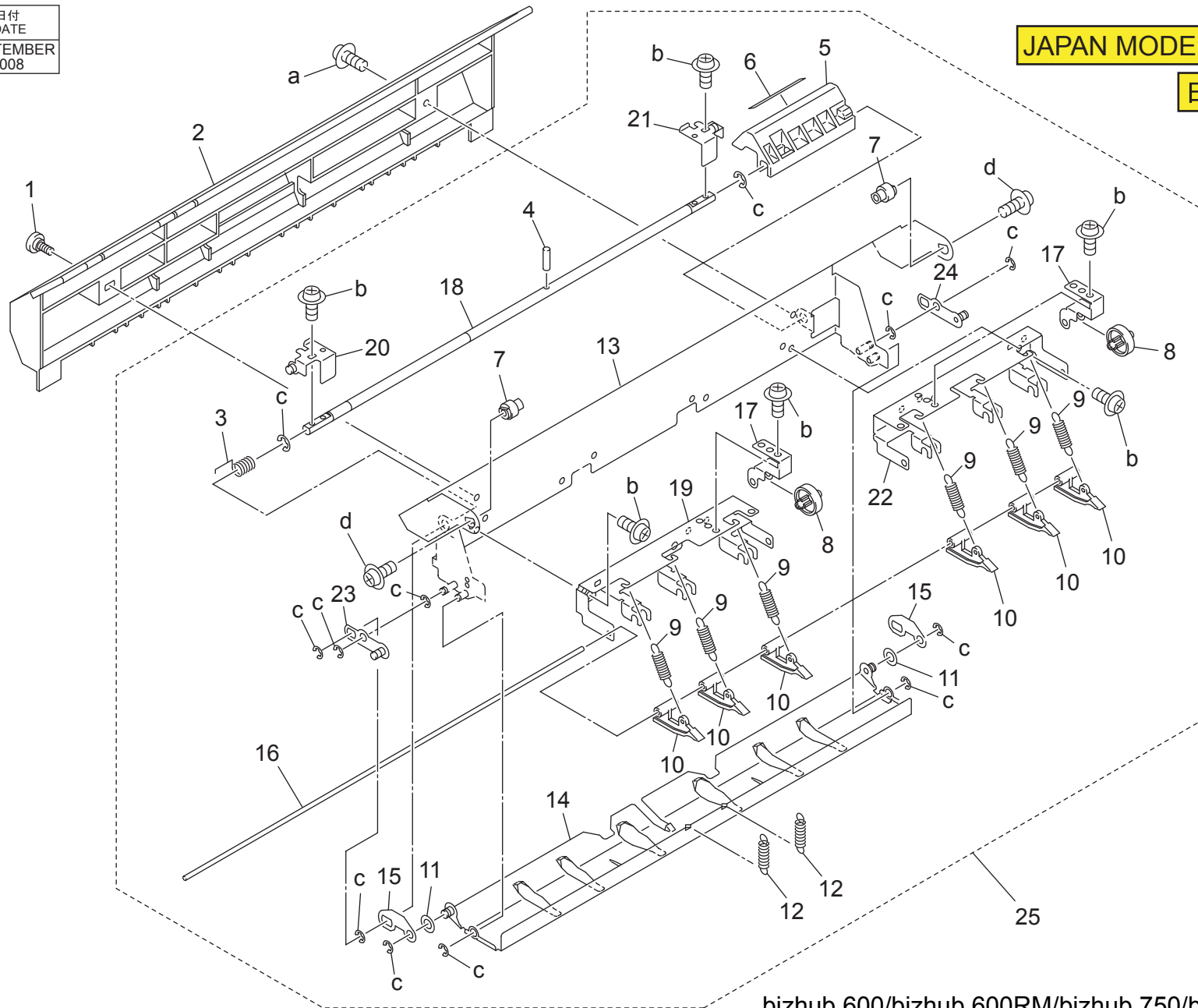
bizhub 600/bizhub 600RM/bizhub 750/bizhub 750RM

FIXING UNIT

JAPAN MODEL ONLY

日本専用

改訂版 REVISED EDITION	日付 DATE
 4	SEPTEMBER 2008



bizhub 600/bizhub 600RM/bizhub 750/bizhub 750RM

Key	Part No.	Description	Destinations	Class	QTY	Standard parts
1	56AA54220	FIXING SCREW 2	固定ネジ 2	A	1	a-00Z194061 b-00Z193041 c-V217040050 d-00Z164081
2	57AA53550	FIXING PAPER EXIT COVER	定着排紙カバー	A	1	
3	57AA53580	LEVER SPRING	レバーバネ	A	1	
4	56AA17321	PIN A D2X12	ピン A D 2 X 1 2	A	1	
5	56QA54330	JAM RELEASE LEVER	ジャム解除レバー	A	1	
6	57AA97251E	Jam Release Label /6	ジャム解除ラベル/6	A	1	
7	56AA53200	FIXING MOUNTING SHAFT FRONT	定着取り付け軸 前	A	2	
8	56AA54660	PAPER EXIT ROLLER	排紙コロ	A	2	
9	56AA53240	SEPARATING SPRING UPPER	分離バネ 上	A	6	
10	56AA54270	FIXING CLAW UPPER	定着爪 上	A	6	
11	56AA26310	SPACER 5	スペーサー 5	A	2	
12	57AA53640	OPEN CLOSE SPRING	開閉バネ	A	2	
13	57AA53560	OPEN CLOSE STAY LEFT	開閉ステー 左	A	1	
14	57AA53270	EXIT GUIDE PANEL UPPER	出口ガイドパネル 上	A	1	
15	57AA54070	OPEN CLOSE PANEL A	開閉パネル A	A	1	
16	57AA53870	HOLDING SHAFT/UPPER	ホルダー軸/上	C	1	
17	57AA53350	PAPER EXIT PRESSING PLATE	排紙押圧板	D	1	
18	57AA53570	LEVER SHAFT	レバー軸	D	1	
19	57AA53650	HOLDING PANEL/FRONT	ホルダーパネル/前	D	1	
20	57AA53660	OPEN-CLOSE PLATE/FRONT	開閉板/前	D	1	
21	57AA53670	OPEN-CLOSE PLATE/REAR	開閉板/奥	D	1	
22	57AA53850	HOLDING PANEL/REAR	ホルダーパネル/奥	D	1	
23	57AA-5470	OPEN-CLOSE STAY/FRONT CAULKING	開閉ステー/前カシメ	D	1	
24	57AA-5690	OPEN-CLOSE STAY/REAR CAULKING	開閉ステー/奥カシメ	D	1	
25	57AA-5450	UPPER CLAW ASSY UNIT	上爪部組ユニット	C	1	

bizhub 600/bizhub 600RM/bizhub 750/bizhub 750RM

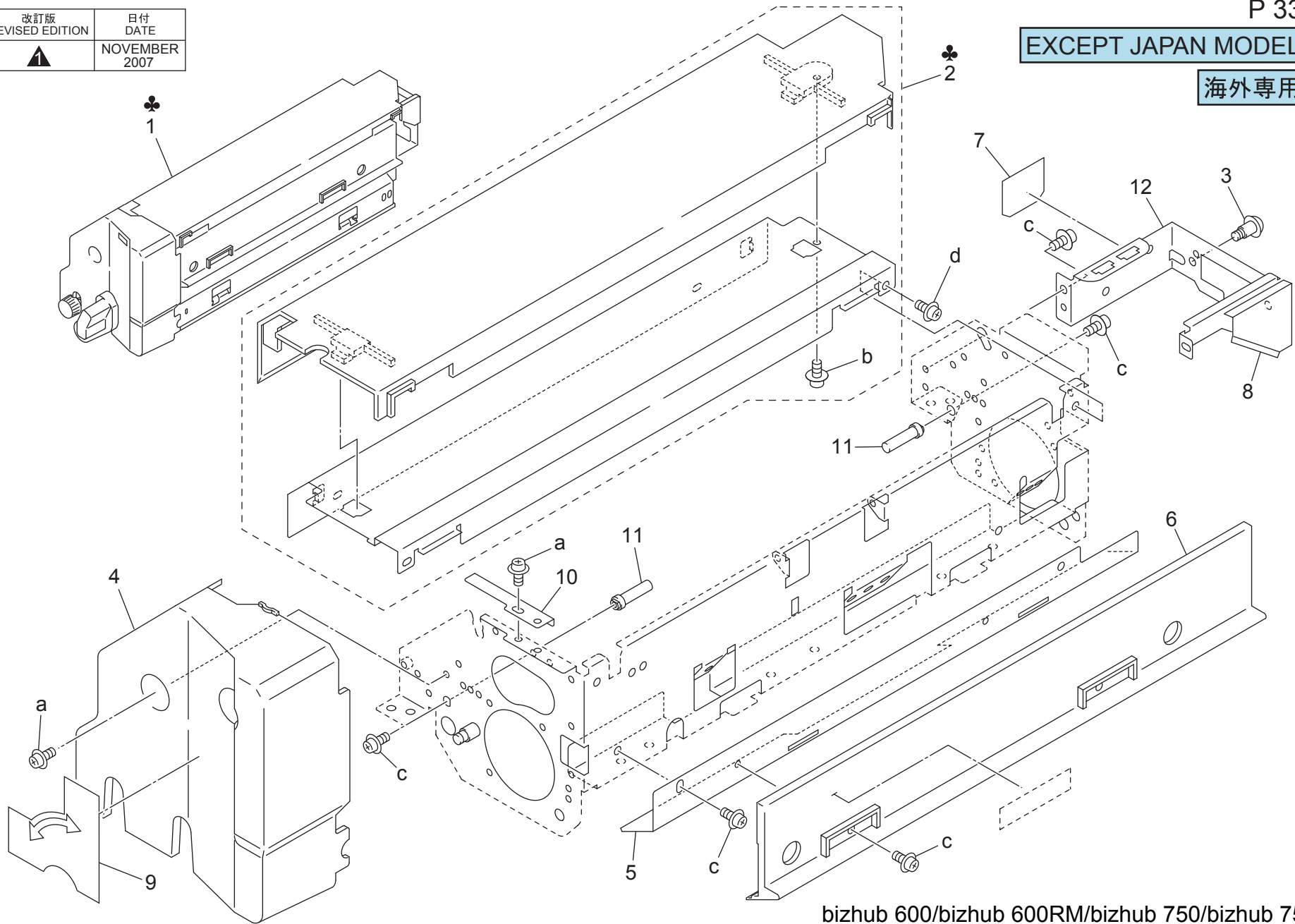
FIXING UNIT

P 33

改訂版 REVISED EDITION	日付 DATE
	NOVEMBER 2007

EXCEPT JAPAN MODEL

海外専用



bizhub 600/bizhub 600RM/bizhub 750/bizhub 750RM

FIXING UNIT

Key	Part No.	Description	Destinations	Class	QTY	Standard parts
1	57AE-5300	FUSING UNIT	B,G2{bizhub 750}	I	1	a-V140040603 b-00Z253083 c-00Z193061 d-00Z194061
1	57AF-5301	Fusing Unit	C{bizhub 750}	I	1	
1	57BE-5300	FUSING UNIT	B,G2{bizhub 600}	I	1	
1	57BF-5301	Fusing Unit	C{bizhub 600}	I	1	
1	57AN-5300	FIXING UNIT	D1,D3,E,F2,G1,I,J,K {bizhub 750}	I	1	
1	57AK-5300	FIXING UNIT	H{bizhub 750}	I	1	
1	57AS-5300	FIXING UNIT	F1{bizhub 750}	I	1	
1	57BN-5300	FIXING UNIT	D1,D3,E,F2,G1,I,J,K {bizhub 600}	I	1	
1	57BK-5300	FIXING UNIT	H{bizhub 600}	I	1	
1	57BS-5300	FIXING UNIT	F1{bizhub 600}	I	1	
2	57AE-5440	UPPER PLATE ASSY	B,G2	D	1	
2	57AFR70300	UPPER PLATE ASSY	C	D	1	
2	57AN-5440	UPPER PLATE ASSY	D1,D3,E,F2,G1,I,J,K {bizhub 750}	D	1	
2	57AS-5440	UPPER PLATE ASSY	F1,H{bizhub 750}	D	1	
3	26NA54030	MOUNT SCREW	B,C,D1,D3,E,F1,F2,G 1,G2,H,I,J,K	C	1	
4	57AE54740	FIXING COVER /FRONT	定着カバー／前	C	1	
5	56AA53450	FIXING ENTRANCE PLATE UPPER	定着進入板 上	D	1	
6	56AA53390	GUIDE PART A	ガイド部材 A	C	1	
7	56AA54550	Protection Seal /1	保護シール／1	C	1	
8	56AA53942	Fixing Heat Insulate Sheet /A	定着断熱シート／ A	C	1	
9	57AA97760	Fixing Cover Label	定着カバーラベル	C	1	
10	56AA54240	FIXING HOLDING PLATE	定着押さえ板	D	1	
11	56AA53210	FIXING MOUNTING SHAFT /MIDDLE	定着取り付け軸／中	D	2	
12	56AA53871	POWER SOURCE MOUNTING PLATE /U	電源取り付け板／上	D	1	

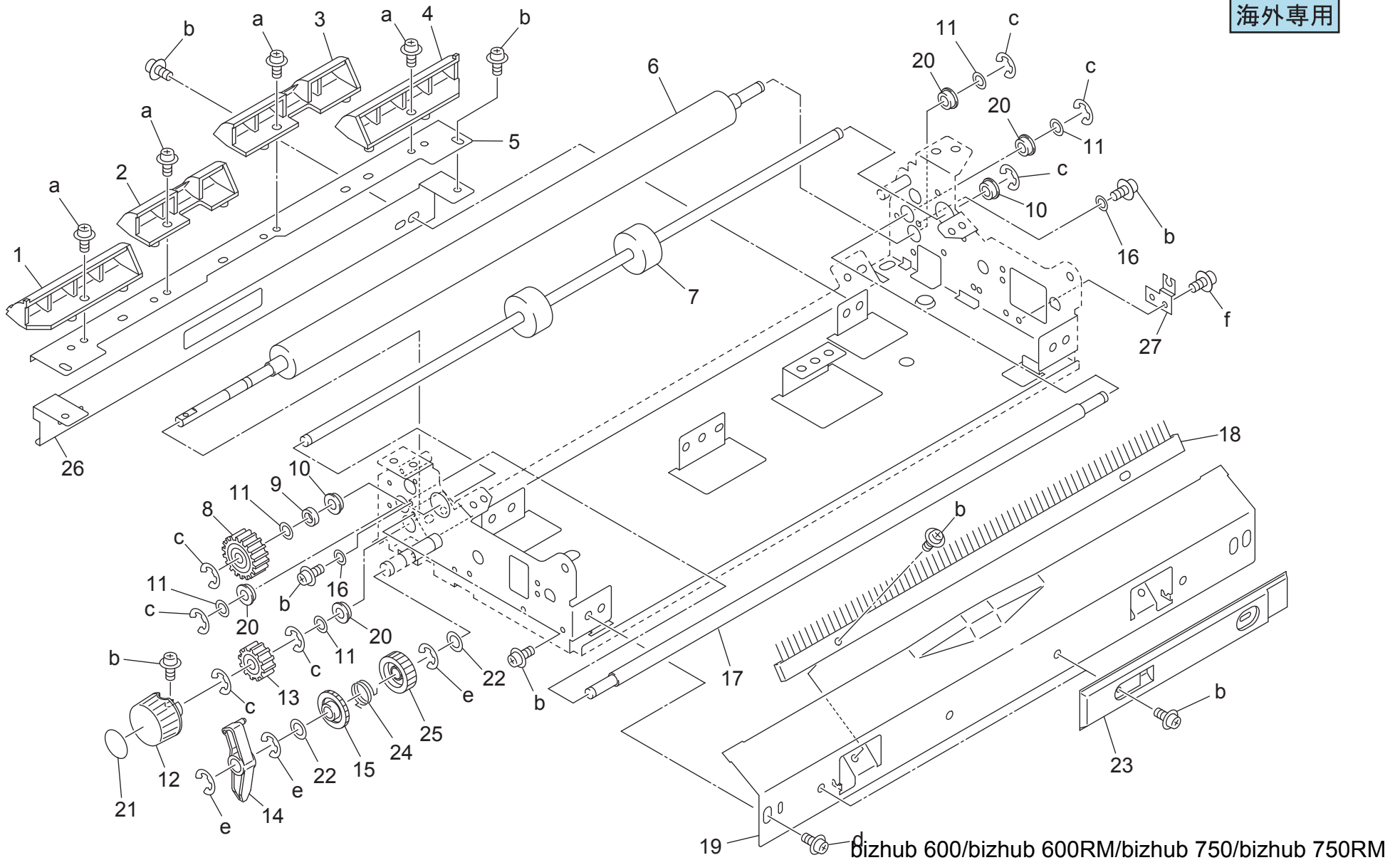
bizhub 600/bizhub 600RM/bizhub 750/bizhub 750RM

FIXING UNIT

改訂版 REVISED EDITION	日付 DATE
	NOVEMBER 2007

EXCEPT JAPAN MODEL

海外専用



bizhub 600/bizhub 600RM/bizhub 750/bizhub 750RM

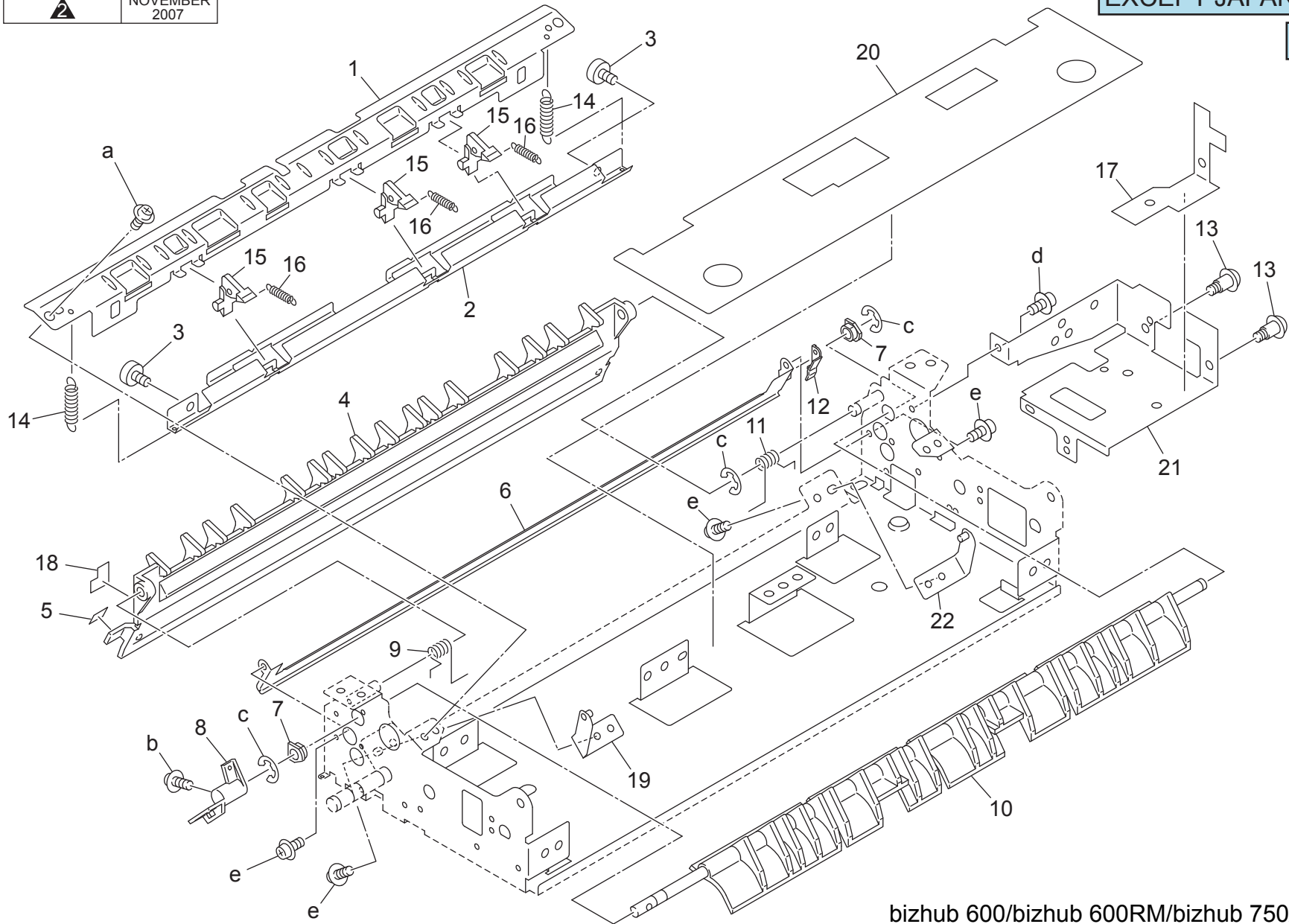
Key	Part No.	Description	Destinations	Class	QTY	Standard parts	
1	56AA54410	PAPER EXIT GUIDE PART 1	排紙ガイド部材 1	B,C,D1,D3,E,F1,F2,G 1,G2,H,I,J,K	C	1	a-00Z194061 b-00Z193061 c-V217040050 d-V140040603 e-00Z670606 f-00ZAA0015
2	56AA54420	PAPER EXIT GUIDE PART 2	排紙ガイド部材 2	B,C,D1,D3,E,F1,F2,G 1,G2,H,I,J,K	C	1	
3	56AA54430	PAPER EXIT GUIDE PART 3	排紙ガイド部材 3	B,C,D1,D3,E,F1,F2,G 1,G2,H,I,J,K	C	1	
4	56AA54440	PAPER EXIT GUIDE PART 4	排紙ガイド部材 4	B,C,D1,D3,E,F1,F2,G 1,G2,H,I,J,K	C	1	
5	56AA53780	PAPER EXIT GUIDE PLATE	排紙ガイド板	B,C,D1,D3,E,F1,F2,G 1,G2,H,I,J,K	D	1	
6	56AA53071	PAPER EXIT CONVEYING ROLLER UPPER	排紙搬送ローラ 上	B,C,D1,D3,E,F1,F2,G 1,G2,H,I,J,K	A	1	
7	56AA53710	Fixing Paper Exit Roller	定着排紙ローラ	B,C,D1,D3,E,F1,F2,G 1,G2,H,I,J,K	C	1	
8	56AA77220	PAPER EXIT DRIVING GEAR 1 24T	排紙駆動歯車 1 24 T	B,C,D1,D3,E,F1,F2,G 1,G2,H,I,J,K	B	1	
9	56AA54471	DRIVE STOPPER ROLLER	駆動突き当てコロ	B,C,D1,D3,E,F1,F2,G 1,G2,H,I,J,K	C	1	
10	56AA75061	Fixing Paper Exit Bearing	定着排紙軸受	B,C,D1,D3,E,F1,F2,G 1,G2,H,I,J,K	C	2	
11	56AA54480	Drive Protection Spacer	駆動保護スペーサー	B,C,D1,D3,E,F1,F2,G 1,G2,H,I,J,K	C	5	
12	56QA54540	ROTARY KNOB H	回転ノブ H	B,C,D1,D3,E,F1,F2,G 1,G2,H,I,J,K	C	1	
13	56AA77231	PAPER EXIT DRIVING GEAR 2 18T	排紙駆動歯車 2 18 T	B,C,D1,D3,E,F1,F2,G 1,G2,H,I,J,K	B	1	
14	56AA53840	Paper Exit Guide Lever	排紙案内レバー	B,C,D1,D3,E,F1,F2,G 1,G2,H,I,J,K	C	1	
15	57AA77210	PAPER EXIT IDLING GEAR 1 25T	排紙アイドル歯車 1 25 T	B,C,D1,D3,E,F1,F2,G 1,G2,H,I,J,K	B	1	
16	56AA54640	SHAFT HOLDER REGULATING PLATE	軸受規制板	B,C,D1,D3,E,F1,F2,G 1,G2,H,I,J,K	D	2	
17	56AA53721	PAPER EXIT DRIVEN ROLLER UPPER	排紙従動ローラ 上	B,C,D1,D3,E,F1,F2,G 1,G2,H,I,J,K	D	1	
18	56AA54190	NEUTRALIZING BRUSH	除電ブラシ	B,C,D1,D3,E,F1,F2,G 1,G2,H,I,J,K	C	1	
19	56AA53461	FIXING ENTRANCE PLATE LOWER	定着進入板 下	B,C,D1,D3,E,F1,F2,G 1,G2,H,I,J,K	D	1	
20	07AA75090	METAL 1	軸受 1	B,C,D1,D3,E,F1,F2,G 1,G2,H,I,J,K	B	4	
21	57AA97261E	Jam Release Label /7	ジャム解除ラベル/7	B,C,D1,D3,E,F1,F2,G 1,G2,H,I,J,K	C	1	
22	12QV40650	SPACER	スペーサー	B,C,D1,D3,E,F1,F2,G 1,G2,H,I,J,K	B	2	
23	56QA54500	Insulating Part	断熱部材	B,C,D1,D3,E,F1,F2,G 1,G2,H,I,J,K	C	1	
24	57AA54170	SPRING REAR	バネ 奥	B,C,D1,D3,E,F1,F2,G 1,G2,H,I,J,K	C	1	
25	57AA77220	PAPER EXIT IDLING GEAR 2 25T	排紙アイドル歯車 2 25 T	B,C,D1,D3,E,F1,F2,G 1,G2,H,I,J,K	B	1	
26	56AA54541	PAPER EXIT GUIDE PLATE /LOWER	排紙ガイド板/下	B,C,D1,D3,E,F1,F2,G 1,G2,H,I,J,K	D	1	
27	57AE54730E	Lamp Mounting Plate /3	ランプ取付板/3	B,C,D1,D3,E,F1,F2,G 1,G2,H,I,J,K	D	1	

FIXING UNIT

改訂版 REVISED EDITION	日付 DATE
	NOVEMBER 2007

EXCEPT JAPAN MODEL

海外専用



bizhub 600/bizhub 600RM/bizhub 750/bizhub 750RM

Key	Part No.	Description	Destinations	Class	QTY	Standard parts	
1	56AA54180	FIXING PAPER EXIT PLATE LOWER	定着排紙板 下	B,C,D1,D3,E,F1,F2,G 1,G2,H,I,J,K	D	1	a-V140040603 b-00Z193061 c-V217040050 d-00Z193041 e-00Z194061
2	56QA54510	FIXING PAPER EXIT PLATE UPPER	定着排紙板 上	B,C,D1,D3,E,F1,F2,G 1,G2,H,I,J,K	D	1	
3	56AA17900	FIXING PAPER EXIT SCREW	定着排紙ネジ	B,C,D1,D3,E,F1,F2,G 1,G2,H,I,J,K	C	2	
4	56AA53733	PAPEREXITENTRANCEPLATE UPP	排紙進入板／上	B,C,D1,D3,E,F1,F2,G 1,G2,H,I,J,K	C	1	
5	56QA97300	Jam Release Label /6	ジャム解除ラベル／6	B,C,D1,D3,E,F1,F2,G 1,G2,H,I,J,K	D	1	
6	56AA54080	PAPER EXIT GUIDE PLATE LOWER	排紙ガイド板 下	B,C,D1,D3,E,F1,F2,G 1,G2,H,I,J,K	D	1	
7	466076020	PAPER FEED SHAFT HOLDER	給紙送り出し軸受	B,C,D1,D3,E,F1,F2,G 1,G2,H,I,J,K	B	2	
8	56AA53820	Positioning Lever	位置決めレバー	B,C,D1,D3,E,F1,F2,G 1,G2,H,I,J,K	C	1	
9	56AA53741	PAPER EXIT PRESSING SPRING FRONT	排紙押圧バネ 前	B,C,D1,D3,E,F1,F2,G 1,G2,H,I,J,K	C	1	
10	56AA53802	PAPER EXIT GUIDE PART RIGHT	排紙ガイド部材 右	B,C,D1,D3,E,F1,F2,G 1,G2,H,I,J,K	D	1	
11	56AA53751	PAPER EXIT PRESSING SPRING REAR	排紙押圧バネ 奥	B,C,D1,D3,E,F1,F2,G 1,G2,H,I,J,K	C	1	
12	56QA54490	PAPER EXIT RELEASE HANDLE	排紙解除把手	B,C,D1,D3,E,F1,F2,G 1,G2,H,I,J,K	C	1	
13	26NA54030	MOUNT SCREW	取り付けネジ	B,C,D1,D3,E,F1,F2,G 1,G2,H,I,J,K	C	2	
14	56AA17110	JAM DETECTING SPRING	ジャム検知バネ	B,C,D1,D3,E,F1,F2,G 1,G2,H,I,J,K	C	2	
15	56QA53200	FIXING CLAW LOWER	定着爪 下	B,C,D1,D3,E,F1,F2,G 1,G2,H,I,J,K	A	3	
16	56AA17130	SEPARATING SPRING LOWER	分離バネ 下	B,C,D1,D3,E,F1,F2,G 1,G2,H,I,J,K	C	3	
17	56AA53951	Fixing Heat Insulate Sheet /B	定着断熱シート／B	B,C,D1,D3,E,F1,F2,G 1,G2,H,I,J,K	C	1	
18	57AA97271E	Jam Release Label /8	ジャム解除ラベル／8	B,C,D1,D3,E,F1,F2,G 1,G2,H,I,J,K	C	1	
19	56AA-5640	PAPER EXIT MOUNTNG PLATE 1	排紙取り付け板 1部組	B,C,D1,D3,E,F1,F2,G 1,G2,H,I,J,K	D	1	
20	57AE54750	INSULATING SHEET /1	絶縁シート／1	B,C,D1,D3,E,F1,F2,G 1,G2,H,I,J,K	D	1	
21	57AE54720	POWER SOURCE MOUNTING PLATE /L	電源取り付け板／下	B,C,D1,D3,E,F1,F2,G 1,G2,H,I,J,K	D	1	
22	56AA-5651	PAPER EXIT MOUNTING PLATE /2	排紙取り付け板／2部組	B,C,D1,D3,E,F1,F2,G 1,G2,H,I,J,K	D	1	

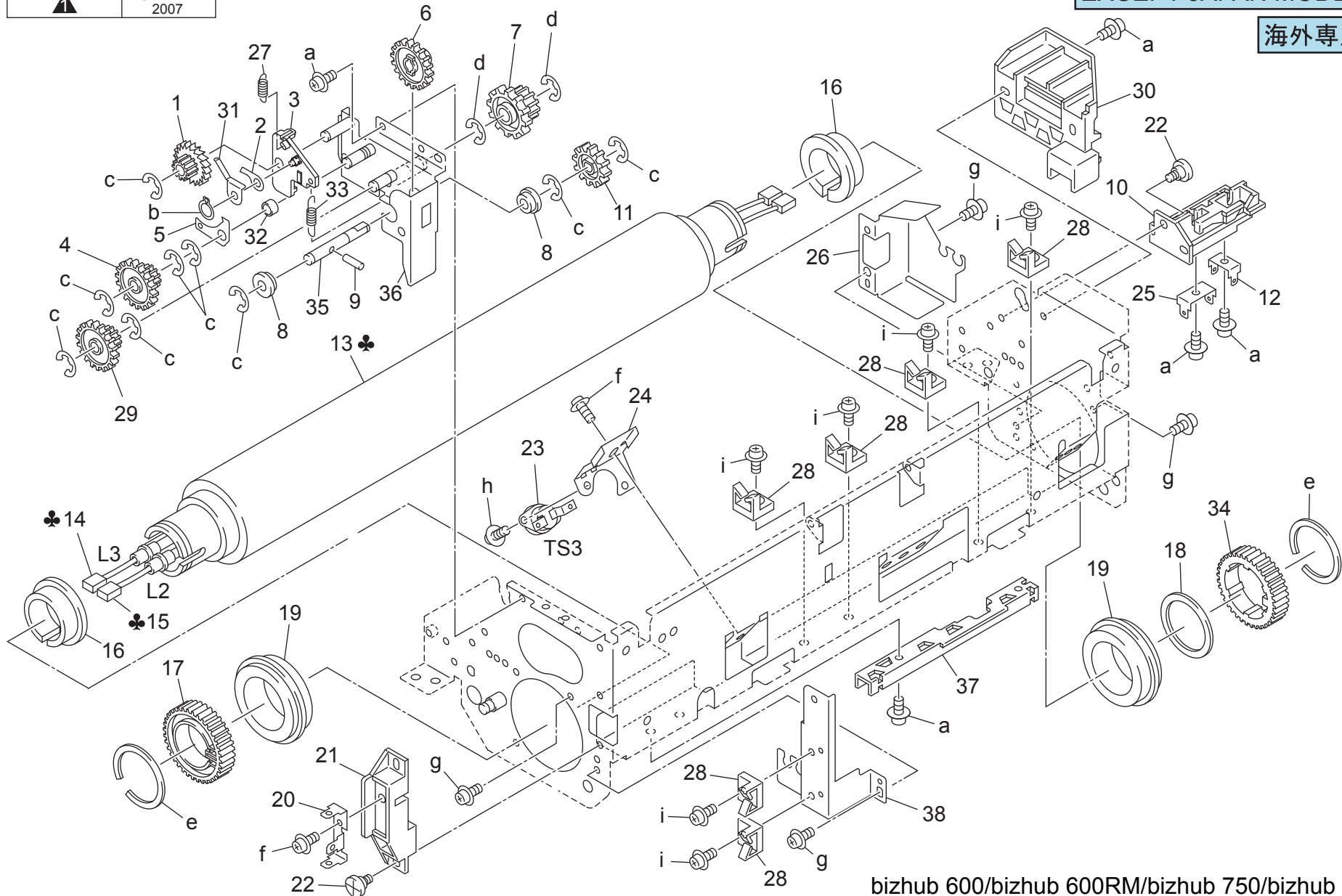
FIXING UNIT

P 36

改訂版 REVISED EDITION	日付 DATE
	NOVEMBER 2007

EXCEPT JAPAN MODEL

海外専用



bizhub 600/bizhub 600RM/bizhub 750/bizhub 750RM

Key	Part No.	Description	Destinations	Class	QTY	Standard parts	
1	56AA77340	FIXING CLEANING GEAR 1 18T	定着清掃歯車 1 18 T	B,C,D1,D3,E,F1,F2,G 1,G2,H,I,J,K	B	1	a-00Z193061 b-00Z600306 c-V217040050 d-00Z670606 e-00Z683003 f-00Z163061 g-V140040603 h-00Z183041 i-00Z184061
2	540053460	ROCKING CLAW	揺動爪	B,C,D1,D3,E,F1,F2,G 1,G2,H,I,J,K	C	1	
3	56QA54400	ROCKING LEVER	揺動レバー	B,C,D1,D3,E,F1,F2,G 1,G2,H,I,J,K	C	1	
4	57AA77110	FIXING CLEANING GEAR D 44/11T	定着清掃ギア D 44 / 11 T	B,C,D1,D3,E,F1,F2,G 1,G2,H,I,J,K	B	1	
5	540053510	REGULATE CLAW	規制爪	B,C,D1,D3,E,F1,F2,G 1,G2,H,I,J,K	C	1	
6	57AA77170	FIXING CLEANING GEAR G 27T	定着清掃ギア G 27 T	B,C,D1,D3,E,F1,F2,G 1,G2,H,I,J,K	B	1	
7	57AA77180	FIXING CLEANING GEAR H 25/15T	定着清掃ギア H 25 / 15 T	B,C,D1,D3,E,F1,F2,G 1,G2,H,I,J,K	B	1	
8	540076060	FIXING CLEANING SHAFT HOLDER A	定着清掃軸受 A	B,C,D1,D3,E,F1,F2,G 1,G2,H,I,J,K	C	2	
9	56AA17531	PIN A D2X10	ピン A D 2 X 10	B,C,D1,D3,E,F1,F2,G 1,G2,H,I,J,K	C	1	
10	56AA53610	Terminal Pedestal /3	端子台 / 3	B,C,D1,D3,E,F1,F2,G 1,G2,H,I,J,K	C	1	
11	56AA77350	FIXING CLEANING GEAR 2 19T	定着清掃歯車 2 19 T	B,C,D1,D3,E,F1,F2,G 1,G2,H,I,J,K	B	1	
12	56AA53650	TERMINAL PLATE 3	端子板 3	B,C,D1,D3,E,F1,F2,G 1,G2,H,I,J,K	C	1	
13	56AE53052	FIXING ROLLER UPPER	定着ローラ 上	B,C,D1,D3,E,F1,F2,G 1,G2,H,I,J,K{bizhub 750}	A	1	
13	56AA53052	FIXING ROLLER UPPER	定着ローラ 上	B,C,D1,D3,E,F1,F2,G 1,G2,H,I,J,K{bizhub 600}	A	1	
14	56AE83041	Fixing Lamp /2	定着ランプ / 2	B,G2	B	1	
14	56AF83041	Fixing Lamp /2	定着ランプ / 2	C,D1,D3,E,F2,G1,I,J ,K	B	1	
14	56AK83040	Fixing Lamp /2	定着 ランプ / 2	H	B	1	
14	56AS83040	FIXING LAMP 2	定着ランプ 2	F1	B	1	
15	56AE83031	Fixing Lamp /1	定着ランプ / 1	B,G2,H	B	1	
15	56AF83031	Fixing Lamp /1	定着ランプ / 1	C,D1,D3,E,F2,G1,I,J ,K	B	1	
15	56AS83030	FIXING LAMP 1	定着ランプ 1	F1	B	1	
16	454053391	HEAT INSULATE SLEEVE	断熱スリーブ	B,C,D1,D3,E,F1,F2,G 1,G2,H,I,J,K	A	2	
17	56QA77210	FIXING DRIVING GEAR FRONT 50T	定着駆動歯車 前 50 T	B,C,D1,D3,E,F1,F2,G 1,G2,H,I,J,K	B	1	
18	56QA54430	Fixing Drive Spacer /Rear	定着駆動スペーサー / 奥	B,C,D1,D3,E,F1,F2,G 1,G2,H,I,J,K	C	1	
19	454075040	BALL BEARING	ボールベアリング	B,C,D1,D3,E,F1,F2,G 1,G2,H,I,J,K	A	2	
20	56AA53630	TERMINAL PLATE 1	端子板 1	B,C,D1,D3,E,F1,F2,G 1,G2,H,I,J,K	C	1	
21	56AA53590	Terminal Pedestal /1	端子台 / 1	B,C,D1,D3,E,F1,F2,G 1,G2,H,I,J,K	C	1	
22	56AA54220	FIXING SCREW 2	固定ネジ 2	B,C,D1,D3,E,F1,F2,G 1,G2,H,I,J,K	C	2	
23	SP00-0022	THERMOSTAT	サーモスタット	B,C,D1,D3,E,F1,F2,G 1,G2,H,I,J,K	A	1	

Key	Part No.	Description		Destinations	Class	QTY	Standard parts
24	540053540	FUSE MOUNTING PLATE	ヒューズ取付板	B,C,D1,D3,E,F1,F2,G 1,G2,H,I,J,K	C	1	
25	56AA53660	TERMINAL PLATE 4	端子板 4	B,C,D1,D3,E,F1,F2,G 1,G2,H,I,J,K	C	1	
26	56AA53582	LAMP MOUNTING PLATE REAR	ランプ取付板/奥	B,C,D1,D3,E,F1,F2,G 1,G2,H,I,J,K	D	1	
27	56AA54350	SOLENOID PULLING SPRING	ソレノイド引張りバネ	B,C,D1,D3,E,F1,F2,G 1,G2,H,I,J,K	C	1	
28	55GA53652	WIRING HOLDING PART	束線ホルダー部材	B,C,D1,D3,E,F1,F2,G 1,G2,H,I,J,K	C	6	
29	57AA77120	FIXING CLEANING GEAR E 27/11T	定着清掃ギア E 27/11 T	B,C,D1,D3,E,F1,F2,G 1,G2,H,I,J,K	B	1	
30	56AA54121	Fixing Handle	定着把手	B,C,D1,D3,E,F1,F2,G 1,G2,H,I,J,K	C	1	
31	56QA54530	HOLDING SPRING	押えバネ	B,C,D1,D3,E,F1,F2,G 1,G2,H,I,J,K	C	1	
32	56QA54420	STOPPER PART	ストッパ部材	B,C,D1,D3,E,F1,F2,G 1,G2,H,I,J,K	D	1	
33	56QA54410	SOLENOID PULLING SPRING	ソレノイド引張りバネ	B,C,D1,D3,E,F1,F2,G 1,G2,H,I,J,K	C	1	
34	544077201	FIXING DRIVE GEAR B 50T	定着駆動歯車 B 50 T	B,C,D1,D3,E,F1,F2,G 1,G2,H,I,J,K	B	1	
35	56AA53431	CLEANING SHAFT	清掃軸	B,C,D1,D3,E,F1,F2,G 1,G2,H,I,J,K	D	1	
36	57AE54780	DRIVE MAIN BODY /A	駆動 本体/A	B,C,D1,D3,E,F1,F2,G 1,G2,H,I,J,K	D	1	
37	57AA53820	WIRING GUIDE PART /LOWER	束線ガイド部材/下	B,C,D1,D3,E,F1,F2,G 1,G2,H,I,J,K	D	1	
38	57AE54760	LAMP MOUNTING PLATE /FRONT	ランプ取り付け板/前	B,C,D1,D3,E,F1,F2,G 1,G2,H,I,J,K	D	1	

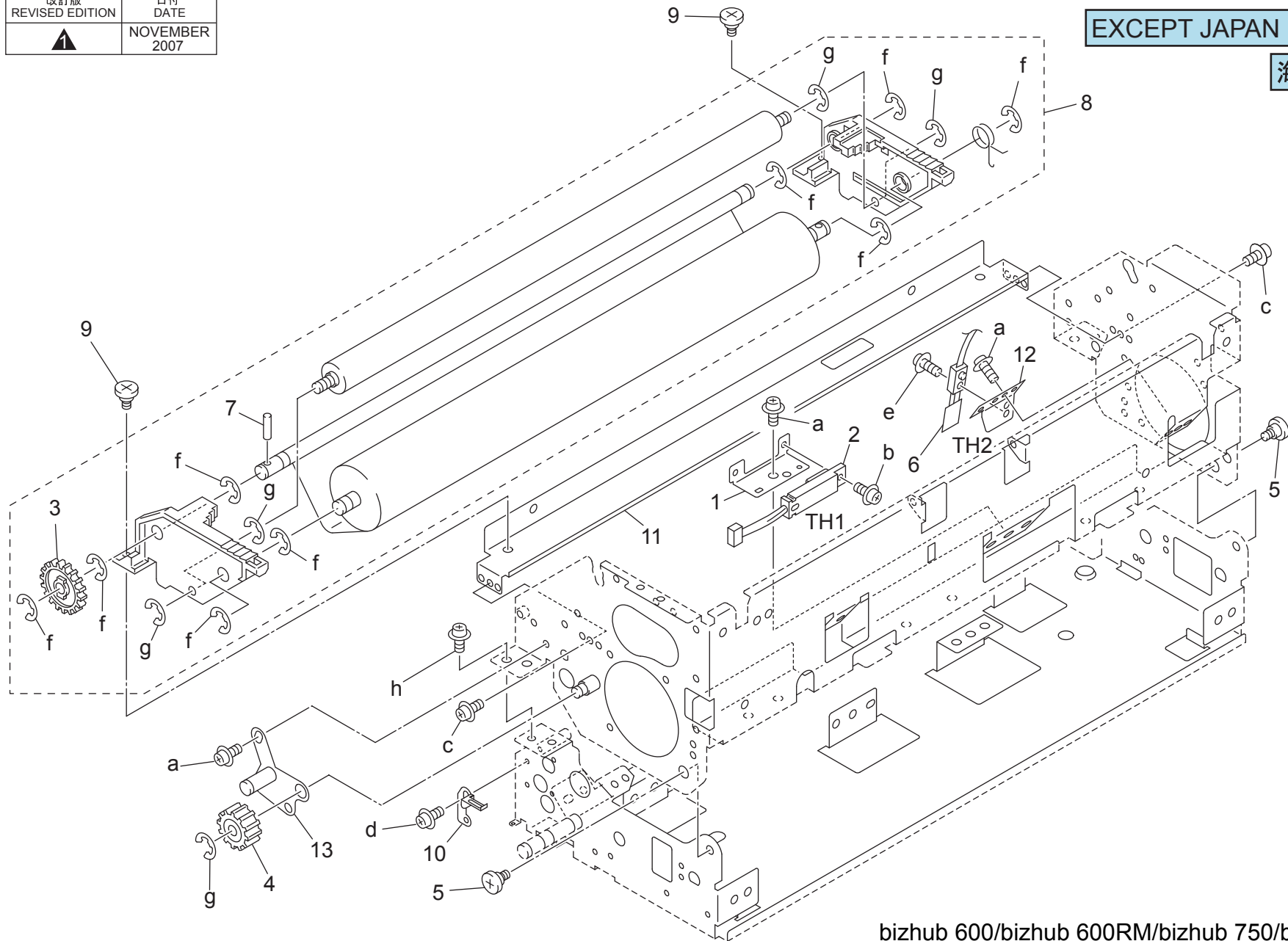
bizhub 600/bizhub 600RM/bizhub 750/bizhub 750RM

FIXING UNIT

改訂版 REVISED EDITION	日付 DATE
	NOVEMBER 2007

EXCEPT JAPAN MODEL

海外専用



bizhub 600/bizhub 600RM/bizhub 750/bizhub 750RM

FIXING UNIT

Key	Part No.	Description	Destinations	Class	QTY	Standard parts
1	57AE54700	SUPPORT PART MIDDLE センサ支持部材 中	B,C,D1,D3,E,F1,F2,G 1,G2,H,I,J,K	D	1	a-00Z163061 b-00Z163081 c-00Z193061 d-00Z193041 e-00Z163101 f-00Z670606 g-V217040050 h-00Z194061
2	57AE88010	TEMPERATURE SENSOR C 温度センサ C	B,C,D1,D3,E,F1,F2,G 1,G2,H,I,J,K	B	1	
3	57AA77130	FIXING CLEANING GEAR F 29T 定着清掃ギア F 29 T	B,C,D1,D3,E,F1,F2,G 1,G2,H,I,J,K	B	1	
4	25BA77191	FIXING IDLER GEAR BLACK 19T 定着アイドル歯車 黒 19 T	B,C,D1,D3,E,F1,F2,G 1,G2,H,I,J,K	B	1	
5	56AA53470	FIXING FULCRUM SHAFT 定着支点軸	B,C,D1,D3,E,F1,F2,G 1,G2,H,I,J,K	D	2	
6	57AE88040	TEMPERATURE SENSOR 2 温度センサ 2	B,C,D1,D3,E,F1,F2,G 1,G2,H,I,J,K	B	1	
7	56AA17551	PIN A ピン A	B,C,D1,D3,E,F1,F2,G 1,G2,H,I,J,K	C	1	
8	57AER70300	WEB UNIT ウェブユニット	B,C,D1,D3,E,F1,F2,G 1,G2,H,I,J,K	A	1	
9	56AA54671	FIXING CLEANING SCREW 定着清掃ネジ	B,C,D1,D3,E,F1,F2,G 1,G2,H,I,J,K	C	2	
10	56AA54530	FIXING EARTH SPRING 定着アースパネ	B,C,D1,D3,E,F1,F2,G 1,G2,H,I,J,K	C	1	
11	56AA53562	RELEASE STAY 解除ステー	B,C,D1,D3,E,F1,F2,G 1,G2,H,I,J,K	C	1	
12	56AA54292	SUPPORT PART センサ支持部材	B,C,D1,D3,E,F1,F2,G 1,G2,H,I,J,K	D	1	
13	56AA54463D	Drive Stopper Plate 駆動突当て板	B,C,D1,D3,E,F1,F2,G 1,G2,H,I,J,K	D	1	

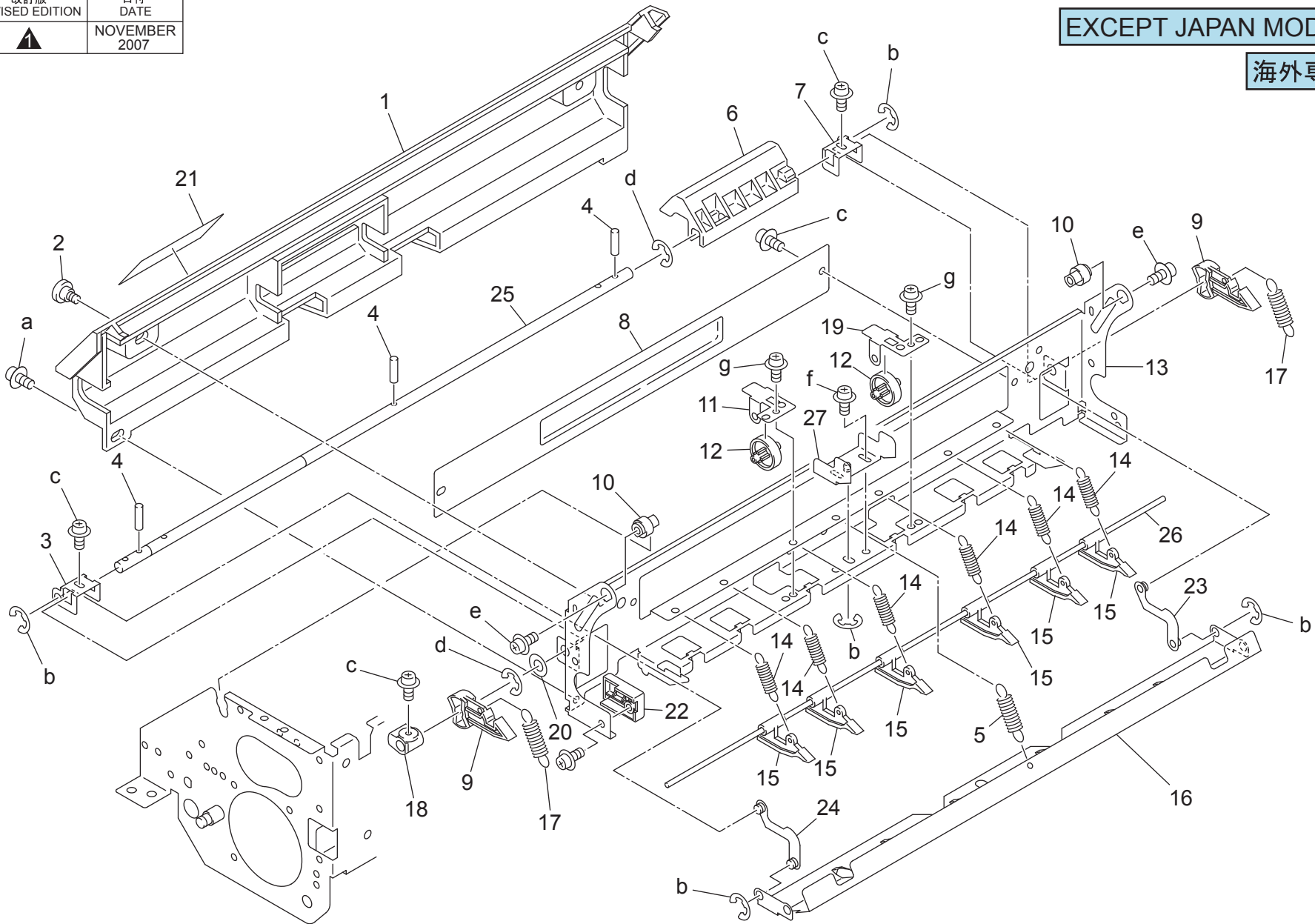
bizhub 600/bizhub 600RM/bizhub 750/bizhub 750RM

FIXING UNIT

改訂版 REVISED EDITION	日付 DATE
	NOVEMBER 2007

EXCEPT JAPAN MODEL

海外専用



bizhub 600/bizhub 600RM/bizhub 750/bizhub 750RM

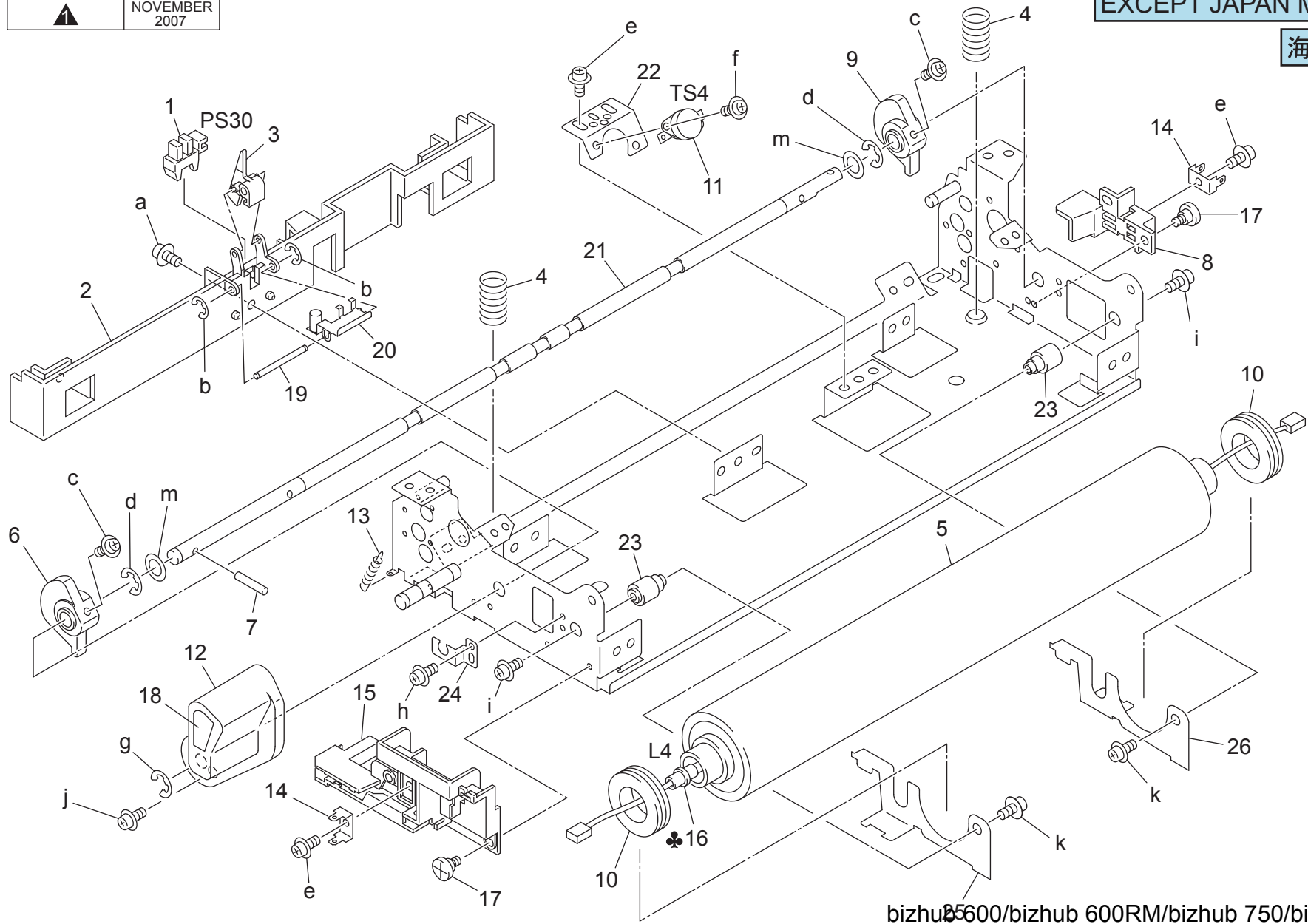
Key	Part No.	Description	Destinations	Class	QTY	Standard parts	
1	56AA53370	Jam Processing Cover	ジャム処理カバー	B,C,D1,D3,E,F1,F2,G 1,G2,H,I,J,K	C	1	a-V140040603 b-00Z670306 c-00Z193061 d-V217040050 e-00Z194061 f-00Z164061 g-00Z193031
2	56AA54210	FIXING SCREW 1	固定ネジ 1	B,C,D1,D3,E,F1,F2,G 1,G2,H,I,J,K	C	1	
3	56AA54370	Paper Exit Release Plate /A	排紙解除板 / A	B,C,D1,D3,E,F1,F2,G 1,G2,H,I,J,K	D	1	
4	56AA17321	PIN A D2X12	ピン A D 2 X 1 2	B,C,D1,D3,E,F1,F2,G 1,G2,H,I,J,K	B	3	
5	56AA54340	FIXING RELEASE SPRING	定着解除バネ	B,C,D1,D3,E,F1,F2,G 1,G2,H,I,J,K	C	1	
6	56QA54330	JAM RELEASE LEVER	ジャム解除レバー	B,C,D1,D3,E,F1,F2,G 1,G2,H,I,J,K	C	1	
7	56AA54380	PAPER EXIT RELEASE PLATE B	排紙解除板 B	B,C,D1,D3,E,F1,F2,G 1,G2,H,I,J,K	D	1	
8	56AA53121	RELEASE PLATE 2	解除板 2	B,C,D1,D3,E,F1,F2,G 1,G2,H,I,J,K	D	1	
9	56AA53160	Locking Claw /Front	ロック爪 /前	B,C,D1,D3,E,F1,F2,G 1,G2,H,I,J,K	C	2	
10	56AA53200	FIXING MOUNTING SHAFT FRONT	定着取り付け軸 前	B,C,D1,D3,E,F1,F2,G 1,G2,H,I,J,K	D	2	
11	56AA54583	PRESSING PLATE 2	押圧板 2	B,C,D1,D3,E,F1,F2,G 1,G2,H,I,J,K	D	1	
12	56AA54660	PAPER EXIT ROLLER	排紙コロ	B,C,D1,D3,E,F1,F2,G 1,G2,H,I,J,K	C	2	
13	56AA53032	FIXINGPAPEREXITPLATE RIGHT	定着排紙板 /右	B,C,D1,D3,E,F1,F2,G 1,G2,H,I,J,K	C	1	
14	56AA53240	SEPARATING SPRING UPPER	分離バネ 上	B,C,D1,D3,E,F1,F2,G 1,G2,H,I,J,K	C	6	
15	56AA54270	FIXING CLAW UPPER	定着爪 上	B,C,D1,D3,E,F1,F2,G 1,G2,H,I,J,K	A	6	
16	56AA53180	FIXING PAPER EXIT PLATE LEFT	定着排紙板 左	B,C,D1,D3,E,F1,F2,G 1,G2,H,I,J,K	D	1	
17	56AA54360	FIXING LOCKING SPRING	定着ロックバネ	B,C,D1,D3,E,F1,F2,G 1,G2,H,I,J,K	C	2	
18	56AA53172	Fixing Rocking Cam	定着首振りカム	B,C,D1,D3,E,F1,F2,G 1,G2,H,I,J,K	C	1	
19	56AA54573	PRESSING PLATE 1	押圧板 1	B,C,D1,D3,E,F1,F2,G 1,G2,H,I,J,K	D	1	
20	26MA74060	SPACER A	スペーサー A	B,C,D1,D3,E,F1,F2,G 1,G2,H,I,J,K	C	1	
21	57AA97780	Fixing Open/Close Label	定着開閉ラベル	B,C,D1,D3,E,F1,F2,G 1,G2,H,I,J,K	C	1	
22	57AE54790	Fixing Insulating Part /2	定着断熱部材 / 2	B,C,D1,D3,E,F1,F2,G 1,G2,H,I,J,K	C	1	
23	56AA54391	LEVER RELEASE PLATE/1	レバー解除板 / 1	B,C,D1,D3,E,F1,F2,G 1,G2,H,I,J,K	D	1	
24	56AA54401	LEVER RELEASE PLATE/2	レバー解除板 / 2	B,C,D1,D3,E,F1,F2,G 1,G2,H,I,J,K	D	1	
25	56AA53151	LOCK SHAFT/1	ロック軸 / 1	B,C,D1,D3,E,F1,F2,G 1,G2,H,I,J,K	D	1	
26	56AA54250D	Separation Support Shaft /A	分離支点軸 / A	B,C,D1,D3,E,F1,F2,G 1,G2,H,I,J,K	D	1	
27	56AA-5681	PAPER EXIT POSITIONING PLATE	排紙位置決め板 部組	B,C,D1,D3,E,F1,F2,G 1,G2,H,I,J,K	D	1	

FIXING UNIT

EXCEPT JAPAN MODEL

海外専用

改訂版 REVISED EDITION	日付 DATE
	NOVEMBER 2007



bizhub 5600/bizhub 600RM/bizhub 750/bizhub 750RM

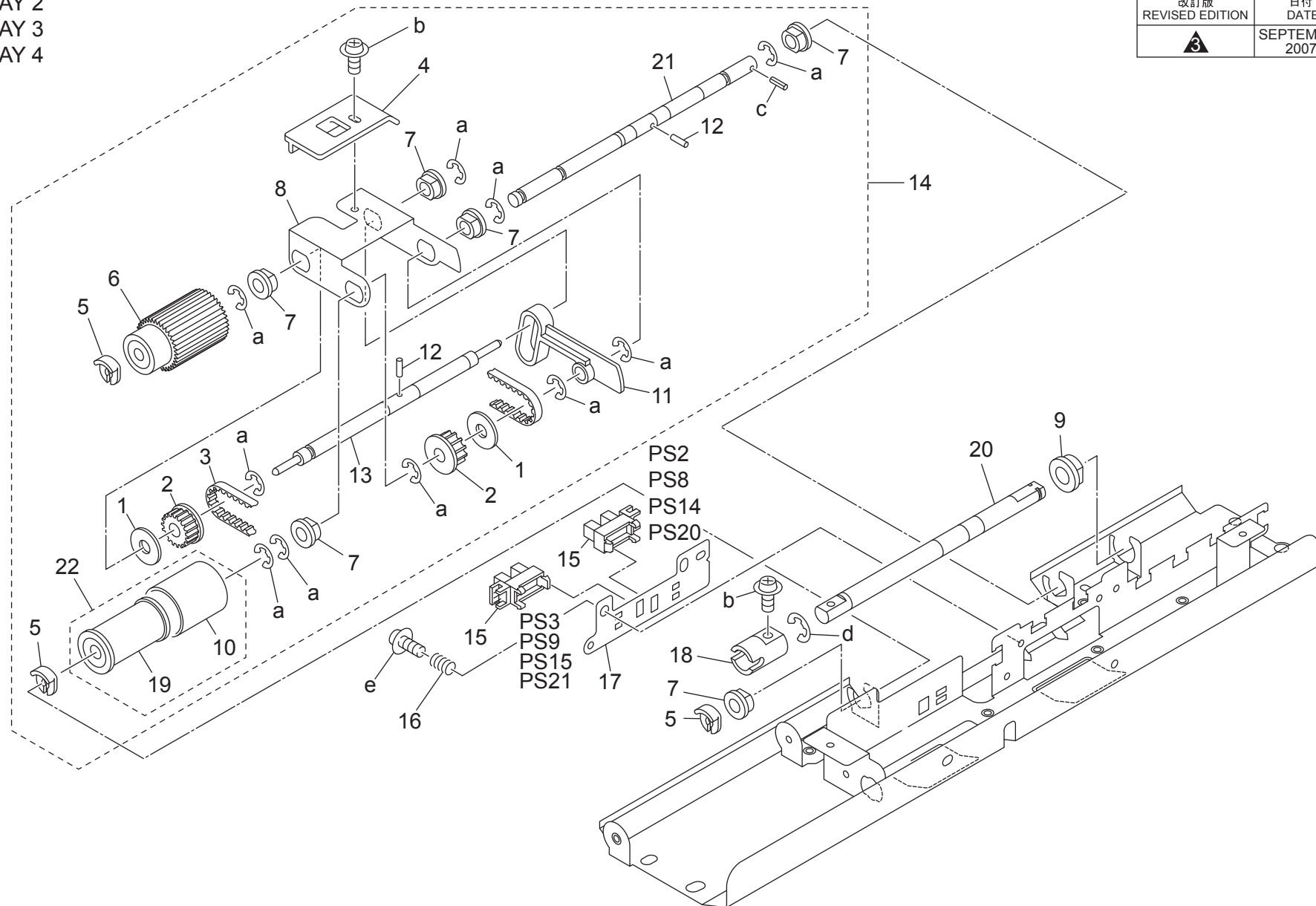
Key	Part No.	Description	Destinations	Class	QTY	Standard parts	
1	55VA85521	PHOTO SENSOR	フォトセンサ	B,C,D1,D3,E,F1,F2,G 1,G2,H,I,J,K	C	1	a-00Z193061 b-00Z670206 c-V121041003 d-00Z670706 e-00Z163061 f-00Z183041 g-00Z670606 h-V140040603 i-00Z194081 j-00Z243101 k-00Z184061 m-00Z610801
2	56AA54020	Mounting Part	センサ取り付け部材	B,C,D1,D3,E,F1,F2,G 1,G2,H,I,J,K	C	1	
3	57AA53200	PAPER EXIT ACTUATOR	排紙アクチュエタ	B,C,D1,D3,E,F1,F2,G 1,G2,H,I,J,K	C	1	
4	56QA53040	PRESSURE SPRING	圧着バネ	B,C,D1,D3,E,F1,F2,G 1,G2,H,I,J,K	C	2	
5	57AE53060	FUSING ROLLER LOWER	定着ローラ 下	B,C,D1,D3,E,F1,F2,G 1,G2,H,I,J,K	A	1	
6	56AA54051	PRESSURE CAM FRONT	圧着カム 前	B,C,D1,D3,E,F1,F2,G 1,G2,H,I,J,K	C	1	
7	56AA54500	PIN 1	ピン 1	B,C,D1,D3,E,F1,F2,G 1,G2,H,I,J,K	D	1	
8	56AA53621E	Terminal Pedestal /4	端子 台 / 4	B,C,D1,D3,E,F1,F2,G 1,G2,H,I,J,K	C	1	
9	56AA54301	PRESSURE CAM REAR	圧着カム 奥	B,C,D1,D3,E,F1,F2,G 1,G2,H,I,J,K	C	1	
10	57AE75040	FIXING ROLLER BEARING LOWER	定着転がり軸受 下	B,C,D1,D3,E,F1,F2,G 1,G2,H,I,J,K	A	2	
11	SP00-0012	THERMOSTAT 2	サーモスタット 2	B,C,D1,D3,E,F1,F2,G 1,G2,H,I,J,K	A	1	
12	57AE54770	FIXING LEVER	定着レバー	B,C,D1,D3,E,F1,F2,G 1,G2,H,I,J,K	C	1	
13	56AA53830	REGULATING SPRING 1	規制バネ 1	B,C,D1,D3,E,F1,F2,G 1,G2,H,I,J,K	C	1	
14	56AA53650	TERMINAL PLATE 3	端子板 3	B,C,D1,D3,E,F1,F2,G 1,G2,H,I,J,K	C	2	
15	57AE54710	Terminal Pedestal /2	端子台 / 2	B,C,D1,D3,E,F1,F2,G 1,G2,H,I,J,K	D	1	
16	56AE83051	Fixing Lamp /3	定着ランプ / 3	B,G2,H	B	1	
16	56AF83051	Fixing Lamp /3	定着ランプ / 3	C,D1,D3,E,F2,G1,I,J ,K	B	1	
16	56AS83050	FIXING LAMP 3	定着ランプ 3	F1	B	1	
17	56AA54220	FIXING SCREW 2	固定ネジ 2	B,C,D1,D3,E,F1,F2,G 1,G2,H,I,J,K	C	2	
18	57AA97241E	Jam Release Label /5	ジャム解除ラベル / 5	B,C,D1,D3,E,F1,F2,G 1,G2,H,I,J,K	C	1	
19	56AA54010D	Support Shaft	支持軸	B,C,D1,D3,E,F1,F2,G 1,G2,H,I,J,K	D	1	
20	56AA-5490	DETECTION PLATE ASSY	検知板部組	B,C,D1,D3,E,F1,F2,G 1,G2,H,I,J,K	D	1	
21	56QA54520	FIXING RELEASE SHAFT	定着解除軸	B,C,D1,D3,E,F1,F2,G 1,G2,H,I,J,K	D	1	
22	56AA54071	MOUNTING PLATE	センサ取り付け板	B,C,D1,D3,E,F1,F2,G 1,G2,H,I,J,K	D	1	
23	56AA53500	LEVER SUPPORT SHAFT /1	レバー支点軸 / 1	B,C,D1,D3,E,F1,F2,G 1,G2,H,I,J,K	D	2	
24	56AA54061E	Lamp Mounting Plate	ランプ取付板	B,C,D1,D3,E,F1,F2,G 1,G2,H,I,J,K	D	1	
25	56AA53481	RELEASE LEVER /FRONT	解除レバー / 前	B,C,D1,D3,E,F1,F2,G 1,G2,H,I,J,K	D	1	
26	56AA53491	RELEASE LEVER /REAR	解除レバー / 奥	B,C,D1,D3,E,F1,F2,G 1,G2,H,I,J,K	D	1	

PAPER FEED UNIT

TRAY 1
TRAY 2
TRAY 3
TRAY 4

P 40

改訂版 REVISED EDITION	日付 DATE
3	SEPTEMBER 2007



bizhub 600/bizhub 600RM/bizhub 750/bizhub 750RM



Key	Part No.	Description	Destinations	Class	QTY	Standard parts
1	56AA17760	COLLAR	カラー	C	2	a-V217040050 b-00Z193061 c-00Z712146 d-00Z670606 e-00Z193041
2	059076510	PULLEY 1 15T	プーリー 1 15 T	C	2	
3	56AA77590	PAPER FEED ROCKING BELT 111L	給紙首振りベルト 111 L	C	1	
4	57AA40350	ROCKING HANDLE	首振り把手	C	1	
5	56AA40490	SHAFT STOPPER 4	軸ストップパ 4	C	3	
6	56AAR72100	PAPER FEED OCILLATE ROLLER	給紙首振りローラー部組	B	1	
7	08AA76010	DRUM DRIVING SHAFT HOLDER	ドラム駆動軸受	C	6	
8	56AA40070	Paper feed Swing Plate	給紙首振り板	D	1	
9	A03U812800	Slide Shaft Holder	すべり軸受	B	1	
10	25SA40960	DOUBLE FEED PREVENTION RUBBER	重送防止ゴム	A	1	
11	56AA40300	PAPER QUANTITY ACTUATOR	紙残検アクチュエタ	C	1	
12	56AA17510	PIN B	ピン B	C	2	
13	56AA40290	PAPER FEED ROCKING SHAFT	給紙首振り軸	D	1	
14	57AA-4031	FEEDING ASSY	送り出し部組	C	1	
15	08AA85512	Photo Sensor	フォトセンサ	B	2	
16	56AA40520	EARTH SPRING	センサアースバネ	C	1	
17	56AA40460	ADJUSTMENT PLATE	センサ調整板	D	1	
18	55FA40320	COUPLING	カップリング	C	1	
19	25AA40100	FEEDING ROLLER B	送り出しローラー B	B	1	
20	56AA40341	PAPER FEED DRIVING SHAFT	給紙駆動軸	C	1	
21	56AA40281	PAPER FEED FEEDING SHAFT	給紙送り出し軸	C	1	
22	56AAR72000	FEED ROLLER UNIT	送り出しローラ部組	A	1	

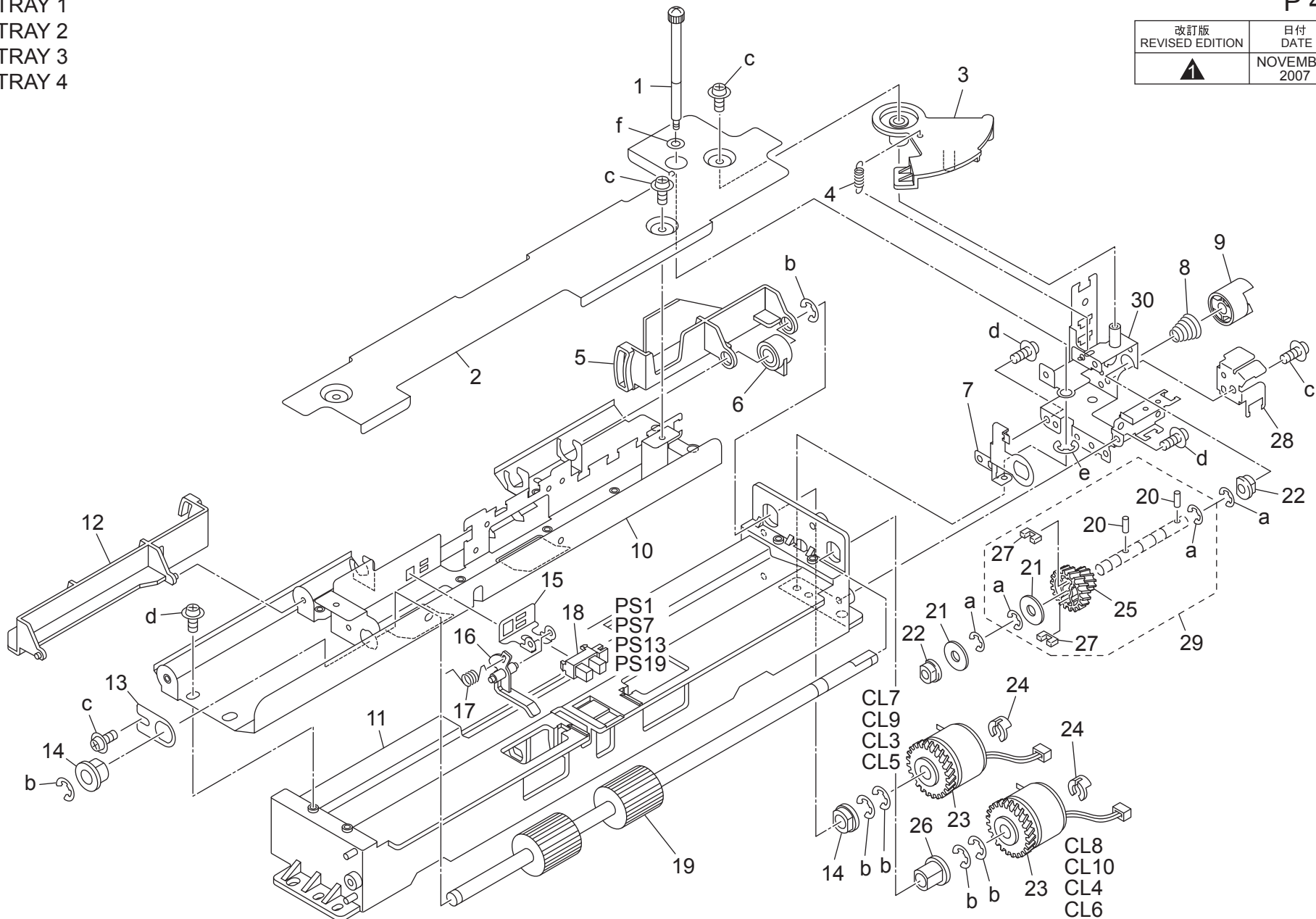
bizhub 600/bizhub 600RM/bizhub 750/bizhub 750RM

PAPER FEED UNIT

TRAY 1
TRAY 2
TRAY 3
TRAY 4

P 41

改訂版 REVISED EDITION	日付 DATE
	NOVEMBER 2007



bizhub 600/bizhub 600RM/bizhub 750/bizhub 750RM

PAPER FEED UNIT

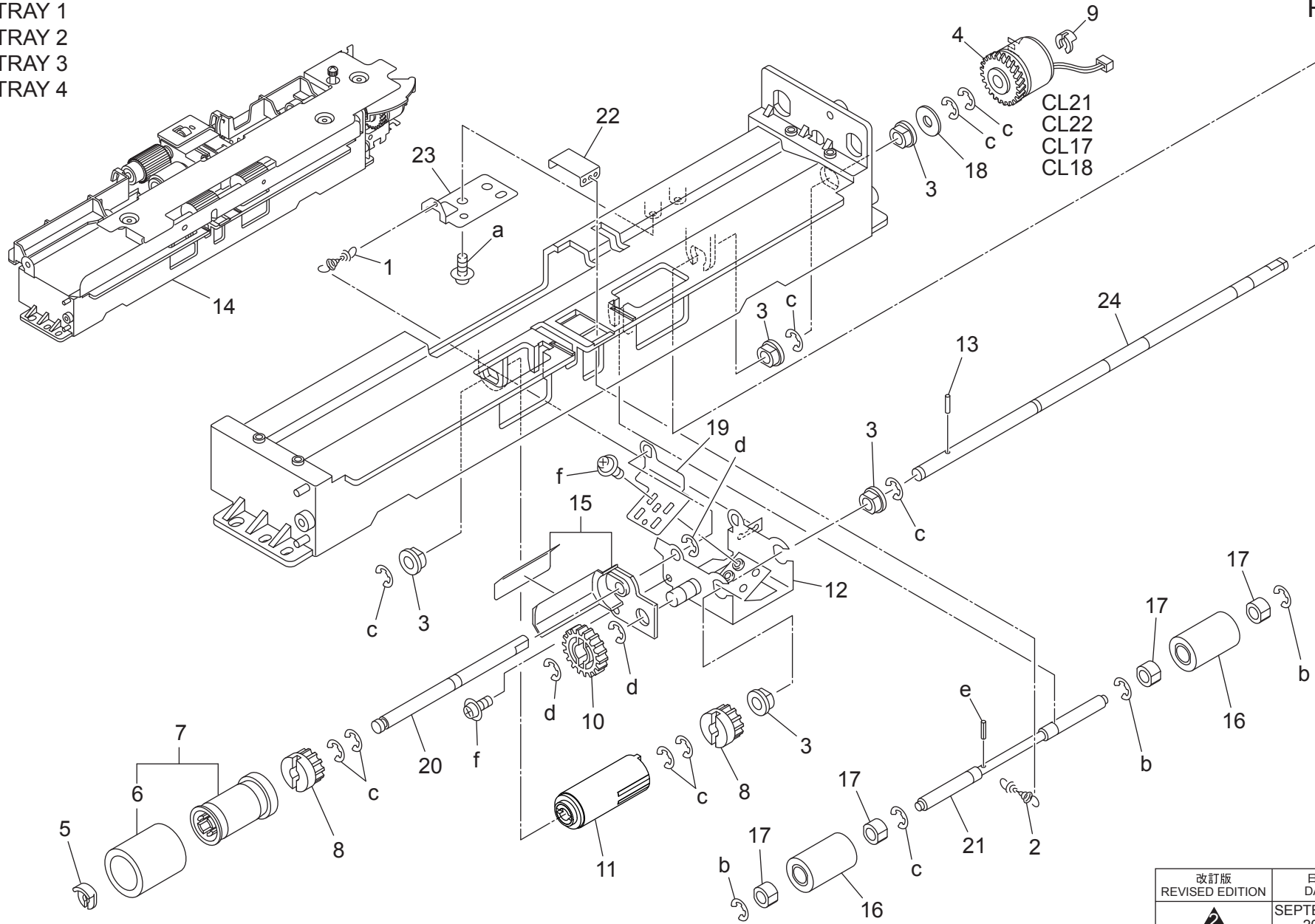
Key	Part No.	Description	Destinations	Class	QTY	Standard parts
1	56AA40120	PAPER FEED HOLDING SCREW		C	1	a-V217040050 b-00Z670606 c-00Z193061 d-00Z253081 e-00Z670306 f-00Z610301
2	56AA40100G	Wiring Protection Cover		D	1	
3	56AA40390	CAM PLATE		C	1	
4	56AA17121	SEPARATE SPRING UPPER		C	1	
5	65AA40100	REGULATING PLATE REAR		D	1	
6	56AA40380	PAPER FEED REGULATING BLOCK		C	1	
7	57AA40470	SCREW EARTH PLATE		C	1	
8	56AA40510	PRESSING SPRING		C	1	
9	56AA40450	PAPER FEED COUPLING PART		C	1	
10	56AA40032E	Paper Feed Guide Plate /Upper		C	1	
11	56AA40010	Paper Feed Main Body		C	1	
12	56AA40210	Entrance Guide Plate /Front		C	1	
13	56AA40370	ADJUSTING PLATE		D	1	
14	A03U812800	Slide Shaft Holder		B	2	
15	56AA40310	MOUNTING PLATE		D	1	
16	56AA40171	PAPER FEED DETECTING ACTUATOR		C	1	
17	56AA40190	PRESSING SPRING		C	1	
18	08AA85512	Photo Sensor		B	1	
19	56AA40230	PAPER FEED REGISTRATION ROLLER		C	1	
20	56AA17480	PIN B		C	2	
21	56AA17760	COLLAR		C	2	
22	57AA40610	SLIDE SHAFT HOLDER		C	2	
23	56AA82012	PAPER FEED DRIVING CLUTCH		B	2	
24	55VA42120	SHAFT STOPPER		C	2	
25	57AA77720	PAPER FEED REVERSE GEAR / 1 9/22T		C	1	
26	55VA75540	PAPER FEED SHAFT HOLDER B		B	1	
27	57AA40630	GEAR CUSHION G		C	2	
28	57AA40620	CLUTCH HOLDER 2		D	1	
29	57AAR72000	PAPER FEED INPUT SHAFT ASSY		D	1	
30	57AA40090	DRIVE MOUNTING PLATE /S		D	1	

bizhub 600/bizhub 600RM/bizhub 750/bizhub 750RM

PAPER FEED UNIT

P 42

- TRAY 1
- TRAY 2
- TRAY 3
- TRAY 4



改訂版 REVISED EDITION	日付 DATE
	SEPTEMBER 2012

bizhub 600/bizhub 600RM/bizhub 750/bizhub 750RM

PAPER FEED UNIT

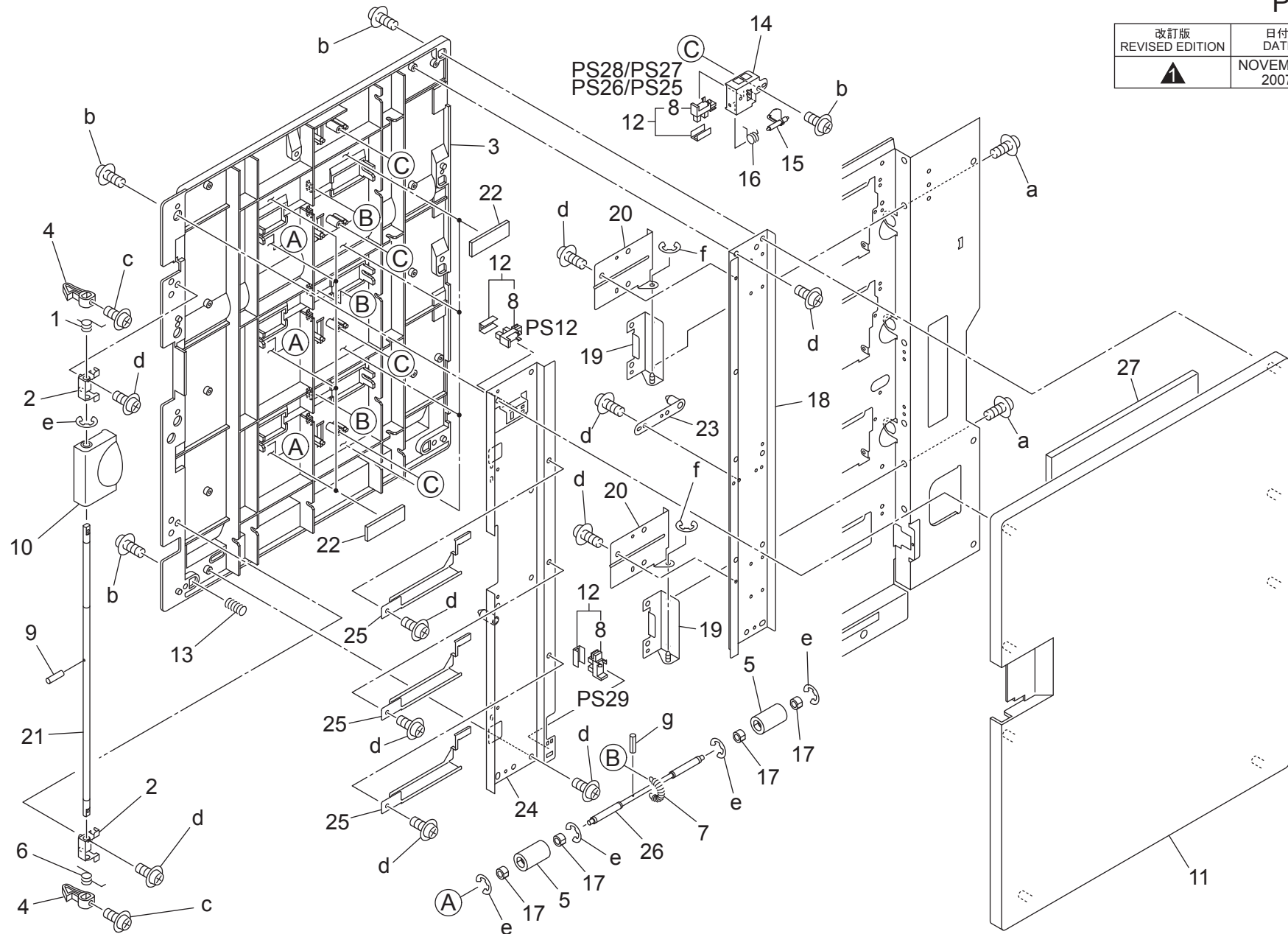
Key	Part No.	Description	Destinations	Class	QTY	Standard parts
1	57AA40420	MULTI FEED PREVENTING SPRING		C	1	a-00Z253081 b-00Z670306 c-V217040050 d-00Z670606 e-00Z711106 f-00Z163061
2	56AA40481	PAPERFEEDPRESSINGSRING	重送防止バネ	C	1	
3	08AA76010	DRUM DRIVING SHAFT HOLDER	給紙押圧バネ	C	5	
4	57AA82030	CONVEYANCE DRIVE CLUTCH	ドラム駆動軸受	C	1	
5	56AA40490	SHAFT STOPPER 4	搬送駆動クラッチ	C	1	
6	25SA40960	DOUBLE FEED PREVENTION RUBBER	軸ストッパ 4	A	1	
7	56AAR71600	REVERSING ROLLER ASSY	重送防止ゴム	B	1	
8	55VA79030	Paper Feed Reversal Gear /C 14T	逆転ローラ部組	B	2	
9	12QV40660	SHAFT POSITIONING PART	給紙逆転歯車 / C 14 T	C	1	
10	26NA42061	BY PASS FEED CONVEYING GEAR 21T	軸位置決め部材	B	1	
11	A03X565611	Torque Limiter /A	手差し搬送ギア 21 T	B	1	
12	56QA40080	Multi-feed Preventing Plate	トルクリミッタ / A	C	1	
13	56AA17310	PIN	重送防止板	C	1	
14	57AA-4001	PAPER FEED UNIT	ピン	S	1	
15	56AAR72200	ENTRANCE GUIDE ASSY	給紙ユニット	C	1	
16	26NA42560	BY PASS FEED DRIVEN ROLLER	入りロガイド部組	C	2	
17	56GA76010	SLIDE SHAFT HOLDER 2	手差し従動ローラ	C	4	
18	56AA17760	COLLAR	滑り軸受 2	C	1	
19	56QA40550	MULTI FEED ADJUSTMENT PLATE	カラー	D	1	
20	56QA40270	MULTI FEED REVERSE SHAFT	重送調整板	D	1	
21	56AA40330	PAPER FEED DRIVEN SHAFT	重送逆転軸	D	1	
22	56AA40430	SPRING MOUNTING PLATE 1	給紙従動軸	D	1	
23	56AA40440	SPRING MOUNTING PLATE 2	バネ取り付け板 / 1	D	1	
24	57AA40250	MULTI-FEED SUPPORT SHAFT	バネ取り付け板 / 2	D	1	
			重送支点軸			

bizhub 600/bizhub 600RM/bizhub 750/bizhub 750RM

VERTICAL CONVEYANCE UNIT

P 43

改訂版 REVISED EDITION	日付 DATE
	NOVEMBER 2007



bizhub 600/bizhub 600RM/bizhub 750/bizhub 750RM

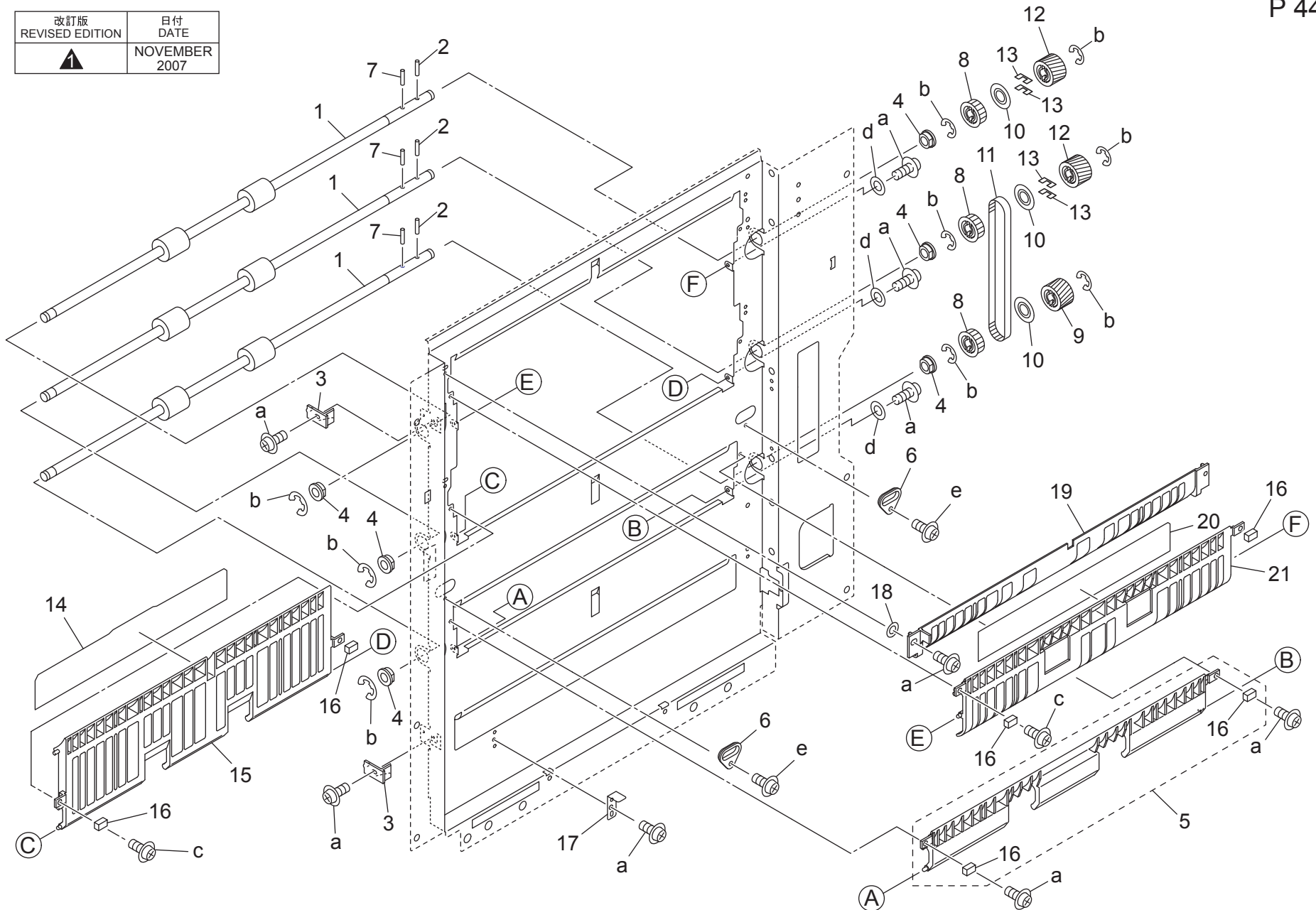
VERTICAL CONVEYANCE UNIT

Key	Part No.	Description	Destinations	Class	QTY	Standard parts
1	56QA44180	LOCK SPRING/UPPER	ロックバネ/上	C	1	a-00Z194061 b-00Z253081 c-00Z183061 d-00Z193061 e-V217040050 f-00Z670306 g-00Z711126
2	56AA44150	SHAFT FIXING PART	軸固定部材	C	2	
3	56BA44043	CONVEYANCEGUIDEPLATE RIGHT	搬送ガイド板/右	C	1	
4	56AA44200	LOCKING CLAW	ロック爪	C	2	
5	26NA42560	BY PASS FEED DRIVEN ROLLER	手差し従動ローラ	C	6	
6	56QA44190	LOCK SPRING LOWER	ロックバネ/下	C	1	
7	56AA44430	CONVEYANCE PRESSING SPRING 1	搬送押圧バネ 1	C	3	
8	08AA85512	Photo Sensor	フォトセンサ	B	6	
9	56AA17300	PIN	ピン	C	1	
10	56RE44140E	Door Open/Close Lever	ドア開閉レバー	C	1	
11	56BA44030	PAPER FEED CONVEYING DOOR	キューシハンソウトヒラ	C	1	
12	56AAR71900	SENSOR ASSY	センサー部組	B	6	
13	56QA44550	CONVEYANCE EARTH SPRING	搬送アースバネ	C	1	
14	56AA44250	MOUNTING PART	センサ取り付け部材	C	4	
15	57AA44270	PAPER DETECTION ACTUATOR	紙検知アクチュエータ	C	4	
16	56AA44260	PRESSING SPRING	センサ押圧バネ	C	4	
17	56GA76010	SLIDE SHAFT HOLDER 2	滑り軸受 2	C	12	
18	56AA44071	BASE STAY/REAR	基準ステー/奥	D	1	
19	56AA-4501	HINGE FIXING PLATE CAULKING	ヒンジ固定板カシメ	D	2	
20	56AA44101	HINGE OPEN/CLOSE PLATE	ヒンジ開閉板	D	2	
21	56AA44210D	Lock Shaft	ロック軸	D	1	
22	56QA44580	CONVEYANCE PAD/MIDDLE	搬送パット/中	D	8	
23	56AA-4471	POSITIONING PLATE CAULKIG	位置決め板カシメ	D	1	
24	56AA-4451	BASE STAY/Front CAULKIG	基準ステー/前カシメ	D	1	
25	56QA44560	CONVEYANCE EARTH PLATE	搬送アース板	D	1	
26	56AA44451	CONVEYANCE IDLER SHAFT	搬送従動軸	D	1	
27	56QA44590	CONVEYANCE PAD/UPPER	搬送パット/上	D	1	

bizhub 600/bizhub 600RM/bizhub 750/bizhub 750RM

VERTICAL CONVEYANCE UNIT

改訂版 REVISED EDITION	日付 DATE
	NOVEMBER 2007



bizhub 600/bizhub 600RM/bizhub 750/bizhub 750RM

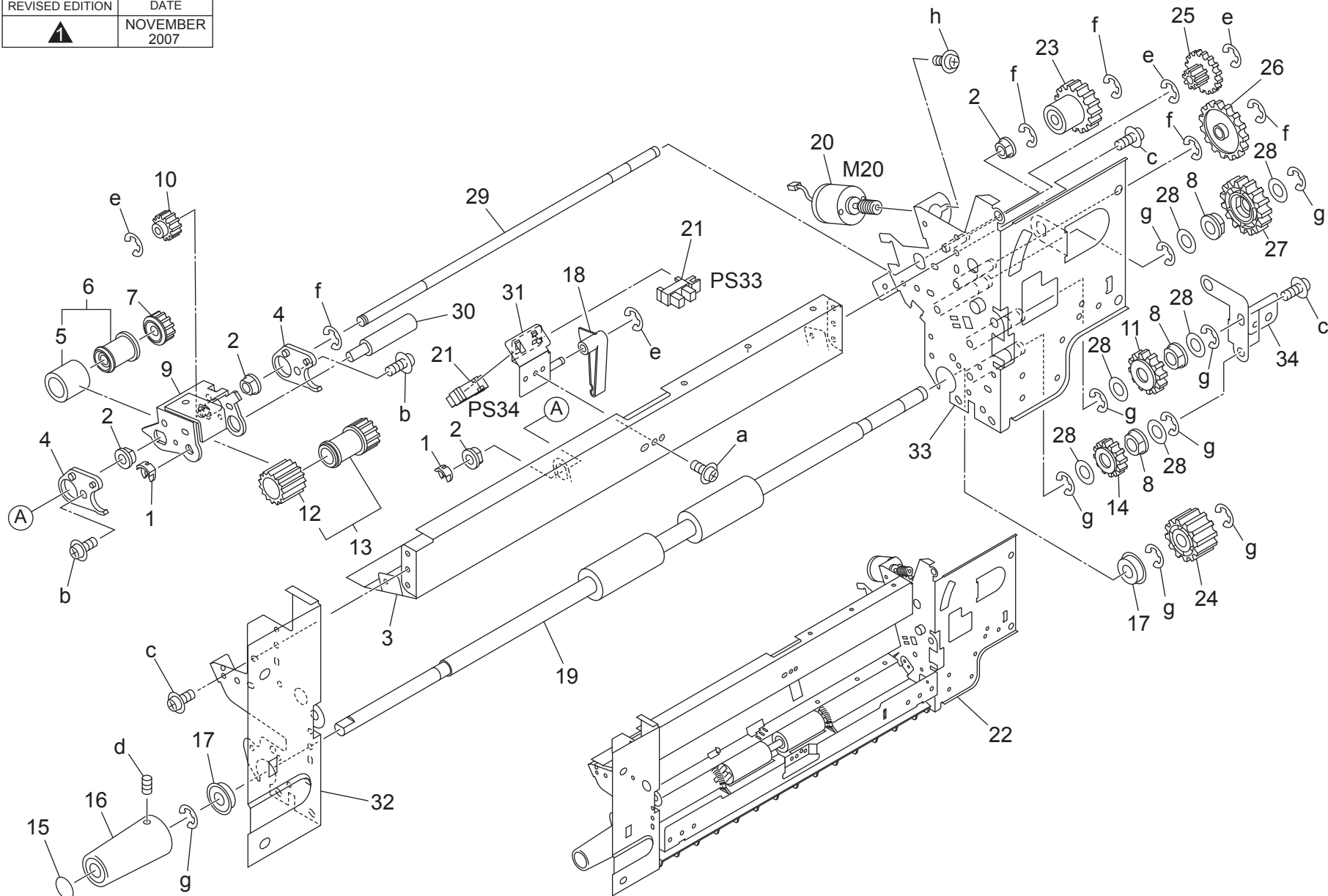
VERTICAL CONVEYANCE UNIT

Key	Part No.	Description	Destinations	Class	QTY	Standard parts
1	56AA44082	Paper Feed Conveying Roller		C	3	a-00Z193061 b-00Z670606 c-00Z193081 d-00Z610301 e-00Z183061
2	56AA17480	PIN B		C	3	
3	56AA44231	DOOR LOCKING PART		C	2	
4	26NA40820	PAPER FEED SLIDE BUSHING		B	6	
5	56AAR71800	PAPER FEED GUIDE PART U ASSY		C	1	
6	56AA44240	DOOR POSITIONING PART		C	2	
7	56AA17551	PIN A		C	3	
8	56AA76590	ADU CONVEYING PULLEY 1 32T		C	3	
9	56AA77380	CONVEYANCE GEAR 21T		C	1	
10	57AA44610	PULLEY HOLDER BLACK		C	3	
11	56QA77530	Conveyance Connecting Belt 292L		C	1	
12	57AA77380	CONVEYANCE GEAR 21T		C	2	
13	57AA40630	GEAR CUSHION G		C	4	
14	57AA44600	CONVEYANCE GUIDE SHEET/2		C	1	
15	56QA44300	PAPER FEED GUIDE PART /1		D	1	
16	56AA44421	PAPERFEED PRESSING PART		D	6	
17	56AA44321	MOUNTING PLATE /LOWER		D	1	
18	56QA44410	SPACER		D	1	
19	56QA44400	PAPER FEED GUIDE PART /3		D	1	
20	56QA44570	CONVEYANCE GUIDE SHEET		C	1	
21	56QA44310	PAPER FEED GUIDE PART/2		D	1	

bizhub 600/bizhub 600RM/bizhub 750/bizhub 750RM

MANUAL FEED UNIT

改訂版 REVISED EDITION	日付 DATE
	NOVEMBER 2007



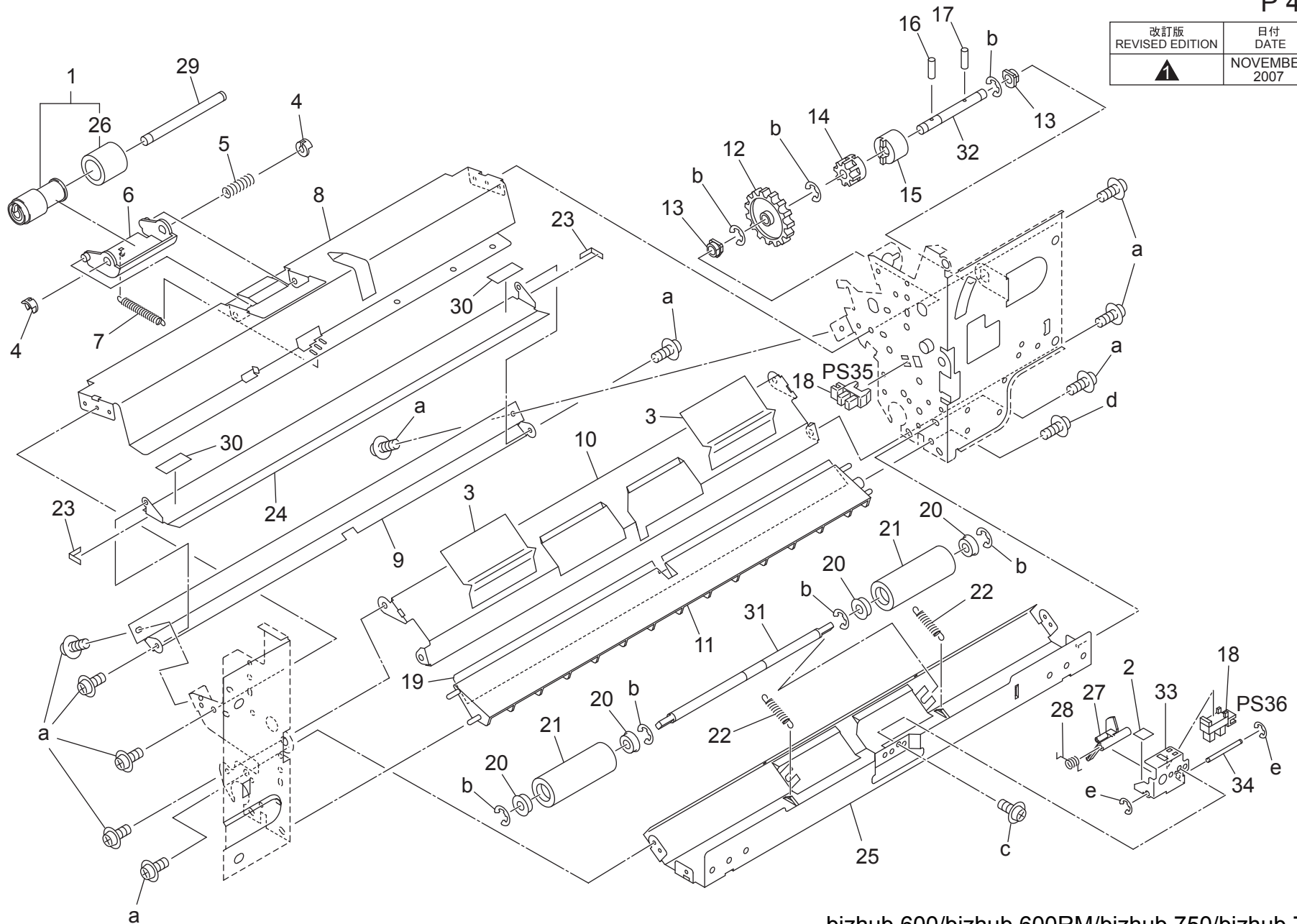
bizhub 600/bizhub 600RM/bizhub 750/bizhub 750RM

Key	Part No.	Description	Destinations	Class	QTY	Standard parts
1	396040681	STOPPER RING	止め輪	B	2	a-00Z183041
2	08AA76010	DRUM DRIVING SHAFT HOLDER	ドラム駆動軸受	C	4	b-00Z193053
3	56AA42031	BY PASS FEED GUIDE PLATE UPPER	手差しガイド板 上	D	1	c-00Z193061
4	56AA42430	PAPER GUIDE PART	紙ガイド部材	C	2	d-00Z474043
5	540040562	PAPER SUPPLY RUBBER	紙補給ゴム	A	1	e-00Z670306
6	56AAR72400	PAPER CON ROLLER ASSY	紙搬送ローラー部組	B	1	f-V217040050
7	56AA77180	BY PASS FEED CONVEYING GEAR 1 19T	手差し搬送歯車 1 19 T	C	1	g-00Z670606
8	A03U812800	Slide Shaft Holder	すべり軸受	B	3	h-00Z11B041
9	56AA42160	PAPER FEEDING PLATE	紙送り出し板	D	1	
10	56AA77960	BY PASS FEED IDLING GEAR 18T	手差しアイドル歯車 18 T	C	1	
11	25AA77730	CONVEYANCE IDLER RIGHT 24T	搬送アイドル 右 24 T	C	1	
12	55FA42330	PAPER DELIVERY RUBBER	紙送り出しゴム	A	1	
13	56AAR72300	FEEDING ROLLER A ASSY	送り出しローラー A 部組	B	1	
14	25AA77360	CONVEYANCE IDLER	搬送アイドル	C	1	
15	57AA97201E	Jam Release Label /1	ジャム解除ラベル /1	C	1	
16	56QA42740	ROLLER KNOB	ローラーつまみ	C	1	
17	540076050	BALL BEARING	駆動軸受	B	2	
18	56AA42170	BY PASS FEED DETECTING PART	手差し検知部材	C	1	
19	56AA42510	PAPER STOPPER ROLLER	紙突き当てローラ	C	1	
20	56AA-4790	MOTOR ASSY	モーター部組	B	1	
21	08AA85512	Photo Sensor	フォトセンサ	B	2	
22	56QAR70400	BY-PASS FEED MAIN BODY	手差し本体	C	1	
23	56AA77170	BY PASS FEED INPUT GEAR B 28T	手差し入力歯車 B 28 T	C	1	
24	56AA77160	By-Pass Input Gear /A 24T	手差し入力歯車 / A 24 T	C	1	
25	396077240	TONER SUPPLY GEAR A 42T 13T	トナー補給歯車 A 42 T 13 T	C	1	
26	466077220	DOUBLE STEPPED GEAR 34T 17T	2段歯車 34 T 17 T	C	1	
27	25AA49520	PAPER EXIT IDLER GEAR 31T	排紙アイドル歯車 31 T	C	1	
28	12QV40650	SPACER	スペーサー	B	6	
29	56AA42070	BY-PASS DRIVE SHAFT	手差し駆動軸	C	1	
30	56AA42120	BY-PASS FEEDING SHAFT	手差し送り出し軸	D	1	
31	56AA-4721	MOUNT PLATE/UPPER CAULKING	センサー取り付け板 / 上カシメ	C	1	
32	56AA42011	BY-PASS BASE PANEL /FRONT	手差し基準パネル / 前	D	1	
33	56AA-4632	BY-PF BASE PANEL/R CAULKIG	手差し基準パネル / 奥カシメ	D	1	
34	56AA42652	BY-PASS REINFORCE PLATE /REAR	手差し補強板 / 奥	D	1	

MANUAL FEED UNIT

P 46

改訂版 REVISED EDITION	日付 DATE
	NOVEMBER 2007



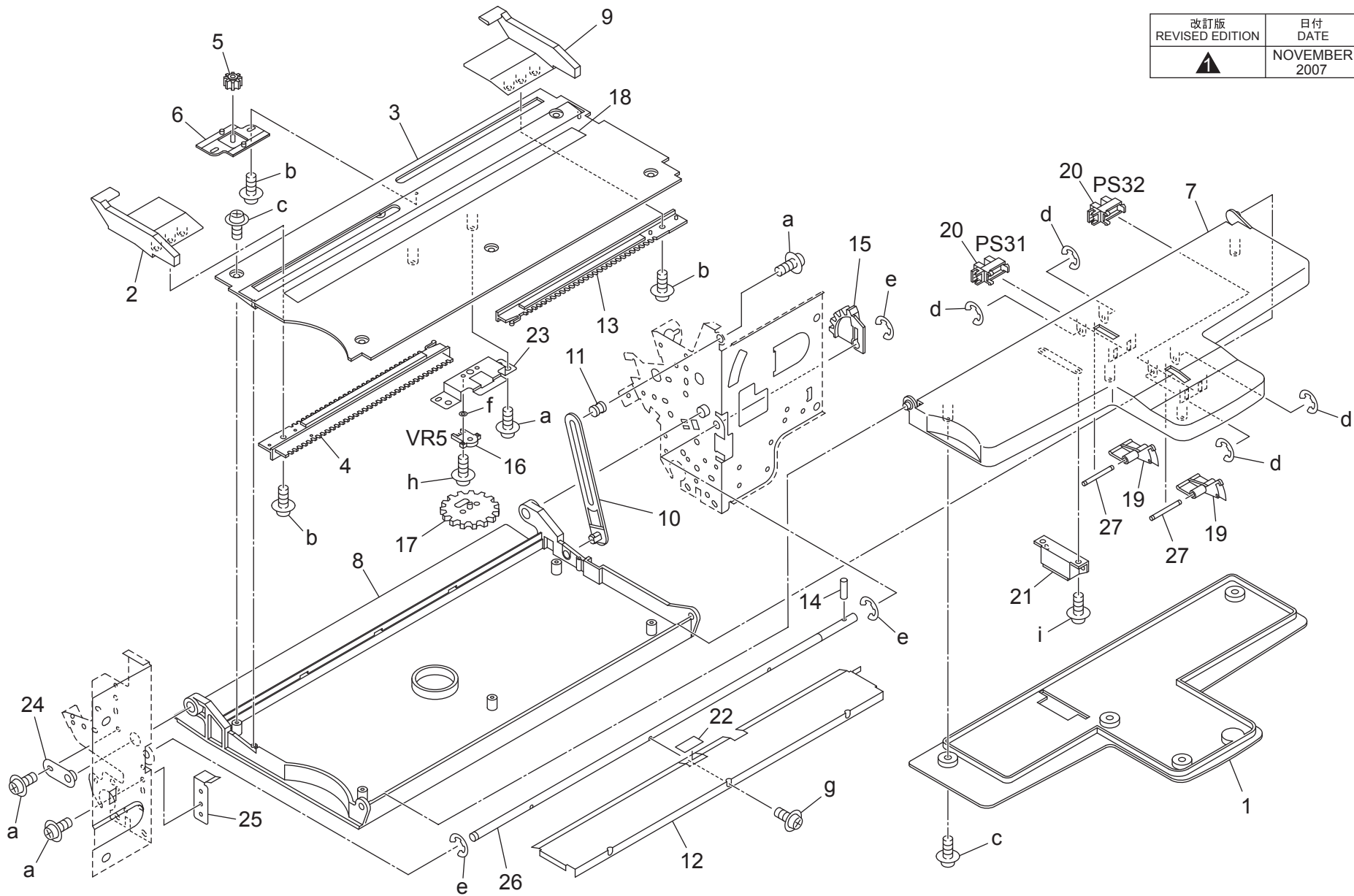
bizhub 600/bizhub 600RM/bizhub 750/bizhub 750RM

Key	Part No.	Description	Destinations	Class	QTY	Standard parts
1	56AAR72500	DOUBL FEED PV ROLLER		B	1	a-00Z193061 b-V217040050 c-00Z193041 d-00Z253081 e-00Z670206
2	56AA42450	PREVENTING RUBBER		C	1	
3	56QA42720	PAPER GUIDE SHEET		C	2	
4	396040681	STOPPER RING		B	2	
5	56AA42440	BY PASS FEED PRESSING SPRING		C	1	
6	56AA42061	MULTI FEED MOUNTING PLATE		C	1	
7	56AA42241	MULTI FEED PRESSING SPRING		C	1	
8	56AA42040	BY PASS FEED GUIDE PLATE LOWE		D	1	
9	56AA42050	BY PASS FEED AUXILIARY PLATE		D	1	
10	56AA42530	CONVEYANCE GUIDE PLATE LOWER		D	1	
11	56AA42541	ENTRANCE GUIDE PART		C	1	
12	55VA77740	MANUAL FEED UP DOWN GEAR A 45T		B	1	
13	466076020	PAPER FEED SHAFT HOLDER		B	2	
14	55VA79030	Paper Feed Reversal Gear /C 14T		B	1	
15	13GQ45511	TORQUE LIMITTER		C	1	
16	56AA17321	PIN A D2X12		B	1	
17	56AA17310	PIN		C	1	
18	08AA85512	Photo Sensor		B	2	
19	56AA42701	PAPER GUIDE SHEET FRONT		C	1	
20	56AA75050	CLEANER SHAFT HOLDER		C	4	
21	56AA42500	CONVEYANCE DRIVEN ROLLER LOWE		C	2	
22	56AA42590	CONVEYANCE PRESSING SPRING 1		C	2	
23	56AA42640	STOPPER SHEET		C	2	
24	56AA42460	Open/Close Plate		D	1	
25	56AA42522	CONVEYANCEGUIDEPLATE UPPER		D	1	
26	540040562	PAPER SUPPLY RUBBER		A	1	
27	56AA42580	PAPER DETECTING ACTUATOR B		C	1	
28	56QA42670	SPRING B		C	1	
29	56AA42100D	Multi-feed Regulating Shaft		D	1	
30	56AA20910	TONER GUIDE SEAL /F		D	2	
31	56AA42600D	Idler Shaft /A		D	1	
32	56AA42090D	Clutch Fixing Shaft		D	1	
33	56AA42661D	Mounting Plate		D	1	
34	56AA42680D	Support Shaft /C		D	1	

MANUAL FEED UNIT

P 47

改訂版 REVISED EDITION	日付 DATE
▲	NOVEMBER 2007



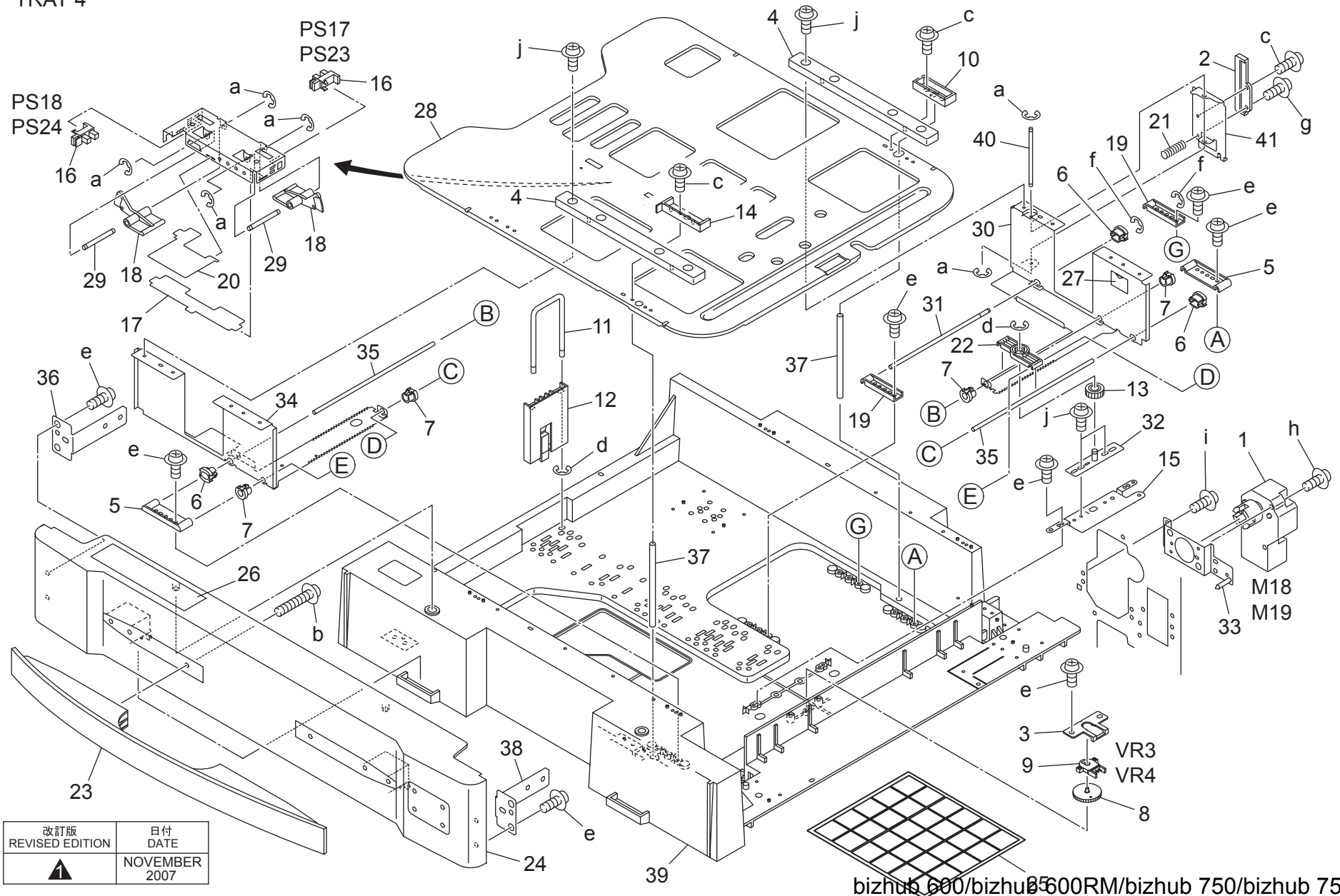
bizhub 600/bizhub 600RM/bizhub 750/bizhub 750RM

Key	Part No.	Description	Destinations	Class	QTY	Standard parts
1	57AA42330	WIRING PROTECTION COVER		C	1	a-00Z193061 b-00Z253081 c-00Z253082 d-00Z670206 e-V217040050 f-00Z610401 g-00Z183061 h-00Z11B041 i-00Z243081
2	57AA42400	PAPER REGULATING PLATE FRONT		C	1	
3	57AA42310	BY PASS PAPER FEED TRAY		C	1	
4	56AA42340	RACK FRONT		C	1	
5	466077130	PINION 14T		C	1	
6	56AA42420	SLIDE HOLDER		C	1	
7	57AA42320	BY PASS SUPPLY TRAY		C	1	
8	56BA42301	BY-PASS FEED PAPER FEED COVER		C	1	
9	57AA42410	PAPER REGULATING PLATE REAR		C	1	
10	56AA42610	OPEN SHUT STOPPER		C	1	
11	56AA42260	PAPER FEED TRAY STOPPER SHAFT		D	1	
12	56AA42111	PAPER LIFTING PLATE		D	1	
13	56AA42350	RACK REAR		C	1	
14	56AA17461	PIN A		B	1	
15	540077052	PAPER LIFT UP GEAR A 12T		B	1	
16	56AA85601	SIZE DETECTION VR		C	1	
17	56AA42380	PINION		C	1	
18	57AA97880	MANUAL FEED LABEL 1		C	1	
19	56AA42370	PAPER DETECTING ACTUATOR A		C	1	
20	08AA85512	Photo Sensor		B	2	
21	07BA12352	Magnet Catch		C	1	
22	57AA605100	FRICTION PAD		C	1	
23	56AA42391	PAPER DETECTION BOARD		D	1	
24	56AA-4771	TRAY FULCRUM PLATE CAULKIG		D	1	
25	56AA42621	STOPPER PLATE		D	1	
26	56AA42080	BY-PASS LIFTING SHAFT		D	1	
27	56AA42360D	Support Shaft /B		D	2	

bizhub 600/bizhub 600RM/bizhub 750/bizhub 750RM

500 SHEET TRAY

TRAY 3
TRAY 4



改訂版 REVISED EDITION	日付 DATE
	NOVEMBER 2007

bizhub 600/bizhub 650/bizhub 650RM/bizhub 750/bizhub 750RM

Order here
8 (495) 646-0426
ПЯТЫЙ ПАРТНЕР www.km-shop.ru

Key	Part No.	Description	Destinations	Class	QTY	Standard parts
1	56AA80031	CASSETTE DRIVE MOTOR		B	1	a-00Z670206
2	57AA41250	SLIDE HANDLE		C	1	b-00Z253101
3	56AA41351E	Detection Board		C	1	c-00Z193061
4	57AA41360	PROTECTION COVER		C	2	d-V217040050
5	56AA41460	TRAY SLIDE HOLDER		C	2	e-00Z253081
6	56AA41200	TRAY GUIDE COLLAR LEFT		C	3	f-00Z670306
7	56AA41190	Tray Guide Collar /Right		C	4	g-00Z193101
8	56AA41340	DETECTING GEAR 35T		C	1	h-00Z193201
9	56AA85601	SIZE DETECTION VR		C	1	i-00Z194061
10	56AA41610	TRAY SLIDE PART REAR		C	1	j-00Z193041
11	56AA41491	TRAY LOCKING SHAFT LEFT		D	1	
12	57AA41071	TRAY SLIDE SIDE PLATE LEFT		C	1	
13	55VA79150	CASSETTE PINION 14 T		C	1	
14	56AA41160	TRAY SLIDE PART		C	1	
15	56AA41330	Adjusting Plate /Lower		D	1	
16	08AA85512	Photo Sensor		B	2	
17	56AA41660	PROTECTION SHEET		C	1	
18	56AA42370	PAPER DETECTING ACTUATOR A		C	2	
19	56AA41600	TRAY SLIDE COVER MIDDLE		C	2	
20	56AA41680	PROTECTION SHEET 2		C	1	
21	56AA17060	SWITCH FIXED SPRING		C	1	
22	56AA41230	TRAY SLIDE COVER		C	1	
23	57AA12260	TRAY COVER HANDLE		C	1	
24	57AA12250	CASSETTE COVER		C	1	
25	57AA97901	PAPER FEED INDICATING SHEET		C	1	
26	57AA97960	PAPER SUPPLY LABEL		C	1	
27	57AA97870	PAPER GUIDE LABEL		C	1	
28	56AA41022D	TRAYUP DOWN BOTTOM PLATE/J		D	1	
29	56AA42360D	Support Shaft /B		D	2	
30	56AA41061	TRAY SLIDE SIDE PLATE /REAR		D	1	
31	56AA41220D	tray Slide Shaft /Middle		D	1	
32	56AA-4161	ADJUSTING PLATE K CAULKIG		D	1	
33	56QA-1460	MOTOR PLATE CAULKING		D	1	
34	56AA41051	TRAY SLIDE SIDE PLATE /FRONT		D	1	
35	56AA41211	TRAY SLIDE SHAFT /FRONT		D	2	
36	56AA12761	TRAY COVER ARM /LEFT		D	1	
37	56AA41621	TRAY SLIDE SHAFT /UPPER		D	2	
38	56AA12751	TRAY COVER ARM /RIGHT		D	1	
39	57AA41010	TRAY MAIN BODY /J		D	1	
40	56AA41290D	tray Support Shaft		D	1	
41	56AA41091	TRAY LOCK PLATE		D	1	

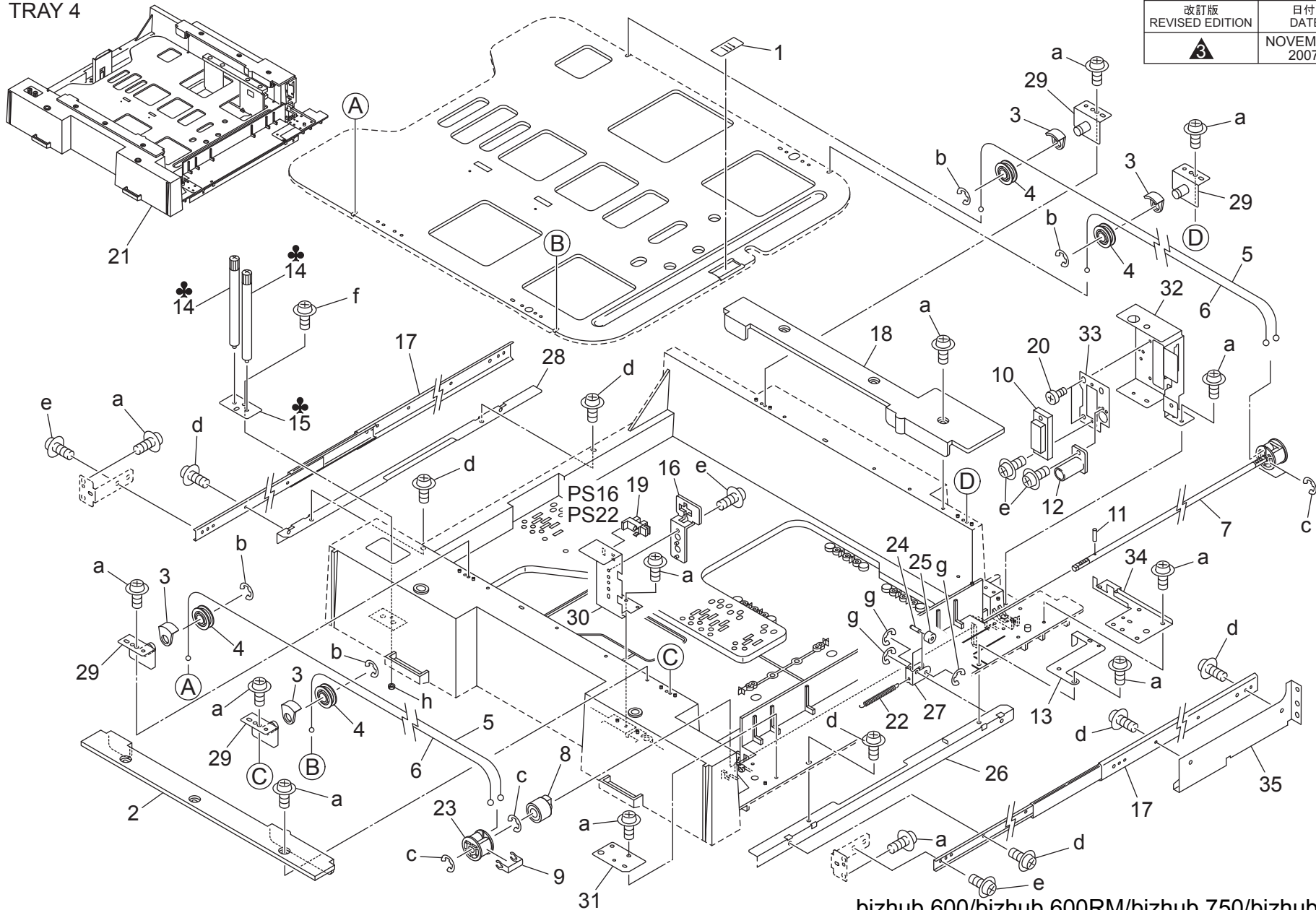
bizhub 600/bizhub 600RM/bizhub 750/bizhub 750RM

500 SHEET TRAY

TRAY 3
TRAY 4

P 49

改訂版 REVISED EDITION	日付 DATE
3	NOVEMBER 2007



bizhub 600/bizhub 600RM/bizhub 750/bizhub 750RM

Key	Part No.	Description	Destinations	Class	QTY	Standard parts
1	55VA40930	DOUBLE FEED PREVENTIVE PLATE		C	1	a-00Z253081
2	57AA41420	PULLEY GUIDE PART		C	1	b-00Z670606
3	55VA40610	WIRE HOLDER A		C	4	c-V217040050
4	57AA17010	WIRE PULLEY		C	4	d-00Z184061
5	56AA41120	TRAY UP DOWN WIRE B		C	2	e-00Z193061
6	56AA41110	TRAY UP DOWN WIRE A		C	2	f-00Z253101
7	56AAR71700	PAPER UP DOWN SHAFT ASSY		C	1	g-00Z670306
8	56AA41440	TRAY UP DOWN LIMITTER		B	1	h-00Z510301
9	56AA41671	WIRE COVER		C	1	
10	57AA90600	Paper Feed Wiring /1		D	1	
11	56AA17310	PIN		C	1	
12	56AA41690	SHAFT GUIDE COVER		D	1	
13	56AA41450	EARTH SPRING		C	1	
14	56AA41380	PAPER GUIDE PART	A	D	2	
15	56AA41640	SCREW PLATE	A	D	1	
16	56AA41650	PROTECTION COVER		C	1	
17	56AA10300	Slide Rail /A		C	2	
18	57AA41630	PULLEY GUIDE PART REAR		C	1	
19	08AA85512	Photo Sensor		B	1	
20	26NA45440	REGISTRATION UNIT FIXED SCREW		C	1	
21	57AAR72100	500 SHEET TRAY		S	1	
22	57AA41730	TRAY POSITIONING SPRING LOWER		C	1	
23	56AA41390	Pulley		C	1	
24	56AA41741	TRAY LOCKING PIN		C	2	
25	56AA41760	TRAY LOCKING ROLLER		C	2	
26	56AAR70300	RAIL PLATE CAULKING		D	1	
27	56AA41711	TRAY PRESSING PLATE		D	1	
28	56AA41572	TRAY MOUNTING PLATE		D	1	
29	56AA-4151	PULLEY SHAFT CAULKING		D	4	
30	56AA41371	PAPER LEVEL PLATE		D	1	
31	56AA41431	Paper Feed Mounting Plate		D	1	
32	56AA41082	WIRING CONNECTING PLATE		D	1	
33	56AA41471	WIRING GUIDE PLATE		D	1	
34	56AA41481	Paper Feed Mounting Plate /Rear		D	1	
35	56QA11240	TRAY SLIDE HOLDER/REAR		D	2	

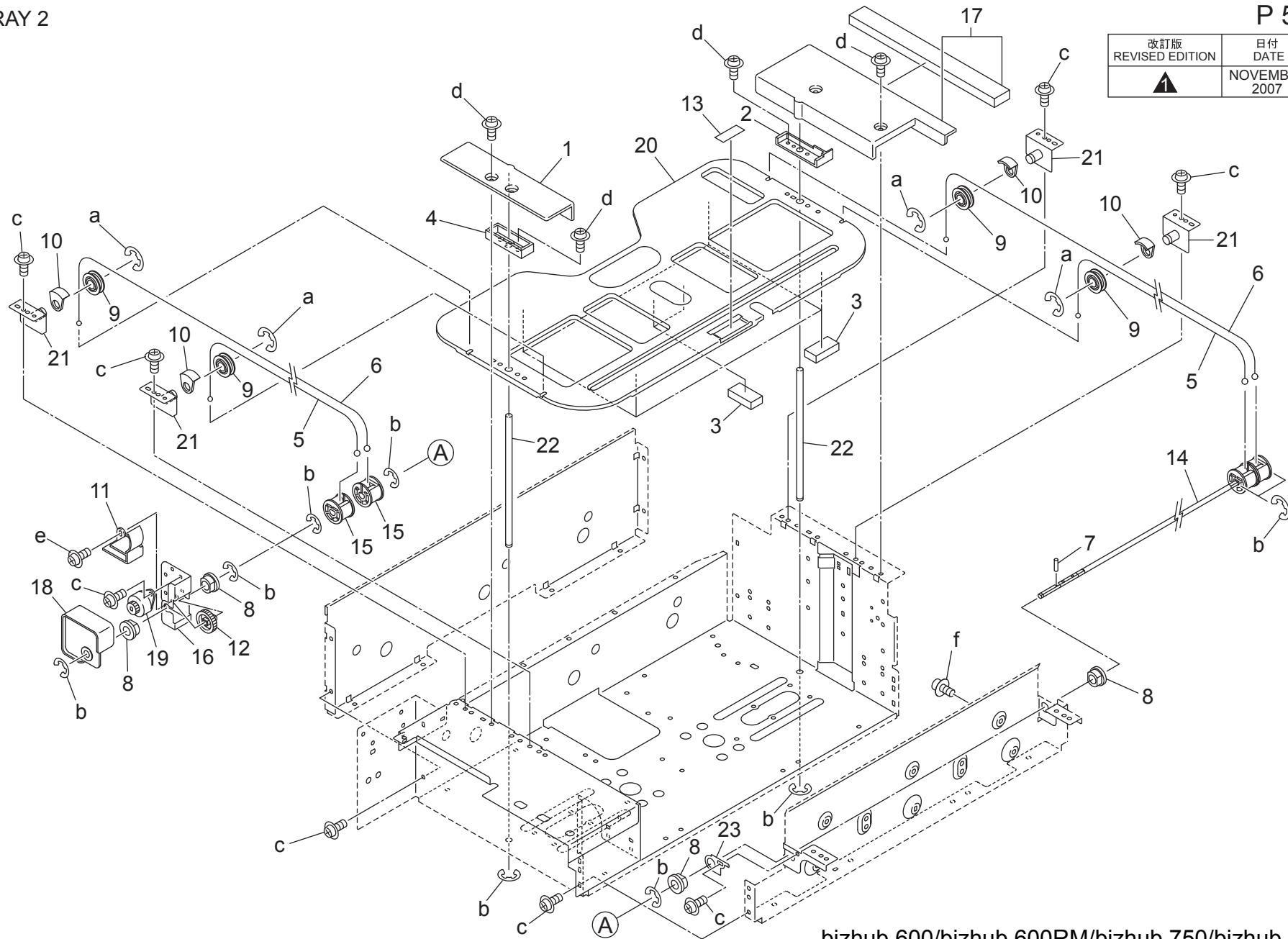
bizhub 600/bizhub 600RM/bizhub 750/bizhub 750RM

1000 SHEET TRAY

TRAY 2

P 50

改訂版 REVISED EDITION	日付 DATE
	NOVEMBER 2007



bizhub 600/bizhub 600RM/bizhub 750/bizhub 750RM

Key	Part No.	Description	Destinations	Class	QTY	Standard parts
1	57AA58420	PULLEY GUIDE PART		D	1	a-00Z670606
2	56AA41160	TRAY SLIDE PART		C	1	b-V217040050
3	56QA58290	BOTTOM PLATE POSITIONING PAD		C	6	c-00Z193041
4	56AA41610	TRAY SLIDE PART REAR		C	1	d-00Z193061
5	56QA58110	LCT UP DOWN WIRE RIGHT FRONT		C	2	e-00Z193101
6	56QA58120	LCT UP DOWN WIRE RIGHT REAR		C	2	f-00Z183041
7	56AA17310	PIN		C	1	
8	08AA76010	DRUM DRIVING SHAFT HOLDER		C	4	
9	57AA17010	WIRE PULLEY		C	4	
10	55VA40610	WIRE HOLDER A		C	4	
11	56QA58440	GEAR PROTECTION COVER		C	1	
12	56AA77990	LCT REGULATING GEAR 24T		C	1	
13	55VA40930	DOUBLE FEED PREVENTIVE PLATE		C	1	
14	56AER70100	LCT Up /Down Shaft Assy		C	1	
15	56AA41390	Pulley		C	2	
16	56AE43410	LCT REGULATING PLATE		D	1	
17	57AAR72400	PULLEY GUIDE PART REAR ASSY		D	1	
18	56QA58640	GEAR PROTECTION COVER/2		D	1	
19	56QA58400D	LCT Regulating Limiter /3		C	1	
20	56QA58181	LCT UP/DOWN PLATE		D	1	
21	56AA-4151	PULLEY SHAFT CAULKING		D	4	
22	56QA58361	LCT SLIDE SHAFT /RIGHT		D	2	
23	56QA58300	LCT ADJUSTMENT PLATE/RIGHT		D	1	

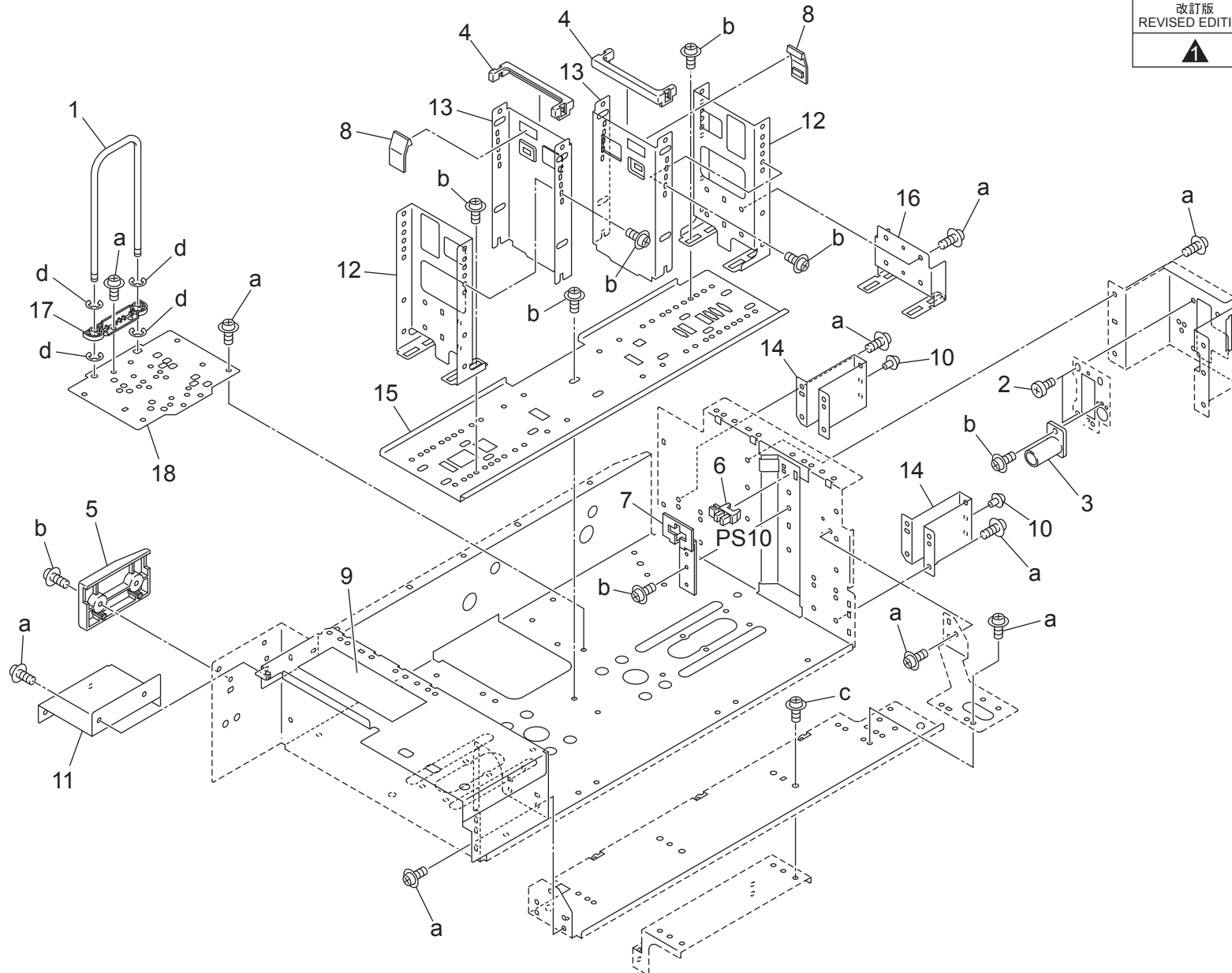
bizhub 600/bizhub 600RM/bizhub 750/bizhub 750RM

1000 SHEET TRAY

TRAY 2

P 51

改訂版 REVISED EDITION	日付 DATE
	NOVEMBER 2007



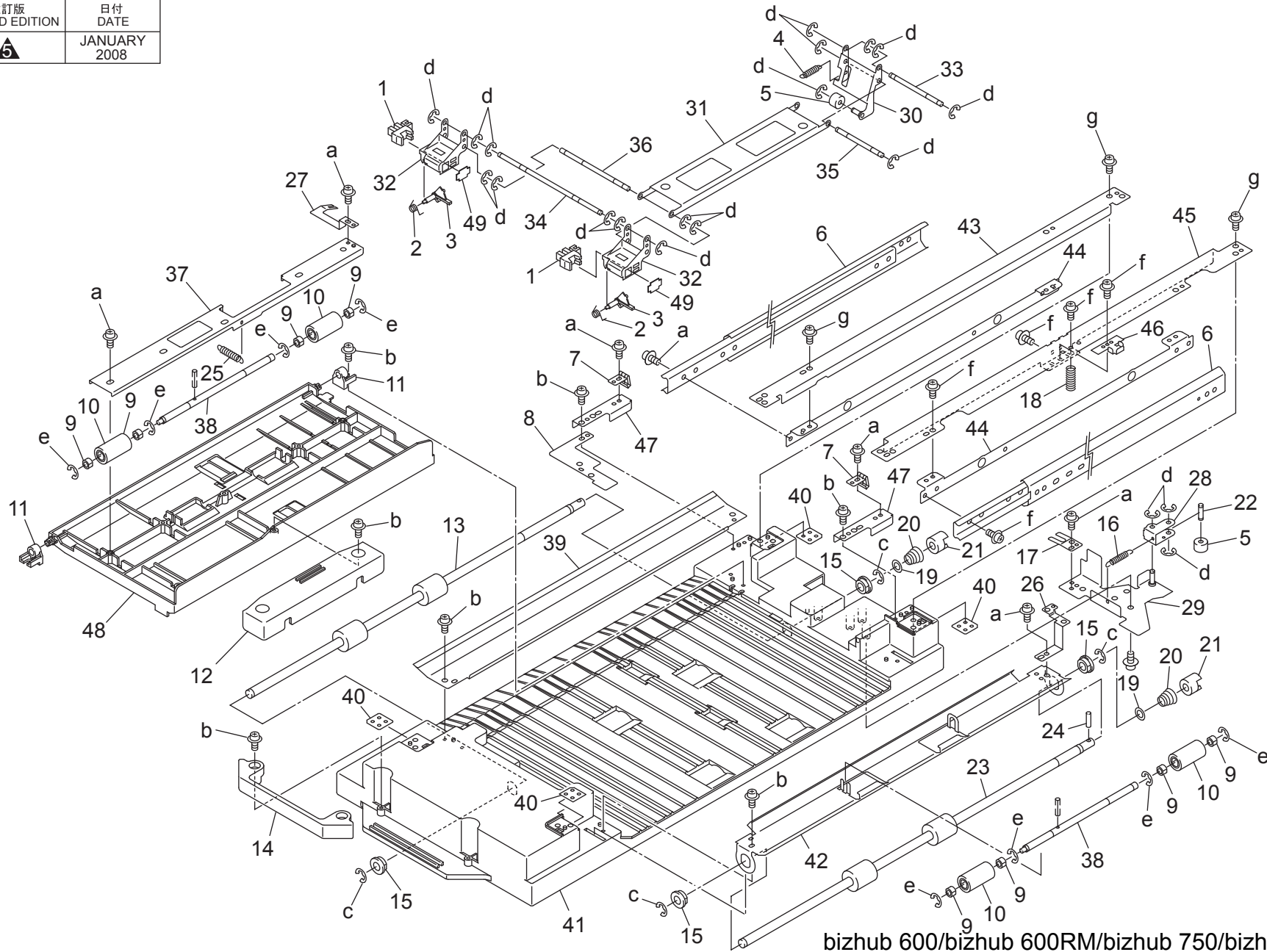
bizhub 600/bizhub 600RM/bizhub 750/bizhub 750RM

Key	Part No.	Description	Destinations	Class	QTY	Standard parts
1	56QA58150	PAPER GUIDE SHAFT RIGHT		D	1	a-00Z193041 b-00Z193061 c-00Z183041 d-V217040050
2	26NA45440	REGISTRATION UNIT FIXED SCREW		C	2	
3	56AA41690	SHAFT GUIDE COVER		D	1	
4	57AA58450	PROTECTION COVER		C	2	
5	57AA58480	EXTERNAL PROTECTION PART RIGH		D	1	
6	08AA85512	Photo Sensor		B	1	
7	56AA41650	PROTECTION COVER		C	1	
8	540047200	PAPER REGULATING CLAW		C	2	
9	57AA97810	PAPER SUPPLY LABEL 2		C	1	
10	55VA47920	STOPPER RUBBER		C	2	
11	56QA58470D	EXTERNAL PROTECTION PLATE		D	1	
12	56QA58050D	LCT Adjustment Side Plate		D	2	
13	56QA58060D	LCT GUIDE PLATE RIGHT		D	2	
14	56QA58281E	LCT POSITIONING PLATE		D	2	
15	56QA58041D	LCT SLIDE BOARD		D	1	
16	56QA58490D	REAR REINFORCE PLATE		D	1	
17	56QA58070D	SHAFT HOLDING PART		D	1	
18	56QA58090D	LCT Adjusting Bottom plate		D	1	

bizhub 600/bizhub 600RM/bizhub 750/bizhub 750RM

HORIZONTAL CONVEYANCE

改訂版 REVISED EDITION	日付 DATE
	JANUARY 2008



bizhub 600/bizhub 600RM/bizhub 750/bizhub 750RM

HORIZONTAL CONVEYANCE

Key	Part No.	Description	Destinations	Class	QTY	Standard parts
1	08AA85512	Photo Sensor	フォトセンサ	B	2	a-00Z193041 b-00Z253081 c-00Z670606 d-00Z670306 e-V217040050 f-00Z193081 g-00Z193061
2	56QA57170	PRESSURE SPRING	センサ押圧ばね	C	2	
3	56QA57240	PAPER DETECTION ACTUATOR	紙検知アクチュエータ	C	2	
4	56QA57210	SWING SPRING REAR	センサ揺動バネ 奥	C	1	
5	56AA41760	TRAY LOCKING ROLLER	トレイロックコロ	C	2	
6	56QA11300	SLIDE RAIL E	スライドレール E	D	2	
7	56QA57410	EARTH PLATE UPPER	アース板 上	D	2	
8	56QA57270	EARTH PLATE LEFT	アース板 左	D	1	
9	25AA75530	SLIDE SHAFT HOLDER	滑り軸受	C	8	
10	26NA42560	BY PASS FEED DRIVEN ROLLER	手差し従動ローラ	C	4	
11	56QA57110	SUPPORT BLOCK	支点ブロック	D	2	
12	56QA57370	JAM PROCESSING HANDLE	ジャム処理把手	C	1	
13	56QA57060	Conveyance Drive Roller /Left	搬送駆動ローラ/左	C	1	
14	56QA57380	PAPER FEED CONVEYANCE HANDLE	給紙搬送把手	C	1	
15	A03U812800	Slide Shaft Holder	すべり軸受	B	4	
16	56QA57200	CONVEYANCE GUIDE SPRING REAR	搬送案内バネ 奥	C	1	
17	56QA57290	EARTH PLATE LOWER	アース板 下	D	1	
18	56QA57080	CONVEYANCE PRESSING SPRING RIGHT	搬送押圧バネ 右	C	1	
19	12QV40650	SPACER	スペーサー	B	2	
20	56AA17090	PRESSURE SPRING	押圧バネ	C	2	
21	55VA15541	CLEANER COUPLING PART	クリーナーカップリング部材	C	2	
22	56AA41741	TRAY LOCKING PIN	トレイロックピン	C	1	
23	56QA57050	CONVEYANCE DRIVE ROLLER RIGHT	搬送駆動ローラ 右	C	1	
24	56AA17480	PIN B	ピン B	C	2	
25	56AA44430	CONVEYANCE PRESSING SPRING 1	搬送押圧バネ 1	C	1	
26	56QA57280	Earth Plate /Right	アース板/右	D	1	
27	56QA57310	EARTH PLATE REAR	アース板 奥	D	1	
28	56AA41711	TRAY PRESSING PLATE	トレイ押圧板	D	1	
29	56QA-5750	CON FIXING PANEL REAR CAULKING	搬送固定パネル/奥カシメ	D	1	
30	56QA-0820	ROCKING PANEL/ REAR CAULKING	揺動パネル/奥カシメ	D	1	
31	56QA57130	SWING PANEL/LOWER	センサ揺動パネル/下	D	1	
32	56QA57141E	BLOCK	センサ ブロック	D	2	
33	56QA57150D	Support Shaft /Rear	センサ支点軸/奥	D	1	
34	56QA57160D	Support Shaft /Front	センサ支点軸/前	D	1	
35	56QA57230D	Swing Shaft /Rear	センサ揺動軸/奥	D	1	
36	56QA57250D	Swing Shaft /Front	センサ揺動軸/前	D	1	
37	56QA57390	SPRING MOUNTING STAY	バネ取り付けステー	D	1	
38	56QA57070	CONVEYANCE IDLER SHAFT	搬送従動軸	D	2	
39	56QA57040	CONVEYANCE ENTRANCE PANEL /UPP	搬送進入パネル/上	D	1	
40	56QA57360	Conveyance Fixing Plate	搬送固定板	D	4	
41	57AA57010	CONVEYANCE MAIN BODY /LOWER	搬送 本体/下	C	1	
42	56QA57030	EXIT GUIDE PANEL /UPPER	出口ガイドパネル/上	D	1	
43	56QA57100	Conveyance Mounting Plate /Left	搬送取り付け板/左	D	1	
44	56QA11330	CONVEYANCE SUPPORT STAY	搬送支持ステー	D	2	
45	56QA57090	CONVEYANCE MOUNTING PLATE /RIG	搬送取り付け板/右	D	1	
46	56QA57400	SPRING REGULATING PLATE	バネ規制板	D	1	
47	56QA57260	CONVEYANCE POSITIONING PANEL	搬送位置決めパネル/奥	D	2	
48	56QA57021	Conveyance Main Body /Upper	搬送 本体/上	D	1	
49	4470402401	STOPPER	ストッパ	D	2	

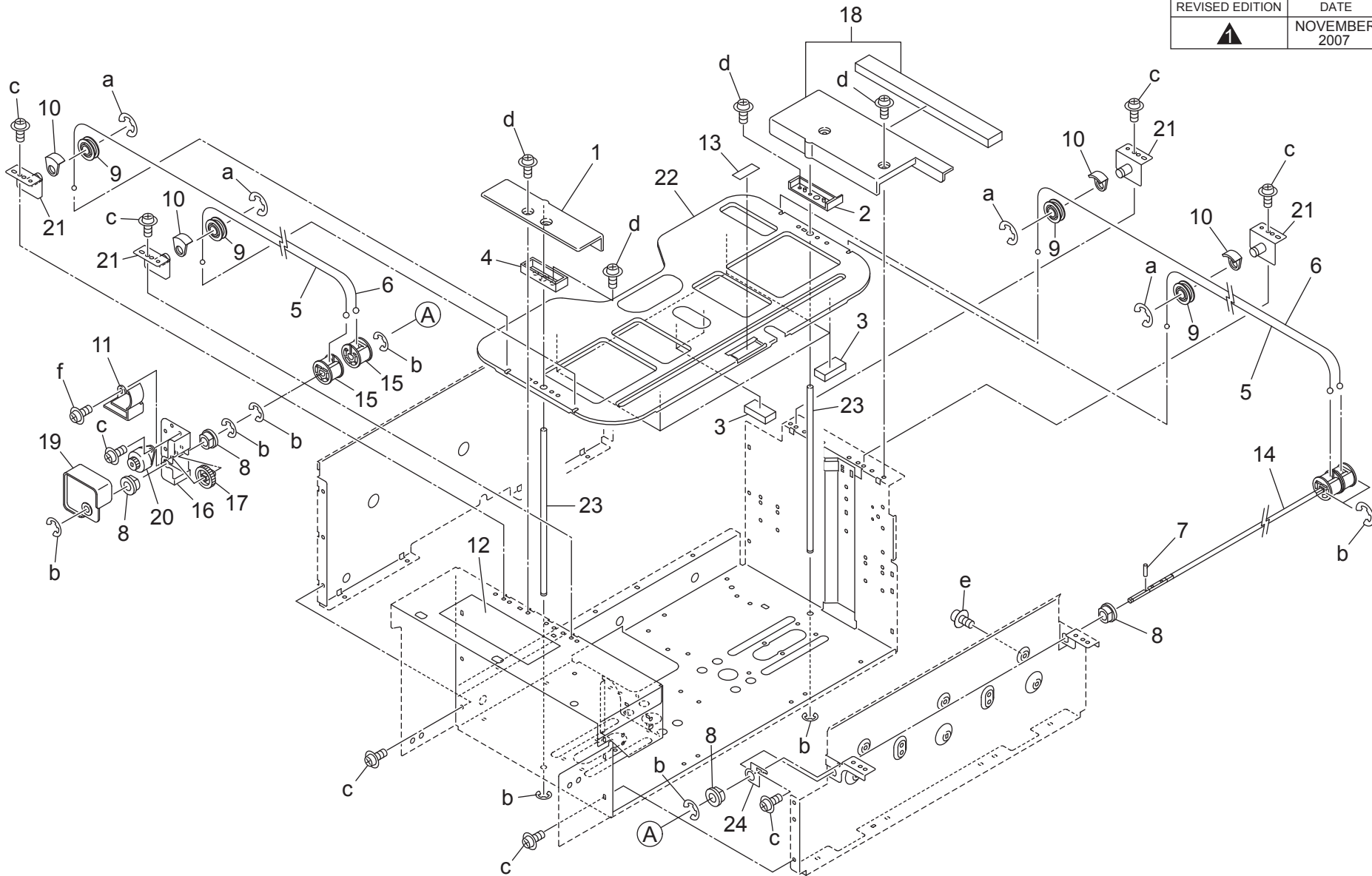
bizhub 600/bizhub 600RM/bizhub 750/bizhub 750RM

1500 SHEET TRAY

TRAY 1

P 53

改訂版 REVISED EDITION	日付 DATE
	NOVEMBER 2007



bizhub 600/bizhub 600RM/bizhub 750/bizhub 750RM

Key	Part No.	Description	Destinations	Class	QTY	Standard parts
1	57AA58420	PULLEY GUIDE PART		D	1	a-00Z670606 b-V217040050 c-00Z193041 d-00Z193061 e-00Z183041 f-00Z193101
2	56AA41160	TRAY SLIDE PART		C	1	
3	56QA58290	BOTTOM PLATE POSITIONING PAD		C	6	
4	56AA41610	TRAY SLIDE PART REAR		C	1	
5	56QA59110	LCT UP DOWN WIRE LEFT FRONT		C	2	
6	56QA59120	LCT UP DOWN WIRE LEFT REAR		C	2	
7	56AA17310	PIN		C	1	
8	08AA76010	DRUM DRIVING SHAFT HOLDER		C	4	
9	57AA17010	WIRE PULLEY		C	4	
10	55VA40610	WIRE HOLDER A		C	4	
11	56QA58440	GEAR PROTECTION COVER		C	1	
12	57AA97810	PAPER SUPPLY LABEL 2		C	1	
13	55VA40930	DOUBLE FEED PREVENTIVE PLATE		C	1	
14	56AER70100	LCT Up /Down Shaft Assy		C	1	
15	56AA41390	Pulley		C	2	
16	56AE43410	LCT REGULATING PLATE		D	1	
17	56AA77990	LCT REGULATING GEAR 24T		C	1	
18	57AAR72400	PULLEY GUIDE PART REAR ASSY		D	1	
19	56QA58640	GEAR PROTECTION COVER/2		D	1	
20	56QA58400D	LCT Regulating Limiter /3		C	1	
21	56AA-4151	PULLEY SHAFT CAULKING		D	4	
22	56QA58181	LCT UP/DOWN PLATE		D	1	
23	56QA59361	LCT SLIDE SHAFT /LEFT		D	2	
24	56QA59300	LCT ADJUSTMENT PLATE/LEFT		D	1	

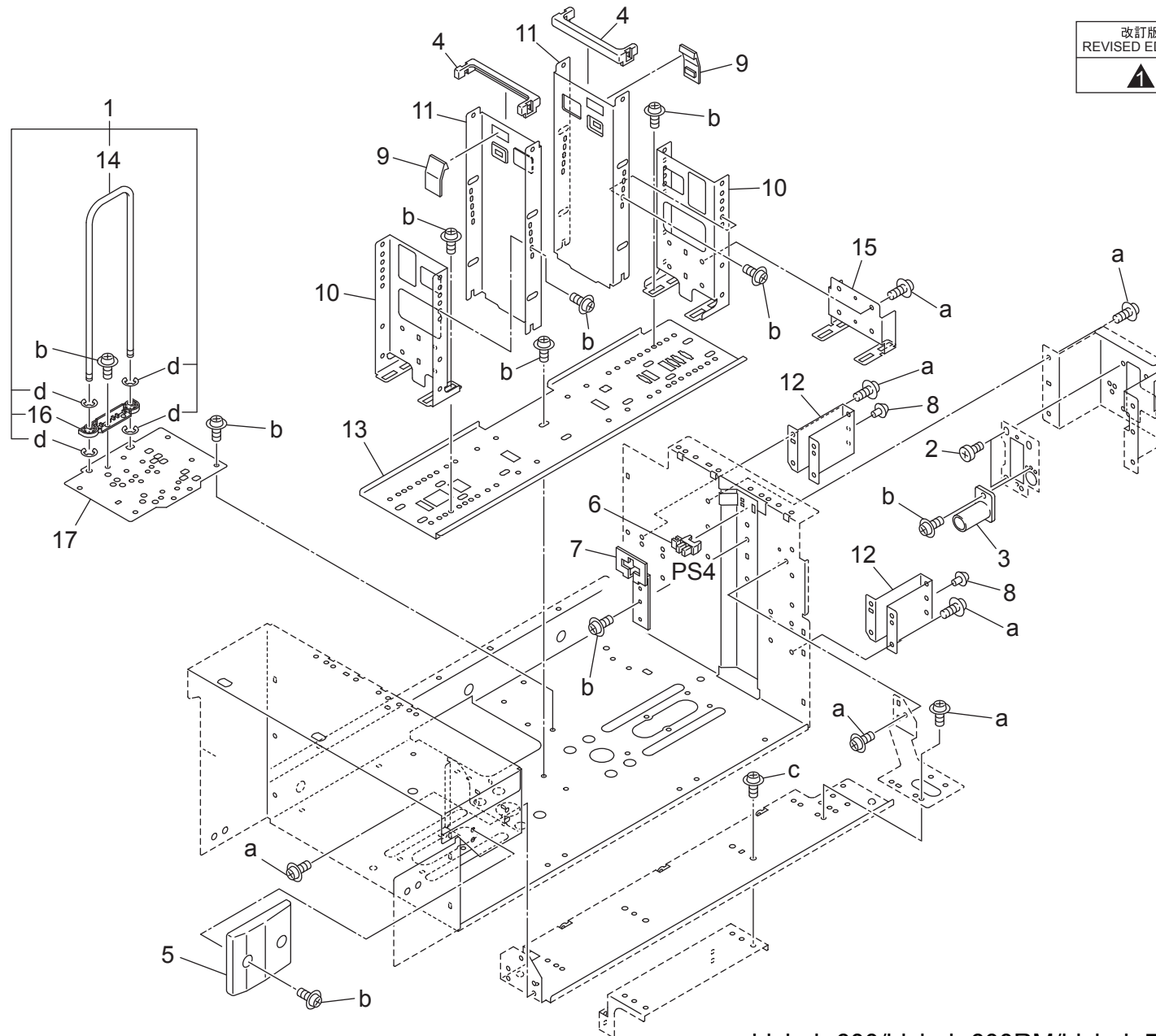
bizhub 600/bizhub 600RM/bizhub 750/bizhub 750RM

1500 SHEET TRAY

TRAY 1

P 54


改訂版 REVISED EDITION	日付 DATE
	NOVEMBER 2007

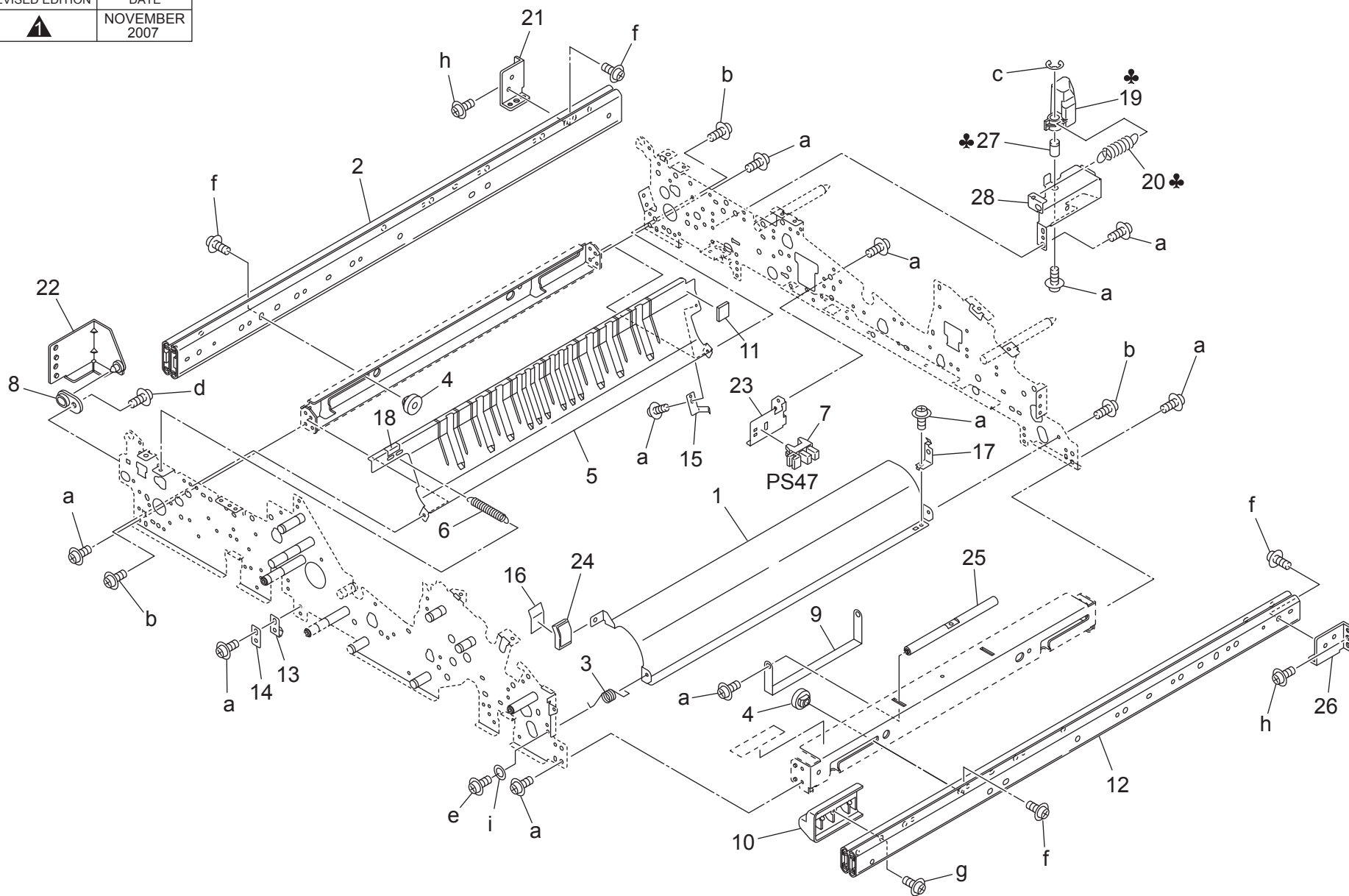


bizhub 600/bizhub 600RM/bizhub 750/bizhub 750RM

Key	Part No.	Description	Destinations	Class	QTY	Standard parts
1	56QAR70500	PAPER GUIDE SHAFT LEFT ASSY	紙ガイド軸 左部組	D	1	a-00Z193041 b-00Z193061 c-00Z183041 d-V217040050
2	26NA45440	REGISTRATION UNIT FIXED SCREW	レジスト固定ネジ	C	2	
3	56AA41690	SHAFT GUIDE COVER	軸案内カバー	D	1	
4	57AA58450	PROTECTION COVER	保護カバー	C	2	
5	57AA59480	EXTERNAL PROTECTION PART LEFT	外装保護部材 左	D	1	
6	08AA85512	Photo Sensor	フォトセンサ	B	1	
7	56AA41650	PROTECTION COVER	センサ保護カバー	C	1	
8	55VA47920	STOPPER RUBBER	ストッパーゴム	C	2	
9	540047200	PAPER REGULATING CLAW	紙規制爪	C	2	
10	56QA58050D	LCT Adjustment Side Plate	LCT 調整側板	D	2	
11	56QA59060D	LCT GUIDE PLATE LEFT	LCT ガイド板/左	D	2	
12	56QA58281E	LCT POSITIONING PLATE	LCT 位置決め板	D	2	
13	56QA58041D	LCT SLIDE BOARD	LCT スライド基板	D	1	
14	56QA59150D	PAPER GUIDE SHAFT LEFT	紙ガイド軸/左	C	1	
15	56QA58490D	REAR REINFORCE PLATE	背面補強板	D	1	
16	56QA58070D	SHAFT HOLDING PART	軸押さえ部材	D	1	
17	56QA58090D	LCT Adjusting Bottom plate	LCT 調整底板	D	1	

bizhub 600/bizhub 600RM/bizhub 750/bizhub 750RM

改訂版 REVISED EDITION	日付 DATE
	NOVEMBER 2007

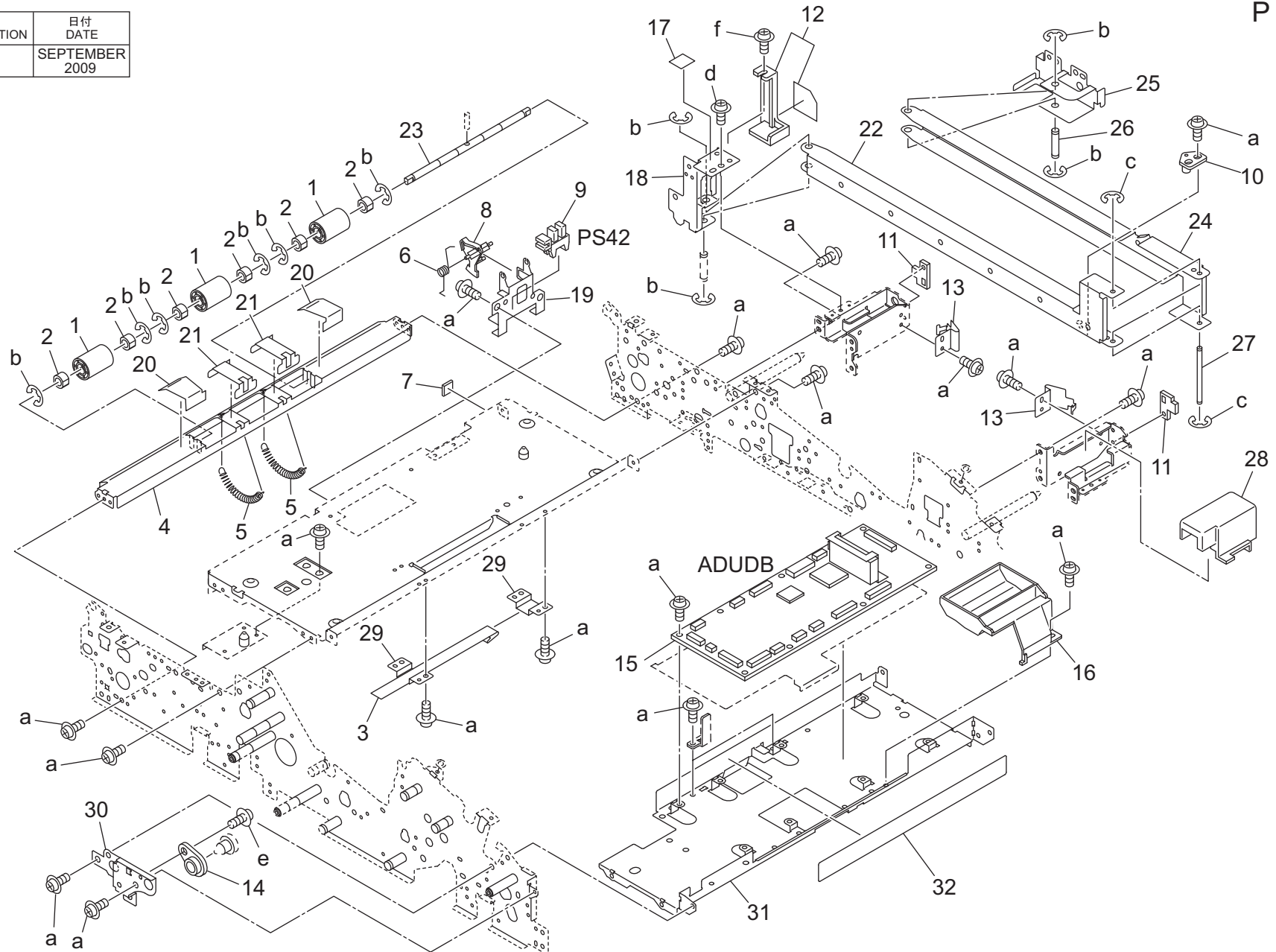


bizhub 600/bizhub 600RM/bizhub 750/bizhub 750RM

Key	Part No.	Description	Destinations	Class	QTY	Standard parts
1	56AA51060	ADU PAPER EXIT PLATE RIGHT		D	1	a-00Z193041 b-00Z193081 c-00Z670606 d-00Z193061 e-00Z193121 f-00Z184063 g-00Z253081 h-00Z184061 i-00Z610301
2	56AA50520	SLIDE RAIL D		C	1	
3	56AA51430	EXIT OPEN SHUT SPRING FRONT		C	1	
4	56AA50530	ADU MOUNTING COLLAR		C	2	
5	56AA51020	ADU ENTRANCE PLATE LEFT		D	1	
6	56AA51390	ENTRANCE OPEN SHUT SPRING FRONT		C	1	
7	08AA85512	Photo Sensor		B	1	
8	129X48360	GUIDE SHAFT HOLDER B		C	1	
9	56AA50210	SHAFT REGULATING PLATE		D	1	
10	57AA52840	PROTECTION COVER RIGHT		C	1	
11	57AA51840	STOPPER CUSHION A		C	1	
12	56AA50510	SLIDE RAIL C		C	1	
13	56AA52311	BOTTOM PLATE CLICK PLATE LEFT		D	1	
14	56AA52320	HOLDING PLATE		D	1	
15	56AA50410	EARTH SPRING 1		D	1	
16	57AA97431F	Jam Release Label /C		C	1	
17	56AA50420	EARTH SPRING 2		D	1	
18	56QA97990	JAM PROCESSING LABEL		D	1	
19	57AA50860	CAM REGULATING PART	A	C	1	
20	57AA50880	CAM REGULATING SPRING	A	C	1	
21	56AA50541	MOUNTING PLATE /LEFT		D	1	
22	56AA-1121	CARRIAGE PS PLATE/L CAULKING		D	1	
23	56AA50771	MOUNTING PLATE /REAR		D	1	
24	56QA52830	JAM PROCESSING HANDLE		C	1	
25	56AA50201	ADU LIFTING SHAFT/RIGHT		D	1	
26	56AA50551	MOUNTING PLATE /RIGHT		D	1	
27	57AA50870	CAM REGULATING SHAFT	A	D	1	
28	57AA50960	MOTOR COVER PLATE		D	1	

bizhub 600/bizhub 600RM/bizhub 750/bizhub 750RM


改訂版 REVISED EDITION	日付 DATE
	SEPTEMBER 2009

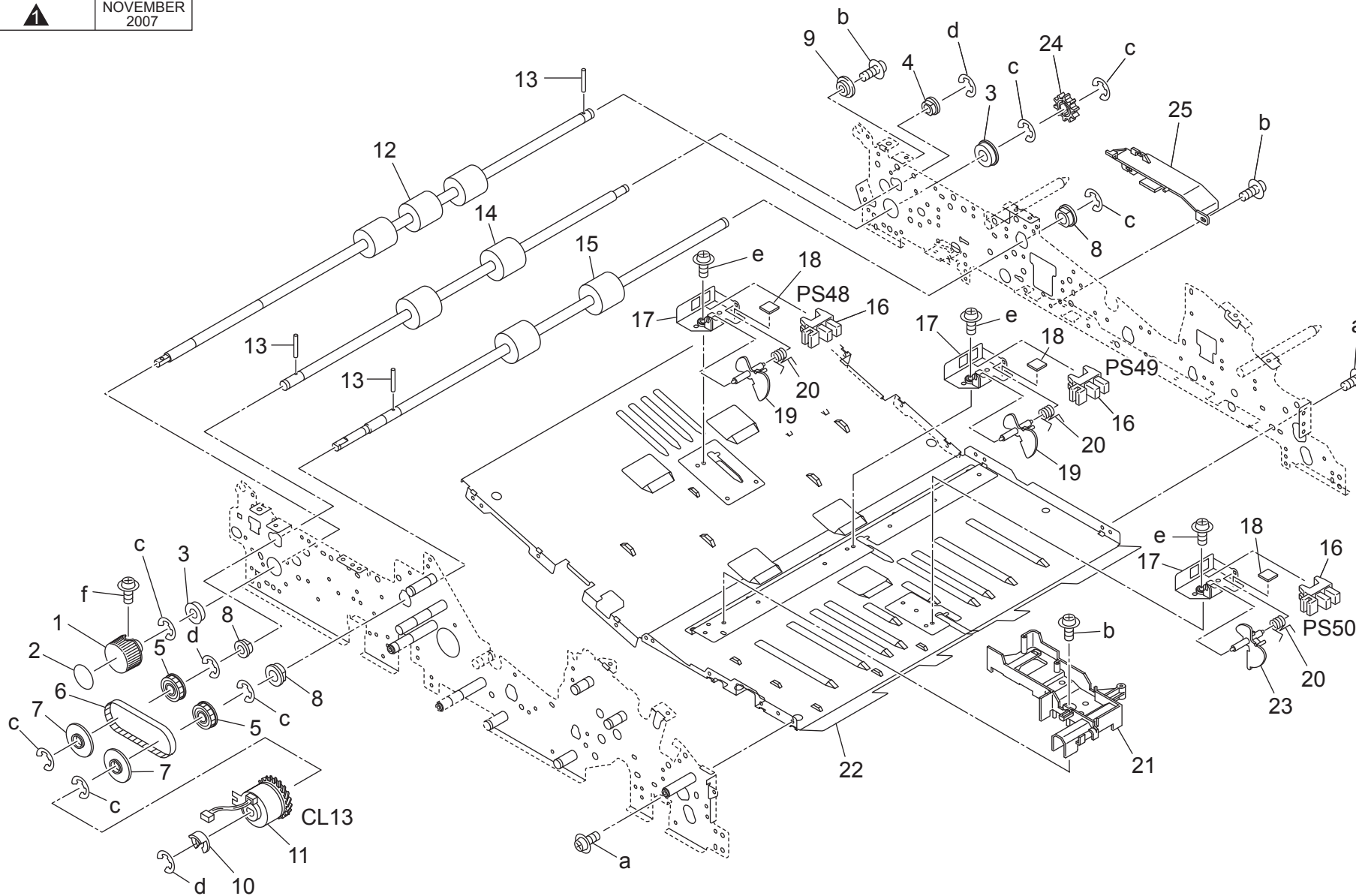


bizhub 600/bizhub 600RM/bizhub 750/bizhub 750RM

Key	Part No.	Description	Destinations	Class	QTY	Standard parts
1	56AA51550	ADU DRIVEN ROLLER	A D U 従動コロ	C	3	a-00Z193041 b-V217040050 c-00Z670306 d-00Z164061 e-00Z193061 f-00Z193081
2	56GA76010	SLIDE SHAFT HOLDER 2	滑り軸受 2	C	6	
3	56AA50160	ADU LIFTING BELT LEFT 520L	A D U 持ち上げベルト 左 5 2 0 L	C	1	
4	56AA51040	ADU ENTRANCE PLATE LOWER	A D U 進入板 下	D	1	
5	56AA51451	ENTRANCE PRESSING SPRING	入り口押圧バネ	C	2	
6	56QA51280	PRESSING SPRING 4	センサ押圧バネ 4	C	1	
7	56AA42450	PREVENTING RUBBER	防止ゴム	C	1	
8	56QA51260	PAPER EXIT REVERSE ACTUATOR	排紙逆転アクチュエタ	C	1	
9	08AA85512	Photo Sensor	フォトセンサ	B	1	
10	56AA50381	HINGE LIFTING BLOCK	ヒンジ持ち上げブロック	C	1	
11	56AA50140	ADU STOPPER CUSHON 2	A D U 突き当てクッション 2	C	2	
12	56AAR70200	WIRING COVER ASSY	束線カバー部組	D	1	
13	56AA50240	ADU EARTH PLATE A	A D U アース板 A	D	2	
14	129X48350	GUIDE SHAFT HOLDER A	ガイド軸受 A	C	1	
15	57AA-9041E	ADU Driver Board Assy	A D U 駆動基板部組	I	1	
16	57AA50900	BOARD PROTECTION PART	基板保護部材	C	1	
17	57AF97740	EARTH LABEL F	アースラベル F	D	1	
18	57AA50320	WIRING GUIDE PLATE L	束線案内板 L	D	1	
19	56QA51271	MOUNTING PART 2	センサ取付部材 2	D	1	
20	57AA51570	ADU GUIDE SHEET/4	A D U ガイドシート/4	C	2	
21	57AA51590	ADU GUIDE SHEET/6	A D U ガイドシート/6	C	2	
22	56AA50311E	Wiring Guide Plate /Front	束線案内板/前	D	1	
23	56AA51200D	Entrance Idler Shaft	入口従動軸	D	1	
24	56AA50362E	Wiring Guide Plate /Rear	束線案内板/奥	D	1	
25	56AA50331	WIRING FIXING PLATE /REAR	束線固定板/奥	D	1	
26	56AA50351	HINGE SUPPORT SHAFT /2	ヒンジ支点軸/2	D	1	
27	56AA50341	HINGE SUPPORT SHAFT /1	ヒンジ支点軸/1	D	1	
28	56QA50650	CARRIAGE PROTECTION COVER	架台保護カバー	C	1	
29	56AA50191	BELT GUIDE PLATE	ベルト案内板	D	2	
30	57AA50090	CARRIAGE POSITIONING PLATE /RI	架台位置決め板/右	D	1	
31	57AA50060	Board Mounting Stay /Right	基板取り付けステー/右	D	1	
32	57AA50290	WIRING PROTECTION SHEET	束線保護シート	D	1	

bizhub 600/bizhub 600RM/bizhub 750/bizhub 750RM


改訂版 REVISED EDITION	日付 DATE
	NOVEMBER 2007

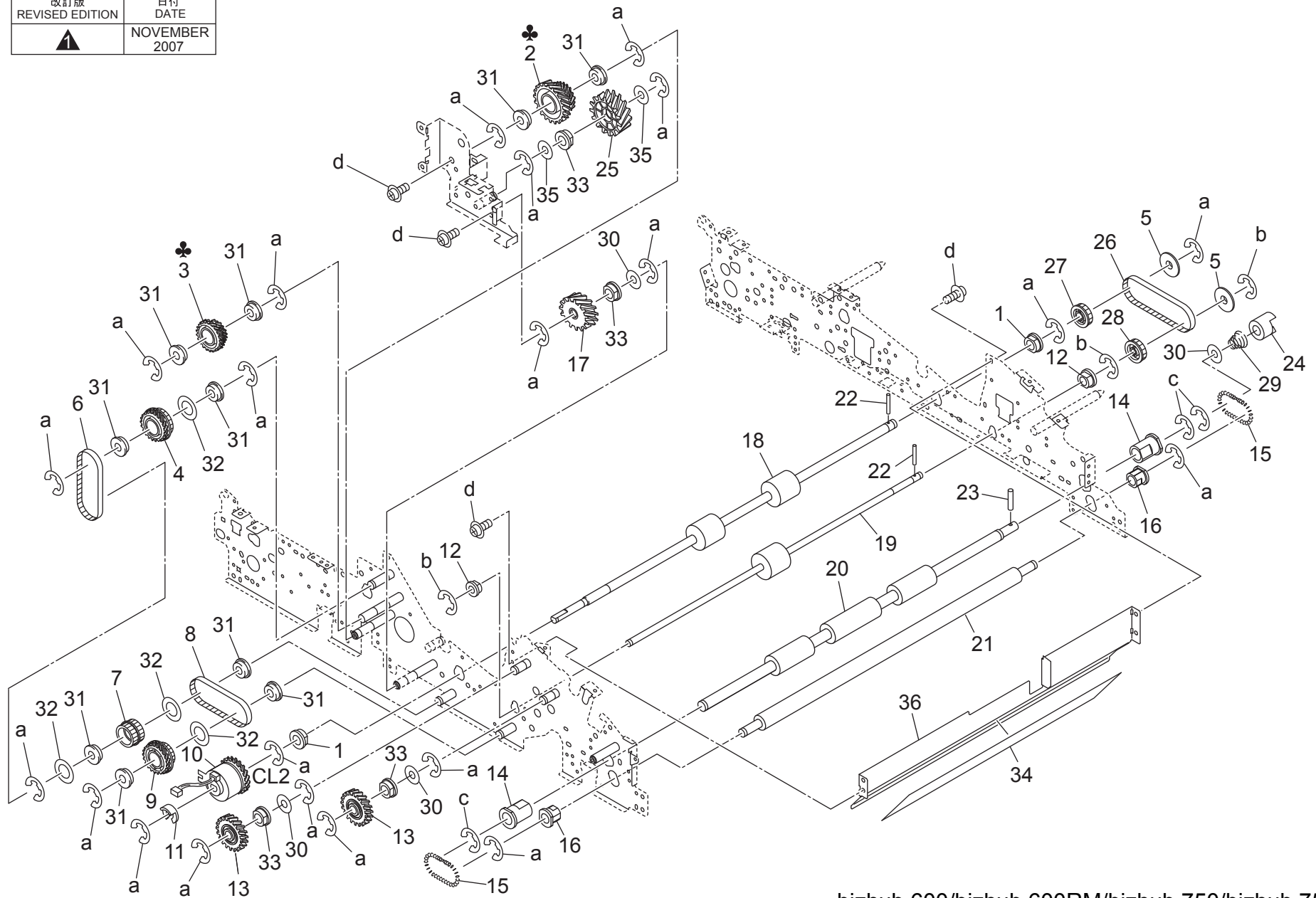


bizhub 600/bizhub 600RM/bizhub 750/bizhub 750RM

Key	Part No.	Description	Destinations	Class	QTY	Standard parts
1	14GE45470	Rotation Knob		C	1	a-00Z193041 b-00Z193061 c-00Z670606 d-V217040050 e-00Z183041 f-00Z183061
2	57AA97281E	Jam Release Label /9		C	1	
3	56QA75070	BEARING/8		C	2	
4	08AA76010	DRUM DRIVING SHAFT HOLDER		C	1	
5	57AA76590	ADU CONVEYANCE PULLEY 3 20T	ADU 搬送プーリ 3 20 T	C	2	
6	57AA77510	ADU Conveyance Belt /3 322L	ADU 搬送ベルト /3 322 L	C	1	
7	57AA51830	BELT HOLDING COLLAR 3	ベルト押さえカラー 3	C	2	
8	26NA40820	PAPER FEED SLIDE BUSHING	給紙滑り軸受	B	3	
9	57AA52880	SHAFT HOLDER HOLDING PART	軸受押さえ部材	C	1	
10	12QV40660	SHAFT POSITIONING PART	軸位置決め部材	C	1	
11	57AA82030	CONVEYANCE DRIVE CLUTCH	搬送駆動クラッチ	C	1	
12	57AA51130	ADU REVERSE ROLLER LEFT	ADU 逆転ローラ 左	C	1	
13	56AA17551	PIN A	ピン A	C	3	
14	57AA51150	ADU CONVEYANCE ROLLER 1	ADU 搬送ローラ 1	C	1	
15	57AA51160	ADU Conveyance Roller /2	ADU 搬送ローラ /2	C	1	
16	08AA85512	Photo Sensor	フォトセンサ	B	3	
17	56AA42550	MOUNTING PART	センサ取り付け部材	C	3	
18	56AA42450	PREVENTING RUBBER	防止ゴム	C	3	
19	56AA51301	ADU PAPER EXIT ACTUATOR	ADU 排紙アクチュエタ	C	2	
20	56AA42570	PAPER CONVEYING SPRING 1	紙搬送バネ 1	C	3	
21	57AA52790	WIRING PROTECTION PART L	束線保護部材 L	D	1	
22	56AA51010	ADU GUIDE PLATE UPPER	ADU ガイド板 上	D	1	
23	56AA51311	ADU PAPER EXIT ACTUATOR 2	ADU 排紙アクチュエタ 2	C	1	
24	56AA77480	PAPER EXIT REVERSING GEAR 1 19T	排紙逆転歯車 1 19 T	C	1	
25	56AA50951	WIRING COVER PART /REAR	束線カバー部材 /奥	D	1	

bizhub 600/bizhub 600RM/bizhub 750/bizhub 750RM

改訂版 REVISED EDITION	日付 DATE
	NOVEMBER 2007

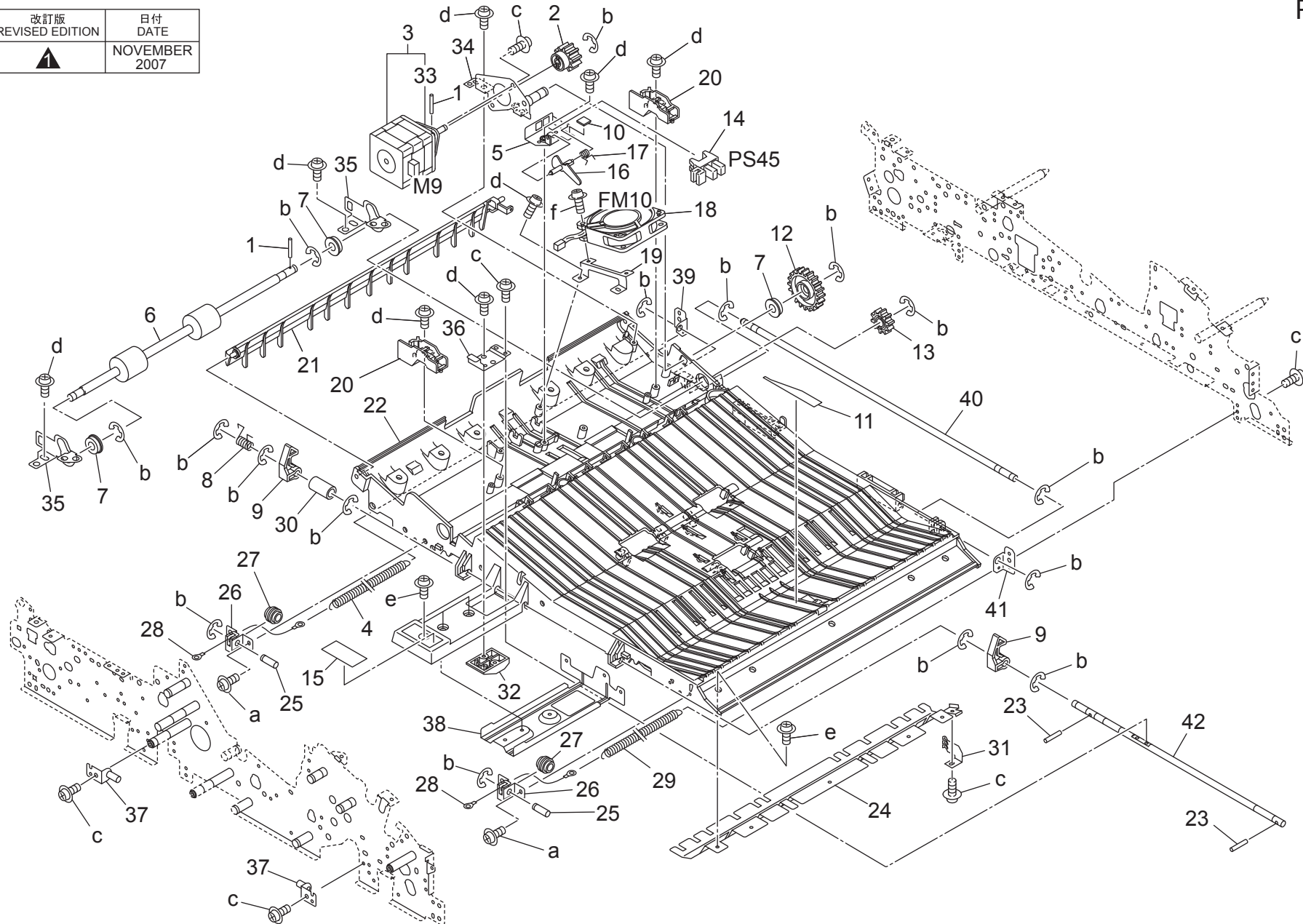


bizhub 600/bizhub 600RM/bizhub 750/bizhub 750RM

Key	Part No.	Description	Destinations	Class	QTY	Standard parts
1	26NA40820	PAPER FEED SLIDE BUSHING		B	2	a-00Z670606 b-V217040050 c-V217080050 d-00Z193041
2	57AA77420	ADU DRIVE GEAR D 23/36T	ADU 駆動歯車 D 23/36 T	C	1	
2	57BA77420	ADU DRIVE GEAR D 29/36T	ADU 駆動歯車 D 29/36 T	C	1	
3	57AA77410	ADU DRIVE GEAR C 23/35T	ADU 駆動歯車 C 23/35 T	C	1	
3	57BA77410	ADU DRIVE GEAR C 23/32T	ADU 駆動歯車 C 23/32 T	C	1	
4	56QA76580	CONVEYANCE DRIVING PULLEY 3 23T 22T	搬送駆動プーリ 3 23 T 22 T	C	1	
5	56AA51810	BELT HOLDING COLLAR	ベルト押さえカラー	C	2	
6	56AA77570	Conveyance Drive Belt /2 315L	搬送駆動ベルト/2 315 L	C	1	
7	56QA76550	CONVEYANCE DRIVING PULLEY 2 23T	搬送駆動プーリ 2 23 T	C	1	
8	56AA77560	Conveyance Drive Belt /1 225L	搬送駆動ベルト/1 225 L	C	1	
9	56QA76540	CONVEYANCE DRIVING PULLEY 1 23T 29T	搬送駆動プーリ 1 23 T 29 T	C	1	
10	57AA82030	CONVEYANCE DRIVE CLUTCH	搬送駆動クラッチ	C	1	
11	12QV40660	SHAFT POSITIONING PART	軸位置決め部材	C	1	
12	08AA76010	DRUM DRIVING SHAFT HOLDER	ドラム駆動軸受	C	2	
13	56AA77460	REGISTRATION DRIVING GEAR 2 27T	レジスト駆動歯車 2 27 T	C	2	
14	55GA75510	REGISTRATION SHAFT HOLDER LOWER	レジスト軸受 下	B	2	
15	56AA51500	ADU REGISTRATION SPRING	ADU レジストバネ	C	2	
16	55GA75520	REGISTRATION SHAFT HOLDER UPPER	レジスト軸受 上	B	2	
17	56AA77470	ADU CONVEYING GEAR 4 34T	ADU 搬送歯車 4 34 T	C	1	
18	57AA51170	ADU Conveyance Roller /3	ADU 搬送ローラ/3	C	1	
19	57AA51180	ADU Conveyance Roller /4	ADU 搬送ローラ/4	C	1	
20	56AA51110	ADU REGISTRATION ROLLER UPPER	ADU レジストローラ 上	C	1	
21	56QA51120	ADU REGISTRATION ROLLER LOWER	ADU レジストローラ 下	C	1	
22	56AA17551	PIN A	ピン A	C	2	
23	56AA17480	PIN B	ピン B	C	1	
24	55VA15541	CLEANER COUPLING PART	クリーナーカップリング部材	C	1	
25	56AA77450	ADU CONVEYING GEAR 3 34T	ADU 搬送歯車 3 34 T	C	1	
26	56AA77550	ADU Conveyance Belt /1 210L	ADU 搬送ベルト/1 210 L	C	1	
27	56AA76590	ADU CONVEYING PULLEY 1 32T	ADU 搬送プーリ 1 32 T	C	1	
28	56AA76600	ADU CONVEYING PULLEY 2 32T	ADU 搬送プーリ 2 32 T	C	1	
29	56AA17090	PRESSURE SPRING	押圧バネ	C	1	
30	12QV40650	SPACER	スペーサー	B	4	
31	540076050	BALL BEARING	駆動軸受	B	10	
32	56QA51820	BELT HOLDING COLLAR 2	ベルト押さえカラー 2	C	4	
33	56QA75050	Paper Feed Slide Bushing	給紙滑り軸受	C	4	
34	57AA50300	BOARD PROTECTION COVER	基板保護カバー	C	1	
35	13QA40610	Gear Spacer	ギアスペーサー	C	2	
36	57AA50260	REGIST AUXILIARY PLATE	レジスト補助板	D	1	

bizhub 600/bizhub 600RM/bizhub 750/bizhub 750RM

改訂版 REVISED EDITION	日付 DATE
	NOVEMBER 2007

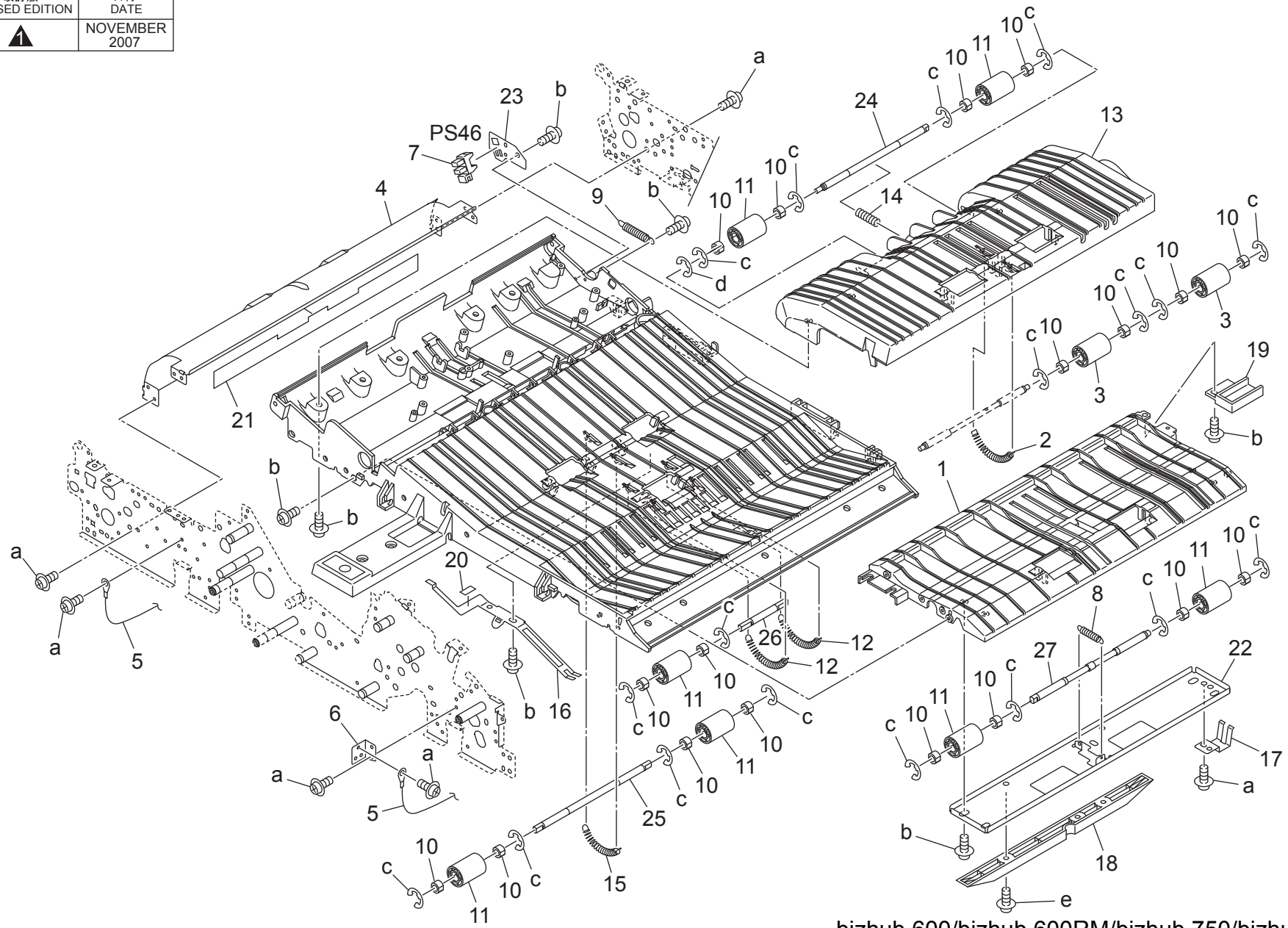


bizhub 600/bizhub 600RM/bizhub 750/bizhub 750RM

Key	Part No.	Description	Destinations	Class	QTY	Standard parts
1	56AA17551	PIN A	ピン A	C	2	a-00Z253101 b-V217040050 c-00Z193041 d-00Z253081 e-00Z193061 f-00Z193181
2	56AA77431	ADU REVERSING GEAR 1 19T	ADU 逆転歯車 1 19 T	C	1	
3	56AAR73100	ADU DRIVE ASSY	ADU 駆動部組	B	1	
4	56AA52460	OPEN SHUT SPRING	開閉バネ	C	1	
5	56AA42550	MOUNTING PART	センサ取り付け部材	C	1	
6	57AA51140	ADU REVERSE ROLLER RIGHT	ADU 逆転ローラ 右	C	1	
7	56AA75050	CLEANER SHAFT HOLDER	クリーナー軸受	C	3	
8	56AA52260	BOTTOM PLATE LOCKING SPRING	底板ロックバネ	C	1	
9	56AA52420	BOTTOM PLATE LOCKING CLAW	底板ロック爪	C	2	
10	56AA42450	PREVENTING RUBBER	防止ゴム	C	1	
11	56AA51590	ADU GUIDE SHEET 2	ADU ガイドシート 2	C	1	
12	57AA77440	ADU REVERSE GEAR 3 35T	ADU 逆転歯車 3 35 T	C	1	
13	57AA77480	ADU REVERSE GEAR 4 19T	ADU 逆転歯車 4 19 T	C	1	
14	08AA85512	Photo Sensor	フォトセンサ	B	1	
15	57AA97421E	Jam Release Label /B	ジャム解除ラベル/B	D	1	
16	56QA51240	ADU REVERSING ACTUATOR	ADU 逆転アクチュエータ	C	1	
17	56AA42570	PAPER CONVEYING SPRING 1	紙搬送バネ 1	C	1	
18	56AA80551	Fan Motor /2	ファンモータ/2	B	1	
19	56AA52480	FAN MOUNTING PLATE	ファン取り付け板	C	1	
20	56AA52780	WIRING GUIDE PART	束線ガイド部材	C	2	
21	56AA51102	ADU OPEN SHUT PART	ADU 開閉部材	C	1	
22	56AA51072	ADU GUIDE PART MIDDLE	ADU ガイド部材 中	D	1	
23	56AA17471	PIN B 3X12	ピン B 3 X 12	C	2	
24	56AA52431	BOTTOM PLATE GUIDE PLATE	底板ガイド板	C	1	
25	56AA17361	WIRE ROTARY SHAFT	ワイヤー回転軸	C	2	
26	56AA52451	PULLEY MOUNTING PLATE	プーリ取り付け板	D	2	
27	25AA50080	WIRE PULLEY	ワイヤープーリ	C	2	
28	56AA52470	OPEN SHUT WIRE	開閉ワイヤー	C	2	
29	56AA52490	OPEN SHUT SPRING RIGHT	開閉バネ 右	C	1	
30	56AA52290	BOTTOM PLATE OPEN SHUT COLLAR	底板開閉カラー	C	1	
31	56AA50450	EARTH SPRING 5	アースバネ 5	D	1	
32	56AA52380	LOCKING PART A	ロック部材 A	C	1	
33	56GA73431	MOTOR FIXING PART /1	モータ固定部材/1	C	1	
34	57AA-0450	MOTOR FIXING PLATE/M CAULKING	モータ固定板/中カシメ	D	1	
35	57AA51930	ROLLER MOUNTING PLATE	ローラ取り付け板	D	2	
36	56AA52390D	Lock Plate /A	ロック板/A	D	1	
37	56AA-0190	BOTTOM PLATE LOCK CAULKING	底板ロックカシメ	D	2	
38	56AA52211	BOTTOM PLATE OPEN/CLOSE HANDLE	底板開閉把手	D	1	
39	56AA52281	BOTTOM PLATE SUPPORT PLATE /RI	底板支点板/右	D	1	
40	56AA52231	BOTTOM PLATE SUPPORT SHAFT	底板支点軸	D	1	
41	56AA52272	BOTTOM PLATE SUPPORT PLATE /LE	底板支点板/左	D	1	
42	56AA52221	BOTTOM PLATE OPEN/CLOSE SHAFT	底板開閉軸	D	1	

bizhub 600/bizhub 600RM/bizhub 750/bizhub 750RM


改訂版 REVISED EDITION	日付 DATE
	NOVEMBER 2007

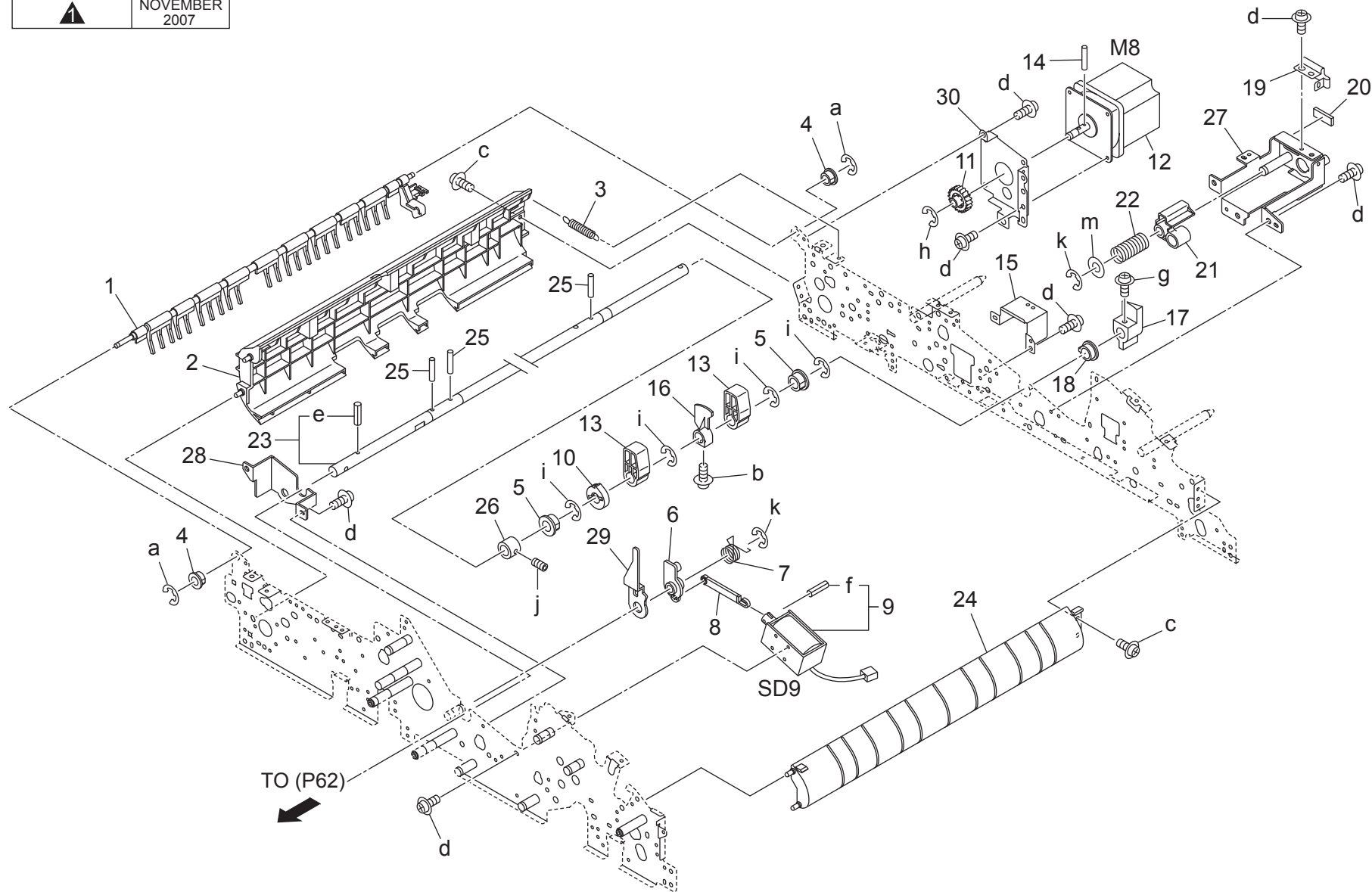


bizhub 600/bizhub 600RM/bizhub 750/bizhub 750RM

Key	Part No.	Description	Destinations	Class	QTY	Standard parts
1	56AA51081	ADU GUIDE PART LOWER	ADU ガイド部材 下	C	1	a-00Z193041 b-00Z253081 c-V217040050 d-00Z670306 e-00Z193061
2	57AA51440	ADU CONVEYANCE SPRING 4	ADU 搬送バネ 4	C	1	
3	26NA42560	BY PASS FEED DRIVEN ROLLER	手差し従動ローラ	C	2	
4	56AA51540	ADU GUIDE PLATE LEFT	ADU ガイド板 左	D	1	
5	56AA52470	OPEN SHUT WIRE	開閉ワイヤー	C	2	
6	56AA52440	WIRE MOUNTING PLATE	ワイヤー取り付け板	D	1	
7	08AA85512	Photo Sensor	フォトセンサ	B	1	
8	56AA51460	ADU REVERSING SPRING	ADU 逆転バネ	C	1	
9	56AA52370	ADU SPRING	ADU センサバネ	C	1	
10	56GA76010	SLIDE SHAFT HOLDER 2	滑り軸受 2	C	18	
11	56AA51550	ADU DRIVEN ROLLER	ADU 従動コロ	C	7	
12	56AA51490	ADU CONVEYING SPRING 3	ADU 搬送バネ 3	C	2	
13	56AA51521	ADU Guide Cover	ADU ガイドカバー	C	1	
14	56AA51470	ADU CONVEYING SPRING 1	ADU 搬送バネ 1	C	1	
15	56AA51480	ADU CONVEYING SPRING 2	ADU 搬送バネ 2	C	1	
16	56AA50430	EARTH SPRING 3	アースバネ 3	D	1	
17	56AA50440	EARTH SPRING 4	アースバネ 4	D	1	
18	56QA52300	BOTTOM PLATE LIFTING BLOCK LOWER	底板持ち上げブロック 下	D	1	
19	56AA50480	COVER PART	センサカバー部材	D	1	
20	56AA50400	SPRING STICKING SEAL	バネ貼りシール	C	1	
21	56QA51560	ADU GUIDE SHEET 3	ADU ガイドシート 3	C	1	
22	56AA51572	SPRING MOUNTING STAY	バネ取付ステー	D	1	
23	56AA52361	MOUNTING PLATE /4	センサ取り付け板 /4	D	1	
24	56AA51220D	ADU Idler Shaft /2	ADU 従動軸 /2	D	1	
25	56AA51210	ADU IDLER SHAFT /1	ADU 従動軸 /1	D	1	
26	56AA51230D	ADU Idler Shaft /3	ADU 従動軸 /3	D	1	
27	56AA51250D	ADU Idler Shaft /4	ADU 従動軸 /4	D	1	

bizhub 600/bizhub 600RM/bizhub 750/bizhub 750RM

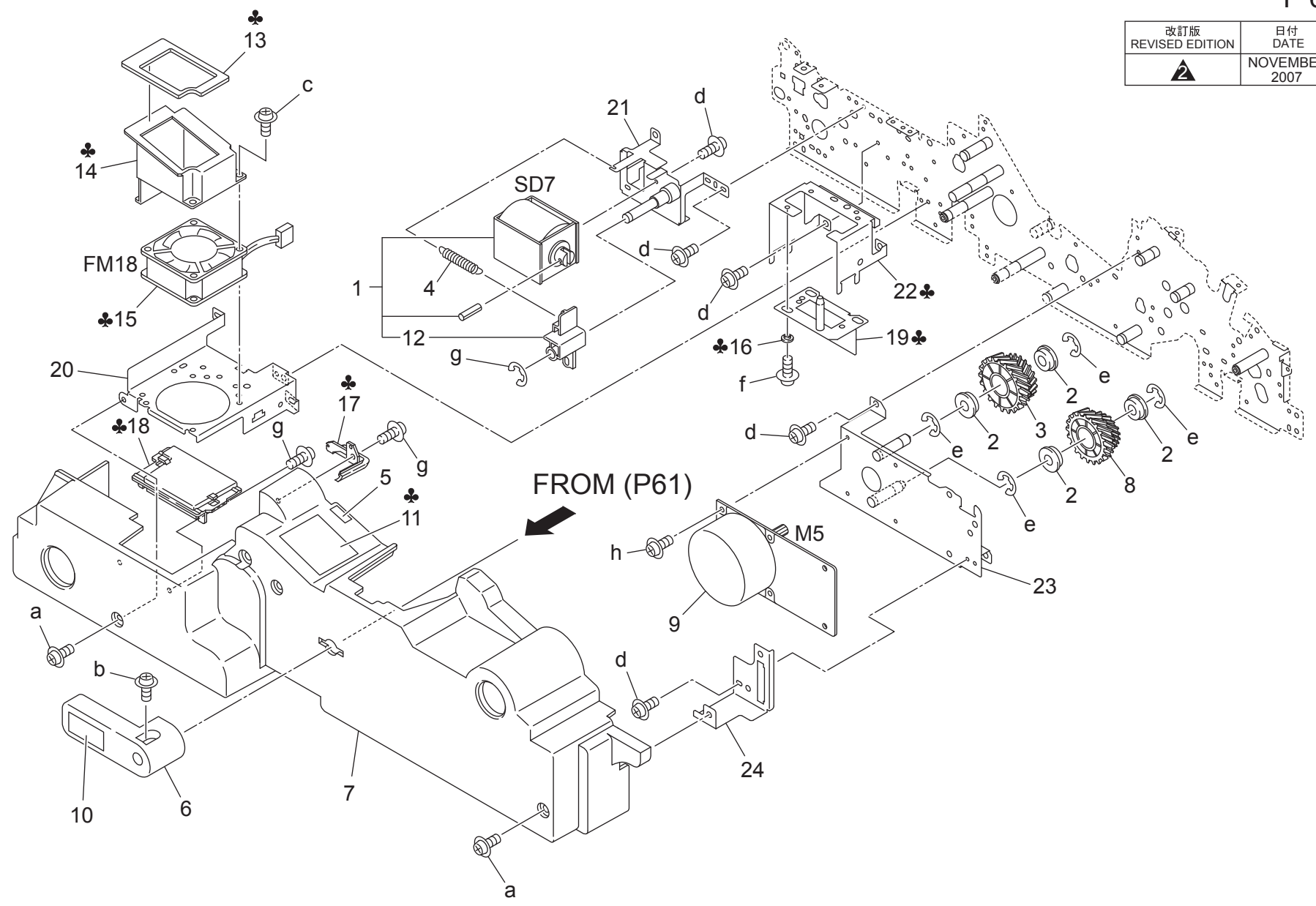
改訂版 REVISED EDITION	日付 DATE
	NOVEMBER 2007



bizhub 600/bizhub 600RM/bizhub 750/bizhub 750RM

Key	Part No.	Description	Destinations	Class	QTY	Standard parts
1	57AA51090	PAPER EXIT OPEN CLOSE PART L		C	1	a-00Z670306
2	56QA51030	ADU ENTRANCE PART RIGHT	ADU 進入部材 右	C	1	b-00Z194061
3	56AA51380	PAPER EXIT OPEN SHUT SPRING	排紙開閉バネ	C	1	c-00Z193061
4	56AA50490	PAPER EXIT FULCRUM SHAFT HOLDER	排紙支点軸受	C	2	d-00Z193041
5	462076010	DRIVING SLIDE SHAFT HOLDER A	駆動滑り軸受 A	C	2	e-V233301650
6	56AA50700	LEVER LOCKING PART	レバーロック部材	C	1	f-00Z713106
7	56AA50710	LEVER LOCKING SPRING	レバーロックバネ	C	1	g-V121041003
8	56AA50730	SOLENOID PULLING LEVER	ソレノイド引張りレバー	C	1	h-V217040050
9	56AA-0400	ADU CONNECTING SOLENOID ASSY	ADU 連結ソレノイド部組	B	1	i-V217080050
10	25AA47500	CARRIAGE LOCK CLAW B	架台ロック爪 B	C	1	j-00Z474043
11	56AA77490	PAPER EXIT REVERSING GEAR 2 19 T	排紙逆転歯車 2 19 T	C	1	k-00Z670606
12	56AA80112	Paper Exit Drive Motor	排紙駆動モータ	B	1	m-00Z610801
13	56AA50680	TRANSFER LIFTING LEVER	転写持ち上げレバー	C	2	
14	56AA17551	PIN A	ピン A	C	1	
15	56AA50940	HV Cover Plate	高圧カバー板	D	1	
16	56AA50791	LEVER DETECTING ACTUATOR	レバー検知アクチュエータ	C	1	
17	56AA50621	CARRIAGE POSITIONING PART	架台位置決め部材	C	1	
18	56AA50800	LEVER SUPPORT SHAFT HOLDER	レバー支持軸受	C	1	
19	56AA50250	ADU EARTH PLATE B	ADU アース板 B	D	1	
20	56AA50130	ADU STOPPER CUSHON 1	ADU 突き当てクッション 1	C	1	
21	56AA50630	CAM STOPPER PART	カムストッパ部材	C	1	
22	56AA50670	CAM STOPPER SPRING	カムストッパバネ	C	1	
23	56AAR70100	CARRIAGE PULLING SHAFT ASSY	架台引張り軸部組	C	1	
24	56AA51050	ADU PAPER EXIT PART LEFT	ADU 排紙部材 左	C	1	
25	56AA17461	PIN A	ピン A	B	3	
26	56AA17350	SHAFT POSITIONING PART	軸位置決め部材	C	1	
27	56AA50641	Carriage Positioning Plate /Front	架台位置決め板/前	D	1	
28	56AA51191	SHAFT REINFORCE PLATE	軸補強板	D	1	
29	56AA50690D	Lever Lock Plate	レバーロック板	D	1	
30	56AA51611	ADU DRIVE BOARD	ADU 駆動基板	D	1	

改訂版 REVISED EDITION	日付 DATE
	NOVEMBER 2007



FROM (P61)

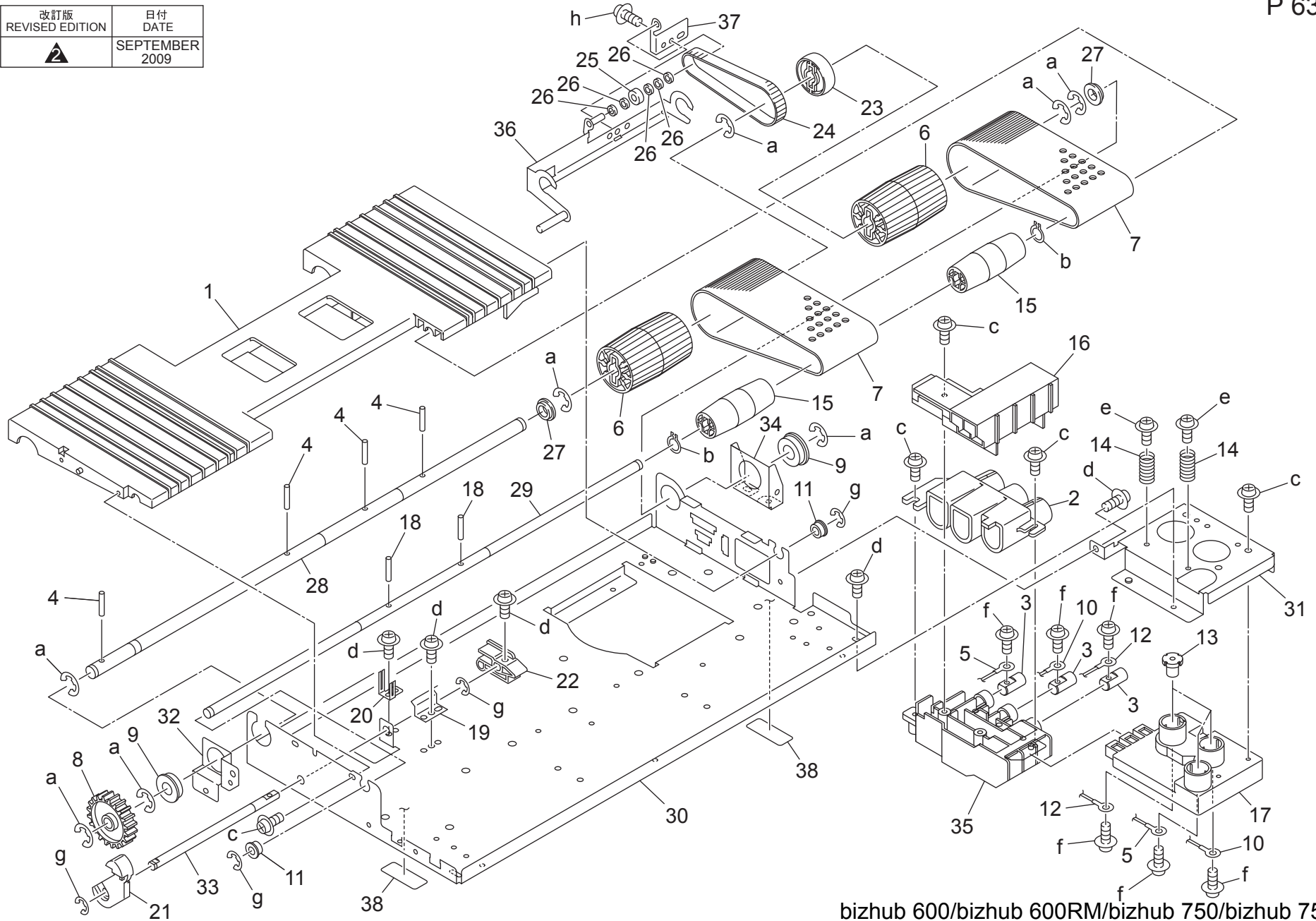


Key	Part No.	Description	Destinations	Class	QTY	Standard parts
1	56QAR70100	EXIT SOLENOID ASSY	排紙ソレノイド部組	C	1	a-00Z144062
2	540076050	BALL BEARING	駆動軸受	B	4	b-V121041003
3	56QA77390	REGISTRATION DRIVING GEAR 1 29T 77T	レジスト駆動歯車 1 29 T 77 T	C	1	c-00Z193301
4	56QA52940	SOLENOID PULLING SPRING	ソレノイド引張りバネ	C	1	d-00Z193041
5	56QA97770	CONVEYANCE INDEX LABEL	搬送指標ラベル	C	1	e-00Z670606
6	57AA50760	CARRIAGE PULLING LEVER	架台引っ張りレバー	C	1	f-00Z193061
7	57AA52810	ADU COVER FRONT	ADUカバー 前	C	1	g-V217040050
8	56QA77400	CONVEYANCE DRIVING GEAR 1 24T 67T	搬送駆動歯車 1 24 T 67 T	C	1	h-00Z193081
9	27LA80012E	DC BRUSHLESS MOTOR /20	DC ブラシレス モーター / 20	C	1	
10	57AA97231E	Jam Release Label /4	ジャム解除ラベル / 4	C	1	
11	57AA97180E	Operation Caution Label /Rear	取扱い注意ラベル / 奥	A	1	
11	57AE97180E	Operation Caution Label /Rear	取扱い注意ラベル / 奥	B,G2	1	
11	57AF97180E	Operation Caution Label /Rear	取扱い注意ラベル / 奥	C	1	
11	57AN97180E	Operation Caution Label /Rear	取扱い注意ラベル / 奥	D1,D3,E,F2,G1,I,J,K	1	
11	57AS97180E	Operation Caution Label /Rear	取扱い注意ラベル / 奥	F1,H	1	
12	56QA52920	SOLENOID PRESSING LEVER	ソレノイド押圧レバー	C	1	
13	57AA52980	BOARD COOLING PAD	基板冷却パッド	A	1	
14	57AA52960	BOARD COOLING DUCT LEFT	基板冷却ダクト 左	A	1	
15	56QA80570	INTERNAL COOLING FAN	機内冷却ファン	(A)	1	
16	57AA50850	WIRING SLIDE SPACER	束線スライドスペーサー	A	3	
17	57AE52830	ADU AUX COVER RIGHT	ADU 補助カバー 右	B,C,D1,D3,E,F1,F2,G 1,G2,H,I,J,K	1	
18	57AE52820	ADU AUX COVER LEFT	ADU 補助カバー 左	B,C,D1,D3,E,F1,F2,G 1,G2,H,I,J,K	1	
19	57AAR70100	WIRING MOUNTING PLATE CAULKING	束線取付板 カシメ	(A)	1	
20	57AA52970	Fan Mounting Plate /Left	ファン取り付け板 / 左	D	1	
21	57AA-0300	REVERS GATE SOLENOID CAULKING	反転ゲートソレノイドカシメ	D	1	
22	57AA50820	WIRING MOUNTING PLATE /A	束線取り付け板 / A	A	1	
22	57AE50820	WIRING MOUNTING PLATE /C	束線取り付け板 / C	B,C,D1,D3,E,F1,F2,G 1,G2,H,I,J,K	1	
23	56AA-0371	REGIST DRIVE BASE PLATE ASSY	レジスト駆動基板カシメ	D	1	
24	57AA52850	EXTERNAL MOUNTING PLATE /RIGHT	外装取り付け板 / 右	D	1	

bizhub 600/bizhub 600RM/bizhub 750/bizhub 750RM

CONVEYANCE UNIT

改訂版 REVISED EDITION	日付 DATE
	SEPTEMBER 2009



bizhub 600/bizhub 600RM/bizhub 750/bizhub 750RM

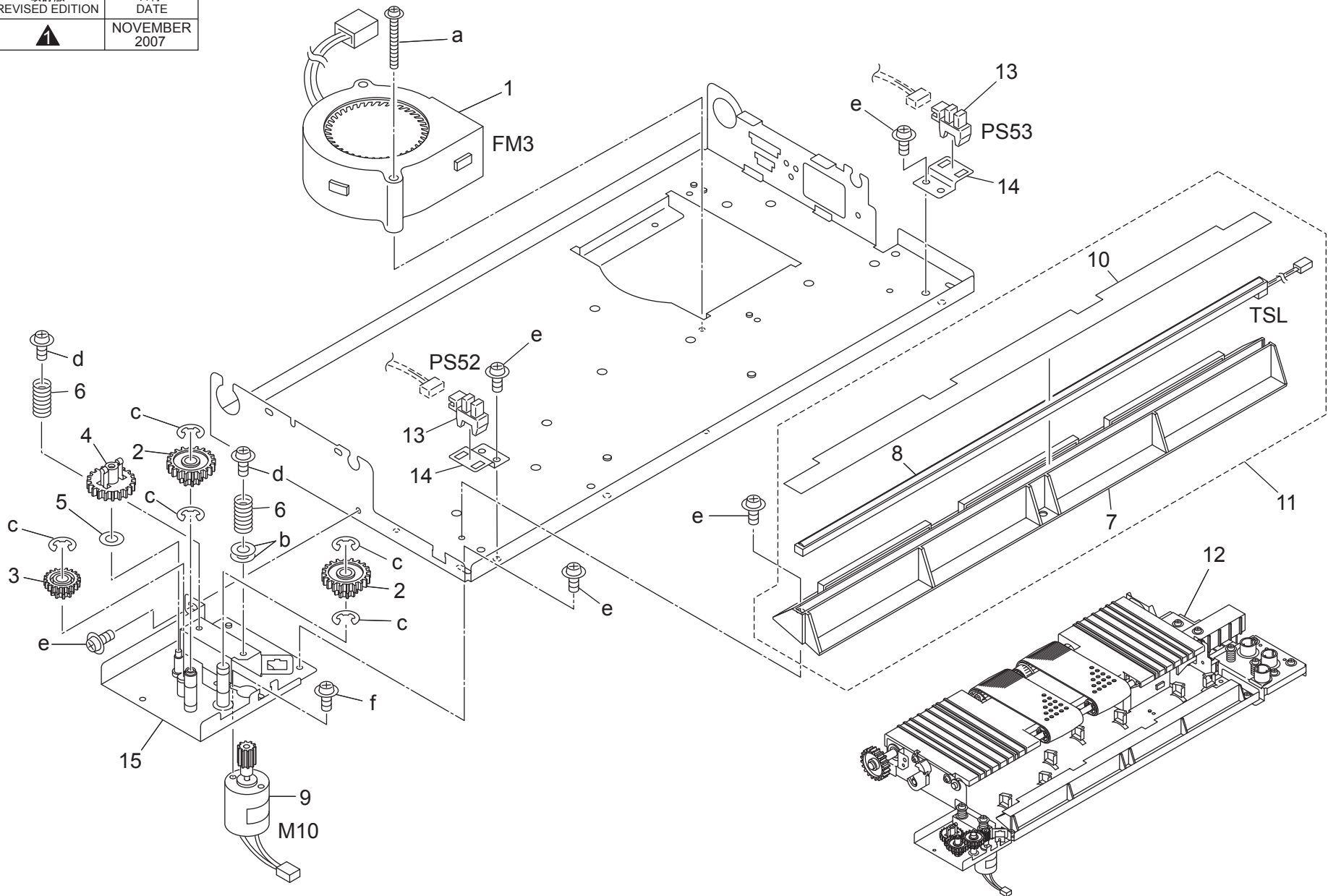
CONVEYANCE UNIT

Key	Part No.	Description	Destinations	Class	QTY	Standard parts
1	56QAR70300	CONVEYANCE MAIN BODY U ASSY	搬送本体 上部組	D	1	a-00Z670606
2	56AA50920	HIGH VOLTAGE POWERING PART 2	高圧給電部材 2	C	1	b-00Z600606
3	56AA50930	HIGH VOLTAGE POWERING SHAFT	高圧給電軸	D	3	c-00Z253081
4	56AA17461	PIN A	ピン A	B	4	d-00Z193061
5	56AA93701	High Voltage Lead Wire /A	高圧リード線 / A	D	1	e-00Z183061
6	56AA45320	CONVEYANCE DRIVING ROLLER	搬送駆動ローラ	C	2	f-00Z163061
7	56AA45090	CONVEYANCE BELT 239L	搬送ベルト 239 L	B	2	g-V217040050
8	56AA77810	CONVEYANCE DRIVING GEAR 31T	搬送駆動歯車 31 T	C	1	h-00Z193041
9	540076050	BALL BEARING	駆動軸受	B	2	
10	56AA93711	High Voltage Lead Wire /B	高圧リード線 / B	D	1	
11	56QA75060	Drive Bearing /6	駆動軸受 / 6	C	2	
12	56AA93721	High Voltage Lead Wire /C	高圧リード線 / C	D	1	
13	56AA45170	POWERING SHAFT	給電軸	D	3	
14	56AA17071	ELECTRODE LIFT UP SPRING	電極持ち上げバネ	C	2	
15	56AA45330	CONVEYANCE DRIVEN ROLLER	搬送従動ローラ	C	2	
16	56AAR71500	Conveyance Dact /Rear Assy	搬送ダクト / 奥 部組	C	1	
17	56AA45082	POWERING BLOCK	給電ブロック	C	1	
18	56AA17471	PIN B 3X12	ピン B 3 X 1 2	C	2	
19	56AA45470	CONVEYANCE ROCKING SPRING	搬送首振りバネ	D	1	
20	56AA45480	CONVEYANCE EARTH PLATE MIDDLE	搬送アース板 中	D	1	
21	57AA45500	CONVEYANCE AUXILIARY LEVER	搬送補助レバー	C	1	
22	56AA45440	CONVEYANCE AUXILIARY CAM	搬送補助カム	C	1	
23	56AA45400	DRIVING PULLEY MIDDLE	駆動プーリ 中	C	1	
24	56AA45410	CONVEYANCE AUXILIARY BELT 95L	搬送補助ベルト 95 L	C	1	
25	56AA45510	Conveyance Idler Bearing	搬送従動軸受	C	1	
26	56AA45490	CONVEYANCE AUXILIARY COLLAR	搬送補助カラー	C	5	
27	56AA45460	CONVEYANCE AUXILIARY SHAFT HOLDER	搬送補助軸受	C	2	
28	56AA45101	CONVEYANCE DRIVE SHAFT	搬送駆動軸	D	1	
29	56AA45112D	Conveyance Idler shaft	搬送従動軸	D	1	
30	56AA45053	CONVEYANCE MAINBODY/LOWER	搬送本体 / 下	D	1	
31	56AA45191	CONVEYANCE MAIN BODY/REAR	搬送本体 / 奥	D	1	
32	56AA45181	CONNECTING PLATE /FRONT	連結板 / 前	D	1	
33	56AA45430D	Lever shaft	レバー 軸	D	1	
34	56AA45222	CONNECTING PLATE /REAR	連結板 / 奥	D	1	
35	56AA50910	HV POWER SUPPLY PART /1	高圧給電部材 / 1	D	1	
36	56AA45420D	Conveyance Auxiliary Panel /A	搬送補助パネル / A	D	1	
37	56AA45450D	Conveyance Auxiliary Panel /B	搬送補助パネル / B	D	1	
38	57AA839100	Slide Sheet	スライドシート	D	2	

bizhub 600/bizhub 600RM/bizhub 750/bizhub 750RM

CONVEYANCE UNIT

改訂版 REVISED EDITION	日付 DATE
	NOVEMBER 2007



bizhub 600/bizhub 600RM/bizhub 750/bizhub 750RM

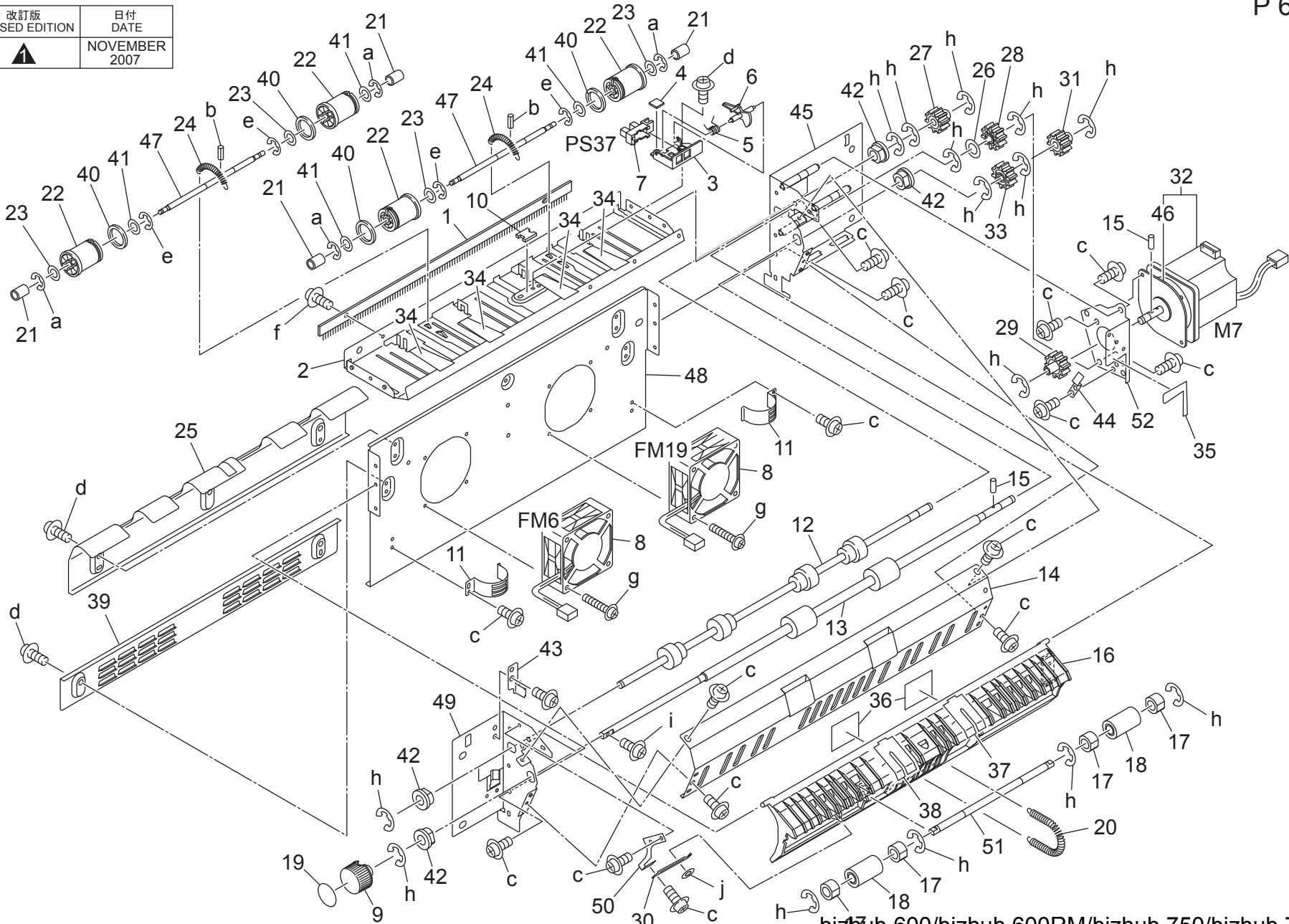
CONVEYANCE UNIT

Key	Part No.	Description	Destinations	Class	QTY	Standard parts
1	56QA80560	Developing Cooling Fan		C	1	a-00Z193351 b-00Z610401 c-V217040050 d-00Z183061 e-00Z193041 f-00Z11B041
2	55VA77440	CLEANING GEAR 5 46T 20T		B	2	
3	55VA77430	CLEANING GEAR 4 33T 17T		B	1	
4	55VA77420	CLEANING GEAR 3 38T		B	1	
5	56AA17700	SPACER B		C	1	
6	56AA17071	ELECTRODE LIFT UP SPRING		C	2	
7	56AA45210	PTL COVER		C	1	
8	56AA83071	PCL		B	1	
9	56AAR71300	CLEANING MOTOR ASSY		B	1	
10	56AA45300	PROTECTION SHEET		C	1	
11	56AAR71400	TSL COVER ASSY		C	1	
12	57AAR71800	CONVEYANCE UNIT		S	1	
13	08AA85512	Photo Sensor		B	2	
14	56QA45030	SUPPORT PLATE /B		D	2	
15	56AA-3821	CLEANING DRIVE/FRONT CAULKING		D	1	

bizhub 600/bizhub 600RM/bizhub 750/bizhub 750RM

PAPER EXIT UNIT

改訂版 REVISED EDITION	日付 DATE
	NOVEMBER 2007



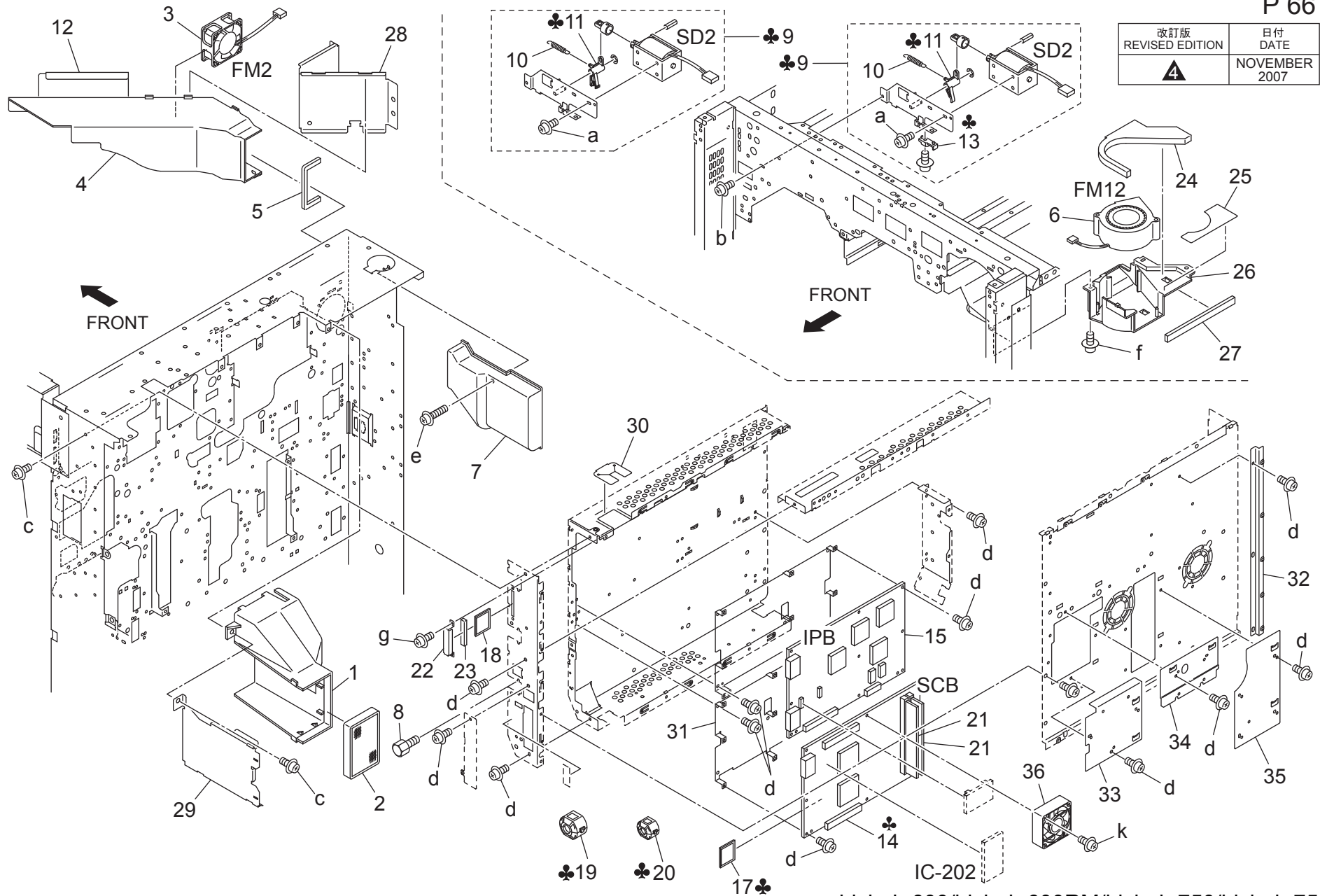
bizhub 600/bizhub 600RM/bizhub 750/bizhub 750RM

Key	Part No.	Description	Destinations	Class	QTY	Standard parts
1	048644480	NEUTRALIZING BRUSH	除電ブラシ	B	1	a-00Z670206
2	56QA48061	PAPEREXITGUIDEPLATE UPPER	排紙ガイド板/上	D	1	b-00Z711146
3	56AA42550	MOUNTING PART	センサ取り付け部材	C	1	c-00Z193041
4	56AA42450	PREVENTING RUBBER	防止ゴム	C	1	d-00Z183041
5	56AA42570	PAPER CONVEYING SPRING 1	紙搬送バネ 1	C	1	e-00Z670306
6	56QA48160	PAPER DETECTING ACTUATOR UPPER	紙検知アクチュエタ 上	C	1	f-00Z193161
7	08AA85512	Photo Sensor	フォトセンサ	B	1	g-V118033003
8	27LA80511	Main Body Fan Motor	本体 ファンモータ	A	2	h-V217040050
9	14GE45470	Rotation Knob	回転ノブ	C	1	i-00Z183061
10	57AA48320	PAPER EXIT UPPER CUSHION	排紙 上クッション	C	1	j-00Z660306
11	56AA48100	PAPER EXIT EARTH PLATE LOWER	排紙アース板 下	C	2	
12	56QA48081	Paper Exit Drive Roller	排紙駆動ローラ	C	1	
13	56AA48091	Paper Exit Drive Roller /Front	排紙駆動ローラ/前	C	1	
14	56AA48032	PAPER EXIT ENTRANCE PLATE LEFT	排紙進入板	D	1	
15	56AA17321	PIN A D2X12	ピン A D 2 X 1 2	B	2	
16	56AA48041	PAPEREXITENTRANCEPLATE RIG	排紙進入板/右	C	1	
17	56GA76010	SLIDE SHAFT HOLDER 2	滑り軸受 2	C	4	
18	26NA42560	BY PASS FEED DRIVEN ROLLER	手差し従動ローラ	C	2	
19	57AA97291E	Jam Release Label /A	ジャム解除ラベル/ A	C	1	
20	56AA48220	PAPER EXIT DRIVEN SPRING LOWER	排紙従動バネ 下	C	1	
21	552012250	ROLLER B	コロ B	C	4	
22	56QA48310	PAPER EXIT IDLER ROLLER	排紙従動コロ	C	4	
23	56AA48140	PAPER EXIT SPACER UPPER	排紙スペーサー 上	C	4	
24	56QA48210	PAPER EXIT DRIVEN SPRING UPPER	排紙従動バネ 上	C	2	
25	56QA48231	PAPER EXIT GUIDE PLATE	排紙ガイド板	D	1	
26	40AA30270	DEVELOPING SPACER	現像スペーサー	C	1	
27	56AA77980	PAPER EXIT DRIVING GEAR UPPER 24T	排紙駆動歯車 上 2 4 T	C	1	
28	56AA77860	PAPER EXIT IDLING GEAR 24T	排紙アイドル歯車 2 4 T	C	1	
29	56AA77200	PAPER EXIT GEAR 22T	排紙歯車 2 2 T	C	1	
30	56AA48110	PAPER EXIT EARTH PLATE	排紙アース板	D	1	
31	56AA77190	PAPER EXIT DRIVING GEAR 24T	排紙駆動歯車 2 4 T	C	1	
32	56AAR73100	ADU DRIVE ASSY	A D U 駆動部組	B	1	
33	56AA77850	PAPER EXIT INPUT GEAR 24T	排紙入力歯車 2 4 T	C	1	
34	56AA48150	PAPER EXIT GUIDE SHEET UPPER	排紙ガイドシート 上	C	4	
35	56AA48190	PAPER EXIT DRIVING SHEET	排紙駆動シート	C	1	
36	56AA48200	PAPER EXIT GUIDE SHEET LOWER	排紙ガイドシート 下	C	2	
37	56AA48260	PAPER EXIT GUIDE SHEET 2	排紙案内シート 2	C	1	
38	56AA48250	PAPER EXIT GUIDE SHEET 1	排紙案内シート 1	C	1	
39	56QA48240	PAPER EXIT GUIDE PLATE LOWER	排紙ガイド板 下	D	1	
40	56QA48290	PAPER EXIT REGULATING RUBBER	排紙規制ゴム	C	4	
41	56QA48300	SLIDE SPACER	スライドスペーサー	C	4	
42	57AA75060	PAPER EXIT DRIVE SHAFT HOLDER	排紙駆動軸受	C	4	
43	56AA44440	SHAFT EARTH PLATE	支持アース板	C	1	
44	57AA48270	PAPER EXIT EARTH PLATE 1	排紙アース板 1	C	1	
45	56AA-5011	EXIT BASE PANEL/R CAULKING	排紙基準パネル/奥カシメ	D	1	
46	56GA73431	MOTOR FIXING PART /1	モータ固定部材/ 1	C	1	
47	56QA48120	PAPER EXIT IDLER SHAFT /UPPER	排紙従動軸/上	D	2	
48	56QA48070	PAPER EXIT REINFORCE STAY	排紙補強ステー	D	1	
49	56AA48012	PAPER EXIT BASE PANEL /FRONT	排紙基準パネル/前	D	1	
50	56AA48051	PAPER EXIT EARTH STAY	排紙アースステー	D	1	
51	56AA48130	PAPER EXIT IDLER SHAFT /LOWER	排紙従動軸/下	D	1	
52	56AA48182	MOTOR MOUNTING PLATE	モータ取り付け板	D	1	

ELECTRIC PARTS

P 66

改訂版 REVISED EDITION	日付 DATE
4	NOVEMBER 2007



bizhub 600/bizhub 600RM/bizhub 750/bizhub 750RM

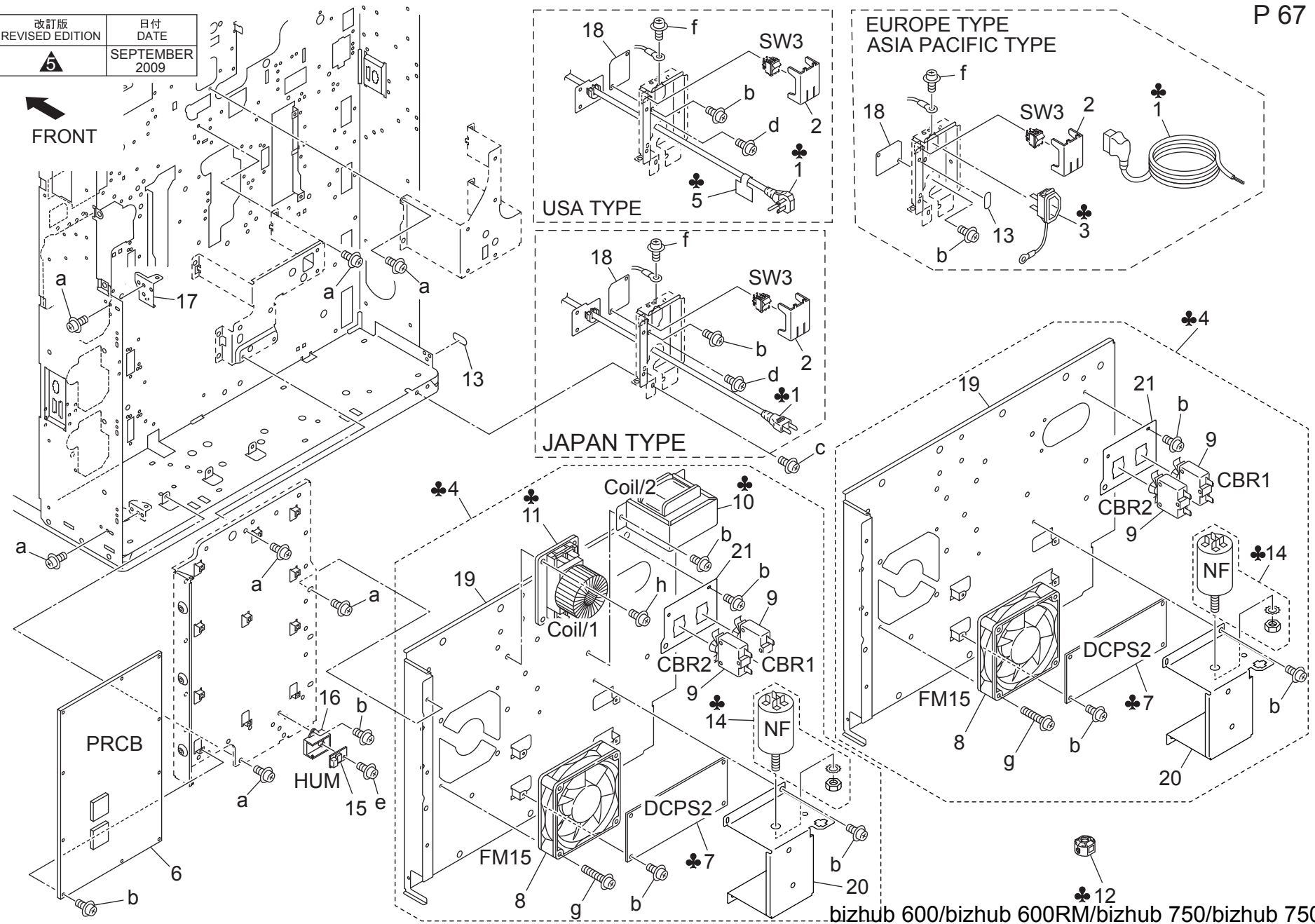
Key	Part No.	Description	Destinations	Class	QTY	Standard parts
1	56QA10550	Paper Exit Cooling Duct /Rear		D	1	a-00Z193061 b-00Z163061 c-00Z194061 d-00Z193041 e-00Z254101 f-00ZAA0007 g-00Z183041 k-V118033003
2	56QA10570	OZONE FILTER S		A	1	
3	56AA80541	FAN MOTOR 1		B	1	
4	56QA10450	Write Cooling Duct /Middle		D	1	
5	56AA10480	WRITE COOLING PAD MIDDLE		C	1	
6	56QA80560	Developing Cooling Fan		C	1	
7	56AAR70400	Write Cooling Duct /Rear Assy		D	1	
8	26NA73570	Contact Fixing Screw /A		C	1	
9	57AAR72900	SOLENOID MOUNTING PLATE ASSY	A	C	1	
9	57AER70400	Solenoid Mounting Plate Assy	B,C,D1,D3,E,F1,F2,G 1,G2,H,I,J,K	C	1	
10	57AA10650	SOLENOID CONNECTING SPRING		C	1	
11	57AA10620	SOLENOID CONNECTING PART		C	1	
11	57AE10620	SOLENOID CONNECTION MATERIAL		C	1	
12	56QA10470	WRITE COOLING SHEET MIDDLE		D	1	
13	57AA10660	SOLENOID POSITIONING PART		C	1	
14	57AA-9063H	System Control Unit		I	1	
14	57BA-9063H	System Control Unit		I	1	
14	57BA-9063H	System Control Unit	A, B, D1, D3, E, F2 , G1, G2, H, I, J, K{bizhub 750}	I	1	
14	57AA-9063H	System Control Unit	A, B, D1, D3, E, F2 , G1, G2, H, I, J, K{bizhub 600}	I	1	
15	57AA-9016G	Image Control Unit	{bizhub 600}C,F1 {bizhub 750}C,F1	I	1	
17	57AA-9522H	SYSTEM CONTROL CF ASSY	A	D	1	
17	57AE-9522H	SYSTEM CONTROL CF ASSY	B,G2	D	1	
17	57AF-9522H	SYSTEM CONTROL CF ASSY	C,F1	D	1	
17	57AG-9521G	SYSTEM CONTROL CF ASSY	J	D	1	
17	57AK-9521G	SYSTEM CONTROL CF ASSY	H	D	1	
17	57AN-9522I	SYSTEM CONTROL CF ASSY	D1,D3,E,F2,G1,I,K	D	1	
18	57AA-9512I	IMAGE CONTROL BOARD CF ASSY		D	1	
19	57AF88720	FERRITE CORE 2	C,D1,D3,E,F2,G1,H,I ,J,K	D	1	
20	57AF88730	FERRITE CORE 3	C,D1,D3,E,F2,G1,H,I ,J,K	D	1	
21	56UA89080	CONTROLLER MEMORY UNIT		I	2	
22	56UA73420	BOARD FIXING COVER		D	1	
23	56UA73440	Cushion /B		D	1	
24	56QA10521	BY-PASS COOLING PAD /1		D	1	
25	56QA10540	BY-PASS COOLING SHEET /FRONT		D	1	
26	57AA10510	BY-PASS COOLING DUCT /FRONT		D	1	
27	56QA10531	BY-PASS COOLING PAD /2		D	1	
28	56QA10460	WRITE COOLING PLATE /MIDDLE		D	1	
29	56QA10560D	Paper exit Cooling Plate		D	1	
30	57AA73860	WIRING PROTECTION SHEET /UPPER		D	1	
31	57AA73710D	Board Support Plate /2		D	1	
32	57AA73810	BOARD EARTH PLATE /2		D	1	
33	57AA73770	BOARD COVER /3		D	1	
34	57AA73290	BOARD COVER /1		D	1	
35	57AA73740	BOARD COVER /2		D	1	
36	56UA80510	Controller Cooling Fan		B	1	

bizhub 600/bizhub 600RM/bizhub 750/bizhub 750RM

ELECTRIC PARTS

改訂版 REVISED EDITION	日付 DATE
5	SEPTEMBER 2009

FRONT

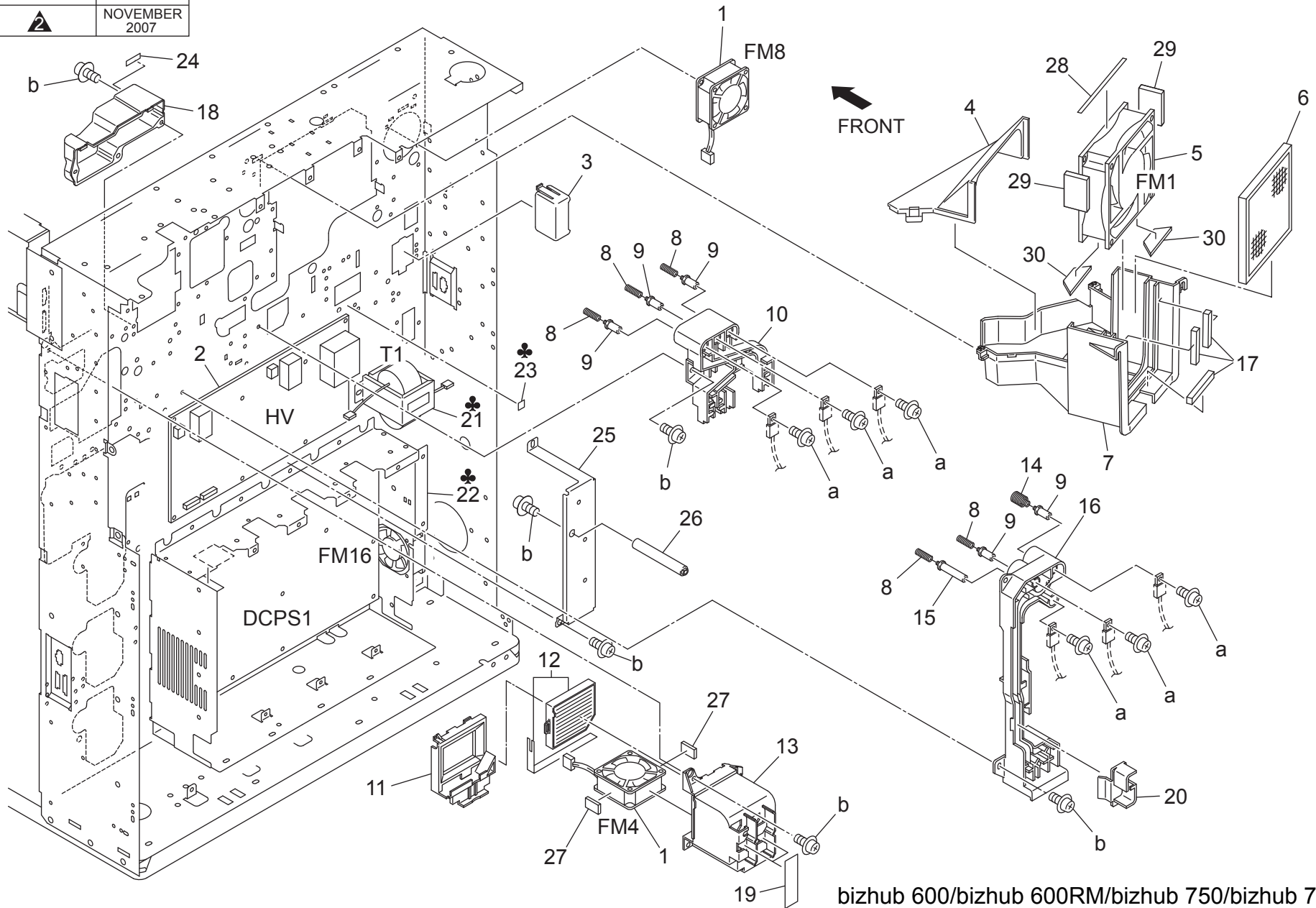


bizhub 600/bizhub 600RM/bizhub 750/bizhub 750RM

Key	Part No.	Description	Destinations	Class	QTY	Standard parts
1	56QAR70800	Cord Fixing Plate Assy	A	D	1	a-00Z194061
1	56AE-7420	CORD FIXING PLATE ASSY	B,G2	D	1	b-00Z193061
1	57AK-7420	CORD FIXING PLATE ASSY	H	D	1	c-00Z164081
1	57AS-7420	CORD FIXING PLATE ASSY	F1	D	1	d-00Z184065
1	57AN88610	Power Source Cord	D1,D3	D	1	e-00Z253081
1	26NG88611	Power Source Cord	J	D	1	f-V116040803
1	26NR88612	Power Source Cord	D1,D3,E,F1,F2	C	1	g-00Z193301
2	57AA73570	SWITCH COVER PART		C	1	h-00Z194061
3	26NAR70100	POWER SOCKET ASSY	C,D1,D3,E,F2,G1,I,J	D	1	
4	57AA-7190	AC POWER SOURCE ASSY	A	I	1	
4	57AE-7190	AC POWER SOURCE ASSY	B,F1,G2	I	1	
4	57AF-7190	AC POWER SOURCE ASSY	C,D1,D3,E,F2,G1,I,J	I	1	
4	57AK-7190	AC POWER SOURCE ASSY	H	I	1	
5	56AA97140	CORD LABEL	B,G2	D	1	
6	57AA-9021J	Printer Control Unit	A, B, D1, D3, E, F1, F2, G1, G2, H, I, J, K	I	1	
6	57AA-9021J	Printer Control Unit	C	I	1	
7	57AA84531	DC POWER SOURCE 2	A,B,F1,G2,H	I	1	
7	57AF84531	DC Power Source /2	C,D1,D3,E,F2,G1,I,J	I	1	
8	13NT80511	FAN MOTOR 1		C	1	
9	56AA88421	CIRCUIT BREAKER	サーキットブレーカー A 0 7 0 1 H C 2 0	B	2	
10	56AF84540	Coil	C,D1,D3,E,F2,J	C	1	
11	56QF84551	Coil /2	C,D1,D3,E,F2,H,J	D	1	
12	57AF88730	FERRITE CORE 3	C,D1,D3,E,F2,H,J	D	1	
13	25HE97070	EARTH LABEL		C	2	
14	323584531	Noise filter	C,D1,D3,E,F2,J	C	1	
14	55TA84561	Noise Filter	A	C	1	
14	56QE88261	NOISE FILTER	B,F1,G2,H	D	1	
15	27LA88031	Process Sensor		C	1	
16	65AA11300	SUPPORT PART		D	1	
17	56AA73121	BOARD MOUNTING HINGE	基板取り付けヒンジ	D	1	
18	56AA73171	CORD COVER PLATE	コードカバー板	D	1	
19	57AA73040	ELECTRIC MOUNTING PLATE	電装取付板	D	1	
20	57AA73130	POWER SOURCE COVER PLATE /1	電源カバー板 / 1	D	1	
21	57AA73510	POWER SOURCE COVER PLATE /2	電源カバー板 / 2	D	1	

ELECTRIC PARTS

改訂版 REVISED EDITION	日付 DATE
	NOVEMBER 2007

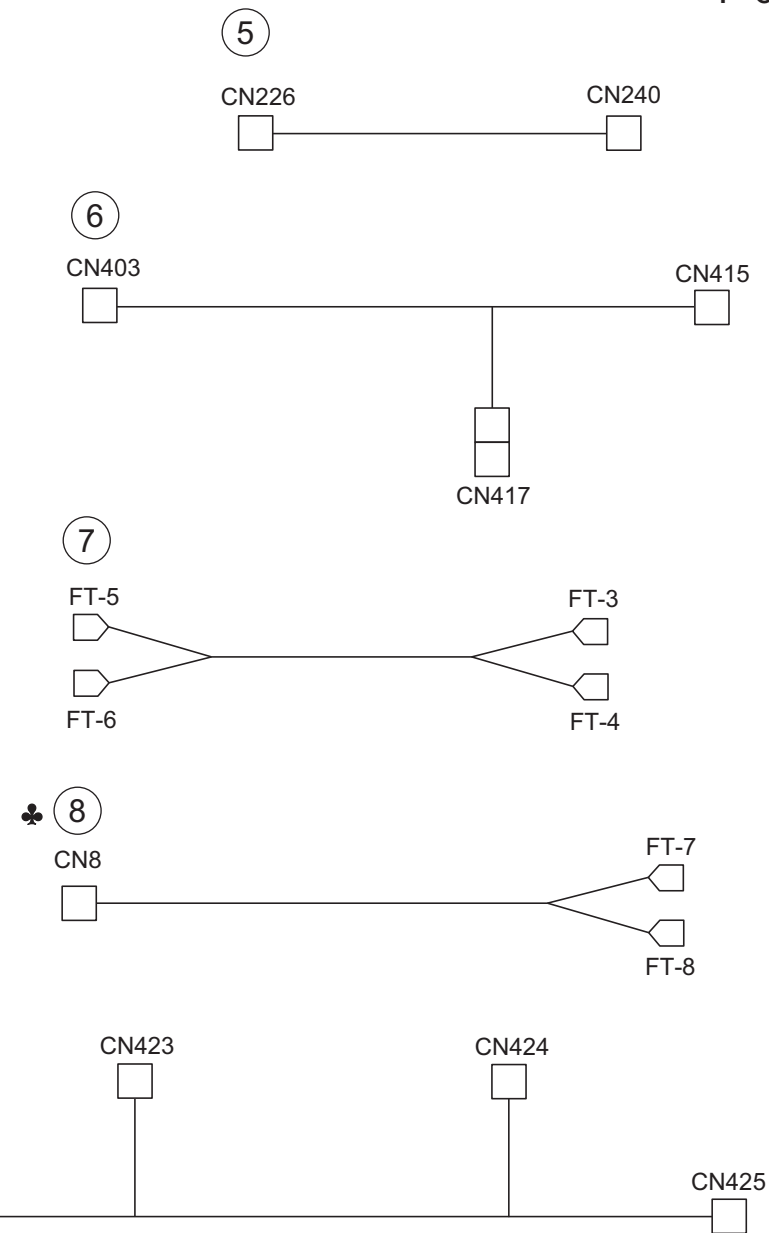
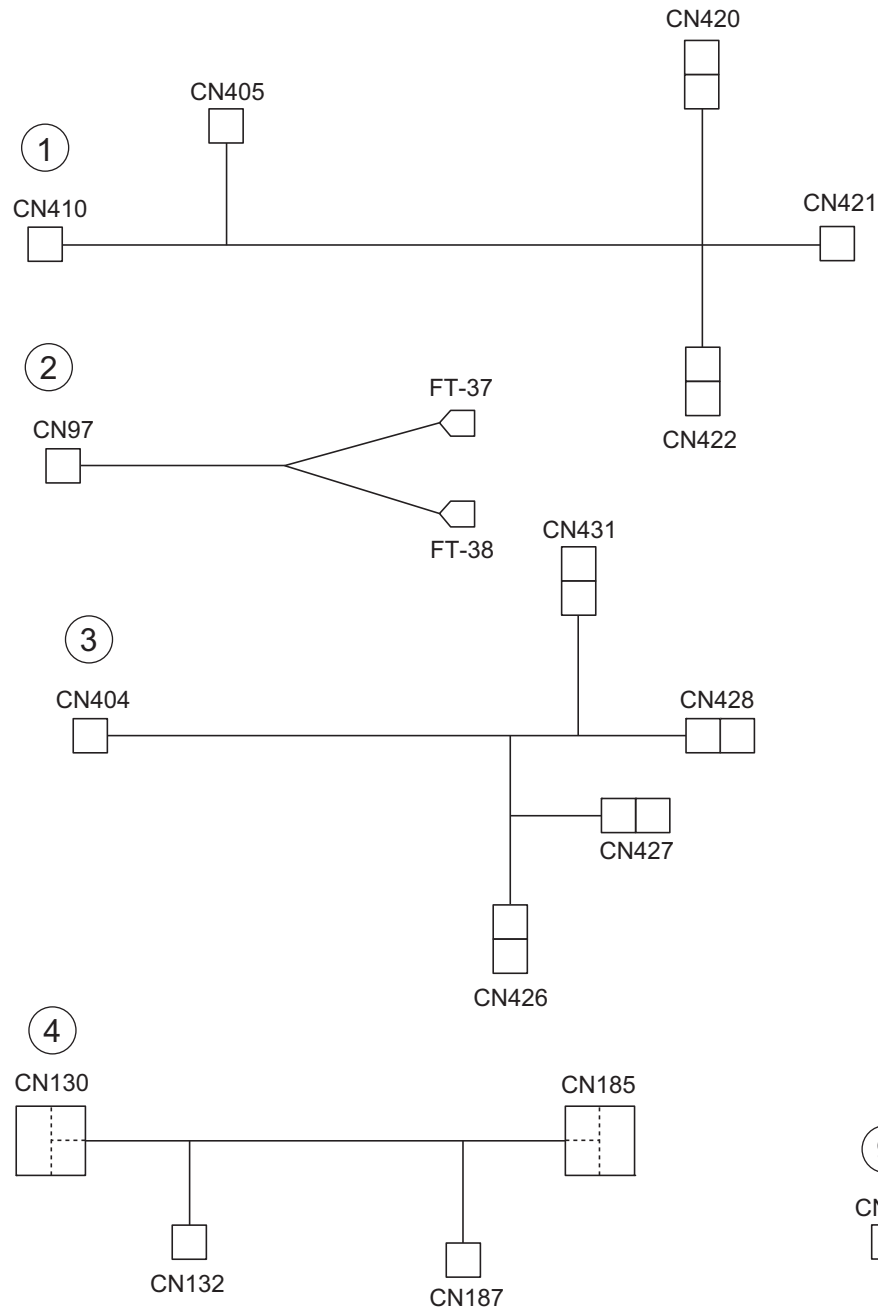


bizhub 600/bizhub 600RM/bizhub 750/bizhub 750RM

Key	Part No.	Description	Destinations	Class	QTY	Standard parts
1	56QA80570	INTERNAL COOLING FAN		C	2	a-00Z193061 b-00Z194061
2	56AA84012	High Voltage Power Source		I	1	
3	56AA73150	WIRING PROTECTION PART		C	1	
4	57AA73070	Fan Mounting Cover		C	1	
5	55FA80521	Main Fan Motor		B	1	
6	57AA10590	OZONE FILTER M		A	1	
7	57AA73060	Fan Mounting Duct		D	1	
8	56AA73271	CONTACT SPRING /1		C	5	
9	56AA73230	CONTACT SHAFT A		D	5	
10	56AA73090	HIGH VOLTAGE GUIDE PART LOWER		C	1	
11	57AA73790	DEVELOPING SUCTION COVER		C	1	
12	57AAR72800	TONER FILTER ASSY		A	1	
13	57AA73780	DEVELOPING SUCTION COVER		C	1	
14	56AA73282	CONTACTSPRING 2		C	1	
15	56AA73210	CONTACT SHAFT		D	1	
16	56QA73080	HIGH VOLTAGE GUIDE PART UPPER		C	1	
17	56QA73880	OZONE REGULATING PART 2		D	3	
18	57AA10090	DEVELOPING SUCTION DUCT		C	1	
19	56QA73870	DEVELOPING SUCTION SHEET		C	1	
20	56AA73160	HIGH VOLTAGE GUIDE COVER		C	1	
21	56AA84520	Power Source Transformer	A	C	1	
21	56AE84520	Power Source Transformer	B,F1,G2,H	C	1	
21	56AF84521	Power Source Transformer	C,D1,D3,E,F2,G1,I,J ,K	C	1	
22	57AA84511	DC Power Source /1	A	I	1	
22	57AE84511	DC Power Source /1	B,F1,G2,H	I	1	
22	57AF84512	DC Power Source /1	C,D1,D3,E,F2,G1,I,J ,K	I	1	
23	57AF97740	EARTH LABEL F	C,D1,D3,E,F2,G1,I,J ,K	D	1	
24	56QA73850	COVER SHEET /G		C	1	
25	56QA73430	WIRING SUPPORT PLATE		D	1	
26	56QA10120	External Support Shaft		D	1	
27	56QA10491	FAN HOLDING PAD		D	2	
28	57AA73530	FAN SEALING PART/UPPER		C	1	
29	57AA73540	FAN SEALING PART/MIDDLE		C	2	
30	57AA73550	FAN SEALING PART/LOWER		C	2	

bizhub 600/bizhub 600RM/bizhub 750/bizhub 750RM

WIRING

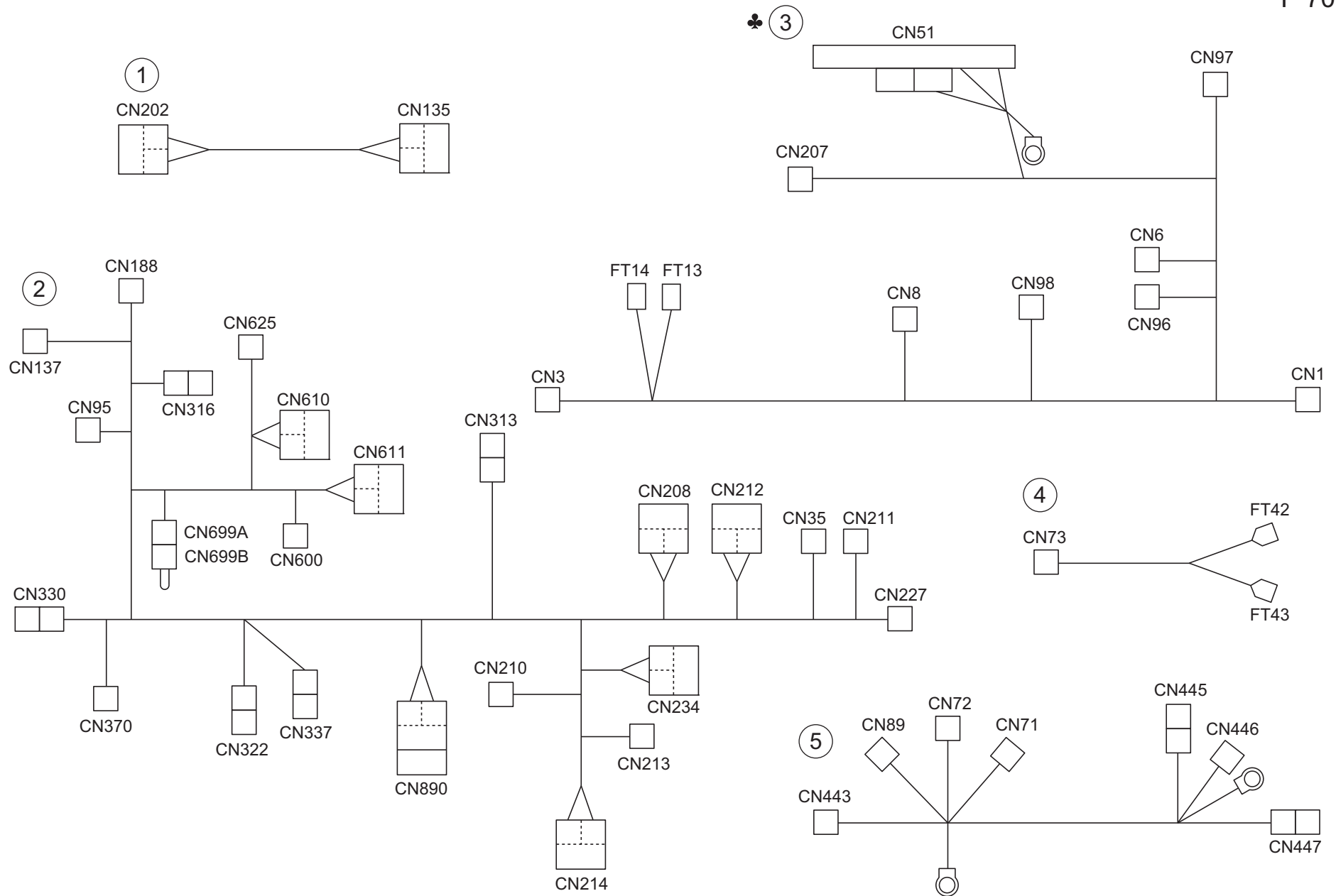


bizhub 600/bizhub 600RM/bizhub 750/bizhub 750RM

WIRING

Key	Part No.	Description	Destinations	Class	QTY	Standard parts
1	57AA90220	CONVEYANCE UNIT CONTROL WIRING		D	1	
2	57AA90360	SYSTEM POWER SOURCE WIRING		D	1	
3	57AA90280	ADU SIGNAL WIRING		D	1	
4	57AA90160	LASER CONTROL WIRING		D	1	
5	57AA90790	PROCESS DETECTION WIRING		D	1	
6	57AA90250	CONVEYANCE DRIVE WIRING		D	1	
7	57AA90300	AC POWER SOURCE WIRING		D	1	
8	57AA90310	AC RELAY WIRING	A,B,F1,G2	D	1	
9	57AA90230	Registration Wiring		D	1	

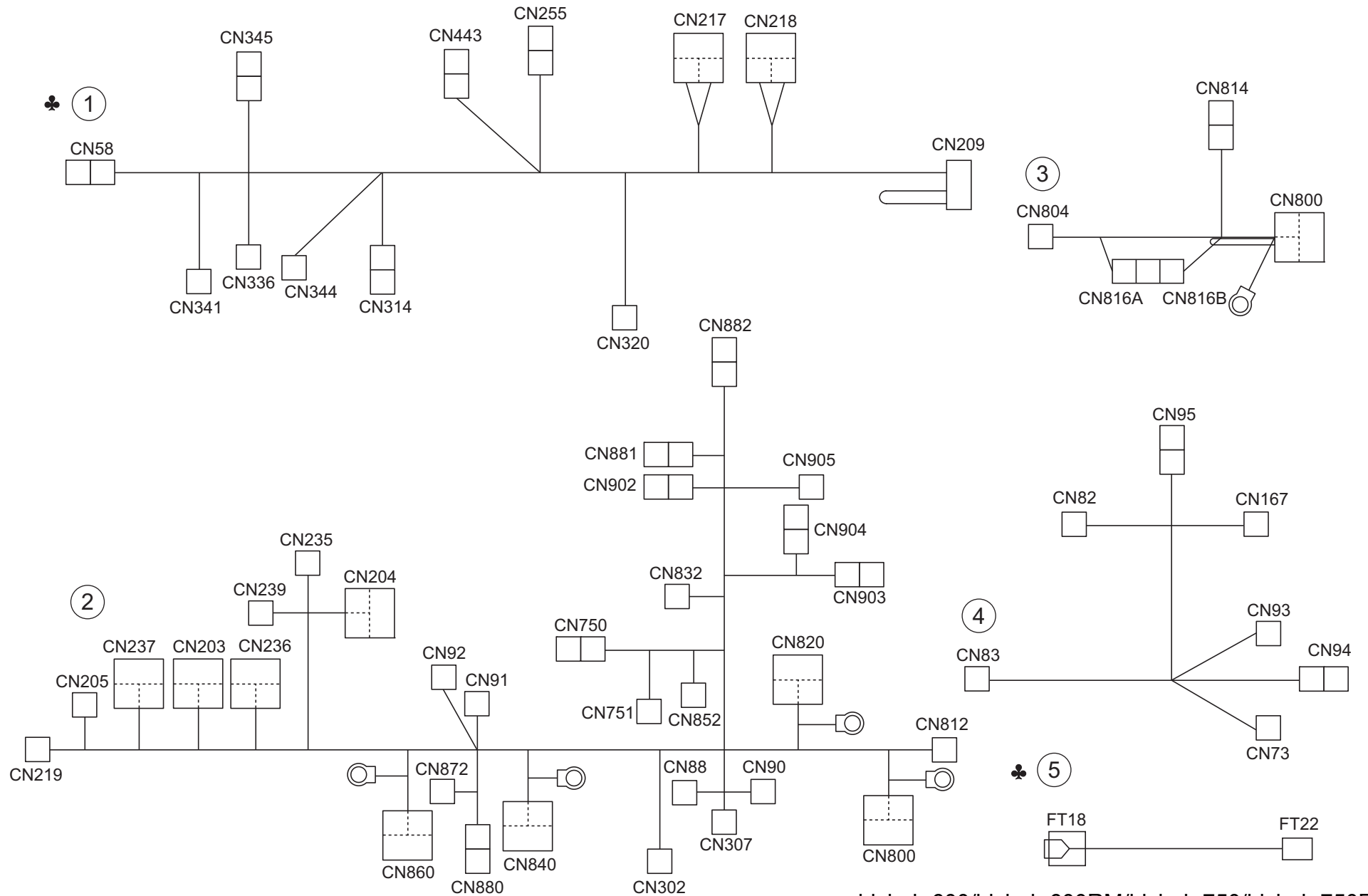
bizhub 600/bizhub 600RM/bizhub 750/bizhub 750RM



bizhub 600/bizhub 600RM/bizhub 750/bizhub 750RM

Key	Part No.	Description	Destinations	Class	QTY	Standard parts
1	57AA90050	IMAGE CONTROL WIRING		D	1	
2	57AA90010E	MAIN BODY WIRING		D	1	
3	57AA90030	Power Source Wiring	A	D	1	
4	57AA90860	POWER SOURCE RELAY WIRING		D	1	
5	57AA90020	ADU CONNECTING WIRING		D	1	

bizhub 600/bizhub 600RM/bizhub 750/bizhub 750RM

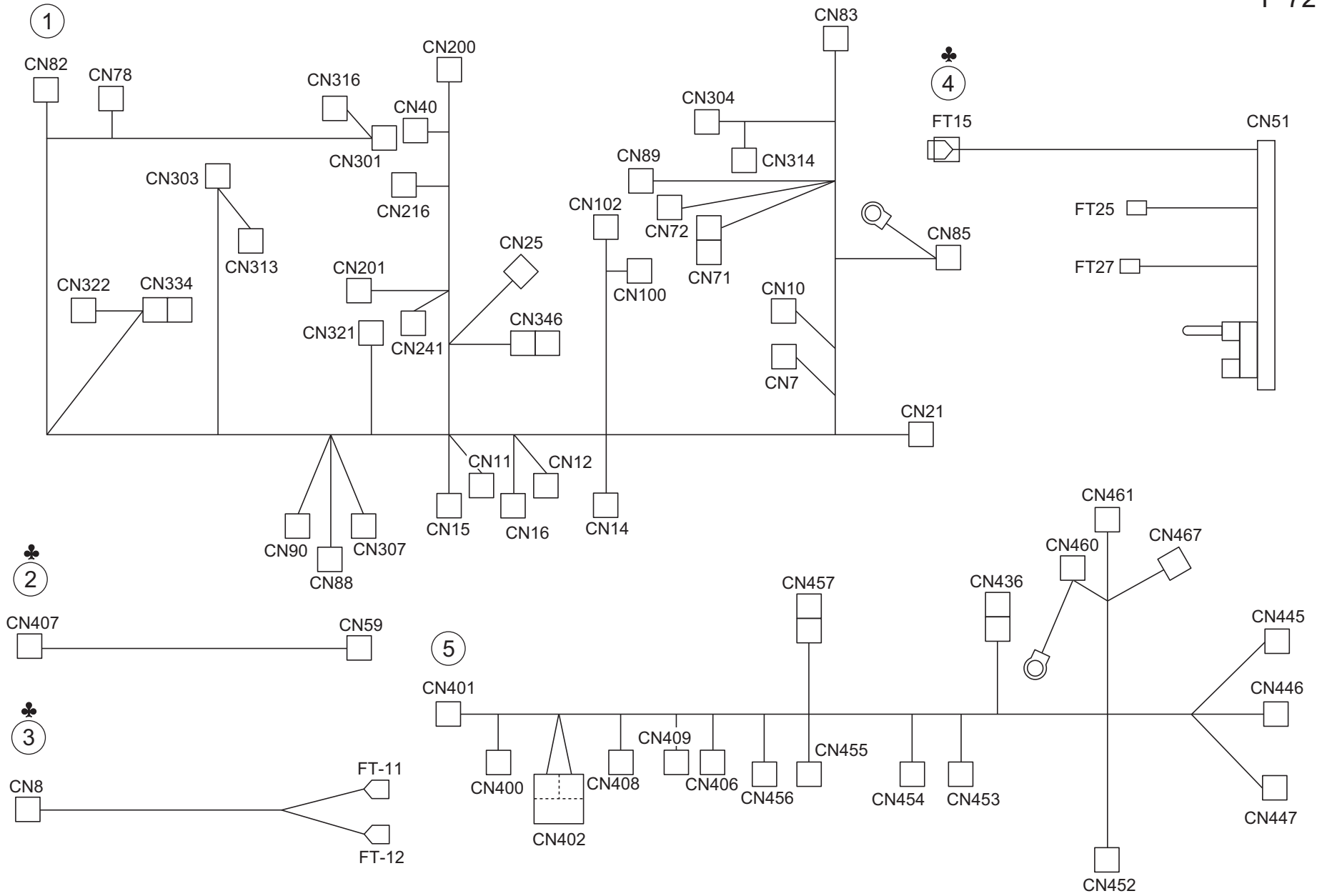


bizhub 600/bizhub 600RM/bizhub 750/bizhub 750RM

Key	Part No.	Description	Destinations	Class	QTY	Standard parts
1	57AA90040	MAIN BODY WIRING A	{bizhub 750} {bizhub 600}	D	1	
1	57BA90040	MAIN BODY WIRING A		D	1	
2	57AA90060	Paper Feed Control Wiring		C	1	
3	57AA90670	PAPER FEED WIRING L		D	1	
4	57AA90500	DC INTERLOCK WIRING		D	1	
5	57AE93620	FIXING RELAY WIRING 1	B,C,D1,D3,E,F1,F2,G 1,G2,H,I,J,K	D	1	

bizhub 600/bizhub 600RM/bizhub 750/bizhub 750RM

WIRING



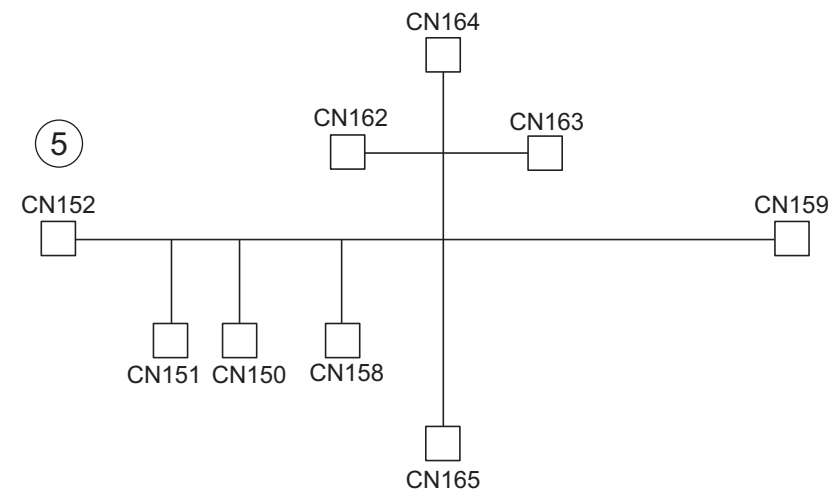
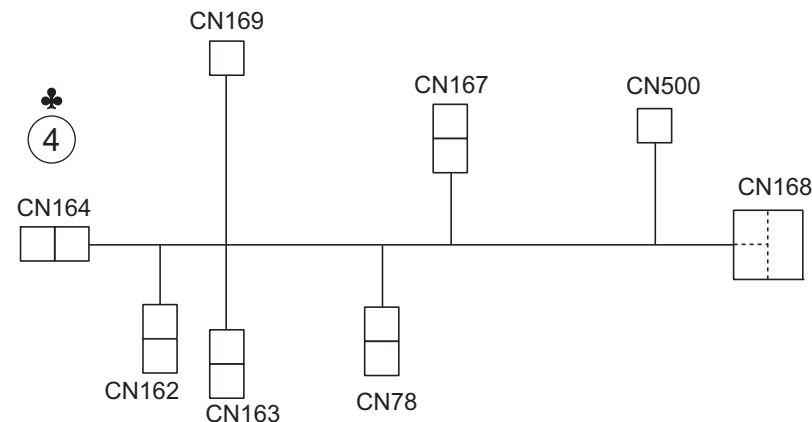
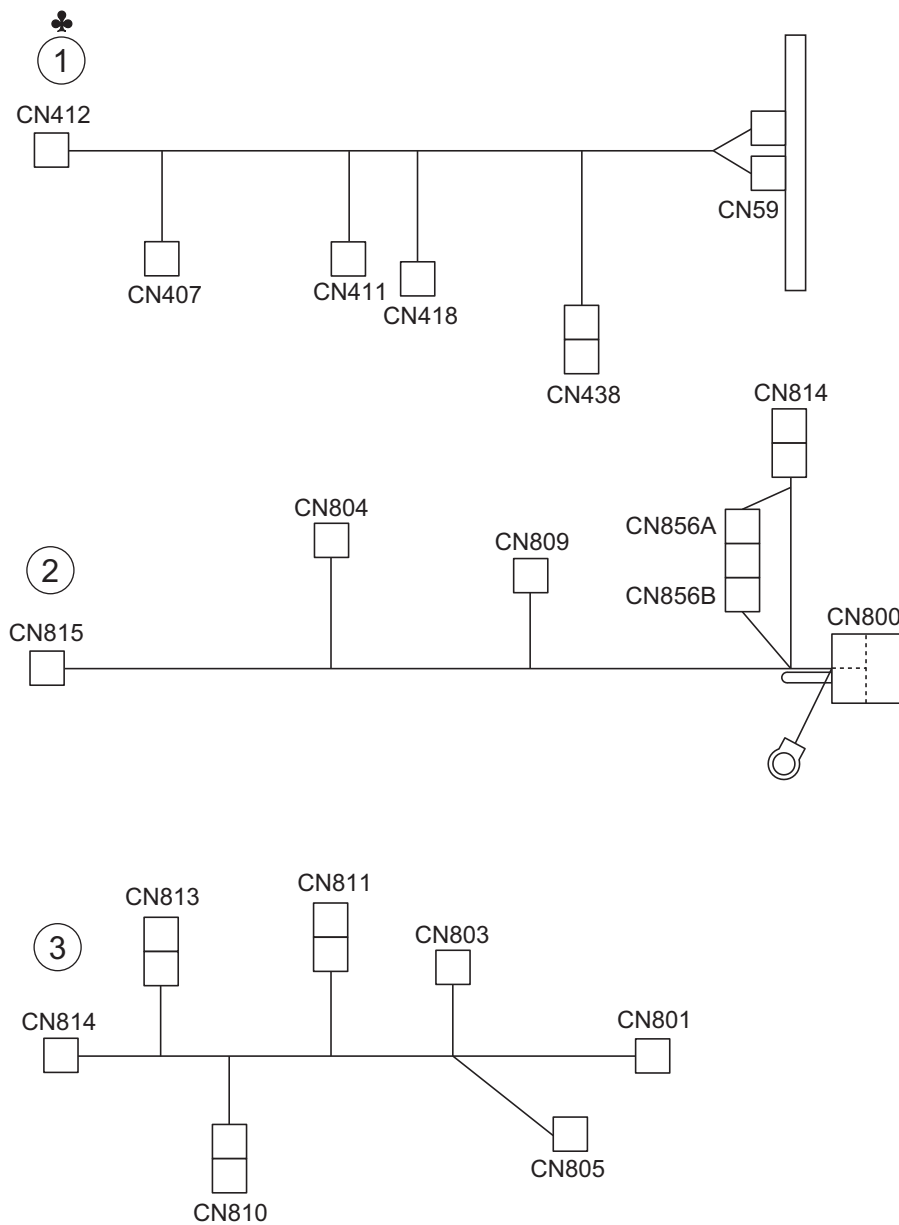
bizhub 600/bizhub 600RM/bizhub 750/bizhub 750RM

WIRING

Key	Part No.	Description	Destinations	Class	QTY	Standard parts
1	57AA90510	DC POWER SOURCE WIRING 1	D C 電源束線 1	D	1	
2	57AE90340	FIXING CONNECTING WIRING 1	定着連結束線 1	D	1	
3	57AF90310	AC RELAY WIRING	A C 中継束線	D	1	
4	57AE93610	FIXING POWERING WIRING 2	定着給電束線 2	D	1	
5	57AA90200	ADU CONTROL WIRING	A D U 制御束線	D	1	

bizhub 600/bizhub 600RM/bizhub 750/bizhub 750RM

WIRING



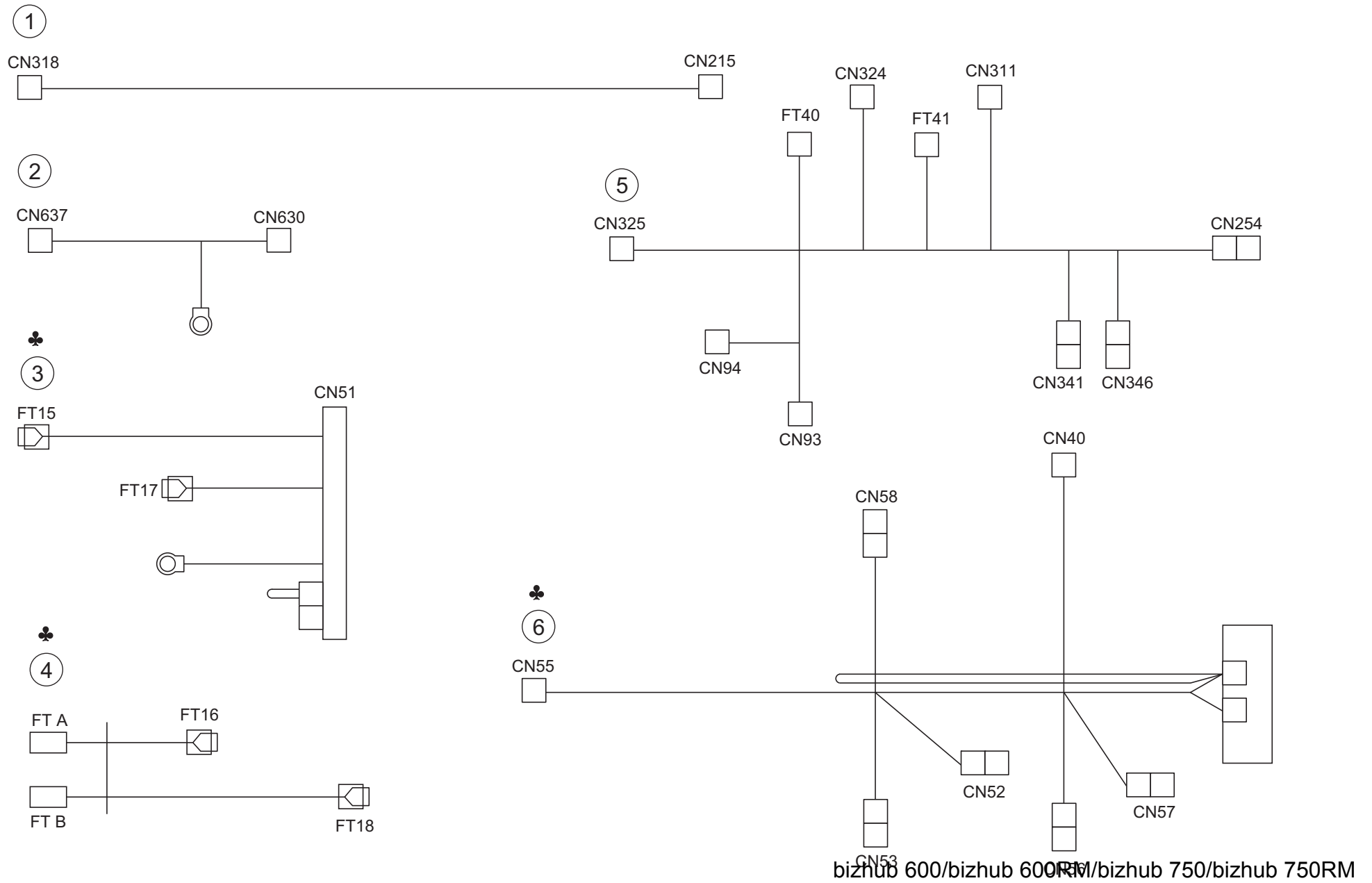
bizhub 600/bizhub 600RM/bizhub 750/bizhub 750RM

WIRING

Key	Part No.	Description	Destinations	Class	QTY	Standard parts
1	57AA90340	FIXING CONNECTING WIRING 1				
2	57AA90600	Paper Feed Wiring /1	A	D	1	
3	57AA90610	PAPER FEED WIRING 2		D	1	
4	57AA90820	OPERATION UNIT WIRING 1		D	1	
5	57AA90850	OPERATION UNIT WIRING 3	A,B,F1,G2	D	1	

bizhub 600/bizhub 600RM/bizhub 750/bizhub 750RM

WIRING

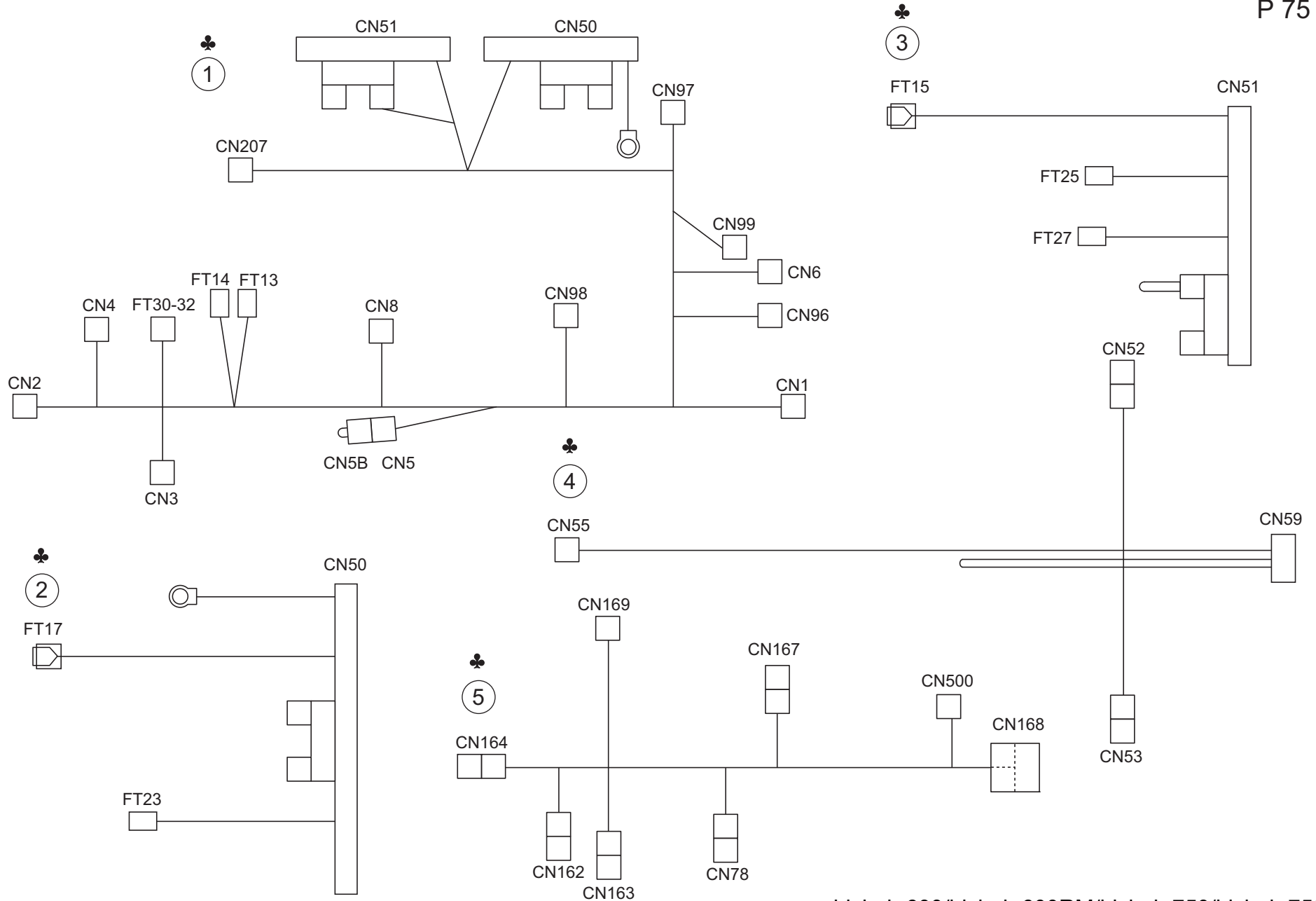


Key	Part No.	Description	Destinations	Class	QTY	Standard parts
1	57AA90880	MOTOR DRIVE WIRING Y	モータ駆動束線 Y	D	1	
2	57AA90910	LAMP RELAY WIRING	ランプ中継束線	D	1	
3	57AA93610	FIXING POWER SUPPLY WIRING /2	定着給電束線 / 2	A	1	
4	57AA93630	FIXING POWER SUPPLY WIRING 2	定着給電束線 2	A	1	
5	57AA93660	DC Interlock Wiring /2	DC インターロック束線 / 2	D	1	
6	57AA93680	Fixing Connecting Wiring /2	定着連結束線 2	A	1	

bizhub 600/bizhub 600RM/bizhub 750/bizhub 750RM

WIRING

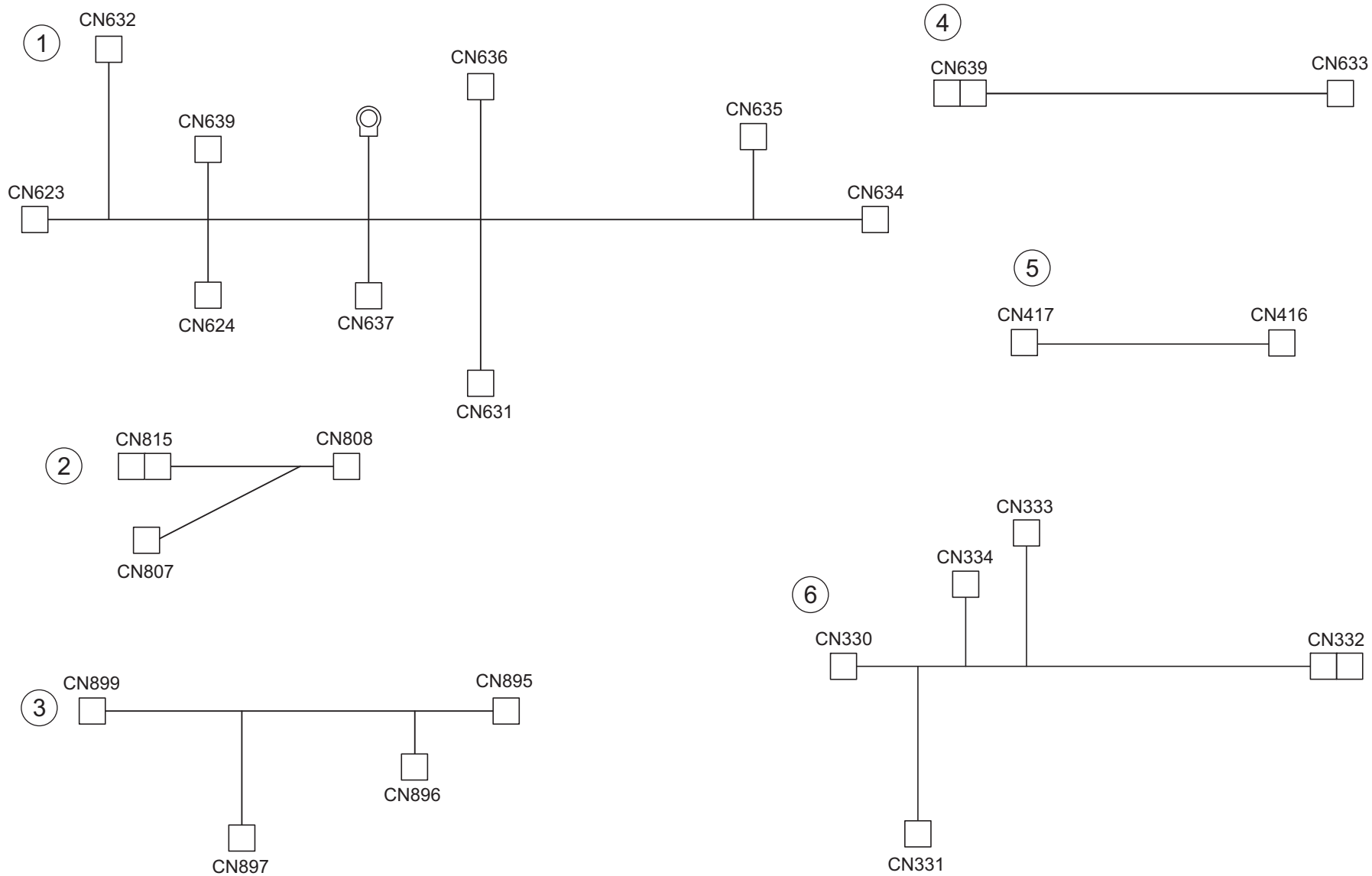
P 75



bizhub 600/bizhub 600RM/bizhub 750/bizhub 750RM

Key	Part No.	Description	Destinations	Class	QTY	Standard parts
1	57AE90031	Power Source Wiring 電源 束線	B,C,D1,D3,E,F1,F2,G 1,G2,H,I,J,K	D	1	
2	57AE90081	FIXING POWER SUPPLY WIRING 1 定着給電束線 1	B,C,D1,D3,E,F1,F2,G 1,G2,H,I,J,K	D	1	
3	57AF93611	FIXING POWER SUPPLY WIRING 2 定着給電束線 2	C,D1,D3,E,F2,G1,I,J ,K	D	1	
4	57AE93680	FIXING CONNECTING WIRING 2 定着連結束線 2	B,C,D1,D3,E,F1,F2,G 1,G2,H,I,J,K	D	1	
5	57AF90820	OPERATION WIRING 1 操作部束線 1	C,D1,D3,E,F2,G1,H,I ,J,K	D	1	

bizhub 600/bizhub 600RM/bizhub 750/bizhub 750RM

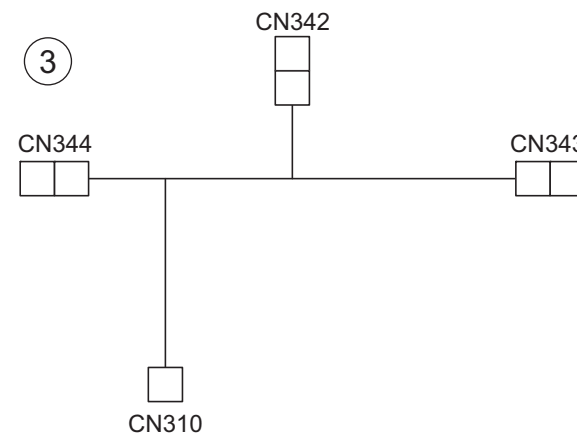
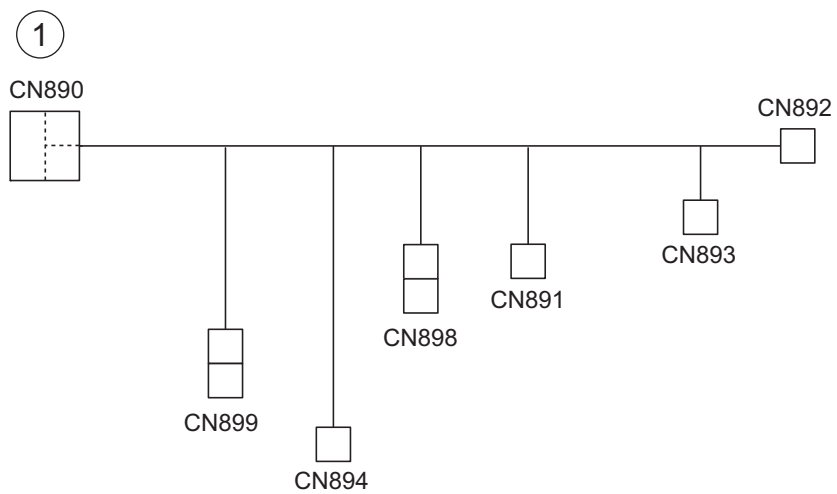


bizhub 600/bizhub 600RM/bizhub 750/bizhub 750RM

Key	Part No.	Description	Destinations	Class	QTY	Standard parts
1	56AA90420E	APS WIRING /1		D	1	
2	56AA90660E	Paper Feed Relay Wiring /1		D	1	
3	56AA90651	BY PASS FEED WIRING 2		D	1	
4	56AA90440E	RELAY WIRING /A		D	1	
5	56AA90240	ADU DRIVING WIRING		D	1	
6	56AA90141E	Toner Supply Wiring		D	1	

bizhub 600/bizhub 600RM/bizhub 750/bizhub 750RM

WIRING



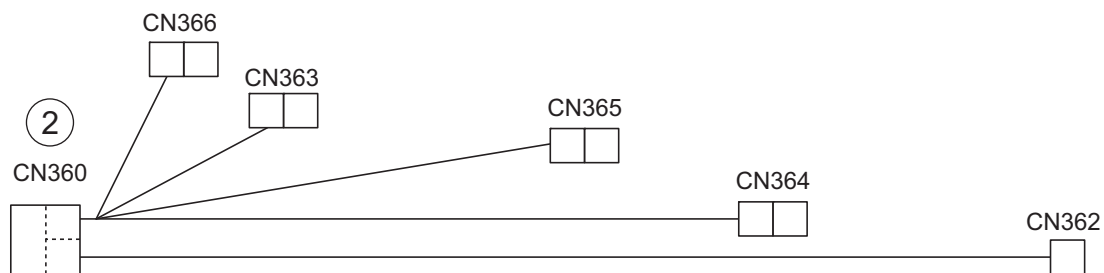
WIRING

Key	Part No.	Description	Destinations	Class	QTY	Standard parts
1	56AA90642E	BY-PASS WIRING /1		D	1	
2	56AA90810E	PAPER EXIT WIRING /3		D	1	
3	56AA90780E	Paper Exit Wiring /1		D	1	

bizhub 600/bizhub 600RM/bizhub 750/bizhub 750RM

WIRING

P 78

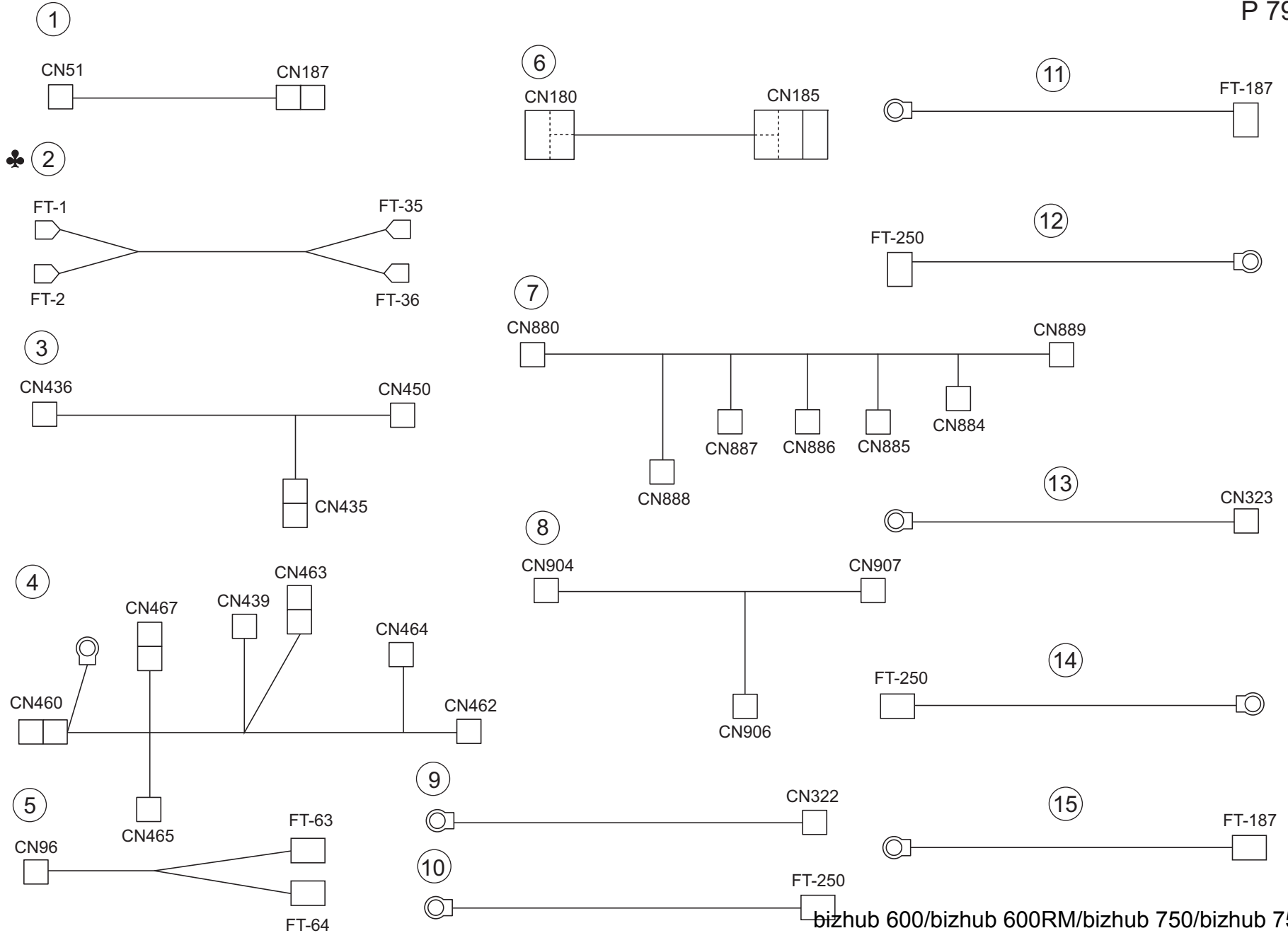


bizhub 600/bizhub 600RM/bizhub 750/bizhub 750RM

Key	Part No.	Description	Destinations	Class	QTY	Standard parts
1	56AA90891E	DRUM WIRING		D	1	
2	56AA90902E	DRUM WIRING /1		D	1	
3	56AA93701	High Voltage Lead Wire /A		D	1	
4	56AA93711	High Voltage Lead Wire /B		D	1	
5	56AA93721	High Voltage Lead Wire /C		D	1	
6	56AA93630	FIXING RELAY WIRING 2	B,C,D1,D3,E,F1,F2,G 1,G2,H,I,J,K	D	1	
7	56QA90210	PAPER EXIT CONTROL WIRING		D	1	
8	57AA90800	Motor Drive Wiring /X		D	1	

bizhub 600/bizhub 600RM/bizhub 750/bizhub 750RM

WIRING



bizhub 600/bizhub 600RM/bizhub 750/bizhub 750RM

Key	Part No.	Description	Destinations	Class	QTY	Standard parts
1	56AA90540E	INDEX DETECTION WIRING	I N D E X 検知束線	D	1	
2	56AF90330	AS RELAY WIRING 3	A C 中継束線 3	D	1	
3	56QA90260E	RELAY WIRING /S	センサ中継束線 / S	D	1	
4	56QA90270E	CONVEYANCE RELAY WIRING	搬送中継束線	D	1	
5	56QA90350	HEATER RELAY WIRING	ヒータ中継束線	D	1	
6	56QA90480E	LD DRIVE WIRING	L D 駆動束線	D	1	
7	56QA90620	PAPER FEED WIRING 3	給紙束線 3	D	1	
8	56QA90630	CONVEYANCE DETECTION WIRING	搬送検知束線	D	1	
9	56QA90700	High Voltage Lead Wire /1	高圧リード線 1	D	1	
10	56QA90710	High Voltage Lead Wire /2	高圧リード線 2	D	1	
11	56QA90720	High Voltage Lead Wire /3	高圧リード線 3	D	1	
12	56QA90730	High Voltage Lead Wire /4	高圧リード線 4	D	1	
13	56QA90740	High Voltage Lead Wire /5	高圧リード線 5	D	1	
14	56QA90750	High Voltage Lead Wire /6	高圧リード線 6	D	1	
15	56QA90760	High Voltage Lead Wire /7	高圧リード線 / 7	D	1	

bizhub 600/bizhub 600RM/bizhub 750/bizhub 750RM

WIRING ACCESSORY AND JIGS

P 80

1 	6 	11 	16 	21 	26 	31 	36
2 	7 	12 	17 	22 	27 	32 	37
3 	8 	13 	18 	23 	28 	33 	38
4 	9 	14 	19 	24 	29 	34 	
5 	10 	15 	20 	25 	30 	35 	

bizhub 600/bizhub 600RM/bizhub 750/bizhub 750RM

Key	Part No.	Description	Destinations	Class	QTY	Standard parts
1	00Z920013	Super Saddle		V	1	
2	00Z920016	Locking Wire Saddle		V	1	
3	00Z920017	Locking Wire Saddle		V	1	
4	V500010013	saddle		D	1	
5	00Z920020	Locking Wire Saddle		V	1	
6	00Z920021	Locking Wire Saddle		V	1	
7	00Z920022	Locking Wire Saddle		V	1	
8	00Z920025	Square Bush		V	1	
9	00Z920026	Square Bush		V	1	
10	00Z920051	Card Spacer		V	1	
11	00Z920054	Flat Clamp		V	1	
12	00Z920057	Reuse Wire Saddle		V	1	
13	00Z920062	Mini Saddle		V	1	
14	00Z920066	Wire Saddle		V	1	
15	00Z920067	Wire Saddle		V	1	
16	00Z920068	Wire Saddle		V	1	
17	00Z920074	Nylon Clamp		V	1	
18	00Z920091	Edge Saddle		V	1	
19	00Z920094	Locking Edge Saddle		V	1	
20	00Z920096	Locking Edge Saddle		V	1	
21	00Z920105	PCB Support		V	1	
22	00Z920106	Locking Wire Saddle		V	1	
23	00Z920110	Mini Saddle		V	1	
24	00Z920123	Mini Double PCB Post		V	1	
25	00Z920125	Double Wire Saddle		V	1	
26	00Z921102	Nylon Clamp		V	1	
27	00Z921103	Nylon Clamp		V	1	
28	00Z921104	Nylon Clamp		V	1	
29	00Z921303	Wire Saddle		V	1	
30	00Z921321	Locking Wire Saddle		V	1	
31	00Z921323	Locking Wire Saddle		V	1	
32	00Z921324	Locking Wire Saddle		V	1	
33	00Z921370	Super Saddle		V	1	
34	00Z921916	Mini Clamp		V	1	
35	00Z921930	Mini Saddle		V	1	
36	00Z921931	Mini Saddle		V	1	
37	00Z921941	Mini Saddle		V	1	
38	00Z921942	Mini Saddle		V	1	

WIRING ACCESSORY AND JIGS

P 81

1 	6 	11 	16♣ 	21 	26 	31 	
2 	7 	12 	17♣ 	22 	27 		
3 	8 	13 	18♣ 	23 	28 		
4 	9 	14 	19♣ 	24♣ 	29 		
5 	10 	15♣ 	20 	25 	30 		

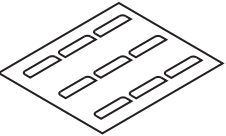
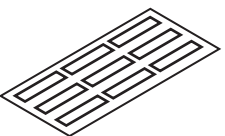
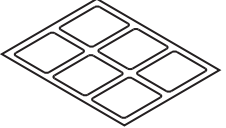
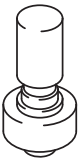
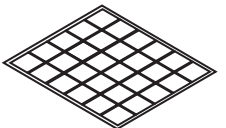
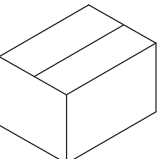
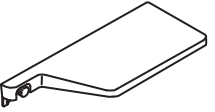
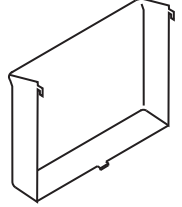
bizhub 600/bizhub 600RM/bizhub 750/bizhub 750RM

Key	Part No.	Description	Destinations	Class	QTY	Standard parts
1	00Z921990	Space Clip		V	1	
2	00Z922310	SK Binder		V	1	
3	00Z922320	SK Binder		V	1	
4	00Z922410	Cable Tie		V	1	
5	00Z922450	Cable Tie		V	1	
6	00Z922470	Cable Tie		V	1	
7	00Z924512	Edging		V	1	
8	00Z925103	Locking Circuit Board Support		V	1	
9	00Z925106	Locking Circuit Board Support		V	1	
10	00Z925110	Locking Circuit Board Support		V	1	
11	00Z926257	Edge Saddle		V	1	
12	00Z926258	Edge Saddle		V	1	
13	00Z926259	Edge Saddle		V	1	
14	00Z930002	CT Panel Mount		V	1	
15	57AEJG010	THERMOSTAT PS JIG UPPER	B,C,D1,D3,E,F1,F2,G 1,G2,H,I,J,K	S	1	
16	57AAJG010	THERMOSTAT PS JIG UPPER	A	S	1	
17	57AAJG020	TEMPERATURE PS JIG UPPER	A	S	1	
18	57AAJG030	TEMPERATURE PS JIG LOWER	A	S	1	
19	000V-18-1	CLEANING PAD	C,D1,D3,E,F1,F2,H,I ,J,K	A	1	
19	000V-18-2	CLEANING PAD	A	A	1	
20	000V10010	GLOVES		S	1	
21	000V10020	DUST BAG		S	1	
22	000V10030	DEVE COLLECTING SHEET		S	1	
23	000V10040	COLLECTING HAND BAG		S	1	
24	000V10050	COTTON SWAB	A,C,D1,D3,E,F1,F2,H ,I,J,K	S	1	
25	7050K0020	OPTICS PS GAUGE		S	1	
26	00M6-2-00	DOOR SWITCH JIG 2/1SET		S	1	
27	00VC-2-00	DRUM COVER		C	1	
28	00VD-1000	BLOWER BRUSH		B	1	
29	120A10521	Positioning Shaft Jig		S	1	
30	129XJG011	STAPLER PS JIG		S	1	
31	13QEJG010	Stapler Positioning Jig		S	1	

bizhub 600/bizhub 600RM/bizhub 750/bizhub 750RM

ACCESSORY PARTS

P 82

1 	6 						
2 	7 						
3 	8 ♣ 						
4 							
5 							

bizhub 600/bizhub 600RM/bizhub 750/bizhub 750RM

ACCESSORY PARTS

Key	Part No.	Description	Destinations	Class	QTY	Standard parts
1	57AA97840	POWER SOURCE INDICATING LABEL	電源表示ラベル 2	C	1	
2	56RE97410	GLASS CLEANING LABEL	ガラス清掃ラベル	C	1	
3	57AA97901	PAPER FEED INDICATING SHEET	給紙表示シート	C	1	
4	56RER70100	WORKING TABLE	ワーキングテーブル	C	1	
5	57AA12540	ACCESSORIES HOLDING PANEL	付属品ホルダーパネル	C	1	
6	56QA97770	CONVEYANCE INDEX LABEL	搬送指標ラベル	C	1	
7	14GA46970	SOLENOID SET PART A	ソレノイドセット部材 A	C	1	
8	57AA-PM25	PM PARTS KIT 250K	PM パーツキット 25万	A	1	
8	57AE-PM25	PM PARTS KIT 250K	PM パーツキット 25万	A	1	

bizhub 600/bizhub 600RM/bizhub 750/bizhub 750RM

MAINTENANCE LIST

● The items with no Page/Key numbers are not handled as spare parts.

No.	Section	PM Parts Description	Maintenance Cycle (K=1,000)		Parts No.	Destinations	Page/Key	Note
			QTY	Replace				
1	EXTERNAL SECTION	OZONE FILTER M	1	250K	57AA10590		P68-6	
2		OZONE FILTER S	1	250K	56QA10570		P66-2	
3		TONER FILTER ASSY	1	250K	57AAR72800		P68-12	
4	DRIVING SECTION	CONVEYANCE DRIVE CLUTCH	3	2000K	57AA82030		P12-20	
5		BY PASS FEED DRIVING GEAR/1	1	5000K	56AA77120		P15-13	
6	PHOTO CONDUCTOR SEC-	TONER GUIDE ROLLER	1	250K	57AAR71100		P18-2	
7		CLEANER BLADE	1	250K	57AA20080		P17-8	
8		DEVELOPER	1	250K	-			
9		DRUM CLAW	3	500K	56AA20700		P19-4	
10		DRUM	1	500K	-			
11		PAPER FEED SOLENOID	1	2000K	26NA82513		P19-15	
12		TONER CONTROL SENSOR ASSY	1	2500K	56AA-9102E		P19-14	
13		TONER COLLECTION GEAR 3	1	5000K	57AA77820		P13-5	
14		CHARGING SECTION	CHARGE CONTROL PLATE	1	250K	56AA25030		P21-21
15	CHARGE WIRE		1	250K	56AA25090		P21-19	
16	CHARGING CLEANING BOARD		1	250K	56AA25400		P21-6	
17	CHARGING SLIDE MEMBER		1	250K	56AA25380		P21-5	
18	CHARGING CLEANING BLOCK/UP		1	250K	56AAR70700		P21-12	
19	C-CLIP		1	250K	45AA20400		P21-4	
20	CHARGING CLEANING BLOCK/LW		1	250K	56AAR70800		P21-14	
21	CHARGING CORONA UNIT		1	2500K	57AAR71400		P21-1	
22	DEVELOPING SECTION	DEVELOPING UNIT	1	2500K	57AAR71600		P22-14	
23	PAPER FEED SECTION	DOUBLE FEED PREVENTION RUBBER	4	125K	25SA40960		P40-10/P42-6	
24		DOUBLE FEED PREVENTION RUBBER	4	125K	25SA40960		P40-10/P42-6	
25		PICK-UP ROLLER	4	800K	56AAR72100		P40-6	
26		PAPER FEED REGULATING BLOCK	4	5000K	56AA40380		P41-6	
27		PAPER FEED ROLLER	4	5000K	25AA40100		P40-19	
28		PAPER FEED DRIVING CLUTCH	2	2000K	56AA82012		P41-23	
29		CONVEYANCE DRIVE CLUTCH	1	2000K	57AA82030		P42-4	
30	BYPASS TRAY SECTION	LOOP ROLLER	1	5000K	56AA42510		P45-19	
31		BY PASS FEED INPUT GEAR A 24T	1	5000K	56AA77160		P45-24	
32		BY PASS FEED INPUT GEAR B 28T	1	5000K	56AA77170		P45-23	
33		PAPER SUPPLY RUBBER	1	70K	540040562		P46-26	
34		PAPER DELIVERY RUBBER	1	140K	55FA42330		P45-12	
35	TRANSFER/SEPARATION	DISCHARGING WIRE	3	500K	56AA26090		P20-13	
36		TRANSFER CLEANING ASSEMBLY	1	500K	56AAR71000		P20-5	
37		SEPARATION CLEANING ASSEMBLY	1	500K	56AAR71100		P20-4	
38		C-CLIP	2	500K	45AA20400		P20-15	
39		TRANSFER HOLDING RUBBER	3	500K	56AA17830		P20-21	
40		TRANSFER SEPARATION CHARGE UNIT	1	2000K	57AAR71500		P20-20	
41	REGISTRATION SECTION	PAPER FEED DRIVING CLUTCH	1	2000K	56AA82012		P26-24	
42		PAPER FEED SLIDE SHAFT HOLDER	1	2500K	A03U812800		P26-16	
43		REGISTRATION ROLLER	1	2500K	56QA46030		P26-29	
44	ADU	REGISTRATION SHAFT HOLDER UPPER	2	2500K	55GA75520		P58-16	
45		REGISTRATION SHAFT HOLDER LOWER	2	2500K	55GA75510		P58-14	
46		ADU REGISTRATION ROLLER LOWER UP	1	2500K	56AA51110		P58-20	
47		ADU REGISTRATION ROLLER LOWER LW	1	2500K	56QA51120		P58-21	
48		TRANSFER EXPOSURE LAMP UNIT	1	2500K	56AAR71400		P64-11	
49		CONVEYANCE DRIVE CLUTCH	2	2000K	57AA82030		P57-11/P58-10	

bizhub 600/bizhub 600RM/bizhub 750/bizhub 750RM

No.	Section	PM Parts Description	Maintenance Cycle (K=1,000)		Parts No.	Destinations	Page/Key	Note
			QTY	Replace				
50	FUSING SECTION	WEB UNIT	1	250K	57AER70300	B,C,D1,D3,E,F1,F2,G	P37-8	
51		FIXING CLAW UPPER	6	250K	56AA54270	B,C,D1,D3,E,F1,F2,G	P38-15	
52		FIXING ROLLER UPPER (BIZHUB 750)	1	500K	56AE53052	B,C,D1,D3,E,F1,F2,G	P36-13	
53		FIXING ROLLER UPPER (BIZHUB 600)	1	500K	56AA53052	B,C,D1,D3,E,F1,F2,G	P36-13	
54		INSULATING SLEEVE	2	500K	454053391	B,C,D1,D3,E,F1,F2,G	P36-16	
55		FIXING ROLLER BEARING UPPER	2	500K	454075040	B,C,D1,D3,E,F1,F2,G	P36-19	
56		ROLLER LOWER ASSY	1	500K	57AE53060	B,C,D1,D3,E,F1,F2,G	P39-5	
57		FIXING CLAW LOWER	3	500K	56QA53200	B,C,D1,D3,E,F1,F2,G	P35-15	
58		PAPER PRESSING ROLLER	1	500K	56AA53071	B,C,D1,D3,E,F1,F2,G	P34-6	
59		METAL 1	4	1000K	07AA75090	B,C,D1,D3,E,F1,F2,G	P34-20	
60		FIXING DRIVING GEAR FRONT	1	2000K	56QA77210	B,C,D1,D3,E,F1,F2,G	P36-17	
61		TEMPERATURE SENSOR 2	1	2500K	57AE88040	B,C,D1,D3,E,F1,F2,G	P37-6	
62		PAPER EXIT DRIVING GEAR 1 24T	1	5000K	56AA77220	B,C,D1,D3,E,F1,F2,G	P34-8	
63		PAPER EXIT DRIVING GEAR 2 18T	1	5000K	56AA77231	B,C,D1,D3,E,F1,F2,G	P34-13	
64		FIXING INPUT GEAR	1	1000K	25BA77262	B,C,D1,D3,E,F1,F2,G	P15-12	
65		SOLENOID MOUNTING PLATE ASSY	1	3000K	57AER70400	B,C,D1,D3,E,F1,F2,G	P66-9	
66		FIXING ROLLER BEARING LOWER	2	500K	57AE75040	B,C,D1,D3,E,F1,F2,G	P39-10	
67		FIXING LAMP 1	1	1000K	56AE83031	B,G2,H	P36-15	
68		FIXING LAMP 1	1	1000K	56AF83031	C,D1,D3,E,F2,G1,I,J,K	P36-15	
69		FIXING LAMP 2	1	1000K	56AE83041	B,G2	P36-14	
70		FIXING LAMP 2	1	1000K	56AF83041	C,D1,D3,E,F2,G1,I,J,K	P36-14	
71		FIXING LAMP 3	1	1000K	56AE83051	B,G2,H	P39-16	
72	FIXING LAMP 3	1	1000K	56AF83051	C,D1,D3,E,F2,G1,I,J,K	P39-16		
73	PAPER EXIT SECTION	PAPER EXIT DRIVING GEAR 24T	1	5000K	56AA77190		P65-31	
74		PAPER EXIT DRIVING GEAR UPPER 24T	1	5000K	56AA77980		P65-27	

bizhub 600/bizhub 600RM/bizhub 750/bizhub 750RM

メンテナンスリスト

● ページ / キーナンバーのないものは、アフターサービス部品ではありません。

No.	区分	PM 部品名称	サイクル (K=1,000)		部品番号	仕向地	頁 / キー	備考
			員数	交換				
1	外装部	オゾンフィルタ /M	1	250K	57AA10590		P68-6	
2		オゾンフィルタ /S	1	250K	56QA10570		P66-2	
3		現像サクシオンフィルタ	1	250K	57AAR72800		P68-12	
4	駆動部	搬送駆動クラッチ	3	2000K	57AA82030	A	P12-20	
5		定着入力歯車	1	1000K	57AA77030		P14-12	
6		手差し駆動ギア /1	1	5000K	56AA77120		P14-13	
7	感光体部	トナーガイドローラ	1	250K	57AAR71100		P18-2	
8		クリーニングブレード	1	250K	57AA20080		P17-8	
9		現像剤	1	250K	-			
10		ドラム爪	3	500K	56AA20700		P19-4	
11		ドラム	1	500K	-			
12		ドラム爪ソレノイド	1	2000K	26NA82513		P19-15	
13		トナーコントロールセンサ基板	1	2500K	56AA-9102E		P19-14	
14		トナー回収ギア /3	1	5000K	57AA77820		P13-5	
15	帯電極部	帯電制御プレート	1	250K	56AA25030		P21-21	
16		帯電ワイヤー	1	250K	56AA25090		P21-19	
17		帯電清掃基板	1	250K	56AA25400		P21-6	
18		帯電スライド部材	1	250K	56AA25380		P21-5	
19		帯電清掃ブロック /上	1	250K	56AAR70700		P21-12	
20		C クリップ	1	250K	45AA20400		P21-4	
21		帯電清掃ブロック /下	1	250K	56AAR70800		P21-14	
22		帯電極ユニット	1	2500K	57AAR71400		P21-1	
23	現像部	現像ユニット	1	2500K	57AAR71600		P22-14	
24	給紙部	給紙ゴム	4	125K	25SA40960		P40-10/P42-6	
25		分離ゴム	4	125K	25SA40960		P40-10/P42-6	
26		ピックアップローラ	4	800K	56AAR72100		P40-6	
27		給紙トルクリミッタ	4	5000K	56AA40380		P41-6	
28		給紙ローラ	4	5000K	25AA40100		P40-19	
29		給紙駆動クラッチ	2	2000K	56AA82012		P41-23	
30		搬送駆動クラッチ	1	2000K	57AA82030		P42-4	
31	手差しトレイ部	ループローラ	1	5000K	56AA42510		P45-19	
32		ギア /A	1	5000K	56AA77160		P45-24	
33		ギア /B	1	5000K	56AA77170		P45-23	
34		給紙ゴム	1	70K	540040562		P46-26	
35		ピックアップローラ	1	140K	55FA42330		P45-12	
36	転写/分離極部	転写分離ワイヤ	3	500K	56AA26090		P20-13	
37		転写清掃部組	1	500K	56AAR71000		P20-5	
38		分離清掃部組	1	500K	56AAR71100		P20-4	
39		C クリップ	2	500K	45AA20400		P20-15	
40		転写押さえゴム	3	500K	56AA17830		P20-21	
41		転写分離極ユニット	1	2000K	57AAR71500		P20-20	
42	レジスト部	給紙駆動クラッチ	1	2000K	56AA82012		P26-24	
43		レジスト軸受 / 右	1	2500K	A03U812800		P26-16	
44		レジストローラ	1	2500K	56QA46030		P26-29	
45	ADU 部	レジスト軸受 /2	2	2500K	55GA75520		P58-16	
46		レジスト軸受 /1	2	2500K	55GA75510		P58-14	
47		ADU レジストローラ / 上	1	2500K	56AA51110		P58-20	
48		ADU レジストローラ / 下	1	2500K	56QA51120		P58-21	
49		転写露光ランプユニット	1	2500K	56AAR71400		P64-11	
50		搬送駆動クラッチ	2	2000K	57AA82030		P57-11/P58-10	

bizhub 600/bizhub 600RM/bizhub 750/bizhub 750RM

No.	区分	PM 部品名称	サイクル (K=1,000)		部品番号	仕向地	頁/キー	備考
			員数	交換				
51	定着部	クリーニングウェブ	1	250K	57AAR72300	A	P29-22	
52		定着爪/上	6	250K	56AA54270	A	P32-10	
53		定着ローラー/上	1	500K	57AA-K010	A	P28-16	
54		ローラ固定部材	1	500K	57AA53340	A	P28-25	
55		断熱スリーブ	2	500K	57AA53320	A	P28-14	
56		軸受	2	500K	57AA75030	A	P28-15	
57		定着ローラー/下	1	500K	57AAR73200	A	P27-16	
58		定着爪/下	3	500K	56QA53200	A	P30-3	
59		デカーラローラー	1	500K	57AA53710	A	P28-24	
60		デカーラ軸受	4	1000K	07AA75090	A	P28-17	
61		定着ギア	1	1000K	57AA77060	A	P28-13	
62		サーミスタ/2	1	2500K	57AA88040	A	P30-6	
63		定着排紙ギア/1	1	5000K	56AA77220	A	P28-2	
64		定着排紙ギア/2	1	5000K	56AA77231	A	P28-8	
65		ウェブソレノイド部組	1	3000K	57AAR72900	A	P66-9	
66	排紙部	排紙ギア/1	1	5000K	56AA77190		P65-31	
67		排紙ギア/2	1	5000K	56AA77980		P65-27	

bizhub 600/bizhub 600RM/bizhub 750/bizhub 750RM

DESTINATION

Destination No.		Destinations		V	Hz	Model No.
A	A1	JAPAN		100V	50Hz	57AA/57BA
	A2	JAPAN		100V	60Hz	57AA/57BA
B		USA, CANADA		120V	60Hz	57AE/57BE
C		EUROPEAN TYPE		220-240V	50/60Hz	57AF/57BF
D	D1	S.E ASIA TYPE	THAILAND, SRI LANKA, SINGAPORE, MALAYSIA, HONG KONG, PAKISTAN, INDIA, BANGLADESH, INDONESIA	220-240V	50/60Hz	57AN/57BN
	D3	OCEANIA TYPE	AUSTRALIA, NEW ZEALAND	220-240V	50/60Hz	57AN/57BN
E		PHILIPPINES		220-240V	50/60Hz	57AN/57BN
F	F1	SAUDI ARABIA		127V	60Hz	57AS/57BS
	F2	SAUDI ARABIA		220-240V	50/60Hz	57AN/57BN
G	G1	C.S AMERICA		220-240V	50/60Hz	57AN/57BN
	G2	C.S AMERICA		120V	60Hz	57AE/57BE
H		TAIWAN		110V	60Hz	57AK/57BK
I		JORDAN, LEBANON, SYRIA, SOUTH AFRICA, IRAQ, IRAN, N.YEMEN, CAMEROON, UAE, BAHRAIN, OMAN, QATAR, KUWAIT, KENYA, TUNISIA, IVORY COAST, MOROCCO		220-240V	50/60Hz	57AN/57BN
J		CHINA		220-240V	50Hz	57AG/57BG

bizhub 600/bizhub 600RM/bizhub 750/bizhub 750RM

Destination No.	Destinations	V	Hz	Model No.
K	KOREA	220-240V	50/60Hz	57AN/57BN

bizhub 600/bizhub 600RM/bizhub 750/bizhub 750RM