

KONICA MINOLTA

PARTS GUIDE MANUAL

SEPTEMBER 2010

bizhub 601
A0PP

INFORMATION FOR PARTS GUIDE MANUAL

To find correct Parts No., refer to the "HOW TO MAKE THE BEST USE OF THIS MANUAL" in the following page.

HOW TO MAKE THE BEST USE OF THIS MANUAL

- 1 When you order, please check the proper figures beforehand that are on Our Parts Guide Manual, and order with the appropriate figures.
- 2 For screws, Nuts, Washers, retaining rings and Pins which are used in this model, one letter is shown on the Standard parts column of Parts list and exploded diagrams.
- 3 In order to maintain safety of the product, some specific parts composed of this product are set up as "essential safety parts".
- 4 The assigned parts number for the "essential safety parts" is indicated as "SP00-****".
When replacing these parts, follow precautions for disassembling and installing which are listed in the Service Manual.
Do not use any parts that are not set up as
- 5 ♣ means that there are exclusive parts for each destination.
Please check the appropriate destination when you order.
- 6 Revision Mark
Marked as ▲ on the illustration shows that the revision has been made.
- 7 All rights reserved. (any reprints or quotations are prohibited.)
Use of this parts guide manual should be strictly supervised to avoid disclosure of confidential information.

パーツガイドマニュアルのご案内

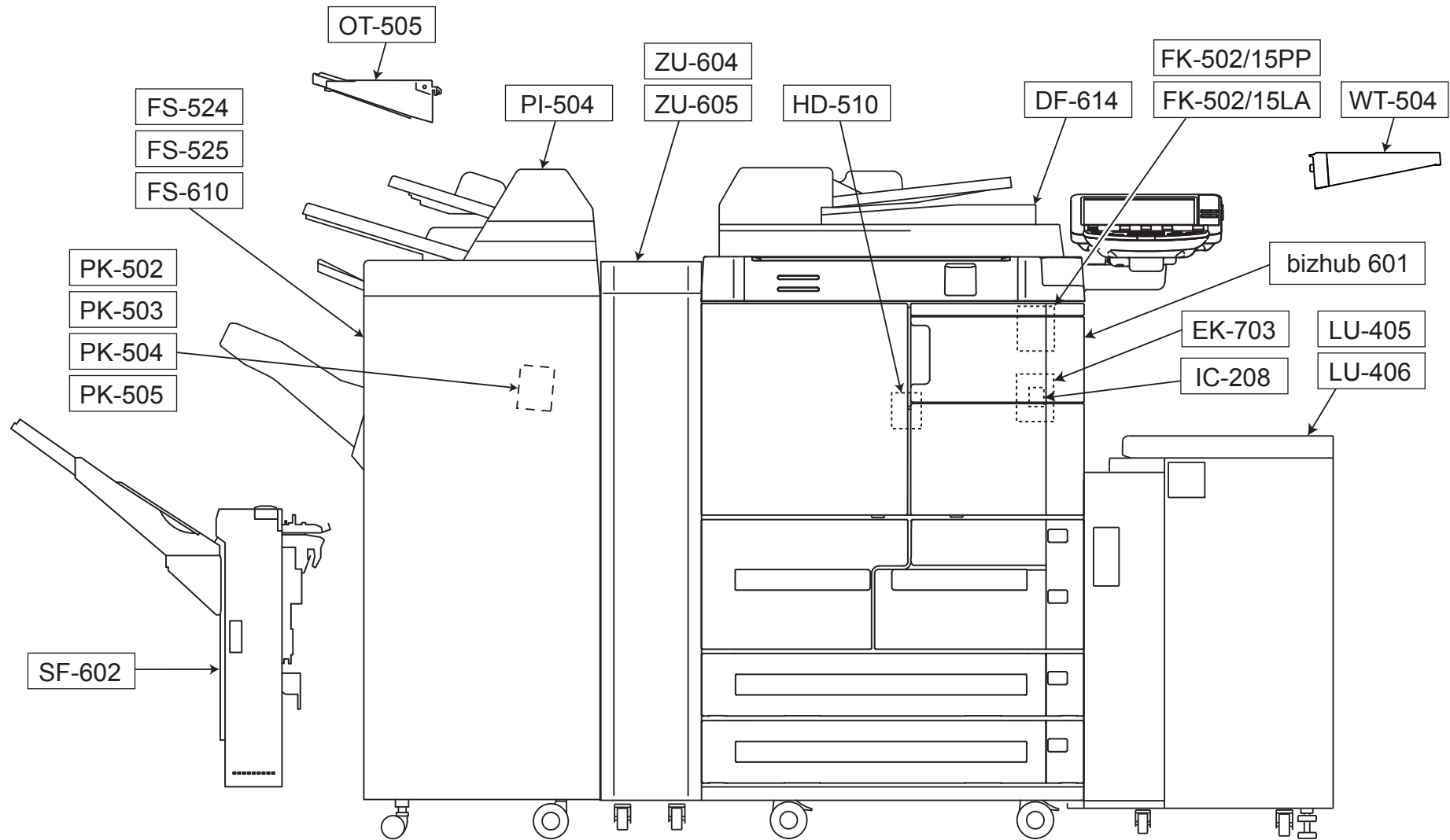
サービス部品をご発注の際には、下記に示す“パーツガイドマニュアルの活用にあたって”をご参照の上、正しい部品番号にてお願い致します。

パーツガイドマニュアルの活用にあたって

- 1 部品発注の際には、掲載されている部品番号の桁数を確認し、掲載されている桁数で発注願います。
- 2 この製品に使用されているネジ、ナット、ワッシャー、止め輪、ピンなどは、リストの右側の Standard parts 欄に a,b,c,……で表示し、イラストにも a,b,c,……表示してあります。
- 3 製品の安全性を維持する為に、製品に使用される特定の部品を「重要保安部品」として設定しています。
- 4 重要保安部品の部品番号は、“SP00-****”と記載されていますので、部品交換時は、サービスマニュアル記載の分解・組み立ての注意事項に従って作業をして下さい。
また、指定以外の部品は一切使用しないで下さい。
- 5 本文に ♣ が表示されている部品は、仕向け地毎に専用部品がある事を意味しています。
オーダーされる時は、仕向け地を確認して下さい。
- 6 改訂記号について
イラスト上に ▲ 印が表示されている部分は、改訂された事を表します。
- 7 著作権所有（無断転載及び無断引用の禁止）
本パーツガイドマニュアルについては、機密保持等その扱いには十分注意して下さい。万一取り扱いを誤った場合には、法律で処罰されることがあります。

11/10/2008

SYSTEM OUTLINE



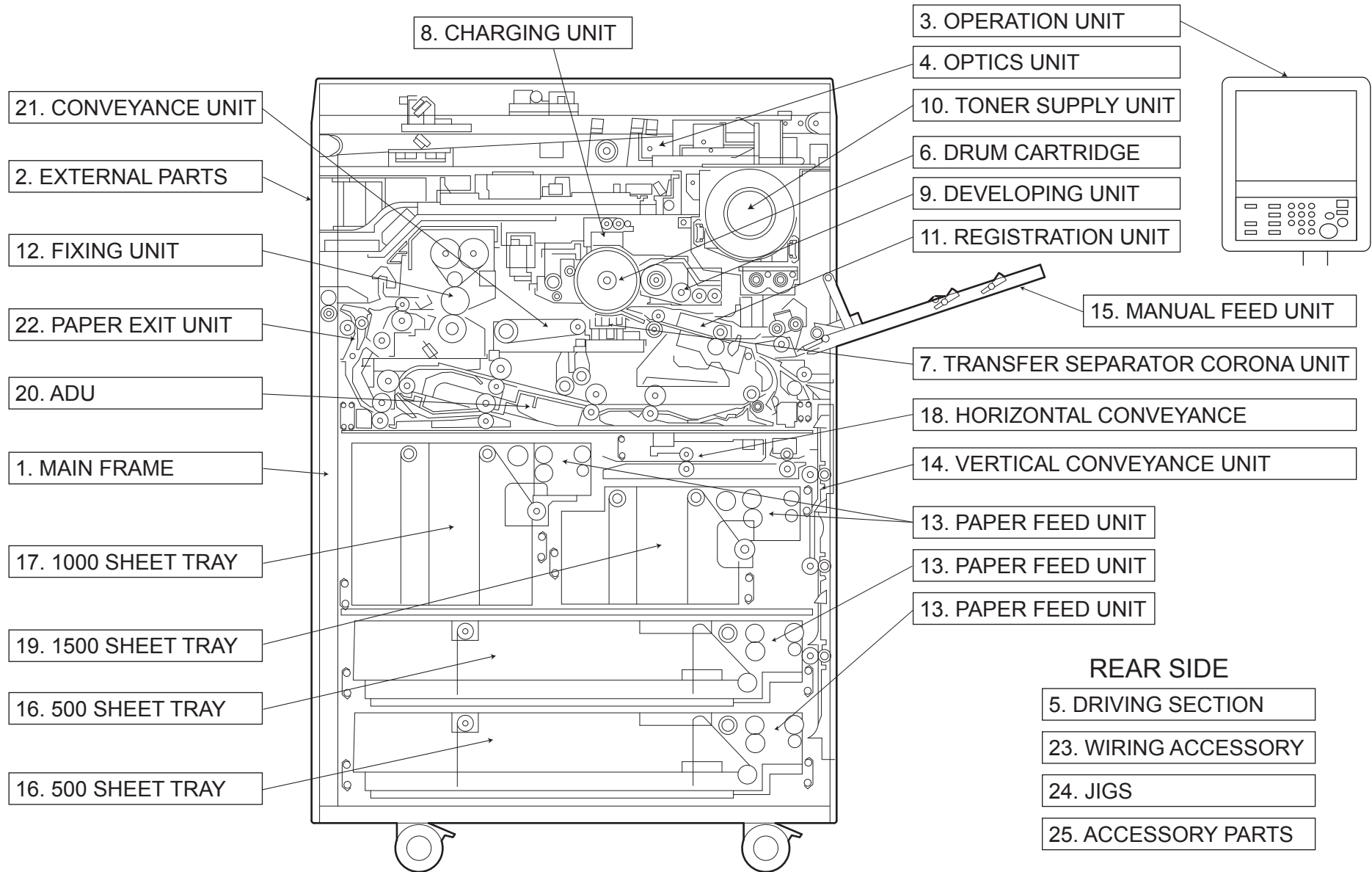
bizhub 601

GENERAL CONTENTS

| No. | Description | Model |
|-----|------------------|------------|
| 1 | DIGITAL MFP B/W | bizhub 601 |
| 2 | DOCUMENT FEEDER | DF-614 |
| 3 | SORTER/FINISHER | FS-524 |
| 4 | SORTER/FINISHER | FS-525 |
| 5 | SORTER/FINISHER | FS-610 |
| 6 | SORTER/FINISHER | SF-602 |
| 7 | OTHER OPTION | PI-504 |
| 8 | OTHER OPTION | ZU-604 |
| 9 | OTHER OPTION | ZU-605 |
| 10 | PAPER FEEDER | LU-405 |
| 11 | PAPER FEEDER | LU-406 |
| 12 | OTHER OPTION | OT-505 |
| 13 | OTHER OPTION | HD-510 |
| 14 | PRINT CONTROLLER | IC-208 |
| 15 | OTHER OPTION | EK-703 |
| 16 | FAX CONTROLLER | MK-716 |
| 17 | PUNCH UNIT | PK-502 |
| 18 | PUNCH UNIT | PK-503 |
| 19 | PUNCH UNIT | PK-504 |
| 20 | PUNCH UNIT | PK-505 |
| 21 | OTHER OPTION | WT-504 |
| 22 | FAX CONTROLLER | FK-502 |

bizhub 601

DIAGRAMS OF MAIN PARTS SECTION



bizhub 601

CONTENTS

| No. | DESCRIPTION | 名称 | PAGE No. |
|-----|--------------------------------|-----------|--|
| 1 | MAIN FRAME | 骨格 | P1 P2 P3 P4 |
| 2 | EXTERNAL PARTS | 外装 | P5 P6 P7 P8 P9 |
| 3 | OPERATION UNIT | 操作部 | P10 |
| 4 | OPTICS UNIT | 光学部 | P11 P12 P13 P14 P15 |
| 5 | DRIVING SECTION | 駆動部 | P16 P17 P18 P19 P20 P21 |
| 6 | DRUM CARTRIDGE | ドラムカートリッジ | P22 P23 P24 P25 |
| 7 | TRANSFER SEPARATOR CORONA UNIT | 転写分離極 | P26 |
| 8 | CHARGING UNIT | 帯電極 | P27 |
| 9 | DEVELOPING UNIT | 現像ユニット | P28 |
| 10 | TONER SUPPLY UNIT | トナー補給部 | P29 P30 P31 |
| 11 | REGISTRATION UNIT | レジストユニット | P32 P33 |
| 12 | FIXING UNIT | 定着部 | P34 P35 P36 P37 P38 P39 P40 P41 P42 P43 P44 P45 P46 P47 |
| 13 | PAPER FEED UNIT | 給紙部 | P48 P49 P50 P51 P52 P53 P54 P55 P56 P57 P58 P59 |
| 14 | VERTICAL CONVEYANCE UNIT | 垂直搬送ユニット | P60 P61 P62 |
| 15 | MANUAL FEED UNIT | 手差しユニット | P63 P64 P65 |
| 16 | 500 SHEET TRAY | 500 枚トレイ | P66 P67 P68 P69 P70 P71 |
| 17 | 1000 SHEET TRAY | 1000 枚トレイ | P72 P73 |
| 18 | HORIZONTAL CONVEYANCE | 水平搬送 | P74 |
| 19 | 1500 SHEET TRAY | 1500 枚トレイ | P75 P76 |
| 20 | ADU | ADU | P77 P78 P79 P80 P81 P82 P83 P84 P85 |
| 21 | CONVEYANCE UNIT | 搬送部 | P86 P87 |
| 22 | PAPER EXIT UNIT | 排紙部 | P88 P89 |
| 23 | ELECTRIC PARTS | 電装 | P90 P91 P92 P93 P94 |
| 24 | WIRING | 束線 | P95 P96 P97 P98 |
| 25 | WIRING ACCESSORY | 配線部品 治具 | P99 P100 |
| 26 | JIGS | 治具 | P101 |
| 27 | ACCESSORY PARTS | 同梱部品 | P102 |

INDEX

| Parts No. | Page No. |
|-------------|----------|
| 000V -18- 1 | 101-3 |
| 000V -18- 2 | 101-3 |
| 00M6 -2-0 0 | 101-4 |
| 00VC -2-0 0 | 101-2 |
| 00VD -100 0 | 101-5 |
| 00Z9 3000 3 | 100-17 |
| 0486 4448 0 | 88-4 |
| 0590 7651 0 | 49-11 |
| 0590 7651 0 | 52-11 |
| 0590 7651 0 | 55-11 |
| 0590 7651 0 | 58-11 |
| 07AA 7509 0 | 35-15 |
| 07AA 7509 0 | 42-9 |
| 07BA 1235 2 | 65-19 |
| 07BA 5472 1 | 25-7 |
| 08AA 7601 0 | 22-11 |
| 08AA 7601 0 | 32-5 |
| 08AA 7601 0 | 48-7 |
| 08AA 7601 0 | 49-4 |
| 08AA 7601 0 | 51-7 |
| 08AA 7601 0 | 52-4 |
| 08AA 7601 0 | 54-7 |
| 08AA 7601 0 | 55-4 |
| 08AA 7601 0 | 57-7 |
| 08AA 7601 0 | 58-4 |
| 08AA 7601 0 | 63-3 |
| 08AA 7601 0 | 72-5 |
| 08AA 7601 0 | 75-6 |
| 08AA 7601 0 | 79-11 |
| 08AA 7601 0 | 80-18 |
| 08AA 8551 2 | 3-18 |
| 08AA 8551 2 | 4-26 |
| 08AA 8551 2 | 9-11 |
| 08AA 8551 2 | 11-7 |
| 08AA 8551 2 | 32-19 |
| 08AA 8551 2 | 49-18 |
| 08AA 8551 2 | 52-18 |
| 08AA 8551 2 | 55-18 |
| 08AA 8551 2 | 58-18 |
| 08AA 8551 2 | 60-13 |

| Parts No. | Page No. |
|-------------|----------|
| 08AA 8551 2 | 61-7 |
| 08AA 8551 2 | 63-13 |
| 08AA 8551 2 | 64-25 |
| 08AA 8551 2 | 65-14 |
| 08AA 8551 2 | 66-2 |
| 08AA 8551 2 | 68-19 |
| 08AA 8551 2 | 69-2 |
| 08AA 8551 2 | 71-19 |
| 08AA 8551 2 | 73-18 |
| 08AA 8551 2 | 76-18 |
| 08AA 8551 2 | 77-15 |
| 08AA 8551 2 | 78-11 |
| 08AA 8551 2 | 79-8 |
| 08AA 8551 2 | 82-15 |
| 08AA 8551 2 | 83-5 |
| 08AA 8551 2 | 86-3 |
| 08AA 8551 2 | 88-17 |
| 0900 2041 0 | 4-1 |
| 129X 4835 0 | 78-37 |
| 129X 4836 0 | 77-3 |
| 12AA 7708 0 | 30-29 |
| 12AJ 7703 1 | 19-24 |
| 12QV 4065 0 | 16-17 |
| 12QV 4065 0 | 17-7 |
| 12QV 4065 0 | 18-12 |
| 12QV 4065 0 | 42-18 |
| 12QV 4065 0 | 45-16 |
| 12QV 4065 0 | 63-24 |
| 12QV 4065 0 | 74-25 |
| 12QV 4065 0 | 80-11 |
| 12QV 4066 0 | 16-1 |
| 12QV 4066 0 | 17-16 |
| 12QV 4066 0 | 48-10 |
| 12QV 4066 0 | 51-10 |
| 12QV 4066 0 | 54-10 |
| 12QV 4066 0 | 57-10 |
| 12QV 4066 0 | 79-25 |
| 12QV 4066 0 | 80-36 |
| 13GQ 4551 1 | 64-21 |
| 13NT 8051 1 | 92-2 |

| Parts No. | Page No. |
|--------------|----------|
| 13QA 1017 0 | 11-1 |
| 13QA 4061 0 | 80-10 |
| 13RN 7312 0 | 5-23 |
| 14GA 4697 0 | 102-4 |
| 14GE 4547 0 | 32-25 |
| 14GE 4547 0 | 79-19 |
| 14GE 4547 0 | 89-30 |
| 15AA 8005 0 | 17-27 |
| 25AA 4010 0 | 49-16 |
| 25AA 4010 0 | 52-16 |
| 25AA 4010 0 | 55-16 |
| 25AA 4010 0 | 58-16 |
| 25AA 4750 0 | 84-23 |
| 25AA 4952 0 | 63-25 |
| 25AA 5008 0 | 81-21 |
| 25AA 7553 0 | 33-11 |
| 25AA 7736 0 | 63-29 |
| 25AA 7773 0 | 63-28 |
| 25BA 7719 1 | 45-14 |
| 25BA 7726 2 | 21-6 |
| 25BA 8847 2E | 47-11 |
| 25HA 1521 0 | 22-17 |
| 25HE 9707 0 | 3-11 |
| 25SA -620 1 | 11-29 |
| 25SA 1020 0 | 1-5 |
| 25SA 1043 1 | 1-16 |
| 25SA 1527 0 | 18-22 |
| 25SA 1528 0 | 18-23 |
| 25SA 1539 0 | 18-19 |
| 25SA 2028 0 | 23-4 |
| 25SA 2064 0 | 22-19 |
| 25SA 2067 0 | 22-38 |
| 25SA 2518 0 | 27-7 |
| 25SA 4096 0 | 48-26 |
| 25SA 4096 0 | 49-15 |
| 25SA 4096 0 | 51-26 |
| 25SA 4096 0 | 52-15 |
| 25SA 4096 0 | 54-26 |
| 25SA 4096 0 | 55-15 |
| 25SA 4096 0 | 57-26 |

| Parts No. | Page No. |
|-------------|----------|
| 25SA 4096 0 | 58-15 |
| 25SA 5369 1 | 34-15 |
| 25SA 6142 0 | 13-5 |
| 25SA 6142 0 | 14-9 |
| 25SA 6146 0 | 13-13 |
| 25SA 6147 0 | 13-8 |
| 25SA 6154 0 | 14-12 |
| 25SA 6155 0 | 14-7 |
| 25SA 6165 0 | 11-34 |
| 25SA 6170 0 | 11-38 |
| 25SA 6171 0 | 11-40 |
| 25SA 6186 1 | 12-17 |
| 25SA 6188 1 | 12-16 |
| 25SA 6207 0 | 13-14 |
| 25SA 6208 0 | 13-10 |
| 25SA 6216 0 | 14-5 |
| 25SA 7717 0 | 22-13 |
| 25SA 7718 0 | 22-8 |
| 26MA 7406 0 | 46-27 |
| 26NA 4206 1 | 48-21 |
| 26NA 4206 1 | 51-21 |
| 26NA 4206 1 | 54-21 |
| 26NA 4206 1 | 57-21 |
| 26NA 4256 0 | 48-15 |
| 26NA 4256 0 | 51-15 |
| 26NA 4256 0 | 54-15 |
| 26NA 4256 0 | 57-15 |
| 26NA 4256 0 | 61-2 |
| 26NA 4256 0 | 74-6 |
| 26NA 4256 0 | 83-13 |
| 26NA 4256 0 | 89-18 |
| 26NA 4544 0 | 34-17 |
| 26NA 4544 0 | 68-9 |
| 26NA 4544 0 | 71-9 |
| 26NA 4544 0 | 73-13 |
| 26NA 4544 0 | 76-13 |
| 26NA 5403 0 | 41-6 |
| 26NA 5403 0 | 43-12 |
| 26NA 5419 0 | 34-12 |
| 26NA 7357 0 | 90-30 |

| Parts No. | Page No. |
|--------------|----------|
| 26NA 7373 2 | 9-9 |
| 26NA 8251 3 | 25-11 |
| 26NA R701 00 | 91-11 |
| 26NG 8861 1 | 91-12 |
| 26NR 8861 2 | 91-12 |
| 27LA 8051 1 | 94-13 |
| 27LA 8803 1 | 92-16 |
| 3235 8453 1 | 92-5 |
| 3920 1565 0 | 22-22 |
| 3960 4068 1 | 63-2 |
| 3960 4068 1 | 64-4 |
| 3960 7724 0 | 63-22 |
| 4036 5966 01 | 94-12 |
| 4040 M401 00 | 9-2 |
| 4040 PJP1 00 | 101-11 |
| 4040 PJP4 00 | 101-12 |
| 40AA 3027 0 | 89-3 |
| 40AA 3229 0 | 32-4 |
| 40AA 8501 1 | 9-19 |
| 40AA 8803 1 | 30-22 |
| 40LA 7384 0 | 5-21 |
| 4109 5530 01 | 49-20 |
| 4109 5530 01 | 52-20 |
| 4109 5530 01 | 55-20 |
| 4109 5530 01 | 58-20 |
| 4470 4024 01 | 4-30 |
| 4540 5339 1 | 44-19 |
| 4540 7504 0 | 44-29 |
| 45AA 2040 0 | 25-17 |
| 45AA 2040 0 | 26-28 |
| 45AA 2040 0 | 27-3 |
| 4620 7601 0 | 84-20 |
| 4660 7602 0 | 30-15 |
| 4660 7602 0 | 31-18 |
| 4660 7602 0 | 35-16 |
| 4660 7602 0 | 43-15 |
| 4660 7602 0 | 64-15 |
| 4660 7713 0 | 65-2 |
| 4660 7722 0 | 63-23 |
| 4660 7803 0 | 28-13 |

| Parts No. | Page No. | Parts No. | Page No. | Parts No. | Page No. | Parts No. | Page No. | Parts No. | Page No. |
|-------------|----------|-------------|----------|-------------|----------|--------------|----------|--------------|----------|
| 5000 7501 0 | 11-27 | 55TA 6132 0 | 12-5 | 55VA 7903 0 | 48-22 | 56AA -450 1 | 60-14 | 56AA 1276 1 | 7-4 |
| 5400 1516 2 | 16-13 | 55TA 6134 1 | 14-10 | 55VA 7903 0 | 51-22 | 56AA -463 2 | 63-32 | 56AA 1508 2 | 21-1 |
| 5400 1516 2 | 17-13 | 55TA 8456 1 | 92-5 | 55VA 7903 0 | 54-22 | 56AA -472 1 | 63-15 | 56AA 1510 1 | 16-26 |
| 5400 3017 0 | 28-12 | 55VA 1547 0 | 16-12 | 55VA 7903 0 | 57-22 | 56AA -477 1 | 65-26 | 56AA 1513 1 | 19-5 |
| 5400 4056 2 | 63-5 | 55VA 1547 0 | 17-10 | 55VA 7903 0 | 64-17 | 56AA -479 0 | 63-20 | 56AA 1515 2 | 19-25 |
| 5400 4056 2 | 64-2 | 55VA 1554 1 | 74-23 | 55VA 7915 0 | 67-14 | 56AA -501 1 | 88-14 | 56AA 1519 0D | 21-4 |
| 5400 4720 0 | 73-6 | 55VA 1554 1 | 80-19 | 55VA 7915 0 | 70-14 | 56AA -549 0 | 47-7 | 56AA 1527 1D | 16-15 |
| 5400 4720 0 | 76-6 | 55VA 2068 0 | 25-4 | 55VA 8012 2 | 11-20 | 56AA -564 0 | 43-21 | 56AA 1528 1 | 19-3 |
| 5400 5346 0 | 37-24 | 55VA 4061 0 | 68-2 | 55VA 8552 1 | 34-8 | 56AA -565 1 | 43-17 | 56AA 1532 1 | 19-18 |
| 5400 5346 0 | 44-7 | 55VA 4061 0 | 71-2 | 55VA 8552 1 | 47-2 | 56AA -568 1 | 46-18 | 56AA 1541 1 | 19-1 |
| 5400 5351 0 | 37-28 | 55VA 4061 0 | 72-8 | 55WA 1030 0 | 1-15 | 56AA -626 1 | 14-2 | 56AA 1546 0 | 19-9 |
| 5400 5351 0 | 44-3 | 55VA 4061 0 | 75-8 | 55WA 1031 0 | 1-27 | 56AA -627 1 | 14-6 | 56AA 1547 1 | 19-6 |
| 5400 5354 0 | 44-32 | 55VA 4093 0 | 66-4 | 55WA 3001 0 | 22-16 | 56AA -642 1 | 11-17 | 56AA 1549 0 | 19-23 |
| 5400 7606 0 | 37-17 | 55VA 4093 0 | 69-4 | 55WA 3001 0 | 28-2 | 56AA -910 2E | 25-1 | 56AA 1552 1 | 19-7 |
| 5400 7606 0 | 44-11 | 55VA 4093 0 | 72-18 | 55WA 6115 0 | 13-12 | 56AA 1003 1D | 2-18 | 56AA 1559 0 | 17-20 |
| 5400 7705 2 | 65-13 | 55VA 4093 0 | 75-19 | 56AA -019 0 | 81-27 | 56AA 1006 1 | 2-3 | 56AA 1559 0 | 18-3 |
| 5440 7720 1 | 44-27 | 55VA 4212 0 | 19-27 | 56AA -037 1 | 85-18 | 56AA 1008 1 | 2-2 | 56AA 1701 1 | 18-2 |
| 5520 1225 0 | 88-6 | 55VA 4212 0 | 50-23 | 56AA -040 0 | 84-29 | 56AA 1010 1 | 1-23 | 56AA 1701 1 | 20-7 |
| 55FA 1210 1 | 9-25 | 55VA 4212 0 | 53-23 | 56AA -099 0 | 1-37 | 56AA 1011 2 | 3-9 | 56AA 1701 1 | 21-7 |
| 55FA 4032 0 | 50-4 | 55VA 4212 0 | 56-23 | 56AA -112 1 | 4-3 | 56AA 1013 1D | 1-12 | 56AA 1703 0 | 22-32 |
| 55FA 4032 0 | 53-4 | 55VA 4212 0 | 59-23 | 56AA -142 1 | 6-6 | 56AA 1027 1 | 1-31 | 56AA 1704 0 | 26-23 |
| 55FA 4032 0 | 56-4 | 55VA 4689 0 | 33-12 | 56AA -143 1 | 6-1 | 56AA 1028 0 | 1-6 | 56AA 1706 0 | 67-6 |
| 55FA 4032 0 | 59-4 | 55VA 4792 0 | 2-22 | 56AA -146 2 | 91-1 | 56AA 1030 0 | 2-4 | 56AA 1706 0 | 70-6 |
| 55FA 4233 0 | 63-10 | 55VA 4792 0 | 73-16 | 56AA -166 0 | 19-16 | 56AA 1030 0 | 29-3 | 56AA 1707 1 | 86-11 |
| 55FA 6113 0 | 14-11 | 55VA 4792 0 | 76-16 | 56AA -186 0 | 21-8 | 56AA 1048 0 | 1-11 | 56AA 1707 1 | 87-22 |
| 55FA 6114 0 | 14-8 | 55VA 6193 1 | 12-15 | 56AA -210 0 | 25-10 | 56AA 1055 0 | 1-3 | 56AA 1708 0 | 93-24 |
| 55FA 8052 1 | 94-5 | 55VA 6202 0 | 11-22 | 56AA -212 1 | 24-19 | 56AA 1056 0 | 1-2 | 56AA 1709 0 | 74-24 |
| 55GA 5365 2 | 36-10 | 55VA 7554 0 | 50-25 | 56AA -227 1 | 24-10 | 56AA 1060 0 | 1-14 | 56AA 1709 0 | 80-20 |
| 55GA 5365 2 | 38-11 | 55VA 7554 0 | 53-25 | 56AA -328 1 | 31-23 | 56AA 1061 0 | 1-28 | 56AA 1710 0 | 25-27 |
| 55GA 5365 2 | 44-26 | 55VA 7554 0 | 56-25 | 56AA -332 2 | 31-12 | 56AA 1212 0 | 9-15 | 56AA 1711 0 | 38-3 |
| 55GA 7551 0 | 80-22 | 55VA 7554 0 | 59-25 | 56AA -333 0 | 30-23 | 56AA 1213 0 | 9-20 | 56AA 1711 0 | 43-2 |
| 55GA 7552 0 | 80-23 | 55VA 7670 0 | 11-21 | 56AA -382 1 | 86-15 | 56AA 1214 0 | 9-17 | 56AA 1712 1 | 50-10 |
| 55GA 7655 0 | 26-4 | 55VA 7671 0 | 11-25 | 56AA -415 1 | 68-1 | 56AA 1215 0 | 9-13 | 56AA 1712 1 | 53-10 |
| 55GA 7768 0 | 30-28 | 55VA 7712 0 | 16-20 | 56AA -415 1 | 71-1 | 56AA 1216 0 | 9-21 | 56AA 1712 1 | 56-10 |
| 55GA 8601 0 | 9-31 | 55VA 7713 0 | 16-16 | 56AA -415 1 | 72-7 | 56AA 1217 0 | 9-14 | 56AA 1712 1 | 59-10 |
| 55TA 6111 0 | 13-1 | 55VA 7742 0 | 86-12 | 56AA -415 1 | 75-7 | 56AA 1218 0 | 9-16 | 56AA 1713 0 | 38-6 |
| 55TA 6112 0 | 13-3 | 55VA 7743 0 | 86-14 | 56AA -416 1 | 67-15 | 56AA 1234 0 | 5-6 | 56AA 1713 0 | 43-5 |
| 55TA 6113 0 | 13-2 | 55VA 7744 0 | 86-10 | 56AA -416 1 | 70-15 | 56AA 1248 1 | 9-12 | 56AA 1714 0 | 26-7 |
| 55TA 6115 1 | 12-14 | 55VA 7774 0 | 64-16 | 56AA -445 1 | 60-11 | 56AA 1262 0 | 5-27 | 56AA 1716 0 | 27-24 |
| 55TA 6116 1 | 12-9 | 55VA 7811 0 | 11-24 | 56AA -447 1 | 60-16 | 56AA 1275 1 | 7-11 | 56AA 1730 0 | 60-7 |

| Parts No. | Page No. | Parts No. | Page No. | Parts No. | Page No. | Parts No. | Page No. | Parts No. | Page No. |
|-------------|----------|-------------|----------|--------------|----------|--------------|----------|--------------|----------|
| 56AA 1731 0 | 26-13 | 56AA 1751 0 | 49-8 | 56AA 1784 0 | 26-1 | 56AA 2108 0 | 25-5 | 56AA 3015 0 | 28-22 |
| 56AA 1731 0 | 64-19 | 56AA 1751 0 | 51-12 | 56AA 1790 0 | 38-4 | 56AA 2112 0 | 23-31 | 56AA 3042 0 | 28-5 |
| 56AA 1731 0 | 68-14 | 56AA 1751 0 | 52-8 | 56AA 1790 0 | 43-3 | 56AA 2113 0 | 23-14 | 56AA 3201 1 | 30-17 |
| 56AA 1731 0 | 71-14 | 56AA 1751 0 | 54-12 | 56AA 2003 0 | 25-3 | 56AA 2114 1D | 23-13 | 56AA 3202 0 | 31-1 |
| 56AA 1732 1 | 17-25 | 56AA 1751 0 | 55-8 | 56AA 2004 0 | 23-27 | 56AA 2115 0 | 23-9 | 56AA 3203 0 | 30-25 |
| 56AA 1732 1 | 30-7 | 56AA 1751 0 | 57-12 | 56AA 2007 0D | 24-4 | 56AA 2116 0 | 23-6 | 56AA 3206 0 | 30-26 |
| 56AA 1732 1 | 40-8 | 56AA 1751 0 | 58-8 | 56AA 2009 0 | 22-26 | 56AA 2117 0 | 23-29 | 56AA 3209 0 | 30-5 |
| 56AA 1732 1 | 46-5 | 56AA 1752 0 | 22-9 | 56AA 2014 0D | 24-8 | 56AA 2118 0 | 23-23 | 56AA 3213 0 | 30-10 |
| 56AA 1732 1 | 64-18 | 56AA 1752 0 | 30-9 | 56AA 2017 0 | 24-9 | 56AA 2119 0 | 25-25 | 56AA 3214 0 | 30-27 |
| 56AA 1732 1 | 89-7 | 56AA 1753 1 | 19-14 | 56AA 2029 2D | 23-10 | 56AA 2120 0 | 25-18 | 56AA 3215 1 | 31-3 |
| 56AA 1733 0 | 93-23 | 56AA 1753 1 | 24-20 | 56AA 2040 0 | 24-2 | 56AA 2121 0 | 25-19 | 56AA 3216 0 | 31-7 |
| 56AA 1735 0 | 84-24 | 56AA 1753 1 | 37-20 | 56AA 2042 1 | 25-28 | 56AA 2122 0 | 25-20 | 56AA 3226 0D | 31-20 |
| 56AA 1736 1 | 81-19 | 56AA 1753 1 | 44-13 | 56AA 2043 0 | 25-9 | 56AA 2123 0 | 25-21 | 56AA 3227 0 | 31-10 |
| 56AA 1739 0 | 26-19 | 56AA 1755 1 | 37-13 | 56AA 2044 1 | 25-14 | 56AA 2124 0 | 25-23 | 56AA 3228 0 | 30-8 |
| 56AA 1741 0 | 23-7 | 56AA 1755 1 | 45-4 | 56AA 2045 0D | 25-26 | 56AA 2125 0 | 24-11 | 56AA 3231 2 | 30-32 |
| 56AA 1742 0 | 25-12 | 56AA 1755 1 | 62-7 | 56AA 2046 0 | 25-24 | 56AA 2126 0 | 25-13 | 56AA 3235 1 | 30-2 |
| 56AA 1746 1 | 34-19 | 56AA 1755 1 | 79-2 | 56AA 2051 0 | 22-30 | 56AA 2503 0 | 27-23 | 56AA 3239 0 | 31-9 |
| 56AA 1746 1 | 65-20 | 56AA 1755 1 | 80-25 | 56AA 2052 0 | 22-20 | 56AA 2509 0 | 27-22 | 56AA 3240 0 | 31-4 |
| 56AA 1746 1 | 84-6 | 56AA 1755 1 | 82-4 | 56AA 2056 0 | 22-37 | 56AA 2514 1 | 27-12 | 56AA 3241 0 | 31-8 |
| 56AA 1746 1 | 87-34 | 56AA 1755 1 | 84-10 | 56AA 2059 0D | 22-10 | 56AA 2515 0 | 27-14 | 56AA 3242 0 | 31-5 |
| 56AA 1747 1 | 19-19 | 56AA 1758 0 | 26-15 | 56AA 2068 0D | 24-5 | 56AA 2517 0 | 27-21 | 56AA 3243 2 | 29-7 |
| 56AA 1747 1 | 28-9 | 56AA 1759 0 | 25-22 | 56AA 2070 0 | 25-8 | 56AA 2523 0 | 27-20 | 56AA 3244 0 | 29-11 |
| 56AA 1747 1 | 30-24 | 56AA 1762 0 | 1-26 | 56AA 2073 0 | 24-21 | 56AA 2530 1 | 27-2 | 56AA 3245 0 | 29-10 |
| 56AA 1747 1 | 32-2 | 56AA 1763 0 | 1-24 | 56AA 2075 0 | 24-22 | 56AA 2533 0 | 27-11 | 56AA 3246 2 | 29-2 |
| 56AA 1747 1 | 81-15 | 56AA 1764 0 | 1-25 | 56AA 2075 0 | 25-16 | 56AA 2534 0 | 27-19 | 56AA 3252 1 | 29-13 |
| 56AA 1747 1 | 87-32 | 56AA 1770 0 | 86-13 | 56AA 2076 0 | 22-18 | 56AA 2538 0 | 27-5 | 56AA 3256 0 | 30-6 |
| 56AA 1748 0 | 16-22 | 56AA 1776 0 | 48-8 | 56AA 2077 0 | 23-20 | 56AA 2540 0 | 27-6 | 56AA 3259 1 | 30-4 |
| 56AA 1748 0 | 17-3 | 56AA 1776 0 | 49-10 | 56AA 2078 0D | 23-26 | 56AA 2545 0 | 27-8 | 56AA 3261 0 | 29-15 |
| 56AA 1748 0 | 19-2 | 56AA 1776 0 | 50-21 | 56AA 2081 0 | 22-33 | 56AA 2604 0 | 26-10 | 56AA 3262 0 | 29-14 |
| 56AA 1748 0 | 20-4 | 56AA 1776 0 | 51-8 | 56AA 2085 0 | 23-15 | 56AA 2605 0 | 26-17 | 56AA 3263 0 | 29-9 |
| 56AA 1748 0 | 21-5 | 56AA 1776 0 | 52-10 | 56AA 2087 0 | 18-5 | 56AA 2608 2 | 26-25 | 56AA 3264 0 | 29-8 |
| 56AA 1748 0 | 50-17 | 56AA 1776 0 | 53-21 | 56AA 2091 0 | 64-9 | 56AA 2609 0 | 26-9 | 56AA 3265 0 | 30-12 |
| 56AA 1748 0 | 53-17 | 56AA 1776 0 | 54-8 | 56AA 2092 0 | 23-12 | 56AA 2612 0 | 26-2 | 56AA 3266 0 | 30-11 |
| 56AA 1748 0 | 56-17 | 56AA 1776 0 | 55-10 | 56AA 2093 0 | 23-17 | 56AA 2617 2 | 26-16 | 56AA 3267 0 | 31-6 |
| 56AA 1748 0 | 59-17 | 56AA 1776 0 | 56-21 | 56AA 2094 0D | 24-6 | 56AA 2618 0 | 26-12 | 56AA 3268 0 | 31-2 |
| 56AA 1748 0 | 62-8 | 56AA 1776 0 | 57-8 | 56AA 2096 0 | 25-15 | 56AA 2619 2 | 26-21 | 56AA 3269 1 | 30-36 |
| 56AA 1748 0 | 74-3 | 56AA 1776 0 | 58-10 | 56AA 2098 0 | 25-6 | 56AA 2625 0 | 26-3 | 56AA 3270 0 | 30-3 |
| 56AA 1748 0 | 80-24 | 56AA 1776 0 | 59-21 | 56AA 2099 0 | 24-14 | 56AA 2628 0 | 26-6 | 56AA 3271 0 | 29-4 |
| 56AA 1750 0 | 31-19 | 56AA 1782 1 | 33-8 | 56AA 2106 1 | 22-3 | 56AA 2631 0 | 26-8 | 56AA 3272 0 | 31-22 |
| 56AA 1751 0 | 48-12 | 56AA 1783 0 | 26-18 | 56AA 2107 1 | 22-2 | 56AA 2631 0 | 40-19 | 56AA 3273 0 | 31-17 |

| Parts No. | Page No. | Parts No. | Page No. | Parts No. | Page No. | Parts No. | Page No. | Parts No. | Page No. |
|--------------|----------|-------------|----------|--------------|----------|--------------|----------|-------------|----------|
| 56AA 3274 0 | 30-16 | 56AA 4028 1 | 49-7 | 56AA 4044 0 | 48-4 | 56AA 4109 1 | 67-8 | 56AA 4145 0 | 71-16 |
| 56AA 3275 1 | 29-6 | 56AA 4028 1 | 52-7 | 56AA 4044 0 | 51-4 | 56AA 4109 1 | 70-8 | 56AA 4146 0 | 67-9 |
| 56AA 3276 1 | 29-5 | 56AA 4028 1 | 55-7 | 56AA 4044 0 | 54-4 | 56AA 4111 0 | 68-7 | 56AA 4146 0 | 70-9 |
| 56AA 3277 0 | 30-21 | 56AA 4028 1 | 58-7 | 56AA 4044 0 | 57-4 | 56AA 4111 0 | 71-7 | 56AA 4147 1 | 68-8 |
| 56AA 4001 0 | 48-2 | 56AA 4029 0 | 49-12 | 56AA 4045 0 | 50-12 | 56AA 4112 0 | 68-6 | 56AA 4147 1 | 71-8 |
| 56AA 4001 0 | 51-2 | 56AA 4029 0 | 52-12 | 56AA 4045 0 | 53-12 | 56AA 4112 0 | 71-6 | 56AA 4147 1 | 73-12 |
| 56AA 4001 0 | 54-2 | 56AA 4029 0 | 55-12 | 56AA 4045 0 | 56-12 | 56AA 4116 0 | 66-7 | 56AA 4147 1 | 76-12 |
| 56AA 4001 0 | 57-2 | 56AA 4029 0 | 58-12 | 56AA 4045 0 | 59-12 | 56AA 4116 0 | 69-7 | 56AA 4148 1 | 68-15 |
| 56AA 4003 2 | 49-21 | 56AA 4030 0 | 49-9 | 56AA 4046 0 | 49-19 | 56AA 4116 0 | 72-19 | 56AA 4148 1 | 71-15 |
| 56AA 4003 2 | 52-21 | 56AA 4030 0 | 52-9 | 56AA 4046 0 | 52-19 | 56AA 4116 0 | 75-20 | 56AA 4149 1 | 66-8 |
| 56AA 4003 2 | 55-21 | 56AA 4030 0 | 55-9 | 56AA 4046 0 | 55-19 | 56AA 4119 0 | 67-10 | 56AA 4149 1 | 69-8 |
| 56AA 4003 2 | 58-21 | 56AA 4030 0 | 58-9 | 56AA 4046 0 | 58-19 | 56AA 4119 0 | 70-10 | 56AA 4156 0 | 2-25 |
| 56AA 4007 0 | 49-5 | 56AA 4031 0 | 49-24 | 56AA 4048 1 | 48-16 | 56AA 4120 0 | 67-4 | 56AA 4157 2 | 2-24 |
| 56AA 4007 0 | 52-5 | 56AA 4031 0 | 52-24 | 56AA 4048 1 | 51-16 | 56AA 4120 0 | 70-4 | 56AA 4160 0 | 67-5 |
| 56AA 4007 0 | 55-5 | 56AA 4031 0 | 55-24 | 56AA 4048 1 | 54-16 | 56AA 4121 1 | 67-20 | 56AA 4160 0 | 70-5 |
| 56AA 4007 0 | 58-5 | 56AA 4031 0 | 58-24 | 56AA 4048 1 | 57-16 | 56AA 4121 1 | 70-20 | 56AA 4161 0 | 66-5 |
| 56AA 4010 0E | 50-6 | 56AA 4033 0 | 48-17 | 56AA 4049 0 | 48-27 | 56AA 4122 0D | 67-12 | 56AA 4161 0 | 69-5 |
| 56AA 4010 0E | 53-6 | 56AA 4033 0 | 51-17 | 56AA 4049 0 | 49-2 | 56AA 4122 0D | 70-12 | 56AA 4161 0 | 72-15 |
| 56AA 4010 0E | 56-6 | 56AA 4033 0 | 54-17 | 56AA 4049 0 | 51-27 | 56AA 4123 0 | 67-13 | 56AA 4161 0 | 75-16 |
| 56AA 4010 0E | 59-6 | 56AA 4033 0 | 57-17 | 56AA 4049 0 | 52-2 | 56AA 4123 0 | 70-13 | 56AA 4162 1 | 66-6 |
| 56AA 4012 0 | 50-9 | 56AA 4034 1 | 50-5 | 56AA 4049 0 | 54-27 | 56AA 4129 0D | 67-3 | 56AA 4162 1 | 69-6 |
| 56AA 4012 0 | 53-9 | 56AA 4034 1 | 53-5 | 56AA 4049 0 | 55-2 | 56AA 4129 0D | 70-3 | 56AA 4164 0 | 68-24 |
| 56AA 4012 0 | 56-9 | 56AA 4034 1 | 56-5 | 56AA 4049 0 | 57-27 | 56AA 4133 0 | 67-16 | 56AA 4165 0 | 68-18 |
| 56AA 4012 0 | 59-9 | 56AA 4034 1 | 59-5 | 56AA 4049 0 | 58-2 | 56AA 4133 0 | 70-16 | 56AA 4165 0 | 71-18 |
| 56AA 4017 1 | 49-22 | 56AA 4037 0 | 50-3 | 56AA 4051 0 | 50-13 | 56AA 4134 0 | 67-17 | 56AA 4165 0 | 73-19 |
| 56AA 4017 1 | 52-22 | 56AA 4037 0 | 53-3 | 56AA 4051 0 | 53-13 | 56AA 4134 0 | 70-17 | 56AA 4165 0 | 76-19 |
| 56AA 4017 1 | 55-22 | 56AA 4037 0 | 56-3 | 56AA 4051 0 | 56-13 | 56AA 4135 1E | 67-19 | 56AA 4166 0 | 66-14 |
| 56AA 4017 1 | 58-22 | 56AA 4037 0 | 59-3 | 56AA 4051 0 | 59-13 | 56AA 4135 1E | 70-19 | 56AA 4166 0 | 69-14 |
| 56AA 4019 0 | 49-23 | 56AA 4038 0 | 50-8 | 56AA 4052 0 | 49-17 | 56AA 4137 1 | 68-20 | 56AA 4166 0 | 69-14 |
| 56AA 4019 0 | 52-23 | 56AA 4038 0 | 53-8 | 56AA 4052 0 | 52-17 | 56AA 4137 1 | 71-20 | 56AA 4167 1 | 68-22 |
| 56AA 4019 0 | 55-23 | 56AA 4038 0 | 56-8 | 56AA 4052 0 | 55-17 | 56AA 4138 0 | 68-25 | 56AA 4167 1 | 71-22 |
| 56AA 4019 0 | 58-23 | 56AA 4038 0 | 59-8 | 56AA 4052 0 | 58-17 | 56AA 4139 0 | 68-12 | 56AA 4168 0 | 66-13 |
| 56AA 4021 0 | 50-1 | 56AA 4039 0 | 50-11 | 56AA 4102 2D | 66-3 | 56AA 4139 0 | 71-12 | 56AA 4168 0 | 69-13 |
| 56AA 4021 0 | 53-1 | 56AA 4039 0 | 53-11 | 56AA 4102 2D | 69-3 | 56AA 4139 0 | 72-11 | 56AA 4169 0 | 68-11 |
| 56AA 4021 0 | 56-1 | 56AA 4039 0 | 56-11 | 56AA 4105 1 | 67-21 | 56AA 4139 0 | 75-12 | 56AA 4169 0 | 71-11 |
| 56AA 4021 0 | 59-1 | 56AA 4039 0 | 59-11 | 56AA 4105 1 | 70-21 | 56AA 4143 1 | 68-17 | 56AA 4169 0 | 73-14 |
| 56AA 4023 0 | 50-26 | 56AA 4043 0 | 48-5 | 56AA 4106 1 | 67-2 | 56AA 4143 1 | 71-17 | 56AA 4169 0 | 76-14 |
| 56AA 4023 0 | 53-26 | 56AA 4043 0 | 51-5 | 56AA 4106 1 | 70-2 | 56AA 4144 0 | 68-21 | 56AA 4171 1 | 2-7 |
| 56AA 4023 0 | 56-26 | 56AA 4043 0 | 54-5 | 56AA 4108 2 | 68-5 | 56AA 4144 0 | 71-21 | 56AA 4171 1 | 74-17 |
| 56AA 4023 0 | 59-26 | 56AA 4043 0 | 57-5 | 56AA 4108 2 | 71-5 | 56AA 4145 0 | 68-16 | 56AA 4174 1 | 2-10 |
| | | | | | | | | 56AA 4174 1 | 74-18 |

| Parts No. | Page No. | Parts No. | Page No. | Parts No. | Page No. | Parts No. | Page No. | Parts No. | Page No. |
|--------------|----------|--------------|----------|--------------|----------|--------------|----------|--------------|----------|
| 56AA 4176 0 | 2-9 | 56AA 4253 0 | 64-14 | 56AA 4519 1 | 87-23 | 56AA 4822 0 | 89-19 | 56AA 5077 1 | 77-13 |
| 56AA 4176 0 | 4-23 | 56AA 4254 1 | 64-33 | 56AA 4521 0 | 86-7 | 56AA 4825 0 | 89-22 | 56AA 5079 1 | 84-22 |
| 56AA 4176 0 | 74-19 | 56AA 4255 0 | 79-5 | 56AA 4522 2 | 87-25 | 56AA 4826 0 | 89-21 | 56AA 5080 0 | 84-14 |
| 56AA 4201 1 | 63-35 | 56AA 4255 0 | 82-11 | 56AA 4530 0 | 86-5 | 56AA 5013 0 | 84-12 | 56AA 5091 0 | 87-20 |
| 56AA 4203 1 | 63-11 | 56AA 4255 0 | 88-19 | 56AA 4532 0 | 87-8 | 56AA 5014 0 | 78-25 | 56AA 5092 0 | 87-19 |
| 56AA 4204 0 | 64-8 | 56AA 4257 0 | 79-7 | 56AA 4533 0 | 87-11 | 56AA 5016 0 | 78-36 | 56AA 5093 0 | 87-14 |
| 56AA 4205 0 | 64-12 | 56AA 4257 0 | 82-13 | 56AA 4540 0 | 87-6 | 56AA 5019 1 | 78-35 | 56AA 5094 0 | 84-19 |
| 56AA 4206 1 | 64-5 | 56AA 4257 0 | 88-18 | 56AA 4541 0 | 87-5 | 56AA 5020 1 | 77-16 | 56AA 5095 1 | 79-14 |
| 56AA 4207 0 | 63-18 | 56AA 4258 0 | 64-29 | 56AA 4542 0D | 87-4 | 56AA 5021 0 | 77-9 | 56AA 5101 0 | 79-18 |
| 56AA 4208 0 | 65-24 | 56AA 4259 0 | 64-24 | 56AA 4543 0D | 87-27 | 56AA 5022 1 | 78-27 | 56AA 5102 0 | 77-11 |
| 56AA 4209 0D | 64-20 | 56AA 4260 0D | 64-32 | 56AA 4544 0 | 87-26 | 56AA 5024 0 | 78-26 | 56AA 5104 0 | 78-6 |
| 56AA 4210 0D | 64-3 | 56AA 4262 1 | 63-34 | 56AA 4545 0D | 87-3 | 56AA 5025 0 | 84-11 | 56AA 5105 0 | 84-30 |
| 56AA 4211 1 | 65-23 | 56AA 4264 0 | 64-10 | 56AA 4546 0 | 87-7 | 56AA 5031 1E | 78-19 | 56AA 5106 0 | 77-10 |
| 56AA 4212 0 | 63-14 | 56AA 4265 2 | 63-26 | 56AA 4547 0 | 87-28 | 56AA 5033 1 | 78-20 | 56AA 5107 2 | 81-4 |
| 56AA 4216 0 | 63-6 | 56AA 4266 1D | 64-27 | 56AA 4548 0 | 87-30 | 56AA 5034 1 | 78-23 | 56AA 5108 1 | 83-17 |
| 56AA 4217 0 | 63-16 | 56AA 4268 0D | 64-26 | 56AA 4549 0 | 87-1 | 56AA 5035 1 | 78-16 | 56AA 5110 2 | 82-5 |
| 56AA 4224 1 | 64-7 | 56AA 4270 1 | 64-34 | 56AA 4551 0 | 87-2 | 56AA 5036 2E | 78-22 | 56AA 5111 0 | 80-28 |
| 56AA 4226 0 | 63-19 | 56AA 4407 1 | 60-18 | 56AA 4610 0 | 32-15 | 56AA 5038 1 | 78-21 | 56AA 5119 1 | 84-4 |
| 56AA 4234 0 | 65-7 | 56AA 4408 2 | 62-6 | 56AA 4611 0 | 33-6 | 56AA 5040 0 | 83-28 | 56AA 5120 0D | 78-3 |
| 56AA 4235 0 | 65-12 | 56AA 4410 1 | 60-15 | 56AA 4616 0 | 32-17 | 56AA 5041 0 | 77-12 | 56AA 5121 0 | 83-25 |
| 56AA 4236 0D | 65-17 | 56AA 4415 0 | 60-4 | 56AA 4620 2 | 32-22 | 56AA 5042 0 | 77-17 | 56AA 5122 0D | 83-10 |
| 56AA 4236 0D | 66-12 | 56AA 4420 0 | 60-2 | 56AA 4640 1 | 32-7 | 56AA 5043 0 | 83-27 | 56AA 5123 0D | 83-24 |
| 56AA 4236 0D | 69-12 | 56AA 4421 0D | 60-8 | 56AA 4645 0 | 33-15 | 56AA 5044 0 | 83-21 | 56AA 5125 0D | 83-19 |
| 56AA 4237 0 | 65-16 | 56AA 4423 1 | 62-4 | 56AA 4650 0D | 32-18 | 56AA 5045 0 | 81-16 | 56AA 5130 1 | 79-6 |
| 56AA 4237 0 | 66-11 | 56AA 4424 0 | 62-16 | 56AA 4685 2 | 32-3 | 56AA 5048 0 | 83-16 | 56AA 5131 1 | 79-16 |
| 56AA 4237 0 | 69-11 | 56AA 4425 0 | 61-8 | 56AA 4688 1 | 33-13 | 56AA 5049 0 | 84-3 | 56AA 5138 0 | 84-7 |
| 56AA 4238 0 | 65-8 | 56AA 4426 0 | 61-9 | 56AA 4693 0 | 32-24 | 56AA 5051 0 | 4-10 | 56AA 5139 0 | 77-5 |
| 56AA 4239 1 | 65-10 | 56AA 4432 1 | 62-22 | 56AA 4801 2 | 89-29 | 56AA 5052 0 | 4-5 | 56AA 5143 0 | 77-8 |
| 56AA 4242 0 | 65-3 | 56AA 4442 1 | 62-2 | 56AA 4803 2 | 89-15 | 56AA 5053 0 | 4-7 | 56AA 5145 1 | 78-7 |
| 56AA 4243 0 | 63-1 | 56AA 4443 0 | 61-4 | 56AA 4804 1 | 89-16 | 56AA 5054 1 | 4-6 | 56AA 5146 0 | 83-18 |
| 56AA 4244 0 | 64-6 | 56AA 4443 0 | 74-8 | 56AA 4805 1 | 89-27 | 56AA 5055 1 | 4-9 | 56AA 5147 0 | 83-11 |
| 56AA 4245 0 | 64-28 | 56AA 4444 0 | 89-28 | 56AA 4809 1 | 89-24 | 56AA 5062 1 | 84-13 | 56AA 5148 0 | 83-26 |
| 56AA 4245 0 | 78-12 | 56AA 4445 1 | 61-3 | 56AA 4810 0 | 88-22 | 56AA 5063 0 | 84-17 | 56AA 5149 0 | 83-23 |
| 56AA 4245 0 | 79-9 | 56AA 4505 3 | 87-29 | 56AA 4811 0 | 89-26 | 56AA 5064 1 | 84-15 | 56AA 5150 0 | 80-21 |
| 56AA 4245 0 | 82-12 | 56AA 4508 2 | 87-17 | 56AA 4813 0 | 89-20 | 56AA 5067 0 | 84-18 | 56AA 5152 1 | 83-12 |
| 56AA 4245 0 | 88-16 | 56AA 4509 0 | 87-9 | 56AA 4814 0 | 88-7 | 56AA 5068 0 | 84-21 | 56AA 5154 0 | 83-3 |
| 56AA 4246 0 | 64-11 | 56AA 4510 1 | 87-33 | 56AA 4815 0 | 88-20 | 56AA 5069 0D | 84-25 | 56AA 5155 0 | 78-2 |
| 56AA 4250 0 | 64-23 | 56AA 4511 2D | 87-31 | 56AA 4818 2 | 89-12 | 56AA 5070 0 | 84-26 | 56AA 5155 0 | 83-9 |
| 56AA 4251 0 | 63-33 | 56AA 4517 0 | 87-16 | 56AA 4819 0 | 89-11 | 56AA 5071 0 | 84-27 | 56AA 5157 2 | 83-20 |
| 56AA 4252 2 | 64-31 | 56AA 4518 1 | 87-35 | 56AA 4820 0 | 89-23 | 56AA 5073 0 | 84-28 | 56AA 5159 0 | 81-11 |

| Parts No. | Page No. | Parts No. | Page No. | Parts No. | Page No. | Parts No. | Page No. | Parts No. | Page No. |
|--------------|----------|--------------|----------|--------------|----------|--------------|----------|--------------|----------|
| 56AA 5161 1 | 84-9 | 56AA 5343 1 | 44-12 | 56AA 5407 1 | 47-10 | 56AA 5458 3 | 46-17 | 56AA 7332 1 | 3-13 |
| 56AA 5181 0 | 80-13 | 56AA 5345 0 | 41-11 | 56AA 5408 0 | 35-6 | 56AA 5464 0 | 42-12 | 56AA 7341 3F | 91-6 |
| 56AA 5221 1 | 81-23 | 56AA 5346 1 | 42-16 | 56AA 5408 0 | 43-20 | 56AA 5466 0 | 40-15 | 56AA 7350 1 | 91-4 |
| 56AA 5222 1 | 81-14 | 56AA 5347 0 | 37-9 | 56AA 5412 1 | 44-21 | 56AA 5466 0 | 46-16 | 56AA 7365 1 | 3-4 |
| 56AA 5223 1 | 81-12 | 56AA 5347 0 | 45-5 | 56AA 5418 0 | 43-1 | 56AA 5467 1 | 37-11 | 56AA 7366 0 | 3-5 |
| 56AA 5226 0 | 81-1 | 56AA 5348 1 | 47-21 | 56AA 5419 0 | 34-13 | 56AA 5467 1 | 45-2 | 56AA 7367 0 | 3-10 |
| 56AA 5227 2 | 81-13 | 56AA 5349 1 | 47-20 | 56AA 5419 0 | 42-14 | 56AA 6102 2 | 11-8 | 56AA 7368 0 | 12-7 |
| 56AA 5228 1 | 81-10 | 56AA 5350 0 | 47-17 | 56AA 5421 0 | 46-3 | 56AA 6107 1 | 13-7 | 56AA 7504 0 | 22-14 |
| 56AA 5229 0 | 81-3 | 56AA 5356 2 | 45-11 | 56AA 5422 0 | 34-37 | 56AA 6111 1 | 11-36 | 56AA 7505 0 | 64-22 |
| 56AA 5231 1 | 77-2 | 56AA 5358 2 | 44-20 | 56AA 5422 0 | 38-26 | 56AA 6115 1 | 12-24 | 56AA 7505 0 | 82-2 |
| 56AA 5232 0 | 77-1 | 56AA 5359 0 | 44-35 | 56AA 5422 0 | 40-3 | 56AA 6118 0 | 13-4 | 56AA 7506 1 | 35-18 |
| 56AA 5236 1 | 83-6 | 56AA 5361 0 | 44-23 | 56AA 5422 0 | 44-22 | 56AA 6129 0 | 11-30 | 56AA 7506 1 | 42-11 |
| 56AA 5237 0 | 83-7 | 56AA 5362 1E | 47-16 | 56AA 5422 0 | 47-15 | 56AA 6129 0 | 14-1 | 56AA 7651 0 | 19-15 |
| 56AA 5238 0 | 81-22 | 56AA 5363 0 | 44-34 | 56AA 5424 0 | 41-10 | 56AA 6133 0 | 12-22 | 56AA 7652 0 | 19-21 |
| 56AA 5239 0D | 81-6 | 56AA 5365 0 | 44-24 | 56AA 5425 0D | 46-20 | 56AA 6137 2 | 11-19 | 56AA 7653 0 | 16-11 |
| 56AA 5240 0 | 4-2 | 56AA 5365 0 | 47-14 | 56AA 5427 0 | 40-23 | 56AA 6140 0 | 11-16 | 56AA 7653 0 | 17-11 |
| 56AA 5242 0 | 81-2 | 56AA 5366 0 | 44-25 | 56AA 5427 0 | 46-24 | 56AA 6141 0 | 11-18 | 56AA 7659 0 | 62-10 |
| 56AA 5243 1 | 81-17 | 56AA 5371 0 | 42-8 | 56AA 5429 2 | 45-6 | 56AA 6142 0 | 11-2 | 56AA 7659 0 | 80-15 |
| 56AA 5244 0 | 83-29 | 56AA 5372 1 | 42-17 | 56AA 5430 1 | 47-13 | 56AA 6143 1 | 11-3 | 56AA 7660 0 | 80-16 |
| 56AA 5245 1 | 81-20 | 56AA 5373 3 | 35-5 | 56AA 5434 0 | 46-23 | 56AA 6144 0 | 13-6 | 56AA 7702 0 | 21-3 |
| 56AA 5246 0 | 81-18 | 56AA 5373 3 | 43-9 | 56AA 5435 0 | 37-27 | 56AA 6146 1 | 11-28 | 56AA 7706 0 | 18-13 |
| 56AA 5247 0 | 81-24 | 56AA 5374 1 | 35-1 | 56AA 5435 0 | 44-6 | 56AA 6147 0D | 11-26 | 56AA 7707 0 | 18-11 |
| 56AA 5248 0 | 81-9 | 56AA 5374 1 | 43-22 | 56AA 5436 0 | 46-13 | 56AA 6148 1 | 11-23 | 56AA 7708 1 | 24-12 |
| 56AA 5249 0 | 81-25 | 56AA 5375 1 | 35-7 | 56AA 5437 0 | 46-4 | 56AA 6153 0 | 11-10 | 56AA 7709 0 | 19-8 |
| 56AA 5278 0 | 81-5 | 56AA 5375 1 | 43-18 | 56AA 5438 0 | 46-10 | 56AA 6154 0 | 11-12 | 56AA 7710 0 | 24-23 |
| 56AA 5303 2 | 46-14 | 56AA 5378 0 | 42-6 | 56AA 5439 1 | 46-21 | 56AA 6156 1 | 11-15 | 56AA 7711 0 | 24-18 |
| 56AA 5305 2 | 44-14 | 56AA 5380 2 | 43-19 | 56AA 5440 1 | 46-25 | 56AA 6157 0 | 11-39 | 56AA 7712 0 | 19-17 |
| 56AA 5307 1 | 42-7 | 56AA 5382 0 | 35-27 | 56AA 5441 0 | 42-1 | 56AA 6158 0 | 12-6 | 56AA 7713 0 | 19-26 |
| 56AA 5312 1 | 46-7 | 56AA 5382 0 | 43-23 | 56AA 5442 0 | 42-3 | 56AA 6812 1 | 15-2 | 56AA 7714 0 | 17-26 |
| 56AA 5315 1 | 46-6 | 56AA 5383 0 | 35-28 | 56AA 5443 0 | 42-4 | 56AA 6813 0D | 15-3 | 56AA 7716 0 | 63-30 |
| 56AA 5316 0 | 46-12 | 56AA 5383 0 | 47-24 | 56AA 5444 0 | 42-5 | 56AA 6822 0D | 15-5 | 56AA 7717 0 | 63-21 |
| 56AA 5317 2 | 46-28 | 56AA 5384 0 | 34-36 | 56AA 5446 3D | 45-13 | 56AA 7309 0 | 93-4 | 56AA 7718 0 | 63-7 |
| 56AA 5318 0 | 46-22 | 56AA 5384 0 | 42-25 | 56AA 5447 1 | 42-23 | 56AA 7312 1 | 91-5 | 56AA 7719 0 | 89-5 |
| 56AA 5320 0 | 40-12 | 56AA 5387 1 | 41-4 | 56AA 5448 0 | 42-10 | 56AA 7315 0 | 3-8 | 56AA 7720 0 | 89-14 |
| 56AA 5320 0 | 46-11 | 56AA 5394 2 | 41-7 | 56AA 5450 0 | 47-28 | 56AA 7316 0 | 93-15 | 56AA 7721 0 | 34-20 |
| 56AA 5321 0 | 41-9 | 56AA 5395 1 | 43-11 | 56AA 5453 0 | 45-12 | 56AA 7317 1 | 91-7 | 56AA 7721 0 | 45-15 |
| 56AA 5324 0 | 40-16 | 56AA 5401 0D | 47-6 | 56AA 5454 1 | 42-2 | 56AA 7321 0 | 93-10 | 56AA 7722 0 | 35-13 |
| 56AA 5324 0 | 46-19 | 56AA 5402 0 | 47-1 | 56AA 5455 0 | 38-23 | 56AA 7323 0 | 93-3 | 56AA 7722 0 | 42-24 |
| 56AA 5337 0 | 46-1 | 56AA 5405 1 | 47-29 | 56AA 5455 0 | 41-3 | 56AA 7327 1 | 93-2 | 56AA 7723 1 | 35-9 |
| 56AA 5339 0 | 41-8 | 56AA 5406 1E | 47-23 | 56AA 5457 3 | 46-15 | 56AA 7328 2 | 93-9 | 56AA 7723 1 | 42-22 |

| Parts No. | Page No. | Parts No. | Page No. | Parts No. | Page No. | Parts No. | Page No. | Parts No. | Page No. |
|-------------|----------|--------------|----------|--------------|----------|--------------|----------|--------------|----------|
| 56AA 7724 0 | 30-14 | 56AA 7792 0 | 31-15 | 56AA 9066 0E | 66-15 | 56AA R721 00 | 49-3 | 56GA 7343 1 | 82-8 |
| 56AA 7725 0 | 24-17 | 56AA 7793 0 | 31-14 | 56AA 9066 0E | 69-15 | 56AA R721 00 | 52-3 | 56GA 7343 1 | 89-10 |
| 56AA 7726 0 | 22-15 | 56AA 7794 0 | 31-24 | 56AA 9078 0E | 88-13 | 56AA R721 00 | 55-3 | 56GA 7601 0 | 48-14 |
| 56AA 7727 0 | 31-13 | 56AA 7795 0 | 31-21 | 56AA 9081 0E | 89-8 | 56AA R721 00 | 58-3 | 56GA 7601 0 | 51-14 |
| 56AA 7728 0 | 31-16 | 56AA 7796 0 | 63-8 | 56AA 9089 1E | 18-7 | 56AA R722 00 | 48-20 | 56GA 7601 0 | 54-14 |
| 56AA 7729 0 | 30-31 | 56AA 7797 0 | 26-11 | 56AA 9090 2E | 25-2 | 56AA R722 00 | 51-20 | 56GA 7601 0 | 57-14 |
| 56AA 7730 0 | 30-19 | 56AA 7798 0 | 89-2 | 56AA 9363 0 | 45-10 | 56AA R722 00 | 54-20 | 56GA 7601 0 | 61-1 |
| 56AA 7731 0 | 30-18 | 56AA 7799 0 | 72-4 | 56AA 9370 1 | 87-18 | 56AA R722 00 | 57-20 | 56GA 7601 0 | 74-5 |
| 56AA 7732 0 | 30-30 | 56AA 7799 0 | 75-5 | 56AA 9371 1 | 87-15 | 56AA R723 00 | 63-9 | 56GA 7601 0 | 78-1 |
| 56AA 7733 0 | 30-13 | 56AA 8003 1 | 91-2 | 56AA 9372 1 | 87-13 | 56AA R724 00 | 63-4 | 56GA 7601 0 | 83-8 |
| 56AA 7734 0 | 37-26 | 56AA 8006 1 | 30-35 | 56AA 9714 0 | 91-14 | 56AA R725 00 | 64-1 | 56GA 7601 0 | 89-17 |
| 56AA 7734 0 | 44-4 | 56AA 8011 2 | 19-13 | 56AA R701 00 | 84-5 | 56AA R729 00 | 12-1 | 56GA 7603 0 | 33-1 |
| 56AA 7735 0 | 44-18 | 56AA 8011 2 | 84-16 | 56AA R702 00 | 78-18 | 56AA R730 00 | 1-13 | 56QA -059 0 | 78-39 |
| 56AA 7738 0 | 62-15 | 56AA 8054 1 | 9-8 | 56AA R703 00 | 2-20 | 56AA R731 00 | 82-7 | 56QA -082 0 | 4-21 |
| 56AA 7743 1 | 82-10 | 56AA 8054 1 | 90-4 | 56AA R704 00 | 90-33 | 56AA R731 00 | 89-9 | 56QA -092 0 | 2-12 |
| 56AA 7745 0 | 80-8 | 56AA 8055 1 | 12-25 | 56AA R705 00 | 2-14 | 56AE -742 0 | 91-12 | 56QA -093 0 | 2-17 |
| 56AA 7746 0 | 80-37 | 56AA 8055 1 | 81-8 | 56AA R705 00 | 4-4 | 56AE 3239 0 | 31-9 | 56QA -146 0 | 91-3 |
| 56AA 7747 0 | 80-12 | 56AA 8201 2 | 32-23 | 56AA R706 00 | 22-23 | 56AE 4341 0 | 72-3 | 56QA -164 0 | 17-15 |
| 56AA 7748 0 | 79-13 | 56AA 8201 2 | 50-24 | 56AA R707 00 | 27-9 | 56AE 4341 0 | 75-4 | 56QA -172 0 | 17-14 |
| 56AA 7749 0 | 84-8 | 56AA 8201 2 | 53-24 | 56AA R708 00 | 27-10 | 56AE 8303 1 | 44-37 | 56QA -176 1 | 19-11 |
| 56AA 7752 0 | 19-22 | 56AA 8201 2 | 56-24 | 56AA R709 00 | 27-15 | 56AE 8304 1 | 44-38 | 56QA -226 0 | 22-7 |
| 56AA 7753 0 | 16-24 | 56AA 8201 2 | 59-24 | 56AA R710 00 | 26-22 | 56AE 8305 1 | 47-22 | 56QA -575 0 | 74-20 |
| 56AA 7755 0 | 80-14 | 56AA 8202 2 | 22-25 | 56AA R711 00 | 26-24 | 56AE 8452 0 | 93-5 | 56QA -742 0 | 91-12 |
| 56AA 7756 0 | 80-32 | 56AA 8307 1 | 27-4 | 56AA R712 00 | 28-6 | 56AE JG01 1 | 101-10 | 56QA 1004 1 | 90-40 |
| 56AA 7757 0 | 80-1 | 56AA 8307 1 | 86-6 | 56AA R713 00 | 86-16 | 56AE R701 00 | 72-22 | 56QA 1012 0 | 94-11 |
| 56AA 7759 0 | 49-13 | 56AA 8401 2 | 93-1 | 56AA R714 00 | 86-8 | 56AE R701 00 | 75-23 | 56QA 1045 0 | 90-2 |
| 56AA 7759 0 | 52-13 | 56AA 8452 0 | 93-5 | 56AA R715 00 | 87-12 | 56AF 8303 1 | 44-37 | 56QA 1046 0 | 90-5 |
| 56AA 7759 0 | 55-13 | 56AA 8551 1 | 11-37 | 56AA R716 00 | 48-25 | 56AF 8304 1 | 44-38 | 56QA 1047 0 | 90-1 |
| 56AA 7759 0 | 58-13 | 56AA 8552 1 | 33-16 | 56AA R716 00 | 51-25 | 56AF 8305 1 | 47-22 | 56QA 1049 1 | 90-3 |
| 56AA 7770 0 | 26-26 | 56AA 8553 1 | 12-12 | 56AA R716 00 | 54-25 | 56AF 8452 1 | 93-5 | 56QA 1049 1 | 93-19 |
| 56AA 7771 1 | 17-12 | 56AA 8560 1 | 65-9 | 56AA R716 00 | 57-25 | 56AF 8454 0 | 92-12 | 56QA 1052 1 | 1-33 |
| 56AA 7775 0 | 28-14 | 56AA 8560 1 | 67-18 | 56AA R717 00 | 68-13 | 56AF 9033 0 | 92-11 | 56QA 1053 1 | 63-12 |
| 56AA 7781 0 | 87-36 | 56AA 8560 1 | 70-18 | 56AA R717 00 | 71-13 | 56AK 8304 0 | 44-38 | 56QA 1054 0 | 1-34 |
| 56AA 7783 1 | 18-1 | 56AA 8842 1 | 92-4 | 56AA R718 00 | 62-21 | 56AS 8303 0 | 44-37 | 56QA 1055 0 | 90-37 |
| 56AA 7784 0 | 32-21 | 56AA 9014 1E | 30-20 | 56AA R719 00 | 60-12 | 56AS 8304 0 | 44-38 | 56QA 1056 0D | 90-39 |
| 56AA 7785 0 | 89-6 | 56AA 9024 0 | 82-6 | 56AA R719 00 | 61-6 | 56AS 8305 0 | 47-22 | 56QA 1057 0 | 90-38 |
| 56AA 7786 0 | 89-4 | 56AA 9042 0E | 11-11 | 56AA R720 00 | 49-14 | 56BA 1224 0 | 6-4 | 56QA 1067 0 | 1-7 |
| 56AA 7789 0 | 27-17 | 56AA 9044 0E | 11-6 | 56AA R720 00 | 52-14 | 56GA 3070 0 | 28-15 | 56QA 1068 0 | 2-1 |
| 56AA 7790 0 | 27-18 | 56AA 9064 2E | 63-17 | 56AA R720 00 | 55-14 | 56GA 3071 0 | 28-3 | 56QA 1069 0 | 3-15 |
| 56AA 7791 0 | 27-16 | 56AA 9065 1 | 65-11 | 56AA R720 00 | 58-14 | 56GA 4744 0 | 33-2 | 56QA 1101 0 | 1-30 |

| Parts No. | Page No. | Parts No. | Page No. | Parts No. | Page No. | Parts No. | Page No. | Parts No. | Page No. |
|--------------|----------|-------------|----------|-------------|----------|--------------|----------|--------------|----------|
| 56QA 1104 0 | 2-5 | 56QA 2030 1 | 24-15 | 56QA 4662 0 | 32-13 | 56QA 5450 0 | 42-15 | 56QA 5805 0D | 73-5 |
| 56QA 1105 0 | 2-16 | 56QA 2032 0 | 23-24 | 56QA 4691 0 | 33-5 | 56QA 5451 0 | 38-7 | 56QA 5805 0D | 76-5 |
| 56QA 1106 0 | 2-8 | 56QA 2501 0 | 27-1 | 56QA 4806 1 | 88-3 | 56QA 5451 0 | 43-6 | 56QA 5806 0D | 73-7 |
| 56QA 1107 0 | 1-32 | 56QA 2601 0 | 26-27 | 56QA 4807 0 | 88-21 | 56QA 5452 0 | 47-9 | 56QA 5807 0 | 73-2 |
| 56QA 1108 0 | 1-29 | 56QA 4008 0 | 48-18 | 56QA 4808 1 | 89-25 | 56QA 5453 0 | 37-25 | 56QA 5807 0 | 76-2 |
| 56QA 1109 0 | 2-6 | 56QA 4008 0 | 51-18 | 56QA 4812 0 | 88-11 | 56QA 5453 0 | 44-5 | 56QA 5808 1D | 73-11 |
| 56QA 1113 0E | 1-8 | 56QA 4008 0 | 54-18 | 56QA 4816 0 | 88-15 | 56QA 5454 0 | 42-26 | 56QA 5808 1D | 76-11 |
| 56QA 1114 0 | 4-17 | 56QA 4008 0 | 57-18 | 56QA 4821 0 | 88-12 | 56QA 5702 1 | 74-12 | 56QA 5809 0D | 73-3 |
| 56QA 1115 0 | 1-18 | 56QA 4027 0 | 48-24 | 56QA 4823 1 | 88-2 | 56QA 5703 0 | 74-33 | 56QA 5809 0D | 76-3 |
| 56QA 1116 0 | 4-14 | 56QA 4027 0 | 51-24 | 56QA 4824 0 | 88-1 | 56QA 5704 0 | 74-2 | 56QA 5811 0 | 72-10 |
| 56QA 1118 0 | 2-23 | 56QA 4027 0 | 54-24 | 56QA 4829 0 | 88-8 | 56QA 5705 0 | 74-32 | 56QA 5812 0 | 72-12 |
| 56QA 1121 0 | 3-17 | 56QA 4027 0 | 57-24 | 56QA 4830 0 | 88-10 | 56QA 5706 0 | 74-1 | 56QA 5815 0 | 73-1 |
| 56QA 1122 0 | 3-16 | 56QA 4055 0 | 48-19 | 56QA 4831 0 | 88-9 | 56QA 5707 0 | 74-7 | 56QA 5818 1 | 72-17 |
| 56QA 1123 0 | 2-11 | 56QA 4055 0 | 51-19 | 56QA 5065 0 | 78-24 | 56QA 5708 0 | 74-16 | 56QA 5818 1 | 75-18 |
| 56QA 1124 0 | 2-21 | 56QA 4055 0 | 54-19 | 56QA 5103 0 | 84-2 | 56QA 5709 0 | 74-15 | 56QA 5828 1E | 73-17 |
| 56QA 1130 0 | 4-12 | 56QA 4055 0 | 57-19 | 56QA 5112 0 | 80-29 | 56QA 5710 0 | 74-13 | 56QA 5828 1E | 76-17 |
| 56QA 1133 0 | 4-13 | 56QA 4267 0 | 64-30 | 56QA 5124 0 | 82-14 | 56QA 5711 0 | 74-4 | 56QA 5829 0 | 72-14 |
| 56QA 1134 0 | 4-15 | 56QA 4272 0 | 64-13 | 56QA 5126 0 | 78-10 | 56QA 5713 0 | 4-24 | 56QA 5829 0 | 75-15 |
| 56QA 1220 0 | 7-7 | 56QA 4274 0 | 63-36 | 56QA 5127 1 | 78-8 | 56QA 5714 1E | 4-27 | 56QA 5830 0 | 72-23 |
| 56QA 1502 1 | 16-7 | 56QA 4418 0 | 60-3 | 56QA 5128 0 | 78-9 | 56QA 5715 0D | 4-20 | 56QA 5836 1 | 72-13 |
| 56QA 1503 0 | 16-21 | 56QA 4419 0 | 60-9 | 56QA 5156 0 | 83-2 | 56QA 5716 0D | 4-32 | 56QA 5840 0D | 72-2 |
| 56QA 1505 0 | 17-1 | 56QA 4430 0 | 62-3 | 56QA 5182 0 | 80-4 | 56QA 5717 0 | 4-29 | 56QA 5840 0D | 75-3 |
| 56QA 1506 0 | 16-25 | 56QA 4431 0 | 62-20 | 56QA 5230 0 | 83-22 | 56QA 5720 0 | 74-21 | 56QA 5844 0 | 72-6 |
| 56QA 1507 0 | 16-23 | 56QA 4440 0 | 62-17 | 56QA 5283 0 | 77-7 | 56QA 5721 0 | 4-22 | 56QA 5844 0 | 75-2 |
| 56QA 1508 0 | 17-9 | 56QA 4441 0 | 62-18 | 56QA 5292 0 | 85-10 | 56QA 5723 0D | 4-31 | 56QA 5847 0D | 73-22 |
| 56QA 1509 0 | 17-2 | 56QA 4455 0 | 60-6 | 56QA 5294 0 | 85-9 | 56QA 5724 0 | 4-28 | 56QA 5849 0D | 73-10 |
| 56QA 1512 0 | 17-5 | 56QA 4456 0 | 60-10 | 56QA 5304 0 | 47-8 | 56QA 5725 0D | 4-25 | 56QA 5849 0D | 76-10 |
| 56QA 1513 0 | 16-14 | 56QA 4457 0 | 62-19 | 56QA 5320 0 | 38-5 | 56QA 5726 0 | 74-29 | 56QA 5862 1 | 72-21 |
| 56QA 1519 0 | 17-19 | 56QA 4458 0 | 61-5 | 56QA 5320 0 | 43-4 | 56QA 5727 0 | 74-31 | 56QA 5862 1 | 75-22 |
| 56QA 1524 0 | 18-21 | 56QA 4459 0 | 60-19 | 56QA 5433 0 | 40-11 | 56QA 5728 0 | 74-27 | 56QA 5864 0 | 72-1 |
| 56QA 1525 0 | 18-17 | 56QA 4503 0 | 86-4 | 56QA 5433 0 | 46-9 | 56QA 5729 0 | 74-22 | 56QA 5864 0 | 75-1 |
| 56QA 1526 0 | 18-9 | 56QA 4601 1 | 32-14 | 56QA 5440 0 | 37-23 | 56QA 5731 0 | 74-10 | 56QA 5906 0D | 76-7 |
| 56QA 1527 0 | 18-26 | 56QA 4603 0 | 32-10 | 56QA 5440 0 | 44-8 | 56QA 5736 0 | 74-28 | 56QA 5911 0 | 75-10 |
| 56QA 2003 0 | 18-6 | 56QA 4605 1 | 33-7 | 56QA 5441 0 | 37-30 | 56QA 5737 0 | 74-11 | 56QA 5912 0 | 75-11 |
| 56QA 2004 0 | 23-19 | 56QA 4606 0 | 33-10 | 56QA 5441 0 | 44-10 | 56QA 5738 0 | 74-35 | 56QA 5915 0D | 76-1 |
| 56QA 2008 0 | 18-18 | 56QA 4608 0 | 32-16 | 56QA 5442 0 | 37-29 | 56QA 5739 0 | 74-9 | 56QA 5930 0 | 75-24 |
| 56QA 2018 0 | 23-3 | 56QA 4609 0 | 32-6 | 56QA 5442 0 | 44-9 | 56QA 5740 0 | 74-14 | 56QA 5936 1 | 75-14 |
| 56QA 2019 0 | 24-13 | 56QA 4653 0 | 33-3 | 56QA 5443 0 | 44-28 | 56QA 5741 0 | 74-30 | 56QA 6113 0 | 11-32 |
| 56QA 2023 0 | 22-12 | 56QA 4660 0 | 32-12 | 56QA 5449 0 | 35-8 | 56QA 5804 1D | 73-4 | 56QA 6114 0 | 11-31 |
| 56QA 2029 0 | 23-21 | 56QA 4661 0 | 32-11 | 56QA 5449 0 | 43-16 | 56QA 5804 1D | 76-4 | 56QA 6130 1 | 11-5 |

| Parts No. | Page No. | Parts No. | Page No. | Parts No. | Page No. | Parts No. | Page No. | Parts No. | Page No. |
|--------------|----------|--------------|----------|--------------|----------|--------------|----------|--------------|----------|
| 56QA 6160 0 | 12-8 | 56QA 7751 0 | 16-10 | 56UA 1270 0 | 8-14 | 57AA -K01 0 | 36-7 | 57AA 2016 1 | 22-29 |
| 56QA 6161 0 | 11-14 | 56QA 7752 0 | 17-4 | 56UA 7342 0 | 90-36 | 57AA 1009 0 | 3-1 | 57AA 2017 1 | 22-27 |
| 56QA 6162 0 | 12-11 | 56QA 7753 0 | 62-14 | 56UA 7344 0 | 90-35 | 57AA 1029 0 | 1-17 | 57AA 2018 1 | 22-28 |
| 56QA 6164 0 | 11-35 | 56QA 8056 0 | 1-36 | 56UA 8551 0E | 33-19 | 57AA 1051 0 | 1-35 | 57AA 2019 0 | 23-25 |
| 56QA 6167 0 | 14-4 | 56QA 8056 0 | 9-7 | 56UA 9730 0 | 23-32 | 57AA 1062 0 | 90-7 | 57AA 2020 1 | 24-16 |
| 56QA 6168 0 | 14-3 | 56QA 8056 0 | 86-1 | 56UA 9731 0 | 5-13 | 57AA 1065 0 | 90-6 | 57AA 2021 1 | 23-22 |
| 56QA 6169 0 | 11-33 | 56QA 8057 0 | 85-3 | 56UA 9732 0 | 5-15 | 57AA 1066 0 | 90-9 | 57AA 2022 0 | 22-4 |
| 56QA 6804 0D | 15-4 | 56QA 8057 0 | 93-20 | 57AA -030 0 | 85-11 | 57AA 1072 0 | 4-11 | 57AA 2023 0 | 24-7 |
| 56QA 7308 0 | 93-11 | 56QA 8057 0 | 94-1 | 57AA -036 0 | 80-6 | 57AA 1073 00 | 1-9 | 57AA 2025 0 | 22-6 |
| 56QA 7311 1 | 91-10 | 56QA 9021 0 | 78-13 | 57AA -045 0 | 82-9 | 57AA 1126 0 | 2-15 | 57AA 2027 0 | 23-11 |
| 56QA 7332 0 | 3-12 | 56QA 9026 0E | 81-7 | 57AA -181 0 | 18-25 | 57AA 1131 0 | 4-18 | 57AA 2028 0 | 23-18 |
| 56QA 7333 0 | 3-14 | 56QA 9027 0E | 86-2 | 57AA -183 0 | 18-4 | 57AA 1132 0 | 4-16 | 57AA 2029 0 | 23-28 |
| 56QA 7342 1 | 92-14 | 56QA 9035 0 | 91-8 | 57AA -186 0 | 20-8 | 57AA 1135 0 | 2-13 | 57AA 2501 0 | 27-13 |
| 56QA 7343 0 | 94-10 | 56QA 9046 2 | 12-10 | 57AA -188 0 | 20-10 | 57AA 1249 0 | 9-27 | 57AA 2634 0 | 26-20 |
| 56QA 7383 0 | 3-6 | 56QA 9062 0 | 60-17 | 57AA -331 0 | 30-33 | 57AA 1260 0 | 9-5 | 57AA 2635 0 | 26-14 |
| 56QA 7384 0D | 3-7 | 56QA 9063 0 | 4-33 | 57AA -360 0 | 32-1 | 57AA 1261 0 | 9-28 | 57AA 3009 0 | 28-4 |
| 56QA 7385 0 | 3-2 | 56QA 9070 0 | 19-10 | 57AA -400 1 | 48-1 | 57AA 1262 0 | 9-29 | 57AA 3012 0 | 28-10 |
| 56QA 7387 0 | 93-17 | 56QA 9071 0 | 93-13 | 57AA -400 1 | 51-1 | 57AA 1264 0 | 9-6 | 57AA 3013 0 | 28-11 |
| 56QA 7388 0 | 94-8 | 56QA 9072 0 | 93-12 | 57AA -400 1 | 54-1 | 57AA 1267 0 | 9-24 | 57AA 3021 1 | 28-21 |
| 56QA 7501 0 | 18-15 | 56QA 9073 0 | 93-14 | 57AA -400 1 | 57-1 | 57AA 1279 0 | 5-7 | 57AA 3026 0 | 28-1 |
| 56QA 7502 0 | 18-20 | 56QA 9074 0 | 93-8 | 57AA -403 1 | 49-1 | 57AA 1508 0 | 20-1 | 57AA 3201 0 | 30-34 |
| 56QA 7504 0 | 32-9 | 56QA 9075 0 | 93-7 | 57AA -403 1 | 52-1 | 57AA 1511 0 | 17-22 | 57AA 3230 0 | 29-12 |
| 56QA 7505 0 | 32-20 | 56QA 9076 0 | 93-6 | 57AA -403 1 | 55-1 | 57AA 1512 0 | 16-5 | 57AA 3233 0 | 30-1 |
| 56QA 7505 0 | 62-5 | 56QA 9730 0 | 35-2 | 57AA -403 1 | 58-1 | 57AA 1519 0 | 20-5 | 57AA 4009 0 | 50-14 |
| 56QA 7505 0 | 80-9 | 56QA 9730 0 | 43-8 | 57AA -530 1 | 34-1 | 57AA 1526 0 | 16-9 | 57AA 4009 0 | 53-14 |
| 56QA 7506 0 | 87-21 | 56QA 9777 0 | 102-5 | 57AA -544 0 | 37-7 | 57AA 1531 0 | 19-20 | 57AA 4009 0 | 56-14 |
| 56QA 7507 0 | 87-24 | 56QA 9784 0 | 9-32 | 57AA -545 0 | 40-1 | 57AA 1542 0 | 16-3 | 57AA 4009 0 | 59-14 |
| 56QA 7654 0 | 80-34 | 56QA 9785 0 | 23-30 | 57AA -547 0 | 40-22 | 57AA 1560 0 | 20-11 | 57AA 4024 0E | 50-19 |
| 56QA 7655 0 | 80-33 | 56QA 9786 0 | 22-5 | 57AA -555 0 | 34-14 | 57AA 1590 0 | 18-27 | 57AA 4024 0E | 53-19 |
| 56QA 7658 0 | 80-3 | 56QA 9787 0 | 22-21 | 57AA -564 0 | 35-25 | 57AA 1701 0 | 68-3 | 57AA 4024 0E | 56-19 |
| 56QA 7702 0 | 16-18 | 56QA 9788 0 | 28-7 | 57AA -565 0 | 35-17 | 57AA 1701 0 | 71-3 | 57AA 4024 0E | 59-19 |
| 56QA 7703 0 | 17-23 | 56QA 9799 0 | 77-4 | 57AA -566 0 | 35-26 | 57AA 1701 0 | 72-9 | 57AA 4025 0 | 48-11 |
| 56QA 7704 0 | 17-8 | 56QA 9802 0 | 24-3 | 57AA -567 0 | 35-14 | 57AA 1701 0 | 75-9 | 57AA 4025 0 | 51-11 |
| 56QA 7705 0 | 17-24 | 56QA R701 00 | 85-8 | 57AA -568 0 | 37-19 | 57AA 2003 0 | 23-5 | 57AA 4025 0 | 54-11 |
| 56QA 7706 0 | 17-21 | 56QA R702 00 | 22-31 | 57AA -569 0 | 40-13 | 57AA 2005 0 | 22-24 | 57AA 4025 0 | 57-11 |
| 56QA 7707 0E | 17-6 | 56QA R703 00 | 87-10 | 57AA -630 3F | 12-2 | 57AA 2006 0 | 23-2 | 57AA 4035 0 | 49-6 |
| 56QA 7711 1 | 18-14 | 56QA R704 00 | 63-38 | 57AA -719 0 | 92-1 | 57AA 2008 0 | 23-1 | 57AA 4035 0 | 52-6 |
| 56QA 7721 0 | 44-36 | 56QE 8826 1 | 92-5 | 57AA -902 1J | 92-21 | 57AA 2013 0 | 22-36 | 57AA 4035 0 | 55-6 |
| 56QA 7739 0 | 85-16 | 56QF 8455 1 | 92-8 | 57AA -904 1E | 78-33 | 57AA 2014 0 | 22-35 | 57AA 4035 0 | 58-6 |
| 56QA 7740 0 | 85-17 | 56RE 9741 0 | 102-8 | 57AA -909 2H | 11-13 | 57AA 2015 0 | 22-34 | 57AA 4042 0 | 48-3 |

| Parts No. | Page No. | Parts No. | Page No. | Parts No. | Page No. | Parts No. | Page No. | Parts No. | Page No. |
|-------------|----------|--------------|----------|--------------|----------|-------------|----------|--------------|----------|
| 57AA 4042 0 | 51-3 | 57AA 5029 0 | 78-43 | 57AA 5308 0 | 38-30 | 57AA 5353 0 | 36-12 | 57AA 5403 0 | 39-8 |
| 57AA 4042 0 | 54-3 | 57AA 5030 0 | 80-31 | 57AA 5309 0E | 38-28 | 57AA 5354 0 | 36-13 | 57AA 5404 0 | 39-10 |
| 57AA 4042 0 | 57-3 | 57AA 5032 0 | 78-15 | 57AA 5310 0E | 34-25 | 57AA 5355 0 | 40-4 | 57AA 5407 0 | 40-18 |
| 57AA 4047 0 | 48-6 | 57AA 5039 0 | 78-32 | 57AA 5311 0 | 38-27 | 57AA 5356 0 | 40-21 | 57AA 5408 0 | 39-13 |
| 57AA 4047 0 | 51-6 | 57AA 5076 0 | 85-23 | 57AA 5312 0 | 34-32 | 57AA 5357 0 | 40-7 | 57AA 5409 0 | 34-16 |
| 57AA 4047 0 | 54-6 | 57AA 5085 0 | 85-14 | 57AA 5313 0 | 34-29 | 57AA 5358 0 | 40-5 | 57AA 5410 0 | 34-18 |
| 57AA 4047 0 | 57-6 | 57AA 5086 0 | 77-21 | 57AA 5314 1 | 34-28 | 57AA 5359 0 | 34-35 | 57AA 5411 0 | 34-7 |
| 57AA 4061 0 | 50-16 | 57AA 5087 0 | 77-19 | 57AA 5315 1 | 34-30 | 57AA 5360 0 | 34-34 | 57AA 5413 0 | 39-3 |
| 57AA 4061 0 | 53-16 | 57AA 5088 0 | 77-20 | 57AA 5316 0 | 34-26 | 57AA 5364 0 | 40-24 | 57AA 5414 0 | 39-5 |
| 57AA 4061 0 | 56-16 | 57AA 5090 0 | 78-29 | 57AA 5317 0 | 34-31 | 57AA 5365 0 | 40-20 | 57AA 5417 0 | 35-11 |
| 57AA 4061 0 | 59-16 | 57AA 5096 0 | 77-18 | 57AA 5318 0 | 34-24 | 57AA 5366 0 | 40-6 | 57AA 5417 0 | 42-20 |
| 57AA 4062 0 | 50-15 | 57AA 5109 0 | 84-1 | 57AA 5319 0 | 34-5 | 57AA 5367 0 | 40-9 | 57AA 5420 0 | 34-23 |
| 57AA 4062 0 | 53-15 | 57AA 5113 0 | 79-1 | 57AA 5320 0 | 34-3 | 57AA 5369 0 | 37-6 | 57AA 5421 0 | 35-19 |
| 57AA 4062 0 | 56-15 | 57AA 5114 0 | 82-3 | 57AA 5320 0 | 47-3 | 57AA 5371 0 | 35-24 | 57AA 5701 0 | 74-34 |
| 57AA 4062 0 | 59-15 | 57AA 5115 0 | 79-3 | 57AA 5321 0E | 34-6 | 57AA 5372 0 | 35-23 | 57AA 5842 0 | 72-16 |
| 57AA 4063 0 | 50-22 | 57AA 5116 0 | 79-4 | 57AA 5322 0 | 34-4 | 57AA 5373 0 | 35-29 | 57AA 5842 0 | 75-17 |
| 57AA 4063 0 | 53-22 | 57AA 5117 0 | 80-26 | 57AA 5322 0 | 47-4 | 57AA 5374 0 | 35-21 | 57AA 5845 0 | 73-8 |
| 57AA 4063 0 | 56-22 | 57AA 5118 0 | 80-27 | 57AA 5323 0 | 34-33 | 57AA 5377 0 | 37-15 | 57AA 5845 0 | 76-8 |
| 57AA 4063 0 | 59-22 | 57AA 5129 0 | 83-14 | 57AA 5324 0 | 34-27 | 57AA 5378 0 | 37-10 | 57AA 6051 00 | 65-22 |
| 57AA 4063 0 | 62-12 | 57AA 5144 0 | 83-15 | 57AA 5325 0 | 34-11 | 57AA 5380 0 | 34-38 | 57AA 6124 0 | 12-26 |
| 57AA 4107 1 | 66-9 | 57AA 5157 0 | 78-4 | 57AA 5326 0 | 35-22 | 57AA 5381 0 | 38-29 | 57AA 6125 0 | 12-21 |
| 57AA 4107 1 | 69-9 | 57AA 5159 0 | 78-5 | 57AA 5327 0 | 40-25 | 57AA 5382 0 | 34-9 | 57AA 6128 0 | 12-3 |
| 57AA 4125 0 | 67-7 | 57AA 5183 0 | 79-23 | 57AA 5328 0 | 38-1 | 57AA 5382 0 | 44-30 | 57AA 6152 0 | 11-9 |
| 57AA 4125 0 | 70-7 | 57AA 5184 0 | 77-14 | 57AA 5329 0 | 35-20 | 57AA 5383 0 | 37-2 | 57AA 6166 0 | 12-20 |
| 57AA 4136 0 | 67-1 | 57AA 5193 0 | 82-1 | 57AA 5330 0 | 38-14 | 57AA 5384 0 | 37-3 | 57AA 6170 0 | 12-23 |
| 57AA 4136 0 | 70-1 | 57AA 5251 0 | 83-4 | 57AA 5331 0 | 37-8 | 57AA 5385 0 | 40-17 | 57AA 6176 0 | 12-4 |
| 57AA 4173 0 | 2-19 | 57AA 5252 0D | 83-1 | 57AA 5332 0 | 36-5 | 57AA 5386 0 | 37-5 | 57AA 6177 0 | 11-4 |
| 57AA 4427 0 | 61-10 | 57AA 5261 0 | 78-40 | 57AA 5333 0 | 36-9 | 57AA 5387 0 | 40-26 | 57AA 7301 1E | 90-24 |
| 57AA 4460 0 | 62-1 | 57AA 5278 0 | 78-31 | 57AA 5334 0 | 36-4 | 57AA 5388 0 | 38-2 | 57AA 7302 0 | 92-13 |
| 57AA 4461 0 | 62-11 | 57AA 5279 0 | 79-17 | 57AA 5335 0 | 40-14 | 57AA 5389 0 | 38-8 | 57AA 7306 0 | 94-9 |
| 57AA 4550 0 | 87-37 | 57AA 5281 0 | 85-22 | 57AA 5336 0 | 38-13 | 57AA 5390 0 | 37-4 | 57AA 7307 0 | 94-2 |
| 57AA 4602 0 | 33-21 | 57AA 5284 0 | 4-8 | 57AA 5337 0 | 38-10 | 57AA 5391 0 | 37-1 | 57AA 7353 0 | 94-3 |
| 57AA 4604 0 | 33-14 | 57AA 5285 0 | 85-21 | 57AA 5338 0 | 38-21 | 57AA 5392 0 | 39-1 | 57AA 7354 0 | 94-4 |
| 57AA 4615 0 | 33-20 | 57AA 5288 0 | 79-10 | 57AA 5339 0 | 38-20 | 57AA 5393 0 | 39-2 | 57AA 7355 0 | 94-6 |
| 57AA 4630 0 | 33-17 | 57AA 5296 0 | 85-2 | 57AA 5340 0 | 38-15 | 57AA 5394 0 | 39-12 | 57AA 7357 0 | 91-9 |
| 57AA 4827 0 | 89-13 | 57AA 5297 0 | 85-5 | 57AA 5344 0 | 37-22 | 57AA 5397 0 | 38-31 | 57AA 7360 0 | 93-25 |
| 57AA 4832 0 | 88-5 | 57AA 5298 0 | 85-1 | 57AA 5347 0 | 36-2 | 57AA 5398 0 | 36-1 | 57AA 7378 0 | 93-18 |
| 57AA 5006 0 | 78-42 | 57AA 5301 0 | 37-18 | 57AA 5348 0 | 38-25 | 57AA 5399 0 | 39-4 | 57AA 7379 0 | 93-21 |
| 57AA 5009 0 | 78-38 | 57AA 5303 0 | 34-10 | 57AA 5351 0E | 38-24 | 57AA 5401 0 | 39-9 | 57AA 7381 0 | 90-12 |
| 57AA 5026 0 | 80-30 | 57AA 5307 0 | 35-4 | 57AA 5352 0 | 36-11 | 57AA 5402 0 | 39-7 | 57AA 7386 0 | 90-25 |

| Parts No. | Page No. |
|--------------|----------|
| 57AA 7389 0E | 93-16 |
| 57AA 7391 0 | 90-23 |
| 57AA 7503 0 | 36-6 |
| 57AA 7506 0 | 48-13 |
| 57AA 7506 0 | 51-13 |
| 57AA 7506 0 | 54-13 |
| 57AA 7506 0 | 57-13 |
| 57AA 7506 0 | 89-1 |
| 57AA 7659 0 | 79-21 |
| 57AA 7701 0 | 20-9 |
| 57AA 7702 0 | 20-3 |
| 57AA 7703 0 | 20-6 |
| 57AA 7705 0 | 18-16 |
| 57AA 7706 0 | 36-8 |
| 57AA 7707 0 | 34-21 |
| 57AA 7708 0 | 37-33 |
| 57AA 7709 0 | 37-21 |
| 57AA 7710 0 | 37-16 |
| 57AA 7711 0 | 37-32 |
| 57AA 7711 0 | 44-2 |
| 57AA 7712 0 | 37-31 |
| 57AA 7712 0 | 44-1 |
| 57AA 7713 0 | 37-14 |
| 57AA 7713 0 | 45-3 |
| 57AA 7715 0 | 16-2 |
| 57AA 7717 0 | 44-16 |
| 57AA 7718 0 | 44-17 |
| 57AA 7721 0 | 35-12 |
| 57AA 7721 0 | 42-21 |
| 57AA 7722 0 | 35-10 |
| 57AA 7722 0 | 42-19 |
| 57AA 7738 0 | 62-13 |
| 57AA 7744 0 | 82-16 |
| 57AA 7748 0 | 82-17 |
| 57AA 7751 0 | 79-22 |
| 57AA 7772 0 | 50-20 |
| 57AA 7772 0 | 53-20 |
| 57AA 7772 0 | 56-20 |
| 57AA 7772 0 | 59-20 |
| 57AA 7776 0 | 28-16 |

| Parts No. | Page No. |
|--------------|----------|
| 57AA 7777 0 | 28-19 |
| 57AA 7778 0 | 28-17 |
| 57AA 7779 0 | 28-18 |
| 57AA 7780 0 | 28-20 |
| 57AA 7782 0 | 18-10 |
| 57AA 8203 0 | 16-4 |
| 57AA 8203 0 | 17-17 |
| 57AA 8203 0 | 48-9 |
| 57AA 8203 0 | 51-9 |
| 57AA 8203 0 | 54-9 |
| 57AA 8203 0 | 57-9 |
| 57AA 8203 0 | 79-24 |
| 57AA 8203 0 | 80-35 |
| 57AA 8301 0 | 13-11 |
| 57AA 8351 0 | 13-9 |
| 57AA 8391 00 | 87-38 |
| 57AA 8451 1 | 93-22 |
| 57AA 8452 1E | 39-11 |
| 57AA 8453 1 | 92-6 |
| 57AA 8461 0 | 36-3 |
| 57AA 8602 0 | 91-13 |
| 57AA 8801 0 | 38-17 |
| 57AA 8802 1 | 38-12 |
| 57AA 8804 0 | 38-9 |
| 57AA 8806 0 | 38-16 |
| 57AA 9002 0 | 78-14 |
| 57AA 9003 0 | 95-2 |
| 57AA 9006 0 | 96-2 |
| 57AA 9016 0 | 90-15 |
| 57AA 9020 0 | 98-1 |
| 57AA 9022 0 | 78-30 |
| 57AA 9023 0 | 33-18 |
| 57AA 9025 0 | 78-28 |
| 57AA 9028 0 | 78-34 |
| 57AA 9030 0 | 92-7 |
| 57AA 9031 0 | 92-3 |
| 57AA 9034 0 | 85-19 |
| 57AA 9036 0 | 9-30 |
| 57AA 9060 0 | 68-10 |
| 57AA 9060 0 | 71-10 |

| Parts No. | Page No. |
|--------------|----------|
| 57AA 9061 0 | 49-25 |
| 57AA 9061 0 | 52-25 |
| 57AA 9061 0 | 55-25 |
| 57AA 9061 0 | 58-25 |
| 57AA 9067 0 | 73-15 |
| 57AA 9067 0 | 76-15 |
| 57AA 9079 0 | 92-20 |
| 57AA 9080 0 | 92-19 |
| 57AA 9088 0 | 92-18 |
| 57AA 9091 0 | 12-18 |
| 57AA 9361 0 | 38-22 |
| 57AA 9363 0 | 38-18 |
| 57AA 9366 0 | 9-18 |
| 57AA 9368 0 | 34-2 |
| 57AA 9712 0 | 26-5 |
| 57AA 9713 0 | 5-15 |
| 57AA 9718 0E | 85-7 |
| 57AA 9720 1E | 63-37 |
| 57AA 9721 1E | 32-26 |
| 57AA 9722 1E | 33-9 |
| 57AA 9723 1E | 85-24 |
| 57AA 9724 1E | 47-27 |
| 57AA 9725 1E | 40-10 |
| 57AA 9725 1E | 46-8 |
| 57AA 9726 1E | 39-14 |
| 57AA 9726 1E | 42-27 |
| 57AA 9727 1E | 35-3 |
| 57AA 9727 1E | 43-7 |
| 57AA 9728 1E | 79-20 |
| 57AA 9729 1E | 89-31 |
| 57AA 9742 1E | 81-26 |
| 57AA 9743 1F | 77-6 |
| 57AA 9776 0 | 41-13 |
| 57AA 9778 0 | 40-2 |
| 57AA 9778 0 | 46-2 |
| 57AA 9782 1G | 23-33 |
| 57AA 9783 1G | 39-6 |
| 57AA 9787 0 | 67-11 |
| 57AA 9787 0 | 70-11 |
| 57AA 9787 0 | 73-9 |

| Parts No. | Page No. |
|--------------|----------|
| 57AA 9787 0 | 76-9 |
| 57AA 9795 0 | 29-17 |
| 57AA JG01 0 | 101-6 |
| 57AA JG02 0 | 101-7 |
| 57AA JG03 0 | 101-8 |
| 57AA R701 00 | 85-13 |
| 57AA R702 00 | 9-10 |
| 57AA R703 00 | 23-34 |
| 57AA R708 00 | 16-6 |
| 57AA R710 00 | 22-1 |
| 57AA R711 00 | 24-1 |
| 57AA R712 00 | 23-8 |
| 57AA R713 00 | 23-16 |
| 57AA R714 00 | 27-25 |
| 57AA R715 00 | 26-29 |
| 57AA R716 00 | 28-23 |
| 57AA R717 00 | 28-8 |
| 57AA R718 00 | 86-9 |
| 57AA R720 00 | 50-18 |
| 57AA R720 00 | 53-18 |
| 57AA R720 00 | 56-18 |
| 57AA R720 00 | 59-18 |
| 57AA R723 00 | 37-12 |
| 57AA R725 00 | 12-27 |
| 57AA R726 00 | 12-13 |
| 57AA R727 00 | 12-19 |
| 57AA R728 00 | 3-3 |
| 57AA R729 00 | 90-8 |
| 57AA R731 00 | 33-4 |
| 57AA R732 00 | 34-22 |
| 57AE -188 0 | 21-10 |
| 57AE -544 0 | 41-2 |
| 57AE -719 0 | 92-1 |
| 57AE 1062 0 | 90-7 |
| 57AE 5082 0 | 85-12 |
| 57AE 5282 0 | 85-4 |
| 57AE 5283 0 | 85-6 |
| 57AE 5306 0 | 47-19 |
| 57AE 5470 0 | 45-9 |
| 57AE 5471 0 | 47-25 |

| Parts No. | Page No. |
|--------------|----------|
| 57AE 5472 0 | 43-14 |
| 57AE 5473 0E | 42-13 |
| 57AE 5474 0 | 41-12 |
| 57AE 5475 0 | 43-10 |
| 57AE 5476 0 | 44-31 |
| 57AE 5477 0 | 47-26 |
| 57AE 5478 0 | 44-15 |
| 57AE 5479 0 | 46-26 |
| 57AE 7504 0 | 47-18 |
| 57AE 7701 0 | 21-9 |
| 57AE 8451 1 | 93-22 |
| 57AE 8801 0 | 45-8 |
| 57AE 8804 0 | 45-7 |
| 57AE 9003 1 | 97-2 |
| 57AE 9008 1 | 43-13 |
| 57AE 9034 0 | 78-41 |
| 57AE 9361 0 | 41-5 |
| 57AE 9362 0 | 47-12 |
| 57AE 9368 0 | 47-5 |
| 57AE 9718 0E | 85-7 |
| 57AE JG01 0 | 101-9 |
| 57AE R703 00 | 45-1 |
| 57AE R704 00 | 90-8 |
| 57AF -719 0 | 92-1 |
| 57AF 1279 0 | 5-11 |
| 57AF 1280 0 | 5-4 |
| 57AF 7361 0 | 5-8 |
| 57AF 7362 0 | 5-10 |
| 57AF 8451 2 | 93-22 |
| 57AF 8453 1 | 92-6 |
| 57AF 8872 0 | 90-29 |
| 57AF 8873 0 | 90-28 |
| 57AF 8873 0 | 92-10 |
| 57AF 9031 0 | 92-9 |
| 57AF 9361 1 | 41-5 |
| 57AF 9718 0E | 85-7 |
| 57AF 9774 0 | 78-17 |
| 57AF 9774 0 | 93-26 |
| 57AF R703 00 | 41-2 |
| 57AK -719 0 | 92-1 |

| Parts No. | Page No. |
|--------------|----------|
| 57AK -742 0 | 91-12 |
| 57AN -544 0 | 41-2 |
| 57AN 8861 0 | 91-12 |
| 57AN 9718 0E | 85-7 |
| 57AS -544 0 | 41-2 |
| 57AS -742 0 | 91-12 |
| 57AS 9718 0E | 85-7 |
| 57BA 7741 0 | 80-5 |
| 57BA 7742 0 | 80-7 |
| 57BA 9004 0 | 96-1 |
| 57BE -530 0 | 41-1 |
| 57BF R701 00 | 41-1 |
| 57BK -530 0 | 41-1 |
| 57BN -530 0 | 41-1 |
| 57BS -530 0 | 41-1 |
| 65AA 1130 0 | 92-15 |
| 65AA 4010 0 | 50-7 |
| 65AA 4010 0 | 53-7 |
| 65AA 4010 0 | 56-7 |
| 65AA 4010 0 | 59-7 |
| 7050 K002 0 | 101-1 |
| A00J 1677 00 | 10-19 |
| A00J 1679 00 | 10-20 |
| A00J 1680 00 | 10-2 |
| A00J 1682 02 | 8-5 |
| A00J 1694 03 | 10-29 |
| A00J 1911 00 | 10-8 |
| A00J 1912 00 | 10-11 |
| A00J 1913 00 | 10-7 |
| A00J 1914 00 | 10-14 |
| A00J 1915 02 | 10-17 |
| A00J 1916 01 | 10-4 |
| A00J 1917 00 | 10-6 |
| A00J 1918 00 | 10-25 |
| A00J 1919 00 | 10-12 |
| A00J 1921 12 | 10-24 |
| A00J 1922 02 | 10-26 |
| A00J 1923 12 | 10-27 |
| A00J 1924 00 | 10-23 |
| A00J 1925 00 | 10-28 |

| Parts No. | Page No. |
|--------------|----------|
| A00J 1926 01 | 10-18 |
| A00J 1927 11 | 10-13 |
| A00J 1928 00 | 10-3 |
| A00J 1929 00 | 10-5 |
| A00J 1930 02 | 10-16 |
| A00J 1931 00 | 10-15 |
| A00J 9437 00 | 102-3 |
| A00J 9455 00 | 6-2 |
| A00J H00E 00 | 8-2 |
| A00V 2406 00 | 16-8 |
| A00V 2406 00 | 17-18 |
| A00V 2406 00 | 18-8 |
| A00V 2406 00 | 19-4 |
| A00V 2406 00 | 20-2 |
| A00V 2406 00 | 21-2 |
| A00V 2406 00 | 63-31 |
| A00V 2406 00 | 79-12 |
| A00V 2406 00 | 80-2 |
| A00V 2406 00 | 85-15 |
| A02E 9481 00 | 10-31 |
| A02E 9482 00 | 10-31 |
| A02E 9483 00 | 10-31 |
| A02E 9484 00 | 10-31 |
| A02E 9485 00 | 10-31 |
| A02E 9486 00 | 10-33 |
| A02E 9487 00 | 10-33 |
| A02E 9488 00 | 10-33 |
| A02E 9489 00 | 10-33 |
| A02E 9490 00 | 10-30 |
| A02E 9491 00 | 10-30 |
| A02E 9492 00 | 10-30 |
| A02E 9493 00 | 10-30 |
| A02E 9494 00 | 10-34 |
| A03U 2636 01 | 1-4 |
| A03U 8128 00 | 16-19 |
| A03U 8128 00 | 32-8 |
| A03U 8128 00 | 50-2 |
| A03U 8128 00 | 53-2 |
| A03U 8128 00 | 56-2 |
| A03U 8128 00 | 59-2 |

| Parts No. | Page No. |
|--------------|----------|
| A03U 8128 00 | 62-9 |
| A03U 8128 00 | 63-27 |
| A03U 8128 00 | 74-26 |
| A03U 8128 00 | 79-15 |
| A03U 8128 00 | 80-17 |
| A03X 5656 11 | 48-23 |
| A03X 5656 11 | 51-23 |
| A03X 5656 11 | 54-23 |
| A03X 5656 11 | 57-23 |
| A0PN 1001 00 | 1-19 |
| A0PN 1002 00 | 1-21 |
| A0PN 1003 00 | 1-20 |
| A0PN 1006 00 | 1-22 |
| A0PN 1008 00 | 94-7 |
| A0PN 1012 00 | 5-18 |
| A0PN 1013 00 | 5-9 |
| A0PN 1020 00 | 94-15 |
| A0PN 1021 00 | 94-14 |
| A0PN 1071 00 | 1-1 |
| A0PN 1301 00 | 90-20 |
| A0PN 1302 01 | 90-32 |
| A0PN 1303 01 | 90-11 |
| A0PN 1304 00 | 90-19 |
| A0PN 1305 00 | 90-21 |
| A0PN 1306 00 | 90-13 |
| A0PN 1307 01 | 90-10 |
| A0PN 1308 00 | 90-31 |
| A0PN 1309 00 | 90-27 |
| A0PN 1310 00 | 90-14 |
| A0PN 1311 00 | 5-22 |
| A0PN 1331 00 | 1-10 |
| A0PN 1601 01 | 6-12 |
| A0PN 1602 00 | 6-7 |
| A0PN 1603 00 | 6-9 |
| A0PN 1604 00 | 6-13 |
| A0PN 1605 00 | 6-10 |
| A0PN 1606 00 | 6-8 |
| A0PN 1607 00 | 6-11 |
| A0PN 1608 00 | 6-15 |
| A0PN 1609 00 | 6-17 |

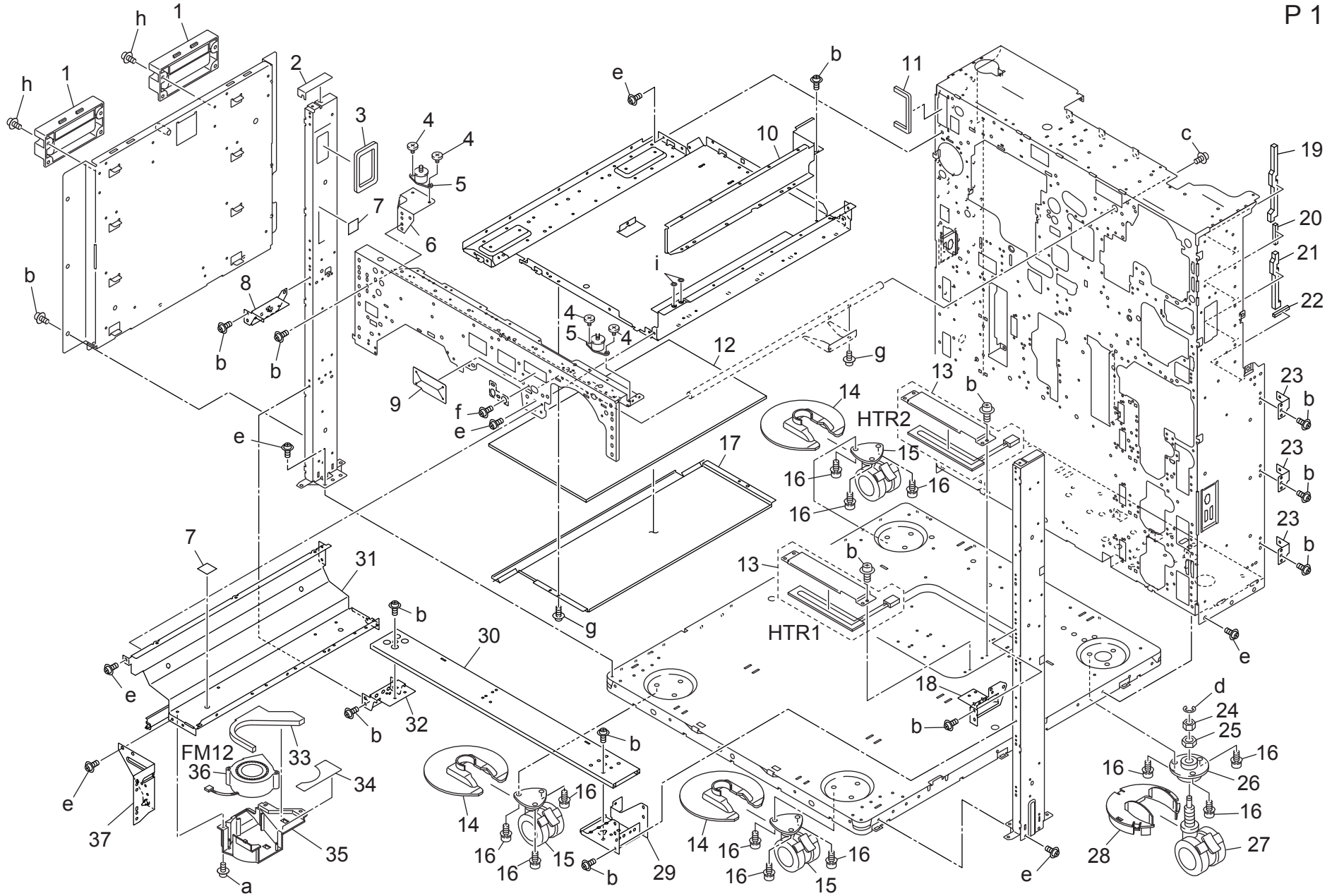
| Parts No. | Page No. |
|--------------|----------|
| A0PN 1612 00 | 7-9 |
| A0PN 1613 00 | 7-10 |
| A0PN 1614 00 | 7-8 |
| A0PN 1615 00 | 7-6 |
| A0PN 1616 00 | 7-2 |
| A0PN 1617 00 | 7-12 |
| A0PN 1618 00 | 7-3 |
| A0PN 1619 00 | 7-5 |
| A0PN 1620 00 | 5-16 |
| A0PN 1704 01 | 8-19 |
| A0PN 1705 02 | 8-20 |
| A0PN 1706 00 | 8-13 |
| A0PN 1709 00 | 5-1 |
| A0PN 1710 00 | 5-12 |
| A0PN 1723 00 | 6-5 |
| A0PN 1729 00 | 5-28 |
| A0PN 1733 01 | 5-17 |
| A0PN 1736 00 | 5-2 |
| A0PN 1745 01 | 8-17 |
| A0PN 1752 01 | 8-18 |
| A0PN 1754 00 | 102-1 |
| A0PN 1768 00 | 9-26 |
| A0PN 1778 00 | 6-3 |
| A0PN 1780 00 | 5-3 |
| A0PN 1902 01 | 10-21 |
| A0PN 1903 00 | 10-10 |
| A0PN 1904 00 | 4-19 |
| A0PN 1911 00 | 10-9 |
| A0PN 1912 00 | 10-22 |
| A0PN 2001 00 | 8-3 |
| A0PN 2002 00 | 8-8 |
| A0PN 2003 00 | 8-7 |
| A0PN 2004 00 | 8-1 |
| A0PN 2005 00 | 9-22 |
| A0PN 2006 00 | 9-23 |
| A0PN 2007 00 | 9-4 |
| A0PN 2008 00 | 8-6 |
| A0PN 2010 00 | 9-1 |
| A0PN 2011 01 | 8-9 |
| A0PN 2012 00 | 8-11 |

| Parts No. | Page No. |
|--------------|----------|
| A0PN 2013 00 | 8-12 |
| A0PN 2014 00 | 8-4 |
| A0PN 2015 00 | 9-3 |
| A0PN 4051 00 | 29-16 |
| A0PN 6030 00 | 65-25 |
| A0PN 6031 00 | 65-5 |
| A0PN 6032 01 | 65-15 |
| A0PN 6033 01 | 65-18 |
| A0PN 6040 00 | 65-4 |
| A0PN 6041 00 | 65-6 |
| A0PN 6061 00 | 65-21 |
| A0PN 6201 00 | 66-10 |
| A0PN 6201 00 | 69-10 |
| A0PN 6242 00 | 68-23 |
| A0PN 6242 00 | 71-23 |
| A0PN 6263 00 | 68-4 |
| A0PN 6263 00 | 71-4 |
| A0PN 6448 00 | 73-21 |
| A0PN 6463 00 | 72-20 |
| A0PN 6463 00 | 75-21 |
| A0PN 6648 00 | 76-20 |
| A0PN 7003 00 | 60-20 |
| A0PN 7004 00 | 60-1 |
| A0PN 7014 00 | 60-5 |
| A0PN 8901 00 | 88-25 |
| A0PN 8902 00 | 88-24 |
| A0PN 9431 00 | 6-16 |
| A0PN 9434 00 | 73-20 |
| A0PN 9434 00 | 75-13 |
| A0PN 9437 00 | 65-1 |
| A0PN 9439 00 | 102-2 |
| A0PN 9444 00 | 7-1 |
| A0PN H010 04 | 90-22 |
| A0PN M101 00 | 90-18 |
| A0PN M102 00 | 18-24 |
| A0PN M102 00 | 20-12 |
| A0PN M102 00 | 21-11 |
| A0PN M102 00 | 31-11 |
| A0PN M102 00 | 85-20 |
| A0PN M150 01 | 88-23 |

| Parts No. | Page No. | Parts No. | Page No. | Parts No. | Page No. |
|--------------|----------|--------------|----------|--------------|----------|
| A0PN N100 00 | 90-16 | A0PN R726 11 | 90-34 | V500 0200 64 | 99-31 |
| A0PN N101 00 | 90-17 | A0PN R730 00 | 5-25 | V501 0100 02 | 99-32 |
| A0PN N105 01 | 98-2 | A0PP 9422 01 | 6-14 | V501 0100 04 | 99-33 |
| A0PN N106 00 | 98-3 | A0R5 H030 00 | 8-10 | V501 0100 09 | 99-34 |
| A0PN N107 00 | 97-1 | A0R5 M103 00 | 19-12 | V501 0100 11 | 99-35 |
| A0PN N108 00 | 92-17 | A0R5 M710 00 | 10-32 | V501 0100 14 | 99-36 |
| A0PN N110 01 | 95-1 | SP00 -002 2 | 44-33 | V501 0100 17 | 99-37 |
| A0PN N111 00 | 90-26 | SP00 -020 1 | 38-19 | V502 0100 02 | 99-38 |
| A0PN R700 00 | 10-1 | V121 0308 03 | 102-7 | V502 0100 14 | 99-39 |
| A0PN R701 00 | 10-1 | V121 0406 03 | 102-6 | V502 0100 16 | 99-40 |
| A0PN R702 00 | 10-1 | V500 0100 03 | 99-1 | V502 0100 27 | 100-1 |
| A0PN R703 00 | 29-1 | V500 0100 05 | 99-2 | V502 0100 28 | 100-2 |
| A0PN R704 00 | 29-1 | V500 0100 06 | 99-3 | V502 0100 54 | 100-3 |
| A0PN R705 00 | 29-1 | V500 0100 07 | 99-4 | V570 0100 11 | 100-4 |
| A0PN R706 00 | 15-1 | V500 0100 12 | 99-5 | V570 0100 11 | 100-4 |
| A0PN R707 00 | 5-14 | V500 0100 13 | 99-6 | V570 0100 11 | 100-4 |
| A0PN R708 00 | 5-26 | V500 0100 15 | 99-7 | V570 0100 12 | 100-5 |
| A0PN R709 00 | 5-24 | V500 0100 16 | 99-8 | V570 0100 15 | 100-6 |
| A0PN R710 00 | 5-5 | V500 0100 17 | 99-9 | V570 0100 21 | 100-7 |
| A0PN R711 00 | 9-33 | V500 0100 20 | 99-10 | V570 0100 21 | 100-7 |
| A0PN R712 00 | 5-20 | V500 0100 22 | 99-11 | V570 0100 23 | 100-8 |
| A0PN R713 00 | 8-16 | V500 0100 24 | 99-12 | V570 0100 25 | 100-9 |
| A0PN R714 00 | 8-15 | V500 0100 26 | 99-13 | V570 0100 26 | 100-10 |
| A0PN R715 00 | 5-19 | V500 0100 27 | 99-14 | V570 0100 28 | 100-11 |
| A0PN R716 00 | 10-1 | V500 0100 29 | 99-15 | V570 0100 38 | 100-12 |
| A0PN R717 00 | 10-1 | V500 0100 30 | 99-16 | V570 0100 39 | 100-13 |
| A0PN R718 00 | 10-1 | V500 0100 34 | 99-17 | V570 0100 40 | 100-14 |
| A0PN R720 00 | 66-1 | V500 0100 37 | 99-18 | V570 0100 46 | 100-15 |
| A0PN R720 00 | 69-1 | V500 0100 38 | 99-19 | V651 0100 02 | 100-16 |
| A0PN R721 00 | 90-34 | V500 0100 39 | 99-20 | V651 0100 15 | 100-18 |
| A0PN R721 11 | 90-34 | V500 0100 42 | 99-21 | | |
| A0PN R722 00 | 90-34 | V500 0100 43 | 99-22 | | |
| A0PN R722 11 | 90-34 | V500 0200 01 | 99-23 | | |
| A0PN R723 00 | 90-34 | V500 0200 02 | 99-24 | | |
| A0PN R723 11 | 90-34 | V500 0200 03 | 99-25 | | |
| A0PN R724 00 | 90-34 | V500 0200 24 | 99-26 | | |
| A0PN R724 11 | 90-34 | V500 0200 26 | 99-27 | | |
| A0PN R725 00 | 90-34 | V500 0200 27 | 99-28 | | |
| A0PN R725 11 | 90-34 | V500 0200 42 | 99-29 | | |
| A0PN R726 00 | 90-34 | V500 0200 48 | 99-30 | | |

MAIN FRAME

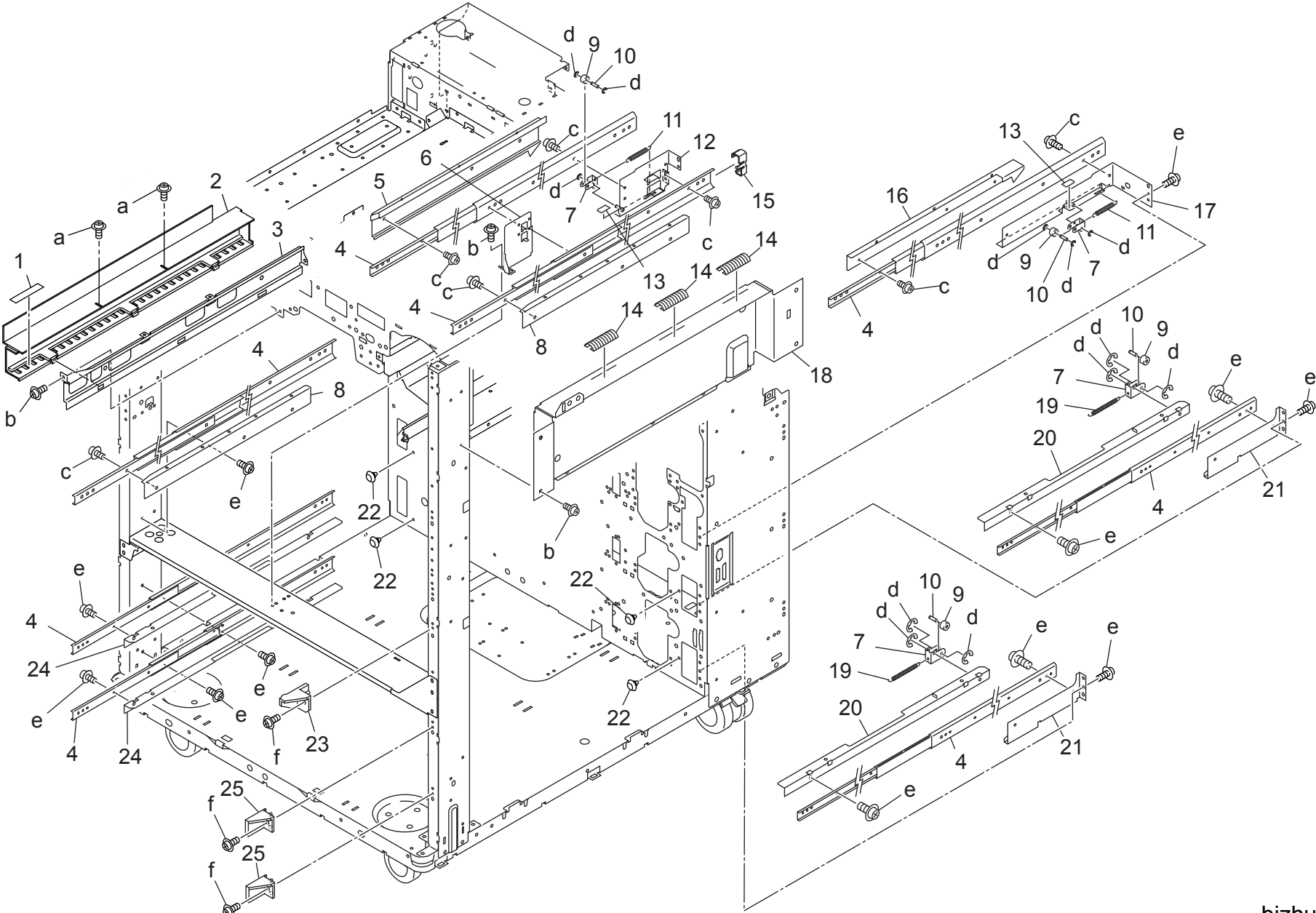
P 1



MAIN FRAME

| Key | Part No. | Description | Destinations | Class | QTY | Standard parts |
|-----|--------------|--------------------------------|--------------|-------|-----|----------------|
| 1 | A0PN 1071 00 | Lifting Handle | | C | 2 | a-V121 0304 03 |
| 2 | 56AA 1056 0 | COOLING SEAL 2 | | C | 1 | b-V121 0406 03 |
| 3 | 56AA 1055 0 | COOLING SEAL 1 | | C | 1 | c-V121 0608 03 |
| 4 | A03U 2636 01 | Optical Screw | | C | 4 | d-V217 0800 50 |
| 5 | 25SA 1020 0 | READ SUPPORT RUBBER | | D | 2 | e-V140 0408 03 |
| 6 | 56AA 1028 0 | REINFORCE PART /UPPER | | D | 1 | f-V123 0408 03 |
| 7 | 56QA 1067 0 | TONER SUPPLY SEALING SHEET | | D | 2 | g-V121 0306 03 |
| 8 | 56QA 1113 0E | Conveyance Support Part /Left | | D | 1 | h-V121 0408 03 |
| 9 | 57AA 1073 00 | Protection Sheet | | C | 1 | i-V207 0600 03 |
| 10 | A0PN 1331 00 | Shield Plate | | D | 1 | |
| 11 | 56AA 1048 0 | WRITE COOLING PAD MIDDLE | | C | 1 | |
| 12 | 56AA 1013 1D | Write Insulating Sheet /1 | | D | 1 | |
| 13 | 56AA R730 00 | HEATER MOUNTING PLATE ASSY | | B | 2 | |
| 14 | 56AA 1060 0 | BOTTOM PLATE COVER PART | | D | 3 | |
| 15 | 55WA 1030 0 | MAIN BODY SUPPORT ROLLER X | | C | 3 | |
| 16 | 25SA 1043 1 | LOCKING SCREW | | C | 12 | |
| 17 | 57AA 1029 0 | FIXING INSULATING PLATE | | D | 1 | |
| 18 | 56QA 1115 0 | CONVEYANCE SUPPORT PLATE /R | | D | 1 | |
| 19 | A0PN 1001 00 | Ozone Seal /1 | | C | 1 | |
| 20 | A0PN 1003 00 | Ozone Seal /3 | | C | 1 | |
| 21 | A0PN 1002 00 | Ozone Seal /2 | | C | 1 | |
| 22 | A0PN 1006 00 | Ozone Seal /6 | | C | 1 | |
| 23 | 56AA 1010 1 | EXTERNAL SUPPORT PLATE1 | | D | 3 | |
| 24 | 56AA 1763 0 | ADJUSTING PART | | C | 1 | |
| 25 | 56AA 1764 0 | ADJUSTING PART 2 | | C | 1 | |
| 26 | 56AA 1762 0 | CARRIAGE ADJUSTING PART | | C | 1 | |
| 27 | 55WA 1031 0 | MAIN BODY SUPPORT ROLLER Y | | C | 1 | |
| 28 | 56AA 1061 0 | BOTTOM PLATE COVER PART REAR | | D | 1 | |
| 29 | 56QA 1108 0 | TRAY SUPPORT PART /RIGHT | | D | 1 | |
| 30 | 56QA 1101 0 | TRAY SUPPORT STAY /LOWER | | D | 1 | |
| 31 | 56AA 1027 1 | TONER SUPPLY GUIDE STAY | | D | 1 | |
| 32 | 56QA 1107 0 | TRAY SUPPORT PART /LEFT | | D | 1 | |
| 33 | 56QA 1052 1 | BY-PASS COOLING PAD /1 | | D | 1 | |
| 34 | 56QA 1054 0 | BY-PASS COOLING SHEET /FRONT | | D | 1 | |
| 35 | 57AA 1051 0 | BY-PASS COOLING DUCT /FRONT | | D | 1 | |
| 36 | 56QA 8056 0 | DEVELOPING COOLING FAN | | C | 1 | |
| 37 | 56AA -099 0 | FRONT SUPPORT PLATE /RIGHT ASS | | D | 1 | |
| | | | | | | |
| | | | | | | |
| | | | | | | |

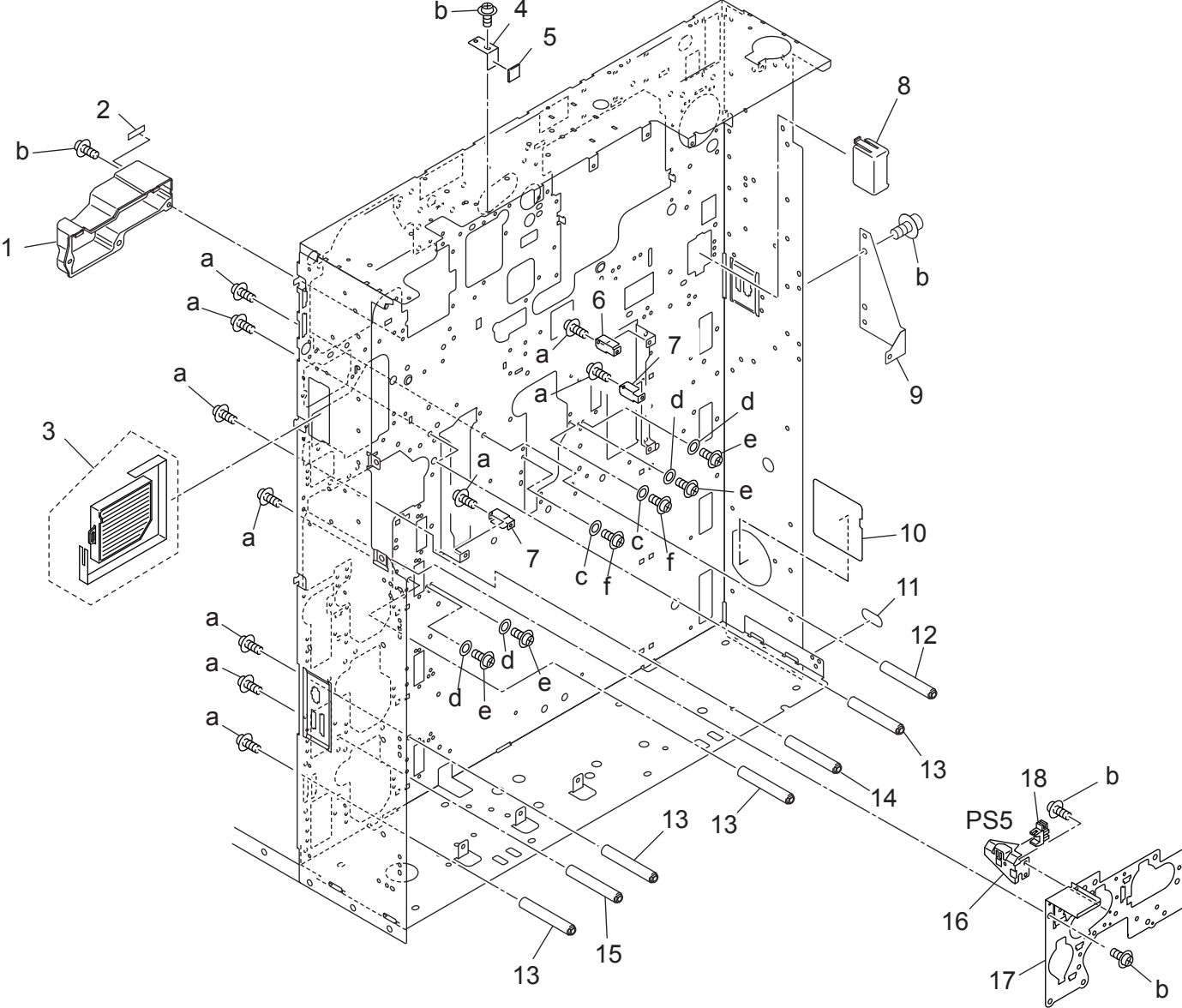
MAIN FRAME



MAIN FRAME

| Key | Part No. | Description | Destinations | Class | QTY | Standard parts |
|-----|--------------|-------------------------------|--------------|-------|-----|----------------------------------|
| 1 | 56QA 1068 0 | CLEANER COOLING SHEET | クリーナー冷却シート | D | 1 | a-V121 0306 03 |
| 2 | 56AA 1008 1 | CLEANER COOLING DUCT | クリーナー冷却ダクト | C | 1 | b-V121 0406 03 |
| 3 | 56AA 1006 1 | DRUM RAIL /LEFT | ドラム レール/左 | D | 1 | c-V118 0404 03 |
| 4 | 56AA 1030 0 | Slide Rail /A | スライドレール/ A | C | 8 | d-V217 0300 50 |
| 5 | 56QA 1104 0 | TRAY MOUNTING PLATE LEFT | トレイ取付板 左 | D | 1 | e-V118 0406 03 f-V121 0406 04 |
| 6 | 56QA 1109 0 | TRAY SUPPORT PLATE/LEFT | トレイ支持板/左前 | D | 1 | |
| 7 | 56AA 4171 1 | TRAY PRESSING PLATE | トレイ押圧板 | D | 4 | |
| 8 | 56QA 1106 0 | TRAY MOUNTING PLATE | トレイ取り付け板 | C | 2 | |
| 9 | 56AA 4176 0 | TRAY LOCKING ROLLER | トレイロックコロ | C | 4 | |
| 10 | 56AA 4174 1 | TRAY LOCKING PIN | トレイロックピン | C | 4 | |
| 11 | 56QA 1123 0 | TRAY POSITIONING SPRING | トレイ位置決めバネ | C | 2 | |
| 12 | 56QA -092 0 | RAIL PLATE CAULKING | レール板カシメ | C | 1 | |
| 13 | 57AA 1135 0 | TRAY ADJUSTMENT PLATE | トレイ調整板 | D | 2 | |
| 14 | 56AA R705 00 | EARTH SPRING ASSY | アースバネ部組 | C | 3 | |
| 15 | 57AA 1126 0 | WIRING PROTECTION COVER | 束線保護カバー | C | 1 | |
| 16 | 56QA 1105 0 | TRAY MOUNTING PLATE RIGHT | トレイ取付板 右 | C | 1 | |
| 17 | 56QA -093 0 | RAIL PLATE CAULKING | レール板カシメ | D | 1 | |
| 18 | 56AA 1003 1D | Main body Stay /Right | 本体 ステア/右 | D | 1 | |
| 19 | 57AA 4173 0 | TRAY POSITIONING SPRING LOWER | トレイ位置決めバネ 下 | C | 2 | |
| 20 | 56AA R703 00 | RAIL PLATE CAULKING | レール板カシメ | D | 2 | |
| 21 | 56QA 1124 0 | TRAY SLIDE HOLDER/REAR | トレイスライド押さえ/奥 | D | 2 | |
| 22 | 55VA 4792 0 | STOPPER RUBBER | ストッパーゴム | C | 4 | |
| 23 | 56QA 1118 0 | TRAY STOPPER STOPPER | トレイ突き当てストッパ | D | 1 | |
| 24 | 56AA 4157 2 | TRAY MOUNTING PLATE | トレイ取り付け板 | D | 2 | |
| 25 | 56AA 4156 0 | TRAY STOPPER | トレイ突き当てストッパ | C | 2 | |
| | | | | | | |
| | | | | | | |
| | | | | | | |
| | | | | | | |
| | | | | | | |
| | | | | | | |
| | | | | | | |
| | | | | | | |

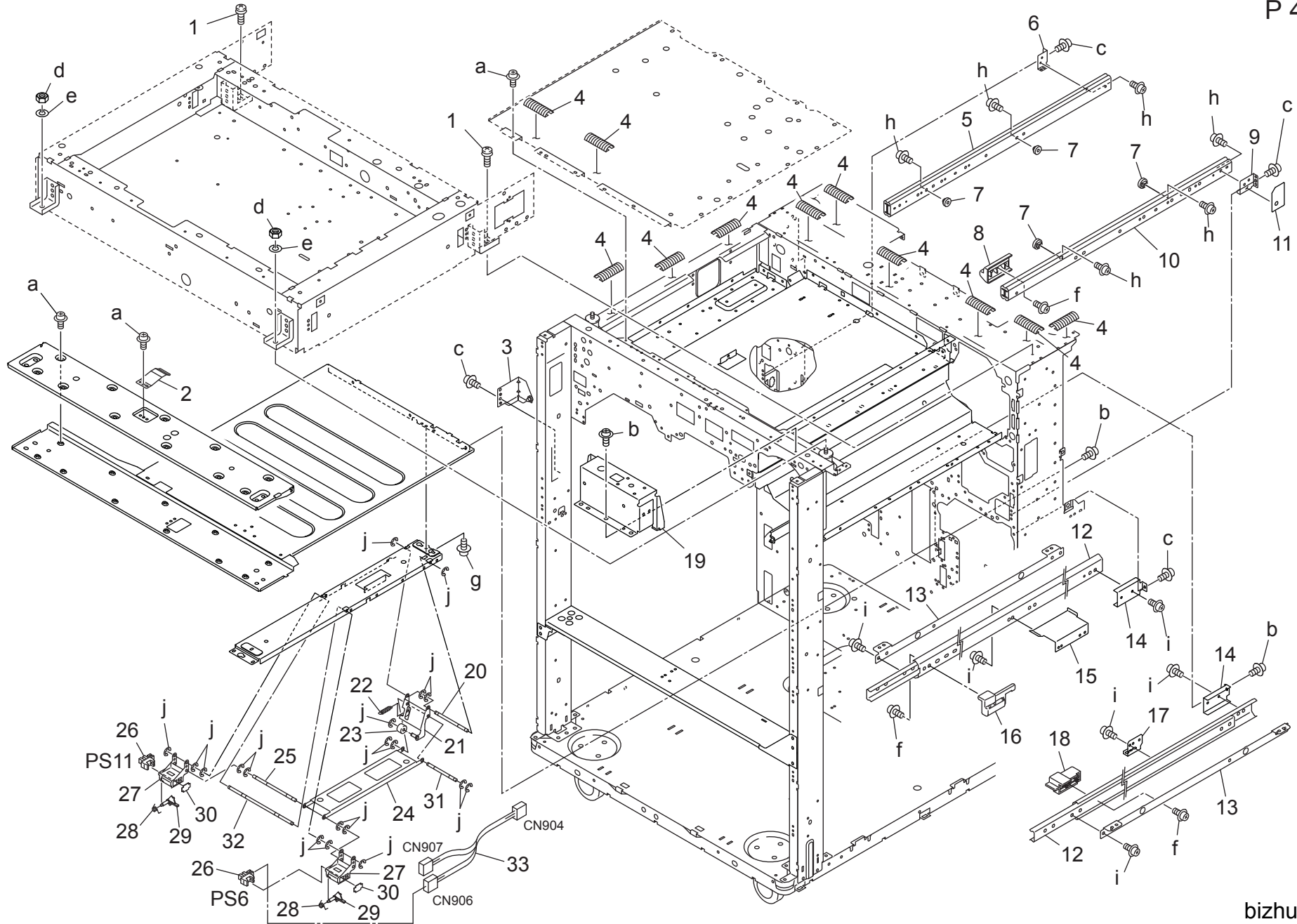
MAIN FRAME



←
FRONT

MAIN FRAME

P 4

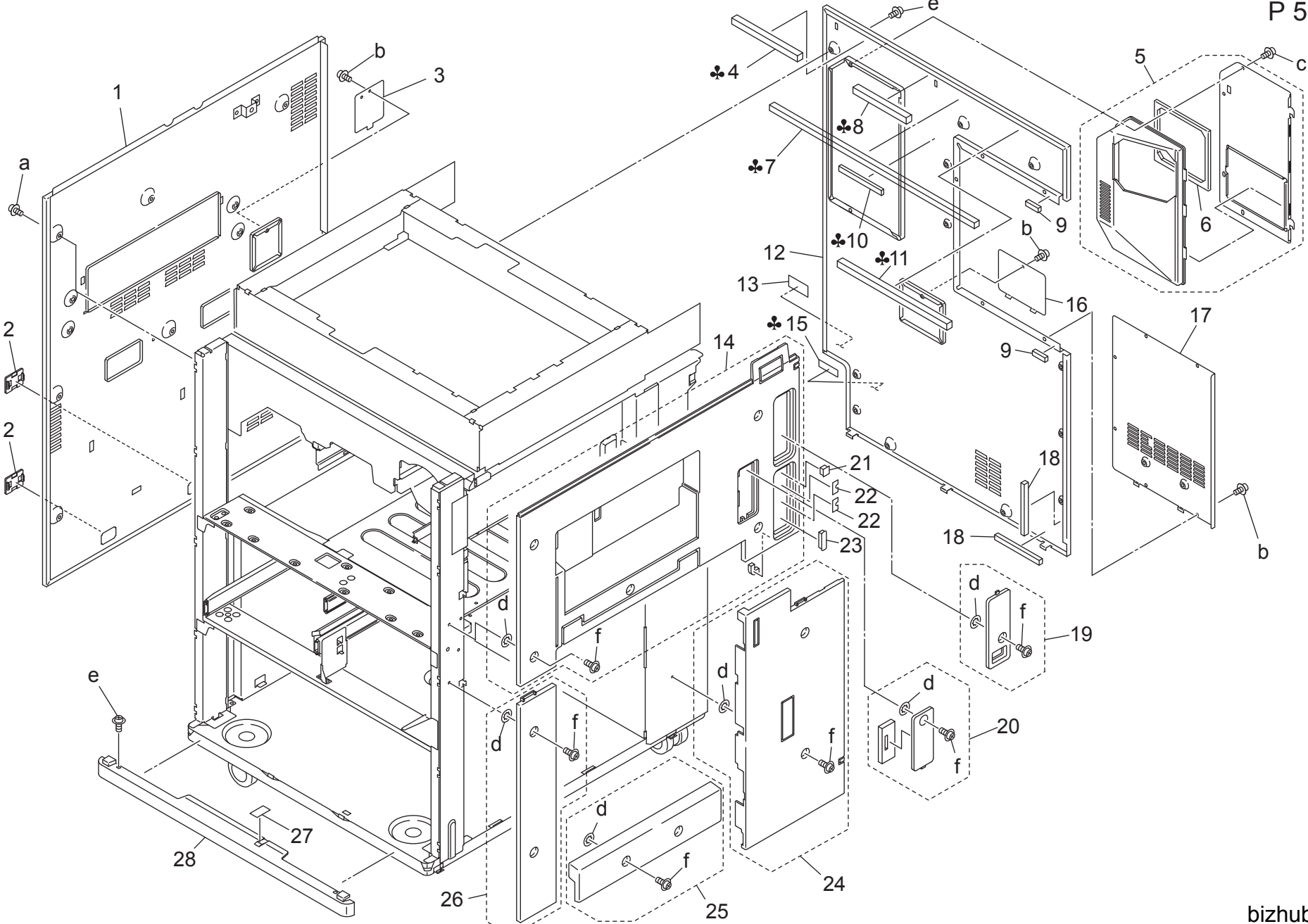


bizhub 601

| Key | Part No. | Description | Destinations | Class | QTY | Standard parts |
|-----|--------------|--------------------------------|--------------|-------|-----|----------------|
| 1 | 0900 2041 0 | SPRING HANGER SCREW | | C | 2 | a-V121 0304 03 |
| 2 | 56AA 5240 0 | LOCKING SPRING | | D | 1 | b-V121 0406 03 |
| 3 | 56AA -112 1 | CARRIAGE PS PLATE/L CAULKING | | D | 1 | c-V118 0406 03 |
| 4 | 56AA R705 00 | EARTH SPRING ASSY | | C | 11 | d-V195 0600 03 |
| 5 | 56AA 5052 0 | SLIDE RAIL D | | C | 1 | e-V205 0600 03 |
| 6 | 56AA 5054 1 | MOUNTING PLATE /LEFT | | D | 1 | f-V151 0308 03 |
| 7 | 56AA 5053 0 | ADU MOUNTING COLLAR | | C | 4 | g-V121 0306 03 |
| 8 | 57AA 5284 0 | PROTECTION COVER RIGHT | | C | 1 | h-V118 0406 04 |
| 9 | 56AA 5055 1 | MOUNTING PLATE /RIGHT | | D | 1 | i-V118 0304 03 |
| 10 | 56AA 5051 0 | SLIDE RAIL C | | C | 1 | j-V217 0300 50 |
| 11 | 57AA 1072 0 | WIRING PROTECTION SHEET /RIGHT | | D | 1 | |
| 12 | 56QA 1130 0 | SLIDE RAIL E | | D | 2 | |
| 13 | 56QA 1133 0 | CONVEYANCE SUPPORT STAY | | D | 2 | |
| 14 | 56QA 1116 0 | CONVEYANCE SUPPORT PLATE REAR | | D | 2 | |
| 15 | 56QA 1134 0 | CONVEYANCE HOLDING PLATE | | D | 1 | |
| 16 | 57AA 1132 0 | CONVEYANCE PROTECTION COVER R | | C | 1 | |
| 17 | 56QA 1114 0 | CONVEYANCE SUPPORT PLATE | | D | 1 | |
| 18 | 57AA 1131 0 | CONVEYANCE PROTECTION COVER L | | C | 1 | |
| 19 | A0PN 1904 00 | Support Plate | | D | 1 | |
| 20 | 56QA 5715 0D | Support Shaft /Rear | | D | 1 | |
| 21 | 56QA -082 0 | ROCKING PANEL/ REAR CAULKING | | D | 1 | |
| 22 | 56QA 5721 0 | SWING SPRING REAR | | C | 1 | |
| 23 | 56AA 4176 0 | TRAY LOCKING ROLLER | | C | 1 | |
| 24 | 56QA 5713 0 | SWING PANEL/LOWER | | D | 1 | |
| 25 | 56QA 5725 0D | Swing Shaft /Front | | D | 1 | |
| 26 | 08AA 8551 2 | Photo Sensor | | B | 2 | |
| 27 | 56QA 5714 1E | BLOCK | | D | 2 | |
| 28 | 56QA 5724 0 | PAPER DETECTION ACTUATOR | | C | 2 | |
| 29 | 56QA 5717 0 | PRESSURE SPRING | | C | 2 | |
| 30 | 4470 4024 01 | STOPPER | | D | 2 | |
| 31 | 56QA 5723 0D | Swing Shaft /Rear | | D | 1 | |
| 32 | 56QA 5716 0D | Support Shaft /Front | | D | 1 | |
| 33 | 56QA 9063 0 | CONVEYANCE DTECTION WIRING | | D | 1 | |
| | | | | | | |
| | | | | | | |
| | | | | | | |
| | | | | | | |
| | | | | | | |

EXTERNAL PARTS

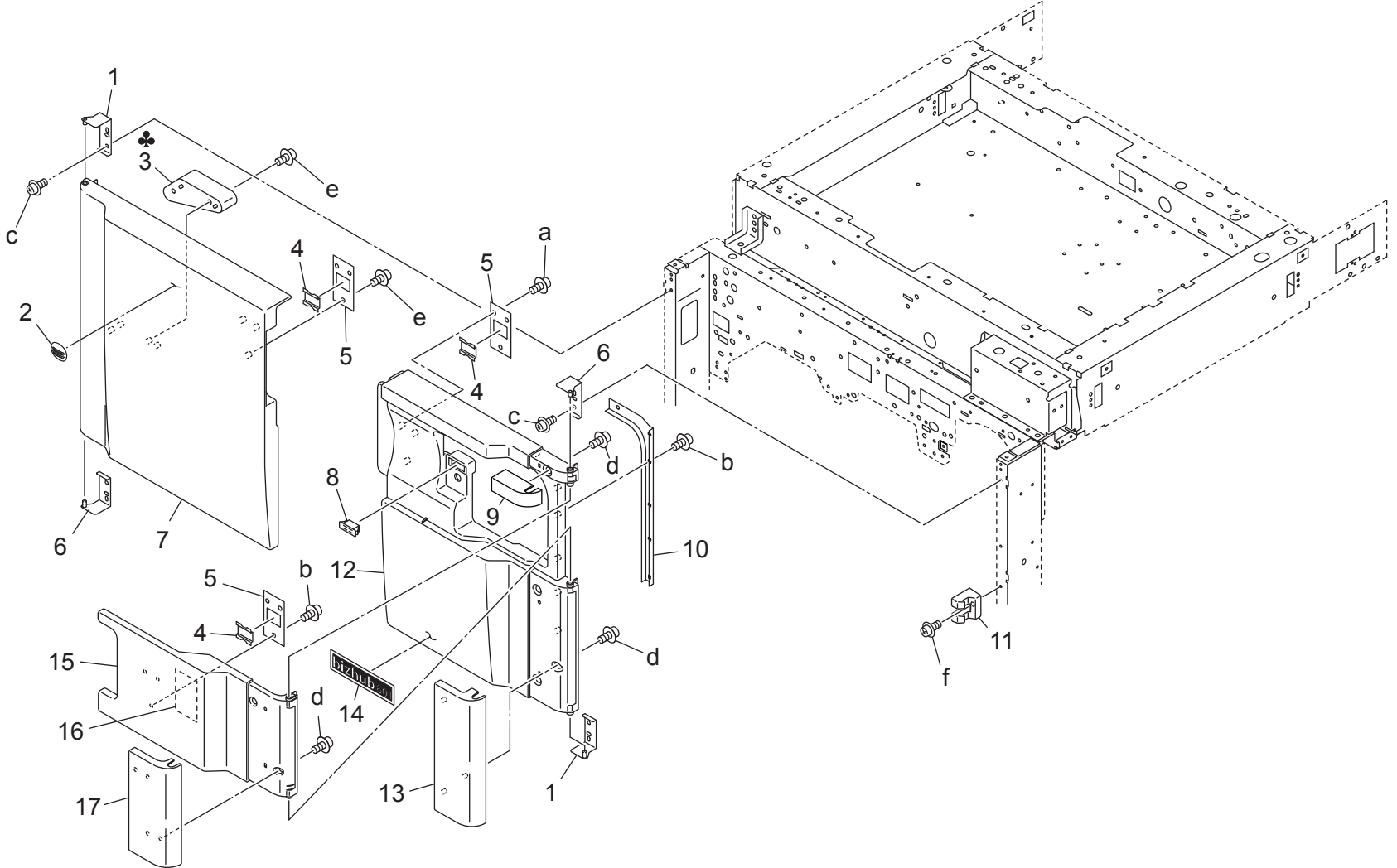
P 5



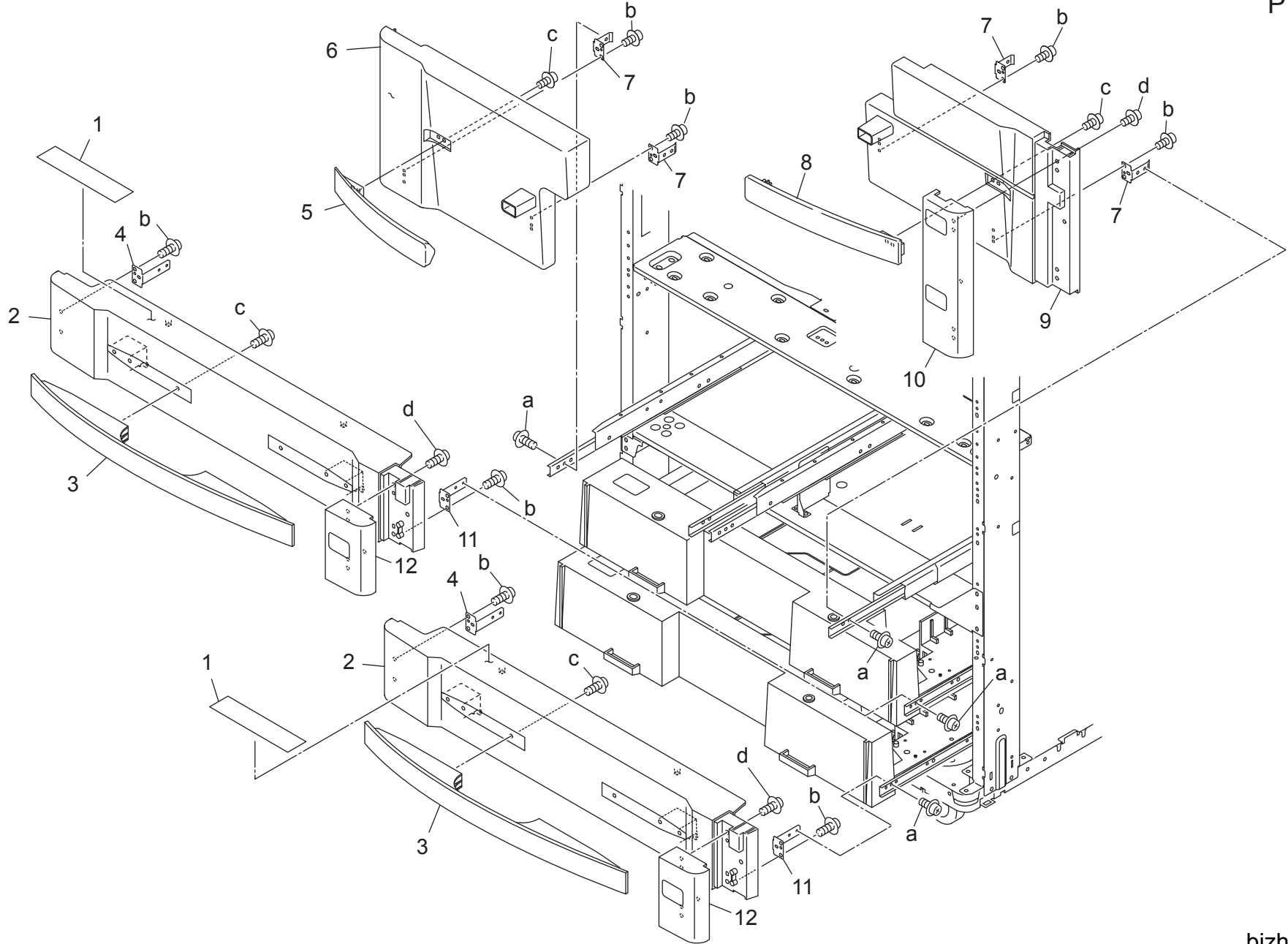
EXTERNAL PARTS

| Key | Part No. | Description | Destinations | Class | QTY | Standard parts |
|-----|--------------|--------------------------------|--------------|----------------------------|-----|--|
| 1 | A0PN 1709 00 | Cover /Left | | C | 1 | a-V114 0406 04 b-V118 0406 04 c-V118 0306 04 d-V211 0400 80 e-V121 0406 04 f-V114 0408 04 |
| 2 | A0PN 1736 00 | Auxiliary Part /Left | | C | 2 | |
| 3 | A0PN 1780 00 | Cover /Left | | C | 1 | |
| 4 | 57AF 1280 0 | OZONE REGULATING PART 2 | オゾン規制部材 2 | C,D1,D3,E,F2,G1,H,I J,K | 1 | |
| 5 | A0PN R710 00 | OZONE GUIDE DUCT ASSY | オゾン案内ダクト部組 | D | 1 | |
| 6 | 56AA 1234 0 | OZONE SEALING PAD | オゾンシールパッド | C | 1 | |
| 7 | 57AA 1279 0 | OZONE REGULATING PART 1 | オゾン規制部材 1 | A,B,F1,G2 | 1 | |
| 8 | 57AF 7361 0 | EXTERNAL EARTH PART UPPER | 外装アース部材 上 | C,D1,D3,E,F2,G1,H,I J,K | 1 | |
| 9 | A0PN 1013 00 | Ozone Seal /9 | オゾンシール/9 | C | 2 | |
| 10 | 57AF 7362 0 | EXTERNAL EARTH PART LOWER | 外装アース部材 下 | C,D1,D3,E,F2,G1,H,I J,K | 1 | |
| 11 | 57AF 1279 0 | OZONE REGULATING PART 1 | オゾン規制部材 1 | C,D1,D3,E,F2,G1,H,I J,K | 1 | |
| 12 | A0PN 1710 00 | Rear Cover | 背面 カバー | D | 1 | |
| 13 | 56UA 9731 0 | LASER INDICATING LABEL | レーザー表示ラベル | D | 1 | |
| 14 | A0PN R707 00 | SIDE COVER/A ASSY | 側面カバー A /部組 | C | 1 | |
| 15 | 56UA 9732 0 | CAUTION LABEL/A | 注意ラベル/ A | C | 1 | |
| 15 | 57AA 9713 0 | Earth Label | アースラベル | A | 1 | |
| 16 | A0PN 1620 00 | Cover /Rear | 蓋/奥 | C | 1 | |
| 17 | A0PN 1733 01 | Cover Part /Rear | カバー部材/奥 | C | 1 | |
| 18 | A0PN 1012 00 | Ozone Seal /8 | オゾンシール/8 | C | 2 | |
| 19 | A0PN R715 00 | CONNECTOR COVER ASSY | コネクタカバー部組 | C | 1 | |
| 20 | A0PN R712 00 | EXTERNAL AUXILIARY PART/R ASSY | 外装補助部材/右部組 | C | 1 | |
| 21 | 40LA 7384 0 | CONTACT PROTECTION COVER | 接点保護カバー | D | 1 | |
| 22 | A0PN 1311 00 | Protection Seal | 保護シール | C | 2 | |
| 23 | 13RN 7312 0 | TERMINAL PROTECTION COVER 1 | 端子保護カバー | D | 1 | |
| 24 | A0PN R709 00 | SIDE COVER/D ASSY | 側面カバー D /部組 | C | 1 | |
| 25 | A0PN R730 00 | SIDE COVER/C ASSY | 側面カバー/ C 部組 | C | 1 | |
| 26 | A0PN R708 00 | SIDE COVER/B ASSY | 側面カバー B /部組 | C | 1 | |
| 27 | 56AA 1262 0 | TRAY SLIDE SHEET | トレイスライドシート | C | 1 | |
| 28 | A0PN 1729 00 | Cover /Lower | カバー/下 | C | 1 | |
| | | | | | | |
| | | | | | | |
| | | | | | | |
| | | | | | | |
| | | | | | | |

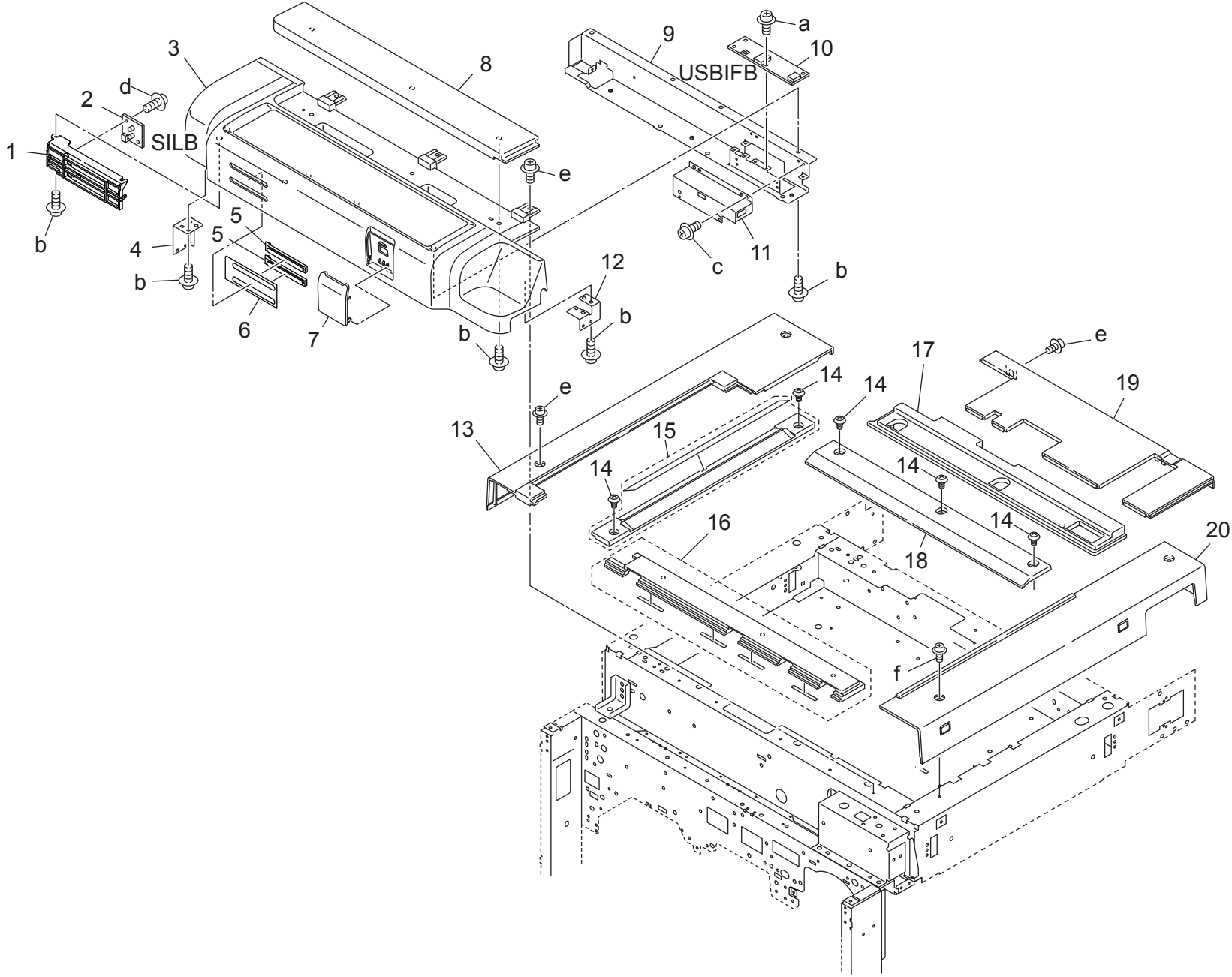
EXTERNAL PARTS



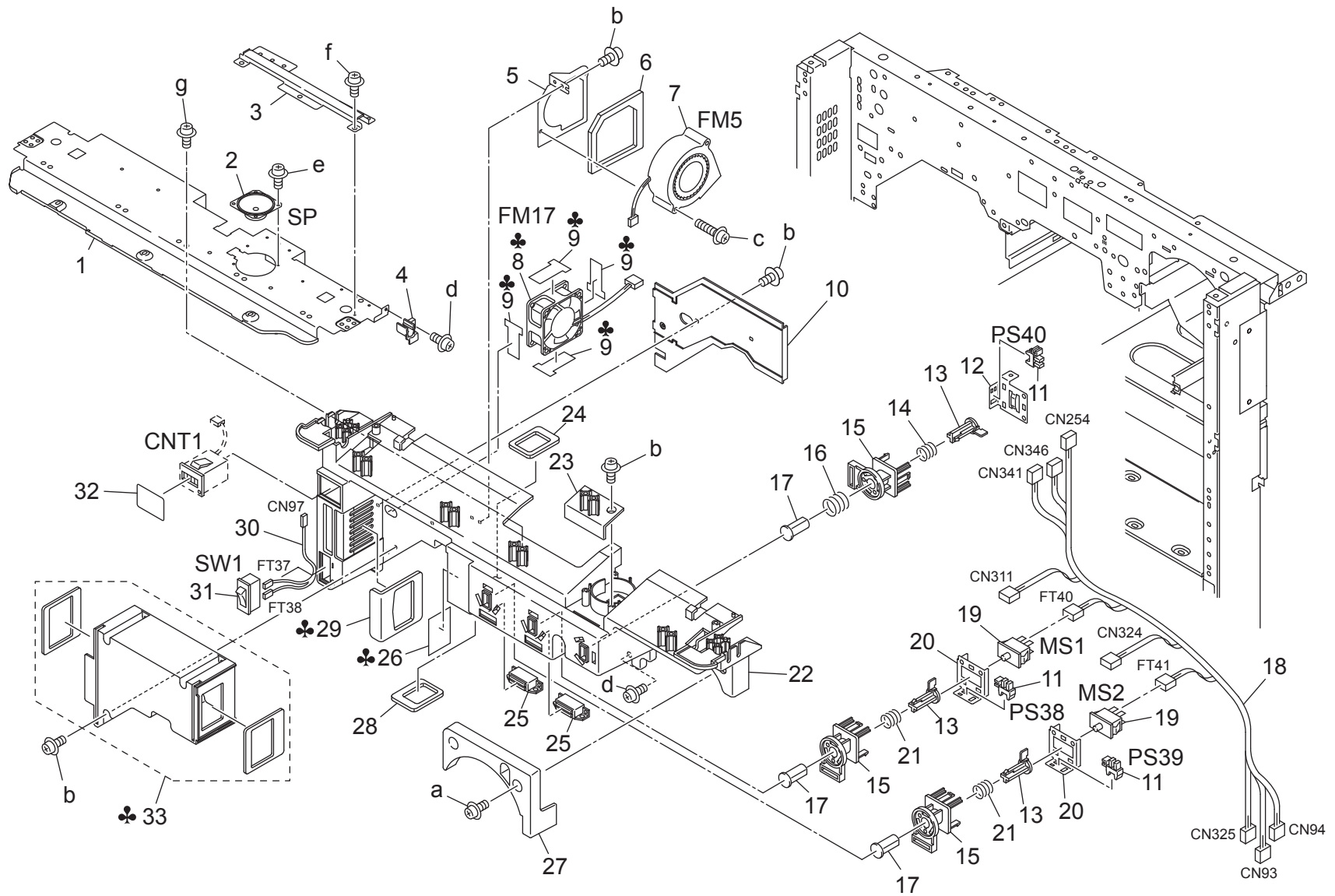
EXTERNAL PARTS



EXTERNAL PARTS



EXTERNAL PARTS



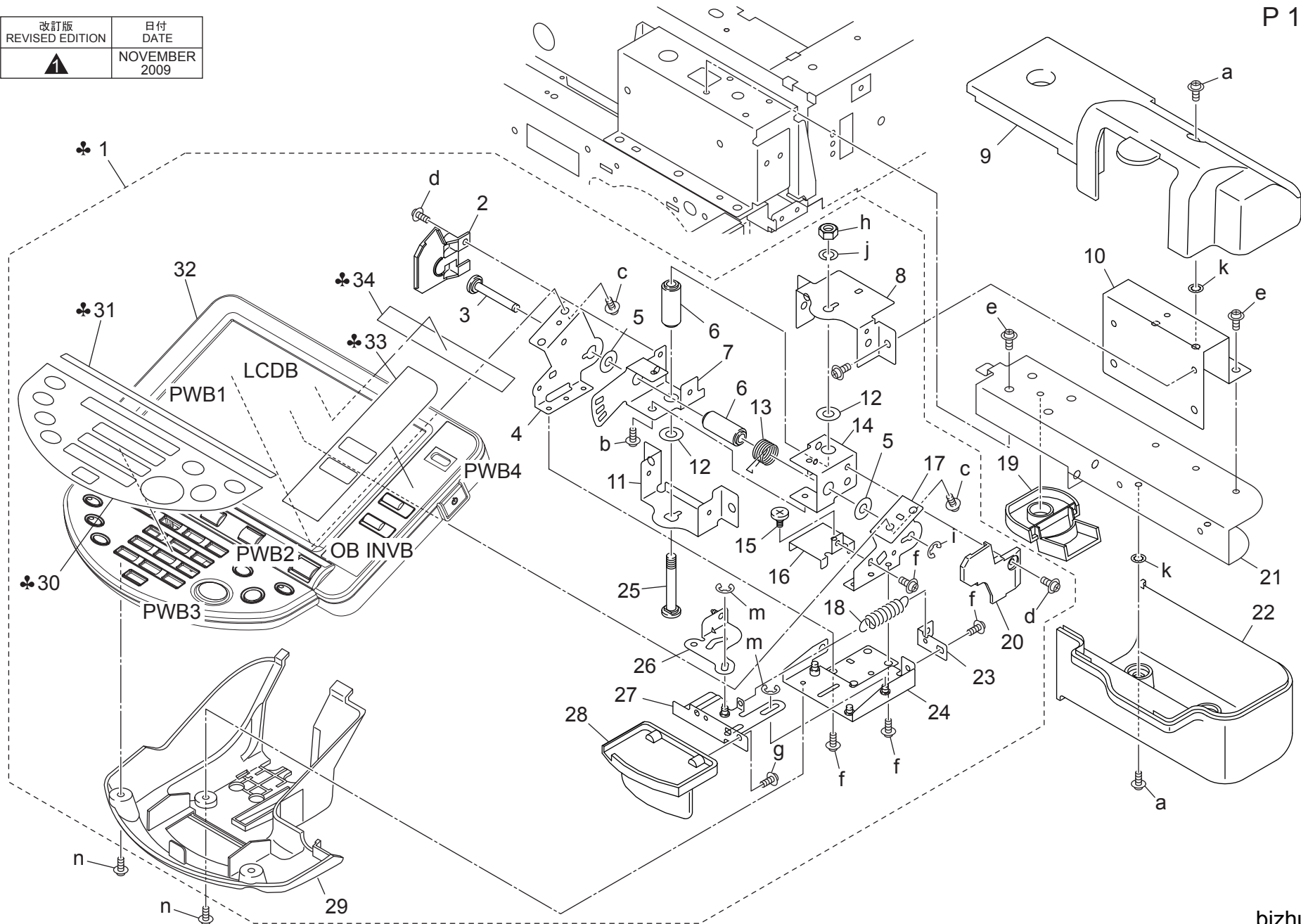
EXTERNAL PARTS

| Key | Part No. | Description | Destinations | Class | QTY | Standard parts |
|-----|--------------|----------------------------|-------------------------------------|-------|-----|----------------|
| 1 | A0PN 2010 00 | Support Plate /1 | | D | 1 | a-V151 0310 03 |
| 2 | 4040 M401 00 | LOUDSPEAKER | | D | 1 | b-V151 0308 03 |
| 3 | A0PN 2015 00 | Ground Cover | | D | 1 | c-V123 0435 03 |
| 4 | A0PN 2007 00 | Fixing Part /1 | | C | 1 | d-V121 0406 03 |
| 5 | 57AA 1260 0 | EXTERNAL COOLING PLATE | | D | 1 | e-V111 0306 03 |
| 6 | 57AA 1264 0 | EXTERNAL COOLING SEAL /4 | | D | 1 | f-V121 0306 03 |
| 7 | 56QA 8056 0 | DEVELOPING COOLING FAN | | C | 1 | g-V151 0410 03 |
| 8 | 56AA 8054 1 | FAN MOTOR 1 | A | B | 1 | |
| 9 | 26NA 7373 2 | DUST PROOFSEAL 5 | A | C | 4 | |
| 10 | 57AA R702 00 | CLEANER SUCTION COVER ASSY | | C | 1 | |
| 11 | 08AA 8551 2 | Photo Sensor | | B | 3 | |
| 12 | 56AA 1248 1 | SWITCH FIXING PLATE /B | | D | 1 | |
| 13 | 56AA 1215 0 | SWITCH PRESSING ACTUATOR | | C | 3 | |
| 14 | 56AA 1217 0 | CONTACT PRESSING SPRING 2 | | C | 1 | |
| 15 | 56AA 1212 0 | SWITCH GUIDE PART | | C | 3 | |
| 16 | 56AA 1218 0 | CONTACT PRESSING SPRING 3 | | C | 1 | |
| 17 | 56AA 1214 0 | SWITCH CONNECTING ACTUATOR | | C | 3 | |
| 18 | 57AA 9366 0 | DC Interlock Wiring /2 | | D | 1 | |
| 19 | 40AA 8501 1 | Door Switch | | B | 2 | |
| 20 | 56AA 1213 0 | SWITCH FIXING PLATE | | D | 2 | |
| 21 | 56AA 1216 0 | CONTACT PRESSING SPRING 1 | | C | 2 | |
| 22 | A0PN 2005 00 | Operation Cover /Lower | | C | 1 | |
| 23 | A0PN 2006 00 | Support Part /1 | | C | 1 | |
| 24 | 57AA 1267 0 | EXTERNAL COOLING SEAL /7 | | D | 1 | |
| 25 | 55FA 1210 1 | MAGNET CATCH X | | C | 2 | |
| 26 | A0PN 1768 00 | Cooling Seal /8 | A | C | 1 | |
| 27 | 57AA 1249 0 | TONER AUXILIARY COVER | | C | 1 | |
| 28 | 57AA 1261 0 | EXTERNAL COOLING SEAL /1 | | D | 1 | |
| 29 | 57AA 1262 0 | EXTERNAL COOLING SEAL/2 | A | D | 1 | |
| 30 | 57AA 9036 0 | SYSTEM POWER SOURCE WIRING | | D | 1 | |
| 31 | 55GA 8601 0 | POWER SOURCE SWITCH | | B | 1 | |
| 32 | 56QA 9784 0 | Cover Label | | D | 1 | |
| 33 | A0PN R711 00 | CLEANER DUCT ASSY | B,C,D1,D3,E,F1,F2,G 1,G2,H,I,J,K | C | 1 | |
| | | | | | | |
| | | | | | | |
| | | | | | | |
| | | | | | | |
| | | | | | | |

OPERATION UNIT

P 10

| | |
|---|------------------|
| 改訂版 REVISED EDITION | 日付 DATE |
|  | NOVEMBER 2009 |

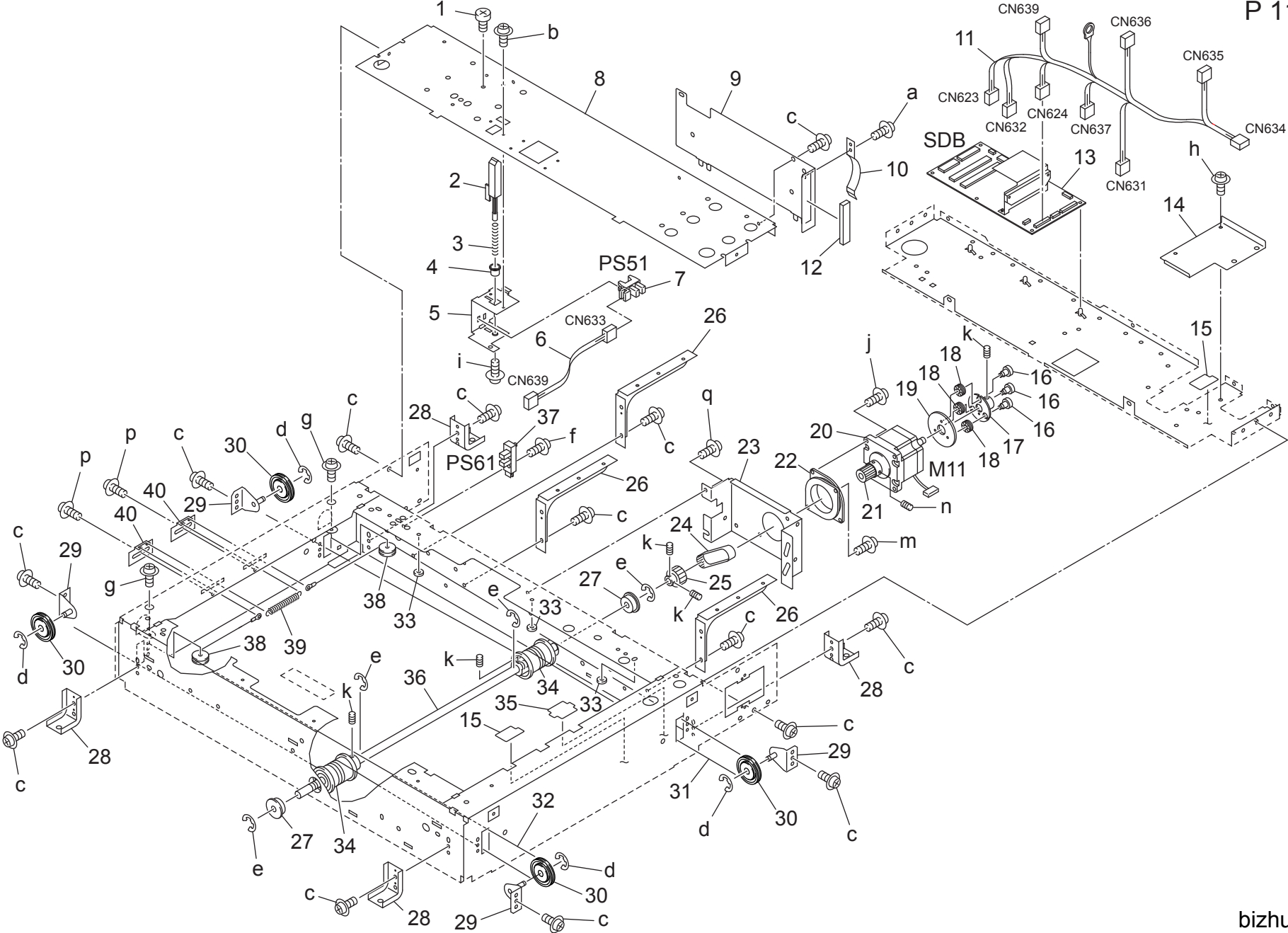


bizhub 601

| Key | Part No. | Description | Destinations | Class | QTY | Standard parts |
|-----|--------------|----------------------|------------------|-------------------------------|-----|----------------|
| 1 | A0PN R700 00 | OPERATION UNIT | 操作部ユニット (国内) | A | 1 | a-V114 0410 04 |
| 1 | A0PN R701 00 | OPERATION UNIT | 操作部ユニット (北米) | B,G2 | 1 | b-V116 0306 03 |
| 1 | A0PN R702 00 | OPERATION UNIT | 操作部ユニット (欧州) | C | 1 | c-V116 0308 03 |
| 1 | A0PN R716 00 | OPERATION UNIT | 操作部ユニット (中国) | J | 1 | d-V121 0308 04 |
| 1 | A0PN R717 00 | OPERATION UNIT | 操作部ユニット (台湾) | H | 1 | e-V121 0406 03 |
| 1 | A0PN R718 00 | OPERATION UNIT | 操作部ユニット | D1,D3,E,F1,F2,G1,I, K | 1 | f-V137 0306 03 |
| 2 | A00J 1680 00 | Cover | カバー | C | 1 | g-V153 0308 03 |
| 3 | A00J 1928 00 | Support Shaft | 支点軸 | D | 1 | h-V195 0600 03 |
| 4 | A00J 1916 01 | Mounting Plate | 取付板 | D | 1 | i-V217 0400 01 |
| 5 | A00J 1929 00 | Washer | ワッシャ | C | 2 | j-V205 0600 03 |
| 6 | A00J 1917 00 | Collar | カラー | D | 2 | k-V211 0400 80 |
| 7 | A00J 1913 00 | Arm | アーム | C | 1 | m-V217 0300 01 |
| 8 | A00J 1911 00 | Mounting Plate | 取付板 | D | 1 | n-V121 0308 03 |
| 9 | A0PN 1911 00 | Support Cover /Upper | 支持カバー/上 | C | 1 | |
| 10 | A0PN 1903 00 | Mounting Part | 取付部材 | D | 1 | |
| 11 | A00J 1912 00 | Mounting Plate | 取付板 | D | 1 | |
| 12 | A00J 1919 00 | Washer | ワッシャ | C | 2 | |
| 13 | A00J 1927 11 | Torsion Spring | ねじりばね | C | 1 | |
| 14 | A00J 1914 00 | Arm | アーム | C | 1 | |
| 15 | A00J 1931 00 | Shoulder screw | 段ねじ | D | 1 | |
| 16 | A00J 1930 02 | Reinforce Plate | 補強板 | C | 1 | |
| 17 | A00J 1915 02 | Mounting Plate | 取付板 | D | 1 | |
| 18 | A00J 1926 01 | Pulling Spring | 引張りばね | C | 1 | |
| 19 | A00J 1677 00 | Cover | カバー | C | 1 | |
| 20 | A00J 1679 00 | Cover | カバー | C | 1 | |
| 21 | A0PN 1902 01 | Mounting Stay | 取付ステー | D | 1 | |
| 22 | A0PN 1912 00 | Support Cover /Lower | 支持カバー/下 | C | 1 | |
| 23 | A00J 1924 00 | Mounting Plate | 取付板 | D | 1 | |
| 24 | A00J 1921 12 | Mounting Plate | 取付板 | D | 1 | |
| 25 | A00J 1918 00 | Support Screw | 支点ねじ | C | 1 | |
| 26 | A00J 1922 02 | Lever | レバー | D | 1 | |
| 27 | A00J 1923 12 | Lever | レバー | C | 1 | |
| 28 | A00J 1925 00 | Handle | 取手 | C | 1 | |
| 29 | A00J 1694 03 | Cover Panel Lower | カバー | C | 1 | |
| 30 | A02E 9490 00 | Panel sheet | パネルシート (キー・国内) | A | 1 | |
| 30 | A02E 9491 00 | Panel sheet | パネルシート (キー・北米) | B,D1,D3,E,F1,F2,G1, G2,I,K | 1 | |
| 30 | A02E 9492 00 | Panel sheet | パネルシート (キー・中国) | J | 1 | |
| 30 | A02E 9493 00 | Panel sheet | パネルシート (キー・台湾) | H | 1 | |
| 31 | A02E 9481 00 | Panel sheet | パネルシート (モード・国内) | A | 1 | |
| 31 | A02E 9482 00 | Panel sheet | パネルシート (モード・北米) | B,D1,D3,E,F1,F2,G1, G2,I,K | 1 | |
| 31 | A02E 9483 00 | Panel sheet | パネルシート (モード・欧州) | C | 1 | |
| 31 | A02E 9484 00 | Panel sheet | パネルシート (モード・中国) | J | 1 | |
| 31 | A02E 9485 00 | Panel sheet | パネルシート (モード・台湾) | H | 1 | |
| 32 | A0R5 M710 00 | Panel Assembly | 操作パネル A S S Y | I | 1 | |
| 33 | A02E 9486 00 | Panel sheet | パネルシート (MMUC・国内) | A | 1 | |
| 33 | A02E 9487 00 | Panel sheet | パネルシート (MMUC・北米) | B,D1,D3,E,F1,F2,G1, G2,I,K | 1 | |
| 33 | A02E 9488 00 | Panel sheet | パネルシート (MMUC・中国) | J | 1 | |
| 33 | A02E 9489 00 | Panel sheet | パネルシート (MMUC・台湾) | H | 1 | |
| 34 | A02E 9494 00 | Panel sheet | パネルシート (米国水銀法) | B,G2 | 1 | |

OPTICS UNIT

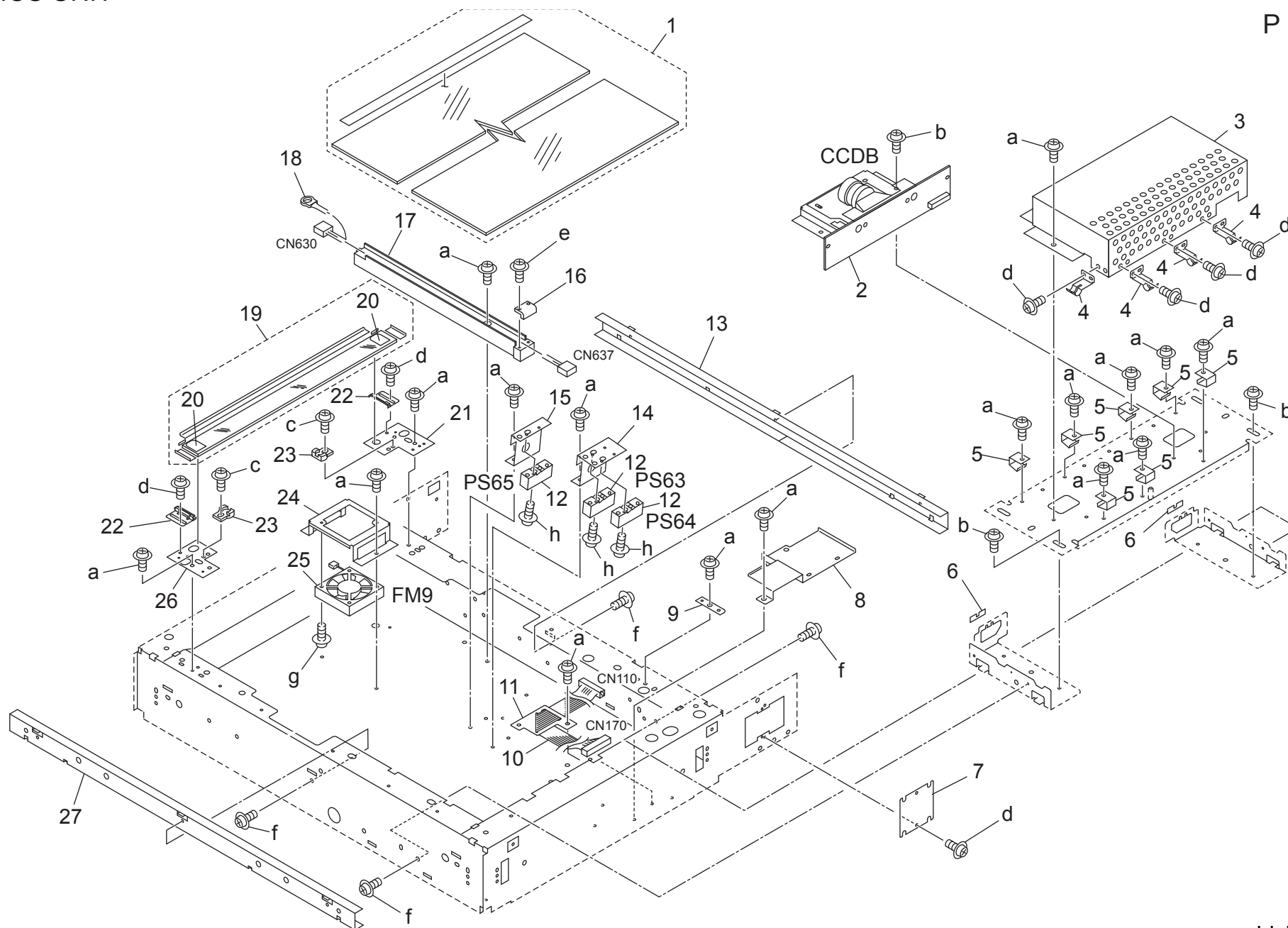
P 11



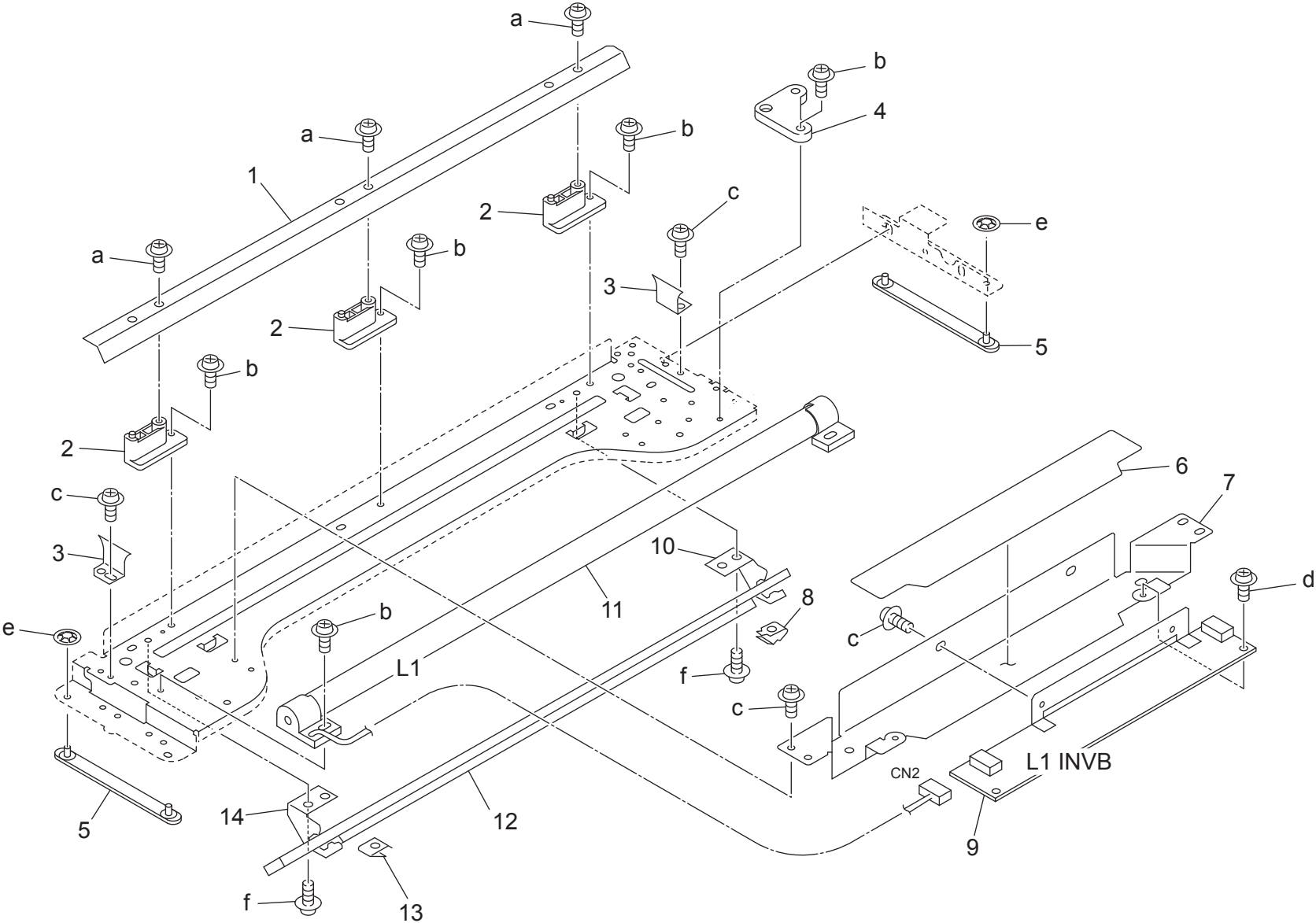
| Key | Part No. | Description | Destinations | Class | QTY | Standard parts |
|-----|--------------|------------------------------|------------------|-------|-----|----------------|
| 1 | 13QA 1017 0 | HINGE HOLDING SCREW | ヒンジ押さえネジ | C | 1 | a-V121 0304 03 |
| 2 | 56AA 6142 0 | ADF DETECTING ACTUATOR | A D F 検知アクチュエタ | C | 1 | b-V121 0306 03 |
| 3 | 56AA 6143 1 | ADF DETECTION SPRING | A D F 検知バネ | C | 1 | c-V121 0406 03 |
| 4 | 57AA 6177 0 | SPRING REGULATING PART | バネ規制部材 | D | 1 | d-V217 0400 50 |
| 5 | 56QA 6130 1 | MOUNTING PART | センサ取り付け部材 | D | 1 | e-V217 0900 50 |
| 6 | 56AA 9044 0E | RELAY WIRING /A | センサ中継束線 / A | D | 1 | f-V118 0412 03 |
| 7 | 08AA 8551 2 | Photo Sensor | フォトセンサ | B | 1 | g-V121 0408 03 |
| 8 | 56AA 6102 2 | HINGEMOUNTINGPLATE | ヒンジ取り付け板 | D | 1 | h-V121 0404 03 |
| 9 | 57AA 6152 0 | READ EARTH PLATE RIGHT REAR | 読み取りアース板 右後ろ | D | 1 | i-V151 0306 03 |
| 10 | 56AA 6153 0 | READ EARTH SPRING RIGHT REAR | 読み取りアースバネ 右後 | C | 1 | j-V118 0410 03 |
| 11 | 56AA 9042 0E | APS WIRING /1 | A P S 束線 / 1 | D | 1 | k-V193 0406 04 |
| 12 | 56AA 6154 0 | READ EARTH PART RIGHT REAR | 読み取りアース部材 右後 | C | 1 | m-V121 0405 03 |
| 13 | 57AA -909 2H | Scanner Drive Board Assy | スキャナー駆動基板部組 | I | 1 | n-V193 0408 04 |
| 14 | 56QA 6161 0 | WIRING COVER /B | 束線 カバー / B | D | 1 | p-V123 0408 03 |
| 15 | 56AA 6156 1 | READ DUST-PROOF SHEET /LOWER | 読取防塵シート / 下 | C | 2 | q-V123 0406 03 |
| 16 | 56AA 6140 0 | MOTOR AUXILIARY SCREW | モータ補助ネジ | C | 3 | |
| 17 | 56AA -642 1 | MOTOR AUX PART CAULKING | モータ補助部材カシメ | D | 1 | |
| 18 | 56AA 6141 0 | MOTOR AUXILIARY RUBBER | モータ補助ゴム | C | 3 | |
| 19 | 56AA 6137 2 | MOTOR AUXILIARY PART /1 | モータ補助部材 / 1 | D | 1 | |
| 20 | 55VA 8012 2 | OPTICAL DRIVE MOTOR | 光学駆動モータ | B | 1 | |
| 21 | 55VA 7670 0 | Read Drive Pulley /1 38T | 読取駆動プーリ / 1 38 T | C | 1 | |
| 22 | 55VA 6202 0 | MOTOR FIXING PART | モータ固定部材 | C | 1 | |
| 23 | 56AA 6148 1 | MOTOR SUPPORT PLATE | モータ支持板 | D | 1 | |
| 24 | 55VA 7811 0 | READING DRIVE BELT 174L | 読取駆動ベルト 174 L | C | 1 | |
| 25 | 55VA 7671 0 | Read Drive Pulley /2 76T | 読取駆動プーリ / 2 76 T | B | 1 | |
| 26 | 56AA 6147 0D | Read Reinforce Plate | 読取補強板 | D | 3 | |
| 27 | 5000 7501 0 | BALL BEARING | 読み取り駆動軸受 | C | 2 | |
| 28 | 56AA 6146 1 | READ SUPPORT PART | 読取支持部材 | D | 4 | |
| 29 | 25SA -620 1 | Pulley MT Plate /F Unit | プーリ取付板 / 前部組 | D | 4 | |
| 30 | 56AA 6129 0 | BUSHING | 光学アイドラープーリ | C | 4 | |
| 31 | 56QA 6114 0 | READ DRIVING WIRE REAR | 読み取り駆動ワイヤー 奥 | C | 1 | |
| 32 | 56QA 6113 0 | READ DRIVING WIRE FRONT | 読み取り駆動ワイヤー 前 | C | 1 | |
| 33 | 56QA 6169 0 | CORD PROTECTION SHEET /UPPER | コード保護シート / 上 | D | 3 | |
| 34 | 25SA 6165 0 | DRIVE PULLEY | 駆動プーリ | C | 2 | |
| 35 | 56QA 6164 0 | WIRING PROTECTION SHEET /2 | 束線保護シート / 2 | D | 1 | |
| 36 | 56AA 6111 1 | READ DRIVE SHAFT | 読取駆動軸 | D | 1 | |
| 37 | 56AA 8551 1 | PHOTO SENSOR | フォトセンサ | B | 1 | |
| 38 | 25SA 6170 0 | WIRE GUIDE ROLLER | ワイヤーガイドコロ | C | 2 | |
| 39 | 56AA 6157 0 | WIRE TENSION SPRING | ワイヤーテンションバネ | C | 1 | |
| 40 | 25SA 6171 0 | SPRING FIXING PLATE | バネ固定板 | D | 2 | |
| | | | | | | |
| | | | | | | |
| | | | | | | |

OPTICS UNIT

P 12



| Key | Part No. | Description | Destinations | Class | QTY | Standard parts |
|-----|--------------|----------------------------|--------------|-------|-----|----------------|
| 1 | 56AA R729 00 | ORIGINAL GLASS ASSY | | C | 1 | a-V121 0404 03 |
| 2 | 57AA -630 3F | CCD Unit | | I | 1 | b-V123 0408 03 |
| 3 | 57AA 6128 0 | LENS LIGHT BLOCKING COVER | | D | 1 | c-V121 0303 03 |
| 4 | 57AA 6176 0 | BOARD EARTH PLATE /B | | D | 4 | d-V121 0304 03 |
| 5 | 55TA 6132 0 | LENS EARTH SPRING | | C | 7 | e-V151 0310 03 |
| 6 | 56AA 6158 0 | WIRE REGURATION SHEET | | C | 2 | f-V121 0406 03 |
| 7 | 56AA 7368 0 | KEY COUNTER INNER COVER | | D | 1 | g-V118 0316 03 |
| 8 | 56QA 6160 0 | WIRING COVER /A | | D | 1 | h-V118 0318 03 |
| 9 | 55TA 6116 1 | READ POSITIONING PLATE | | D | 1 | |
| 10 | 56QA 9046 2 | AD WIRING | | D | 1 | |
| 11 | 56QA 6162 0 | WIRING FIXING PART | | D | 1 | |
| 12 | 56AA 8553 1 | APS SENSOR 2 | | B | 3 | |
| 13 | 57AA R726 00 | GUIDE RAIL R ASSY | | D | 1 | |
| 14 | 55TA 6115 1 | MOUNTING PLATE | | D | 1 | |
| 15 | 55VA 6193 1 | MOUNTING PLATE | | D | 1 | |
| 16 | 25SA 6188 1 | CORD HOLDER | | D | 1 | |
| 17 | 25SA 6186 1 | CORD GUIDE PART | | D | 1 | |
| 18 | 57AA 9091 0 | LAMP RELAY WIRING | | D | 1 | |
| 19 | 57AA R727 00 | ORIGINAL GLASS 1 ASSY | | C | 1 | |
| 20 | 57AA 6166 0 | GLASS PROTECTION SHEET 2 | | C | 2 | |
| 21 | 57AA 6125 0 | GLASS STOPPER PLATE /REAR | | D | 1 | |
| 22 | 56AA 6133 0 | GLASS HOLDER | | C | 2 | |
| 23 | 57AA 6170 0 | GLASS STOPPER PART | | C | 2 | |
| 24 | 56AA 6115 1 | FAN SUPPORT PLATE | | D | 1 | |
| 25 | 56AA 8055 1 | FAN MOTOR 2 | | B | 1 | |
| 26 | 57AA 6124 0 | GLASS STOPPER PLATE /FRONT | | D | 1 | |
| 27 | 57AA R725 00 | GUIDE RAIL F ASSY | | D | 1 | |
| | | | | | | |
| | | | | | | |
| | | | | | | |
| | | | | | | |
| | | | | | | |
| | | | | | | |
| | | | | | | |

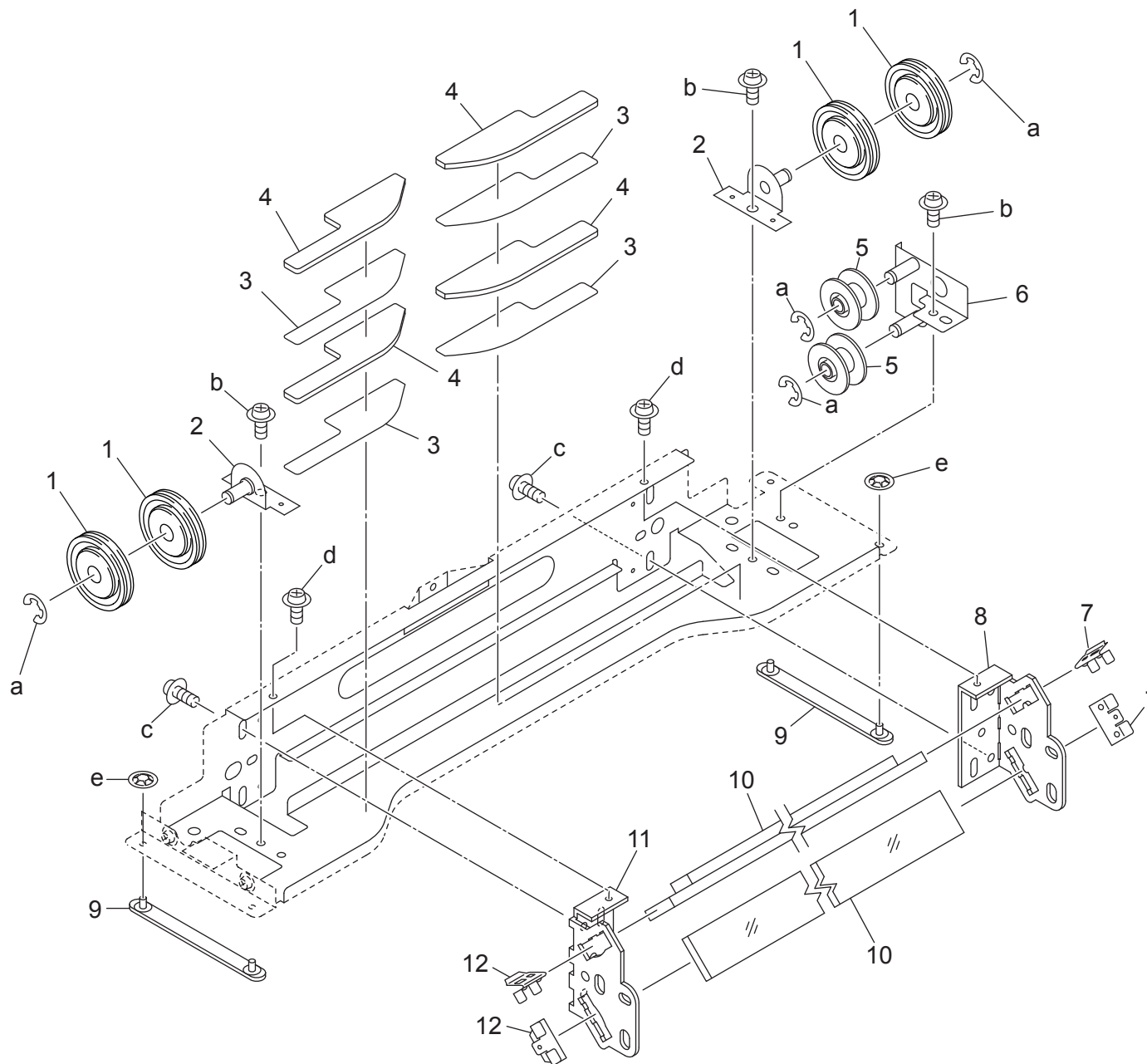


OPTICS UNIT

| Key | Part No. | Description | Destinations | Class | QTY | Standard parts |
|-----|-------------|-------------------------------|--------------|-------|-----|----------------------------------|
| 1 | 55TA 6111 0 | REFLECT MIRROR 1 | | D | 1 | a-V151 0310 04 |
| 2 | 55TA 6113 0 | MIRROR SUPPORT PART | | D | 3 | b-V121 0306 03 |
| 3 | 55TA 6112 0 | REFLECT MIRROR 2 | | D | 2 | c-V121 0304 03 |
| 4 | 56AA 6118 0 | CORD HOLDER PART B | | C | 1 | d-V123 0306 03 |
| 5 | 25SA 6142 0 | OPTICS SLIDE PART | | C | 2 | e-V201 0300 04 f-V121 0303 03 |
| 6 | 56AA 6144 0 | POWER SOURCE PROTECTION SHEET | | C | 1 | |
| 7 | 56AA 6107 1 | POWER SOURCE SUPPORT PLATE | | D | 1 | |
| 8 | 25SA 6147 0 | MIRROR HOLDER 2 | | C | 1 | |
| 9 | 57AA 8351 0 | LAMP STARTER | | I | 1 | |
| 10 | 25SA 6208 0 | MIRROR POSITIONING PLATE 4 | | D | 1 | |
| 11 | 57AA 8301 0 | Exposure Lamp | | I | 1 | |
| 12 | 55WA 6115 0 | READ MIRROR 1 | | C | 1 | |
| 13 | 25SA 6146 0 | MIRROR HOLDER 1 | | D | 1 | |
| 14 | 25SA 6207 0 | MIRROR POSITIONING PLATE 3 | | D | 1 | |
| | | | | | | |
| | | | | | | |
| | | | | | | |
| | | | | | | |
| | | | | | | |
| | | | | | | |
| | | | | | | |
| | | | | | | |
| | | | | | | |
| | | | | | | |

OPTICS UNIT

P 14

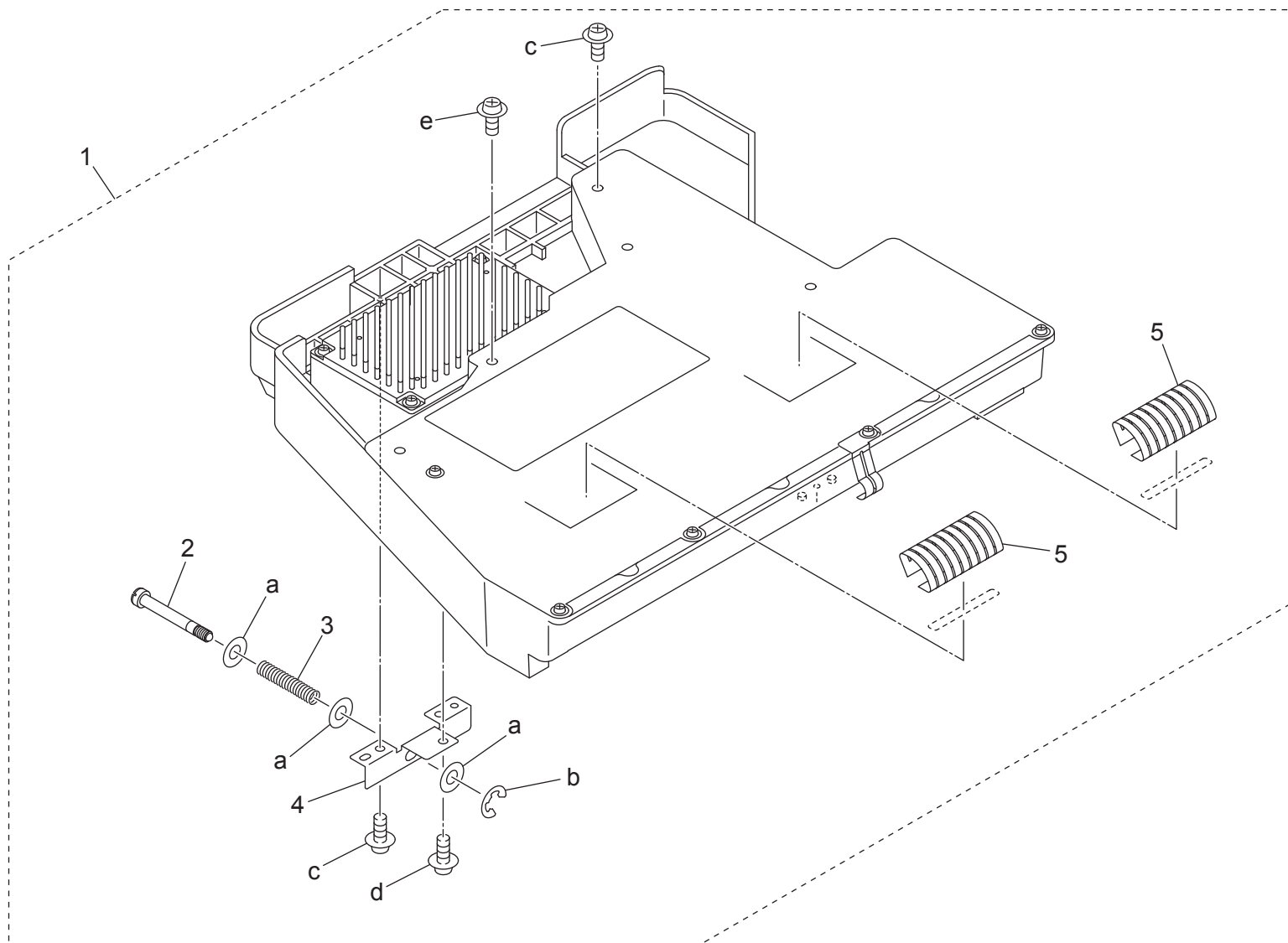


OPTICS UNIT

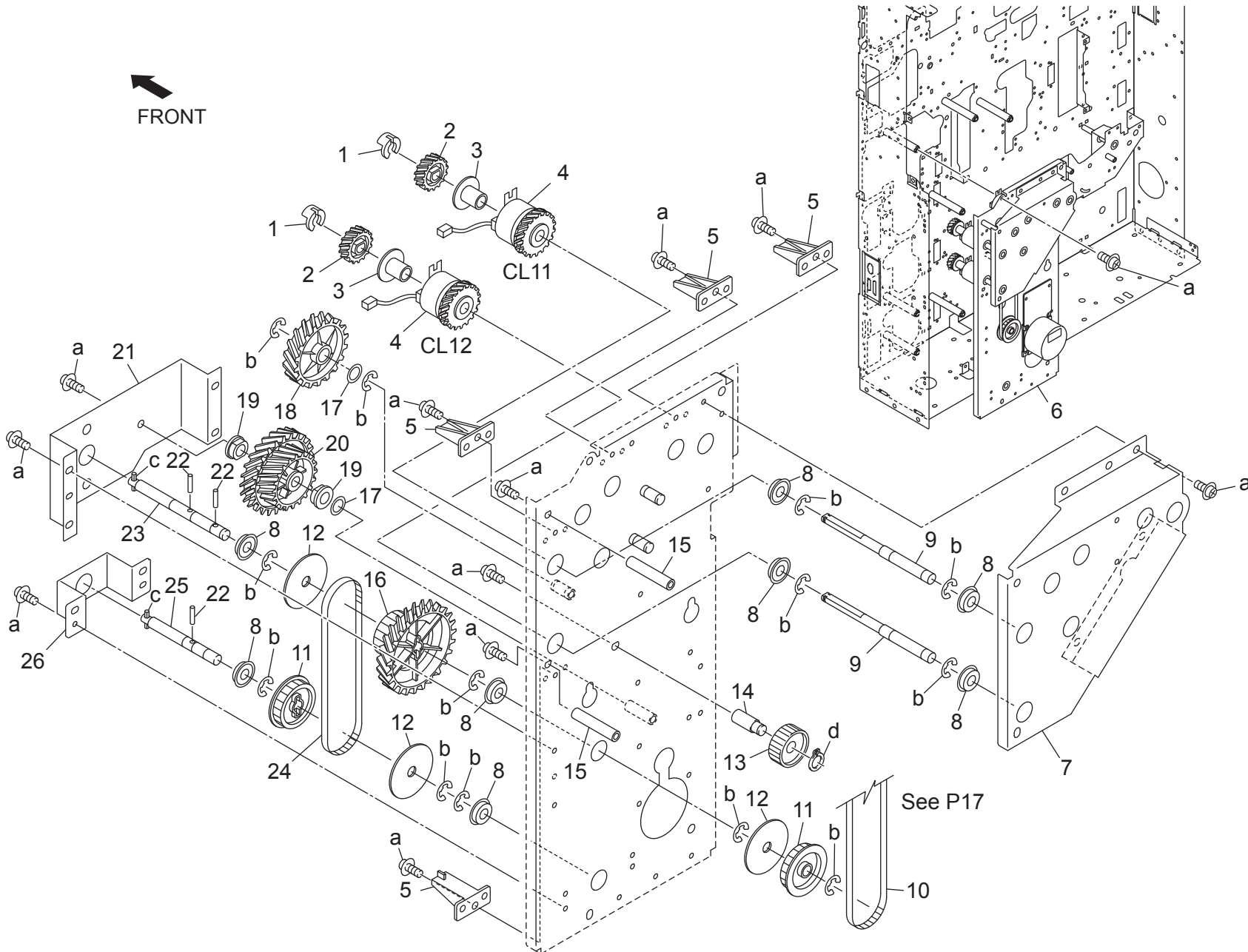
| Key | Part No. | Description | Destinations | Class | QTY | Standard parts |
|-----|-------------|----------------------------------|--------------|-------|-----|--|
| 1 | 56AA 6129 0 | BUSHING | | C | 4 | a-V217 0400 50 b-V121 0404 03 c-V123 0406 03 d-V121 0312 03 e-V201 0300 04 |
| 2 | 56AA -626 1 | Pulley Support Plate /A Caulking | | D | 2 | |
| 3 | 56QA 6168 0 | OPTICAL REINFORCE SEAL /V | | D | 4 | |
| 4 | 56QA 6167 0 | OPTICAL REINFORCE PLATE /V | | D | 4 | |
| 5 | 25SA 6216 0 | CORD GUIDE PULLEY 2 | | C | 2 | |
| 6 | 56AA -627 1 | Pulley Support Plate /B Caulking | | D | 1 | |
| 7 | 25SA 6155 0 | MIRROR HOLDER 4 | | C | 2 | |
| 8 | 55FA 6114 0 | MIRROR POSITION PLATE 2 | | D | 1 | |
| 9 | 25SA 6142 0 | OPTICS SLIDE PART | | C | 2 | |
| 10 | 55TA 6134 1 | READING MIRROR 2 | | C | 2 | |
| 11 | 55FA 6113 0 | MIRROR POSITION PLATE | | D | 1 | |
| 12 | 25SA 6154 0 | MIRROR HOLDER 3 | | C | 2 | |
| | | | | | | |
| | | | | | | |
| | | | | | | |
| | | | | | | |
| | | | | | | |
| | | | | | | |
| | | | | | | |
| | | | | | | |
| | | | | | | |

OPTICS UNIT

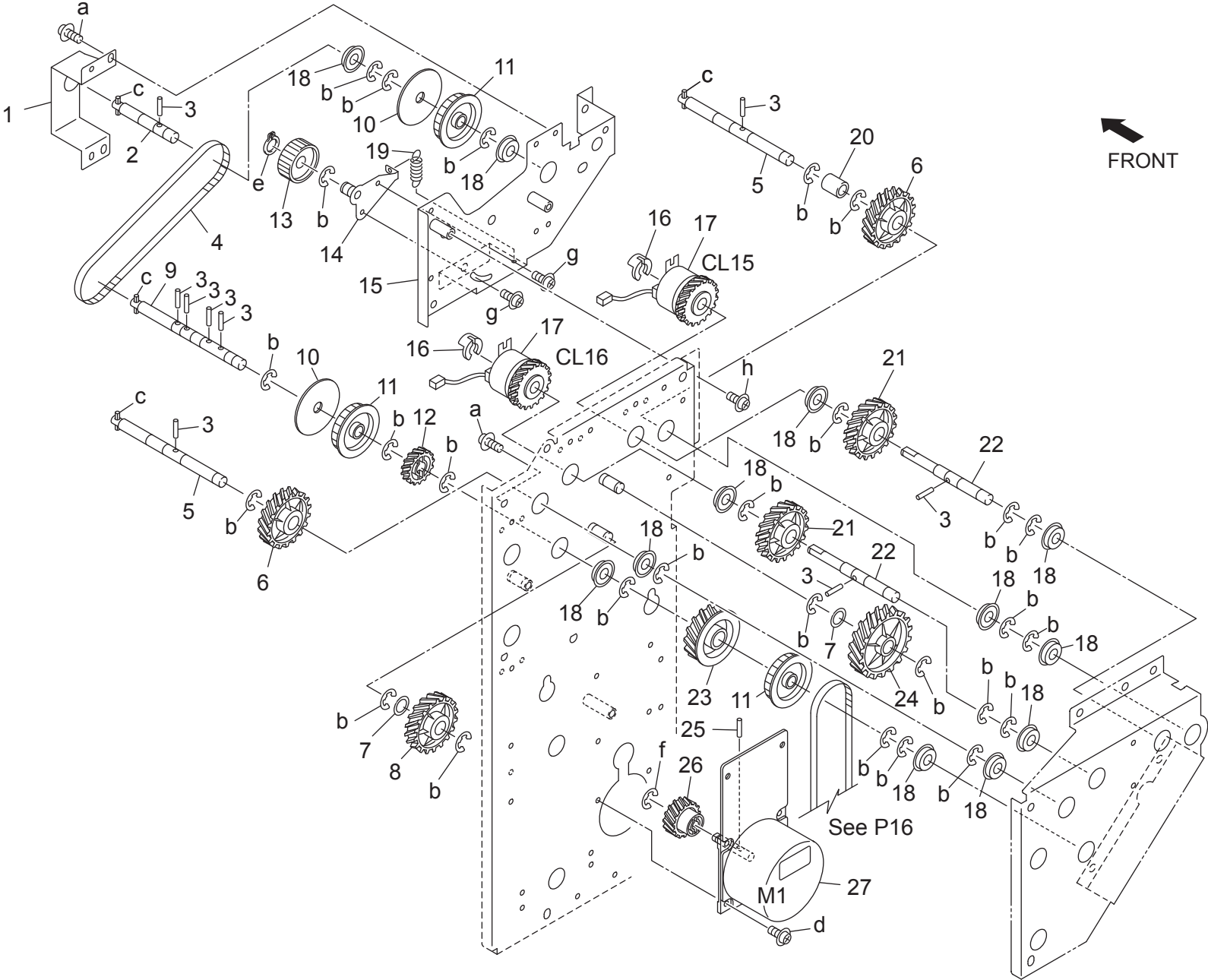
P 15



DRIVING SECTION



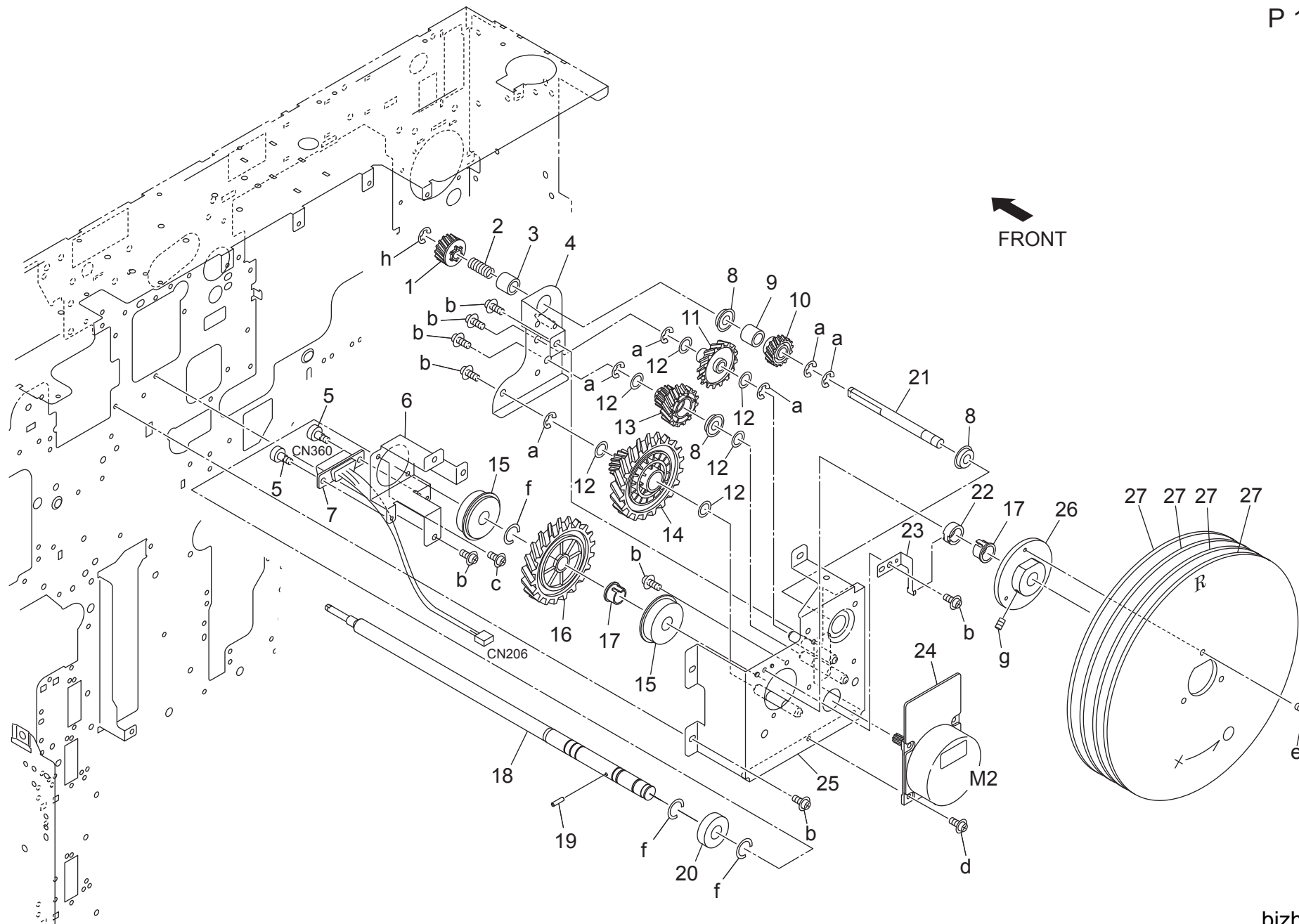
DRIVING SECTION



DRIVING SECTION

| Key | Part No. | Description | Destinations | Class | QTY | Standard parts |
|-----|--------------|-----------------------------------|--------------|-------|-----|----------------|
| 1 | 56QA 1505 0 | PAPER FEED DRIVE BOARD /REAR | | D | 1 | a-V121 0406 03 |
| 2 | 56QA 1509 0 | PAPER FEED COUPLING SHAFT /1 | | D | 1 | b-V217 0600 50 |
| 3 | 56AA 1748 0 | PIN B | | C | 9 | c-V233 3020 50 |
| 4 | 56QA 7752 0 | Paper Feed Drive Belt /Right 636L | | C | 1 | d-V118 0406 03 |
| 5 | 56QA 1512 0 | CONVEYANCE COUPLING SHAFT /1 | | D | 2 | e-V223 0800 04 |
| 6 | 56QA 7707 0E | Conveyance Drive Gear /5 32T | | C | 2 | f-V217 0400 50 |
| 7 | 12QV 4065 0 | SPACER | | B | 2 | g-V121 0306 03 |
| 8 | 56QA 7704 0 | CONVEYANCE DRIVE GEAR 2 31T | | C | 1 | h-V121 0404 03 |
| 9 | 56QA 1508 0 | PAPER FEED COUPLING SHAFT /2 | | D | 1 | |
| 10 | 55VA 1547 0 | BELT GUIDE PLATE | | C | 2 | |
| 11 | 56AA 7653 0 | PAPER FEED DRIVING PULLEY 36T | | C | 3 | |
| 12 | 56AA 7771 1 | CONVEYANCE DRIVING GEAR 1 24T | | C | 1 | |
| 13 | 5400 1516 2 | BELT TENSION ROLLER | | B | 1 | |
| 14 | 56QA -172 0 | BELT TENSION SHAFT CAULKING | | D | 1 | |
| 15 | 56QA -164 0 | 1500PF DRIVE PLATE CAULKING | | D | 1 | |
| 16 | 12QV 4066 0 | SHAFT POSITIONING PART | | C | 2 | |
| 17 | 57AA 8203 0 | CONVEYANCE DRIVE CLUTCH | | C | 2 | |
| 18 | A00V 2406 00 | BALL BEARING | | C | 12 | |
| 19 | 56QA 1519 0 | BELT TENSION SPRING | | C | 1 | |
| 20 | 56AA 1559 0 | DRUM COUPLING COLLAR | | C | 1 | |
| 21 | 56QA 7706 0 | CONVEYANCE DRIVING GEAR 4 30T | | C | 2 | |
| 22 | 57AA 1511 0 | CONVEYANCE DRIVE SHAFT | | D | 2 | |
| 23 | 56QA 7703 0 | CONVEYANCE DRIVE GEAR 1 28T | | C | 1 | |
| 24 | 56QA 7705 0 | CONVEYANCE DRIVE GEAR 3 41T | | C | 1 | |
| 25 | 56AA 1732 1 | PIN A D2X12 | | B | 1 | |
| 26 | 56AA 7714 0 | PAPER FEED DRIVING GEAR 23T | | C | 1 | |
| 27 | 15AA 8005 0 | DC BRUSHLESS MOTOR 40 | | B | 1 | |
| | | | | | | |
| | | | | | | |
| | | | | | | |
| | | | | | | |
| | | | | | | |
| | | | | | | |
| | | | | | | |

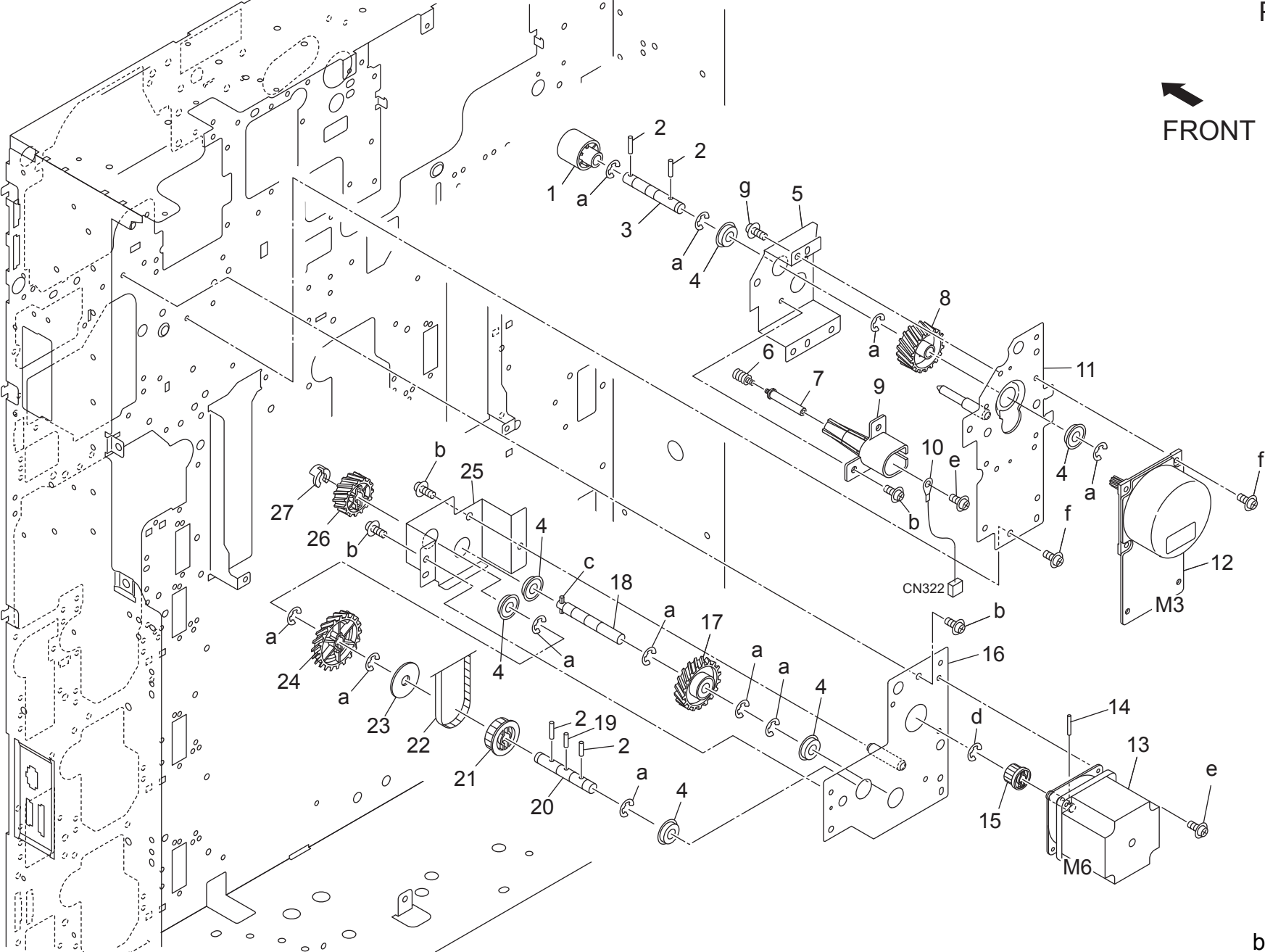
DRIVING SECTION



DRIVING SECTION

| Key | Part No. | Description | Destinations | Class | QTY | Standard parts |
|-----|--------------|----------------------------------|-------------------------|-------|-----|----------------|
| 1 | 56AA 7783 1 | TONER COLLECTING GEAR 4 22T | トナー回収ギア 4 2 2 T | C | 1 | a-V217 0600 50 |
| 2 | 56AA 1701 1 | FIXING COUPLING SPRING | 定着カップリングバネ | C | 1 | b-V121 0406 03 |
| 3 | 56AA 1559 0 | DRUM COUPLING COLLAR | ドラムカップリングカラー | C | 1 | c-V118 0404 03 |
| 4 | 57AA -183 0 | DRUM DRIVE BASE PLATE/2 CAULKING | ドラム駆動基板/2 カシメ | D | 1 | d-V118 0406 03 |
| 5 | 56AA 2087 0 | TERMINAL FIXING SCREW | 端子固定ネジ | C | 2 | e-V123 0314 03 |
| 6 | 56QA 2003 0 | SHAFT POSITIONING BOARD | 軸位置決め基板 | D | 1 | f-V223 2000 04 |
| 7 | 56AA 9089 1E | DRUM WIRING | ドラム 束線 | D | 1 | g-V193 0404 04 |
| 8 | A00V 2406 00 | BALL BEARING | ボールベアリング | C | 3 | h-V217 0500 50 |
| 9 | 56QA 1526 0 | DRUM COUPLING COLLAR | ドラムカップリングカラー | C | 1 | |
| 10 | 57AA 7782 0 | TONER COLLECTION GEAR 3 27T | トナー回収ギア 3 2 7 T | C | 1 | |
| 11 | 56AA 7707 0 | TONER COLLECTING GEAR 2 46T | トナー回収ギア 2 4 6 T | C | 1 | |
| 12 | 12QV 4065 0 | SPACER | スペーサー | B | 6 | |
| 13 | 56AA 7706 0 | TONER COLLECTING GEAR 1 61T 21T | トナー回収ギア 1 6 1 T 2 1 T | C | 1 | |
| 14 | 56QA 7711 1 | DRUM DRIVING GEAR 1 111 25T | ドラム駆動歯車 1 1 1 1 T 2 5 T | C | 1 | |
| 15 | 56QA 7501 0 | Drum Rotary Bearing/ 1 | ドラム回転軸受/ 1 | C | 2 | |
| 16 | 57AA 7705 0 | DRUM DRIVE GEAR 2 79T | ドラム駆動歯車 2 7 9 T | C | 1 | |
| 17 | 56QA 1525 0 | DRUM COLLAR | ドラムカラー | C | 2 | |
| 18 | 56QA 2008 0 | DRUM ROTATION SHAFT | ドラム回転軸 | D | 1 | |
| 19 | 25SA 1539 0 | DRIVE POSITION PIN D4X33 | 駆動位置決めピン D 4 X 3 3 | C | 1 | |
| 20 | 56QA 7502 0 | Drum Rotary Bearing/ 2 | ドラム回転軸受/ 2 | C | 1 | |
| 21 | 56QA 1524 0 | TONER COLLECTION SHAFT/2 | トナー回収軸/ 2 | D | 1 | |
| 22 | 25SA 1527 0 | EARTH SHAFT HOLDER | アース軸受 | C | 1 | |
| 23 | 25SA 1528 0 | DRUM EARTH SPRING | ドラムアースバネ | C | 1 | |
| 24 | A0PN M102 00 | DC Brushless motor /20 | DC ブラシレスモータ/ 2 0 | B | 1 | |
| 25 | 57AA -181 0 | DRUM DRIVE BASE PLATE CAULKING | ドラム駆動基板カシメ | D | 1 | |
| 26 | 56QA 1527 0 | Mounting Part | 取り付け部材 | C | 1 | |
| 27 | 57AA 1590 0 | DRUM ROTATION PLATE | ドラム回転プレート | D | 4 | |
| | | | | | | |
| | | | | | | |
| | | | | | | |
| | | | | | | |
| | | | | | | |
| | | | | | | |
| | | | | | | |
| | | | | | | |

DRIVING SECTION



DRIVING SECTION

| Key | Part No. | Description | Destinations | Class | QTY | Standard parts |
|-----|--------------|--|------------------|-------|-----|----------------|
| 1 | 56AA 1541 1 | DEVELOPING COUPLING PART | 現像カップリング部材 | C | 1 | a-V217 0600 50 |
| 2 | 56AA 1748 0 | PIN B | ピン B | C | 4 | b-V121 0406 03 |
| 3 | 56AA 1528 1 | DEVELOPING DRIVE SHAFT | 現像駆動軸 | D | 1 | c-V233 3020 50 |
| 4 | A00V 2406 00 | BALL BEARING | ボールベアリング | C | 6 | d-V217 0400 50 |
| 5 | 56AA 1513 1 | DEVELOPING DRIVE BASE PLATE/2 | 現像駆動基板／2 | D | 1 | e-V121 0306 03 |
| 6 | 56AA 1547 1 | CONTACT SPRING | 接点バネ | C | 1 | f-V118 0406 03 |
| 7 | 56AA 1552 1 | CONTACT SHAFT | 接点軸 | D | 1 | g-V121 0404 03 |
| 8 | 56AA 7709 0 | DEVELOPING DRIVING GEAR 64T | 現像駆動歯車 64 T | C | 1 | |
| 9 | 56AA 1546 0 | HIGH VOLTAGE GUIDE PART | 高圧ガイド部材 | C | 1 | |
| 10 | 56QA 9070 0 | HIGH VOLTAGE LEAD WIRE 1 | 高圧リード線 1 | D | 1 | |
| 11 | 56QA -176 1 | DEVELOPING DRIVE BASE PLATE CAULKING G | 現像駆動基板カシメ | D | 1 | |
| 12 | A0R5 M103 00 | DC Brushless motor /30 | D C ブラシレスモータ／30 | B | 1 | |
| 13 | 56AA 8011 2 | PAPER EXIT DRIVE MOTOR | 排紙駆動モータ | B | 1 | |
| 14 | 56AA 1753 1 | PIN A D2X10 | ピン A D 2 X 1 0 | C | 1 | |
| 15 | 56AA 7651 0 | BY PASS FEED DRIVING PULLEY 1 15T | 手差し駆動プーリ 1 15 T | C | 1 | |
| 16 | 56AA -166 0 | BY-PASS DRIVE BASE PLATE CAULKING | 手差し駆動基板カシメ | D | 1 | |
| 17 | 56AA 7712 0 | BY PASS FEED DRIVING GEAR 1 36T | 手差し駆動ギア 1 36 T | C | 1 | |
| 18 | 56AA 1532 1 | BY-PASS FEED DRIVING SHAFT/2 | 手差し駆動軸／2 | D | 1 | |
| 19 | 56AA 1747 1 | PIN B 3X12 | ピン B 3 X 1 2 | C | 1 | |
| 20 | 57AA 1531 0 | BY PASS DRIVE SHAFT 1 | 手差し駆動軸 1 | D | 1 | |
| 21 | 56AA 7652 0 | BY PASS FEED DRIVING PULLEY 2 26T | 手差し駆動プーリ 2 26 T | C | 1 | |
| 22 | 56AA 7752 0 | By-Pass Drive Belt /1 192L | 手差し駆動ベルト／1 192 L | C | 1 | |
| 23 | 56AA 1549 0 | PULLEY GUIDE PLATE | プーリガイド板 | C | 1 | |
| 24 | 12AJ 7703 1 | GEAR 2 42T | 歯車 2 42 T | C | 1 | |
| 25 | 56AA 1515 2 | BY-PASS DRIVE BASE PLATE/2 | 手差し駆動基板／2 | D | 1 | |
| 26 | 56AA 7713 0 | BY PASS FEED DRIVING GEAR 2 28T | 手差し駆動ギア 2 28 T | C | 1 | |
| 27 | 55VA 4212 0 | SHAFT STOPPER | 軸ストッパー | C | 1 | |
| | | | | | | |
| | | | | | | |
| | | | | | | |
| | | | | | | |
| | | | | | | |
| | | | | | | |
| | | | | | | |
| | | | | | | |

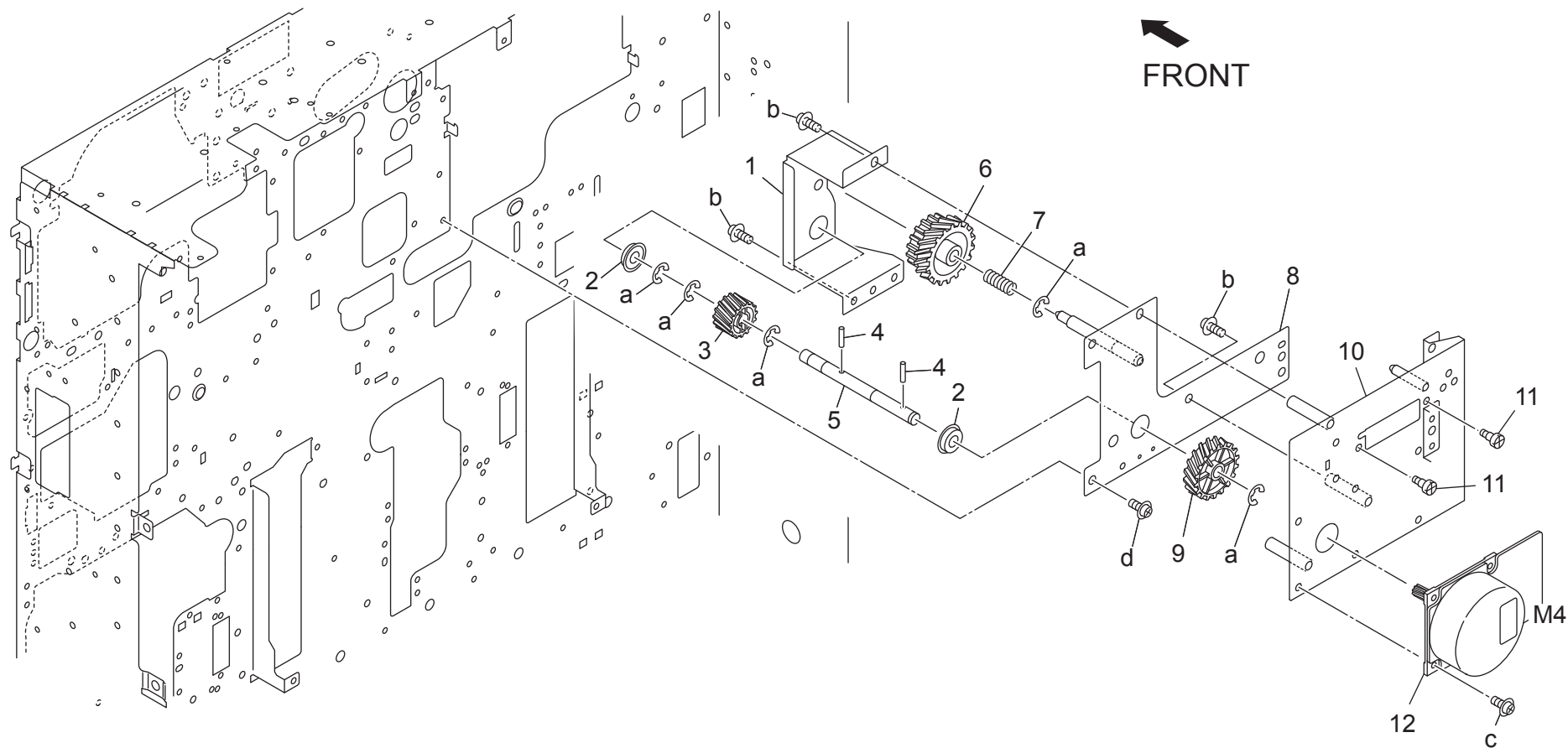
DRIVING SECTION

P 20

JAPAN MODEL ONLY

日本専用

←
FRONT



| Key | Part No. | Description | | Destinations | Class | QTY | Standard parts |
|-----|--------------|------------------------------------|------------------|--------------|-------|-----|--|
| 1 | 57AA 1508 0 | FIXING DRIVE BASE PLATE/3 | 定着駆動基板 / 3 | A | D | 1 | a-V217 0600 50 b-V121 0406 03 c-V118 0406 03 d-V123 0408 03 |
| 2 | A00V 2406 00 | BALL BEARING | ボールベアリング | A | C | 2 | |
| 3 | 57AA 7702 0 | FIXING DRIVE GEAR 2 27T | 定着駆動歯車 2 27 T | A | B | 1 | |
| 4 | 56AA 1748 0 | PIN B | ピン B | A | C | 2 | |
| 5 | 57AA 1519 0 | FIXING DRIVE SHAFT/1 | 定着駆動軸 / 1 | A | C | 1 | |
| 6 | 57AA 7703 0 | FIXING INPUT GEAR 36/39T | 定着入力歯車 36 / 39 T | A | B | 1 | |
| 7 | 56AA 1701 1 | FIXING COUPLING SPRING | 定着カップリングバネ | A | C | 1 | |
| 8 | 57AA -186 0 | FIXING DRIVE BASE PLATE/2 CAULKING | 定着駆動基板 / 2 カシメ | A | D | 1 | |
| 9 | 57AA 7701 0 | FIXING DRIVE GEAR /1 | 定着駆動歯車 / 1 | A | B | 1 | |
| 10 | 57AA -188 0 | FIXING DRIVE BASE PLATE/1 CAULKING | 定着駆動基板 / 1 カシメ | A | D | 1 | |
| 11 | 57AA 1560 0 | ELECTRIC MOUNTING SCREW | 電装取り付けネジ | A | C | 2 | |
| 12 | A0PN M102 00 | DC Brushless motor /20 | DC ブラシレスモータ / 20 | A | B | 1 | |
| | | | | | | | |
| | | | | | | | |
| | | | | | | | |
| | | | | | | | |
| | | | | | | | |
| | | | | | | | |
| | | | | | | | |
| | | | | | | | |
| | | | | | | | |
| | | | | | | | |
| | | | | | | | |
| | | | | | | | |
| | | | | | | | |
| | | | | | | | |

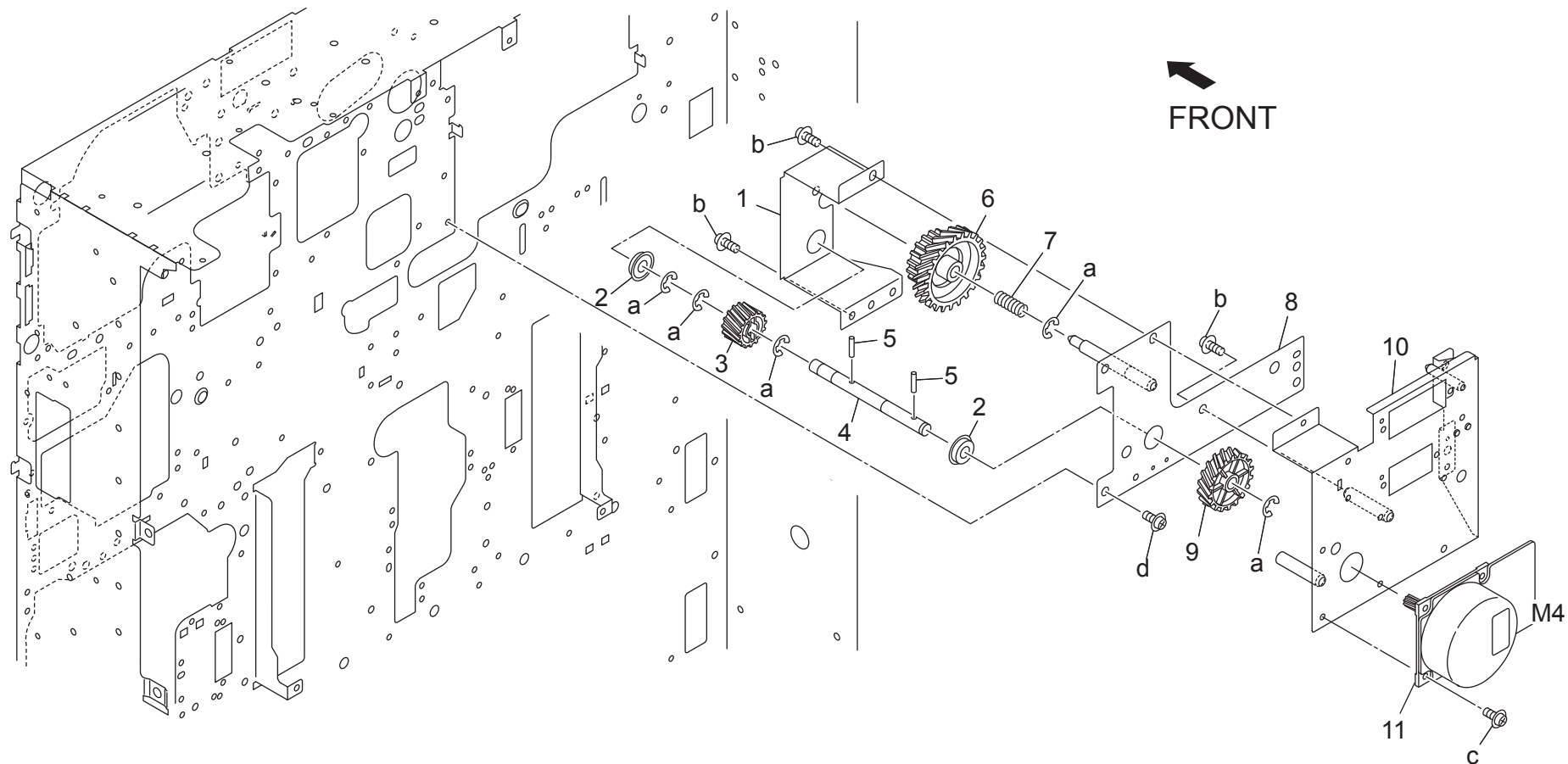


DRIVING SECTION

P 21

EXCEPT JAPAN MODEL

海外専用



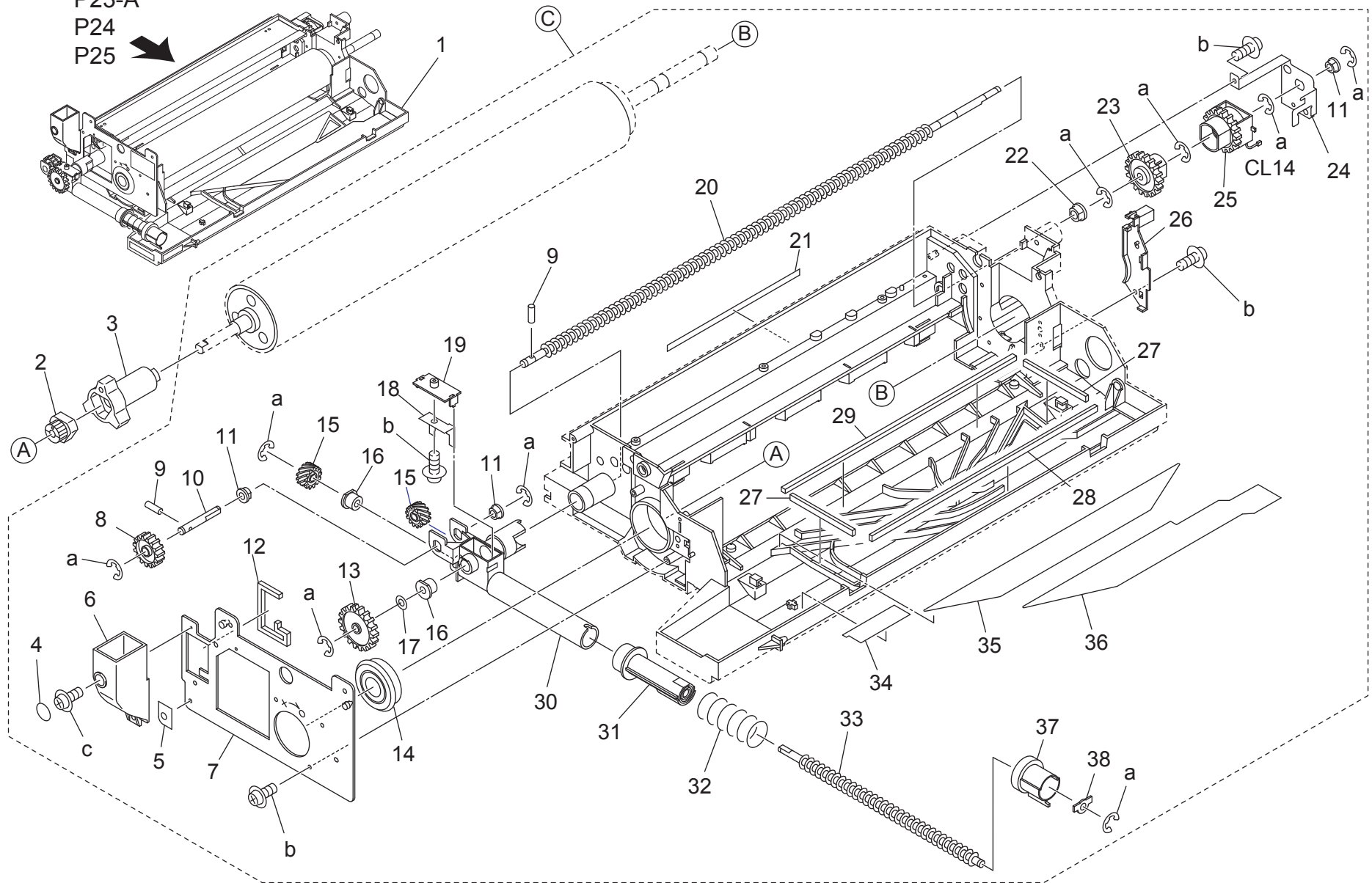
DRIVING SECTION

| Key | Part No. | Description | Destinations | Class | QTY | Standard parts |
|-----|--------------|--|-------------------------------------|-------|-----|--|
| 1 | 56AA 1508 2 | FIXING DRIVE BASE PLATE/3 定着駆動基板／3 | B,C,D1,D3,E,F1,F2,G 1,G2,H,I,J,K | D | 1 | a-V217 0600 50 b-V121 0406 03 c-V118 0406 03 d-V123 0408 03 |
| 2 | A00V 2406 00 | BALL BEARING ボールベアリング | B,C,D1,D3,E,F1,F2,G 1,G2,H,I,J,K | C | 2 | |
| 3 | 56AA 7702 0 | FIXING DRIVING GEAR 2 22T 定着駆動歯車 2 22 T | B,C,D1,D3,E,F1,F2,G 1,G2,H,I,J,K | C | 1 | |
| 4 | 56AA 1519 0D | Fixing Drive Shaft /1 定着駆動軸／1 | B,C,D1,D3,E,F1,F2,G 1,G2,H,I,J,K | C | 1 | |
| 5 | 56AA 1748 0 | PIN B ピン B | B,C,D1,D3,E,F1,F2,G 1,G2,H,I,J,K | C | 2 | |
| 6 | 25BA 7726 2 | FIXING INPUT GEAR 50T 36T 定着入力歯車 50 T 36 T | B,C,D1,D3,E,F1,F2,G 1,G2,H,I,J,K | B | 1 | |
| 7 | 56AA 1701 1 | FIXING COUPLING SPRING 定着カップリングバネ | B,C,D1,D3,E,F1,F2,G 1,G2,H,I,J,K | C | 1 | |
| 8 | 56AA -186 0 | FIXING DRIVE BASE PLATE/2 CAULKING 定着駆動基板／2 カシメ | B,C,D1,D3,E,F1,F2,G 1,G2,H,I,J,K | D | 1 | |
| 9 | 57AE 7701 0 | FIXING DRIVE GEAR 1 70T 定着駆動歯車 1 70 T | B,C,D1,D3,E,F1,F2,G 1,G2,H,I,J,K | B | 1 | |
| 10 | 57AE -188 0 | FIXING DRIVE BASE PLATE/1 CAULKING 定着駆動基板／1 カシメ | B,C,D1,D3,E,F1,F2,G 1,G2,H,I,J,K | D | 1 | |
| 11 | A0PN M102 00 | DC Brushless motor /20 DC ブラシレスモータ／20 | B,C,D1,D3,E,F1,F2,G 1,G2,H,I,J,K | B | 1 | |
| | | | | | | |
| | | | | | | |
| | | | | | | |
| | | | | | | |
| | | | | | | |
| | | | | | | |
| | | | | | | |
| | | | | | | |

DRUM CARTRIDGE

See.P22-C
P23-A
P24
P25

P 22

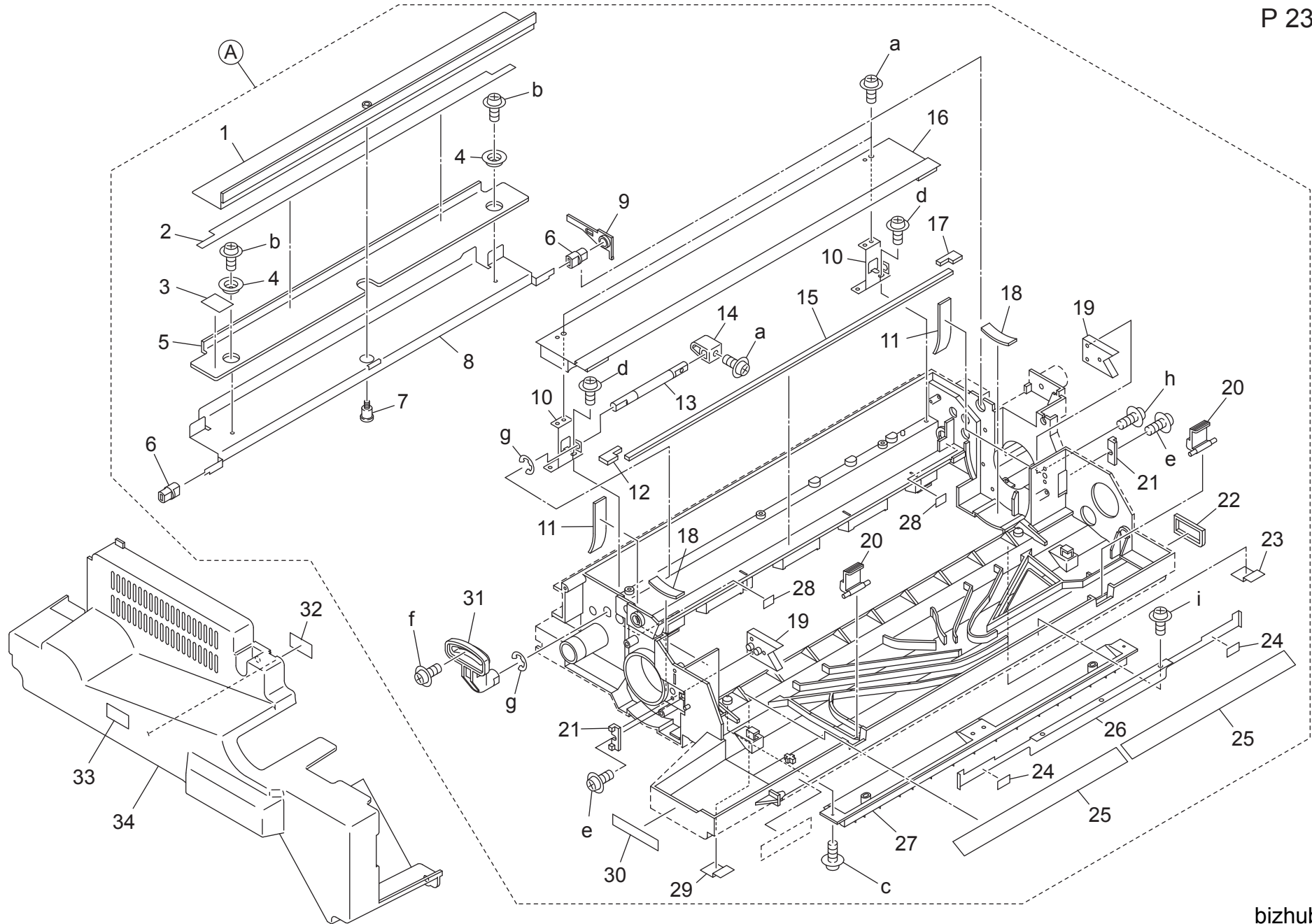


DRUM CARTRIDGE

| Key | Part No. | Description | Destinations | Class | QTY | Standard parts |
|-----|--------------|-------------------------------|-----------------|-------|-----|--|
| 1 | 57AA R710 00 | DRUM CARTRIDGE UNIT | ドラムカートリッジユニット | C | 1 | a-V217 0400 50 b-V151 0308 03 c-V121 0308 03 |
| 2 | 56AA 2107 1 | DRUM FIXING COUPLING 2 | ドラム固定カップリング 2 | D | 1 | |
| 3 | 56AA 2106 1 | DRUM FIXING COUPLING | ドラム固定カップリング | D | 1 | |
| 4 | 57AA 2022 0 | CLEANER COOLING SHEET | クリーナー冷却シート | C | 1 | |
| 5 | 56QA 9786 0 | GUIDE LABEL 2 | ガイドラベル 2 | D | 1 | |
| 6 | 57AA 2025 0 | CLEANER COOLING DUCT | クリーナー冷却ダクト | C | 1 | |
| 7 | 56QA -226 0 | DRUM POSITION BOARD CAULKING | ドラム位置決め基板カシメ | D | 1 | |
| 8 | 25SA 7718 0 | TONER CONVEYANCE GEAR B 26T | トナー搬送歯車 B 26 T | C | 1 | |
| 9 | 56AA 1752 0 | PIN A D3X10 | ピン A D 3 X 1 0 | C | 2 | |
| 10 | 56AA 2059 0D | Screw Drive Shaft | スクリュー駆動軸 | D | 1 | |
| 11 | 08AA 7601 0 | DRUM DRIVING SHAFT HOLDER | ドラム駆動軸受 | C | 3 | |
| 12 | 56QA 2023 0 | CLEANER SUCTION SEAL | クリーナーサククションシール | D | 1 | |
| 13 | 25SA 7717 0 | TONER CONVEYANCE GEAR A 38T | トナー搬送歯車 A 38 T | C | 1 | |
| 14 | 56AA 7504 0 | Drum Rotary Bearing/ 2 | ドラム回転軸受/ 2 | C | 1 | |
| 15 | 56AA 7726 0 | TONER RECYCLING GEAR 17T | トナーリサイクル歯車 17 T | C | 2 | |
| 16 | 55WA 3001 0 | DEVELOPING SHAFT HOLDER | 現像軸受 | C | 2 | |
| 17 | 25HA 1521 0 | SPACER E | スペーサー E | C | 1 | |
| 18 | 56AA 2076 0 | TONER AGITATING SHEET | トナー攪拌シート | C | 1 | |
| 19 | 25SA 2064 0 | TONER COLLECTION BLOCK B | トナー回収ブロック B | C | 1 | |
| 20 | 56AA 2052 0 | TONER RECYCLING SCREW 1 | トナーリサイクルスクリュー 1 | D | 1 | |
| 21 | 56QA 9787 0 | GUIDE LABEL 3 | ガイドラベル 3 | D | 1 | |
| 22 | 3920 1565 0 | SLIDE BUSHING/C | 滑り軸受/ C | C | 1 | |
| 23 | 56AA R706 00 | CLUTCH CONNECTING GEAR ASSY | クラッチ連結歯車部組 | C | 1 | |
| 24 | 57AA 2005 0 | CLUTCH SUPPORT PLATE | クラッチ支持板 | D | 1 | |
| 25 | 56AA 8202 2 | CLEANER CLUTCH | クリーナークラッチ | B | 1 | |
| 26 | 56AA 2009 0 | WIRING COVER PART | 束線カバー部材 | D | 1 | |
| 27 | 57AA 2017 1 | DEVELOPING COOLING SEAL /B | 現像冷却シール/ B | D | 2 | |
| 28 | 57AA 2018 1 | DEVELOPING COOLING SEAL /C | 現像冷却シール/ C | D | 1 | |
| 29 | 57AA 2016 1 | DEVELOPING COOLING SEAL /A | 現像冷却シール/ A | D | 1 | |
| 30 | 56AA 2051 0 | TONER RECYCLING BLOCK | トナーリサイクルブロック | C | 1 | |
| 31 | 56QA R702 00 | TONER COLLECTING PIPE | トナー回収パイプ | C | 1 | |
| 32 | 56AA 1703 0 | OPEN CLOSE SPRING | 開閉バネ | C | 1 | |
| 33 | 56AA 2081 0 | TONER RECYCLING SCREW 2 | トナーリサイクルスクリュー 2 | C | 1 | |
| 34 | 57AA 2015 0 | DEVELOPING SUCTION SHEET /3 | 現像サククションシート/ 3 | C | 1 | |
| 35 | 57AA 2014 0 | DEVELOPING SUCTION SHEET /2 | 現像サククションシート/ 2 | C | 1 | |
| 36 | 57AA 2013 0 | DEVELOPING SUCTION SHEET /1 | 現像サククションシート/ 1 | C | 1 | |
| 37 | 56AA 2056 0 | TONER SLIDE COVER | トナーライドカバー | C | 1 | |
| 38 | 25SA 2067 0 | TONER CONVEYANCE SHAFT HOLDER | トナー搬送軸受 | C | 1 | |
| | | | | | | |
| | | | | | | |
| | | | | | | |

DRUM CARTRIDGE

P 23



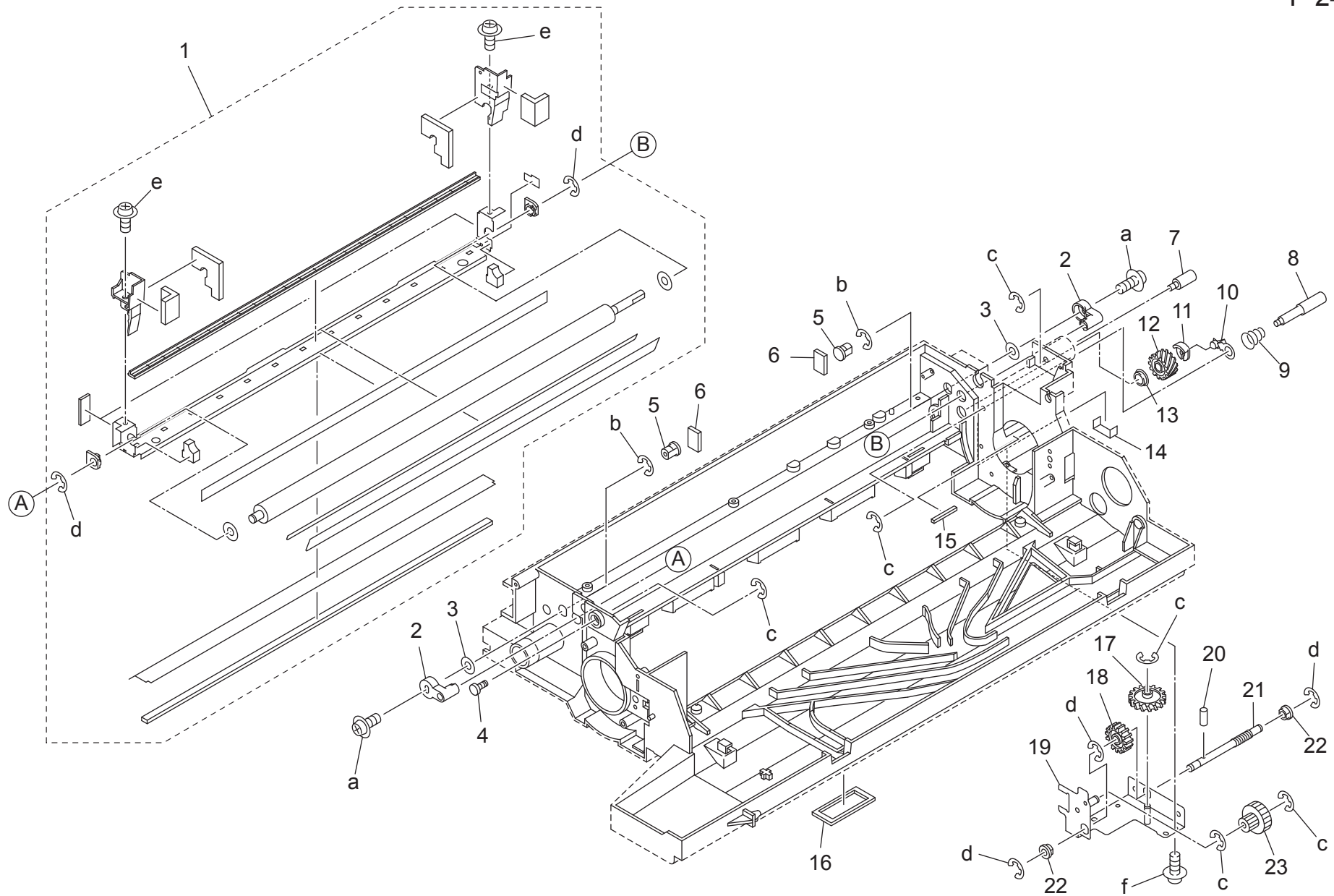
bizhub 601

DRUM CARTRIDGE

| Key | Part No. | Description | Destinations | Class | QTY | Standard parts |
|-----|--------------|------------------------------|----------------|-------|-----|----------------|
| 1 | 57AA 2008 0 | CLEANER BLADE | クリーナーブレード | A | 1 | a-V121 0306 03 |
| 2 | 57AA 2006 0 | CLEANER AUXILIARY SEAL | クリーナー補助シール | C | 1 | b-V121 0304 03 |
| 3 | 56QA 2018 0 | CLEANER AUXILIARY SHEET /2 | クリーナー補助シート / 2 | D | 1 | c-V151 0308 03 |
| 4 | 25SA 2028 0 | BLADE POSITION BLOCK | ブレード位置決めブロック | C | 2 | d-V151 0306 04 |
| 5 | 57AA 2003 0 | BLADE TENSION PLATE | ブレードテンション板 | D | 1 | e-V118 0308 03 |
| 6 | 56AA 2116 0 | HINGE | ヒンジ | C | 2 | f-V123 0310 03 |
| 7 | 56AA 1741 0 | BLADE ROTARY SCREW | ブレード回転ネジ | C | 1 | g-V217 0400 50 |
| 8 | 57AA R712 00 | BLADE SUPPORT PLATE CAULKING | ブレード支持基板カシメ | C | 1 | h-V123 0308 03 |
| 9 | 56AA 2115 0 | BLADE FULCRUM SHAFT HOLDER | ブレード支点軸受 | C | 1 | i-V145 0308 03 |
| 10 | 56AA 2029 2D | Cleaner Auxiliary Plate | クリーナー補助板 | D | 2 | |
| 11 | 57AA 2027 0 | DRUM SEAL | ドラムシール | D | 2 | |
| 12 | 56AA 2092 0 | TONER DUST-PROOF SEAL /B | トナー防塵シール / B | D | 1 | |
| 13 | 56AA 2114 1D | Blade Release Shaft | ブレード解除軸 | D | 1 | |
| 14 | 56AA 2113 0 | BLADE RELEASE CAM | ブレード解除カム | C | 1 | |
| 15 | 56AA 2085 0 | TONER DUST-PROOF SEAL | トナー防塵シール | D | 1 | |
| 16 | 57AA R713 00 | CLEANER COVER ASSY | クリーナー蓋部組 | D | 1 | |
| 17 | 56AA 2093 0 | TONER DUST-PROOF SEAL /C | トナー防塵シール / C | D | 1 | |
| 18 | 57AA 2028 0 | DRUM SUPPORT PART | ドラム支持部材 | D | 2 | |
| 19 | 56QA 2004 0 | DEVELOPING BASE PART | 現像基準部材 | C | 2 | |
| 20 | 56AA 2077 0 | DEVELOPING STOPPER | 現像ストッパ | D | 2 | |
| 21 | 56QA 2029 0 | DEVELOPING BASE PART /2 | 現像基準部材 / 2 | D | 2 | |
| 22 | 57AA 2021 1 | DEVELOPING SUCTION SEAL | 現像サククションシール | D | 1 | |
| 23 | 56AA 2118 0 | TONER STOPPER SHEET /REAR | トナーストッパシート / 奥 | D | 1 | |
| 24 | 56QA 2032 0 | DEVELOPING PRESSURE SHEET | 現像押圧シート | D | 2 | |
| 25 | 57AA 2019 0 | DEVELOPING AUXILIARY SHEET | 現像補助シート | D | 2 | |
| 26 | 56AA 2078 0D | Developing Stopper Spring | 現像ストッパばね | D | 1 | |
| 27 | 56AA 2004 0 | PAPER GUIDE PART | 紙ガイド部材 | D | 1 | |
| 28 | 57AA 2029 0 | ROLLER PRESSING SPACER | ローラー押圧スペーサー | D | 2 | |
| 29 | 56AA 2117 0 | TONER STOPPER SHEET /FRONT | トナーストッパシート / 前 | D | 1 | |
| 30 | 56QA 9785 0 | GUIDE LABEL 1 | ガイドラベル 1 | D | 1 | |
| 31 | 56AA 2112 0 | BLADE RELEASE LEVER | ブレード解除レバー | C | 1 | |
| 32 | 56UA 9730 0 | Laser Caution Label /1 | レーザー注意ラベル / 1 | C | 1 | |
| 33 | 57AA 9782 1G | Caution Label /1 | 注意ラベル / 1 | C | 1 | |
| 34 | 57AA R703 00 | DRUM COVER ASSY | ドラムカバー部組 | C | 1 | |
| | | | | | | |
| | | | | | | |
| | | | | | | |
| | | | | | | |

DRUM CARTRIDGE

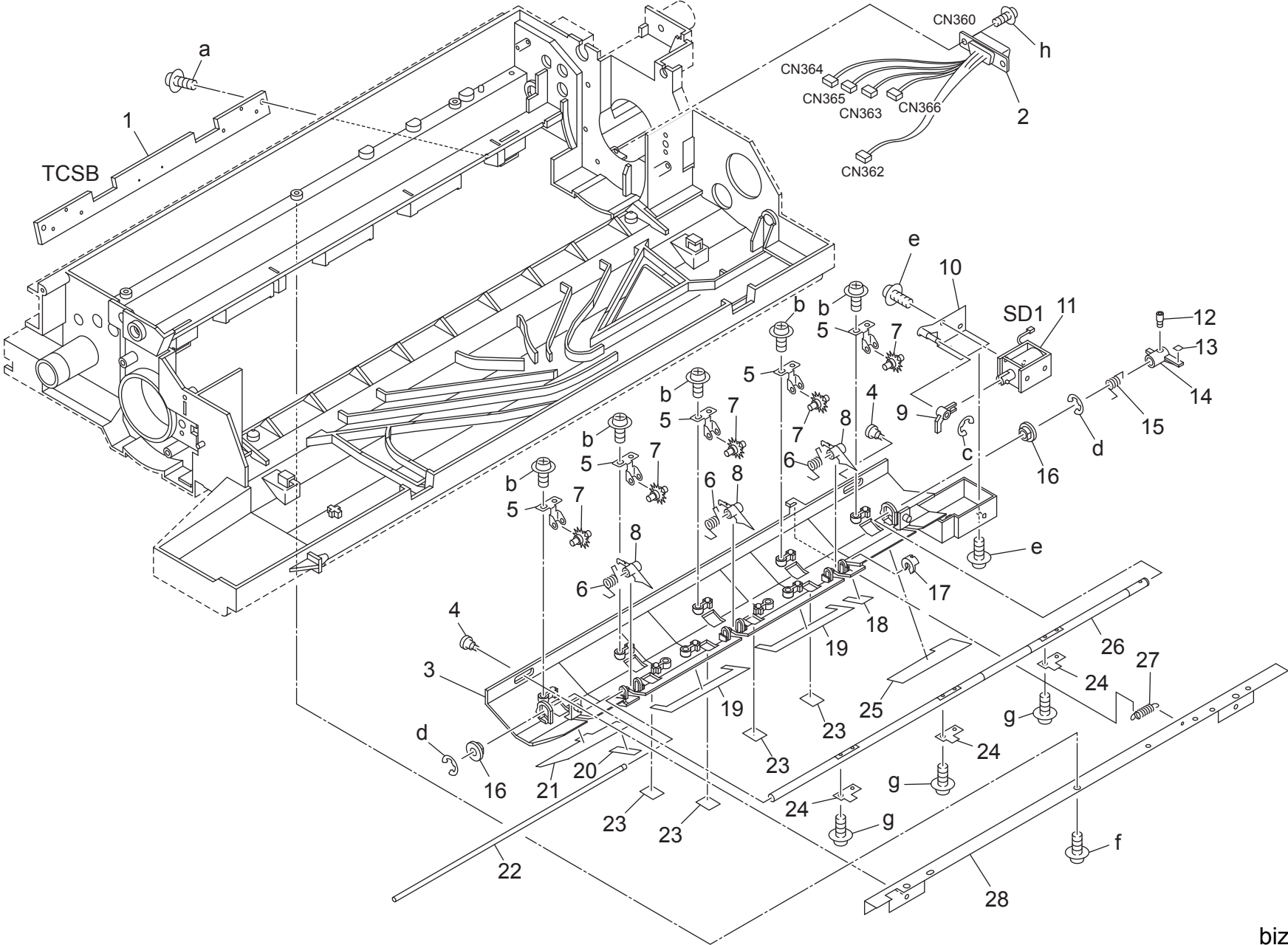
P 24



DRUM CARTRIDGE

| Key | Part No. | Description | Destinations | Class | QTY | Standard parts |
|-----|--------------|------------------------------------|------------------|-------|-----|----------------|
| 1 | 57AA R711 00 | COLLECTING ROLLER ASSY | 回収ローラ部組 | A | 1 | a-V123 0306 03 |
| 2 | 56AA 2040 0 | SHAFT POSITIONING PART | 軸位置決め部材 | C | 2 | b-V217 0600 50 |
| 3 | 56QA 9802 0 | CLEANER FIXING SPACER | クリーナー固定スペーサー | D | 2 | c-V217 0300 50 |
| 4 | 56AA 2007 0D | Charging Power supply Shaft /Front | 帯電給電軸／前 | D | 1 | d-V217 0400 50 |
| 5 | 56AA 2068 0D | Cleaner Fixing Shaft | クリーナー固定軸 | D | 2 | e-V121 0306 03 |
| 6 | 56AA 2094 0D | Toner Dust-proof Seal /D | トナー防塵シール／D | D | 2 | f-V151 0308 03 |
| 7 | 57AA 2023 0 | CHARGING POWER SUPPLY SHAFT /R | 帯電給電軸／奥 | D | 1 | |
| 8 | 56AA 2014 0D | Cleaner Power supply Shaft /Rear | クリーナー給電軸／奥 | D | 1 | |
| 9 | 56AA 2017 0 | CONTACT PRESSING SPRING | 接点押圧バネ | C | 1 | |
| 10 | 56AA -227 1 | CLEANER POWERING CAULKING | クリーナー給電ピンカシメ | D | 1 | |
| 11 | 56AA 2125 0 | SHAFT STOPPER 5 | 軸ストッパー 5 | C | 1 | |
| 12 | 56AA 7708 1 | CLEANER IDLING GEAR 21T | クリーナーアイドル歯車 21 T | C | 1 | |
| 13 | 56QA 2019 0 | CLEANER SEALING PART | クリーナーシール部材 | D | 1 | |
| 14 | 56AA 2099 0 | WIRING PROTECTION SHEET | 束線保護シート | D | 1 | |
| 15 | 56QA 2030 1 | CHARGING SCATTER SEAL | 帯電飛散シール | D | 1 | |
| 16 | 57AA 2020 1 | DEVELOPING COOLING SEAL RIGHT | 現像冷却シール 右 | C | 1 | |
| 17 | 56AA 7725 0 | SEPARATION ROCKING GEAR 41T | 分離揺動歯車 41 T | C | 1 | |
| 18 | 56AA 7711 0 | SEPARATION IDLING GEAR 40T | 分離アイドル歯車 40 T | C | 1 | |
| 19 | 56AA -212 1 | SEPARATION DRIVING CAULKING | 分離駆動基板カシメ | D | 1 | |
| 20 | 56AA 1753 1 | PIN A D2X10 | ピン A D 2 X 1 0 | C | 1 | |
| 21 | 56AA 2073 0 | SEPARATION DRIVING SHAFT /2 | 分離駆動軸／2 | D | 1 | |
| 22 | 56AA 2075 0 | SEPARATION FULCRUM SHAFT HOLDER | 分離支点軸受 | C | 2 | |
| 23 | 56AA 7710 0 | SEPARATION DRIVING GEAR 26T 18T | 分離駆動歯車 26 T 18 T | C | 1 | |
| | | | | | | |
| | | | | | | |
| | | | | | | |
| | | | | | | |
| | | | | | | |
| | | | | | | |
| | | | | | | |
| | | | | | | |
| | | | | | | |

DRUM CARTRIDGE

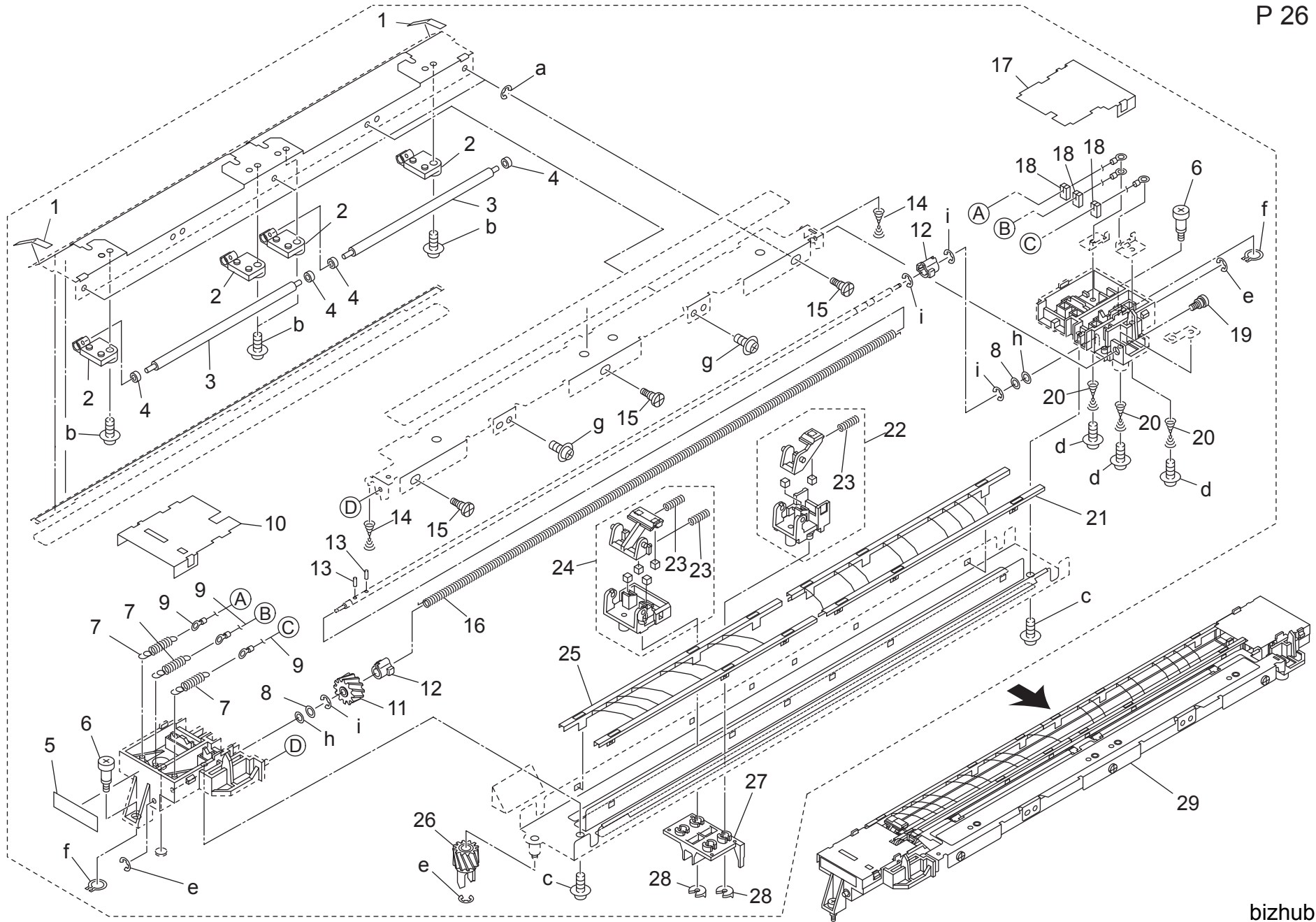


DRUM CARTRIDGE

| Key | Part No. | Description | Destinations | Class | QTY | Standard parts |
|-----|--------------|---------------------------------|--------------|-------|-----|----------------|
| 1 | 56AA -910 2E | TONER CONTROL SENSOR ASSY | トナー制御センサ部組 | C | 1 | a-V145 0308 04 |
| 2 | 56AA 9090 2E | DRUM WIRING /1 | ドラム 束線 / 1 | D | 1 | b-V145 0306 03 |
| 3 | 56AA 2003 0 | SEPARATION GUIDE PART | 分離ガイド部材 | C | 1 | c-V217 0200 50 |
| 4 | 55VA 2068 0 | SEPARATION POSITIONING SCREW | 分離位置決めネジ | C | 2 | d-V217 0400 50 |
| 5 | 56AA 2108 0 | FIXING PART | 固定部材 | C | 5 | e-V121 0304 03 |
| 6 | 56AA 2098 0 | SEPARATION PRESSING SPRING | 分離押圧バネ | C | 3 | f-V151 0308 03 |
| 7 | 07BA 5472 1 | PAPER HOLDING CLAW | 紙押え爪 | C | 5 | g-V111 0304 03 |
| 8 | 56AA 2070 0 | DRUM SEPARATING CLAW | ドラム分離爪 | A | 3 | h-V151 0310 04 |
| 9 | 56AA 2043 0 | RELEASE CAM | 解除カム | C | 1 | |
| 10 | 56AA -210 0 | SOLENOID MT PLATE CAULKING | ソレノイド取付板カシメ | D | 1 | |
| 11 | 26NA 8251 3 | Paper Feed Solenoid | 給紙ソレノイド | B | 1 | |
| 12 | 56AA 1742 0 | SEPARATE SCREW | 分離ネジ | C | 1 | |
| 13 | 56AA 2126 0 | SPACER | スペーサー | C | 1 | |
| 14 | 56AA 2044 1 | ROCKING CAM | 揺動カム | C | 1 | |
| 15 | 56AA 2096 0 | SOLENOID RELEASE SPRING | ソレノイド解除バネ | C | 1 | |
| 16 | 56AA 2075 0 | SEPARATION FULCRUM SHAFT HOLDER | 分離支点軸受 | C | 2 | |
| 17 | 45AA 2040 0 | STOPPER PART | ストッパ部材 | A | 1 | |
| 18 | 56AA 2120 0 | SEPARATION GUIDE SEAL 2 | 分離ガイドシール 2 | C | 1 | |
| 19 | 56AA 2121 0 | SEPARATION GUIDE SEAL 3 | 分離ガイドシール 3 | C | 2 | |
| 20 | 56AA 2122 0 | SEPARATION GUIDE SEAL 4 | 分離ガイドシール 4 | D | 1 | |
| 21 | 56AA 2123 0 | SEPARATION GUIDE SEAL 5 | 分離ガイドシール 5 | D | 1 | |
| 22 | 56AA 1759 0 | Separation Support Shaft | 分離支点軸 | D | 1 | |
| 23 | 56AA 2124 0 | SEPARATION GUIDE SEAL 6 | 分離ガイドシール 6 | D | 4 | |
| 24 | 56AA 2046 0 | RELEASE PLATE | 解除板 | D | 3 | |
| 25 | 56AA 2119 0 | SEPARATION GUIDE SEAL 1 | 分離ガイドシール 1 | C | 1 | |
| 26 | 56AA 2045 0D | Swing Shaft | 揺動軸 | D | 1 | |
| 27 | 56AA 1710 0 | SEPARATION ROCKING SPRING | 分離揺動バネ | C | 1 | |
| 28 | 56AA 2042 1 | SIDE GUIDE PLATE | 側面ガイド板 | D | 1 | |
| | | | | | | |
| | | | | | | |
| | | | | | | |
| | | | | | | |
| | | | | | | |
| | | | | | | |
| | | | | | | |
| | | | | | | |

TRANSFER SEPARATOR CORONA UNIT

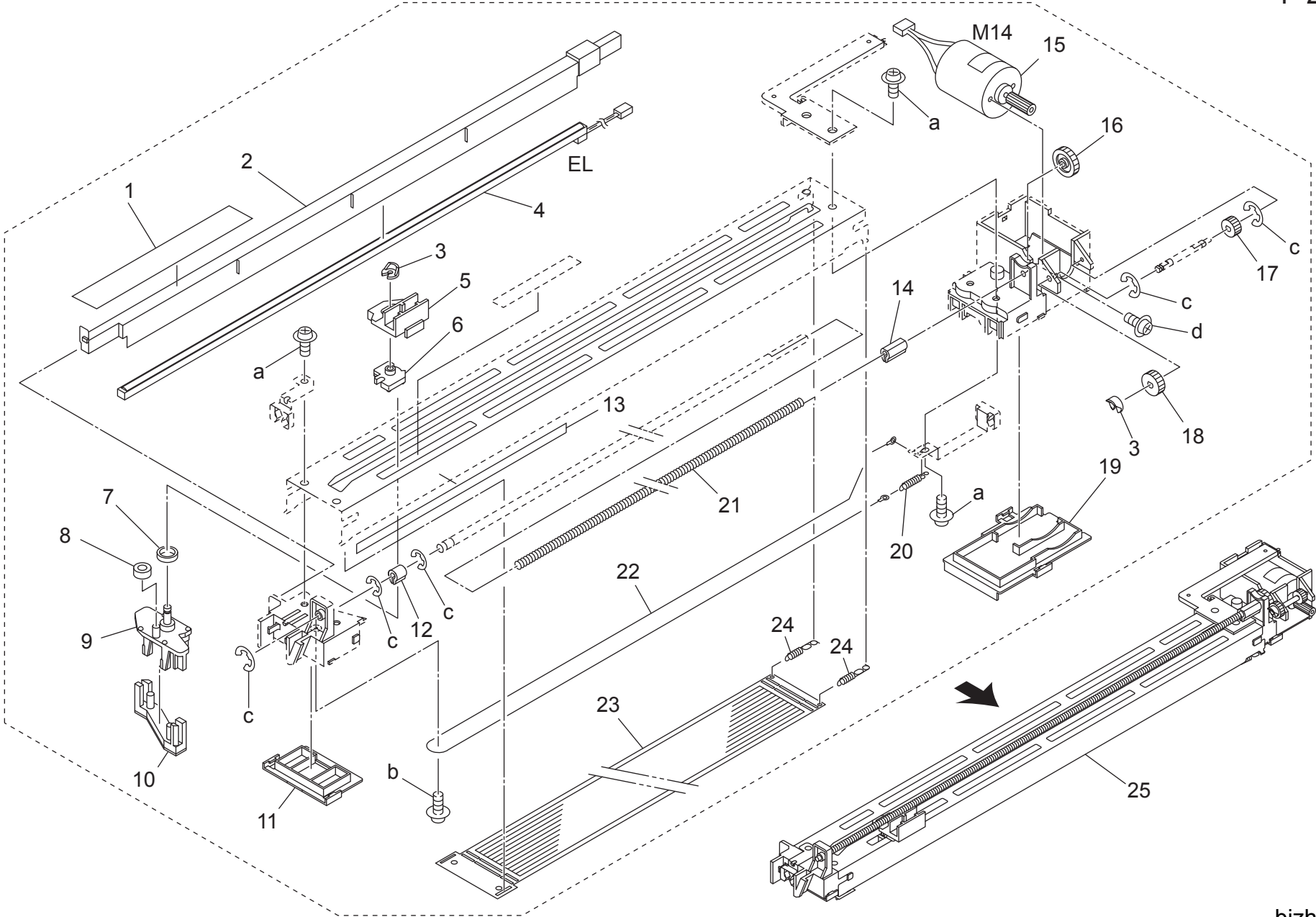
P 26



TRANSFER SEPARATOR CORONA UNIT

| Key | Part No. | Description | Destinations | Class | QTY | Standard parts |
|-----|--------------|------------------------------|--------------|-------|-----|----------------|
| 1 | 56AA 1784 0 | DRUM PROTECTION SHEET | | C | 2 | a-V217 0300 50 |
| 2 | 56AA 2612 0 | TRANSFER GUIDE SHAFT HOLDER | | C | 4 | b-V118 0306 03 |
| 3 | 56AA 2625 0 | TRANSFER GUIDE ROLLER | | C | 2 | c-V151 0308 03 |
| 4 | 55GA 7655 0 | Transfer Guide Bearing /2 | | C | 4 | d-V111 0206 03 |
| 5 | 57AA 9712 0 | HV Caution Label | | C | 1 | e-V217 0200 50 |
| 6 | 56AA 2628 0 | ELECTRODE FIXING SCREW | | C | 2 | f-V221 0500 50 |
| 7 | 56AA 1714 0 | WIRE TENSION SPRING | | C | 3 | g-V121 0306 03 |
| 8 | 56AA 2631 0 | SPACER 5 | | C | 2 | h-V207 0500 03 |
| 9 | 56AA 2609 0 | DISCHARGING WIRE | | A | 3 | i-V217 0400 50 |
| 10 | 56AA 2604 0 | SPARK PREVENTING PLATE FRONT | | C | 1 | |
| 11 | 56AA 7797 0 | CLEANING GEAR 2 14T 14T | | C | 1 | |
| 12 | 56AA 2618 0 | ELECTRODE CLEANING JOINT | | C | 2 | |
| 13 | 56AA 1731 0 | PIN | | C | 2 | |
| 14 | 57AA 2635 0 | PRESSURE SPRING | | C | 2 | |
| 15 | 56AA 1758 0 | ADJUSTING SCREW | | C | 3 | |
| 16 | 56AA 2617 2 | ELECTRODECLEANINGSPRING | | C | 1 | |
| 17 | 56AA 2605 0 | SPARK PREVENTING PLATE REAR | | C | 1 | |
| 18 | 56AA 1783 0 | TRANSFER HOLDING RUBBER | | A | 3 | |
| 19 | 56AA 1739 0 | STANDARD SCREW | | C | 1 | |
| 20 | 57AA 2634 0 | POWERING SPRING | | C | 3 | |
| 21 | 56AA 2619 2 | SEPARATING BRIDGE REAR | | C | 1 | |
| 22 | 56AA R710 00 | TRANSFER CLEANING ASSY | | A | 1 | |
| 23 | 56AA 1704 0 | WIRE CLEANING SPRING | | C | 3 | |
| 24 | 56AA R711 00 | SEPARATION CLEANING ASSY | | A | 1 | |
| 25 | 56AA 2608 2 | SEPARATING BRIDGE | | C | 1 | |
| 26 | 56AA 7770 0 | CLEANING GEAR 1 14T 14T | | C | 1 | |
| 27 | 56QA 2601 0 | SLIDE BLOCK | | C | 1 | |
| 28 | 45AA 2040 0 | STOPPER PART | | A | 2 | |
| 29 | 57AA R715 00 | TRANSFER SEPARATION UNIT | | B | 1 | |
| | | | | | | |
| | | | | | | |
| | | | | | | |
| | | | | | | |
| | | | | | | |
| | | | | | | |
| | | | | | | |
| | | | | | | |

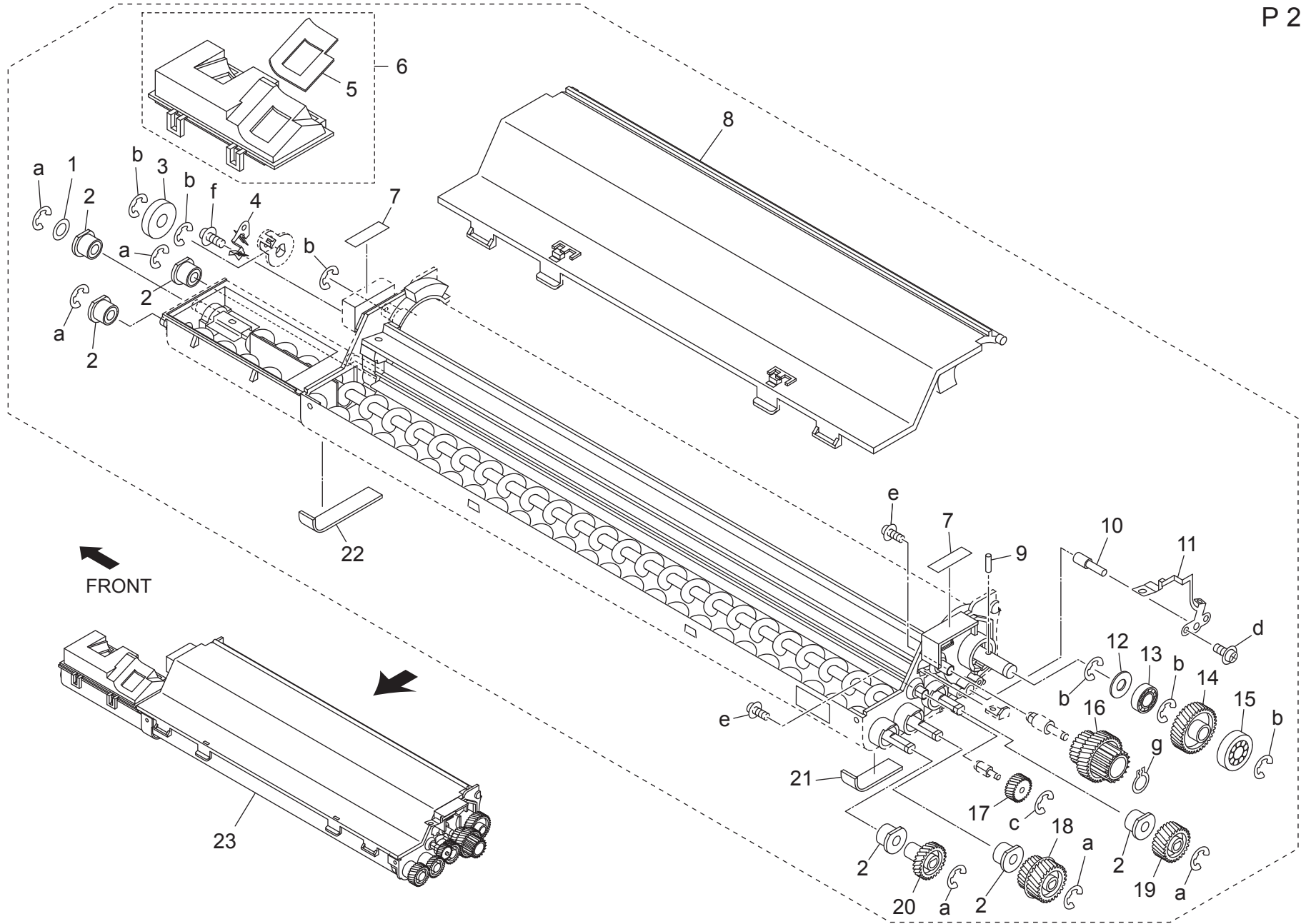
CHARGING UNIT



CHARGING UNIT

| Key | Part No. | Description | Destinations | Class | QTY | Standard parts |
|-----|--------------|--------------------------------|---------------|-------|-----|--|
| 1 | 56QA 2501 0 | CHARGE SEAL | 帯電シール | C | 1 | a-V151 0308 03 b-V145 0205 03 c-V217 0200 50 d-V111 2606 03 |
| 2 | 56AA 2530 1 | PCL COVER | PCL カバー | C | 1 | |
| 3 | 45AA 2040 0 | STOPPER PART | ストッパ部材 | A | 2 | |
| 4 | 56AA 8307 1 | PCL | PCL | B | 1 | |
| 5 | 56AA 2538 0 | CHARGE SLIDE PART | 帯電スライド部材 | A | 1 | |
| 6 | 56AA 2540 0 | CHARGE CLEANING BASE PLATE | 帯電清掃基板 | A | 1 | |
| 7 | 25SA 2518 0 | CHARGING SLIDE COLLAR | 帯電スライドカラー | C | 1 | |
| 8 | 56AA 2545 0 | CHARGE SLIDE COLLAR 2 | 帯電スライドカラー 2 | C | 1 | |
| 9 | 56AA R707 00 | CHARGE CLEANER BLOCK U ASSY | 帯電清掃ブロック上部組 | A | 1 | |
| 10 | 56AA R708 00 | CHARGE CLEANER BLOCK L ASSY | 帯電清掃ブロック下部組 | A | 1 | |
| 11 | 56AA 2533 0 | SPARK PREVENTING PART FRONT | 落雷防止部材 前 | C | 1 | |
| 12 | 56AA 2514 1 | ELECTRODE CLEANING JOINT FRONT | 電極清掃ジョイント 前 | C | 1 | |
| 13 | 57AA 2501 0 | CHARGING SEAL/1 | 帯電 シール/1 | C | 1 | |
| 14 | 56AA 2515 0 | ELECTRODE CLEANING JOINT | 電極清掃ジョイント | C | 1 | |
| 15 | 56AA R709 00 | CHARGE CLEANING MOTOR ASSY | 帯電清掃モータ部組 | B | 1 | |
| 16 | 56AA 7791 0 | CHARGE CLEANING GEAR 4 28T | 帯電清掃歯車 4 28 T | C | 1 | |
| 17 | 56AA 7789 0 | CHARGE CLEANING GEAR 2 15T | 帯電清掃歯車 2 15 T | C | 1 | |
| 18 | 56AA 7790 0 | CHARGE CLEANING GEAR 3 18T | 帯電清掃歯車 3 18 T | C | 1 | |
| 19 | 56AA 2534 0 | SPARK PREVENTING PART REAR | 落雷防止部材 奥 | C | 1 | |
| 20 | 56AA 2523 0 | CHARGE TENSION SPRING | 帯電テンションバネ | B | 1 | |
| 21 | 56AA 2517 0 | ELECTRODE CLEANING SPRING | 電極清掃バネ | C | 1 | |
| 22 | 56AA 2509 0 | CHARGE WIRE | 帯電ワイヤー | A | 1 | |
| 23 | 56AA 2503 0 | CHARGE CONTROL PLATE | 帯電制御プレート | A | 1 | |
| 24 | 56AA 1716 0 | CHARGING CONTROL SPRING | 帯電制御バネ | C | 2 | |
| 25 | 57AA R714 00 | CHARGING CORONA UNIT | 帯電極ユニット | B | 1 | |
| | | | | | | |
| | | | | | | |
| | | | | | | |
| | | | | | | |
| | | | | | | |
| | | | | | | |
| | | | | | | |
| | | | | | | |
| | | | | | | |
| | | | | | | |
| | | | | | | |
| | | | | | | |
| | | | | | | |

DEVELOPING UNIT

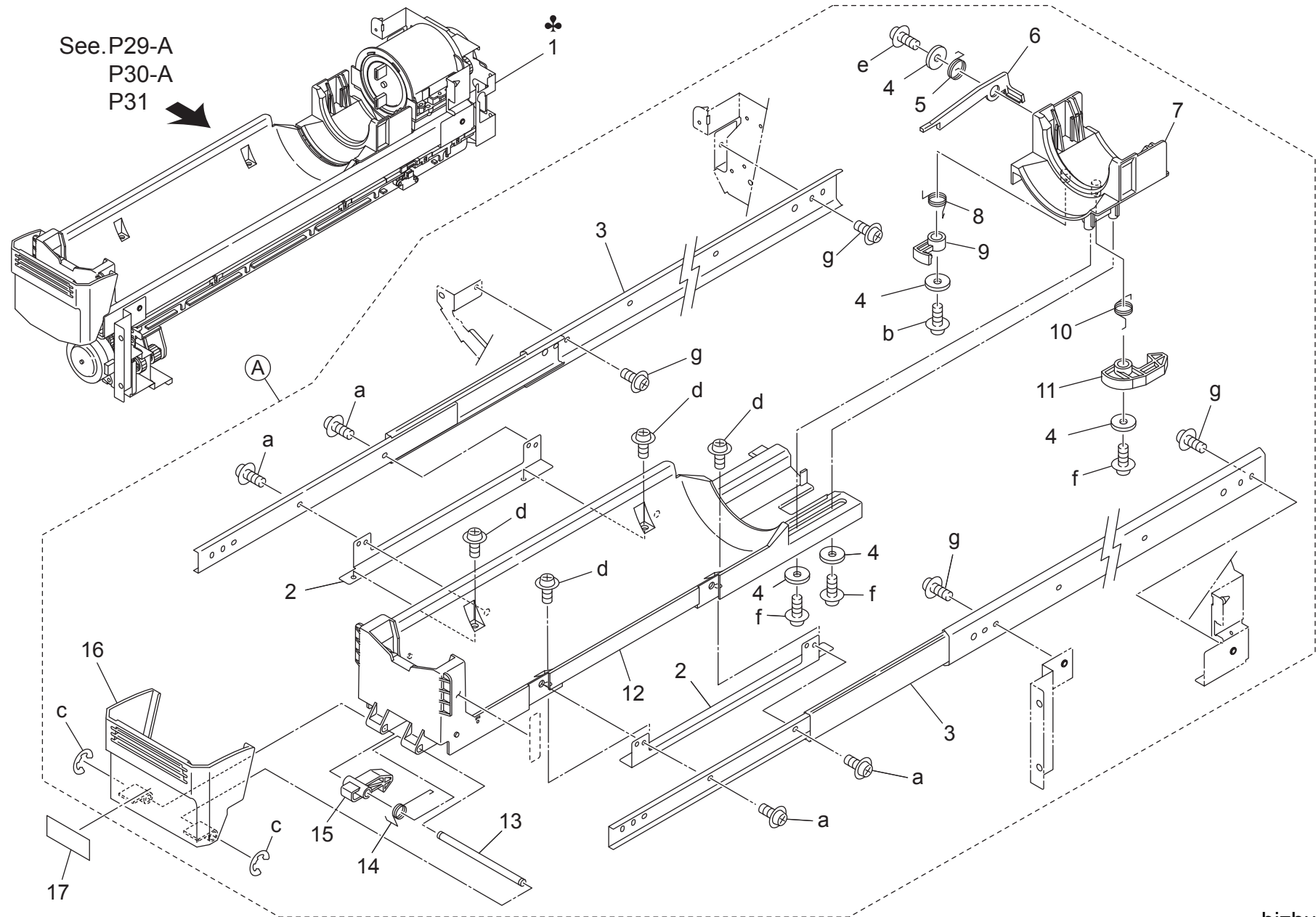


| Key | Part No. | Description | Destinations | Class | QTY | Standard parts |
|-----|--------------|-------------------------------|-----------------------|-------|-----|--|
| 1 | 57AA 3026 0 | DEVELOPING AGITATING SPACER | 現像攪拌スペーサー | C | 1 | a-V217 0400 50 b-V217 0600 50 c-V217 0200 50 d-V151 0308 03 e-V121 0306 03 f-V151 0310 03 g-V221 0400 50 |
| 2 | 55WA 3001 0 | DEVELOPING SHAFT HOLDER | 現像軸受 | C | 6 | |
| 3 | 56GA 3071 0 | DEVELOPING STOPPER ROLLER B | 現像突き当てコロ B | C | 1 | |
| 4 | 57AA 3009 0 | DEVELOPING BIAS SPRING | 現像バイアスバネ | C | 1 | |
| 5 | 56AA 3042 0 | SCATTER PREVENTING PAD NO 3 | 飛散防止パッド 3号 | C | 1 | |
| 6 | 56AA R712 00 | DEVELOPING COVER PART ASSY | 現像カバー部材部組 | C | 1 | |
| 7 | 56QA 9788 0 | GUIDE LABEL 4 | ガイドラベル 4 | D | 2 | |
| 8 | 57AA R717 00 | DEVELOPING COVER ASSY | 現像蓋部組 | C | 1 | |
| 9 | 56AA 1747 1 | PIN B 3X12 | ピン B 3 X 1 2 | C | 1 | |
| 10 | 57AA 3012 0 | DEVELOPING BIAS PIN REAR | 現像バイアスピンの奥 | C | 1 | |
| 11 | 57AA 3013 0 | DEVELOPING BIAS SPRING REAR | 現像バイアスバネの奥 | C | 1 | |
| 12 | 5400 3017 0 | SPEWING PREVENTIVE FELT | 飛散防止フェルト | C | 1 | |
| 13 | 4660 7803 0 | BALL BEARING | ボールベアリング | B | 1 | |
| 14 | 56AA 7775 0 | DEVELOPING DRIVING GEAR 36T | 現像駆動歯車 3 6 T | C | 1 | |
| 15 | 56GA 3070 0 | DEVELOPING STOPPER ROLLER A | 現像突き当てコロ A | C | 1 | |
| 16 | 57AA 7776 0 | DEVELOPING INPUT GEAR 36/23T | 現像入力歯車 3 6 / 2 3 T | B | 1 | |
| 17 | 57AA 7778 0 | DEVELOPING IDLING GEAR 21T | 現像アイドル歯車 2 1 T | B | 1 | |
| 18 | 57AA 7779 0 | SCREW GEAR LEFT 23/26T | スクリュー歯車 左 2 3 / 2 6 T | B | 1 | |
| 19 | 57AA 7777 0 | DEVELOPING AGITATING GEAR 23T | 現像攪拌歯車 2 3 T | B | 1 | |
| 20 | 57AA 7780 0 | SCREW GEAR RIGHT 26T | スクリュー歯車 右 2 6 T | B | 1 | |
| 21 | 57AA 3021 1 | SCATTER PREVENTING PAD /A | 飛散防止パッド / A | D | 1 | |
| 22 | 56AA 3015 0 | SCATTER PREVENTING PAD /LOWER | 飛散防止パッド /下 | D | 1 | |
| 23 | 57AA R716 00 | DEVELOPING UNIT | 現像器 | B | 1 | |
| | | | | | | |
| | | | | | | |
| | | | | | | |
| | | | | | | |
| | | | | | | |
| | | | | | | |
| | | | | | | |
| | | | | | | |
| | | | | | | |
| | | | | | | |
| | | | | | | |
| | | | | | | |



TONER SUPPLY UNIT

P 29

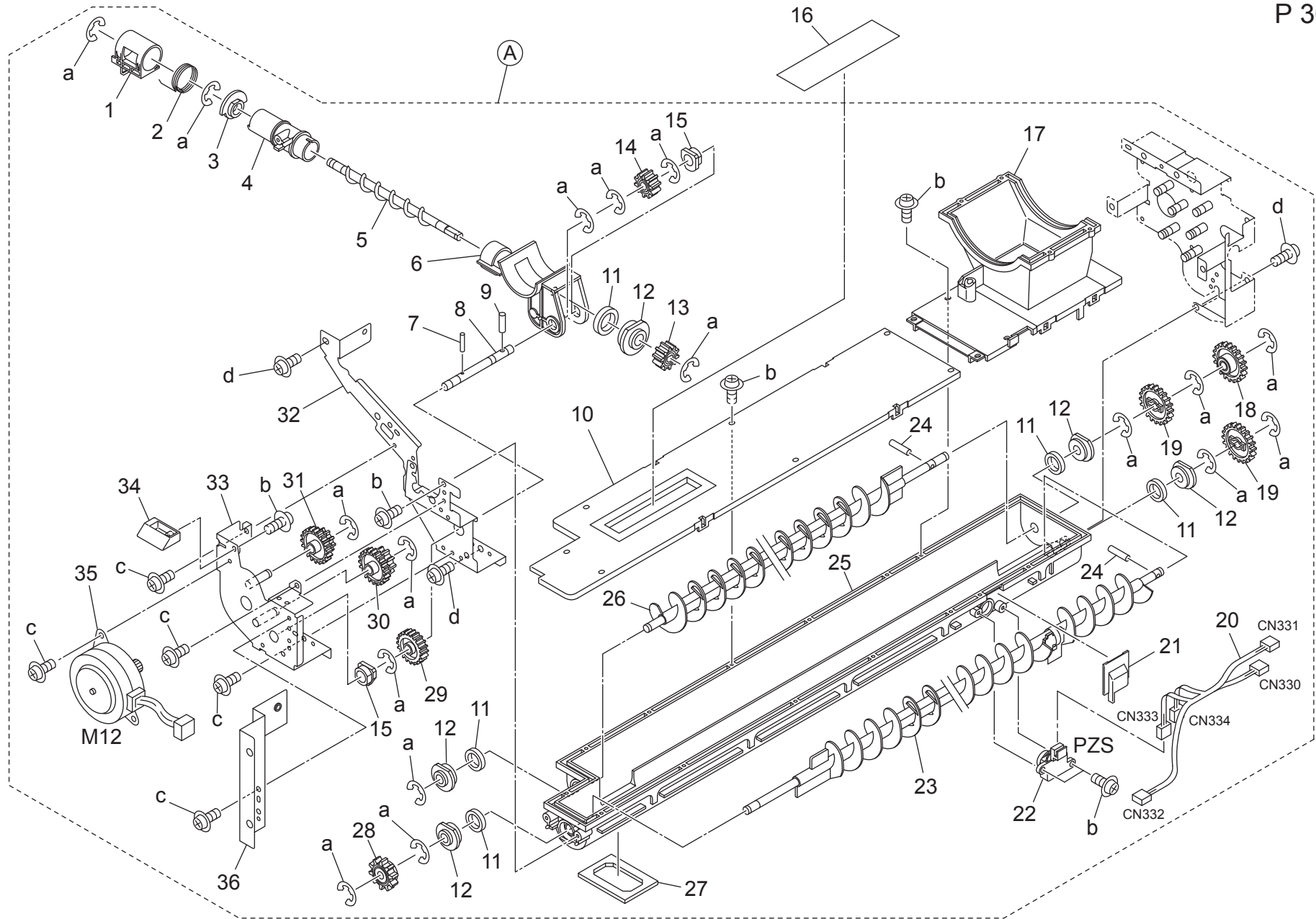


TONER SUPPLY UNIT

| Key | Part No. | Description | Destinations | Class | QTY | Standard parts |
|-----|--------------|-----------------------------|--------------------------------|-------|-----|--|
| 1 | A0PN R703 00 | TONER SUPPLY UNIT | A | I | 1 | a-V118 0404 03 b-V151 0312 03 c-V217 0400 50 d-V114 0406 03 e-V145 0308 04 f-V151 0310 03 g-V118 0405 03 |
| 1 | A0PN R704 00 | TONER SUPPLY UNIT | B,G2 | I | 1 | |
| 1 | A0PN R705 00 | TONER SUPPLY UNIT | C,D1,D3,E,F1,F2,G1, H,I,J,K | I | 1 | |
| 2 | 56AA 3246 2 | AUXILIARY PLATE | | D | 2 | |
| 3 | 56AA 1030 0 | Slide Rail /A | | C | 2 | |
| 4 | 56AA 3271 0 | GUIDE SPACER | | C | 5 | |
| 5 | 56AA 3276 1 | LOCKING SPRING C | | C | 1 | |
| 6 | 56AA 3275 1 | LOCKING PART C | | C | 1 | |
| 7 | 56AA 3243 2 | CARTRIDGE HOLDING PART | | C | 1 | |
| 8 | 56AA 3264 0 | LOCKING SPRING B | | C | 1 | |
| 9 | 56AA 3263 0 | LOCKING PART B | | C | 1 | |
| 10 | 56AA 3245 0 | LOCKING SPRING A | | C | 1 | |
| 11 | 56AA 3244 0 | LOCKING PART A | | C | 1 | |
| 12 | 57AA 3230 0 | CARTRIDGE PRESSING PART | | D | 1 | |
| 13 | 56AA 3252 1 | LEVER SHAFT | | D | 1 | |
| 14 | 56AA 3262 0 | TONER SUPPLY LOCKING SPRING | | C | 1 | |
| 15 | 56AA 3261 0 | TONER SUPPLY LOCKING PART | | C | 1 | |
| 16 | A0PN 4051 00 | Lever | | C | 1 | |
| 17 | 57AA 9795 0 | Toner Indicating Label | | C | 1 | |
| | | | | | | |
| | | | | | | |
| | | | | | | |
| | | | | | | |
| | | | | | | |
| | | | | | | |
| | | | | | | |
| | | | | | | |
| | | | | | | |
| | | | | | | |
| | | | | | | |
| | | | | | | |
| | | | | | | |
| | | | | | | |
| | | | | | | |

TONER SUPPLY UNIT

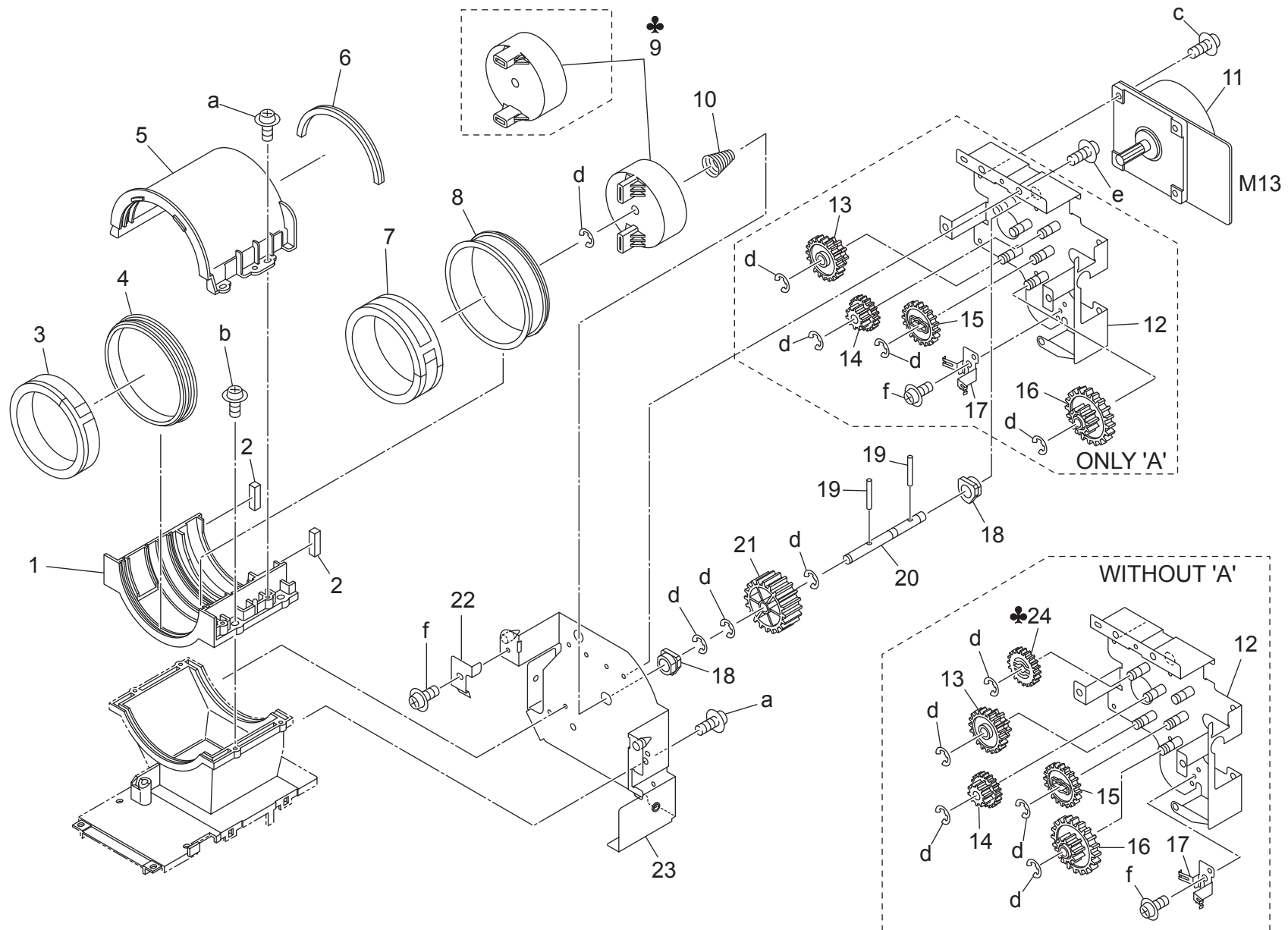
P 30



TONER SUPPLY UNIT

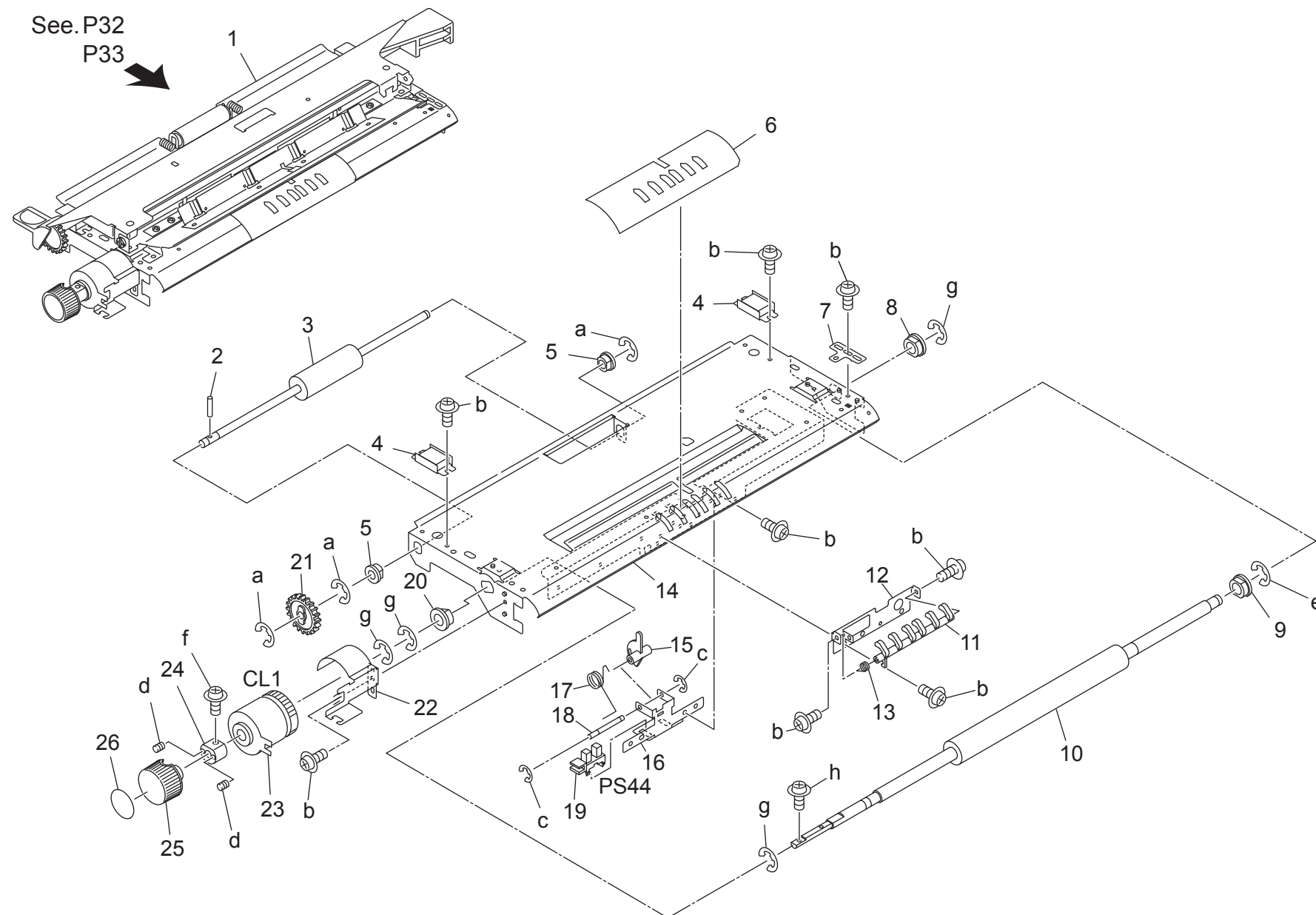
| Key | Part No. | Description | Destinations | Class | QTY | Standard parts |
|-----|--------------|--------------------------------|----------------------|-------|-----|--|
| 1 | 57AA 3233 0 | TONER SUPPLY OPEN CLOSE COVER | トナー補給開閉蓋 | C | 1 | a-V217 0400 50 b-V151 0308 03 c-V121 0306 03 d-V145 0308 04 |
| 2 | 56AA 3235 1 | TONER SUPPLY OPEN SHUT SPRING | トナー補給開閉バネ | C | 1 | |
| 3 | 56AA 3270 0 | SCREW SHAFT HOLDER | スクリュー軸受 | C | 1 | |
| 4 | 56AA 3259 1 | TONER SUPPLY BLOCK B | トナー補給ブロック B | C | 1 | |
| 5 | 56AA 3209 0 | TONER SUPPLY SCREW | トナー補給スクリュー | D | 1 | |
| 6 | 56AA 3256 0 | TONER SUPPLY BLOCK A | トナー補給ブロック A | C | 1 | |
| 7 | 56AA 1732 1 | PIN A D2X12 | ピン A D 2 X 1 2 | B | 1 | |
| 8 | 56AA 3228 0 | DRIVE INPUT SHAFT | 駆動入力軸 | D | 1 | |
| 9 | 56AA 1752 0 | PIN A D3X10 | ピン A D 3 X 1 0 | C | 1 | |
| 10 | 56AA 3213 0 | Main Body Cover /Lower | 本体カバー／下 | C | 1 | |
| 11 | 56AA 3266 0 | TONER CONVEYING SEAL | トナー搬送シール | C | 5 | |
| 12 | 56AA 3265 0 | TONER CONVEYING SHAFT HOLDER | トナー搬送軸受 | C | 5 | |
| 13 | 56AA 7733 0 | SCREW GEAR 15T | スクリュー歯車 1 5 T | C | 1 | |
| 14 | 56AA 7724 0 | SCREW INPUT GEAR 15T | スクリュー入力歯車 1 5 T | C | 1 | |
| 15 | 4660 7602 0 | PAPER FEED SHAFT HOLDER | 給紙送り出し軸受 | B | 2 | |
| 16 | 56AA 3274 0 | TONER SEALING SHEET A | トナーシールシート A | C | 1 | |
| 17 | 56AA 3201 1 | TONER SUPPLY MAIN BODY | トナー補給本体 | C | 1 | |
| 18 | 56AA 7731 0 | TONER SUPPLY INPUT GEAR 30T | トナー補給入力歯車 3 0 T | C | 1 | |
| 19 | 56AA 7730 0 | AGITATING GEAR 37T | 攪拌歯車 3 7 T | C | 2 | |
| 20 | 56AA 9014 1E | Toner Supply Wiring | トナー補給束線 | D | 1 | |
| 21 | 56AA 3277 0 | COVER | カバー | D | 1 | |
| 22 | 40AA 8803 1 | Level Detection Sensor | 残量検知センサ | C | 1 | |
| 23 | 56AA -333 0 | SCREW RIGHT | スクリュー 右 | D | 1 | |
| 24 | 56AA 1747 1 | PIN B 3X12 | ピン B 3 X 1 2 | C | 2 | |
| 25 | 56AA 3203 0 | Toner Supply Main Bbody /Lower | トナー補給 本体／下 | D | 1 | |
| 26 | 56AA 3206 0 | Agitating Screw /Left | 攪拌スクリュー／左 | I | 1 | |
| 27 | 56AA 3214 0 | TONER SUPPLY SEAL | トナー補給シール | C | 1 | |
| 28 | 55GA 7768 0 | TONER AGITATOR GEAR A 25T | トナー攪拌歯車 A 2 5 T | B | 1 | |
| 29 | 12AA 7708 0 | GEAR H 27T | 歯車 H 2 7 T | C | 1 | |
| 30 | 56AA 7732 0 | IDLING GEAR D 47T 20T | アイドル歯車 D 4 7 T 2 0 T | C | 1 | |
| 31 | 56AA 7729 0 | IDLING GEAR C 51T 15T | アイドル歯車 C 5 1 T 1 5 T | C | 1 | |
| 32 | 56AA 3231 2 | TONER SUPPLY MOUNTING PLATE/A | トナー補給取り付け板／A | D | 1 | |
| 33 | 57AA -331 0 | SCREW DRIVE BASEPLATE CAULKING | スクリュー駆動板カシメ | D | 1 | |
| 34 | 57AA 3201 0 | LOCK PART | ロック部材 | C | 1 | |
| 35 | 56AA 8006 1 | TONER SUPPLY MOTOR | トナー補給モータ | B | 1 | |
| 36 | 56AA 3269 1 | TONER SUPPLY MOUNTING PLATE /B | トナー補給取り付け板／B | D | 1 | |
| | | | | | | |
| | | | | | | |
| | | | | | | |
| | | | | | | |

TONER SUPPLY UNIT



| Key | Part No. | Description | Destinations | Class | QTY | Standard parts |
|-----|--------------|---------------------------------|-------------------------------------|-------|-----|----------------|
| 1 | 56AA 3202 0 | TONER SUPPLY MAIN BODY UPPER | | C | 1 | a-V145 0308 04 |
| 2 | 56AA 3268 0 | TONER SEALING PART D | | C | 2 | b-V151 0308 03 |
| 3 | 56AA 3215 1 | TONER SEALING PART A | | C | 1 | c-V118 0304 03 |
| 4 | 56AA 3240 0 | TONER SUPPLY SLEEVE FRONT | | C | 1 | d-V217 0400 50 |
| 5 | 56AA 3242 0 | MAIN BODY COVER UPPER | | C | 1 | e-V121 0306 03 |
| 6 | 56AA 3267 0 | TONER SEALING PART C | | C | 1 | f-V121 0304 03 |
| 7 | 56AA 3216 0 | TONER SEALING PART B | | C | 1 | |
| 8 | 56AA 3241 0 | TONER SUPPLY SLEEVE REAR | | C | 1 | |
| 9 | 56AA 3239 0 | CARTRIDGE DRIVING PART | A,C,D1,D3,E,F1,F2,G 1,H,I,J,K | C | 1 | |
| 9 | 56AE 3239 0 | CARTRIDGE DRIVING PART | カートリッジ駆動部材 B,G2 | C | 1 | |
| 10 | 56AA 3227 0 | DRIVE RELEASE SPRING | | C | 1 | |
| 11 | A0PN M102 00 | DC Brushless motor /20 | 駆動解除バネ DC ブラシレスモータ / 20 | B | 1 | |
| 12 | 56AA -332 2 | TONER SUPPLY BASEPLATE CAULKING | トナー補給基板カシメ | C | 2 | |
| 13 | 56AA 7727 0 | IDLING GEAR A 53T 14T | アイドル歯車 A 53 T 14 T | C | 2 | |
| 14 | 56AA 7793 0 | IDLING GEAR F 15T 20T | アイドル歯車 F 15 T 20 T | C | 2 | |
| 15 | 56AA 7792 0 | IDLING GEAR E 30T | アイドル歯車 E 30 T | C | 2 | |
| 16 | 56AA 7728 0 | IDLING GEAR B 44T 16T | アイドル歯車 B 44 T 16 T | C | 2 | |
| 17 | 56AA 3273 0 | SCREW EARTH PLATE | スクリューアース板 | C | 2 | |
| 18 | 4660 7602 0 | PAPER FEED SHAFT HOLDER | 給紙送り出し軸受 | B | 2 | |
| 19 | 56AA 1750 0 | PIN | ピン | C | 2 | |
| 20 | 56AA 3226 0D | Cartridge Drive Shaft | カートリッジ駆動軸 | D | 1 | |
| 21 | 56AA 7795 0 | CARTRIDGE GEAR 33T | カートリッジ歯車 33 T | C | 1 | |
| 22 | 56AA 3272 0 | EARTH PLATE A | アース板 A | C | 1 | |
| 23 | 56AA -328 1 | REINFORCE PLATE CAULKING | 補強板カシメ | D | 1 | |
| 24 | 56AA 7794 0 | IDLING GEAR G 20T | アイドル歯車 G 20 T | C | 1 | |
| | | | B,C,D1,D3,E,F1,F2,G 1,G2,H,I,J,K | | | |
| | | | | | | |
| | | | | | | |
| | | | | | | |
| | | | | | | |
| | | | | | | |
| | | | | | | |
| | | | | | | |

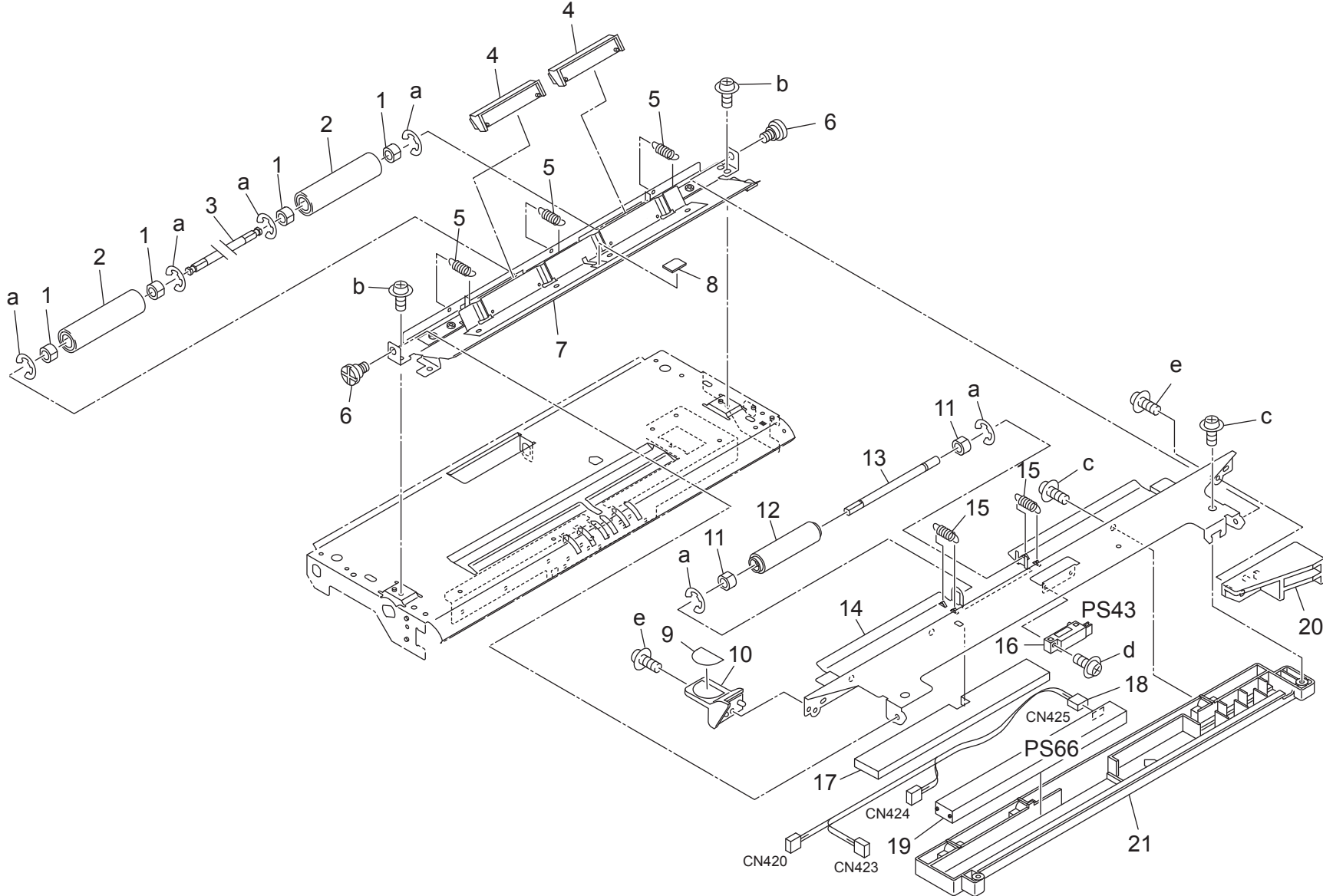
REGISTRATION UNIT



REGISTRATION UNIT

| Key | Part No. | Description | Destinations | Class | QTY | Standard parts |
|-----|--------------|----------------------------------|--------------|-------|-----|----------------|
| 1 | 57AA -360 0 | REGISTRATION ASSY | レジストユニット | S | 1 | a-V217 0400 50 |
| 2 | 56AA 1747 1 | PIN B 3X12 | ピン B 3 X 1 2 | C | 1 | b-V121 0304 03 |
| 3 | 56AA 4685 2 | CONVEYANCE DRIVING ROLLER T | 搬送駆動ローラ T | C | 1 | c-V217 0200 50 |
| 4 | 40AA 3229 0 | MAGNET CATCH | マグネットキャッチ | C | 2 | d-V193 0306 04 |
| 5 | 08AA 7601 0 | DRUM DRIVING SHAFT HOLDER | ドラム駆動軸受 | C | 2 | e-V217 0800 50 |
| 6 | 56QA 4609 0 | REGISTRATION ENTRANCE SHEET | レジスト進入シート | C | 1 | f-V121 0306 03 |
| 7 | 56AA 4640 1 | REGISTRATION POSITIONING PLATE | レジスト位置決め板 | D | 1 | g-V217 0600 50 |
| 8 | A03U 8128 00 | Slide Shaft Holder | すべり軸受 | C | 1 | h-V118 0306 03 |
| 9 | 56QA 7504 0 | Registration Slide Bushing | レジスト滑り軸受 | C | 1 | |
| 10 | 56QA 4603 0 | REGISTRATION ROLLER | レジストローラ | C | 1 | |
| 11 | 56QA 4661 0 | REGIST ENTRANCE PART | レジスト進入部材 | D | 1 | |
| 12 | 56QA 4660 0 | REGIST ENTRANCE STAY | レジスト進入ステー | D | 1 | |
| 13 | 56QA 4662 0 | REGISTRATION GUIDE SPRING | レジストガイドバネ | C | 1 | |
| 14 | 56QA 4601 1 | REGIST MAIN BODY /LOWER | レジスト 本体/下 | D | 1 | |
| 15 | 56AA 4610 0 | REGISTRATION PAPER FEED ACTUATOR | レジスト給紙アクチュエタ | C | 1 | |
| 16 | 56QA 4608 0 | MOUNTING PLATE | センサ取り付け板 | D | 1 | |
| 17 | 56AA 4616 0 | PRESSING SPRING LOWER | センサ押圧バネ 下 | C | 1 | |
| 18 | 56AA 4650 0D | Regist Shaft | レジストセンサ軸 | D | 1 | |
| 19 | 08AA 8551 2 | Photo Sensor | フォトセンサ | B | 1 | |
| 20 | 56QA 7505 0 | Paper Feed Slide Bushing | 給紙滑り軸受 | C | 1 | |
| 21 | 56AA 7784 0 | DRIVING GEAR 30T | 駆動ギア 30 T | C | 1 | |
| 22 | 56AA 4620 2 | REGISTRATION DRIVING BASE PLATE | レジスト駆動基板 | D | 1 | |
| 23 | 56AA 8201 2 | PAPER FEED DRIVING CLUTCH | 給紙駆動クラッチ | B | 1 | |
| 24 | 56AA 4693 0 | CLUTCH FIXING PART | クラッチ固定部材 | D | 1 | |
| 25 | 14GE 4547 0 | Rotation Knob | 回転ノブ | C | 1 | |
| 26 | 57AA 9721 1E | Jam Release Label /2 | ジャム解除ラベル/2 | C | 1 | |
| | | | | | | |
| | | | | | | |
| | | | | | | |
| | | | | | | |
| | | | | | | |
| | | | | | | |
| | | | | | | |
| | | | | | | |
| | | | | | | |

REGISTRATION UNIT



REGISTRATION UNIT

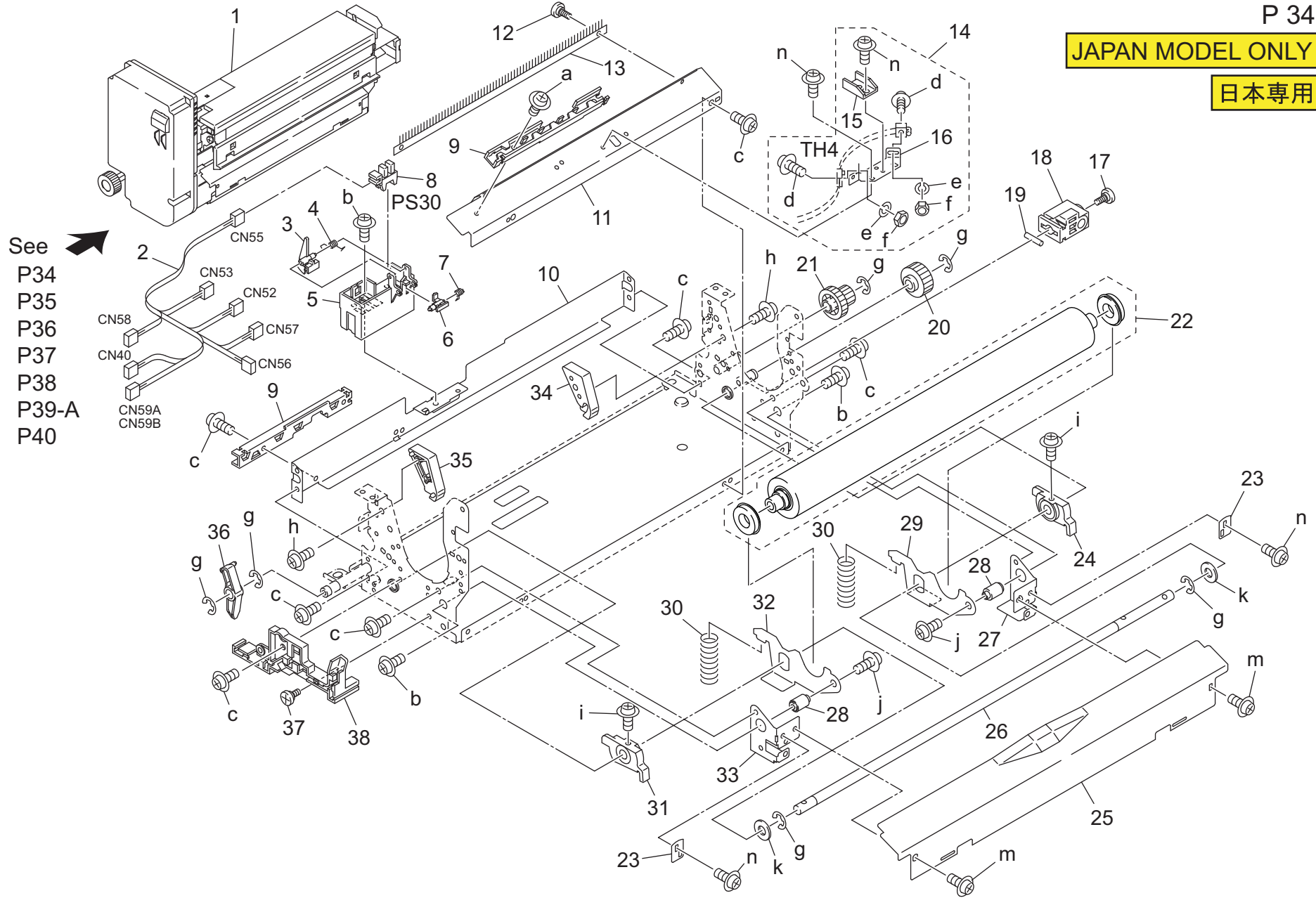
| Key | Part No. | Description | Destinations | Class | QTY | Standard parts |
|-----|--------------|------------------------------------|---------------|-------|-----|--|
| 1 | 56GA 7603 0 | SLIDE SHAFT HOLDER | | C | 4 | a-V217 0400 50 b-V121 0304 03 c-V151 0308 03 d-V118 0310 03 e-V121 0306 03 |
| 2 | 56GA 4744 0 | ADU DRIVEN ROLLER S | A D U 従動ローラ S | B | 2 | |
| 3 | 56QA 4653 0 | REGIST DRIVEN SHFT | レジスト従動軸 | D | 1 | |
| 4 | 57AA R731 00 | REGISTRATION CLEANER ASSY | レジスト清掃部組 上 | C | 2 | |
| 5 | 56QA 4691 0 | REGISTRATION PRESSING SPRING UPPER | レジスト押圧バネ 上 | C | 3 | |
| 6 | 56AA 4611 0 | REGISTRATION OPEN SHUT SCREW | レジスト開閉ネジ | C | 2 | |
| 7 | 56QA 4605 1 | REGISTRATION ENTRANCE PLATE | レジスト進入板 | D | 1 | |
| 8 | 56AA 1782 1 | PREVENTING RUBBER | 防止ゴム | C | 1 | |
| 9 | 57AA 9722 1E | Jam Release Label /3 | ジャム解除ラベル / 3 | C | 1 | |
| 10 | 56QA 4606 0 | TRANSFER GUIDE HANDLE | 転写ガイド把手 | C | 1 | |
| 11 | 25AA 7553 0 | SLIDE SHAFT HOLDER | 滑り軸受 | C | 2 | |
| 12 | 55VA 4689 0 | Driven Rubber | 従動ゴム | B | 1 | |
| 13 | 56AA 4688 1 | REGIST IDLER SHAFT/S | レジスト従動軸 / S | D | 1 | |
| 14 | 57AA 4604 0 | TRANSFER FEEDING PLATE | 転写送り出し板 | D | 1 | |
| 15 | 56AA 4645 0 | REGISTRATION FEEDING SPRING | レジスト送り出しバネ | C | 2 | |
| 16 | 56AA 8552 1 | CONVEYANCE PHOTO SENSOR | 搬送フォトセンサ | B | 1 | |
| 17 | 57AA 4630 0 | HOLDING PAD | センサ押さえパッド | D | 1 | |
| 18 | 57AA 9023 0 | Registration Wiring | レジスト束線 | D | 1 | |
| 19 | 56UA 8551 0E | Paper Compensating Sensor | 転写紙補正センサ | C | 1 | |
| 20 | 57AA 4615 0 | REGISTRATION STOPPER PART | レジスト突き当て部材 | C | 1 | |
| 21 | 57AA 4602 0 | CASING | センサケーシング | D | 1 | |
| | | | | | | |
| | | | | | | |
| | | | | | | |
| | | | | | | |
| | | | | | | |
| | | | | | | |
| | | | | | | |
| | | | | | | |
| | | | | | | |
| | | | | | | |
| | | | | | | |
| | | | | | | |
| | | | | | | |


FIXING UNIT

P 34

JAPAN MODEL ONLY

日本専用



See  P34
P35
P36
P37
P38
P39-A
P40

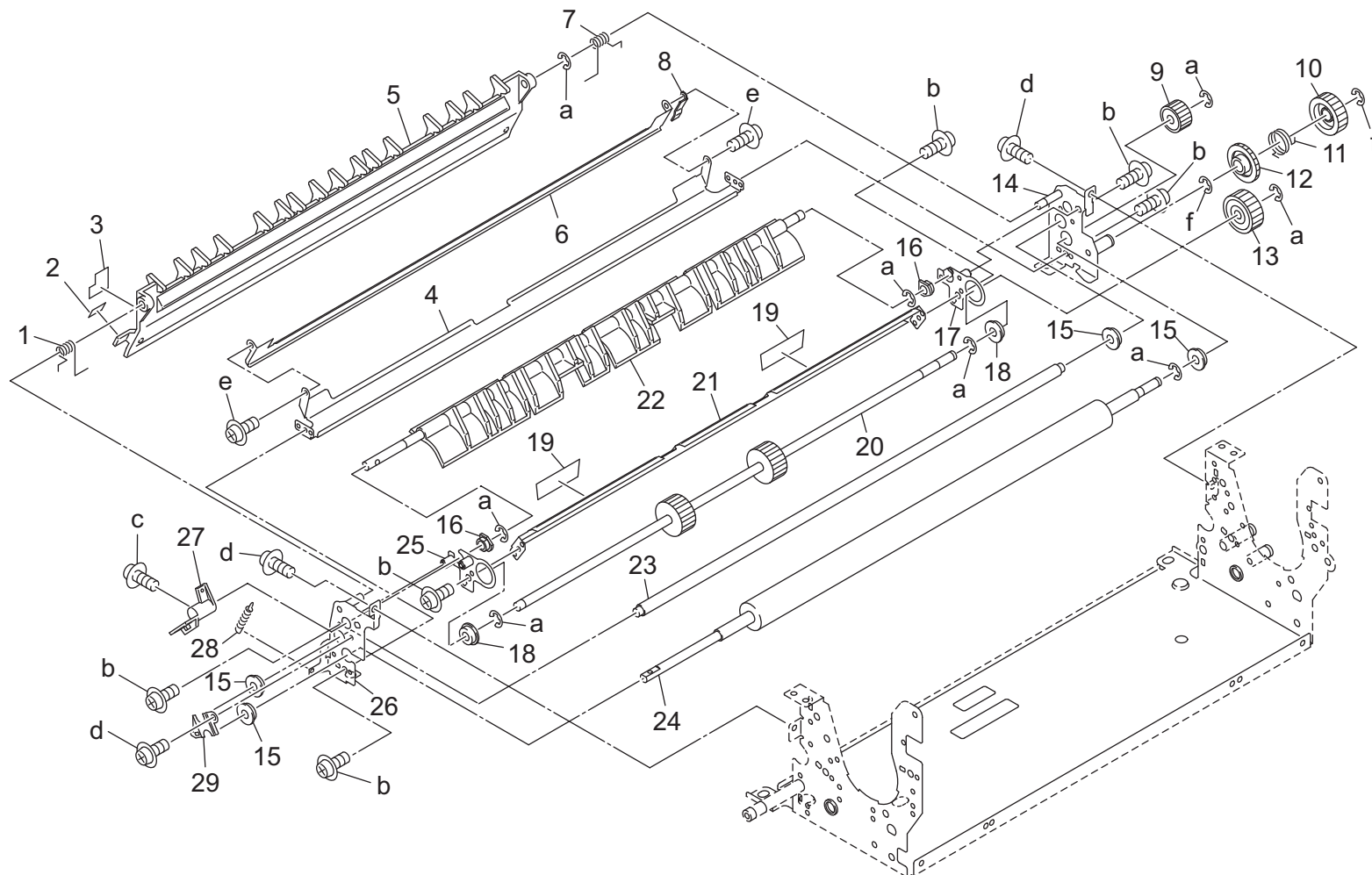
| Key | Part No. | Description | Destinations | Class | QTY | Standard parts |
|-----|--------------|--------------------------------|--------------------|-------|-----|----------------|
| 1 | 57AA -530 1 | FIXING UNIT | 定着ユニット | A | 1 | a-V121 0306 03 |
| 2 | 57AA 9368 0 | FIXING CONNECTING WIRING 2 | 定着連結束線 2 | A | 1 | b-V121 0406 03 |
| 3 | 57AA 5320 0 | PAPER EXIT ACTUATOR | 排紙アクチュエータ | A | 1 | c-V121 0304 03 |
| 4 | 57AA 5322 0 | PAPER EXIT DETECTION SPRING | 排紙検知バネ | A | 1 | d-V111 0310 03 |
| 5 | 57AA 5319 0 | PAPER EXIT BLOCK | 排紙センサブロック | A | 1 | e-V205 0300 03 |
| 6 | 57AA 5321 0E | Paper Detection Cam | 紙検知カム | A | 1 | f-V195 0300 03 |
| 7 | 57AA 5411 0 | PAPER DETECTION SPRING | 紙検知バネ | A | 1 | g-V217 0600 50 |
| 8 | 55VA 8552 1 | PHOTO SENSOR | フォトセンサ | A | 1 | h-V151 0308 03 |
| 9 | 57AA 5382 0 | WIRING GUIDE PART /LOWER | 束線ガイド部材/下 | A | 2 | i-V121 0410 03 |
| 10 | 57AA 5303 0 | FIXING REINFORCE STAY/LEFT | 定着補強ステー/左 | A | 1 | j-V118 0406 03 |
| 11 | 57AA 5325 0 | STAY /LOWER | センサ ステー/下 | A | 1 | k-V207 0800 03 |
| 12 | 26NA 5419 0 | FIXING GUIDE SCREW | 定着ガイドネジ | A | 1 | m-V182 0306 03 |
| 13 | 56AA 5419 0 | NEUTRALIZING BRUSH | 除電ブラシ | A | 1 | n-V123 0306 03 |
| 14 | 57AA -555 0 | SENSOR/LOWER ASSY | センサ/下部組 | A | 1 | |
| 15 | 25SA 5369 1 | HOLDER PART | センサ押さえ部材 | A | 1 | |
| 16 | 57AA 5409 0 | SUPPORT PART LOWER | センサ支持部材 下 | A | 1 | |
| 17 | 26NA 4544 0 | REGISTRATION UNIT FIXED SCREW | レジスト固定ネジ | A | 1 | |
| 18 | 57AA 5410 0 | PRESSURE KNOB | 圧着ノブ | A | 1 | |
| 19 | 56AA 1746 1 | PIN A | ピン A | A | 1 | |
| 20 | 56AA 7721 0 | PAPER EXIT IDLING GEAR 1 25T | 排紙アイドル歯車 1 25 T | A | 1 | |
| 21 | 57AA 7707 0 | FIXING IDLING GEAR A 24/14 T | 定着アイドルギア A 24/14 T | A | 1 | |
| 22 | 57AA R732 00 | ROLLER/LOWER ASSY | ローラ/下部組 | A | 1 | |
| 23 | 57AA 5420 0 | STOPPER PLATE /RIGHT | 突当て板/右 | A | 2 | |
| 24 | 57AA 5318 0 | PRESSURE CAM REAR | 圧着カム 奥 | A | 1 | |
| 25 | 57AA 5310 0E | Fixing Entrance Plate /Lower | 定着進入板/下 | A | 1 | |
| 26 | 57AA 5316 0 | ROLLER RELEASE SHAFT | ローラ解除軸 | A | 1 | |
| 27 | 57AA 5324 0 | MAIN BODY REINFORCE PANEL /REA | 本体補強パネル/奥 | A | 1 | |
| 28 | 57AA 5314 1 | PRESSURE SHAFT | 圧着軸 | A | 2 | |
| 29 | 57AA 5313 0 | PRESSURE LEVER REAR | 圧着レバー 奥 | A | 1 | |
| 30 | 57AA 5315 1 | PRESSURE SPRING | 圧着バネ | A | 2 | |
| 31 | 57AA 5317 0 | PRESSURE CAM FRONT | 圧着カム 前 | A | 1 | |
| 32 | 57AA 5312 0 | PRESSURE LEVER FRONT | 圧着レバー 前 | A | 1 | |
| 33 | 57AA 5323 0 | MAIN BODY REINFORCE PANEL /FRO | 本体補強パネル/前 | A | 1 | |
| 34 | 57AA 5360 0 | OPEN CLOSE BLOCK REAR | 開閉ブロック 奥 | A | 1 | |
| 35 | 57AA 5359 0 | OPEN CLOSE BLOCK FRONT | 開閉ブロック 前 | A | 1 | |
| 36 | 56AA 5384 0 | PAPER EXIT GUIDE LEVER | 排紙案内レバー | A | 1 | |
| 37 | 56AA 5422 0 | FIXING SCREW 2 | 固定ネジ 2 | A | 1 | |
| 38 | 57AA 5380 0 | WIRING GUIDE PART/FRONT | 束線ガイド部材/前 | A | 1 | |
| | | | | | | |
| | | | | | | |
| | | | | | | |

FIXING UNIT

P 35

JAPAN MODEL ONLY

日本専用



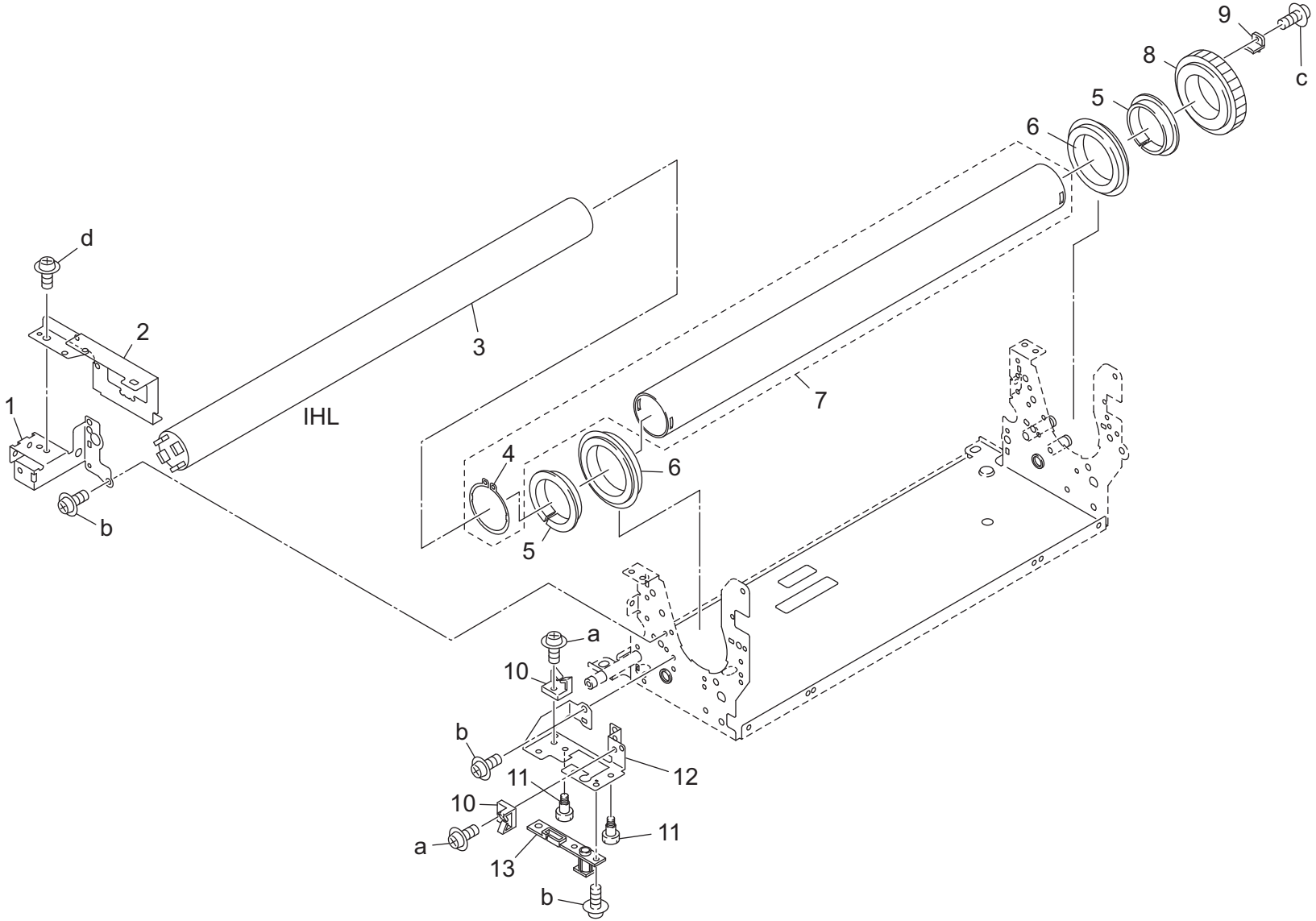
| Key | Part No. | Description | Destinations | Class | QTY | Standard parts |
|-----|--------------|----------------------------------|-----------------|-------|-----|----------------------------------|
| 1 | 56AA 5374 1 | PAPER EXIT PRESSING SPRING FRONT | 排紙押圧バネ 前 | A | 1 | a-V217 0400 50 |
| 2 | 56QA 9730 0 | Jam Release Label /6 | ジャム解除ラベル / 6 | A | 1 | b-V121 0304 03 |
| 3 | 57AA 9727 1E | Jam Release Label /8 | ジャム解除ラベル / 8 | A | 1 | c-V121 0306 03 |
| 4 | 57AA 5307 0 | FIXING PAPER EXIT MAIN BODY /L | 定着排紙本体 / 下 | A | 1 | d-V182 0306 03 |
| 5 | 56AA 5373 3 | PAPEREXITENTRANCEPLATE UPP | 排紙進入板 / 上 | A | 1 | e-V127 0306 03 f-V217 0600 50 |
| 6 | 56AA 5408 0 | PAPER EXIT GUIDE PLATE LOWER | 排紙ガイド板 下 | A | 1 | |
| 7 | 56AA 5375 1 | PAPER EXIT PRESSING SPRING REAR | 排紙押圧バネ 奥 | A | 1 | |
| 8 | 56QA 5449 0 | PAPER EXIT RELEASE HANDLE | 排紙解除把手 | A | 1 | |
| 9 | 56AA 7723 1 | PAPER EXIT DRIVING GEAR 2 18T | 排紙駆動歯車 2 18 T | A | 1 | |
| 10 | 57AA 7722 0 | PAPER EXIT IDLING GEAR 2 25T | 排紙アイドル歯車 2 25 T | A | 1 | |
| 11 | 57AA 5417 0 | SPRING REAR | バネ 奥 | A | 1 | |
| 12 | 57AA 7721 0 | PAPER EXIT IDLING GEAR 1 25T | 排紙アイドル歯車 1 25 T | A | 1 | |
| 13 | 56AA 7722 0 | PAPER EXIT DRIVING GEAR 1 24T | 排紙駆動歯車 1 24 T | A | 1 | |
| 14 | 57AA -567 0 | PAPER EXIT PANEL/REARCAULKING | 排紙パネル / 奥カシメ | A | 1 | |
| 15 | 07AA 7509 0 | METAL 1 | 軸受 1 | A | 4 | |
| 16 | 4660 7602 0 | PAPER FEED SHAFT HOLDER | 給紙送り出し軸受 | A | 2 | |
| 17 | 57AA -565 0 | PAPER EXIT MAIN BODY/REARCAUKI | 排紙本体 / 奥カシメ | A | 1 | |
| 18 | 56AA 7506 1 | Fixing Paper Exit Bearing | 定着排紙軸受 | A | 2 | |
| 19 | 57AA 5421 0 | PAPER EXIT GUIDE SHEET /1 | 排紙案内シート / 1 | A | 2 | |
| 20 | 57AA 5329 0 | FIXING PAPER EXIT ROLLER | 定着排紙ローラ | A | 1 | |
| 21 | 57AA 5374 0 | PAPER EXIT GUIDE PANEL /LOWER | 排紙案内パネル / 下 | A | 1 | |
| 22 | 57AA 5326 0 | PAPER EXIT GUIDE PART | 排紙案内部材 | A | 1 | |
| 23 | 57AA 5372 0 | PAPER PRESSING SHAFT | 紙押圧軸 | A | 1 | |
| 24 | 57AA 5371 0 | PAPER PRESSING ROLLER | 紙押圧ローラ | A | 1 | |
| 25 | 57AA -564 0 | PAPER EXIT MAIN BODY/FRONTCAUL | 排紙本体 / 前カシメ | A | 1 | |
| 26 | 57AA -566 0 | PAPER EXIT PANEL/FRONTCAULKING | 排紙パネル / 前カシメ | A | 1 | |
| 27 | 56AA 5382 0 | POSITIONING LEVER | 位置決めレバー | A | 1 | |
| 28 | 56AA 5383 0 | REGULATING SPRING 1 | 規制バネ 1 | A | 1 | |
| 29 | 57AA 5373 0 | SHAFT MOUNTING PLATE | 軸取り付け板 | A | 1 | |
| | | | | | | |
| | | | | | | |
| | | | | | | |
| | | | | | | |
| | | | | | | |
| | | | | | | |
| | | | | | | |

FIXING UNIT

P 36

JAPAN MODEL ONLY

日本専用



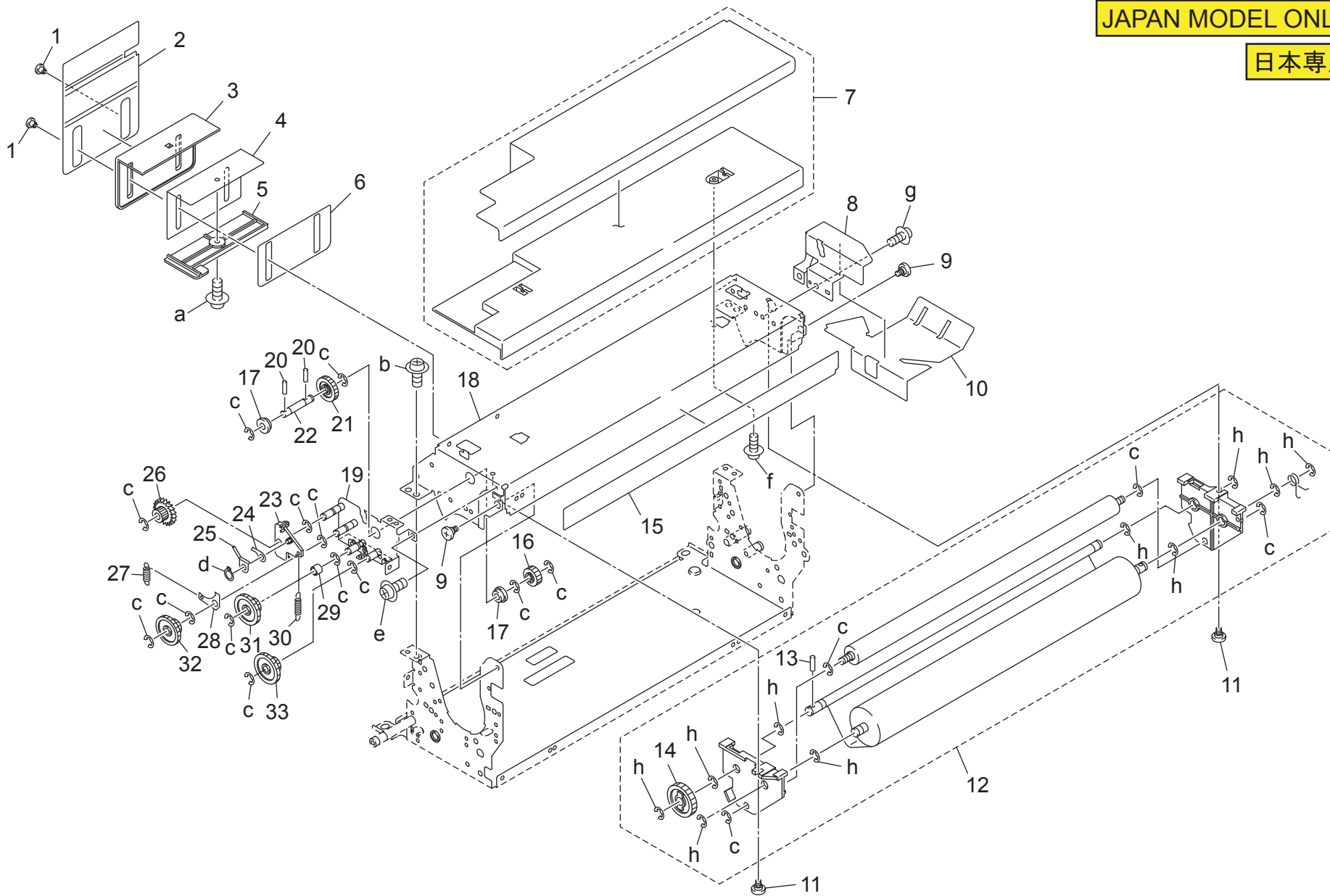
| Key | Part No. | Description | Destinations | Class | QTY | Standard parts |
|-----|-------------|-------------------------------|---------------|-------|-----|--|
| 1 | 57AA 5398 0 | BOARD SUPPORT PLATE /LEFT | 基板支持板/左 | A | 1 | a-V118 0406 03 b-V121 0304 03 c-V123 0310 03 d-V182 0406 03 |
| 2 | 57AA 5347 0 | HEATER HOLDING PANEL /FRONT | ヒーターホルダーパネル/前 | A | 1 | |
| 3 | 57AA 8461 0 | FIXING COIL 1 | 定着コイル 1 | A | 1 | |
| 4 | 57AA 5334 0 | ROLLER FIXING PART | ローラ固定部材 | A | 1 | |
| 5 | 57AA 5332 0 | INSULATING SLEEVE | 断熱スリーブ | A | 2 | |
| 6 | 57AA 7503 0 | FIXING ROLLER BEARING UPPER | 定着転がり軸受 上 | A | 2 | |
| 7 | 57AA -K01 0 | FIXING ROLLER UPPER SET | 定着ローラー上セット | A | 1 | |
| 8 | 57AA 7706 0 | FIXING DRIVE GEAR 60T | 定着駆動歯車 60 T | A | 1 | |
| 9 | 57AA 5333 0 | GEAR FIXING BLOCK | ギア固定ブロック | A | 1 | |
| 10 | 55GA 5365 2 | WIRING HOLDING PART | 束線ホルダー部材 | A | 2 | |
| 11 | 57AA 5352 0 | ELECTRIC MOUNTING SCREW FRONT | 電装取り付けネジ 前 | A | 2 | |
| 12 | 57AA 5353 0 | ELECTRIC FIXING PLATE/LOWER | 電装固定板/下 | A | 1 | |
| 13 | 57AA 5354 0 | GUIDE BLOCK | ガイドブロック | A | 1 | |
| | | | | | | |
| | | | | | | |
| | | | | | | |
| | | | | | | |
| | | | | | | |
| | | | | | | |
| | | | | | | |
| | | | | | | |
| | | | | | | |
| | | | | | | |
| | | | | | | |

FIXING UNIT

P 37

JAPAN MODEL ONLY

日本専用



FIXING UNIT

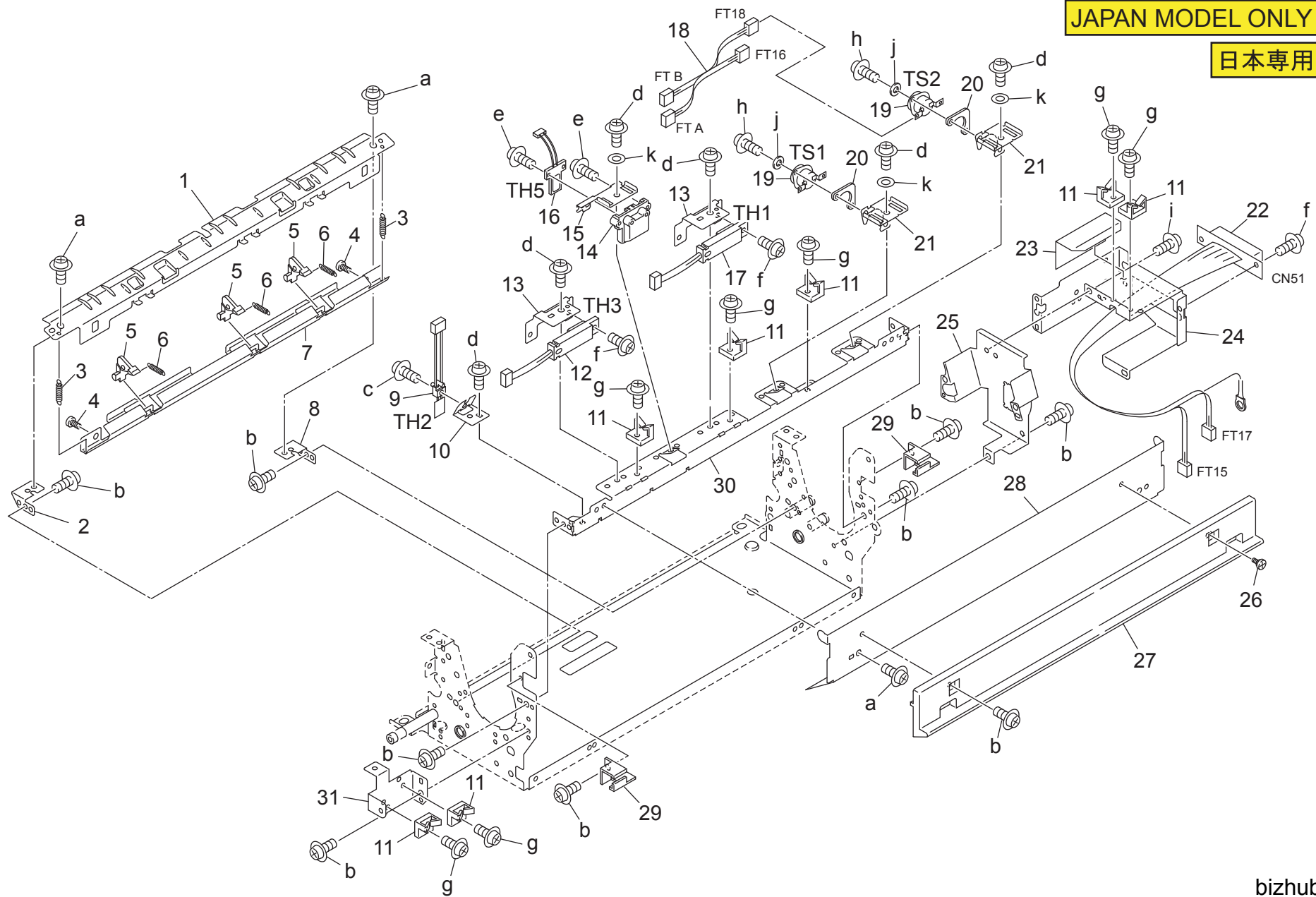
| Key | Part No. | Description | Destinations | Class | QTY | Standard parts |
|-----|--------------|--------------------------------|------------------|-------|-----|----------------|
| 1 | 57AA 5391 0 | FIXING LIFTING SCREW | 定着持ち上げネジ | A | 2 | a-V118 0304 03 |
| 2 | 57AA 5383 0 | Insulating Sheet /Left | 断熱シート/左 | A | 1 | b-V182 0406 03 |
| 3 | 57AA 5384 0 | FIXING LIFTING COVER/UPPER | 定着持ち上げカバー/上 | A | 1 | c-V217 0400 50 |
| 4 | 57AA 5390 0 | FIXING LIFTING PANEL/FRONT | 定着持ち上げパネル/前 | A | 1 | d-V221 0300 50 |
| 5 | 57AA 5386 0 | FIXING LIFTING COVER LOWER | 定着持ち上げカバー 下 | A | 1 | e-V121 0304 03 |
| 6 | 57AA 5369 0 | Insulating Sheet /Middle | 断熱シート/中 | A | 1 | f-V151 0310 03 |
| 7 | 57AA -544 0 | UPPER PLATE ASSY | 天板部組 | A | 1 | g-V121 0406 03 |
| 8 | 57AA 5331 0 | FIXING HANDLE/REAR | 定着把手/奥 | A | 1 | h-V217 0600 50 |
| 9 | 56AA 5347 0 | FIXING FULCRUM SHAFT | 定着支点軸 | A | 2 | |
| 10 | 57AA 5378 0 | Insulating Sheet /Rear | 断熱シート/奥 | A | 1 | |
| 11 | 56AA 5467 1 | FIXING CLEANING SCREW | 定着清掃ネジ | A | 2 | |
| 12 | 57AA R723 00 | WEB UNIT | ウェブユニット | A | 1 | |
| 13 | 56AA 1755 1 | PIN A | ピン A | A | 1 | |
| 14 | 57AA 7713 0 | FIXING CLEANING GEAR F 29T | 定着清掃ギア F 29 T | A | 1 | |
| 15 | 57AA 5377 0 | Insulating Sheet /Right | 断熱シート/右 | A | 1 | |
| 16 | 57AA 7710 0 | FIXING CLEANING GEAR C 15T | 定着清掃ギア C 15 T | A | 1 | |
| 17 | 5400 7606 0 | FIXING CLEANING SHAFT HOLDER A | 定着清掃軸受 A | A | 2 | |
| 18 | 57AA 5301 0 | FIXING MAIN BODY/UPPER | 定着 本体/上 | A | 1 | |
| 19 | 57AA -568 0 | SUPPORT PANEL/FRONT CAULKING | 支点パネル/前カシメ | A | 1 | |
| 20 | 56AA 1753 1 | PIN A D2X10 | ピン A D 2 X 10 | A | 2 | |
| 21 | 57AA 7709 0 | FIXING CLEANING GEAR B 21T | 定着清掃ギア B 21 T | A | 1 | |
| 22 | 57AA 5344 0 | DRIVE INPUT SHAFT/FRONT | 駆動入力軸/前 | A | 1 | |
| 23 | 56QA 5440 0 | ROCKING LEVER | 揺動レバー | A | 1 | |
| 24 | 5400 5346 0 | ROCKING CLAW | 揺動爪 | A | 1 | |
| 25 | 56QA 5453 0 | HOLDING SPRING | 押えバネ | A | 1 | |
| 26 | 56AA 7734 0 | FIXING CLEANING GEAR 1 18T | 定着清掃歯車 1 18 T | A | 1 | |
| 27 | 56AA 5435 0 | SOLENOID PULLING SPRING | ソレノイド引張りバネ | A | 1 | |
| 28 | 5400 5351 0 | REGULATE CLAW | 規制爪 | A | 1 | |
| 29 | 56QA 5442 0 | STOPPER PART | ストップ部材 | A | 1 | |
| 30 | 56QA 5441 0 | SOLENOID PULLING SPRING | ソレノイド引張りバネ | A | 1 | |
| 31 | 57AA 7712 0 | FIXING CLEANING GEAR E 27/11T | 定着清掃ギア E 27/11 T | A | 1 | |
| 32 | 57AA 7711 0 | FIXING CLEANING GEAR D 44/11T | 定着清掃ギア D 44/11 T | A | 1 | |
| 33 | 57AA 7708 0 | FIXING CLEANING GEAR A 27/16T | 定着清掃ギア A 27/16 T | A | 1 | |
| | | | | | | |
| | | | | | | |
| | | | | | | |
| | | | | | | |
| | | | | | | |

FIXING UNIT

P 38

JAPAN MODEL ONLY

日本専用

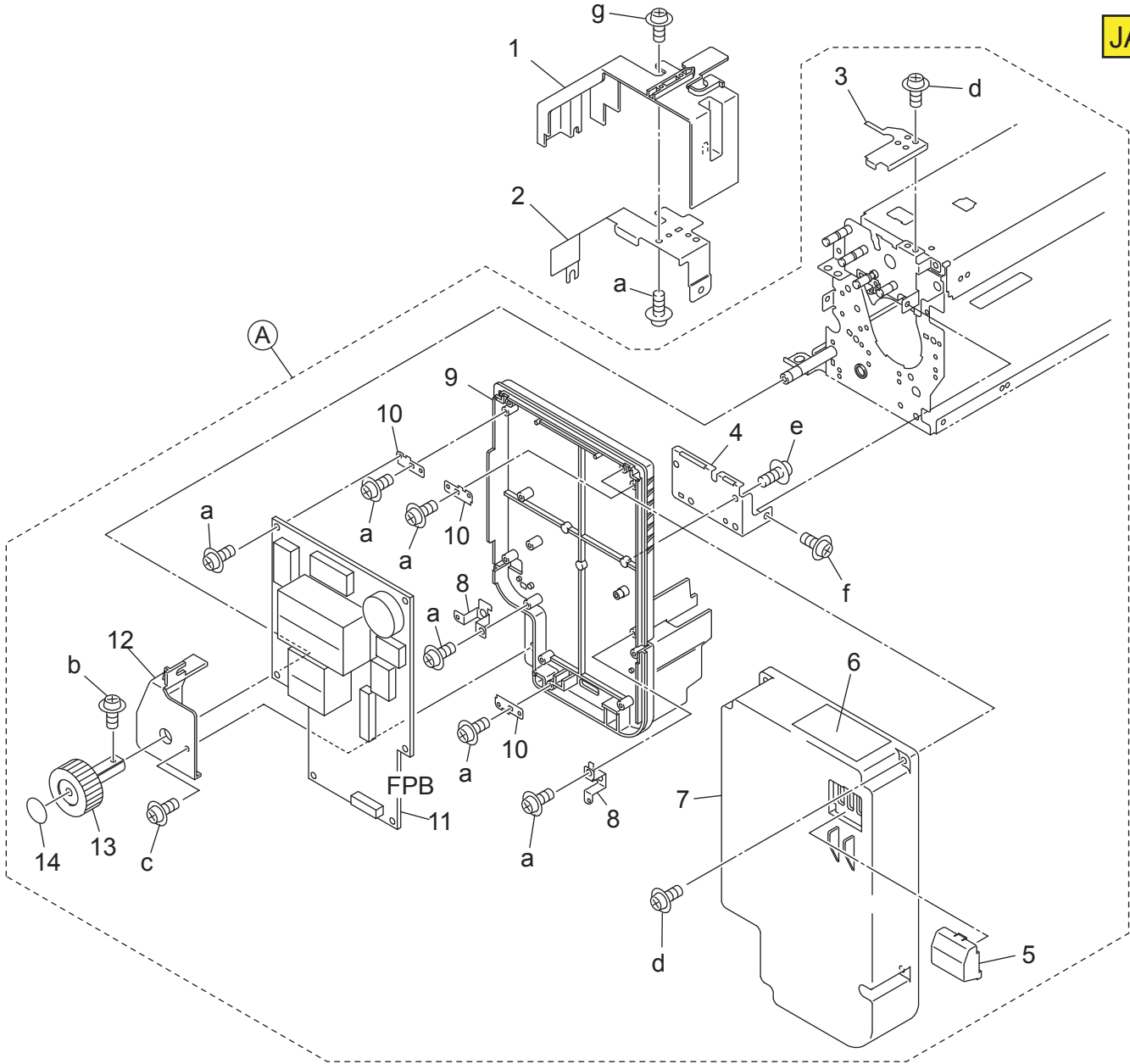


| Key | Part No. | Description | Destinations | Class | QTY | Standard parts |
|-----|--------------|-------------------------------|---------------|-------|-----|----------------|
| 1 | 57AA 5328 0 | EXIT GUIDE PANEL /LOWER | 出口ガイドパネル/下 | A | 1 | a-V182 0306 03 |
| 2 | 57AA 5388 0 | EXIT FIXING PLATE/FRONT | 出口固定板/前 | A | 1 | b-V121 0304 03 |
| 3 | 56AA 1711 0 | JAM DETECTING SPRING | ジャム検知バネ | A | 2 | c-V123 0310 03 |
| 4 | 56AA 1790 0 | FIXING PAPER EXIT SCREW | 定着排紙ネジ | A | 2 | d-V123 0306 03 |
| 5 | 56QA 5320 0 | FIXING CLAW LOWER | 定着爪 下 | A | 3 | e-V151 0308 03 |
| 6 | 56AA 1713 0 | SEPARATING SPRING LOWER | 分離バネ 下 | A | 3 | f-V123 0308 03 |
| 7 | 56QA 5451 0 | FIXING PAPER EXIT PLATE UPPER | 定着排紙板 上 | A | 1 | g-V118 0406 03 |
| 8 | 57AA 5389 0 | EXIT FIXING PLATE /REAR | 出口固定板/奥 | A | 1 | h-V118 0306 03 |
| 9 | 57AA 8804 0 | TEMPERATURE SENSOR 2 | 温度センサ 2 | A | 1 | i-V127 0306 03 |
| 10 | 57AA 5337 0 | MOUNTING PLATE /FRONT | センサ取り付け板/前 | A | 1 | j-V205 0300 03 |
| 11 | 55GA 5365 2 | WIRING HOLDING PART | 束線ホルダー部材 | A | 7 | k-V207 0400 03 |
| 12 | 57AA 8802 1 | TEMPERATURE SENSOR E | 温度センサ E | A | 1 | |
| 13 | 57AA 5336 0 | MOUNTING PLATE MIDDLE | センサ取り付け板 中 | A | 2 | |
| 14 | 57AA 5330 0 | COVER | センサカバー | A | 1 | |
| 15 | 57AA 5340 0 | MOUNTING PLATE A | センサ取り付け板 A | A | 1 | |
| 16 | 57AA 8806 0 | TEMPERATURE SENSOR 5 | 温度センサ 5 | A | 1 | |
| 17 | 57AA 8801 0 | TEMPERATURE SENSOR C | 温度センサ C | A | 1 | |
| 18 | 57AA 9363 0 | FIXING POWER SUPPLY WIRING 2 | 定着給電束線 2 | A | 1 | |
| 19 | SP00 -020 1 | THERMOSTAT | サーモスタット | A | 2 | |
| 20 | 57AA 5339 0 | FUSE INSULATING SPACER | ヒューズ断熱スペーサー | A | 2 | |
| 21 | 57AA 5338 0 | FUSE MOUNTING PLATE | ヒューズ取り付け板 | A | 2 | |
| 22 | 57AA 9361 0 | FIXING POWER SUPPLY WIRING /2 | 定着給電束線/2 | A | 1 | |
| 23 | 56AA 5455 0 | Protection Seal /1 | 保護シール/1 | A | 1 | |
| 24 | 57AA 5351 0E | Electric Mounting Panel /Rear | 電装取付パネル/奥 | A | 1 | |
| 25 | 57AA 5348 0 | HEATER HOLDING PANEL /REAR | ヒーターホルダーパネル/奥 | A | 1 | |
| 26 | 56AA 5422 0 | FIXING SCREW 2 | 固定ネジ 2 | A | 1 | |
| 27 | 57AA 5311 0 | FIXING ENTRANCE COVER /UPPER | 定着進入カバー/上 | A | 1 | |
| 28 | 57AA 5309 0E | Fixing Entrance Plate /Upper | 定着進入板/上 | A | 1 | |
| 29 | 57AA 5381 0 | WIRING GUIDE PART /RIGHT | 束線ガイド部材/右 | A | 2 | |
| 30 | 57AA 5308 0 | FIXING STAY /UPPER | 定着センサステー/上 | A | 1 | |
| 31 | 57AA 5397 0 | BOARD SUPPORT PLATE /RIGHT | 基板支持板/右 | A | 1 | |
| | | | | | | |
| | | | | | | |
| | | | | | | |
| | | | | | | |
| | | | | | | |
| | | | | | | |
| | | | | | | |
| | | | | | | |
| | | | | | | |

FIXING UNIT

JAPAN MODEL ONLY

日本専用



FIXING UNIT

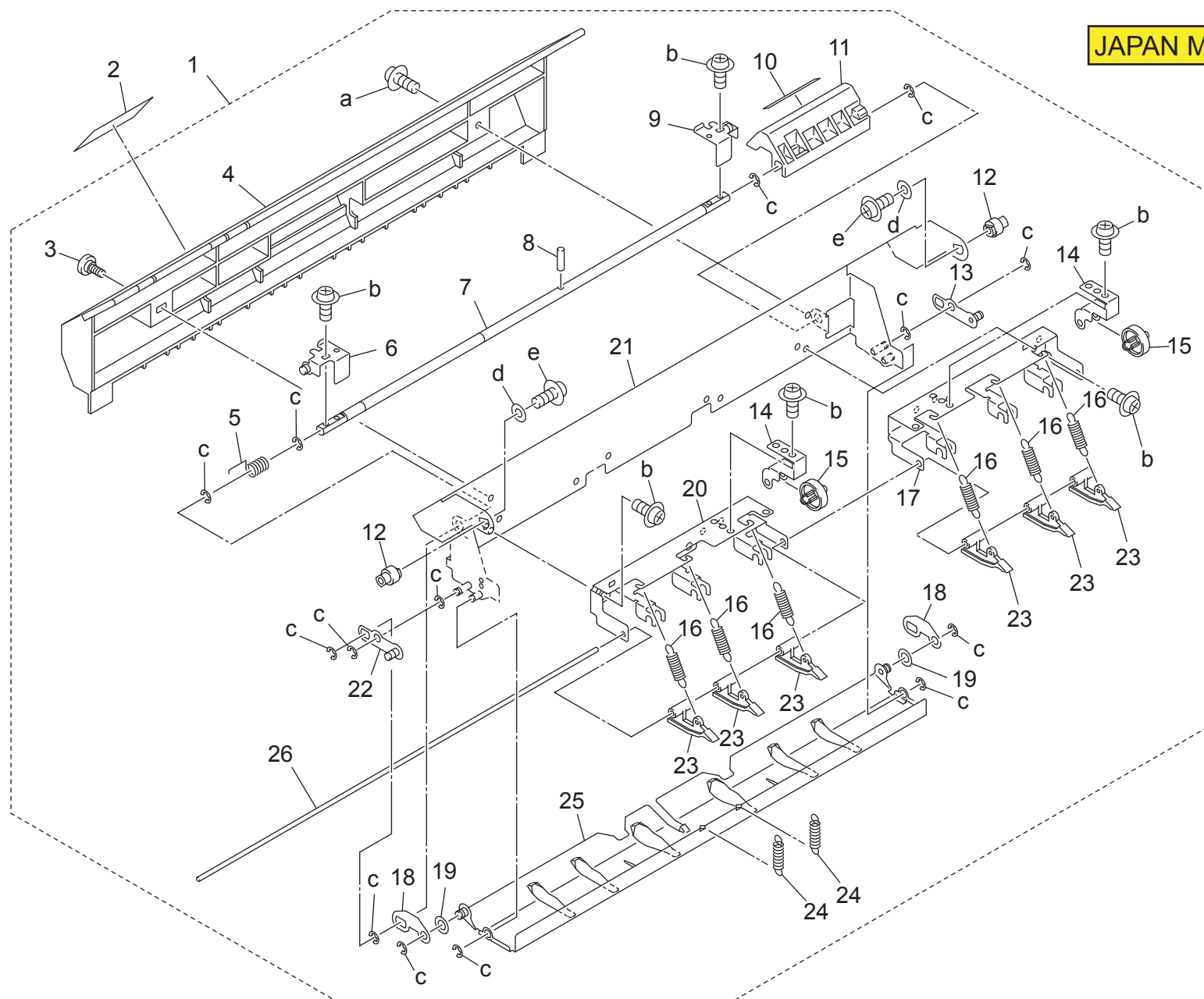
| Key | Part No. | Description | Destinations | Class | QTY | Standard parts |
|-----|--------------|----------------------------------|--------------|-------|-----|--|
| 1 | 57AA 5392 0 | FIXING COVER COVER FRONT | 定着カバー蓋 前 | A | 1 | a-V151 0308 03 b-V121 0308 03 c-V114 0408 03 d-V182 0306 03 e-V151 0306 03 f-V123 0410 03 g-V123 0308 03 |
| 2 | 57AA 5393 0 | FIXING COVER PANEL FRONT | 定着カバーパネル 前 | A | 1 | |
| 3 | 57AA 5413 0 | HOLDING PLATE | 押さえ板 | A | 1 | |
| 4 | 57AA 5399 0 | BOARD SUPPORT PLATE /FRONT | 基板支持板/前 | A | 1 | |
| 5 | 57AA 5414 0 | POWER SOURCE DUCT FRONT | 電源ダクト 前 | A | 1 | |
| 6 | 57AA 9783 1G | Caution Label /1 | 注意ラベル/1 | A | 1 | |
| 7 | 57AA 5402 0 | FIXING POWER SUPPLY COVER FRONT | 定着給電カバー 前 | A | 1 | |
| 8 | 57AA 5403 0 | FRONT MOUNTING PLATE A | 前面取り付け板 A | A | 2 | |
| 9 | 57AA 5401 0 | FIXING POWER SUPPLY COVER MIDDLE | 定着給電カバー 中 | A | 1 | |
| 10 | 57AA 5404 0 | FRONT MOUNTING PLATE B | 前面取り付け板 B | A | 3 | |
| 11 | 57AA 8452 1E | Heater Power Source /1 | ヒーター 電源/1 | A | 1 | |
| 12 | 57AA 5394 0 | FIXING COVER LEFT | 定着カバー 左 | A | 1 | |
| 13 | 57AA 5408 0 | ROTATION KNOB FRONT | 回転ノブ 前 | A | 1 | |
| 14 | 57AA 9726 1E | Jam Release Label /7 | ジャム解除ラベル/7 | A | 1 | |
| | | | | | | |
| | | | | | | |
| | | | | | | |
| | | | | | | |
| | | | | | | |
| | | | | | | |
| | | | | | | |
| | | | | | | |
| | | | | | | |
| | | | | | | |

FIXING UNIT

P 40

JAPAN MODEL ONLY

日本専用



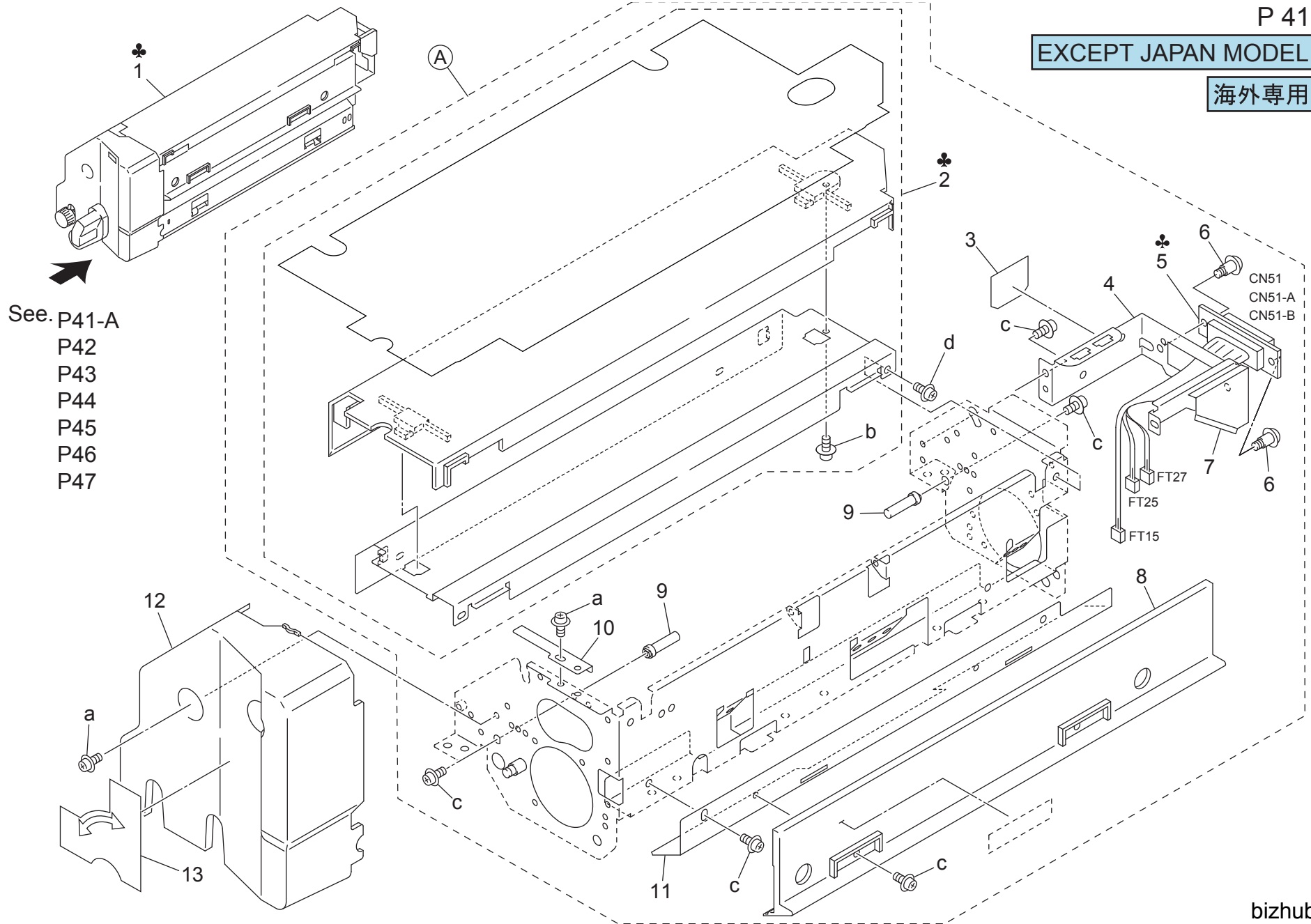
| Key | Part No. | Description | Destinations | Class | QTY | Standard parts |
|-----|--------------|--------------------------------|----------------|-------|-----|--|
| 1 | 57AA -545 0 | UPPER CLAW ASSY UNIT | 上爪部組ユニット | A | 1 | a-V121 0406 03 b-V121 0304 03 c-V217 0400 50 d-V209 0400 03 e-V118 0408 03 |
| 2 | 57AA 9778 0 | Fixing Open/Close Label | 定着開閉ラベル | A | 1 | |
| 3 | 56AA 5422 0 | FIXING SCREW 2 | 固定ネジ 2 | A | 1 | |
| 4 | 57AA 5355 0 | FIXING PAPER EXIT COVER | 定着排紙カバー | A | 1 | |
| 5 | 57AA 5358 0 | LEVER SPRING | レバーバネ | A | 1 | |
| 6 | 57AA 5366 0 | OPEN-CLOSE PLATE/FRONT | 開閉板/前 | A | 1 | |
| 7 | 57AA 5357 0 | LEVER SHAFT | レバー軸 | A | 1 | |
| 8 | 56AA 1732 1 | PIN A D2X12 | ピン A D 2 X 1 2 | A | 1 | |
| 9 | 57AA 5367 0 | OPEN-CLOSE PLATE/REAR | 開閉板/奥 | A | 1 | |
| 10 | 57AA 9725 1E | Jam Release Label /6 | ジャム解除ラベル/6 | A | 1 | |
| 11 | 56QA 5433 0 | JAM RELEASE LEVER | ジャム解除レバー | A | 1 | |
| 12 | 56AA 5320 0 | FIXING MOUNTING SHAFT FRONT | 定着取り付け軸 前 | A | 2 | |
| 13 | 57AA -569 0 | OPEN-CLOSE STAY/REAR CAULKING | 開閉ステー/奥カシメ | A | 1 | |
| 14 | 57AA 5335 0 | PAPER EXIT PRESSING PLATE | 排紙押圧板 | A | 2 | |
| 15 | 56AA 5466 0 | PAPER EXIT ROLLER | 排紙コロ | A | 2 | |
| 16 | 56AA 5324 0 | SEPARATING SPRING UPPER | 分離バネ 上 | C | 6 | |
| 17 | 57AA 5385 0 | HOLDING PANEL/REAR | ホルダーパネル/奥 | A | 1 | |
| 18 | 57AA 5407 0 | OPEN CLOSE PANEL A | 開閉パネル A | A | 2 | |
| 19 | 56AA 2631 0 | SPACER 5 | スペーサー 5 | A | 2 | |
| 20 | 57AA 5365 0 | HOLDING PANEL/FRONT | ホルダーパネル/前 | A | 1 | |
| 21 | 57AA 5356 0 | OPEN CLOSE STAY LEFT | 開閉ステー 左 | A | 1 | |
| 22 | 57AA -547 0 | OPEN-CLOSE STAY/FRONT CAULKING | 開閉ステー/前カシメ | A | 1 | |
| 23 | 56AA 5427 0 | FIXING CLAW UPPER | 定着爪 上 | A | 6 | |
| 24 | 57AA 5364 0 | OPEN CLOSE SPRING | 開閉バネ | A | 2 | |
| 25 | 57AA 5327 0 | EXIT GUIDE PANEL UPPER | 出口ガイドパネル 上 | A | 1 | |
| 26 | 57AA 5387 0 | HOLDING SHAFT/UPPER | ホルダー軸/上 | A | 1 | |
| | | | | | | |
| | | | | | | |
| | | | | | | |
| | | | | | | |
| | | | | | | |
| | | | | | | |
| | | | | | | |
| | | | | | | |
| | | | | | | |
| | | | | | | |
| | | | | | | |
| | | | | | | |

FIXING UNIT

P 41

EXCEPT JAPAN MODEL

海外専用



bizhub 601

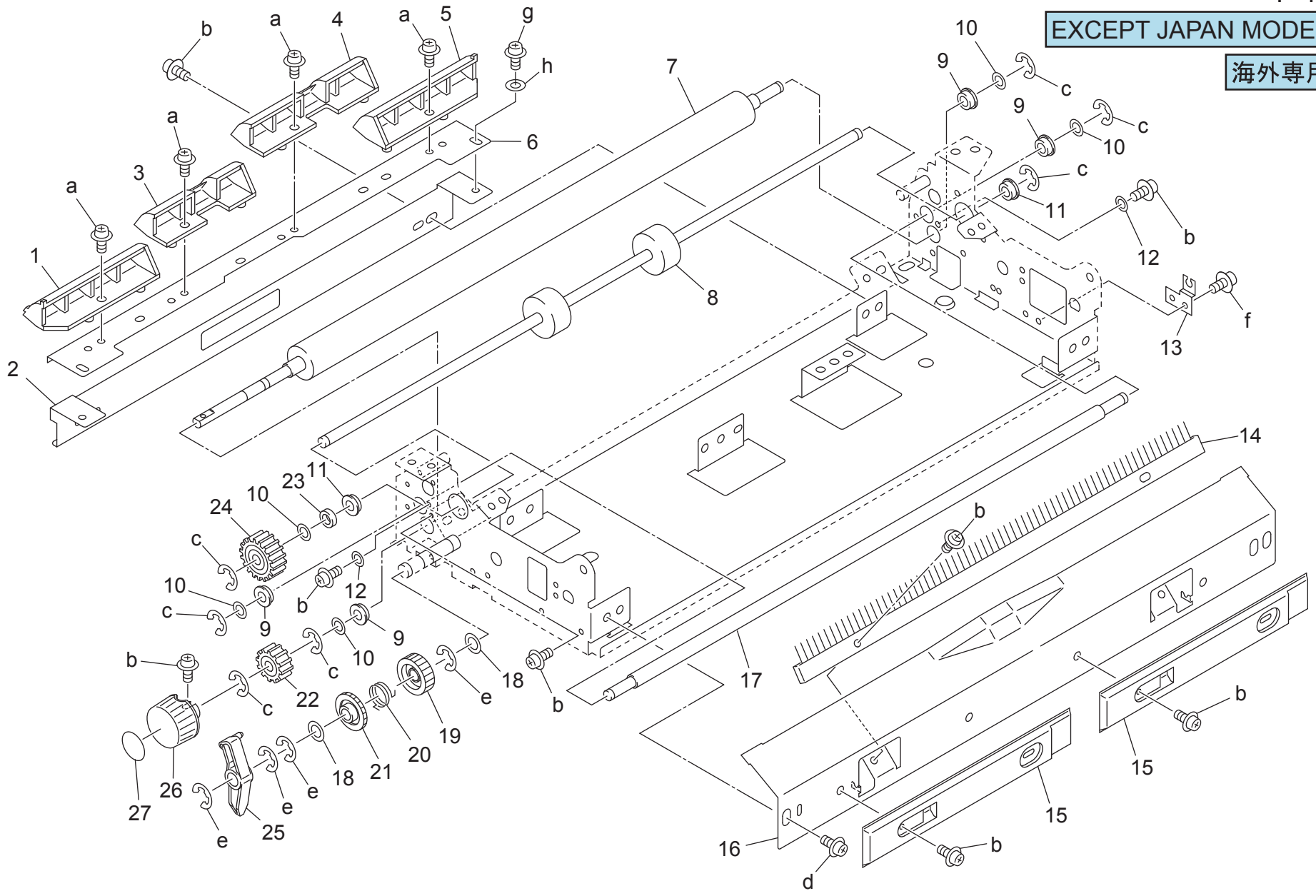
| Key | Part No. | Description | Destinations | Class | QTY | Standard parts |
|-----|--------------|--------------------------------|---------------------------------|-------|-----|--|
| 1 | 57BE -530 0 | FUSING UNIT | B,G2 | I | 1 | a-V140 0406 03 b-V151 0308 04 c-V121 0306 03 d-V121 0406 03 |
| 1 | 57BF R701 00 | FIXING UNIT | C | I | 1 | |
| 1 | 57BK -530 0 | FIXING UNIT | H | I | 1 | |
| 1 | 57BN -530 0 | FIXING UNIT | D1,D3,E,F2,G1,I,J,K | I | 1 | |
| 1 | 57BS -530 0 | FIXING UNIT | F1 | I | 1 | |
| 2 | 57AE -544 0 | UPPER PLATE ASSY | B,G2 | D | 1 | |
| 2 | 57AF R703 00 | UPPER PLATE ASSY | C | D | 1 | |
| 2 | 57AN -544 0 | UPPER PLATE ASSY | D1,D3,E,F2,G1,I,J,K | D | 1 | |
| 2 | 57AS -544 0 | UPPER PLATE ASSY | F1,H | D | 1 | |
| 3 | 56AA 5455 0 | Protection Seal /1 | B,C,D1,D3,E,F1,F2,G1,G2,H,I,J,K | C | 1 | |
| 4 | 56AA 5387 1 | POWER SOURCE MOUNTING PLATE /U | B,C,D1,D3,E,F1,F2,G1,G2,H,I,J,K | D | 1 | |
| 5 | 57AE 9361 0 | FIXING POWERING WIRING 2 | B,F1,G2,H | D | 1 | |
| 5 | 57AF 9361 1 | FIXING POWER SUPPLY WIRING 2 | C,D1,D3,E,F2,G1,I,J,K | D | 1 | |
| 6 | 26NA 5403 0 | MOUNT SCREW | B,C,D1,D3,E,F1,F2,G1,G2,H,I,J,K | C | 2 | |
| 7 | 56AA 5394 2 | Fixing Heat Insulate Sheet /A | B,C,D1,D3,E,F1,F2,G1,G2,H,I,J,K | C | 1 | |
| 8 | 56AA 5339 0 | GUIDE PART A | B,C,D1,D3,E,F1,F2,G1,G2,H,I,J,K | C | 1 | |
| 9 | 56AA 5321 0 | FIXING MOUNTING SHAFT /MIDDLE | B,C,D1,D3,E,F1,F2,G1,G2,H,I,J,K | D | 2 | |
| 10 | 56AA 5424 0 | FIXING HOLDING PLATE | B,C,D1,D3,E,F1,F2,G1,G2,H,I,J,K | D | 1 | |
| 11 | 56AA 5345 0 | FIXING ENTRANCE PLATE UPPER | B,C,D1,D3,E,F1,F2,G1,G2,H,I,J,K | D | 1 | |
| 12 | 57AE 5474 0 | FIXING COVER /FRONT | B,C,D1,D3,E,F1,F2,G1,G2,H,I,J,K | C | 1 | |
| 13 | 57AA 9776 0 | Fixing Cover Label | B,C,D1,D3,E,F1,F2,G1,G2,H,I,J,K | C | 1 | |
| | | | | | | |
| | | | | | | |
| | | | | | | |
| | | | | | | |
| | | | | | | |

FIXING UNIT

P 42

EXCEPT JAPAN MODEL

海外専用



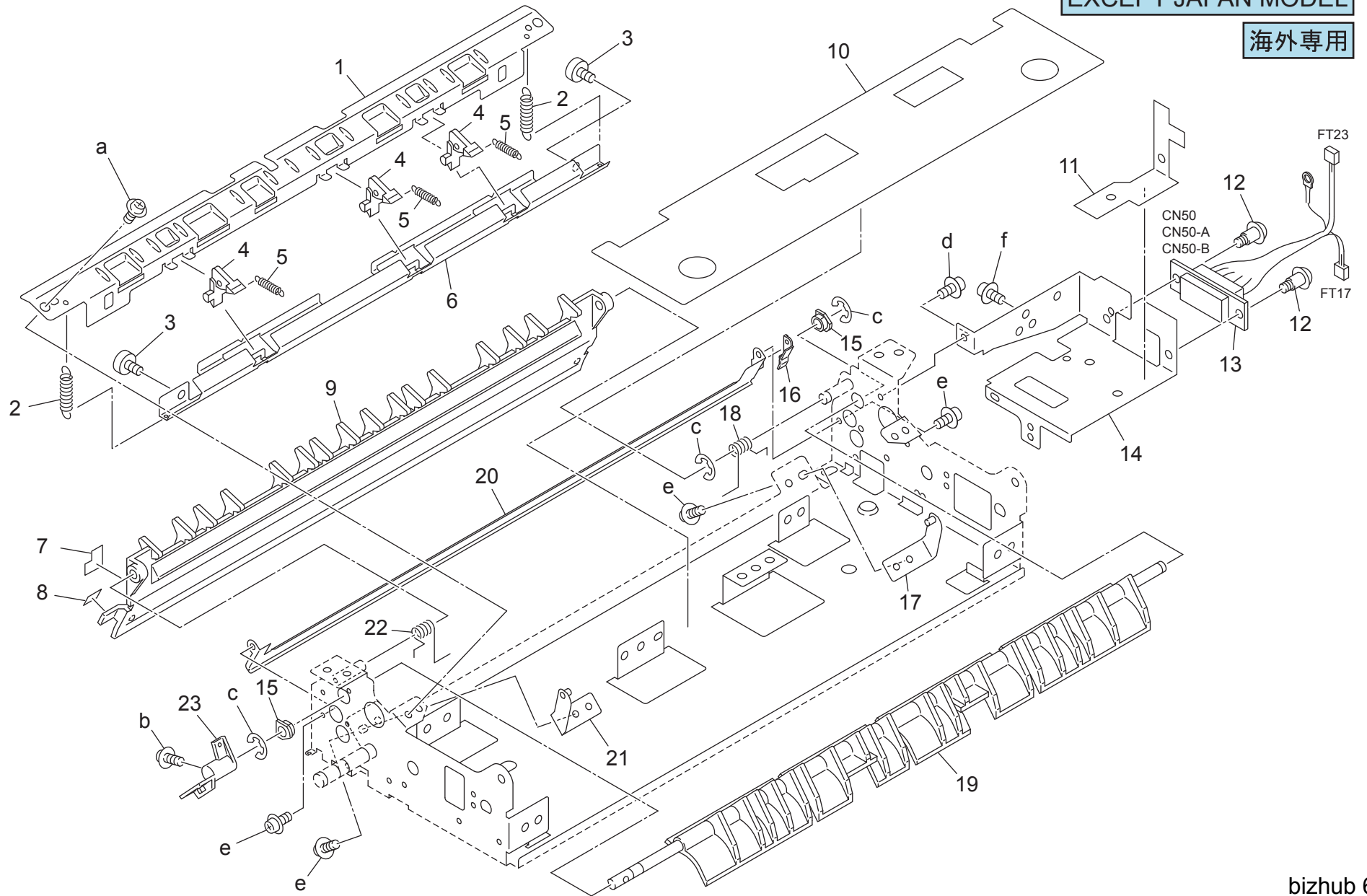
| Key | Part No. | Description | Destinations | Class | QTY | Standard parts | |
|-----|--------------|-----------------------------------|-----------------|-------------------------------------|-----|----------------|--|
| 1 | 56AA 5441 0 | PAPER EXIT GUIDE PART 1 | 排紙ガイド部材 1 | B,C,D1,D3,E,F1,F2,G 1,G2,H,I,J,K | C | 1 | a-V121 0406 03 b-V121 0306 03 c-V217 0400 50 d-V140 0406 03 e-V217 0600 50 f-V182 0306 03 g-V122 0408 03 h-V207 0400 03 |
| 2 | 56AA 5454 1 | PAPER EXIT GUIDE PLATE /LOWER | 排紙ガイド板 /下 | B,C,D1,D3,E,F1,F2,G 1,G2,H,I,J,K | D | 1 | |
| 3 | 56AA 5442 0 | PAPER EXIT GUIDE PART 2 | 排紙ガイド部材 2 | B,C,D1,D3,E,F1,F2,G 1,G2,H,I,J,K | C | 1 | |
| 4 | 56AA 5443 0 | PAPER EXIT GUIDE PART 3 | 排紙ガイド部材 3 | B,C,D1,D3,E,F1,F2,G 1,G2,H,I,J,K | C | 1 | |
| 5 | 56AA 5444 0 | PAPER EXIT GUIDE PART 4 | 排紙ガイド部材 4 | B,C,D1,D3,E,F1,F2,G 1,G2,H,I,J,K | C | 1 | |
| 6 | 56AA 5378 0 | PAPER EXIT GUIDE PLATE | 排紙ガイド板 | B,C,D1,D3,E,F1,F2,G 1,G2,H,I,J,K | D | 1 | |
| 7 | 56AA 5307 1 | PAPER EXIT CONVEYING ROLLER UPPER | 排紙搬送ローラ 上 | B,C,D1,D3,E,F1,F2,G 1,G2,H,I,J,K | A | 1 | |
| 8 | 56AA 5371 0 | FIXING PAPER EXIT ROLLER | 定着排紙ローラ | B,C,D1,D3,E,F1,F2,G 1,G2,H,I,J,K | C | 1 | |
| 9 | 07AA 7509 0 | METAL 1 | 軸受 1 | B,C,D1,D3,E,F1,F2,G 1,G2,H,I,J,K | B | 4 | |
| 10 | 56AA 5448 0 | DRIVE PROTECTION SPACER | 駆動保護スペーサー | B,C,D1,D3,E,F1,F2,G 1,G2,H,I,J,K | C | 5 | |
| 11 | 56AA 7506 1 | Fixing Paper Exit Bearing | 定着排紙軸受 | B,C,D1,D3,E,F1,F2,G 1,G2,H,I,J,K | C | 2 | |
| 12 | 56AA 5464 0 | SHAFT HOLDER REGULATING PLATE | 軸受規制板 | B,C,D1,D3,E,F1,F2,G 1,G2,H,I,J,K | D | 2 | |
| 13 | 57AE 5473 0E | Lamp Mounting Plate /3 | ランプ取付板 /3 | B,C,D1,D3,E,F1,F2,G 1,G2,H,I,J,K | D | 1 | |
| 14 | 56AA 5419 0 | NEUTRALIZING BRUSH | 除電ブラシ | B,C,D1,D3,E,F1,F2,G 1,G2,H,I,J,K | C | 1 | |
| 15 | 56QA 5450 0 | Insulating Part | 断熱部材 | B,C,D1,D3,E,F1,F2,G 1,G2,H,I,J,K | C | 2 | |
| 16 | 56AA 5346 1 | FIXING ENTRANCE PLATE LOWER | 定着進入板 下 | B,C,D1,D3,E,F1,F2,G 1,G2,H,I,J,K | D | 1 | |
| 17 | 56AA 5372 1 | PAPER EXIT DRIVEN ROLLER UPPER | 排紙従動ローラ 上 | B,C,D1,D3,E,F1,F2,G 1,G2,H,I,J,K | D | 1 | |
| 18 | 12QV 4065 0 | SPACER | スペーサー | B,C,D1,D3,E,F1,F2,G 1,G2,H,I,J,K | B | 2 | |
| 19 | 57AA 7722 0 | PAPER EXIT IDLING GEAR 2 25T | 排紙アイドル歯車 2 25 T | B,C,D1,D3,E,F1,F2,G 1,G2,H,I,J,K | B | 1 | |
| 20 | 57AA 5417 0 | SPRING REAR | バネ 奥 | B,C,D1,D3,E,F1,F2,G 1,G2,H,I,J,K | C | 1 | |
| 21 | 57AA 7721 0 | PAPER EXIT IDLING GEAR 1 25T | 排紙アイドル歯車 1 25 T | B,C,D1,D3,E,F1,F2,G 1,G2,H,I,J,K | B | 1 | |
| 22 | 56AA 7723 1 | PAPER EXIT DRIVING GEAR 2 18T | 排紙駆動歯車 2 18 T | B,C,D1,D3,E,F1,F2,G 1,G2,H,I,J,K | B | 1 | |
| 23 | 56AA 5447 1 | DRIVE STOPPER ROLLER | 駆動突き当てコロ | B,C,D1,D3,E,F1,F2,G 1,G2,H,I,J,K | C | 1 | |
| 24 | 56AA 7722 0 | PAPER EXIT DRIVING GEAR 1 24T | 排紙駆動歯車 1 24 T | B,C,D1,D3,E,F1,F2,G 1,G2,H,I,J,K | B | 1 | |
| 25 | 56AA 5384 0 | PAPER EXIT GUIDE LEVER | 排紙案内レバー | B,C,D1,D3,E,F1,F2,G 1,G2,H,I,J,K | C | 1 | |
| 26 | 56QA 5454 0 | ROTARY KNOB H | 回転ノブ H | B,C,D1,D3,E,F1,F2,G 1,G2,H,I,J,K | C | 1 | |
| 27 | 57AA 9726 1E | Jam Release Label /7 | ジャム解除ラベル /7 | B,C,D1,D3,E,F1,F2,G 1,G2,H,I,J,K | C | 1 | |

FIXING UNIT

P 43

EXCEPT JAPAN MODEL

海外専用



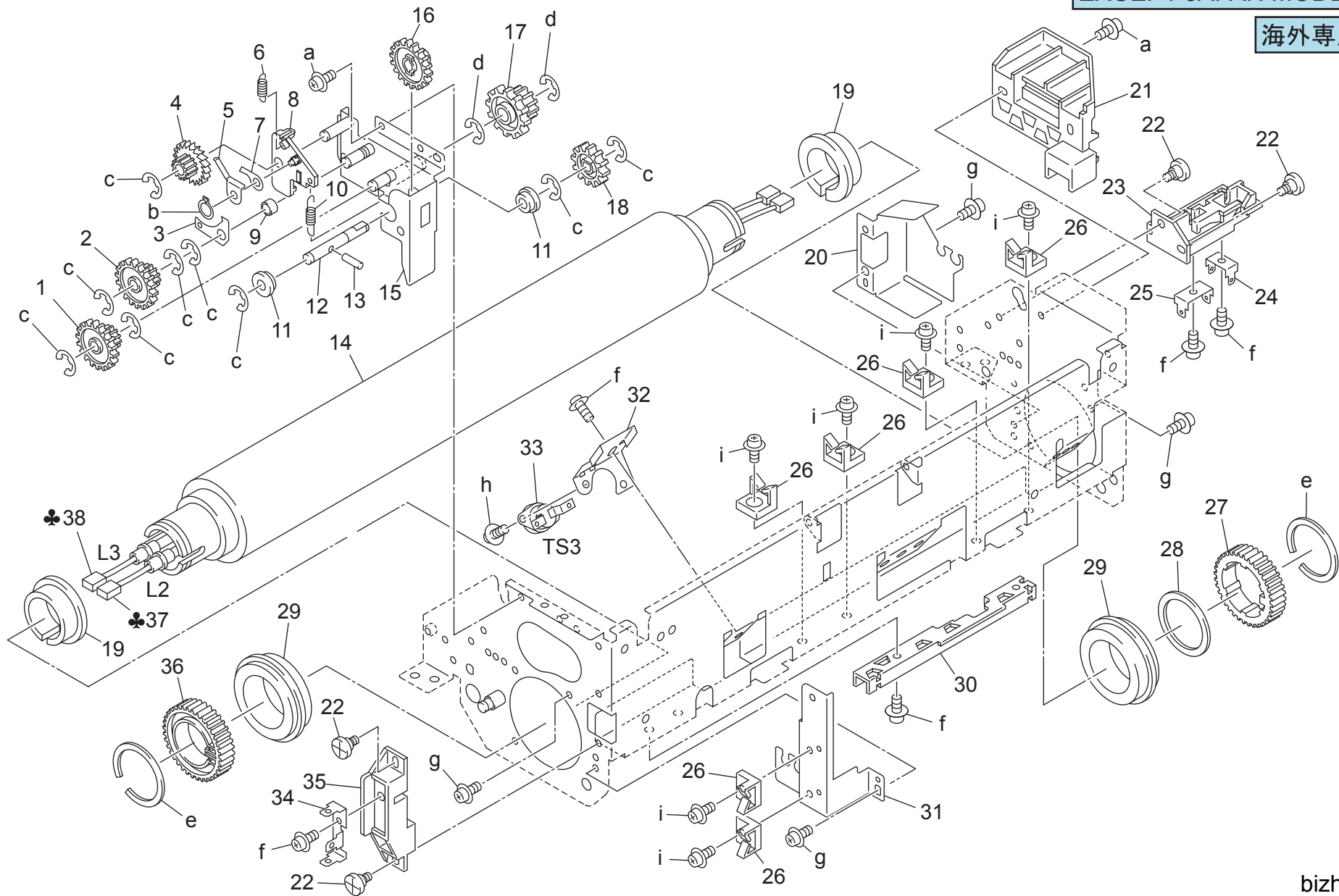
| Key | Part No. | Description | Destinations | Class | QTY | Standard parts | |
|-----|--------------|----------------------------------|---------------|-------------------------------------|-----|----------------|--|
| 1 | 56AA 5418 0 | FIXING PAPER EXIT PLATE LOWER | 定着排紙板 下 | B,C,D1,D3,E,F1,F2,G 1,G2,H,I,J,K | D | 1 | a-V140 0406 03 b-V121 0306 03 c-V217 0400 50 d-V121 0304 03 e-V121 0406 03 f-V123 0406 03 |
| 2 | 56AA 1711 0 | JAM DETECTING SPRING | ジャム検知バネ | B,C,D1,D3,E,F1,F2,G 1,G2,H,I,J,K | C | 2 | |
| 3 | 56AA 1790 0 | FIXING PAPER EXIT SCREW | 定着排紙ネジ | B,C,D1,D3,E,F1,F2,G 1,G2,H,I,J,K | C | 2 | |
| 4 | 56QA 5320 0 | FIXING CLAW LOWER | 定着爪 下 | B,C,D1,D3,E,F1,F2,G 1,G2,H,I,J,K | A | 3 | |
| 5 | 56AA 1713 0 | SEPARATING SPRING LOWER | 分離バネ 下 | B,C,D1,D3,E,F1,F2,G 1,G2,H,I,J,K | C | 3 | |
| 6 | 56QA 5451 0 | FIXING PAPER EXIT PLATE UPPER | 定着排紙板 上 | B,C,D1,D3,E,F1,F2,G 1,G2,H,I,J,K | D | 1 | |
| 7 | 57AA 9727 1E | Jam Release Label /8 | ジャム解除ラベル / 8 | B,C,D1,D3,E,F1,F2,G 1,G2,H,I,J,K | C | 1 | |
| 8 | 56QA 9730 0 | Jam Release Label /6 | ジャム解除ラベル / 6 | B,C,D1,D3,E,F1,F2,G 1,G2,H,I,J,K | D | 1 | |
| 9 | 56AA 5373 3 | PAPEREXITENTRANCEPLATE UPP | 排紙進入板 / 上 | B,C,D1,D3,E,F1,F2,G 1,G2,H,I,J,K | C | 1 | |
| 10 | 57AE 5475 0 | INSULATING SHEET /1 | 絶縁シート / 1 | B,C,D1,D3,E,F1,F2,G 1,G2,H,I,J,K | D | 1 | |
| 11 | 56AA 5395 1 | Fixing Heat Insulate Sheet /B | 定着断熱シート / B | B,C,D1,D3,E,F1,F2,G 1,G2,H,I,J,K | C | 1 | |
| 12 | 26NA 5403 0 | MOUNT SCREW | 取り付けネジ | B,C,D1,D3,E,F1,F2,G 1,G2,H,I,J,K | C | 2 | |
| 13 | 57AE 9008 1 | FIXING POWER SUPPLY WIRING 1 | 定着給電束線 1 | B,C,D1,D3,E,F1,F2,G 1,G2,H,I,J,K | D | 1 | |
| 14 | 57AE 5472 0 | POWER SOURCE MOUNTING PLATE /L | 電源取り付け板 / 下 | B,C,D1,D3,E,F1,F2,G 1,G2,H,I,J,K | D | 1 | |
| 15 | 4660 7602 0 | PAPER FEED SHAFT HOLDER | 給紙送り出し軸受 | B,C,D1,D3,E,F1,F2,G 1,G2,H,I,J,K | B | 2 | |
| 16 | 56QA 5449 0 | PAPER EXIT RELEASE HANDLE | 排紙解除把手 | B,C,D1,D3,E,F1,F2,G 1,G2,H,I,J,K | C | 1 | |
| 17 | 56AA -565 1 | PAPER EXIT MOUNTING PLATE /2 | 排紙取り付け板 / 2部組 | B,C,D1,D3,E,F1,F2,G 1,G2,H,I,J,K | D | 1 | |
| 18 | 56AA 5375 1 | PAPER EXIT PRESSING SPRING REAR | 排紙押圧バネ 奥 | B,C,D1,D3,E,F1,F2,G 1,G2,H,I,J,K | C | 1 | |
| 19 | 56AA 5380 2 | PAPER EXIT GUIDE PART RIGHT | 排紙ガイド部材 右 | B,C,D1,D3,E,F1,F2,G 1,G2,H,I,J,K | D | 1 | |
| 20 | 56AA 5408 0 | PAPER EXIT GUIDE PLATE LOWER | 排紙ガイド板 下 | B,C,D1,D3,E,F1,F2,G 1,G2,H,I,J,K | D | 1 | |
| 21 | 56AA -564 0 | PAPER EXIT MOUTNG PLATE 1 | 排紙取り付け板 1部組 | B,C,D1,D3,E,F1,F2,G 1,G2,H,I,J,K | D | 1 | |
| 22 | 56AA 5374 1 | PAPER EXIT PRESSING SPRING FRONT | 排紙押圧バネ 前 | B,C,D1,D3,E,F1,F2,G 1,G2,H,I,J,K | C | 1 | |
| 23 | 56AA 5382 0 | POSITIONING LEVER | 位置決めレバー | B,C,D1,D3,E,F1,F2,G 1,G2,H,I,J,K | C | 1 | |
| | | | | | | | |
| | | | | | | | |

FIXING UNIT

P 44

EXCEPT JAPAN MODEL

海外専用



| Key | Part No. | Description | Destinations | Class | QTY | Standard parts |
|-----|-------------|---|-------------------------------------|-------|-----|--|
| 1 | 57AA 7712 0 | FIXING CLEANING GEAR E 27/11T 定着清掃ギア E 27 / 11 T | B,C,D1,D3,E,F1,F2,G 1,G2,H,I,J,K | B | 1 | a-V121 0306 03 b-V221 0300 50 c-V217 0400 50 d-V217 0600 50 e-V223 3000 04 f-V123 0306 03 g-V140 0406 03 h-V118 0304 03 i-V118 0406 03 |
| 2 | 57AA 7711 0 | FIXING CLEANING GEAR D 44/11T 定着清掃ギア D 44 / 11 T | B,C,D1,D3,E,F1,F2,G 1,G2,H,I,J,K | B | 1 | |
| 3 | 5400 5351 0 | REGULATE CLAW 規制爪 | B,C,D1,D3,E,F1,F2,G 1,G2,H,I,J,K | C | 1 | |
| 4 | 56AA 7734 0 | FIXING CLEANING GEAR 1 18T 定着清掃歯車 1 18 T | B,C,D1,D3,E,F1,F2,G 1,G2,H,I,J,K | B | 1 | |
| 5 | 56QA 5453 0 | HOLDING SPRING 押えバネ | B,C,D1,D3,E,F1,F2,G 1,G2,H,I,J,K | C | 1 | |
| 6 | 56AA 5435 0 | SOLENOID PULLING SPRING ソレノイド引張りバネ | B,C,D1,D3,E,F1,F2,G 1,G2,H,I,J,K | C | 1 | |
| 7 | 5400 5346 0 | ROCKING CLAW 揺動爪 | B,C,D1,D3,E,F1,F2,G 1,G2,H,I,J,K | C | 1 | |
| 8 | 56QA 5440 0 | ROCKING LEVER 揺動レバー | B,C,D1,D3,E,F1,F2,G 1,G2,H,I,J,K | C | 1 | |
| 9 | 56QA 5442 0 | STOPPER PART ストッパ部材 | B,C,D1,D3,E,F1,F2,G 1,G2,H,I,J,K | D | 1 | |
| 10 | 56QA 5441 0 | SOLENOID PULLING SPRING ソレノイド引張りバネ | B,C,D1,D3,E,F1,F2,G 1,G2,H,I,J,K | C | 1 | |
| 11 | 5400 7606 0 | FIXING CLEANING SHAFT HOLDER A 定着清掃軸受 A | B,C,D1,D3,E,F1,F2,G 1,G2,H,I,J,K | C | 2 | |
| 12 | 56AA 5343 1 | CLEANING SHAFT 清掃軸 | B,C,D1,D3,E,F1,F2,G 1,G2,H,I,J,K | D | 1 | |
| 13 | 56AA 1753 1 | PIN A D2X10 ピン A D 2 X 10 | B,C,D1,D3,E,F1,F2,G 1,G2,H,I,J,K | C | 1 | |
| 14 | 56AA 5305 2 | FIXING ROLLER UPPER 定着ローラ 上 | B,C,D1,D3,E,F1,F2,G 1,G2,H,I,J,K | A | 1 | |
| 15 | 57AE 5478 0 | DRIVE MAIN BODY /A 駆動 本体 / A | B,C,D1,D3,E,F1,F2,G 1,G2,H,I,J,K | D | 1 | |
| 16 | 57AA 7717 0 | FIXING CLEANING GEAR G 27T 定着清掃ギア G 27 T | B,C,D1,D3,E,F1,F2,G 1,G2,H,I,J,K | B | 1 | |
| 17 | 57AA 7718 0 | FIXING CLEANING GEAR H 25/15T 定着清掃ギア H 25 / 15 T | B,C,D1,D3,E,F1,F2,G 1,G2,H,I,J,K | B | 1 | |
| 18 | 56AA 7735 0 | FIXING CLEANING GEAR 2 19T 定着清掃歯車 2 19 T | B,C,D1,D3,E,F1,F2,G 1,G2,H,I,J,K | B | 1 | |
| 19 | 4540 5339 1 | HEAT INSULATE SLEEVE 断熱スリーブ | B,C,D1,D3,E,F1,F2,G 1,G2,H,I,J,K | A | 2 | |
| 20 | 56AA 5358 2 | LAMP MOUNTING PLATE REAR ランプ取付板 / 奥 | B,C,D1,D3,E,F1,F2,G 1,G2,H,I,J,K | D | 1 | |
| 21 | 56AA 5412 1 | FIXING HANDLE 定着把手 | B,C,D1,D3,E,F1,F2,G 1,G2,H,I,J,K | C | 1 | |
| 22 | 56AA 5422 0 | FIXING SCREW 2 固定ネジ 2 | B,C,D1,D3,E,F1,F2,G 1,G2,H,I,J,K | C | 4 | |
| 23 | 56AA 5361 0 | TERMINAL PEDESTAL 3 端子台 3 | B,C,D1,D3,E,F1,F2,G 1,G2,H,I,J,K | C | 1 | |
| 24 | 56AA 5365 0 | TERMINAL PLATE 3 端子板 3 | B,C,D1,D3,E,F1,F2,G 1,G2,H,I,J,K | C | 1 | |
| 25 | 56AA 5366 0 | TERMINAL PLATE 4 端子板 4 | B,C,D1,D3,E,F1,F2,G 1,G2,H,I,J,K | C | 1 | |
| 26 | 55GA 5365 2 | WIRING HOLDING PART 束線ホルダ一部材 | B,C,D1,D3,E,F1,F2,G 1,G2,H,I,J,K | C | 6 | |
| 27 | 5440 7720 1 | FIXING DRIVE GEAR B 50T 定着駆動歯車 B 50 T | B,C,D1,D3,E,F1,F2,G 1,G2,H,I,J,K | B | 1 | |

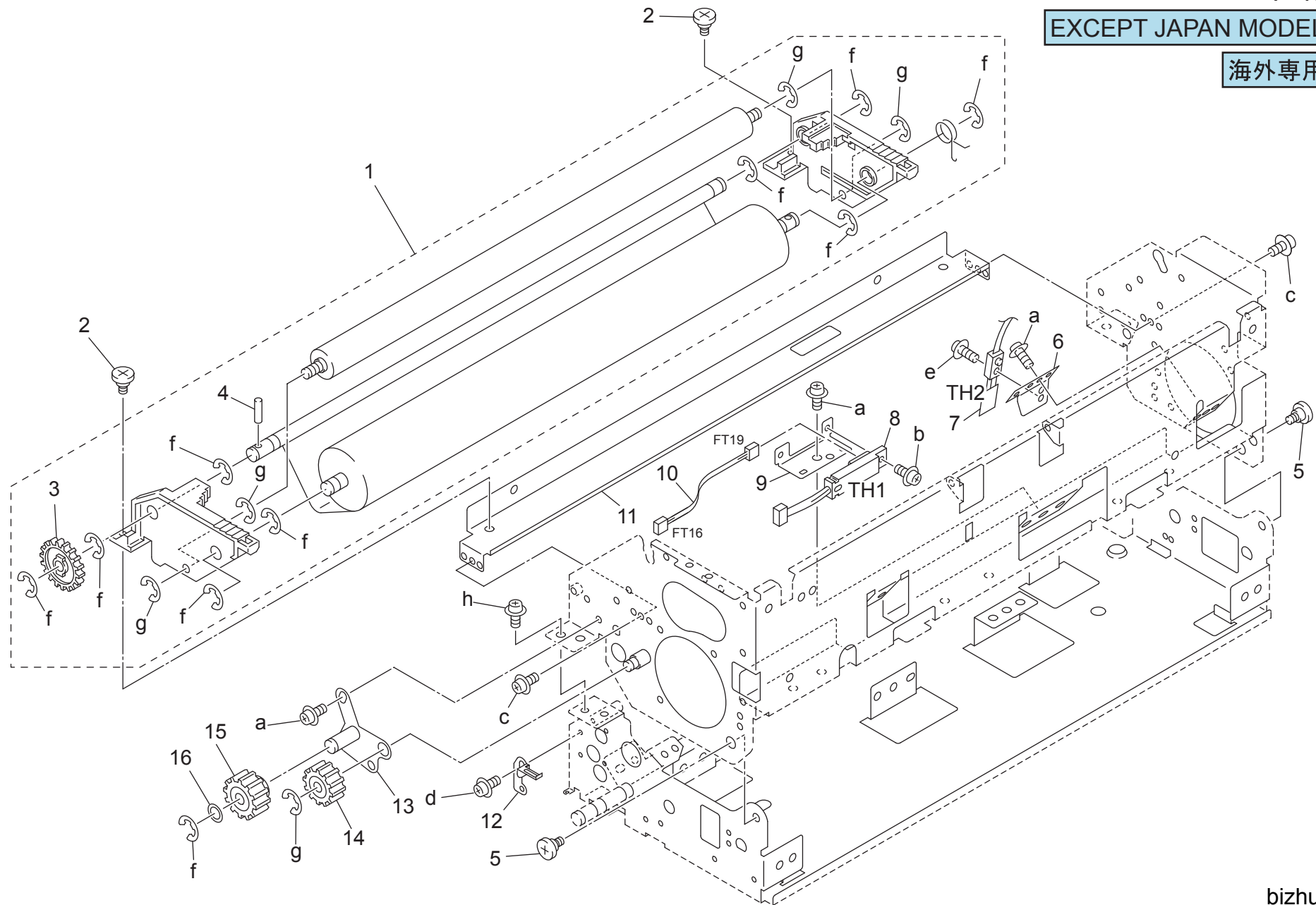
| Key | Part No. | Description | Destinations | Class | QTY | Standard parts |
|-----|-------------|-------------------------------|---------------|-------------------------------------|-----|----------------|
| 28 | 56QA 5443 0 | FIXING DRIVE SPACER REAR | 定着駆動スペーサー 奥 | B,C,D1,D3,E,F1,F2,G 1,G2,H,I,J,K | C | 1 |
| 29 | 4540 7504 0 | BALL BEARING | ボールベアリング | B,C,D1,D3,E,F1,F2,G 1,G2,H,I,J,K | A | 2 |
| 30 | 57AA 5382 0 | WIRING GUIDE PART /LOWER | 束線ガイド部材/下 | B,C,D1,D3,E,F1,F2,G 1,G2,H,I,J,K | D | 1 |
| 31 | 57AE 5476 0 | LAMP MOUNTING PLATE /FRONT | ランプ取り付け板/前 | B,C,D1,D3,E,F1,F2,G 1,G2,H,I,J,K | D | 1 |
| 32 | 5400 5354 0 | FUSE MOUNTING PLATE | ヒューズ取付板 | B,C,D1,D3,E,F1,F2,G 1,G2,H,I,J,K | C | 1 |
| 33 | SP00 -002 2 | THERMOSTAT | サーモスタット | B,C,D1,D3,E,F1,F2,G 1,G2,H,I,J,K | A | 1 |
| 34 | 56AA 5363 0 | TERMINAL PLATE 1 | 端子板 1 | B,C,D1,D3,E,F1,F2,G 1,G2,H,I,J,K | C | 1 |
| 35 | 56AA 5359 0 | TERMINAL PEDESTAL 1 | 端子台 1 | B,C,D1,D3,E,F1,F2,G 1,G2,H,I,J,K | C | 1 |
| 36 | 56QA 7721 0 | FIXING DRIVING GEAR FRONT 50T | 定着駆動歯車 前 50 T | B,C,D1,D3,E,F1,F2,G 1,G2,H,I,J,K | B | 1 |
| 37 | 56AE 8303 1 | FIXING LAMP 1 | 定着ランプ 1 | B,G2,H | B | 1 |
| 37 | 56AF 8303 1 | FIXING LAMP 1 | 定着ランプ 1 | C,D1,D3,E,F2,G1,I,J ,K | B | 1 |
| 37 | 56AS 8303 0 | FIXING LAMP 1 | 定着ランプ 1 | F1 | B | 1 |
| 38 | 56AE 8304 1 | FIXING LAMP 2 | 定着ランプ 2 | B,G2 | B | 1 |
| 38 | 56AF 8304 1 | FIXING LAMP 2 | 定着ランプ 2 | C,D1,D3,E,F2,G1,I,J ,K | B | 1 |
| 38 | 56AK 8304 0 | FIXING LAMP 2 | 定着ランプ 2 | H | B | 1 |
| 38 | 56AS 8304 0 | FIXING LAMP 2 | 定着ランプ 2 | F1 | B | 1 |
| | | | | | | |
| | | | | | | |
| | | | | | | |
| | | | | | | |
| | | | | | | |
| | | | | | | |
| | | | | | | |
| | | | | | | |

FIXING UNIT

P 45

EXCEPT JAPAN MODEL

海外専用



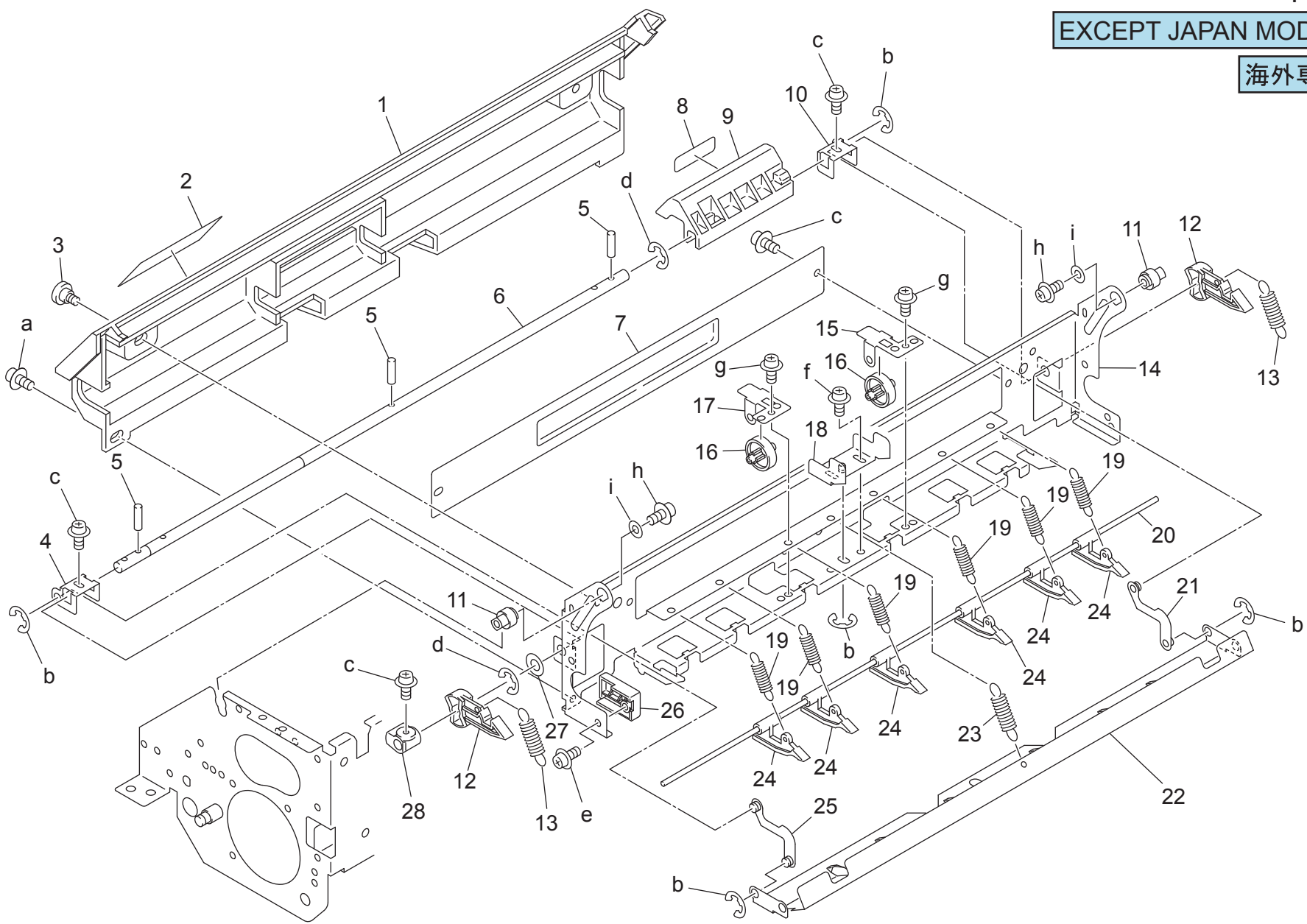
| Key | Part No. | Description | Destinations | Class | QTY | Standard parts |
|-----|--------------|------------------------------|-----------------|-------|-----|----------------|
| 1 | 57AE R703 00 | WEB UNIT | ウェブユニット | A | 1 | a-V123 0306 03 |
| 2 | 56AA 5467 1 | FIXING CLEANING SCREW | 定着清掃ネジ | C | 2 | b-V123 0308 03 |
| 3 | 57AA 7713 0 | FIXING CLEANING GEAR F 29T | 定着清掃ギア F 29 T | B | 1 | c-V121 0306 03 |
| 4 | 56AA 1755 1 | PIN A | ピン A | C | 1 | d-V121 0304 03 |
| 5 | 56AA 5347 0 | FIXING FULCRUM SHAFT | 定着支点軸 | D | 2 | e-V123 0310 03 |
| 6 | 56AA 5429 2 | SUPPORT PART | センサ支持部材 | D | 1 | f-V217 0600 50 |
| 7 | 57AE 8804 0 | TEMPERATURE SENSOR 2 | 温度センサ 2 | B | 1 | g-V217 0400 50 |
| 8 | 57AE 8801 0 | TEMPERATURE SENSOR C | 温度センサ C | B | 1 | h-V140 0406 03 |
| 9 | 57AE 5470 0 | SUPPORT PART MIDDLE | センサ支持部材 中 | D | 1 | |
| 10 | 56AA 9363 0 | FIXING RELAY WIRING 2 | 定着中継束線 2 | D | 1 | |
| 11 | 56AA 5356 2 | RELEASE STAY | 解除ステー | C | 1 | |
| 12 | 56AA 5453 0 | FIXING EARTH SPRING | 定着アースバネ | C | 1 | |
| 13 | 56AA 5446 3D | Drive Stopper Plate | 駆動突当て板 | D | 1 | |
| 14 | 25BA 7719 1 | FIXING IDLER GEAR BLACK 19T | 定着アイドル歯車 黒 19 T | B | 1 | |
| 15 | 56AA 7721 0 | PAPER EXIT IDLING GEAR 1 25T | 排紙アイドル歯車 1 25 T | B | 1 | |
| 16 | 12QV 4065 0 | SPACER | スペーサー | B | 1 | |
| | | | | | | |
| | | | | | | |
| | | | | | | |
| | | | | | | |
| | | | | | | |

FIXING UNIT

P 46

EXCEPT JAPAN MODEL

海外専用



| Key | Part No. | Description | Destinations | Class | QTY | Standard parts | |
|-----|--------------|------------------------------|----------------|-------------------------------------|-----|----------------|----------------|
| 1 | 56AA 5337 0 | JAM PROCESSING COVER | ジャム処理カバー | B,C,D1,D3,E,F1,F2,G 1,G2,H,I,J,K | C | 1 | a-V140 0406 03 |
| 2 | 57AA 9778 0 | Fixing Open/Close Label | 定着開閉ラベル | B,C,D1,D3,E,F1,F2,G 1,G2,H,I,J,K | C | 1 | b-V217 0300 50 |
| 3 | 56AA 5421 0 | FIXING SCREW 1 | 固定ネジ 1 | B,C,D1,D3,E,F1,F2,G 1,G2,H,I,J,K | C | 1 | c-V121 0306 03 |
| 4 | 56AA 5437 0 | PAPER EXIT RELEASE PLATE A | 排紙解除板 A | B,C,D1,D3,E,F1,F2,G 1,G2,H,I,J,K | D | 1 | d-V217 0400 50 |
| 5 | 56AA 1732 1 | PIN A D2X12 | ピン A D 2 X 1 2 | B,C,D1,D3,E,F1,F2,G 1,G2,H,I,J,K | B | 3 | e-V121 0318 03 |
| 6 | 56AA 5315 1 | LOCK SHAFT/1 | ロック軸 / 1 | B,C,D1,D3,E,F1,F2,G 1,G2,H,I,J,K | D | 1 | f-V123 0306 03 |
| 7 | 56AA 5312 1 | RELEASE PLATE 2 | 解除板 2 | B,C,D1,D3,E,F1,F2,G 1,G2,H,I,J,K | D | 1 | g-V121 0303 03 |
| 8 | 57AA 9725 1E | Jam Release Label /6 | ジャム解除ラベル / 6 | B,C,D1,D3,E,F1,F2,G 1,G2,H,I,J,K | C | 1 | h-V118 0408 03 |
| 9 | 56QA 5433 0 | JAM RELEASE LEVER | ジャム解除レバー | B,C,D1,D3,E,F1,F2,G 1,G2,H,I,J,K | C | 1 | i-V209 0400 03 |
| 10 | 56AA 5438 0 | PAPER EXIT RELEASE PLATE B | 排紙解除板 B | B,C,D1,D3,E,F1,F2,G 1,G2,H,I,J,K | D | 1 | |
| 11 | 56AA 5320 0 | FIXING MOUNTING SHAFT FRONT | 定着取り付け軸 前 | B,C,D1,D3,E,F1,F2,G 1,G2,H,I,J,K | D | 2 | |
| 12 | 56AA 5316 0 | LOCKING CLAW FRONT | ロック爪 前 | B,C,D1,D3,E,F1,F2,G 1,G2,H,I,J,K | C | 2 | |
| 13 | 56AA 5436 0 | FIXING LOCKING SPRING | 定着ロックバネ | B,C,D1,D3,E,F1,F2,G 1,G2,H,I,J,K | C | 2 | |
| 14 | 56AA 5303 2 | FIXINGPAPEREXITPLATE RIGHT | 定着排紙板 / 右 | B,C,D1,D3,E,F1,F2,G 1,G2,H,I,J,K | C | 1 | |
| 15 | 56AA 5457 3 | PRESSING PLATE 1 | 押圧板 1 | B,C,D1,D3,E,F1,F2,G 1,G2,H,I,J,K | D | 1 | |
| 16 | 56AA 5466 0 | PAPER EXIT ROLLER | 排紙コロ | B,C,D1,D3,E,F1,F2,G 1,G2,H,I,J,K | C | 2 | |
| 17 | 56AA 5458 3 | PRESSING PLATE 2 | 押圧板 2 | B,C,D1,D3,E,F1,F2,G 1,G2,H,I,J,K | D | 1 | |
| 18 | 56AA -568 1 | PAPER EXIT POSITIONING PLATE | 排紙位置決め板 部組 | B,C,D1,D3,E,F1,F2,G 1,G2,H,I,J,K | D | 1 | |
| 19 | 56AA 5324 0 | SEPARATING SPRING UPPER | 分離バネ 上 | B,C,D1,D3,E,F1,F2,G 1,G2,H,I,J,K | C | 6 | |
| 20 | 56AA 5425 0D | Separation Support Shaft /A | 分離支点軸 / A | B,C,D1,D3,E,F1,F2,G 1,G2,H,I,J,K | D | 1 | |
| 21 | 56AA 5439 1 | LEVER RELEASE PLATE/1 | レバー解除板 / 1 | B,C,D1,D3,E,F1,F2,G 1,G2,H,I,J,K | D | 1 | |
| 22 | 56AA 5318 0 | FIXING PAPER EXIT PLATE LEFT | 定着排紙板 左 | B,C,D1,D3,E,F1,F2,G 1,G2,H,I,J,K | D | 1 | |
| 23 | 56AA 5434 0 | FIXING RELEASE SPRING | 定着解除バネ | B,C,D1,D3,E,F1,F2,G 1,G2,H,I,J,K | C | 1 | |
| 24 | 56AA 5427 0 | FIXING CLAW UPPER | 定着爪 上 | B,C,D1,D3,E,F1,F2,G 1,G2,H,I,J,K | A | 6 | |
| 25 | 56AA 5440 1 | LEVER RELEASE PLATE/2 | レバー解除板 / 2 | B,C,D1,D3,E,F1,F2,G 1,G2,H,I,J,K | D | 1 | |
| 26 | 57AE 5479 0 | Fixing Insulating Part /2 | 定着断熱部材 / 2 | B,C,D1,D3,E,F1,F2,G 1,G2,H,I,J,K | C | 1 | |
| 27 | 26MA 7406 0 | SPACER A | スペーサー A | B,C,D1,D3,E,F1,F2,G 1,G2,H,I,J,K | C | 1 | |

| Key | Part No. | Description | Destinations | Class | QTY | Standard parts |
|-----|-------------|-------------------------------|-------------------------------------|-------|-----|----------------|
| 28 | 56AA 5317 2 | FIXING ROCKING CAM 定着首振りカム | B,C,D1,D3,E,F1,F2,G 1,G2,H,I,J,K | C | 1 | |
| | | | | | | |
| | | | | | | |
| | | | | | | |
| | | | | | | |
| | | | | | | |
| | | | | | | |
| | | | | | | |
| | | | | | | |
| | | | | | | |
| | | | | | | |
| | | | | | | |
| | | | | | | |
| | | | | | | |
| | | | | | | |
| | | | | | | |
| | | | | | | |
| | | | | | | |
| | | | | | | |
| | | | | | | |
| | | | | | | |
| | | | | | | |
| | | | | | | |
| | | | | | | |
| | | | | | | |

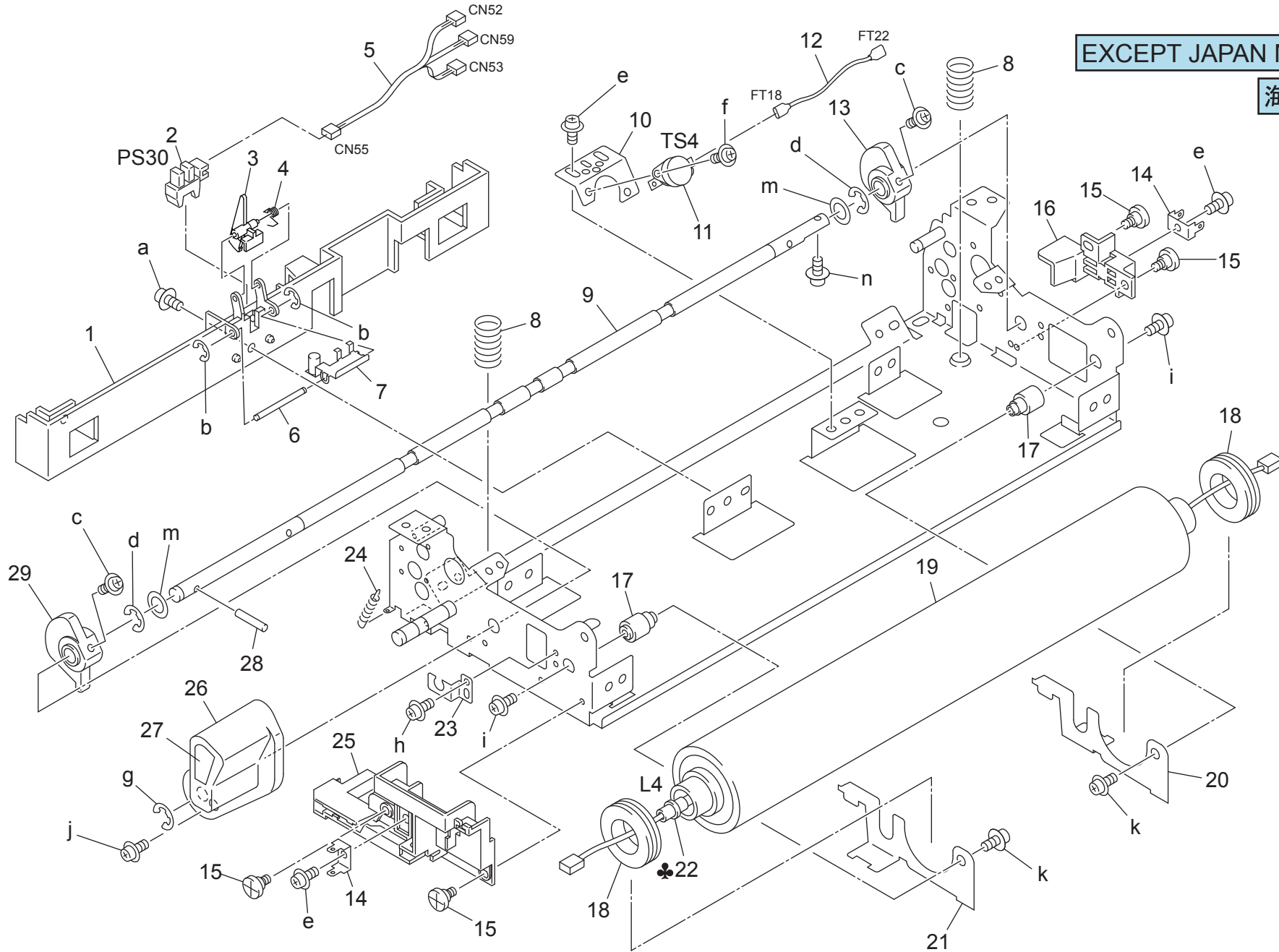
bizhub 601

FIXING UNIT

P 47

EXCEPT JAPAN MODEL

海外専用



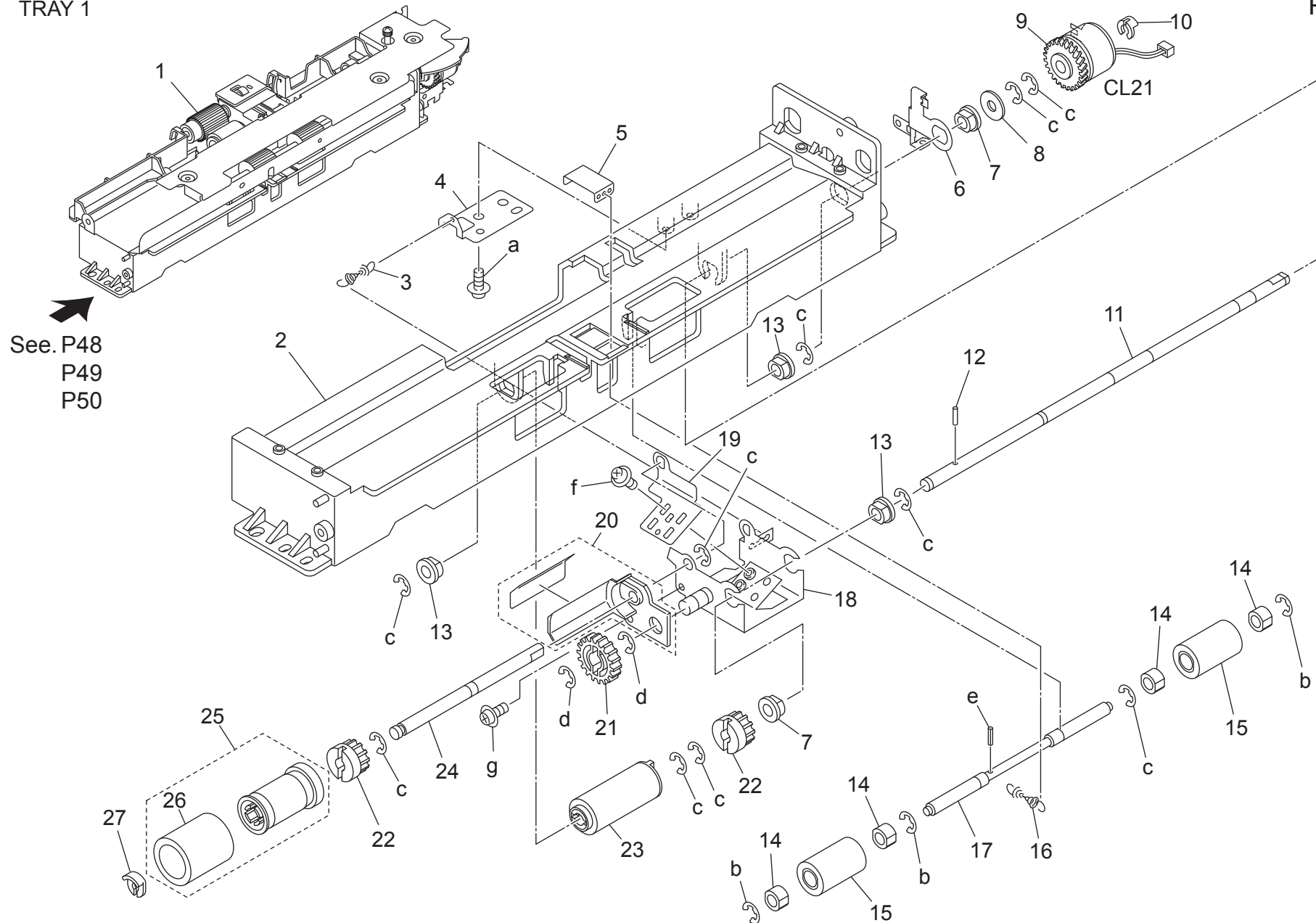
| Key | Part No. | Description | Destinations | Class | QTY | Standard parts | |
|-----|--------------|-----------------------------|--------------|-------------------------------------|-----|----------------|--|
| 1 | 56AA 5402 0 | MOUNTING PART | センサ取り付け部材 | B,C,D1,D3,E,F1,F2,G 1,G2,H,I,J,K | C | 1 | a-V121 0306 03 b-V217 0200 50 |
| 2 | 55VA 8552 1 | PHOTO SENSOR | フォトセンサ | B,C,D1,D3,E,F1,F2,G 1,G2,H,I,J,K | C | 1 | c-V121 0410 03 d-V217 0700 50 |
| 3 | 57AA 5320 0 | PAPER EXIT ACTUATOR | 排紙アクチュエタ | B,C,D1,D3,E,F1,F2,G 1,G2,H,I,J,K | C | 1 | e-V123 0306 03 f-V118 0304 03 |
| 4 | 57AA 5322 0 | PAPER EXIT DETECTION SPRING | 排紙検知バネ | B,C,D1,D3,E,F1,F2,G 1,G2,H,I,J,K | C | 1 | g-V217 0600 50 h-V140 0406 03 |
| 5 | 57AE 9368 0 | FIXING CONNECTING WIRING 2 | 定着連結束線 2 | B,C,D1,D3,E,F1,F2,G 1,G2,H,I,J,K | D | 1 | i-V121 0408 03 j-V145 0310 03 k-V118 0406 03 m-V207 0800 03 n-V121 0425 03 |
| 6 | 56AA 5401 0D | Support Shaft | 支持軸 | B,C,D1,D3,E,F1,F2,G 1,G2,H,I,J,K | D | 1 | |
| 7 | 56AA -549 0 | DETECTION PLATE ASSY | 検知板部組 | B,C,D1,D3,E,F1,F2,G 1,G2,H,I,J,K | D | 1 | |
| 8 | 56QA 5304 0 | PRESSURE SPRING | 圧着バネ | B,C,D1,D3,E,F1,F2,G 1,G2,H,I,J,K | C | 2 | |
| 9 | 56QA 5452 0 | FIXING RELEASE SHAFT | 定着解除軸 | B,C,D1,D3,E,F1,F2,G 1,G2,H,I,J,K | D | 1 | |
| 10 | 56AA 5407 1 | MOUNTING PLATE | センサ取り付け板 | B,C,D1,D3,E,F1,F2,G 1,G2,H,I,J,K | D | 1 | |
| 11 | 25BA 8847 2E | THERMOSTAT /2 | サーモスタット /2 | B,C,D1,D3,E,F1,F2,G 1,G2,H,I,J,K | A | 1 | |
| 12 | 57AE 9362 0 | FIXING RELAY WIRING 1 | 定着中継束線 1 | B,C,D1,D3,E,F1,F2,G 1,G2,H,I,J,K | D | 1 | |
| 13 | 56AA 5430 1 | PRESSURE CAM REAR | 圧着カム 奥 | B,C,D1,D3,E,F1,F2,G 1,G2,H,I,J,K | C | 1 | |
| 14 | 56AA 5365 0 | TERMINAL PLATE 3 | 端子板 3 | B,C,D1,D3,E,F1,F2,G 1,G2,H,I,J,K | C | 2 | |
| 15 | 56AA 5422 0 | FIXING SCREW 2 | 固定ネジ 2 | | C | 4 | |
| 16 | 56AA 5362 1E | Terminal Pedestal /4 | 端子 台 /4 | B,C,D1,D3,E,F1,F2,G 1,G2,H,I,J,K | C | 1 | |
| 17 | 56AA 5350 0 | LEVER SUPPORT SHAFT /1 | レバー支点軸 /1 | B,C,D1,D3,E,F1,F2,G 1,G2,H,I,J,K | D | 2 | |
| 18 | 57AE 7504 0 | FIXING ROLLER BEARING LOWER | 定着転がり軸受 下 | B,C,D1,D3,E,F1,F2,G 1,G2,H,I,J,K | A | 2 | |
| 19 | 57AE 5306 0 | FUSING ROLLER LOWER | 定着ローラ 下 | B,C,D1,D3,E,F1,F2,G 1,G2,H,I,J,K | A | 1 | |
| 20 | 56AA 5349 1 | RELEASE LEVER /REAR | 解除レバー /奥 | B,C,D1,D3,E,F1,F2,G 1,G2,H,I,J,K | D | 1 | |
| 21 | 56AA 5348 1 | RELEASE LEVER /FRONT | 解除レバー /前 | B,C,D1,D3,E,F1,F2,G 1,G2,H,I,J,K | D | 1 | |
| 22 | 56AE 8305 1 | FIXING LAMP 3 | 定着ランプ 3 | B,G2,H | B | 1 | |
| 22 | 56AF 8305 1 | FIXING LAMP 3 | 定着ランプ 3 | C,D1,D3,E,F2,G1,I,J ,K | B | 1 | |
| 22 | 56AS 8305 0 | FIXING LAMP 3 | 定着ランプ 3 | F1 | B | 1 | |
| 23 | 56AA 5406 1E | Lamp Mounting Plate | ランプ取付板 | B,C,D1,D3,E,F1,F2,G 1,G2,H,I,J,K | D | 1 | |
| 24 | 56AA 5383 0 | REGULATING SPRING 1 | 規制バネ 1 | B,C,D1,D3,E,F1,F2,G 1,G2,H,I,J,K | C | 1 | |
| 25 | 57AE 5471 0 | TERMINAL PEDESTAL 2 | 端子台 2 | B,C,D1,D3,E,F1,F2,G 1,G2,H,I,J,K | D | 1 | |
| 26 | 57AE 5477 0 | FIXING LEVER | 定着レバー | B,C,D1,D3,E,F1,F2,G 1,G2,H,I,J,K | C | 1 | |
| 27 | 57AA 9724 1E | Jam Release Label /5 | ジャム解除ラベル /5 | B,C,D1,D3,E,F1,F2,G 1,G2,H,I,J,K | C | 1 | |

| Key | Part No. | Description | | Destinations | Class | QTY | Standard parts |
|-----|-------------|--------------------|--------|-------------------------------------|-------|-----|----------------|
| 28 | 56AA 5450 0 | PIN 1 | ピン 1 | B,C,D1,D3,E,F1,F2,G 1,G2,H,I,J,K | D | 1 | |
| 29 | 56AA 5405 1 | PRESSURE CAM FRONT | 圧着カム 前 | B,C,D1,D3,E,F1,F2,G 1,G2,H,I,J,K | C | 1 | |
| | | | | | | | |
| | | | | | | | |
| | | | | | | | |
| | | | | | | | |
| | | | | | | | |
| | | | | | | | |
| | | | | | | | |
| | | | | | | | |
| | | | | | | | |
| | | | | | | | |
| | | | | | | | |

PAPER FEED UNIT

TRAY 1

P 48



See. P48
P49
P50

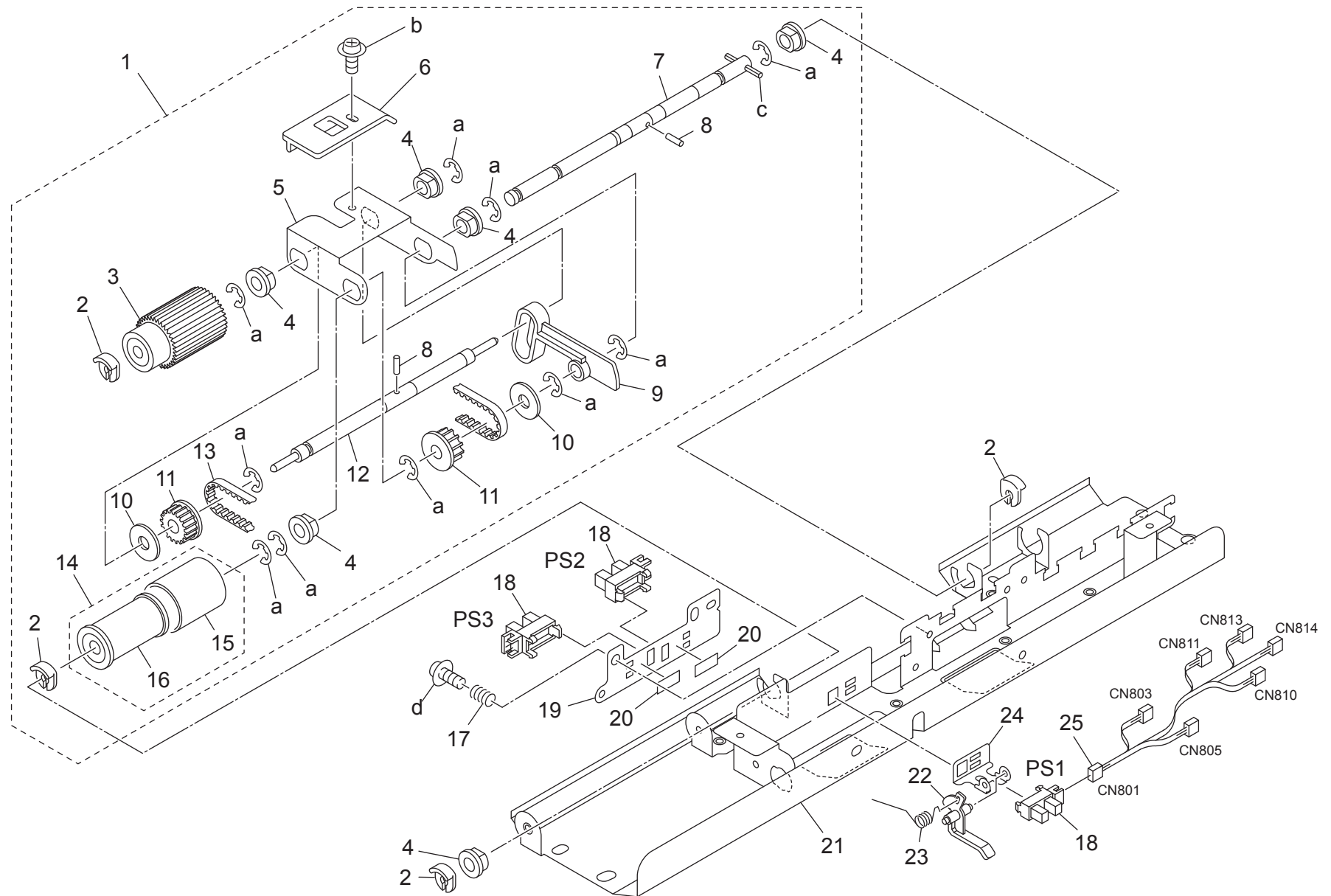
PAPER FEED UNIT

| Key | Part No. | Description | Destinations | Class | QTY | Standard parts |
|-----|--------------|---------------------------------|-----------------|-------|-----|----------------|
| 1 | 57AA -400 1 | PAPER FEED UNIT | 給紙ユニット | S | 1 | a-V151 0308 03 |
| 2 | 56AA 4001 0 | Paper Feed Main Body | 給紙本体 | C | 1 | b-V217 0300 50 |
| 3 | 57AA 4042 0 | MULTI FEED PREVENTING SPRING | 重送防止バネ | C | 1 | c-V217 0400 50 |
| 4 | 56AA 4044 0 | SPRING MOUNTING PLATE 2 | バネ取り付け板 / 2 | D | 1 | d-V217 0600 50 |
| 5 | 56AA 4043 0 | SPRING MOUNTING PLATE 1 | バネ取り付け板 / 1 | D | 1 | e-V233 1610 50 |
| 6 | 57AA 4047 0 | SCREW EARTH PLATE | ネジアース板 | C | 1 | f-V123 0306 03 |
| 7 | 08AA 7601 0 | DRUM DRIVING SHAFT HOLDER | ドラム駆動軸受 | C | 2 | g-V121 0306 03 |
| 8 | 56AA 1776 0 | COLLAR | カラー | C | 1 | |
| 9 | 57AA 8203 0 | CONVEYANCE DRIVE CLUTCH | 搬送駆動クラッチ | C | 1 | |
| 10 | 12QV 4066 0 | SHAFT POSITIONING PART | 軸位置決め部材 | C | 1 | |
| 11 | 57AA 4025 0 | MULTI-FEED SUPPORT SHAFT | 重送支点軸 | D | 1 | |
| 12 | 56AA 1751 0 | PIN B | ピン B | C | 1 | |
| 13 | 57AA 7506 0 | PAPER EXIT DRIVE SHAFT HOLDER | 排紙駆動軸受 | C | 3 | |
| 14 | 56GA 7601 0 | SLIDE SHAFT HOLDER 2 | 滑り軸受 2 | C | 4 | |
| 15 | 26NA 4256 0 | BY PASS FEED DRIVEN ROLLER | 手差し従動ローラ | C | 2 | |
| 16 | 56AA 4048 1 | PAPERFEEDPRESSINGSRING | 給紙押圧バネ | C | 1 | |
| 17 | 56AA 4033 0 | PAPER FEED DRIVEN SHAFT | 給紙従動軸 | D | 1 | |
| 18 | 56QA 4008 0 | Multi-feed Preventing Plate | 重送防止板 | C | 1 | |
| 19 | 56QA 4055 0 | MULTI FEED ADJUSTMENT PLATE | 重送調整板 | D | 1 | |
| 20 | 56AA R722 00 | ENTRANCE GUIDE ASSY | 入りロガイド部組 | C | 1 | |
| 21 | 26NA 4206 1 | BY PASS FEED CONVEYING GEAR 21T | 手差し搬送ギア 21 T | B | 1 | |
| 22 | 55VA 7903 0 | Paper Feed Reversal Gear /C 14T | 給紙逆転歯車 / C 14 T | B | 2 | |
| 23 | A03X 5656 11 | Torque Limiter /A | トルクリミッタ / A | B | 1 | |
| 24 | 56QA 4027 0 | MULTI FEED REVERSE SHAFT | 重送逆転軸 | D | 1 | |
| 25 | 56AA R716 00 | REVERSING ROLLER ASSY | 逆転ローラ部組 | B | 1 | |
| 26 | 25SA 4096 0 | DOUBLE FEED PREVENTION RUBBER | 重送防止ゴム | A | 1 | |
| 27 | 56AA 4049 0 | SHAFT STOPPER 4 | 軸ストッパ 4 | C | 1 | |
| | | | | | | |
| | | | | | | |
| | | | | | | |
| | | | | | | |
| | | | | | | |
| | | | | | | |
| | | | | | | |
| | | | | | | |

PAPER FEED UNIT

TRAY 1

P 49



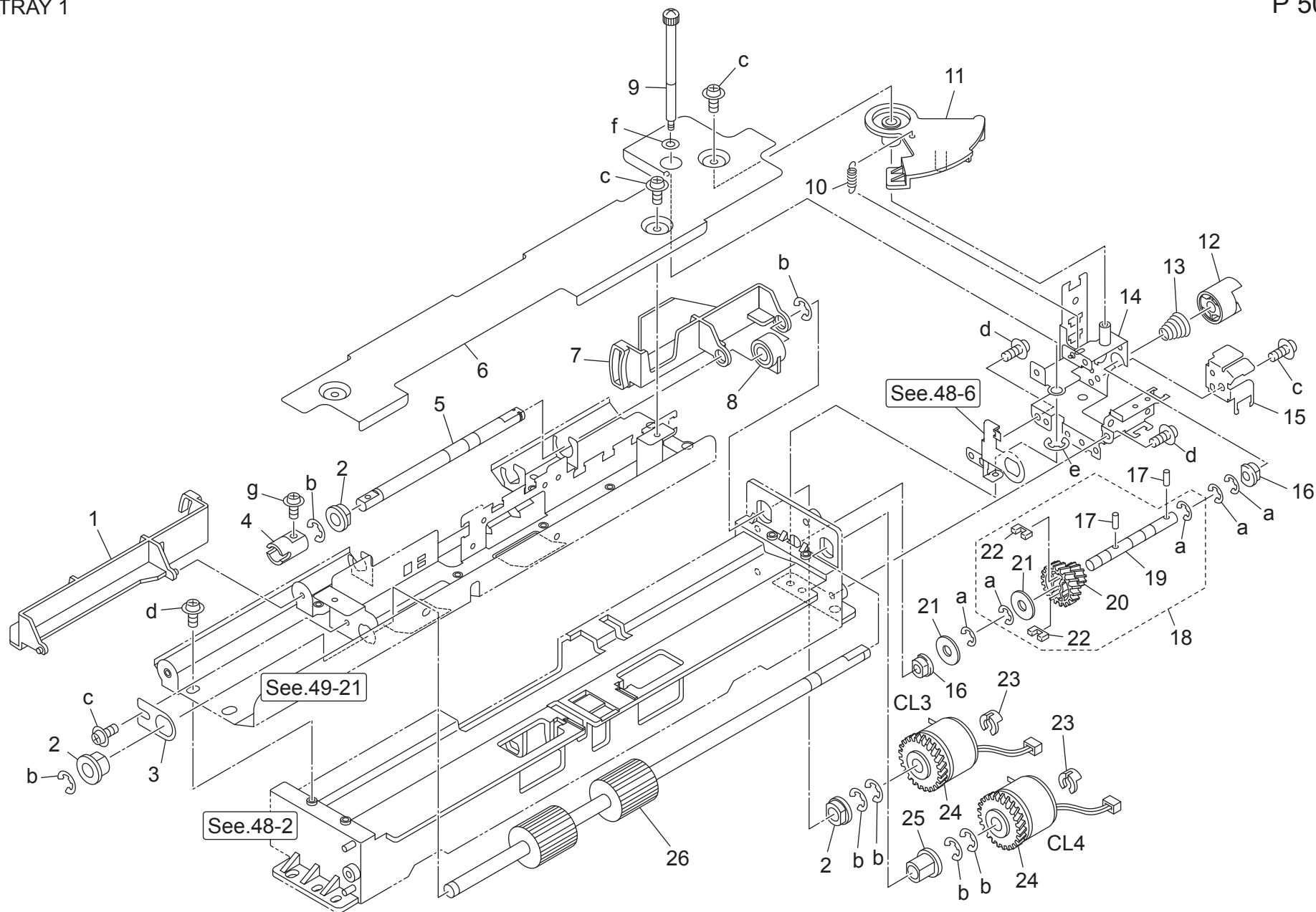
PAPER FEED UNIT

| Key | Part No. | Description | Destinations | Class | QTY | Standard parts |
|-----|--------------|-------------------------------|------------------|-------|-----|--|
| 1 | 57AA -403 1 | FEEDING ASSY | 送り出し部組 | C | 1 | a-V217 0400 50 b-V121 0306 03 c-V233 2014 50 d-V121 0304 03 |
| 2 | 56AA 4049 0 | SHAFT STOPPER 4 | 軸ストッパ 4 | C | 4 | |
| 3 | 56AA R721 00 | PAPER FEED OCILLATE ROLLER | 給紙首振りローラー部組 | B | 1 | |
| 4 | 08AA 7601 0 | DRUM DRIVING SHAFT HOLDER | ドラム駆動軸受 | C | 6 | |
| 5 | 56AA 4007 0 | Paper feed Swing Plate | 給紙首振り板 | D | 1 | |
| 6 | 57AA 4035 0 | ROCKING HANDLE | 首振り把手 | C | 1 | |
| 7 | 56AA 4028 1 | PAPER FEED FEEDING SHAFT | 給紙送り出し軸 | C | 1 | |
| 8 | 56AA 1751 0 | PIN B | ピン B | C | 2 | |
| 9 | 56AA 4030 0 | PAPER QUANTITY ACTUATOR | 紙残検アクチュエタ | C | 1 | |
| 10 | 56AA 1776 0 | COLLAR | カラー | C | 2 | |
| 11 | 0590 7651 0 | PULLEY 1 15T | プーリー 1 15 T | C | 2 | |
| 12 | 56AA 4029 0 | PAPER FEED ROCKING SHAFT | 給紙首振り軸 | D | 1 | |
| 13 | 56AA 7759 0 | PAPER FEED ROCKING BELT 111L | 給紙首振りベルト 1 1 1 L | C | 1 | |
| 14 | 56AA R720 00 | FEED ROLLER UNIT | 送り出しローラ部組 | A | 1 | |
| 15 | 25SA 4096 0 | DOUBLE FEED PREVENTION RUBBER | 重送防止ゴム | A | 1 | |
| 16 | 25AA 4010 0 | FEEDING ROLLER B | 送り出しローラー B | B | 1 | |
| 17 | 56AA 4052 0 | EARTH SPRING | センサアースバネ | C | 1 | |
| 18 | 08AA 8551 2 | Photo Sensor | フォトセンサ | B | 3 | |
| 19 | 56AA 4046 0 | ADJUSTMENT PLATE | センサ調整板 | D | 1 | |
| 20 | 4109 5530 01 | STOPPER | ストッパ | C | 2 | |
| 21 | 56AA 4003 2 | PAPER FEED GUIDE PLATE UPPER | 給紙ガイド板 上 | C | 1 | |
| 22 | 56AA 4017 1 | PAPER FEED DETECTING ACTUATOR | 給紙検知アクチュエタ | C | 1 | |
| 23 | 56AA 4019 0 | PRESSING SPRING | センサ押圧バネ | C | 1 | |
| 24 | 56AA 4031 0 | MOUNTING PLATE | センサ取付け板 | D | 1 | |
| 25 | 57AA 9061 0 | PAPER FEED WIRING 2 | 給紙束線 2 | D | 1 | |
| | | | | | | |
| | | | | | | |
| | | | | | | |
| | | | | | | |
| | | | | | | |
| | | | | | | |
| | | | | | | |
| | | | | | | |
| | | | | | | |
| | | | | | | |
| | | | | | | |
| | | | | | | |
| | | | | | | |

PAPER FEED UNIT

TRAY 1

P 50



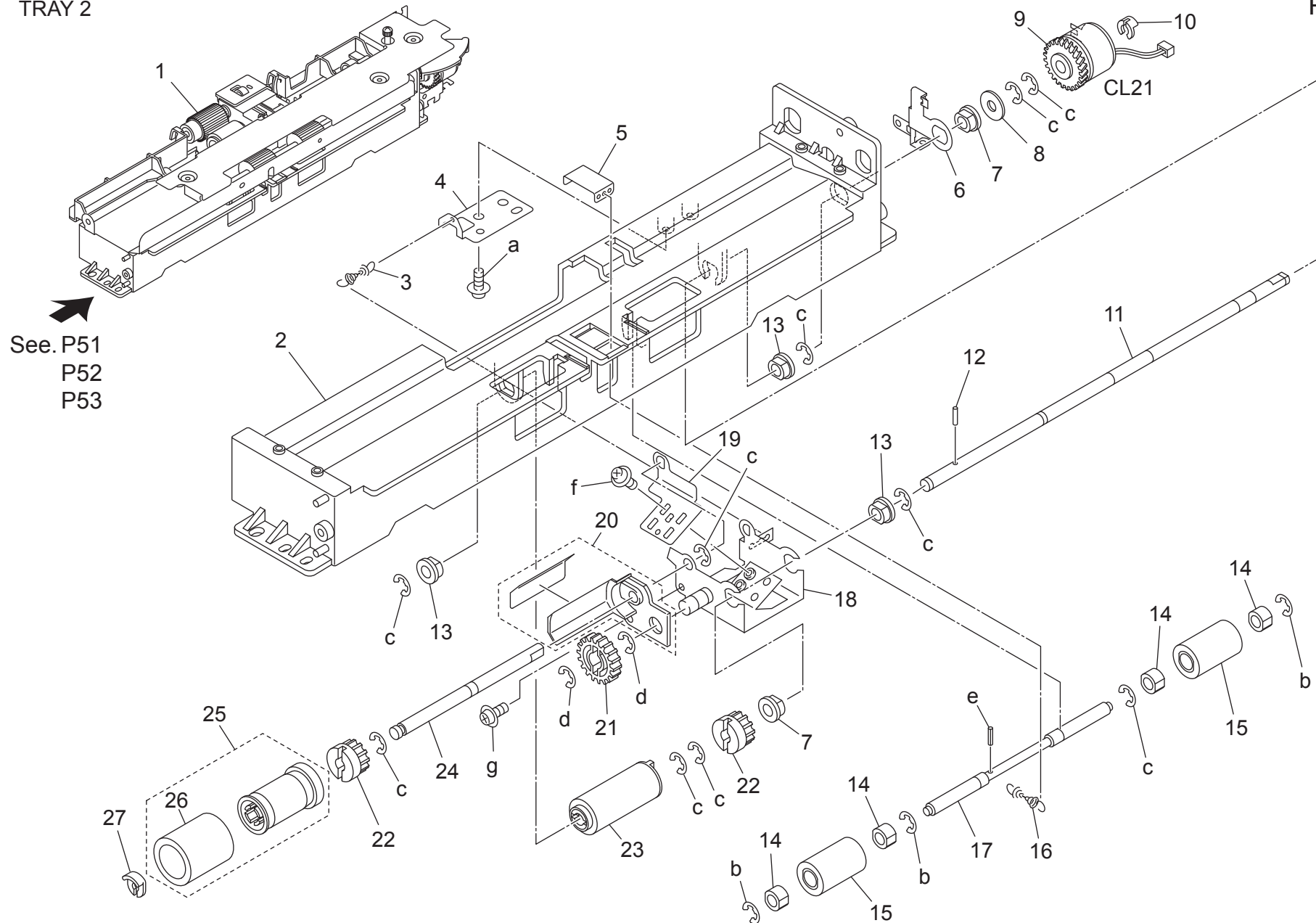
PAPER FEED UNIT

| Key | Part No. | Description | Destinations | Class | QTY | Standard parts |
|-----|--------------|-----------------------------------|----------------------|-------|-----|--|
| 1 | 56AA 4021 0 | Entrance Guide Plate /Front | 入口ガイド板 /前 | C | 1 | a-V217 0400 50 b-V217 0600 50 c-V121 0306 03 d-V151 0308 03 e-V217 0300 50 f-V207 0300 03 g-V118 0306 03 |
| 2 | A03U 8128 00 | Slide Shaft Holder | すべり軸受 | C | 3 | |
| 3 | 56AA 4037 0 | ADJUSTING PLATE | 調整板 | D | 1 | |
| 4 | 55FA 4032 0 | COUPLING | カップリング | C | 1 | |
| 5 | 56AA 4034 1 | PAPER FEED DRIVING SHAFT | 給紙駆動軸 | C | 1 | |
| 6 | 56AA 4010 0E | Wiring Protection Cover | 束線保護カバー | D | 1 | |
| 7 | 65AA 4010 0 | REGULATING PLATE REAR | 規制板 奥 | D | 1 | |
| 8 | 56AA 4038 0 | PAPER FEED REGULATING BLOCK | 給紙規制ブロック | C | 1 | |
| 9 | 56AA 4012 0 | PAPER FEED HOLDING SCREW | 給紙押えネジ | C | 1 | |
| 10 | 56AA 1712 1 | SEPARATE SPRING UPPER | 分離バネ 上 | C | 1 | |
| 11 | 56AA 4039 0 | CAM PLATE | カム板 | C | 1 | |
| 12 | 56AA 4045 0 | PAPER FEED COUPLING PART | 給紙カップリング部材 | C | 1 | |
| 13 | 56AA 4051 0 | PRESSING SPRING | 押圧バネ | C | 1 | |
| 14 | 57AA 4009 0 | DRIVE MOUNTING PLATE /S | 駆動取り付け板 / S | D | 1 | |
| 15 | 57AA 4062 0 | CLUTCH HOLDER 2 | クラッチ押さえ 2 | D | 1 | |
| 16 | 57AA 4061 0 | SLIDE SHAFT HOLDER | 滑り軸受 | C | 2 | |
| 17 | 56AA 1748 0 | PIN B | ピン B | C | 2 | |
| 18 | 57AA R720 00 | PAPER FEED INPUT SHAFT ASSY | 給紙入力軸部組 | D | 1 | |
| 19 | 57AA 4024 0E | Paper feed Input Shaft | 給紙入力軸 | D | 1 | |
| 20 | 57AA 7772 0 | PAPER FEED REVERSE GEAR / 1 9/22T | 給紙逆転歯車 / 1 9 / 2 2 T | C | 1 | |
| 21 | 56AA 1776 0 | COLLAR | カラー | C | 2 | |
| 22 | 57AA 4063 0 | GEAR CUSHION G | ギアクッション G | C | 2 | |
| 23 | 55VA 4212 0 | SHAFT STOPPER | 軸ストッパー | C | 2 | |
| 24 | 56AA 8201 2 | PAPER FEED DRIVING CLUTCH | 給紙駆動クラッチ | B | 2 | |
| 25 | 55VA 7554 0 | PAPER FEED SHAFT HOLDER B | 給紙軸受 B | B | 1 | |
| 26 | 56AA 4023 0 | PAPER FEED REGISTRATION ROLLER | 給紙レジストローラ | C | 1 | |
| | | | | | | |
| | | | | | | |
| | | | | | | |
| | | | | | | |
| | | | | | | |
| | | | | | | |
| | | | | | | |
| | | | | | | |

PAPER FEED UNIT

TRAY 2

P 51

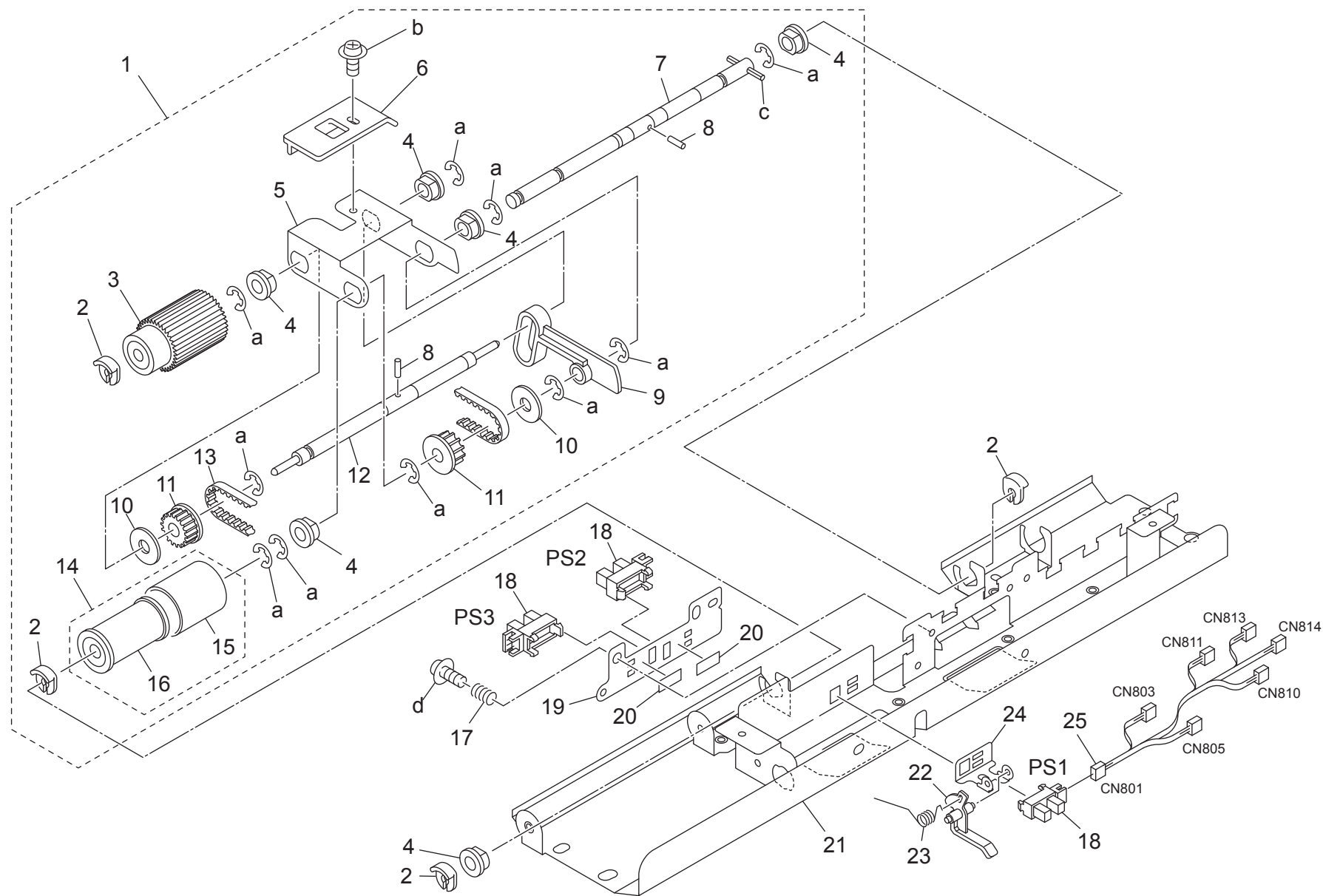


| Key | Part No. | Description | Destinations | Class | QTY | Standard parts |
|-----|--------------|---------------------------------|-----------------|-------|-----|----------------|
| 1 | 57AA -400 1 | PAPER FEED UNIT | 給紙ユニット | S | 1 | a-V151 0308 03 |
| 2 | 56AA 4001 0 | Paper Feed Main Body | 給紙本体 | C | 1 | b-V217 0300 50 |
| 3 | 57AA 4042 0 | MULTI FEED PREVENTING SPRING | 重送防止バネ | C | 1 | c-V217 0400 50 |
| 4 | 56AA 4044 0 | SPRING MOUNTING PLATE 2 | バネ取り付け板 / 2 | D | 1 | d-V217 0600 50 |
| 5 | 56AA 4043 0 | SPRING MOUNTING PLATE 1 | バネ取り付け板 / 1 | D | 1 | e-V233 1610 50 |
| 6 | 57AA 4047 0 | SCREW EARTH PLATE | ネジアース板 | C | 1 | f-V123 0306 03 |
| 7 | 08AA 7601 0 | DRUM DRIVING SHAFT HOLDER | ドラム駆動軸受 | C | 2 | g-V121 0306 03 |
| 8 | 56AA 1776 0 | COLLAR | カラー | C | 1 | |
| 9 | 57AA 8203 0 | CONVEYANCE DRIVE CLUTCH | 搬送駆動クラッチ | C | 1 | |
| 10 | 12QV 4066 0 | SHAFT POSITIONING PART | 軸位置決め部材 | C | 1 | |
| 11 | 57AA 4025 0 | MULTI-FEED SUPPORT SHAFT | 重送支点軸 | D | 1 | |
| 12 | 56AA 1751 0 | PIN B | ピン B | C | 1 | |
| 13 | 57AA 7506 0 | PAPER EXIT DRIVE SHAFT HOLDER | 排紙駆動軸受 | C | 3 | |
| 14 | 56GA 7601 0 | SLIDE SHAFT HOLDER 2 | 滑り軸受 2 | C | 4 | |
| 15 | 26NA 4256 0 | BY PASS FEED DRIVEN ROLLER | 手差し従動ローラ | C | 2 | |
| 16 | 56AA 4048 1 | PAPERFEEDPRESSINGSRING | 給紙押圧バネ | C | 1 | |
| 17 | 56AA 4033 0 | PAPER FEED DRIVEN SHAFT | 給紙従動軸 | D | 1 | |
| 18 | 56QA 4008 0 | Multi-feed Preventing Plate | 重送防止板 | C | 1 | |
| 19 | 56QA 4055 0 | MULTI FEED ADJUSTMENT PLATE | 重送調整板 | D | 1 | |
| 20 | 56AA R722 00 | ENTRANCE GUIDE ASSY | 入りロガイド部組 | C | 1 | |
| 21 | 26NA 4206 1 | BY PASS FEED CONVEYING GEAR 21T | 手差し搬送ギア 21 T | B | 1 | |
| 22 | 55VA 7903 0 | Paper Feed Reversal Gear /C 14T | 給紙逆転歯車 / C 14 T | B | 2 | |
| 23 | A03X 5656 11 | Torque Limiter /A | トルクリミッタ / A | B | 1 | |
| 24 | 56QA 4027 0 | MULTI FEED REVERSE SHAFT | 重送逆転軸 | D | 1 | |
| 25 | 56AA R716 00 | REVERSING ROLLER ASSY | 逆転ローラ部組 | B | 1 | |
| 26 | 25SA 4096 0 | DOUBLE FEED PREVENTION RUBBER | 重送防止ゴム | A | 1 | |
| 27 | 56AA 4049 0 | SHAFT STOPPER 4 | 軸ストッパ 4 | C | 1 | |
| | | | | | | |
| | | | | | | |
| | | | | | | |
| | | | | | | |
| | | | | | | |
| | | | | | | |
| | | | | | | |
| | | | | | | |

PAPER FEED UNIT

TRAY 2

P 52



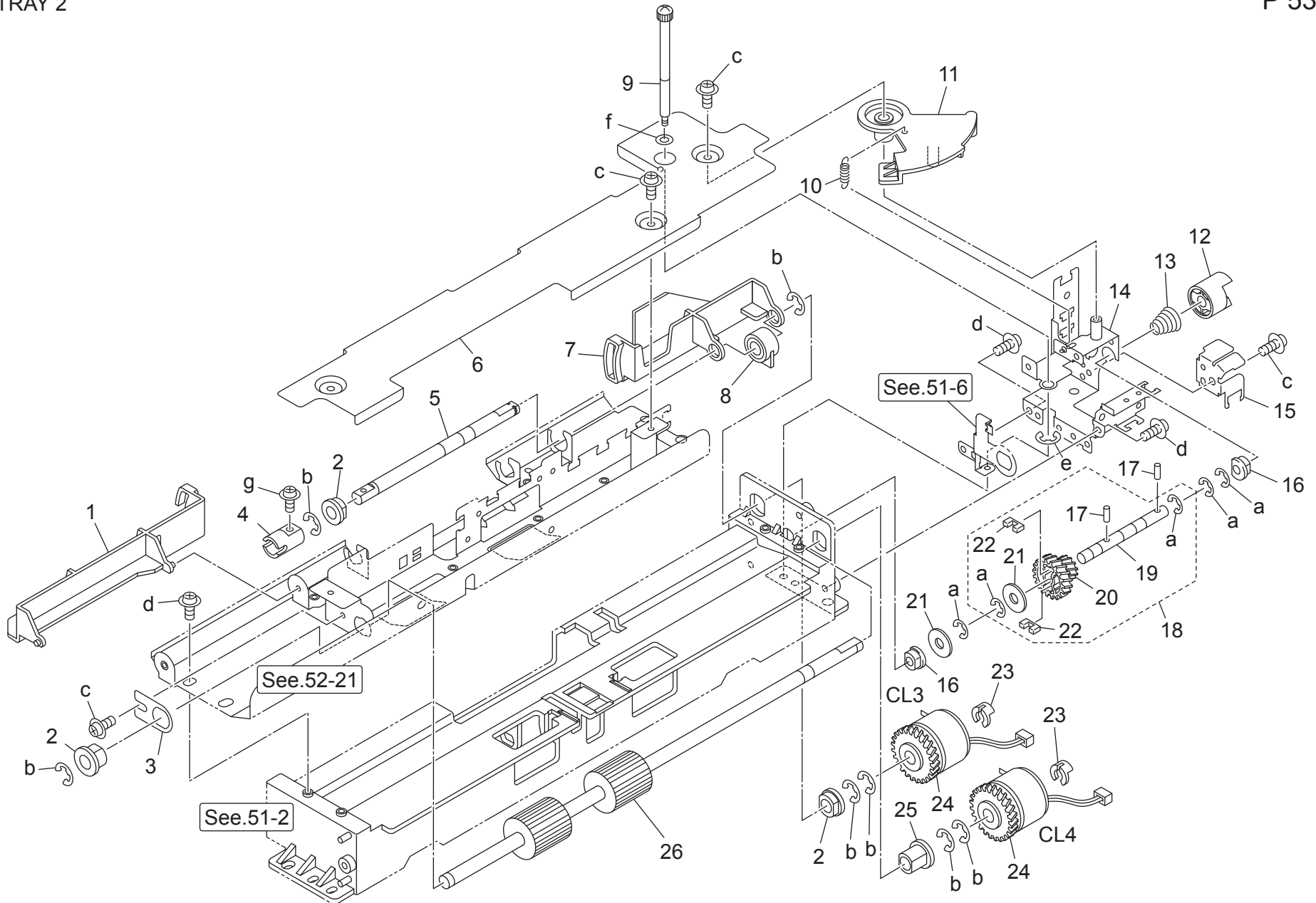
PAPER FEED UNIT

| Key | Part No. | Description | Destinations | Class | QTY | Standard parts |
|-----|--------------|-------------------------------|------------------|-------|-----|--|
| 1 | 57AA -403 1 | FEEDING ASSY | 送り出し部組 | C | 1 | a-V217 0400 50 b-V121 0306 03 c-V233 2014 50 d-V121 0304 03 |
| 2 | 56AA 4049 0 | SHAFT STOPPER 4 | 軸ストッパ 4 | C | 4 | |
| 3 | 56AA R721 00 | PAPER FEED OCILLATE ROLLER | 給紙首振りローラー部組 | B | 1 | |
| 4 | 08AA 7601 0 | DRUM DRIVING SHAFT HOLDER | ドラム駆動軸受 | C | 6 | |
| 5 | 56AA 4007 0 | Paper feed Swing Plate | 給紙首振り板 | D | 1 | |
| 6 | 57AA 4035 0 | ROCKING HANDLE | 首振り把手 | C | 1 | |
| 7 | 56AA 4028 1 | PAPER FEED FEEDING SHAFT | 給紙送り出し軸 | C | 1 | |
| 8 | 56AA 1751 0 | PIN B | ピン B | C | 2 | |
| 9 | 56AA 4030 0 | PAPER QUANTITY ACTUATOR | 紙残検アクチュエタ | C | 1 | |
| 10 | 56AA 1776 0 | COLLAR | カラー | C | 2 | |
| 11 | 0590 7651 0 | PULLEY 1 15T | プーリー 1 15 T | C | 2 | |
| 12 | 56AA 4029 0 | PAPER FEED ROCKING SHAFT | 給紙首振り軸 | D | 1 | |
| 13 | 56AA 7759 0 | PAPER FEED ROCKING BELT 111L | 給紙首振りベルト 1 1 1 L | C | 1 | |
| 14 | 56AA R720 00 | FEED ROLLER UNIT | 送り出しローラ部組 | A | 1 | |
| 15 | 25SA 4096 0 | DOUBLE FEED PREVENTION RUBBER | 重送防止ゴム | A | 1 | |
| 16 | 25AA 4010 0 | FEEDING ROLLER B | 送り出しローラー B | B | 1 | |
| 17 | 56AA 4052 0 | EARTH SPRING | センサアースバネ | C | 1 | |
| 18 | 08AA 8551 2 | Photo Sensor | フォトセンサ | B | 3 | |
| 19 | 56AA 4046 0 | ADJUSTMENT PLATE | センサ調整板 | D | 1 | |
| 20 | 4109 5530 01 | STOPPER | ストッパ | C | 2 | |
| 21 | 56AA 4003 2 | PAPER FEED GUIDE PLATE UPPER | 給紙ガイド板 上 | C | 1 | |
| 22 | 56AA 4017 1 | PAPER FEED DETECTING ACTUATOR | 給紙検知アクチュエタ | C | 1 | |
| 23 | 56AA 4019 0 | PRESSING SPRING | センサ押圧バネ | C | 1 | |
| 24 | 56AA 4031 0 | MOUNTING PLATE | センサ取付け板 | D | 1 | |
| 25 | 57AA 9061 0 | PAPER FEED WIRING 2 | 給紙束線 2 | D | 1 | |
| | | | | | | |
| | | | | | | |
| | | | | | | |
| | | | | | | |
| | | | | | | |
| | | | | | | |
| | | | | | | |
| | | | | | | |
| | | | | | | |

PAPER FEED UNIT

TRAY 2

P 53



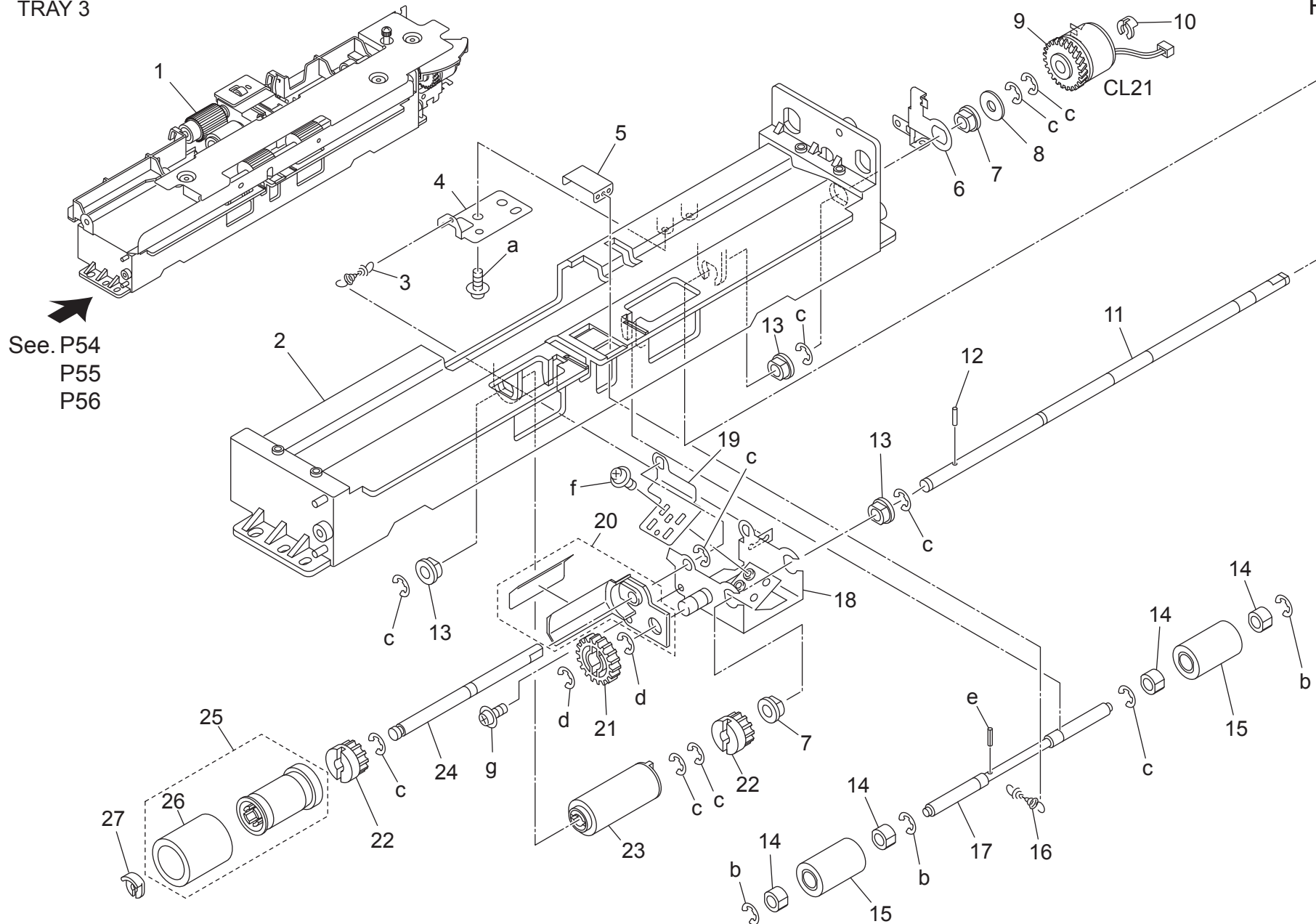
PAPER FEED UNIT

| Key | Part No. | Description | Destinations | Class | QTY | Standard parts |
|-----|--------------|-----------------------------------|--------------------|-------|-----|--|
| 1 | 56AA 4021 0 | Entrance Guide Plate /Front | 入口ガイド板／前 | C | 1 | a-V217 0400 50 b-V217 0600 50 c-V121 0306 03 d-V151 0308 03 e-V217 0300 50 f-V207 0300 03 g-V118 0306 03 |
| 2 | A03U 8128 00 | Slide Shaft Holder | すべり軸受 | C | 3 | |
| 3 | 56AA 4037 0 | ADJUSTING PLATE | 調整板 | D | 1 | |
| 4 | 55FA 4032 0 | COUPLING | カップリング | C | 1 | |
| 5 | 56AA 4034 1 | PAPER FEED DRIVING SHAFT | 給紙駆動軸 | C | 1 | |
| 6 | 56AA 4010 0E | Wiring Protection Cover | 束線保護カバー | D | 1 | |
| 7 | 65AA 4010 0 | REGULATING PLATE REAR | 規制板 奥 | D | 1 | |
| 8 | 56AA 4038 0 | PAPER FEED REGULATING BLOCK | 給紙規制ブロック | C | 1 | |
| 9 | 56AA 4012 0 | PAPER FEED HOLDING SCREW | 給紙押えネジ | C | 1 | |
| 10 | 56AA 1712 1 | SEPARATE SPRING UPPER | 分離バネ 上 | C | 1 | |
| 11 | 56AA 4039 0 | CAM PLATE | カム板 | C | 1 | |
| 12 | 56AA 4045 0 | PAPER FEED COUPLING PART | 給紙カップリング部材 | C | 1 | |
| 13 | 56AA 4051 0 | PRESSING SPRING | 押圧バネ | C | 1 | |
| 14 | 57AA 4009 0 | DRIVE MOUNTING PLATE /S | 駆動取り付け板／ S | D | 1 | |
| 15 | 57AA 4062 0 | CLUTCH HOLDER 2 | クラッチ押さえ 2 | D | 1 | |
| 16 | 57AA 4061 0 | SLIDE SHAFT HOLDER | 滑り軸受 | C | 2 | |
| 17 | 56AA 1748 0 | PIN B | ピン B | C | 2 | |
| 18 | 57AA R720 00 | PAPER FEED INPUT SHAFT ASSY | 給紙入力軸部組 | D | 1 | |
| 19 | 57AA 4024 0E | Paper feed Input Shaft | 給紙入力軸 | D | 1 | |
| 20 | 57AA 7772 0 | PAPER FEED REVERSE GEAR / 1 9/22T | 給紙逆転歯車／ 1 9／ 2 2 T | C | 1 | |
| 21 | 56AA 1776 0 | COLLAR | カラー | C | 2 | |
| 22 | 57AA 4063 0 | GEAR CUSHION G | ギアクッション G | C | 2 | |
| 23 | 55VA 4212 0 | SHAFT STOPPER | 軸ストッパー | C | 2 | |
| 24 | 56AA 8201 2 | PAPER FEED DRIVING CLUTCH | 給紙駆動クラッチ | B | 2 | |
| 25 | 55VA 7554 0 | PAPER FEED SHAFT HOLDER B | 給紙軸受 B | B | 1 | |
| 26 | 56AA 4023 0 | PAPER FEED REGISTRATION ROLLER | 給紙レジストローラ | C | 1 | |
| | | | | | | |
| | | | | | | |
| | | | | | | |
| | | | | | | |
| | | | | | | |
| | | | | | | |
| | | | | | | |
| | | | | | | |
| | | | | | | |
| | | | | | | |
| | | | | | | |
| | | | | | | |

PAPER FEED UNIT

TRAY 3

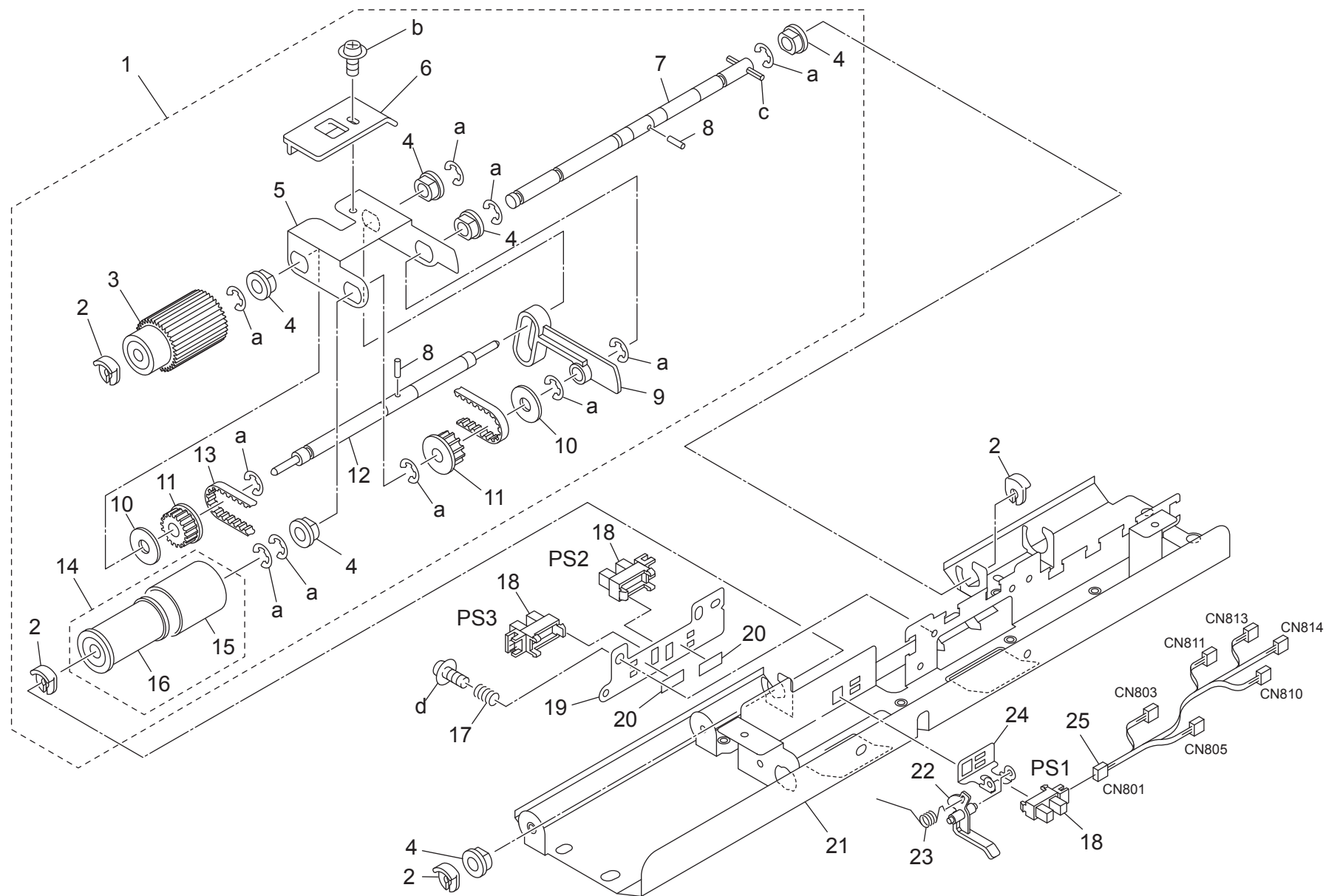
P 54



| Key | Part No. | Description | Destinations | Class | QTY | Standard parts |
|-----|--------------|---------------------------------|-----------------|-------|-----|----------------|
| 1 | 57AA -400 1 | PAPER FEED UNIT | 給紙ユニット | S | 1 | a-V151 0308 03 |
| 2 | 56AA 4001 0 | Paper Feed Main Body | 給紙本体 | C | 1 | b-V217 0300 50 |
| 3 | 57AA 4042 0 | MULTI FEED PREVENTING SPRING | 重送防止バネ | C | 1 | c-V217 0400 50 |
| 4 | 56AA 4044 0 | SPRING MOUNTING PLATE 2 | バネ取り付け板 / 2 | D | 1 | d-V217 0600 50 |
| 5 | 56AA 4043 0 | SPRING MOUNTING PLATE 1 | バネ取り付け板 / 1 | D | 1 | e-V233 1610 50 |
| 6 | 57AA 4047 0 | SCREW EARTH PLATE | ネジアース板 | C | 1 | f-V123 0306 03 |
| 7 | 08AA 7601 0 | DRUM DRIVING SHAFT HOLDER | ドラム駆動軸受 | C | 2 | g-V121 0306 03 |
| 8 | 56AA 1776 0 | COLLAR | カラー | C | 1 | |
| 9 | 57AA 8203 0 | CONVEYANCE DRIVE CLUTCH | 搬送駆動クラッチ | C | 1 | |
| 10 | 12QV 4066 0 | SHAFT POSITIONING PART | 軸位置決め部材 | C | 1 | |
| 11 | 57AA 4025 0 | MULTI-FEED SUPPORT SHAFT | 重送支点軸 | D | 1 | |
| 12 | 56AA 1751 0 | PIN B | ピン B | C | 1 | |
| 13 | 57AA 7506 0 | PAPER EXIT DRIVE SHAFT HOLDER | 排紙駆動軸受 | C | 3 | |
| 14 | 56GA 7601 0 | SLIDE SHAFT HOLDER 2 | 滑り軸受 2 | C | 4 | |
| 15 | 26NA 4256 0 | BY PASS FEED DRIVEN ROLLER | 手差し従動ローラ | C | 2 | |
| 16 | 56AA 4048 1 | PAPERFEEDPRESSINGSRING | 給紙押圧バネ | C | 1 | |
| 17 | 56AA 4033 0 | PAPER FEED DRIVEN SHAFT | 給紙従動軸 | D | 1 | |
| 18 | 56QA 4008 0 | Multi-feed Preventing Plate | 重送防止板 | C | 1 | |
| 19 | 56QA 4055 0 | MULTI FEED ADJUSTMENT PLATE | 重送調整板 | D | 1 | |
| 20 | 56AA R722 00 | ENTRANCE GUIDE ASSY | 入りロガイド部組 | C | 1 | |
| 21 | 26NA 4206 1 | BY PASS FEED CONVEYING GEAR 21T | 手差し搬送ギア 21 T | B | 1 | |
| 22 | 55VA 7903 0 | Paper Feed Reversal Gear /C 14T | 給紙逆転歯車 / C 14 T | B | 2 | |
| 23 | A03X 5656 11 | Torque Limiter /A | トルクリミッタ / A | B | 1 | |
| 24 | 56QA 4027 0 | MULTI FEED REVERSE SHAFT | 重送逆転軸 | D | 1 | |
| 25 | 56AA R716 00 | REVERSING ROLLER ASSY | 逆転ローラ部組 | B | 1 | |
| 26 | 25SA 4096 0 | DOUBLE FEED PREVENTION RUBBER | 重送防止ゴム | A | 1 | |
| 27 | 56AA 4049 0 | SHAFT STOPPER 4 | 軸ストッパ 4 | C | 1 | |
| | | | | | | |
| | | | | | | |
| | | | | | | |
| | | | | | | |
| | | | | | | |
| | | | | | | |
| | | | | | | |
| | | | | | | |

PAPER FEED UNIT

TRAY 3



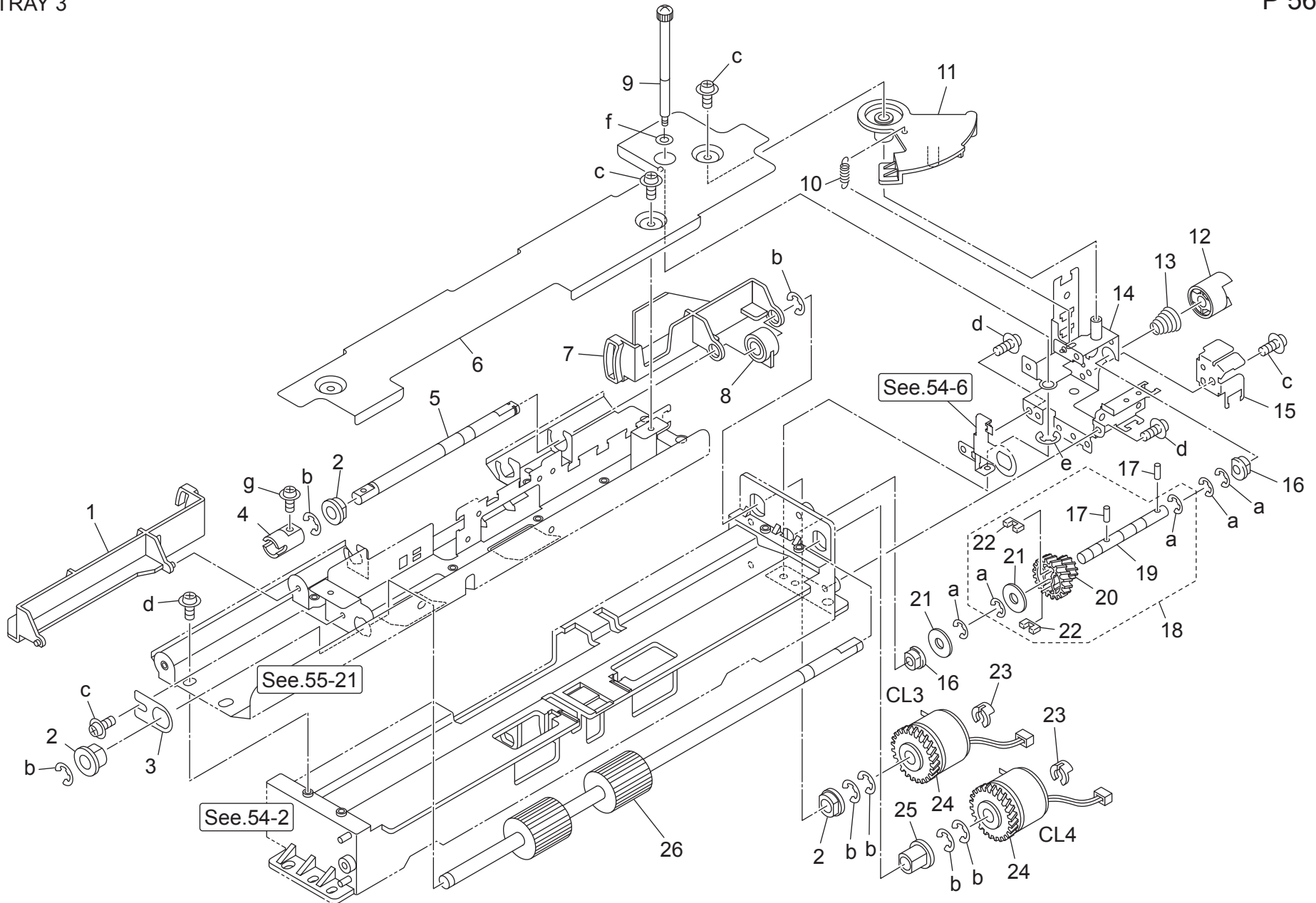
PAPER FEED UNIT

| Key | Part No. | Description | Destinations | Class | QTY | Standard parts |
|-----|--------------|-------------------------------|------------------|-------|-----|--|
| 1 | 57AA -403 1 | FEEDING ASSY | 送り出し部組 | C | 1 | a-V217 0400 50 b-V121 0306 03 c-V233 2014 50 d-V121 0304 03 |
| 2 | 56AA 4049 0 | SHAFT STOPPER 4 | 軸ストッパ 4 | C | 4 | |
| 3 | 56AA R721 00 | PAPER FEED OCILLATE ROLLER | 給紙首振りローラー部組 | B | 1 | |
| 4 | 08AA 7601 0 | DRUM DRIVING SHAFT HOLDER | ドラム駆動軸受 | C | 6 | |
| 5 | 56AA 4007 0 | Paper feed Swing Plate | 給紙首振り板 | D | 1 | |
| 6 | 57AA 4035 0 | ROCKING HANDLE | 首振り把手 | C | 1 | |
| 7 | 56AA 4028 1 | PAPER FEED FEEDING SHAFT | 給紙送り出し軸 | C | 1 | |
| 8 | 56AA 1751 0 | PIN B | ピン B | C | 2 | |
| 9 | 56AA 4030 0 | PAPER QUANTITY ACTUATOR | 紙残検アクチュエタ | C | 1 | |
| 10 | 56AA 1776 0 | COLLAR | カラー | C | 2 | |
| 11 | 0590 7651 0 | PULLEY 1 15T | プーリー 1 15 T | C | 2 | |
| 12 | 56AA 4029 0 | PAPER FEED ROCKING SHAFT | 給紙首振り軸 | D | 1 | |
| 13 | 56AA 7759 0 | PAPER FEED ROCKING BELT 111L | 給紙首振りベルト 1 1 1 L | C | 1 | |
| 14 | 56AA R720 00 | FEED ROLLER UNIT | 送り出しローラ部組 | A | 1 | |
| 15 | 25SA 4096 0 | DOUBLE FEED PREVENTION RUBBER | 重送防止ゴム | A | 1 | |
| 16 | 25AA 4010 0 | FEEDING ROLLER B | 送り出しローラー B | B | 1 | |
| 17 | 56AA 4052 0 | EARTH SPRING | センサアースバネ | C | 1 | |
| 18 | 08AA 8551 2 | Photo Sensor | フォトセンサ | B | 3 | |
| 19 | 56AA 4046 0 | ADJUSTMENT PLATE | センサ調整板 | D | 1 | |
| 20 | 4109 5530 01 | STOPPER | ストッパ | C | 2 | |
| 21 | 56AA 4003 2 | PAPER FEED GUIDE PLATE UPPER | 給紙ガイド板 上 | C | 1 | |
| 22 | 56AA 4017 1 | PAPER FEED DETECTING ACTUATOR | 給紙検知アクチュエタ | C | 1 | |
| 23 | 56AA 4019 0 | PRESSING SPRING | センサ押圧バネ | C | 1 | |
| 24 | 56AA 4031 0 | MOUNTING PLATE | センサ取付け板 | D | 1 | |
| 25 | 57AA 9061 0 | PAPER FEED WIRING 2 | 給紙束線 2 | D | 1 | |
| | | | | | | |
| | | | | | | |
| | | | | | | |
| | | | | | | |
| | | | | | | |
| | | | | | | |
| | | | | | | |
| | | | | | | |

PAPER FEED UNIT

TRAY 3

P 56

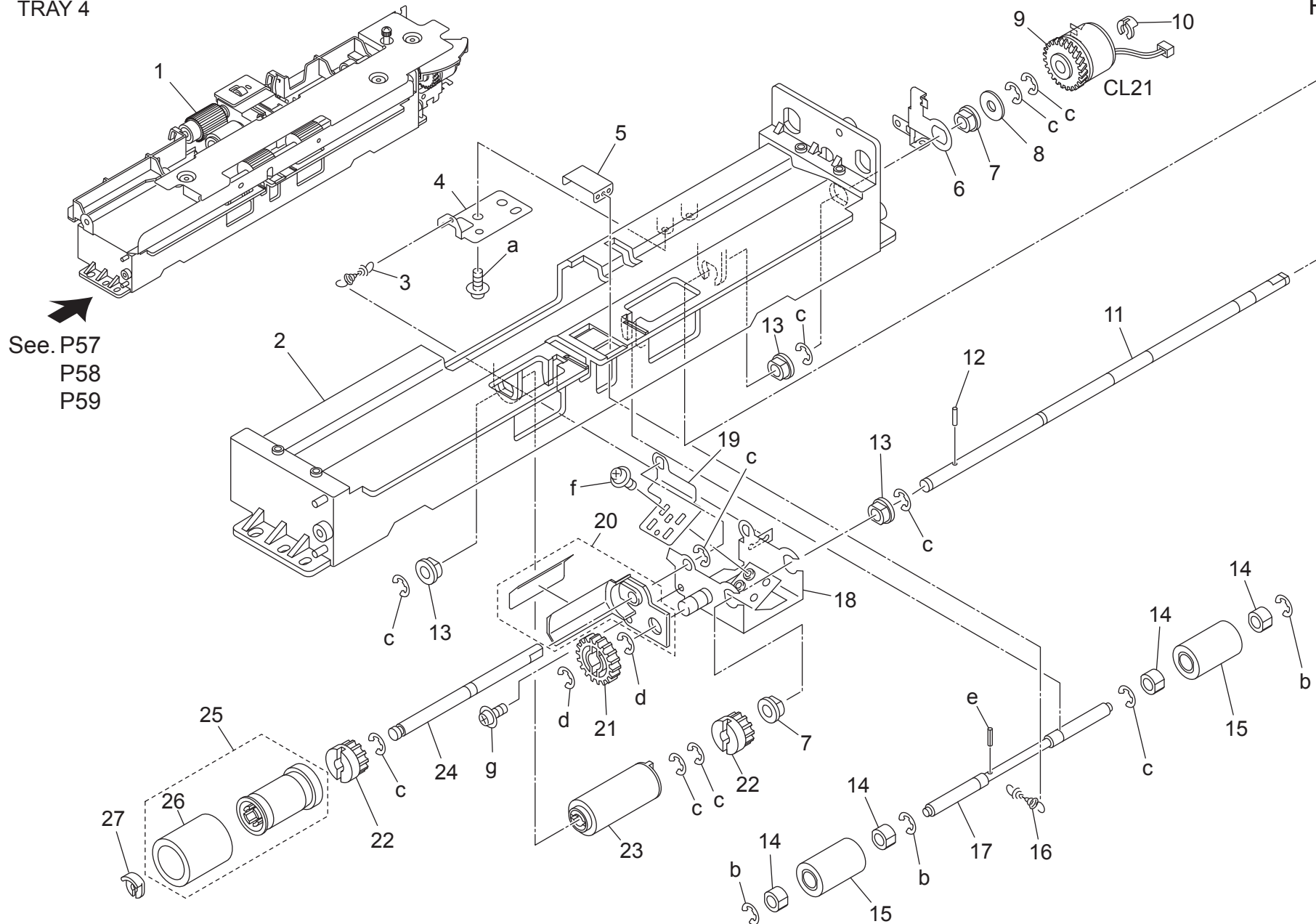


| Key | Part No. | Description | Destinations | Class | QTY | Standard parts |
|-----|--------------|-----------------------------------|-----------------|-------|-----|--|
| 1 | 56AA 4021 0 | Entrance Guide Plate /Front | 入口ガイド板/前 | C | 1 | a-V217 0400 50 b-V217 0600 50 c-V121 0306 03 d-V151 0308 03 e-V217 0300 50 f-V207 0300 03 g-V118 0306 03 |
| 2 | A03U 8128 00 | Slide Shaft Holder | すべり軸受 | C | 3 | |
| 3 | 56AA 4037 0 | ADJUSTING PLATE | 調整板 | D | 1 | |
| 4 | 55FA 4032 0 | COUPLING | カップリング | C | 1 | |
| 5 | 56AA 4034 1 | PAPER FEED DRIVING SHAFT | 給紙駆動軸 | C | 1 | |
| 6 | 56AA 4010 0E | Wiring Protection Cover | 束線保護カバー | D | 1 | |
| 7 | 65AA 4010 0 | REGULATING PLATE REAR | 規制板 奥 | D | 1 | |
| 8 | 56AA 4038 0 | PAPER FEED REGULATING BLOCK | 給紙規制ブロック | C | 1 | |
| 9 | 56AA 4012 0 | PAPER FEED HOLDING SCREW | 給紙押えネジ | C | 1 | |
| 10 | 56AA 1712 1 | SEPARATE SPRING UPPER | 分離バネ 上 | C | 1 | |
| 11 | 56AA 4039 0 | CAM PLATE | カム板 | C | 1 | |
| 12 | 56AA 4045 0 | PAPER FEED COUPLING PART | 給紙カップリング部材 | C | 1 | |
| 13 | 56AA 4051 0 | PRESSING SPRING | 押圧バネ | C | 1 | |
| 14 | 57AA 4009 0 | DRIVE MOUNTING PLATE /S | 駆動取り付け板/S | D | 1 | |
| 15 | 57AA 4062 0 | CLUTCH HOLDER 2 | クラッチ押さえ 2 | D | 1 | |
| 16 | 57AA 4061 0 | SLIDE SHAFT HOLDER | 滑り軸受 | C | 2 | |
| 17 | 56AA 1748 0 | PIN B | ピン B | C | 2 | |
| 18 | 57AA R720 00 | PAPER FEED INPUT SHAFT ASSY | 給紙入力軸部組 | D | 1 | |
| 19 | 57AA 4024 0E | Paper feed Input Shaft | 給紙入力軸 | D | 1 | |
| 20 | 57AA 7772 0 | PAPER FEED REVERSE GEAR / 1 9/22T | 給紙逆転歯車/1 9/22 T | C | 1 | |
| 21 | 56AA 1776 0 | COLLAR | カラー | C | 2 | |
| 22 | 57AA 4063 0 | GEAR CUSHION G | ギアクッション G | C | 2 | |
| 23 | 55VA 4212 0 | SHAFT STOPPER | 軸ストッパー | C | 2 | |
| 24 | 56AA 8201 2 | PAPER FEED DRIVING CLUTCH | 給紙駆動クラッチ | B | 2 | |
| 25 | 55VA 7554 0 | PAPER FEED SHAFT HOLDER B | 給紙軸受 B | B | 1 | |
| 26 | 56AA 4023 0 | PAPER FEED REGISTRATION ROLLER | 給紙レジストローラ | C | 1 | |
| | | | | | | |
| | | | | | | |
| | | | | | | |
| | | | | | | |
| | | | | | | |
| | | | | | | |
| | | | | | | |
| | | | | | | |
| | | | | | | |

PAPER FEED UNIT

TRAY 4

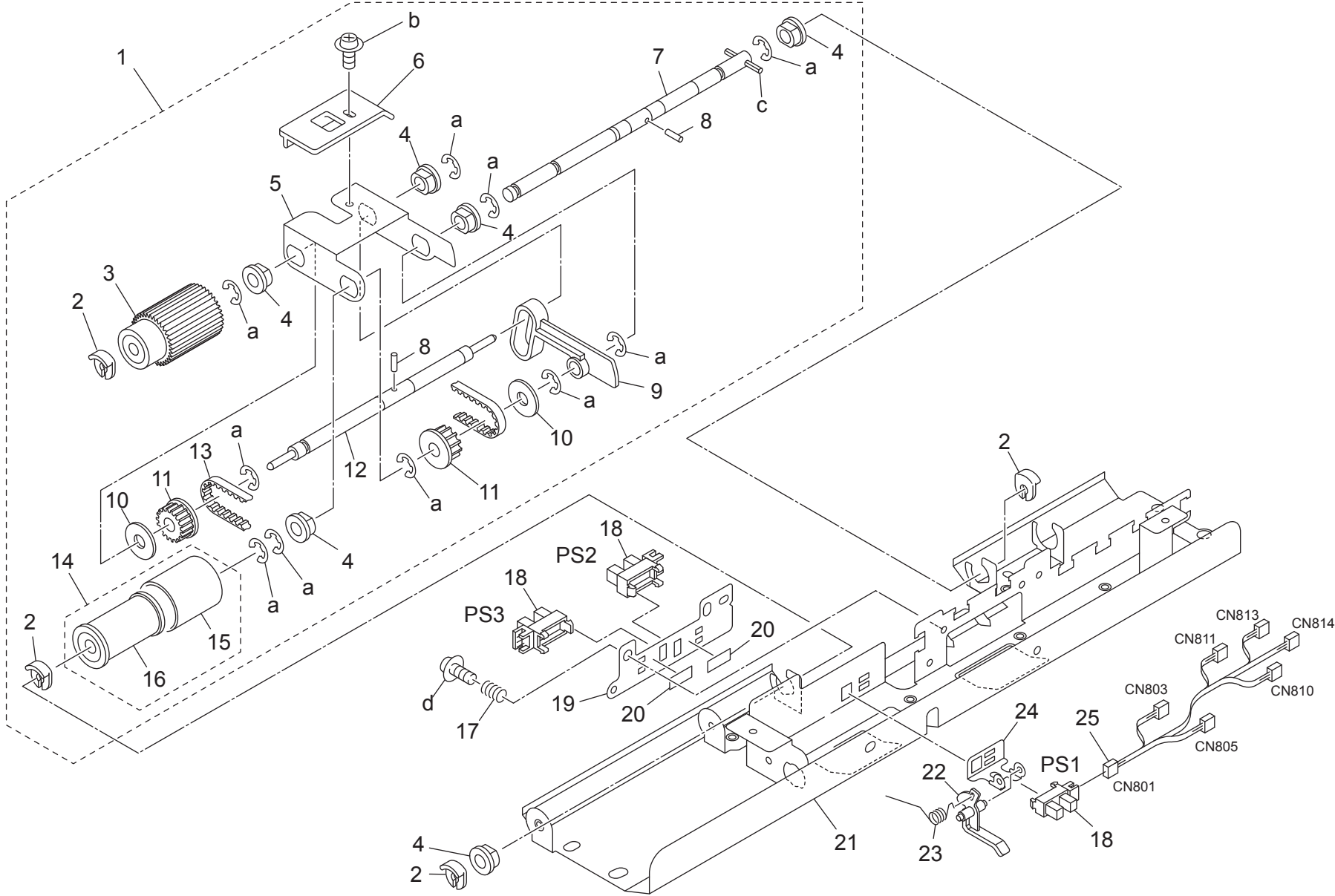
P 57



| Key | Part No. | Description | Destinations | Class | QTY | Standard parts |
|-----|--------------|---------------------------------|-----------------|-------|-----|----------------|
| 1 | 57AA -400 1 | PAPER FEED UNIT | 給紙ユニット | S | 1 | a-V151 0308 03 |
| 2 | 56AA 4001 0 | Paper Feed Main Body | 給紙本体 | C | 1 | b-V217 0300 50 |
| 3 | 57AA 4042 0 | MULTI FEED PREVENTING SPRING | 重送防止バネ | C | 1 | c-V217 0400 50 |
| 4 | 56AA 4044 0 | SPRING MOUNTING PLATE 2 | バネ取り付け板 / 2 | D | 1 | d-V217 0600 50 |
| 5 | 56AA 4043 0 | SPRING MOUNTING PLATE 1 | バネ取り付け板 / 1 | D | 1 | e-V233 1610 50 |
| 6 | 57AA 4047 0 | SCREW EARTH PLATE | ネジアース板 | C | 1 | f-V123 0306 03 |
| 7 | 08AA 7601 0 | DRUM DRIVING SHAFT HOLDER | ドラム駆動軸受 | C | 2 | g-V121 0306 03 |
| 8 | 56AA 1776 0 | COLLAR | カラー | C | 1 | |
| 9 | 57AA 8203 0 | CONVEYANCE DRIVE CLUTCH | 搬送駆動クラッチ | C | 1 | |
| 10 | 12QV 4066 0 | SHAFT POSITIONING PART | 軸位置決め部材 | C | 1 | |
| 11 | 57AA 4025 0 | MULTI-FEED SUPPORT SHAFT | 重送支点軸 | D | 1 | |
| 12 | 56AA 1751 0 | PIN B | ピン B | C | 1 | |
| 13 | 57AA 7506 0 | PAPER EXIT DRIVE SHAFT HOLDER | 排紙駆動軸受 | C | 3 | |
| 14 | 56GA 7601 0 | SLIDE SHAFT HOLDER 2 | 滑り軸受 2 | C | 4 | |
| 15 | 26NA 4256 0 | BY PASS FEED DRIVEN ROLLER | 手差し従動ローラ | C | 2 | |
| 16 | 56AA 4048 1 | PAPERFEEDPRESSINGSRING | 給紙押圧バネ | C | 1 | |
| 17 | 56AA 4033 0 | PAPER FEED DRIVEN SHAFT | 給紙従動軸 | D | 1 | |
| 18 | 56QA 4008 0 | Multi-feed Preventing Plate | 重送防止板 | C | 1 | |
| 19 | 56QA 4055 0 | MULTI FEED ADJUSTMENT PLATE | 重送調整板 | D | 1 | |
| 20 | 56AA R722 00 | ENTRANCE GUIDE ASSY | 入りロガイド部組 | C | 1 | |
| 21 | 26NA 4206 1 | BY PASS FEED CONVEYING GEAR 21T | 手差し搬送ギア 21 T | B | 1 | |
| 22 | 55VA 7903 0 | Paper Feed Reversal Gear /C 14T | 給紙逆転歯車 / C 14 T | B | 2 | |
| 23 | A03X 5656 11 | Torque Limiter /A | トルクリミッタ / A | B | 1 | |
| 24 | 56QA 4027 0 | MULTI FEED REVERSE SHAFT | 重送逆転軸 | D | 1 | |
| 25 | 56AA R716 00 | REVERSING ROLLER ASSY | 逆転ローラ部組 | B | 1 | |
| 26 | 25SA 4096 0 | DOUBLE FEED PREVENTION RUBBER | 重送防止ゴム | A | 1 | |
| 27 | 56AA 4049 0 | SHAFT STOPPER 4 | 軸ストッパ 4 | C | 1 | |
| | | | | | | |
| | | | | | | |
| | | | | | | |
| | | | | | | |
| | | | | | | |
| | | | | | | |
| | | | | | | |
| | | | | | | |

PAPER FEED UNIT

TRAY 4

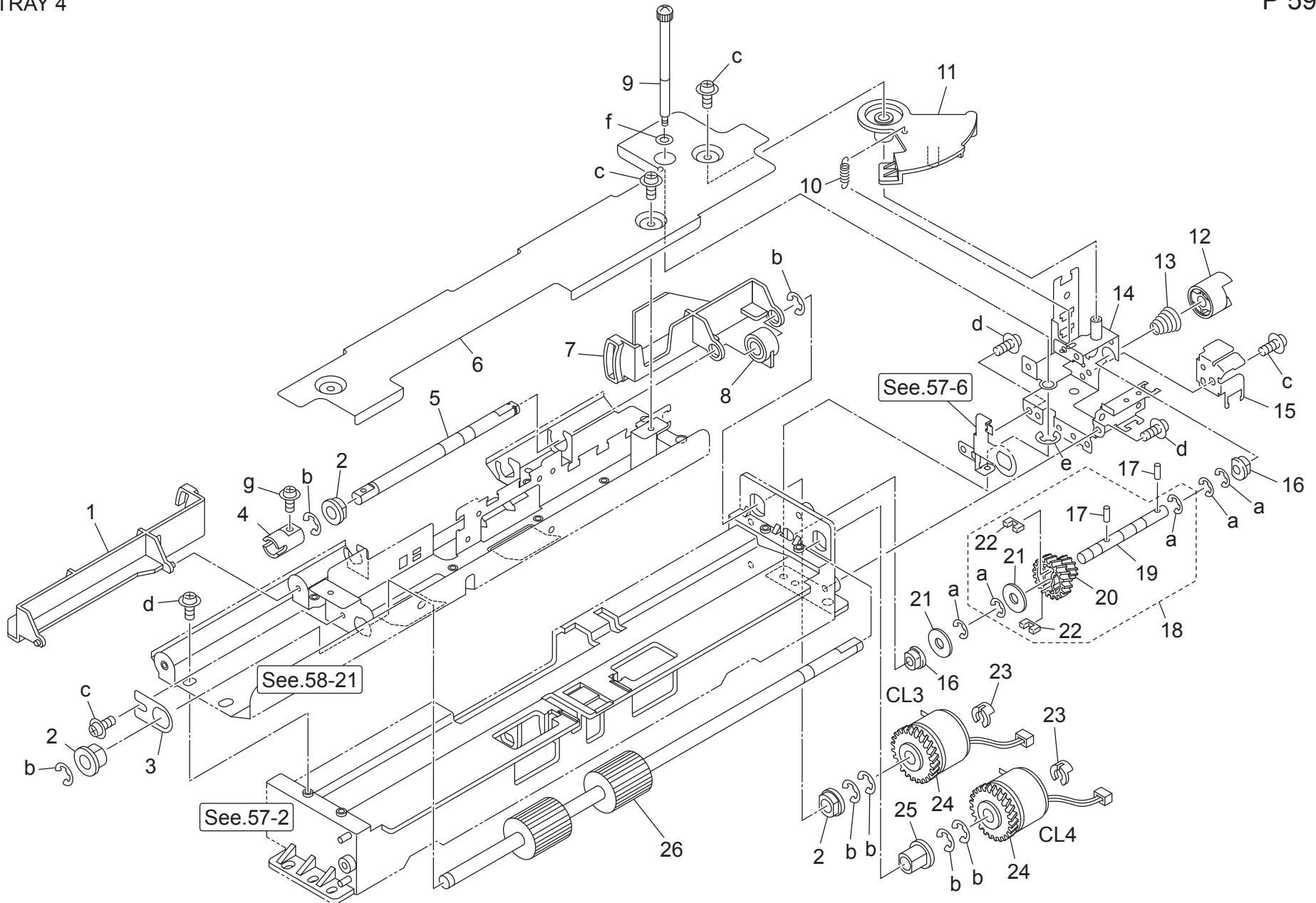


PAPER FEED UNIT

| Key | Part No. | Description | Destinations | Class | QTY | Standard parts |
|-----|--------------|-------------------------------|------------------|-------|-----|--|
| 1 | 57AA -403 1 | FEEDING ASSY | 送り出し部組 | C | 1 | a-V217 0400 50 b-V121 0306 03 c-V233 2014 50 d-V121 0304 03 |
| 2 | 56AA 4049 0 | SHAFT STOPPER 4 | 軸ストッパ 4 | C | 4 | |
| 3 | 56AA R721 00 | PAPER FEED OCILLATE ROLLER | 給紙首振りローラー部組 | B | 1 | |
| 4 | 08AA 7601 0 | DRUM DRIVING SHAFT HOLDER | ドラム駆動軸受 | C | 6 | |
| 5 | 56AA 4007 0 | Paper feed Swing Plate | 給紙首振り板 | D | 1 | |
| 6 | 57AA 4035 0 | ROCKING HANDLE | 首振り把手 | C | 1 | |
| 7 | 56AA 4028 1 | PAPER FEED FEEDING SHAFT | 給紙送り出し軸 | C | 1 | |
| 8 | 56AA 1751 0 | PIN B | ピン B | C | 2 | |
| 9 | 56AA 4030 0 | PAPER QUANTITY ACTUATOR | 紙残検アクチュエタ | C | 1 | |
| 10 | 56AA 1776 0 | COLLAR | カラー | C | 2 | |
| 11 | 0590 7651 0 | PULLEY 1 15T | プーリー 1 15 T | C | 2 | |
| 12 | 56AA 4029 0 | PAPER FEED ROCKING SHAFT | 給紙首振り軸 | D | 1 | |
| 13 | 56AA 7759 0 | PAPER FEED ROCKING BELT 111L | 給紙首振りベルト 1 1 1 L | C | 1 | |
| 14 | 56AA R720 00 | FEED ROLLER UNIT | 送り出しローラ部組 | A | 1 | |
| 15 | 25SA 4096 0 | DOUBLE FEED PREVENTION RUBBER | 重送防止ゴム | A | 1 | |
| 16 | 25AA 4010 0 | FEEDING ROLLER B | 送り出しローラー B | B | 1 | |
| 17 | 56AA 4052 0 | EARTH SPRING | センサアースバネ | C | 1 | |
| 18 | 08AA 8551 2 | Photo Sensor | フォトセンサ | B | 3 | |
| 19 | 56AA 4046 0 | ADJUSTMENT PLATE | センサ調整板 | D | 1 | |
| 20 | 4109 5530 01 | STOPPER | ストッパ | C | 2 | |
| 21 | 56AA 4003 2 | PAPER FEED GUIDE PLATE UPPER | 給紙ガイド板 上 | C | 1 | |
| 22 | 56AA 4017 1 | PAPER FEED DETECTING ACTUATOR | 給紙検知アクチュエタ | C | 1 | |
| 23 | 56AA 4019 0 | PRESSING SPRING | センサ押圧バネ | C | 1 | |
| 24 | 56AA 4031 0 | MOUNTING PLATE | センサ取付け板 | D | 1 | |
| 25 | 57AA 9061 0 | PAPER FEED WIRING 2 | 給紙束線 2 | D | 1 | |
| | | | | | | |
| | | | | | | |
| | | | | | | |
| | | | | | | |
| | | | | | | |
| | | | | | | |
| | | | | | | |
| | | | | | | |
| | | | | | | |

PAPER FEED UNIT

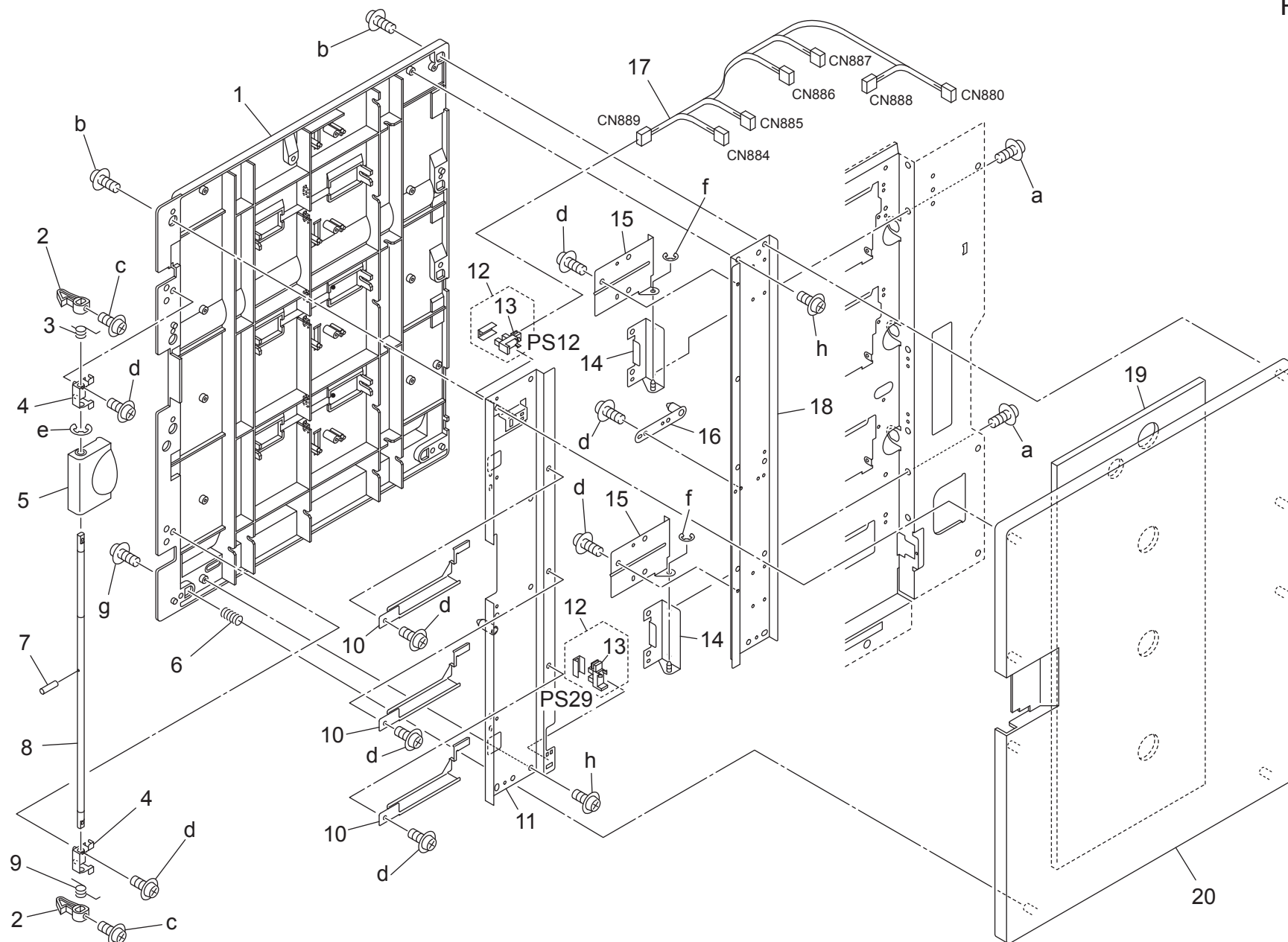
TRAY 4



| Key | Part No. | Description | Destinations | Class | QTY | Standard parts |
|-----|--------------|-----------------------------------|----------------------|-------|-----|--|
| 1 | 56AA 4021 0 | Entrance Guide Plate /Front | 入口ガイド板 /前 | C | 1 | a-V217 0400 50 b-V217 0600 50 c-V121 0306 03 d-V151 0308 03 e-V217 0300 50 f-V207 0300 03 g-V118 0306 03 |
| 2 | A03U 8128 00 | Slide Shaft Holder | すべり軸受 | C | 3 | |
| 3 | 56AA 4037 0 | ADJUSTING PLATE | 調整板 | D | 1 | |
| 4 | 55FA 4032 0 | COUPLING | カップリング | C | 1 | |
| 5 | 56AA 4034 1 | PAPER FEED DRIVING SHAFT | 給紙駆動軸 | C | 1 | |
| 6 | 56AA 4010 0E | Wiring Protection Cover | 束線保護カバー | D | 1 | |
| 7 | 65AA 4010 0 | REGULATING PLATE REAR | 規制板 奥 | D | 1 | |
| 8 | 56AA 4038 0 | PAPER FEED REGULATING BLOCK | 給紙規制ブロック | C | 1 | |
| 9 | 56AA 4012 0 | PAPER FEED HOLDING SCREW | 給紙押えネジ | C | 1 | |
| 10 | 56AA 1712 1 | SEPARATE SPRING UPPER | 分離バネ 上 | C | 1 | |
| 11 | 56AA 4039 0 | CAM PLATE | カム板 | C | 1 | |
| 12 | 56AA 4045 0 | PAPER FEED COUPLING PART | 給紙カップリング部材 | C | 1 | |
| 13 | 56AA 4051 0 | PRESSING SPRING | 押圧バネ | C | 1 | |
| 14 | 57AA 4009 0 | DRIVE MOUNTING PLATE /S | 駆動取り付け板 / S | D | 1 | |
| 15 | 57AA 4062 0 | CLUTCH HOLDER 2 | クラッチ押さえ 2 | D | 1 | |
| 16 | 57AA 4061 0 | SLIDE SHAFT HOLDER | 滑り軸受 | C | 2 | |
| 17 | 56AA 1748 0 | PIN B | ピン B | C | 2 | |
| 18 | 57AA R720 00 | PAPER FEED INPUT SHAFT ASSY | 給紙入力軸部組 | D | 1 | |
| 19 | 57AA 4024 0E | Paper feed Input Shaft | 給紙入力軸 | D | 1 | |
| 20 | 57AA 7772 0 | PAPER FEED REVERSE GEAR / 1 9/22T | 給紙逆転歯車 / 1 9 / 2 2 T | C | 1 | |
| 21 | 56AA 1776 0 | COLLAR | カラー | C | 2 | |
| 22 | 57AA 4063 0 | GEAR CUSHION G | ギアクッション G | C | 2 | |
| 23 | 55VA 4212 0 | SHAFT STOPPER | 軸ストッパー | C | 2 | |
| 24 | 56AA 8201 2 | PAPER FEED DRIVING CLUTCH | 給紙駆動クラッチ | B | 2 | |
| 25 | 55VA 7554 0 | PAPER FEED SHAFT HOLDER B | 給紙軸受 B | B | 1 | |
| 26 | 56AA 4023 0 | PAPER FEED REGISTRATION ROLLER | 給紙レジストローラ | C | 1 | |
| | | | | | | |
| | | | | | | |
| | | | | | | |
| | | | | | | |
| | | | | | | |
| | | | | | | |
| | | | | | | |
| | | | | | | |
| | | | | | | |

VERTICAL CONVEYANCE UNIT

P 60

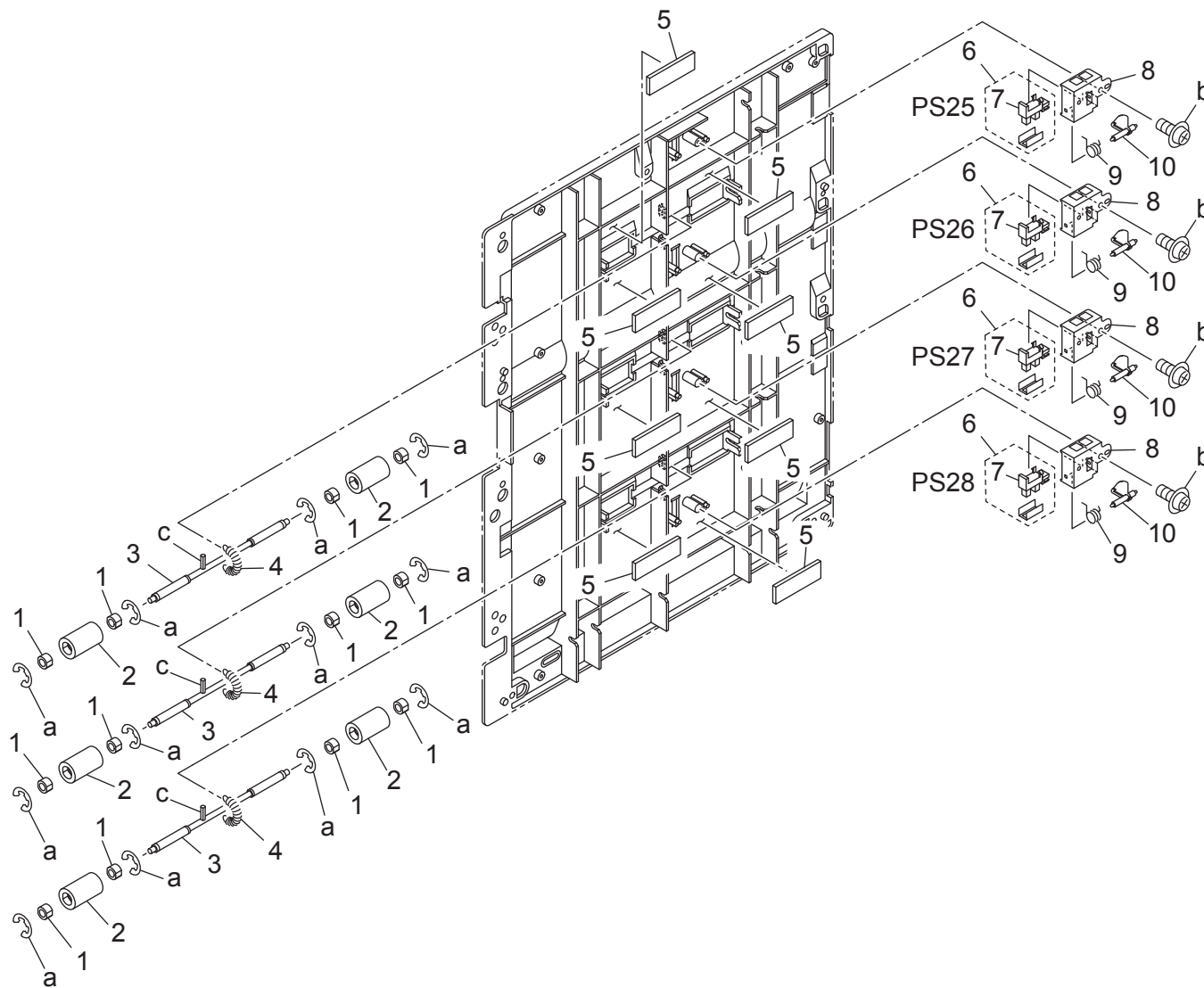


VERTICAL CONVEYANCE UNIT

| Key | Part No. | Description | Destinations | Class | QTY | Standard parts |
|-----|--------------|-----------------------------|--------------|-------|-----|--|
| 1 | A0PN 7004 00 | Guide Plate /Right | | C | 1 | a-V121 0406 03 b-V151 0308 03 c-V118 0306 03 d-V121 0306 03 e-V217 0400 50 f-V217 0300 50 g-V151 0308 04 h-V121 0306 04 |
| 2 | 56AA 4420 0 | LOCKING CLAW | | C | 2 | |
| 3 | 56QA 4418 0 | LOCK SPRING/UPPER | | C | 1 | |
| 4 | 56AA 4415 0 | SHAFT FIXING PART | | C | 2 | |
| 5 | A0PN 7014 00 | Open/close Lever | | C | 1 | |
| 6 | 56QA 4455 0 | CONVEYANCE EARTH SPRING | | C | 1 | |
| 7 | 56AA 1730 0 | PIN | | C | 1 | |
| 8 | 56AA 4421 0D | Lock Shaft | | D | 1 | |
| 9 | 56QA 4419 0 | LOCK SPRING LOWER | | C | 1 | |
| 10 | 56QA 4456 0 | CONVEYANCE EARTH PLATE | | D | 3 | |
| 11 | 56AA -445 1 | BASE STAY/FRONT CAULKIG | | D | 1 | |
| 12 | 56AA R719 00 | SENSOR ASSY | | B | 2 | |
| 13 | 08AA 8551 2 | Photo Sensor | | B | 2 | |
| 14 | 56AA -450 1 | HINGE FIXING PLATE CAULKING | | D | 2 | |
| 15 | 56AA 4410 1 | HINGE OPEN/CLOSE PLATE | | D | 2 | |
| 16 | 56AA -447 1 | POSITIONING PLATE CAULKIG | | D | 1 | |
| 17 | 56QA 9062 0 | PAPER FEED WIRING 3 | | D | 1 | |
| 18 | 56AA 4407 1 | BASE STAY/REAR | | D | 1 | |
| 19 | 56QA 4459 0 | CONVEYANCE PAD/UPPER | | D | 1 | |
| 20 | A0PN 7003 00 | Conveyance Door | | C | 1 | |
| | | | | | | |
| | | | | | | |
| | | | | | | |
| | | | | | | |
| | | | | | | |
| | | | | | | |
| | | | | | | |
| | | | | | | |
| | | | | | | |

VERTICAL CONVEYANCE UNIT

P 61

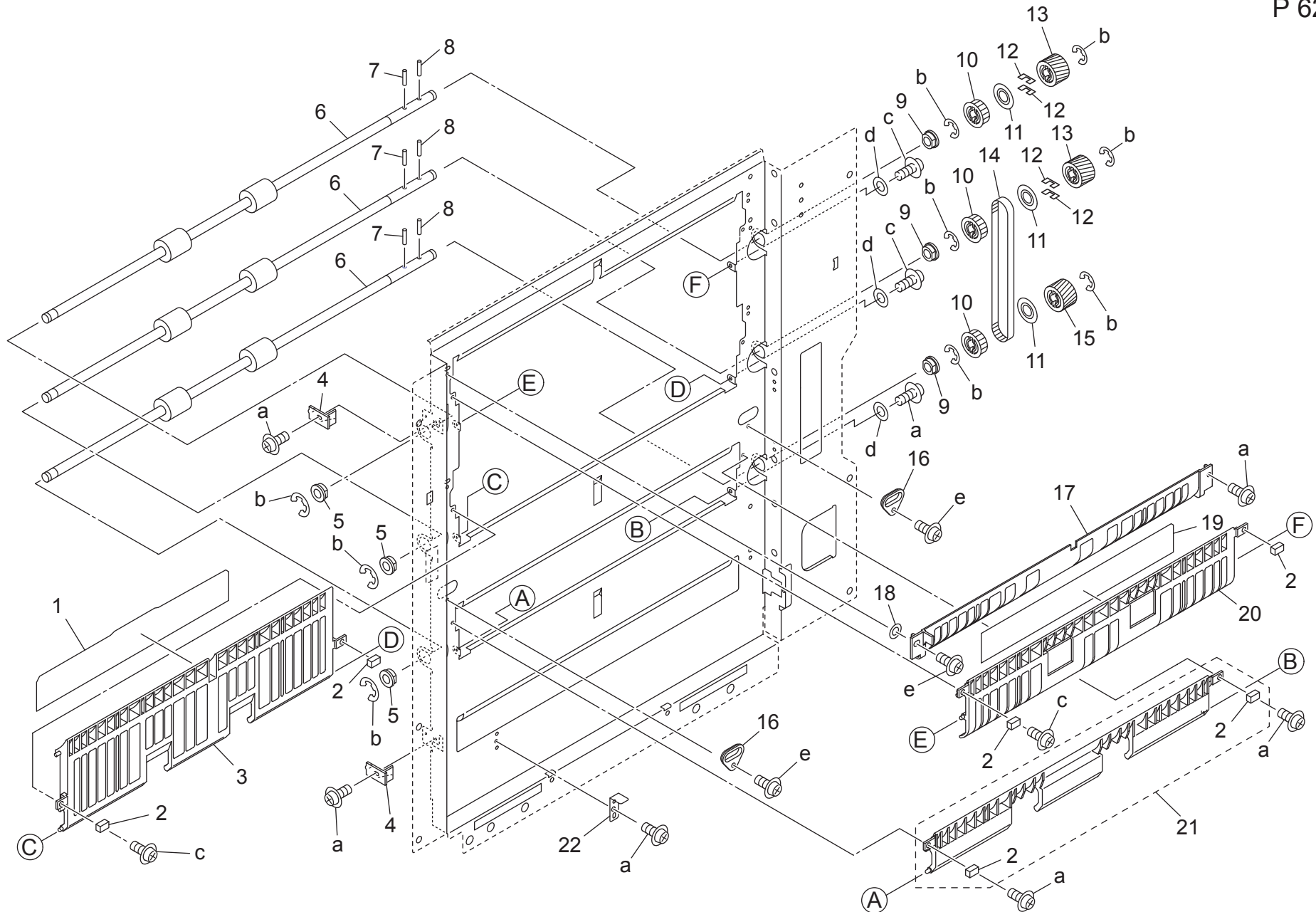


VERTICAL CONVEYANCE UNIT

| Key | Part No. | Description | Destinations | Class | QTY | Standard parts |
|-----|--------------|------------------------------|--------------|-------|-----|--|
| 1 | 56GA 7601 0 | SLIDE SHAFT HOLDER 2 | | C | 12 | a-V217 0400 50 b-V151 0308 03 c-V233 1612 50 |
| 2 | 26NA 4256 0 | BY PASS FEED DRIVEN ROLLER | | C | 6 | |
| 3 | 56AA 4445 1 | CONVEYANCE IDLER SHAFT | | D | 3 | |
| 4 | 56AA 4443 0 | CONVEYANCE PRESSING SPRING 1 | | C | 3 | |
| 5 | 56QA 4458 0 | CONVEYANCE PAD/MIDDLE | | D | 8 | |
| 6 | 56AA R719 00 | SENSOR ASSY | | B | 4 | |
| 7 | 08AA 8551 2 | Photo Sensor | | B | 4 | |
| 8 | 56AA 4425 0 | MOUNTING PART | | C | 4 | |
| 9 | 56AA 4426 0 | PRESSING SPRING | | C | 4 | |
| 10 | 57AA 4427 0 | PAPER DETECTION ACTUATOR | | C | 4 | |
| | | | | | | |
| | | | | | | |
| | | | | | | |
| | | | | | | |
| | | | | | | |
| | | | | | | |
| | | | | | | |
| | | | | | | |

VERTICAL CONVEYANCE UNIT

P 62

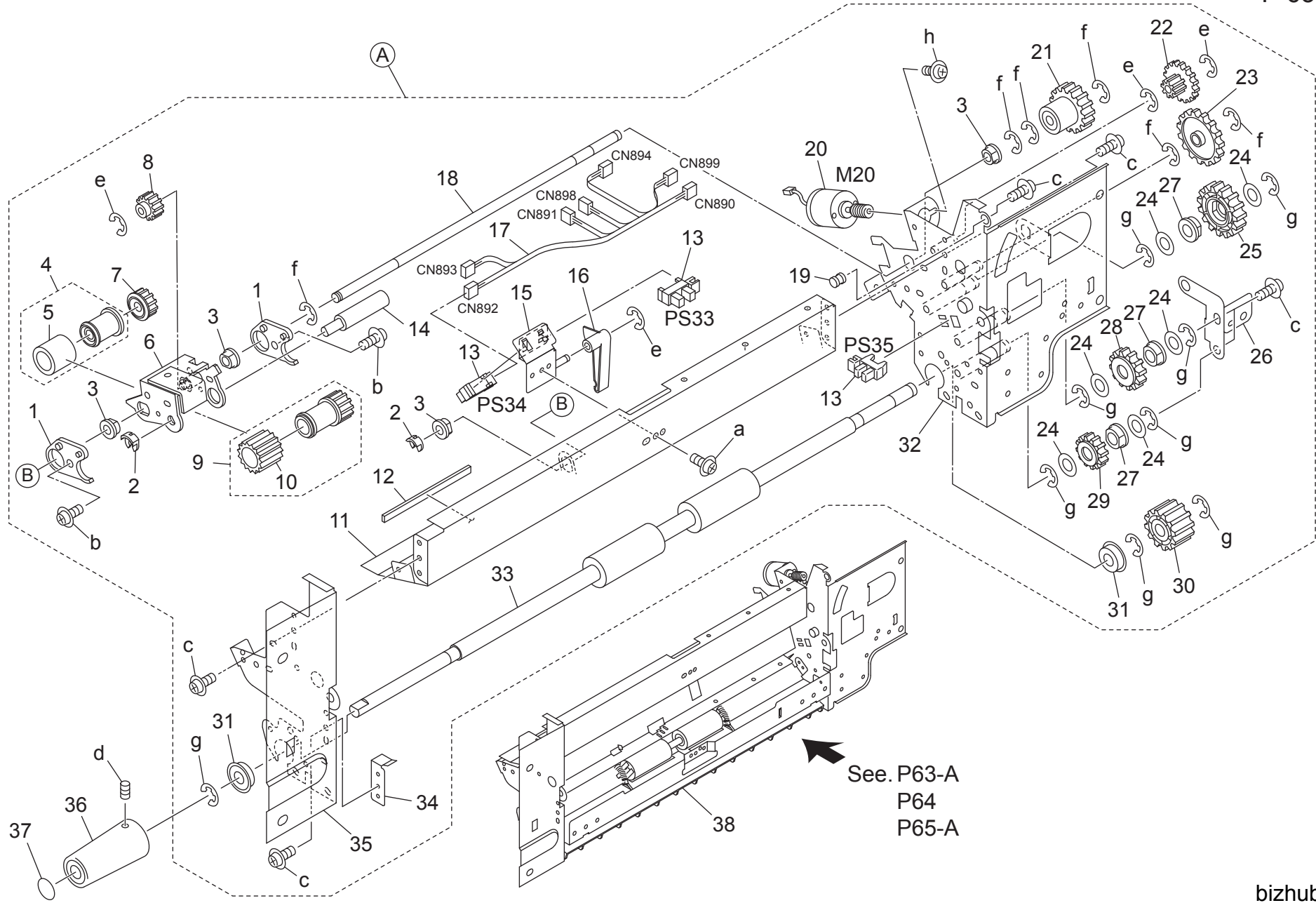


VERTICAL CONVEYANCE UNIT

| Key | Part No. | Description | Destinations | Class | QTY | Standard parts |
|-----|--------------|---------------------------------|---------------------|-------|-----|--|
| 1 | 57AA 4460 0 | CONVEYANCE GUIDE SHEET/2 | 搬送ガイドシート / 2 | C | 1 | a-V121 0306 03 b-V217 0600 50 c-V121 0308 03 d-V207 0300 03 e-V118 0306 03 |
| 2 | 56AA 4442 1 | PAPERFEED PRESSING PART | 給紙押圧部材 | D | 6 | |
| 3 | 56QA 4430 0 | PAPER FEED GUIDE PART /1 | 給紙ガイド部材 / 1 | D | 1 | |
| 4 | 56AA 4423 1 | DOOR LOCKING PART | ドアロック部材 | C | 2 | |
| 5 | 56QA 7505 0 | Paper Feed Slide Bushing | 給紙滑り軸受 | C | 3 | |
| 6 | 56AA 4408 2 | PAPER FEED CONVEYING ROLLER | 給紙搬送ローラ | C | 3 | |
| 7 | 56AA 1755 1 | PIN A | ピン A | C | 3 | |
| 8 | 56AA 1748 0 | PIN B | ピン B | C | 3 | |
| 9 | A03U 8128 00 | Slide Shaft Holder | すべり軸受 | C | 3 | |
| 10 | 56AA 7659 0 | ADU CONVEYING PULLEY 1 32T | A D U 搬送プーリ 1 3 2 T | C | 3 | |
| 11 | 57AA 4461 0 | PULLEY HOLDER BLACK | プーリ押さえ クロ | C | 3 | |
| 12 | 57AA 4063 0 | GEAR CUSHION G | ギアクッション G | C | 4 | |
| 13 | 57AA 7738 0 | CONVEYANCE GEAR 21T | 搬送ギア 2 1 T | C | 2 | |
| 14 | 56QA 7753 0 | Conveyance Connecting Belt 292L | 搬送連結ベルト 2 9 2 L | C | 1 | |
| 15 | 56AA 7738 0 | CONVEYANCE GEAR 21T | 搬送ギア 2 1 T | C | 1 | |
| 16 | 56AA 4424 0 | DOOR POSITIONING PART | ドア位置決め部材 | C | 2 | |
| 17 | 56QA 4440 0 | PAPER FEED GUIDE PART /3 | 給紙ガイド部材 / 3 | D | 1 | |
| 18 | 56QA 4441 0 | SPACER | スペーサー | D | 1 | |
| 19 | 56QA 4457 0 | CONVEYANCE GUIDE SHEET | 搬送ガイドシート | C | 1 | |
| 20 | 56QA 4431 0 | PAPER FEED GUIDE PART/2 | 給紙ガイド部材 / 2 | D | 1 | |
| 21 | 56AA R718 00 | PAPER FEED GUIDE PART U ASSY | 給紙ガイド部材 上部組 | C | 1 | |
| 22 | 56AA 4432 1 | MOUNTING PLATE /LOWER | センサ取り付け板 / 下 | D | 1 | |
| | | | | | | |
| | | | | | | |
| | | | | | | |
| | | | | | | |
| | | | | | | |
| | | | | | | |
| | | | | | | |
| | | | | | | |
| | | | | | | |

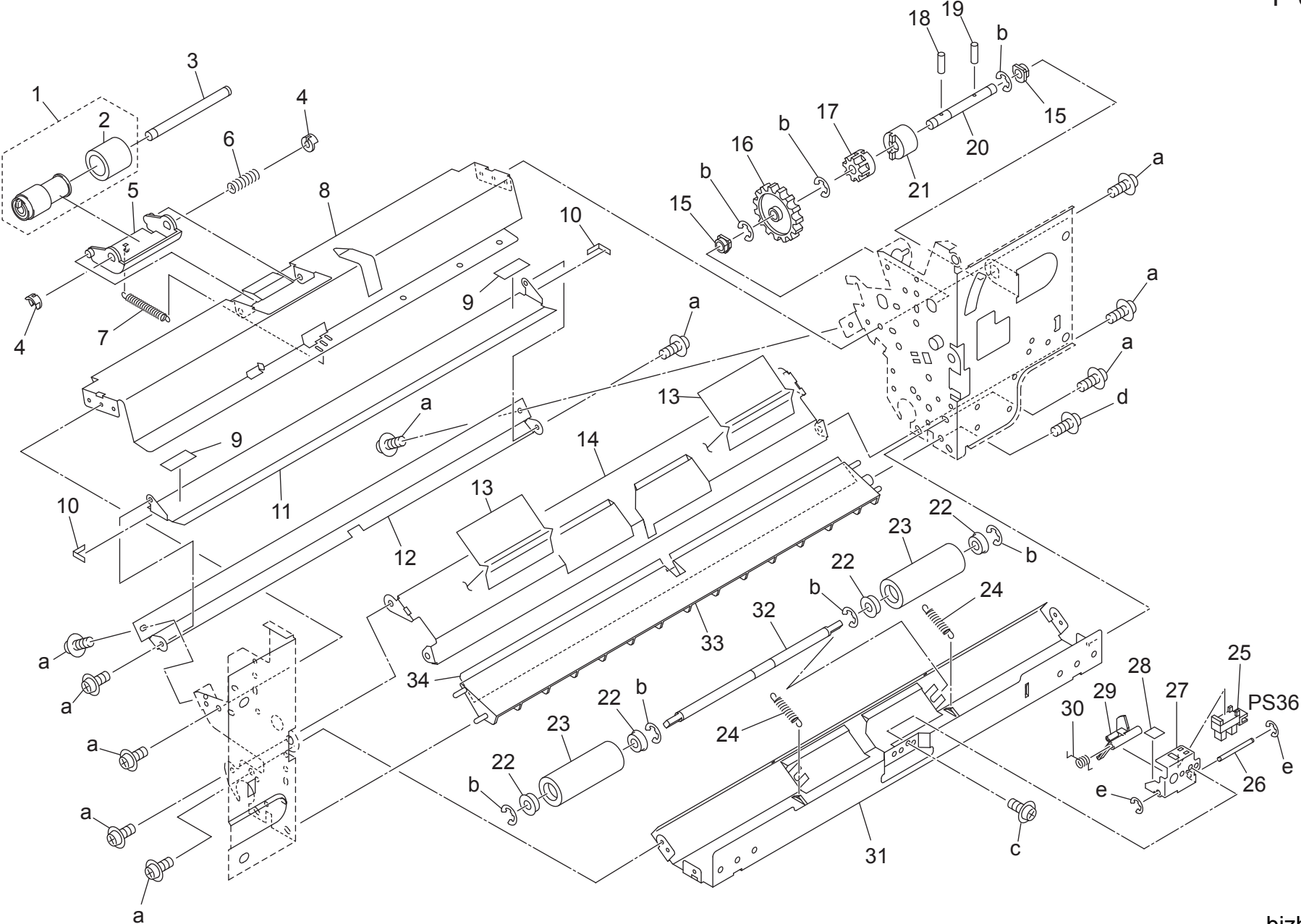
MANUAL FEED UNIT

P 63



| Key | Part No. | Description | Destinations | Class | QTY | Standard parts |
|-----|--------------|-----------------------------------|---------------------|-------|-----|----------------|
| 1 | 56AA 4243 0 | PAPER GUIDE PART | 紙ガイド部材 | C | 2 | a-V118 0304 03 |
| 2 | 3960 4068 1 | STOPPER RING | 止め輪 | B | 2 | b-V121 0305 04 |
| 3 | 08AA 7601 0 | DRUM DRIVING SHAFT HOLDER | ドラム駆動軸受 | C | 4 | c-V121 0306 03 |
| 4 | 56AA R724 00 | PAPER CON ROLLER ASSY | 紙搬送ローラー部組 | B | 1 | d-V193 0404 04 |
| 5 | 5400 4056 2 | PAPER SUPPLY RUBBER | 紙補給ゴム | A | 1 | e-V217 0300 50 |
| 6 | 56AA 4216 0 | PAPER FEEDING PLATE | 紙送り出し板 | D | 1 | f-V217 0400 50 |
| 7 | 56AA 7718 0 | BY PASS FEED CONVEYING GEAR 1 19T | 手差し搬送歯車 1 19 T | C | 1 | g-V111 2604 03 |
| 8 | 56AA 7796 0 | BY PASS FEED IDLING GEAR 18T | 手差しアイドル歯車 18 T | C | 1 | |
| 9 | 56AA R723 00 | FEEDING ROLLER A ASSY | 送り出しローラー A部組 | B | 1 | |
| 10 | 55FA 4233 0 | PAPER DELIVERY RUBBER | 紙送り出しゴム | A | 1 | |
| 11 | 56AA 4203 1 | BY PASS FEED GUIDE PLATE UPPER | 手差しガイド板 上 | D | 1 | |
| 12 | 56QA 1053 1 | BY-PASS COOLING PAD /2 | 手差し冷却パッド /2 | D | 1 | |
| 13 | 08AA 8551 2 | Photo Sensor | フォトセンサ | B | 3 | |
| 14 | 56AA 4212 0 | BY-PASS FEEDING SHAFT | 手差し送り出し軸 | D | 1 | |
| 15 | 56AA -472 1 | MOUNT PLATE/UPPER CAULKING | センサー取り付け板 /上カシメ | C | 1 | |
| 16 | 56AA 4217 0 | BY PASS FEED DETECTING PART | 手差し検知部材 | C | 1 | |
| 17 | 56AA 9064 2E | BY-PASS WIRING /1 | 手差し 束線 /1 | D | 1 | |
| 18 | 56AA 4207 0 | BY-PASS DRIVE SHAFT | 手差し駆動軸 | C | 1 | |
| 19 | 56AA 4226 0 | PAPER FEED TRAY STOPPER SHAFT | 給紙皿ストップ軸 | D | 1 | |
| 20 | 56AA -479 0 | MOTOR ASSY | モーター部組 | B | 1 | |
| 21 | 56AA 7717 0 | BY PASS FEED INPUT GEAR B 28T | 手差し入力歯車 B 28 T | C | 1 | |
| 22 | 3960 7724 0 | TONER SUPPLY GEAR A 42T 13T | トナー補給歯車 A 42 T 13 T | C | 1 | |
| 23 | 4660 7722 0 | DOUBLE STEPPED GEAR 34T 17T | 2段歯車 34 T 17 T | C | 1 | |
| 24 | 12QV 4065 0 | SPACER | スペーサー | B | 6 | |
| 25 | 25AA 4952 0 | PAPER EXIT IDLER GEAR 31T | 排紙アイドル歯車 31 T | C | 1 | |
| 26 | 56AA 4265 2 | BY-PASS REINFORCE PLATE /REAR | 手差し補強板 /奥 | D | 1 | |
| 27 | A03U 8128 00 | Slide Shaft Holder | すべり軸受 | C | 3 | |
| 28 | 25AA 7773 0 | CONVEYANCE IDLER RIGHT 24T | 搬送アイドル 右 24 T | C | 1 | |
| 29 | 25AA 7736 0 | CONVEYANCE IDLER | 搬送アイドル | C | 1 | |
| 30 | 56AA 7716 0 | BY PASS FEED INPUT GEAR A 24T | 手差し入力歯車 A 24 T | C | 1 | |
| 31 | A00V 2406 00 | BALL BEARING | ボールベアリング | C | 2 | |
| 32 | 56AA -463 2 | BY-PF BASE PANEL/R CAULKIG | 手差し基準パネル /奥カシメ | D | 1 | |
| 33 | 56AA 4251 0 | PAPER STOPPER ROLLER | 紙突き当てローラー | C | 1 | |
| 34 | 56AA 4262 1 | STOPPER PLATE | ストップ板 | D | 1 | |
| 35 | 56AA 4201 1 | BY-PASS BASE PANEL /FRONT | 手差し基準パネル /前 | D | 1 | |
| 36 | 56QA 4274 0 | ROLLER KNOB | ローラーつまみ | C | 1 | |
| 37 | 57AA 9720 1E | Jam Release Label /1 | ジャム解除ラベル /1 | C | 1 | |
| 38 | 56QA R704 00 | BY-PASS FEED MAIN BODY | 手差し本体 | C | 1 | |
| | | | | | | |
| | | | | | | |
| | | | | | | |

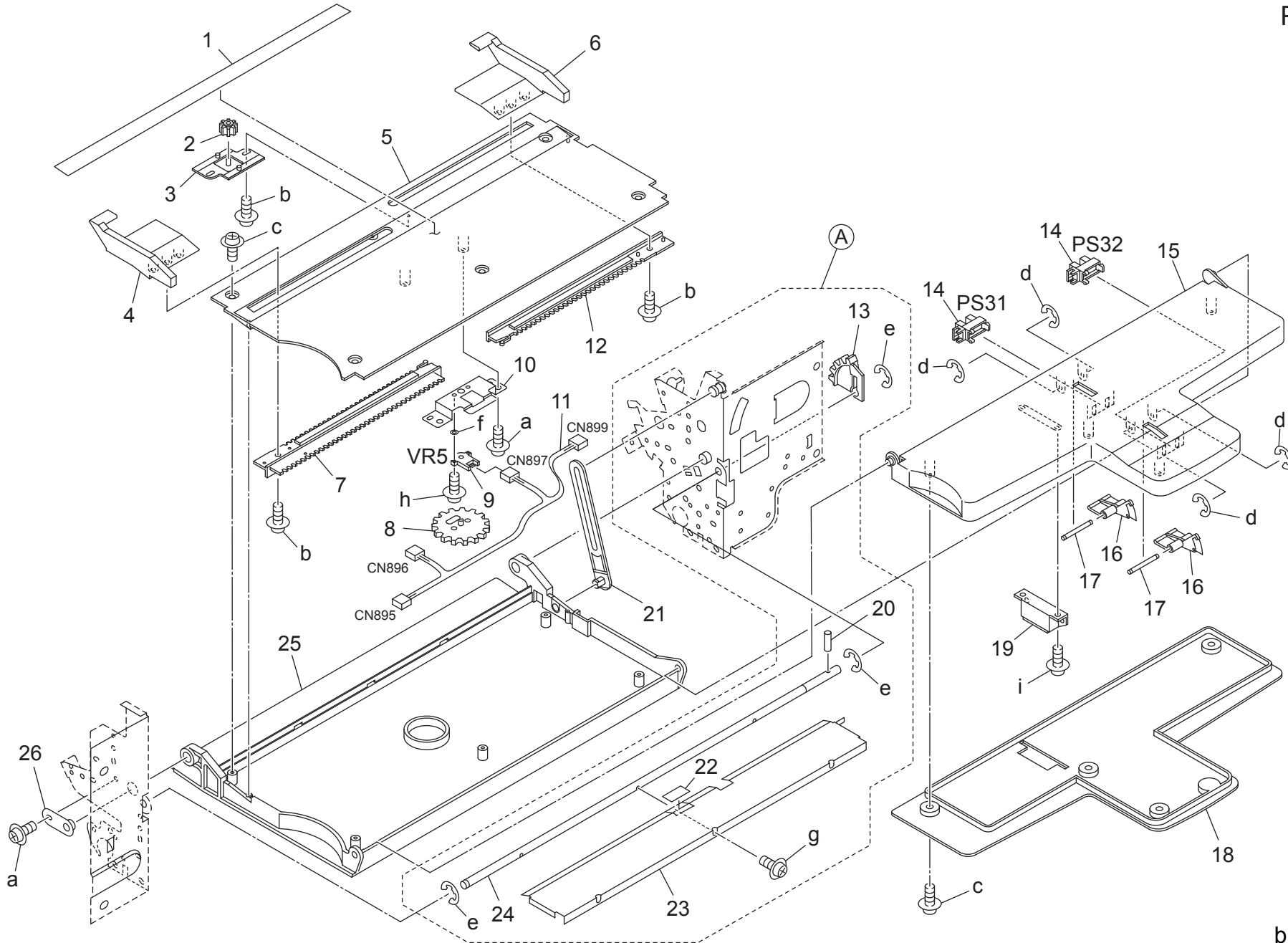
MANUAL FEED UNIT



| Key | Part No. | Description | Destinations | Class | QTY | Standard parts |
|-----|--------------|---------------------------------|--------------|-------|-----|--|
| 1 | 56AA R725 00 | DOUBL FEED PV ROLLER | | B | 1 | a-V121 0306 03 b-V217 0400 50 c-V121 0304 03 d-V151 0308 03 e-V217 0200 50 |
| 2 | 5400 4056 2 | PAPER SUPPLY RUBBER | | A | 1 | |
| 3 | 56AA 4210 0D | Multi-feed Regulating Shaft | | D | 1 | |
| 4 | 3960 4068 1 | STOPPER RING | | B | 2 | |
| 5 | 56AA 4206 1 | MULTI FEED MOUNTING PLATE | | C | 1 | |
| 6 | 56AA 4244 0 | BY PASS FEED PRESSING SPRING | | C | 1 | |
| 7 | 56AA 4224 1 | MULTI FEED PRESSING SPRING | | C | 1 | |
| 8 | 56AA 4204 0 | BY PASS FEED GUIDE PLATE LOWE | | D | 1 | |
| 9 | 56AA 2091 0 | TONER GUIDE SEAL /F | | D | 2 | |
| 10 | 56AA 4264 0 | STOPPER SHEET | | C | 2 | |
| 11 | 56AA 4246 0 | OPEN SHUT PLATE | | D | 1 | |
| 12 | 56AA 4205 0 | BY PASS FEED AUXILIARY PLATE | | D | 1 | |
| 13 | 56QA 4272 0 | PAPER GUIDE SHEET | | C | 2 | |
| 14 | 56AA 4253 0 | CONVEYANCE GUIDE PLATE LOWER | | D | 1 | |
| 15 | 4660 7602 0 | PAPER FEED SHAFT HOLDER | | B | 2 | |
| 16 | 55VA 7774 0 | MANUAL FEED UP DOWN GEAR A 45T | | B | 1 | |
| 17 | 55VA 7903 0 | Paper Feed Reversal Gear /C 14T | | B | 1 | |
| 18 | 56AA 1732 1 | PIN A D2X12 | | B | 1 | |
| 19 | 56AA 1731 0 | PIN | | C | 1 | |
| 20 | 56AA 4209 0D | Clutch Fixing Shaft | | D | 1 | |
| 21 | 13GQ 4551 1 | TORQUE LIMITTER | | C | 1 | |
| 22 | 56AA 7505 0 | CLEANER SHAFT HOLDER | | C | 4 | |
| 23 | 56AA 4250 0 | CONVEYANCE DRIVEN ROLLER LOWE | | C | 2 | |
| 24 | 56AA 4259 0 | CONVEYANCE PRESSING SPRING 1 | | C | 2 | |
| 25 | 08AA 8551 2 | Photo Sensor | | B | 1 | |
| 26 | 56AA 4268 0D | Support Shaft /C | | D | 1 | |
| 27 | 56AA 4266 1D | Mounting Plate | | D | 1 | |
| 28 | 56AA 4245 0 | PREVENTING RUBBER | | C | 1 | |
| 29 | 56AA 4258 0 | PAPER DETECTING ACTUATOR B | | C | 1 | |
| 30 | 56QA 4267 0 | SPRING B | | C | 1 | |
| 31 | 56AA 4252 2 | CONVEYANCEGUIDEPLATE UPPER | | D | 1 | |
| 32 | 56AA 4260 0D | Idler Shaft /A | | D | 1 | |
| 33 | 56AA 4254 1 | ENTRANCE GUIDE PART | | C | 1 | |
| 34 | 56AA 4270 1 | PAPER GUIDE SHEET FRONT | | C | 1 | |
| | | | | | | |
| | | | | | | |
| | | | | | | |
| | | | | | | |

MANUAL FEED UNIT

P 65



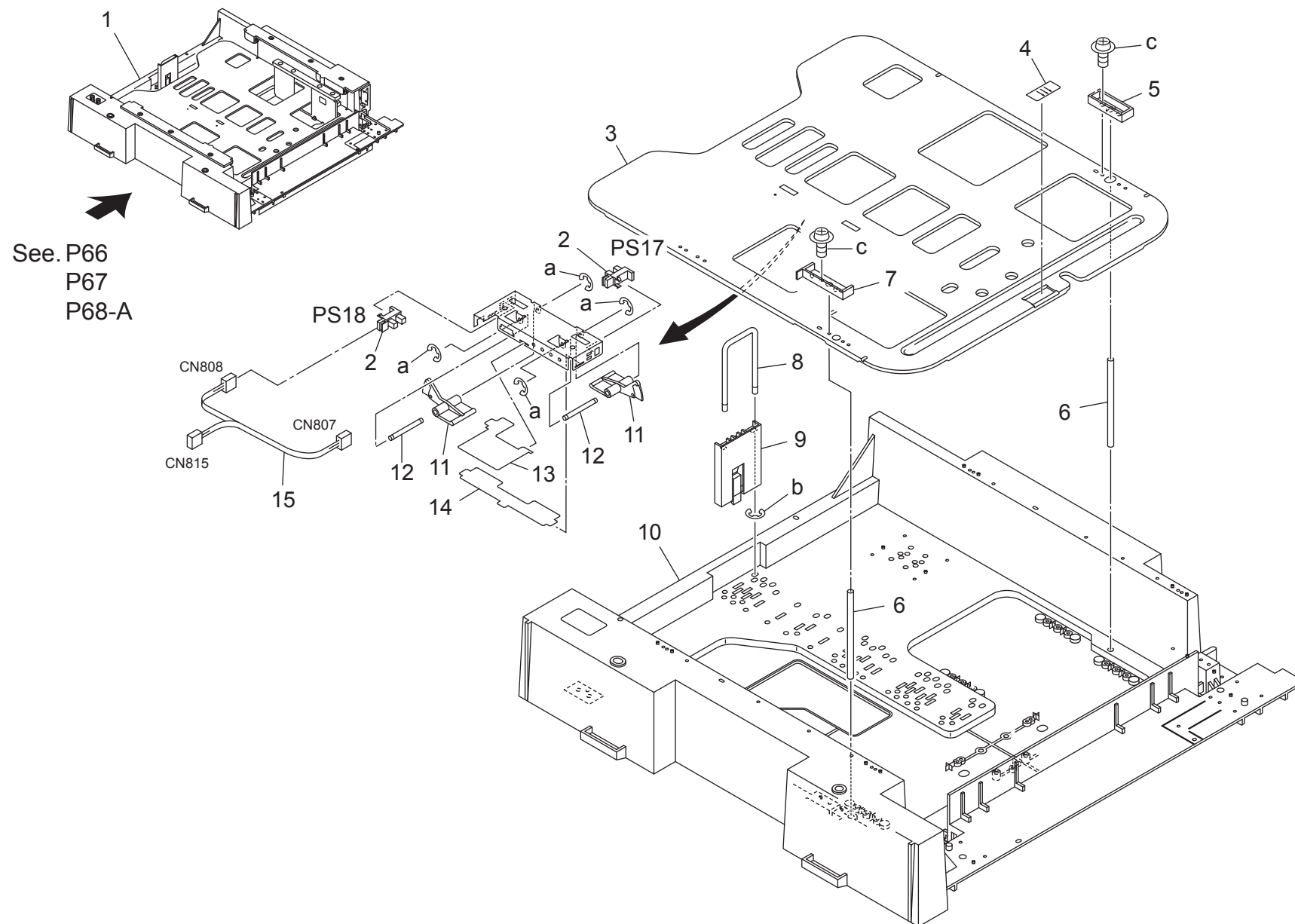
bizhub 601

| Key | Part No. | Description | Destinations | Class | QTY | Standard parts |
|-----|--------------|----------------------------|--------------|-------|-----|----------------|
| 1 | A0PN 9437 00 | Bypass Label /1 | | C | 1 | a-V121 0306 03 |
| 2 | 4660 7713 0 | PINION 14T | | C | 1 | b-V151 0308 03 |
| 3 | 56AA 4242 0 | SLIDE HOLDER | | C | 1 | c-V151 0308 04 |
| 4 | A0PN 6040 00 | Regulating Plate /Front | | C | 1 | d-V217 0200 50 |
| 5 | A0PN 6031 00 | Paper feed Tray | | C | 1 | e-V217 0400 50 |
| 6 | A0PN 6041 00 | Regulating Plate /Rear | | C | 1 | f-V207 0200 03 |
| 7 | 56AA 4234 0 | RACK FRONT | | C | 1 | g-V118 0306 03 |
| 8 | 56AA 4238 0 | PINION | | C | 1 | h-V111 1704 03 |
| 9 | 56AA 8560 1 | SIZE DETECTION VR | | C | 1 | |
| 10 | 56AA 4239 1 | PAPER DETECTION BOARD | | D | 1 | |
| 11 | 56AA 9065 1 | BY PASS FEED WIRING 2 | | D | 1 | |
| 12 | 56AA 4235 0 | RACK REAR | | C | 1 | |
| 13 | 5400 7705 2 | PAPER LIFT UP GEAR A 12T | | B | 1 | |
| 14 | 08AA 8551 2 | Photo Sensor | | B | 2 | |
| 15 | A0PN 6032 01 | Auxiliary Cover | | C | 1 | |
| 16 | 56AA 4237 0 | PAPER DETECTING ACTUATOR A | | C | 2 | |
| 17 | 56AA 4236 0D | Support Shaft /B | | D | 2 | |
| 18 | A0PN 6033 01 | Protection Cover | | C | 1 | |
| 19 | 07BA 1235 2 | MAGNET CATCH | | C | 1 | |
| 20 | 56AA 1746 1 | PIN A | | B | 1 | |
| 21 | A0PN 6061 00 | Open/close Stopper | | C | 1 | |
| 22 | 57AA 6051 00 | FRICITION PAD | | C | 1 | |
| 23 | 56AA 4211 1 | PAPER LIFTING PLATE | | D | 1 | |
| 24 | 56AA 4208 0 | BY-PASS LIFTING SHAFT | | D | 1 | |
| 25 | A0PN 6030 00 | Paper Feed Cover | | C | 1 | |
| 26 | 56AA -477 1 | TRAY FULCRUM PLATE CAULKIG | | D | 1 | |
| | | | | | | |
| | | | | | | |
| | | | | | | |
| | | | | | | |
| | | | | | | |
| | | | | | | |
| | | | | | | |
| | | | | | | |

500 SHEET TRAY

TRAY 3

P 66



See. P66
P67
P68-A

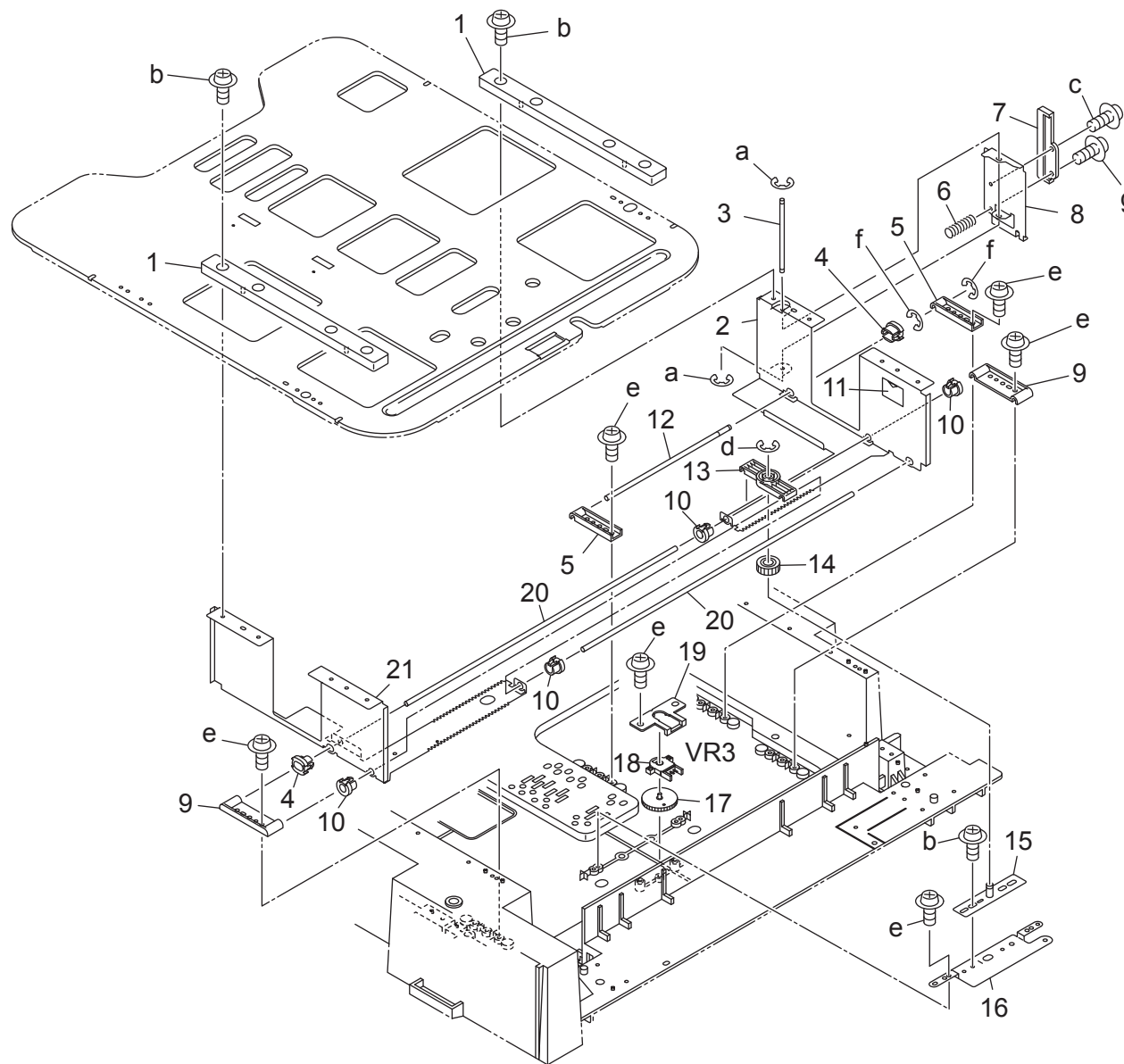
500 SHEET TRAY

| Key | Part No. | Description | Destinations | Class | QTY | Standard parts |
|-----|--------------|------------------------------|--------------|-------|-----|--|
| 1 | A0PN R720 00 | 500 SHEET TRAY | 500枚トレイ | S | 1 | a-V217 0200 50 b-V217 0400 50 c-V121 0306 03 |
| 2 | 08AA 8551 2 | Photo Sensor | フォトセンサ | B | 2 | |
| 3 | 56AA 4102 2D | TRAYUP DOWN BOTTOM PLATE/J | トレイ昇降底板 / J | D | 1 | |
| 4 | 55VA 4093 0 | DOUBLE FEED PREVENTIVE PLATE | 重送防止板 | C | 1 | |
| 5 | 56AA 4161 0 | TRAY SLIDE PART REAR | トレイスライド部材 奥 | C | 1 | |
| 6 | 56AA 4162 1 | TRAY SLIDE SHAFT /UPPER | トレイスライド軸 /上 | D | 2 | |
| 7 | 56AA 4116 0 | TRAY SLIDE PART | トレイスライド部材 | C | 1 | |
| 8 | 56AA 4149 1 | TRAY LOCKING SHAFT LEFT | トレイロック軸 左 | D | 1 | |
| 9 | 57AA 4107 1 | TRAY SLIDE SIDE PLATE LEFT | トレイスライド側板 左 | C | 1 | |
| 10 | A0PN 6201 00 | Tray /J | トレイ / J | C | 1 | |
| 11 | 56AA 4237 0 | PAPER DETECTING ACTUATOR A | 紙検知アクチュエタ A | C | 2 | |
| 12 | 56AA 4236 0D | Support Shaft /B | センサ支点軸 / B | D | 2 | |
| 13 | 56AA 4168 0 | PROTECTION SHEET 2 | センサ保護シート 2 | C | 1 | |
| 14 | 56AA 4166 0 | PROTECTION SHEET | センサ保護シート | C | 1 | |
| 15 | 56AA 9066 0E | Paper Feed Relay Wiring /1 | 給紙中継束線 /1 | D | 1 | |
| | | | | | | |
| | | | | | | |
| | | | | | | |
| | | | | | | |
| | | | | | | |
| | | | | | | |
| | | | | | | |
| | | | | | | |
| | | | | | | |

500 SHEET TRAY

TRAY 3

P 67

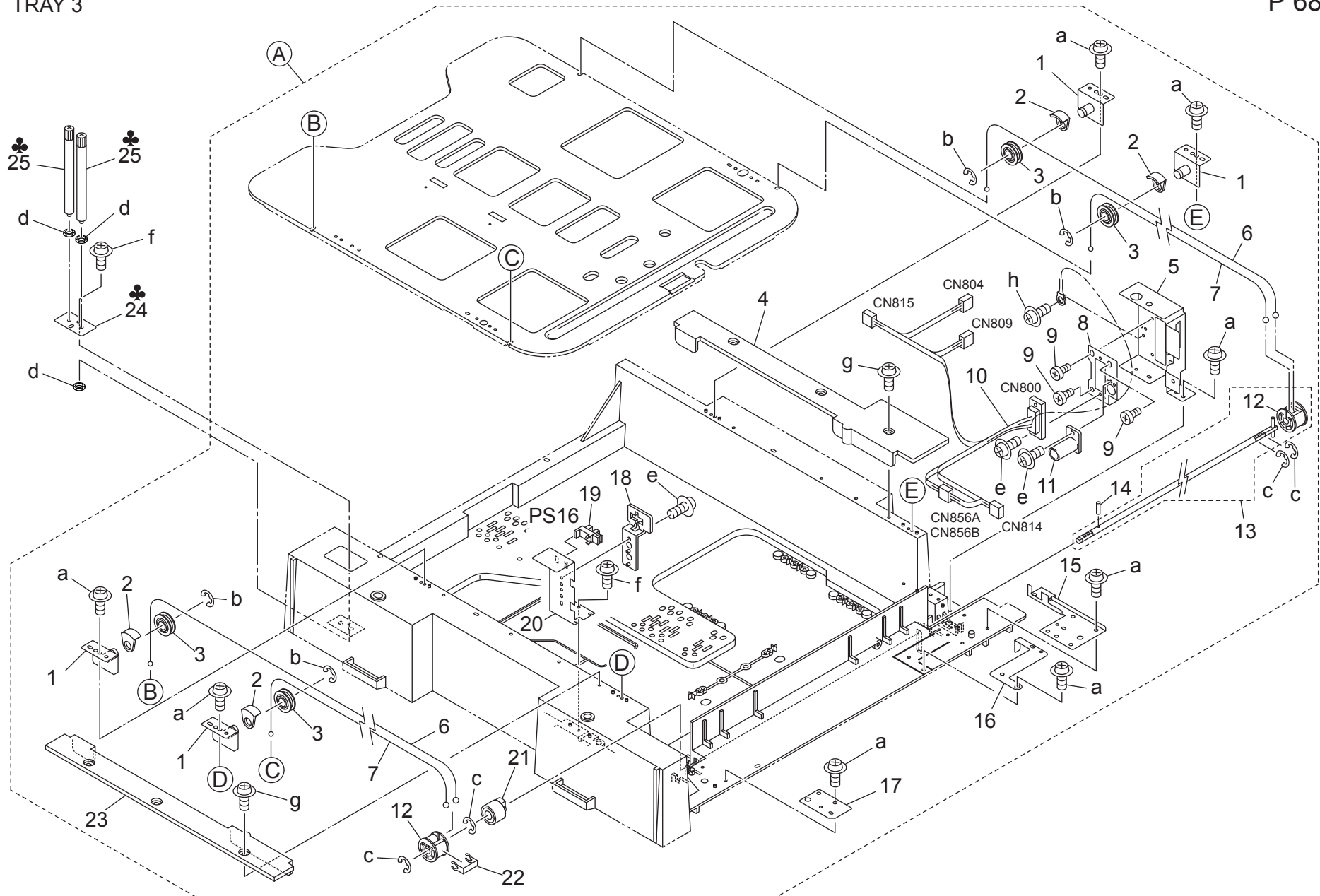


| Key | Part No. | Description | Destinations | Class | QTY | Standard parts |
|-----|--------------|------------------------------|---------------|-------|-----|----------------|
| 1 | 57AA 4136 0 | PROTECTION COVER | 保護カバー | C | 2 | a-V217 0200 50 |
| 2 | 56AA 4106 1 | TRAY SLIDE SIDE PLATE /REAR | トレイスライド側板ノ奥 | D | 1 | b-V121 0304 03 |
| 3 | 56AA 4129 0D | tray Support Shaft | トレイ支点軸 | D | 1 | c-V121 0306 03 |
| 4 | 56AA 4120 0 | TRAY GUIDE COLLAR LEFT | トレイガイドカラー 左 | C | 2 | d-V217 0400 50 |
| 5 | 56AA 4160 0 | TRAY SLIDE COVER MIDDLE | トレイスライドカバー 中 | C | 2 | e-V151 0308 03 |
| 6 | 56AA 1706 0 | SWITCH FIXED SPRING | スイッチ固定バネ | C | 1 | f-V217 0300 50 |
| 7 | 57AA 4125 0 | SLIDE HANDLE | スライド把手 | C | 1 | g-V121 0310 03 |
| 8 | 56AA 4109 1 | TRAY LOCK PLATE | トレイロック板 | D | 1 | |
| 9 | 56AA 4146 0 | TRAY SLIDE HOLDER | トレイスライド押さえ | C | 2 | |
| 10 | 56AA 4119 0 | TRAY GUIDE COLLAR RIGHT | トレイガイドカラー 右 | C | 4 | |
| 11 | 57AA 9787 0 | PAPER GUIDE LABEL | 紙案内ラベル | C | 1 | |
| 12 | 56AA 4122 0D | tray Slide Shaft /Middle | トレイスライド軸ノ中 | D | 1 | |
| 13 | 56AA 4123 0 | TRAY SLIDE COVER | トレイスライドカバー | C | 1 | |
| 14 | 55VA 7915 0 | CASSETTE PINION 14T | カセットピニオン 14 T | C | 1 | |
| 15 | 56AA -416 1 | ADJUSTING PLATE K CAULKIG | 調整板 K カシメ | D | 1 | |
| 16 | 56AA 4133 0 | Adjusting Plate /Lower | 調整板ノ下 | D | 1 | |
| 17 | 56AA 4134 0 | DETECTING GEAR 35T | 検知ギア 35 T | C | 1 | |
| 18 | 56AA 8560 1 | SIZE DETECTION VR | サイズ検知ボリューム | C | 1 | |
| 19 | 56AA 4135 1E | Detection Board | 検知基板 | C | 1 | |
| 20 | 56AA 4121 1 | TRAY SLIDE SHAFT /FRONT | トレイスライド軸ノ前 | D | 2 | |
| 21 | 56AA 4105 1 | TRAY SLIDE SIDE PLATE /FRONT | トレイスライド側板ノ前 | D | 1 | |
| | | | | | | |
| | | | | | | |
| | | | | | | |
| | | | | | | |
| | | | | | | |
| | | | | | | |
| | | | | | | |
| | | | | | | |

500 SHEET TRAY

TRAY 3

P 68

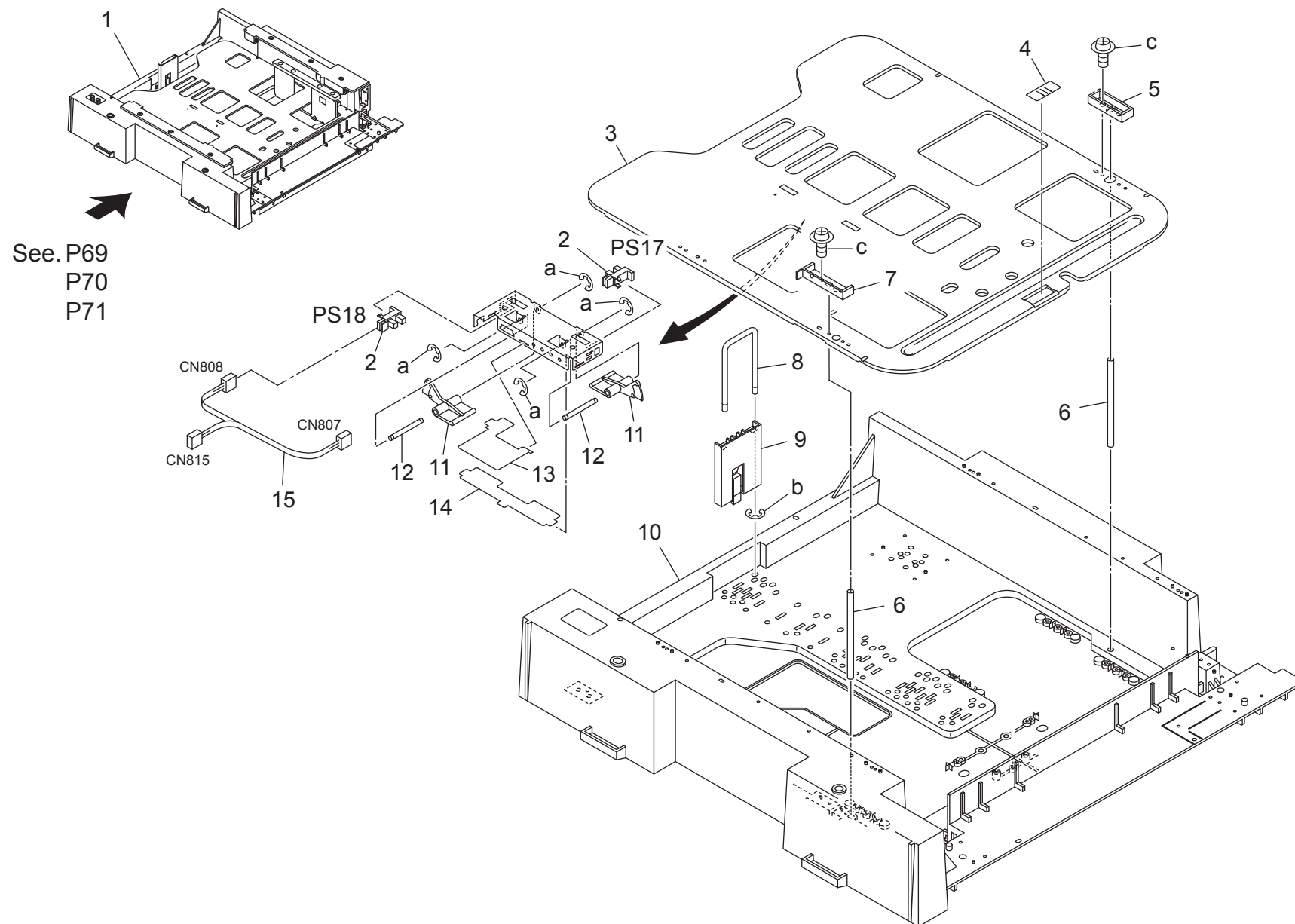


| Key | Part No. | Description | Destinations | Class | QTY | Standard parts |
|-----|--------------|---------------------------------|--------------|-------|-----|----------------|
| 1 | 56AA-415 1 | PULLEY SHAFT CAULKING | プーリー軸カシメ | D | 4 | a-V151 0308 03 |
| 2 | 55VA 4061 0 | WIRE HOLDER A | ワイヤー押え A | C | 4 | b-V217 0600 50 |
| 3 | 57AA 1701 0 | WIRE PULLEY | ワイヤープーリー | C | 4 | c-V217 0400 50 |
| 4 | A0PN 6263 00 | Guide Part /Rear | ガイド部材/奥 | C | 1 | d-V195 0300 03 |
| 5 | 56AA 4108 2 | WIRING CONNECTING PLATE | 束線連結板 | D | 1 | e-V121 0306 03 |
| 6 | 56AA 4112 0 | TRAY UP DOWN WIRE B | トレイ昇降ワイヤー B | C | 2 | f-V151 0310 03 |
| 7 | 56AA 4111 0 | TRAY UP DOWN WIRE A | トレイ昇降ワイヤー A | C | 2 | g-V151 0310 04 |
| 8 | 56AA 4147 1 | WIRING GUIDE PLATE | 束線案内板 | D | 1 | h-V121 0304 03 |
| 9 | 26NA 4544 0 | REGISTRATION UNIT FIXED SCREW | レジスト固定ネジ | C | 3 | |
| 10 | 57AA 9060 0 | Paper Feed Wiring /1 | 給紙束線/1 | D | 1 | |
| 11 | 56AA 4169 0 | SHAFT GUIDE COVER | 軸案内カバー | D | 1 | |
| 12 | 56AA 4139 0 | Pulley | プーリー | C | 2 | |
| 13 | 56AA R717 00 | PAPER UP DOWN SHAFT ASSY | 紙昇降軸部組 | C | 1 | |
| 14 | 56AA 1731 0 | PIN | ピン | C | 1 | |
| 15 | 56AA 4148 1 | Paper Feed Mounting Plate /Rear | 給紙取り付け板/奥 | D | 1 | |
| 16 | 56AA 4145 0 | EARTH SPRING | アースバネ | C | 1 | |
| 17 | 56AA 4143 1 | Paper Feed Mounting Plate | 給紙取り付け板 | D | 1 | |
| 18 | 56AA 4165 0 | PROTECTION COVER | センサ保護カバー | C | 1 | |
| 19 | 08AA 8551 2 | Photo Sensor | フォトセンサ | B | 1 | |
| 20 | 56AA 4137 1 | PAPER LEVEL PLATE | 紙残検板 | D | 1 | |
| 21 | 56AA 4144 0 | TRAY UP DOWN LIMITTER | トレイ昇降リミッター | B | 1 | |
| 22 | 56AA 4167 1 | WIRE COVER | ワイヤーカバー | C | 1 | |
| 23 | A0PN 6242 00 | Guide Part | ガイド部材 | C | 1 | |
| 24 | 56AA 4164 0 | SCREW PLATE | ネジ板 | D | 1 | A |
| 25 | 56AA 4138 0 | PAPER GUIDE PART | 紙案内部材 | D | 2 | A |
| | | | | | | |
| | | | | | | |
| | | | | | | |
| | | | | | | |
| | | | | | | |
| | | | | | | |
| | | | | | | |
| | | | | | | |
| | | | | | | |

500 SHEET TRAY

TRAY 4

P 69

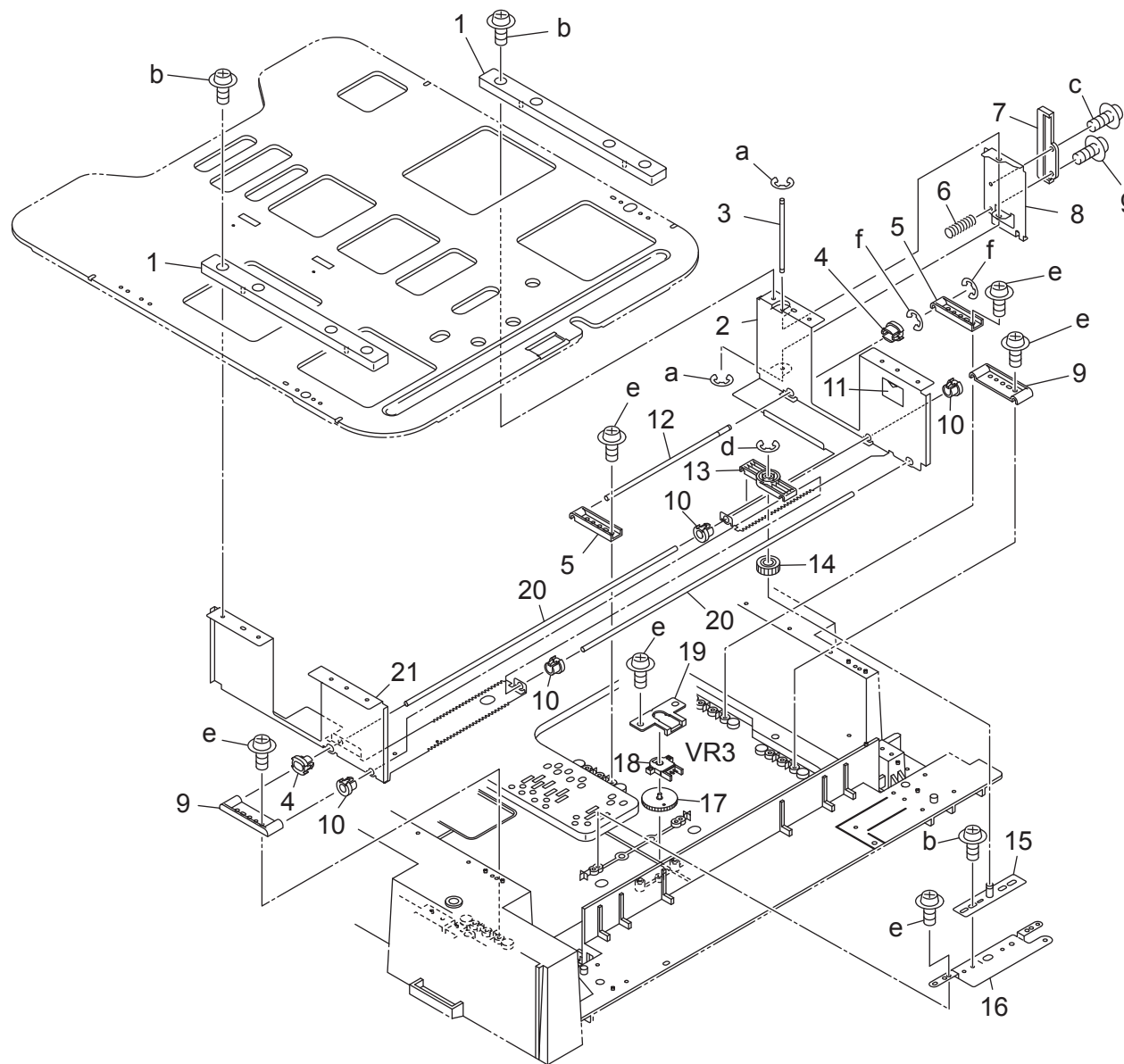


| Key | Part No. | Description | Destinations | Class | QTY | Standard parts |
|-----|--------------|------------------------------|--------------|-------|-----|--|
| 1 | A0PN R720 00 | 500 SHEET TRAY | 500枚トレイ | S | 1 | a-V217 0200 50 b-V217 0400 50 c-V121 0306 03 |
| 2 | 08AA 8551 2 | Photo Sensor | フォトセンサ | B | 2 | |
| 3 | 56AA 4102 2D | TRAYUP DOWN BOTTOM PLATE/J | トレイ昇降底板 / J | D | 1 | |
| 4 | 55VA 4093 0 | DOUBLE FEED PREVENTIVE PLATE | 重送防止板 | C | 1 | |
| 5 | 56AA 4161 0 | TRAY SLIDE PART REAR | トレイスライド部材 奥 | C | 1 | |
| 6 | 56AA 4162 1 | TRAY SLIDE SHAFT /UPPER | トレイスライド軸 / 上 | D | 2 | |
| 7 | 56AA 4116 0 | TRAY SLIDE PART | トレイスライド部材 | C | 1 | |
| 8 | 56AA 4149 1 | TRAY LOCKING SHAFT LEFT | トレイロック軸 左 | D | 1 | |
| 9 | 57AA 4107 1 | TRAY SLIDE SIDE PLATE LEFT | トレイスライド側板 左 | C | 1 | |
| 10 | A0PN 6201 00 | Tray /J | トレイ / J | C | 1 | |
| 11 | 56AA 4237 0 | PAPER DETECTING ACTUATOR A | 紙検知アクチュエタ A | C | 2 | |
| 12 | 56AA 4236 0D | Support Shaft /B | センサ支点軸 / B | D | 2 | |
| 13 | 56AA 4168 0 | PROTECTION SHEET 2 | センサ保護シート 2 | C | 1 | |
| 14 | 56AA 4166 0 | PROTECTION SHEET | センサ保護シート | C | 1 | |
| 15 | 56AA 9066 0E | Paper Feed Relay Wiring /1 | 給紙中継束線 / 1 | D | 1 | |
| | | | | | | |
| | | | | | | |
| | | | | | | |
| | | | | | | |
| | | | | | | |
| | | | | | | |
| | | | | | | |
| | | | | | | |
| | | | | | | |
| | | | | | | |
| | | | | | | |
| | | | | | | |

500 SHEET TRAY

TRAY 4

P 70

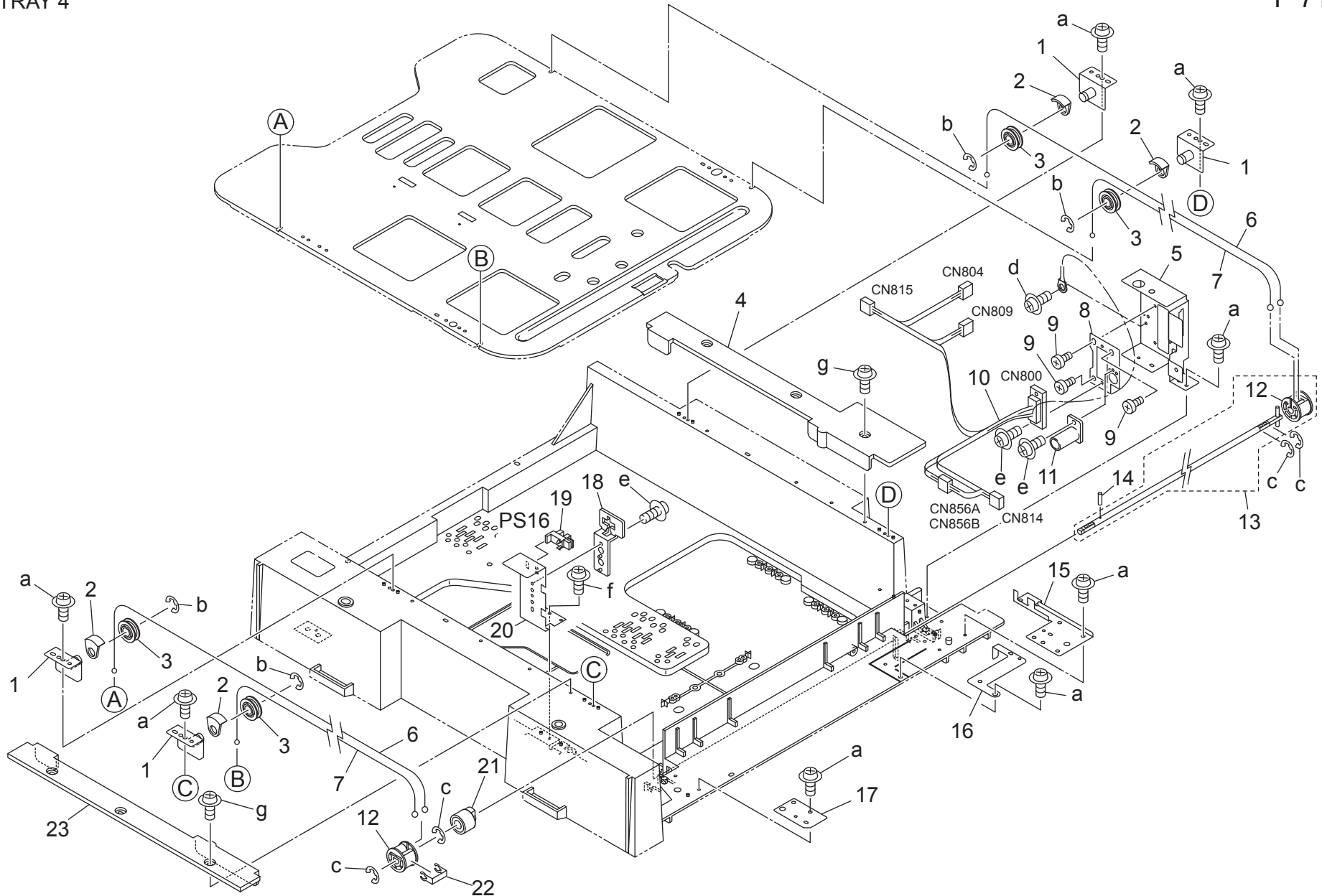


| Key | Part No. | Description | Destinations | Class | QTY | Standard parts |
|-----|--------------|------------------------------|--------------|-------|-----|--|
| 1 | 57AA 4136 0 | PROTECTION COVER | | C | 2 | a-V217 0200 50 b-V121 0304 03 c-V121 0306 03 d-V217 0400 50 e-V151 0308 03 f-V217 0300 50 g-V121 0310 03 |
| 2 | 56AA 4106 1 | TRAY SLIDE SIDE PLATE /REAR | | D | 1 | |
| 3 | 56AA 4129 0D | tray Support Shaft | | D | 1 | |
| 4 | 56AA 4120 0 | TRAY GUIDE COLLAR LEFT | | C | 2 | |
| 5 | 56AA 4160 0 | TRAY SLIDE COVER MIDDLE | | C | 2 | |
| 6 | 56AA 1706 0 | SWITCH FIXED SPRING | | C | 1 | |
| 7 | 57AA 4125 0 | SLIDE HANDLE | | C | 1 | |
| 8 | 56AA 4109 1 | TRAY LOCK PLATE | | D | 1 | |
| 9 | 56AA 4146 0 | TRAY SLIDE HOLDER | | C | 2 | |
| 10 | 56AA 4119 0 | TRAY GUIDE COLLAR RIGHT | | C | 4 | |
| 11 | 57AA 9787 0 | PAPER GUIDE LABEL | | C | 1 | |
| 12 | 56AA 4122 0D | tray Slide Shaft /Middle | | D | 1 | |
| 13 | 56AA 4123 0 | TRAY SLIDE COVER | | C | 1 | |
| 14 | 55VA 7915 0 | CASSETTE PINION 14T | | C | 1 | |
| 15 | 56AA -416 1 | ADJUSTING PLATE K CAULKIG | | D | 1 | |
| 16 | 56AA 4133 0 | Adjusting Plate /Lower | | D | 1 | |
| 17 | 56AA 4134 0 | DETECTING GEAR 35T | | C | 1 | |
| 18 | 56AA 8560 1 | SIZE DETECTION VR | | C | 1 | |
| 19 | 56AA 4135 1E | Detection Board | | C | 1 | |
| 20 | 56AA 4121 1 | TRAY SLIDE SHAFT /FRONT | | D | 2 | |
| 21 | 56AA 4105 1 | TRAY SLIDE SIDE PLATE /FRONT | | D | 1 | |
| | | | | | | |
| | | | | | | |
| | | | | | | |
| | | | | | | |
| | | | | | | |
| | | | | | | |
| | | | | | | |
| | | | | | | |
| | | | | | | |

500 SHEET TRAY

TRAY 4

P 71

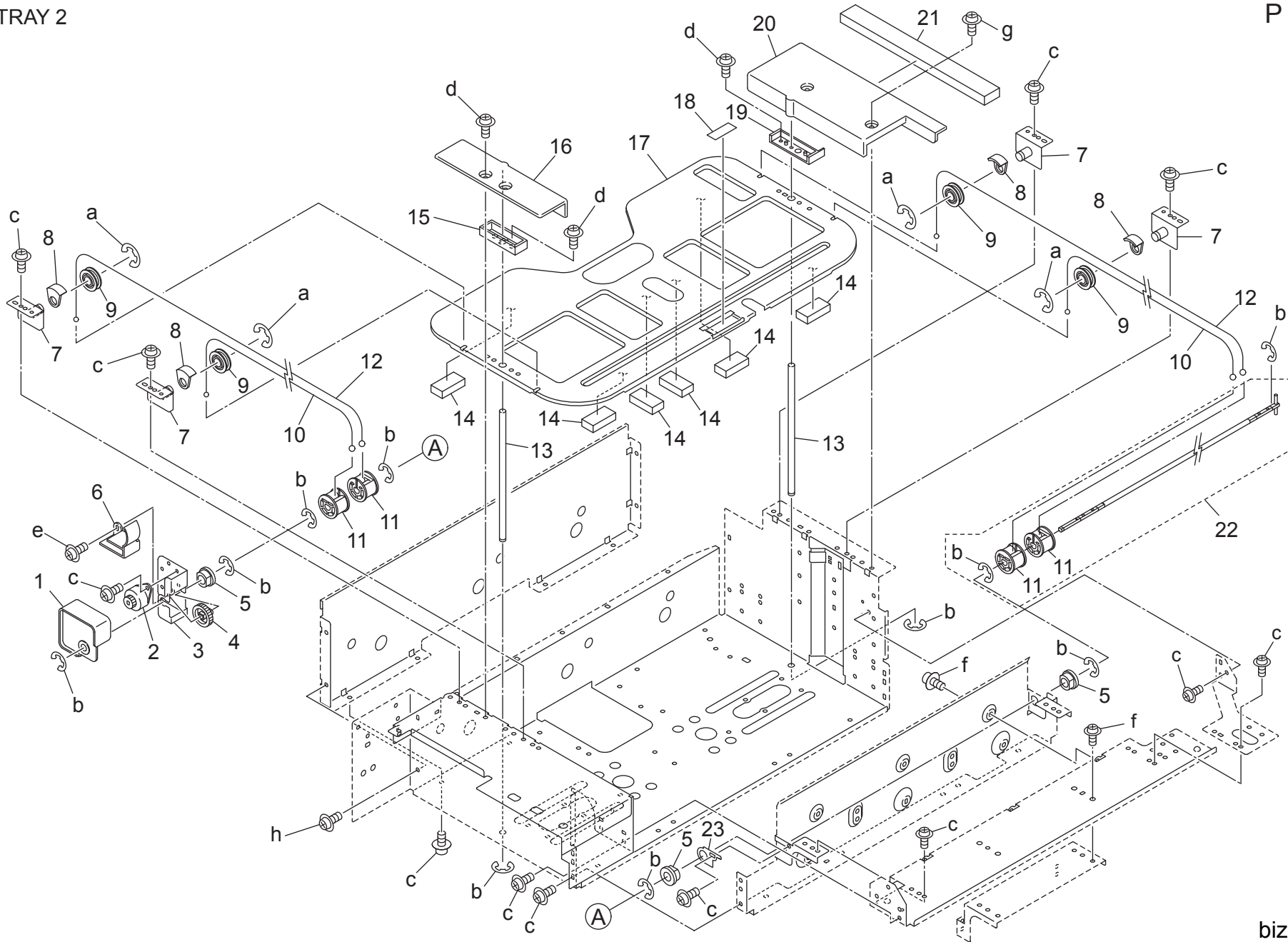


| Key | Part No. | Description | Destinations | Class | QTY | Standard parts |
|-----|--------------|---------------------------------|--------------|-------|-----|----------------|
| 1 | 56AA -415 1 | PULLEY SHAFT CAULKING | プーリー軸カシメ | D | 4 | a-V151 0308 03 |
| 2 | 55VA 4061 0 | WIRE HOLDER A | ワイヤー押え A | C | 4 | b-V217 0600 50 |
| 3 | 57AA 1701 0 | WIRE PULLEY | ワイヤープーリー | C | 4 | c-V217 0400 50 |
| 4 | A0PN 6263 00 | Guide Part /Rear | ガイド部材／奥 | C | 1 | d-V121 0304 03 |
| 5 | 56AA 4108 2 | WIRING CONNECTING PLATE | 束線連結板 | D | 1 | e-V121 0306 03 |
| 6 | 56AA 4112 0 | TRAY UP DOWN WIRE B | トレイ昇降ワイヤー B | C | 2 | f-V151 0310 03 |
| 7 | 56AA 4111 0 | TRAY UP DOWN WIRE A | トレイ昇降ワイヤー A | C | 2 | g-V151 0310 04 |
| 8 | 56AA 4147 1 | WIRING GUIDE PLATE | 束線案内板 | D | 1 | |
| 9 | 26NA 4544 0 | REGISTRATION UNIT FIXED SCREW | レジスト固定ネジ | C | 3 | |
| 10 | 57AA 9060 0 | Paper Feed Wiring /1 | 給紙束線／1 | D | 1 | |
| 11 | 56AA 4169 0 | SHAFT GUIDE COVER | 軸案内カバー | D | 1 | |
| 12 | 56AA 4139 0 | Pulley | プーリー | C | 2 | |
| 13 | 56AA R717 00 | PAPER UP DOWN SHAFT ASSY | 紙昇降軸部組 | C | 1 | |
| 14 | 56AA 1731 0 | PIN | ピン | C | 1 | |
| 15 | 56AA 4148 1 | Paper Feed Mounting Plate /Rear | 給紙取り付け板／奥 | D | 1 | |
| 16 | 56AA 4145 0 | EARTH SPRING | アースバネ | C | 1 | |
| 17 | 56AA 4143 1 | Paper Feed Mounting Plate | 給紙取り付け板 | D | 1 | |
| 18 | 56AA 4165 0 | PROTECTION COVER | センサ保護カバー | C | 1 | |
| 19 | 08AA 8551 2 | Photo Sensor | フォトセンサ | B | 1 | |
| 20 | 56AA 4137 1 | PAPER LEVEL PLATE | 紙残検板 | D | 1 | |
| 21 | 56AA 4144 0 | TRAY UP DOWN LIMITTER | トレイ昇降リミッタ | B | 1 | |
| 22 | 56AA 4167 1 | WIRE COVER | ワイヤーカバー | C | 1 | |
| 23 | A0PN 6242 00 | Guide Part | ガイド部材 | C | 1 | |
| | | | | | | |
| | | | | | | |
| | | | | | | |
| | | | | | | |
| | | | | | | |
| | | | | | | |
| | | | | | | |
| | | | | | | |
| | | | | | | |
| | | | | | | |
| | | | | | | |
| | | | | | | |
| | | | | | | |
| | | | | | | |
| | | | | | | |
| | | | | | | |
| | | | | | | |

1000 SHEET TRAY

TRAY 2

P 72

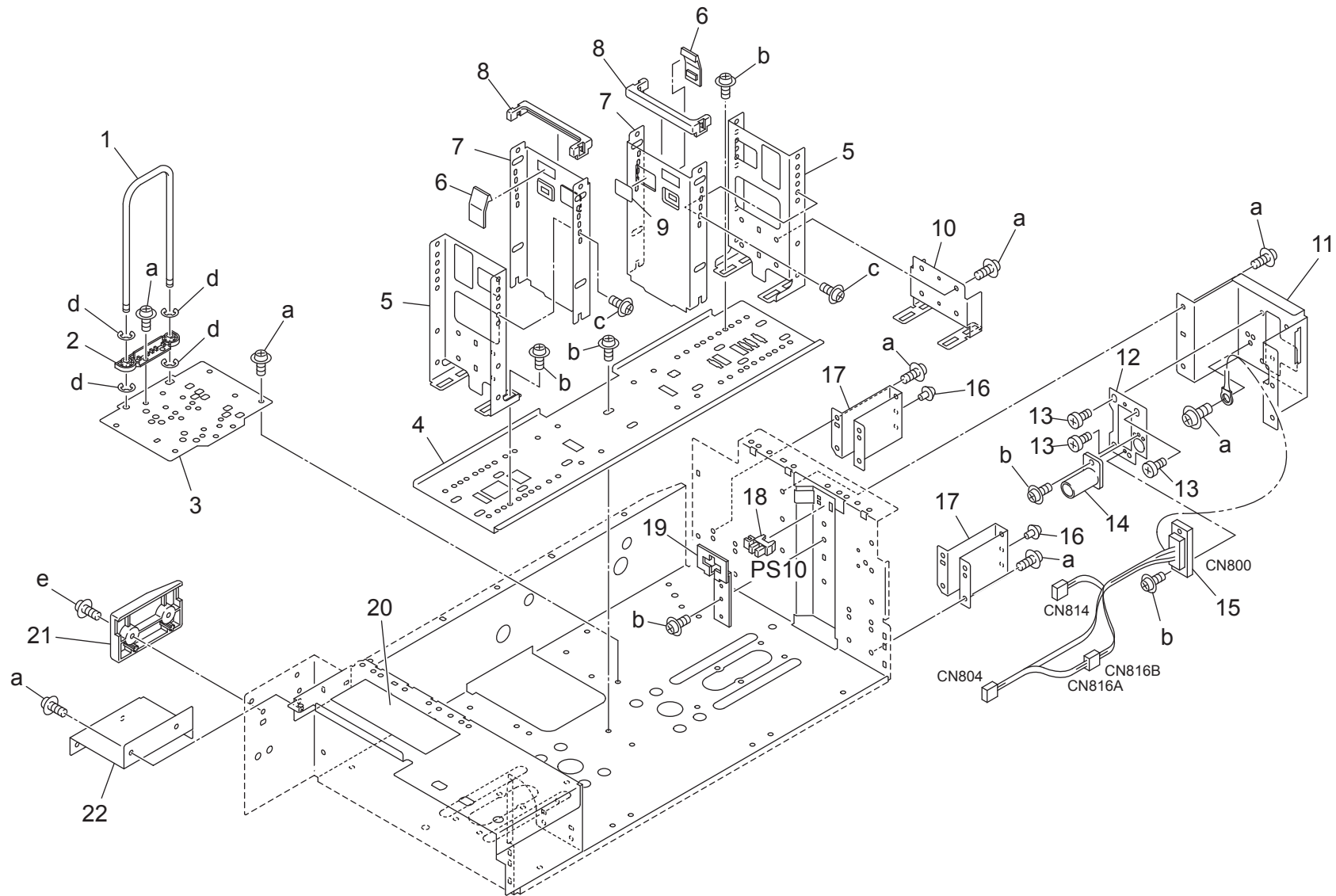


bizhub 601

| Key | Part No. | Description | Destinations | Class | QTY | Standard parts |
|-----|--------------|------------------------------|---------------|-------|-----|----------------|
| 1 | 56QA 5864 0 | GEAR PROTECTION COVER/2 | ギア保護カバー／2 | D | 1 | a-V217 0600 50 |
| 2 | 56QA 5840 0D | LCT Regulating Limiter /3 | LCT 規制リミッタ／3 | C | 1 | b-V217 0400 50 |
| 3 | 56AE 4341 0 | LCT REGULATING PLATE | LCT 規制板 | D | 1 | c-V121 0304 03 |
| 4 | 56AA 7799 0 | LCT REGULATING GEAR 24T | LCT 規制歯車 24 T | C | 1 | d-V121 0306 03 |
| 5 | 08AA 7601 0 | DRUM DRIVING SHAFT HOLDER | ドラム駆動軸受 | C | 3 | e-V121 0310 03 |
| 6 | 56QA 5844 0 | GEAR PROTECTION COVER | ギア保護カバー | C | 1 | f-V118 0304 03 |
| 7 | 56AA -415 1 | PULLEY SHAFT CAULKING | プーリー軸カシメ | D | 4 | g-V121 0306 04 |
| 8 | 55VA 4061 0 | WIRE HOLDER A | ワイヤー押え A | C | 4 | h-V127 0306 03 |
| 9 | 57AA 1701 0 | WIRE PULLEY | ワイヤープーリー | C | 4 | |
| 10 | 56QA 5811 0 | LCT UP DOWN WIRE RIGHT FRONT | LCT 昇降ワイヤー 右前 | C | 2 | |
| 11 | 56AA 4139 0 | Pulley | プーリー | C | 4 | |
| 12 | 56QA 5812 0 | LCT UP DOWN WIRE RIGHT REAR | LCT 昇降ワイヤー 右後 | C | 2 | |
| 13 | 56QA 5836 1 | LCT SLIDE SHAFT /RIGHT | LCT スライド軸／右 | D | 2 | |
| 14 | 56QA 5829 0 | BOTTOM PLATE POSITIONING PAD | 底板位置決めパッド | C | 6 | |
| 15 | 56AA 4161 0 | TRAY SLIDE PART REAR | トレイスライド部材 奥 | C | 1 | |
| 16 | 57AA 5842 0 | PULLEY GUIDE PART | プーリーガイド部材 | D | 1 | |
| 17 | 56QA 5818 1 | LCT UP/DOWN PLATE | LCT 昇降板 | D | 1 | |
| 18 | 55VA 4093 0 | DOUBLE FEED PREVENTIVE PLATE | 重送防止板 | C | 1 | |
| 19 | 56AA 4116 0 | TRAY SLIDE PART | トレイスライド部材 | C | 1 | |
| 20 | A0PN 6463 00 | Guide Part /Rear | ガイド部材／奥 | D | 1 | |
| 21 | 56QA 5862 1 | TRAY PROTECTION PAD | トレイ保護パッド | D | 1 | |
| 22 | 56AE R701 00 | LCT UP DOWN SHAFT ASSY | LCT 昇降軸部組 | C | 1 | |
| 23 | 56QA 5830 0 | LCT ADJUSTMENT PLATE/RIGHT | LCT 調整板／右 | D | 1 | |
| | | | | | | |
| | | | | | | |
| | | | | | | |
| | | | | | | |
| | | | | | | |
| | | | | | | |
| | | | | | | |
| | | | | | | |
| | | | | | | |

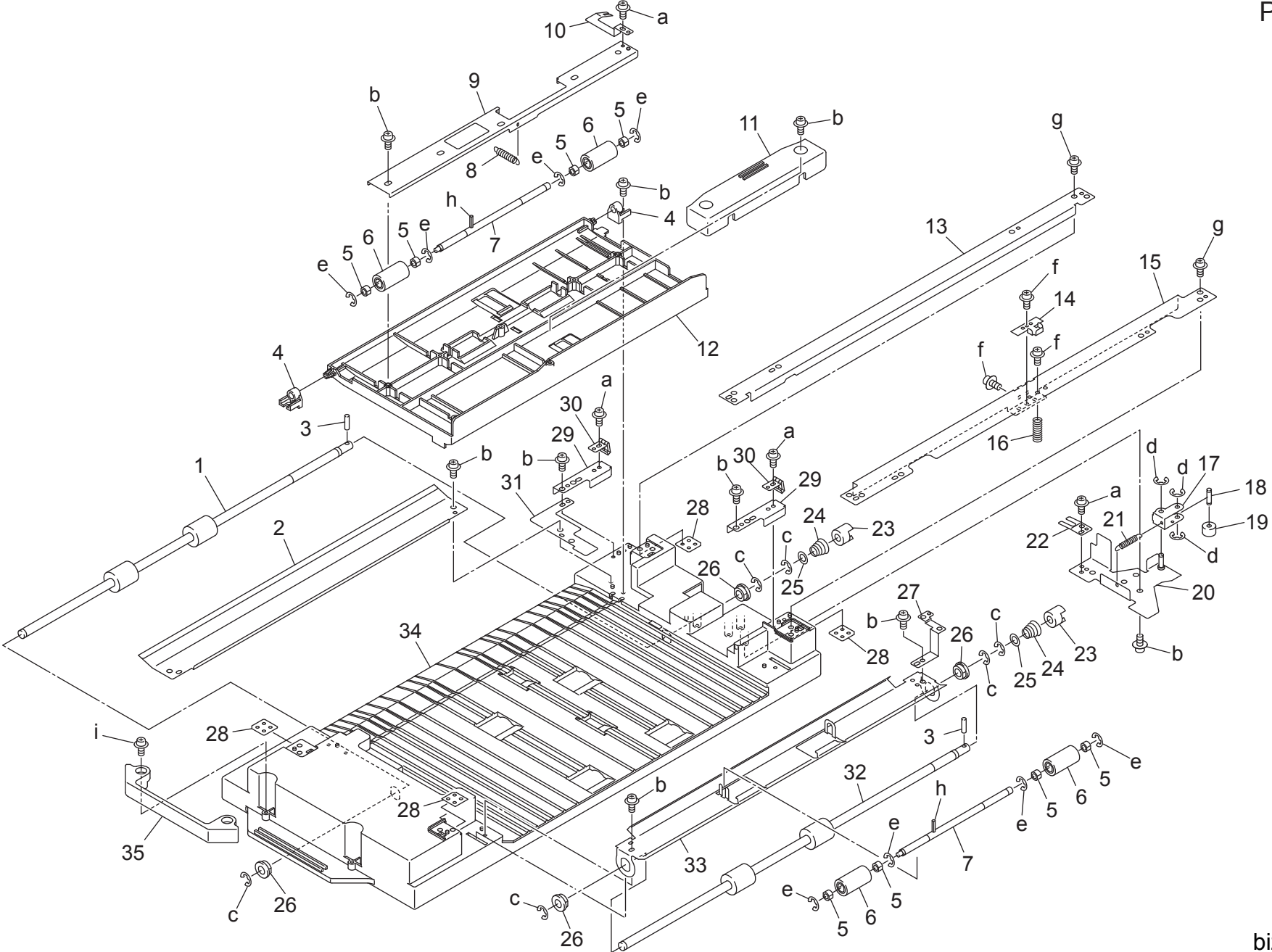
1000 SHEET TRAY

TRAY 2



| Key | Part No. | Description | Destinations | Class | QTY | Standard parts |
|-----|--------------|-------------------------------|----------------------|-------|-----|--|
| 1 | 56QA 5815 0 | PAPER GUIDE SHAFT RIGHT | 紙ガイド軸 右 | D | 1 | a-V121 0304 03 b-V121 0306 03 c-V127 0306 03 d-V217 0400 50 e-V121 0306 04 |
| 2 | 56QA 5807 0 | SHAFT HOLDING PART | 軸押さえ部材 | D | 1 | |
| 3 | 56QA 5809 0D | LCT Adjusting Bottom plate | LCT 調整底板 | D | 1 | |
| 4 | 56QA 5804 1D | LCT SLIDE BOARD | LCT スライド基板 | D | 1 | |
| 5 | 56QA 5805 0D | LCT ADJUSTMENT SIDE PLATE | LCT 調整側板 | D | 2 | |
| 6 | 5400 4720 0 | PAPER REGULATING CLAW | 紙規制爪 | C | 2 | |
| 7 | 56QA 5806 0D | LCT GUIDE PLATE RIGHT | LCT ガイド板/右 | D | 2 | |
| 8 | 57AA 5845 0 | PROTECTION COVER | 保護カバー | C | 2 | |
| 9 | 57AA 9787 0 | PAPER GUIDE LABEL | 紙案内ラベル | C | 1 | |
| 10 | 56QA 5849 0D | REAR REINFORCE PLATE | 背面補強板 | D | 1 | |
| 11 | 56QA 5808 1D | Wiring Connecting Plate | 束線連結板 | D | 1 | |
| 12 | 56AA 4147 1 | WIRING GUIDE PLATE | 束線案内板 | D | 1 | |
| 13 | 26NA 4544 0 | REGISTRATION UNIT FIXED SCREW | レジスト固定ネジ | C | 3 | |
| 14 | 56AA 4169 0 | SHAFT GUIDE COVER | 軸案内カバー | D | 1 | |
| 15 | 57AA 9067 0 | PAPER FEED WIRING L | 給紙束線 L | D | 1 | |
| 16 | 55VA 4792 0 | STOPPER RUBBER | ストッパーゴム | C | 2 | |
| 17 | 56QA 5828 1E | LCT POSITIONING PLATE | LCT 位置決め板 | D | 2 | |
| 18 | 08AA 8551 2 | Photo Sensor | フォトセンサ | B | 1 | |
| 19 | 56AA 4165 0 | PROTECTION COVER | センサ保護カバー | C | 1 | |
| 20 | A0PN 9434 00 | Set Label /1 | セットラベル/1 (1000枚トレイ用) | C | 1 | |
| 21 | A0PN 6448 00 | Protection Part /Left | 保護部材/左 | C | 1 | |
| 22 | 56QA 5847 0D | EXTERNAL PROTECTION PLATE | 外装保護板 | D | 1 | |
| | | | | | | |
| | | | | | | |
| | | | | | | |
| | | | | | | |
| | | | | | | |
| | | | | | | |
| | | | | | | |
| | | | | | | |
| | | | | | | |

HORIZONTAL CONVEYANCE



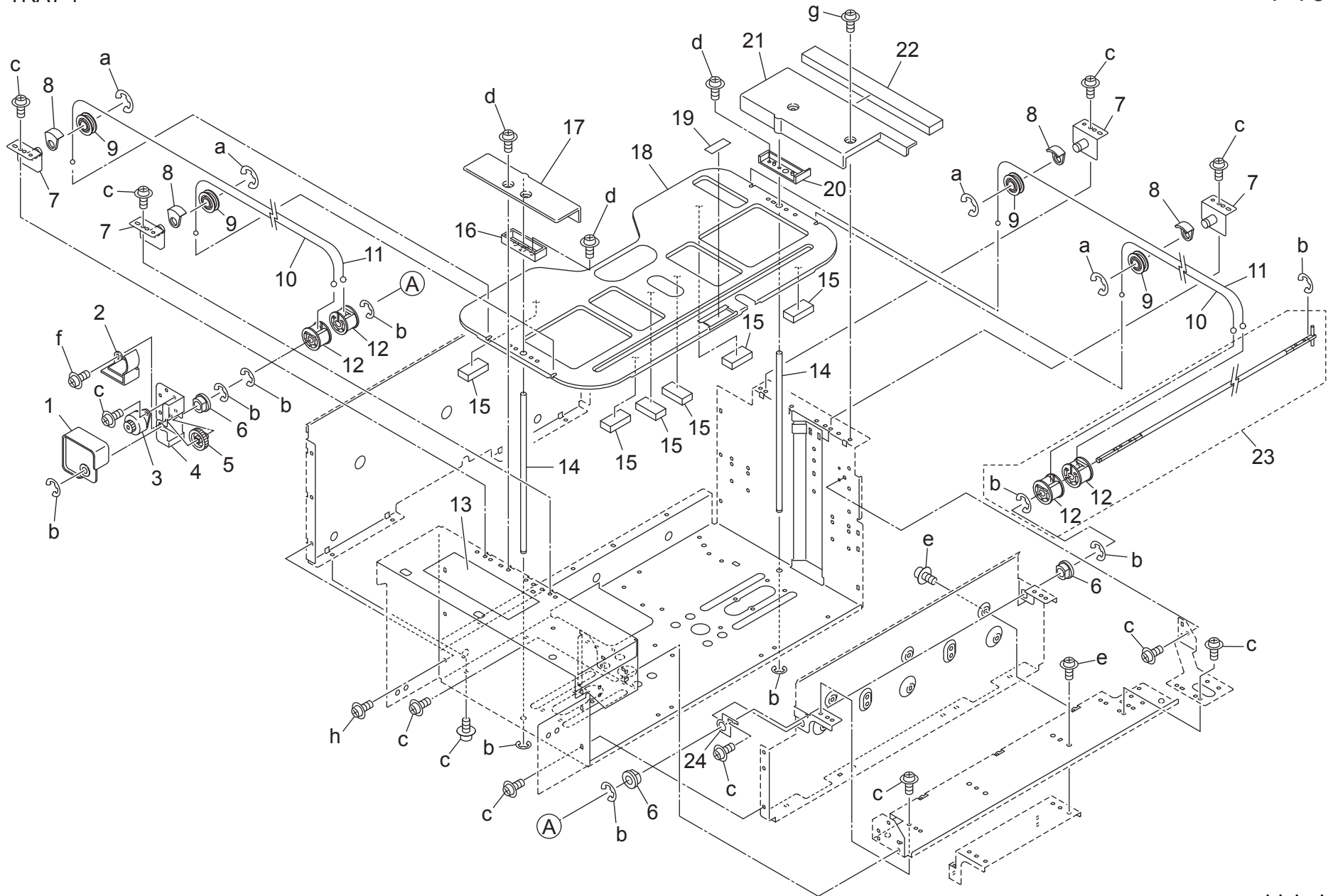
HORIZONTAL CONVEYANCE

| Key | Part No. | Description | Destinations | Class | QTY | Standard parts |
|-----|--------------|----------------------------------|---------------|-------|-----|----------------|
| 1 | 56QA 5706 0 | CONVEYANCE DRIVE ROLLER LEFT | 搬送駆動ローラ 左 | C | 1 | a-V121 0304 03 |
| 2 | 56QA 5704 0 | CONVEYANCE ENTRANCE PANEL /UPP | 搬送進入パネル/上 | D | 1 | b-V151 0308 03 |
| 3 | 56AA 1748 0 | PIN B | ピン B | C | 2 | c-V217 0600 50 |
| 4 | 56QA 5711 0 | SUPPORT BLOCK | 支点ブロック | D | 2 | d-V217 0300 50 |
| 5 | 56GA 7601 0 | SLIDE SHAFT HOLDER 2 | 滑り軸受 2 | C | 8 | e-V217 0400 50 |
| 6 | 26NA 4256 0 | BY PASS FEED DRIVEN ROLLER | 手差し従動ローラ | C | 4 | f-V121 0308 03 |
| 7 | 56QA 5707 0 | CONVEYANCE IDLER SHAFT | 搬送従動軸 | D | 2 | g-V121 0306 03 |
| 8 | 56AA 4443 0 | CONVEYANCE PRESSING SPRING 1 | 搬送押圧バネ 1 | C | 1 | h-V233 1614 50 |
| 9 | 56QA 5739 0 | SPRING MOUNTING STAY | バネ取り付けステー | D | 1 | i-V151 0310 03 |
| 10 | 56QA 5731 0 | EARTH PLATE REAR | アース板 奥 | D | 1 | |
| 11 | 56QA 5737 0 | JAM PROCESSING HANDLE | ジャム処理把手 | C | 1 | |
| 12 | 56QA 5702 1 | CONVEYANCE MAIN BODY /UPPER | 搬送 本体/上 | D | 1 | |
| 13 | 56QA 5710 0 | Conveyance Mounting Plate /Left | 搬送取り付け板/左 | D | 1 | |
| 14 | 56QA 5740 0 | SPRING REGULATING PLATE | バネ規制板 | D | 1 | |
| 15 | 56QA 5709 0 | CONVEYANCE MOUNTING PLATE /RIG | 搬送取り付け板/右 | D | 1 | |
| 16 | 56QA 5708 0 | CONVEYANCE PRESSING SPRING RIGHT | 搬送押圧バネ 右 | C | 1 | |
| 17 | 56AA 4171 1 | TRAY PRESSING PLATE | トレイ押圧板 | D | 1 | |
| 18 | 56AA 4174 1 | TRAY LOCKING PIN | トレイロックピン | C | 1 | |
| 19 | 56AA 4176 0 | TRAY LOCKING ROLLER | トレイロックコロ | C | 1 | |
| 20 | 56QA -575 0 | CON FIXING PANEL REAR CAULKING | 搬送固定パネル/奥カシメ | D | 1 | |
| 21 | 56QA 5720 0 | CONVEYANCE GUIDE SPRING REAR | 搬送案内バネ 奥 | C | 1 | |
| 22 | 56QA 5729 0 | EARTH PLATE LOWER | アース板 下 | D | 1 | |
| 23 | 55VA 1554 1 | CLEANER COUPLING PART | クリーナーカップリング部材 | C | 2 | |
| 24 | 56AA 1709 0 | PRESSURE SPRING | 押圧バネ | C | 2 | |
| 25 | 12QV 4065 0 | SPACER | スペーサー | B | 2 | |
| 26 | A03U 8128 00 | Slide Shaft Holder | すべり軸受 | C | 4 | |
| 27 | 56QA 5728 0 | Earth Plate /Right | アース板/右 | D | 1 | |
| 28 | 56QA 5736 0 | Conveyance Fixing Plate | 搬送固定板 | D | 4 | |
| 29 | 56QA 5726 0 | CONVEYANCE POSITIONING PANEL | 搬送位置決めパネル/奥 | D | 2 | |
| 30 | 56QA 5741 0 | EARTH PLATE UPPER | アース板 上 | D | 2 | |
| 31 | 56QA 5727 0 | EARTH PLATE LEFT | アース板 左 | D | 1 | |
| 32 | 56QA 5705 0 | CONVEYANCE DRIVE ROLLER RIGHT | 搬送駆動ローラ 右 | C | 1 | |
| 33 | 56QA 5703 0 | EXIT GUIDE PANEL /UPPER | 出口ガイドパネル/上 | D | 1 | |
| 34 | 57AA 5701 0 | CONVEYANCE MAIN BODY /LOWER | 搬送 本体/下 | C | 1 | |
| 35 | 56QA 5738 0 | PAPER FEED CONVEYANCE HANDLE | 給紙搬送把手 | C | 1 | |
| | | | | | | |
| | | | | | | |
| | | | | | | |
| | | | | | | |

1500 SHEET TRAY

TRAY 1

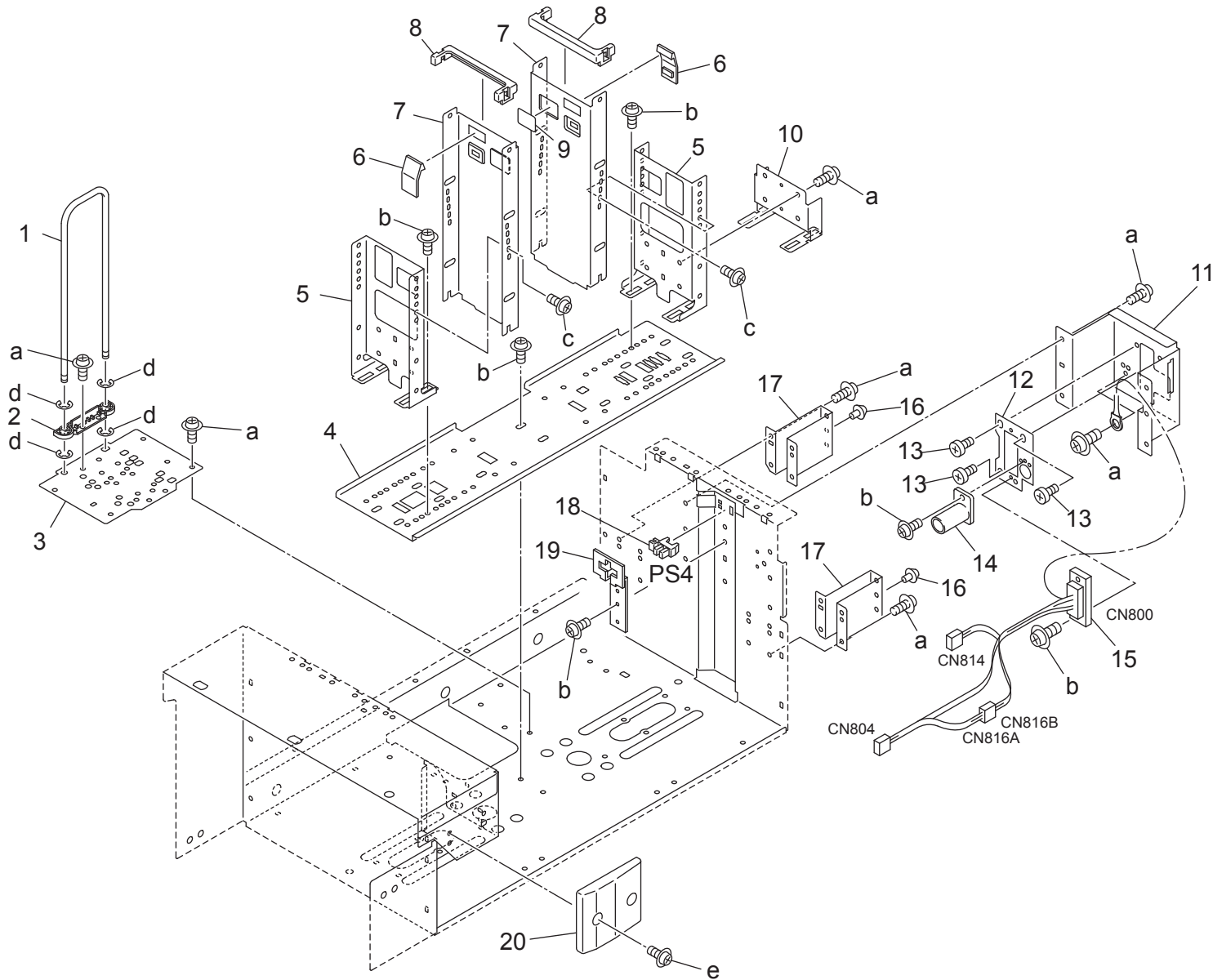
P 75



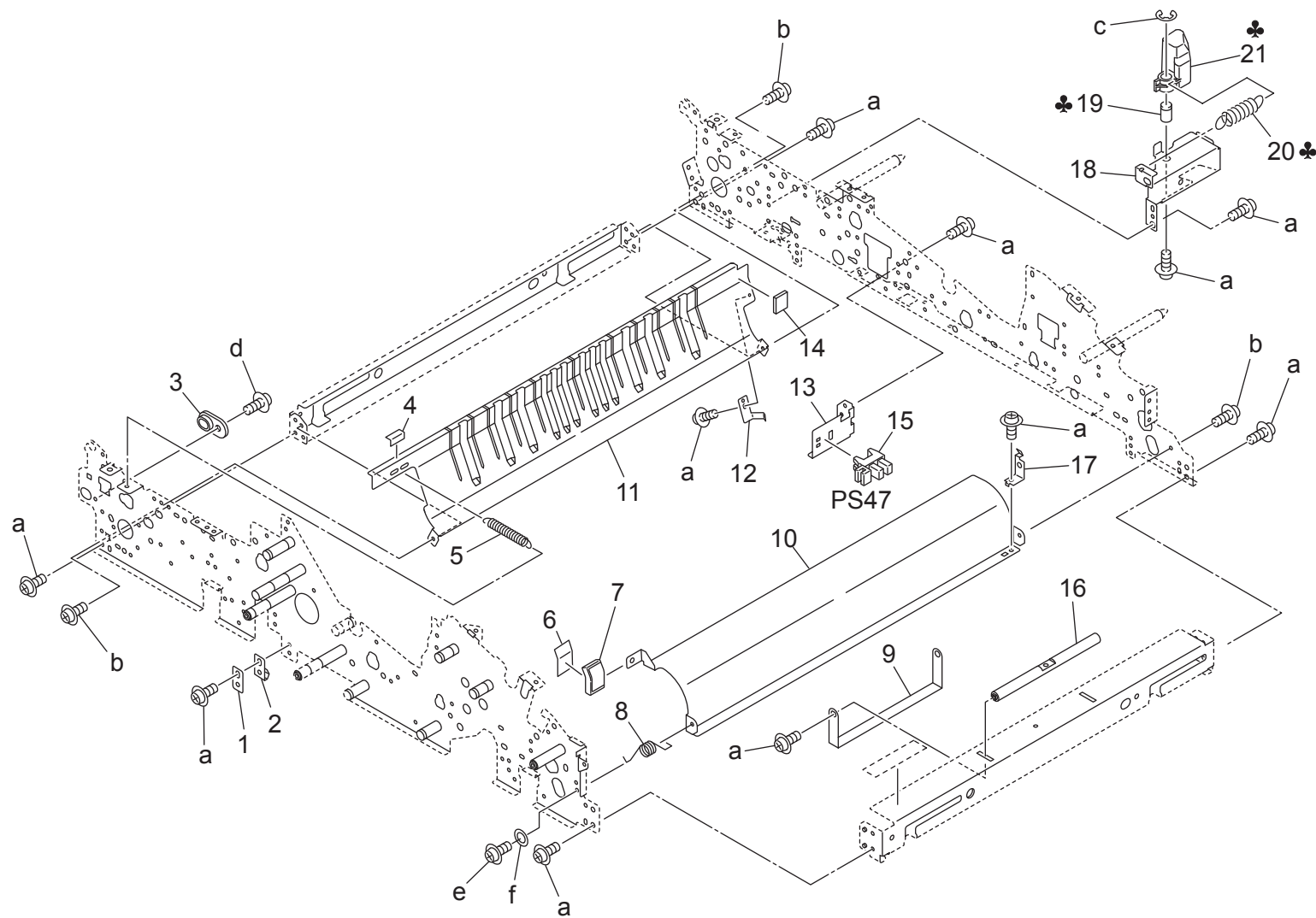
| Key | Part No. | Description | Destinations | Class | QTY | Standard parts |
|-----|--------------|------------------------------|--------------|-------|-----|----------------|
| 1 | 56QA 5864 0 | GEAR PROTECTION COVER/2 | | D | 1 | a-V217 0600 50 |
| 2 | 56QA 5844 0 | GEAR PROTECTION COVER | | C | 1 | b-V217 0400 50 |
| 3 | 56QA 5840 0D | LCT Regulating Limiter /3 | | C | 1 | c-V121 0304 03 |
| 4 | 56AE 4341 0 | LCT REGULATING PLATE | | D | 1 | d-V121 0306 03 |
| 5 | 56AA 7799 0 | LCT REGULATING GEAR 24T | | C | 1 | e-V118 0304 03 |
| 6 | 08AA 7601 0 | DRUM DRIVING SHAFT HOLDER | | C | 3 | f-V121 0310 03 |
| 7 | 56AA -415 1 | PULLEY SHAFT CAULKING | | D | 4 | g-V121 0306 04 |
| 8 | 55VA 4061 0 | WIRE HOLDER A | | C | 4 | h-V127 0306 03 |
| 9 | 57AA 1701 0 | WIRE PULLEY | | C | 4 | |
| 10 | 56QA 5911 0 | LCT UP DOWN WIRE LEFT FRONT | | C | 2 | |
| 11 | 56QA 5912 0 | LCT UP DOWN WIRE LEFT REAR | | C | 2 | |
| 12 | 56AA 4139 0 | Pulley | | C | 4 | |
| 13 | A0PN 9434 00 | Set Label /1 | | C | 1 | |
| 14 | 56QA 5936 1 | LCT SLIDE SHAFT /LEFT | | D | 2 | |
| 15 | 56QA 5829 0 | BOTTOM PLATE POSITIONING PAD | | C | 6 | |
| 16 | 56AA 4161 0 | TRAY SLIDE PART REAR | | C | 1 | |
| 17 | 57AA 5842 0 | PULLEY GUIDE PART | | D | 1 | |
| 18 | 56QA 5818 1 | LCT UP/DOWN PLATE | | D | 1 | |
| 19 | 55VA 4093 0 | DOUBLE FEED PREVENTIVE PLATE | | C | 1 | |
| 20 | 56AA 4116 0 | TRAY SLIDE PART | | C | 1 | |
| 21 | A0PN 6463 00 | Guide Part /Rear | | D | 1 | |
| 22 | 56QA 5862 1 | TRAY PROTECTION PAD | | D | 1 | |
| 23 | 56AE R701 00 | LCT UP DOWN SHAFT ASSY | | C | 1 | |
| 24 | 56QA 5930 0 | LCT ADJUSTMENT PLATE/LEFT | | D | 1 | |
| | | | | | | |
| | | | | | | |
| | | | | | | |
| | | | | | | |
| | | | | | | |
| | | | | | | |
| | | | | | | |
| | | | | | | |
| | | | | | | |

1500 SHEET TRAY


TRAY 1

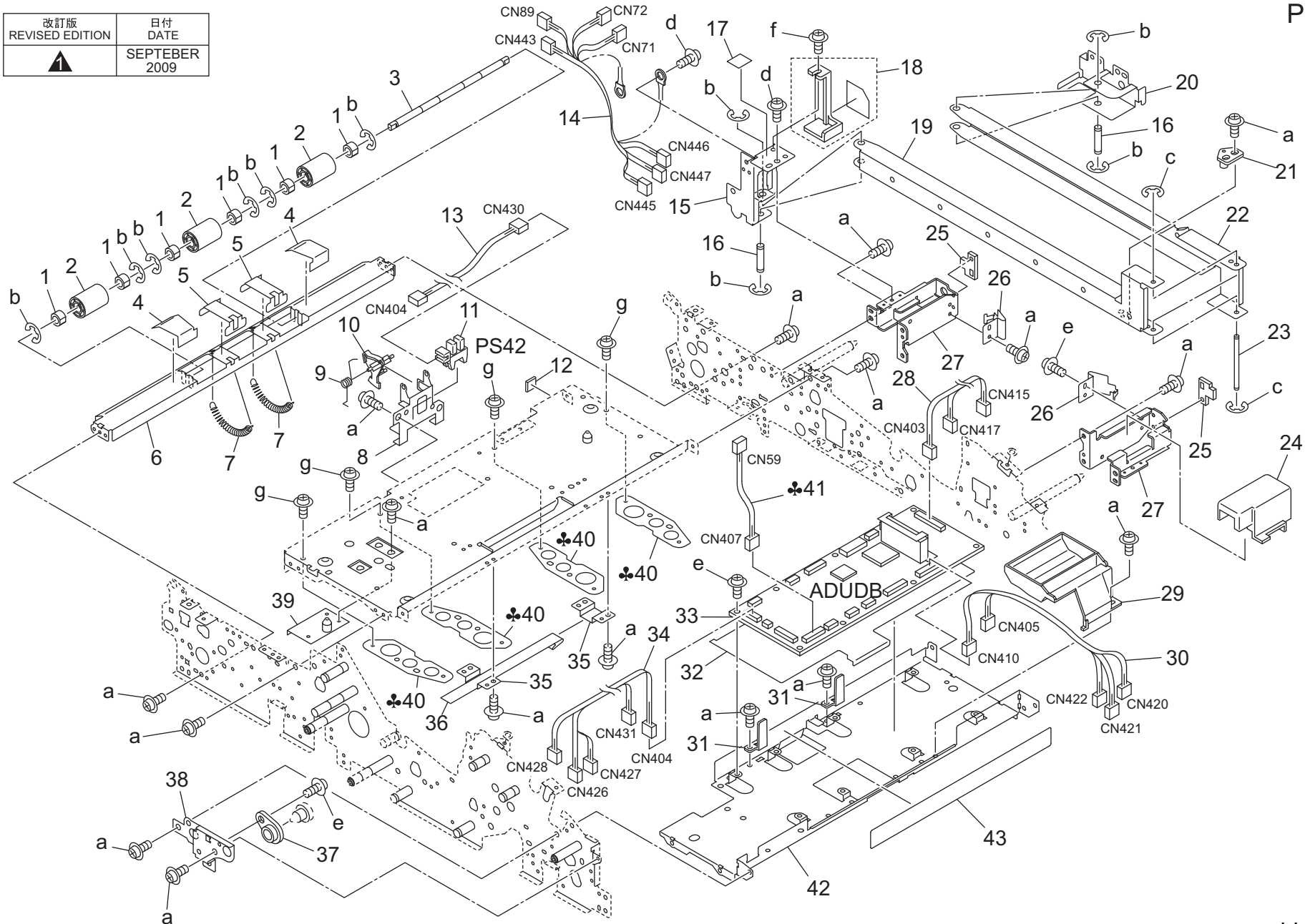


| Key | Part No. | Description | Destinations | Class | QTY | Standard parts |
|-----|--------------|-------------------------------|--------------|-------|-----|--|
| 1 | 56QA 5915 0D | PAPER GUIDE SHAFT LEFT | | C | 1 | a-V121 0304 03 b-V121 0306 03 c-V127 0306 03 d-V217 0400 50 e-V121 0306 04 |
| 2 | 56QA 5807 0 | SHAFT HOLDING PART | | D | 1 | |
| 3 | 56QA 5809 0D | LCT Adjusting Bottom plate | | D | 1 | |
| 4 | 56QA 5804 1D | LCT SLIDE BOARD | | D | 1 | |
| 5 | 56QA 5805 0D | LCT ADJUSTMENT SIDE PLATE | | D | 2 | |
| 6 | 5400 4720 0 | PAPER REGULATING CLAW | | C | 2 | |
| 7 | 56QA 5906 0D | LCT GUIDE PLATE LEFT | | D | 2 | |
| 8 | 57AA 5845 0 | PROTECTION COVER | | C | 2 | |
| 9 | 57AA 9787 0 | PAPER GUIDE LABEL | | C | 1 | |
| 10 | 56QA 5849 0D | REAR REINFORCE PLATE | | D | 1 | |
| 11 | 56QA 5808 1D | Wiring Connecting Plate | | D | 1 | |
| 12 | 56AA 4147 1 | WIRING GUIDE PLATE | | D | 1 | |
| 13 | 26NA 4544 0 | REGISTRATION UNIT FIXED SCREW | | C | 3 | |
| 14 | 56AA 4169 0 | SHAFT GUIDE COVER | | D | 1 | |
| 15 | 57AA 9067 0 | PAPER FEED WIRING L | | D | 1 | |
| 16 | 55VA 4792 0 | STOPPER RUBBER | | C | 2 | |
| 17 | 56QA 5828 1E | LCT POSITIONING PLATE | | D | 2 | |
| 18 | 08AA 8551 2 | Photo Sensor | | B | 1 | |
| 19 | 56AA 4165 0 | PROTECTION COVER | | C | 1 | |
| 20 | A0PN 6648 00 | Protection Part /Left | | C | 1 | |
| | | | | | | |
| | | | | | | |
| | | | | | | |
| | | | | | | |
| | | | | | | |
| | | | | | | |
| | | | | | | |
| | | | | | | |
| | | | | | | |
| | | | | | | |
| | | | | | | |

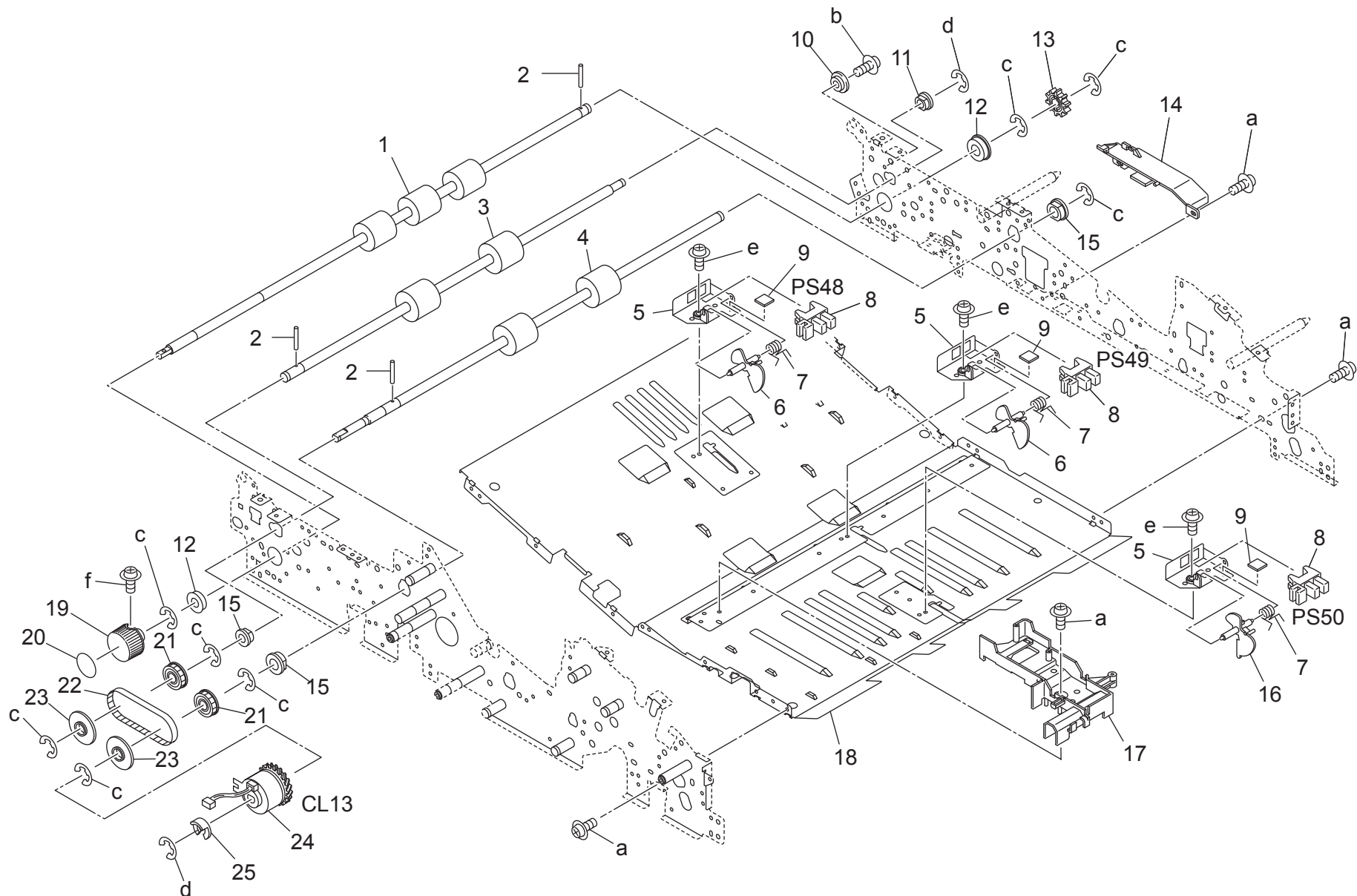


| Key | Part No. | Description | Destinations | Class | QTY | Standard parts |
|-----|--------------|---------------------------------|---------------|-------|-----|--|
| 1 | 56AA 5232 0 | HOLDING PLATE | 押え板 | D | 1 | a-V121 0304 03 b-V121 0308 03 c-V217 0600 50 d-V121 0306 03 e-V121 0312 03 f-V207 0300 03 |
| 2 | 56AA 5231 1 | BOTTOM PLATE CLICK PLATE LEFT | 底板クリック板 左 | D | 1 | |
| 3 | 129X 4836 0 | GUIDE SHAFT HOLDER B | ガイド軸受 B | C | 1 | |
| 4 | 56QA 9799 0 | JAM PROCESSING LABEL | ジャム処理ラベル | D | 1 | |
| 5 | 56AA 5139 0 | ENTRANCE OPEN SHUT SPRING FRONT | 入り口開閉バネ 前 | C | 1 | |
| 6 | 57AA 9743 1F | Jam Release Label /C | ジャム解除ラベル / C | C | 1 | |
| 7 | 56QA 5283 0 | JAM PROCESSING HANDLE | ジャム処理把手 | C | 1 | |
| 8 | 56AA 5143 0 | EXIT OPEN SHUT SPRING FRONT | 出口開閉バネ 前 | C | 1 | |
| 9 | 56AA 5021 0 | SHAFT REGULATING PLATE | 軸規制板 | D | 1 | |
| 10 | 56AA 5106 0 | ADU PAPER EXIT PLATE RIGHT | ADU 排紙板 右 | D | 1 | |
| 11 | 56AA 5102 0 | ADU ENTRANCE PLATE LEFT | ADU 進入板 左 | D | 1 | |
| 12 | 56AA 5041 0 | EARTH SPRING 1 | アースバネ 1 | D | 1 | |
| 13 | 56AA 5077 1 | MOUNTING PLATE /REAR | センサ取り付け板 / 奥 | D | 1 | |
| 14 | 57AA 5184 0 | STOPPER CUSHION A | ストッパクッション A | C | 1 | |
| 15 | 08AA 8551 2 | Photo Sensor | フォトセンサ | B | 1 | |
| 16 | 56AA 5020 1 | ADU LIFTING SHAFT/RIGHT | ADU 持ち上げ軸 / 右 | D | 1 | |
| 17 | 56AA 5042 0 | EARTH SPRING 2 | アースバネ 2 | D | 1 | |
| 18 | 57AA 5096 0 | MOTOR COVER PLATE | モータカバー板 | D | 1 | |
| 19 | 57AA 5087 0 | CAM REGULATING SHAFT | カム規制軸 | D | 1 | |
| 20 | 57AA 5088 0 | CAM REGULATING SPRING | カム規制バネ | A | 1 | |
| 21 | 57AA 5086 0 | CAM REGULATING PART | カム規制部材 | A | 1 | |
| | | | | | | |
| | | | | | | |
| | | | | | | |
| | | | | | | |
| | | | | | | |
| | | | | | | |
| | | | | | | |
| | | | | | | |
| | | | | | | |
| | | | | | | |

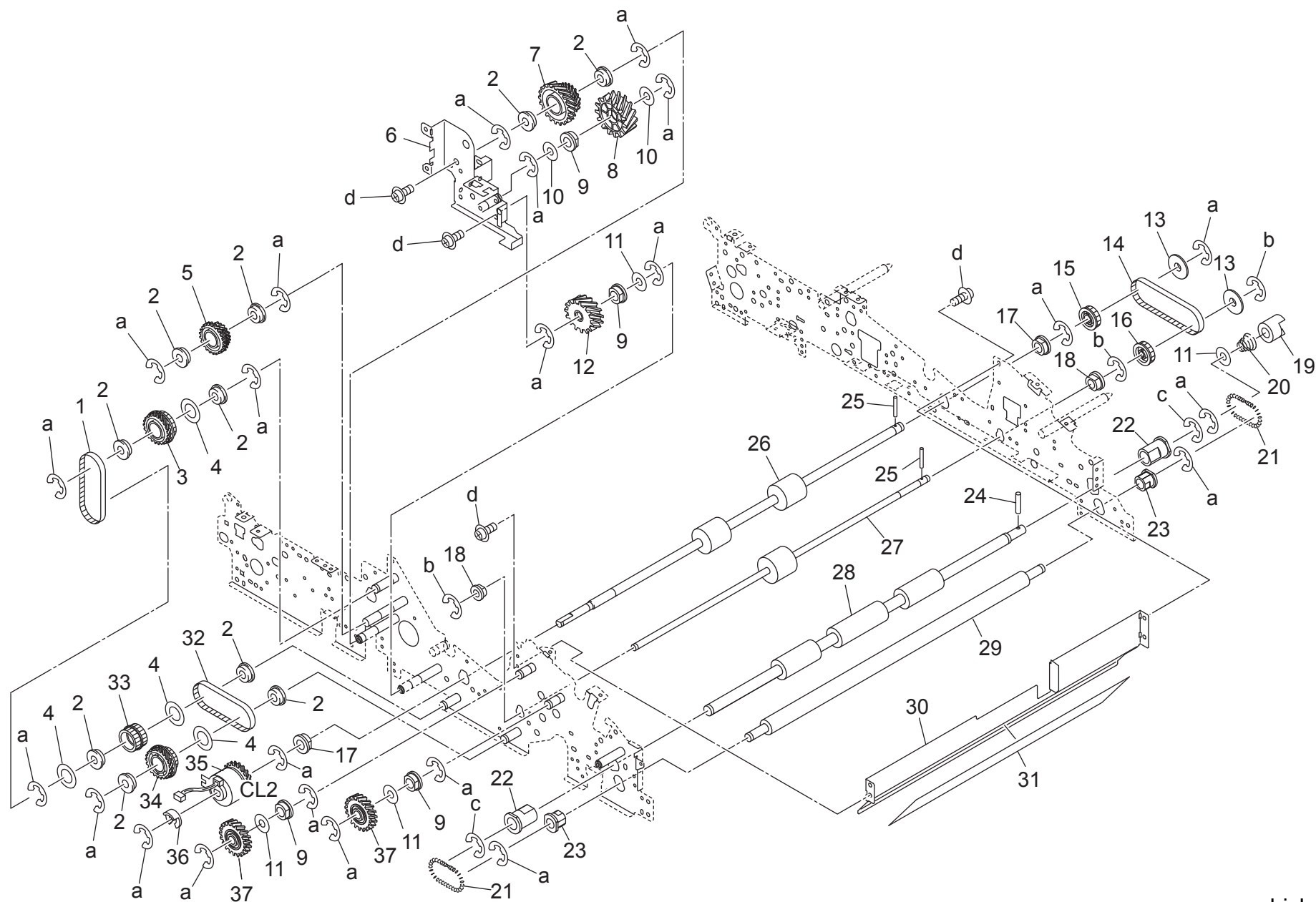
| | |
|---|-------------------|
| 改訂版 REVISED EDITION | 日付 DATE |
|  | SEPTEMBER 2009 |



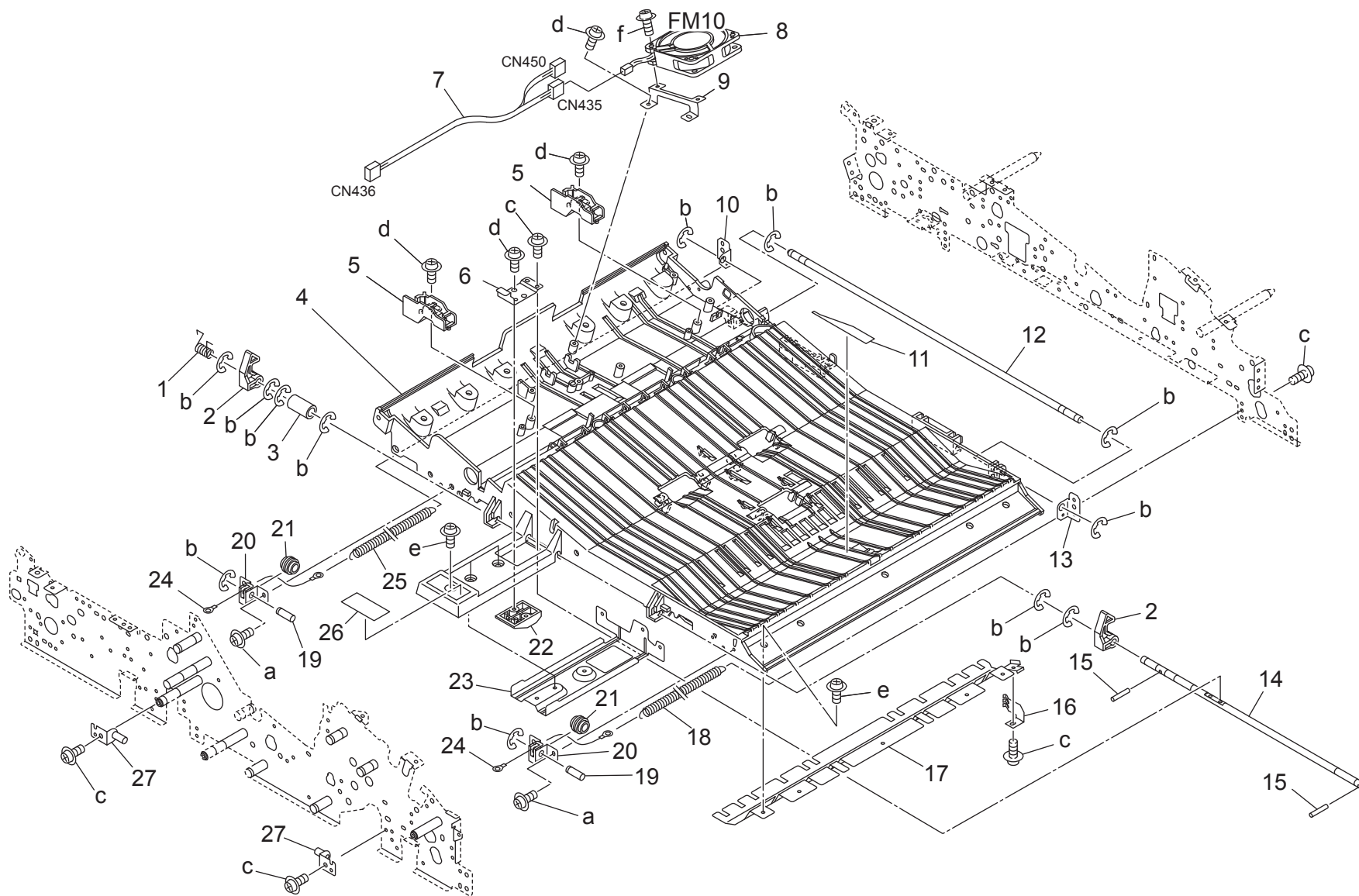
| Key | Part No. | Description | Destinations | Class | QTY | Standard parts |
|-----|--------------|--------------------------------|--------------------|-------|-----|-------------------------------------|
| 1 | 56GA 7601 0 | SLIDE SHAFT HOLDER 2 | | C | 6 | a-V121 0304 03 |
| 2 | 56AA 5155 0 | ADU DRIVEN ROLLER | ADU 従動コロ | C | 3 | b-V217 0400 50 |
| 3 | 56AA 5120 0D | Entrance Idler Shaft | 入口従動軸 | D | 1 | c-V217 0300 50 |
| 4 | 57AA 5157 0 | ADU GUIDE SHEET/4 | ADU ガイドシート / 4 | C | 2 | d-V123 0406 03 |
| 5 | 57AA 5159 0 | ADU GUIDE SHEET/6 | ADU ガイドシート / 6 | C | 2 | e-V121 0306 03 |
| 6 | 56AA 5104 0 | ADU ENTRANCE PLATE LOWER | ADU 進入板 下 | D | 1 | f-V121 0308 03 |
| 7 | 56AA 5145 1 | ENTRANCE PRESSING SPRING | 入り口押圧バネ | C | 2 | g-V121 0303 03 |
| 8 | 56QA 5127 1 | MOUNTING PART 2 | センサ取付部材 2 | D | 1 | |
| 9 | 56QA 5128 0 | PRESSING SPRING 4 | センサ押圧バネ 4 | C | 1 | |
| 10 | 56QA 5126 0 | PAPER EXIT REVERSE ACTUATOR | 排紙逆転アクチュエータ | C | 1 | |
| 11 | 08AA 8551 2 | Photo Sensor | フォトセンサ | B | 1 | |
| 12 | 56AA 4245 0 | PREVENTING RUBBER | 防止ゴム | C | 1 | |
| 13 | 56QA 9021 0 | PAPER EXIT CONTROL WIRING | 排紙制御束線 | D | 1 | |
| 14 | 57AA 9002 0 | ADU CONNECTING WIRING | ADU 連結束線 | D | 1 | |
| 15 | 57AA 5032 0 | WIRING GUIDE PLATE L | 束線案内板 L | D | 1 | |
| 16 | 56AA 5035 1 | HINGE SUPPORT SHAFT /2 | ヒンジ支点軸 / 2 | D | 2 | |
| 17 | 57AF 9774 0 | EARTH LABEL F | アースラベル F | D | 1 | |
| 18 | 56AA R702 00 | WIRING COVER ASSY | 束線カバー部組 | D | 1 | |
| 19 | 56AA 5031 1E | Wiring Guide Plate /Front | 束線案内板 / 前 | D | 1 | |
| 20 | 56AA 5033 1 | WIRING FIXING PLATE /REAR | 束線固定板 / 奥 | D | 1 | |
| 21 | 56AA 5038 1 | HINGE LIFTING BLOCK | ヒンジ持ち上げブロック | C | 1 | |
| 22 | 56AA 5036 2E | Wiring Guide Plate /Rear | 束線案内板 / 奥 | D | 1 | |
| 23 | 56AA 5034 1 | HINGE SUPPORT SHAFT /1 | ヒンジ支点軸 / 1 | D | 1 | |
| 24 | 56QA 5065 0 | CARRIAGE PROTECTION COVER | 架台保護カバー | C | 1 | |
| 25 | 56AA 5014 0 | ADU STOPPER CUSHION 2 | ADU 突き当てクッション 2 | C | 2 | |
| 26 | 56AA 5024 0 | ADU EARTH PLATE A | ADU アース板 A | D | 2 | |
| 27 | 56AA 5022 1 | CARRIAGE POSITIONING PLATE /RE | 架台位置決め板 / 奥 | D | 2 | |
| 28 | 57AA 9025 0 | CONVEYANCE DRIVE WIRING | 搬送駆動束線 | D | 1 | |
| 29 | 57AA 5090 0 | BOARD PROTECTION PART | 基板保護部材 | C | 1 | |
| 30 | 57AA 9022 0 | CONVEYANCE UNIT CONTROL WIRING | 搬送部制御束線 | D | 1 | |
| 31 | 57AA 5278 0 | WIRING GUIDE PART /L | 束線ガイド部材 / L | D | 2 | |
| 32 | 57AA 5039 0 | BOARD INSULATING COVER /RIGHT | 基板絶縁カバー / 右 | D | 1 | |
| 33 | 57AA -904 1E | ADU Driver Board Assy | ADU 駆動基板部組 | I | 1 | |
| 34 | 57AA 9028 0 | ADU SIGNAL WIRING | ADU 信号束線 | D | 1 | |
| 35 | 56AA 5019 1 | BELT GUIDE PLATE | ベルト案内板 | D | 2 | |
| 36 | 56AA 5016 0 | ADU LIFTING BELT LEFT 520L | ADU 持ち上げベルト 左 520L | C | 1 | |
| 37 | 129X 4835 0 | GUIDE SHAFT HOLDER A | ガイド軸受 A | C | 1 | |
| 38 | 57AA 5009 0 | CARRIAGE POSITIONING PLATE /RI | 架台位置決め板 / 右 | D | 1 | |
| 39 | 56QA -059 0 | FIXING ADJ PLATE CAULKING | 定着調整板カシメ | D | 1 | |
| 40 | 57AA 5261 0 | LIFTING SPACER /UPPER | 持ち上げスペーサー / 上 | D | 4 | A |
| 41 | 57AE 9034 0 | FIXING CONNECTING WIRING 1 | 定着連結束線 1 | D | 1 | B,C,D1,D3,E,F1,F2,G 1,G2,H,I,J,K |
| 42 | 57AA 5006 0 | BOARD MOUNTING STAY /RIGHT | 基板取り付けステー / 右 | D | 1 | |
| 43 | 57AA 5029 0 | WIRING PROTECTION SHEET | 束線保護シート | D | 1 | |
| | | | | | | |
| | | | | | | |



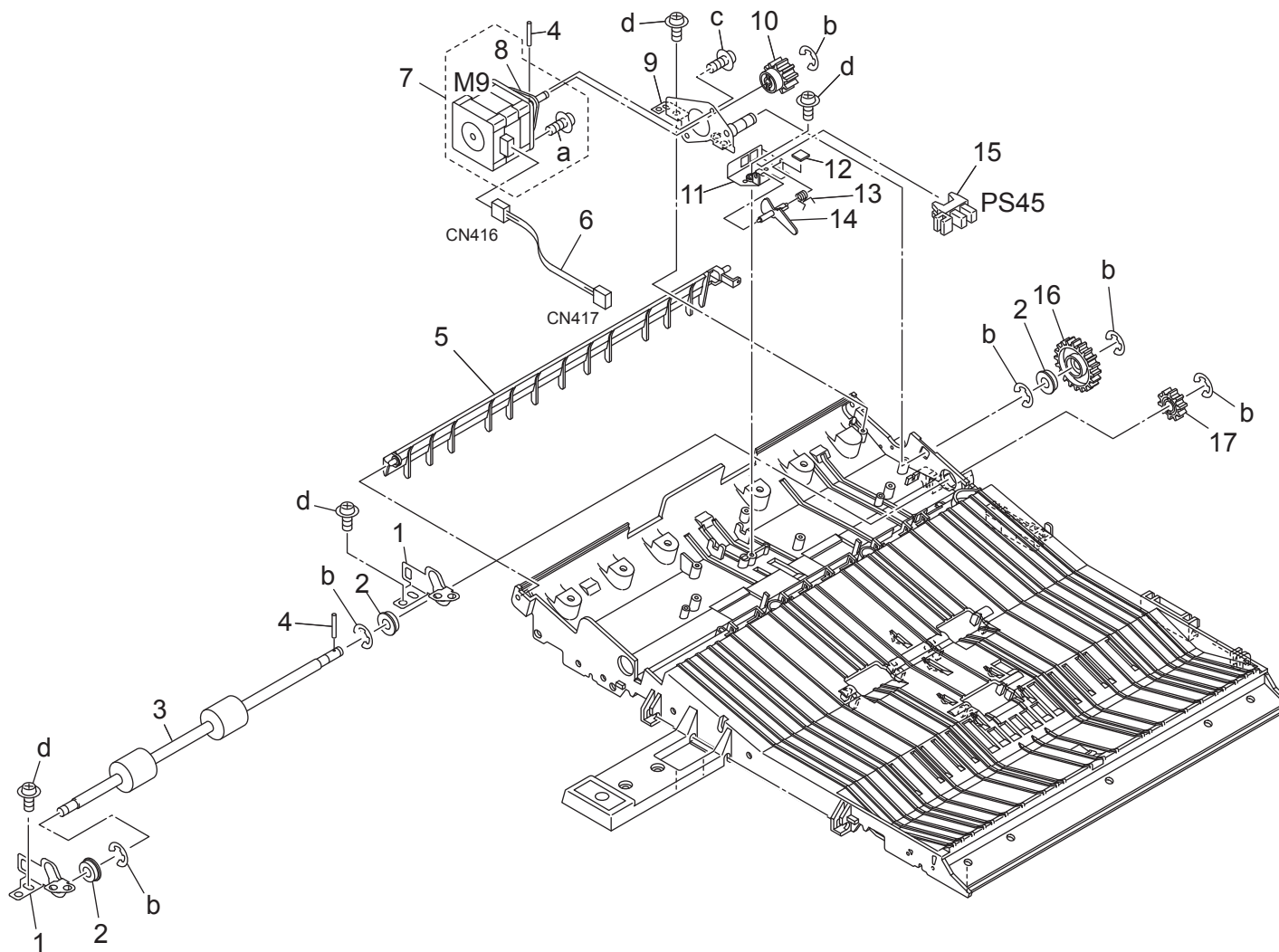
| Key | Part No. | Description | Destinations | Class | QTY | Standard parts |
|-----|--------------|---------------------------------|-------------------|-------|-----|----------------|
| 1 | 57AA 5113 0 | ADU REVERSE ROLLER LEFT | ADU 逆転ローラ 左 | C | 1 | a-V121 0304 03 |
| 2 | 56AA 1755 1 | PIN A | ピン A | C | 3 | b-V121 0306 03 |
| 3 | 57AA 5115 0 | ADU CONVEYANCE ROLLER 1 | ADU 搬送ローラ 1 | C | 1 | c-V217 0600 50 |
| 4 | 57AA 5116 0 | ADU CONVEYANCE ROLLER 2 | ADU 搬送ローラ 2 | C | 1 | d-V217 0400 50 |
| 5 | 56AA 4255 0 | MOUNTING PART | センサ取り付け部材 | C | 3 | e-V118 0304 03 |
| 6 | 56AA 5130 1 | ADU PAPER EXIT ACTUATOR | ADU 排紙アクチュエタ | C | 2 | f-V118 0306 03 |
| 7 | 56AA 4257 0 | PAPER CONVEYING SPRING 1 | 紙搬送バネ 1 | C | 3 | |
| 8 | 08AA 8551 2 | Photo Sensor | フォトセンサ | B | 3 | |
| 9 | 56AA 4245 0 | PREVENTING RUBBER | 防止ゴム | C | 3 | |
| 10 | 57AA 5288 0 | SHAFT HOLDER HOLDING PART | 軸受押さえ部材 | C | 1 | |
| 11 | 08AA 7601 0 | DRUM DRIVING SHAFT HOLDER | ドラム駆動軸受 | C | 1 | |
| 12 | A00V 2406 00 | BALL BEARING | ボールベアリング | C | 2 | |
| 13 | 56AA 7748 0 | PAPER EXIT REVERSING GEAR 1 19T | 排紙逆転歯車 1 19 T | C | 1 | |
| 14 | 56AA 5095 1 | WIRING COVER PART /REAR | 束線カバー部材/奥 | D | 1 | |
| 15 | A03U 8128 00 | Slide Shaft Holder | すべり軸受 | C | 3 | |
| 16 | 56AA 5131 1 | ADU PAPER EXIT ACTUATOR 2 | ADU 排紙アクチュエタ 2 | C | 1 | |
| 17 | 57AA 5279 0 | WIRING PROTECTION PART L | 束線保護部材 L | D | 1 | |
| 18 | 56AA 5101 0 | ADU GUIDE PLATE UPPER | ADU ガイド板 上 | D | 1 | |
| 19 | 14GE 4547 0 | Rotation Knob | 回転ノブ | C | 1 | |
| 20 | 57AA 9728 1E | Jam Release Label /9 | ジャム解除ラベル/9 | C | 1 | |
| 21 | 57AA 7659 0 | ADU CONVEYANCE PULLEY 3 20T | ADU 搬送プーリ 3 20 T | C | 2 | |
| 22 | 57AA 7751 0 | ADU Conveyance Belt /3 322L | ADU 搬送ベルト/3 322 L | C | 1 | |
| 23 | 57AA 5183 0 | BELT HOLDING COLLAR 3 | ベルト押さえカラー 3 | C | 2 | |
| 24 | 57AA 8203 0 | CONVEYANCE DRIVE CLUTCH | 搬送駆動クラッチ | C | 1 | |
| 25 | 12QV 4066 0 | SHAFT POSITIONING PART | 軸位置決め部材 | C | 1 | |
| | | | | | | |
| | | | | | | |
| | | | | | | |
| | | | | | | |
| | | | | | | |
| | | | | | | |
| | | | | | | |
| | | | | | | |
| | | | | | | |



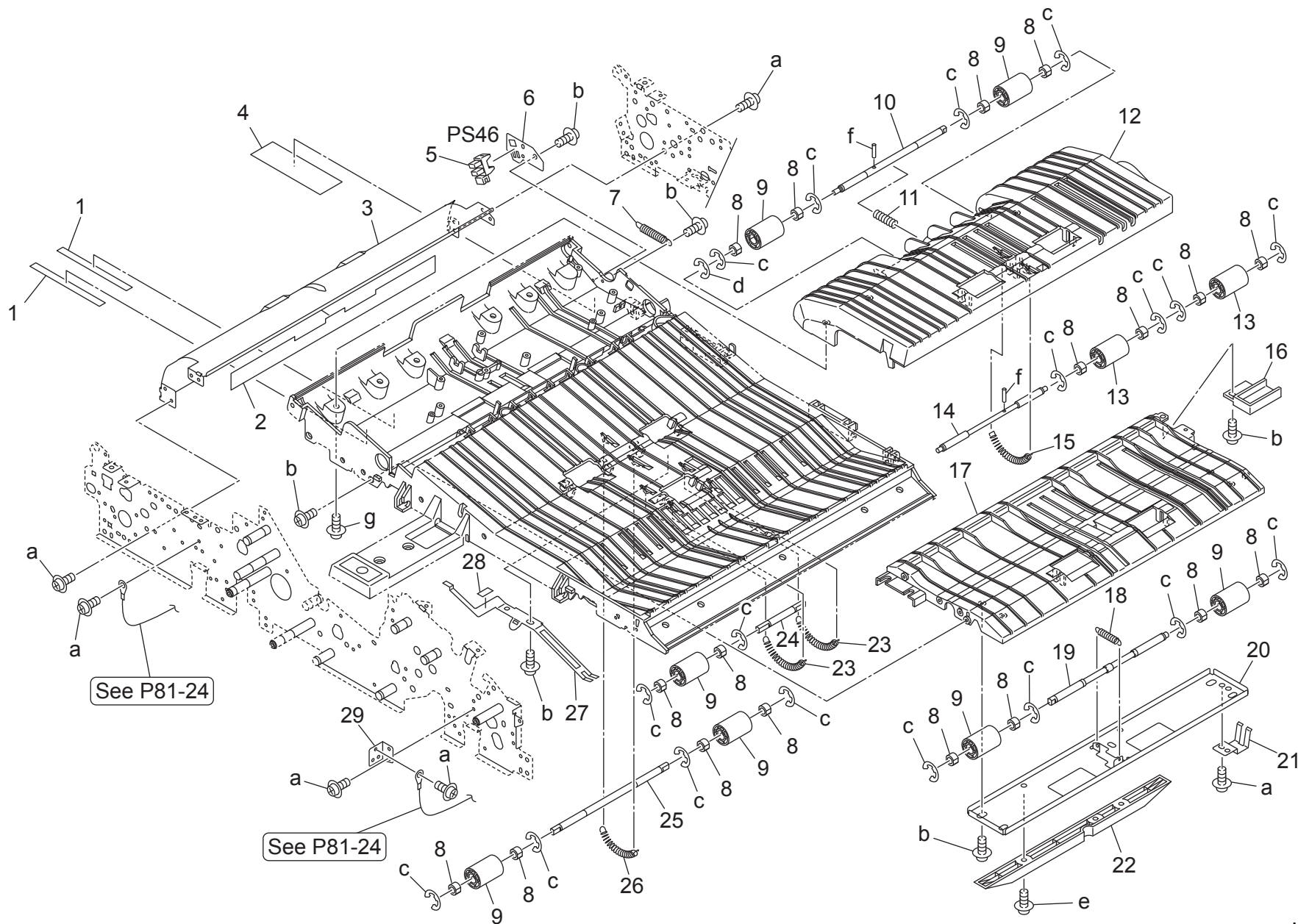
| Key | Part No. | Description | Destinations | Class | QTY | Standard parts |
|-----|--------------|-------------------------------------|---------------------|-------|-----|--|
| 1 | 56AA 7757 0 | Conveyance Drive Belt /2 315L | 搬送駆動ベルト/2 315 L | C | 1 | a-V217 0600 50 b-V217 0400 50 c-V217 0800 50 d-V121 0304 03 |
| 2 | A00V 2406 00 | BALL BEARING | ボールベアリング | C | 10 | |
| 3 | 56QA 7658 0 | CONVEYANCE DRIVING PULLEY 3 23T 22T | 搬送駆動プーリ 3 23 T 22 T | C | 1 | |
| 4 | 56QA 5182 0 | BELT HOLDING COLLAR 2 | ベルト押えカラー 2 | C | 4 | |
| 5 | 57BA 7741 0 | ADU DRIVE GEAR C 23/32T | ADU 駆動歯車 C 23/32 T | C | 1 | |
| 6 | 57AA -036 0 | CLUTCH PLATE CAULKING | クラッチ板カシメ | D | 1 | |
| 7 | 57BA 7742 0 | ADU DRIVE GEAR D 29/36T | ADU 駆動歯車 D 29/36 T | C | 1 | |
| 8 | 56AA 7745 0 | ADU CONVEYING GEAR 3 34T | ADU 搬送歯車 3 34 T | C | 1 | |
| 9 | 56QA 7505 0 | Paper Feed Slide Bushing | 給紙滑り軸受 | C | 4 | |
| 10 | 13QA 4061 0 | GEAR SPACER | ギアスペーサー | C | 2 | |
| 11 | 12QV 4065 0 | SPACER | スペーサー | B | 4 | |
| 12 | 56AA 7747 0 | ADU CONVEYING GEAR 4 34T | ADU 搬送歯車 4 34 T | C | 1 | |
| 13 | 56AA 5181 0 | BELT HOLDING COLLAR | ベルト押さえカラー | C | 2 | |
| 14 | 56AA 7755 0 | ADU Conveyance Belt /1 210L | ADU 搬送ベルト/1 210 L | C | 1 | |
| 15 | 56AA 7659 0 | ADU CONVEYING PULLEY 1 32T | ADU 搬送プーリ 1 32 T | C | 1 | |
| 16 | 56AA 7660 0 | ADU CONVEYING PULLEY 2 32T | ADU 搬送プーリ 2 32 T | C | 1 | |
| 17 | A03U 8128 00 | Slide Shaft Holder | すべり軸受 | C | 2 | |
| 18 | 08AA 7601 0 | DRUM DRIVING SHAFT HOLDER | ドラム駆動軸受 | C | 2 | |
| 19 | 55VA 1554 1 | CLEANER COUPLING PART | クリーナーカップリング部材 | C | 1 | |
| 20 | 56AA 1709 0 | PRESSURE SPRING | 押圧バネ | C | 1 | |
| 21 | 56AA 5150 0 | ADU REGISTRATION SPRING | ADU レジストバネ | C | 2 | |
| 22 | 55GA 7551 0 | REGISTRATION SHAFT HOLDER LOWER | レジスト軸受 下 | B | 2 | |
| 23 | 55GA 7552 0 | REGISTRATION SHAFT HOLDER UPPER | レジスト軸受 上 | B | 2 | |
| 24 | 56AA 1748 0 | PIN B | ピン B | C | 1 | |
| 25 | 56AA 1755 1 | PIN A | ピン A | C | 2 | |
| 26 | 57AA 5117 0 | ADU CONVEYANCE ROLLER 3 | ADU 搬送ローラ 3 | C | 1 | |
| 27 | 57AA 5118 0 | ADU CONVEYANCE ROLLER 4 | ADU 搬送ローラ 4 | C | 1 | |
| 28 | 56AA 5111 0 | ADU REGISTRATION ROLLER UPPER | ADU レジストローラ 上 | C | 1 | |
| 29 | 56QA 5112 0 | ADU REGISTRATION ROLLER LOWER | ADU レジストローラ 下 | C | 1 | |
| 30 | 57AA 5026 0 | REGIST AUXILIARY PLATE | レジスト補助板 | D | 1 | |
| 31 | 57AA 5030 0 | BOARD PROTECTION COVER | 基板保護カバー | C | 1 | |
| 32 | 56AA 7756 0 | Conveyance Drive Belt /1 225L | 搬送駆動ベルト/1 225 L | C | 1 | |
| 33 | 56QA 7655 0 | CONVEYANCE DRIVING PULLEY 2 23T | 搬送駆動プーリ 2 23 T | C | 1 | |
| 34 | 56QA 7654 0 | CONVEYANCE DRIVING PULLEY 1 23T 29T | 搬送駆動プーリ 1 23 T 29 T | C | 1 | |
| 35 | 57AA 8203 0 | CONVEYANCE DRIVE CLUTCH | 搬送駆動クラッチ | C | 1 | |
| 36 | 12QV 4066 0 | SHAFT POSITIONING PART | 軸位置決め部材 | C | 1 | |
| 37 | 56AA 7746 0 | REGISTRATION DRIVING GEAR 2 27T | レジスト駆動歯車 2 27 T | C | 2 | |
| | | | | | | |
| | | | | | | |
| | | | | | | |



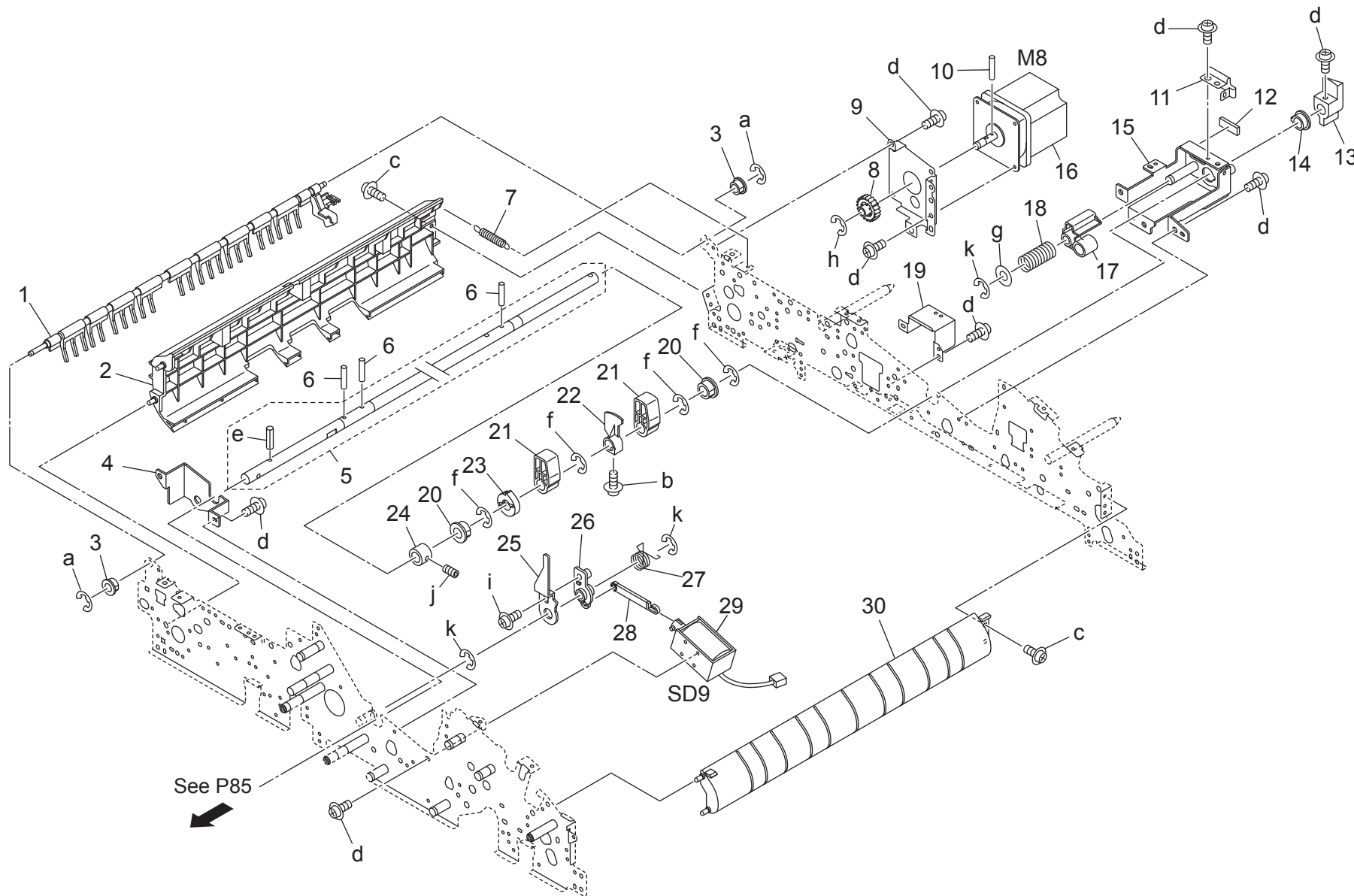
| Key | Part No. | Description | Destinations | Class | QTY | Standard parts |
|-----|--------------|--------------------------------|----------------|-------|-----|----------------------------------|
| 1 | 56AA 5226 0 | BOTTOM PLATE LOCKING SPRING | 底板ロックバネ | C | 1 | a-V151 0310 03 |
| 2 | 56AA 5242 0 | BOTTOM PLATE LOCKING CLAW | 底板ロック爪 | C | 2 | b-V217 0400 50 |
| 3 | 56AA 5229 0 | BOTTOM PLATE OPEN SHUT COLLAR | 底板開閉カラー | C | 1 | c-V121 0304 03 |
| 4 | 56AA 5107 2 | ADU GUIDE PART MIDDLE | A D U ガイド部材 中 | D | 1 | d-V151 0308 03 |
| 5 | 56AA 5278 0 | WIRING GUIDE PART | 束線ガイド部材 | C | 2 | e-V121 0306 03 f-V121 0318 03 |
| 6 | 56AA 5239 0D | Lock Plate /A | ロック板 / A | D | 1 | |
| 7 | 56QA 9026 0E | RELAY WIRING /S | センサ中継束線 / S | D | 1 | |
| 8 | 56AA 8055 1 | FAN MOTOR 2 | ファンモータ 2 | B | 1 | |
| 9 | 56AA 5248 0 | FAN MOUNTING PLATE | ファン取り付け板 | C | 1 | |
| 10 | 56AA 5228 1 | BOTTOM PLATE SUPPORT PLATE /RI | 底板支点板 / 右 | D | 1 | |
| 11 | 56AA 5159 0 | ADU GUIDE SHEET 2 | A D U ガイドシート 2 | C | 1 | |
| 12 | 56AA 5223 1 | BOTTOM PLATE SUPPORT SHAFT | 底板支点軸 | D | 1 | |
| 13 | 56AA 5227 2 | BOTTOM PLATE SUPPORT PLATE /LE | 底板支点板 / 左 | D | 1 | |
| 14 | 56AA 5222 1 | BOTTOM PLATE OPEN/CLOSE SHAFT | 底板開閉軸 | D | 1 | |
| 15 | 56AA 1747 1 | PIN B 3X12 | ピン B 3 X 1 2 | C | 2 | |
| 16 | 56AA 5045 0 | EARTH SPRING 5 | アースバネ 5 | D | 1 | |
| 17 | 56AA 5243 1 | BOTTOM PLATE GUIDE PLATE | 底板ガイド板 | C | 1 | |
| 18 | 56AA 5246 0 | OPEN SHUT SPRING | 開閉バネ | C | 1 | |
| 19 | 56AA 1736 1 | WIRE ROTARY SHAFT | ワイヤー回転軸 | C | 2 | |
| 20 | 56AA 5245 1 | PULLEY MOUNTING PLATE | プーリ取り付け板 | D | 2 | |
| 21 | 25AA 5008 0 | WIRE PULLEY | ワイヤープーリ | C | 2 | |
| 22 | 56AA 5238 0 | LOCKING PART A | ロック部材 A | C | 1 | |
| 23 | 56AA 5221 1 | BOTTOM PLATE OPEN/CLOSE HANDLE | 底板開閉把手 | D | 1 | |
| 24 | 56AA 5247 0 | OPEN SHUT WIRE | 開閉ワイヤー | C | 2 | |
| 25 | 56AA 5249 0 | OPEN SHUT SPRING RIGHT | 開閉バネ 右 | C | 1 | |
| 26 | 57AA 9742 1E | Jam Release Label /B | ジャム解除ラベル / B | D | 1 | |
| 27 | 56AA -019 0 | BOTTOM PLATE LOCK CAULKING | 底板ロックカシメ | D | 2 | |
| | | | | | | |
| | | | | | | |
| | | | | | | |
| | | | | | | |
| | | | | | | |
| | | | | | | |
| | | | | | | |
| | | | | | | |
| | | | | | | |



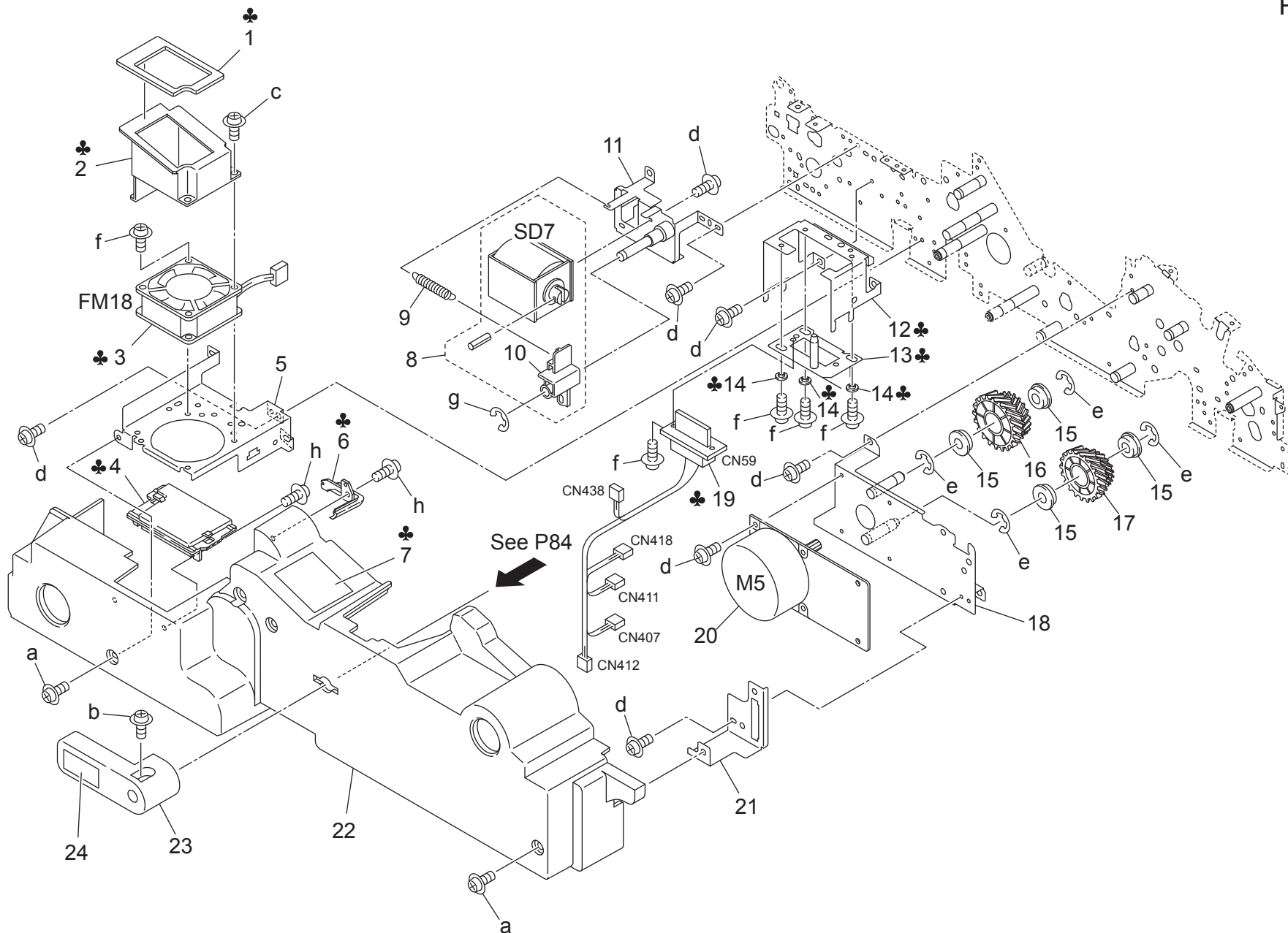
| Key | Part No. | Description | Destinations | Class | QTY | Standard parts |
|-----|--------------|-------------------------------|--------------|-------|-----|--|
| 1 | 57AA 5193 0 | ROLLER MOUNTING PLATE | | D | 2 | a-V111 0305 03 b-V217 0400 50 c-V121 0304 03 d-V151 0308 03 |
| 2 | 56AA 7505 0 | CLEANER SHAFT HOLDER | | C | 3 | |
| 3 | 57AA 5114 0 | ADU REVERSE ROLLER RIGHT | | C | 1 | |
| 4 | 56AA 1755 1 | PIN A | | C | 2 | |
| 5 | 56AA 5110 2 | ADU OPEN SHUT PART | | C | 1 | |
| 6 | 56AA 9024 0 | ADU DRIVING WIRING | | D | 1 | |
| 7 | 56AA R731 00 | ADU DRIVE ASSY | | B | 1 | |
| 8 | 56GA 7343 1 | MOTOR FIXING PART /1 | | C | 1 | |
| 9 | 57AA -045 0 | MOTOR FIXING PLATE/M CAULKING | | D | 1 | |
| 10 | 56AA 7743 1 | ADU REVERSING GEAR 1 19T | | C | 1 | |
| 11 | 56AA 4255 0 | MOUNTING PART | | C | 1 | |
| 12 | 56AA 4245 0 | PREVENTING RUBBER | | C | 1 | |
| 13 | 56AA 4257 0 | PAPER CONVEYING SPRING 1 | | C | 1 | |
| 14 | 56QA 5124 0 | ADU REVERSING ACTUATOR | | C | 1 | |
| 15 | 08AA 8551 2 | Photo Sensor | | B | 1 | |
| 16 | 57AA 7744 0 | ADU REVERSE GEAR 3 35T | | C | 1 | |
| 17 | 57AA 7748 0 | ADU REVERSE GEAR 4 19T | | C | 1 | |
| | | | | | | |
| | | | | | | |
| | | | | | | |
| | | | | | | |
| | | | | | | |
| | | | | | | |
| | | | | | | |
| | | | | | | |
| | | | | | | |
| | | | | | | |
| | | | | | | |



| Key | Part No. | Description | Destinations | Class | QTY | Standard parts |
|-----|--------------|----------------------------------|---------------|-------|-----|----------------|
| 1 | 57AA 5252 0D | ADU Guide Sheet /7 | ADU ガイドシート /7 | D | 2 | a-V121 0304 03 |
| 2 | 56QA 5156 0 | ADU GUIDE SHEET 3 | ADU ガイドシート 3 | C | 1 | b-V151 0308 03 |
| 3 | 56AA 5154 0 | ADU GUIDE PLATE LEFT | ADU ガイド板 左 | D | 1 | c-V217 0400 50 |
| 4 | 57AA 5251 0 | ADU GUIDE SHEET /6 | ADU ガイドシート /6 | D | 1 | d-V217 0300 50 |
| 5 | 08AA 8551 2 | Photo Sensor | フォトセンサ | B | 1 | e-V121 0306 03 |
| 6 | 56AA 5236 1 | MOUNTING PLATE /4 | センサ取り付け板 /4 | D | 1 | f-V233 1614 50 |
| 7 | 56AA 5237 0 | ADU SPRING | ADU センサバネ | C | 1 | g-V151 0310 03 |
| 8 | 56GA 7601 0 | SLIDE SHAFT HOLDER 2 | 滑り軸受 2 | C | 18 | |
| 9 | 56AA 5155 0 | ADU DRIVEN ROLLER | ADU 従動コロ | C | 7 | |
| 10 | 56AA 5122 0D | ADU Idler Shaft /2 | ADU 従動軸 /2 | D | 1 | |
| 11 | 56AA 5147 0 | ADU CONVEYING SPRING 1 | ADU 搬送バネ 1 | C | 1 | |
| 12 | 56AA 5152 1 | ADU GUIDE COVER | ADU ガイドカバー | C | 1 | |
| 13 | 26NA 4256 0 | BY PASS FEED DRIVEN ROLLER | 手差し従動ローラ | C | 2 | |
| 14 | 57AA 5129 0 | ADU IDLER SHAFT /5 | ADU 従動軸 /5 | D | 1 | |
| 15 | 57AA 5144 0 | ADU CONVEYANCE SPRING 4 | ADU 搬送バネ 4 | C | 1 | |
| 16 | 56AA 5048 0 | COVER PART | センサカバー部材 | D | 1 | |
| 17 | 56AA 5108 1 | ADU GUIDE PART LOWER | ADU ガイド部材 下 | C | 1 | |
| 18 | 56AA 5146 0 | ADU REVERSING SPRING | ADU 逆転バネ | C | 1 | |
| 19 | 56AA 5125 0D | ADU Idler Shaft /4 | ADU 従動軸 /4 | D | 1 | |
| 20 | 56AA 5157 2 | SPRING MOUNTING STAY | バネ取付ステー | D | 1 | |
| 21 | 56AA 5044 0 | EARTH SPRING 4 | アースバネ 4 | D | 1 | |
| 22 | 56QA 5230 0 | BOTTOM PLATE LIFTING BLOCK LOWER | 底板持ち上げブロック 下 | D | 1 | |
| 23 | 56AA 5149 0 | ADU CONVEYING SPRING 3 | ADU 搬送バネ 3 | C | 2 | |
| 24 | 56AA 5123 0D | ADU Idler Shaft /3 | ADU 従動軸 /3 | D | 1 | |
| 25 | 56AA 5121 0 | ADU IDLER SHAFT /1 | ADU 従動軸 /1 | D | 1 | |
| 26 | 56AA 5148 0 | ADU CONVEYING SPRING 2 | ADU 搬送バネ 2 | C | 1 | |
| 27 | 56AA 5043 0 | EARTH SPRING 3 | アースバネ 3 | D | 1 | |
| 28 | 56AA 5040 0 | SPRING STICKING SEAL | バネ貼りシール | C | 1 | |
| 29 | 56AA 5244 0 | WIRE MOUNTING PLATE | ワイヤー取り付け板 | D | 1 | |
| | | | | | | |
| | | | | | | |
| | | | | | | |
| | | | | | | |
| | | | | | | |
| | | | | | | |
| | | | | | | |



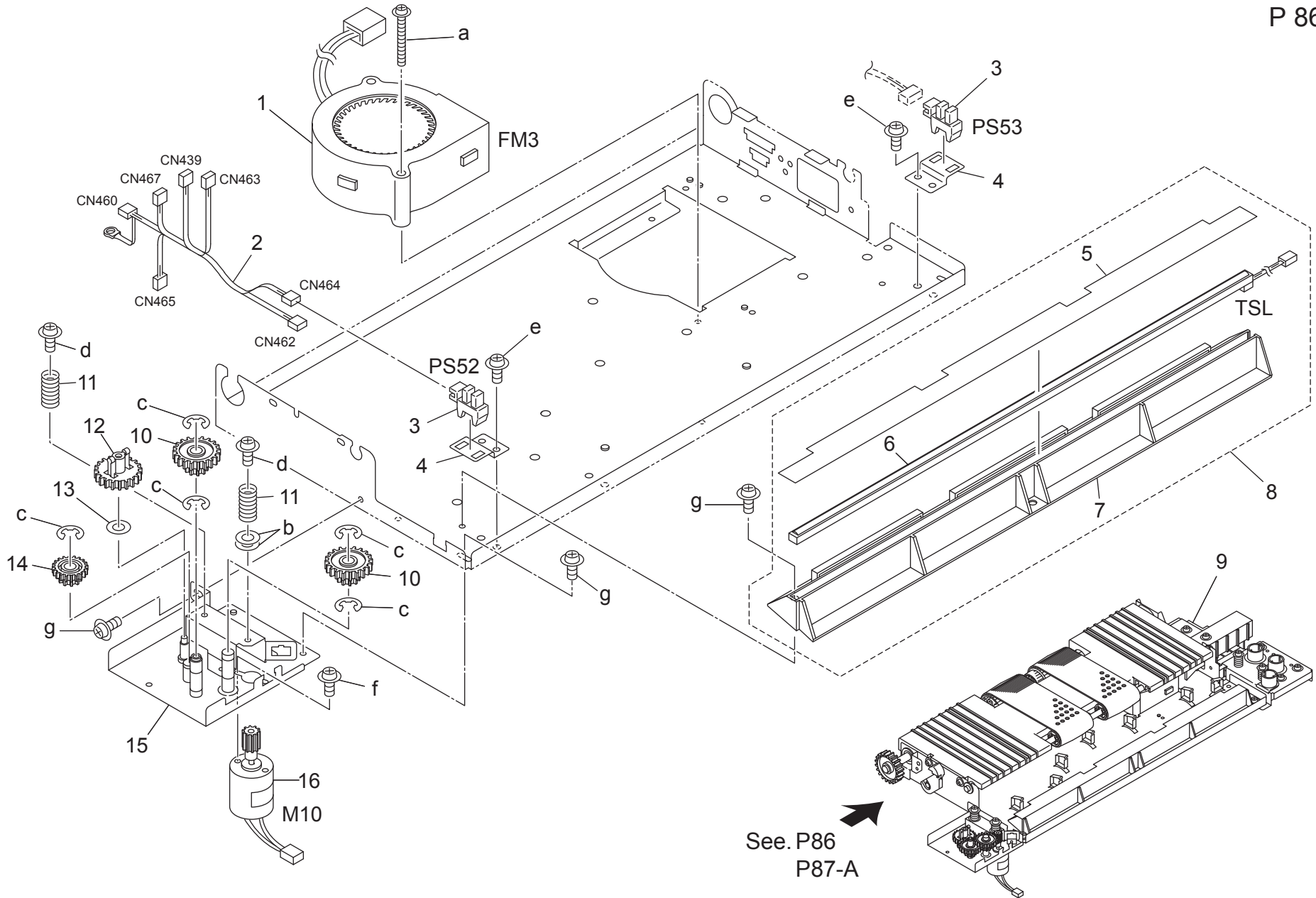
| Key | Part No. | Description | Destinations | Class | QTY | Standard parts |
|-----|--------------|----------------------------------|-----------------|-------|-----|----------------|
| 1 | 57AA 5109 0 | PAPER EXIT OPEN CLOSE PART L | 排紙開閉部材 L | C | 1 | a-V217 0300 50 |
| 2 | 56QA 5103 0 | ADU ENTRANCE PART RIGHT | ADU 進入部材 右 | C | 1 | b-V121 0406 03 |
| 3 | 56AA 5049 0 | PAPER EXIT FULCRUM SHAFT HOLDER | 排紙支点軸受 | C | 2 | c-V121 0306 03 |
| 4 | 56AA 5119 1 | SHAFT REINFORCE PLATE | 軸補強板 | D | 1 | d-V121 0304 03 |
| 5 | 56AA R701 00 | CARRIAGE PULLING SHAFT ASSY | 架台引張り軸部組 | C | 1 | e-V233 3016 50 |
| 6 | 56AA 1746 1 | PIN A | ピン A | B | 3 | f-V217 0800 50 |
| 7 | 56AA 5138 0 | PAPER EXIT OPEN SHUT SPRING | 排紙開閉バネ | C | 1 | g-V207 0800 03 |
| 8 | 56AA 7749 0 | PAPER EXIT REVERSING GEAR 2 19T | 排紙逆転歯車 2 19 T | C | 1 | h-V217 0400 50 |
| 9 | 56AA 5161 1 | ADU DRIVE BOARD | ADU 駆動基板 | D | 1 | i-V151 0408 03 |
| 10 | 56AA 1755 1 | PIN A | ピン A | C | 1 | j-V193 0404 04 |
| 11 | 56AA 5025 0 | ADU EARTH PLATE B | ADU アース板 B | D | 1 | k-V217 0600 50 |
| 12 | 56AA 5013 0 | ADU STOPPER CUSHION 1 | ADU 突き当てクッション 1 | C | 1 | |
| 13 | 56AA 5062 1 | CARRIAGE POSITIONING PART | 架台位置決め部材 | C | 1 | |
| 14 | 56AA 5080 0 | LEVER SUPPORT SHAFT HOLDER | レバー支持軸受 | C | 1 | |
| 15 | 56AA 5064 1 | CARRIAGE POSITIONING PLATE/FRONT | 架台位置決め板/前 | D | 1 | |
| 16 | 56AA 8011 2 | PAPER EXIT DRIVE MOTOR | 排紙駆動モータ | B | 1 | |
| 17 | 56AA 5063 0 | CAM STOPPER PART | カムストッパ部材 | C | 1 | |
| 18 | 56AA 5067 0 | CAM STOPPER SPRING | カムストッパバネ | C | 1 | |
| 19 | 56AA 5094 0 | HIGH VOLTAGE COVER PLATE | 高圧カバー板 | D | 1 | |
| 20 | 4620 7601 0 | DRIVING SLIDE SHAFT HOLDER A | 駆動滑り軸受 A | C | 2 | |
| 21 | 56AA 5068 0 | TRANSFER LIFTING LEVER | 転写持ち上げレバー | C | 2 | |
| 22 | 56AA 5079 1 | LEVER DETECTING ACTUATOR | レバー検知アクチュエータ | C | 1 | |
| 23 | 25AA 4750 0 | CARRIAGE LOCK CLAW B | 架台ロック爪 B | C | 1 | |
| 24 | 56AA 1735 0 | SHAFT POSITIONING PART | 軸位置決め部材 | C | 1 | |
| 25 | 56AA 5069 0D | Lever Lock Plate | レバーロック板 | D | 1 | |
| 26 | 56AA 5070 0 | LEVER LOCKING PART | レバーロック部材 | C | 1 | |
| 27 | 56AA 5071 0 | LEVER LOCKING SPRING | レバーロックバネ | C | 1 | |
| 28 | 56AA 5073 0 | SOLENOID PULLING LEVER | ソレノイド引張りレバー | C | 1 | |
| 29 | 56AA -040 0 | ADU CONNECTING SOLENOID ASSY | ADU 連結ソレノイド部組 | B | 1 | |
| 30 | 56AA 5105 0 | ADU PAPER EXIT PART LEFT | ADU 排紙部材 左 | C | 1 | |
| | | | | | | |
| | | | | | | |
| | | | | | | |
| | | | | | | |
| | | | | | | |
| | | | | | | |
| | | | | | | |
| | | | | | | |



| Key | Part No. | Description | Destinations | Class | QTY | Standard parts |
|-----|--------------|-------------------------------------|----------------------|-------------------------------------|-----|--|
| 1 | 57AA 5298 0 | BOARD COOLING PAD | 基板冷却パッド | A | 1 | a-V114 0406 03 |
| 2 | 57AA 5296 0 | BOARD COOLING DUCT LEFT | 基板冷却ダクト 左 | A | 1 | b-V121 0410 03 |
| 3 | 56QA 8057 0 | INTERNAL COOLING FAN | 機内冷却ファン | A | 1 | c-V121 0330 03 |
| 4 | 57AE 5282 0 | ADU AUX COVER LEFT | A D U 補助カバー 左 | B,C,D1,D3,E,F1,F2,G 1,G2,H,I,J,K | 1 | d-V121 0304 03 e-V217 0600 50 f-V121 0306 03 g-V217 0300 50 h-V151 0308 03 |
| 5 | 57AA 5297 0 | FAN MOUNTING PLATE /LEFT | ファン取り付け板/左 | | 1 | |
| 6 | 57AE 5283 0 | ADU AUX COVER RIGHT | A D U 補助カバー 右 | B,C,D1,D3,E,F1,F2,G 1,G2,H,I,J,K | 1 | |
| 7 | 57AA 9718 0E | Operation Caution Label /Rear | 取扱い注意ラベル/奥 | A | 1 | |
| 7 | 57AE 9718 0E | Operation Caution Label /Rear | 取扱い注意ラベル/奥 | B,G2 | 1 | |
| 7 | 57AF 9718 0E | Operation Caution Label /Rear | 取扱い注意ラベル/奥 | C | 1 | |
| 7 | 57AN 9718 0E | Operation Caution Label /Rear | 取扱い注意ラベル/奥 | D1,D3,E,F2,G1,I,J,K | 1 | |
| 7 | 57AS 9718 0E | Operation Caution Label /Rear | 取扱い注意ラベル/奥 | F1,H | 1 | |
| 8 | 56QA R701 00 | EXIT SOLENOID ASSY | 排紙ソレノイド部組 | | 1 | |
| 9 | 56QA 5294 0 | SOLENOID PULLING SPRING | ソレノイド引張りバネ | | 1 | |
| 10 | 56QA 5292 0 | SOLENOID PRESSING LEVER | ソレノイド押圧レバー | | 1 | |
| 11 | 57AA -030 0 | REVERS GATE SOLENOID CAULKING | 反転ゲートソレノイドカシメ | | 1 | |
| 12 | 57AE 5082 0 | WIRING MOUNTING PLATE /C | 束線取り付け板/C | B,C,D1,D3,E,F1,F2,G 1,G2,H,I,J,K | 1 | |
| 13 | 57AA R701 00 | WIRING MOUNTING PLATE CAULKING | 束線取付板 カシメ | A | 1 | |
| 14 | 57AA 5085 0 | WIRING SLIDE SPACER | 束線スライドスペーサー | A | 3 | |
| 15 | A00V 2406 00 | BALL BEARING | ボールベアリング | | 4 | |
| 16 | 56QA 7739 0 | REGISTRATION DRIVING GEAR 1 29T 77T | レジスト駆動歯車 1 29 T 77 T | | 1 | |
| 17 | 56QA 7740 0 | CONVEYANCE DRIVING GEAR 1 24T 67T | 搬送駆動歯車 1 24 T 67 T | | 1 | |
| 18 | 56AA -037 1 | REGIST DRIVE BASE PLATE ASSY | レジスト駆動基板カシメ | | 1 | |
| 19 | 57AA 9034 0 | FIXING CONNECTING WIRING 1 | 定着連結束線 1 | A | 1 | |
| 20 | A0PN M102 00 | DC Brushless motor /20 | D C ブラシレスモーター/20 | | 1 | |
| 21 | 57AA 5285 0 | EXTERNAL MOUNTING PLATE /RIGHT | 外装取り付け板/右 | | 1 | |
| 22 | 57AA 5281 0 | ADU COVER FRONT | A D U カバー 前 | | 1 | |
| 23 | 57AA 5076 0 | CARRIAGE PULLING LEVER | 架台引っ張りレバー | | 1 | |
| 24 | 57AA 9723 1E | Jam Release Label /4 | ジャム解除ラベル/4 | | 1 | |
| | | | | | | |
| | | | | | | |
| | | | | | | |
| | | | | | | |
| | | | | | | |
| | | | | | | |
| | | | | | | |
| | | | | | | |

CONVEYANCE UNIT

P 86

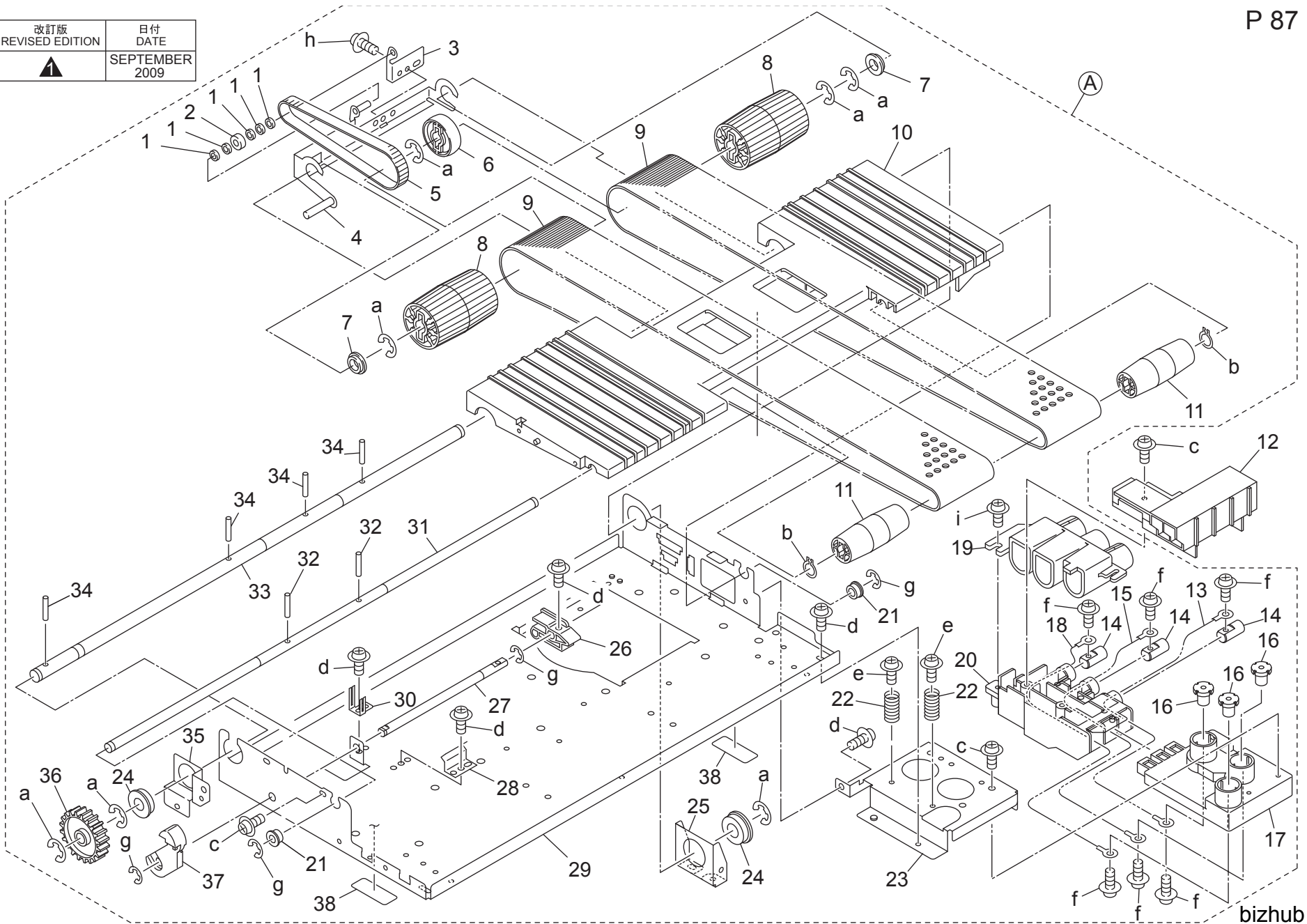


CONVEYANCE UNIT

| Key | Part No. | Description | Destinations | Class | QTY | Standard parts |
|-----|--------------|-------------------------------|--------------|-------|-----|--|
| 1 | 56QA 8056 0 | DEVELOPING COOLING FAN | | C | 1 | a-V121 0335 03 b-V207 0400 03 c-V217 0400 50 d-V118 0306 03 e-V121 0304 03 f-V111 2604 03 g-V121 0306 03 |
| 2 | 56QA 9027 0E | CONVEYANCE RELAY WIRING | | D | 1 | |
| 3 | 08AA 8551 2 | Photo Sensor | | B | 2 | |
| 4 | 56QA 4503 0 | SUPPORT PLATE /B | | D | 2 | |
| 5 | 56AA 4530 0 | PROTECTION SHEET | | C | 1 | |
| 6 | 56AA 8307 1 | PCL | | B | 1 | |
| 7 | 56AA 4521 0 | PTL COVER | | C | 1 | |
| 8 | 56AA R714 00 | TSL COVER ASSY | | C | 1 | |
| 9 | 57AA R718 00 | CONVEYANCE UNIT | | S | 1 | |
| 10 | 55VA 7744 0 | CLEANING GEAR 5 46T 20T | | B | 2 | |
| 11 | 56AA 1707 1 | ELECTRODE LIFT UP SPRING | | C | 2 | |
| 12 | 55VA 7742 0 | CLEANING GEAR 3 38T | | B | 1 | |
| 13 | 56AA 1770 0 | SPACER B | | C | 1 | |
| 14 | 55VA 7743 0 | CLEANING GEAR 4 33T 17T | | B | 1 | |
| 15 | 56AA -382 1 | CLEANING DRIVE/FRONT CAULKING | | D | 1 | |
| 16 | 56AA R713 00 | CLEANING MOTOR ASSY | | B | 1 | |
| | | | | | | |
| | | | | | | |
| | | | | | | |
| | | | | | | |
| | | | | | | |
| | | | | | | |
| | | | | | | |
| | | | | | | |
| | | | | | | |
| | | | | | | |

CONVEYANCE UNIT

| | |
|---|-------------------|
| 改訂版 REVISED EDITION | 日付 DATE |
|  | SEPTEMBER 2009 |

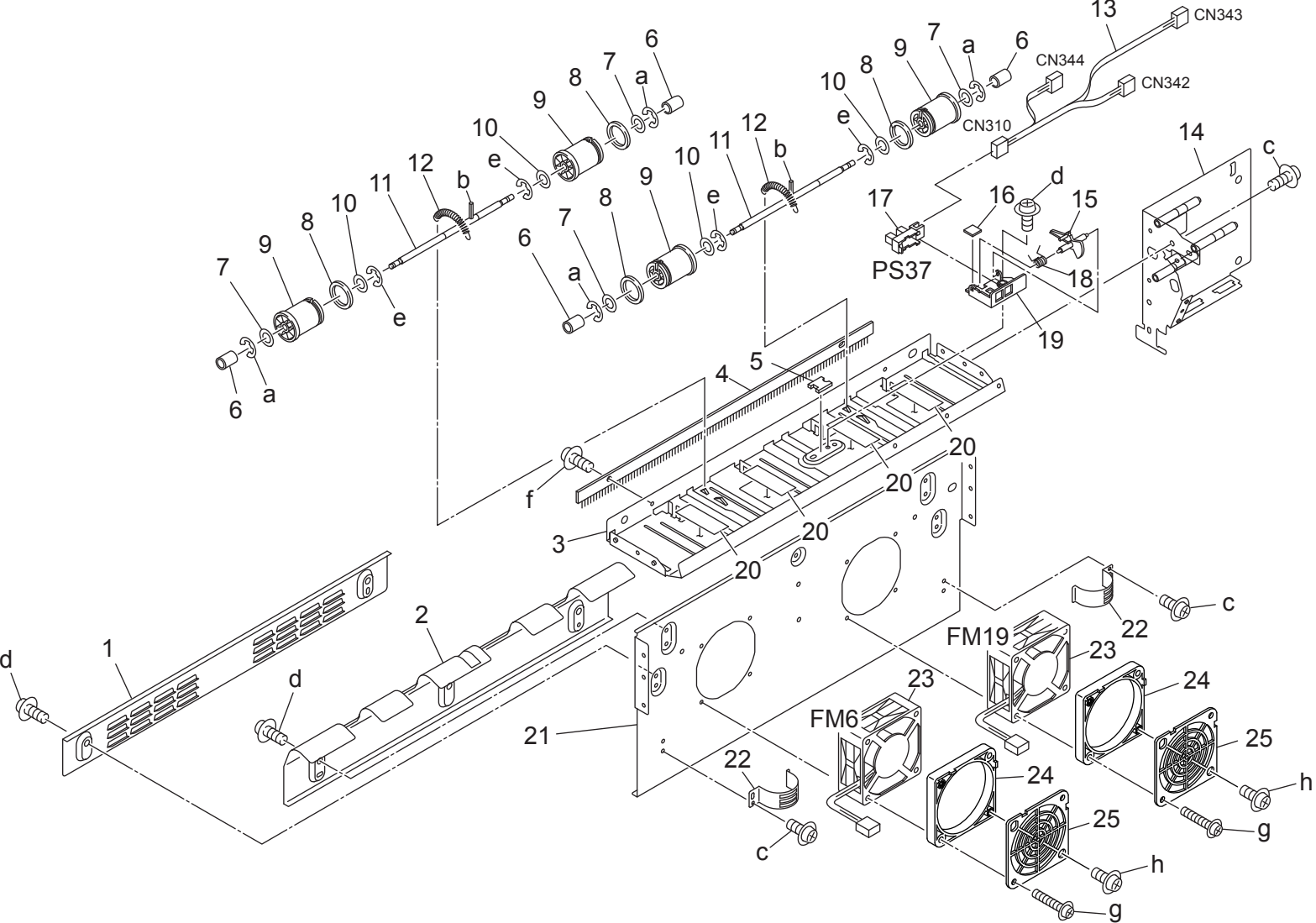


bizhub 601

CONVEYANCE UNIT

| Key | Part No. | Description | Destinations | Class | QTY | Standard parts |
|-----|--------------|-----------------------------------|--------------|-------|-----|----------------|
| 1 | 56AA 4549 0 | CONVEYANCE AUXILIARY COLLAR | 搬送補助カラー | C | 5 | a-V217 0600 50 |
| 2 | 56AA 4551 0 | Conveyance Idler Bearing | 搬送従動軸受 | C | 1 | b-V221 0600 50 |
| 3 | 56AA 4545 0D | Conveyance Auxiliary Panel /B | 搬送補助パネル / B | D | 1 | c-V151 0308 03 |
| 4 | 56AA 4542 0D | Conveyance Auxiliary Panel /A | 搬送補助パネル / A | D | 1 | d-V121 0306 03 |
| 5 | 56AA 4541 0 | CONVEYANCE AUXILIARY BELT 95L | 搬送補助ベルト 95 L | C | 1 | e-V118 0306 03 |
| 6 | 56AA 4540 0 | DRIVING PULLEY MIDDLE | 駆動プーリ 中 | C | 1 | f-V123 0306 03 |
| 7 | 56AA 4546 0 | CONVEYANCE AUXILIARY SHAFT HOLDER | 搬送補助軸受 | C | 2 | g-V217 0400 50 |
| 8 | 56AA 4532 0 | CONVEYANCE DRIVING ROLLER | 搬送駆動ローラ | C | 2 | h-V121 0304 03 |
| 9 | 56AA 4509 0 | CONVEYANCE BELT 239L | 搬送ベルト 239 L | B | 2 | i-V151 0310 03 |
| 10 | 56QA R703 00 | CONVEYANCE MAIN BODY U ASSY | 搬送本体 上部組 | D | 1 | |
| 11 | 56AA 4533 0 | CONVEYANCE DRIVEN ROLLER | 搬送従動ローラ | C | 2 | |
| 12 | 56AA R715 00 | CONVEYANCE DUCT REAR ASSY | 搬送ダクト 奥部組 | C | 1 | |
| 13 | 56AA 9372 1 | HIGH VOLTAGE LEAD WIRE C | 高圧リード線 C | D | 1 | |
| 14 | 56AA 5093 0 | HIGH VOLTAGE POWERING SHAFT | 高圧給電軸 | D | 3 | |
| 15 | 56AA 9371 1 | HIGH VOLTAGE LEAD WIRE B | 高圧リード線 B | D | 1 | |
| 16 | 56AA 4517 0 | POWERING SHAFT | 給電軸 | D | 3 | |
| 17 | 56AA 4508 2 | POWERING BLOCK | 給電ブロック | C | 1 | |
| 18 | 56AA 9370 1 | HIGH VOLTAGE LEAD WIRE A | 高圧リード線 A | D | 1 | |
| 19 | 56AA 5092 0 | HIGH VOLTAGE POWERING PART 2 | 高圧給電部材 2 | C | 1 | |
| 20 | 56AA 5091 0 | HV POWER SUPPLY PART /1 | 高圧給電部材 /1 | D | 1 | |
| 21 | 56QA 7506 0 | Drive Bearing /6 | 駆動軸受 /6 | C | 2 | |
| 22 | 56AA 1707 1 | ELECTRODE LIFT UP SPRING | 電極持ち上げバネ | C | 2 | |
| 23 | 56AA 4519 1 | CONVEYANCE MAIN BODY/REAR | 搬送本体 /奥 | D | 1 | |
| 24 | 56QA 7507 0 | BEARING/8 | 駆動軸受 8 | C | 2 | |
| 25 | 56AA 4522 2 | CONNECTING PLATE /REAR | 連結板 /奥 | D | 1 | |
| 26 | 56AA 4544 0 | CONVEYANCE AUXILIARY CAM | 搬送補助カム | C | 1 | |
| 27 | 56AA 4543 0D | Lever Shaft | レバー 軸 | D | 1 | |
| 28 | 56AA 4547 0 | CONVEYANCE ROCKING SPRING | 搬送首振りバネ | D | 1 | |
| 29 | 56AA 4505 3 | CONVEYANCE MAINBODY/LOWER | 搬送本体 /下 | D | 1 | |
| 30 | 56AA 4548 0 | CONVEYANCE EARTH PLATE MIDDLE | 搬送アース板 中 | D | 1 | |
| 31 | 56AA 4511 2D | Conveyance Idler Shaft | 搬送従動軸 | D | 1 | |
| 32 | 56AA 1747 1 | PIN B 3X12 | ピン B 3 X 1 2 | C | 2 | |
| 33 | 56AA 4510 1 | CONVEYANCE DRIVE SHAFT | 搬送駆動軸 | D | 1 | |
| 34 | 56AA 1746 1 | PIN A | ピン A | B | 4 | |
| 35 | 56AA 4518 1 | CONNECTING PLATE /FRONT | 連結板 /前 | D | 1 | |
| 36 | 56AA 7781 0 | CONVEYANCE DRIVING GEAR 31T | 搬送駆動歯車 31 T | C | 1 | |
| 37 | 57AA 4550 0 | CONVEYANCE AUXILIARY LEVER | 搬送補助レバー | C | 1 | |
| 38 | 57AA 8391 00 | Slide Sheet | スライドシート | D | 2 | |
| | | | | | | |
| | | | | | | |
| | | | | | | |

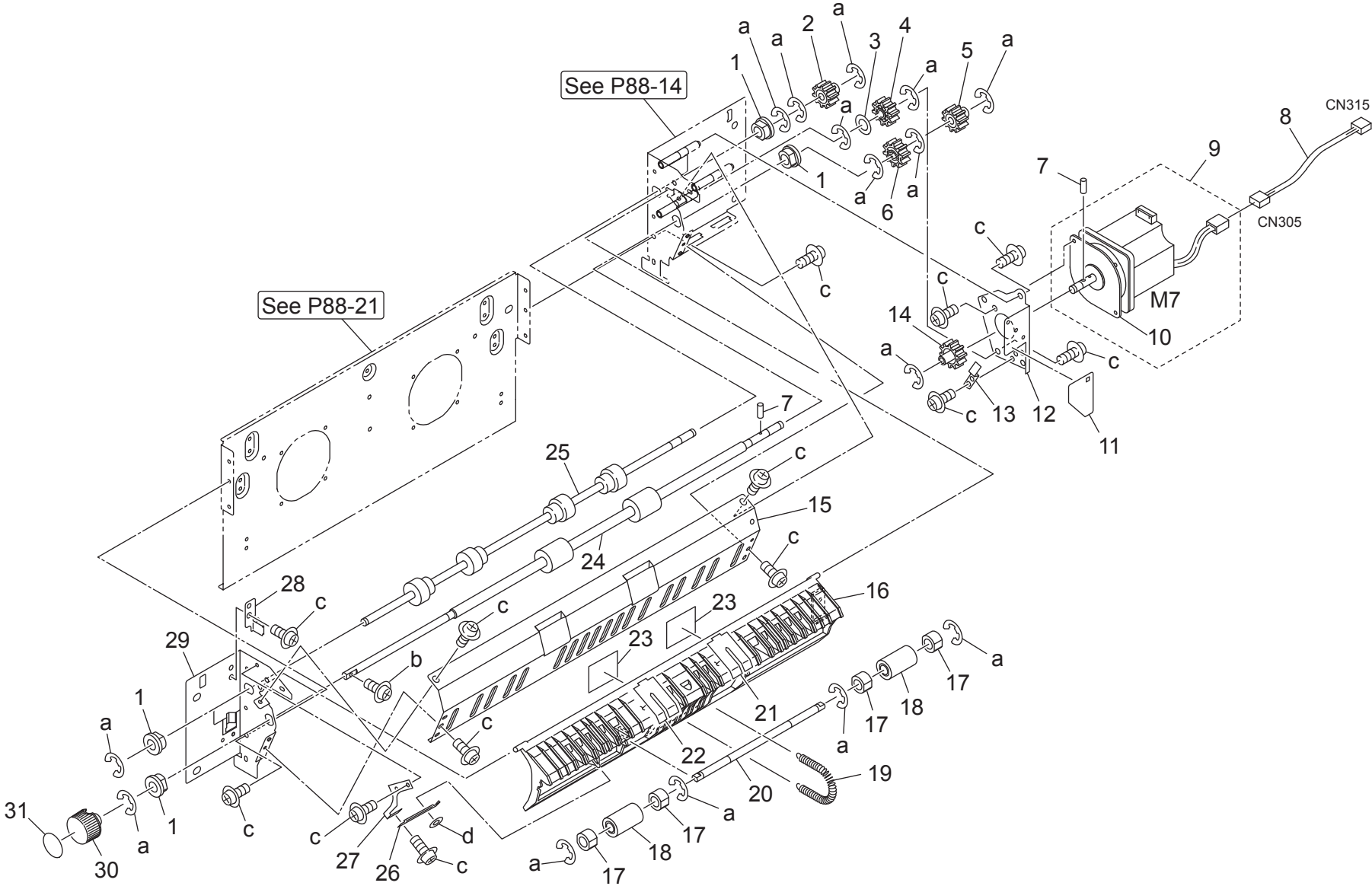
PAPER EXIT UNIT



PAPER EXIT UNIT

| Key | Part No. | Description | Destinations | Class | QTY | Standard parts |
|-----|--------------|--------------------------------|--------------|-------|-----|----------------|
| 1 | 56QA 4824 0 | PAPER EXIT GUIDE PLATE LOWER | 排紙ガイド板 下 | D | 1 | a-V217 0200 50 |
| 2 | 56QA 4823 1 | PAPER EXIT GUIDE PLATE | 排紙ガイド板 | D | 1 | b-V233 1612 50 |
| 3 | 56QA 4806 1 | PAPEREXITGUIDEPLATE UPPER | 排紙ガイド板/上 | D | 1 | c-V121 0304 03 |
| 4 | 0486 4448 0 | NEUTRALIZING BRUSH | 除電ブラシ | B | 1 | d-V118 0304 03 |
| 5 | 57AA 4832 0 | PAPER EXIT UPPER CUSHION | 排紙 上クッション | C | 1 | e-V217 0300 50 |
| 6 | 5520 1225 0 | ROLLER B | コロ B | C | 4 | f-V121 0316 03 |
| 7 | 56AA 4814 0 | PAPER EXIT SPACER UPPER | 排紙スペーサー 上 | C | 4 | g-V118 0330 03 |
| 8 | 56QA 4829 0 | PAPER EXIT REGULATING RUBBER | 排紙規制ゴム | C | 4 | h-V151 0306 03 |
| 9 | 56QA 4831 0 | PAPER EXIT IDLER ROLLER | 排紙従動コロ | C | 4 | |
| 10 | 56QA 4830 0 | SLIDE SPACER | スライドスペーサー | C | 4 | |
| 11 | 56QA 4812 0 | PAPER EXIT IDLER SHAFT /UPPER | 排紙従動軸/上 | D | 2 | |
| 12 | 56QA 4821 0 | PAPER EXIT DRIVEN SPRING UPPER | 排紙従動バネ 上 | C | 2 | |
| 13 | 56AA 9078 0E | Paper Exit Wiring /1 | 排紙 束線/1 | D | 1 | |
| 14 | 56AA -501 1 | EXIT BASE PANEL/R CAULKING | 排紙基準パネル/奥カシメ | D | 1 | |
| 15 | 56QA 4816 0 | PAPER DETECTING ACTUATOR UPPER | 紙検知アクチュエタ 上 | C | 1 | |
| 16 | 56AA 4245 0 | PREVENTING RUBBER | 防止ゴム | C | 1 | |
| 17 | 08AA 8551 2 | Photo Sensor | フォトセンサ | B | 1 | |
| 18 | 56AA 4257 0 | PAPER CONVEYING SPRING 1 | 紙搬送バネ 1 | C | 1 | |
| 19 | 56AA 4255 0 | MOUNTING PART | センサ取り付け部材 | C | 1 | |
| 20 | 56AA 4815 0 | PAPER EXIT GUIDE SHEET UPPER | 排紙ガイドシート 上 | C | 4 | |
| 21 | 56QA 4807 0 | PAPER EXIT REINFORCE STAY | 排紙補強ステー | D | 1 | |
| 22 | 56AA 4810 0 | PAPER EXIT EARTH PLATE LOWER | 排紙アース板 下 | C | 2 | |
| 23 | A0PN M150 01 | Fan motor | ファンモータ | C | 2 | |
| 24 | A0PN 8902 00 | Protection Part | 保護部材 | C | 2 | |
| 25 | A0PN 8901 00 | Protection Plate | 保護板 | D | 2 | |
| | | | | | | |
| | | | | | | |
| | | | | | | |
| | | | | | | |
| | | | | | | |
| | | | | | | |
| | | | | | | |
| | | | | | | |
| | | | | | | |

PAPER EXIT UNIT

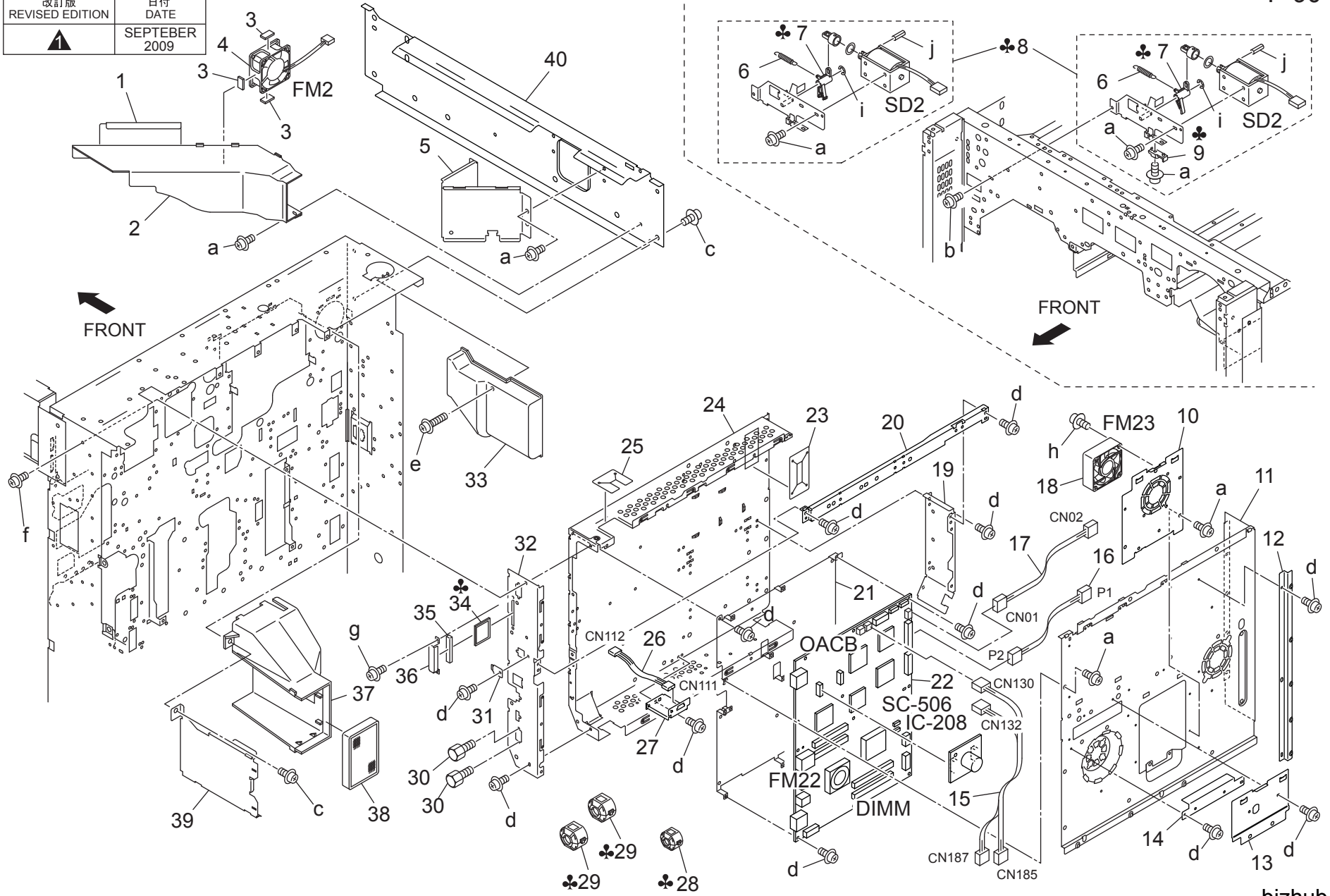


PAPER EXIT UNIT

| Key | Part No. | Description | Destinations | Class | QTY | Standard parts |
|-----|--------------|-----------------------------------|----------------|-------|-----|--|
| 1 | 57AA 7506 0 | PAPER EXIT DRIVE SHAFT HOLDER | 排紙駆動軸受 | C | 4 | a-V217 0400 50 b-V118 0306 03 c-V121 0304 03 d-V226 0300 50 |
| 2 | 56AA 7798 0 | PAPER EXIT DRIVING GEAR UPPER 24T | 排紙駆動歯車 上 24 T | C | 1 | |
| 3 | 40AA 3027 0 | DEVELOPING SPACER | 現像スペーサー | C | 1 | |
| 4 | 56AA 7786 0 | PAPER EXIT IDLING GEAR 24T | 排紙アイドル歯車 24 T | C | 1 | |
| 5 | 56AA 7719 0 | PAPER EXIT DRIVING GEAR 24T | 排紙駆動歯車 24 T | C | 1 | |
| 6 | 56AA 7785 0 | PAPER EXIT INPUT GEAR 24T | 排紙入力歯車 24 T | C | 1 | |
| 7 | 56AA 1732 1 | PIN A D2X12 | ピン A D 2 X 1 2 | B | 2 | |
| 8 | 56AA 9081 0E | PAPER EXIT WIRING /3 | 排紙 束線 /3 | D | 1 | |
| 9 | 56AA R731 00 | ADU DRIVE ASSY | A D U 駆動部組 | B | 1 | |
| 10 | 56GA 7343 1 | MOTOR FIXING PART /1 | モータ固定部材 /1 | C | 1 | |
| 11 | 56AA 4819 0 | PAPER EXIT DRIVING SHEET | 排紙駆動シート | C | 1 | |
| 12 | 56AA 4818 2 | MOTOR MOUNTING PLATE | モータ取り付け板 | D | 1 | |
| 13 | 57AA 4827 0 | PAPER EXIT EARTH PLATE 1 | 排紙アース板 1 | C | 1 | |
| 14 | 56AA 7720 0 | PAPER EXIT GEAR 22T | 排紙歯車 22 T | C | 1 | |
| 15 | 56AA 4803 2 | PAPER EXIT ENTRANCE PLATE LEFT | 排紙進入板 | D | 1 | |
| 16 | 56AA 4804 1 | PAPEREXITENTRANCEPLATE RIG | 排紙進入板 /右 | C | 1 | |
| 17 | 56GA 7601 0 | SLIDE SHAFT HOLDER 2 | 滑り軸受 2 | C | 4 | |
| 18 | 26NA 4256 0 | BY PASS FEED DRIVEN ROLLER | 手差し従動ローラ | C | 2 | |
| 19 | 56AA 4822 0 | PAPER EXIT DRIVEN SPRING LOWER | 排紙従動バネ 下 | C | 1 | |
| 20 | 56AA 4813 0 | PAPER EXIT IDLER SHAFT /LOWER | 排紙従動軸 /下 | D | 1 | |
| 21 | 56AA 4826 0 | PAPER EXIT GUIDE SHEET 2 | 排紙案内シート 2 | C | 1 | |
| 22 | 56AA 4825 0 | PAPER EXIT GUIDE SHEET 1 | 排紙案内シート 1 | C | 1 | |
| 23 | 56AA 4820 0 | PAPER EXIT GUIDE SHEET LOWER | 排紙ガイドシート 下 | C | 2 | |
| 24 | 56AA 4809 1 | PAPEREXITDRIVEROLLER FRONT | 排紙駆動ローラ /前 | C | 1 | |
| 25 | 56QA 4808 1 | PAPEREXITDRIVEROLLER | 排紙駆動ローラ | C | 1 | |
| 26 | 56AA 4811 0 | PAPER EXIT EARTH PLATE | 排紙アース板 | D | 1 | |
| 27 | 56AA 4805 1 | PAPER EXIT EARTH STAY | 排紙アースステー | D | 1 | |
| 28 | 56AA 4444 0 | SHAFT EARTH PLATE | 支持アース板 | C | 1 | |
| 29 | 56AA 4801 2 | PAPER EXIT BASE PANEL /FRONT | 排紙基準パネル /前 | D | 1 | |
| 30 | 14GE 4547 0 | Rotation Knob | 回転ノブ | C | 1 | |
| 31 | 57AA 9729 1E | Jam Release Label /A | ジャム解除ラベル / A | C | 1 | |
| | | | | | | |
| | | | | | | |
| | | | | | | |
| | | | | | | |
| | | | | | | |
| | | | | | | |

ELECTRIC PARTS

| | |
|---|-------------------|
| 改訂版 REVISED EDITION | 日付 DATE |
|  | SEPTEMBER 2009 |

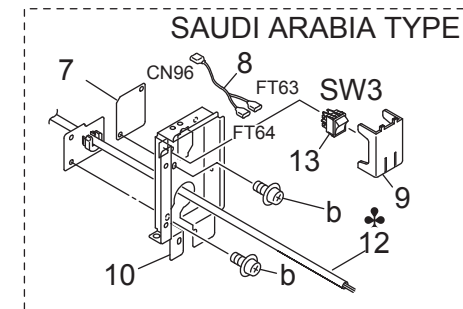
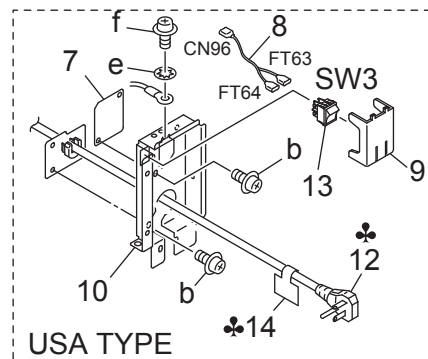
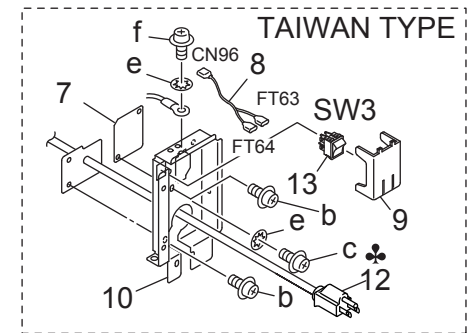
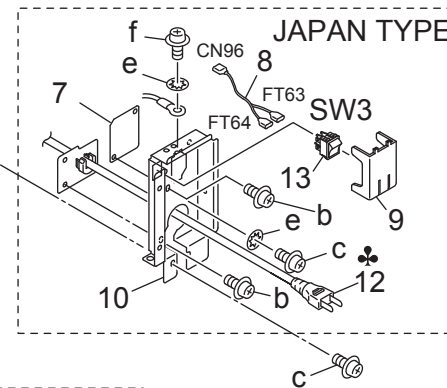
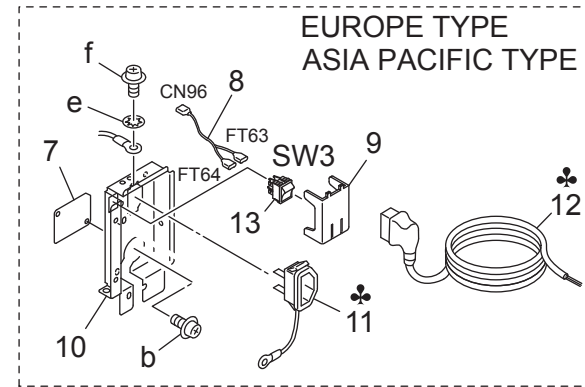
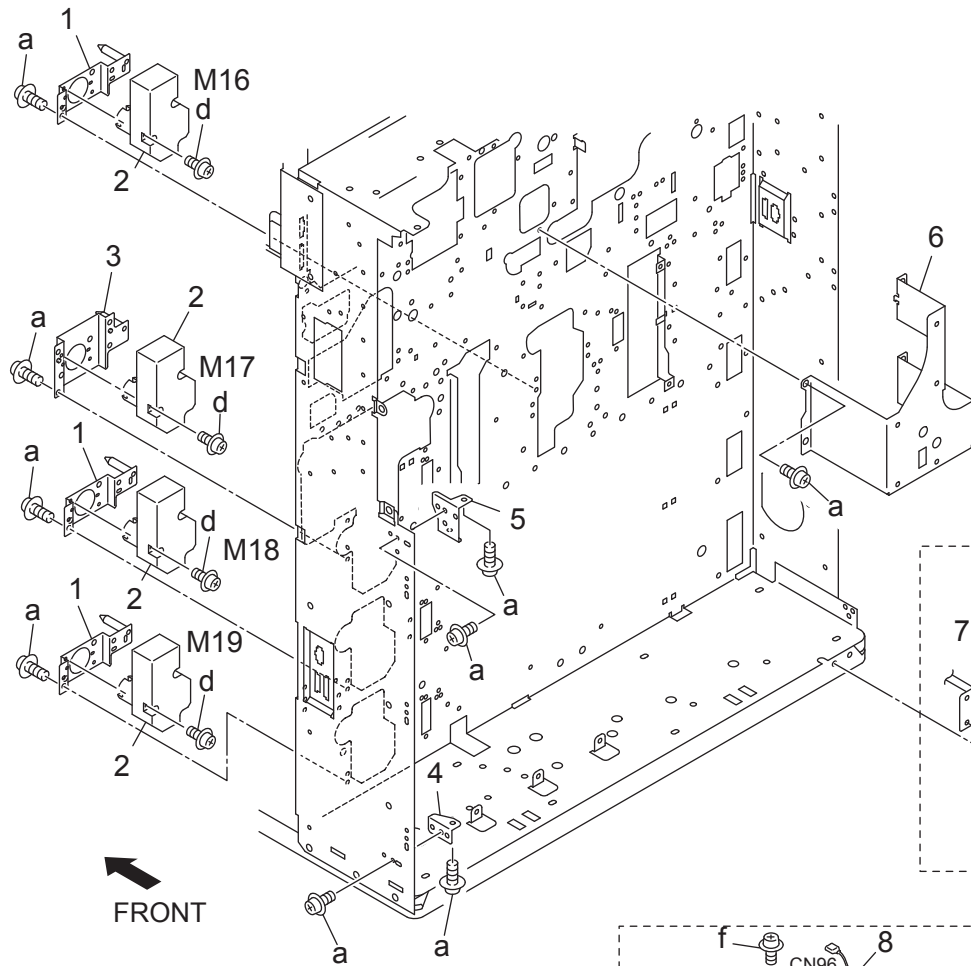


bizhub 601

| Key | Part No. | Description | Destinations | Class | QTY | Standard parts |
|-----|------------------|--------------------------------|--------------|-------------------|-----|----------------|
| 1 | 56QA 1047 0 | WRITE COOLING SHEET MIDDLE | | D | 1 | a-V121 0306 03 |
| 2 | 56QA 1045 0 | Write Cooling Duct /Middle | | D | 1 | b-V123 0306 03 |
| 3 | 56QA 1049 1 | FAN HOLDING PAD | | D | 3 | c-V121 0406 03 |
| 4 | 56AA 8054 1 | FAN MOTOR 1 | | B | 1 | d-V121 0304 03 |
| 5 | 56QA 1046 0 | WRITE COOLING PLATE /MIDDLE | | D | 1 | e-V151 0410 03 |
| 6 | 57AA 1065 0 | SOLENOID CONNECTING SPRING | | C | 2 | f-V118 0408 03 |
| 7 | 57AA 1062 0 | SOLENOID CONNECTING PART | | C | 1 | g-V118 0304 03 |
| 7 | 57AE 1062 0 | SOLENOID CONNECTION MATERIAL | | C | 1 | h-V123 0430 03 |
| 8 | 57AA R729 00 | SOLENOID MOUNTING PLATE ASSY | | C | 1 | i-V217 0400 50 |
| 8 | 57AE R704 00 | SOLENOID MOUNTING PLATE ASSY | | C | 1 | j-V233 3012 50 |
| 9 | 57AA 1066 0 | SOLENOID POSITIONING PART | | C | 1 | |
| 10 | A0PN 1307 01 | Protection Cover /2 | | D | 1 | |
| 11 | A0PN 1303 01 | Protection Cover | | D | 1 | |
| 12 | 57AA 7381 0 | BOARD EARTH PLATE /2 | | D | 1 | |
| 13 | A0PN 1306 00 | Protection Cover /1 | | D | 1 | |
| 14 | A0PN 1310 00 | Auxiliary Plate | | D | 1 | |
| 15 | 57AA 9016 0 | LASER CONTROL WIRING | | D | 1 | |
| 16 | A0PN N100 00 | Ope.unit Cable | | D | 1 | |
| 17 | A0PN N101 00 | I/O Relay harness | | D | 1 | |
| 18 | A0PN M101 00 | Fan motor /S | | C | 1 | |
| 19 | A0PN 1304 00 | Protection Plate | | D | 1 | |
| 20 | A0PN 1301 00 | Positioning Plate /1 | | D | 1 | |
| 21 | A0PN 1305 00 | Support Plate | | D | 1 | |
| 22 | A0PN H010 04 | Control Board Assy | | I | 1 | |
| 23 | 57AA 7391 0 | WIRING PROTECTION SHEET /MIDDL | | D | 1 | |
| 24 | 57AA 7301 1E | Board Mounting Box | | D | 1 | |
| 25 | 57AA 7386 0 | WIRING PROTECTION SHEET /UPPER | | D | 1 | |
| 26 | A0PN N111 00 | Relay Wiring /S | | D | 1 | |
| 27 | A0PN 1309 00 | Mounting Plate /Lower | | D | 1 | |
| 28 | 57AF 8873 0 | FERRITE CORE 3 | | D | 1 | |
| 29 | 57AF 8872 0 | FERRITE CORE 2 | | D | 2 | |
| 30 | 26NA 7357 0 | CONTACT FIXING SCREW A | | C | 2 | |
| 31 | A0PN 1308 00 | Protection Cover /3 | | D | 1 | |
| 32 | A0PN 1302 01 | Fixing Plate | | D | 1 | |
| 33 | 56AA R704 00 | WRITE COOLING DUCT REAR ASSY | | D | 1 | |
| 34 | A0PN R721 00 Old | CF ASSY(JP) | | A | 1 | |
| 34 | A0PN R721 11 | CF ASSY(JP) | | A | 1 | |
| 34 | A0PN R722 00 Old | CF ASSY(US) | | B,G2 | 1 | |
| 34 | A0PN R722 11 | CF ASSY(US) | | B,G2 | 1 | |
| 34 | A0PN R723 00 Old | CF ASSY(EU) | | C,F1 | 1 | |
| 34 | A0PN R723 11 | CF ASSY(EU) | | C,F1 | 1 | |
| 34 | A0PN R724 00 Old | CF ASSY(CHINA) | | J | 1 | |
| 34 | A0PN R724 11 | CF ASSY(CHINA) | | J | 1 | |
| 34 | A0PN R725 00 Old | CF ASSY(TAIWAN) | | H | 1 | |
| 34 | A0PN R725 11 | CF ASSY(TAIWAN) | | H | 1 | |
| 34 | A0PN R726 00 Old | CF ASSY(AP) | | D1,D3,E,F2,G1,I,K | 1 | |
| 34 | A0PN R726 11 | CF ASSY(AP) | | D1,D3,E,F2,G1,I,K | 1 | |
| 35 | 56UA 7344 0 | Cushion /B | | D | 1 | |
| 36 | 56UA 7342 0 | BOARD FIXING COVER | | D | 1 | |
| 37 | 56QA 1055 0 | Paper Exit Cooling Duct /Rear | | D | 1 | |
| 38 | 56QA 1057 0 | OZONE FILTER S | | A | 1 | |

| Key | Part No. | Description | Destinations | Class | QTY | Standard parts |
|-----|--------------|--------------------------|--------------|-------|-----|----------------|
| 39 | 56QA 1056 0D | Paper exit Cooling Plate | | D | 1 | |
| 40 | 56QA 1004 1 | FAN MOUNTING PLATE /LEFT | | D | 1 | |
| | | | | | | |
| | | | | | | |
| | | | | | | |
| | | | | | | |
| | | | | | | |
| | | | | | | |
| | | | | | | |
| | | | | | | |
| | | | | | | |
| | | | | | | |

ELECTRIC PARTS

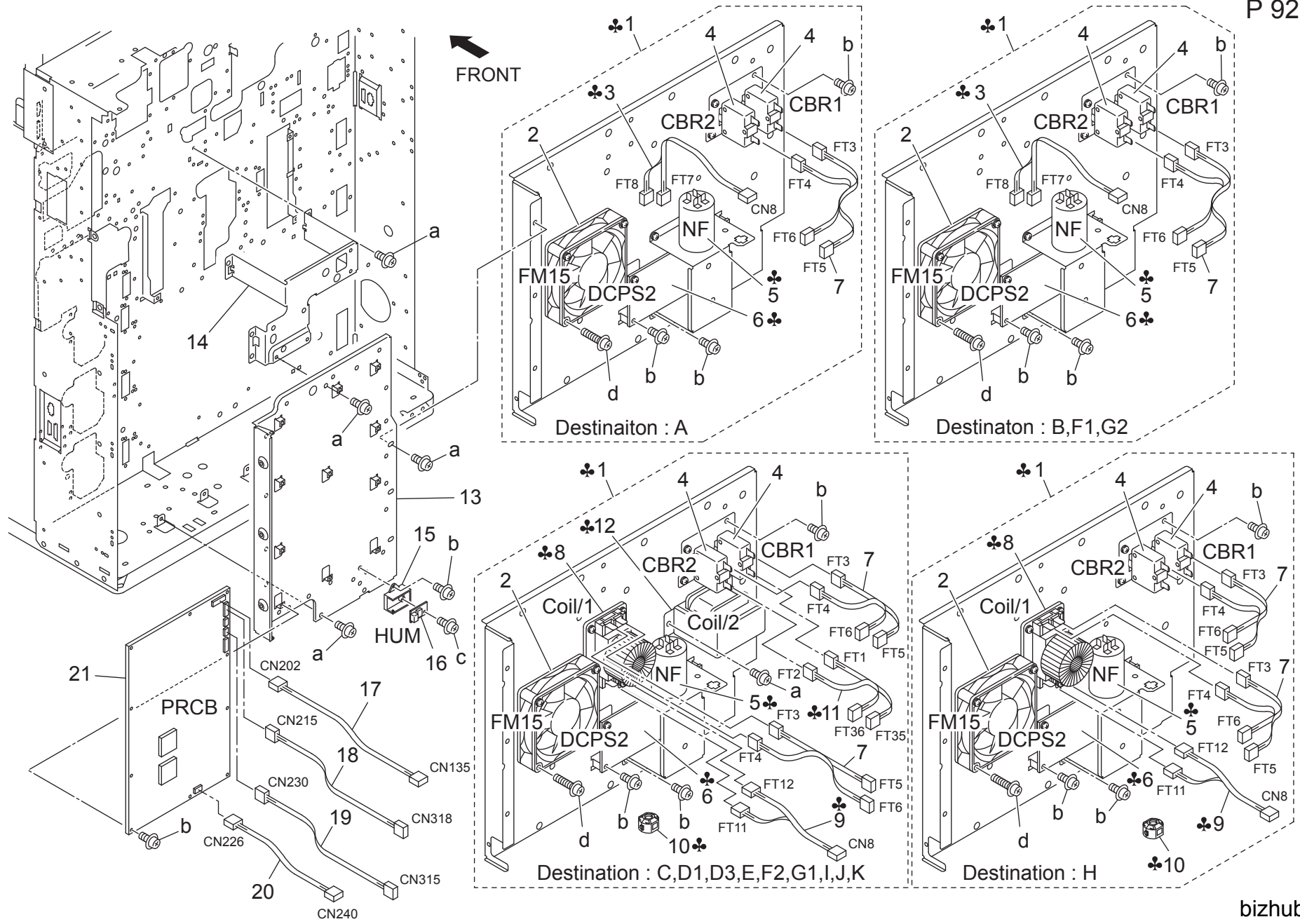


| | |
|------------------------|--------------|
| 改訂版 REVISED EDITION | 日付 DATE |
| ▲ | JUNE 2009 |

| Key | Part No. | Description | Destinations | Class | QTY | Standard parts |
|-----|--------------|-----------------------------|--------------|-------|-----|----------------------------------|
| 1 | 56AA -146 2 | MOTOR PLATE CAULKING | | D | 3 | a-V121 0406 03 |
| 2 | 56AA 8003 1 | CASSETTE DRIVE MOTOR | | B | 4 | b-V121 0306 03 |
| 3 | 56QA -146 0 | MOTOR PLATE CAULKING | | D | 1 | c-V123 0408 03 |
| 4 | 56AA 7350 1 | BOARD MOUNTING HINGE /LOWER | | D | 1 | d-V121 0320 03 |
| 5 | 56AA 7312 1 | BOARD MOUNTING HINGE | | D | 1 | e-V208 0400 50 f-V116 0408 03 |
| 6 | 56AA 7341 3F | Board Support Plate /Upper | | D | 1 | |
| 7 | 56AA 7317 1 | CORD COVER PLATE | | D | 5 | |
| 8 | 56QA 9035 0 | HEATER RELAY WIRING | | D | 5 | |
| 9 | 57AA 7357 0 | SWITCH COVER PART | | C | 3 | |
| 10 | 56QA 7311 1 | CORD MOUNTING PLATE | | D | 5 | |
| 11 | 26NA R701 00 | POWER SOCKET ASSY | | D | 1 | |
| 12 | 26NG 8861 1 | Power Source Cord | | D | 1 | |
| 12 | 26NR 8861 2 | POWER SOURCE CORD | | C | 1 | |
| 12 | 56AE -742 0 | CORD FIXING PLATE ASSY | | D | 1 | |
| 12 | 56QA -742 0 | CORD FIXING PLATE ASSY | | D | 1 | |
| 12 | 57AK -742 0 | CORD FIXING PLATE ASSY | | D | 1 | |
| 12 | 57AN 8861 0 | POWER SOURCE CORD | | D | 1 | |
| 12 | 57AS -742 0 | CORD FIXING PLATE ASSY | | D | 1 | |
| 13 | 57AA 8602 0 | HEATER SWITCH | | D | 5 | |
| 14 | 56AA 9714 0 | CORD LABEL | | D | 1 | |
| | | | | | | |
| | | | | | | |
| | | | | | | |
| | | | | | | |
| | | | | | | |
| | | | | | | |
| | | | | | | |
| | | | | | | |
| | | | | | | |
| | | | | | | |
| | | | | | | |
| | | | | | | |
| | | | | | | |

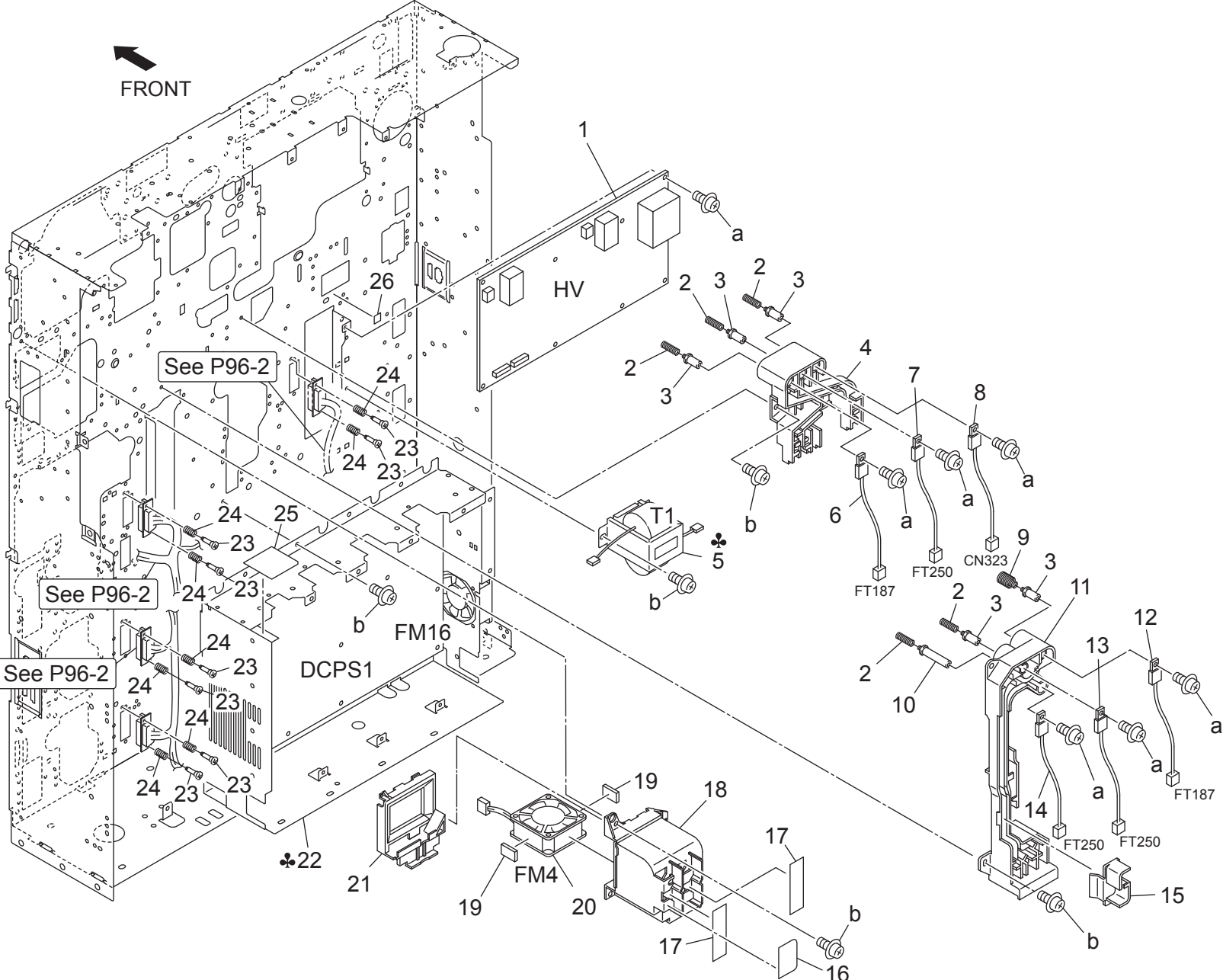


ELECTRIC PARTS



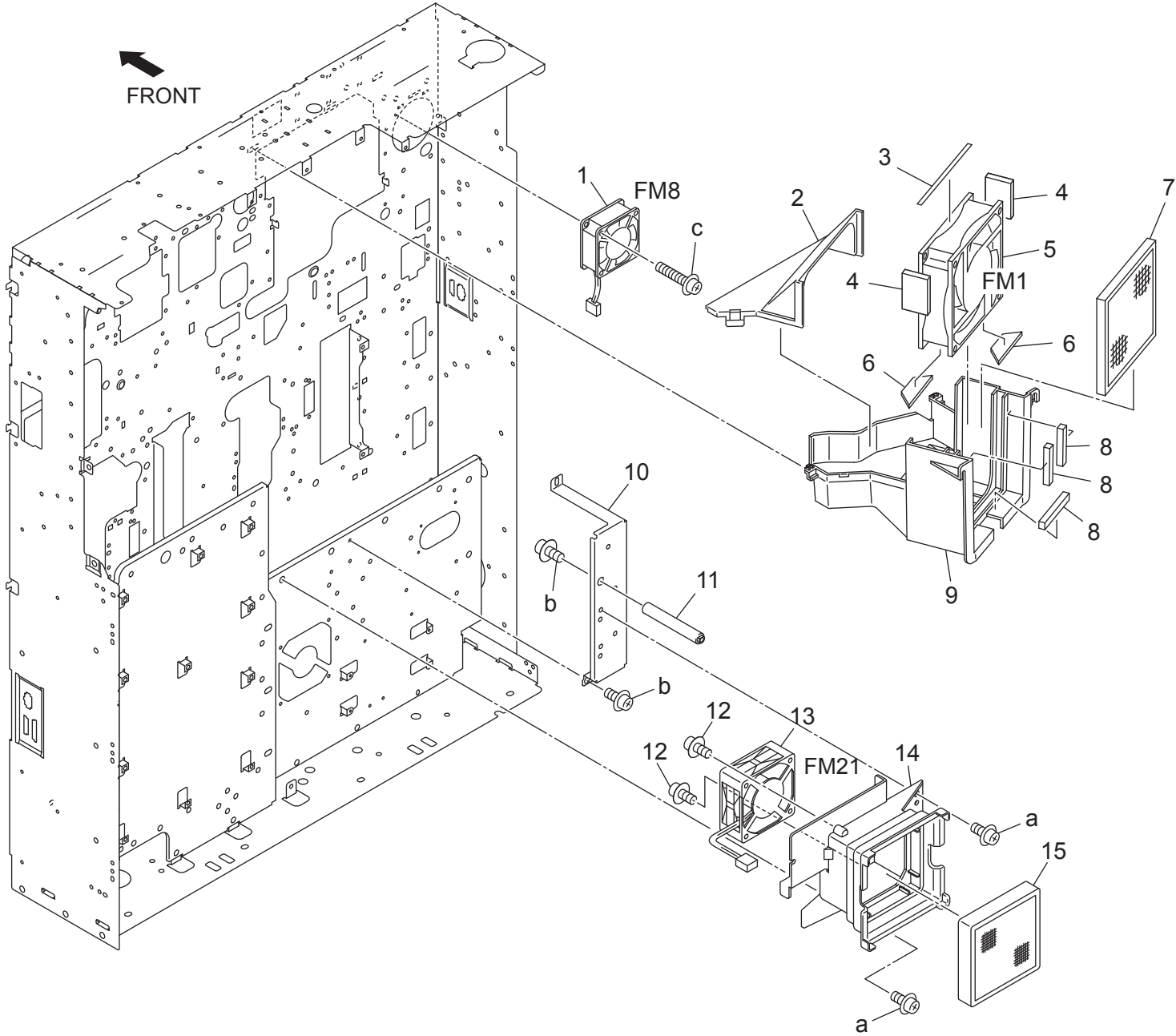
| Key | Part No. | Description | Destinations | Class | QTY | Standard parts |
|-----|--------------|----------------------------|-----------------------|-------------------------|-----|--|
| 1 | 57AA -719 0 | AC POWER SOURCE ASSY | A C 電源部組 | A | 1 | a-V121 0406 03 b-V121 0306 03 c-V151 0308 03 d-V121 0330 03 |
| 1 | 57AE -719 0 | AC POWER SOURCE ASSY | A C 電源部組 | B,F1,G2 | 1 | |
| 1 | 57AF -719 0 | AC POWER SOURCE ASSY | A C 電源部組 | C,D1,D3,E,F2,G1,I,J,K | 1 | |
| 1 | 57AK -719 0 | AC POWER SOURCE ASSY | A C 電源部組 台湾 | H | 1 | |
| 2 | 13NT 8051 1 | FAN MOTOR 1 | ファンモーター 1 | C | 4 | |
| 3 | 57AA 9031 0 | AC RELAY WIRING | A C 中継束線 | A,B,F1,G2 | 2 | |
| 4 | 56AA 8842 1 | CIRCUIT BREAKER | サーキットブレーカー A 0701HC20 | B | 8 | |
| 5 | 3235 8453 1 | Noise filter | ノイズフィルター | C,D1,D3,E,F2,G1,I,J,K | 1 | |
| 5 | 55TA 8456 1 | NOISE FILTER | ノイズフィルター | A | 1 | |
| 5 | 56QE 8826 1 | NOISE FILTER | ノイズフィルター | B,F1,G2,H | 2 | |
| 6 | 57AA 8453 1 | DC POWER SOURCE 2 | D C 電源 2 | A,B,F1,G2,H | 3 | |
| 6 | 57AF 8453 1 | DC Power Source /2 | D C 電源 /2 | C,D1,D3,E,F2,G1,I,J,K | 1 | |
| 7 | 57AA 9030 0 | AC POWER SOURCE WIRING | A C 電源束線 | D | 4 | |
| 8 | 56QF 8455 1 | COIL 2 | コイル 2 | C,D1,D3,E,F2,G1,H,I,J,K | 2 | |
| 9 | 57AF 9031 0 | AC RELAY WIRING | A C 中継束線 | C,D1,D3,E,F2,G1,H,I,J,K | 2 | |
| 10 | 57AF 8873 0 | FERRITE CORE 3 | フェライトコア 3 | C,D1,D3,E,F2,G1,I,J,K | 1 | |
| 11 | 56AF 9033 0 | AS RELAY WIRING 3 | A C 中継束線 3 | C,D1,D3,E,F2,G1,I,J,K | 1 | |
| 12 | 56AF 8454 0 | COIL | コイル | C,D1,D3,E,F2,G1,I,J,K | 1 | |
| 13 | 57AA 7302 0 | BOARD MOUNTING PLATE | 基板取り付け板 | D | 1 | |
| 14 | 56QA 7342 1 | BOARD SUPPORT PLATE /LOWER | 基板支持板 /下 | D | 1 | |
| 15 | 65AA 1130 0 | SUPPORT PART | センサ支持部材 | D | 1 | |
| 16 | 27LA 8803 1 | PROCESS SENSOR | プロセス センサ | B | 1 | |
| 17 | A0PN N108 00 | Printer Control harness | プリンタ制御束線 | D | 1 | |
| 18 | 57AA 9088 0 | MOTOR DRIVE WIRING Y | モータ駆動束線 Y | D | 1 | |
| 19 | 57AA 9080 0 | Motor Drive Wiring /X | モータ駆動束線 / X | D | 1 | |
| 20 | 57AA 9079 0 | PROCESS DETECTION WIRING | プロセス検知束線 | D | 1 | |
| 21 | 57AA -902 1J | Printer Control Unit | プリンタ制御ユニット | I | 1 | |
| | | | | | | |
| | | | | | | |
| | | | | | | |
| | | | | | | |
| | | | | | | |

ELECTRIC PARTS

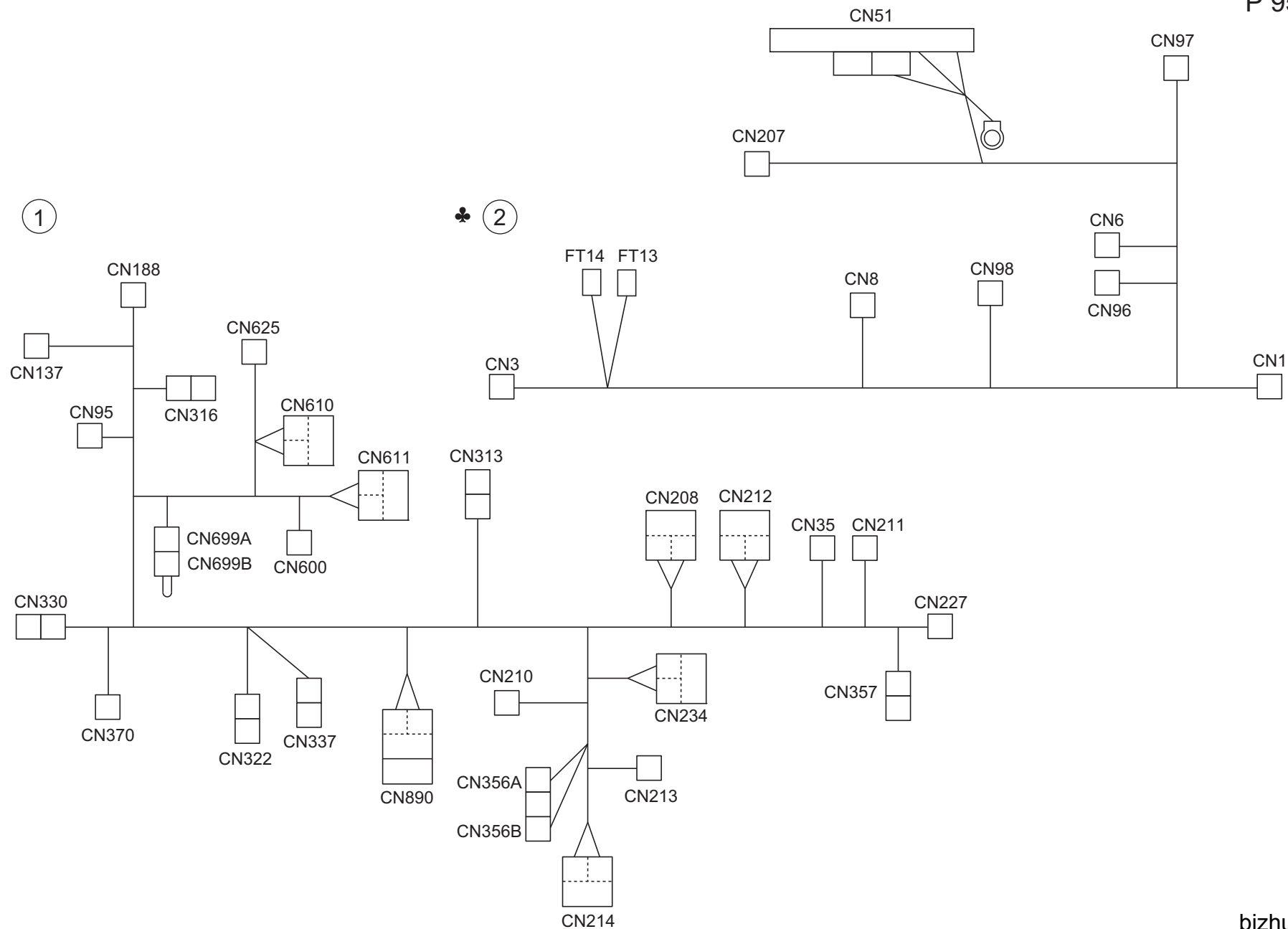


| Key | Part No. | Description | Destinations | Class | QTY | Standard parts |
|-----|--------------|-------------------------------|--------------|-------|-----|----------------------------------|
| 1 | 56AA 8401 2 | HIGH VOLTAGE POWER SOURCE | 高压電源 | I | 1 | a-V121 0306 03 b-V121 0406 03 |
| 2 | 56AA 7327 1 | CONTACT SPRING /1 | 接点バネ / 1 | C | 5 | |
| 3 | 56AA 7323 0 | CONTACT SHAFT A | 接点軸 A | D | 5 | |
| 4 | 56AA 7309 0 | HIGH VOLTAGE GUIDE PART LOWER | 高压ガイド部材 下 | C | 1 | |
| 5 | 56AA 8452 0 | POWER SOURCE TRANSFORMER | 電源トランス | C | 1 | |
| 5 | 56AE 8452 0 | POWER SOURCE TRANSFORMER | 電源トランス | C | 1 | |
| 5 | 56AF 8452 1 | POWER SOURCE TRANSFORMER | 電源トランス | C | 1 | |
| 6 | 56QA 9076 0 | HIGH VOLTAGE LEAD WIRE 7 | 高压リード線 7 | D | 1 | |
| 7 | 56QA 9075 0 | HIGH VOLTAGE LEAD WIRE 6 | 高压リード線 6 | D | 1 | |
| 8 | 56QA 9074 0 | HIGH VOLTAGE LEAD WIRE 5 | 高压リード線 5 | D | 1 | |
| 9 | 56AA 7328 2 | CONTACTSPRING 2 | 接点 バネ / 2 | C | 1 | |
| 10 | 56AA 7321 0 | CONTACT SHAFT | 接点軸 | D | 1 | |
| 11 | 56QA 7308 0 | HIGH VOLTAGE GUIDE PART UPPER | 高压ガイド部材 上 | C | 1 | |
| 12 | 56QA 9072 0 | HIGH VOLTAGE LEAD WIRE 3 | 高压リード線 3 | D | 1 | |
| 13 | 56QA 9071 0 | HIGH VOLTAGE LEAD WIRE 2 | 高压リード線 2 | D | 1 | |
| 14 | 56QA 9073 0 | HIGH VOLTAGE LEAD WIRE 4 | 高压リード線 4 | D | 1 | |
| 15 | 56AA 7316 0 | HIGH VOLTAGE GUIDE COVER | 高压ガイドカバー | C | 1 | |
| 16 | 57AA 7389 0E | Wiring Protection Sheet | 束線保護シート | D | 1 | |
| 17 | 56QA 7387 0 | DEVELOPING SUCTION SHEET | 現像サクシジョンシート | C | 2 | |
| 18 | 57AA 7378 0 | DEVELOPING SUCTION COVER | 現像サクシジョンカバー | C | 1 | |
| 19 | 56QA 1049 1 | FAN HOLDING PAD | ファン押さえパッド | D | 2 | |
| 20 | 56QA 8057 0 | INTERNAL COOLING FAN | 機内冷却ファン | C | 1 | |
| 21 | 57AA 7379 0 | DEVELOPING SUCTION COVER | 現像サクシジョン蓋 | C | 1 | |
| 22 | 57AA 8451 1 | DC Power Source /1 | D C 電源 / 1 | I | 1 | |
| 22 | 57AE 8451 1 | DC Power Source /1 | D C 電源 / 1 | I | 1 | |
| 22 | 57AF 8451 2 | DC Power Source /1 | D C 電源 / 1 | I | 1 | |
| 23 | 56AA 1733 0 | SLIDE SHAFT | スライド軸 | C | 8 | |
| 24 | 56AA 1708 0 | TERMINAL ROCKING SPRING | 端子揺動バネ | C | 8 | |
| 25 | 57AA 7360 0 | POWER SOURCE COOLING SHEET | 電源冷却シート | D | 1 | |
| 26 | 57AF 9774 0 | EARTH LABEL F | アースラベル F | D | 1 | |
| | | | | | | |
| | | | | | | |
| | | | | | | |
| | | | | | | |
| | | | | | | |
| | | | | | | |
| | | | | | | |

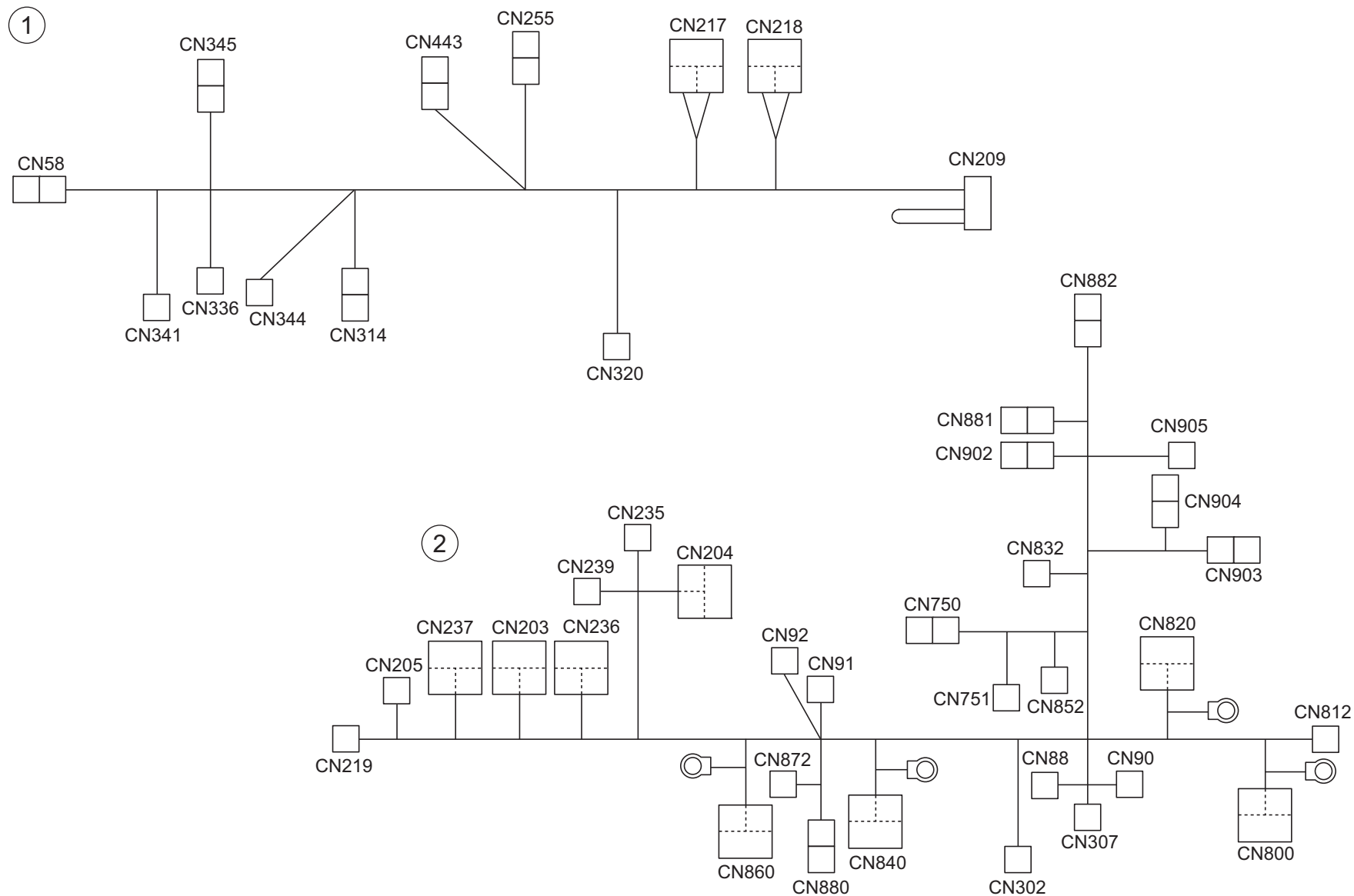
ELECTRIC PARTS



| Key | Part No. | Description | Destinations | Class | QTY | Standard parts |
|-----|--------------|-------------------------|--------------|-------|-----|--|
| 1 | 56QA 8057 0 | INTERNAL COOLING FAN | | C | 1 | a-V121 0408 03 b-V121 0406 03 c-V121 0430 03 |
| 2 | 57AA 7307 0 | Fan Mounting Cover | | C | 1 | |
| 3 | 57AA 7353 0 | FAN SEALING PART/UPPER | | C | 1 | |
| 4 | 57AA 7354 0 | FAN SEALING PART/MIDDLE | | C | 2 | |
| 5 | 55FA 8052 1 | MAIN FAN MOTOR | | B | 1 | |
| 6 | 57AA 7355 0 | FAN SEALING PART/LOWER | | C | 2 | |
| 7 | A0PN 1008 00 | Ozone Filter /M | | A | 1 | |
| 8 | 56QA 7388 0 | OZONE REGULATING PART 2 | | D | 3 | |
| 9 | 57AA 7306 0 | Fan Mounting Duct | | D | 1 | |
| 10 | 56QA 7343 0 | WIRING SUPPORT PLATE | | D | 1 | |
| 11 | 56QA 1012 0 | External Support Shaft | | D | 1 | |
| 12 | 4036 5966 01 | SCREW | | C | 2 | |
| 13 | 27LA 8051 1 | Main Body Fan Motor | | A | 1 | |
| 14 | A0PN 1021 00 | Ozone Duct /Lower | | D | 1 | |
| 15 | A0PN 1020 00 | Ozone Filter /Lower | | A | 1 | |
| | | | | | | |
| | | | | | | |
| | | | | | | |
| | | | | | | |
| | | | | | | |
| | | | | | | |
| | | | | | | |
| | | | | | | |
| | | | | | | |
| | | | | | | |

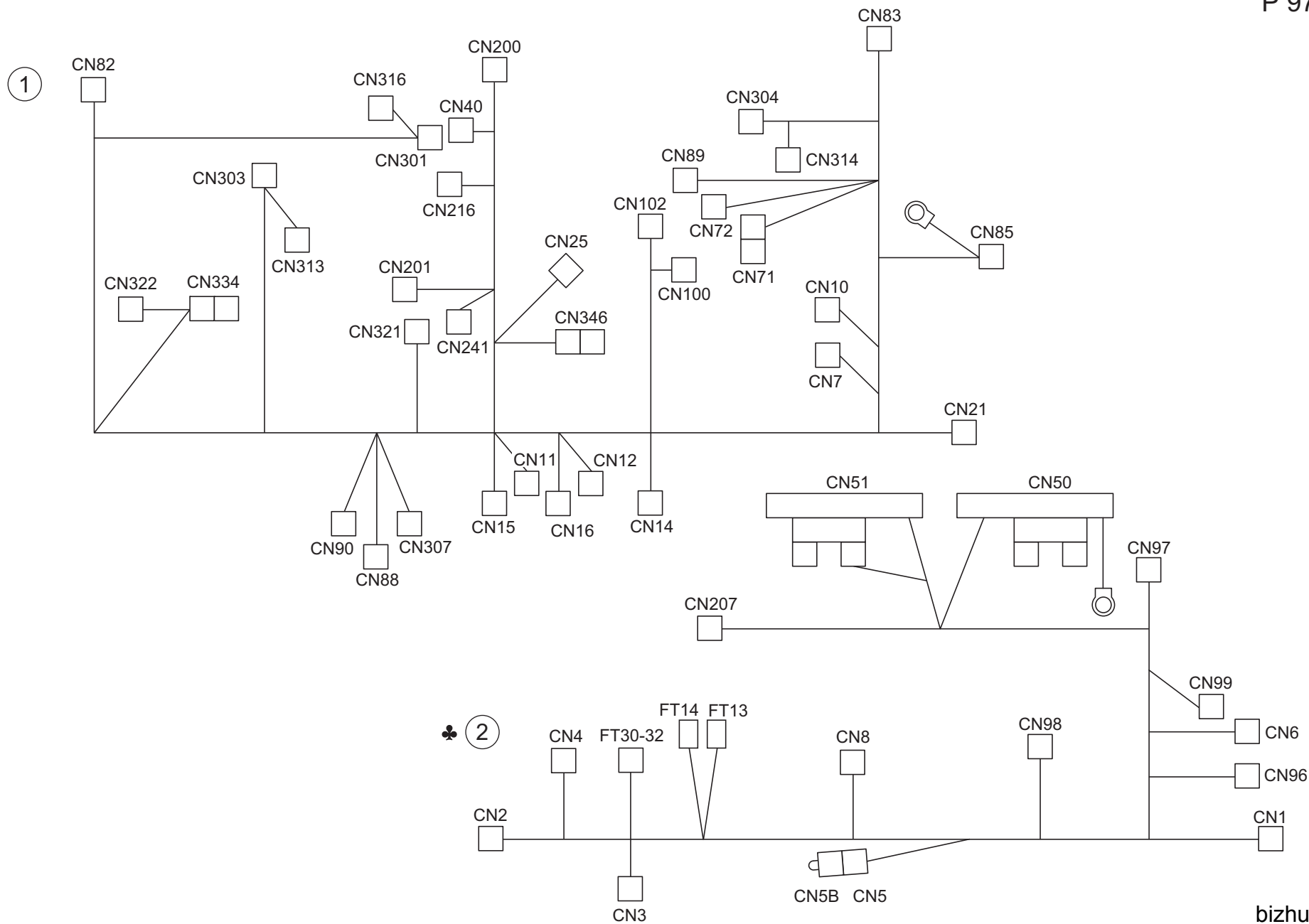


| Key | Part No. | Description | Destinations | Class | QTY | Standard parts |
|-----|--------------|---------------------|--------------|-------|-----|----------------|
| 1 | A0PN N110 01 | Main Body Wiring | | D | 1 | |
| 2 | 57AA 9003 0 | Power Source Wiring | A | D | 1 | |
| | | | | | | |
| | | | | | | |
| | | | | | | |
| | | | | | | |
| | | | | | | |
| | | | | | | |
| | | | | | | |
| | | | | | | |
| | | | | | | |
| | | | | | | |
| | | | | | | |
| | | | | | | |
| | | | | | | |
| | | | | | | |
| | | | | | | |
| | | | | | | |
| | | | | | | |
| | | | | | | |
| | | | | | | |



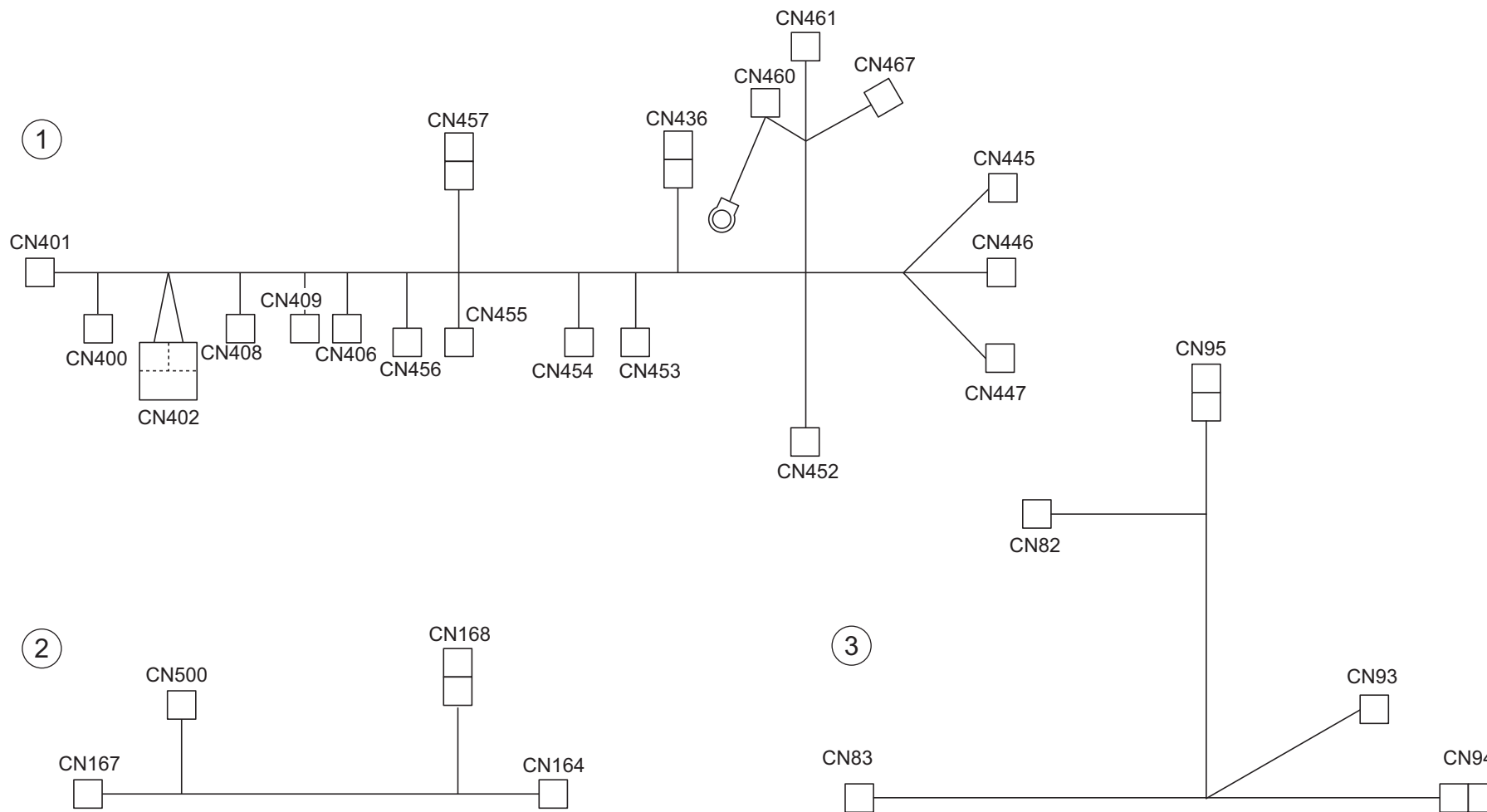
WIRING

| Key | Part No. | Description | Destinations | Class | QTY | Standard parts |
|-----|-------------|---------------------------|--------------|-------|-----|----------------|
| 1 | 57BA 9004 0 | MAIN BODY WIRING A | | D | 1 | |
| 2 | 57AA 9006 0 | Paper Feed Control Wiring | | C | 1 | |
| | | | | | | |
| | | | | | | |
| | | | | | | |
| | | | | | | |
| | | | | | | |
| | | | | | | |
| | | | | | | |
| | | | | | | |
| | | | | | | |
| | | | | | | |
| | | | | | | |



WIRING

| Key | Part No. | Description | | Destinations | Class | QTY | Standard parts |
|-----|--------------|----------------------------|--------------|-------------------------------------|-------|-----|----------------|
| 1 | A0PN N107 00 | DC Power Source Harness /1 | D C 電源束線 / 1 | B,C,D1,D3,E,F1,F2,G 1,G2,H,I,J,K | D | 1 | |
| 2 | 57AE 9003 1 | Power Source Wiring | 電源 束線 | | D | 1 | |
| | | | | | | | |
| | | | | | | | |
| | | | | | | | |
| | | | | | | | |
| | | | | | | | |
| | | | | | | | |
| | | | | | | | |
| | | | | | | | |
| | | | | | | | |
| | | | | | | | |

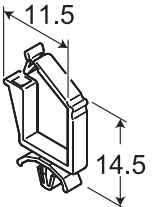
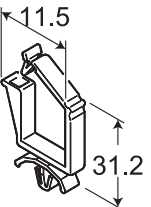
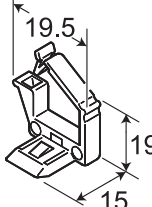
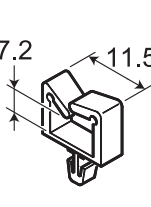
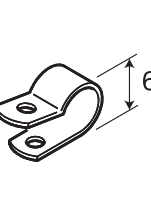
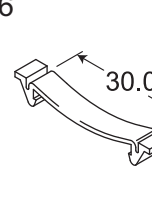
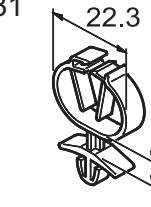
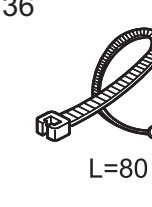
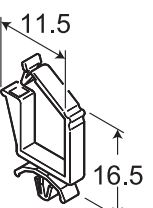
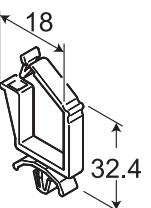
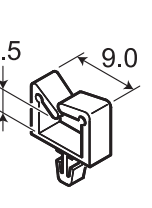
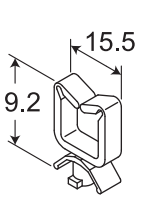
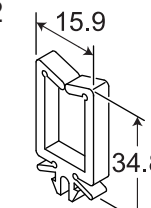
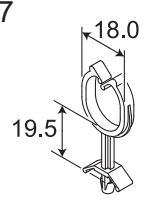
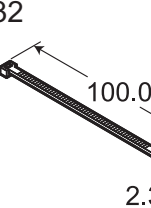
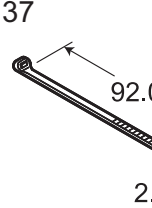
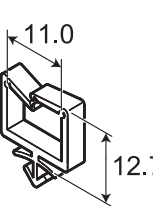
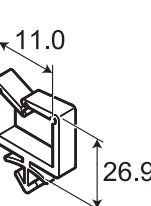
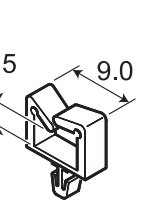
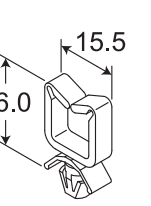
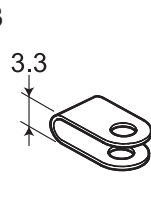

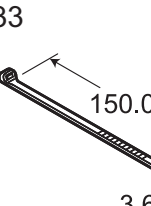
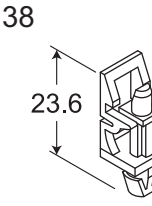
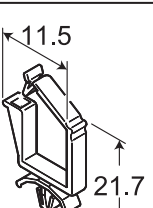
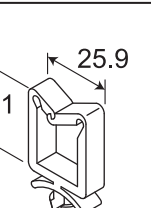
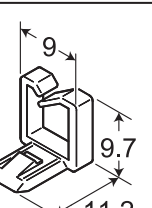
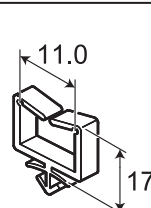
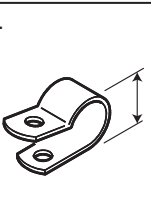
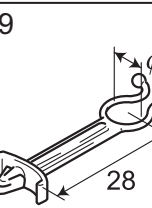
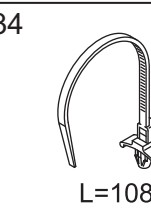

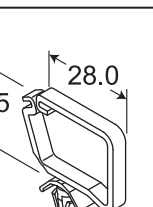
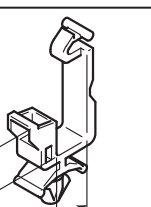
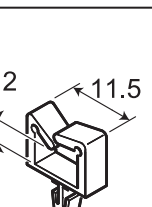
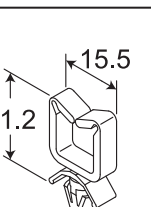
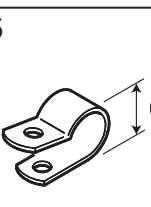
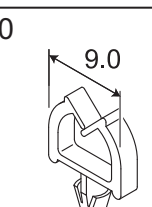
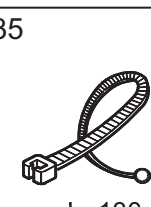



WIRING

| Key | Part No. | Description | Destinations | Class | QTY | Standard parts |
|-----|--------------|--------------------|--------------|-------|-----|----------------|
| 1 | 57AA 9020 0 | ADU CONTROL WIRING | | D | 1 | |
| 2 | A0PN N105 01 | I/F Wiring | | D | 1 | |
| 3 | A0PN N106 00 | Interlock Wiring | | D | 1 | |
| | | | | | | |
| | | | | | | |
| | | | | | | |
| | | | | | | |
| | | | | | | |
| | | | | | | |
| | | | | | | |
| | | | | | | |
| | | | | | | |

WIRING ACCESSORY

P 99

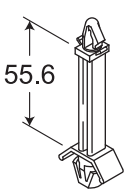
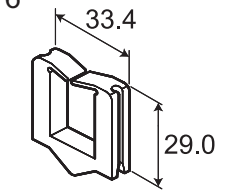
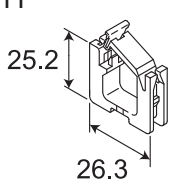
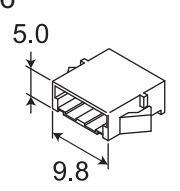
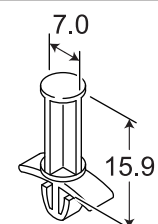
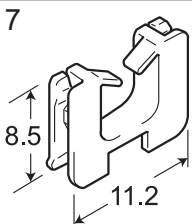
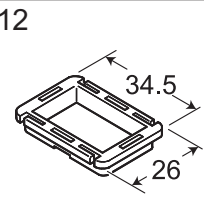
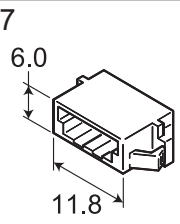
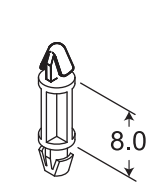
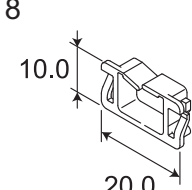
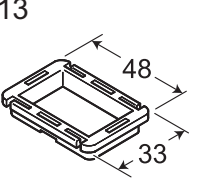
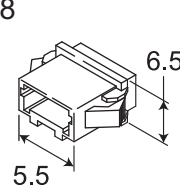
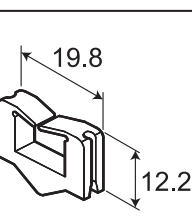
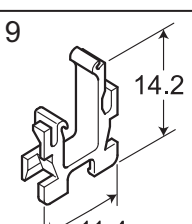
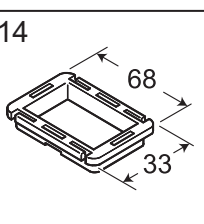
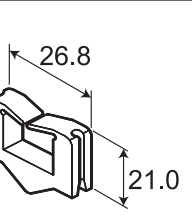
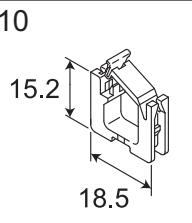
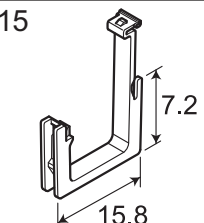
| | | | | | | | |
|--|---|--|--|---|---|---|--|
| 1  11.5 14.5 | 6  11.5 31.2 | 11  19.5 19 15 | 16  7.2 11.5 | 21  6.8 | 26  30.0 | 31  22.3 10.0 | 36  L=80 |
| 2  11.5 16.5 | 7  18 32.4 | 12  4.5 9.0 | 17  15.5 19.2 | 22  15.9 34.8 | 27  18.0 19.5 | 32  100.0 2.3 | 37  92.0 2.4 |
| 3  11.0 12.7 | 8  11.0 26.9 | 13  4.5 9.0 | 18  15.5 16.0 | 23  3.3 | 28  29.5 | 33  150.0 3.6 | 38  23.6 |
| 4  11.5 21.7 | 9  25.9 35.1 | 14  9 9.7 11.2 | 19  11.0 17.9 | 24  5.3 | 29  11.5 28 | 34  L=108 | 39  4.8 |
| 5  23.5 28.0 | 10  7.3 4.8 | 15  5.2 11.5 | 20  15.5 21.2 | 25  6.8 | 30  9.0 | 35  L=130 | 40  9.5 |

bizhub 601

| Key | Part No. | Description | Destinations | Class | QTY | Standard parts |
|-----|--------------|-------------|-------------------|-------|-----|----------------|
| 1 | V500 0100 03 | Saddle | ロッキングワイヤーサドル | D | | |
| 2 | V500 0100 05 | saddle | ロッキングワイヤーサドル | D | | |
| 3 | V500 0100 06 | saddle | ロッキングワイヤーサドル | D | | |
| 4 | V500 0100 07 | saddle | ロッキングワイヤーサドル | D | | |
| 5 | V500 0100 12 | saddle | ロッキングワイヤーサドル | D | | |
| 6 | V500 0100 13 | saddle | ロッキングワイヤーサドル | D | | |
| 7 | V500 0100 15 | saddle | ロッキングワイヤーサドル | D | | |
| 8 | V500 0100 16 | saddle | ロッキングワイヤーサドル | D | | |
| 9 | V500 0100 17 | saddle | ロッキングワイヤーサドル | D | | |
| 10 | V500 0100 20 | Saddle | ミニロッキングワイヤーサドル | D | | |
| 11 | V500 0100 22 | saddle | ロッキングワイヤーサドル | D | | |
| 12 | V500 0100 24 | saddle | ミニサドル | D | | |
| 13 | V500 0100 26 | saddle | ミニサドル | D | | |
| 14 | V500 0100 27 | saddle | ミニサドル | D | | |
| 15 | V500 0100 29 | saddle | ミニサドル | D | | |
| 16 | V500 0100 30 | saddle | ミニサドル | D | | |
| 17 | V500 0100 34 | saddle | リユースワイヤーサドル | D | | |
| 18 | V500 0100 37 | saddle | ワイヤーサドル | D | | |
| 19 | V500 0100 38 | saddle | ワイヤーサドル | D | | |
| 20 | V500 0100 39 | saddle | ワイヤーサドル | D | | |
| 21 | V500 0100 42 | saddle | ワイヤーサドル | D | | |
| 22 | V500 0100 43 | saddle | ワイヤーサドル | D | | |
| 23 | V500 0200 01 | clamp | ナイロンクランプ | D | | |
| 24 | V500 0200 02 | clamp | ナイロンクランプ | D | | |
| 25 | V500 0200 03 | clamp | ナイロンクランプ | D | | |
| 26 | V500 0200 24 | clamp | フラットクランプ | D | | |
| 27 | V500 0200 26 | lifter | ハーネスリフター | D | | |
| 28 | V500 0200 27 | lifter | ハーネスリフター | D | | |
| 29 | V500 0200 42 | locker | ニップロッカー | D | | |
| 30 | V500 0200 48 | clamp | ミニクランプ | D | | |
| 31 | V500 0200 64 | clip | スペースクリップ | D | | |
| 32 | V501 0100 02 | band | 結束バンド | D | | |
| 33 | V501 0100 04 | band | 結束バンド | D | | |
| 34 | V501 0100 09 | band | 結束バンド | D | | |
| 35 | V501 0100 11 | binder | S K バインダー | D | | |
| 36 | V501 0100 14 | binder | S K バインダー | D | | |
| 37 | V501 0100 17 | band | 結束バンド | D | | |
| 38 | V502 0100 02 | spacer | カードスペーサー | D | | |
| 39 | V502 0100 14 | support | ロッキングサーキットボードサポート | D | | |
| 40 | V502 0100 16 | support | ロッキングサーキットボードサポート | D | | |
| | | | | | | |
| | | | | | | |
| | | | | | | |
| | | | | | | |

WIRING ACCESSORY

P 100

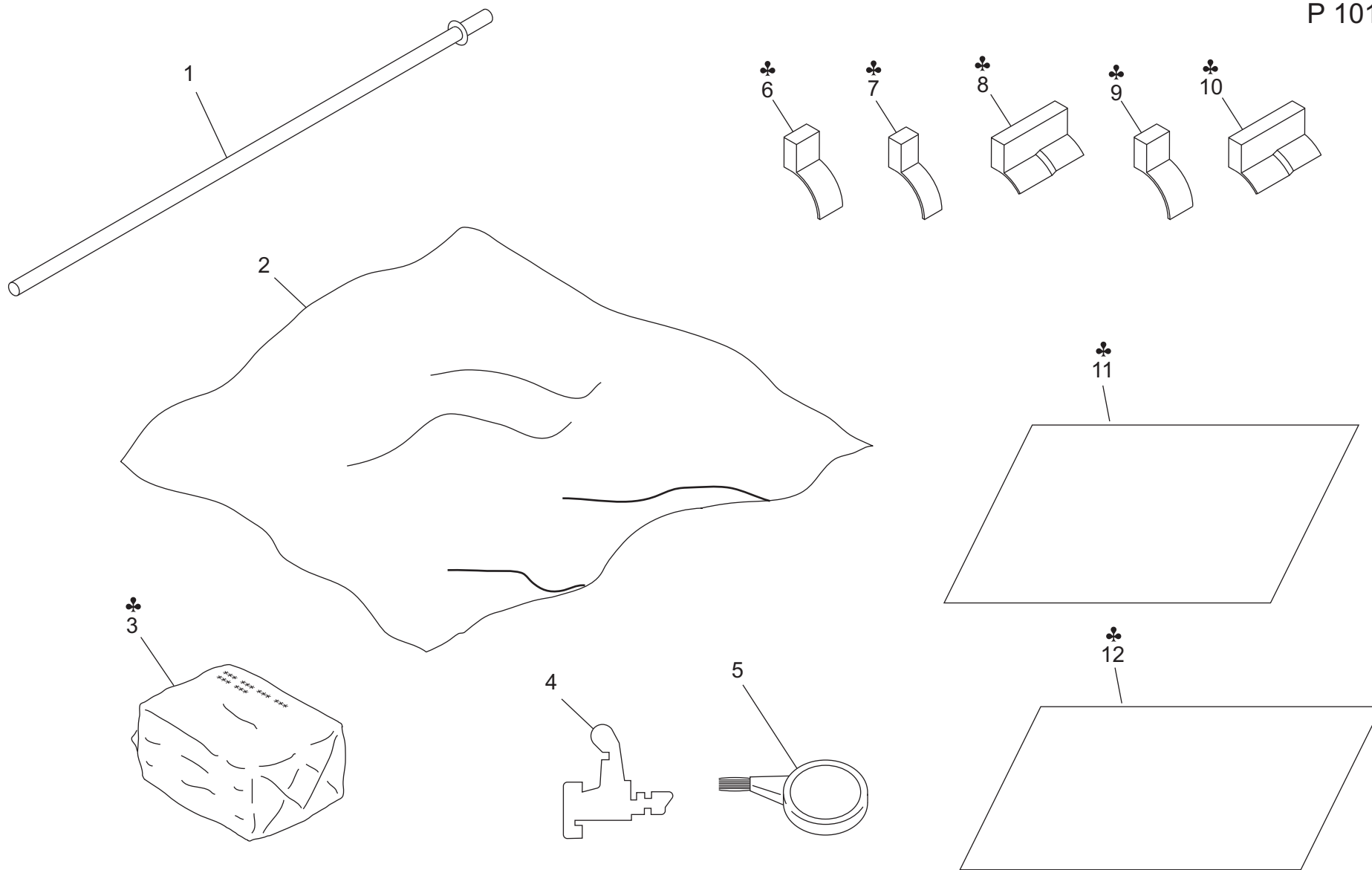
| | | | | | | | |
|--|---|---|--|----|----|----|----|
| 1  | 6  | 11  | 16  | 21 | 26 | 31 | 36 |
| 2  | 7  | 12  | 17  | 22 | 27 | 32 | 37 |
| 3  | 8  | 13  | 18  | 23 | 28 | 33 | 38 |
| 4  | 9  | 14  | 19 | 24 | 29 | 34 | 39 |
| 5  | 10  | 15  | 20 | 25 | 30 | 35 | 40 |

bizhub 601

| Key | Part No. | Description | Destinations | Class | QTY | Standard parts |
|-----|--------------|------------------------|-------------------------------------|-------|-----|----------------|
| 1 | V502 0100 27 | support | | D | | |
| 2 | V502 0100 28 | spacer | | D | | |
| 3 | V502 0100 54 | mini double board post | | D | | |
| 4 | V570 0100 11 | saddle | | D | | |
| 4 | V570 0100 11 | saddle | A | D | | |
| 4 | V570 0100 11 | saddle | B,C,D1,D3,E,F1,F2,G 1,G2,H,I,J,K | D | | |
| 5 | V570 0100 12 | saddle | | D | | |
| 6 | V570 0100 15 | saddle | | D | | |
| 7 | V570 0100 21 | Saddle | | D | | |
| 7 | V570 0100 21 | Saddle | A | D | | |
| 8 | V570 0100 23 | saddle | | D | | |
| 9 | V570 0100 25 | saddle | | D | | |
| 10 | V570 0100 26 | saddle | | D | | |
| 11 | V570 0100 28 | saddle | | D | | |
| 12 | V570 0100 38 | bushing | | D | | |
| 13 | V570 0100 39 | bushing | | D | | |
| 14 | V570 0100 40 | bushing | | D | | |
| 15 | V570 0100 46 | SADDLE | | D | | |
| 16 | V651 0100 02 | connector | | D | | |
| 17 | 00Z9 3000 3 | CT Panel Mount | | V | | |
| 18 | V651 0100 15 | connector | | D | | |
| | | | | | | |
| | | | | | | |
| | | | | | | |
| | | | | | | |
| | | | | | | |
| | | | | | | |
| | | | | | | |
| | | | | | | |

JIGS

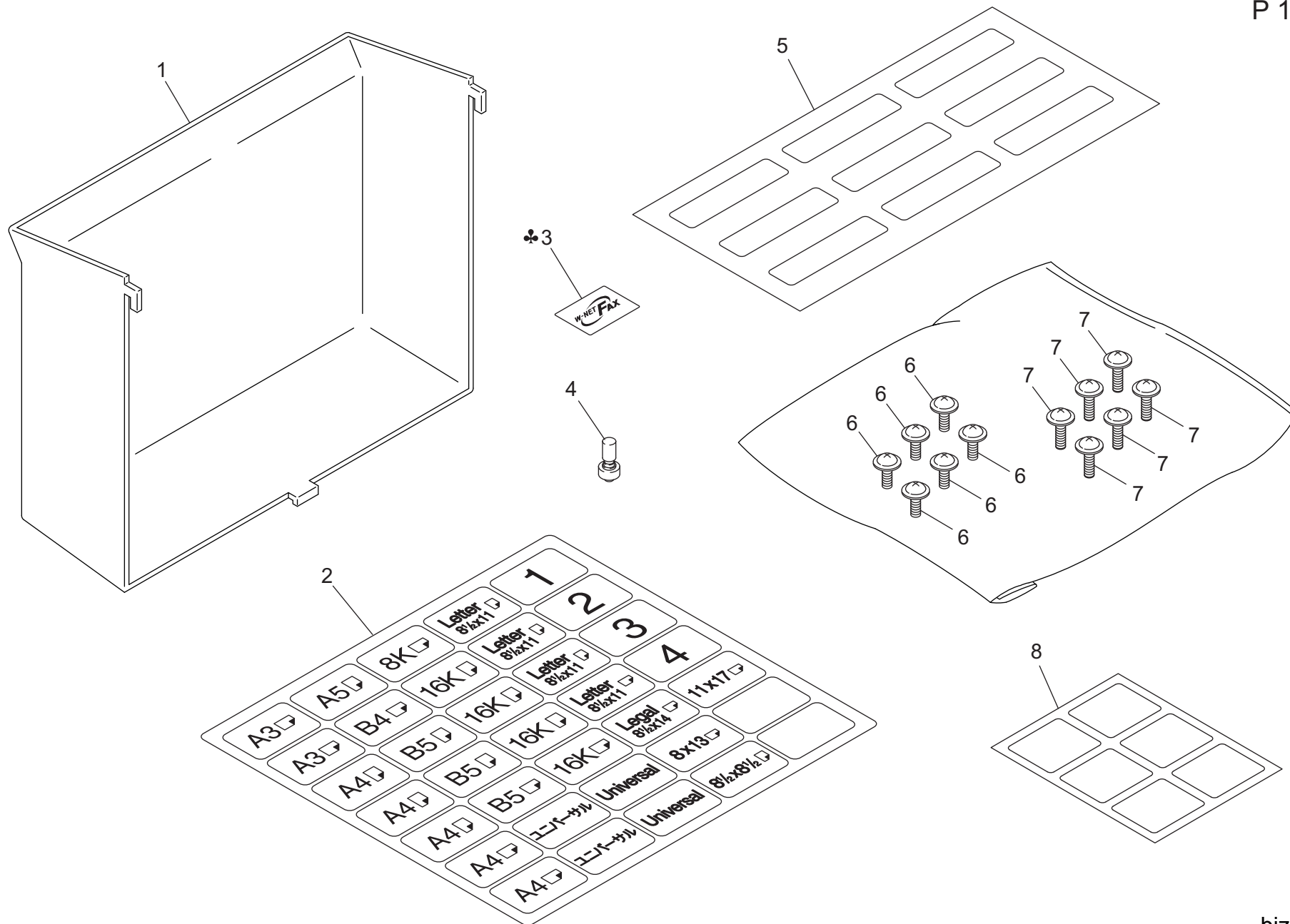
P 101



| Key | Part No. | Description | Destinations | Class | QTY | Standard parts |
|-----|--------------|-------------------------------|--|-------|-----|----------------|
| 1 | 7050 K002 0 | OPTICS PS GAUGE | | S | 1 | |
| 2 | 00VC -2-0 0 | DRUM COVER | | C | 1 | |
| 3 | 000V -18- 1 | CLEANING PAD | 光学位置決め治具 ドラムカバー クリーニングパット (30枚) | A | 1 | |
| 3 | 000V -18- 2 | CLEANING PAD | クリーニングパット (30枚) | A | 1 | |
| 4 | 00M6 -2-0 0 | DOOR SWITCH JIG 2/1SET | ドアスイッチ治具 (2/1セット) | S | 1 | |
| 5 | 00VD -100 0 | BLOWER BRUSH | ブロアブラシ | B | 1 | |
| 6 | 57AA JG01 0 | THERMOSTAT PS JIG UPPER | サーモスタット位置決め治具 上 | A | 1 | |
| 7 | 57AA JG02 0 | TEMPERATURE PS JIG UPPER | 温度センサ位置決め治具 上 | A | 1 | |
| 8 | 57AA JG03 0 | TEMPERATURE PS JIG LOWER | 温度センサ位置決め治具 下 | A | 1 | |
| 9 | 57AE JG01 0 | THERMOSTAT PS JIG UPPER | サーモスタット位置決め治具 上 | S | 1 | |
| 10 | 56AE JG01 1 | THERMOSTAT PS JIG LOWER ROLLE | 位置決め治具下 | S | 1 | |
| 11 | 4040 PJP1 00 | Test chart/A3 size | 位置決め治具下 | C | 1 | |
| 12 | 4040 PJP4 00 | Test chart/ 11X17 size | テストチャート / A 3 テストチャート / 11 × 17 (metric) (inch) | D | 1 | |
| | | | | | | |
| | | | | | | |
| | | | | | | |
| | | | | | | |
| | | | | | | |
| | | | | | | |
| | | | | | | |
| | | | | | | |
| | | | | | | |
| | | | | | | |
| | | | | | | |
| | | | | | | |
| | | | | | | |
| | | | | | | |

ACCESSORY PARTS

P 102



MAINTENANCE LIST

● The items with no Page/Key numbers are not handled as spare parts.

| No. | Section | PM Parts Description | Maintenance Cycle (K=1,000) | | Parts No. | Destinations | Page/Key | Note |
|-----|-------------------------|-----------------------------|-----------------------------|-----------|------------|--------------|----------|------|
| | | | QTY | Replace | | | | |
| 1 | External section | Ozone filter /M | 1 | 250K | A0PN100800 | | P94-7 | |
| 2 | | Ozone filter /S | 1 | 250K | 56QA10570 | | P90-38 | |
| 3 | | Ozone filter /Lw | 1 | 250K | A0PN102000 | | P94-15 | |
| 4 | | Developing suction filter | 1 | 250K | 57AAR72800 | | P3-3 | |
| 5 | Photo conductor section | Toner guide roller | 1 | 250K | 57AAR71100 | | P24-1 | |
| 6 | | Cleaning blade | 1 | 250K | 57AA20080 | | P23-1 | |
| 7 | | Developer | 1 | 250K | - | | | |
| 8 | | Drum claw | 3 | 500K | 56AA20700 | | P25-8 | |
| 9 | | Drum | 1 | 500K | - | | | |
| 10 | | Drum claw solenoid | 1 | 2000K | 26NA82513 | | P25-11 | |
| 11 | | Toner control sensor board | 1 | 2500K | 56AA-9102E | | P25-1 | |
| 12 | | Toner collection gear /3 | 1 | 5000K | 57AA77820 | | P18-10 | |
| 13 | Charge section | Charge control plate | 1 | 250K | 56AA25030 | | P27-23 | |
| 14 | | Charge wire | 1 | 250K | 56AA25090 | | P27-22 | |
| 15 | | Charge cleaning board | 1 | 250K | 56AA25400 | | P27-6 | |
| 16 | | Charge slide member | 1 | 250K | 56AA25380 | | P27-5 | |
| 17 | | Charge cleaning block /Up | 1 | 250K | 56AAR70700 | | P27-9 | |
| 18 | | C-clip | 1 | 250K | 45AA20400 | | P27-3 | |
| 19 | | Charge cleaning block /Lw | 1 | 250K | 56AAR70800 | | P27-10 | |
| 20 | | Charge unit | 1 | 2500K | 57AAR71400 | | P27-25 | |
| 21 | Developing section | Developing unit | 1 | 2500K | 57AAR71600 | | P28-23 | |
| 22 | Paper feed section | Feed rubber | 1 | 125K | 25SA40960 | | P48-26 | |
| 22 | | Feed rubber | 1 | 125K | 25SA40960 | | P51-26 | |
| 22 | | Feed rubber | 1 | 125K | 25SA40960 | | P54-26 | |
| 22 | | Feed rubber | 1 | 125K | 25SA40960 | | P57-26 | |
| 23 | | Separation rubber | 1 | 125K | 25SA40960 | | P49-15 | |
| 23 | | Separation rubber | 1 | 125K | 25SA40960 | | P52-15 | |
| 23 | | Separation rubber | 1 | 125K | 25SA40960 | | P55-15 | |
| 23 | | Separation rubber | 1 | 125K | 25SA40960 | | P58-15 | |
| 24 | | Pick-up roller | 1 | 800K | 56AAR72100 | | P49-3 | |
| 24 | | Pick-up roller | 1 | 800K | 56AAR72100 | | P52-3 | |
| 24 | | Pick-up roller | 1 | 800K | 56AAR72100 | | P55-3 | |
| 24 | | Pick-up roller | 1 | 800K | 56AAR72100 | | P58-3 | |
| 25 | | Paper feed regulating block | 1 | 5000K | 56AA40380 | | P50-8 | |
| 25 | | Paper feed regulating block | 1 | 5000K | 56AA40380 | | P53-8 | |
| 25 | | Paper feed regulating block | 1 | 5000K | 56AA40380 | | P56-8 | |
| 25 | | Paper feed regulating block | 1 | 5000K | 56AA40380 | | P59-8 | |
| 26 | Feed roller | 1 | 5000K | 25AA40100 | | P49-16 | | |
| 26 | Feed roller | 1 | 5000K | 25AA40100 | | P52-16 | | |
| 26 | Feed roller | 1 | 5000K | 25AA40100 | | P55-16 | | |
| 26 | Feed roller | 1 | 5000K | 25AA40100 | | P58-16 | | |
| 27 | Bypass tray section | Loop roller | 1 | 5000K | 56AA42510 | | P63-33 | |
| 28 | | Gear /A | 1 | 5000K | 56AA77160 | | P63-30 | |
| 29 | | Gear /B | 1 | 5000K | 56AA77170 | | P63-21 | |
| 30 | | Gear /C | 1 | 5000K | 56AA77120 | | P19-17 | |
| 31 | | Feed rubber | 1 | 70K | 540040562 | | P63-5 | |
| 32 | | Separation rubber | 1 | 70K | 540040562 | | P64-2 | |
| 33 | | Pick-up rubber | 1 | 140K | 55FA42330 | | P63-10 | |
| | | | | | | | | |
| | | | | | | | | |
| | | | | | | | | |
| | | | | | | | | |

| No. | Section | PM Parts Description | Maintenance Cycle (K=1,000) | | Parts No. | Destinations | Page/Key | Note |
|-----|-------------------------------|---------------------------------|-----------------------------|-----------|------------------|-------------------|----------|------|
| | | | QTY | Replace | | | | |
| 34 | Transfer/ separation charging | Transfer/separation wire | 3 | 500K | 56AA26090 | | P26-9 | |
| 35 | | Transfer cleaning assembly | 1 | 500K | 56AAR71000 | | P26-22 | |
| 36 | | Separation cleaning assembly | 1 | 500K | 56AAR71100 | | P26-24 | |
| 37 | | C-clip | 2 | 500K | 45AA20400 | | P26-28 | |
| 38 | | Transfer presser rubber | 3 | 500K | 56AA17830 | | P26-18 | |
| 39 | | Transfer/separation charge unit | 1 | 2000K | 57AAR71500 | | P26-29 | |
| 40 | Registration section | Registration clutch | 1 | 2000K | 56AA82012 | | P50-24 | |
| 41 | | Registration bearing /Rr | 1 | 2500K | A03U812800 | | P32-8 | |
| 42 | | Registration roller | 1 | 2500K | 56QA46030 | | P32-10 | |
| 43 | ADU | Registration bearing /2 | 2 | 2500K | 55GA75520 | | P80-23 | |
| 44 | | Registration bearing /1 | 2 | 2500K | 55GA75510 | | P80-22 | |
| 45 | | ADU Registration roller /Up | 1 | 2500K | 56AA51110 | | P80-28 | |
| 46 | | ADU Registration roller /Lw | 1 | 2500K | 56QA51120 | | P80-29 | |
| 47 | | Transfer exposure lamp unit | 1 | 2500K | 56AAR71400 | | P86-8 | |
| 48 | Fusing section | Cleaning web | 1 | 250K | 57AER70300 | B_C_D1_D3_E_F1_F | P45-1 | |
| 49 | | Fusing claw /Up | 6 | 250K | 56AA54270 | B_C_D1_D3_E_F1_F | P46-24 | |
| 50 | | Fusing roller /Up | 1 | 500K | 56AA53052 | B_C_D1_D3_E_F1_F | P44-14 | |
| 51 | | Heat insulating sleeve | 2 | 500K | 454053391 | B_C_D1_D3_E_F1_F | P44-19 | |
| 52 | | Bearing /Up | 2 | 500K | 454075040 | B_C_D1_D3_E_F1_F | P44-29 | |
| 53 | | Fusing roller /Lw | 1 | 500K | 57AE53060 | B_C_D1_D3_E_F1_F | P47-19 | |
| 54 | | Fusing claw /Lw | 3 | 500K | 56QA53200 | B_C_D1_D3_E_F1_F | P43-4 | |
| 55 | | Decurler roller | 1 | 500K | 56AA53071 | B_C_D1_D3_E_F1_F | P42-7 | |
| 56 | | Decurler bearing | 4 | 1000K | 07AA75090 | B_C_D1_D3_E_F1_F | P42-9 | |
| 57 | | Fusing input gear | 1 | 1000K | 25BA77262 | B_C_D1_D3_E_F1_F | P21-6 | |
| 58 | | Fusing heater lamp /1 | 1 | 1000K | 56AE83031 | B_G2_H | P44-37 | |
| 58 | | Fusing heater lamp /1 | 1 | 1000K | 56AF83031 | C_D1_D3_E_F2_G1_I | P44-37 | |
| 59 | | Fusing heater lamp /2 | 1 | 1000K | 56AE83041 | B_G2 | P44-38 | |
| 59 | | Fusing heater lamp /2 | 1 | 1000K | 56AF83041 | C_D1_D3_E_F2_G1_I | P44-38 | |
| 60 | | Fusing heater lamp /3 | 1 | 1000K | 56AE83051 | B_G2_H | P47-22 | |
| 60 | | Fusing heater lamp /3 | 1 | 1000K | 56AF83051 | C_D1_D3_E_F2_G1_I | P47-22 | |
| 61 | | Thermistor /2 | 1 | 2500K | 57AE88040 | B_C_D1_D3_E_F1_F | P45-7 | |
| 62 | Fusing paper exit gear /1 | 1 | 5000K | 56AA77220 | B_C_D1_D3_E_F1_F | P42-24 | | |
| 63 | Fusing paper exit gear /2 | 1 | 5000K | 56AA77231 | B_C_D1_D3_E_F1_F | P42-22 | | |
| 64 | Fusing gear | 1 | 2000K | 56QA77210 | B_C_D1_D3_E_F1_F | P44-36 | | |
| 65 | Bearing /Lw | 2 | 500K | 57AE75040 | B_C_D1_D3_E_F1_F | P47-18 | | |
| 66 | Paper exit section | Paper exit gear /1 | 1 | 5000K | 56AA77190 | | P89-5 | |
| 67 | | Paper exit gear /2 | 1 | 5000K | 56AA77980 | | P89-2 | |

メンテナンスリスト

● ページ / キーナンバーのないものは、アフターサービス部品ではありません。

| No. | 区分 | PM 部品名称 | サイクル (K=1,000) | | 部品番号 | 仕向地 | 頁 / キー | 備考 |
|-----|---------|-----------------|----------------|-----------|------------|--------|--------|----|
| | | | 員数 | 交換 | | | | |
| 1 | 外装部 | オゾンフィルター /M | 1 | 250K | A0PN100800 | | P94-7 | |
| 2 | | オゾンフィルター /S | 1 | 250K | 56QA10570 | | P90-38 | |
| 3 | | オゾンフィルター /Lw | 1 | 250K | A0PN102000 | | P94-15 | |
| 4 | | 現像サクシジョンフィルター | 1 | 250K | 57AAR72800 | | P3-3 | |
| 5 | 感光体部 | トナーガイドローラー | 1 | 250K | 57AAR71100 | | P24-1 | |
| 6 | | クリーニングブレード | 1 | 250K | 57AA20080 | | P23-1 | |
| 7 | | 現像剤 | 1 | 250K | - | | | |
| 8 | | ドラム爪 | 3 | 500K | 56AA20700 | | P25-8 | |
| 9 | | ドラム | 1 | 500K | - | | | |
| 10 | | ドラム爪ソレノイド | 1 | 2000K | 26NA82513 | | P25-11 | |
| 11 | | トナーコントロールセンサー基板 | 1 | 2500K | 56AA-9102E | | P25-1 | |
| 12 | | トナー回収ギア /3 | 1 | 5000K | 57AA77820 | | P18-10 | |
| 13 | 帯電極部 | 帯電制御プレート | 1 | 250K | 56AA25030 | | P27-23 | |
| 14 | | 帯電ワイヤー | 1 | 250K | 56AA25090 | | P27-22 | |
| 15 | | 帯電清掃基板 | 1 | 250K | 56AA25400 | | P27-6 | |
| 16 | | 帯電スライド部材 | 1 | 250K | 56AA25380 | | P27-5 | |
| 17 | | 帯電清掃ブロック /Up | 1 | 250K | 56AAR70700 | | P27-9 | |
| 18 | | Cクリップ | 1 | 250K | 45AA20400 | | P27-3 | |
| 19 | | 帯電清掃ブロック /Lw | 1 | 250K | 56AAR70800 | | P27-10 | |
| 20 | | 帯電極ユニット | 1 | 2500K | 57AAR71400 | | P27-25 | |
| 21 | 現像部 | 現像ユニット | 1 | 2500K | 57AAR71600 | | P28-23 | |
| 22 | 給紙部 | 給紙ゴム | 1 | 125K | 25SA40960 | | P48-26 | |
| 22 | | 給紙ゴム | 1 | 125K | 25SA40960 | | P51-26 | |
| 22 | | 給紙ゴム | 1 | 125K | 25SA40960 | | P54-26 | |
| 22 | | 給紙ゴム | 1 | 125K | 25SA40960 | | P57-26 | |
| 23 | | 分離ゴム | 1 | 125K | 25SA40960 | | P49-15 | |
| 23 | | 分離ゴム | 1 | 125K | 25SA40960 | | P52-15 | |
| 23 | | 分離ゴム | 1 | 125K | 25SA40960 | | P55-15 | |
| 23 | | 分離ゴム | 1 | 125K | 25SA40960 | | P58-15 | |
| 24 | | ピックアップローラー | 1 | 800K | 56AAR72100 | | P49-3 | |
| 24 | | ピックアップローラー | 1 | 800K | 56AAR72100 | | P52-3 | |
| 24 | | ピックアップローラー | 1 | 800K | 56AAR72100 | | P55-3 | |
| 24 | | ピックアップローラー | 1 | 800K | 56AAR72100 | | P58-3 | |
| 25 | | 給紙規制ブロック | 1 | 5000K | 56AA40380 | | P50-8 | |
| 25 | | 給紙規制ブロック | 1 | 5000K | 56AA40380 | | P53-8 | |
| 25 | | 給紙規制ブロック | 1 | 5000K | 56AA40380 | | P56-8 | |
| 25 | | 給紙規制ブロック | 1 | 5000K | 56AA40380 | | P59-8 | |
| 26 | | 給紙ローラー | 1 | 5000K | 25AA40100 | | P49-16 | |
| 26 | | 給紙ローラー | 1 | 5000K | 25AA40100 | | P52-16 | |
| 26 | 給紙ローラー | 1 | 5000K | 25AA40100 | | P55-16 | | |
| 26 | 給紙ローラー | 1 | 5000K | 25AA40100 | | P58-16 | | |
| 27 | 手差しトレイ部 | ループロローラー | 1 | 5000K | 56AA42510 | | P63-33 | |
| 28 | | ギア /A | 1 | 5000K | 56AA77160 | | P63-30 | |
| 29 | | ギア /B | 1 | 5000K | 56AA77170 | | P63-21 | |
| 30 | | ギア /C | 1 | 5000K | 56AA77120 | | P19-17 | |
| 31 | | 給紙ゴム | 1 | 70K | 540040562 | | P63-5 | |
| 32 | | 分離ゴム | 1 | 70K | 540040562 | | P64-2 | |
| 33 | | ピックアップローラー | 1 | 140K | 55FA42330 | | P63-10 | |

| No. | 区分 | PM 部品名称 | サイクル (K=1,000) | | 部品番号 | 仕向地 | 頁/キー | 備考 |
|-----|---------|--------------------|----------------|-------|------------|-----|--------|----|
| | | | 員数 | 交換 | | | | |
| 34 | 転写/分離極部 | 転写/分離ワイヤー | 3 | 500K | 56AA26090 | | P26-9 | |
| 35 | | 転写清掃部組 | 1 | 500K | 56AAR71000 | | P26-22 | |
| 36 | | 分離清掃部組 | 1 | 500K | 56AAR71100 | | P26-24 | |
| 37 | | Cクリップ | 2 | 500K | 45AA20400 | | P26-28 | |
| 38 | | 転写押さえゴム | 3 | 500K | 56AA17830 | | P26-18 | |
| 39 | | 転写/分離極ユニット | 1 | 2000K | 57AAR71500 | | P26-29 | |
| 40 | レジスト部 | レジストクラッチ | 1 | 2000K | 56AA82012 | | P50-24 | |
| 41 | | レジスト軸受/Rr | 1 | 2500K | A03U812800 | | P32-8 | |
| 42 | | レジストローラー | 1 | 2500K | 56QA46030 | | P32-10 | |
| 43 | ADU 部 | レジスト軸受/2 | 2 | 2500K | 55GA75520 | | P80-23 | |
| 44 | | レジスト軸受/1 | 2 | 2500K | 55GA75510 | | P80-22 | |
| 45 | | ADU レジストローラー /Up | 1 | 2500K | 56AA51110 | | P80-28 | |
| 46 | | ADU レジストローラー /Lw | 1 | 2500K | 56QA51120 | | P80-29 | |
| 47 | | 転写露光ランプユニット | 1 | 2500K | 56AAR71400 | | P86-8 | |
| 48 | 定着部 | クリーニングウェブ | 1 | 250K | 57AAR72300 | A | P37-12 | |
| 49 | | 定着爪 /Up | 6 | 250K | 56AA54270 | A | P40-23 | |
| 50 | | 定着ローラー /Up セット * 1 | 1 | 500K | 57AA-K010 | A | P36-7 | |
| 51 | | 断熱スリーブ | 2 | 500K | 57AA53320 | A | P36-5 | |
| 52 | | 軸受 | 2 | 500K | 57AA75030 | A | P36-6 | |
| 53 | | 定着ローラー /Lw | 1 | 500K | 57AAR73200 | A | P34-22 | |
| 54 | | 定着爪 /Lw | 3 | 500K | 56QA53200 | A | P38-5 | |
| 55 | | デカーラーローラー | 1 | 500K | 57AA53710 | A | P35-24 | |
| 56 | | デカーラー軸受 | 4 | 1000K | 07AA75090 | A | P35-15 | |
| 57 | | 定着ギア | 1 | 1000K | 57AA77060 | A | P36-8 | |
| 58 | | サーミスター /2 | 1 | 2500K | 57AA88040 | A | P38-9 | |
| 59 | | 定着排紙ギア /1 | 1 | 5000K | 56AA77220 | A | P35-13 | |
| 60 | | 定着排紙ギア /2 | 1 | 5000K | 56AA77231 | A | P35-9 | |
| 61 | | 定着入力ギア | 1 | 1000K | 57AA77030 | A | P20-6 | |
| 62 | 排紙部 | 排紙ギア /1 | 1 | 5000K | 56AA77190 | | P89-5 | |
| 63 | | 排紙ギア /2 | 1 | 5000K | 56AA77980 | | P89-2 | |

DESTINATION

| Destination No. | | Destinations | | V | Hz | Model No. |
|-----------------|----|--|---|---------|-------|---------------------|
| A | A1 | JAPAN | | 100 | 50 | A0PP001 |
| | A2 | JAPAN | | 100 | 60 | A0PP001 |
| B | | USA, CANADA | | 120 | 60 | A0PP011/ A0PP012 |
| C | | EUROPEAN TYPE | | 220-240 | 50/60 | A0PP021 |
| D | D1 | S.E ASIA TYPE | THAILAND, SRI LANKA, SINGAPORE, MALAYSIA, HONG KONG, PAKISTAN, INDIA, BANGLADESH, INDONESIA | 220-240 | 50/60 | A0PP041 |
| | D3 | OCEANIA TYPE | AUSTRALIA, NEW ZEALAND | 220-240 | 50/60 | A0PP041 |
| E | | PHILIPPINES | | 220-240 | 50/60 | A0PP041 |
| F | F1 | SAUDI ARABIA | | 127 | 60 | A0PP0M1 |
| | F2 | SAUDI ARABIA | | 220-240 | 50/60 | A0PP041 |
| G | G1 | C.S AMERICA | | 220-240 | 50/60 | A0PP041 |
| | G2 | C.S AMERICA | | 120 | 60 | A0PP011 |
| H | | TAIWAN | | 110 | 60 | A0PP071 |
| I | | JORDAN, LEBANON, SYRIA, SOUTH AFRICA, IRAQ, IRAN, N.YEMEN, CAMEROON, UAE, BAHRAIN, OMAN, QATAR, KUWAIT, KENYA, TUNISIA, IVORY COAST, MOROCCO | | 220-240 | 50/60 | A0PP041 |
| J | | CHINA | | 220-240 | 50/60 | A0PP081 |
| K | | KOREA | | 220-240 | 50/60 | A0PP041 |

bizhub 601