

KONICA MINOLTA

PARTS GUIDE MANUAL

NOVEMBER 2020

bizhub 750i
ACV7

INFORMATION FOR PARTS GUIDE MANUAL

To find correct Parts No., refer to the "HOW TO MAKE THE BEST USE OF THIS MANUAL" in the following page.

HOW TO MAKE THE BEST USE OF THIS MANUAL

- 1 When you order, please check the proper figures beforehand that are on Our Parts Guide Manual, and order with the appropriate figures.
- 2 For screws, Nuts, Washers, retaining rings and Pins which are used in this model, one letter is shown on the Standard parts column of Parts list and exploded diagrams.
- 3 In order to maintain safety of the product, some specific parts composed of this product are set up as "essential safety parts".
- 4 The assigned parts number for the "essential safety parts" is indicated as "SP00-****".
When replacing these parts, follow precautions for disassembling and installing which are listed in the Service Manual.
Do not use any parts that are not set up as
- 5 ♣ means that there are exclusive parts for each destination.
Please check the appropriate destination when you order.
- 6 All rights reserved. (any reprints or quotations are prohibited.)
Use of this parts guide manual should be strictly supervised to avoid disclosure of confidential information.

パーツガイドマニュアルのご案内

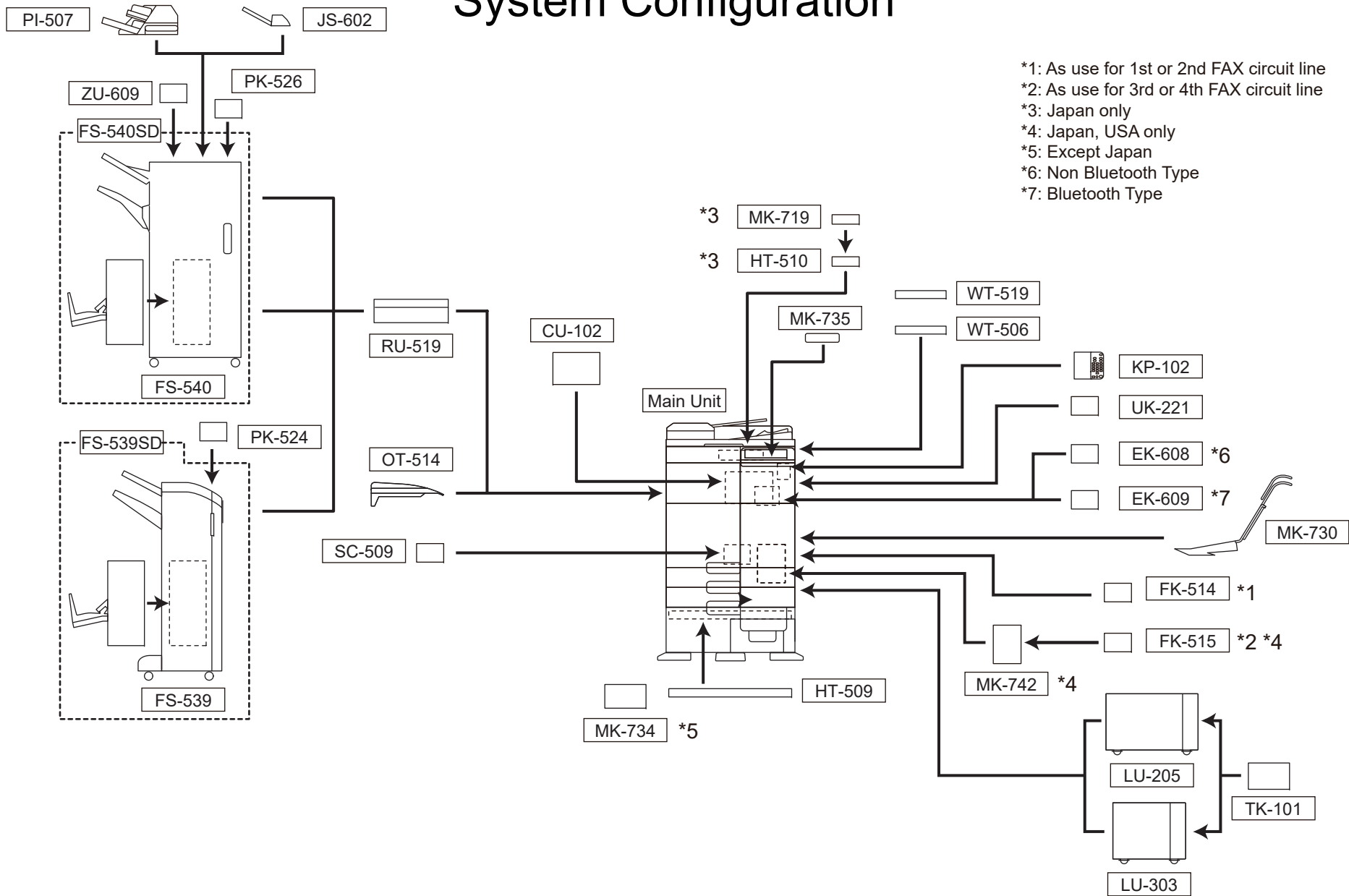
サービス部品をご発注の際には、下記に示す“パーツガイドマニュアルの活用にあたって”をご参照の上、正しい部品番号にてお願い致します。

パーツガイドマニュアルの活用にあたって

- 1 部品発注の際には、掲載されている部品番号の桁数を確認し、掲載されている桁数で発注願います。
- 2 この製品に使用されているネジ、ナット、ワッシャー、止め輪、ピンなどは、リストの右側の Standard parts 欄に a,b,c,…… で表示し、イラストにも a,b,c,…… 表示してあります。
- 3 製品の安全性を維持する為に、製品に使用される特定の部品を「重要保安部品」として設定しています。
- 4 重要保安部品の部品番号は、“SP00-****”と記載されていますので、部品交換時は、サービスマニュアル記載の分解・組み立ての注意事項に従って作業をして下さい。
また、指定以外の部品は一切使用しないで下さい。
- 5 本文に ♣ が表示されている部品は、仕向け地毎に専用部品がある事を意味しています。
オーダーされる時は、仕向け地を確認して下さい。
- 6 著作権所有（無断転載及び無断引用の禁止）
本パーツガイドマニュアルについては、機密保持等その扱いには十分注意して下さい。万一取り扱いを誤った場合には、法律で処罰される場合があります。

06/24/2020

System Configuration



bizhub 750i

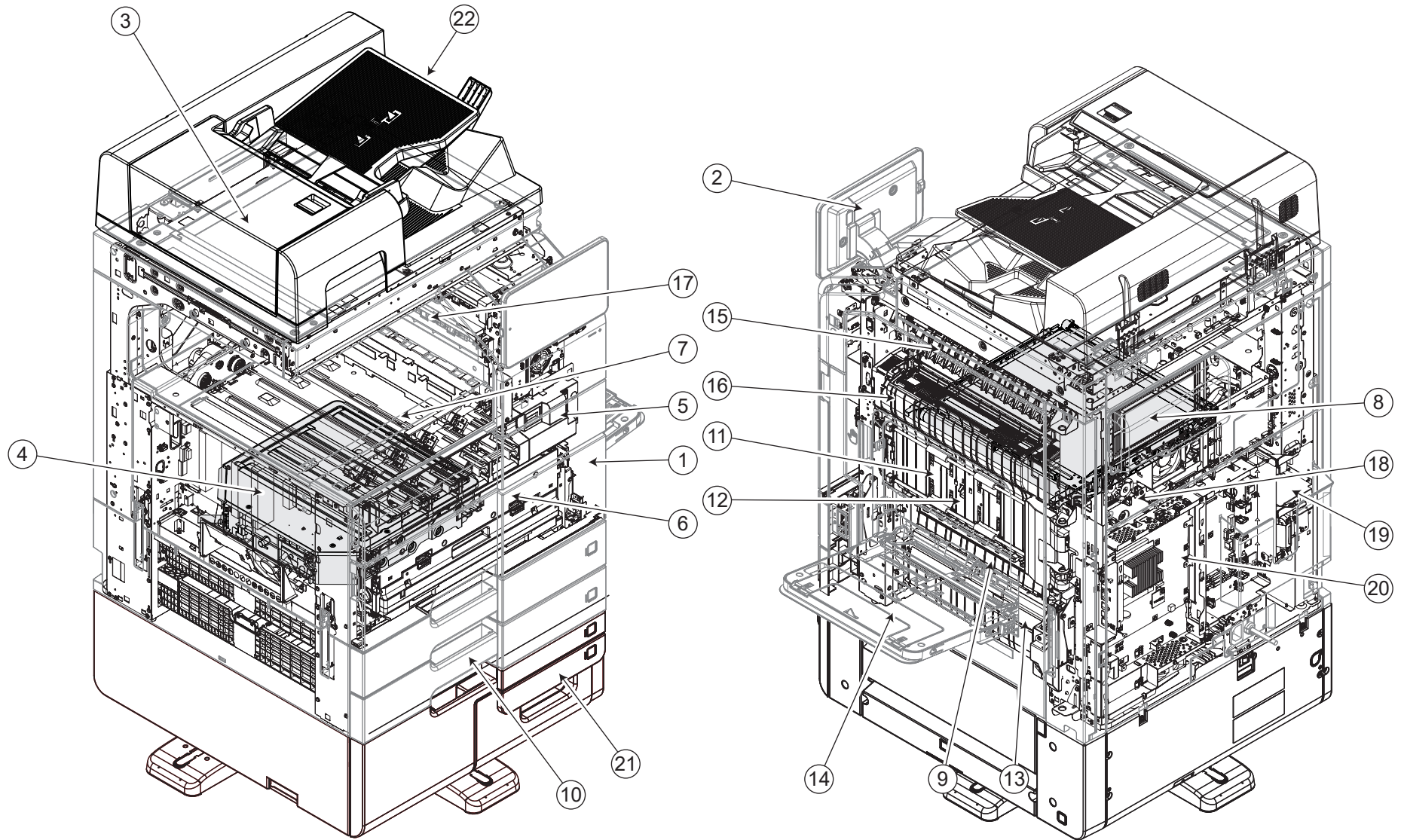
GENERAL CONTENTS

| No. | Description | Model |
|-----|-----------------|-------------|
| 1 | Digital MFP B/W | bizhub 750i |
| 2 | Finisher/Sorter | FS-539 |
| 3 | Finisher/Sorter | FS-539 SD |
| 4 | Finisher/Sorter | FS-540 |
| 5 | Finisher/Sorter | FS-540 SD |
| 6 | Punch Unit | PK-524 |
| 7 | Punch Unit | PK-526 |
| 8 | Output Tray | OT-514 |
| 9 | Folding Unit | ZU-609 |
| 10 | Post Inserter | PI-507 |
| 11 | Paper Feeder | LU-205 |
| 12 | Other Option | CU-102 |
| 13 | Job Separator | JS-602 |
| 14 | Paper Feeder | LU-303 |
| 15 | Relay Unit | RU-519 |
| 16 | Other Option | MK-719 |
| 17 | Mount Kit | MK-730 |
| 18 | Mount Kit | MK-735 |
| 19 | Mount Kit | MK-742 |
| 20 | Heater | HT-509 |
| 21 | Heater | HT-510 |
| 22 | Working Table | WT-506 |

bizhub 750i

| No. | Description | Model |
|-----|---------------|--------|
| 23 | Working Table | WT-519 |
| 24 | Fax Kit | FK-514 |
| 25 | Fax Kit | FK-515 |
| 26 | Local IF Kit | EK-608 |
| 27 | Local IF Kit | EK-609 |
| 28 | Other Option | SC-509 |
| 29 | Other Option | UK-221 |
| 30 | Other Option | TK-101 |
| 31 | Other Option | KP-102 |

Section Configuration



bizhub 750i

CONTENTS

| No. | DESCRIPTION | 名称 | PAGE No. |
|-----|-------------------------------------|---------------------|--|
| 1 | External Parts | 外装部 | P1 P2 P3 |
| 2 | Operation Panel section | 操作部 | P4 P5 |
| 3 | Scanner Section | スキャナー部 | P6 P7 P8 P9 |
| 4 | Write Section | 書き込み部 | P10 |
| 5 | Toner Supply Section | トナー補給部 | P11 P12 P13 |
| 6 | Toner Collection Section | トナー回収部 | P14 |
| 7 | Photo Conductor/ Developing Section | 感光体部 / 現像部 | P15 P16 |
| 8 | 1st Transfer Section | 1次転写部 | P17 |
| 9 | Paper Feed Section | 給紙部 | P18 P19 P20 P21 P22 |
| 10 | Tray 1/2 | トレイ1 / 2 | P23 P24 P25 P26 P27 P28 P29 |
| 11 | Registration Section | レジスト部 | P30 P31 P32 |
| 12 | 2nd Transfer Section | 2次転写部 | P33 P34 P35 |
| 13 | Vertical Conveyance Section | 垂直搬送部 | P36 |
| 14 | Bypass Tray Section | 手差しトレイ部 | P37 P38 P39 P40 |
| 15 | Reverse Section | 反転部 | P41 P42 P43 P44 |
| 16 | Fusing Section | 定着部 | P45 |
| 17 | Paper Exit Section | 排紙部 | P46 P47 P48 |
| 18 | Drive Section | 駆動部 | P49 P50 P51 P52 P53 P54 |
| 19 | Cooling Section | 冷却部 | P55 P56 P57 |
| 20 | Electrical Parts | 電装部 | P58 P59 P60 P61 |
| 21 | Tray 3/4 | トレイ3 / 4 | P62 P63 P64 P65 P66 P67 P68 P69 P70 P71 P72 P73 P74 P75 P76 P77 P78 P79 |
| 22 | Dual scan document feeder (DF-713) | 両面同時原稿送り装置 (DF-713) | P80 P81 P82 P83 P84 P85 P86 P87 P88 P89 P90 P91 P92 P93 P94 |
| 23 | Wiring | 束線 | P95 P96 P97 |
| 24 | Wiring Accessories | 配線部品 | P98 |
| 25 | Service Tool | サービスツール | P99 |
| 26 | Accessory Parts | 同梱部品 | P100 P101 P102 |

INDEX

| Parts No. | Page No. |
|------------|----------|
| 07BA12352 | 1-1 |
| 0996305501 | 23-8 |
| 1164202801 | 47-1 |
| 15BY561200 | 80-22 |
| 4002311002 | 24-10 |
| 4002504203 | 17-1 |
| 4004590301 | 47-2 |
| 4025598401 | 47-3 |
| 4025598401 | 48-23 |
| 4030301703 | 69-12 |
| 4030312201 | 67-15 |
| 4030312201 | 73-2 |
| 4030320601 | 27-17 |
| 4030320601 | 29-17 |
| 4030322602 | 27-9 |
| 4030322602 | 29-9 |
| 4036307501 | 7-10 |
| 4036534801 | 13-1 |
| 4038101401 | 3-1 |
| 4038101401 | 11-2 |
| 4038101401 | 12-1 |
| 4040561000 | 69-13 |
| 4061101000 | 62-1 |
| 4109553001 | 72-1 |
| 4131253701 | 85-6 |
| 4131253701 | 89-2 |
| 4131253701 | 94-1 |
| 4163510201 | 13-2 |
| 4163529301 | 3-2 |
| 4163529301 | 10-3 |
| 4163529301 | 11-4 |
| 4163529301 | 12-2 |
| 4163529301 | 17-2 |
| 4163529301 | 24-11 |
| 4163529301 | 27-23 |
| 4163529301 | 29-23 |
| 4163529301 | 34-1 |
| 4163529301 | 35-30 |
| 4163529301 | 43-3 |
| 4163529301 | 59-11 |

| Parts No. | Page No. |
|------------|----------|
| 4163529301 | 63-1 |
| 4163529301 | 67-2 |
| 4163529301 | 84-1 |
| 4163529301 | 93-17 |
| 4470402401 | 85-4 |
| 4470402401 | 88-33 |
| 4470402401 | 91-38 |
| 4470402401 | 92-1 |
| 4470402401 | 93-7 |
| 4470402401 | 94-19 |
| 4532341001 | 20-3 |
| 4532341001 | 22-3 |
| 4576536301 | 13-3 |
| 4581162501 | 7-8 |
| 55VA15541 | 73-3 |
| 55VA40930 | 69-14 |
| 55VA40930 | 75-12 |
| 55VA40930 | 78-12 |
| 56AA40490 | 1-2 |
| 56AA40490 | 38-16 |
| 56AA40490 | 71-19 |
| 56QA58070D | 76-1 |
| 56QA58070D | 79-1 |
| 56QA58150 | 79-2 |
| 56QA58490D | 76-3 |
| 56QA58490D | 79-3 |
| 65AA-9920 | 99-2 |
| 9313130051 | 57-1 |
| 9321240011 | 38-31 |
| 9335140071 | 86-13 |
| 9381430031 | 100-15 |
| 9J06M10300 | 24-3 |
| 9J06M60100 | 3-4 |
| 9J06M60100 | 36-18 |
| 9J06PJP100 | 99-3 |
| 9J07160200 | 80-11 |
| 9J07210802 | 7-17 |
| 9J07300801 | 84-8 |
| 9J07330102 | 87-7 |
| 9J07330801 | 87-6 |

| Parts No. | Page No. |
|------------|----------|
| 9J07331901 | 87-14 |
| 9J07340901 | 88-4 |
| 9J07341102 | 84-13 |
| A00F623201 | 38-18 |
| A00F941100 | 41-3 |
| A00F941100 | 42-3 |
| A00J164501 | 74-1 |
| A00J164501 | 77-1 |
| A00J169100 | 2-1 |
| A00J169100 | 5-19 |
| A00J169100 | 6-3 |
| A00J169100 | 100-3 |
| A00J169200 | 6-10 |
| A00J169300 | 19-27 |
| A00J169300 | 21-30 |
| A00J169300 | 46-1 |
| A00J265300 | 7-6 |
| A00J563600 | 87-11 |
| A00J606500 | 67-16 |
| A00J606500 | 73-4 |
| A00J606600 | 67-17 |
| A00J611900 | 66-3 |
| A00J612000 | 66-4 |
| A00J612200 | 66-5 |
| A00J612600 | 66-6 |
| A00J613401 | 64-1 |
| A00J613700 | 75-1 |
| A00J613700 | 78-1 |
| A00J615500 | 75-20 |
| A00J615500 | 78-20 |
| A00J617900 | 21-7 |
| A00J617900 | 71-3 |
| A00J617900 | 73-6 |
| A00J618400 | 64-2 |
| A00J623400 | 75-13 |
| A00J623400 | 78-13 |
| A00J660100 | 73-7 |
| A00J660700 | 71-4 |
| A00J660700 | 73-8 |
| A00J663200 | 19-16 |

| Parts No. | Page No. |
|------------|----------|
| A00J663200 | 21-15 |
| A00J663200 | 70-1 |
| A00J663200 | 72-2 |
| A00J663200 | 75-2 |
| A00J663200 | 78-2 |
| A00J945500 | 1-3 |
| A00JH00D00 | 1-4 |
| A00JH00D00 | 62-2 |
| A00V240600 | 88-18 |
| A00V240600 | 91-11 |
| A00V240600 | 93-3 |
| A02E149900 | 2-3 |
| A02E561100 | 19-14 |
| A02E561100 | 21-13 |
| A02E561100 | 70-2 |
| A02E561100 | 72-12 |
| A02E595100 | 38-36 |
| A02E595400 | 38-35 |
| A02E596100 | 38-25 |
| A02E596300 | 38-28 |
| A02E597600 | 39-27 |
| A02E815200 | 20-11 |
| A02E815200 | 22-11 |
| A02E815200 | 35-6 |
| A02E815200 | 42-9 |
| A02E815200 | 43-24 |
| A02E815200 | 72-3 |
| A02E940300 | 27-25 |
| A02E940300 | 29-25 |
| A02EM20100 | 38-29 |
| A02EN12513 | 60-1 |
| A034M20100 | 38-5 |
| A03U812800 | 54-1 |
| A03U812800 | 65-1 |
| A03U812800 | 66-20 |
| A03U812800 | 69-1 |
| A03U889900 | 65-2 |
| A07H570500 | 87-10 |
| A093940800 | 62-3 |
| A093H00100 | 63-2 |

| Parts No. | Page No. |
|------------|----------|
| A093M60000 | 63-3 |
| A0ED103100 | 15-1 |
| A0ED111000 | 17-3 |
| A0ED111400 | 17-4 |
| A0ED112000 | 17-5 |
| A0ED135700 | 60-2 |
| A0ED271200 | 8-6 |
| A0ED271300 | 8-7 |
| A0ED273600 | 9-10 |
| A0ED274200 | 9-23 |
| A0ED274300 | 9-12 |
| A0ED274400 | 9-13 |
| A0ED276301 | 9-11 |
| A0ED363200 | 14-1 |
| A0ED363400 | 14-2 |
| A0ED401000 | 13-4 |
| A0ED550800 | 34-2 |
| A0ED550900 | 34-3 |
| A0ED551100 | 34-4 |
| A0ED563900 | 20-7 |
| A0ED563900 | 22-7 |
| A0ED563900 | 69-15 |
| A0ED563900 | 71-20 |
| A0ED597800 | 38-30 |
| A0ED620200 | 29-16 |
| A0ED620701 | 27-34 |
| A0ED620701 | 29-34 |
| A0ED700200 | 31-6 |
| A0ED700300 | 31-18 |
| A0ED700700 | 31-19 |
| A0ED703800 | 34-5 |
| A0ED811700 | 35-1 |
| A0ED811700 | 42-15 |
| A0ED811900 | 35-4 |
| A0ED815100 | 43-7 |
| A0ED891100 | 47-4 |
| A0ED897700 | 48-18 |
| A0EDM10500 | 61-16 |
| A0EDM50100 | 19-8 |
| A0EDM50100 | 21-3 |

| Parts No. | Page No. | Parts No. | Page No. | Parts No. | Page No. | Parts No. | Page No. | Parts No. | Page No. |
|------------|----------|------------|----------|------------|----------|------------|----------|------------|----------|
| A0EDM50100 | 31-13 | A161110601 | 17-7 | A161270102 | 8-8 | A161576100 | 18-7 | A161621600 | 29-32 |
| A0EDM50100 | 64-3 | A161112101 | 17-18 | A161270600 | 8-10 | A161578214 | 21-1 | A161623400 | 23-16 |
| A0EDM50100 | 70-3 | A161112200 | 17-8 | A161271000 | 8-12 | A161578700 | 21-2 | A161623400 | 26-3 |
| A0EDM50100 | 71-5 | A161112300 | 17-9 | A161271000 | 9-22 | A161579011 | 18-5 | A161623400 | 28-3 |
| A0EDM50100 | 72-13 | A161112400 | 17-10 | A161271100 | 8-11 | A161590304 | 39-12 | A161623400 | 73-9 |
| A0EDM60001 | 16-1 | A161112500 | 17-11 | A161271100 | 9-21 | A161590600 | 38-27 | A161624100 | 27-3 |
| A0EDM60001 | 51-1 | A161112600 | 17-12 | A161273113 | 9-19 | A161590901 | 39-7 | A161624100 | 29-3 |
| A0HT561202 | 88-5 | A161112700 | 17-13 | A161273401 | 9-14 | A161591000 | 39-8 | A161626502 | 26-7 |
| A0HU250500 | 91-16 | A161116202 | 16-3 | A161273500 | 9-20 | A161591100 | 39-9 | A161626800 | 26-8 |
| A0P0662700 | 75-21 | A161119500 | 16-4 | A161273701 | 9-17 | A161591300 | 38-34 | A161626800 | 28-7 |
| A0P0662700 | 78-21 | A161121300 | 36-1 | A161273800 | 9-15 | A161591400 | 38-22 | A161626800 | 75-3 |
| A0P0742300 | 46-2 | A161122500 | 45-1 | A161274500 | 9-18 | A161591600 | 39-14 | A161626800 | 78-3 |
| A0P0742300 | 92-2 | A161137100 | 36-19 | A161274600 | 9-16 | A161591800 | 39-25 | A161631411 | 29-22 |
| A0P0M50300 | 58-1 | A161137600 | 61-14 | A161275300 | 9-8 | A161592200 | 40-1 | A161636502 | 28-6 |
| A0P0M50300 | 91-1 | A161137701 | 58-2 | A161275400 | 9-9 | A161592300 | 40-17 | A161701100 | 32-1 |
| A0P0N30000 | 60-10 | A161137900 | 61-25 | A161275500 | 9-6 | A161592400 | 40-5 | A161701301 | 31-5 |
| A0VDM50200 | 14-3 | A161138500 | 15-4 | A161275600 | 9-5 | A161592501 | 40-6 | A161701703 | 32-2 |
| A0VDM50200 | 16-2 | A161141700 | 55-2 | A161276000 | 9-4 | A161592600 | 40-7 | A161701900 | 31-4 |
| A0XW616000 | 67-5 | A161143400 | 59-8 | A161276500 | 9-7 | A161592800 | 38-39 | A161702000 | 31-3 |
| A108260700 | 85-19 | A161143601 | 59-1 | A161278600 | 8-1 | A161592900 | 36-21 | A161702101 | 32-3 |
| A108266300 | 93-15 | A161144500 | 59-5 | A161278900 | 8-2 | A161593300 | 38-23 | A161702200 | 31-2 |
| A108703100 | 86-4 | A161144801 | 55-3 | A161280211 | 7-23 | A161593400 | 39-6 | A161710500 | 35-7 |
| A108890500 | 84-9 | A161145000 | 59-3 | A161280300 | 7-24 | A161593600 | 39-10 | A161711200 | 34-6 |
| A108891300 | 84-11 | A161146600 | 55-4 | A161281100 | 7-26 | A161593800 | 40-10 | A161711300 | 35-11 |
| A108M50000 | 83-7 | A161151200 | 36-20 | A161281300 | 7-25 | A161594201 | 39-13 | A161711600 | 35-14 |
| A108M50000 | 86-8 | A161162400 | 5-13 | A161281600 | 7-11 | A161594300 | 40-13 | A161711700 | 35-12 |
| A161101600 | 23-20 | A161163900 | 2-4 | A161400601 | 13-5 | A161594500 | 39-1 | A161711901 | 34-7 |
| A161101701 | 23-19 | A161170800 | 6-4 | A161400800 | 13-6 | A161594600 | 39-3 | A161712000 | 35-17 |
| A161101900 | 23-4 | A161210200 | 50-13 | A161401000 | 13-7 | A161594700 | 38-7 | A161712100 | 35-15 |
| A161103901 | 23-10 | A161210200 | 82-7 | A161401300 | 13-8 | A161595000 | 39-22 | A161712401 | 34-8 |
| A161104101 | 33-1 | A161210200 | 83-13 | A161403000 | 13-9 | A161595100 | 39-20 | A161712700 | 34-9 |
| A161104200 | 23-3 | A161230700 | 54-2 | A161403200 | 13-10 | A161595300 | 39-17 | A161712800 | 35-19 |
| A161104300 | 23-1 | A161232200 | 54-3 | A161404200 | 13-11 | A161595400 | 39-24 | A161712800 | 43-10 |
| A161105200 | 23-15 | A161254600 | 54-4 | A161561100 | 18-2 | A161620400 | 29-10 | A161713500 | 35-18 |
| A161105400 | 10-4 | A161261902 | 7-16 | A161561200 | 18-3 | A161620600 | 27-4 | A161714500 | 35-16 |
| A161105500 | 49-1 | A161262002 | 7-19 | A161563300 | 69-16 | A161620600 | 29-4 | A161714600 | 35-9 |
| A161105600 | 15-2 | A161262200 | 7-15 | A161564300 | 69-2 | A161620701 | 27-5 | A161719000 | 35-2 |
| A161107100 | 15-3 | A161263000 | 7-12 | A161564400 | 69-3 | A161620701 | 29-5 | A161810305 | 36-16 |
| A161107100 | 19-32 | A161268200 | 7-4 | A161565102 | 18-4 | A161621411 | 27-22 | A161811001 | 36-5 |
| A161110300 | 17-6 | A161268300 | 7-3 | A161571100 | 21-4 | A161621600 | 27-32 | A161811302 | 36-10 |

| Parts No. | Page No. | Parts No. | Page No. | Parts No. | Page No. | Parts No. | Page No. | Parts No. | Page No. |
|------------|----------|------------|----------|------------|----------|------------|----------|------------|----------|
| A161811500 | 36-4 | A161895601 | 47-9 | A2XM592602 | 71-7 | A5C1591900 | 38-38 | A5C1M50100 | 88-37 |
| A161813001 | 43-29 | A161900100 | 48-20 | A2XM593500 | 68-7 | A5C1627103 | 24-4 | A5C1M50100 | 91-22 |
| A161813100 | 43-30 | A161900201 | 47-10 | A2XM628200 | 76-4 | A5C1627300 | 24-6 | A5C1M50100 | 92-5 |
| A161813200 | 43-9 | A161943000 | 3-5 | A2XM628200 | 79-4 | A5C1627900 | 24-5 | A5C1M50100 | 93-37 |
| A161813300 | 42-13 | A161943301 | 100-8 | A2XM631900 | 65-4 | A5C1628000 | 24-12 | A5C1M50100 | 94-13 |
| A161813400 | 43-14 | A161943400 | 100-7 | A2XM632000 | 65-5 | A5C1628500 | 26-17 | A5C1M92000 | 5-2 |
| A161813600 | 43-4 | A161F59002 | 38-43 | A2XM942312 | 62-4 | A5C1628500 | 28-16 | A5C1N14300 | 9-1 |
| A161814401 | 43-2 | A161M10300 | 54-5 | A2XMN10M00 | 63-5 | A5C1700101 | 31-7 | A61DM10000 | 49-4 |
| A161814601 | 42-8 | A161M20300 | 49-2 | A2XMR70011 | 62-5 | A5C1700800 | 31-17 | A61F100600 | 59-9 |
| A161814700 | 42-10 | A161M50000 | 32-4 | A3CK272001 | 89-7 | A5C1703201 | 31-20 | A61F140200 | 10-1 |
| A161815000 | 36-11 | A161M50400 | 40-12 | A3CK272600 | 89-6 | A5C1711500 | 35-13 | A64J257800 | 49-5 |
| A161815100 | 41-2 | A161M50501 | 24-9 | A3CK300102 | 92-3 | A5C1711801 | 34-11 | A64J363700 | 14-5 |
| A161815300 | 36-15 | A161M50600 | 24-13 | A3CK300200 | 91-25 | A5C1811101 | 36-6 | A64J564101 | 19-13 |
| A161815300 | 67-6 | A161M50A00 | 7-22 | A3CK300200 | 92-4 | A5C1811803 | 43-6 | A64J564101 | 21-12 |
| A161815400 | 36-14 | A161N11300 | 58-3 | A3CK565100 | 88-8 | A5C1811901 | 43-32 | A64J564101 | 70-5 |
| A161815400 | 67-7 | A161N11C01 | 6-8 | A3CK568300 | 88-11 | A5C1814200 | 43-13 | A64J564101 | 72-14 |
| A161815500 | 67-8 | A161N11K00 | 58-4 | A3CK940000 | 93-16 | A5C1814300 | 42-17 | A64J564201 | 19-20 |
| A161815800 | 41-7 | A161N12701 | 21-5 | A3CKH00200 | 90-4 | A5C1825000 | 43-26 | A64J564201 | 21-18 |
| A161815900 | 36-7 | A161N12801 | 13-12 | A3CKM20000 | 85-3 | A5C1M50100 | 3-6 | A64J564201 | 70-6 |
| A161816200 | 36-12 | A161N14000 | 8-9 | A3EWM90200 | 45-2 | A5C1M50100 | 7-13 | A64J564201 | 72-15 |
| A161816400 | 42-14 | A161N14100 | 7-9 | A49FM90000 | 66-22 | A5C1M50100 | 13-14 | A64J709100 | 35-3 |
| A161819200 | 43-25 | A161N14201 | 7-14 | A55D941100 | 6-9 | A5C1M50100 | 14-4 | A64J719100 | 34-13 |
| A161819500 | 43-31 | A161R72811 | 55-5 | A5AWP00100 | 99-1 | A5C1M50100 | 19-25 | A64J815500 | 36-13 |
| A161825000 | 43-27 | A1RF824100 | 69-4 | A5C1104400 | 23-7 | A5C1M50100 | 21-26 | A64J891100 | 47-11 |
| A161825301 | 39-28 | A1UD192400 | 23-14 | A5C1104700 | 23-6 | A5C1M50100 | 24-7 | A64JM20000 | 21-28 |
| A161825301 | 43-5 | A1UDM50100 | 83-10 | A5C1104800 | 23-5 | A5C1M50100 | 32-5 | A64JM20000 | 66-7 |
| A161825400 | 43-15 | A1UDM50200 | 7-5 | A5C1105500 | 15-5 | A5C1M50100 | 34-12 | A64JM20000 | 70-7 |
| A161825700 | 35-8 | A2X0666900 | 75-4 | A5C1112800 | 17-14 | A5C1M50100 | 35-24 | A64JM20000 | 72-5 |
| A161825700 | 43-8 | A2X0666900 | 78-4 | A5C1112900 | 17-15 | A5C1M50100 | 38-37 | A782100001 | 89-4 |
| A161825800 | 5-1 | A2X0M10000 | 49-3 | A5C1134800 | 58-5 | A5C1M50100 | 39-26 | A782100200 | 89-19 |
| A161825800 | 43-16 | A2X0M10600 | 42-20 | A5C1192104 | 100-5 | A5C1M50100 | 40-4 | A782100301 | 89-14 |
| A161826001 | 43-28 | A2X0M10800 | 85-14 | A5C1263300 | 7-21 | A5C1M50100 | 43-11 | A782100400 | 89-13 |
| A161891000 | 48-7 | A2X0M10800 | 94-4 | A5C1263400 | 7-7 | A5C1M50100 | 63-6 | A782100501 | 89-16 |
| A161892300 | 48-8 | A2X0M12101 | 63-4 | A5C1280101 | 7-20 | A5C1M50100 | 70-4 | A782100600 | 89-17 |
| A161892400 | 47-5 | A2XK144201 | 10-11 | A5C1404600 | 13-13 | A5C1M50100 | 71-2 | A782100701 | 89-18 |
| A161892400 | 48-22 | A2XK709000 | 21-29 | A5C1551701 | 34-10 | A5C1M50100 | 72-4 | A782101000 | 85-18 |
| A161893601 | 48-2 | A2XM563401 | 67-9 | A5C1562200 | 38-17 | A5C1M50100 | 83-5 | A782101600 | 85-17 |
| A161894000 | 47-6 | A2XM563600 | 67-10 | A5C1563400 | 69-17 | A5C1M50100 | 84-10 | A782101700 | 81-10 |
| A161894100 | 47-7 | A2XM564000 | 67-11 | A5C1565600 | 69-18 | A5C1M50100 | 85-15 | A782101900 | 94-14 |
| A161895503 | 47-8 | A2XM591002 | 71-6 | A5C1591200 | 38-32 | A5C1M50100 | 86-15 | A782103200 | 94-12 |

| Parts No. | Page No. | Parts No. | Page No. | Parts No. | Page No. | Parts No. | Page No. | Parts No. | Page No. |
|------------|----------|------------|----------|------------|----------|------------|----------|------------|----------|
| A782103600 | 93-24 | A782211800 | 85-7 | A782266300 | 93-23 | A782569900 | 94-3 | A782710000 | 88-16 |
| A782104301 | 92-6 | A782212000 | 85-5 | A782266401 | 93-21 | A782570602 | 87-16 | A782710100 | 88-17 |
| A782104500 | 94-17 | A782212300 | 91-4 | A782266502 | 93-14 | A782571800 | 84-7 | A782710201 | 88-15 |
| A782105001 | 81-4 | A782212702 | 85-12 | A782266601 | 93-27 | A782572000 | 82-9 | A782710806 | 88-13 |
| A782105101 | 81-3 | A782214300 | 85-8 | A782266700 | 93-32 | A782572101 | 84-4 | A782711901 | 88-2 |
| A782106200 | 80-24 | A782215100 | 88-31 | A782266800 | 93-22 | A782572101 | 86-10 | A782712300 | 88-12 |
| A782110600 | 80-16 | A782215800 | 85-10 | A782266900 | 93-13 | A782572900 | 82-11 | A782714100 | 88-26 |
| A782111000 | 81-8 | A782230700 | 91-36 | A782267000 | 93-25 | A782573401 | 82-12 | A782714200 | 88-1 |
| A782111100 | 81-9 | A782231000 | 91-10 | A782267100 | 93-28 | A782573501 | 87-5 | A782890111 | 94-16 |
| A782111200 | 81-14 | A782262101 | 91-30 | A782267200 | 93-19 | A782573800 | 82-6 | A782890200 | 94-18 |
| A782112305 | 80-15 | A782262200 | 91-21 | A782268001 | 93-31 | A782573901 | 84-12 | A782890711 | 94-9 |
| A782114100 | 80-21 | A782262300 | 91-33 | A782268201 | 93-29 | A782576000 | 88-10 | A782891500 | 94-11 |
| A782115700 | 88-25 | A782262501 | 91-26 | A782268301 | 92-16 | A782576100 | 87-1 | A782891600 | 94-6 |
| A782115700 | 91-3 | A782262700 | 91-31 | A782268500 | 92-17 | A782600101 | 83-4 | A782891800 | 83-15 |
| A782115700 | 93-4 | A782262800 | 81-11 | A782269200 | 91-29 | A782600900 | 83-9 | A782891901 | 83-14 |
| A782115800 | 94-8 | A782262800 | 91-23 | A782269200 | 92-18 | A782601500 | 83-6 | A782940300 | 93-20 |
| A782116201 | 90-5 | A782262900 | 91-15 | A782269300 | 92-19 | A782700400 | 86-11 | A782945003 | 100-2 |
| A782116301 | 90-3 | A782263000 | 91-17 | A782269500 | 92-20 | A782700900 | 87-26 | A782M10000 | 88-23 |
| A782116801 | 89-5 | A782263212 | 92-7 | A782561000 | 83-22 | A782701000 | 86-19 | A782M10000 | 91-39 |
| A782117000 | 81-2 | A782263300 | 91-24 | A782561801 | 84-14 | A782701100 | 86-18 | A782N10000 | 80-4 |
| A782117100 | 81-5 | A782263700 | 91-34 | A782561900 | 84-6 | A782701200 | 86-17 | A782N10300 | 83-21 |
| A782117500 | 80-19 | A782263801 | 91-14 | A782562001 | 83-8 | A782701501 | 86-27 | A782N10400 | 83-23 |
| A782117600 | 80-20 | A782264000 | 92-8 | A782562101 | 87-2 | A782701900 | 87-25 | A782N10700 | 93-35 |
| A782117700 | 93-26 | A782264202 | 92-9 | A782562101 | 92-21 | A782702600 | 87-24 | A782N10900 | 90-2 |
| A782117800 | 93-36 | A782264300 | 91-28 | A782562400 | 83-17 | A782702700 | 87-22 | A782N11100 | 86-16 |
| A782117900 | 88-19 | A782264300 | 92-10 | A782562400 | 87-21 | A782702801 | 86-20 | A782N11800 | 49-6 |
| A782117900 | 91-12 | A782264501 | 91-27 | A782562600 | 83-11 | A782703001 | 87-23 | A782N11800 | 81-13 |
| A782117900 | 93-6 | A782264600 | 92-11 | A782563800 | 93-9 | A782703401 | 87-27 | A782N11800 | 93-34 |
| A782118000 | 91-20 | A782264700 | 92-12 | A782565301 | 86-14 | A782704101 | 86-2 | A782N12001 | 90-6 |
| A782118300 | 91-13 | A782264800 | 92-13 | A782566000 | 82-10 | A782704200 | 86-21 | A782N12200 | 90-7 |
| A782119300 | 80-17 | A782264900 | 81-12 | A782566800 | 83-18 | A782704200 | 88-14 | A782N12300 | 91-2 |
| A782125500 | 81-6 | A782265102 | 93-8 | A782568200 | 88-6 | A782704301 | 86-26 | A782N12400 | 92-23 |
| A782130301 | 81-1 | A782265201 | 92-14 | A782568600 | 88-7 | A782704400 | 86-3 | A782N12600 | 91-9 |
| A782130500 | 82-5 | A782265300 | 92-15 | A782568701 | 88-9 | A782704501 | 86-9 | A782N12700 | 88-27 |
| A782130600 | 80-3 | A782265600 | 93-11 | A782568901 | 87-8 | A782704800 | 86-12 | A782N20400 | 88-34 |
| A782211300 | 85-9 | A782265700 | 93-10 | A782569000 | 87-3 | A782705600 | 86-6 | A782R70800 | 87-28 |
| A782211400 | 85-13 | A782265800 | 93-33 | A782569200 | 87-12 | A782705600 | 88-35 | A795273900 | 9-24 |
| A782211500 | 85-20 | A782266000 | 93-12 | A782569300 | 87-4 | A782705600 | 91-42 | A795275700 | 9-3 |
| A782211600 | 85-2 | A782266100 | 93-30 | A782569801 | 87-9 | A782707201 | 86-25 | A795565500 | 27-30 |
| A782211700 | 85-11 | A782266200 | 93-18 | A782569900 | 87-13 | A782707400 | 86-24 | A795565500 | 29-30 |

| Parts No. | Page No. | Parts No. | Page No. | Parts No. | Page No. | Parts No. | Page No. | Parts No. | Page No. |
|------------|----------|------------|----------|------------|----------|------------|----------|------------|----------|
| A795565700 | 27-18 | A79J149100 | 2-22 | A79J811200 | 42-16 | A79J898300 | 47-19 | A7AH571100 | 72-24 |
| A795565700 | 29-18 | A79J149200 | 2-23 | A79J811700 | 43-1 | A79JM90900 | 43-34 | A7AHM50400 | 32-6 |
| A795565800 | 27-20 | A79J149200 | 101-2 | A79J812202 | 42-7 | A79JN10Q00 | 48-30 | A7PU101500 | 1-5 |
| A795565800 | 29-20 | A79J149200 | 101-8 | A79J813700 | 42-12 | A79JPJG000 | 99-5 | A7PU102201 | 23-13 |
| A795565900 | 27-19 | A79J149300 | 101-3 | A79J813903 | 43-17 | A79JPJP000 | 99-4 | A7PU102301 | 23-12 |
| A795565900 | 29-19 | A79J149300 | 101-9 | A79J814901 | 41-9 | A7AH561300 | 71-21 | A7PU106100 | 24-14 |
| A795611800 | 66-8 | A79J162201 | 2-5 | A79J819000 | 42-18 | A7AH561601 | 21-10 | A7PU109000 | 17-17 |
| A795621901 | 27-21 | A79J168200 | 101-4 | A79J819800 | 42-19 | A7AH561601 | 70-8 | A7PU109100 | 2-6 |
| A795621901 | 29-21 | A79J220000 | 50-10 | A79J821000 | 3-8 | A7AH561601 | 72-16 | A7PU130400 | 61-17 |
| A795622700 | 27-8 | A79J220701 | 50-17 | A79J821000 | 43-19 | A7AH562100 | 19-19 | A7PU135700 | 60-5 |
| A795622700 | 29-8 | A79J220800 | 50-20 | A79J830001 | 44-13 | A7AH562100 | 21-23 | A7PU139800 | 61-19 |
| A795669100 | 76-5 | A79J220901 | 50-1 | A79J830100 | 44-3 | A7AH562100 | 72-17 | A7PU140100 | 61-15 |
| A795669100 | 79-5 | A79J222500 | 50-19 | A79J830600 | 42-2 | A7AH562300 | 19-17 | A7PU141800 | 58-6 |
| A797102701 | 45-3 | A79J223101 | 50-9 | A79J831000 | 44-8 | A7AH562300 | 21-16 | A7PU166101 | 2-7 |
| A797105400 | 15-6 | A79J226200 | 50-6 | A79J831100 | 42-6 | A7AH562300 | 70-9 | A7PU168500 | 5-20 |
| A797564400 | 20-12 | A79J226301 | 50-7 | A79J831200 | 44-2 | A7AH562300 | 72-18 | A7PU168600 | 5-21 |
| A797564400 | 22-12 | A79J226400 | 50-8 | A79J831300 | 44-4 | A7AH562400 | 19-15 | A7PU169900 | 100-1 |
| A79J101801 | 10-8 | A79J226500 | 50-11 | A79J831501 | 42-1 | A7AH562400 | 21-14 | A7PU170702 | 6-1 |
| A79J120700 | 56-9 | A79J226600 | 50-5 | A79J831600 | 42-4 | A7AH562400 | 70-10 | A7PU593500 | 40-14 |
| A79J120801 | 56-10 | A79J226700 | 50-12 | A79J832000 | 44-6 | A7AH562400 | 72-19 | A7PU593700 | 40-9 |
| A79J122200 | 3-7 | A79J226800 | 50-16 | A79J832100 | 44-10 | A7AH562600 | 19-21 | A7PU594000 | 39-18 |
| A79J122200 | 36-22 | A79J240400 | 52-1 | A79J832200 | 44-14 | A7AH562600 | 21-19 | A7PU595500 | 40-18 |
| A79J134701 | 49-7 | A79J253000 | 50-18 | A79J832300 | 44-12 | A7AH562600 | 70-11 | A7PU596800 | 39-11 |
| A79J136000 | 60-3 | A79J253300 | 50-3 | A79J832400 | 44-7 | A7AH562600 | 72-20 | A7PU596900 | 38-33 |
| A79J139000 | 60-4 | A79J254200 | 49-8 | A79J891300 | 48-27 | A7AH562801 | 70-12 | A7PU599300 | 40-11 |
| A79J139000 | 60-14 | A79J259800 | 50-2 | A79J892000 | 48-9 | A7AH562801 | 72-21 | A7PU627500 | 24-8 |
| A79J140502 | 56-15 | A79J401400 | 13-15 | A79J893200 | 47-12 | A7AH562900 | 19-18 | A7PU701000 | 32-7 |
| A79J140801 | 59-6 | A79J401600 | 13-16 | A79J893501 | 48-13 | A7AH562900 | 21-17 | A7PU701100 | 30-2 |
| A79J140900 | 59-10 | A79J401700 | 13-17 | A79J893700 | 48-16 | A7AH562900 | 72-22 | A7PU810201 | 41-8 |
| A79J141501 | 56-4 | A79J401800 | 13-18 | A79J893800 | 48-15 | A7AH563101 | 71-22 | A7PU890700 | 48-10 |
| A79J142600 | 56-17 | A79J401900 | 13-19 | A79J894000 | 47-13 | A7AH563400 | 19-22 | A7PU941701 | 2-8 |
| A79J142701 | 56-16 | A79J508400 | 17-16 | A79J894500 | 48-14 | A7AH563400 | 21-20 | A7PU944900 | 40-19 |
| A79J143300 | 101-1 | A79J566000 | 27-6 | A79J895200 | 47-14 | A7AH563400 | 70-13 | A7PUF60001 | 40-15 |
| A79J143600 | 55-6 | A79J566000 | 29-6 | A79J895400 | 47-15 | A7AH563400 | 72-23 | A7PUM10600 | 14-6 |
| A79J143600 | 56-11 | A79J576400 | 19-28 | A79J895603 | 47-16 | A7AH564112 | 72-6 | A7PUM10600 | 52-3 |
| A79J143800 | 56-13 | A79J622500 | 27-7 | A79J895702 | 47-17 | A7AH564401 | 72-7 | A7PUM10700 | 13-20 |
| A79J145100 | 56-2 | A79J622500 | 29-7 | A79J895800 | 47-18 | A7AH565000 | 20-8 | A7PUM10700 | 35-36 |
| A79J145200 | 56-1 | A79J700800 | 31-8 | A79J897300 | 35-10 | A7AH565000 | 22-8 | A7PUM11100 | 66-9 |
| A79J147501 | 10-12 | A79J701000 | 31-12 | A79J897300 | 50-4 | A7AH565000 | 71-23 | A7PUM72100 | 4-2 |
| A79J148304 | 56-14 | A79J810902 | 43-12 | A79J897300 | 54-6 | A7AH565702 | 72-8 | A7PUN10700 | 61-11 |

| Parts No. | Page No. | Parts No. | Page No. | Parts No. | Page No. | Parts No. | Page No. | Parts No. | Page No. |
|------------|----------|------------|----------|------------|----------|------------|----------|------------|----------|
| A7PUN10800 | 61-10 | AA2J134100 | 10-15 | AA2J191401 | 4-10 | AA2J256300 | 54-22 | AA2J565400 | 19-7 |
| A7PUN10B01 | 40-16 | AA2J134201 | 10-6 | AA2J191500 | 4-11 | AA2J258500 | 54-23 | AA2J565700 | 19-6 |
| A85GM50000 | 91-5 | AA2J134401 | 14-7 | AA2J191512 | 4-11 | AA2J363000 | 14-12 | AA2J565700 | 21-11 |
| A85Y375100 | 3-9 | AA2J134601 | 4-3 | AA2J191800 | 4-13 | AA2J368001 | 14-13 | AA2J566000 | 19-2 |
| A860571900 | 62-6 | AA2J135101 | 61-12 | AA2J192100 | 4-14 | AA2J369101 | 14-14 | AA2J567500 | 20-1 |
| A90GN15300 | 5-3 | AA2J135301 | 60-8 | AA2J192200 | 4-15 | AA2J369301 | 14-16 | AA2J568401 | 20-2 |
| A92T940800 | 6-6 | AA2J136100 | 1-7 | AA2J192302 | 4-16 | AA2J369600 | 14-15 | AA2J568900 | 20-4 |
| A93E944400 | 74-3 | AA2J137600 | 61-2 | AA2J192501 | 4-17 | AA2J400001 | 13-21 | AA2J569000 | 22-4 |
| A93E944400 | 77-10 | AA2J137902 | 58-10 | AA2J192602 | 5-10 | AA2J400100 | 13-22 | AA2J571100 | 19-5 |
| A93E944500 | 74-3 | AA2J137902 | 61-22 | AA2J192801 | 4-18 | AA2J400400 | 13-23 | AA2J571200 | 19-4 |
| A93E944500 | 77-10 | AA2J139800 | 61-23 | AA2J193000 | 5-11 | AA2J400700 | 13-24 | AA2J574101 | 22-13 |
| A93EM10000 | 10-2 | AA2J140600 | 45-4 | AA2J193200 | 4-20 | AA2J401100 | 13-25 | AA2J575202 | 21-9 |
| A93EM10000 | 56-8 | AA2J160511 | 1-8 | AA2J193300 | 4-23 | AA2J402101 | 12-3 | AA2J575300 | 21-8 |
| A93EM10000 | 58-7 | AA2J160703 | 1-9 | AA2J195000 | 4-21 | AA2J402401 | 12-4 | AA2J577500 | 22-1 |
| A93EM10000 | 59-7 | AA2J160802 | 1-10 | AA2J195100 | 4-12 | AA2J402500 | 12-5 | AA2J578100 | 21-6 |
| A93EM10600 | 44-11 | AA2J160902 | 2-10 | AA2J228100 | 54-7 | AA2J402600 | 12-6 | AA2J578401 | 22-2 |
| A93EM10600 | 55-7 | AA2J161805 | 2-11 | AA2J228200 | 54-8 | AA2J402800 | 13-26 | AA2J579603 | 19-23 |
| A93EM10600 | 56-12 | AA2J163200 | 3-12 | AA2J229000 | 54-9 | AA2J403100 | 13-27 | AA2J579603 | 21-25 |
| A93EM60000 | 1-6 | AA2J163400 | 2-12 | AA2J229100 | 54-10 | AA2J403300 | 13-28 | AA2J590100 | 39-16 |
| A9HFR71200 | 102-1 | AA2J164400 | 2-13 | AA2J229202 | 54-11 | AA2J404300 | 13-29 | AA2J590202 | 38-11 |
| A9HG830701 | 44-9 | AA2J164603 | 3-13 | AA2J229300 | 54-12 | AA2J405500 | 13-30 | AA2J590300 | 38-2 |
| A9UVN14101 | 97-2 | AA2J165100 | 1-11 | AA2J229400 | 54-13 | AA2J550701 | 34-14 | AA2J590900 | 38-1 |
| AA2J101100 | 23-11 | AA2J165200 | 3-14 | AA2J229500 | 54-14 | AA2J551000 | 34-15 | AA2J591000 | 38-41 |
| AA2J104003 | 23-18 | AA2J165300 | 3-15 | AA2J229600 | 54-15 | AA2J551500 | 34-16 | AA2J591500 | 38-40 |
| AA2J106000 | 23-9 | AA2J165500 | 3-16 | AA2J229711 | 54-16 | AA2J551600 | 34-17 | AA2J591600 | 38-3 |
| AA2J107500 | 58-8 | AA2J168700 | 2-14 | AA2J232400 | 54-17 | AA2J560000 | 20-6 | AA2J591900 | 38-13 |
| AA2J110100 | 17-19 | AA2J169100 | 1-12 | AA2J240101 | 52-4 | AA2J560000 | 22-6 | AA2J592000 | 38-15 |
| AA2J110200 | 17-20 | AA2J169201 | 1-13 | AA2J240600 | 52-5 | AA2J560000 | 69-19 | AA2J592100 | 38-20 |
| AA2J110202 | 17-20 | AA2J170104 | 6-5 | AA2J241502 | 52-6 | AA2J560000 | 71-24 | AA2J592200 | 38-21 |
| AA2J121201 | 36-2 | AA2J170403 | 6-2 | AA2J241700 | 52-2 | AA2J560500 | 19-11 | AA2J592301 | 38-8 |
| AA2J130101 | 15-7 | AA2J171800 | 5-7 | AA2J242100 | 52-4 | AA2J560500 | 21-21 | AA2J592401 | 38-6 |
| AA2J130400 | 3-10 | AA2J171900 | 5-8 | AA2J242500 | 52-6 | AA2J561301 | 20-9 | AA2J592600 | 38-19 |
| AA2J130501 | 3-11 | AA2J173300 | 5-9 | AA2J245003 | 14-8 | AA2J561301 | 22-9 | AA2J592701 | 38-12 |
| AA2J130801 | 60-6 | AA2J190102 | 4-4 | AA2J245100 | 14-9 | AA2J561600 | 19-10 | AA2J592800 | 38-42 |
| AA2J131100 | 61-7 | AA2J190201 | 4-5 | AA2J245200 | 14-10 | AA2J563103 | 20-10 | AA2J592900 | 38-24 |
| AA2J131401 | 60-7 | AA2J190212 | 4-5 | AA2J245300 | 14-11 | AA2J563103 | 22-10 | AA2J593000 | 39-5 |
| AA2J131602 | 61-18 | AA2J191000 | 4-6 | AA2J254200 | 54-18 | AA2J563801 | 20-5 | AA2J593100 | 38-9 |
| AA2J131903 | 61-3 | AA2J191100 | 4-7 | AA2J254300 | 54-19 | AA2J563801 | 22-5 | AA2J593200 | 39-2 |
| AA2J132301 | 2-9 | AA2J191201 | 4-8 | AA2J254400 | 54-20 | AA2J564200 | 20-13 | AA2J593301 | 39-4 |
| AA2J133000 | 58-9 | AA2J191300 | 4-9 | AA2J255700 | 54-21 | AA2J565300 | 19-9 | AA2J593400 | 40-20 |

| Parts No. | Page No. | Parts No. | Page No. | Parts No. | Page No. | Parts No. | Page No. | Parts No. | Page No. |
|------------|----------|------------|----------|------------|----------|------------|----------|------------|----------|
| AA2J593500 | 40-21 | AA2J626600 | 26-16 | AA2J716700 | 31-14 | AA2J947200 | 25-3 | AA7N140500 | 45-5 |
| AA2J593601 | 40-8 | AA2J626600 | 28-15 | AA2J810102 | 41-1 | AA2J947200 | 41-5 | AA7N143001 | 56-3 |
| AA2J593700 | 38-4 | AA2J626702 | 26-11 | AA2J810511 | 43-23 | AA2J947400 | 25-5 | AA7N143200 | 56-7 |
| AA2J593800 | 38-26 | AA2J626702 | 28-10 | AA2J810611 | 43-21 | AA2J947800 | 23-17 | AA7N143400 | 56-6 |
| AA2J593900 | 40-2 | AA2J626702 | 74-2 | AA2J810800 | 43-20 | AA2J948600 | 5-22 | AA7N145200 | 55-8 |
| AA2J594201 | 39-23 | AA2J626702 | 77-2 | AA2J811600 | 36-8 | AA2J948600 | 100-4 | AA7N145300 | 10-17 |
| AA2J594301 | 38-10 | AA2J626900 | 26-14 | AA2J812100 | 36-23 | AA2JH00C00 | 61-5 | AA7N145401 | 10-13 |
| AA2J594500 | 39-15 | AA2J626900 | 28-13 | AA2J814500 | 43-22 | AA2JH02T00 | 61-6 | AA7N145701 | 10-14 |
| AA2J595000 | 38-14 | AA2J628601 | 27-31 | AA2J815200 | 36-9 | AA2JM10400 | 47-20 | AA7N146300 | 10-5 |
| AA2J620102 | 27-24 | AA2J628601 | 29-31 | AA2J815700 | 41-6 | AA2JM70006 | 4-22 | AA7N146400 | 55-9 |
| AA2J620200 | 27-16 | AA2J628700 | 27-28 | AA2J825100 | 43-18 | AA2JM70600 | 5-15 | AA7N146500 | 55-10 |
| AA2J620400 | 27-10 | AA2J628700 | 29-28 | AA2J890201 | 48-5 | AA2JM72002 | 5-16 | AA7N146600 | 55-11 |
| AA2J620804 | 27-15 | AA2J628800 | 27-33 | AA2J890402 | 48-4 | AA2JM72100 | 5-17 | AA7N146800 | 55-12 |
| AA2J620804 | 29-15 | AA2J628800 | 29-33 | AA2J891100 | 48-19 | AA2JM72700 | 61-8 | AA7N146900 | 55-13 |
| AA2J620901 | 27-1 | AA2J628901 | 27-27 | AA2J891500 | 48-31 | AA2JN10J00 | 1-15 | AA7N147400 | 10-16 |
| AA2J620901 | 29-1 | AA2J628901 | 29-27 | AA2J900300 | 48-6 | AA2JN10S00 | 38-44 | AA7N147500 | 55-14 |
| AA2J621000 | 27-13 | AA2J629000 | 27-29 | AA2J901101 | 48-3 | AA2JN10T00 | 24-2 | AA7N147600 | 55-15 |
| AA2J621000 | 29-13 | AA2J629000 | 29-29 | AA2J941200 | 28-17 | AA2JN14500 | 8-4 | AA7N147700 | 55-16 |
| AA2J621100 | 27-35 | AA2J629200 | 27-26 | AA2J941300 | 26-19 | AA2JN15600 | 5-12 | AA7N147901 | 55-17 |
| AA2J621100 | 29-35 | AA2J629200 | 29-26 | AA2J941500 | 26-20 | AA2JN15701 | 5-18 | AA7N148000 | 55-18 |
| AA2J621200 | 27-14 | AA2J629600 | 26-6 | AA2J941600 | 26-18 | AA2JN15B00 | 61-4 | AA7N148200 | 55-19 |
| AA2J621200 | 29-14 | AA2J630102 | 29-24 | AA2J942400 | 25-4 | AA2JR70800 | 1-14 | AA7N148300 | 45-6 |
| AA2J621300 | 27-11 | AA2J633101 | 28-2 | AA2J942500 | 25-4 | AA2JR71011 | 14-18 | AA7N148500 | 55-20 |
| AA2J621300 | 29-11 | AA2J635001 | 28-11 | AA2J943000 | 3-17 | AA2JR72200 | 24-1 | AA7N162000 | 1-16 |
| AA2J621500 | 27-12 | AA2J635101 | 28-8 | AA2J943100 | 26-13 | AA2JR72422 | 25-1 | AA7N162101 | 2-15 |
| AA2J621500 | 29-12 | AA2J700300 | 32-8 | AA2J943200 | 28-12 | AA2JR72511 | 25-2 | AA7N163302 | 1-17 |
| AA2J621600 | 27-36 | AA2J701200 | 30-3 | AA2J943500 | 28-18 | AA2JR73200 | 7-1 | AA7N163400 | 1-18 |
| AA2J622101 | 26-5 | AA2J710204 | 35-5 | AA2J943600 | 28-19 | AA2JR73300 | 7-2 | AA7N164300 | 2-16 |
| AA2J622101 | 28-5 | AA2J710302 | 34-18 | AA2J943701 | 27-2 | AA2JR73400 | 13-31 | AA7N166600 | 1-19 |
| AA2J623101 | 26-2 | AA2J710402 | 35-21 | AA2J943701 | 29-2 | AA2JR73600 | 14-17 | AA7N168501 | 2-17 |
| AA2J623300 | 26-4 | AA2J710602 | 34-19 | AA2J944100 | 37-2 | AA6RM10500 | 49-9 | AA7N216100 | 49-10 |
| AA2J623300 | 28-4 | AA2J710701 | 34-20 | AA2J944200 | 37-2 | AA6RN30000 | 60-9 | AA7N221200 | 50-14 |
| AA2J624300 | 26-1 | AA2J710900 | 34-21 | AA2J944300 | 41-4 | AA7N101500 | 18-6 | AA7N221400 | 49-11 |
| AA2J624300 | 28-1 | AA2J711000 | 34-22 | AA2J944400 | 41-4 | AA7N130100 | 58-11 | AA7N221700 | 49-12 |
| AA2J625000 | 26-12 | AA2J712100 | 36-3 | AA2J944500 | 40-3 | AA7N130300 | 58-12 | AA7N222200 | 49-13 |
| AA2J625101 | 26-9 | AA2J712300 | 33-2 | AA2J946100 | 42-11 | AA7N130400 | 58-13 | AA7N222400 | 49-14 |
| AA2J625201 | 26-15 | AA2J712500 | 34-23 | AA2J946400 | 34-27 | AA7N131101 | 15-8 | AA7N228000 | 54-25 |
| AA2J625201 | 28-14 | AA2J715100 | 34-24 | AA2J946500 | 34-28 | AA7N131702 | 58-14 | AA7N230500 | 54-26 |
| AA2J625300 | 26-10 | AA2J716000 | 34-25 | AA2J947100 | 25-3 | AA7N131800 | 58-15 | AA7N231300 | 54-27 |
| AA2J625300 | 28-9 | AA2J716100 | 34-26 | AA2J947100 | 41-5 | AA7N135502 | 3-18 | AA7N240300 | 52-7 |

| Parts No. | Page No. | Parts No. | Page No. | Parts No. | Page No. | Parts No. | Page No. | Parts No. | Page No. |
|------------|----------|------------|----------|------------|----------|------------|----------|------------|----------|
| AA7N401401 | 11-1 | AA7N718400 | 35-23 | AA7NN10K01 | 35-35 | AAMP212500 | 94-5 | AAMP719401 | 87-19 |
| AA7N401501 | 11-6 | AA7N718500 | 35-26 | AA7NN10M00 | 42-21 | AAMP212601 | 88-22 | AAMP719501 | 87-18 |
| AA7N401501 | 12-7 | AA7N718600 | 35-34 | AA7NN10N00 | 43-33 | AAMP213000 | 88-24 | AAMP719600 | 86-22 |
| AA7N401600 | 11-5 | AA7N718700 | 35-37 | AA7NN10P00 | 19-24 | AAMP213100 | 91-35 | AAMP719800 | 86-28 |
| AA7N401600 | 12-8 | AA7N718800 | 35-25 | AA7NN10Q00 | 21-24 | AAMP213300 | 91-32 | AAMP890000 | 94-10 |
| AA7N401701 | 11-1 | AA7N718900 | 35-20 | AA7NN10X00 | 49-18 | AAMP213500 | 93-2 | AAMP890600 | 94-15 |
| AA7N560101 | 19-3 | AA7N719300 | 35-29 | AA7NN10Y00 | 2-19 | AAMP214400 | 88-21 | AAMP891000 | 81-7 |
| AA7N560200 | 19-26 | AA7N719400 | 35-28 | AA7NN11K01 | 35-31 | AAMP215000 | 88-32 | AAMP891700 | 94-7 |
| AA7N562800 | 19-12 | AA7N719501 | 35-32 | AA7NR70400 | 33-4 | AAMP215700 | 91-6 | AAMP940400 | 87-17 |
| AA7N562800 | 21-22 | AA7N719700 | 34-31 | AA7NR70600 | 15-9 | AAMP260700 | 89-3 | AAMPH00105 | 80-6 |
| AA7N565201 | 19-1 | AA7N830100 | 42-5 | AA7NR70800 | 18-1 | AAMP264100 | 92-24 | AAMPH10U00 | 88-28 |
| AA7N565300 | 19-29 | AA7N830200 | 44-5 | AA7NR71200 | 58-16 | AAMP264400 | 92-25 | AAMPH10V02 | 86-1 |
| AA7N565400 | 19-30 | AA7N830300 | 44-1 | AA7NR71600 | 59-2 | AAMP268600 | 89-12 | AAMPM10200 | 91-8 |
| AA7N568900 | 19-31 | AA7N890102 | 48-17 | AA7NR71711 | 59-2 | AAMP268700 | 89-8 | AAMPM10300 | 92-26 |
| AA7N569200 | 21-27 | AA7N890300 | 48-24 | AA7NR72122 | 46-5 | AAMP268900 | 91-19 | AAMPM10900 | 82-1 |
| AA7N590500 | 36-17 | AA7N896500 | 46-3 | AA7NR72323 | 37-1 | AAMP269600 | 89-9 | AAMPN10101 | 88-3 |
| AA7N591100 | 39-21 | AA7N896600 | 46-4 | AA7NR72411 | 41-10 | AAMP269800 | 91-18 | AAMPN10202 | 86-23 |
| AA7N591200 | 39-29 | AA7N897400 | 48-29 | AA7NR72500 | 8-3 | AAMP272900 | 89-11 | AAMPN10502 | 91-37 |
| AA7N591300 | 39-30 | AA7N897600 | 48-21 | AA7NR72600 | 48-11 | AAMP273000 | 92-27 | AAMPN10801 | 85-16 |
| AA7N595100 | 39-19 | AA7N898200 | 48-25 | AA7PN10001 | 60-12 | AAMP290100 | 91-41 | AAMPN11201 | 80-25 |
| AA7N700102 | 31-22 | AA7N898300 | 48-28 | AAMP100100 | 89-1 | AAMP290200 | 93-1 | AAMPN11301 | 88-30 |
| AA7N700600 | 31-10 | AA7N898400 | 48-26 | AAMP100801 | 89-10 | AAMP296700 | 89-15 | AAMPN20501 | 88-36 |
| AA7N700800 | 31-9 | AA7N898500 | 48-12 | AAMP101200 | 81-16 | AAMP561101 | 83-12 | AAMPN20501 | 88-36 |
| AA7N700900 | 31-16 | AA7N898601 | 48-1 | AAMP102900 | 91-7 | AAMP561701 | 83-3 | AAMPN20501 | 88-36 |
| AA7N701100 | 31-23 | AA7N945700 | 2-18 | AAMP110001 | 80-10 | AAMP565001 | 84-3 | AAMPN20501 | 88-36 |
| AA7N701200 | 31-24 | AA7NH01A00 | 7-18 | AAMP110100 | 80-8 | AAMP566901 | 83-20 | AAMPN20501 | 88-36 |
| AA7N701400 | 31-25 | AA7NM10400 | 49-16 | AAMP113701 | 80-18 | AAMP568501 | 83-16 | AAMPN20501 | 88-36 |
| AA7N701500 | 31-26 | AA7NM10400 | 54-28 | AAMP113800 | 80-9 | AAMP570400 | 87-15 | AAMPN20501 | 88-36 |
| AA7N701600 | 31-15 | AA7NM10H00 | 35-27 | AAMP115600 | 93-5 | AAMP570900 | 84-2 | AAMPN20501 | 88-36 |
| AA7N701800 | 33-3 | AA7NM31200 | 8-5 | AAMP125400 | 81-15 | AAMP571100 | 82-8 | AAMPN20501 | 88-36 |
| AA7N702400 | 32-9 | AA7NM40800 | 58-17 | AAMP130000 | 80-2 | AAMP571200 | 82-13 | AAMPN20501 | 88-36 |
| AA7N702500 | 32-10 | AA7NM40900 | 58-17 | AAMP160000 | 80-1 | AAMP571300 | 82-4 | AAV5101700 | 64-4 |
| AA7N702900 | 31-11 | AA7NN10101 | 60-11 | AAMP160100 | 80-14 | AAMP571600 | 82-3 | AAV5102300 | 63-7 |
| AA7N709001 | 31-1 | AA7NN10401 | 45-8 | AAMP160200 | 80-26 | AAMP571900 | 84-5 | AAV5102400 | 64-5 |
| AA7N710101 | 34-29 | AA7NN10500 | 56-5 | AAMP160400 | 80-13 | AAMP700500 | 86-5 | AAV5102900 | 64-6 |
| AA7N710801 | 34-30 | AA7NN10600 | 55-21 | AAMP160500 | 80-5 | AAMP700800 | 86-7 | AAV5103001 | 68-3 |
| AA7N718000 | 35-38 | AA7NN10700 | 58-18 | AAMP160600 | 80-7 | AAMP710500 | 88-29 | AAV5103300 | 64-7 |
| AA7N718100 | 35-39 | AA7NN10A01 | 95-1 | AAMP160700 | 80-12 | AAMP711000 | 88-20 | AAV5103500 | 64-8 |
| AA7N718200 | 35-33 | AA7NN10E00 | 47-21 | AAMP210800 | 94-2 | AAMP719000 | 86-29 | AAV5130200 | 63-8 |
| AA7N718300 | 35-22 | AA7NN10F00 | 49-17 | AAMP211900 | 85-21 | AAMP719301 | 87-20 | AAV5130500 | 63-9 |
| | | | | | | | | AAV5130700 | 64-9 |

| Parts No. | Page No. | Parts No. | Page No. | Parts No. | Page No. | Parts No. | Page No. | Parts No. | Page No. |
|------------|----------|------------|----------|------------|----------|------------|----------|------------|----------|
| AAV5160000 | 67-12 | AAV5562200 | 72-25 | AAV5602600 | 79-9 | AAV5610400 | 74-6 | AAV5N10900 | 63-14 |
| AAV5160201 | 62-7 | AAV5562300 | 71-25 | AAV5602700 | 78-5 | AAV5610400 | 77-3 | AAV5N10A00 | 65-9 |
| AAV5160301 | 62-8 | AAV5562400 | 71-13 | AAV5602800 | 75-18 | AAV5610500 | 74-7 | AAV5N10D00 | 63-15 |
| AAV5160400 | 62-9 | AAV5562600 | 72-26 | AAV5602800 | 78-18 | AAV5610600 | 74-8 | AAV5N10E00 | 63-16 |
| AAV5160501 | 62-10 | AAV5562700 | 70-16 | AAV5603100 | 75-19 | AAV5610700 | 74-9 | AAV5N11000 | 63-17 |
| AAV5160600 | 62-11 | AAV5562800 | 70-17 | AAV5603200 | 75-6 | AAV5610900 | 75-11 | AAV5R70611 | 68-1 |
| AAV5160700 | 62-12 | AAV5562901 | 68-4 | AAV5603200 | 78-6 | AAV5612101 | 77-4 | AAV5R70700 | 68-2 |
| AAV5163000 | 62-13 | AAV5563000 | 68-5 | AAV5603300 | 75-22 | AAV5612200 | 77-5 | AAV5R70800 | 74-13 |
| AAV5210300 | 65-3 | AAV5563100 | 72-9 | AAV5603300 | 78-22 | AAV5612500 | 77-6 | AAV5R70900 | 77-12 |
| AAV5210400 | 66-10 | AAV5563200 | 71-26 | AAV5603400 | 75-23 | AAV5613400 | 77-7 | AAV5R71000 | 65-8 |
| AAV5210500 | 66-1 | AAV5563300 | 72-10 | AAV5603400 | 78-23 | AAV5613500 | 78-10 | AAV5R71100 | 74-13 |
| AAV5210600 | 66-11 | AAV5563600 | 69-11 | AAV5603500 | 75-10 | AAV5613600 | 77-8 | AAV5R71200 | 77-12 |
| AAV5210800 | 63-10 | AAV5563900 | 70-18 | AAV5603600 | 79-10 | AAV5613700 | 74-10 | AC57M10A00 | 9-2 |
| AAV5211000 | 66-12 | AAV5564000 | 71-27 | AAV5603900 | 78-19 | AAV5613700 | 77-9 | AC74165000 | 3-19 |
| AAV5211100 | 66-13 | AAV5564100 | 71-28 | AAV5604000 | 79-11 | AAV5613900 | 78-11 | AC74H00501 | 58-20 |
| AAV5211200 | 66-14 | AAV5564200 | 71-1 | AAV5604100 | 75-7 | AAV5700000 | 67-13 | AC74H02A01 | 61-24 |
| AAV5211900 | 66-19 | AAV5564301 | 70-19 | AAV5604200 | 75-5 | AAV5700100 | 67-14 | AC74N10200 | 60-13 |
| AAV5212001 | 65-6 | AAV5564400 | 71-14 | AAV5604300 | 78-7 | AAV5700202 | 67-4 | AC74N10H00 | 32-11 |
| AAV5212300 | 66-15 | AAV5564500 | 70-20 | AAV5604400 | 78-24 | AAV5700300 | 67-3 | AC74N11C01 | 10-9 |
| AAV5212400 | 66-16 | AAV5564500 | 72-27 | AAV5604500 | 75-8 | AAV5700400 | 67-1 | AC74R70100 | 17-22 |
| AAV5212500 | 71-8 | AAV5564500 | 75-14 | AAV5604500 | 78-8 | AAV5700500 | 71-15 | AC74R70300 | 58-19 |
| AAV5212600 | 71-9 | AAV5564500 | 78-14 | AAV5604600 | 75-9 | AAV5700600 | 71-16 | AC74R70400 | 49-19 |
| AAV5212700 | 66-2 | AAV5564700 | 72-28 | AAV5604600 | 78-9 | AAV5940600 | 76-10 | AC74R71000 | 33-5 |
| AAV5212900 | 66-17 | AAV5566300 | 64-10 | AAV5604700 | 68-6 | AAV5940600 | 79-12 | AC74R71100 | 30-1 |
| AAV5213000 | 65-10 | AAV5600300 | 75-15 | AAV5605100 | 73-10 | AAV5942400 | 74-11 | AC77105700 | 15-10 |
| AAV5560100 | 71-17 | AAV5600300 | 78-15 | AAV5605300 | 73-11 | AAV5942400 | 77-11 | AC77134400 | 16-5 |
| AAV5560200 | 71-10 | AAV5600800 | 76-9 | AAV5605400 | 73-12 | AAV5942500 | 74-11 | AC77164500 | 3-3 |
| AAV5560300 | 71-18 | AAV5600900 | 76-2 | AAV5605500 | 73-13 | AAV5942500 | 77-11 | AC77N10F01 | 16-6 |
| AAV5560500 | 71-11 | AAV5601000 | 76-11 | AAV5605600 | 73-14 | AAV5942600 | 73-22 | AC77N10G00 | 10-7 |
| AAV5560600 | 71-12 | AAV5601100 | 76-6 | AAV5605800 | 73-1 | AAV5943300 | 74-14 | AC77N11200 | 17-23 |
| AAV5560800 | 70-14 | AAV5601100 | 79-6 | AAV5606000 | 73-15 | AAV5943400 | 77-13 | ACDF135201 | 61-13 |
| AAV5561200 | 70-15 | AAV5601300 | 75-16 | AAV5606100 | 73-16 | AAV5H01401 | 63-11 | ACKN100600 | 59-12 |
| AAV5561300 | 69-20 | AAV5601300 | 78-16 | AAV5606200 | 73-17 | AAV5M11000 | 65-7 | ACKN103700 | 23-2 |
| AAV5561400 | 69-6 | AAV5601600 | 74-12 | AAV5606300 | 73-18 | AAV5N10000 | 63-12 | ACKN110401 | 17-24 |
| AAV5561500 | 69-21 | AAV5601700 | 75-17 | AAV5606400 | 73-19 | AAV5N10200 | 63-13 | ACKN112200 | 17-21 |
| AAV5561600 | 69-5 | AAV5601700 | 78-17 | AAV5606500 | 73-20 | AAV5N10300 | 70-21 | ACKN118001 | 51-2 |
| AAV5561700 | 69-7 | AAV5601900 | 76-7 | AAV5606800 | 73-21 | AAV5N10401 | 72-11 | ACKN118102 | 51-3 |
| AAV5561800 | 69-8 | AAV5601900 | 79-7 | AAV5607500 | 73-5 | AAV5N10500 | 66-18 | ACKN118200 | 51-4 |
| AAV5561900 | 69-9 | AAV5602001 | 76-8 | AAV5610101 | 74-4 | AAV5N10700 | 62-14 | ACKN118300 | 51-5 |
| AAV5562100 | 69-10 | AAV5602001 | 79-8 | AAV5610300 | 74-5 | AAV5N10800 | 66-21 | ACKN118700 | 33-6 |

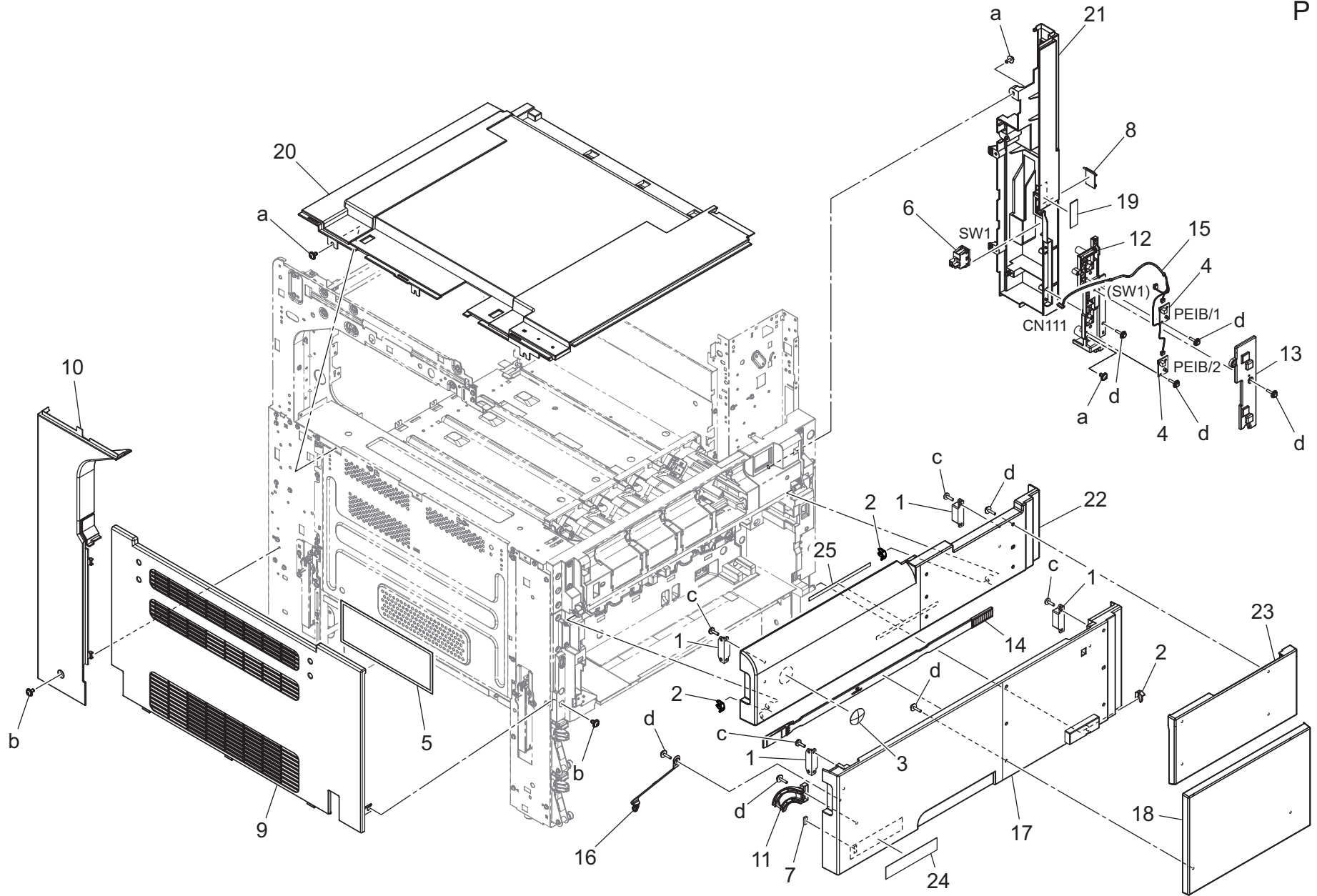
| Parts No. | Page No. |
|------------|----------|
| ACKN130200 | 58-21 |
| ACKN137200 | 45-9 |
| ACKN140100 | 45-10 |
| ACKN141501 | 55-22 |
| ACKN142800 | 101-5 |
| ACKN142900 | 101-6 |
| ACKN144000 | 57-2 |
| ACKN144100 | 57-3 |
| ACKN144200 | 57-4 |
| ACKN144300 | 57-5 |
| ACKN144500 | 57-6 |
| ACKN144800 | 57-7 |
| ACKN144900 | 57-8 |
| ACKN145000 | 57-9 |
| ACKN145100 | 57-10 |
| ACKN145200 | 57-11 |
| ACKN160102 | 1-20 |
| ACKN160400 | 1-21 |
| ACKN161201 | 2-20 |
| ACKN161401 | 5-4 |
| ACKN161500 | 5-5 |
| ACKN161703 | 5-6 |
| ACKN161900 | 5-14 |
| ACKN163101 | 1-22 |
| ACKN163200 | 1-23 |
| ACKN164000 | 62-15 |
| ACKN164700 | 57-12 |
| ACKN164800 | 2-21 |
| ACKN166301 | 2-2 |
| ACKN168600 | 101-10 |
| ACKN168700 | 101-7 |
| ACKN170300 | 6-7 |
| ACKN170500 | 100-12 |
| ACKN210200 | 54-29 |
| ACKN230600 | 54-30 |
| ACKN231000 | 54-31 |
| ACKN231800 | 54-32 |
| ACKN240700 | 52-8 |
| ACKN240800 | 52-9 |
| ACKN240900 | 52-10 |

| Parts No. | Page No. |
|------------|----------|
| ACKN255600 | 54-24 |
| ACKNM10000 | 50-15 |
| ACKNN10600 | 63-18 |
| ACKNN14100 | 97-3 |
| ACKNR70200 | 49-15 |
| ACKNR70800 | 45-7 |
| ACKNR70900 | 45-7 |
| ACKNR71000 | 45-7 |
| ACV7401302 | 12-9 |
| ACV7401500 | 12-10 |
| ACV7401702 | 12-9 |
| ACV7401802 | 12-9 |
| ACV7401900 | 12-9 |
| ACV7940100 | 1-24 |
| ACV7942100 | 1-25 |
| ACV7H02101 | 61-1 |
| ACV7H02P02 | 61-9 |
| ACV7M40600 | 58-22 |
| ACV7N10B01 | 96-1 |
| ACV7N10C00 | 96-2 |
| ACV7N10D01 | 97-1 |
| ACV7N10E00 | 13-32 |
| ACV7N11E01 | 51-7 |
| ACV7R70100 | 10-10 |
| ACV7R70200 | 11-3 |
| ACV7R70300 | 11-3 |
| ACV7R70400 | 11-3 |
| ACV7R70500 | 51-6 |
| ACV7R70600 | 53-1 |
| ACV7R70700 | 11-3 |
| AD1Y0Y1 | 100-11 |
| AD1YWY1 | 100-11 |
| V116033003 | 100-10 |
| V127030804 | 100-6 |
| V153031004 | 100-14 |
| V500010061 | 98-1 |
| V500010081 | 98-2 |
| V500010082 | 98-3 |
| V500010083 | 98-4 |
| V500010084 | 98-5 |

| Parts No. | Page No. |
|------------|----------|
| V500010085 | 98-6 |
| V500020018 | 98-7 |
| V500020040 | 100-9 |
| V500020052 | 98-8 |
| V500020069 | 98-9 |
| V500020073 | 98-10 |
| V500020080 | 100-13 |
| V500020082 | 98-11 |
| V500020094 | 98-12 |
| V500020098 | 98-13 |
| V500020099 | 98-14 |
| V500020100 | 98-15 |
| V502010033 | 63-19 |
| V503010002 | 61-21 |
| V570010021 | 98-16 |
| V570010048 | 98-17 |
| V570010050 | 98-18 |
| V570010057 | 98-19 |
| V570010059 | 98-20 |
| V570010060 | 98-21 |
| V651010001 | 70-22 |
| V651010002 | 59-4 |
| V651010025 | 61-20 |
| V651010034 | 91-40 |
| V800500300 | 31-21 |
| V800500300 | 34-32 |

External Parts

P 1

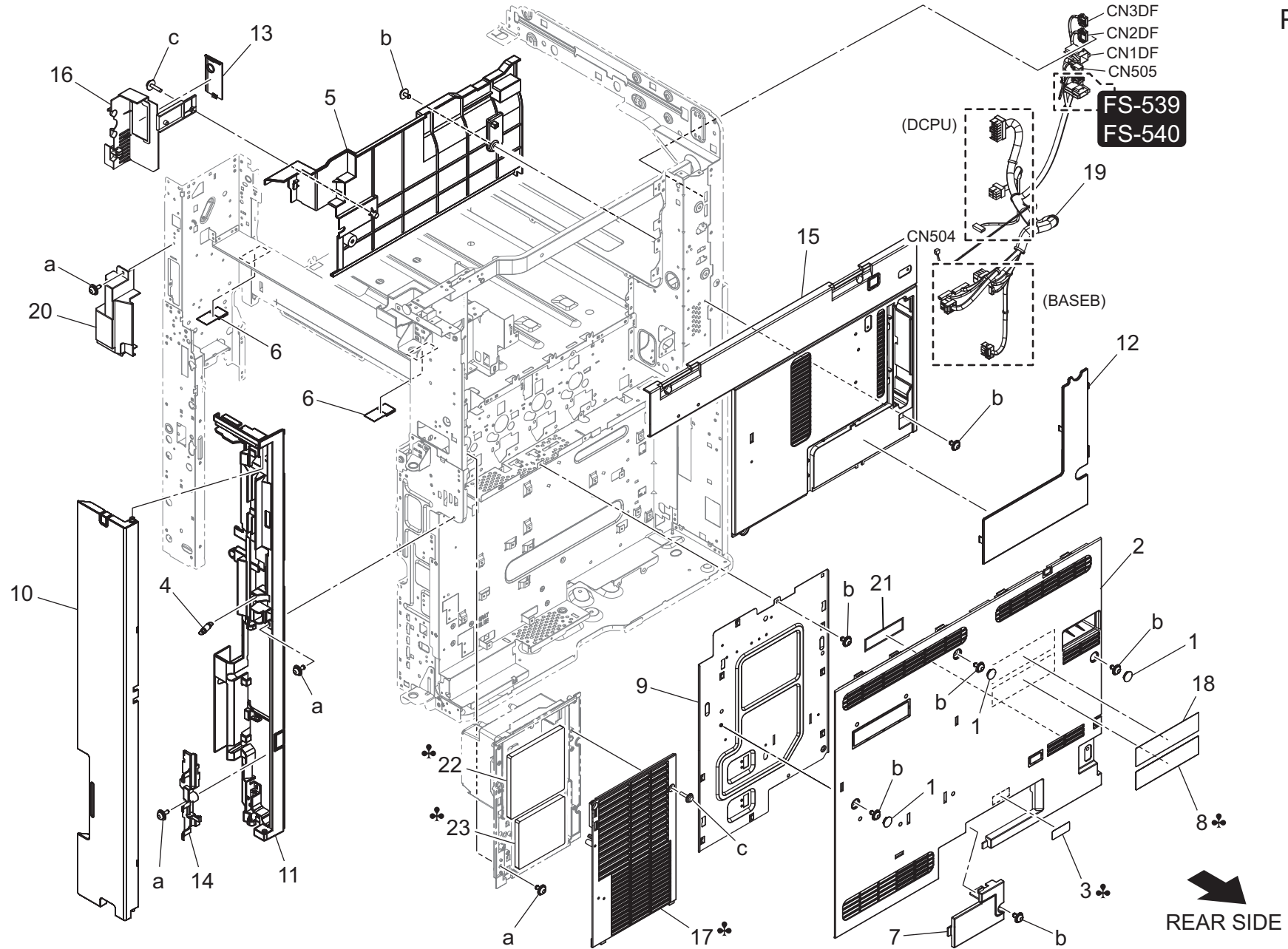


bizhub 750i

| Key | Part No. | Description | Destinations | Class | QTY | Standard parts |
|-----|------------|-------------------------|--------------|-------|-----|--|
| 1 | 07BA12352 | Magnet Catch | | C | 4 | a-V125030803 b-V127030604 c-V149030803 d-V153031004 |
| 2 | 56AA40490 | SHAFT STOPPER 4 | | C | 3 | |
| 3 | A00J945500 | Logo Mark | | C | 1 | |
| 4 | A00JH00D00 | PWB Assembly LED1 | | C | 2 | |
| 5 | A7PU101500 | Filter | | C | 1 | |
| 6 | A93EM60000 | Rocker switch | | C | 1 | |
| 7 | AA2J136100 | Seal | | D | 1 | |
| 8 | AA2J160511 | Cover | | D | 1 | |
| 9 | AA2J160703 | Cover /Left front | | D | 1 | |
| 10 | AA2J160802 | Cover /Left rear | | D | 1 | |
| 11 | AA2J165100 | Open/close Cover /Front | | D | 1 | |
| 12 | AA2J169100 | Receiving Pedestal | | D | 1 | |
| 13 | AA2J169201 | Cover | | D | 1 | |
| 14 | AA2JR70800 | Cleaning Material | | C | 1 | |
| 15 | AA2JN10J00 | Indicating Wiring | | D | 1 | |
| 16 | AA7N162000 | Band | | C | 1 | |
| 17 | AA7N163302 | Open/close Cover /Front | | D | 1 | |
| 18 | AA7N163400 | Open/close Cover /Front | | D | 1 | |
| 19 | AA7N166600 | Seal | | D | 1 | |
| 20 | ACKN160102 | Cover /Upper | | D | 1 | |
| 21 | ACKN160400 | Cover /Right front | | D | 1 | |
| 22 | ACKN163101 | Open/close Cover /Front | | D | 1 | |
| 23 | ACKN163200 | Open/close Cover /Front | | D | 1 | |
| 24 | ACV7940100 | Label bizhub 750i | | D | 1 | |
| 25 | ACV7942100 | Label | | D | 1 | |
| | | | | | | |
| | | | | | | |
| | | | | | | |
| | | | | | | |
| | | | | | | |
| | | | | | | |
| | | | | | | |
| | | | | | | |
| | | | | | | |

External Parts

P 2

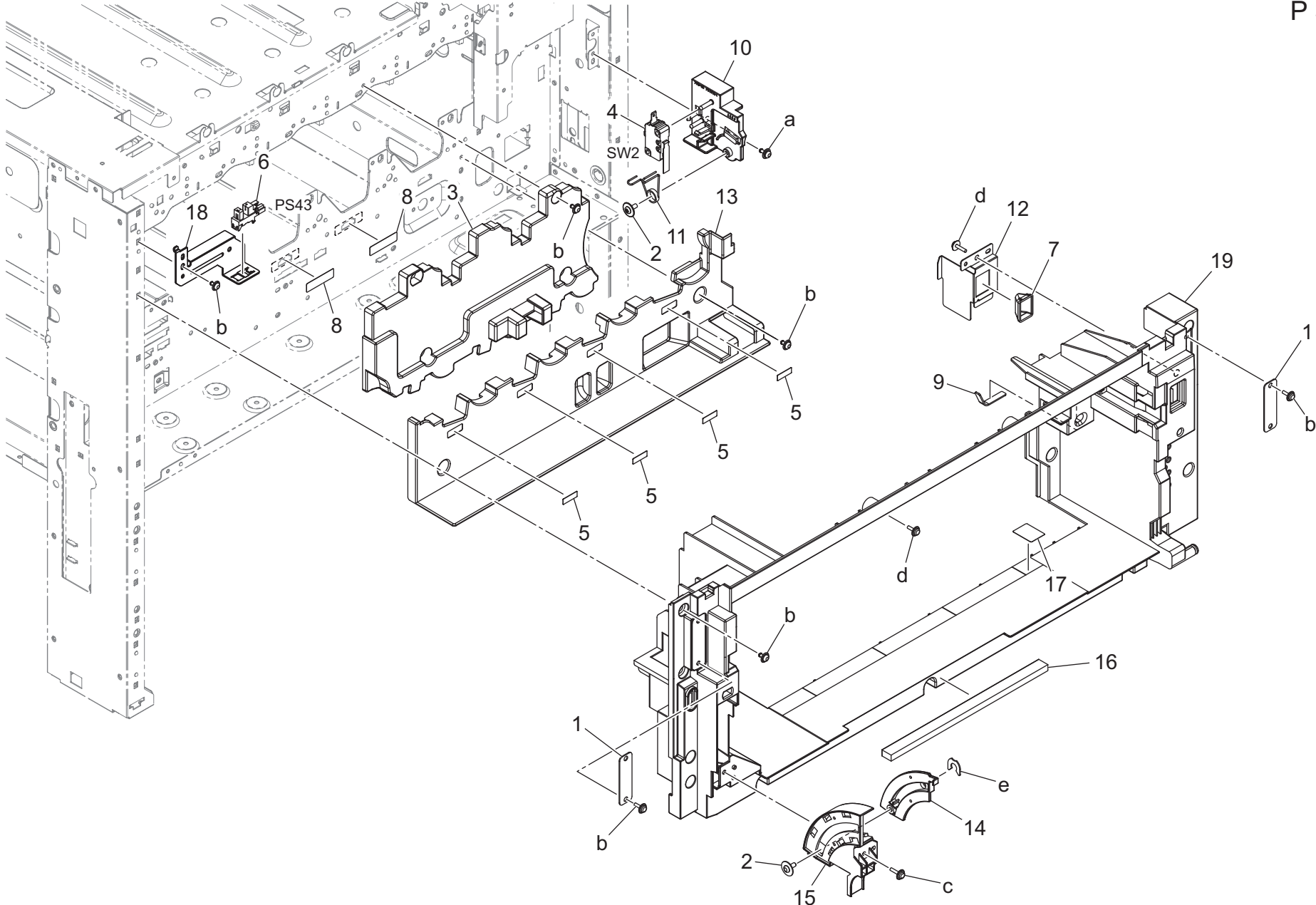


REAR SIDE

bizhub 750i

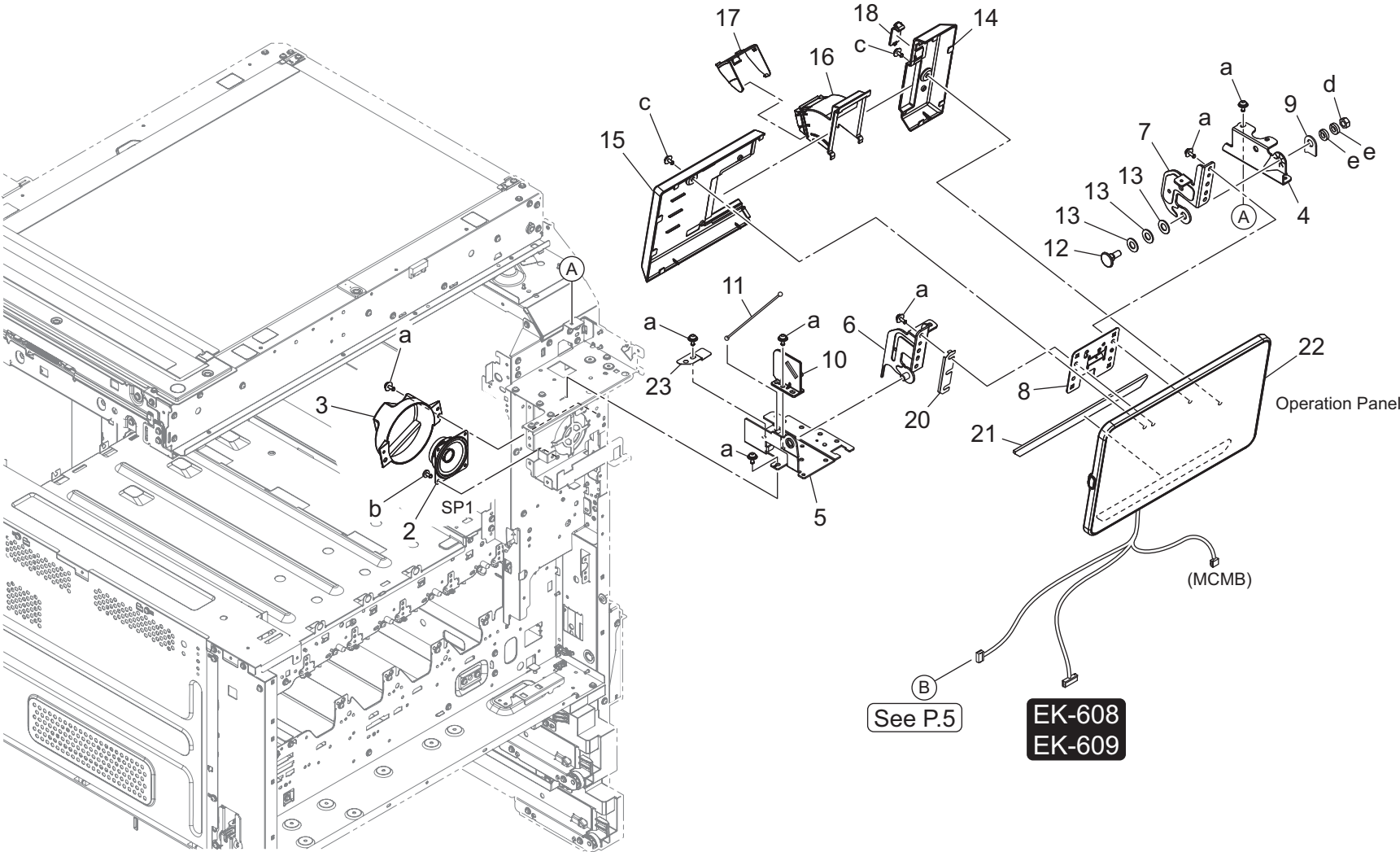
| Key | Part No. | Description | Destinations | Class | QTY | Standard parts |
|-----|------------|----------------------|------------------------------|-------|-----|--|
| 1 | A00J169100 | Cover | | D | 3 | a-V125030803 b-V127030604 c-V153031004 |
| 2 | ACKN166301 | Cover /Rear | | D | 1 | |
| 3 | A02E149900 | Label | A | C | 1 | |
| 4 | A161163900 | Pulling Coil spring | | C | 1 | |
| 5 | A79J162201 | Cover | | C | 1 | |
| 6 | A7PU109100 | Cushion | | C | 2 | |
| 7 | A7PU166101 | Cover | | C | 1 | |
| 8 | A7PU941701 | Label Caution | C,G1,I | C | 1 | |
| 9 | AA2J132301 | Shield Plate | | D | 1 | |
| 10 | AA2J160902 | Cover /Right rear | | D | 1 | |
| 11 | AA2J161805 | Cover /Right rear | | D | 1 | |
| 12 | AA2J163400 | Cover /Rear | | D | 1 | |
| 13 | AA2J164400 | Cover | | D | 1 | |
| 14 | AA2J168700 | Cover | | D | 1 | |
| 15 | AA7N162101 | Cover /Rear | | D | 1 | |
| 16 | AA7N164300 | Cover | | D | 1 | |
| 17 | AA7N168501 | Cover | B,D1,D3,E,F2,G1,G2, I,K,J | D | 1 | |
| 18 | AA7N945700 | Label | | D | 1 | |
| 19 | AA7NN10Y00 | Power source Harness | | D | 1 | |
| 20 | ACKN161201 | Cover /Right front | | D | 1 | |
| 21 | ACKN164800 | Filter | | C | 1 | |
| 22 | A79J149100 | Filter | J | C | 1 | |
| 23 | A79J149200 | Filter | J | C | 1 | |
| | | | | | | |
| | | | | | | |
| | | | | | | |
| | | | | | | |
| | | | | | | |
| | | | | | | |
| | | | | | | |
| | | | | | | |
| | | | | | | |
| | | | | | | |
| | | | | | | |
| | | | | | | |

External Parts

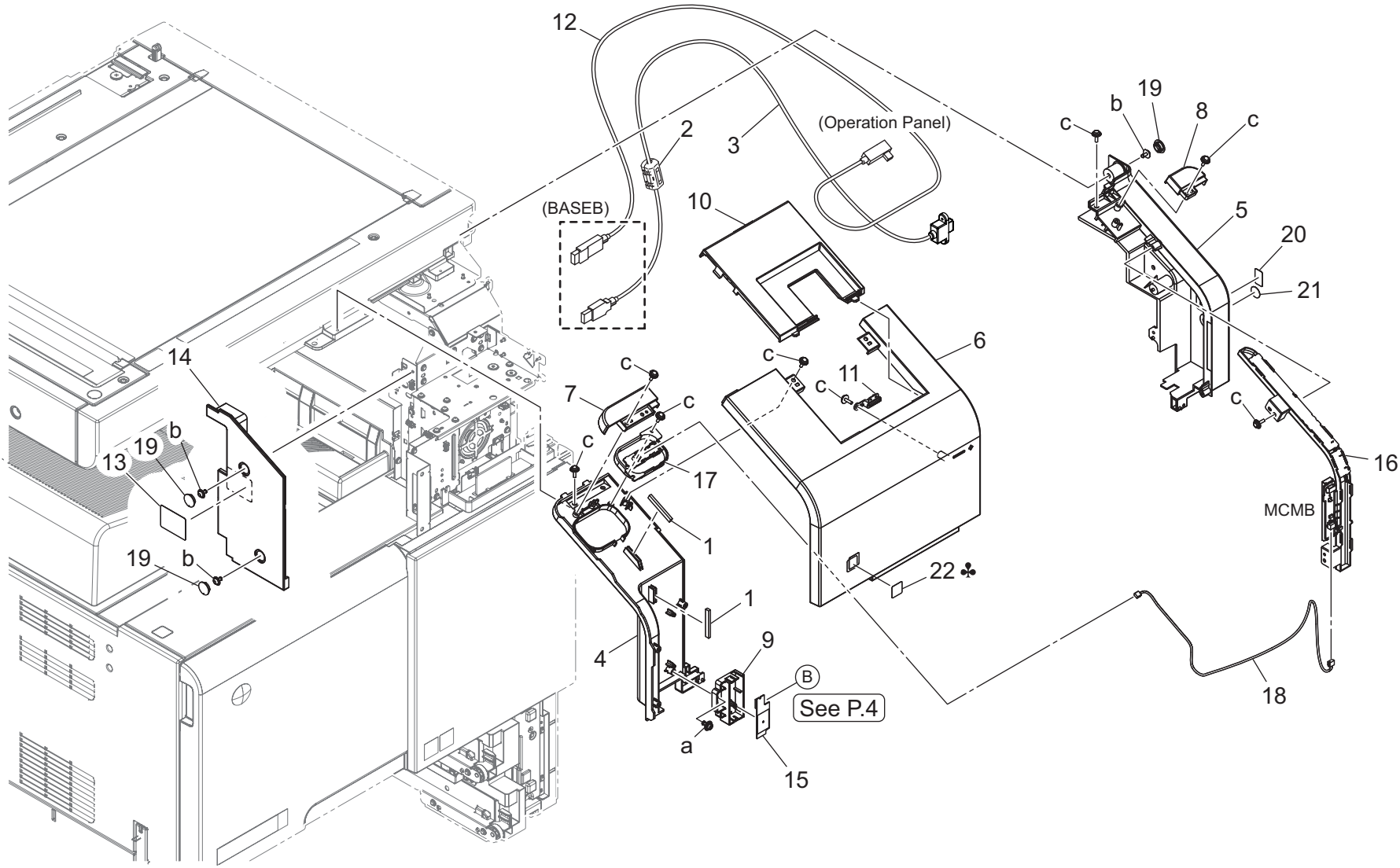


| Key | Part No. | Description | Destinations | Class | QTY | Standard parts |
|-----|------------|---------------------|--------------|-------|-----|--|
| 1 | 4038101401 | SUCTION PLATE | | D | 2 | a-V125030803 b-V127030604 c-V153030803 d-V153031004 e-V218060086 |
| 2 | 4163529301 | SCREW | | C | 2 | |
| 3 | AC77164500 | Cover /Front | | D | 1 | |
| 4 | 9J06M60100 | MICRO SWITCH | | C | 1 | |
| 5 | A161943000 | Label | | C | 4 | |
| 6 | A5C1M50100 | Photointerrupter | | B | 1 | |
| 7 | A79J122200 | Collar | | D | 1 | |
| 8 | A79J821000 | Protection Part | | C | 2 | |
| 9 | A85Y375100 | Protection Part | | D | 1 | |
| 10 | AA2J130400 | Holder | | D | 1 | |
| 11 | AA2J130501 | Torsion Coil spring | | C | 1 | |
| 12 | AA2J163200 | Mounting Plate | | D | 1 | |
| 13 | AA2J164603 | Cover /Front | | D | 1 | |
| 14 | AA2J165200 | Arm | | D | 1 | |
| 15 | AA2J165300 | Arm /2 | | D | 1 | |
| 16 | AA2J165500 | Seal | | D | 1 | |
| 17 | AA2J943000 | Label | | D | 1 | |
| 18 | AA7N135502 | Mounting Plate | | D | 1 | |
| 19 | AC74165000 | Cover /Front | | D | 1 | |
| | | | | | | |
| | | | | | | |
| | | | | | | |
| | | | | | | |
| | | | | | | |
| | | | | | | |
| | | | | | | |
| | | | | | | |
| | | | | | | |

Operation Panel section

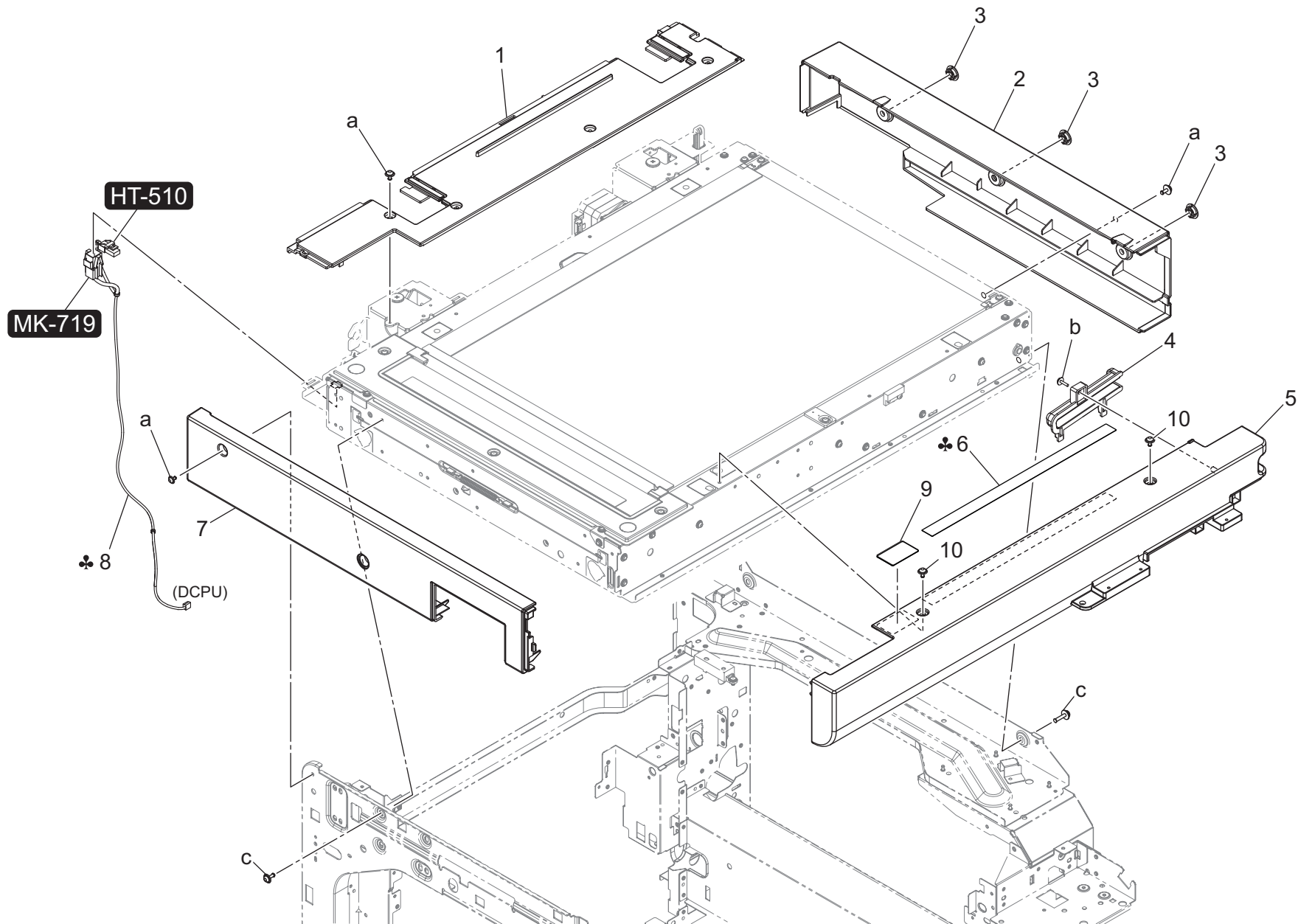


| Key | Part No. | Description | Destinations | Class | QTY | Standard parts |
|-----|---------------|-----------------------|--------------|-------|-----|--|
| 2 | A7PUM72100 | Speaker | | D | 1 | a-V125030803 b-V126030603 c-V127030604 d-V195060003 e-V205060003 |
| 3 | AA2J134601 | Mounting Cover | | D | 1 | |
| 4 | AA2J190102 | Mounting Plate /Right | | D | 1 | |
| 5 | AA2J190201Old | Mounting Plate | | D | 1 | |
| 5 | AA2J190212 | Mounting Plate | | D | 1 | |
| 6 | AA2J191000 | Hinge /ASSY | | D | 1 | |
| 7 | AA2J191100 | Hinge | | D | 1 | |
| 8 | AA2J191201 | Mounting Plate | | D | 1 | |
| 9 | AA2J191300 | Spacer | | D | 1 | |
| 10 | AA2J191401 | Guide | | D | 1 | |
| 11 | AA2J191500Old | Wire | | D | 1 | |
| 11 | AA2J191512 | Wire | | D | 1 | |
| 12 | AA2J195100 | Shaft | | D | 1 | |
| 13 | AA2J191800 | Slide Spacer | | D | 3 | |
| 14 | AA2J192100 | Cover /Right rear | | D | 1 | |
| 15 | AA2J192200 | Cover /Left rear | | D | 1 | |
| 16 | AA2J192302 | Cover | | D | 1 | |
| 17 | AA2J192501 | Cover | | D | 1 | |
| 18 | AA2J192801 | Cover | | D | 1 | |
| 20 | AA2J193200 | Spacer | | D | 1 | |
| 21 | AA2J195000 | Cushion | | D | 1 | |
| 22 | AA2JM70006 | Panel assembly | | I | 1 | |
| 23 | AA2J193300 | Plate spring | | C | 1 | |
| | | | | | | |
| | | | | | | |
| | | | | | | |
| | | | | | | |
| | | | | | | |
| | | | | | | |
| | | | | | | |
| | | | | | | |
| | | | | | | |



| Key | Part No. | Description | Destinations | Class | QTY | Standard parts |
|-----|------------|-----------------|--------------|-------|-----|--|
| 1 | A161825800 | Cushion /B | | D | 2 | a-V125030803 b-V127030604 c-V153030803 |
| 2 | A5C1M92000 | Ferritecore | | D | 1 | |
| 3 | A90GN15300 | Interface Cable | | D | 1 | |
| 4 | ACKN161401 | Cover | | D | 1 | |
| 5 | ACKN161500 | Cover | | D | 1 | |
| 6 | ACKN161703 | Cover | | D | 1 | |
| 7 | AA2J171800 | Cover | | D | 1 | |
| 8 | AA2J171900 | Cover | | D | 1 | |
| 9 | AA2J173300 | Holder | | D | 1 | |
| 10 | AA2J192602 | Cover | | D | 1 | |
| 11 | AA2J193000 | Indicating Part | | D | 1 | |
| 12 | AA2JN15600 | Interface Cable | | D | 1 | |
| 13 | A161162400 | Seal | | C | 1 | |
| 14 | ACKN161900 | Cover | | D | 1 | |
| 15 | AA2JM70600 | Interface Unit | | C | 1 | |
| 16 | AA2JM72002 | Indicating Unit | | C | 1 | |
| 17 | AA2JM72100 | Indicating Unit | | C | 1 | |
| 18 | AA2JN15701 | Wiring | | D | 1 | |
| 19 | A00J169100 | Cover | | D | 3 | |
| 20 | A7PU168500 | Seal | | C | 1 | |
| 21 | A7PU168600 | Seal | | C | 1 | |
| 22 | AA2J948600 | Label | A | D | 1 | |
| | | | | | | |
| | | | | | | |
| | | | | | | |
| | | | | | | |
| | | | | | | |
| | | | | | | |
| | | | | | | |
| | | | | | | |
| | | | | | | |
| | | | | | | |
| | | | | | | |
| | | | | | | |

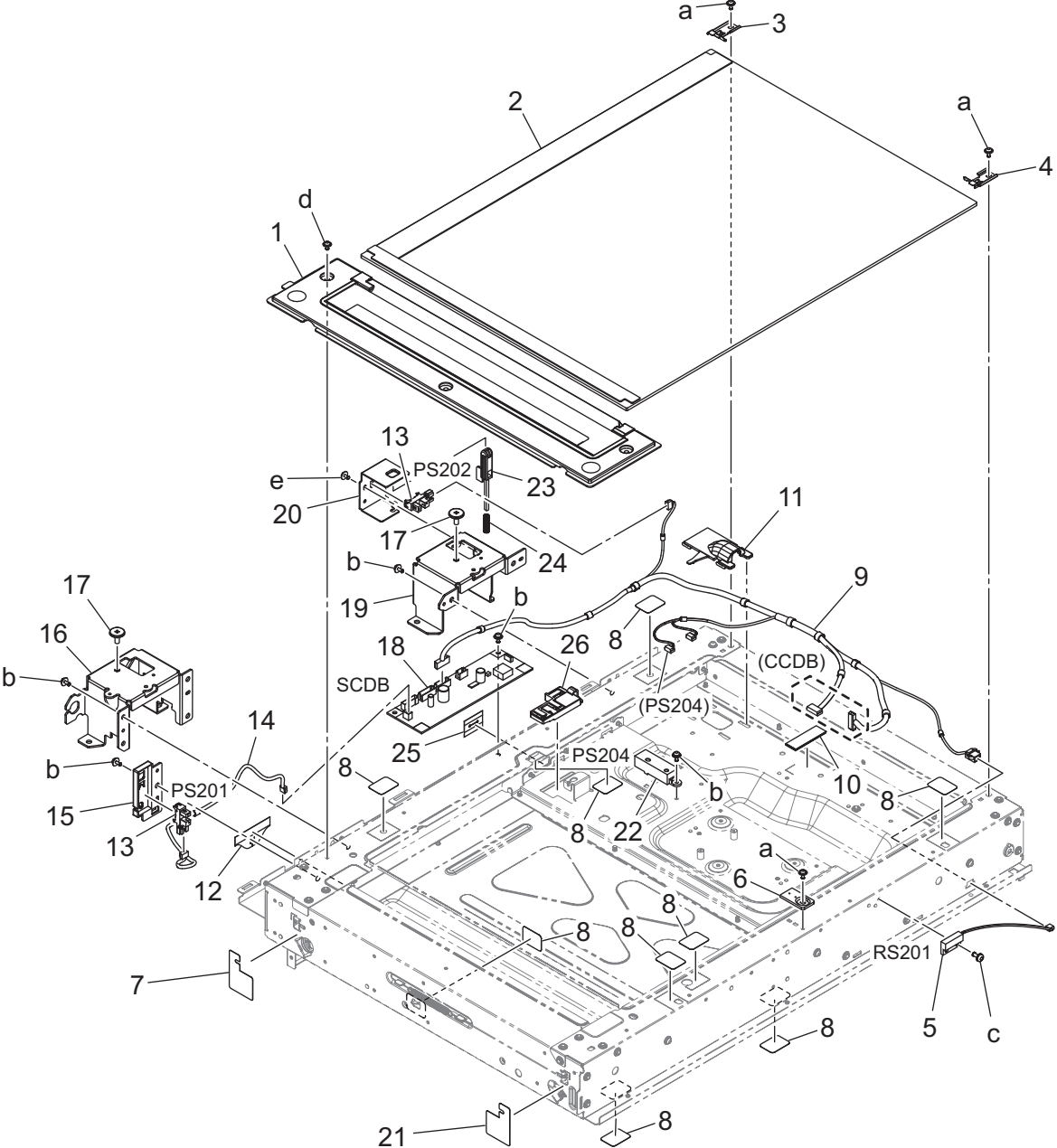
Scanner Section



Scanner Section

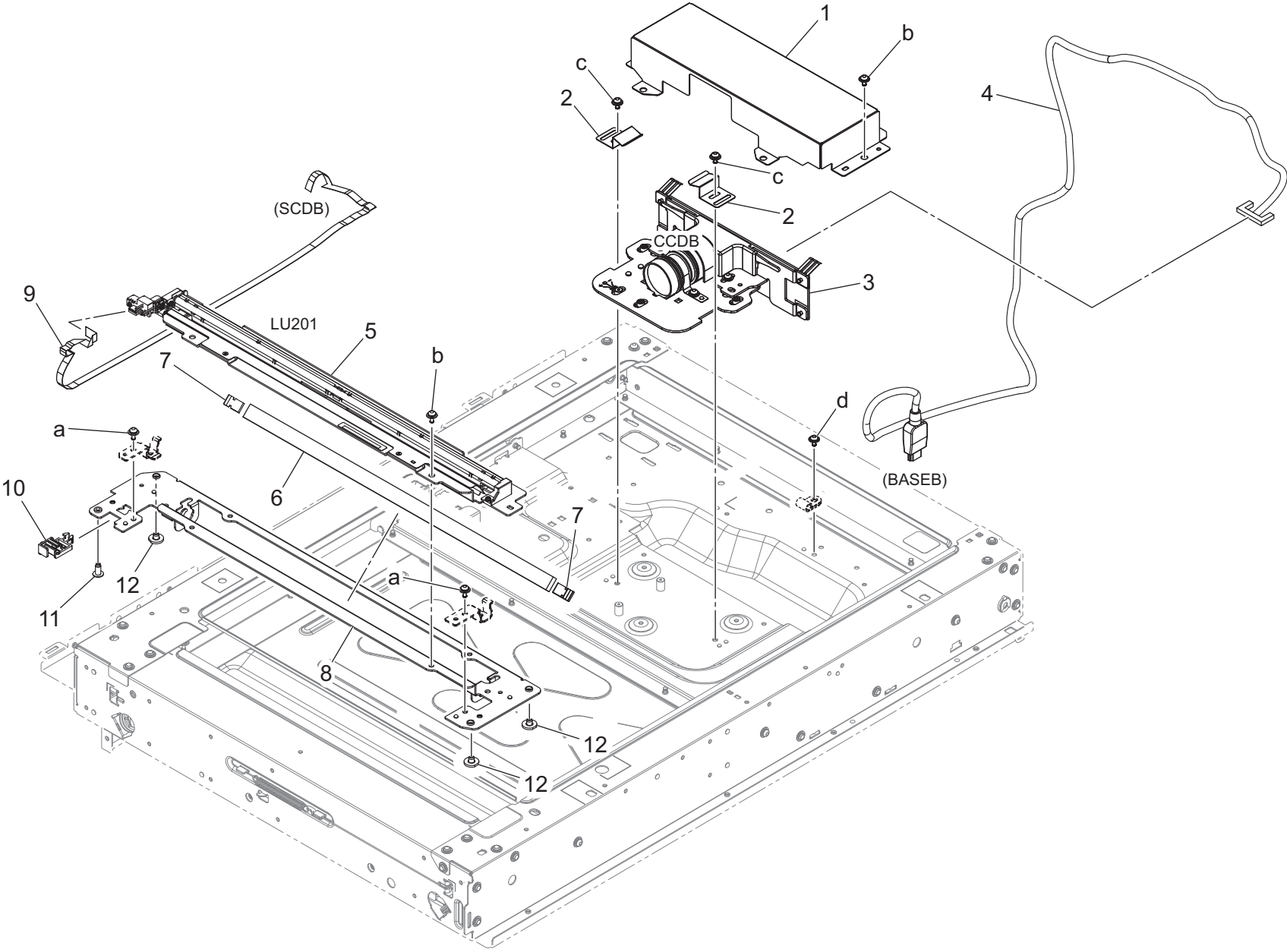
| Key | Part No. | Description | Destinations | Class | QTY | Standard parts |
|-----|------------|-----------------------------|--------------|-------|-----|--|
| 1 | A7PU170702 | Read Cover | | C | 1 | a-V127030604 b-V153031004 c-V125030803 |
| 2 | AA2J170403 | Read Cover /Right | | D | 1 | |
| 3 | A00J169100 | Cover | | D | 3 | |
| 4 | A161170800 | Holder | | D | 1 | |
| 5 | AA2J170104 | Read Cover /Front | | D | 1 | |
| 6 | A92T940800 | Label | A | D | 1 | |
| 7 | ACKN170300 | Read Cover /Left | | D | 1 | |
| 8 | A161N11C01 | Scanner Relay harness /100V | A | D | 1 | |
| 9 | A55D941100 | Caution Label | | D | 1 | |
| 10 | A00J169200 | Shoulder screw | | C | 2 | |
| | | | | | | |
| | | | | | | |
| | | | | | | |
| | | | | | | |
| | | | | | | |
| | | | | | | |
| | | | | | | |
| | | | | | | |
| | | | | | | |
| | | | | | | |
| | | | | | | |
| | | | | | | |
| | | | | | | |
| | | | | | | |

Scanner Section



| Key | Part No. | Description | Destinations | Class | QTY | Standard parts |
|-----|------------|-------------------------|--------------|-------|-----|----------------|
| 1 | AA2JR73200 | Slit Glass ASSY | | C | 1 | a-V121030604 |
| 2 | AA2JR73300 | Original Glass ASSY | | C | 1 | b-V125030803 |
| 3 | A161268300 | Holding Plate | | D | 1 | c-V115030603 |
| 4 | A161268200 | Holding Plate | | D | 1 | d-V116030804 |
| 5 | A1UDM50200 | Lead Switch | | C | 1 | e-V144030603 |
| 6 | A00J265300 | Regulating Plate | | C | 1 | |
| 7 | A5C1263400 | Seal | | C | 1 | |
| 8 | 4581162501 | SEAL | | C | 9 | |
| 9 | A161N14100 | Scanner Wiring /1 | | D | 1 | |
| 10 | 4036307501 | Tape | | D | 1 | |
| 11 | A161281600 | Guide | | D | 1 | |
| 12 | A161263000 | Seal | | D | 1 | |
| 13 | A5C1M50100 | Photointerrupter | | B | 2 | |
| 14 | A161N14201 | Scanner Wiring /2 | | D | 1 | |
| 15 | A161262200 | Cover | | D | 1 | |
| 16 | A161261902 | Frame | | D | 1 | |
| 17 | 9J07210802 | Shoulder Screw | | C | 2 | |
| 18 | AA7NH01A00 | Scana Drive Board Assy | | C | 1 | |
| 19 | A161262002 | Frame | | D | 1 | |
| 20 | A5C1280101 | Mounting Plate | | D | 1 | |
| 21 | A5C1263300 | Seal | | C | 1 | |
| 22 | A161M50A00 | APS Photorelector | | C | 1 | |
| 23 | A161280211 | Lever | | D | 1 | |
| 24 | A161280300 | Compressing Coil spring | | C | 1 | |
| 25 | A161281300 | Seal | | D | 1 | |
| 26 | A161281100 | Guide | | D | 1 | |
| | | | | | | |
| | | | | | | |
| | | | | | | |
| | | | | | | |
| | | | | | | |
| | | | | | | |
| | | | | | | |
| | | | | | | |

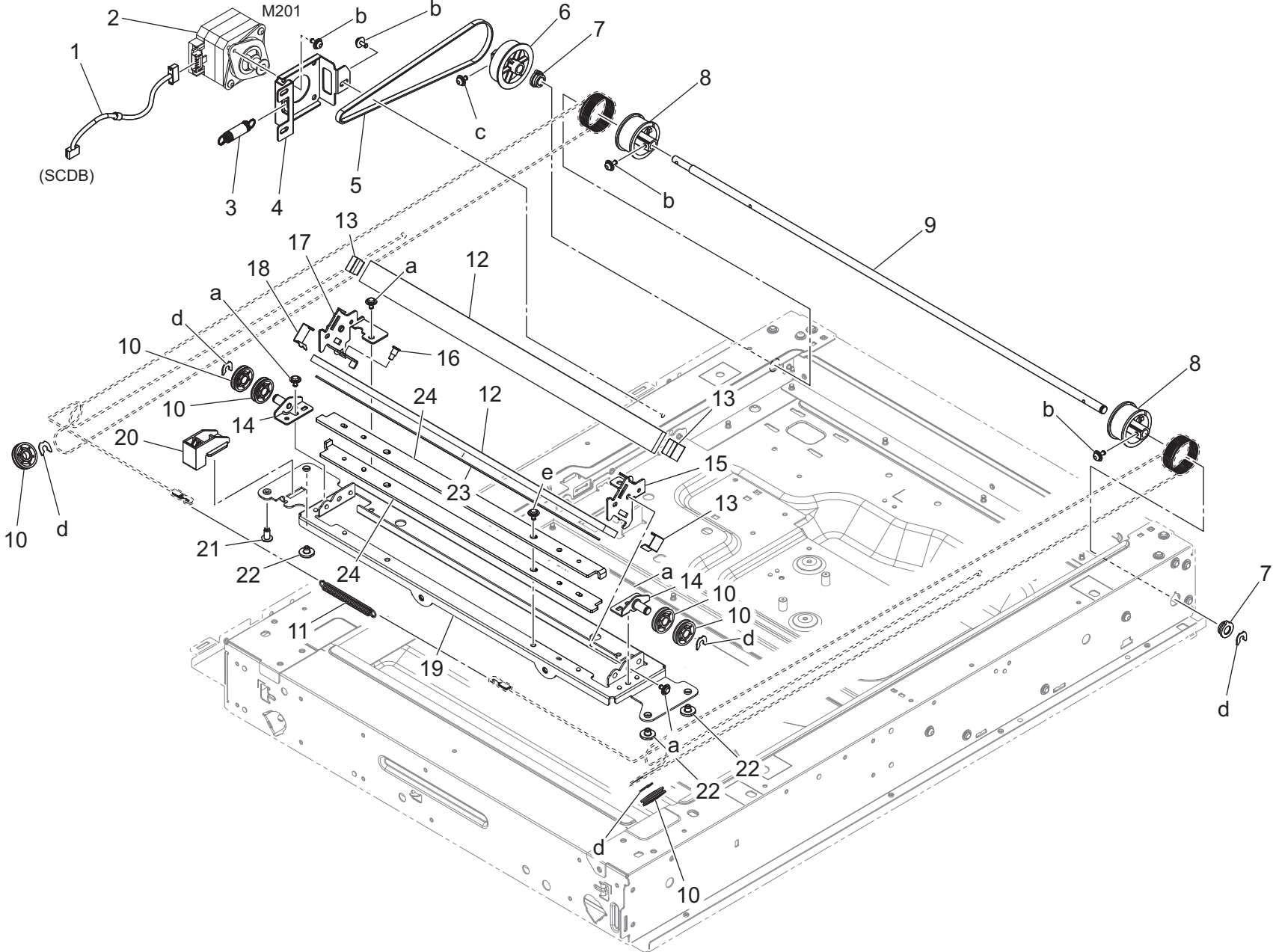
Scanner Section



Scanner Section

| Key | Part No. | Description | Destinations | Class | QTY | Standard parts |
|-----|------------|-------------------|--------------|-------|-----|--|
| 1 | A161278600 | Cover | | D | 1 | a-V125030803 b-V127030604 c-V116030603 d-V144030803 |
| 2 | A161278900 | Plate spring | | D | 2 | |
| 3 | AA7NR72500 | CCD Assy | | I | 1 | |
| 4 | AA2JN14500 | CCD Cable | | D | 1 | |
| 5 | AA7NM31200 | Lamp | | I | 1 | |
| 6 | A0ED271200 | Mirror | | D | 1 | |
| 7 | A0ED271300 | Plate spring | | D | 2 | |
| 8 | A161270102 | Frame | | D | 1 | |
| 9 | A161N14000 | Scanner Wiring /4 | | D | 1 | |
| 10 | A161270600 | Guide | | D | 1 | |
| 11 | A161271100 | Bushing | | D | 1 | |
| 12 | A161271000 | Bushing | | D | 3 | |
| | | | | | | |
| | | | | | | |
| | | | | | | |
| | | | | | | |
| | | | | | | |
| | | | | | | |
| | | | | | | |
| | | | | | | |
| | | | | | | |

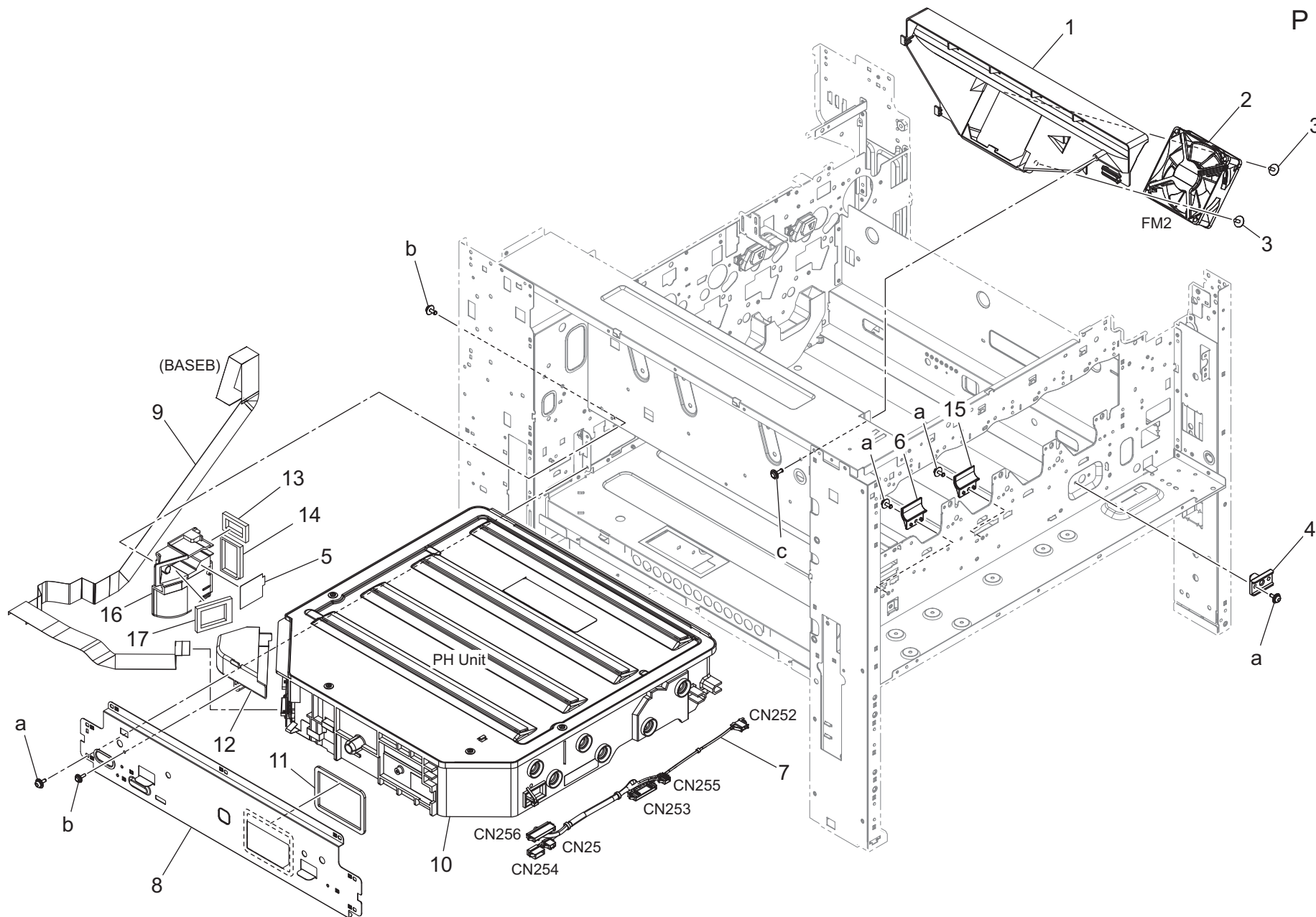
Scanner Section



| Key | Part No. | Description | Destinations | Class | QTY | Standard parts |
|-----|------------|----------------------|----------------------|-------|-----|--|
| 1 | A5C1N14300 | Scanner Wiring | スキャナー束線 | D | 1 | a-V137030803 b-V125030803 c-V116030603 d-V218040086 e-V144030603 |
| 2 | AC57M10A00 | Stepping Motor | ステッピングモーター ((□42HB)) | C | 1 | |
| 3 | A795275700 | Pulling Spring | 引張りばね | D | 1 | |
| 4 | A161276000 | Mounting Plate | 取付板 (モータ) | D | 1 | |
| 5 | A161275600 | Timing belt 335L | タイミングベルト 335L | D | 1 | |
| 6 | A161275500 | Pulley 103T | プーリー 103T | D | 1 | |
| 7 | A161276500 | Bearing | 軸受 (駆動) | D | 2 | |
| 8 | A161275300 | Pulley | プーリー (駆動) | D | 2 | |
| 9 | A161275400 | Shaft | 軸 (駆動) | D | 1 | |
| 10 | A0ED273600 | Pulley | プーリー (2nd) | C | 6 | |
| 11 | A0ED276301 | Pulling Spring | 引張りばね (ワイヤ) | D | 1 | |
| 12 | A0ED274300 | Mirror | ミラー (2ND) | D | 2 | |
| 13 | A0ED274400 | Plate spring | 板ばね (2ND) | D | 3 | |
| 14 | A161273401 | Mounting Plate | 取付板 (プーリー・2nd) | D | 2 | |
| 15 | A161273800 | Mounting Plate | 取付板 (前) | D | 1 | |
| 16 | A161274600 | Adjusting Screw | 調整ねじ | C | 1 | |
| 17 | A161273701 | Mounting Plate | 取付板 (後) | D | 1 | |
| 18 | A161274500 | Plate spring /1 | 板ばね /1 | D | 1 | |
| 19 | A161273113 | Frame | フレーム (2nd) | D | 1 | |
| 20 | A161273500 | Guide Part | ガイド部材 (ランプハーネス・2nd) | D | 1 | |
| 21 | A161271100 | Bushing | ブッシュ (ねじ付) | D | 1 | |
| 22 | A161271000 | Bushing | ブッシュ (スライダー) | D | 3 | |
| 23 | A0ED274200 | Vibrationproof Plate | 防振板 | D | 1 | |
| 24 | A795273900 | Vibrationproof Plate | 防振板 | D | 2 | |
| | | | | | | |
| | | | | | | |
| | | | | | | |
| | | | | | | |
| | | | | | | |
| | | | | | | |
| | | | | | | |
| | | | | | | |
| | | | | | | |
| | | | | | | |
| | | | | | | |
| | | | | | | |
| | | | | | | |
| | | | | | | |

Write Section

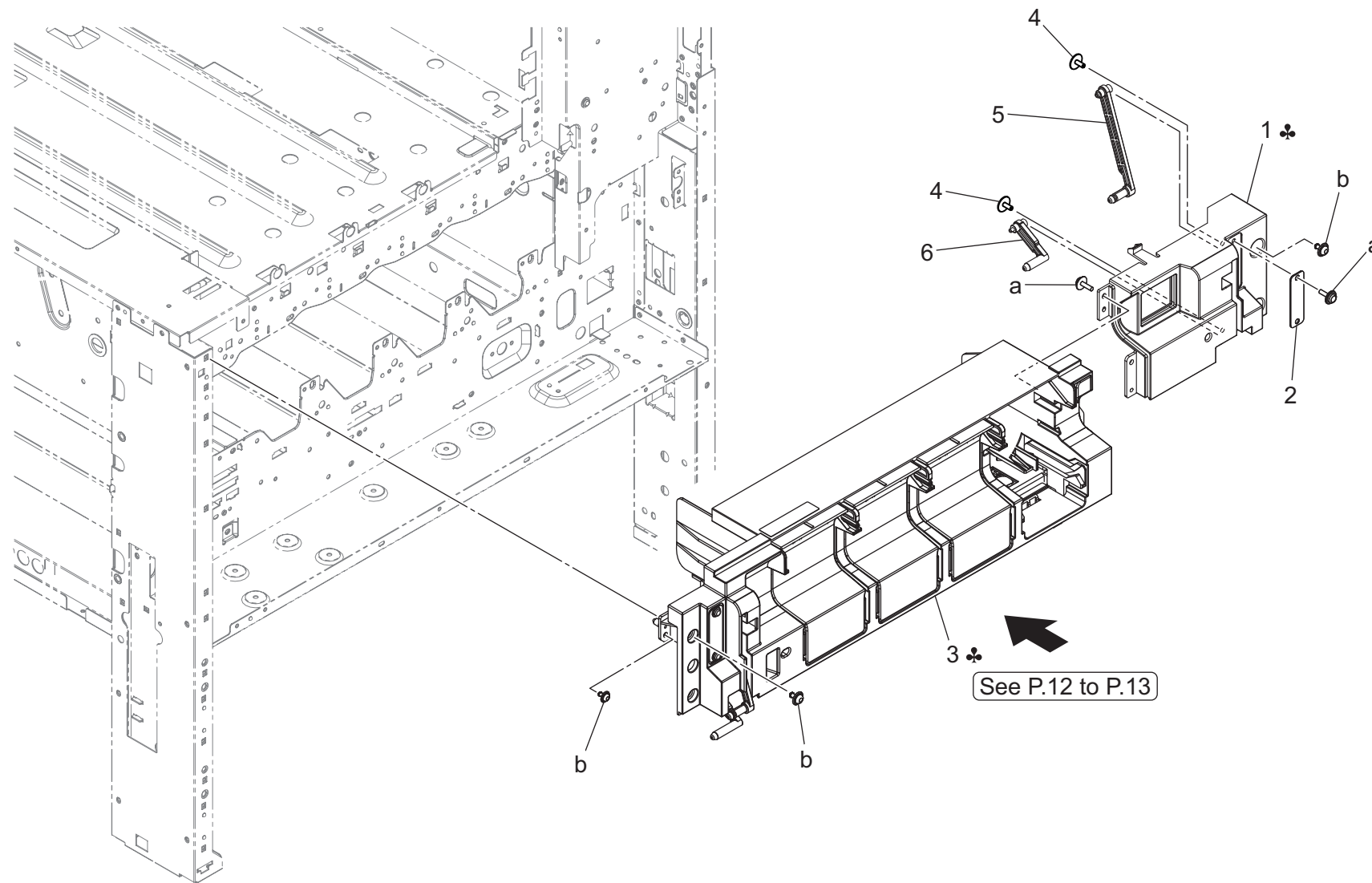
P 10



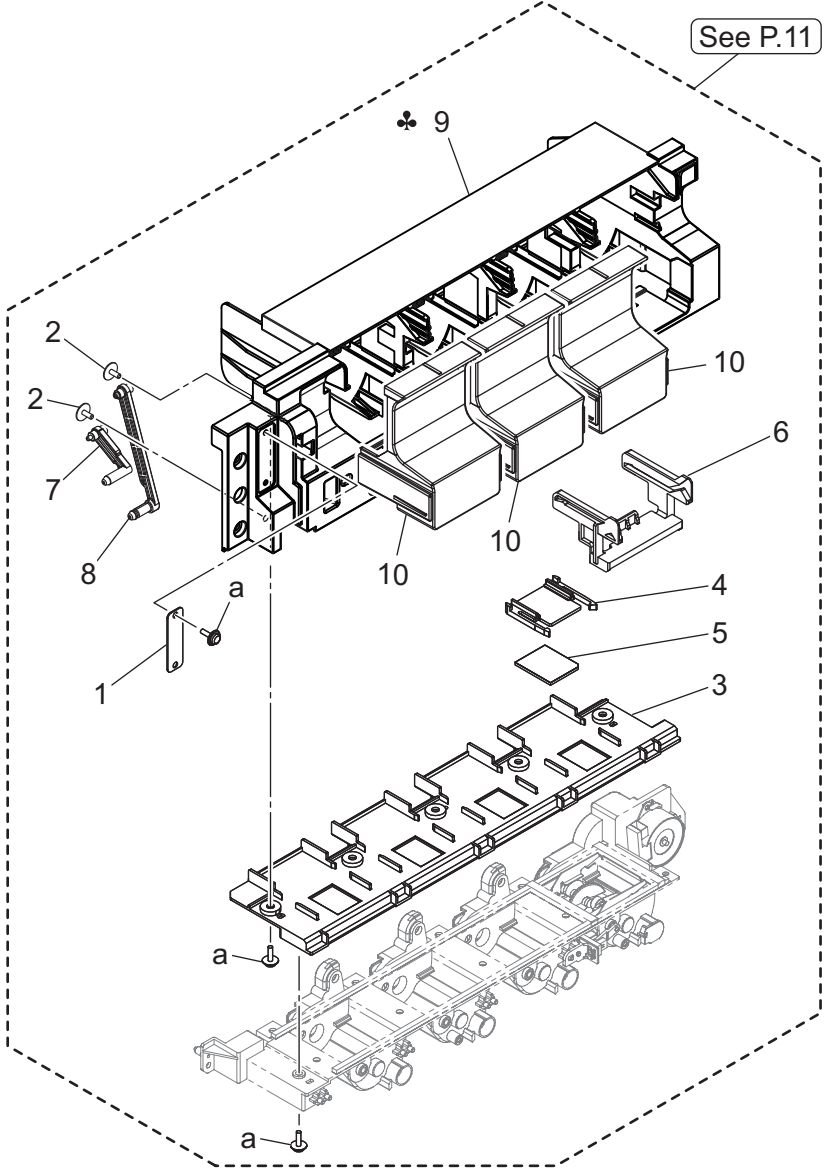
bizhub 750i

| Key | Part No. | Description | Destinations | Class | QTY | Standard parts |
|-----|------------|----------------------|--------------|-------|-----|--|
| 1 | A61F140200 | Duct | | D | 1 | a-V125030803 b-V153030803 c-V153031004 |
| 2 | A93EM10000 | Fan motor | | C | 1 | |
| 3 | 4163529301 | SCREW | | C | 2 | |
| 4 | A161105400 | Positioning Plate | | D | 1 | |
| 5 | AA7N146300 | Seal /2 | | D | 1 | |
| 6 | AA2J134201 | Guide | | D | 1 | |
| 7 | AC77N10G00 | Relay Harness /Front | | D | 1 | |
| 8 | A79J101801 | Mounting Plate | | D | 1 | |
| 9 | AC74N11C01 | I/F Flat Cable /W | | D | 1 | |
| 10 | ACV7R70100 | Print Head Assy | | I | 1 | |
| 11 | A2XK144201 | Seal /2 | | D | 1 | |
| 12 | A79J147501 | Duct /3 | | D | 1 | |
| 13 | AA7N145401 | Seal | | D | 1 | |
| 14 | AA7N145701 | Seal | | D | 1 | |
| 15 | AA2J134100 | Guide | | D | 1 | |
| 16 | AA7N147400 | Duct /2 | | D | 1 | |
| 17 | AA7N145300 | Seal | | D | 1 | |
| | | | | | | |
| | | | | | | |
| | | | | | | |
| | | | | | | |
| | | | | | | |
| | | | | | | |
| | | | | | | |
| | | | | | | |
| | | | | | | |
| | | | | | | |

Toner Supply Section

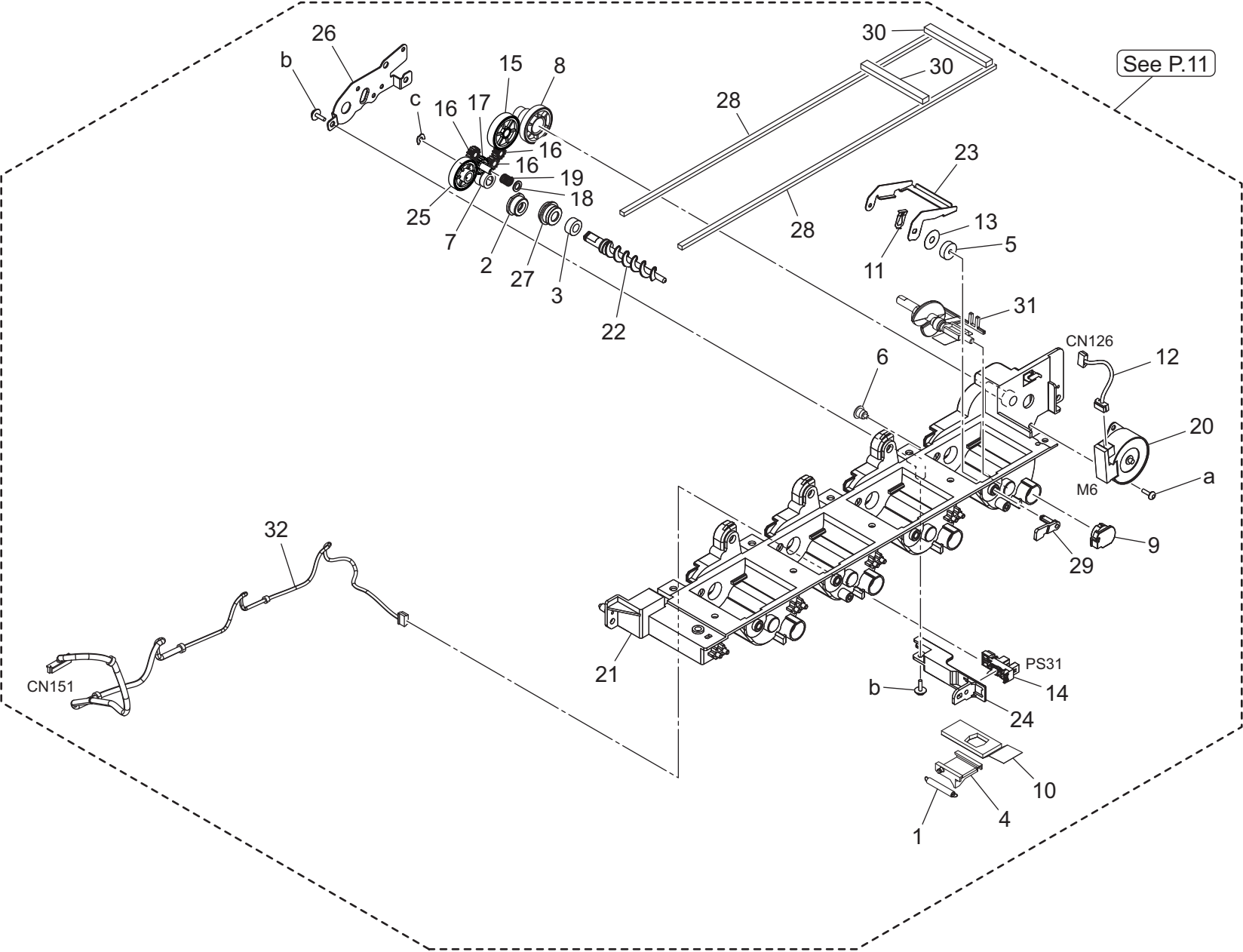


| Key | Part No. | Description | Destinations | Class | QTY | Standard parts |
|-----|------------|----------------------|--|-------|-----|----------------|
| 1 | AA7N401401 | Cover /Right | A | D | 1 | a-V153030803 |
| 1 | AA7N401701 | Cover /Right | B,C,D1,D3,E,F2,G1,G 2,I,K,J | D | 1 | b-V127030604 |
| 2 | 4038101401 | SUCTION PLATE | | D | 1 | |
| 3 | ACV7R70200 | Sub Hopper ASSY (JP) | A | S | 1 | |
| 3 | ACV7R70300 | Sub Hopper ASSY (US) | B,G2 | S | 1 | |
| 3 | ACV7R70400 | Sub Hopper ASSY (EU) | サブホッパー A s s y (欧州) | S | 1 | |
| 3 | ACV7R70700 | Sub Hopper ASSY (AP) | サブホッパー A s s y (A P) | S | 1 | |
| 4 | 4163529301 | SCREW | C,G1,I,(South Africa) | C | 2 | |
| 5 | AA7N401600 | Arm | D1,D3,E,F2,G1,I(Exc ept South Africa),K | C | 1 | |
| 6 | AA7N401501 | Arm | J | C | 1 | |
| | | | | | | |
| | | | | | | |
| | | | | | | |
| | | | | | | |
| | | | | | | |
| | | | | | | |
| | | | | | | |
| | | | | | | |
| | | | | | | |
| | | | | | | |
| | | | | | | |
| | | | | | | |
| | | | | | | |
| | | | | | | |
| | | | | | | |



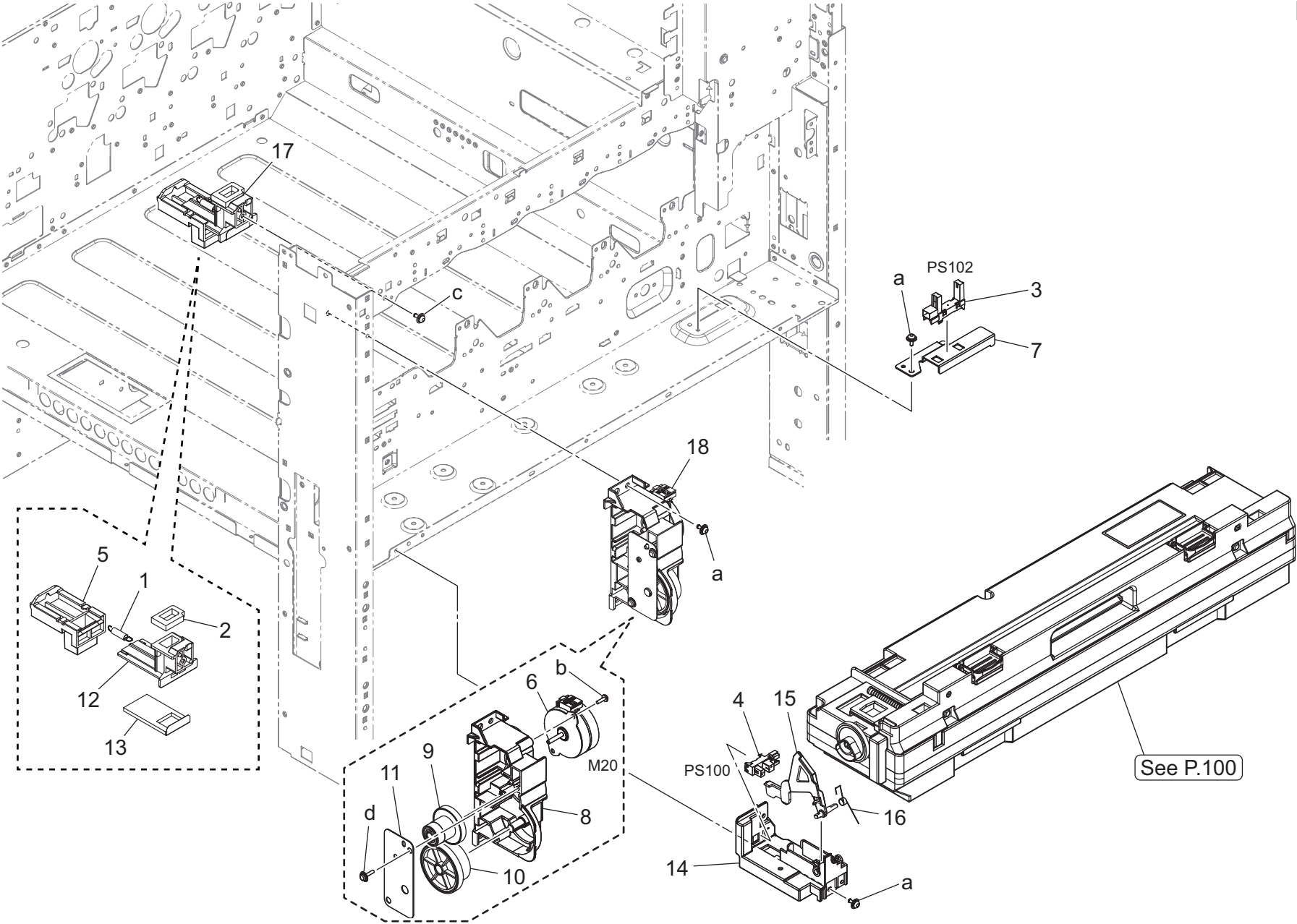
| Key | Part No. | Description | Destinations | Class | QTY | Standard parts | |
|-----|------------|---------------|---|-------|-----|----------------|--|
| 1 | 4038101401 | SUCTION PLATE | | D | 1 | a-V153030803 | |
| 2 | 4163529301 | SCREW | | C | 2 | | |
| 3 | AA2J402101 | Cover | | D | 1 | | |
| 4 | AA2J402401 | Shutter | | D | 1 | | |
| 5 | AA2J402500 | Seal | | D | 1 | | |
| 6 | AA2J402600 | Guide | | D | 1 | | |
| 7 | AA7N401501 | Arm | | C | 1 | | |
| 8 | AA7N401600 | Arm | | C | 1 | | |
| 9 | ACV7401302 | Cover | | D | 1 | | |
| 9 | ACV7401702 | Cover | B,G2 C,G1,I(South Africa) | D | 1 | | |
| 9 | ACV7401802 | Cover | | D | 1 | | |
| 9 | ACV7401900 | Cover | A D1,D3,E,F2,G1,I(Except South Africa),K | D | 1 | | |
| 10 | ACV7401500 | Cover | | D | 3 | | |
| | | | | | | | |
| | | | | | | | |
| | | | | | | | |
| | | | | | | | |
| | | | | | | | |
| | | | | | | | |
| | | | | | | | |
| | | | | | | | |

Toner Supply Section

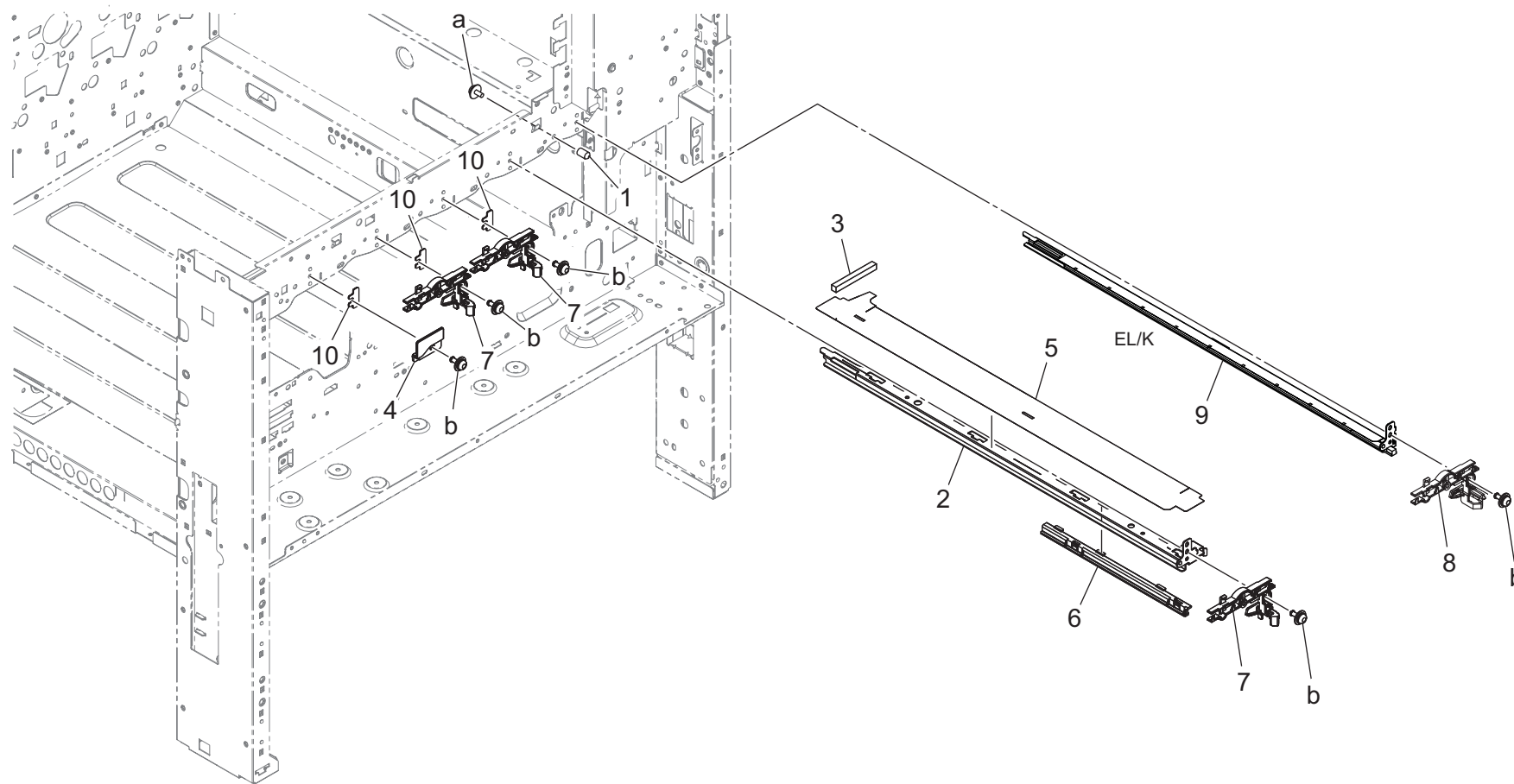


| Key | Part No. | Description | Destinations | Class | QTY | Standard parts |
|-----|------------|----------------------------|--------------|-------|-----|--|
| 1 | 4036534801 | TENSION SPRING | | C | 1 | a-V145030803 b-V153030803 c-V218030086 |
| 2 | 4163510201 | BUSHING | | C | 1 | |
| 3 | 4576536301 | SEAL | | D | 1 | |
| 4 | A0ED401000 | Shutter | | D | 1 | |
| 5 | A161400601 | Detecting Seal | | D | 1 | |
| 6 | A161400800 | Pin | | D | 1 | |
| 7 | A161401000 | Gear 18T | | C | 1 | |
| 8 | A161401300 | Gear 17/65T | | C | 1 | |
| 9 | A161403000 | Bushing | | D | 1 | |
| 10 | A161403200 | Seal | | D | 1 | |
| 11 | A161404200 | Fixing Plate | | D | 1 | |
| 12 | A161N12801 | Toner Drive harness /K | | D | 1 | |
| 13 | A5C1404600 | Washer | | D | 1 | |
| 14 | A5C1M50100 | Photointerrupter | | B | 1 | |
| 15 | A79J401400 | Gear 40T | | C | 1 | |
| 16 | A79J401600 | Gear 20T | | C | 3 | |
| 17 | A79J401700 | Gear 18T | | C | 1 | |
| 18 | A79J401800 | Washer | | C | 1 | |
| 19 | A79J401900 | Spring | | C | 1 | |
| 20 | A7PUM10700 | Stepping motor | | C | 1 | |
| 21 | AA2J400001 | Casing | | D | 1 | |
| 22 | AA2J400100 | Screw | | D | 1 | |
| 23 | AA2J400400 | Detecting Plate | | D | 1 | |
| 24 | AA2J400700 | Mounting Plate | | D | 1 | |
| 25 | AA2J401100 | Gear 36T | | C | 1 | |
| 26 | AA2J402800 | Mounting Plate | | D | 1 | |
| 27 | AA2J403100 | Holder | | D | 1 | |
| 28 | AA2J403300 | Seal | | D | 2 | |
| 29 | AA2J404300 | Detecting Actuator | | D | 1 | |
| 30 | AA2J405500 | Seal | | D | 2 | |
| 31 | AA2JR73400 | Agitating Shaft Assy | | D | 1 | |
| 32 | ACV7N10E00 | Toner Detection Harness /1 | | D | 1 | |
| | | | | | | |
| | | | | | | |
| | | | | | | |
| | | | | | | |
| | | | | | | |
| | | | | | | |

Toner Collection Section

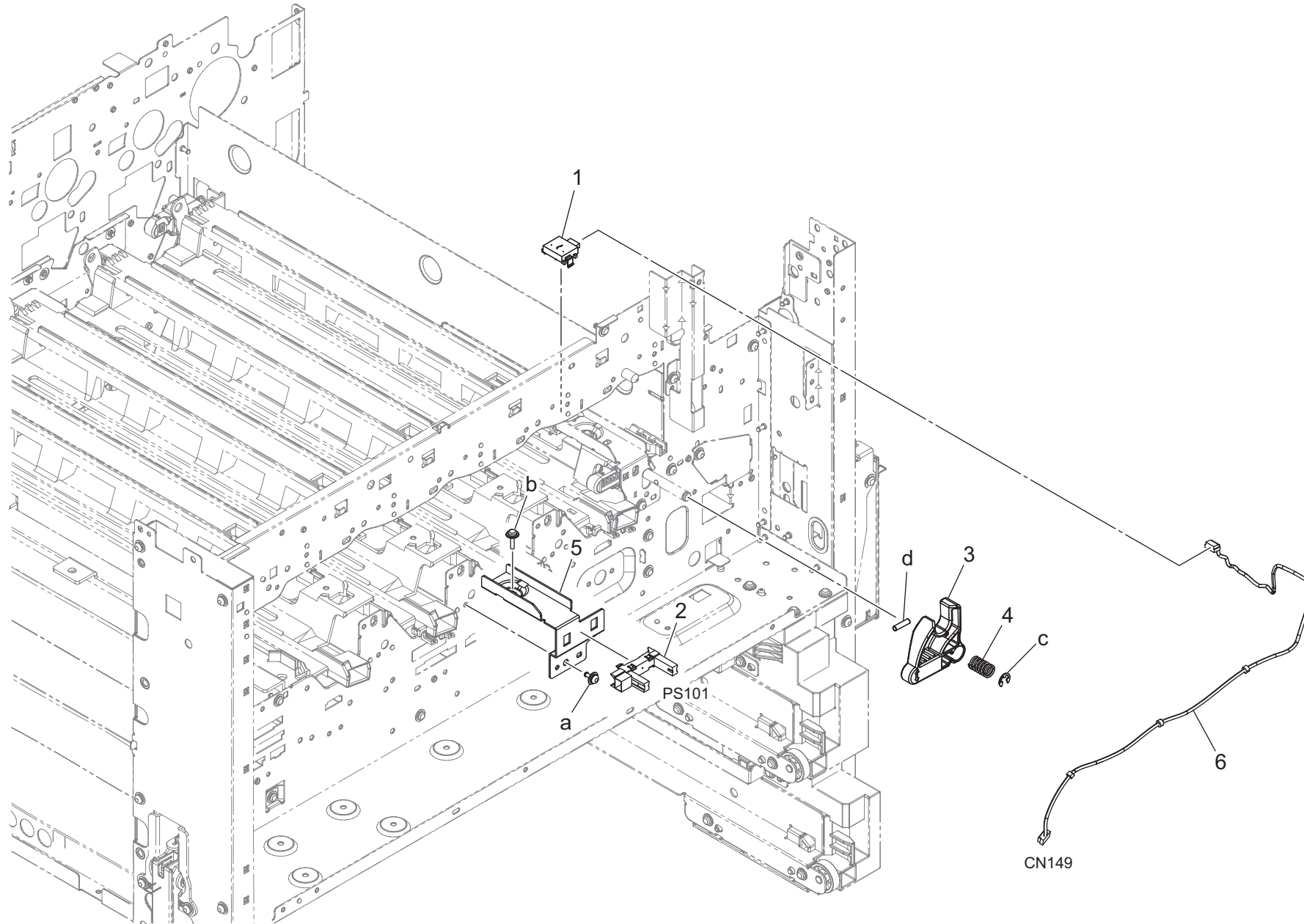


| Key | Part No. | Description | Destinations | Class | QTY | Standard parts |
|-----|------------|-----------------------|--------------|-------|-----|--|
| 1 | A0ED363200 | Pulling Coil spring | | D | 1 | a-V125030803 b-V145030803 c-V153030803 d-V153031004 |
| 2 | A0ED363400 | Seal | | D | 1 | |
| 3 | A0VDM50200 | Photointerrupter | | I | 1 | |
| 4 | A5C1M50100 | Photointerrupter | | B | 1 | |
| 5 | A64J363700 | Shutter | | D | 1 | |
| 6 | A7PUM10600 | Stepping motor | | C | 1 | |
| 7 | AA2J134401 | Mounting Plate | | D | 1 | |
| 8 | AA2J245003 | Drive Holder | | D | 1 | |
| 9 | AA2J245100 | Gear 20/76T | | C | 1 | |
| 10 | AA2J245200 | Gear 20/50T | | C | 1 | |
| 11 | AA2J245300 | Mounting Plate | | D | 1 | |
| 12 | AA2J363000 | Pipe | | D | 1 | |
| 13 | AA2J368001 | Seal | | D | 1 | |
| 14 | AA2J369101 | Holder | | D | 1 | |
| 15 | AA2J369600 | Lever | | C | 1 | |
| 16 | AA2J369301 | Torsion Coil spring | | C | 1 | |
| 17 | AA2JR73600 | Waste Toner Pipe Assy | | C | 1 | |
| 18 | AA2JR71011 | Waste Toner Driva | | S | 1 | |
| | | | | | | |
| | | | | | | |
| | | | | | | |
| | | | | | | |
| | | | | | | |
| | | | | | | |
| | | | | | | |
| | | | | | | |
| | | | | | | |
| | | | | | | |



| Key | Part No. | Description | Destinations | Class | QTY | Standard parts |
|-----|------------|---------------------|--------------|-------|-----|------------------------------|
| 1 | A0ED103100 | Pin | | D | 1 | a-V116030603 b-V125030803 |
| 2 | A161105600 | Rail | | D | 1 | |
| 3 | A161107100 | Seal | | D | 1 | |
| 4 | A161138500 | Guide | | D | 1 | |
| 5 | A5C1105500 | Light blocking Part | | D | 1 | |
| 6 | A797105400 | Rail | | D | 1 | |
| 7 | AA2J130101 | Holder | | D | 3 | |
| 8 | AA7N131101 | Holder | | D | 1 | |
| 9 | AA7NR70600 | Eraser Assy (Black) | | C | 1 | |
| 10 | AC77105700 | Spacer | | D | 3 | |
| | | | | | | |
| | | | | | | |
| | | | | | | |
| | | | | | | |
| | | | | | | |
| | | | | | | |
| | | | | | | |
| | | | | | | |
| | | | | | | |
| | | | | | | |
| | | | | | | |
| | | | | | | |
| | | | | | | |
| | | | | | | |
| | | | | | | |

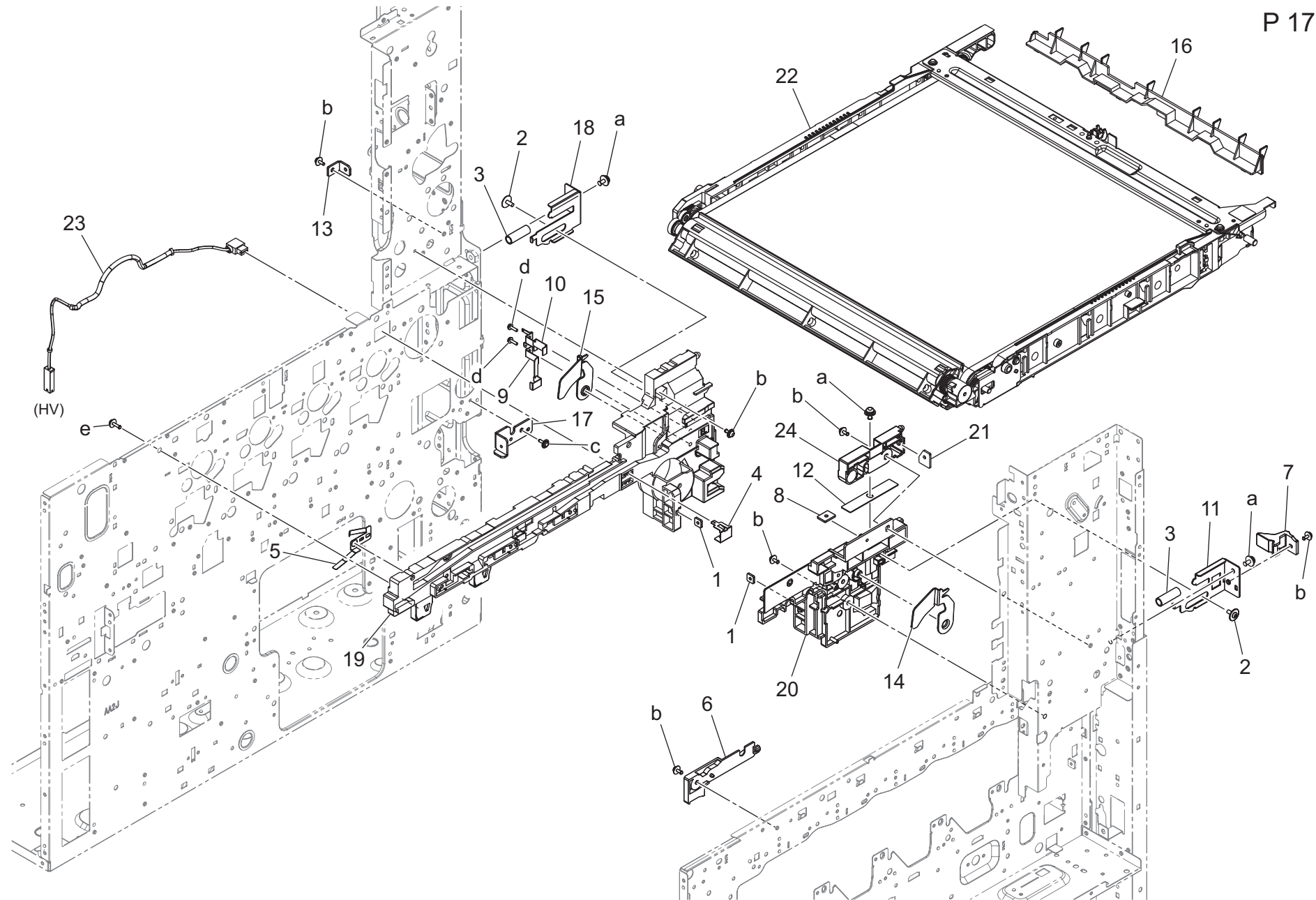
Photo Conductor/ Developing Section



| Key | Part No. | Description | Destinations | Class | QTY | Standard parts |
|-----|------------|-------------------------|--------------|-------|-----|--|
| 1 | A0EDM60001 | Relay Connector | | D | 1 | a-V125030803 b-V153031004 c-V217040003 d-V234301250 |
| 2 | A0VDM50200 | Photointerrupter | | I | 1 | |
| 3 | A161116202 | Release Lever | | D | 1 | |
| 4 | A161119500 | Compressing Coil spring | | D | 1 | |
| 5 | AC77134400 | Mounting Plate | | D | 1 | |
| 6 | AC77N10F01 | Photoconductor Harness | | D | 1 | |
| | | | | | | |
| | | | | | | |
| | | | | | | |
| | | | | | | |
| | | | | | | |
| | | | | | | |
| | | | | | | |
| | | | | | | |
| | | | | | | |
| | | | | | | |
| | | | | | | |
| | | | | | | |
| | | | | | | |
| | | | | | | |
| | | | | | | |
| | | | | | | |
| | | | | | | |
| | | | | | | |
| | | | | | | |
| | | | | | | |
| | | | | | | |
| | | | | | | |

1st Transfer Section

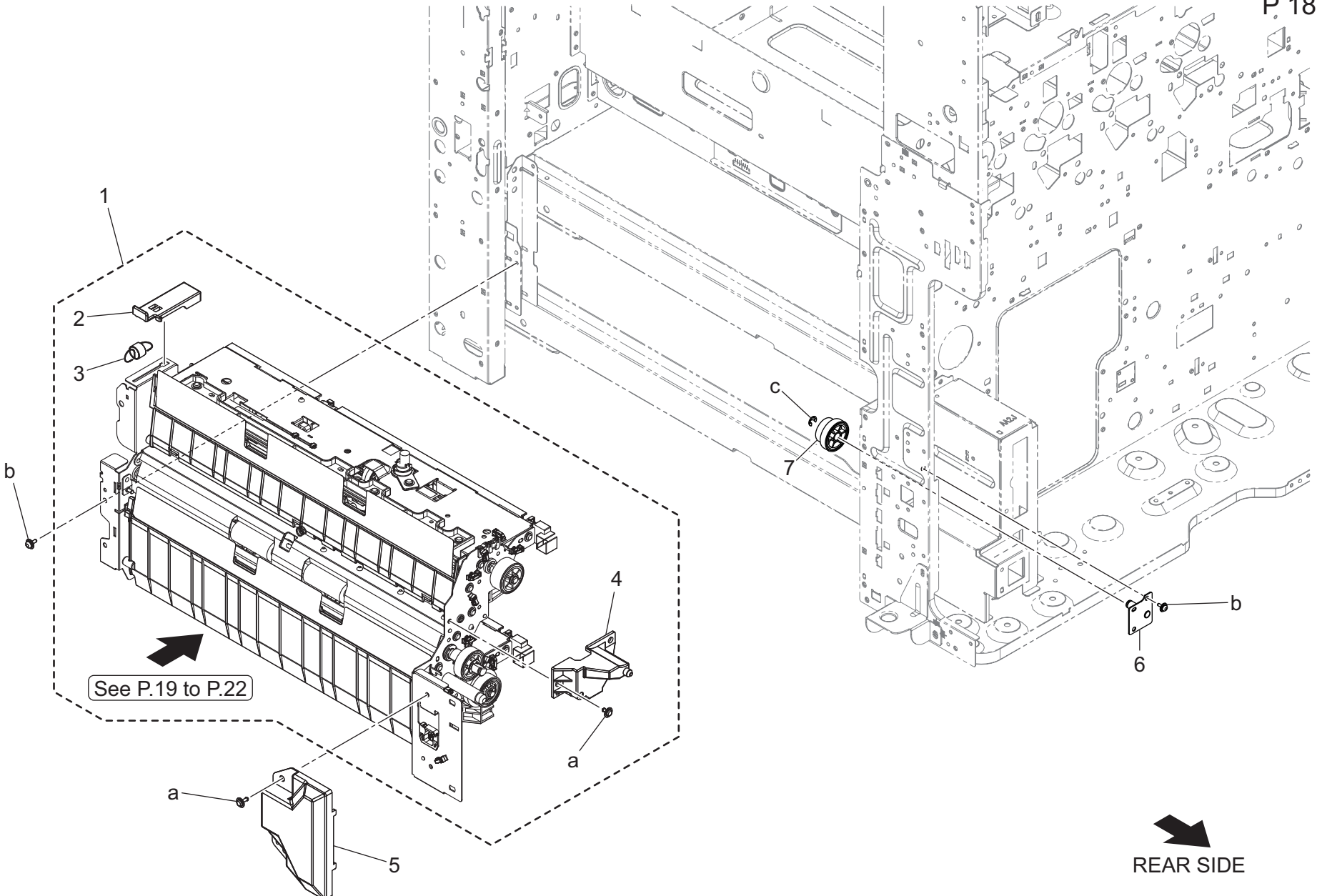
P 17



bizhub 750i

| Key | Part No. | Description | Destinations | Class | QTY | Standard parts |
|-----|---------------|----------------------------------|--------------|-------|-----|--|
| 1 | 4002504203 | PLATE NUT | | D | 2 | a-V116040803 b-V125030803 c-V144030803 d-V145030803 e-V153031003 |
| 2 | 4163529301 | SCREW | | C | 2 | |
| 3 | A0ED111000 | Compressing Coil spring | | D | 2 | |
| 4 | A0ED111400 | Contact /K | | D | 1 | |
| 5 | A0ED112000 | Contact | | D | 1 | |
| 6 | A161110300 | Rail | | D | 1 | |
| 7 | A161110601 | Lock Part | | D | 1 | |
| 8 | A161112200 | Mounting Plate | | D | 1 | |
| 9 | A161112300 | Contact | | D | 1 | |
| 10 | A161112400 | Contact | | D | 1 | |
| 11 | A161112500 | Lever /Front | | D | 1 | |
| 12 | A161112600 | Adjusting Plate | | D | 1 | |
| 13 | A161112700 | Mounting Plate | | D | 1 | |
| 14 | A5C1112800 | Arm /Front | | D | 1 | |
| 15 | A5C1112900 | Arm /Rear | | D | 1 | |
| 16 | A79J508400 | Guide | | D | 1 | |
| 17 | A7PU109000 | Reinforce Plate | | D | 1 | |
| 18 | A161112101 | Lever /Rear | | D | 1 | |
| 19 | AA2J110100 | Rail | | D | 1 | |
| 20 | AA2J110200Old | Rail | | D | 1 | |
| 20 | AA2J110202 | Rail | | D | 1 | |
| 21 | ACKN112200 | Mounting Plate | | D | 1 | |
| 22 | AC74R70100 | Intermediate Image Transfer Unit | | A | 1 | |
| 23 | AC77N11200 | Transfer Harness /1 | | D | 1 | |
| 24 | ACKN110401 | Fusing Rail /Front | | D | 1 | |
| | | | | | | |
| | | | | | | |
| | | | | | | |
| | | | | | | |
| | | | | | | |
| | | | | | | |
| | | | | | | |
| | | | | | | |

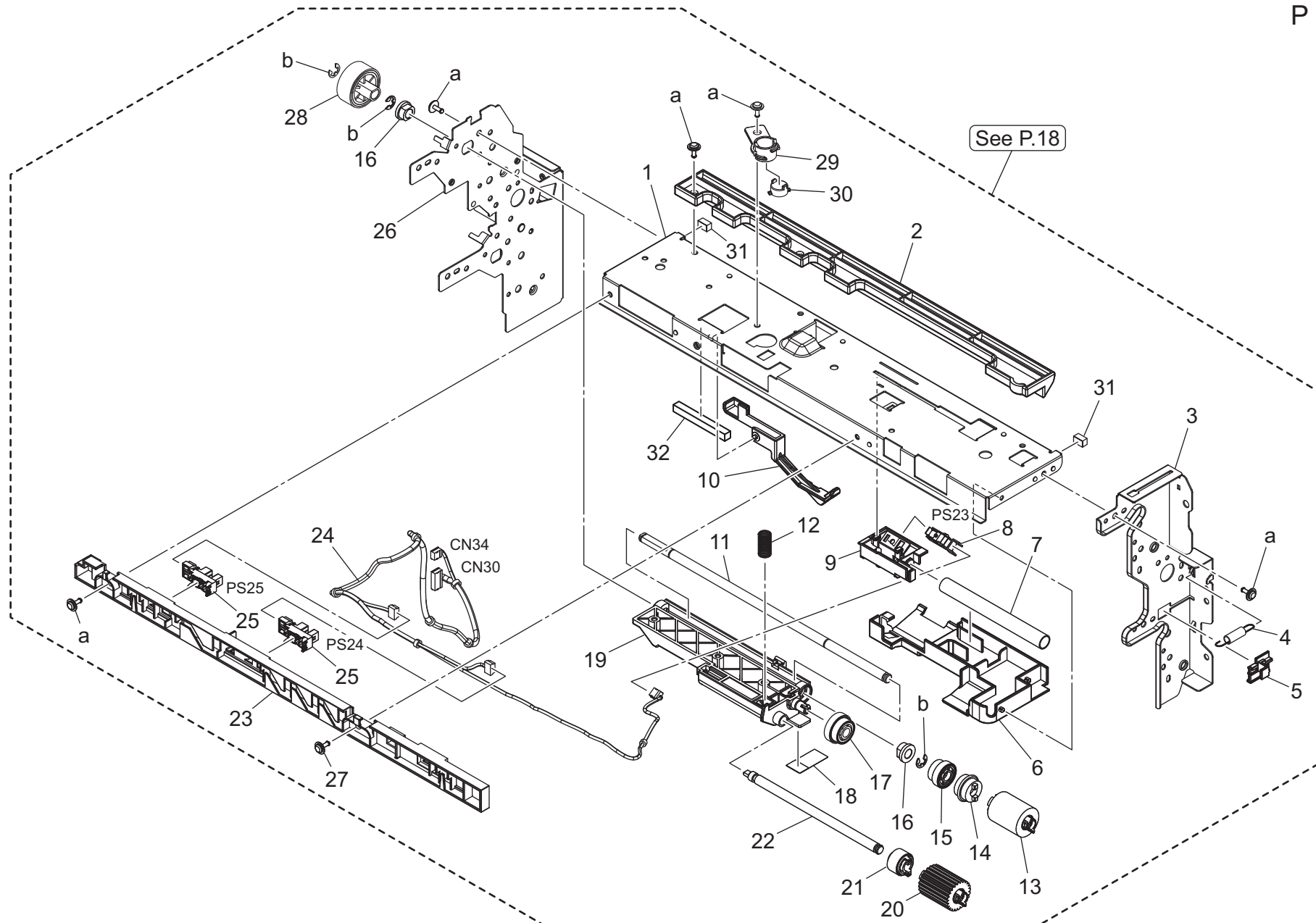
Paper Feed Section



Paper Feed Section

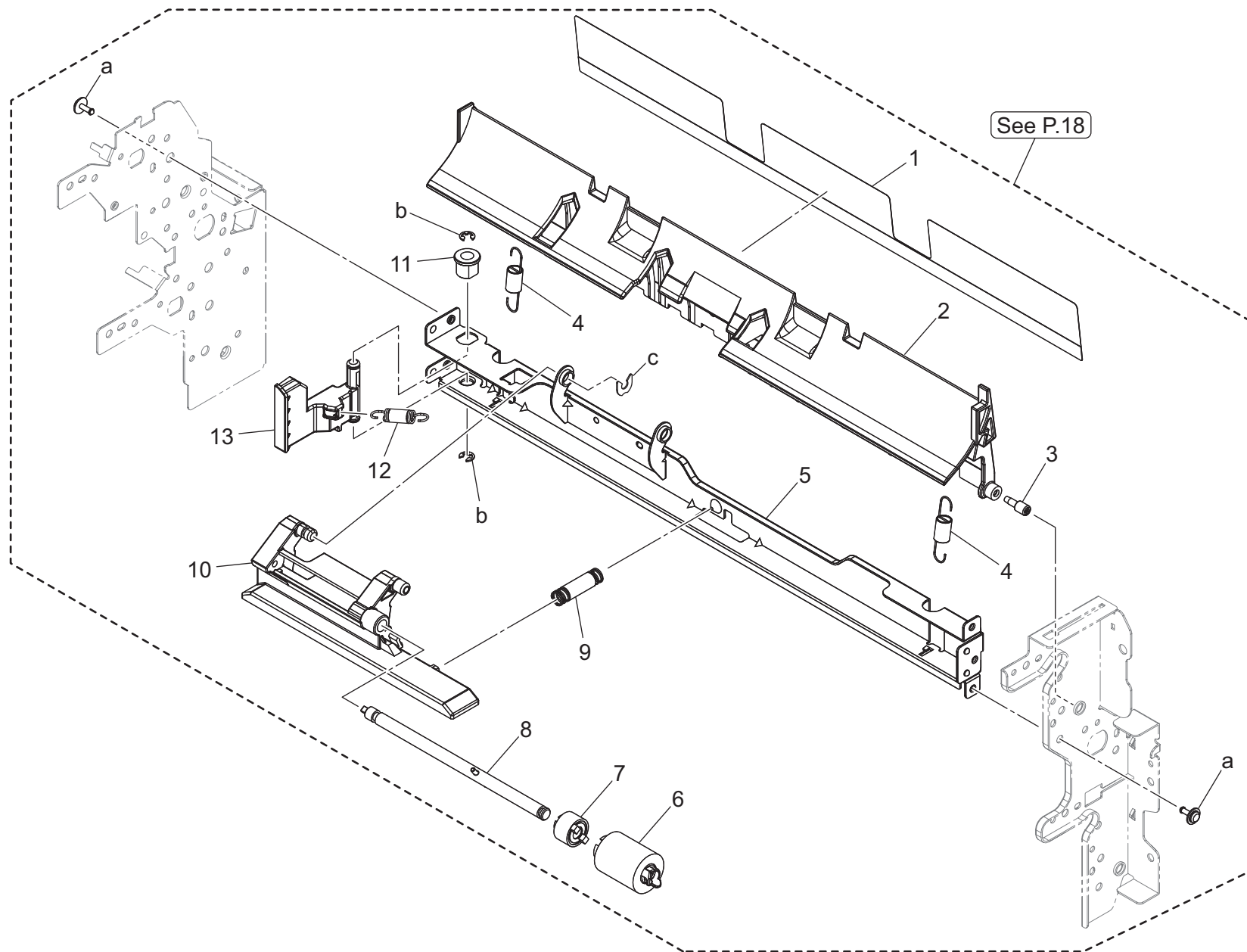
| Key | Part No. | Description | Destinations | Class | QTY | Standard parts |
|-----|------------|----------------------|--------------|-------|-----|--|
| 1 | AA7NR70800 | Paper Feed Assy | | S | 1 | a-V144030803 b-V125030803 c-V217040003 |
| 2 | A161561100 | Holder | | D | 1 | |
| 3 | A161561200 | Pulling Coil spring | | D | 1 | |
| 4 | A161565102 | Mounting Plate | | D | 1 | |
| 5 | A161579011 | Cover | | D | 1 | |
| 6 | AA7N101500 | Mounting Plate /ASSY | | D | 1 | |
| 7 | A161576100 | Gear 21/26T | | C | 1 | |
| | | | | | | |
| | | | | | | |
| | | | | | | |
| | | | | | | |
| | | | | | | |
| | | | | | | |
| | | | | | | |
| | | | | | | |
| | | | | | | |
| | | | | | | |
| | | | | | | |
| | | | | | | |

Paper Feed Section



| Key | Part No. | Description | Destinations | Class | QTY | Standard parts |
|-----|------------|-------------------------|------------------|-------|-----|------------------------------|
| 1 | AA7N565201 | Paper feed Frame | 給紙フレーム (1 s t) | D | 1 | a-V144030803 b-V217040003 |
| 2 | AA2J566000 | Paper feed Guide | 給紙ガイド (上) | D | 1 | |
| 3 | AA7N560101 | Frame /Front | フレーム/前 | D | 1 | |
| 4 | AA2J571200 | Pulling Coil spring | 引張りコイルばね | C | 1 | |
| 5 | AA2J571100 | Holder | ホルダ | D | 1 | |
| 6 | AA2J565700 | Conveyance Guide /3 | 搬送ガイド/3 | D | 1 | |
| 7 | AA2J565400 | Compressing Coil spring | 圧縮コイルばね (給紙センサ) | C | 1 | |
| 8 | A0EDM50100 | Photoreflector | 反射型センサ (アンプ内蔵) | I | 1 | |
| 9 | AA2J565300 | Holder | ホルダ (給紙センサ) | D | 1 | |
| 10 | AA2J561600 | Detecting Lever | 検出レバー (エンブティ) | C | 1 | |
| 11 | AA2J560500 | Paper feed Shaft | 給紙軸 (1 s t) | D | 1 | |
| 12 | AA7N562800 | Compressing Coil spring | 圧縮コイルばね (ピックアップ) | C | 1 | |
| 13 | A64J564101 | Paper feed Roller | 給紙ローラ | A | 1 | |
| 14 | A02E561100 | Clutch | クラッチ | C | 1 | |
| 15 | A7AH562400 | Paper feed Gear | 給紙ギア | C | 1 | |
| 16 | A00J663200 | Bushing | すべり軸受 | B | 2 | |
| 17 | A7AH562300 | Idling Gear | アイドラギア | C | 1 | |
| 18 | A7AH562900 | Protection Sheet | 保護シート | C | 1 | |
| 19 | A7AH562100 | Conveyance Guide /4 | 搬送ガイド/4 | D | 1 | |
| 20 | A64J564201 | Paper feed Roller | 給紙ローラ (ピックアップ) | A | 1 | |
| 21 | A7AH562600 | Conveyance Gear 28T | 搬送ギア 28 T | C | 1 | |
| 22 | A7AH563400 | Support Shaft | 支点軸 | D | 1 | |
| 23 | AA2J579603 | Guide | ガイド (ハーネス) | D | 1 | |
| 24 | AA7NN10P00 | Paper Feed Harness /1 | 給紙束線/1 | D | 1 | |
| 25 | A5C1M50100 | Photointerrupter | 透過型センサ | B | 2 | |
| 26 | AA7N560200 | Frame /ASSY | フレーム/ASSY (後) | D | 1 | |
| 27 | A00J169300 | Shoulder screw | 段ねじ | C | 1 | |
| 28 | A79J576400 | Gear 24T | ギア 24 T | C | 1 | |
| 29 | AA7N565300 | Holder | ホルダ | D | 1 | |
| 30 | AA7N565400 | Lever | レバー | D | 1 | |
| 31 | AA7N568900 | Cushion | クッション | D | 2 | |
| 32 | A161107100 | Seal | シール (飛散防止4) | D | 1 | |
| | | | | | | |
| | | | | | | |
| | | | | | | |
| | | | | | | |
| | | | | | | |
| | | | | | | |
| | | | | | | |
| | | | | | | |

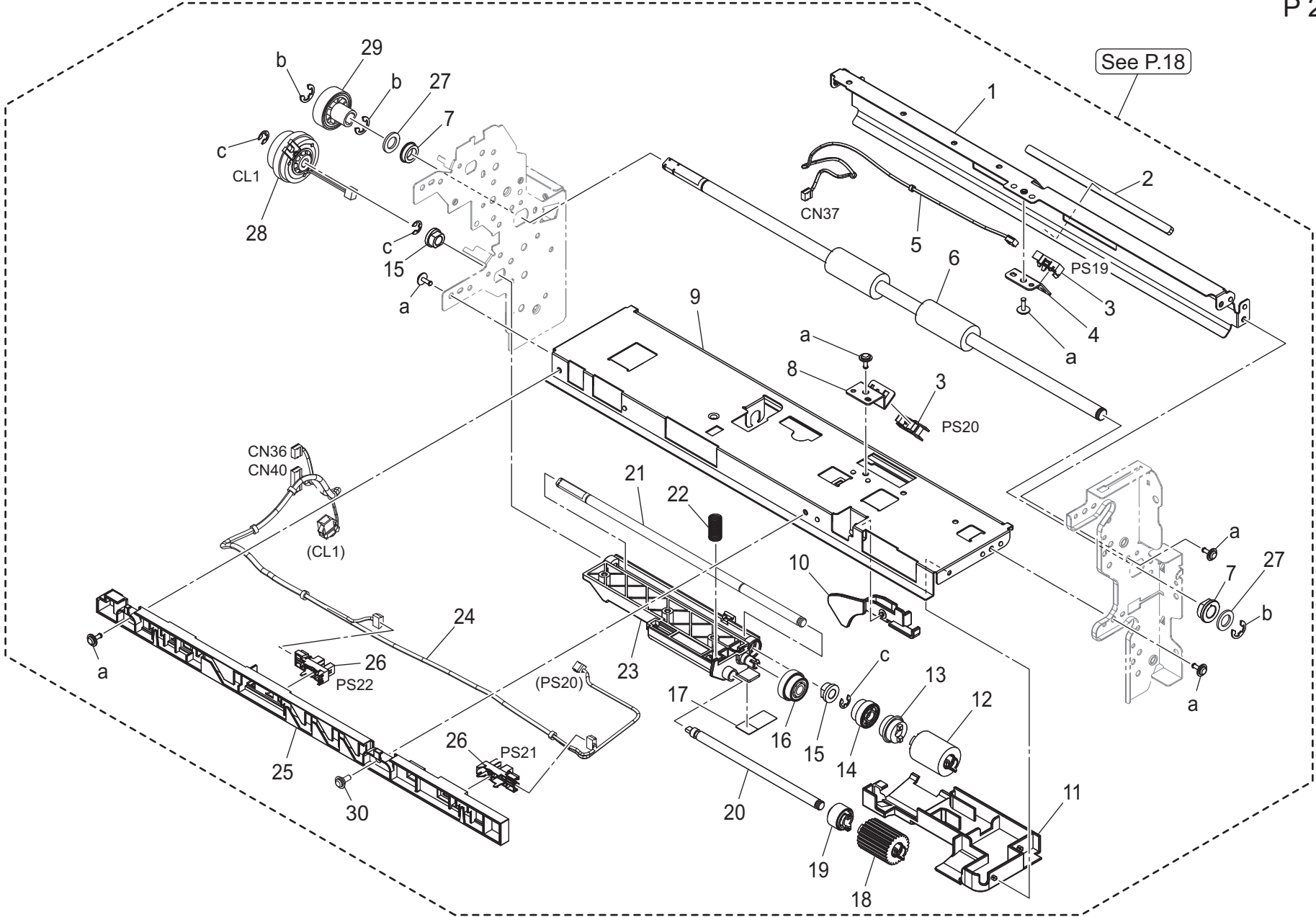
Paper Feed Section



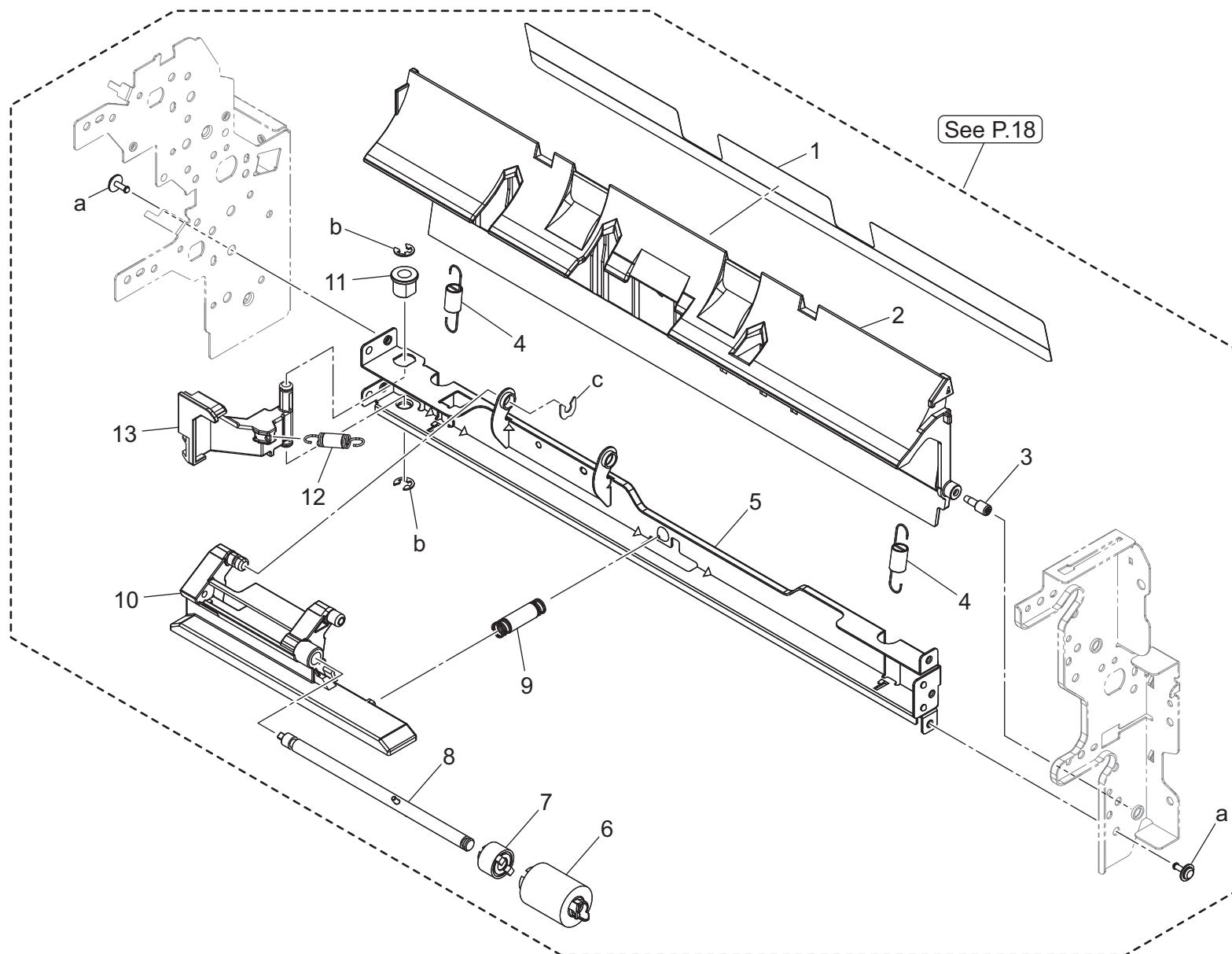
See P.18

| Key | Part No. | Description | Destinations | Class | QTY | Standard parts |
|-----|------------|-------------------------|--------------|-------|-----|--|
| 1 | AA2J567500 | Guide | | C | 1 | a-V144030803 b-V217040003 c-V218040086 |
| 2 | AA2J568401 | Guide Plate | | C | 1 | |
| 3 | 4532341001 | SHOULDER SCREW | | D | 1 | |
| 4 | AA2J568900 | Pulling Coil spring | | C | 2 | |
| 5 | AA2J563801 | Frame | | D | 1 | |
| 6 | AA2J560000 | Paper feed Roller | | A | 1 | |
| 7 | A0ED563900 | Torque limiter | | C | 1 | |
| 8 | A7AH565000 | Support Shaft | | D | 1 | |
| 9 | AA2J561301 | Compressing Coil spring | | C | 1 | |
| 10 | AA2J563103 | Holder | | D | 1 | |
| 11 | A02E815200 | BUSHING | | C | 1 | |
| 12 | A797564400 | Pulling Coil spring | | C | 1 | |
| 13 | AA2J564200 | Release Lever | | D | 1 | |
| | | | | | | |
| | | | | | | |
| | | | | | | |
| | | | | | | |
| | | | | | | |
| | | | | | | |
| | | | | | | |
| | | | | | | |
| | | | | | | |

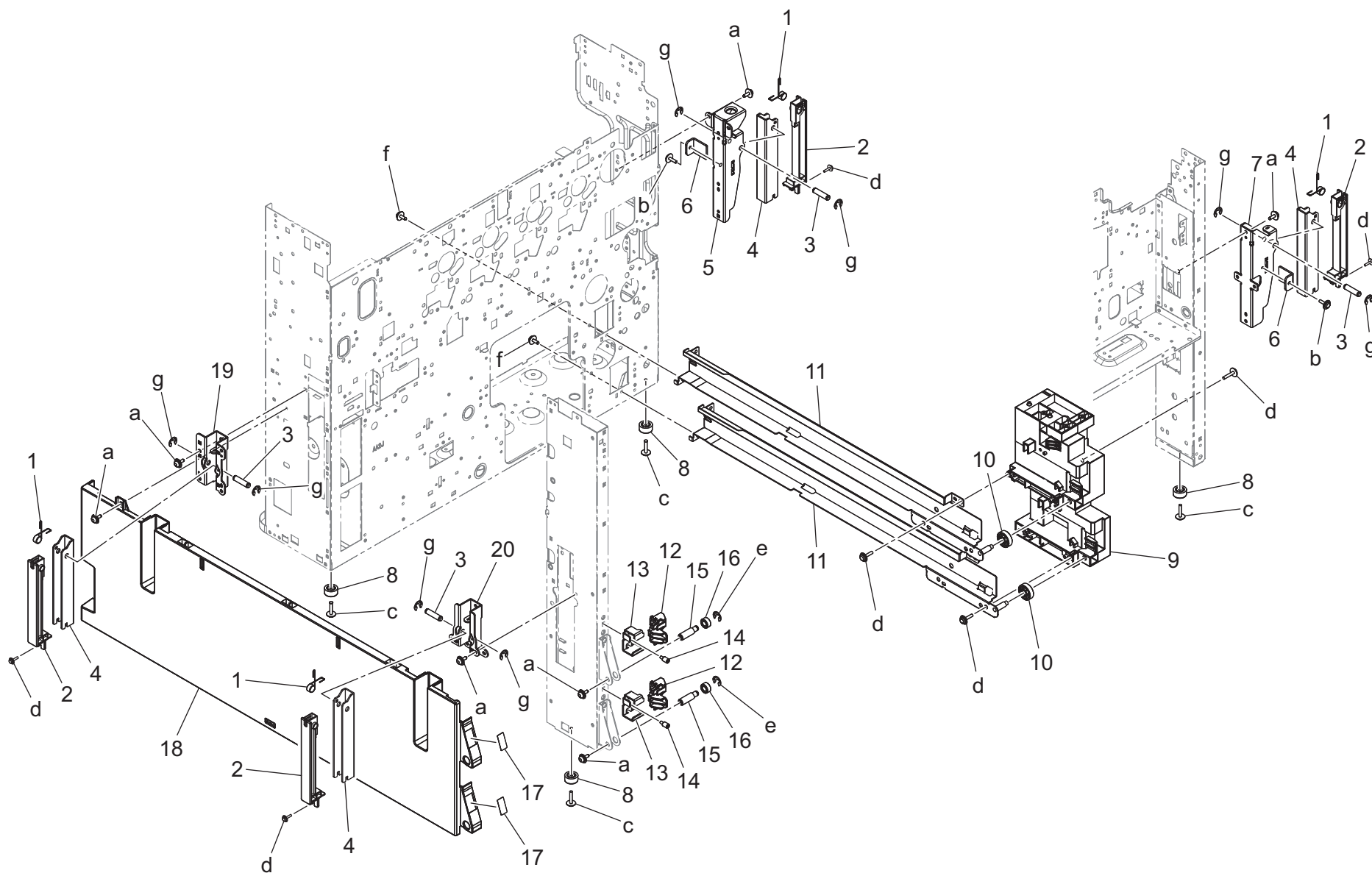
Paper Feed Section



| Key | Part No. | Description | Destinations | Class | QTY | Standard parts |
|-----|------------|------------------------------|--------------|-------|-----|--|
| 1 | A161578214 | Guide Plate | | D | 1 | a-V144030803 b-V217060003 c-V217040003 |
| 2 | A161578700 | Cushion | | C | 1 | |
| 3 | A0EDM50100 | Photorelector | | I | 2 | |
| 4 | A161571100 | Mounting Plate | | D | 1 | |
| 5 | A161N12701 | Conveyance Detection harness | | D | 1 | |
| 6 | AA2J578100 | Drive Roller | | C | 1 | |
| 7 | A00J617900 | Ball Bearing | | B | 2 | |
| 8 | AA2J575300 | Mounting Plate | | D | 1 | |
| 9 | AA2J575202 | Paper feed Frame | | D | 1 | |
| 10 | A7AH561601 | Detecting Lever | | C | 1 | |
| 11 | AA2J565700 | Conveyance Guide /3 | | D | 1 | |
| 12 | A64J564101 | Paper feed Roller | | A | 1 | |
| 13 | A02E561100 | Clutch | | C | 1 | |
| 14 | A7AH562400 | Paper feed Gear | | C | 1 | |
| 15 | A00J663200 | Bushing | | B | 2 | |
| 16 | A7AH562300 | Idling Gear | | C | 1 | |
| 17 | A7AH562900 | Protection Sheet | | C | 1 | |
| 18 | A64J564201 | Paper feed Roller | | A | 1 | |
| 19 | A7AH562600 | Conveyance Gear 28T | | C | 1 | |
| 20 | A7AH563400 | Support Shaft | | D | 1 | |
| 21 | AA2J560500 | Paper feed Shaft | | D | 1 | |
| 22 | AA7N562800 | Compressing Coil spring | | C | 1 | |
| 23 | A7AH562100 | Conveyance Guide /4 | | D | 1 | |
| 24 | AA7NN10Q00 | Paper Feed Harness /2 | | D | 1 | |
| 25 | AA2J579603 | Guide | | D | 1 | |
| 26 | A5C1M50100 | Photointerrupter | | B | 2 | |
| 27 | AA7N569200 | Spacer | | D | 2 | |
| 28 | A64JM20000 | Clutch | | C | 1 | |
| 29 | A2XK709000 | Gear 24T | | C | 1 | |
| 30 | A00J169300 | Shoulder screw | | C | 1 | |
| | | | | | | |
| | | | | | | |
| | | | | | | |
| | | | | | | |
| | | | | | | |
| | | | | | | |
| | | | | | | |
| | | | | | | |
| | | | | | | |
| | | | | | | |
| | | | | | | |
| | | | | | | |
| | | | | | | |
| | | | | | | |
| | | | | | | |

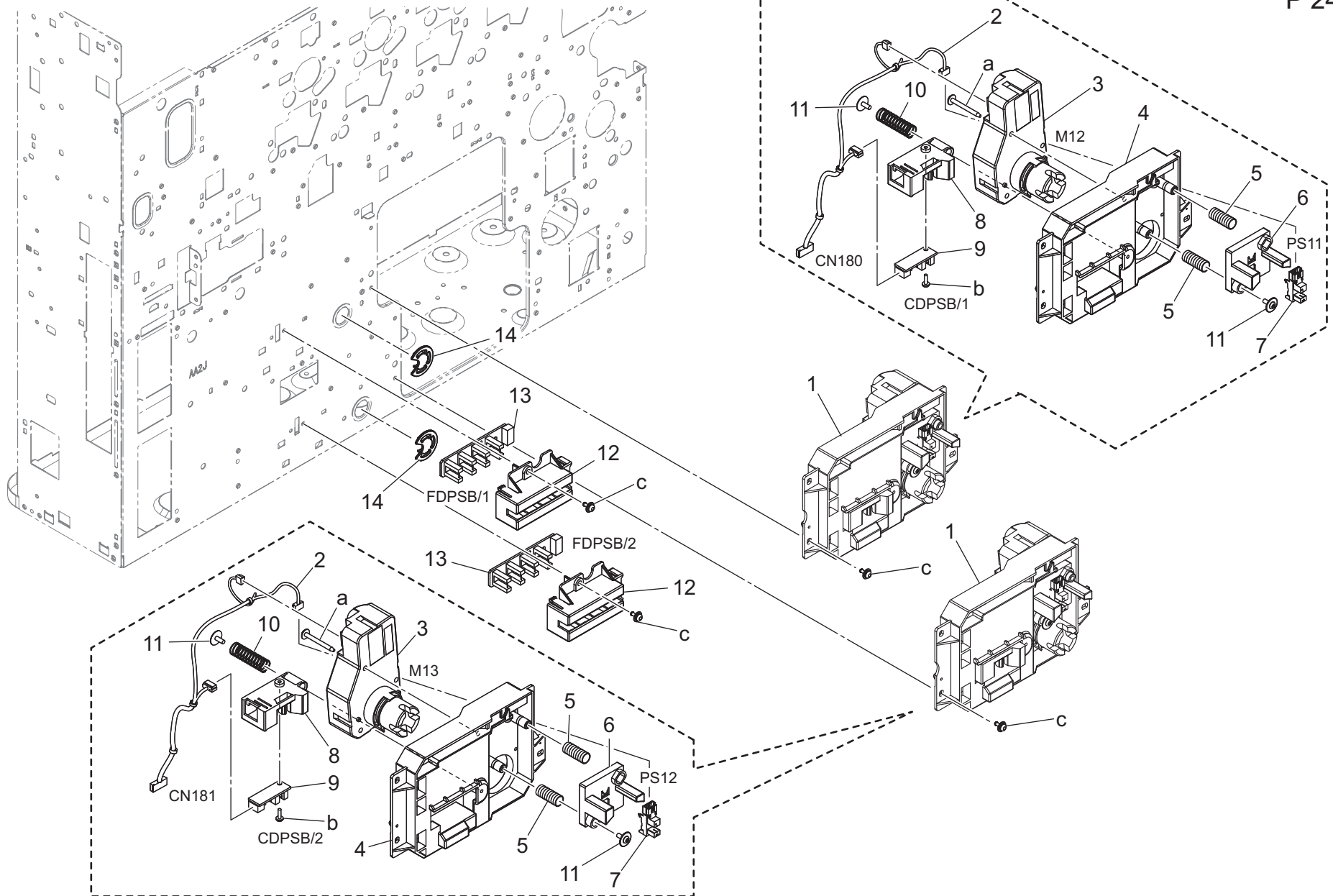


| Key | Part No. | Description | Destinations | Class | QTY | Standard parts |
|-----|------------|-------------------------|--------------|-------|-----|--|
| 1 | AA2J577500 | Guide | | C | 1 | a-V144030803 b-V217040003 c-V218040086 |
| 2 | AA2J578401 | Guide Plate | | C | 1 | |
| 3 | 4532341001 | SHOULDER SCREW | | D | 1 | |
| 4 | AA2J569000 | Pulling Coil spring | | C | 2 | |
| 5 | AA2J563801 | Frame | | D | 1 | |
| 6 | AA2J560000 | Paper feed Roller | | A | 1 | |
| 7 | A0ED563900 | Torque limiter | | C | 1 | |
| 8 | A7AH565000 | Support Shaft | | D | 1 | |
| 9 | AA2J561301 | Compressing Coil spring | | C | 1 | |
| 10 | AA2J563103 | Holder | | D | 1 | |
| 11 | A02E815200 | BUSHING | | C | 1 | |
| 12 | A797564400 | Pulling Coil spring | | C | 1 | |
| 13 | AA2J574101 | Release Lever | | D | 1 | |
| | | | | | | |
| | | | | | | |
| | | | | | | |
| | | | | | | |
| | | | | | | |
| | | | | | | |
| | | | | | | |
| | | | | | | |
| | | | | | | |
| | | | | | | |
| | | | | | | |
| | | | | | | |
| | | | | | | |
| | | | | | | |
| | | | | | | |



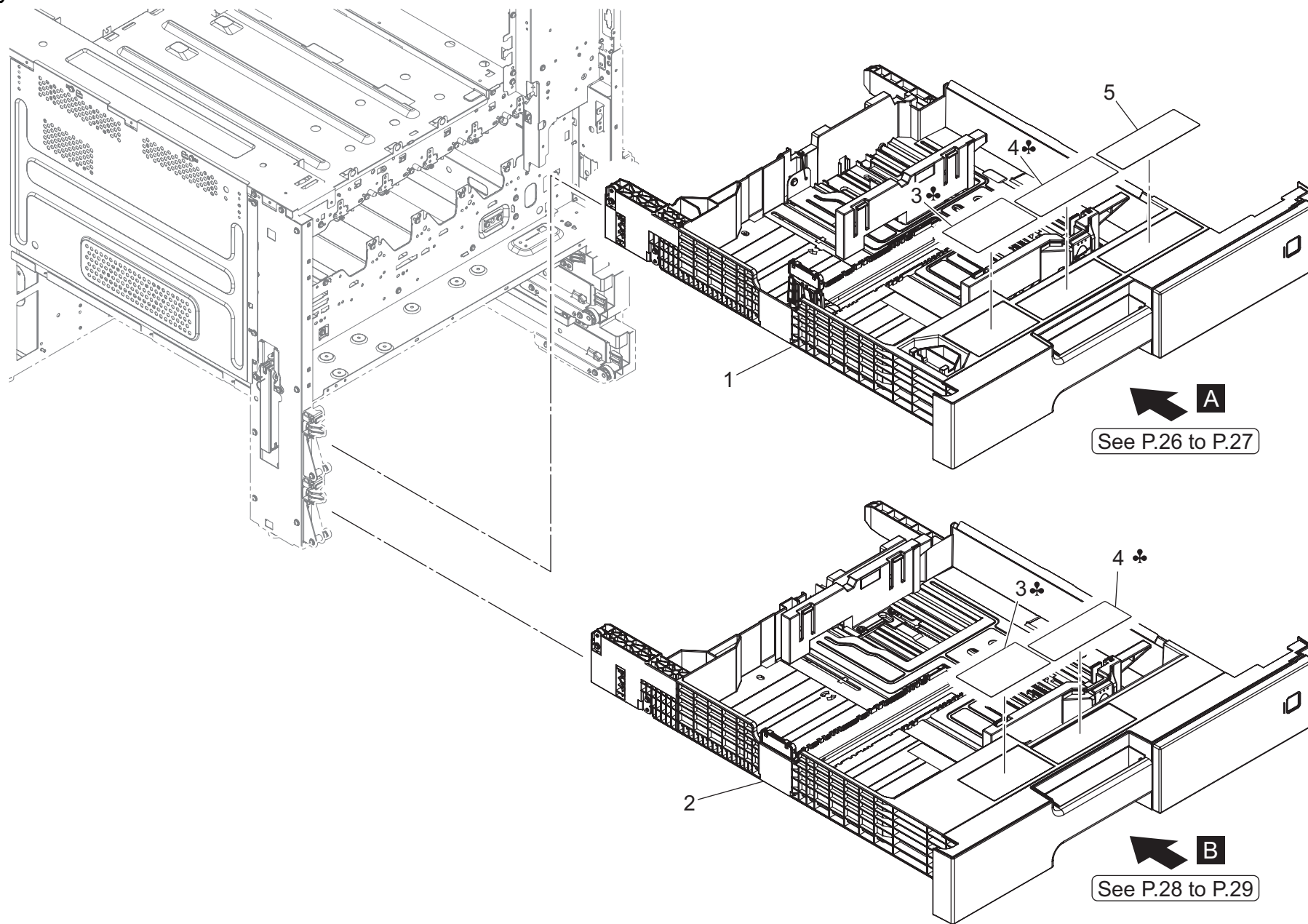
| Key | Part No. | Description | Destinations | Class | QTY | Standard parts |
|-----|------------|---------------------|--------------|-------|-----|--|
| 1 | A161104300 | Torsion Coil spring | | D | 4 | a-V125030803 b-V137030803 c-V137031203 d-V153031004 e-V217040003 f-V144030603 g-V217040001 |
| 2 | ACKN103700 | Cover | | D | 4 | |
| 3 | A161104200 | Shaft | | D | 4 | |
| 4 | A161101900 | Lever | | D | 4 | |
| 5 | A5C1104800 | Mounting Plate | | D | 1 | |
| 6 | A5C1104700 | Mounting Plate | | D | 2 | |
| 7 | A5C1104400 | Mounting Plate | | D | 1 | |
| 8 | 0996305501 | RUBBER FOOT | | C | 4 | |
| 9 | AA2J106000 | Holder | | D | 1 | |
| 10 | A161103901 | Roll | | D | 2 | |
| 11 | AA2J101100 | Rail /ASSY | | D | 2 | |
| 12 | A7PU102301 | Stopper | | D | 2 | |
| 13 | A7PU102201 | Mounting Plate | | D | 2 | |
| 14 | A1UD192400 | Shoulder screw /2 | | C | 2 | |
| 15 | A161105200 | Shaft | | D | 2 | |
| 16 | A161623400 | Roll | | D | 2 | |
| 17 | AA2J947800 | Label | | D | 2 | |
| 18 | AA2J104003 | Holder | | D | 1 | |
| 19 | A161101701 | Mounting Plate | | D | 1 | |
| 20 | A161101600 | Mounting Plate | | D | 1 | |
| | | | | | | |
| | | | | | | |
| | | | | | | |
| | | | | | | |
| | | | | | | |
| | | | | | | |
| | | | | | | |
| | | | | | | |
| | | | | | | |
| | | | | | | |

Tray 1/2

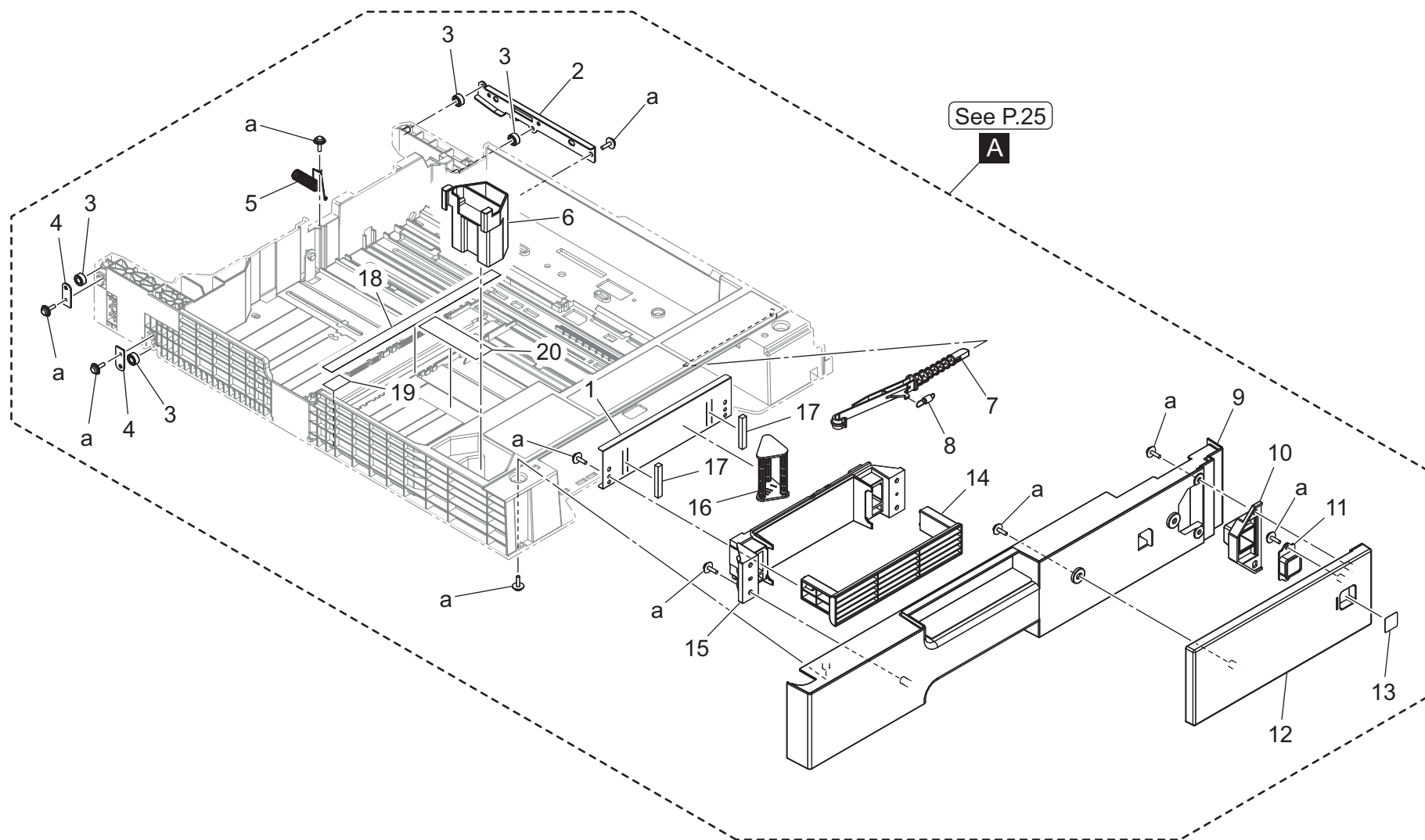


| Key | Part No. | Description | Destinations | Class | QTY | Standard parts |
|-----|------------|----------------------------------|--------------|-------|-----|--|
| 1 | AA2JR72200 | Paper Size Detection Assy/ Upper | | S | 2 | a-V153033003 b-V145030803 c-V125030803 |
| 2 | AA2JN10T00 | Paperfeed Wiring /K | | D | 2 | |
| 3 | 9J06M10300 | MOTOR | | B | 2 | |
| 4 | A5C1627103 | Holder | | D | 2 | |
| 5 | A5C1627900 | Compressing Coil spring | | D | 4 | |
| 6 | A5C1627300 | Holder | | D | 2 | |
| 7 | A5C1M50100 | Photointerrupter | | B | 2 | |
| 8 | A7PU627500 | Holder | | D | 2 | |
| 9 | A161M50501 | Photointerrupter | | C | 2 | |
| 10 | 4002311002 | Pressure Spring | | C | 2 | |
| 11 | 4163529301 | SCREW | | C | 4 | |
| 12 | A5C1628000 | Holder | | C | 2 | |
| 13 | A161M50600 | Photointerrupter | | C | 2 | |
| 14 | A7PU106100 | Cover | | D | 2 | |
| | | | | | | |
| | | | | | | |
| | | | | | | |
| | | | | | | |
| | | | | | | |
| | | | | | | |
| | | | | | | |
| | | | | | | |
| | | | | | | |
| | | | | | | |
| | | | | | | |

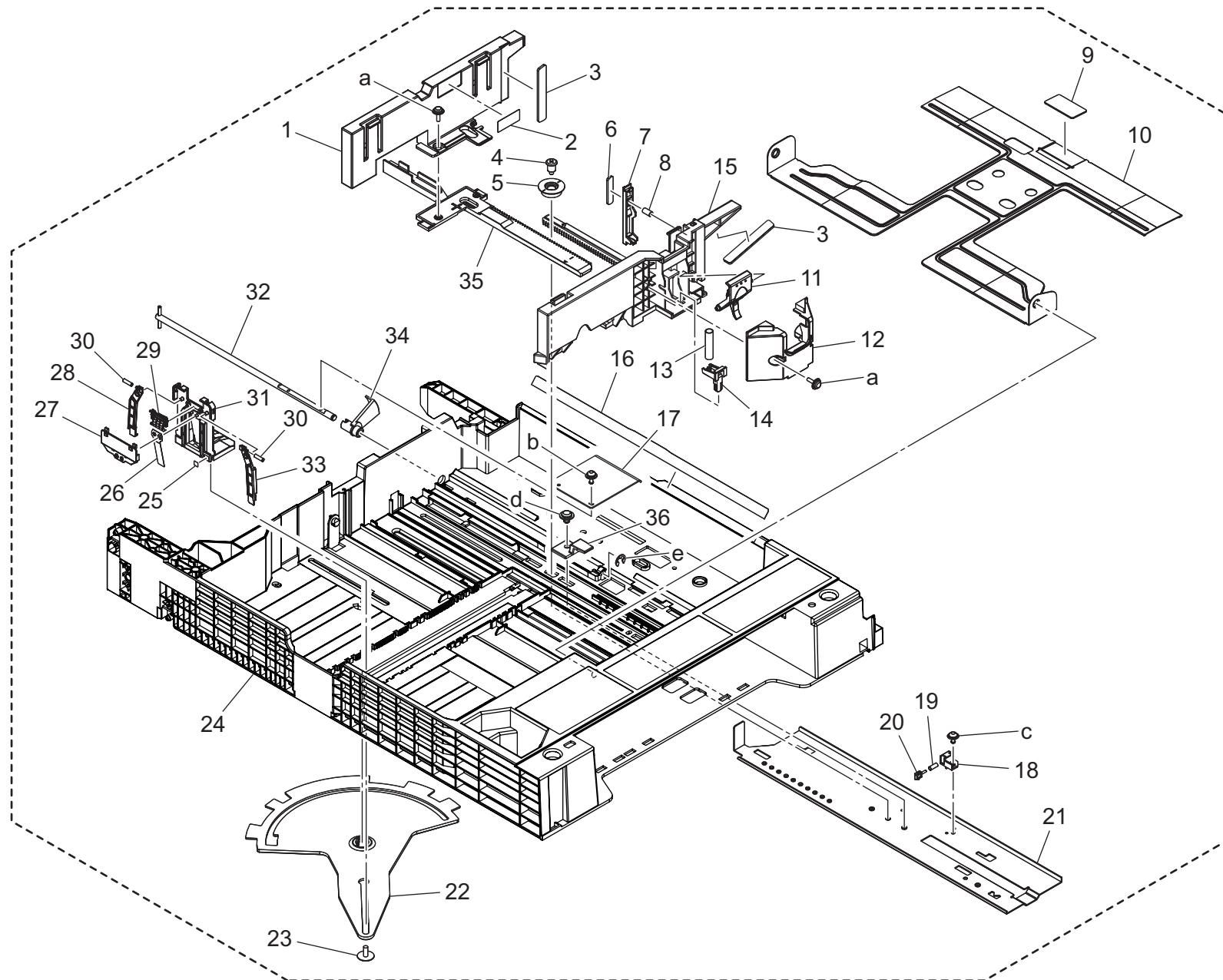
Tray 1/2



| Key | Part No. | Description | Destinations | Class | QTY | Standard parts |
|-----|------------|--------------------|--------------------------------|-------|-----|----------------|
| 1 | AA2JR72422 | Cassette Assy /1st | | S | 1 | |
| 2 | AA2JR72511 | Cassette Assy /2nd | | S | 1 | |
| 3 | AA2J947100 | Label | A | D | 2 | |
| 3 | AA2J947200 | Label | B,C,D1,D3,E,F2,G1,G 2,I,K,J | D | 2 | |
| 4 | AA2J942400 | Label | A | D | 2 | |
| 4 | AA2J942500 | Label | B,C,D1,D3,E,F2,G1,I ,K,J | D | 2 | |
| 5 | AA2J947400 | Label | | D | 1 | |
| | | | | | | |
| | | | | | | |
| | | | | | | |
| | | | | | | |
| | | | | | | |
| | | | | | | |
| | | | | | | |
| | | | | | | |
| | | | | | | |
| | | | | | | |
| | | | | | | |
| | | | | | | |
| | | | | | | |
| | | | | | | |
| | | | | | | |
| | | | | | | |



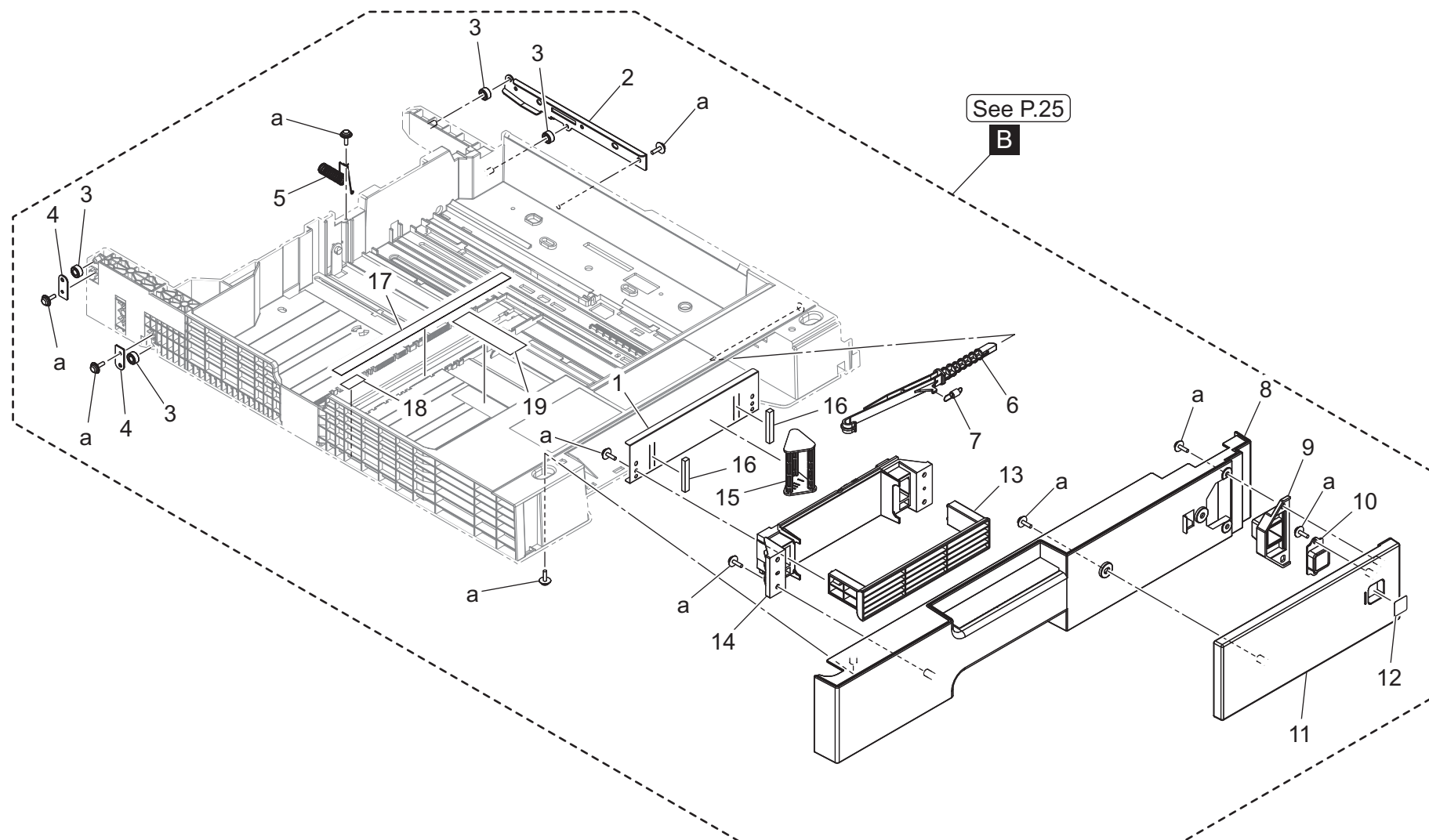
| Key | Part No. | Description | Destinations | Class | QTY | Standard parts |
|-----|------------|------------------------|--------------|-------|-----|----------------|
| 1 | AA2J624300 | Holder | | D | 1 | a-V153030803 |
| 2 | AA2J623101 | Reinforce Plate /Right | | D | 1 | |
| 3 | A161623400 | Roll | | D | 4 | |
| 4 | AA2J623300 | Reinforce Plate /Left | | D | 2 | |
| 5 | AA2J622101 | Ground Spring | | C | 1 | |
| 6 | AA2J629600 | Regulating Part | | D | 1 | |
| 7 | A161626502 | Lever | | C | 1 | |
| 8 | A161626800 | Pulling Coil spring | | C | 1 | |
| 9 | AA2J625101 | Cover | | D | 1 | |
| 10 | AA2J625300 | Cover | | D | 1 | |
| 11 | AA2J626702 | Cover | | D | 1 | |
| 12 | AA2J625000 | Cover | | D | 1 | |
| 13 | AA2J943100 | Label | | D | 1 | |
| 14 | AA2J626900 | Handle | | D | 1 | |
| 15 | AA2J625201 | Cover | | D | 1 | |
| 16 | AA2J626600 | Lever | | C | 1 | |
| 17 | A5C1628500 | Cushion | | D | 2 | |
| 18 | AA2J941600 | Label | | D | 1 | |
| 19 | AA2J941300 | Label | | D | 1 | |
| 20 | AA2J941500 | Label | | D | 1 | |
| | | | | | | |
| | | | | | | |
| | | | | | | |
| | | | | | | |
| | | | | | | |
| | | | | | | |
| | | | | | | |
| | | | | | | |
| | | | | | | |



See P.25

A

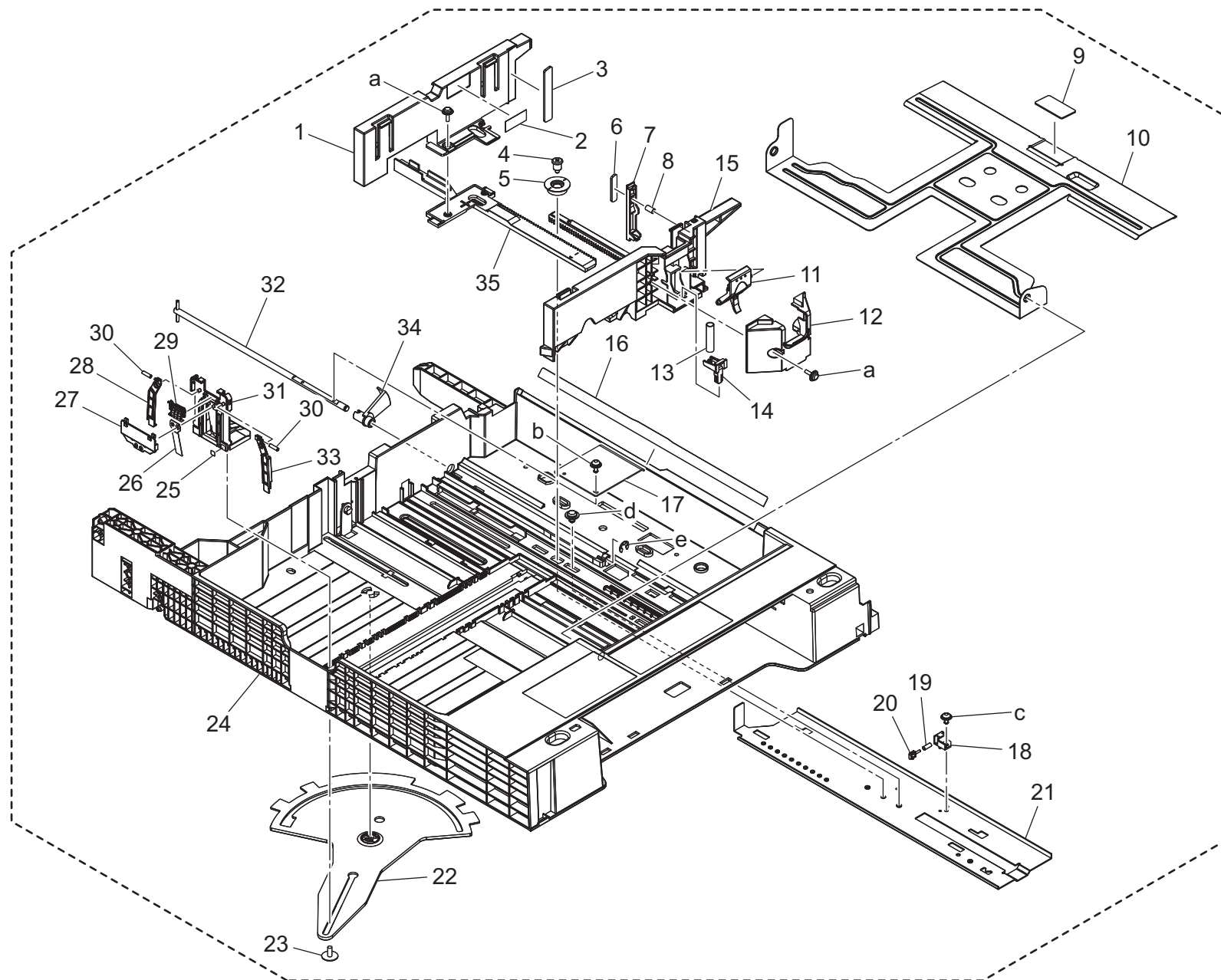
| Key | Part No. | Description | Destinations | Class | QTY | Standard parts |
|-----|------------|------------------------|--------------|-------|-----|--|
| 1 | AA2J620901 | Regulating Plate /Rear | | C | 1 | a-V153030803 b-V125030803 c-V127030603 d-V146040804 e-V217040003 |
| 2 | AA2J943701 | Label | | D | 1 | |
| 3 | A161624100 | Cushion | | C | 2 | |
| 4 | A161620600 | Shoulder screw | | D | 1 | |
| 5 | A161620701 | Gear | | D | 1 | |
| 6 | A79J566000 | Cushion | | C | 1 | |
| 7 | A79J622500 | Auxiliary Guide /1 | | C | 1 | |
| 8 | A795622700 | Compressing Spring | | C | 1 | |
| 9 | 4030322602 | FRICITION SHEET | | C | 1 | |
| 10 | AA2J620400 | Lifting Plate | | D | 1 | |
| 11 | AA2J621300 | Lock Lever | | C | 1 | |
| 12 | AA2J621500 | Holder | | D | 1 | |
| 13 | AA2J621000 | Compressing Spring | | C | 1 | |
| 14 | AA2J621200 | Lock Lever /2 | | D | 1 | |
| 15 | AA2J620804 | Regulating Plate | | C | 1 | |
| 16 | AA2J620200 | Guide | | C | 1 | |
| 17 | 4030320601 | LEVER | | D | 1 | |
| 18 | A795565700 | Holder | | C | 1 | |
| 19 | A795565900 | Compressing Spring | | C | 1 | |
| 20 | A795565800 | Lever | | C | 1 | |
| 21 | A795621901 | Mounting Plate | | D | 1 | |
| 22 | A161621411 | Lever | | C | 1 | |
| 23 | 4163529301 | SCREW | | C | 1 | |
| 24 | AA2J620102 | Paper feed Cassette | | D | 1 | |
| 25 | A02E940300 | Label | | C | 1 | |
| 26 | AA2J629200 | Plate spring | | D | 1 | |
| 27 | AA2J628901 | Cover | | D | 1 | |
| 28 | AA2J628700 | Lock Lever | | C | 1 | |
| 29 | AA2J629000 | Operation Lever | | D | 1 | |
| 30 | A795565500 | Compressing Spring | | C | 2 | |
| 31 | AA2J628601 | Regulating Plate | | C | 1 | |
| 32 | A161621600 | Lifting Shaft | | D | 1 | |
| 33 | AA2J628800 | Lock Lever | | C | 1 | |
| 34 | A0ED620701 | Actuator | | C | 1 | |
| 35 | AA2J621100 | Rack | | D | 1 | |
| 36 | AA2J621600 | Stopper /1 | | D | 1 | |
| | | | | | | |
| | | | | | | |
| | | | | | | |
| | | | | | | |



| Key | Part No. | Description | Destinations | Class | QTY | Standard parts |
|-----|------------|------------------------|--------------|-------|-----|----------------|
| 1 | AA2J624300 | Holder | | D | 1 | a-V153030803 |
| 2 | AA2J633101 | Reinforce Plate /Right | | D | 1 | |
| 3 | A161623400 | Roll | | D | 4 | |
| 4 | AA2J623300 | Reinforce Plate /Left | | D | 2 | |
| 5 | AA2J622101 | Ground Spring | | C | 1 | |
| 6 | A161636502 | Lever | | C | 1 | |
| 7 | A161626800 | Pulling Coil spring | | C | 1 | |
| 8 | AA2J635101 | Cover | | D | 1 | |
| 9 | AA2J625300 | Cover | | D | 1 | |
| 10 | AA2J626702 | Cover | | D | 1 | |
| 11 | AA2J635001 | Cover | | D | 1 | |
| 12 | AA2J943200 | Label | | D | 1 | |
| 13 | AA2J626900 | Handle | | D | 1 | |
| 14 | AA2J625201 | Cover | | D | 1 | |
| 15 | AA2J626600 | Lever | | C | 1 | |
| 16 | A5C1628500 | Cushion | | D | 2 | |
| 17 | AA2J941200 | Label | | D | 1 | |
| 18 | AA2J943500 | Label | | D | 1 | |
| 19 | AA2J943600 | Label | | D | 1 | |
| | | | | | | |
| | | | | | | |
| | | | | | | |
| | | | | | | |
| | | | | | | |
| | | | | | | |
| | | | | | | |
| | | | | | | |
| | | | | | | |
| | | | | | | |

Tray 1/2

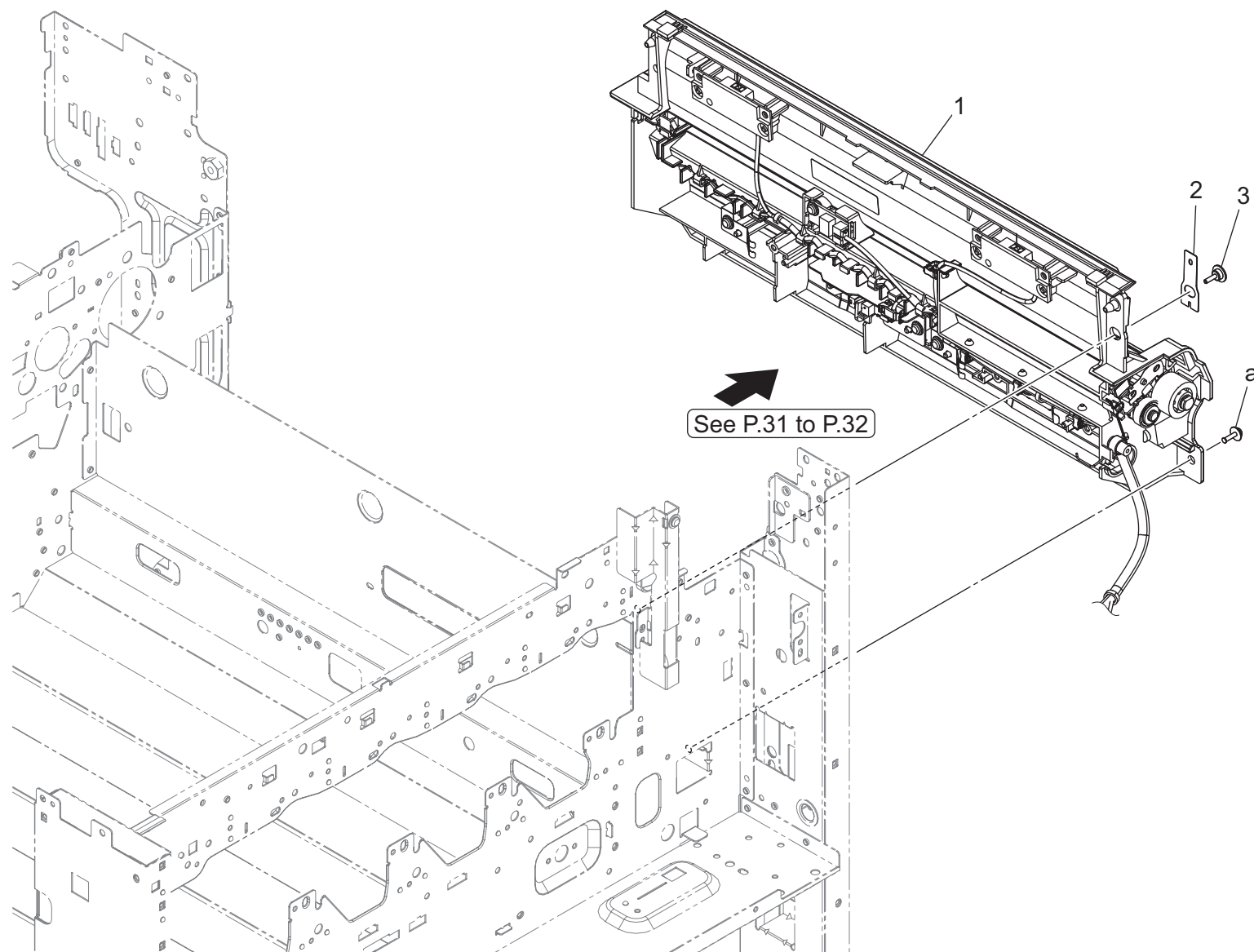
P 29



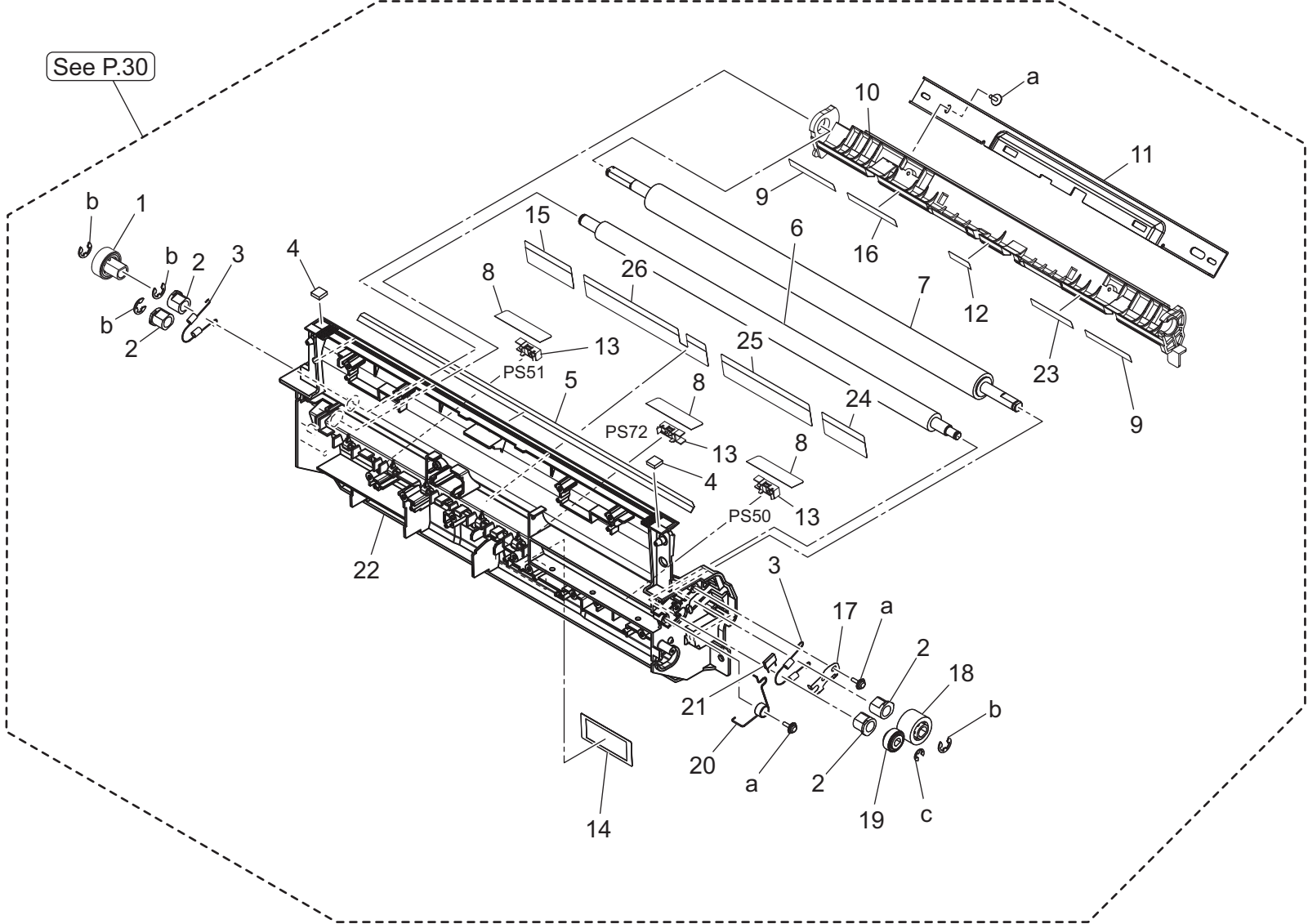
See P.25

B

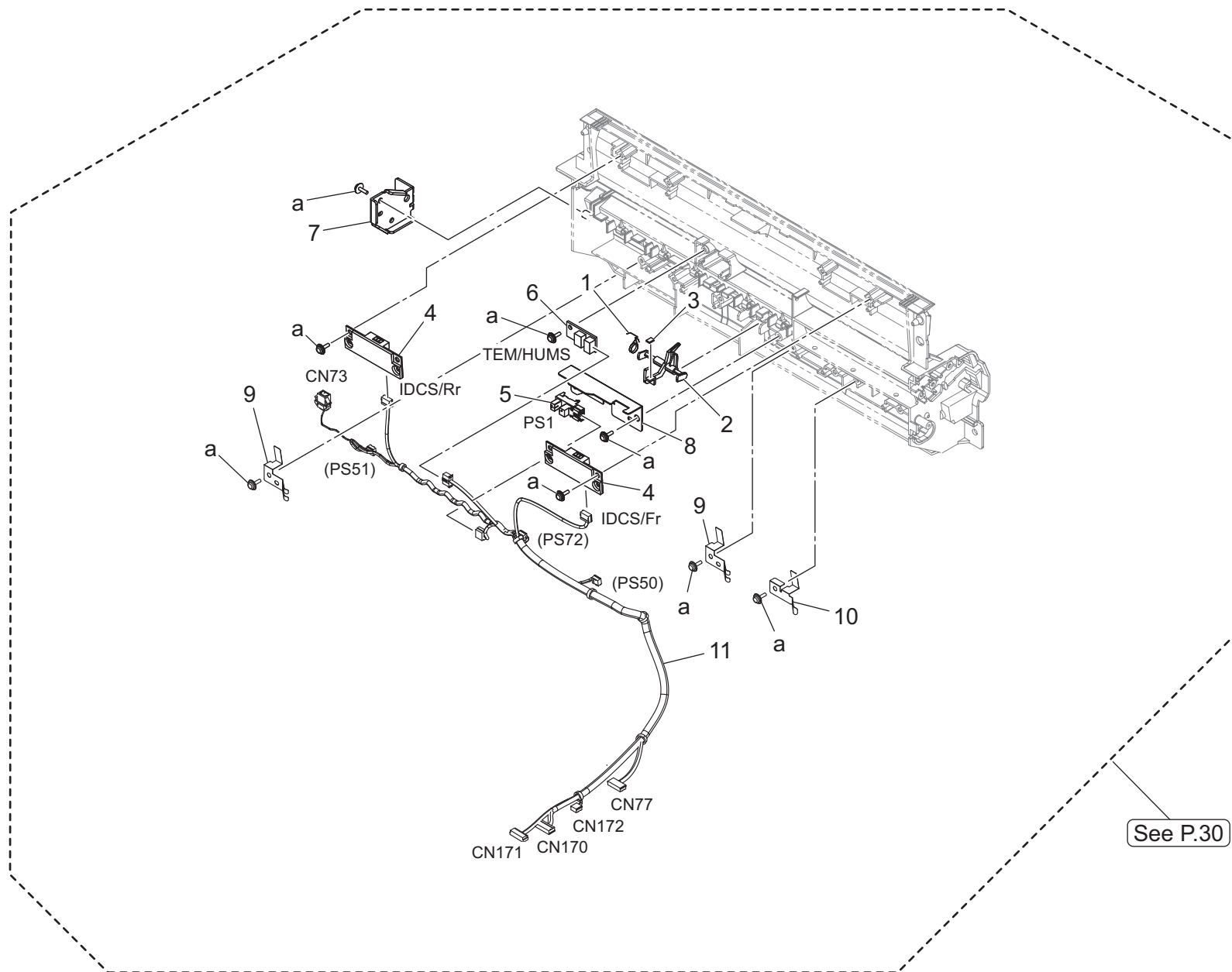
| Key | Part No. | Description | Destinations | Class | QTY | Standard parts |
|-----|------------|------------------------|--------------|-------|-----|--|
| 1 | AA2J620901 | Regulating Plate /Rear | | C | 1 | a-V153030803 b-V125030803 c-V127030603 d-V144040603 e-V217040003 |
| 2 | AA2J943701 | Label | | D | 1 | |
| 3 | A161624100 | Cushion | | C | 1 | |
| 4 | A161620600 | Shoulder screw | | D | 1 | |
| 5 | A161620701 | Gear | | D | 1 | |
| 6 | A79J566000 | Cushion | | C | 1 | |
| 7 | A79J622500 | Auxiliary Guide /1 | | C | 1 | |
| 8 | A795622700 | Compressing Spring | | C | 1 | |
| 9 | 4030322602 | FRICITION SHEET | | C | 1 | |
| 10 | A161620400 | Lifting Plate | | D | 1 | |
| 11 | AA2J621300 | Lock Lever | | C | 1 | |
| 12 | AA2J621500 | Holder | | D | 1 | |
| 13 | AA2J621000 | Compressing Spring | | C | 1 | |
| 14 | AA2J621200 | Lock Lever /2 | | D | 1 | |
| 15 | AA2J620804 | Regulating Plate | | C | 1 | |
| 16 | A0ED620200 | Guide | | C | 1 | |
| 17 | 4030320601 | LEVER | | D | 1 | |
| 18 | A795565700 | Holder | | C | 1 | |
| 19 | A795565900 | Compressing Spring | | C | 1 | |
| 20 | A795565800 | Lever | | C | 1 | |
| 21 | A795621901 | Mounting Plate | | D | 1 | |
| 22 | A161631411 | Lever | | C | 1 | |
| 23 | 4163529301 | SCREW | | C | 1 | |
| 24 | AA2J630102 | Paper feed Cassette | | D | 1 | |
| 25 | A02E940300 | Label | | C | 1 | |
| 26 | AA2J629200 | Plate spring | | D | 1 | |
| 27 | AA2J628901 | Cover | | D | 1 | |
| 28 | AA2J628700 | Lock Lever | | C | 1 | |
| 29 | AA2J629000 | Operation Lever | | D | 1 | |
| 30 | A795565500 | Compressing Spring | | C | 2 | |
| 31 | AA2J628601 | Regulating Plate | | C | 1 | |
| 32 | A161621600 | Lifting Shaft | | D | 1 | |
| 33 | AA2J628800 | Lock Lever | | C | 1 | |
| 34 | A0ED620701 | Actuator | | C | 1 | |
| 35 | AA2J621100 | Rack | | D | 1 | |
| | | | | | | |
| | | | | | | |
| | | | | | | |
| | | | | | | |



| Key | Part No. | Description | Destinations | Class | QTY | Standard parts |
|-----|------------|-----------------|--------------|-------|-----|----------------|
| 1 | AC74R71100 | Conveyance Assy | | S | 1 | a-V116031003 |
| 2 | A7PU701100 | Plate spring | | D | 1 | |
| 3 | AA2J701200 | Shoulder screw | | C | 1 | |
| | | | | | | |
| | | | | | | |
| | | | | | | |
| | | | | | | |
| | | | | | | |
| | | | | | | |
| | | | | | | |
| | | | | | | |
| | | | | | | |
| | | | | | | |
| | | | | | | |
| | | | | | | |
| | | | | | | |
| | | | | | | |
| | | | | | | |
| | | | | | | |
| | | | | | | |
| | | | | | | |
| | | | | | | |
| | | | | | | |

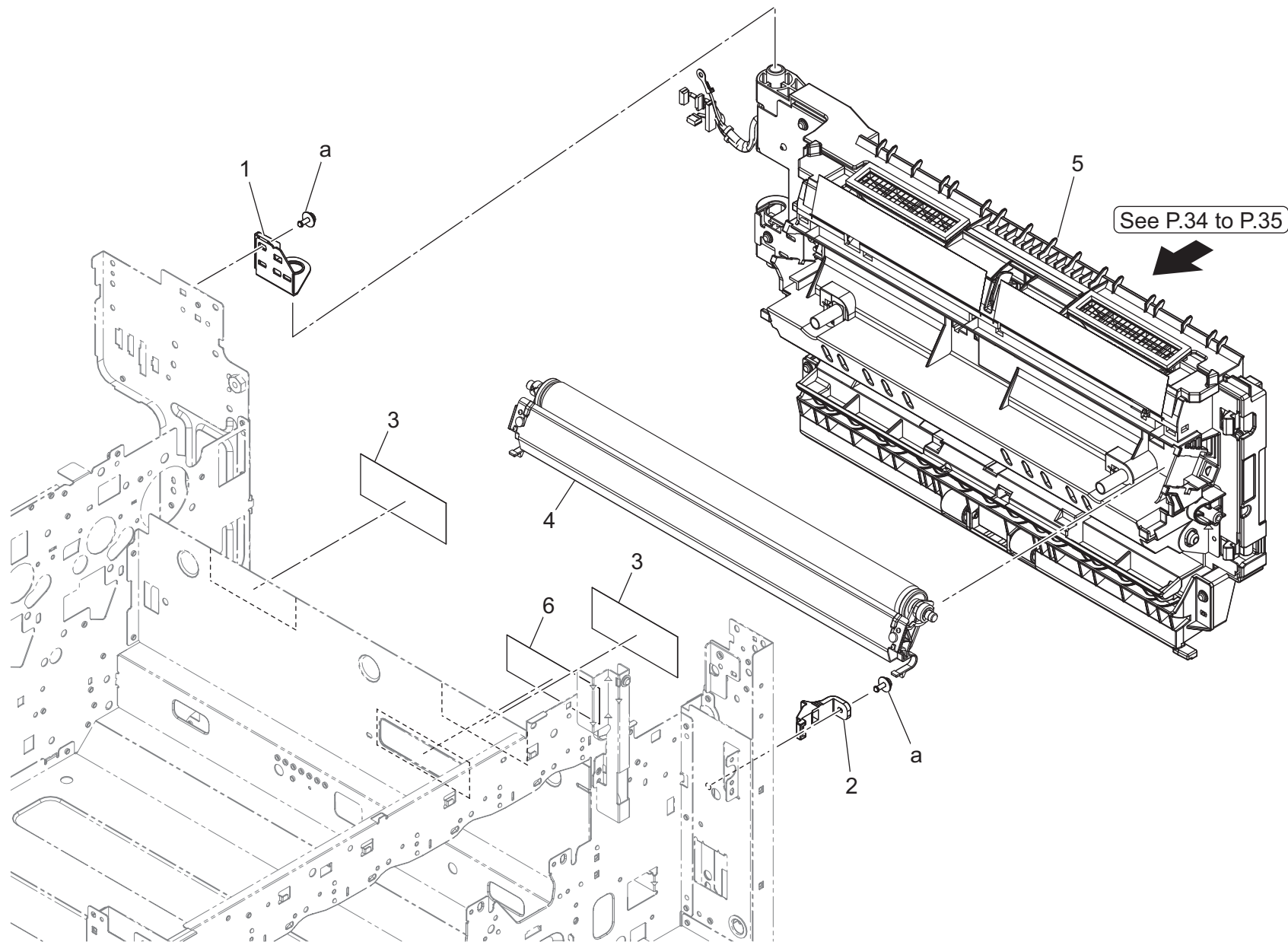


| Key | Part No. | Description | Destinations | Class | QTY | Standard parts |
|-----|------------|-----------------------|--------------|-------|-----|--|
| 1 | AA7N709001 | Gear 18T | | C | 1 | a-V153030803 b-V217060003 c-V217040003 |
| 2 | A161702200 | Bushing | | C | 4 | |
| 3 | A161702000 | Conveyance Spring /A | | C | 2 | |
| 4 | A161701900 | Seal /A | | D | 2 | |
| 5 | A161701301 | Guide Sheet /A | | C | 1 | |
| 6 | A0ED700200 | Roller | | D | 1 | |
| 7 | A5C1700101 | Roller | | C | 1 | |
| 8 | A79J700800 | Guide Sheet | | C | 3 | |
| 9 | AA7N700800 | Guide Film /5 | | C | 2 | |
| 10 | AA7N700600 | Conveyance Guide | | D | 1 | |
| 11 | AA7N702900 | Reinforce Plate | | D | 1 | |
| 12 | A79J701000 | Guide Sheet | | C | 1 | |
| 13 | A0EDM50100 | Photoreflexor | | I | 3 | |
| 14 | AA2J716700 | Guide | | D | 1 | |
| 15 | AA7N701600 | Guide Sheet /E | | C | 1 | |
| 16 | AA7N700900 | Guide Film /7 | | C | 1 | |
| 17 | A5C1700800 | Ground Plate /D | | D | 1 | |
| 18 | A0ED700300 | Gear 20T | | D | 1 | |
| 19 | A0ED700700 | Gear 14T | | D | 1 | |
| 20 | A5C1703201 | Torsion Coil spring | | D | 1 | |
| 21 | V800500300 | FIXED POWER RESISTORS | | D | 1 | |
| 22 | AA7N700102 | Guide Plate /Inside | | D | 1 | |
| 23 | AA7N701100 | Guide Film /8 | | C | 1 | |
| 24 | AA7N701200 | Guide Sheet /B | | C | 1 | |
| 25 | AA7N701400 | Guide Sheet /C | | C | 1 | |
| 26 | AA7N701500 | Guide Sheet /D | | C | 1 | |
| | | | | | | |
| | | | | | | |
| | | | | | | |
| | | | | | | |
| | | | | | | |
| | | | | | | |
| | | | | | | |
| | | | | | | |



| Key | Part No. | Description | Destinations | Class | QTY | Standard parts |
|-----|------------|-----------------------|--------------|-------|-----|----------------|
| 1 | A161701100 | Spring /A | | C | 1 | a-V153030803 |
| 2 | A161701703 | Actuator /T | | C | 1 | |
| 3 | A161702101 | Cushion /C | | C | 1 | |
| 4 | A161M50000 | Photo sensing | | I | 2 | |
| 5 | A5C1M50100 | Photointerrupter | | B | 1 | |
| 6 | A7AHM50400 | Humidity sensor | | I | 1 | |
| 7 | A7PU701000 | Reinforce Plate | | D | 1 | |
| 8 | AA2J700300 | Mounting Plate /B | | D | 1 | |
| 9 | AA7N702400 | Ground Plate | | D | 2 | |
| 10 | AA7N702500 | Ground Plate | | D | 1 | |
| 11 | AC74N10H00 | Conveyance Harness /1 | | D | 1 | |
| | | | | | | |
| | | | | | | |
| | | | | | | |
| | | | | | | |
| | | | | | | |
| | | | | | | |
| | | | | | | |
| | | | | | | |
| | | | | | | |

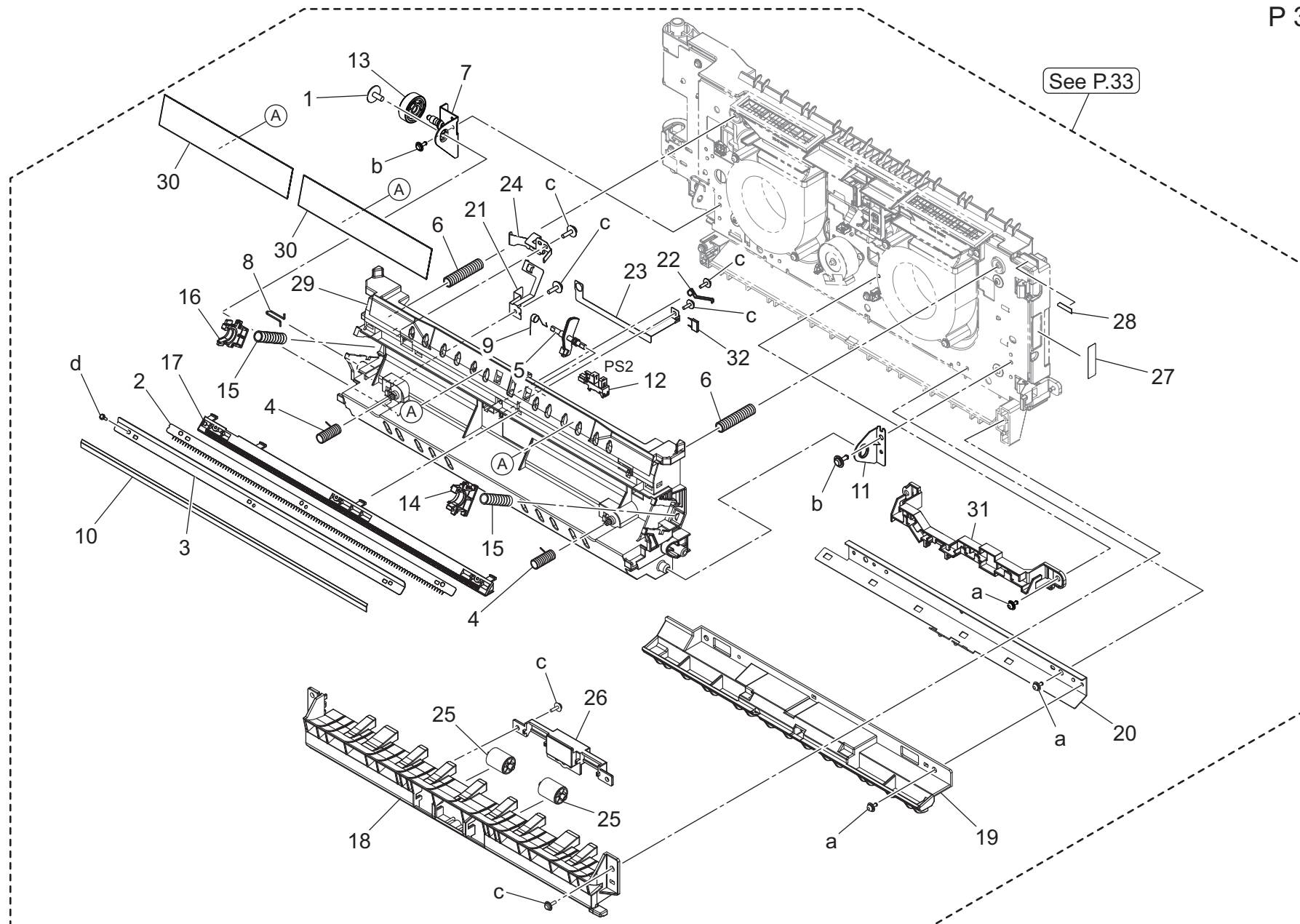
2nd Transfer Section



2nd Transfer Section

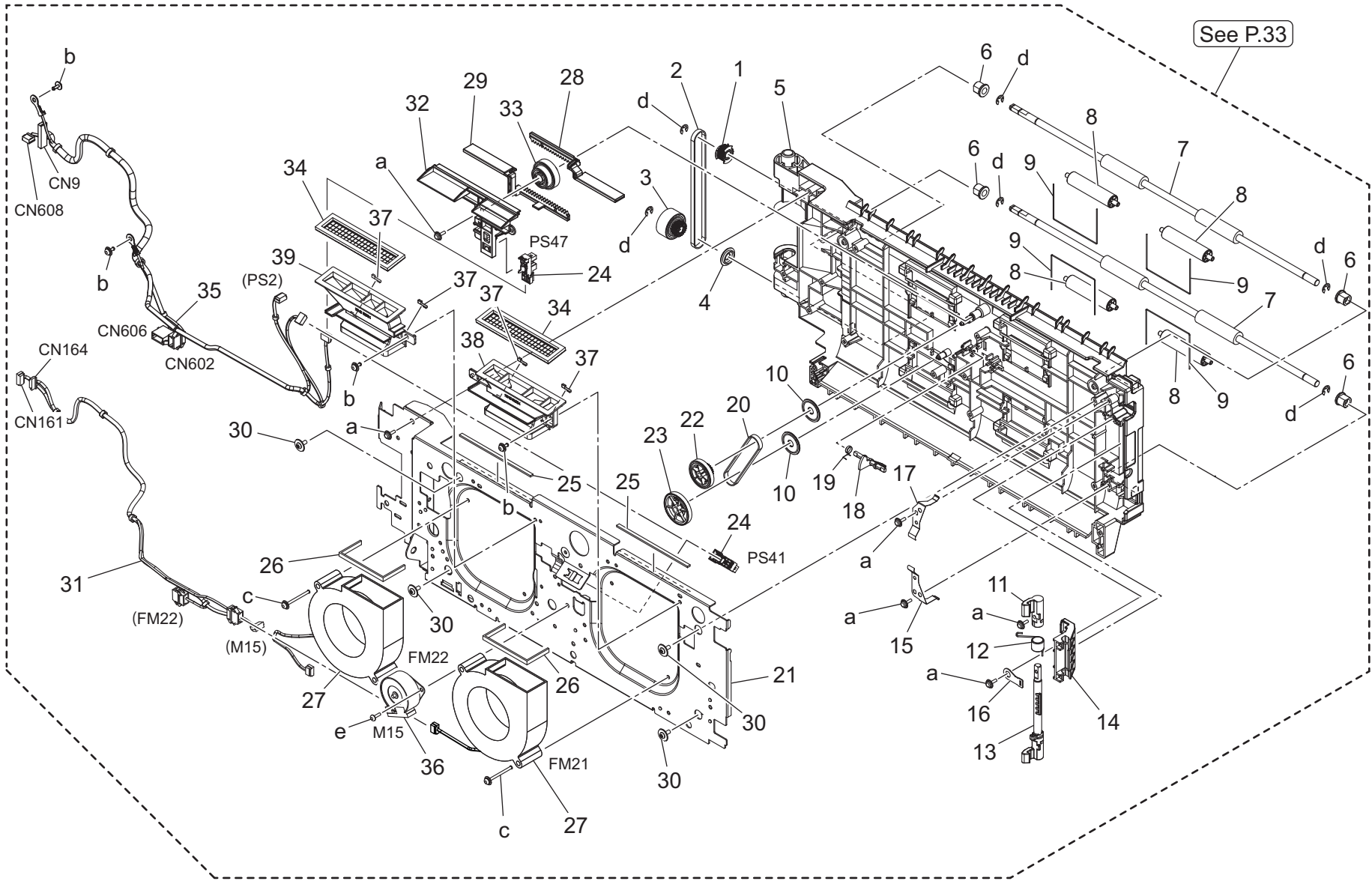
| Key | Part No. | Description | Destinations | Class | QTY | Standard parts |
|-----|------------|--------------------------------|--------------|-------|-----|----------------|
| 1 | A161104101 | Adjusting Plate | | D | 1 | a-V125030803 |
| 2 | AA2J712300 | Fixing Part /Lower | | D | 1 | |
| 3 | AA7N701800 | Protection Sheet | | D | 2 | |
| 4 | AA7NR70400 | 2nd Image Transfer Roller Assy | | A | 1 | |
| 5 | AC74R71000 | Vertical Conveyance Assy | | S | 1 | |
| 6 | ACKN118700 | Protection Sheet | | D | 1 | |
| | | | | | | |
| | | | | | | |
| | | | | | | |
| | | | | | | |
| | | | | | | |
| | | | | | | |
| | | | | | | |
| | | | | | | |
| | | | | | | |
| | | | | | | |
| | | | | | | |
| | | | | | | |

2nd Transfer Section



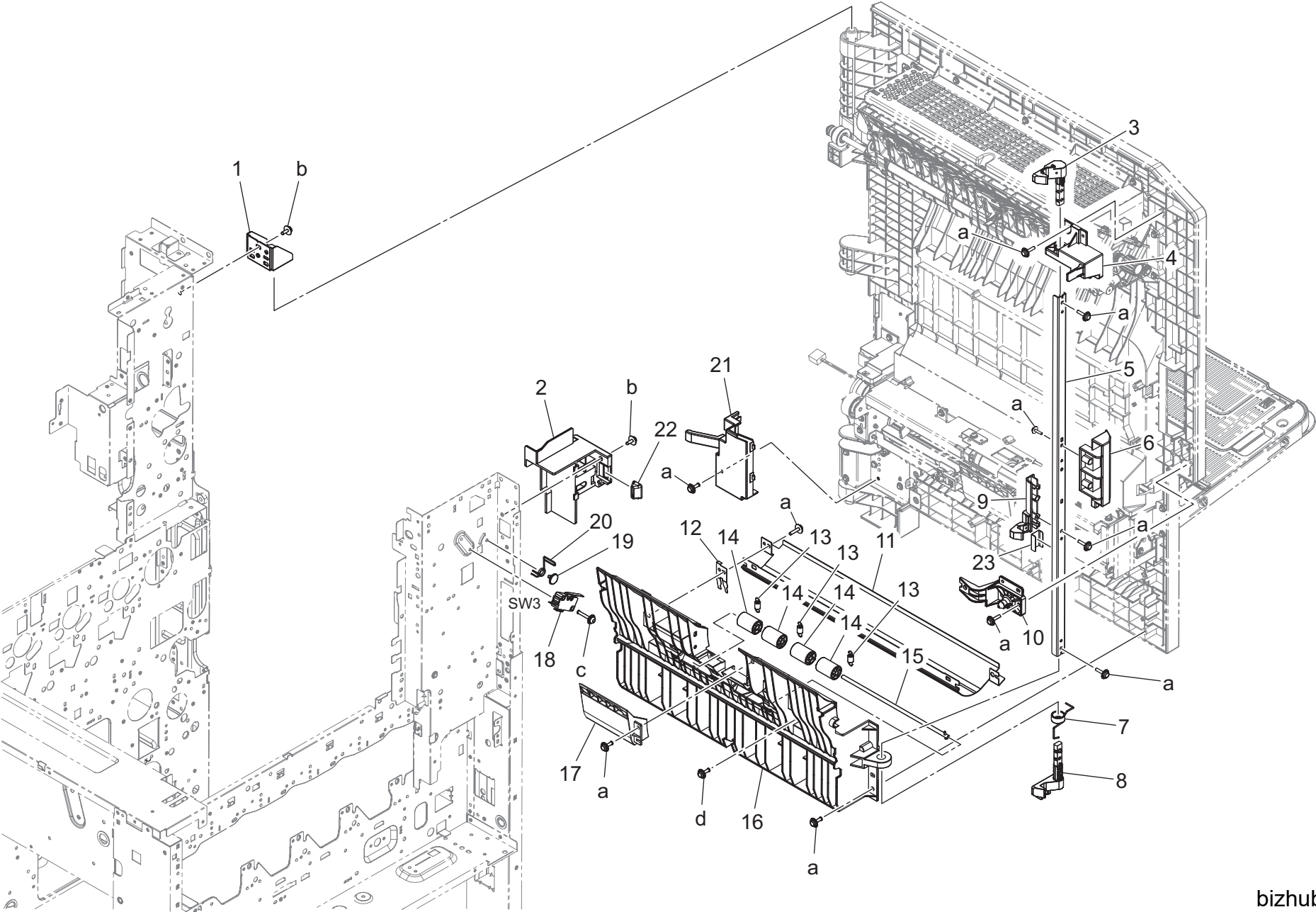
| Key | Part No. | Description | Destinations | Class | QTY | Standard parts |
|-----|------------|----------------------------|--------------------|-------|-----|--|
| 1 | 4163529301 | SCREW | ねじ | C | 1 | a-V125030803 b-V144030803 c-V153030803 d-V162020504 |
| 2 | A0ED550800 | Neutralizing Part | 除電部材 | D | 1 | |
| 3 | A0ED550900 | Mounting Plate | 取付板 (除電上) | D | 1 | |
| 4 | A0ED551100 | Compressing Coil spring | 圧縮コイルばね (転前) | D | 2 | |
| 5 | A0ED703800 | Actuator | アクチュエータ (ループセンサ) | D | 1 | |
| 6 | A161711200 | Pressing Spring | 押圧ばね | D | 2 | |
| 7 | A161711901 | Support Plate /Rear | 支点板/奥 | D | 1 | |
| 8 | A161712401 | Ground Spring /A | アースばね/ A | D | 1 | |
| 9 | A161712700 | Spring /C | ばね/ C | D | 1 | |
| 10 | A5C1551701 | Guide Seal | ガイドシール | D | 1 | |
| 11 | A5C1711801 | Support Plate /Front | 支点板/前 | D | 1 | |
| 12 | A5C1M50100 | Photointerrupter | 透過型センサ | B | 1 | |
| 13 | A64J719100 | Gear 23T | ギア 23 T | C | 1 | |
| 14 | AA2J550701 | Transfer Holder /2 | 転写ホルダ/2 (前/ Front) | D | 1 | |
| 15 | AA2J551000 | Compressing Coil spring /2 | 圧縮コイルばね/2 | C | 2 | |
| 16 | AA2J551500 | Transfer Holder /2 | 転写ホルダ/2 (後/ Rear) | D | 1 | |
| 17 | AA2J551600 | Mounting Plate | 取付板 (除電下) | D | 1 | |
| 18 | AA2J710302 | Guide Plate /B | ガイド板/ B | D | 1 | |
| 19 | AA2J710602 | Guide Plate /C | ガイド板/ C | D | 1 | |
| 20 | AA2J710701 | Mounting Plate /C | 取付板/ C | D | 1 | |
| 21 | AA2J710900 | Ground Plate /A | アース板/ A (2次接点) | D | 1 | |
| 22 | AA2J711000 | Ground Spring /B | アースばね/ B | D | 1 | |
| 23 | AA2J712500 | Plate spring | 板ばね (転前アース) | D | 1 | |
| 24 | AA2J715100 | Ground Plate /C | アース板/ C | D | 1 | |
| 25 | AA2J716000 | Roll | ころ | C | 2 | |
| 26 | AA2J716100 | Holder | ホルダ (コロ) | D | 1 | |
| 27 | AA2J946400 | Label | ラベル (M3) | C | 1 | |
| 28 | AA2J946500 | Label | ラベル | D | 1 | |
| 29 | AA7N710101 | Holder /A | ホルダ/ A | D | 1 | |
| 30 | AA7N710801 | Guide Sheet | ガイドシート (t=0.1) | D | 2 | |
| 31 | AA7N719700 | Holder | ホルダ (ハーネス) | D | 1 | |
| 32 | V800500300 | FIXED POWER RESISTORS | 固定抵抗器 | D | 1 | |
| | | | | | | |
| | | | | | | |
| | | | | | | |
| | | | | | | |
| | | | | | | |
| | | | | | | |

2nd Transfer Section



| Key | Part No. | Description | Destinations | Class | QTY | Standard parts |
|-----|------------|------------------------|------------------------|-------|-----|--|
| 1 | A0ED811700 | Pulley 22T | | C | 1 | a-V153030803 b-V125030803 c-V116033003 d-V217040003 e-V145030803 |
| 2 | A161719000 | Drive Belt 266L | | C | 1 | |
| 3 | A64J709100 | Gear 22/23T | | C | 1 | |
| 4 | A0ED811900 | Collar | | D | 1 | |
| 5 | AA2J710204 | Guide Plate /A | | D | 1 | |
| 6 | A02E815200 | BUSHING | | C | 4 | |
| 7 | A161710500 | Roller /A | | D | 2 | |
| 8 | A161825700 | Idler Roller /A | | D | 4 | |
| 9 | A161714600 | Conveyance Spring /B | | D | 4 | |
| 10 | A79J897300 | Collar | | C | 2 | |
| 11 | A161711300 | Lock Shaft /A | | C | 1 | |
| 12 | A161711700 | Spring /B | | C | 1 | |
| 13 | A5C1711500 | Lock Shaft | | C | 1 | |
| 14 | A161711600 | Open/close Lever | | C | 1 | |
| 15 | A161712100 | Ground Plate /E | | D | 1 | |
| 16 | A161714500 | Fixing Part | | D | 1 | |
| 17 | A161712000 | Ground Plate /D | | D | 1 | |
| 18 | A161713500 | Actuator | アクチュエータ (ADU 下 JAM 検) | C | 1 | |
| 19 | A161712800 | Spring /D | | D | 1 | |
| 20 | AA7N718900 | Drive Belt 164L | | C | 1 | |
| 21 | AA2J710402 | Mounting Plate | 取付板 | D | 1 | |
| 22 | AA7N718300 | Gear /Middle 22/25T | ギア/中 22/25 T | C | 1 | |
| 23 | AA7N718400 | Gear /Lower 22/75T | ギア/下 22/75 T | C | 1 | |
| 24 | A5C1M50100 | Photointerrupter | 透過型センサ | B | 2 | |
| 25 | AA7N718800 | Seal /Middle | シール/中 | C | 2 | |
| 26 | AA7N718500 | Seal /Lower | シール/下 | C | 2 | |
| 27 | AA7NM10H00 | Fan Motor | ファンモーター (DC 12 V シロッコ) | C | 2 | |
| 28 | AA7N719400 | Rack /F | ラック/F | C | 1 | |
| 29 | AA7N719300 | Rack /R | ラック/R | C | 1 | |
| 30 | 4163529301 | SCREW | ねじ | C | 4 | |
| 31 | AA7NN11K01 | Drive Relay Harness /3 | 駆動中継束線/3 | D | 1 | |
| 32 | AA7N719501 | Holder | ホルダ (端部冷却) | D | 1 | |
| 33 | AA7N718200 | Gear /Upper 18/25T | ギア/上 18/25 T | C | 1 | |
| 34 | AA7N718600 | Seal /Upper | シール/上 | C | 2 | |
| 35 | AA7NN10K01 | Conveyance Harness /2 | 搬送束線/2 (ループ) | D | 1 | |
| 36 | A7PUM10700 | Stepping motor | ステッピングモータ | C | 1 | |
| 37 | AA7N718700 | Seal /Inside | シール/内 | C | 4 | |
| 38 | AA7N718000 | Duct /F | ダクト/F | D | 1 | |
| 39 | AA7N718100 | Duct /R | ダクト/R | D | 1 | |
| | | | | | | |
| | | | | | | |
| | | | | | | |

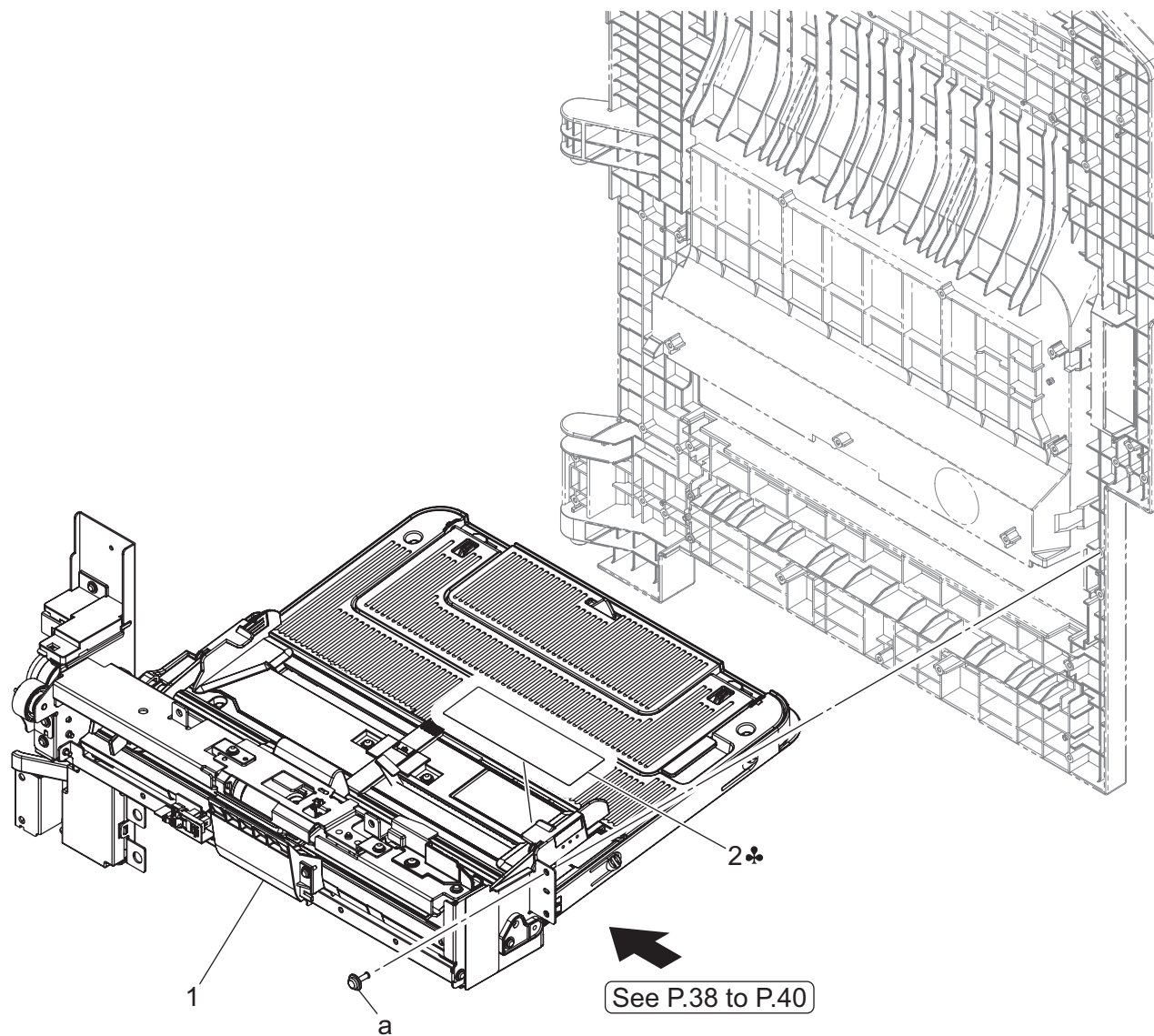
Vertical Conveyance Section



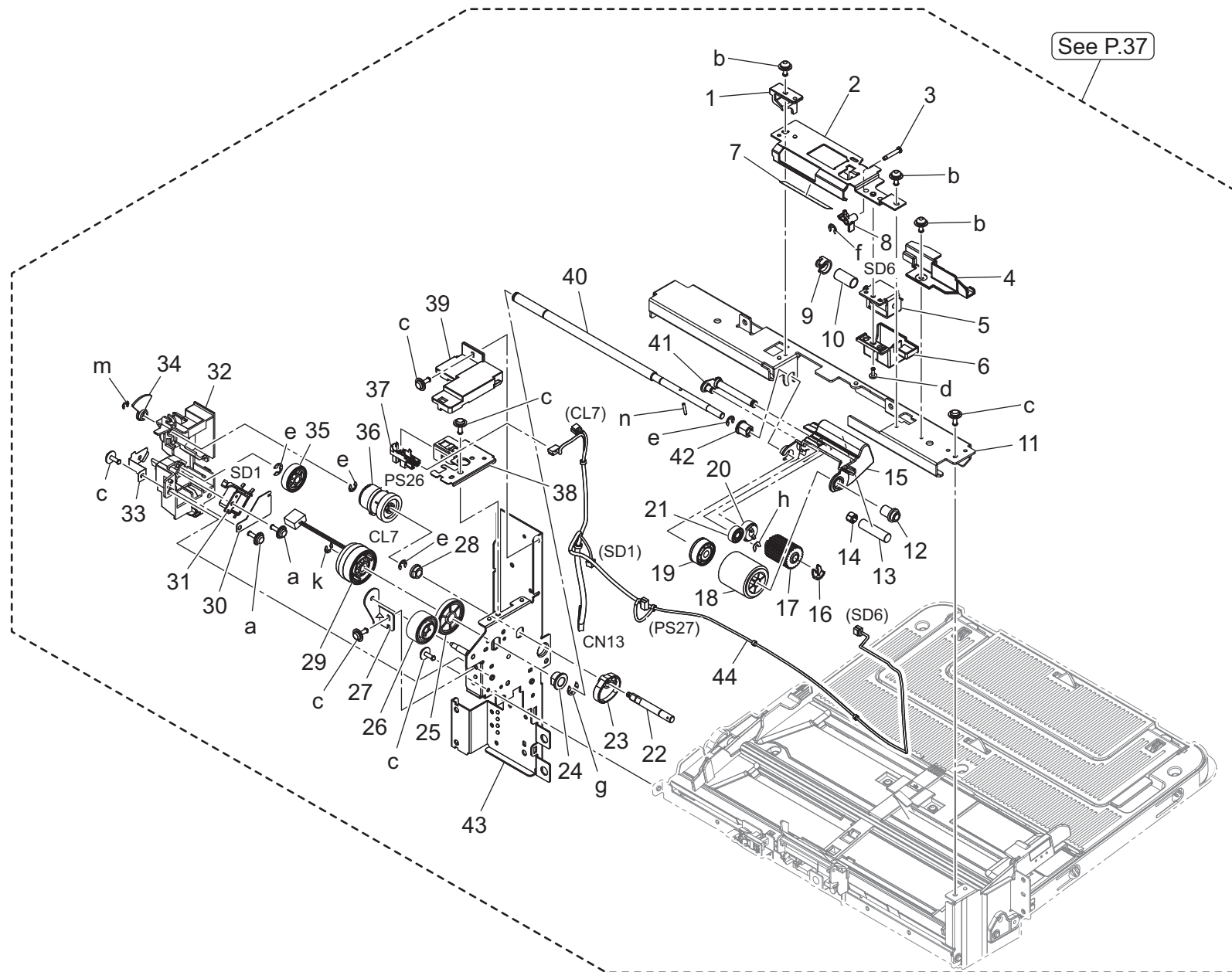
| Key | Part No. | Description | Destinations | Class | QTY | Standard parts |
|-----|------------|---------------------|--------------|-------|-----|--|
| 1 | A161121300 | Adjusting Plate | | D | 1 | a-V153030803 b-V125030803 c-V116031603 d-V144030803 |
| 2 | AA2J121201 | Holder | | D | 1 | |
| 3 | AA2J712100 | Lock Claw /Upper | | C | 1 | |
| 4 | A161811500 | Support Part /Upper | | D | 1 | |
| 5 | A161811001 | Lock Plate | | D | 1 | |
| 6 | A5C1811101 | Open/close Handle | | C | 1 | |
| 7 | A161815900 | Torsion Coil spring | | C | 1 | |
| 8 | AA2J811600 | Lock Claw /Lower | | C | 1 | |
| 9 | AA2J815200 | Lock /Middle | | C | 1 | |
| 10 | A161811302 | Lock Part /Lower | | D | 1 | |
| 11 | A161815000 | Guide Door | | D | 1 | |
| 12 | A161816200 | Ground Guide | | D | 1 | |
| 13 | A64J815500 | Pulling Spring | | C | 3 | |
| 14 | A161815400 | Roll | | C | 4 | |
| 15 | A161815300 | Shaft | | D | 1 | |
| 16 | A161810305 | Guide Plate /2 | | D | 1 | |
| 17 | AA7N590500 | Paper feed Guide | | D | 1 | |
| 18 | 9J06M60100 | MICRO SWITCH | | C | 1 | |
| 19 | A161137100 | Shoulder screw | | D | 1 | |
| 20 | A161151200 | Torsion Coil spring | | D | 1 | |
| 21 | A161592900 | Wiring Cover /B | | D | 1 | |
| 22 | A79J122200 | Collar | | D | 1 | |
| 23 | AA2J812100 | Protection Sheet | | D | 1 | |
| | | | | | | |
| | | | | | | |
| | | | | | | |
| | | | | | | |
| | | | | | | |
| | | | | | | |
| | | | | | | |
| | | | | | | |
| | | | | | | |
| | | | | | | |
| | | | | | | |
| | | | | | | |
| | | | | | | |

Bypass Tray Section

P 37

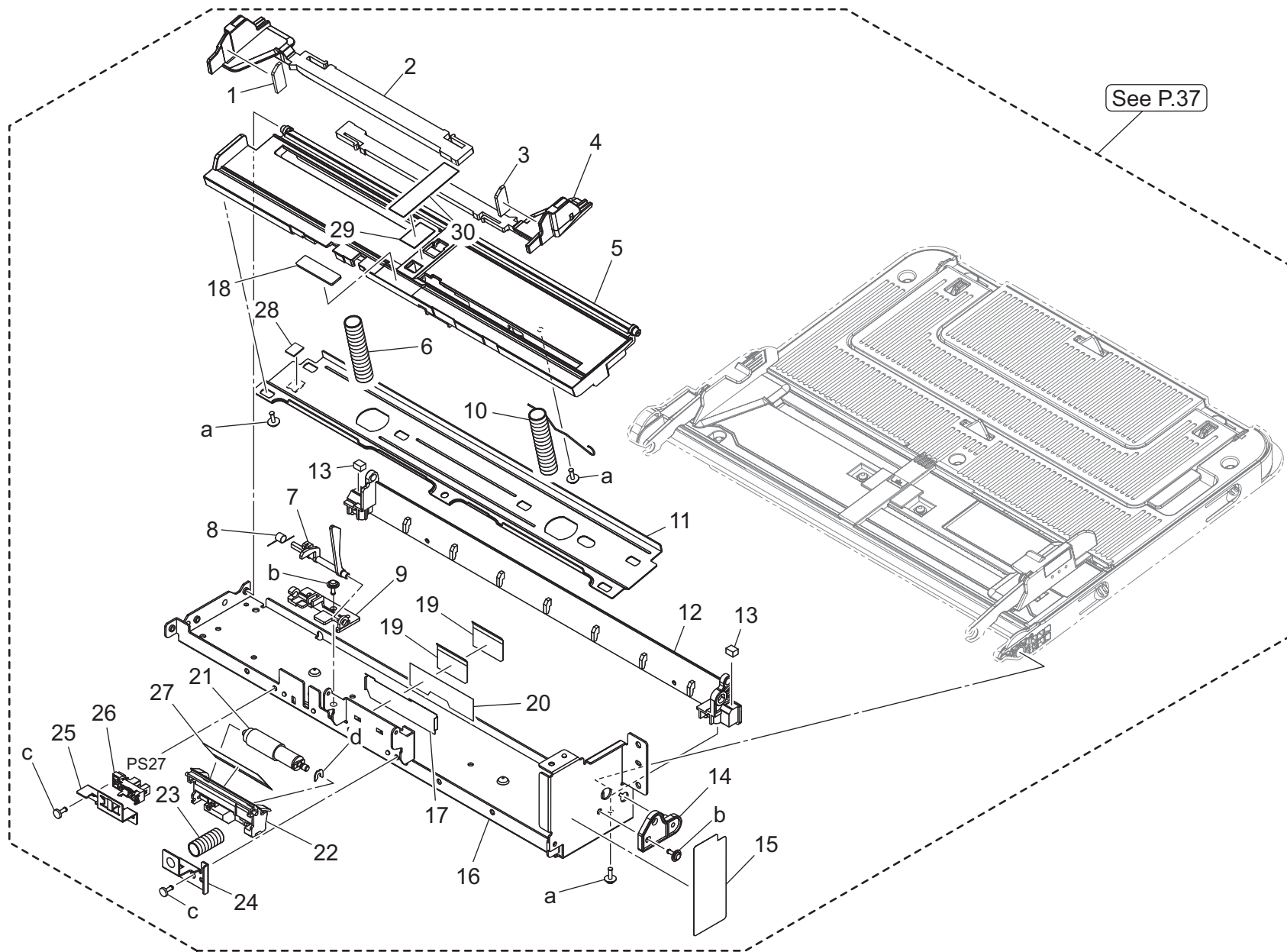


| Key | Part No. | Description | Destinations | Class | QTY | Standard parts |
|-----|------------|-----------------------|-----------------|-------|-----|----------------|
| 1 | AA7NR72323 | Manual Feed Tray Assy | 手差し A s s y | S | 1 | a-V153030803 |
| 2 | AA2J944100 | Label | ラベル (手差し・メトリック) | D | 1 | |
| 2 | AA2J944200 | Label | ラベル (手差し・インチ) | D | 1 | |
| | | | | | | |
| | | | | | | |
| | | | | | | |
| | | | | | | |
| | | | | | | |
| | | | | | | |
| | | | | | | |
| | | | | | | |
| | | | | | | |
| | | | | | | |
| | | | | | | |



| Key | Part No. | Description | Destinations | Class | QTY | Standard parts |
|-----|------------|---------------------------------------|--------------|-------|-----|----------------|
| 1 | AA2J590900 | Holding Plate | | D | 1 | a-V153030803 |
| 2 | AA2J590300 | Reinforce Plate | | D | 1 | b-V125030803 |
| 3 | AA2J591600 | Shaft | | D | 1 | c-V144030803 |
| 4 | AA2J593700 | Wiring Cover /Front | | D | 1 | d-V126030803 |
| 5 | A034M20100 | Conveyance Solenoid | | C | 1 | e-V217040003 |
| 6 | AA2J592401 | Cover | | D | 1 | f-V217020003 |
| 7 | A161594700 | Guide Sheet | | C | 1 | g-V217060003 |
| 8 | AA2J592301 | Lifting Lever | | D | 1 | h-V218030086 |
| 9 | AA2J593100 | Pressing Holder | | D | 1 | k-V217050003 |
| 10 | AA2J594301 | Compressing Coil spring | | C | 1 | m-V217030003 |
| 11 | AA2J590202 | Paper feed Frame | | D | 1 | n-V234201250 |
| 12 | AA2J592701 | Bushing | | D | 1 | |
| 13 | AA2J591900 | Weight | | D | 1 | |
| 14 | AA2J595000 | Cover | | D | 1 | |
| 15 | AA2J592000 | Paper feed Holder | | D | 1 | |
| 16 | 56AA40490 | SHAFT STOPPER 4 | | C | 1 | |
| 17 | A5C1562200 | Roller | | A | 1 | |
| 18 | A00F623201 | Roller | | B | 1 | |
| 19 | AA2J592600 | Gear 42T | | C | 1 | |
| 20 | AA2J592100 | Gear 32T | | C | 1 | |
| 21 | AA2J592200 | Idling Gear 26T | | C | 1 | |
| 22 | A161591400 | Drive Shaft | | D | 1 | |
| 23 | A161593300 | Paper feed Cam | | C | 1 | |
| 24 | AA2J592900 | Slide Bearing | | D | 1 | |
| 25 | A02E596100 | Gear 30T | | C | 1 | |
| 26 | AA2J593800 | Bypass Gear 24T | | C | 1 | |
| 27 | A161590600 | Reinforce Plate | | D | 1 | |
| 28 | A02E596300 | Bushing | | C | 1 | |
| 29 | A02EM20100 | Clutch | | B | 1 | |
| 30 | A0ED597800 | Cover | | D | 1 | |
| 31 | 9321240011 | SOLENOID | | C | 1 | |
| 32 | A5C1591200 | Drive Cover | | D | 1 | |
| 33 | A7PU596900 | Auxiliary Cover | | D | 1 | |
| 34 | A161591300 | Light blocking Plate | | C | 1 | |
| 35 | A02E595400 | Gear 22T | | C | 1 | |
| 36 | A02E595100 | Clutch assy | | C | 1 | |
| 37 | A5C1M50100 | Photointerrupter | | B | 1 | |
| 38 | A5C1591900 | Mounting Plate | | D | 1 | |
| 39 | A161592800 | Wiring Cover /A | | D | 1 | |
| 40 | AA2J591500 | Paper feed Shaft | | D | 1 | |
| 41 | AA2J591000 | Mounting Plate /ASSY | | D | 1 | |
| 42 | AA2J592800 | Bushing | | D | 1 | |
| 43 | A161F59002 | Caulking(Mounting Plate Drive Frame) | | D | 1 | |
| 44 | AA2JN10S00 | Paperfeed Wiring /4 | | D | 1 | |
| | | | | | | |
| | | | | | | |

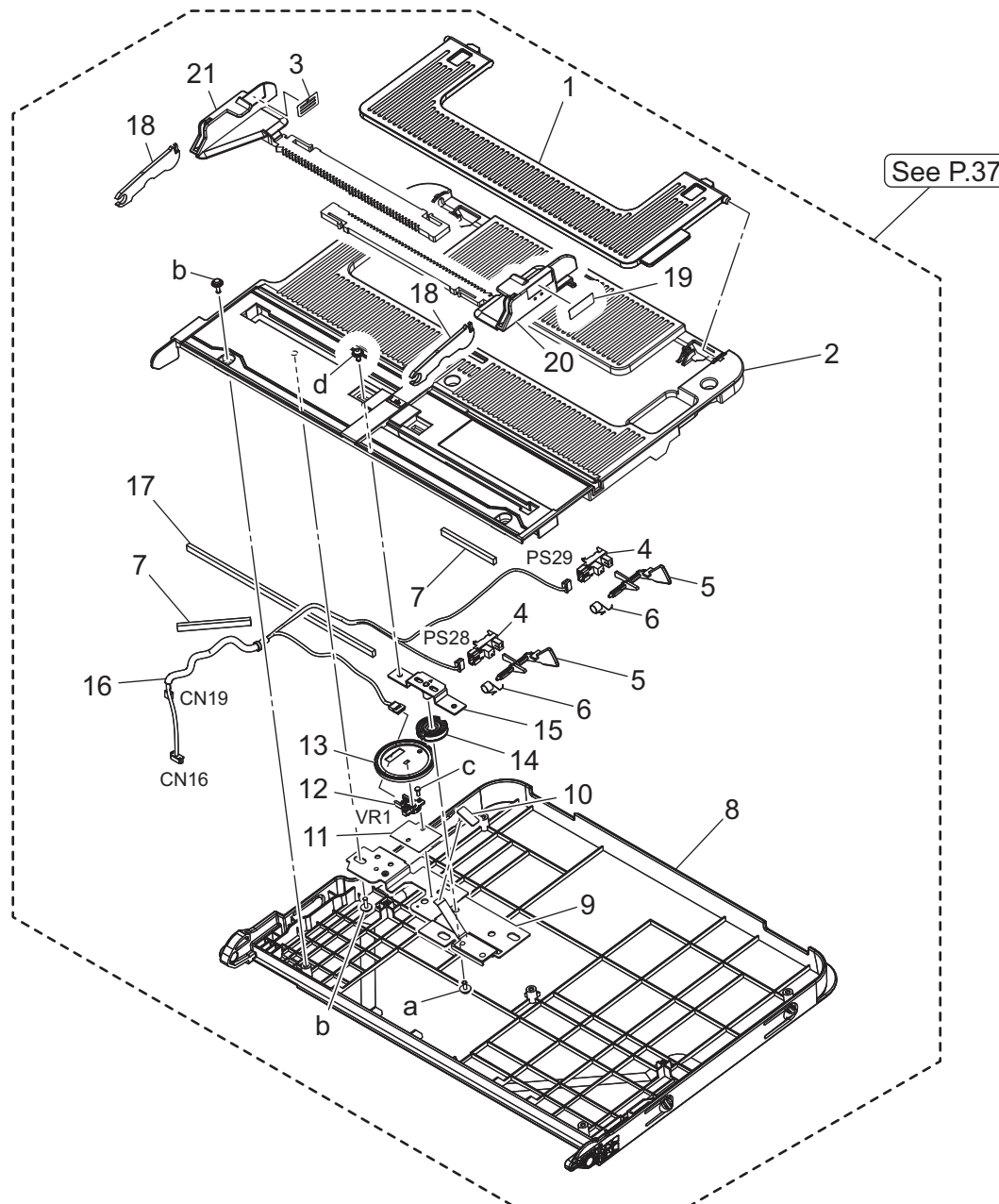
Bypass Tray Section



| Key | Part No. | Description | Destinations | Class | QTY | Standard parts |
|-----|------------|-------------------------|--------------|-------|-----|--|
| 1 | A161594500 | Brake Part | | C | 1 | a-V153030803 b-V144030803 c-V126030803 d-V218030086 |
| 2 | AA2J593200 | Regulating Plate /R | | C | 1 | |
| 3 | A161594600 | Brake Part /F | | C | 1 | |
| 4 | AA2J593301 | Regulating Plate /L | | C | 1 | |
| 5 | AA2J593000 | Lifting Plate | | D | 1 | |
| 6 | A161593400 | Compressing Coil spring | | C | 1 | |
| 7 | A161590901 | Actuator | | C | 1 | |
| 8 | A161591000 | Torsion Spring | | C | 1 | |
| 9 | A161591100 | Sensor Holder | | D | 1 | |
| 10 | A161593600 | Compressing Coil spring | | C | 1 | |
| 11 | A7PU596800 | Mounting Plate | | D | 1 | |
| 12 | A161590304 | Support Holder | | D | 1 | |
| 13 | A161594201 | Cushion | | D | 2 | |
| 14 | A161591600 | Hold Plate | | C | 1 | |
| 15 | AA2J594500 | Protection Seal /Front | | D | 1 | |
| 16 | AA2J590100 | Bypass Frame | | D | 1 | |
| 17 | A161595300 | Separating Plate | | C | 1 | |
| 18 | A7PU594000 | Separating Sheet | | C | 1 | |
| 19 | AA7N595100 | Guide | | C | 2 | |
| 20 | A161595100 | Seal | | C | 1 | |
| 21 | AA7N591100 | Roller /ASSY | | A | 1 | |
| 22 | A161595000 | Holder | | D | 1 | |
| 23 | AA2J594201 | Compressing Coil spring | | C | 1 | |
| 24 | A161595400 | Hold Plate | | D | 1 | |
| 25 | A161591800 | Sensor Holder | | D | 1 | |
| 26 | A5C1M50100 | Photointerrupter | | B | 1 | |
| 27 | A02E597600 | Guide | | C | 1 | |
| 28 | A161825301 | Cushion /A | | D | 1 | |
| 29 | AA7N591200 | Sheet /1 | | D | 1 | |
| 30 | AA7N591300 | Sheet /2 | | D | 1 | |
| | | | | | | |
| | | | | | | |
| | | | | | | |
| | | | | | | |
| | | | | | | |
| | | | | | | |
| | | | | | | |
| | | | | | | |
| | | | | | | |
| | | | | | | |
| | | | | | | |
| | | | | | | |
| | | | | | | |
| | | | | | | |
| | | | | | | |
| | | | | | | |
| | | | | | | |
| | | | | | | |
| | | | | | | |
| | | | | | | |
| | | | | | | |

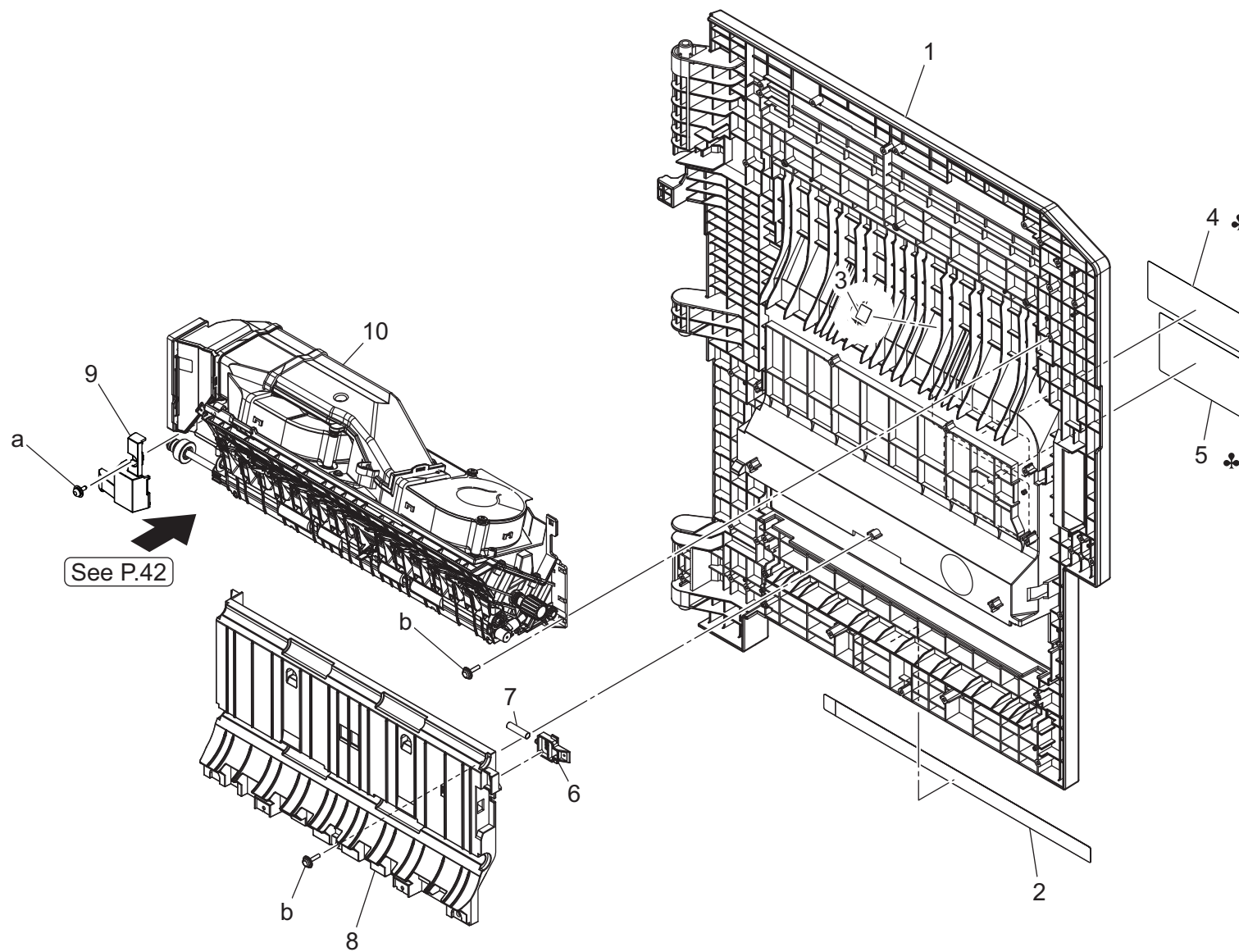


Bypass Tray Section

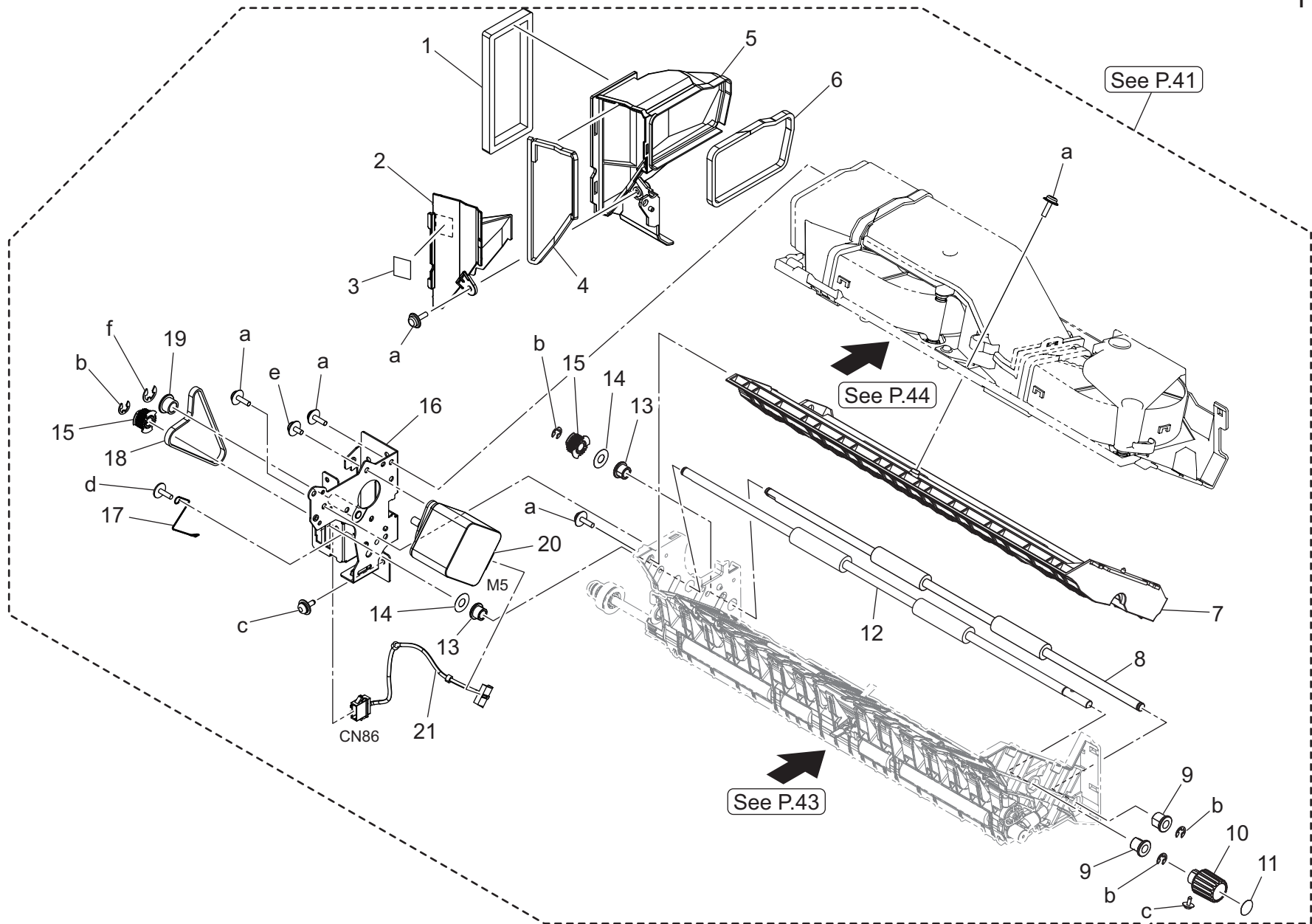


Bypass Tray Section

| Key | Part No. | Description | Destinations | Class | QTY | Standard parts |
|-----|------------|---------------------|--------------|-------|-----|--|
| 1 | A161592200 | Auxiliary Tray | | C | 1 | a-V125030803 b-V153030803 c-V111170403 d-V116030603 |
| 2 | AA2J593900 | Bypass Tray /Upper | | D | 1 | |
| 3 | AA2J944500 | Label | | C | 1 | |
| 4 | A5C1M50100 | Photointerrupter | | B | 2 | |
| 5 | A161592400 | Actuator | | C | 2 | |
| 6 | A161592501 | Torsion Spring | | C | 2 | |
| 7 | A161592600 | Holding Cover /2 | | D | 2 | |
| 8 | AA2J593601 | Bypass Tray | | D | 1 | |
| 9 | A7PU593700 | Mounting Plate | | D | 1 | |
| 10 | A161593800 | Friction Plate | | C | 1 | |
| 11 | A7PU599300 | Insulating Sheet | | D | 1 | |
| 12 | A161M50400 | VR | | D | 1 | |
| 13 | A161594300 | Regulating Gear 41T | | C | 1 | |
| 14 | A7PU593500 | Gear | | C | 1 | |
| 15 | A7PUF60001 | Mounting Plate | | D | 1 | |
| 16 | A7PUN10B01 | Harness/ Sensor | | D | 1 | |
| 17 | A161592300 | Holding Cover | | D | 1 | |
| 18 | A7PU595500 | Lever | | C | 2 | |
| 19 | A7PU944900 | Label | | C | 1 | |
| 20 | AA2J593400 | Regulating Plate /F | | C | 1 | |
| 21 | AA2J593500 | Regulating Plate /R | | C | 1 | |
| | | | | | | |
| | | | | | | |
| | | | | | | |
| | | | | | | |
| | | | | | | |
| | | | | | | |
| | | | | | | |
| | | | | | | |
| | | | | | | |
| | | | | | | |
| | | | | | | |

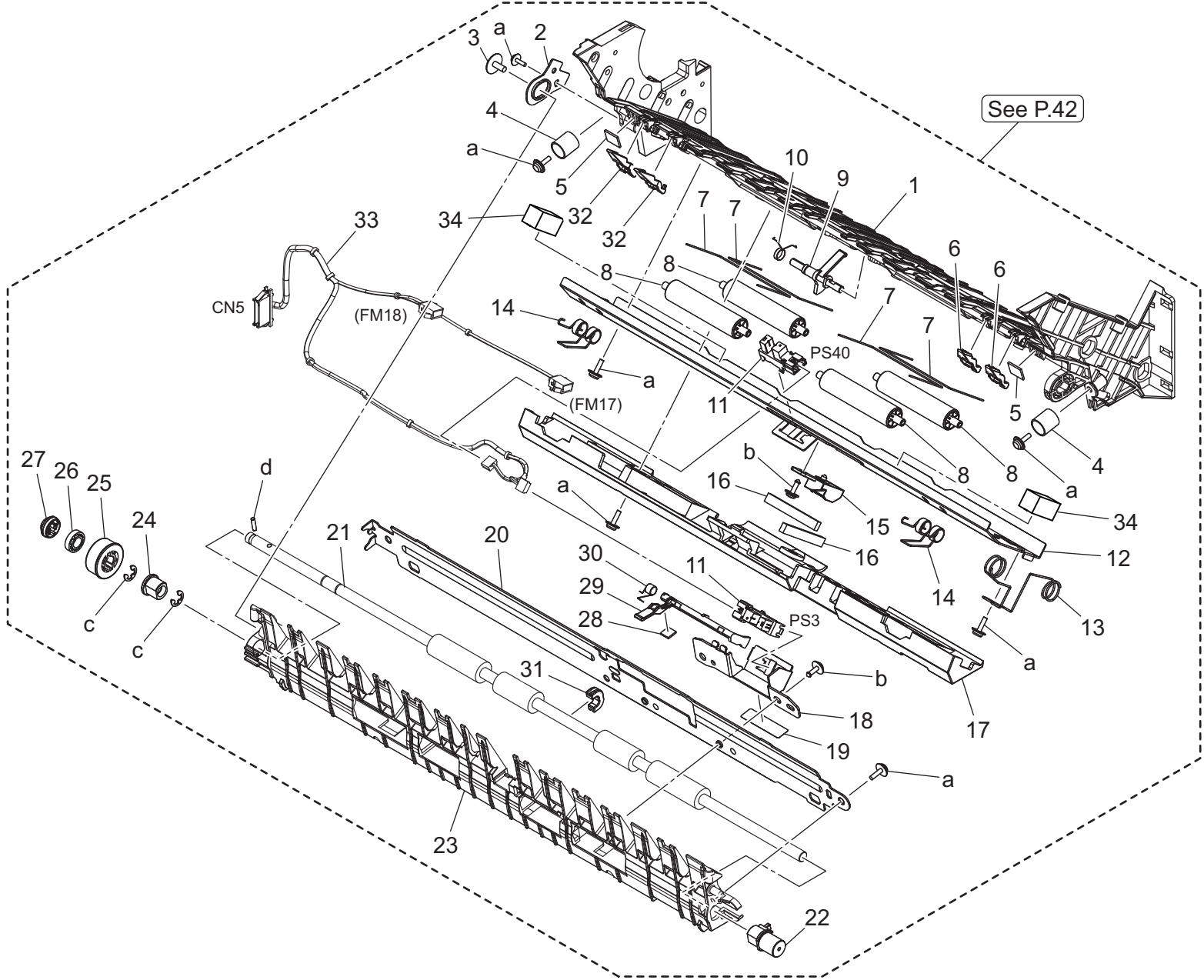


| Key | Part No. | Description | Destinations | Class | QTY | Standard parts |
|-----|------------|-------------------|--------------------------------|-------|-----|------------------------------|
| 1 | AA2J810102 | Guide Door /Right | | D | 1 | a-V125030803 b-V153031004 |
| 2 | A161815100 | Cover Door | | C | 1 | |
| 3 | A00F941100 | Label | | D | 1 | |
| 4 | AA2J944300 | Label | | D | 1 | |
| 4 | AA2J944400 | Label | B,C,D1,D3,E,F2,G1,G 2,I,K,J | D | 1 | |
| 5 | AA2J947100 | Label | A | D | 1 | |
| 5 | AA2J947200 | Label | B,C,D1,D3,E,F2,G1,G 2,I,K,J | D | 1 | |
| 6 | AA2J815700 | Open/close Claw | | D | 1 | |
| 7 | A161815800 | Swing Spring | | C | 1 | |
| 8 | A7PU810201 | Guide Plate /1 | | D | 1 | |
| 9 | A79J814901 | Cover | | D | 1 | |
| 10 | AA7NR72411 | Reverse Assy | | S | 1 | |
| | | | | | | |
| | | | | | | |
| | | | | | | |
| | | | | | | |
| | | | | | | |
| | | | | | | |
| | | | | | | |
| | | | | | | |
| | | | | | | |
| | | | | | | |
| | | | | | | |
| | | | | | | |

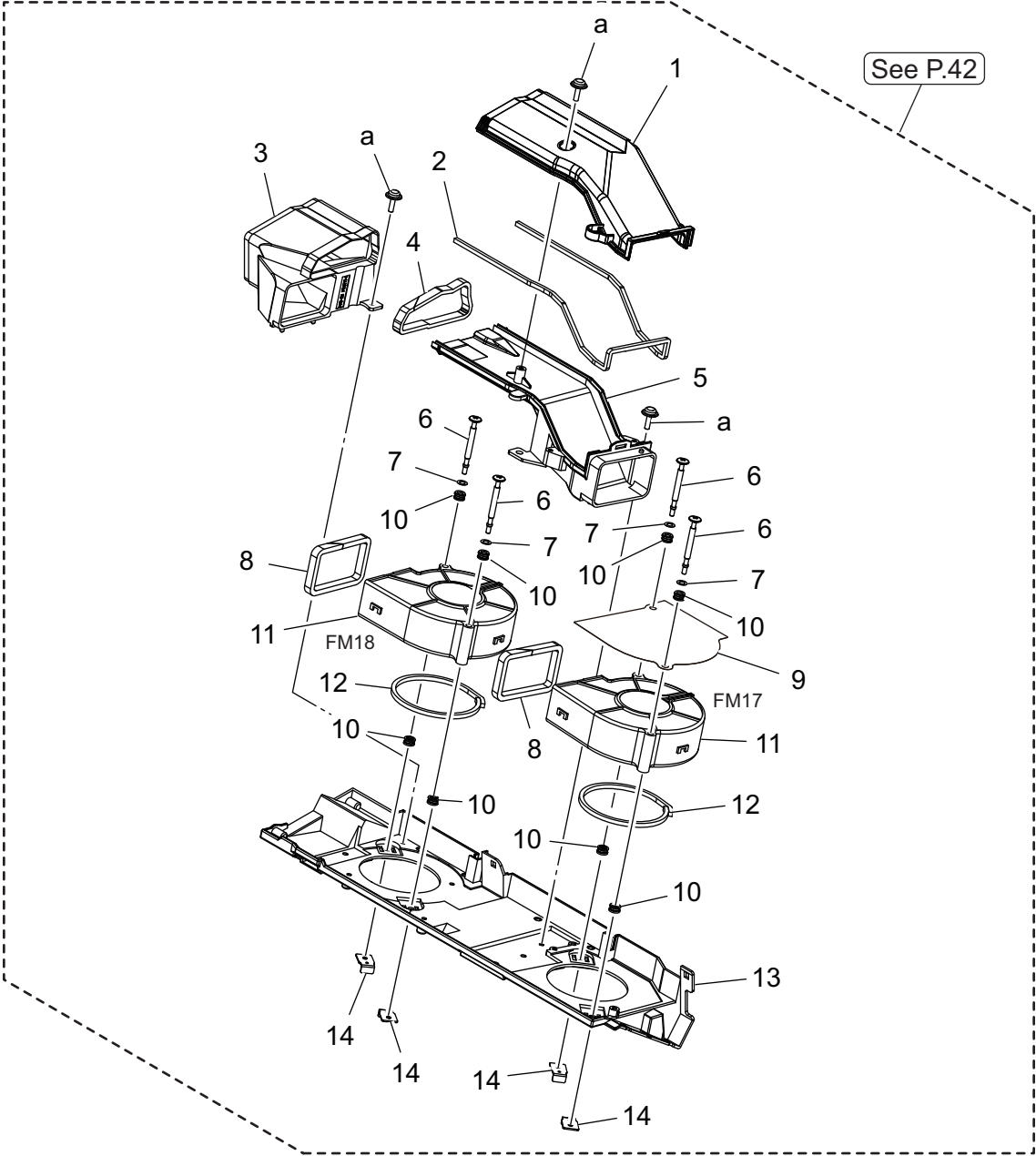


| Key | Part No. | Description | Destinations | Class | QTY | Standard parts |
|-----|------------|-------------------|--------------------|-------|-----|--|
| 1 | A79J831501 | Seal | | C | 1 | a-V153030803 b-V217040003 c-V125030803 d-V144030803 e-V116030603 f-V217050001 |
| 2 | A79J830600 | Duct | シール (ユニット側) ダクト | D | 1 | |
| 3 | A00F941100 | Label | ラベル (高温マーク) | D | 1 | |
| 4 | A79J831600 | Cushion | クッション | C | 1 | |
| 5 | AA7N830100 | Duct | ダクト (ドッキング) | D | 1 | |
| 6 | A79J831100 | Cushion | クッション | C | 1 | |
| 7 | A79J812202 | Guide Plate | ガイド板 | D | 1 | |
| 8 | A161814601 | Roller /C | ローラ / C | C | 1 | |
| 9 | A02E815200 | BUSHING | 軸受 | C | 2 | |
| 10 | A161814700 | Knob /A | ノブ / A | C | 1 | |
| 11 | AA2J946100 | Label | ラベル (M 2) | D | 1 | |
| 12 | A79J813700 | Roller | ローラ | C | 1 | |
| 13 | A161813300 | Bushing /A | すべり軸受 / A | C | 2 | |
| 14 | A161816400 | Spacer /A | スペーサ / A | C | 2 | |
| 15 | A0ED811700 | Pulley 22T | プーリ (ADU 第3) 22 T | C | 2 | |
| 16 | A79J811200 | Frame /ASSY | フレーム / ASSY | D | 1 | |
| 17 | A5C1814300 | Contact /B | 接点 / B | D | 1 | |
| 18 | A79J819000 | Timing belt 200L | タイミングベルト 200 L | C | 1 | |
| 19 | A79J819800 | Roll | ころ | C | 1 | |
| 20 | A2X0M10600 | Stepping motor | ステッピングモーター | C | 1 | |
| 21 | AA7NN10M00 | ADU Drive Harness | ADU 駆動束線 | D | 1 | |
| | | | | | | |
| | | | | | | |
| | | | | | | |
| | | | | | | |
| | | | | | | |
| | | | | | | |
| | | | | | | |
| | | | | | | |
| | | | | | | |
| | | | | | | |
| | | | | | | |

Reverse Section

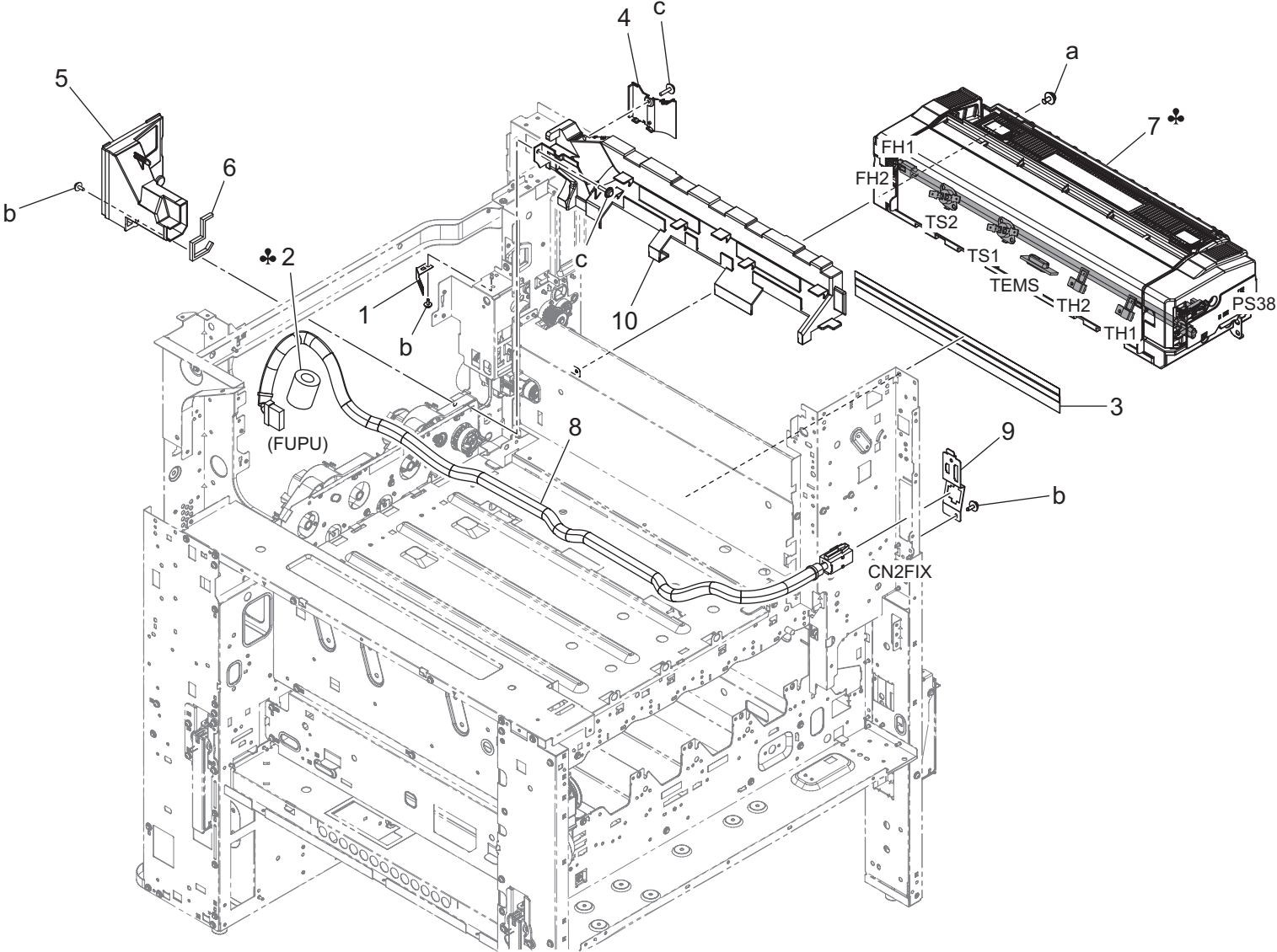


| Key | Part No. | Description | Destinations | Class | QTY | Standard parts |
|-----|------------|-----------------------|-----------------------|-------|-----|--|
| 1 | A79J811700 | Guide Plate | | D | 1 | a-V153030803 b-V144030803 c-V217040003 d-V234200850 |
| 2 | A161814401 | Mounting Plate /3 | 取付板 / 3 | D | 1 | |
| 3 | 4163529301 | SCREW | ねじ | C | 1 | |
| 4 | A161813600 | Pressing Spring /A | 押圧ばね / A | C | 2 | |
| 5 | A161825301 | Cushion /A | クッション / A | D | 2 | |
| 6 | A5C1811803 | Guide Plate /Front | ガイド板 / 前 | D | 2 | |
| 7 | A0ED815100 | Holding Part | 押さえ材 (ADU 第1 R) | D | 4 | |
| 8 | A161825700 | Idler Roller /A | 従動ローラ / A | D | 4 | |
| 9 | A161813200 | Actuator | アクチュエータ (ADU 上 JAM 検) | C | 1 | |
| 10 | A161712800 | Spring /D | ばね / D | D | 1 | |
| 11 | A5C1M50100 | Photointerrupter | 透過型センサ | B | 2 | |
| 12 | A79J810902 | Mounting Plate | 取付板 | D | 1 | |
| 13 | A5C1814200 | Contact /A | 接点 / A | D | 1 | |
| 14 | A161813400 | Torsion Coil spring | ねじりコイルばね (ガイド押さえ) | D | 2 | |
| 15 | A161825400 | Wiring Part | 配線部材 | D | 1 | |
| 16 | A161825800 | Cushion /B | クッション / B | D | 2 | |
| 17 | A79J813903 | Cover | カバー | D | 1 | |
| 18 | AA2J825100 | Mounting Plate /4 | 取付板 / 4 | D | 1 | |
| 19 | A79J821000 | Protection Part | 保護部材 | C | 1 | |
| 20 | AA2J810800 | Mounting Plate /2 | 取付板 / 2 | D | 1 | |
| 21 | AA2J810611 | Roller /1 | ローラ / 1 | C | 1 | |
| 22 | AA2J814500 | Bushing | すべり軸受 (排紙前) | D | 1 | |
| 23 | AA2J810511 | Guide Plate /4 | ガイド板 / 4 (排紙前) | D | 1 | |
| 24 | A02E815200 | BUSHING | 軸受 | C | 1 | |
| 25 | A161819200 | Gear 18T | ギア 18 T | C | 1 | |
| 26 | A5C1825000 | Bushing | すべり軸受 | C | 1 | |
| 27 | A161825000 | Bushing | すべり軸受 (排紙ドッキング丸2) | C | 1 | |
| 28 | A161826001 | Cushion /B | クッション / B | D | 1 | |
| 29 | A161813001 | Actuator | アクチュエータ (排紙 JAM 検) | C | 1 | |
| 30 | A161813100 | Torsion Coil spring | ねじりコイルばね (排紙 JAM 検) | C | 1 | |
| 31 | A161819500 | Bushing /C | すべり軸受 / C | C | 1 | |
| 32 | A5C1811901 | Guide Plate /Rear | ガイド板 / 奥 | D | 2 | |
| 33 | AA7NN10N00 | Conveyance Harness /3 | 搬送束線 / 3 (TOP) | D | 1 | |
| 34 | A79JM90900 | Gasket | ガスケット | D | 2 | |
| | | | | | | |
| | | | | | | |
| | | | | | | |
| | | | | | | |



| Key | Part No. | Description | Destinations | Class | QTY | Standard parts |
|-----|------------|----------------|--------------|-------|-----|----------------|
| 1 | AA7N830300 | Duct | ダクト (前下) | D | 1 | a-V153030803 |
| 2 | A79J831200 | Cushion | クッション | C | 1 | |
| 3 | A79J830100 | Duct | ダクト | D | 1 | |
| 4 | A79J831300 | Cushion | クッション | C | 1 | |
| 5 | AA7N830200 | Duct | ダクト (前下) | D | 1 | |
| 6 | A79J832000 | Shoulder screw | 段ねじ | C | 4 | |
| 7 | A79J832400 | Washer | ワッシャ | C | 4 | |
| 8 | A79J831000 | Cushion | クッション | C | 2 | |
| 9 | A9HG830701 | Cover | カバー (ハーネス) | D | 1 | |
| 10 | A79J832100 | Support Rubber | 支持ゴム | D | 8 | |
| 11 | A93EM10600 | Fan motor | ファンモータ | C | 2 | |
| 12 | A79J832300 | Seal | シール | C | 2 | |
| 13 | A79J830001 | Holder | ホルダ | D | 1 | |
| 14 | A79J832200 | Mounting Plate | 取付板 | D | 4 | |
| | | | | | | |
| | | | | | | |
| | | | | | | |
| | | | | | | |
| | | | | | | |
| | | | | | | |
| | | | | | | |
| | | | | | | |
| | | | | | | |

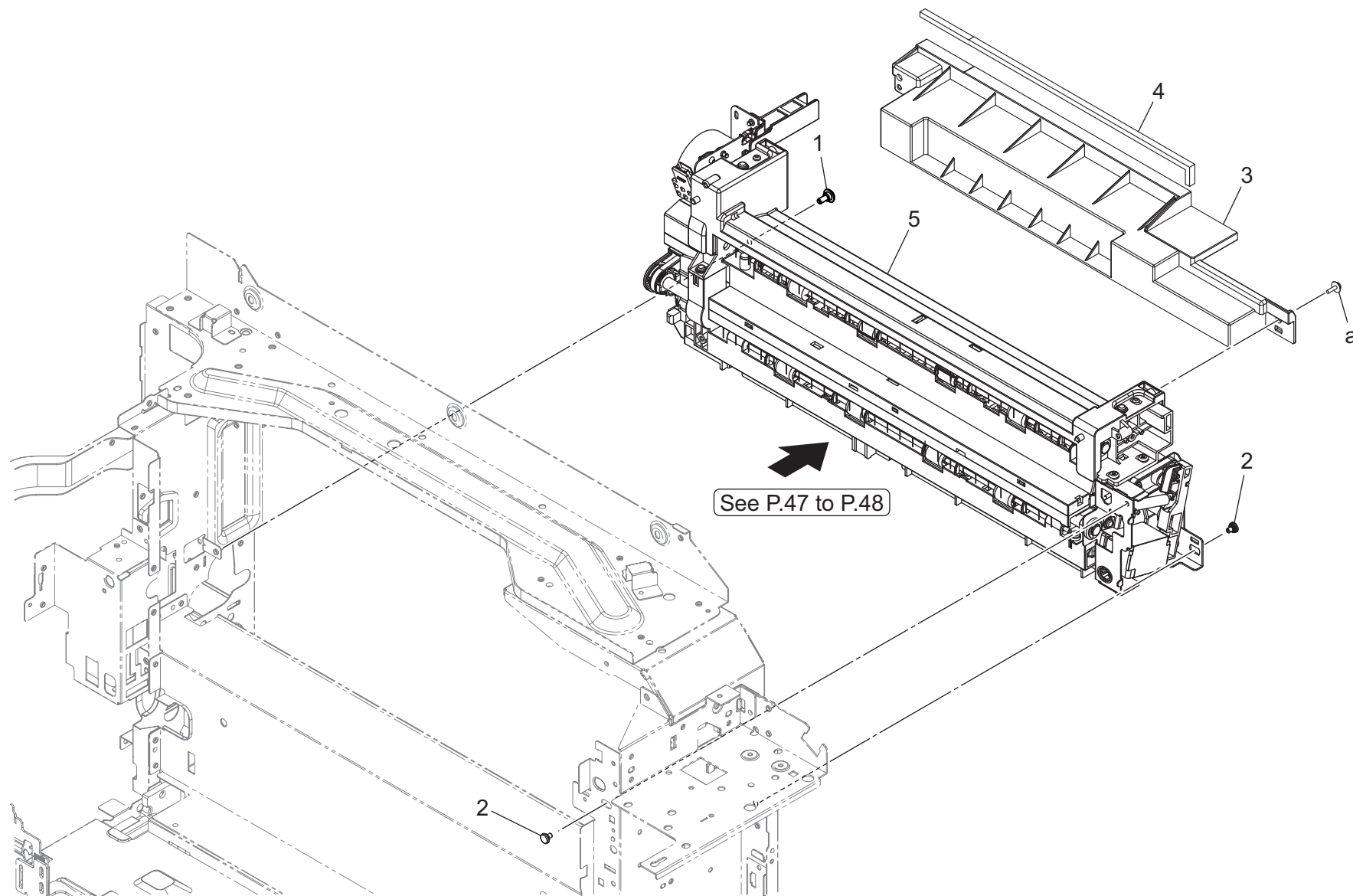
Fusing Section



| Key | Part No. | Description | Destinations | Class | QTY | Standard parts |
|-----|------------|-------------------------|---------------------------|-------|-----|--|
| 1 | A161122500 | Ground Plate | | D | 1 | a-V116040803 b-V125030803 c-V153031004 |
| 2 | A3EWM90200 | Ferritecore | A,B,G2 | D | 1 | |
| 3 | A797102701 | Seal | | C | 1 | |
| 4 | AA2J140600 | Duct | | D | 1 | |
| 5 | AA7N140500 | Duct | | D | 1 | |
| 6 | AA7N148300 | Seal | | C | 1 | |
| 7 | ACKNR70800 | Fusing Unit Assy (100V) | A | A | 1 | |
| 7 | ACKNR70900 | Fusing Unit Assy (120V) | B,G2 | A | 1 | |
| 7 | ACKNR71000 | Fusing Unit Assy (230V) | C,D1,D3,E,F2,G1,I,K ,J | A | 1 | |
| 8 | AA7NN10401 | Heater Relay Harness | | D | 1 | |
| 9 | ACKN137200 | Mounting Plate | | D | 1 | |
| 10 | ACKN140100 | Duct | | D | 1 | |
| | | | | | | |
| | | | | | | |
| | | | | | | |
| | | | | | | |
| | | | | | | |
| | | | | | | |
| | | | | | | |
| | | | | | | |
| | | | | | | |

Paper Exit Section

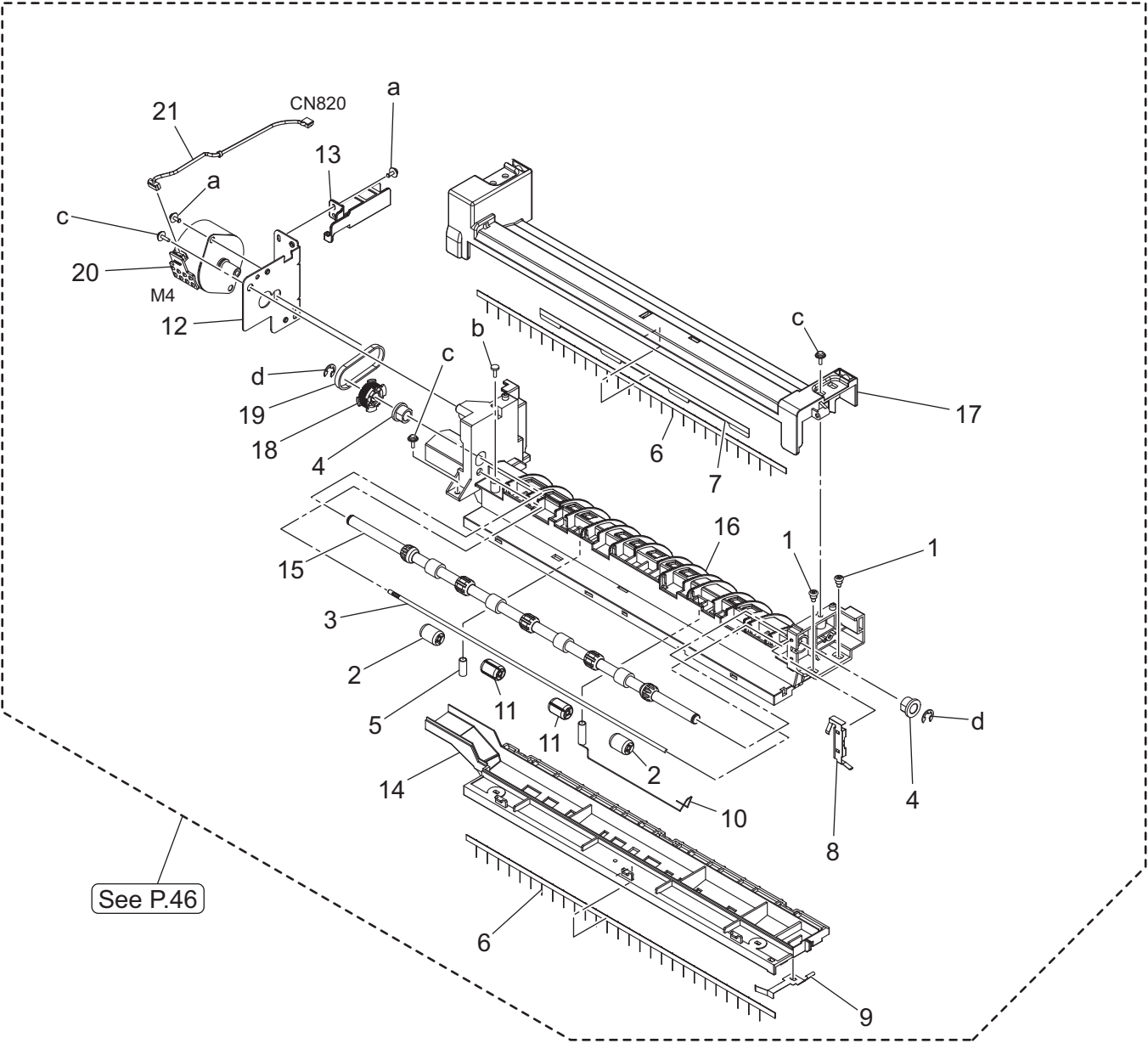
P 46



bizhub 750i

Paper Exit Section

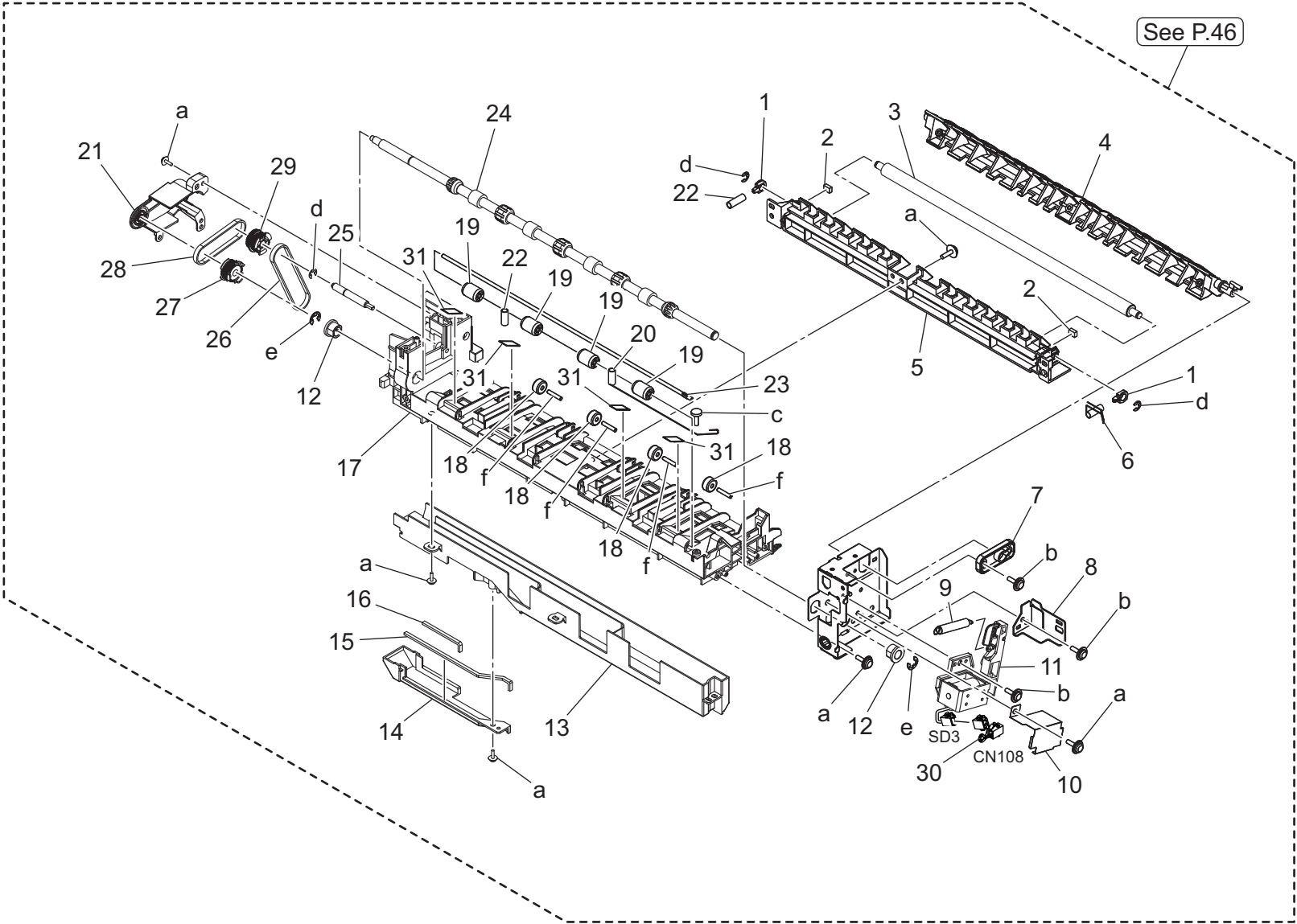
| Key | Part No. | Description | Destinations | Class | QTY | Standard parts |
|-----|------------|-----------------|--------------|-------|-----|----------------|
| 1 | A00J169300 | Shoulder screw | | C | 1 | a-V153030803 |
| 2 | A0P0742300 | Shoulder screw | | C | 2 | |
| 3 | AA7N896500 | Guide | | D | 1 | |
| 4 | AA7N896600 | Seal | | C | 1 | |
| 5 | AA7NR72122 | Paper Exit Assy | | S | 1 | |
| | | | | | | |
| | | | | | | |
| | | | | | | |
| | | | | | | |
| | | | | | | |
| | | | | | | |
| | | | | | | |
| | | | | | | |
| | | | | | | |
| | | | | | | |
| | | | | | | |
| | | | | | | |



See P.46

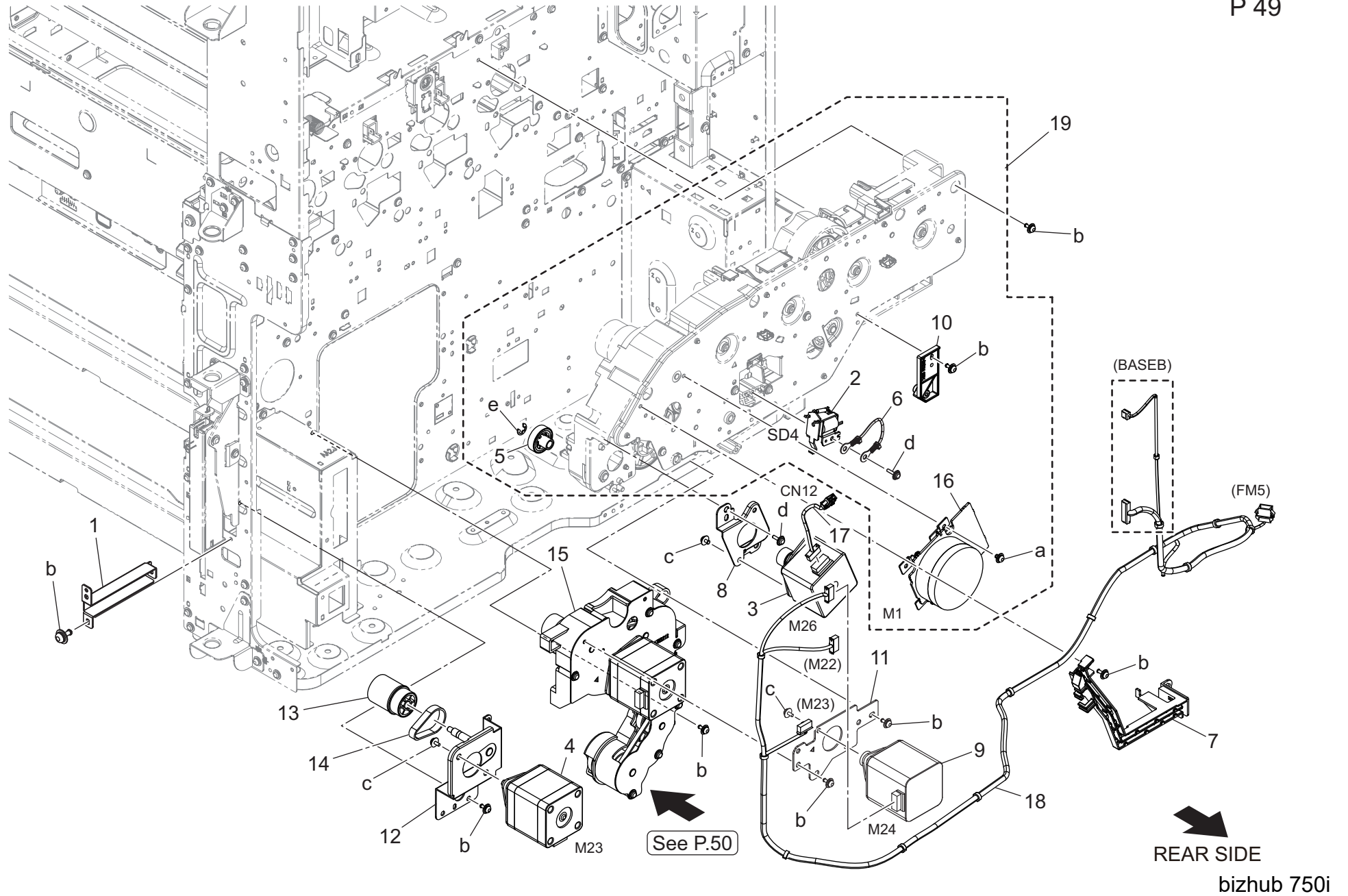
| Key | Part No. | Description | Destinations | Class | QTY | Standard parts |
|-----|------------|-------------------------|--------------|-------|-----|--|
| 1 | 1164202801 | SHOULDER SCREW | | D | 2 | a-V125030803 b-V149030803 c-V153030803 d-V217060003 |
| 2 | 4004590301 | ROLL | | C | 2 | |
| 3 | 4025598401 | SHAFT | | D | 1 | |
| 4 | A0ED891100 | Bushing | | D | 2 | |
| 5 | A161892400 | Spring | | C | 1 | |
| 6 | A161894000 | Neutralizing Brush | | C | 2 | |
| 7 | A161894100 | Sheet | | D | 1 | |
| 8 | A161895503 | Ground Contact /Upper | | D | 1 | |
| 9 | A161895601 | Ground Contact /Lower | | D | 1 | |
| 10 | A161900201 | Ground Spring | | C | 1 | |
| 11 | A64J891100 | Roll | | D | 2 | |
| 12 | A79J893200 | Mounting Plate | | D | 1 | |
| 13 | A79J894000 | Guide | | D | 1 | |
| 14 | A79J895200 | Paper exit Guide /Lower | | D | 1 | |
| 15 | A79J895400 | Roller | | C | 1 | |
| 16 | A79J895603 | Paper exit Guide /Upper | | D | 1 | |
| 17 | A79J895702 | Paper exit Cover | | D | 1 | |
| 18 | A79J895800 | Pulley 33T | | C | 1 | |
| 19 | A79J898300 | Timing belt 116L | | C | 1 | |
| 20 | AA2JM10400 | Stepping motor | | C | 1 | |
| 21 | AA7NN10E00 | Drive Relay Harness /1 | | D | 1 | |
| | | | | | | |
| | | | | | | |
| | | | | | | |
| | | | | | | |
| | | | | | | |
| | | | | | | |
| | | | | | | |
| | | | | | | |
| | | | | | | |
| | | | | | | |
| | | | | | | |
| | | | | | | |

Paper Exit Section

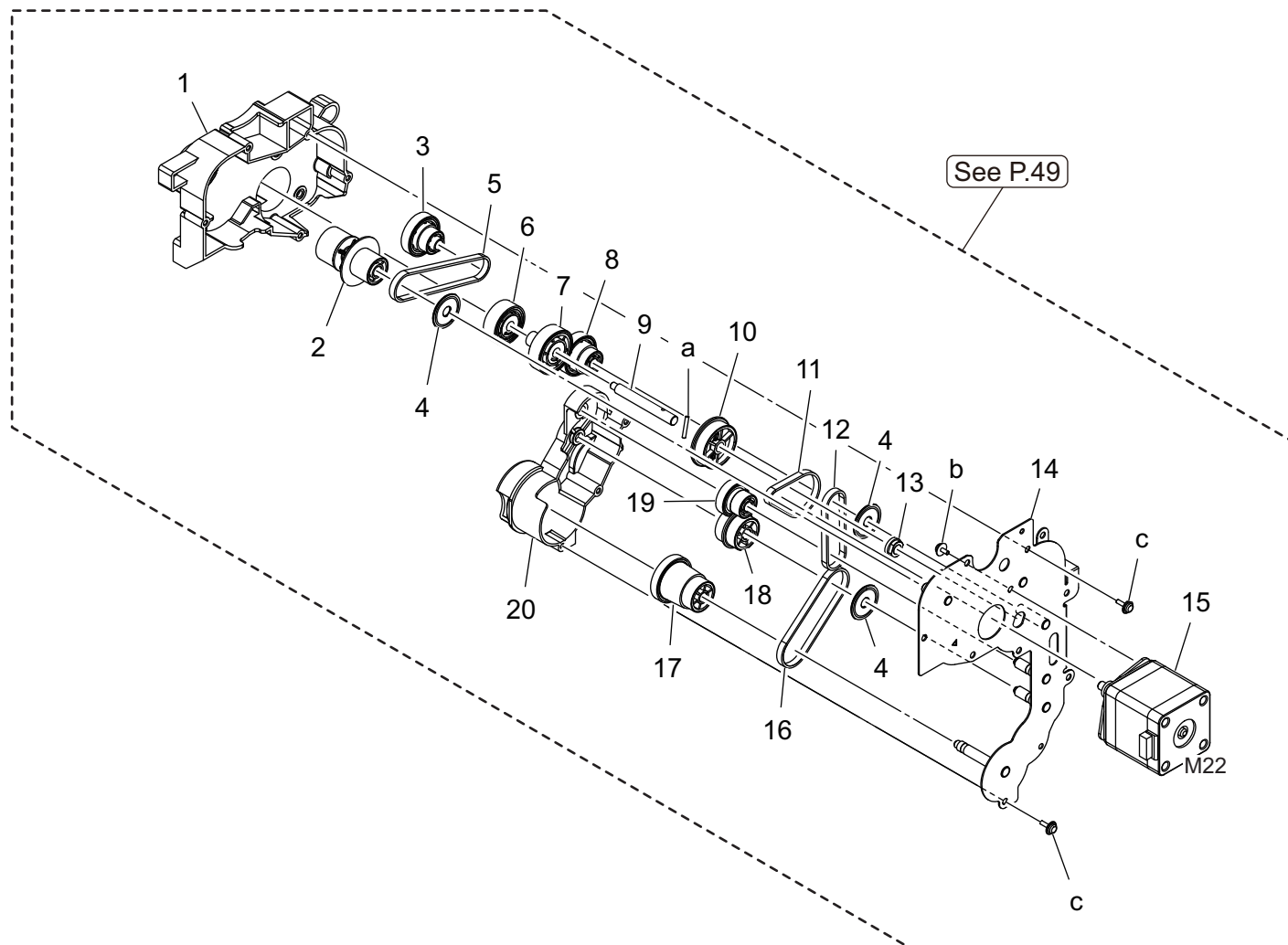


| Key | Part No. | Description | Destinations | Class | QTY | Standard parts |
|-----|------------|---------------------------|--------------|-------|-----|--|
| 1 | AA7N898601 | Bushing | | D | 2 | a-V153030803 b-V144030803 c-V149030803 d-V217040003 e-V217060003 f-V234301650 |
| 2 | A161893601 | Cushion | | D | 2 | |
| 3 | AA2J901101 | Roller | | C | 1 | |
| 4 | AA2J890402 | Guide Lever | | D | 1 | |
| 5 | AA2J890201 | Guide Part /Lower | | D | 1 | |
| 6 | AA2J900300 | Ground Spring | | D | 1 | |
| 7 | A161891000 | Bushing | | D | 1 | |
| 8 | A161892300 | Mounting Plate | | D | 1 | |
| 9 | A79J892000 | Pulling Coil spring | | C | 1 | |
| 10 | A7PU890700 | Cover | | D | 1 | |
| 11 | AA7NR72600 | Solenoid /Paper Exit Assy | | C | 1 | |
| 12 | AA7N898500 | Bushing | | D | 2 | |
| 13 | A79J893501 | Duct | | D | 1 | |
| 14 | A79J894500 | Duct | | D | 1 | |
| 15 | A79J893800 | Cushion | | C | 1 | |
| 16 | A79J893700 | Cushion | | C | 1 | |
| 17 | AA7N890102 | Paper exit Main body | | D | 1 | |
| 18 | A0ED897700 | Collar | | C | 4 | |
| 19 | AA2J891100 | Roll | | C | 4 | |
| 20 | A161900100 | Ground Spring | | C | 1 | |
| 21 | AA7N897600 | Holder | | D | 1 | |
| 22 | A161892400 | Spring | | C | 2 | |
| 23 | 4025598401 | SHAFT | | D | 1 | |
| 24 | AA7N890300 | Roller | | C | 1 | |
| 25 | AA7N898200 | Shaft | | D | 1 | |
| 26 | AA7N898400 | Timing belt 190L | | C | 1 | |
| 27 | A79J891300 | Pulley 28T | | C | 1 | |
| 28 | AA7N898300 | Timing belt 140L | | C | 1 | |
| 29 | AA7N897400 | Pulley 28T | | C | 1 | |
| 30 | A79JN10Q00 | Relay Wiring /5 | | D | 1 | |
| 31 | AA2J891500 | Sheet | | D | 4 | |
| | | | | | | |
| | | | | | | |
| | | | | | | |
| | | | | | | |
| | | | | | | |

Drive Section



| Key | Part No. | Description | Destinations | Class | QTY | Standard parts |
|-----|------------|------------------------|--------------|-------|-----|--|
| 1 | A161105500 | Reinforce Plate | | D | 1 | a-V116030504 b-V125030803 c-V127030604 d-V153031004 e-V217040003 |
| 2 | A161M20300 | Flapper solenoid | | C | 1 | |
| 3 | A2X0M10000 | Stepping motor | | C | 1 | |
| 4 | A61DM10000 | HB Stepping motor | | C | 1 | |
| 5 | A64J257800 | Gear 20T | | C | 1 | |
| 6 | A782N11800 | ADF Wiring /19 | | D | 1 | |
| 7 | A79J134701 | Guide | | D | 1 | |
| 8 | A79J254200 | Mounting Plate | | D | 1 | |
| 9 | AA6RM10500 | Stepping motor | | C | 1 | |
| 10 | AA7N216100 | Guide | | D | 1 | |
| 11 | AA7N221400 | Mounting Plate | | D | 1 | |
| 12 | AA7N221700 | Mounting Plate | | D | 1 | |
| 13 | AA7N222200 | Gear 22/35T | | C | 1 | |
| 14 | AA7N222400 | Belt 92L | | C | 1 | |
| 15 | ACKNR70200 | Paper Feed Drive Assy | | S | 1 | |
| 16 | AA7NM10400 | Brushless Motor /40 | | C | 1 | |
| 17 | AA7NN10F00 | Drive Relay Harness /2 | | D | 1 | |
| 18 | AA7NN10X00 | Drive Harness /2 | | D | 1 | |
| 19 | AC74R70400 | Main Drive Assy | | C | 1 | |
| | | | | | | |
| | | | | | | |
| | | | | | | |
| | | | | | | |
| | | | | | | |
| | | | | | | |
| | | | | | | |
| | | | | | | |
| | | | | | | |
| | | | | | | |
| | | | | | | |
| | | | | | | |
| | | | | | | |

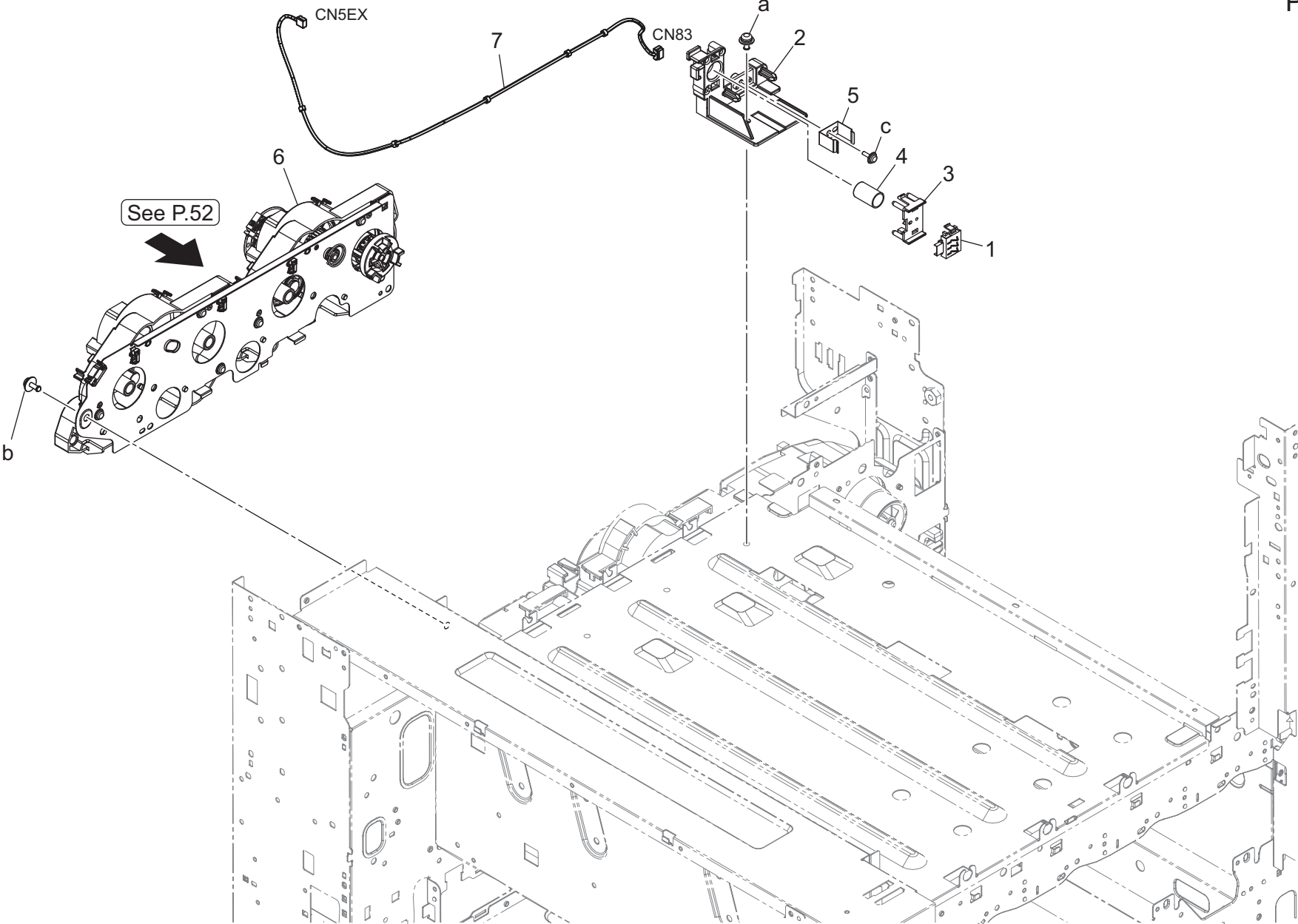


REAR SIDE

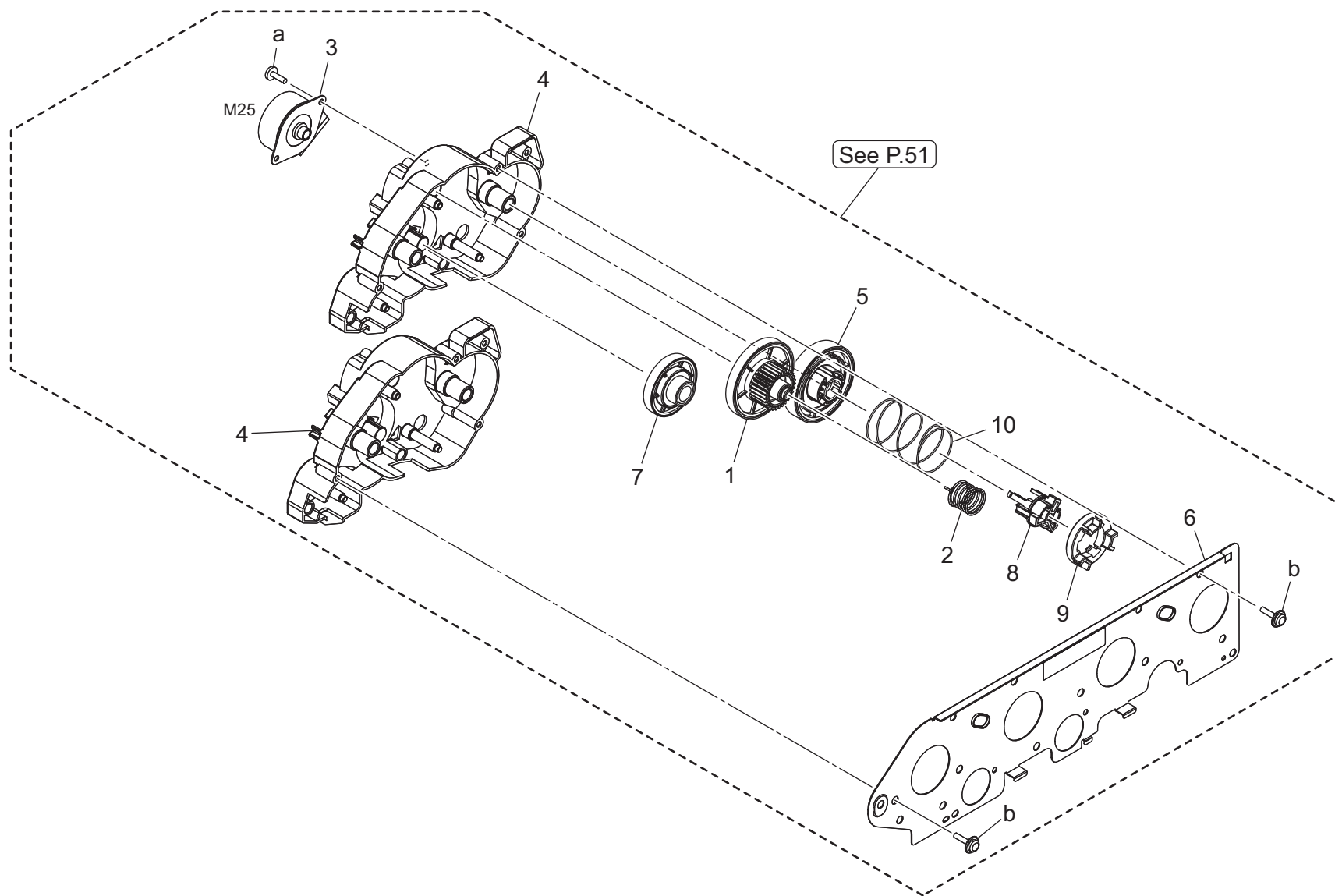
bizhub 750i

| Key | Part No. | Description | Destinations | Class | QTY | Standard parts |
|-----|------------|------------------|--------------|-------|-----|--|
| 1 | A79J220901 | Holder | | C | 1 | a-V234201450 b-V127030604 c-V153031004 |
| 2 | A79J259800 | Gear 19T | | C | 1 | |
| 3 | A79J253300 | Gear 29T | | C | 1 | |
| 4 | A79J897300 | Collar | | C | 3 | |
| 5 | A79J226600 | Timing belt 180L | | C | 1 | |
| 6 | A79J226200 | Gear 23T | | C | 1 | |
| 7 | A79J226301 | Gear 32T | | C | 1 | |
| 8 | A79J226400 | Gear 30T | | C | 1 | |
| 9 | A79J223101 | Shaft | | D | 1 | |
| 10 | A79J220000 | Pulley 44T | | C | 1 | |
| 11 | A79J226500 | Timing belt 112L | | C | 1 | |
| 12 | A79J226700 | Timing belt 126L | | C | 1 | |
| 13 | A161210200 | Bushing | | D | 1 | |
| 14 | AA7N221200 | Frame /ASSY | | D | 1 | |
| 15 | ACKNM10000 | Stepping Motor | | C | 1 | |
| 16 | A79J226800 | Timing belt 156L | | C | 1 | |
| 17 | A79J220701 | Gear 28T | | C | 1 | |
| 18 | A79J253000 | Pulley 24T | | C | 1 | |
| 19 | A79J222500 | Pulley 24T | | C | 1 | |
| 20 | A79J220800 | Holder | | C | 1 | |
| | | | | | | |
| | | | | | | |
| | | | | | | |
| | | | | | | |
| | | | | | | |
| | | | | | | |
| | | | | | | |
| | | | | | | |
| | | | | | | |
| | | | | | | |

Drive Section

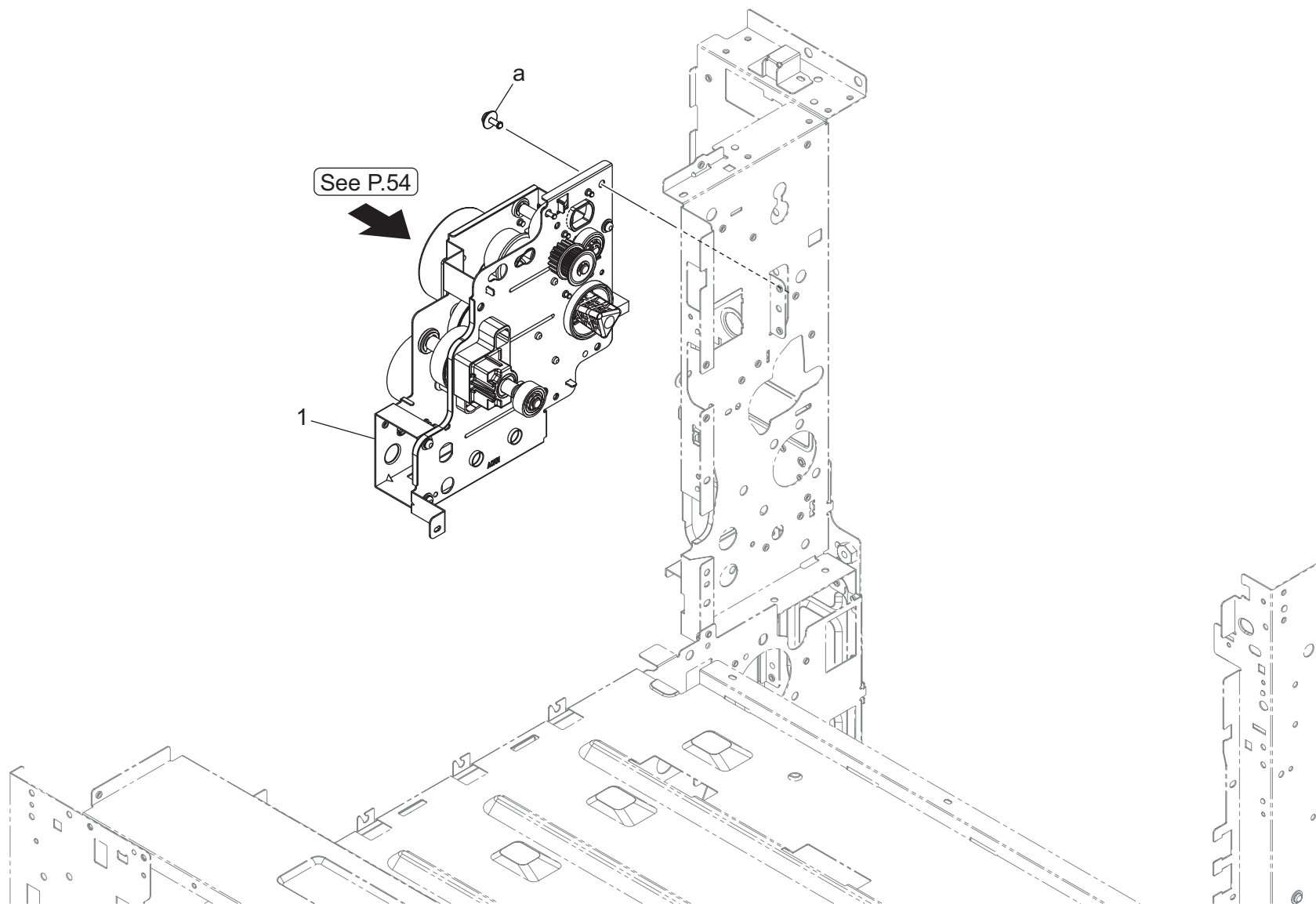


| Key | Part No. | Description | Destinations | Class | QTY | Standard parts |
|-----|------------|----------------------------|--------------|-------|-----|--|
| 1 | A0EDM60001 | Relay Connector | | D | 1 | a-V116040803 b-V125030803 c-V153030803 |
| 2 | ACKN118001 | Mounting Plate | | D | 1 | |
| 3 | ACKN118102 | Holder | | D | 1 | |
| 4 | ACKN118200 | Compressing Coil spring | | D | 1 | |
| 5 | ACKN118300 | Mounting Plate | | D | 1 | |
| 6 | ACV7R70500 | TB Drive ASSY | | S | 1 | |
| 7 | ACV7N11E01 | Toner Detection Harness /2 | | D | 1 | |
| | | | | | | |
| | | | | | | |
| | | | | | | |
| | | | | | | |
| | | | | | | |
| | | | | | | |
| | | | | | | |
| | | | | | | |
| | | | | | | |
| | | | | | | |
| | | | | | | |
| | | | | | | |
| | | | | | | |
| | | | | | | |
| | | | | | | |



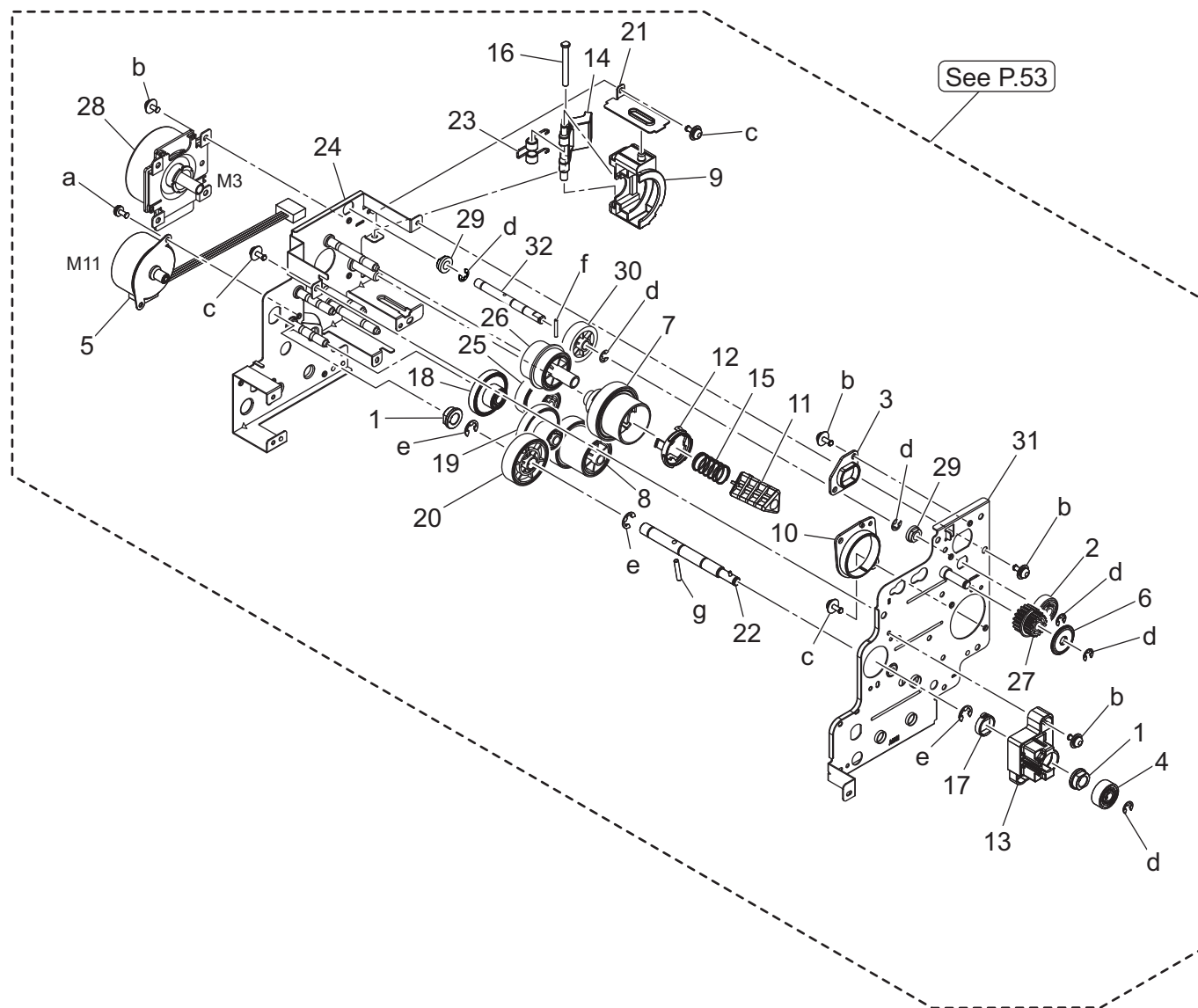
| Key | Part No. | Description | Destinations | Class | QTY | Standard parts |
|-----|---------------|-------------------------|--------------|-------|-----|------------------------------|
| 1 | A79J240400 | Gear 52T/29T | | C | 1 | a-V149030803 b-V153031004 |
| 2 | AA2J241700 | Spring | | C | 1 | |
| 3 | A7PUM10600 | Stepping motor | | C | 1 | |
| 4 | AA2J240101Old | Holder | | D | 2 | |
| 4 | AA2J242100 | Holder | | D | 2 | |
| 5 | AA2J240600 | Gear 58T | | C | 1 | |
| 6 | AA2J241502Old | Mounting Plate | | D | 1 | |
| 6 | AA2J242500 | Mounting Plate | | D | 1 | |
| 7 | AA7N240300 | Gear 25/91T | | C | 1 | |
| 8 | ACKN240700 | Joint | | C | 1 | |
| 9 | ACKN240800 | Joint | | C | 1 | |
| 10 | ACKN240900 | Compressing Coil spring | | C | 1 | |
| | | | | | | |
| | | | | | | |
| | | | | | | |
| | | | | | | |
| | | | | | | |
| | | | | | | |
| | | | | | | |
| | | | | | | |
| | | | | | | |





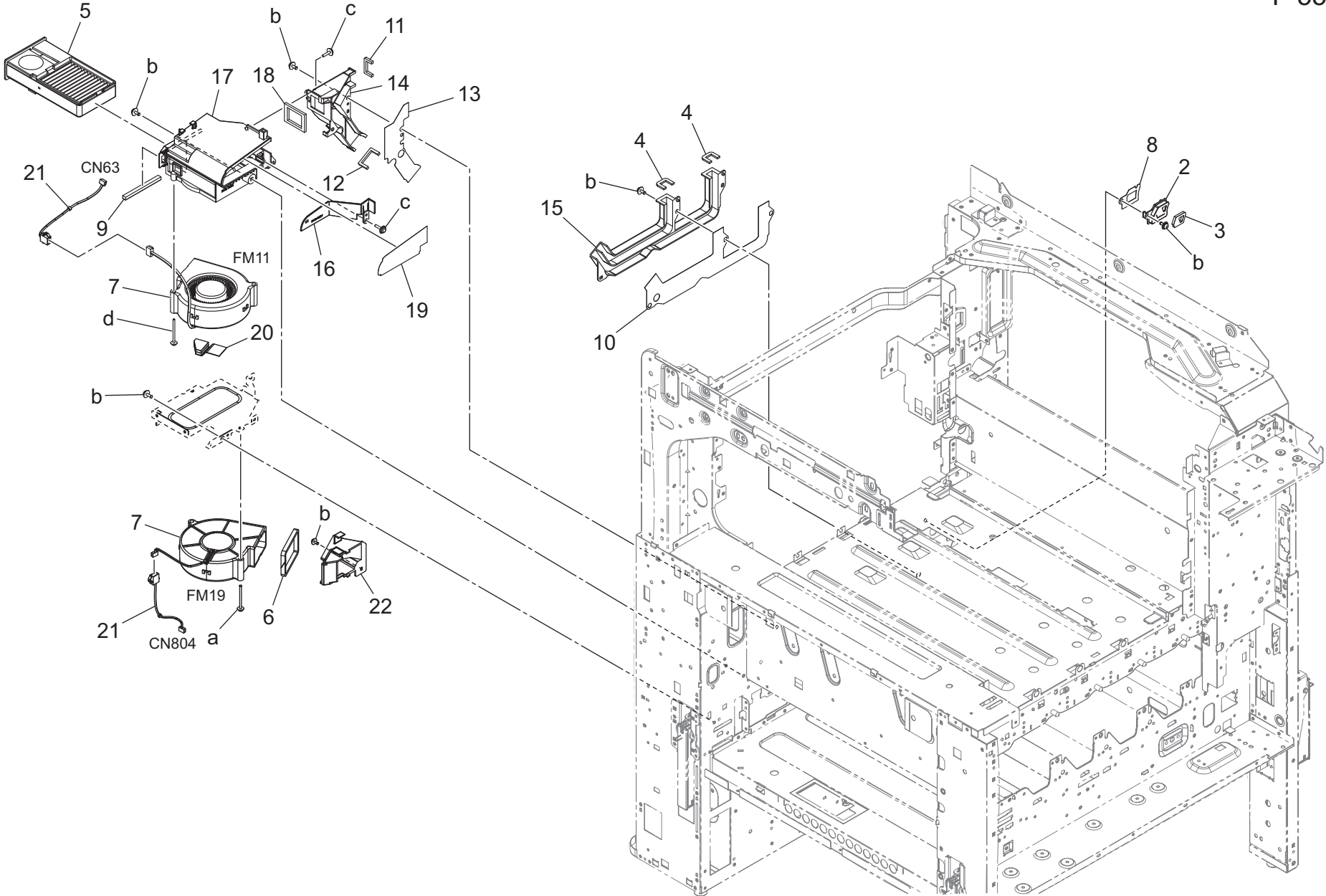
Drive Section

| Key | Part No. | Description | Destinations | Class | QTY | Standard parts |
|-----|------------|-----------------------------------|--------------|-------|-----|----------------|
| 1 | ACV7R70600 | Fusing Drive ASSY 定着駆動 A s s y | | S | 1 | a-V125030803 |
| | | | | | | |
| | | | | | | |
| | | | | | | |
| | | | | | | |
| | | | | | | |
| | | | | | | |
| | | | | | | |
| | | | | | | |
| | | | | | | |
| | | | | | | |
| | | | | | | |
| | | | | | | |
| | | | | | | |
| | | | | | | |
| | | | | | | |



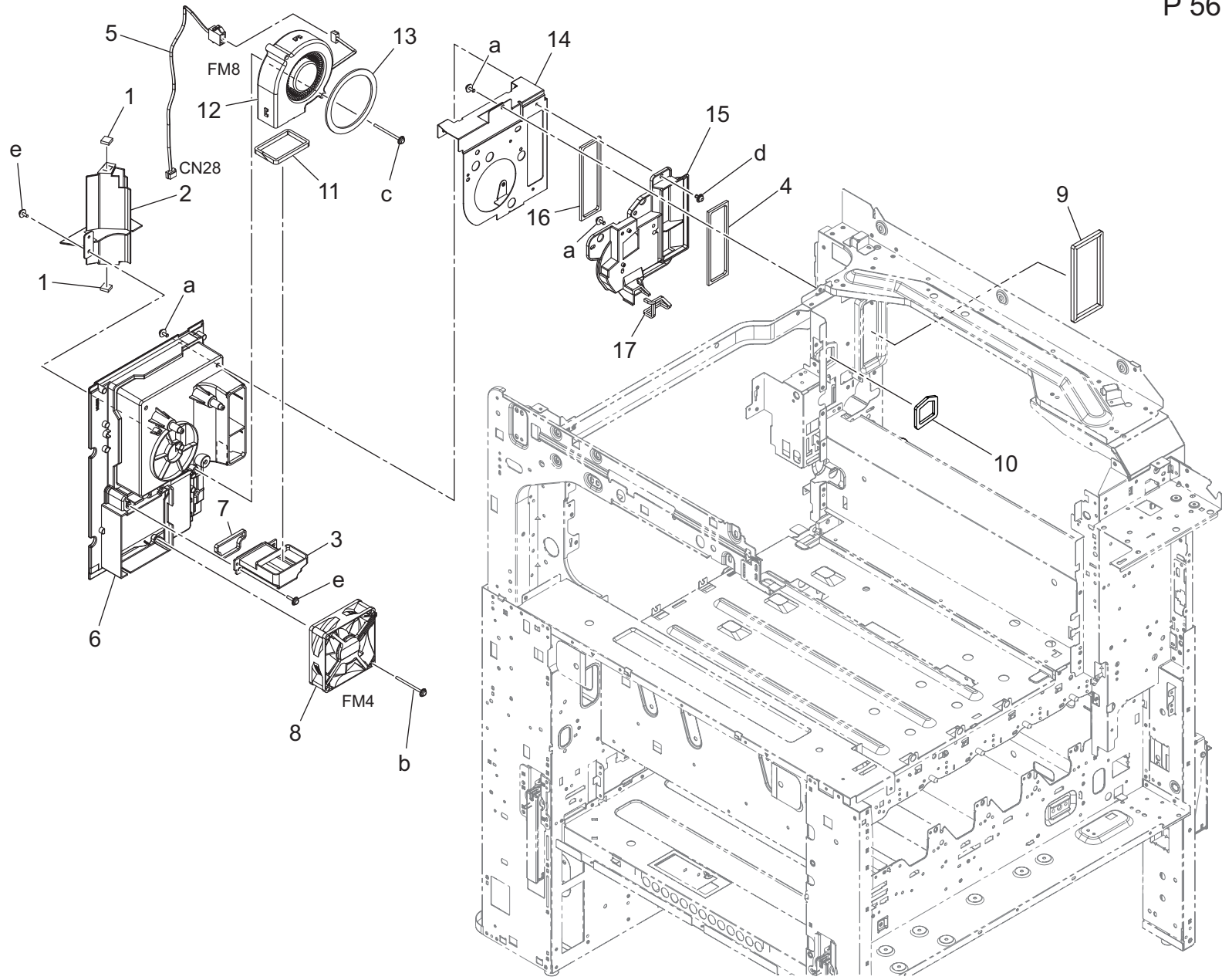
| Key | Part No. | Description | Destinations | Class | QTY | Standard parts |
|-----|------------|-------------------------|--------------|-------|-----|--|
| 1 | A03U812800 | Slide Shaft Holder | | B | 2 | a-V115030603 b-V116030603 c-V125030803 d-V217040003 e-V217060003 f-V234201450 g-V234301850 |
| 2 | A161230700 | Gear 18T | | C | 1 | |
| 3 | A161232200 | Bushing | | D | 1 | |
| 4 | A161254600 | Gear | | C | 1 | |
| 5 | A161M10300 | Stepping motor | | C | 1 | |
| 6 | A79J897300 | Collar | | C | 1 | |
| 7 | AA2J228100 | Gear 39T | | C | 1 | |
| 8 | AA2J228200 | Gear 27/40T | | C | 1 | |
| 9 | AA2J229000 | Holder | | D | 1 | |
| 10 | AA2J229100 | Bushing | | D | 1 | |
| 11 | AA2J229202 | Joint | | C | 1 | |
| 12 | AA2J229300 | Ring | | D | 1 | |
| 13 | AA2J229400 | Holder | | D | 1 | |
| 14 | AA2J229500 | Lever | | C | 1 | |
| 15 | AA2J229600 | Compressing Coil spring | | C | 1 | |
| 16 | AA2J229711 | Shaft | | D | 1 | |
| 17 | AA2J232400 | Collar | | D | 1 | |
| 18 | AA2J254200 | Gear 18/80T | | C | 1 | |
| 19 | AA2J254300 | Gear 18/43T | | C | 1 | |
| 20 | AA2J254400 | Gear 42T | | C | 1 | |
| 21 | AA2J255700 | Reinforce Plate | | D | 1 | |
| 22 | AA2J256300 | Shaft | | D | 1 | |
| 23 | AA2J258500 | Spring | | C | 1 | |
| 24 | ACKN255600 | Frame /ASSY | | D | 1 | |
| 25 | AA7N228000 | Gear 23/50T | | C | 1 | |
| 26 | AA7N230500 | Gear 27/50T | | C | 1 | |
| 27 | AA7N231300 | Gear 18/28T | | C | 1 | |
| 28 | AA7NM10400 | Brushless Motor /40 | | C | 1 | |
| 29 | ACKN210200 | Bushing | | D | 2 | |
| 30 | ACKN230600 | Gear | | C | 1 | |
| 31 | ACKN231000 | Frame /ASSY | | D | 1 | |
| 32 | ACKN231800 | Shaft | | D | 1 | |
| | | | | | | |
| | | | | | | |
| | | | | | | |
| | | | | | | |
| | | | | | | |

Cooling Section



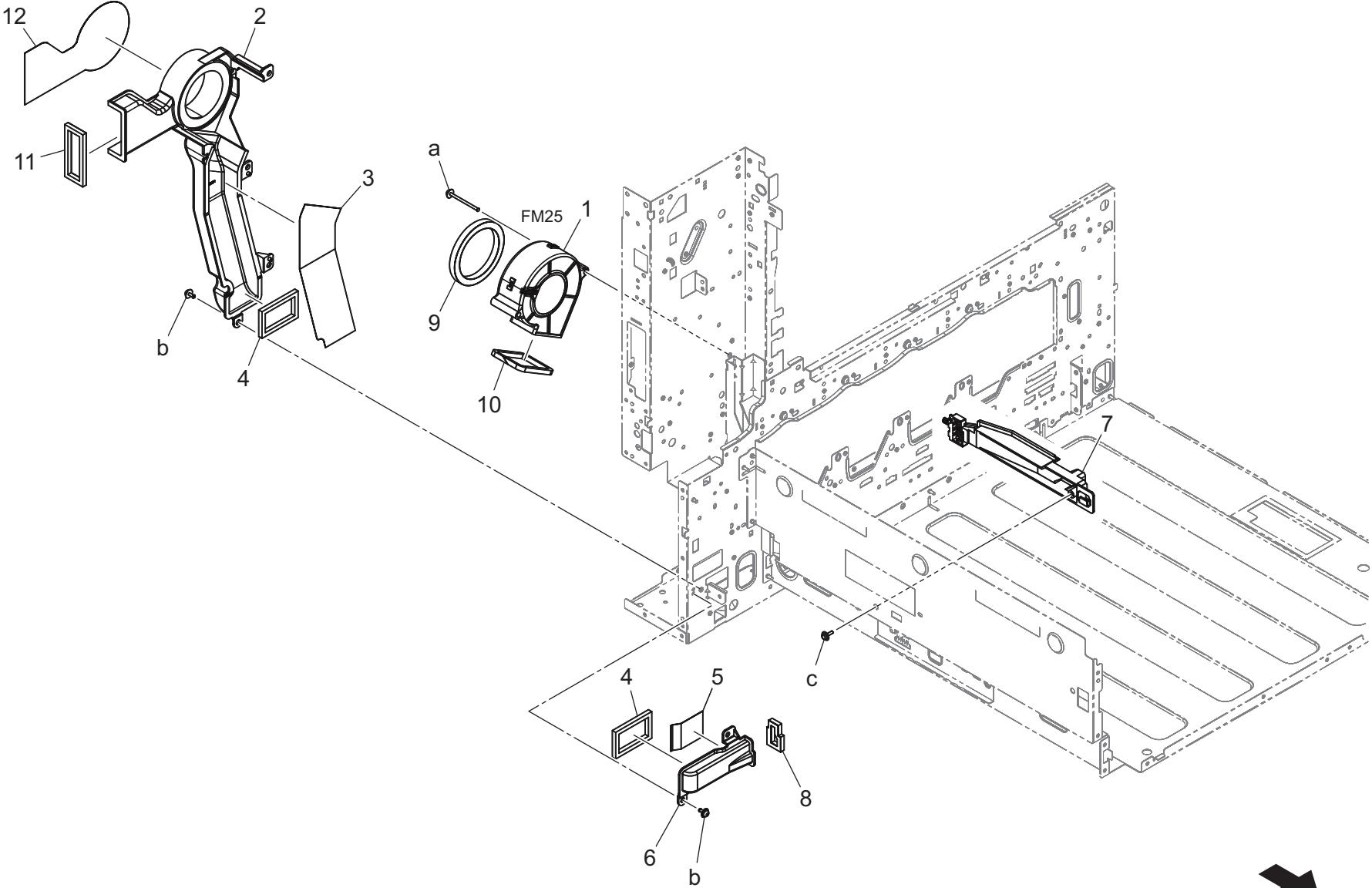
| Key | Part No. | Description | Destinations | Class | QTY | Standard parts |
|-----|------------|-------------------|------------------|-------|-----|--|
| 2 | A161141700 | Duct | ダクト | D | 1 | a-V116033503 b-V125030803 c-V153031004 d-V153033503 |
| 3 | A161144801 | Seal | シール | C | 1 | |
| 4 | A161146600 | Seal /3 | シール / 3 (トナー吸引) | D | 2 | |
| 5 | A161R72811 | Toner Filter Assy | トナーフィルター A S S Y | A | 1 | |
| 6 | A79J143600 | Cushion | クッション | C | 1 | |
| 7 | A93EM10600 | Fan motor | ファンモータ | C | 2 | |
| 8 | AA7N145200 | Seal | シール (噴煙吸引) | D | 1 | |
| 9 | AA7N146400 | Seal | シール | C | 1 | |
| 10 | AA7N146500 | Seal | シール | D | 1 | |
| 11 | AA7N146600 | Seal | シール (トナー吸引 Y M) | C | 1 | |
| 12 | AA7N146800 | Seal | シール (トナー吸引 C K) | C | 1 | |
| 13 | AA7N146900 | Seal /4 | シール / 4 (トナー吸引) | D | 1 | |
| 14 | AA7N147500 | Duct | ダクト (トナー吸引) | D | 1 | |
| 15 | AA7N147600 | Duct | ダクト | D | 1 | |
| 16 | AA7N147700 | Duct | ダクト (仕切り) | D | 1 | |
| 17 | AA7N147901 | Duct /B | ダクト / B (トナー吸引) | D | 1 | |
| 18 | AA7N148000 | Seal | シール | C | 1 | |
| 19 | AA7N148200 | Seal /4 | シール / 4 (トナー吸引) | C | 1 | |
| 20 | AA7N148500 | Cushion | クッション | D | 1 | |
| 21 | AA7NN10600 | Relay Harness /2 | 中継束線 / 2 (粉煙吸引) | D | 2 | |
| 22 | ACKN141501 | Duct /2 | ダクト / 2 (プロセス冷却) | D | 1 | |
| | | | | | | |
| | | | | | | |
| | | | | | | |
| | | | | | | |
| | | | | | | |
| | | | | | | |
| | | | | | | |
| | | | | | | |
| | | | | | | |
| | | | | | | |

Cooling Section



| Key | Part No. | Description | Destinations | Class | QTY | Standard parts |
|-----|------------|------------------|--------------|-------|-----|--|
| 1 | A79J145200 | Cushion | | C | 2 | a-V125030803 b-V153033003 c-V153033503 d-V116030603 e-V153031004 |
| 2 | A79J145100 | Guide Plate | | D | 1 | |
| 3 | AA7N143001 | Duct /2 | | D | 1 | |
| 4 | A79J141501 | Cushion | | C | 1 | |
| 5 | AA7NN10500 | Relay Harness /1 | | D | 1 | |
| 6 | AA7N143400 | Duct | | D | 1 | |
| 7 | AA7N143200 | Seal | | C | 1 | |
| 8 | A93EM10000 | Fan motor | | C | 1 | |
| 9 | A79J120700 | Cushion | | C | 1 | |
| 10 | A79J120801 | Seal | | C | 1 | |
| 11 | A79J143600 | Cushion | | C | 1 | |
| 12 | A93EM10600 | Fan motor | | C | 1 | |
| 13 | A79J143800 | Cushion | | C | 1 | |
| 14 | A79J148304 | Mounting Plate | | D | 1 | |
| 15 | A79J140502 | Duct | | D | 1 | |
| 16 | A79J142701 | Cushion | | C | 1 | |
| 17 | A79J142600 | Cushion | | C | 1 | |
| | | | | | | |
| | | | | | | |
| | | | | | | |
| | | | | | | |
| | | | | | | |
| | | | | | | |
| | | | | | | |
| | | | | | | |
| | | | | | | |
| | | | | | | |

Cooling Section



REAR SIDE

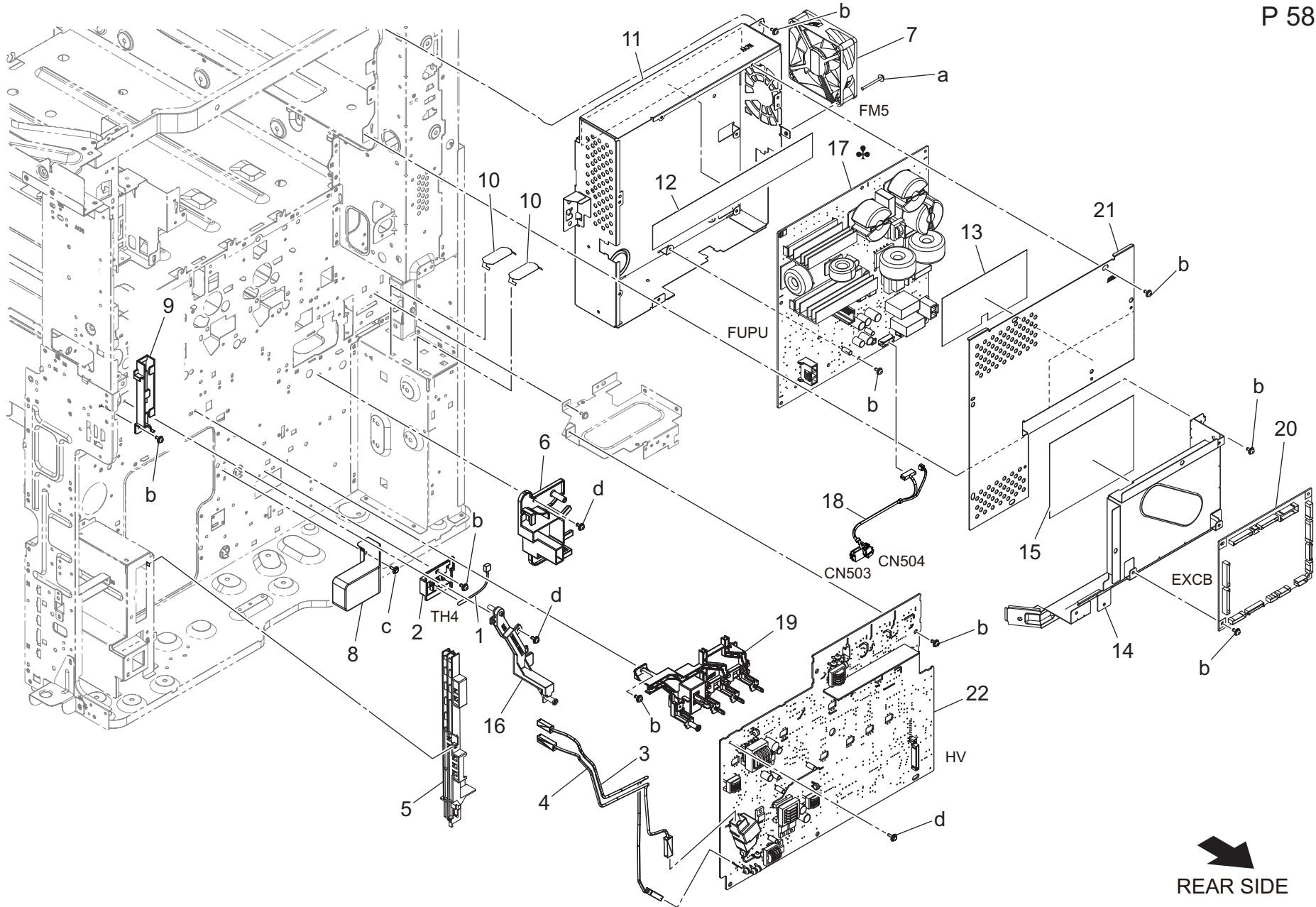
bizhub 750i



Cooling Section

| Key | Part No. | Description | Destinations | Class | QTY | Standard parts |
|-----|------------|-------------|--------------------|-------|-----|--|
| 1 | 9313130051 | FAN MOTOR | | B | 1 | a-V116033503 b-V125030803 c-V153030803 |
| 2 | ACKN144000 | Duct /A | ダクト / A (プロセス冷却 2) | D | 1 | |
| 3 | ACKN144100 | Seal /A | シール / A (プロセス冷却 2) | D | 1 | |
| 4 | ACKN144200 | Seal /E | シール / E (プロセス冷却 2) | D | 2 | |
| 5 | ACKN144300 | Seal /B | シール / B (プロセス冷却 2) | D | 1 | |
| 6 | ACKN144500 | Duct /B | ダクト / B (プロセス冷却 2) | D | 1 | |
| 7 | ACKN144800 | Seal /F | シール / F (プロセス冷却 2) | D | 1 | |
| 8 | ACKN144900 | Seal /G | シール / G (プロセス冷却 2) | D | 1 | |
| 9 | ACKN145000 | Seal /D | シール / D (プロセス冷却 2) | D | 1 | |
| 10 | ACKN145100 | Seal /F | シール / F (プロセス冷却 2) | D | 1 | |
| 11 | ACKN145200 | Seal /I | シール / I (プロセス冷却 2) | D | 1 | |
| 12 | ACKN164700 | Filter | フィルタ (右前) | D | 1 | |
| | | | | | | |
| | | | | | | |
| | | | | | | |
| | | | | | | |
| | | | | | | |
| | | | | | | |
| | | | | | | |
| | | | | | | |
| | | | | | | |

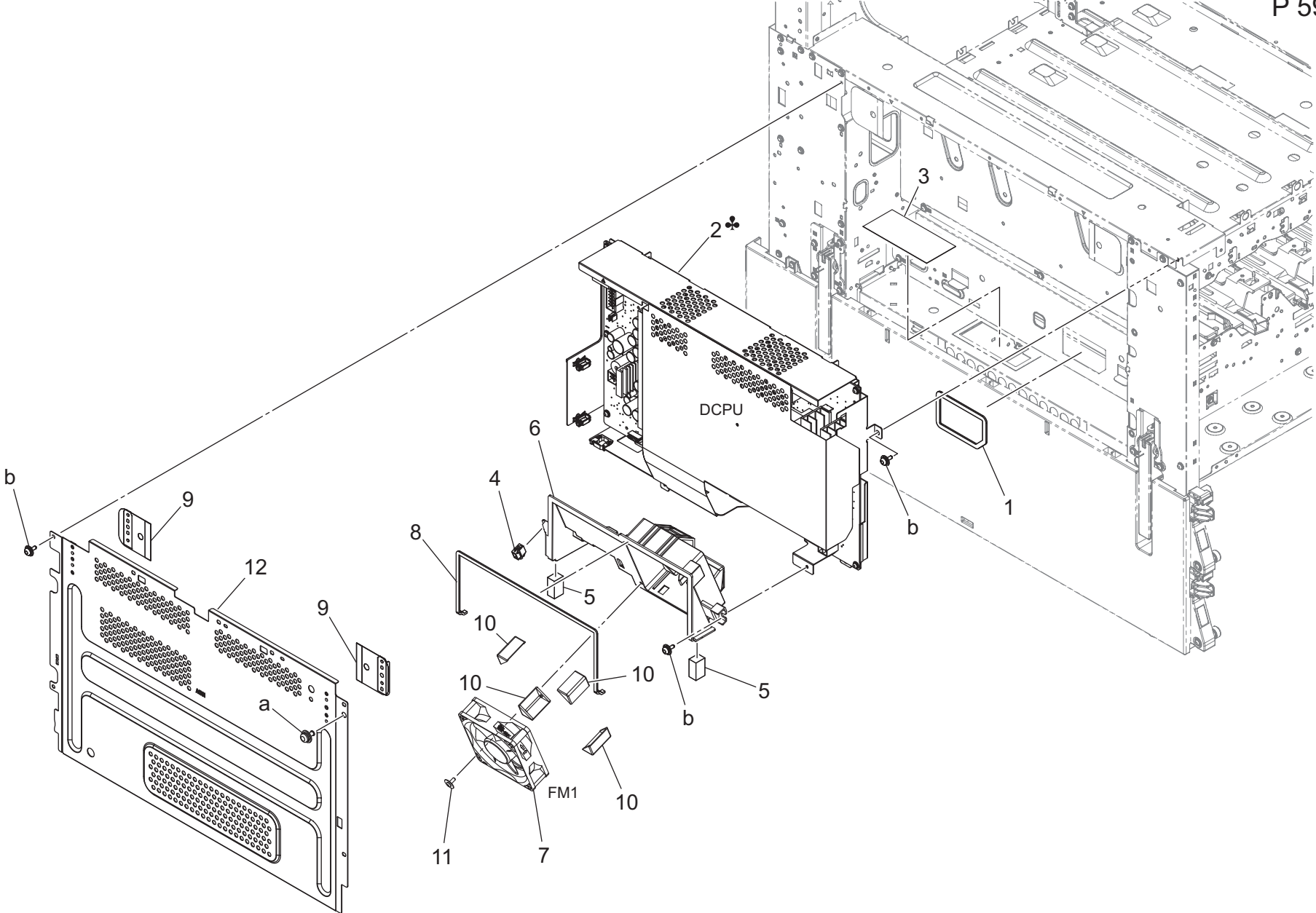
Electrical Parts



REAR SIDE

bizhub 750i

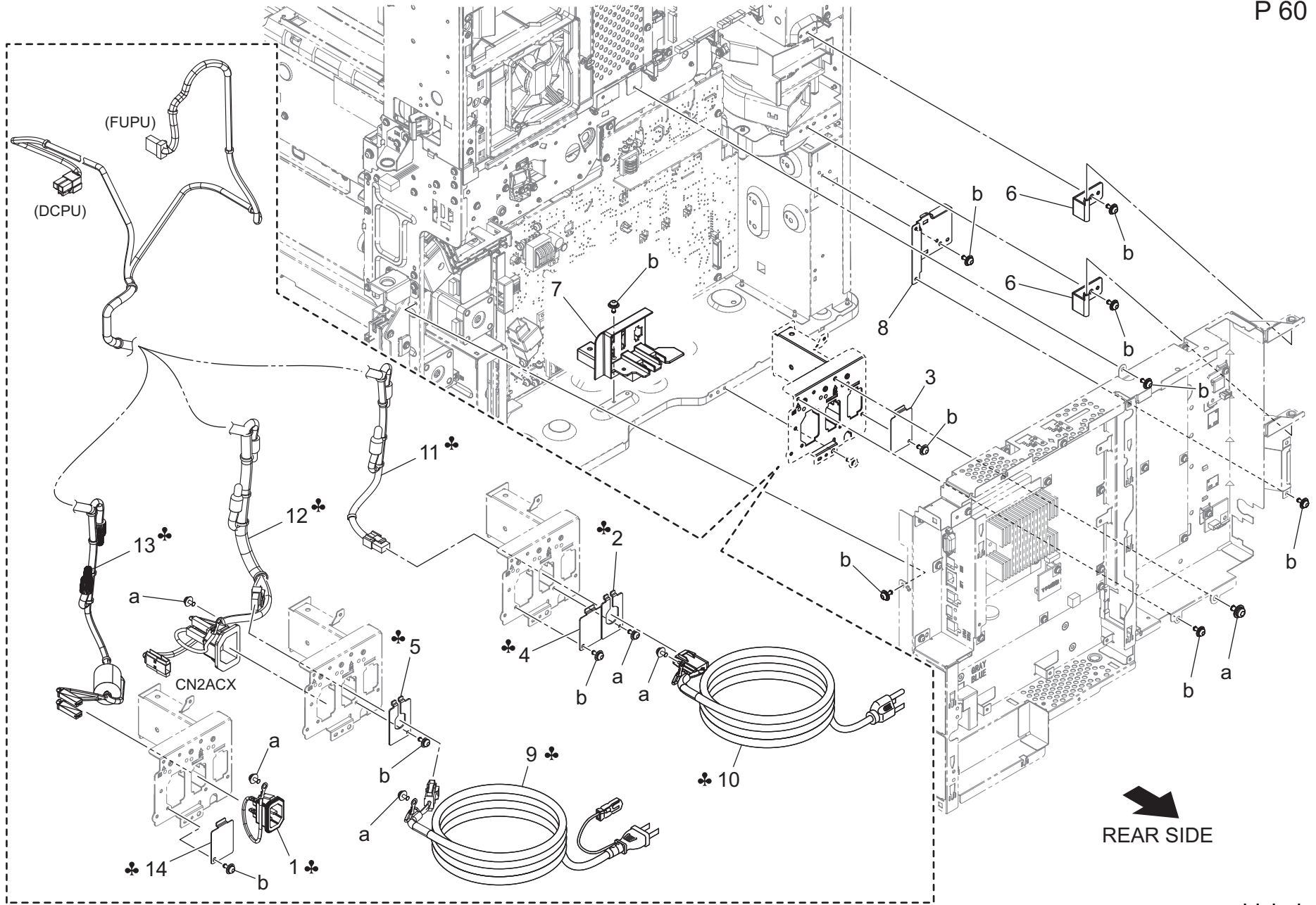
| Key | Part No. | Description | Destinations | Class | QTY | Standard parts |
|-----|------------|----------------------------------|--------------------------|-------|-----|--|
| 1 | A0P0M50300 | Thermistor | | C | 1 | a-V116033003 b-V125030803 c-V144030603 d-V153030804 |
| 2 | A161137701 | Holder | | D | 1 | |
| 3 | A161N11300 | Transfer Wiring /2 | | D | 1 | |
| 4 | A161N11K00 | Neutralizing Wiring | | D | 1 | |
| 5 | A5C1134800 | Guide | | D | 1 | |
| 6 | A7PU141800 | Holder | | D | 1 | |
| 7 | A93EM10000 | Fan motor | | C | 1 | |
| 8 | AA2J107500 | Cover | | D | 1 | |
| 9 | AA2J133000 | Guide | | D | 1 | |
| 10 | AA2J137902 | Fixing Plate | | D | 2 | |
| 11 | AA7N130100 | Shield Case | | D | 1 | |
| 12 | AA7N130300 | Insulating Sheet | | C | 1 | |
| 13 | AA7N130400 | Insulating Sheet | | D | 1 | |
| 14 | AA7N131702 | Mounting Plate | | D | 1 | |
| 15 | AA7N131800 | Insulating Sheet | | D | 1 | |
| 16 | AA7NR71200 | HV Contact Assy | | D | 1 | |
| 17 | AA7NM40800 | Fusing Power Source(100V) | A,B,G2 | I | 1 | |
| 17 | AA7NM40900 | Fusing Power Source(230V) | C,D1,D3,E,F2,G1,I,K J | I | 1 | |
| 18 | AA7NN10700 | Relay Harness /3 | | D | 1 | |
| 19 | AC74R70300 | Holder Assy | | D | 1 | |
| 20 | AC74H00501 | Expansion Control Board Assembly | | I | 1 | |
| 21 | ACKN130200 | Shield Plate | | D | 1 | |
| 22 | ACV7M40600 | HV Board Assembly | | I | 1 | |
| | | | | | | |
| | | | | | | |
| | | | | | | |
| | | | | | | |
| | | | | | | |
| | | | | | | |
| | | | | | | |
| | | | | | | |
| | | | | | | |
| | | | | | | |



| Key | Part No. | Description | Destinations | Class | QTY | Standard parts |
|-----|------------|--------------------------|---------------------------|-------|-----|------------------------------|
| 1 | A161143601 | Seal /3 | | D | 1 | a-V116040803 b-V125030803 |
| 2 | AA7NR71600 | Power Source Unit (100V) | A,B,G2 | I | 1 | |
| 2 | AA7NR71711 | Power Source Unit (200V) | C,D1,D3,E,F2,G1,I,K ,J | I | 1 | |
| 3 | A161145000 | Filter | | C | 1 | |
| 4 | V651010002 | connector | | D | 1 | |
| 5 | A161144500 | Seal /3 | | C | 2 | |
| 6 | A79J140801 | Cooling Duct | | D | 1 | |
| 7 | A93EM10000 | Fan motor | | C | 1 | |
| 8 | A161143400 | Seal /1 | | D | 1 | |
| 9 | A61F100600 | Sheet | | D | 2 | |
| 10 | A79J140900 | Vibrationproof Rubber | | D | 4 | |
| 11 | 4163529301 | SCREW | | C | 1 | |
| 12 | ACKN100600 | Cover | | D | 1 | |
| | | | | | | |
| | | | | | | |
| | | | | | | |
| | | | | | | |
| | | | | | | |
| | | | | | | |
| | | | | | | |
| | | | | | | |
| | | | | | | |
| | | | | | | |

Electrical Parts

P 60

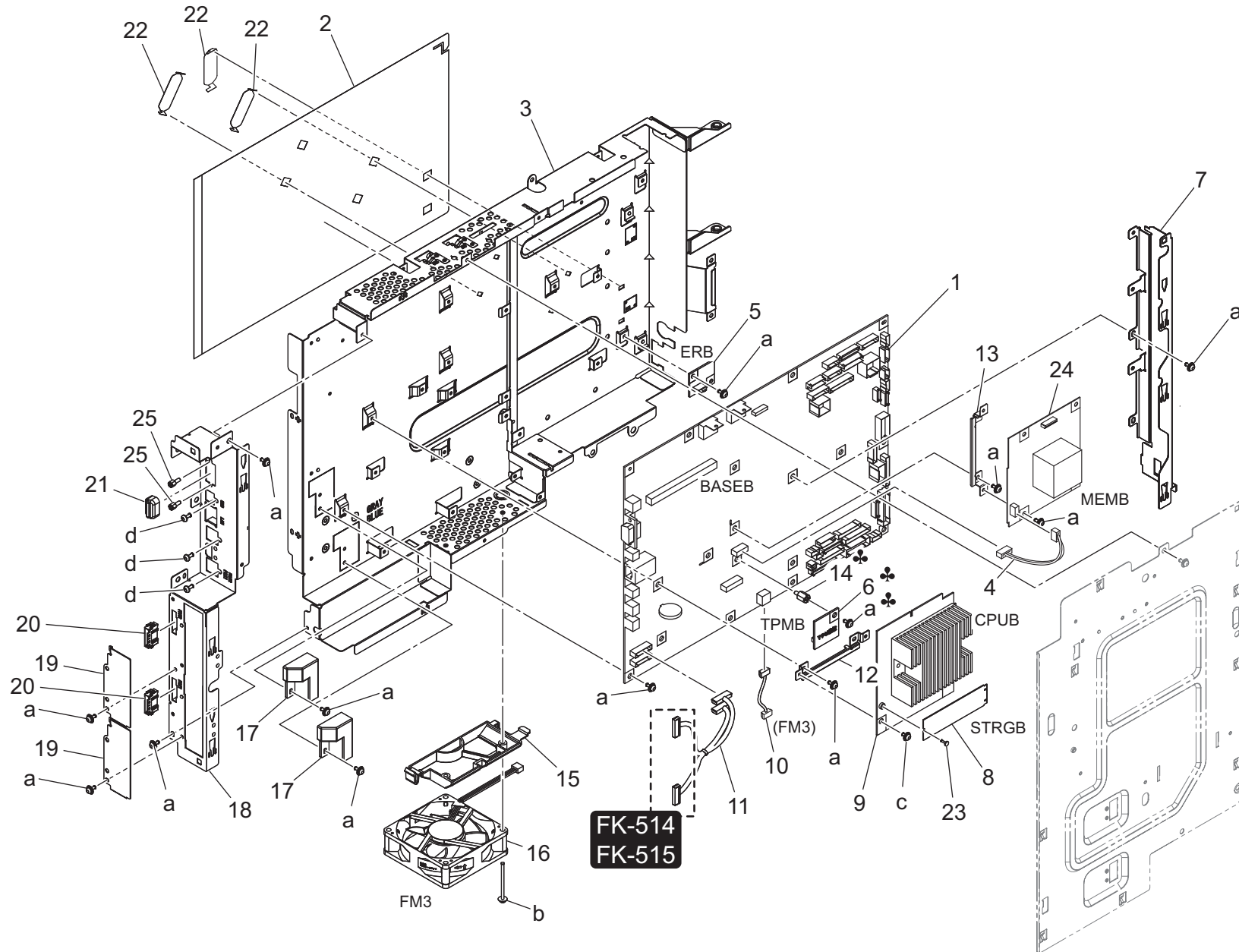


bizhub 750i

| Key | Part No. | Description | Destinations | Class | QTY | Standard parts |
|-----|------------|-------------------------|---|-------|-----|------------------------------|
| 1 | A02EN12513 | Power supply Wiring | 給電束線 C,D1,D3,E,F2,G1,I,K ,J | D | 1 | a-V116040803 b-V125030803 |
| 2 | A0ED135700 | Mounting Plate | 取付板 (電源コード) B,G2 | D | 1 | |
| 3 | A79J136000 | Mounting Plate | 取付板 | D | 1 | |
| 4 | A79J139000 | Cover | カバー B,D1,D3,E,F2,G1,G2, I,K | D | 1 | |
| 5 | A7PU135700 | Mounting Plate | 取付板 (電源コード) A | D | 1 | |
| 6 | AA2J130801 | Hinge | ヒンジ (コント BOX) | D | 2 | |
| 7 | AA2J131401 | Holder | ホルダ (CAB コネクタ) | D | 1 | |
| 8 | AA2J135301 | Fixing Plate | 固定板 (FFC) | D | 1 | |
| 9 | AA6RN30000 | Power code (100V) | 電源コード (100V) | D | 1 | |
| 10 | A0P0N30000 | Power source Cord /120V | 電源コード / 120V A B,G2 | D | 1 | |
| 11 | AA7NN10101 | AC Harness(120V) | AC Harness (120V) B,G2 | D | 1 | |
| 12 | AA7PN10001 | AC Harness(100V) | AC 束線 (100V / X) A | D | 1 | |
| 13 | AC74N10200 | AC Harness /230V | AC 束線 / 230V (欧州 / ZX) C,D1,D3,E,F2,G1,I,K ,J | D | 1 | |
| 14 | A79J139000 | Cover | カバー C,G1,I,J | D | 1 | |
| | | | | | | |
| | | | | | | |
| | | | | | | |
| | | | | | | |
| | | | | | | |
| | | | | | | |
| | | | | | | |
| | | | | | | |
| | | | | | | |
| | | | | | | |

Electrical Parts

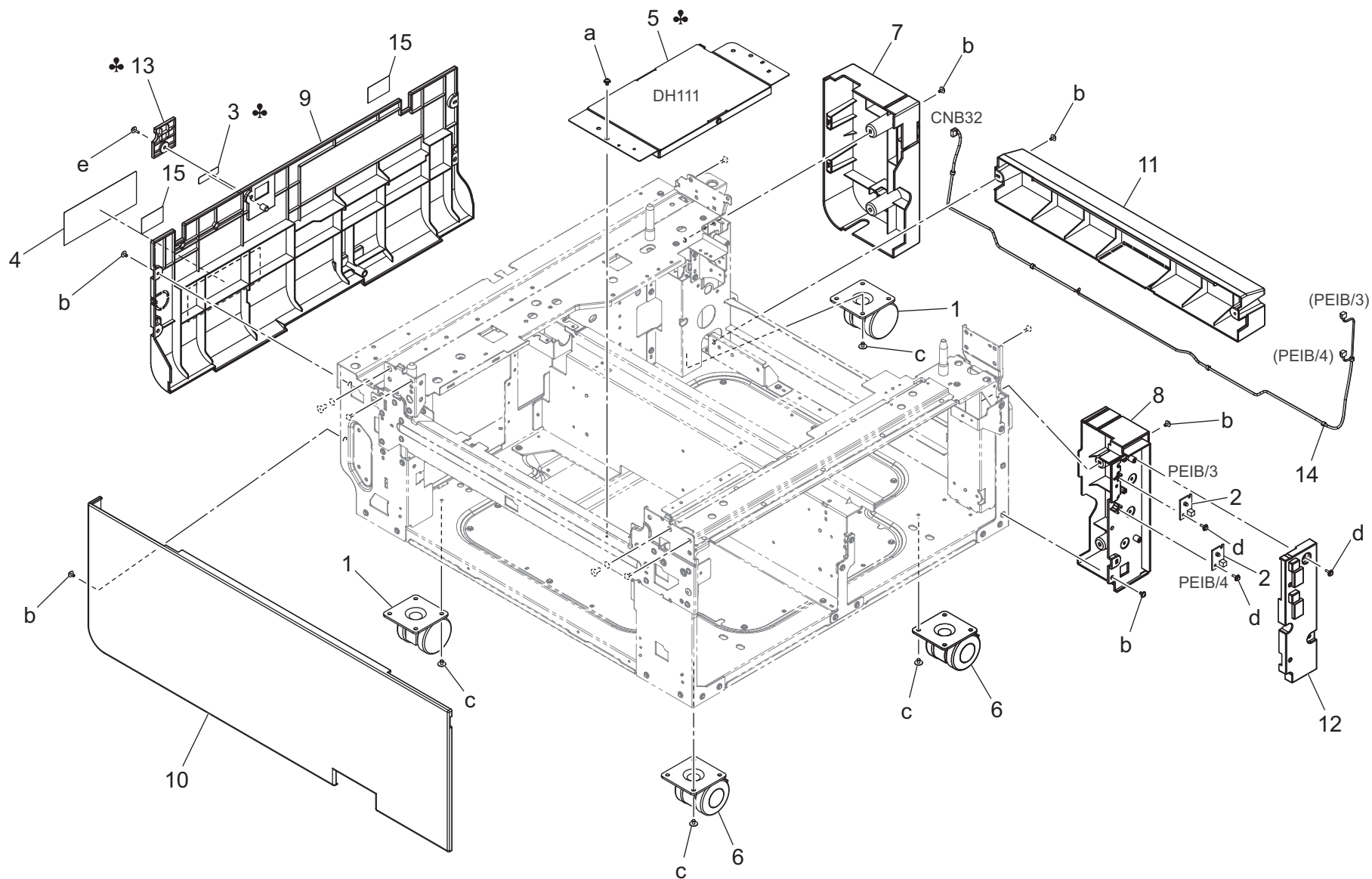
P 61



REAR SIDE
bizhub 750i

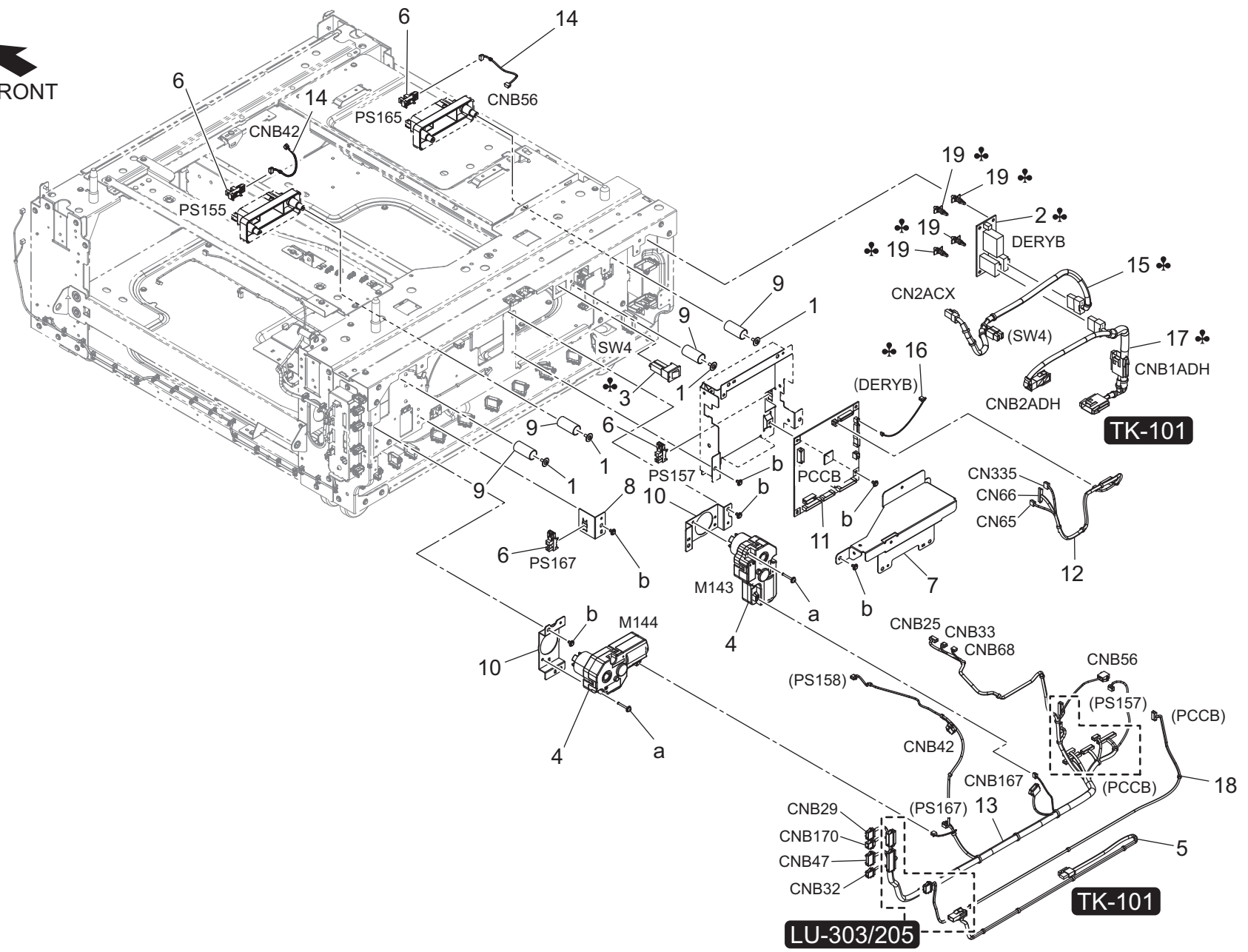


| Key | Part No. | Description | Destinations | Class | QTY | Standard parts |
|-----|------------|-----------------------|-------------------|-------|-----|--|
| 1 | ACV7H02101 | Base Board Assembly | | I | 1 | a-V125030803 b-V116034003 c-V116030604 d-V111030603 |
| 2 | AA2J137600 | Sheet | | D | 1 | |
| 3 | AA2J131903 | Mounting Plate | | D | 1 | |
| 4 | AA2JN15B00 | Power source harness | | D | 1 | |
| 5 | AA2JH00C00 | ERB ASSY | | C | 1 | |
| 6 | AA2JH02T00 | PWB Assembly(PWB-TPM) | 基板 ASSY (PWB-TPM) | C | 1 | |
| 7 | AA2J131100 | Mounting Plate | 取付板 (コント仕切) | D | 1 | |
| 8 | AA2JM72700 | Storage Board | ストレージボード | C | 1 | |
| 9 | ACV7H02P02 | CPU Board Assembly | CPU 基板 ASSY | I | 1 | |
| 10 | A7PUN10800 | Harness /Relay | 中継束線 | D | 1 | |
| 11 | A7PUN10700 | Harness /Fax relay | 中継束線 (FAX) | D | 1 | |
| 12 | AA2J135101 | Mounting Plate | 取付板 (S800) | D | 1 | |
| 13 | ACDF135201 | Mounting Plate | 取付板 (A800) | D | 1 | |
| 14 | A161137600 | Shoulder screw | 段ねじ (SSD) | D | 1 | |
| 15 | A7PU140100 | Duct | ダクト | D | 1 | |
| 16 | A0EDM10500 | Fan motor | ファンモータ | C | 1 | |
| 17 | A7PU130400 | Guide | ガイド | D | 2 | |
| 18 | AA2J131602 | Mounting Plate | 取付板 (コント左側面) | D | 1 | |
| 19 | A7PU139800 | Cover | カバー | D | 2 | |
| 20 | V651010025 | connector | W t o W コネクタ | V | 2 | |
| 21 | V503010002 | Connector Cover | コネクタカバー | D | 1 | |
| 22 | AA2J137902 | Fixing Plate | 固定板 (FFC) | D | 3 | |
| 23 | AA2J139800 | Screw | ねじ (SSD) | D | 1 | |
| 24 | AC74H02A01 | Memory board | メモリー基板 | I | 1 | |
| 25 | A161137900 | Screw | ねじ (D-SUB) | C | 2 | |
| | | | | | | |
| | | | | | | |
| | | | | | | |
| | | | | | | |
| | | | | | | |
| | | | | | | |
| | | | | | | |
| | | | | | | |

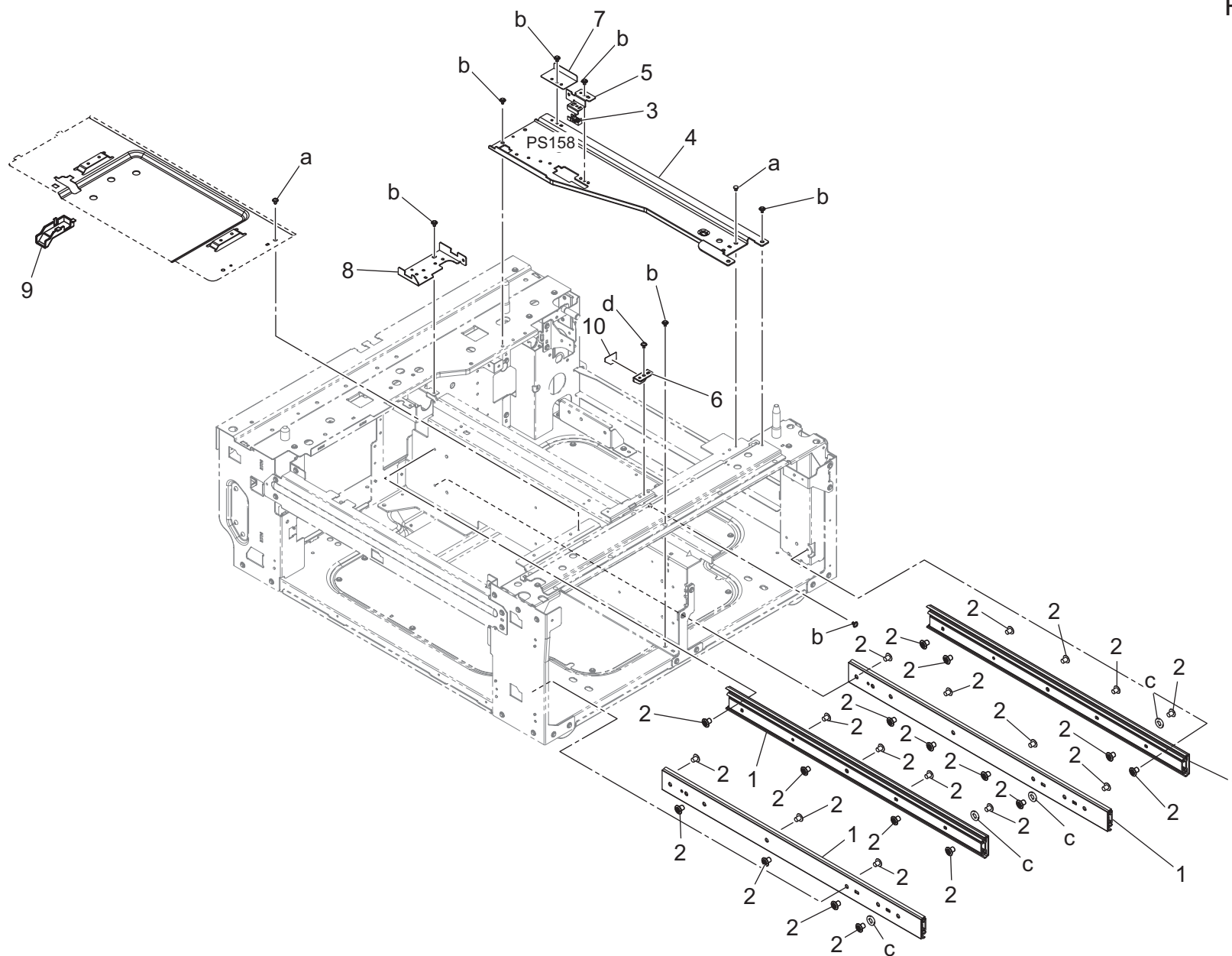


| Key | Part No. | Description | Destinations | Class | QTY | Standard parts |
|-----|------------|-----------------------|--------------------------------|-------|-----|--|
| 1 | 4061101000 | Castor | | C | 2 | a-V116030603 b-V127030604 c-V144040603 d-V153030803 e-V153030804 |
| 2 | A00JH00D00 | PWB Assembly LED1 | | C | 2 | |
| 3 | A093940800 | Label | A | C | 1 | |
| 4 | A2XM942312 | Label | | C | 1 | |
| 5 | A2XMR70011 | Heater Assy | A | D | 1 | |
| 6 | A860571900 | Castor | | C | 2 | |
| 7 | AAV5160201 | Cover /Right rear | | D | 1 | |
| 8 | AAV5160301 | Cover /Right front | | D | 1 | |
| 9 | AAV5160400 | Cover /Rear | | D | 1 | |
| 10 | AAV5160501 | Cover /Left | | D | 1 | |
| 11 | AAV5160600 | Cover /Right | | D | 1 | |
| 12 | AAV5160700 | Cover /Right front | | D | 1 | |
| 13 | AAV5163000 | Cover | B,C,D1,D3,E,F2,G1,G 2,I,K,J | D | 1 | |
| 14 | AAV5N10700 | Indicating Harness /4 | | D | 1 | |
| 15 | ACKN164000 | Seal | | D | 2 | |
| | | | | | | |
| | | | | | | |
| | | | | | | |
| | | | | | | |
| | | | | | | |
| | | | | | | |
| | | | | | | |
| | | | | | | |
| | | | | | | |
| | | | | | | |
| | | | | | | |
| | | | | | | |

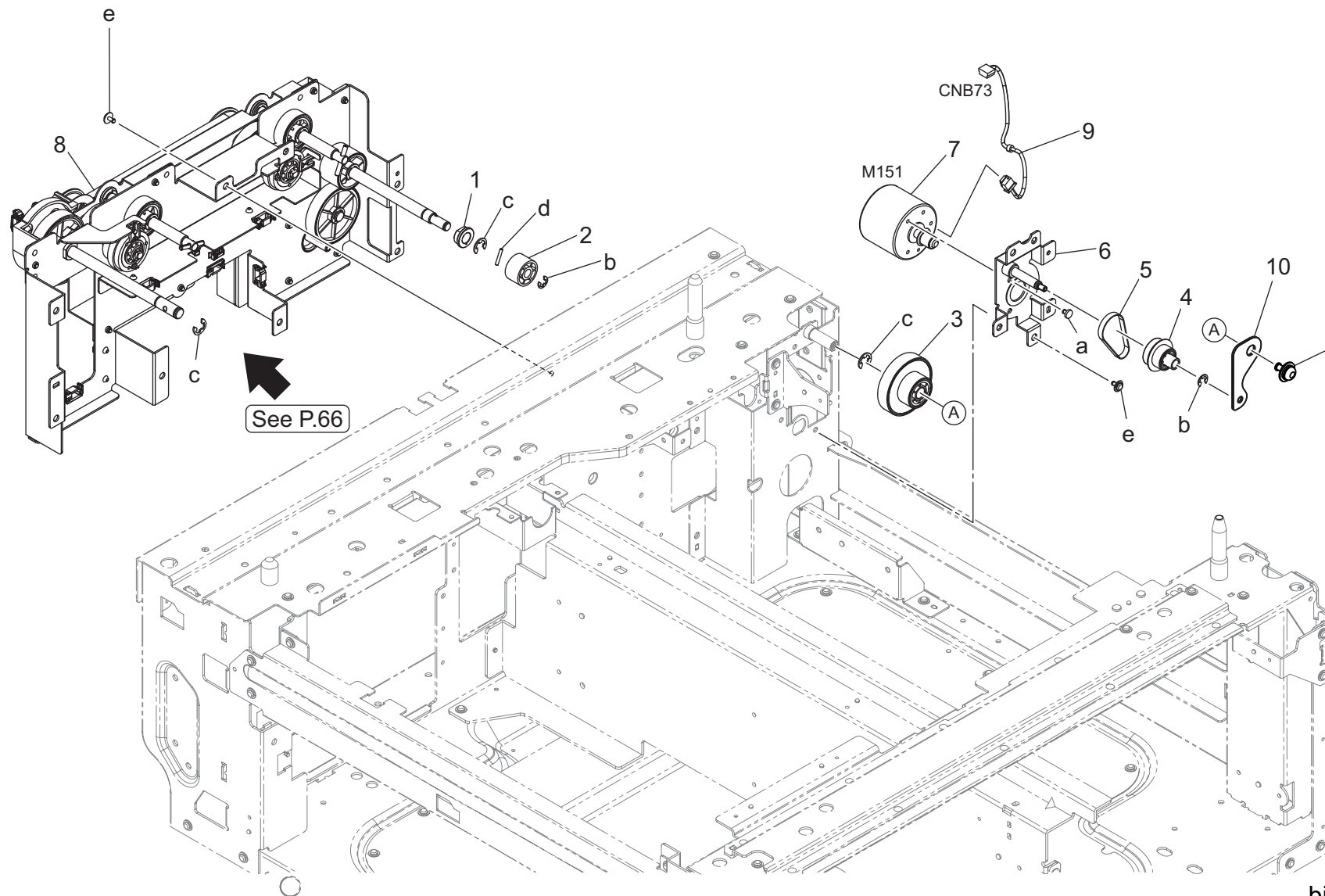
Tray 3/4

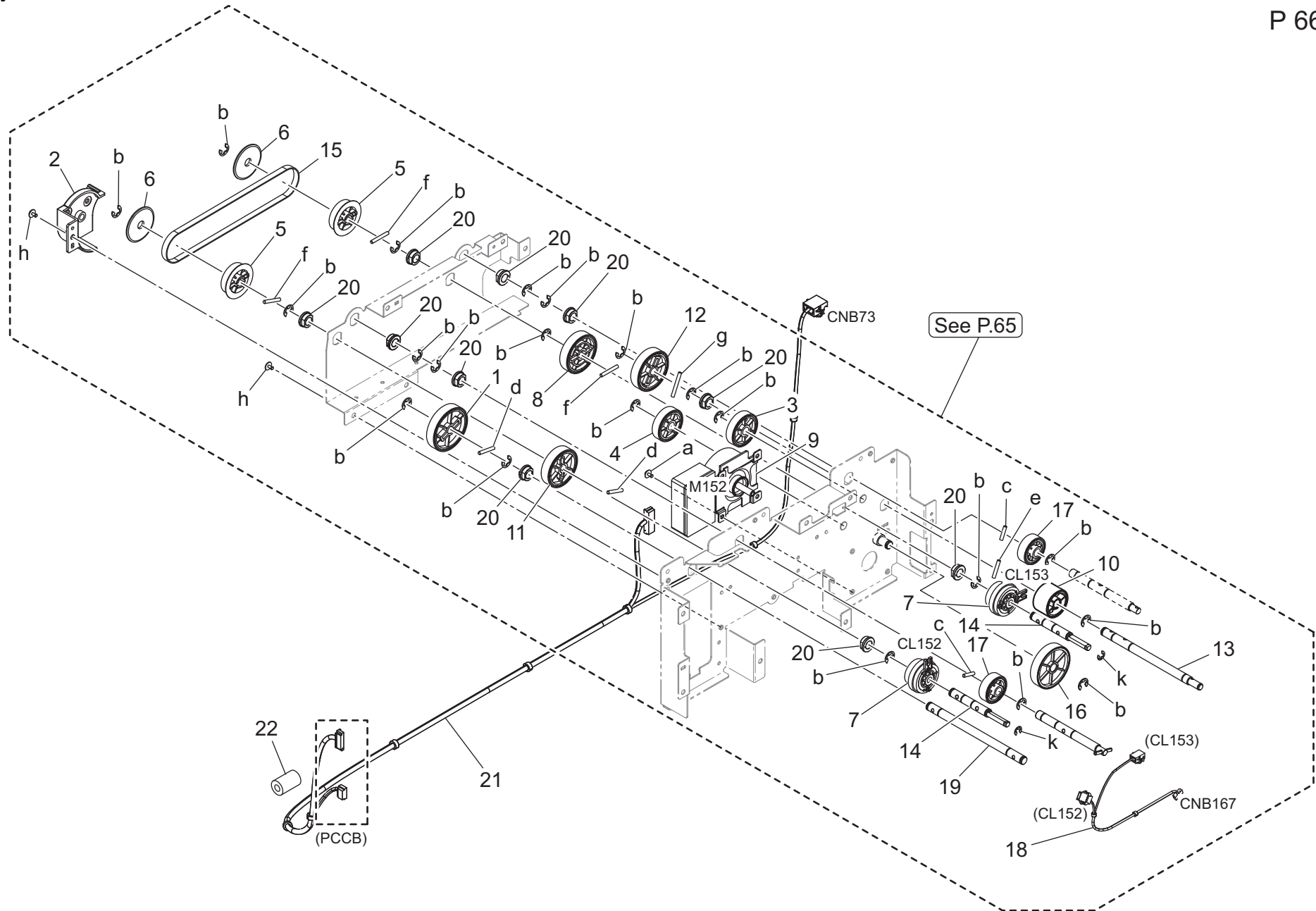


| Key | Part No. | Description | Destinations | Class | QTY | Standard parts |
|-----|------------|------------------------------|--------------|-------|-----|------------------------------|
| 1 | 4163529301 | SCREW | | C | 4 | a-V116032003 b-V144030603 |
| 2 | A093H00100 | PWB Assy | A | C | 1 | |
| 3 | A093M60000 | Rocker switch | A | C | 1 | |
| 4 | A2X0M12101 | Brush motor | | B | 2 | |
| 5 | A2XMN10M00 | LCT Power source harness /1 | | D | 1 | |
| 6 | A5C1M50100 | Photointerrupter | | B | 4 | |
| 7 | AAV5102300 | Mounting Plate | | D | 1 | |
| 8 | AAV5130200 | Mounting Plate | | D | 1 | |
| 9 | AAV5130500 | Pressing Spring /A | | C | 4 | |
| 10 | AAV5210800 | Mounting Plate | | D | 2 | |
| 11 | AAV5H01401 | PWB Assembly (PWB-CB_P ASSY) | | I | 1 | |
| 12 | AAV5N10000 | Main Body Relay Harness | | D | 1 | |
| 13 | AAV5N10200 | Main Body Harness | | D | 1 | |
| 14 | AAV5N10900 | Sensor Relay Harness | | D | 2 | |
| 15 | AAV5N10D00 | AC Relay Harness /100V | A | D | 1 | |
| 16 | AAV5N10E00 | Relay Harness | A | D | 1 | |
| 17 | AAV5N11000 | Heater Relay Harness /100V | A | D | 1 | |
| 18 | ACKNN10600 | Paper Feed Relay Harness /6 | | D | 1 | |
| 19 | V502010033 | Circuit Board Spacer | A | D | 4 | |
| | | | | | | |
| | | | | | | |
| | | | | | | |
| | | | | | | |
| | | | | | | |
| | | | | | | |
| | | | | | | |
| | | | | | | |
| | | | | | | |
| | | | | | | |
| | | | | | | |



| Key | Part No. | Description | Destinations | Class | QTY | Standard parts |
|-----|------------|-----------------|--------------|-------|-----|--|
| 1 | A00J613401 | Slide Rail /A | | C | 4 | a-V118030403 b-V144030603 c-V205040003 d-V127030604 |
| 2 | A00J618400 | Screw | | C | 31 | |
| 3 | A0EDM50100 | Photorelector | | I | 1 | |
| 4 | AAV5101700 | Reinforce Plate | | D | 1 | |
| 5 | AAV5102400 | Mounting Plate | | D | 1 | |
| 6 | AAV5102900 | Support Plate | | D | 1 | |
| 7 | AAV5103300 | Cover | | D | 1 | |
| 8 | AAV5103500 | Mounting Plate | | D | 1 | |
| 9 | AAV5130700 | Guide | | D | 1 | |
| 10 | AAV5566300 | Sheet | | C | 1 | |
| | | | | | | |
| | | | | | | |
| | | | | | | |
| | | | | | | |
| | | | | | | |
| | | | | | | |
| | | | | | | |
| | | | | | | |
| | | | | | | |
| | | | | | | |
| | | | | | | |

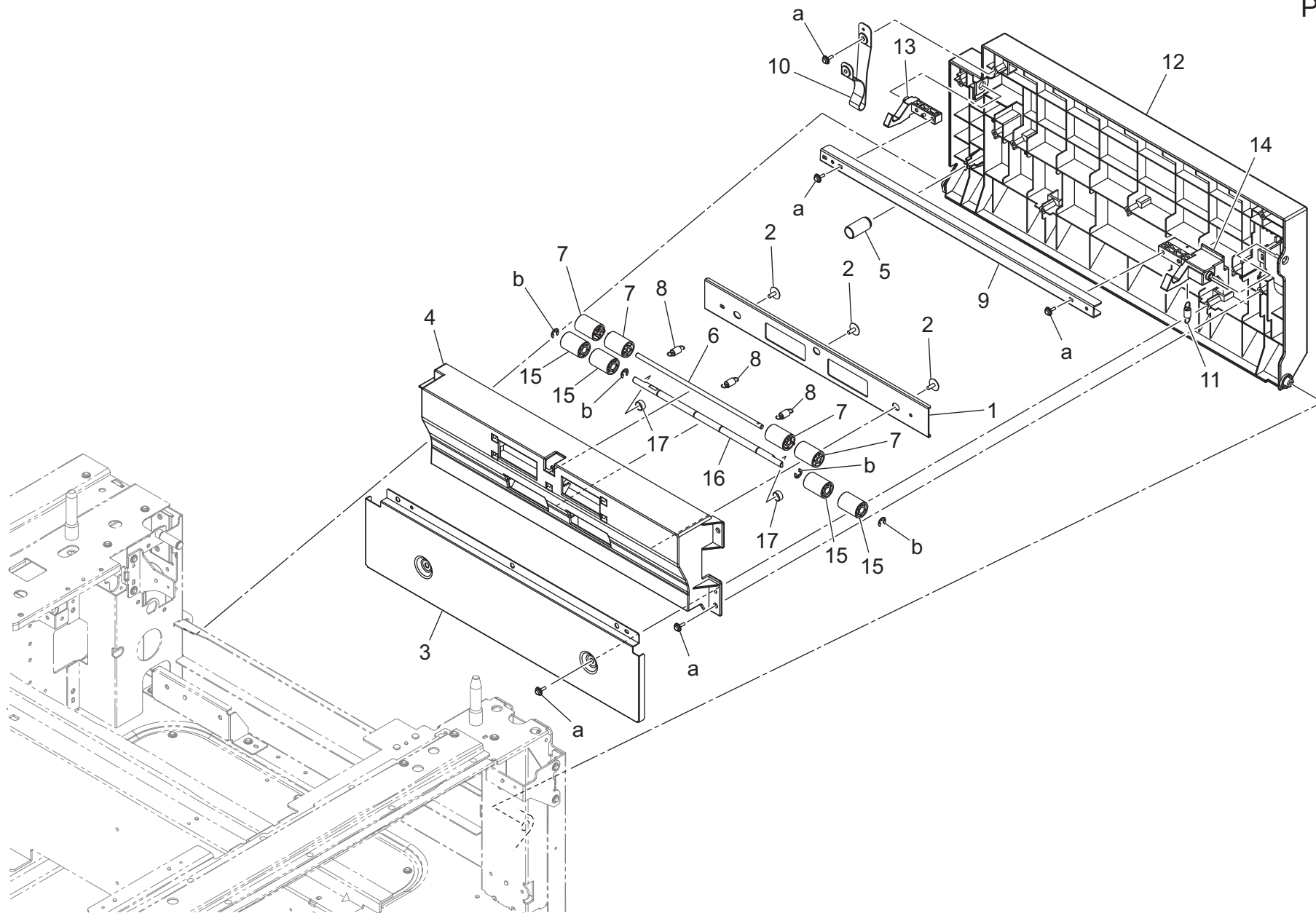




| Key | Part No. | Description | Destinations | Class | QTY | Standard parts |
|-----|-------------|------------------------|--------------|-------|-----|----------------|
| 1 | AAV5210500 | Gear 42T | | C | 1 | a-V127030604 |
| 2 | AAV5212700 | Protection Cover | | D | 1 | b-V217060003 |
| 3 | A00J611900 | Gear 30T | | C | 1 | c-V234301450 |
| 4 | A00J612000 | Gear 29T | | C | 1 | d-V234302050 |
| 5 | A00J612200 | Pulley 33T | | C | 2 | e-V234301850 |
| 6 | A00J612600 | Holding Part /1 | | C | 2 | f-V234302250 |
| 7 | A64JM20000 | Clutch | | C | 2 | g-V234302550 |
| 8 | A795611800 | Gear 36T | | C | 1 | h-V144030603 |
| 9 | A7PUM111100 | brushless Motor /30 | | C | 1 | k-V217040003 |
| 10 | AAV5210400 | Drive Gear 51T | | C | 1 | |
| 11 | AAV5210600 | Gear 36T | | C | 1 | |
| 12 | AAV5211000 | Gear 37T | | C | 1 | |
| 13 | AAV5211100 | Drive Shaft /1 | | D | 1 | |
| 14 | AAV5211200 | Drive Shaft | | D | 2 | |
| 15 | AAV5212300 | Belt 399L | | C | 1 | |
| 16 | AAV5212400 | Drive Gear 80T | | C | 1 | |
| 17 | AAV5212900 | Gear 26T | | C | 2 | |
| 18 | AAV5N10500 | Drive Relay Harness /1 | | D | 1 | |
| 19 | AAV5211900 | Shaft | | D | 1 | |
| 20 | A03U812800 | Slide Shaft Holder | | B | 10 | |
| 21 | AAV5N10800 | Drive Harness /4 | | D | 1 | |
| 22 | A49FM90000 | Ferritecore | | D | 1 | |
| | | | | | | |
| | | | | | | |
| | | | | | | |
| | | | | | | |
| | | | | | | |
| | | | | | | |
| | | | | | | |
| | | | | | | |

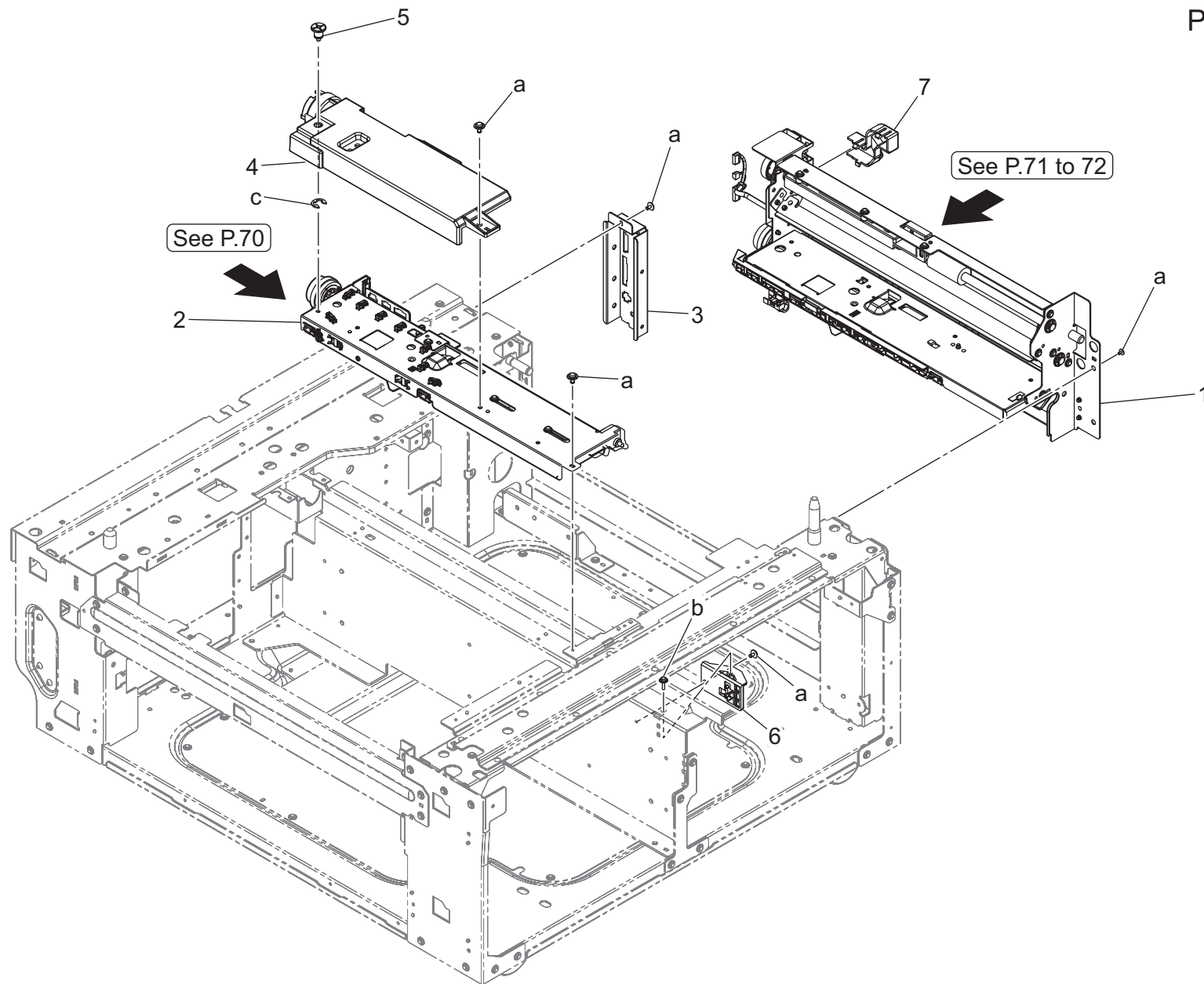
Tray 3/4

P 67

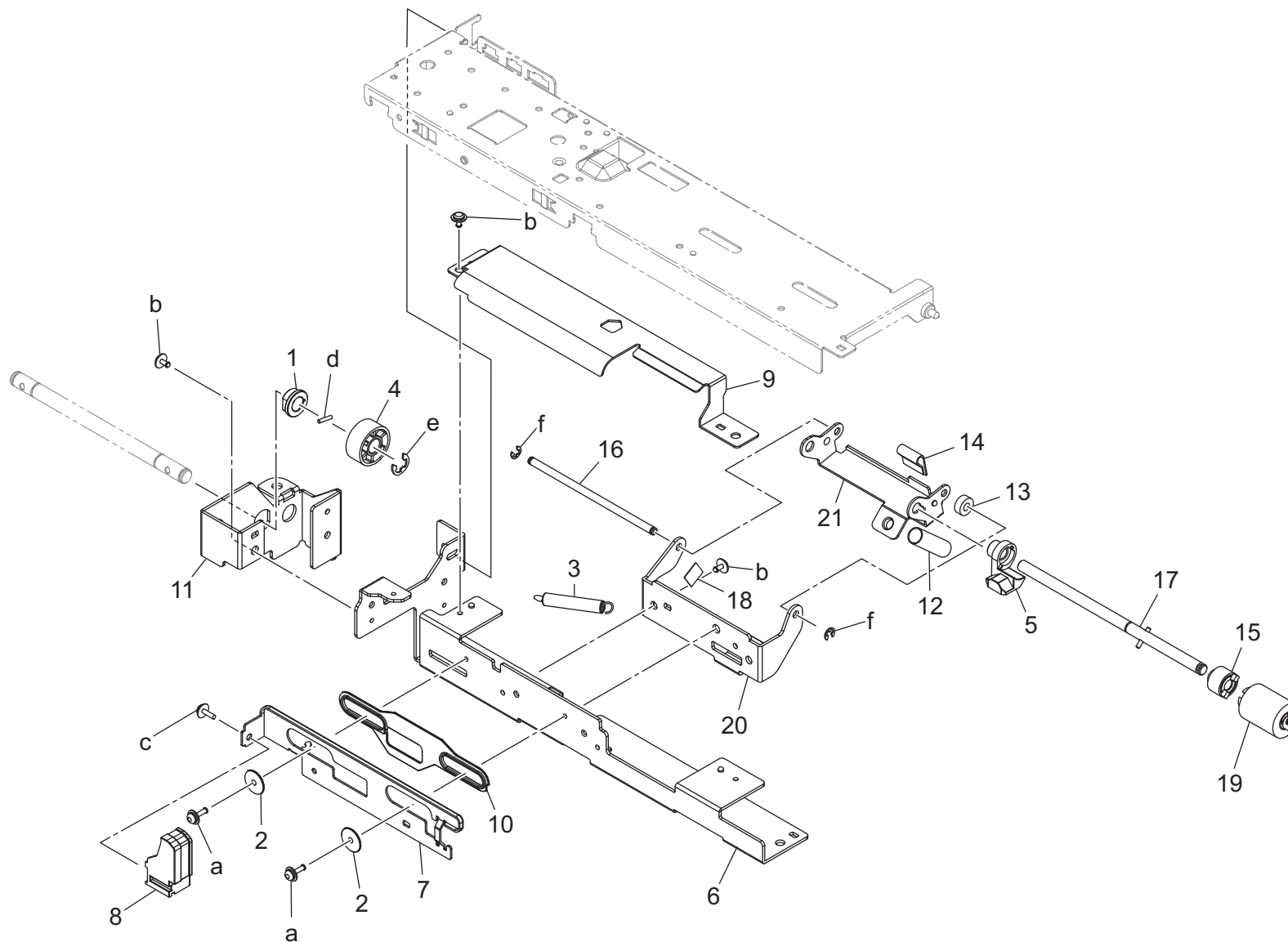


bizhub 750i

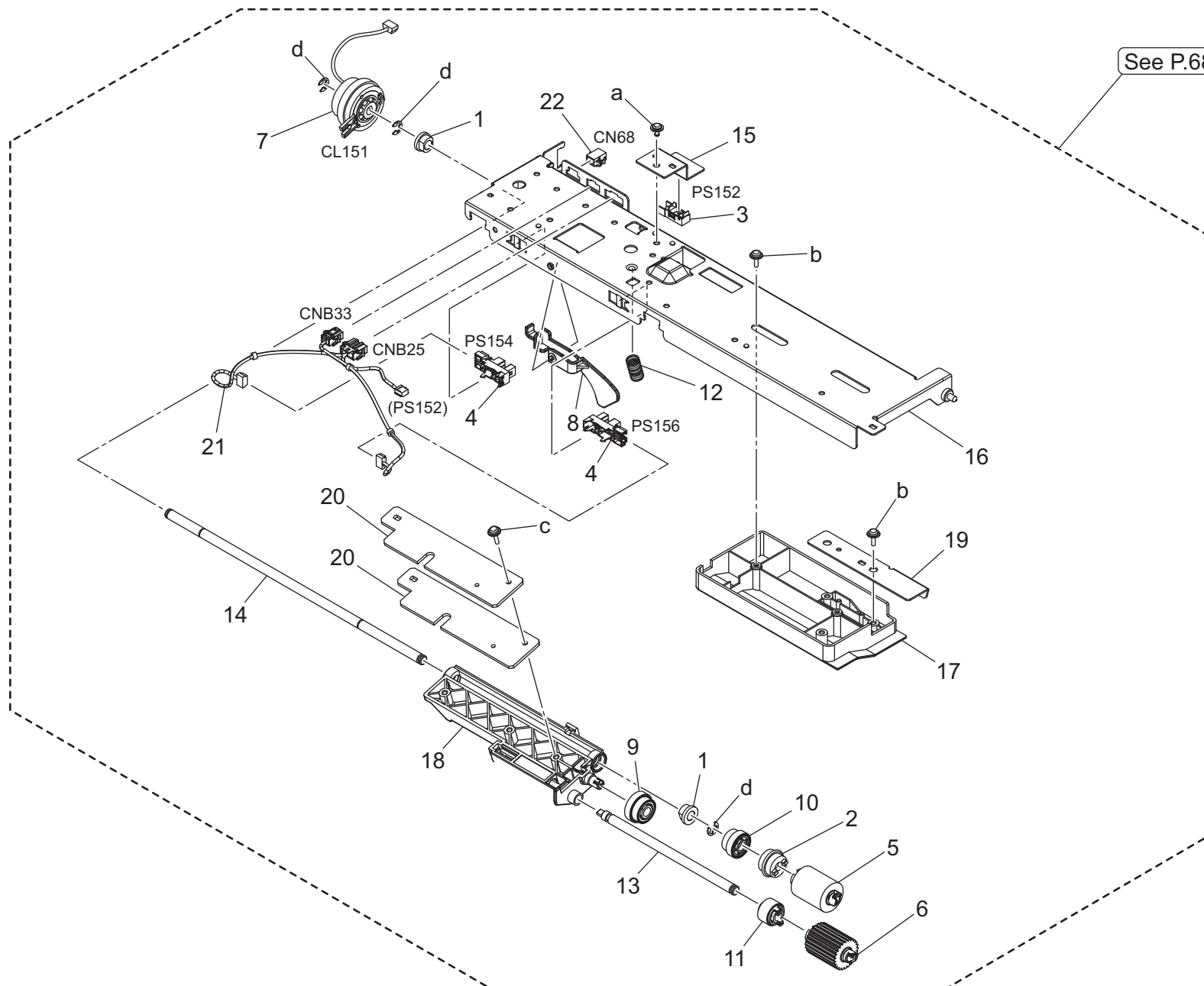
| Key | Part No. | Description | Destinations | Class | QTY | Standard parts |
|-----|------------|-------------------------|--------------|-------|-----|------------------------------|
| 1 | AAV5700400 | Mounting Plate | | D | 1 | a-V153030803 b-V217040003 |
| 2 | 4163529301 | SCREW | | C | 3 | |
| 3 | AAV5700300 | Cover | | D | 1 | |
| 4 | AAV5700202 | Conveyance Guide | | D | 1 | |
| 5 | A0XW616000 | Compressing Coil spring | | C | 1 | |
| 6 | A161815300 | Shaft | | D | 1 | |
| 7 | A161815400 | Roll | | C | 4 | |
| 8 | A161815500 | Pulling Spring | | C | 3 | |
| 9 | A2XM563401 | Connecting Plate | | D | 1 | |
| 10 | A2XM563600 | Band | | C | 1 | |
| 11 | A2XM564000 | Pulling Coil spring | | C | 1 | |
| 12 | AAV5160000 | Cover | | D | 1 | |
| 13 | AAV5700000 | Claw | | C | 1 | |
| 14 | AAV5700100 | Lock | | C | 1 | |
| 15 | 4030312201 | ROLL | | C | 4 | |
| 16 | A00J606500 | Idler Shaft | | D | 1 | |
| 17 | A00J606600 | Compressing Spring | | C | 2 | |
| | | | | | | |
| | | | | | | |
| | | | | | | |
| | | | | | | |
| | | | | | | |
| | | | | | | |
| | | | | | | |
| | | | | | | |
| | | | | | | |
| | | | | | | |



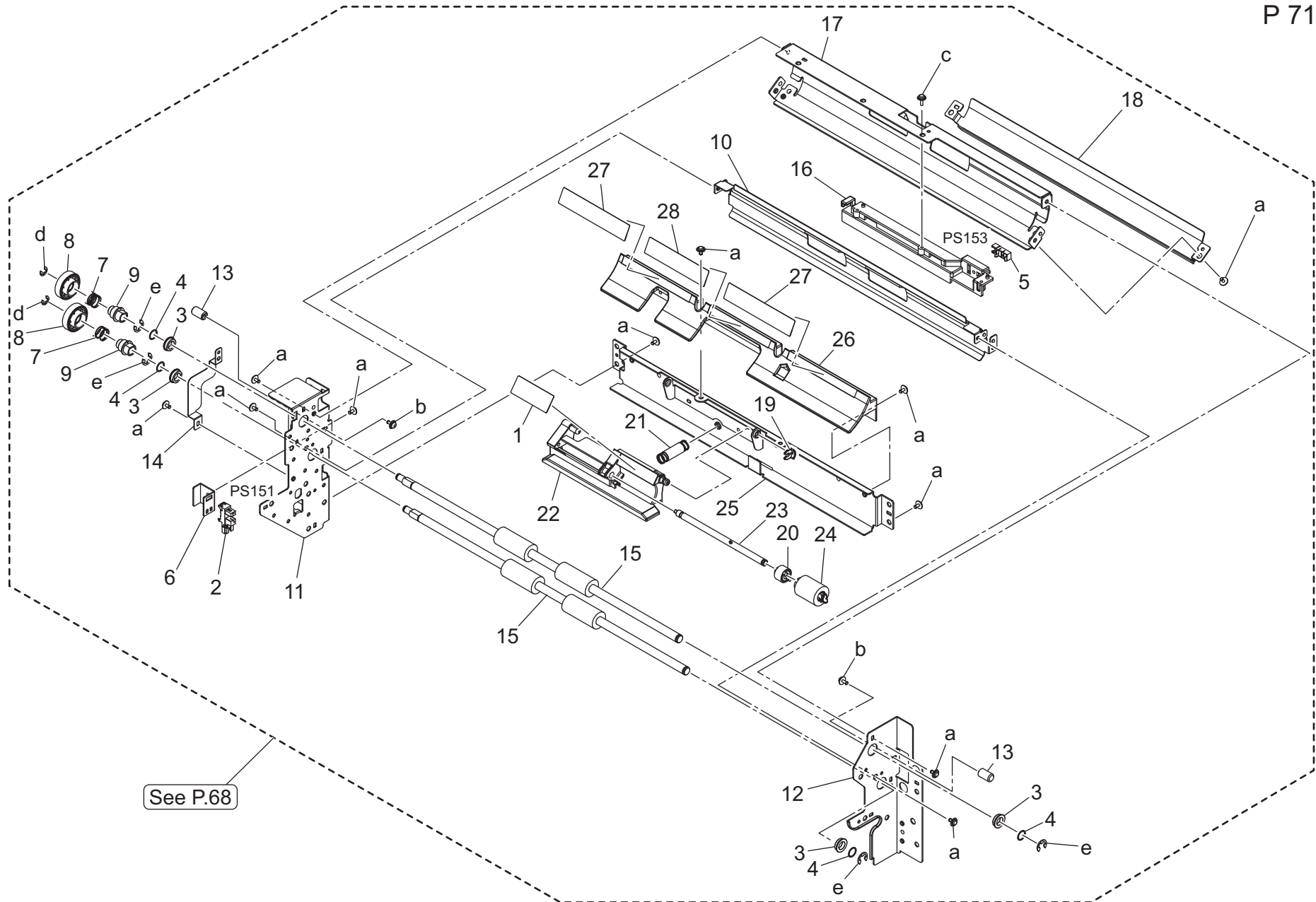
| Key | Part No. | Description | Destinations | Class | QTY | Standard parts |
|-----|------------|----------------------|--------------|-------|-----|--|
| 1 | AAV5R70611 | Paper Feed Assy /4th | | S | 1 | a-V144030603 b-V153031004 c-V217060003 |
| 2 | AAV5R70700 | Paper Feed Assy /3rd | | S | 1 | |
| 3 | AAV5103001 | Mounting Plate | | D | 1 | |
| 4 | AAV5562901 | Cover | | D | 1 | |
| 5 | AAV5563000 | Fixing Screw | | C | 1 | |
| 6 | AAV5604700 | Lock Holder | | D | 1 | |
| 7 | A2XM593500 | Cover | | D | 1 | |
| | | | | | | |
| | | | | | | |
| | | | | | | |
| | | | | | | |
| | | | | | | |
| | | | | | | |
| | | | | | | |
| | | | | | | |
| | | | | | | |
| | | | | | | |
| | | | | | | |
| | | | | | | |
| | | | | | | |
| | | | | | | |



| Key | Part No. | Description | Destinations | Class | QTY | Standard parts |
|-----|------------|------------------------------|--------------|-------|-----|----------------|
| 1 | A03U812800 | Slide Shaft Holder | | B | 1 | a-V116031003 |
| 2 | A161564300 | Spacer | | D | 2 | b-V144030603 |
| 3 | A161564400 | Pulling Coil spring | | C | 1 | c-V153030803 |
| 4 | A1RF824100 | Gear /2 25T | | C | 1 | d-V234301650 |
| 5 | AAV5561600 | Guide | | D | 1 | e-V217060003 |
| 6 | AAV5561400 | Mounting Pedestal | | D | 1 | f-V217030003 |
| 7 | AAV5561700 | Lever | | D | 1 | |
| 8 | AAV5561800 | Lever | | D | 1 | |
| 9 | AAV5561900 | Guide Plate | | D | 1 | |
| 10 | AAV5562100 | Slide Spacer | | D | 1 | |
| 11 | AAV5563600 | Mounting Plate | | D | 1 | |
| 12 | 4030301703 | PRESSURE SPRING | | C | 1 | |
| 13 | 4040561000 | Spacer | | D | 1 | |
| 14 | 55VA40930 | DOUBLE FEED PREVENTIVE PLATE | | C | 1 | |
| 15 | A0ED563900 | Torque limiter | | C | 1 | |
| 16 | A161563300 | Shaft | | D | 1 | |
| 17 | A5C1563400 | Shaft | | D | 1 | |
| 18 | A5C1565600 | Sheet | | C | 1 | |
| 19 | AA2J560000 | Paper feed Roller | | A | 1 | |
| 20 | AAV5561300 | Mounting Plate | | D | 1 | |
| 21 | AAV5561500 | Holder | | D | 1 | |
| | | | | | | |
| | | | | | | |
| | | | | | | |
| | | | | | | |
| | | | | | | |
| | | | | | | |
| | | | | | | |
| | | | | | | |
| | | | | | | |
| | | | | | | |
| | | | | | | |



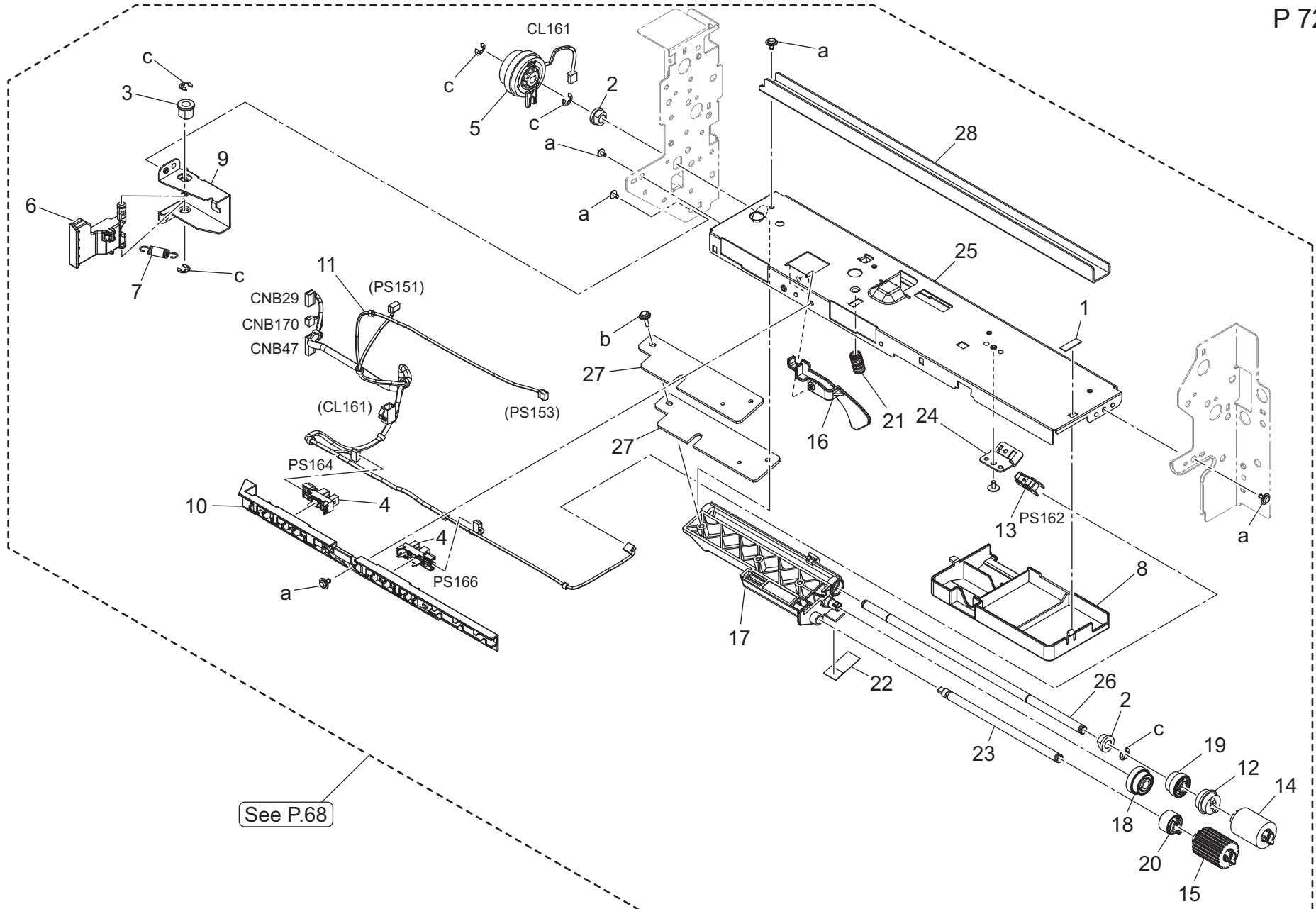
| Key | Part No. | Description | Destinations | Class | QTY | Standard parts |
|-----|------------|-----------------------------|--------------|-------|-----|--|
| 1 | A00J663200 | Bushing | | B | 2 | a-V144030603 b-V153030803 c-V153031004 d-V217040003 |
| 2 | A02E561100 | Clutch | | C | 1 | |
| 3 | A0EDM50100 | Photoreflector | | I | 1 | |
| 4 | A5C1M50100 | Photointerrupter | | B | 2 | |
| 5 | A64J564101 | Paper feed Roller | | A | 1 | |
| 6 | A64J564201 | Paper feed Roller | | A | 1 | |
| 7 | A64JM20000 | Clutch | | C | 1 | |
| 8 | A7AH561601 | Detecting Lever | | C | 1 | |
| 9 | A7AH562300 | Idling Gear | | C | 1 | |
| 10 | A7AH562400 | Paper feed Gear | | C | 1 | |
| 11 | A7AH562600 | Conveyance Gear 28T | | C | 1 | |
| 12 | A7AH562801 | Compressing Coil spring | | C | 1 | |
| 13 | A7AH563400 | Support Shaft | | D | 1 | |
| 14 | AAV5560800 | Paper feed Shaft | | D | 1 | |
| 15 | AAV5561200 | Mounting Plate | | D | 1 | |
| 16 | AAV5562700 | Paper feed Frame | | D | 1 | |
| 17 | AAV5562800 | Conveyance Guide | | D | 1 | |
| 18 | AAV5563900 | Conveyance Guide /4 | | D | 1 | |
| 19 | AAV5564301 | Stopper Plate | | D | 1 | |
| 20 | AAV5564500 | Vibrationproof Plate | | D | 2 | |
| 21 | AAV5N10300 | Paper Feed Relay Harness /3 | | D | 1 | |
| 22 | V651010001 | connector | | D | 1 | |
| | | | | | | |
| | | | | | | |
| | | | | | | |
| | | | | | | |
| | | | | | | |
| | | | | | | |
| | | | | | | |
| | | | | | | |
| | | | | | | |
| | | | | | | |
| | | | | | | |
| | | | | | | |
| | | | | | | |



See P.68

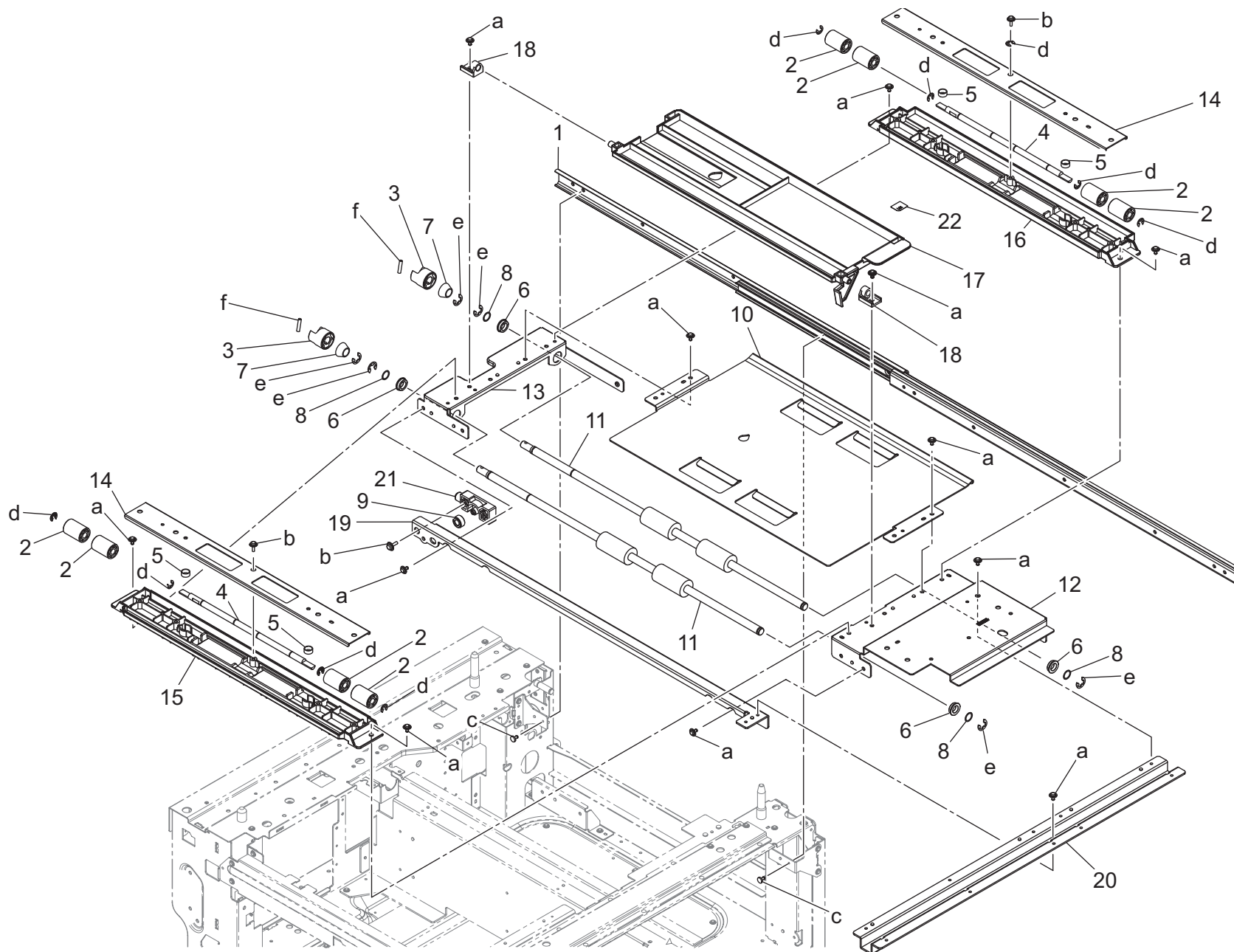
| Key | Part No. | Description | Destinations | Class | QTY | Standard parts |
|-----|------------|-------------------------|----------------|-------|-----|--|
| 1 | AAV5564200 | Sheet /C | | C | 1 | a-V144030603 b-V125030803 c-V153030803 d-V217040003 e-V217060003 |
| 2 | A5C1M50100 | Photointerrupter | | B | 1 | |
| 3 | A00J617900 | Ball Bearing | | B | 4 | |
| 4 | A00J660700 | Washer | | D | 4 | |
| 5 | A0EDM50100 | Photoreflector | | I | 1 | |
| 6 | A2XM591002 | Mounting Plate | 取付板 (CAB センサ) | D | 1 | |
| 7 | A2XM592602 | Spring | ばね (CAB 搬送駆動) | C | 2 | |
| 8 | AAV5212500 | Gear 30T | ギア 30 T | C | 2 | |
| 9 | AAV5212600 | Guide | ガイド (CAB 搬送駆動) | D | 2 | |
| 10 | AAV5560200 | Guide Plate | ガイド板 | D | 1 | |
| 11 | AAV5560500 | Side plate | 側板 | D | 1 | |
| 12 | AAV5560600 | Side plate | 側板 | D | 1 | |
| 13 | AAV5562400 | Shaft | 軸 | D | 2 | |
| 14 | AAV5564400 | Cover Plate | カバー板 | D | 1 | |
| 15 | AAV5700500 | Roller | ローラ | C | 2 | |
| 16 | AAV5700600 | Mounting Guide | 取付ガイド (センサ) | D | 1 | |
| 17 | AAV5560100 | Conveyance Guide | 搬送ガイド | D | 1 | |
| 18 | AAV5560300 | Guide Plate | ガイド板 | D | 1 | |
| 19 | 56AA40490 | SHAFT STOPPER 4 | 軸ストッパ 4 | C | 1 | |
| 20 | A0ED563900 | Torque limiter | トルクリミッタ | C | 1 | |
| 21 | A7AH561300 | Compressing Coil spring | 圧縮コイルばね | C | 1 | |
| 22 | A7AH563101 | Holder | ホルダ | D | 1 | |
| 23 | A7AH565000 | Support Shaft | 支点軸 (サバキ) | D | 1 | |
| 24 | AA2J560000 | Paper feed Roller | 給紙ローラ | A | 1 | |
| 25 | AAV5562300 | Frame | フレーム (サバキ) | D | 1 | |
| 26 | AAV5563200 | Conveyance Guide | 搬送ガイド | D | 1 | |
| 27 | AAV5564000 | Sheet /A | シート / A | C | 2 | |
| 28 | AAV5564100 | Sheet /B | シート / B | C | 1 | |
| | | | | | | |
| | | | | | | |
| | | | | | | |
| | | | | | | |
| | | | | | | |
| | | | | | | |
| | | | | | | |
| | | | | | | |

Tray 3/4



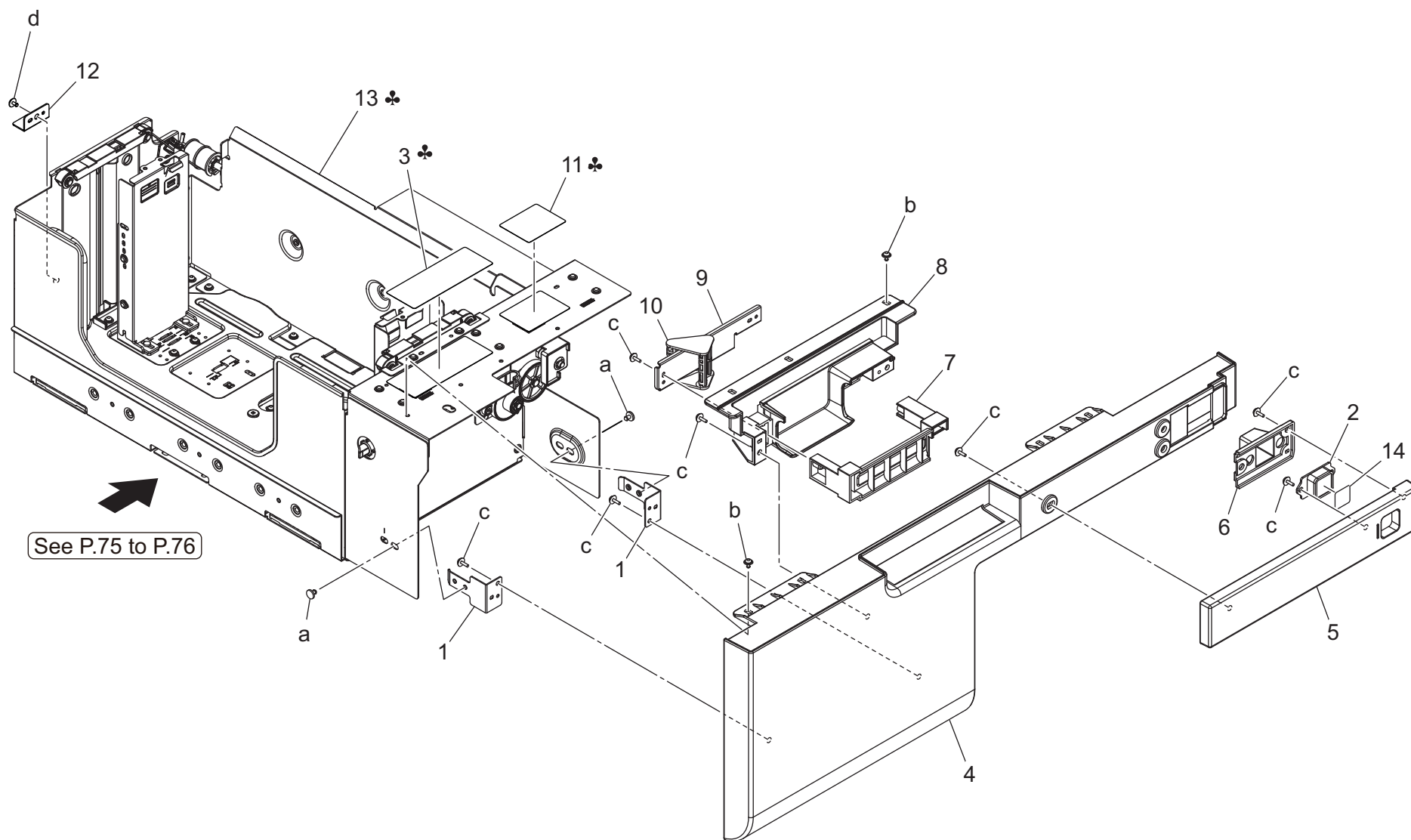
See P.68

| Key | Part No. | Description | Destinations | Class | QTY | Standard parts |
|-----|------------|-----------------------------|--------------|-------|-----|--|
| 1 | 4109553001 | Stopper | | C | 1 | a-V144030603 b-V153031004 c-V217040003 |
| 2 | A00J663200 | Bushing | | B | 2 | |
| 3 | A02E815200 | BUSHING | | C | 1 | |
| 4 | A5C1M50100 | Photointerrupter | | B | 2 | |
| 5 | A64JM20000 | Clutch | | C | 1 | |
| 6 | A7AH564112 | Release Lever | | C | 1 | |
| 7 | A7AH564401 | Pulling Coil spring | | C | 1 | |
| 8 | A7AH565702 | Conveyance Guide | | D | 1 | |
| 9 | AAV5563100 | Hold Plate | | D | 1 | |
| 10 | AAV5563300 | Guide | | D | 1 | |
| 11 | AAV5N10401 | Paper Feed Relay Harness /4 | | D | 1 | |
| 12 | A02E561100 | Clutch | | C | 1 | |
| 13 | A0EDM50100 | Photoreflector | | I | 1 | |
| 14 | A64J564101 | Paper feed Roller | | A | 1 | |
| 15 | A64J564201 | Paper feed Roller | | A | 1 | |
| 16 | A7AH561601 | Detecting Lever | | C | 1 | |
| 17 | A7AH562100 | Conveyance Guide /4 | | D | 1 | |
| 18 | A7AH562300 | Idling Gear | | C | 1 | |
| 19 | A7AH562400 | Paper feed Gear | | C | 1 | |
| 20 | A7AH562600 | Conveyance Gear 28T | | C | 1 | |
| 21 | A7AH562801 | Compressing Coil spring | | C | 1 | |
| 22 | A7AH562900 | Protection Sheet | | C | 1 | |
| 23 | A7AH563400 | Support Shaft | | D | 1 | |
| 24 | A7AH571100 | Mounting Plate | | D | 1 | |
| 25 | AAV5562200 | Paper feed Frame | | D | 1 | |
| 26 | AAV5562600 | Paper feed Shaft | | D | 1 | |
| 27 | AAV5564500 | Vibrationproof Plate | | D | 2 | |
| 28 | AAV5564700 | Reinforce Plate | | D | 1 | |
| | | | | | | |
| | | | | | | |
| | | | | | | |
| | | | | | | |
| | | | | | | |
| | | | | | | |
| | | | | | | |
| | | | | | | |



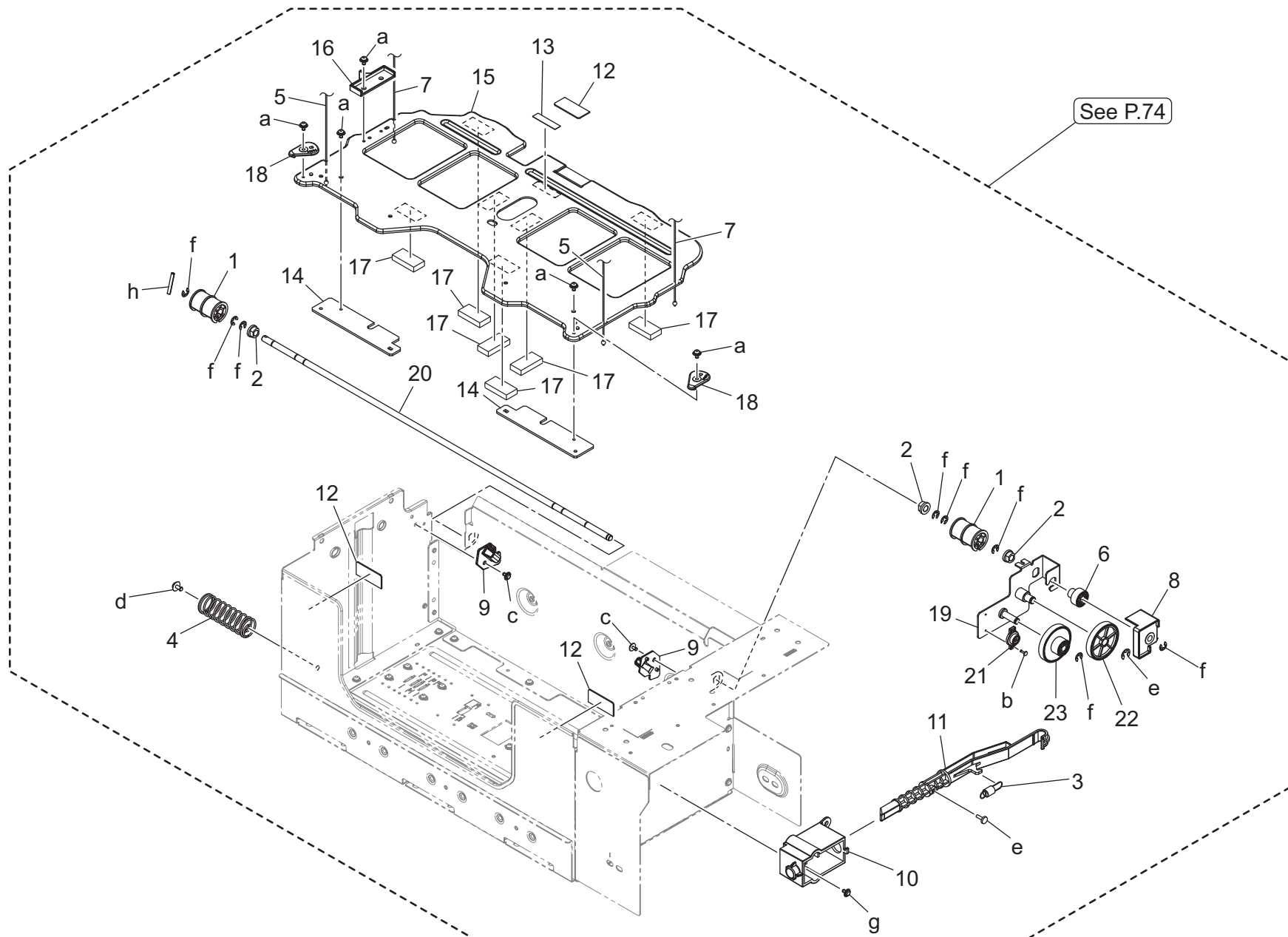
| Key | Part No. | Description | Destinations | Class | QTY | Standard parts |
|-----|------------|-------------------------|--------------|-------|-----|--|
| 1 | AAV5605800 | Slide Rail | | C | 1 | a-V144030603 b-V153030803 c-V126030603 d-V217040003 e-V217060003 f-V234301450 |
| 2 | 4030312201 | ROLL | | C | 8 | |
| 3 | 55VA15541 | CLEANER COUPLING PART | | C | 2 | |
| 4 | A00J606500 | Idler Shaft | | D | 2 | |
| 5 | AAV5607500 | Compressing Spring | | C | 4 | |
| 6 | A00J617900 | Ball Bearing | | B | 4 | |
| 7 | A00J660100 | COUPLING SPRING | | C | 2 | |
| 8 | A00J660700 | Washer | | D | 4 | |
| 9 | A161623400 | Roll | | D | 1 | |
| 10 | AAV5605100 | Conveyance Base frame | | D | 1 | |
| 11 | AAV5605300 | Roller | | C | 2 | |
| 12 | AAV5605400 | Mounting Plate /Front | | D | 1 | |
| 13 | AAV5605500 | Mounting Plate /Rear | | D | 1 | |
| 14 | AAV5605600 | Mounting Plate | | D | 2 | |
| 15 | AAV5606000 | Conveyance Guide /Left | | D | 1 | |
| 16 | AAV5606100 | Conveyance Guide /Right | | D | 1 | |
| 17 | AAV5606200 | Conveyance Guide | | D | 1 | |
| 18 | AAV5606300 | Support Block | | D | 2 | |
| 19 | AAV5606400 | Reinforce Plate /Side | | D | 1 | |
| 20 | AAV5606500 | Reinforce Plate /Front | | D | 1 | |
| 21 | AAV5606800 | Guide Block | | D | 1 | |
| 22 | AAV5942600 | Label | | D | 1 | |
| | | | | | | |
| | | | | | | |
| | | | | | | |
| | | | | | | |
| | | | | | | |
| | | | | | | |
| | | | | | | |
| | | | | | | |
| | | | | | | |
| | | | | | | |
| | | | | | | |
| | | | | | | |

Tray 3/4



See P.75 to P.76

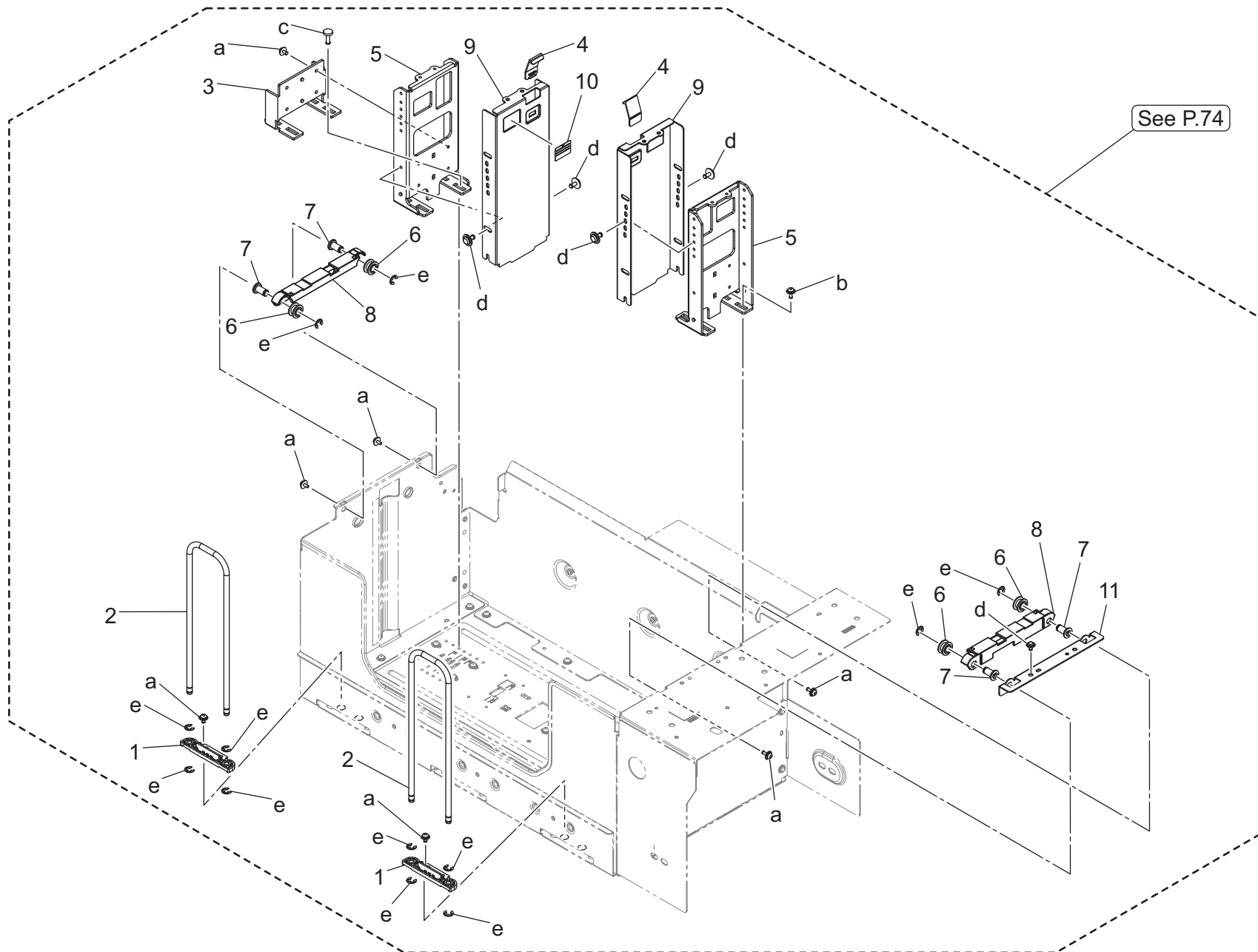
| Key | Part No. | Description | Destinations | Class | QTY | Standard parts |
|-----|------------|-----------------------|-----------------------------|-------|-----|--|
| 1 | A00J164501 | Mounting Plate | | D | 2 | a-V126040603 b-V127030604 c-V153030803 d-V144030603 |
| 2 | AA2J626702 | Cover | | D | 1 | |
| 3 | A93E944400 | Label | A | D | 1 | |
| 3 | A93E944500 | Label | B,C,D1,D3,E,F2,G1,I ,K,J | D | 1 | |
| 4 | AAV5610101 | Cover | | D | 1 | |
| 5 | AAV5610300 | Cover | | D | 1 | |
| 6 | AAV5610400 | Cover | | D | 1 | |
| 7 | AAV5610500 | Handle | | D | 1 | |
| 8 | AAV5610600 | Cover | | D | 1 | |
| 9 | AAV5610700 | Holder | | D | 1 | |
| 10 | AAV5613700 | Release Lever | | C | 1 | |
| 11 | AAV5942400 | Label | A | D | 1 | |
| 11 | AAV5942500 | Label | B,C,G1,G2,I,IJ | D | 1 | |
| 12 | AAV5601600 | Light blocking Part | | D | 1 | |
| 13 | AAV5R70800 | Tray Assy /3rd | A,C,D1,D3,E,F2,G1,I ,K,J | S | 1 | |
| 13 | AAV5R71100 | Tray Assy /3rd (Inch) | B,G2 | S | 1 | |
| 14 | AAV5943300 | Label | | D | 1 | |
| | | | | | | |
| | | | | | | |
| | | | | | | |
| | | | | | | |
| | | | | | | |
| | | | | | | |
| | | | | | | |
| | | | | | | |
| | | | | | | |
| | | | | | | |



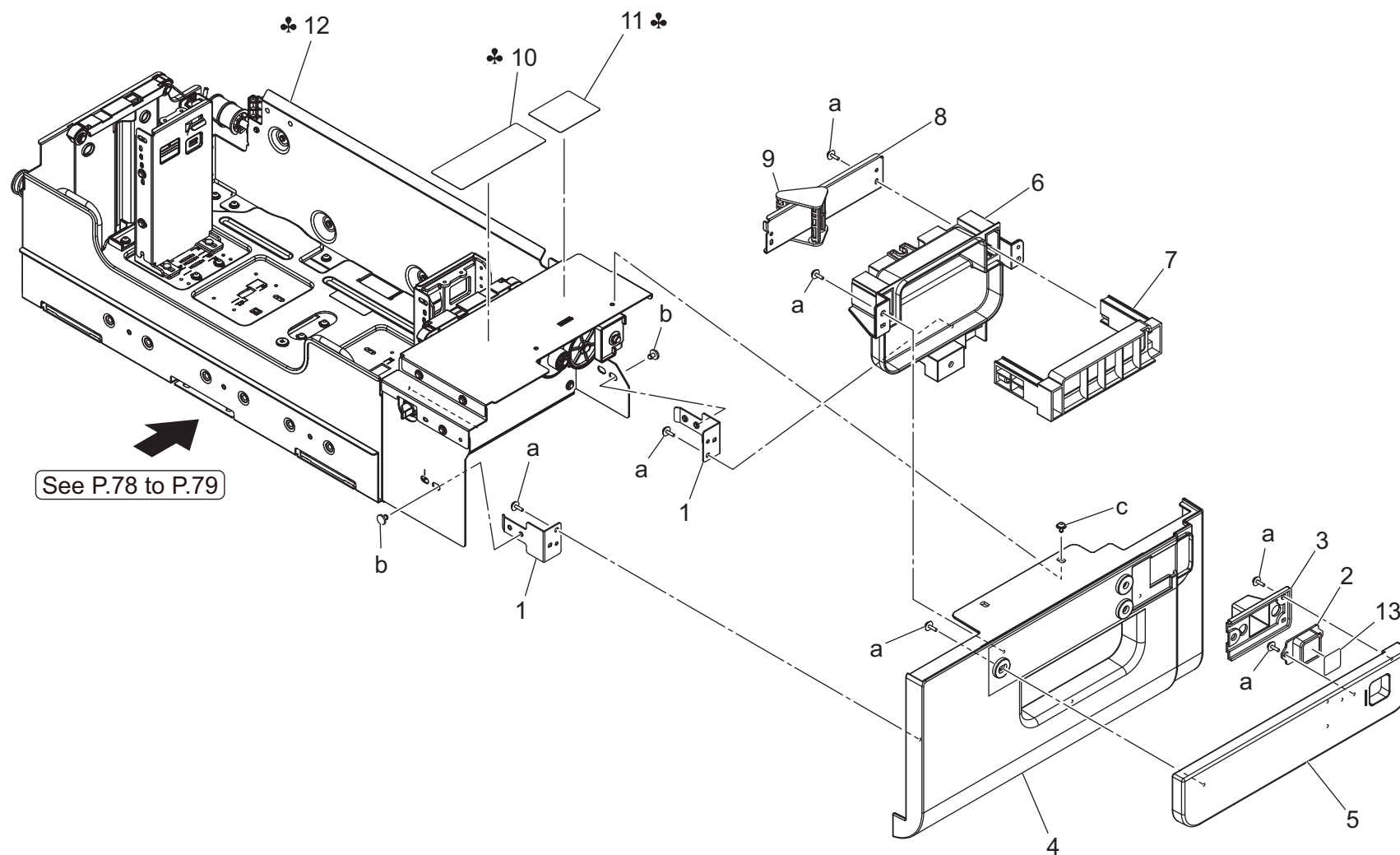
| Key | Part No. | Description | Destinations | Class | QTY | Standard parts |
|-----|------------|------------------------------|--------------|-------|-----|--|
| 1 | A00J613700 | Up/down Pulley | | C | 2 | a-V116030603 b-V118020603 c-V144030603 d-V144040603 e-V149030803 f-V217040003 g-V217050003 h-V232302209 |
| 2 | A00J663200 | Bushing | | B | 3 | |
| 3 | A161626800 | Pulling Coil spring | | C | 1 | |
| 4 | A2X0666900 | Pressure Spring | | C | 1 | |
| 5 | AAV5604200 | Wire /2 | | C | 2 | |
| 6 | AAV5603200 | Gear 19T | | C | 1 | |
| 7 | AAV5604100 | Wire /1 | | C | 2 | |
| 8 | AAV5604500 | Protection Cover | | D | 1 | |
| 9 | AAV5604600 | Guide | | D | 2 | |
| 10 | AAV5603500 | Lock Guide | | D | 1 | |
| 11 | AAV5610900 | Lock Lever | | C | 1 | |
| 12 | 55VA40930 | DOUBLE FEED PREVENTIVE PLATE | | C | 3 | |
| 13 | A00J623400 | FRICTION PLATE | | C | 1 | |
| 14 | AAV5564500 | Vibrationproof Plate | | D | 2 | |
| 15 | AAV5600300 | Up/down Plate | | D | 1 | |
| 16 | AAV5601300 | Light blocking Part | | D | 1 | |
| 17 | AAV5601700 | Cushion | | D | 6 | |
| 18 | AAV5602800 | Slide Part | | D | 2 | |
| 19 | AAV5603100 | Mounting Plate | | D | 1 | |
| 20 | A00J615500 | Up/down Shaft | | D | 1 | |
| 21 | A0P0662700 | Dumper | | C | 1 | |
| 22 | AAV5603300 | Gear 46T | | C | 1 | |
| 23 | AAV5603400 | Gear 19/46T | | C | 1 | |
| | | | | | | |
| | | | | | | |
| | | | | | | |
| | | | | | | |
| | | | | | | |
| | | | | | | |
| | | | | | | |
| | | | | | | |
| | | | | | | |
| | | | | | | |
| | | | | | | |

Tray 3/4

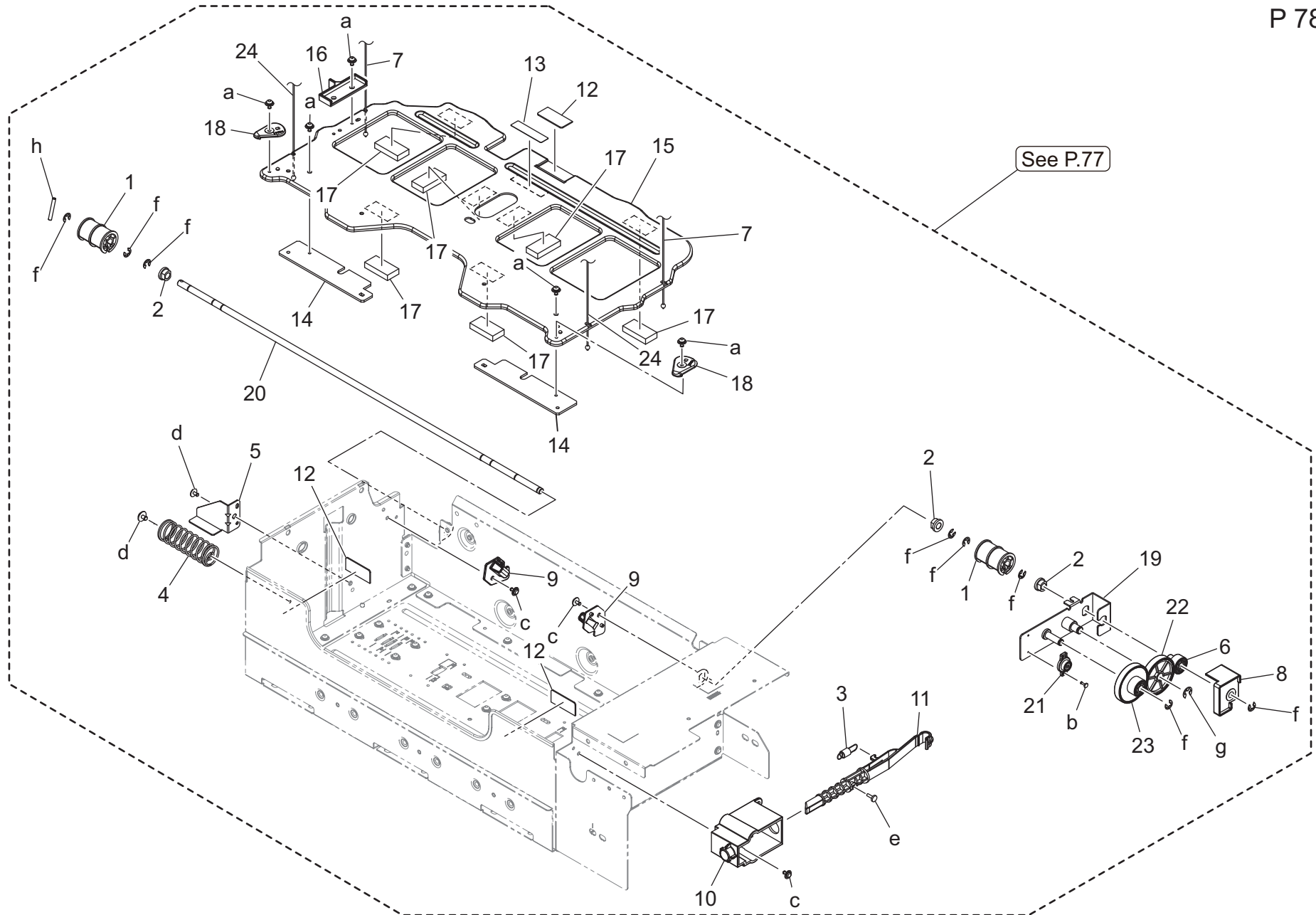
P 76



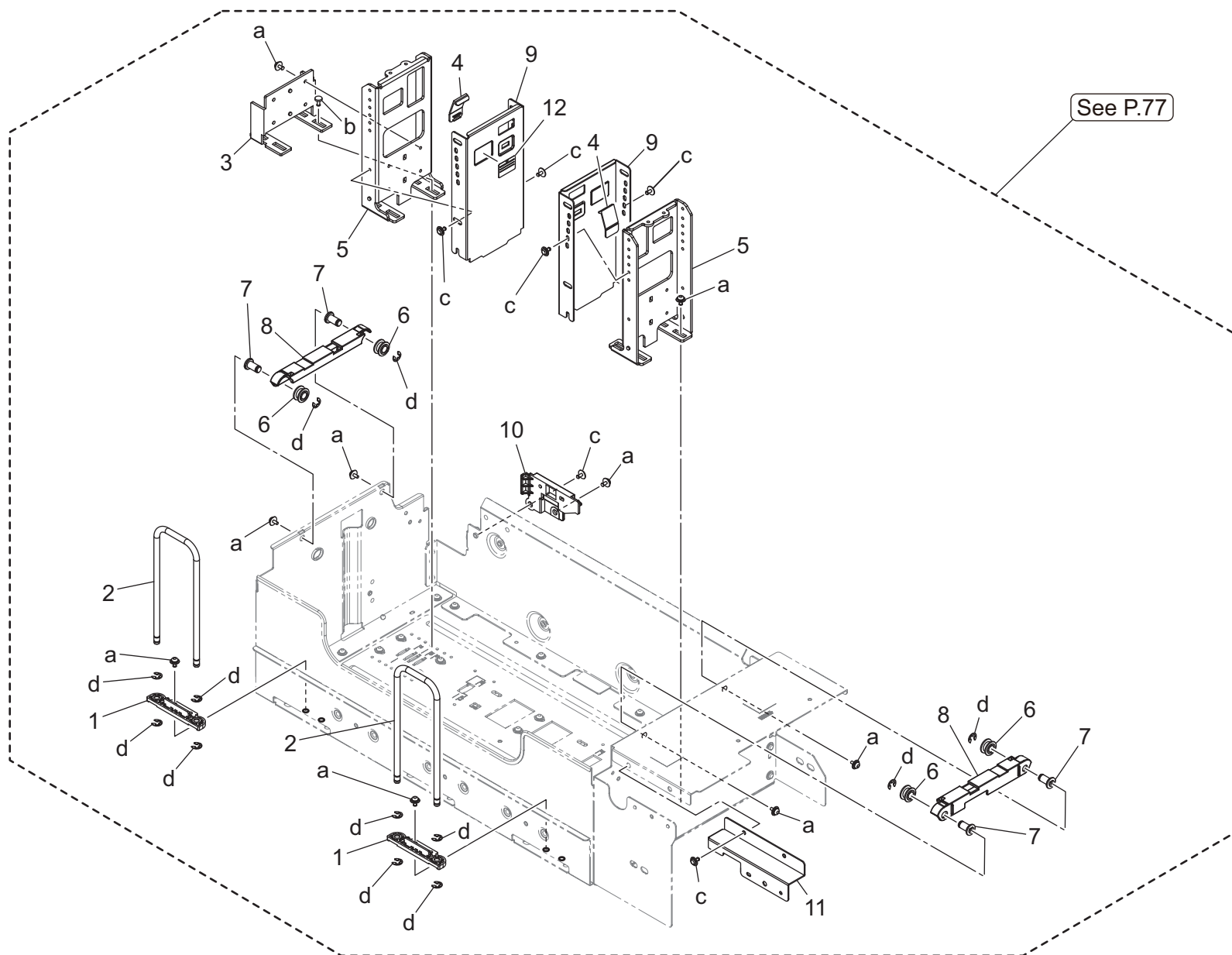
| Key | Part No. | Description | Destinations | Class | QTY | Standard parts |
|-----|------------|----------------------|--------------|-------|-----|--|
| 1 | 56QA58070D | SHAFT HOLDING PART | | D | 2 | a-V116030603 b-V116030803 c-V118030804 d-V144030603 e-V217040003 |
| 2 | AAV5600900 | Guide Shaft | | D | 2 | |
| 3 | 56QA58490D | REAR REINFORCE PLATE | | D | 1 | |
| 4 | A2XM628200 | Regulating Claw | | C | 2 | |
| 5 | A795669100 | Adjusting Side plate | | D | 2 | |
| 6 | AAV5601100 | Pulley | | C | 4 | |
| 7 | AAV5601900 | Rotation Shaft | | D | 4 | |
| 8 | AAV5602001 | Hold Cover | | D | 2 | |
| 9 | AAV5600800 | Guide Plate | | D | 2 | |
| 10 | AAV5940600 | Label | | D | 1 | |
| 11 | AAV5601000 | Support Plate | | D | 1 | |
| | | | | | | |
| | | | | | | |
| | | | | | | |
| | | | | | | |
| | | | | | | |
| | | | | | | |
| | | | | | | |
| | | | | | | |
| | | | | | | |
| | | | | | | |



| Key | Part No. | Description | Destinations | Class | QTY | Standard parts |
|-----|------------|-----------------------|--------------------------------|-------|-----|--|
| 1 | A00J164501 | Mounting Plate | | D | 2 | a-V153030803 b-V126030603 c-V127030604 |
| 2 | AA2J626702 | Cover | | D | 1 | |
| 3 | AAV5610400 | Cover | | D | 1 | |
| 4 | AAV5612101 | Cover | | D | 1 | |
| 5 | AAV5612200 | Cover | | D | 1 | |
| 6 | AAV5612500 | Cover | | D | 1 | |
| 7 | AAV5613400 | Handle | | D | 1 | |
| 8 | AAV5613600 | Holder | | D | 1 | |
| 9 | AAV5613700 | Release Lever | | C | 1 | |
| 10 | A93E944400 | Label | A | D | 1 | |
| 10 | A93E944500 | Label | B,C,D1,D3,E,F2,G1,I ,K,J | D | 1 | |
| 11 | AAV5942400 | Label | A | D | 1 | |
| 11 | AAV5942500 | Label | B,C,D1,D3,E,F2,G1,G 2,I,K,J | D | 1 | |
| 12 | AAV5R70900 | Tray Assy /4th | A,C,D1,D3,E,F2,G1,I ,K,J | S | 1 | |
| 12 | AAV5R71200 | Tray Assy /4th (Inch) | B,G2 | S | 1 | |
| 13 | AAV5943400 | Label | | D | 1 | |
| | | | | | | |
| | | | | | | |
| | | | | | | |
| | | | | | | |
| | | | | | | |
| | | | | | | |
| | | | | | | |
| | | | | | | |
| | | | | | | |
| | | | | | | |
| | | | | | | |
| | | | | | | |

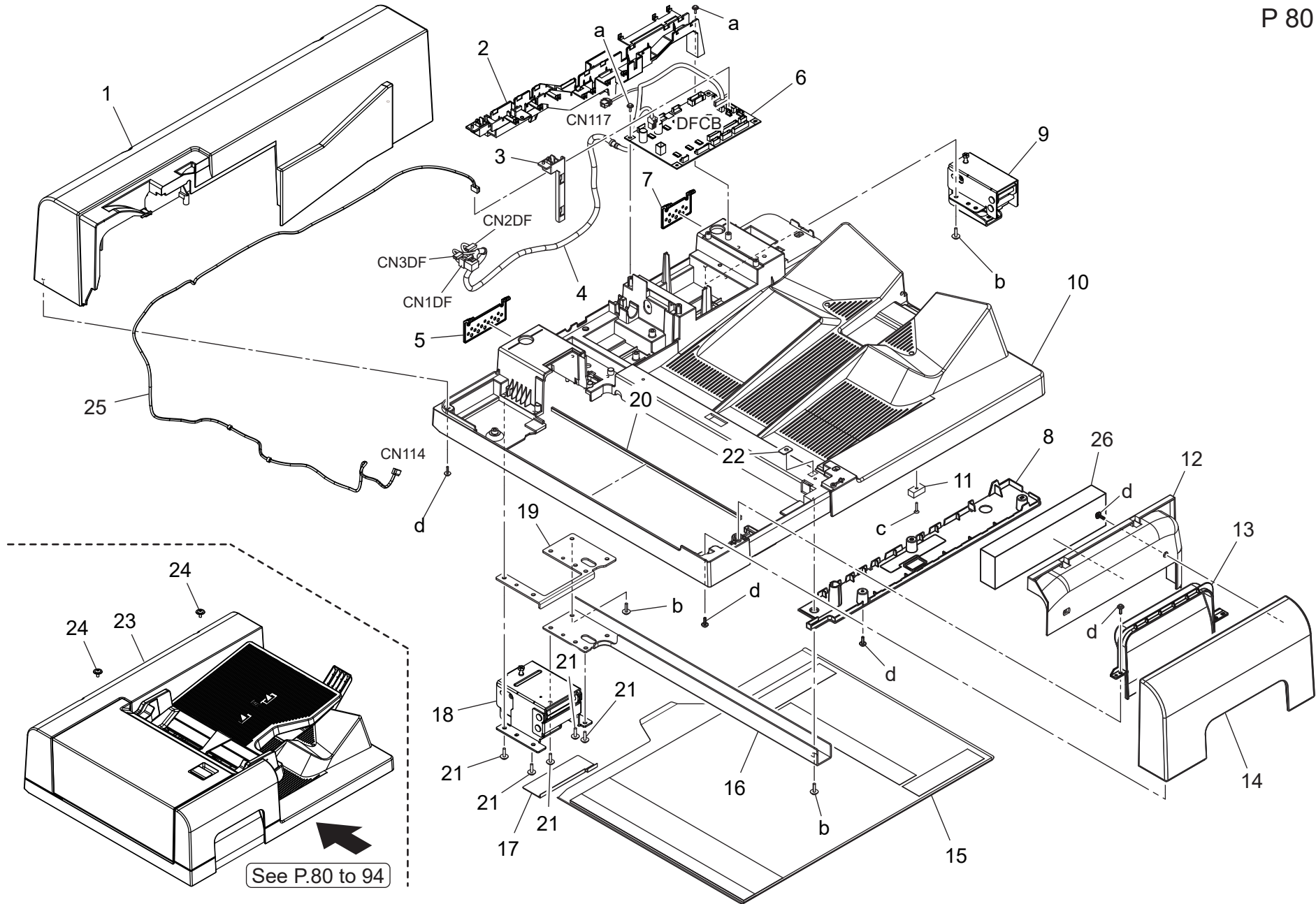


| Key | Part No. | Description | Destinations | Class | QTY | Standard parts |
|-----|------------|------------------------------|--------------|-------|-----|--|
| 1 | A00J613700 | Up/down Pulley | | C | 2 | a-V116030603 b-V118020603 c-V144030603 d-V144040603 e-V149030803 f-V217040003 g-V217050003 h-V232302209 |
| 2 | A00J663200 | Bushing | | B | 3 | |
| 3 | A161626800 | Pulling Coil spring | | C | 1 | |
| 4 | A2X0666900 | Pressure Spring | | C | 1 | |
| 5 | AAV5602700 | Light blocking Part | | D | 1 | |
| 6 | AAV5603200 | Gear 19T | | C | 1 | |
| 7 | AAV5604300 | Wire /1 | | C | 2 | |
| 8 | AAV5604500 | Protection Cover | | D | 1 | |
| 9 | AAV5604600 | Guide | | D | 2 | |
| 10 | AAV5613500 | Lock Guide | | D | 1 | |
| 11 | AAV5613900 | Lock Lever | | C | 1 | |
| 12 | 55VA40930 | DOUBLE FEED PREVENTIVE PLATE | | C | 3 | |
| 13 | A00J623400 | FRICTION PLATE | | C | 1 | |
| 14 | AAV5564500 | Vibrationproof Plate | | D | 2 | |
| 15 | AAV5600300 | Up/down Plate | | D | 1 | |
| 16 | AAV5601300 | Light blocking Part | | D | 1 | |
| 17 | AAV5601700 | Cushion | | D | 6 | |
| 18 | AAV5602800 | Slide Part | | D | 2 | |
| 19 | AAV5603900 | Mounting Plate | | D | 1 | |
| 20 | A00J615500 | Up/down Shaft | | D | 1 | |
| 21 | A0P0662700 | Dumper | | C | 1 | |
| 22 | AAV5603300 | Gear 46T | | C | 1 | |
| 23 | AAV5603400 | Gear 19/46T | | C | 1 | |
| 24 | AAV5604400 | Wire /2 | | C | 2 | |
| | | | | | | |
| | | | | | | |
| | | | | | | |
| | | | | | | |
| | | | | | | |
| | | | | | | |
| | | | | | | |
| | | | | | | |
| | | | | | | |
| | | | | | | |
| | | | | | | |
| | | | | | | |



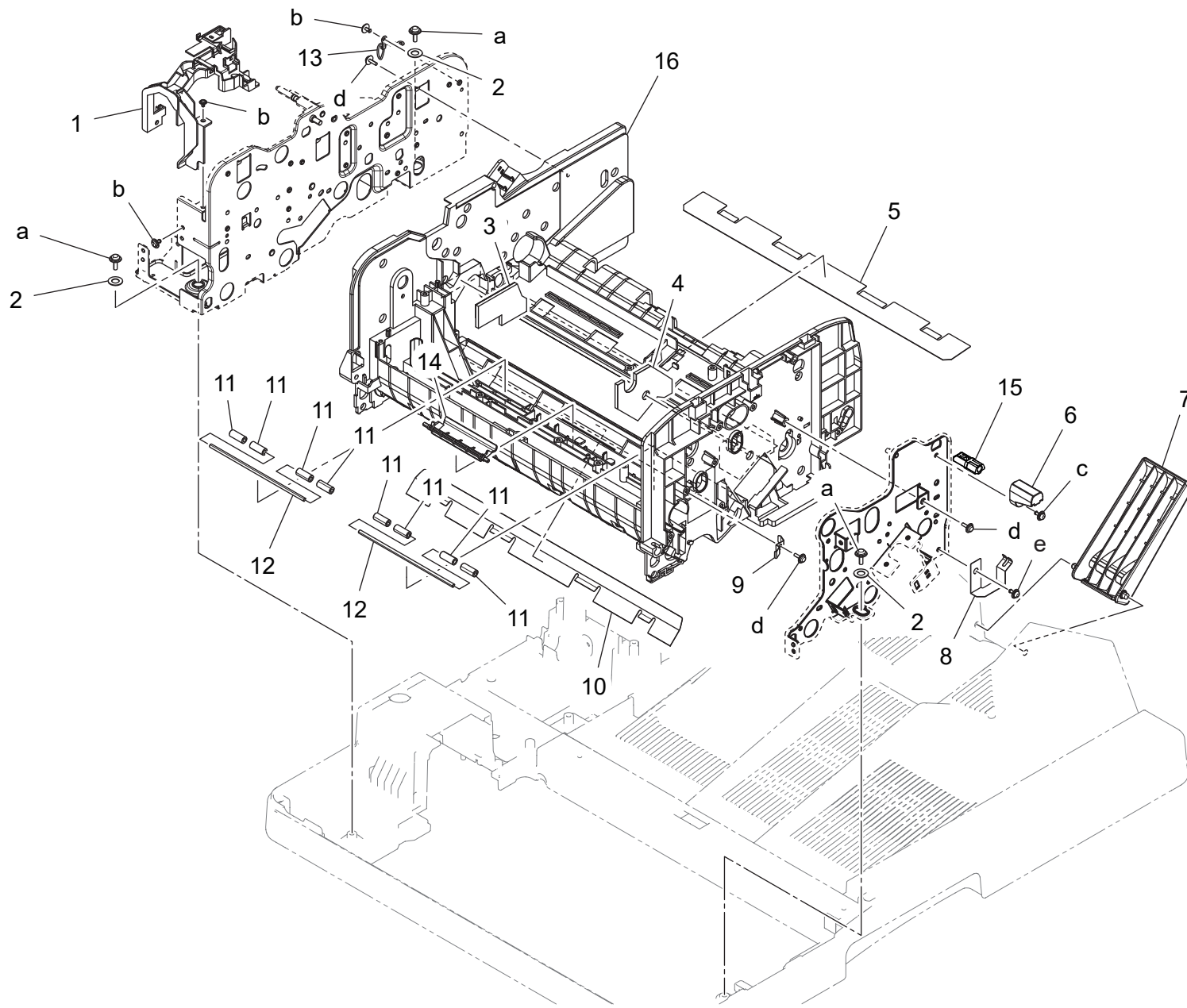
| Key | Part No. | Description | Destinations | Class | QTY | Standard parts |
|-----|------------|-------------------------|--------------|-------|-----|--|
| 1 | 56QA58070D | SHAFT HOLDING PART | | D | 2 | a-V116030603 b-V118030604 c-V144030603 d-V217040003 |
| 2 | 56QA58150 | PAPER GUIDE SHAFT RIGHT | | D | 2 | |
| 3 | 56QA58490D | REAR REINFORCE PLATE | | D | 1 | |
| 4 | A2XM628200 | Regulating Claw | | C | 2 | |
| 5 | A795669100 | Adjusting Side plate | | D | 2 | |
| 6 | AAV5601100 | Pulley | | C | 4 | |
| 7 | AAV5601900 | Rotation Shaft | | D | 4 | |
| 8 | AAV5602001 | Hold Cover | | D | 2 | |
| 9 | AAV5602600 | Guide Plate | | D | 2 | |
| 10 | AAV5603600 | Lever | | D | 1 | |
| 11 | AAV5604000 | Reinforce Plate | | D | 1 | |
| 12 | AAV5940600 | Label | | D | 1 | |
| | | | | | | |
| | | | | | | |
| | | | | | | |
| | | | | | | |
| | | | | | | |
| | | | | | | |
| | | | | | | |
| | | | | | | |
| | | | | | | |
| | | | | | | |

Dual scan document feeder (DF-713)



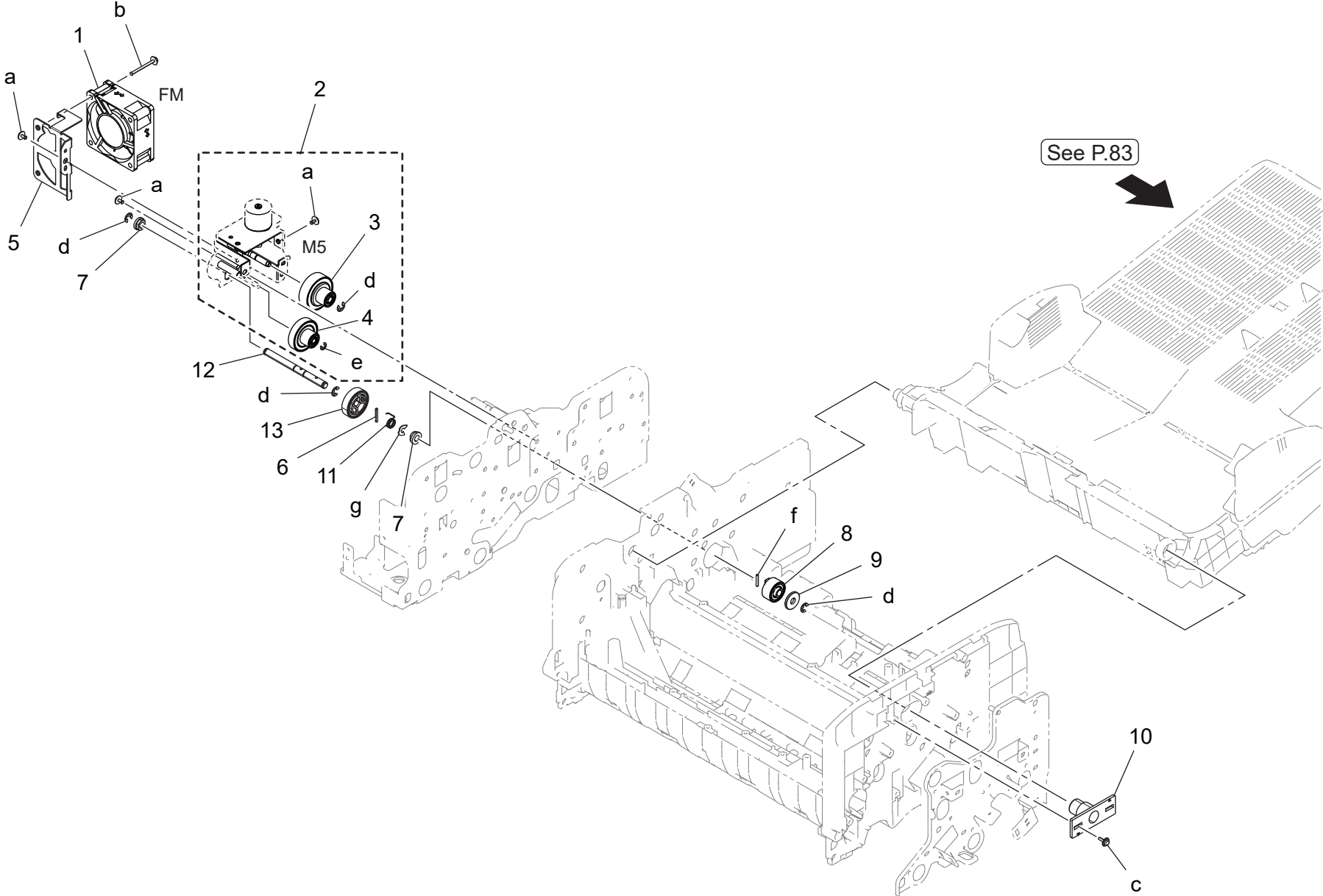
| Key | Part No. | Description | Destinations | Class | QTY | Standard parts |
|-----|------------|--------------------------|--------------|-------|-----|--|
| 1 | AAMP160000 | Cover /Rear | | D | 1 | a-V153030803 b-V153041203 c-V147031403 d-V153031004 |
| 2 | AAMP130000 | Wiring Guide | | D | 1 | |
| 3 | A782130600 | Wiring Guide /3 | | D | 1 | |
| 4 | A782N10000 | ADF Wiring /1 | | D | 1 | |
| 5 | AAMP160500 | Cover Hinge /Right | | C | 1 | |
| 6 | AAMPH00105 | DF Control Board | | I | 1 | |
| 7 | AAMP160600 | Cover Hinge /Left | | C | 1 | |
| 8 | AAMP110100 | Cover /Lower | | D | 1 | |
| 9 | AAMP113800 | Hinge /Right | | C | 1 | |
| 10 | AAMP110001 | Base frame | | D | 1 | |
| 11 | 9J07160200 | MAGNET | | D | 1 | |
| 12 | AAMP160700 | Cover Side plate | | D | 1 | |
| 13 | AAMP160400 | Cover | | D | 1 | |
| 14 | AAMP160100 | Cover /Front | | D | 1 | |
| 15 | A782112305 | Holding Mat /1 | | C | 1 | |
| 16 | A782110600 | Reinforce Plate /1 | | D | 1 | |
| 17 | A782119300 | Seal /Rear | | C | 1 | |
| 18 | AAMP113701 | Hinge /Left | | C | 1 | |
| 19 | A782117500 | Reinforce Plate /2 | | D | 1 | |
| 20 | A782117600 | Cushion | | C | 1 | |
| 21 | A782114100 | Screw | | C | 5 | |
| 22 | 15BY561200 | Cover Spacer | | D | 1 | |
| 23 | AAMP70822 | ADF Assy | | S | 1 | |
| 24 | A782106200 | Fixing Screw | | C | 2 | |
| 25 | AAMPN11201 | ADF Harness /13 | | D | 1 | |
| 26 | AAMP160200 | Sound shield Cushion /10 | | D | 1 | |
| | | | | | | |
| | | | | | | |
| | | | | | | |
| | | | | | | |
| | | | | | | |
| | | | | | | |
| | | | | | | |
| | | | | | | |
| | | | | | | |

Dual scan document feeder (DF-713)



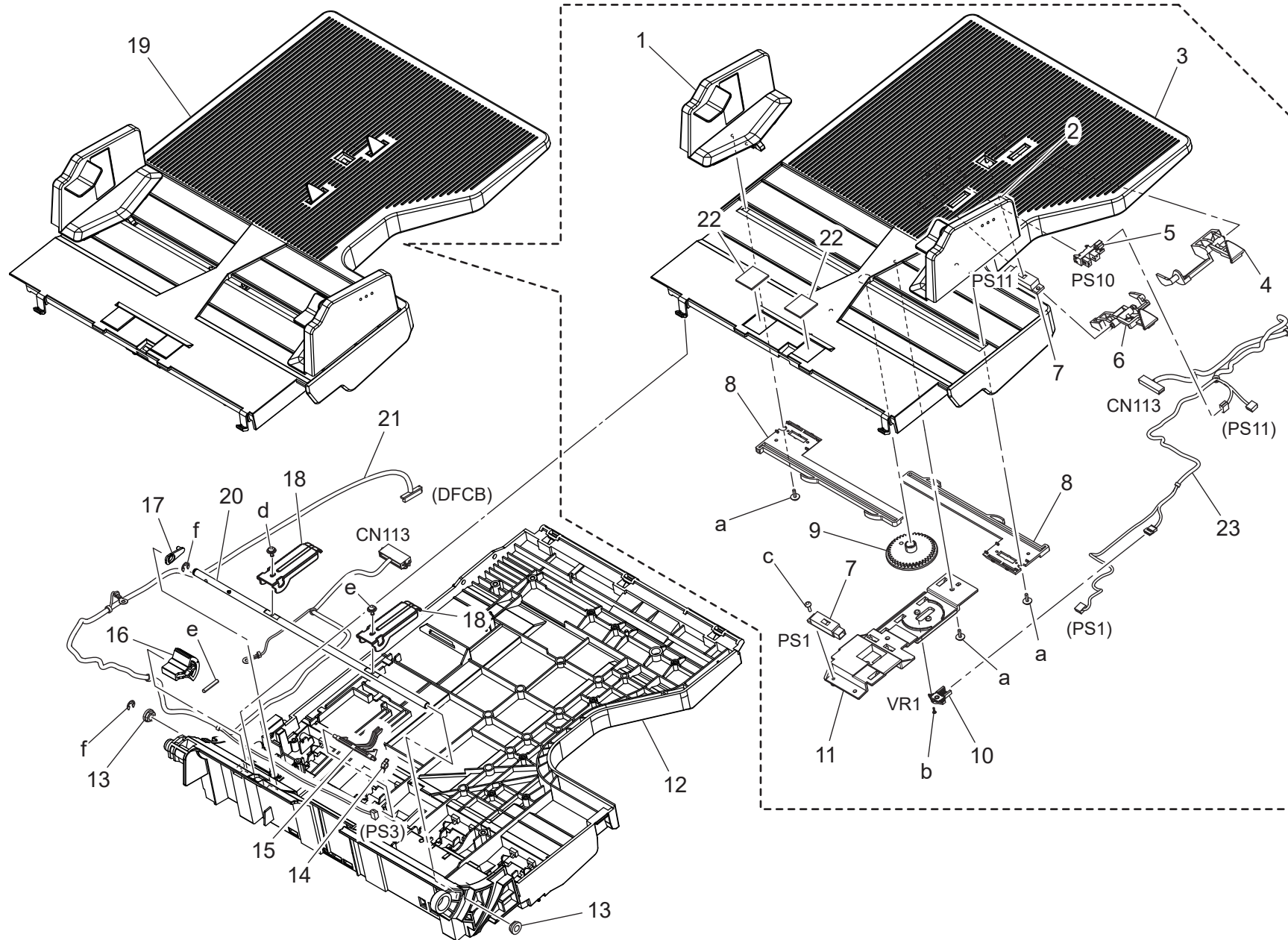
| Key | Part No. | Description | Destinations | Class | QTY | Standard parts |
|-----|------------|------------------------|--------------|-------|-----|--|
| 1 | A782130301 | Wiring Guide /2 | | D | 1 | a-V153041003 b-V144030603 c-V127031203 d-V153030803 e-V116030803 |
| 2 | A782117000 | Washer | | C | 3 | |
| 3 | A782105101 | Cushion | | C | 1 | |
| 4 | A782105001 | Cushion | | C | 1 | |
| 5 | A782117100 | Guide Film | | C | 1 | |
| 6 | A782125500 | Holder | | D | 1 | |
| 7 | AAMP891000 | Auxiliary Plate /1 | | D | 1 | |
| 8 | A782111000 | Ground Plate spring /1 | | D | 1 | |
| 9 | A782111100 | Ground Plate spring /2 | | D | 1 | |
| 10 | A782101700 | Guide Sheet | | D | 1 | |
| 11 | A782262800 | Roll | | C | 8 | |
| 12 | A782264900 | Shaft | | D | 2 | |
| 13 | A782N11800 | ADF Wiring /19 | | D | 1 | |
| 14 | A782111200 | Guide | | D | 1 | |
| 15 | AAMP125400 | Stopper Shaft | | D | 1 | |
| 16 | AAMP101200 | Frame | | D | 1 | |
| | | | | | | |
| | | | | | | |
| | | | | | | |
| | | | | | | |
| | | | | | | |
| | | | | | | |
| | | | | | | |
| | | | | | | |
| | | | | | | |
| | | | | | | |

Dual scan document feeder (DF-713)

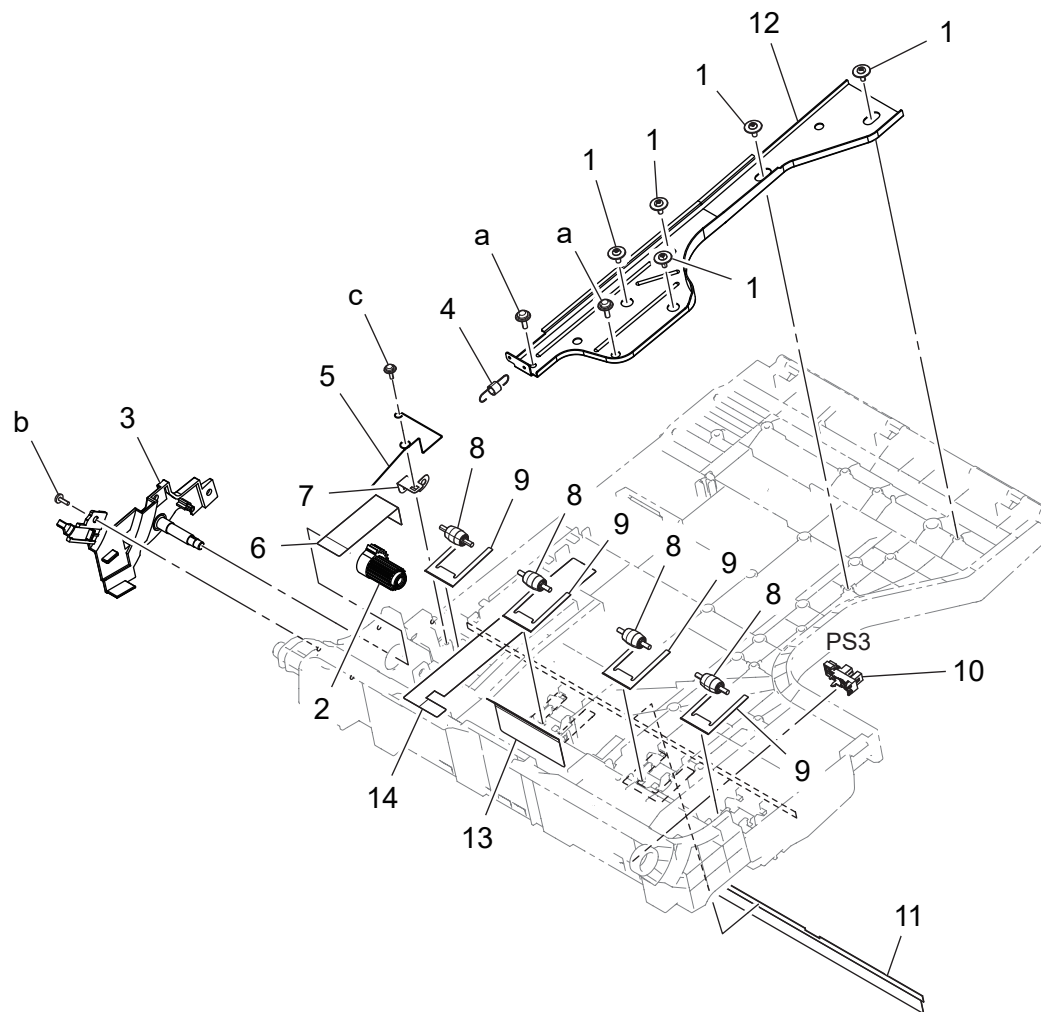


| Key | Part No. | Description | Destinations | Class | QTY | Standard parts |
|-----|------------|--------------------------|--------------|-------|-----|--|
| 1 | AAMP10900 | Fan Motor | | C | 1 | a-V144030603 b-V116033003 c-V153030803 d-V217040003 e-V217030003 f-V234201250 g-V218040086 |
| 2 | AAMP70700 | Lifting Plate Drive ASSY | | C | 1 | |
| 3 | AAMP571600 | Gear /2 | | C | 1 | |
| 4 | AAMP571300 | Gear /3 | | C | 1 | |
| 5 | A782130500 | Mounting Plate | | D | 1 | |
| 6 | A782573800 | Pin | | D | 1 | |
| 7 | A161210200 | Bushing | | D | 2 | |
| 8 | AAMP571100 | Gear 18T | | C | 1 | |
| 9 | A782572000 | Flange | | C | 1 | |
| 10 | A782566000 | Mounting Plate | | D | 1 | |
| 11 | A782572900 | Torsion Coil spring /5 | | C | 1 | |
| 12 | A782573401 | Shaft | | D | 1 | |
| 13 | AAMP571200 | Gear 34T | | C | 1 | |
| | | | | | | |
| | | | | | | |
| | | | | | | |
| | | | | | | |
| | | | | | | |
| | | | | | | |
| | | | | | | |
| | | | | | | |
| | | | | | | |
| | | | | | | |

Dual scan document feeder (DF-713)

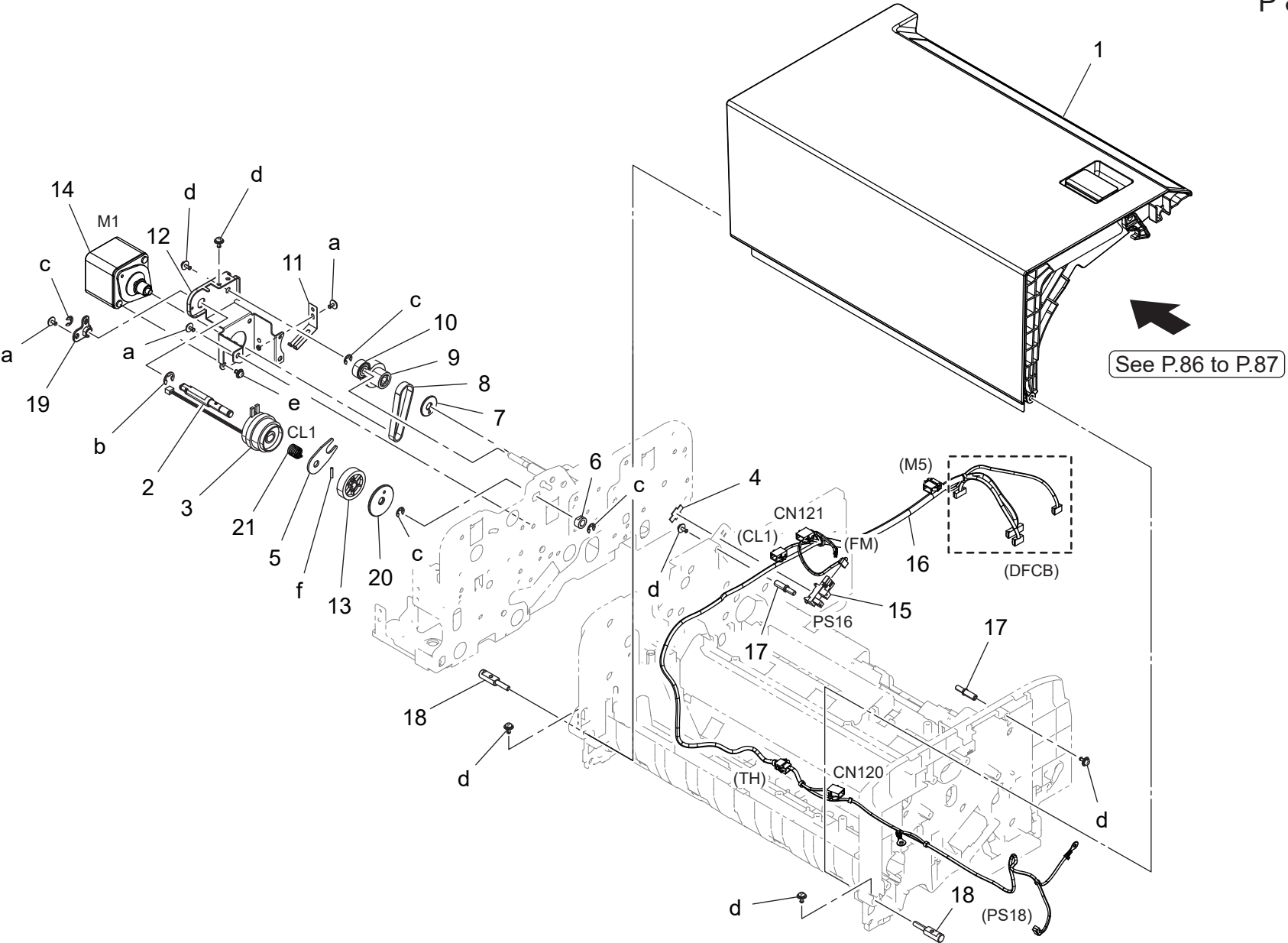


| Key | Part No. | Description | Destinations | Class | QTY | Standard parts |
|-----|-------------|------------------------------|--------------|-------|-----|--|
| 1 | AAMP561701 | Regulating Plate/ Rear ASSY | | C | 1 | a-V153030803 b-V166170504 c-V145030803 d-V116030803 e-V234302050 f-V217040003 |
| 2 | AAMP561701 | Regulating Plate/ Front ASSY | | C | 1 | |
| 3 | A782600101 | Lifting Plate | | C | 1 | |
| 4 | A782600101 | Arm /1 | | C | 1 | |
| 5 | A5C1M50100 | Photointerrupter | | B | 1 | |
| 6 | A782601500 | Arm /2 | | C | 1 | |
| 7 | A108M50000 | Photoreflexor | | B | 2 | |
| 8 | A782562001 | Rack | | C | 2 | |
| 9 | A782600900 | Gear 40T | | C | 1 | |
| 10 | A1UDM50100 | VR | | D | 1 | |
| 11 | A782562600 | Mounting Plate | | D | 1 | |
| 12 | AAMP561101 | Tray | | D | 1 | |
| 13 | A161210200 | Bushing | | D | 2 | |
| 14 | A782891901 | Paper exit Spring /6 | | C | 1 | |
| 15 | A782891800 | Actuator | | C | 1 | |
| 16 | AAMP568501 | Gear 34T | | C | 1 | |
| 17 | A782562400 | Washer | | C | 1 | |
| 18 | A782566800 | Lever | | D | 2 | |
| 19 | AAMP5670400 | Lifting Plate ASSY | | S | 1 | |
| 20 | AAMP566901 | Lifting Shaft | | D | 1 | |
| 21 | A782N10300 | ADF Wiring /4 | | C | 1 | |
| 22 | A782561000 | Friction Plate | | C | 2 | |
| 23 | A782N10400 | ADF Wiring /5 | | C | 1 | |
| | | | | | | |
| | | | | | | |
| | | | | | | |
| | | | | | | |
| | | | | | | |
| | | | | | | |
| | | | | | | |
| | | | | | | |
| | | | | | | |
| | | | | | | |
| | | | | | | |
| | | | | | | |
| | | | | | | |
| | | | | | | |

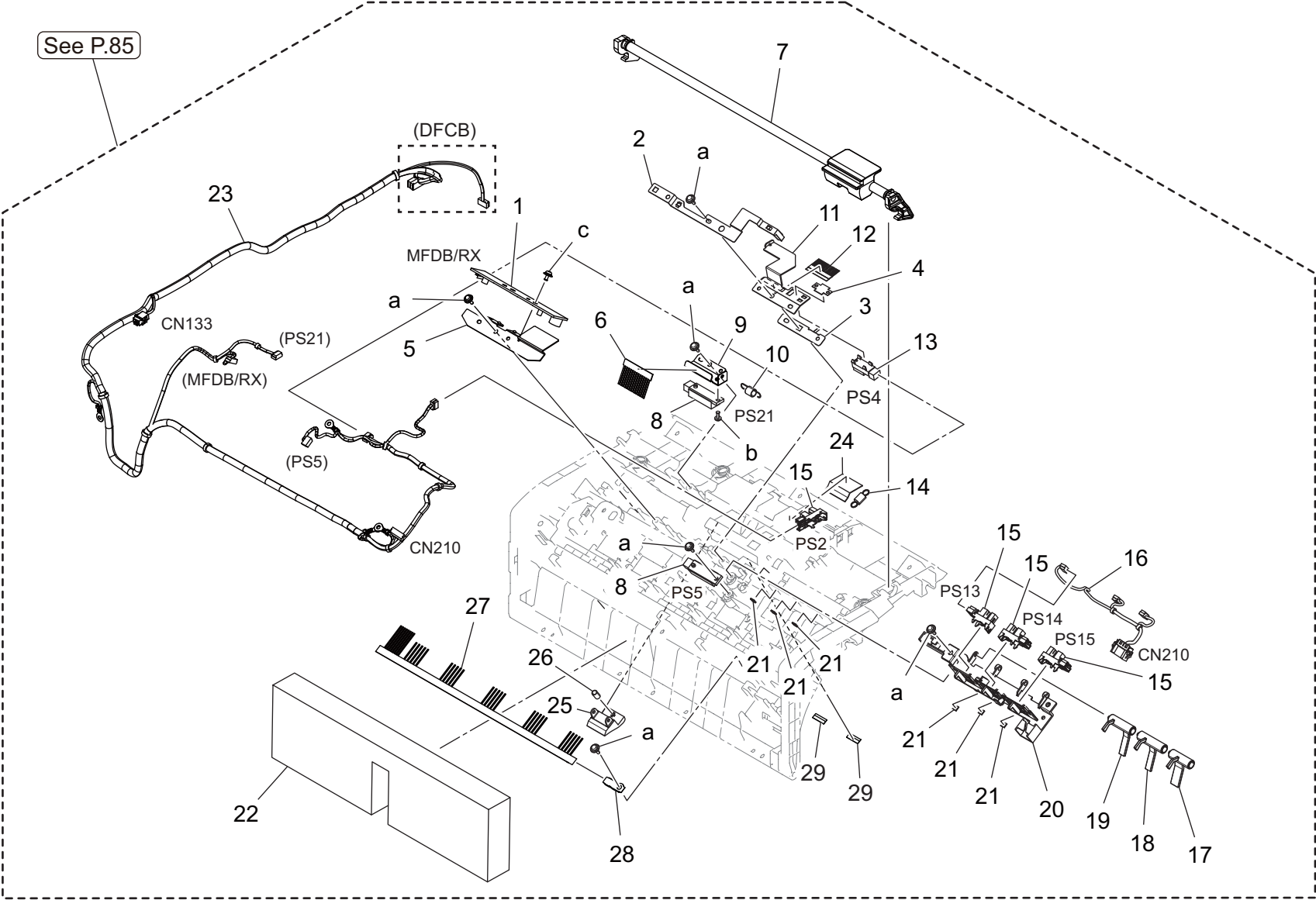


| Key | Part No. | Description | Destinations | Class | QTY | Standard parts |
|-----|------------|---------------------|--------------|-------|-----|--|
| 1 | 4163529301 | SCREW | | C | 5 | a-V153041003 b-V149030803 c-V153030803 |
| 2 | AAMP570900 | Gear 18/23T | | C | 1 | |
| 3 | AAMP565001 | Cover | | D | 1 | |
| 4 | A782572101 | Pulling Coil spring | | C | 1 | |
| 5 | AAMP571900 | Pulling Coil spring | | C | 1 | |
| 6 | A782561900 | Protection Seal /2 | | D | 1 | |
| 7 | A782571800 | Ground Plate | | C | 1 | |
| 8 | 9J07300801 | ROLL | | C | 4 | |
| 9 | A108890500 | Plate spring | | D | 4 | |
| 10 | A5C1M50100 | Photointerrupter | | B | 1 | |
| 11 | A108891300 | Neutralizing Brush | | C | 1 | |
| 12 | A782573901 | Reinforce Plate /1 | | D | 1 | |
| 13 | 9J07341102 | GUIDE | | D | 1 | |
| 14 | A782561801 | Protection Seal /1 | | D | 1 | |
| | | | | | | |
| | | | | | | |
| | | | | | | |
| | | | | | | |
| | | | | | | |
| | | | | | | |
| | | | | | | |
| | | | | | | |
| | | | | | | |

Dual scan document feeder (DF-713)



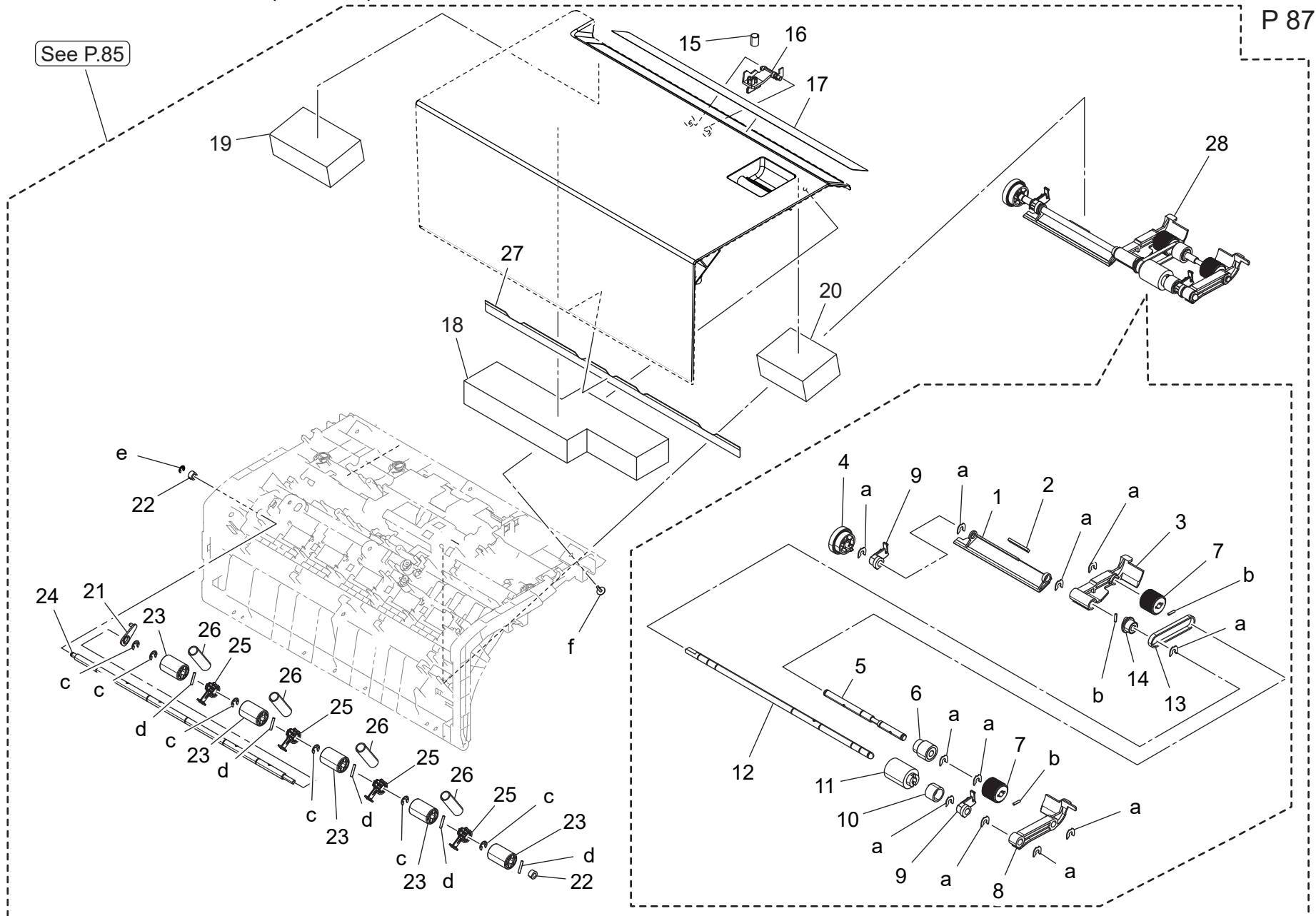
| Key | Part No. | Description | Destinations | Class | QTY | Standard parts |
|-----|------------|-----------------------|--------------|-------|-----|--|
| 1 | AAMPR70500 | Top Cover ASSY | | S | 1 | a-V144030603 b-V217060003 c-V217040003 d-V116030803 e-V116030603 f-V234201050 |
| 2 | A782211600 | Shaft | | D | 1 | |
| 3 | A3CKM20000 | Clutch | | C | 1 | |
| 4 | 4470402401 | Stopper | | D | 1 | |
| 5 | A782212000 | Holder | | D | 1 | |
| 6 | 4131253701 | BUSHING | | C | 1 | |
| 7 | A782211800 | Flange | | C | 1 | |
| 8 | A782214300 | Timing belt 124L | | C | 1 | |
| 9 | A782211300 | Pulley 27T | | C | 1 | |
| 10 | A782215800 | Gear | | D | 1 | |
| 11 | A782211700 | Ground Plate | | C | 1 | |
| 12 | A782212702 | Mounting Plate | | D | 1 | |
| 13 | A782211400 | Gear 27T | | C | 1 | |
| 14 | A2X0M10800 | Stepping motor | | C | 1 | |
| 15 | A5C1M50100 | Photointerrupter | | B | 1 | |
| 16 | AAMPN10801 | ADF Harness /9 | | D | 1 | |
| 17 | A782101600 | Positioning Shaft /1 | | C | 2 | |
| 18 | A782101000 | Shaft | | C | 2 | |
| 19 | A108260700 | Bushing | | D | 1 | |
| 20 | A782211500 | Ring | | D | 1 | |
| 21 | AAMP211900 | Compressing Spring /1 | | C | 1 | |
| | | | | | | |
| | | | | | | |
| | | | | | | |
| | | | | | | |
| | | | | | | |
| | | | | | | |
| | | | | | | |
| | | | | | | |
| | | | | | | |



See P.85

Dual scan document feeder (DF-713)

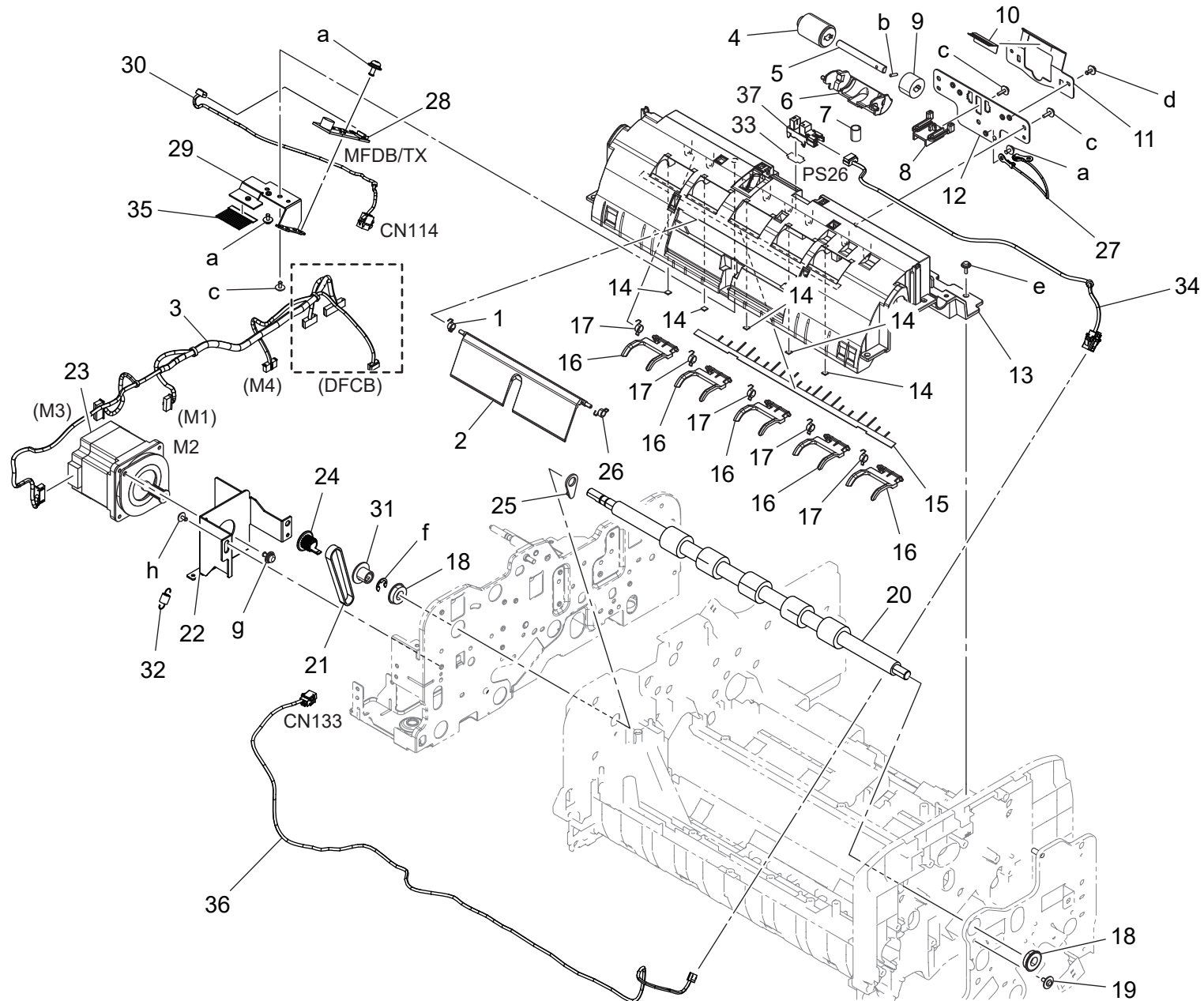
P 87



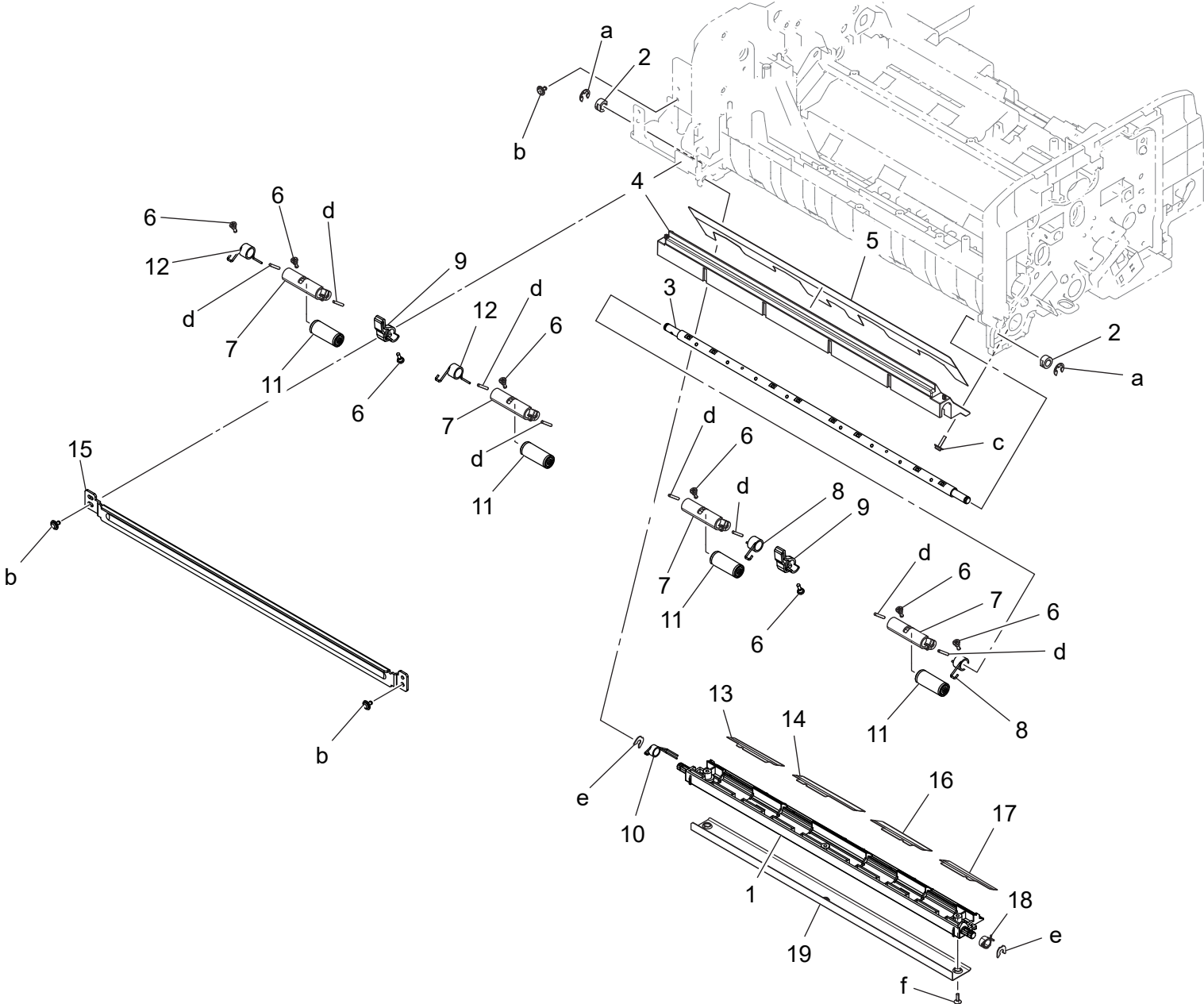
bizhub 750i

| Key | Part No. | Description | Destinations | Class | QTY | Standard parts |
|-----|------------|-------------------------|--------------|-------|-----|----------------|
| 1 | A782576100 | Guide Plate | | D | 1 | a-V218040086 |
| 2 | A782562101 | Cushion | | C | 1 | b-V234200850 |
| 3 | A782569000 | Arm /Front | | C | 1 | c-V217040003 |
| 4 | A782569300 | Gear /2 25T | | C | 1 | d-V234201250 |
| 5 | A782573501 | Shaft | | D | 1 | e-V217030003 |
| 6 | 9J07330801 | Pulley 21T | | C | 1 | f-V153030804 |
| 7 | 9J07330102 | Roller | | A | 2 | |
| 8 | A782568901 | Arm /Front | | C | 1 | |
| 9 | A782569801 | Lever /2 | | C | 2 | |
| 10 | A07H570500 | Clutch | | C | 1 | |
| 11 | A00J563600 | Roller | | A | 1 | |
| 12 | A782569200 | Paper feed Shaft | | D | 1 | |
| 13 | A782569900 | Timing belt 128L | | C | 1 | |
| 14 | 9J07331901 | Pulley 19T | | C | 1 | |
| 15 | AAMP570400 | Spring | | C | 1 | |
| 16 | A782570602 | Lever /1 | | D | 1 | |
| 17 | AAMP940400 | Label | | D | 1 | |
| 18 | AAMP719501 | Sound shield Cushion /8 | | D | 1 | |
| 19 | AAMP719401 | Sound shield Cushion /7 | | D | 1 | |
| 20 | AAMP719301 | Sound shield Cushion /6 | | D | 1 | |
| 21 | A782562400 | Washer | | C | 1 | |
| 22 | A782702700 | Bushing | | C | 2 | |
| 23 | A782703001 | Idler Roll | | D | 5 | |
| 24 | A782702600 | Rotation Shaft | | D | 1 | |
| 25 | A782701900 | Bushing | | C | 4 | |
| 26 | A782700900 | Compressing Spring | | C | 4 | |
| 27 | A782703401 | Sealing Rubber | | C | 1 | |
| 28 | A782R70800 | Pick Up ASSY | | C | 1 | |
| | | | | | | |
| | | | | | | |
| | | | | | | |
| | | | | | | |
| | | | | | | |
| | | | | | | |
| | | | | | | |
| | | | | | | |
| | | | | | | |
| | | | | | | |
| | | | | | | |
| | | | | | | |
| | | | | | | |

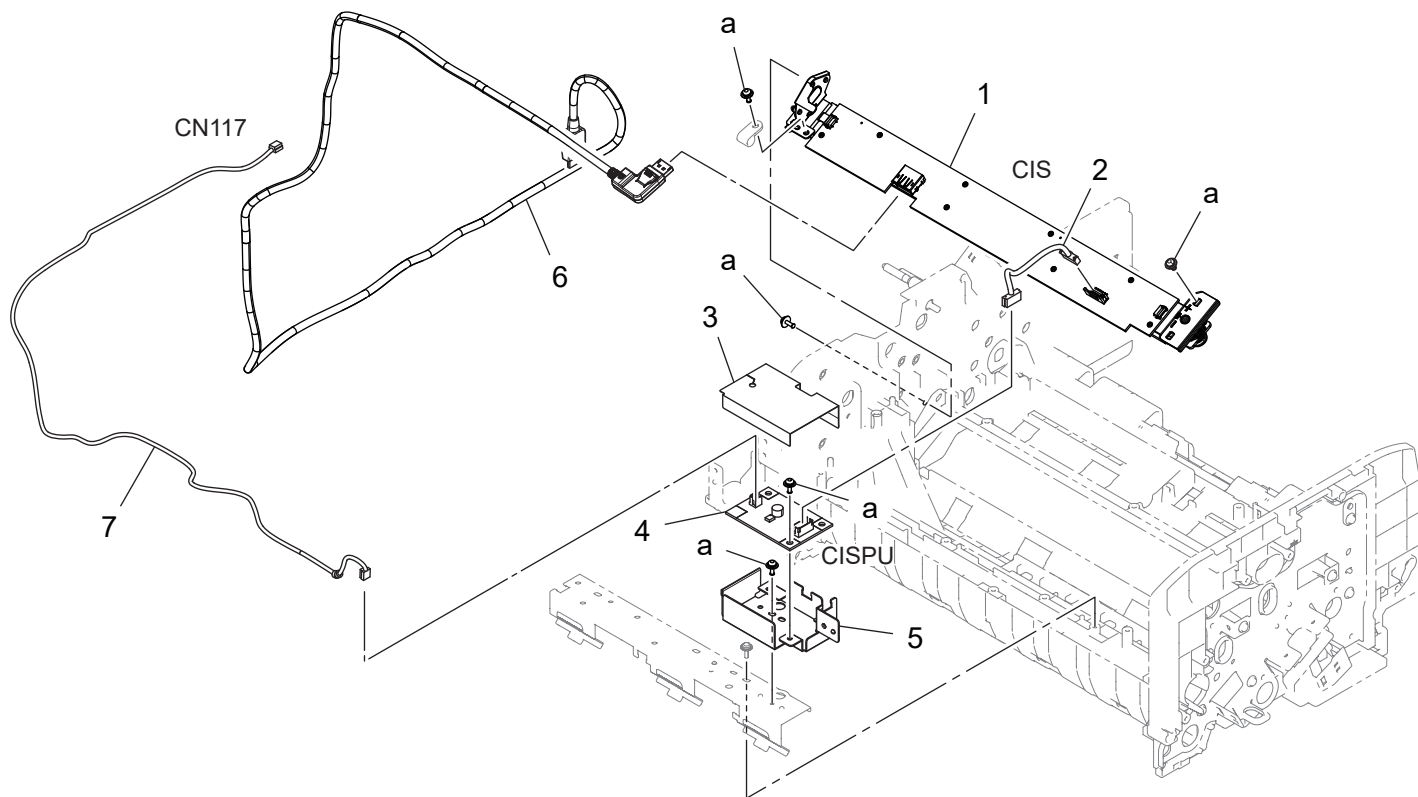
Dual scan document feeder (DF-713)



| Key | Part No. | Description | Destinations | Class | QTY | Standard parts |
|-----|------------|-----------------------|--------------|-------|-----|----------------|
| 1 | A782714200 | Spring /Lower | | C | 1 | a-V116030603 |
| 2 | A782711901 | Lever /1 | | C | 1 | b-V234200850 |
| 3 | AAMPN10101 | ADF Harness /2 | | D | 1 | c-V153030803 |
| 4 | 9J07340901 | ROLLER | | A | 1 | d-V116030803 |
| 5 | A0HT561202 | Shaft | | C | 1 | e-V153031004 |
| 6 | A782568200 | Holder | | C | 1 | f-V217060003 |
| 7 | A782568600 | Spring | | C | 1 | g-V116040803 |
| 8 | A3CK565100 | Holder | | D | 1 | h-V144030603 |
| 9 | A782568701 | Torque limiter | | A | 1 | |
| 10 | A782576000 | Neutralizing Brush | | C | 1 | |
| 11 | A3CK568300 | Guide | | D | 1 | |
| 12 | A782712300 | Mounting Plate /2 | | D | 1 | |
| 13 | A782710806 | Guide | | D | 1 | |
| 14 | A782704200 | Adjusting Cushion | | C | 5 | |
| 15 | A782710201 | Neutralizing Brush | | C | 1 | |
| 16 | A782710000 | Lever /Upper | | C | 5 | |
| 17 | A782710100 | Spring /1 | | C | 5 | |
| 18 | A00V240600 | Ball Bearing | | B | 2 | |
| 19 | A782117900 | Shoulder screw | | C | 1 | |
| 20 | AAMP711000 | Conveyance Roller | | C | 1 | |
| 21 | AAMP214400 | Timing belt 146L | | C | 1 | |
| 22 | AAMP212601 | Mounting Plate /B | | D | 1 | |
| 23 | A782M10000 | Stepping motor | | C | 1 | |
| 24 | AAMP213000 | Gear 19T | | C | 1 | |
| 25 | A782115700 | Washer /1 | | C | 1 | |
| 26 | A782714100 | Spring /Lower | | C | 1 | |
| 27 | A782N12700 | ADF Wiring /B | | D | 1 | |
| 28 | AAMPH10U00 | DF Send Board | | C | 1 | |
| 29 | AAMP710500 | Mounting Plate /Lower | | D | 1 | |
| 30 | AAMPN11301 | ADF Harness /B | | D | 1 | |
| 31 | A782215100 | Collar | | C | 1 | |
| 32 | AAMP215000 | Pulling Spring | | C | 1 | |
| 33 | 4470402401 | Stopper | | D | 1 | |
| 34 | A782N20400 | ADF Wiring | | D | 1 | |
| 35 | A782705600 | Neutralizing Brush /1 | | D | 1 | |
| 36 | AAMPN20501 | ADF Harness | | D | 1 | |
| 37 | A5C1M50100 | Photointerrupter | | B | 1 | |
| | | | | | | |
| | | | | | | |
| | | | | | | |
| | | | | | | |

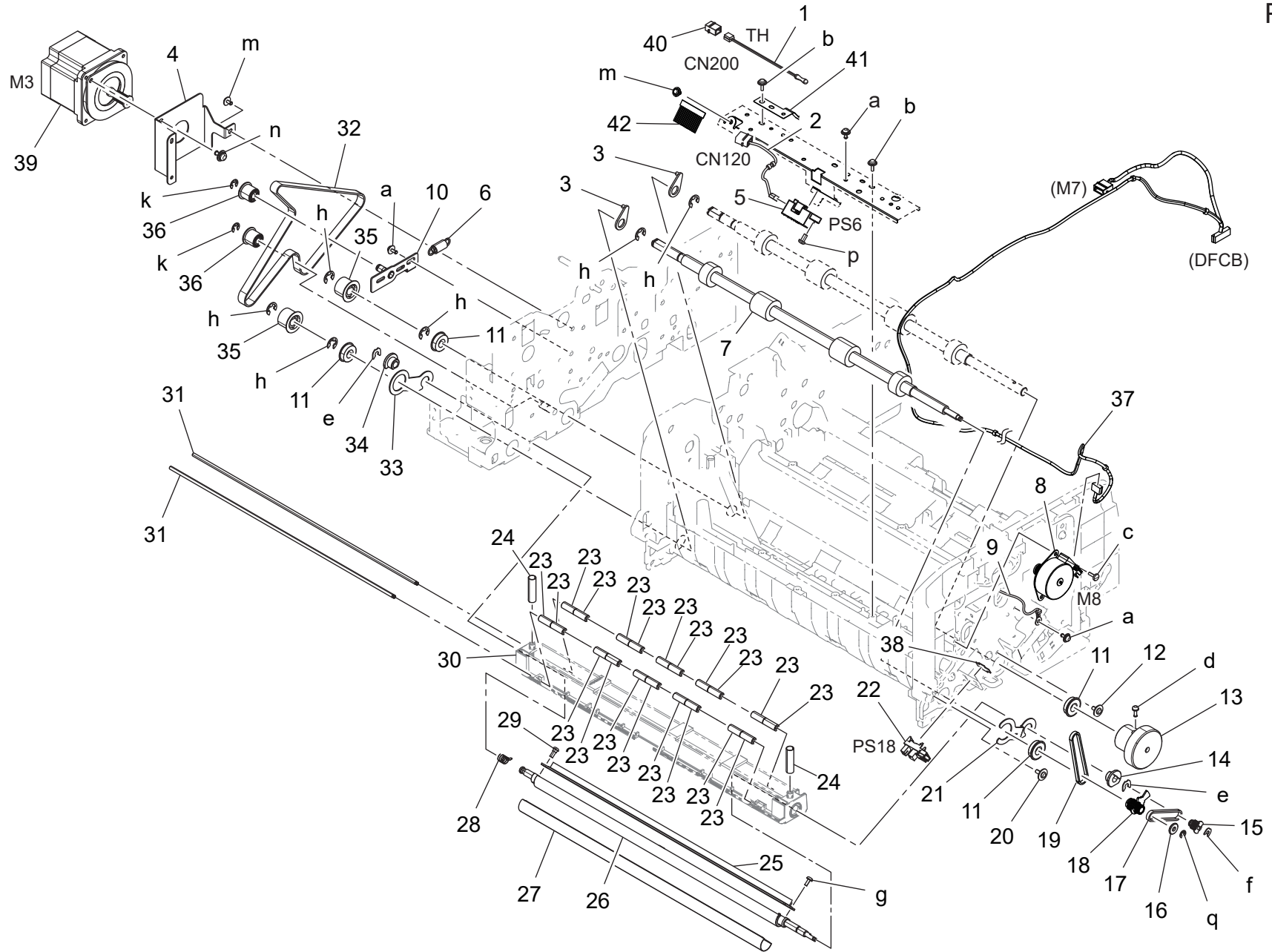


| Key | Part No. | Description | Destinations | Class | QTY | Standard parts |
|-----|------------|---------------------|--------------|-------|-----|--|
| 1 | AAMP100100 | Guide | | D | 1 | a-V217050003 b-V144030603 c-V153031003 d-V234201450 e-V218030086 f-V147030803 |
| 2 | 4131253701 | BUSHING | | C | 2 | |
| 3 | AAMP260700 | Support Shaft | | D | 1 | |
| 4 | A782100001 | Guide | | D | 1 | |
| 5 | A782116801 | Guide | | C | 1 | |
| 6 | A3CK272600 | Shoulder screw | | C | 8 | |
| 7 | A3CK272001 | Lever | | C | 4 | |
| 8 | AAMP268700 | Holding Spring | | C | 2 | |
| 9 | AAMP269600 | Lever | | C | 2 | |
| 10 | AAMP100801 | Torsion Coil spring | | C | 1 | |
| 11 | AAMP272900 | Roll | | C | 4 | |
| 12 | AAMP268600 | Holding Spring | | C | 2 | |
| 13 | A782100400 | Guide /2 | | C | 1 | |
| 14 | A782100301 | Guide /1 | | C | 1 | |
| 15 | AAMP296700 | Reinforce Plate | | D | 1 | |
| 16 | A782100501 | Guide /3 | | C | 1 | |
| 17 | A782100600 | Guide /4 | | C | 1 | |
| 18 | A782100701 | Torsion Coil spring | | C | 1 | |
| 19 | A782100200 | Reinforce Plate | | D | 1 | |
| | | | | | | |
| | | | | | | |
| | | | | | | |
| | | | | | | |
| | | | | | | |
| | | | | | | |
| | | | | | | |
| | | | | | | |
| | | | | | | |
| | | | | | | |
| | | | | | | |

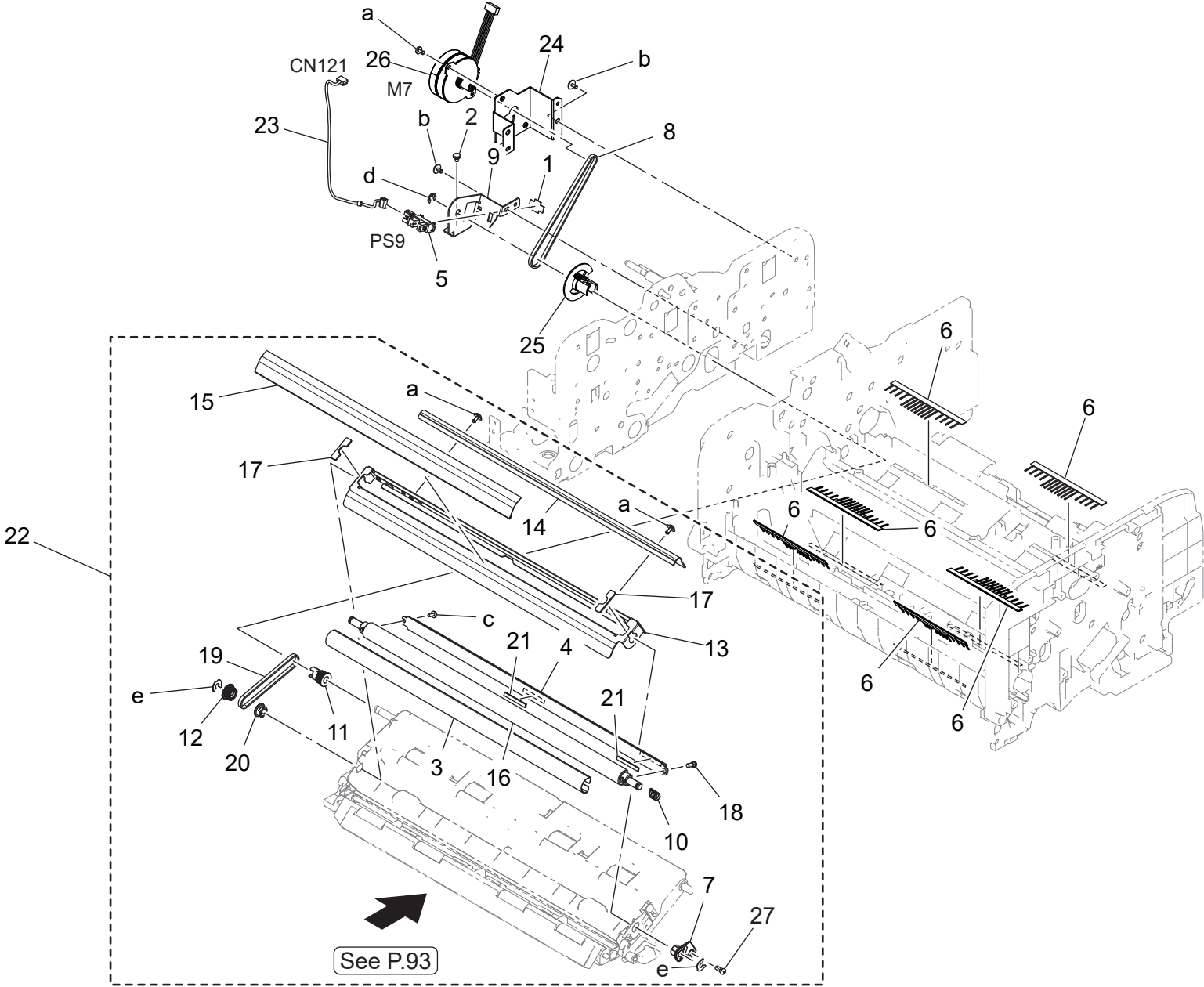


| Key | Part No. | Description | Destinations | Class | QTY | Standard parts |
|-----|------------|---------------------------|--------------|-------|-----|----------------|
| 1 | AAMP70100 | CIS ASSY | | I | 1 | a-V116030803 |
| 2 | A782N10900 | ADF Wiring /10 | | D | 1 | |
| 3 | A782116301 | Wiring Cover | | C | 1 | |
| 4 | A3CKH00200 | PWB Assembly(PWB-DC Assy) | | I | 1 | |
| 5 | A782116201 | Plate | | D | 1 | |
| 6 | A782N12001 | ADF Cable | | D | 1 | |
| 7 | A782N12200 | ADF Wiring /40 | | D | 1 | |
| | | | | | | |
| | | | | | | |
| | | | | | | |
| | | | | | | |
| | | | | | | |
| | | | | | | |
| | | | | | | |
| | | | | | | |
| | | | | | | |
| | | | | | | |
| | | | | | | |
| | | | | | | |
| | | | | | | |
| | | | | | | |
| | | | | | | |
| | | | | | | |
| | | | | | | |
| | | | | | | |
| | | | | | | |
| | | | | | | |

Dual scan document feeder (DF-713)

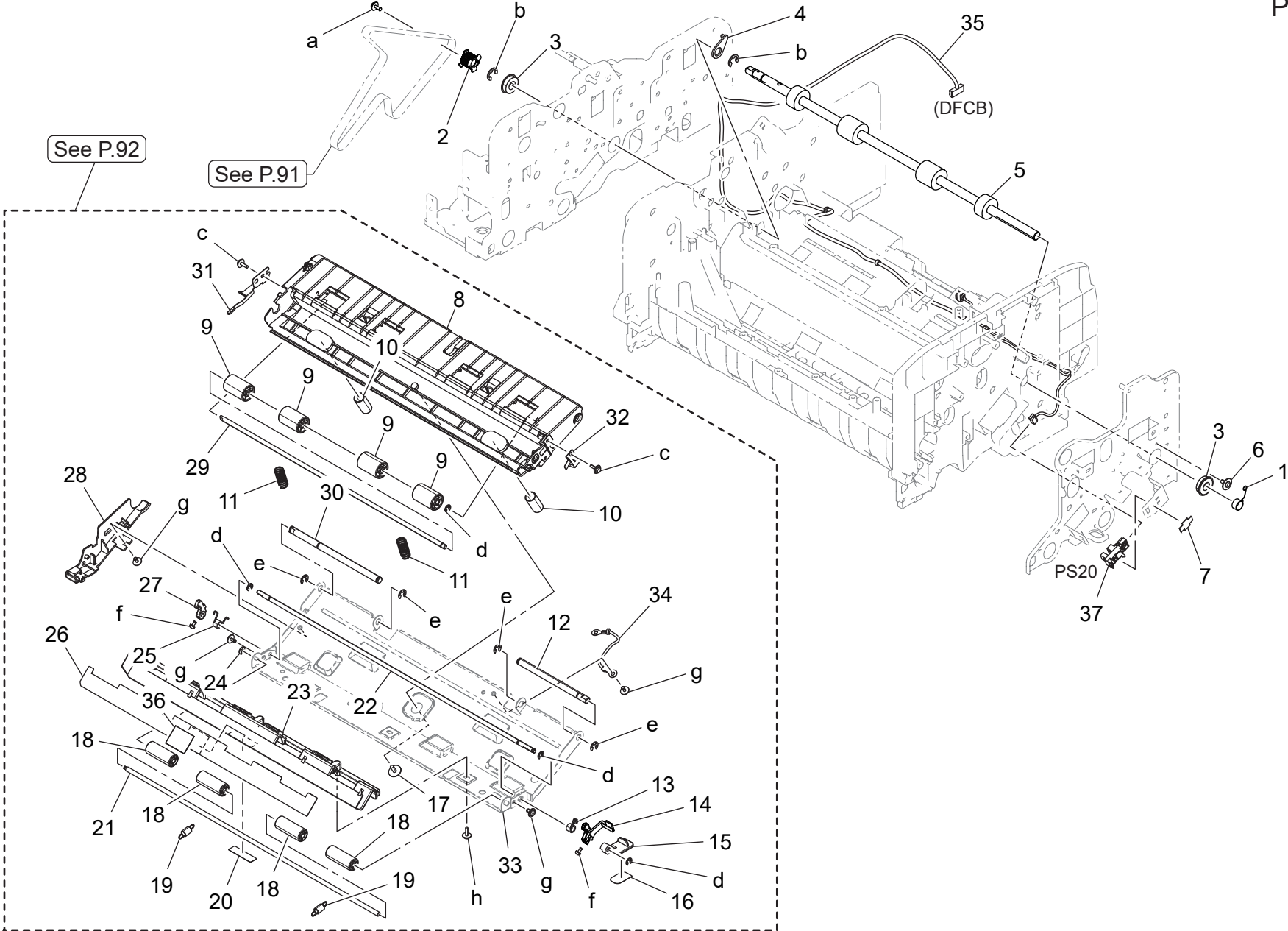


| Key | Part No. | Description | Destinations | Class | QTY | Standard parts |
|-----|------------|-------------------------|--------------|-------|-----|----------------|
| 1 | A0P0M50300 | Thermistor | | C | 1 | a-V116030803 |
| 2 | A782N12300 | ADF Wiring /50 | | D | 1 | b-V153030803 |
| 3 | A782115700 | Washer /1 | | C | 2 | c-V149030803 |
| 4 | A782212300 | Mounting Plate | | D | 1 | d-V115030803 |
| 5 | A85GM50000 | Photorelector | | C | 1 | e-V218040086 |
| 6 | AAMP215700 | Pulling Coil spring | | C | 1 | f-V218030086 |
| 7 | AAMP102900 | Roller | | C | 1 | g-V145030603 |
| 8 | AAMP10200 | Stepping Motor | | C | 1 | h-V217060003 |
| 9 | A782N12600 | ADF Wiring /A | | D | 1 | k-V217040003 |
| 10 | A782231000 | Tension Plate | | D | 1 | m-V144030603 |
| 11 | A00V240600 | Ball Bearing | | B | 4 | n-V116040803 |
| 12 | A782117900 | Shoulder screw | | C | 1 | p-V126030803 |
| 13 | A782118300 | Weight | | D | 1 | q-V217030003 |
| 14 | A782263801 | Bushing | | C | 1 | |
| 15 | A782262900 | Pulley 14T | | C | 1 | |
| 16 | A0HU250500 | Flange | | D | 1 | |
| 17 | A782263000 | Belt 100L | | C | 1 | |
| 18 | AAMP269800 | Pulley 14/17T | | C | 1 | |
| 19 | AAMP268900 | Timing belt 132L | | C | 1 | |
| 20 | A782118000 | Shoulder screw | | C | 1 | |
| 21 | A782262200 | Arm | | D | 1 | |
| 22 | A5C1M50100 | Photointerrupter | | B | 1 | |
| 23 | A782262800 | Roll | | C | 20 | |
| 24 | A782263300 | Compressing Coil spring | | C | 2 | |
| 25 | A3CK300200 | Brush | | C | 1 | |
| 26 | A782262501 | Shaft | | D | 1 | |
| 27 | A782264501 | Sheet | | C | 1 | |
| 28 | A782264300 | Spring | | D | 1 | |
| 29 | A782269200 | Shoulder screw | | C | 1 | |
| 30 | A782262101 | Guide | | C | 1 | |
| 31 | A782262700 | Shaft | | D | 2 | |
| 32 | AAMP213300 | Timing belt 456L | | C | 1 | |
| 33 | A782262300 | Arm | | D | 1 | |
| 34 | A782263700 | Bushing | | C | 1 | |
| 35 | AAMP213100 | Pulley 21T | | C | 2 | |
| 36 | A782230700 | Pulley | | C | 2 | |
| 37 | AAMPN10502 | ADF Harness /6 | | D | 1 | |
| 38 | 4470402401 | Stopper | | D | 1 | |
| 39 | A782M10000 | Stepping motor | | C | 1 | |
| 40 | V651010034 | Connector | | V | 1 | |
| 41 | AAMP290100 | Ground Plate spring | | D | 1 | |
| 42 | A782705600 | Neutralizing Brush /1 | | D | 1 | |
| | | | | | | |
| | | | | | | |



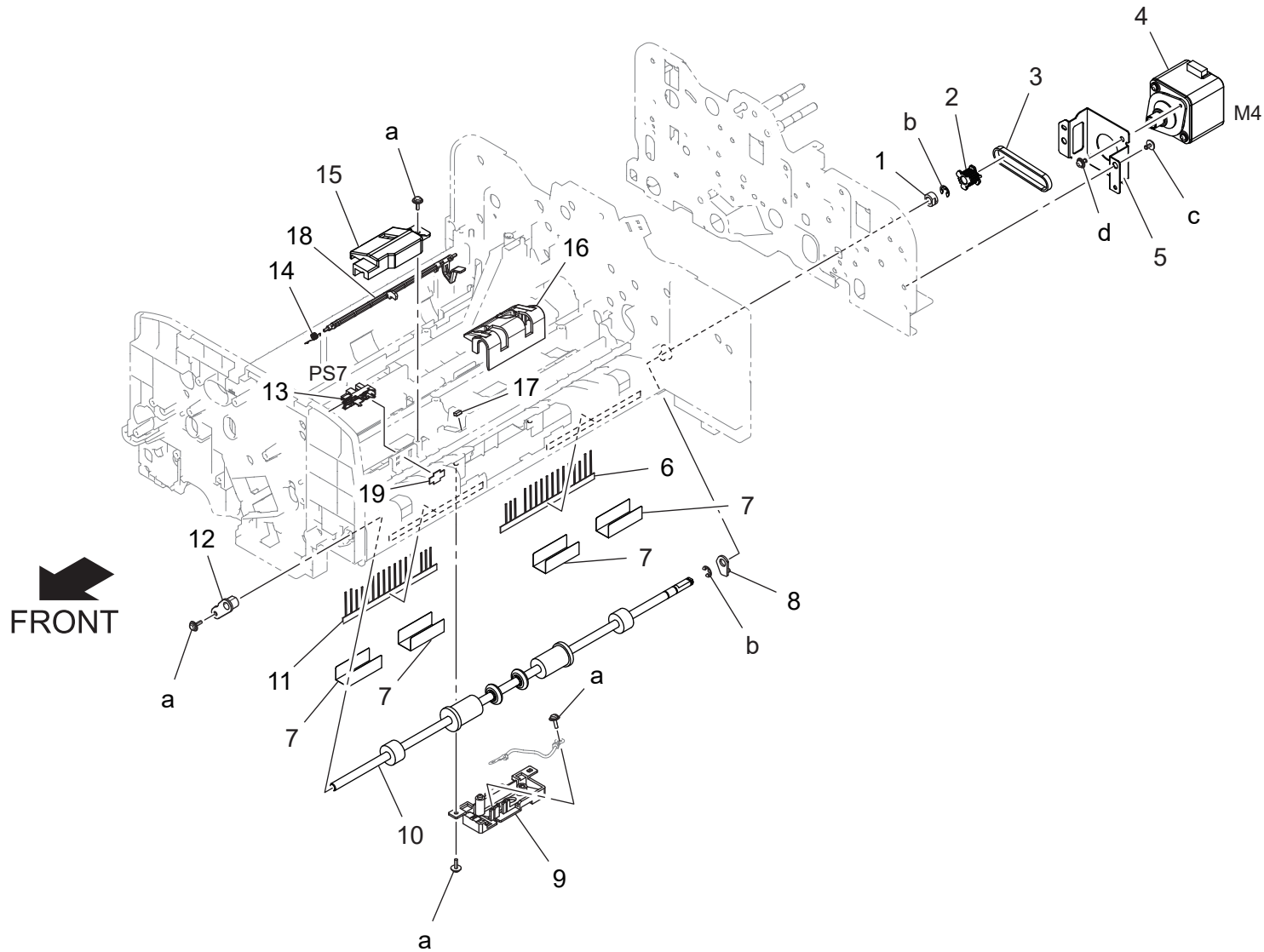
| Key | Part No. | Description | Destinations | Class | QTY | Standard parts |
|-----|------------|--------------------|--------------|-------|-----|--|
| 1 | 4470402401 | Stopper | | D | 1 | a-V143030603 b-V144030603 c-V145030603 d-V217040003 e-V218040086 |
| 2 | A0P0742300 | Shoulder screw | | C | 1 | |
| 3 | A3CK300102 | Sheet | | C | 1 | |
| 4 | A3CK300200 | Brush | | C | 1 | |
| 5 | A5C1M50100 | Photointerrupter | | B | 1 | |
| 6 | A782104301 | Neutralizing Brush | | D | 6 | |
| 7 | A782263212 | Bushing | | C | 1 | |
| 8 | A782264000 | Belt 230L | | C | 1 | |
| 9 | A782264202 | Mounting Plate | | D | 1 | |
| 10 | A782264300 | Spring | | D | 1 | |
| 11 | A782264600 | Pulley T18 | | C | 1 | |
| 12 | A782264700 | Pulley /2 T18 | | C | 1 | |
| 13 | A782264800 | Housing | | D | 1 | |
| 14 | A782265201 | Mounting Plate | | D | 1 | |
| 15 | A782265300 | Sheet /1 | | D | 1 | |
| 16 | A782268301 | Shaft | | D | 1 | |
| 17 | A782268500 | Spacer | | D | 2 | |
| 18 | A782269200 | Shoulder screw | | C | 1 | |
| 19 | A782269300 | Belt 154L | | C | 1 | |
| 20 | A782269500 | Bushing | | C | 1 | |
| 21 | A782562101 | Cushion | | C | 2 | |
| 22 | AAMP70600 | CIS Cleaning ASSY | | S | 1 | |
| 23 | A782N12400 | ADF Wiring /60 | | D | 1 | |
| 24 | AAMP264100 | Mounting Plate | | D | 1 | |
| 25 | AAMP264400 | Pulley 21T | | C | 1 | |
| 26 | AAMP10300 | Stepping Motor | | C | 1 | |
| 27 | AAMP273000 | Shoulder screw | | C | 1 | |
| | | | | | | |
| | | | | | | |
| | | | | | | |
| | | | | | | |
| | | | | | | |
| | | | | | | |
| | | | | | | |
| | | | | | | |
| | | | | | | |
| | | | | | | |
| | | | | | | |
| | | | | | | |
| | | | | | | |
| | | | | | | |

Dual scan document feeder (DF-713)



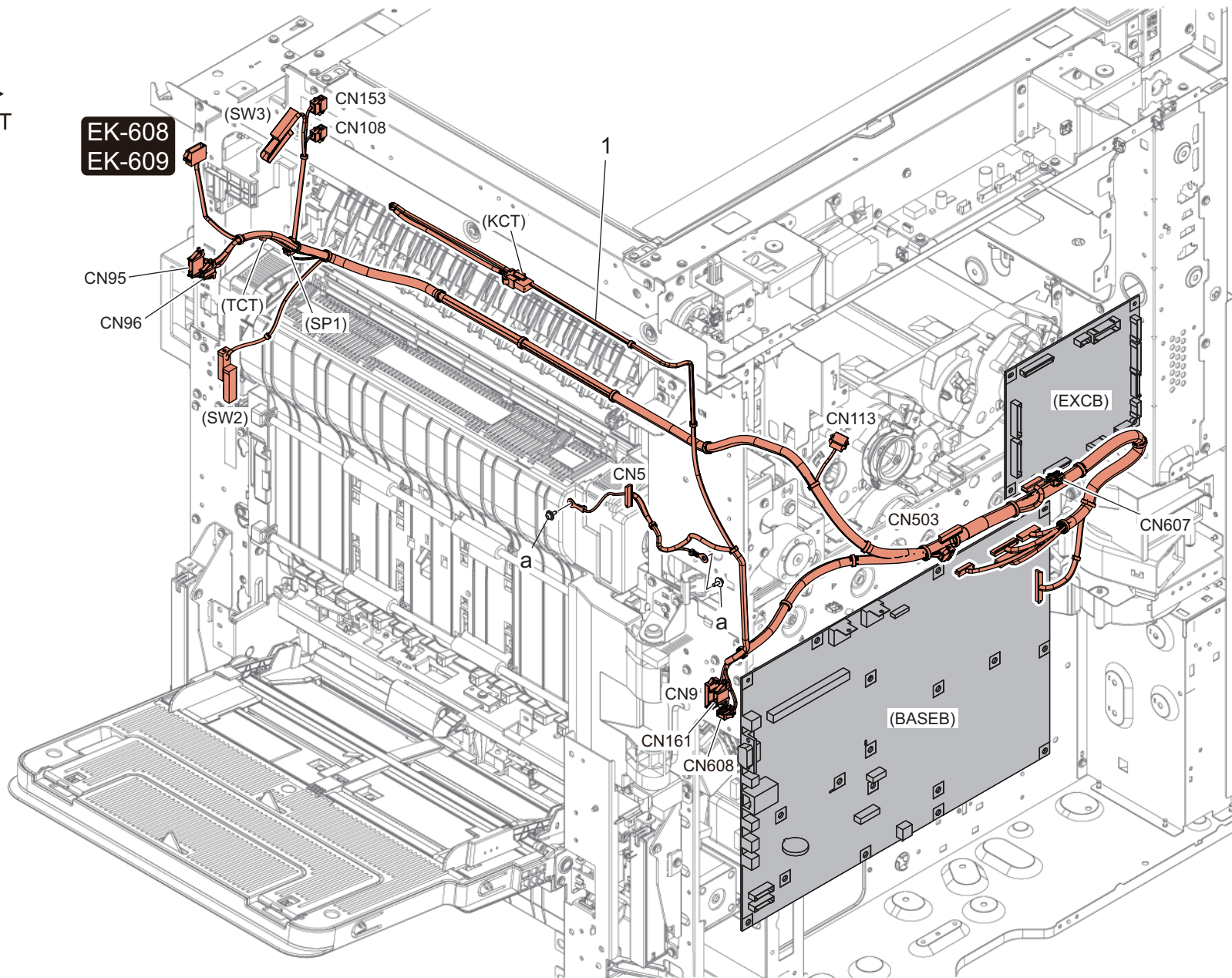
| Key | Part No. | Description | Destinations | Class | QTY | Standard parts |
|-----|------------|--------------------------|--------------|-------|-----|----------------|
| 1 | AAMP290200 | Discharge Spring | | C | 1 | a-V116030803 |
| 2 | AAMP213500 | Pulley 21T | | C | 1 | b-V217060003 |
| 3 | A00V240600 | Ball Bearing | | B | 2 | c-V153030803 |
| 4 | A782115700 | Washer /1 | | C | 1 | d-V217030003 |
| 5 | AAMP115600 | Roller | | C | 1 | e-V217040003 |
| 6 | A782117900 | Shoulder screw | | C | 1 | f-V115260503 |
| 7 | 4470402401 | Stopper | | D | 1 | g-V144030603 |
| 8 | A782265102 | Conveyance Guide | | D | 1 | h-V149030803 |
| 9 | A782563800 | Idling Roller | | C | 4 | |
| 10 | A782265700 | Compressing Coil spring | | C | 2 | |
| 11 | A782265600 | Compressing Coil | | C | 2 | |
| 12 | A782266000 | Open/close Shaft /Front | | D | 1 | |
| 13 | A782266900 | Open/close Spring /Left | | D | 1 | |
| 14 | A782266502 | Lock Part /Front | | D | 1 | |
| 15 | A108266300 | Lock Lever | | C | 1 | |
| 16 | A3CK940000 | Label | | C | 1 | |
| 17 | 4163529301 | SCREW | | C | 1 | |
| 18 | A782266200 | Roll | | C | 4 | |
| 19 | A782267200 | Pulling Coil spring /3 | | C | 2 | |
| 20 | A782940300 | Cover Film | | C | 1 | |
| 21 | A782266401 | Shaft | | D | 1 | |
| 22 | A782266800 | Open/close Shaft | | D | 1 | |
| 23 | A782266300 | Guide | | D | 1 | |
| 24 | A782103600 | Slide Stopper | | C | 1 | |
| 25 | A782267000 | Open/close Spring /Right | | D | 1 | |
| 26 | A782117700 | Conveyance Guide | | D | 1 | |
| 27 | A782266601 | Lock Part /Rear | | D | 1 | |
| 28 | A782267100 | Cover | | D | 1 | |
| 29 | A782268201 | Shaft | | D | 1 | |
| 30 | A782266100 | Shaft | | D | 1 | |
| 31 | A782268001 | Plate spring | | D | 1 | |
| 32 | A782266700 | Ground Plate spring | | D | 1 | |
| 33 | A782265800 | Cover /1 | | D | 1 | |
| 34 | A782N11800 | ADF Wiring /19 | | D | 1 | |
| 35 | A782N10700 | ADF Wiring /8 | | D | 1 | |
| 36 | A782117800 | Guide /Middle | | D | 1 | |
| 37 | A5C1M50100 | Photointerrupter | | B | 1 | |
| | | | | | | |
| | | | | | | |
| | | | | | | |

Dual scan document feeder (DF-713)



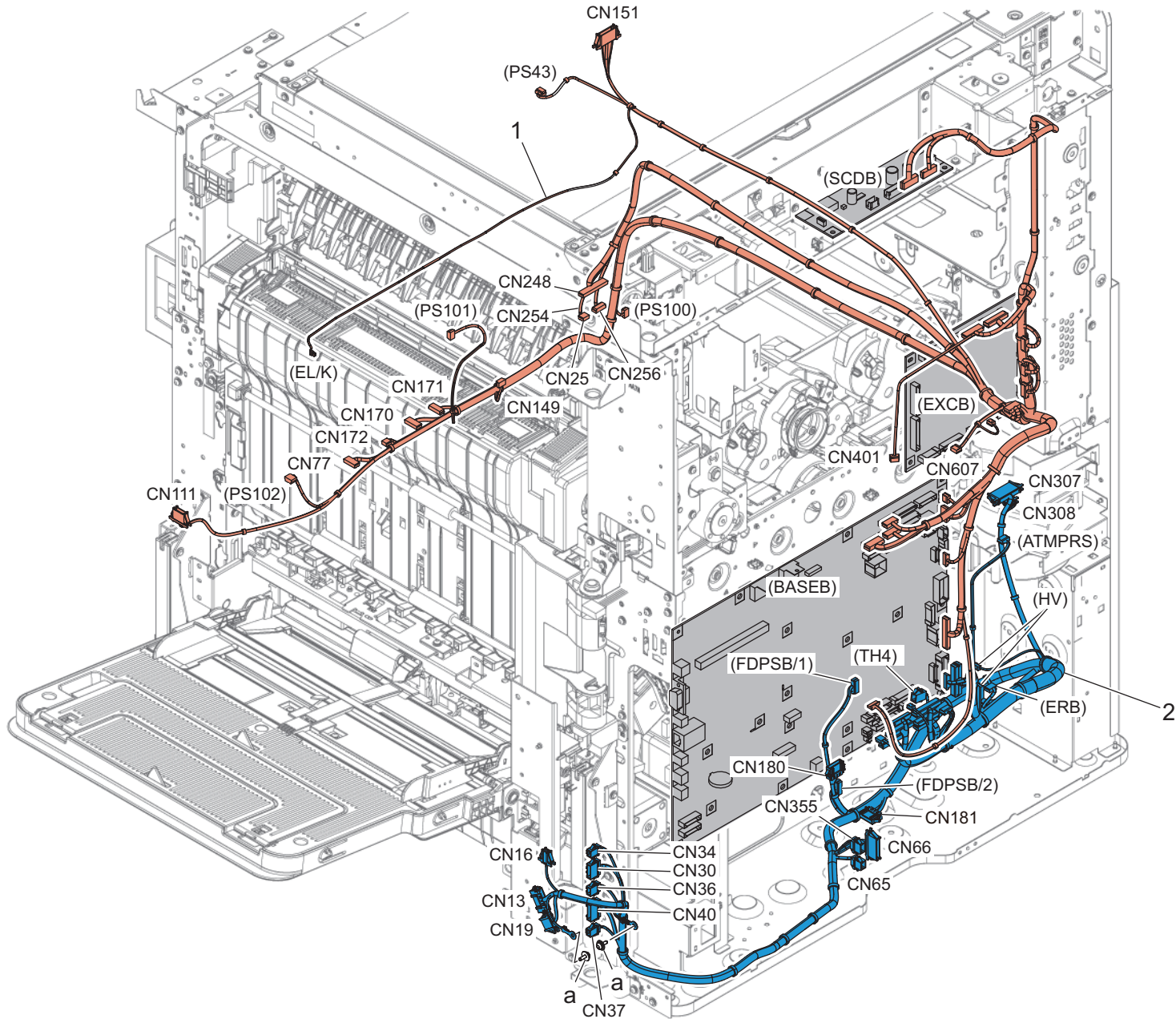
| Key | Part No. | Description | Destinations | Class | QTY | Standard parts |
|-----|------------|-----------------------|--------------|-------|-----|--|
| 1 | 4131253701 | BUSHING | | C | 1 | a-V153030803 b-V217040003 c-V144030603 d-V116030603 |
| 2 | AAMP210800 | Pulley 19T | | C | 1 | |
| 3 | A782569900 | Timing belt 128L | | C | 1 | |
| 4 | A2X0M10800 | Stepping motor | | C | 1 | |
| 5 | AAMP212500 | Mounting Plate | | D | 1 | |
| 6 | A782891600 | Neutralizing Brush /2 | | C | 1 | |
| 7 | AAMP891700 | Wiring Cover | | D | 4 | |
| 8 | A782115800 | Paper exit Washer | | C | 1 | |
| 9 | A782890711 | Mounting Pedestal | | D | 1 | |
| 10 | AAMP890000 | Paper exit Roller | | C | 1 | |
| 11 | A782891500 | Neutralizing Brush /1 | | C | 1 | |
| 12 | A782103200 | Bushing | | C | 1 | |
| 13 | A5C1M50100 | Photointerrupter | | B | 1 | |
| 14 | A782101900 | Paper exit Spring | | C | 1 | |
| 15 | AAMP890600 | Sensor Cover | | D | 1 | |
| 16 | A782890111 | Paper exit Cover | | D | 1 | |
| 17 | A782104500 | Cushion | | C | 1 | |
| 18 | A782890200 | Paper exit Actuator | | C | 1 | |
| 19 | 4470402401 | Stopper | | D | 1 | |
| | | | | | | |
| | | | | | | |
| | | | | | | |
| | | | | | | |
| | | | | | | |
| | | | | | | |
| | | | | | | |
| | | | | | | |
| | | | | | | |
| | | | | | | |
| | | | | | | |
| | | | | | | |

Wiring



| Key | Part No. | Description | Destinations | Class | QTY | Standard parts |
|-----|------------|---|--------------|-------|-----|----------------|
| 1 | AA7NN10A01 | Main Body Harness /1 本体束線 / 1 (High) | | D | 1 | a-V125030803 |
| | | | | | | |
| | | | | | | |
| | | | | | | |
| | | | | | | |
| | | | | | | |
| | | | | | | |
| | | | | | | |
| | | | | | | |
| | | | | | | |
| | | | | | | |
| | | | | | | |

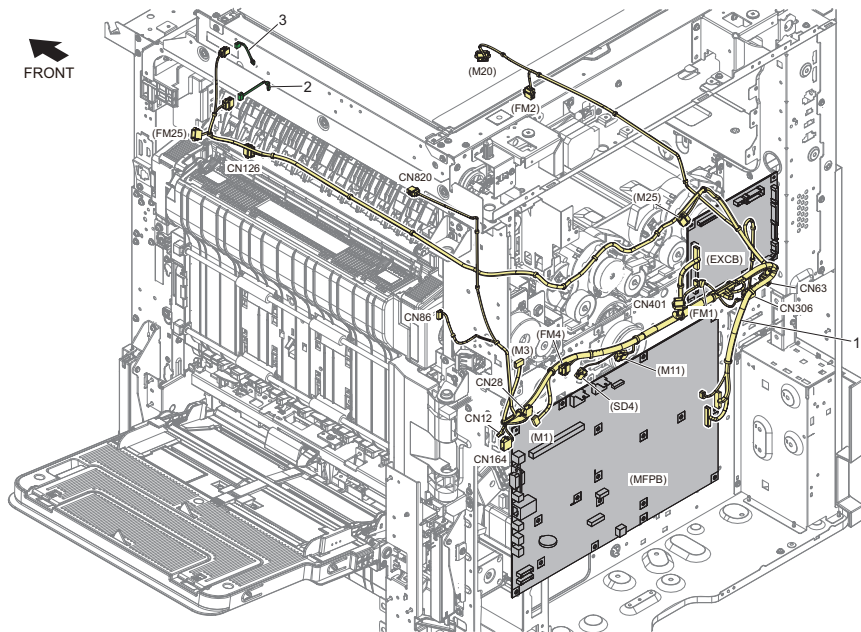
Wiring



| Key | Part No. | Description | Destinations | Class | QTY | Standard parts |
|-----|------------|----------------------|--------------|-------|-----|----------------|
| 1 | ACV7N10B01 | Main Body Harness /2 | | D | 1 | a-V125030803 |
| 2 | ACV7N10C00 | Main Body Harness /3 | | D | 1 | |
| | | | | | | |
| | | | | | | |
| | | | | | | |
| | | | | | | |
| | | | | | | |
| | | | | | | |
| | | | | | | |
| | | | | | | |
| | | | | | | |
| | | | | | | |
| | | | | | | |
| | | | | | | |
| | | | | | | |
| | | | | | | |
| | | | | | | |
| | | | | | | |
| | | | | | | |
| | | | | | | |
| | | | | | | |
| | | | | | | |
| | | | | | | |
| | | | | | | |
| | | | | | | |
| | | | | | | |
| | | | | | | |
| | | | | | | |

Wiring

FRONT
←



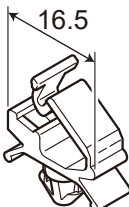

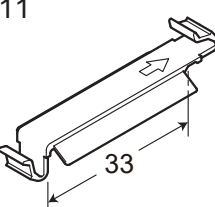
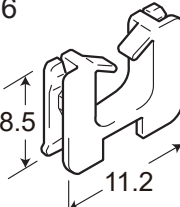
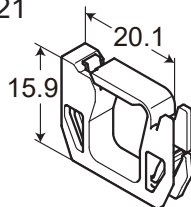
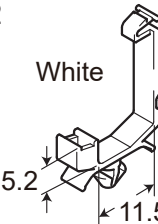
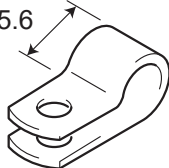
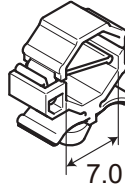

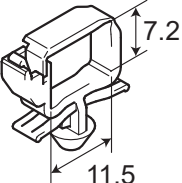
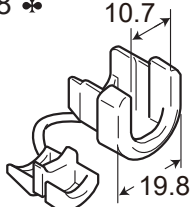
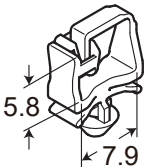
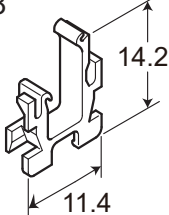
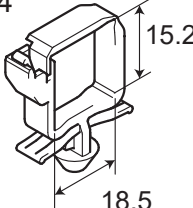
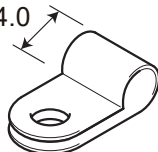
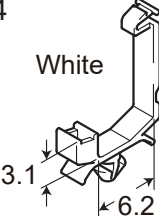
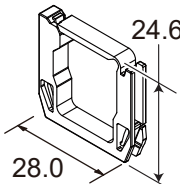
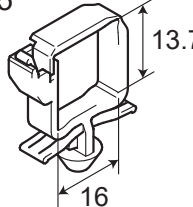
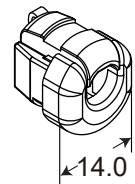
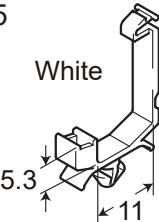
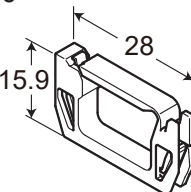
P 97



| Key | Part No. | Description | Destinations | Class | QTY | Standard parts |
|-----|------------|------------------|--------------|-------|-----|----------------|
| 1 | ACV7N10D01 | Drive Harness /1 | | D | 1 | |
| 2 | A9UVN14101 | Drive Wiring /4 | | D | 1 | |
| 3 | ACKNN14100 | Drive Harness /5 | | D | 1 | |
| | | | | | | |
| | | | | | | |
| | | | | | | |
| | | | | | | |
| | | | | | | |
| | | | | | | |
| | | | | | | |

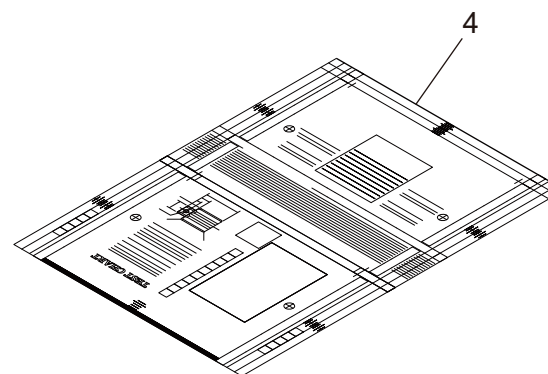
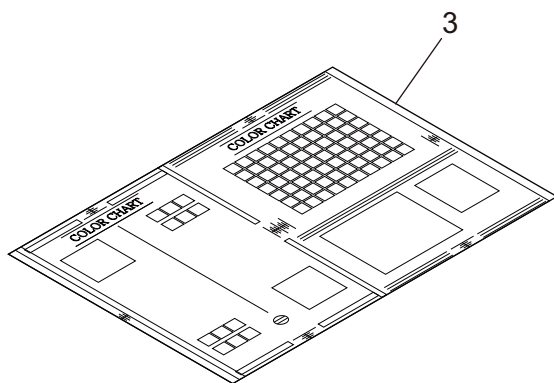
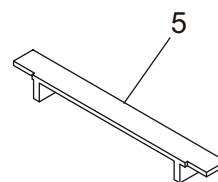
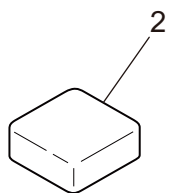
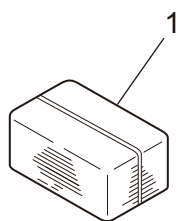
Wiring Accessories

P 98

| | | | | | | | |
|---|--|--|--|---|----|----|----|
| 1  | 6  | 11  | 16  | 21  | 26 | 31 | 36 |
| 2 White  | 7 ϕ 5.6  | 12  | 17  | 22 | 27 | 32 | 37 |
| 3  | 8 ♣  | 13  | 18  | 23 | 28 | 33 | 38 |
| 4  | 9  | 14 White  | 19  | 24 | 29 | 34 | 39 |
| 5  | 10 ♣  | 15 White  | 20  | 25 | 30 | 35 | 40 |

bizhub 750i

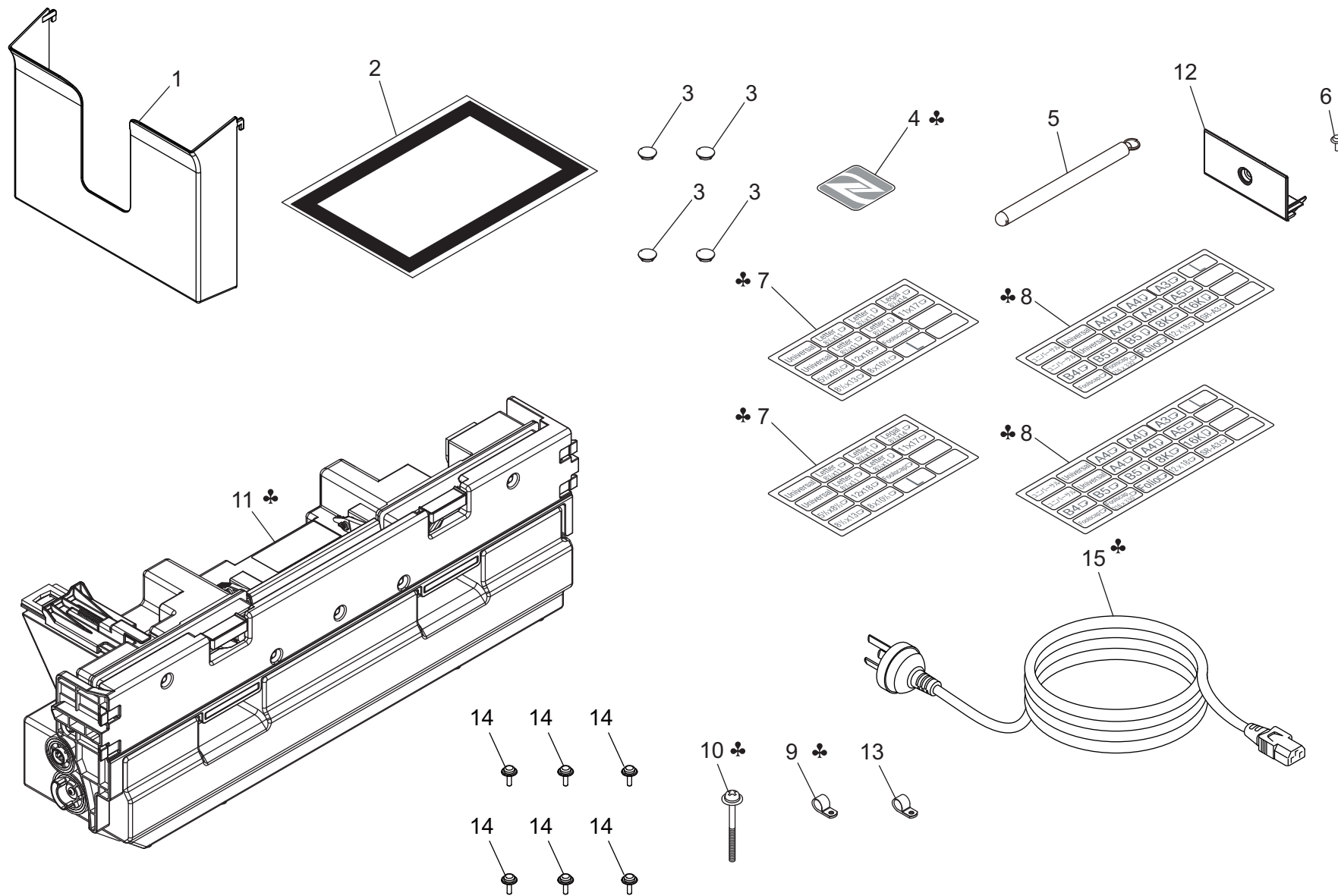
| Key | Part No. | Description | Destinations | Class | QTY | Standard parts |
|-----|------------|--------------------------|--------------|-------|-----|----------------|
| 1 | V500010061 | saddle | | D | | |
| 2 | V500010081 | Locking Wire Saddle | | D | | |
| 3 | V500010082 | Locking Wire Saddle | | D | | |
| 4 | V500010083 | Locking Wire Saddle | | D | | |
| 5 | V500010084 | Locking Wire Saddle | | D | | |
| 6 | V500010085 | Locking Wire Saddle | | D | | |
| 7 | V500020018 | clamp | | D | | |
| 8 | V500020052 | bushing | B,G2 | D | | |
| 9 | V500020069 | Clamp | | D | | |
| 10 | V500020073 | bushing | A | D | 1 | |
| 11 | V500020082 | Clamping for FFC | | D | | |
| 12 | V500020094 | FG Clamp | | D | | |
| 13 | V500020098 | Mini Locking wire saddle | | D | | |
| 14 | V500020099 | Mini Locking wire saddle | | D | | |
| 15 | V500020100 | Mini Locking wire saddle | | D | | |
| 16 | V570010021 | Saddle | | D | | |
| 17 | V570010048 | SADDLE | | D | | |
| 18 | V570010050 | Locking Edge Saddle | | D | | |
| 19 | V570010057 | Wing Edge Saddle | | D | | |
| 20 | V570010059 | Wing Edge Saddle | | D | | |
| 21 | V570010060 | Wing Edge Saddle | | D | | |
| | | | | | | |
| | | | | | | |
| | | | | | | |
| | | | | | | |
| | | | | | | |
| | | | | | | |
| | | | | | | |
| | | | | | | |
| | | | | | | |
| | | | | | | |



| Key | Part No. | Description | Destinations | Class | QTY | Standard parts |
|-----|------------|---------------------|--------------|-------|-----|----------------|
| 1 | A5AWP00100 | Cleaning Pad | | S | 1 | |
| 2 | 65AA-9920 | HYDROWIPE | | S | 1 | |
| 3 | 9J06PJP100 | Color chart/A3 size | | S | 1 | |
| 4 | A79JPJP000 | Test chart/A3 size | | S | 1 | |
| 5 | A79JPJG000 | Jig | | S | 1 | |
| | | | | | | |
| | | | | | | |
| | | | | | | |
| | | | | | | |
| | | | | | | |
| | | | | | | |
| | | | | | | |
| | | | | | | |

Accessory Parts

P 100



Accessory Parts

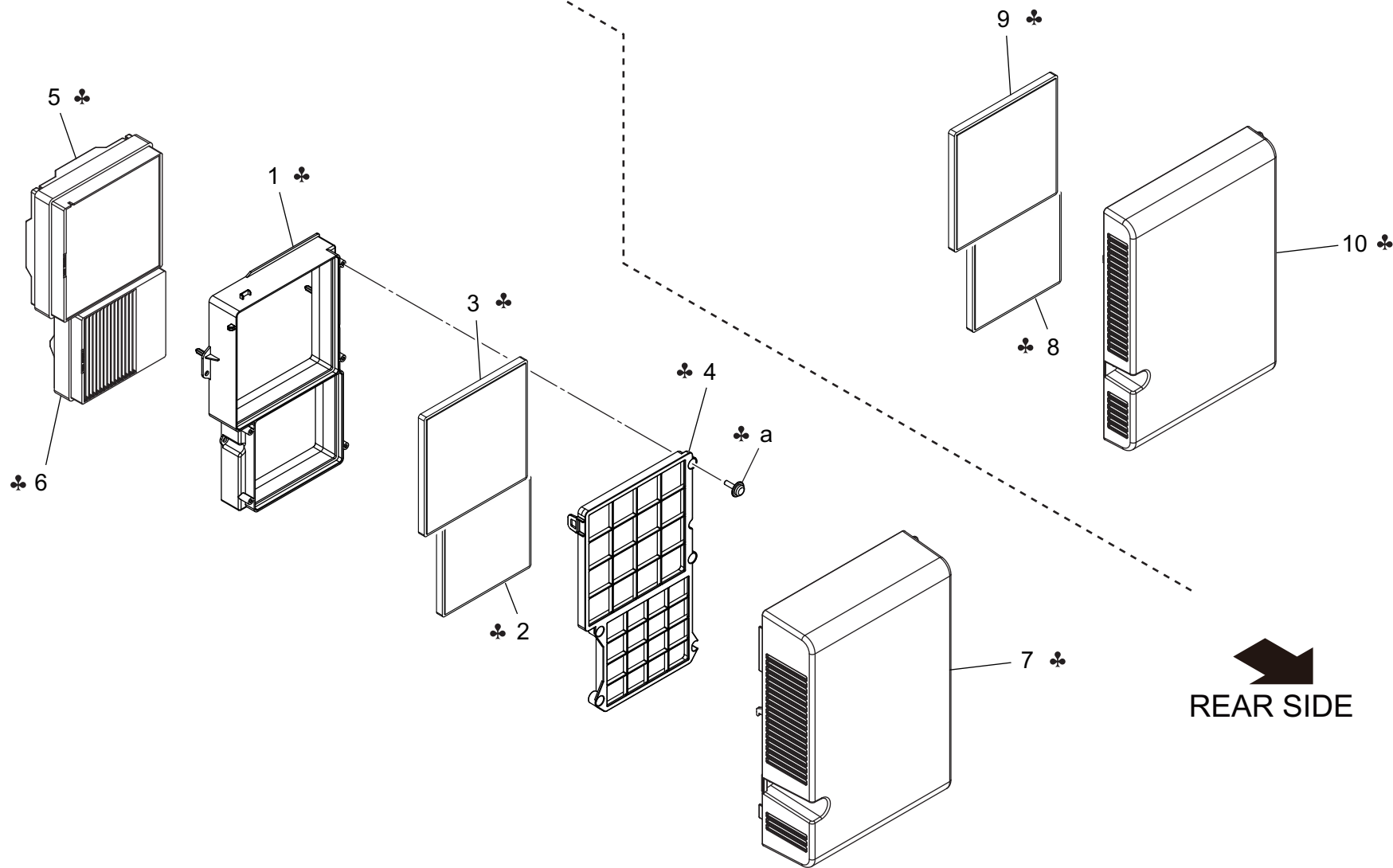
| Key | Part No. | Description | Destinations | Class | QTY | Standard parts |
|-----|------------|-------------------------|--------------------------------|---------------------------|-----|----------------|
| 1 | A7PU169900 | Holder | | C | 1 | |
| 2 | A782945003 | Adjusting Sheet | | S | 1 | |
| 3 | A00J169100 | Cover | | D | 4 | |
| 4 | AA2J948600 | Label | B,C,D1,D3,E,F2,G1,G 2,I,K,J | D | 1 | |
| 5 | A5C1192104 | Pen | | C | 1 | |
| 6 | V127030804 | Screw | T P ねじ・座付なべ小ねじ・先端丸形 | V | 1 | |
| 7 | A161943400 | Label Paper Size/Inch | ラベル 集合ラベル I | C | 2 | |
| 8 | A161943301 | Label Paper Size/Metric | ラベル 集合ラベル M | C | 2 | |
| 9 | V500020040 | clamp | ナイロンクランプ | D | 1 | |
| 10 | V116033003 | Screw | なべ小ねじ・セムス 2 | V | 1 | |
| 11 | AD1Y0Y1 | Waste Toner Box | 廃棄トナーボックス (BK) | A,B,G2 | 1 | |
| 11 | AD1YWY1 | Waste Toner Box | 廃棄トナーボックス (BK) | C,D1,D3,E,F2,G1,I,K ,J | A | |
| 12 | ACKN170500 | Read Cover /Left | 読取カバー/左 (小蓋) | D | 1 | |
| 13 | V500020080 | Nylon Clamp | ナイロンクランプ | D | 1 | |
| 14 | V153031004 | screw | カップ頭タッピンねじ B タイト | V | 6 | |
| 15 | 9381430031 | POWER CORD | プラグ付電源コード | J | 1 | |
| | | | | | | |
| | | | | | | |
| | | | | | | |
| | | | | | | |
| | | | | | | |
| | | | | | | |
| | | | | | | |
| | | | | | | |
| | | | | | | |
| | | | | | | |
| | | | | | | |
| | | | | | | |
| | | | | | | |

Accessory Parts

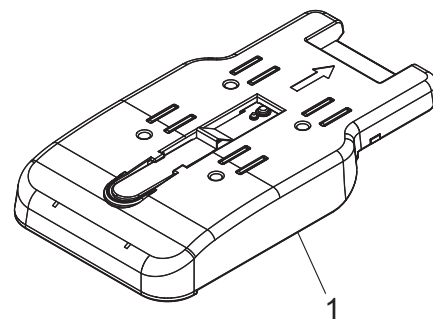
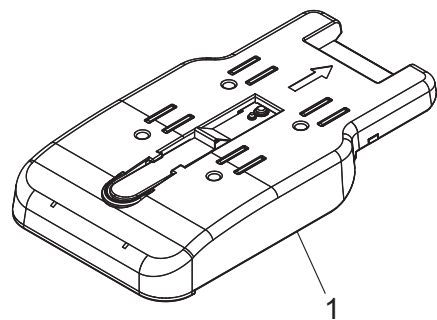
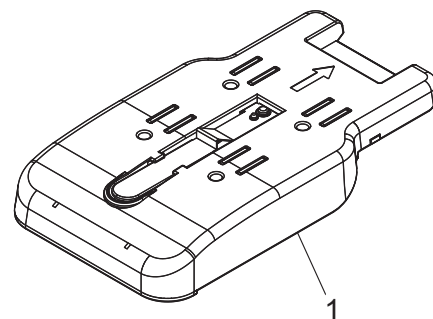
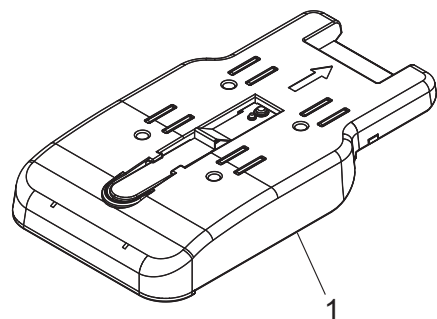
P 101

Area Europe/Japan

Area except Europe/Japan



| Key | Part No. | Description | Destinations | Class | QTY | Standard parts |
|-----|------------|-----------------------------|--------------------------|-------|-----|----------------|
| 1 | A79J143300 | Duct ダクト | A,C,G1,I(South Africa) | D | 1 | a-V153030803 |
| 2 | A79J149200 | Filter フィルタ (活性炭 B) | A,C,G1,I(South Africa) | C | 1 | |
| 3 | A79J149300 | Filter フィルタ (活性炭 P) | A,C,G1,I(South Africa) | C | 1 | |
| 4 | A79J168200 | Cover カバー | A,C,G1,I(South Africa) | D | 1 | |
| 5 | ACKN142800 | Filter フィルタ (UFP __ Sub) | A,C,G1,I(South Africa) | C | 1 | |
| 6 | ACKN142900 | Filter フィルタ (UFP) | A,C,G1,I(South Africa) | C | 1 | |
| 7 | ACKN168700 | Cover カバー | A,C,G1,I(South Africa) | D | 1 | |
| 8 | A79J149200 | Filter フィルタ (活性炭 B) | B,D1,D3,E,F2,G1,I,K | C | 1 | |
| 9 | A79J149300 | Filter フィルタ (活性炭 P) | B,D1,D3,E,F2,G1,I,K | C | 1 | |
| 10 | ACKN168600 | Cover カバー | B,D1,D3,E,F2,G1,I,K J | D | 1 | |
| | | | | | | |
| | | | | | | |
| | | | | | | |
| | | | | | | |
| | | | | | | |
| | | | | | | |
| | | | | | | |
| | | | | | | |
| | | | | | | |



MAINTENANCE LIST

● The items with no Page/Key numbers are not handled as spare parts.

| No. | Section | PM Parts Description | Maintenance Cycle (K=1,000) | | Parts No. | Destinations | Page/Key | Note |
|-----|---------------------------|---|-----------------------------|---------|------------|--------------|----------|--------|
| | | | QTY | Replace | | | | |
| 1 | Tray 1 | Tray 1 pick-up roller | 1 | 300K | A64J564201 | | P19-20 | *1, *2 |
| 2 | | Tray 1 feed roller | 1 | 300K | A64J564101 | | P19-13 | *1, *2 |
| 3 | | Tray 1 separation roller | 1 | 300K | AA2J560000 | | P20-6 | *1, *2 |
| 4 | Tray 2 | Tray 2 pick-up roller | 1 | 300K | A64J564201 | | P21-18 | *1, *2 |
| 5 | | Tray 2 feed roller | 1 | 300K | A64J564101 | | P21-12 | *1, *2 |
| 6 | | Tray 2 separation roller | 1 | 300K | AA2J560000 | | P22-6 | *1, *2 |
| 7 | Tray 3 | Tray 3 pick-up roller | 1 | 300K | A64J564201 | | P70-6 | *1, *2 |
| 8 | | Tray 3 feed roller | 1 | 300K | A64J564101 | | P70-5 | *1, *2 |
| 9 | | Tray 3 separation roller | 1 | 300K | AA2J560000 | | P69-19 | *1, *2 |
| 10 | Tray 4 | Tray 4 pick-up roller | 1 | 300K | A64J564201 | | P72-15 | *1, *2 |
| 11 | | Tray 4 feed roller | 1 | 300K | A64J564101 | | P72-14 | *1, *2 |
| 12 | | Tray 4 separation roller | 1 | 300K | AA2J560000 | | P71-24 | *1, *2 |
| 13 | Manual bypass tray | Bypass pick-up roller | 1 | 200K | A5C1562200 | | P38-17 | *1, *2 |
| 14 | | Manual bypass tray feed roller | 1 | 200K | A00F623201 | | P38-18 | *1, *2 |
| 15 | | Manual bypass tray separation roller assy | 1 | 200K | AA7N591100 | | P39-21 | *1, *2 |
| 16 | Processing section | Toner cartridge/K | 1 | 40K | - | | - | *3 |
| 17 | | Drum unit/K | 1 | 260K | - | | - | *3, *4 |
| 18 | | Developing unit/K | 1 | 1,000K | - | | - | *4 |
| 19 | | Toner filter | 1 | 330K | A161R72811 | | P55-5 | *4 |
| 20 | | Waste toner box | 1 | 44K | AD1Y0Y1 | A,B,G2 | P100-11 | *3, *4 |
| 21 | | Waste toner box | 1 | 44K | AD1YWY1 | C,G1,I | P100-11 | *3, *4 |
| 22 | Image transfer section | Transfer belt unit | 1 | 330K | AC74R70100 | | P17-22 | *4 |
| 23 | | Transfer roller unit | 1 | 1,000K | AA7NR70400 | | P33-4 | *4 |
| 24 | Fusing section | Fusing unit | 1 | 520K | ACKNR70800 | A | P45-7 | *4 |
| 25 | | Fusing unit | 1 | 520K | ACKNR70900 | B,G2 | P45-7 | *4 |
| 27 | | Fusing unit | 1 | 520K | ACKNR71000 | C,G1,I | P45-7 | *4 |
| 28 | Dual scan document feeder | Pick-up roller | 2 | 200K | 9J07330102 | | P87-7 | *1, *2 |
| 29 | | Feed roller | 1 | 200K | A00J563600 | | P87-11 | *1, *2 |
| 30 | | Separation roller | 1 | 200K | 9J07340901 | | P88-4 | *1, *2 |

*1: Life counter value

*2: Replace these parts at the same time.

*3: The parts can be replaced either by user or service engineer.

*4: Field standard yield

* The part names used on this page follow the ones used in the Service Manual and they are occasionally different from those written in other pages.

メンテナンスリスト

● ページ / キーナンバーのないものは、アフターサービス部品ではありません。

| No. | 区分 | PM 部品名称 | サイクル (K=1,000) | | 部品番号 | 仕向地 | 頁 / キー | 備考 |
|-----|------------|------------------|----------------|--------|------------|--------|---------|--------|
| | | | 員数 | 交換 | | | | |
| 1 | トレイ 1 | トレイ 1 ビックアップローラー | 1 | 300K | A64J564201 | | P19-20 | *1, *2 |
| 2 | | トレイ 1 給紙ローラー | 1 | 300K | A64J564101 | | P19-13 | *1, *2 |
| 3 | | トレイ 1 分離ローラー | 1 | 300K | AA2J560000 | | P20-6 | *1, *2 |
| 4 | トレイ 2 | トレイ 2 ビックアップローラー | 1 | 300K | A64J564201 | | P21-18 | *1, *2 |
| 5 | | トレイ 2 給紙ローラー | 1 | 300K | A64J564101 | | P21-12 | *1, *2 |
| 6 | | トレイ 2 分離ローラー | 1 | 300K | AA2J560000 | | P22-6 | *1, *2 |
| 7 | トレイ 3 | トレイ 3 ビックアップローラー | 1 | 300K | A64J564201 | | P70-6 | *1, *2 |
| 8 | | トレイ 3 給紙ローラー | 1 | 300K | A64J564101 | | P70-5 | *1, *2 |
| 9 | | トレイ 3 分離ローラー | 1 | 300K | AA2J560000 | | P69-19 | *1, *2 |
| 10 | トレイ 4 | トレイ 4 ビックアップローラー | 1 | 300K | A64J564201 | | P72-15 | *1, *2 |
| 11 | | トレイ 4 給紙ローラー | 1 | 300K | A64J564101 | | P72-14 | *1, *2 |
| 12 | | トレイ 4 分離ローラー | 1 | 300K | AA2J560000 | | P71-24 | *1, *2 |
| 13 | 手差し | 手差し ビックアップローラー | 1 | 200K | A5C1562200 | | P38-17 | *1, *2 |
| 14 | | 手差し 給紙ローラー | 1 | 200K | A00F623201 | | P38-18 | *1, *2 |
| 15 | | 手差し 分離ローラー Assy | 1 | 200K | AA7N591100 | | P39-21 | *1, *2 |
| 16 | プロセス部 | トナーカートリッジ /K | 1 | 40K | - | | - | *3 |
| 17 | | ドラムユニット /K | 1 | 260K | - | | - | *3, *4 |
| 18 | | 現像ユニット /K | 1 | 1,000K | - | | - | *4 |
| 19 | | トナーフィルター | 1 | 330K | A161R72811 | | P55-5 | *4 |
| 20 | | 廃棄トナーボックス | 1 | 44K | AD1Y0Y1 | A,B,G2 | P100-11 | *3, *4 |
| 21 | | 廃棄トナーボックス | 1 | 44K | AD1YWY1 | C,G1,I | P100-11 | *3, *4 |
| 22 | 転写部 | 転写ベルトユニット | 1 | 330K | AC74R70100 | | P17-22 | *4 |
| 23 | | 転写ローラーユニット | 1 | 1,000K | AA7NR70400 | | P33-4 | *4 |
| 24 | 定着部 | 定着ユニット | 1 | 520K | ACKNR70800 | A | P45-7 | *4 |
| 25 | | 定着ユニット | 1 | 520K | ACKNR70900 | B,G2 | P45-7 | *4 |
| 26 | | 定着ユニット | 1 | 520K | ACKNR71000 | C,G1,I | P45-7 | *4 |
| 27 | 両面同時原稿送り装置 | ビックアップローラー | 2 | 200K | 9J07330102 | | P87-7 | *1, *2 |
| 28 | | 給紙ローラー | 1 | 200K | A00J563600 | | P87-11 | *1, *2 |
| 29 | | 分離ローラー | 1 | 200K | 9J07340901 | | P88-4 | *1, *2 |

*1: ライフカウンター値

*2: 同時交換のこと

*3: ユーザー / サービス交換の選択が可能。

*4: 市場標準印刷枚数値

* ここに記載されている部品名称はサービスマニュアルで使用されている部品名称であり、他のページに記載されている部品名称とは異なる場合があります。

DESTINATION

| Destination No. | | Destinations | | V | Hz | Model No. |
|-----------------|----|--|---|---------|-------|---------------------|
| A | A1 | JAPAN | | 100 | 50/60 | ACV7001 |
| | A2 | JAPAN | | | | |
| B | | USA, CANADA | | 120 | 60 | ACV7011 |
| C | | EUROPEAN TYPE | | 220-240 | 50/60 | ACV7021 |
| D | D1 | S.E ASIA TYPE | THAILAND, SRI LANKA, SINGAPORE, MALAYSIA, HONG KONG, PAKISTAN, INDIA, BANGLADESH, INDONESIA | 220-240 | 50/60 | ACV7041 |
| | D3 | OCEANIA TYPE | AUSTRALIA, NEW ZEALAND | 220-240 | 50/60 | ACV7041 |
| E | | PHILIPPINES | | 220-240 | 50/60 | ACV7041 |
| F | F1 | SAUDI ARABIA | | | | |
| | F2 | SAUDI ARABIA | | 220-240 | 50/60 | ACV7041 |
| G | G1 | C.S AMERICA | | 220-240 | 50/60 | ACV7021,A CV7041 |
| | G2 | C.S AMERICA | | 120-127 | 60 | ACV7011 |
| H | | TAIWAN | | | | |
| I | | JORDAN, LEBANON, SYRIA, SOUTH AFRICA, IRAQ, IRAN, N.YEMEN, CAMEROON, UAE, BAHRAIN, OMAN, QATAR, KUWAIT, KENYA, TUNISIA, IVORY COAST, MOROCCO | | 220-240 | 50/60 | ACV7021,A CV7041 |
| J | | CHINA | | 220-240 | 50/60 | ACV7081 |
| K | | KOREA | | 220-240 | 50/60 | ACV7041 |

bizhub 750i