

KONICA MINOLTA

PARTS GUIDE MANUAL

APRIL 2012

bizhub C224
/bizhub C284
/bizhub C364
A161

INFORMATION FOR PARTS GUIDE MANUAL

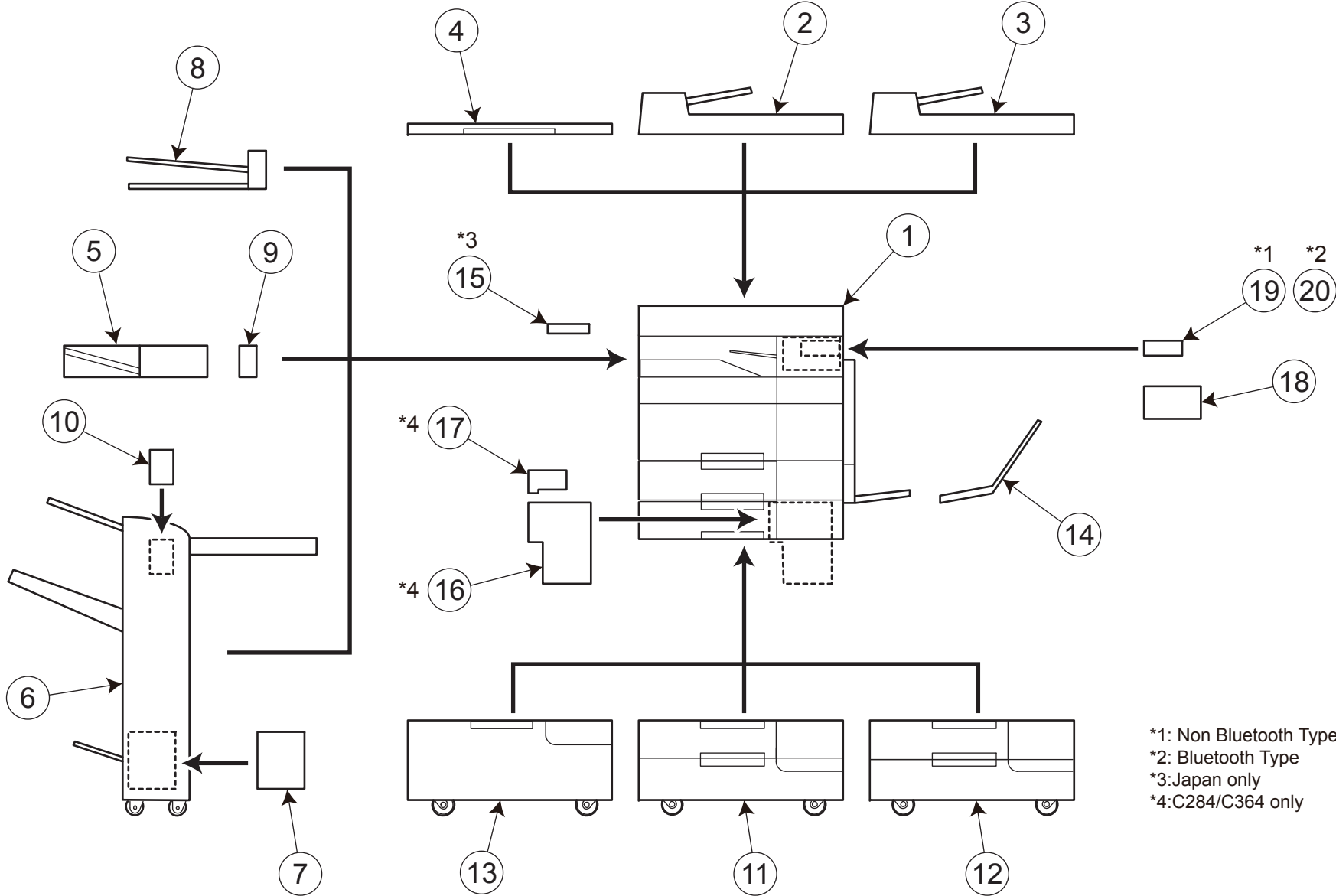
To find correct Parts No., refer to the "HOW TO MAKE THE BEST USE OF THIS MANUAL" in the following page.

HOW TO MAKE THE BEST USE OF THIS MANUAL

- 1 When you order, please check the proper figures beforehand that are on Our Parts Guide Manual, and order with the appropriate figures.
- 2 For screws, Nuts, Washers, retaining rings and Pins which are used in this model, one letter is shown on the Standard parts column of Parts list and exploded diagrams.
- 3 In order to maintain safety of the product, some specific parts composed of this product are set up as "essential safety parts".
- 4 The assigned parts number for the "essential safety parts" is indicated as "SP00-****".
When replacing these parts, follow precautions for disassembling and installing which are listed in the Service Manual.
Do not use any parts that are not set up as
- 5 ♣ means that there are exclusive parts for each destination.
Please check the appropriate destination when you order.
- 6 Revision Mark
Marked as ▲ on the illustration shows that the revision has been made.
- 7 All rights reserved. (any reprints or quotations are prohibited.)
Use of this parts guide manual should be strictly supervised to avoid disclosure of confidential information.

04/20/2012

SYSTEM OUTLINE



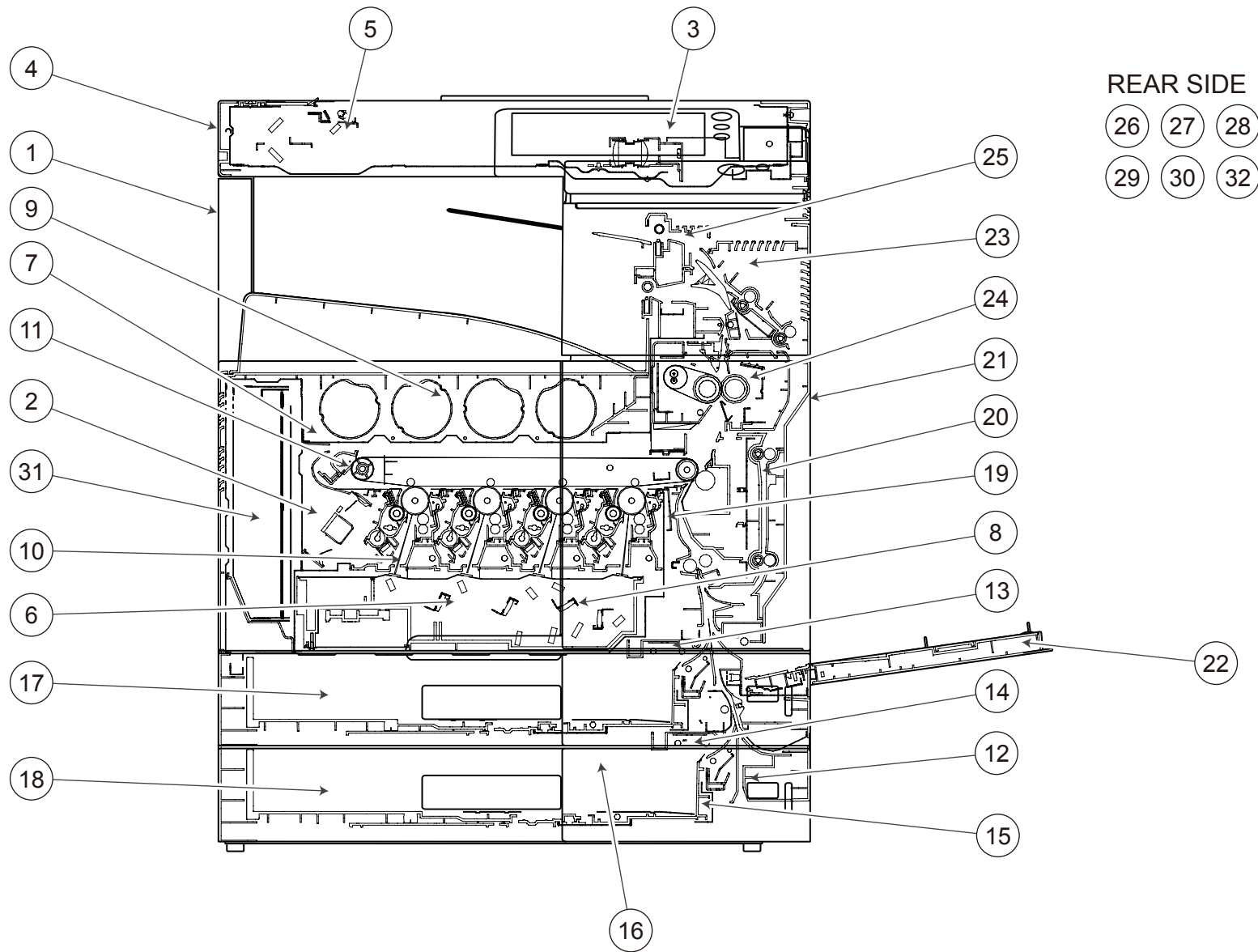
bizhub C224/bizhub C284/bizhub C364

GENERAL CONTENTS

No.	Description	Model
1	DIGITAL MFP COLOR	bizhub C224/bizhub C284/bizhub C364
2	DOCUMENT FEEDER	DF-624
3	DOCUMENT FEEDER	DF-701
4	OTHER OPTION	OC-511
5	SORTER/FINISHER	FS-533
6	SORTER/FINISHER	FS-534
7	SORTER/FINISHER	SD-511
8	OTHER OPTION	JS-506
9	PUNCH UNIT	PK-519
10	PUNCH UNIT	PK-520
11	PAPER FEEDER	PC-110
12	PAPER FEEDER	PC-210
13	PAPER FEEDER	PC-410
14	OTHER OPTION	MK-730
15	OTHER OPTION	HT-510
16	OTHER OPTION	IC-414
17	OTHER OPTION	VI-506
18	FAX CONTROLLER	FK-511
19	OTHER OPTION	EK-606
20	OTHER OPTION	EK-607

bizhub C224/bizhub C284/bizhub C364

DIAGRAMS OF MAIN PARTS SECTION



bizhub C224/bizhub C284/bizhub C364

CONTENTS

No.	DESCRIPTION	PAGE No.
1	EXTERNAL PARTS	P1 P2
2	INNER COVER SECTION	P3
3	OPERATION PANEL SECTION	P4
4	IR COVER SECTION	P5
5	SCANNER SECTION	P6 P7 P8
6	PH UNIT	P9
7	TONER SUPPLY SECTION	P10 P11
8	WASTE TONER BOX SECTION	P12
9	ERASE LAMP SECTION	P13
10	DV LOCK LEVER SECTION	P14
11	TRANSFER UNIT	P15
12	PAPER FEED SECTION	P16
13	1ST PAPER FEED SECTION	P17 P18
14	2ND PAPER FEED SECTION	P19 P20
15	CASSETTE RAIL SECTION	P21
16	PAPER SIZE DETECTION SECTION	P22
17	1ST CASSETTE SECTION	P23 P24
18	2ND CASSETTE SECTION	P25 P26
19	CONVEYANCE SECTION	P27
20	VERTICAL TRANSPORT SECTION	P28 P29
21	VERTICAL CONVEYANCE DOOR SECTION	P30
22	BYPASS TRAY SECTION	P31 P32
23	REVERSAL UNIT	P33 P34
24	FUSING SECTION	P35
25	PAPER EXIT SECTION	P36 P37
26	MAIN DRIVE/ PAPER FEED DRIVE SECTION	P38
27	TONER BOTTLE DRIVE SECTION	P39
28	FUSING DRIVE SECTION	P40 P41
29	OZONE DUCT SECTION	P42
30	HIGH VOLTAGE SECTION	P43
31	MAIN POWER SUPPLY SECTION	P44
32	ELECTRICAL COMPONENTS	P45 P46
33	WIRING	P47 P48
34	WIRING ACCESSORIES AND JIGS	P49
35	ACCESSORY PARTS	P50

bizhub C224/bizhub C284/bizhub C364

INDEX

Parts No.	Page No.
0996305501	21-7
1164202801	37-5
4002311002	22-7
4004590301	37-1
4011585202	27-35
4025357201	27-2
4025357201	40-26
4025598401	37-3
4030301703	18-11
4030301703	20-12
4030320601	24-15
4030320601	26-16
4030322601	24-9
4030322601	26-9
4030340301	32-21
4030347501	32-24
4034352501	17-2
4036254901	37-16
4036307501	6-7
4036534801	11-24
4037320401	24-11
4037320401	26-11
4038101401	10-4
4038228702	3-17
4038258001	40-18
4038353701	27-9
4038353901	27-13
4038541202	39-8
4038M60000	3-4
4131300301	17-12
4131300301	19-17
4131353202	31-17
4139M10000	9-2
4139M10000	35-1
4139M10000	44-6
4163510201	11-7
4163529301	9-3
4163529301	15-35
4163529301	24-23
4163529301	26-13

Parts No.	Page No.
4163529301	27-32
4163529301	28-2
4163529301	29-26
4163529301	33-2
4163529301	34-3
4163529301	37-23
4333501201	11-17
4475260302	1-9
4532341001	18-13
4532341001	20-15
4576536301	11-8
4581162501	6-8
4640392001	36-3
4658015106	32-30
56AA17471	14-2
56AA17471	41-12
56AA40490	1-4
56AA40490	17-15
56AA40490	18-8
56AA40490	19-19
56AA40490	20-7
9313100072	42-6
9313110033	35-2
9J06730101	45-6
9J06M10300	22-8
9J06M20000	31-24
9J06M60100	3-18
9J06M60100	30-3
A00F623201	31-10
A00J169100	50-3
A00J169300	5-6
A00J265300	6-5
A00J563600	17-14
A00J563600	18-6
A00J563600	19-18
A00J563600	20-6
A00J617900	19-12
A00J663200	17-28
A00J663200	19-16
A00J940100	5-3

Parts No.	Page No.
A00J940100	50-7
A00J942202	23-5
A00J942202	25-5
A00J945201	2-26
A00J945500	1-13
A00JH00D00	1-7
A011946200	4-24
A02E117300	42-12
A02E149900	2-25
A02E167700	5-8
A02E167700	50-4
A02E560800	17-24
A02E560800	19-28
A02E561100	17-16
A02E561100	19-20
A02E592100	32-39
A02E595100	31-21
A02E595400	31-16
A02E596100	31-20
A02E596300	31-9
A02E597600	32-29
A02E712900	27-12
A02E815200	29-10
A02E815200	33-9
A02E815200	34-17
A02E940300	24-24
A02E940300	26-24
A02E941300	23-20
A02E941500	23-6
A02EM10400	11-16
A02EM10400	39-2
A02EM10400	41-1
A02EM20000	19-30
A02EM20000	27-1
A02EM20100	31-22
A02EM20200	17-26
A02EM20200	19-29
A02EN12512	45-13
A034M20100	27-34
A0CR953400	44-8

Parts No.	Page No.
A0ED103100	13-7
A0ED104801	14-6
A0ED105400	13-4
A0ED105500	13-1
A0ED105700	14-7
A0ED110900	15-16
A0ED111000	15-4
A0ED111100	15-30
A0ED111200	15-18
A0ED111400	15-29
A0ED111500	15-12
A0ED111700	15-17
A0ED112000	15-14
A0ED112100	15-22
A0ED131900	46-28
A0ED135700	45-8
A0ED146900	35-12
A0ED162401	3-7
A0ED163000	1-3
A0ED166100	50-2
A0ED166200	50-1
A0ED245000	12-7
A0ED257500	40-20
A0ED259700	40-12
A0ED262500	6-11
A0ED271200	7-7
A0ED271300	7-6
A0ED273600	8-12
A0ED274300	8-19
A0ED274400	8-8
A0ED276301	8-16
A0ED363000	12-4
A0ED363100	12-1
A0ED363200	12-2
A0ED363300	12-5
A0ED363400	12-3
A0ED401000	11-25
A0ED550800	28-24
A0ED550900	28-17
A0ED551000	28-14

Parts No.	Page No.
A0ED551100	28-15
A0ED551700	28-18
A0ED563900	18-5
A0ED563900	20-5
A0ED597800	31-23
A0ED620200	24-16
A0ED620200	26-17
A0ED620701	24-22
A0ED620701	26-22
A0ED621400	24-12
A0ED621400	26-12
A0ED627600	22-11
A0ED700100	27-8
A0ED700200	27-17
A0ED700300	27-19
A0ED700600	27-14
A0ED700700	27-20
A0ED702400	29-28
A0ED702800	27-5
A0ED703200	27-23
A0ED703800	28-9
A0ED705800	27-4
A0ED712100	30-8
A0ED811700	29-1
A0ED811700	33-19
A0ED811900	29-4
A0ED815100	34-9
A0ED891100	37-6
A0ED897700	37-15
A0ED940600	10-6
A0ED940700	1-19
A0EDF36000	12-11
A0EDM10200	33-21
A0EDM10300	36-1
A0EDM10500	46-20
A0EDM50100	17-5
A0EDM50100	19-3
A0EDM50100	19-34
A0EDM60001	14-8
A0EDN30002	45-9

Parts No.	Page No.	Parts No.	Page No.	Parts No.	Page No.	Parts No.	Page No.	Parts No.	Page No.
A0EDN30201	50-13	A161104101	28-22	A161122500	35-14	A161139500	46-17	A161161201	2-17
A0P0144300	46-12	A161104200	21-3	A161130101	13-3	A161139800	2-16	A161161301	1-10
A0P0144400	46-11	A161104300	21-1	A161130200	44-9	A161139901	46-10	A161161401	4-18
A0P0145900	46-30	A161104400	21-11	A161130301	9-8	A161140101	46-19	A161161503	4-5
A0P0149100	46-29	A161104701	21-5	A161130502	45-7	A161140200	9-1	A161161700	4-11
A0P0742300	36-8	A161104800	21-6	A161130603	45-10	A161140300	35-4	A161161804	2-11
A0P0901100	37-12	A161105200	21-14	A161130700	46-16	A161140400	35-8	A161161900	4-16
A0P0H02500	4-7	A161105400	9-5	A161130801	45-4	A161140500	35-6	A161162102	2-2
A0P0M50300	43-16	A161105500	38-22	A161131005	46-3	A161140800	44-5	A161162201	2-19
A0P0M50400	27-29	A161105600	13-6	A161131400	45-1	A161141500	42-2	A161162302	36-5
A0P0M73100	4-19	A161105800	21-9	A161132000	2-21	A161141700	15-32	A161162400	4-25
A0P0N15100	46-13	A161107100	13-9	A161132100	43-4	A161141800	42-11	A161162602	4-4
A0P0N15200	46-14	A161107200	13-8	A161132203	46-26	A161141901	42-3	A161162702	4-21
A0P0N15300	4-22	A161107300	13-2	A161132302	2-7	A161142000	42-1	A161162801	2-20
A0TK397501	34-30	A161110102	15-28	A161132504	43-1	A161142200	42-7	A161162900	2-18
A108M50100	6-14	A161110201	15-10	A161132800	43-3	A161143000	35-3	A161163501	2-3
A108M50100	11-22	A161110300	15-11	A161134500	46-1	A161143400	44-4	A161163900	2-14
A108M50100	15-21	A161110400	15-7	A161134701	38-6	A161143601	44-2	A161164000	4-6
A108M50100	17-8	A161110500	15-15	A161134800	43-11	A161144500	44-10	A161164103	4-17
A108M50100	19-9	A161110601	15-3	A161135100	3-14	A161144801	15-34	A161164401	2-12
A108M50100	22-13	A161112000	15-13	A161135300	9-4	A161144900	15-31	A161164600	2-10
A108M50100	27-33	A161112100	15-27	A161135502	10-15	A161145000	44-1	A161164702	2-9
A108M50100	28-10	A161112200	15-8	A161135600	2-15	A161145201	42-10	A161164800	2-8
A108M50100	29-27	A161112300	15-20	A161136200	46-31	A161145300	42-9	A161164902	1-20
A108M50100	31-2	A161112400	15-26	A161136500	45-2	A161146200	15-33	A161165005	3-6
A108M50100	32-7	A161112500	15-5	A161137100	30-4	A161146800	11-27	A161165300	3-5
A108M50100	34-12	A161112600	15-9	A161137202	35-11	A161147001	42-8	A161165602	1-16
A108M50100	46-23	A161112700	15-25	A161137302	4-20	A161147401	9-13	A161165700	3-1
A161100602	44-7	A161112800	15-6	A161137402	46-4	A161151100	3-19	A161166101	2-5
A161101101	21-8	A161112900	15-19	A161137501	46-6	A161151200	30-5	A161166300	2-4
A161101600	21-15	A161115201	14-1	A161137600	46-18	A161151300	3-16	A161166400	2-22
A161101700	21-16	A161116202	14-3	A161137701	43-5	A161160103	1-2	A161167000	4-10
A161101802	9-7	A161119500	14-4	A161137802	9-10	A161160204	1-11	A161167100	4-12
A161101900	21-4	A161120701	10-1	A161137802	45-3	A161160300	1-8	A161167200	4-9
A161102300	21-2	A161121103	35-5	A161137900	46-27	A161160402	1-6	A161167300	4-14
A161102500	30-2	A161121200	30-6	A161138002	4-8	A161160605	2-6	A161167400	4-13
A161102700	35-9	A161121300	30-1	A161138500	13-10	A161160702	1-17	A161170100	5-11
A161102800	13-5	A161121401	35-7	A161138601	46-2	A161160801	1-18	A161170203	5-1
A161103700	21-12	A161121900	40-7	A161138804	46-5	A161160902	2-13	A161170300	5-12
A161103901	21-10	A161122002	40-6	A161139400	46-24	A161161000	1-1	A161170400	5-7

Parts No.	Page No.	Parts No.	Page No.	Parts No.	Page No.	Parts No.	Page No.	Parts No.	Page No.
A161170601	5-5	A161241500	39-11	A161273500	8-18	A161403000	11-18	A161562500	17-20
A161170701	5-4	A161241600	39-1	A161273701	8-11	A161403100	11-9	A161562500	19-24
A161170800	5-9	A161245100	12-6	A161273800	8-20	A161403200	11-23	A161562600	17-18
A161190900	4-2	A161245400	12-8	A161274500	8-22	A161403300	10-12	A161562600	19-22
A161192000	50-5	A161253100	38-12	A161274600	8-21	A161403400	10-13	A161562800	17-11
A161210200	38-4	A161253500	38-10	A161275300	8-9	A161403500	10-10	A161562800	19-13
A161216101	38-3	A161253600	38-9	A161275400	8-10	A161403600	10-11	A161563000	19-32
A161220100	38-20	A161253900	38-8	A161275500	8-6	A161403701	10-2	A161563100	18-1
A161220200	38-19	A161254000	38-1	A161275600	8-5	A161403800	10-9	A161563100	20-1
A161220400	38-18	A161254200	40-1	A161275700	8-3	A161403901	10-5	A161563300	18-12
A161220500	38-17	A161254300	40-2	A161276000	8-4	A161404001	10-16	A161563300	20-13
A161220600	38-16	A161254400	40-3	A161276500	8-7	A161404100	10-17	A161563400	18-9
A161220700	38-15	A161254500	40-5	A161278600	7-1	A161405102	10-3	A161563400	20-10
A161221001	38-21	A161254600	40-23	A161278900	7-3	A161405202	10-3	A161563501	18-4
A161228000	41-9	A161254700	40-4	A161280101	6-19	A161405300	10-3	A161563501	20-4
A161228100	41-10	A161254700	41-17	A161280200	6-22	A161508400	15-2	A161563901	18-14
A161228301	41-11	A161256300	40-10	A161280300	6-18	A161550700	28-12	A161563901	20-14
A161228600	41-16	A161257800	38-2	A161281100	6-25	A161551500	28-21	A161564001	18-10
A161228700	40-22	A161258501	41-18	A161281300	6-24	A161551600	28-20	A161564001	20-11
A161228800	40-9	A161258700	41-13	A161281600	6-4	A161560101	17-10	A161564100	18-17
A161230500	41-8	A161258800	40-19	A161281700	7-5	A161560300	19-10	A161564100	20-18
A161230600	41-7	A161259100	41-14	A161282100	5-13	A161560500	17-29	A161564200	18-16
A161230700	40-15	A161259200	41-15	A161400100	11-10	A161560500	19-14	A161564200	20-17
A161231301	40-16	A161259400	40-17	A161400200	11-14	A161560600	17-3	A161564300	18-18
A161231800	41-5	A161259800	38-13	A161400300	11-13	A161560600	19-11	A161564300	20-19
A161232200	40-8	A161261902	6-16	A161400400	11-11	A161560900	17-4	A161564400	18-15
A161232300	40-14	A161262002	6-17	A161400501	11-19	A161560900	19-7	A161564400	20-16
A161232300	41-3	A161262200	6-15	A161400601	11-12	A161561000	19-1	A161565102	16-8
A161232401	40-21	A161262700	6-10	A161400701	11-20	A161561100	16-1	A161565300	17-9
A161232501	40-13	A161263000	6-12	A161400800	11-26	A161561200	16-2	A161565500	17-6
A161240100	39-4	A161268200	6-3	A161401000	11-6	A161561600	17-7	A161566000	17-1
A161240300	39-15	A161268300	6-1	A161401100	11-5	A161561600	19-8	A161567300	17-23
A161240400	39-7	A161270102	7-10	A161401200	11-4	A161562000	17-19	A161567300	19-27
A161240500	39-6	A161270600	7-12	A161401300	11-2	A161562000	19-23	A161567400	17-22
A161240600	39-5	A161271000	7-9	A161401400	11-1	A161562101	17-21	A161567400	19-26
A161240700	39-9	A161271000	8-14	A161401500	11-3	A161562101	19-25	A161568401	18-7
A161240900	39-10	A161271100	7-11	A161402002	10-3	A161562300	17-17	A161568500	18-2
A161241000	39-12	A161271100	8-17	A161402101	10-14	A161562300	19-21	A161568600	18-3
A161241200	39-13	A161273100	8-15	A161402401	10-8	A161562400	17-13	A161568700	20-9
A161241400	39-14	A161273401	8-13	A161402501	10-7	A161562400	19-15	A161568800	20-2

Parts No.	Page No.	Parts No.	Page No.	Parts No.	Page No.	Parts No.	Page No.	Parts No.	Page No.
A161571100	19-6	A161593300	31-14	A161621701	26-21	A161631400	26-19	A161712000	29-18
A161576100	16-7	A161593400	32-38	A161621800	24-20	A161633101	25-4	A161712100	29-24
A161576200	16-5	A161593600	32-34	A161621800	26-20	A161633202	25-20	A161712300	28-16
A161576300	16-4	A161593701	32-14	A161621900	24-17	A161635000	25-16	A161712400	28-4
A161578100	19-2	A161593800	32-35	A161621900	26-18	A161635103	25-19	A161712500	28-19
A161578200	19-4	A161594000	32-46	A161622100	23-1	A161636502	25-10	A161712600	29-6
A161578401	20-8	A161594100	31-6	A161622100	25-1	A161700104	27-25	A161712700	28-3
A161578500	20-3	A161594201	32-16	A161623101	23-4	A161700300	27-26	A161712800	29-15
A161578700	19-33	A161594300	32-37	A161623301	23-19	A161700401	27-31	A161712800	34-25
A161579000	16-3	A161594400	31-11	A161623400	21-13	A161700600	27-10	A161712900	29-32
A161590101	32-18	A161594500	32-44	A161623400	23-3	A161700700	27-30	A161713100	29-7
A161590201	31-5	A161594600	32-42	A161623400	25-3	A161700800	27-18	A161713500	29-16
A161590303	32-15	A161594700	31-7	A161624100	24-3	A161700901	27-40	A161714500	29-21
A161590500	30-22	A161594800	31-27	A161624100	26-3	A161701100	27-28	A161714600	29-17
A161590600	31-19	A161594900	31-28	A161625000	23-15	A161701301	27-15	A161714800	29-33
A161590800	31-18	A161595000	32-23	A161625103	23-18	A161701401	27-16	A161719000	29-2
A161590901	32-33	A161595100	32-20	A161625900	23-16	A161701501	27-7	A161719100	29-30
A161591000	32-32	A161595200	32-26	A161625900	25-17	A161701703	27-27	A161810102	33-4
A161591100	32-31	A161595300	32-22	A161626000	23-12	A161701800	27-36	A161810200	33-15
A161591200	31-26	A161595400	32-25	A161626000	25-13	A161701900	27-3	A161810301	30-21
A161591300	31-25	A161595600	32-19	A161626100	23-13	A161702000	27-21	A161810400	34-1
A161591400	31-13	A161620103	24-19	A161626100	25-14	A161702100	27-41	A161810503	34-28
A161591500	31-12	A161620400	24-10	A161626200	23-2	A161706001	27-6	A161810600	34-6
A161591600	32-17	A161620400	26-10	A161626200	25-2	A161709100	29-3	A161810701	33-1
A161591700	31-8	A161620600	24-6	A161626300	23-8	A161710102	28-11	A161810801	34-5
A161591800	32-27	A161620600	26-6	A161626300	25-9	A161710202	29-12	A161810900	34-24
A161591900	31-3	A161620701	24-7	A161626502	23-9	A161710300	29-29	A161811000	30-10
A161592002	32-12	A161620701	26-8	A161626601	23-10	A161710401	29-25	A161811100	30-12
A161592100	32-8	A161620802	24-14	A161626601	25-11	A161710500	29-8	A161811301	30-14
A161592200	32-3	A161620802	26-15	A161626800	23-11	A161710900	28-8	A161811401	30-11
A161592300	32-13	A161620903	24-1	A161626800	25-12	A161711000	28-6	A161811500	30-9
A161592400	32-9	A161620903	26-1	A161626900	23-17	A161711100	28-5	A161811600	30-19
A161592500	32-10	A161621100	24-5	A161626900	25-18	A161711200	29-5	A161812200	33-6
A161592600	32-11	A161621100	26-5	A161627102	22-9	A161711300	29-14	A161813001	34-26
A161592700	32-5	A161621300	24-13	A161627300	22-10	A161711400	29-20	A161813100	34-27
A161592800	31-1	A161621300	26-14	A161627500	22-3	A161711500	29-23	A161813200	34-18
A161592900	30-7	A161621400	24-18	A161627701	22-12	A161711600	29-19	A161813300	33-16
A161593001	32-45	A161621600	24-4	A161627801	22-2	A161711700	29-22	A161813400	34-21
A161593101	32-41	A161621600	26-4	A161628000	22-4	A161711800	28-13	A161813600	34-8
A161593200	32-43	A161621701	24-21	A161630102	26-23	A161711900	29-31	A161813701	33-8

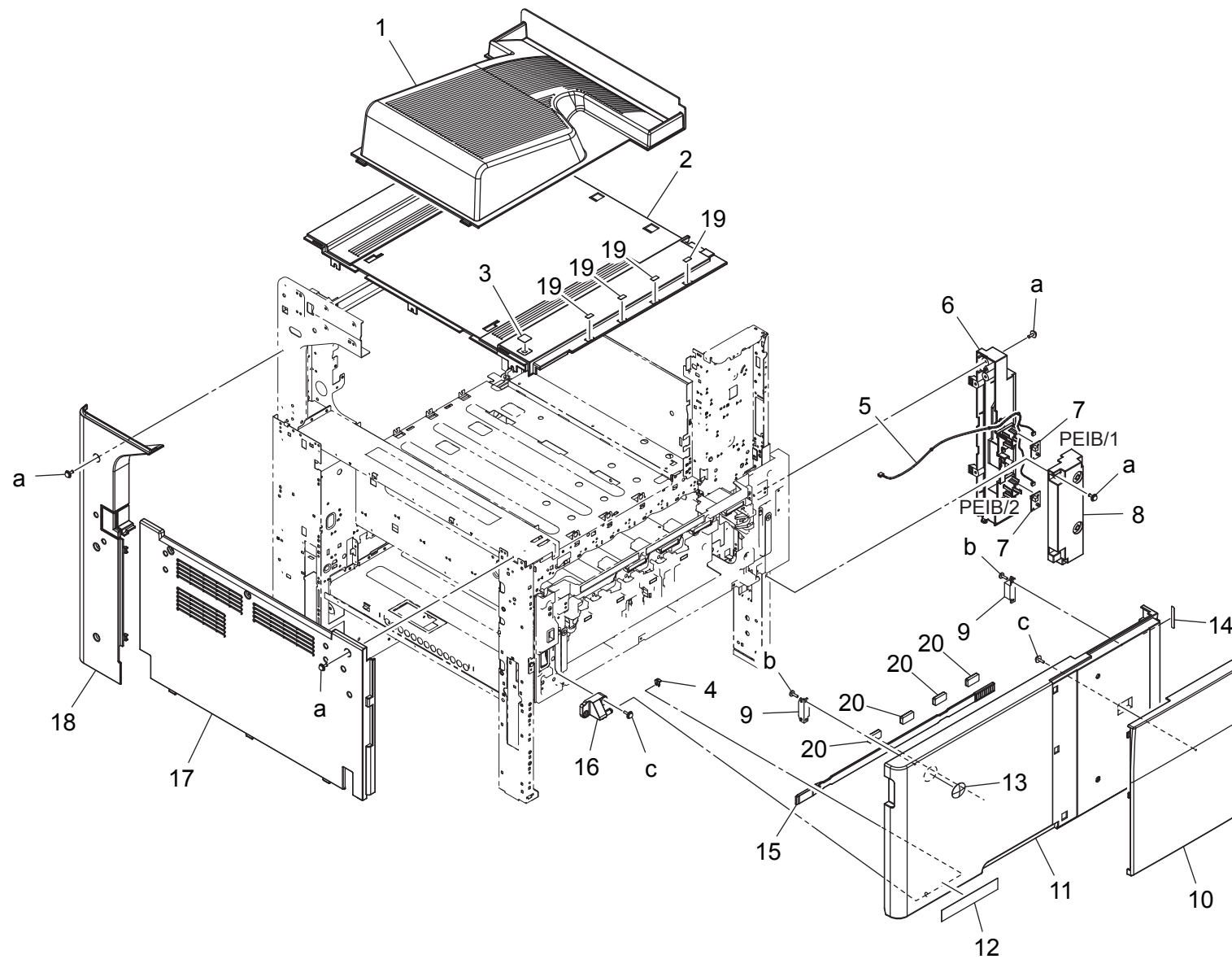
Parts No.	Page No.	Parts No.	Page No.	Parts No.	Page No.	Parts No.	Page No.	Parts No.	Page No.
A161813800	33-17	A161890102	37-24	A161942600	3-20	A161H00C02	43-2	A161N10X00	32-28
A161813902	34-22	A161890202	37-14	A161943000	3-3	A161H00U01	4-15	A161N10Y02	14-5
A161814202	34-20	A161890300	37-28	A161943000	24-8	A161H01A00	6-23	A161N11200	15-24
A161814300	33-24	A161890401	37-11	A161943000	26-7	A161H02104	46-9	A161N11300	43-10
A161814401	34-2	A161891000	37-18	A161943100	23-14	A161M10001	38-5	A161N11800	46-8
A161814500	34-16	A161891301	37-26	A161943200	25-15	A161M10200	38-25	A161N11901	9-11
A161814601	33-7	A161891401	36-2	A161943300	50-8	A161M10200	41-2	A161N11B00	46-22
A161814700	33-11	A161892000	37-20	A161943400	50-9	A161M10300	39-3	A161N11C01	5-10
A161814901	33-25	A161892100	37-13	A161943500	25-6	A161M10A00	8-2	A161N11K00	43-9
A161815000	30-15	A161892300	37-19	A161943601	25-7	A161M20100	41-6	A161N11Q01	32-6
A161815100	33-5	A161892400	37-2	A161943700	24-2	A161M20200	38-7	A161N11S03	47-1
A161815201	30-13	A161892901	37-27	A161943700	26-2	A161M20300	38-23	A161N12100	34-4
A161815300	30-17	A161893500	37-25	A161943801	23-7	A161M31001	7-8	A161N12200	31-4
A161815400	30-20	A161893600	37-10	A161943801	25-8	A161M40601	43-8	A161N12602	46-21
A161815500	30-16	A161893800	37-17	A161944101	32-1	A161M50000	27-38	A161N12701	19-5
A161815600	33-12	A161894000	36-7	A161944201	32-1	A161M50300	27-39	A161N12801	11-15
A161815700	33-13	A161894000	37-8	A161944300	32-2	A161M50400	32-36	A161N12A00	3-15
A161815800	33-14	A161894100	36-6	A161944400	32-4	A161M50501	22-6	A161N12H00	27-37
A161815900	30-18	A161895102	37-30	A161946100	33-10	A161M50600	22-5	A161N12K01	43-15
A161816100	33-3	A161895201	37-29	A161946200	29-13	A161M50A00	6-20	A161N12M01	43-14
A161816200	30-23	A161895300	36-4	A161946300	27-11	A161M50A00	6-26	A161N12N01	43-13
A161816300	29-34	A161895400	37-4	A161946400	29-11	A161M50A00	6-26	A161N12P01	43-12
A161816400	33-26	A161895502	37-7	A161947000	50-6	A161M70503	4-1	A161N14000	7-13
A161819000	33-20	A161895600	37-9	A161F10901	40-24	A161M70603	4-1	A161N14100	6-6
A161819200	34-32	A161895800	37-31	A161F16100	3-2	A161M70703	4-1	A161N14200	6-13
A161819400	34-15	A161897200	36-9	A161F21000	12-10	A161M72000	46-15	A161N14300	8-1
A161819500	34-13	A161900100	37-34	A161F21100	38-11	A161N10002	45-5	A161N14401	7-2
A161819600	33-23	A161900201	37-32	A161F21200	38-14	A161N10102	45-11	A161N15602	4-23
A161819701	33-18	A161900300	37-33	A161F25001	41-4	A161N10202	45-12	A161R70000	13-12
A161825000	34-31	A161940101	1-12	A161F25102	40-11	A161N10602	35-13	A161R70100	13-11
A161825100	34-14	A161940400	1-14	A161F56002	17-25	A161N10A03	48-1	A161R70200	43-6
A161825300	34-7	A161940602	5-2	A161F56101	16-6	A161N10D00	27-24	A161R70300	43-7
A161825400	34-19	A161941100	40-25	A161F59000	31-15	A161N10F01	11-21	A161R70400	1-15
A161825500	34-29	A161941500	5-3	A161F6200C	23-21	A161N10H01	28-1	A161R70500	38-27
A161825600	34-23	A161942000	3-13	A161F6300C	25-21	A161N10J00	15-23	A161R70600	38-26
A161825700	29-9	A161942101	3-12	A161F81102	33-22	A161N10K00	1-5	A161R70700	40-27
A161825700	34-10	A161942200	3-11	A161F89001	37-22	A161N10M04	2-1	A161R70800	39-16
A161825800	34-11	A161942300	3-10	A161H00108	46-7	A161N10N01	22-1	A161R70900	9-12
A161825901	34-33	A161942400	3-9	A161H00501	9-6	A161N10P01	17-27	A161R71000	10-18
A161826000	34-34	A161942500	3-8	A161H00800	9-9	A161N10Q02	19-31	A161R71100	10-18

Parts No.	Page No.
A161R71200	10-18
A161R71300	15-1
A161R71400	28-23
A161R71500	16-9
A161R71622	28-25
A161R71711	35-10
A161R71811	35-10
A161R71911	35-10
A161R72000	4-3
A161R72100	7-4
A161R72200	6-2
A161R72300	6-21
A161R72400	31-29
A161R72500	18-19
A161R72500	20-20
A161R72600	37-21
A161R72700	42-5
A161R72900	10-18
A161R7A000	32-40
A161R7A100	44-3
A161R7A200	44-3
A1UDM50200	6-9
A1UDN30001	45-9
A2X0945000	2-24
A2X0945700	2-23
A2XKM10300	38-24
A4FK940101	1-12
A4FKN10003	47-1
A4FKR70000	9-12
A4FM940101	1-12
A4FMH02204	46-9
A4FMN10003	47-1
A4FMN10103	48-1
A4FMN10201	17-27
A4FMN10302	19-31
A4FMR70000	16-9
A4NNWY1	12-9
V116033003	50-11
V153030803	50-12
V500010003	49-1

Parts No.	Page No.
V500010005	49-2
V500010007	49-3
V500010008	49-4
V500010020	49-5
V500010046	49-6
V500010052	49-7
V500010061	49-8
V500020040	50-10
V500020052	49-9
V500020082	49-10
V500020094	49-15
V570010021	49-11
V570010057	49-12
V570010059	49-13
V570010060	49-14
V651010002	42-4
V651010002	44-11
V800500300	27-22
V800500300	28-7
V865300026	46-25

EXTERNAL PARTS

P 1



bizhub C224/bizhub C284/bizhub C364

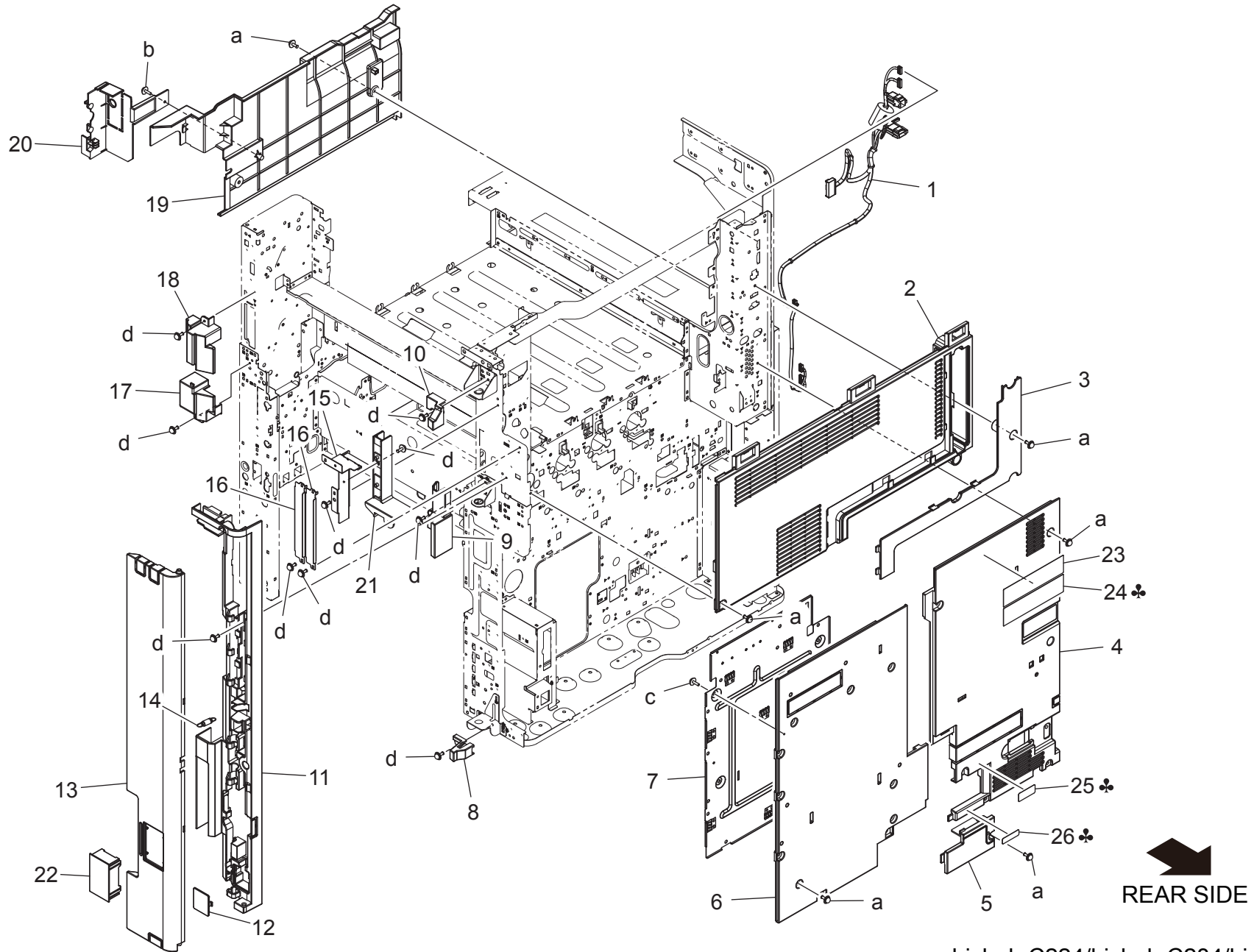
EXTERNAL PARTS

Key	Part No.	Description	Destinations	Class	QTY	Standard parts
1	A161161000	Tray		C	1	a-V116030804 b-V149030803 c-V153030804
2	A161160103	Cover /Upper		C	1	
3	A0ED163000	Seal		C	1	
4	56AA40490	SHAFT STOPPER 4		C	1	
5	A161N10K00	Indicating Wiring		D	1	
6	A161160402	Cover		C	1	
7	A00JH00D00	PWB Assembly LED1		C	2	
8	A161160300	Cover		C	1	
9	4475260302	MAGNET CATCH		D	2	
10	A161161301	Open/close Cover /Front		C	1	
11	A161160204	Open/close Cover /Front		C	1	
12	A161940101	Label bizhub C364	{C364}	C	1	
12	A4FK940101	Label bizhub C284	{C284}	C	1	
12	A4FM940101	Label bizhub C224	{C224}	C	1	
13	A00J945500	Logo Mark		C	1	
14	A161940400	Label		C	1	
15	A161R70400	CLEANING MATERIAL		C	1	
16	A161165602	Support Shaft		C	1	
17	A161160702	Cover /Left		C	1	
18	A161160801	Cover /Left		C	1	
19	A0ED940700	Label Toner 2		D	4	
20	A161164902	Cushion		C	4	

bizhub C224/bizhub C284/bizhub C364

EXTERNAL PARTS

P 2



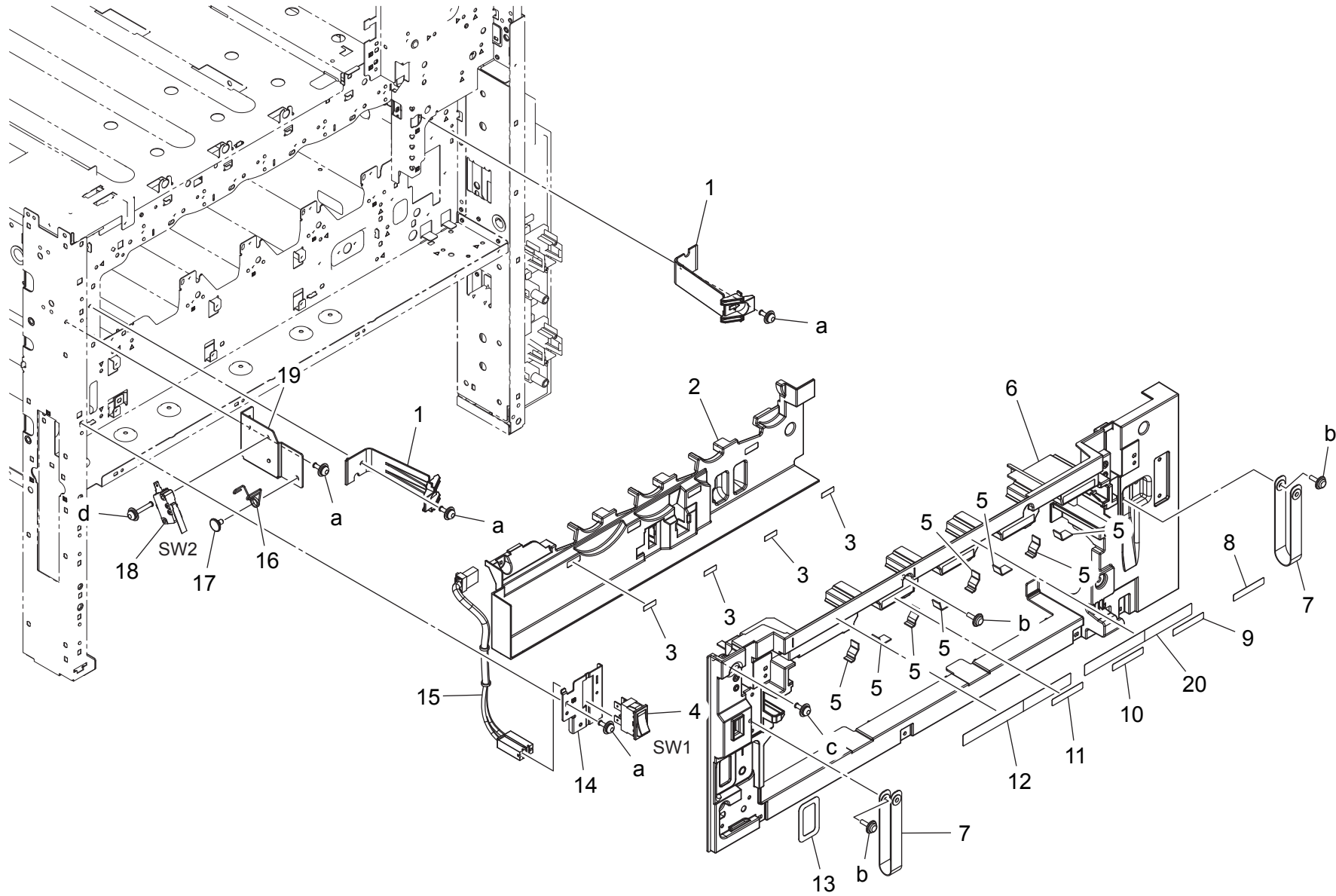
bizhub C224/bizhub C284/bizhub C364

EXTERNAL PARTS

Key	Part No.	Description	Destinations	Class	QTY	Standard parts
1	A161N10M04	FNS Relay harness		D	1	a-V116030804 b-V153030804 c-V153030803 d-V116030803
2	A161162102	Cover		C	1	
3	A161163501	Cover		C	1	
4	A161166300	Cover		C	1	
5	A161166101	Cover		C	1	
6	A161160605	Cover		C	1	
7	A161132302	Shield Cover		C	1	
8	A161164800	Regulating Part /Lower		D	1	
9	A161164702	Regulating Part /Middle		D	1	
10	A161164600	Regulating Part /Upper		D	1	
11	A161161804	Cover		C	1	
12	A161164401	Cover		C	1	
13	A161160902	Cover		C	1	
14	A161163900	Pulling Coil spring		C	1	
15	A161135600	Mounting Plate		D	1	
16	A161139800	Cover		D	2	
17	A161161201	Cover		D	1	
18	A161162900	Cover		D	1	
19	A161162201	Cover		C	1	
20	A161162801	Cover		C	1	
21	A161132000	Guide		D	1	
22	A161166400	Cover		C	1	
23	A2X0945700	Label		C	1	
24	A2X0945000	Label	C,D1,D3,E,F2,G1,I,K	C	1	
25	A02E149900	Label	A,A1	C	1	
26	A00J945201	Label 220-240V 0.65A	C,D1,D3,E,F2,G1,I,K	C	1	

bizhub C224/bizhub C284/bizhub C364

INNER COVER SECTION

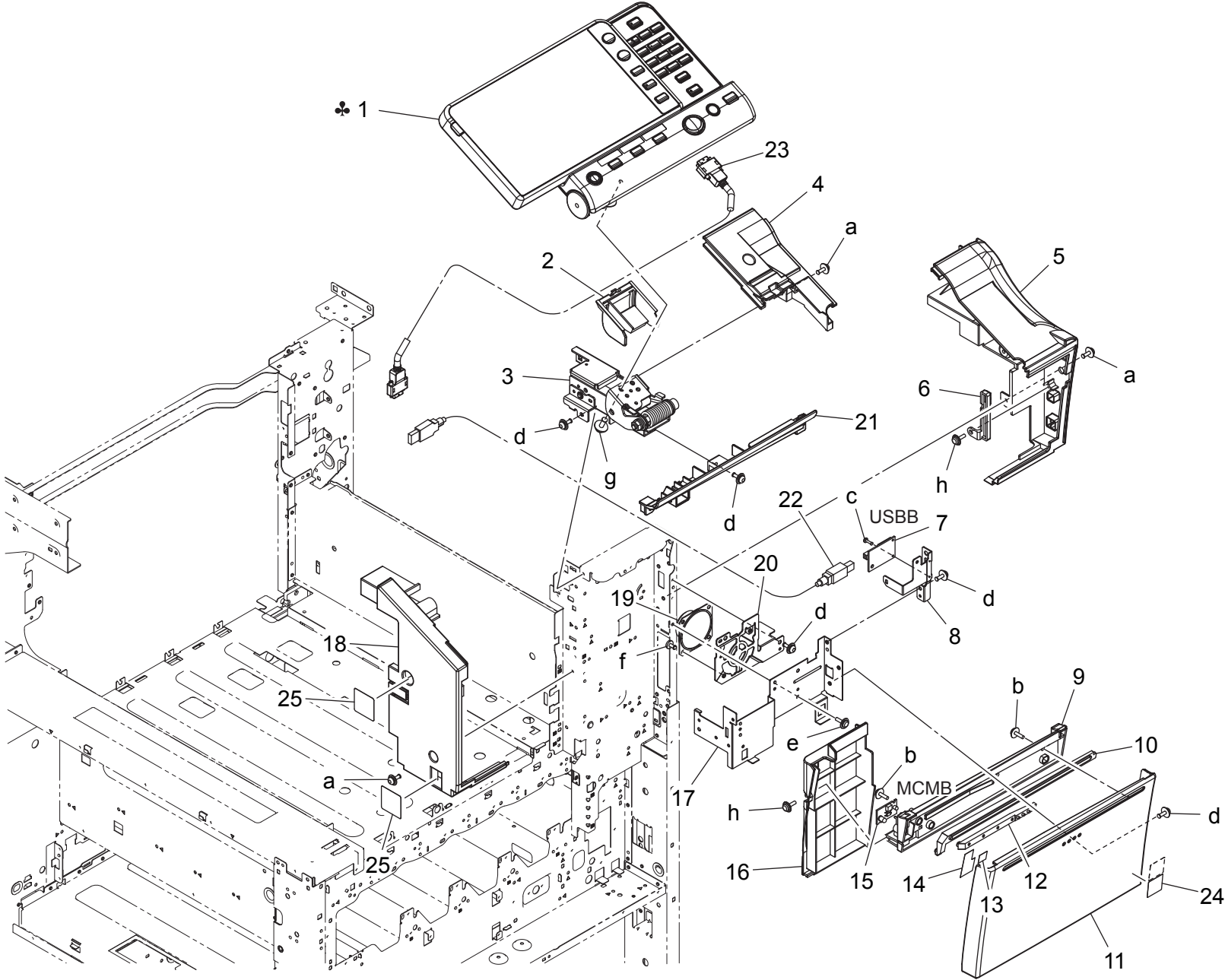


INNER COVER SECTION

Key	Part No.	Description	Destinations	Class	QTY	Standard parts
1	A161165700	Fixing Claw		D	2	a-V116030803 b-V153030804 c-V116030804 d-V116031603
2	A161F16100	Cover Front(2nd)		C	1	
3	A161943000	Label		C	4	
4	4038M60000	SEESAW-SWITCH		C	1	
5	A161165300	Protection Part		C	8	
6	A161165005	Cover /Front		C	1	
7	A0ED162401	Band		D	2	
8	A161942500	Label DR/K		D	1	
9	A161942400	Label DR/C		D	1	
10	A161942300	Label DR/M		D	1	
11	A161942200	Label DR/Y		D	1	
12	A161942101	Label		D	1	
13	A161942000	Label		D	1	
14	A161135100	Mounting Plate		D	1	
15	A161N12A00	AC Wiring /A		D	1	
16	A161151300	Torsion Coil spring		D	1	
17	4038228702	SHOULDER SCREW		C	1	
18	9J06M60100	MICRO SWITCH		C	1	
19	A161151100	Mounting Plate		D	1	
20	A161942600	Label		D	1	

bizhub C224/bizhub C284/bizhub C364

OPERATION PANEL SECTION



bizhub C224/bizhub C284/bizhub C364

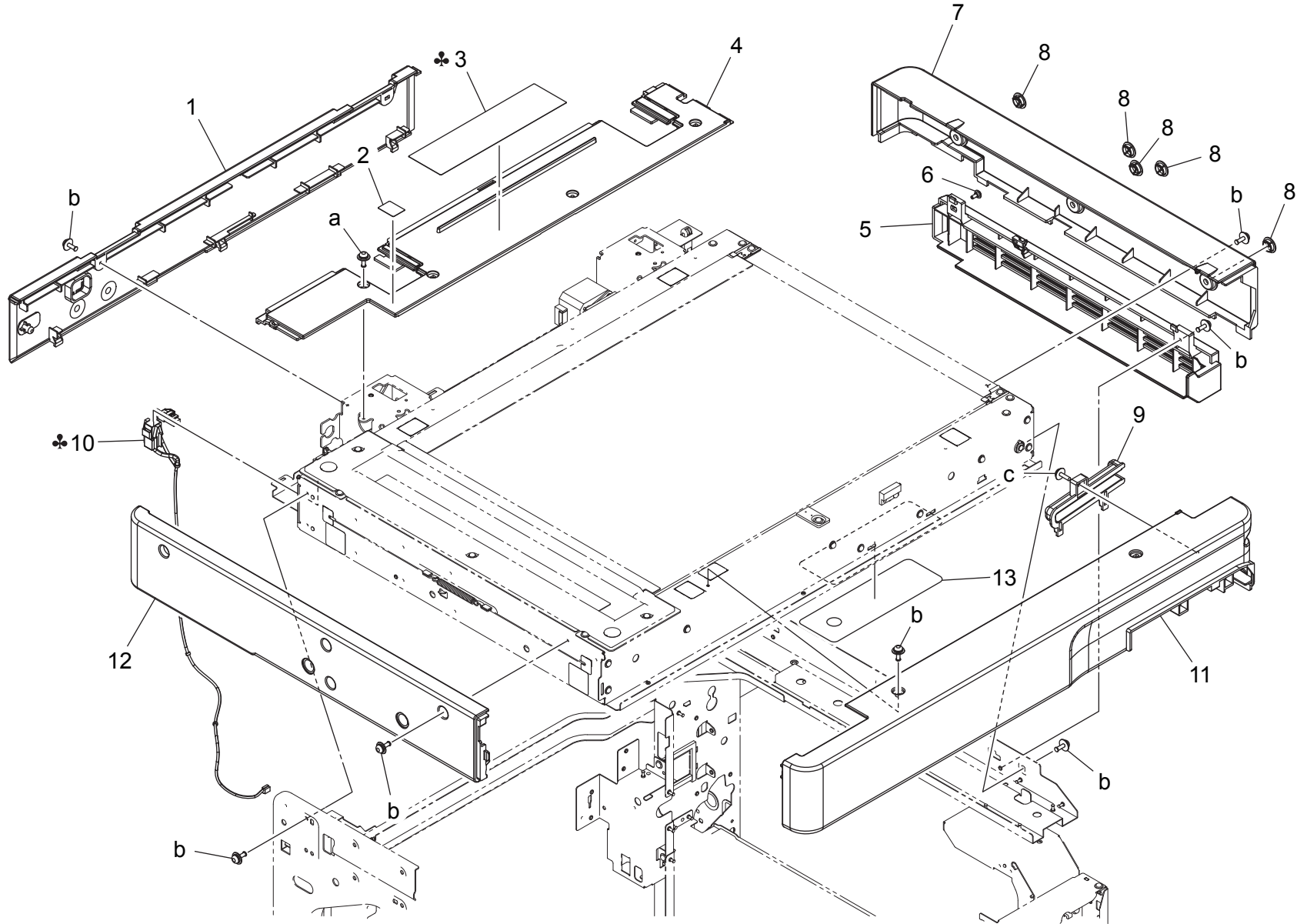


OPERATION PANEL SECTION

Key	Part No.	Description	Destinations	Class	QTY	Standard parts
1	A161M70503	Panel assembly	A,A1	I	1	a-V116030804
1	A161M70603	Panel assembly	B,D1,D3,E,F2,G1,G2,I,K	I	1	b-V153030803
1	A161M70703	Panel assembly	C	I	1	c-V111020603
2	A161190900	Cover		C	1	d-V116030803
3	A161R72000	Mounting Plate Assy		C	1	e-V137030803
4	A161162602	Cover		C	1	f-V126030603
5	A161161503	Cover		C	1	g-V116041003
6	A161164000	Cover		D	1	h-V153030804
7	A0P0H02500	PWB assembly(PWB-UCN ASSY)		D	1	
8	A161138002	Mounting Plate		D	1	
9	A161167200	Light blocking Cover		D	1	
10	A161167000	Lens		D	1	
11	A161161700	Cover		C	1	
12	A161167100	Lens		D	1	
13	A161167400	Light blocking Sheet /2		D	1	
14	A161167300	Light blocking Sheet /1		D	1	
15	A161H00U01	PWB Assembly(PWB-LED ASSY)		C	1	
16	A161161900	Cover		D	1	
17	A161164103	Mounting Plate		D	1	
18	A161161401	Cover		C	1	
19	A0P0M73100	Speaker		D	1	
20	A161137302	Mounting Plate		D	1	
21	A161162702	Cover		D	1	
22	A0P0N15300	Cable		C	1	
23	A161N15602	Interface Cable		C	1	
24	A011946200	Label Emperon		D	1	
25	A161162400	Seal		C	2	

bizhub C224/bizhub C284/bizhub C364

IR COVER SECTION



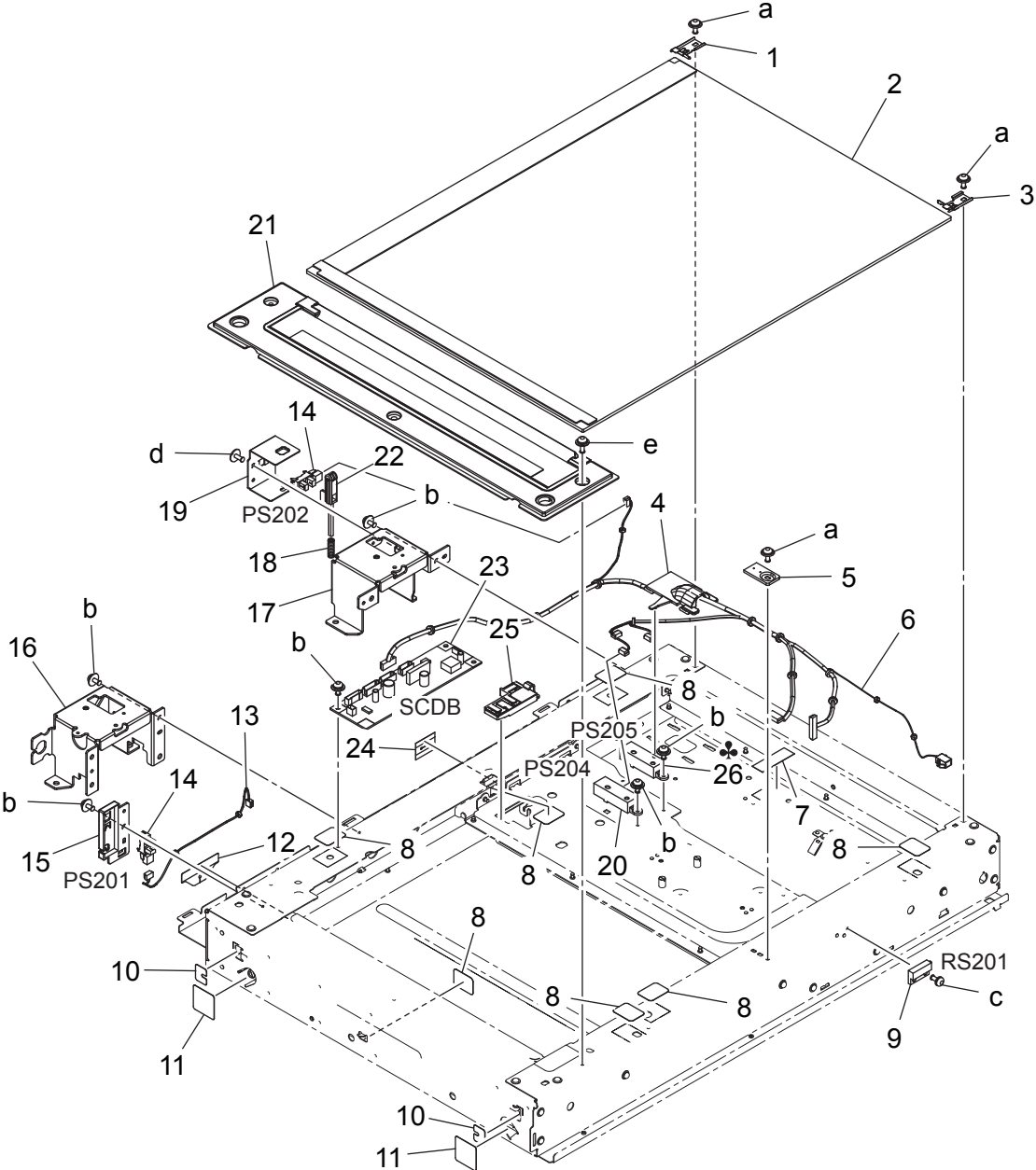
bizhub C224/bizhub C284/bizhub C364

IR COVER SECTION

Key	Part No.	Description	Destinations	Class	QTY	Standard parts
1	A161170203	Read Cover /Rear		C	1	a-V116030804 b-V116030803 c-V153030803
2	A161940602	Label		D	1	
3	A00J940100	Label Legal Restriction	B,G2	C	1	
3	A161941500	Label	A,A1	D	1	
4	A161170701	Read Cover		C	1	
5	A161170601	Read Cover		C	1	
6	A00J169300	Shoulder screw		C	1	
7	A161170400	Read Cover /Right		C	1	
8	A02E167700	Cover		C	5	
9	A161170800	Holder		D	1	
10	A161N11C01	Scanner Relay harness /100V	A,A1	D	1	
11	A161170100	Read Cover /Front		C	1	
12	A161170300	Read Cover /Left		C	1	
13	A161282100	Ground Sheet		D	1	

bizhub C224/bizhub C284/bizhub C364

SCANNER SECTION



bizhub C224/bizhub C284/bizhub C364



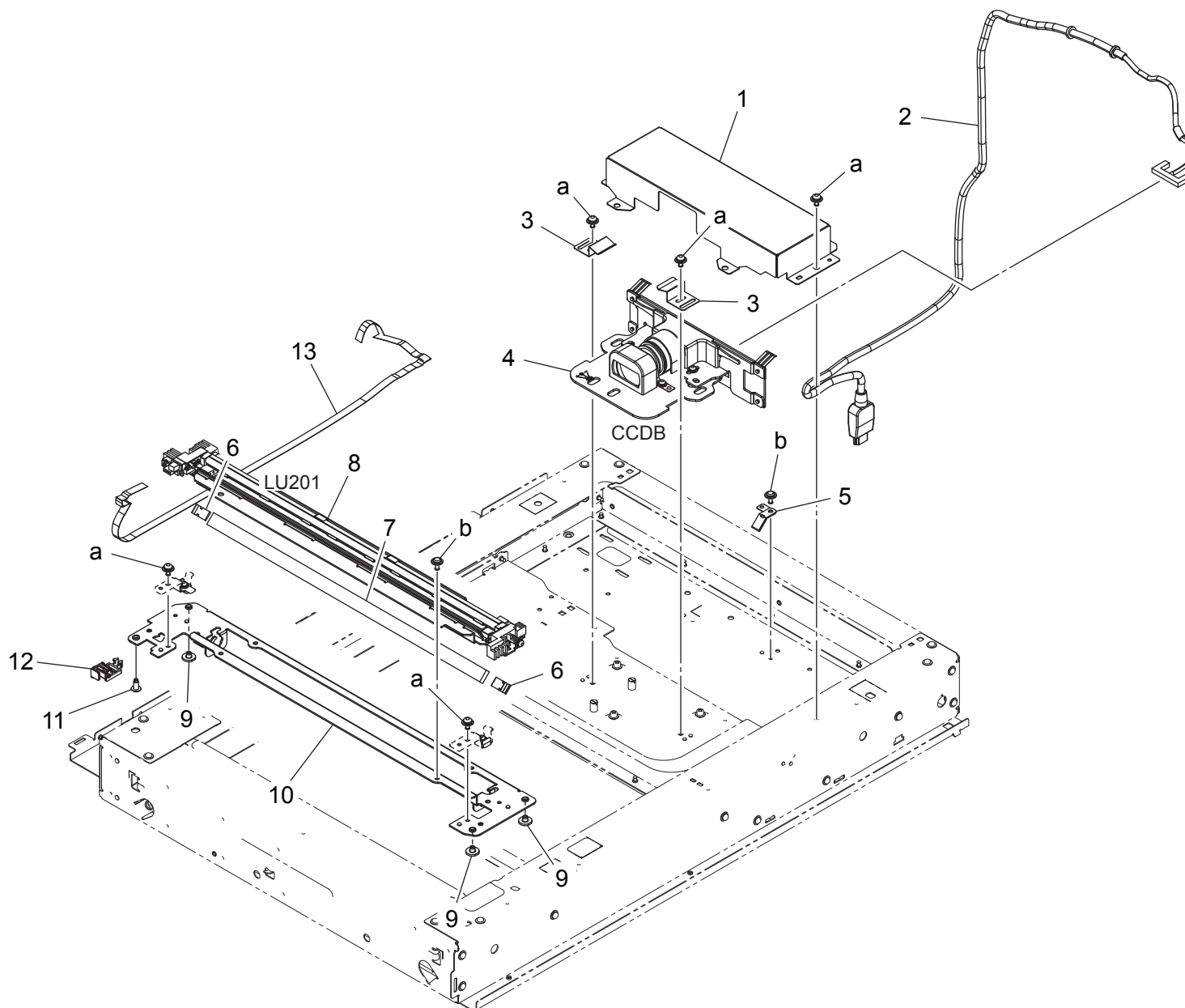
SCANNER SECTION

Key	Part No.	Description	Destinations	Class	QTY	Standard parts
1	A161268300	Holding Plate		D	1	a-V121030604 b-V116030603 c-V115030603 d-V137030603 e-V116030804
2	A161R72200	Original Glass Assy		C	1	
3	A161268200	Holding Plate		D	1	
4	A161281600	Guide		D	1	
5	A00J265300	Regulating Plate		C	1	
6	A161N14100	Scanner Wiring /1		D	1	
7	4036307501	TAPE		D	1	
8	4581162501	SEAL		C	7	
9	A1UDM50200	Lead Switch		C	1	
10	A161262700	Seal		D	2	
11	A0ED262500	Seal		D	2	
12	A161263000	Seal		D	1	
13	A161N14200	Scanner Wiring /2		D	1	
14	A108M50100	Photointerrupter		B	2	
15	A161262200	Cover		D	1	
16	A161261902	Frame		D	1	
17	A161262002	Frame		D	1	
18	A161280300	Compressing Coil spring		C	1	
19	A161280101	Mounting Plate		D	1	
20	A161M50A00	APS Photoreflector		C	1	
21	A161R72300	Slit Glass Assy		C	1	
22	A161280200	Lever		D	1	
23	A161H01A00	PWB Assembly(PWB-ID ASSY)		I	1	
24	A161281300	Seal		D	1	
25	A161281100	Guide		D	1	
26	A161M50A00	APS Photoreflector	D1,D3,E,F2,G1,I,K	C	1	
26	A161M50A00	APS Photoreflector	A,A1,B,C,G2 (OPTION)	C	1	

bizhub C224/bizhub C284/bizhub C364

SCANNER SECTION

P 7



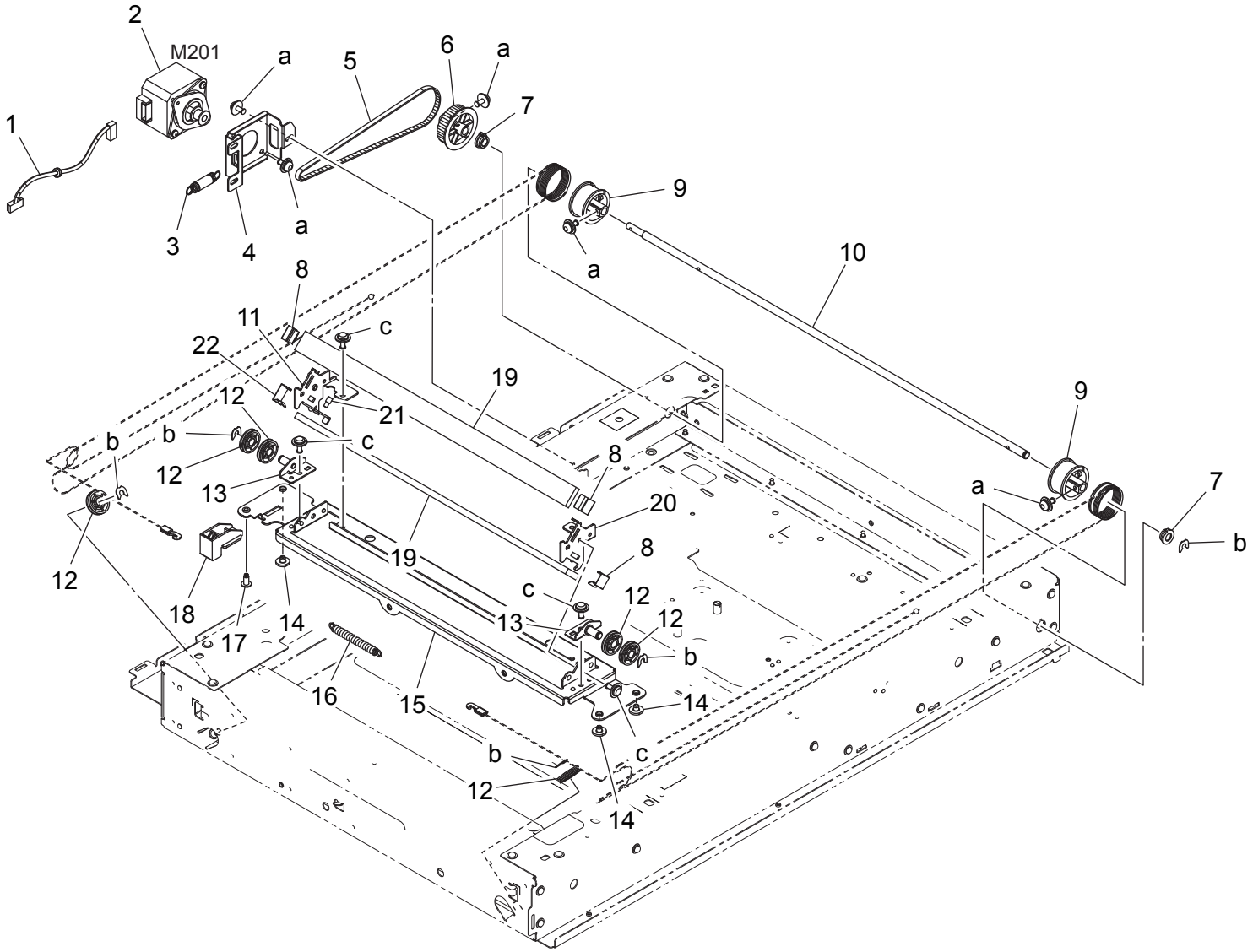
bizhub C224/bizhub C284/bizhub C364

SCANNER SECTION

Key	Part No.	Description	Destinations	Class	QTY	Standard parts
1	A161278600	Cover		D	1	a-V116030603 b-V137030603
2	A161N14401	CCD Cable		D	1	
3	A161278900	Plate spring		D	2	
4	A161R72100	CCD Lens Assy		I	1	
5	A161281700	Plate spring /1		D	1	
6	A0ED271300	Plate spring		D	2	
7	A0ED271200	Mirror		D	1	
8	A161M31001	Lamp		C	1	
9	A161271000	Bushing		D	3	
10	A161270102	Frame		D	1	
11	A161271100	Bushing		D	1	
12	A161270600	Guide		D	1	
13	A161N14000	Scanner Wiring /4		D	1	

bizhub C224/bizhub C284/bizhub C364

SCANNER SECTION

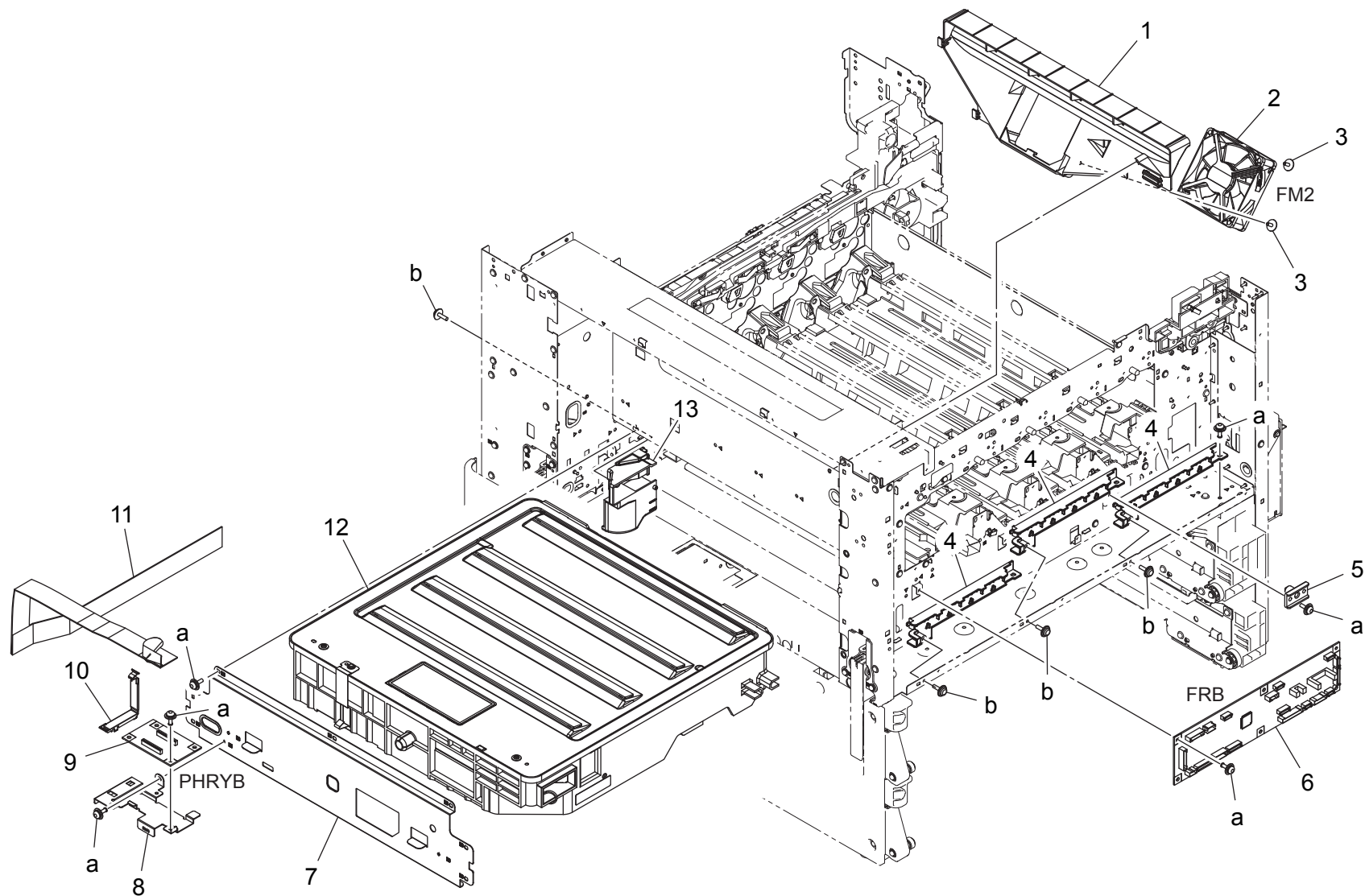


bizhub C224/bizhub C284/bizhub C364

SCANNER SECTION

Key	Part No.	Description	Destinations	Class	QTY	Standard parts
1	A161N14300	Scanner Wiring /3		D	1	a-V116030603 b-V218040086 c-V137030603
2	A161M10A00	Stepping motor		C	1	
3	A161275700	Pulling Spring		D	1	
4	A161276000	Mounting Plate		D	1	
5	A161275600	Timing belt 335L		D	1	
6	A161275500	Pulley 103T		D	1	
7	A161276500	Bearing		D	2	
8	A0ED274400	Plate spring		D	3	
9	A161275300	Pulley		D	2	
10	A161275400	Shaft		D	1	
11	A161273701	Mounting Plate		D	1	
12	A0ED273600	Pulley		C	6	
13	A161273401	Mounting Plate		D	2	
14	A161271000	Bushing		D	3	
15	A161273100	Frame		D	1	
16	A0ED276301	Pulling Spring		D	1	
17	A161271100	Bushing		D	1	
18	A161273500	Guide Part		D	1	
19	A0ED274300	Mirror		D	2	
20	A161273800	Mounting Plate		D	1	
21	A161274600	Adjusting Screw		C	1	
22	A161274500	Plate spring /1		D	1	

bizhub C224/bizhub C284/bizhub C364



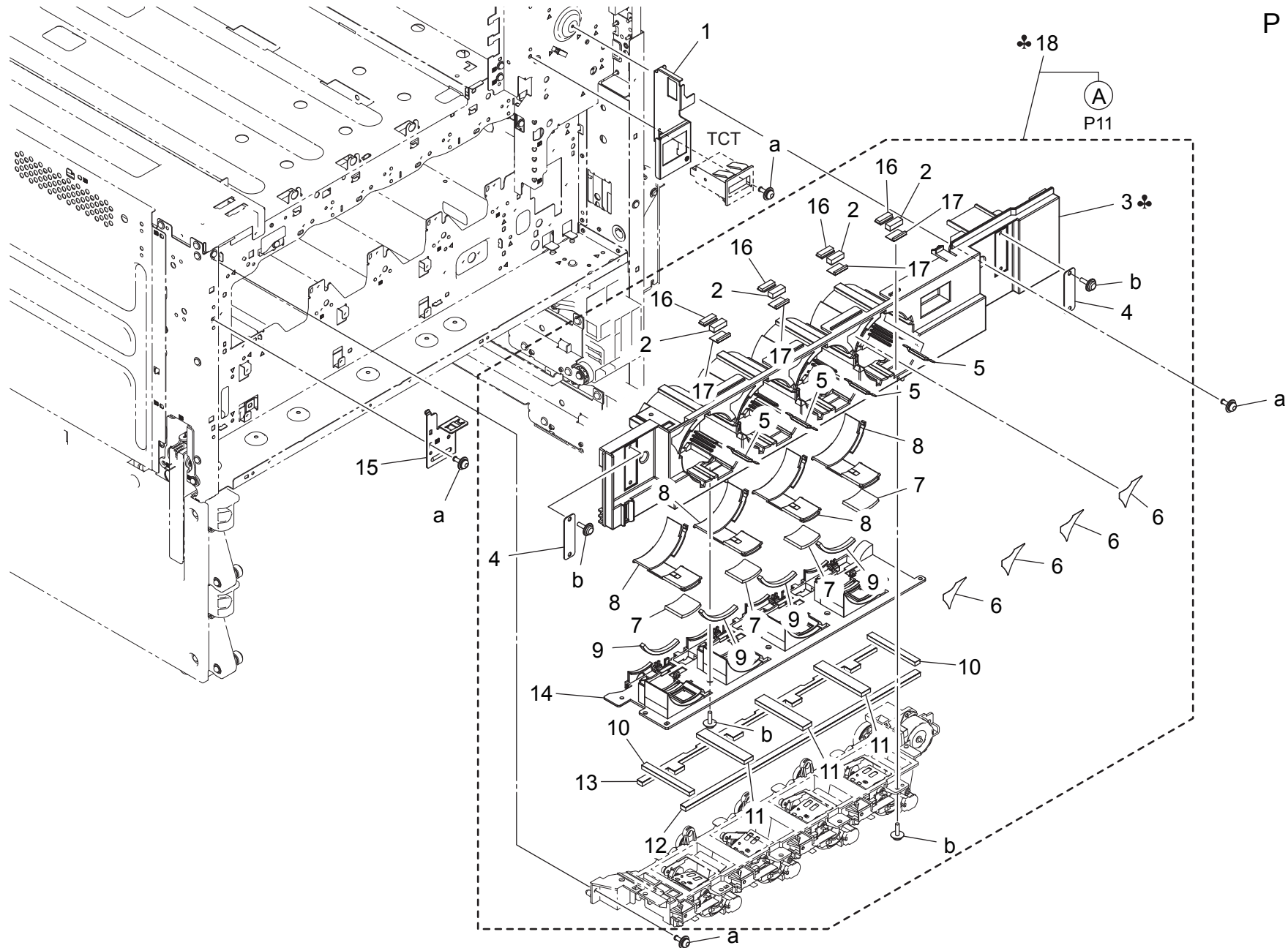
bizhub C224/bizhub C284/bizhub C364

Key	Part No.	Description	Destinations	Class	QTY	Standard parts
1	A161140200	Duct		D	1	a-V116030803 b-V153030803
2	4139M10000	FAN MOTOR		B	1	
3	4163529301	SCREW		C	2	
4	A161135300	Guide		D	3	
5	A161105400	Positioning Plate		D	1	
6	A161H00501	PWB Assembly(PWB-FR ASSY)		I	1	
7	A161101802	Mounting Plate		D	1	
8	A161130301	Mounting Plate		D	1	
9	A161H00800	PWB Assembly(PWB-VD2 ASSY)		C	1	
10	A161137802	Holder		D	1	
11	A161N11901	Flatcable /25		C	1	
12	A161R70900	Print Head Assy	{C364}	I	1	
12	A4FKR70000	Print Head Assy	{C224/C284}	I	1	
13	A161147401	Duct		D	1	

bizhub C224/bizhub C284/bizhub C364

TONER SUPPLY SECTION

P 10



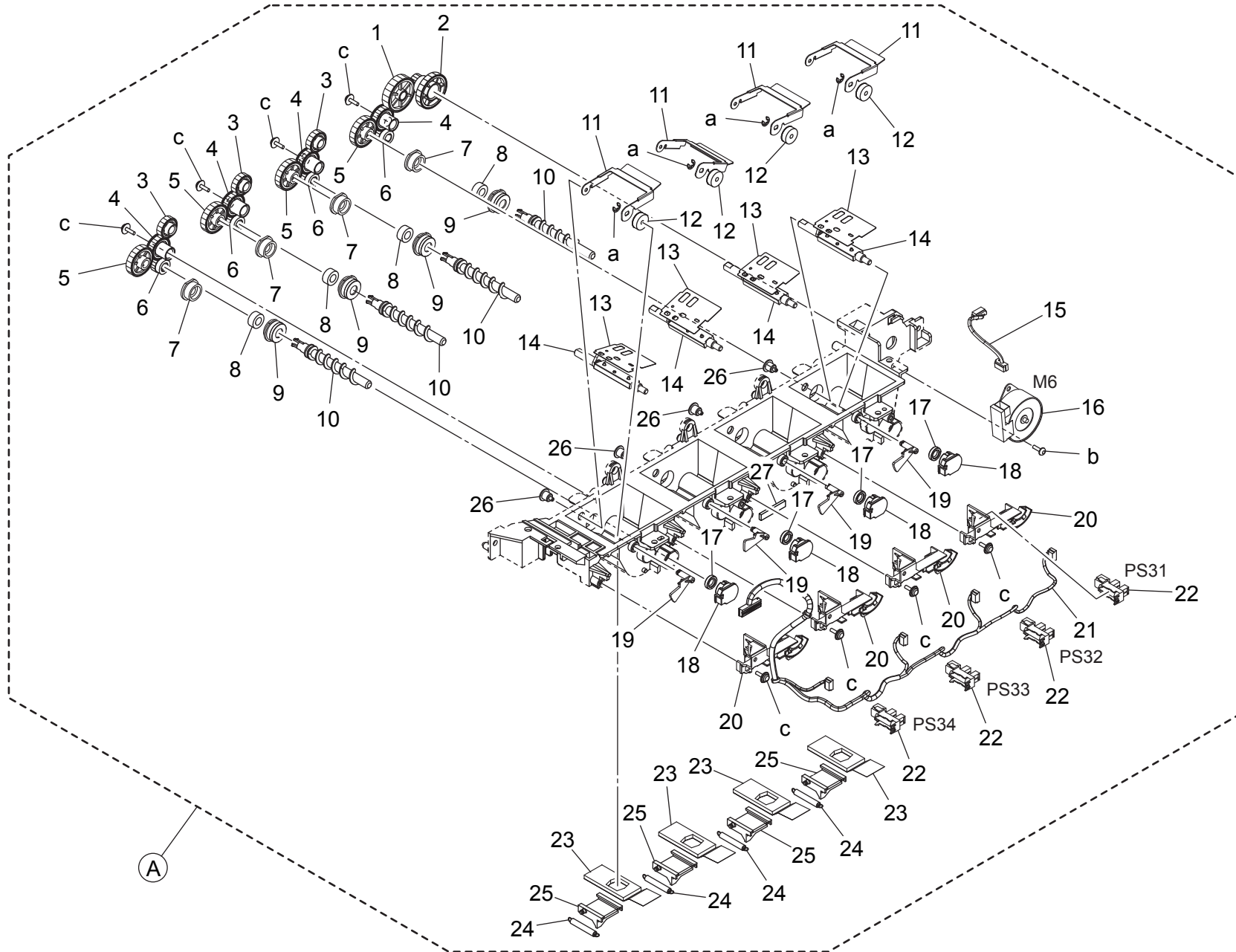
bizhub C224/bizhub C284/bizhub C364

TONER SUPPLY SECTION

Key	Part No.	Description	Destinations	Class	QTY	Standard parts
1	A161120701	Reinforce Plate		D	1	a-V116030803 b-V153030803
2	A161403701	Seal		D	4	
3	A161402002	Cover	A,A1	D	1	
3	A161405102	Cover	B,G2	D	1	
3	A161405202	Cover	C	D	1	
3	A161405300	Cover	D1,D3,E,F2,G1,I,K	D	1	
4	4038101401	SUCTION PLATE		D	2	
5	A161403901	Spacer		D	4	
6	A0ED940600	Label Toner 1		D	4	
7	A161402501	Seal		D	4	
8	A161402401	Shutter		D	4	
9	A161403800	Seal		D	4	
10	A161403500	Seal		D	2	
11	A161403600	Seal		D	3	
12	A161403300	Seal		D	1	
13	A161403400	Seal		D	1	
14	A161402101	Cover		D	1	
15	A161135502	Mounting Plate		D	1	
16	A161404001	Seal /1		D	4	
17	A161404100	Seal /2		D	4	
18	A161R71000	Sub Hopper Assy (Zeus1JP)	A,A1	S	1	
18	A161R71100	Sub Hopper Assy (Zeus1US)	B,G2	S	1	
18	A161R71200	Sub Hopper Assy (Zeus1EU)	C	S	1	
18	A161R72900	Sub Hopper Assy (Zeus1AP)	D1,D3,E,F2,G1,I,K	S	1	

bizhub C224/bizhub C284/bizhub C364

TONER SUPPLY SECTION



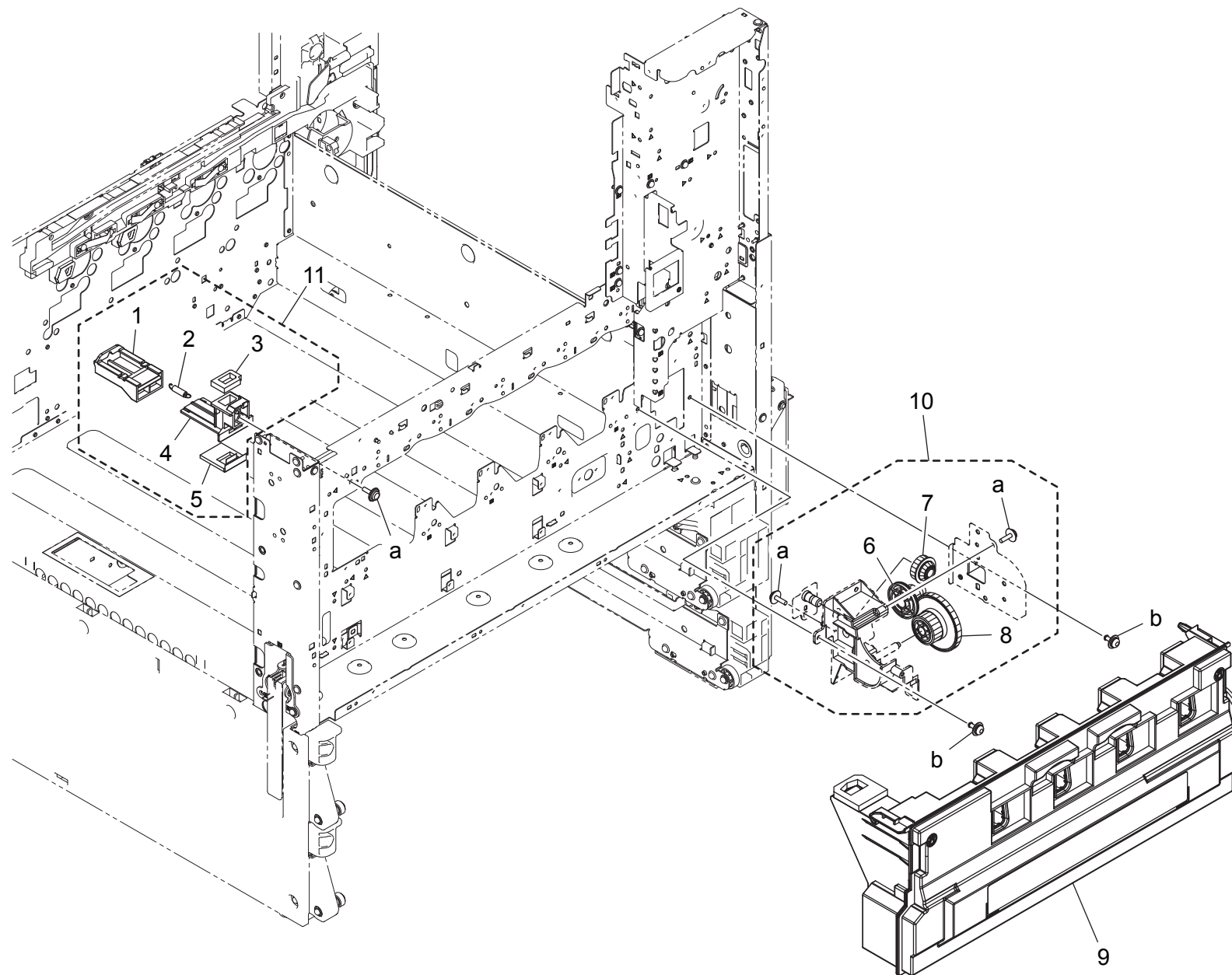
bizhub C224/bizhub C284/bizhub C364

TONER SUPPLY SECTION

Key	Part No.	Description	Destinations	Class	QTY	Standard parts
1	A161401400	Gear 43T		C	1	a-V217030001 b-V145030803 c-V153030803
2	A161401300	Gear 17/65T		C	1	
3	A161401500	Gear 25T		C	3	
4	A161401200	Gear 28T		C	4	
5	A161401100	Gear 36T		C	4	
6	A161401000	Gear 18T		C	4	
7	4163510201	BUSHING		C	4	
8	4576536301	SEAL		D	4	
9	A161403100	Holder		C	4	
10	A161400100	Screw		C	4	
11	A161400400	Detecting Plate		D	4	
12	A161400601	Detecting Seal		D	4	
13	A161400300	Agitating Part		D	4	
14	A161400200	Agitating Shaft		D	4	
15	A161N12801	Toner Drive harness /K		D	1	
16	A02EM10400	Stepping motor		C	1	
17	4333501201	SEAL		D	4	
18	A161403000	Bushing		D	4	
19	A161400501	Detecting Actuator		D	4	
20	A161400701	Mounting Plate		D	4	
21	A161N10F01	Toner Detection harness /1		D	1	
22	A108M50100	Photointerrupter		B	4	
23	A161403200	Seal		D	4	
24	4036534801	TENSION SPRING		C	4	
25	A0ED401000	Shutter		D	4	
26	A161400800	Pin		D	4	
27	A161146800	Seal		D	1	

bizhub C224/bizhub C284/bizhub C364

WASTE TONER BOX SECTION



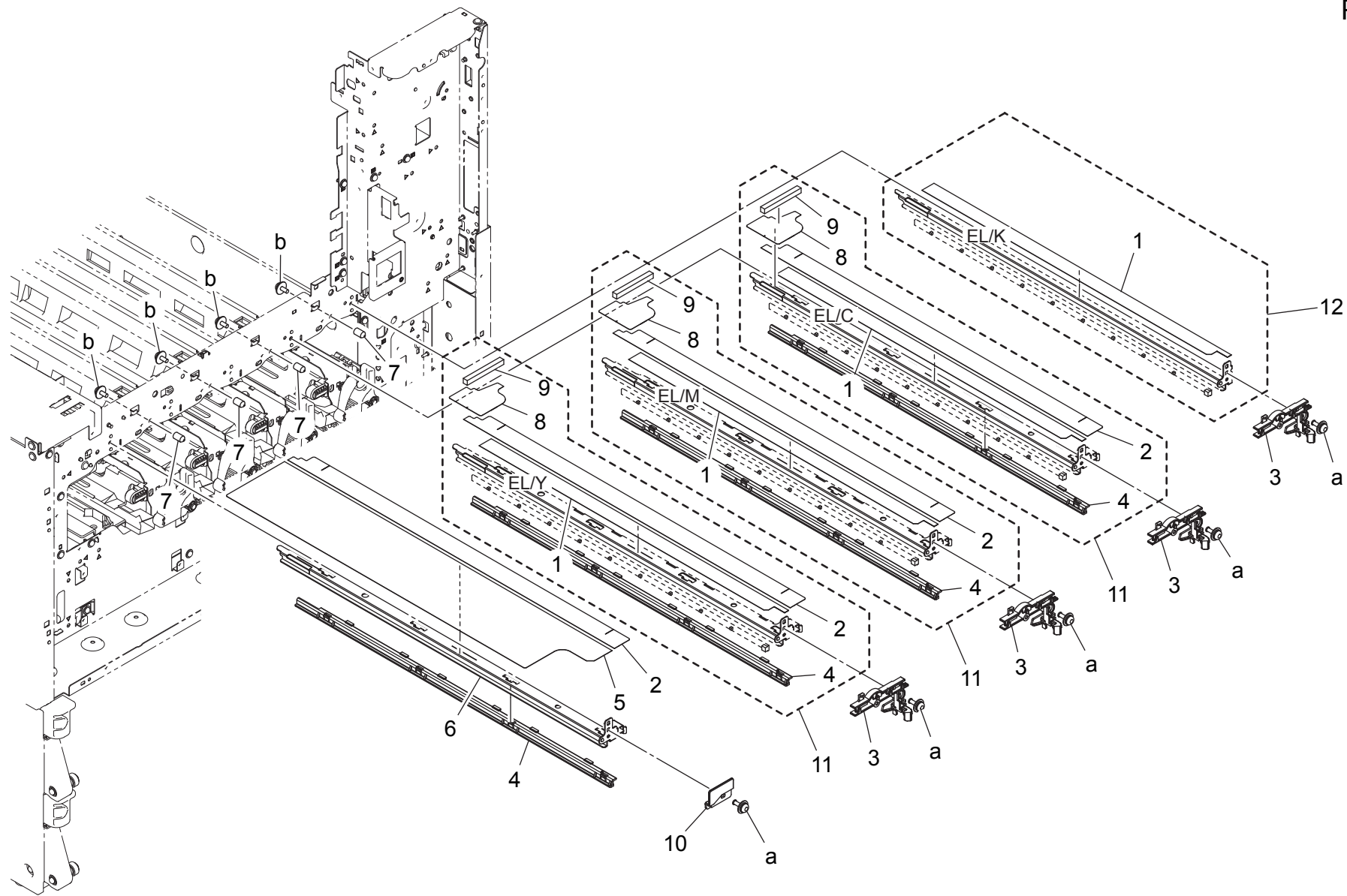
bizhub C224/bizhub C284/bizhub C364

WASTE TONER BOX SECTION

Key	Part No.	Description	Destinations	Class	QTY	Standard parts
1	A0ED363100	Shutter		D	1	a-V153030803 b-V125030818
2	A0ED363200	Pulling Coil spring		D	1	
3	A0ED363400	Seal		D	1	
4	A0ED363000	Pipe		D	1	
5	A0ED363300	Seal		D	1	
6	A161245100	Gear 16/40T		D	1	
7	A0ED245000	Gear 20/20T		D	1	
8	A161245400	Gear 16/51T		D	1	
9	A4NNWY1	WASTE TONER BOX		A	1	
10	A161F21000	Waste Toner Drive		C	1	
11	A0EDF36000	Waste Toner Pipe		C	1	

bizhub C224/bizhub C284/bizhub C364

ERASE LAMP SECTION



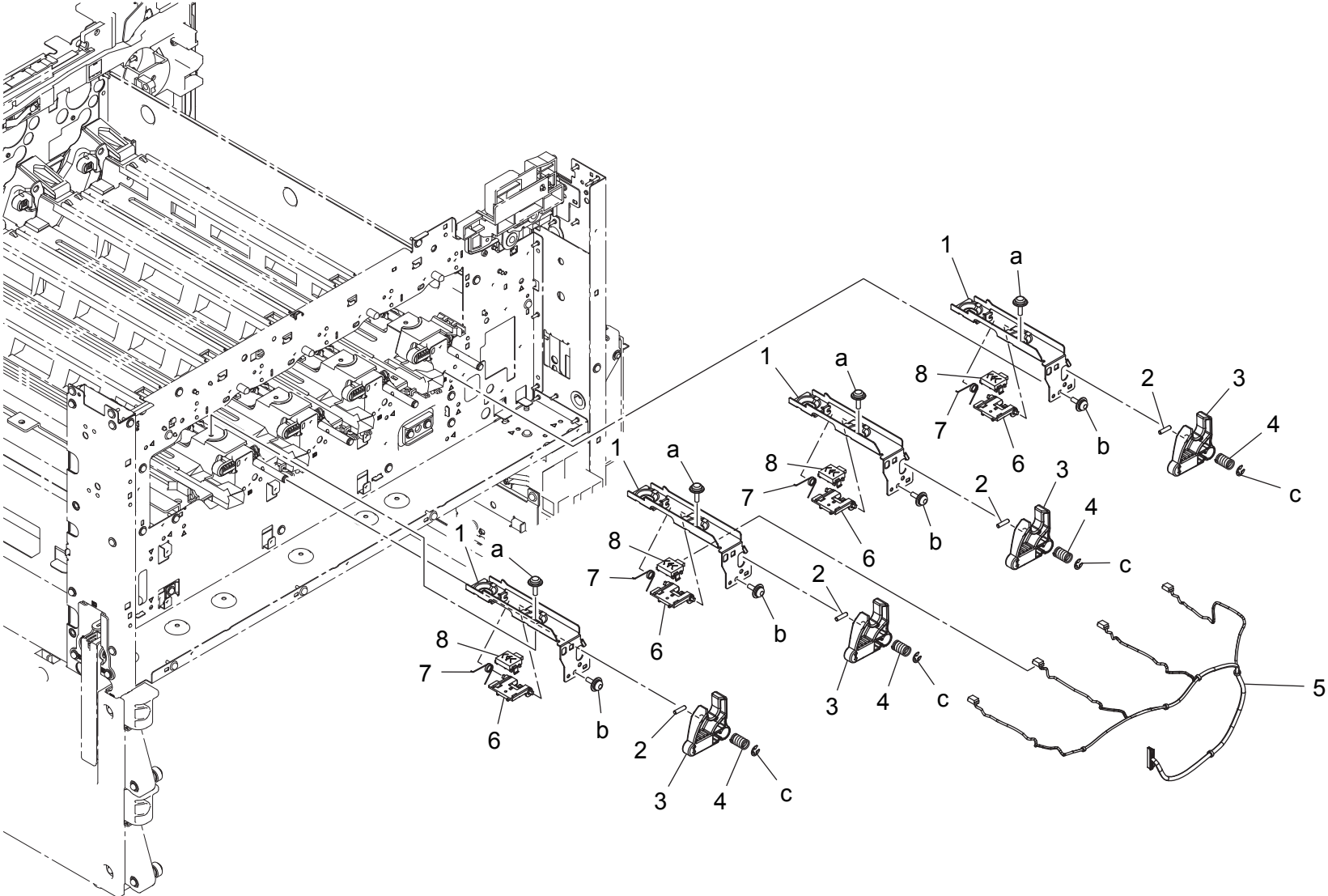
bizhub C224/bizhub C284/bizhub C364

ERASE LAMP SECTION

Key	Part No.	Description	Destinations	Class	QTY	Standard parts
1	A0ED105500	Light blocking Part		D	4	a-V116030803 b-V116030603
2	A161107300	Seal		D	4	
3	A161130101	Holder		D	4	
4	A0ED105400	Rail		D	4	
5	A161102800	Seal		D	1	
6	A161105600	Rail		D	1	
7	A0ED103100	Pin		D	4	
8	A161107200	Seal		D	3	
9	A161107100	Seal		D	3	
10	A161138500	Guide		D	1	
11	A161R70100	Eraser (YMC) Assy		C	3	
12	A161R70000	Eraser (Black) Assy		C	1	

bizhub C224/bizhub C284/bizhub C364

DV LOCK LEVER SECTION



bizhub C224/bizhub C284/bizhub C364

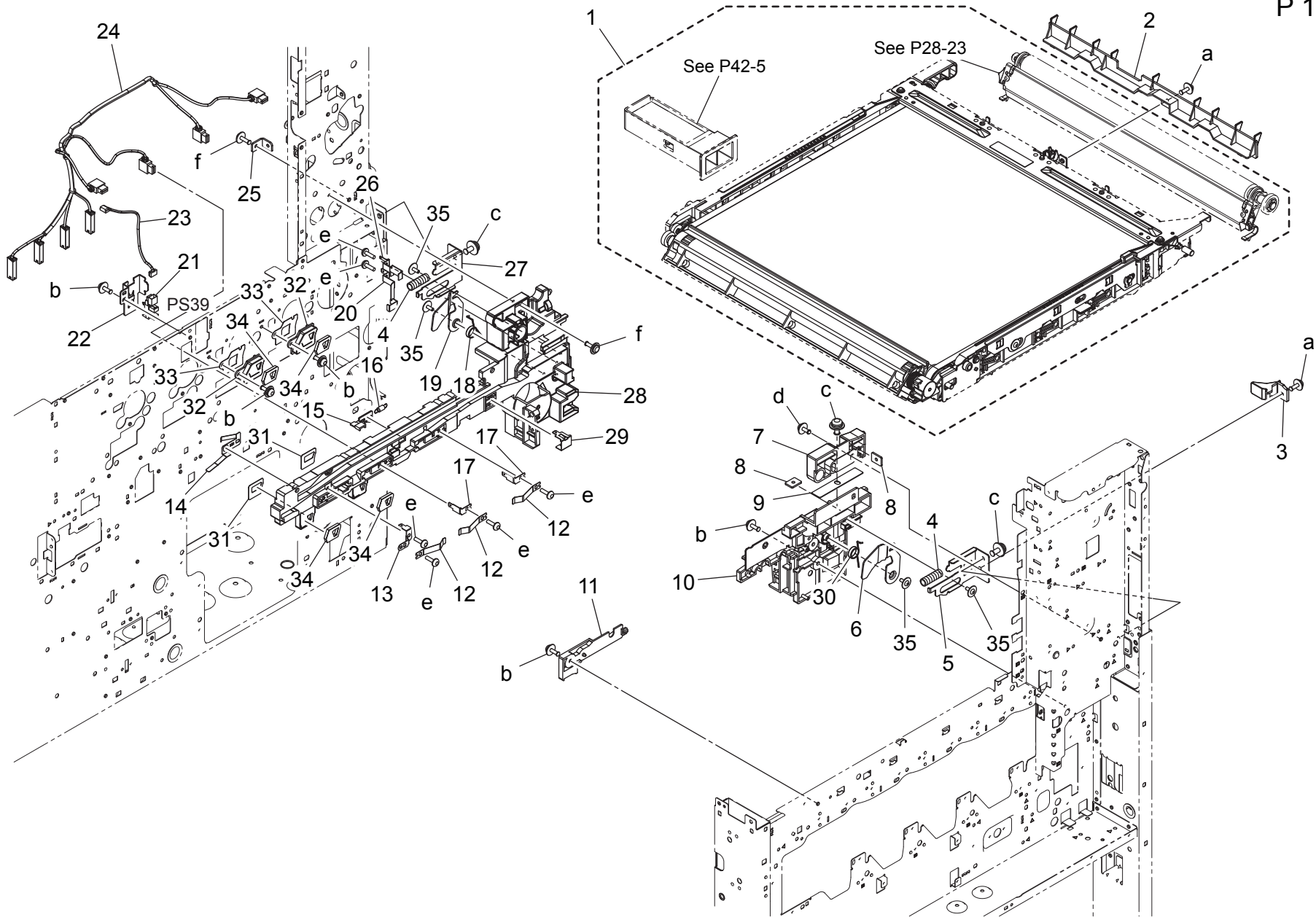
DV LOCK LEVER SECTION

Key	Part No.	Description	Destinations	Class	QTY	Standard parts
1	A161115201	Reinforce Plate		D	4	a-V153030803 b-V116030803 c-V217040001
2	56AA17471	PIN B 3X12		C	4	
3	A161116202	Release Lever		D	4	
4	A161119500	Compressing Coil spring		D	4	
5	A161N10Y02	Photoconductor Wiring		D	1	
6	A0ED104801	Holder		C	4	
7	A0ED105700	Torsion Coil spring		D	4	
8	A0EDM60001	Relay Connector		C	4	

bizhub C224/bizhub C284/bizhub C364

TRANSFER UNIT

P 15

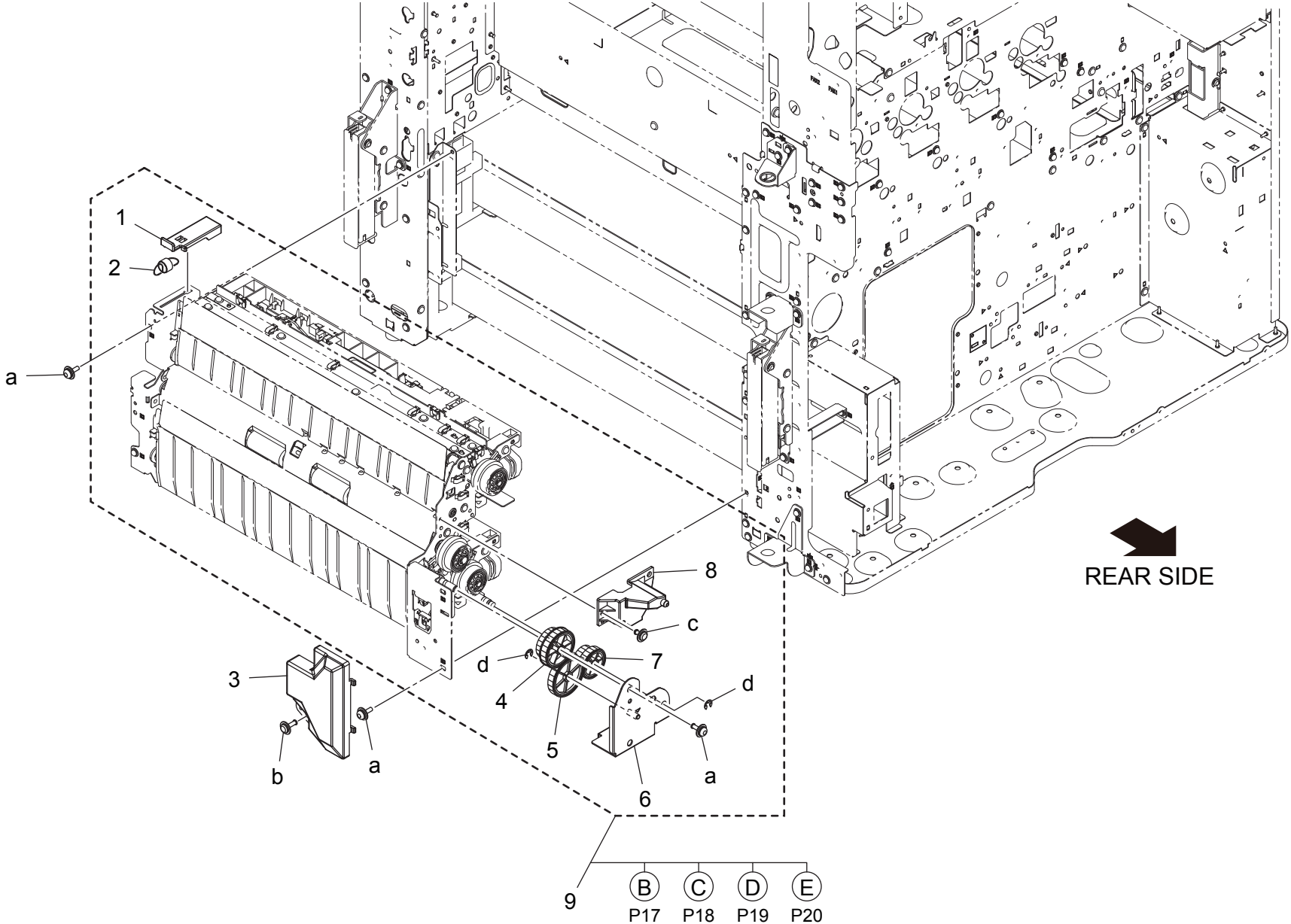


bizhub C224/bizhub C284/bizhub C364

Key	Part No.	Description	Destinations	Class	QTY	Standard parts
1	A161R71300	Intermediate Image Transfer Kit		A	1	a-V116030804 b-V116030803 c-V116040803 d-V125030818 e-V145030803 f-V137030803
2	A161508400	Guide		C	1	
3	A161110601	Lock Part		D	1	
4	A0ED111000	Compressing Coil spring		D	2	
5	A161112500	Lever /Front		D	1	
6	A161112800	Arm /Front		D	1	
7	A161110400	Fusing Rail /Front		D	1	
8	A161112200	Mounting Plate		D	2	
9	A161112600	Adjusting Plate		D	1	
10	A161110201	Rail		D	1	
11	A161110300	Rail		D	1	
12	A0ED111500	Contact /Color		D	3	
13	A161112000	Contact		D	1	
14	A0ED112000	Contact		D	1	
15	A161110500	Detecting Plate		D	1	
16	A0ED110900	Pulling Coil spring		C	1	
17	A0ED111700	Contact		D	2	
18	A0ED111200	Torsion Coil spring /R		D	1	
19	A161112900	Arm /Rear		D	1	
20	A161112300	Contact		D	1	
21	A108M50100	Photointerrupter		B	1	
22	A0ED112100	Mounting Plate		D	1	
23	A161N10J00	Connecting Detection harness		D	1	
24	A161N11200	Transfer Wiring /1		D	1	
25	A161112700	Mounting Plate		D	1	
26	A161112400	Contact		D	1	
27	A161112100	Lever /Rear		D	1	
28	A161110102	Rail		D	1	
29	A0ED111400	Contact /K		D	1	
30	A0ED111100	Torsion Coil spring /F		D	1	
31	A161144900	Seal		C	2	
32	A161141700	Duct		D	2	
33	A161146200	Seal		D	2	
34	A161144801	Seal		C	4	
35	4163529301	SCREW		C	4	

bizhub C224/bizhub C284/bizhub C364

PAPER FEED SECTION



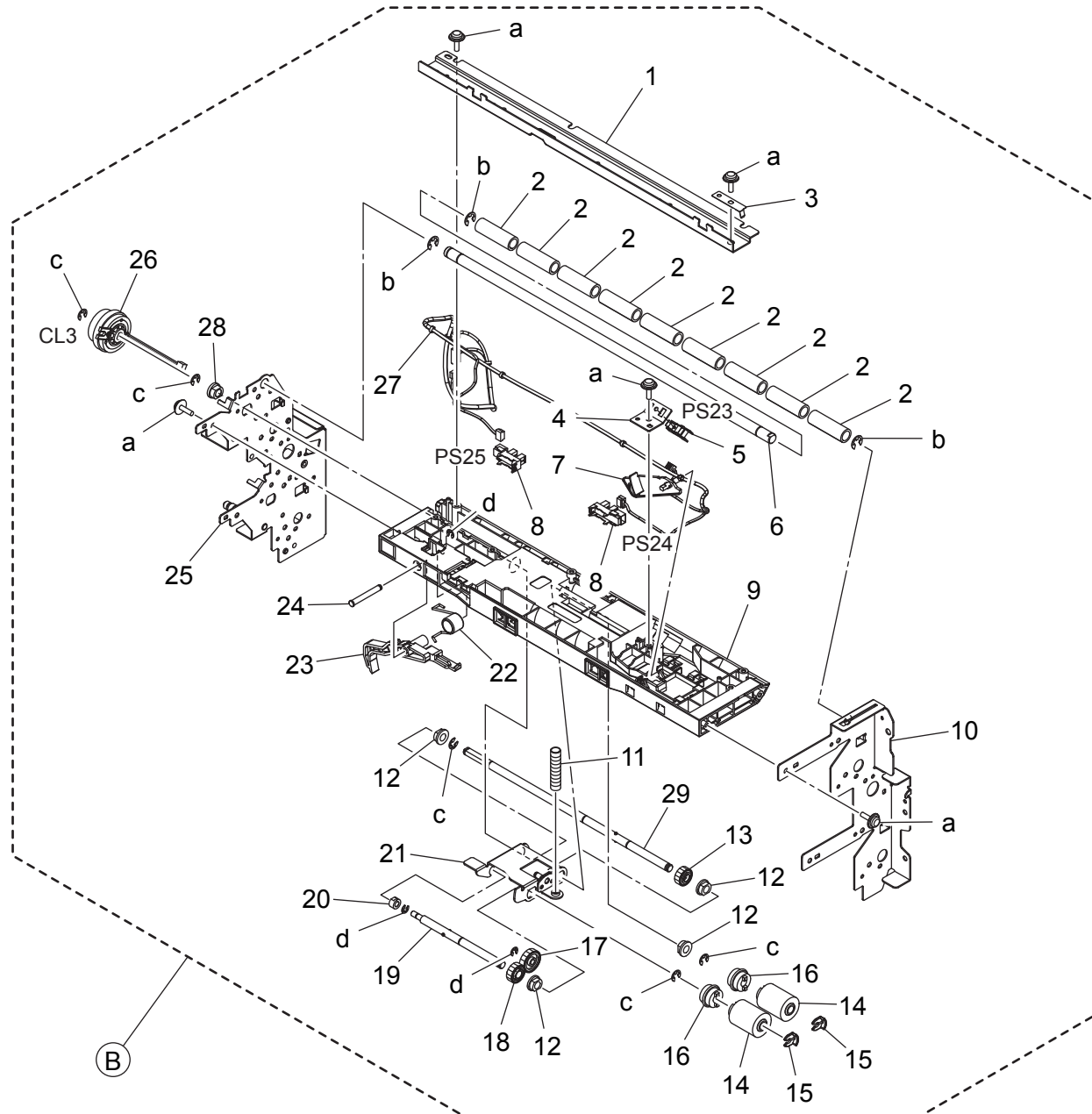
bizhub C224/bizhub C284/bizhub C364

PAPER FEED SECTION

Key	Part No.	Description	Destinations	Class	QTY	Standard parts
1	A161561100	Holder		D	1	a-V116030803 b-V137030803 c-V144030603 d-V217040001
2	A161561200	Pulling Coil spring		D	1	
3	A161579000	Cover		D	1	
4	A161576300	Gear 27/33T		C	1	
5	A161576200	Gear 36T		C	1	
6	A161F56101	Caulking(Hold Plate Drive)		D	1	
7	A161576100	Gear 21/26T		C	1	
8	A161565102	Mounting Plate		D	1	
9	A161R71500	Paper Feed Assy	{C284/C364}	S	1	
9	A4FMR70000	Paper Feed Assy	{C224}	S	1	

bizhub C224/bizhub C284/bizhub C364

1ST PAPER FEED SECTION



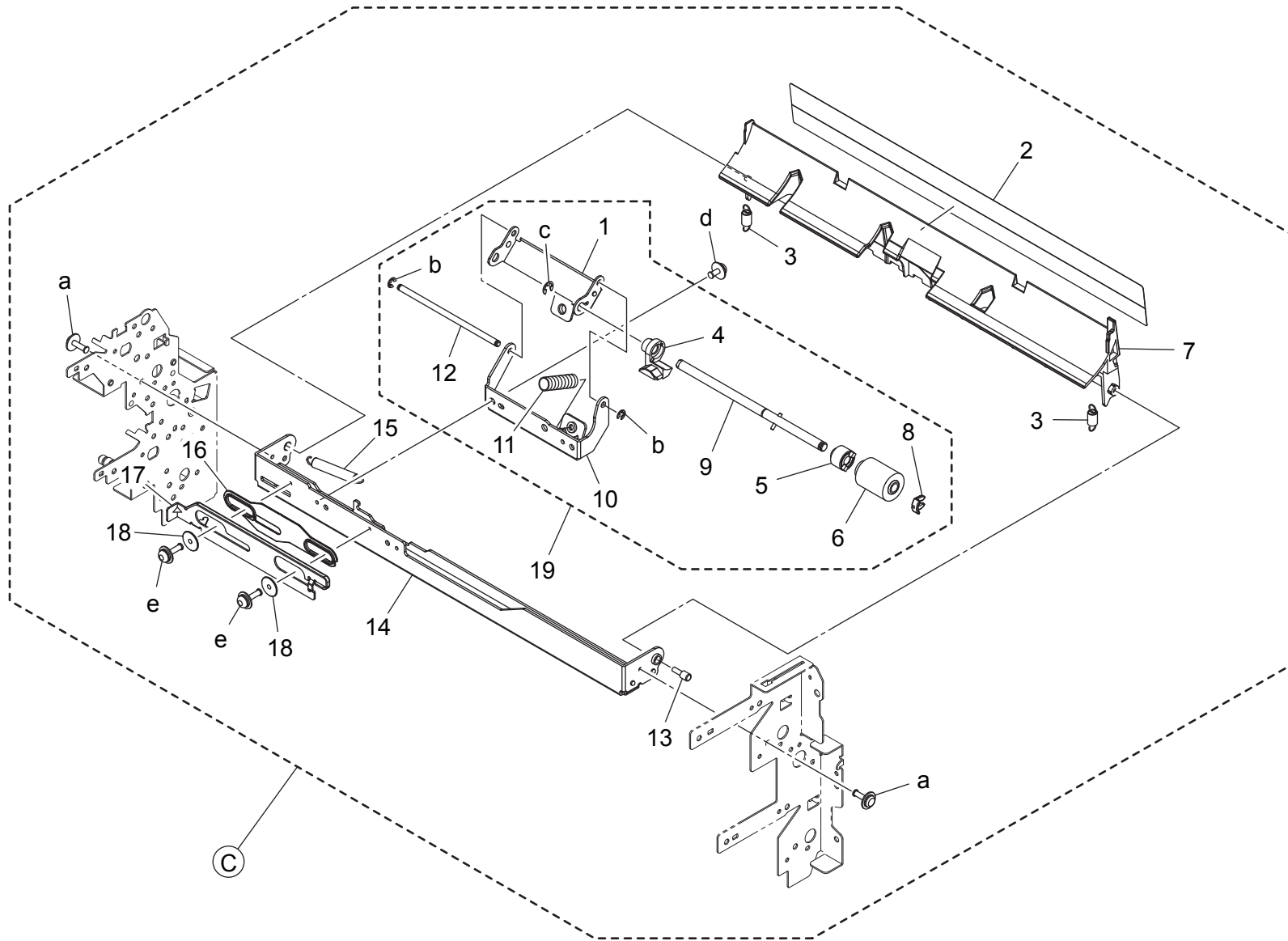
bizhub C224/bizhub C284/bizhub C364

1ST PAPER FEED SECTION

Key	Part No.	Description	Destinations	Class	QTY	Standard parts
1	A161566000	Reinforce Plate		D	1	a-V153030803 b-V217050001 c-V217040001 d-V217030001
2	4034352501	ROLLER		C	9	
3	A161560600	Ground Plate		D	1	
4	A161560900	Mounting Plate	{C284/C364}	D	1	
5	A0EDM50100	Photoreflector	{C284/C364}	I	1	
6	A161565500	Shaft		D	1	
7	A161561600	Actuator		C	1	
8	A108M50100	Photointerrupter		B	2	
9	A161565300	Paper feed Frame		D	1	
10	A161560101	Frame /Front		D	1	
11	A161562800	Compressing Coil spring		C	1	
12	4131300301	BUSHING		C	4	
13	A161562400	Gear 26T		C	1	
14	A00J563600	Roller		A	2	
15	56AA40490	SHAFT STOPPER 4		C	2	
16	A02E561100	Clutch		C	2	
17	A161562300	Gear 34T		C	1	
18	A161562600	Gear 28T		C	1	
19	A161562000	Shaft		D	1	
20	A161562500	Bushing		C	1	
21	A161562101	Holder		D	1	
22	A161567400	Torsion Spring		C	1	
23	A161567300	Lever		C	1	
24	A02E560800	Shaft		D	1	
25	A161F56002	Caulking(Frame)		D	1	
26	A02EM20200	Clutch		C	1	
27	A161N10P01	Paperfeed Wiring /1	{C284/C364}	D	1	
27	A4FMN10201	Paperfeed Wiring /1	{C224}	D	1	
28	A00J663200	Bushing		C	1	
29	A161560500	Shaft		D	1	

bizhub C224/bizhub C284/bizhub C364

1ST PAPER FEED SECTION



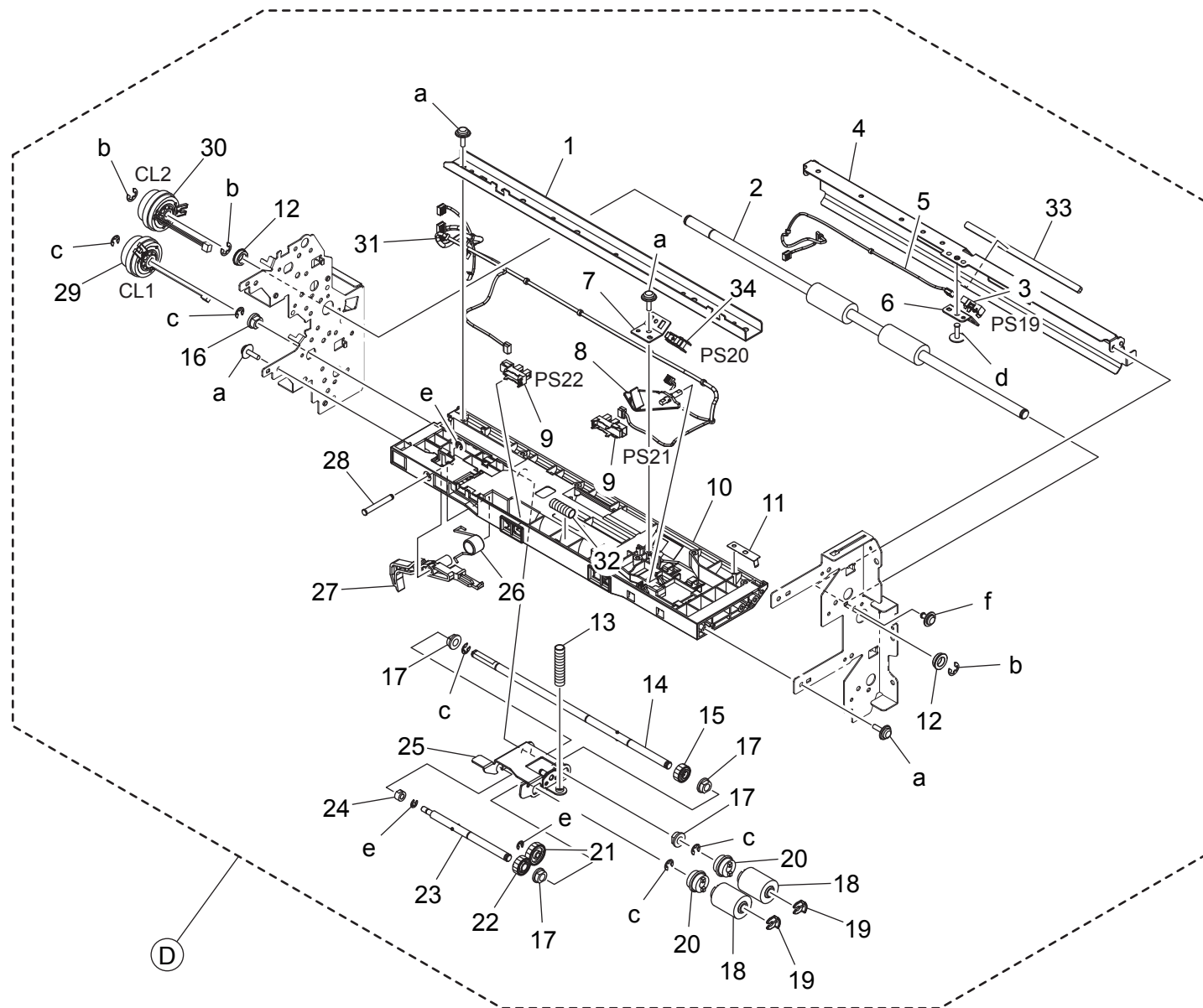
bizhub C224/bizhub C284/bizhub C364

1ST PAPER FEED SECTION

Key	Part No.	Description	Destinations	Class	QTY	Standard parts
1	A161563100	Holder		D	1	a-V137030803 b-V217030001 c-V217040001 d-V116030603 e-V116031003
2	A161568500	Guide		C	1	
3	A161568600	Pulling Coil spring		C	2	
4	A161563501	Guide		D	1	
5	A0ED563900	Torque limiter		C	1	
6	A00J563600	Roller		A	1	
7	A161568401	Guide Plate		C	1	
8	56AA40490	SHAFT STOPPER 4		C	1	
9	A161563400	Shaft		D	1	
10	A161564001	Mounting Plate		D	1	
11	4030301703	PRESSURE SPRING		C	1	
12	A161563300	Shaft		D	1	
13	4532341001	SHOULDER SCREW		D	1	
14	A161563901	Mounting Plate		D	1	
15	A161564400	Pulling Coil spring		C	1	
16	A161564200	Spacer		D	1	
17	A161564100	Lever		D	1	
18	A161564300	Spacer		D	2	
19	A161R72500	Separation Roller Assy		C	1	

bizhub C224/bizhub C284/bizhub C364

2ND PAPER FEED SECTION

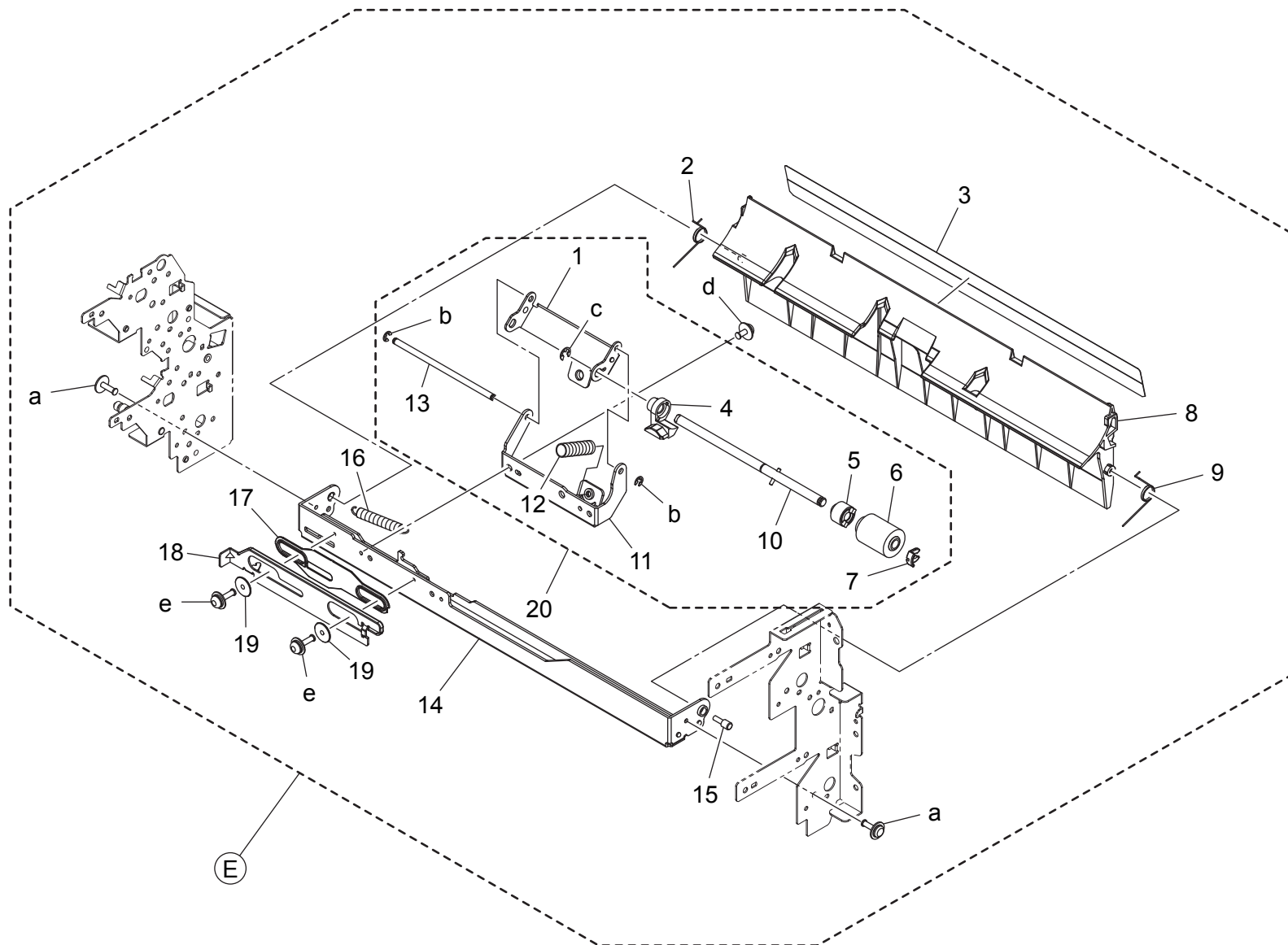


bizhub C224/bizhub C284/bizhub C364

Key	Part No.	Description	Destinations	Class	QTY	Standard parts
1	A161561000	Reinforce Plate		D	1	a-V153030803 b-V217050001 c-V217040001 d-V137030803 e-V217030001 f-V144030603
2	A161578100	Drive Roller		C	1	
3	A0EDM50100	Photoreflector		I	1	
4	A161578200	Guide Plate		D	1	
5	A161N12701	Conveyance Detection harness		D	1	
6	A161571100	Mounting Plate	{C284/C364}	D	1	
7	A161560900	Mounting Plate		D	1	
8	A161561600	Actuator		C	1	
9	A108M50100	Photointerrupter		B	2	
10	A161560300	Paper feed Frame		D	1	
11	A161560600	Ground Plate		D	1	
12	A00J617900	Ball Bearing		B	2	
13	A161562800	Compressing Coil spring		C	1	
14	A161560500	Shaft		D	1	
15	A161562400	Gear 26T		C	1	
16	A00J663200	Bushing		C	1	
17	4131300301	BUSHING		C	4	
18	A00J563600	Roller		A	2	
19	56AA40490	SHAFT STOPPER 4		C	2	
20	A02E561100	Clutch		C	2	
21	A161562300	Gear 34T		C	1	
22	A161562600	Gear 28T		C	1	
23	A161562000	Shaft		D	1	
24	A161562500	Bushing		C	1	
25	A161562101	Holder		D	1	
26	A161567400	Torsion Spring		C	1	
27	A161567300	Lever		C	1	
28	A02E560800	Shaft		D	1	
29	A02EM20200	Clutch		C	1	
30	A02EM20000	Clutch		C	1	
31	A161N10Q02	Paperfeed Wiring /2	{C284/C364}	D	1	
31	A4FMN10302	Paperfeed Wiring /2	{C224}	D	1	
32	A161563000	Compressing Coil spring		C	1	
33	A161578700	Cushion		C	1	
34	A0EDM50100	Photoreflector	{C284/C364}	I	1	

bizhub C224/bizhub C284/bizhub C364

2ND PAPER FEED SECTION

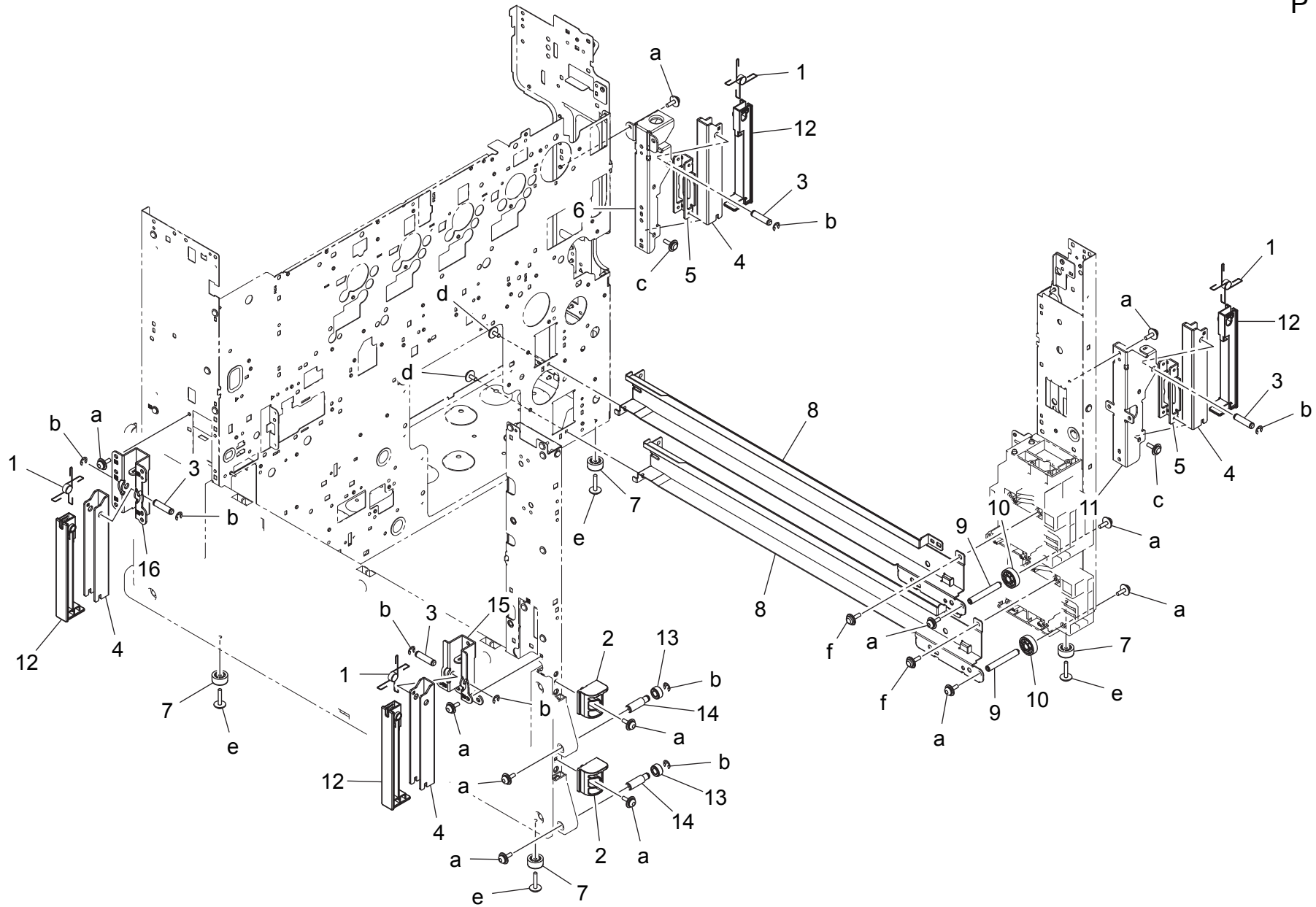


Key	Part No.	Description	Destinations	Class	QTY	Standard parts
1	A161563100	Holder		D	1	a-V137030803 b-V217030001 c-V217040001 d-V116030603 e-V116031003
2	A161568800	Torsion Coil spring		C	1	
3	A161578500	Guide		C	1	
4	A161563501	Guide		D	1	
5	A0ED563900	Torque limiter		C	1	
6	A00J563600	Roller		A	1	
7	56AA40490	SHAFT STOPPER 4		C	1	
8	A161578401	Guide Plate		C	1	
9	A161568700	Torsion Coil spring		C	1	
10	A161563400	Shaft		D	1	
11	A161564001	Mounting Plate		D	1	
12	4030301703	PRESSURE SPRING		C	1	
13	A161563300	Shaft		D	1	
14	A161563901	Mounting Plate		D	1	
15	4532341001	SHOULDER SCREW		D	1	
16	A161564400	Pulling Coil spring		C	1	
17	A161564200	Spacer		D	1	
18	A161564100	Lever		D	1	
19	A161564300	Spacer		D	2	
20	A161R72500	Separation Roller Assy		C	1	

bizhub C224/bizhub C284/bizhub C364

CASSETTE RAIL SECTION

P 21



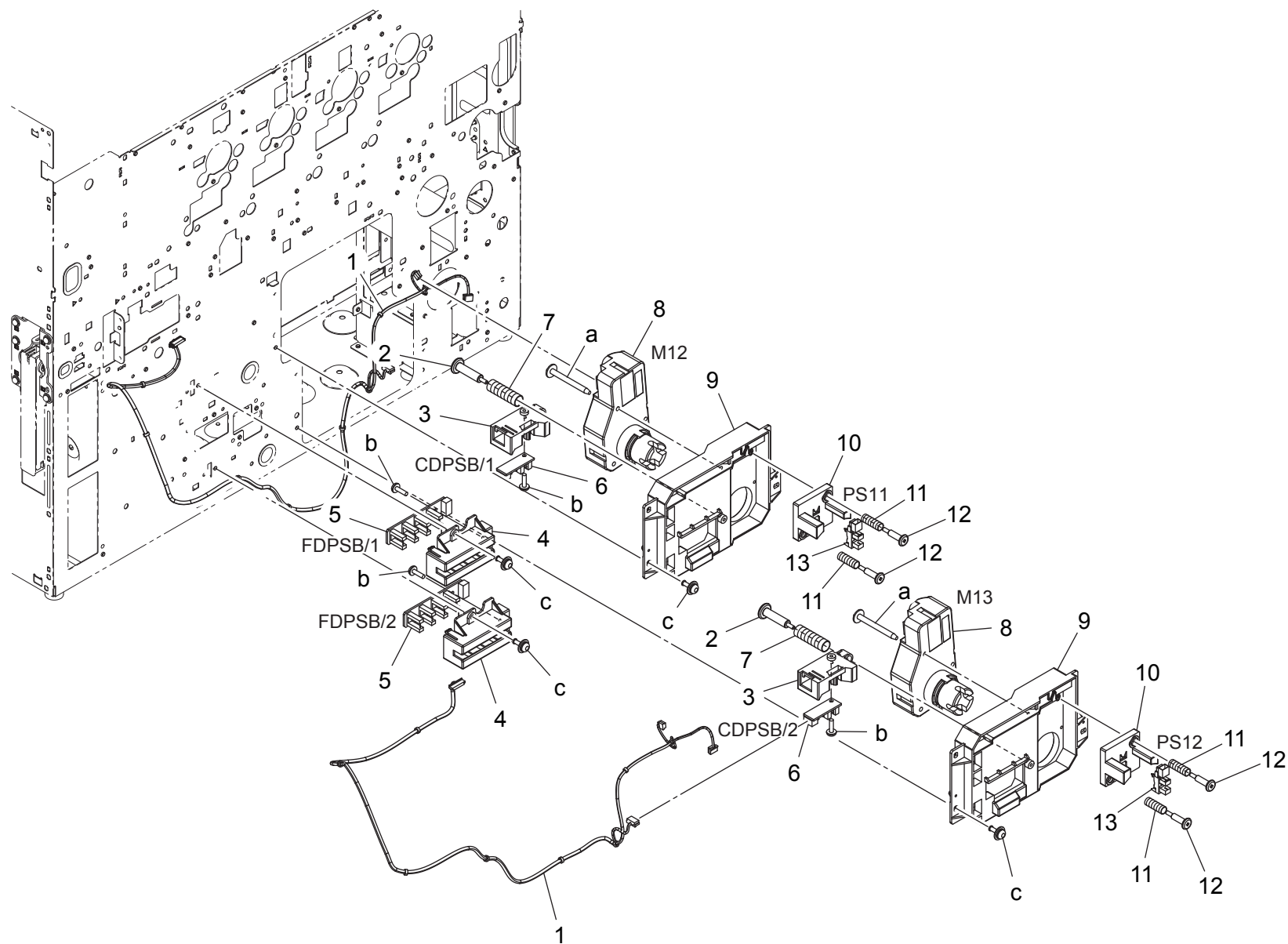
bizhub C224/bizhub C284/bizhub C364

CASSETTE RAIL SECTION

Key	Part No.	Description	Destinations	Class	QTY	Standard parts
1	A161104300	Torsion Coil spring		D	4	a-V116030803 b-V217040001 c-V137030803 d-V144030603 e-V137031203 f-V153030803
2	A161102300	Stopper		D	2	
3	A161104200	Shaft		D	4	
4	A161101900	Lever		D	4	
5	A161104701	Reinforce Plate		D	2	
6	A161104800	Mounting Plate		D	1	
7	0996305501	RUBBER FOOT		C	4	
8	A161101101	Rail		D	2	
9	A161105800	Shaft		D	2	
10	A161103901	Roll		D	2	
11	A161104400	Mounting Plate		D	1	
12	A161103700	Cover		D	4	
13	A161623400	Roll		D	2	
14	A161105200	Shaft		D	2	
15	A161101600	Mounting Plate		D	1	
16	A161101700	Mounting Plate		D	1	

bizhub C224/bizhub C284/bizhub C364

PAPER SIZE DETECTION SECTION

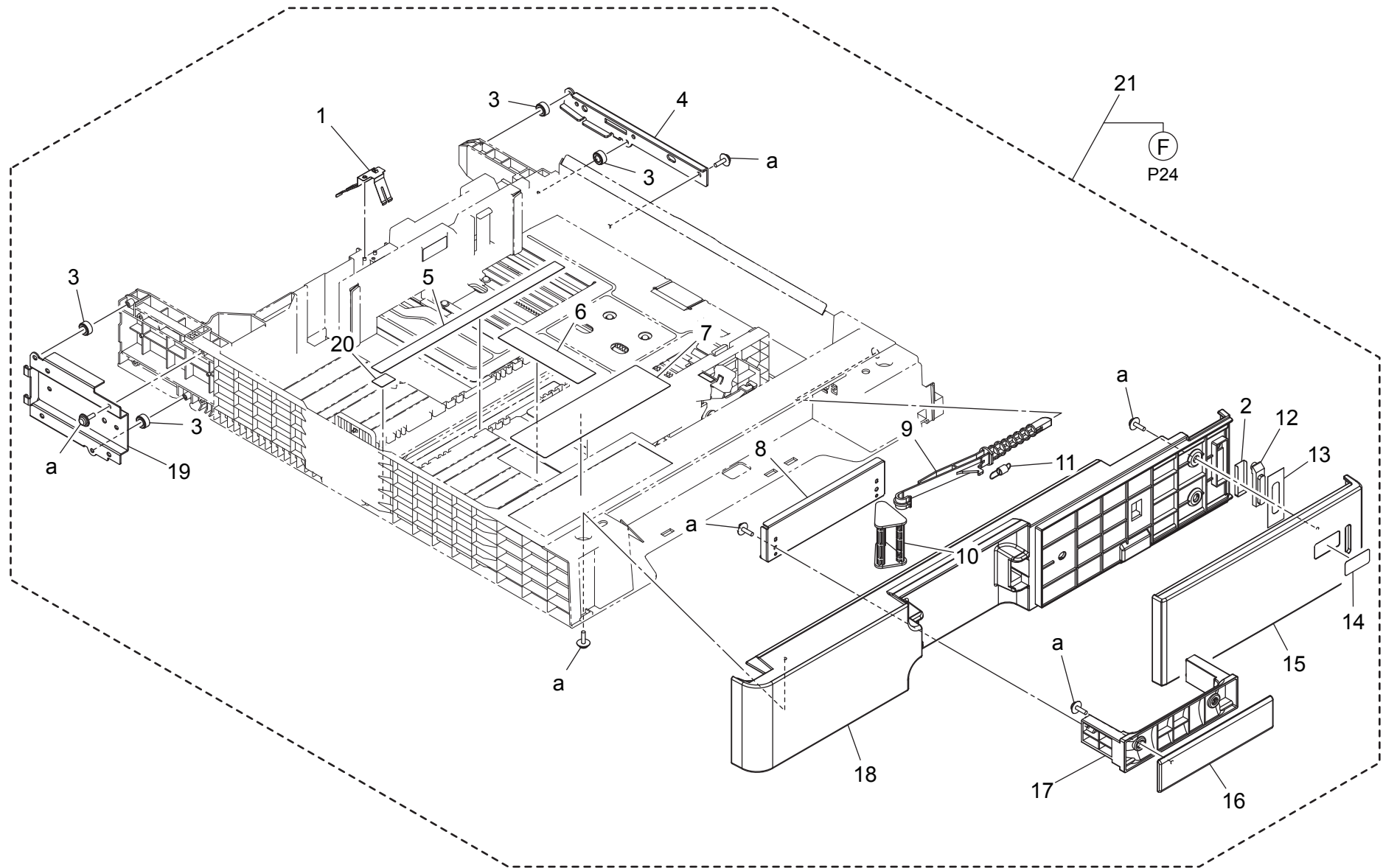


bizhub C224/bizhub C284/bizhub C364

Key	Part No.	Description	Destinations	Class	QTY	Standard parts
1	A161N10N01	Paperfeed Wiring /Rear		D	2	a-V153033003 b-V145030803 c-V116030803
2	A161627801	Shoulder screw		C	2	
3	A161627500	Holder		C	2	
4	A161628000	Holder		C	2	
5	A161M50600	Photointerrupter		C	2	
6	A161M50501	Photointerrupter		C	2	
7	4002311002	Pressure Spring		C	2	
8	9J06M10300	MOTOR		B	2	
9	A161627102	Holder		D	2	
10	A161627300	Holder		D	2	
11	A0ED627600	Compressing Coil spring		D	4	
12	A161627701	Shoulder screw		C	4	
13	A108M50100	Photointerrupter		B	2	

bizhub C224/bizhub C284/bizhub C364

1ST CASSETTE SECTION



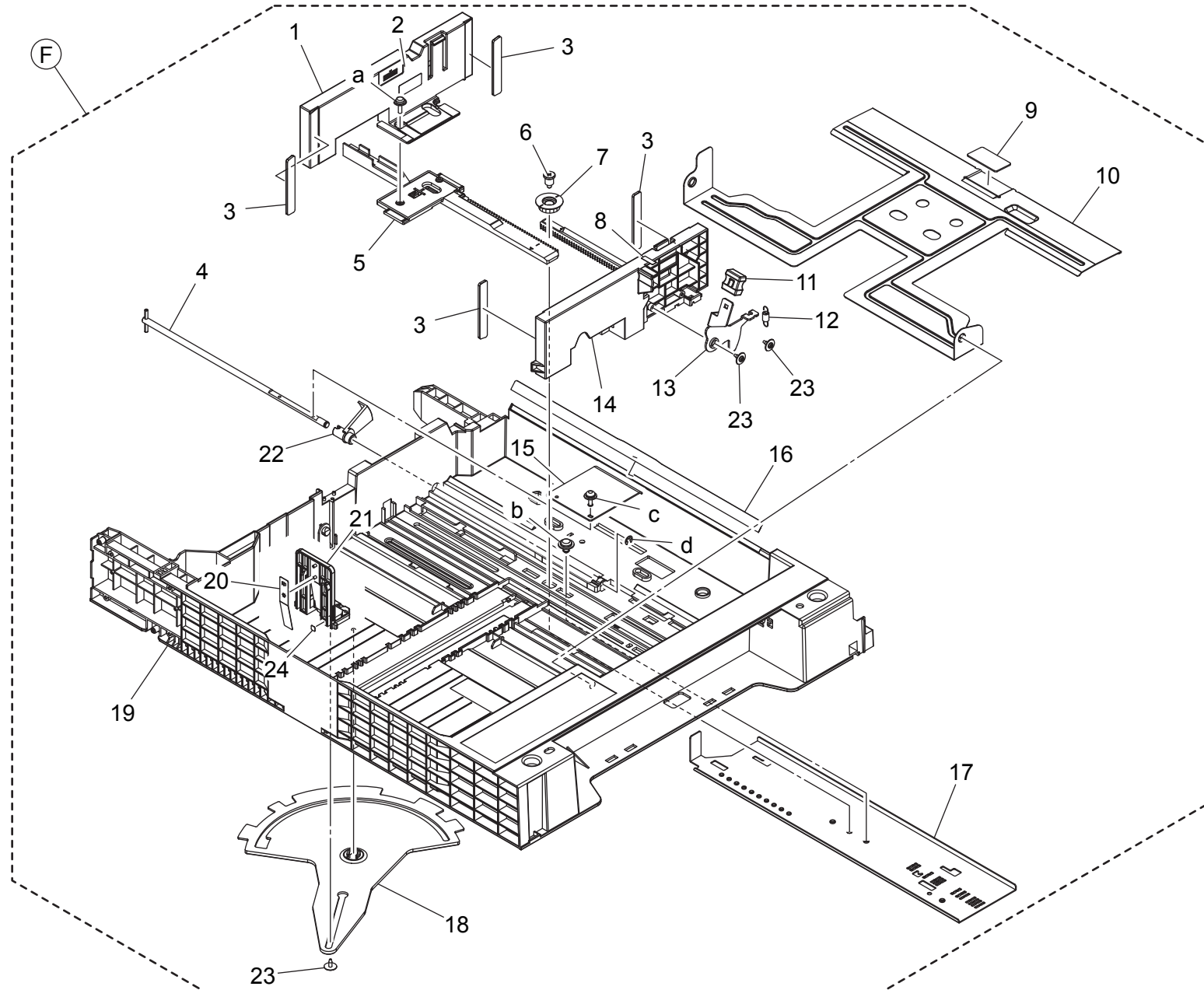
bizhub C224/bizhub C284/bizhub C364

1ST CASSETTE SECTION

Key	Part No.	Description	Destinations	Class	QTY	Standard parts
1	A161622100	Ground Plate		D	1	a-V153030803
2	A161626200	Sheet		D	1	
3	A161623400	Roll		D	4	
4	A161623101	Reinforce Plate /Right		D	1	
5	A00J942202	Label FD		C	1	
6	A02E941500	Label Cd		C	1	
7	A161943801	Label		C	1	
8	A161626300	Holder		D	1	
9	A161626502	Lever		C	1	
10	A161626601	Lever		C	1	
11	A161626800	Pulling Coil spring		C	1	
12	A161626000	Lens		D	1	
13	A161626100	Light blocking Sheet		D	1	
14	A161943100	Label 1		C	1	
15	A161625000	Cover		C	1	
16	A161625900	Cover		C	1	
17	A161626900	Handle		C	1	
18	A161625103	Cover		C	1	
19	A161623301	Reinforce Plate /Left		D	1	
20	A02E941300	Label Fd		C	1	
21	A161F6200C	1st Cassette		S	1	

bizhub C224/bizhub C284/bizhub C364

1ST CASSETTE SECTION



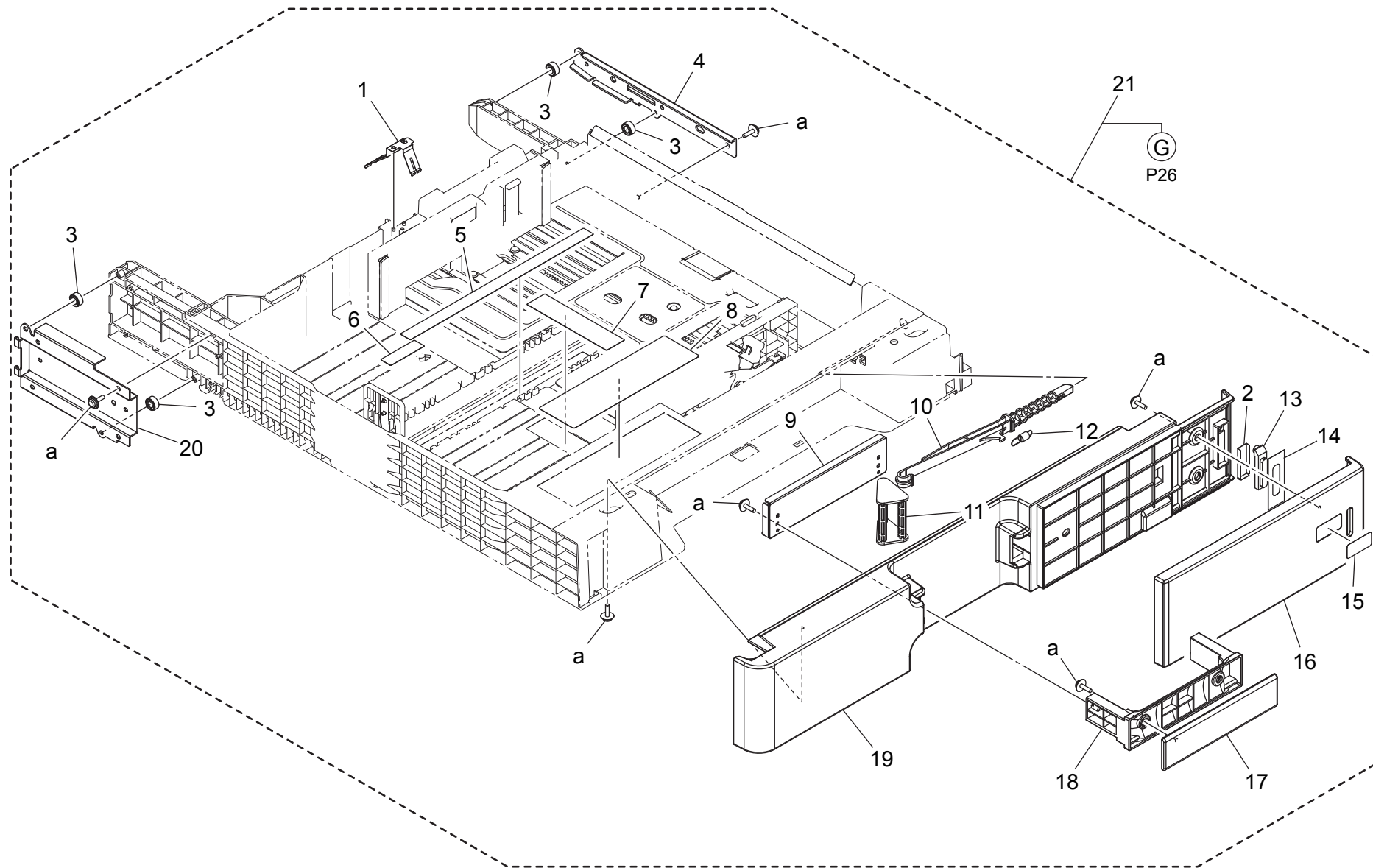
bizhub C224/bizhub C284/bizhub C364

1ST CASSETTE SECTION

Key	Part No.	Description	Destinations	Class	QTY	Standard parts
1	A161620903	Regulating Plate /Rear		C	1	a-V153030803 b-V144040603 c-V116030803 d-V217040001
2	A161943700	Label Max Level		C	1	
3	A161624100	Cushion		C	4	
4	A161621600	Lifting Shaft		D	1	
5	A161621100	Rack		C	1	
6	A161620600	Shoulder screw		D	1	
7	A161620701	Gear		D	1	
8	A161943000	Label		C	1	
9	4030322601	FRICION SHEET		C	1	
10	A161620400	Lifting Plate		D	1	
11	4037320401	KNOB		C	1	
12	A0ED621400	Pulling Coil spring		D	1	
13	A161621300	Lever		D	1	
14	A161620802	Regulating Plate /Front		C	1	
15	4030320601	LEVER		D	1	
16	A0ED620200	Guide		C	1	
17	A161621900	Mounting Plate		D	1	
18	A161621400	Lever		C	1	
19	A161620103	Paper feed Cassette		D	1	
20	A161621800	Plate spring		C	1	
21	A161621701	Regulating Plate		C	1	
22	A0ED620701	Actuator		C	1	
23	4163529301	SCREW		C	3	
24	A02E940300	Label		C	1	

bizhub C224/bizhub C284/bizhub C364

2ND CASSETTE SECTION



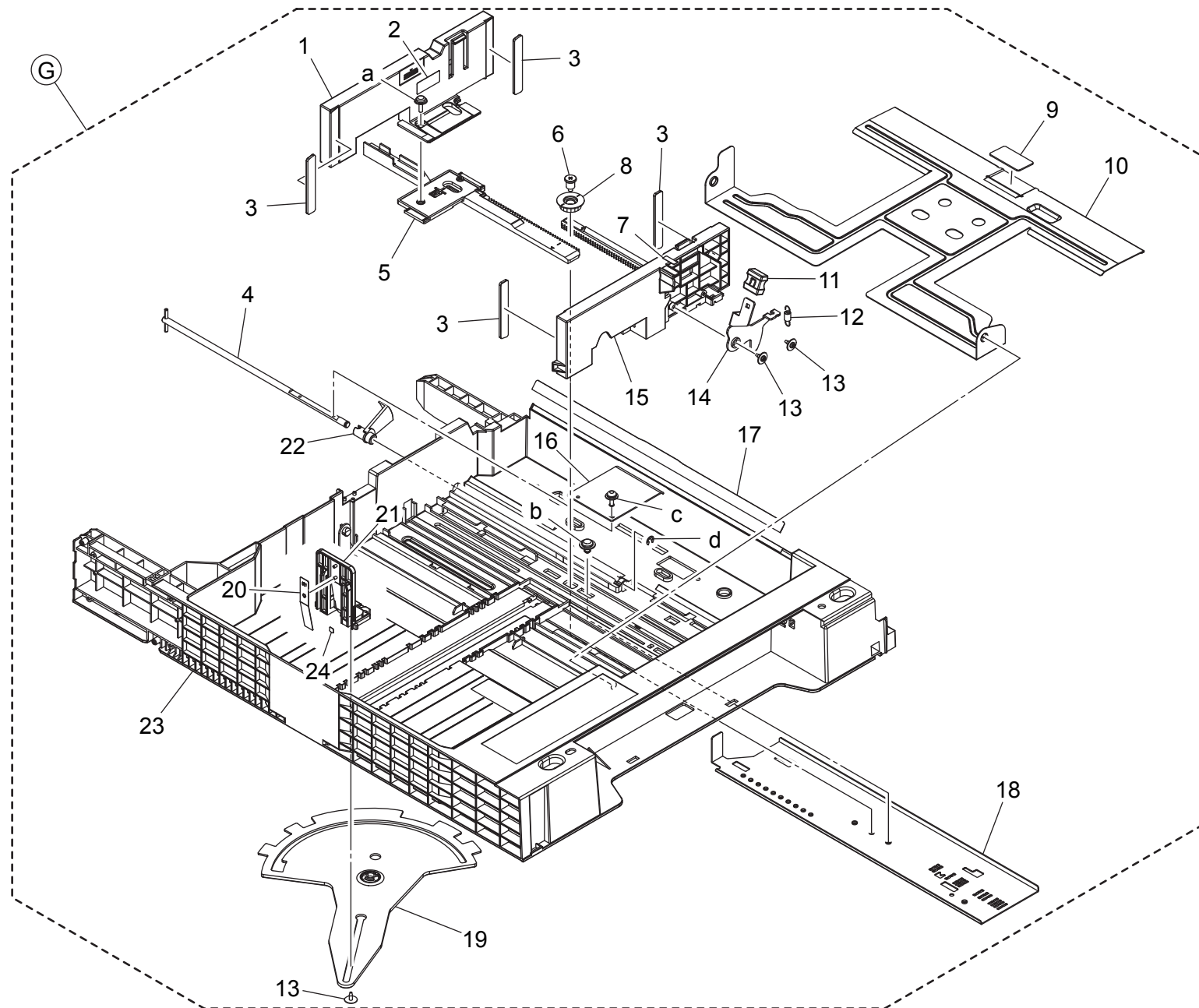
bizhub C224/bizhub C284/bizhub C364

2ND CASSETTE SECTION

Key	Part No.	Description	Destinations	Class	QTY	Standard parts
1	A161622100	Ground Plate		D	1	a-V153030803
2	A161626200	Sheet		D	1	
3	A161623400	Roll		D	4	
4	A161633101	Reinforce Plate /Right		D	1	
5	A00J942202	Label FD		C	1	
6	A161943500	Label		C	1	
7	A161943601	Label		C	1	
8	A161943801	Label		C	1	
9	A161626300	Holder		D	1	
10	A161636502	Lever		C	1	
11	A161626601	Lever		C	1	
12	A161626800	Pulling Coil spring		C	1	
13	A161626000	Lens		D	1	
14	A161626100	Light blocking Sheet		D	1	
15	A161943200	Label 2		C	1	
16	A161635000	Cover		C	1	
17	A161625900	Cover		C	1	
18	A161626900	Handle		C	1	
19	A161635103	Cover		C	1	
20	A161633202	Reinforce Plate /Left		D	1	
21	A161F6300C	2nd Cassette		S	1	

bizhub C224/bizhub C284/bizhub C364

2ND CASSETTE SECTION

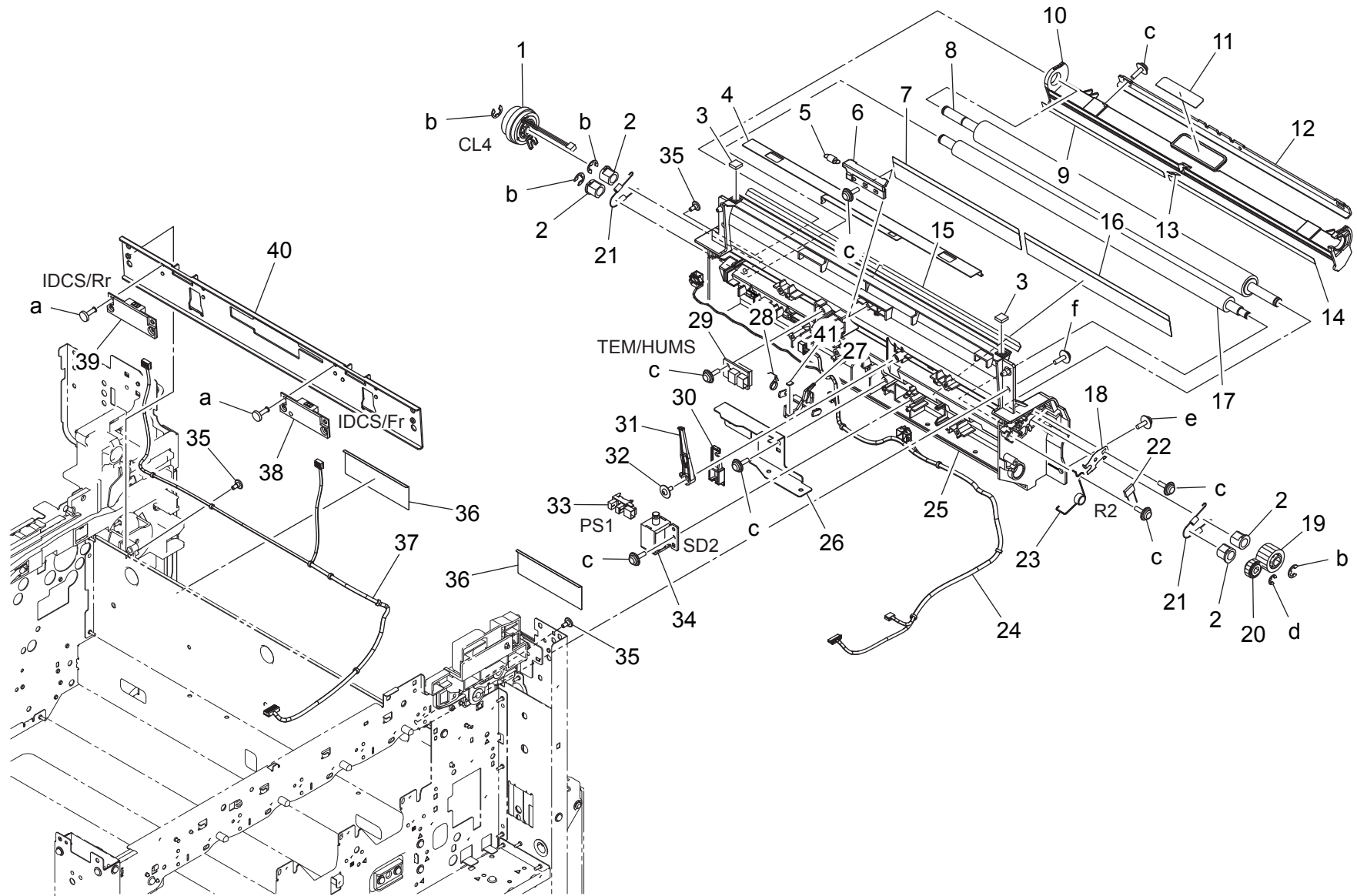


bizhub C224/bizhub C284/bizhub C364

2ND CASSETTE SECTION

Key	Part No.	Description	Destinations	Class	QTY	Standard parts
1	A161620903	Regulating Plate /Rear		C	1	a-V153030803 b-V144040603 c-V116030803 d-V217040001
2	A161943700	Label Max Level		C	1	
3	A161624100	Cushion		C	4	
4	A161621600	Lifting Shaft		D	1	
5	A161621100	Rack		C	1	
6	A161620600	Shoulder screw		D	1	
7	A161943000	Label		C	1	
8	A161620701	Gear		D	1	
9	4030322601	FRICION SHEET		C	1	
10	A161620400	Lifting Plate		D	1	
11	4037320401	KNOB		C	1	
12	A0ED621400	Pulling Coil spring		D	1	
13	4163529301	SCREW		C	3	
14	A161621300	Lever		D	1	
15	A161620802	Regulating Plate /Front		C	1	
16	4030320601	LEVER		D	1	
17	A0ED620200	Guide		C	1	
18	A161621900	Mounting Plate		D	1	
19	A161631400	Lever		C	1	
20	A161621800	Plate spring		C	1	
21	A161621701	Regulating Plate		C	1	
22	A0ED620701	Actuator		C	1	
23	A161630102	Paper feed Cassette		D	1	
24	A02E940300	Label		C	1	

bizhub C224/bizhub C284/bizhub C364



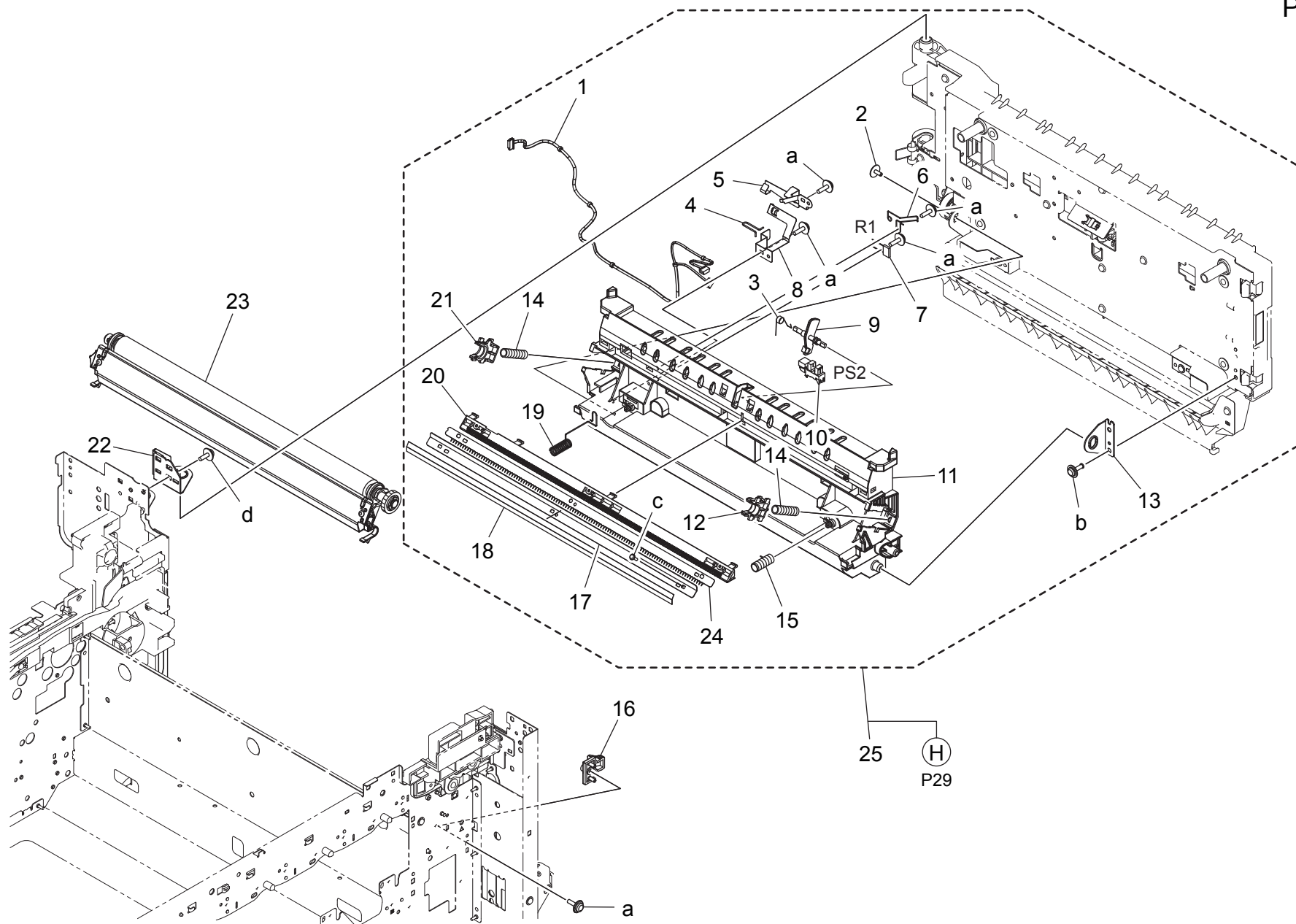
bizhub C224/bizhub C284/bizhub C364

CONVEYANCE SECTION

Key	Part No.	Description	Destinations	Class	QTY	Standard parts
1	A02EM20000	Clutch		C	1	a-V118030803 b-V217060001 c-V153030803 d-V217040001 e-V116030803 f-V153031003
2	4025357201	BUSHING		C	4	
3	A161701900	Seal /A		D	2	
4	A0ED705800	Cover		D	1	
5	A0ED702800	Pulling Spring		D	1	
6	A161706001	Holding Shutter		D	1	
7	A161701501	Guide Sheet /C		D	1	
8	A0ED700100	Roller		C	1	
9	4038353701	GUIDE		C	1	
10	A161700600	Guide Plate /Middle		D	1	
11	A161946300	Label M2		D	1	
12	A02E712900	Reinforce plate		D	1	
13	4038353901	GUIDE		C	1	
14	A0ED700600	Guide Sheet		D	1	
15	A161701301	Guide Sheet /A		C	1	
16	A161701401	Guide Sheet /B		D	1	
17	A0ED700200	Roller		D	1	
18	A161700800	Ground Plate /D		D	1	
19	A0ED700300	Gear 20T		D	1	
20	A0ED700700	Gear 14T		D	1	
21	A161702000	Conveyance Spring /A		C	2	
22	V800500300	FIXED POWER RESISTORS		D	1	
23	A0ED703200	Torsion Coil spring		D	1	
24	A161N10D00	Conveyance Detection harness /L		D	1	
25	A161700104	Guide Plate /Inside		D	1	
26	A161700300	Mounting Plate /B		D	1	
27	A161701703	Actuator /T		C	1	
28	A161701100	Spring /A		C	1	
29	A0P0M50400	Humidity sensor		C	1	
30	A161700700	Arm /2		D	1	
31	A161700401	Arm /1		D	1	
32	4163529301	SCREW		C	1	
33	A108M50100	Photointerrupter		B	1	
34	A034M20100	Conveyance Solenoid		C	1	
35	4011585202	SHOULDER SCREW		C	3	
36	A161701800	Protection Sheet		D	2	
37	A161N12H00	Sensor Wiring /3		D	1	
38	A161M50000	Photo sensing		I	1	
39	A161M50300	Photo sensing		I	1	
40	A161700901	Reinforce Plate		D	1	
41	A161702100	Cushion /C		C	1	

bizhub C224/bizhub C284/bizhub C364

VERTICAL TRANSPORT SECTION



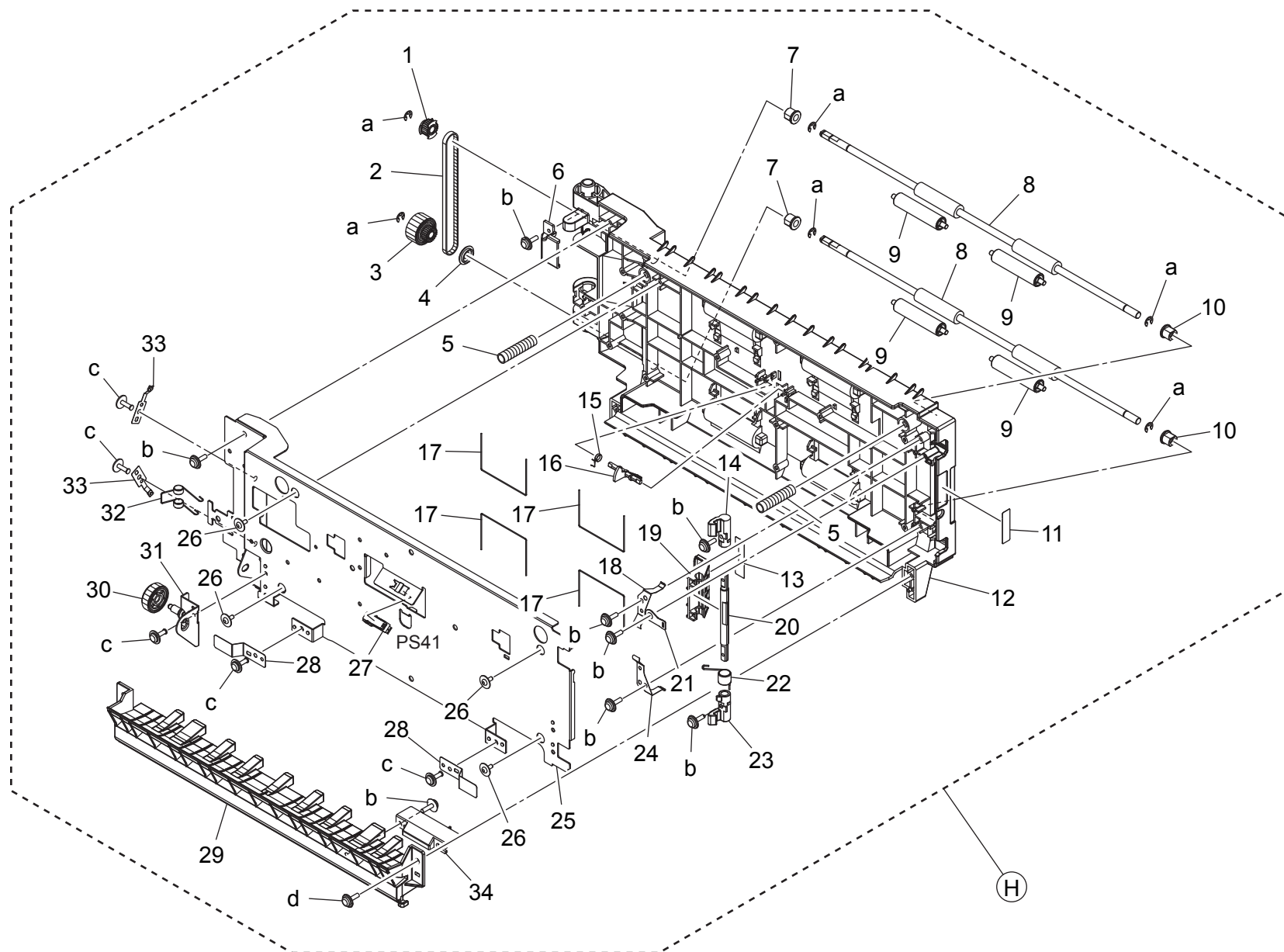
bizhub C224/bizhub C284/bizhub C364

VERTICAL TRANSPORT SECTION

Key	Part No.	Description	Destinations	Class	QTY	Standard parts
1	A161N10H01	Conveyance Wiring		D	1	a-V153030803 b-V137030803 c-V162020504 d-V116030803
2	4163529301	SCREW		C	1	
3	A161712700	Spring /C		D	1	
4	A161712400	Ground Spring /A		D	1	
5	A161711100	Ground Plate /C		D	1	
6	A161711000	Ground Spring /B		D	1	
7	V800500300	FIXED POWER RESISTORS		D	1	
8	A161710900	Ground Plate /A		D	1	
9	A0ED703800	Actuator		D	1	
10	A108M50100	Photointerrupter		B	1	
11	A161710102	Holder /A		D	1	
12	A161550700	Transfer Holder /2		C	1	
13	A161711800	Support Plate /Front		D	1	
14	A0ED551000	Compressing Coil spring /2		C	2	
15	A0ED551100	Compressing Coil spring		D	1	
16	A161712300	Fixing Part /Lower		D	1	
17	A0ED550900	Mounting Plate		D	1	
18	A0ED551700	Guide Seal		D	1	
19	A161712500	Ground Spring /C		D	1	
20	A161551600	Mounting Plate		D	1	
21	A161551500	Transfer Holder /2		C	1	
22	A161104101	Adjusting Plate		D	1	
23	A161R71400	2nd Image Transfer Rollor Assy		C	1	
24	A0ED550800	Neutralizing Part		D	1	
25	A161R71622	Vertical Transport Assy		S	1	

bizhub C224/bizhub C284/bizhub C364

VERTICAL TRANSPORT SECTION



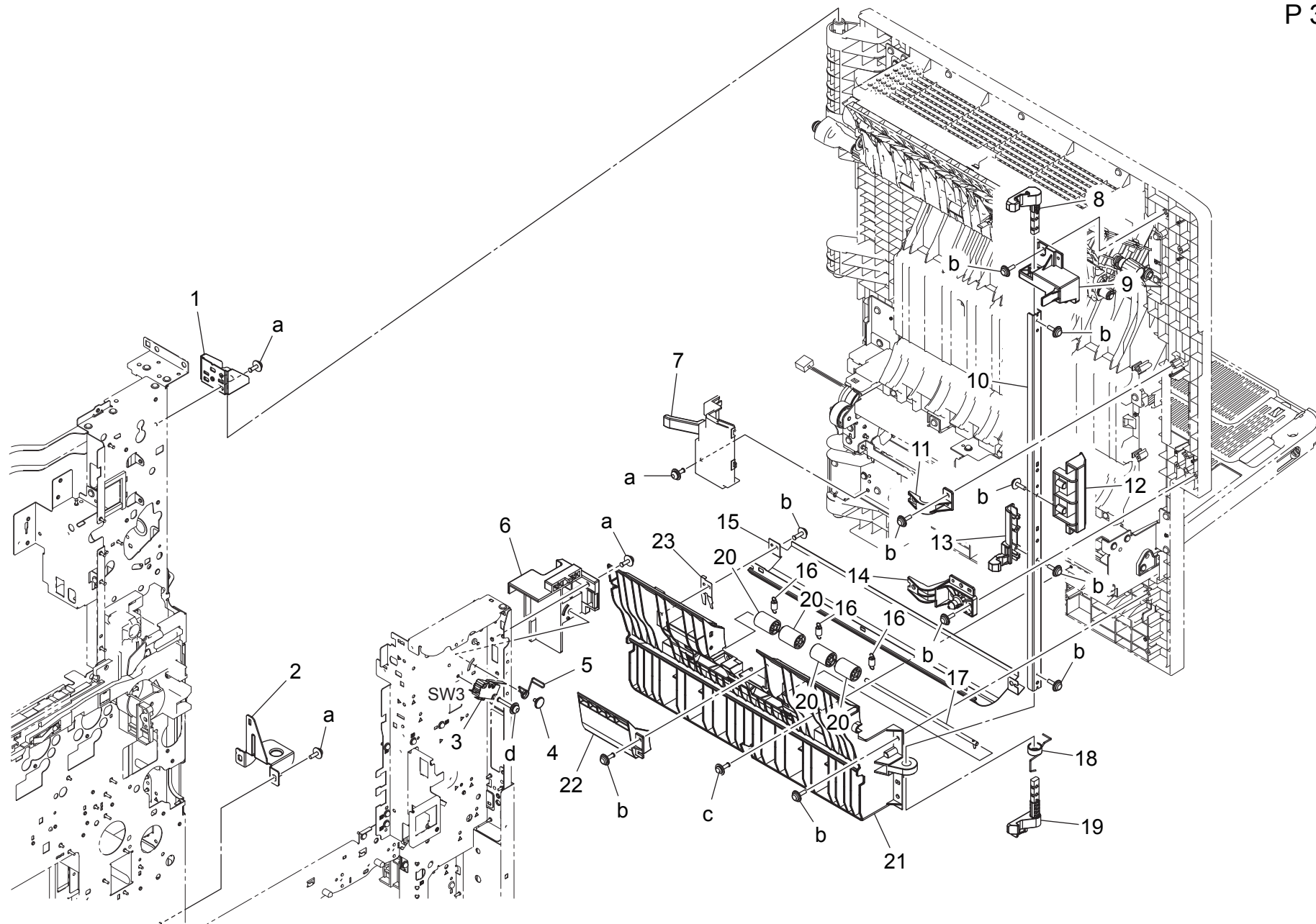
bizhub C224/bizhub C284/bizhub C364

VERTICAL TRANSPORT SECTION

Key	Part No.	Description	Destinations	Class	QTY	Standard parts
1	A0ED811700	Pulley 22T		C	1	a-V217040001 b-V153030803 c-V137030803 d-V153031003
2	A161719000	Drive Belt 266L		C	1	
3	A161709100	Gear 22/23T		D	1	
4	A0ED811900	Collar		D	1	
5	A161711200	Pressing Spring		D	2	
6	A161712600	Cover /C		D	1	
7	A161713100	Bushing /1		D	2	
8	A161710500	Roller /A		D	2	
9	A161825700	Idler Roller /A		D	4	
10	A02E815200	BUSHING		C	2	
11	A161946400	Label M6		D	1	
12	A161710202	Guide Plate /A		D	1	
13	A161946200	Label M1		D	1	
14	A161711300	Lock Shaft /A		C	1	
15	A161712800	Spring /D		D	1	
16	A161713500	Actuator		C	1	
17	A161714600	Conveyance Spring /B		D	4	
18	A161712000	Ground Plate /D		D	1	
19	A161711600	Open/close Lever		C	1	
20	A161711400	Lock Shaft /B		D	1	
21	A161714500	Fixing Part		D	1	
22	A161711700	Spring /B		C	1	
23	A161711500	Lock Shaft /C		C	1	
24	A161712100	Ground Plate /E		D	1	
25	A161710401	Mounting Plate		D	1	
26	4163529301	SCREW		C	4	
27	A108M50100	Photointerrupter		B	1	
28	A0ED702400	Plate spring		D	2	
29	A161710300	Guide Plate /B		D	1	
30	A161719100	Gear 23T		C	1	
31	A161711900	Support Plate /Rear		D	1	
32	A161712900	Ground Spring /D		D	1	
33	A161714800	Contact		D	2	
34	A161816300	Lock Plate		D	1	

bizhub C224/bizhub C284/bizhub C364

VERTICAL CONVEYANCE DOOR SECTION



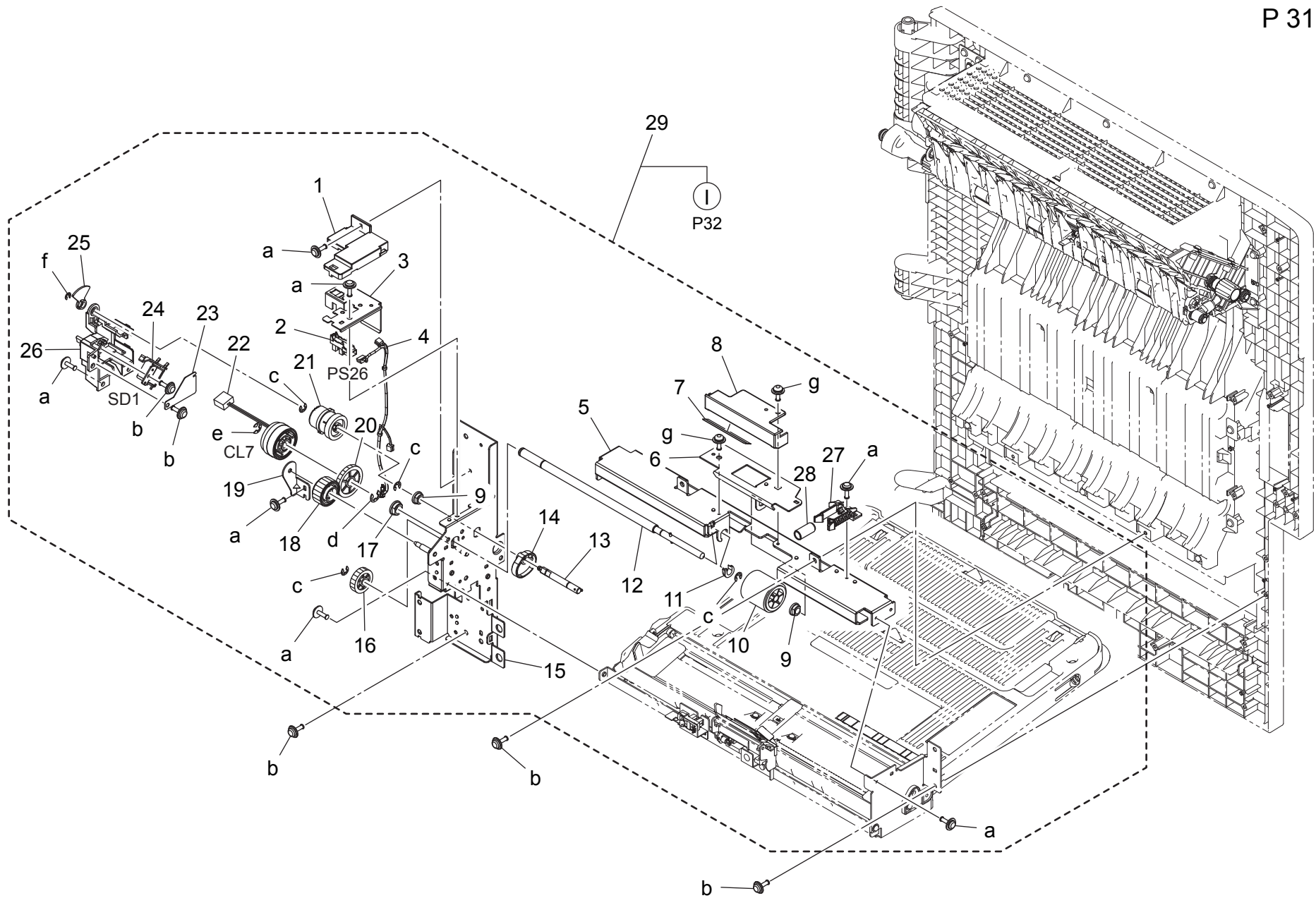
bizhub C224/bizhub C284/bizhub C364

VERTICAL CONVEYANCE DOOR SECTION

Key	Part No.	Description	Destinations	Class	QTY	Standard parts
1	A161121300	Adjusting Plate		D	1	a-V116030803 b-V153030803 c-V137030804 d-V116031603
2	A161102500	Adjusting Plate		D	1	
3	9J06M60100	MICRO SWITCH		C	1	
4	A161137100	Shoulder screw		D	1	
5	A161151200	Torsion Coil spring		D	1	
6	A161121200	Holder		D	1	
7	A161592900	Wiring Cover /B		D	1	
8	A0ED712100	Lock Claw		C	1	
9	A161811500	Support Part /Upper		D	1	
10	A161811000	Lock Plate		D	1	
11	A161811401	Lock Part /Middle		D	1	
12	A161811100	Open/close Handle		C	1	
13	A161815201	Lock /Middle		C	1	
14	A161811301	Lock Part /Lower		D	1	
15	A161815000	Guide Door		D	1	
16	A161815500	Pulling Spring		C	3	
17	A161815300	Shaft		D	1	
18	A161815900	Torsion Coil spring		C	1	
19	A161811600	Lock Claw /Lower		C	1	
20	A161815400	Roll		C	4	
21	A161810301	Guide Plate /2		D	1	
22	A161590500	Paper feed Guide		D	1	
23	A161816200	Ground Guide		D	1	

bizhub C224/bizhub C284/bizhub C364

BYPASS TRAY SECTION



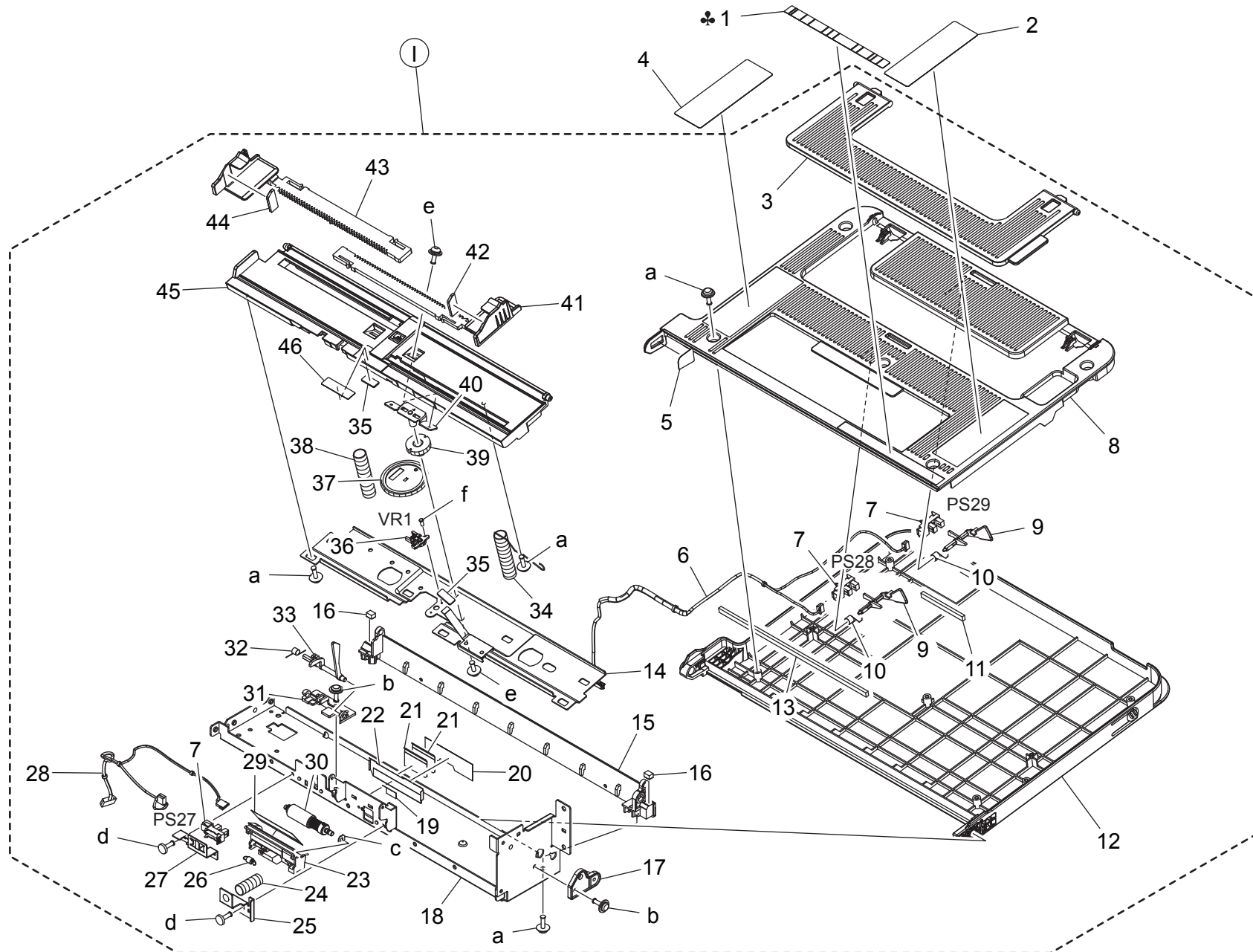
bizhub C224/bizhub C284/bizhub C364

BYPASS TRAY SECTION

Key	Part No.	Description	Destinations	Class	QTY	Standard parts
1	A161592800	Wiring Cover /A		D	1	a-V137030803 b-V153030803 c-V217040001 d-V217060001 e-V217050001 f-V217030001 g-V116030803
2	A108M50100	Photointerrupter		B	1	
3	A161591900	Mounting Plate		D	1	
4	A161N12200	Paperfeed Drive harness /1		D	1	
5	A161590201	Paper feed Frame		D	1	
6	A161594100	Reinforce Plate		D	1	
7	A161594700	Guide Sheet		C	1	
8	A161591700	Auxiliary Guide		D	1	
9	A02E596300	Bushing		C	2	
10	A00F623201	Roller		B	1	
11	A161594400	Slide Stopper		C	1	
12	A161591500	Paper feed Shaft		D	1	
13	A161591400	Drive Shaft		D	1	
14	A161593300	Paper feed Cam		C	1	
15	A161F59000	Caulking(Mounting Plate Drive Frame)		D	1	
16	A02E595400	Gear 22T		C	1	
17	4131353202	BUSHING		C	1	
18	A161590800	Bypass Gear 24T		C	1	
19	A161590600	Reinforce Plate		D	1	
20	A02E596100	Gear 30T		C	1	
21	A02E595100	Clutch assy		C	1	
22	A02EM20100	Clutch		C	1	
23	A0ED597800	Cover		D	1	
24	9J06M20000	SOLENOID		C	1	
25	A161591300	Light blocking Plate		C	1	
26	A161591200	Drive Cover		D	1	
27	A161594800	Hold Claw		C	1	
28	A161594900	Coil spring		C	1	
29	A161R72400	Multiple Bypass Tray Assy		S	1	

bizhub C224/bizhub C284/bizhub C364

BYPASS TRAY SECTION



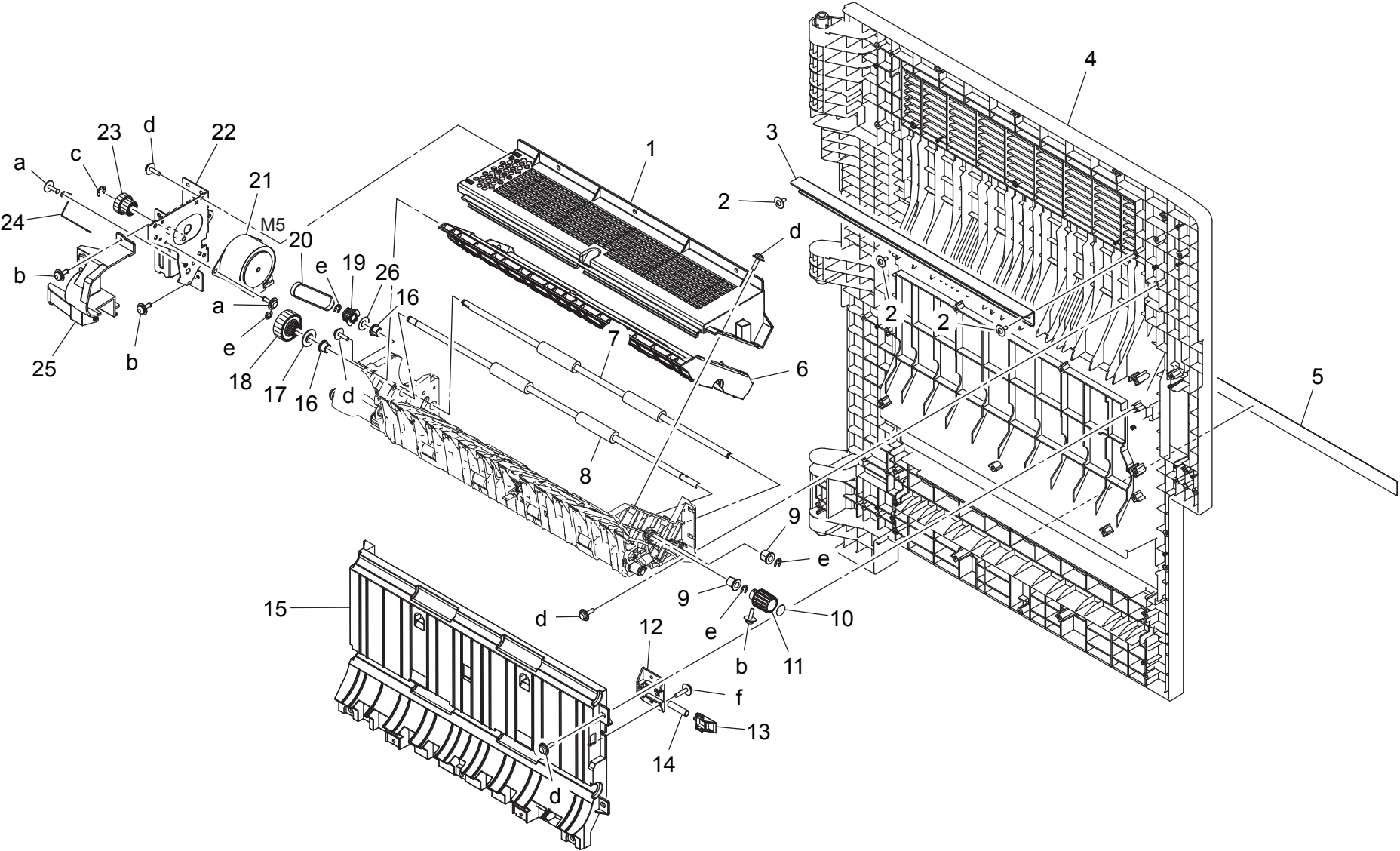
bizhub C224/bizhub C284/bizhub C364

BYPASS TRAY SECTION

Key	Part No.	Description	Destinations	Class	QTY	Standard parts
1	A161944101	Label Scale/Metric	A,A1,C,D1,D3,E,F2,G1,I,K B,G2	C	1	a-V153030803 b-V137030803 c-V218030086 d-V118030803 e-V116030804 f-V111170403
1	A161944201	Label Scale/Inch		C	1	
2	A161944300	Label Paper Supply 1		D	1	
3	A161592200	Auxiliary Tray		C	1	
4	A161944400	Label Paper Supply 2	D	1		
5	A161592700	Seal	C	1		
6	A161N11Q01	Paperfeed Detection harness /1	D	1		
7	A108M50100	Photointerrupter	B	3		
8	A161592100	Bypass Tray /Upper	C	1		
9	A161592400	Actuator	C	2		
10	A161592500	Torsion Spring	C	2		
11	A161592600	Holding Cover /2	D	1		
12	A161592002	Bypass Tray	C	1		
13	A161592300	Holding Cover	D	1		
14	A161593701	Mounting Plate	D	1		
15	A161590303	Support Holder	D	1		
16	A161594201	Cushion	D	2		
17	A161591600	Hold Plate	C	1		
18	A161590101	Bypass Frame	D	1		
19	A161595600	Slide Guide	C	1		
20	A161595100	Seal	C	1		
21	4030340301	GUIDE	C	2		
22	A161595300	Separating Plate	C	1		
23	A161595000	Holder	D	1		
24	4030347501	PRESSURE SPRING	C	1		
25	A161595400	Hold Plate	D	1		
26	A161595200	Pulling Coil spring	C	1		
27	A161591800	Sensor Holder	D	1		
28	A161N10X00	Paperfeed Detection harness /2	D	1		
29	A02E597600	Guide	C	1		
30	4658015106	Roller Assy	A	1		
31	A161591100	Sensor Holder	D	1		
32	A161591000	Torsion Spring	C	1		
33	A161590901	Actuator	C	1		
34	A161593600	Compressing Coil spring	C	1		
35	A161593800	Friction Plate	C	2		
36	A161M50400	VR	D	1		
37	A161594300	Regulating Gear 41T	C	1		
38	A161593400	Compressing Coil spring	C	1		
39	A02E592100	Gear 20T	C	1		
40	A161R7A000	Caulking Gear Mounting Plate	D	1		
41	A161593101	Regulating Plate /L	C	1		
42	A161594600	Brake Part /F	C	1		
43	A161593200	Regulating Plate /R	C	1		
44	A161594500	Brake Part	C	1		
45	A161593001	Lifting Plate	D	1		
46	A161594000	Separating Sheet	C	1		

bizhub C224/bizhub C284/bizhub C364

REVERSAL UNIT

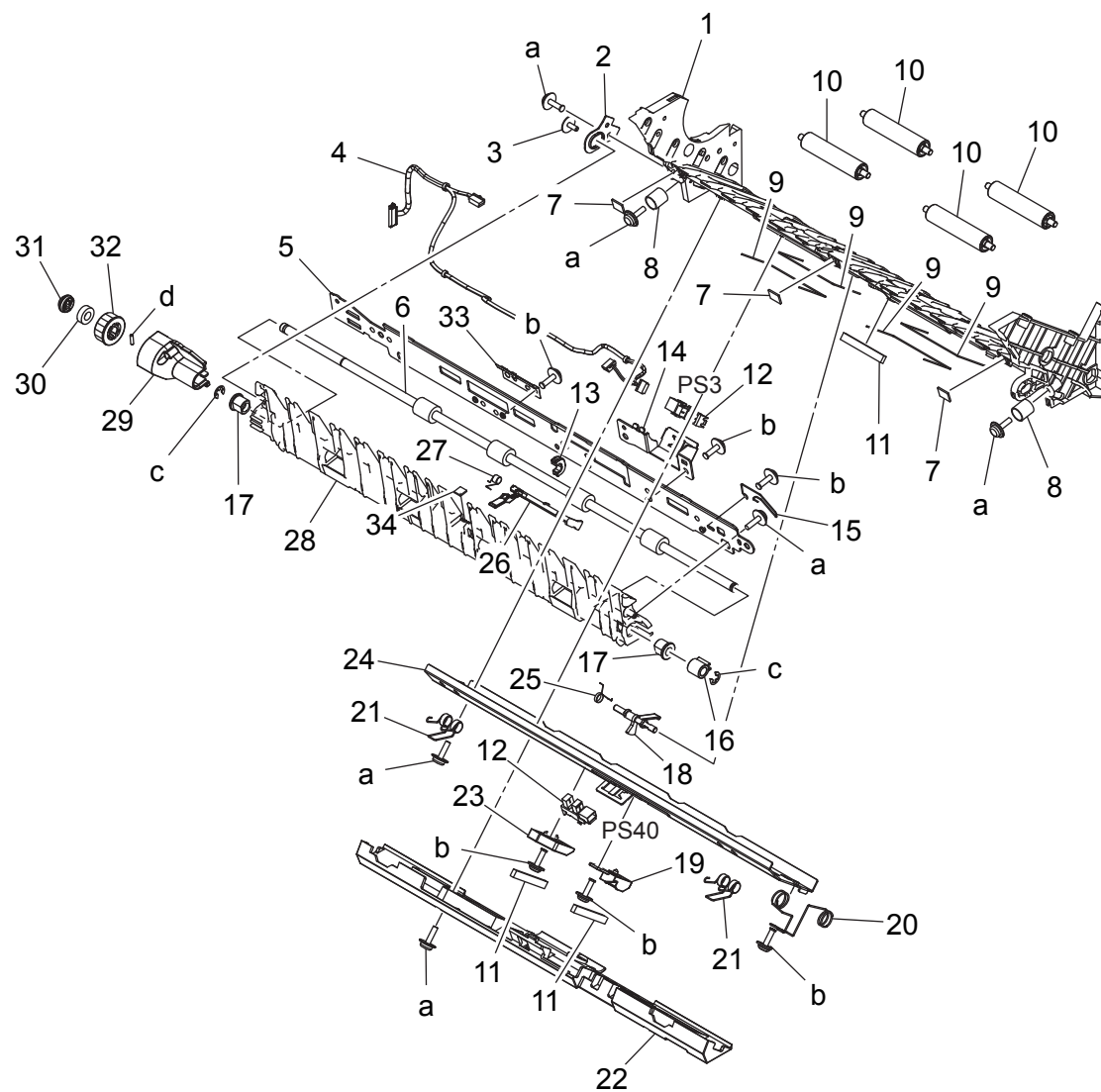


bizhub C224/bizhub C284/bizhub C364

Key	Part No.	Description	Destinations	Class	QTY	Standard parts
1	A161810701	Cover /Upper		D	1	a-V137030803 b-V116030803 c-V217050001 d-V153030803 e-V217040001 f-V153031003
2	4163529301	SCREW		C	3	
3	A161816100	Reinforce Plate		D	1	
4	A161810102	Guide Door /Right		C	1	
5	A161815100	Cover Door		C	1	
6	A161812200	Guide Plate /5		D	1	
7	A161814601	Roller /C		C	1	
8	A161813701	Roller /B		C	1	
9	A02E815200	BUSHING		C	2	
10	A161946100	Label M5		C	1	
11	A161814700	Knob /A		C	1	
12	A161815600	Swing Holder		D	1	
13	A161815700	Open/close Claw		C	1	
14	A161815800	Swing Spring		C	1	
15	A161810200	Guide Plate /1		D	1	
16	A161813300	Bushing /A		C	2	
17	A161813800	Collar /A		C	1	
18	A161819701	Gear 22/27T		C	1	
19	A0ED811700	Pulley 22T		C	1	
20	A161819000	Drive Belt 156L		C	1	
21	A0EDM10200	Stepping motor		C	1	
22	A161F81102	Caulking(Panel Rear)		D	1	
23	A161819600	Gear 18/26T		C	1	
24	A161814300	Contact /B		D	1	
25	A161814901	Cover /B		D	1	
26	A161816400	Spacer /A		C	1	

bizhub C224/bizhub C284/bizhub C364

REVERSAL UNIT

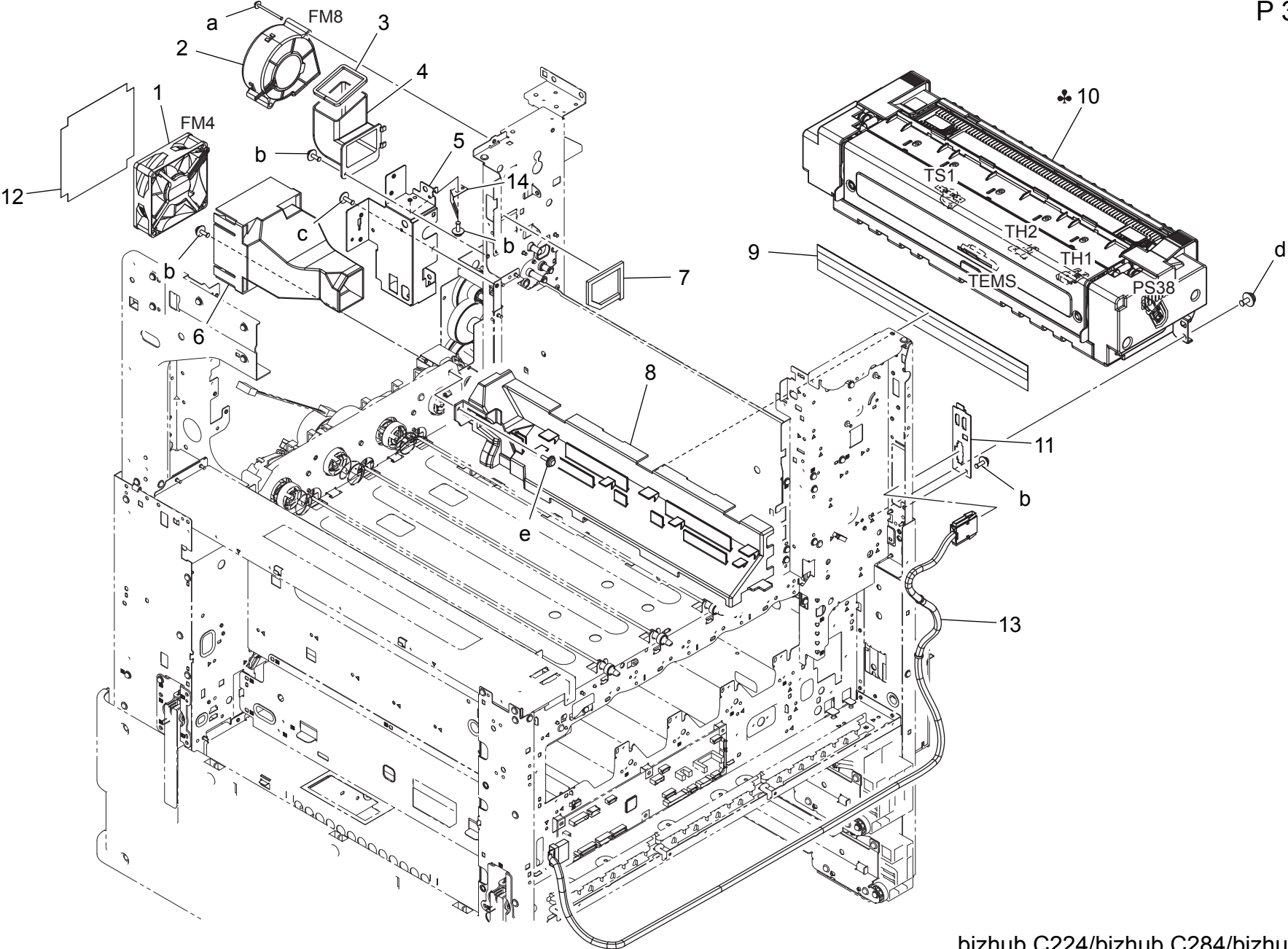


bizhub C224/bizhub C284/bizhub C364

Key	Part No.	Description	Destinations	Class	QTY	Standard parts
1	A161810400	Guide Plate /3		D	1	a-V153030803 b-V137030803 c-V217040001 d-V237200850
2	A161814401	Mounting Plate /3		D	1	
3	4163529301	SCREW		C	1	
4	A161N12100	Conveyance Drive harness /Upper		D	1	
5	A161810801	Mounting Plate /2		D	1	
6	A161810600	Roller /1		C	1	
7	A161825300	Cushion /A		D	3	
8	A161813600	Pressing Spring /A		C	2	
9	A0ED815100	Holding Part		D	4	
10	A161825700	Idler Roller /A		D	4	
11	A161825800	Cushion /B		D	3	
12	A108M50100	Photointerrupter		B	2	
13	A161819500	Bushing /C		C	1	
14	A161825100	Mounting Plate /4		D	1	
15	A161819400	Contact /C		D	1	
16	A161814500	Bushing /B		C	1	
17	A02E815200	BUSHING		C	2	
18	A161813200	Actuator		C	1	
19	A161825400	Wiring Part		D	1	
20	A161814202	Contact /A		D	1	
21	A161813400	Torsion Coil spring		D	2	
22	A161813902	Cover /A		D	1	
23	A161825600	Wiring Part /2		D	1	
24	A161810900	Mounting Plate /1		D	1	
25	A161712800	Spring /D		D	1	
26	A161813001	Actuator		C	1	
27	A161813100	Torsion Coil spring		C	1	
28	A161810503	Guide Plate /4		D	1	
29	A161825500	Cover /D		D	1	
30	A0TK397501	Ball bearing		C	1	
31	A161825000	Bushing		C	1	
32	A161819200	Gear 18T		C	1	
33	A161825901	Ground Contact /D		D	1	
34	A161826000	Cushion /B		D	1	

bizhub C224/bizhub C284/bizhub C364

FUSING SECTION



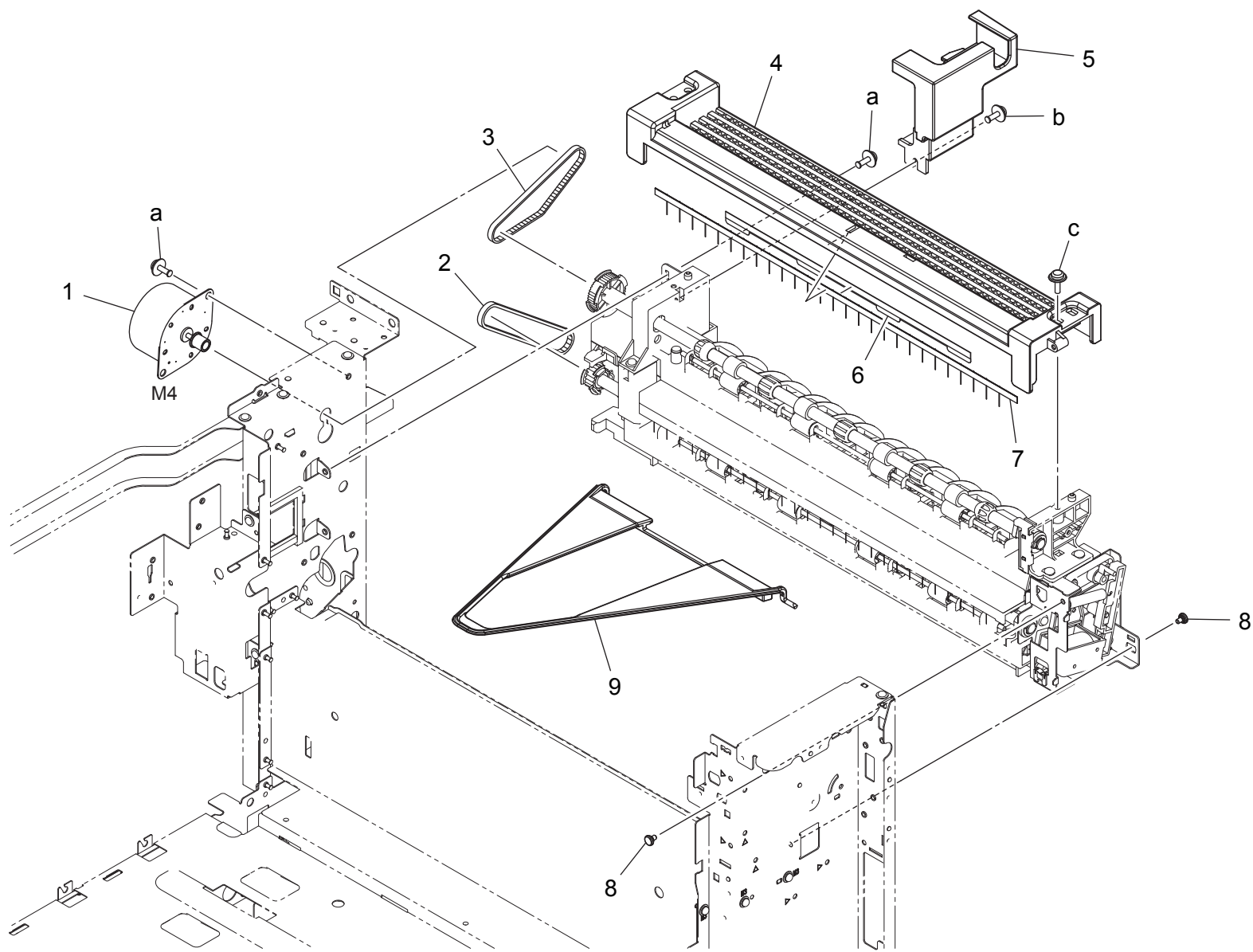
bizhub C224/bizhub C284/bizhub C364

FUSING SECTION

Key	Part No.	Description	Destinations	Class	QTY	Standard parts
1	4139M10000	FAN MOTOR		B	1	a-V116033503 b-V116030803 c-V137030803 d-V116040803 e-V153030803
2	9313110033	FAN MOTOR		C	1	
3	A161143000	Seal		D	1	
4	A161140300	Duct		D	1	
5	A161121103	Mounting Plate		D	1	
6	A161140500	Duct		D	1	
7	A161121401	Seal /Upper		D	1	
8	A161140400	Duct		D	1	
9	A161102700	Seal		D	1	
10	A161R71711	Fuser Unit100V(1/2/3)	A,A1	A	1	
10	A161R71811	Fuser Unit120V(1/2/3)	B,G2	A	1	
10	A161R71911	Fuser Unit230V(1/2/3)	C,D1,D3,E,F2,G1,I,K	A	1	
11	A161137202	Mounting Plate		D	1	
12	A0ED146900	Filter		C	1	
13	A161N10602	Heater Relay harness /1		D	1	
14	A161122500	Ground Plate		D	1	

bizhub C224/bizhub C284/bizhub C364

PAPER EXIT SECTION



bizhub C224/bizhub C284/bizhub C364

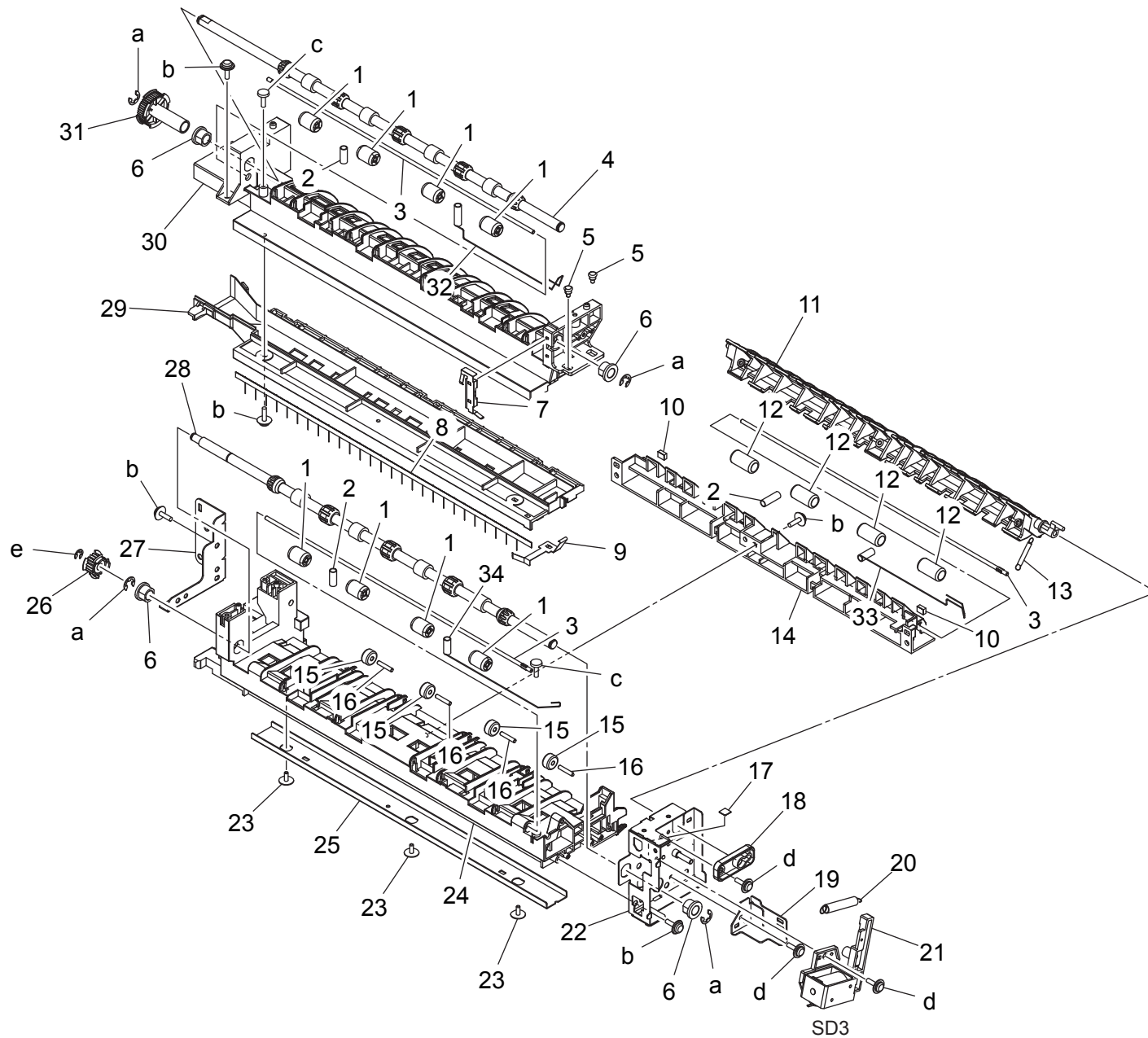
PAPER EXIT SECTION

Key	Part No.	Description	Destinations	Class	QTY	Standard parts
1	A0EDM10300	Stepping motor		C	1	a-V116030803 b-V116030804 c-V153030803
2	A161891401	Timing belt 231L		D	1	
3	4640392001	BELT		C	1	
4	A161895300	Paper exit Cover		D	1	
5	A161162302	Cover		D	1	
6	A161894100	Sheet		D	1	
7	A161894000	Neutralizing Brush		C	1	
8	A0P0742300	Shoulder screw		C	2	
9	A161897200	Guide Part		C	1	

bizhub C224/bizhub C284/bizhub C364

PAPER EXIT SECTION

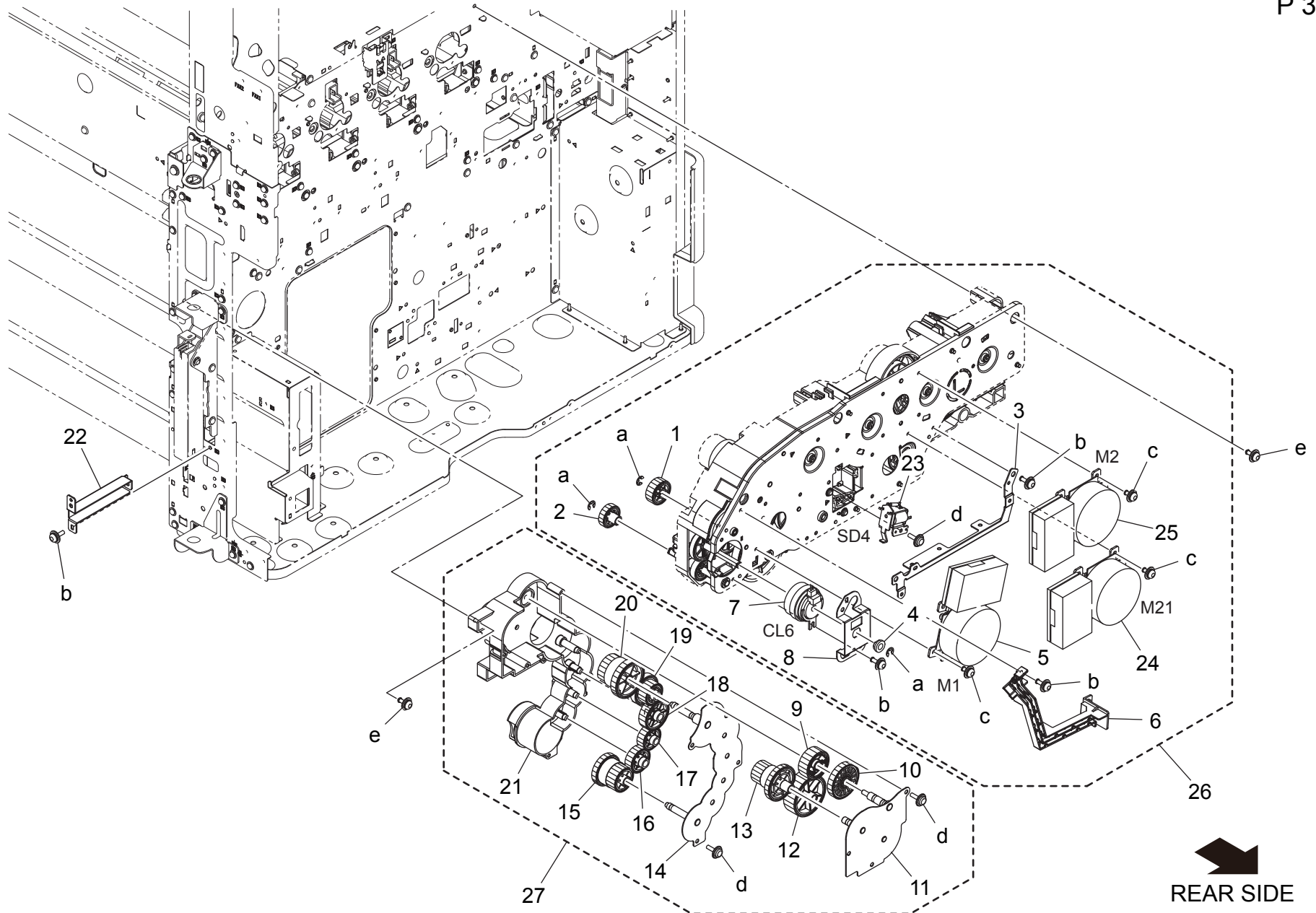
P 37



bizhub C224/bizhub C284/bizhub C364

Key	Part No.	Description	Destinations	Class	QTY	Standard parts
1	4004590301	ROLL		C	8	a-V217060001 b-V153030803 c-V149030803 d-V137030803 e-V217040001
2	A161892400	Spring		C	3	
3	4025598401	SHAFT		D	3	
4	A161895400	Roller		C	1	
5	1164202801	SHOULDER SCREW		D	2	
6	A0ED891100	Bushing		D	4	
7	A161895502	Ground Contact /Upper		D	1	
8	A161894000	Neutralizing Brush		C	1	
9	A161895600	Ground Contact /Lower		D	1	
10	A161893600	Cushion		D	2	
11	A161890401	Guide Lever		D	1	
12	A0P0901100	Roll		C	4	
13	A161892100	Spring		C	1	
14	A161890202	Guide Part /Lower		D	1	
15	A0ED897700	Collar		C	4	
16	4036254901	PIN		D	4	
17	A161893800	Seal		D	1	
18	A161891000	Bushing		D	1	
19	A161892300	Mounting Plate		D	1	
20	A161892000	Spring		D	1	
21	A161R72600	Solenoid Assy		C	1	
22	A161F89001	Caulking(Mounting Plate)		D	1	
23	4163529301	SCREW		C	3	
24	A161890102	Paper exit Main body		D	1	
25	A161893500	Regulating Plate		D	1	
26	A161891301	Pulley 18T		D	1	
27	A161892901	Fixing Part		D	1	
28	A161890300	Roller		C	1	
29	A161895201	Paper exit Guide /Lower		D	1	
30	A161895102	Paper exit Guide /Upper		D	1	
31	A161895800	Pulley 44T		D	1	
32	A161900201	Ground Spring		C	1	
33	A161900300	Ground Spring		C	1	
34	A161900100	Ground Spring		C	1	

MAIN DRIVE/ PAPER FEED DRIVE SECTION



REAR SIDE

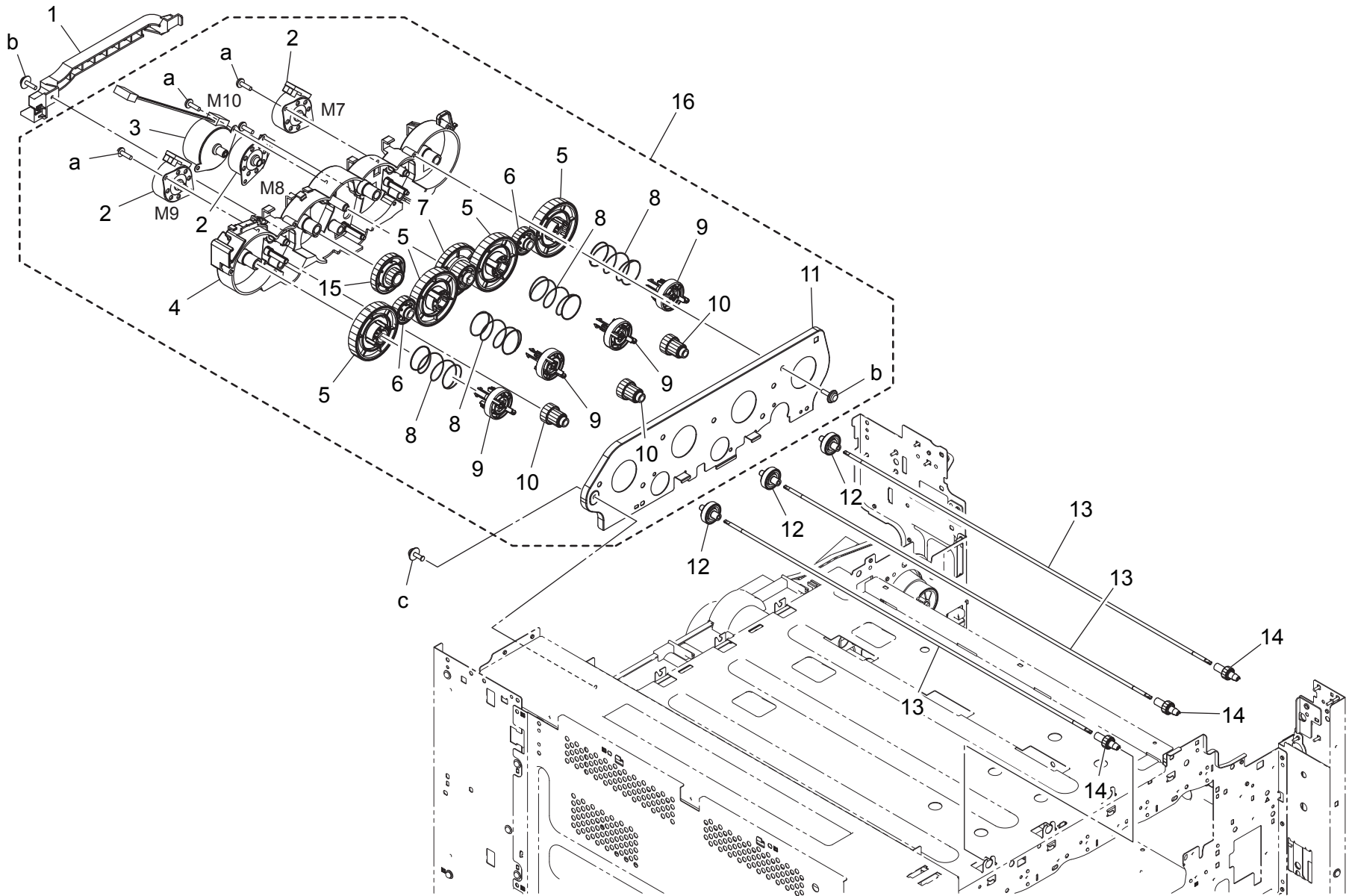
bizhub C224/bizhub C284/bizhub C364

MAIN DRIVE/ PAPER FEED DRIVE SECTION

Key	Part No.	Description	Destinations	Class	QTY	Standard parts
1	A161254000	Gear 22T		C	1	a-V217040001 b-V116030803 c-V116030603 d-V153030803 e-V125030818
2	A161257800	Gear 20T		C	1	
3	A161216101	Mounting Plate		D	1	
4	A161210200	Bushing		D	1	
5	A161M10001	brushless Motor /40		I	1	
6	A161134701	Guide		D	1	
7	A161M20200	Clutch		C	1	
8	A161253900	Hold Plate		D	1	
9	A161253600	Gear 26T		D	1	
10	A161253500	Gear 53T		D	1	
11	A161F21100	Caulking(Hold Plate Paper Feed DriveL)		D	1	
12	A161253100	Gear 38T		D	1	
13	A161259800	Gear 19/32T		D	1	
14	A161F21200	Caulking(Hold Plate Paper Feed Drive2)		D	1	
15	A161220700	Gear 28/28T		D	1	
16	A161220600	Gear 28T		D	1	
17	A161220500	Gear 26T		D	1	
18	A161220400	Gear 35T		D	1	
19	A161220200	Gear 25/27T		D	1	
20	A161220100	Gear 26/34T		D	1	
21	A161221001	Holder		D	1	
22	A161105500	Reinforce Plate		D	1	
23	A161M20300	Flapper solenoid		C	1	
24	A2XKM10300	Brushless motor		C	1	
25	A161M10200	brushless Motor /20		C	1	
26	A161R70600	Main Drive Assy		S	1	
27	A161R70500	Paper Feed Drive Assy		S	1	

bizhub C224/bizhub C284/bizhub C364

TONER BOTTLE DRIVE SECTION



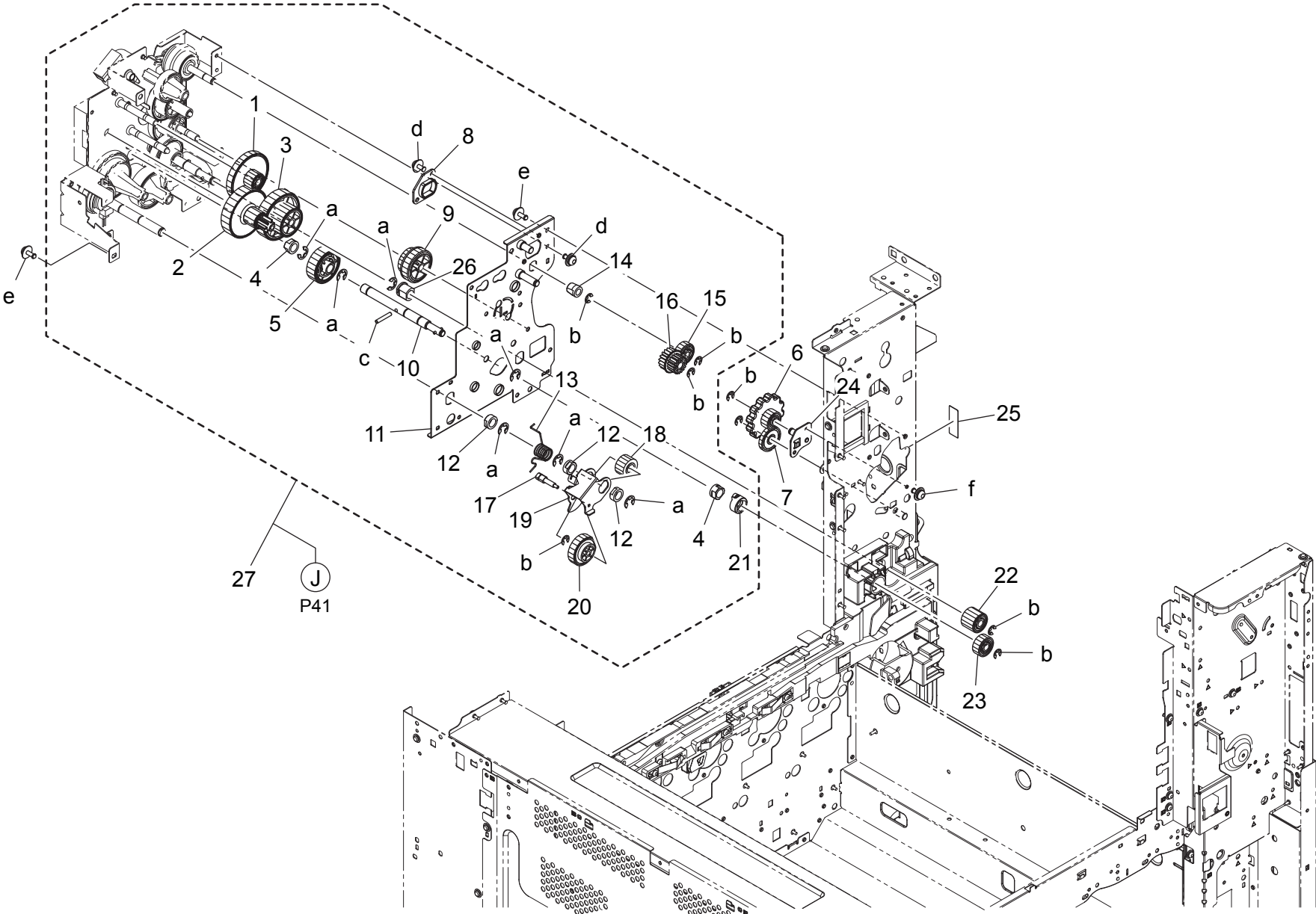
bizhub C224/bizhub C284/bizhub C364

TONER BOTTLE DRIVE SECTION

Key	Part No.	Description	Destinations	Class	QTY	Standard parts
1	A161241600	Guide		D	1	a-V145030803 b-V153030803 c-V116030803
2	A02EM10400	Stepping motor		C	3	
3	A161M10300	Stepping motor		C	1	
4	A161240100	Drive Holder		D	1	
5	A161240600	Gear 65T		D	4	
6	A161240500	Gear 29T		D	2	
7	A161240400	Gear 29/62T		D	1	
8	4038541202	PRESSURE SPRING		C	4	
9	A161240700	Joint		C	4	
10	A161240900	Gear 20/42T		D	3	
11	A161241500	Mounting Plate		D	1	
12	A161241000	Gear 31T		C	3	
13	A161241200	Shaft		D	3	
14	A161241400	Gear 17T		C	3	
15	A161240300	Gear 18/91T		D	1	
16	A161R70800	Toner Bottle Drive Assy		S	1	

bizhub C224/bizhub C284/bizhub C364

FUSING DRIVE SECTION



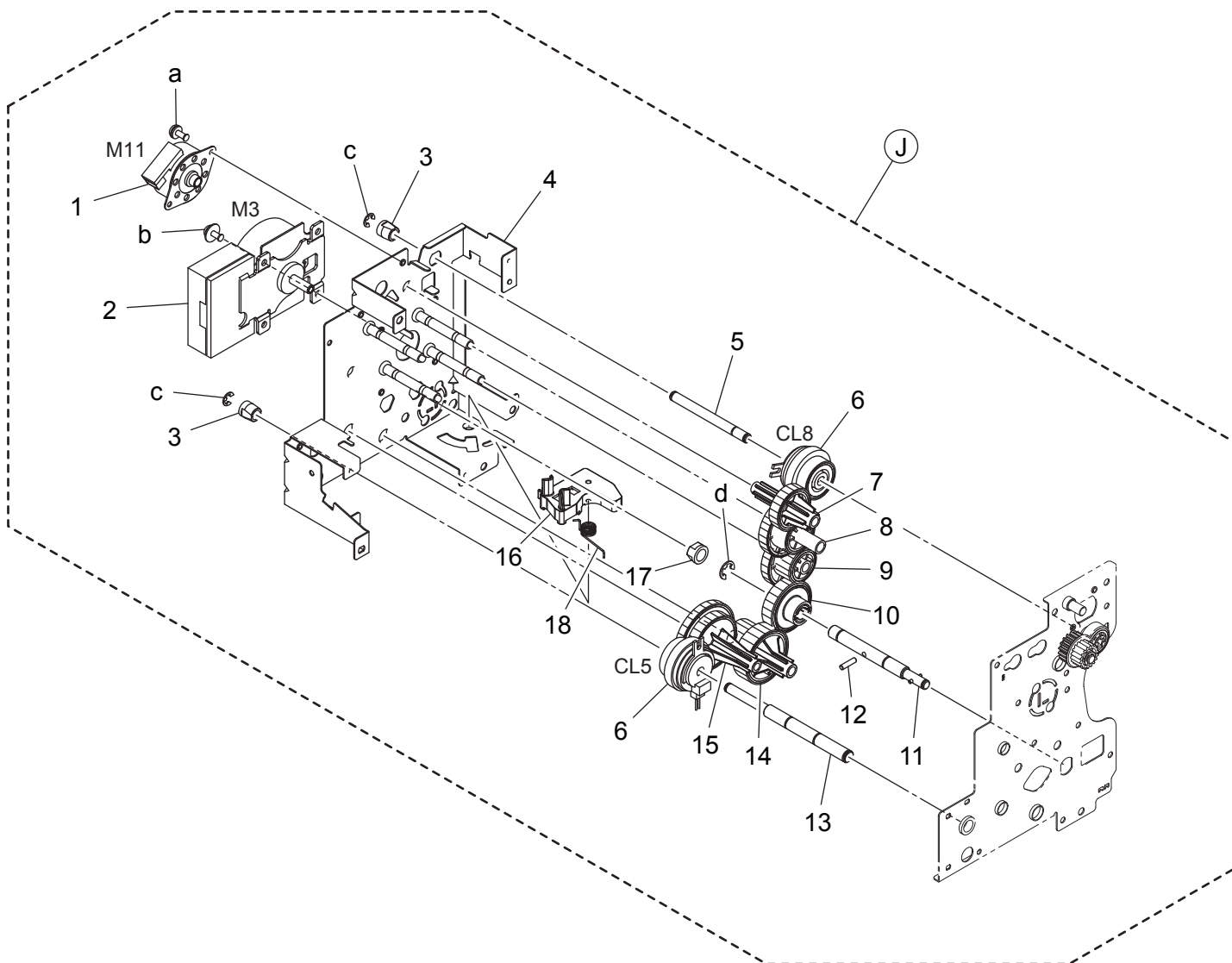
bizhub C224/bizhub C284/bizhub C364

FUSING DRIVE SECTION

Key	Part No.	Description	Destinations	Class	QTY	Standard parts
1	A161254200	Gear 18/115T		D	1	a-V217060001 b-V217040001 c-V237301850 d-V116030603 e-V125030818 f-V116030803
2	A161254300	Gear 18/57T		D	1	
3	A161254400	Gear 33/55T		D	1	
4	A161254700	Bushing		D	2	
5	A161254500	Gear 38T		D	1	
6	A161122002	Gear 12T		D	1	
7	A161121900	Gear 17T		D	1	
8	A161232200	Bushing		D	1	
9	A161228800	Gear 22/23T		D	1	
10	A161256300	Shaft		D	1	
11	A161F25102	Caulking(Mounting Plate Fuser Drive2L)		D	1	
12	A0ED259700	Bushing		C	3	
13	A161232501	Torsion Coil spring		D	1	
14	A161232300	Bushing		D	1	
15	A161230700	Gear 18T		C	1	
16	A161231301	Gear 18/18T		C	1	
17	A161259400	Shaft		D	1	
18	4038258001	GEAR 16T		C	1	
19	A161258800	Mounting Plate		D	1	
20	A0ED257500	Gear 26T		C	1	
21	A161232401	Collar		D	1	
22	A161228700	Gear 16T		C	1	
23	A161254600	Gear		C	1	
24	A161F10901	Caulking		D	1	
25	A161941100	Label M4		D	1	
26	4025357201	BUSHING		C	1	
27	A161R70700	Fuser Drive Assy		S	1	

bizhub C224/bizhub C284/bizhub C364

FUSING DRIVE SECTION



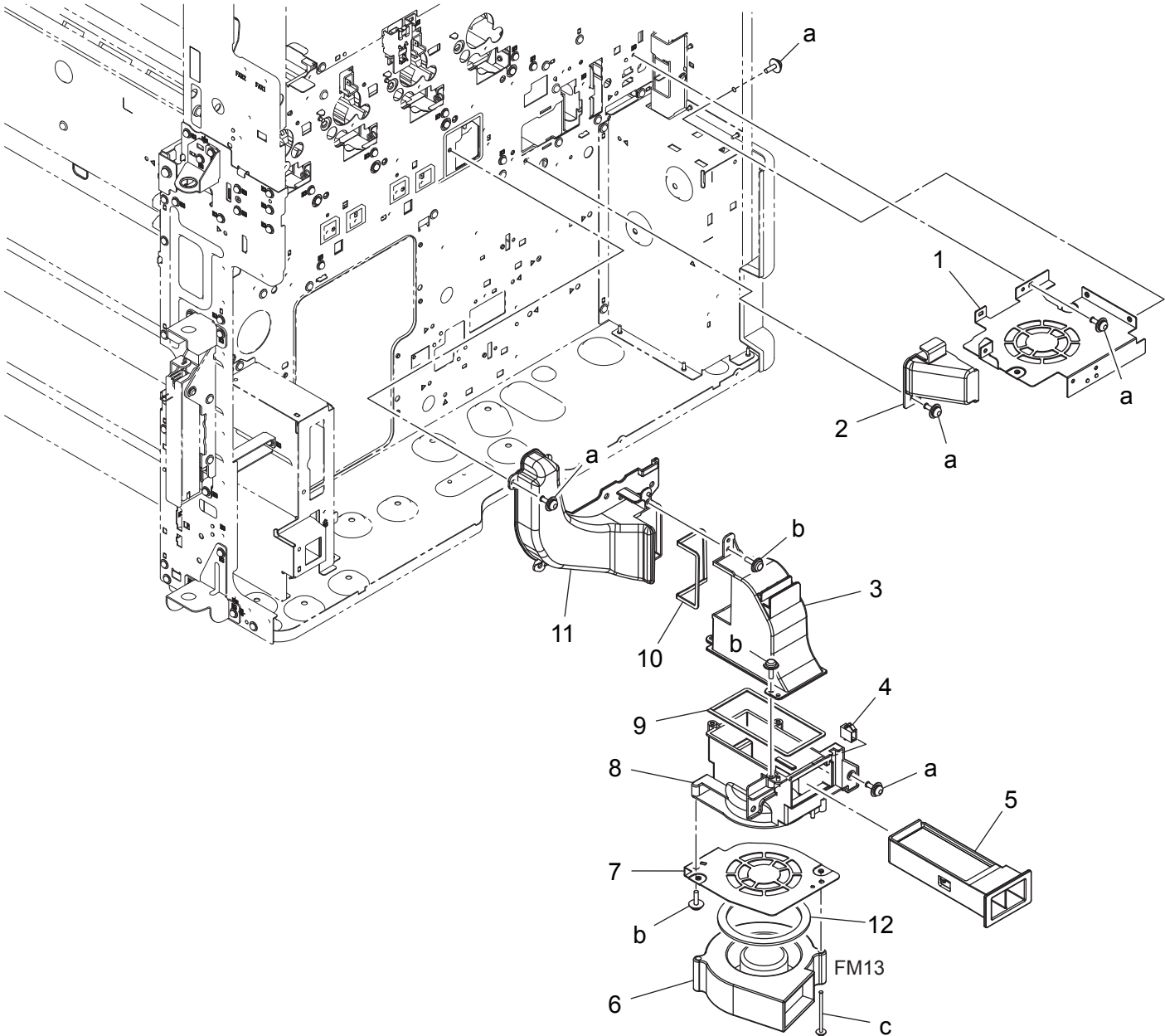
bizhub C224/bizhub C284/bizhub C364

FUSING DRIVE SECTION

Key	Part No.	Description	Destinations	Class	QTY	Standard parts
1	A02EM10400	Stepping motor		C	1	a-V115030603 b-V116030603 c-V217040001 d-V217060001
2	A161M10200	brushless Motor /20		C	1	
3	A161232300	Bushing		D	2	
4	A161F25001	Caulking(Mounting Plate Fuser DriveL)		D	1	
5	A161231800	Shaft		D	1	
6	A161M20100	Clutch		C	2	
7	A161230600	Gear 27T		D	1	
8	A161230500	Gear 24/70T		D	1	
9	A161228000	Gear 22/70T		D	1	
10	A161228100	Gear 33T		D	1	
11	A161228301	Shaft		D	1	
12	56AA17471	PIN B 3X12		C	1	
13	A161258700	Shaft		D	1	
14	A161259100	Gear 26/35T		D	1	
15	A161259200	Gear 35/45T		D	1	
16	A161228600	Lever		D	1	
17	A161254700	Bushing		D	1	
18	A161258501	Torsion Coil spring		D	1	

bizhub C224/bizhub C284/bizhub C364

OZONE DUCT SECTION




REAR SIDE

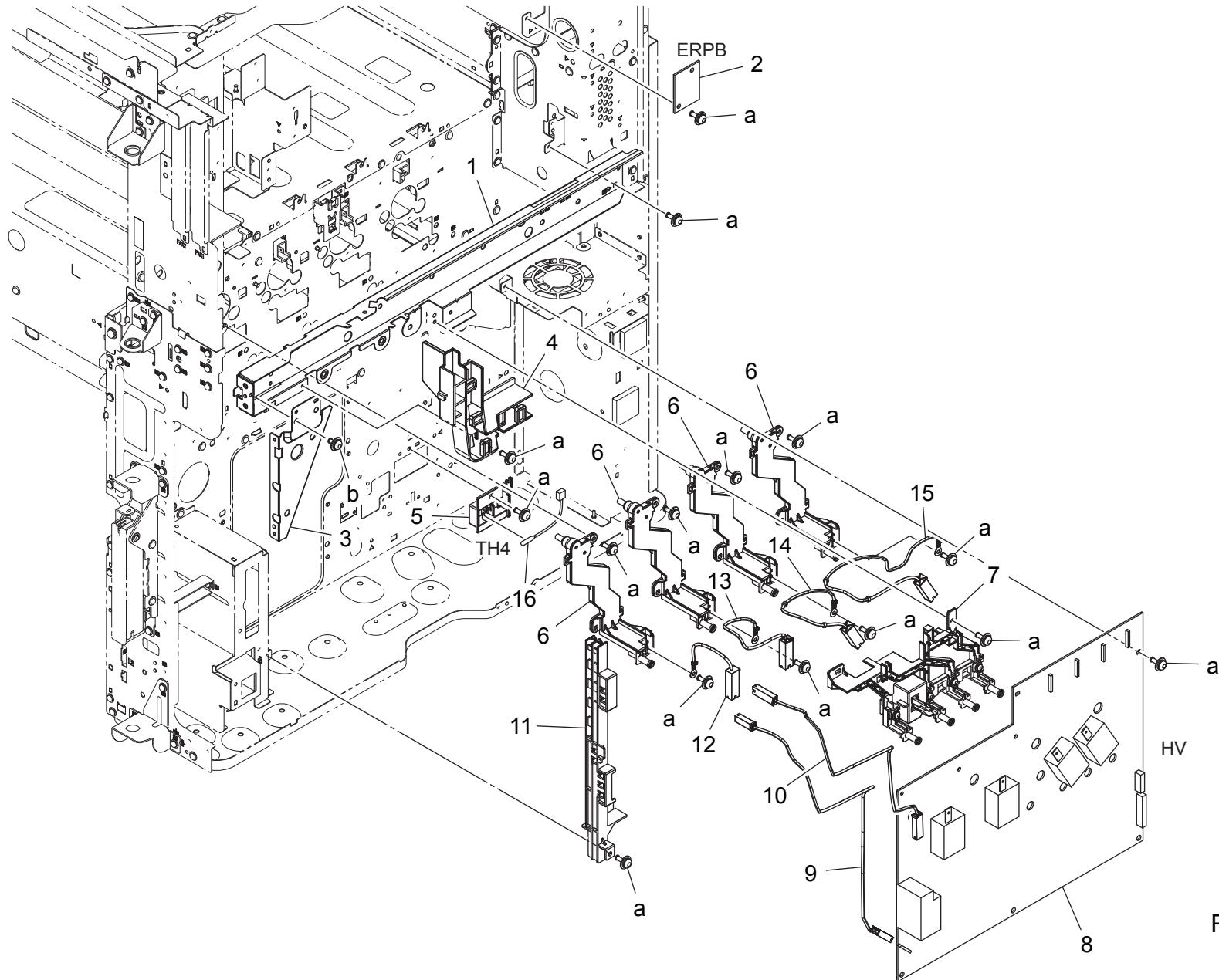
bizhub C224/bizhub C284/bizhub C364

OZONE DUCT SECTION

Key	Part No.	Description	Destinations	Class	QTY	Standard parts
1	A161142000	Mounting Plate		D	1	a-V116030803 b-V153030803 c-V116034003
2	A161141500	Duct /2		D	1	
3	A161141901	Duct /2		D	1	
4	V651010002	connector		D	1	
5	A161R72700	Ozone Filter Assy		C	1	
6	9313100072	FAN MOTOR		C	1	
7	A161142200	Mounting Plate		D	1	
8	A161147001	Duct /3		D	1	
9	A161145300	Seal /2		D	1	
10	A161145201	Seal /1		D	1	
11	A161141800	Duct /1		D	1	
12	A02E117300	Seal		C	1	

bizhub C224/bizhub C284/bizhub C364

HIGH VOLTAGE SECTION




REAR SIDE

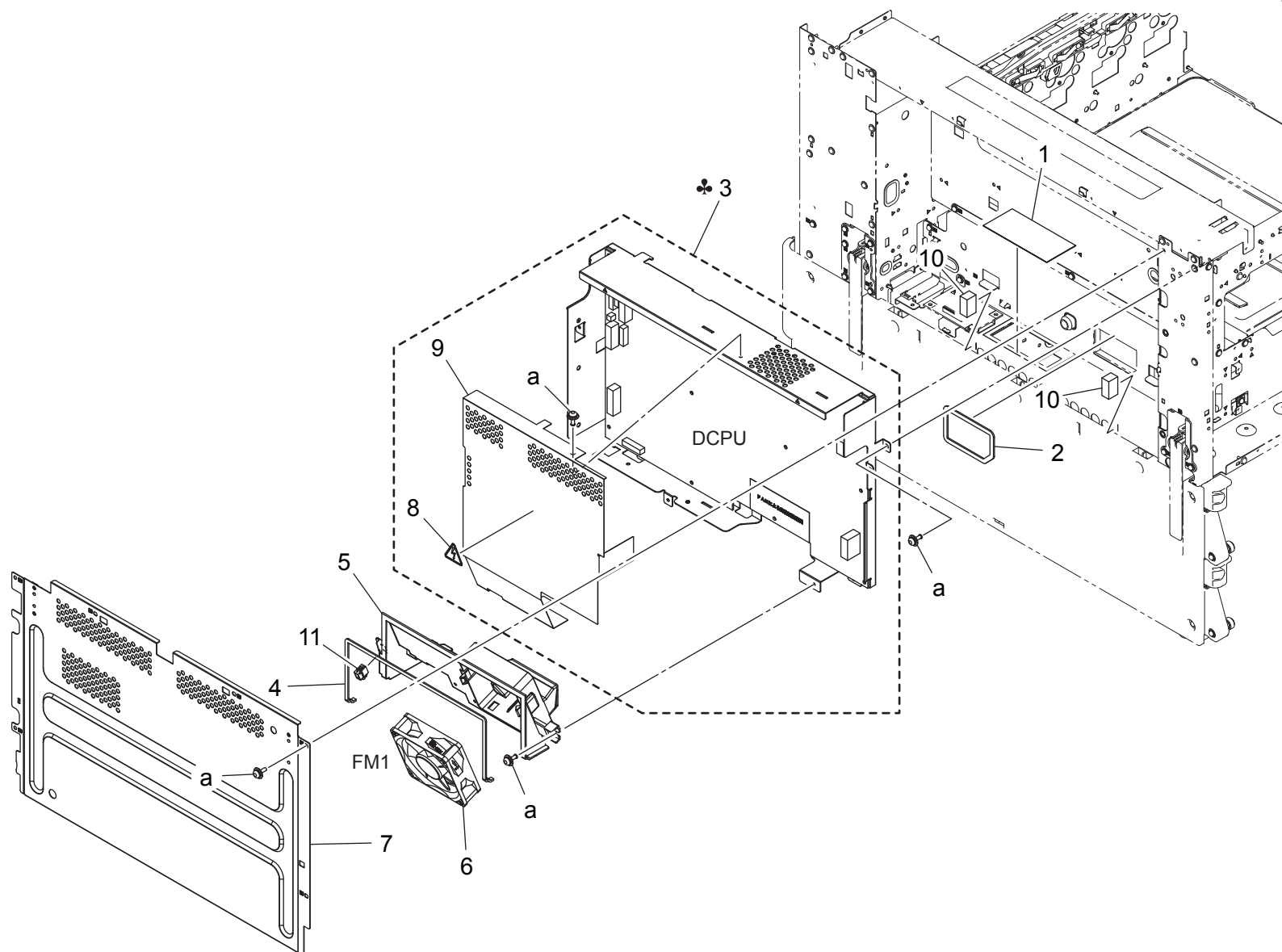
bizhub C224/bizhub C284/bizhub C364

HIGH VOLTAGE SECTION

Key	Part No.	Description	Destinations	Class	QTY	Standard parts
1	A161132504	Mounting Plate		D	1	a-V116030803 b-V116030603
2	A161H00C02	PWB Assembly(PWB-DC ASSY)		C	1	
3	A161132800	Reinforce Plate		D	1	
4	A161132100	Guide		D	1	
5	A161137701	Holder		D	1	
6	A161R70200	HV Contact Assy		D	4	
7	A161R70300	DV Contact Assy		D	1	
8	A161M40601	High voltage unit		I	1	
9	A161N11K00	Neutralizing Wiring		D	1	
10	A161N11300	Transfer Wiring /2		D	1	
11	A161134800	Guide		D	1	
12	A161N12P01	Charging Wiring /K		D	1	
13	A161N12N01	Charging Wiring /C		D	1	
14	A161N12M01	Charging Wiring /M		D	1	
15	A161N12K01	Charging Wiring /Y		D	1	
16	A0P0M50300	Thermistor		C	1	

bizhub C224/bizhub C284/bizhub C364

MAIN POWER SUPPLY SECTION



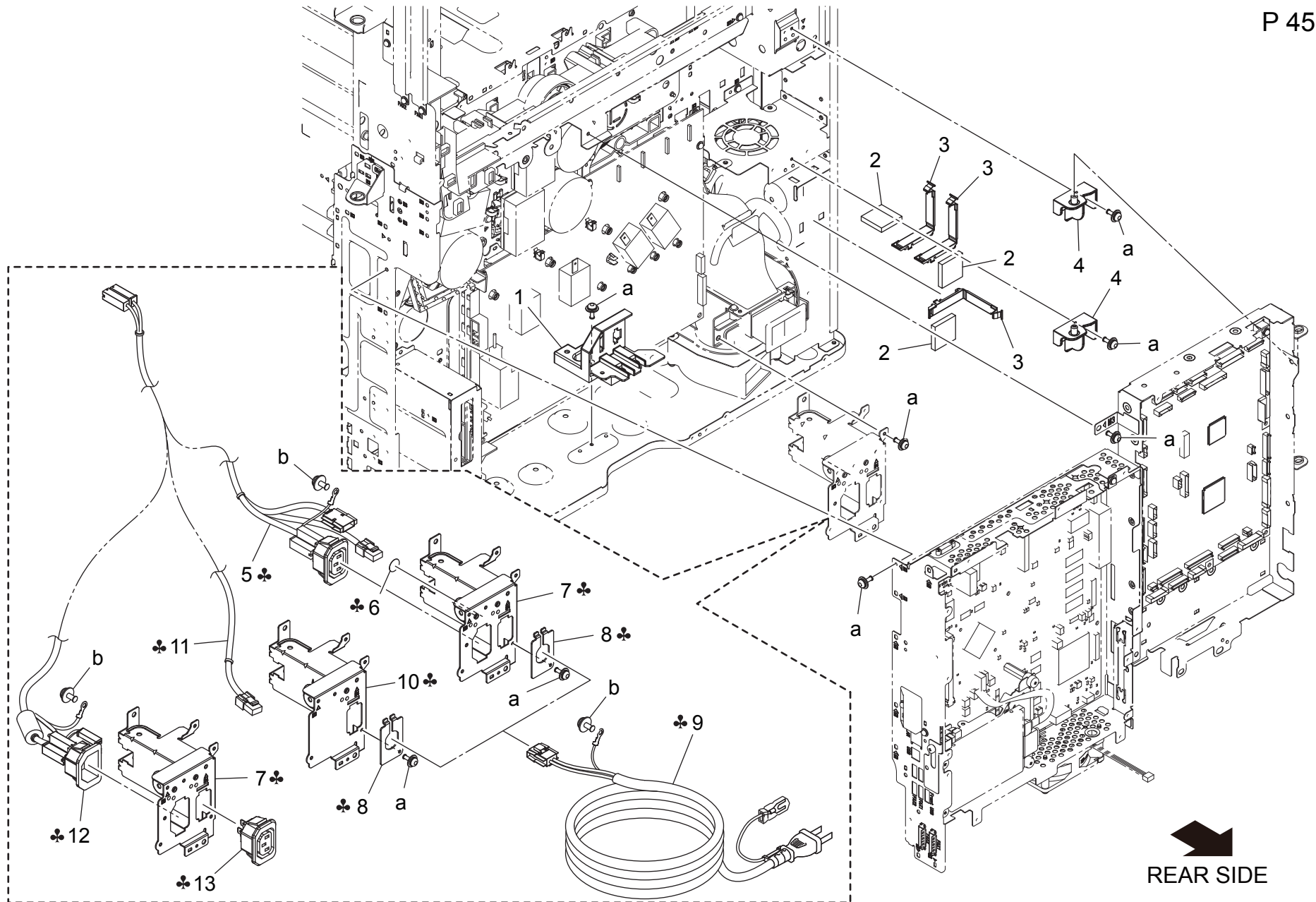
bizhub C224/bizhub C284/bizhub C364

MAIN POWER SUPPLY SECTION

Key	Part No.	Description	Destinations	Class	QTY	Standard parts
1	A161145000	Filter		C	1	a-V116030803
2	A161143601	Seal /3		D	1	
3	A161R7A100	Power supply Assy /100V	A,A1,B,G2	I	1	
3	A161R7A200	Power supply Assy /230V	C,D1,D3,E,F2,G1,I,K	I	1	
4	A161143400	Seal /1		D	1	
5	A161140800	Cooling Duct		D	1	
6	4139M10000	FAN MOTOR		B	1	
7	A161100602	Cover		D	1	
8	A0CR953400	Label		C	1	
9	A161130200	Sheet		D	1	
10	A161144500	Seal /3		C	2	
11	V651010002	connector		D	1	

bizhub C224/bizhub C284/bizhub C364

ELECTRICAL COMPONENTS



REAR SIDE

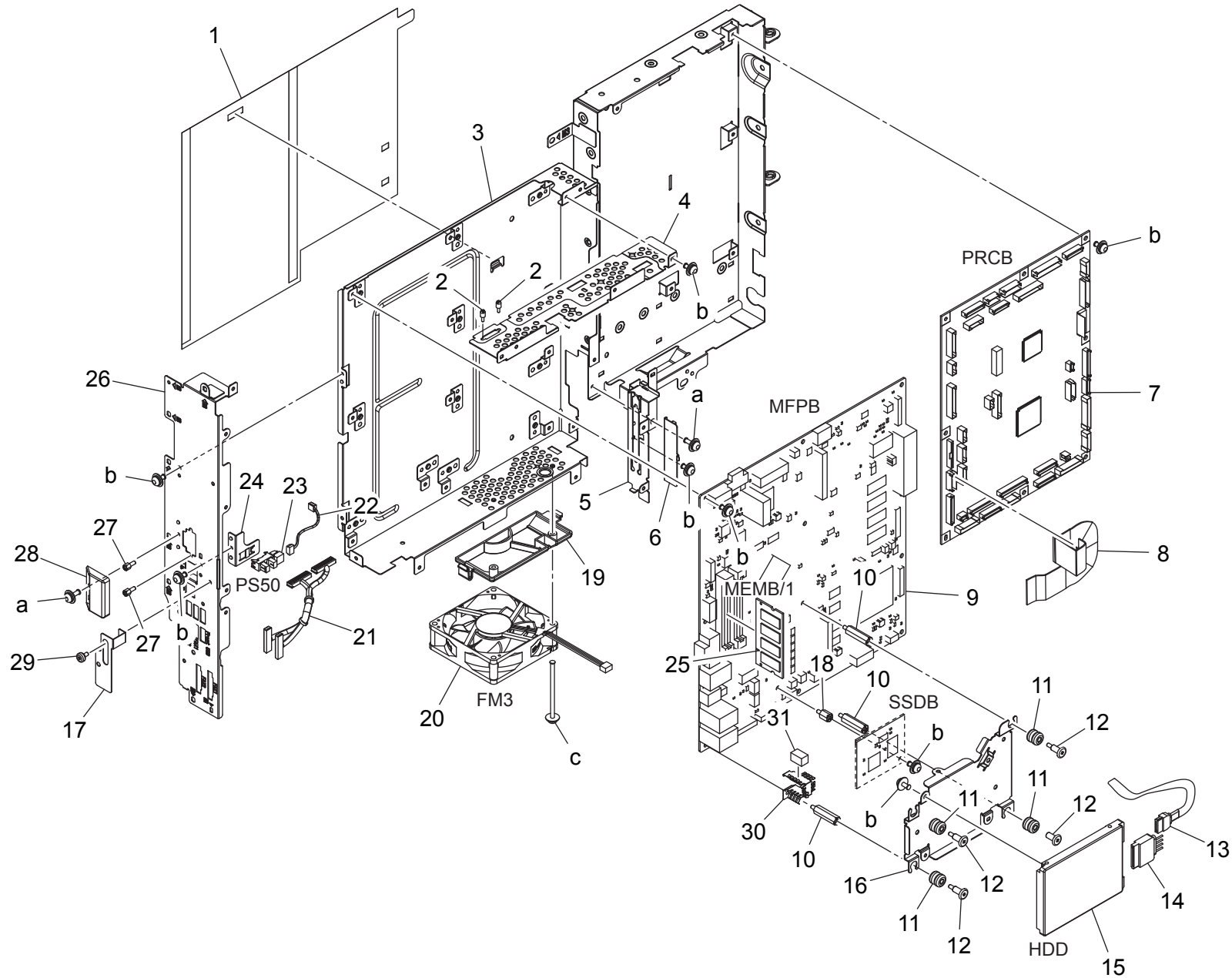
bizhub C224/bizhub C284/bizhub C364

ELECTRICAL COMPONENTS

Key	Part No.	Description	Destinations	Class	QTY	Standard parts
1	A161131400	Holder		D	1	a-V116030803 b-V116040803
2	A161136500	Spacer		C	3	
3	A161137802	Holder		D	3	
4	A161130801	Support Shaft		D	2	
5	A161N10002	AC Wiring /100V	A,A1	D	1	
6	9J06730101	LABEL	A,A1	D	1	
7	A161130502	Mounting Plate	A,A1,C,D1,D3,E,F2,G1,I,K	D	1	
8	A0ED135700	Mounting Plate	A,A1,B,G2	D	1	
9	A0EDN30002	Power source Cord /100V	A,A1	D	1	
9	A1UDN30001	Power code /120V	B,G2	C	1	
10	A161130603	Mounting Plate	B,G2	D	1	
11	A161N10102	AC Wiring /120V	B,G2	D	1	
12	A161N10202	AC Wiring /230V	C,D1,D3,E,F2,G1,I,K	D	1	
13	A02EN12512	Power supply Wiring	C,D1,D3,E,F2,G1,I,K	D	1	

bizhub C224/bizhub C284/bizhub C364

ELECTRICAL COMPONENTS



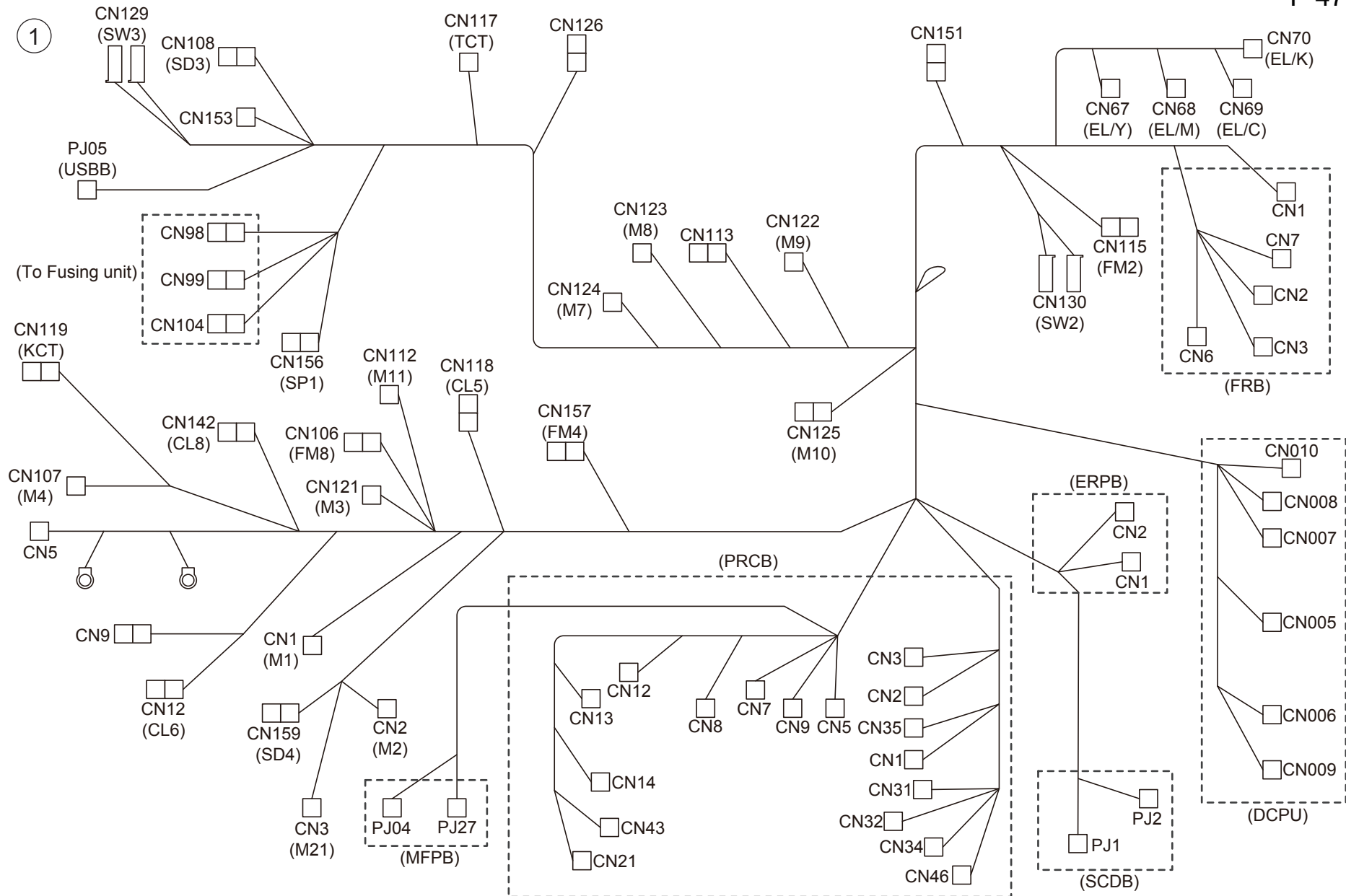
bizhub C224/bizhub C284/bizhub C364

Key	Part No.	Description	Destinations	Class	QTY	Standard parts
1	A161134500	Sheet		D	1	a-V116030803 b-V116030603 c-V116034003
2	A161138601	Shoulder screw		C	2	
3	A161131005	Shield Case		D	1	
4	A161137402	Mounting Plate		D	1	
5	A161138804	Mounting Plate		D	1	
6	A161137501	Cover		D	1	
7	A161H00108	PWB Assembly(PWB-MC ASSY)		I	1	
8	A161N11800	Flatcable /50		C	1	
9	A161H02104	PWB assembly(PWB-MFP ASSY)	{C284/C364}	I	1	
9	A4FMH02204	PWB assembly(PWB-MFP ASSY)	{C224}	I	1	
10	A161139901	Shoulder screw		D	3	
11	A0P0144400	Bushing		D	4	
12	A0P0144300	Shoulder screw		D	4	
13	A0P0N15100	Cable		C	1	
14	A0P0N15200	Cable		C	1	
15	A161M72000	HDD		I	1	
16	A161130700	Mounting Plate		D	1	
17	A161139500	Cover		D	1	
18	A161137600	Shoulder screw		D	1	
19	A161140101	Duct		D	1	
20	A0EDM10500	Fan motor		C	1	
21	A161N12602	Control Relay harness		D	1	
22	A161N11B00	Controller Detection harness		D	1	
23	A108M50100	Photointerrupter		B	1	
24	A161139400	Mounting Plate		D	1	
25	V865300026	MEMORY MODULES		C	1	
26	A161132203	Mounting Plate		D	1	
27	A161137900	Screw		C	2	
28	A0ED131900	Cover		D	1	
29	A0P0149100	Shoulder screw		C	1	
30	A0P0145900	Ground Plate		D	1	
31	A161136200	Cushion		D	1	

bizhub C224/bizhub C284/bizhub C364

WIRING

P 47



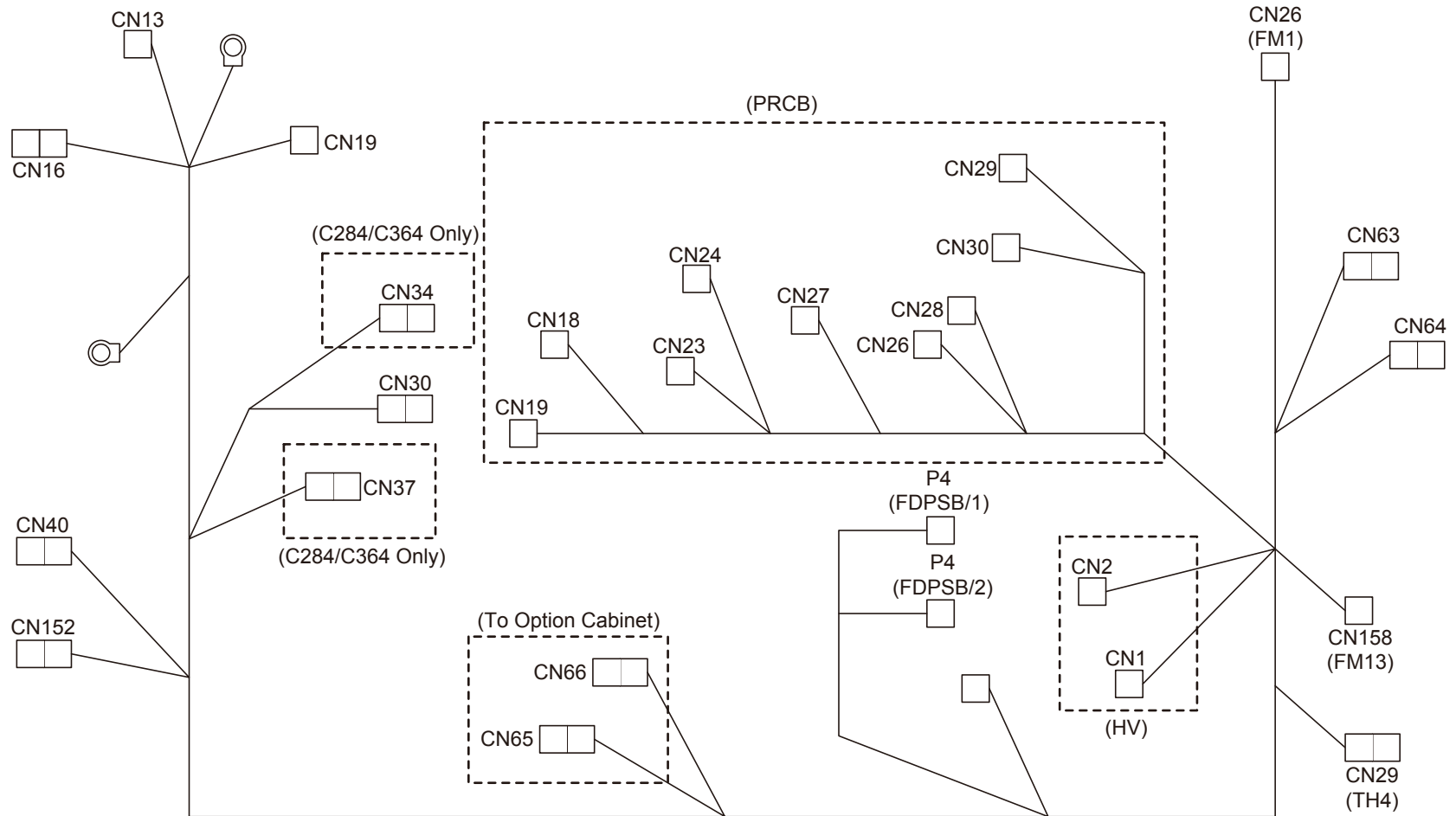
bizhub C224/bizhub C284/bizhub C364

WIRING

Key	Part No.	Description	Destinations	Class	QTY	Standard parts
1	A161N11S03	Main body Wiring /Front	{C364}	D	1	
1	A4FKN10003	Main body Wiring /Front	{C284}	D	1	
1	A4FMN10003	Main body Wiring /Front	{C224}	D	1	

bizhub C224/bizhub C284/bizhub C364

1

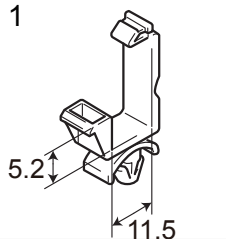
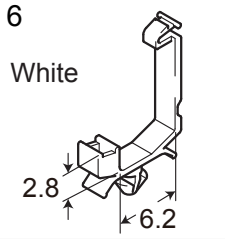
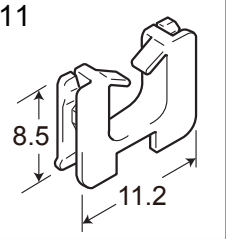
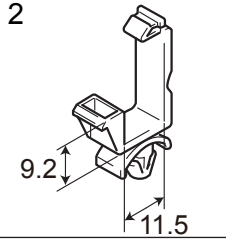
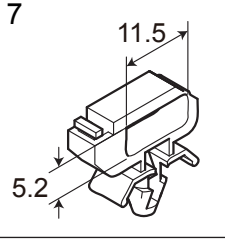
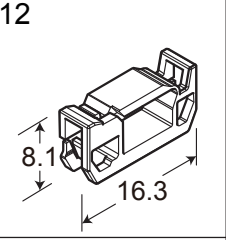
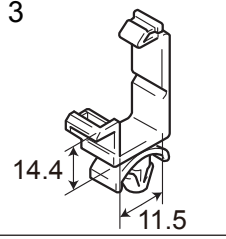
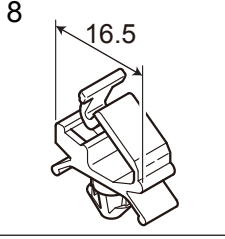
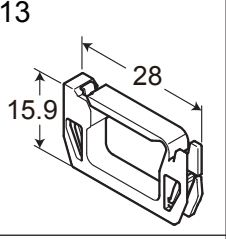
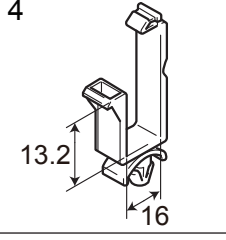
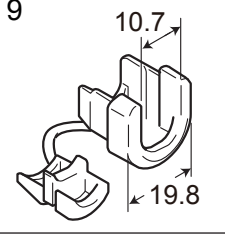
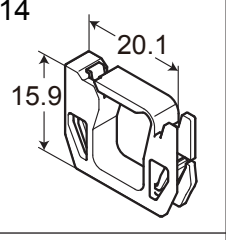
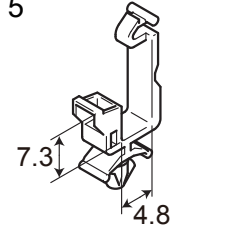
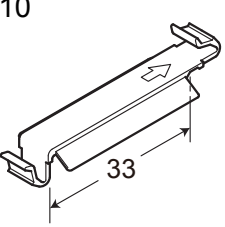
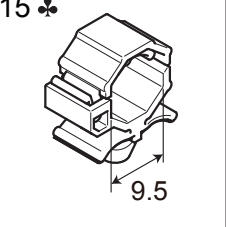


WIRING

Key	Part No.	Description	Destinations	Class	QTY	Standard parts
1	A161N10A03	Main body Wiring /Rear	{C284/C364}	D	1	
1	A4FMN10103	Main body Wiring /Rear	{C224}	D	1	

bizhub C224/bizhub C284/bizhub C364

WIRING ACCESSORIES AND JIGS

1 	6 White 	11 	16	21	26	31	36
2 	7 	12 	17	22	27	32	37
3 	8 	13 	18	23	28	33	38
4 	9 	14 	19	24	29	34	39
5 	10 	15 ♣ 	20	25	30	35	40

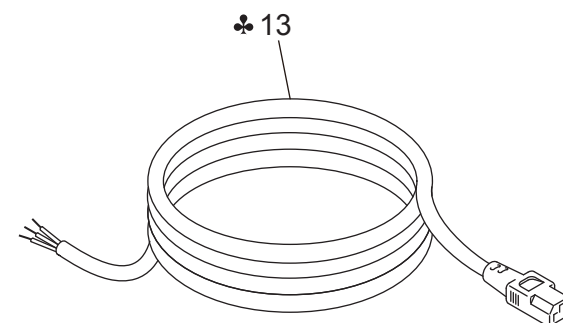
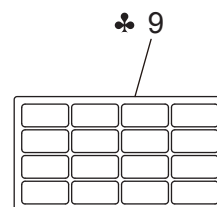
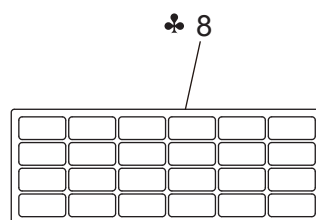
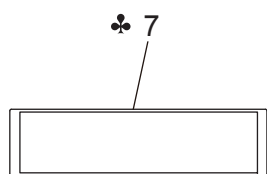
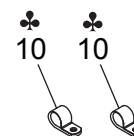
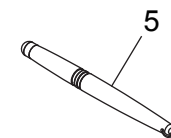
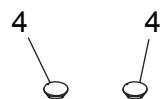
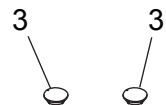
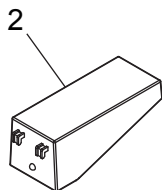
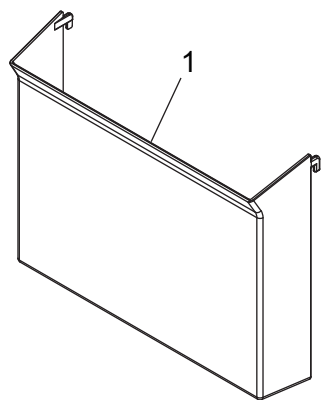
bizhub C224/bizhub C284/bizhub C364

WIRING ACCESSORIES AND JIGS

Key	Part No.	Description	Destinations	Class	QTY	Standard parts
1	V500010003	Saddle		D		
2	V500010005	saddle		D		
3	V500010007	saddle		D		
4	V500010008	saddle		D		
5	V500010020	Saddle		D		
6	V500010046	saddle		D		
7	V500010052	SADDLE		D		
8	V500010061	saddle		D		
9	V500020052	bushing		D		
10	V500020082	Clamping for FFC		D		
11	V570010021	Saddle		D		
12	V570010057	Wing Edge Saddle		D		
13	V570010059	Wing Edge Saddle		D		
14	V570010060	Wing Edge Saddle		D		
15	V500020094	FG Clamp	C,D1,D3,E,F2,G1,I,K	D		

bizhub C224/bizhub C284/bizhub C364

ACCESSORY PARTS



ACCESSORY PARTS

Key	Part No.	Description	Destinations	Class	QTY	Standard parts
1	A0ED166200	Holder		C	1	
2	A0ED166100	Installing Spacer		D	1	
3	A00J169100	Cover		C	2	
4	A02E167700	Cover		C	2	
5	A161192000	Panel		C	1	
6	A161947000	Label	A,A1,B,G2,C,D1,D3,E,F2,G1,I,K	C	1	
7	A00J940100	Label Legal Restriction	C,D1,D3,E,F2,G1,I,K	C	1	
8	A161943300	Label Paper Size/Metric	A,A1,C,D1,D3,E,F2,G1,I,K	C	1	
9	A161943400	Label Paper Size/Inch	B,G2	C	1	
10	V500020040	clamp	C,D1,D3,E,F2,G1,I,K	D	2	
11	V116033003	Screw	C,D1,D3,E,F2,G1,I,K	V	1	
12	V153030803	Screw	C,D1,D3,E,F2,G1,I,K	V	1	
13	A0EDN30201	Power source Cord /230V	D1,D3,E,F2,G1,I,K	D	1	

bizhub C224/bizhub C284/bizhub C364

MAINTENANCE LIST

● The items with no Page/Key numbers are not handled as spare parts.

No.	Section	PM Parts Description	Maintenance Cycle (K=1,000)		Parts No.	Destinations	Page/Key	Note
			QTY	Replace				
1	Paper feed section	Tray 1 pick-up roller	1	300k	A00J563600		P17-14	*2, *4
2		Tray 1 feed roller	1	300k	A00J563600		P17-14	*2, *4
3		Tray 1 separation roller	1	300k	A00J563600		P18-6	*2, *4
4		Tray 2 pick-up roller	1	300k	A00J563600		P19-18	*2, *4
5		Tray 2 feed roller	1	300k	A00J563600		P19-18	*2, *4
6		Tray 2 separation roller	1	300k	A00J563600		P20-6	*2, *4
7		Manual bypass tray feed roller	1	200k	A00F623201		P31-10	*2, *4
8		Manual bypass tray separation roller assy	1	200k	4658015106		P32-30	*2, *4
9	Processing section	Toner cartridge/Y,M,C *1	1	26k	-	bizhub C364		
10			1	24.5k	-	bizhub C284		
11			1	24k	-	bizhub C224		
12		Toner cartridge/K *1	1	29k	-	bizhub C364		
13			1	27k	-	bizhub C284		
14			1	27k	-	bizhub C224		
15		Drum unit/Y,M,C *1	1	90k	-	bizhub C364		*3
16			1	75k	-	bizhub C284		*3
17			1	55k	-	bizhub C224		*3
18		Drum unit/K *1	1	120k	-	bizhub C364		*3
19			1	120k	-	bizhub C284		*3
20			1	70k	-	bizhub C224		*3
21		Developing unit/Y,M,C,K	1	590k(US)/	-	bizhub C364		*3
22			1	590k(US)/	-	bizhub C284		*3
23			1	590k(US)/	-	bizhub C224		*3
24		Ozone filter	1	300k	A161R72700	bizhub C364	P42-5	*3, *5
25			1	280k	A161R72700	bizhub C284	P42-5	*3, *5
26		1	225k	A161R72700	bizhub C224	P42-5	*3, *5	
27	Waste toner box *1	1	(33k)	A4NNWY1		P12-9	*6	
28	Image transfer section	Transfer belt unit	1	300k	A161R71300	bizhub C364	P15-1	*3
29			1	280k	A161R71300	bizhub C284	P15-1	*3
30			1	225k	A161R71300	bizhub C224	P15-1	*3
31		Transfer roller unit	1	300k	A161R71400	bizhub C364	P28-23	*3, *5
32			1	280k	A161R71400	bizhub C284	P28-23	*3, *5
33			1	225k	A161R71400	bizhub C224	P28-23	*3, *5
34	Fusing section	Fusing unit 100V	1	570k	A161R71711	bizhub C364	P35-10	*3
35			1	545k	A161R71711	bizhub C284	P35-10	*3
36			1	520k	A161R71711	bizhub C224	P35-10	*3
37		Fusing unit 120V	1	590k	A161R71811	bizhub C364	P35-10	*3
38			1	590k	A161R71811	bizhub C284	P35-10	*3
39			1	590k	A161R71811	bizhub C224	P35-10	*3
40		Fusing unit 230V	1	600k	A161R71911	bizhub C364	P35-10	*3
41			1	600k	A161R71911	bizhub C284	P35-10	*3
42			1	600k	A161R71911	bizhub C224	P35-10	*3

*1: The parts can be replaced either by user or service engineer.

*2: Actual durable cycle (life counter value)

*3: Field standard yield

bizhub C224/bizhub C284/bizhub C364

- *4: Replace those three parts at the same time.
- *5: The ozone filter and the transfer roller unit are furnished with the transfer belt unit so that all of them are replaced at same time.
- *6: A waste toner full condition is detected with detecting the actual waste toner emissions.

DESTINATION

Destination No.		Destinations		V	Hz	Model No.
A	A1	JAPAN		100	50/60	A161001/ A4FK001/ A4FM001
	A2	JAPAN				
B		USA, CANADA		120	60	A161011/ A4FK011/ A4FM011
C		EUROPEAN TYPE		220-240	50/60	A161021/ A4FK021/ A4FM021
D	D1	S.E ASIA TYPE	THAILAND, SRI LANKA, SINGAPORE, MALAYSIA, HONG KONG, PAKISTAN, INDIA, BANGLADESH, INDONESIA	220-240	50/60	A161041/ A4FK041/ A4FM041
	D3	OCEANIA TYPE	AUSTRALIA, NEW ZEALAND	220-240	50/60	A161041/ A4FK041/ A4FM041
E		PHILIPPINES		220-240	50/60	A161041/ A4FK041/ A4FM041
F	F1	SAUDI ARABIA				
	F2	SAUDI ARABIA		220-240	50/60	A161041/ A4FK041/ A4FM041

bizhub C224/bizhub C284/bizhub C364

Destination No.		Destinations	V	Hz	Model No.
G	G1	C.S AMERICA	220-240	50/60	A161041/ A4FK041/ A4FM041
	G2	C.S AMERICA	120	60	A161011/ A4FK011/ A4FM011
H		TAIWAN			
I		JORDAN, LEBANON, SYRIA, SOUTH AFRICA, IRAQ, IRAN, N.YEMEN, CAME- ROON, UAE, BAHRAIN, OMAN, QATAR, KUWAIT, KENYA, TUNISIA, IVORY COAST, MOROCCO	220-240	50/60	A161041/ A4FK041/ A4FM041
J		CHINA			
K		KOREA	220-240	50/60	A161041/ A4FK041/ A4FM041

bizhub C224/bizhub C284/bizhub C364