

KONICA MINOLTA

# *PARTS GUIDE MANUAL*

---

DECEMBER 2013

*bizhub*  
*C022eDN/C028eDN/C036eDN*  
*bizhub C224e/C284e/C364e*  
*bizhub C7822e/C7828e*

## INFORMATION FOR PARTS GUIDE MANUAL

To find correct Parts No., refer to the "HOW TO MAKE THE BEST USE OF THIS MANUAL" in the following page.

### HOW TO MAKE THE BEST USE OF THIS MANUAL

- 1 When you order, please check the proper figures beforehand that are on Our Parts Guide Manual, and order with the appropriate figures.
- 2 For screws, Nuts, Washers, retaining rings and Pins which are used in this model, one letter is shown on the Standard parts column of Parts list and exploded diagrams.
- 3 In order to maintain safety of the product, some specific parts composed of this product are set up as "essential safety parts".
- 4 The assigned parts number for the "essential safety parts" is indicated as "SP00-\*\*\*\*".  
When replacing these parts, follow precautions for disassembling and installing which are listed in the Service Manual.  
Do not use any parts that are not set up as
- 5 ♣ means that there are exclusive parts for each destination.  
Please check the appropriate destination when you order.
- 6 Revision Mark  
Marked as ▲ on the illustration shows that the revision has been made.
- 7 All rights reserved. (any reprints or quotations are prohibited.)  
Use of this parts guide manual should be strictly supervised to avoid disclosure of confidential information.

## パーツガイドマニュアルのご案内

サービス部品をご発注の際には、下記に示す“パーツガイドマニュアルの活用にあたって”をご参照の上、正しい部品番号にてお願い致します。

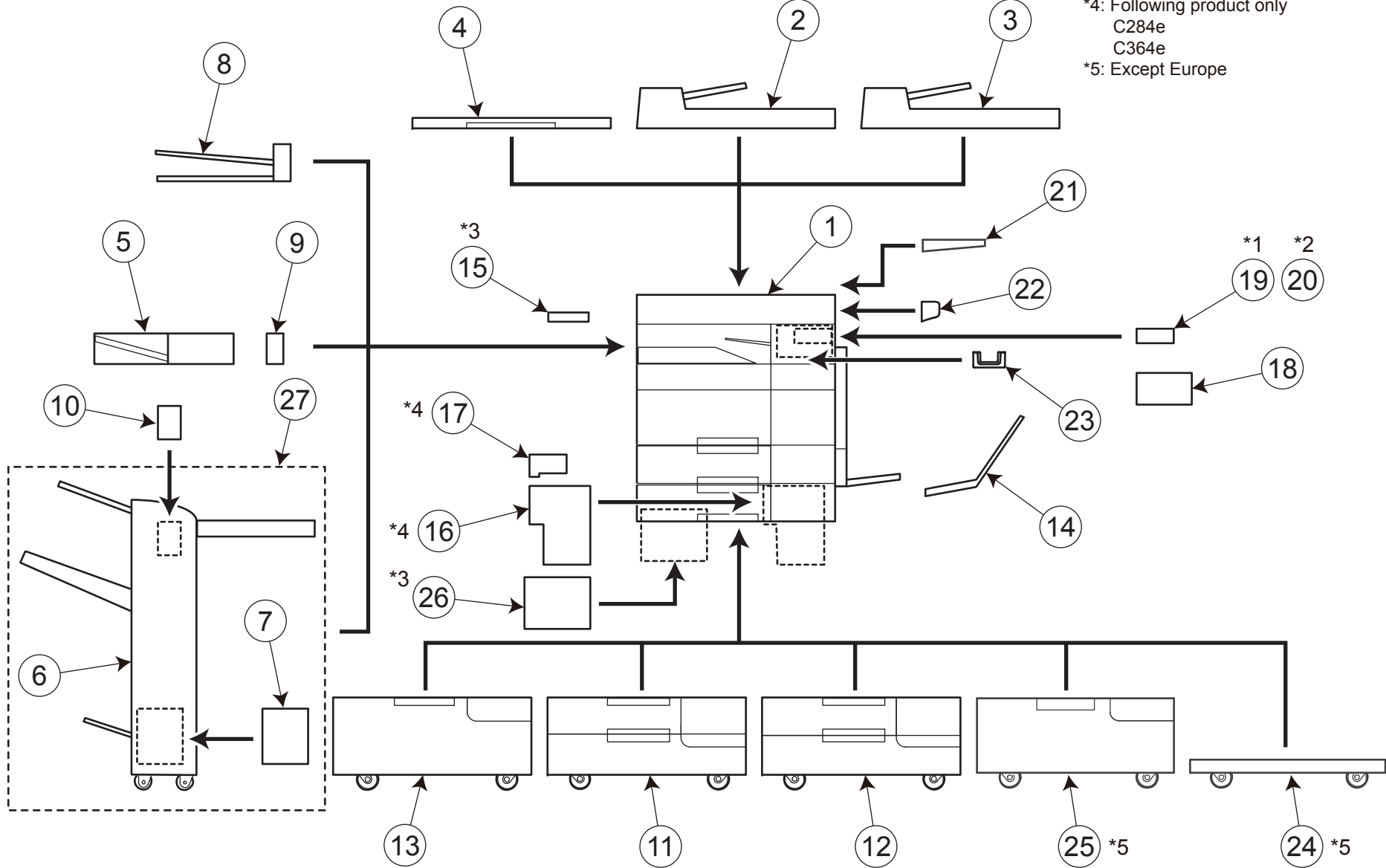
### パーツガイドマニュアルの活用にあたって

- 1 部品発注の際には、掲載されている部品番号の桁数を確認し、掲載されている桁数で発注願います。
- 2 この製品に使用されているネジ、ナット、ワッシャー、止め輪、ピンなどは、リストの右側の Standard parts 欄に a,b,c,……で表示し、イラストにも a,b,c,……表示してあります。
- 3 製品の安全性を維持する為に、製品に使用される特定の部品を「重要保安部品」として設定しています。
- 4 重要保安部品の部品番号は、“SP00-\*\*\*\*”と記載されていますので、部品交換時は、サービスマニュアル記載の分解・組み立ての注意事項に従って作業をして下さい。  
また、指定以外の部品は一切使用しないで下さい。
- 5 本文に ♣ が表示されている部品は、仕向け地毎に専用部品がある事を意味しています。  
オーダーされる時は、仕向け地を確認して下さい。
- 6 改訂記号について  
イラスト上に ▲ 印が表示されている部分は、改訂された事を表します。
- 7 著作権所有（無断転載及び無断引用の禁止）  
本パーツガイドマニュアルについては、機密保持等その扱いには十分注意して下さい。万一取り扱いを誤った場合には、法律で処罰されることがあります。

02/01/2013

# SYSTEM OUTLINE

- \*1: Non Bluetooth Type
- \*2: Bluetooth Type
- \*3: Japan only
- \*4: Following product only  
C284e  
C364e
- \*5: Except Europe



bizhub C022eDN/C028eDN/C036eDN/bizhub C224e/C284e/C364e/bizhub C7822e/C7828e

# GENERAL CONTENTS

No.	Description	Model
1	Digital MFP Color	bizhub C022eDN/bizhub C028eDN/bizhub C036eDN/ bizhub C224e/bizhub C284e/bizhub C364e/bizhub C7822e/bizhub C7828e
2	Document Feeder	DF-624
3	Document Feeder	DF-701
4	Original Cover	OC-511
5	Finisher/Sorter	FS-533
6	Finisher/Sorter	FS-534
7	Saddle Unit	SD-511
8	Job Separator	JS-506
9	Punch Unit	PK-519
10	Punch Unit	PK-520
11	Paper Feeder	PC-110
12	Paper Feeder	PC-210
13	Paper Feeder	PC-410
14	Mount Kit	MK-730
15	Heater	HT-510
16	Image Controller	IC-414
17	Video IF Kit	VI-506
18	Fax Kit	FK-511
19	Local IF Kit	EK-606
20	Local IF Kit	EK-607

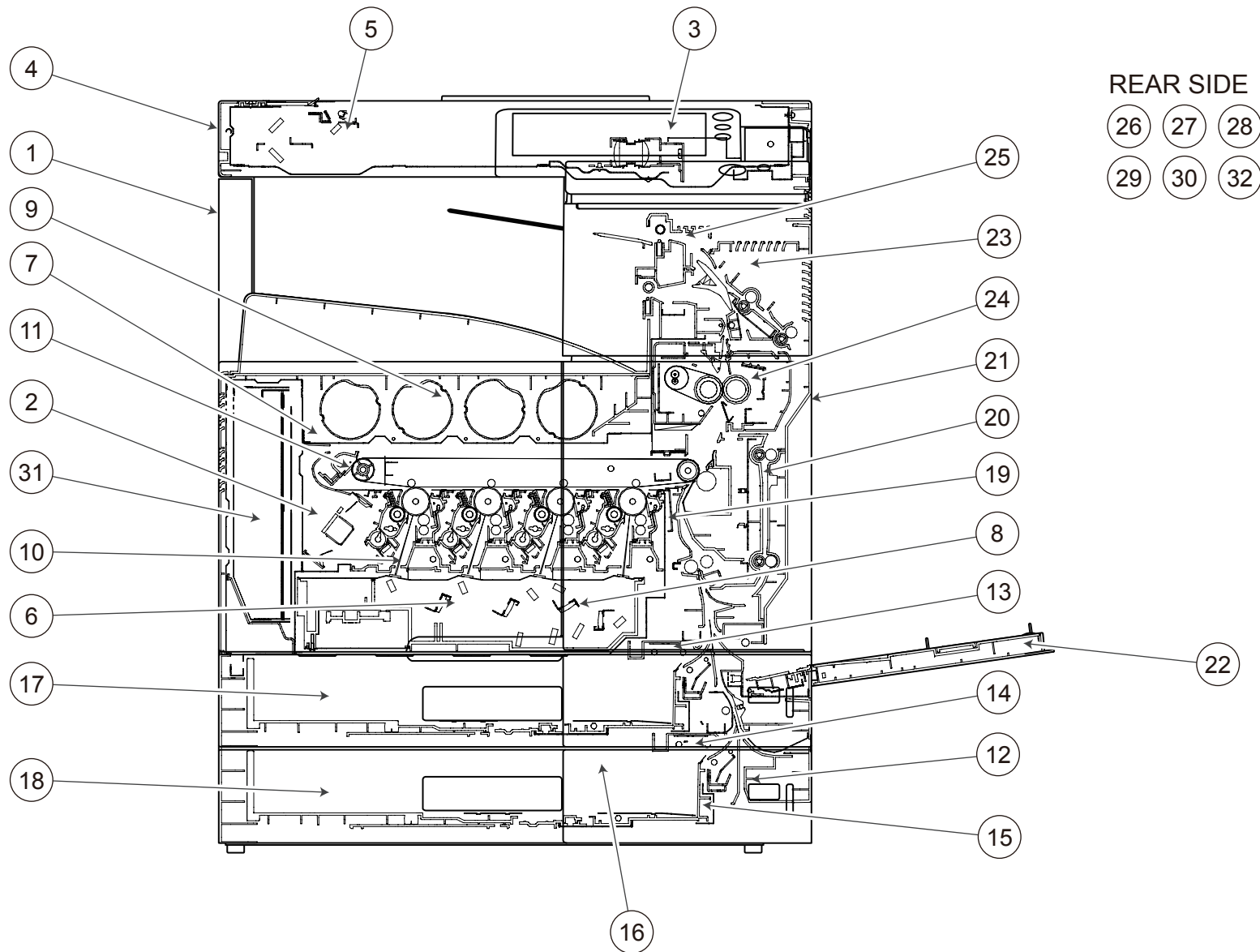
bizhub C022eDN/C028eDN/C036eDN/bizhub C224e/C284e/C364e/bizhub C7822e/C7828e



No.	Description	Model
21	Working Table	WT-506
22	Other Option	KP-101
23	Mount Kit	MK-735
24	Desk	DK-705
25	Desk	DK-510
26	Other Option	MK-719
27	Finisher/Sorter	FS-534SD

bizhub C022eDN/C028eDN/C036eDN/bizhub C224e/C284e/C364e/bizhub C7822e/C7828e

# DIAGRAMS OF MAIN PARTS SECTION



bizhub C022eDN/C028eDN/C036eDN/bizhub C224e/C284e/C364e/bizhub C7822e/C7828e

# CONTENTS

No.	DESCRIPTION	名称	PAGE No.
1	EXTERNAL PARTS	外装部	P1 P2
2	INNER COVER SECTION	2次カバー部	P3
3	OPERATION PANEL SECTION	オペレーションパネル部	P4
4	IR COVER SECTION	I R カバー部	P5
5	SCANNER SECTION	スキャナー部	P6 P7 P8
6	PH UNIT	P H 部	P9
7	TONER SUPPLY SECTION	トナー補給部	P10 P11
8	WASTE TONER BOX SECTION	廃棄トナーボックス部	P12
9	ERASE LAMP SECTION	イレーサーランプ部	P13
10	DV LOCK LEVER SECTION	D V ロックレバー部	P14
11	TRANSFER UNIT	転写ベルト部	P15
12	PAPER FEED SECTION	給紙部	P16
13	1ST PAPER FEED SECTION	1 段目給紙部	P17 P18
14	2ND PAPER FEED SECTION	2 段目給紙部	P19 P20
15	CASSETTE RAIL SECTION	カセットレール部	P21
16	PAPER SIZE DETECTION SECTION	カセットサイズ検出部	P22
17	1ST CASSETTE SECTION	1 段目カセット部	P23 P24
18	2ND CASSETTE SECTION	2 段目カセット部	P25 P26
19	CONVEYANCE SECTION	搬送部	P27
20	VERTICAL TRANSPORT SECTION	縦搬送部	P28 P29
21	VERTICAL CONVEYANCE DOOR SECTION	縦搬送扉部	P30
22	BYPASS TRAY SECTION	手差しトレイ部	P31 P32
23	REVERSAL UNIT	反転部	P33 P34
24	FUSING SECTION	定着部	P35
25	PAPER EXIT SECTION	排紙部	P36 P37
26	MAIN DRIVE/ PAPER FEED DRIVE SECTION	メイン駆動/給紙駆動部	P38
27	TONER BOTTLE DRIVE SECTION	トナーボトル駆動部	P39
28	FUSING DRIVE SECTION	定着駆動部	P40 P41
29	OZONE DUCT SECTION	オゾン排気部	P42
30	HIGH VOLTAGE SECTION	高圧電源部	P43
31	MAIN POWER SUPPLY SECTION	低圧電源部	P44
32	ELECTRICAL COMPONENTS	電装部	P45 P46
33	WIRING	束線	P47 P48
34	WIRING ACCESSORIES AND JIGS	配線部品・治具	P49
35	ACCESSORY PARTS	同梱部品	P50

bizhub C022eDN/C028eDN/C036eDN/bizhub C224e/C284e/C364e/bizhub C7822e/C7828e

# INDEX

Parts No.	Page No.	Parts No.	Page No.	Parts No.	Page No.	Parts No.	Page No.	Parts No.	Page No.
0996305501	21-7	4163529301	24-23	A00J617900	19-12	A02EN12513	45-13	A0ED563900	18-5
1164202801	37-5	4163529301	26-13	A00J663200	17-28	A034M20100	27-34	A0ED563900	20-5
4002311002	22-7	4163529301	27-32	A00J663200	19-16	A0CR953400	44-6	A0ED597800	31-23
4004590301	37-1	4163529301	28-2	A00J942202	23-5	A0ED103100	13-7	A0ED620200	24-16
4011585202	27-35	4163529301	29-25	A00J942202	25-5	A0ED104801	14-6	A0ED620200	26-17
4025598401	37-3	4163529301	33-25	A00J945201	2-8	A0ED105400	13-4	A0ED620701	24-22
4030301703	18-11	4163529301	34-3	A00J945500	1-13	A0ED105700	14-7	A0ED620701	26-22
4030301703	20-12	4333501201	11-17	A00JH00D00	1-7	A0ED110900	15-16	A0ED621400	24-12
4030320601	24-15	4475260302	1-9	A00JN30200	45-8	A0ED111000	15-4	A0ED621400	26-12
4030320601	26-16	4532341001	18-13	A011946200	4-14	A0ED111400	15-29	A0ED627600	22-11
4030322601	24-9	4532341001	20-15	A02E117300	42-6	A0ED111500	15-12	A0ED700200	27-17
4030322601	26-9	4576536301	11-8	A02E149900	2-7	A0ED111700	15-17	A0ED700300	27-19
4030340301	32-21	4581162501	6-8	A02E167700	5-7	A0ED112000	15-14	A0ED700600	27-14
4030347501	32-24	4640392001	36-3	A02E167700	50-4	A0ED131900	46-31	A0ED700700	27-20
4034352501	17-2	4658015106	32-30	A02E560800	17-24	A0ED135700	45-7	A0ED702400	29-28
4036254901	37-16	56AA17471	14-2	A02E560800	19-28	A0ED146900	35-1	A0ED702800	27-5
4036307501	6-6	56AA17471	41-12	A02E561100	17-16	A0ED146900	35-1	A0ED703200	27-23
4036534801	11-24	56AA40490	1-16	A02E561100	19-20	A0ED162401	3-6	A0ED703800	28-9
4037320401	24-11	56AA40490	17-15	A02E592100	32-38	A0ED163000	1-3	A0ED705800	27-4
4037320401	26-11	56AA40490	18-8	A02E595100	31-21	A0ED166100	50-2	A0ED712100	30-8
4038101401	10-4	56AA40490	19-19	A02E595400	31-16	A0ED166200	50-1	A0ED811700	29-1
4038228702	3-18	56AA40490	20-7	A02E596100	31-20	A0ED245000	12-7	A0ED811700	33-18
4038258001	40-15	9313100072	42-7	A02E596300	31-9	A0ED257500	40-14	A0ED811900	29-4
4038353701	27-9	9313110033	35-4	A02E597600	32-29	A0ED259700	40-11	A0ED815100	34-9
4038353901	27-13	9381410111	50-15	A02E712902	27-12	A0ED271200	7-7	A0ED891100	37-6
4038541202	39-9	9381430031	50-15	A02E815200	29-10	A0ED271300	7-6	A0ED897700	37-15
4038M60000	3-14	9J06730101	45-5	A02E815200	33-7	A0ED273600	8-12	A0ED940600	10-6
4040561000	18-21	9J06M10300	22-8	A02E815200	34-17	A0ED274300	8-19	A0ED940700	1-4
4040561000	20-22	9J06M20000	31-24	A02E940300	24-24	A0ED274400	8-8	A0EDF36001	12-11
4131300301	17-12	9J06M60100	3-17	A02E940300	26-24	A0ED276301	8-16	A0EDM10200	33-20
4131300301	19-17	9J06M60100	30-3	A02E941300	23-20	A0ED363000	12-4	A0EDM10300	36-1
4131353202	31-17	A00F623201	31-10	A02E941500	23-6	A0ED363100	12-1	A0EDM10500	46-23
4139M10000	9-2	A00J106202	1-21	A02EM10400	11-16	A0ED363200	12-2	A0EDM50100	17-5
4139M10000	35-2	A00J169100	50-3	A02EM10400	39-2	A0ED363301	12-5	A0EDM50100	17-5
4139M10000	35-2	A00J169300	5-5	A02EM10400	41-1	A0ED363400	12-3	A0EDM50100	19-3
4139M10000	44-9	A00J265300	6-7	A02EM20000	19-30	A0ED401000	11-25	A0EDM50100	19-3
4163510201	11-7	A00J563600	17-14	A02EM20000	27-1	A0ED550800	28-24	A0EDM50100	19-34
4163529301	9-3	A00J563600	18-6	A02EM20100	31-22	A0ED550900	28-17	A0EDM60001	14-8
4163529301	15-35	A00J563600	19-18	A02EM20200	17-26	A0ED551000	28-14	A0EDN30002	45-8
4163529301	22-14	A00J563600	20-6	A02EM20200	19-29	A0ED551100	28-15	A0EDN30201	50-15

bizhub C022eDN/C028eDN/C036eDN/bizhub C224e/C284e/C364e/bizhub C7822e/C7828e

Parts No.	Page No.	Parts No.	Page No.	Parts No.	Page No.	Parts No.	Page No.	Parts No.	Page No.
A0P0144300	46-15	A161104300	21-1	A161132101	43-4	A161146800	11-27	A161166302	2-6
A0P0144400	46-12	A161104400	21-11	A161132504	43-1	A161147001	42-9	A161166400	2-15
A0P0742300	36-8	A161104800	21-6	A161132800	43-3	A161147401	9-13	A161167000	4-12
A0P0742300	46-30	A161105200	21-14	A161134500	46-1	A161151100	3-20	A161167100	4-16
A0P0901100	37-12	A161105400	9-5	A161134600	50-16	A161151200	30-5	A161167300	4-35
A0P0H02500	4-7	A161105500	38-27	A161134701	38-8	A161151300	3-19	A161167400	4-17
A0P0M50300	43-7	A161105600	13-6	A161135100	3-15	A161160103	1-2	A161170100	5-9
A0P0M50400	27-29	A161107100	13-9	A161135502	10-15	A161160205	1-11	A161170203	5-1
A0P0M73100	4-23	A161107400	13-13	A161137100	30-4	A161160300	1-8	A161170300	5-12
A0P0N15100	46-16	A161108000	2-27	A161137202	35-13	A161160403	1-6	A161170400	5-6
A0P0N15200	46-17	A161110102	15-28	A161137501	46-7	A161160702	1-18	A161170601	5-4
A0P0N15300	4-21	A161110201	15-10	A161137600	46-20	A161160801	1-19	A161170701	5-3
A108M50100	6-13	A161110300	15-11	A161137701	43-5	A161161001	1-1	A161170800	5-8
A108M50100	11-22	A161110400	15-7	A161137802	9-10	A161161201	2-22	A161190900	4-2
A108M50100	15-21	A161110500	15-15	A161137900	46-32	A161161301	1-10	A161210200	38-10
A108M50100	17-8	A161110601	15-3	A161138002	4-8	A161161401	4-24	A161216101	38-4
A108M50100	19-9	A161112000	15-13	A161138500	13-10	A161161503	4-5	A161220100	38-24
A108M50100	22-13	A161112100	15-27	A161138601	46-3	A161161702	4-15	A161220200	38-23
A108M50100	27-33	A161112200	15-8	A161139501	46-29	A161161900	4-19	A161220400	38-22
A108M50100	28-10	A161112300	15-20	A161139800	2-18	A161162102	2-2	A161220500	38-21
A108M50100	29-27	A161112400	15-26	A161140101	46-22	A161162201	2-24	A161220600	38-20
A108M50100	31-2	A161112500	15-5	A161140200	9-1	A161162302	36-5	A161220700	38-19
A108M50100	32-7	A161112600	15-9	A161140300	35-6	A161162400	4-25	A161221001	38-25
A108M50100	34-12	A161112700	15-25	A161140400	35-10	A161162604	4-4	A161228000	41-9
A108M50100	46-26	A161116202	14-3	A161140500	35-3	A161162801	2-25	A161228100	41-10
A121944700	5-10	A161119500	14-4	A161140800	44-7	A161162900	2-23	A161228312	41-11
A121944700	50-14	A161121103	35-7	A161141500	42-2	A161163501	2-3	A161228600	41-19
A161100603	44-11	A161121200	30-6	A161141700	15-32	A161163900	2-17	A161228701	40-26
A161101600	21-15	A161121300	30-1	A161141902	42-3	A161164000	4-6	A161228800	40-7
A161101700	21-16	A161121401	35-9	A161142000	42-1	A161164104	4-20	A161230500	41-8
A161101802	9-7	A161121900	40-24	A161142200	42-8	A161164401	2-13	A161230600	41-7
A161101900	21-4	A161122002	40-22	A161143400	44-10	A161164600	2-19	A161230700	40-19
A161102300	21-2	A161122500	35-8	A161143601	44-3	A161164702	2-11	A161231800	41-5
A161102500	30-2	A161130101	13-3	A161144500	44-2	A161164800	2-10	A161232200	40-6
A161102700	35-11	A161130301	9-8	A161144801	15-34	A161164902	1-20	A161232300	40-17
A161103700	21-12	A161130502	45-6	A161144900	15-31	A161165007	3-4	A161232300	41-3
A161103901	21-10	A161130603	45-9	A161145000	44-1	A161165300	3-5	A161232401	40-21
A161104002	21-17	A161130701	46-19	A161145201	42-11	A161165602	1-17	A161232501	40-16
A161104101	28-22	A161130801	45-4	A161145300	42-10	A161165700	3-1	A161240100	39-4
A161104200	21-3	A161131400	45-1	A161146200	15-33	A161166101	50-12	A161240300	39-5

bizhub C022eDN/C028eDN/C036eDN/bizhub C224e/C284e/C364e/bizhub C7822e/C7828e

Parts No.	Page No.	Parts No.	Page No.	Parts No.	Page No.	Parts No.	Page No.	Parts No.	Page No.
A161240400	39-8	A161270600	7-12	A161401400	11-1	A161561100	16-1	A161566000	17-1
A161240500	39-7	A161271000	7-9	A161401500	11-3	A161561200	16-2	A161567300	17-23
A161240600	39-6	A161271000	8-14	A161402013	10-3	A161561600	17-7	A161567300	19-27
A161240700	39-10	A161271100	7-11	A161402112	10-14	A161561600	19-8	A161567400	17-22
A161240900	39-11	A161271100	8-17	A161402401	10-8	A161562000	17-19	A161567400	19-26
A161241000	39-13	A161273100	8-15	A161402502	10-7	A161562000	19-23	A161568401	18-7
A161241200	39-14	A161273401	8-13	A161403000	11-18	A161562101	17-21	A161568500	18-2
A161241400	39-15	A161273500	8-18	A161403100	11-9	A161562101	19-25	A161568600	18-3
A161241500	39-12	A161273701	8-11	A161403200	11-23	A161562300	17-17	A161568700	20-9
A161241600	39-1	A161273800	8-20	A161403300	10-12	A161562300	19-21	A161568800	20-2
A161245100	12-6	A161274500	8-22	A161403400	10-13	A161562400	17-13	A161571100	19-6
A161245400	12-8	A161274600	8-21	A161403500	10-10	A161562400	19-15	A161576100	16-7
A161253100	38-15	A161275300	8-9	A161403600	10-11	A161562500	17-20	A161576200	16-5
A161253500	38-13	A161275400	8-10	A161403701	10-2	A161562500	19-24	A161576300	16-4
A161253600	38-17	A161275500	8-6	A161403800	10-9	A161562600	17-18	A161578100	19-2
A161253900	38-11	A161275600	8-5	A161403901	10-5	A161562600	19-22	A161578200	19-4
A161254000	38-2	A161275700	8-3	A161404001	10-16	A161562800	17-11	A161578401	20-8
A161254200	40-1	A161276000	8-4	A161404100	10-17	A161562800	19-13	A161578500	20-3
A161254300	40-2	A161276500	8-7	A161404200	11-28	A161563000	19-32	A161578700	19-33
A161254400	40-3	A161278600	7-1	A161404300	11-19	A161563100	18-1	A161579011	16-3
A161254500	40-5	A161278900	7-3	A161405113	10-3	A161563100	20-1	A161590101	32-18
A161254600	40-27	A161280112	6-18	A161405213	10-3	A161563300	18-12	A161590201	31-5
A161254700	40-4	A161280211	6-20	A161405311	10-3	A161563300	20-13	A161590303	32-15
A161254700	41-17	A161280300	6-17	A161508400	15-2	A161563400	18-9	A161590600	31-19
A161256300	40-9	A161281100	6-24	A161550700	28-12	A161563400	20-10	A161590800	31-18
A161257800	38-1	A161281300	6-22	A161551500	28-21	A161563501	18-4	A161590901	32-33
A161258501	41-18	A161281600	6-4	A161551600	28-20	A161563501	20-4	A161591000	32-32
A161258700	41-13	A161282100	5-11	A161560101	17-10	A161563901	18-14	A161591100	32-31
A161258800	40-13	A161362000	12-12	A161560300	19-10	A161563901	20-14	A161591200	31-26
A161259100	41-14	A161400100	11-10	A161560500	17-29	A161564001	18-10	A161591300	31-25
A161259200	41-15	A161400200	11-14	A161560500	19-14	A161564001	20-11	A161591400	31-13
A161259400	40-12	A161400300	11-13	A161560600	17-3	A161564200	18-16	A161591500	31-12
A161259800	38-16	A161400401	11-11	A161560600	17-3	A161564200	20-17	A161591600	32-17
A161261902	6-15	A161400601	11-12	A161560600	19-11	A161564300	18-18	A161591700	31-8
A161262002	6-16	A161400701	11-20	A161560600	19-11	A161564300	20-19	A161591800	32-27
A161262200	6-14	A161400800	11-26	A161560900	17-4	A161564400	18-15	A161591900	31-3
A161263000	6-11	A161401000	11-6	A161560900	17-4	A161564400	20-16	A161592002	32-12
A161268200	6-3	A161401100	11-5	A161560900	19-7	A161565102	16-8	A161592200	32-3
A161268300	6-1	A161401200	11-4	A161560900	19-7	A161565300	17-9	A161592300	32-13
A161270102	7-10	A161401300	11-2	A161561000	19-1	A161565500	17-6	A161592400	32-9

bizhub C022eDN/C028eDN/C036eDN/bizhub C224e/C284e/C364e/bizhub C7822e/C7828e

Parts No.	Page No.	Parts No.	Page No.	Parts No.	Page No.	Parts No.	Page No.	Parts No.	Page No.
A161592500	32-10	A161621300	26-14	A161627500	22-3	A161712100	29-23	A161814601	33-5
A161592600	32-11	A161621411	24-18	A161630102	26-23	A161712300	28-16	A161814700	33-9
A161592800	31-1	A161621600	24-4	A161631411	26-19	A161712400	28-4	A161814901	33-24
A161592900	30-7	A161621600	26-4	A161633101	25-4	A161712500	28-19	A161815100	33-3
A161593001	32-44	A161621701	24-21	A161633202	25-21	A161712600	29-6	A161815201	30-13
A161593300	31-14	A161621701	26-21	A161635012	25-16	A161712700	28-3	A161815300	30-16
A161593400	32-37	A161621800	24-20	A161635115	25-19	A161712800	29-21	A161815400	30-19
A161593600	32-5	A161621800	26-20	A161636502	25-10	A161712800	34-25	A161815500	30-15
A161593701	32-14	A161621900	24-17	A161700107	27-25	A161712900	29-32	A161815700	33-11
A161593800	32-34	A161621900	26-18	A161700300	27-26	A161713100	29-7	A161815800	33-12
A161594000	32-45	A161622100	23-1	A161700401	27-31	A161713500	29-20	A161815900	30-17
A161594100	31-6	A161622100	25-1	A161700600	27-10	A161714500	29-18	A161816300	29-26
A161594201	32-16	A161623101	23-4	A161700700	27-30	A161714600	29-22	A161816400	33-17
A161594300	32-36	A161623301	23-21	A161700800	27-18	A161719000	29-2	A161819000	33-19
A161594400	31-11	A161623400	21-13	A161700901	27-40	A161719100	29-30	A161819200	34-32
A161594500	32-43	A161623400	23-3	A161701100	27-28	A161810102	33-2	A161819400	34-15
A161594600	32-41	A161623400	25-3	A161701301	27-15	A161810200	33-13	A161819500	34-13
A161594700	31-7	A161624100	24-3	A161701703	27-27	A161810303	30-20	A161825000	34-31
A161594800	31-27	A161624100	26-3	A161701800	27-36	A161810503	34-28	A161825100	34-14
A161594900	31-28	A161625012	23-15	A161701900	27-3	A161810600	34-6	A161825300	34-7
A161595000	32-23	A161625114	23-18	A161702000	27-21	A161810701	33-1	A161825400	34-19
A161595100	32-20	A161625900	23-16	A161702100	27-41	A161810801	34-5	A161825500	34-29
A161595200	32-26	A161625900	25-17	A161702200	27-2	A161810900	34-24	A161825600	34-23
A161595300	32-22	A161626000	23-12	A161702200	40-8	A161811001	30-10	A161825700	29-9
A161595400	32-25	A161626000	25-13	A161706001	27-6	A161811100	30-12	A161825700	34-10
A161595600	32-19	A161626100	23-13	A161709100	29-3	A161811302	30-14	A161825800	34-11
A161620103	24-19	A161626100	25-14	A161710102	28-11	A161811500	30-9	A161826000	34-33
A161620400	24-10	A161626200	23-2	A161710203	29-12	A161813001	34-26	A161890102	37-23
A161620400	26-10	A161626200	25-2	A161710300	29-29	A161813100	34-27	A161890203	37-14
A161620600	24-6	A161626300	23-8	A161710404	29-24	A161813200	34-18	A161890300	37-27
A161620600	26-6	A161626300	25-9	A161710500	29-8	A161813300	33-14	A161890401	37-11
A161620701	24-7	A161626502	23-9	A161710900	28-8	A161813400	34-21	A161891000	37-18
A161620701	26-8	A161626601	23-10	A161711100	28-5	A161813600	34-8	A161891301	37-25
A161620802	24-14	A161626601	25-11	A161711200	29-5	A161813701	33-6	A161891401	36-2
A161620802	26-15	A161626800	23-11	A161711300	29-13	A161813800	33-15	A161892000	37-20
A161620903	24-1	A161626800	25-12	A161711600	29-17	A161813902	34-22	A161892100	37-13
A161620903	26-1	A161626900	23-17	A161711700	29-14	A161814202	34-20	A161892300	37-19
A161621100	24-5	A161626900	25-18	A161711800	28-13	A161814300	33-23	A161892400	37-2
A161621100	26-5	A161627102	22-9	A161711900	29-31	A161814401	34-2	A161892902	37-26
A161621300	24-13	A161627300	22-10	A161712000	29-19	A161814500	34-16	A161893600	37-10

bizhub C022eDN/C028eDN/C036eDN/bizhub C224e/C284e/C364e/bizhub C7822e/C7828e

Parts No.	Page No.	Parts No.	Page No.	Parts No.	Page No.	Parts No.	Page No.	Parts No.	Page No.
A161893800	37-17	A161944101	32-1	A161M50A00	6-23	A161R70011	13-12	A5C1104400	21-11
A161894000	36-7	A161944201	32-1	A161M50A00	6-25	A161R70100	13-11	A5C1104700	21-18
A161894000	37-8	A161944300	32-2	A161N10002	45-10	A161R70211	43-6	A5C1104800	21-6
A161894100	36-6	A161944400	32-4	A161N10102	45-11	A161R70322	43-13	A5C1105500	13-15
A161895102	37-29	A161946100	33-8	A161N10300	45-15	A161R70511	38-26	A5C1112100	15-22
A161895113	37-29	A161946200	29-15	A161N10602	35-14	A161R70600	38-9	A5C1112800	15-6
A161895201	37-28	A161946300	27-11	A161N10602	35-14	A161R70811	39-16	A5C1112900	15-19
A161895212	37-28	A161946400	29-11	A161N10D00	27-24	A161R70911	9-12	A5C1115200	14-1
A161895300	36-4	A161F10901	40-23	A161N10F01	11-21	A161R71000	10-18	A5C1120700	10-1
A161895400	37-4	A161F16102	3-2	A161N10H01	28-1	A161R71100	10-18	A5C1120700	10-1
A161895502	37-7	A161F21002	12-10	A161N10J00	15-23	A161R71200	10-18	A5C1122600	4-31
A161895600	37-9	A161F21100	38-14	A161N10K00	1-5	A161R71300	15-1	A5C1130200	44-5
A161895800	37-30	A161F21200	38-18	A161N10N01	22-1	A161R71400	28-23	A5C1130800	45-4
A161897200	36-9	A161F25001	41-4	A161N10P01	17-27	A161R71744	35-12	A5C1131600	46-28
A161900100	37-24	A161F25102	40-10	A161N10P01	17-27	A161R71844	35-12	A5C1131801	46-34
A161900201	37-31	A161F56003	17-25	A161N10Q02	19-31	A161R71955	35-12	A5C1131900	46-2
A161900300	37-32	A161F56016	17-25	A161N10Q02	19-31	A161R72200	6-2	A5C1132001	2-21
A161940400	1-14	A161F56101	16-6	A161N10X00	32-28	A161R72300	6-19	A5C1132301	2-26
A161940602	5-2	A161F59001	31-15	A161N10Y02	14-5	A161R72600	37-21	A5C1133700	2-20
A161941100	40-25	A161F6201K	23-22	A161N11200	15-24	A161R72700	42-5	A5C1133800	46-13
A161942000	3-13	A161F6301L	25-22	A161N11300	43-14	A161R72900	10-18	A5C1133900	46-14
A161942101	3-12	A161F81103	33-21	A161N11B00	46-25	A161R73200	35-12	A5C1134800	43-8
A161942200	3-11	A161F89001	37-22	A161N11C01	5-13	A161R7A000	32-39	A5C1135300	9-4
A161942300	3-10	A161H00800	9-9	A161N11K00	43-15	A1RF505400	41-16	A5C1137302	4-22
A161942400	3-8	A161H00C02	43-2	A161N11Q01	32-6	A1UD947400	5-14	A5C1137402	46-4
A161942500	3-7	A161H00U01	4-18	A161N12100	34-4	A1UDM50200	6-9	A5C1137800	45-14
A161942600	3-9	A161M10001	38-7	A161N12200	31-4	A1UDN30001	45-8	A5C1138800	46-6
A161943000	3-3	A161M10200	38-5	A161N12602	46-24	A2UPN30100	50-15	A5C1139400	46-27
A161943000	24-8	A161M10200	41-2	A161N12701	19-5	A2UPN30601	50-15	A5C1139900	46-11
A161943000	26-7	A161M10300	39-3	A161N12801	11-15	A2X0945000	2-5	A5C1141800	42-12
A161943100	23-14	A161M20100	41-6	A161N12A00	3-16	A2X0945700	2-4	A5C1142000	42-1
A161943200	25-15	A161M20201	38-12	A161N12A00	3-16	A2X0M72C00	46-18	A5C1160601	2-9
A161943301	50-8	A161M20300	38-3	A161N12H00	27-37	A2XK224100	40-20	A5C1160901	2-16
A161943400	50-7	A161M20400	41-20	A161N12K01	43-12	A2XKM10300	38-6	A5C1161701	4-15
A161943500	25-6	A161M31100	7-8	A161N12M01	43-11	A3EW944600	5-10	A5C1161800	2-12
A161943601	25-7	A161M50000	27-38	A161N12N01	43-10	A4NNWY1	12-9	A5C1166501	2-14
A161943700	24-2	A161M50300	27-39	A161N12P01	43-9	A55V161201	4-27	A5C1167000	4-12
A161943700	26-2	A161M50400	32-35	A161N14000	7-5	A55V948201	50-6	A5C1167202	4-9
A161943802	23-7	A161M50501	22-6	A161N14100	6-5	A5C1101100	21-8	A5C1167400	4-17
A161943802	25-8	A161M50600	22-5	A161N14201	6-12	A5C1102800	13-14	A5C1167800	4-9

bizhub C022eDN/C028eDN/C036eDN/bizhub C224e/C284e/C364e/bizhub C7822e/C7828e



Parts No.	Page No.
A5C1192100	50-5
A5C1231300	40-18
A5C1263300	6-10
A5C1263400	6-26
A5C1551701	28-18
A5C1562200	17-30
A5C1562200	19-35
A5C1563100	18-1
A5C1563100	20-1
A5C1563400	18-9
A5C1563400	20-10
A5C1563500	18-4
A5C1563500	20-4
A5C1564101	18-17
A5C1564101	20-18
A5C1565500	17-6
A5C1565600	18-20
A5C1565600	20-21
A5C1590500	30-21
A5C1591200	31-26
A5C1591900	31-3
A5C1592100	32-8
A5C1593100	32-40
A5C1593200	32-42
A5C1627100	22-9
A5C1627300	22-10
A5C1627500	22-3
A5C1627900	22-11
A5C1628000	22-4
A5C1628100	23-19
A5C1628100	25-20
A5C1700101	27-8
A5C1701400	27-42
A5C1711000	28-6
A5C1711500	29-16
A5C1810100	33-2
A5C1810200	33-13
A5C1810401	34-1
A5C1811600	30-18
A5C1812200	33-4

Parts No.	Page No.
A5C1815700	33-11
A5C1819600	33-22
A5C1819700	33-16
A5C1825000	34-30
A5C1940100	1-12
A5C1941000	1-12
A5C1H00102	46-8
A5C1H00500	9-6
A5C1H00E01	4-18
A5C1H01A00	6-21
A5C1H01A11	6-21
A5C1H02007	46-10
A5C1M10A00	8-2
A5C1M40600	43-16
A5C1M70003	4-1
A5C1M70103	4-1
A5C1M70203	4-1
A5C1M70301	4-1
A5C1M70400	4-1
A5C1M90000	46-33
A5C1M92000	4-32
A5C1N10200	45-12
A5C1N10A01	48-1
A5C1N10A01	48-1
A5C1N10B00	4-33
A5C1N10C00	4-34
A5C1N10D00	4-34
A5C1N10M00	2-1
A5C1N11800	46-9
A5C1N11900	9-11
A5C1N11S01	47-1
A5C1N14300	8-1
A5C1N14400	7-2
A5C1N15601	4-26
A5C1R70000	7-4
A5C1R70500	44-4
A5C1R70500	44-4
A5C1R70600	44-4
A5C1R70600	44-4
A5C1R70700	16-9

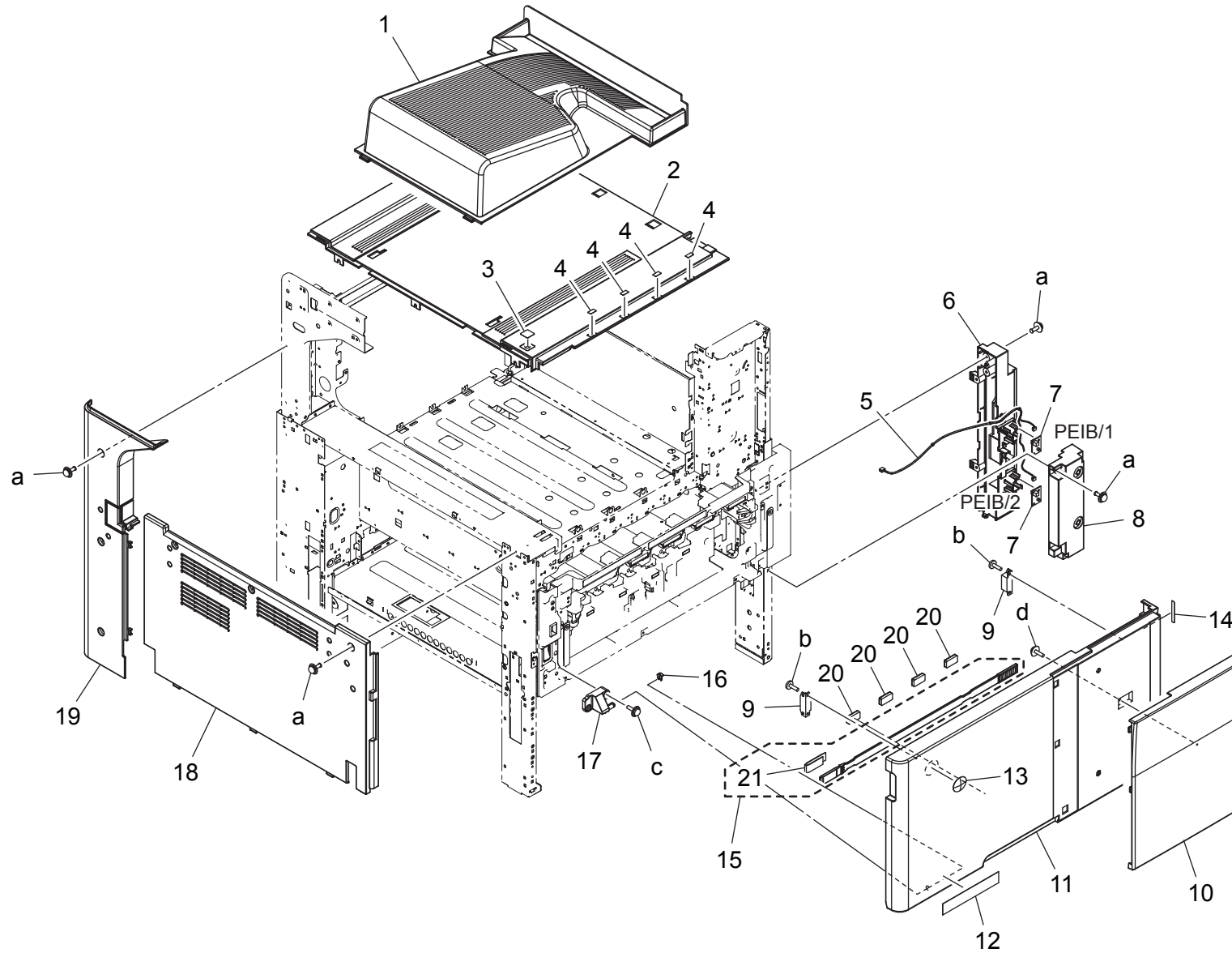
Parts No.	Page No.
A5C1R70800	18-19
A5C1R70800	20-20
A5C1R70911	4-3
A5C1R71011	28-25
A5C1R71111	31-29
A5C1R71211	40-28
A5C1R71300	44-4
A5C1R71400	4-37
A5C1R71500	4-36
A5C1R71600	1-15
A5C2940100	1-12
A5C2940300	1-12
A5C2941000	1-12
A5C2N10001	47-1
A5C4940100	1-12
A5C4940300	1-12
A5C4941000	1-12
A5C4N10001	47-1
A61FM31100	7-8
V116030804	50-13
V116033003	50-10
V153030803	50-11
V500010052	49-7
V500010081	49-1
V500010082	49-2
V500010083	49-3
V500010084	49-4
V500020040	50-9
V500020052	49-9
V500020069	49-15
V500020082	49-10
V500020098	49-5
V500020099	49-6
V500020100	49-8
V570010021	49-11
V570010050	49-16
V570010057	49-12
V570010059	49-13
V570010060	49-14
V651010002	42-4

Parts No.	Page No.
V651010002	44-8
V800500300	27-22
V800500300	28-7
V865300066	46-21

bizhub C022eDN/C028eDN/C036eDN/bizhub C224e/C284e/C364e/bizhub C7822e/C7828e

# EXTERNAL PARTS

P 1



bizhub C022eDN/C028eDN/C036eDN/bizhub C224e/C284e/C364e/bizhub C7822e/C7828e

# EXTERNAL PARTS

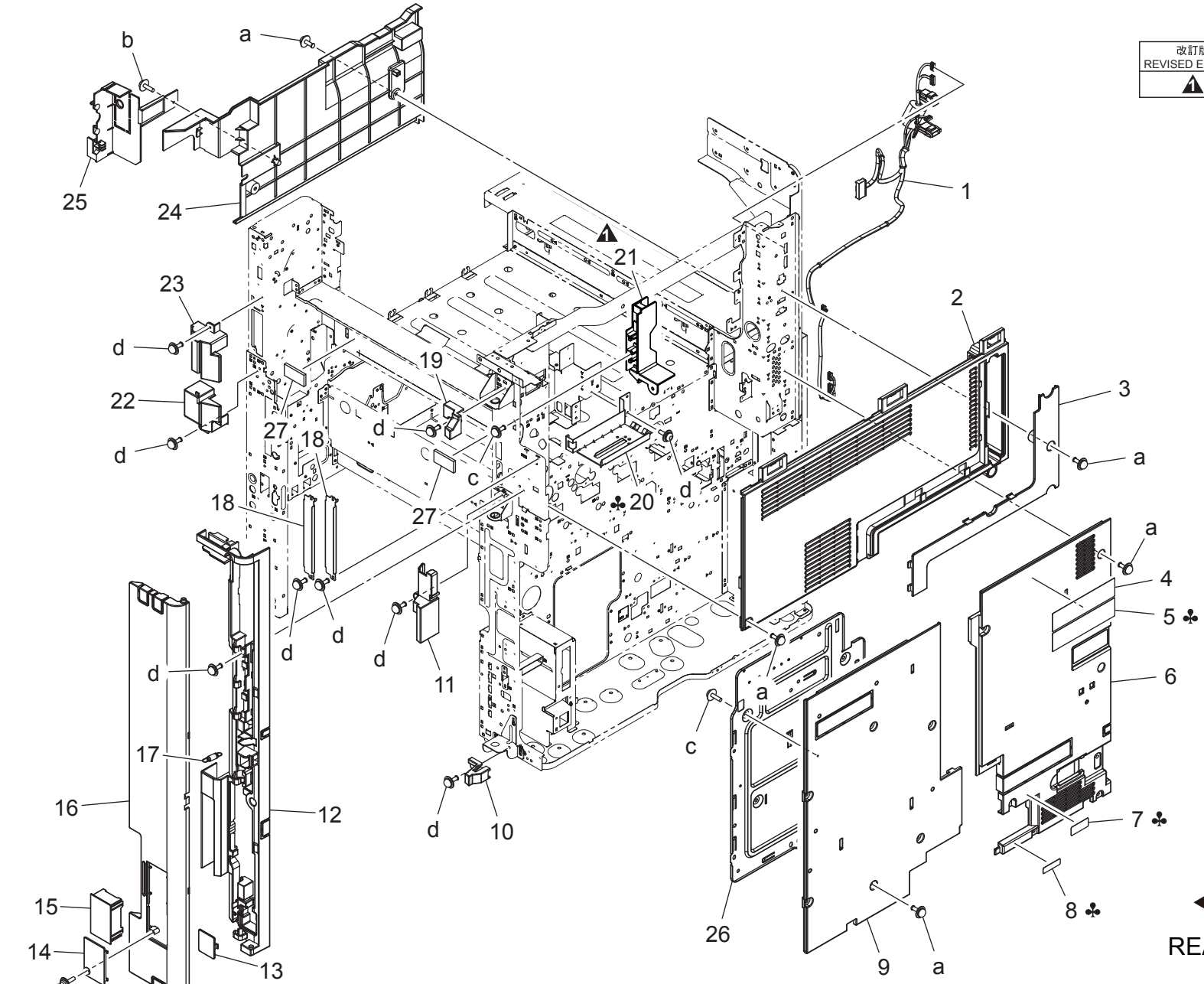
Key	Part No.	Description	Destinations	Class	QTY	Standard parts
1	A161161001	Tray		C	1	a-V116030804 b-V149030803 c-V153030804 d-V153031004
2	A161160103	Cover /Upper		C	1	
3	A0ED163000	Seal		C	1	
4	A0ED940700	Label Toner 2		D	4	
5	A161N10K00	Indicating Wiring		D	1	
6	A161160403	Cover		C	1	
7	A00JH00D00	PWB Assembly LED1		C	2	
8	A161160300	Cover		C	1	
9	4475260302	MAGNET CATCH		D	2	
10	A161161301	Open/close Cover /Front		C	1	
11	A161160205	Open/close Cover /Front		C	1	
12	A5C4940100	Label bizhub C224e	{C224e}	C	1	
12	A5C2940100	Label bizhub C284e	{C284e}	C	1	
12	A5C1940100	Label bizhub C364e	{C364e}	C	1	
12	A5C1941000	Label	{C036eDN}	C	1	
12	A5C2941000	Label	{C028eDN}	C	1	
12	A5C4941000	Label	{C022eDN}	C	1	
12	A5C2940300	Label	{C7828e}	C	1	
12	A5C4940300	Label	{C7822e}	C	1	
13	A00J945500	Logo Mark		C	1	
14	A161940400	Label		C	1	
15	A5C1R71600	Cleaning Material		C	1	
16	56AA40490	SHAFT STOPPER 4		C	1	
17	A161165602	Support Shaft		C	1	
18	A161160702	Cover /Left		C	1	
19	A161160801	Cover /Left		C	1	
20	A161164902	Cushion		C	4	
21	A00J106202	Cleaning Pad		C	1	

bizhub C022eDN/C028eDN/C036eDN/bizhub C224e/C284e/C364e/bizhub C7822e/C7828e

# EXTERNAL PARTS

P 2

改訂版 REVISED EDITION	日付 DATE
	OCTOBER 2013



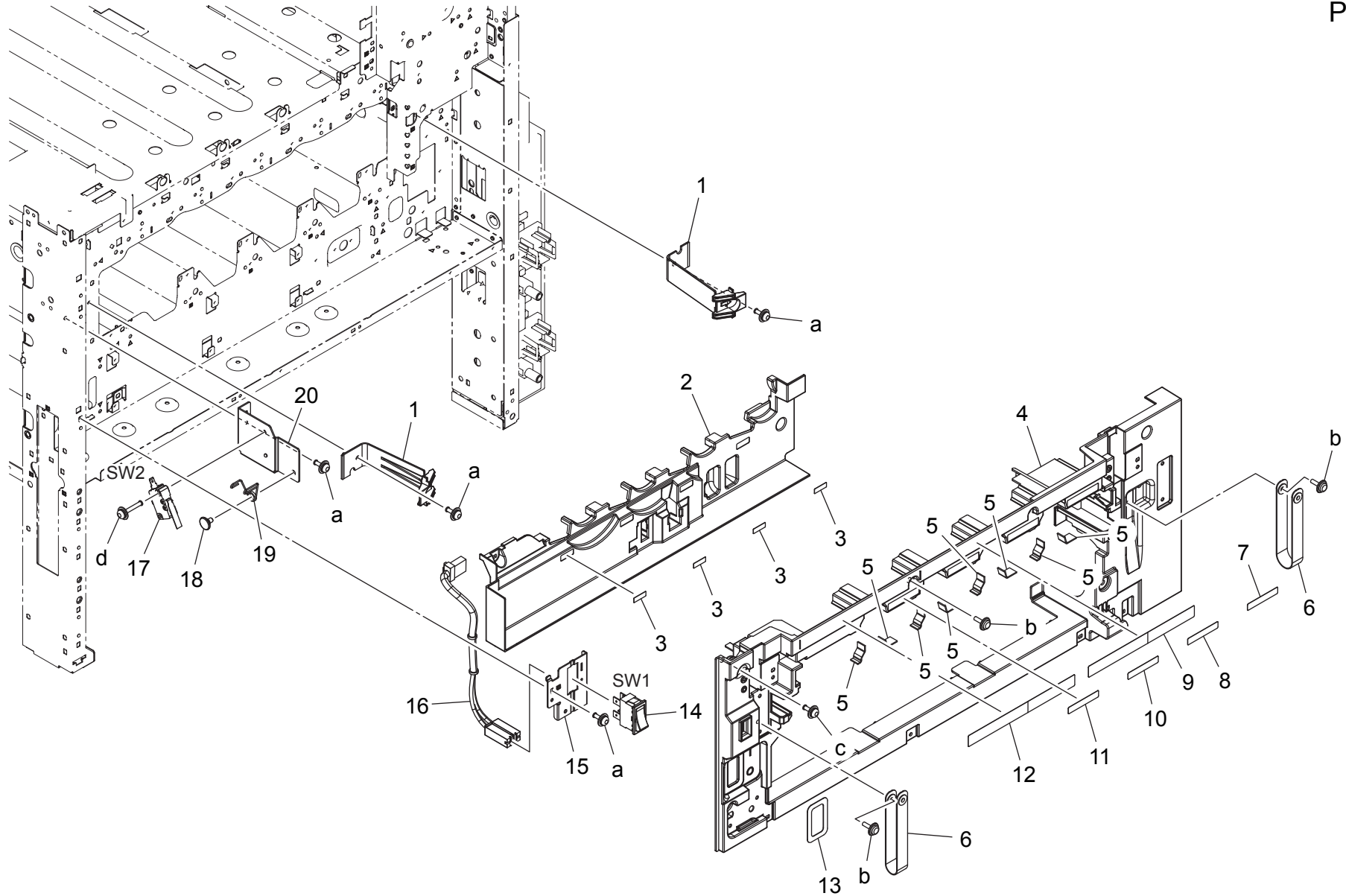
  
REAR SIDE

bizhub C022eDN/C028eDN/C036eDN/bizhub C224e/C284e/C364e/bizhub C7822e/C7828e

Key	Part No.	Description	Destinations	Class	QTY	Standard parts
1	A5C1N10M00	FNS Relay harness		D	1	a-V116030804 b-V153030804 c-V153030803 d-V116030803
2	A161162102	Cover		C	1	
3	A161163501	Cover		C	1	
4	A2X0945700	Label		C	1	
5	A2X0945000	Label		C	1	
6	A161166302	Cover		C	1	
7	A02E149900	Label		C	1	
8	A00J945201	Label 220-240V 0.65A		C	1	
9	A5C1160601	Cover		C	1	
10	A161164800	Regulating Part /Lower		D	1	
11	A161164702	Regulating Part /Middle		D	1	
12	A5C1161800	Cover		C	1	
13	A161164401	Cover		C	1	
14	A5C1166501	Cover		C	1	
15	A161166400	Cover		C	1	
16	A5C1160901	Cover		C	1	
17	A161163900	Pulling Coil spring		C	1	
18	A161139800	Cover		D	2	
19	A161164600	Regulating Part /Upper		D	1	
20	A5C1133700	Ground Plate		D	1	
21	A5C1132001	Guide		D	1	
22	A161161201	Cover		D	1	
23	A161162900	Cover		D	1	
24	A161162201	Cover		C	1	
25	A161162801	Cover		C	1	
26	A5C1132301	Shield Plate		C	1	
27	A161108000	Cushion		C	2	

bizhub C022eDN/C028eDN/C036eDN/bizhub C224e/C284e/C364e/bizhub C7822e/C7828e

# INNER COVER SECTION



bizhub C022eDN/C028eDN/C036eDN/bizhub C224e/C284e/C364e/bizhub C7822e/C7828e

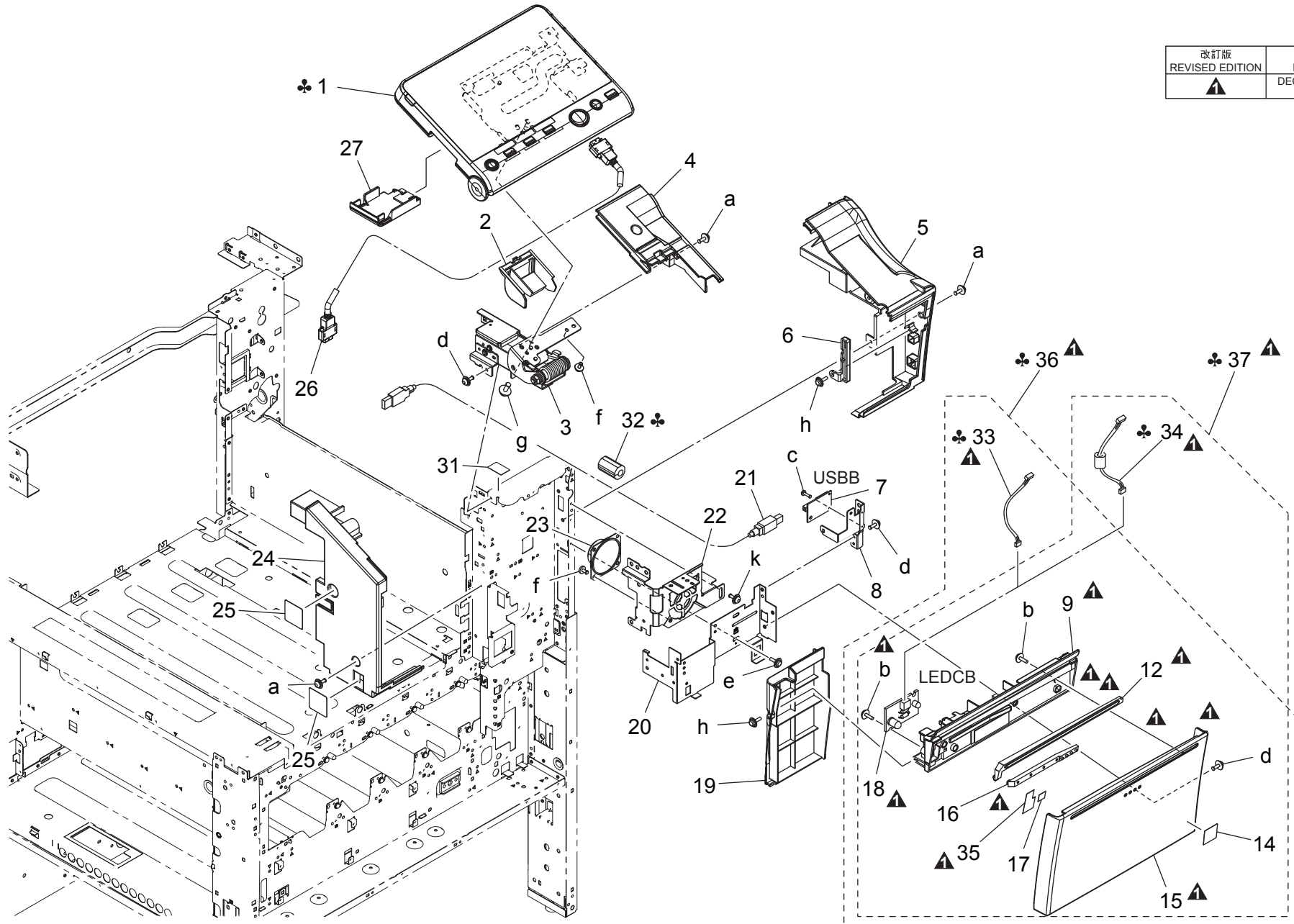
Key	Part No.	Description	Destinations	Class	QTY	Standard parts	
1	A161165700	Fixing Claw	固定爪	D	2	a-V116030803 b-V153030804 c-V116030804 d-V116031603	
2	A161F16102	Cover Front(2nd)	カバー前 (2次)	C	1		
3	A161943000	Label	ラベル	C	4		
4	A161165007	Cover /Front	カバー前 (2次)	C	1		
5	A161165300	Protection Part	保護材	C	8		
6	A0ED162401	Band	バンド	D	2		
7	A161942500	Label DR/K	ラベル DR 挿入目標 K	D	1		
8	A161942400	Label DR/C	ラベル DR 挿入目標 C	D	1		
9	A161942600	Label	ラベル (TN 操作)	D	1		
10	A161942300	Label DR/M	ラベル DR 挿入目標 M	D	1		
11	A161942200	Label DR/Y	ラベル DR 挿入目標 Y	D	1		
12	A161942101	Label	ラベル (TN 操作 3・1)	D	1		
13	A161942000	Label	ラベル (電源 SW)	D	1		
14	4038M60000	SEESAW-SWITCH	波形スイッチ	C	1		
15	A161135100	Mounting Plate	取付板 (メイン SW)	D	1		
16	A161N12A00	AC Wiring /A	AC 束線 / A	D	1		{C364e/C284e/C036eD N/C028eDN/C7828e}
16	A161N12A00	AC Wiring /A	AC 束線 / A				
17	9J06M60100	MICRO SWITCH	マイクロスイッチ	C	1		
18	4038228702	SHOULDER SCREW	段ねじ	C	1		
19	A161151300	Torsion Coil spring	ねじりコイルばね	D	1		
20	A161151100	Mounting Plate	取付板 (安全 SW 前カバー)	D	1		

bizhub C022eDN/C028eDN/C036eDN/bizhub C224e/C284e/C364e/bizhub C7822e/C7828e

# OPERATION PANEL SECTION

P 4

改訂版 REVISED EDITION	日付 DATE
▲	DECEMBER 2013



bizhub C022eDN/C028eDN/C036eDN/bizhub C224e/C284e/C364e/bizhub C7822e/C7828e



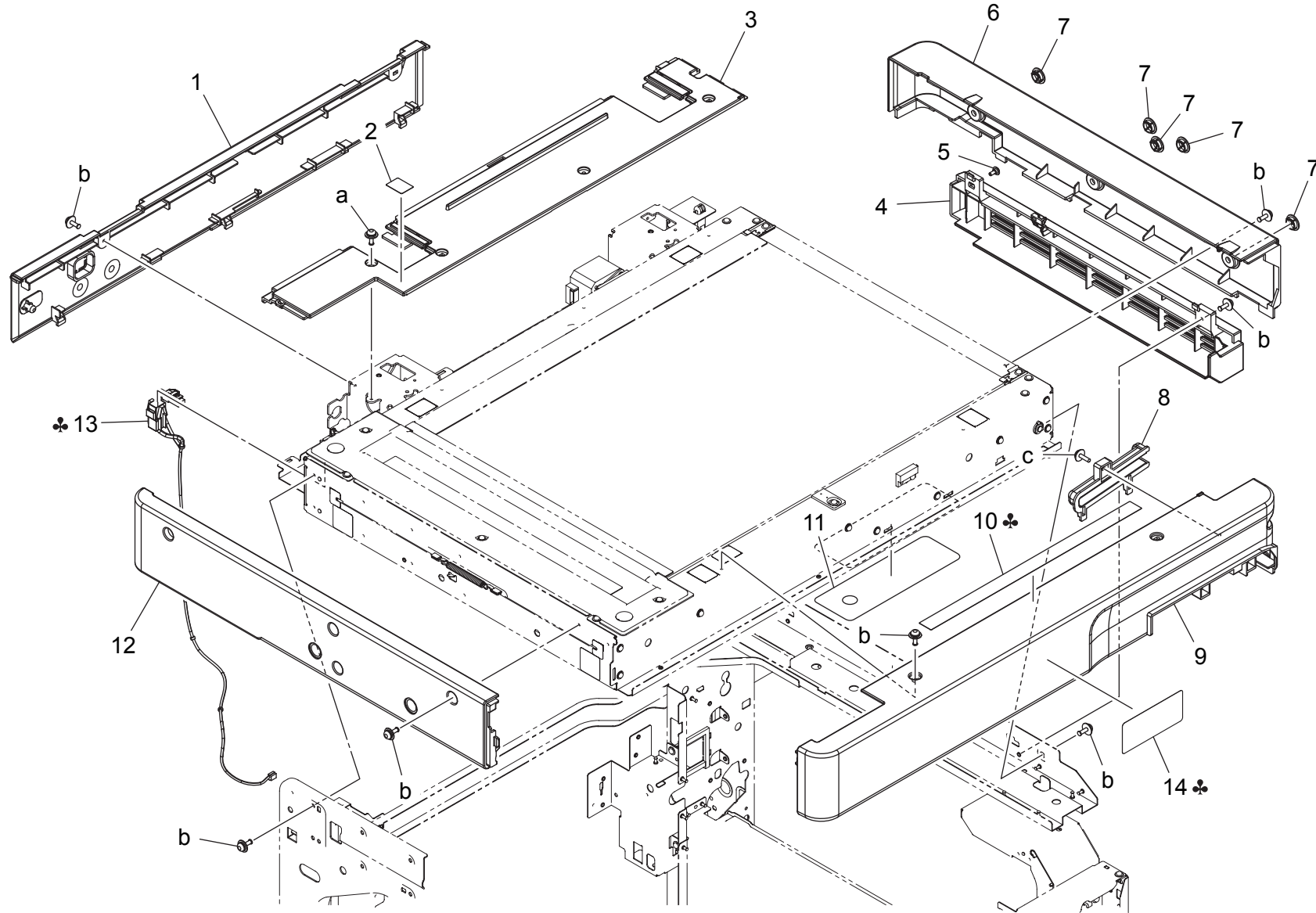
OPERATION PANEL SECTION

Key	Part No.	Description	Destinations	Class	QTY	Standard parts
1	A5C1M70203	Panel assembly	C	I	1	a-V116030804 b-V153030803 c-V111020603 d-V116030803 e-V137030803 f-V126030603 g-V125041003 h-V153030804 k-V116030803
1	A5C1M70103	Panel assembly	B,G2,D1,D3,E,F2,G1,I,K	I	1	
1	A5C1M70003	Panel assembly	A,A1	I	1	
1	A5C1M70400	Panel assembly	H	I	1	
1	A5C1M70301	Panel assembly	J	I	1	
2	A161190900	Cover		C	1	
3	A5C1R70911	Mounting Plate Assy		C	1	
4	A161162604	Cover		C	1	
5	A161161503	Cover		C	1	
6	A161164000	Cover		D	1	
7	A0P0H02500	PWB assembly(PWB-UCN ASSY)		D	1	
8	A161138002	Mounting Plate		D	1	
9	A5C1167202Old	Light blocking Cover		D	1	
9	A5C1167800	Light blocking Cover		D	1	
12	A5C1167000Old	Lens		D	1	
12	A161167000	Lens		D	1	
14	A011946200	Label Emperon		D	1	
15	A5C1161701Old	Cover		C	1	
15	A161161702	Cover		C	1	
16	A161167100	Lens		D	1	
17	A5C1167400Old	Light blocking Sheet		D	1	
17	A161167400	Light blocking Sheet /2		D	1	
18	A5C1H00E01Old	PWB Assembly(PWB-LEDCNT)		C	1	
18	A161H00U01	PWB Assembly(PWB-LED ASSY)		C	1	
19	A161161900	Cover		D	1	
20	A161164104	Mounting Plate		D	1	
21	A0P0N15300	Cable		C	1	
22	A5C1137302	Mounting Plate		D	1	
23	A0P0M73100	Speaker		D	1	
24	A161161401	Cover		C	1	
25	A161162400	Seal		C	2	
26	A5C1N15601	Interface Cable		D	1	
27	A55V161201	Cover		C	1	
31	A5C1122600	Spacer		D	1	
32	A5C1M92000	Ferritecore	C,D1,D3,E,F2,G1,I,K,J	D	1	
33	A5C1N10B00	Indicating Wiring/3	A,A1,B,G2	D	1	
34	A5C1N10C00Old	Indicating Wiring/4	C,D1,D3,E,F2,G1,I,K,H	D	1	
34	A5C1N10D00	InIndicating Wiring/4	C,D1,D3,E,F2,G1,I,K,H,J	D	1	
35	A161167300	Light blocking Sheet /1		D	1	
36	A5C1R71500	Cover (Panel Lower) Assy	A,A1,B,G2	C	1	
37	A5C1R71400	Cover (Panel Lower) Assy	C,D1,D3,E,F2,G1,I,K,H	C	1	

bizhub C022eDN/C028eDN/C036eDN/bizhub C224e/C284e/C364e/bizhub C7822e/C7828e

# IR COVER SECTION

P 5



bizhub C022eDN/C028eDN/C036eDN/bizhub C224e/C284e/C364e/bizhub C7822e/C7828e

IR COVER SECTION

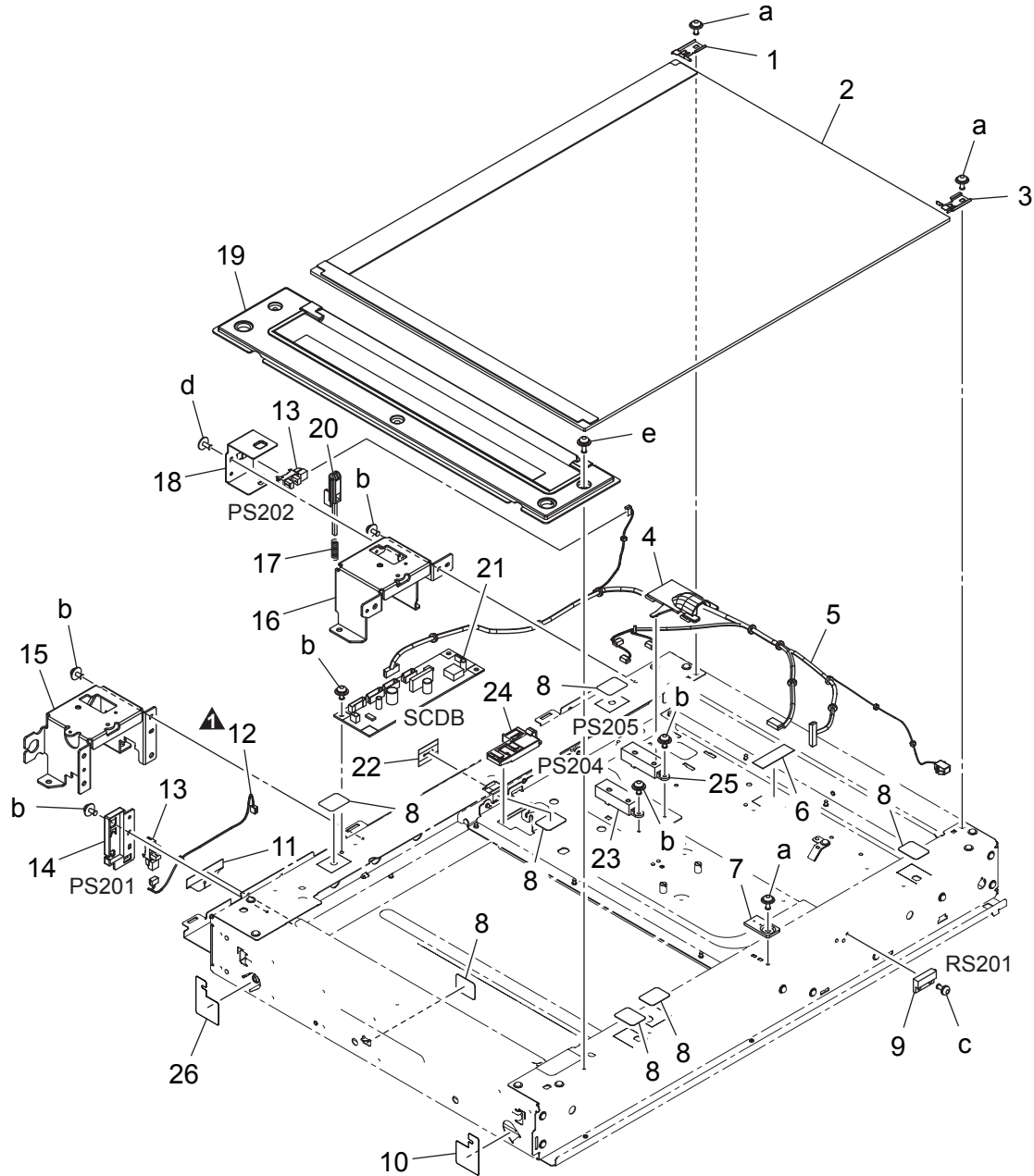
Key	Part No.	Description	Destinations	Class	QTY	Standard parts
1	A161170203	Read Cover /Rear		C	1	a-V116030804 b-V116030803 c-V153030803
2	A161940602	Label		D	1	
3	A161170701	Read Cover		C	1	
4	A161170601	Read Cover		C	1	
5	A00J169300	Shoulder screw		C	1	
6	A161170400	Read Cover /Right		C	1	
7	A02E167700	Cover		C	5	
8	A161170800	Holder		D	1	
9	A161170100	Read Cover /Front		C	1	
10	A3EW944600	Label	A,A1	C	1	
10	A121944700	Label Prohibit	B,G2	C	1	
11	A161282100	Ground Sheet		D	1	
12	A161170300	Read Cover /Left		C	1	
13	A161N11C01	Scanner Relay harness /100V	A,A1	D	1	
14	A1UD947400	Label	A,A1	C	1	

bizhub C022eDN/C028eDN/C036eDN/bizhub C224e/C284e/C364e/bizhub C7822e/C7828e

# SCANNER SECTION

P 6

改訂版 REVISED EDITION	日付 DATE
▲	AUGUST 2013



bizhub C022eDN/C028eDN/C036eDN/bizhub C224e/C284e/C364e/bizhub C7822e/C7828e

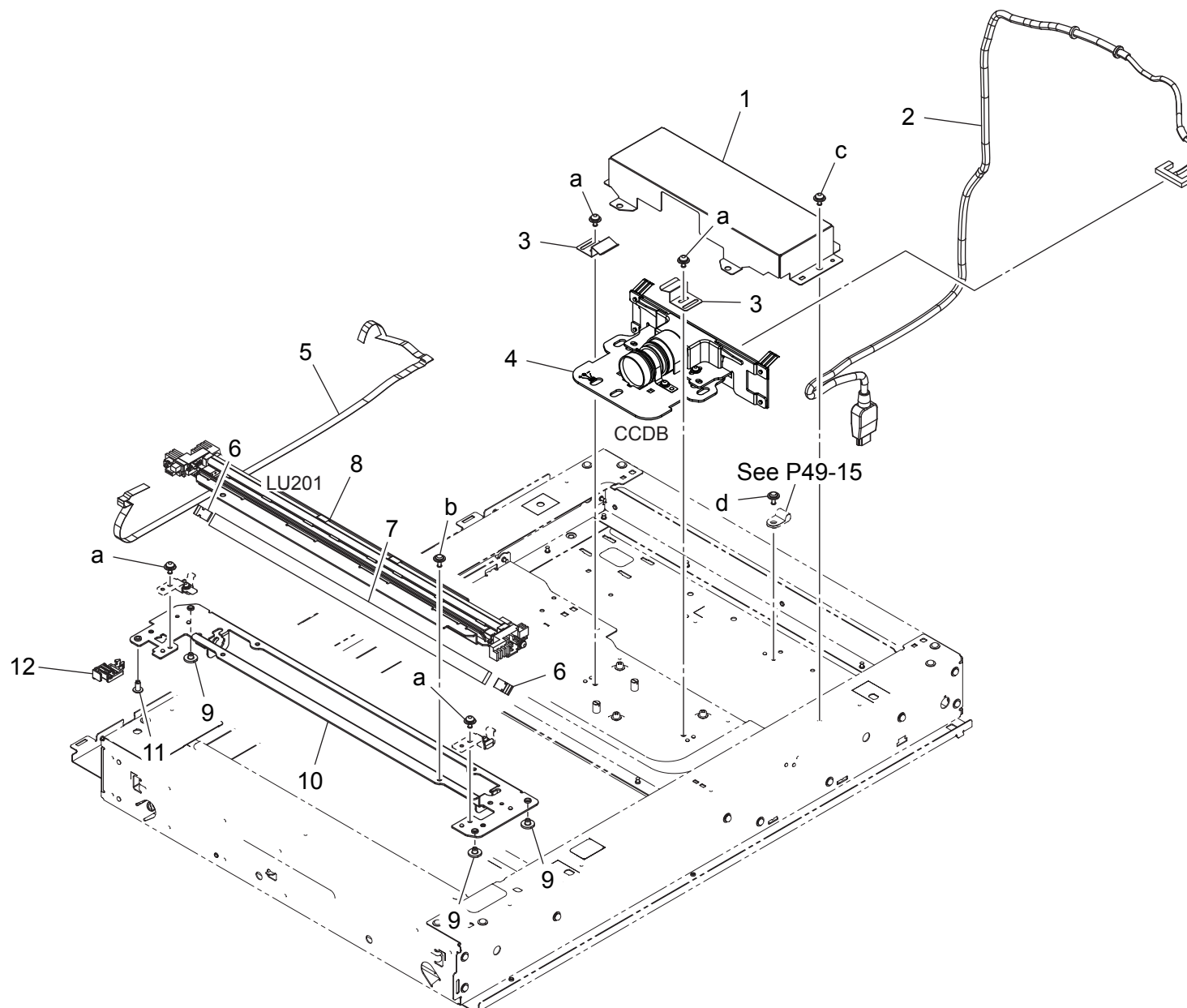
SCANNER SECTION

Key	Part No.	Description	Destinations	Class	QTY	Standard parts
1	A161268300	Holding Plate		D	1	a-V121030604 b-V116030603 c-V115030603 d-V137030603 e-V116030804
2	A161R72200	Original Glass Assy		C	1	
3	A161268200	Holding Plate		D	1	
4	A161281600	Guide		D	1	
5	A161N14100	Scanner Wiring /1		D	1	
6	4036307501	TAPE		D	1	
7	A00J265300	Regulating Plate		C	1	
8	4581162501	SEAL		C	7	
9	A1UDM50200	Lead Switch		C	1	
10	A5C1263300	Seal		C	1	
11	A161263000	Seal		D	1	
12	A161N14201	Scanner Wiring /2		D	1	
13	A108M50100	Photointerrupter		B	2	
14	A161262200	Cover		D	1	
15	A161261902	Frame		D	1	
16	A161262002	Frame		D	1	
17	A161280300	Compressing Coil spring		C	1	
18	A161280112	Mounting Plate		D	1	
19	A161R72300	Slit Glass Assy		C	1	
20	A161280211	Lever		D	1	
21	A5C1H01A00Old	PWB Assembly(PWB-ID)		I	1	
21	A5C1H01A11	PWB Assembly(PWB-ID)		I	1	
22	A161281300	Seal		D	1	
23	A161M50A00	APS Photorelector		C	1	
24	A161281100	Guide		D	1	
25	A161M50A00	APS Photorelector	(OPTION)	C	1	
26	A5C1263400	Seal		C	1	

bizhub C022eDN/C028eDN/C036eDN/bizhub C224e/C284e/C364e/bizhub C7822e/C7828e

# SCANNER SECTION

P 7



bizhub C022eDN/C028eDN/C036eDN/bizhub C224e/C284e/C364e/bizhub C7822e/C7828e

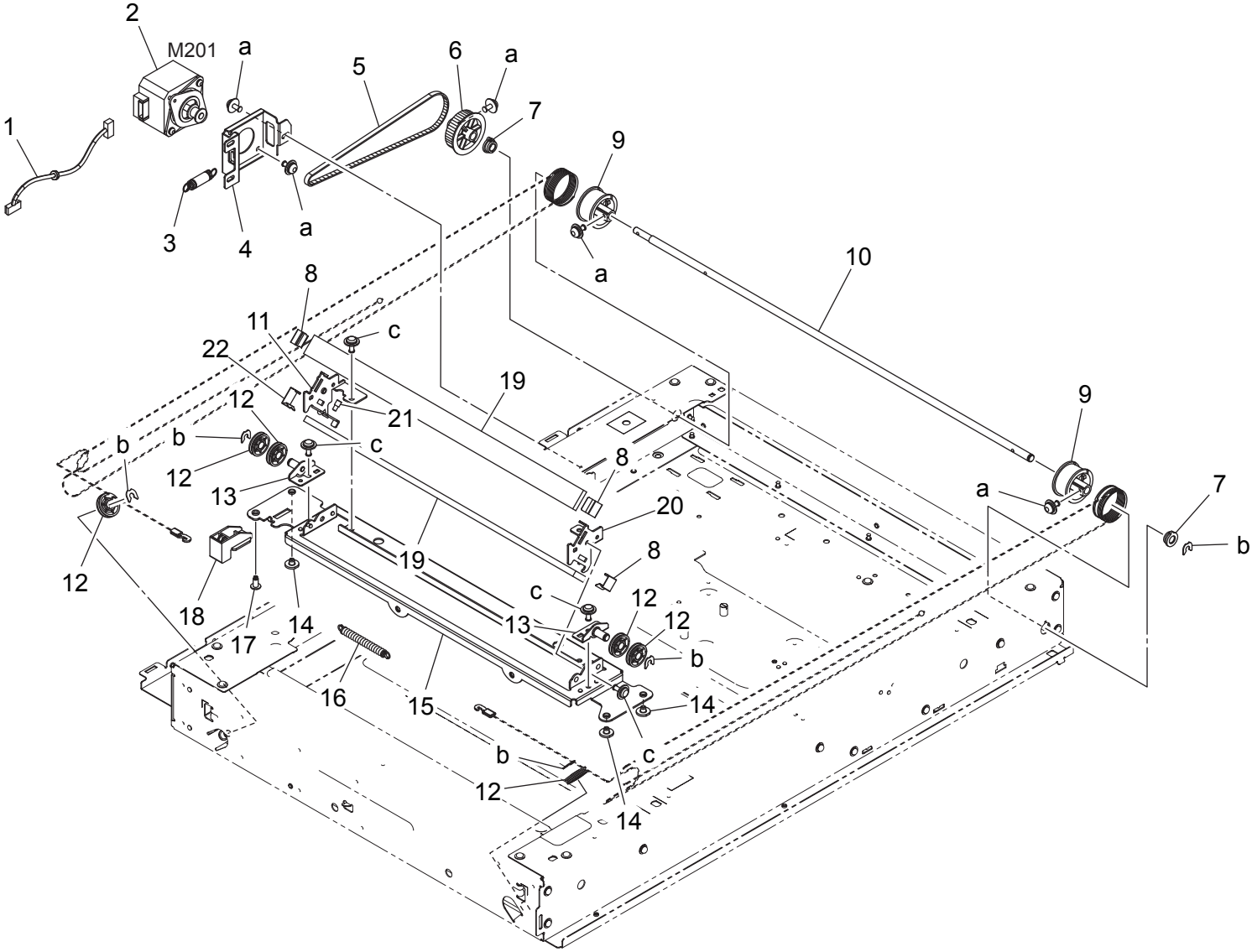
SCANNER SECTION

Key	Part No.	Description	Destinations	Class	QTY	Standard parts
1	A161278600	Cover		D	1	a-V116030603 b-V137030603 c-V127030516 d-V137030804
2	A5C1N14400	CCD Cable		D	1	
3	A161278900	Plate spring		D	2	
4	A5C1R70000	CCD Lens Assy		I	1	
5	A161N14000	Scanner Wiring /4		D	1	
6	A0ED271300	Plate spring		D	2	
7	A0ED271200	Mirror		D	1	
8	A161M31100Old	Lamp		C	1	
8	A61FM31100	Lamp		D	1	
9	A161271000	Bushing		D	3	
10	A161270102	Frame		D	1	
11	A161271100	Bushing		D	1	
12	A161270600	Guide		D	1	

bizhub C022eDN/C028eDN/C036eDN/bizhub C224e/C284e/C364e/bizhub C7822e/C7828e



SCANNER SECTION



bizhub C022eDN/C028eDN/C036eDN/bizhub C224e/C284e/C364e/bizhub C7822e/C7828e




SCANNER SECTION

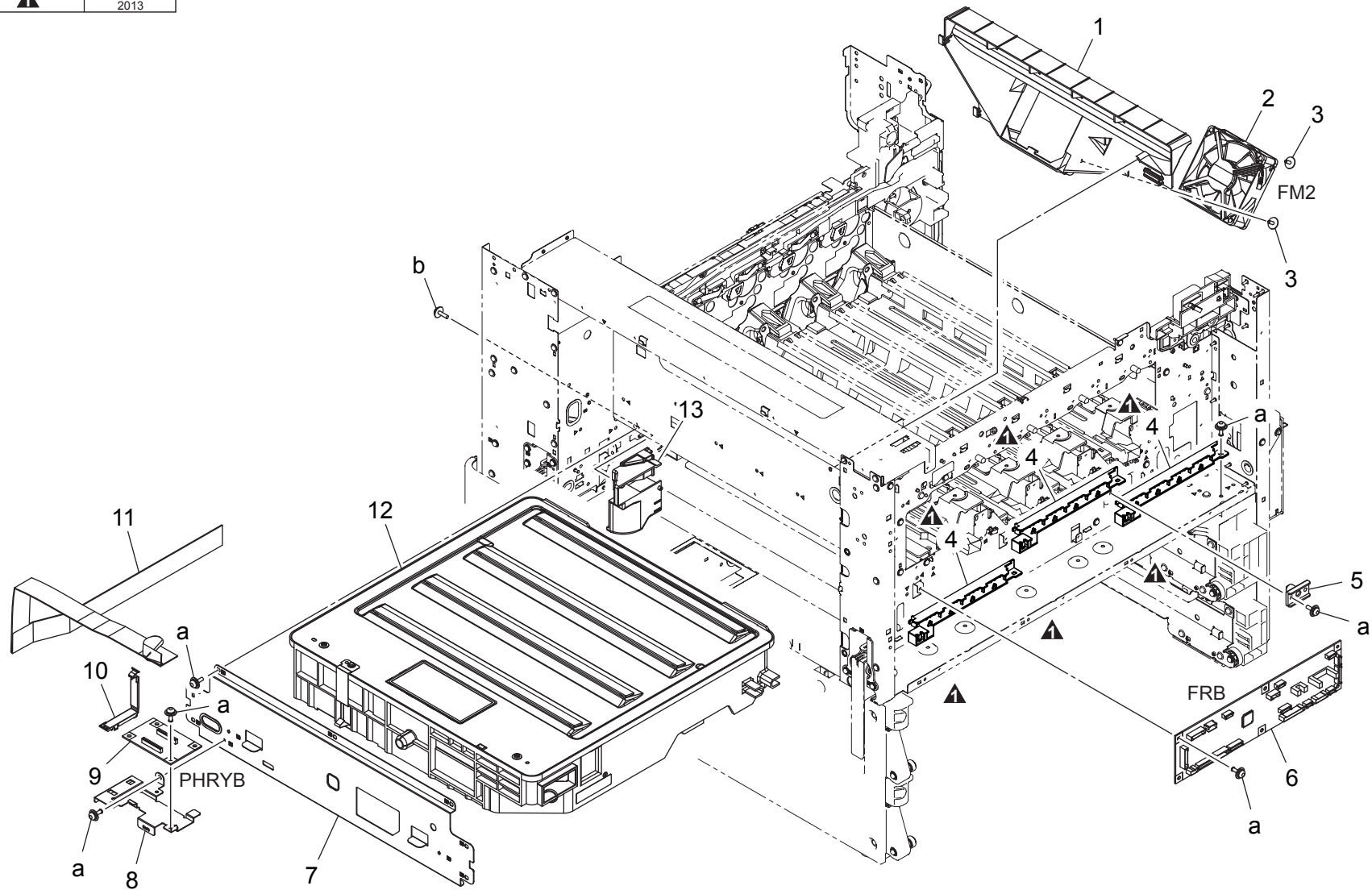
Key	Part No.	Description	Destinations	Class	QTY	Standard parts
1	A5C1N14300	Scanner Wiring		D	1	a-V116030603 b-V218040086 c-V137030603
2	A5C1M10A00	Stepping motor		C	1	
3	A161275700	Pulling Spring		D	1	
4	A161276000	Mounting Plate		D	1	
5	A161275600	Timing belt 335L		D	1	
6	A161275500	Pulley 103T		D	1	
7	A161276500	Bearing		D	2	
8	A0ED274400	Plate spring		D	3	
9	A161275300	Pulley		D	2	
10	A161275400	Shaft		D	1	
11	A161273701	Mounting Plate		D	1	
12	A0ED273600	Pulley		C	6	
13	A161273401	Mounting Plate		D	2	
14	A161271000	Bushing		D	3	
15	A161273100	Frame		D	1	
16	A0ED276301	Pulling Spring		D	1	
17	A161271100	Bushing		D	1	
18	A161273500	Guide Part		D	1	
19	A0ED274300	Mirror		D	2	
20	A161273800	Mounting Plate		D	1	
21	A161274600	Adjusting Screw		C	1	
22	A161274500	Plate spring /1		D	1	

bizhub C022eDN/C028eDN/C036eDN/bizhub C224e/C284e/C364e/bizhub C7822e/C7828e



# PH UNIT

改訂版 REVISED EDITION	日付 DATE
	SEPTEMBER 2013



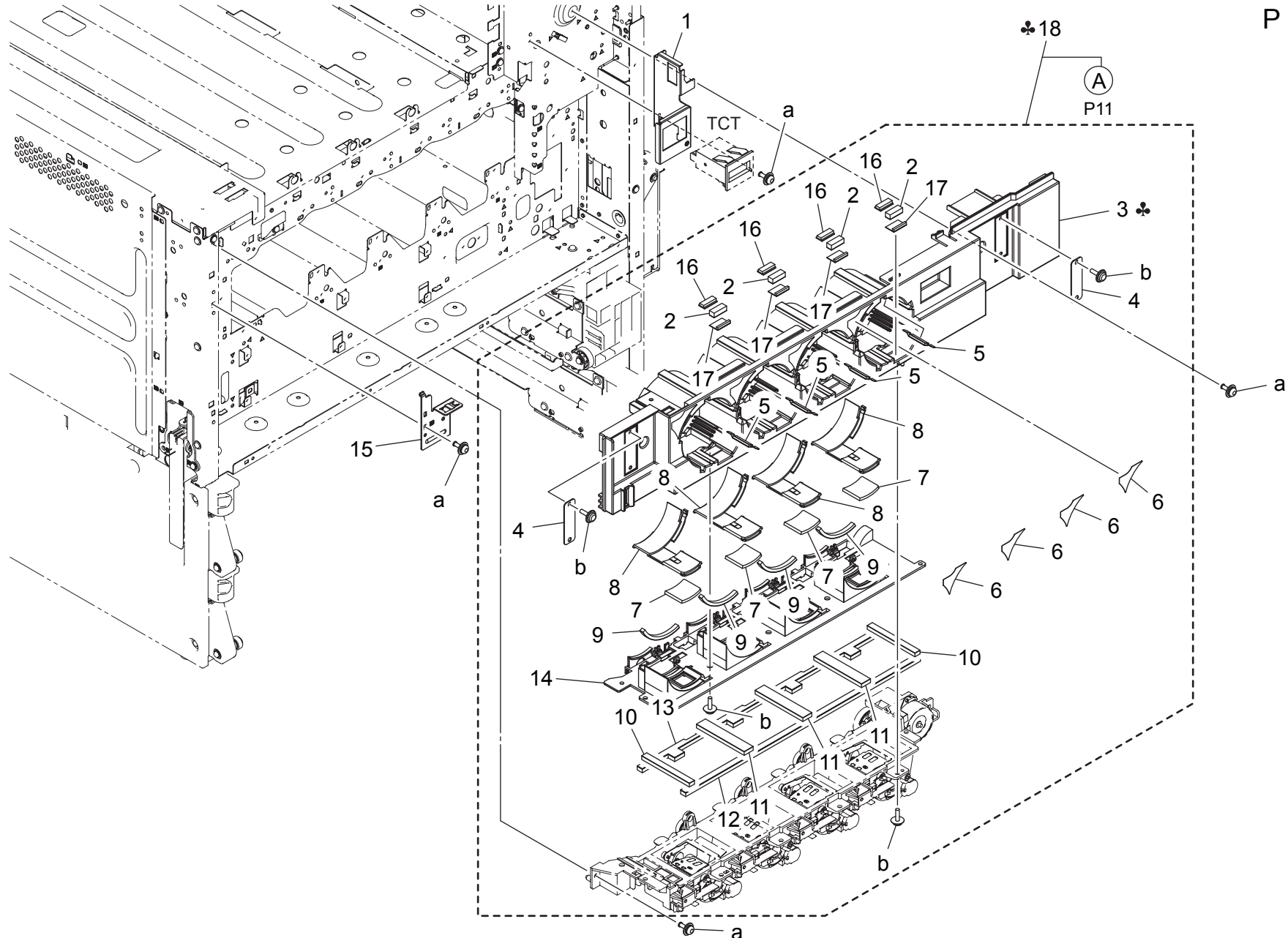
bizhub C022eDN/C028eDN/C036eDN/bizhub C224e/C284e/C364e/bizhub C7822e/C7828e

Key	Part No.	Description	Destinations	Class	QTY	Standard parts
1	A161140200	Duct	ダクト (転写CL冷却)	D	1	a-V116030803 b-V153030803
2	4139M10000	FAN MOTOR	ファンモータ	B	1	
3	4163529301	SCREW	ねじ	C	2	
4	A5C1135300	Guide	ガイド (定着一次)	D	3	
5	A161105400	Positioning Plate	位置決め板 (PH)	D	1	
6	A5C1H00500	PWB Assembly(PWB-FR)	基板ASSY (PWB-FR)	I	1	
7	A161101802	Mounting Plate	取付板 (PH)	D	1	
8	A161130301	Mounting Plate	取付板 (PH 中継基板)	D	1	
9	A161H00800	PWB Assembly(PWB-VD2 ASSY)	基板ASSY (PWB-VD2 ASSY)	C	1	
10	A161137802	Holder	ホルダ (FFC)	D	1	
11	A5C1N11900	Flatcable/25	フラットケーブル/25	C	1	
12	A161R70911	Print Head Assy	PHユニットAssy	I	1	
13	A161147401	Duct	ダクト (プロセス冷却)	D	1	

bizhub C022eDN/C028eDN/C036eDN/bizhub C224e/C284e/C364e/bizhub C7822e/C7828e

# TONER SUPPLY SECTION

P 10

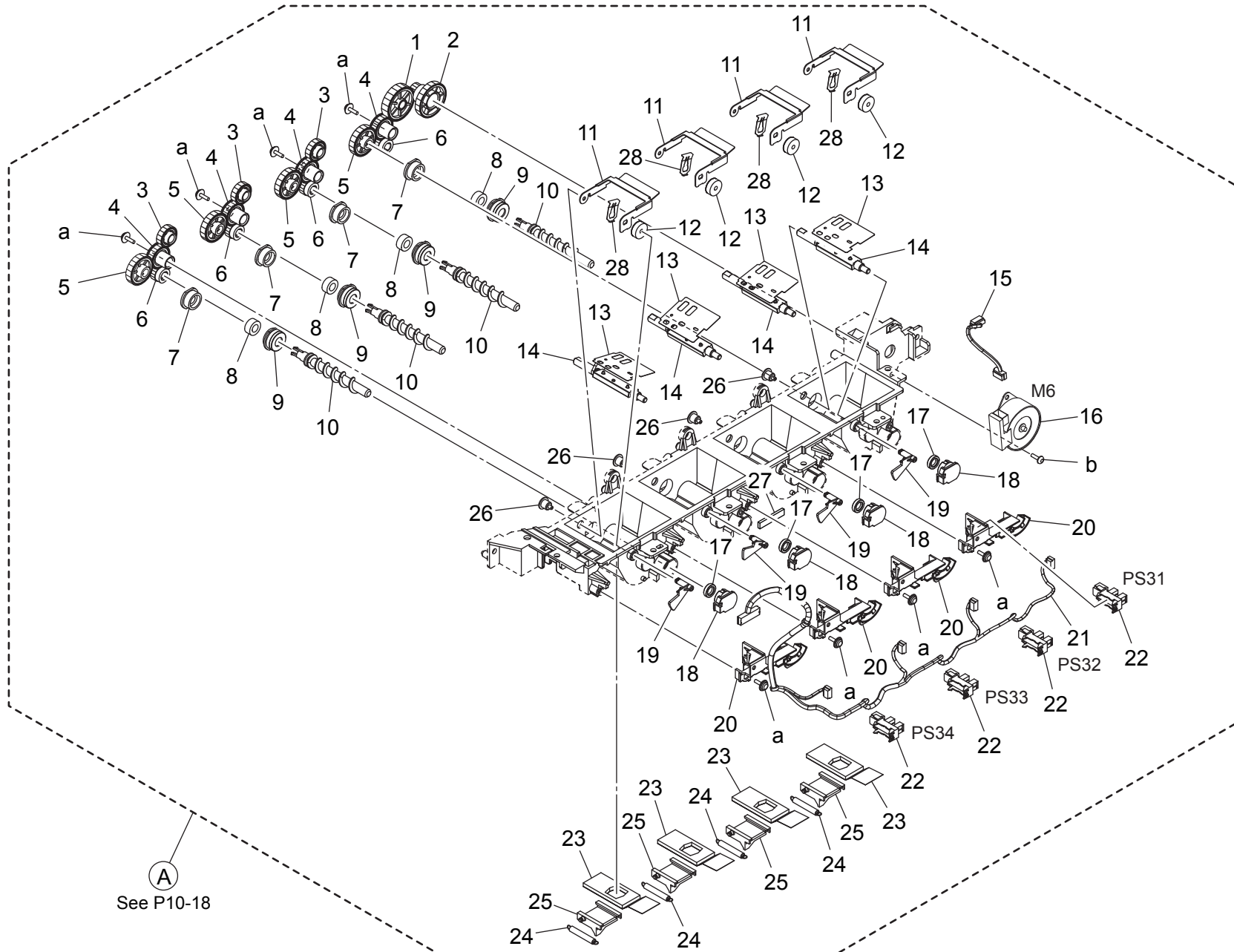


bizhub C022eDN/C028eDN/C036eDN/bizhub C224e/C284e/C364e/bizhub C7822e/C7828e

Key	Part No.	Description		Destinations	Class	QTY	Standard parts
1	A5C1120700	Reinforce Plate	補強板 ( I R 前右)	A, A1, D1, D3, E, F 2, G1, H, I, J, K	D	1	a-V116030803 b-V153030803
1	A5C1120700	Reinforce Plate	補強板 ( I R 前右)	B,C,G2	D	1	
2	A161403701	Seal	シール (トナー拭き取り)		D	4	
3	A161405213	Cover	カバー (トナーボトル)	C	D	1	
3	A161405113	Cover	カバー (トナーボトル)	B,G2	D	1	
3	A161402013	Cover	カバー (トナーボトル)	A,A1	D	1	
3	A161405311	Cover	カバー (トナーボトル)	D1,D3,E,F2,G1,I,K,H ,J	D	1	
4	4038101401	SUCTION PLATE	吸着板		D	2	
5	A161403901	Spacer	スペーサ (調整部材)		D	4	
6	A0ED940600	Label Toner 1	ラベル ( T N 操作 1 )		D	4	
7	A161402502	Seal	シール (補給口)		D	4	
8	A161402401	Shutter	シャッター (補給口)		D	4	
9	A161403800	Seal	シール (シャッター)		D	4	
10	A161403500	Seal	シール (補給口)		D	2	
11	A161403600	Seal	シール (補給口)		D	3	
12	A161403300	Seal	シール (補給口)		D	1	
13	A161403400	Seal	シール (補給口)		D	1	
14	A161402112	Cover	カバー (補給口)		D	1	
15	A161135502	Mounting Plate	取付板 (センサ/前扉)		D	1	
16	A161404001	Seal /1	シール / 1 (トナー拭き取り)		D	4	
17	A161404100	Seal /2	シール / 2 (トナー拭き取り)		D	4	
18	A161R71000	Sub Hopper Assy	サブホッパー A s s y	A,A1	S	1	
18	A161R71100	Sub Hopper Assy	サブホッパー A s s y	B,G2	S	1	
18	A161R71200	Sub Hopper Assy	サブホッパー A s s y	C	S	1	
18	A161R72900	Sub Hopper Assy	サブホッパー A s s y	D1,D3,E,F2,G1,I,K,H ,J	S	1	

bizhub C022eDN/C028eDN/C036eDN/bizhub C224e/C284e/C364e/bizhub C7822e/C7828e

# TONER SUPPLY SECTION

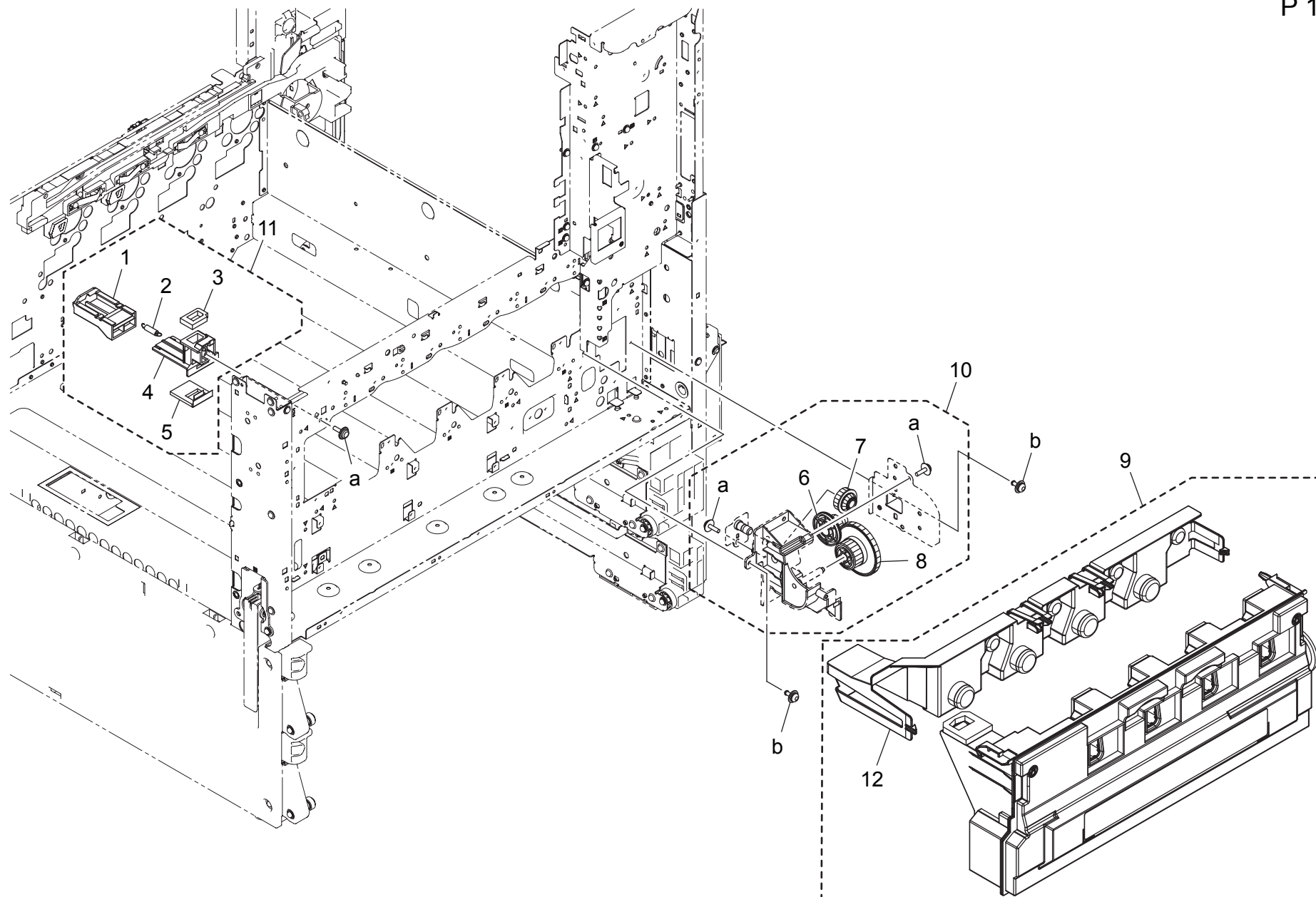


bizhub C022eDN/C028eDN/C036eDN/bizhub C224e/C284e/C364e/bizhub C7822e/C7828e

Key	Part No.	Description	Destinations	Class	QTY	Standard parts
1	A161401400	Gear 43T		C	1	a-V153030803 b-V145030803
2	A161401300	Gear 17/65T		C	1	
3	A161401500	Gear 25T		C	3	
4	A161401200	Gear 28T		C	4	
5	A161401100	Gear 36T		C	4	
6	A161401000	Gear 18T		C	4	
7	4163510201	BUSHING		C	4	
8	4576536301	SEAL		D	4	
9	A161403100	Holder		C	4	
10	A161400100	Screw		C	4	
11	A161400401	Detecting Plate		D	4	
12	A161400601	Detecting Seal		D	4	
13	A161400300	Agitating Part		D	4	
14	A161400200	Agitating Shaft		D	4	
15	A161N12801	Toner Drive harness /K		D	1	
16	A02EM10400	Stepping motor		C	1	
17	4333501201	SEAL		D	4	
18	A161403000	Bushing		D	4	
19	A161404300	Detecting Actuator		D	4	
20	A161400701	Mounting Plate		D	4	
21	A161N10F01	Toner Detection harness /1		D	1	
22	A108M50100	Photointerrupter		B	4	
23	A161403200	Seal		D	4	
24	4036534801	TENSION SPRING		C	4	
25	A0ED401000	Shutter		D	4	
26	A161400800	Pin		D	4	
27	A161146800	Seal		D	1	
28	A161404200	Fixing Plate		D	4	

bizhub C022eDN/C028eDN/C036eDN/bizhub C224e/C284e/C364e/bizhub C7822e/C7828e

# WASTE TONER BOX SECTION



bizhub C022eDN/C028eDN/C036eDN/bizhub C224e/C284e/C364e/bizhub C7822e/C7828e



# WASTE TONER BOX SECTION

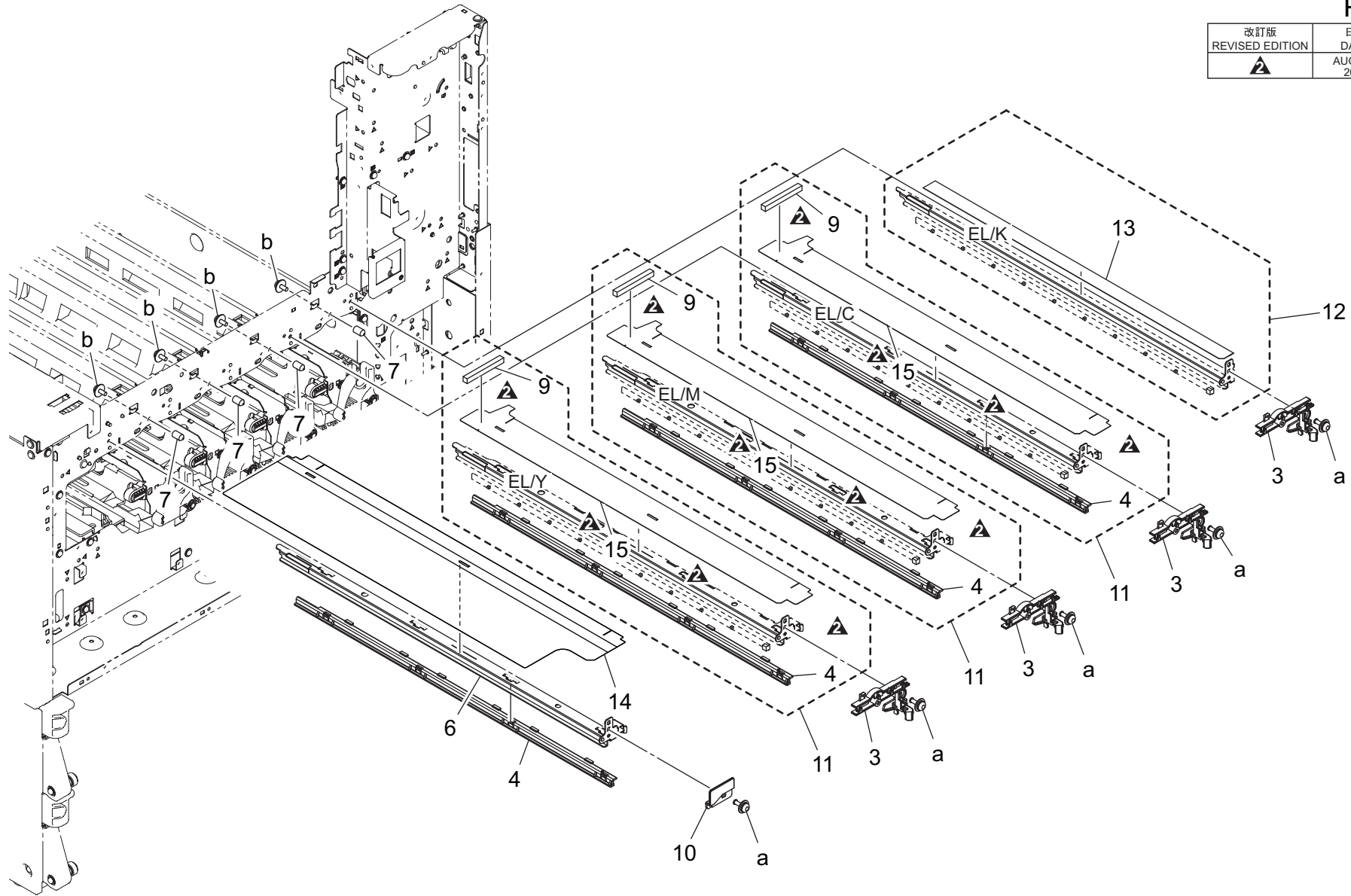
Key	Part No.	Description	Destinations	Class	QTY	Standard parts	
1	A0ED363100	Shutter		D	1	a-V153030803 b-V125030818	
2	A0ED363200	Pulling Coil spring		D	1		
3	A0ED363400	Seal		D	1		
4	A0ED363000	Pipe		D	1		
5	A0ED363301	Seal		D	1		
6	A161245100	Gear 16/40T		D	1	a-V153030803 b-V125030818	
7	A0ED245000	Gear 20/20T		D	1		
8	A161245400	Gear 16/51T		D	1		
9	A4NNWY1	WASTE TONER BOX		A	1		
10	A161F21002	Waste Toner Drive		C	1		
11	A0EDF36001	Waste Toner Pipe		C	1		
12	A161362000	Cover		C	1		

bizhub C022eDN/C028eDN/C036eDN/bizhub C224e/C284e/C364e/bizhub C7822e/C7828e

# ERASE LAMP SECTION

P 13

改訂版 REVISED EDITION	日付 DATE
	AUGUST 2013



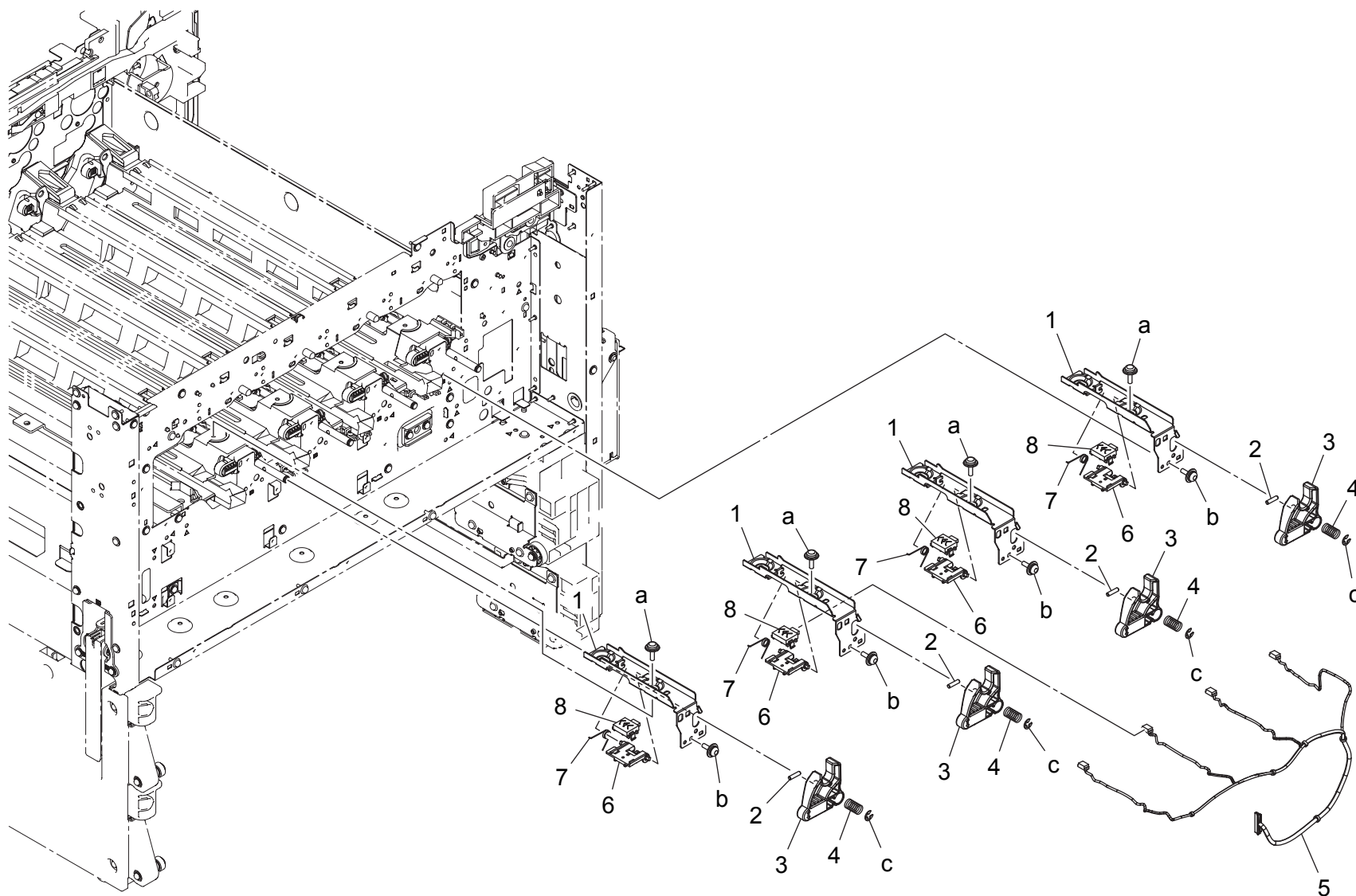
bizhub C022eDN/C028eDN/C036eDN/bizhub C224e/C284e/C364e/bizhub C7822e/C7828e

# ERASE LAMP SECTION

Key	Part No.	Description	Destinations	Class	QTY	Standard parts	
3	A161130101	Holder		D	4	a-V116030803 b-V116030603	
4	A0ED105400	Rail		D	4		
6	A161105600	Rail		D	1		
7	A0ED103100	Pin		D	4		
9	A161107100	Seal		D	3		
10	A161138500	Guide		D	1		
11	A161R70100	Eraser (YMC) Assy		C	3		
12	A161R70011	Eraser (Black) Assy		C	1		
13	A161107400	Light blocking Part		C	1		
14	A5C1102800	Seal		D	1		
15	A5C1105500	Light blocking Part		D	3		

bizhub C022eDN/C028eDN/C036eDN/bizhub C224e/C284e/C364e/bizhub C7822e/C7828e

# DV LOCK LEVER SECTION



bizhub C022eDN/C028eDN/C036eDN/bizhub C224e/C284e/C364e/bizhub C7822e/C7828e

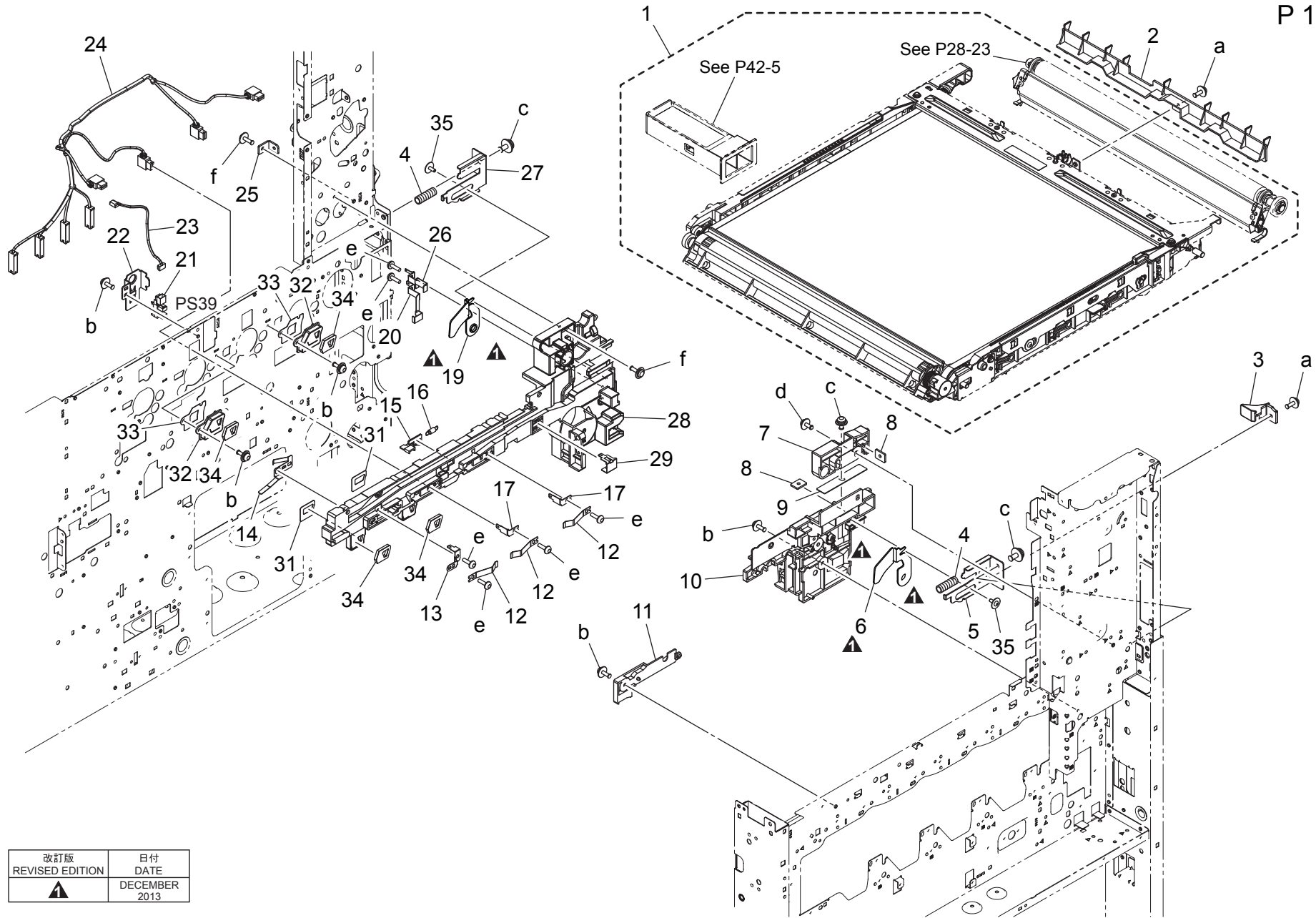
# DV LOCK LEVER SECTION

Key	Part No.	Description	Destinations	Class	QTY	Standard parts
1	A5C1115200	Reinforce Plate		D	4	a-V153030803 b-V116030803 c-V217040001
2	56AA17471	PIN B 3X12		C	4	
3	A161116202	Release Lever		D	4	
4	A161119500	Compressing Coil spring		D	4	
5	A161N10Y02	Photoconductor Wiring		D	1	
6	A0ED104801	Holder		C	4	
7	A0ED105700	Torsion Coil spring		D	4	
8	A0EDM60001	Relay Connector		D	4	

bizhub C022eDN/C028eDN/C036eDN/bizhub C224e/C284e/C364e/bizhub C7822e/C7828e

# TRANSFER UNIT

P 15



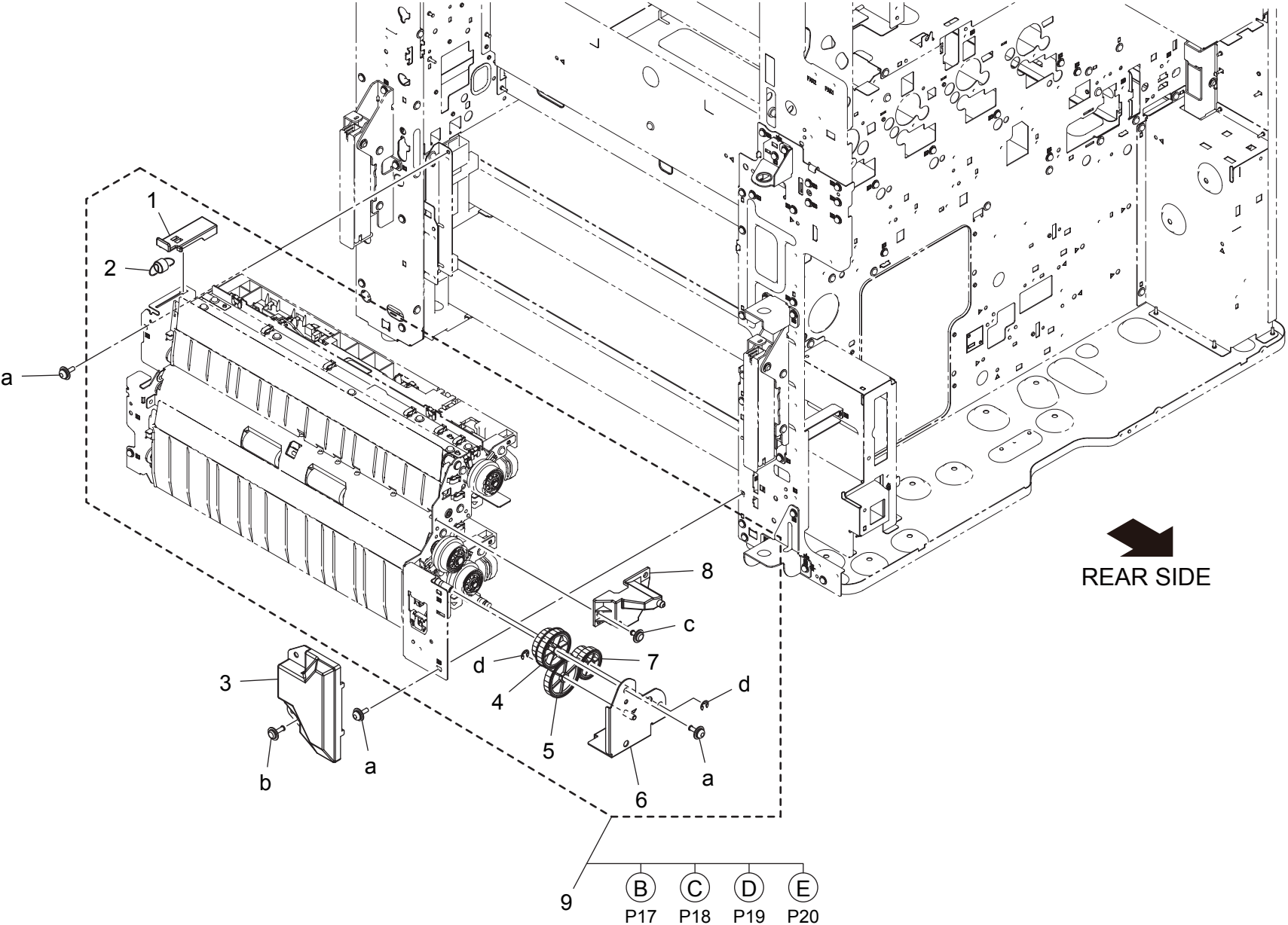
改訂版 REVISED EDITION	日付 DATE
▲	DECEMBER 2013

bizhub C022eDN/C028eDN/C036eDN/bizhub C224e/C284e/C364e/bizhub C7822e/C7828e

Key	Part No.	Description	Destinations	Class	QTY	Standard parts
1	A161R71300	Intermediate Image Transfer Kit		A	1	a-V116030804
2	A161508400	Guide		C	1	b-V116030803
3	A161110601	Lock Part		D	1	c-V116040803
4	A0ED111000	Compressing Coil spring		D	2	d-V125030818
5	A161112500	Lever /Front		D	1	e-V145030803
6	A5C1112800	Arm /Front		D	1	f-V137030803
7	A161110400	Fusing Rail /Front		D	1	
8	A161112200	Mounting Plate		D	2	
9	A161112600	Adjusting Plate		D	1	
10	A161110201	Rail		D	1	
11	A161110300	Rail		D	1	
12	A0ED111500	Contact /Color		D	3	
13	A161112000	Contact		D	1	
14	A0ED112000	Contact		D	1	
15	A161110500	Detecting Plate		D	1	
16	A0ED110900	Pulling Coil spring		C	1	
17	A0ED111700	Contact		D	2	
19	A5C1112900	Arm /Rear		D	1	
20	A161112300	Contact		D	1	
21	A108M50100	Photointerrupter		B	1	
22	A5C1112100	Mounting Plate		D	1	
23	A161N10J00	Connecting Detection harness		D	1	
24	A161N11200	Transfer Wiring /1		D	1	
25	A161112700	Mounting Plate		D	1	
26	A161112400	Contact		D	1	
27	A161112100	Lever /Rear		D	1	
28	A161110102	Rail		D	1	
29	A0ED111400	Contact /K		D	1	
31	A161144900	Seal		C	2	
32	A161141700	Duct		D	2	
33	A161146200	Seal		D	2	
34	A161144801	Seal		C	4	
35	4163529301	SCREW		C	2	

bizhub C022eDN/C028eDN/C036eDN/bizhub C224e/C284e/C364e/bizhub C7822e/C7828e

PAPER FEED SECTION



bizhub C022eDN/C028eDN/C036eDN/bizhub C224e/C284e/C364e/bizhub C7822e/C7828e



# PAPER FEED SECTION

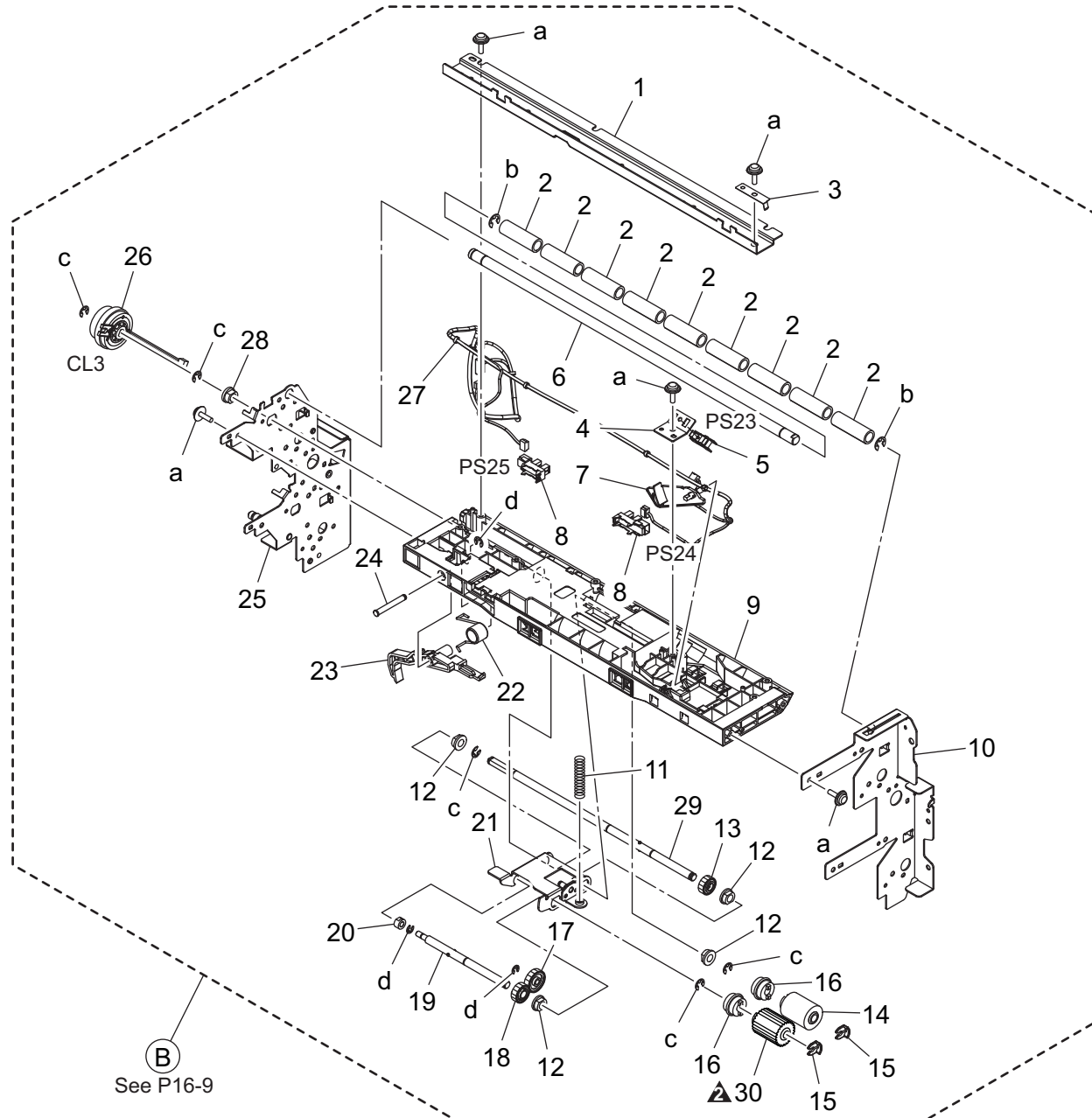
Key	Part No.	Description	Destinations	Class	QTY	Standard parts
1	A161561100	Holder		D	1	a-V116030803 b-V137030803 c-V144030603 d-V217040001
2	A161561200	Pulling Coil spring		D	1	
3	A161579011	Cover		D	1	
4	A161576300	Gear 27/33T		C	1	
5	A161576200	Gear 36T		C	1	
6	A161F56101	Caulking(Hold Plate Drive)		D	1	
7	A161576100	Gear 21/26T		C	1	
8	A161565102	Mounting Plate		D	1	
9	A5C1R70700	Paper Feed Assy		S	1	

bizhub C022eDN/C028eDN/C036eDN/bizhub C224e/C284e/C364e/bizhub C7822e/C7828e

# 1ST PAPER FEED SECTION

P 17

改訂版 REVISED EDITION	日付 DATE
	AUGUST 2013



bizhub C022eDN/C028eDN/C036eDN/bizhub C224e/C284e/C364e/bizhub C7822e/C7828e

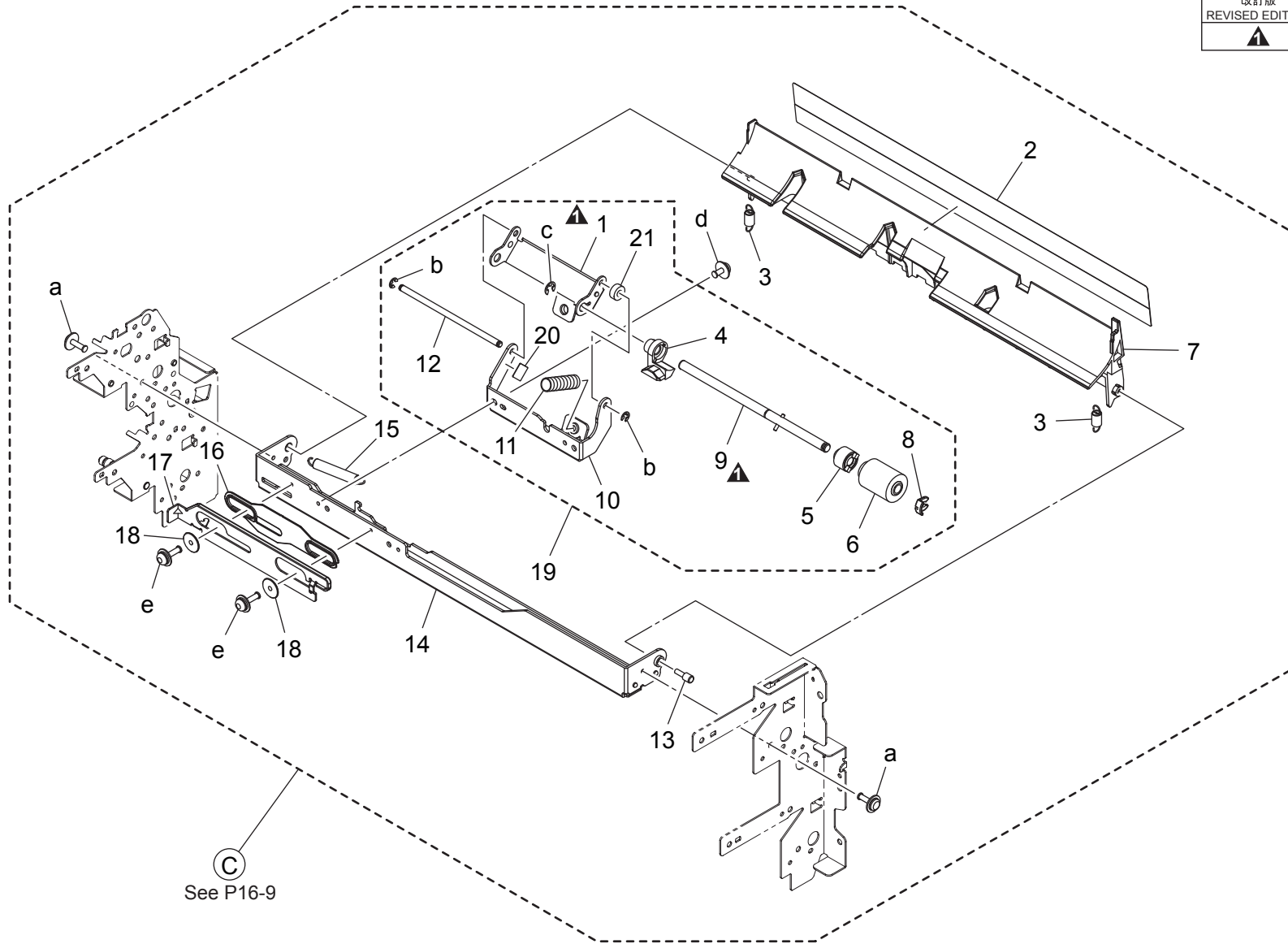
Key	Part No.	Description	Destinations	Class	QTY	Standard parts
1	A161566000	Reinforce Plate		D	1	a-V153030803 b-V217050001 c-V217040001 d-V217030001
2	4034352501	ROLLER		C	9	
3	A161560600	Ground Plate	{C364e/C284e/C036eD N/C028eDN/C7828e}	D	1	
3	A161560600	Ground Plate	{C224e/C022eDN/C782 2e}	D	1	
4	A161560900	Mounting Plate	{C364e/C284e/C036eD N/C028eDN/C7828e}	D	1	
4	A161560900	Mounting Plate	{C224e/C022eDN/C782 2e}	D	1	
5	A0EDM50100	Photoreflector	{C364e/C284e/C036eD N/C028eDN/C7828e}	I	1	
5	A0EDM50100	Photoreflector	{C224e/C022eDN/C782 2e}	I	1	
6	A161565500Old	Shaft		D	1	
6	A5C1565500	Shaft		D	1	
7	A161561600	Actuator		C	1	
8	A108M50100	Photointerrupter		B	2	
9	A161565300	Paper feed Frame		D	1	
10	A161560101	Frame /Front		D	1	
11	A161562800	Compressing Coil spring		C	1	
12	4131300301	BUSHING		C	4	
13	A161562400	Gear 26T		C	1	
14	A00J563600	Roller		A	1	
15	56AA40490	SHAFT STOPPER 4		C	2	
16	A02E561100	Clutch		C	2	
17	A161562300	Gear 34T		C	1	
18	A161562600	Gear 28T		C	1	
19	A161562000	Shaft		D	1	
20	A161562500	Bushing		C	1	
21	A161562101	Holder		D	1	
22	A161567400	Torsion Spring		C	1	
23	A161567300	Lever		C	1	
24	A02E560800	Shaft		D	1	
25	A161F56003Old	Caulking(Frame)		D	1	
25	A161F56016	Caulking(Frame)		D	1	
26	A02EM20200	Clutch		B	1	
27	A161N10P01	Paperfeed Wiring /1	{C364e/C284e/C036eD N/C028eDN/C7828e}	D	1	
27	A161N10P01	Paperfeed Wiring /1	{C224e/C022eDN/C782 2e}	D	1	
28	A00J663200	Bushing		C	1	
29	A161560500	Shaft		D	1	
30	A5C1562200	Roller		A	1	

bizhub C022eDN/C028eDN/C036eDN/bizhub C224e/C284e/C364e/bizhub C7822e/C7828e

# 1ST PAPER FEED SECTION

P 18

改訂版 REVISED EDITION	日付 DATE
▲	SEPTEMBER 2013



bizhub C022eDN/C028eDN/C036eDN/bizhub C224e/C284e/C364e/bizhub C7822e/C7828e

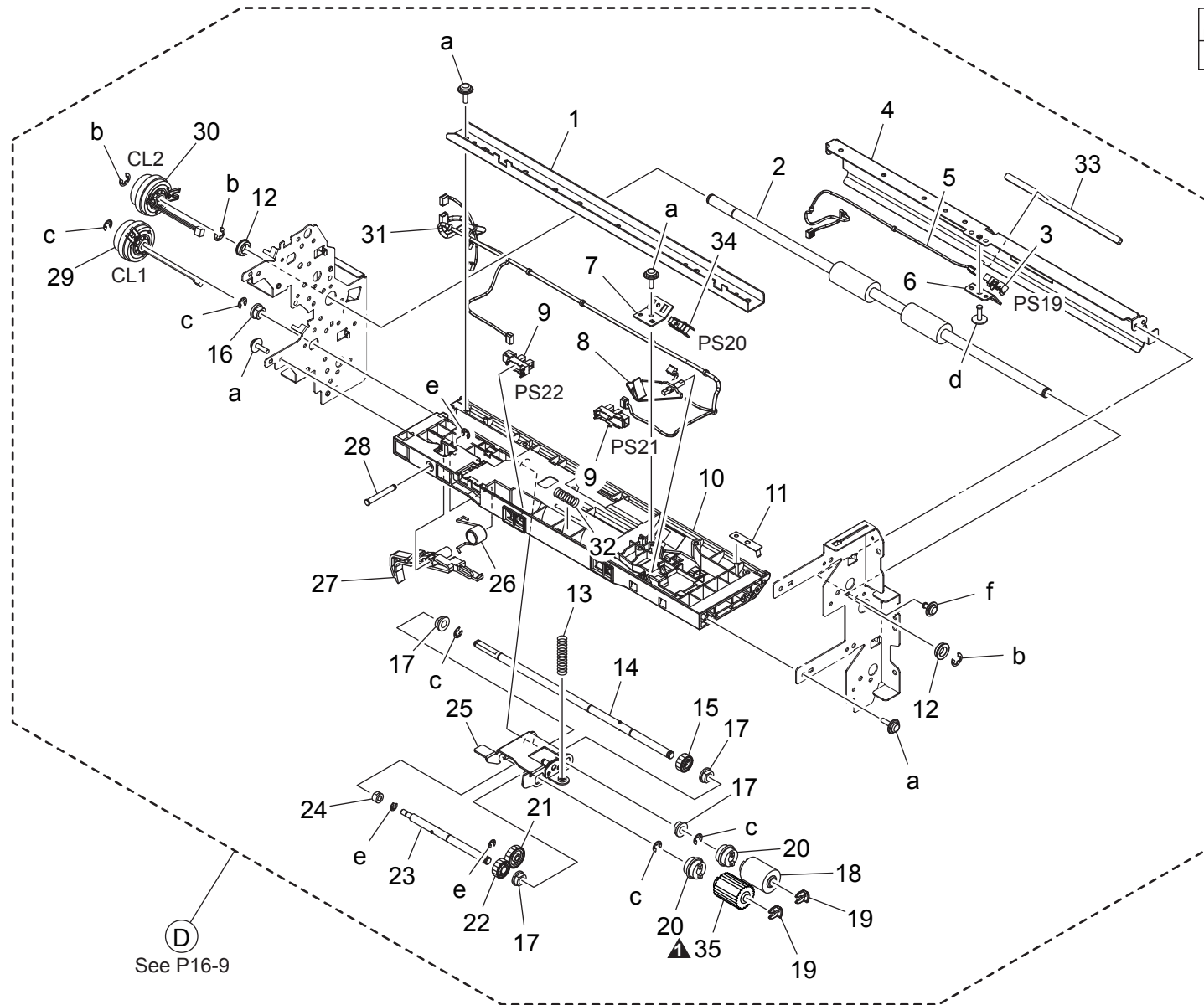
1ST PAPER FEED SECTION

Key	Part No.	Description	Destinations	Class	QTY	Standard parts
1	A161563100Old	Holder		D	1	a-V137030803 b-V217030001 c-V217040001 d-V116030603 e-V116031003
1	A5C1563100	Holder		D	1	
2	A161568500	Guide		C	1	
3	A161568600	Pulling Coil spring		C	2	
4	A161563501Old	Guide		D	1	
4	A5C1563500	Guide		D	1	
5	A0ED563900	Torque limiter		C	1	
6	A00J563600	Roller		A	1	
7	A161568401	Guide Plate		C	1	
8	56AA40490	SHAFT STOPPER 4		C	1	
9	A161563400Old	Shaft		D	1	
9	A5C1563400	Shaft		D	1	
10	A161564001	Mounting Plate		D	1	
11	4030301703	PRESSURE SPRING		C	1	
12	A161563300	Shaft		D	1	
13	4532341001	SHOULDER SCREW		D	1	
14	A161563901	Mounting Plate		D	1	
15	A161564400	Pulling Coil spring		C	1	
16	A161564200	Spacer		D	1	
17	A5C1564101	Lever		D	1	
18	A161564300	Spacer		D	1	
19	A5C1R70800	Separation Roller Assy		C	1	
20	A5C1565600	Sheet		C	1	
21	4040561000	Spacer		D	1	

bizhub C022eDN/C028eDN/C036eDN/bizhub C224e/C284e/C364e/bizhub C7822e/C7828e

# 2ND PAPER FEED SECTION

改訂版 REVISED EDITION	日付 DATE
▲	AUGUST 2013



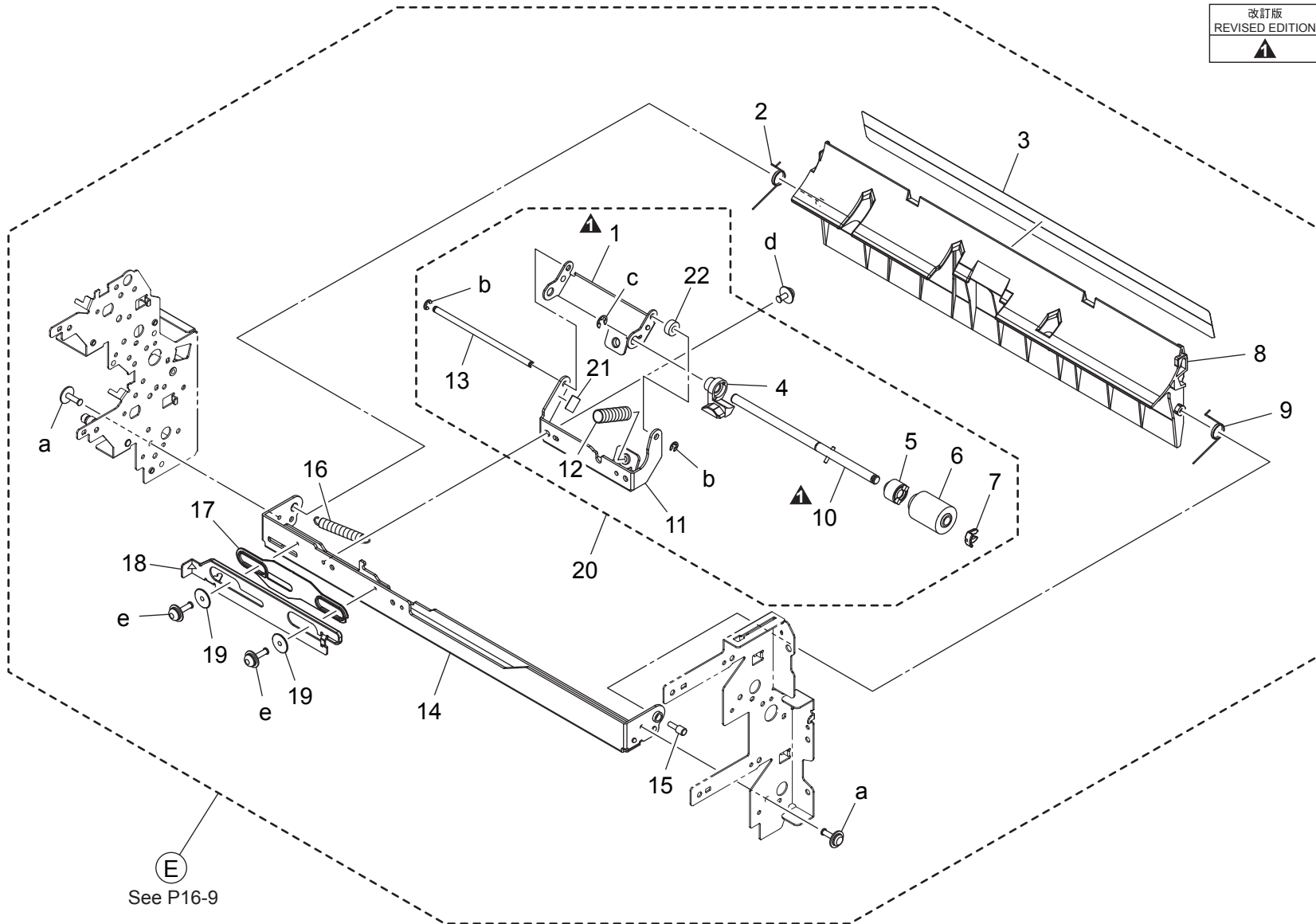
bizhub C022eDN/C028eDN/C036eDN/bizhub C224e/C284e/C364e/bizhub C7822e/C7828e

Key	Part No.	Description	Destinations	Class	QTY	Standard parts
1	A161561000	Reinforce Plate		D	1	a-V153030803 b-V217050001 c-V217040001 d-V137030803 e-V217030001 f-V144030603
2	A161578100	Drive Roller		C	1	
3	A0EDM50100	Photoreflector		I	1	
3	A0EDM50100	Photoreflector	{C364e/C284e/C036eD N/C028eDN/C7828e}	I	1	
4	A161578200	Guide Plate	{C224e/C022eDN/C782 2e}	D	1	
5	A161N12701	Conveyance Detection harness		D	1	
6	A161571100	Mounting Plate		D	1	
7	A161560900	Mounting Plate	{C364e/C284e/C036eD N/C028eDN/C7828e}	D	1	
7	A161560900	Mounting Plate	{C224e/C022eDN/C782 2e}	D	1	
8	A161561600	Actuator		C	1	
9	A108M50100	Photointerrupter		B	2	
10	A161560300	Paper feed Frame		D	1	
11	A161560600	Ground Plate	{C364e/C284e/C036eD N/C028eDN/C7828e}	D	1	
11	A161560600	Ground Plate	{C224e/C022eDN/C782 2e}	D	1	
12	A00J617900	Ball Bearing		B	2	
13	A161562800	Compressing Coil spring		C	1	
14	A161560500	Shaft		D	1	
15	A161562400	Gear 26T		C	1	
16	A00J663200	Bushing		C	1	
17	4131300301	BUSHING		C	4	
18	A00J563600	Roller		A	1	
19	56AA40490	SHAFT STOPPER 4		C	2	
20	A02E561100	Clutch		C	2	
21	A161562300	Gear 34T		C	1	
22	A161562600	Gear 28T		C	1	
23	A161562000	Shaft		D	1	
24	A161562500	Bushing		C	1	
25	A161562101	Holder		D	1	
26	A161567400	Torsion Spring		C	1	
27	A161567300	Lever		C	1	
28	A02E560800	Shaft		D	1	
29	A02EM20200	Clutch		B	1	
30	A02EM20000	Clutch		B	1	
31	A161N10Q02	Paperfeed Wiring /2	給紙束線 / 2 (L)	D	1	
31	A161N10Q02	Paperfeed Wiring /2	給紙束線 / 2 (L)	D	1	
32	A161563000	Compressing Coil spring		C	1	
33	A161578700	Cushion		C	1	
34	A0EDM50100	Photoreflector		I	1	
35	A5C1562200	Roller		A	1	

bizhub C022eDN/C028eDN/C036eDN/bizhub C224e/C284e/C364e/bizhub C7822e/C7828e

# 2ND PAPER FEED SECTION

改訂版 REVISED EDITION	日付 DATE
▲	SEPTEMBER 2013



bizhub C022eDN/C028eDN/C036eDN/bizhub C224e/C284e/C364e/bizhub C7822e/C7828e



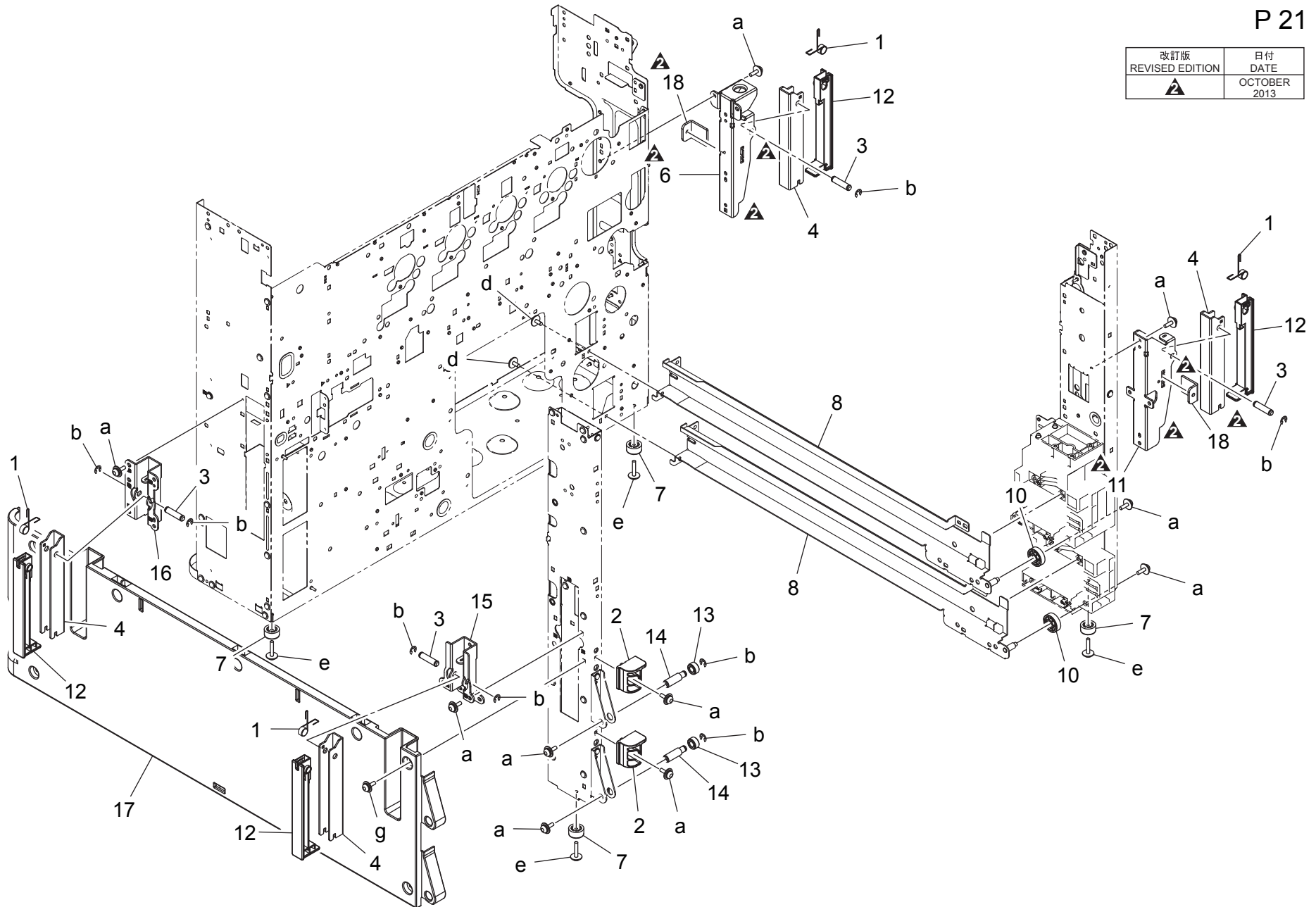
Key	Part No.	Description	Destinations	Class	QTY	Standard parts
1	A161563100Old	Holder		D	1	a-V137030803 b-V217030001 c-V217040001 d-V116030603 e-V116031003
1	A5C1563100	Holder		D	1	
2	A161568800	Torsion Coil spring		C	1	
3	A161578500	Guide		C	1	
4	A161563501Old	Guide		D	1	
4	A5C1563500	Guide		D	1	
5	A0ED563900	Torque limiter		C	1	
6	A00J563600	Roller		A	1	
7	56AA40490	SHAFT STOPPER 4		C	1	
8	A161578401	Guide Plate		C	1	
9	A161568700	Torsion Coil spring		C	1	
10	A161563400Old	Shaft		D	1	
10	A5C1563400	Shaft		D	1	
11	A161564001	Mounting Plate		D	1	
12	4030301703	PRESSURE SPRING		C	1	
13	A161563300	Shaft		D	1	
14	A161563901	Mounting Plate		D	1	
15	4532341001	SHOULDER SCREW		D	1	
16	A161564400	Pulling Coil spring		C	1	
17	A161564200	Spacer		D	1	
18	A5C1564101	Lever		D	1	
19	A161564300	Spacer		D	1	
20	A5C1R70800	Separation Roller Assy		C	1	
21	A5C1565600	Sheet		C	1	
22	4040561000	Spacer		D	1	

bizhub C022eDN/C028eDN/C036eDN/bizhub C224e/C284e/C364e/bizhub C7822e/C7828e

# CASSETTE RAIL SECTION

P 21

改訂版 REVISED EDITION	日付 DATE
	OCTOBER 2013



bizhub C022eDN/C028eDN/C036eDN/bizhub C224e/C284e/C364e/bizhub C7822e/C7828e

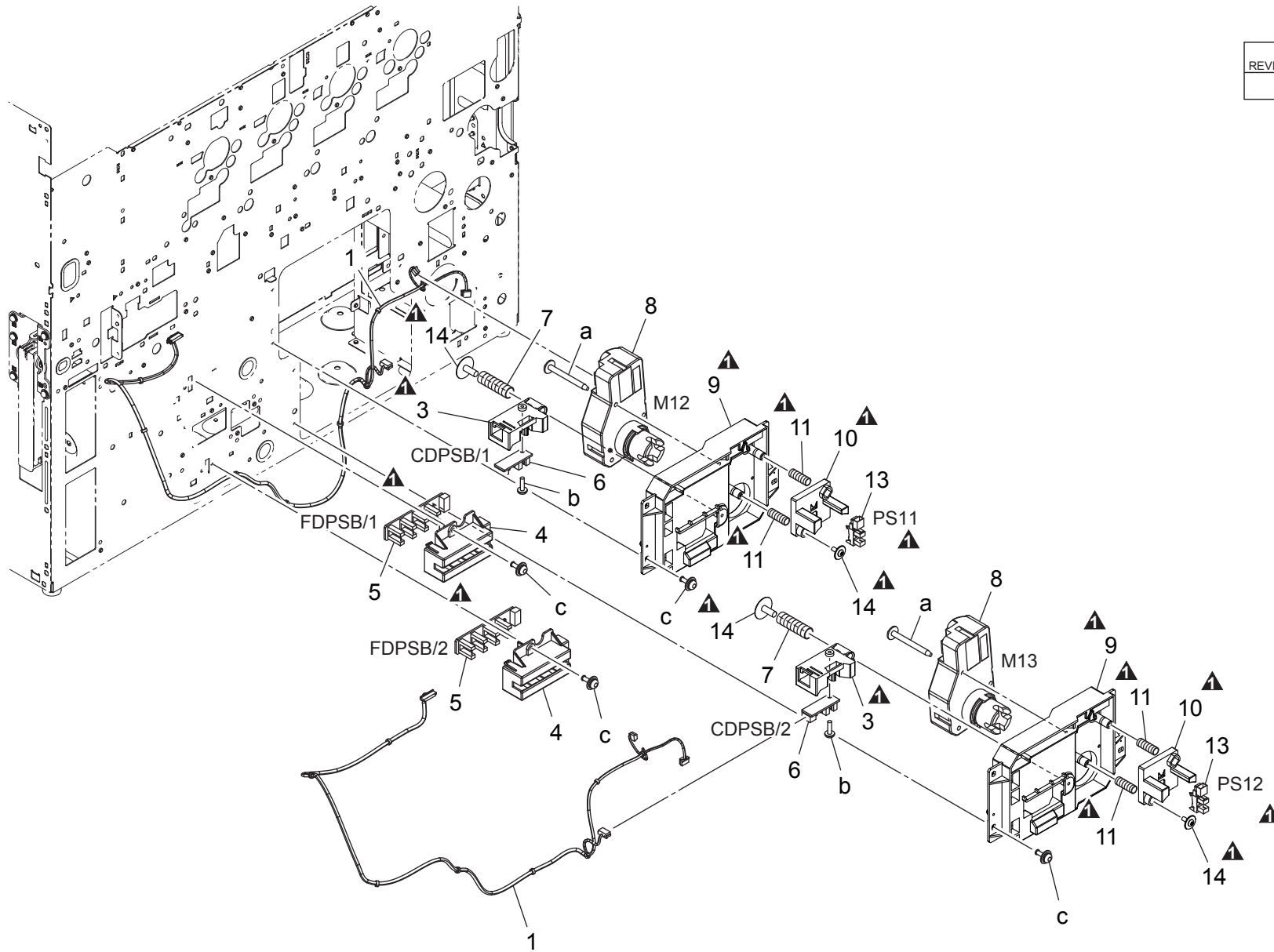
# CASSETTE RAIL SECTION

Key	Part No.	Description	Destinations	Class	QTY	Standard parts
1	A161104300	Torsion Coil spring		D	4	a-V116030803 b-V217040001 c-V137030803 d-V144030603 e-V137031203 g-V116030804
2	A161102300	Stopper		D	2	
3	A161104200	Shaft		D	4	
4	A161101900	Lever		D	4	
6	A161104800Old	Mounting Plate		D	1	
6	A5C1104800	Mounting Plate		D	1	
7	0996305501	RUBBER FOOT		C	4	
8	A5C1101100	Rail		D	2	
10	A161103901	Roll		D	2	
11	A161104400Old	Mounting Plate		D	1	
11	A5C1104400	Mounting Plate		D	1	
12	A161103700	Cover		D	4	
13	A161623400	Roll		D	2	
14	A161105200	Shaft		D	2	
15	A161101600	Mounting Plate		D	1	
16	A161101700	Mounting Plate		D	1	
17	A161104002	Holder		D	1	
18	A5C1104700	Mounting Plate		D	2	

bizhub C022eDN/C028eDN/C036eDN/bizhub C224e/C284e/C364e/bizhub C7822e/C7828e

# PAPER SIZE DETECTION SECTION

改訂版 REVISED EDITION	日付 DATE
▲	SEPTEMBER 2013

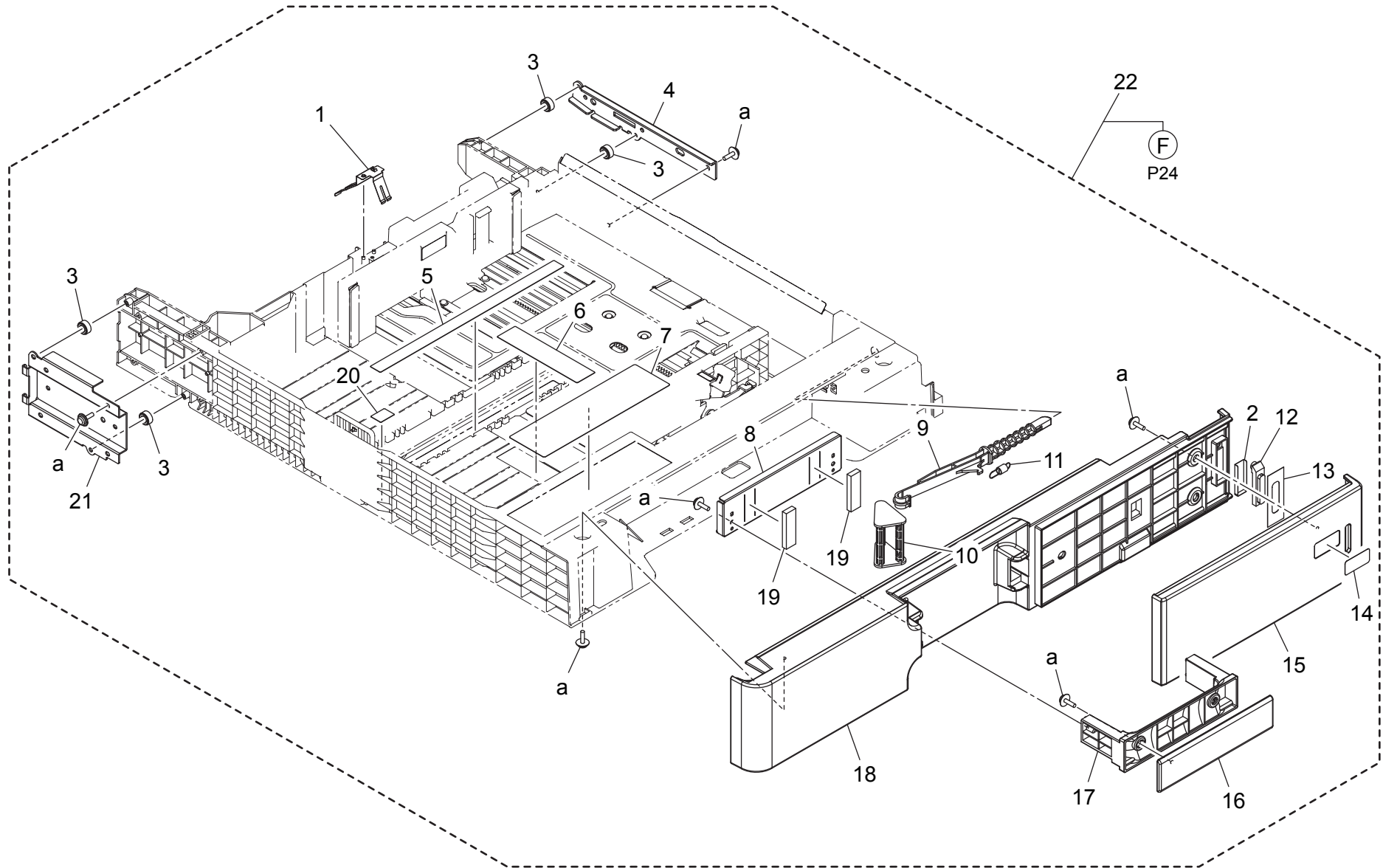


bizhub C022eDN/C028eDN/C036eDN/bizhub C224e/C284e/C364e/bizhub C7822e/C7828e

Key	Part No.	Description	Destinations	Class	QTY	Standard parts
1	A161N10N01	Paperfeed Wiring /Rear		D	2	a-V153033003 b-V145030803 c-V116030803
3	A161627500Old	Holder		C	2	
3	A5C1627500	Holder		C	2	
4	A5C1628000	Holder		C	2	
5	A161M50600	Photointerrupter		C	2	
6	A161M50501	Photointerrupter		C	2	
7	4002311002	Pressure Spring		C	2	
8	9J06M10300	MOTOR		B	2	
9	A161627102Old	Holder		D	2	
9	A5C1627100	Holder		D	2	
10	A161627300Old	Holder		D	2	
10	A5C1627300	Holder		D	2	
11	A0ED627600Old	Compressing Coil spring		D	4	
11	A5C1627900	Compressing Coil spring		D	4	
13	A108M50100	Photointerrupter		B	2	
14	4163529301	SCREW		C	4	

bizhub C022eDN/C028eDN/C036eDN/bizhub C224e/C284e/C364e/bizhub C7822e/C7828e

# 1ST CASSETTE SECTION



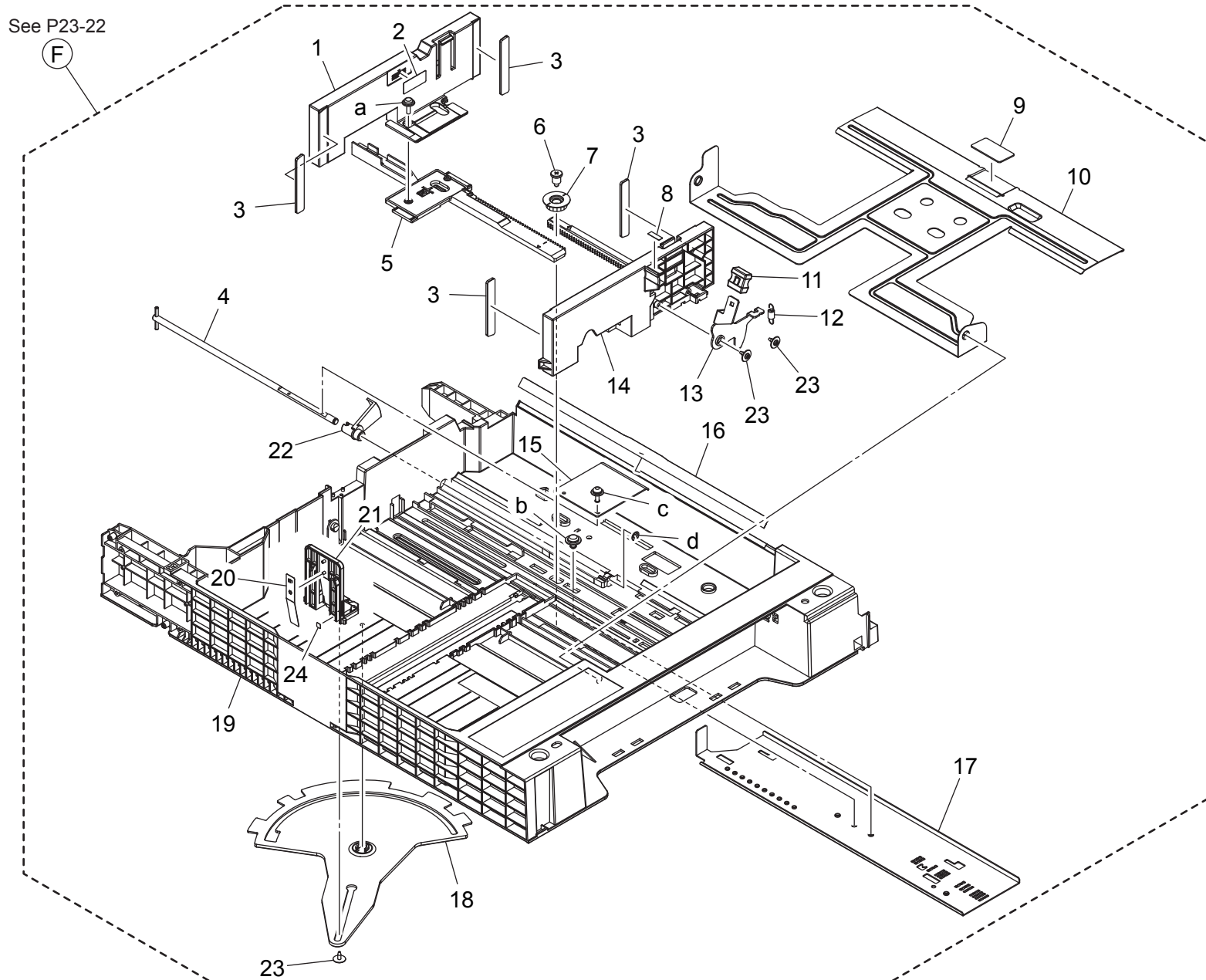
bizhub C022eDN/C028eDN/C036eDN/bizhub C224e/C284e/C364e/bizhub C7822e/C7828e

## 1ST CASSETTE SECTION

Key	Part No.	Description	Destinations	Class	QTY	Standard parts
1	A161622100	Ground Plate	アース板 (カセット)	D	1	a-V153030803
2	A161626200	Sheet	シート (反射板)	D	1	
3	A161623400	Roll	ころ	D	4	
4	A161623101	Reinforce Plate /Right	補強板/右	D	1	
5	A00J942202	Label FD	ラベル F D	C	1	
6	A02E941500	Label Cd	ラベル C D	C	1	
7	A161943802	Label	ラベル (用紙補給)	C	1	
8	A161626300	Holder	ホルダ (取手)	D	1	
9	A161626502	Lever	レバー (ロック)	C	1	
10	A161626601	Lever	レバー (解除)	C	1	
11	A161626800	Pulling Coil spring	引張りコイルばね (ロックレバー)	C	1	
12	A161626000	Lens	レンズ (ライトガイド・給紙)	D	1	
13	A161626100	Light blocking Sheet	遮光シート	D	1	
14	A161943100	Label 1	ラベル 給紙段数表示 1	C	1	
15	A161625012	Cover	カバー (カセット右)	C	1	
16	A161625900	Cover	カバー (カセット取手)	C	1	
17	A161626900	Handle	取手 (カセット)	C	1	
18	A161625114	Cover	カバー (カセット 1 s t)	C	1	
19	A5C1628100	Cushion	クッション	D	2	
20	A02E941300	Label Fd	ラベル F D	C	1	
21	A161623301	Reinforce Plate /Left	補強板/左	D	1	
22	A161F6201K	1st Cassette	1 段目カセット	S	1	

bizhub C022eDN/C028eDN/C036eDN/bizhub C224e/C284e/C364e/bizhub C7822e/C7828e

# 1ST CASSETTE SECTION



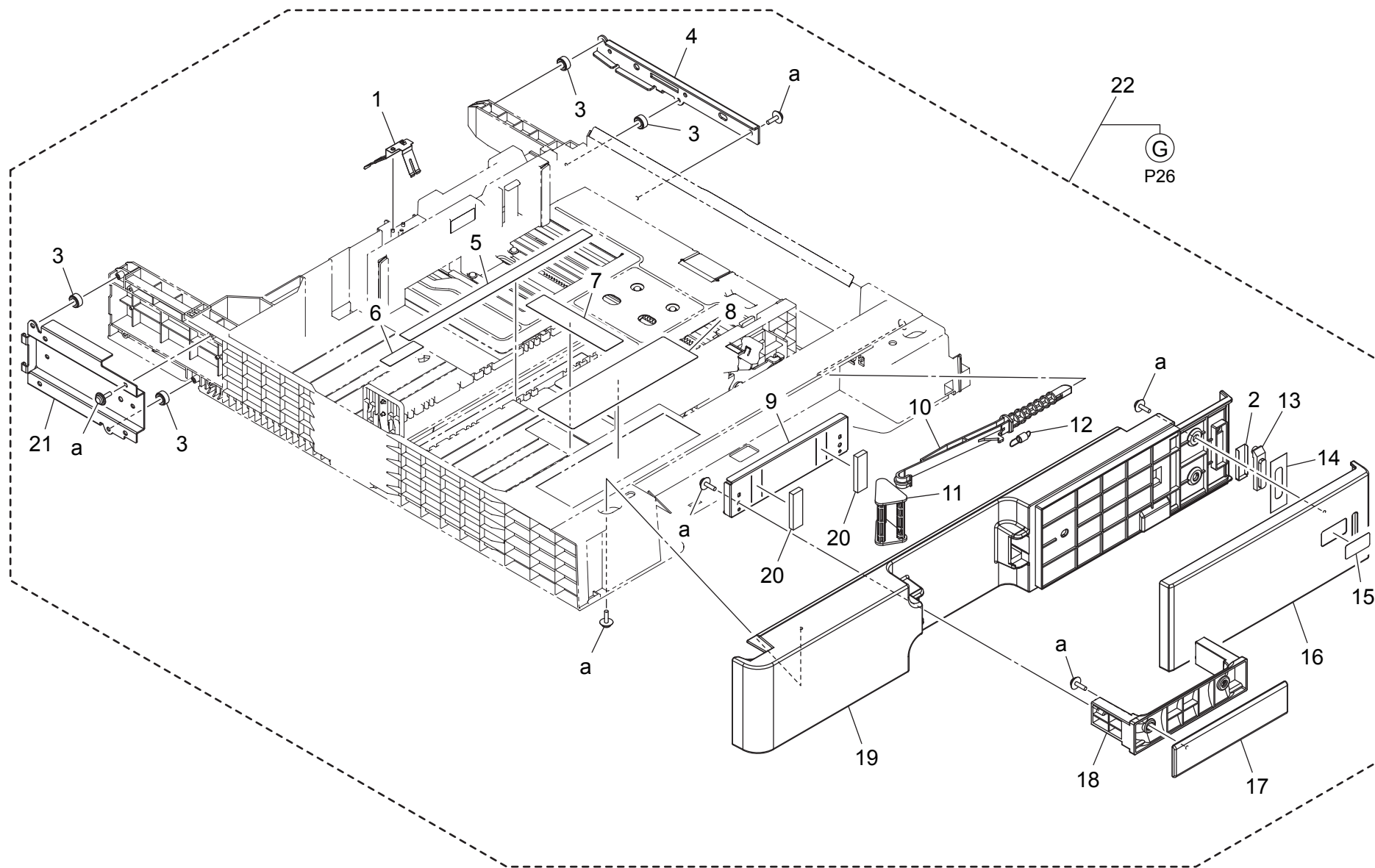
bizhub C022eDN/C028eDN/C036eDN/bizhub C224e/C284e/C364e/bizhub C7822e/C7828e



Key	Part No.	Description	Destinations	Class	QTY	Standard parts
1	A161620903	Regulating Plate /Rear		C	1	a-V153030803 b-V144040603 c-V116030803 d-V217040001
2	A161943700	Label Max Level		C	1	
3	A161624100	Cushion		C	4	
4	A161621600	Lifting Shaft		D	1	
5	A161621100	Rack		C	1	
6	A161620600	Shoulder screw		D	1	
7	A161620701	Gear		D	1	
8	A161943000	Label		C	1	
9	4030322601	FRICTION SHEET		C	1	
10	A161620400	Lifting Plate		D	1	
11	4037320401	KNOB		C	1	
12	A0ED621400	Pulling Coil spring		D	1	
13	A161621300	Lever		D	1	
14	A161620802	Regulating Plate /Front		C	1	
15	4030320601	LEVER		D	1	
16	A0ED620200	Guide		C	1	
17	A161621900	Mounting Plate		D	1	
18	A161621411	Lever		C	1	
19	A161620103	Paper feed Cassette		D	1	
20	A161621800	Plate spring		C	1	
21	A161621701	Regulating Plate		C	1	
22	A0ED620701	Actuator		C	1	
23	4163529301	SCREW		C	3	
24	A02E940300	Label		C	1	

bizhub C022eDN/C028eDN/C036eDN/bizhub C224e/C284e/C364e/bizhub C7822e/C7828e

# 2ND CASSETTE SECTION



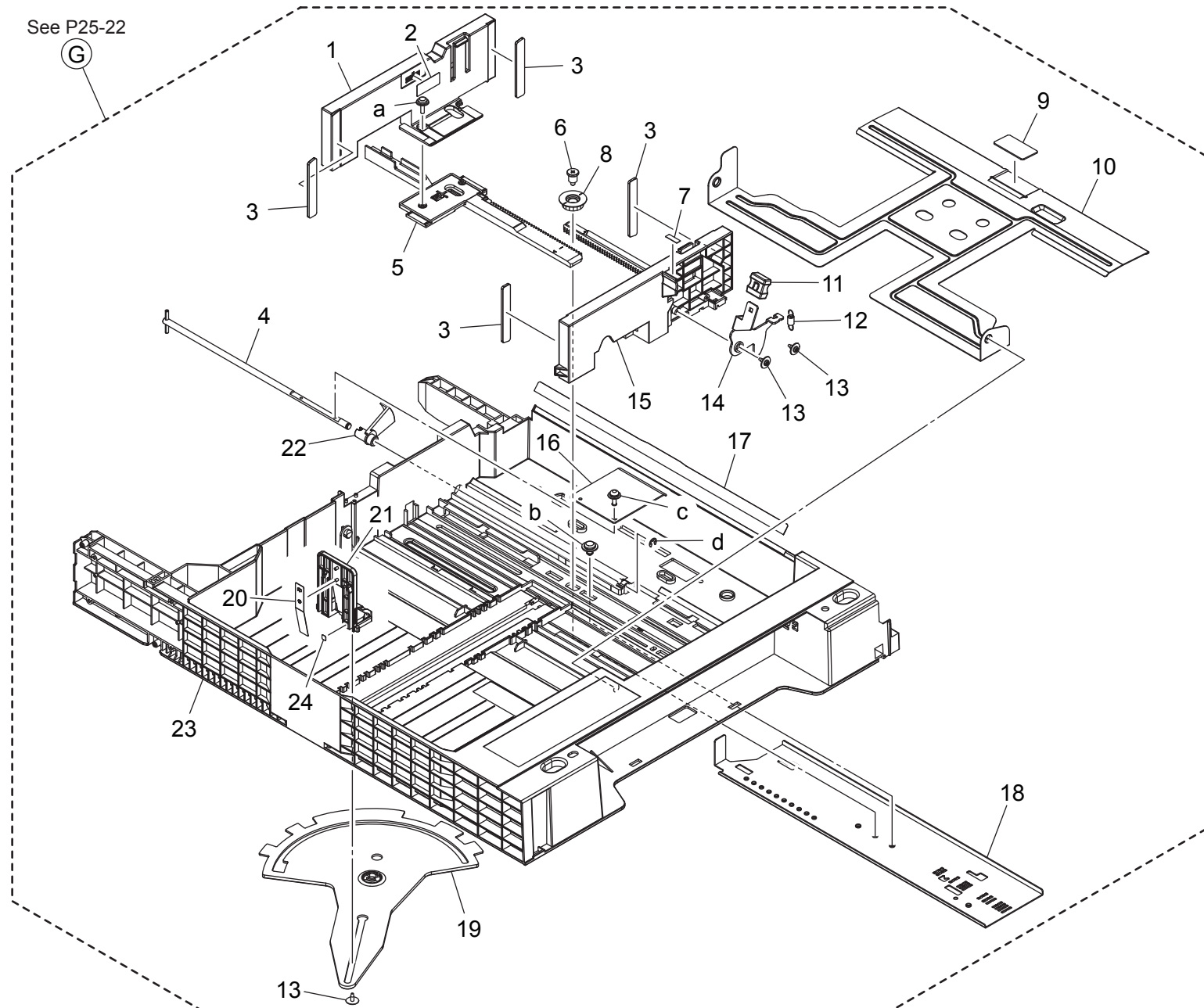
bizhub C022eDN/C028eDN/C036eDN/bizhub C224e/C284e/C364e/bizhub C7822e/C7828e

2ND CASSETTE SECTION

Key	Part No.	Description	Destinations	Class	QTY	Standard parts
1	A161622100	Ground Plate		D	1	a-V153030803
2	A161626200	Sheet		D	1	
3	A161623400	Roll		D	4	
4	A161633101	Reinforce Plate /Right		D	1	
5	A00J942202	Label FD		C	1	
6	A161943500	Label		C	1	
7	A161943601	Label		C	1	
8	A161943802	Label		C	1	
9	A161626300	Holder		D	1	
10	A161636502	Lever		C	1	
11	A161626601	Lever		C	1	
12	A161626800	Pulling Coil spring		C	1	
13	A161626000	Lens		D	1	
14	A161626100	Light blocking Sheet		D	1	
15	A161943200	Label 2		C	1	
16	A161635012	Cover		C	1	
17	A161625900	Cover		C	1	
18	A161626900	Handle		C	1	
19	A161635115	Cover		C	1	
20	A5C1628100	Cushion		D	2	
21	A161633202	Reinforce Plate /Left		D	1	
22	A161F6301L	2nd Cassette		S	1	

bizhub C022eDN/C028eDN/C036eDN/bizhub C224e/C284e/C364e/bizhub C7822e/C7828e

# 2ND CASSETTE SECTION



bizhub C022eDN/C028eDN/C036eDN/bizhub C224e/C284e/C364e/bizhub C7822e/C7828e

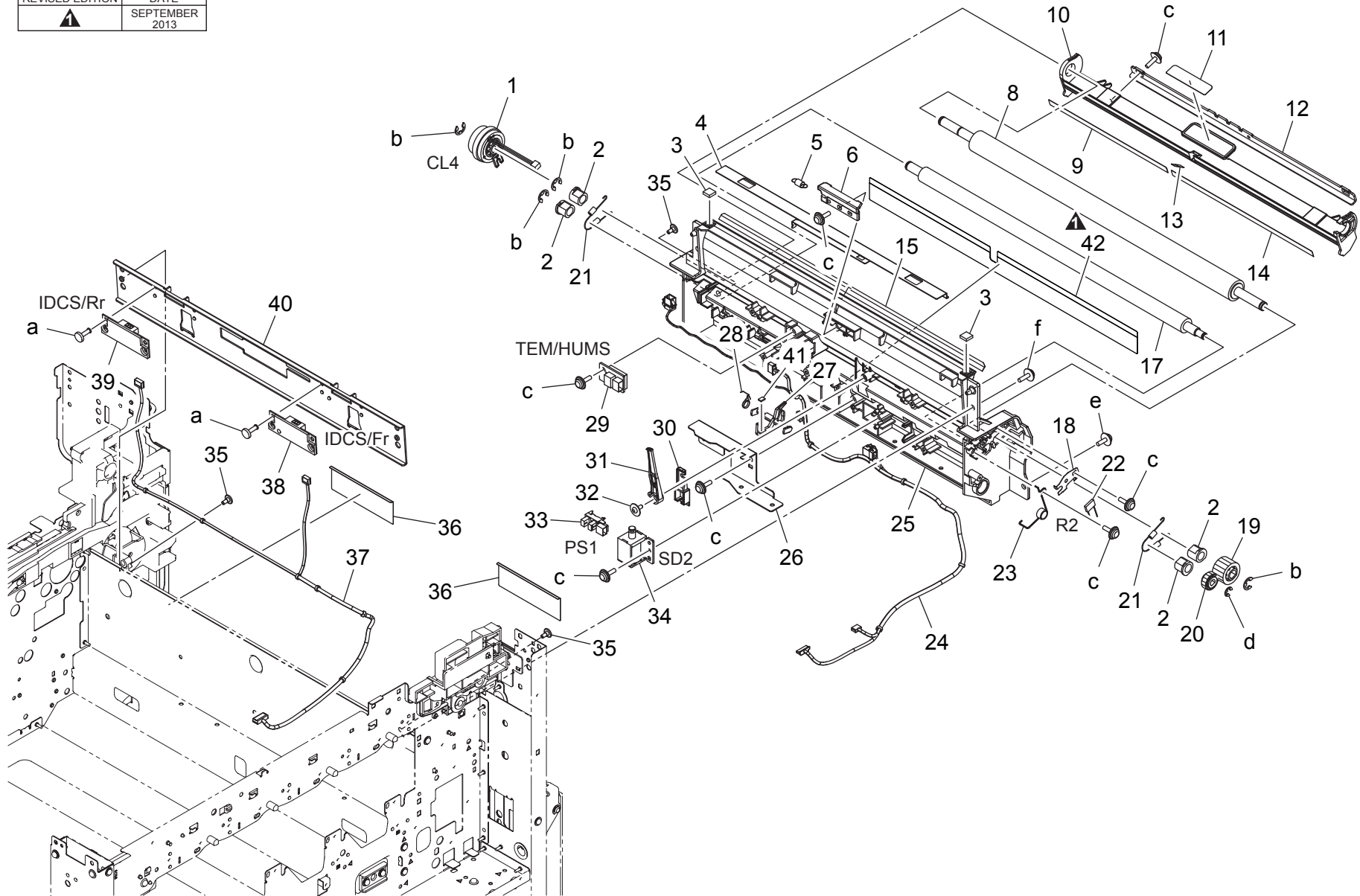
## 2ND CASSETTE SECTION

Key	Part No.	Description	Destinations	Class	QTY	Standard parts
1	A161620903	Regulating Plate /Rear		C	1	a-V153030803 b-V144040603 c-V116030803 d-V217040001
2	A161943700	Label Max Level		C	1	
3	A161624100	Cushion		C	4	
4	A161621600	Lifting Shaft		D	1	
5	A161621100	Rack		C	1	
6	A161620600	Shoulder screw		D	1	
7	A161943000	Label		C	1	
8	A161620701	Gear		D	1	
9	4030322601	FRICTION SHEET		C	1	
10	A161620400	Lifting Plate		D	1	
11	4037320401	KNOB		C	1	
12	A0ED621400	Pulling Coil spring		D	1	
13	4163529301	SCREW		C	3	
14	A161621300	Lever		D	1	
15	A161620802	Regulating Plate /Front		C	1	
16	4030320601	LEVER		D	1	
17	A0ED620200	Guide		C	1	
18	A161621900	Mounting Plate		D	1	
19	A161631411	Lever		C	1	
20	A161621800	Plate spring		C	1	
21	A161621701	Regulating Plate		C	1	
22	A0ED620701	Actuator		C	1	
23	A161630102	Paper feed Cassette		D	1	
24	A02E940300	Label		C	1	

bizhub C022eDN/C028eDN/C036eDN/bizhub C224e/C284e/C364e/bizhub C7822e/C7828e

# CONVEYANCE SECTION

改訂版 REVISED EDITION	日付 DATE
▲	SEPTEMBER 2013



bizhub C022eDN/C028eDN/C036eDN/bizhub C224e/C284e/C364e/bizhub C7822e/C7828e

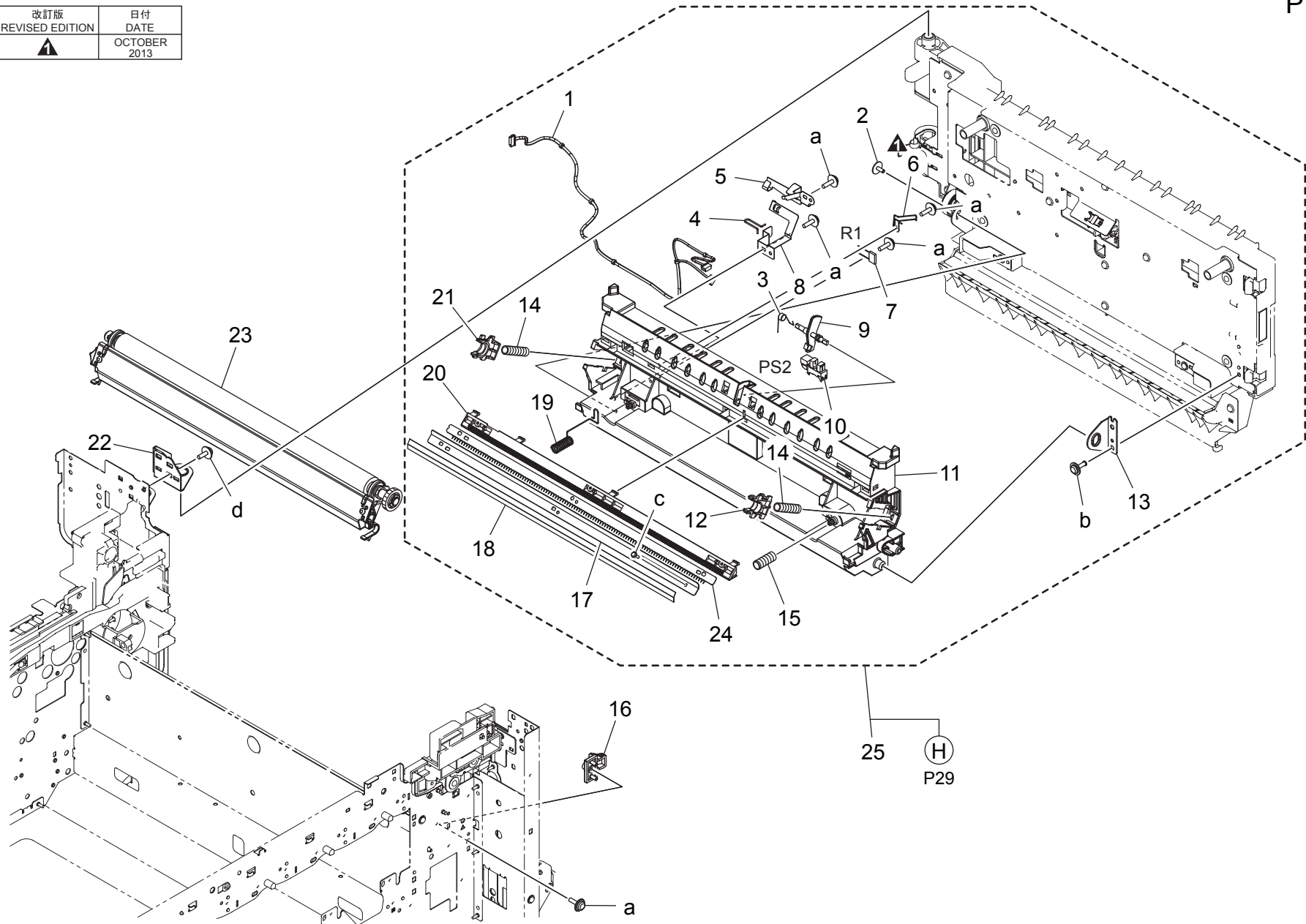
# CONVEYANCE SECTION

Key	Part No.	Description	Destinations	Class	QTY	Standard parts	
1	A02EM20000	Clutch		B	1	a-V118030803 b-V217060001 c-V153030803 d-V217040001 e-V116030803 f-V153031003	
2	A161702200	Bushing		C	4		
3	A161701900	Seal /A		D	2		
4	A0ED705800	Cover		D	1		
5	A0ED702800	Pulling Spring		D	1		
6	A161706001	Holding Shutter		D	1		
8	A5C1700101	Roller		C	1		
9	4038353701	GUIDE		C	1		
10	A161700600	Guide Plate /Middle		D	1		
11	A161946300	Label M2		D	1		
12	A02E712902	Reinforce Plate		D	1		
13	4038353901	GUIDE		C	1		
14	A0ED700600	Guide Sheet		D	1		
15	A161701301	Guide Sheet /A		C	1		
17	A0ED700200	Roller		D	1		
18	A161700800	Ground Plate /D		D	1		
19	A0ED700300	Gear 20T		D	1		
20	A0ED700700	Gear 14T		D	1		
21	A161702000	Conveyance Spring /A		C	2		
22	V800500300	FIXED POWER RESISTORS		D	1		
23	A0ED703200	Torsion Coil spring		D	1		
24	A161N10D00	Conveyance Detection harness /L		D	1		
25	A161700107	Guide Plate /Inside		D	1		
26	A161700300	Mounting Plate /B		D	1		
27	A161701703	Actuator /T		C	1		
28	A161701100	Spring /A		C	1		
29	A0P0M50400	Humidity sensor		C	1		
30	A161700700	Arm /2		D	1		
31	A161700401	Arm /1		D	1		
32	4163529301	SCREW		C	1		
33	A108M50100	Photointerrupter		B	1		
34	A034M20100	Conveyance Solenoid		C	1		
35	4011585202	SHOULDER SCREW		C	3		
36	A161701800	Protection Sheet		D	2		
37	A161N12H00	Sensor Wiring /3		D	1		
38	A161M50000	Photo sensing		I	1		
39	A161M50300	Photo sensing		I	1		
40	A161700901	Reinforce Plate		D	1		
41	A161702100	Cushion /C		C	1		
42	A5C1701400	Guide Sheet /B		D	1		

bizhub C022eDN/C028eDN/C036eDN/bizhub C224e/C284e/C364e/bizhub C7822e/C7828e

# VERTICAL TRANSPORT SECTION

改訂版 REVISED EDITION	日付 DATE
	OCTOBER 2013



bizhub C022eDN/C028eDN/C036eDN/bizhub C224e/C284e/C364e/bizhub C7822e/C7828e

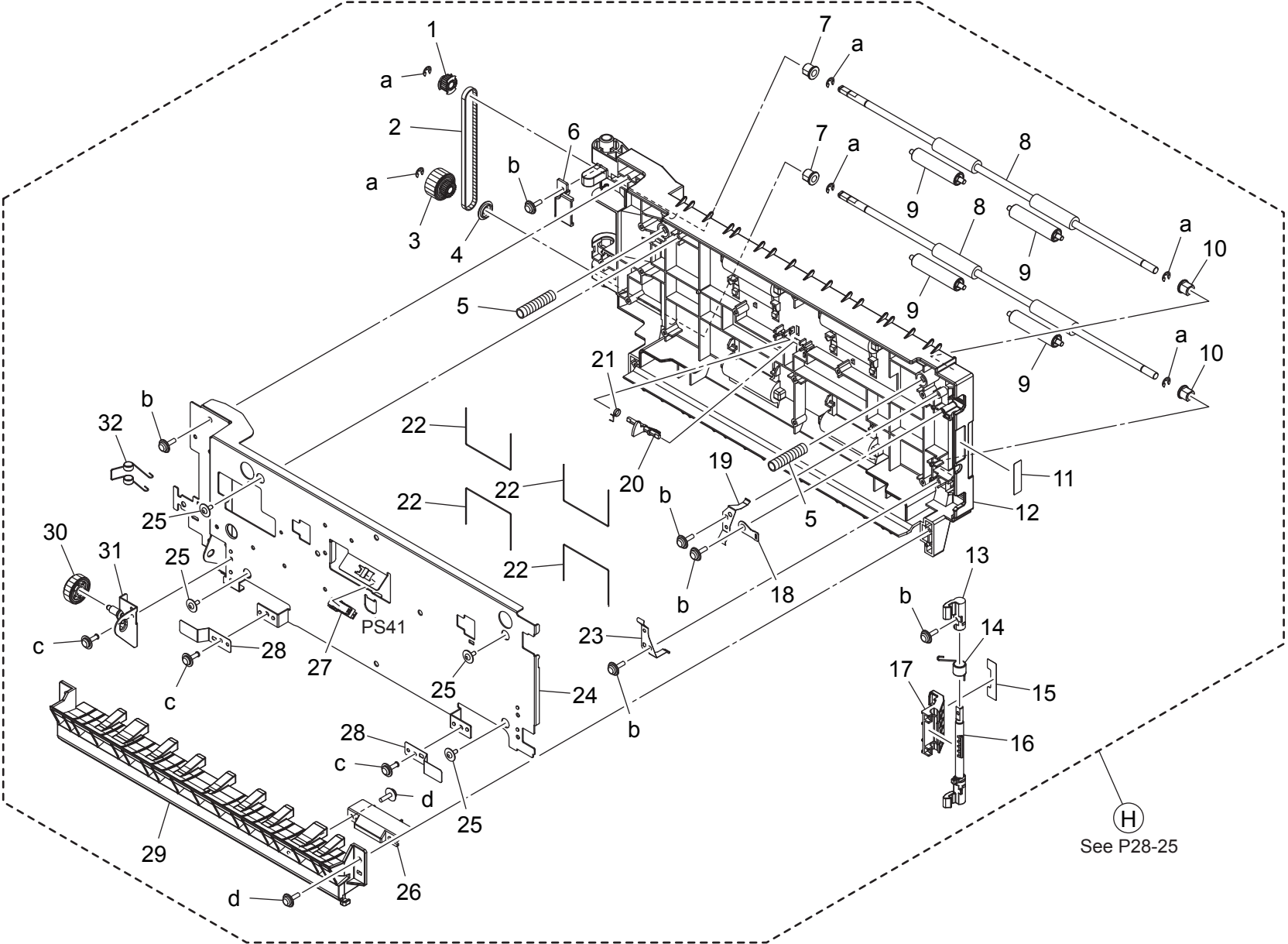


# VERTICAL TRANSPORT SECTION

Key	Part No.	Description	Destinations	Class	QTY	Standard parts
1	A161N10H01	Conveyance Wiring		D	1	a-V153030803 b-V137030803 c-V162020504 d-V116030803
2	4163529301	SCREW		C	1	
3	A161712700	Spring /C		D	1	
4	A161712400	Ground Spring /A		D	1	
5	A161711100	Ground Plate /C		D	1	
6	A5C1711000	Ground Spring /B		D	1	
7	V800500300	FIXED POWER RESISTORS		D	1	
8	A161710900	Ground Plate /A		D	1	
9	A0ED703800	Actuator		D	1	
10	A108M50100	Photointerrupter		B	1	
11	A161710102	Holder /A		D	1	
12	A161550700	Transfer Holder /2		C	1	
13	A161711800	Support Plate /Front		D	1	
14	A0ED551000	Compressing Coil spring /2		C	2	
15	A0ED551100	Compressing Coil spring		D	1	
16	A161712300	Fixing Part /Lower		D	1	
17	A0ED550900	Mounting Plate		D	1	
18	A5C1551701	Guide Seal		D	1	
19	A161712500	Ground Spring /C		D	1	
20	A161551600	Mounting Plate		D	1	
21	A161551500	Transfer Holder /2		C	1	
22	A161104101	Adjusting Plate		D	1	
23	A161R71400	2nd Image Transfer Roller Assy		A	1	
24	A0ED550800	Neutralizing Part		D	1	
25	A5C1R71011	Vertical Transport Assy		S	1	

bizhub C022eDN/C028eDN/C036eDN/bizhub C224e/C284e/C364e/bizhub C7822e/C7828e

VERTICAL TRANSPORT SECTION



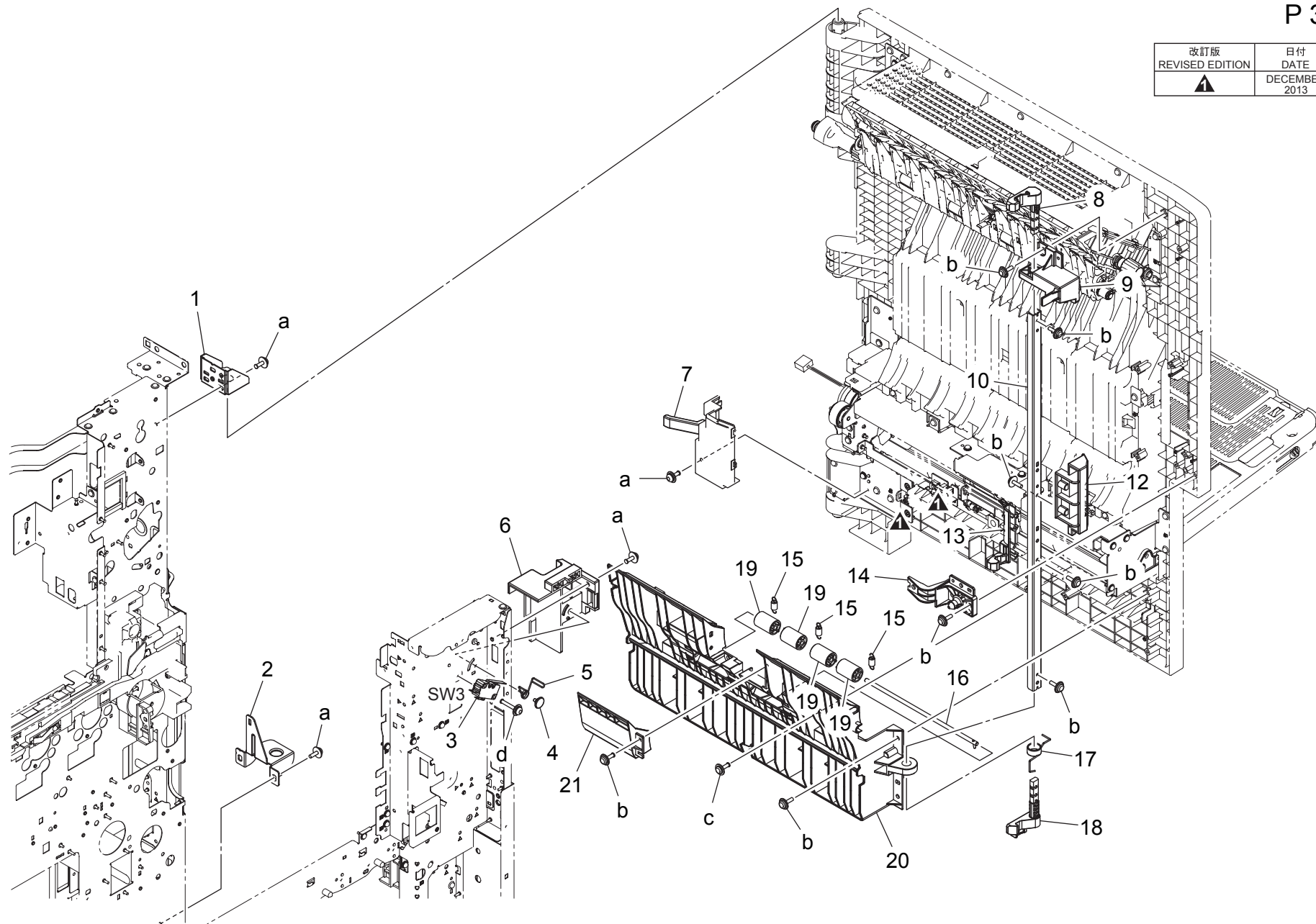
bizhub C022eDN/C028eDN/C036eDN/bizhub C224e/C284e/C364e/bizhub C7822e/C7828e

Key	Part No.	Description	Destinations	Class	QTY	Standard parts
1	A0ED811700	Pulley 22T	プーリ (ADU 第3) 22 T	C	1	a-V217040001 b-V153030803 c-V137030803 d-V153031003
2	A161719000	Drive Belt 266L	駆動ベルト 266 L	C	1	
3	A161709100	Gear 22/23T	ギア 22/23 T	D	1	
4	A0ED811900	Collar	カラー (ADU 第2 R)	D	1	
5	A161711200	Pressing Spring	押圧ばね	D	2	
6	A161712600	Cover /C	カバー / C	D	1	
7	A161713100	Bushing /1	すべり軸受 / 1	D	2	
8	A161710500	Roller /A	ローラ / A	D	2	
9	A161825700	Idler Roller /A	従動ローラ / A	D	4	
10	A02E815200	BUSHING	軸受	C	2	
11	A161946400	Label M6	ラベル M 6	D	1	
12	A161710203	Guide Plate /A	ガイド板 / A	D	1	
13	A161711300	Lock Shaft /A	ロック軸 / A	C	1	
14	A161711700	Spring /B	ばね / B	C	1	
15	A161946200	Label M1	ラベル M 1	D	1	
16	A5C1711500	Lock Shaft	ロック軸	C	1	
17	A161711600	Open/close Lever	開閉レバー	C	1	
18	A161714500	Fixing Part	固定部材	D	1	
19	A161712000	Ground Plate /D	アース板 / D	D	1	
20	A161713500	Actuator	アクチュエータ (ADU 下 JAM 検)	C	1	
21	A161712800	Spring /D	ばね / D	D	1	
22	A161714600	Conveyance Spring /B	搬送ばね / B	D	4	
23	A161712100	Ground Plate /E	アース板 / E	D	1	
24	A161710404	Mounting Plate	取付板	D	1	
25	4163529301	SCREW	ねじ	C	3	
26	A161816300	Lock Plate	ロックプレート	D	1	
27	A108M50100	Photointerrupter	透過型センサ	B	1	
28	A0ED702400	Plate spring	板ばね (タイミング前ガイド)	D	2	
29	A161710300	Guide Plate /B	ガイド板 / B	D	1	
30	A161719100	Gear 23T	ギア 23 T	C	1	
31	A161711900	Support Plate /Rear	支点板 / 奥	D	1	
32	A161712900	Ground Spring /D	アースばね / D	D	1	

bizhub C022eDN/C028eDN/C036eDN/bizhub C224e/C284e/C364e/bizhub C7822e/C7828e

# VERTICAL CONVEYANCE DOOR SECTION

改訂版 REVISED EDITION	日付 DATE
▲	DECEMBER 2013



bizhub C022eDN/C028eDN/C036eDN/bizhub C224e/C284e/C364e/bizhub C7822e/C7828e

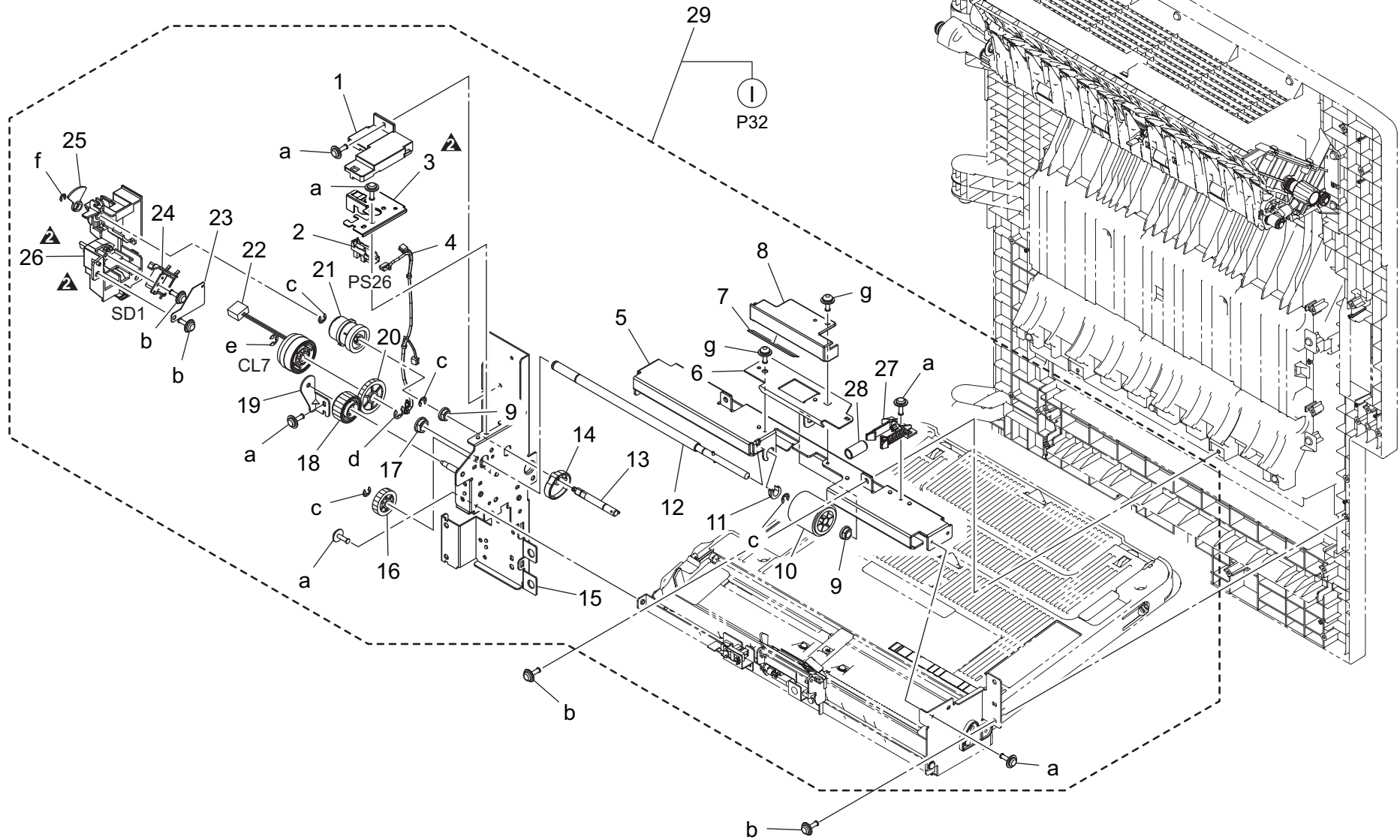
Key	Part No.	Description	Destinations	Class	QTY	Standard parts
1	A161121300	Adjusting Plate		D	1	a-V116030803 b-V153030803 c-V137030804 d-V116031603
2	A161102500	Adjusting Plate		D	1	
3	9J06M60100	MICRO SWITCH		C	1	
4	A161137100	Shoulder screw		D	1	
5	A161151200	Torsion Coil spring		D	1	
6	A161121200	Holder		D	1	
7	A161592900	Wiring Cover /B		D	1	
8	A0ED712100	Lock Claw		C	1	
9	A161811500	Support Part /Upper		D	1	
10	A161811001	Lock Plate		D	1	
12	A161811100	Open/close Handle		C	1	
13	A161815201	Lock /Middle		C	1	
14	A161811302	Lock Part /Lower		D	1	
15	A161815500	Pulling Spring		C	3	
16	A161815300	Shaft		D	1	
17	A161815900	Torsion Coil spring		C	1	
18	A5C1811600	Lock Claw /Lower		C	1	
19	A161815400	Roll		C	4	
20	A161810303	Guide Plate /2		D	1	
21	A5C1590500	Paper feed Guide		D	1	

bizhub C022eDN/C028eDN/C036eDN/bizhub C224e/C284e/C364e/bizhub C7822e/C7828e

# BYPASS TRAY SECTION

P 31

改訂版 REVISED EDITION	日付 DATE
	AUGUST 2013



bizhub C022eDN/C028eDN/C036eDN/bizhub C224e/C284e/C364e/bizhub C7822e/C7828e

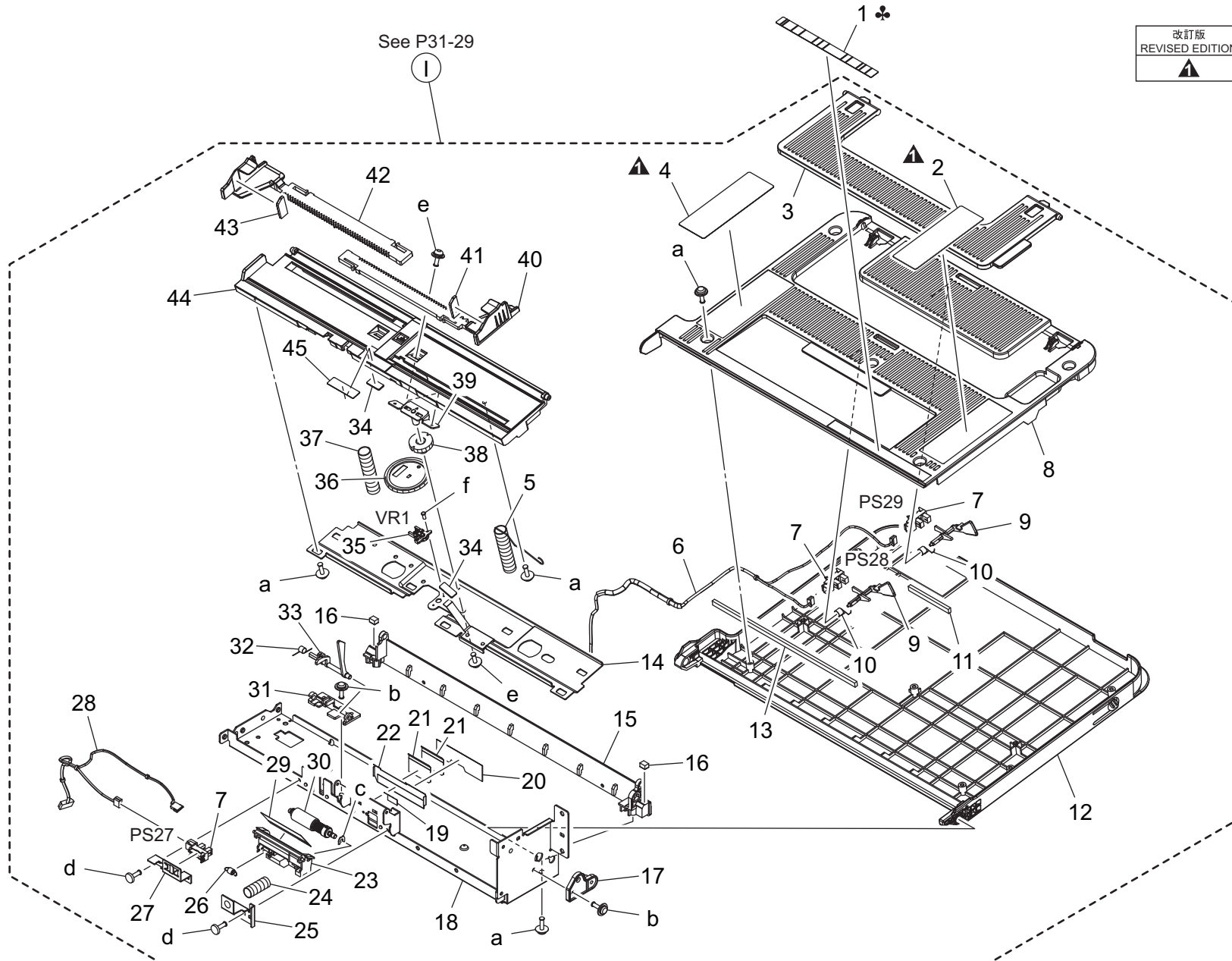
BYPASS TRAY SECTION

Key	Part No.	Description	Destinations	Class	QTY	Standard parts
1	A161592800	Wiring Cover /A		D	1	a-V137030803 b-V153030803 c-V217040001 d-V217060001 e-V217050001 f-V217030001 g-V116030803
2	A108M50100	Photointerrupter		B	1	
3	A161591900Old	Mounting Plate		D	1	
3	A5C1591900	Mounting Plate		D	1	
4	A161N12200	Paperfeed Drive harness /1		D	1	
5	A161590201	Paper feed Frame		D	1	
6	A161594100	Reinforce Plate		D	1	
7	A161594700	Guide Sheet		C	1	
8	A161591700	Auxiliary Guide		D	1	
9	A02E596300	Bushing		C	2	
10	A00F623201	Roller		B	1	
11	A161594400	Slide Stopper		C	1	
12	A161591500	Paper feed Shaft		D	1	
13	A161591400	Drive Shaft		D	1	
14	A161593300	Paper feed Cam		C	1	
15	A161F59001	Caulking(Mounting Plate Drive Frame )		D	1	
16	A02E595400	Gear 22T		C	1	
17	4131353202	BUSHING		C	1	
18	A161590800	Bypass Gear 24T		C	1	
19	A161590600	Reinforce Plate		D	1	
20	A02E596100	Gear 30T		C	1	
21	A02E595100	Clutch assy		C	1	
22	A02EM20100	Clutch		B	1	
23	A0ED597800	Cover		D	1	
24	9J06M20000	SOLENOID		B	1	
25	A161591300	Light blocking Plate		C	1	
26	A161591200Old	Drive Cover		D	1	
26	A5C1591200	Drive Cover		D	1	
27	A161594800	Hold Claw		C	1	
28	A161594900	Coil spring		C	1	
29	A5C1R71111	Multiple Bypass Tray Assy		S	1	

bizhub C022eDN/C028eDN/C036eDN/bizhub C224e/C284e/C364e/bizhub C7822e/C7828e

# BYPASS TRAY SECTION

改訂版 REVISED EDITION	日付 DATE
▲	AUGUST 2013



bizhub C022eDN/C028eDN/C036eDN/bizhub C224e/C284e/C364e/bizhub C7822e/C7828e





# BYPASS TRAY SECTION

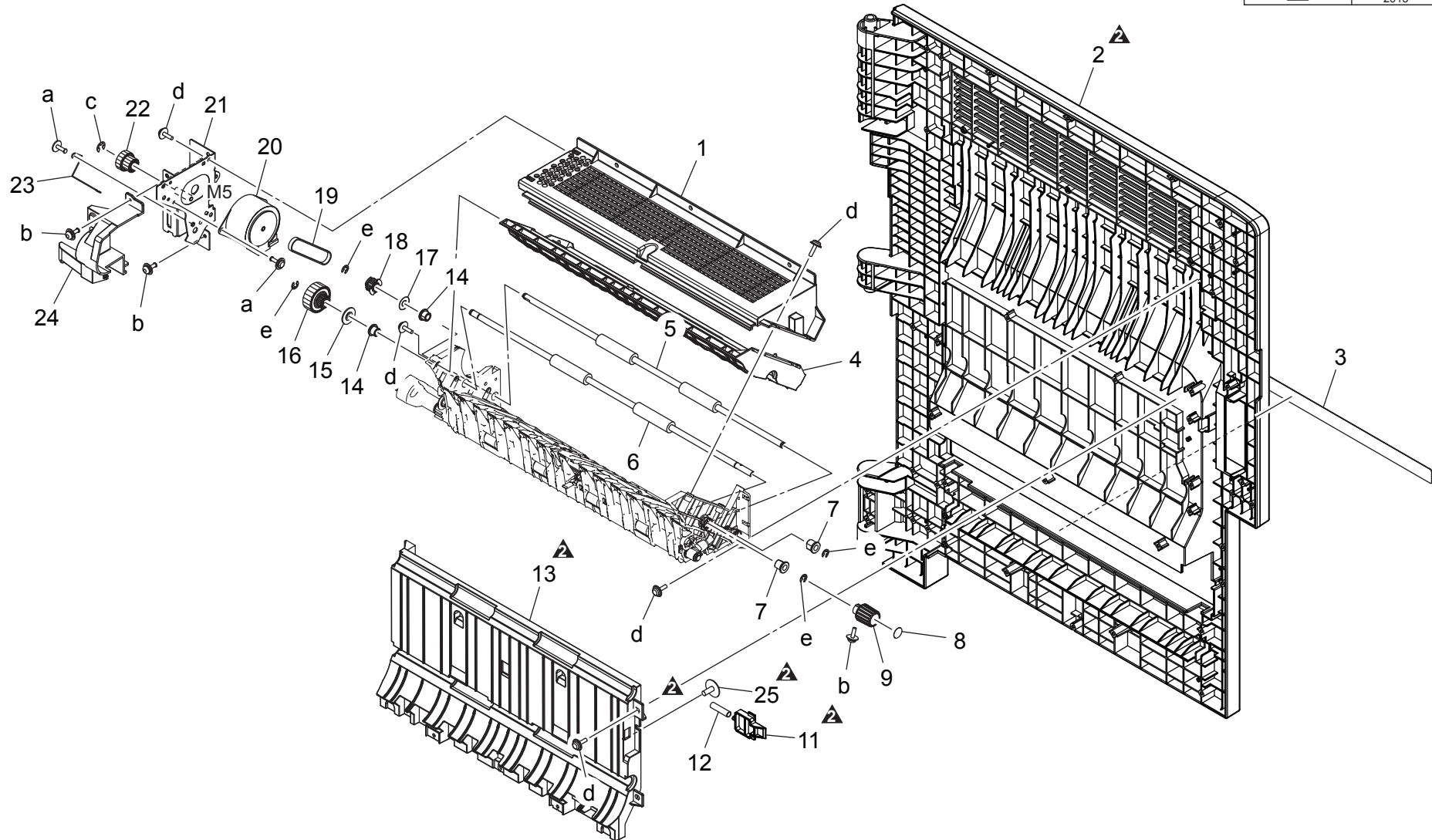
Key	Part No.	Description	Destinations	Class	QTY	Standard parts
1	A161944201	Label Scale/Inch	B,G2	C	1	a-V153030803 b-V137030803 c-V218030086 d-V118030803 e-V116030804 f-V111170403
1	A161944101	Label Scale/Metric	A,A1,C,D1,D3,E,F2,G 1,I,K,H,J	C	1	
2	A161944300	Label Paper Supply 1		D	1	
3	A161592200	Auxiliary Tray		C	1	
4	A161944400	Label Paper Supply 2		D	1	
5	A161593600	Compressing Coil spring		C	1	
6	A161N11Q01	Paperfeed Detection harness /1		D	1	
7	A108M50100	Photointerrupter		B	3	
8	A5C1592100	Bypass Tray /Upper		C	1	
9	A161592400	Actuator		C	2	
10	A161592500	Torsion Spring		C	2	
11	A161592600	Holding Cover /2		D	1	
12	A161592002	Bypass Tray		C	1	
13	A161592300	Holding Cover		D	1	
14	A161593701	Mounting Plate		D	1	
15	A161590303	Support Holder		D	1	
16	A161594201	Cushion		D	2	
17	A161591600	Hold Plate		C	1	
18	A161590101	Bypass Frame		D	1	
19	A161595600	Slide Guide		C	1	
20	A161595100	Seal		C	1	
21	4030340301	GUIDE		C	2	
22	A161595300	Separating Plate		C	1	
23	A161595000	Holder		D	1	
24	4030347501	PRESSURE SPRING		C	1	
25	A161595400	Hold Plate		D	1	
26	A161595200	Pulling Coil spring		C	1	
27	A161591800	Sensor Holder		D	1	
28	A161N10X00	Paperfeed Detection harness /2		D	1	
29	A02E597600	Guide		C	1	
30	4658015106	Roller Assy		A	1	
31	A161591100	Sensor Holder		D	1	
32	A161591000	Torsion Spring		C	1	
33	A161590901	Actuator		C	1	
34	A161593800	Friction Plate		C	2	
35	A161M50400	VR		D	1	
36	A161594300	Regulating Gear 41T		C	1	
37	A161593400	Compressing Coil spring		C	1	
38	A02E592100	Gear 20T		C	1	
39	A161R7A000	Caulking Gear Mounting Plate		D	1	
40	A5C1593100	Regulating Plate /L		C	1	
41	A161594600	Brake Part /F		C	1	
42	A5C1593200	Regulating Plate /R		C	1	
43	A161594500	Brake Part		C	1	
44	A161593001	Lifting Plate		D	1	
45	A161594000	Separating Sheet		C	1	

bizhub C022eDN/C028eDN/C036eDN/bizhub C224e/C284e/C364e/bizhub C7822e/C7828e

# REVERSAL UNIT

P 33

改訂版 REVISED EDITION	日付 DATE
	DECEMBER 2013



bizhub C022eDN/C028eDN/C036eDN/bizhub C224e/C284e/C364e/bizhub C7822e/C7828e

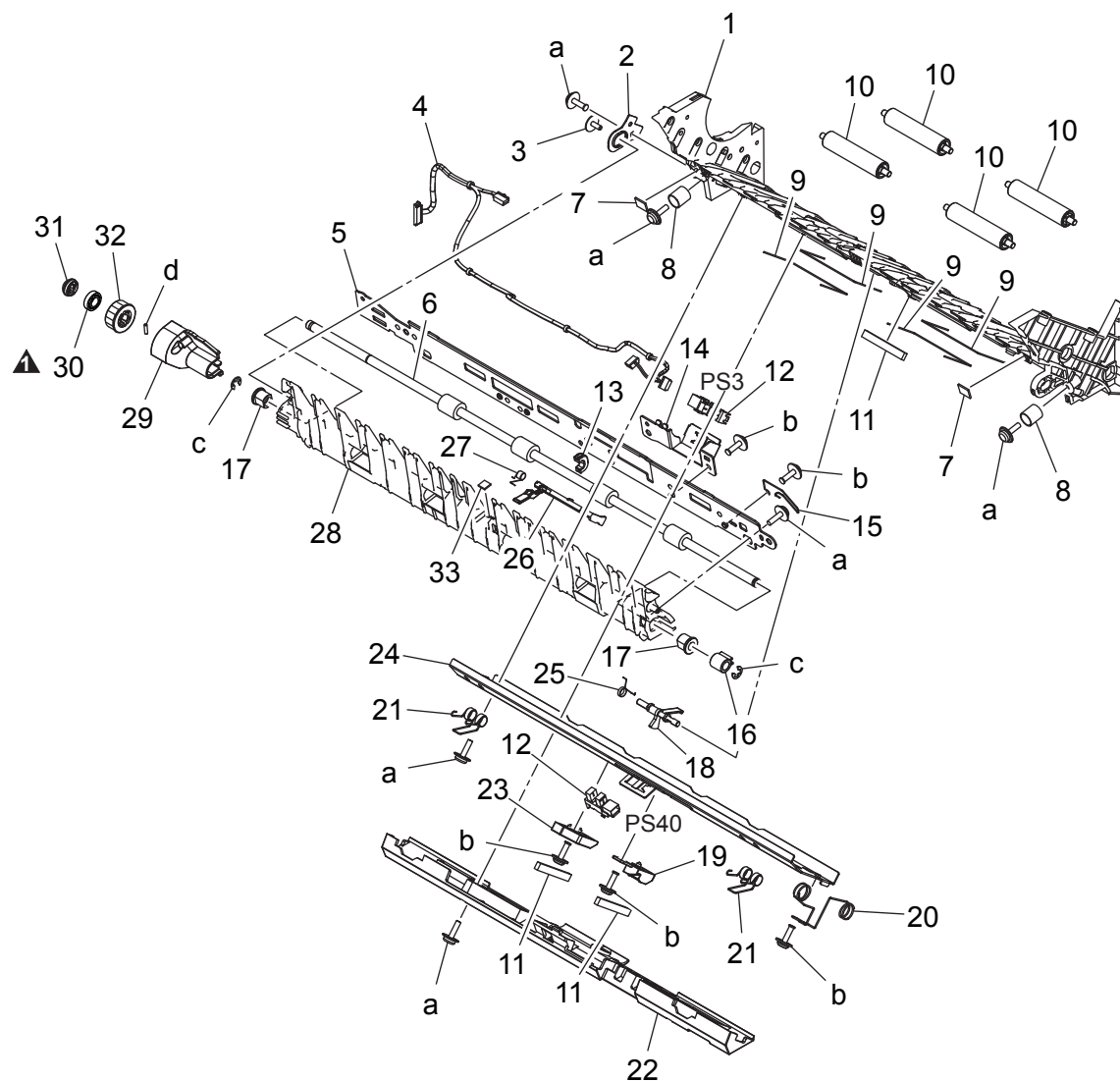
Key	Part No.	Description	Destinations	Class	QTY	Standard parts
1	A161810701	Cover /Upper		D	1	a-V137030803 b-V116030803 c-V217050001 d-V153030803 e-V217040001
2	A161810102Old	Guide Door /Right		C	1	
2	A5C1810100	Guide Door /Right		C	1	
3	A161815100	Cover Door		C	1	
4	A5C1812200	Guide Plate		D	1	
5	A161814601	Roller /C		C	1	
6	A161813701	Roller /B		C	1	
7	A02E815200	BUSHING		C	2	
8	A161946100	Label M5		C	1	
9	A161814700	Knob /A		C	1	
11	A161815700Old	Open/close Claw		C	1	
11	A5C1815700	Open/close Claw		C	1	
12	A161815800	Swing Spring		C	1	
13	A161810200Old	Guide Plate /1		D	1	
13	A5C1810200	Guide Plate /1		D	1	
14	A161813300	Bushing /A		C	2	
15	A161813800	Collar /A		C	1	
16	A5C1819700	Gear 22/29T		C	1	
17	A161816400	Spacer /A		C	1	
18	A0ED811700	Pulley 22T		C	1	
19	A161819000	Drive Belt 156L		C	1	
20	A0EDM10200	Stepping motor		C	1	
21	A161F81103	Caulking(Panel Rear)		D	1	
22	A5C1819600	Gear 16/26T		C	1	
23	A161814300	Contact /B		D	1	
24	A161814901	Cover /B		D	1	
25	4163529301	SCREW		C	1	

bizhub C022eDN/C028eDN/C036eDN/bizhub C224e/C284e/C364e/bizhub C7822e/C7828e

# REVERSAL UNIT

P 34

改訂版 REVISED EDITION	日付 DATE
▲	SEPTEMBER 2013



bizhub C022eDN/C028eDN/C036eDN/bizhub C224e/C284e/C364e/bizhub C7822e/C7828e

Key	Part No.	Description	Destinations	Class	QTY	Standard parts
1	A5C1810401	Guide Plate		D	1	a-V153030803 b-V137030803 c-V217040001 d-V237200850
2	A161814401	Mounting Plate /3		D	1	
3	4163529301	SCREW		C	1	
4	A161N12100	Conveyance Drive harness /Upper		D	1	
5	A161810801	Mounting Plate /2		D	1	
6	A161810600	Roller /1		C	1	
7	A161825300	Cushion /A		D	2	
8	A161813600	Pressing Spring /A		C	2	
9	A0ED815100	Holding Part		D	4	
10	A161825700	Idler Roller /A		D	4	
11	A161825800	Cushion /B		D	3	
12	A108M50100	Photointerrupter		B	2	
13	A161819500	Bushing /C		C	1	
14	A161825100	Mounting Plate /4		D	1	
15	A161819400	Contact /C		D	1	
16	A161814500	Bushing/B		C	1	
17	A02E815200	BUSHING		C	2	
18	A161813200	Actuator		C	1	
19	A161825400	Wiring Part		D	1	
20	A161814202	Contact /A		D	1	
21	A161813400	Torsion Coil spring		D	2	
22	A161813902	Cover /A		D	1	
23	A161825600	Wiring Part /2		D	1	
24	A161810900	Mounting Plate /1		D	1	
25	A161712800	Spring /D		D	1	
26	A161813001	Actuator		C	1	
27	A161813100	Torsion Coil spring		C	1	
28	A161810503	Guide Plate /4		D	1	
29	A161825500	Cover /D		D	1	
30	A5C1825000	Bushing		C	1	
31	A161825000	Bushing		C	1	
32	A161819200	Gear 18T		C	1	
33	A161826000	Cushion /B		D	1	

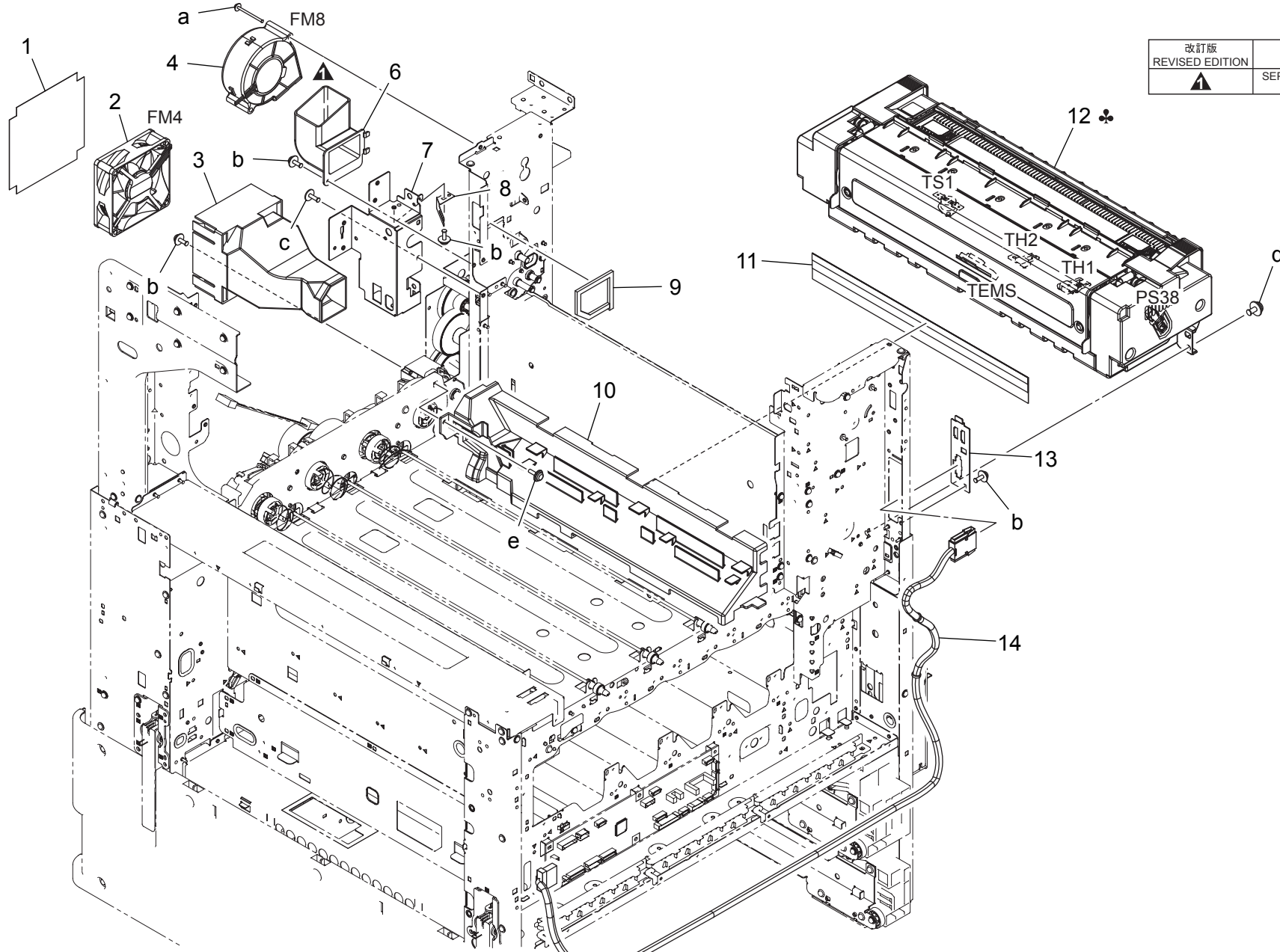
bizhub C022eDN/C028eDN/C036eDN/bizhub C224e/C284e/C364e/bizhub C7822e/C7828e



Order here  
8 (495) 646-0426  
www.km-shop.ru

ПЯТЫЙ ПАРТНЕР

# FUSING SECTION



改訂版 REVISED EDITION	日付 DATE
	SEPTEMBER 2013

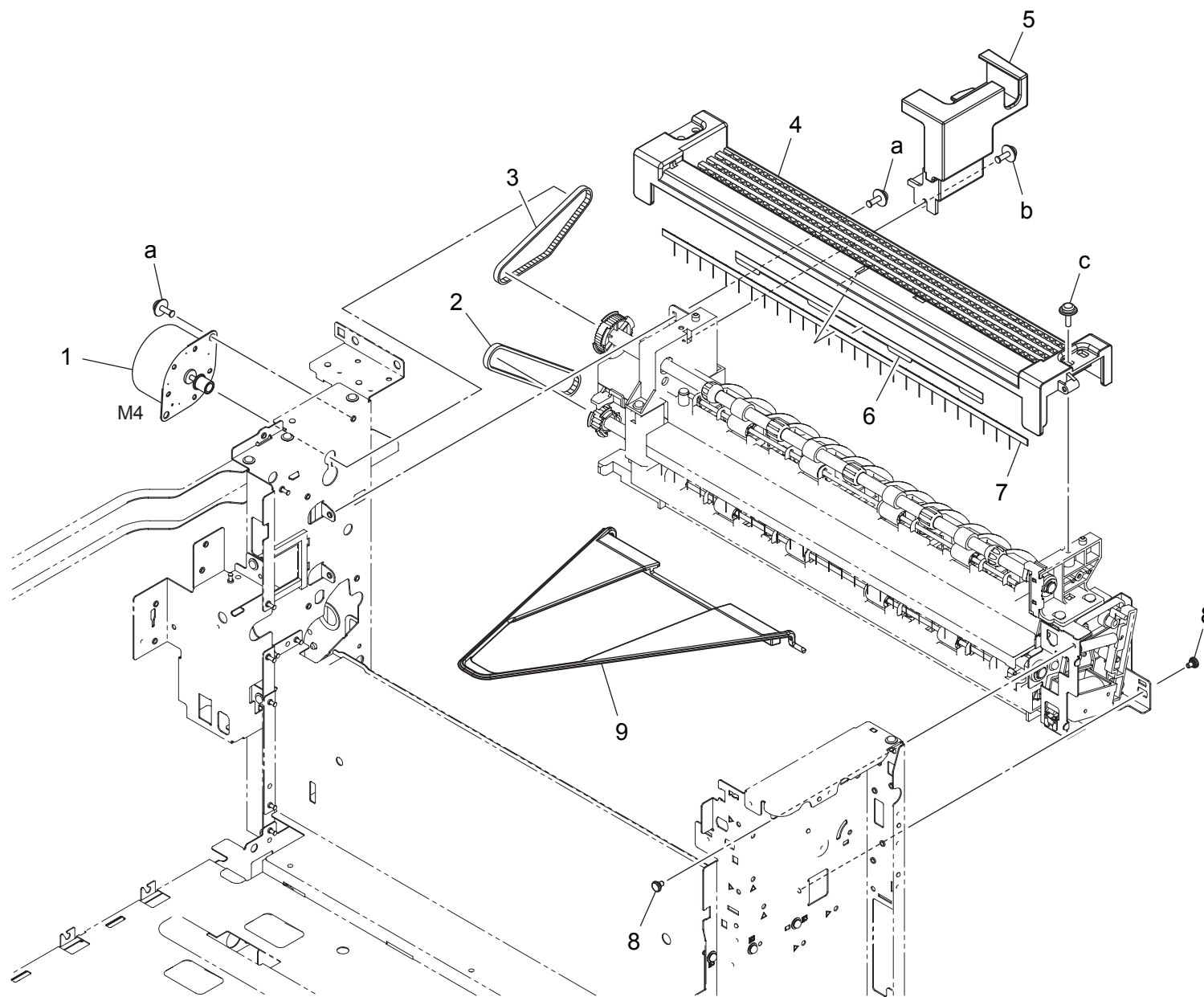
bizhub C022eDN/C028eDN/C036eDN/bizhub C224e/C284e/C364e/bizhub C7822e/C7828e

# FUSING SECTION

Key	Part No.	Description	Destinations	Class	QTY	Standard parts
1	A0ED146900	Filter フィルタ (PH 冷却)	{C364e/C284e/C036eD N/C028eDN/C7822e}	C	1	a-V116033503 b-V116030803 c-V137030803 d-V116041003 e-V153030803
1	A0ED146900	Filter フィルタ (PH 冷却)	{C224e/C7822e}	C	1	
2	4139M10000	FAN MOTOR ファンモータ	{C364e/C284e/C036eD N/C028eDN/C7822e}	B	1	
2	4139M10000	FAN MOTOR ファンモータ	{C224e/C022eDN/C782 2e}	B	1	
3	A161140500	Duct ダクト (TB 冷却)		D	1	
4	9313110033	FAN MOTOR ファンモータ		C	1	
6	A161140300	Duct ダクト (用紙冷却)		D	1	
7	A161121103	Mounting Plate 取付板 (FN)		D	1	
8	A161122500	Ground Plate アース板		D	1	
9	A161121401	Seal /Upper シール/上 (排紙)		D	1	
10	A161140400	Duct ダクト (TB 冷却)		D	1	
11	A161102700	Seal シール		D	1	
12	A161R71744	Fusing Unit 100V 定着ユニット 100V	A,A1	A	1	
12	A161R71844	Fusing Unit 120V 定着ユニット 120V	B,G2	A	1	
12	A161R71955	Fusing Unit 230V 定着ユニット 230V	C,D1,D3,E,F2,G1,I,K ,J	A	1	
12	A161R73200	Fusing Unit 110V 定着ユニット 110V	H	A	1	
13	A161137202	Mounting Plate 取付板 (定着コネクタ/1)		D	1	
14	A161N10602	Heater Relay harness /1 ヒーター中継束線/1 (ハロゲン)	{C364e/C284e/C036eD N/C28eDN/C7828e}	D	1	
14	A161N10602	Heater Relay harness /1 ヒーター中継束線/1 (ハロゲン)	{C224e/C022eDN/C782 2e}	D	1	

bizhub C022eDN/C028eDN/C036eDN/bizhub C224e/C284e/C364e/bizhub C7822e/C7828e

# PAPER EXIT SECTION



bizhub C022eDN/C028eDN/C036eDN/bizhub C224e/C284e/C364e/bizhub C7822e/C7828e



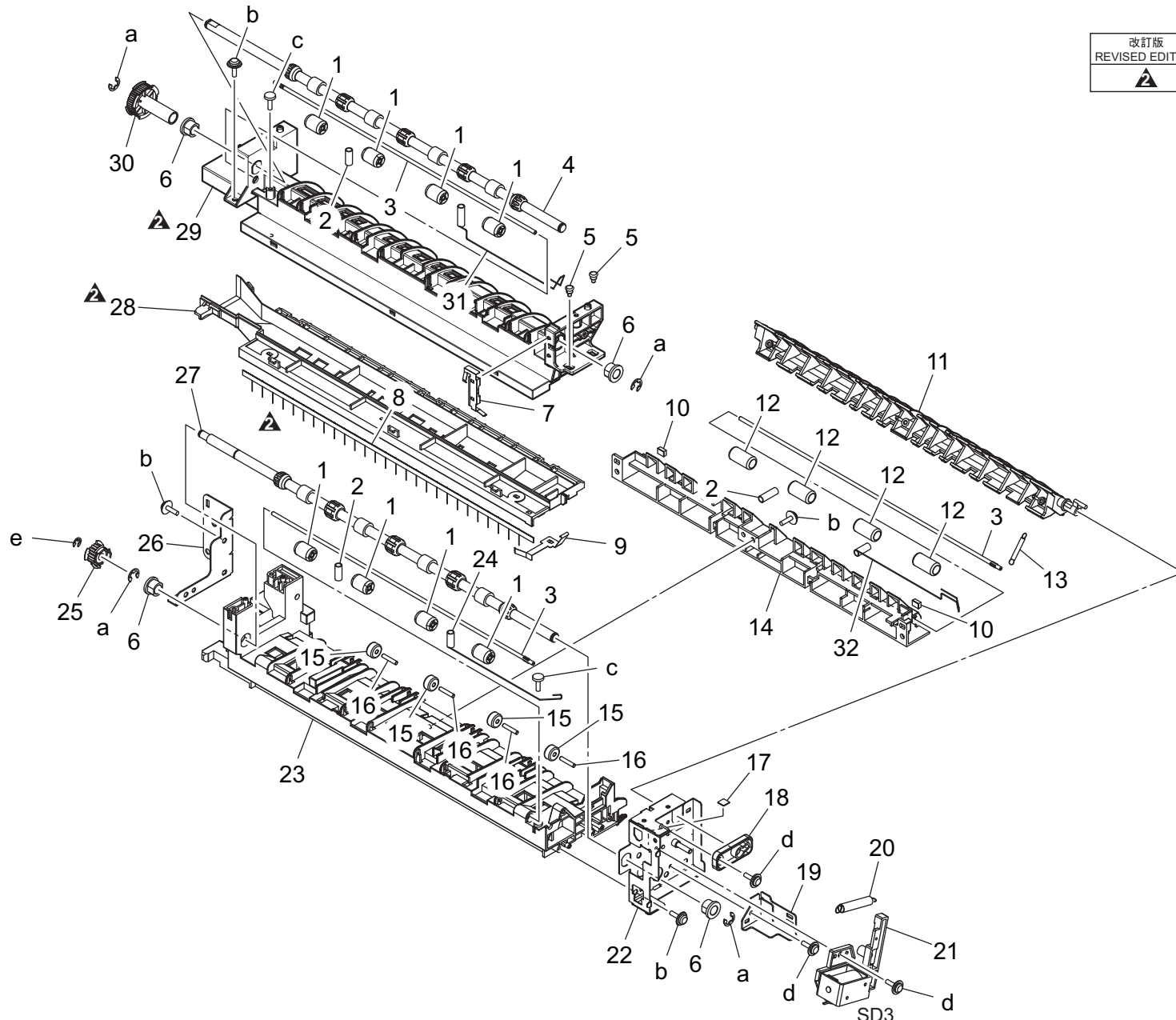
Key	Part No.	Description	Destinations	Class	QTY	Standard parts
1	A0EDM10300	Stepping motor		C	1	a-V116030803 b-V116030804 c-V153030803
2	A161891401	Timing belt 231L		D	1	
3	4640392001	BELT		C	1	
4	A161895300	Paper exit Cover		D	1	
5	A161162302	Cover		D	1	
6	A161894100	Sheet		D	1	
7	A161894000	Neutralizing Brush		C	1	
8	A0P0742300	Shoulder screw		C	2	
9	A161897200	Guide Part		C	1	

bizhub C022eDN/C028eDN/C036eDN/bizhub C224e/C284e/C364e/bizhub C7822e/C7828e

# PAPER EXIT SECTION

P 37

改訂版 REVISED EDITION	日付 DATE
	JULY 2013

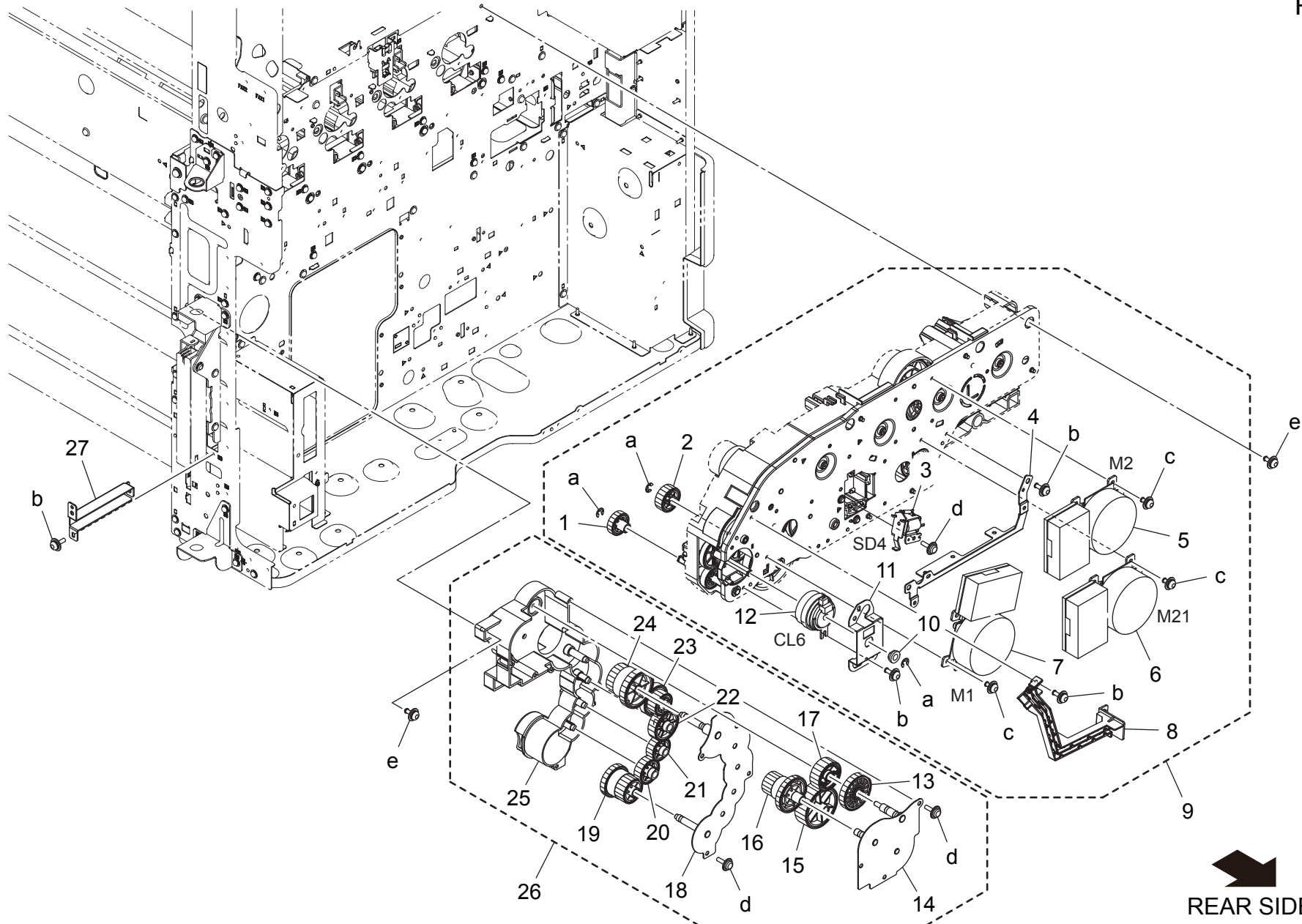


bizhub C022eDN/C028eDN/C036eDN/bizhub C224e/C284e/C364e/bizhub C7822e/C7828e

Key	Part No.	Description	Destinations	Class	QTY	Standard parts
1	4004590301	ROLL		C	8	a-V217060001 b-V153030803 c-V149030803 d-V137030803 e-V217040001
2	A161892400	Spring	ばね (排紙)	C	3	
3	4025598401	SHAFT	シャフト	D	3	
4	A161895400	Roller	ローラ (反転)	C	1	
5	1164202801	SHOULDER SCREW	段ねじ	D	2	
6	A0ED891100	Bushing	すべり軸受	D	4	
7	A161895502	Ground Contact /Upper	アース接点/上	D	1	
8	A161894000	Neutralizing Brush	除電ブラシ	C	1	
9	A161895600	Ground Contact /Lower	アース接点/下	D	1	
10	A161893600	Cushion	クッション	D	2	
11	A161890401	Guide Lever	ガイドレバー	D	1	
12	A0P0901100	Roll	ころ	C	4	
13	A161892100	Spring	ばね (ガイドレバー)	C	1	
14	A161890203	Guide Part /Lower	ガイド部材/下	D	1	
15	A0ED897700	Collar	カラー (排紙)	C	4	
16	4036254901	PIN	ピン	D	4	
17	A161893800	Seal	シール	D	1	
18	A161891000	Bushing	すべり軸受	D	1	
19	A161892300	Mounting Plate	取付板 (パネル)	D	1	
20	A161892000	Spring	ばね (経路切替 SL)	D	1	
21	A161R72600	Solenoid Assy	ソレノイド Assy	C	1	
22	A161F89001	Caulking(Mounting Plate)	取付板カシメ	D	1	
23	A161890102	Paper exit Main body	排紙本体	D	1	
24	A161900100	Ground Spring	アースばね (排紙)	C	1	
25	A161891301	Pulley 18T	プーリー 18 T	D	1	
26	A161892902	Fixing Part	固定部材	D	1	
27	A161890300	Roller	ローラ (排紙)	C	1	
28	A161895201Old	Paper exit Guide /Lower	排紙ガイド/下	D	1	
28	A161895212	Paper exit Guide /Lower	排紙ガイド/下	D	1	
29	A161895102Old	Paper exit Guide /Upper	排紙ガイド/上	D	1	
29	A161895113	Paper exit Guide /Upper	排紙ガイド/上	D	1	
30	A161895800	Pulley 44T	プーリー 44 T	D	1	
31	A161900201	Ground Spring	アースばね (反転)	C	1	
32	A161900300	Ground Spring	アースばね (排紙前)	C	1	

bizhub C022eDN/C028eDN/C036eDN/bizhub C224e/C284e/C364e/bizhub C7822e/C7828e

# MAIN DRIVE/ PAPER FEED DRIVE SECTION



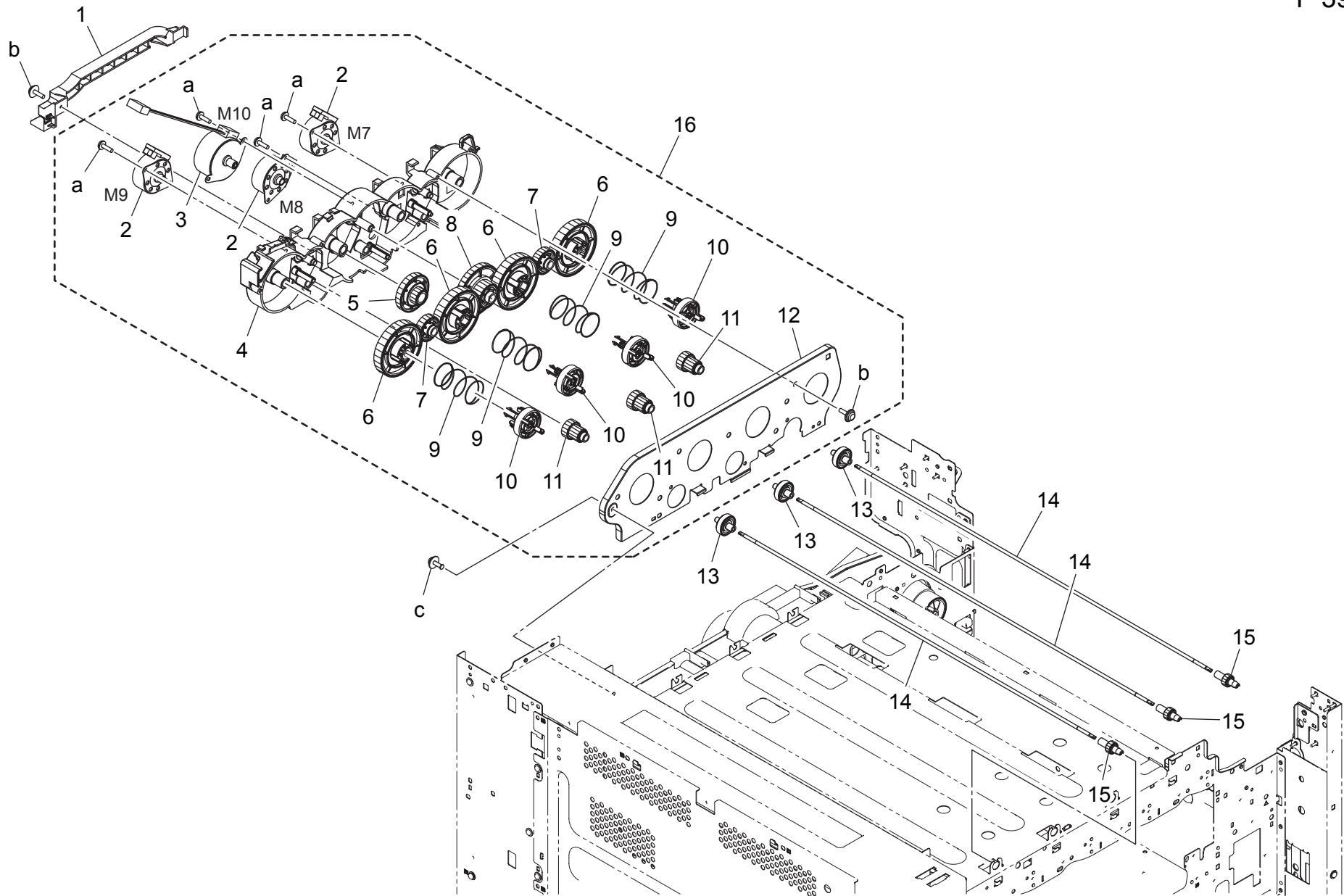
bizhub C022eDN/C028eDN/C036eDN/bizhub C224e/C284e/C364e/bizhub C7822e/C7828e

MAIN DRIVE/ PAPER FEED DRIVE SECTION

Key	Part No.	Description	Destinations	Class	QTY	Standard parts
1	A161257800	Gear 20T		C	1	a-V217040001 b-V116030803 c-V116030603 d-V153030803 e-V125030818
2	A161254000	Gear 22T		C	1	
3	A161M20300	Flapper solenoid		C	1	
4	A161216101	Mounting Plate		D	1	
5	A161M10200	brushless Motor /20		I	1	
6	A2XKM10300	Brushless motor		I	1	
7	A161M10001	brushless Motor /40		I	1	
8	A161134701	Guide		D	1	
9	A161R70600	Main Drive Assy		S	1	
10	A161210200	Bushing		D	1	
11	A161253900	Hold Plate		D	1	
12	A161M20201	Clutch		C	1	
13	A161253500	Gear 53T		D	1	
14	A161F21100	Caulking(Hold Plate Paper Feed DriveL)		D	1	
15	A161253100	Gear 38T		D	1	
16	A161259800	Gear 19/32T		D	1	
17	A161253600	Gear 26T		D	1	
18	A161F21200	Caulking(Hold Plate Paper Feed Drive2)		D	1	
19	A161220700	Gear 28/28T		D	1	
20	A161220600	Gear 28T		D	1	
21	A161220500	Gear 26T		D	1	
22	A161220400	Gear 35T		D	1	
23	A161220200	Gear 25/27T		D	1	
24	A161220100	Gear 26/34T		D	1	
25	A161221001	Holder		D	1	
26	A161R70511	Paper Feed Drive Assy		S	1	
27	A161105500	Reinforce Plate		D	1	

bizhub C022eDN/C028eDN/C036eDN/bizhub C224e/C284e/C364e/bizhub C7822e/C7828e

# TONER BOTTLE DRIVE SECTION



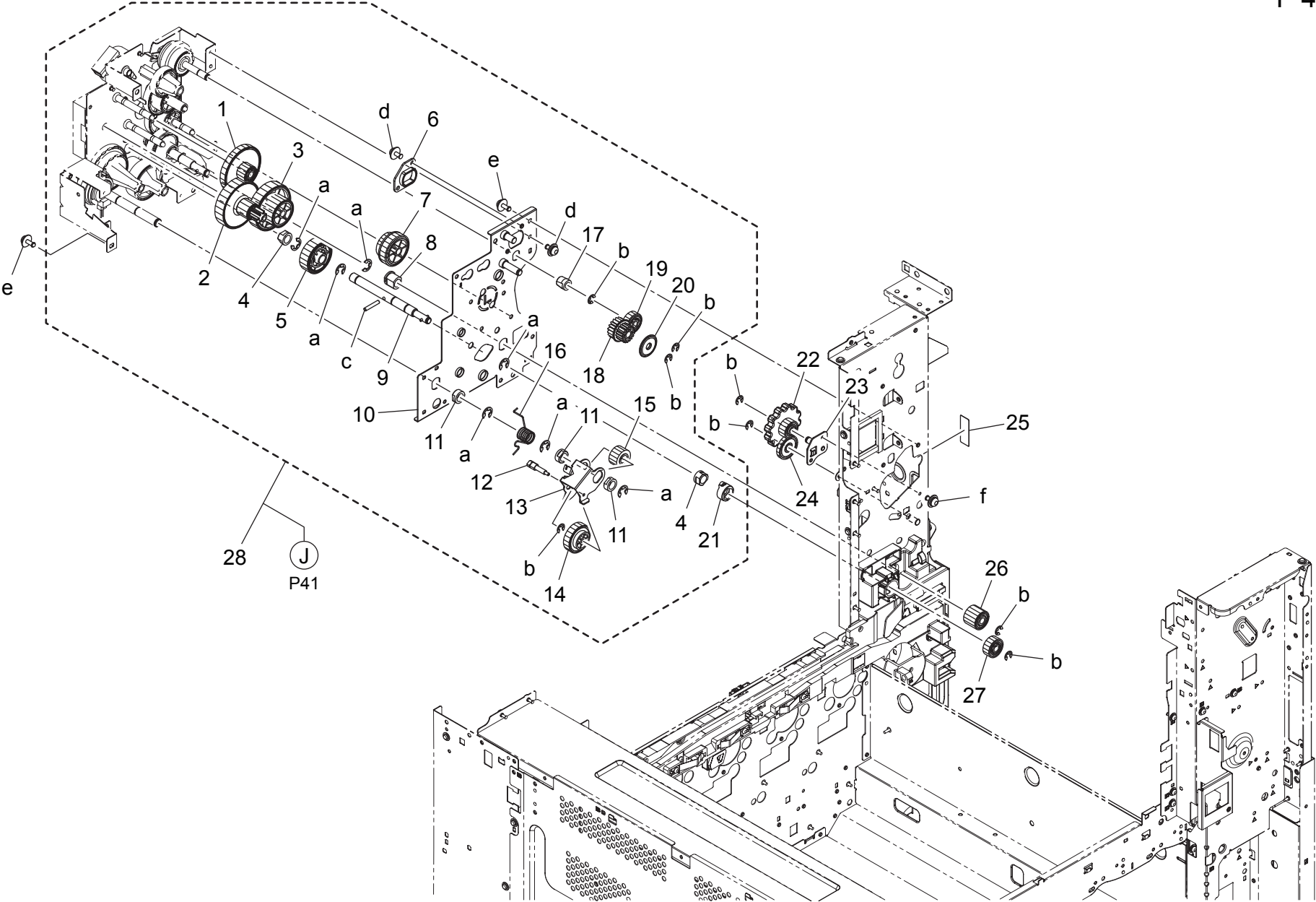
bizhub C022eDN/C028eDN/C036eDN/bizhub C224e/C284e/C364e/bizhub C7822e/C7828e

# TONER BOTTLE DRIVE SECTION

Key	Part No.	Description	Destinations	Class	QTY	Standard parts
1	A161241600	Guide		D	1	a-V145030803 b-V153030803 c-V116030803
2	A02EM10400	Stepping motor		C	3	
3	A161M10300	Stepping motor		C	1	
4	A161240100	Drive Holder		D	1	
5	A161240300	Gear 18/91T		D	1	
6	A161240600	Gear 65T		D	4	
7	A161240500	Gear 29T		D	2	
8	A161240400	Gear 29/62T		D	1	
9	4038541202	PRESSURE SPRING		C	4	
10	A161240700	Joint		C	4	
11	A161240900	Gear 20/42T		D	3	
12	A161241500	Mounting Plate		D	1	
13	A161241000	Gear 31T		C	3	
14	A161241200	Shaft		D	3	
15	A161241400	Gear 17T		C	3	
16	A161R70811	Toner Bottle Drive Assy		S	1	

bizhub C022eDN/C028eDN/C036eDN/bizhub C224e/C284e/C364e/bizhub C7822e/C7828e

# FUSING DRIVE SECTION



bizhub C022eDN/C028eDN/C036eDN/bizhub C224e/C284e/C364e/bizhub C7822e/C7828e

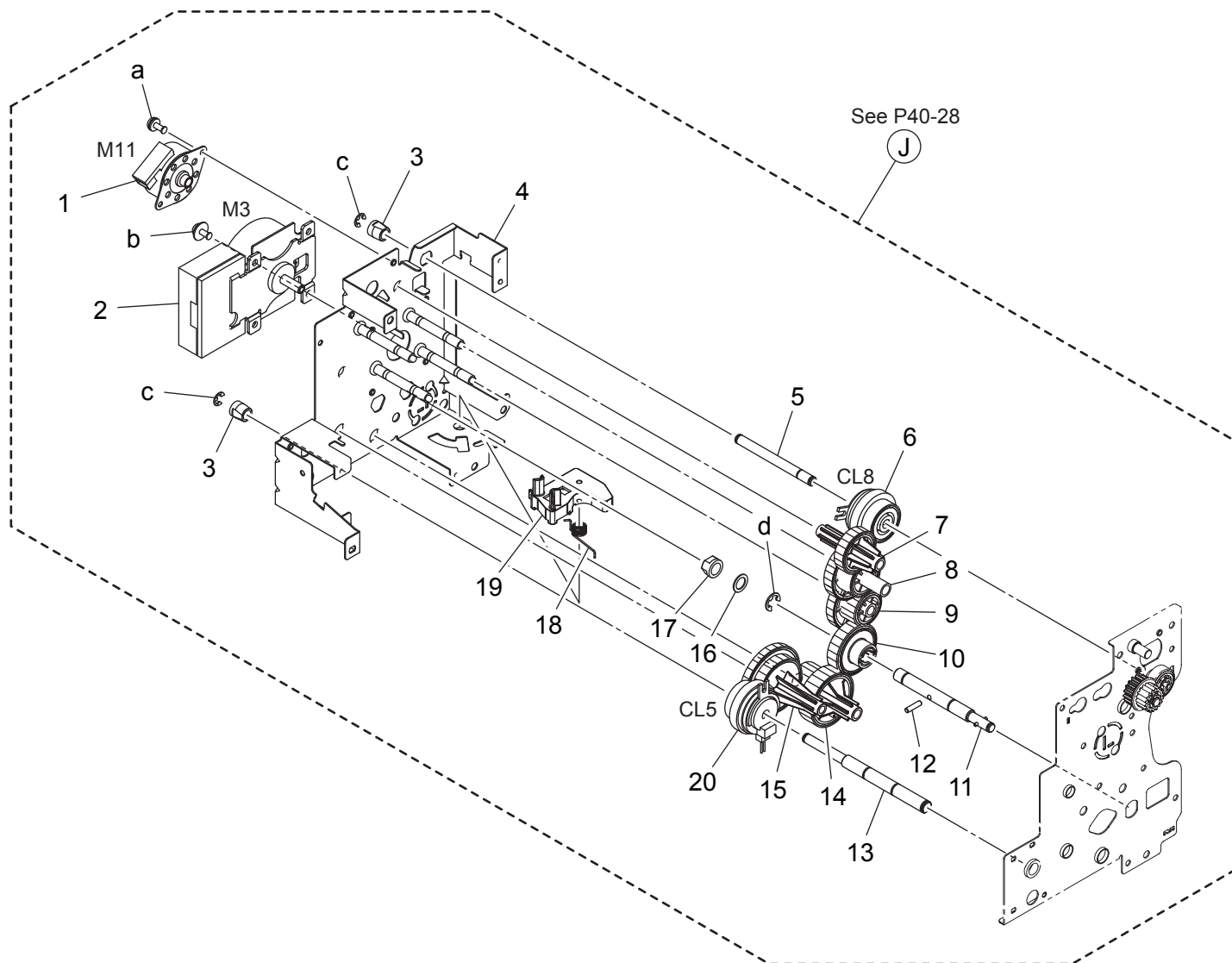


# FUSING DRIVE SECTION

Key	Part No.	Description	Destinations	Class	QTY	Standard parts
1	A161254200	Gear 18/115T	ギア 18 / 115 T	D	1	a-V217060001 b-V217040001 c-V237301850 d-V116030603 e-V125030818 f-V116030803
2	A161254300	Gear 18/57T	ギア 18 / 57 T	D	1	
3	A161254400	Gear 33/55T	ギア 33 / 55 T	D	1	
4	A161254700	Bushing	すべり軸受	D	2	
5	A161254500	Gear 38T	ギア 38 T	D	1	
6	A161232200	Bushing	すべり軸受 (排紙ドッキング)	D	1	
7	A161228800	Gear 22/23T	ギア 22 / 23 T	D	1	
8	A161702200	Bushing	すべり軸受	C	1	
9	A161256300	Shaft	軸 (定着離間)	D	1	
10	A161F25102	Caulking(Mounting Plate Fuser Drive 2L)	取付板 (定着駆動 2 L) カシメ	D	1	
11	A0ED259700	Bushing	すべり軸受 (Φ 8小判)	C	3	
12	A161259400	Shaft	軸 (一次離間 2)	D	1	
13	A161258800	Mounting Plate	取付板 (一次離間)	D	1	
14	A0ED257500	Gear 26T	ギア (一次離間アイドル) 26 T	C	1	
15	4038258001	GEAR 16T	ギヤ 16 T	C	1	
16	A161232501	Torsion Coil spring	ねじりコイルばね (一次離間)	D	1	
17	A161232300	Bushing	すべり軸受 (φ 6)	D	1	
18	A5C1231300	Gear 18/18T	ギア 18 / 18 T	C	1	
19	A161230700	Gear 18T	ギア 18 T	C	1	
20	A2XK224100	Collar	カラー	D	1	
21	A161232401	Collar	カラー (ガイド)	D	1	
22	A161122002	Gear 12T	ギア 12 T	D	1	
23	A161F10901	Caulking	取付板カシメ	D	1	
24	A161121900	Gear 17T	ギア 17 T	D	1	
25	A161941100	Label M4	ラベル M 4	D	1	
26	A161228701	Gear 16T	ギア 16 T	C	1	
27	A161254600	Gear	ギア (定着離間 5)	C	1	
28	A5C1R71211	Fusing Drive Assy	定着駆動 A s s y	S	1	

bizhub C022eDN/C028eDN/C036eDN/bizhub C224e/C284e/C364e/bizhub C7822e/C7828e

# FUSING DRIVE SECTION



bizhub C022eDN/C028eDN/C036eDN/bizhub C224e/C284e/C364e/bizhub C7822e/C7828e

# FUSING DRIVE SECTION

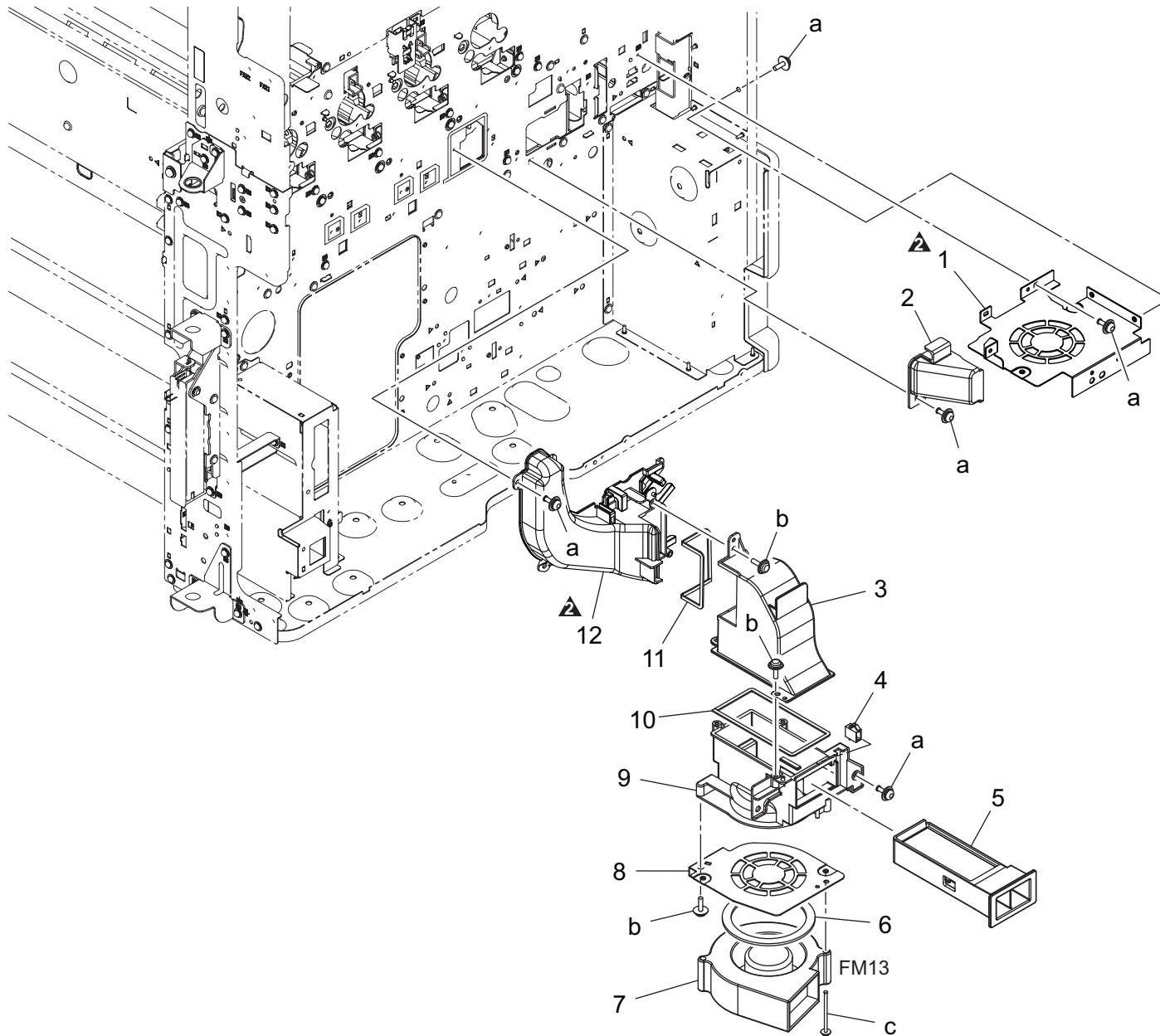
Key	Part No.	Description	Destinations	Class	QTY	Standard parts
1	A02EM10400	Stepping motor		C	1	a-V115030603 b-V116030603 c-V217040001 d-V217060001
2	A161M10200	brushless Motor /20		I	1	
3	A161232300	Bushing		D	2	
4	A161F25001	Caulking(Mounting Plate Fuser Drive L)		D	1	
5	A161231800	Shaft		D	1	
6	A161M20100	Clutch		C	1	
7	A161230600	Gear 27T		D	1	
8	A161230500	Gear 24/70T		D	1	
9	A161228000	Gear 22/70T		D	1	
10	A161228100	Gear 33T		D	1	
11	A161228312	Shaft (定着)		D	1	
12	56AA17471	PIN B 3X12		C	1	
13	A161258700	Shaft		D	1	
14	A161259100	Gear 26/35T		D	1	
15	A161259200	Gear 35/45T		D	1	
16	A1RF505400	Slide Spacer		D	1	
17	A161254700	Bushing		D	1	
18	A161258501	Torsion Coil spring		D	1	
19	A161228600	Lever		D	1	
20	A161M20400	Clutch		C	1	

bizhub C022eDN/C028eDN/C036eDN/bizhub C224e/C284e/C364e/bizhub C7822e/C7828e

# OZONE DUCT SECTION

P 42

改訂版 REVISED EDITION	日付 DATE
▲	SEPTEMBER 2013



  
 REAR SIDE

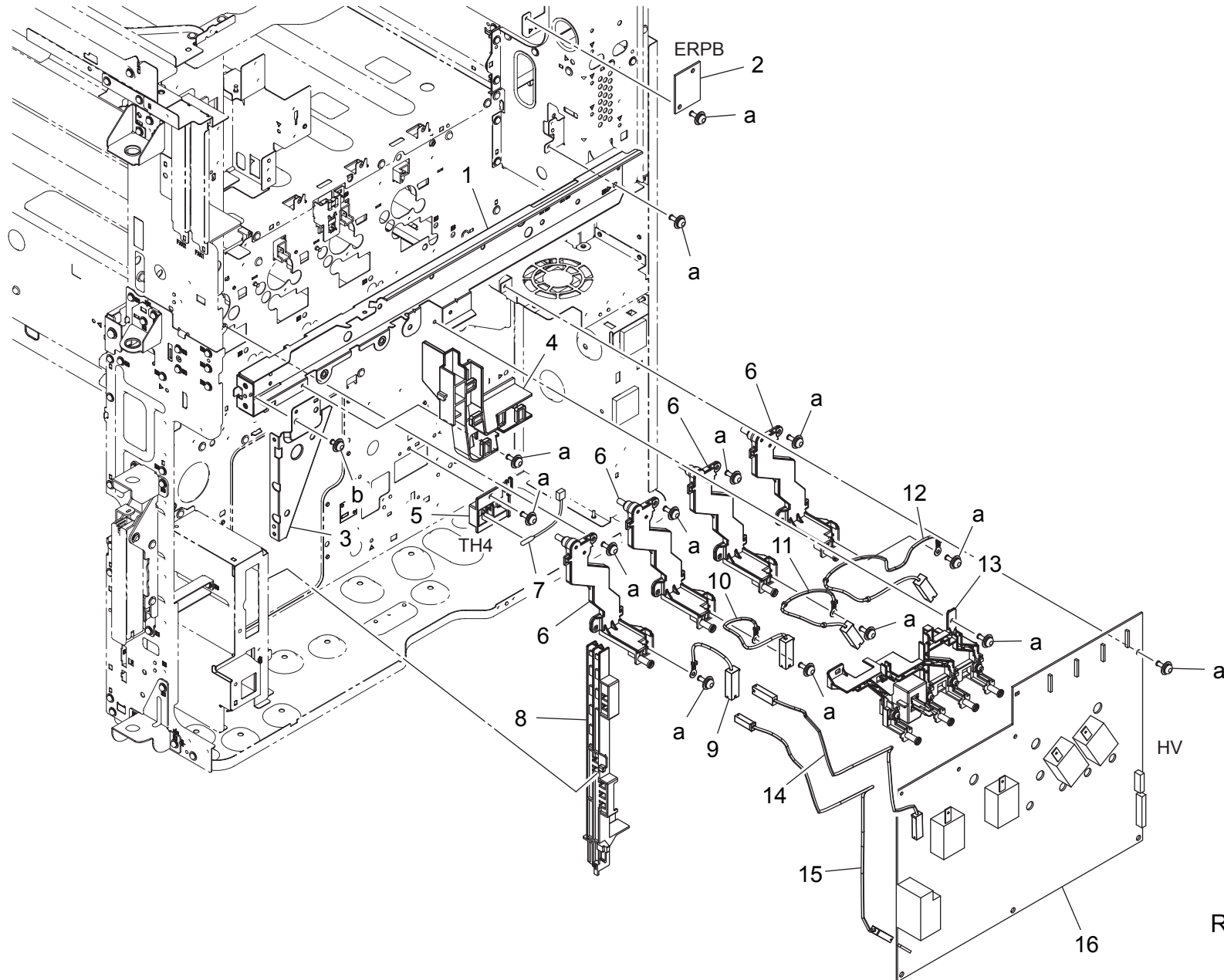
bizhub C022eDN/C028eDN/C036eDN/bizhub C224e/C284e/C364e/bizhub C7822e/C7828e

# OZONE DUCT SECTION

Key	Part No.	Description	Destinations	Class	QTY	Standard parts
1	A161142000Old	Mounting Plate		D	1	a-V116030803 b-V153030803 c-V116034003
1	A5C1142000	Mounting Plate		D	1	
2	A161141500	Duct /2		D	1	
3	A161141902	Duct /2		D	1	
4	V651010002	connector		D	1	
5	A161R72700	Ozone Filter Assy		A	1	
6	A02E117300	Seal		C	1	
7	9313100072	FAN MOTOR		C	1	
8	A161142200	Mounting Plate		D	1	
9	A161147001	Duct /3		D	1	
10	A161145300	Seal /2		D	1	
11	A161145201	Seal /1		D	1	
12	A5C1141800	Duct /1		D	1	

bizhub C022eDN/C028eDN/C036eDN/bizhub C224e/C284e/C364e/bizhub C7822e/C7828e

# HIGH VOLTAGE SECTION



  
REAR SIDE

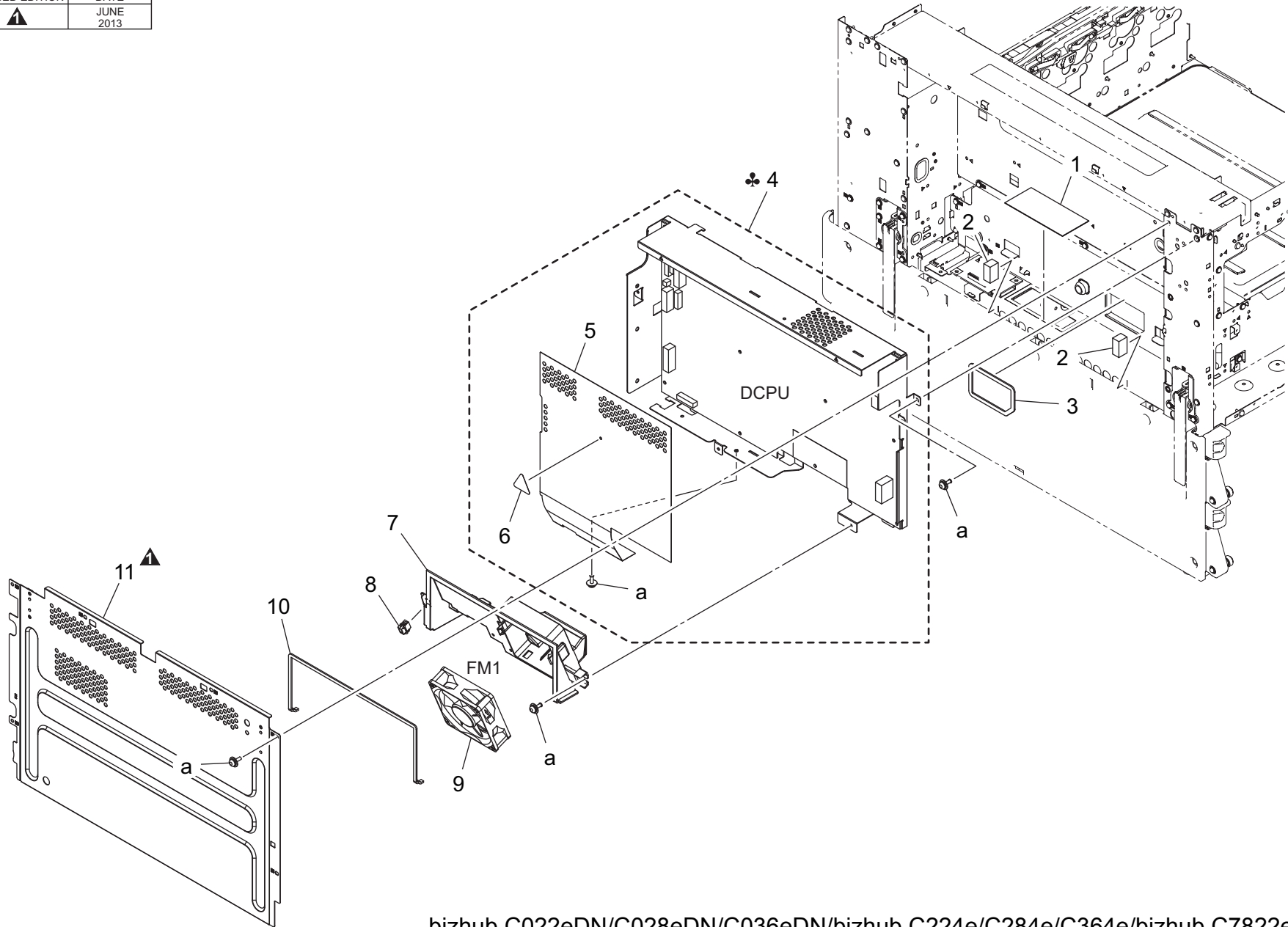
bizhub C022eDN/C028eDN/C036eDN/bizhub C224e/C284e/C364e/bizhub C7822e/C7828e

Key	Part No.	Description	Destinations	Class	QTY	Standard parts
1	A161132504	Mounting Plate	取付板 (コントローラ上)	D	1	a-V116030803 b-V116030603
2	A161H00C02	PWB Assembly(PWB-DC ASSY)	基板 ASSY (PWB-DC ASSY)	C	1	
3	A161132800	Reinforce Plate	補強板	D	1	
4	A161132101	Guide	ガイド (パネルハーネス)	D	1	
5	A161137701	Holder	ホルダ (温度検出)	D	1	
6	A161R70211	HV Contact Assy	HV 接点 Assy	D	4	
7	A0P0M50300	Thermistor	サーミスタ (用紙温度センサ)	C	1	
8	A5C1134800	Guide	ガイド	D	1	
9	A161N12P01	Charging Wiring /K	帯電束線 / K	D	1	
10	A161N12N01	Charging Wiring /C	帯電束線 / C	D	1	
11	A161N12M01	Charging Wiring /M	帯電束線 / M	D	1	
12	A161N12K01	Charging Wiring /Y	帯電束線 / Y	D	1	
13	A161R70322	DV Contact Assy	現像接点 Assy	D	1	
14	A161N11300	Transfer Wiring /2	転写束線 / 2	D	1	
15	A161N11K00	Neutralizing Wiring	除電束線	D	1	
16	A5C1M40600	High voltage unit	高圧電源	I	1	

bizhub C022eDN/C028eDN/C036eDN/bizhub C224e/C284e/C364e/bizhub C7822e/C7828e

# MAIN POWER SUPPLY SECTION

改訂版 REVISED EDITION	日付 DATE
▲	JUNE 2013



bizhub C022eDN/C028eDN/C036eDN/bizhub C224e/C284e/C364e/bizhub C7822e/C7828e



MAIN POWER SUPPLY SECTION

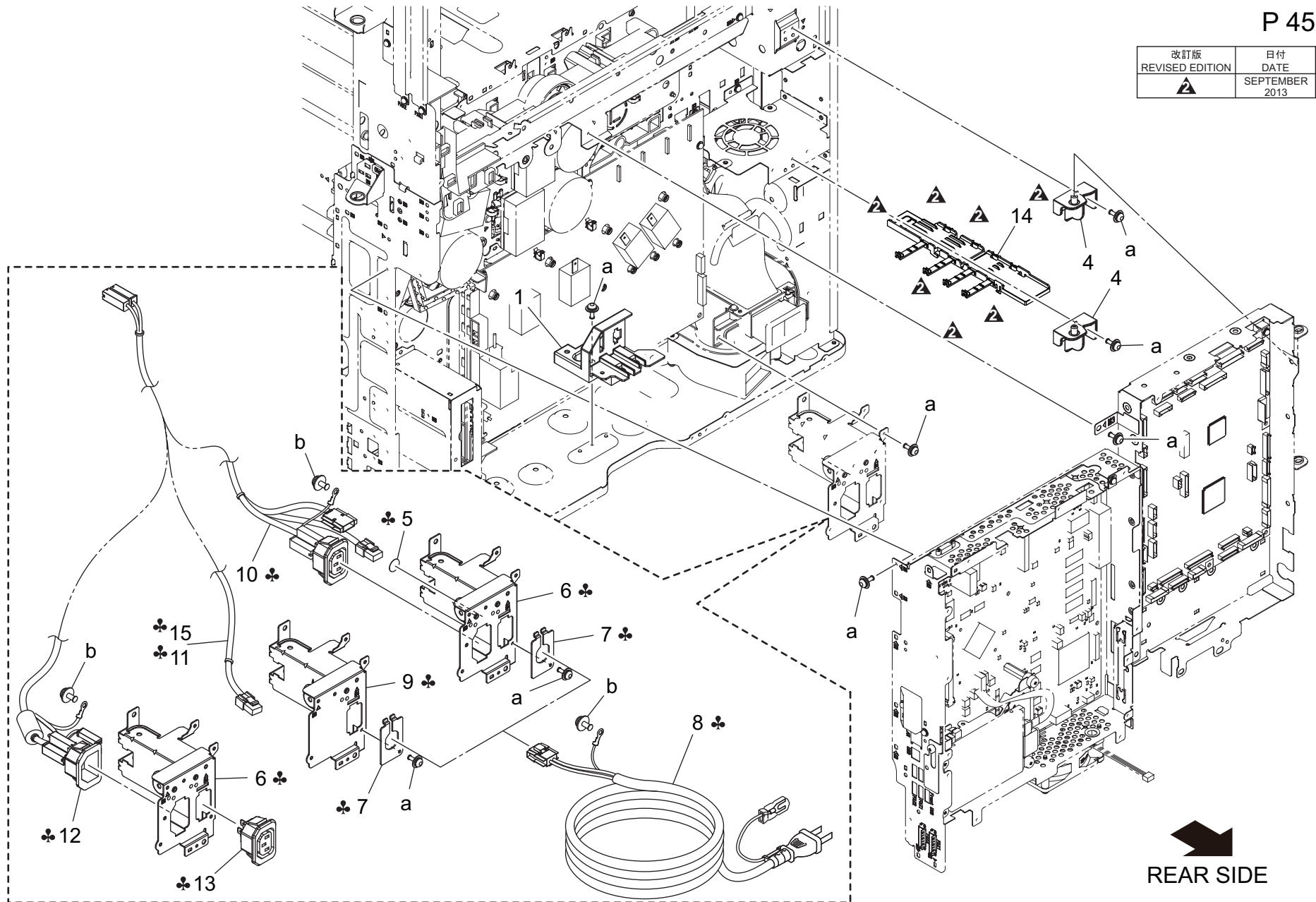
Key	Part No.	Description	Destinations	Class	QTY	Standard parts
1	A161145000	Filter	フィルタ (LV・PH)	C	1	a-V116030803
2	A161144500	Seal /3	シール/3 (LV・PH)	C	2	
3	A161143601	Seal /3	シール/3 (LV・PH)	D	1	
4	A5C1R70500	Power supply Assy /100V	低圧電源 Ass y / 1 0 0 V	I	1	
4	A5C1R70600	Power supply Assy /230V	低圧電源 Ass y / 2 3 0 V	I	1	
4	A5C1R71300	Power Supply Assy (110V)	低圧電源 Ass y ( 1 1 0 V )	I	1	
4	A5C1R70500	Power supply Assy /100V	低圧電源 Ass y / 1 0 0 V	I	1	
4	A5C1R70600	Power supply Assy /230V	低圧電源 Ass y / 2 3 0 V	I	1	
5	A5C1130200	Sheet	シート	D	1	
6	A0CR953400	Label	ラベル (高圧注意)	C	1	
7	A161140800	Cooling Duct	冷却ダクト (LV・PH)	D	1	
8	V651010002	connector	W t o W コネクタ	D	1	
9	4139M10000	FAN MOTOR	ファンモーター	B	1	
10	A161143400	Seal /1	シール/1 (LV・PH)	D	1	
11	A161100603	Cover	カバー (電源左)	D	1	

bizhub C022eDN/C028eDN/C036eDN/bizhub C224e/C284e/C364e/bizhub C7822e/C7828e

# ELECTRICAL COMPONENTS

P 45

改訂版 REVISED EDITION	日付 DATE
	SEPTEMBER 2013



bizhub C022eDN/C028eDN/C036eDN/bizhub C224e/C284e/C364e/bizhub C7822e/C7828e

## ELECTRICAL COMPONENTS

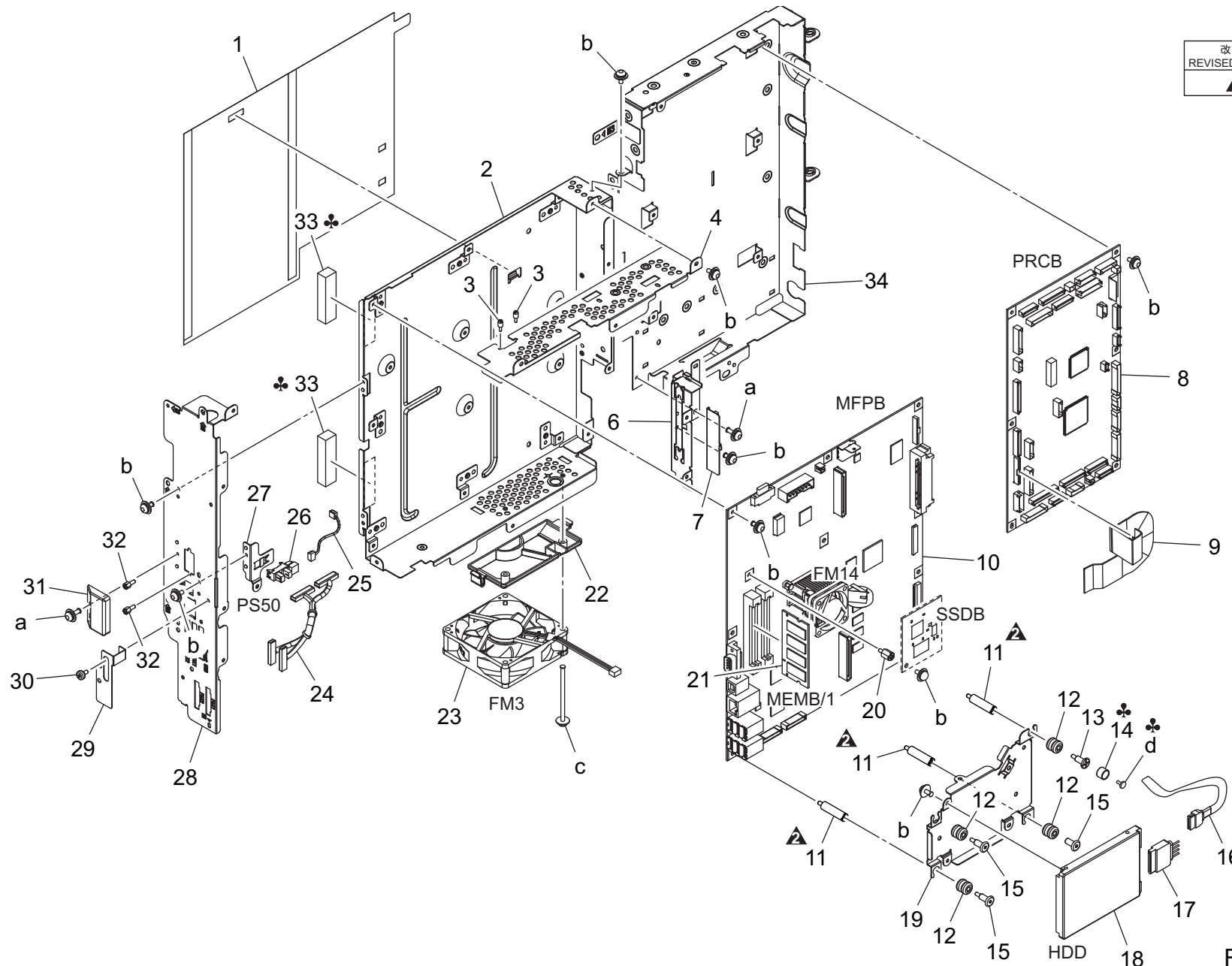
Key	Part No.	Description	Destinations	Class	QTY	Standard parts
1	A161131400	Holder		D	1	a-V116030803 b-V116040803
4	A161130801Old	Support Shaft		D	2	
4	A5C1130800	Support Shaft		D	2	
5	9J06730101	LABEL	A,A1	D	1	
6	A161130502	Mounting Plate	A,A1,C,D1,D3,E,F2,G 1,I,K,J	D	1	
7	A0ED135700	Mounting Plate	A,A1,B,G2,H	D	1	
8	A1UDN30001	Power code /120V	B,G2	C	1	
8	A0EDN30002	Power source Cord /100V	A,A1	D	1	
8	A00JN30200	Power code	H	C	1	
9	A161130603	Mounting Plate	B,G2,H	D	1	
10	A161N10002	AC Wiring /100V	A,A1	D	1	
11	A161N10102	AC Wiring /120V	B,G2	D	1	
12	A5C1N10200	AC Wiring/230V	C,D1,D3,E,F2,G1,I,K J	D	1	
13	A02EN12513	Power supply Wiring	C,D1,D3,E,F2,G1,I,K J	D	1	
14	A5C1137800	Holder		D	1	
15	A161N10300	AC Wiring /110V	H	D	1	

bizhub C022eDN/C028eDN/C036eDN/bizhub C224e/C284e/C364e/bizhub C7822e/C7828e

# ELECTRICAL COMPONENTS

P 46

改訂版 REVISED EDITION	日付 DATE
	OCTOBER 2013



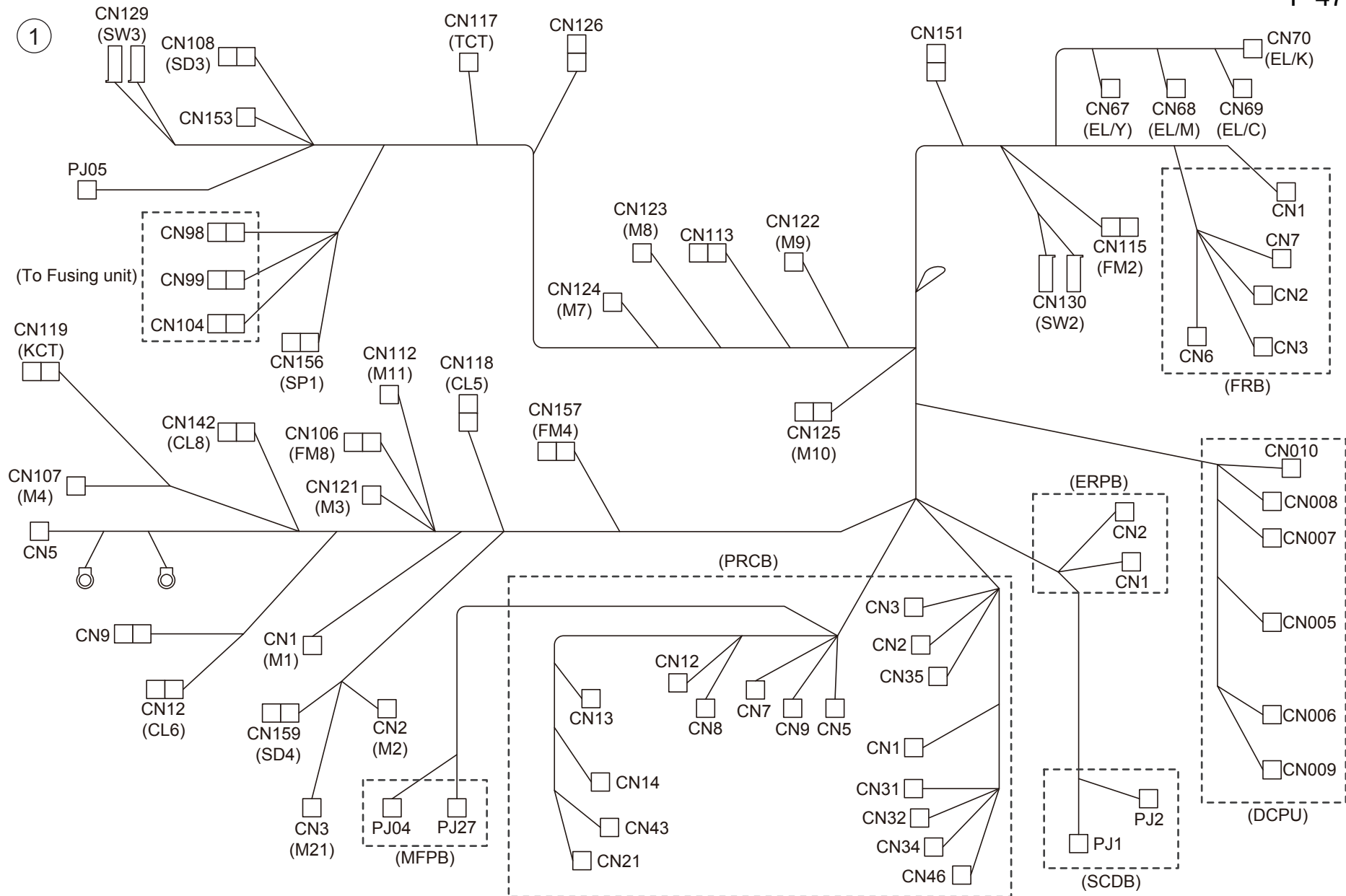
bizhub C022eDN/C028eDN/C036eDN/bizhub C224e/C284e/C364e/bizhub C7822e/C7828e

Key	Part No.	Description	Destinations	Class	QTY	Standard parts
1	A161134500	Sheet	シート (HV 基板)	D	1	a-V116030803 b-V116030603 c-V116034003 d-V118030603
2	A5C1131900	Shield Case	シールドケース	D	1	
3	A161138601	Shoulder screw	段ねじ	C	2	
4	A5C1137402	Mounting Plate	取付板	D	1	
6	A5C1138800	Mounting Plate	取付板	D	1	
7	A161137501	Cover	カバー (I / F 基板)	D	1	
8	A5C1H00102	PWB Assembly(PWB-MCL ASSY)	基板 ASSY (PWB-MCL ASSY)	I	1	
9	A5C1N11800	Flatcable	フラットケーブル	D	1	
10	A5C1H02007	PWB assembly(PWB-MFP)	基板 ASSY (PWB-MFP)	I	1	
11	A5C1139900	Shoulder screw	段ねじ (HDD Assy)	D	3	
12	A0P0144400	Bushing	ブッシュ (HDD)	D	4	
13	A5C1133800	Shoulder screw	段ねじ	C	1	
14	A5C1133900	Compressing Coil spring	圧縮コイルばね	C	1	
15	A0P0144300	Shoulder screw	段ねじ (HDD)	D	3	
16	A0P0N15100	Cable	ケーブル	C	1	
17	A0P0N15200	Cable	ケーブル	C	1	
18	A2X0M72C00	HDD	HDD	I	1	
19	A161130701	Mounting Plate	取付板 (HDD)	D	1	
20	A161137600	Shoulder screw	段ねじ (SSD)	D	1	
21	V865300066	MEMORY MODULES	MEMORY MODULES	C	1	
22	A161140101	Duct	ダクト (コント冷却)	D	1	
23	A0EDM10500	Fan motor	ファンモータ	C	1	
24	A161N12602	Control Relay harness	制御中継束線 (FAX 中継)	D	1	
25	A161N11B00	Controller Detection harness	コントローラ検知束線	D	1	
26	A108M50100	Photointerrupter	透過型センサ	B	1	
27	A5C1139400	Mounting Plate	取付板	D	1	
28	A5C1131600	Mounting Plate	取付板	D	1	
29	A161139501	Cover	蓋 (USB)	D	1	
30	A0P0742300	Shoulder screw	段ねじ	C	1	
31	A0ED131900	Cover	カバー (D-sub)	D	1	
32	A161137900	Screw	ねじ (D-SUB)	C	2	
33	A5C1M90000	Gasket	ガスケット	D	2	
34	A5C1131801	Shield Case	シールドケース	D	1	

bizhub C022eDN/C028eDN/C036eDN/bizhub C224e/C284e/C364e/bizhub C7822e/C7828e

# WIRING

P 47

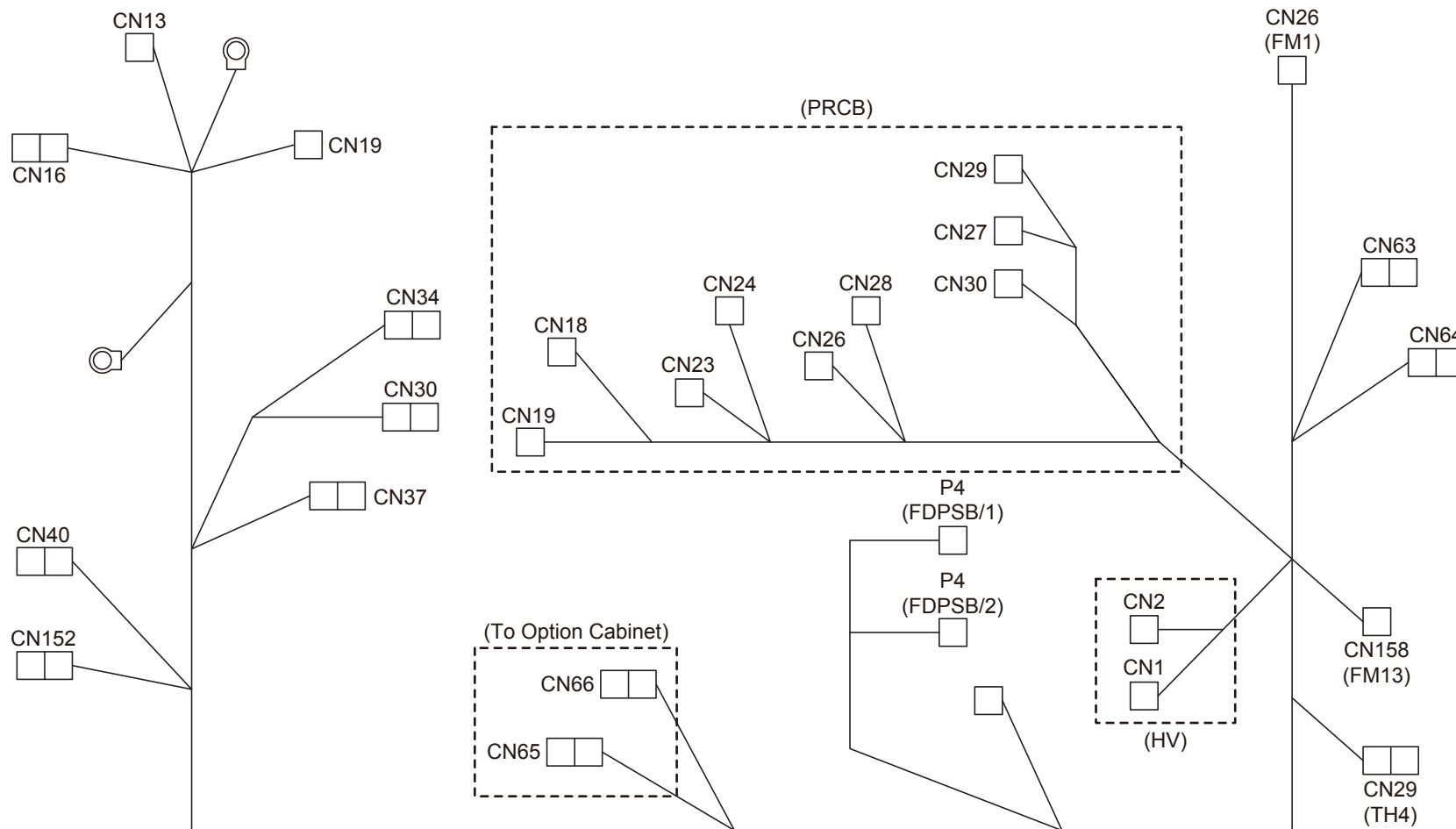


bizhub C022eDN/C028eDN/C036eDN/bizhub C224e/C284e/C364e/bizhub C7822e/C7828e

Key	Part No.	Description	Destinations	Class	QTY	Standard parts
1	A5C4N10001	Main body Wiring /Front	{C224e/C022eDN}	D	1	
1	A5C2N10001	Main body Wiring /Front	{C284e/C028eDN}	D	1	
1	A5C1N11S01	Main body Wiring /Front	{C364e/C036eDN}	D	1	

bizhub C022eDN/C028eDN/C036eDN/bizhub C224e/C284e/C364e/bizhub C7822e/C7828e

1



bizhub C022eDN/C028eDN/C036eDN/bizhub C224e/C284e/C364e/bizhub C7822e/C7828e

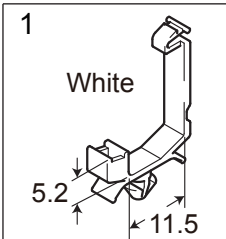
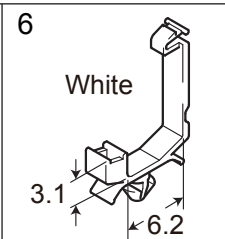
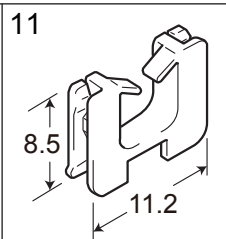
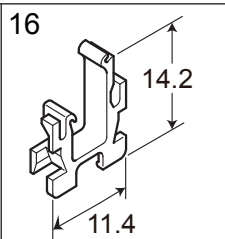
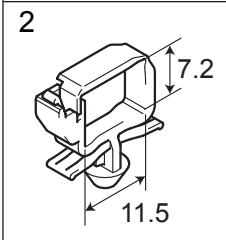
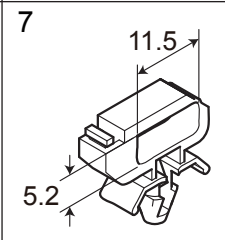
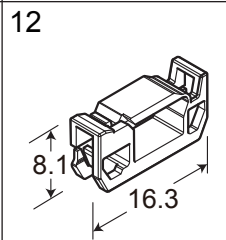
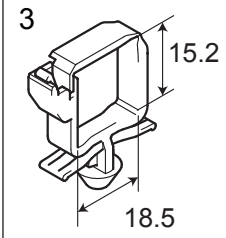
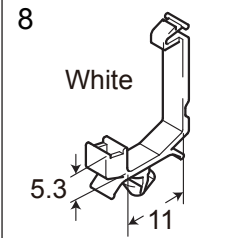
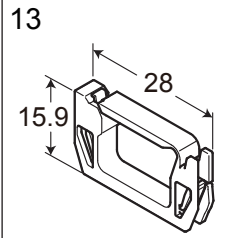
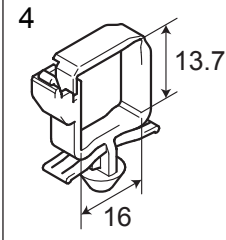
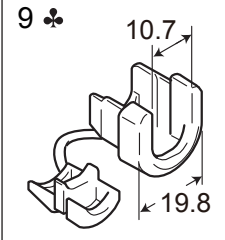
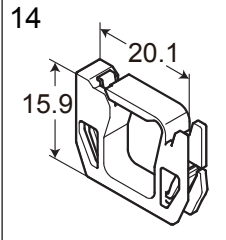
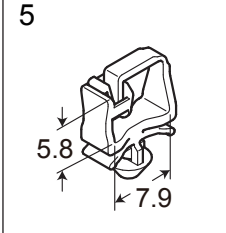
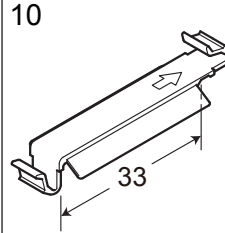
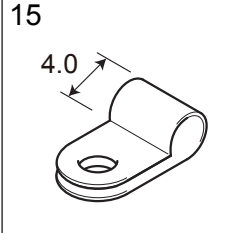


Key	Part No.	Description	Destinations	Class	QTY	Standard parts
1	A5C1N10A01	Main body Wiring /Rear 本体束線 / 奥	{C364e/C284e/C036eD N /C028eDN/C7828e}	D	1	
1	A5C1N10A01	Main body Wiring /Rear 本体束線 / 奥	{C224e/C022eDN/C782 2e}	D	1	

bizhub C022eDN/C028eDN/C036eDN/bizhub C224e/C284e/C364e/bizhub C7822e/C7828e

# WIRING ACCESSORIES AND JIGS

P 49

1 White 	6 White 	11 	16 	21	26	31	36
2 	7 	12 	17	22	27	32	37
3 	8 White 	13 	18	23	28	33	38
4 	9 ♣ 	14 	19	24	29	34	39
5 	10 	15 	20	25	30	35	40

bizhub C022eDN/C028eDN/C036eDN/bizhub C224e/C284e/C364e/bizhub C7822e/C7828e

# WIRING ACCESSORIES AND JIGS

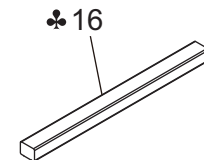
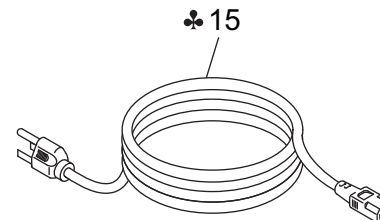
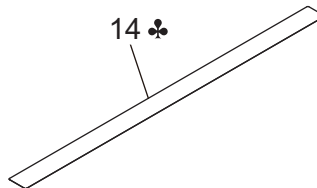
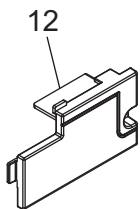
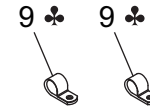
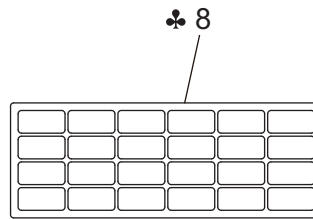
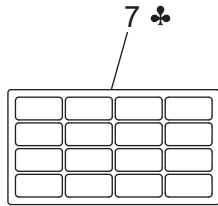
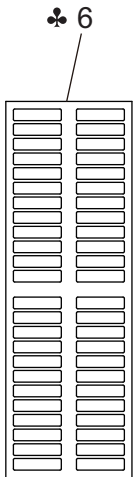
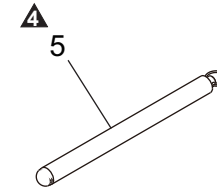
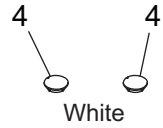
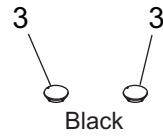
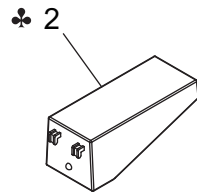
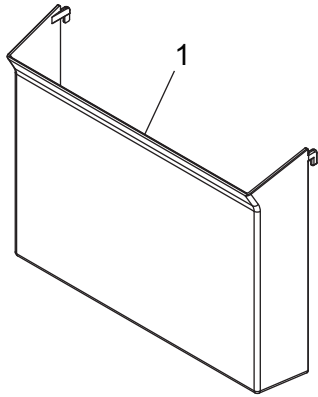
Key	Part No.	Description	Destinations	Class	QTY	Standard parts
1	V500010081	Locking Wire Saddle		D		
2	V500010082	Locking Wire Saddle		D		
3	V500010083	Locking Wire Saddle		D		
4	V500010084	Locking Wire Saddle		D		
5	V500020098	Mini Locking wire saddle		D		
6	V500020099	Mini Locking wire saddle		D		
7	V500010052	SADDLE		D		
8	V500020100	Mini Locking wire saddle		D		
9	V500020052	bushing	A,A1,B,G2	D		
10	V500020082	Clamping for FFC		D		
11	V570010021	Saddle		D		
12	V570010057	Wing Edge Saddle		D		
13	V570010059	Wing Edge Saddle		D		
14	V570010060	Wing Edge Saddle		D		
15	V500020069	Clamp		D		
16	V570010050	Locking Edge Saddle		D		

bizhub C022eDN/C028eDN/C036eDN/bizhub C224e/C284e/C364e/bizhub C7822e/C7828e

# ACCESSORY PARTS

P 50

改訂版 REVISED EDITION	日付 DATE
	OCTOBER 2013



bizhub C022eDN/C028eDN/C036eDN/bizhub C224e/C284e/C364e/bizhub C7822e/C7828e

Key	Part No.	Description	Destinations	Class	QTY	Standard parts
1	A0ED166200	Holder		C	1	
2	A0ED166100	Installing Spacer	C,D1,D3,E,F2,G1,I,K ,J	D	1	
3	A00J169100	Cover		C	2	
4	A02E167700	Cover		C	2	
5	A5C1192100	Pen		C	1	
6	A55V948201	Label Panel sheet	ラベル パネルシート	C	1	
7	A161943400	Label Paper Size/Inch	ラベル 集合ラベル I	C	1	
8	A161943301	Label Paper Size/Metric	ラベル 集合ラベル M	C	1	
9	V500020040	clamp	ナイロンクランプ	D	2	
10	V116033003	Screw	なべ小ねじ・セムス2	V	1	
11	V153030803	Screw	カップ頭タッピンねじ B タイト	V	1	
12	A161166101	Cover	カバー (背面・下)	C	1	
13	V116030804	Screw	なべ小ねじ・セムス2	V	1	
14	A121944700	Label Prohibit	ラベル (コピー禁止事項・E)	C	1	
15	A0EDN30201	Power source Cord /230V	電源コード / 2 3 0 V	D	1	
15	9381410111	POWER CORD	プラグ付電源コード	D	1	
15	A2UPN30100	Power code (220-240V)	電源コード ( 2 2 0 - 2 4 0 V )	D	1	
15	A2UPN30601	Power code (220-240V)	電源コード ( 2 2 0 - 2 4 0 V )	D	1	
15	9381430031	POWER CORD	プラグ付電源コード	D	1	
16	A161134600	Seal	シール (ガスケット)	C	1	

bizhub C022eDN/C028eDN/C036eDN/bizhub C224e/C284e/C364e/bizhub C7822e/C7828e

# MAINTENANCE LIST

● The items with no Page/Key numbers are not handled as spare parts.

No.	Section	PM Parts Description	Maintenance Cycle (K=1,000)		Parts No.	Destinations	Page/Key	Note
			QTY	Replace				
1	Paper feed section	Tray 1 pick-up roller	1	300k	A5C1562200		P17-30	*2, *4
2		Tray 1 feed roller	1	300k	A00J563600		P17-14	*2, *4
3		Tray 1 separation roller	1	300k	A00J563600		P18-6	*2, *4
4		Tray 2 pick-up roller	1	300k	A5C1562200		P19-35	*2, *4
5		Tray 2 feed roller	1	300k	A00J563600		P19-18	*2, *4
6		Tray 2 separation roller	1	300k	A00J563600		P20-6	*2, *4
7		Manual bypass tray feed roller	1	200k	A00F623201		P31-10	*2, *4
8		Manual bypass tray separation roller assy	1	200k	4658015106		P32-30	*2, *4
9	Processing section	Toner cartridge/Y,M,C *1	1	25k	-	bizhub C364e		
10			1	25k	-	bizhub C284e		
11			1	25k	-	bizhub C224e		
12		Toner cartridge/K *1	1	27k	-	bizhub C364e		
13			1	27k	-	bizhub C284e		
14			1	27k	-	bizhub C224e		
15		Drum unit/Y,M,C *1	1	90k	-	bizhub C364e		*3
16			1	75k	-	bizhub C284e		*3
17			1	55k	-	bizhub C224e		*3
18		Drum unit/K *1	1	120k	-	bizhub C364e		*3
19			1	120k	-	bizhub C284e		*3
20			1	70k	-	bizhub C224e		*3
21		Developing unit/Y,M,C,K	1	570k(JP)	-	bizhub C364e		*3
22			1	590k(US)	-	bizhub C364e		*3
23			1	600k(EU)	-	bizhub C364e		*3
24			1	545k(JP)	-	bizhub C284e		*3
25			1	590k(US)	-	bizhub C284e		*3
26			1	600k(EU)	-	bizhub C284e		*3
27			1	520k(JP)	-	bizhub C224e		*3
28			1	590k(US)	-	bizhub C224e		*3
29			1	600k(EU)	-	bizhub C224e		*3
30		Ozone filter	1	300k	A161R72700	bizhub C364e	P42-5	*3, *5
31			1	280k	A161R72700	bizhub C284e	P42-5	*3, *5
32			1	225k	A161R72700	bizhub C224e	P42-5	*3, *5
33		Waste toner box *1	1	40k	A4NNWY1		P12-9	*6
34	Image transfer section	Transfer belt unit	1	300k	A161R71300	bizhub C364e	P15-1	*3
35			1	280k	A161R71300	bizhub C284e	P15-1	*3
36			1	225k	A161R71300	bizhub C224e	P15-1	*3
37		Transfer roller unit	1	300k	A161R71400	bizhub C364e	P28-23	*3, *5
38			1	280k	A161R71400	bizhub C284e	P28-23	*3, *5
39			1	225k	A161R71400	bizhub C224e	P28-23	*3, *5
40	Fusing section	Fusing unit 100V	1	570k	A161R71744	bizhub C364e	P35-12	*3
41			1	545k	A161R71744	bizhub C284e	P35-12	*3
42			1	520k	A161R71744	bizhub C224e	P35-12	*3
43		Fusing unit 120V	1	590k	A161R71844	bizhub C364e	P35-12	*3
44			1	590k	A161R71844	bizhub C284e	P35-12	*3
45			1	590k	A161R71844	bizhub C224e	P35-12	*3
46		Fusing unit 230V	1	600k	A161R71955	bizhub C364e	P35-12	*3
47			1	600k	A161R71955	bizhub C284e	P35-12	*3
48			1	600k	A161R71955	bizhub C224e	P35-12	*3

\*1: The parts can be replaced either by user or service engineer.

bizhub C022eDN/C028eDN/C036eDN/bizhub C224e/C284e/C364e/bizhub C7822e/C7828e

- \*2: Actual durable cycle (life counter value)
- \*3: Field standard yield
- \*4: Replace those three parts at the same time.
- \*5: The ozone filter and the transfer roller unit are furnished with the transfer belt unit so that all of them are replaced at same time.
- \*6: A waste toner full condition is detected with detecting the actual waste toner emissions.

# メンテナンスリスト

● ページ / キーナンバーのないものは、アフターサービス部品ではありません。

No.	区分	PM 部品名称	サイクル (K=1,000)		部品番号	仕向地	頁 / キー	備考
			員数	交換				
1	給紙部	トレイ1ピックアップローラー	1	300k	A5C1562200		P17-30	*2, *4
2		トレイ1給紙ローラー	1	300k	A00J563600		P17-14	*2, *4
3		トレイ1分離ローラー	1	300k	A00J563600		P18-6	*2, *4
4		トレイ2ピックアップローラー	1	300k	A5C1562200		P19-35	*2, *4
5		トレイ2給紙ローラー	1	300k	A00J563600		P19-18	*2, *4
6		トレイ2分離ローラー	1	300k	A00J563600		P20-6	*2, *4
7		手差しトレイ給紙ローラー	1	200k	A00F623201		P31-10	*2, *4
8		手差しトレイ分離ローラー Assy	1	200k	4658015106		P32-30	*2, *4
9	プロセス部	トナーカートリッジ /Y,M,C *1	1	25k	-	bizhub C364e		
10			1	25k	-	bizhub C284e		
11			1	25k	-	bizhub C224e		
12		トナーカートリッジ /K *1	1	27k	-	bizhub C364e		
13			1	27k	-	bizhub C284e		
14			1	27k	-	bizhub C224e		
15		ドラムユニット /Y,M,C *1	1	75k	-	bizhub C364e		*3
16			1	60k	-	bizhub C284e		*3
17			1	55k	-	bizhub C224e		*3
18		ドラムユニット /K *1	1	120k	-	bizhub C364e		*3
19			1	115k	-	bizhub C284e		*3
20			1	70k	-	bizhub C224e		*3
21		現像ユニット /Y,M,C,K	1	570k(JP)	-	bizhub C364e		*3
22			1	590k(US)	-	bizhub C364e		*3
23			1	600k(EU)	-	bizhub C364e		*3
24			1	545k(JP)	-	bizhub C284e		*3
25			1	590k(US)	-	bizhub C284e		*3
26			1	600k(EU)	-	bizhub C284e		*3
27			1	520k(JP)	-	bizhub C224e		*3
28			1	590k(US)	-	bizhub C224e		*3
29			1	600k(EU)	-	bizhub C224e		*3
30		オゾンフィルター	1	300k	A161R72700	bizhub C364e	P42-5	*3, *5
31			1	220k	A161R72700	bizhub C284e	P42-5	*3, *5
32		1	215k	A161R72700	bizhub C224e	P42-5	*3, *5	
33	廃棄トナーボックス *1	1	40k	A4NNWY1		P12-9	*6	
34	転写部	転写ベルトユニット	1	300k	A161R71300	bizhub C364e	P15-1	*3
35			1	220k	A161R71300	bizhub C284e	P15-1	*3
36			1	215k	A161R71300	bizhub C224e	P15-1	*3
37		転写ローラーユニット	1	300k	A161R71400	bizhub C364e	P28-23	*3, *5
38			1	220k	A161R71400	bizhub C284e	P28-23	*3, *5
39			1	215k	A161R71400	bizhub C224e	P28-23	*3, *5
40	定着部	定着ユニット 100V	1	570k	A161R71744	bizhub C364e	P35-12	*3
41			1	545k	A161R71744	bizhub C284e	P35-12	*3
42			1	520k	A161R71744	bizhub C224e	P35-12	*3
43		定着ユニット 120V	1	570k	A161R71844	bizhub C364e	P35-12	*3
44			1	545k	A161R71844	bizhub C284e	P35-12	*3
45			1	520k	A161R71844	bizhub C224e	P35-12	*3
46		定着ユニット 230V	1	570k	A161R71955	bizhub C364e	P35-12	*3
47			1	545k	A161R71955	bizhub C284e	P35-12	*3
48		1	520k	A161R71955	bizhub C224e	P35-12	*3	

\*1: ユーザー / サービス交換の選択が可能。

bizhub C022eDN/C028eDN/C036eDN/bizhub C224e/C284e/C364e/bizhub C7822e/C7828e



- \*2: ライフカウンター値
- \*3: 市場標準印刷枚数値
- \*4: 同時交換する。
- \*5: 転写ベルトユニット (A161R713) に同梱されており、同時交換する。
- \*6: 廃棄トナーフル検知は、実際の廃棄トナー充填量を検知して行う。

## DESTINATION

Destination No.		Destinations		V	Hz	Model No.
A	A1	JAPAN		100	50/60	A5C1001/ A5C2001/ A5C4001
	A2	JAPAN				
B		USA, CANADA		120	60	A5C1011/ A5C2011/ A5C4011/ A5C1012/ A5C2012
C		EUROPEAN TYPE		220-240	50/60	A5C1021/ A5C2021/ A5C4021
D	D1	S.E ASIA TYPE	THAILAND, SRI LANKA, SINGAPORE, MALAYSIA, HONG KONG, PAKISTAN, INDIA, BANGLADESH, INDONESIA	220-240	50/60	A5C1041/ A5C2041/ A5C4041
	D3	OCEANIA TYPE	AUSTRALIA, NEW ZEALAND			
E		PHILIPPINES		220-240	50/60	A5C1041/ A5C2041/ A5C4041
F	F1	SAUDI ARABIA		220-240	50/60	A5C1041/ A5C2041/ A5C4041
	F2	SAUDI ARABIA				

bizhub C022eDN/C028eDN/C036eDN/bizhub C224e/C284e/C364e/bizhub C7822e/C7828e

Destination No.		Destinations	V	Hz	Model No.
G	G1	C.S AMERICA	220-240	50/60	A5C1041/ A5C2041/ A5C4041
	G2	C.S AMERICA	120	60	A5C1011/ A5C2011/ A5C4011
H		TAIWAN	110	60	A5C1071/ A5C2071/ A5C4071
I		JORDAN, LEBANON, SYRIA, SOUTH AFRICA, IRAQ, IRAN, N.YEMEN, CAMEROON, UAE, SAUDI ARABIA, OMAN, QATAR, KUWAIT, KENYA, TUNISIA, IVORY COAST, MOROCCO	220-240	50/60	A5C1041/ A5C2041/ A5C4041
J		CHINA	220-240	50/60	A5C1081/ A5C2081/ A5C2082/ A5C4081/ A5C4082
K		KOREA	220-240	50/60	A5C1041/ 091/ A5C2041/ 091/ A5C4041/ 091

bizhub C022eDN/C028eDN/C036eDN/bizhub C224e/C284e/C364e/bizhub C7822e/C7828e