

KONICA MINOLTA

PARTS GUIDE MANUAL

SEPTEMBER 2022

*bizhub C025DNi/C250i/C250iS
AA2M*

INFORMATION FOR PARTS GUIDE MANUAL

To find correct Parts No., refer to the "HOW TO MAKE THE BEST USE OF THIS MANUAL" in the following page.

HOW TO MAKE THE BEST USE OF THIS MANUAL

- 1 When you order, please check the proper figures beforehand that are on Our Parts Guide Manual, and order with the appropriate figures.
- 2 For screws, Nuts, Washers, retaining rings and Pins which are used in this model, one letter is shown on the Standard parts column of Parts list and exploded diagrams.
- 3 In order to maintain safety of the product, some specific parts composed of this product are set up as "essential safety parts".
- 4 The assigned parts number for the "essential safety parts" is indicated as "SP00-****".
When replacing these parts, follow precautions for disassembling and installing which are listed in the Service Manual.
Do not use any parts that are not set up as
- 5 ♣ means that there are exclusive parts for each destination.
Please check the appropriate destination when you order.
- 6 All rights reserved. (any reprints or quotations are prohibited.)
Use of this parts guide manual should be strictly supervised to avoid disclosure of confidential information.

パーツガイド マニュアルのご案内

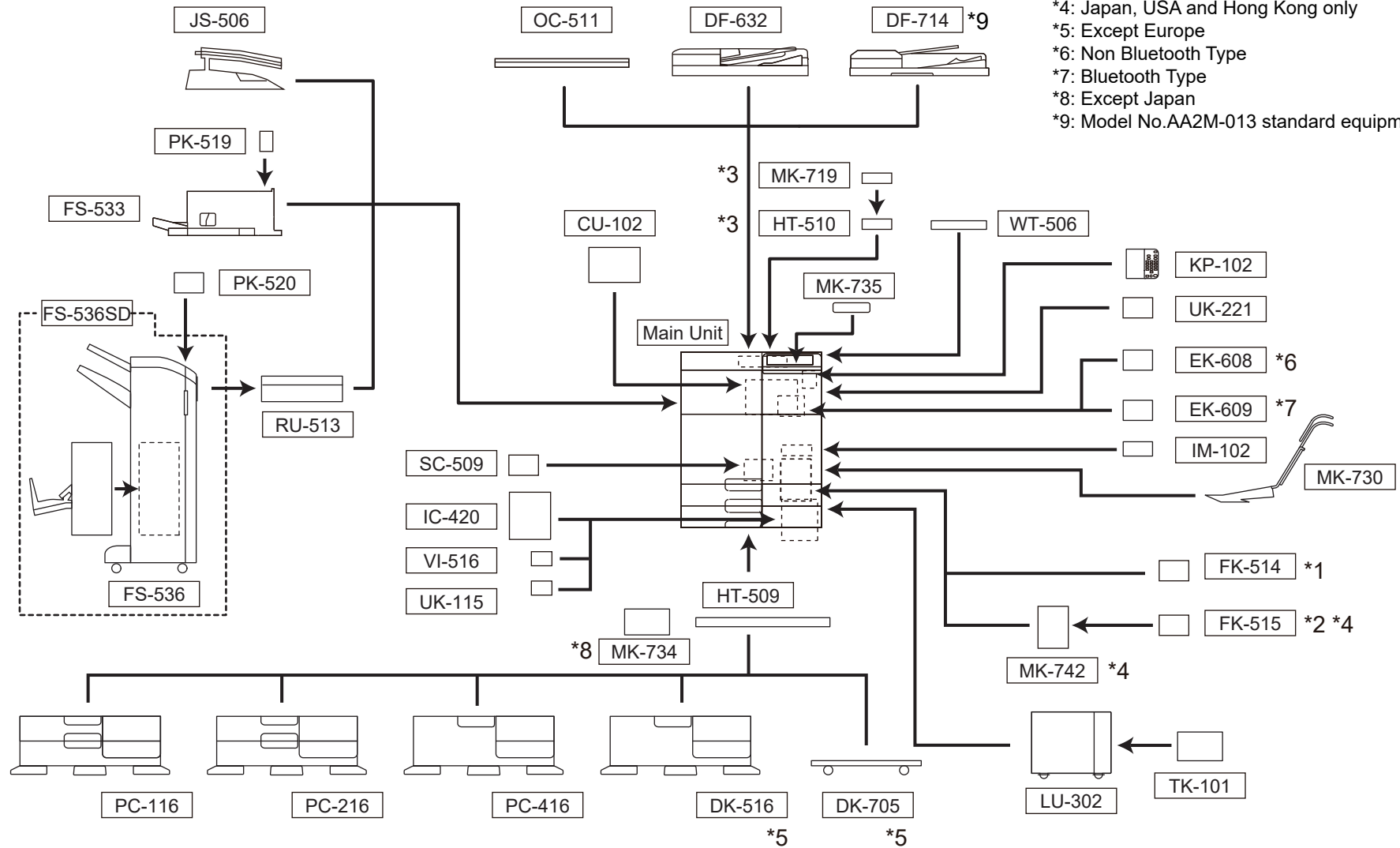
サービス部品をご発注の際には、下記に示す“パーツガイド マニュアルの活用にあたって”をご参照の上、正しい部品番号にてお願い致します。

パーツガイド マニュアルの活用にあたって

- 1 部品発注の際には、掲載されている部品番号の桁数を確認し、掲載されている桁数で発注願います。
- 2 この製品に使用されているネジ、ナット、ワッシャー、止め輪、ピンなどは、リストの右側の Standard parts 欄に a,b,c,…… で表示し、イラストにも a,b,c,…… 表示してあります。
- 3 製品の安全性を維持する為に、製品に使用される特定の部品を「重要保安部品」として設定しています。
- 4 重要保安部品の部品番号は、“SP00-****”と記載されていますので、部品交換時は、サービスマニュアル記載の分解・組み立ての注意事項に従って作業をして下さい。
また、指定以外の部品は一切使用しないで下さい。
- 5 本文に ♣ が表示されている部品は、仕向け地毎に専用部品がある事を意味しています。
オーダーされる時は、仕向け地を確認して下さい。
- 6 著作権所有（無断転載及び無断引用の禁止）
本パーツガイド マニュアルについては、機密保持等その扱いには十分注意して下さい。万一取り扱いを誤った場合には、法律で処罰される場合があります。

02/05/2019

System Configuration



- *1: As use for 1st or 2nd FAX circuit line
- *2: As use for 3rd or 4th FAX circuit line
- *3: Japan only
- *4: Japan, USA and Hong Kong only
- *5: Except Europe
- *6: Non Bluetooth Type
- *7: Bluetooth Type
- *8: Except Japan
- *9: Model No.AA2M-013 standard equipment

GENERAL CONTENTS

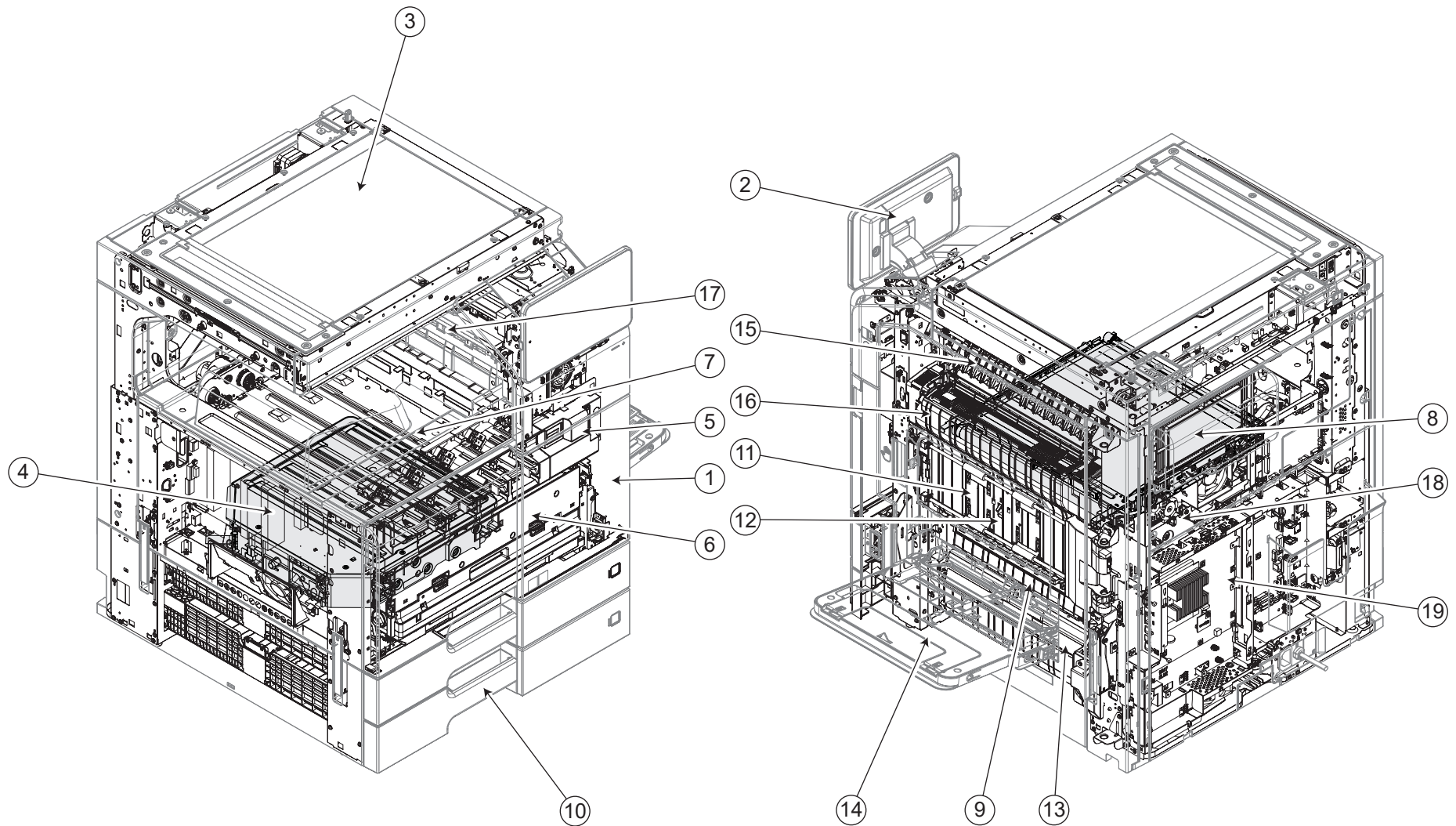
No.	Description	Model
1	Digital MFP Color	bizhub C025DNi/bizhub C250i/bizhub C250iS
2	Original Cover	OC-511
3	Document Feeder	DF-632
4	Document Feeder	DF-714
5	Paper Feeder	PC-116
6	Paper Feeder	PC-216
7	Paper Feeder	PC-416
8	Desk	DK-516
9	Desk	DK-705
10	Paper Feeder	LU-302
11	Finisher/Sorter	FS-533
12	Punch Unit	PK-519
13	Finisher/Sorter	FS-536
14	Finisher/Sorter	FS-536SD
15	Punch Unit	PK-520
16	Finisher/Sorter	RU-513
17	Job Separator	JS-506
18	Other Option	CU-102
19	Local IF Kit	EK-608
20	Local IF Kit	EK-609
21	Fax Kit	FK-514
22	Fax Kit	FK-515

bizhub C025DNi/C250i/C250iS

No.	Description	Model
23	Mount Kit	MK-742
24	Heater	HT-510
25	Other Option	MK-719
26	Image Controller	IC-420
27	Other Option	KP-102
28	Mount Kit	MK-730
29	Mount Kit	MK-735
30	Other Option	SC-509
31	Other Option	TK-101
32	Other Option	UK-115
33	Other Option	UK-221
34	Video IF Kit	VI-516
35	Working Table	WT-506
36	Mount Kit	MK-734
37	Heater	HT-509
38	Other Option	IM-102

bizhub C025DNI/C250i/C250iS

Section Configuration



bizhub C025DNi/C250i/C250iS

CONTENTS

No.	DESCRIPTION	名称	PAGE No.
1	External Parts	外装部	P1 P2 P3
2	Operation Panel section	操作部	P4 P5
3	Scanner Section	スキャナー部	P6 P7 P8 P9
4	Write Section	書き込み部	P10
5	Toner Supply Section	トナー補給部	P11 P12 P13
6	Toner Collection Section	トナー回収部	P14
7	Photo Conductor/ Developing Section	感光体部 / 現像部	P15 P16
8	1st Transfer Section	1 次転写部	P17
9	Paper Feed Section	給紙部	P18 P19 P20 P21 P22
10	Tray Section	トレイ部	P23 P24 P25 P26 P27 P28 P29
11	Registration Section	レジスト部	P30 P31
12	2nd Transfer Section	2 次転写部	P32 P33 P34
13	Vertical Conveyance Section	垂直搬送部	P35
14	Bypass Tray Section	手差しトレイ部	P36 P37 P38 P39
15	Reverse Section	反転部	P40 P41 P42
16	Fusing Section	定着部	P43
17	Paper Exit Section	排紙部	P44 P45
18	Drive Section	駆動部	P46 P47 P48 P49 P50 P51 P52
19	Electrical Parts	電装部	P53 P54 P55 P56
20	Wiring	束線	P57 P58 P59
21	Wiring Accessories	配線部品	P60
22	Service Tool	サービスツール	P61
23	Accessory Parts	同梱部品	P62

INDEX

Parts No.	Page No.	Parts No.	Page No.	Parts No.	Page No.	Parts No.	Page No.	Parts No.	Page No.
07BA12352	1-16	9J06M60100	3-3	A0ED111000	17-1	A0P0742300	44-9	A161140800	54-3
0996305501	23-8	9J06M60100	35-18	A0ED111400	17-16	A0P0M50300	53-10	A161141500	53-2
1164202801	45-7	9J06PJP100	61-3	A0ED111500	17-15	A0VDM50200	14-7	A161141700	17-26
4002311002	24-10	9J07210802	7-17	A0ED111700	17-35	A161101600	23-20	A161143400	54-8
4002504203	17-9	A00F623201	37-18	A0ED112000	17-20	A161101701	23-19	A161143601	54-1
4004590301	45-3	A00F941100	40-3	A0ED135700	55-5	A161101900	23-4	A161144500	54-5
4025598401	45-2	A00J169100	2-5	A0ED257500	50-29	A161103700	23-2	A161144801	17-17
4030320601	27-17	A00J169100	5-19	A0ED259700	50-27	A161103901	23-10	A161144900	17-19
4030320601	29-17	A00J169100	6-3	A0ED271200	8-6	A161104101	32-3	A161145000	54-6
4030322602	27-9	A00J169100	62-3	A0ED271300	8-7	A161104200	23-3	A161151200	35-20
4030322602	29-9	A00J169200	6-10	A0ED273600	9-10	A161104300	23-1	A161162400	5-13
4036307501	7-10	A00J169300	19-27	A0ED274300	9-12	A161105200	23-15	A161163900	2-11
4036534801	13-32	A00J169300	21-31	A0ED274400	9-13	A161105400	10-4	A161210200	46-7
4038101401	11-2	A00J265300	7-6	A0ED276301	9-11	A161105500	46-11	A161210200	50-39
4038101401	12-1	A00J945201	2-8	A0ED363200	14-3	A161105600	15-9	A161210200	52-16
4038258001	50-26	A00J945500	1-12	A0ED363400	14-4	A161107100	15-5	A161215100	52-12
4038541202	48-7	A00JH00D00	1-9	A0ED401000	13-31	A161107400	15-2	A161230700	50-19
4136N30000	62-15	A02E117300	43-5	A0ED550800	33-20	A161110300	17-7	A161232200	50-15
4163510201	13-10	A02E149900	2-7	A0ED550900	33-21	A161110500	17-21	A161232501	50-31
4163529301	3-1	A02E561100	19-14	A0ED551100	33-17	A161110601	17-4	A161240301	48-3
4163529301	3-12	A02E561100	21-13	A0ED563900	20-7	A161112000	17-34	A161240701	48-9
4163529301	10-3	A02E595100	37-36	A0ED563900	22-7	A161112101	17-2	A161240900	48-10
4163529301	17-6	A02E595400	37-35	A0ED597800	37-30	A161112200	17-10	A161241000	47-2
4163529301	24-11	A02E596100	37-25	A0ED620200	29-16	A161112300	17-36	A161241400	47-4
4163529301	27-23	A02E596300	37-28	A0ED620701	27-34	A161112400	17-25	A161253500	52-6
4163529301	29-23	A02E597600	38-27	A0ED620701	29-34	A161112500	17-5	A161253600	52-5
4163529301	33-8	A02E815200	20-11	A0ED700200	31-6	A161112600	17-11	A161254000	46-1
4163529301	34-30	A02E815200	22-11	A0ED700300	31-18	A161112700	17-37	A161258800	50-28
4163529301	42-3	A02E815200	34-6	A0ED700700	31-19	A161116202	16-2	A161259400	50-30
4532341001	20-3	A02E815200	41-7	A0ED703800	33-12	A161119500	16-3	A161261902	7-16
4532341001	22-3	A02E815200	42-24	A0ED811700	34-1	A161121300	35-1	A161262002	7-19
4576536301	13-12	A02E940300	27-25	A0ED811700	41-3	A161121401	43-8	A161262200	7-15
4581162501	7-8	A02E940300	29-25	A0ED811900	34-4	A161122500	43-15	A161263000	7-12
4640392001	44-4	A02EM20000	21-30	A0ED815100	42-7	A161134702	46-4	A161268200	7-4
56AA40490	3-6	A02EM20000	31-1	A0ED891100	45-9	A161137100	35-19	A161268300	7-3
56AA40490	37-16	A02EM20100	37-29	A0ED897700	45-23	A161137600	56-14	A161271000	8-12
65AA-9920	61-2	A02EN12513	55-10	A0EDM50100	19-8	A161137701	53-11	A161271000	9-22
9321240011	37-31	A034M20100	37-5	A0EDM50100	21-3	A161137900	56-1	A161271100	8-11
9381430031	62-15	A0ED103100	15-11	A0EDM60001	12-7	A161138500	15-10	A161271100	9-21
9J06M10300	24-3	A0ED110900	17-22	A0EDM60001	16-1	A161140200	10-1	A161273113	9-19

Parts No.	Page No.	Parts No.	Page No.	Parts No.	Page No.	Parts No.	Page No.	Parts No.	Page No.
A161273401	9-14	A161591300	37-34	A161701100	31-25	A161815100	40-2	A161M50501	24-9
A161273500	9-20	A161591400	37-22	A161701301	31-5	A161815300	35-15	A161M50600	24-13
A161273701	9-17	A161591600	38-14	A161701703	31-23	A161815400	35-14	A161M50A00	7-7
A161273800	9-15	A161591800	38-25	A161701900	31-4	A161815800	40-7	A161M50A00	7-22
A161274500	9-18	A161592200	39-1	A161702000	31-3	A161815900	35-7	A161N11300	53-7
A161274600	9-16	A161592400	39-5	A161702101	31-24	A161816200	35-12	A161N11C01	6-8
A161275300	9-8	A161592501	39-6	A161702200	31-2	A161816400	41-2	A161N11K00	53-8
A161275400	9-9	A161592802	37-39	A161710500	34-7	A161819000	41-15	A161N12701	21-5
A161275500	9-6	A161592900	35-21	A161711200	33-6	A161819200	42-25	A161N12801	13-23
A161275600	9-5	A161593300	37-23	A161711300	34-11	A161819500	42-31	A161N14100	7-9
A161275700	9-3	A161593400	38-6	A161711600	34-14	A161825000	42-27	A161N14201	7-14
A161276000	9-4	A161593600	38-10	A161711700	34-12	A161825301	38-28	A161R70322	53-5
A161276500	9-7	A161593800	39-10	A161711901	34-28	A161825301	42-5	A1UD192400	23-14
A161278600	8-1	A161594201	38-13	A161712000	34-17	A161825400	42-15	A1UDM50200	7-5
A161278900	8-2	A161594300	39-13	A161712100	34-15	A161825700	34-8	A1UDN30200	62-15
A161280211	7-23	A161594500	38-1	A161712401	33-4	A161825700	42-8	A2UPN30100	62-15
A161280300	7-24	A161594600	38-3	A161712700	33-11	A161825800	39-22	A2UPN30300	62-15
A161281100	7-26	A161594700	37-7	A161712800	34-19	A161825800	42-16	A2UPN30601	62-15
A161281300	7-25	A161595000	38-22	A161712800	42-10	A161826001	42-28	A2UPN31200	62-15
A161281600	7-11	A161595100	38-20	A161712900	34-31	A161891000	45-16	A2XK224100	50-20
A161400601	13-21	A161595300	38-17	A161713500	34-18	A161891301	45-29	A55D941100	6-9
A161400800	13-24	A161595400	38-24	A161714500	34-16	A161891401	44-3	A5AWP00100	61-1
A161401000	13-9	A161620400	29-10	A161714600	34-20	A161892300	45-17	A5C1102800	15-8
A161401300	13-15	A161620600	27-4	A161719000	34-2	A161892400	45-5	A5C1104400	23-7
A161401500	13-6	A161620600	29-4	A161810305	35-16	A161893601	45-14	A5C1104700	23-6
A161403000	13-26	A161620701	27-5	A161811001	35-5	A161894000	44-7	A5C1104800	23-5
A161403200	13-30	A161620701	29-5	A161811302	35-10	A161894100	44-6	A5C1105500	15-6
A161404200	13-19	A161621411	27-22	A161811500	35-4	A161895400	45-1	A5C1112102	17-28
A161561100	18-2	A161621600	27-32	A161813001	42-29	A161895503	45-32	A5C1112800	17-14
A161561200	18-3	A161621600	29-32	A161813100	42-30	A161895601	45-27	A5C1112900	17-24
A161565102	18-4	A161623400	23-16	A161813200	42-9	A161895800	45-25	A5C1134800	53-9
A161571100	21-4	A161623400	26-3	A161813300	41-13	A161897200	44-10	A5C1135300	10-5
A161578214	21-1	A161623400	28-3	A161813400	42-14	A161900201	45-6	A5C1192104	62-5
A161578700	21-2	A161624100	27-3	A161813600	42-4	A161943301	62-8	A5C1231300	50-21
A161579011	18-5	A161624100	29-3	A161813701	41-6	A161943400	62-7	A5C1231311	50-21
A161590304	38-12	A161626502	26-7	A161813801	41-14	A161F59002	37-43	A5C1254600	50-25
A161590600	37-27	A161626800	26-8	A161814401	42-2	A161M10300	50-40	A5C1263300	7-27
A161590901	38-7	A161626800	28-7	A161814601	41-5	A161M20300	46-6	A5C1263400	7-28
A161591000	38-8	A161631411	29-22	A161814700	41-8	A161M50300	31-29	A5C1280101	7-20
A161591100	38-9	A161636502	28-6	A161815000	35-11	A161M50400	39-12	A5C1404600	13-20

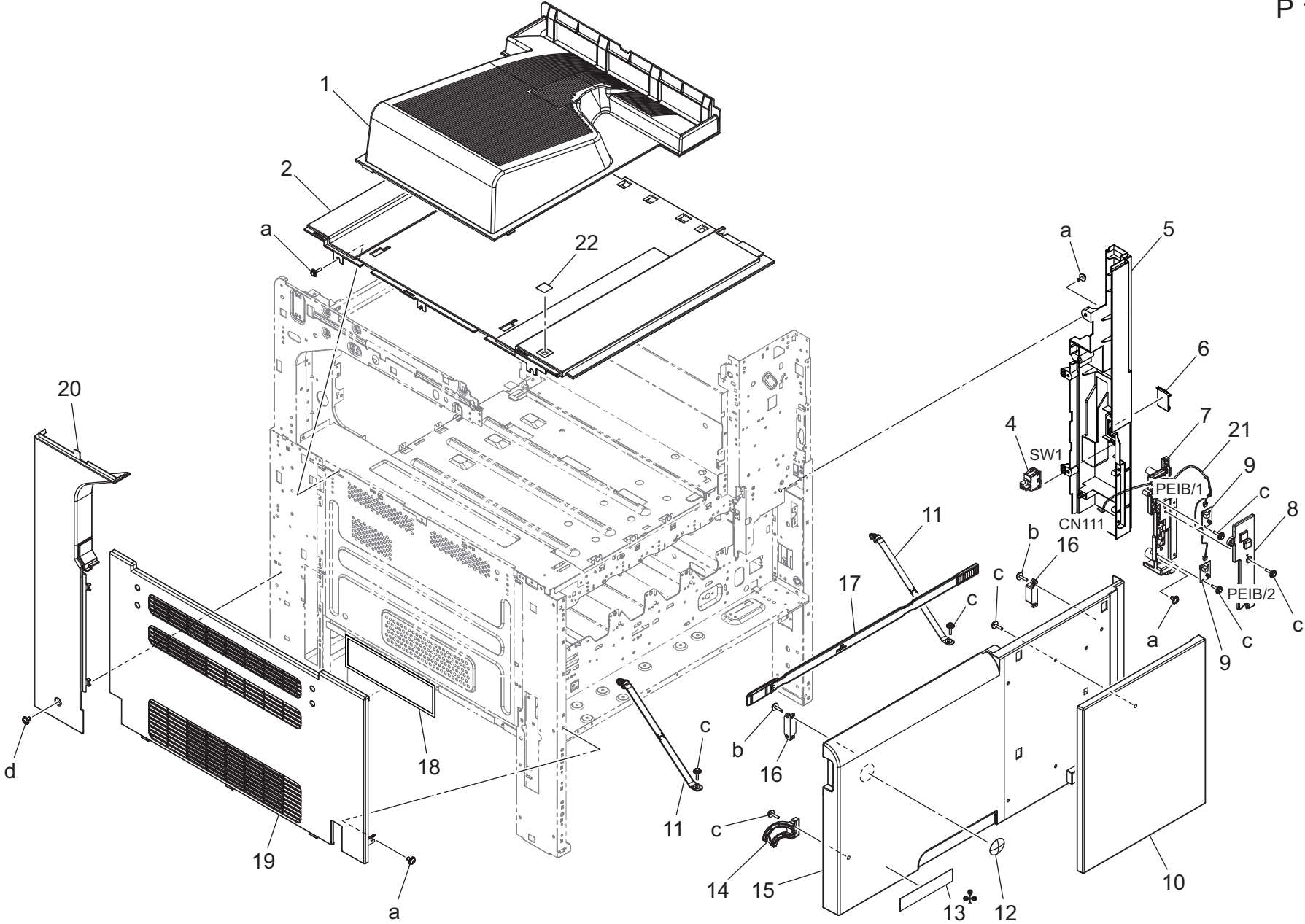
Parts No.	Page No.	Parts No.	Page No.	Parts No.	Page No.	Parts No.	Page No.	Parts No.	Page No.
A5C1551701	33-1	A5C1M92000	5-2	A79J401400	13-14	A7PU109000	17-23	A7PU942400	2-22
A5C1562200	37-17	A5C1N14300	9-1	A79J401600	13-4	A7PU109100	2-16	A7PU944900	39-19
A5C1591200	37-32	A61F100600	54-9	A79J401700	13-5	A7PU130400	56-17	A7PUF60001	39-15
A5C1591900	37-38	A64J257800	46-10	A79J401800	13-8	A7PU135700	55-7	A7PUM10600	14-14
A5C1627103	24-4	A64J363700	14-2	A79J401900	13-7	A7PU139800	56-19	A7PUM10700	13-25
A5C1627300	24-6	A64J564101	19-13	A79J508400	17-3	A7PU140100	56-15	A7PUM10700	48-1
A5C1627900	24-5	A64J564101	21-12	A79J566000	27-6	A7PU141800	53-3	A7PUM72100	4-18
A5C1628000	24-12	A64J564201	19-20	A79J566000	29-6	A7PU142100	2-21	A7PUN10700	56-11
A5C1628500	26-17	A64J564201	21-18	A79J622500	27-7	A7PU142800	2-26	A7PUN10800	56-10
A5C1628500	28-16	A64J709100	34-3	A79J622500	29-7	A7PU143300	43-3	A7PUN10B01	39-16
A5C1700101	31-7	A64J719100	34-29	A79J701000	31-12	A7PU143400	43-6	A7PUN14000	8-9
A5C1700800	31-17	A64J815500	35-13	A79J812202	41-4	A7PU166101	62-13	A7PUR70000	2-25
A5C1703201	31-20	A782945003	61-6	A79J821000	42-19	A7PU168201	62-2	A7PUR70500	15-1
A5C1711500	34-13	A782N11800	46-13	A79J892000	45-20	A7PU168301	2-10	A7PUR70611	15-4
A5C1711801	33-16	A795565500	27-30	A79J895702	44-5	A7PU168500	5-20	A7PUR75100	2-24
A5C1811101	35-6	A795565500	29-30	A79J897300	50-20	A7PU168600	5-21	A85Y375100	3-18
A5C1811703	42-1	A795565700	27-18	A79JPJG000	61-5	A7PU170702	6-1	A85Y375100	12-15
A5C1811803	42-6	A795565700	29-18	A79JPJP000	61-4	A7PU241200	47-3	A8JEN30200	55-9
A5C1811901	42-32	A795565800	27-20	A7AH561601	21-10	A7PU254800	21-7	A90G169900	62-1
A5C1814200	42-13	A795565800	29-20	A7AH562100	19-19	A7PU254800	50-24	A90GN15300	5-3
A5C1814300	41-18	A795565900	27-19	A7AH562100	21-23	A7PU270100	8-8	A92T940800	6-6
A5C1819700	41-16	A795565900	29-19	A7AH562300	19-17	A7PU270600	8-10	A93E134700	2-27
A5C1820701	41-1	A795621901	27-21	A7AH562300	21-16	A7PU569200	19-29	A93EM10000	10-2
A5C1825000	42-26	A795621901	29-21	A7AH562400	19-15	A7PU593500	39-14	A93EM10000	43-1
A5C1891100	45-4	A795622700	27-8	A7AH562400	21-14	A7PU593700	39-9	A93EM10000	54-7
A5C1M10A00	9-2	A795622700	29-8	A7AH562600	19-21	A7PU594000	38-18	A93EM10600	43-4
A5C1M50100	7-13	A797102701	43-10	A7AH562600	21-19	A7PU595500	39-18	A93EM60000	1-4
A5C1M50100	13-28	A797105400	15-7	A7AH562900	19-18	A7PU596800	38-11	AA2J101100	23-11
A5C1M50100	14-11	A797162000	1-11	A7AH562900	21-17	A7PU596900	37-33	AA2J101200	23-21
A5C1M50100	17-29	A797564400	20-12	A7AH563400	19-22	A7PU599300	39-11	AA2J101300	23-22
A5C1M50100	19-25	A797564400	22-12	A7AH563400	21-20	A7PU627500	24-8	AA2J101400	23-23
A5C1M50100	21-26	A79J101801	10-8	A7AH565000	20-8	A7PU663200	19-16	AA2J101900	25-6
A5C1M50100	24-7	A79J122200	3-8	A7AH565000	22-8	A7PU663200	21-15	AA2J103500	1-18
A5C1M50100	31-27	A79J122200	35-22	A7AHM20501	19-28	A7PU701000	31-15	AA2J104003	23-18
A5C1M50100	33-13	A79J136000	55-4	A7AHM20501	21-28	A7PU701100	30-2	AA2J106000	23-9
A5C1M50100	34-22	A79J139000	55-6	A7AHM50400	31-28	A7PU810201	40-8	AA2J107500	53-12
A5C1M50100	37-37	A79J162201	2-19	A7AHN30000	62-15	A7PU810901	42-12	AA2J110100	17-18
A5C1M50100	38-26	A79J240500	48-6	A7PU102201	23-13	A7PU819600	41-12	AA2J110200	17-8
A5C1M50100	39-4	A79J274400	9-13	A7PU102301	23-12	A7PU890700	45-19	AA2J110202	17-8
A5C1M50100	42-11	A79J274500	9-18	A7PU106100	24-14	A7PU941701	2-20	AA2J110401	17-12

Parts No.	Page No.	Parts No.	Page No.	Parts No.	Page No.	Parts No.	Page No.	Parts No.	Page No.
AA2J112200	17-13	AA2J161501	5-5	AA2J191800	4-20	AA2J240400	48-5	AA2J402700	13-1
AA2J121201	35-2	AA2J161805	2-12	AA2J192100	4-3	AA2J240600	48-4	AA2J402800	13-2
AA2J130101	15-3	AA2J161903	5-14	AA2J192200	4-1	AA2J241502	48-11	AA2J403100	13-11
AA2J130400	3-4	AA2J162102	2-2	AA2J192302	4-4	AA2J241700	48-8	AA2J403300	13-16
AA2J130501	3-2	AA2J162300	44-2	AA2J192501	4-5	AA2J242101	48-2	AA2J404101	12-4
AA2J130801	55-3	AA2J163200	3-7	AA2J192602	5-10	AA2J242501	48-11	AA2J404300	13-27
AA2J131101	56-7	AA2J163400	2-3	AA2J192801	4-2	AA2J245003	14-15	AA2J404503	12-8
AA2J131401	55-1	AA2J164400	2-18	AA2J193200	4-25	AA2J245100	14-17	AA2J404600	12-9
AA2J131602	56-18	AA2J164601	3-9	AA2J193300	4-24	AA2J245200	14-16	AA2J405100	12-6
AA2J131903	56-3	AA2J164603	3-9	AA2J195100	4-9	AA2J245300	14-18	AA2J405301	12-5
AA2J132301	2-9	AA2J164800	1-22	AA2J220100	52-4	AA2J253900	46-8	AA2J405500	13-17
AA2J134100	10-15	AA2J165002	3-5	AA2J220300	52-8	AA2J254200	50-38	AA2J406100	12-6
AA2J134201	10-6	AA2J165100	1-14	AA2J220400	52-2	AA2J254300	50-16	AA2J406200	12-6
AA2J134401	14-8	AA2J165200	3-13	AA2J220500	52-18	AA2J254400	50-37	AA2J406300	12-6
AA2J134602	4-19	AA2J165300	3-11	AA2J220700	52-19	AA2J255601	50-1	AA2J550701	33-18
AA2J135101	56-12	AA2J165500	3-14	AA2J220900	52-17	AA2J255700	50-5	AA2J551000	33-3
AA2J135301	55-2	AA2J166303	2-4	AA2J221000	52-1	AA2J256300	50-32	AA2J551500	33-2
AA2J137201	43-11	AA2J168700	2-13	AA2J221100	52-11	AA2J258500	50-2	AA2J551600	33-19
AA2J137601	56-2	AA2J169102	1-7	AA2J221500	52-15	AA2J258700	50-33	AA2J560000	20-6
AA2J137902	56-22	AA2J169201	1-8	AA2J221700	52-13	AA2J259100	50-35	AA2J560000	22-6
AA2J139800	56-23	AA2J169500	5-11	AA2J221800	52-14	AA2J259200	50-36	AA2J560101	19-3
AA2J140101	43-13	AA2J169600	3-19	AA2J222000	52-7	AA2J259800	52-3	AA2J560200	19-26
AA2J140500	43-2	AA2J170105	6-5	AA2J222100	52-10	AA2J363000	14-5	AA2J560500	19-11
AA2J140600	43-14	AA2J170300	6-7	AA2J222200	52-9	AA2J368001	14-6	AA2J561301	20-9
AA2J140800	43-12	AA2J170403	6-2	AA2J228000	50-11	AA2J369101	14-10	AA2J561301	22-9
AA2J142000	53-1	AA2J171700	5-6	AA2J228100	50-8	AA2J369301	14-9	AA2J561600	19-10
AA2J142300	43-7	AA2J171800	5-7	AA2J228200	50-10	AA2J369500	14-19	AA2J563104	20-10
AA2J160103	1-2	AA2J171900	5-8	AA2J229000	50-6	AA2J369600	14-12	AA2J563104	22-10
AA2J160204	1-15	AA2J173300	5-9	AA2J229100	50-17	AA2J400001	13-33	AA2J563801	20-5
AA2J160401	1-5	AA2J190101	4-6	AA2J229202	50-14	AA2J400100	13-13	AA2J563801	22-5
AA2J160412	1-5	AA2J190102	4-6	AA2J229300	50-12	AA2J400400	13-18	AA2J564200	20-13
AA2J160500	1-6	AA2J190201	4-11	AA2J229400	50-22	AA2J400700	13-29	AA2J565202	19-1
AA2J160511	1-6	AA2J190212	4-11	AA2J229500	50-4	AA2J401100	13-3	AA2J565300	19-9
AA2J160703	1-19	AA2J191000	4-10	AA2J229600	50-13	AA2J401302	12-10	AA2J565400	19-7
AA2J160802	1-20	AA2J191100	4-7	AA2J229700	50-3	AA2J401401	11-1	AA2J565700	19-6
AA2J160902	2-14	AA2J191201	4-14	AA2J230500	50-9	AA2J401501	11-1	AA2J565700	21-11
AA2J161001	1-1	AA2J191300	4-8	AA2J230600	50-7	AA2J402101	12-3	AA2J566000	19-2
AA2J161201	2-15	AA2J191402	4-21	AA2J231001	50-18	AA2J402401	12-12	AA2J567500	20-1
AA2J161301	1-10	AA2J191500	4-13	AA2J232400	50-23	AA2J402500	12-13	AA2J568401	20-2
AA2J161401	5-4	AA2J191512	4-13	AA2J240101	48-2	AA2J402600	12-11	AA2J568900	20-4

Parts No.	Page No.	Parts No.	Page No.	Parts No.	Page No.	Parts No.	Page No.	Parts No.	Page No.
AA2J569000	22-4	AA2J594201	38-23	AA2J626900	26-14	AA2J715100	33-7	AA2J942500	25-4
AA2J570501	21-21	AA2J594301	37-10	AA2J626900	28-13	AA2J716000	34-27	AA2J942600	3-17
AA2J571100	19-5	AA2J594500	38-15	AA2J628601	27-31	AA2J716100	34-26	AA2J942700	3-16
AA2J571200	19-4	AA2J594700	37-45	AA2J628601	29-31	AA2J716700	31-14	AA2J942800	3-17
AA2J574101	22-13	AA2J595000	37-14	AA2J628700	27-28	AA2J810102	40-1	AA2J943000	3-15
AA2J575202	21-9	AA2J620102	27-24	AA2J628700	29-28	AA2J810500	42-23	AA2J943100	26-13
AA2J575300	21-8	AA2J620200	27-16	AA2J628800	27-33	AA2J810511	42-23	AA2J943200	28-12
AA2J576300	21-29	AA2J620400	27-10	AA2J628800	29-33	AA2J810600	42-21	AA2J943500	29-37
AA2J577500	22-1	AA2J620804	27-15	AA2J628901	27-27	AA2J810611	42-21	AA2J943600	29-38
AA2J578100	21-6	AA2J620804	29-15	AA2J628901	29-27	AA2J810800	42-20	AA2J943701	27-2
AA2J578401	22-2	AA2J620901	27-1	AA2J629000	27-29	AA2J811300	41-11	AA2J943701	29-2
AA2J579603	19-23	AA2J620901	29-1	AA2J629000	29-29	AA2J811600	35-8	AA2J944100	36-2
AA2J579603	21-25	AA2J621000	27-13	AA2J629200	27-26	AA2J812100	35-23	AA2J944200	36-2
AA2J590100	38-16	AA2J621000	29-13	AA2J629200	29-26	AA2J814500	42-22	AA2J944300	40-4
AA2J590202	37-11	AA2J621100	27-35	AA2J629600	26-6	AA2J814900	40-9	AA2J944400	40-4
AA2J590300	37-2	AA2J621100	29-35	AA2J630102	29-24	AA2J815200	35-9	AA2J944500	39-3
AA2J590900	37-1	AA2J621200	27-14	AA2J633101	28-2	AA2J815700	40-6	AA2J946100	41-9
AA2J591000	37-41	AA2J621200	29-14	AA2J635001	28-11	AA2J825100	42-18	AA2J946400	34-10
AA2J591500	37-40	AA2J621300	27-11	AA2J635101	28-8	AA2J890103	45-22	AA2J947100	25-3
AA2J591600	37-3	AA2J621300	29-11	AA2J700104	31-22	AA2J890201	45-15	AA2J947100	40-5
AA2J591900	37-13	AA2J621500	27-12	AA2J700300	31-26	AA2J890300	45-28	AA2J947200	25-3
AA2J592000	37-15	AA2J621500	29-12	AA2J700602	31-10	AA2J890402	45-10	AA2J947200	40-5
AA2J592100	37-20	AA2J621600	27-36	AA2J700614	31-10	AA2J891100	45-26	AA2J947400	25-5
AA2J592200	37-21	AA2J622101	26-5	AA2J701000	31-30	AA2J891500	45-33	AA2J947800	23-17
AA2J592301	37-8	AA2J622101	28-5	AA2J701200	30-3	AA2J896100	45-8	AA2J948600	5-22
AA2J592401	37-6	AA2J623101	26-2	AA2J701400	31-13	AA2J900100	45-24	AA2J948600	62-4
AA2J592600	37-19	AA2J623300	26-4	AA2J701500	31-8	AA2J900300	45-13	AA2J949700	40-11
AA2J592701	37-12	AA2J623300	28-4	AA2J701800	30-4	AA2J900400	45-30	AA2JH00500	53-14
AA2J592800	37-42	AA2J624300	26-1	AA2J702900	31-11	AA2J900500	45-21	AA2JH00C00	56-5
AA2J592900	37-24	AA2J624300	28-1	AA2J710101	33-5	AA2J901101	45-11	AA2JH01A00	7-18
AA2J593000	38-5	AA2J625000	26-12	AA2J710204	34-5	AA2J901200	45-12	AA2JH02200	56-9
AA2J593100	37-9	AA2J625101	26-9	AA2J710302	34-25	AA2J902000	45-31	AA2JH02N0L	56-13
AA2J593200	38-2	AA2J625201	26-15	AA2J710402	34-21	AA2J941200	29-36	AA2JH02T00	56-6
AA2J593301	38-4	AA2J625201	28-14	AA2J710602	34-24	AA2J941300	27-37	AA2JM10200	46-2
AA2J593400	39-20	AA2J625300	26-10	AA2J710701	34-23	AA2J941500	27-38	AA2JM10300	41-17
AA2J593500	39-21	AA2J625300	28-9	AA2J710900	33-9	AA2J941600	27-39	AA2JM10400	44-1
AA2J593601	39-8	AA2J626600	26-16	AA2J711000	33-14	AA2J941700	26-18	AA2JM10500	56-16
AA2J593700	37-4	AA2J626600	28-15	AA2J712100	35-3	AA2J941700	28-17	AA2JM11000	46-3
AA2J593800	37-26	AA2J626702	26-11	AA2J712300	32-2	AA2J942100	3-16	AA2JM11000	50-41
AA2J593900	39-2	AA2J626702	28-10	AA2J712500	33-10	AA2J942400	25-4	AA2JM11100	46-5

Parts No.	Page No.	Parts No.	Page No.	Parts No.	Page No.	Parts No.	Page No.
AA2JM20100	50-34	AA2JP10100	2-23	AA2JR74300	54-2	V500020052	60-9
AA2JM20100	52-20	AA2JR70100	8-3	AA2JR74311	54-2	V500020069	60-17
AA2JM20200	46-9	AA2JR70111	8-3	AA2JR74400	54-2	V500020073	60-18
AA2JM40600	53-6	AA2JR70211	43-9	AA2M940100	1-13	V500020082	60-10
AA2JM70300	4-15	AA2JR70311	43-9	AA2M941000	1-13	V500020094	60-16
AA2JM70600	5-15	AA2JR70411	43-9	AA2M941100	1-13	V500020098	60-5
AA2JM72002	5-16	AA2JR70411	43-9	AA2MN10C01	58-2	V500020099	60-6
AA2JM72100	5-17	AA2JR70511	53-4	AA6RN30000	55-9	V500020100	60-8
AA2JM72702	56-24	AA2JR70800	1-17	AA6RN30100	55-8	V501010002	62-16
AA2JM72F01	2-28	AA2JR70911	46-12	AA7N100600	54-10	V570010021	60-11
AA2JM72M00	56-24	AA2JR71011	14-13	AA7N106100	47-5	V570010048	60-15
AA2JN10002	55-12	AA2JR71100	51-1	AA7N106200	47-6	V570010057	60-12
AA2JN10100	55-13	AA2JR71233	47-1	AA7N145200	17-27	V570010059	60-13
AA2JN10202	55-11	AA2JR71322	49-1	AA7N164300	2-17	V570010060	60-14
AA2JN10401	43-16	AA2JR71400	8-5	AA7N562800	19-12	V651010002	54-4
AA2JN10A01	57-1	AA2JR71500	10-10	AA7N562800	21-22	V651010025	56-20
AA2JN10B00	58-1	AA2JR71711	11-3	AA7N590500	35-17	V800500300	31-21
AA2JN10D02	59-1	AA2JR71811	11-3	AA7N591100	38-21	V800500300	33-15
AA2JN10E00	13-34	AA2JR71911	11-3	AA7N595100	38-19		
AA2JN10F00	16-4	AA2JR72011	32-4	AA7N945700	2-6		
AA2JN10G01	10-7	AA2JR72111	18-1	AA7N945700	2-6		
AA2JN10H01	31-16	AA2JR72200	24-1	AA7NP10100	38-29		
AA2JN10J00	1-21	AA2JR72323	36-1	AA7NP10400	20-14		
AA2JN10K00	34-32	AA2JR72422	25-1	AA7NP10500	27-40		
AA2JN10M00	41-10	AA2JR72511	25-2	AA7NP10800	45-34		
AA2JN10P01	19-24	AA2JR72611	30-1	AA7NP11100	45-35		
AA2JN10Q02	21-24	AA2JR72700	32-1	AA7NR72811	62-11		
AA2JN10S00	37-44	AA2JR72811	40-10	AA7R813900	42-17		
AA2JN10T00	24-2	AA2JR72911	44-11	AAVA0Y1	62-12		
AA2JN10X00	17-31	AA2JR73000	45-18	AAVAWY1	62-12		
AA2JN10Y02	2-1	AA2JR73200	7-1	AC77N10N01	42-33		
AA2JN11200	17-32	AA2JR73300	7-2	V116030804	62-14		
AA2JN11C00	10-9	AA2JR73400	13-22	V116033003	62-10		
AA2JN11E00	12-2	AA2JR73511	11-3	V153031004	62-6		
AA2JN12400	55-14	AA2JR73600	14-1	V500010081	60-1		
AA2JN12A00	57-1	AA2JR73700	17-33	V500010082	60-2		
AA2JN14500	8-4	AA2JR74000	54-2	V500010083	60-3		
AA2JN15612	5-12	AA2JR74011	54-2	V500010084	60-4		
AA2JN15701	5-18	AA2JR74100	43-9	V500010085	60-7		
AA2JN15K11	2-29	AA2JR74200	54-2	V500020040	62-9		

External Parts



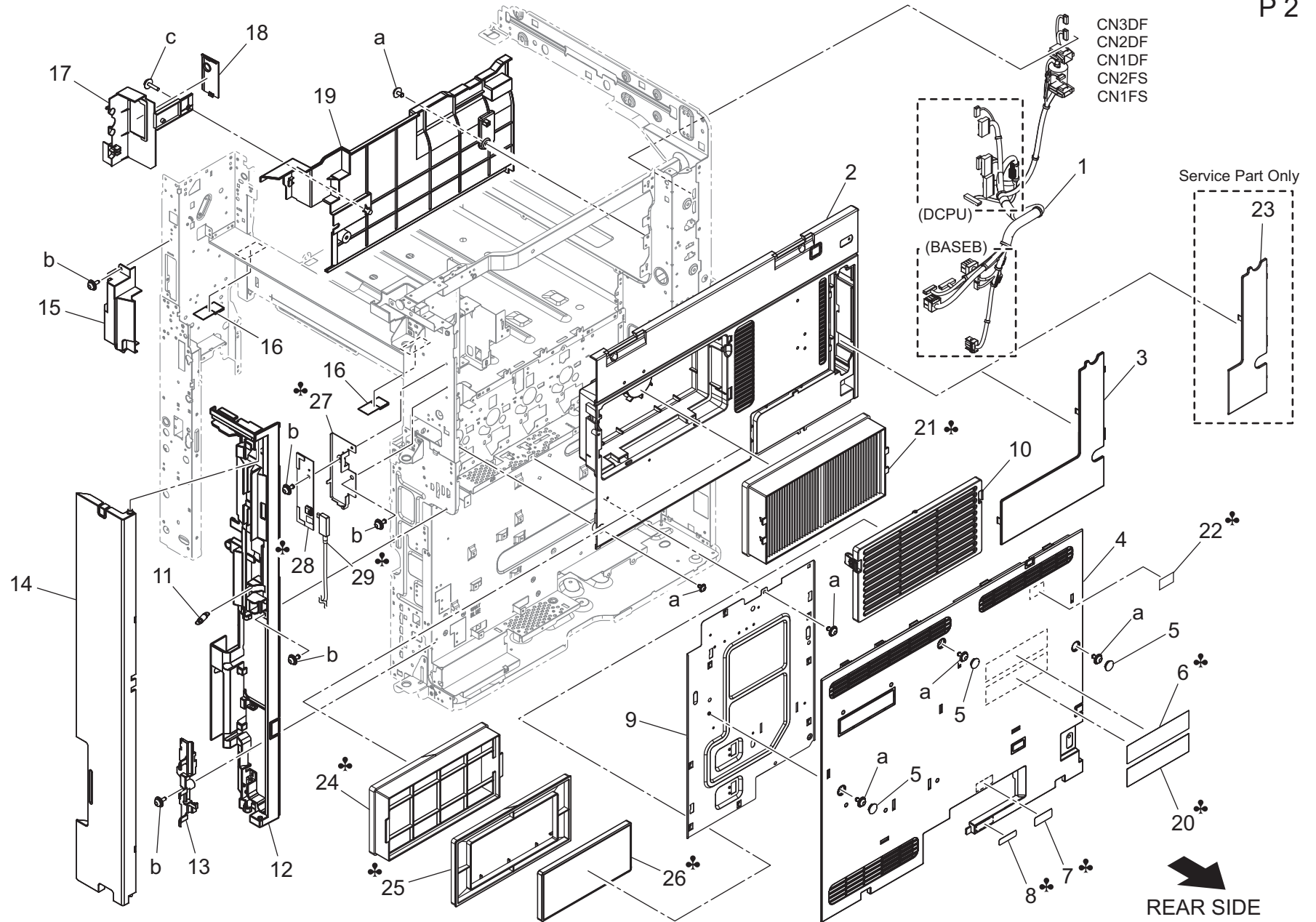
bizhub C025Dni/C250i/C250iS

Key	Part No.	Description	Destinations	Class	QTY	Standard parts
1	AA2J161001	Paper exit Tray		D	1	a-V125030803 b-V149030803 c-V153031004 d-V127030604
2	AA2J160103	Cover /Upper		D	1	
4	A93EM60000	Rocker switch		C	1	
5	AA2J160401Old	Cover /Right front		D	1	
5	AA2J160412	Cover /Right front		D	1	
6	AA2J160500Old	Cover		D	1	
6	AA2J160511	Cover		D	1	
7	AA2J169102	Receiving Pedestal		D	1	
8	AA2J169201	Cover		D	1	
9	A00JH00D00	PWB Assembly LED1		C	2	
10	AA2J161301	Open/close Cover /Front		D	1	
11	A797162000	Band		D	2	
12	A00J945500	Logo Mark		C	1	
13	AA2M940100	Label bizhub C250i	(bizhub C250i)	D	1	
13	AA2M941000	Label	(bizhub C025DNi)	C	1	
13	AA2M941100	Label bizhub C250iS	(bizhub C250iS)	D	1	
14	AA2J165100	Open/close Cover /Front		D	1	
15	AA2J160204	Open/close Cover /Front		D	1	
16	07BA12352	Magnet Catch		C	2	
17	AA2JR70800	Cleaning Material		C	1	
18	AA2J103500	Filter		C	1	
19	AA2J160703	Cover /Left front		D	1	
20	AA2J160802	Cover /Left rear		D	1	
21	AA2JN10J00	Indicating Wiring		D	1	
22	AA2J164800	Seal		D	1	

bizhub C025Dni/C250i/C250iS

External Parts

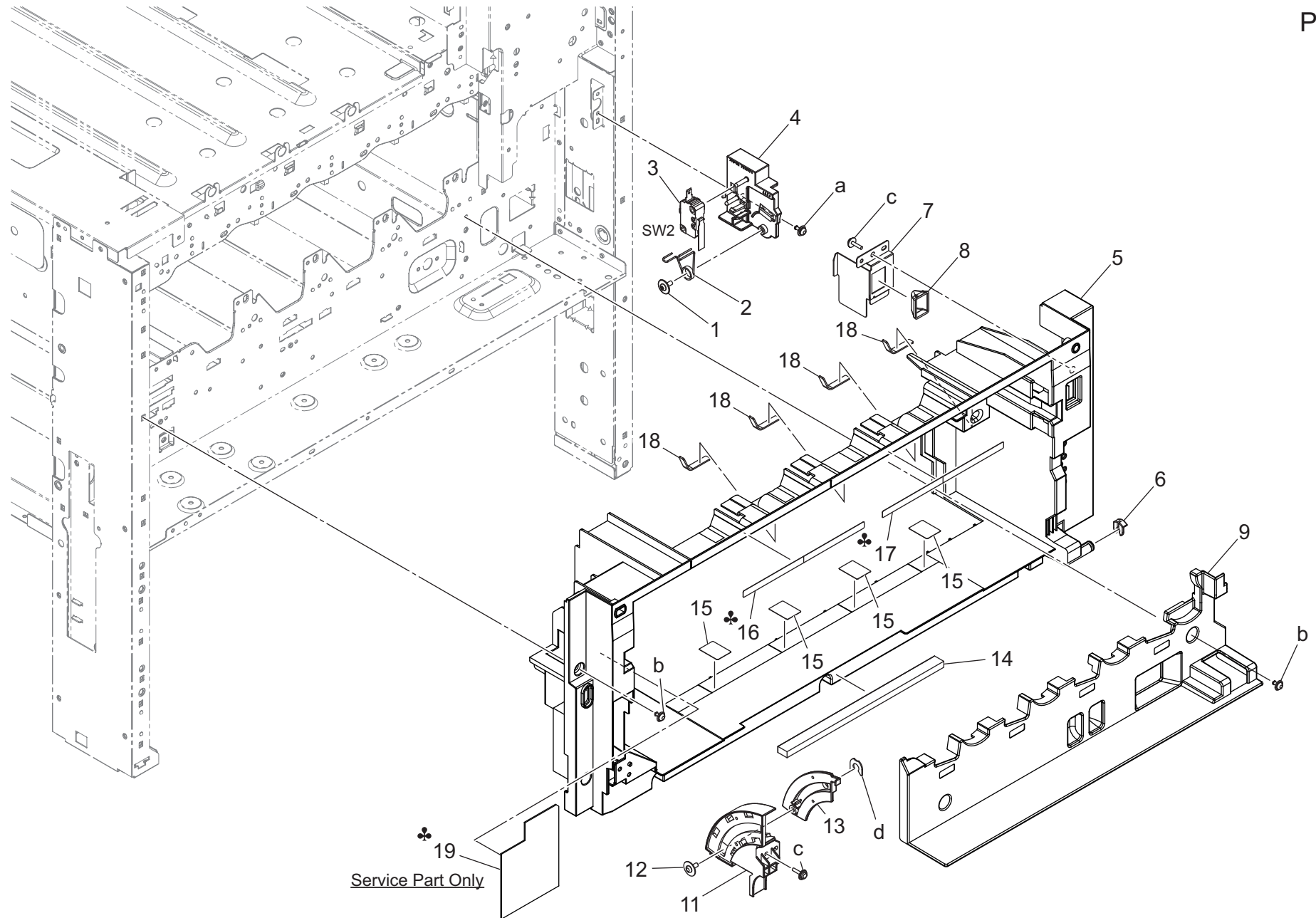
P 2



bizhub C025Dni/C250i/C250iS

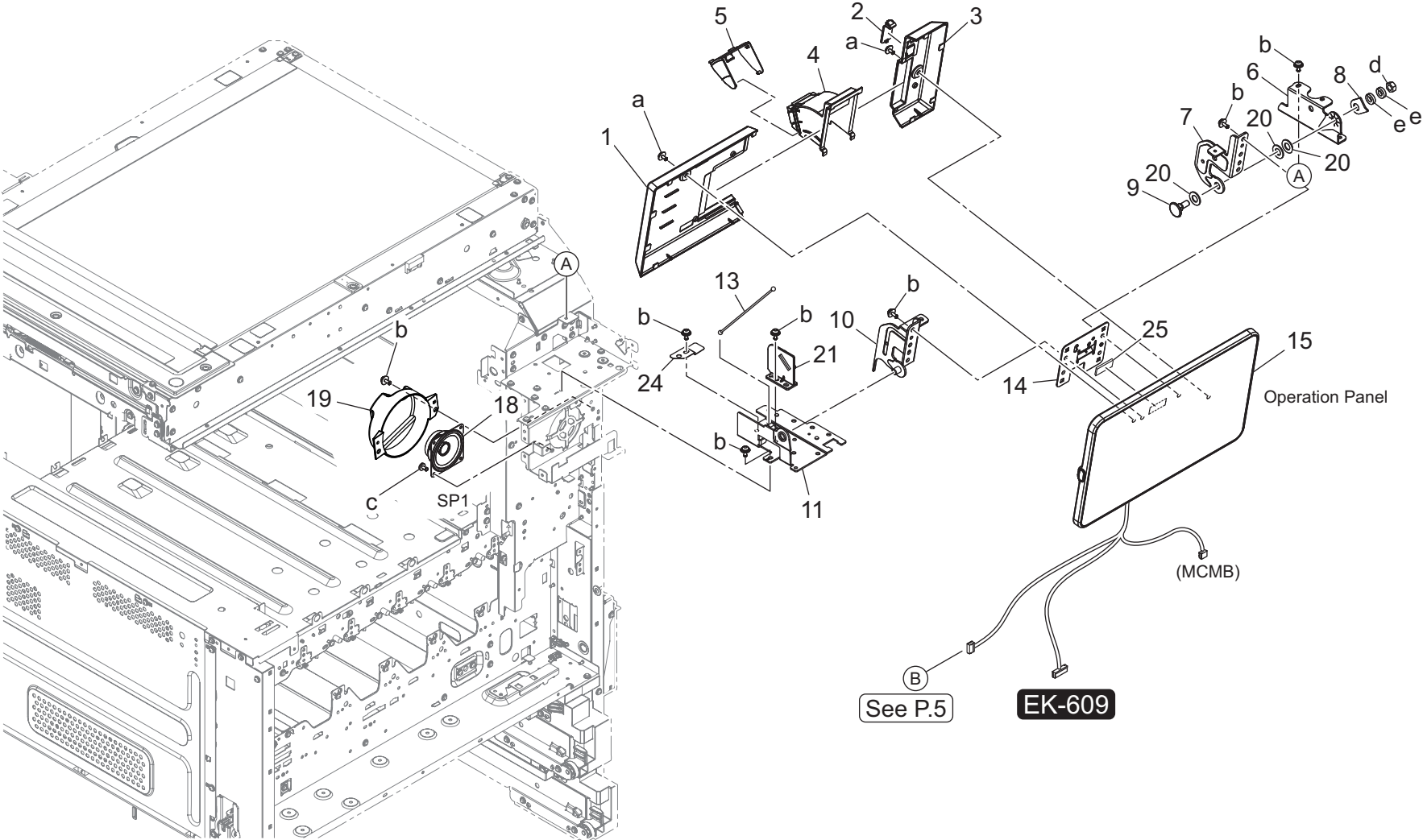
Key	Part No.	Description	Destinations	Class	QTY	Standard parts
1	AA2JN10Y02	Power source Wiring		D	1	a-V127030604 b-V125030803 c-V153031004
2	AA2J162102	Cover /Rear		D	1	
3	AA2J163400	Cover /Rear		D	1	
4	AA2J166303	Cover /Rear		D	1	
5	A00J169100	Cover		D	3	
6	AA7N945700	Label	D1,D3,E,F2,G1,I,K	D	1	
6	AA7N945700	Label	A,B,C,G2,H,J	D	1	
7	A02E149900	Label	A	C	1	
8	A00J945201	Label 220-240V 0.65A	C,D1,D3,E,F2,G1,I,K J	C	1	
9	AA2J132301	Shield Plate		D	1	
10	A7PU168301	Cover		C	1	
11	A161163900	Pulling Coil spring		C	1	
12	AA2J161805	Cover /Right rear		D	1	
13	AA2J168700	Cover		D	1	
14	AA2J160902	Cover /Right rear		D	1	
15	AA2J161201	Cover /Right front		D	1	
16	A7PU109100	Cushion		C	2	
17	AA7N164300	Cover		D	1	
18	AA2J164400	Cover		D	1	
19	A79J162201	Cover		C	1	
20	A7PU941701	Label Caution		C	1	
21	A7PU142100	Filter	C,I(South Africa)	C	1	
22	A7PU942400	Label	C,I(South Africa)	C	1	
23	AA2JP10100	Cover /Rear	A(YCS)	C	1	
24	A7PUR75100	Filter Case/Outside		D	1	
			J,(Model No.AA2M007 .008)	C	1	
25	A7PUR70000	Filter Case/Inside		C	1	
			J,(Model No.AA2M007 .008)	C	1	
26	A7PU142800	Filter		C	1	
			J,(Model No.AA2M007 .008)	C	1	
27	A93E134700	Mounting Plate		D		
28	AA2JM72F01	Interface Board		D	1	
29	AA2JN15K11	Interface Cable		D	1	
			(bizhub C250iS)	D		
			(bizhub C250iS)	D	1	
			(bizhub C250iS)	D	1	

External Parts

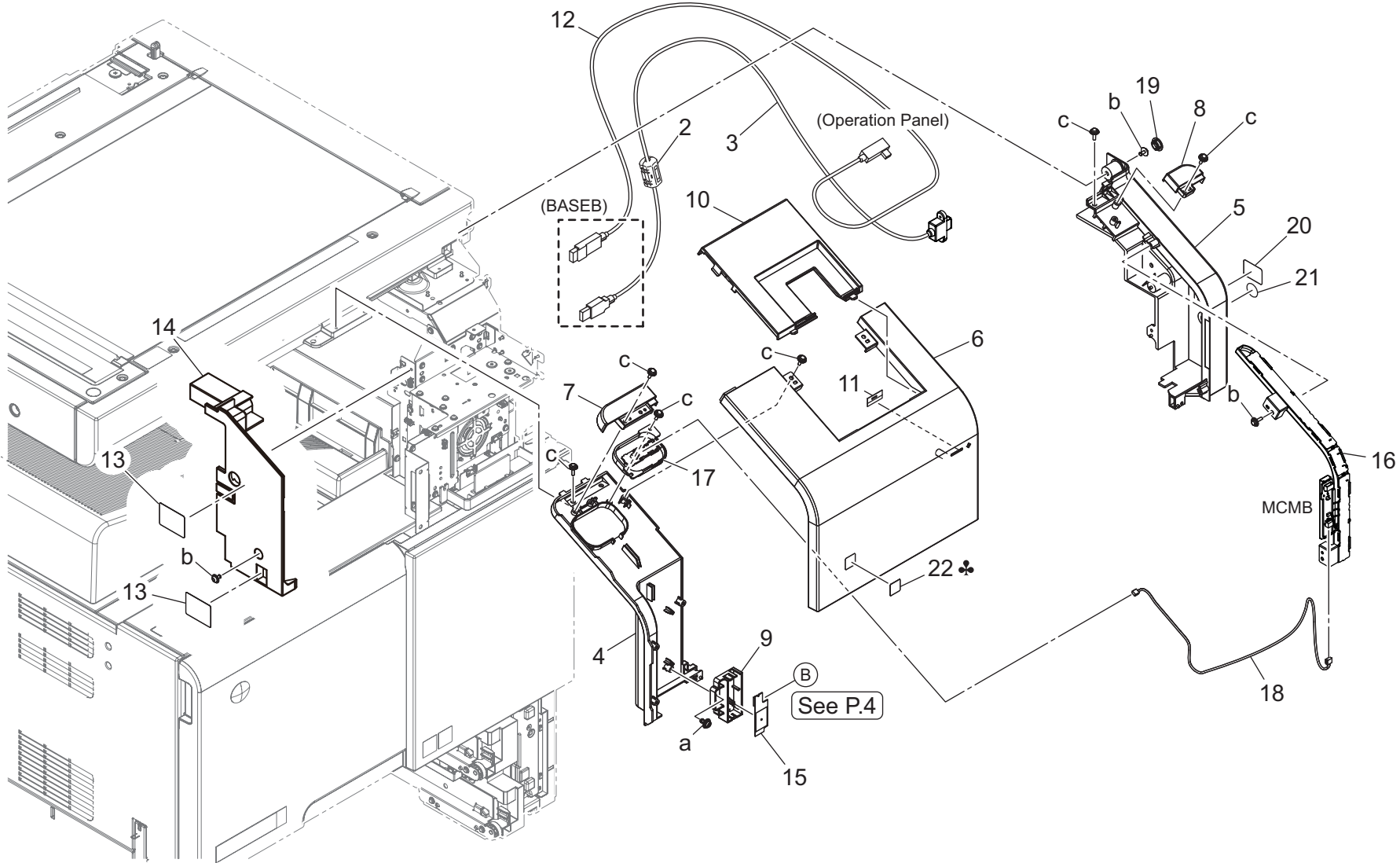


Key	Part No.	Description	Destinations	Class	QTY	Standard parts
1	4163529301	SCREW		C	1	a-V125030803 b-V127030604 c-V153031004 d-V218060086
2	AA2J130501	Torsion Coil spring		C	1	
3	9J06M60100	Micro Switch		C	1	
4	AA2J130400	Holder		D	1	
5	AA2J165002	Cover /Front		D	1	
6	56AA40490	Shaft Stopper /4		C	1	
7	AA2J163200	Mounting Plate		D	1	
8	A79J122200	Collar		D	1	
9	AA2J164601Old	Cover /Front		D	1	
9	AA2J164603	Cover /Front		D	1	
11	AA2J165300	Arm /2		D	1	
12	4163529301	SCREW		C	1	
13	AA2J165200	Arm		D	1	
14	AA2J165500	Seal		D	1	
15	AA2J943000	Label		D	4	
16	AA2J942100	Label	ラベル (T N 操作 / Y M)	D	1	
16	AA2J942700	Label	ラベル (T N 操作 / Y M - Y C S)	D	1	
17	AA2J942600	Label	ラベル (T N 操作 / C K)	D	1	
17	AA2J942800	Label	ラベル (T N 操作 / C K - Y C S)	D	1	
18	A85Y375100	Protection Part	保護材	D	4	
19	AA2J169600	Guide Plate	ガイド板	D	1	

Operation Panel section

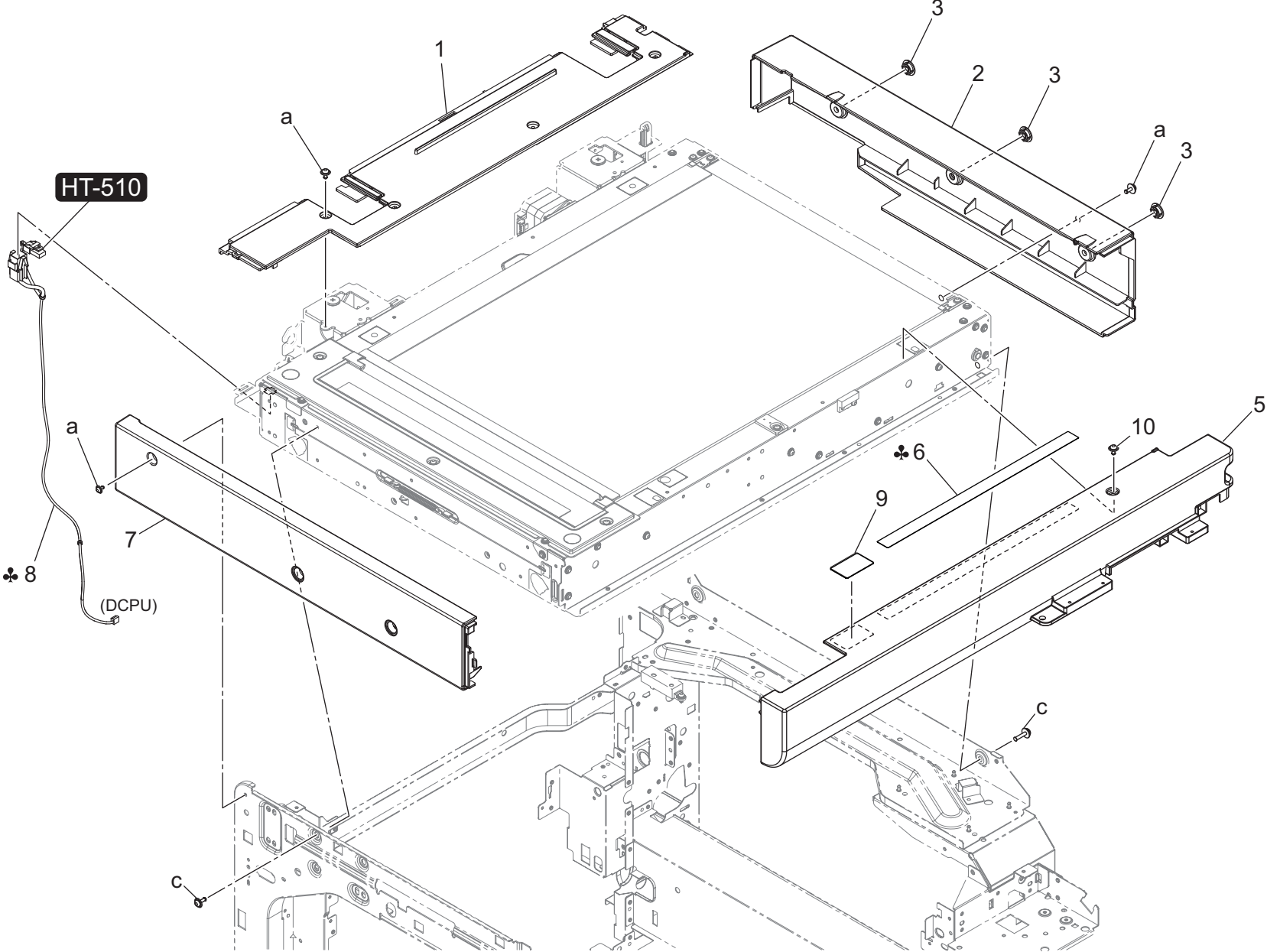


Key	Part No.	Description	Destinations	Class	QTY	Standard parts	
1	AA2J192200	Cover /Left rear		D	1	a-V127030604 b-V125030803 c-V126030603 d-V195060003 e-V205060003	
2	AA2J192801	Cover		D	1		
3	AA2J192100	Cover /Right rear		D	1		
4	AA2J192302	Cover		D	1		
5	AA2J192501	Cover		D	1		
6	AA2J190101Old	Mounting Plate /Right		D	1		
6	AA2J190102	Mounting Plate /Right		D	1		
7	AA2J191100	Hinge		D	1		
8	AA2J191300	Spacer		D	1		
9	AA2J195100	Shaft		D	1		
10	AA2J191000	Hinge /ASSY		D	1		
11	AA2J190201Old	Mounting Plate		D	1		
11	AA2J190212	Mounting Plate		D	1		
13	AA2J191500Old	Wire		D	1		
13	AA2J191512	Wire		D	1		
14	AA2J191201	Mounting Plate		D	1		
15	AA2JM70300	Panel Assy		I	1		
18	A7PUM72100	Speaker		D	1		
19	AA2J134602	Mounting Cover		D	1		
20	AA2J191800	Slide Spacer		D	3		
21	AA2J191402	Guide		D	1		
24	AA2J193300	Plate spring		C	1		
25	AA2J193200	Spacer		D	1		



Key	Part No.	Description	Destinations	Class	QTY	Standard parts
2	A5C1M92000	Ferritecore		D	1	a-V125030803 b-V127030604 c-V153030803
3	A90GN15300	Interface Cable	フェライトコア インターフェースケーブル(前面USB)	D	1	
4	AA2J161401	Cover	カバー (パネル下・内左)	D	1	
5	AA2J161501	Cover	カバー (パネル下・右)	D	1	
6	AA2J171700	Cover	カバー (パネル下)	D	1	
7	AA2J171800	Cover	カバー (パネル下・左上)	D	1	
8	AA2J171900	Cover	カバー (パネル下・右上)	D	1	
9	AA2J173300	Holder	ホルダ (NFC基板)	D	1	
10	AA2J192602	Cover	カバー (パレット)	D	1	
11	AA2J169500	Seal	シール (LED)	D	1	
12	AA2JN15612	Interface Cable	インターフェースケーブル(パネル)	D	1	
13	A161162400	Seal	シール (目隠し)	C	2	
14	AA2J161903	Cover	カバー (パネル下・内左)	D	1	
15	AA2JM70600	Interface Unit	インターフェースユニット (NFCユニット)	C	1	
16	AA2JM72002	Indicating Unit	表示ユニット (サイドLEDユニット)	C	1	
17	AA2JM72100	Indicating Unit	表示ユニット (排紙部LEDユニット)	C	1	
18	AA2JN15701	Wiring	束線 (排紙部白LED束線)	D	1	
19	A00J169100	Cover	蓋	D	1	
20	A7PU168500	Seal	シール	C	1	
21	A7PU168600	Seal	シール	C	1	
22	AA2J948600	Label	ラベル (NFC)	A	D	1

Scanner Section



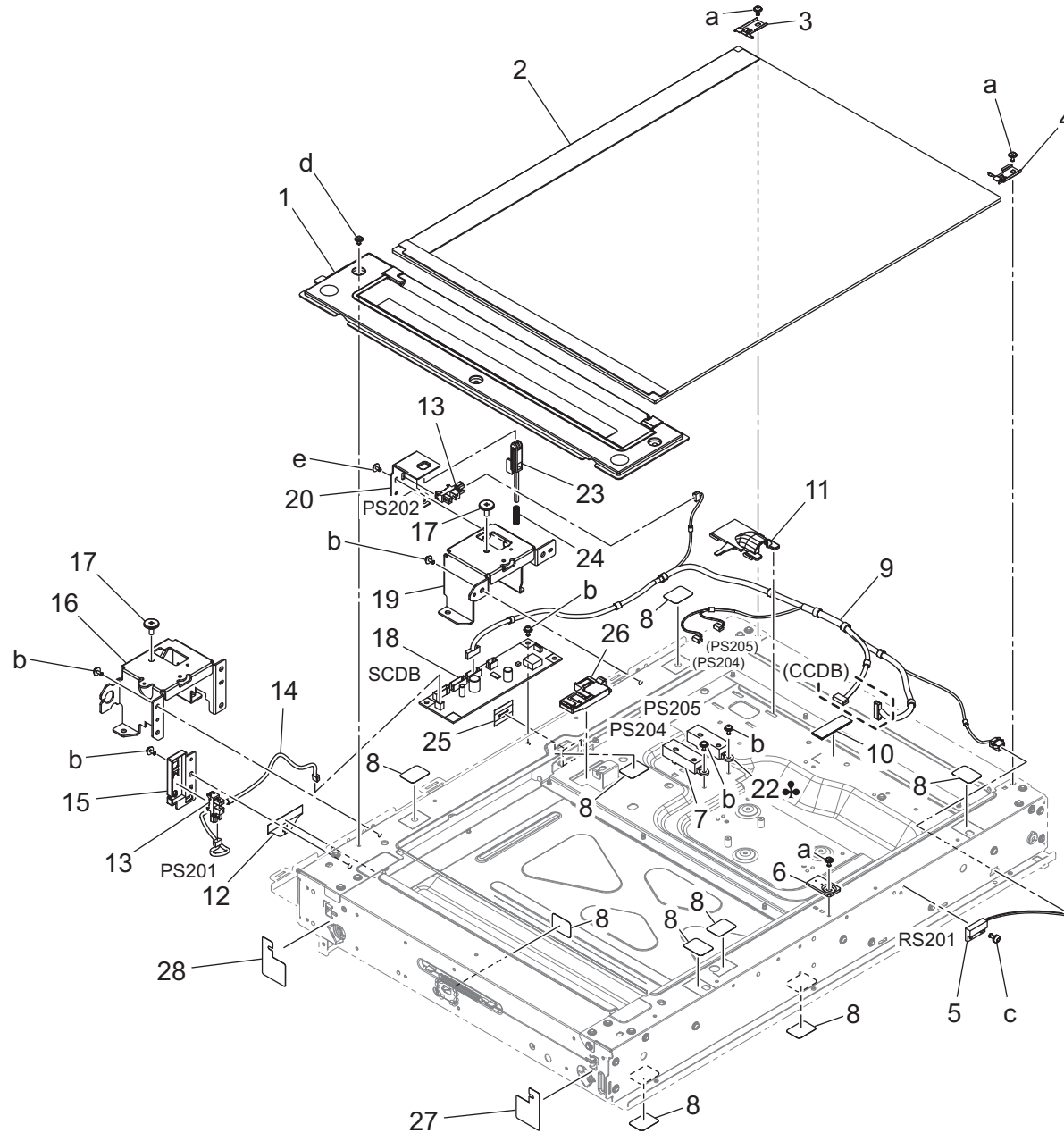
bizhub C025Dni/C250i/C250iS



Scanner Section

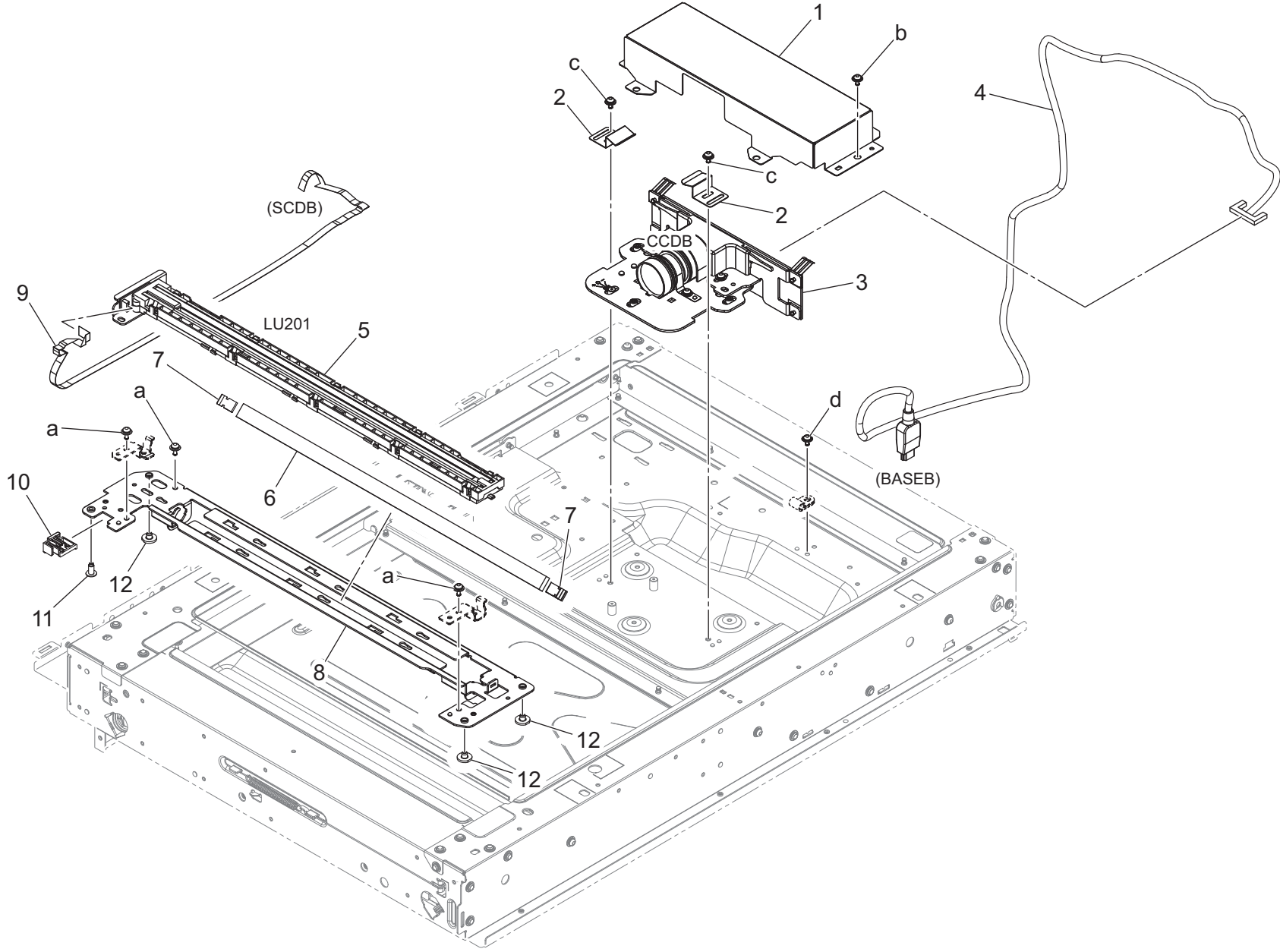
Key	Part No.	Description	Destinations	Class	QTY	Standard parts
1	A7PU170702	Read Cover		C	1	a-V127030604 c-V125030803
2	AA2J170403	Read Cover /Right		D	1	
3	A00J169100	Cover		D	3	
5	AA2J170105	Read Cover /Front		D	1	
6	A92T940800	Label ラベル (複製禁止事項・黒)	A	D	1	
7	AA2J170300	Read Cover /Left		D	1	
8	A161N11C01	Scanner Relay harness /100V	A	D	1	
9	A55D941100	Caution Label		D	1	
10	A00J169200	Shoulder screw		C	1	

bizhub C025DNi/C250i/C250iS



Key	Part No.	Description	Destinations	Class	QTY	Standard parts
1	AA2JR73200	Slit Glass ASSY		C	1	a-V121030604 b-V125030803 c-V115030603 d-V116030804 e-V144030603
2	AA2JR73300	Original Glass ASSY		C	1	
3	A161268300	Holding Plate		D	1	
4	A161268200	Holding Plate		D	1	
5	A1UDM50200	Lead Switch		C	1	
6	A00J265300	Regulating Plate		C	1	
7	A161M50A00	APS Photoreflector		C	1	
8	4581162501	SEAL		C	9	
9	A161N14100	Scanner Wiring /1		D	1	
10	4036307501	Tape		D	1	
11	A161281600	Guide		D	1	
12	A161263000	Seal		D	1	
13	A5C1M50100	Photointerrupter		B	2	
14	A161N14201	Scanner Wiring /2		D	1	
15	A161262200	Cover		D	1	
16	A161261902	Frame		D	1	
17	9J07210802	Shoulder Screw		C	2	
18	AA2JH01A00	PWD-ID		C	1	
19	A161262002	Frame		D	1	
20	A5C1280101	Mounting Plate		D	1	
22	A161M50A00	APS Photoreflector		C	1	
23	A161280211	Lever		D	1	
24	A161280300	Compressing Coil spring		C	1	
25	A161281300	Seal		D	1	
26	A161281100	Guide		D	1	
27	A5C1263300	Seal		C	1	
28	A5C1263400	Seal		C	1	

Scanner Section



Scanner Section

Key	Part No.	Description	Destinations	Class	QTY	Standard parts
1	A161278600	Cover		D	1	a-V125030803 b-V127030604 c-V116030603 d-V144030803
2	A161278900	Plate spring		D	2	
3	AA2JR70100Old	CCD Lens Assy		I	1	
3	AA2JR70111	CCD Lens Assy		I	1	
4	AA2JN14500	CCD Cable		D	1	
5	AA2JR71400	LED Lighting Assy		I	1	
6	A0ED271200	Mirror		D	1	
7	A0ED271300	Plate spring		D	2	
8	A7PU270100	Frame		D	1	
9	A7PUN14000	Flatcable /Scanner		D	1	
10	A7PU270600	Guide		D	1	
11	A161271100	Bushing		D	1	
12	A161271000	Bushing		D	3	

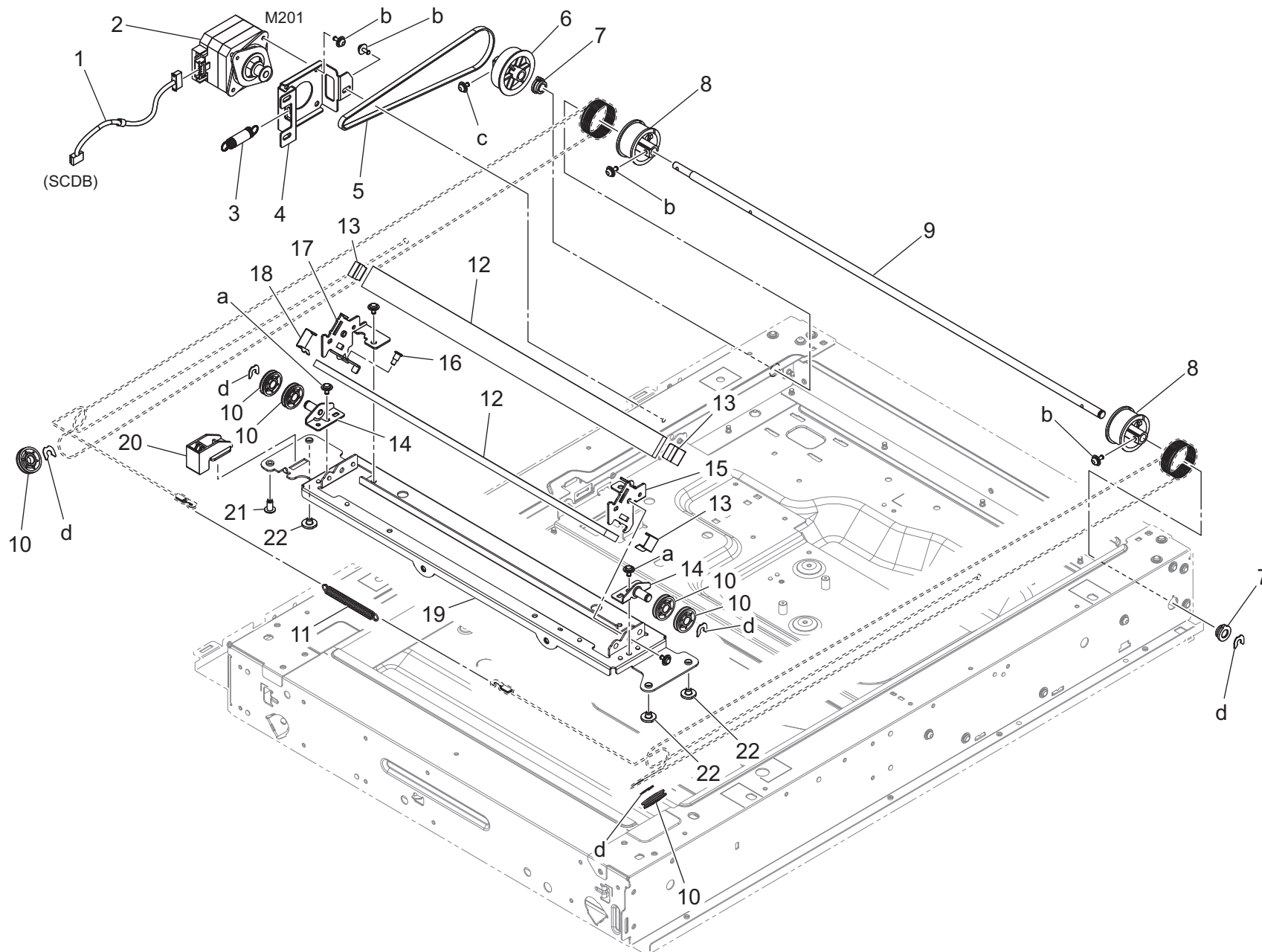
bizhub C025DNi/C250i/C250iS



Order here
8 (495) 646-0426
www.km-shop.ru

ПЯТЫЙ ПАРТНЕР

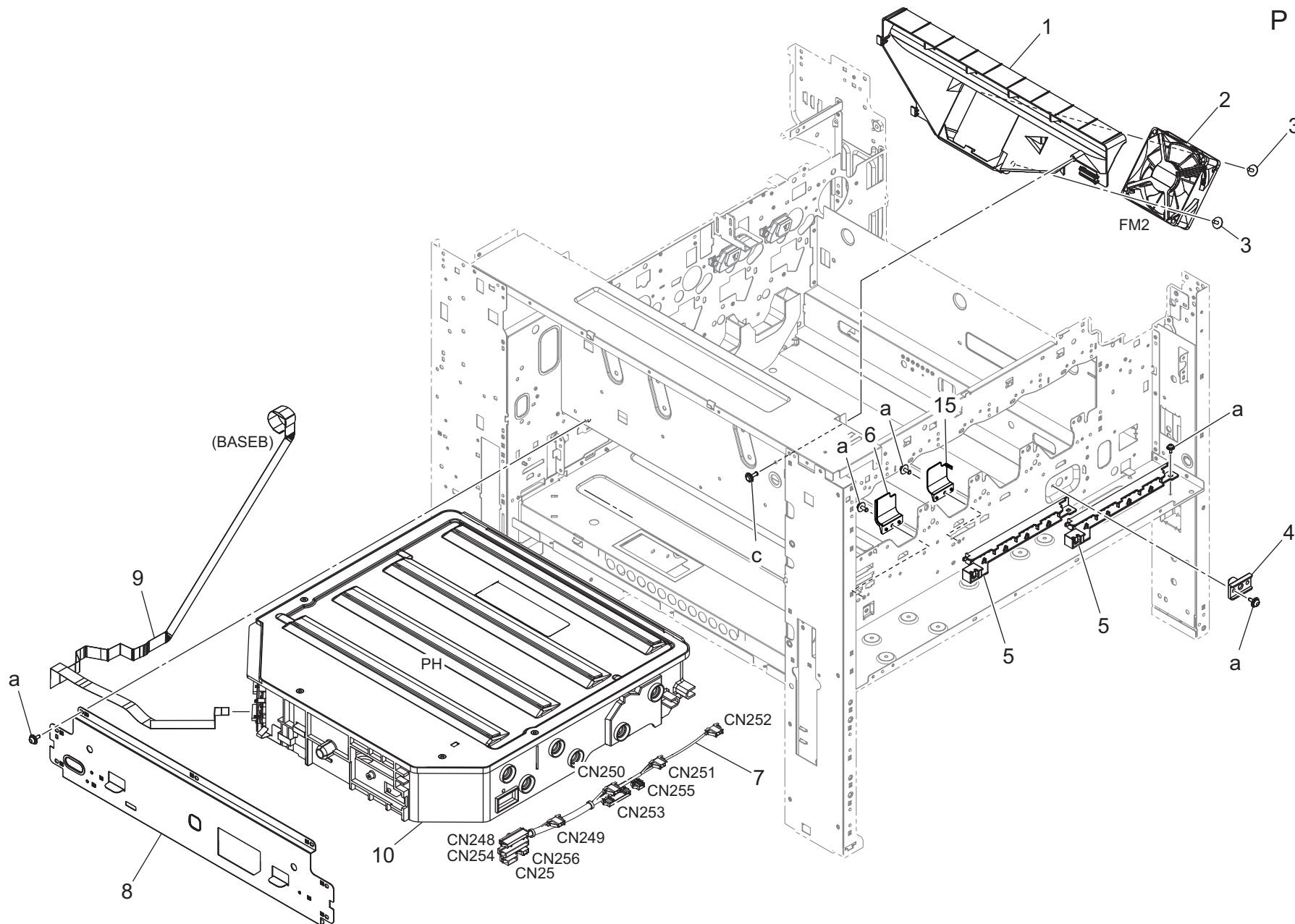
Scanner Section



Key	Part No.	Description	Destinations	Class	QTY	Standard parts
1	A5C1N14300	Scanner Wiring	スキャナー束線	D	1	a-V144030603 b-V125030803 c-V116030603 d-V218040086
2	A5C1M10A00	Stepping motor	ステッピングモータ	C	1	
3	A161275700	Pulling Spring	引張りばね (モーター)	D	1	
4	A161276000	Mounting Plate	取付板 (モータ)	D	1	
5	A161275600	Timing belt 335L	タイミングベルト 335 L	D	1	
6	A161275500	Pulley 103T	プーリー 103 T	D	1	
7	A161276500	Bearing	軸受 (駆動)	D	2	
8	A161275300	Pulley	プーリー (駆動)	D	2	
9	A161275400	Shaft	軸 (駆動)	D	1	
10	A0ED273600	Pulley	プーリー (2 nd)	C	6	
11	A0ED276301	Pulling Spring	引張りばね (ワイヤ)	D	1	
12	A0ED274300	Mirror	ミラー (2 ND)	D	2	
13	A79J274400Old	Plate spring	板ばね	D	3	
13	A0ED274400	Plate spring	板ばね (2 ND)	D	3	
14	A161273401	Mounting Plate	取付板 (プーリー・2 nd)	D	2	
15	A161273800	Mounting Plate	取付板 (前)	D	1	
16	A161274600	Adjusting Screw	調整ねじ	C	1	
17	A161273701	Mounting Plate	取付板 (後)	D	1	
18	A79J274500Old	Plate spring	板ばね	D	1	
18	A161274500	Plate spring /1	板ばね /1	D	1	
19	A161273113	Frame	フレーム (2 nd)	D	1	
20	A161273500	Guide Part	ガイド部材 (ランプハーネス・2 nd)	D	1	
21	A161271100	Bushing	ブッシュ (ねじ付)	D	1	
22	A161271000	Bushing	ブッシュ (スライダ)	D	3	

Write Section

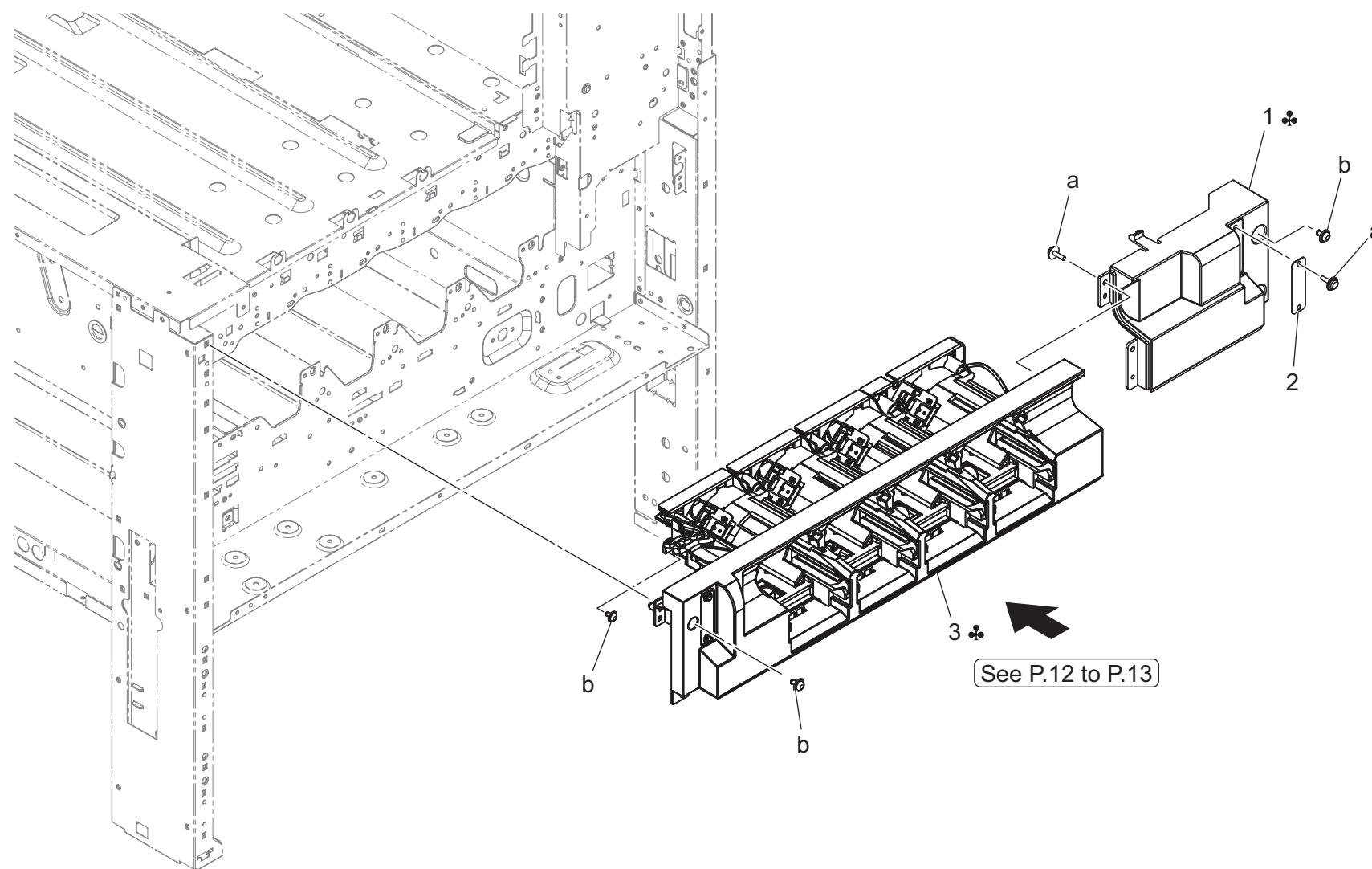
P 10



bizhub C025Dni/C250i/C250iS

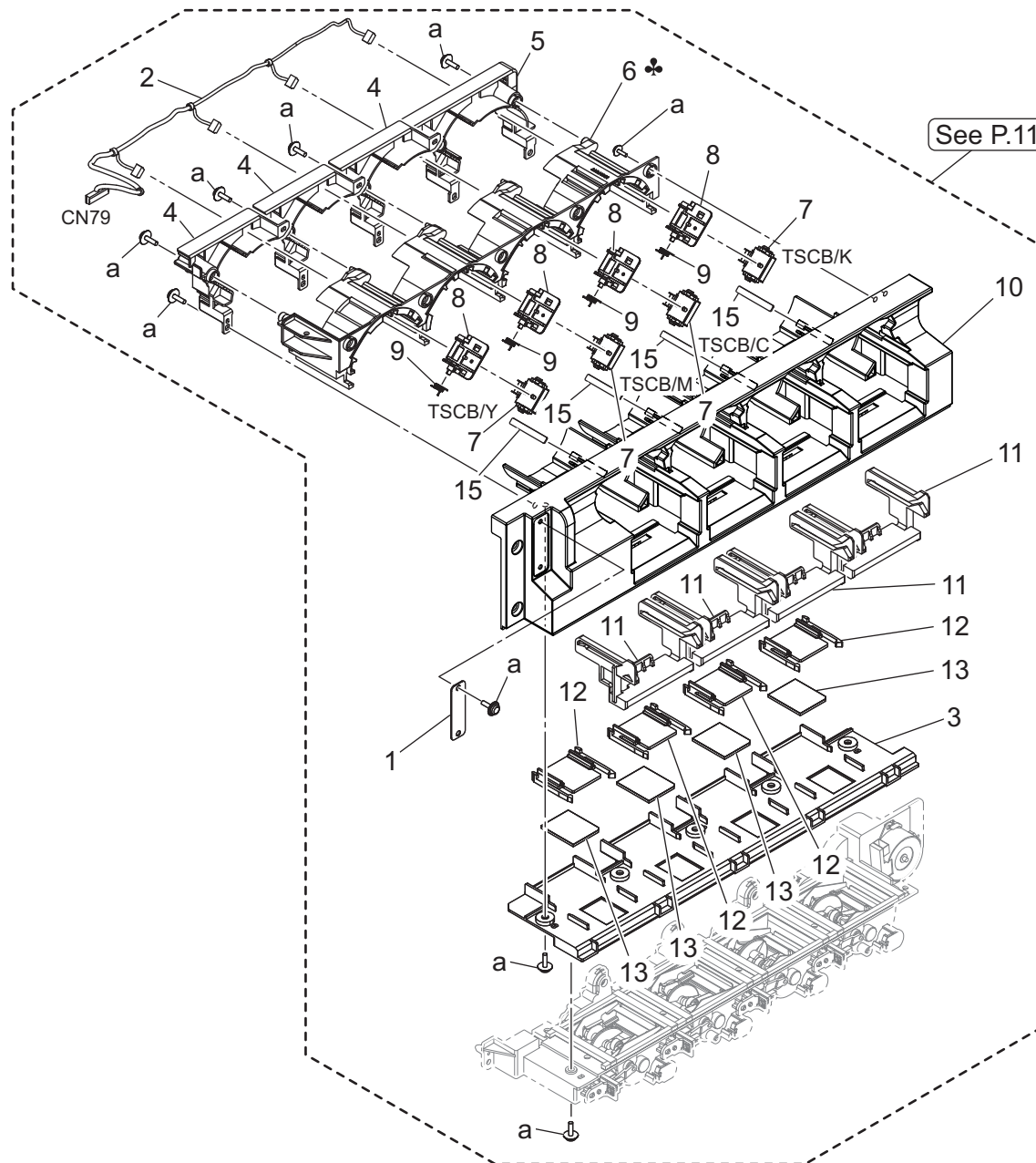
Key	Part No.	Description	Destinations	Class	QTY	Standard parts
1	A161140200	Duct		D	1	a-V125030803 c-V153031004
2	A93EM10000	Fan motor		C	1	
3	4163529301	SCREW		C	2	
4	A161105400	Positioning Plate		D	1	
5	A5C1135300	Guide		D	2	
6	AA2J134201	Guide		D	1	
7	AA2JN10G01	Relay Wiring /Front		D	1	
8	A79J101801	Mounting Plate		D	1	
9	AA2JN11C00	I/F Flatcable		C	1	
10	AA2JR71500	Print Head Assy		I	1	
15	AA2J134100	Guide		D	1	

Toner Supply Section



Key	Part No.	Description	Destinations	Class	QTY	Standard parts
1	AA2J401401	Cover /Right	A	D	1	a-V153030803 b-V127030604
1	AA2J401501	Cover /Right	B,C,D1,D3,E,F2,G1,G 2,I,K,H,J	D	1	
2	4038101401	SUCTION PLATE		D	1	
3	AA2JR71711	Sub Hopper Assy	A(KMJ)	S	1	
3	AA2JR71911	Sub Hopper Assy	C,I(South Africa)	S	1	
3	AA2JR73511	Sub Hopper Assy	サブホッパー A s s y (A P)	S	1	
3	AA2JR71811	Sub Hopper Assy	サブホッパー A s s y (北米)	S	1	

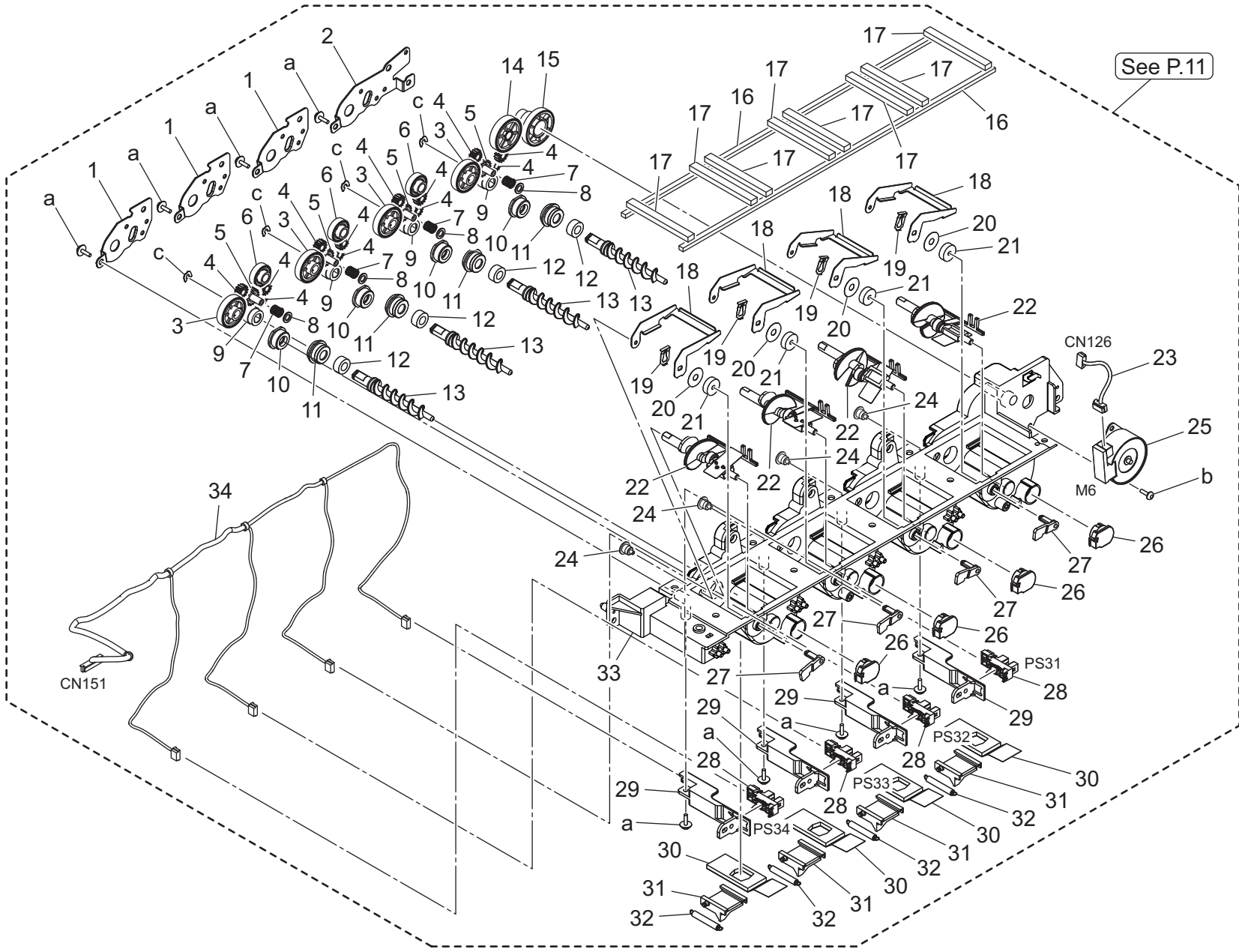
Toner Supply Section



Toner Supply Section

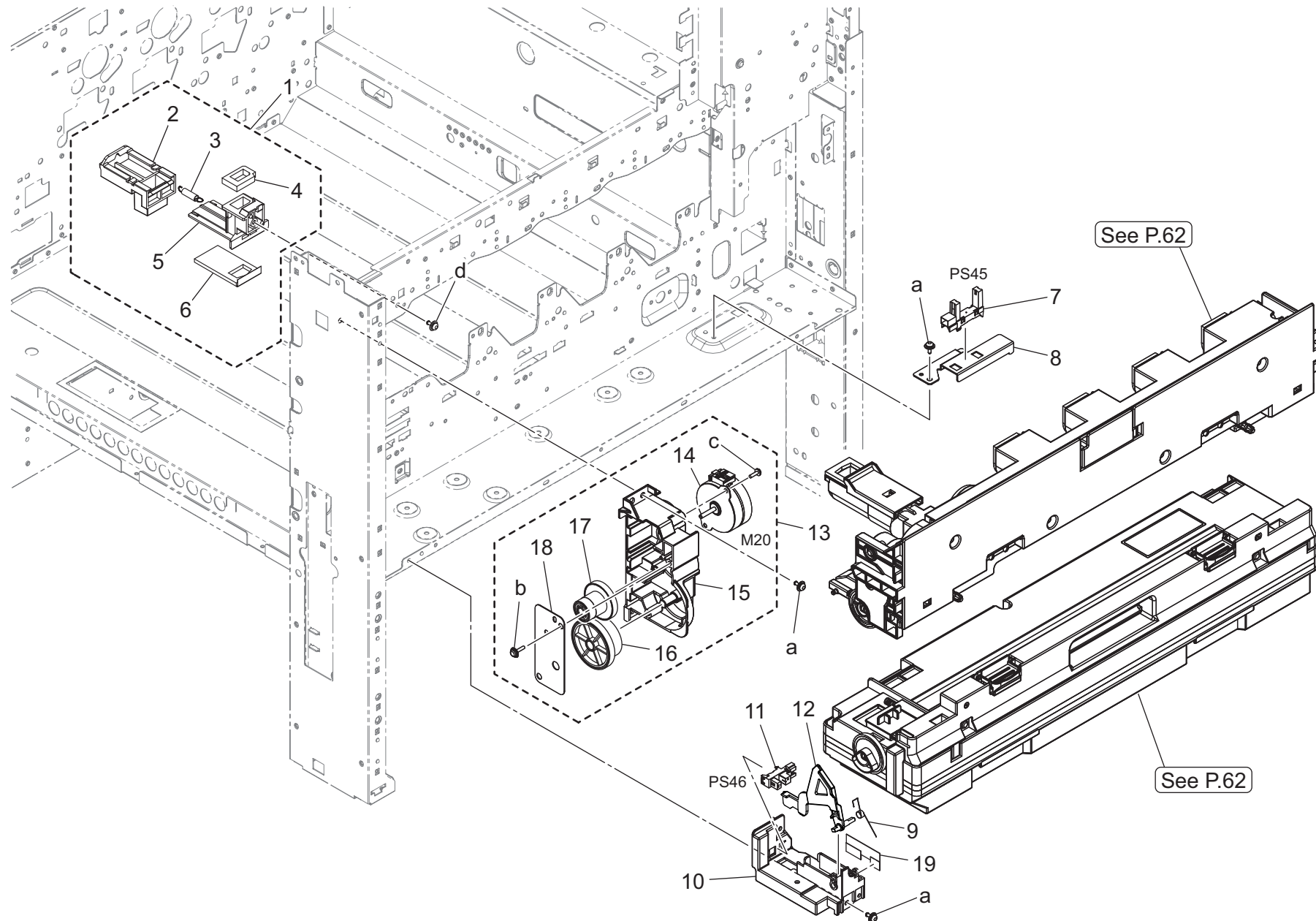
Key	Part No.	Description	Destinations	Class	QTY	Standard parts
1	4038101401	SUCTION PLATE		D	1	a-V153030803
2	AA2JN11E00	Toner Detection harness /2		D	1	
3	AA2J402101	Cover		D	1	
4	AA2J404101	Guide		D	3	
5	AA2J405301	Guide		D	1	
6	AA2J406100	Cover	C,I(South Africa)	D	1	
6	AA2J406200	Cover	A(KMJ)	D	1	
6	AA2J406300	Cover	D1,D3,E,F2,G1,I(exc ept South Africa),K ,H,J	D	1	
6	AA2J405100	Cover	A(YCS),B,G2	D	1	
7	A0EDM60001	Relay Connector		D	4	
8	AA2J404503	Holder		D	4	
9	AA2J404600	Torsion Coil spring		C	4	
10	AA2J401302	Cover		D	1	
11	AA2J402600	Guide		D	4	
12	AA2J402401	Shutter		D	4	
13	AA2J402500	Seal		D	4	
15	A85Y375100	Protection Part		D	4	

Toner Supply Section



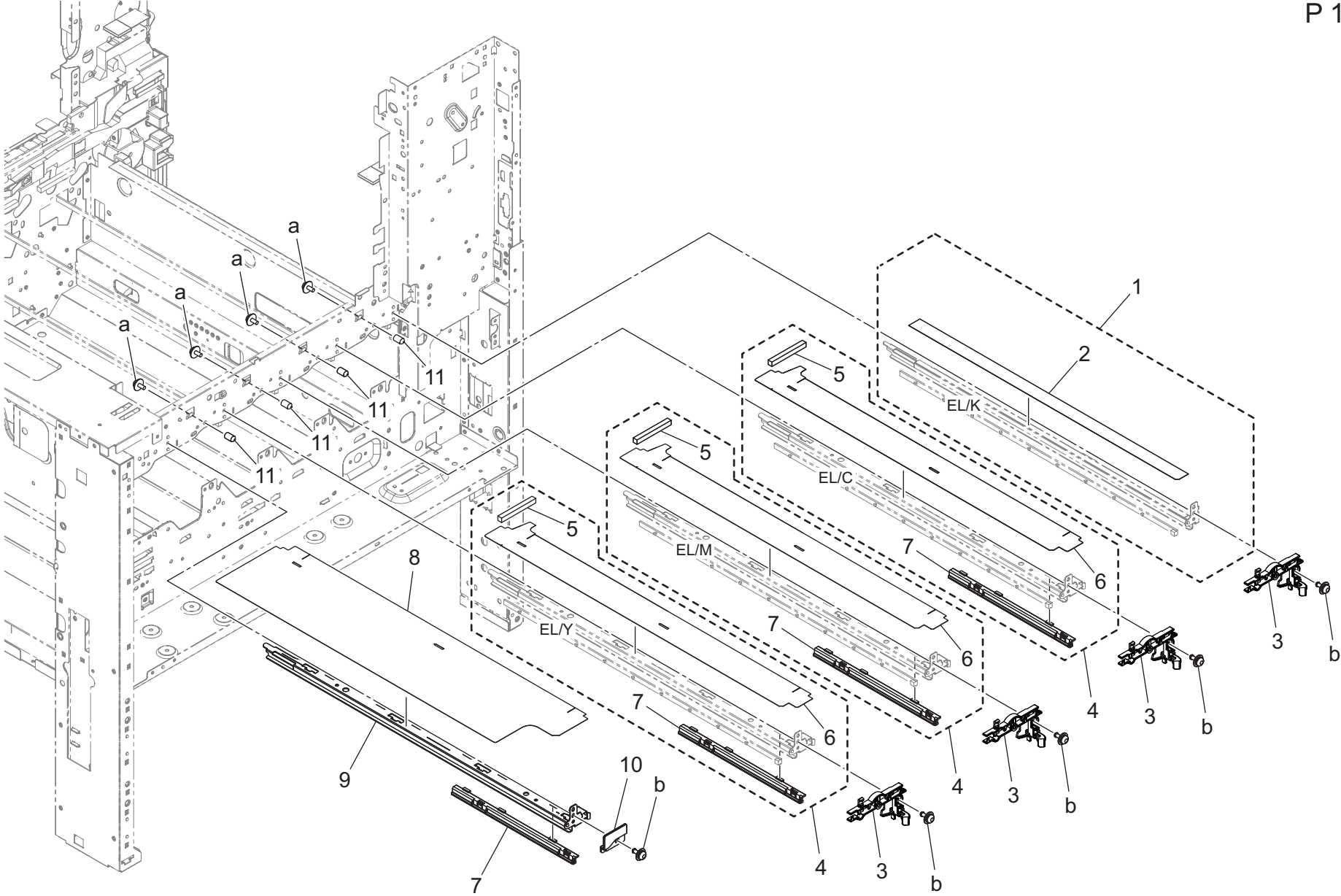
Key	Part No.	Description	Destinations	Class	QTY	Standard parts
1	AA2J402700	Mounting Plate		D	3	a-V153030803 b-V145030803 c-V218030086
2	AA2J402800	Mounting Plate		D	1	
3	AA2J401100	Gear 36T		C	4	
4	A79J401600	Gear 20T		C	12	
5	A79J401700	Gear 18T		C	4	
6	A161401500	Gear 25T		C	3	
7	A79J401900	Spring		C	4	
8	A79J401800	Washer		C	4	
9	A161401000	Gear 18T		C	4	
10	4163510201	BUSHING		C	4	
11	AA2J403100	Holder		D	4	
12	4576536301	SEAL		D	4	
13	AA2J400100	Screw		D	4	
14	A79J401400	Gear 40T		C	1	
15	A161401300	Gear 17/65T		C	1	
16	AA2J403300	Seal		D	2	
17	AA2J405500	Seal		D	8	
18	AA2J400400	Detecting Plate		D	4	
19	A161404200	Fixing Plate		D	4	
20	A5C1404600	Washer		D	4	
21	A161400601	Detecting Seal		D	4	
22	AA2JR73400	Agitating Shaft Assy		D	4	
23	A161N12801	Toner Drive harness /K		D	1	
24	A161400800	Pin		D	4	
25	A7PUM10700	Stepping motor		C	1	
26	A161403000	Bushing		D	4	
27	AA2J404300	Detecting Actuator		D	4	
28	A5C1M50100	Photointerrupter		B	4	
29	AA2J400700	Mounting Plate		D	4	
30	A161403200	Seal		D	4	
31	A0ED401000	Shutter		D	4	
32	4036534801	TENSION SPRING		C	4	
33	AA2J400001	Casing		D	1	
34	AA2JN10E00	Toner Detection harness /1		D	1	

Toner Collection Section



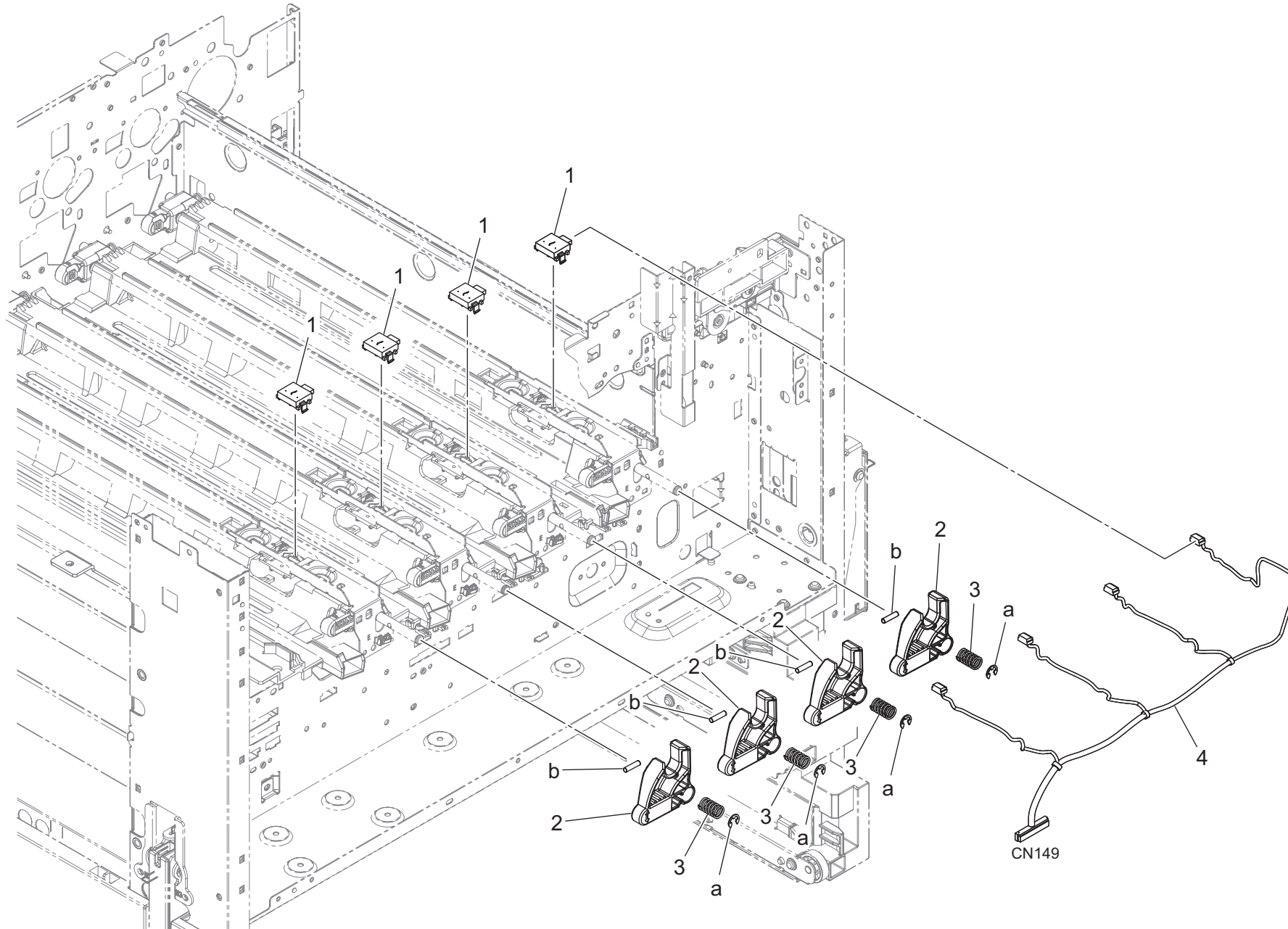
Key	Part No.	Description	Destinations	Class	QTY	Standard parts
1	AA2JR73600	Waste Toner Pipe Assy		C	1	a-V125030803 b-V153031004 c-V145030803 d-V153030803
2	A64J363700	Shutter		D	1	
3	A0ED363200	Pulling Coil spring		D	1	
4	A0ED363400	Seal		D	1	
5	AA2J363000	Pipe		D	1	
6	AA2J368001	Seal		D	1	
7	A0VDM50200	Photointerrupter		I	1	
8	AA2J134401	Mounting Plate		D	1	
9	AA2J369301	Torsion Coil spring		C	1	
10	AA2J369101	Holder		D	1	
11	A5C1M50100	Photointerrupter		B	1	
12	AA2J369600	Lever		C	1	
13	AA2JR71011	Waste Toner Drive		S	1	
14	A7PUM10600	Stepping motor		C	1	
15	AA2J245003	Drive Holder		D	1	
16	AA2J245200	Gear 20/50T		C	1	
17	AA2J245100	Gear 20/76T		C	1	
18	AA2J245300	Mounting Plate		D	1	
19	AA2J369500	Sheet		D	1	

Photo Conductor/ Developing Section



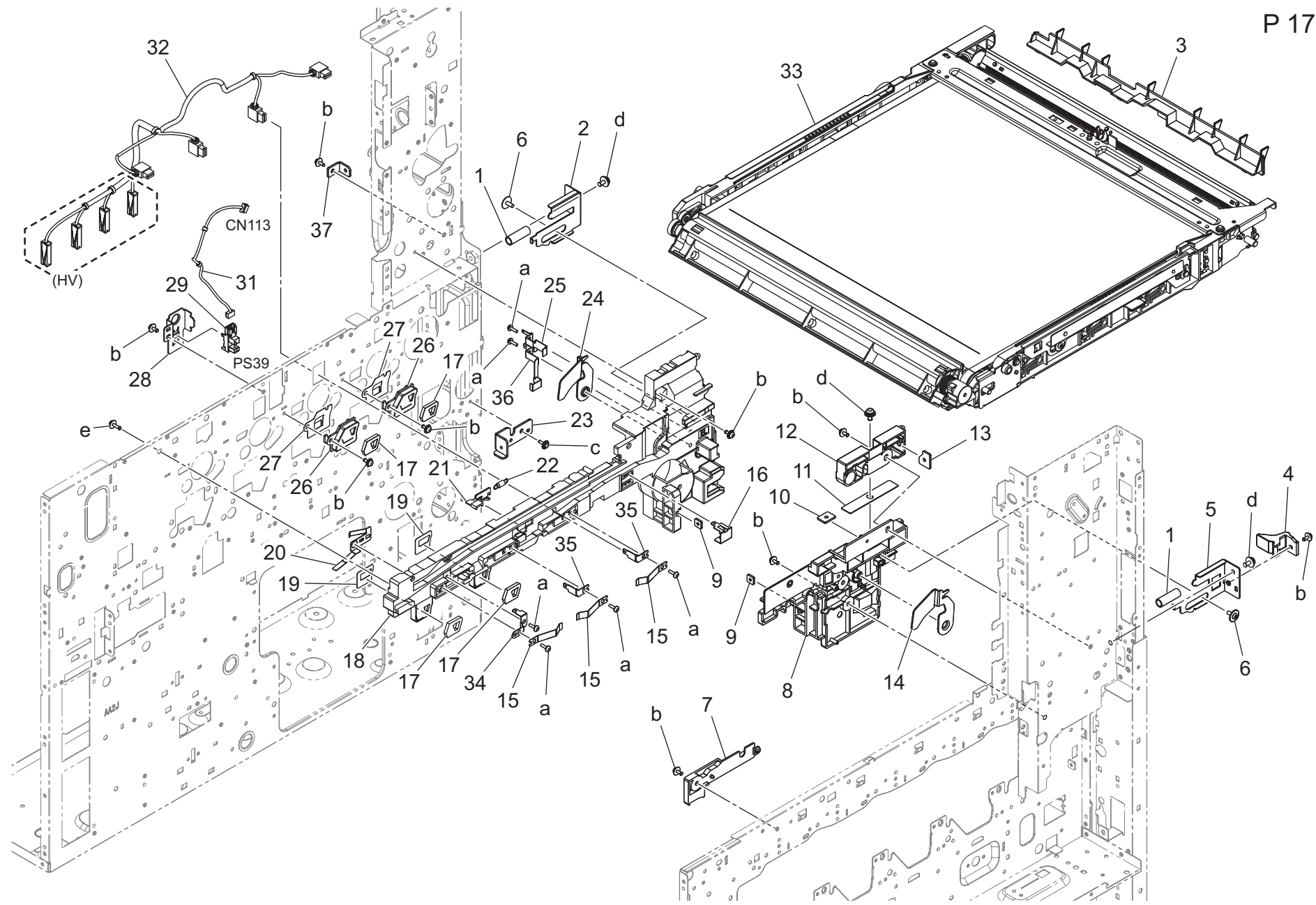
Key	Part No.	Description	Destinations	Class	QTY	Standard parts
1	A7PUR70500	Eraser (Black) Assy		C	1	a-V116030603 b-V125030803
2	A161107400	Light blocking Part		C	1	
3	AA2J130101	Holder		D	4	
4	A7PUR70611	Eraser (YMC) Assy		C	3	
5	A161107100	Seal		D	3	
6	A5C1105500	Light blocking Part		D	3	
7	A797105400	Rail		D	4	
8	A5C1102800	Seal		D	1	
9	A161105600	Rail		D	1	
10	A161138500	Guide		D	1	
11	A0ED103100	Pin		D	4	

Photo Conductor/ Developing Section



1st Transfer Section

P 17

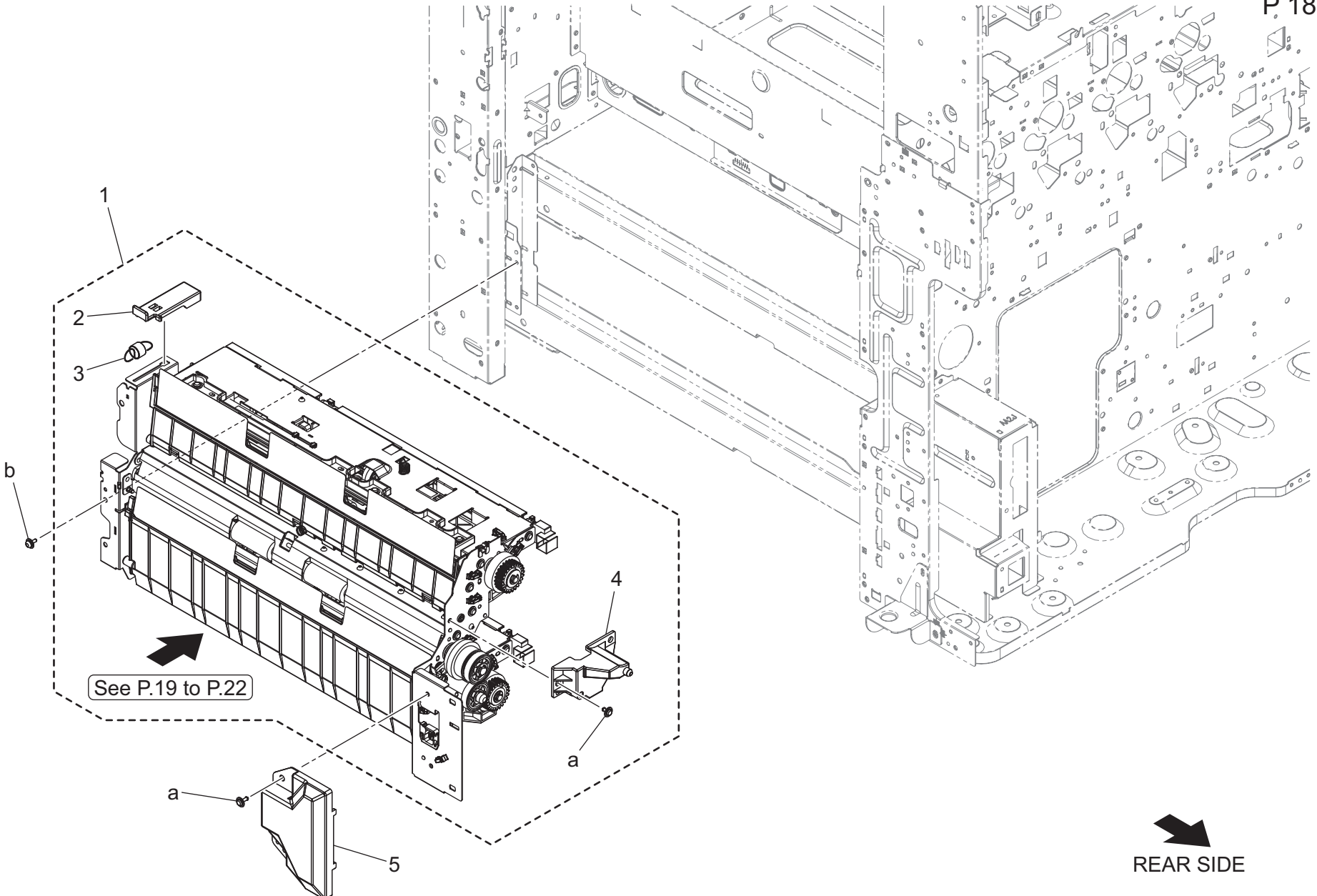


bizhub C025Dni/C250i/C250iS

1st Transfer Section

Key	Part No.	Description	Destinations	Class	QTY	Standard parts
1	A0ED111000	Compressing Coil spring		D	2	a-V145030803 b-V125030803 c-V144030803 d-V116040803 e-V153031003
2	A161112101	Lever /Rear		D	1	
3	A79J508400	Guide		D	1	
4	A161110601	Lock Part		D	1	
5	A161112500	Lever /Front		D	1	
6	4163529301	SCREW		C	2	
7	A161110300	Rail		D	1	
8	AA2J110200Old	Rail		D	1	
8	AA2J110202	Rail		D	1	
9	4002504203	PLATE NUT		D	2	
10	A161112200	Mounting Plate		D	1	
11	A161112600	Adjusting Plate		D	1	
12	AA2J110401	Fusing Rail /Front		D	1	
13	AA2J112200	Mounting Plate		D	1	
14	A5C1112800	Arm /Front		D	1	
15	A0ED111500	Contact /Color		D	3	
16	A0ED111400	Contact /K		D	1	
17	A161144801	Seal		C	4	
18	AA2J110100	Rail		D	1	
19	A161144900	Seal		C	2	
20	A0ED112000	Contact		D	1	
21	A161110500	Detecting Plate		D	1	
22	A0ED110900	Pulling Coil spring		C	1	
23	A7PU109000	Reinforce Plate		D	1	
24	A5C1112900	Arm /Rear		D	1	
25	A161112400	Contact (除電)		D	1	
26	A161141700	Duct		D	2	
27	AA7N145200	Seal		D	2	
28	A5C1112102	Mounting Plate		D	1	
29	A5C1M50100	Photointerrupter		B	1	
31	AA2JN10X00	Connecting Detection harness		D	1	
32	AA2JN11200	Transfer Wiring /1		D	1	
33	AA2JR73700	Intermediate Image Transfer Unit	A,B,C,D1,D3,E,F2,G1 ,G2,I,K,H,J	A	1	
34	A161112000	Contact		D	1	
35	A0ED111700	Contact		D	2	
36	A161112300	Contact		D	1	
37	A161112700	Mounting Plate		D	1	

Paper Feed Section

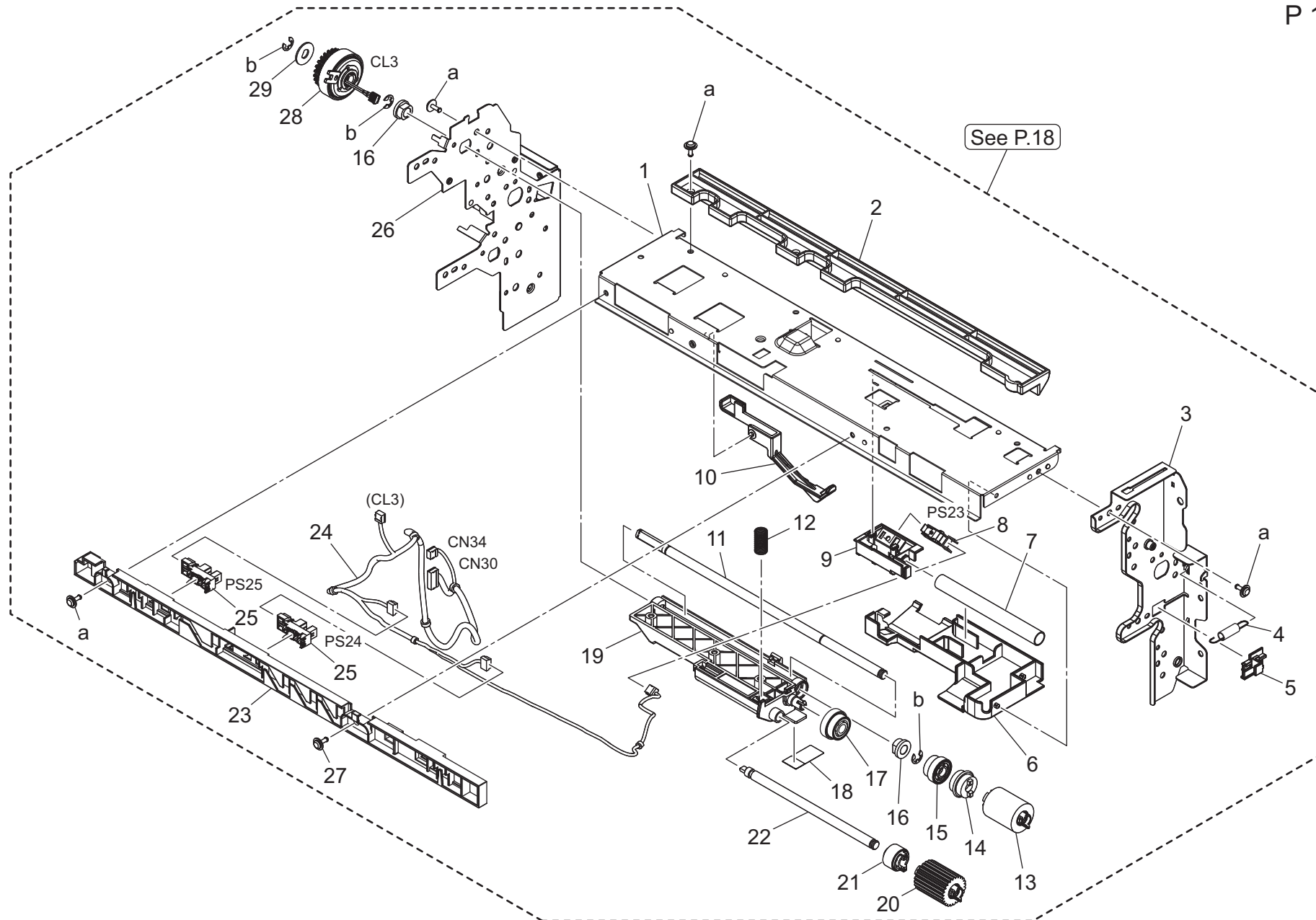


Paper Feed Section

Key	Part No.	Description	Destinations	Class	QTY	Standard parts
1	AA2JR72111	Paper Feed Assy		S	1	a-V144030803 b-V125030803
2	A161561100	Holder		D	1	
3	A161561200	Pulling Coil spring		D	1	
4	A161565102	Mounting Plate		D	1	
5	A161579011	Cover		D	1	

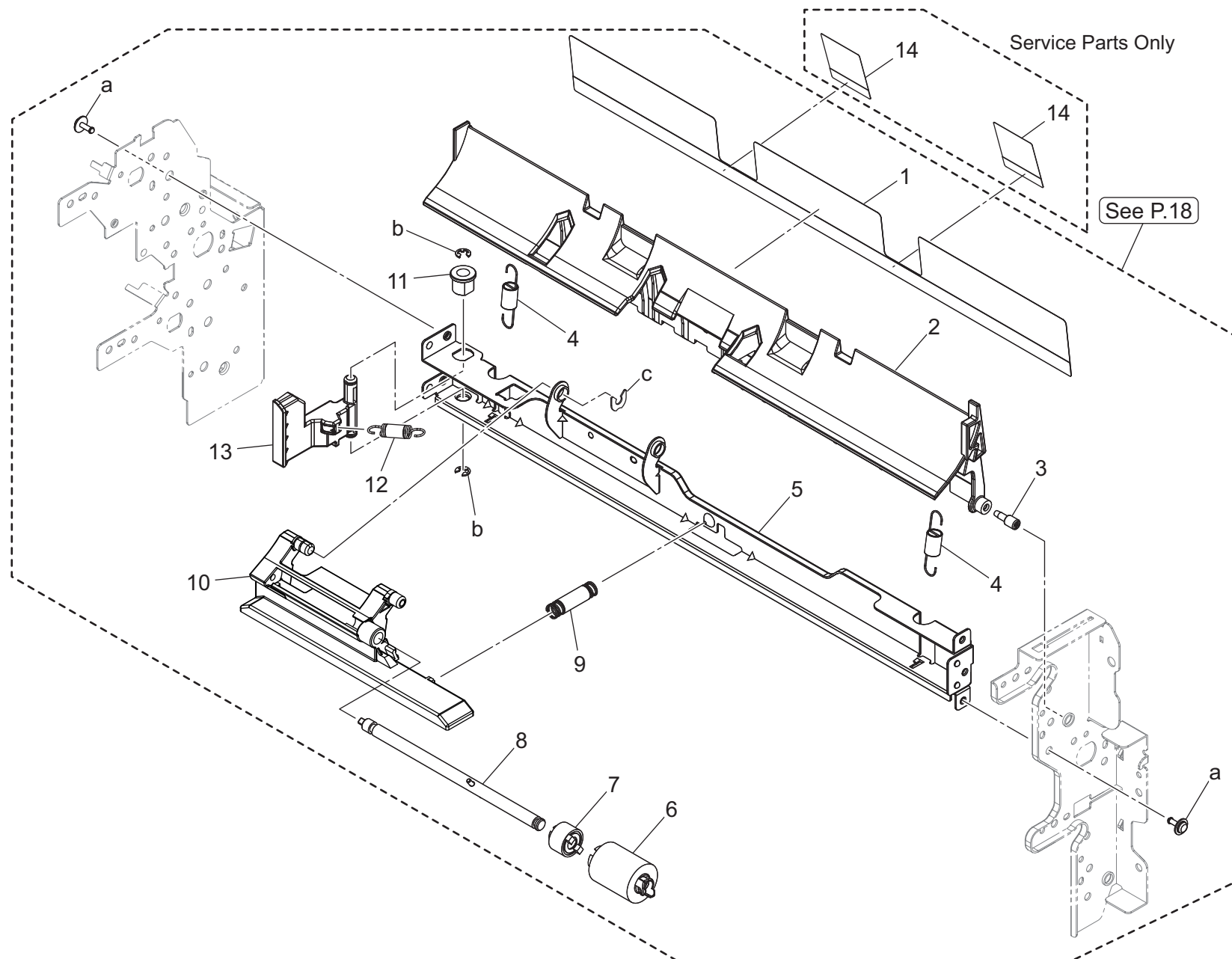
bizhub C025Dni/C250i/C250iS

Paper Feed Section



Key	Part No.	Description	Destinations	Class	QTY	Standard parts
1	AA2J565202	Paper feed Frame	給紙フレーム (1 s t)	D	1	a-V144030803 b-V217040003
2	AA2J566000	Paper feed Guide	給紙ガイド (上)	D	1	
3	AA2J560101	Frame /Front	フレーム / 前	D	1	
4	AA2J571200	Pulling Coil spring	引張りコイルばね	C	1	
5	AA2J571100	Holder	ホルダ	D	1	
6	AA2J565700	Conveyance Guide /3	搬送ガイド / 3	D	1	
7	AA2J565400	Compressing Coil spring	圧縮コイルばね (給紙センサ)	C	1	
8	A0EDM50100	Photoreflector	反射型センサ (アンブ内蔵)	I	1	
9	AA2J565300	Holder	ホルダ (給紙センサ)	D	1	
10	AA2J561600	Detecting Lever	検出レバー (エンプティ)	C	1	
11	AA2J560500	Paper feed Shaft	給紙軸 (1 s t)	D	1	
12	AA7N562800	Compressing Coil spring	圧縮コイルばね (ピック圧)	C	1	
13	A64J564101	Paper feed Roller	給紙ローラ	A	1	
14	A02E561100	Clutch	クラッチ	C	1	
15	A7AH562400	Paper feed Gear	給紙ギア	C	1	
16	A7PU663200	Bushing	すべり軸受	C	2	
17	A7AH562300	Idling Gear	アイドラギア	C	1	
18	A7AH562900	Protection Sheet	保護シート	C	1	
19	A7AH562100	Conveyance Guide /4	搬送ガイド / 4	D	1	
20	A64J564201	Paper feed Roller	給紙ローラ (ピックアップ)	A	1	
21	A7AH562600	Conveyance Gear 28T	搬送ギア 28 T	C	1	
22	A7AH563400	Support Shaft	支点軸	D	1	
23	AA2J579603	Guide	ガイド (ハーネス)	D	1	
24	AA2JN10P01	Paperfeed Wiring /1	給紙束線 / 1	D	1	
25	A5C1M50100	Photointerrupter	透過型センサ	B	2	
26	AA2J560200	Frame /ASSY	フレーム / ASSY (後)	D	1	
27	A00J169300	Shoulder screw	段ねじ	C	1	
28	A7AHM20501	Clutch	クラッチ (Z = 24)	C	1	
29	A7PU569200	Spacer	スペーサ	D	1	

Paper Feed Section

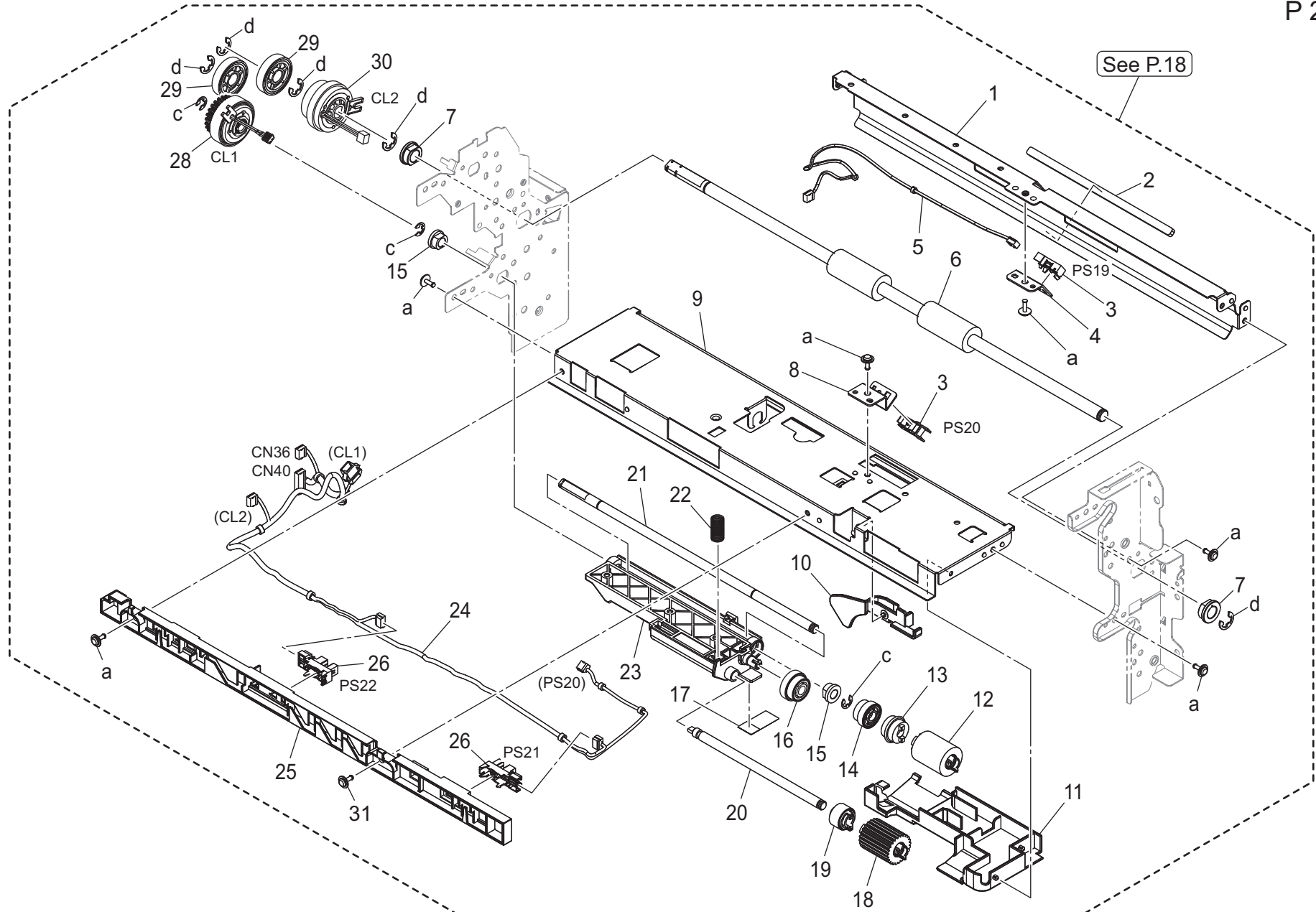


bizhub C025Dni/C250i/C250iS

Key	Part No.	Description	Destinations	Class	QTY	Standard parts
1	AA2J567500	Guide		C	1	a-V144030803 b-V217040003 c-V218040086
2	AA2J568401	Guide Plate		C	1	
3	4532341001	SHOULDER SCREW		D	1	
4	AA2J568900	Pulling Coil spring		C	2	
5	AA2J563801	Frame		D	1	
6	AA2J560000	Paper feed Roller		A	1	
7	A0ED563900	Torque limiter		C	1	
8	A7AH565000	Support Shaft		D	1	
9	AA2J561301	Compressing Coil spring		C	1	
10	AA2J563104	Holder		D	1	
11	A02E815200	Bushing		C	1	
12	A797564400	Pulling Coil spring		C	1	
13	AA2J564200	Release Lever		D	1	
14	AA7NP10400	Guide		D	2	

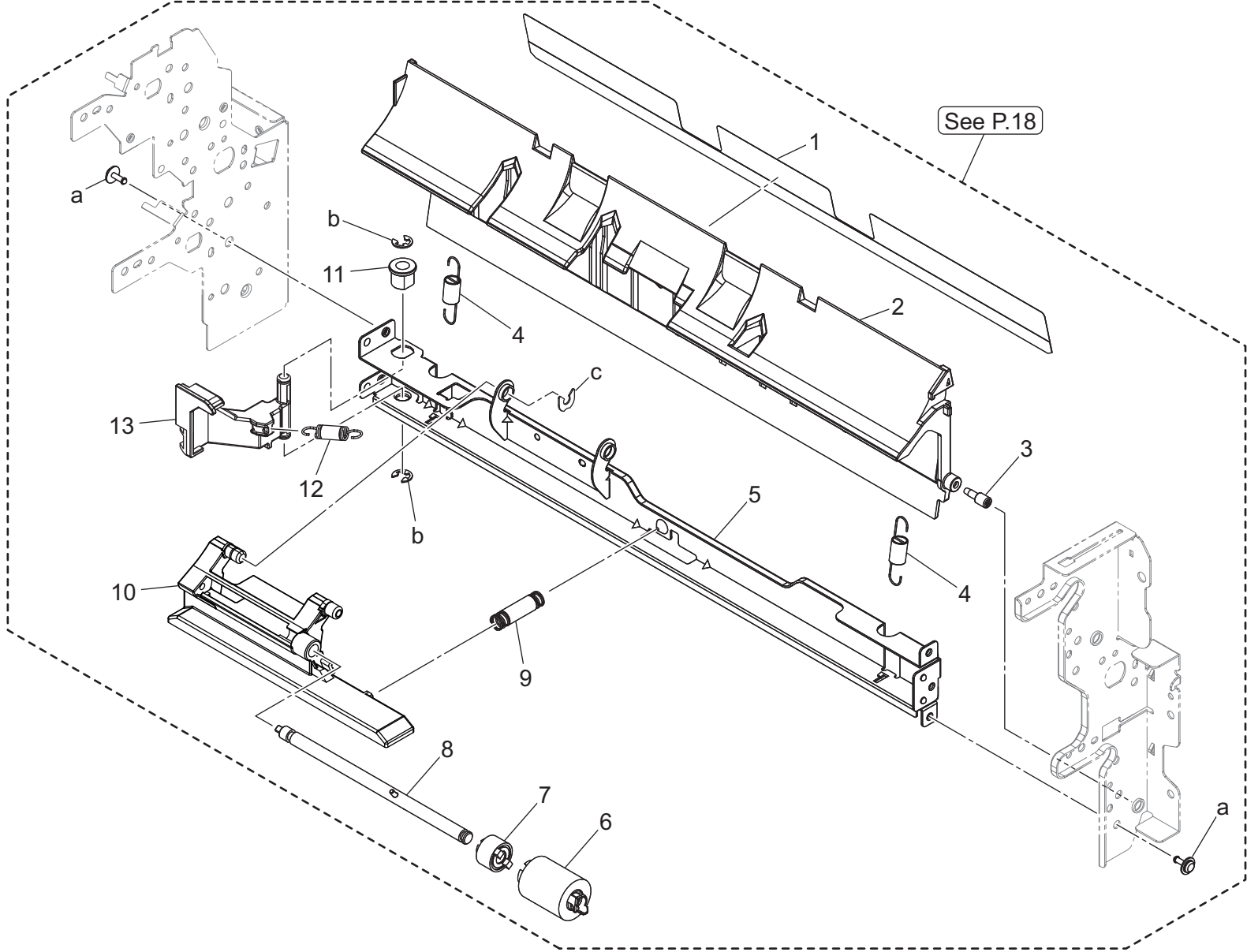
Paper Feed Section

P 21



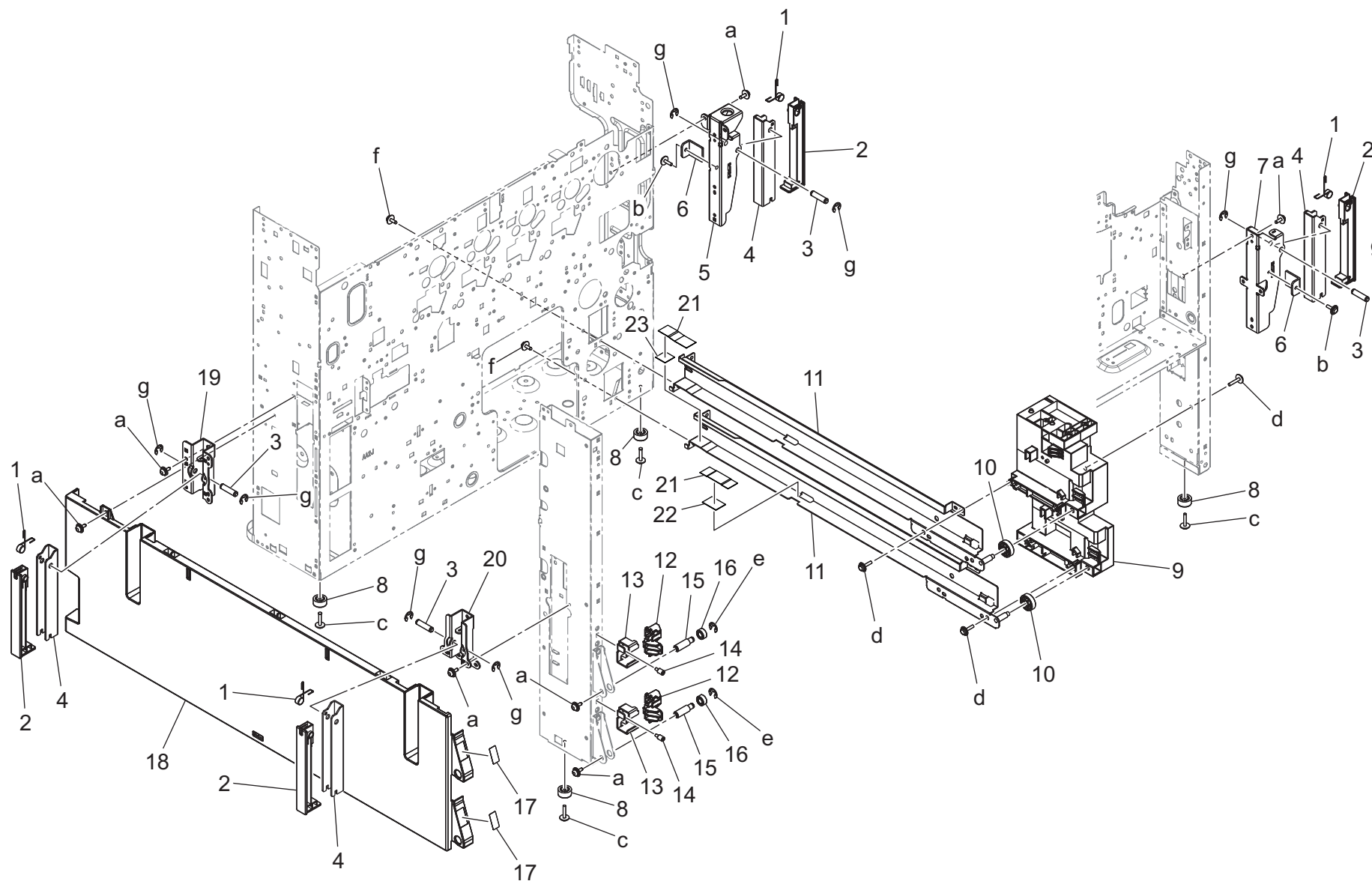
bizhub C025Dni/C250i/C250iS

Key	Part No.	Description	Destinations	Class	QTY	Standard parts
1	A161578214	Guide Plate	ガイド板 (縦搬送)	D	1	a-V144030803 c-V217040003 d-V217060003
2	A161578700	Cushion	クッション	C	1	
3	A0EDM50100	Photoreflector	反射型センサ (アンブ内蔵)	I	2	
4	A161571100	Mounting Plate	取付板	D	1	
5	A161N12701	Conveyance Detection harness	搬送検知束線	D	1	
6	AA2J578100	Drive Roller	駆動ローラ (縦搬送)	C	1	
7	A7PU254800	Slide Bearing	すべり軸受	B	2	
8	AA2J575300	Mounting Plate	取付板 (給紙用反射センサ)	D	1	
9	AA2J575202	Paper feed Frame	給紙フレーム (2nd)	D	1	
10	A7AH561601	Detecting Lever	検出レバー	C	1	
11	AA2J565700	Conveyance Guide /3	搬送ガイド /3	D	1	
12	A64J564101	Paper feed Roller	給紙ローラ	A	1	
13	A02E561100	Clutch	クラッチ	C	1	
14	A7AH562400	Paper feed Gear	給紙ギア	C	1	
15	A7PU663200	Bushing	すべり軸受	C	2	
16	A7AH562300	Idling Gear	アイドルギア	C	1	
17	A7AH562900	Protection Sheet	保護シート	C	1	
18	A64J564201	Paper feed Roller	給紙ローラ (ピックアップ)	A	1	
19	A7AH562600	Conveyance Gear 28T	搬送ギア 28T	C	1	
20	A7AH563400	Support Shaft	支点軸	D	1	
21	AA2J570501	Paper feed Shaft	給紙軸 (2nd)	D	1	
22	AA7N562800	Compressing Coil spring	圧縮コイルばね (ピックアップ)	C	1	
23	A7AH562100	Conveyance Guide /4	搬送ガイド /4	D	1	
24	AA2JN10Q02	Paperfeed Wiring /2	給紙束線 /2	D	1	
25	AA2J579603	Guide	ガイド (ハーネス)	D	1	
26	A5C1M50100	Photointerrupter	透過型センサ	B	2	
28	A7AHM20501	Clutch	クラッチ (Z = 24)	C	1	
29	AA2J576300	Gear 24T	ギア 24T	C	2	
30	A02EM20000	Clutch	クラッチ	B	1	
31	A00J169300	Shoulder screw	段ねじ	C	1	

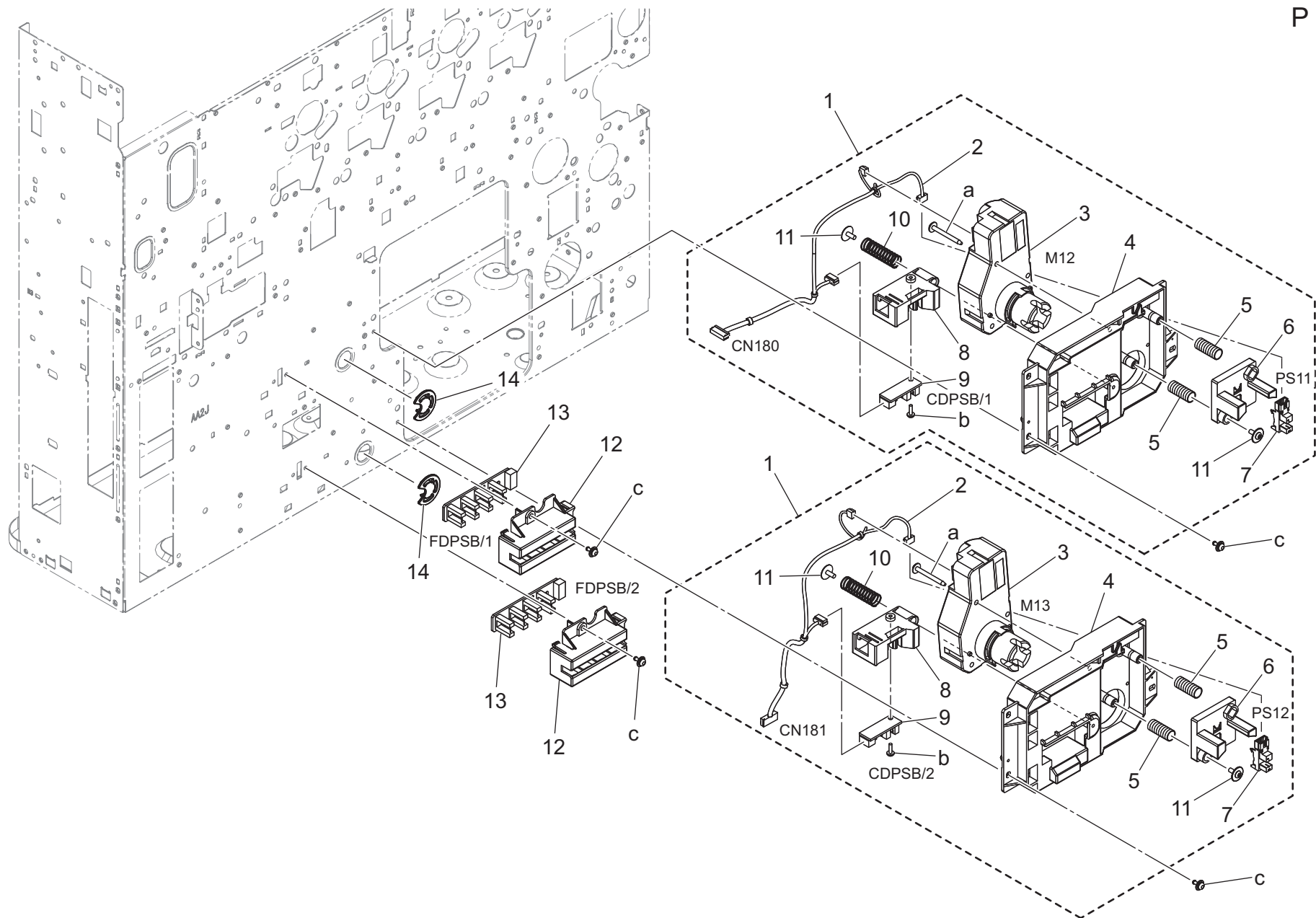


bizhub C025Dni/C250i/C250iS

Tray Section



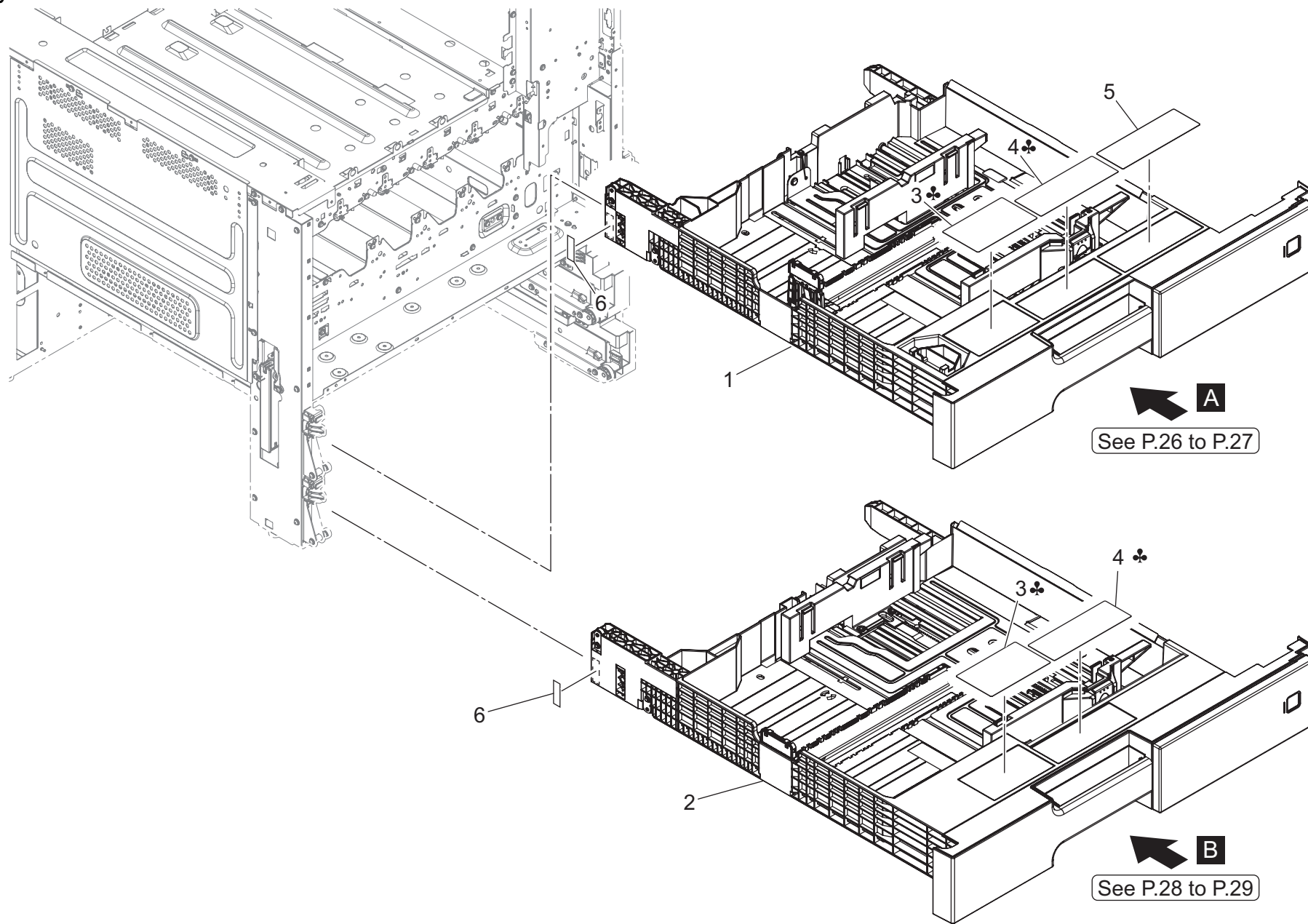
Tray Section



bizhub C025Dni/C250i/C250iS

Key	Part No.	Description	Destinations	Class	QTY	Standard parts
1	AA2JR72200	Paper Size Detection Assy/ Upper		S	2	a-V153033003 b-V145030803 c-V125030803
2	AA2JN10T00	Paperfeed Wiring /K		D	2	
3	9J06M10300	MOTOR		B	2	
4	A5C1627103	Holder		D	2	
5	A5C1627900	Compressing Coil spring		D	4	
6	A5C1627300	Holder		D	2	
7	A5C1M50100	Photointerrupter		B	2	
8	A7PU627500	Holder		D	2	
9	A161M50501	Photointerrupter		C	2	
10	4002311002	Pressure Spring		C	2	
11	4163529301	SCREW		C	4	
12	A5C1628000	Holder		C	2	
13	A161M50600	Photointerrupter		C	2	
14	A7PU106100	Cover		D	2	

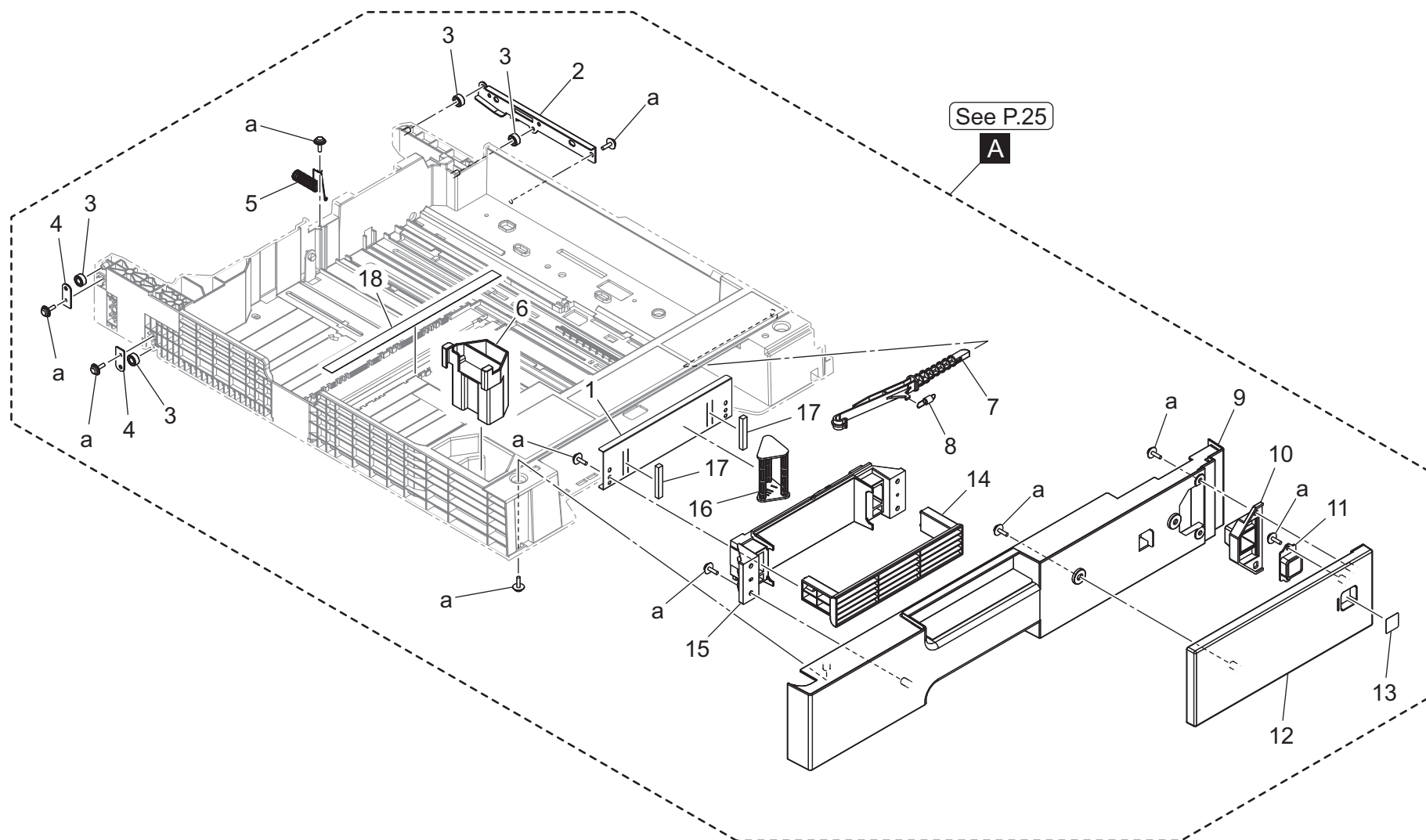
Tray Section



A
See P.26 to P.27

B
See P.28 to P.29

Key	Part No.	Description	Destinations	Class	QTY	Standard parts
1	AA2JR72422	Cassette Assy /1st		S	1	
2	AA2JR72511	Cassette Assy /2nd		S	1	
3	AA2J947100	Label	A	D	2	
3	AA2J947200	Label	B,C,D1,D3,E,F2,G1,G 2,I,K,J	D	2	
4	AA2J942400	Label	A	D	2	
4	AA2J942500	Label	B,C,D1,D3,E,F2,G1,G 2,I,K,H,J	D	2	
5	AA2J947400	Label		D	1	
6	AA2J101900	Spacer /4		D	2	

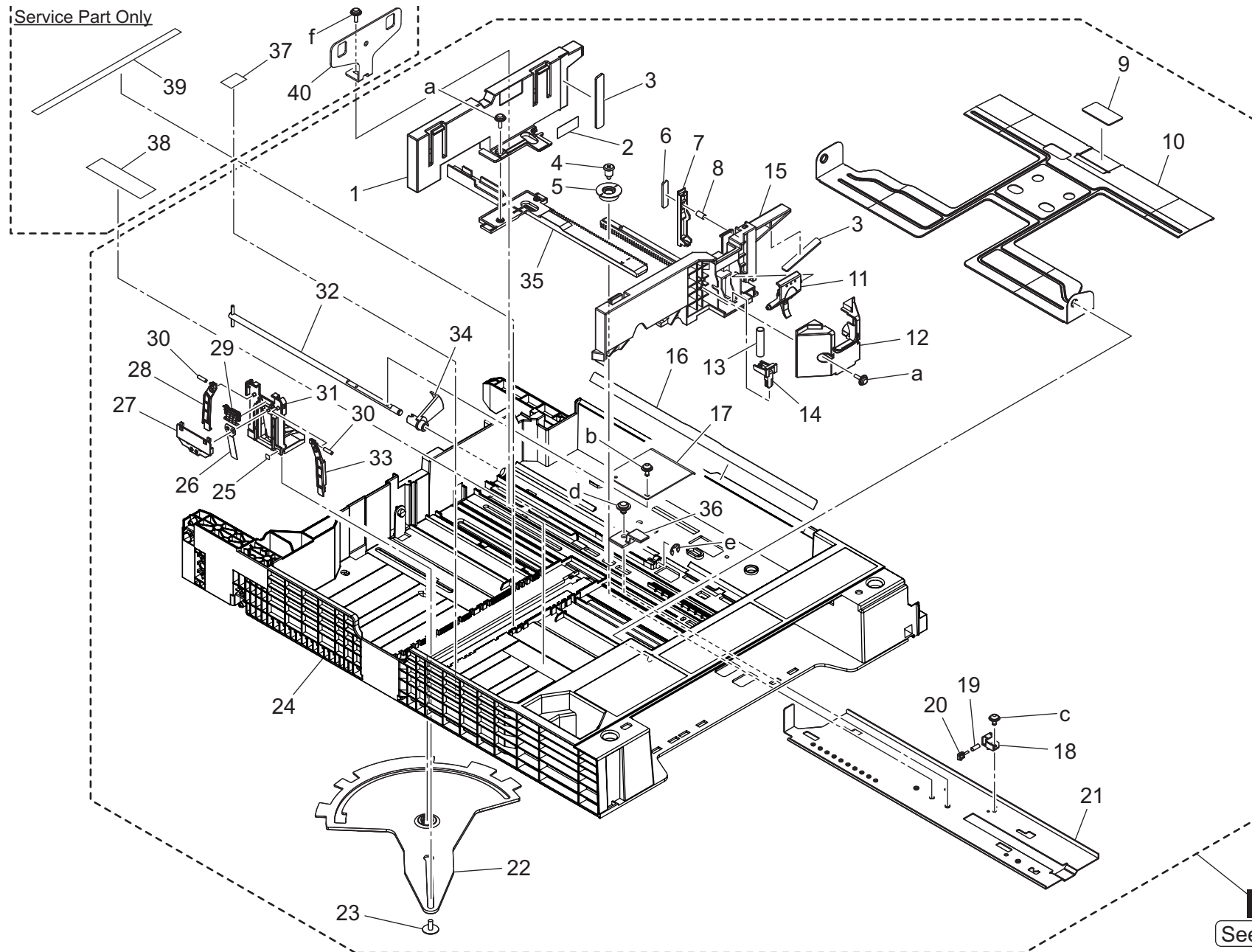


Key	Part No.	Description	Destinations	Class	QTY	Standard parts
1	AA2J624300	Holder		D	1	a-V153030803
2	AA2J623101	Reinforce Plate /Right		D	1	
3	A161623400	Roll		D	4	
4	AA2J623300	Reinforce Plate /Left		D	2	
5	AA2J622101	Ground Spring		C	1	
6	AA2J629600	Regulating Part		D	1	
7	A161626502	Lever		C	1	
8	A161626800	Pulling Coil spring		C	1	
9	AA2J625101	Cover		D	1	
10	AA2J625300	Cover		D	1	
11	AA2J626702	Cover		D	1	
12	AA2J625000	Cover		D	1	
13	AA2J943100	Label		D	1	
14	AA2J626900	Handle		D	1	
15	AA2J625201	Cover		D	1	
16	AA2J626600	Lever		C	1	
17	A5C1628500	Cushion		D	2	
18	AA2J941700	Sheet		D	1	

Tray Section

Service Part Only

P 27

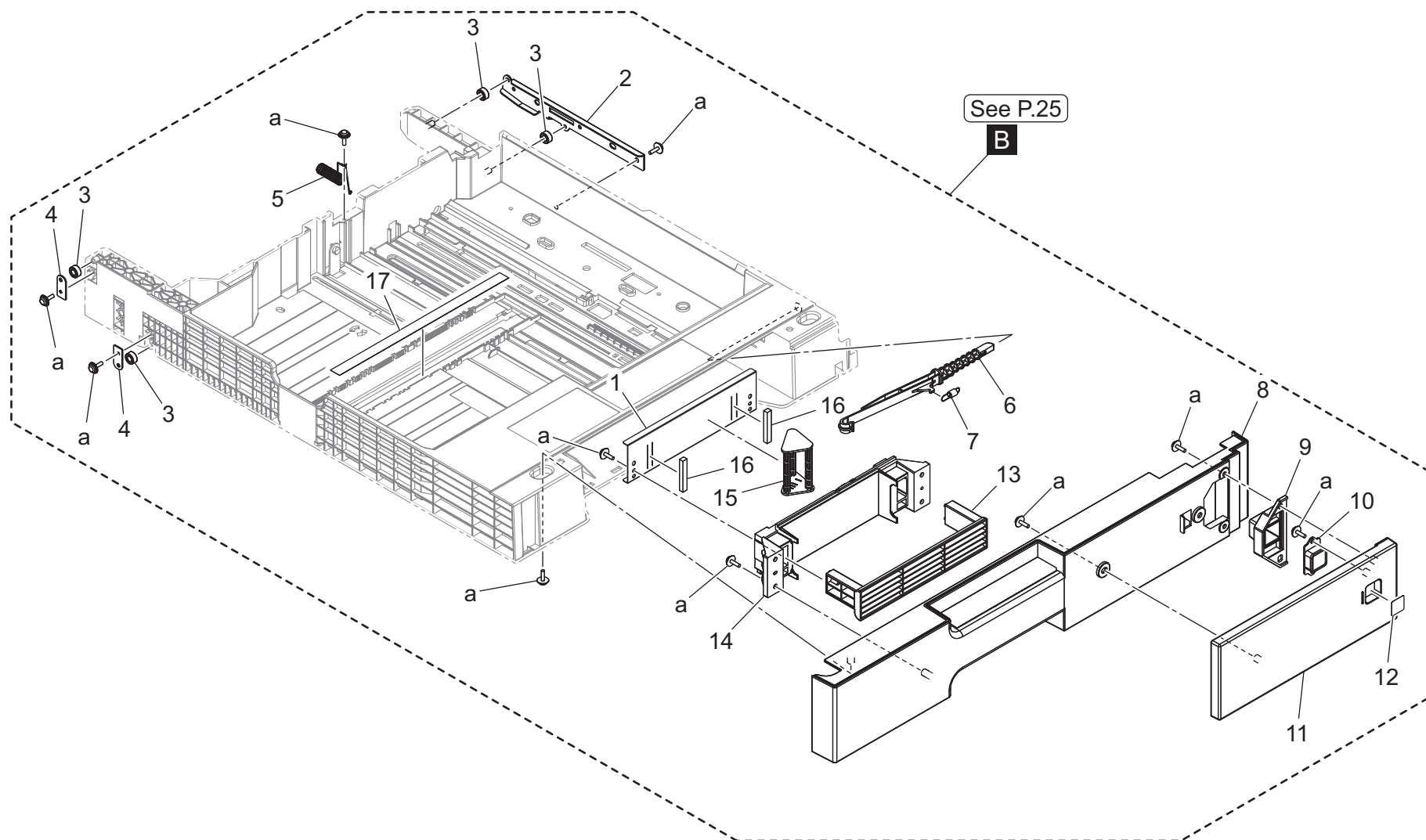


A

See P.25

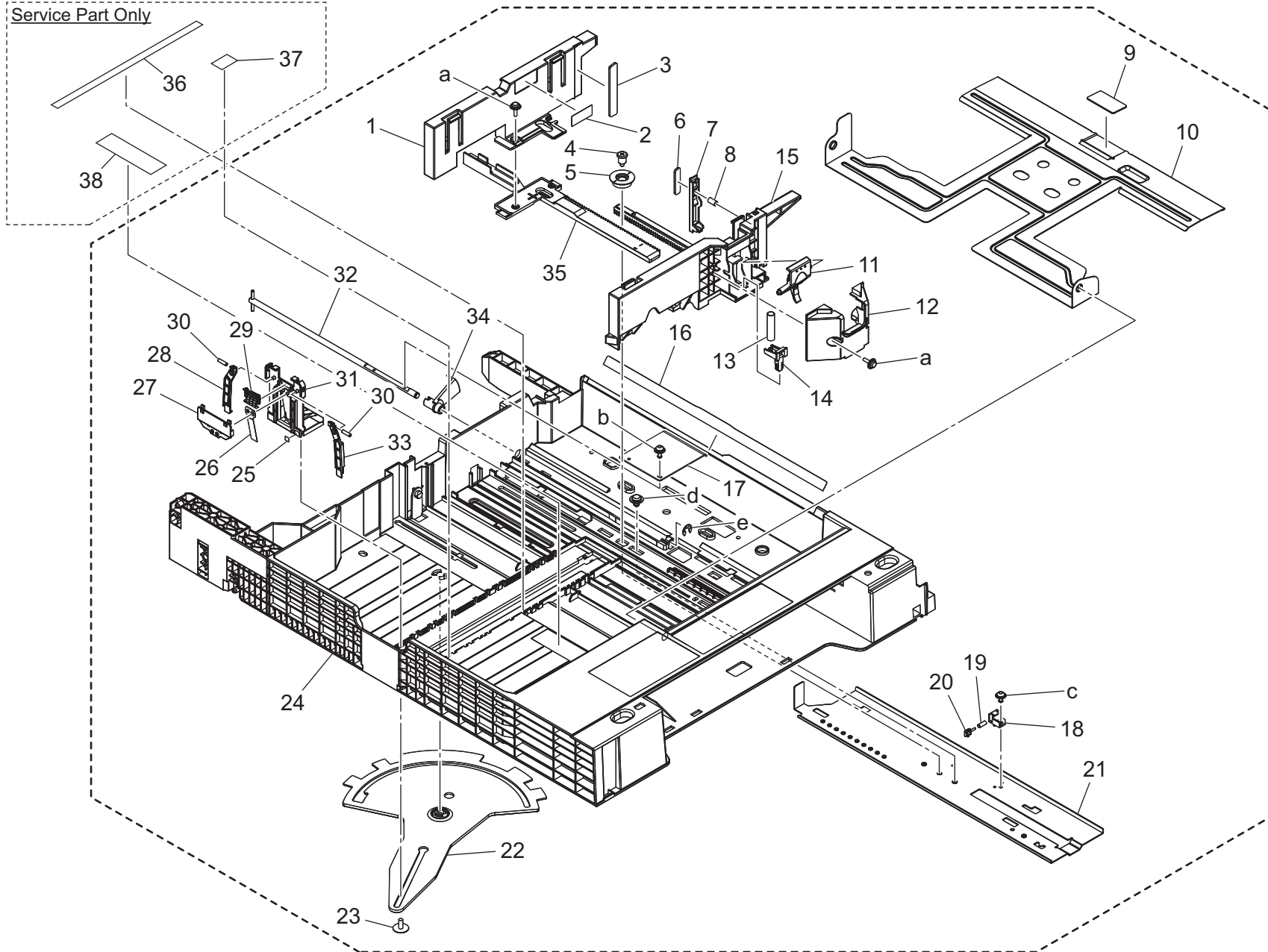
bizhub C025DNI/C250i/C250iS

Key	Part No.	Description	Destinations	Class	QTY	Standard parts
1	AA2J620901	Regulating Plate /Rear		C	1	a-V153030803
2	AA2J943701	Label		D	1	b-V125030803
3	A161624100	Cushion		C	2	c-V127030603
4	A161620600	Shoulder screw		D	1	d-V146040804
5	A161620701	Gear		D	1	e-V217040003
6	A79J566000	Cushion		C	1	f-V144030803
7	A79J622500	Auxiliary Guide /1		C	1	
8	A795622700	Compressing Spring		C	1	
9	4030322602	FRICTION SHEET		C	1	
10	AA2J620400	Lifting Plate		D	1	
11	AA2J621300	Lock Lever		C	1	
12	AA2J621500	Holder		D	1	
13	AA2J621000	Compressing Spring		C	1	
14	AA2J621200	Lock Lever /2		D	1	
15	AA2J620804	Regulating Plate		C	1	
16	AA2J620200	Guide		C	1	
17	4030320601	LEVER		D	1	
18	A795565700	Holder		C	1	
19	A795565900	Compressing Spring		C	1	
20	A795565800	Lever		C	1	
21	A795621901	Mounting Plate		D	1	
22	A161621411	Lever		C	1	
23	4163529301	SCREW		C	1	
24	AA2J620102	Paper feed Cassette		D	1	
25	A02E940300	Label		C	1	
26	AA2J629200	Plate spring		D	1	
27	AA2J628901	Cover		D	1	
28	AA2J628700	Lock Lever		C	1	
29	AA2J629000	Operation Lever		D	1	
30	A795565500	Compressing Spring		C	2	
31	AA2J628601	Regulating Plate		C	1	
32	A161621600	Lifting Shaft		D	1	
33	AA2J628800	Lock Lever		C	1	
34	A0ED620701	Actuator		C	1	
35	AA2J621100	Rack		D	1	
36	AA2J621600	Stopper /1		D	1	
37	AA2J941300	Label		D	1	
38	AA2J941500	Label		D	1	
39	AA2J941600	Label		D	1	
40	AA7NP10500	Stopper		D	1	

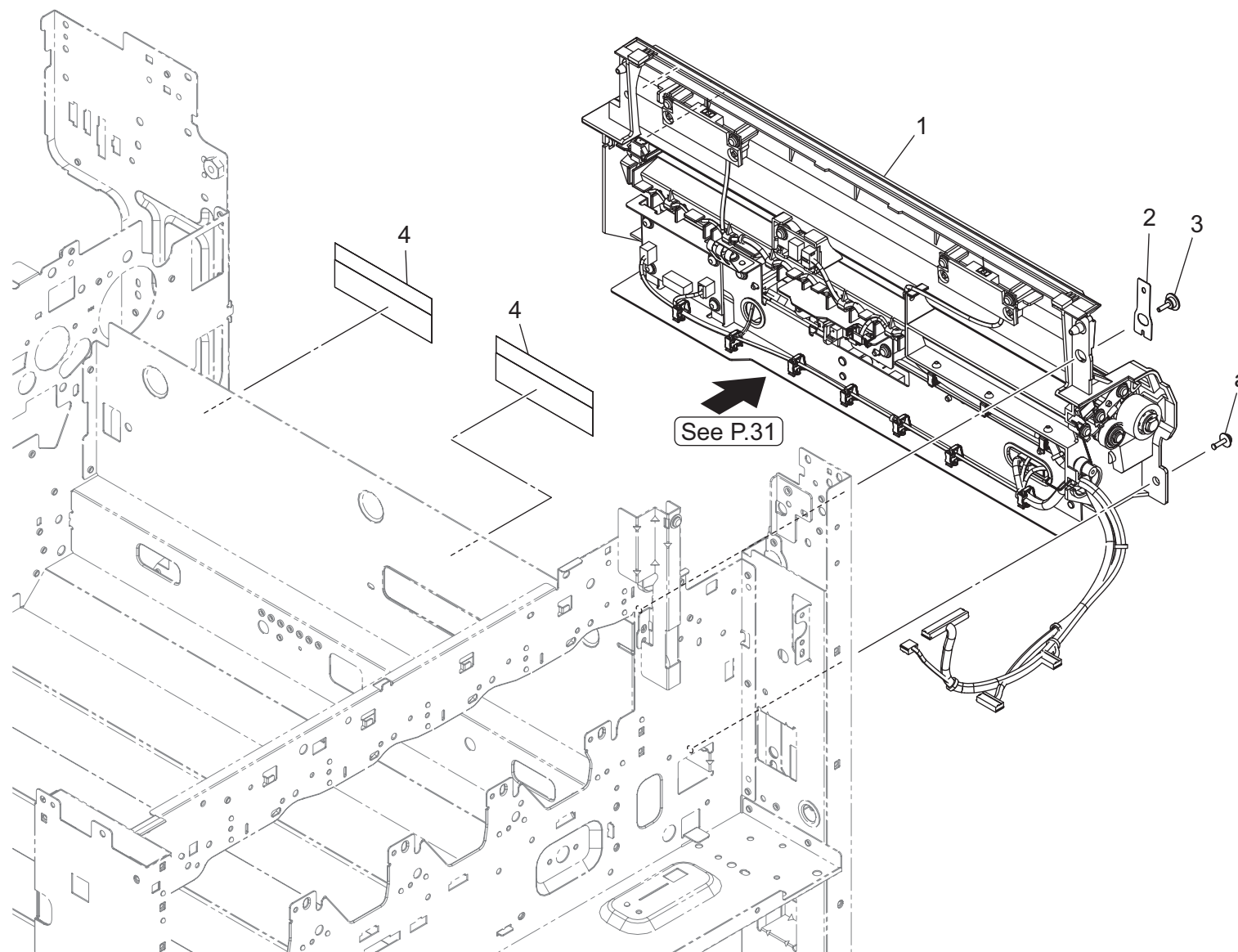


Key	Part No.	Description	Destinations	Class	QTY	Standard parts
1	AA2J624300	Holder		D	1	a-V153030803
2	AA2J633101	Reinforce Plate /Right		D	1	
3	A161623400	Roll		D	4	
4	AA2J623300	Reinforce Plate /Left		D	2	
5	AA2J622101	Ground Spring		C	1	
6	A161636502	Lever		C	1	
7	A161626800	Pulling Coil spring		C	1	
8	AA2J635101	Cover		D	1	
9	AA2J625300	Cover		D	1	
10	AA2J626702	Cover		D	1	
11	AA2J635001	Cover		D	1	
12	AA2J943200	Label		D	1	
13	AA2J626900	Handle		D	1	
14	AA2J625201	Cover		D	1	
15	AA2J626600	Lever		C	1	
16	A5C1628500	Cushion		D	2	
17	AA2J941700	Sheet		D	1	

Tray Section

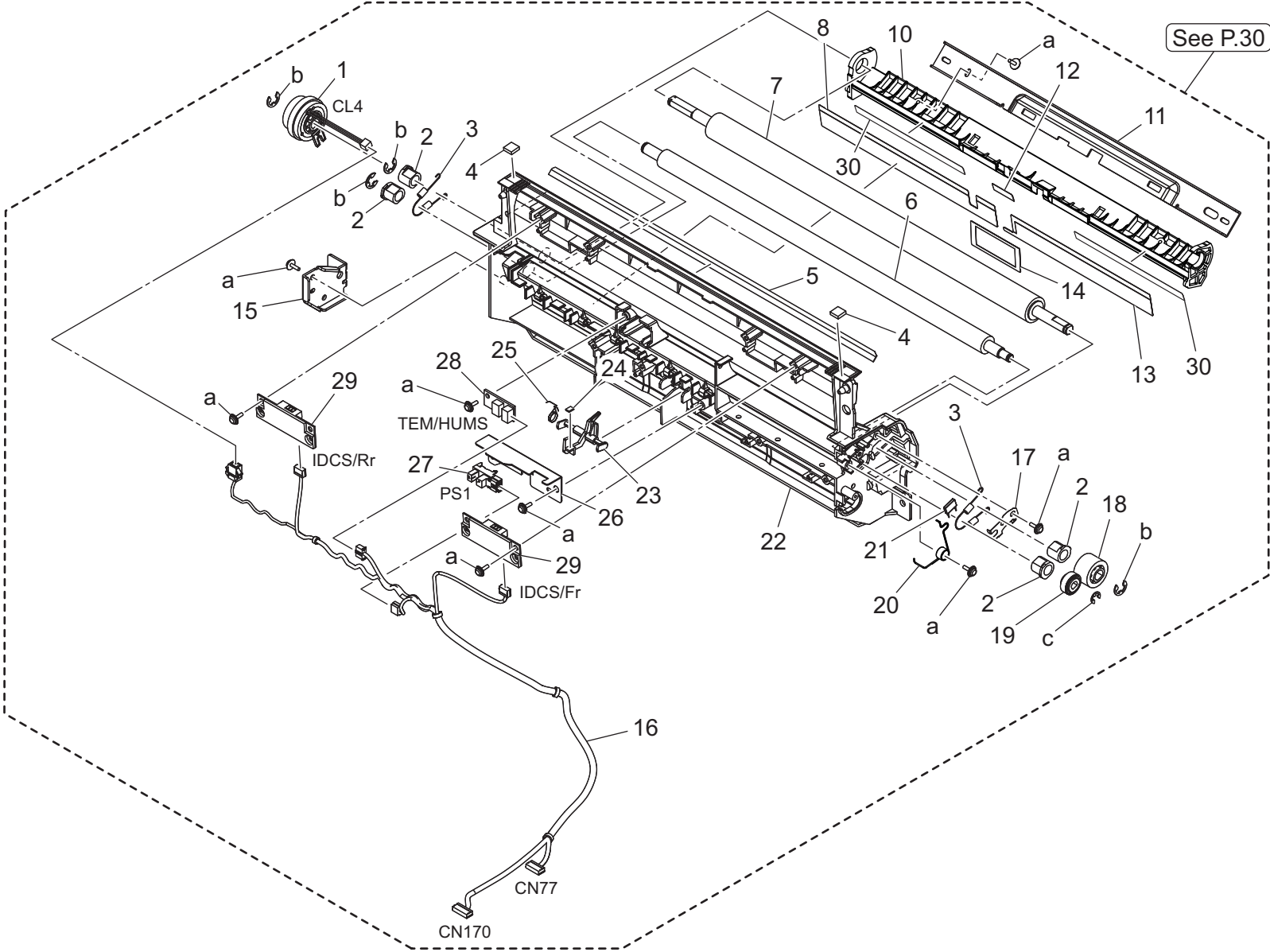


Key	Part No.	Description	Destinations	Class	QTY	Standard parts
1	AA2J620901	Regulating Plate /Rear		C	1	a-V153030803 b-V125030803 c-V127030603 d-V144040603 e-V217040003
2	AA2J943701	Label		D	1	
3	A161624100	Cushion		C	1	
4	A161620600	Shoulder screw		D	1	
5	A161620701	Gear		D	1	
6	A79J566000	Cushion		C	1	
7	A79J622500	Auxiliary Guide /1		C	1	
8	A795622700	Compressing Spring		C	1	
9	4030322602	FRICTION SHEET		C	1	
10	A161620400	Lifting Plate		D	1	
11	AA2J621300	Lock Lever		C	1	
12	AA2J621500	Holder		D	1	
13	AA2J621000	Compressing Spring		C	1	
14	AA2J621200	Lock Lever /2		D	1	
15	AA2J620804	Regulating Plate		C	1	
16	A0ED620200	Guide		C	1	
17	4030320601	LEVER		D	1	
18	A795565700	Holder		C	1	
19	A795565900	Compressing Spring		C	1	
20	A795565800	Lever		C	1	
21	A795621901	Mounting Plate		D	1	
22	A161631411	Lever		C	1	
23	4163529301	SCREW		C	1	
24	AA2J630102	Paper feed Cassette		D	1	
25	A02E940300	Label		C	1	
26	AA2J629200	Plate spring		D	1	
27	AA2J628901	Cover		D	1	
28	AA2J628700	Lock Lever		C	1	
29	AA2J629000	Operation Lever		D	1	
30	A795565500	Compressing Spring		C	2	
31	AA2J628601	Regulating Plate		C	1	
32	A161621600	Lifting Shaft		D	1	
33	AA2J628800	Lock Lever		C	1	
34	A0ED620701	Actuator		C	1	
35	AA2J621100	Rack		D	1	
36	AA2J941200	Label		D	1	
37	AA2J943500	Label		D	1	
38	AA2J943600	Label		D	1	



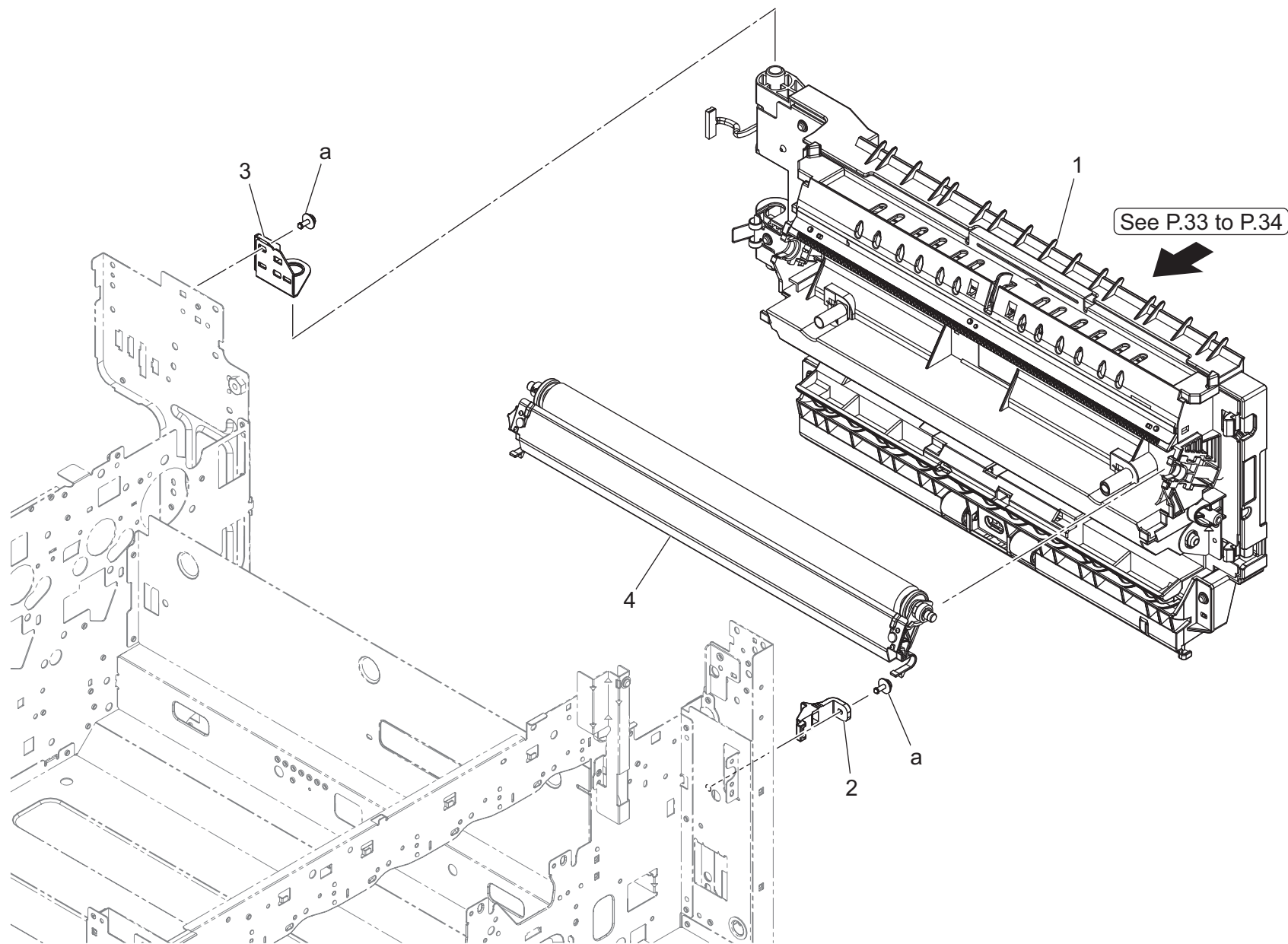
Key	Part No.	Description	Destinations	Class	QTY	Standard parts
1	AA2JR72611	Conveyance Assy		S	1	a-V116031003
2	A7PU701100	Plate spring		D	1	
3	AA2J701200	Shoulder screw		C	1	
4	AA2J701800	Protection Sheet		D	2	

bizhub C025Dni/C250i/C250iS



Key	Part No.	Description	Destinations	Class	QTY	Standard parts
1	A02EM20000	Clutch		B	1	a-V153030803 b-V217060003 c-V217040003
2	A161702200	Bushing		C	4	
3	A161702000	Conveyance Spring /A		C	2	
4	A161701900	Seal /A		D	2	
5	A161701301	Guide Sheet /A		C	1	
6	A0ED700200	Roller		D	1	
7	A5C1700101	Roller		C	1	
8	AA2J701500	Guide Sheet /C		D	1	
10	AA2J700602Old	Conveyance Guide		D	1	
10	AA2J700614	Conveyance Guide		D	1	
11	AA2J702900	Reinforce Plate		D	1	
12	A79J701000	Guide Sheet		C	1	
13	AA2J701400	Guide Sheet /B		D	1	
14	AA2J716700	Guide		D	1	
15	A7PU701000	Reinforce Plate		D	1	
16	AA2JN10H01	Conveyance Wiring /1		D	1	
17	A5C1700800	Ground Plate /D		D	1	
18	A0ED700300	Gear 20T		D	1	
19	A0ED700700	Gear 14T		D	1	
20	A5C1703201	Torsion Coil spring		D	1	
21	V800500300	FIXED POWER RESISTORS		D	1	
22	AA2J700104	Guide Plate /Inside		D	1	
23	A161701703	Actuator /T		C	1	
24	A161702101	Cushion /C		C	1	
25	A161701100	Spring /A		C	1	
26	AA2J700300	Mounting Plate /B		D	1	
27	A5C1M50100	Photointerrupter		B	1	
28	A7AHM50400	Humidity sensor		I	1	
29	A161M50300	Photo sensing		I	2	
30	AA2J701000	Guide Film /5		D	2	

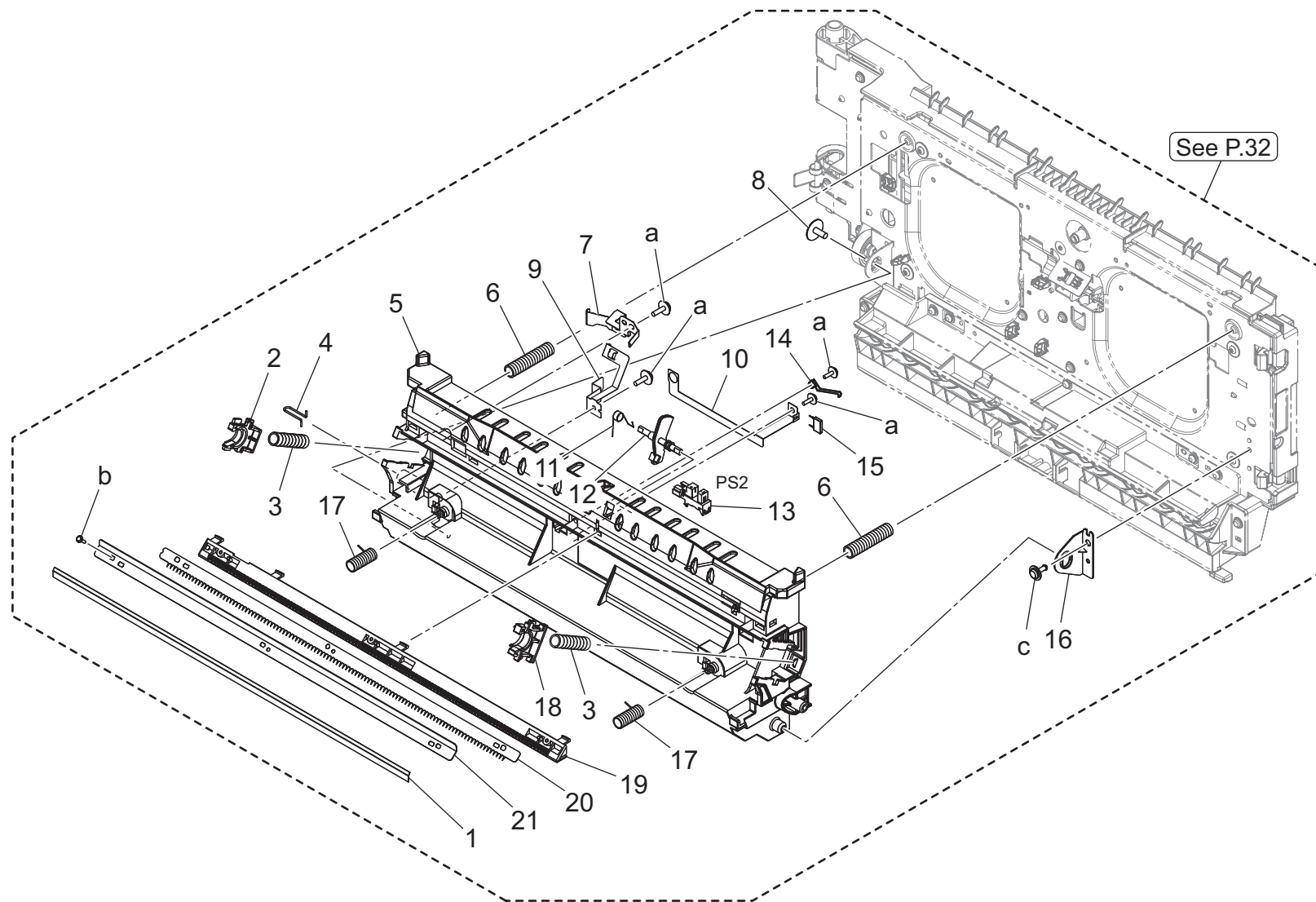
2nd Transfer Section



bizhub C025Dni/C250i/C250iS

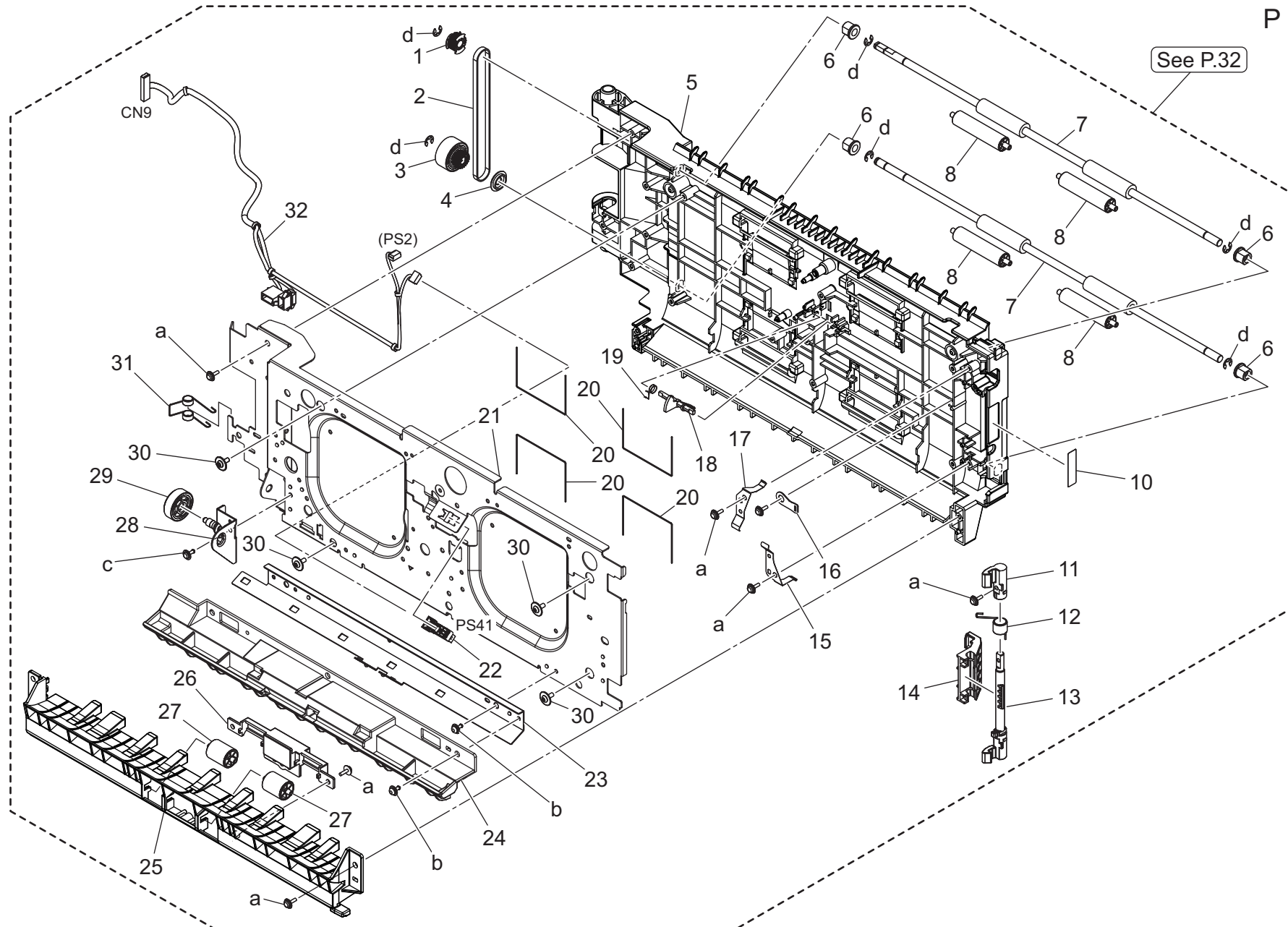
2nd Transfer Section

Key	Part No.	Description	Destinations	Class	QTY	Standard parts
1	AA2JR72700	Vertical Transport Assy		S	1	a-V125030803
2	AA2J712300	Fixing Part /Lower		D	1	
3	A161104101	Adjusting Plate		D	1	
4	AA2JR72011	2nd Image Transfer Roller Assy		A	1	

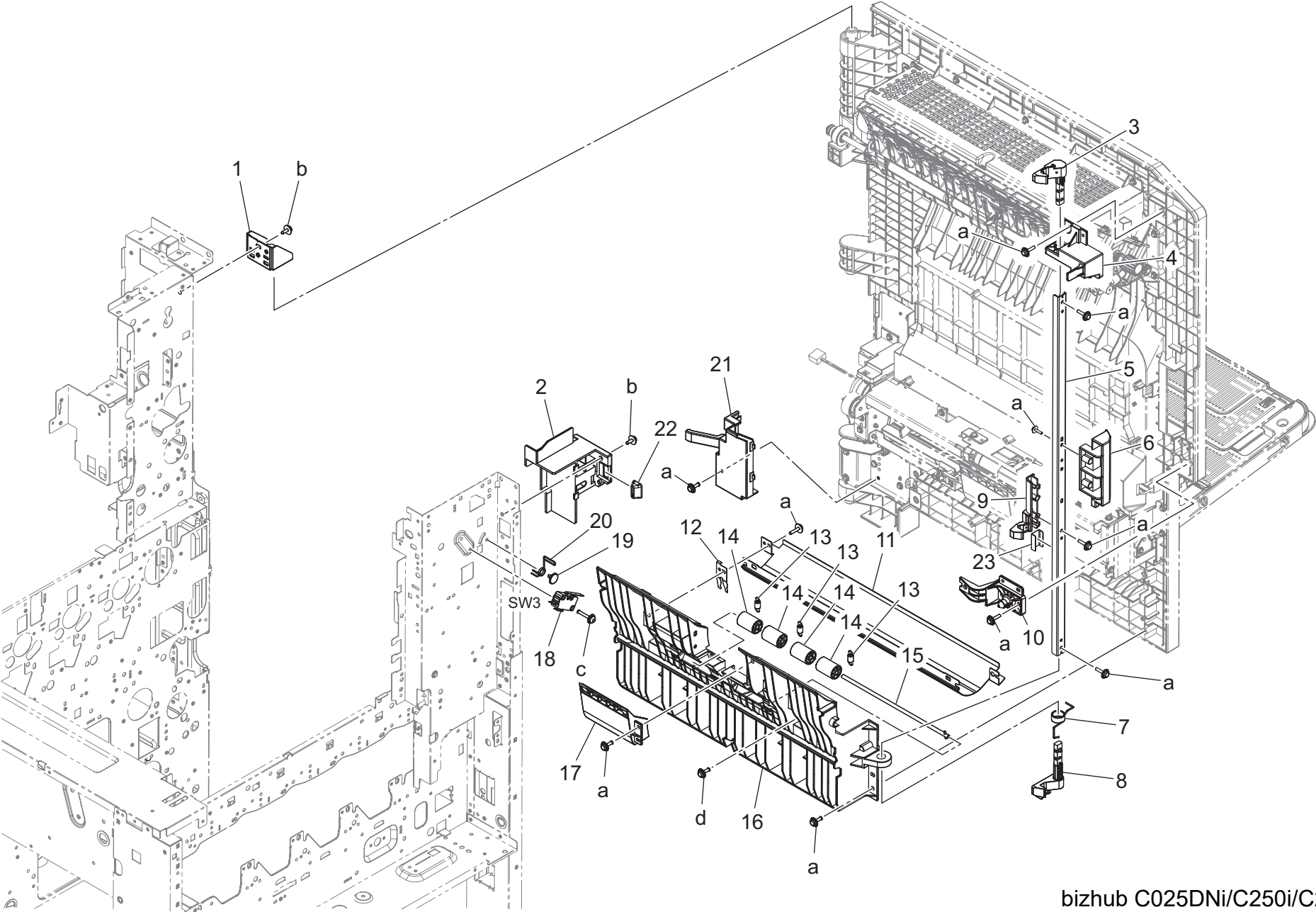


Key	Part No.	Description	Destinations	Class	QTY	Standard parts
1	A5C1551701	Guide Seal		D	1	a-V153030803 b-V162020504 c-V144030803
2	AA2J551500	Transfer Holder /2		D	1	
3	AA2J551000	Compressing Coil spring /2		C	2	
4	A161712401	Ground Spring /A		D	1	
5	AA2J710101	Holder /A		D	1	
6	A161711200	Pressing Spring		D	2	
7	AA2J715100	Ground Plate /C		D	1	
8	4163529301	SCREW		C	1	
9	AA2J710900	Ground Plate /A		D	1	
10	AA2J712500	Plate spring		D	1	
11	A161712700	Spring /C		D	1	
12	A0ED703800	Actuator		D	1	
13	A5C1M50100	Photointerrupter		B	1	
14	AA2J711000	Ground Spring /B		D	1	
15	V800500300	FIXED POWER RESISTORS		D	1	
16	A5C1711801	Support Plate /Front		D	1	
17	A0ED551100	Compressing Coil spring		D	2	
18	AA2J550701	Transfer Holder /2		D	1	
19	AA2J551600	Mounting Plate		D	1	
20	A0ED550800	Neutralizing Part		D	1	
21	A0ED550900	Mounting Plate		D	1	

2nd Transfer Section

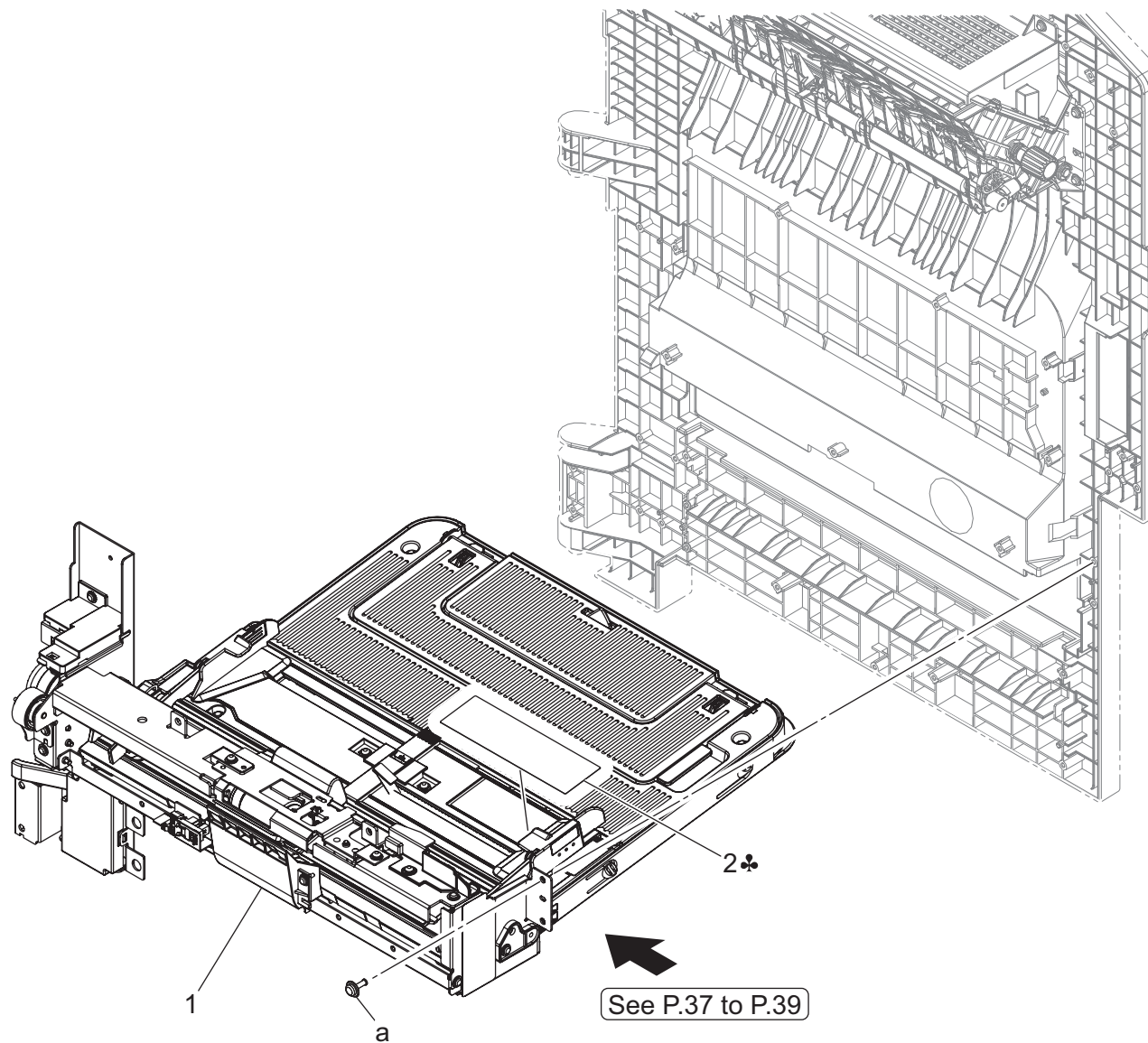


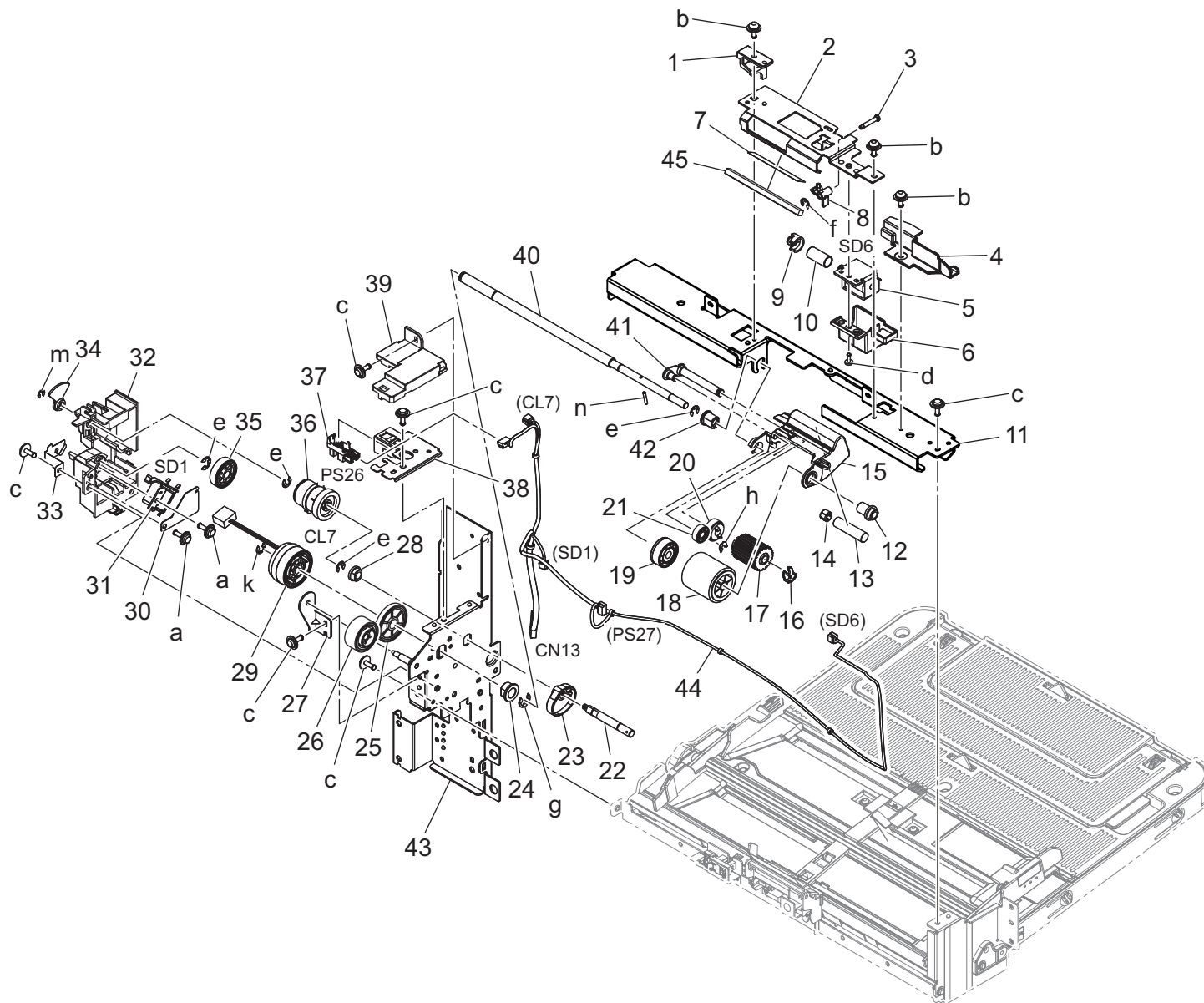
Vertical Conveyance Section



bizhub C025Dni/C250i/C250iS

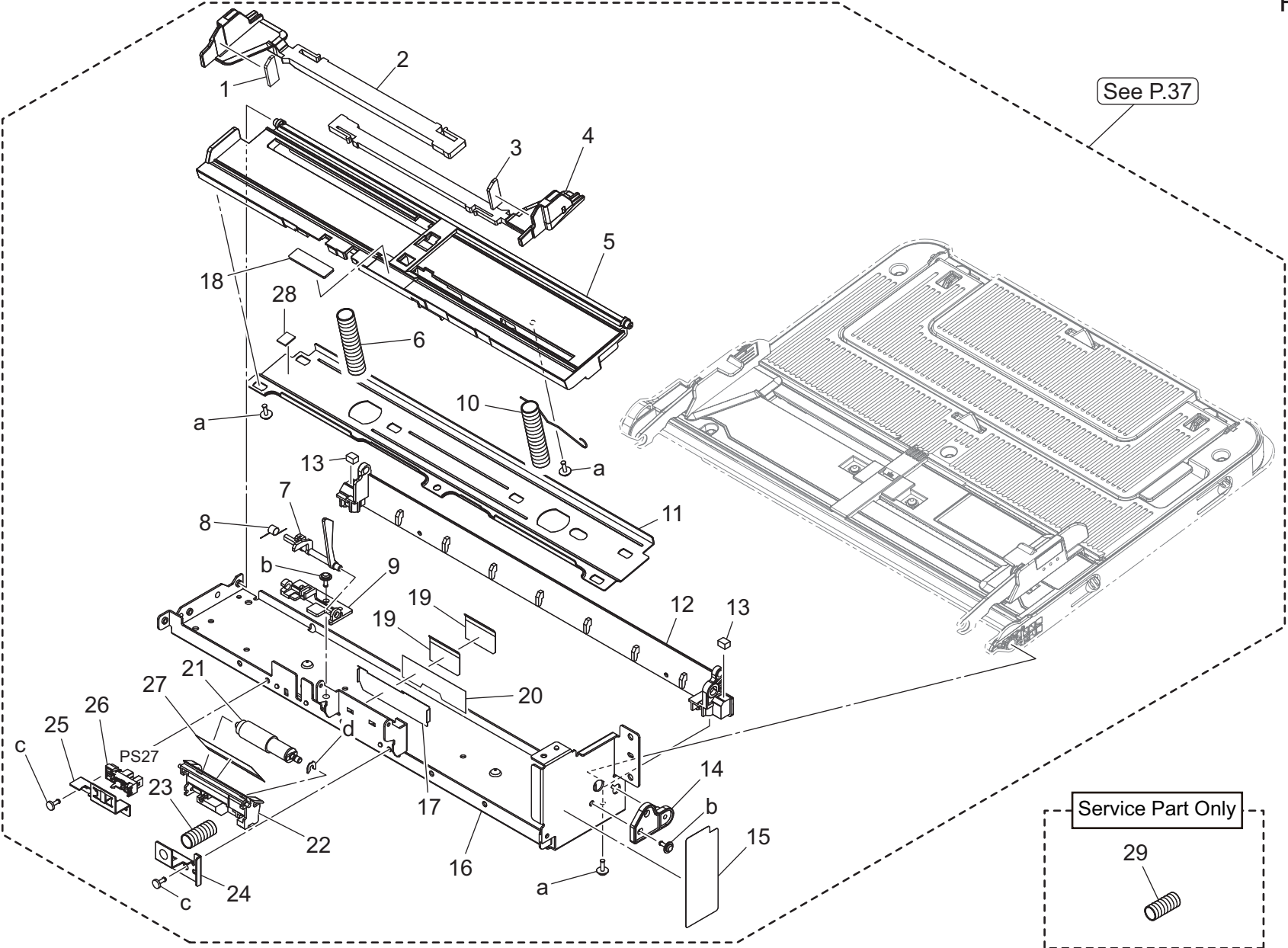
Bypass Tray Section





Key	Part No.	Description	Destinations	Class	QTY	Standard parts
1	AA2J590900	Holding Plate		D	1	a-V153030803
2	AA2J590300	Reinforce Plate		D	1	b-V125030803
3	AA2J591600	Shaft		D	1	c-V144030803
4	AA2J593700	Wiring Cover /Front		D	1	d-V126030803
5	A034M20100	Conveyance Solenoid		C	1	e-V217040003
6	AA2J592401	Cover		D	1	f-V217020003
7	A161594700	Guide Sheet		C	1	g-V217060003
8	AA2J592301	Lifting Lever		D	1	h-V218030086
9	AA2J593100	Pressing Holder		D	1	k-V217050003
10	AA2J594301	Compressing Coil spring		C	1	m-V217030003
11	AA2J590202	Paper feed Frame		D	1	n-V234201250
12	AA2J592701	Bushing		D	1	
13	AA2J591900	Weight		D	1	
14	AA2J595000	Cover		D	1	
15	AA2J592000	Paper feed Holder		D	1	
16	56AA40490	Shaft Stopper /4		C	1	
17	A5C1562200	Roller		A	1	
18	A00F623201	Roller		B	1	
19	AA2J592600	Gear 42T		C	1	
20	AA2J592100	Gear 32T		C	1	
21	AA2J592200	Idling Gear 26T		C	1	
22	A161591400	Drive Shaft		D	1	
23	A161593300	Paper feed Cam		C	1	
24	AA2J592900	Slide Bearing		D	1	
25	A02E596100	Gear 30T		C	1	
26	AA2J593800	Bypass Gear 24T		C	1	
27	A161590600	Reinforce Plate		D	1	
28	A02E596300	Bushing		C	1	
29	A02EM20100	Clutch		B	1	
30	A0ED597800	Cover		D	1	
31	9321240011	SOLENOID		C	1	
32	A5C1591200	Drive Cover		D	1	
33	A7PU596900	Auxiliary Cover		D	1	
34	A161591300	Light blocking Plate		C	1	
35	A02E595400	Gear 22T		C	1	
36	A02E595100	Clutch assy		C	1	
37	A5C1M50100	Photointerrupter		B	1	
38	A5C1591900	Mounting Plate		D	1	
39	A161592802	Wiring Cover /A		D	1	
40	AA2J591500	Paper feed Shaft		D	1	
41	AA2J591000	Mounting Plate /ASSY		D	1	
42	AA2J592800	Bushing		D	1	
43	A161F59002	Caulking(Mounting Plate Drive Frame)		D	1	
44	AA2JN10S00	Paperfeed Wiring /4		D	1	
45	AA2J594700	Cushion		D	1	

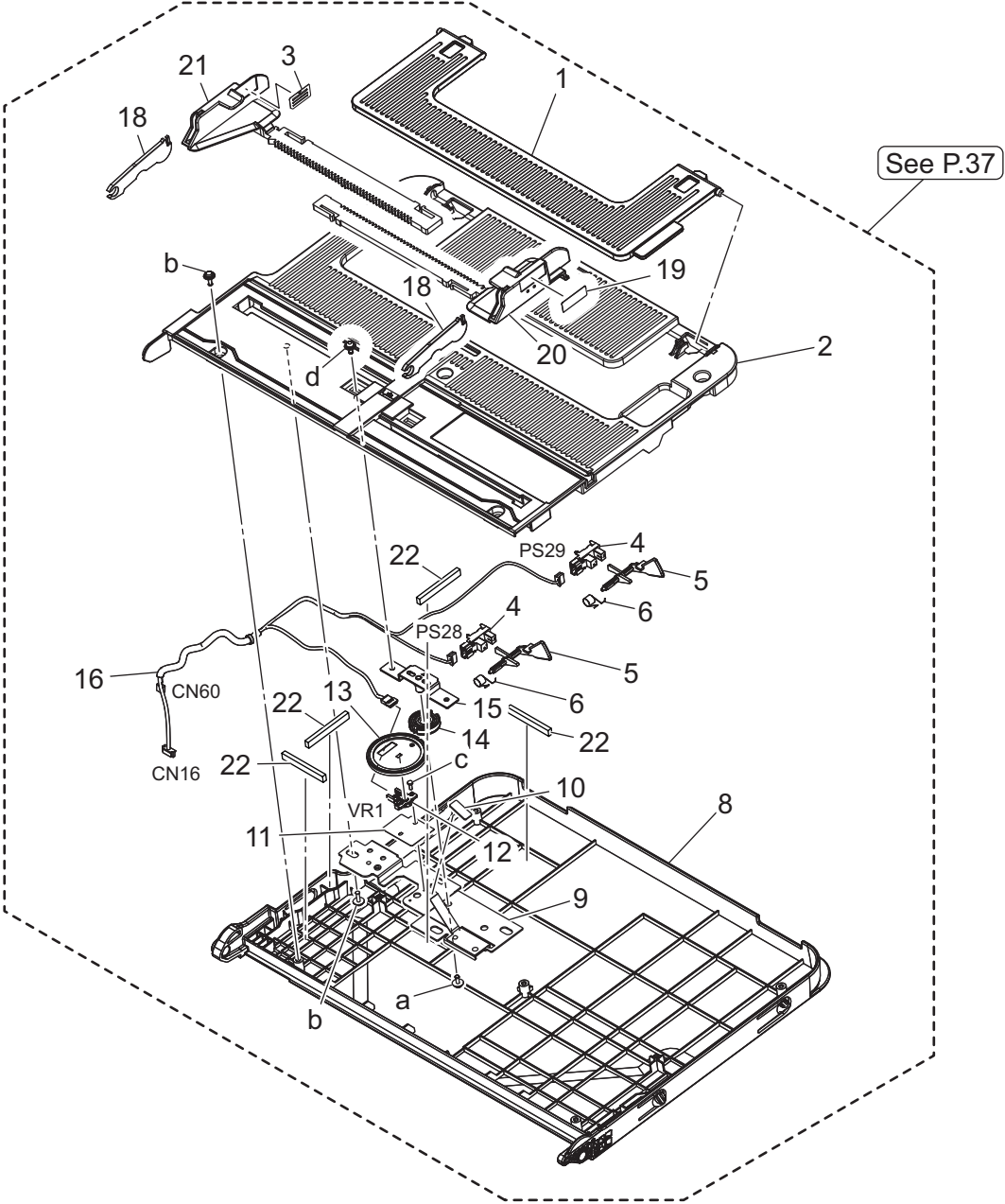
Bypass Tray Section



bizhub C025Dni/C250i/C250iS

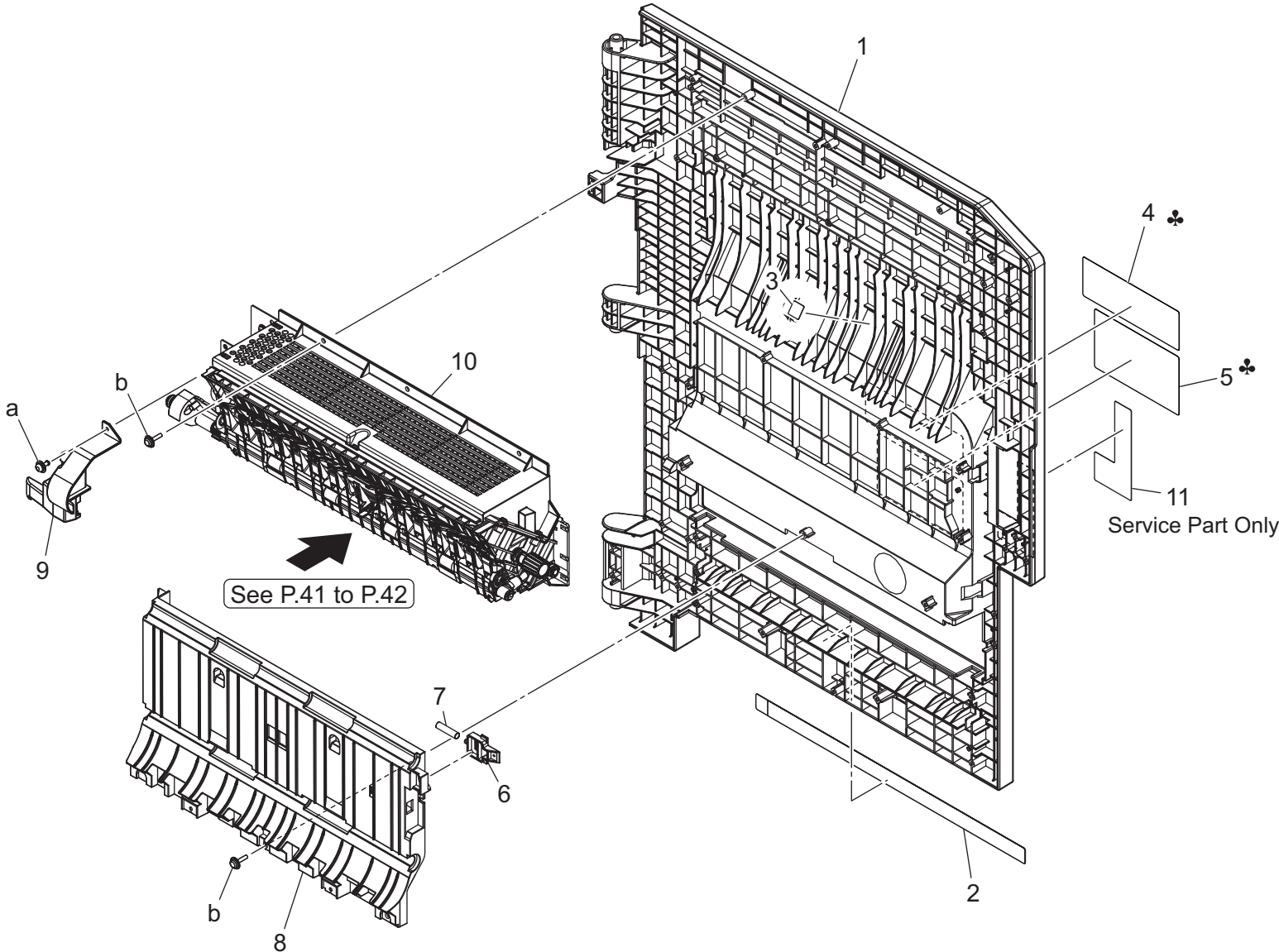
Key	Part No.	Description	Destinations	Class	QTY	Standard parts
1	A161594500	Brake Part		C	1	a-V153030803 b-V144030803 c-V126030803 d-V218030086
2	AA2J593200	Regulating Plate /R	ブレーキ材 規制板 / R	C	1	
3	A161594600	Brake Part /F	ブレーキ材 / F	C	1	
4	AA2J593301	Regulating Plate /L	規制板 / L	C	1	
5	AA2J593000	Lifting Plate	押上げ板	D	1	
6	A161593400	Compressing Coil spring	圧縮コイルばね	C	1	
7	A161590901	Actuator	アクチュエータ (P E)	C	1	
8	A161591000	Torsion Spring	ねじりばね (P E)	C	1	
9	A161591100	Sensor Holder	センサホルダ	D	1	
10	A161593600	Compressing Coil spring	圧縮コイルばね	C	1	
11	A7PU596800	Mounting Plate	取付板	D	1	
12	A161590304	Support Holder	支点ホルダ	D	1	
13	A161594201	Cushion	クッション	D	2	
14	A161591600	Hold Plate	保持板	C	1	
15	AA2J594500	Protection Seal /Front	保護シール / 前	D	1	
16	AA2J590100	Bypass Frame	手差しフレーム	D	1	
17	A161595300	Separating Plate	分離板	C	1	
18	A7PU594000	Separating Sheet	分離シート	C	1	
19	AA7N595100	Guide	ガイド (前さばき)	C	2	
20	A161595100	Seal	シール	C	1	
21	AA7N591100	Roller /ASSY	ローラ / A S S Y	A	1	
22	A161595000	Holder	ホルダ	D	1	
23	AA2J594201	Compressing Coil spring	圧縮コイルばね	C	1	
24	A161595400	Hold Plate	保持板	D	1	
25	A161591800	Sensor Holder	センサホルダ	D	1	
26	A5C1M50100	Photointerrupter	透過型センサ	B	1	
27	A02E597600	Guide	ガイド (捌き後)	C	1	
28	A161825301	Cushion /A	クッション / A	D	1	
29	AA7NP10100	Compressing Coil spring	圧縮コイルばね	D	1	

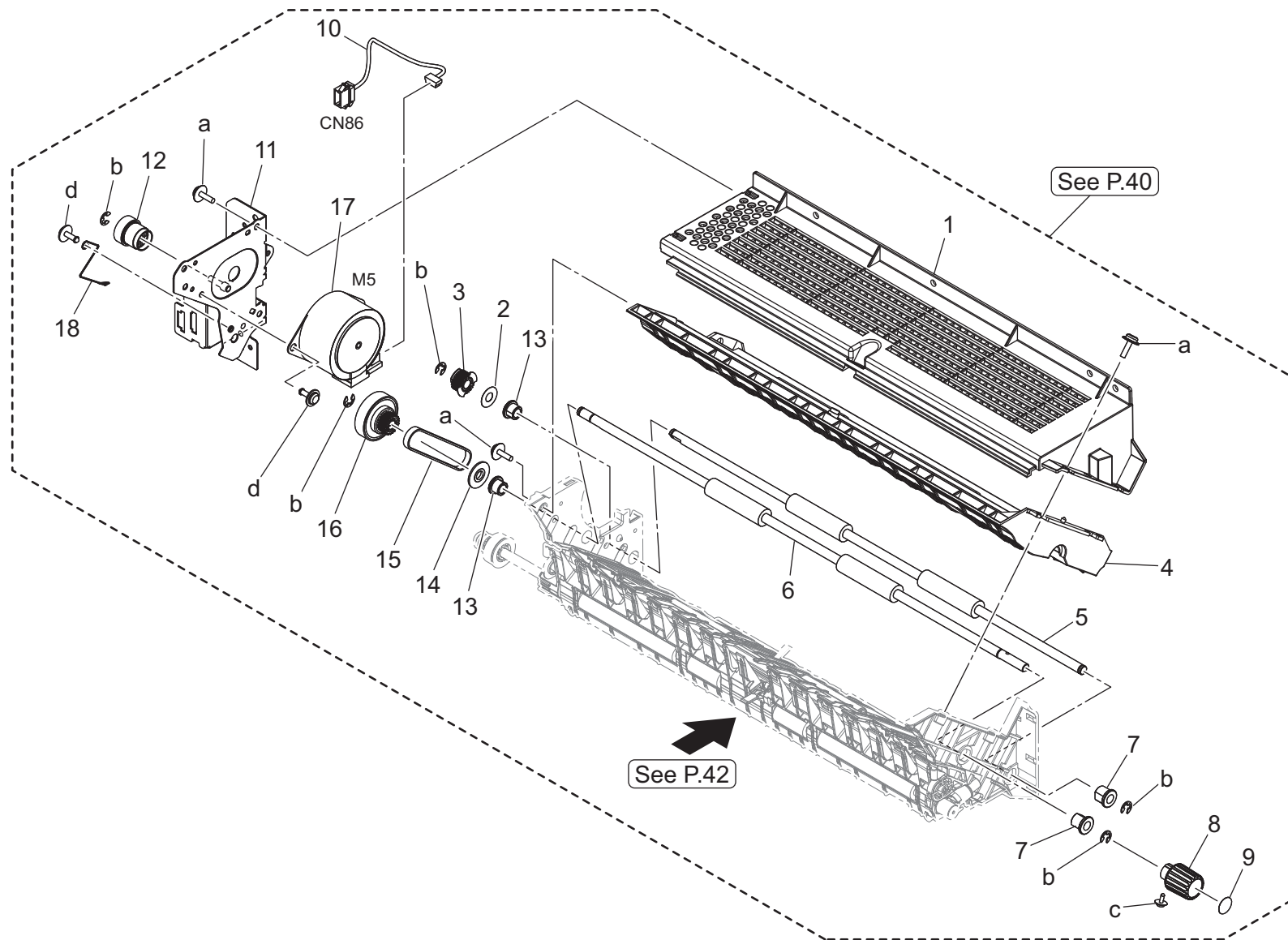
Bypass Tray Section



See P.37

Key	Part No.	Description	Destinations	Class	QTY	Standard parts	
1	A161592200	Auxiliary Tray		C	1	a-V125030803 b-V153030803 c-V111170403 d-V116030603	
2	AA2J593900	Bypass Tray /Upper		D	1		
3	AA2J944500	Label		C	1		
4	A5C1M50100	Photointerrupter		B	2		
5	A161592400	Actuator		C	2		
6	A161592501	Torsion Spring		C	2		
8	AA2J593601	Bypass Tray		D	1		
9	A7PU593700	Mounting Plate		D	1		
10	A161593800	Friction Plate		C	1		
11	A7PU599300	Insulating Sheet		D	1		
12	A161M50400	Volume		D	1		
13	A161594300	Regulating Gear 41T		C	1		
14	A7PU593500	Gear		C	1		
15	A7PUF60001	Mounting Plate		D	1		
16	A7PUN10B01	Harness/ Sensor		D	1		
18	A7PU595500	Lever		C	2		
19	A7PU944900	Label		C	1		
20	AA2J593400	Regulating Plate /F		C	1		
21	AA2J593500	Regulating Plate /R		C	1		
22	A161825800	Cushion /B		D	4		

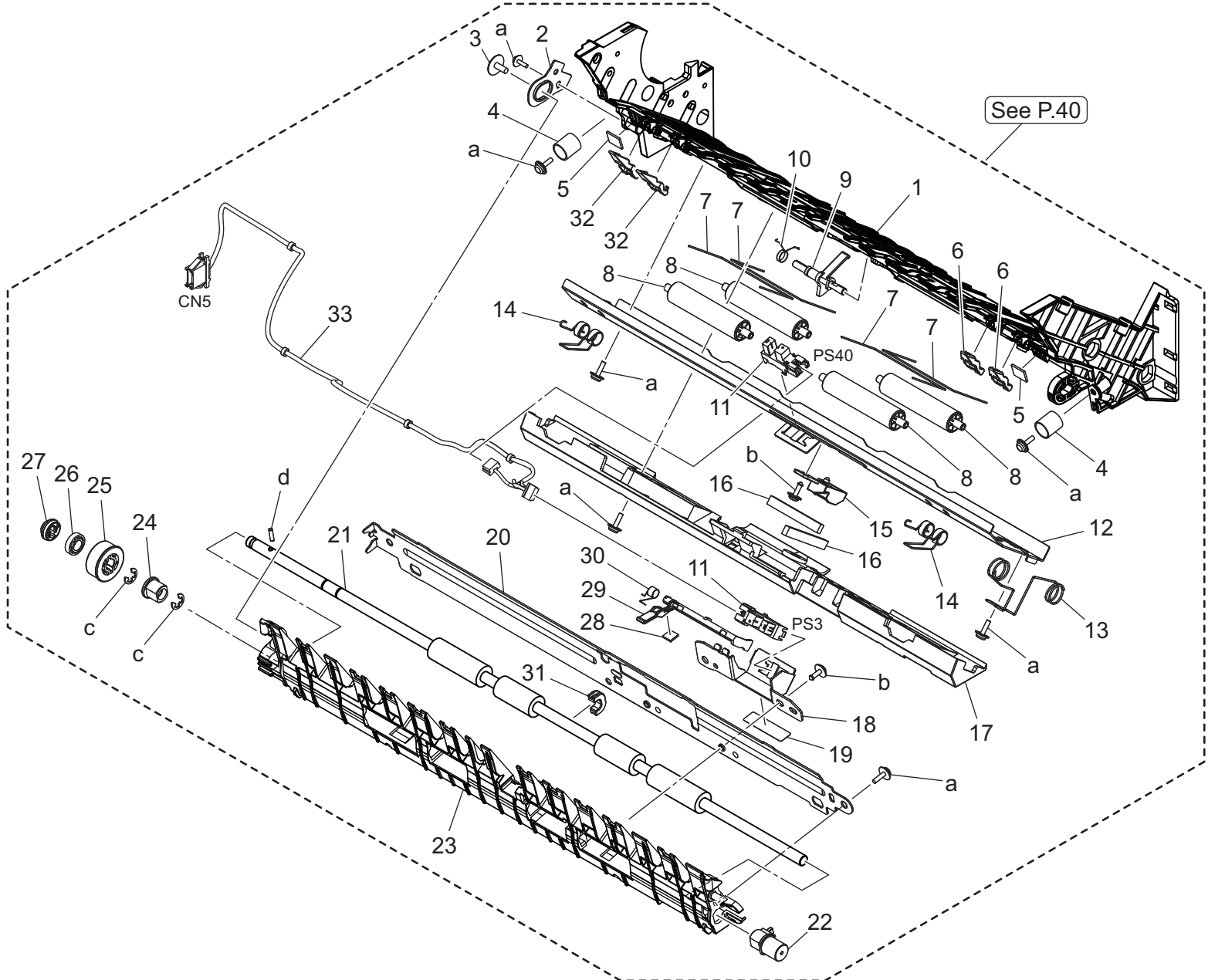




Key	Part No.	Description	Destinations	Class	QTY	Standard parts
1	A5C1820701	Cover /Upper		D	1	a-V153030803 b-V217040003 c-V125030803 d-V144030803
2	A161816400	Spacer /A		C	1	
3	A0ED811700	Pulley 22T		C	1	
4	A79J812202	Guide Plate		D	1	
5	A161814601	Roller /C		C	1	
6	A161813701	Roller /B		C	1	
7	A02E815200	Bushing		C	2	
8	A161814700	Knob /A		C	1	
9	AA2J946100	Label		D	1	
10	AA2JN10M00	ADU Drive harness		D	1	
11	AA2J811300	Panel /Rear		D	1	
12	A7PU819600	Gear /4		C	1	
13	A161813300	Bushing /A		C	2	
14	A161813801	Collar /A		C	1	
15	A161819000	Drive Belt 156L		C	1	
16	A5C1819700	Gear 22/29T		C	1	
17	AA2JM10300	Stepping motor		C	1	
18	A5C1814300	Contact /B		D	1	

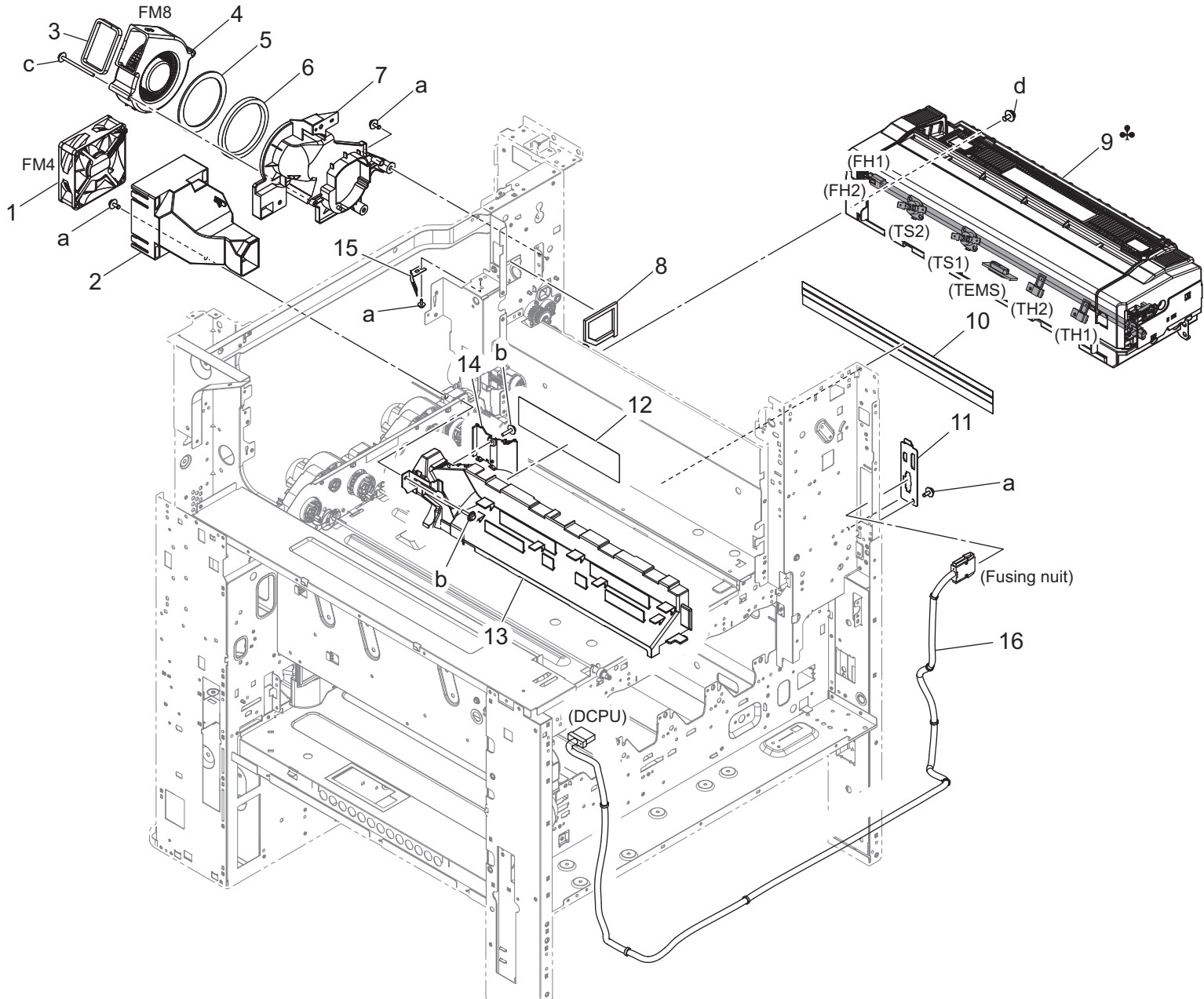
bizhub C025DNi/C250i/C250iS

Reverse Section



Key	Part No.	Description	Destinations	Class	QTY	Standard parts
1	A5C1811703	Guide Plate /3	ガイド板 /3	D	1	a-V153030803 b-V144030803 c-V217040003 d-V234200850
2	A161814401	Mounting Plate /3	取付板 /3	D	1	
3	4163529301	SCREW	ねじ	C	1	
4	A161813600	Pressing Spring /A	押圧ばね /A	C	2	
5	A161825301	Cushion /A	クッション /A	D	2	
6	A5C1811803	Guide Plate /Front	ガイド板 /前	D	2	
7	A0ED815100	Holding Part	押さえ材 (A D U 第1 R)	D	4	
8	A161825700	Idle Roller /A	従動ローラ /A	D	4	
9	A161813200	Actuator	アクチュエータ (A D U 上 J A M 検)	C	1	
10	A161712800	Spring /D	ばね /D	D	1	
11	A5C1M50100	Photointerrupter	透過型センサ	B	2	
12	A7PU810901	Mounting Plate /1	取付板 /1	D	1	
13	A5C1814200	Contact /A	接点 /A	D	1	
14	A161813400	Torsion Coil spring	ねじりコイルばね (ガイド 押さえ)	D	2	
15	A161825400	Wiring Part	配線部材	D	1	
16	A161825800	Cushion /B	クッション /B	D	2	
17	AA7R813900	Cover /A	カバー /A	D	1	
18	AA2J825100	Mounting Plate /4	取付板 /4	D	1	
19	A79J821000	Protection Part	保護部材	C	1	
20	AA2J810800	Mounting Plate /2	取付板 /2	D	1	
21	AA2J810600Old	Roller /1	ローラ /1	C	1	
21	AA2J810611	Roller /1	ローラ /1	C	1	
22	AA2J814500	Bushing	すべり軸受 (排紙前)	D	1	
23	AA2J810500Old	Guide Plate /4	ガイド板 /4 (排紙前)	D	1	
23	AA2J810511	Guide Plate /4	ガイド板 /4 (排紙前)	D	1	
24	A02E815200	Bushing	軸受	C	1	
25	A161819200	Gear 18T	ギア 18 T	C	1	
26	A5C1825000	Bushing	すべり軸受	C	1	
27	A161825000	Bushing	すべり軸受 (排紙ドッキング丸2)	C	1	
28	A161826001	Cushion /B	クッション /B	D	1	
29	A161813001	Actuator	アクチュエータ (排紙 J A M 検)	C	1	
30	A161813100	Torsion Coil spring	ねじりコイルばね (排紙 J A M 検)	C	1	
31	A161819500	Bushing /C	すべり軸受 /C	C	1	
32	A5C1811901	Guide Plate /Rear	ガイド板 /奥	D	2	
33	AC77N10N01	Conveyance Wiring /3	搬送束線 /3 (T O P)	D	1	

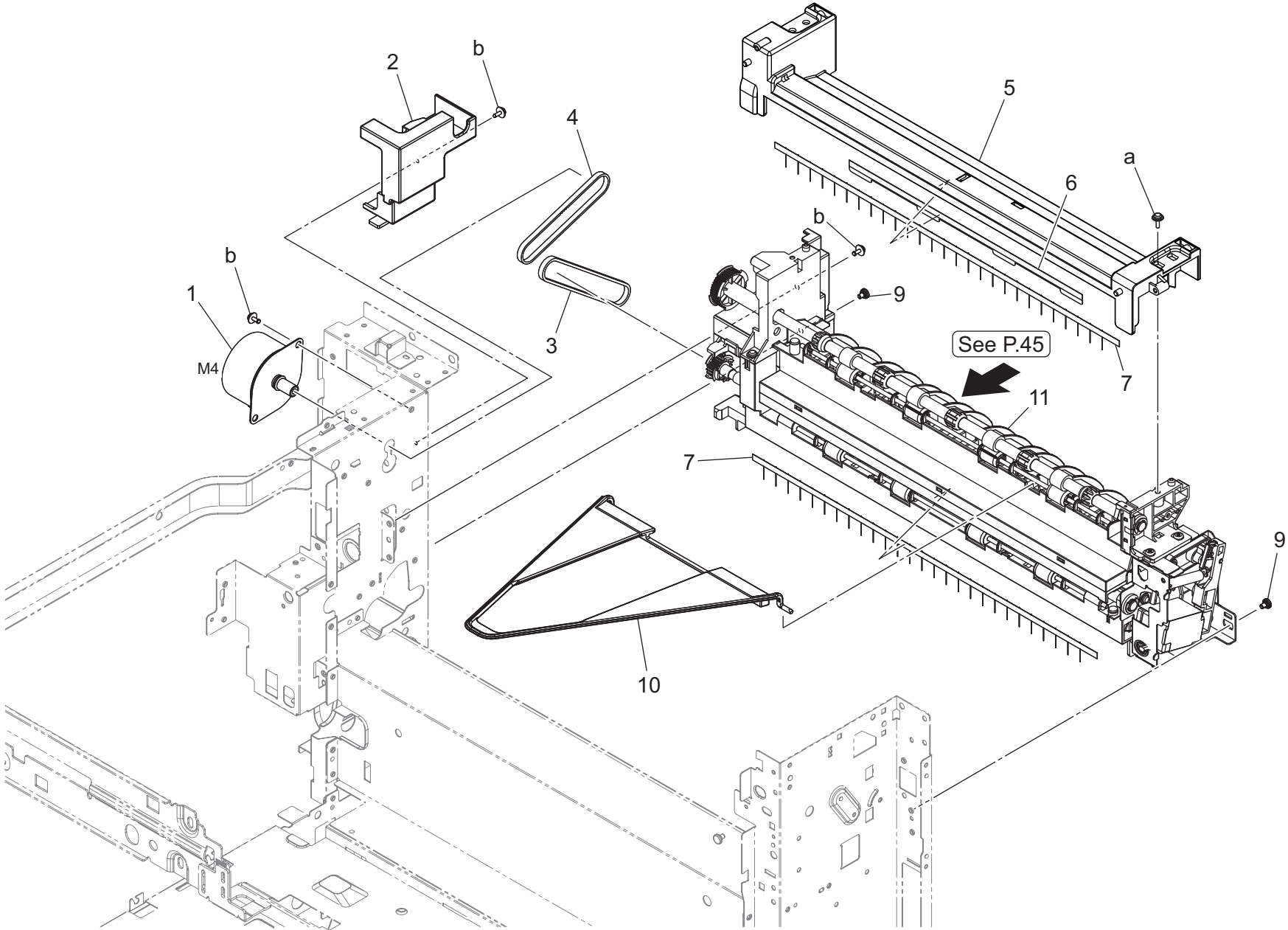
Fusing Section



Fusing Section

Key	Part No.	Description	Destinations	Class	QTY	Standard parts
1	A93EM10000	Fan motor		C	1	a-V125030803 b-V153031004 c-V153033503 d-V116040803
2	AA2J140500	Duct		D	1	
3	A7PU143300	Seal		C	1	
4	A93EM10600	Fan motor		C	1	
5	A02E117300	Seal		C	1	
6	A7PU143400	Seal		C	1	
7	AA2J142300	Duct /2		D	1	
8	A161121401	Seal /Upper		D	1	
9	AA2JR70211	Fusing Unit (100V)	A	A	1	
9	AA2JR70411	Fusing Unit (220-240V)	C	A	1	
9	AA2JR70311	Fusing Unit (120V)	B,G2	A	1	
9	AA2JR74100	Fusing Unit (110V)	H	A	1	
9	AA2JR70411	Fusing Unit (220-240V)	D1,D3,E,F2,G1,I,K,J	A	1	
10	A797102701	Seal		C	1	
11	AA2J137201	Mounting Plate		D	1	
12	AA2J140800	Seal		D	1	
13	AA2J140101	Duct		D	1	
14	AA2J140600	Duct		D	1	
15	A161122500	Ground Plate		D	1	
16	AA2JN10401	Heater Relay harness		D	1	

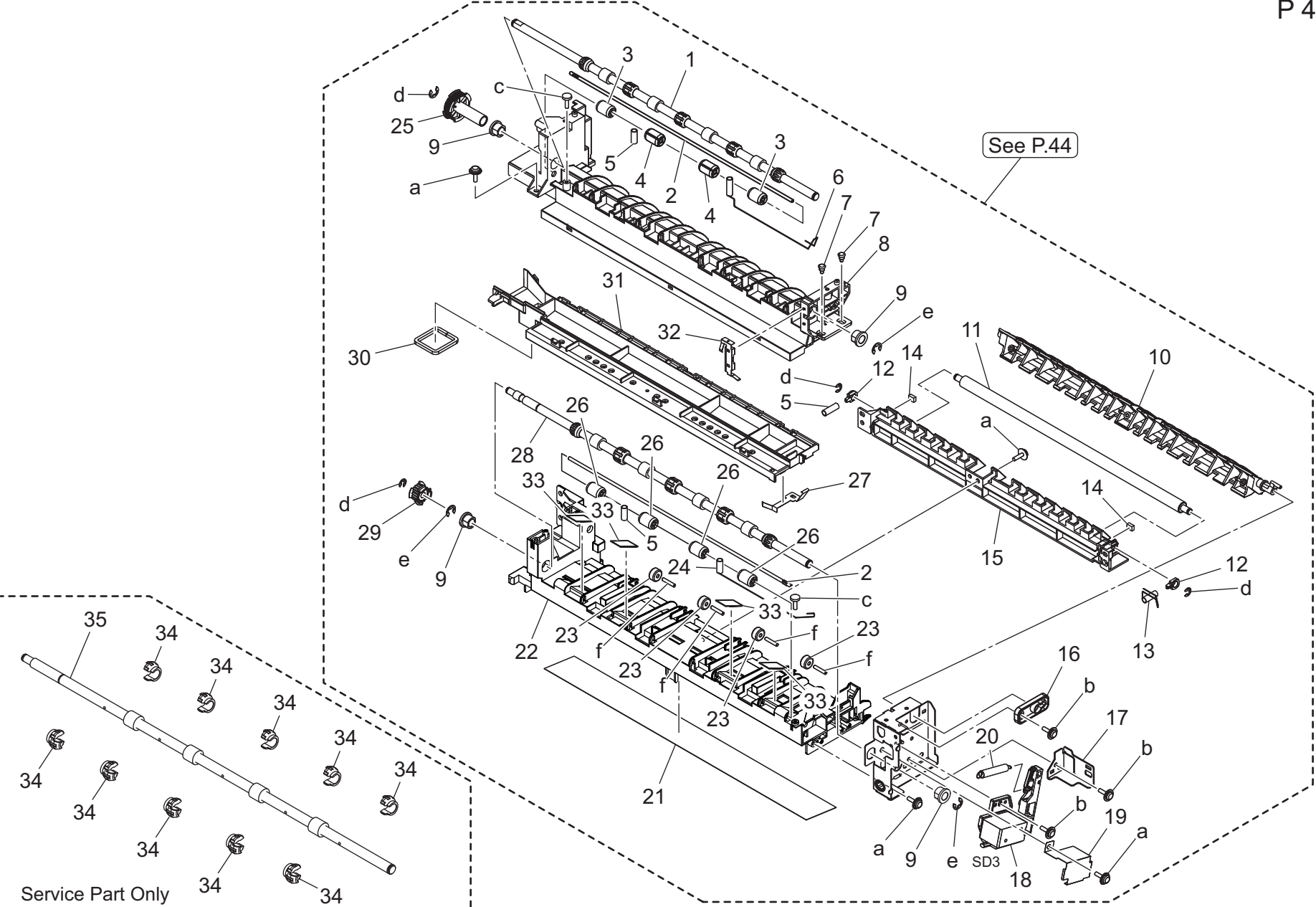
Paper Exit Section



Paper Exit Section

Key	Part No.	Description	Destinations	Class	QTY	Standard parts
1	AA2JM10400	Stepping motor		C	1	a-V153030803 b-V125030803
2	AA2J162300	Cover /Right rear		D	1	
3	A161891401	Timing belt 231L		D	1	
4	4640392001	BELT		C	1	
5	A79J895702	Paper exit Cover		D	1	
6	A161894100	Sheet		D	1	
7	A161894000	Neutralizing Brush		C	2	
9	A0P0742300	Shoulder screw		C	2	
10	A161897200	Guide Part		C	1	
11	AA2JR72911	Paper Exit Assy		S	1	

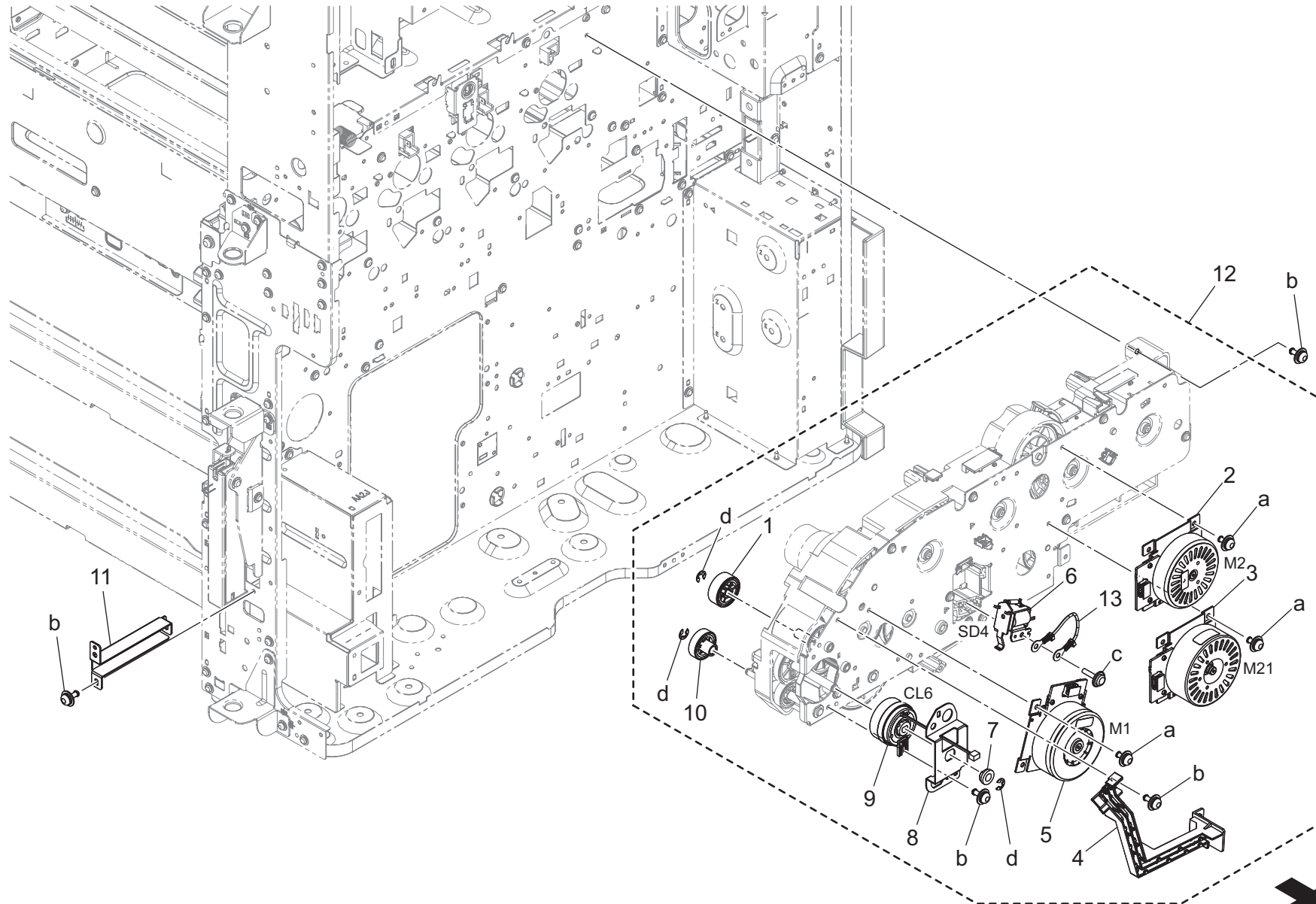
Paper Exit Section



bizhub C025DNI/C250i/C250iS

Key	Part No.	Description	Destinations	Class	QTY	Standard parts
1	A161895400	Roller		C	1	a-V153030803 b-V144030803 c-V149030803 d-V217040003 e-V217060003 f-V234301650
2	4025598401	SHAFT		D	2	
3	4004590301	ROLL		C	2	
4	A5C1891100	Roll		D	2	
5	A161892400	Spring		C	3	
6	A161900201	Ground Spring		C	1	
7	1164202801	SHOULDER SCREW		D	2	
8	AA2J896100	Paper exit Guide /Upper		D	1	
9	A0ED891100	Bushing		D	4	
10	AA2J890402	Guide Lever		D	1	
11	AA2J901101	Roller		C	1	
12	AA2J901200	Bushing		D	2	
13	AA2J900300	Ground Spring		D	1	
14	A161893601	Cushion		D	2	
15	AA2J890201	Guide Part /Lower		D	1	
16	A161891000	Bushing		D	1	
17	A161892300	Mounting Plate		D	1	
18	AA2JR73000	Solenoid Assy		C	1	
19	A7PU890700	Cover		D	1	
20	A79J892000	Pulling Coil spring		C	1	
21	AA2J900500	Seal		D	1	
22	AA2J890103	Paper exit Main body		D	1	
23	A0ED897700	Collar		C	4	
24	AA2J900100	Ground Spring		D	1	
25	A161895800	Pulley 44T		D	1	
26	AA2J891100	Roll		C	4	
27	A161895601	Ground Contact /Lower		D	1	
28	AA2J890300	Roller		C	1	
29	A161891301	Pulley 18T		D	1	
30	AA2J900400	Seal		D	1	
31	AA2J902000	Paper exit Guide /Lower		D	1	
32	A161895503	Ground Contact /Upper		D	1	
33	AA2J891500	Sheet		D	4	
34	AA7NP10800	Roll		C	10	
35	AA7NP11100	Roller		C	1	

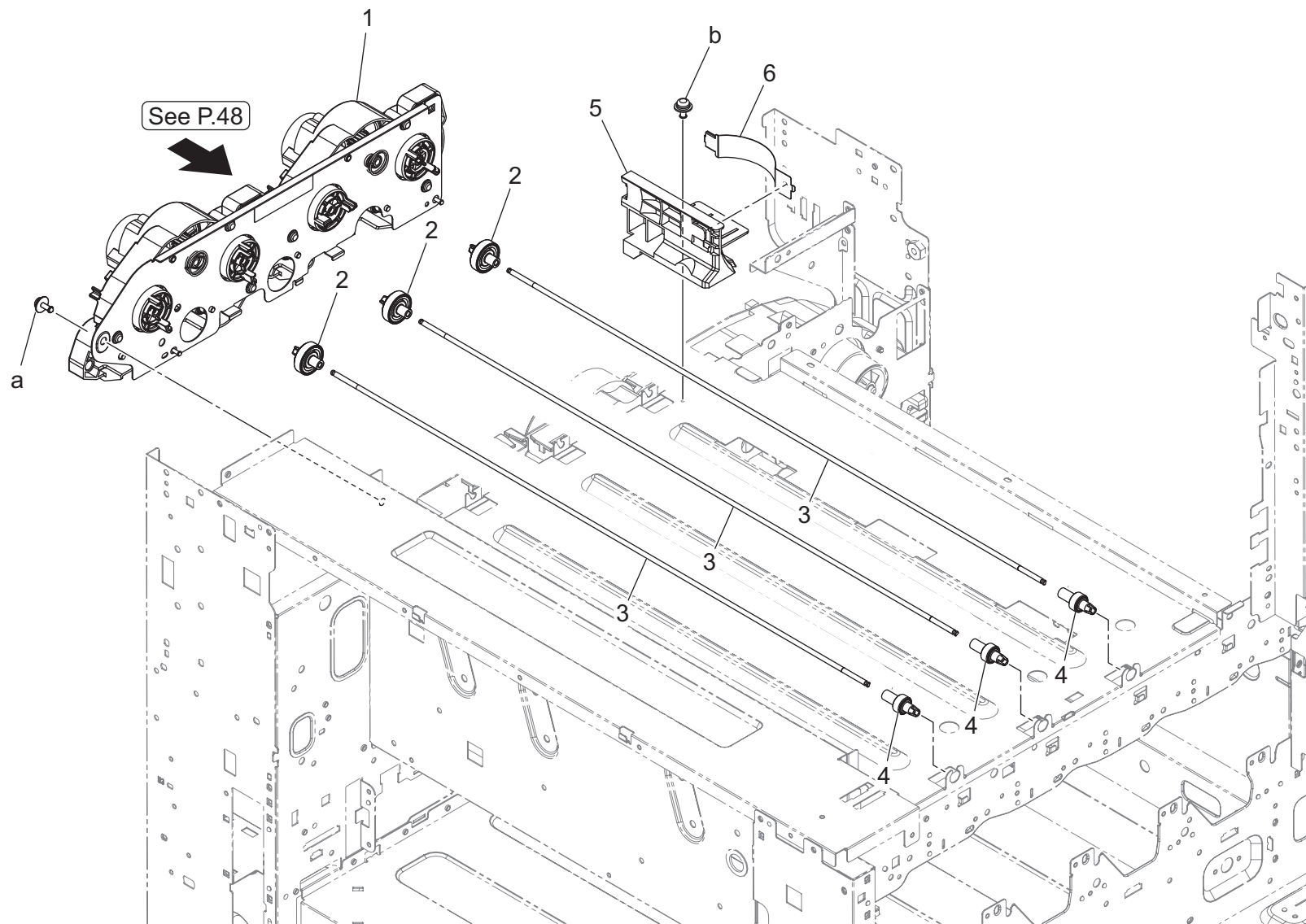
Drive Section



REAR SIDE

bizhub C025Dni/C250i/C250iS

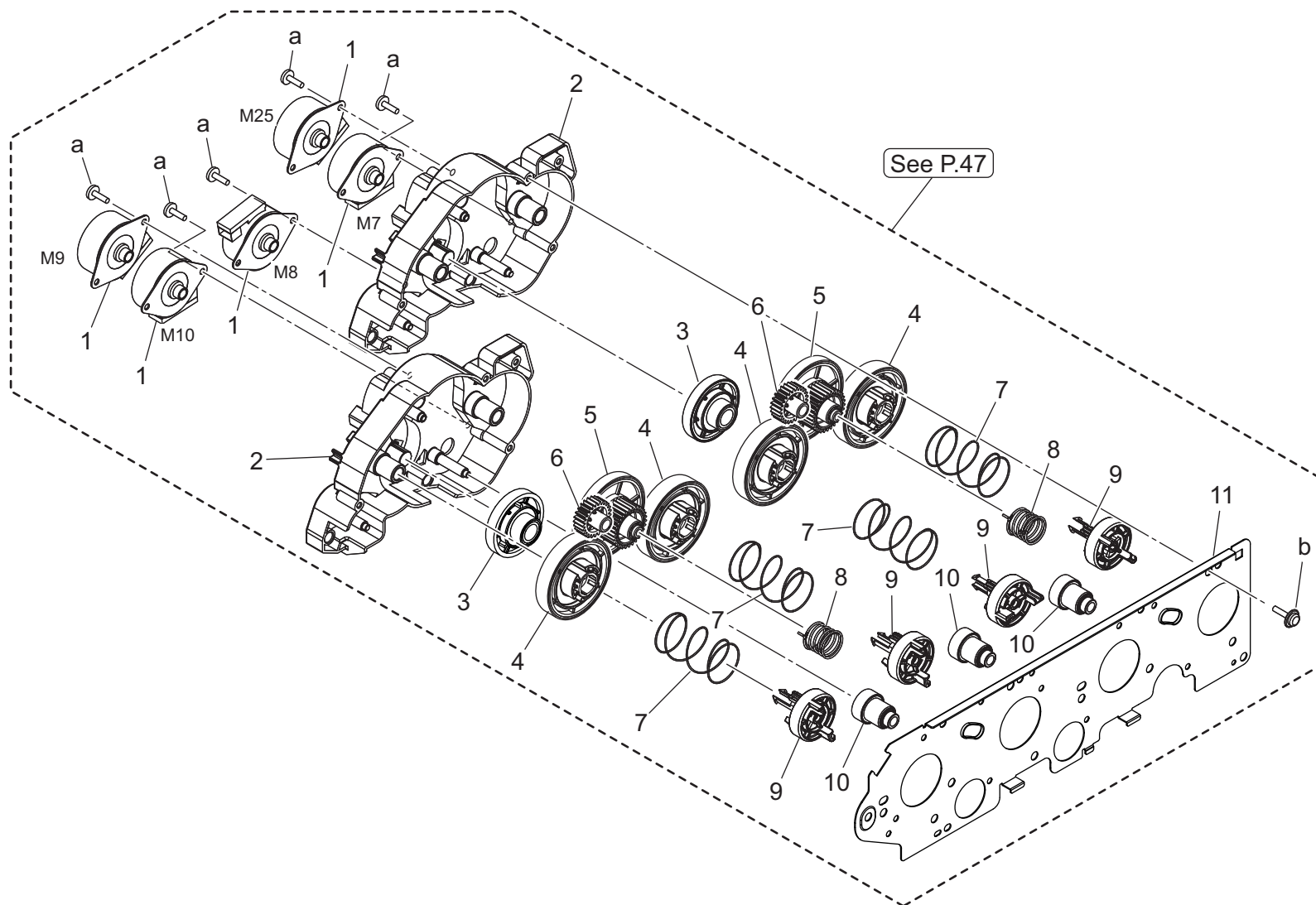


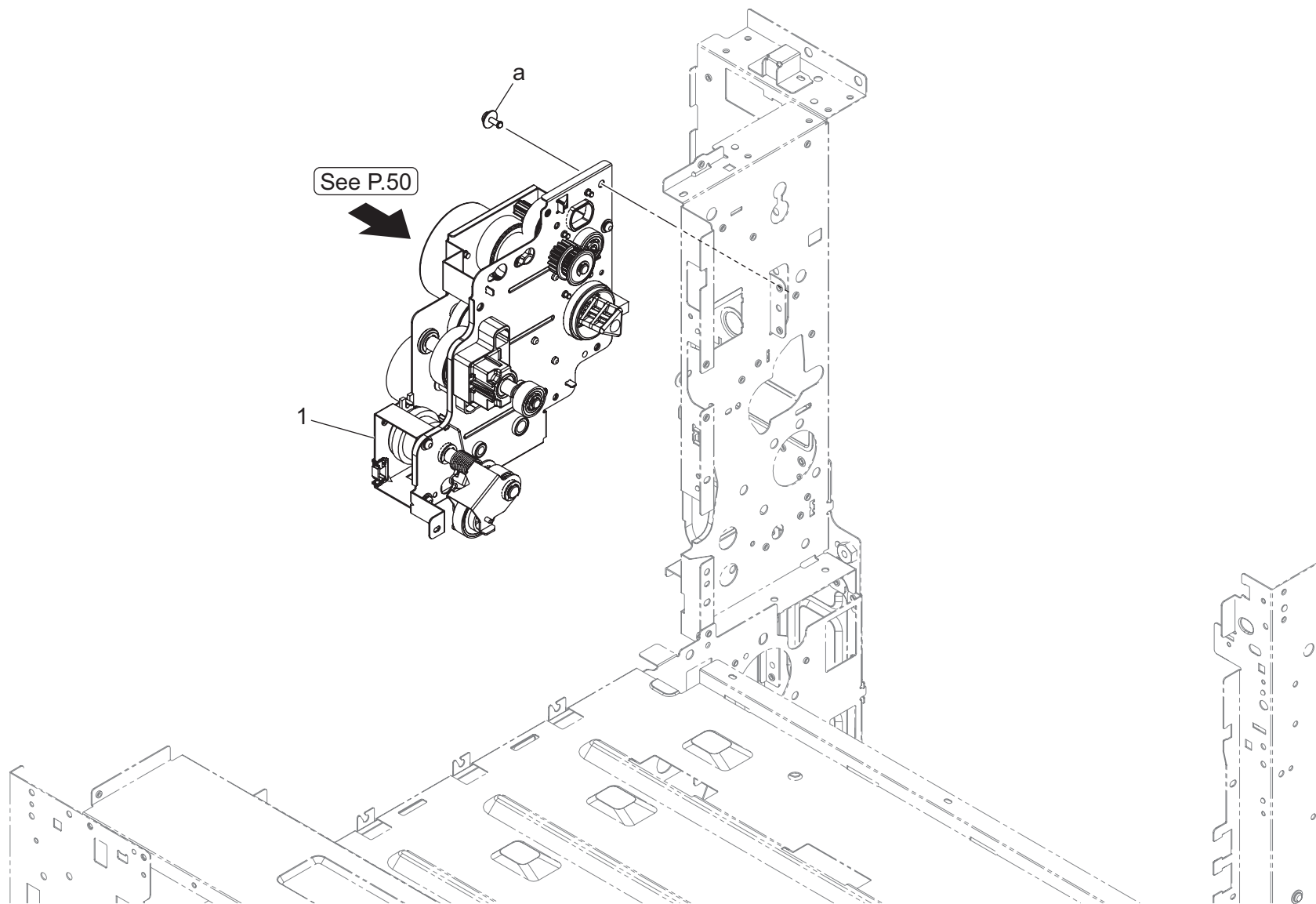


Drive Section

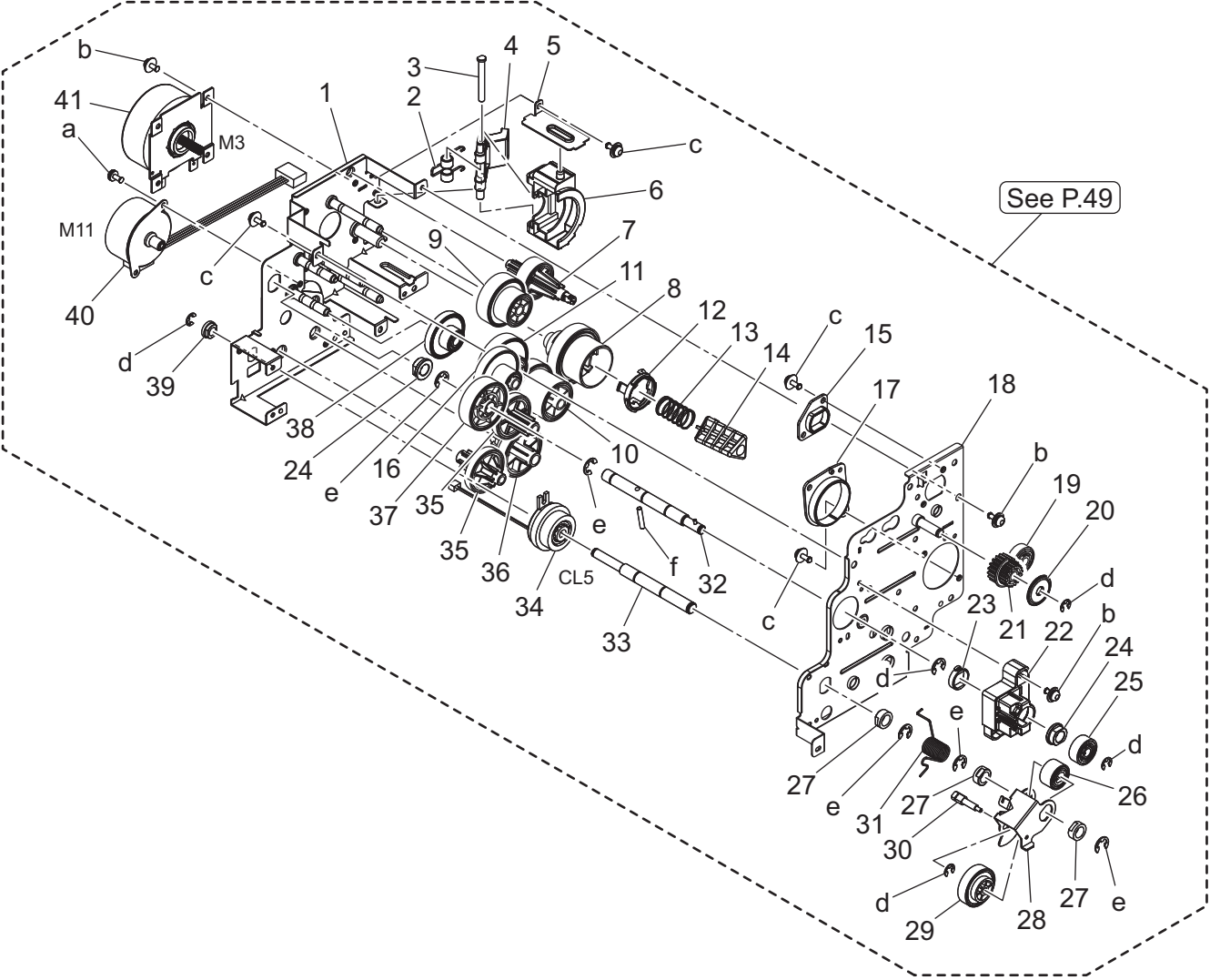
Key	Part No.	Description	Destinations	Class	QTY	Standard parts
1	AA2JR71233	Toner Bottle Drive Assy		S	1	a-V125030803 b-V116040803
2	A161241000	Gear 31T		C	3	
3	A7PU241200	Shaft		D	3	
4	A161241400	Gear 17T		C	3	
5	AA7N106100	Mounting Part /1		D	1	
6	AA7N106200	Plate spring		D	1	

bizhub C025DNi/C250i/C250iS





bizhub C025DNi/C250i/C250iS

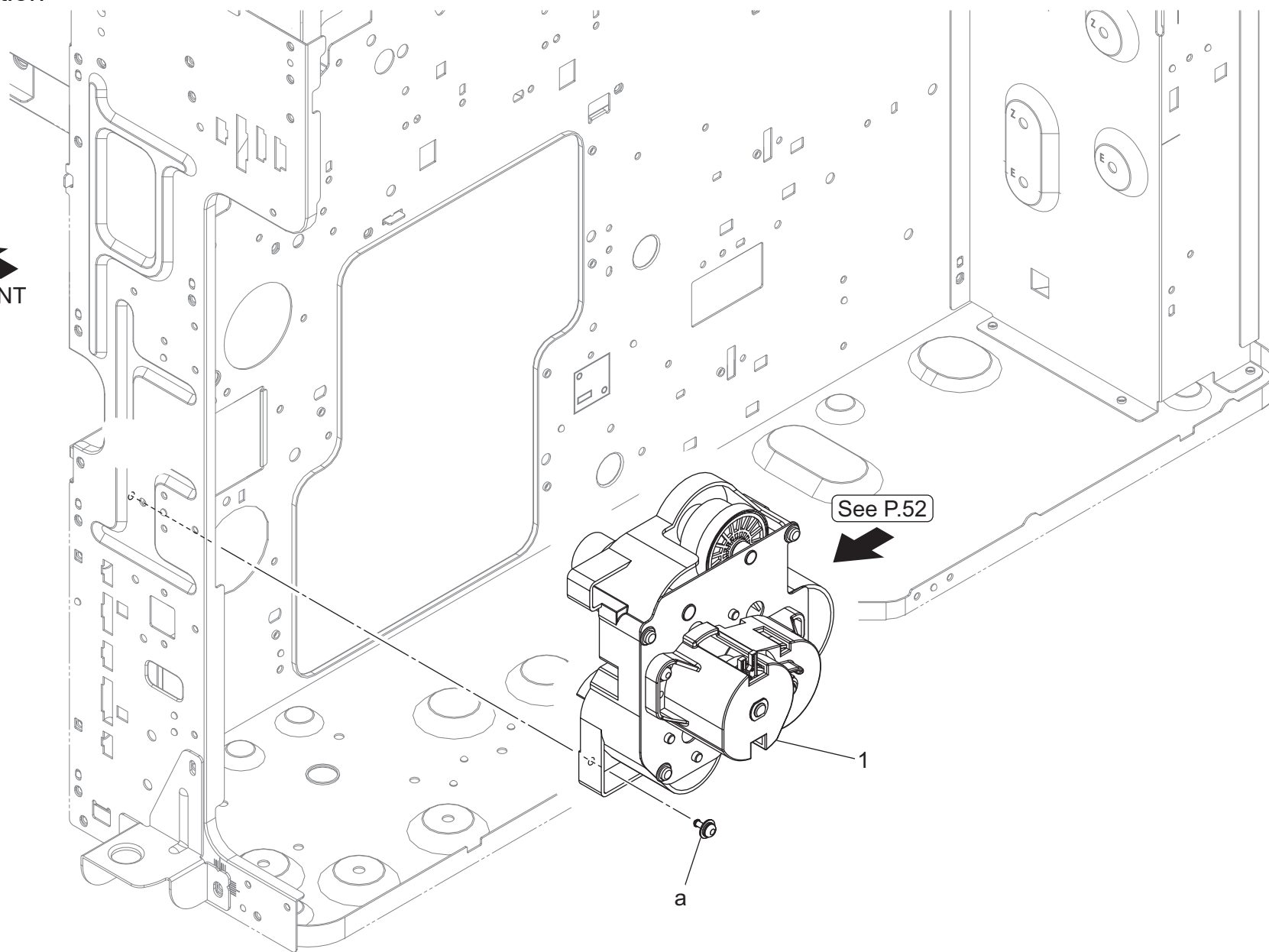


Key	Part No.	Description	Destinations	Class	QTY	Standard parts
1	AA2J255601	Frame /ASSY	フレーム / A S S Y (定着 / L 1)	D	1	a-V115030603 b-V116030603 c-V125030803 d-V217040003 e-V217060003 f-V234301850
2	AA2J258500	Spring	ばね (定着)	C	1	
3	AA2J229700	Shaft	軸 (定着揺動)	D	1	
4	AA2J229500	Lever	レバー (定着)	C	1	
5	AA2J255700	Reinforce Plate	補強板 (定着 3)	D	1	
6	AA2J229000	Holder	ホルダ (定着)	D	1	
7	AA2J230600	Gear 25T	ギア 2 5 T	C	1	
8	AA2J228100	Gear 39T	ギア 3 9 T	C	1	
9	AA2J230500	Gear 22/64T	ギア 2 2 / 6 4 T	C	1	
10	AA2J228200	Gear 27/40T	ギア 2 7 / 4 0 T	C	1	
11	AA2J228000	Gear 22/74T	ギア 2 2 / 7 4 T	C	1	
12	AA2J229300	Ring	リング	D	1	
13	AA2J229600	Compressing Coil spring	圧縮コイルばね (定着揺動)	C	1	
14	AA2J229202	Joint	ジョイント	C	1	
15	A161232200	Bushing	すべり軸受 (排紙ドッキング)	D	1	
16	AA2J254300	Gear 18/43T	ギア 1 8 / 4 3 T	C	1	
17	AA2J229100	Bushing	すべり軸受 (定着)	D	1	
18	AA2J231001	Frame /ASSY	フレーム / A S S Y (定着 / L 2)	D	1	
19	A161230700	Gear 18T	ギア 1 8 T	C	1	
20	A2XK224100Old	Collar	カラー	D	1	
20	A79J897300	Collar	カラー	C	1	
21	A5C1231300Old	Gear 18/18T	ギア 1 8 / 1 8 T	C	1	
21	A5C1231311	Gear	ギア (排紙 4)	C	1	
22	AA2J229400	Holder	ホルダ (圧離)	D	1	
23	AA2J232400	Collar	カラー (ガイド)	D	1	
24	A7PU254800	Slide Bearing	すべり軸受	B	2	
25	A5C1254600	Gear	ギア	C	1	
26	4038258001	GEAR 16T	ギヤ 1 6 T	C	1	
27	A0ED259700	Bushing	すべり軸受 (ϕ 8 小判)	C	3	
28	A161258800	Mounting Plate	取付板 (一次離間)	D	1	
29	A0ED257500	Gear 26T	ギア (一次離間アイドル) 2 6 T	C	1	
30	A161259400	Shaft	軸 (一次離間 2)	D	1	
31	A161232501	Torsion Coil spring	ねじりコイルばね (一次離間)	D	1	
32	AA2J256300	Shaft	軸 (定着離間)	D	1	
33	AA2J258700	Shaft	軸 (一次離間 1)	D	1	
34	AA2JM20100	Clutch	クラッチ (Z = 2 4)	C	1	
35	AA2J259100	Gear 30T	ギア 3 0 T	C	2	
36	AA2J259200	Gear 20/34T	ギア 2 0 / 3 4 T	C	1	
37	AA2J254400	Gear 42T	ギア 4 2 T	C	1	
38	AA2J254200	Gear 18/80T	ギア 1 8 / 8 0 T	C	1	
39	A161210200	Bushing	すべり軸受	D	1	
40	A161M10300	Stepping motor	ステッピングモータ (ϕ 4 2 P M)	C	1	
41	AA2JM11000	Brushless motor /30	ブラシレスモータ / 3 0	C	1	

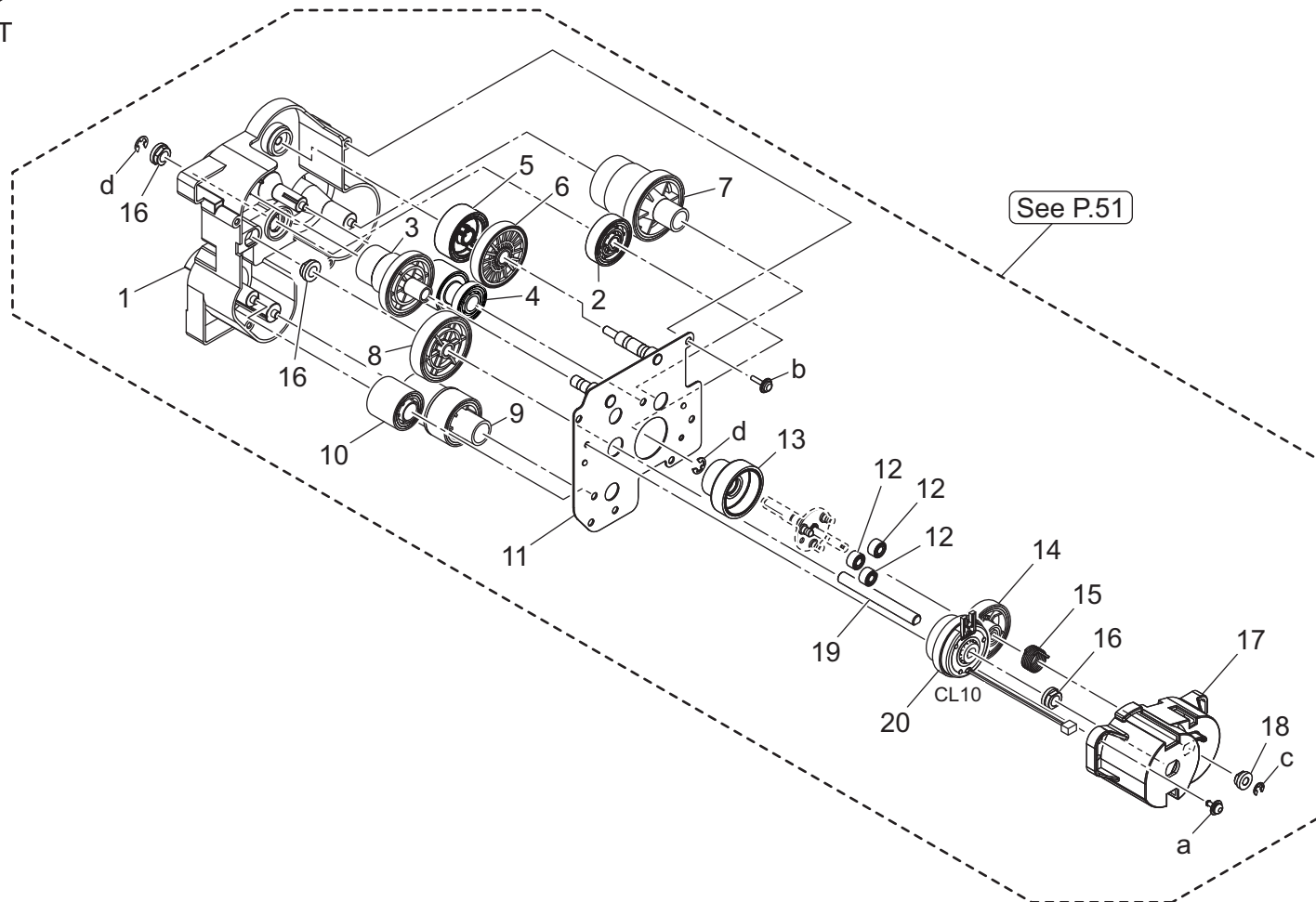
Drive Section

P 51

FRONT

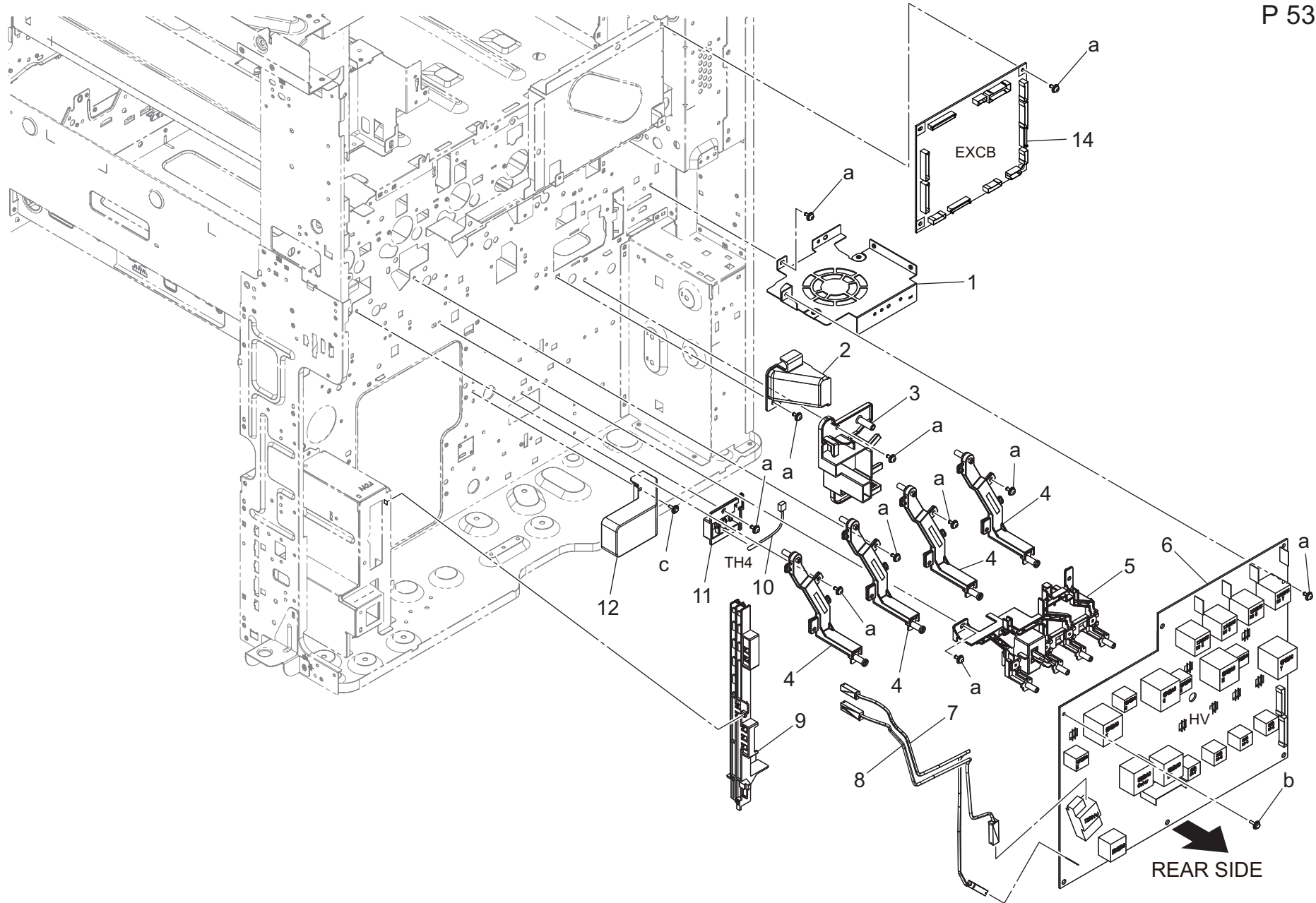


Drive Section

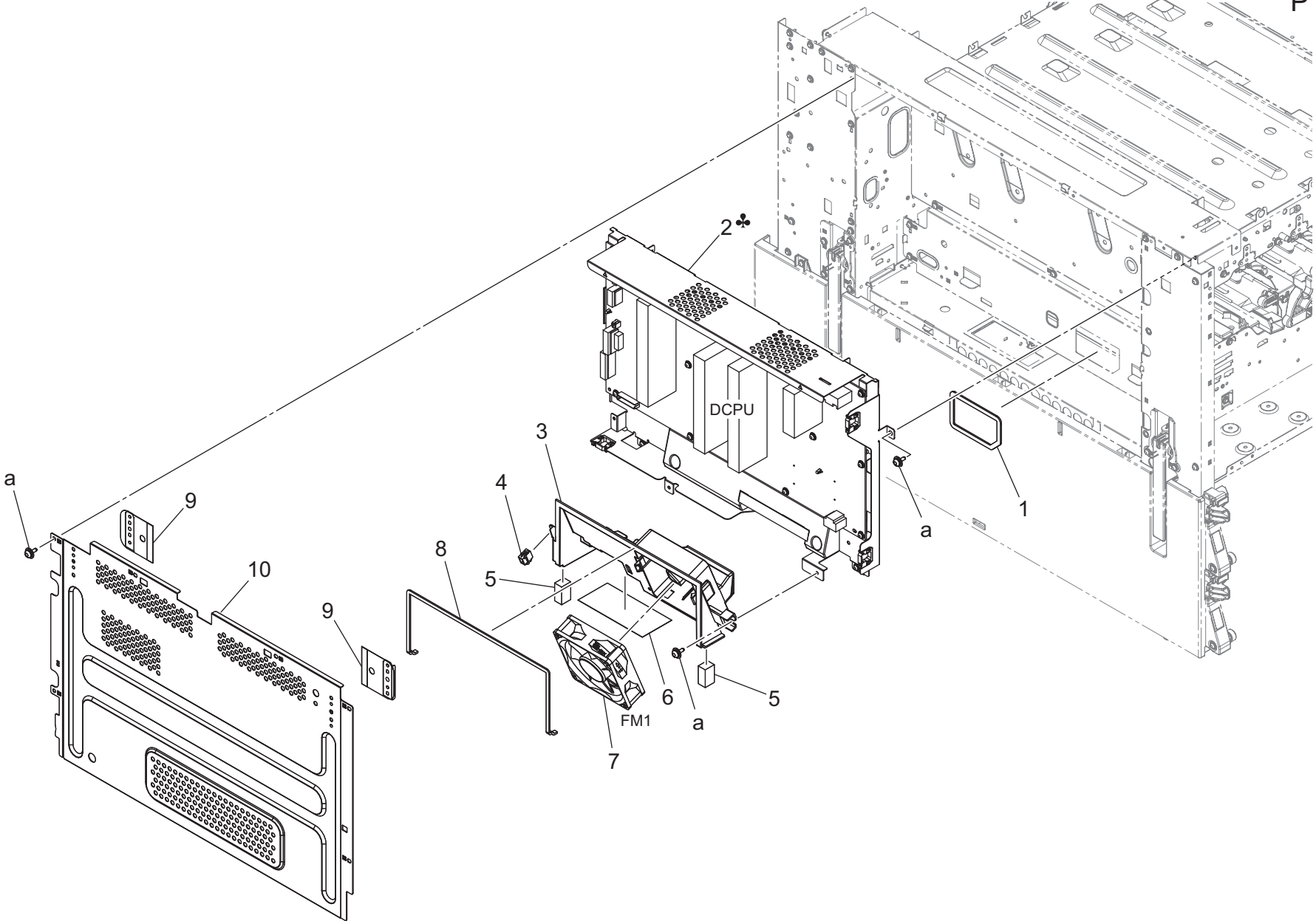


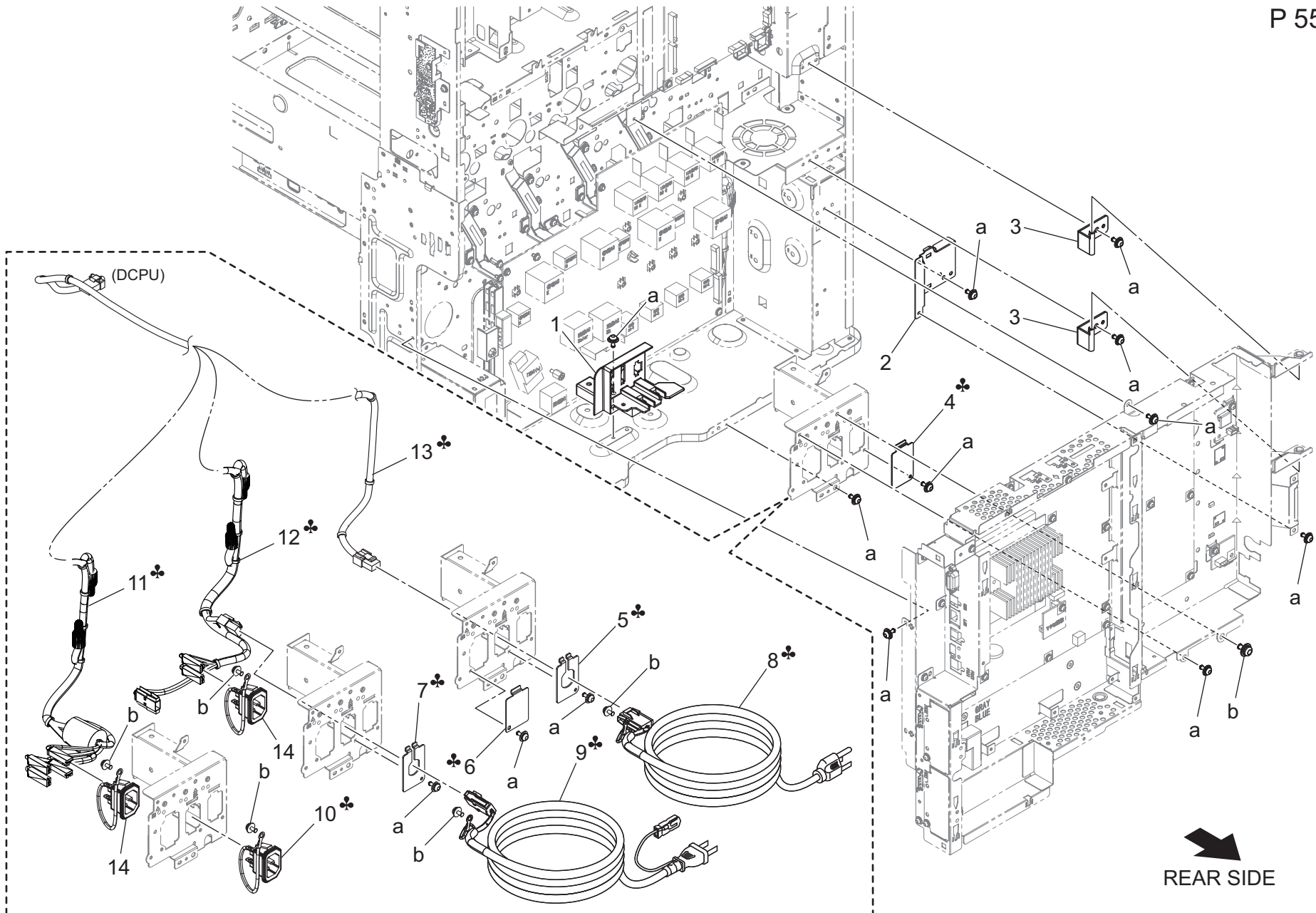
Key	Part No.	Description	Destinations	Class	QTY	Standard parts
1	AA2J221000	Holder		D	1	a-V125030803 b-V153031004 c-V217030003 d-V217040003
2	AA2J220400	Gear 24T		C	1	
3	AA2J259800	Gear 18/32T		C	1	
4	AA2J220100	Gear 19/21T		C	1	
5	A161253600	Gear 26T		D	1	
6	A161253500	Gear 53T		D	1	
7	AA2J222000	Gear 26/34T		C	1	
8	AA2J220300	Gear 36T		C	1	
9	AA2J222200	Gear 21/25T		C	1	
10	AA2J222100	Gear 20T		C	1	
11	AA2J221100	Mounting Plate		D	1	
12	A161215100	Gear 16T		C	3	
13	AA2J221700	Gear 18/52T		C	1	
14	AA2J221800	Gear 20/30T		C	1	
15	AA2J221500	Spring		C	1	
16	A161210200	Bushing		D	3	
17	AA2J220900	Holder		D	1	
18	AA2J220500	Bushing		D	1	
19	AA2J220700	Shaft		D	1	
20	AA2JM20100	Clutch		C	1	

Electrical Parts



bizhub C025Dni/C250i/C250iS



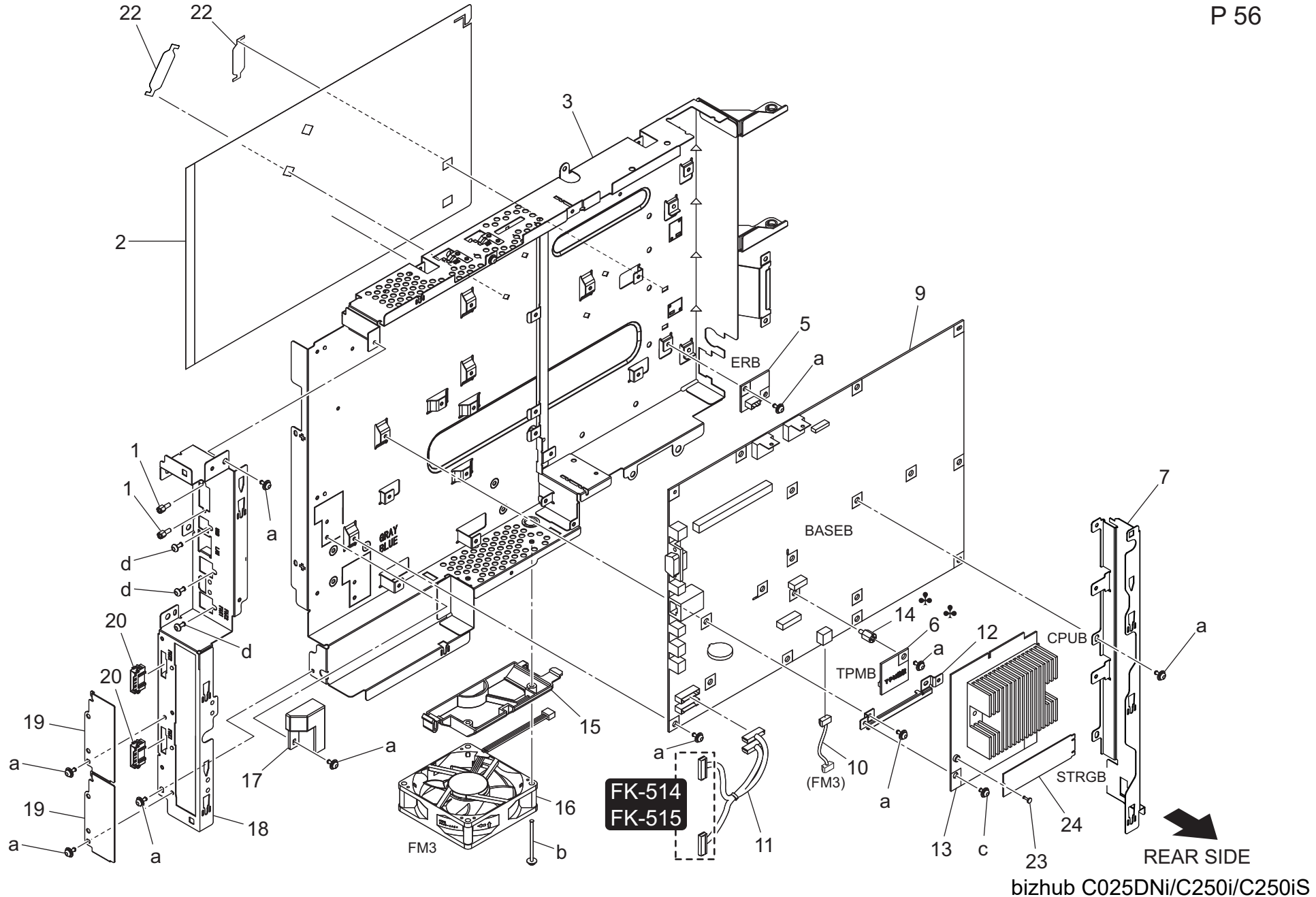


REAR SIDE

bizhub C025Dni/C250i/C250iS

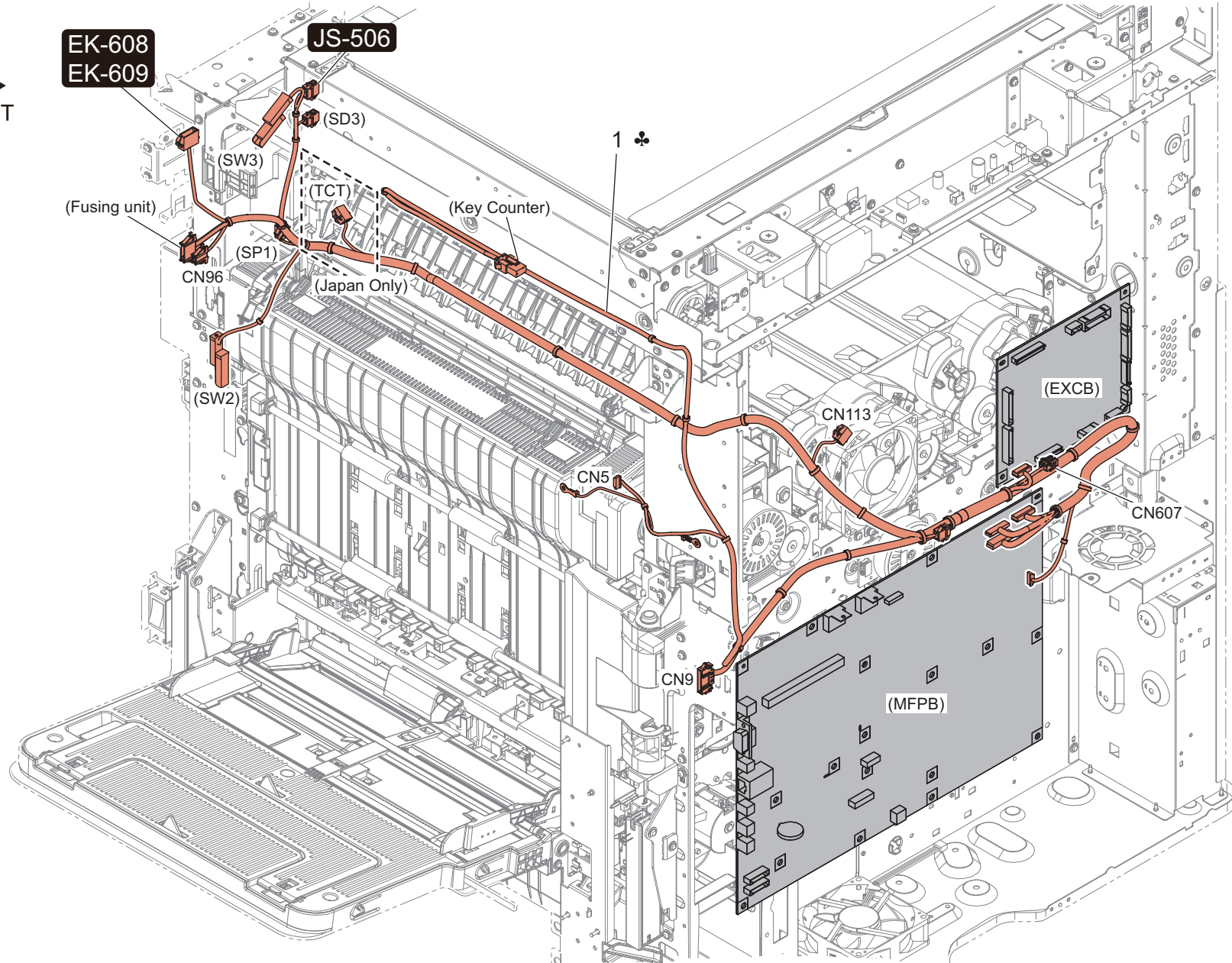
Key	Part No.	Description	Destinations	Class	QTY	Standard parts
1	AA2J131401	Holder		D	1	a-V125030803 b-V116040803
2	AA2J135301	Fixing Plate		D	1	
3	AA2J130801	Hinge		D	2	
4	A79J136000	Mounting Plate		D	1	
5	A0ED135700	Mounting Plate	取付板 (電源コード)	D	1	
6	A79J139000	Cover	カバー	D	1	
7	A7PU135700	Mounting Plate	取付板 (電源コード)	D	1	
8	AA6RN30100	Power code (120V)	電源コード (120V)	D	1	
9	AA6RN30000	Power code (100V)	電源コード (100V)	D	1	
9	A8JEN30200	Power code	電源コード (台湾)	C	1	
10	A02EN12513	Power supply Wiring	給電束線	D	1	
11	AA2JN10202	AC Wiring /230V	AC 束線 / 230V (欧州)	D	1	
12	AA2JN10002	AC Wiring /100V	AC 束線 / 100V (国内)	D	1	
13	AA2JN10100	AC Wiring /120V	AC 束線 / 120V (北米)	D	1	
14	AA2JN12400	Power supply Harness	給電束線 (OUTLET)	D	1	

Electrical Parts



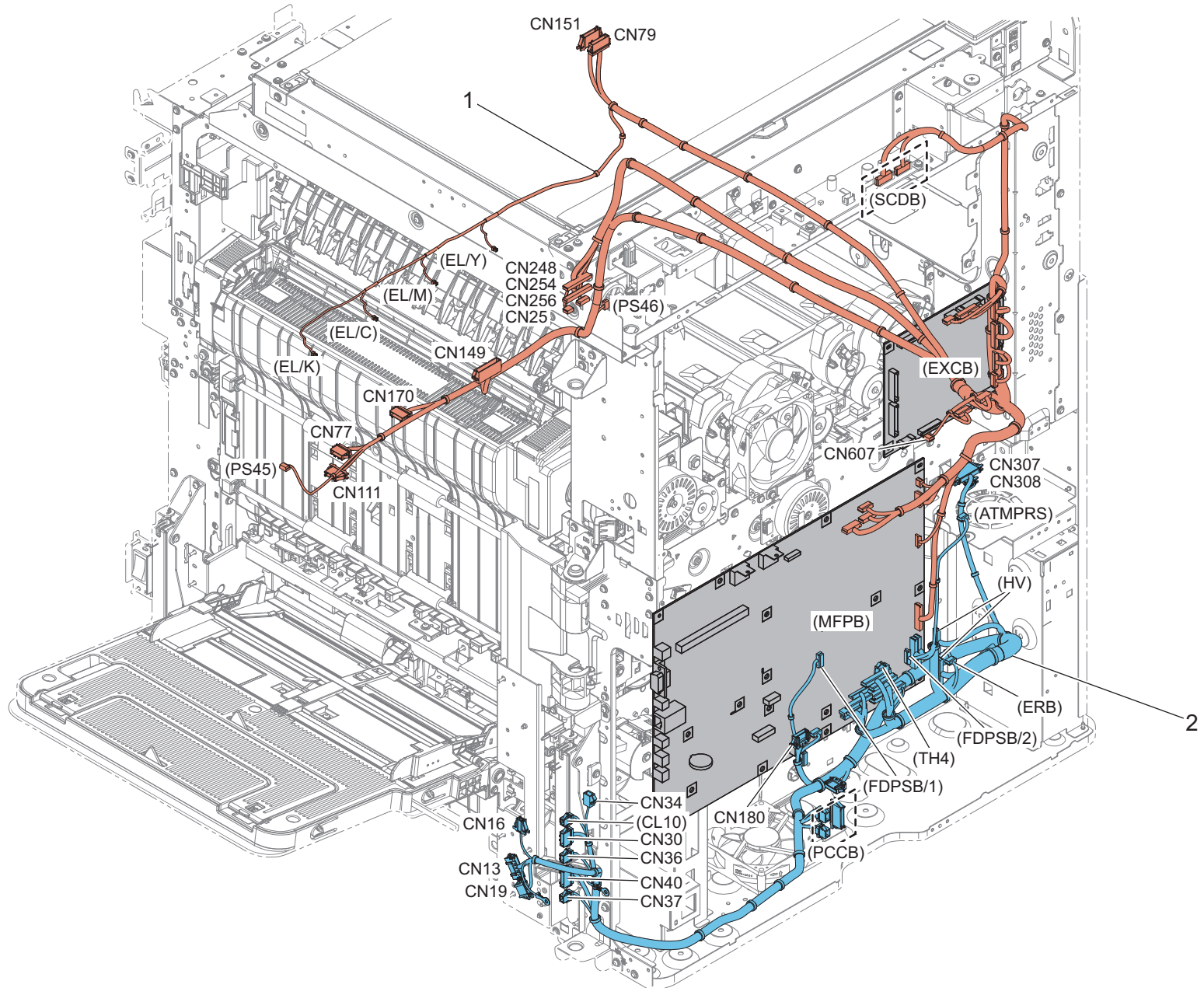
Key	Part No.	Description	Destinations	Class	QTY	Standard parts
1	A161137900	Screw		C	2	a-V125030803 b-V116034003 c-V116030604 d-V111030603
2	AA2J137601	Sheet		D	1	
3	AA2J131903	Mounting Plate		D	1	
5	AA2JH00C00	ERB ASSY		C	1	
6	AA2JH02T00	PWB Assembly(PWB-TPM)	A,B,C,D1,D3,E,F2,G1 .G2,H,I,K,YCS	C	1	
7	AA2J131101	Mounting Plate		D	1	
9	AA2JH02200	PWB Assembly(PWB-BASE ASSY)		I	1	
10	A7PUN10800	Harness /Relay		D	1	
11	A7PUN10700	Harness /Fax relay		D	1	
12	AA2J135101	Mounting Plate		D	1	
13	AA2JH02N0L	PWB Assembly(CPUB)		I	1	
14	A161137600	Shoulder screw	A,B,C,D1,D3,E,F2,G1 .G2,H,I,K,YCS	D	1	
15	A7PU140100	Duct		D	1	
16	AA2JM10500	Fan Motor		C	1	
17	A7PU130400	Guide		D	1	
18	AA2J131602	Mounting Plate		D	1	
19	A7PU139800	Cover		D	2	
20	V651010025	connector		V	2	
22	AA2J137902	Fixing Plate		D	2	
23	AA2J139800	Screw		D	1	
24	AA2JM72702Old	Memory Board		C	1	
24	AA2JM72M00	Memory Board		C	1	

Wiring



Wiring

FRONT



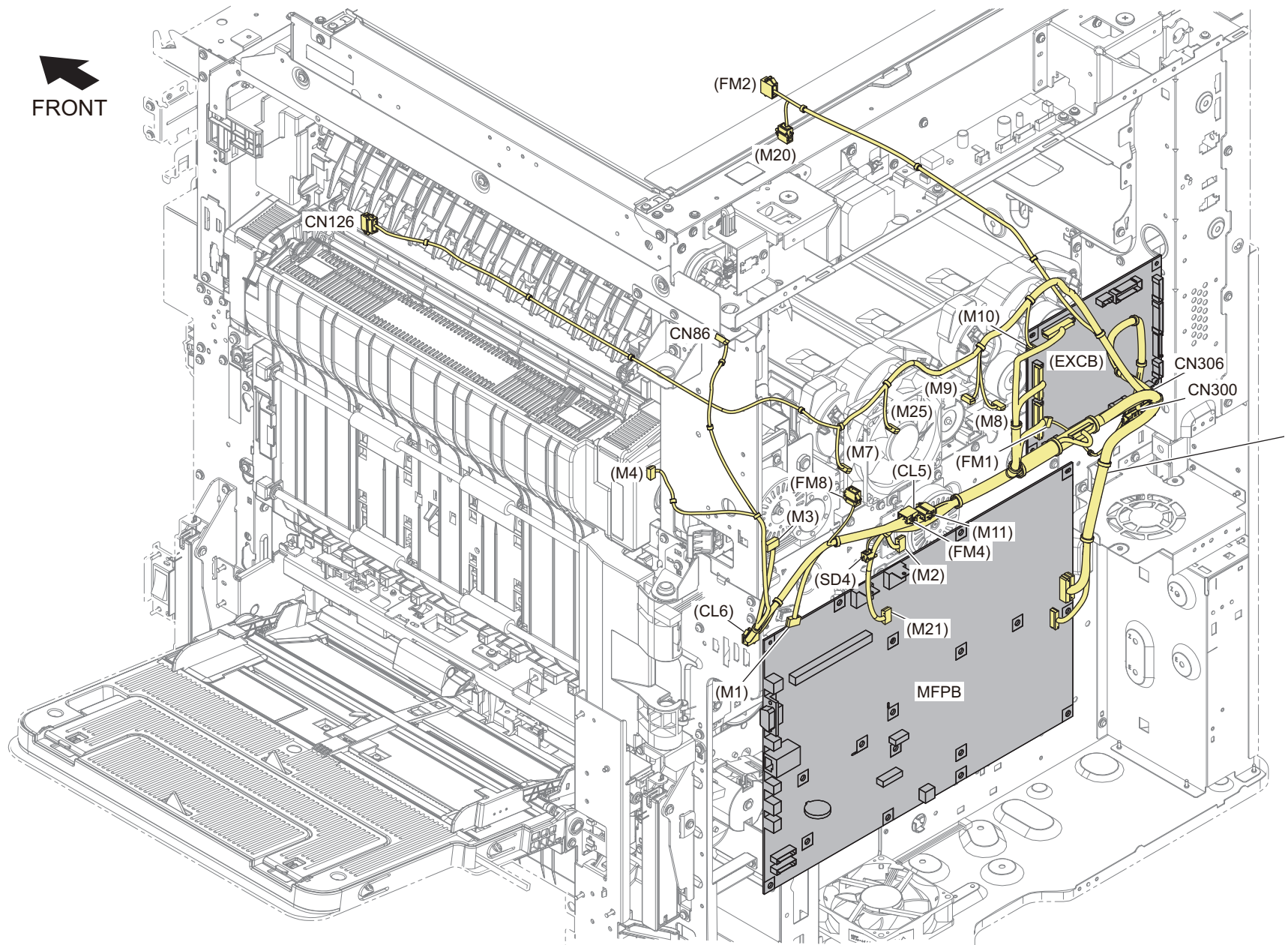
Wiring

Key	Part No.	Description	Destinations	Class	QTY	Standard parts
1	AA2JN10B00	Main body Wiring /2		D	1	
2	AA2MN10C01	Main body Wiring /3		D	1	

bizhub C025DNI/C250i/C250iS

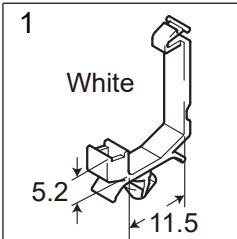
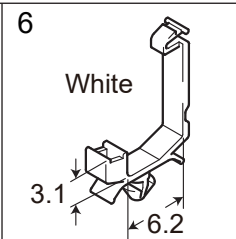
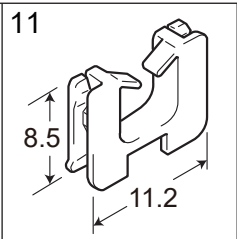
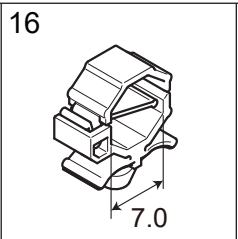
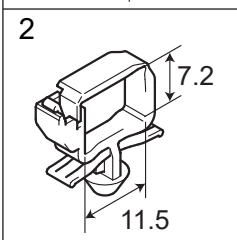
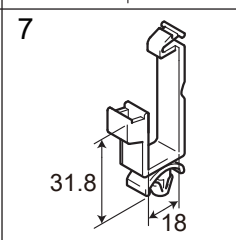
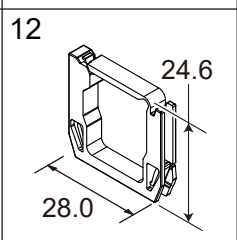
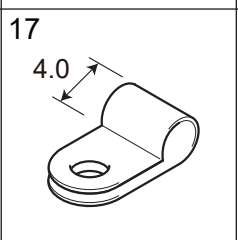
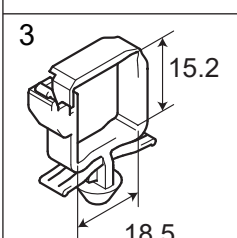
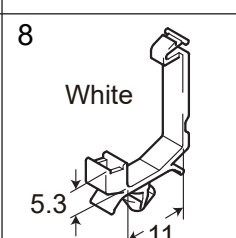
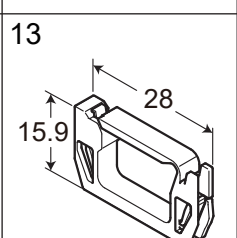
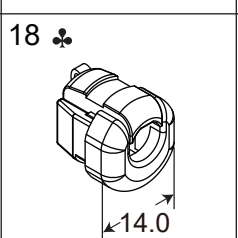
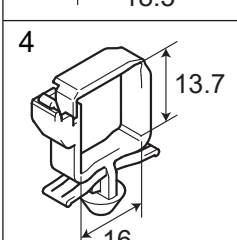
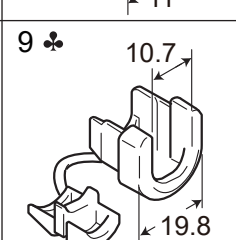
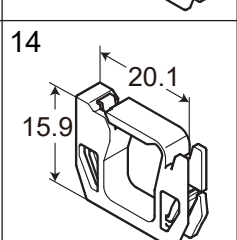
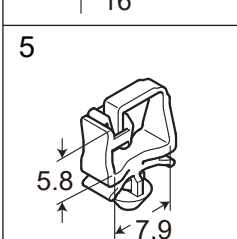
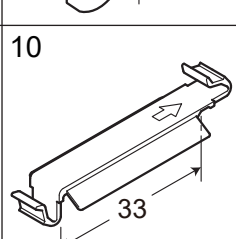
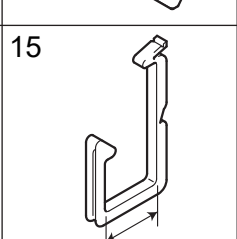
Wiring

FRONT

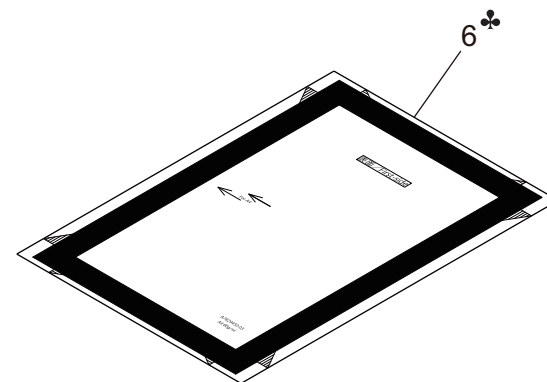
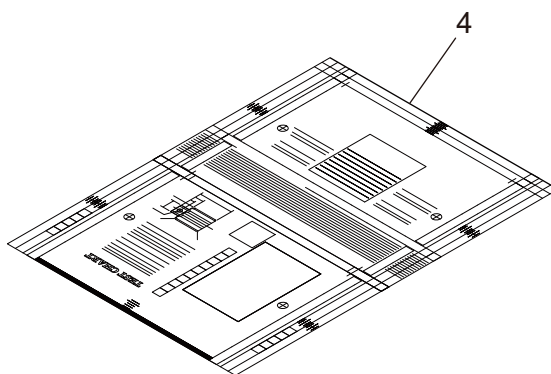
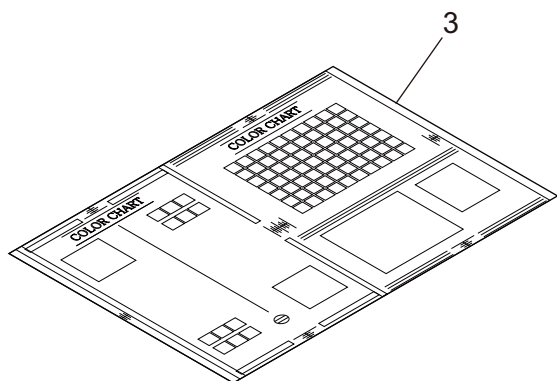
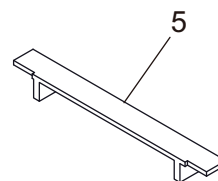
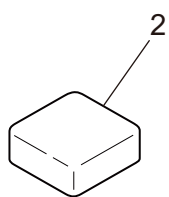
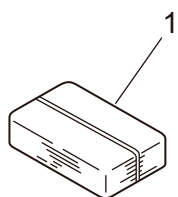


Wiring Accessories

P 60

1 White 	6 White 	11 	16 	21	26	31	36
2 	7 	12 	17 	22	27	32	37
3 	8 White 	13 	18 ♣ 	23	28	33	38
4 	9 ♣ 	14 	19	24	29	34	39
5 	10 	15 	20	25	30	35	40

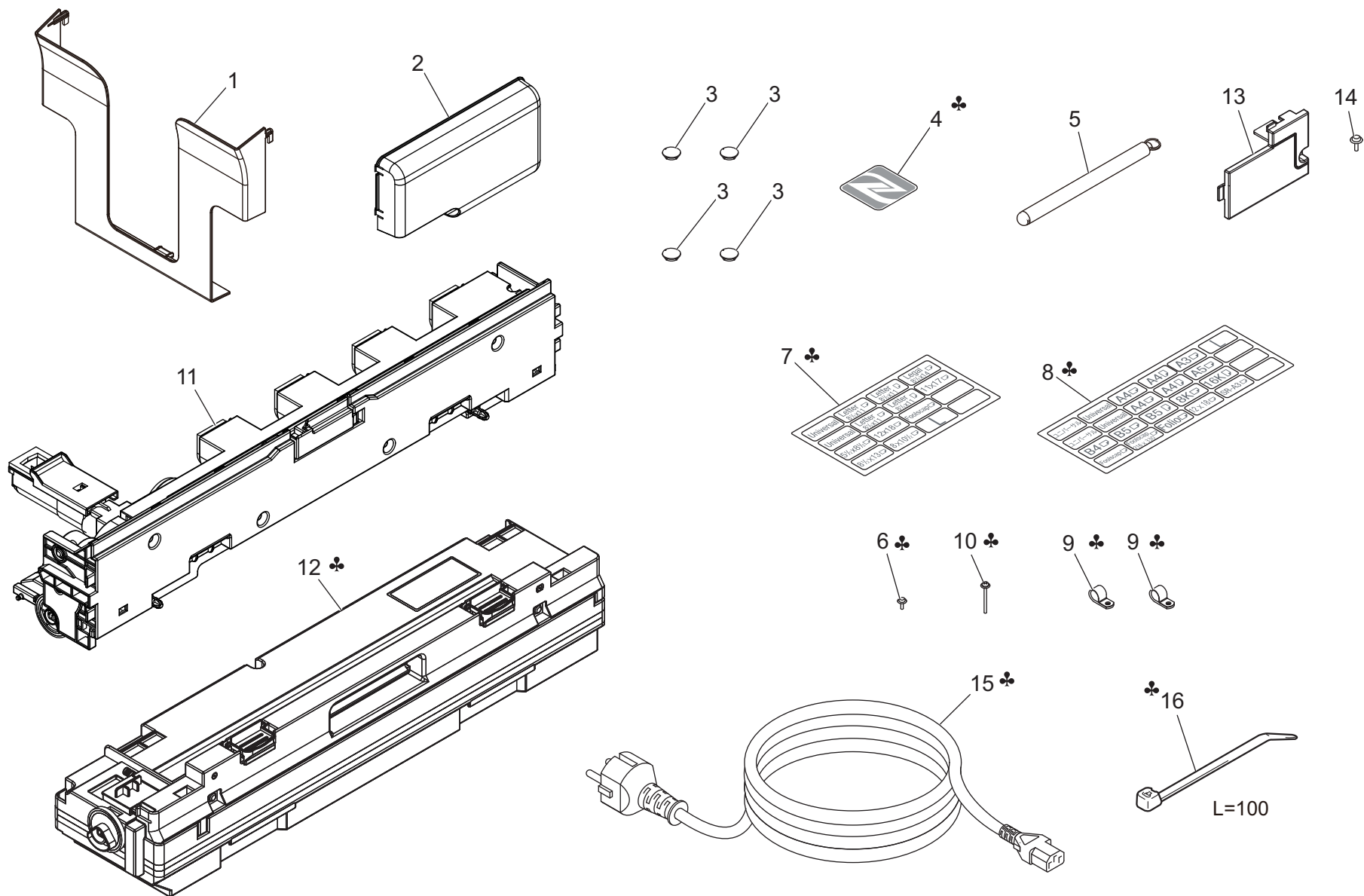
bizhub C025Dni/C250i/C250iS



Key	Part No.	Description	Destinations	Class	QTY	Standard parts
1	A5AWP00100	Cleaning Pad		S	1	
2	65AA-9920	Hydrowipe		S	1	
3	9J06PJP100	Color chart/A3 size		S	1	
4	A79JPJP000	Test chart/A3 size		S	1	
5	A79JPJG000	Jig		S	1	
6	A782945003	Adjusting Sheet	(Model No.AA2M013)	S	1	

Accessory Parts

P 62



bizhub C025DNI/C250i/C250iS

Key	Part No.	Description	Destinations	Class	QTY	Standard parts
1	A90G169900	Holder		C	1	
2	A7PU168201	Duct		D	1	
3	A00J169100	Cover		D	4	
4	AA2J948600	Label	ラベル (N F C)	D	1	
5	A5C1192104	Pen	ペン	C	1	
6	V153031004	screw	カップ頭タッピンねじ B タイ	V	1	
7	A161943400	Label Paper Size/Inch	ラベル 集合ラベルI	C	1	
8	A161943301	Label Paper Size/Metric	ラベル 集合ラベルM	C	1	
9	V500020040	clamp	ナイロンクランプ	D	2	
10	V116033003	Screw	なべ小ねじ・セムス2	V	1	
11	AA7NR72811	Waste Toner Conveyance ASSY	廃棄トナー搬送 A s s y	C	1	
12	AAVA0Y1	WASTE TONER BOX	廃棄トナーボックス	A	1	
12	AAVAWY1	WASTE TONER BOX	廃棄トナーボックス	A	1	
13	A7PU166101	Cover	カバー	C	1	
14	V116030804	Screw	なべ小ねじ・セムス2	V	1	
15	4136N30000	POWER CODE	プラグ電源コード	D	1	
15	A2UPN31200	Power Code /230V	電源コード / 2 3 0 V (オーストラリア・イ	D	1	
15	A1UDN30200	Power cord /230V	電源コード / 2 3 0 V (アルゼンチン)	C	1	
15	A2UPN30100	Power code (220-240V)	電源コード (2 2 0 - 2 4 0 V)	D	1	
15	A2UPN30300	Power code (220-240V)	電源コード (2 2 0 - 2 4 0 V)	D	1	
15	A2UPN30601	Power code (220-240V)	電源コード (2 2 0 - 2 4 0 V)	D	1	
15	A7AHN30000	Power code /230V	電源コード / 2 3 0 V (インド)	D	1	
15	9381430031	POWER CORD	プラグ付電源コード	D	1	
16	V501010002	band	結束バンド	D	1	

MAINTENANCE LIST

● The items with no Page/Key numbers are not handled as spare parts.

No.	Section	PM Parts Description	Maintenance Cycle (K=1,000)		Parts No.	Destinations	Page/Key	Note
			QTY	Replace				
1	Tray 1	Tray 1 pick-up roller	1	300K	A64J564201		P19-20	(*1)(*2)
2		Tray 1 feed roller	1	300K	A64J564101		P19-13	(*1)(*2)
3		Tray 1 separation roller	1	300K	AA2J560000		P20-6	(*1)(*2)
4	Tray 2	Tray 2 pick-up roller	1	300K	A64J564201		P21-18	(*1)(*2)
5		Tray 2 feed roller	1	300K	A64J564101		P21-12	(*1)(*2)
6		Tray 2 separation roller	1	300K	AA2J560000		P22-6	(*1)(*2)
7	Manual bypass tray	Bypass pick-up roller	1	200K	A5C1562200		P37-17	(*1)(*2)
8		Manual bypass tray feed roller	1	200K	A00F623201		P37-18	(*1)(*2)
9		Manual bypass tray separation roller assy	1	200K	AA7N591100		P38-21	(*1)(*2)
10	Processing section	Toner cartridge/Y, /M, /C, /K	1	28K	-			(*3)
11		Drum unit/Y, /M, /C	1	71K	-			(*3)(*4)
12		Drum unit/K	1	187K	-			(*3)(*4)
13		Developing unit/Y, /M, /C, /K	1	1,000K	-			(*4)
14		Waste toner box	1	44K	AAVA0Y1	A,B,G2	P62-12	(*3)(*4)
15		Waste toner box	1	44K	AAVAWY1		P62-12	(*3)(*4)
16	Image transfer section	Transfer Belt Unit	1	350K	AA2JR73700		P17-33	(*4)
17		Transfer roller unit	1	350K	AA2JR72011		P32-4	(*4)
18	Fusing section	Fusing Unit (100V)	1	800k	AA2JR70211	(100V)	P43-9	(*4)
19		Fusing Unit (120V)	1	800k	AA2JR70311	(120V)	P43-9	(*4)
20		Fusing Unit (110V)	1	800k	AA2JR74100	(110V)	P43-9	(*4)
21		Fusing Unit (220-240V)	1	800k	AA2JR70411	(200-240V)	P43-9	(*4)

*1: Life counter value

*2: Replace these parts at the same time.

*3: The parts can be replaced either by user or service engineer.

*4: Field standard yield

*: The part names used on this page follow the ones used in the Service Manual and they are occasionally different from those written in other pages.

メンテナンスリスト

● ページ / キーナンバーのないものは、アフターサービス部品ではありません。

No.	区分	P M 部品名称	サイクル (K=1,000)		部品番号	仕向地	頁 / キー	備考
			員数	交換				
1	トレイ 1	トレイ 1 ピックアップローラー	1	300k	A64J564201		P19-20	(*1)(*2)
2		トレイ 1 給紙ローラー	1	300k	A64J564101		P19-13	(*1)(*2)
3		トレイ 1 分離ローラー	1	300k	AA2J560000		P20-6	(*1)(*2)
4	トレイ 2	トレイ 2 ピックアップローラー	1	300k	A64J564201		P21-18	(*1)(*2)
5		トレイ 2 給紙ローラー	1	300k	A64J564101		P21-12	(*1)(*2)
6		トレイ 2 分離ローラー	1	300k	AA2J560000		P22-6	(*1)(*2)
7	手差し	手差しピックアップローラー	1	200k	A5C1562200		P37-17	(*1)(*2)
8		手差し給紙ローラー	1	200k	A00F623201		P37-18	(*1)(*2)
9		手差し分離ローラー Assy	1	200k	AA7N591100		P38-21	(*1)(*2)
10	プロセス部	トナーカートリッジ /Y, /M, /C, /K	1	28k	-			(*3)
11		ドラムユニット /Y, /M, /C	1	65k	-			(*3)(*4)
12		ドラムユニット /K	1	170k	-			(*3)(*4)
13		現像ユニット /Y, /M, /C, /K	1	1,000k	-			(*4)
14		廃棄トナーボックス	1	44k	AAVA0Y1	A,B,G2	P62-12	(*3)(*4)
15	廃棄トナーボックス	1	44k	AAVAWY1	C,D1,D3,E,F2,G1,I,K,H,J	P62-12	(*3)(*4)	
16	転写部	転写ベルトユニット	1	330k	AA2JR73700		P17-33	(*4)
17		転写ローラーユニット	1	330k	AA2JR72011		P32-4	(*4)
18	定着部	定着ユニット (1 0 0 V)	1	800k	AA2JR70211	(100V)	P43-9	(*4)
19		定着ユニット (1 2 0 V)	1	800k	AA2JR70311	(120V)	P43-9	(*4)
20		定着ユニット (1 1 0 V)	1	800k	AA2JR74100	(110V)	P43-9	(*4)
21		定着ユニット (2 2 0 ? 2 4 0 V)	1	800k	AA2JR70411	(200-240V)	P43-9	(*4)

*1: ライフカウンター値

*2: 同時交換のこと

*3: ユーザー / サービス交換の選択が可能。

*4: 市場標準印刷枚数値

*: ここに記載されている部品名称はサービスマニュアルで使用されている部品名称であり、他のページに記載されている部品名称とは異なる場合があります。

DESTINATION

Destination No.		Destinations		V	Hz	Model No.
A	A1	JAPAN		100	50/60	AA2M001 AA2M002 AA2M00A AA2M007 AA2M008
	A2	JAPAN				
B		USA, CANADA		120	60	AA2M011 AA2M013
C		EUROPEAN TYPE		200-240	50/60	AA2M021 AA2M02A
D	D1	S.E ASIA TYPE	THAILAND, SRI LANKA, SINGAPORE, MALAYSIA, HONG KONG, PAKISTAN, INDIA, BANGLADESH, INDONESIA	200-240	50/60	AA2M041
	D3	OCEANIA TYPE	AUSTRALIA, NEW ZEALAND	200-240	50/60	AA2M041
E		PHILIPPINES		200-240	50/60	AA2M041
F	F1	SAUDI ARABIA		200-240	50/60	AA2M041
	F2	SAUDI ARABIA				
G	G1	C.S AMERICA		200-240	50/60	AA2M041
	G2	C.S AMERICA		120	60	AA2M011
H		TAIWAN		110	60	AA2M071
I		JORDAN, LEBANON, SYRIA, SOUTH AFRICA, IRAQ, IRAN, N.YEMEN, CAMEROON, UAE, BAHRAIN, OMAN, QATAR, KUWAIT, KENYA, TUNISIA, IVORY COAST, MOROCCO		200-240	50/60	AA2M021 AA2M041
J		CHINA				AA2M081

bizhub C025Dni/C250i/C250iS

Destination No.	Destinations	V	Hz	Model No.
K	KOREA	200-240	50/60	AA2M041 AA2M091