

KONICA MINOLTA

PARTS GUIDE MANUAL

SEPTEMBER 2006

bizhub C252P
4038002

INFORMATION FOR PARTS GUIDE MANUAL

To find correct Parts No., refer to the "HOW TO MAKE THE BEST USE OF THIS MANUAL" in the following page.

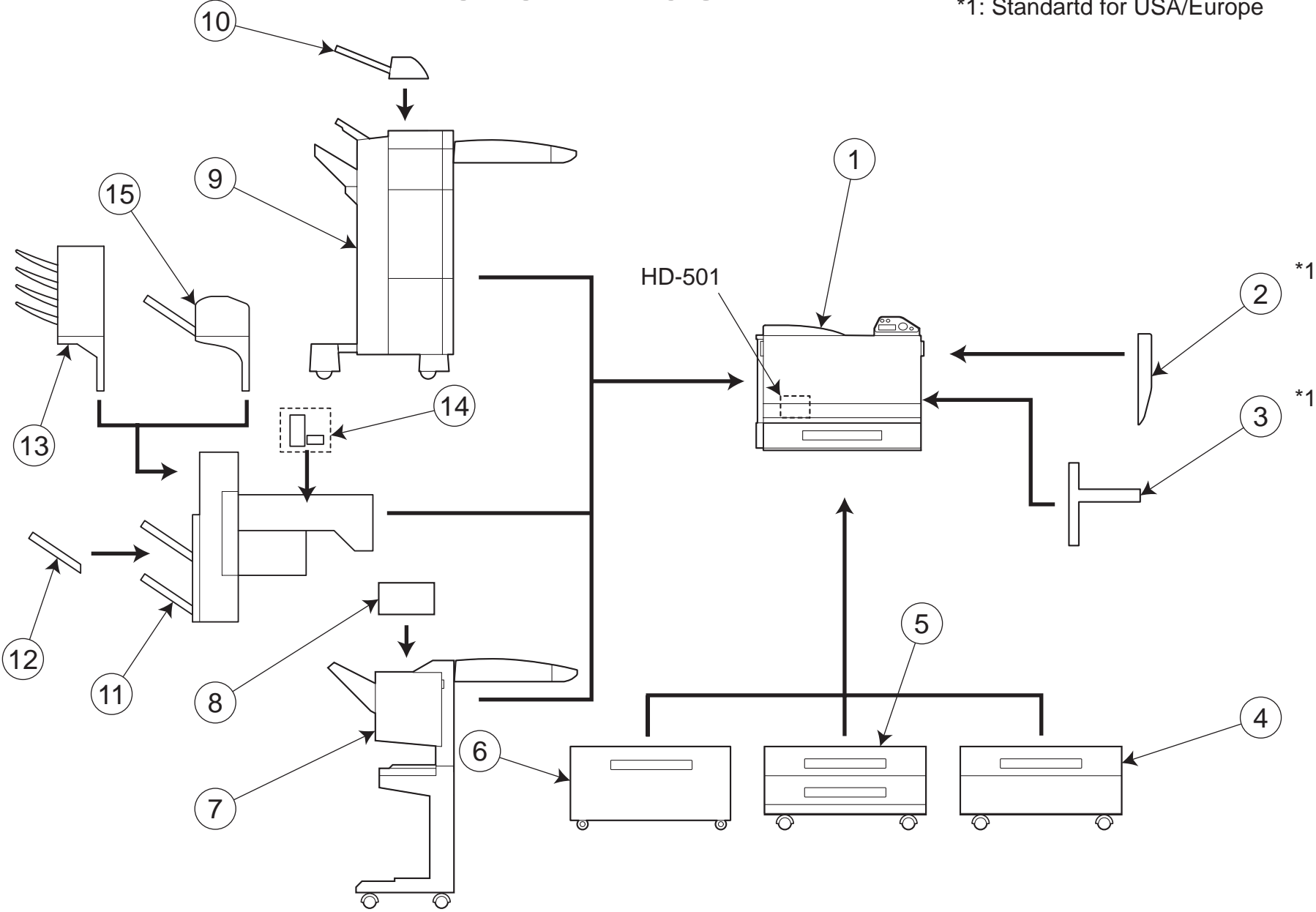
HOW TO MAKE THE BEST USE OF THIS MANUAL

- 1 When you order, please check the proper figures beforehand that are on Our Parts Guide Manual, and order with the appropriate figures.
- 2 For screws, Nuts, Washers, retaining rings and Pins which are used in this model, one letter is shown on the Standard parts column of Parts list and exploded diagrams.
- 3 In order to maintain safety of the product, some specific parts composed of this product are set up as "essential safety parts".
- 4 The assigned parts number for the "essential safety parts" is indicated as "SP00-****".
When replacing these parts, follow precautions for disassembling and installing which are listed in the Service Manual.
Do not use any parts that are not set up as
- 5 ♣ means that there are exclusive parts for each destination.
Please check the appropriate destination when you order.
- 6 Revision Mark
Marked as ▲ on the illustration shows that the revision has been made.
- 7 All rights reserved. (any reprints or quotations are prohibited.)
Use of this parts guide manual should be strictly supervised to avoid disclosure of confidential information.

09/05/2006

SYSTEM OUTLINE

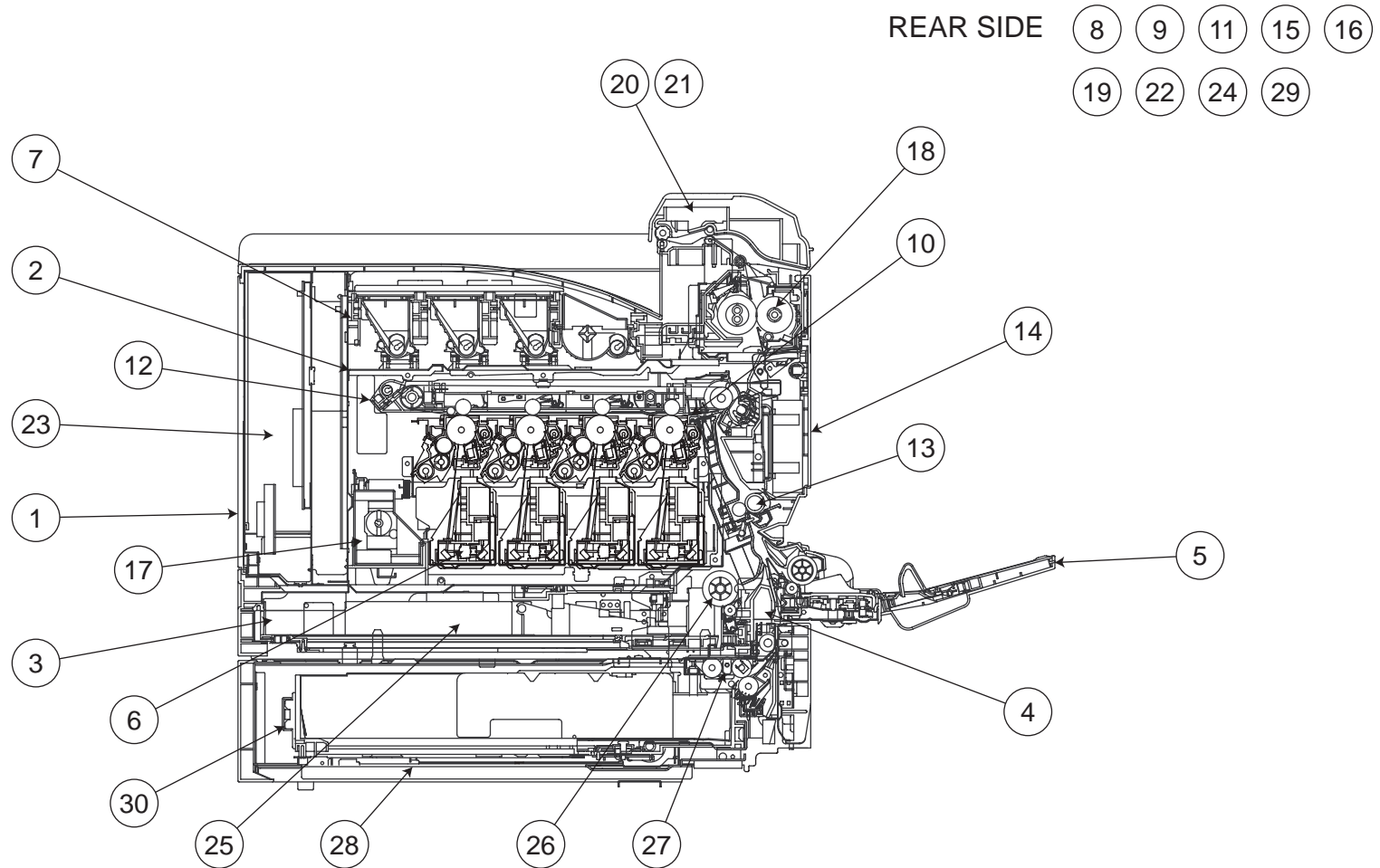
*1: Standard for USA/Europe



GENERAL CONTENTS

No.	Description	Model
1	PRINTER COLOR	bizhub C252P
2	DUPLEX	AD-503
3	OTHER OPTION	MK-706
4	PAPER FEEDER	PC-103
5	PAPER FEEDER	PC-203
6	PAPER FEEDER	PC-403
7	SORTER/FINISHER	FS-603
8	PUNCH UNIT	PK-501/PK-4/PK131
9	SORTER/FINISHER	FS-501
10	STACKER	JS-601
11	SORTER/FINISHER	FS-514
12	OTHER OPTION	OT-601
13	SORTER/FINISHER	MT-501
14	PUNCH UNIT	PK-510
15	SORTER/FINISHER	SD-503

DIAGRAMS OF MAIN PARTS SECTION



CONTENTS

No.	DESCRIPTION	PAGE No.
1	EXTERNAL PARTS	P1
2	MAIN FRAME	P2
3	INNER COVER SECTION	P3
4	MPT PAPER TAKE-UP SECTION	P4
5	MANUAL FEED SECTION	P5 P6 P7
6	P/H FRAME SECTION	P8 P9
7	T/C RAIL SECTION	P10
8	HOPPER DRIVE SECTION	P11
9	CONTACT SECTION	P12
10	ERASER SECTION	P13
11	DEVELOPMENT DRIVE SECTION	P14
12	TRANSFER BELT SECTION	P15
13	PAPER TRANSPORT SECTION	P16
14	RIGHT DOOR SECTION	P17
15	TRANSPORT DRIVE SECTION	P18
16	WASTE TONER TRANSPORT SECTION	P19
17	WASTE TONER BOX SECTION	P20
18	FUSING SECTION	P21
19	FUSING DRIVE SECTION	P22
20	PAPER EXIT SECTION	P23
21	PAPER EXIT DRIVE SECTION	P24
22	REAR DUCT SECTION	P25
23	POWER UNIT	P26
24	ELECTRICAL COMPONENTS	P27
25	MPT CASSETTE TRAY SECTION	P28
26	MPT CASSETTE PAPER TAKE-UP SECTION	P29
27	2ND CASSETTE PAPER TAKE-UP SECTION	P30
28	2ND CASSETTE FRAME	P31 P32 P33
29	2ND CASSETTE DRIVE SECTION	P34
30	2ND CASSETTE	P35 P36
31	WIRING	P37 P38 P39 P40
32	WIRING ACCESSORIES AND JIGS	P41
33	ACCESSORY PARTS	P42

INDEX

Parts No.	Page No.	Parts No.	Page No.	Parts No.	Page No.	Parts No.	Page No.	Parts No.	Page No.
0992 3014 01	36-18	4004 2545 01	18-24	4030 0151 01	31-10	4030 3205 01	36-27	4036 3025 01	28-19
0996 3055 01	2-10	4004 2545 01	19-9	4030 2080 01	33-24	4030 3206 01	36-28	4036 3025 01	35-5
0996 3055 01	33-15	4004 3001 02	29-6	4030 3002 02	30-12	4030 3207 01	36-23	4036 3028 12	28-34
1038 4006 01	41-16	4004 3004 01	29-14	4030 3003 01	30-16	4030 3208 02	34-10	4036 3030 01	29-2
1053 3103 01	1-8	4004 3005 01	29-8	4030 3005 01	30-11	4030 3211 02	36-16	4036 3031 01	29-3
1065 3086 01	30-21	4004 3006 03	29-15	4030 3008 01	30-17	4030 3212 01	36-1	4036 3040 01	29-17
1065 5872 02	41-10	4004 3008 01	28-14	4030 3010 02	30-5	4030 3214 02	36-5	4036 3086 01	28-35
1067 2501 01	9-8	4004 3011 01	4-18	4030 3011 02	30-22	4030 3215 01	36-6	4036 3808 03	33-10
1067 2501 01	30-18	4004 3012 01	4-19	4030 3012 01	30-23	4030 3216 01	36-20	4036 3809 01	33-25
1075 2565 01	7-11	4004 3024 01	28-9	4030 3013 01	31-13	4030 3217 01	36-8	4036 3810 03	33-5
1134 3042 02	5-7	4004 3029 01	4-22	4030 3016 12	30-4	4030 3218 01	36-21	4036 3811 01	33-26
1136 1019 03	1-6	4004 3031 01	28-23	4030 3017 03	31-14	4030 3221 01	35-13	4036 3814 01	33-16
1154 4670 01	2-12	4004 3032 01	28-26	4030 3020 02	30-19	4030 3222 03	35-11	4036 3823 01	32-6
1154 4670 01	3-17	4004 3033 01	28-12	4030 3025 02	31-6	4030 3223 02	35-10	4036 3828 02	33-19
1156 7501 01	42-2	4004 3038 01	28-13	4030 3030 01	30-20	4030 3224 02	34-4	4036 3831 01	32-21
1164 3003 01	29-16	4004 3040 02	28-8	4030 3034 01	30-10	4030 3224 02	35-14	4036 3838 01	31-8
1164 3004 03	29-21	4004 3042 01	28-28	4030 3036 01	30-14	4030 3226 01	35-8	4036 3843 02	33-14
1164 3005 02	29-22	4004 3051 02	28-22	4030 3037 01	31-5	4030 3227 01	36-10	4036 3846 02	31-7
1164 3020 03	4-14	4004 3052 01	4-15	4030 3039 01	31-16	4030 3228 12	36-9	4036 3849 01	33-6
1164 3022 02	4-12	4004 3061 01	4-7	4030 3046 03	34-11	4030 3229 02	35-1	4036 4909 01	1-30
1164 3027 01	4-5	4004 3062 06	4-3	4030 3047 02	34-23	4030 3403 01	6-10	4036 6870 01	27-22
1164 3045 01	28-29	4004 3063 01	4-8	4030 3048 02	34-8	4030 3412 01	5-37	4036 7313 01	28-30
1164 3053 12	4-24	4004 3503 02	16-17	4030 3049 01	34-9	4030 3414 01	5-4	4036 7314 01	28-5
1164 3054 01	4-16	4004 3504 02	16-18	4030 3077 01	31-9	4030 3415 02	5-6	4037 0104 01	4-13
1164 3057 01	4-23	4004 5339 01	7-17	4030 3078 01	31-11	4030 3446 01	5-5	4037 0104 01	34-13
1164 3061 01	28-10	4004 5607 02	19-8	4030 3079 01	31-12	4030 3460 02	5-36	4037 0775 01	26-19
1164 3062 01	28-11	4004 5612 01	19-12	4030 3081 01	34-5	4030 3475 01	6-19	4037 0902 01	30-2
1164 3066 01	29-5	4004 7324 01	28-33	4030 3083 01	34-7	4030 7301 02	28-37	4037 0904 01	4-17
1164 3527 02	16-32	4011 3012 01	34-14	4030 3091 01	34-22	4030 7301 02	35-4	4037 0906 01	5-3
1200 1646 03	24-12	4011 3020 01	29-4	4030 3093 01	7-3	4030 7500 01	1-16	4037 0906 01	16-28
1274 3603 01	36-26	4011 3020 01	36-25	4030 3095 01	30-13	4034 0151 01	6-23	4037 0906 01	30-8
1500 2320 02	26-26	4011 3021 01	36-24	4030 3105 01	31-1	4034 0151 01	29-10	4037 0906 01	34-6
4002 2581 01	33-1	4021 3036 01	28-27	4030 3116 01	32-8	4034 3012 01	29-7	4037 1006 01	1-26
4002 2581 01	34-16	4025 1018 01	1-10	4030 3122 01	32-4	4036 1011 01	1-21	4037 2219 02	27-10
4002 3108 01	36-22	4025 2283 01	27-2	4030 3123 01	32-2	4036 3008 01	28-4	4037 2220 02	27-9
4002 3110 01	34-24	4025 2294 01	27-24	4030 3124 03	31-2	4036 3014 01	29-20	4037 2239 02	26-18
4002 3131 01	34-25	4025 2295 01	27-25	4030 3125 01	31-4	4036 3018 01	29-19	4037 2242 01	27-5
4002 7306 01	36-3	4025 3572 01	16-16	4030 3129 03	31-3	4036 3019 01	28-36	4037 2244 01	27-33
4004 2148 01	25-10	4025 5984 01	24-3	4030 3201 06	36-17	4036 3021 02	28-16	4037 2247 01	27-6
4004 2203 01	27-20	4025 6805 01	26-14	4030 3203 01	35-7	4036 3022 03	28-1	4037 3204 01	36-15

Parts No.	Page No.	Parts No.	Page No.	Parts No.	Page No.	Parts No.	Page No.	Parts No.	Page No.
4037 3210 01	28-7	4038 1051 01	1-11	4038 2040 01	13-11	4038 2102 01	10-16	4038 2187 04	9-3
4037 3213 12	36-11	4038 1054 04	1-20	4038 2042 01	9-17	4038 2103 04	13-19	4038 2188 02	9-15
4037 3223 01	28-25	4038 1101 06	3-8	4038 2043 03	9-18	4038 2104 02	13-18	4038 2189 01	9-2
4037 3226 01	28-24	4038 1102 02	3-10	4038 2044 02	9-4	4038 2105 03	13-20	4038 2190 03	9-12
4037 3227 01	28-32	4038 1103 03	3-22	4038 2045 01	15-9	4038 2106 01	13-17	4038 2191 02	9-10
4037 6076 01	27-27	4038 1105 01	3-13	4038 2046 01	15-3	4038 2107 03	10-9	4038 2192 02	9-13
4037 6095 01	27-21	4038 1271 00	10-14	4038 2047 02	15-6	4038 2108 01	10-11	4038 2193 03	9-6
4037 6751 01	26-21	4038 1272 00	19-26	4038 2048 01	15-5	4038 2109 01	10-10	4038 2194 01	9-5
4037 6776 01	27-3	4038 1273 00	13-24	4038 2051 01	8-12	4038 2110 03	10-13	4038 2195 03	25-12
4037 6777 01	27-8	4038 1280 00	9-22	4038 2052 02	13-13	4038 2111 02	19-13	4038 2196 01	9-9
4037 6778 02	27-7	4038 1281 00	8-14	4038 2053 02	13-14	4038 2112 04	19-14	4038 2198 02	13-10
4037 6812 01	27-18	4038 1351 00	27-26	4038 2055 02	25-5	4038 2113 02	19-24	4038 2199 02	13-1
4037 6899 01	5-34	4038 1360 00	3-24	4038 2056 02	13-12	4038 2114 01	19-15	4038 2205 02	15-15
4037 7001 00	6-14	4038 1502 03	27-11	4038 2060 02	8-10	4038 2115 02	19-7	4038 2206 02	12-6
4037 7406 01	1-24	4038 1510 01	27-32	4038 2061 01	8-7	4038 2116 04	19-3	4038 2207 01	15-16
4038 0105 03	8-1	4038 1906 04	9-1	4038 2062 01	19-25	4038 2117 02	19-5	4038 2217 01	15-18
4038 0121 06	27-30	4038 2008 02	4-10	4038 2065 17	2-3	4038 2118 01	19-1	4038 2222 01	12-9
4038 0123 03	27-28	4038 2013 04	20-3	4038 2066 12	2-5	4038 2119 01	19-6	4038 2225 02	12-12
4038 0203 02	19-20	4038 2014 08	13-6	4038 2067 01	8-11	4038 2120 02	19-18	4038 2232 01	12-13
4038 0210 01	17-15	4038 2015 02	13-5	4038 2069 01	13-8	4038 2130 01	19-23	4038 2233 02	12-3
4038 0211 04	9-14	4038 2016 02	8-3	4038 2071 02	26-5	4038 2131 07	19-4	4038 2237 01	25-7
4038 0212 01	24-24	4038 2017 01	8-4	4038 2072 04	13-9	4038 2140 01	19-22	4038 2241 02	25-6
4038 0213 01	24-25	4038 2018 03	8-5	4038 2073 01	2-8	4038 2142 01	19-17	4038 2249 02	8-9
4038 0252 03	5-38	4038 2019 01	10-1	4038 2073 01	27-16	4038 2143 01	19-16	4038 2253 01	18-27
4038 0760 00	12-2	4038 2020 02	10-5	4038 2074 05	27-13	4038 2150 01	10-12	4038 2255 01	12-8
4038 1008 03	1-3	4038 2021 03	10-6	4038 2075 02	27-15	4038 2151 02	13-16	4038 2265 04	3-1
4038 1010 01	1-5	4038 2022 02	10-7	4038 2076 01	19-2	4038 2151 02	15-17	4038 2266 01	3-21
4038 1014 01	3-9	4038 2023 18	15-1	4038 2077 13	15-11	4038 2152 13	15-12	4038 2274 01	12-7
4038 1018 02	25-8	4038 2024 02	15-19	4038 2078 13	15-14	4038 2153 13	15-13	4038 2275 01	12-1
4038 1020 03	1-1	4038 2026 01	15-23	4038 2080 01	15-8	4038 2162 02	4-9	4038 2276 01	12-11
4038 1021 05	1-19	4038 2027 01	15-21	4038 2081 02	13-15	4038 2173 02	10-3	4038 2277 01	12-10
4038 1022 06	1-14	4038 2028 01	15-22	4038 2082 04	21-2	4038 2174 03	10-3	4038 2281 04	3-4
4038 1023 04	1-27	4038 2029 01	15-2	4038 2083 02	1-18	4038 2175 02	10-3	4038 2282 03	3-7
4038 1027 04	1-23	4038 2031 01	25-2	4038 2084 05	1-7	4038 2178 01	26-3	4038 2283 02	3-3
4038 1029 04	1-28	4038 2032 01	13-22	4038 2086 01	8-13	4038 2179 01	9-16	4038 2285 02	2-14
4038 1031 03	1-29	4038 2033 01	25-3	4038 2089 01	19-21	4038 2180 01	9-19	4038 2287 02	3-20
4038 1035 01	1-22	4038 2034 04	25-4	4038 2094 01	8-2	4038 2181 01	13-3	4038 2301 04	27-19
4038 1039 02	1-2	4038 2036 01	2-7	4038 2097 02	2-11	4038 2182 01	13-2	4038 2302 01	27-31
4038 1046 01	1-13	4038 2036 01	27-14	4038 2099 01	4-21	4038 2183 01	13-23	4038 2303 02	27-1
4038 1050 01	26-28	4038 2038 02	10-2	4038 2101 01	13-21	4038 2184 01	9-11	4038 2304 02	26-11

Parts No.	Page No.	Parts No.	Page No.	Parts No.	Page No.	Parts No.	Page No.	Parts No.	Page No.
4038 2305 01	3-15	4038 2573 01	22-9	4038 3246 01	7-4	4038 3552 01	17-12	4038 5869 01	24-11
4038 2307 02	26-6	4038 2574 01	22-11	4038 3247 01	7-5	4038 3553 01	17-3	4038 5870 01	24-17
4038 2308 02	26-8	4038 2575 01	22-16	4038 3252 01	5-23	4038 3556 01	16-34	4038 5871 02	24-29
4038 2309 01	25-11	4038 2576 01	22-12	4038 3253 01	5-24	4038 3558 02	16-36	4038 5872 02	24-28
4038 2309 02	26-9	4038 2577 01	22-13	4038 3255 01	5-32	4038 3559 01	16-35	4038 5873 01	24-18
4038 2312 01	27-23	4038 2578 01	18-23	4038 3260 01	7-1	4038 3561 03	16-30	4038 5874 01	24-27
4038 2313 01	12-5	4038 2579 01	19-10	4038 3261 02	6-17	4038 3562 01	16-22	4038 5876 01	24-30
4038 2314 03	26-13	4038 2580 01	22-15	4038 3262 03	6-18	4038 3567 01	16-19	4038 5877 02	24-20
4038 2315 01	27-12	4038 2586 01	19-11	4038 3266 01	6-16	4038 3571 02	17-11	4038 5879 01	24-19
4038 2316 01	26-20	4038 2587 01	22-18	4038 3267 01	6-24	4038 3592 01	16-25	4038 5881 05	23-1
4038 2401 08	26-1	4038 2588 01	22-14	4038 3268 02	6-12	4038 3593 01	16-24	4038 5883 03	23-5
4038 2402 05	26-12	4038 2591 01	22-3	4038 3269 02	6-9	4038 3594 01	15-7	4038 5884 03	24-8
4038 2404 03	27-29	4038 2592 01	22-2	4038 3270 01	6-20	4038 3595 01	2-1	4038 5885 01	24-10
4038 2405 01	27-17	4038 2593 02	22-21	4038 3272 01	5-35	4038 3735 01	21-3	4038 5886 03	23-4
4038 2406 02	26-24	4038 2596 01	22-10	4038 3286 01	5-28	4038 4611 01	17-4	4038 5887 01	24-1
4038 2408 01	4-11	4038 2597 01	18-28	4038 3501 01	16-5	4038 4620 01	17-9	4038 5888 02	24-31
4038 2410 01	27-36	4038 2598 01	18-14	4038 3502 02	16-10	4038 5002 00	15-27	4038 5889 02	24-16
4038 2508 01	18-22	4038 2599 01	18-4	4038 3511 02	17-16	4038 5601 00	28-6	4038 5890 02	24-4
4038 2513 01	18-1	4038 2600 02	22-17	4038 3512 02	17-13	4038 5603 00	16-38	4038 5891 02	24-6
4038 2514 01	18-17	4038 2699 01	18-15	4038 3515 02	17-1	4038 5651 00	6-25	4038 5893 01	24-13
4038 2515 01	18-16	4038 3020 03	28-17	4038 3516 01	17-8	4038 5653 00	6-11	4038 5894 03	23-6
4038 2517 01	18-21	4038 3054 01	4-25	4038 3517 02	14-1	4038 5654 00	29-11	4038 5895 03	23-9
4038 2519 01	18-12	4038 3063 01	29-1	4038 3520 01	17-2	4038 5655 00	29-13	4038 5896 02	23-7
4038 2520 01	18-2	4038 3071 02	28-20	4038 3521 01	17-18	4038 5656 00	6-8	4038 5897 01	24-14
4038 2523 01	18-19	4038 3204 05	6-13	4038 3523 01	17-17	4038 5657 00	6-28	4038 5898 01	24-15
4038 2524 01	18-5	4038 3207 03	6-2	4038 3525 01	16-15	4038 5658 00	6-30	4038 5901 01	24-9
4038 2526 01	18-10	4038 3212 04	5-20	4038 3527 03	16-37	4038 5660 01	6-1	4038 5915 01	24-2
4038 2529 01	18-3	4038 3216 03	6-5	4038 3529 02	16-3	4038 5661 00	6-27	4038 6055 03	1-31
4038 2531 01	18-6	4038 3217 01	6-4	4038 3530 01	16-14	4038 5662 00	6-21	4038 6056 03	1-31
4038 2532 01	18-7	4038 3218 01	6-7	4038 3531 02	16-27	4038 5663 00	6-31	4038 6057 03	1-31
4038 2535 01	18-13	4038 3220 01	6-6	4038 3532 01	16-2	4038 5664 00	6-29	4038 6201 02	26-7
4038 2536 01	18-26	4038 3221 03	5-29	4038 3534 01	17-14	4038 5666 00	4-28	4038 6202 02	26-7
4038 2538 01	22-5	4038 3222 03	5-30	4038 3536 01	16-9	4038 5667 00	4-27	4038 6203 03	12-14
4038 2539 01	18-25	4038 3232 01	7-10	4038 3537 01	16-7	4038 5852 02	23-13	4038 6251 00	32-19
4038 2540 01	22-4	4038 3233 02	5-14	4038 3538 01	16-8	4038 5856 01	23-3	4038 6803 03	37-1
4038 2541 01	22-19	4038 3234 02	5-15	4038 3539 01	16-4	4038 5860 01	24-7	4038 6807 01	26-31
4038 2549 01	18-18	4038 3236 01	7-7	4038 3540 03	16-11	4038 5861 02	24-26	4038 6809 03	2-9
4038 2551 01	18-9	4038 3237 01	7-18	4038 3541 01	4-1	4038 5862 01	24-21	4038 6811 02	3-19
4038 2556 01	22-1	4038 3240 01	7-2	4038 3542 02	17-5	4038 5863 01	24-23	4038 6813 01	10-8
4038 2557 01	22-7	4038 3244 02	7-14	4038 3551 01	17-7	4038 5864 01	24-22	4038 6815 02	3-6

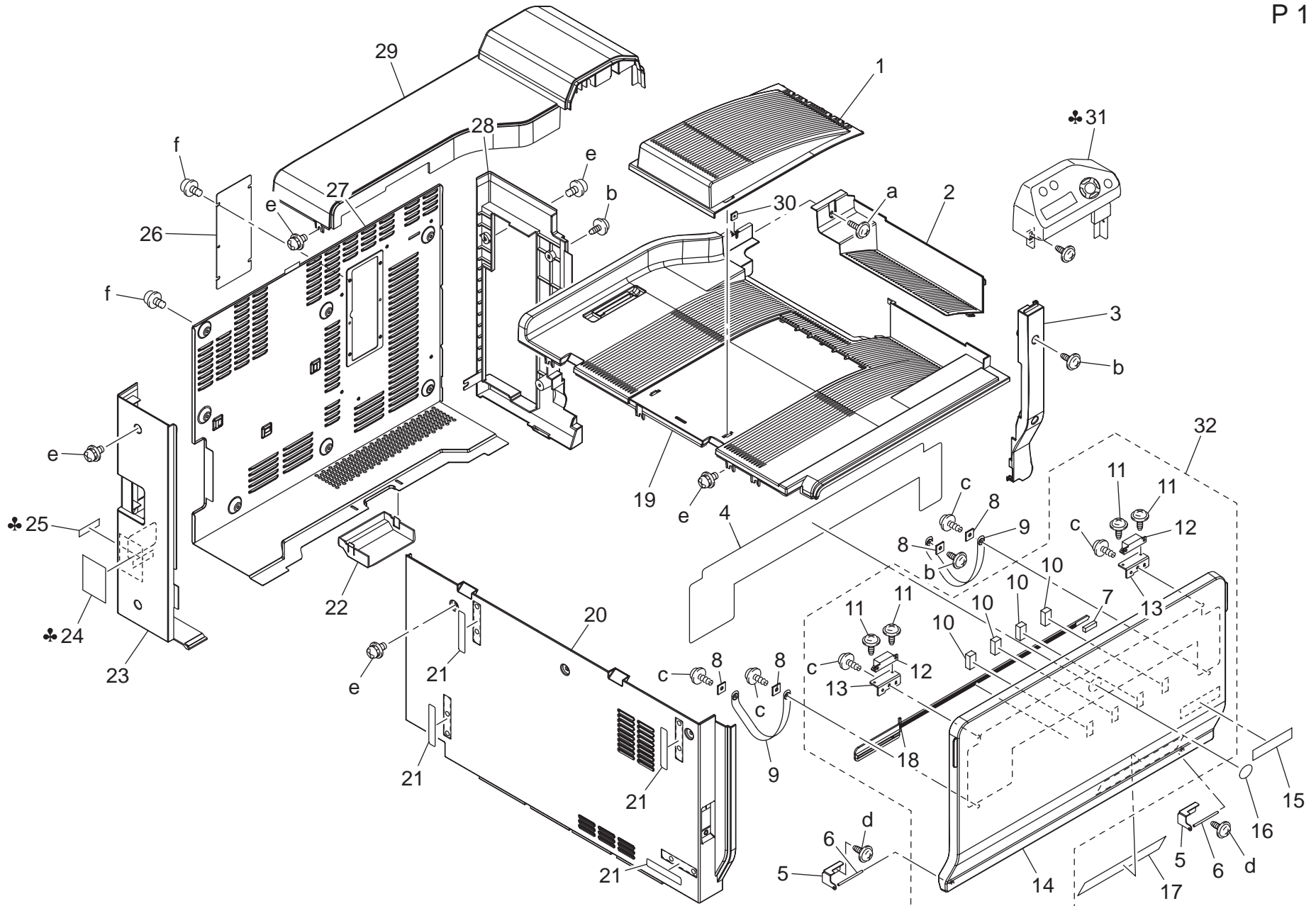
Parts No.	Page No.	Parts No.	Page No.	Parts No.	Page No.	Parts No.	Page No.	Parts No.	Page No.
4038 6816 01	3-14	4038 N100 00	38-1	4067 3816 02	30-7	4154 3804 01	12-4	4658 3012 01	36-7
4038 6817 03	37-2	4038 R721 00	21-1	4067 3818 02	33-4	4154 3804 01	15-10	4658 3040 01	29-12
4038 6821 02	37-3	4038 R722 00	21-1	4067 3820 01	34-19	4154 3804 01	20-4	4658 3042 02	33-18
4038 6824 04	37-4	4038 R723 00	21-1	4067 3821 01	33-9	4154 3804 01	22-6	4658 3046 01	29-9
4038 6829 01	4-2	4038 R729 00	11-1	4067 3822 03	32-1	4154 3804 01	26-4	4658 3048 01	36-2
4038 6830 02	16-29	4038 R730 00	14-2	4067 3825 01	32-20	4163 5293 01	15-4	4658 3049 01	36-4
4038 6835 01	15-26	4038 R731 00	9-20	4067 3832 01	32-18	4163 5293 01	17-6	4658 3140 02	33-17
4038 6835 01	23-10	4038 R732 00	20-1	4067 3833 01	32-5	4163 5293 01	23-8	4658 3516 01	18-11
4038 6836 01	15-20	4038 R733 00	15-25	4067 3834 01	32-9	4163 5293 01	27-35	4658 3516 01	22-8
4038 6836 01	39-2	4038 R734 00	28-38	4067 3852 01	35-2	4163 5293 01	28-21	4687 3281 01	5-39
4038 6841 05	39-1	4038 R737 00	8-8	4067 3855 02	33-30	4163 5293 01	32-7	4687 3281 01	28-2
4038 6842 02	40-2	4038 R740 00	4-20	4067 3856 02	33-28	4348 2037 02	33-12	9313 1000 72	25-9
4038 6844 01	40-1	4038 R742 00	17-20	4067 3857 02	33-29	4348 2040 01	33-31	9313 1300 41	23-12
4038 6847 01	26-2	4038 R743 00	15-24	4067 3871 01	33-27	4348 2041 02	33-21	9313 1300 41	27-34
4038 6848 01	26-27	4038 R748 00	29-23	4067 5601 00	33-13	4348 2042 01	33-7	9313 1400 81	25-1
4038 7021 00	4-26	4038 R759 00	16-39	4067 5614 00	31-15	4348 2044 01	33-20	9313 1400 81	26-10
4038 7022 00	16-12	4038 R765 00	1-32	4067 6801 04	34-17	4348 3011 04	32-12	9314 1300 61	34-1
4038 7023 00	16-13	4038 R770 00	3-18	4067 6802 01	34-20	4348 3028 01	32-17	9314 1400 71	22-23
4038 7301 03	1-4	4038 R771 00	17-19	4067 6803 02	34-26	4348 3029 01	30-27	9314 2300 61	14-4
4038 7302 02	17-10	4038 R772 00	17-19	4067 6804 01	30-25	4348 3030 01	34-3	9322 1200 32	7-12
4038 7303 01	16-1	4038 R775 00	5-41	4067 6805 01	34-18	4348 3031 01	32-14	9322 1300 21	16-33
4038 7304 01	23-2	4038 R777 00	41-19	4067 R704 00	31-17	4348 3032 01	32-15	9322 1300 21	22-20
4038 7308 02	3-11	4039 2210 01	2-13	4067 R706 00	42-6	4348 3042 01	32-10	9322 1300 31	18-20
4038 7309 01	3-12	4039 5602 00	29-18	4106 2063 01	9-7	4348 3046 01	30-1	9322 1400 21	18-8
4038 7309 01	13-7	4039 5604 00	28-31	4109 5530 01	26-29	4348 3047 01	30-24	9326 1410 31	26-30
4038 7311 02	20-2	4039 R723 00	9-21	4128 2215 01	2-4	4348 3048 01	32-13	9331 2200 21	3-2
4038 7313 01	42-5	4040 0156 02	35-12	4128 3522 01	16-21	4348 3049 01	30-3	9332 5400 11	3-16
4038 7314 01	42-5	4040 7304 01	35-6	4128 3823 01	36-14	4348 3069 03	32-16	9335 1300 61	7-16
4038 7315 02	1-17	4065 611	20-5	4131 3001 01	7-8	4348 3070 02	30-28	9335 1300 61	19-19
4038 7316 01	10-4	4066 3770 03	17-1	4131 3003 01	30-6	4348 3071 01	32-3	9335 1400 11	16-23
4038 7321 01	28-18	4067 0101 03	34-21	4131 3532 02	7-6	4425 3013 01	30-9	9335 1400 21	16-6
4038 7321 01	35-3	4067 0201 02	33-8	4131 3532 02	32-11	4425 3016 01	30-15	9335 1400 61	4-6
4038 7337 01	28-15	4067 0202 03	33-2	4134 3106 01	28-3	4475 2603 02	1-12	9353 2400 11	13-4
4038 7341 01	1-25	4067 0203 02	34-2	4136 6751 01	3-5	4498 3469 01	35-9	9372 1300 12	16-26
4038 7351 01	5-1	4067 0204 03	30-26	4139 5577 01	24-5	4498 3825 01	36-13	9372 5400 31	16-31
4038 7352 01	5-1	4067 3802 01	33-11	4142 3217 01	7-9	4498 3826 01	36-12	9381 4101 31	42-1
4038 9431 00	1-15	4067 3803 02	33-3	4154 3804 01	2-6	4498 3834 01	36-19	9381 4300 41	42-1
4038 H001 01	26-25	4067 3805 02	33-23	4154 3804 01	3-23	4581 2269 04	27-4	9383 2210 11	22-22
4038 M101 00	14-3	4067 3807 03	33-22	4154 3804 01	5-40	4581 7901 02	41-18	9383 2210 41	23-11
4038 M601 00	2-2	4067 3815 02	34-15	4154 3804 01	8-6	4643 1020 03	1-9	9383 5000 11	26-17

Parts No.	Page No.
9384 1000 51	41-1
9384 1000 51	41-7
9384 1100 31	41-9
9384 1100 91	41-8
9384 1310 11	41-2
9384 1310 81	41-3
9384 1311 11	41-14
9384 1410 51	41-15
9384 1521 51	41-17
9384 1700 24	42-3
9384 1921 01	41-4
9384 1921 11	41-5
9384 1921 21	41-6
9384 2010 21	41-11
9384 2200 31	42-4
9384 2910 21	41-12
9384 2910 31	41-13
9384 4300 11	26-22
9384 4300 21	26-23
9455 8076 01	6-15
9455 8076 01	16-20
9646 0308 14	42-7
9J06 0202 14	6-26
9J06 1013 00	10-15
9J06 1015 01	13-25
9J06 1016 00	13-27
9J06 1017 00	13-26
9J06 1018 00	13-28
9J06 2403 01	26-15
9J06 3208 02	6-3
9J06 3213 01	5-26
9J06 3214 02	5-31
9J06 3215 02	5-22
9J06 3235 01	5-12
9J06 3249 01	7-15
9J06 3251 04	5-27
9J06 3256 01	5-25
9J06 3281 02	5-8
9J06 3282 01	5-2
9J06 3283 04	5-13

Parts No.	Page No.
9J06 3284 03	5-11
9J06 3285 01	5-16
9J06 3286 02	5-21
9J06 3287 00	5-10
9J06 6211 00	5-18
9J06 6810 01	5-33
9J06 6813 01	5-17
9J06 6814 01	26-16
9J06 7303 01	5-9
9J06 7354 01	5-19
9J06 M103 00	34-12
9J06 M200 00	7-13
9J06 R718 00	6-22
9J06 R901 00	4-4

EXTERNAL PARTS

P 1



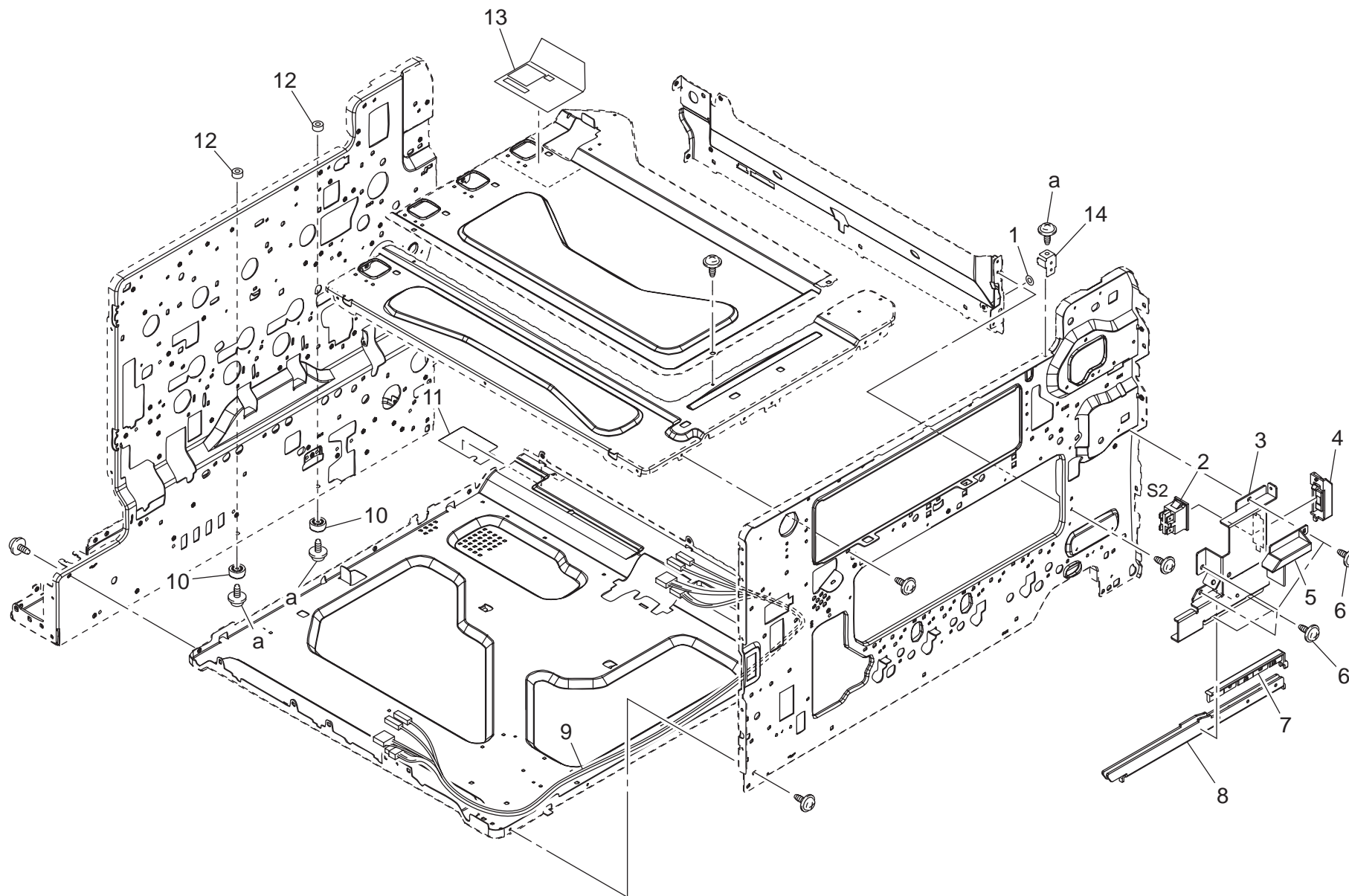
bizhub C252P

EXTERNAL PARTS

Key	Part No.	Description	Destinations	Class	QTY	Standard parts
1	4038 1020 03	TRAY TOP		C	1	a-9739 0408 14 b-9735 0308 14 c-9739 0308 14 d-9735 0306 14 e-9646 0308 14 f-9646 0306 14
2	4038 1039 02	TOP COVER LIGHT		C	1	
3	4038 1008 03	RIGHT COVER		C	1	
4	4038 7301 03	LABEL REMOVE		C	1	
5	4038 1010 01	HINGE		C	2	
6	1136 1019 03	SHAFT		D	2	
7	4038 2084 05	CLEANING PAD		C	1	
8	1053 3103 01	SET PLATE		C	4	
9	4643 1020 03	BAND		C	2	
10	4025 1018 01	SEAL		C	4	
11	4038 1051 01	SCREW		C	4	
12	4475 2603 02	MAGNET CATCH		D	2	
13	4038 1046 01	BRACKET		D	2	
14	4038 1022 06	FRONT DOOR		D	1	
15	4038 9431 00	LABEL BIZHUB C252P		C	0	
16	4030 7500 01	LABEL LOGO MARK		C	1	
17	4038 7315 02	LABEL CH CLEAN		C	1	
18	4038 2083 02	CLANING MATERIAL		D	1	
19	4038 1021 05	TOP COVER		C	1	
20	4038 1054 04	LEFT COVER UPPER		C	0	
21	4036 1011 01	LABEL HIDE		C	4	
22	4038 1035 01	REAR COVER		C	1	
23	4038 1027 04	LEFT COVER		C	1	
24	4037 7406 01	LABEL EARTH CAUTION	C	C	1	
25	4038 7341 01	LABEL OUTLET	A,A1	C	1	
26	4037 1006 01	COVER		C	1	
27	4038 1023 04	REAR COVER		D	1	
28	4038 1029 04	RIGHT COVER REAR		C	1	
29	4038 1031 03	REAR COVER		C	0	
30	4036 4909 01	PLATE NUT		D	1	
31	4038 6055 03	CONTROL PANEL ASSY	A,A1	I	0	
31	4038 6056 03	CONTROL PANEL ASSY	B	I	0	
31	4038 6057 03	CONTROL PANEL ASSY	C	I	0	
32	4038 R765 00	COVER ASSY		S	1	

MAIN FRAME

P 2

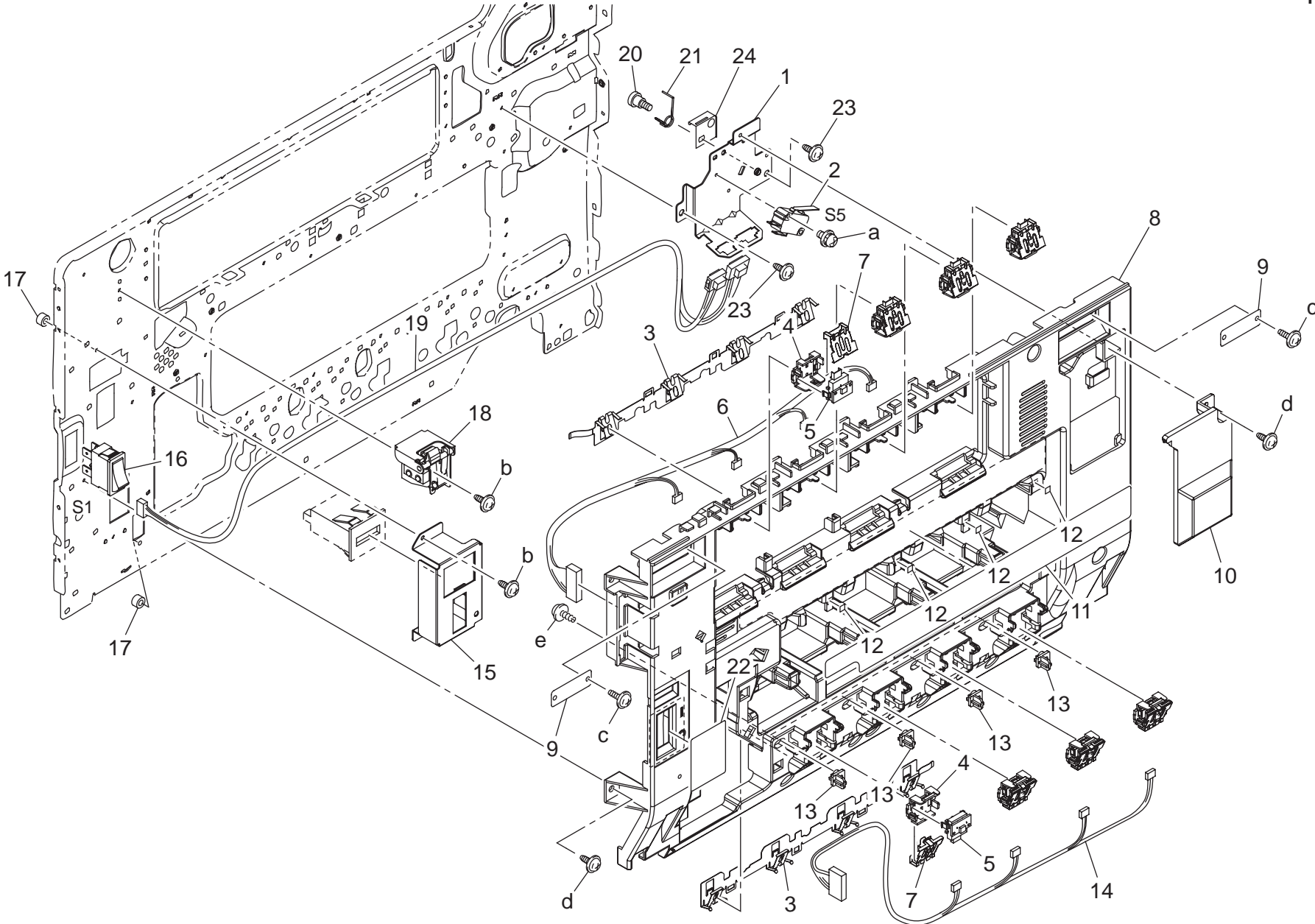


bizhub C252P

MAIN FRAME

Key	Part No.	Description	Destinations	Class	QTY	Standard parts
1	4038 3595 01	SPACER		D	1	a-9735 0308 14
2	4038 M601 00	SWITCH		C	1	
3	4038 2065 17	BRACKET		D	1	
4	4128 2215 01	COVER		D	1	
5	4038 2066 12	COVER		D	1	
6	4154 3804 01	SCREW		C	5	
7	4038 2036 01	CAP		C	1	
8	4038 2073 01	REINFORCE PLATE		D	1	
9	4038 6809 03	WIRE HARNESS ASSY		D	1	
10	0996 3055 01	RUBBER FOOT		C	2	
11	4038 2097 02	SEAL		C	1	
12	1154 4670 01	PROTECTION		C	2	
13	4039 2210 01	SEAL		C	1	
14	4038 2285 02	BRACKET		D	0	

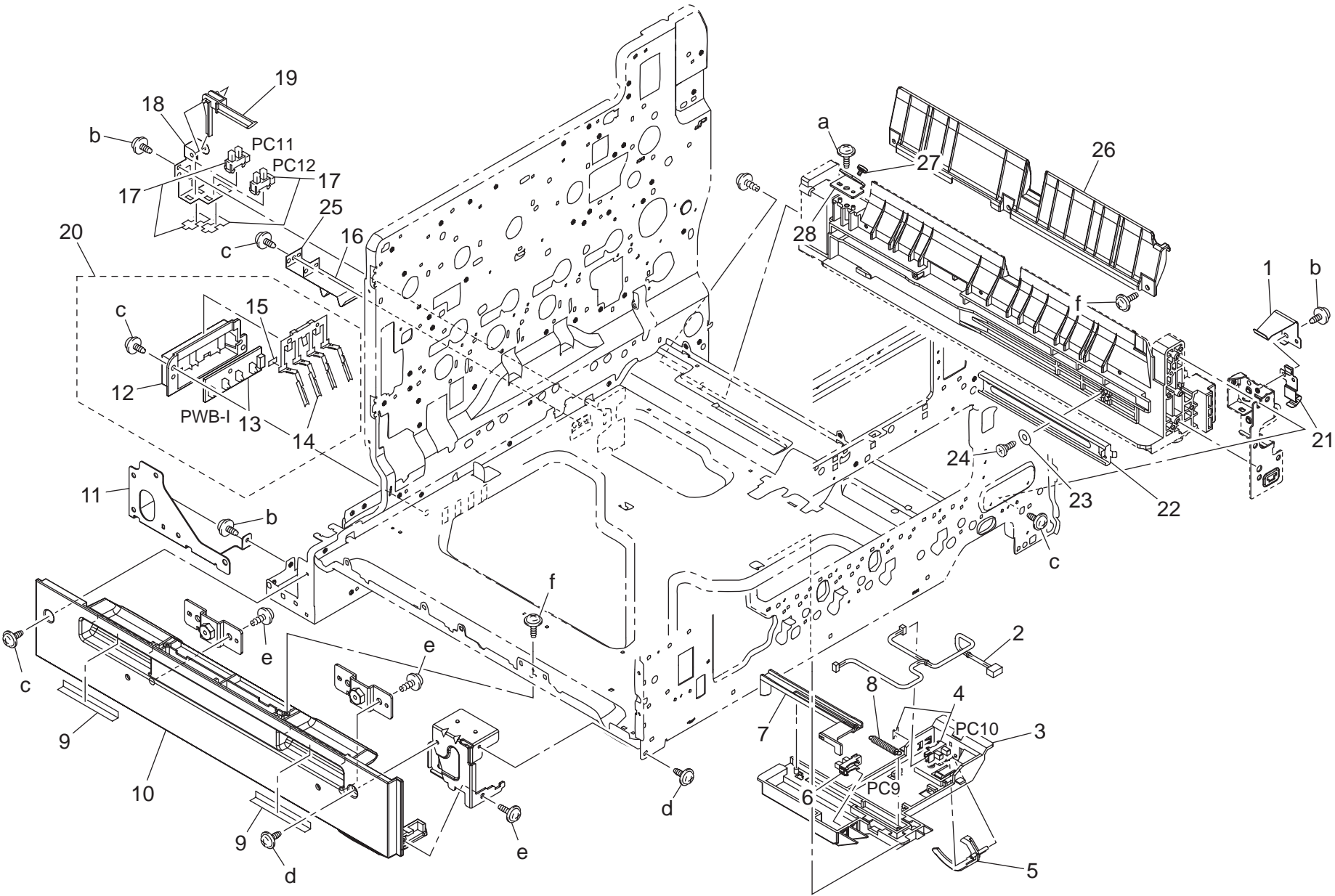
INNER COVER SECTION



INNER COVER SECTION

Key	Part No.	Description	Destinations	Class	QTY	Standard parts
1	4038 2265 04	BRACKET		D	1	a-9646 0316 14 b-9735 0306 14 c-9739 0308 14 d-9735 0308 14 e-9739 0306 14
2	9331 2200 21	MICRO-SWITCH		C	1	
3	4038 2283 02	PLATE SPRING		D	2	
4	4038 2281 04	HOLDER		D	8	
5	4136 6751 01	CONNECTOR PIN		D	8	
6	4038 6815 02	WIRE HARNESS ASSY		D	1	
7	4038 2282 03	PLATE SPRING		D	8	
8	4038 1101 06	COVER		C	1	
9	4038 1014 01	SUCTION PLATE		D	2	
10	4038 1102 02	COVER		C	1	
11	4038 7308 02	LABEL TC IU		D	1	
12	4038 7309 01	LABEL		D	4	
13	4038 1105 01	HOLDER		D	4	
14	4038 6816 01	WIRE HARNESS ASSY		D	1	
15	4038 2305 01	BRACKET		D	1	
16	9332 5400 11	SEESAW-SWITCH		C	1	
17	1154 4670 01	PROTECTION		C	2	
18	4038 R770 00	FRONT COVER SW ASSY		C	1	
19	4038 6811 02	WIRE HARNESS ASSY		D	1	
20	4038 2287 02	SHOULDER SCREW		C	1	
21	4038 2266 01	TORSION SPRING		C	1	
22	4038 1103 03	PLATE		C	0	
23	4154 3804 01	SCREW		C	2	
24	4038 1360 00	GUIDE		D	1	

MPT PAPER TAKE-UP SECTION

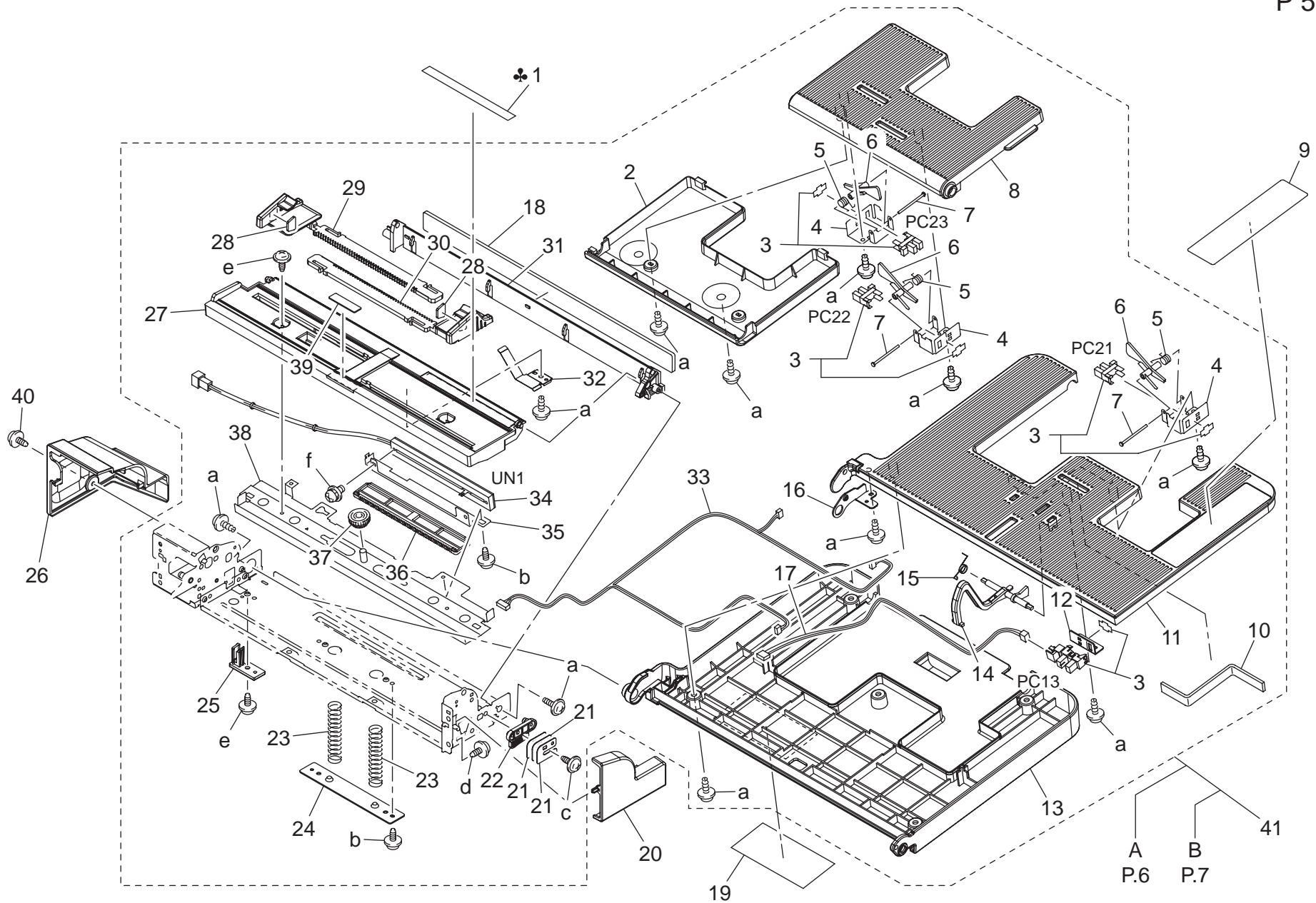


MPT PAPER TAKE-UP SECTION

Key	Part No.	Description	Destinations	Class	QTY	Standard parts
1	4038 3541 01	PLATE SPRING		D	1	a-9739 0410 14 b-9735 0306 14 c-9735 0308 14 d-9735 0408 14 e-9739 0408 14 f-9739 0308 14
2	4038 6829 01	WIRE HARNESS ASSY		D	1	
3	4004 3062 06	HOLDER		D	1	
4	9J06 R901 00	PHOTO INTERUPPTER		B	1	
5	1164 3027 01	ACTUATOR		C	1	
6	9335 1400 61	SOLID STATE SWITCH		B	1	
7	4004 3061 01	ACTUATOR		C	1	
8	4004 3063 01	TENSION SPRING		C	1	
9	4038 2162 02	CUSHION		C	2	
10	4038 2008 02	RAIL		C	1	
11	4038 2408 01	REINFORCE PLATE		D	1	
12	1164 3022 02	HOLDER		D	1	
13	4037 0104 01	PWB-I		C	1	
14	1164 3020 03	LEVER		C	1	
15	4004 3052 01	SPACER		D	1	
16	1164 3054 01	PLATE SPRING		C	1	
17	4037 0904 01	PHOTO INTERRUPTER		B	2	
18	4004 3011 01	BRACKET		D	1	
19	4004 3012 01	LEVER		C	1	
20	4038 R740 00	SIZE DETECTING PWB ASSY		C	1	
21	4038 2099 01	CONTACT		D	1	
22	4004 3029 01	RAIL		D	1	
23	1164 3057 01	WASHER		C	1	
24	1164 3053 12	SHOULDER SCREW		C	1	
25	4038 3054 01	PLATE SPRING		C	1	
26	4038 7021 00	GUIDE		D	1	
27	4038 5667 00	SHOULDER SCREW		D	1	
28	4038 5666 00	BRACKET		D	1	

MANUAL FEED SECTION

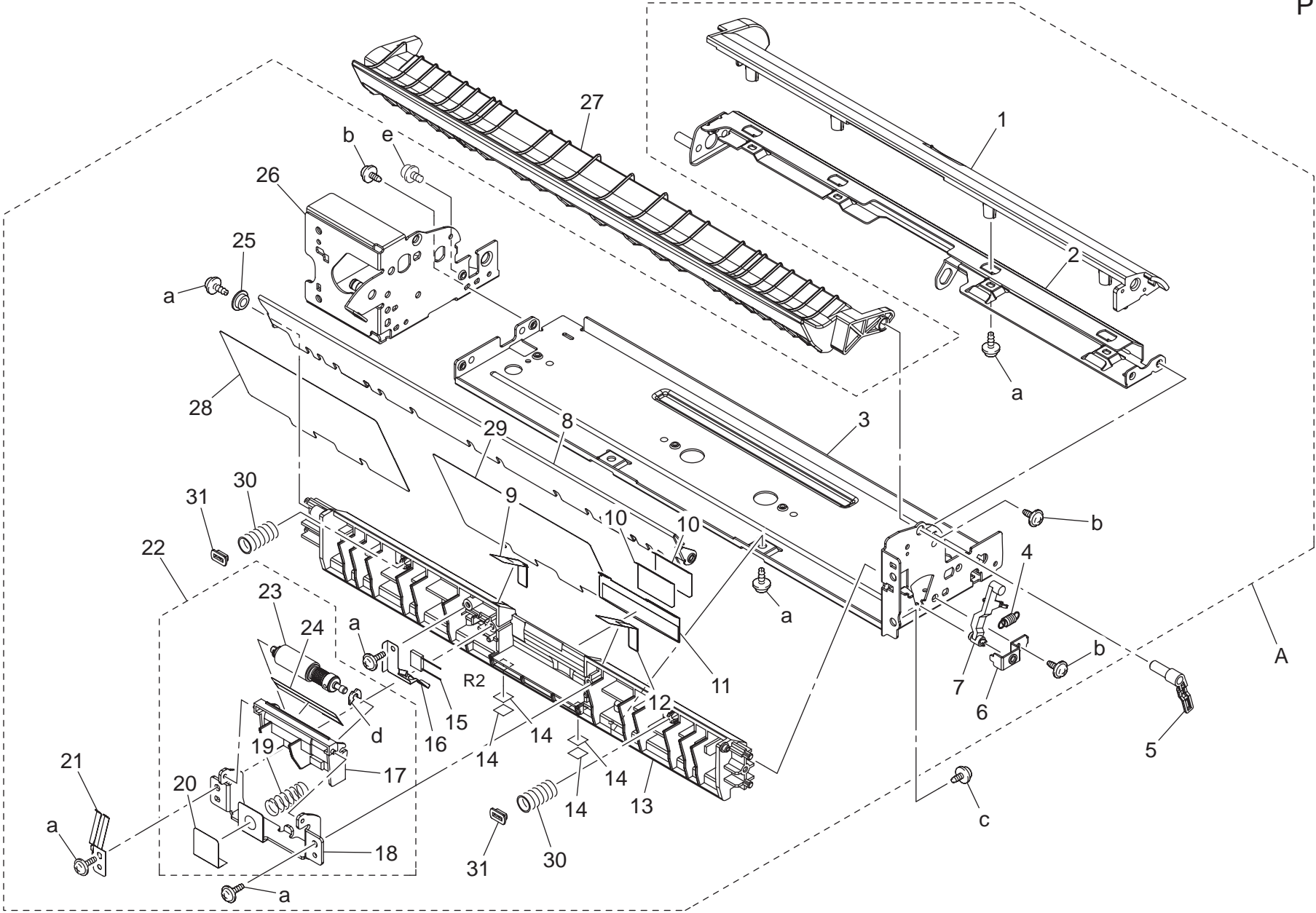
P 5



MANUAL FEED SECTION

Key	Part No.	Description	Destinations	Class	QTY	Standard parts
1	4038 7351 01	SCALE METRIC	A,C	C	1	a-9739 0308 14 b-9735 0306 14 c-9735 0310 14 d-9735 0408 14 e-9735 0308 14 f-9646 0306 14
1	4038 7352 01	SCALE INCH	B	C	1	
2	9J06 3282 01	COVER		C	1	
3	4037 0906 01	PHOTO INTERRUPTER		B	4	
4	4030 3414 01	BRACKET		D	3	
5	4030 3446 01	TORSION SPRING		C	3	
6	4030 3415 02	ACTUATOR		C	3	
7	1134 3042 02	SHAFT		D	3	
8	9J06 3281 02	TRAY		C	1	
9	9J06 7303 01	LABEL MANUAL FEED		C	1	
10	9J06 3287 00	SEAL		C	1	
11	9J06 3284 03	COVER		C	1	
12	9J06 3235 01	BRACKET		D	1	
13	9J06 3283 04	TRAY		C	1	
14	4038 3233 02	ACTUATOR		C	1	
15	4038 3234 02	TORSION SPRING		C	1	
16	9J06 3285 01	BRACKET		D	1	
17	9J06 6813 01	WIRE HARNESS ASSY		D	1	
18	9J06 6211 00	CUSHION		C	1	
19	9J06 7354 01	LABEL		C	1	
20	4038 3212 04	COVER		C	1	
21	9J06 3286 02	PLATE SPRING		D	3	
22	9J06 3215 02	HOLD PLATE		D	1	
23	4038 3252 01	PRESSURE SPRING		C	2	
24	4038 3253 01	HOLD PLATE		D	1	
25	9J06 3256 01	GUIDE		C	1	
26	9J06 3213 01	COVER		C	1	
27	9J06 3251 04	LIFTING PLATE		D	1	
28	4038 3286 01	BRAKE		C	2	
29	4038 3221 03	REGULATING PLATE		C	1	
30	4038 3222 03	REGULATING PLATE		C	1	
31	9J06 3214 02	HOLDER		D	1	
32	4038 3255 01	BRAKE		D	1	
33	9J06 6810 01	WIRE HARNESS ASSY		D	1	
34	4037 6899 01	RESISTOR		D	1	
35	4038 3272 01	BRACKET		D	1	
36	4030 3460 02	RACK		C	1	
37	4030 3412 01	GEAR 13/18T		C	1	
38	4038 0252 03	BRACKET ASSY		D	1	
39	4687 3281 01	FRICTION SHEET		C	1	
40	4154 3804 01	SCREW		C	1	
41	4038 R775 00	MANUAL FEED TRAY UNIT		S	1	

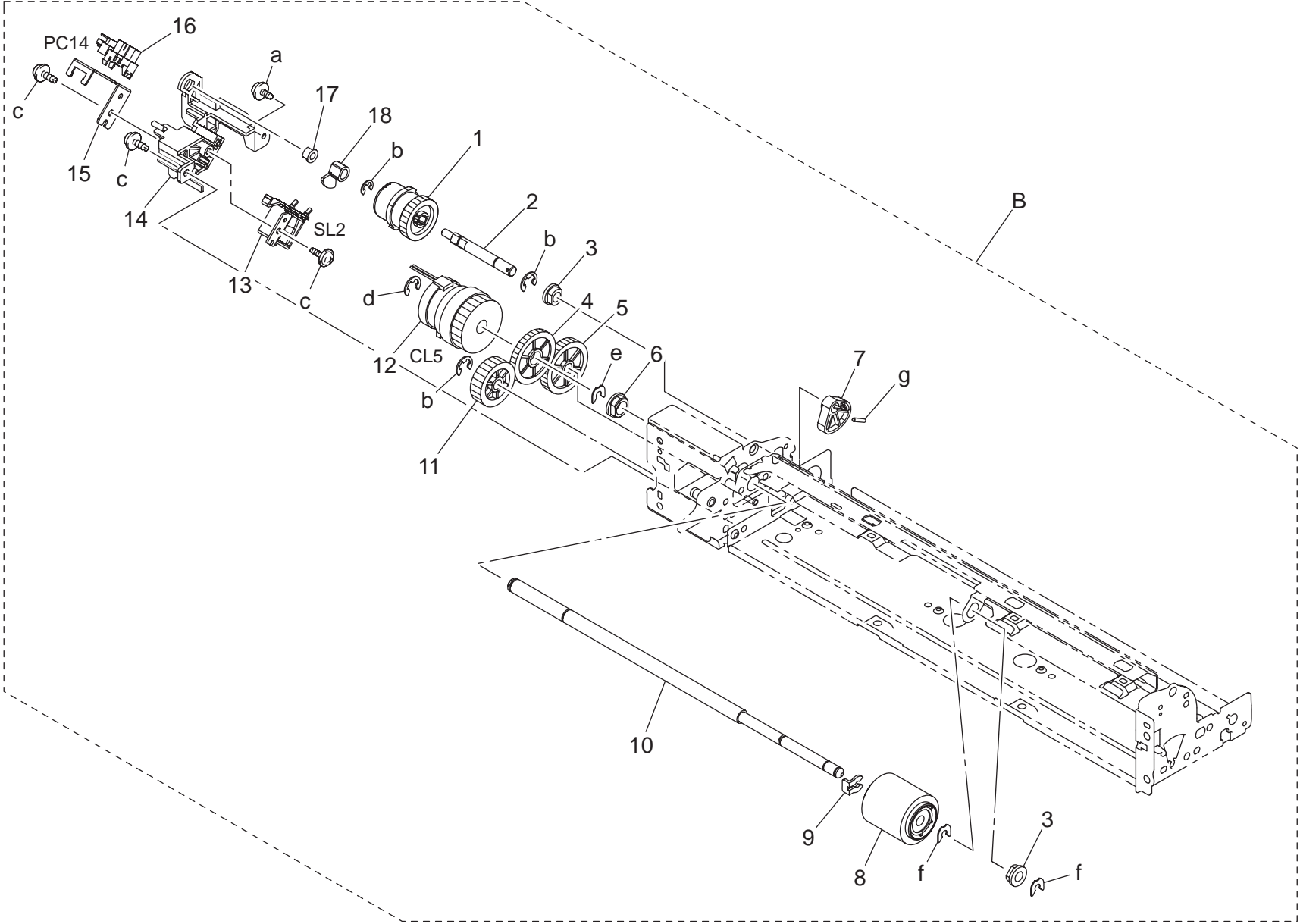
MANUAL FEED SECTION



MANUAL FEED SECTION

Key	Part No.	Description	Destinations	Class	QTY	Standard parts
1	4038 5660 01	COVER		D	1	a-9739 0308 14 b-9735 0306 14 c-9735 0408 14 d-4425 3002 01 e-9646 0306 14
2	4038 3207 03	BRACKET		D	1	
3	9J06 3208 02	FRAME		D	1	
4	4038 3217 01	TENSION SPRING		C	1	
5	4038 3216 03	LEVER		C	1	
6	4038 3220 01	HOLD PLATE		D	1	
7	4038 3218 01	LEVER		C	1	
8	4038 5656 00	GUIDE		D	1	
9	4038 3269 02	GUIDE		C	1	
10	4030 3403 01	GUIDE		C	2	
11	4038 5653 00	GUIDE PLATE		C	1	
12	4038 3268 02	GUIDE		C	1	
13	4038 3204 05	GUIDE		C	1	
14	4037 7001 00	SPACER		C	4	
15	9455 8076 01	RESISTOR		D	1	
16	4038 3266 01	EARTH GROUND		D	1	
17	4038 3261 02	HOLDER		D	1	
18	4038 3262 03	BRACKET		D	1	
19	4030 3475 01	PRESSURE SPRING		C	1	
20	4038 3270 01	GUIDE		C	1	
21	4038 5662 00	EARTH GROUND		D	1	
22	9J06 R718 00	ROLLER ASSY		C	1	
23	4034 0151 01	SEPARATION ROLLER		A	1	
24	4038 3267 01	GUIDE		C	1	
25	4038 5651 00	COLLAR		C	1	
26	9J06 0202 14	FRAME ASSY		D	1	
27	4038 5661 00	GUIDE		D	1	
28	4038 5657 00	GUIDE		D	1	
29	4038 5664 00	GUIDE		D	1	
30	4038 5658 00	PRESSURE SPRING		D	2	
31	4038 5663 00	HOLDER		D	2	

MANUAL FEED SECTION

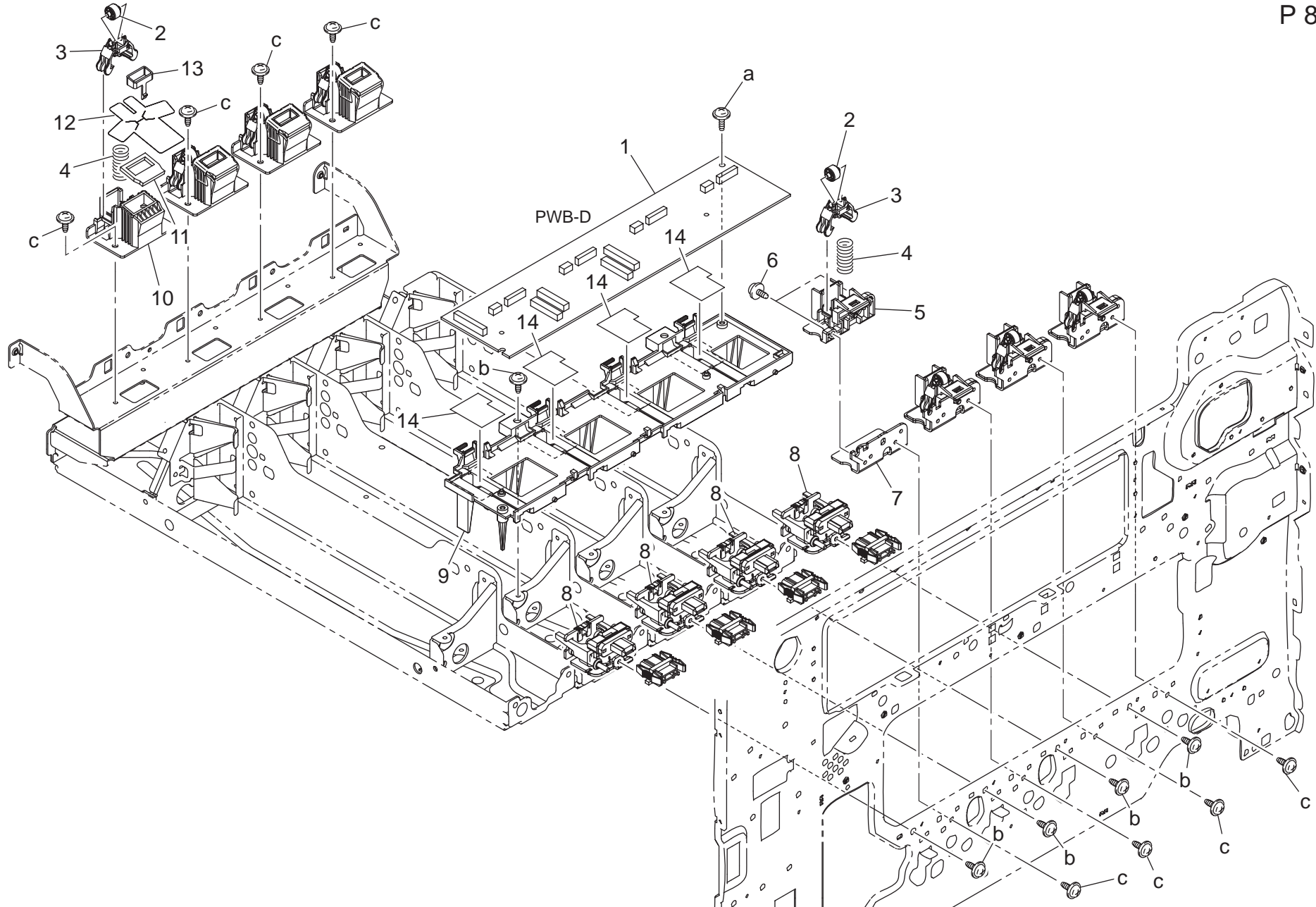


MANUAL FEED SECTION

Key	Part No.	Description	Destinations	Class	QTY	Standard parts
1	4038 3260 01	CLUTCH ASSY		C	1	a-9735 0306 14 b-9721 0400 01 c-9739 0308 14 d-9721 0600 01 e-4425 3002 01 f-4425 3001 01 g-9752 2010 50
2	4038 3240 01	SHAFT		D	1	
3	4030 3093 01	BUSHING		C	2	
4	4038 3246 01	GEAR 30T		C	1	
5	4038 3247 01	GEAR 30T		C	1	
6	4131 3532 02	BUSHING		C	1	
7	4038 3236 01	CAM		C	1	
8	4131 3001 01	ROLLER		A	1	
9	4142 3217 01	STOP RING		C	1	
10	4038 3232 01	SHAFT		D	1	
11	1075 2565 01	GEAR 25T		C	1	
12	9322 1200 32	CLUTCH		C	1	
13	9J06 M200 00	SOLENOID		C	1	
14	4038 3244 02	BRACKET		D	1	
15	9J06 3249 01	BRACKET		D	1	
16	9335 1300 61	PHOTO INTERRUPTER		B	1	
17	4004 5339 01	BUSHING		C	1	
18	4038 3237 01	SHIELD PLATE		D	1	

P/H FRAME SECTION

P 8

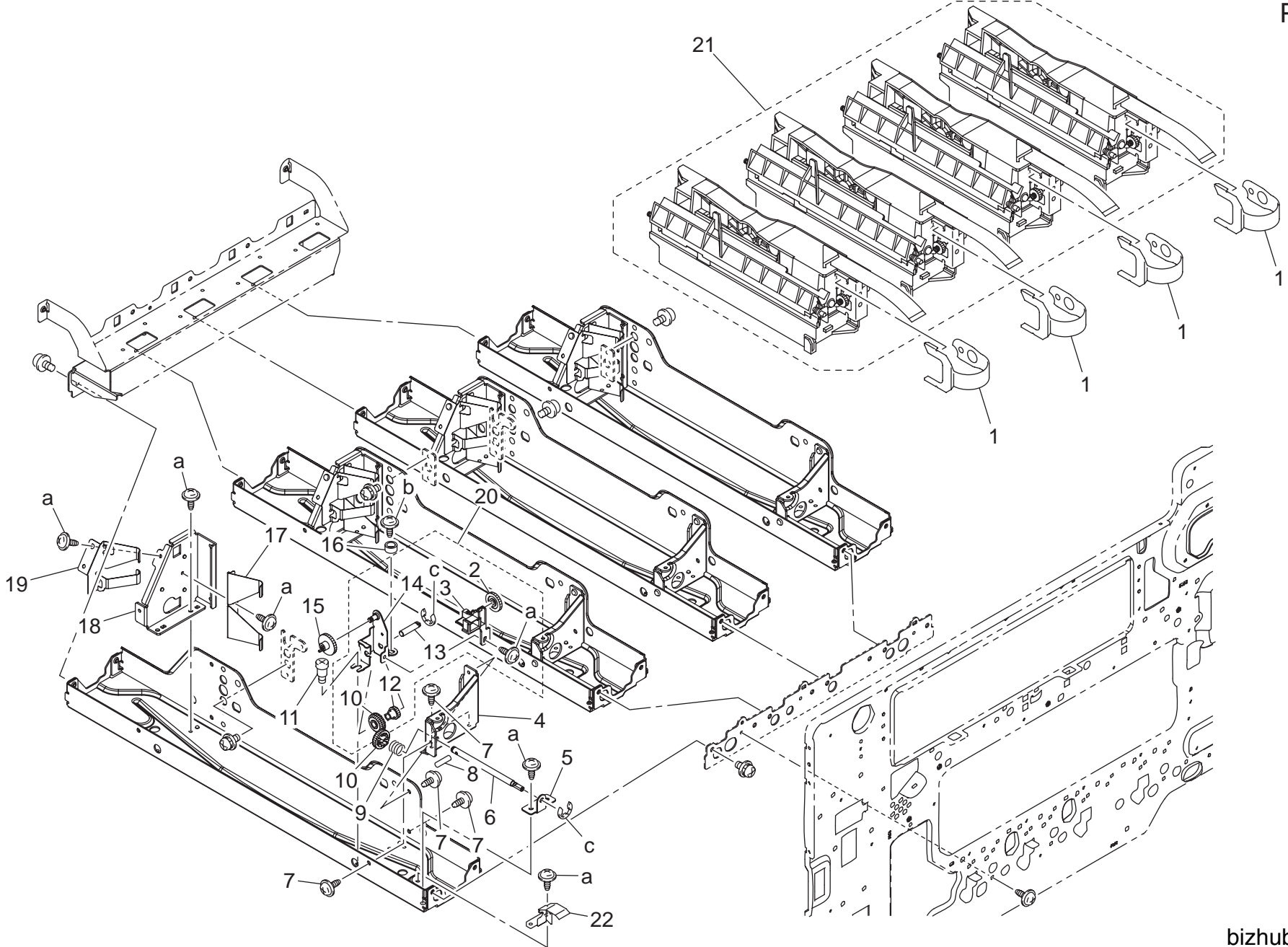


bizhub C252P

P/H FRAME SECTION

Key	Part No.	Description	Destinations	Class	QTY	Standard parts
1	4038 0105 03	PWB-D		I	1	a-9739 0308 14 b-9735 0308 14 c-9735 0306 14
2	4038 2094 01	ROLL		C	8	
3	4038 2016 02	LIFTING PLATE		D	8	
4	4038 2017 01	PRESSURE SPRING		C	8	
5	4038 2018 03	HOLDER		D	4	
6	4154 3804 01	SCREW		C	8	
7	4038 2061 01	BRACKET		D	4	
8	4038 R737 00	CONNECTOR ASSY		C	4	
9	4038 2249 02	HOLDER		D	1	
10	4038 2060 02	HOLDER		D	4	
11	4038 2067 01	SEAL		C	4	
12	4038 2051 01	SEAL		C	4	
13	4038 2086 01	COLLAR		C	4	
14	4038 1281 00	PORYESTER FILM		C	4	

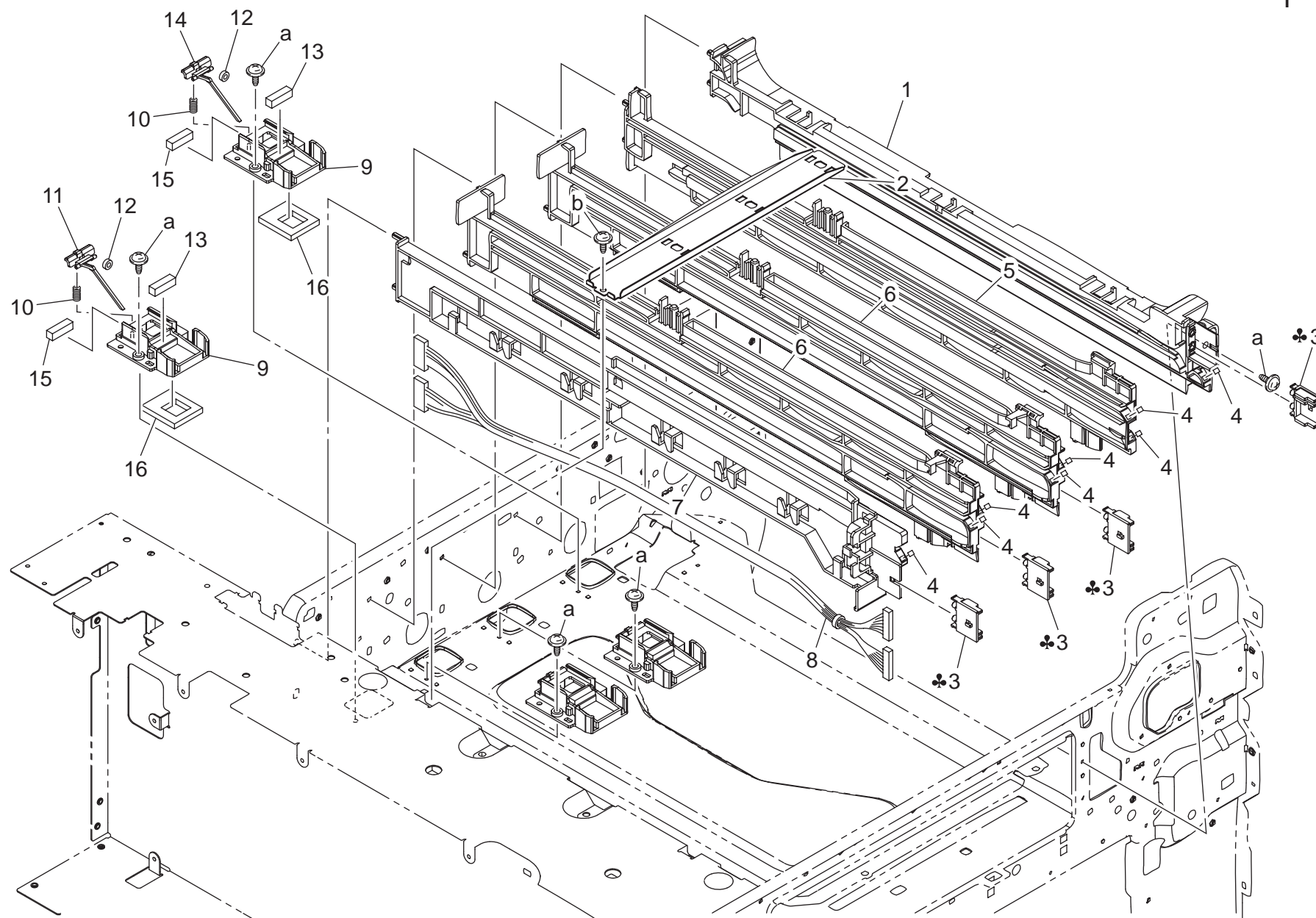
P/H FRAME SECTION



P/H FRAME SECTION

Key	Part No.	Description	Destinations	Class	QTY	Standard parts
1	4038 1906 04	PLATE SPRING		C	4	a-9735 0306 14 b-9735 0308 14 c-9721 0300 01
2	4038 2189 01	GEAR 27T		C	4	
3	4038 2187 04	GUIDE		D	4	
4	4038 2044 02	REINFORCE PLATE		D	4	
5	4038 2194 01	BRACKET		D	4	
6	4038 2193 03	SHAFT		D	4	
7	4106 2063 01	SCREW		C	20	
8	1067 2501 01	PIN		C	4	
9	4038 2196 01	PRESSURE SPRING		C	4	
10	4038 2191 02	GEAR 16T		C	8	
11	4038 2184 01	SHOULDER SCREW		C	4	
12	4038 2190 03	GEAR 16T		C	4	
13	4038 2192 02	SHAFT		D	4	
14	4038 0211 04	BRACKET ASSY		D	4	
15	4038 2188 02	GEAR 30T		C	4	
16	4038 2179 01	WASHER		C	4	
17	4038 2042 01	SPRING		D	4	
18	4038 2043 03	BRACKET		D	4	
19	4038 2180 01	CONTACT		D	4	
20	4038 R731 00	SKEW ADJUSTMENT ASSY		S	4	
21	4039 R723 00	PRINT HEAD UNIT		I	1	
22	4038 1280 00	BRACKET		D	4	

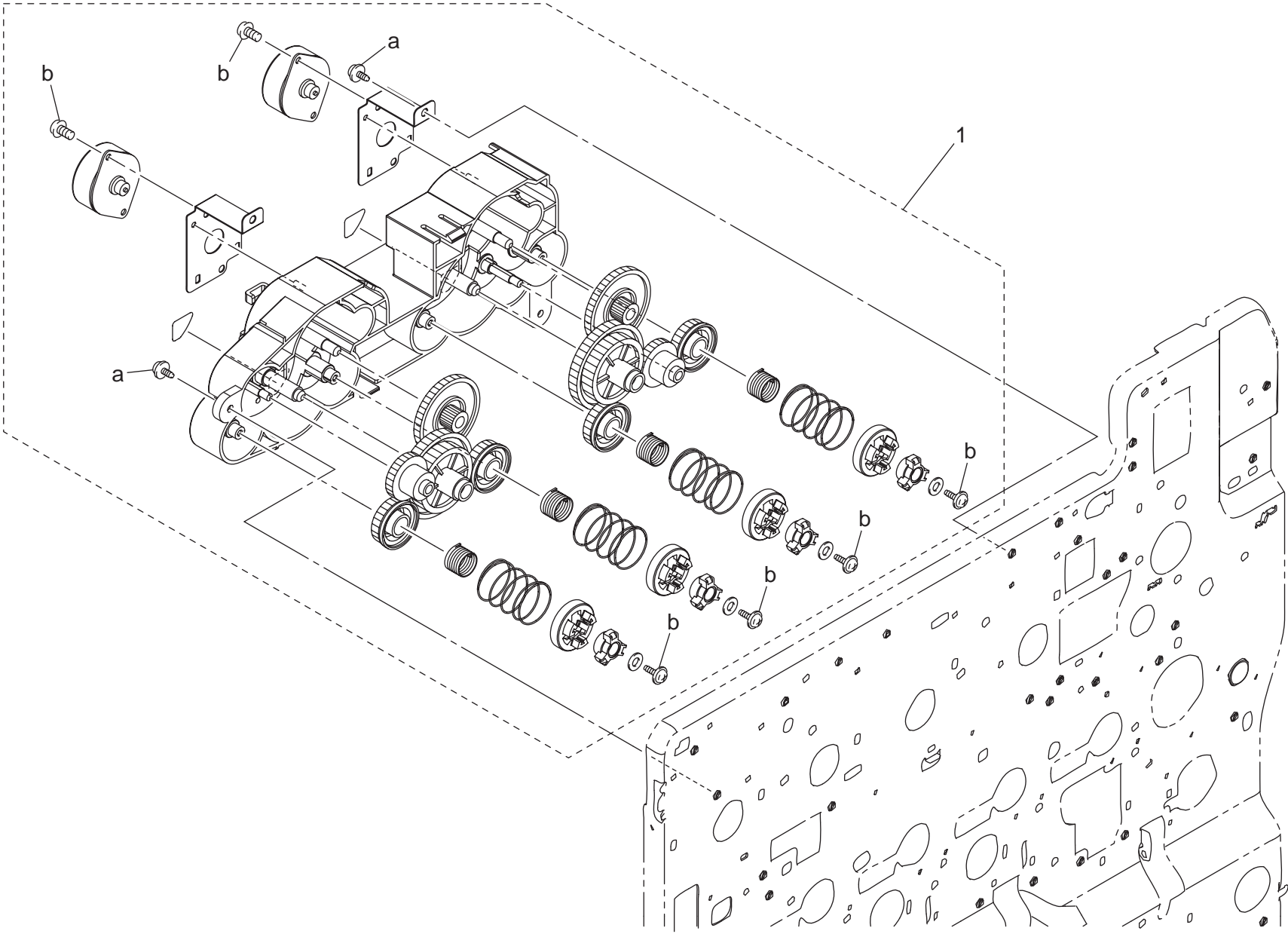
T/C RAIL SECTION



T/C RAIL SECTION

Key	Part No.	Description	Destinations	Class	QTY	Standard parts
1	4038 2019 01	RAIL		D	1	a-9735 0308 14 b-9735 0306 14
2	4038 2038 02	SET PLATE		D	1	
3	4038 2175 02	PAWL	C	D	4	
3	4038 2173 02	PAWL	A,A1	D	4	
3	4038 2174 03	PAWL	B	D	4	
4	4038 7316 01	LABEL		D	8	
5	4038 2020 02	RAIL		D	1	
6	4038 2021 03	RAIL		D	2	
7	4038 2022 02	RAIL		D	1	
8	4038 6813 01	WIRE HARNESS ASSY		D	1	
9	4038 2107 03	GUIDE		D	4	
10	4038 2109 01	PRESSURE SPRING		C	4	
11	4038 2108 01	STIRRING MEMBER	(C.M.Y)	C	3	
12	4038 2150 01	SEAL		C	4	
13	4038 2110 03	SEAL		C	4	
14	4038 1271 00	LEVER	(BLACK)	C	1	
15	9J06 1013 00	SEAL		C	4	
16	4038 2102 01	SEAL		C	4	

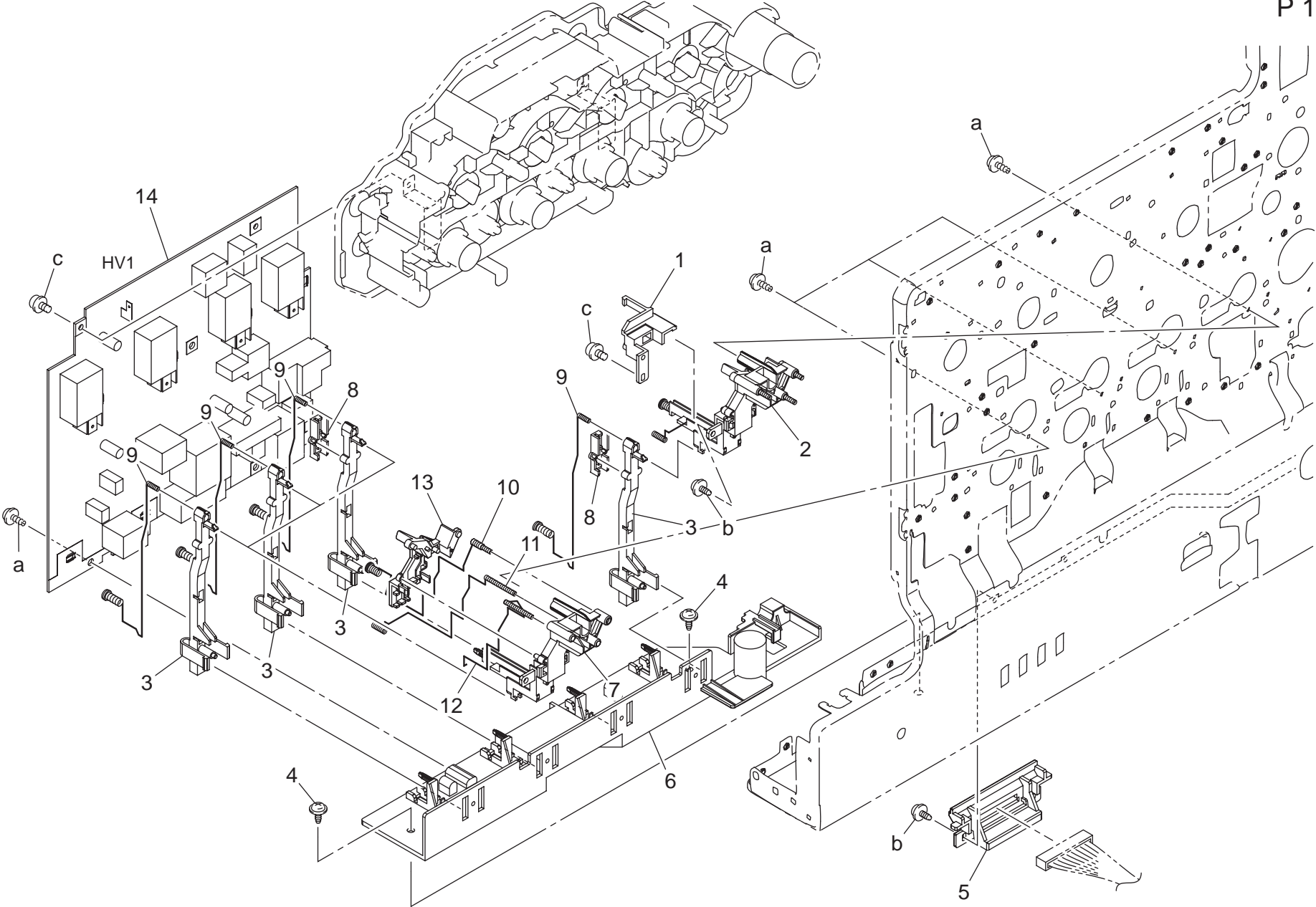
HOPPER DRIVE SECTION



HOPPER DRIVE SECTION

Key	Part No.	Description	Destinations	Class	QTY	Standard parts
1	4038 R729 00	HOPPER DRIVE ASSY		C	1	a-9735 0308 14 b-9732 0308 14

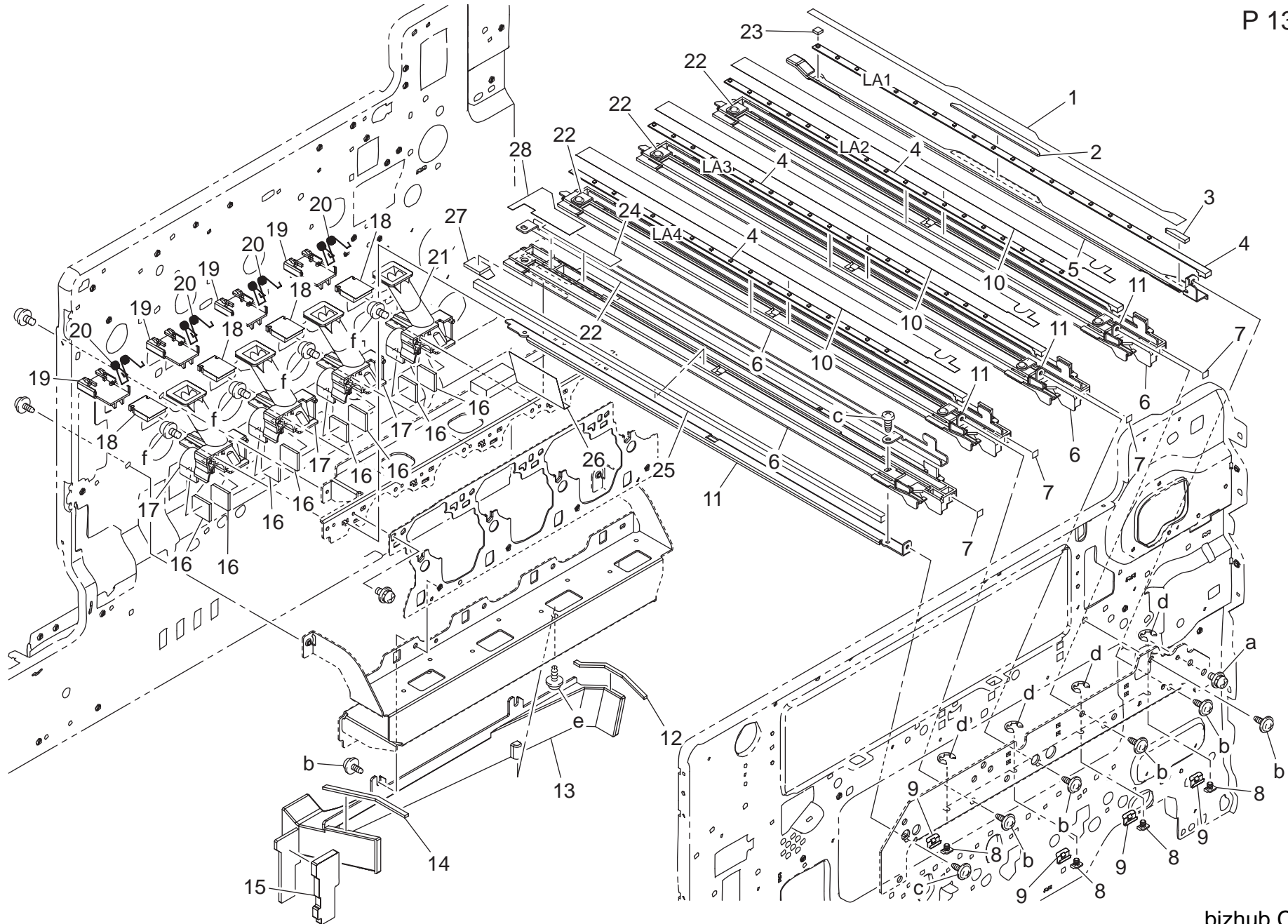
CONTACT SECTION



CONTACT SECTION

Key	Part No.	Description	Destinations	Class	QTY	Standard parts
1	4038 2275 01	HOLDER		D	1	a-9739 0308 14 b-9735 0308 14 c-9646 0308 14
2	4038 0760 00	IU CONTACT PLATE ASSY		C	1	
3	4038 2233 02	HOLDER		D	4	
4	4154 3804 01	SCREW		C	2	
5	4038 2313 01	HOLDER		C	1	
6	4038 2206 02	HOLDER		D	1	
7	4038 2274 01	HOLDER		D	3	
8	4038 2255 01	COVER		D	2	
9	4038 2222 01	CONTACT		C	4	
10	4038 2277 01	CONTACT		C	3	
11	4038 2276 01	CONTACT		C	3	
12	4038 2225 02	CONTACT		C	3	
13	4038 2232 01	COVER		D	3	
14	4038 6203 03	HV TRANSFORMER		I	1	

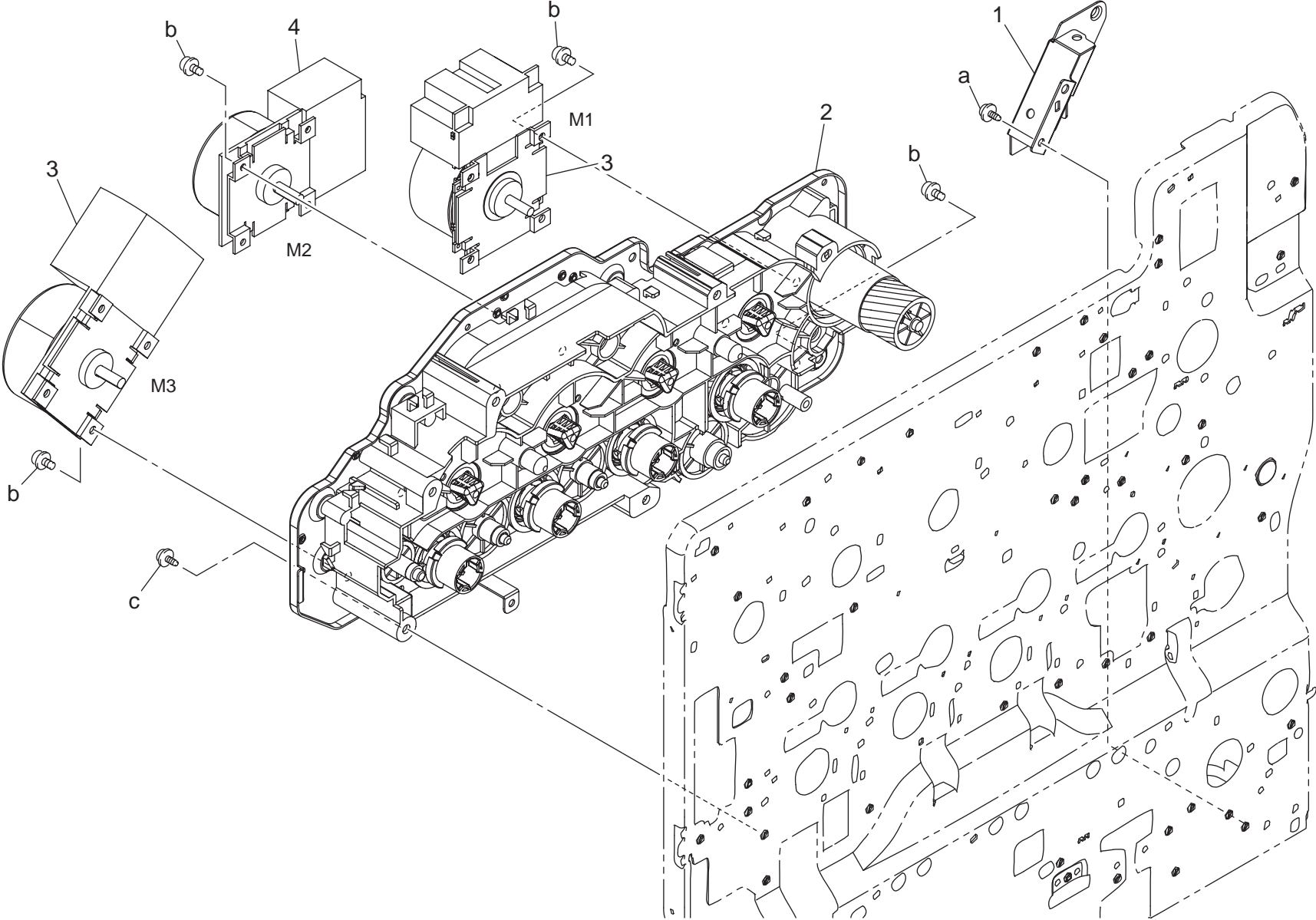
ERASER SECTION



ERASER SECTION

Key	Part No.	Description	Destinations	Class	QTY	Standard parts
1	4038 2199 02	SHIELD PLATE		C	1	a-9646 0308 14 b-9735 0306 14 c-9743 0308 14 d-9721 0300 01 e-9739 0308 14 f-9646 0316 14
2	4038 2182 01	BRACKET		D	1	
3	4038 2181 01	BRACKET		D	1	
4	9353 2400 11	LED PILOT LAMP		C	4	
5	4038 2015 02	BRACKET		D	1	
6	4038 2014 08	RAIL		D	4	
7	4038 7309 01	LABEL		D	4	
8	4038 2069 01	SLIDER		C	4	
9	4038 2072 04	PLATE SPRING		C	4	
10	4038 2198 02	SHIELD PLATE		C	3	
11	4038 2040 01	REINFORCE PLATE		D	4	
12	4038 2056 02	SEAL		C	1	
13	4038 2052 02	DUCT		D	1	
14	4038 2053 02	SEAL		C	1	
15	4038 2081 02	SEAL		C	1	
16	4038 2151 02	SEAL		C	8	
17	4038 2106 01	PIPE		D	3	
18	4038 2104 02	SEAL		C	4	
19	4038 2103 04	SHUTTER		D	4	
20	4038 2105 03	TORSION SPRING		C	4	
21	4038 2101 01	PIPE		D	1	
22	4038 2032 01	REINFORCE PLATE		D	4	
23	4038 2183 01	BRACKET		D	1	
24	4038 1273 00	POLYESTER FILM		C	1	
25	9J06 1015 01	SEAL		C	1	
26	9J06 1017 00	SEAL		C	1	
27	9J06 1016 00	SEAL		C	1	
28	9J06 1018 00	POLYESTER FILM		C	1	

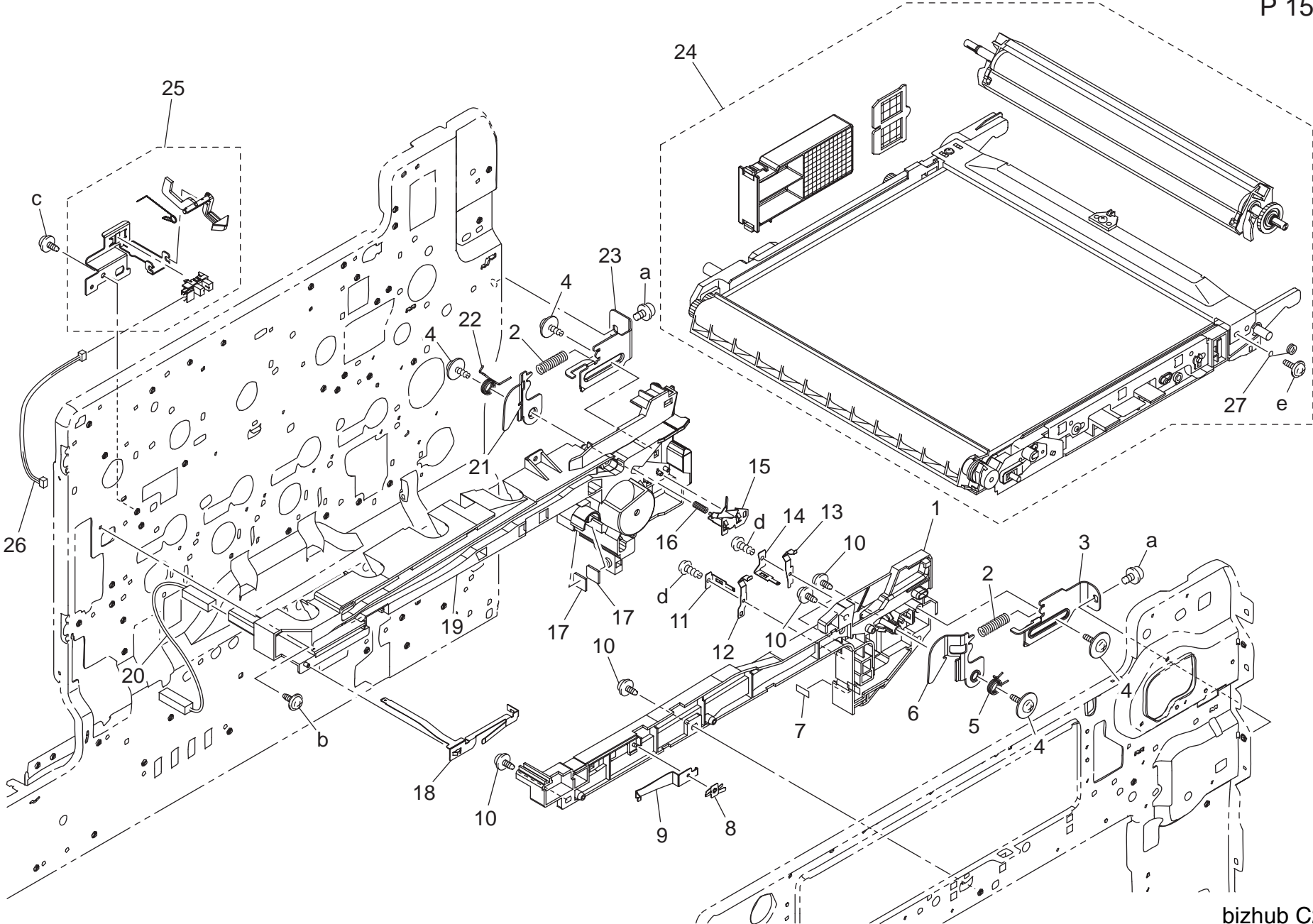
DEVELOPMENT DRIVE SECTION



DEVELOPMENT DRIVE SECTION

Key	Part No.	Description	Destinations	Class	QTY	Standard parts
1	4038 3517 02	REINFORCE PLATE		D	1	a-9735 0306 14 b-9646 0306 14 c-9735 0308 14
2	4038 R730 00	DEVELOP DRIVE ASSY		C	1	
3	4038 M101 00	MOTOR		B	2	
4	9314 2300 61	MOTOR		B	1	

TRANSFER BELT SECTION

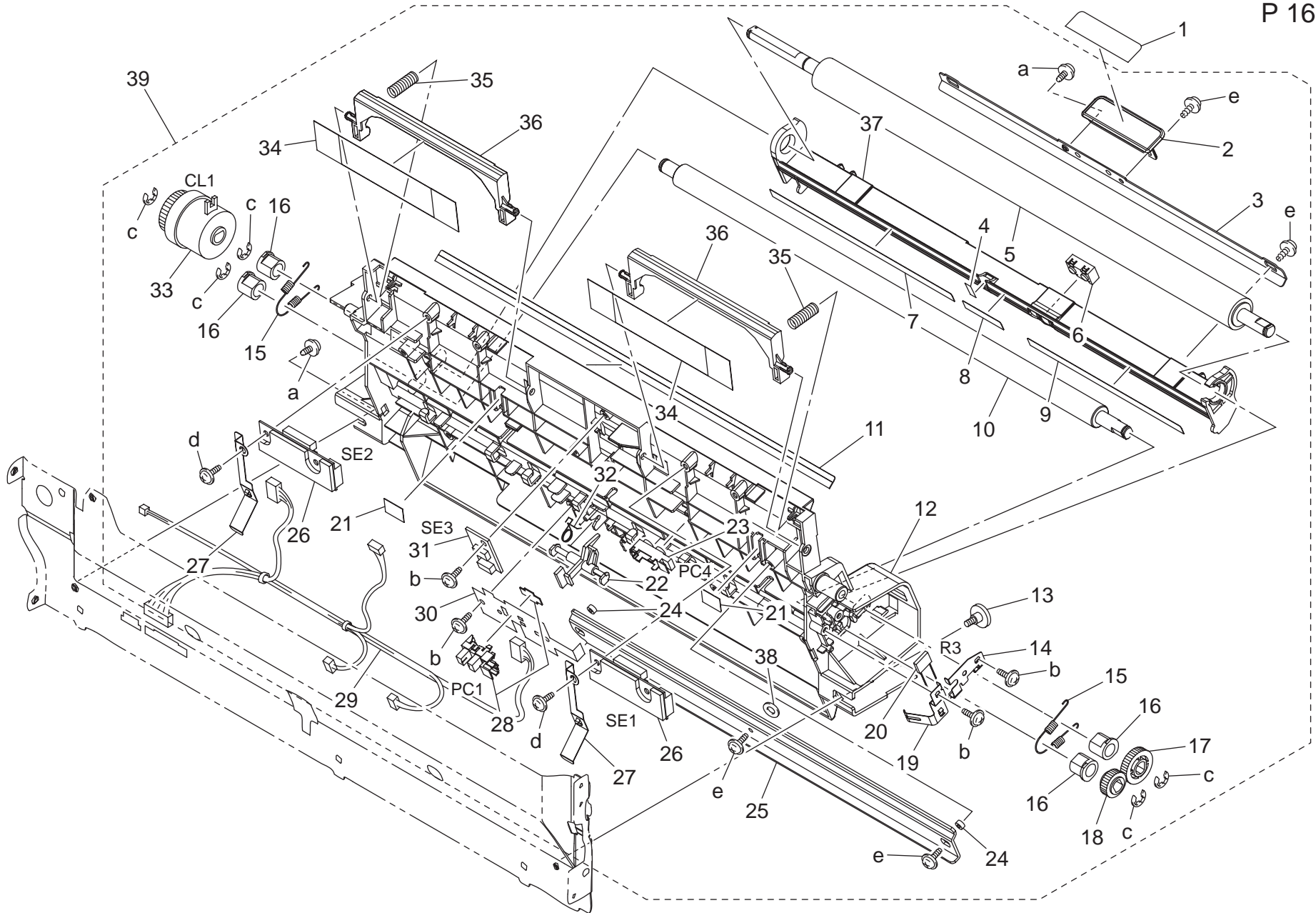


TRANSFER BELT SECTION

Key	Part No.	Description	Destinations	Class	QTY	Standard parts
1	4038 2023 18	RAIL		D	1	a-9646 0408 14 b-9735 0308 14 c-9735 0306 14 d-9732 0308 14 e-9739 0310 14
2	4038 2029 01	PRESSURE SPRING		C	2	
3	4038 2046 01	LEVER		C	1	
4	4163 5293 01	SCREW		C	4	
5	4038 2048 01	TORSION SPRING		C	1	
6	4038 2047 02	ARM		C	1	
7	4038 3594 01	SPACER		C	1	
8	4038 2080 01	CONTACT		C	1	
9	4038 2045 01	PLATE SPRING		D	1	
10	4154 3804 01	SCREW		C	4	
11	4038 2077 13	CONTACT		C	1	
12	4038 2152 13	CONTACT		C	1	
13	4038 2153 13	CONTACT		C	1	
14	4038 2078 13	CONTACT		C	1	
15	4038 2205 02	CONTACT		C	1	
16	4038 2207 01	PRESSURE SPRING		C	1	
17	4038 2151 02	SEAL		C	2	
18	4038 2217 01	CONTACT		C	1	
19	4038 2024 02	RAIL		D	1	
20	4038 6836 01	WIRE HARNESS ASSY		D	1	
21	4038 2027 01	ARM		C	1	
22	4038 2028 01	TORSION SPRING		C	1	
23	4038 2026 01	LEVER		C	1	
24	4038 R743 00	TRANSFER KIT		A	1	
25	4038 R733 00	SWITCH ASSY		C	1	
26	4038 6835 01	WIRE HARNESS ASSY		D	1	
27	4038 5002 00	CONTACT		C	1	

PAPER TRANSPORT SECTION

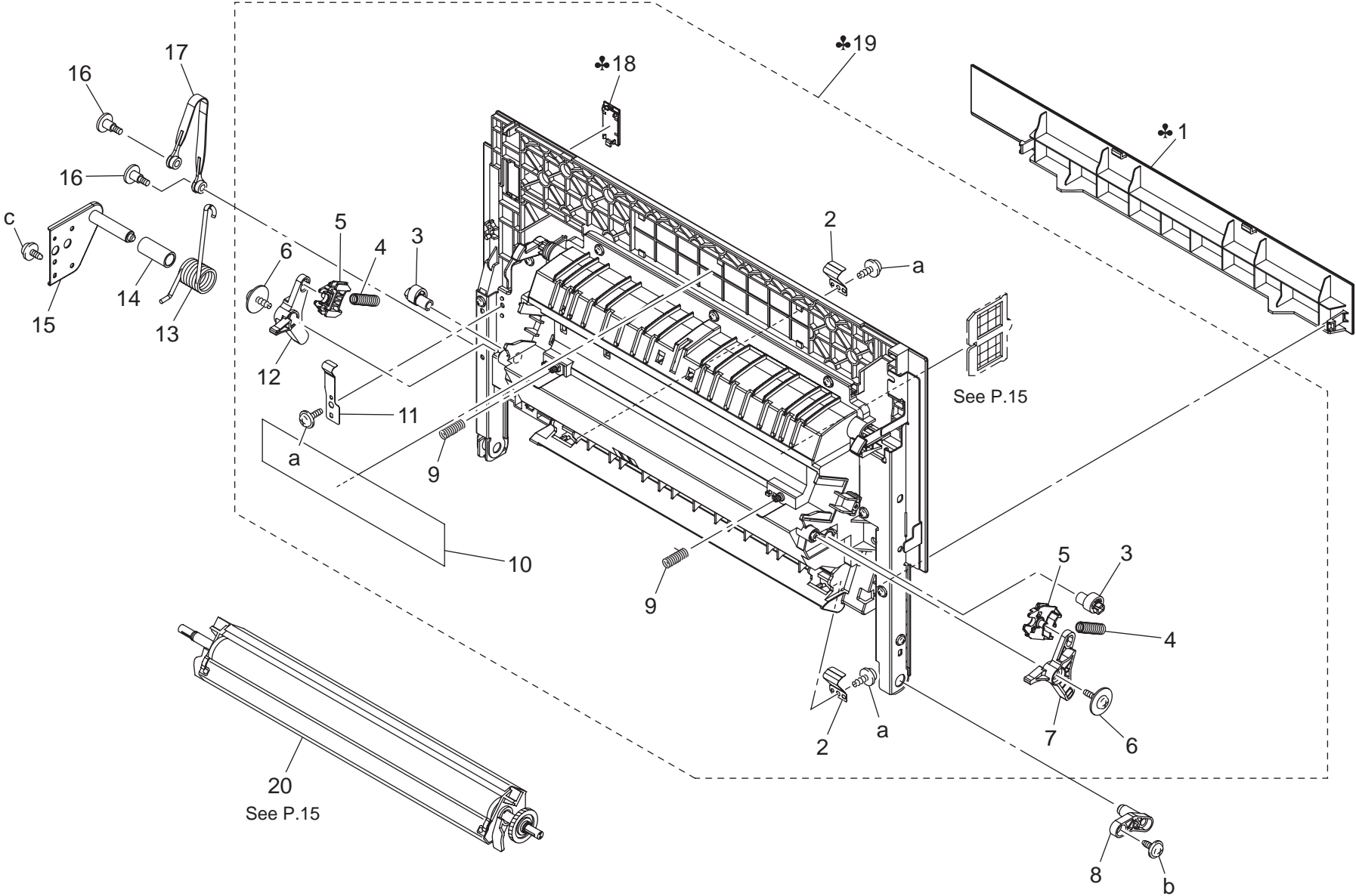
P 16



bizhub C252P

Key	Part No.	Description	Destinations	Class	QTY	Standard parts
1	4038 7303 01	LABEL M1		C	1	a-9735 0308 14 b-9739 0308 14 c-9721 0600 01 d-9739 0306 14 e-9739 0310 14
2	4038 3532 01	HANDLE		C	1	
3	4038 3529 02	REINFORCE PLATE		D	1	
4	4038 3539 01	GUIDE		C	1	
5	4038 3501 01	ROLLER		C	1	
6	9335 1400 21	SOLID STATE SWITCH		C	1	
7	4038 3537 01	GUIDE		C	1	
8	4038 3538 01	GUIDE		C	1	
9	4038 3536 01	GUIDE		C	1	
10	4038 3502 02	ROLLER		C	1	
11	4038 3540 03	GUIDE		C	1	
12	4038 7022 00	GUIDE		D	1	
13	4038 7023 00	SHOULDER SCREW		C	1	
14	4038 3530 01	EARTH GROUND		D	1	
15	4038 3525 01	TENSION SPRING		C	2	
16	4025 3572 01	BUSHING		C	4	
17	4004 3503 02	GEAR 20T		C	1	
18	4004 3504 02	GEAR 14T		C	1	
19	4038 3567 01	PLATE SPRING		D	1	
20	9455 8076 01	RESISTOR		D	1	
21	4128 3522 01	SEAL		C	2	
22	4038 3562 01	ACTUATOR		C	1	
23	9335 1400 11	PRISM		C	1	
24	4038 3593 01	WASHER		C	2	
25	4038 3592 01	REINFORCE PLATE		D	1	
26	9372 1300 12	PHOTO SENSING ELEMENT		B	2	
27	4038 3531 02	EARTH GROUND		D	2	
28	4037 0906 01	PHOTO INTERRUPTER		B	1	
29	4038 6830 02	WIRE HARNESS ASSY		D	1	
30	4038 3561 03	BRACKET		D	1	
31	9372 5400 31	HUMIDITY CONVERSION EL.		C	1	
32	1164 3527 02	TORSION SPRING		C	1	
33	9322 1300 21	CLUTCH		B	1	
34	4038 3556 01	SEAL		C	2	
35	4038 3559 01	PRESSURE SPRING		C	2	
36	4038 3558 02	COVER		C	2	
37	4038 3527 03	GUIDE		D	1	
38	4038 5603 00	SPACER		D	1	
39	4038 R759 00	TRANSPORT UNIT		S	1	

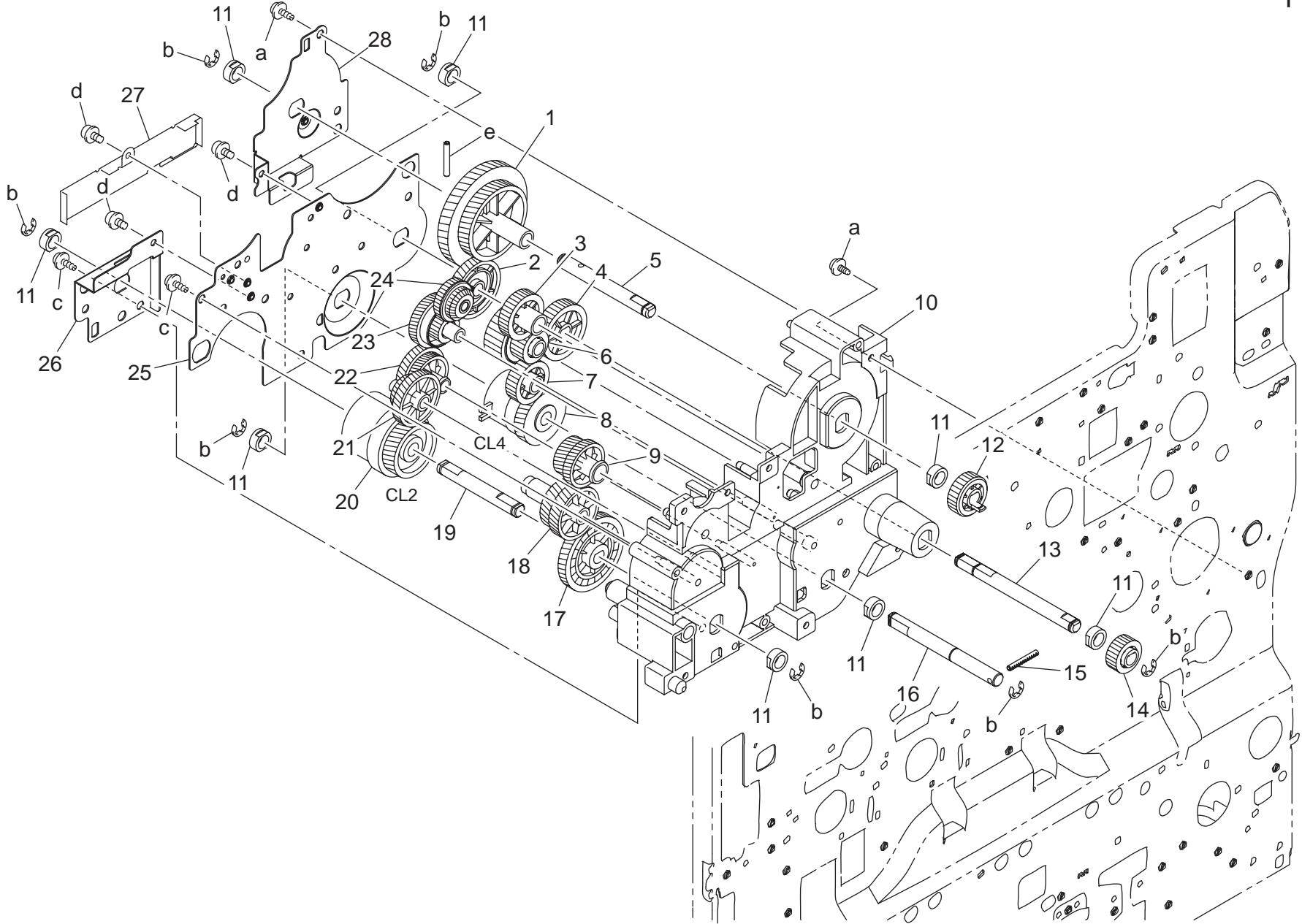
RIGHT DOOR SECTION



RIGHT DOOR SECTION

Key	Part No.	Description	Destinations	Class	QTY	Standard parts
1	4038 3515 02	COVER	A,A1	C	1	a-9739 0308 14 b-9735 0308 14 c-9735 0306 14
1	4066 3770 03	COVER	B,C	C	1	
2	4038 3520 01	PLATE SPRING		D	2	
3	4038 3553 01	CAM		C	2	
4	4038 4611 01	PRESSURE SPRING		C	2	
5	4038 3542 02	HOLDER		D	2	
6	4163 5293 01	SCREW		C	2	
7	4038 3551 01	LEVER		C	1	
8	4038 3516 01	SHAFT		D	1	
9	4038 4620 01	PRESSURE SPRING		C	2	
10	4038 7302 02	LABEL JAM		D	1	
11	4038 3571 02	CONTACT		D	1	
12	4038 3552 01	LEVER		C	1	
13	4038 3512 02	TORSION SPRING		C	1	
14	4038 3534 01	COLLAR		C	1	
15	4038 0210 01	BRACKET ASSY		D	1	
16	4038 3511 02	SHOULDER SCREW		C	2	
17	4038 3523 01	STOPPER		C	1	
18	4038 3521 01	COVER	A,A1	C	1	
19	4038 R771 00	DOOR ASSY	A,A1	S	1	
19	4038 R772 00	DOOR ASSY	B,C	S	1	
20	4038 R742 00	ROLLER ASSY		C	1	

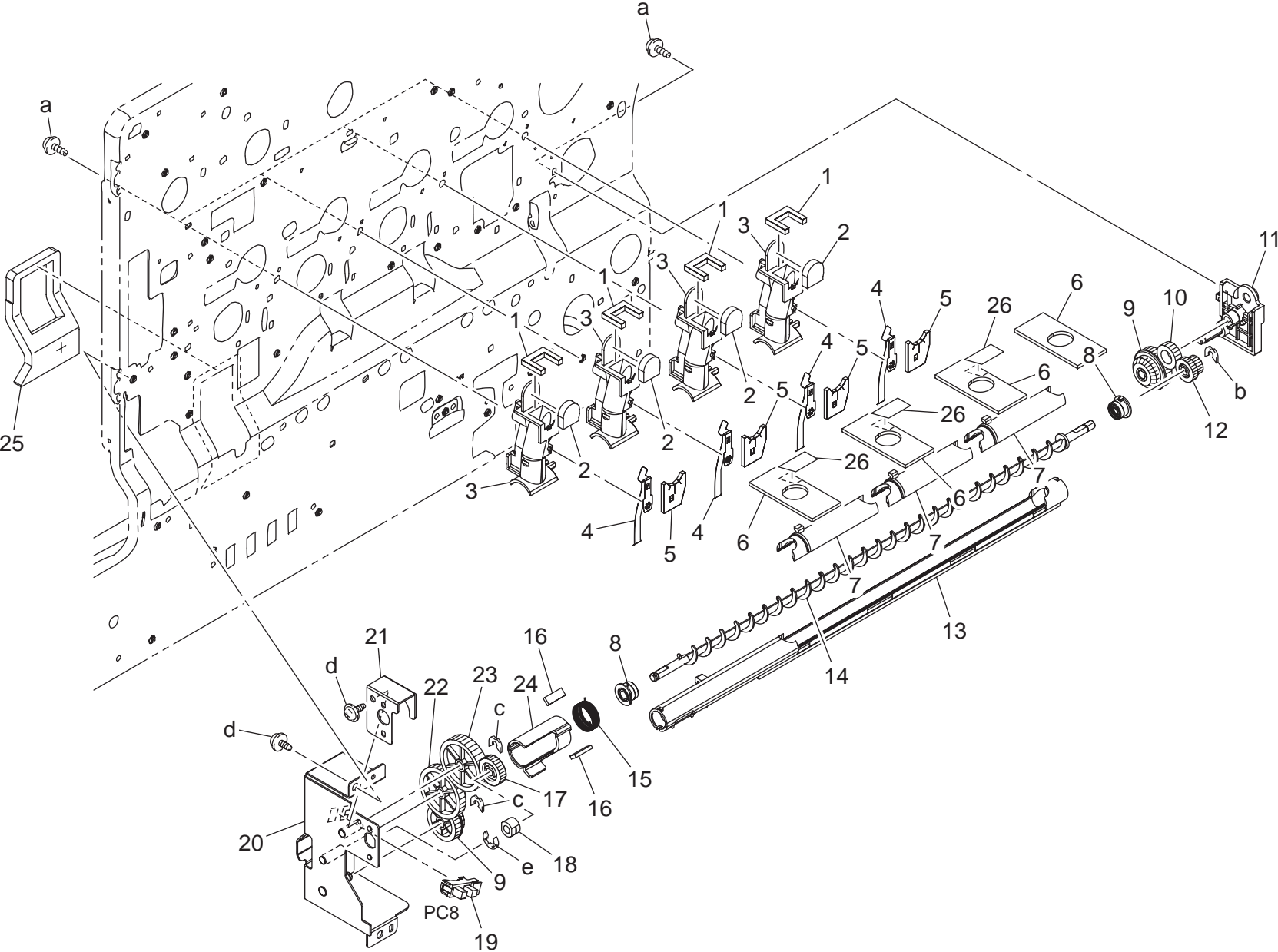
TRANSPORT DRIVE SECTION



TRANSPORT DRIVE SECTION

Key	Part No.	Description	Destinations	Class	QTY	Standard parts
1	4038 2513 01	GEAR 83/115T		C	1	a-9735 0308 14 b-9721 0500 01 c-9739 0410 14 d-9646 0306 14 e-9754 3022 08
2	4038 2520 01	GEAR 65T		C	1	
3	4038 2529 01	GEAR 26T		C	1	
4	4038 2599 01	GEAR 32T		C	1	
5	4038 2524 01	SHAFT		D	1	
6	4038 2531 01	GEAR 32/18T		C	1	
7	4038 2532 01	GEAR 24T		C	1	
8	9322 1400 21	CLUTCH		C	1	
9	4038 2551 01	GEAR 49/44T		C	1	
10	4038 2526 01	HOLDER		D	1	
11	4658 3516 01	BUSHING		C	8	
12	4038 2519 01	GEAR 22T		C	1	
13	4038 2535 01	SHAFT		D	1	
14	4038 2598 01	GEAR 18T		C	1	
15	4038 2699 01	PIN		C	1	
16	4038 2515 01	SHAFT		D	1	
17	4038 2514 01	GEAR 50T		C	1	
18	4038 2549 01	GEAR 37/50T		C	1	
19	4038 2523 01	SHAFT		D	1	
20	9322 1300 31	CLUTCH		C	1	
21	4038 2517 01	GEAR 22/38T		C	1	
22	4038 2508 01	GEAR 55/31T		C	1	
23	4038 2578 01	GEAR 20/56T		C	1	
24	4004 2545 01	GEAR 18/30T		C	1	
25	4038 2539 01	HOLD PLATE		D	1	
26	4038 2536 01	HOLD PLATE		D	1	
27	4038 2253 01	SHIELD		D	1	
28	4038 2597 01	HOLD PLATE		D	1	

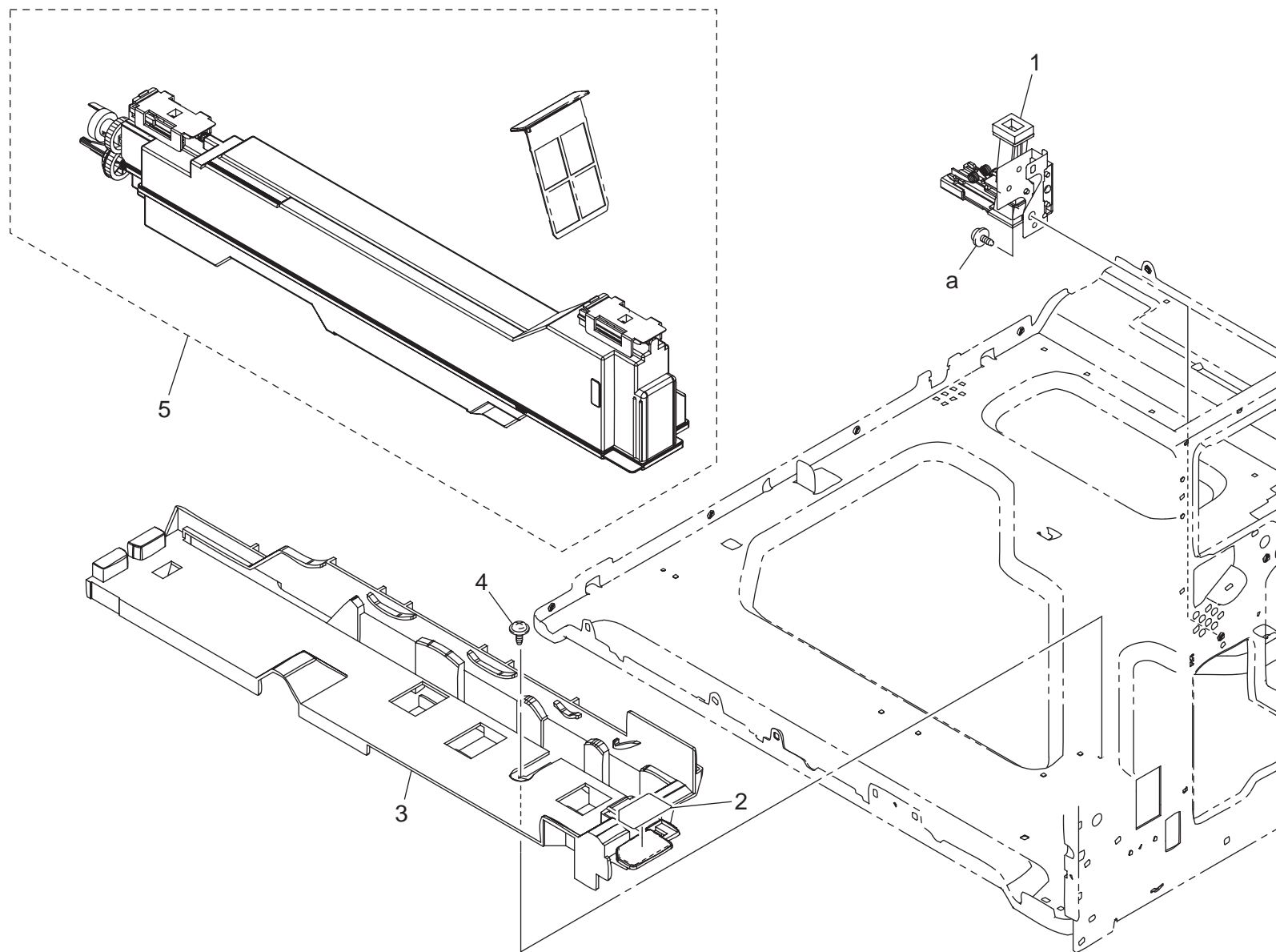
WASTE TONER TRANSPORT SECTION



WASTE TONER TRANSPORT SECTION

Key	Part No.	Description	Destinations	Class	QTY	Standard parts
1	4038 2118 01	SEAL		C	4	a-9739 0308 14 b-4425 3001 01 c-4425 3002 01 d-9735 0306 14 e-9721 0300 01
2	4038 2076 01	SEAL		C	4	
3	4038 2116 04	PIPE		D	4	
4	4038 2131 07	STIRRING PLATE		D	4	
5	4038 2117 02	SEAL		C	4	
6	4038 2119 01	SEAL		C	4	
7	4038 2115 02	LID		D	3	
8	4004 5607 02	BUSHING		C	2	
9	4004 2545 01	GEAR 18/30T		C	2	
10	4038 2579 01	GEAR 18T		C	1	
11	4038 2586 01	HOLDER		D	1	
12	4004 5612 01	GEAR 18T		C	1	
13	4038 2111 02	PIPE		D	1	
14	4038 2112 04	SCREW		D	1	
15	4038 2114 01	TORSION SPRING		C	1	
16	4038 2143 01	SEAL		C	2	
17	4038 2142 01	GEAR 16T		C	1	
18	4038 2120 02	BUSHING		C	1	
19	9335 1300 61	PHOTO INTERRUPTER		B	1	
20	4038 0203 02	BRACKET ASSY		D	1	
21	4038 2089 01	STOP PLATE		D	1	
22	4038 2140 01	GEAR 32/30T		C	1	
23	4038 2130 01	GEAR 32T		C	1	
24	4038 2113 02	SHUTTER		D	1	
25	4038 2062 01	SEAL		C	1	
26	4038 1272 00	SEAL		C	3	

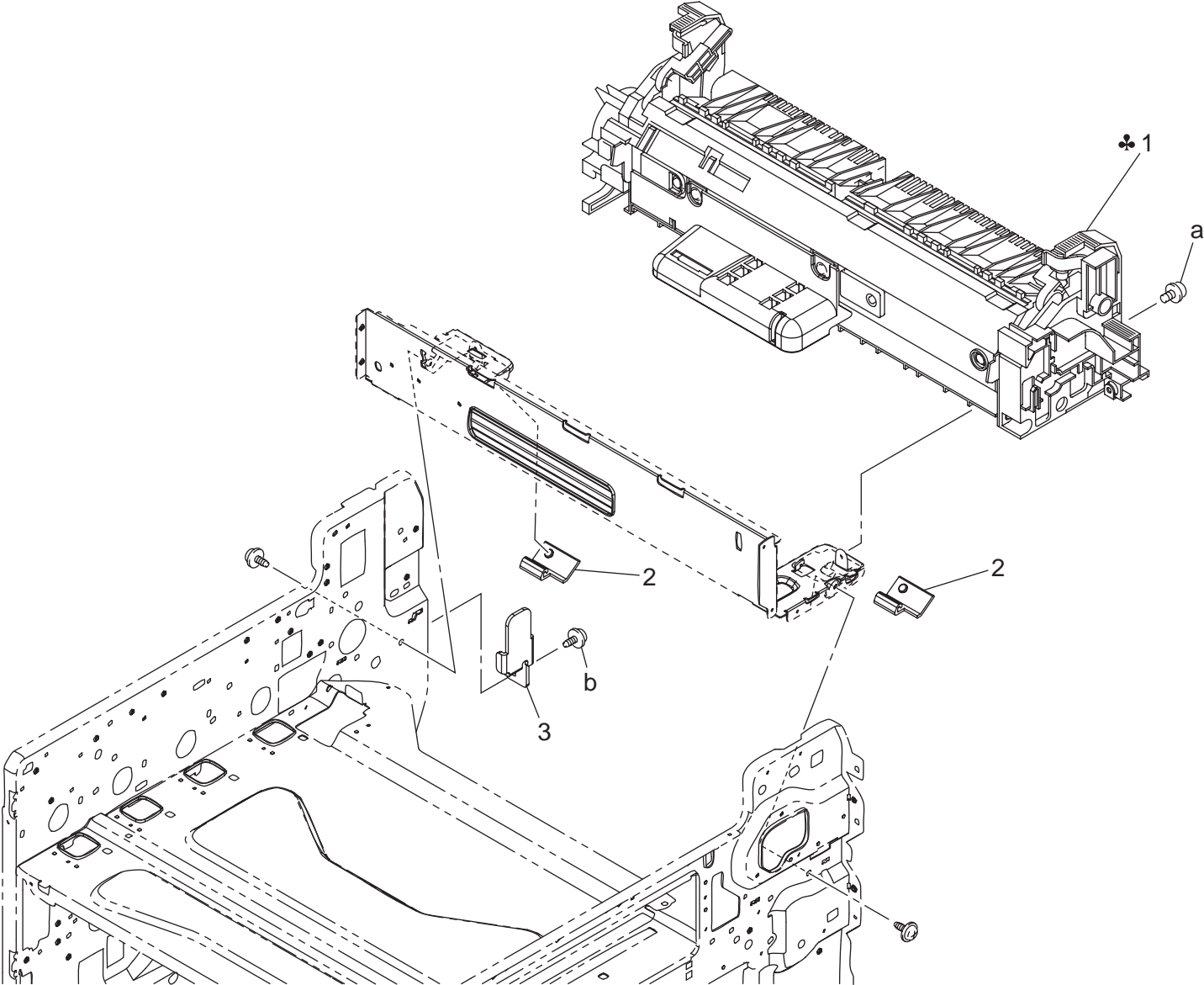
WASTE TONER BOX SECTION



WASTE TONER BOX SECTION

Key	Part No.	Description	Destinations	Class	QTY	Standard parts
1	4038 R732 00	TONER PIPE		C	1	a-9735 0306 14
2	4038 7311 02	LABEL		D	1	
3	4038 2013 04	RAIL		D	1	
4	4154 3804 01	SCREW		C	1	
5	4065 611	WASTE TONER BOX		A	1	

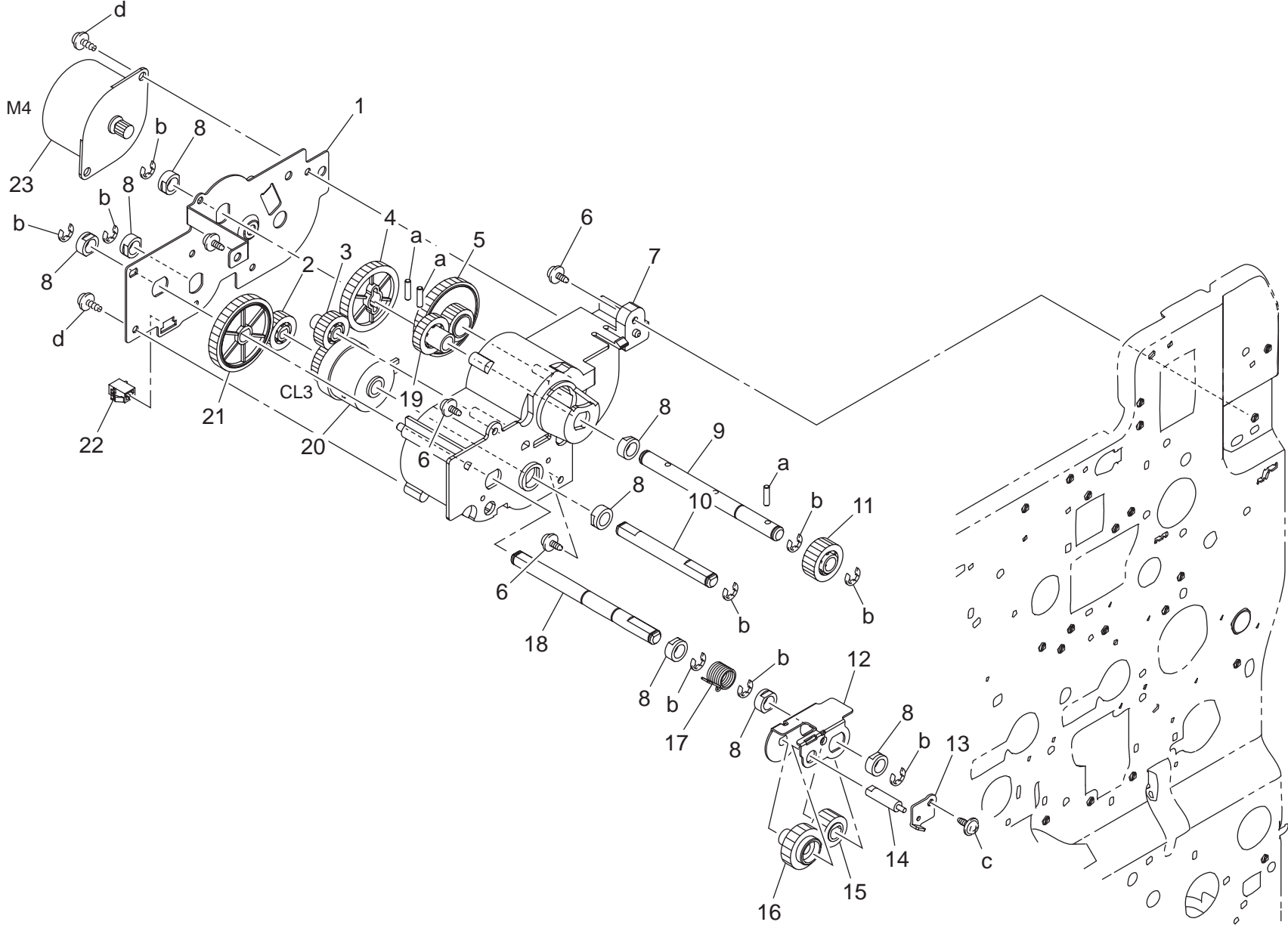
FUSING SECTION



FUSING SECTION

Key	Part No.	Description	Destinations	Class	QTY	Standard parts
1	4038 R721 00	FUSING UNIT 100V	A,A1	A	1	a-9646 0408 14 b-9735 0306 14
1	4038 R722 00	FUSING UNIT 100-127V	B	A	1	
1	4038 R723 00	FUSING UNIT 220-240V	C	A	1	
2	4038 2082 04	HOLDER		D	2	
3	4038 3735 01	BRACKET		D	1	

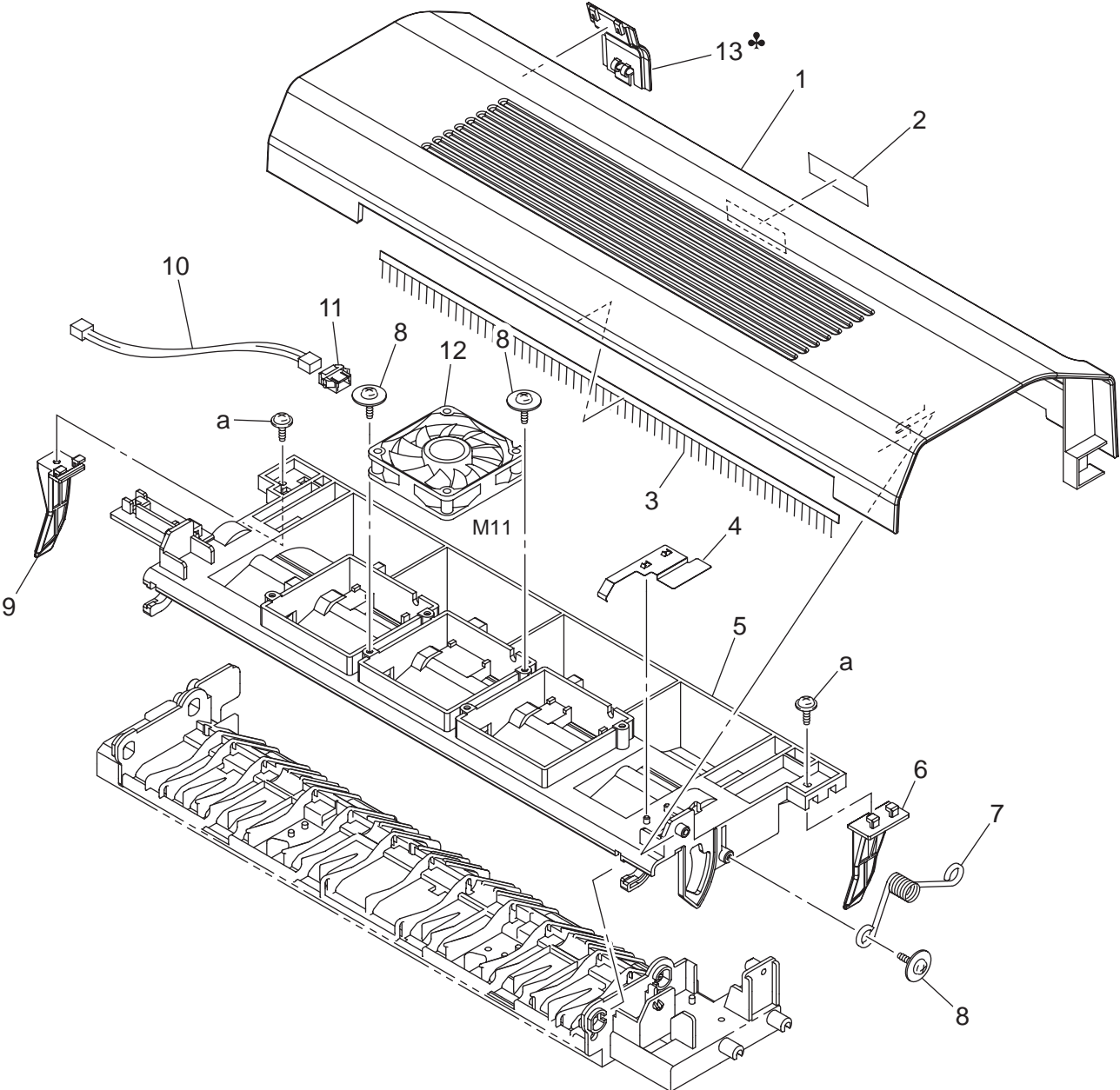
FUSING DRIVE SECTION



FUSING DRIVE SECTION

Key	Part No.	Description	Destinations	Class	QTY	Standard parts
1	4038 2556 01	BRACKET		D	1	a-9752 3012 50 b-9721 0500 01 c-9735 0306 14 d-9739 0308 14
2	4038 2592 01	GEAR 18T		C	1	
3	4038 2591 01	GEAR 18T		C	1	
4	4038 2540 01	GEAR 37T		C	1	
5	4038 2538 01	GEAR 81/17T		C	1	
6	4154 3804 01	SCREW		C	3	
7	4038 2557 01	HOLDER		D	1	
8	4658 3516 01	BUSHING		C	8	
9	4038 2573 01	SHAFT		D	1	
10	4038 2596 01	SHAFT		D	1	
11	4038 2574 01	GEAR 20T		C	1	
12	4038 2576 01	BRACKET		D	1	
13	4038 2577 01	BRACKET		D	1	
14	4038 2588 01	SHAFT		D	1	
15	4038 2580 01	GEAR 16T		C	1	
16	4038 2575 01	GEAR 22T		C	1	
17	4038 2600 02	TORSION SPRING		C	1	
18	4038 2587 01	SHAFT		D	1	
19	4038 2541 01	GEAR 20T		C	1	
20	9322 1300 21	CLUTCH		B	1	
21	4038 2593 02	GEAR 41T		C	1	
22	9383 2210 11	CONNECTOR 2P		D	1	
23	9314 1400 71	MOTOR		C	1	

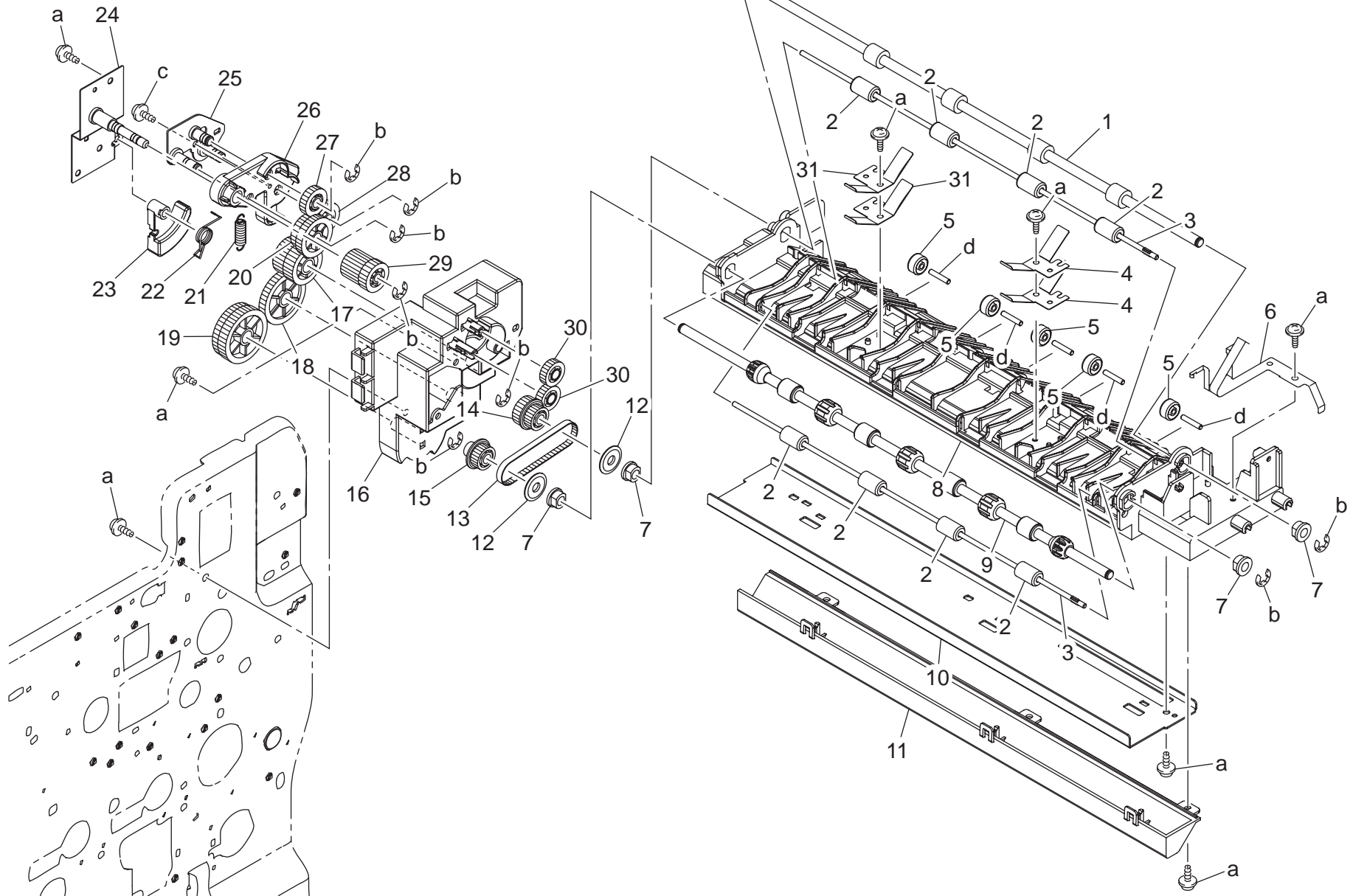
PAPER EXIT SECTION



PAPER EXIT SECTION

Key	Part No.	Description	Destinations	Class	QTY	Standard parts
1	4038 5881 05	COVER		C	1	a-9739 0308 14
2	4038 7304 01	LABEL EXIT COVER		C	1	
3	4038 5856 01	NEUTRALIZING BRUSH		D	1	
4	4038 5886 03	EARTH GROUND		D	1	
5	4038 5883 03	GUIDE		C	1	
6	4038 5894 03	LEVER		C	1	
7	4038 5896 02	TORSION SPRING		C	1	
8	4163 5293 01	SCREW		C	3	
9	4038 5895 03	LEVER		C	1	
10	4038 6835 01	WIRE HARNESS ASSY		D	1	
11	9383 2210 41	CONNECTOR 3P		D	1	
12	9313 1300 41	FAN MOTOR		C	1	
13	4038 5852 02	COVER	A,A1	C	1	

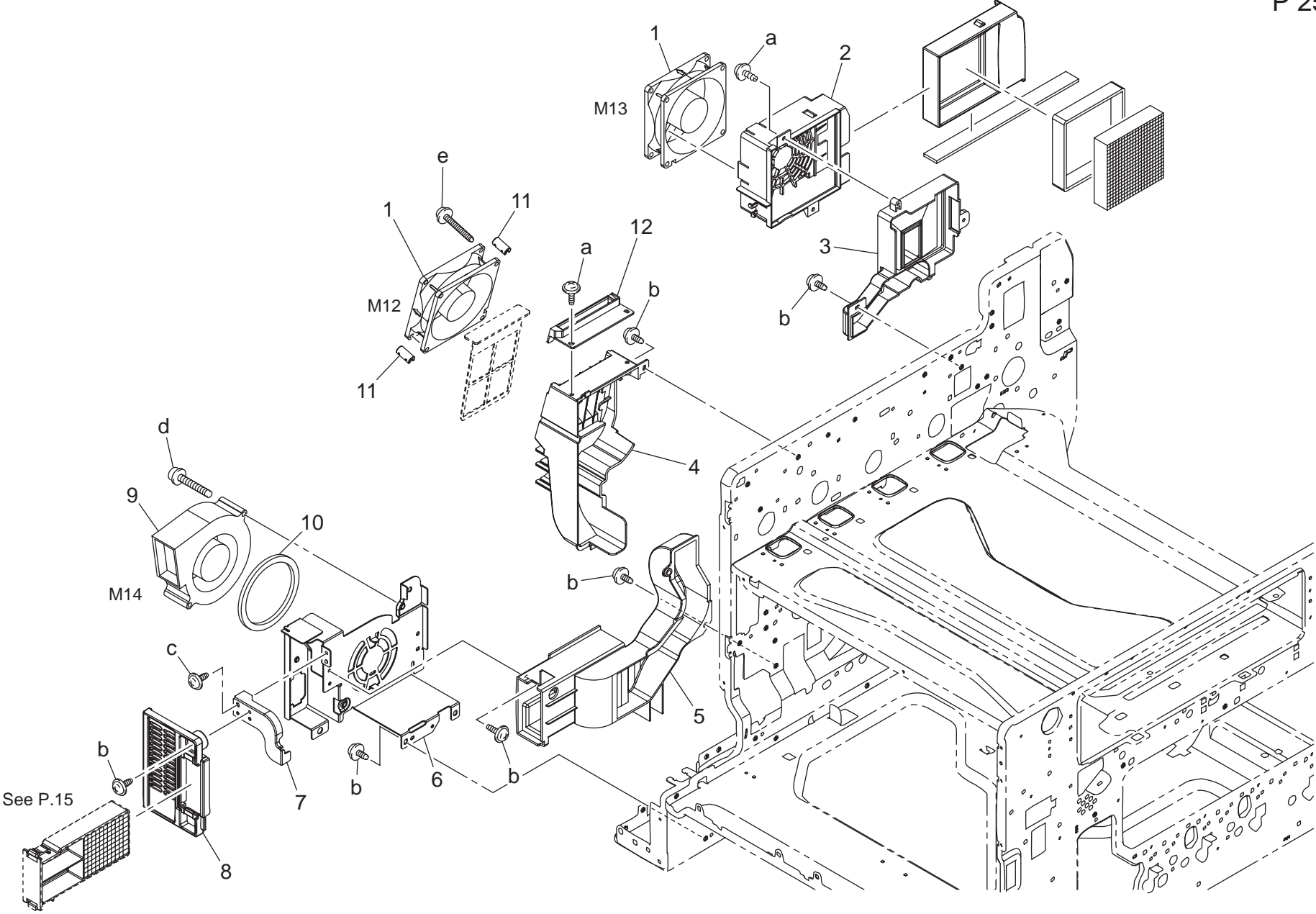
PAPER EXIT DRIVE SECTION



PAPER EXIT DRIVE SECTION

Key	Part No.	Description	Destinations	Class	QTY	Standard parts
1	4038 5887 01	ROLLER		C	1	a-9739 0308 14 b-9721 0400 01 c-9739 0306 14 d-9752 3016 50
2	4038 5915 01	ROLL		C	8	
3	4025 5984 01	SHAFT		D	2	
4	4038 5890 02	PLATE SPRING		D	2	
5	4139 5577 01	COLLAR		C	5	
6	4038 5891 02	EARTH GROUND		D	1	
7	4038 5860 01	BUSHING		C	4	
8	4038 5884 03	GUIDE		D	1	
9	4038 5901 01	ROLLER		C	1	
10	4038 5885 01	BRACKET		D	1	
11	4038 5869 01	DUCT		D	1	
12	1200 1646 03	WASHER		D	2	
13	4038 5893 01	TIMING BELT 144L		C	1	
14	4038 5897 01	PULLEY 24/16T		C	1	
15	4038 5898 01	PULLEY 24T		C	1	
16	4038 5889 02	HOLDER		D	1	
17	4038 5870 01	GEAR 23/21T		C	1	
18	4038 5873 01	GEAR 32T		C	1	
19	4038 5879 01	GEAR 33/32T		C	1	
20	4038 5877 02	GEAR 24/20T		C	1	
21	4038 5862 01	TENSION SPRING		C	1	
22	4038 5864 01	TORSION SPRING		C	1	
23	4038 5863 01	LEVER		C	1	
24	4038 0212 01	BRACKET ASSY		D	1	
25	4038 0213 01	BRACKET ASSY		D	1	
26	4038 5861 02	LEVER		C	1	
27	4038 5874 01	GEAR 16T		C	1	
28	4038 5872 02	GEAR 18T		C	1	
29	4038 5871 02	GEAR 17/16T		C	1	
30	4038 5876 01	GEAR 14T		C	2	
31	4038 5888 02	PLATE SPRING		D	2	

REAR DUCT SECTION

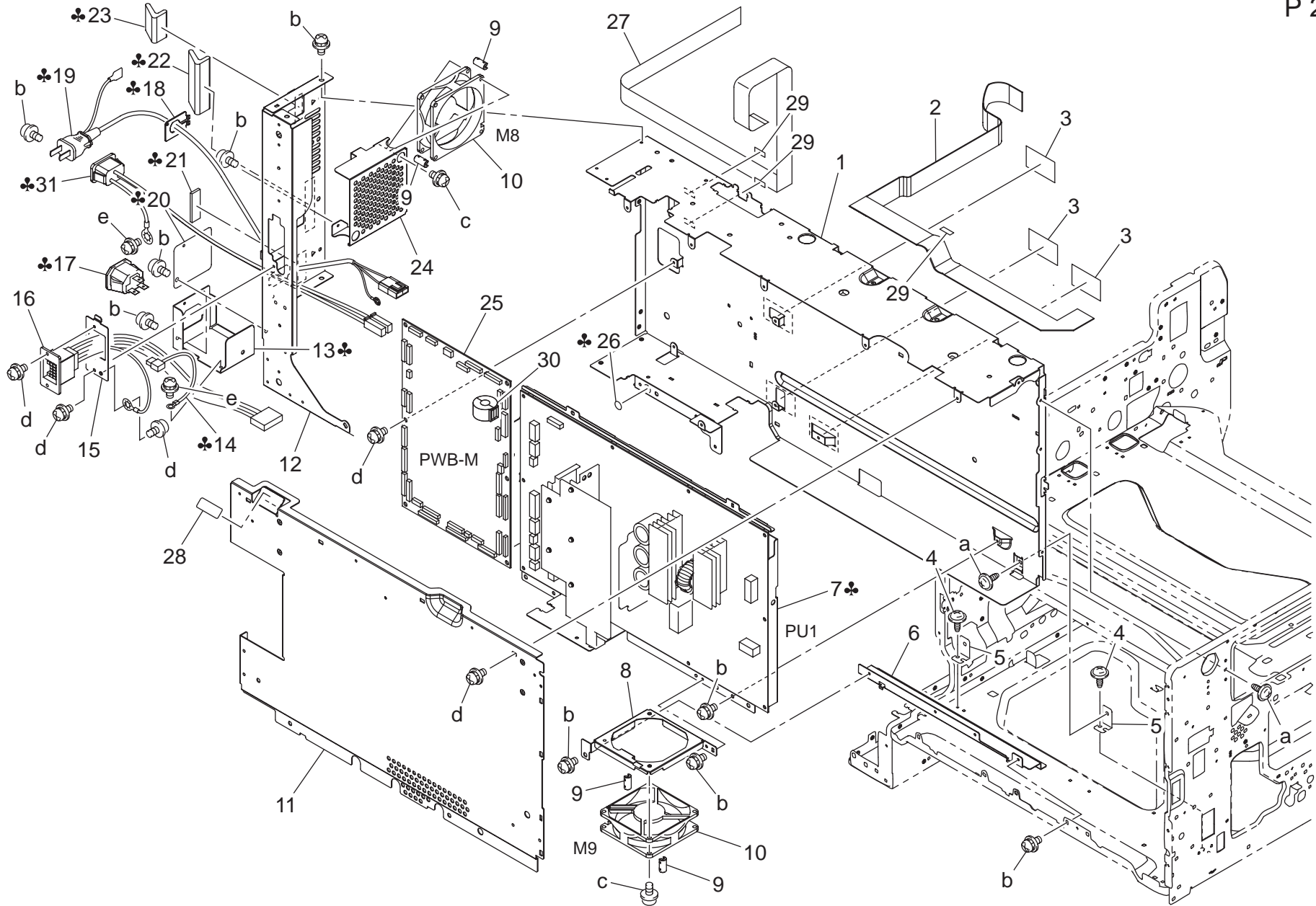


bizhub C252P

REAR DUCT SECTION

Key	Part No.	Description	Destinations	Class	QTY	Standard parts
1	9313 1400 81	FAN MOTOR		C	2	a-9739 0308 14 b-9735 0308 14 c-9735 0306 14 d-9646 0440 14 e-9739 0335 14
2	4038 2031 01	DUCT		D	1	
3	4038 2033 01	DUCT		D	1	
4	4038 2034 04	DUCT		D	0	
5	4038 2055 02	DUCT		D	1	
6	4038 2241 02	BRACKET		D	1	
7	4038 2237 01	BRACKET		D	1	
8	4038 1018 02	LEFT COVER		C	1	
9	9313 1000 72	FAN MOTOR		C	1	
10	4004 2148 01	SEAL		C	1	
11	4038 2309 01	COLLAR		C	0	
12	4038 2195 03	RAIL		D	0	

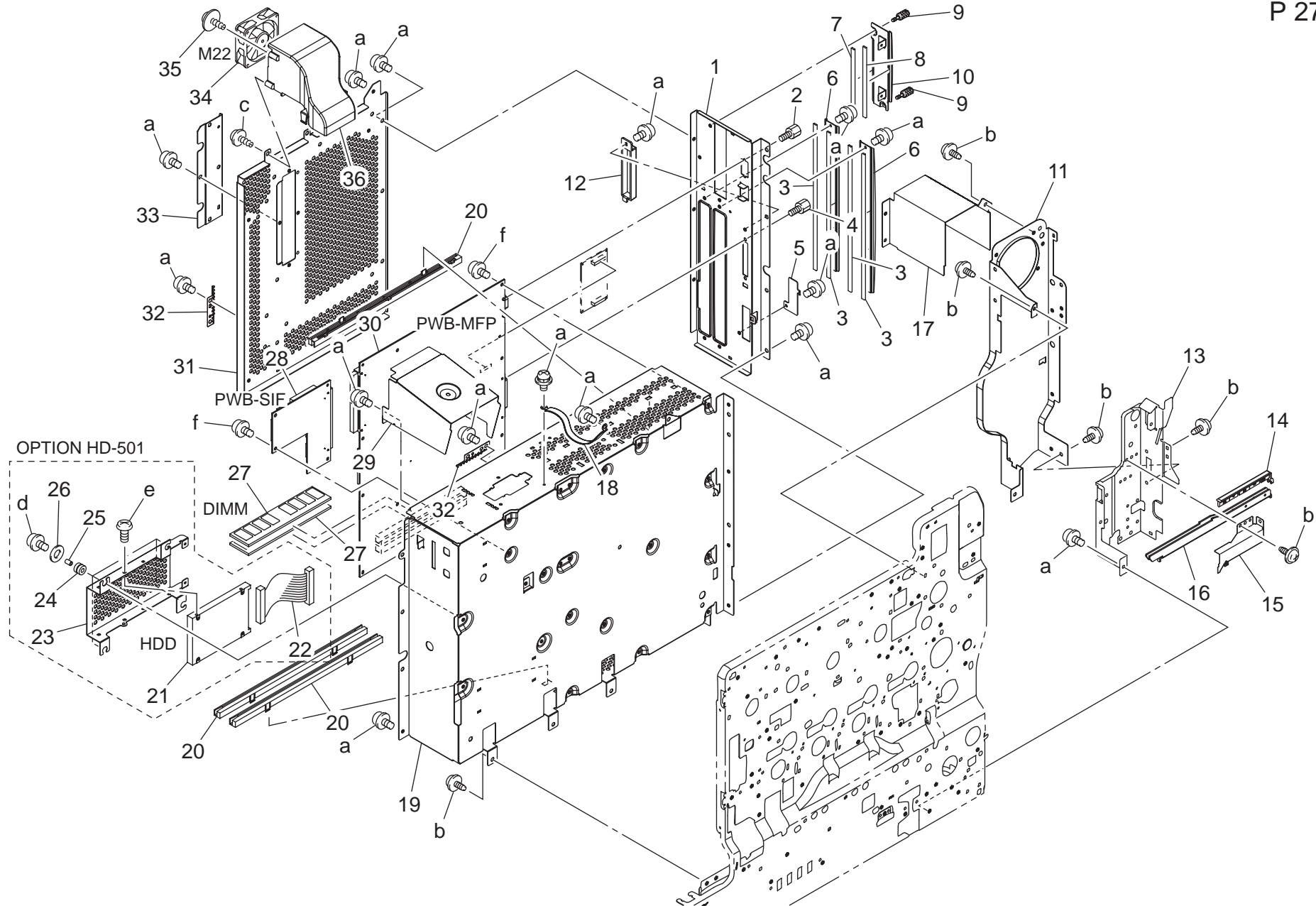
POWER UNIT



POWER UNIT

Key	Part No.	Description	Destinations	Class	QTY	Standard parts
1	4038 2401 08	FRAME		D	1	a-9735 0306 14 b-9646 0306 14 c-9646 0330 14 d-9646 0308 14 e-9646 0408 14
2	4038 6847 01	WIRE HARNESS ASSY		C	1	
3	4038 2178 01	SEAL		C	3	
4	4154 3804 01	SCREW		C	2	
5	4038 2071 02	BRACKET		D	2	
6	4038 2307 02	GUIDE		D	1	
7	4038 6201 02	POWER SUPPLY	A,B	I	1	
7	4038 6202 02	POWER SUPPLY	C	I	1	
8	4038 2308 02	BRACKET		D	1	
9	4038 2309 01	COLLAR		C	4	
10	9313 1400 81	FAN MOTOR		C	2	
11	4038 2304 02	COVER		D	1	
12	4038 2402 05	BRACKET		D	1	
13	4038 2314 03	BRACKET	A,A1	D	1	
14	4025 6805 01	WIRE HARNESS ASSY	A,A1	D	1	
15	9J06 2403 01	COVER		D	1	
16	9J06 6814 01	WIRE HARNESS ASSY		D	1	
17	9383 5000 11	JACK	A,A1	D	1	
18	4037 2239 02	BRACKET	A,A1	D	1	
19	4037 0775 01	POWER CORD	A,A1	D	1	
20	4038 2316 01	REINFORCE PLATE	B,C	D	1	
21	4037 6751 01	ELECTRICALLY CONDUCTIVE MATERIAL	C	D	1	
22	9384 4300 11	ELECTRICALLY CONDUCTIVE MATERIAL	C	C	1	
23	9384 4300 21	ELECTRICALLY CONDUCTIVE MATERIAL	C	C	1	
24	4038 2406 02	BRACKET		D	1	
25	4038 H001 01	PWB ASSY		I	1	
26	1500 2320 02	LABEL EARTH	A,A1	D	1	
27	4038 6848 01	WIRE HARNESS ASSY		C	1	
28	4038 1050 01	SEAL		C	1	
29	4109 5530 01	STOPPER		C	3	
30	9326 1410 31	FERRITE CORE		D	1	
31	4038 6807 01	WIRE HARNESS ASSY	B,C	D	1	

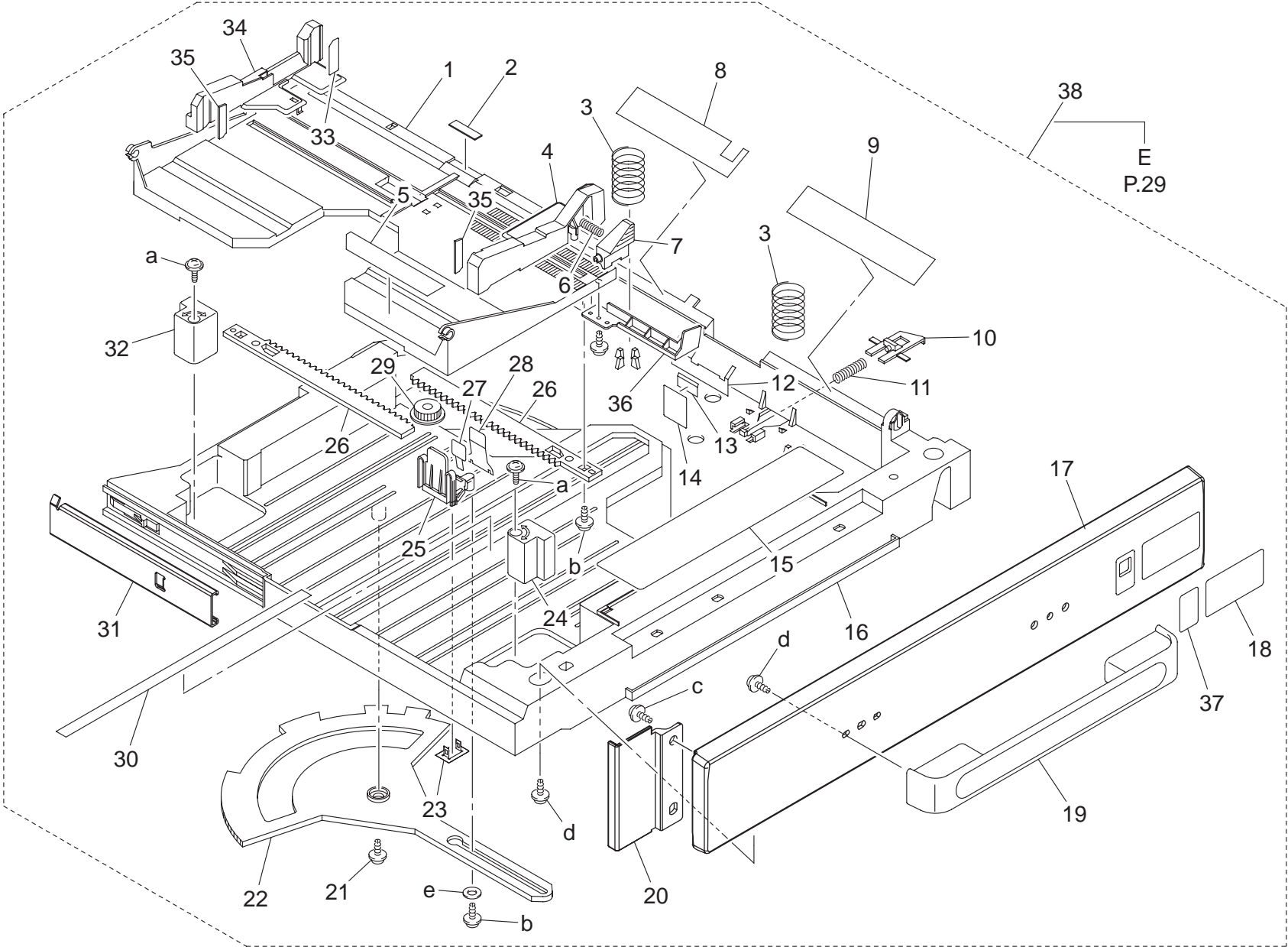
ELECTRICAL COMPONENTS



ELECTRICAL COMPONENTS

Key	Part No.	Description	Destinations	Class	QTY	Standard parts
1	4038 2303 02	BRACKET		D	1	a-9646 0306 14 b-9735 0306 14 c-9739 0308 14 d-9646 0316 14 e-9654 0304 14 f-9646 0308 14
2	4025 2283 01	SCREW		D	2	
3	4037 6776 01	ELECTRICALLY CONDUCTIVE MATERIAL		D	4	
4	4581 2269 04	SHOULDER SCREW		C	2	
5	4037 2242 01	COVER		D	1	
6	4037 2247 01	COVER		D	2	
7	4037 6778 02	ELECTRICALLY CONDUCTIVE MATERIAL		D	1	
8	4037 6777 01	ELECTRICALLY CONDUCTIVE MATERIAL		D	1	
9	4037 2220 02	SHOULDER SCREW		C	2	
10	4037 2219 02	BRACKET		D	1	
11	4038 1502 03	HOLD PLATE		D	1	
12	4038 2315 01	COVER		D	0	
13	4038 2074 05	REINFORCE PLATE		D	1	
14	4038 2036 01	CAP		C	1	
15	4038 2075 02	REINFORCE PLATE		D	1	
16	4038 2073 01	REINFORCE PLATE		D	1	
17	4038 2405 01	DUCT		D	1	
18	4037 6812 01	WIRE HARNESS ASSY		D	1	
19	4038 2301 04	SHIELD BOX		D	1	
20	4004 2203 01	GUIDE		D	3	
21	4037 6095 01	HARD DISK DRIVE	(OPTION)	I	1	
22	4036 6870 01	WIRE HARNESS ASSY	(OPTION)	D	1	
23	4038 2312 01	BRACKET	(OPTION)	D	1	
24	4025 2294 01	BUSHING	(OPTION)	C	4	
25	4025 2295 01	COLLAR	(OPTION)	C	4	
26	4038 1351 00	WASHER	(OPTION)	C	4	
27	4037 6076 01	DIMMO		C	2	
28	4038 0123 03	PWB-SIF		I	1	
29	4038 2404 03	DUCT		D	0	
30	4038 0121 06	PWB-MFP		I	1	
31	4038 2302 01	LID		D	1	
32	4038 1510 01	PLATE SPRING		D	2	
33	4037 2244 01	COVER		D	1	
34	9313 1300 41	FAN MOTOR		C	1	
35	4163 5293 01	SCREW		C	2	
36	4038 2410 01	DUCT		D	1	

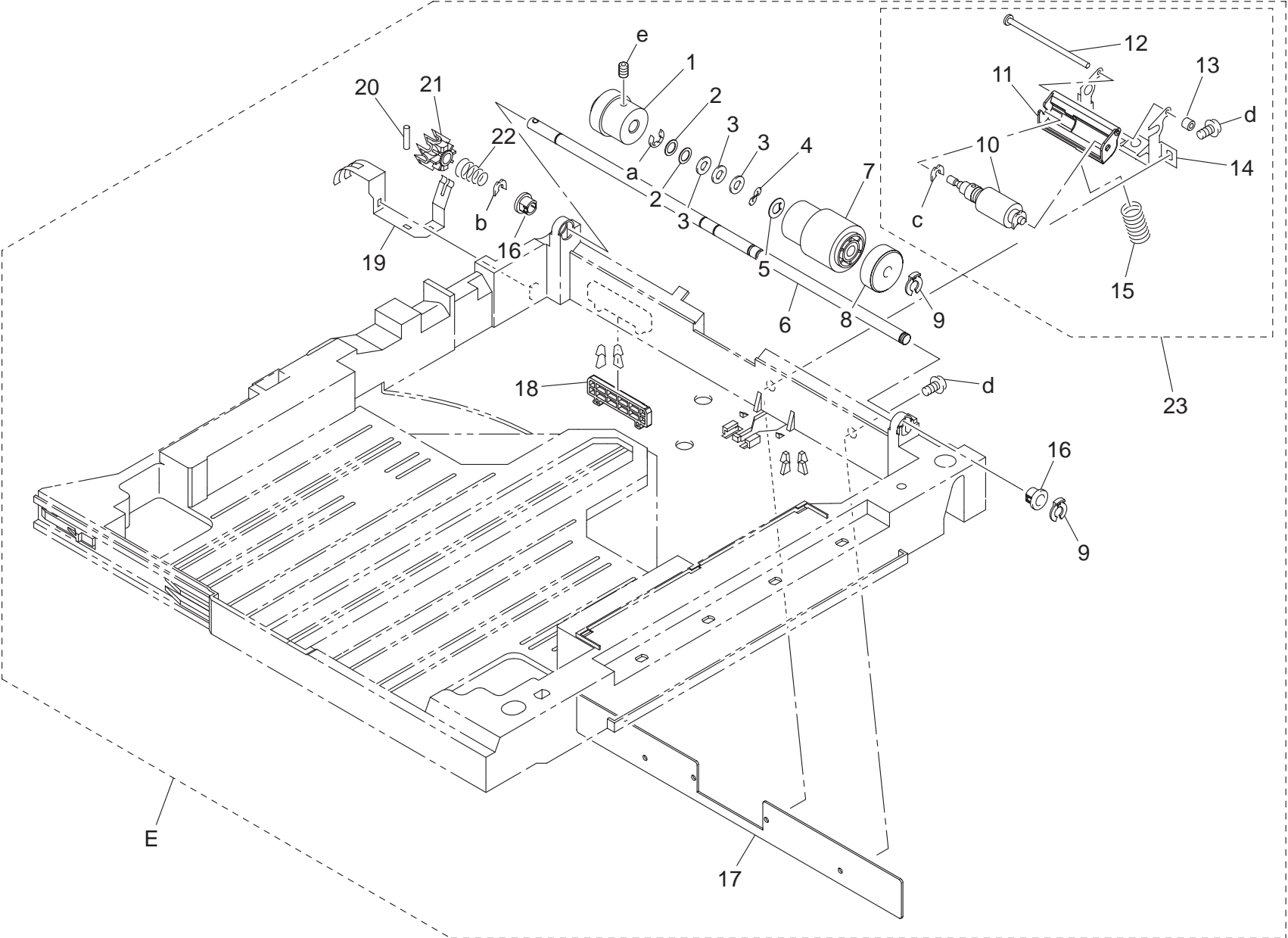
MPT CASSETTE TRAY SECTION



MPT CASSETTE TRAY SECTION

Key	Part No.	Description	Destinations	Class	QTY	Standard parts
1	4036 3022 03	LIFTING PLATE		D	1	a-9739 0308 14 b-9739 0310 14 c-9739 0408 14 d-9739 0410 14 e-9716 0300 01
2	4687 3281 01	FRICTION SHEET		C	1	
3	4134 3106 01	PRESSURE SPRING		C	2	
4	4036 3008 01	REGULATING PLATE		C	1	
5	4036 7314 01	LABEL MP CD		D	1	
6	4038 5601 00	PRESSURE SPRING		C	1	
7	4037 3210 01	LEVER		C	1	
8	4004 3040 02	GUIDE		C	1	
9	4004 3024 01	GUIDE		C	1	
10	1164 3061 01	LEVER		C	1	
11	1164 3062 01	PRESSURE SPRING		C	1	
12	4004 3033 01	GUIDE PLATE		D	1	
13	4004 3038 01	GUIDE		C	1	
14	4004 3008 01	SEAL		C	1	
15	4038 7337 01	LABEL PAPER SUPPLY		C	1	
16	4036 3021 02	CASSETTE		D	1	
17	4038 3020 03	COVER		C	1	
18	4038 7321 01	LABEL NUMBER		C	1	
19	4036 3025 01	HANDLE		C	1	
20	4038 3071 02	COVER		C	1	
21	4163 5293 01	SCREW		C	1	
22	4004 3051 02	LEVER		C	1	
23	4004 3031 01	BRACKET		D	1	
24	4037 3226 01	SPACER		D	1	
25	4037 3223 01	REGULATING PLATE		C	1	
26	4004 3032 01	RACK		C	2	
27	4021 3036 01	GUIDE		C	1	
28	4004 3042 01	GUIDE		C	1	
29	1164 3045 01	GEAR 20T		C	1	
30	4036 7313 01	LABEL MP FD		D	1	
31	4039 5604 00	RAIL		D	1	
32	4037 3227 01	SPACER		D	1	
33	4004 7324 01	LABEL CAPACITY		C	1	
34	4036 3028 12	REGULATING PLATE		C	1	
35	4036 3086 01	BRAKE		D	2	
36	4036 3019 01	LEVER		D	1	
37	4030 7301 02	LABEL NEAR EMPTY		C	1	
38	4038 R734 00	MULTIPURPOSE CASSETTE		S	1	

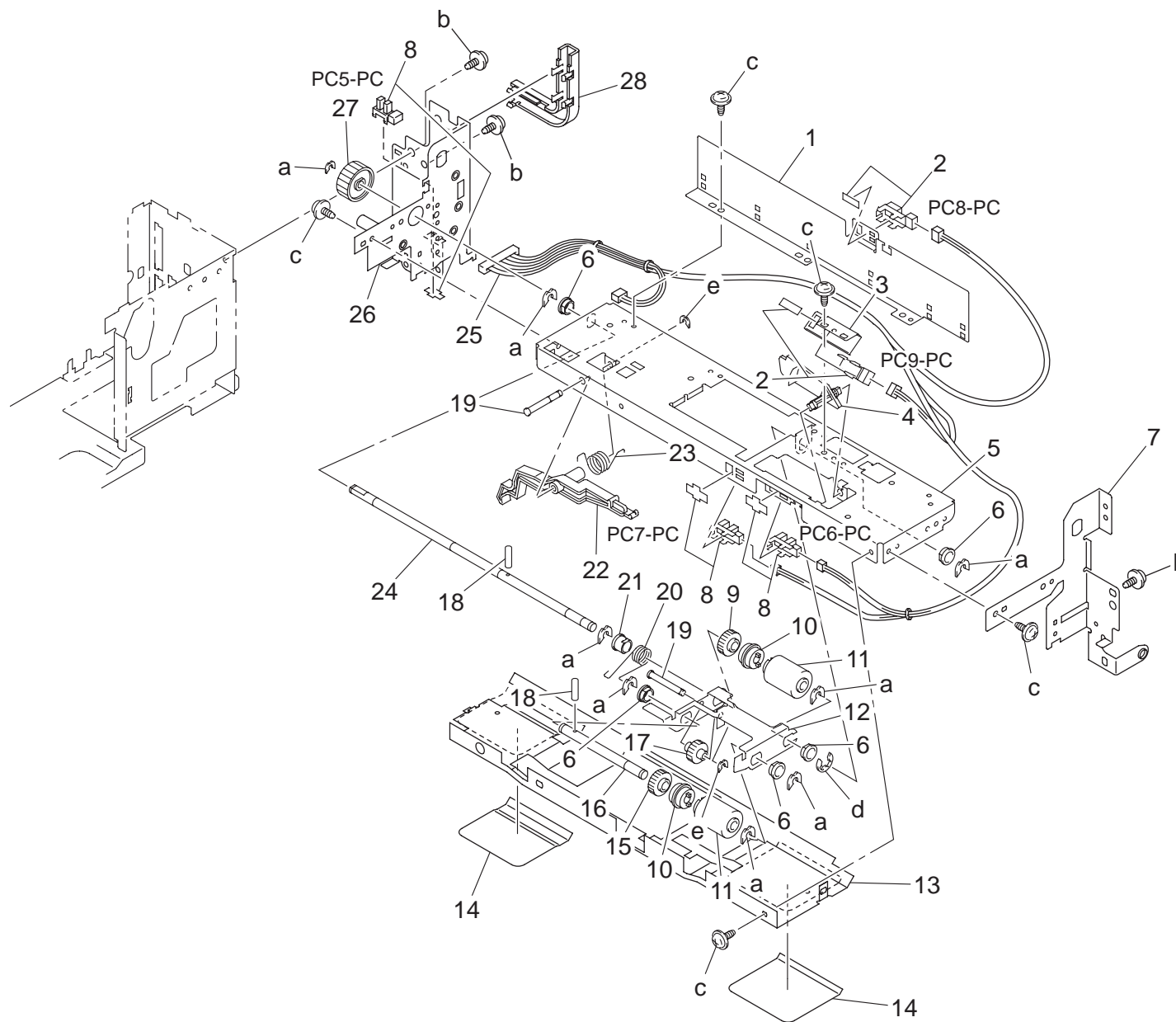
MPT CASSETTE PAPER TAKE-UP SECTION



MPT CASSETTE PAPER TAKE-UP SECTION

Key	Part No.	Description	Destinations	Class	QTY	Standard parts
1	4038 3063 01	WEIGHT		D	1	a-9721 0600 01 b-1066 1151 01 c-4425 3002 01 d-9654 0408 14 e-9684 0406 08
2	4036 3030 01	WASHER		C	2	
3	4036 3031 01	WASHER		C	3	
4	4011 3020 01	WASHER		C	1	
5	1164 3066 01	WASHER		C	1	
6	4004 3001 02	SHAFT		D	1	
7	4034 3012 01	ROLLER		A	1	
8	4004 3005 01	COLLAR		C	1	
9	4658 3046 01	STOP RING		C	2	
10	4034 0151 01	SEPARATION ROLLER		A	1	
11	4038 5654 00	HOLDER		D	1	
12	4658 3040 01	SHAFT		D	1	
13	4038 5655 00	COLLAR		D	1	
14	4004 3004 01	BRACKET		D	1	
15	4004 3006 03	PRESSURE SPRING		C	1	
16	1164 3003 01	BUSHING		C	2	
17	4036 3040 01	REINFORCE PLATE		D	1	
18	4039 5602 00	SPACER		D	1	
19	4036 3018 01	EARTH GROUND		D	1	
20	4036 3014 01	PIN		D	1	
21	1164 3004 03	PAWL		C	1	
22	1164 3005 02	PRESSURE SPRING		C	1	
23	4038 R748 00	ROLLER ASSY		C	1	

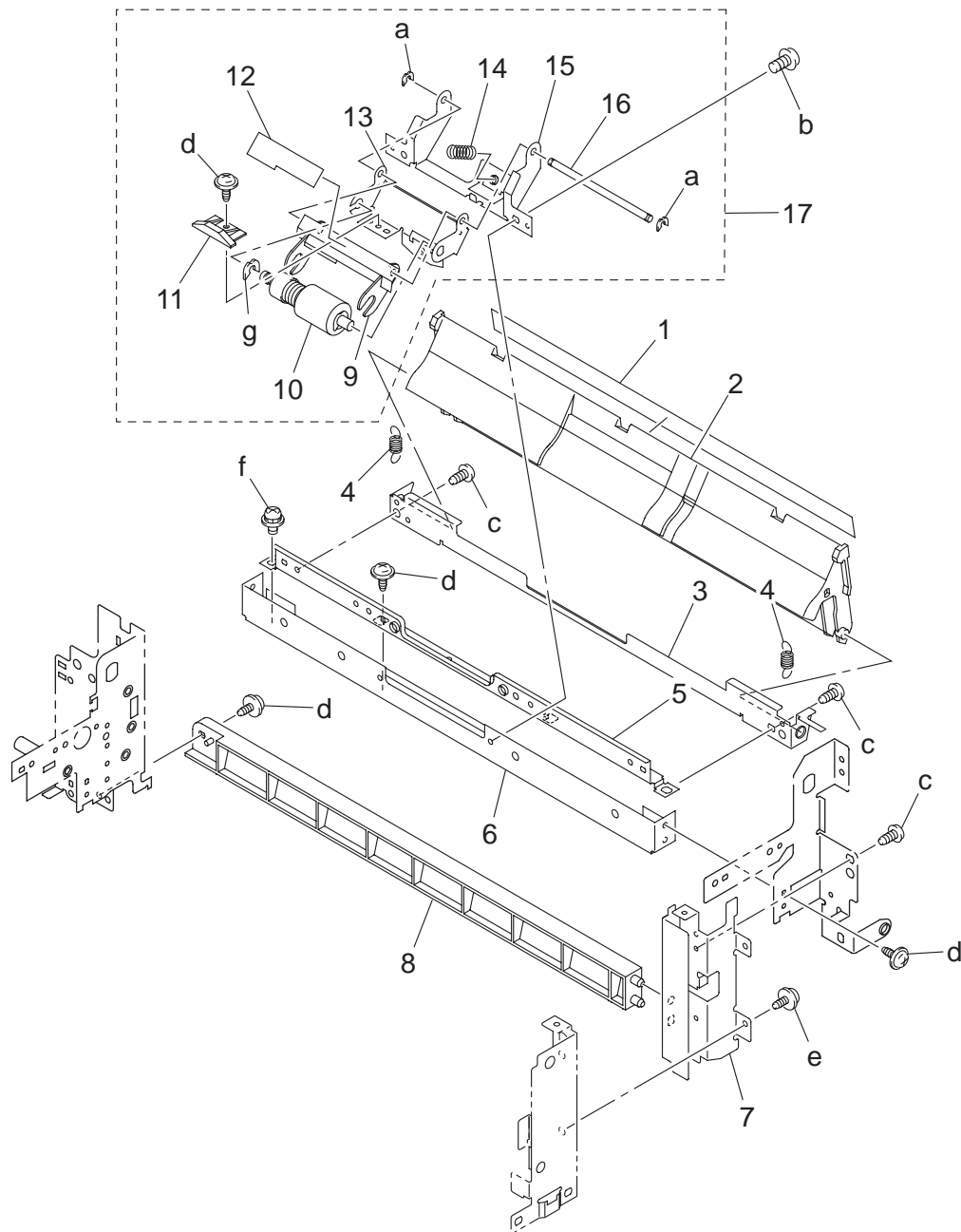
2ND CASSETTE PAPER TAKE-UP SECTION



2ND CASSETTE PAPER TAKE-UP SECTION

Key	Part No.	Description	Destinations	Class	QTY	Standard parts
1	4348 3046 01	BRACKET		D	1	a-4425 3001 01 b-9735 0408 14 c-9735 0306 14 d-9721 0400 01 e-4425 3002 01
2	4037 0902 01	PHOTO INTERRUPTER		B	2	
3	4348 3049 01	BRACKET		D	1	
4	4030 3016 12	ACTUATOR		C	1	
5	4030 3010 02	FRAME		D	1	
6	4131 3003 01	BUSHING		C	5	
7	4067 3816 02	FRAME		D	1	
8	4037 0906 01	PHOTO INTERRUPTER		B	3	
9	4425 3013 01	GEAR 30T		C	1	
10	4030 3034 01	CLUTCH		C	2	
11	4030 3005 01	ROLLER		A	2	
12	4030 3002 02	HOLDER		D	1	
13	4030 3095 01	GUIDE PLATE		D	1	
14	4030 3036 01	GUIDE		C	2	
15	4425 3016 01	GEAR 32T		C	1	
16	4030 3003 01	SHAFT		D	1	
17	4030 3008 01	GEAR 29T		C	1	
18	1067 2501 01	PIN		C	2	
19	4030 3020 02	SHAFT		D	2	
20	4030 3030 01	TORSION SPRING		C	1	
21	1065 3086 01	BUSHING		C	1	
22	4030 3011 02	LEVER		C	1	
23	4030 3012 01	TORSION SPRING		C	1	
24	4348 3047 01	SHAFT		D	1	
25	4067 6804 01	WIRE HARNESS ASSY		D	1	
26	4067 0204 03	FRAME ASSY		D	1	
27	4348 3029 01	GEAR 32T		C	1	
28	4348 3070 02	COVER		D	1	

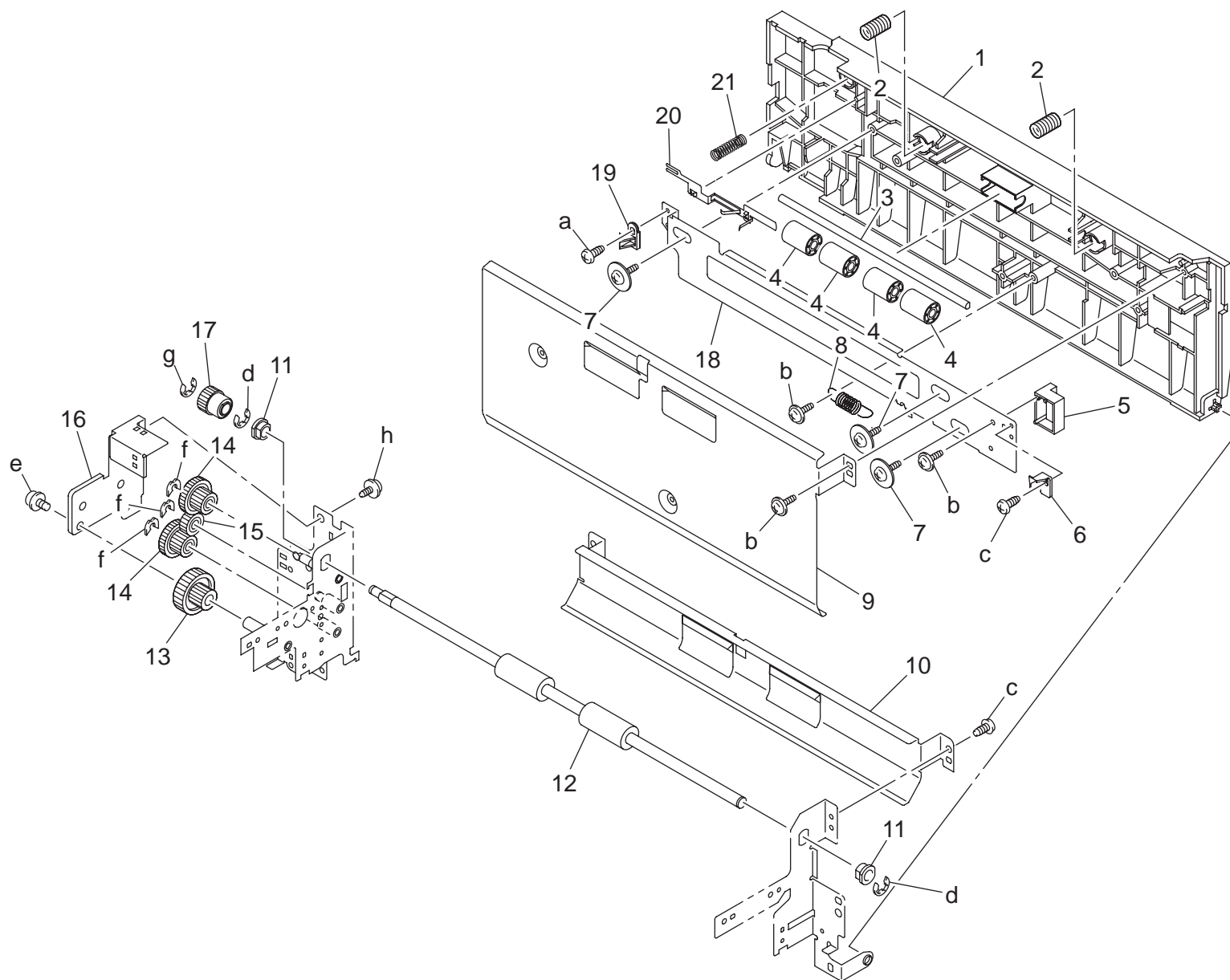
2ND CASSETTE FRAME



2ND CASSETTE FRAME

Key	Part No.	Description	Destinations	Class	QTY	Standard parts
1	4030 3105 01	GUIDE		C	1	a-4425 3002 01 b-9743 0308 14 c-9743 0306 14 d-9735 0306 14 e-9735 0308 14 f-9646 0308 14 g-4425 3001 01
2	4030 3124 03	GUIDE		D	1	
3	4030 3129 03	BRACKET		D	1	
4	4030 3125 01	TENSION SPRING		C	2	
5	4030 3037 01	REINFORCE PLATE		D	1	
6	4030 3025 02	BRACKET		D	1	
7	4036 3846 02	STAY		D	1	
8	4036 3838 01	GUIDE PLATE		D	1	
9	4030 3077 01	GUIDE		D	1	
10	4030 0151 01	SEPARATION ROLLER ASSY		A	1	
11	4030 3078 01	LEVER		C	1	
12	4030 3079 01	GUIDE		C	1	
13	4030 3013 01	HOLDER		D	1	
14	4030 3017 03	PRESSURE SPRING		C	1	
15	4067 5614 00	BRACKET		D	1	
16	4030 3039 01	SHAFT		D	1	
17	4067 R704 00	ROLLER ASSY		S	1	

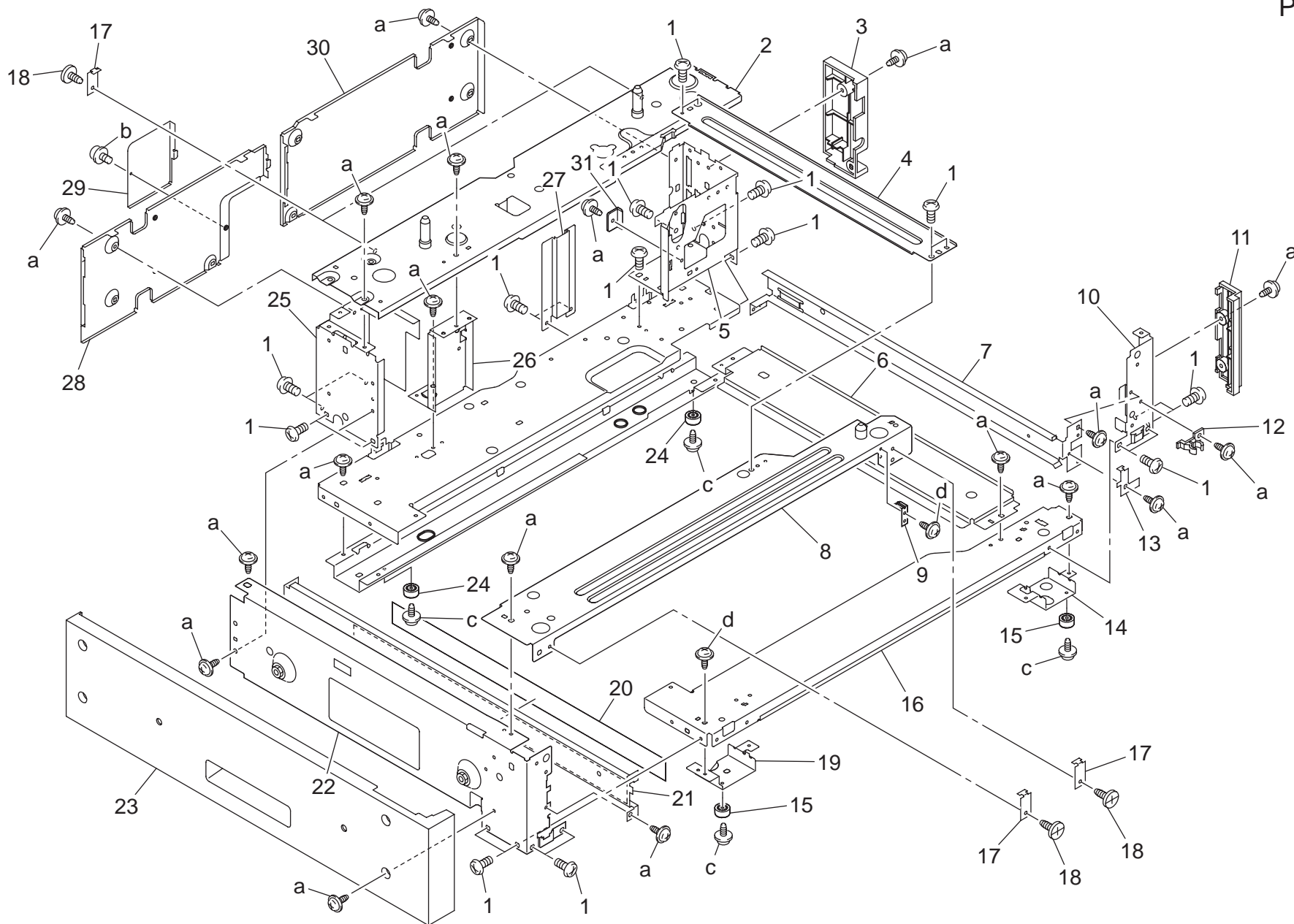
2ND CASSETTE FRAME



2ND CASSETTE FRAME

Key	Part No.	Description	Destinations	Class	QTY	Standard parts
1	4067 3822 03	DOOR		C	1	a-9735 0308 14 b-9739 0308 14 c-9743 0306 14 d-9721 0600 01 e-9646 0306 14 f-4425 3001 01 g-9721 0400 01 h-9735 0306 14
2	4030 3123 01	PRESSURE SPRING		C	2	
3	4348 3071 01	SHAFT		D	1	
4	4030 3122 01	ROLL		C	4	
5	4067 3833 01	HANDLE		C	1	
6	4036 3823 01	LEVER		C	1	
7	4163 5293 01	SCREW		C	3	
8	4030 3116 01	TENSION SPRING		C	1	
9	4067 3834 01	GUIDE PLATE		D	1	
10	4348 3042 01	GUIDE PLATE		D	1	
11	4131 3532 02	BUSHING		C	2	
12	4348 3011 04	ROLLER		C	1	
13	4348 3048 01	GEAR 19/40T		C	1	
14	4348 3031 01	GEAR 19/32T		C	2	
15	4348 3032 01	GEAR 20T		C	1	
16	4348 3069 03	BRACKET		D	1	
17	4348 3028 01	GEAR 22T		C	1	
18	4067 3832 01	BRACKET		D	1	
19	4038 6251 00	LEVER		C	1	
20	4067 3825 01	EARTH GROUND		D	1	
21	4036 3831 01	PRESSURE SPRING		C	1	

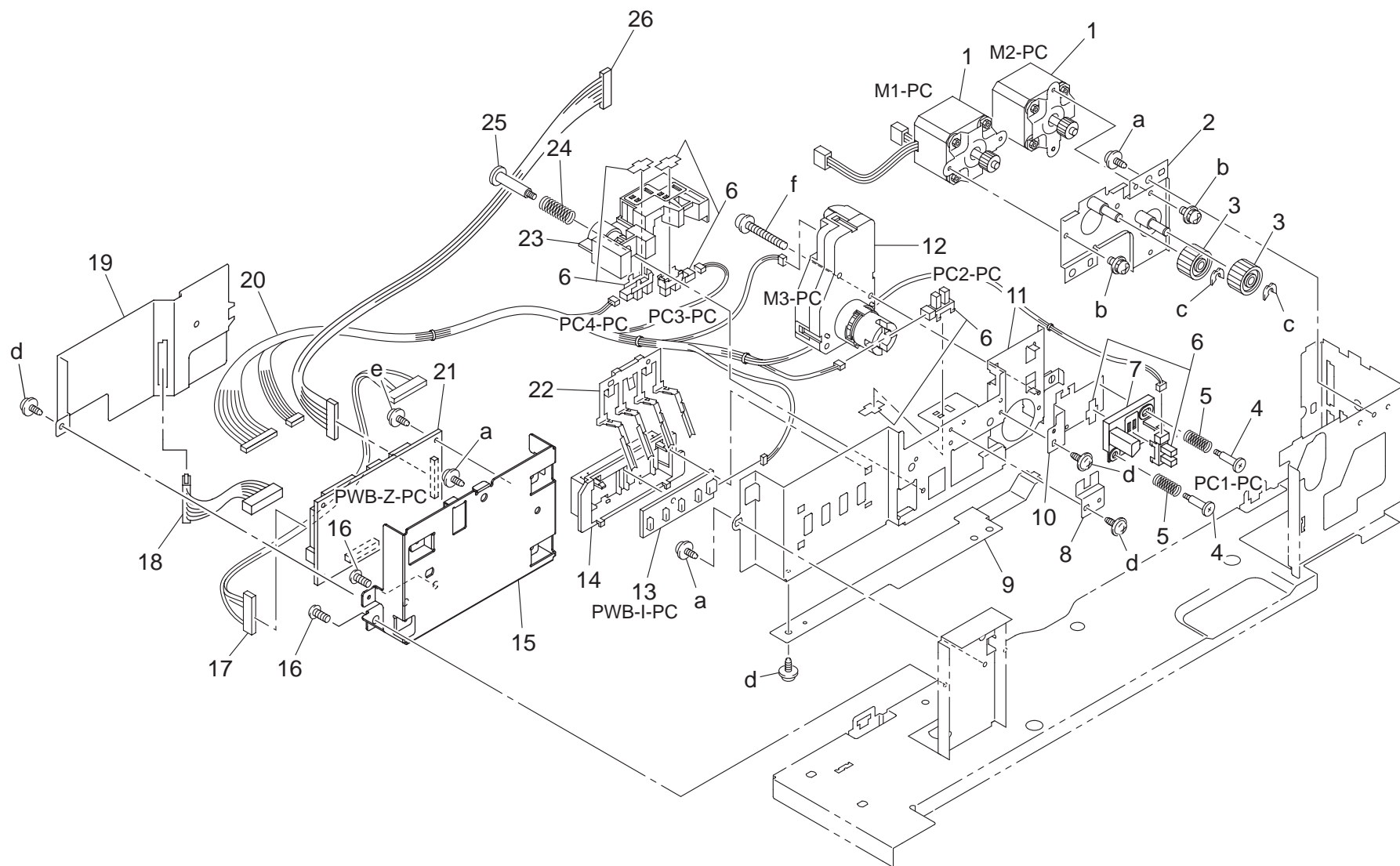
2ND CASSETTE FRAME



2ND CASSETTE FRAME

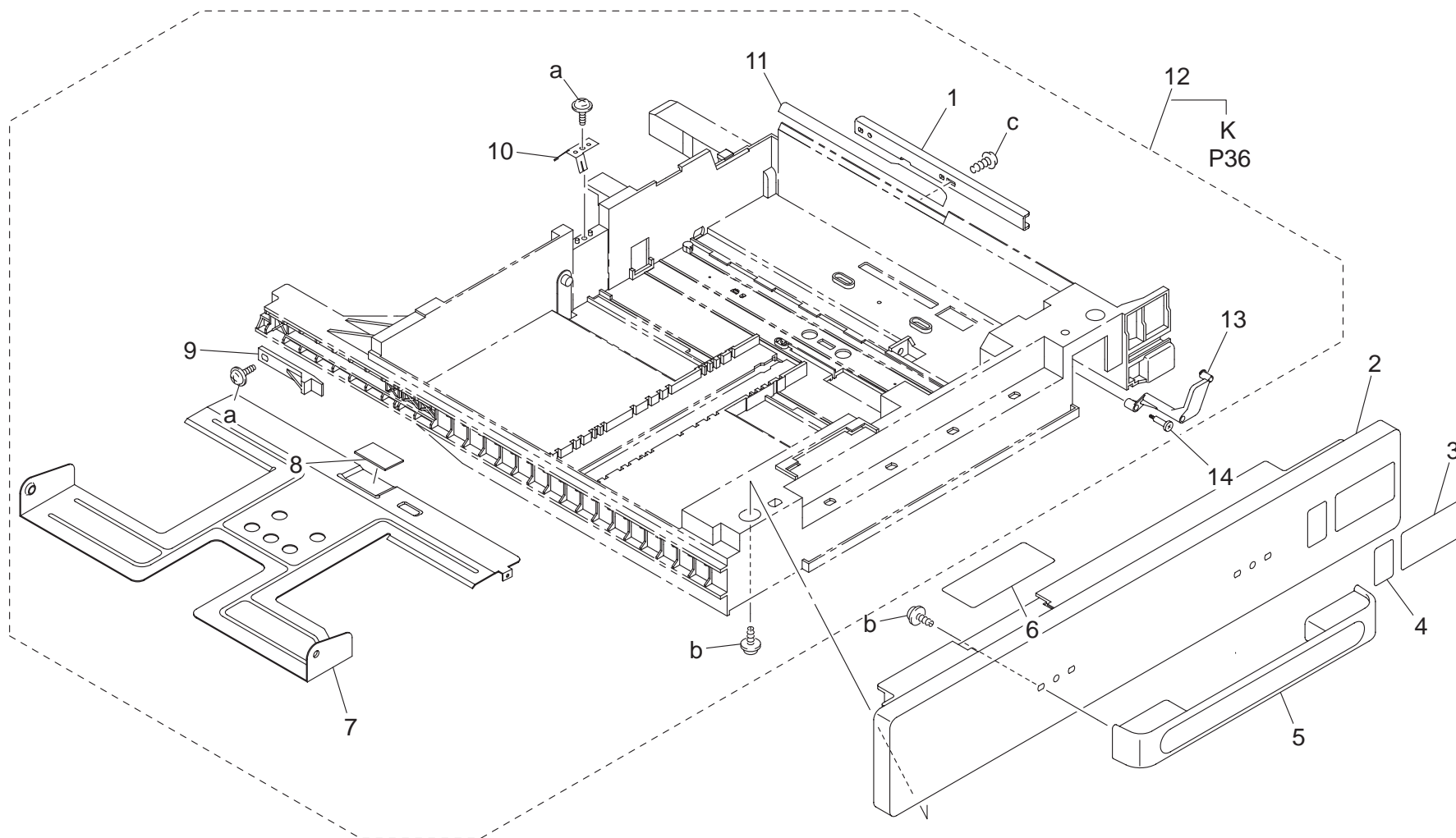
Key	Part No.	Description	Destinations	Class	QTY	Standard parts
1	4002 2581 01	SCREW		C	21	a-9735 0408 14 b-9646 0308 14 c-9735 0308 14 d-9735 0306 14
2	4067 0202 03	PLATE ASSY		D	1	
3	4067 3803 02	COVER		D	1	
4	4067 3818 02	REINFORCE PLATE		D	1	
5	4036 3810 03	STAY		D	1	
6	4036 3849 01	REINFORCE PLATE		D	1	
7	4348 2042 01	BRACKET		D	1	
8	4067 0201 02	PLATE ASSY		D	1	
9	4067 3821 01	PLATE SPRING		D	1	
10	4036 3808 03	STAY		D	1	
11	4067 3802 01	COVER		D	1	
12	4348 2037 02	HOLDER		D	1	
13	4067 5601 00	STOPPER		D	1	
14	4036 3843 02	BRACKET		D	1	
15	0996 3055 01	RUBBER FOOT		C	2	
16	4036 3814 01	BASE FRAME		D	1	
17	4658 3140 02	STOP PLATE		C	4	
18	4658 3042 02	SHOULDER SCREW		C	4	
19	4036 3828 02	BRACKET		D	1	
20	4348 2044 01	GUIDE		C	1	
21	4348 2041 02	BRACKET		D	1	
22	4067 3807 03	STAY		D	1	
23	4067 3805 02	LEFT COVER		D	1	
24	4030 2080 01	RUBBER FOOT		D	2	
25	4036 3809 01	STAY		D	1	
26	4036 3811 01	BRACKET		D	1	
27	4067 3871 01	REINFORCE PLATE		D	1	
28	4067 3856 02	REAR COVER LEFT		D	1	
29	4067 3857 02	COVER		D	1	
30	4067 3855 02	REAR COVER RIGHT		D	1	
31	4348 2040 01	SPACER		D	1	

2ND CASSETTE DRIVE SECTION



2ND CASSETTE DRIVE SECTION

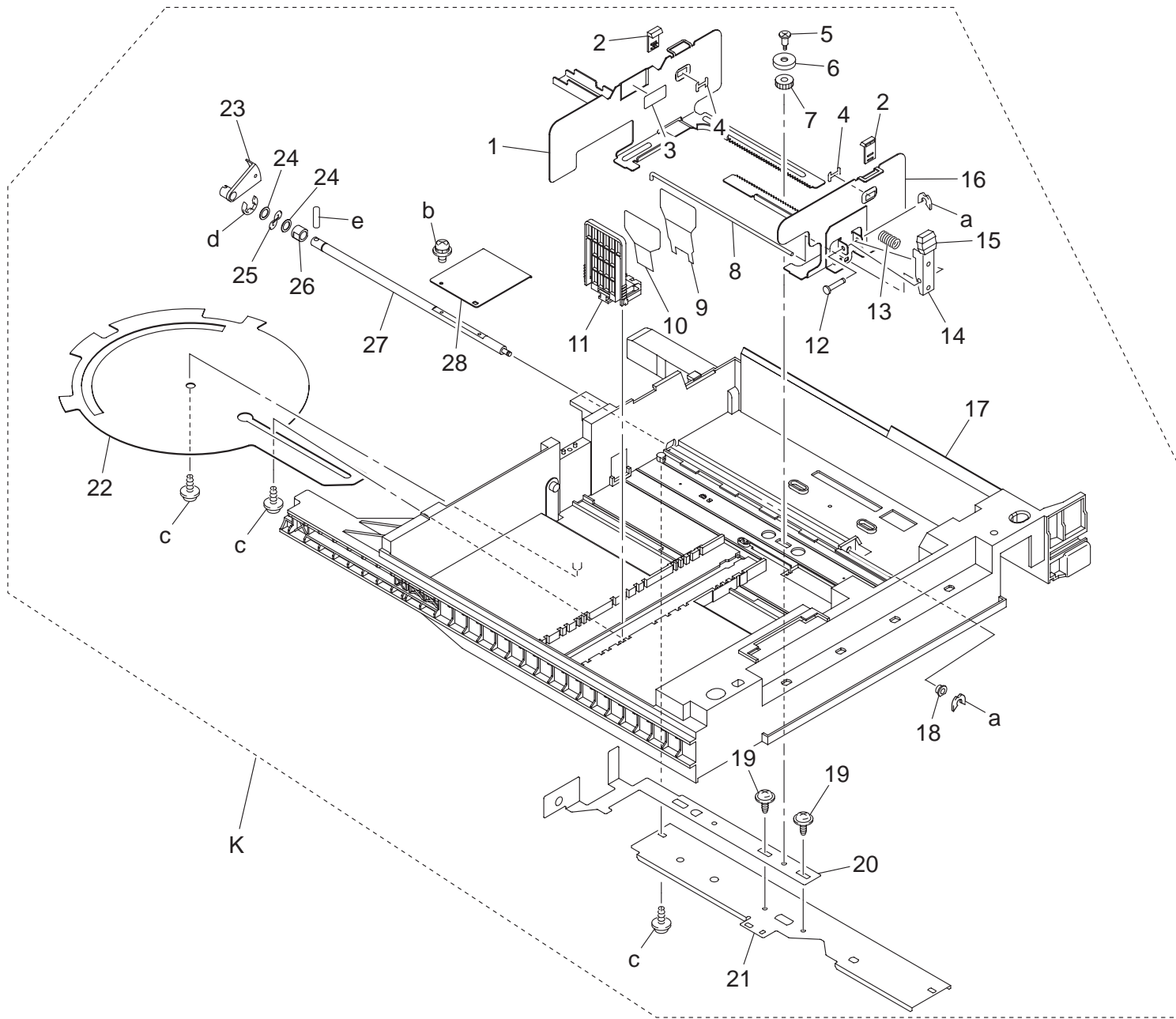
Key	Part No.	Description	Destinations	Class	QTY	Standard parts
1	9314 1300 61	MOTOR		B	2	a-9735 0408 14 b-9646 0306 14 c-4425 3001 01 d-9735 0306 14 e-9735 0308 14 f-9646 0330 14
2	4067 0203 02	FRAME ASSY		D	1	
3	4348 3030 01	GEAR 27T		C	2	
4	4030 3224 02	SHOULDER SCREW		C	2	
5	4030 3081 01	PRESSURE SPRING		C	2	
6	4037 0906 01	PHOTO INTERRUPTER		B	4	
7	4030 3083 01	HOLDER		D	1	
8	4030 3048 02	BRACKET		D	1	
9	4030 3049 01	BRACKET		D	1	
10	4030 3208 02	BRACKET		D	1	
11	4030 3046 03	BRACKET		D	1	
12	9J06 M103 00	MOTOR		B	1	
13	4037 0104 01	PWB-I		C	1	
14	4011 3012 01	HOLDER		D	1	
15	4067 3815 02	BRACKET		D	1	
16	4002 2581 01	SCREW		C	2	
17	4067 6801 04	WIRE HARNESS ASSY		D	1	
18	4067 6805 01	WIRE HARNESS ASSY		D	1	
19	4067 3820 01	COVER		D	1	
20	4067 6802 01	WIRE HARNESS ASSY		D	1	
21	4067 0101 03	PWB-Z		C	1	
22	4030 3091 01	LEVER		C	1	
23	4030 3047 02	HOLDER		D	1	
24	4002 3110 01	PRESSURE SPRING		C	1	
25	4002 3131 01	SHOULDER SCREW		C	1	
26	4067 6803 02	WIRE HARNESS ASSY		D	1	



2ND CASSETTE

Key	Part No.	Description	Destinations	Class	QTY	Standard parts
1	4030 3229 02	REINFORCE PLATE		D	1	a-9739 0308 14 b-9739 0410 14 c-9742 0308 14
2	4067 3852 01	FRONT COVER		C	1	
3	4038 7321 01	LABEL NUMBER		C	1	
4	4030 7301 02	LABEL NEAR EMPTY		C	1	
5	4036 3025 01	HANDLE		C	1	
6	4040 7304 01	LABEL PAPER SUPPLY		C	1	
7	4030 3203 01	LIFTING PLATE		D	1	
8	4030 3226 01	FRICTION SHEET		C	1	
9	4498 3469 01	STOPPER		D	1	
10	4030 3223 02	EARTH GROUND		C	1	
11	4030 3222 03	GUIDE		C	1	
12	4040 0156 02	CASSETTE ASSY		S	1	
13	4030 3221 01	LEVER		C	1	
14	4030 3224 02	SHOULDER SCREW		C	1	

2ND CASSETTE

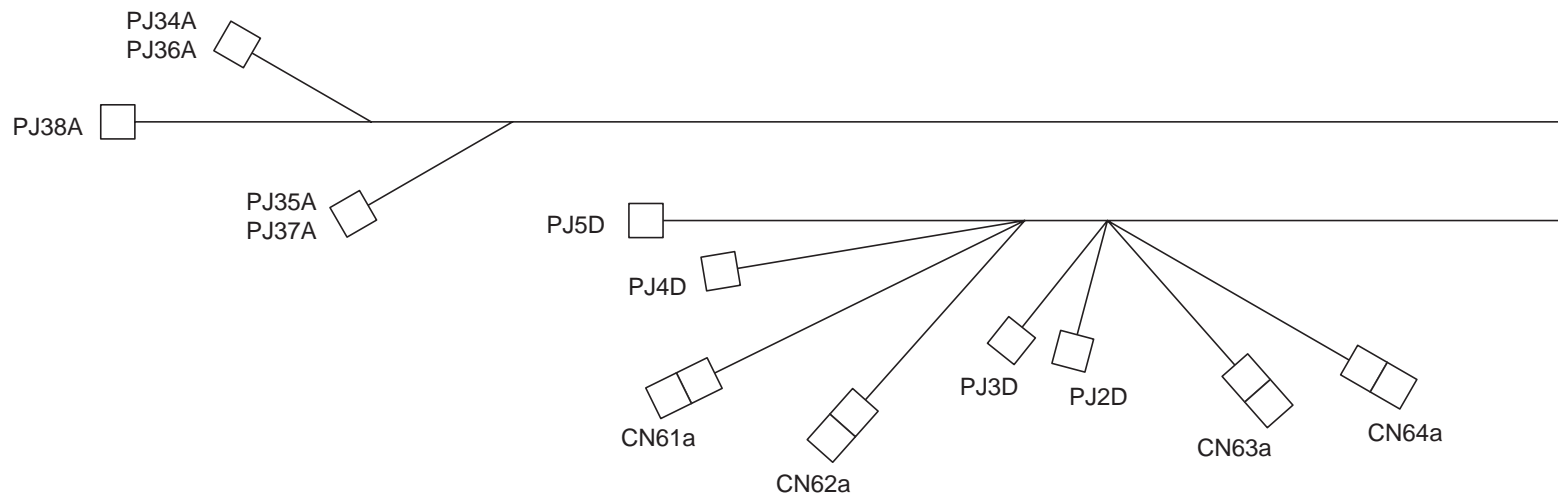


2ND CASSETTE

Key	Part No.	Description	Destinations	Class	QTY	Standard parts
1	4030 3212 01	REGULATING PLATE		C	1	a-4425 3002 01 b-9646 0308 14 c-9739 0308 14 d-9721 0600 01 e-9754 3025 08
2	4658 3048 01	GUIDE		C	2	
3	4002 7306 01	LABEL CARRYING CAPACITY		C	1	
4	4658 3049 01	STOPPER		C	2	
5	4030 3214 02	SHOULDER SCREW		C	1	
6	4030 3215 01	GUIDE		D	1	
7	4658 3012 01	GEAR 14T		C	1	
8	4030 3217 01	SHAFT		D	1	
9	4030 3228 12	GUIDE		C	1	
10	4030 3227 01	GUIDE		C	1	
11	4037 3213 12	REGULATING PLATE		C	1	
12	4498 3826 01	SHAFT		D	1	
13	4498 3825 01	PRESSURE SPRING		C	1	
14	4128 3823 01	LEVER		C	1	
15	4037 3204 01	KNOB		C	1	
16	4030 3211 02	REGULATING PLATE		C	1	
17	4030 3201 06	CASSETTE		D	1	
18	0992 3014 01	BUSHING		C	1	
19	4498 3834 01	SCREW		C	2	
20	4030 3216 01	BRACKET		D	1	
21	4030 3218 01	BRACKET		D	1	
22	4002 3108 01	LEVER		C	1	
23	4030 3207 01	ACTUATOR		C	1	
24	4011 3021 01	WASHER		C	2	
25	4011 3020 01	WASHER		C	1	
26	1274 3603 01	BUSHING		C	1	
27	4030 3205 01	SHAFT		D	1	
28	4030 3206 01	LEVER		D	1	

WIRING

1



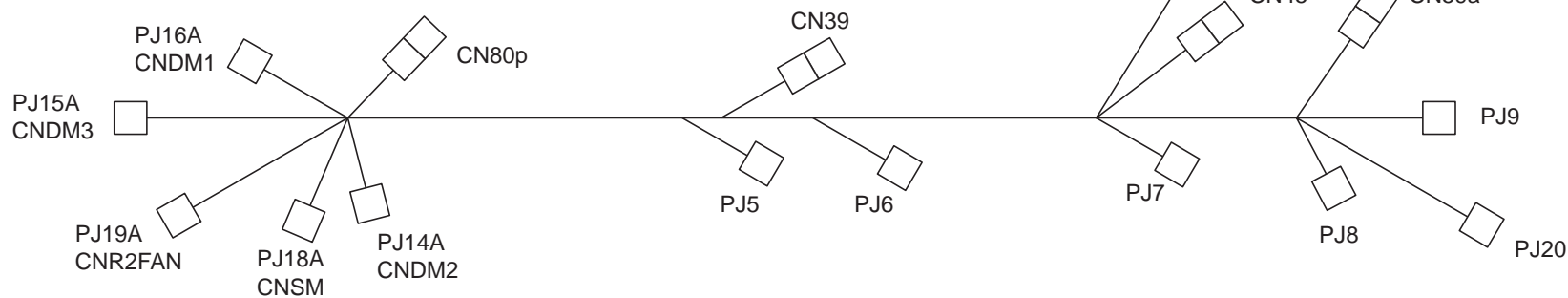
2



3

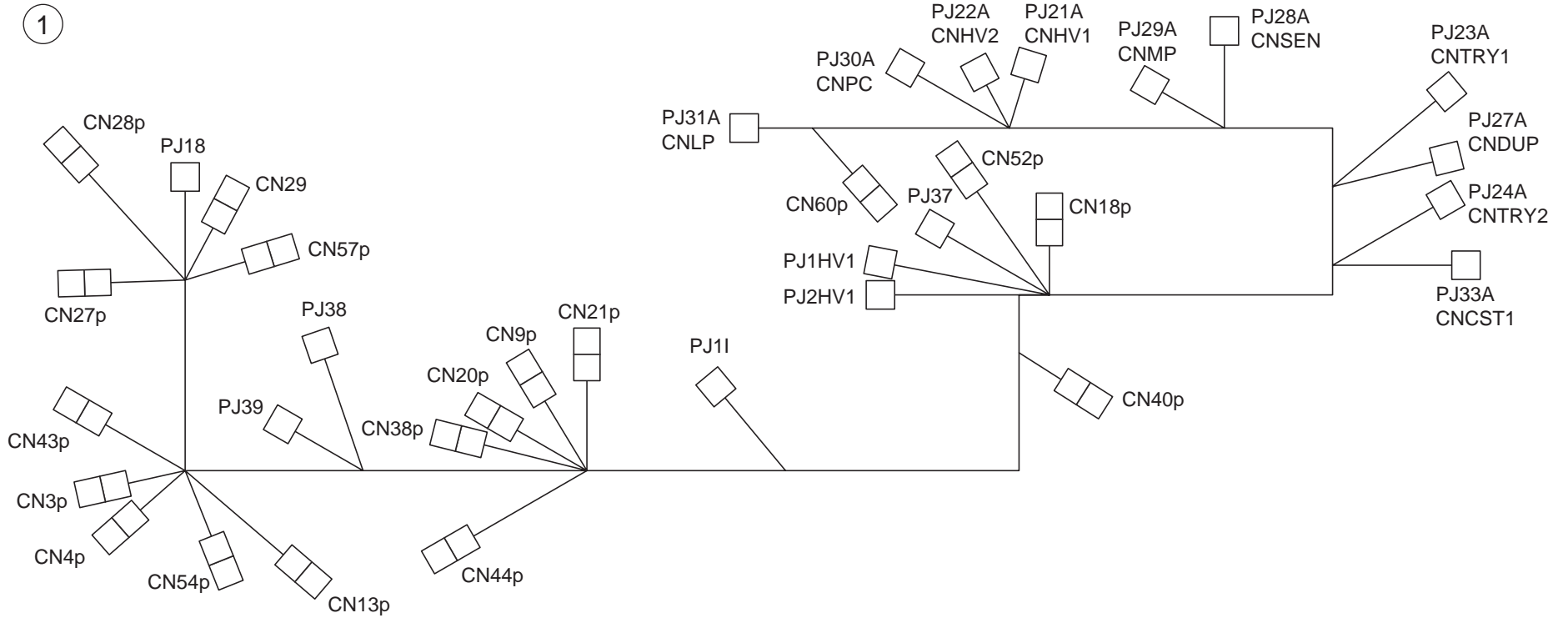


4



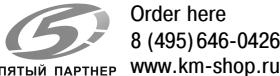
WIRING

Key	Part No.	Description	Destinations	Class	QTY	Standard parts	
1	4038 6803 03	WIRE HARNESS ASSY	A,A1	D	1		
2	4038 6817 03	WIRE HARNESS ASSY		D	1		
3	4038 6821 02	WIRE HARNESS ASSY		D	1		
4	4038 6824 04	WIRE HARNESS ASSY		D	1		

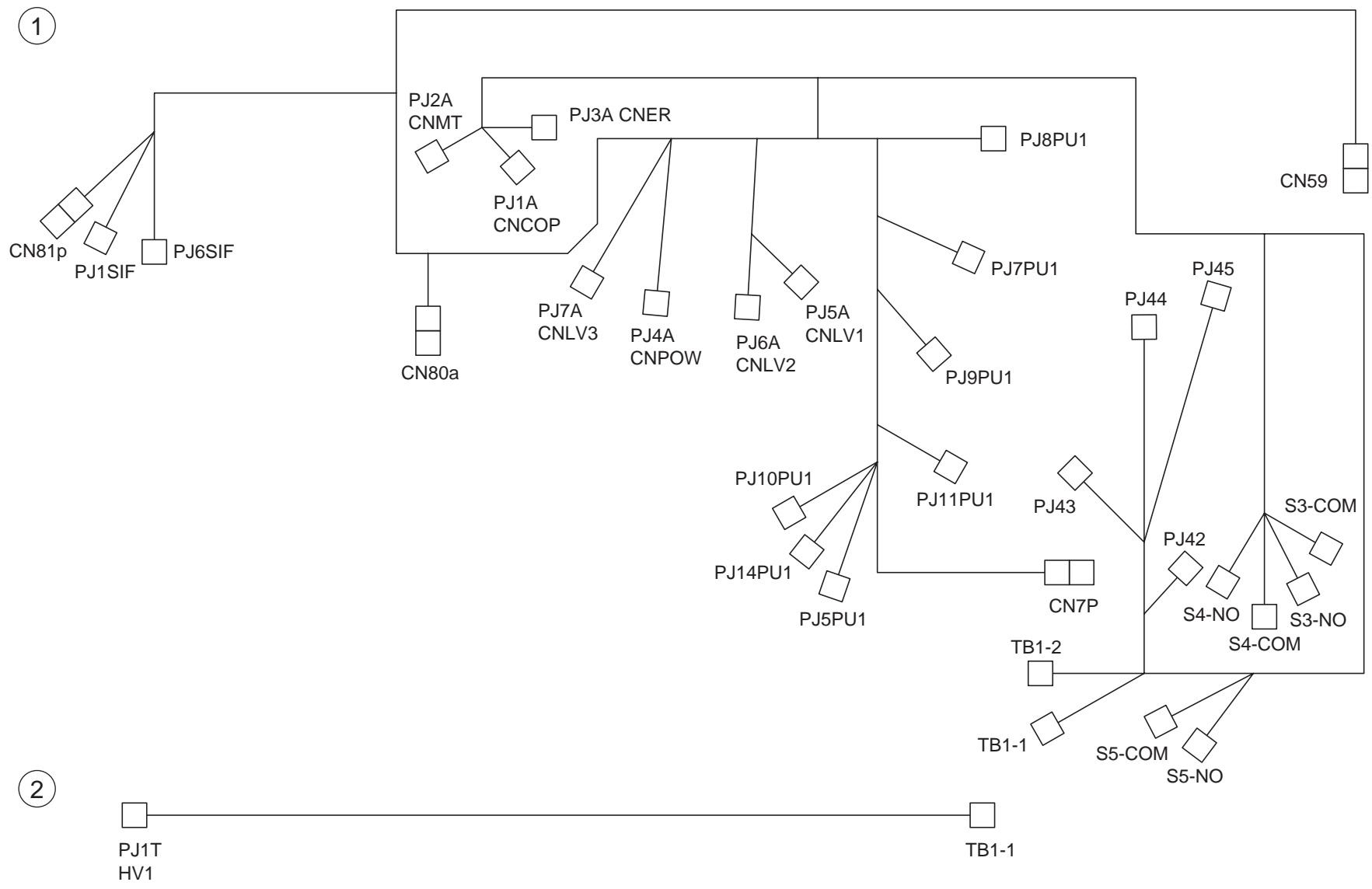


WIRING

Key	Part No.	Description	Destinations	Class	QTY	Standard parts
1	4038 N100 00	WIRE HARNESS ASSY		D	1	



WIRING



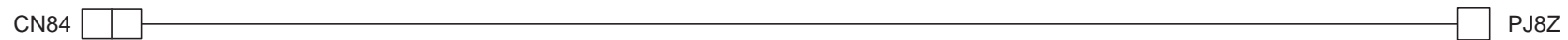
WIRING

Key	Part No.	Description	Destinations	Class	QTY	Standard parts
1	4038 6841 05	WIRE HARNESS ASSY		D	0	
2	4038 6836 01	WIRE HARNESS ASSY		D	1	

WIRING

P 40

①



②



WIRING

Key	Part No.	Description	Destinations	Class	QTY	Standard parts
1	4038 6844 01	WIRE HARNESS ASSY		D	1	
2	4038 6842 02	WIRE HARNESS ASSY		D	0	

WIRING ACCESSORIES AND JIGS

P 41

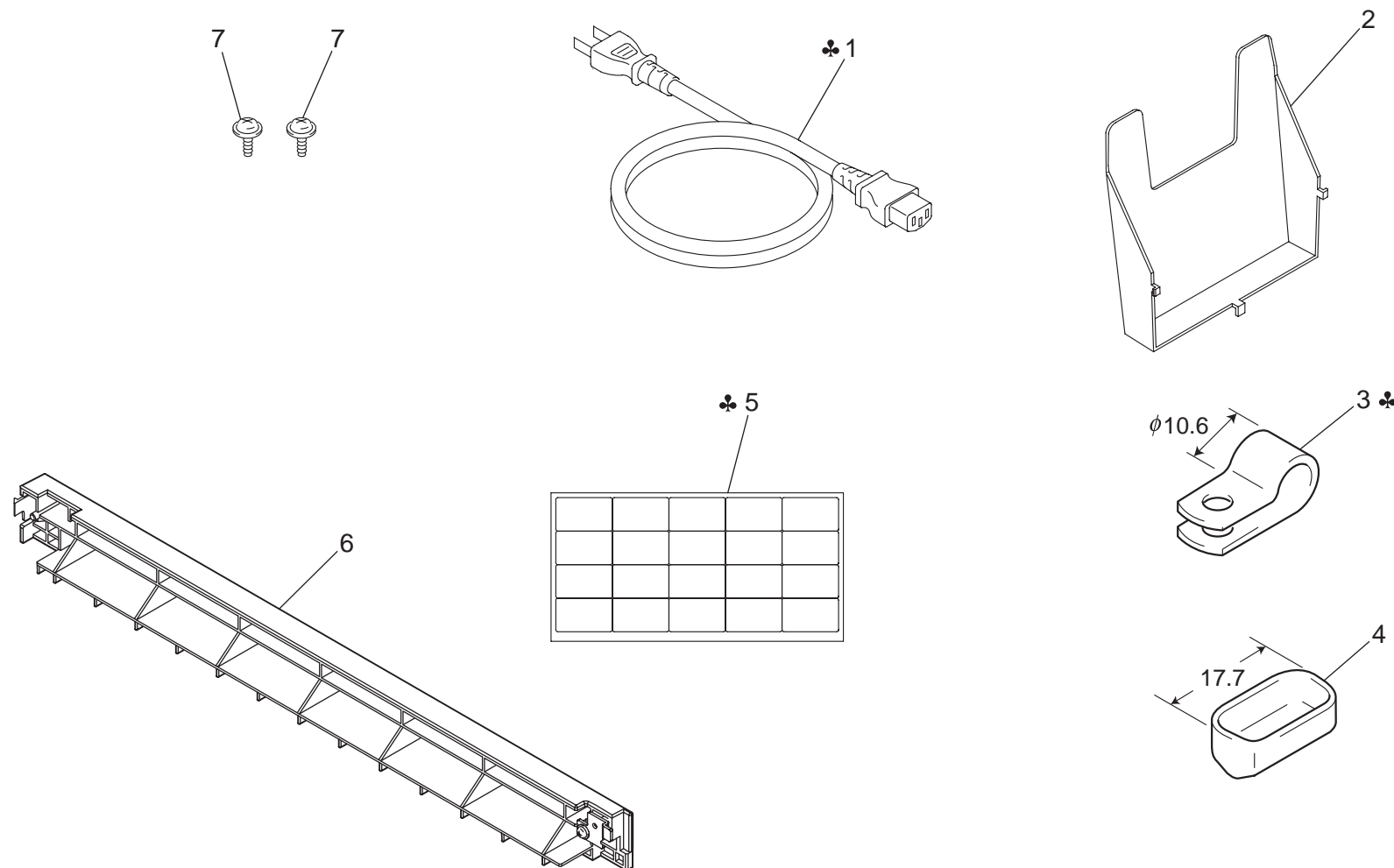
1 	6 	11 	16 	21	26	31	36
2 	7 	12 	17♣ 	22		32	37
3 	8 	13 	18 	23	28	33	38
4 	9 	14 	19 	24	29	34	39
5 	10 	15 	20	25	30	35	40

bizhub C252P

WIRING ACCESSORIES AND JIGS

Key	Part No.	Description	Destinations	Class	QTY	Standard parts
1	9384 1000 51	WIRING SADDLE		D	5	
2	9384 1310 11	WIRING SADDLE 5.2H		D	16	
3	9384 1310 81	WIRING SADDLE 6.4H		D	1	
4	9384 1921 01	WIRING SADDLE 14.4H		D	3	
5	9384 1921 11	WIRING SADDLE 9.2H		D	5	
6	9384 1921 21	WIRING SADDLE 15.2H		D	11	
7	9384 1000 51	WIRING SADDLE		D	36	
8	9384 1100 91	WIRING SADDLE		D	57	
9	9384 1100 31	RETAINER		D	7	
10	1065 5872 02	CORD CLAMP		D	16	
11	9384 2010 21	EDGE COVER 8.5H		D	16	
12	9384 2910 21	EDGE COVER		D	3	
13	9384 2910 31	EDGE COVER		D	12	
14	9384 1311 11	CABLE TIE 104L		D	8	
15	9384 1410 51	CABLE TIE 110L		D	1	
16	1038 4006 01	INSULATING MEMBER		D	1	
17	9384 1521 51	CORD BUSHING	A,A1	D	1	
18	4581 7901 02	JIG		S	1	
19	4038 R777 00	COMPACT FLASH		S	1	

ACCESSORY PARTS



ACCESSORY PARTS

Key	Part No.	Description	Destinations	Class	QTY	Standard parts
1	9381 4101 31	POWER CORD	B	C	1	
1	9381 4300 41	POWER CORD	C	C	1	
2	1156 7501 01	HOLDER		C	1	
3	9384 1700 24	P-CLIP	B	D	1	
4	9384 2200 31	CN COVER		D	1	
5	4038 7313 01	LABEL METRIC	A,C	C	1	
5	4038 7314 01	LABEL INCH	B	C	1	
6	4067 R706 00	COVER ASSY		C	1	
7	9646 0308 14	SCREW		D	2	

MAINTENANCE LIST

● The items with no Page/Key numbers are not handled as spare parts.

No.	Section	PM Parts Description	Maintenance Cycle (K=1,000)		Parts No.	Destinations	Page/Key	Note
			QTY	Replace				
1	Tray 1	Feed Roller	1	200K	4034301201		P29-7	
2		Separation Roller Assy	1	200K	4034015101		P29-10	
3	Bypass	Feed Roller	1	200K	4131300101		P7-8	
4		Separation Roller Assy	1	200K	4034015101		P6-23	
5	Tray 2	Feed Roller	1	300K	4030300501		P30-11	
6		Separation Roller Assy	1	300K	4030015101		P31-10	
7		Pick-up Roller	1	300K	4030300501		P30-11	
8	Conveyance section	2nd Image Transfer Roller Unit	1	120K	4038R74200		P17-20	*2
9		Dust Filter/Vertical Conveyance	1	120K				*2
10	Fusing section	Fusing Unit	1	120K	4038R72100	A,A1	P21-1	
10		Fusing Unit	1	120K	4038R72200	B	P21-1	
10		Fusing Unit	1	120K	4038R72300	C	P21-1	
11		Deodorant Filter	1	20K				*3
12	Processing section	Imaging Unit Y/M/C	1	30K				
13		Imaging Unit K	1	70K				
14		Ozone Filter	1	120K				*2
15		Toner Cartridge Y/M/C	1	12K				*3
16		Toner Cartridge K	1	12K				*3
17		Dust Filter/Cooling Fan	1	30K				*4
18	Image transfer section	Image Transfer Belt Unit	1	120K	4038R74300		P15-24	*2
19		Waste Toner Box	1	30K	4065611		P20-5	*4

*1: Actual durable cycle is the Life counter value.

*2: Also replace the 2nd Image Transfer Roller Unit, Dust Filter/Vertical Conveyance and Ozone Filter packed in the Image Transfer Belt Unit at the same time when 120 K is reached.(Part No. of the Transfer Kit: 4038 R743 00)

*3: Also replace the Deodorant Filter packed in the Toner Cartridge K at the same time when 20 K is reached.

*4: Also replace the Dust Filter/Cooling Fan packed in the Waste Toner Box at the same time when 30 K is reached.

DESTINATION

Destination No.		Destinations		V	Hz	Model No.
A	A1	JAPAN		100	50/60	4038-002
	A2	JAPAN		200	50/60	
B		USA, CANADA		120	60	4038-302
C		EUROPEAN TYPE		220-240	50/60	4038-206
D	D1	S.E ASIA TYPE	THAILAND, SRI LANKA, SINGAPORE, MALAYSIA, HONG KONG, PAKISTAN, INDIA, BANGLADESH, INDONESIA	220-240	50/60	
	D3	OCEANIA TYPE	AUSTRALIA, NEW ZEALAND	220-240	50/60	
E		PHILIPPINES		220-240	50/60	
F	F1	SAUDI ARABIA		127	60	
	F2	SAUDI ARABIA		220-240	50/60	
G	G1	C.S AMERICA		220-240	50/60	
	G2	C.S AMERICA		120	60	
H		TAIWAN		110	60	
I		JORDAN, LEBANON, SYRIA, SOUTH AFRICA, IRAQ, IRAN, N.YEMEN, CAMEROON, UAE, BAHRAIN, OMAN, QATAR, KUWAIT, KENYA, TUNISIA, IVORY COAST, MOROCCO		220-240	50/60	
J		CHINA		220-240	50/60	
K		KOREA		220-240	50/60	

bizhub C252P