

KONICA MINOLTA

# *PARTS GUIDE MANUAL*

---

*APRIL 2020*

*bizhub C3300i*  
*AAJT*

## INFORMATION FOR PARTS GUIDE MANUAL

To find correct Parts No., refer to the "HOW TO MAKE THE BEST USE OF THIS MANUAL" in the following page.

### HOW TO MAKE THE BEST USE OF THIS MANUAL

- 1 When you order, please check the proper figures beforehand that are on Our Parts Guide Manual, and order with the appropriate figures.
- 2 For screws, Nuts, Washers, retaining rings and Pins which are used in this model, one letter is shown on the Standard parts column of Parts list and exploded diagrams.
- 3 In order to maintain safety of the product, some specific parts composed of this product are set up as "essential safety parts".
- 4 The assigned parts number for the "essential safety parts" is indicated as "SP00-\*\*\*\*".  
When replacing these parts, follow precautions for disassembling and installing which are listed in the Service Manual.  
Do not use any parts that are not set up as
- 5 ♣ means that there are exclusive parts for each destination.  
Please check the appropriate destination when you order.
- 6 All rights reserved. (any reprints or quotations are prohibited.)  
Use of this parts guide manual should be strictly supervised to avoid disclosure of confidential information.

## パーツガイドマニュアルのご案内

サービス部品をご発注の際には、下記に示す“パーツガイドマニュアルの活用にあたって”をご参照の上、正しい部品番号にてお願い致します。

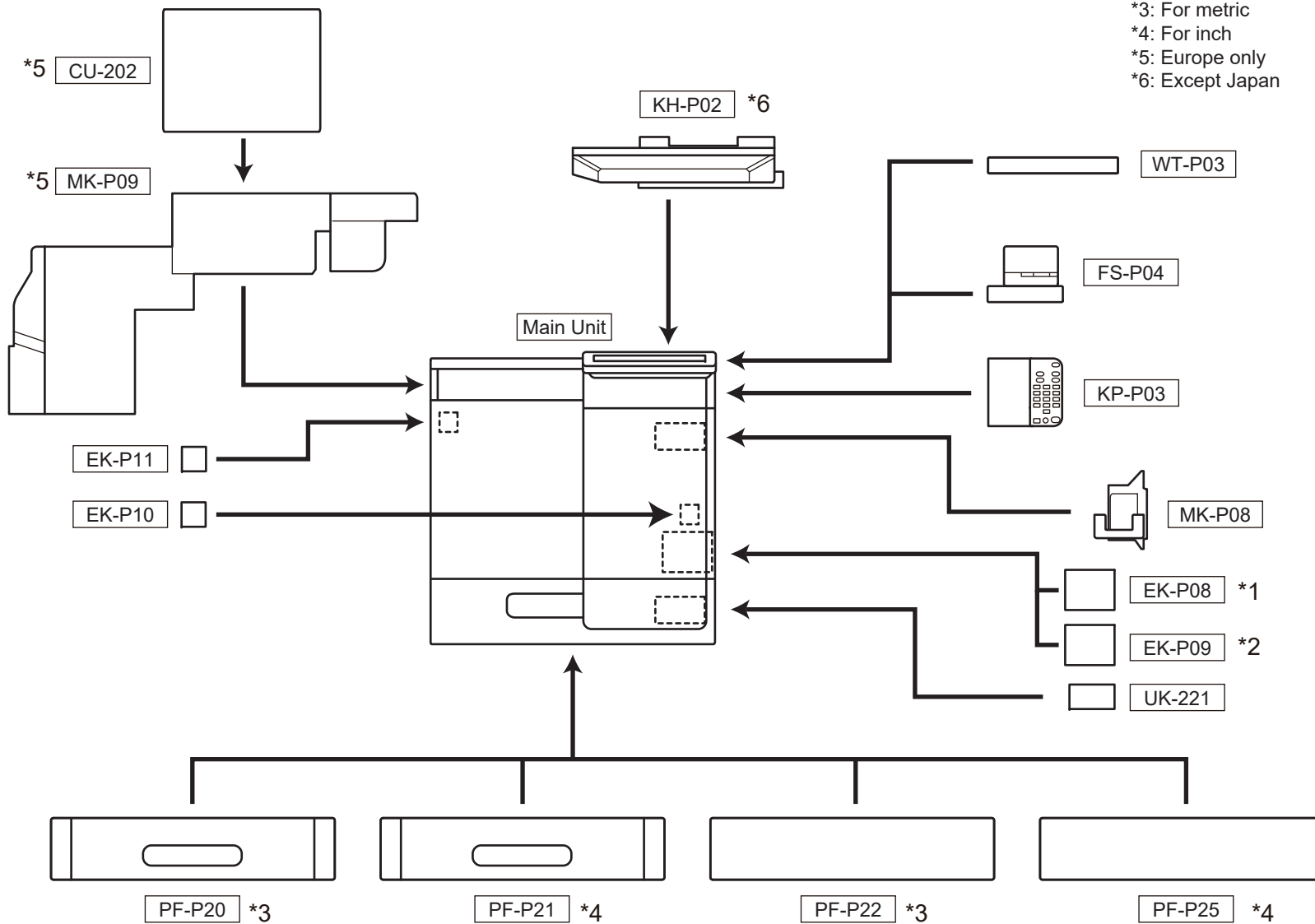
### パーツガイドマニュアルの活用にあたって

- 1 部品発注の際には、掲載されている部品番号の桁数を確認し、掲載されている桁数で発注願います。
- 2 この製品に使用されているネジ、ナット、ワッシャー、止め輪、ピンなどは、リストの右側の Standard parts 欄に a,b,c,…… で表示し、イラストにも a,b,c,…… 表示してあります。
- 3 製品の安全性を維持する為に、製品に使用される特定の部品を「重要保安部品」として設定しています。
- 4 重要保安部品の部品番号は、“SP00-\*\*\*\*”と記載されていますので、部品交換時は、サービスマニュアル記載の分解・組み立ての注意事項に従って作業をして下さい。  
また、指定以外の部品は一切使用しないで下さい。
- 5 本文に ♣ が表示されている部品は、仕向け地毎に専用部品がある事を意味しています。  
オーダーされる時は、仕向け地を確認して下さい。
- 6 著作権所有（無断転載及び無断引用の禁止）  
本パーツガイドマニュアルについては、機密保持等その扱いには十分注意して下さい。万一取り扱いを誤った場合には、法律で処罰される場合があります。

02/08/2019

# System Configuration

- \*1: Non Bluetooth Type
- \*2: Bluetooth Type
- \*3: For metric
- \*4: For inch
- \*5: Europe only
- \*6: Except Japan



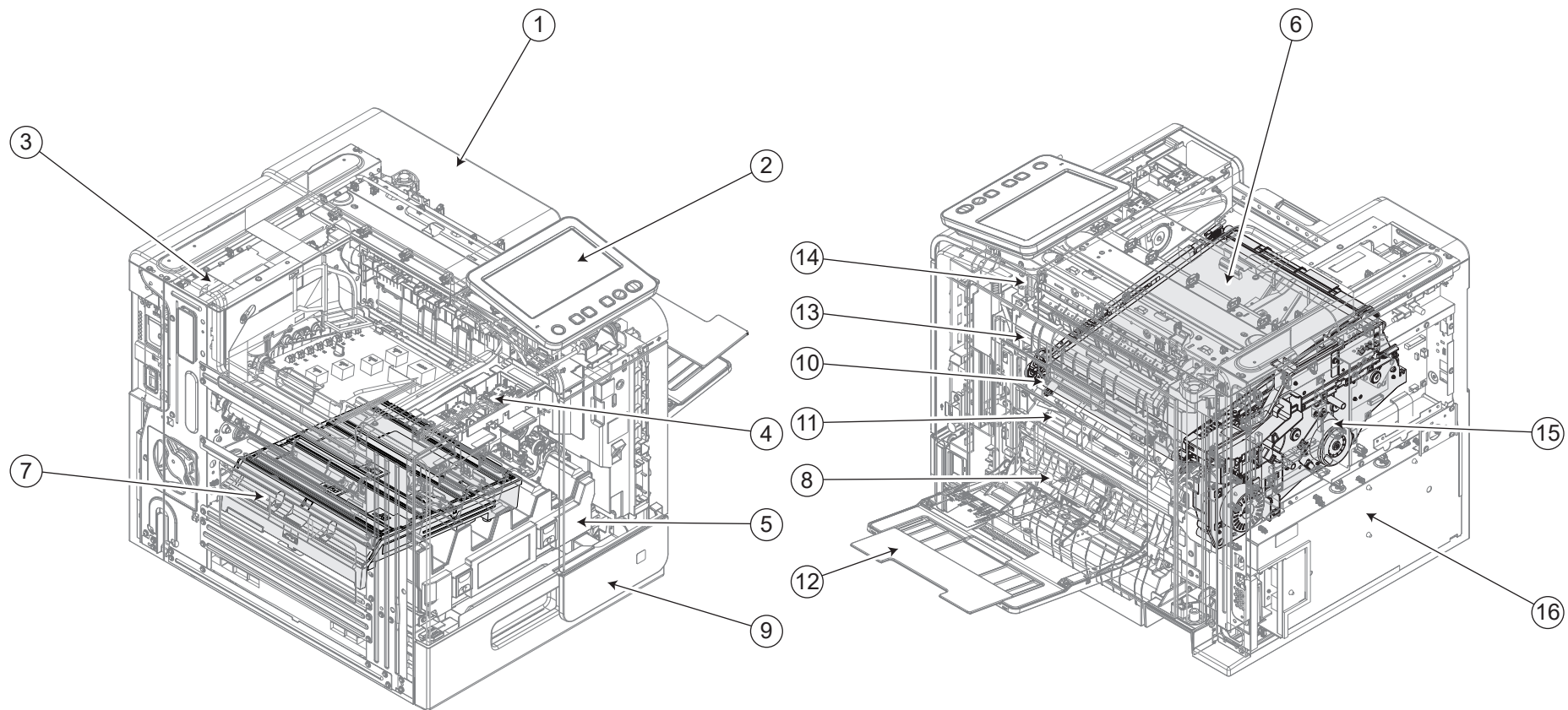
bizhub C3300i

# GENERAL CONTENTS

No.	Description	Model
1	Printer Color	bizhub C4000i
2	Printer Color	bizhub C3300i
3	Other Option	CU-202
4	Other Option	EK-P08
5	Other Option	EK-P09
6	Other Option	EK-P10
7	Other Option	EK-P11
8	Finisher/Sorter	FS-P04
9	Other Option	KH-P02
10	Other Option	KP-P03
11	Mount Kit	MK-P08
12	Mount Kit	MK-P09
13	Paper Feeder	PF-P20
14	Paper Feeder	PF-P21
15	Paper Feeder	PF-P22
16	Paper Feeder	PF-P25
17	Other Option	UK-221
18	Other Option	WT-P03

bizhub C3300i

# Section Configuration



# CONTENTS

No.	DESCRIPTION	名称	PAGE No.
1	External Parts	外装部	P1 P2
2	Operation Panel Section	操作部	P3
3	Colling Section	冷却部	P4
4	Toner Supply Section	トナー補給部	P5 P6
5	Toner Collection Section	トナー回収部	P7 P8
6	1st Transfer Section	1次転写部	P9
7	Write Section	書き込み部	P10
8	Paper Feed Section	給紙部	P11 P12 P13
9	Tray Section	トレイ部	P14 P15 P16
10	2nd Transfer Section	2次転写部	P17
11	Vertical Conveyance Section	垂直搬送部	P18 P19
12	Bypass Tray Section	手差しトレイ部	P20 P21 P22
13	Fusing Section	定着部	P23
14	Paper Exit Section	排紙部	P24
15	Drive Section	駆動部	P25 P26
16	Electrical Parts	電装部	P27 P28 P29
17	Wiring	束線	P30 P31 P32
18	Wiring Accessories	配線部品	P33
19	Service Tool	サービスツール	P34
20	Accessory Parts	同梱部品	P35

# INDEX

Parts No.	Page No.
0996305501	14-7
1134304301	12-12
1134304301	13-7
1134304301	19-13
1134304301	21-8
4131300301	25-3
4134588202	21-8
4136N30000	35-2
4163529301	27-22
4532341001	11-5
4538373201	19-19
56AA40490	21-38
65AA-9920	34-2
9335140051	8-11
9381420021	35-2
9381430031	35-2
9J04534301	15-11
9J06M10300	25-8
9J06M60100	27-4
9J08890700	16-23
A00J169200	24-4
A00J563600	15-6
A00J945500	1-10
A02E167700	3-1
A02E561100	13-9
A02E815200	13-20
A02E940300	1-18
A02E940300	7-3
A0ED563900	15-5
A0EDM50100	13-1
A0EDM60001	6-4
A0EDN30101	35-2
A0HFN12200	35-3
A0HR211900	19-30
A0VD562300	22-14
A0VD700302	18-3
A0VD703700	19-8
A0VDN30000	35-2
A161151300	27-9
A161620701	16-4

Parts No.	Page No.
A161M50300	11-7
A2UPN30100	35-2
A3EWM90300	30-2
A3GN134500	29-3
A3GN401000	6-2
A3GN701800	18-8
A5AWP00100	34-1
A5C1562200	21-34
A5C1M50100	8-12
A5C1M50100	12-18
A5C1M50100	13-3
A5C1M50100	18-20
A5C1M50100	19-22
A5C1M50100	21-15
A5C1M50100	24-23
A5C1M50100	27-2
A64J564101	13-10
A64J564201	13-11
A795565500	16-15
A795622700	16-2
A797151500	28-5
A797162000	1-5
A797M60100	9-7
A797M60100	14-2
A7AH267201	3-17
A7AH562300	13-13
A7AH562400	13-8
A7AH562600	13-12
A7AH562900	13-5
A7AH604401	22-11
A7AH604501	22-2
A7AHM20401	21-21
A7AHM20401	25-10
A7AHM20501	12-24
A7AHM20501	13-19
A7AHM20501	19-34
A7AHM20501	26-5
A7AHM50400	12-20
A7AHN30000	35-2
A7PU168500	2-10

Parts No.	Page No.
A7PU168600	2-9
A7PU941701	2-11
A7PUM10700	6-1
A92E135400	29-16
A92E158100	4-2
A93E100300	10-1
A93E101702	2-3
A93E101803	2-4
A93E103001	14-5
A93E103200	14-6
A93E103300	14-4
A93E105100	27-3
A93E108101	2-12
A93E110100	9-6
A93E110300	7-12
A93E110400	9-1
A93E110500	9-5
A93E110600	9-3
A93E110801	25-9
A93E121301	14-9
A93E132001	27-18
A93E132103	27-21
A93E132200	27-20
A93E133201	23-2
A93E133300	11-10
A93E133600	25-5
A93E134200	28-4
A93E134300	27-7
A93E134400	27-15
A93E134801	27-10
A93E135000	27-1
A93E135200	27-5
A93E135211	27-5
A93E135401	27-8
A93E135900	27-13
A93E136900	27-6
A93E136911	27-6
A93E137100	29-10
A93E137200	29-7
A93E137300	29-1

Parts No.	Page No.
A93E137400	29-5
A93E137600	29-2
A93E137700	29-8
A93E137800	29-9
A93E150600	4-11
A93E150800	4-12
A93E151500	4-18
A93E151700	1-3
A93E151800	4-19
A93E151900	23-1
A93E152400	4-7
A93E152600	9-4
A93E152701	4-6
A93E152801	4-4
A93E153000	23-5
A93E153200	4-21
A93E153300	4-22
A93E153400	4-20
A93E153500	1-17
A93E154000	4-23
A93E155001	4-3
A93E155100	4-5
A93E156900	4-9
A93E157000	4-17
A93E157200	2-8
A93E157300	4-10
A93E160103	1-2
A93E160203	1-6
A93E160214	1-6
A93E160302	1-7
A93E160603	1-13
A93E160700	1-14
A93E161002	3-24
A93E161102	3-13
A93E161201	3-25
A93E161301	2-6
A93E161400	3-10
A93E161902	2-5
A93E162001	2-7
A93E162701	1-15

Parts No.	Page No.
A93E162801	1-4
A93E163000	8-7
A93E163011	8-7
A93E163100	8-9
A93E163111	8-9
A93E164000	1-16
A93E164502	7-2
A93E165102	8-1
A93E165113	8-1
A93E165200	8-14
A93E165301	8-2
A93E166103	2-1
A93E166200	2-2
A93E168000	8-8
A93E168100	1-12
A93E168300	8-10
A93E190202	3-16
A93E190300	3-6
A93E190900	3-21
A93E191000	3-4
A93E191302	3-23
A93E191601	3-3
A93E191701	3-19
A93E192401	3-22
A93E192700	3-20
A93E215000	25-4
A93E215500	25-1
A93E220102	26-16
A93E220201	26-9
A93E220300	26-12
A93E220401	26-11
A93E221100	26-15
A93E221200	26-14
A93E221300	26-13
A93E222100	26-10
A93E222300	26-4
A93E222500	26-1
A93E222600	26-2
A93E222700	26-3
A93E222800	26-6

Parts No.	Page No.	Parts No.	Page No.	Parts No.	Page No.	Parts No.	Page No.	Parts No.	Page No.
A93E223100	26-18	A93E562411	13-4	A93E595600	21-11	A93E623602	7-5	A93E703900	18-9
A93E230301	12-25	A93E562800	13-21	A93E595700	21-13	A93E624000	16-11	A93E704100	18-6
A93E230400	12-22	A93E563400	13-14	A93E596201	21-30	A93E625000	16-14	A93E704200	18-23
A93E230500	12-21	A93E565800	13-22	A93E596300	21-2	A93E625100	16-13	A93E704301	18-7
A93E230600	12-2	A93E566100	13-16	A93E597100	21-23	A93E625202	16-10	A93E704600	18-24
A93E230700	12-23	A93E566200	13-17	A93E597200	22-3	A93E625300	16-19	A93E704700	18-16
A93E240000	8-3	A93E566400	13-18	A93E597300	22-13	A93E625800	16-18	A93E704800	12-7
A93E240100	8-4	A93E590100	22-12	A93E597500	21-39	A93E625900	16-17	A93E704900	18-17
A93E240500	8-5	A93E590203	21-22	A93E597600	21-18	A93E626000	4-16	A93E705000	12-1
A93E240600	8-6	A93E590302	21-1	A93E597800	21-9	A93E626100	15-7	A93E705200	11-8
A93E362201	7-10	A93E590402	21-16	A93E597900	21-25	A93E626201	15-8	A93E705301	12-8
A93E362301	7-7	A93E590500	21-20	A93E598000	21-26	A93E626300	15-4	A93E705401	12-5
A93E362401	7-8	A93E590600	21-19	A93E598200	22-6	A93E626501	15-20	A93E706100	12-11
A93E362501	7-11	A93E590800	21-29	A93E598400	21-45	A93E626600	4-14	A93E706200	18-13
A93E363701	7-6	A93E591002	22-8	A93E598600	21-46	A93E626702	16-12	A93E707000	18-5
A93E363802	7-9	A93E591300	21-32	A93E598800	21-43	A93E700103	12-19	A93E707100	18-10
A93E363900	7-13	A93E591600	21-5	A93E599700	21-47	A93E700401	11-6	A93E707200	18-14
A93E364100	7-14	A93E591700	21-31	A93E599800	22-15	A93E700600	12-3	A93E707300	12-9
A93E400200	6-17	A93E591800	21-7	A93E599900	22-16	A93E700800	12-6	A93E707700	11-12
A93E400300	6-18	A93E591900	21-3	A93E620104	15-14	A93E700902	12-10	A93E707800	11-11
A93E400400	6-15	A93E592002	22-7	A93E620203	15-1	A93E701101	12-4	A93E708300	18-15
A93E400500	6-12	A93E592102	22-10	A93E620301	15-19	A93E701200	12-17	A93E810107	19-35
A93E400800	6-9	A93E592201	22-1	A93E620401	15-16	A93E701211	12-17	A93E810118	19-35
A93E400900	6-8	A93E592300	21-6	A93E620500	15-2	A93E701300	12-15	A93E810200	19-20
A93E401000	6-16	A93E592500	21-42	A93E620601	15-12	A93E701500	12-16	A93E810211	19-20
A93E401100	6-11	A93E592800	21-27	A93E620701	15-9	A93E701600	12-13	A93E810502	19-36
A93E401400	6-3	A93E592900	21-41	A93E620801	15-18	A93E701700	12-14	A93E810600	19-4
A93E401500	6-13	A93E593100	21-33	A93E620901	15-13	A93E701902	11-2	A93E810701	19-3
A93E401700	6-10	A93E593200	21-40	A93E621000	15-3	A93E702102	18-1	A93E810800	19-2
A93E402000	6-19	A93E593300	21-36	A93E621100	15-10	A93E702114	18-1	A93E810900	19-39
A93E402300	6-5	A93E593400	21-35	A93E622103	16-5	A93E702400	18-4	A93E811400	19-17
A93E402400	6-6	A93E593800	21-28	A93E622203	16-1	A93E702500	18-11	A93E812000	19-33
A93E402500	6-7	A93E593900	21-37	A93E622501	16-9	A93E702600	18-19	A93E812100	19-21
A93E402601	27-11	A93E594100	21-10	A93E622601	16-3	A93E703102	11-3	A93E813101	19-1
A93E510902	18-18	A93E594200	19-26	A93E622700	16-8	A93E703200	11-4	A93E813201	19-28
A93E511102	18-21	A93E594300	21-17	A93E623100	4-15	A93E703300	18-22	A93E813302	19-27
A93E560501	13-6	A93E594312	21-17	A93E623200	4-13	A93E703400	18-2	A93E813501	19-31
A93E562100	13-15	A93E594400	21-12	A93E623301	14-8	A93E703600	18-12	A93E813700	19-32
A93E562200	13-2	A93E594600	22-5	A93E623301	15-15	A93E703700	18-26	A93E813800	19-24
A93E562400	13-4	A93E594700	21-14	A93E623400	15-17	A93E703800	18-25	A93E814001	19-16



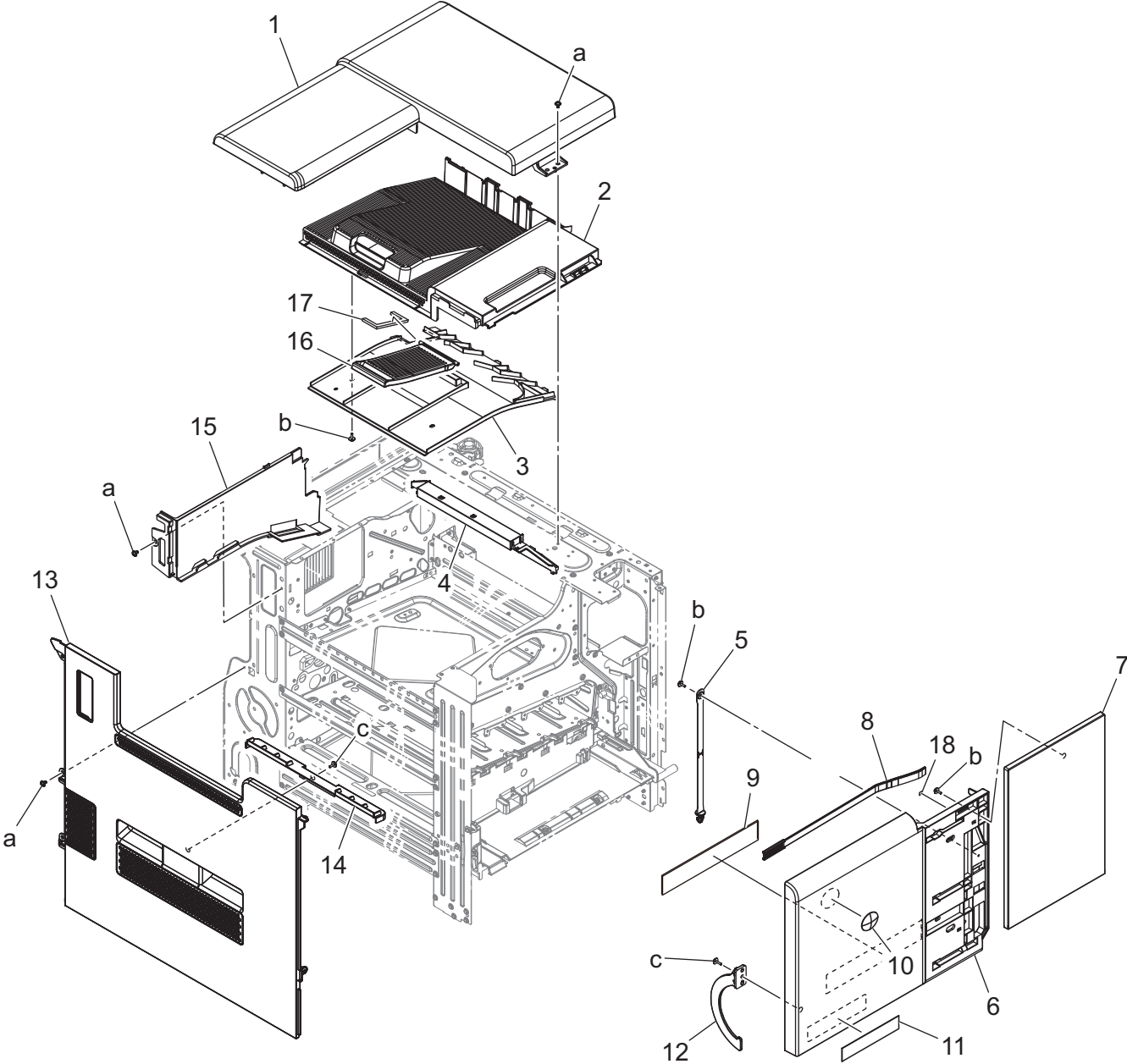
Parts No.	Page No.
A93E814100	19-18
A93E814202	19-23
A93E814300	19-10
A93E814401	19-12
A93E814500	19-11
A93E814702	19-9
A93E814800	19-40
A93E815100	19-15
A93E815200	19-14
A93E815302	19-29
A93E815400	19-38
A93E816101	24-1
A93E816200	24-17
A93E816301	24-15
A93E816402	24-14
A93E816502	24-11
A93E816700	24-13
A93E816802	24-12
A93E890101	24-16
A93E890202	24-3
A93E890300	24-19
A93E890601	24-20
A93E890703	24-10
A93E890800	24-8
A93E890900	24-5
A93E891000	24-24
A93E891200	24-9
A93E891300	24-22
A93E891500	24-2
A93E891600	24-6
A93E892300	24-18
A93E892500	24-26
A93E893100	24-27
A93E895100	24-21
A93E895500	24-7
A93E940600	7-4
A93E940701	14-3
A93E941101	1-9
A93E941112	1-9
A93E942100	19-7

Parts No.	Page No.
A93E943200	35-1
A93E943800	22-9
A93E944200	20-2
A93E944500	19-5
A93E944600	19-6
A93EF62008	14-1
A93EM10000	4-8
A93EM10600	4-1
A93EM40300	28-1
A93EM60000	27-19
A93EM72001	3-2
A93EN10000	29-17
A93EN10100	29-11
A93EN10201	27-16
A93EN10300	23-4
A93EN10500	8-13
A93EN10700	32-1
A93EN10800	30-1
A93EN10900	31-1
A93EN10A00	13-23
A93EN10B00	19-37
A93EN10E00	28-3
A93EN10G00	27-17
A93EN10J00	11-9
A93EN10K00	24-25
A93EN10M00	21-24
A93EN10N00	18-30
A93EN12000	27-14
AA2J135101	29-12
AA2J191201	3-8
AA2J191300	3-5
AA2J191600	3-26
AA2J191800	3-7
AA2J193000	3-14
AA2J193100	3-18
AA2J621000	16-6
AA2J621200	16-7
AA2J629000	16-20
AA2J629200	16-16
AA2J943700	16-21

Parts No.	Page No.
AA2J944500	22-4
AA2JH00C00	29-15
AA2JM11000	25-7
AA2JM11000	26-7
AA2JM11100	25-6
AAJRH02009	29-4
AAJRM71000	29-18
AAJRN10000	6-20
AAJRR70100	9-2
AAJRR70100	9-2
AAJRR70311	23-3
AAJRR70411	23-3
AAJRR70500	17-2
AAJRR70600	29-13
AAJRR70700	29-13
AAJRR70800	5-1
AAJRR70900	5-1
AAJRR71000	25-2
AAJRR71100	28-2
AAJRR71200	29-14
AAJRR71300	26-19
AAJRR71400	11-1
AAJRR71500	17-1
AAJRR71600	20-1
AAJRR71900	1-8
AAJRR72100	26-17
AAJRR72200	21-4
AAJT169001	1-1
AAJT191401	3-15
AAJT191500	3-9
AAJT195001	3-12
AAJT400002	6-14
AAJT401200	27-12
AAJT405102	6-14
AAJT940100	1-11
AAJTH01007	29-6
AAJTM70101	3-11
AAJTM70201	3-11
AAJTM70300	3-11
AAJTN12300	3-27

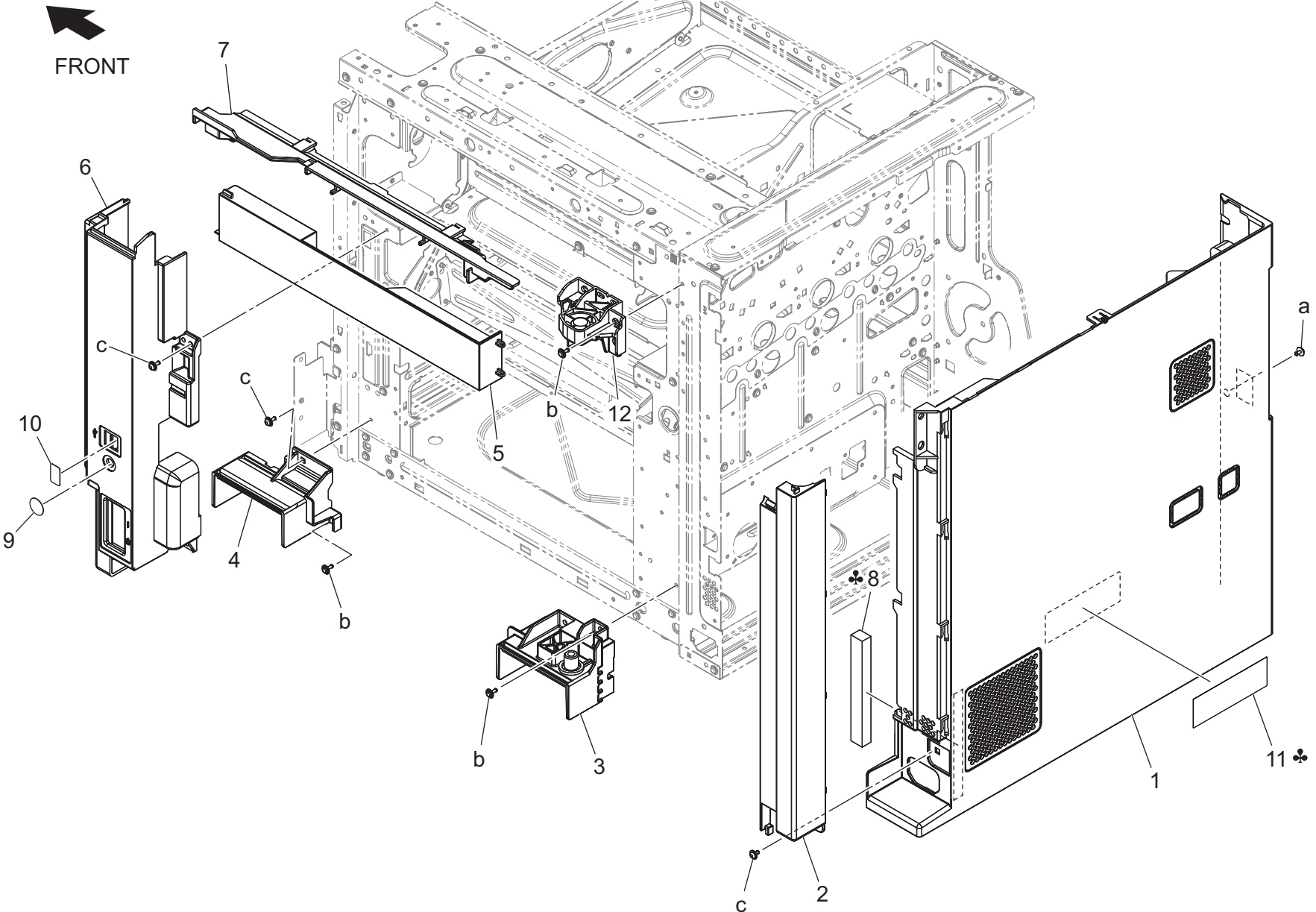
Parts No.	Page No.
AAJTR70100	10-2
ACDN0Y1	7-1
ACDNWY1	7-1
V500010082	33-1
V500010083	33-2
V500020098	33-3
V500020099	33-4
V500020100	33-5
V570010056	33-6
V570010057	33-7
V570010060	33-8
V651010001	26-8
V800500300	18-29

External Parts



Key	Part No.	Description	Destinations	Class	QTY	Standard parts
1	AAJT169001	Cover /Upper		D	1	a-V127030604 b-V153030803 c-V153031004
2	A93E160103	Paper exit Cover		D	1	
3	A93E151700	Duct		D	1	
4	A93E162801	Paper exit Cover		D	1	
5	A797162000	Band		D	1	
6	A93E160203Old	Open/close Cover /Front		D	1	
6	A93E160214	Open/close Cover /Front		D	1	
7	A93E160302	Open/close Cover /Front		D	1	
8	AAJRR71900	Cleaning Material		C	1	
9	A93E941101Old	Sheet		D	1	
9	A93E941112	Sheet		D	1	
10	A00J945500	Logo Mark		C	1	
11	AAJT940100	Label bizhub C3300i		D	1	
12	A93E168100	Support Arm		C	1	
13	A93E160603	Cover		D	1	
14	A93E160700	Cover		D	1	
15	A93E162701	Paper exit Cover		D	1	
16	A93E164000	Paper exit Tray /2		D	1	
17	A93E153500	Seal		D	1	
18	A02E940300	Label		C	1	

External Parts

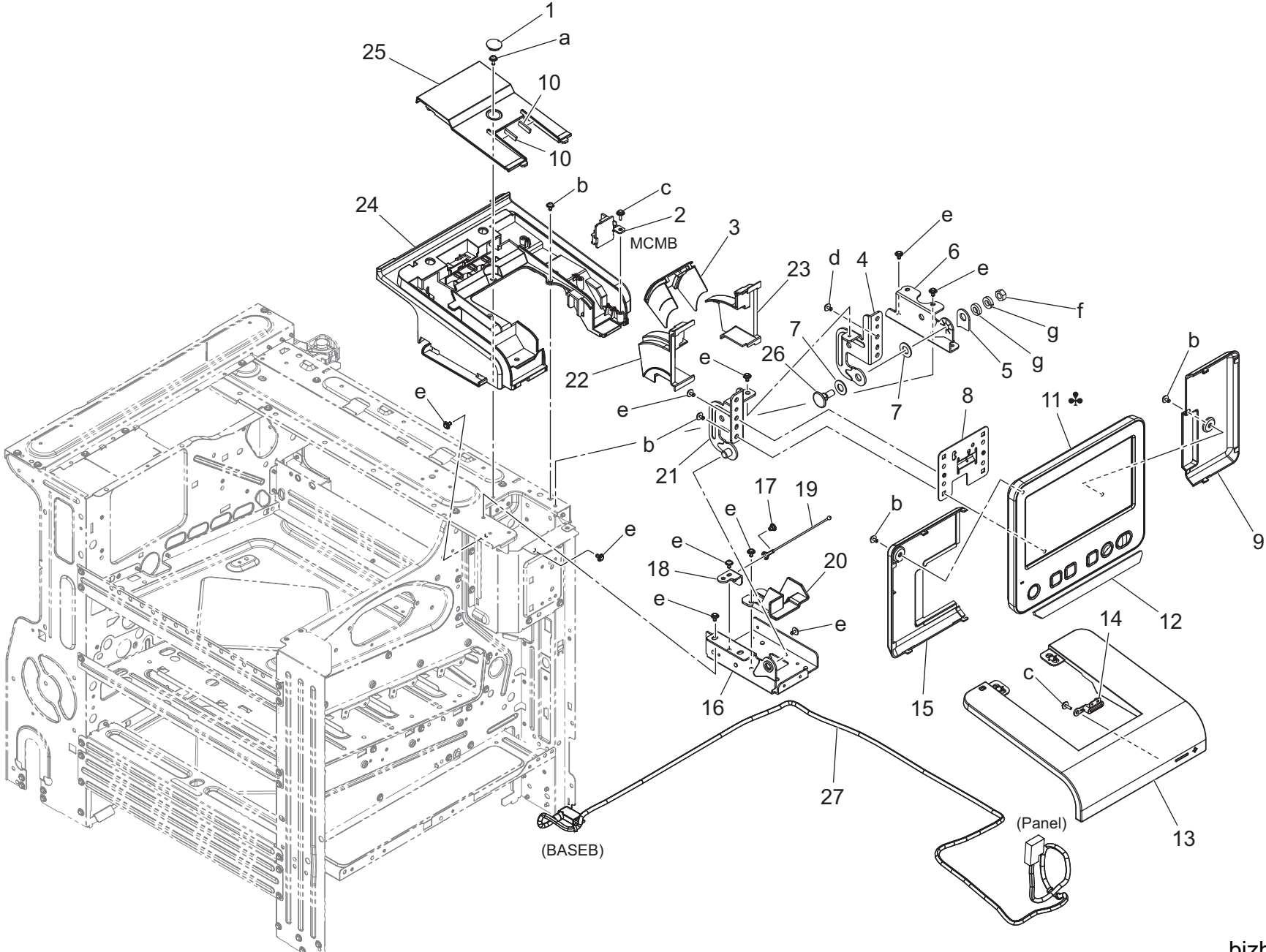


## External Parts

Key	Part No.	Description	Destinations	Class	QTY	Standard parts
1	A93E166103	Cover		D	1	a-V127030604 b-V144030803 c-V116030804
2	A93E166200	Cover		D	1	
3	A93E101702	Handle		D	1	
4	A93E101803	Handle		D	1	
5	A93E161902	Cover		D	1	
6	A93E161301	Cover /Right front		D	1	
7	A93E162001	Cover		D	1	
8	A93E157200	Seal	C,D1,D3,E,F2,G1,I,J	D	1	
9	A7PU168600	Seal		C	1	
10	A7PU168500	Seal		C	1	
11	A7PU941701	Label Caution	C,I(South Africa)	C	1	
12	A93E108101	Adjusting Plate		D	1	

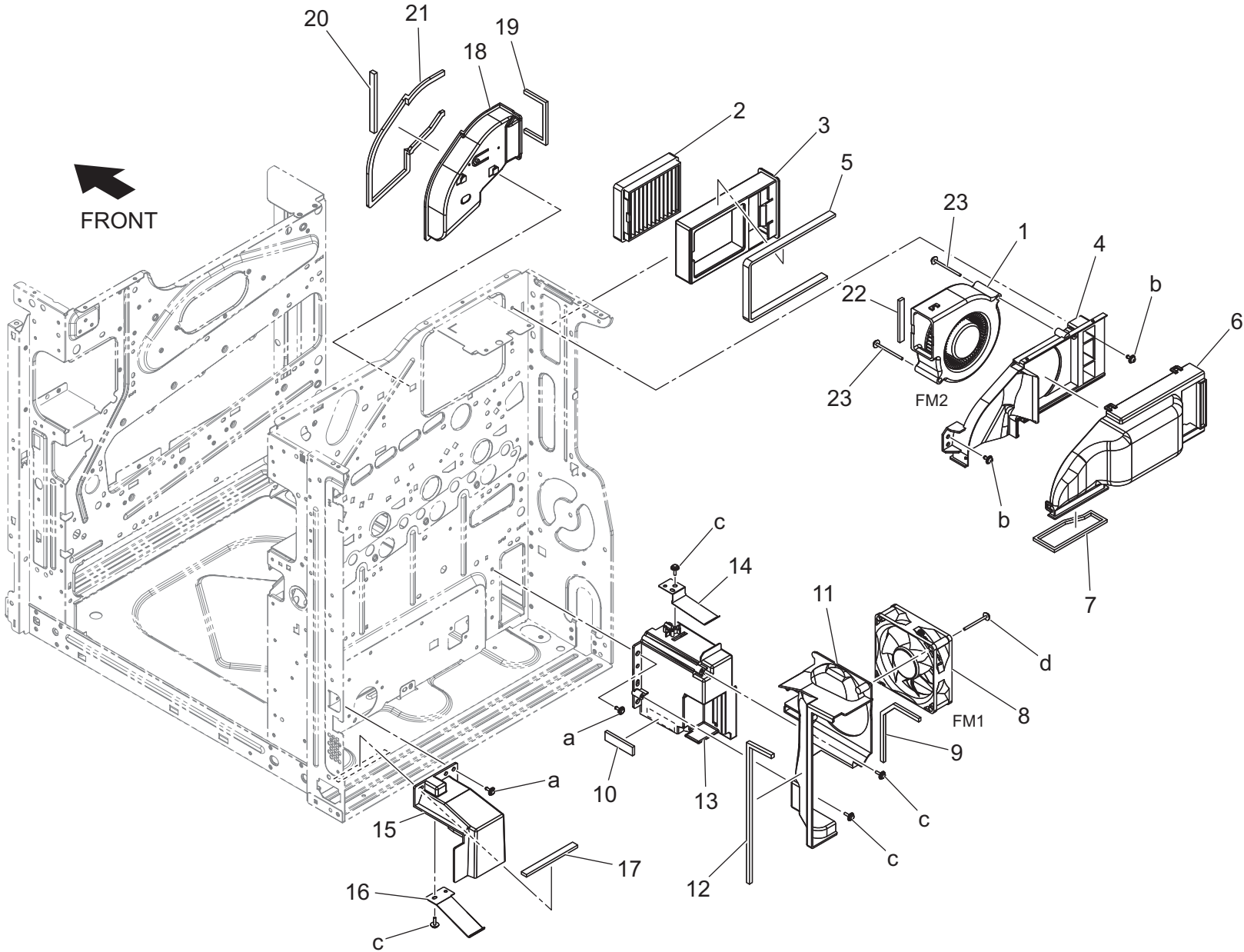
bizhub C3300i

# Operation Panel Section



Key	Part No.	Description	Destinations	Class	QTY	Standard parts
1	A02E167700	Cover		C	1	a-V116030804
2	A93EM72001	Indicating Unit		C	1	b-V127030604
3	A93E191601	Cover		D	1	c-V153030803
4	A93E191000	Hinge		D	1	d-V144030803
5	AA2J191300	Spacer		D	1	e-V144030603
6	A93E190300	Mounting Plate /Right		D	1	f-V195060003
7	AA2J191800	Slide Spacer		D	2	g-V205060003
8	AA2J191201	Mounting Plate		D	1	
9	AAJT191500	Cover /Right rear		D	1	
10	A93E161400	Brake Part		D	2	
11	AAJTM70101	Panel assembly		I	1	
11	AAJTM70201	Panel assembly	B,D1,D3,E,F2,G1,G2, I(Except South Africa)	I	1	
11	AAJTM70300	Panel Assy	C,I(South Africa)	I	1	
12	AAJT195001	Cushion	J	D	1	
13	A93E161102	Panel		D	1	
14	AA2J193000	Indicating Part		D	1	
15	AAJT191401	Cover /Left rear		D	1	
16	A93E190202	Mounting Plate		D	1	
17	A7AH267201	Shoulder screw		C	1	
18	AA2J193100	Mounting Plate		D	1	
19	A93E191701	Wire		D	1	
20	A93E192700	Guide Part		D	1	
21	A93E190900	Hinge /ASSY		D	1	
22	A93E192401	Cover		D	1	
23	A93E191302	Cover		D	1	
24	A93E161002	Panel		D	1	
25	A93E161201	Panel		D	1	
26	AA2J191600	Shaft		D	1	
27	AAJTN12300	Interface Cable		D	1	

Colling Section





Key	Part No.	Description	Destinations	Class	QTY	Standard parts
1	A93EM10600	Fan motor		C	1	a-V144030803 b-V125030803 c-V153030803 d-V153033503
2	A92E158100	Dust-proof Filter		B	1	
3	A93E155001	Filter Holder		D	1	
4	A93E152801	Duct		D	1	
5	A93E155100	Seal		D	1	
6	A93E152701	Duct		D	1	
7	A93E152400	Seal		D	1	
8	A93EM10000	Fan motor		C	1	
9	A93E156900	Seal		D	1	
10	A93E157300	Seal		D	1	
11	A93E150600	Duct		D	1	
12	A93E150800	Seal		D	1	
13	A93E623200	Cover		D	1	
14	A93E626600	Plate spring		D	1	
15	A93E623100	Cover		D	1	
16	A93E626000	Plate spring		D	1	
17	A93E157000	Seal		D	1	
18	A93E151500	Duct		D	1	
19	A93E151800	Seal		D	1	
20	A93E153400	Seal		D	1	
21	A93E153200	Seal		D	1	
22	A93E153300	Seal		D	1	
23	A93E154000	Screw /B		D	2	

bizhub C3300i

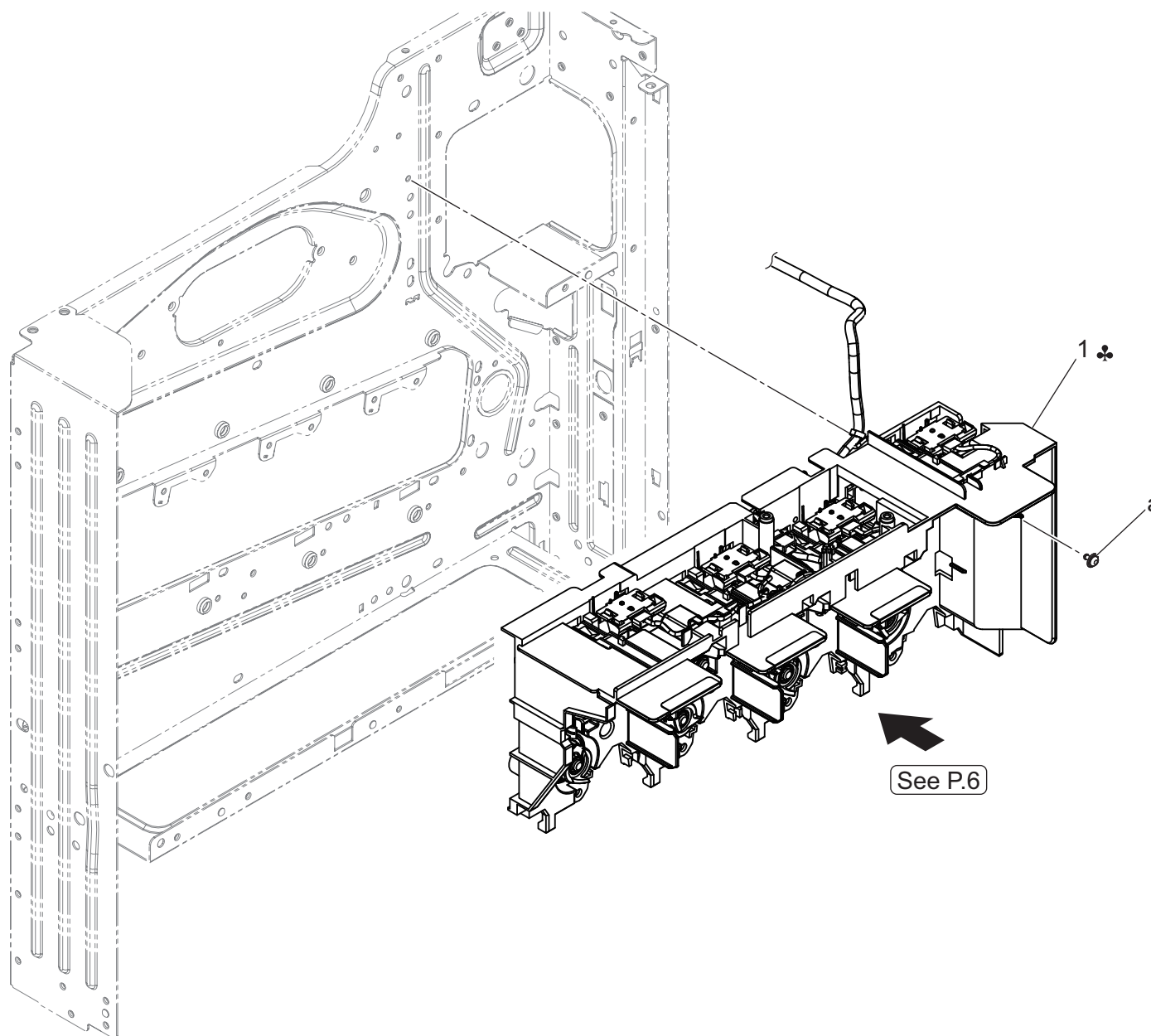


Order here  
8 (495) 646-0426  
www.km-shop.ru

ПЯТЫЙ ПАРТНЕР

# Toner Supply Section

P 5



See P.6

# Toner Supply Section

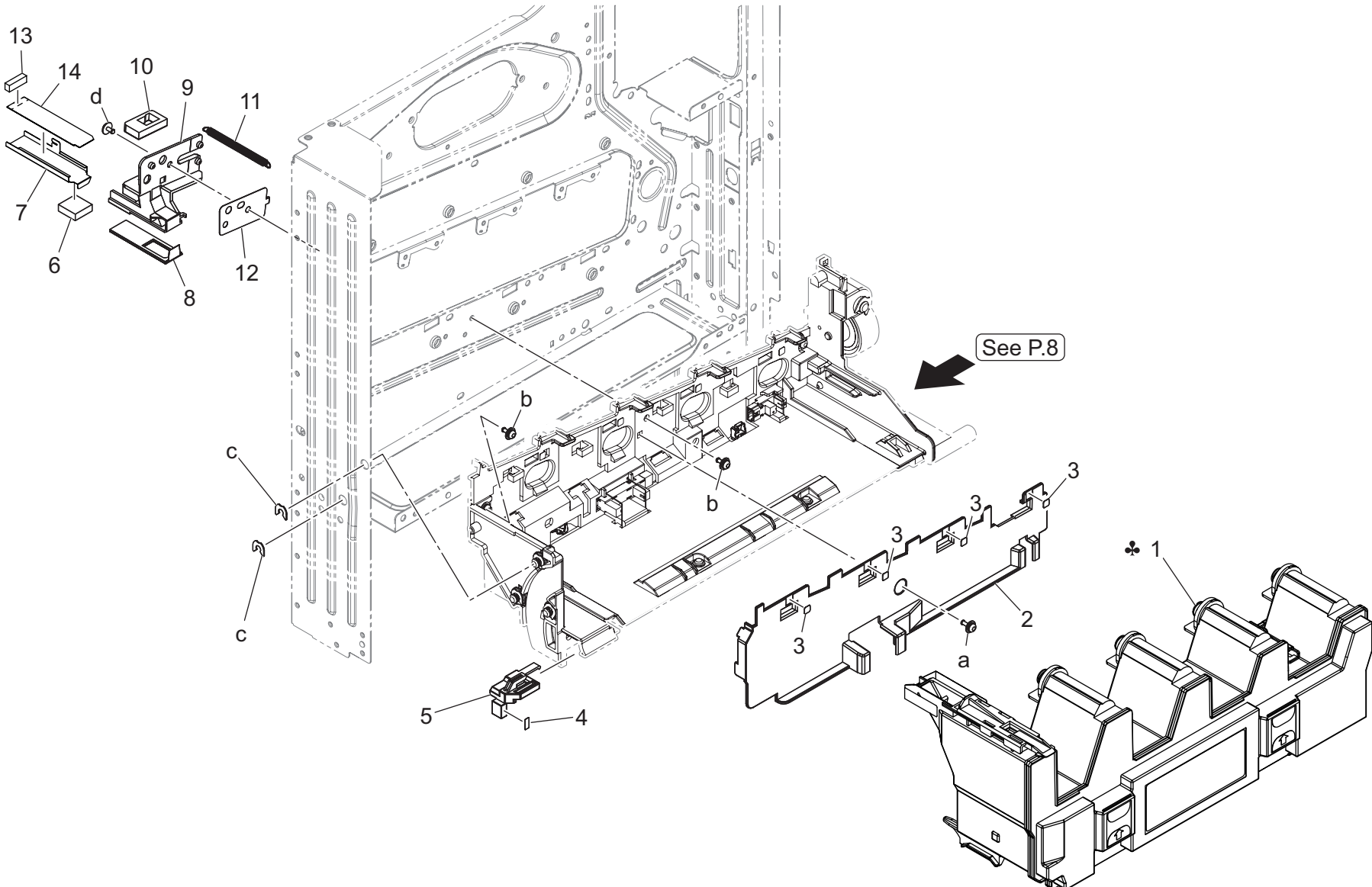
Key	Part No.	Description		Destinations	Class	QTY	Standard parts
1	AAJRR70800	TB Drive ASSY	T B 駆動 A s s y ( S F P 日本)	D1,D3,E,F2,G1,I(exc ept South Africa),J B,C,G2,I(South Afri ca)	S	1	a-V127030604
1	AAJRR70900	TB Drive ASSY	T B 駆動 A s s y ( S F P 北米/欧州)		S	1	



# Toner Supply Section

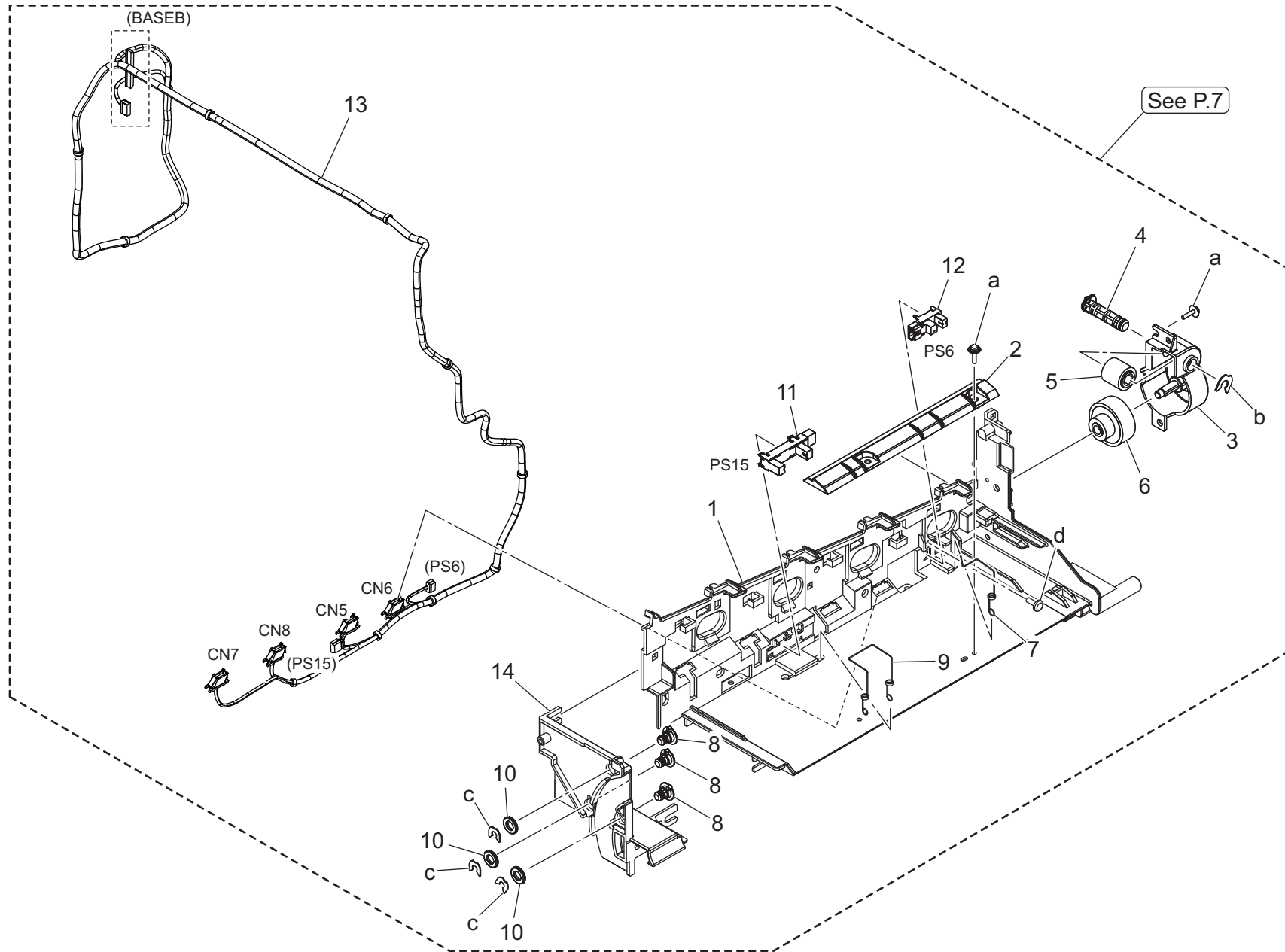
Key	Part No.	Description	Destinations	Class	QTY	Standard parts
1	A7PUM10700	Stepping motor		C	2	a-V145030803 b-V153031004 c-V153030803
2	A3GN401000	Torsion Coil spring		C	4	
3	A93E401400	Mounting Plate		D	4	
4	A0EDM60001	Relay Connector		D	4	
5	A93E402300	Label /Y		D	1	
6	A93E402400	Label /M		D	1	
7	A93E402500	Label /C		D	1	
8	A93E400900	Coupling		C	4	
9	A93E400800	Coupling		C	4	
10	A93E401700	Washer		D	4	
11	A93E401100	Spring		C	4	
12	A93E400500	Gear 30T		C	4	
13	A93E401500	Lock Part		D	4	
14	AAJT405102	Holder		D	1	
14	AAJT400002	Holder	D1,D3,E,F2,G1,I(except South Africa),J	D	1	
15	A93E400400	Gear 25T		C	5	
16	A93E401000	Gear 33T		C	1	
17	A93E400200	Gear 20/107T		C	2	
18	A93E400300	Gear 49/86T		C	2	
19	A93E402000	Holding Part		D	2	
20	AAJRN10000	Toner Control Harness /2		D	1	

Toner Collection Section



Key	Part No.	Description	Destinations	Class	QTY	Standard parts
1	ACDN0Y1	Waste Toner Bottle	B,G2	A	1	a-V116030804 b-V125030803 c-V218040086 d-V144030603
1	ACDNWY1	Waste Toner Bottle	C,D1,D3,E,F2,G1,I,J	A	1	
2	A93E164502	Cover		D	1	
3	A02E940300	Label		C	4	
4	A93E940600	Label		D	1	
5	A93E623602	Stopper		D	1	
6	A93E363701	Seal		D	1	
7	A93E362301	Shutter		D	1	
8	A93E362401	Seal		D	1	
9	A93E363802	Holder		D	1	
10	A93E362201	Seal		D	1	
11	A93E362501	Pulling Coil spring		C	1	
12	A93E110300	Ground Spring		D	1	
13	A93E363900	Seal		D	1	
14	A93E364100	Seal		D	1	

# Toner Collection Section

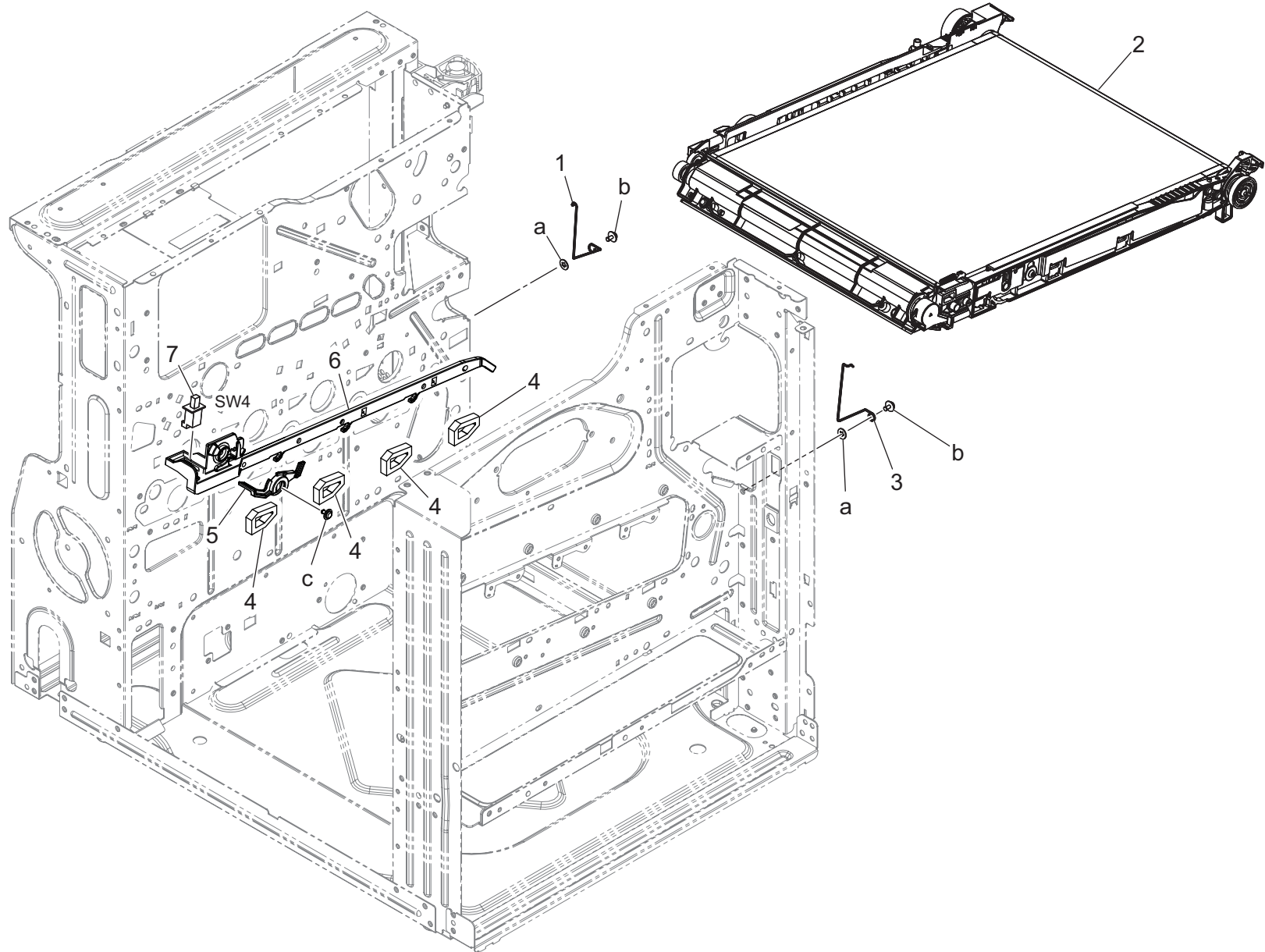




Key	Part No.	Description	Destinations	Class	QTY	Standard parts
1	A93E165102Old	Cover		D	1	a-V153031004 b-V218060086 c-V218040086 d-V162020404
1	A93E165113	Cover		D	1	
2	A93E165301	Lock Claw		D	1	
3	A93E240000	Drive Holder		D	1	
4	A93E240100	Connecting Shaft		D	1	
5	A93E240500	Gear 10T		C	1	
6	A93E240600	Gear 13/20T		C	1	
7	A93E163000Old	Pulling Coil spring		C	1	
7	A93E163011	Pulling Coil spring		C	1	
8	A93E168000	Shaft		D	3	
9	A93E163100Old	Pulling Coil spring		C	2	
9	A93E163111	Pulling Coil spring		C	1	
10	A93E168300	Roll		D	3	
11	9335140051	SOLID STATE SWITCH		B	1	
12	A5C1M50100	Photointerrupter		B	1	
13	A93EN10500	Photoconductor Wiring		D	1	
14	A93E165200	Cover /B		D	1	

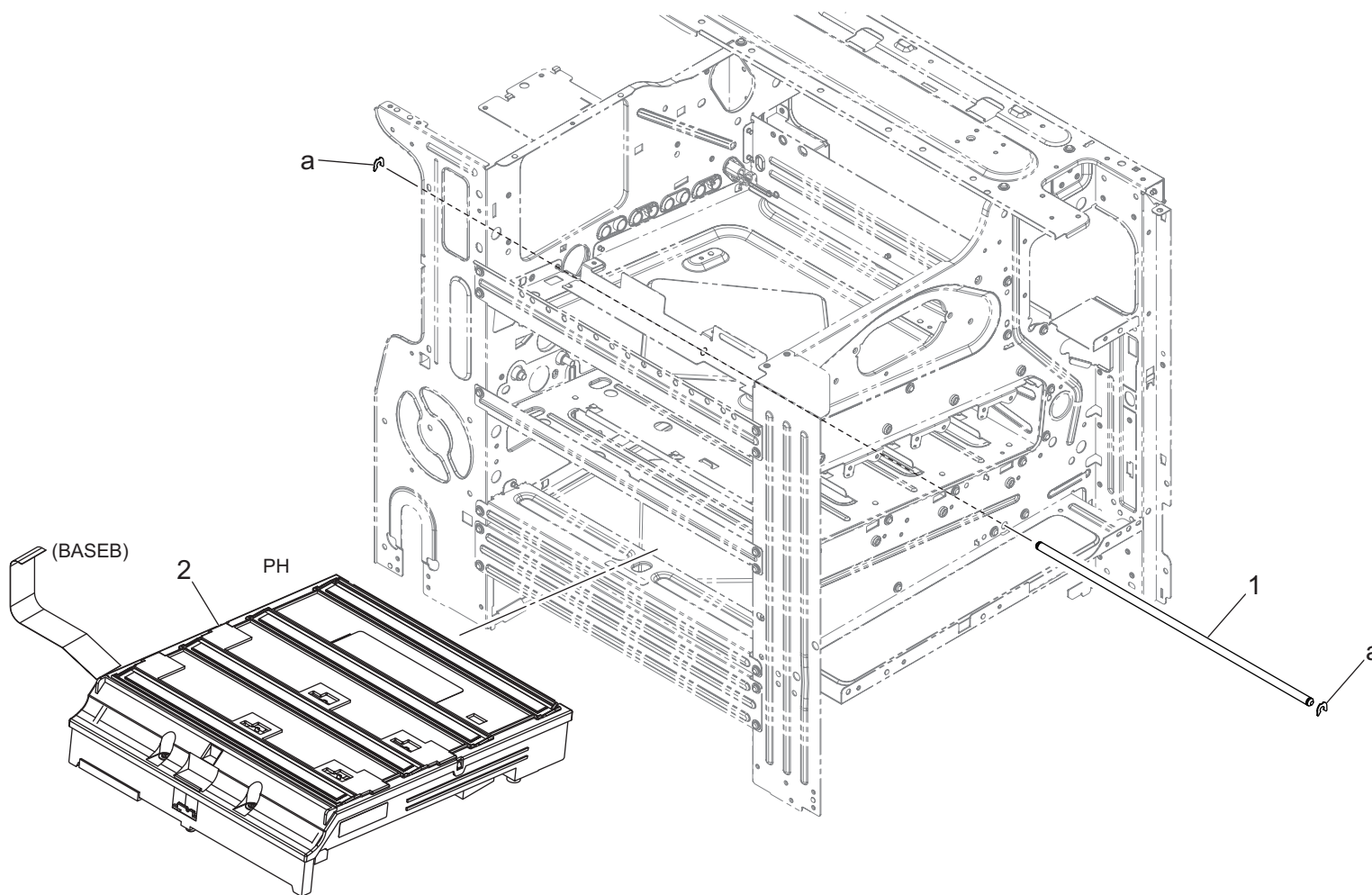
# 1st Transfer Section

P 9



# 1st Transfer Section

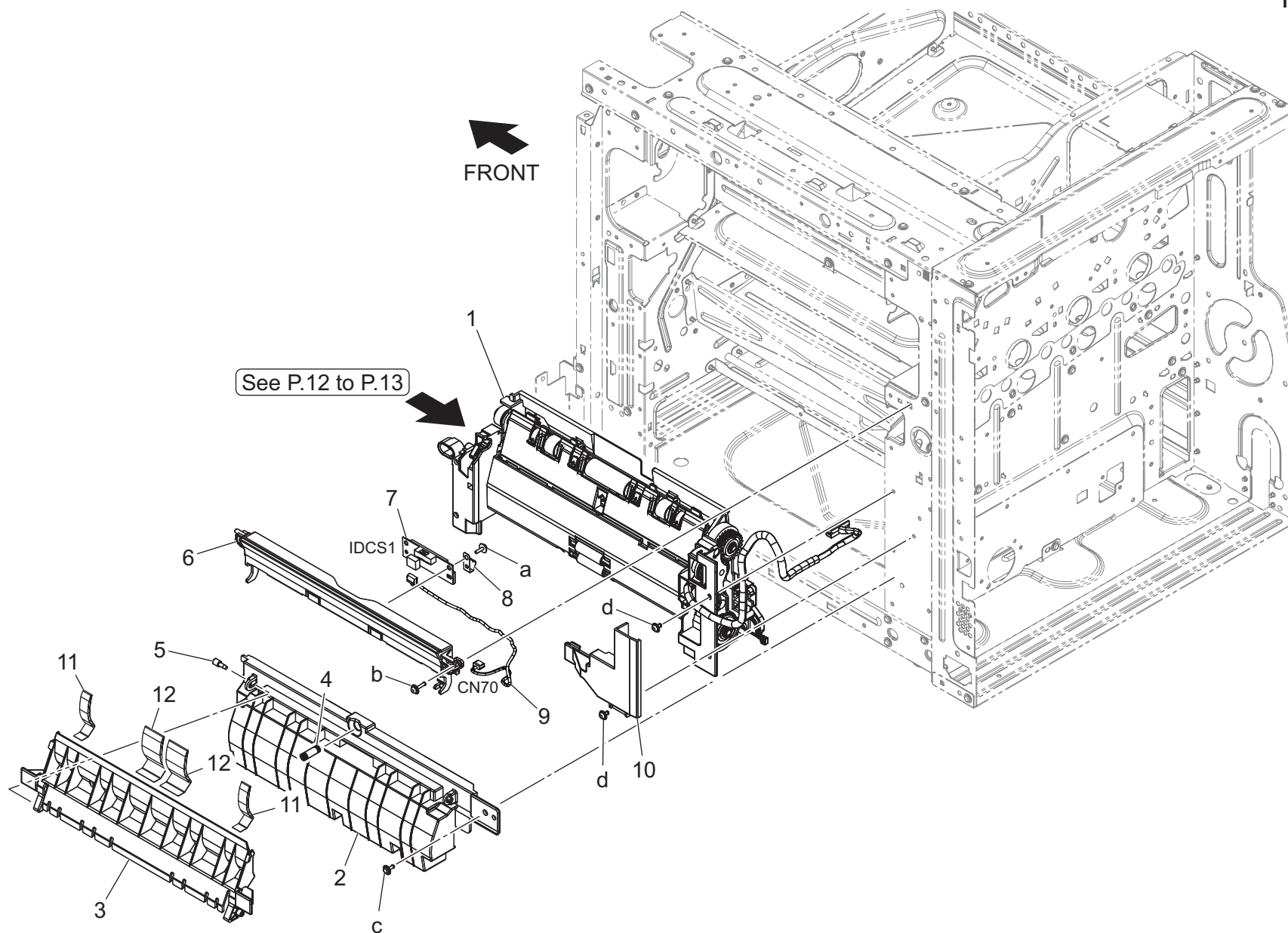
Key	Part No.	Description	Destinations	Class	QTY	Standard parts
1	A93E110400	Fixing Spring		D	1	a-V211030080 b-V116030603 c-V144030603
2	AAJRR70100	Transfer Unit	B,D1,D3,E,F2,G1,G2, I,J	B	1	
2	AAJRR70100	Transfer Unit	C	B	1	
3	A93E110600	Fixing Spring		D	1	
4	A93E152600	Seal		D	4	
5	A93E110500	Lever		D	1	
6	A93E110100	Rail /Rear		D	1	
7	A797M60100	Switch		C	1	



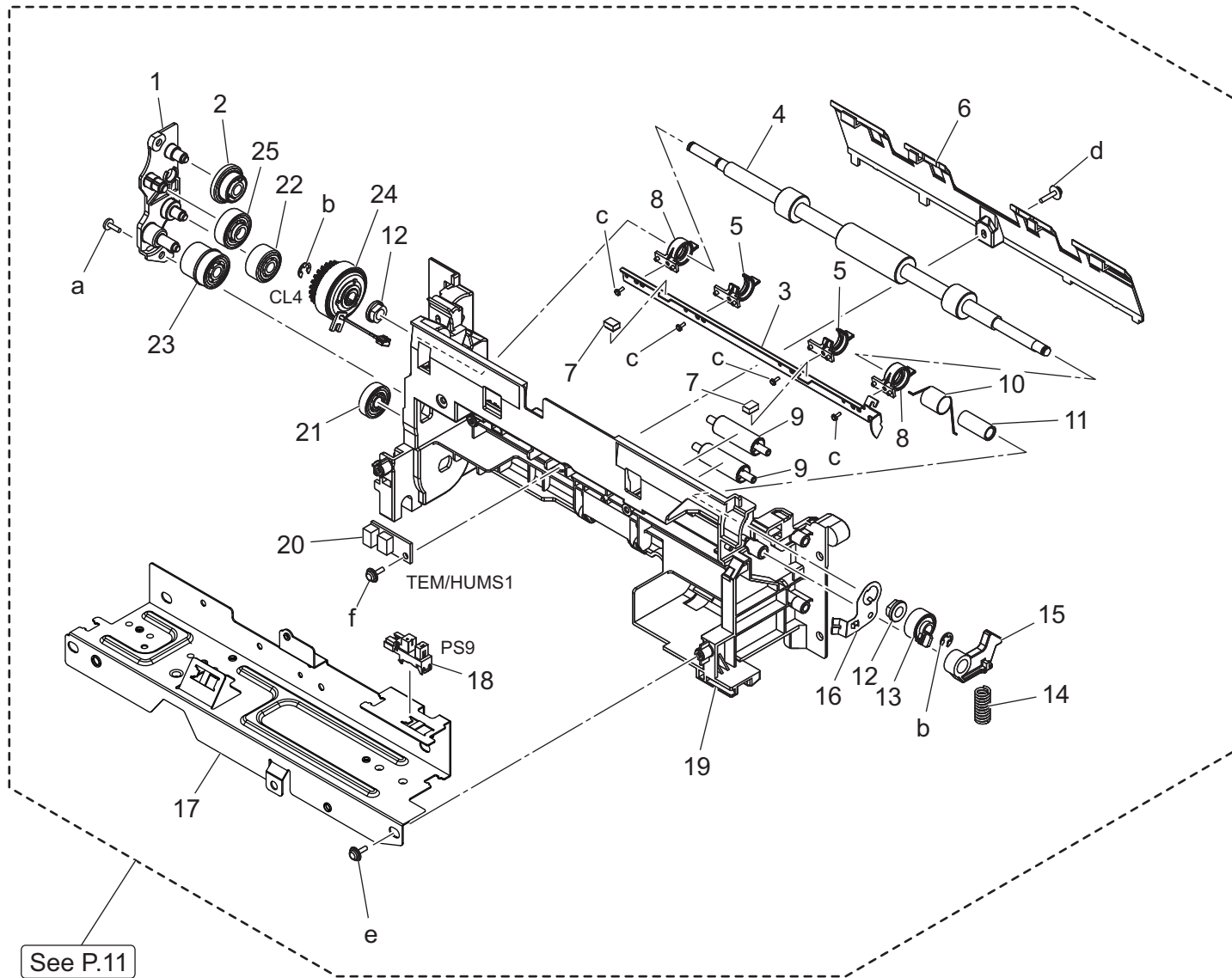
# Write Section

Key	Part No.	Description	Destinations	Class	QTY	Standard parts
1	A93E100300	Shaft		D	1	a-V218040086
2	AAJTR70100	Print Head Assy		I	1	

bizhub C3300i

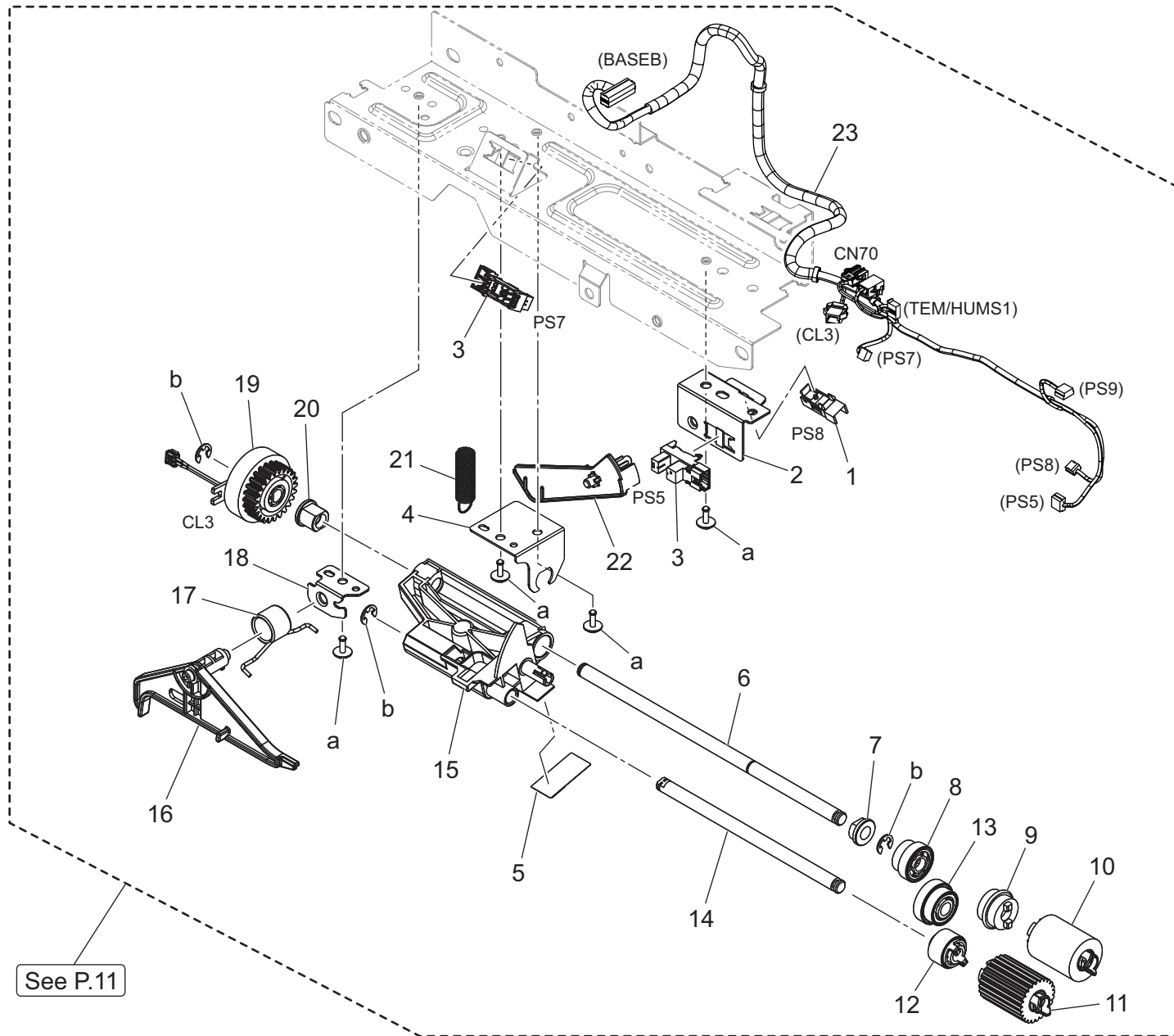


Key	Part No.	Description	Destinations	Class	QTY	Standard parts
1	AAJRR71400	Conveyance/ Paper Feed Assy	搬送/給紙 A s s y	S	1	a-V153030803 b-V116031203 c-V144030803 d-V127030604
2	A93E701902	Guide	ガイド (増設経路)	D	1	
3	A93E703102	Open/close Guide	開閉ガイド	D	1	
4	A93E703200	Compressing Coil spring	圧縮コイルばね	C	1	
5	4532341001	SHOULDER SCREW	段ねじ	D	1	
6	A93E700401	Conveyance Guide	搬送ガイド ( I D C )	D	1	
7	A161M50300	Photo sensing	光電変換素子 ( I D C センサ)	I	1	
8	A93E705200	Ground Plate	アース板	D	1	
9	A93EN10J00	Relay harness /2	中継束線 / 2	D	1	
10	A93E133300	Cover	カバー (給紙ハーネス)	D	1	
11	A93E707800	Sheet	シート ( S )	D	2	
12	A93E707700	Sheet	シート ( L )	D	2	





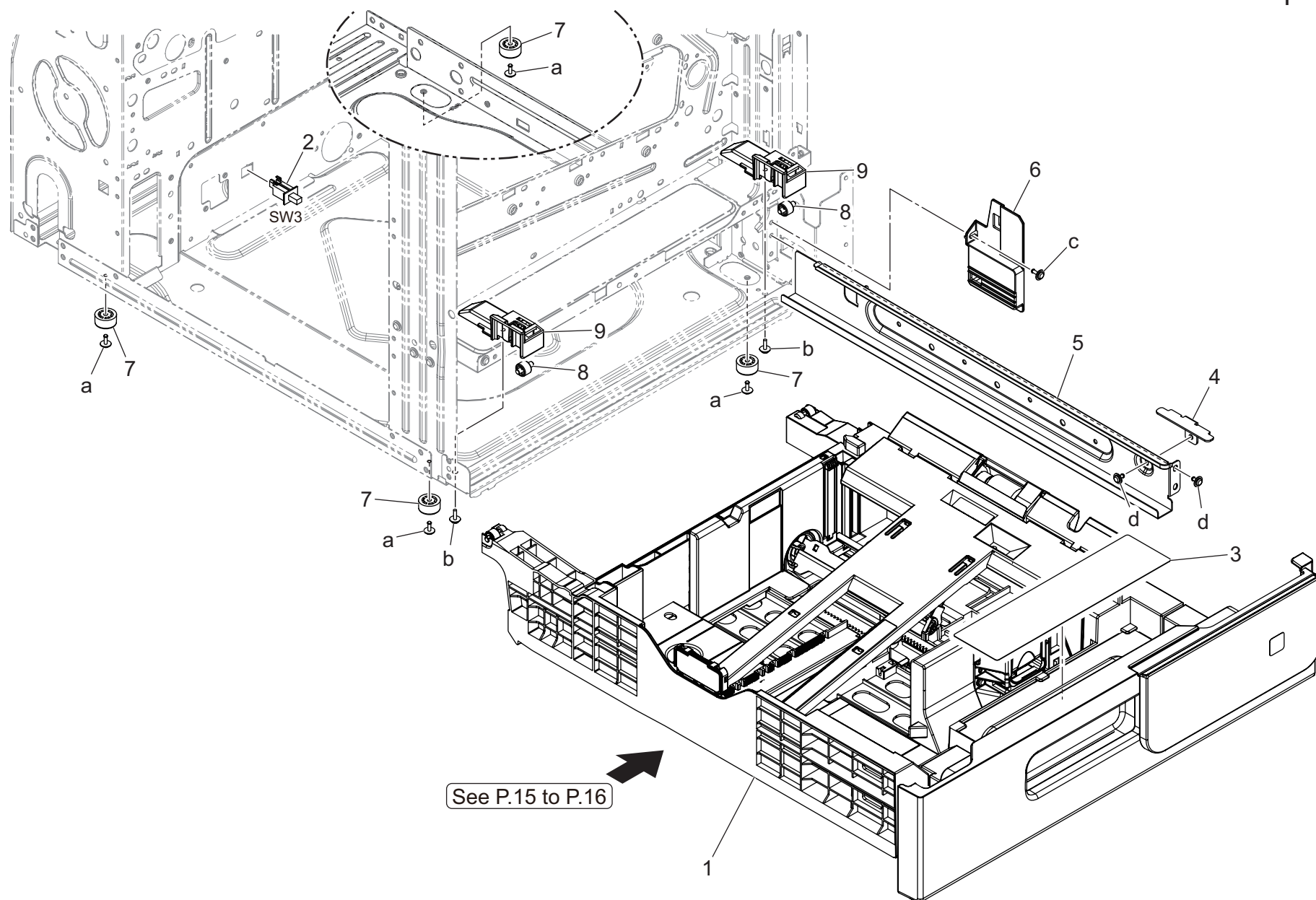
Key	Part No.	Description	Destinations	Class	QTY	Standard parts
1	A93E705000	Holder		D	1	a-V149030803 b-V217040003 c-V162020404 d-V116031203 e-V153030803 f-V153031004
2	A93E230600	Gear 20T	ホルダ (給紙駆動) ギア 20 T	C	1	
3	A93E700600	Mounting Plate	取付板	D	1	
4	A93E701101	Roller	ローラ (ゲート搬送)	C	1	
5	A93E705401	Stopper Part	突当て部材 (半円)	D	2	
6	A93E700800	Guide	ガイド (RR 前)	D	1	
7	A93E704800	Cushion	クッション	D	2	
8	A93E705301	Stopper Part	突当て部材 (円筒)	D	2	
9	A93E707300	Roll	ころ	C	2	
10	A93E700902	Torsion Coil spring	ねじりコイルばね	C	1	
11	A93E706100	Bushing	すべり軸受 (ねじりコイルばね)	D	1	
12	1134304301	BUSHING	軸受	C	2	
13	A93E701600	Gear 20T	ギア 20 T	C	1	
14	A93E701700	Compressing Coil spring	圧縮コイルばね (30)	C	1	
15	A93E701300	Lever	レバー	C	1	
16	A93E701500	Ground Plate	アース板	D	1	
17	A93E701200Old	Reinforce Plate	補強板	D	1	
17	A93E701211	Reinforce Plate	補強板	D	1	
18	A5C1M50100	Photointerrupter	透過型センサ	B	1	
19	A93E700103	Conveyance Guide	搬送ガイド (内)	D	1	
20	A7AHM50400	Humidity sensor	温湿度センサ	I	1	
21	A93E230500	Gear 17T	ギア 17 T	C	1	
22	A93E230400	Gear 17T	ギア 17 T	C	1	
23	A93E230700	Gear 17/18T	ギア 17 / 18 T	C	1	
24	A7AHM20501	Clutch	クラッチ (Z = 24)	C	1	
25	A93E230301	Gear 19T	ギア 19 T	C	1	



See P.11

Key	Part No.	Description	Destinations	Class	QTY	Standard parts
1	A0EDM50100	Photoreflector		I	1	a-V144030803 b-V217040003
2	A93E562200	Mounting Plate		D	1	
3	A5C1M50100	Photointerrupter		B	2	
4	A93E562400Old	Mounting Plate		D	1	
4	A93E562411	Mounting Plate		D	1	
5	A7AH562900	Protection Sheet		C	1	
6	A93E560501	Paper feed Shaft		D	1	
7	1134304301	BUSHING		C	1	
8	A7AH562400	Paper feed Gear		C	1	
9	A02E561100	Clutch		C	1	
10	A64J564101	Paper feed Roller		A	1	
11	A64J564201	Paper feed Roller		A	1	
12	A7AH562600	Conveyance Gear 28T		C	1	
13	A7AH562300	Idling Gear		C	1	
14	A93E563400	Shaft		D	1	
15	A93E562100	Pressing Lever		D	1	
16	A93E566100	Release Lever		D	1	
17	A93E566200	Torsion Spring		C	1	
18	A93E566400	Mounting Plate		D	1	
19	A7AHM20501	Clutch		C	1	
20	A02E815200	BUSHING		C	1	
21	A93E562800	Compressing Coil spring		C	1	
22	A93E565800	Actuator		D	1	
23	A93EN10A00	Main body Wiring /3		D	1	

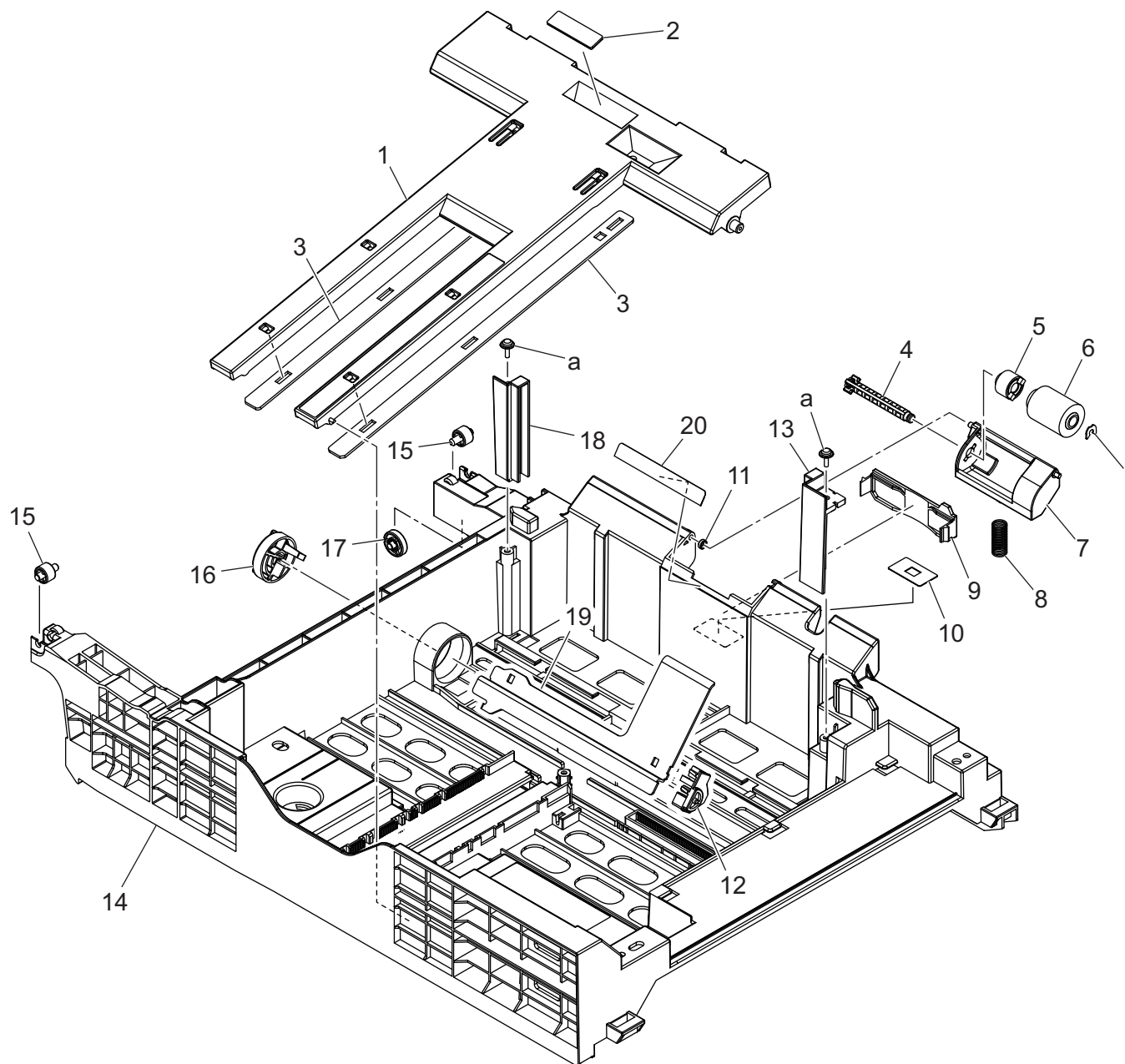
# Tray Section



Tray Section

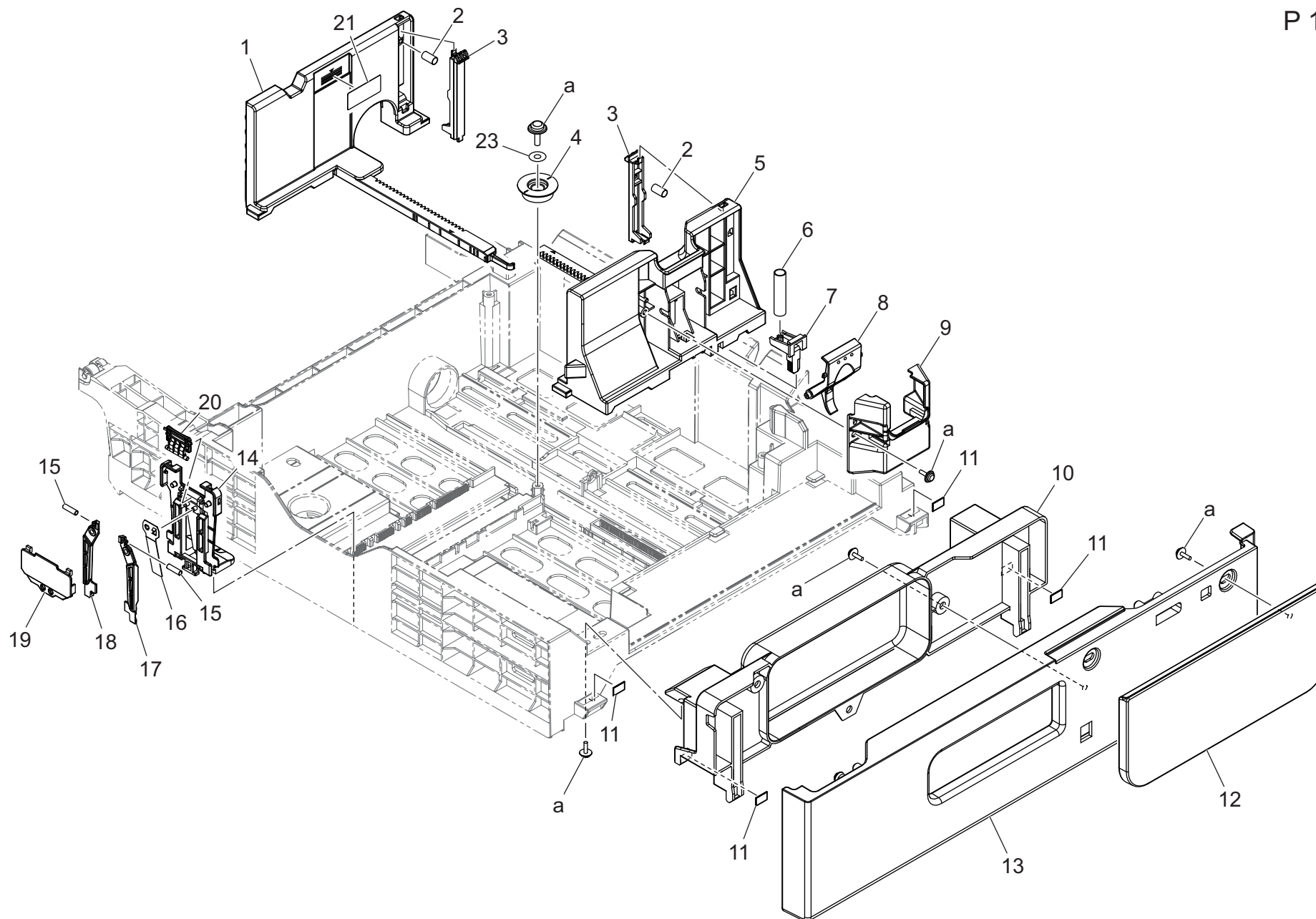
Key	Part No.	Description	Destinations	Class	QTY	Standard parts
1	A93EF62008	Cassette ASSY		S	1	a-V125030803 b-V153030803 c-V144030803 d-V144030603
2	A797M60100	Switch		C	1	
3	A93E940701	Label		D	1	
4	A93E103300	Reinforce Plate		D	1	
5	A93E103001	Rail		D	1	
6	A93E103200	Cover		D	1	
7	0996305501	RUBBER FOOT		C	4	
8	A93E623301	Roll		D	2	
9	A93E121301	Guide		D	2	

# Tray Section



Key	Part No.	Description	Destinations	Class	QTY	Standard parts
1	A93E620203	Lifting Plate		D	1	a-V153030804 b-V218030086
2	A93E620500	Separating Sheet		C	1	
3	A93E621000	Reinforce Plate		D	2	
4	A93E626300	Shaft		D	1	
5	A0ED563900	Torque limiter		C	1	
6	A00J563600	Roller		A	1	
7	A93E626100	Holder		D	1	
8	A93E626201	Compressing Coil spring		C	1	
9	A93E620701	Cover		D	1	
10	A93E621100	Hold Part		D	1	
11	9J04534301	Collar		D	1	
12	A93E620601	Support Shaft		D	1	
13	A93E620901	Guide Stopper /Front		D	1	
14	A93E620104	Paper feed Cassette		D	1	
15	A93E623301	Roll		D	2	
16	A93E620401	Lifting Coupling		C	1	
17	A93E623400	Roll		C	1	
18	A93E620801	Guide Stopper /Rear		D	1	
19	A93E620301	Lifting Lever		D	1	
20	A93E626501	Guide		C	1	

# Tray Section

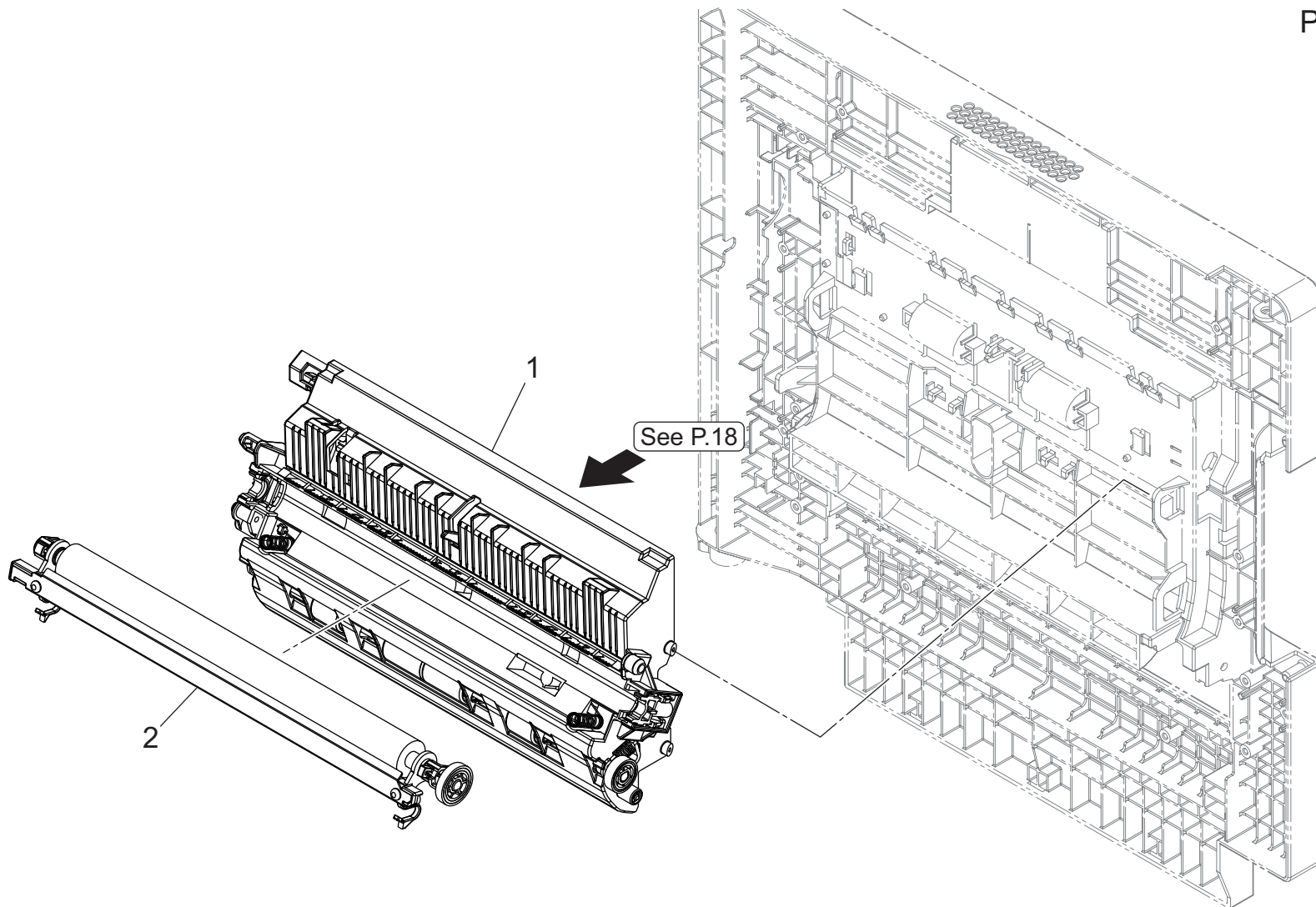




Key	Part No.	Description	Destinations	Class	QTY	Standard parts
1	A93E622203	Regulating Plate		C	1	a-V153030804
2	A795622700	Compressing Spring		C	2	
3	A93E622601	Auxiliary Guide		D	2	
4	A161620701	Gear		D	1	
5	A93E622103	Regulating Plate		C	1	
6	AA2J621000	Compressing Spring		C	1	
7	AA2J621200	Lock Lever /2		D	1	
8	A93E622700	Lock Lever		C	1	
9	A93E622501	Holder		D	1	
10	A93E625202	Cover		D	1	
11	A93E624000	Spacer		D	4	
12	A93E626702	Cover		D	1	
13	A93E625100	Cover		D	1	
14	A93E625000	Regulating Plate		C	1	
15	A795565500	Compressing Spring		C	2	
16	AA2J629200	Plate spring		D	1	
17	A93E625900	Lock Lever		C	1	
18	A93E625800	Lock Lever		C	1	
19	A93E625300	Cover		D	1	
20	AA2J629000	Operation Lever		D	1	
21	AA2J943700	Label		D	1	
23	9J08890700	WASHER		C	1	

## 2nd Transfer Section

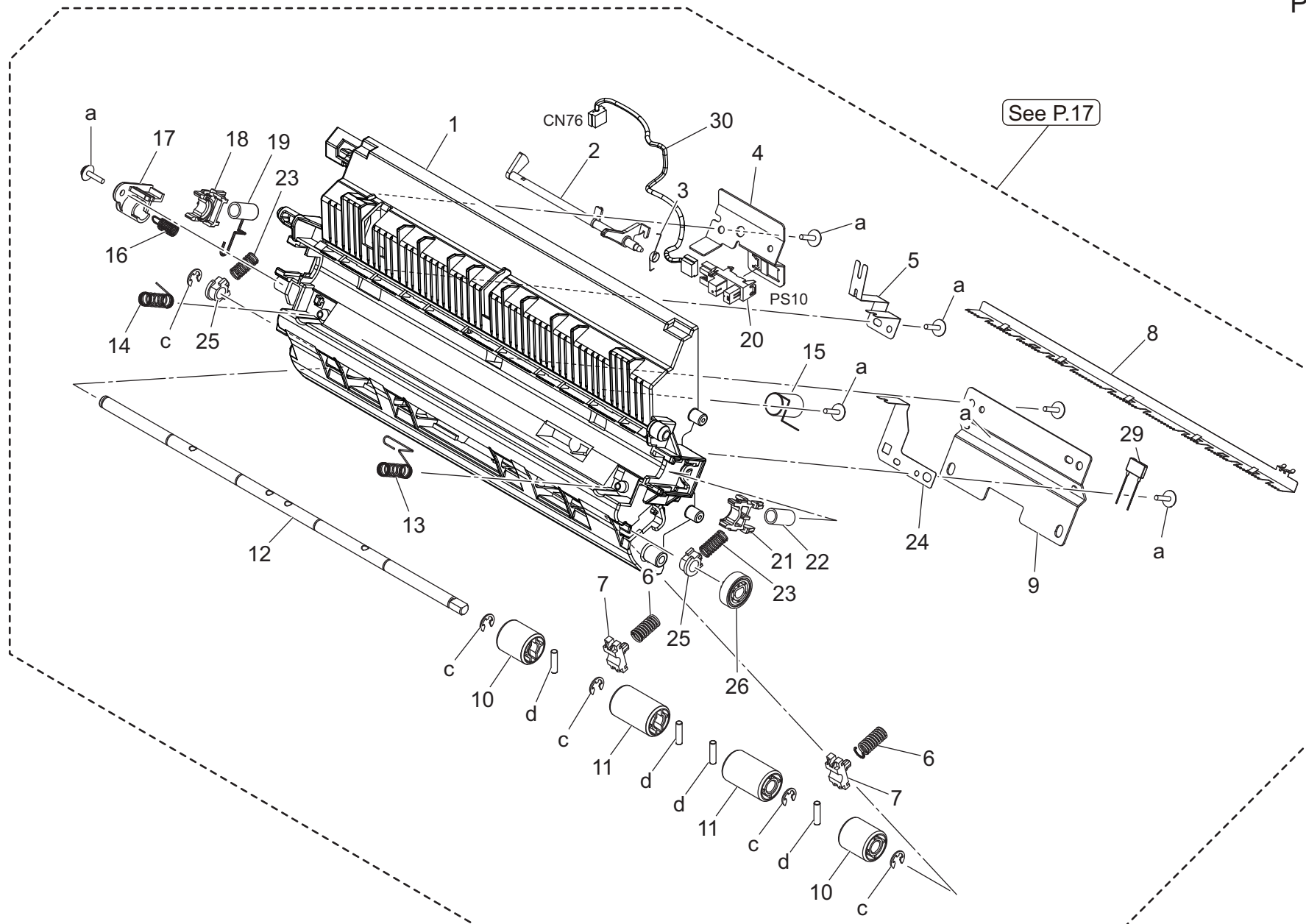
P 17



## 2nd Transfer Section

Key	Part No.	Description	Destinations	Class	QTY	Standard parts
1	AAJRR71500	Conveyance Assy		S	1	
2	AAJRR70500	2nd Transfer Roller Unit		B	1	

# Vertical Conveyance Section

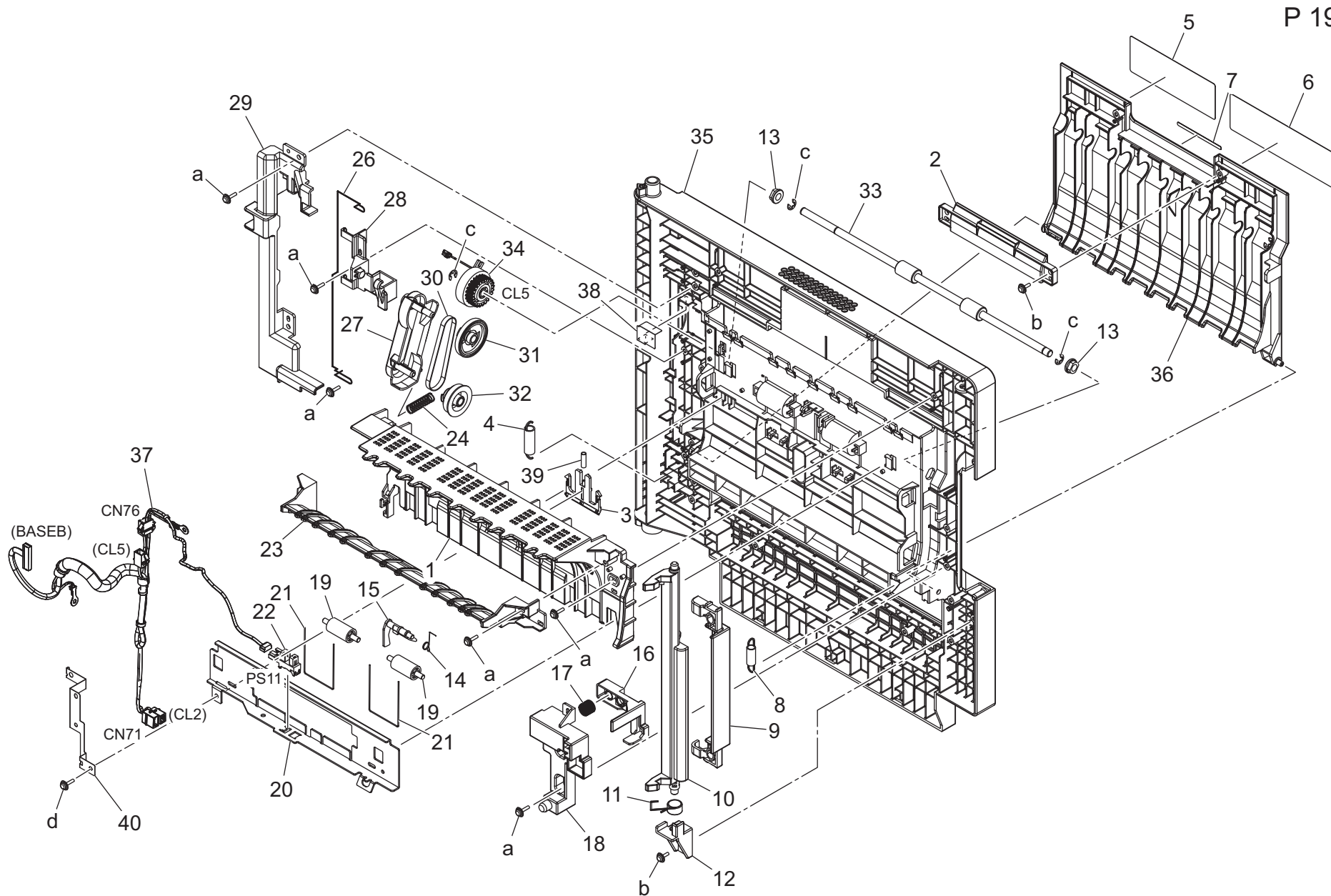


# Vertical Conveyance Section

Key	Part No.	Description	Destinations	Class	QTY	Standard parts
1	A93E702102Old	Conveyance Guide		D	1	a-V153031004 c-V217040003 d-V234301250
1	A93E702114	Conveyance Guide		D	1	
2	A93E703400	Actuator		C	1	
3	A0VD700302	Torsion Coil spring		C	1	
4	A93E702400	Mounting Plate		D	1	
5	A93E707000	Ground Plate		D	1	
6	A93E704100	Compressing Coil spring		C	2	
7	A93E704301	Bushing		D	2	
8	A3GN701800	Neutralizing Part		D	1	
9	A93E703900	Mounting Plate		D	1	
10	A93E707100	Roll Outside		C	2	
11	A93E702500	Roll		C	2	
12	A93E703600	Shaft		D	1	
13	A93E706200	Compressing Spring		C	1	
14	A93E707200	Compressing Spring		C	1	
15	A93E708300	Compressing Coil spring		C	1	
16	A93E704700	Compressing Coil spring		C	1	
17	A93E704900	Cover		D	1	
18	A93E510902	Receiving Part /Rear		D	1	
19	A93E702600	Compressing Coil spring		C	1	
20	A5C1M50100	Photointerrupter		B	1	
21	A93E511102	Receiving Part /Front		D	1	
22	A93E703300	Compressing Coil spring		C	1	
23	A93E704200	Compressing Coil spring		C	2	
24	A93E704600	Ground Plate		D	1	
25	A93E703800	Bushing		D	2	
26	A93E703700	Gear 20T		C	1	
29	V800500300	FIXED POWER RESISTORS		D	1	
30	A93EN10N00	Relay harness /5		D	1	

# Vertical Conveyance Section

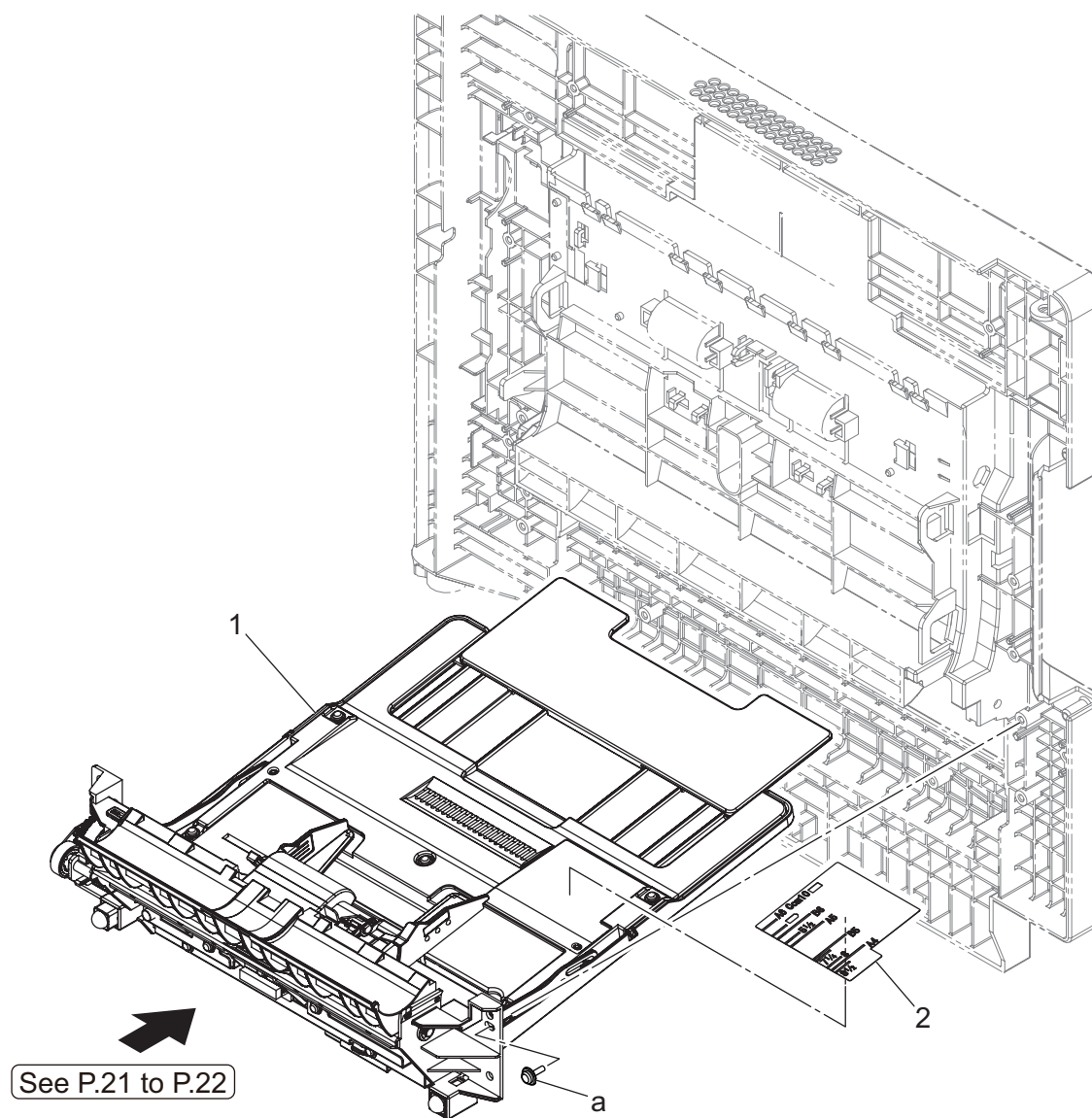
P 19



bizhub C3300i

# Vertical Conveyance Section

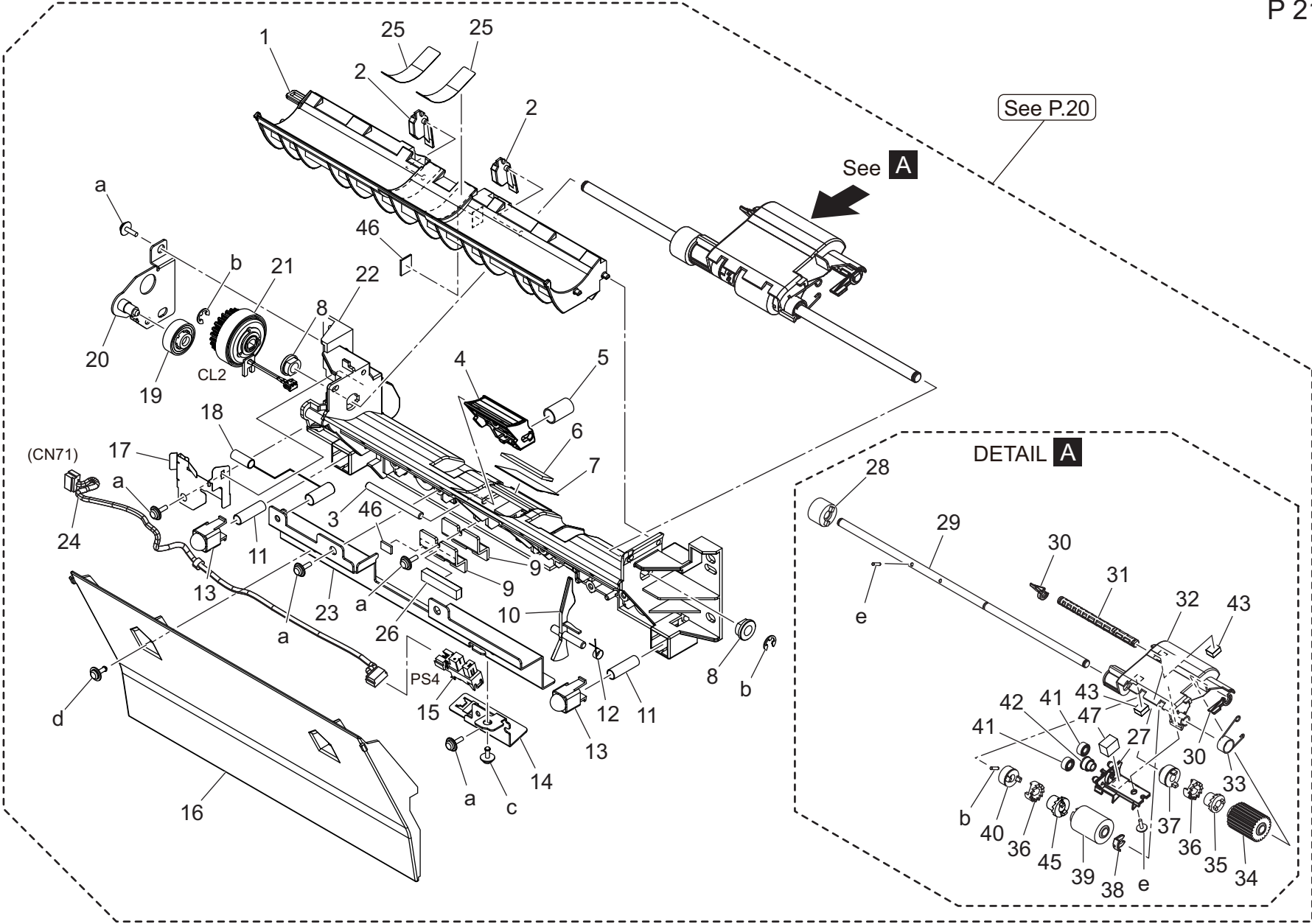
Key	Part No.	Description	Destinations	Class	QTY	Standard parts
1	A93E813101	Guide /Upper	ガイドノ上	D	1	a-V153031004 b-V153030803 c-V217040003 d-V144030603
2	A93E810800	Handle	取手	D	1	
3	A93E810701	Lock Part	ロック部材	D	1	
4	A93E810600	Pulling Coil spring	引張りコイルばね (ユニット引込用)	C	1	
5	A93E944500	Label	ラベル (禁止用紙)	D	1	
6	A93E944600	Operation Label	操作ラベル	D	1	
7	A93E942100	Label	ラベル (ADU 扉)	D	1	
8	A0VD703700	Pulling Coil spring	引張りコイルばね (ユニット引込用)	D	1	
9	A93E814702	Handle	取手	D	1	
10	A93E814300	Lock Lever	ロックレバー	C	1	
11	A93E814500	Torsion Coil spring	ねじりコイルばね	C	1	
12	A93E814401	Holder	ホルダ (ロックレバー下)	D	1	
13	1134304301	BUSHING	軸受	C	2	
14	A93E815200	Torsion Coil spring	ねじりコイルばね (PSD)	C	1	
15	A93E815100	Actuator	アクチュエータ (PSD)	C	1	
16	A93E814001	Lever	レバー	D	1	
17	A93E811400	Compressing Coil spring	圧縮コイルばね	D	1	
18	A93E814100	Cover	カバー (開閉検出)	D	1	
19	4538373201	ROLL	ころ	D	2	
20	A93E810200Old	Reinforce Plate	補強板	D	1	
20	A93E810211	Reinforce Plate	補強板	D	1	
21	A93E812100	Spring	ばね (ローラ圧接)	C	2	
22	A5C1M50100	Photointerrupter	透過型センサ	B	1	
23	A93E814202	Guide	ガイド (両面)	D	1	
24	A93E813800	Compressing Coil spring	圧縮コイルばね (DUP 駆動圧接)	C	1	
26	A93E594200	Ground Contact	アース接点	D	1	
27	A93E813302	Swing Housing	揺動ハウジング	D	1	
28	A93E813201	Positioning Shaft	位置決め軸	D	1	
29	A93E815302	Cover	カバー (ハーネス)	D	1	
30	A0HR211900	Drive Belt /5	駆動ベルト/5 (B40S2M148)	C	1	
31	A93E813501	Gear 31T	ギア 31T	C	1	
32	A93E813700	Gear 23T	ギア 23T	C	1	
33	A93E812000	Roller	ローラ (両面搬送)	C	1	
34	A7AHM20501	Clutch	クラッチ (Z=24)	C	1	
35	A93E810107Old	Door	扉 (右)	D	1	
35	A93E810118	Door	扉 (右)	D	1	
36	A93E810502	Open/close Guide	開閉ガイド	D	1	
37	A93EN10B00	Conveyance Wiring /1	搬送束線/1	D	1	
38	A93E815400	Wiring Cover	配線カバー	D	1	
39	A93E810900	Compressing Coil spring	圧縮コイルばね	C	1	
40	A93E814800	Ground Plate	アース板 (DUP 搬送)	D	1	





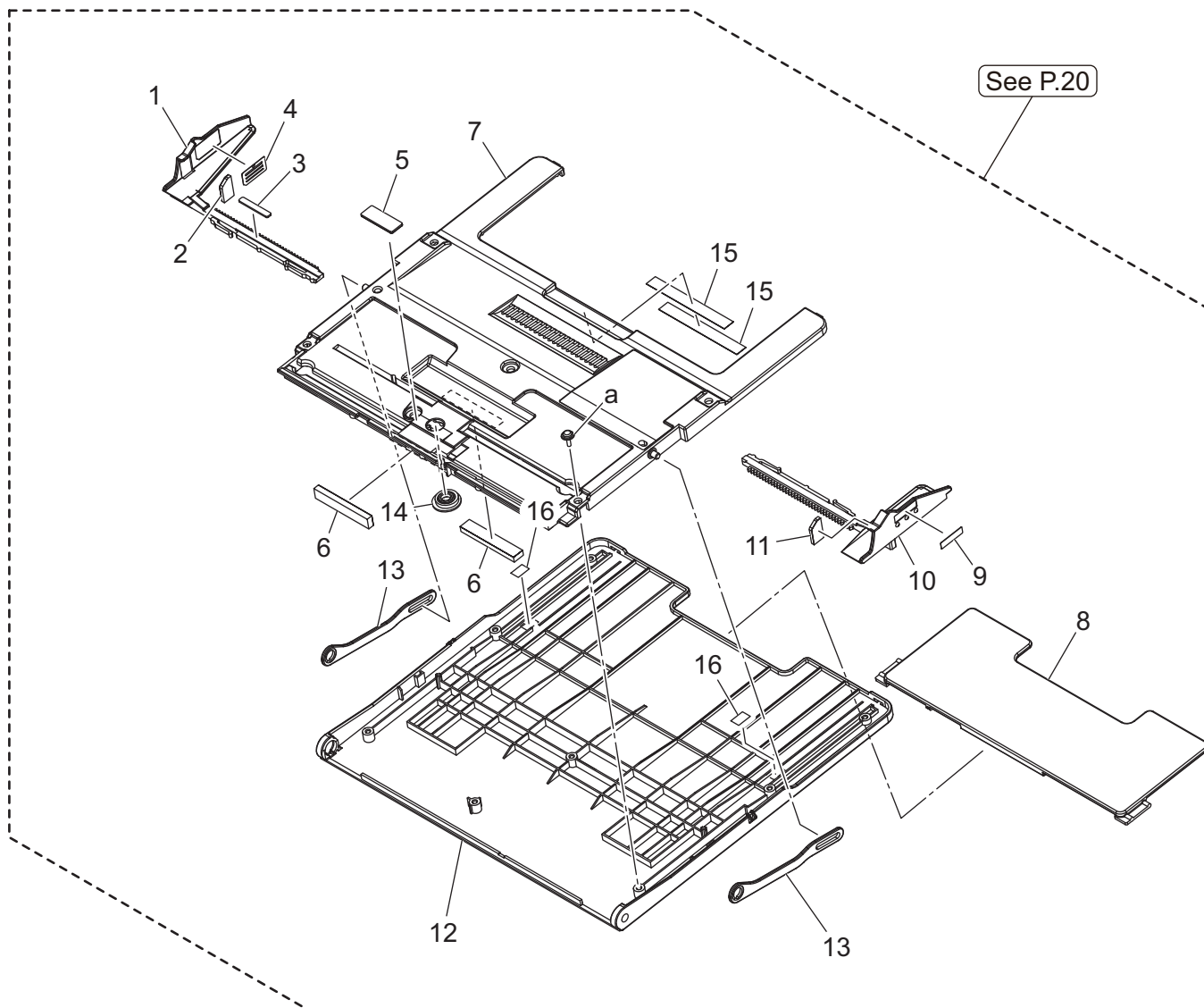
Key	Part No.	Description	Destinations	Class	QTY	Standard parts
1	AAJRR71600	Manual Bypass Assy		S	1	a-V153030804
2	A93E944200	Label		D	1	

Bypass Tray Section



Key	Part No.	Description	Destinations	Class	QTY	Standard parts
1	A93E590302	Guide	ガイド (両面)	D	1	a-V153030804 b-V217040003 c-V125030803 d-V144030803 e-V231200850
2	A93E596300	Shutter	シャッター	C	2	
3	A93E591900	Support Shaft	支点軸 (さばきホルダ)	D	1	
4	AAJRR72200	Friction Sheet Assy	摩擦板 Assy	B	1	
5	A93E591600	Compressing Coil spring	圧縮コイルばね	C	1	
6	A93E592300	Separating Pad	分離パッド (前さばき)	C	1	
7	A93E591800	Cover Sheet	カバーシート (さばき)	C	1	
8	4134588202Old	BUSHING	軸受	D	2	
8	1134304301	BUSHING	軸受	C	2	
9	A93E597800	Vibrationproof Part	防振材	D	2	
10	A93E594100	Actuator	アクチュエータ (エンブティ)	C	1	
11	A93E595600	Compressing Coil spring	圧縮コイルばね (可動ガイド)	C	2	
12	A93E594400	Torsion Spring	ねじりばね (PE)	C	1	
13	A93E595700	Holding Cap	押さえキャップ	D	2	
14	A93E594700	Mounting Plate	取付板 (フォトセンサ)	D	1	
15	A5C1M50100	Photointerrupter	透過型センサ	B	1	
16	A93E590402	Guide	ガイド (増設)	D	1	
17	A93E594300Old	Ground Plate	アース板	D	1	
17	A93E594312	Ground Plate	アース板	D	1	
18	A93E597600	Ground Part	アース材 (PE 取付板)	D	1	
19	A93E590600	Bypass Gear 17T	ギア 17 T	C	1	
20	A93E590500	Mounting Plate	取付板	D	1	
21	A7AHM20401	Clutch	クラッチ (Z = 2 4)	C	1	
22	A93E590203	Paper feed Frame	給紙フレーム	D	1	
23	A93E597100	Reinforce Part	補強部材	D	1	
24	A93EN10M00	Relay harness /4	中継束線 / 4	D	1	
25	A93E597900	Sheet	シート (摺動)	D	2	
26	A93E598000	Cushion	クッション	D	1	
27	A93E592800	Holder	ホルダ (アイドルギア)	D	1	
28	A93E593800	Torque limiter	トルクリミッタ (市販品)	C	1	
29	A93E590800	Shaft	軸 (給紙 R)	D	1	
30	A93E596201	Lock Lever	ロックレバー	C	2	
31	A93E591700	Shaft	軸 (ピック R)	D	1	
32	A93E591300	Holder	ホルダ (ローラ)	D	1	
33	A93E593100	Torsion Coil spring	ねじりコイルばね	C	1	
34	A5C1562200	Roller	ローラ (ピック)	A	1	
35	A93E593400	Drive Coupling /2	駆動カップリング / 2	C	1	
36	A93E593300	Drive Coupling /1	駆動カップリング / 1	C	2	
37	A93E593900	Gear 28T	ギア 28 T	C	1	
38	56AA40490	SHAFT STOPPER 4	軸ストッパ 4	C	1	
39	A93E597500	Roller	ローラ (給紙)	B	1	
40	A93E593200	Gear 26T	ギア 26 T	C	1	
41	A93E592900	Gear 17T	ギア 17 T	C	2	
42	A93E592500	Gear 17T	ギア 17 T	C	1	
43	A93E598800	Cushion /1	クッション / 1	D	2	
45	A93E598400	Drive Coupling	駆動カップリング (導電)	D	1	
46	A93E598600	Neutralizing Sheet /2	除電シート / 2	C	2	
47	A93E599700	Cushion	クッション (ピックホルダ)	D	1	

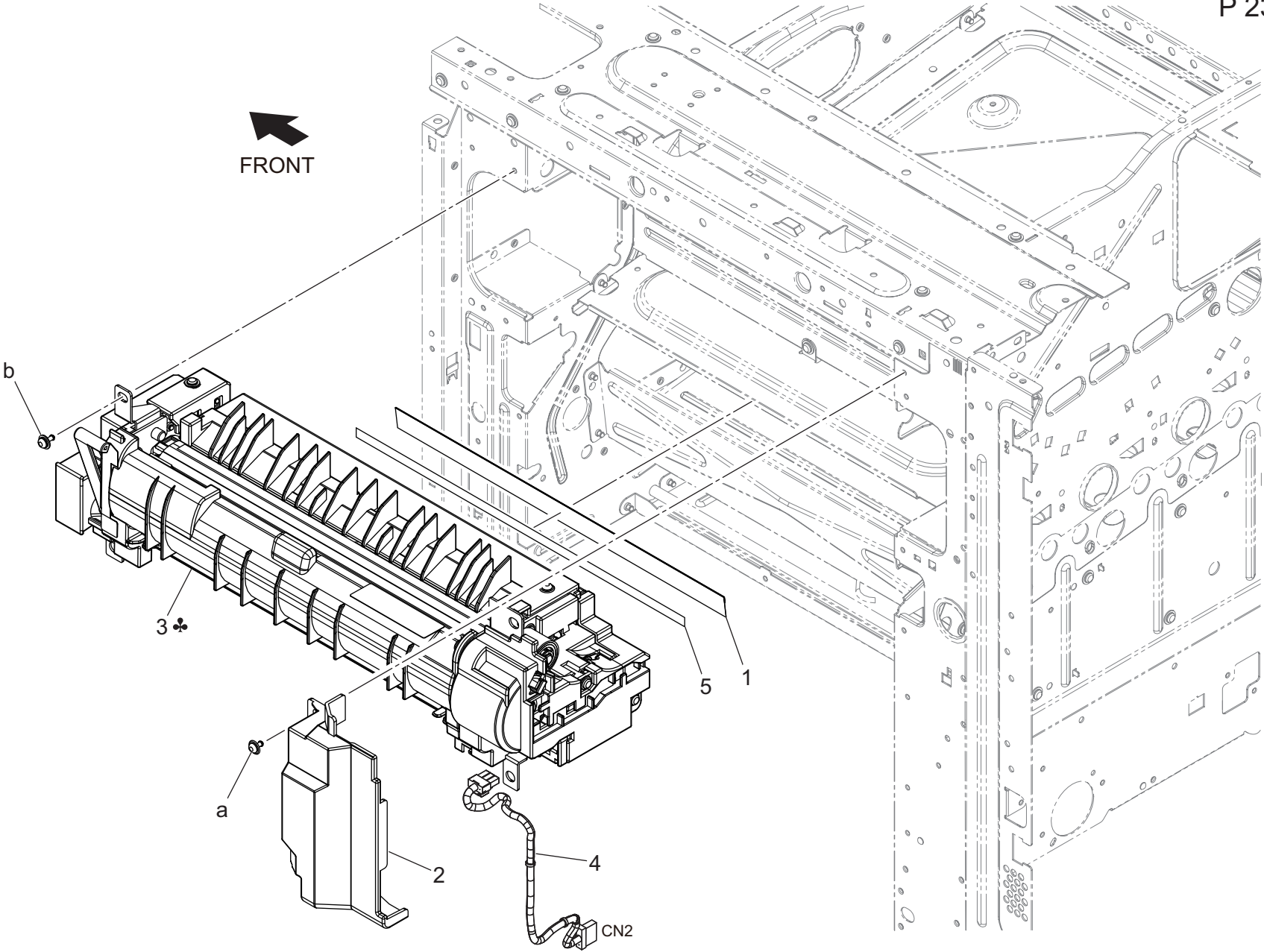
# Bypass Tray Section



# Bypass Tray Section

Key	Part No.	Description	Destinations	Class	QTY	Standard parts
1	A93E592201	Regulating Plate /R		C	1	a-V153030804
2	A7AH604501	Brake Part		C	1	
3	A93E597200	Friction Part		D	1	
4	AA2J944500	Label		C	1	
5	A93E594600	Separating Sheet		C	1	
6	A93E598200	Cushion		D	2	
7	A93E592002	Holder		C	1	
8	A93E591002	Tray		C	1	
9	A93E943800	Label		D	1	
10	A93E592102	Regulating Plate /F		C	1	
11	A7AH604401	Brake Part /F		C	1	
12	A93E590100	Tray		C	1	
13	A93E597300	Stopper Part		C	2	
14	A0VD562300	Gear 16T		D	1	
15	A93E599800	Duplex Tape /1		D	2	
16	A93E599900	Duplex Tape /2		D	2	

Fusing Section

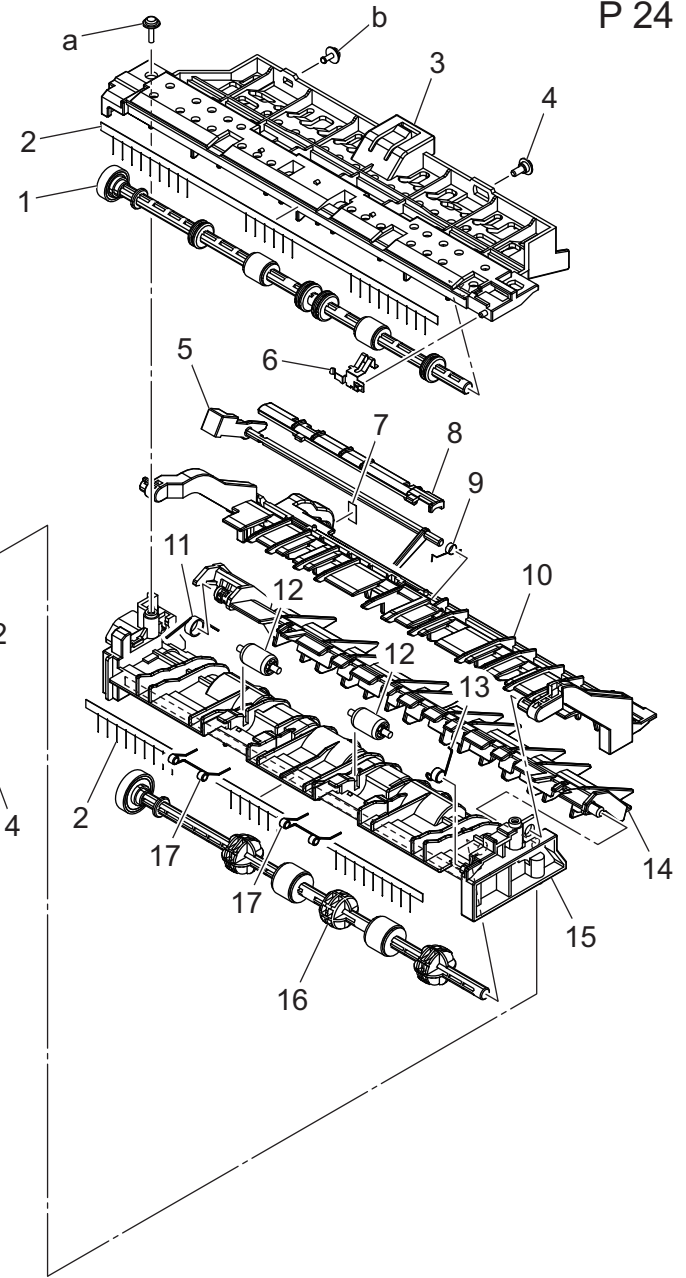
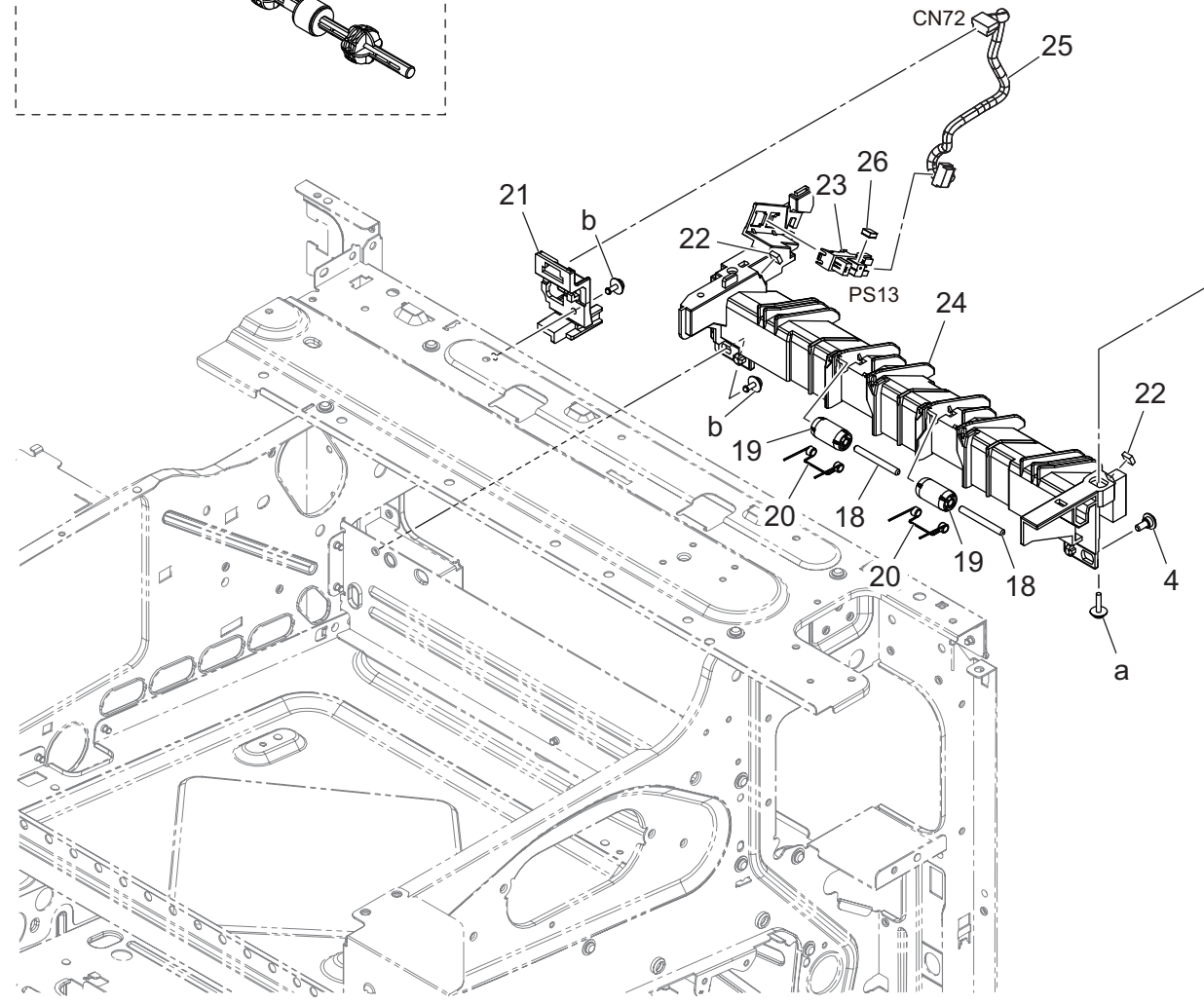
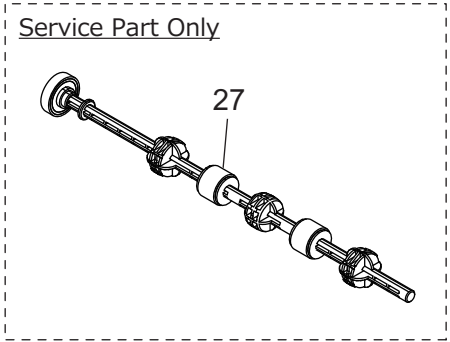


# Fusing Section

Key	Part No.	Description	Destinations	Class	QTY	Standard parts
1	A93E151900	Shield Sheet		D	1	a-V127030604 b-V125030803
2	A93E133201	Cover		D	1	
3	AAJRR70411	Fusing Unit (230V)	C,D1,D3,E,F2,G1,I,J B,G2	I	1	
3	AAJRR70311	Fusing Unit (120V)		I	1	
4	A93EN10300	Fixing Relay harness /1		D	1	
5	A93E153000	Moistureproof Sheet		D	1	

# Paper Exit Section

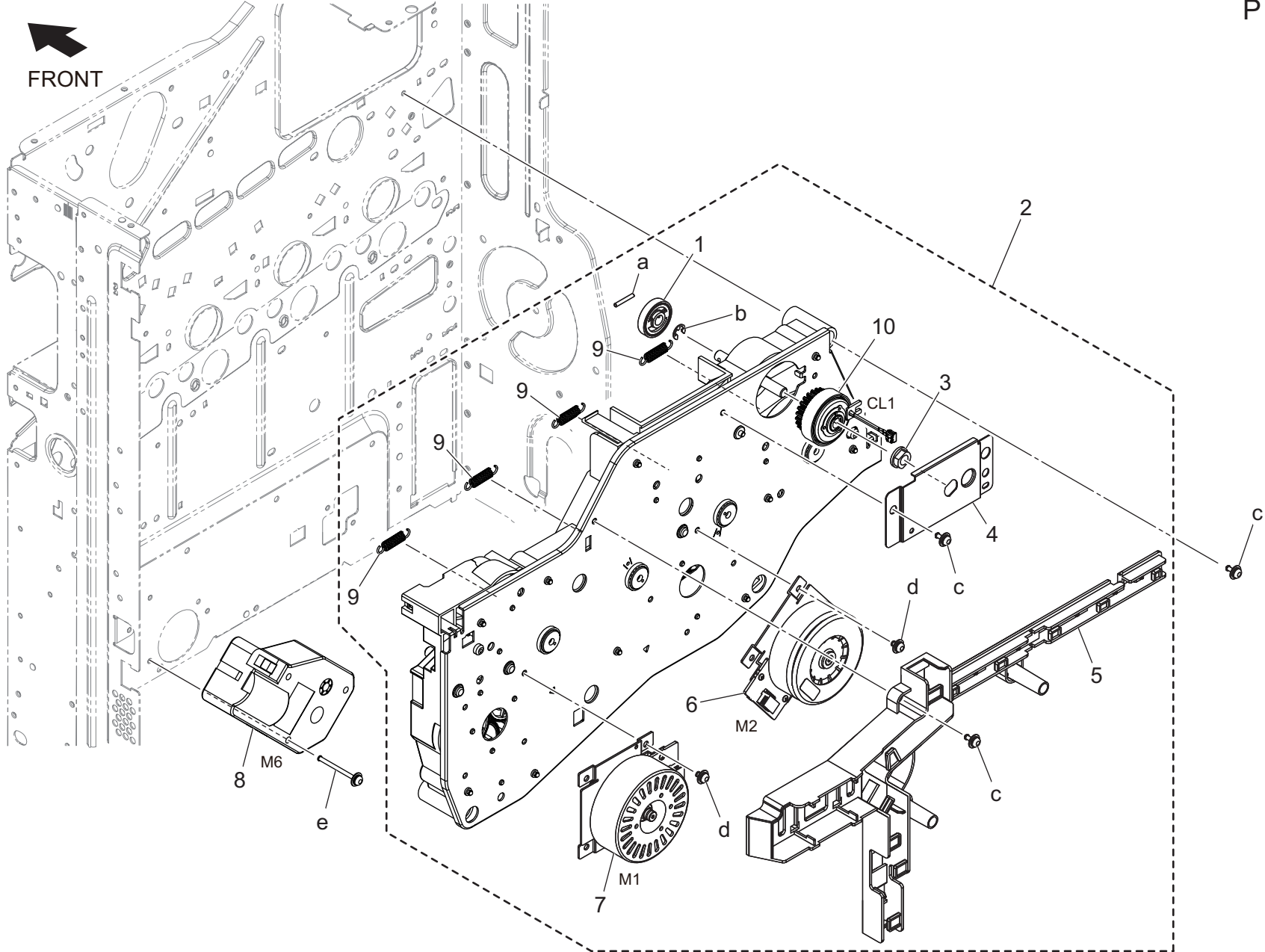
P 24





Key	Part No.	Description	Destinations	Class	QTY	Standard parts
1	A93E816101	Reverse/Exit Roller		C	1	a-V153031004 b-V125030803
2	A93E891500	Neutralizing Brush		D	2	
3	A93E890202	Paper exit Guide /Upper		D	1	
4	A00J169200	Shoulder screw		C	2	
5	A93E890900	Actuator		C	1	
6	A93E891600	Contact		D	1	
7	A93E895500	Label		D	1	
8	A93E890800	Guide		D	1	
9	A93E891200	Torsion Coil spring		C	1	
10	A93E890703	Separating Guide		D	1	
11	A93E816502	Torsion Coil spring		C	1	
12	A93E816802	Roll		C	2	
13	A93E816700	Torsion Coil spring		C	1	
14	A93E816402	Guide		D	1	
15	A93E816301	Guide		D	1	
16	A93E890101	Paper exit Roller		C	1	
17	A93E816200	Spring		C	2	
18	A93E892300	Shaft		D	2	
19	A93E890300	Roll		C	2	
20	A93E890601	Spring		C	2	
21	A93E895100	Hold Plate		D	1	
22	A93E891300	Cushion		D	2	
23	A5C1M50100	Photointerrupter		B	1	
24	A93E891000	Paper exit Holder		D	1	
25	A93EN10K00	Relay harness /3		D	1	
26	A93E892500	Cushion		D	1	
27	A93E893100	Paper exit Roller		D	1	

Drive Section



bizhub C3300i

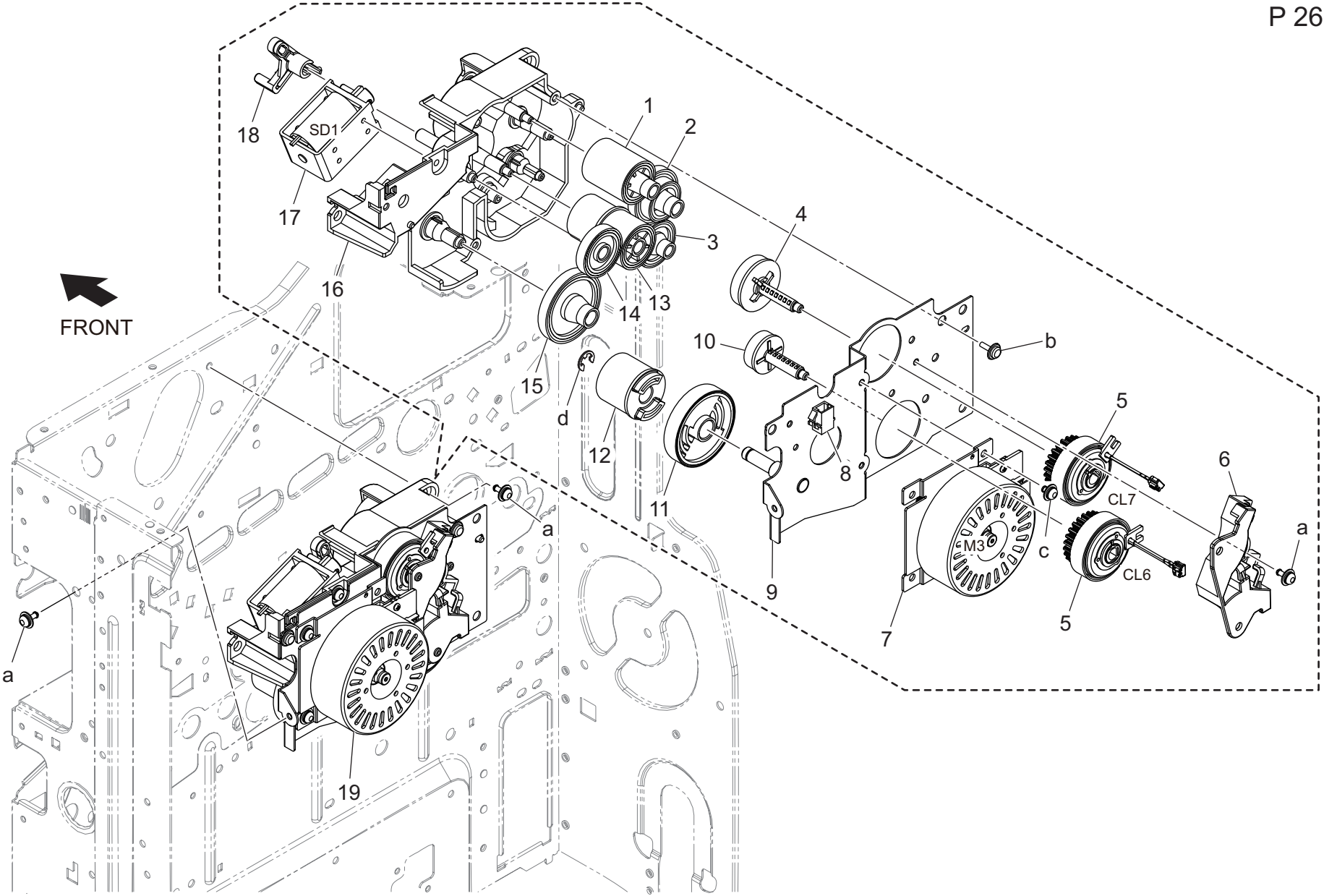


Order here  
8 (495) 646-0426  
www.km-shop.ru

ПЯТЫЙ ПАРТНЕР

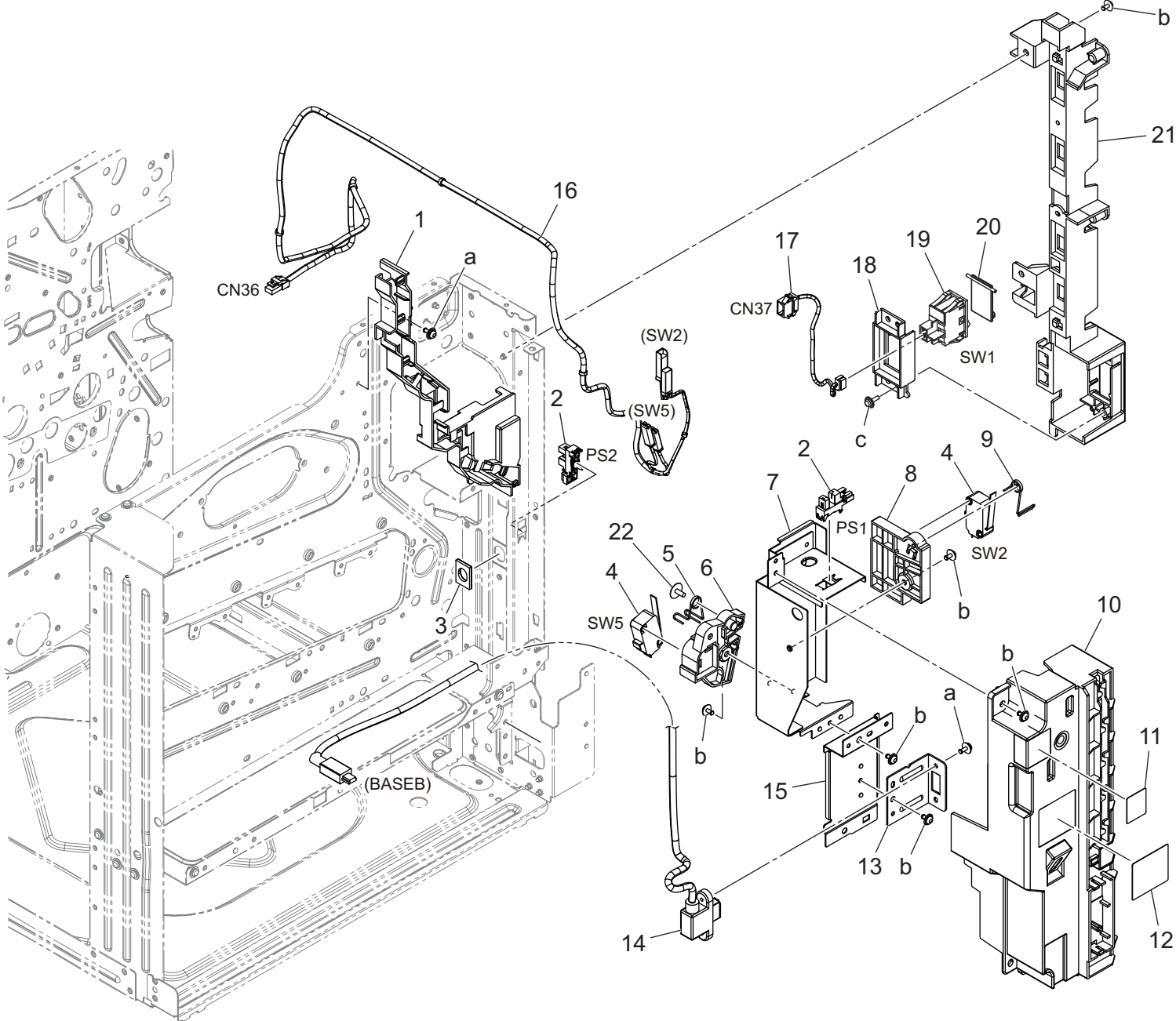
Key	Part No.	Description	Destinations	Class	QTY	Standard parts
1	A93E215500	Gear 20T		C	1	a-V234201450 b-V217040003 c-V125030803 d-V116030504 e-V116033003
2	AAJRR71000	Main Drive Assy		C	1	
3	4131300301	BUSHING		C	1	
4	A93E215000	Hold Plate		D	1	
5	A93E133600	Holder		D	1	
6	AA2JM11100	Brushless motor /40		C	1	
7	AA2JM11000	Brushless motor /30		C	1	
8	9J06M10300	MOTOR		B	1	
9	A93E110801	Pulling Coil spring		C	4	
10	A7AHM20401	Clutch		C	1	

Drive Section

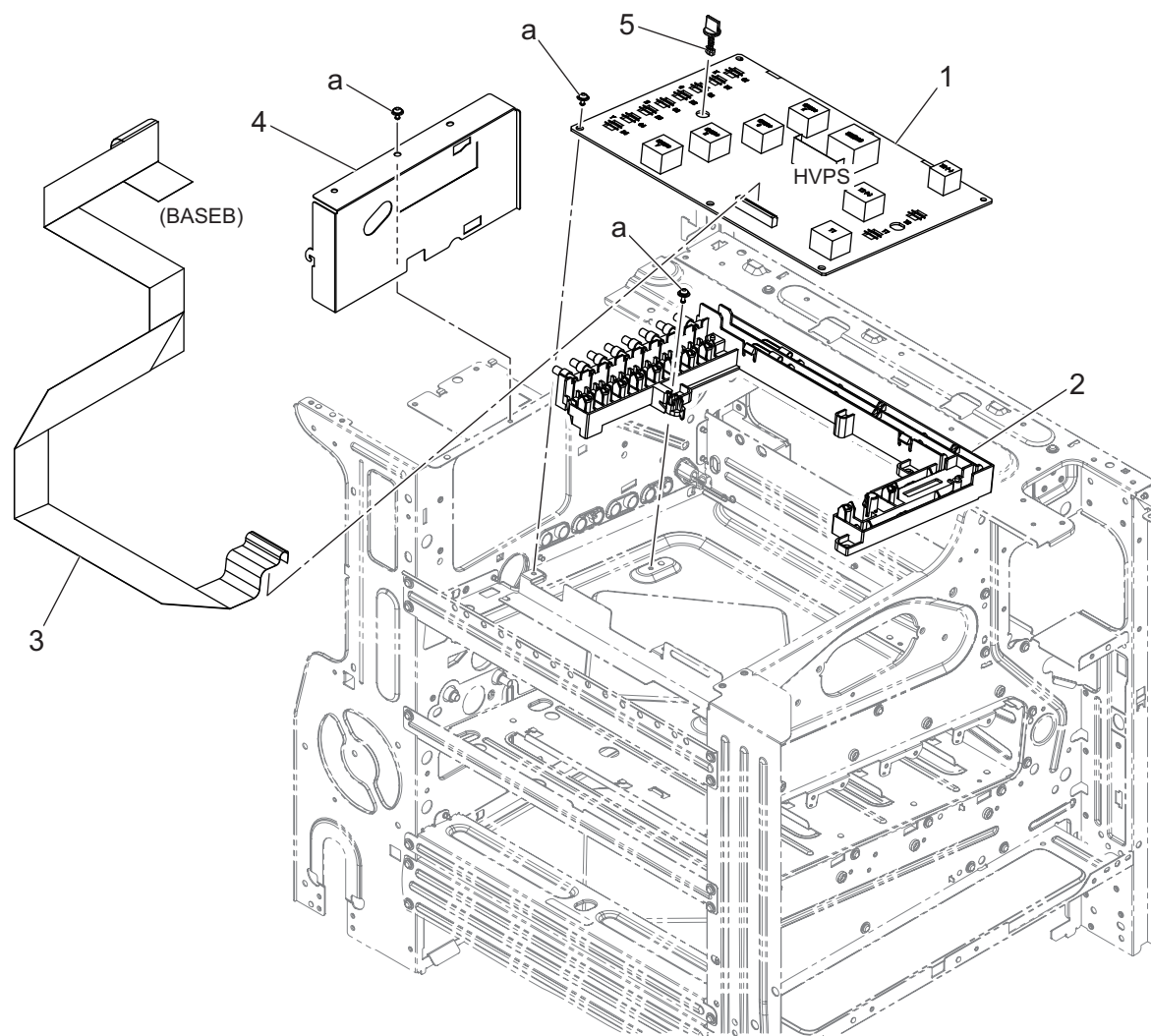


Key	Part No.	Description	Destinations	Class	QTY	Standard parts
1	A93E222500	Gear 20T		C	1	a-V125030803 b-V153030803 c-V116030504 d-V217050003
2	A93E222600	Gear 24/26T		C	1	
3	A93E222700	Gear 28T		C	1	
4	A93E222300	Gear 23T		C	1	
5	A7AHM20501	Clutch		C	2	
6	A93E222800	Holder		D	1	
7	AA2JM11000	Brushless motor /30		C	1	
8	V651010001	connector		D	1	
9	A93E220201	Drive Side plate		D	1	
10	A93E222100	Gear 21T		C	1	
11	A93E220401	Gear 71T		C	1	
12	A93E220300	Gear 22T		C	1	
13	A93E221300	Gear 20/21T		C	1	
14	A93E221200	Gear 23T		C	1	
15	A93E221100	Gear 34T		C	1	
16	A93E220102	Drive Holder		D	1	
17	AAJRR72100	Solenoid Assy		C	1	
18	A93E223100	Lever		C	1	
19	AAJRR71300	Fusing Drive Assy		S	1	

Electrical Parts



Key	Part No.	Description	Destinations	Class	QTY	Standard parts
1	A93E135000	Wiring Guide		D	1	a-V125030803 b-V127030604 c-V153030803
2	A5C1M50100	Photointerrupter		B	2	
3	A93E105100	Seal		D	1	
4	9J06M60100	MICRO SWITCH		C	2	
5	A93E135200Old	Torsion Coil spring		C	1	
5	A93E135211	Torsion Coil spring		C	1	
6	A93E136900Old	Holder		D	1	
6	A93E136911	Holder		D	1	
7	A93E134300	Mounting Plate		D	1	
8	A93E135401	Holder		D	1	
9	A161151300	Torsion Coil spring		D	1	
10	A93E134801	Cover		D	1	
11	A93E402601	Label /K		D	1	
12	AAJT401200	Label		D	1	
13	A93E135900	Mounting Plate		D	1	
14	A93EN12000	I/F Cable		D	1	
15	A93E134400	Mounting Plate		D	1	
16	A93EN10201	Interlock Wiring		D	1	
17	A93EN10G00	Relay harness /1		D	1	
18	A93E132001	Mounting Plate		D	1	
19	A93EM60000	Rocker switch		C	1	
20	A93E132200	Cover		D	1	
21	A93E132103	Cover		D	1	
22	4163529301	SCREW		C	1	

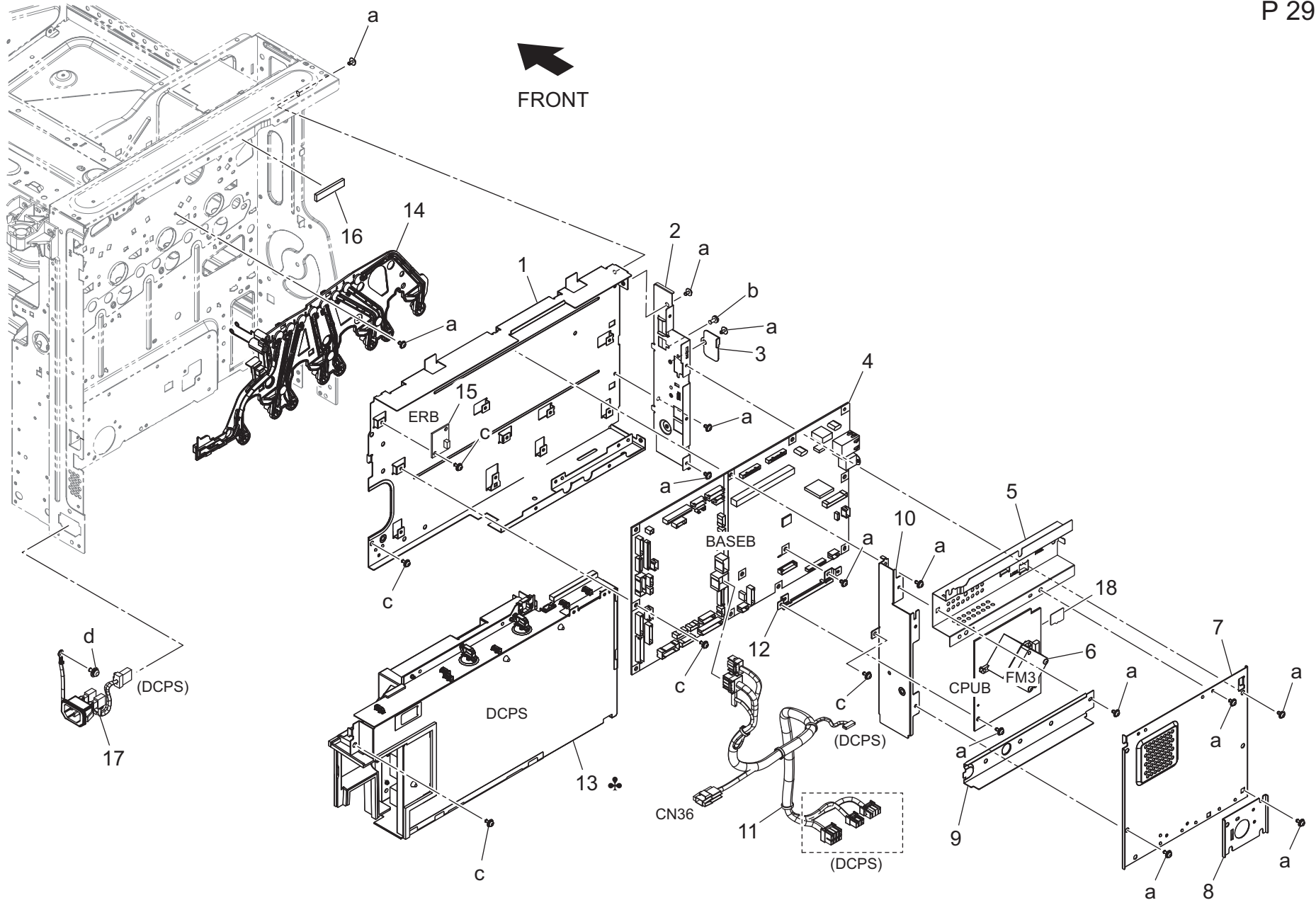




Key	Part No.	Description	Destinations	Class	QTY	Standard parts
1	A93EM40300	High voltage unit		D	1	a-V127030604
2	AAJRR71100	HV Contact Assy		D	1	
3	A93EN10E00	HV Flatcable		D	1	
4	A93E134200	Mounting Plate		D	1	
5	A797151500	Stopper Shaft		C	1	

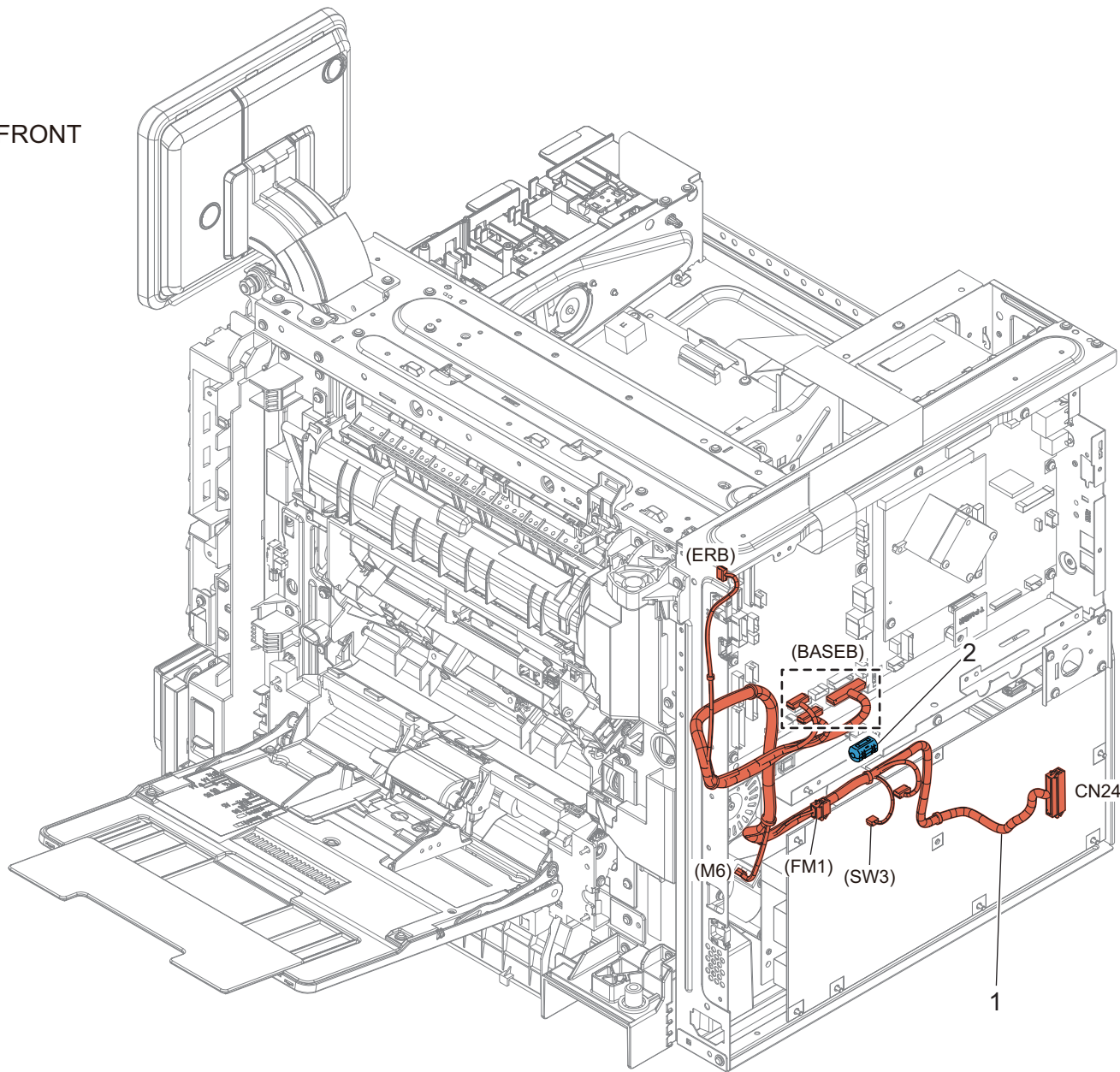


# Electrical Parts

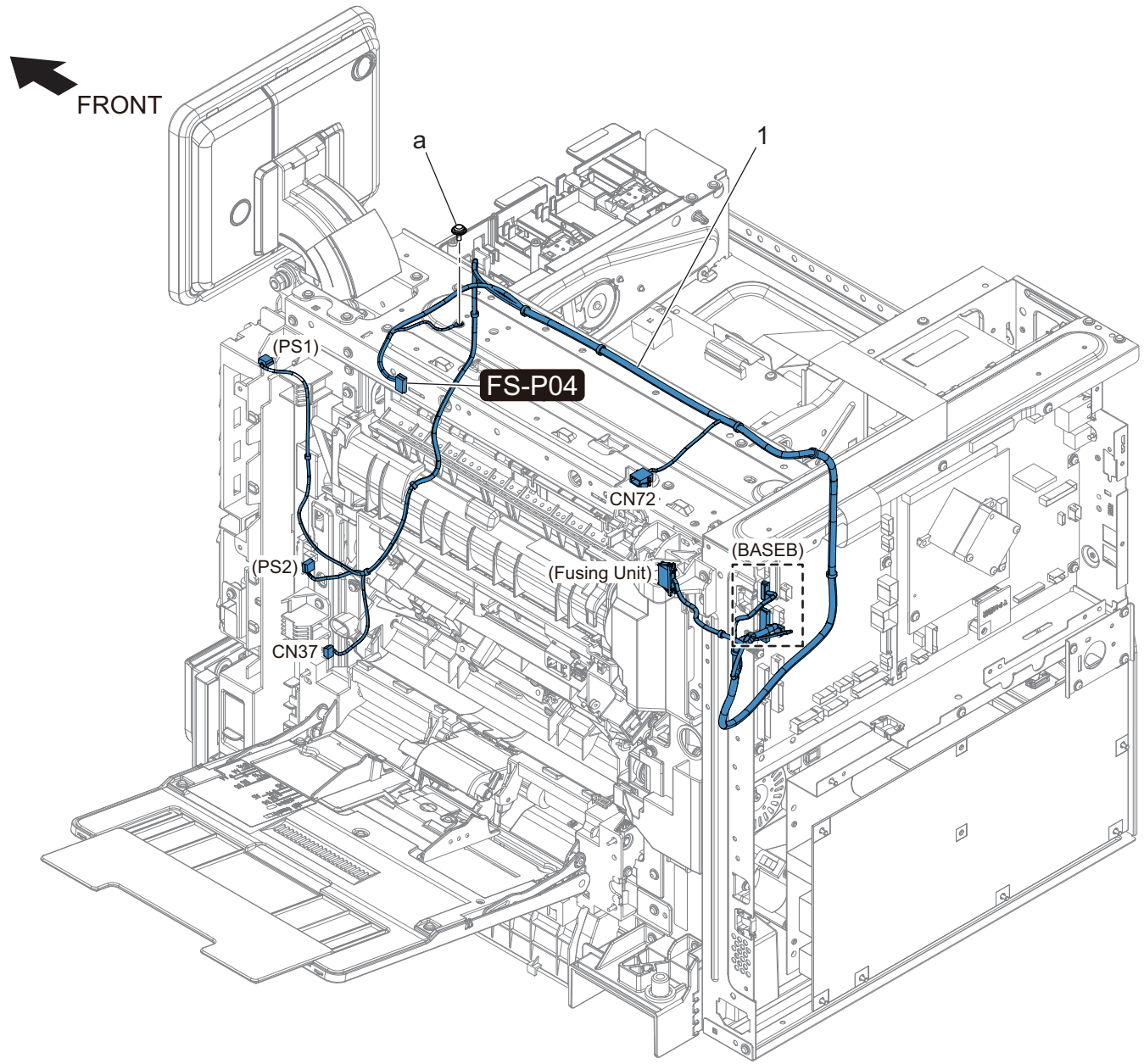


bizhub C3300i

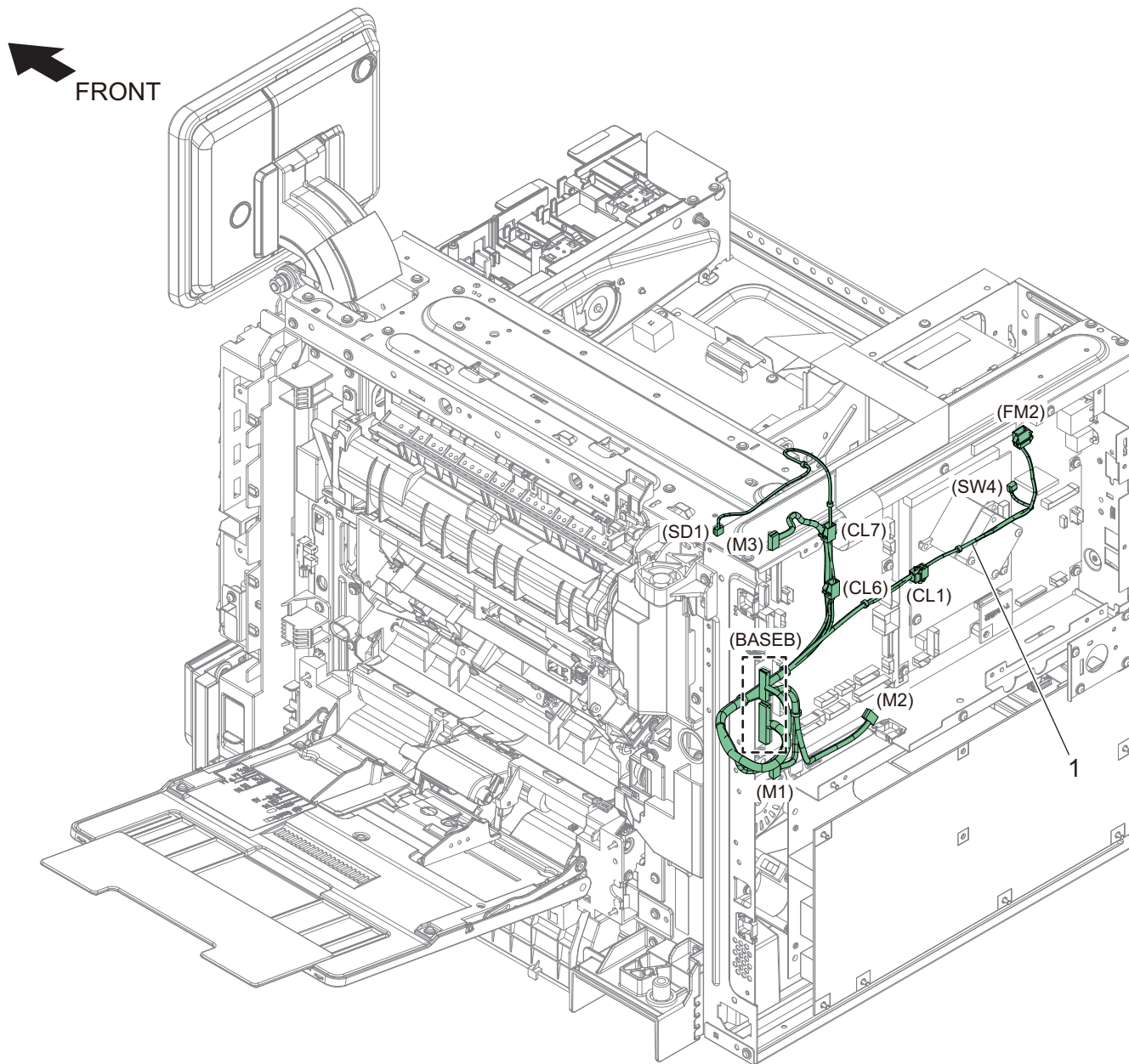
Key	Part No.	Description	Destinations	Class	QTY	Standard parts
1	A93E137300	Mounting Plate		D	1	a-V127030604 b-V122030603 c-V125030803 d-V116040803
2	A93E137600	Mounting Plate		D	1	
3	A3GN134500	Shield Plate		D	1	
4	AAJRH02009	PWB Assembly(BASEB)		I	1	
5	A93E137400	Shield Plate /2		D	1	
6	AAJTH01007	PWB Assembly(CPUB)		I	1	
7	A93E137200	Shield Plate /1		D	1	
8	A93E137700	Mounting Plate		D	1	
9	A93E137800	Mounting Plate		D	1	
10	A93E137100	Mounting Plate		D	1	
11	A93EN10100	Power supply Wiring		D	1	
12	AA2J135101	Mounting Plate		D	1	
13	AAJRR70700	Power supply Assy (230V)	C,D1,D3,E,F2,G1,I,J	I	1	
13	AAJRR70600	Power supply Assy (100V)	B,G2	I	1	
14	AAJRR71200	HV Contact Assy		D	1	
15	AA2JH00C00	ERB ASSY		C	1	
16	A92E135400	Insulating Part /2		D	1	
17	A93EN10000	AC Wiring		D	1	
18	AAJRM71000	Memory		I	1	



Key	Part No.	Description	Destinations	Class	QTY	Standard parts
1	A93EN10800	Main body Wiring /1		D	1	
2	A3EWM90300	Ferritecore フェライトコア		D	1	



Key	Part No.	Description		Destinations	Class	QTY	Standard parts
1	A93EN10900	Main body Wiring /2	本体束線 / 2		D	1	a-V125030803

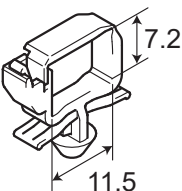
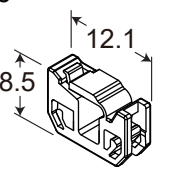
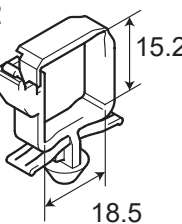
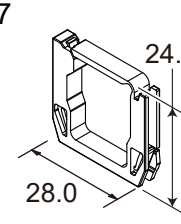
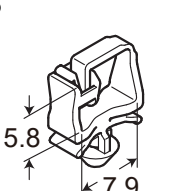
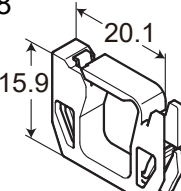
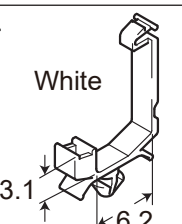
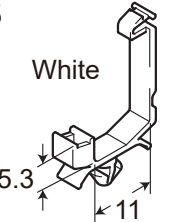




Key	Part No.	Description		Destinations	Class	QTY	Standard parts
1	A93EN10700	Main body Drive harness	本体駆動束線		D	1	

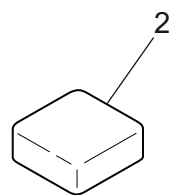
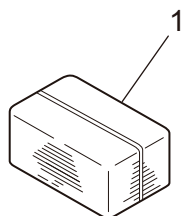
# Wiring Accessories

P 33

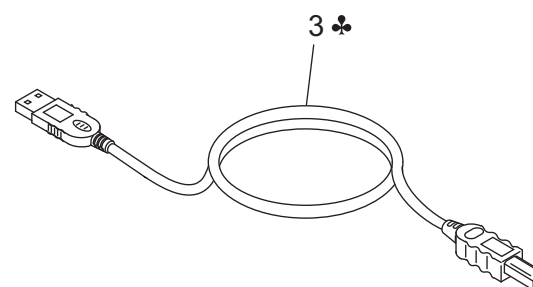
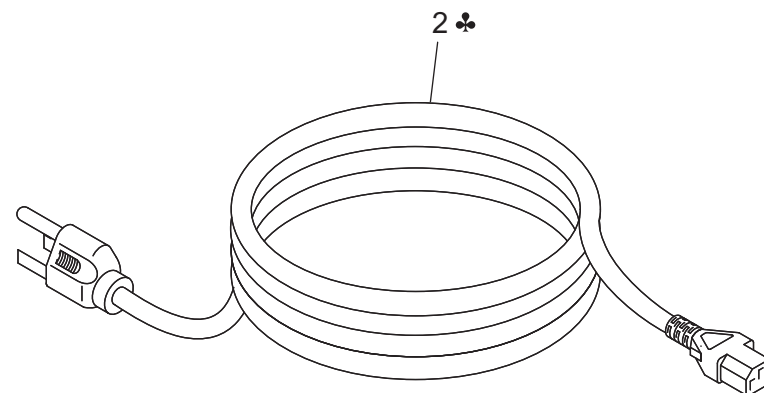
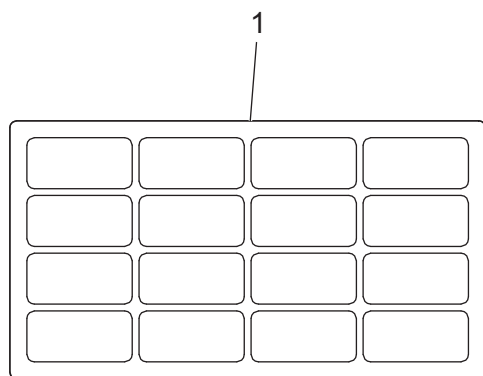
1 	6 	11	16	21	26	31	36
2 	7 	12	17	22	27	32	37
3 	8 	13	18	23	28	33	38
4 White 	9	14	19	24	29	34	39
5 White 	10	15	20	25	30	35	40

bizhub C3300i

Key	Part No.	Description	Destinations	Class	QTY	Standard parts
1	V500010082	Locking Wire Saddle		D		
2	V500010083	Locking Wire Saddle		D		
3	V500020098	Mini Locking wire saddle		D		
4	V500020099	Mini Locking wire saddle		D		
5	V500020100	Mini Locking wire saddle		D		
6	V570010056	Locking Edge Saddle		D		
7	V570010057	Wing Edge Saddle		D		
8	V570010060	Wing Edge Saddle		D		



Key	Part No.	Description	Destinations	Class	QTY	Standard parts
1	A5AWP00100	Cleaning Pad		S	1	
2	65AA-9920	HYDROWIPE		S	1	



Key	Part No.	Description	Destinations	Class	QTY	Standard parts
1	A93E943200	Label		D	1	
2	4136N30000	POWER CODE	プラグ電源コード	D	1	
2	9381420021	POWER CORD	プラグ付電源コード	D	1	
2	A0VDN30000	Power code	電源コード (欧州)	C	1	
2	A2UPN30100	Power code (220-240V)	電源コード (220-240V)	D	1	
2	A7AHN30000	Power code /230V	電源コード / 230 V (インド)	D	1	
2	A0EDN30101	Power source Cord /120V	電源コード / 120 V	B, G2	1	
2	9381430031	POWER CORD	プラグ付電源コード	J	1	
3	A0HFN12200	Cable	ケーブル (USB ケーブル_1.5m)	D3(India)	1	

# MAINTENANCE LIST

● The items with no Page/Key numbers are not handled as spare parts.

No.	Section	PM Parts Description	Maintenance Cycle (K=1,000)		Parts No.	Destinations	Page/Key	Note
			QTY	Replace				
1	Paper feed section	Tray 1 feed roller	1	200K	A64J564101		P13-10	*2 *4
2		Tray 1 pick-up roller	1	200K	A64J564201		P13-11	*2 *4
3		Tray 1 separation roller	1	200K	A00J563600		P15-6	*2 *4
4		Manual bypass tray feed roller	1	200K	A93E597500		P21-39	*2 *4
5		Manual bypass tray pick-up roller	1	200K	A5C1562200		P21-34	*2 *4
6		Manual bypass tray separation pad	1	200K	AAJRR72200		P21-4	*2 *4
7	Processing section	Toner cartridge/Y, /M, /C	1	9K	-			*1 *3
8		Toner cartridge/K	1	13K	-			*1 *3
9		Imaging unit/Y,M,C	1	50K	-			*1 *3
10		Imaging unit/K	1	124K(US)	-			*1 *3
11		Imaging unit/K	1	138K(EU)	-			*1 *3
12		Toner filter	1	200K	A92E158100		P4-2	*2
13		Waster toner bottle	1	26.8K(US)	ACDN0Y1	B,G2	P7-1	*1 *3 *5
14		Waster toner bottle	1	26.8K(EU)	ACDNWY1	C,D1,D3,E,F2,G1,I	P7-1	*1 *3 *5
15	Image transfer section	Transfer belt unit	1	138K(US)	AAJRR70100		P9-2	*3
16		Transfer belt unit	1	146K(EU)	AAJRR70100		P9-2	*3
17		Transfer roller	1	138K(US)	AAJRR70500		P17-2	*3
18		Transfer roller	1	146K(EU)	AAJRR70500		P17-2	*3
20		Fusing unit	1	400K	AAJRR70411	(220-240V)	P23-3	*3

\*1: The parts can be replaced either by user or service engineer.

\*2: Life counter value

\*3: Field standard yield

\*4: Replace these parts at the same time.

\*5: A waste toner full condition is detected with detecting the actual waste toner emissions.

\*: The part names used on this page follow the ones used in the Service Manual and they are occasionally different from those written in other pages.



## メンテナンスリスト

● ページ / キーナンバーのないものは、アフターサービス部品ではありません。

No.	区分	PM 部品名称	サイクル (K=1,000)		部品番号	仕向地	頁 / キー	備考
			員数	交換				
1	給紙部	トレイ1給紙ローラー	1	200K	A64J564101		P13-10	*2 *4
2		トレイ1ピックアップローラー	1	200K	A64J564201		P13-11	*2 *4
3		トレイ1分離ローラー	1	200K	A00J563600		P15-6	*2 *4
4		手差しトレイ給紙ローラー	1	200K	A93E597500		P21-39	*2 *4
5		手差しトレイピックアップローラー	1	200K	A5C1562200		P21-34	*2 *4
6		手差しトレイ分離パッド	1	200K	AAJRR72200		P21-4	*2 *4
7	プロセス部	トナーカートリッジ /Y,M,C	1	9K	-			*1 *3
8		トナーカートリッジ /K	1	13K	-			*1 *3
9		イメージングユニット /Y,M,C	1	50K	-			*1 *3
10		イメージングユニット /K	1	124K(US)	-			*1 *3
11		イメージングユニット /K	1	138K(EU)	-			*1 *3
12		トナーフィルター	1	200K	A92E158100		P4-2	*2
13		廃トナーボトル	1	26.8K(US)	ACDN0Y1	B,G2	P7-1	*1 *3 *5
14		廃トナーボトル	1	26.8K(EU)	ACDNWY1	C,D1,D3,E,F2,G1,I	P7-1	*1 *3 *5
15	転写部	転写ベルトユニット	1	138K(US)	AAJRR70100		P9-2	*3
16		転写ベルトユニット	1	146K(EU)	AAJRR70100		P9-2	*3
17		転写ローラー	1	138K(US)	AAJRR70500		P17-2	*3
18		転写ローラー	1	146K(EU)	AAJRR70500		P17-2	*3
20		定着ユニット	1	400K	AAJRR70411	(220-240V)	P23-3	*3

\*1: ユーザー / サービス交換の選択が可能。

\*2: ライフカウンター値

\*3: 市場標準印刷枚数値

\*4: 同時交換のこと。

\*5: 廃棄トナーフル検知は、実際の廃棄トナー充填量を検知して行う。

\*: ここに記載されている部品名称はサービスマニュアルで使用されている部品名称であり、他のページに記載されている部品名称とは異なる場合があります。

## DESTINATION

Destination No.		Destinations		V	Hz	Model No.
A	A1	JAPAN				
	A2	JAPAN				
B		USA, CANADA		120	60	AAJT011
C		EUROPEAN TYPE		220-240	50/60	AAJT021
D	D1	S.E ASIA TYPE	THAILAND, SRI LANKA, SINGAPORE, MALAYSIA, HONG KONG, PAKISTAN, INDIA, BANGLADESH, INDONESIA	220-240	50/60	AAJT041
	D3	OCEANIA TYPE	AUSTRALIA, NEW ZEALAND	220-240	50/60	AAJT041
E		PHILIPPINES		220-240	50/60	AAJT041
F	F1	SAUDI ARABIA				
	F2	SAUDI ARABIA		220-240	50/60	AAJT041
G	G1	C.S AMERICA		220-240	50/60	AAJT041
	G2	C.S AMERICA		120	60	AAJT011
H		TAIWAN				
I		JORDAN, LEBANON, SYRIA, SOUTH AFRICA, IRAQ, IRAN, N.YEMEN, CAMEROON, UAE, BAHRAIN, OMAN, QATAR, KUWAIT, KENYA, TUNISIA, IVORY COAST, MOROCCO		220-240	50/60	AAJT021/ AAJT041
J		CHINA		220-240	50/60	AAJT081
K		KOREA				

bizhub C3300i