

KONICA MINOLTA

PARTS GUIDE MANUAL

DECEMBER 2013

*bizhub C3350/bizhub C3850
A3GN*

INFORMATION FOR PARTS GUIDE MANUAL

To find correct Parts No., refer to the "HOW TO MAKE THE BEST USE OF THIS MANUAL" in the following page.

HOW TO MAKE THE BEST USE OF THIS MANUAL

- 1 When you order, please check the proper figures beforehand that are on Our Parts Guide Manual, and order with the appropriate figures.
- 2 For screws, Nuts, Washers, retaining rings and Pins which are used in this model, one letter is shown on the Standard parts column of Parts list and exploded diagrams.
- 3 In order to maintain safety of the product, some specific parts composed of this product are set up as "essential safety parts".
- 4 The assigned parts number for the "essential safety parts" is indicated as "SP00-****".
When replacing these parts, follow precautions for disassembling and installing which are listed in the Service Manual.
Do not use any parts that are not set up as
- 5 ♣ means that there are exclusive parts for each destination.
Please check the appropriate destination when you order.
- 6 Revision Mark
Marked as ▲ on the illustration shows that the revision has been made.
- 7 All rights reserved. (any reprints or quotations are prohibited.)
Use of this parts guide manual should be strictly supervised to avoid disclosure of confidential information.

パーツガイドマニュアルのご案内

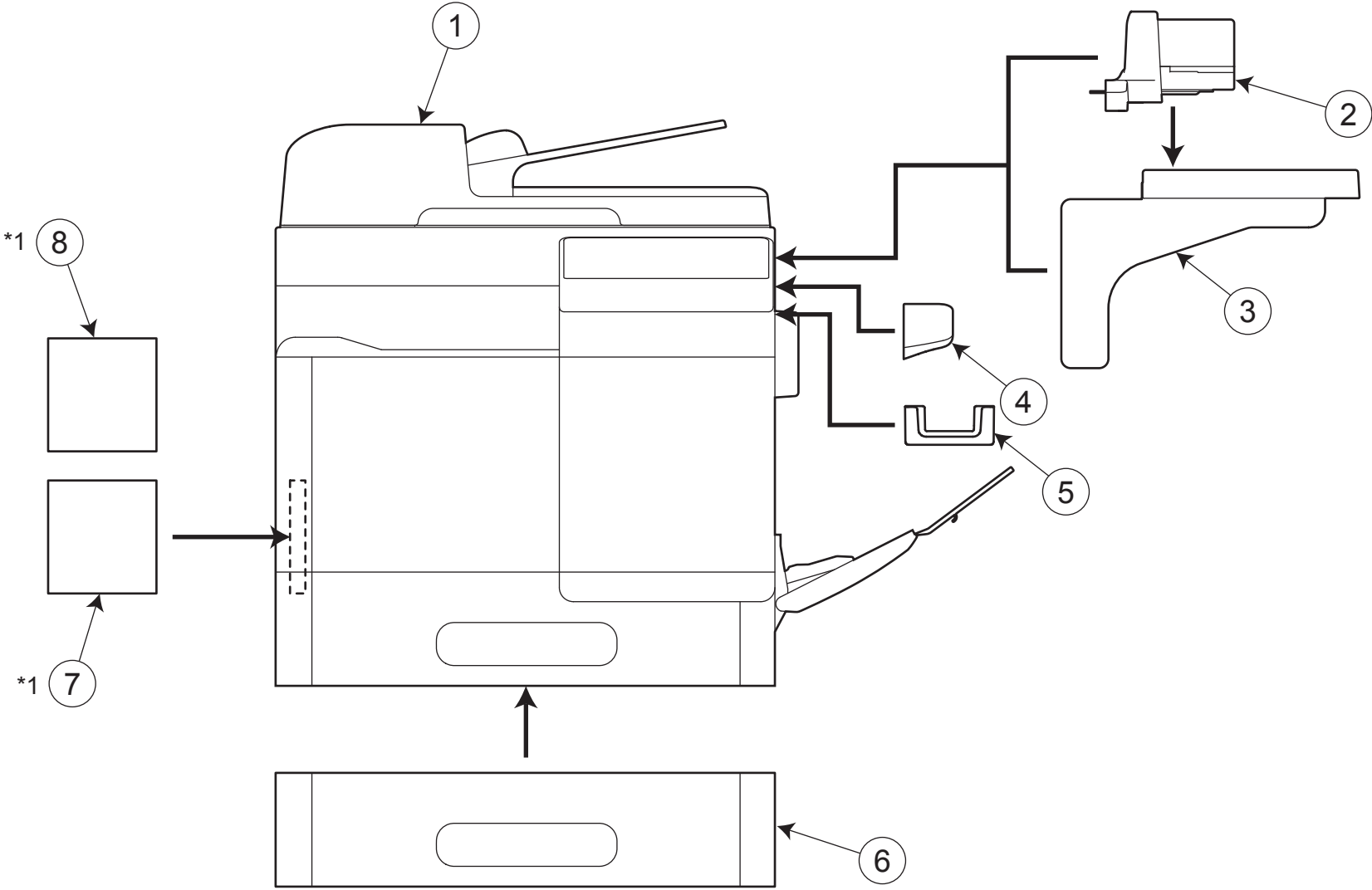
サービス部品をご発注の際には、下記に示す“パーツガイドマニュアルの活用にあたって”をご参照の上、正しい部品番号にてお願い致します。

パーツガイドマニュアルの活用にあたって

- 1 部品発注の際には、掲載されている部品番号の桁数を確認し、掲載されている桁数で発注願います。
- 2 この製品に使用されているネジ、ナット、ワッシャー、止め輪、ピンなどは、リストの右側の Standard parts 欄に a,b,c,……で表示し、イラストにも a,b,c,……表示してあります。
- 3 製品の安全性を維持する為に、製品に使用される特定の部品を「重要保安部品」として設定しています。
- 4 重要保安部品の部品番号は、“SP00-****”と記載されていますので、部品交換時は、サービスマニュアル記載の分解・組み立ての注意事項に従って作業をして下さい。
また、指定以外の部品は一切使用しないで下さい。
- 5 本文に ♣ が表示されている部品は、仕向け地毎に専用部品がある事を意味しています。
オーダーされる時は、仕向け地を確認して下さい。
- 6 改訂記号について
イラスト上に ▲ 印が表示されている部分は、改訂された事を表します。
- 7 著作権所有（無断転載及び無断引用の禁止）
本パーツガイドマニュアルについては、機密保持等その扱いには十分注意して下さい。万一取り扱いを誤った場合には、法律で処罰されることがあります。

12/06/2013

SYSTEM OUTLINE



*1: bizhub C3850 is standard for model number A3GN001 and A3GN011.
bizhub C3850のModel No. A3GN001およびA3GN011には標準装備です。

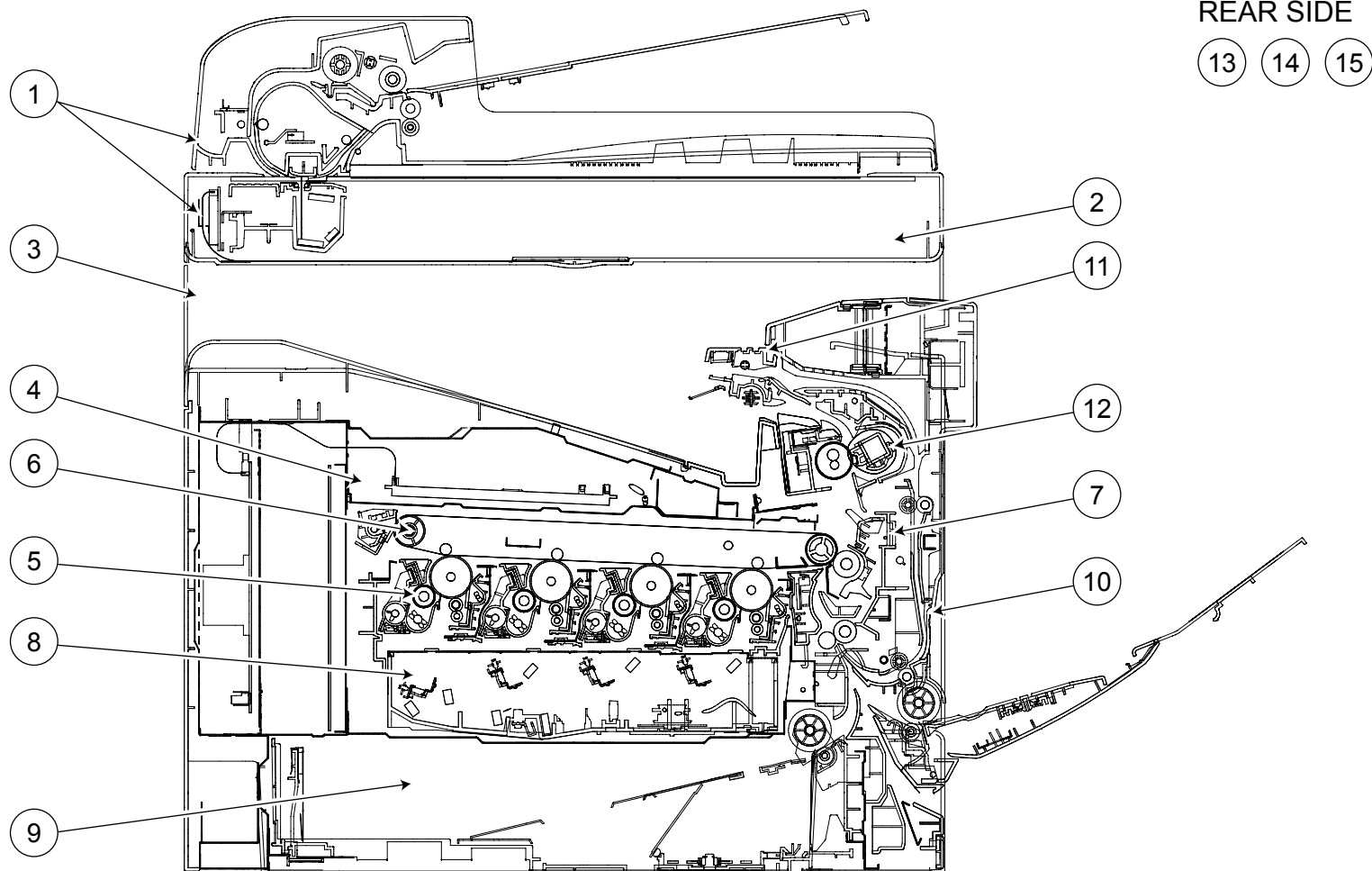
bizhub C3350/bizhub C3850

GENERAL CONTENTS

No.	Description	Model
1	Printer Color	bizhub C3350/bizhub C3850
2	Finisher/Sorter	FS-P03
3	Other Option	WT-P02
4	Other Option	KP-101
5	Other Option	MK-P02
6	Paper Feeder	PF-P13
7	Other Option	MK-738
8	Other Option	FK-512

bizhub C3350/bizhub C3850

DIAGRAMS OF MAIN PARTS SECTION



bizhub C3350/bizhub C3850

CONTENTS

No.	DESCRIPTION	名称	PAGE No.
1	ADF & IR SECTION	A D F & I R 部	P1
2	CONTROL PANEL SECTION	操作パネル部	P2
3	EXTERNAL PARTS	外装部	P3 P4
4	PRINTER CONTROL BOARD SECTION	プリンター制御基板部	P5
5	TONER BOTTLE DRIVE SECTION	トナーボトル駆動部	P6
6	TRANSFER BELT UNIT	転写ベルトユニット	P7 P8 P9
7	TRANSFER GUIDE SECTION	転写ガイド部	P10
8	PRINT HEAD SECTION	P / H 部	P11
9	CASSETTE SECTION	カセット部	P12 P13
10	VERTICAL CONVEYANCE SECTION	縦搬送部	P14 P15 P16
11	DUP RIVERSE DRIVE SECTION	D U P 反転駆動部	P17
12	FUSING SECTION	定着部	P18
13	MAIN DRIVE SECTION	メイン駆動部	P19
14	PAPER FEED DRIVE SECTION	給紙駆動部	P20
15	ELECTRICAL COMPONENTS	電装部	P21 P22
16	WIRING ACCESSORIES AND JIGS	配線部品・治具	P23
17	ACCESSORY PARTS	同梱部品	P24

INDEX

Parts No.	Page No.
0978381101	12-2
0996305501	11-2
0996305501	21-28
1154467001	21-27
1154467001	22-17
1164306201	12-10
4002504202	4-3
4004305201	13-24
4030303401	12-7
4030303401	14-25
4036301401	19-8
4036301401	20-6
4036473001	20-5
4038541101	6-7
4038M60000	21-12
4120301901	14-7
4131302702	14-13
4131305601	12-28
4131305601	14-22
4131305702	12-26
4131412801	6-10
4134588202	20-21
4138259601	20-16
4138259701	20-17
4138303202	12-8
4138303202	14-24
4138320501	14-8
4138323602	14-28
4138323701	14-29
4138324401	12-5
4138324401	14-17
4138325301	14-10
4138325501	14-14
4138352802	16-9
4138353202	16-10
4138731601	13-10
4138731601	14-4
4139M10000	5-19
4139M10000	9-29
4139M10000	9-31

Parts No.	Page No.
4139M10000	15-35
4139M10000	21-21
4163529301	15-34
4163529301	21-1
4628680101	24-13
4658015106	12-31
4658015106	14-31
4658301201	13-22
56AA40490	12-6
9313130051	17-1
9335140051	11-18
9381430041	24-10
9J06M60100	5-9
A00F213900	19-5
A00F565101	14-6
A00F813000	17-7
A00F813100	17-8
A00J192900	12-17
A00J945500	3-14
A011946200	2-28
A011M20000	16-15
A02E193000	19-37
A02E240600	6-6
A02EM20000	20-20
A034213400	10-18
A034M20000	10-11
A034M20000	19-32
A034N30000	24-14
A0CRPP0200	1-19
A0ED162401	3-12
A0EDM60001	6-16
A0EDN30101	24-9
A0P0158100	7-3
A0P0M50400	10-7
A0VD114101	7-7
A0VD133300	19-16
A0VD135201	5-7
A0VD136100	5-12
A0VD136800	7-5
A0VD161100	15-7

Parts No.	Page No.
A0VD161600	15-5
A0VD162101	15-3
A0VD162400	15-10
A0VD163200	15-11
A0VD163400	15-4
A0VD163500	15-8
A0VD164000	15-1
A0VD214700	7-15
A0VD218301	19-7
A0VD219800	19-12
A0VD220201	19-27
A0VD220300	19-26
A0VD230101	20-22
A0VD230301	20-10
A0VD230400	20-4
A0VD230501	20-19
A0VD230800	20-8
A0VD230901	20-12
A0VD231101	20-7
A0VD231200	20-11
A0VD233102	20-3
A0VD233301	20-13
A0VD235301	16-8
A0VD235400	11-6
A0VD235500	11-7
A0VD235600	11-5
A0VD235700	11-16
A0VD235900	11-8
A0VD362300	7-11
A0VD362400	7-19
A0VD362500	7-20
A0VD362702	11-15
A0VD363700	7-10
A0VD560202	14-9
A0VD560300	14-20
A0VD560402	14-15
A0VD560601	14-19
A0VD560801	14-23
A0VD560900	14-27
A0VD561301	14-16

Parts No.	Page No.
A0VD561502	14-34
A0VD561700	14-5
A0VD561800	14-21
A0VD563101	14-2
A0VD563201	14-1
A0VD621100	12-30
A0VD621100	14-32
A0VD624100	20-15
A0VD624300	13-2
A0VD624800	12-29
A0VD624800	14-30
A0VD700202	15-22
A0VD700302	15-21
A0VD701300	15-19
A0VD701600	15-20
A0VD702400	16-19
A0VD702400	20-9
A0VD702501	16-6
A0VD702600	15-16
A0VD702700	15-18
A0VD703001	16-14
A0VD703501	16-18
A0VD703700	15-17
A0VD703700	16-13
A0VD705303	16-17
A0VD707101	10-4
A0VD707201	10-6
A0VD707303	10-8
A0VD707501	10-3
A0VD814000	17-23
A0VD814100	17-13
A0VD820200	17-18
A0VD820300	17-22
A0VD820700	17-15
A0VD820900	17-20
A0VD821100	17-25
A0VD822300	17-27
A0VD822400	17-11
A0VD822500	17-28
A0VD822600	17-4

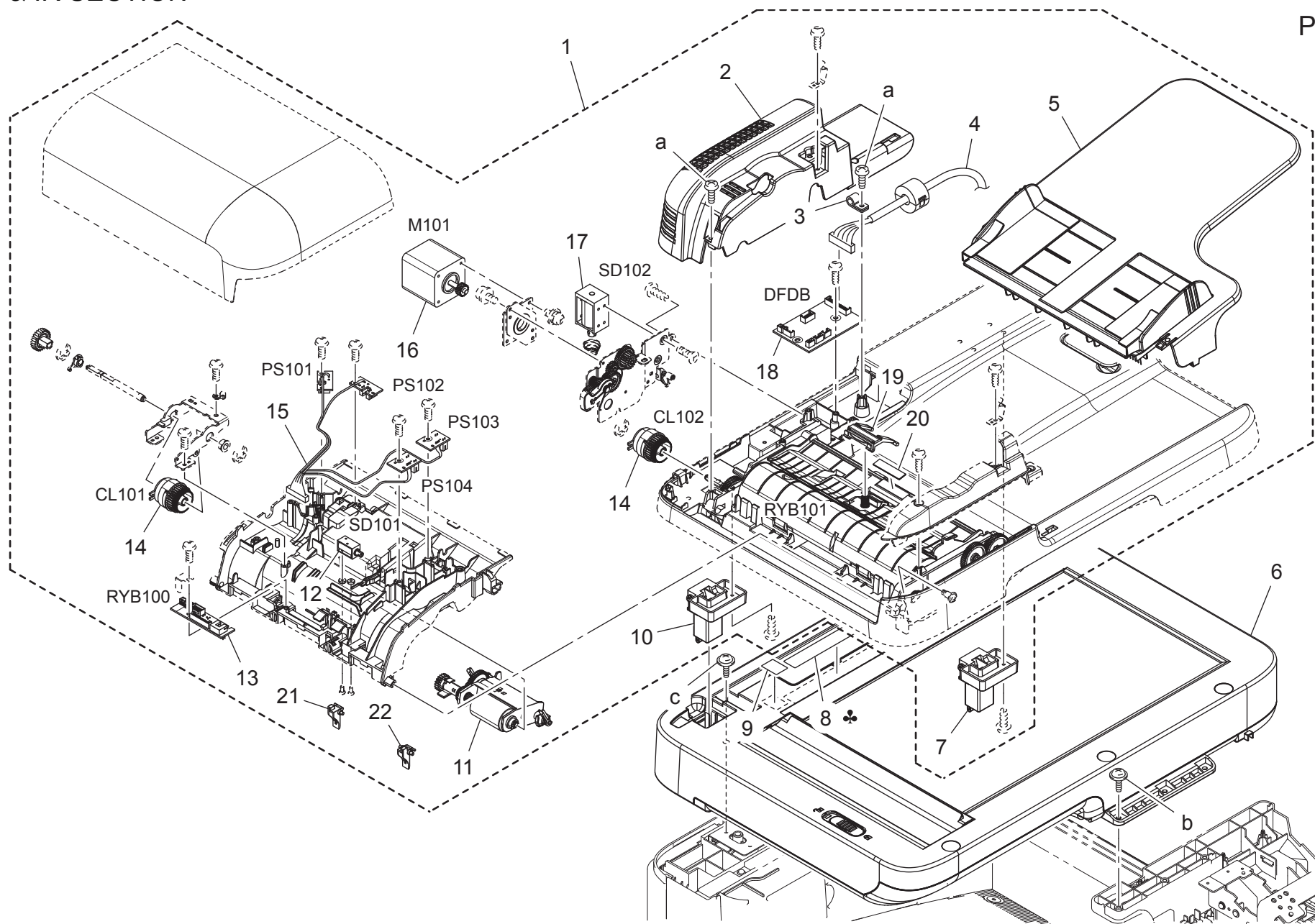
Parts No.	Page No.
A0VD822700	17-6
A0VD822800	17-5
A0VD823300	17-29
A0VD890200	18-13
A0VD890800	18-15
A0VD892400	18-18
A0VD907300	18-5
A0VD949100	18-1
A0VDM50000	10-20
A0VDN12300	22-9
A0VDN30000	24-8
A108M50100	2-13
A108M50100	5-5
A108M50100	7-2
A108M50100	10-5
A108M50100	14-37
A108M50100	15-12
A108M50100	16-5
A108M50100	18-7
A108M50100	20-14
A121132200	22-5
A121132600	22-7
A121820800	17-21
A121890302	18-8
A121893002	18-4
A121895302	18-8
A121902500	18-3
A121944600	1-8
A121944700	1-8
A121944700	24-7
A121PP0100	1-4
A121PP0200	1-3
A121PP0400	1-5
A121PP0500	1-10
A121PP0600	1-7
A121PP0700	1-18
A121PP0800	1-15
A121PP0900	1-13
A121PP0A00	1-14
A121PP0B00	1-12

Parts No.	Page No.	Parts No.	Page No.	Parts No.	Page No.	Parts No.	Page No.	Parts No.	Page No.
A121PP0C00	1-17	A3GN112300	10-13	A3GN134700	5-23	A3GN147201	9-28	A3GN162900	3-16
A121PP0D00	1-20	A3GN112400	8-8	A3GN135100	5-28	A3GN147400	24-1	A3GN163000	3-17
A121PP0E00	1-16	A3GN112800	8-3	A3GN135200	5-8	A3GN147600	9-32	A3GN190101	2-16
A121PP0G00	1-21	A3GN112900	8-1	A3GN135300	5-6	A3GN147801	24-2	A3GN190500	2-24
A121PP0H00	1-22	A3GN113000	8-4	A3GN135400	2-14	A3GN148001	9-7	A3GN190600	2-18
A161940602	1-9	A3GN113100	8-10	A3GN135500	2-15	A3GN148100	9-6	A3GN190700	2-17
A161M10001	19-34	A3GN113200	8-9	A3GN135600	19-28	A3GN148200	9-3	A3GN190801	2-19
A161M10001	19-35	A3GN113300	7-18	A3GN135700	19-29	A3GN148300	9-8	A3GN191300	2-20
A161M10200	19-2	A3GN130000	22-1	A3GN136000	19-17	A3GN148500	9-23	A3GN191401	2-8
A1UD947400	24-15	A3GN130600	19-14	A3GN137100	6-23	A3GN148700	9-5	A3GN191500	2-27
A2X0949100	6-13	A3GN130700	19-13	A3GN138100	21-9	A3GN148800	9-25	A3GN210800	19-1
A2XKM10300	19-34	A3GN130900	19-18	A3GN140100	9-10	A3GN148900	9-26	A3GN212401	19-11
A2YFM20000	16-3	A3GN131000	19-19	A3GN140300	9-19	A3GN149000	9-30	A3GN212501	19-10
A2YFM20000	17-26	A3GN131100	19-21	A3GN140600	9-2	A3GN149100	9-16	A3GN217000	20-2
A3EWM90300	19-36	A3GN131200	19-15	A3GN140700	9-14	A3GN149200	9-17	A3GN220200	19-4
A3EWM90300	21-13	A3GN131400	19-20	A3GN140800	9-22	A3GN149300	9-24	A3GN223000	19-3
A3GN102300	11-17	A3GN131600	19-25	A3GN141100	9-20	A3GN149500	9-27	A3GN223302	19-6
A3GN102500	11-3	A3GN131700	19-23	A3GN141201	9-9	A3GN149600	9-4	A3GN223400	19-9
A3GN106100	18-9	A3GN131800	19-24	A3GN141300	9-21	A3GN160104	3-10	A3GN235101	11-11
A3GN106200	18-12	A3GN131900	19-22	A3GN142101	5-20	A3GN160200	3-9	A3GN235200	11-9
A3GN106700	11-12	A3GN132200	21-11	A3GN142200	21-23	A3GN160302	3-13	A3GN260100	1-6
A3GN107100	11-13	A3GN132300	21-19	A3GN144100	5-13	A3GN160402	3-1	A3GN270100	1-1
A3GN109300	4-7	A3GN132400	21-26	A3GN144200	9-1	A3GN160503	3-5	A3GN362601	11-14
A3GN109500	5-1	A3GN132501	22-14	A3GN144402	5-17	A3GN160602	4-4	A3GN400002	6-12
A3GN109800	5-4	A3GN132600	21-16	A3GN144500	5-14	A3GN160800	3-6	A3GN400100	6-2
A3GN110001	7-16	A3GN132700	22-19	A3GN144602	5-16	A3GN160900	4-5	A3GN400200	6-5
A3GN110101	7-17	A3GN132801	22-6	A3GN145100	9-11	A3GN161000	2-23	A3GN400300	6-4
A3GN110401	7-6	A3GN132900	21-25	A3GN145200	9-12	A3GN161100	2-6	A3GN400400	6-3
A3GN110501	7-14	A3GN133102	21-9	A3GN145300	9-18	A3GN161200	2-1	A3GN400800	6-8
A3GN110600	7-9	A3GN133400	21-18	A3GN145400	9-15	A3GN161301	2-11	A3GN400900	6-14
A3GN110700	7-12	A3GN133500	5-26	A3GN145600	9-13	A3GN161400	2-7	A3GN401000	6-15
A3GN110800	7-13	A3GN133600	4-10	A3GN145700	5-15	A3GN161701	2-4	A3GN401100	6-9
A3GN110900	7-1	A3GN133700	21-6	A3GN145800	21-3	A3GN161800	2-21	A3GN401200	21-7
A3GN111001	8-5	A3GN133800	21-8	A3GN146000	5-2	A3GN162000	4-9	A3GN401300	6-21
A3GN111101	8-11	A3GN134001	19-31	A3GN146100	3-3	A3GN162100	3-4	A3GN401400	6-20
A3GN111200	8-7	A3GN134100	21-5	A3GN146200	5-3	A3GN162300	4-8	A3GN401500	6-19
A3GN111300	8-6	A3GN134300	22-20	A3GN146300	18-10	A3GN162500	3-2	A3GN401600	6-18
A3GN111400	8-13	A3GN134400	21-17	A3GN146400	5-11	A3GN162600	3-11	A3GN402001	6-12
A3GN111500	10-15	A3GN134500	21-24	A3GN147000	9-33	A3GN162701	4-2	A3GN402101	6-12
A3GN111800	7-8	A3GN134600	21-15	A3GN147100	24-3	A3GN162800	4-1	A3GN402200	6-12

Parts No.	Page No.	Parts No.	Page No.	Parts No.	Page No.	Parts No.	Page No.	Parts No.	Page No.
A3GN590101	14-18	A3GN632301	12-15	A3GN820200	17-19	A3GNN10300	16-4	A4Y5W21	18-6
A3GN590501	14-33	A3GN632400	12-13	A3GN820401	17-14	A3GNN10400	17-31	A4Y5WY1	11-10
A3GN590700	14-12	A3GN632501	12-12	A3GN822100	17-12	A3GNN10500	18-11	A4Y5WY2	7-4
A3GN621200	13-19	A3GN632600	12-11	A3GN822200	17-3	A3GNN10600	2-2	A4Y5WY3	15-27
A3GN621300	13-18	A3GN700100	15-26	A3GN822901	17-10	A3GNN10700	6-17	A5C1947000	24-12
A3GN621600	11-4	A3GN700500	15-23	A3GN823500	17-9	A3GNN10800	6-25	A5C1947100	24-12
A3GN621701	4-6	A3GN701100	15-24	A3GN825100	17-16	A3GNN10900	5-22	A5C1M10400	6-1
A3GN621701	21-20	A3GN702100	16-12	A3GN825600	17-17	A3GNN10B00	21-14	A5C1M92100	5-27
A3GN623100	12-25	A3GN702300	16-7	A3GN890103	18-16	A3GNN10C00	21-10	A5C1M92100	22-16
A3GN624102	12-1	A3GN702800	15-13	A3GN890301	18-19	A3GNN10D00	5-10	A6EDH01905	22-18
A3GN624201	12-32	A3GN702900	16-11	A3GN891200	18-14	A3GNN10E00	22-12	A6EDH01A05	22-18
A3GN624400	12-27	A3GN703400	16-16	A3GN892101	18-17	A3GNN10F00	2-12	A6EDN12300	22-21
A3GN624502	12-3	A3GN706100	10-17	A3GN892300	18-8	A3GNN10K00	20-18	A6EDN12400	22-22
A3GN624600	12-4	A3GN706300	10-19	A3GN940101	13-23	A3GNN10M00	22-15	A6X0R70000	11-1
A3GN625000	12-9	A3GN706402	10-21	A3GN940201	13-11	A3GNN10N00	4-13	V116031004	24-4
A3GN626100	13-9	A3GN706500	10-16	A3GN940300	14-3	A3GNN10Q00	6-24	V153030804	24-5
A3GN626200	13-21	A3GN706600	10-12	A3GN940401	24-6	A3GNN10R00	10-9	V500010081	23-1
A3GN626301	13-4	A3GN707600	10-2	A3GN941000	3-15	A3GNN10T00	5-21	V500010082	23-2
A3GN626401	13-1	A3GN707700	10-1	A3GN941100	3-8	A3GNN10U00	6-22	V500010083	23-3
A3GN626500	13-8	A3GN708000	10-10	A3GN948300	18-2	A3GNN10V00	2-12	V500020018	23-7
A3GN626600	13-6	A3GN708000	19-33	A3GNH00104	5-25	A3GNN12001	2-26	V500020039	24-11
A3GN626700	13-7	A3GN708101	15-25	A3GNH00500	2-10	A3GNN12100	2-25	V500020098	23-4
A3GN626800	13-5	A3GN810101	14-35	A3GNH01006	22-11	A3GNN12200	21-29	V500020099	23-5
A3GN626900	13-3	A3GN812300	3-7	A3GNM30400	8-12	A3GNN12500	22-8	V500020100	23-6
A3GN627100	13-14	A3GN812300	14-36	A3GNM30400	10-14	A3GNPP0000	1-2	V502010026	22-3
A3GN627200	13-15	A3GN812400	15-2	A3GNM40000	22-4	A3GNPP0100	1-11	V502010029	22-13
A3GN627300	13-16	A3GN813201	15-28	A3GNM40100	22-4	A3GNR70000	19-30	V502010044	4-12
A3GN627400	13-17	A3GN813600	15-9	A3GNM40300	4-11	A3GNR70100	20-1	V502010045	22-2
A3GN628100	13-13	A3GN813700	16-1	A3GNM71007	2-9	A3GNR70200	6-11	V570010021	23-8
A3GN628200	13-12	A3GN813900	15-6	A3GNM71107	2-9	A3GNR70300	17-30	V570010057	23-9
A3GN631102	12-19	A3GN816000	15-29	A3GNM71207	2-9	A3GNR70400	2-5	V651010002	15-36
A3GN631200	12-33	A3GN816300	15-32	A3GNM71B00	22-10	A3GNR70500	12-34	V800400032	13-20
A3GN631301	12-20	A3GN816600	15-37	A3GNM71C00	2-3	A3GNR70600	14-26	V800400032	15-15
A3GN631400	12-21	A3GN816700	15-30	A3GNM71C00	21-4	A3GNR70700	15-14		
A3GN631500	12-22	A3GN816800	15-31	A3GNM71D00	2-22	A3GNR70800	16-2		
A3GN631702	12-23	A3GN817000	17-2	A3GNM93100	21-22	A3GNR70900	14-11		
A3GN631800	12-24	A3GN817100	15-33	A3GNM93200	21-2	A4Y4941000	3-15		
A3GN631901	12-18	A3GN817400	15-38	A3GNN10000	8-2	A4Y4N10200	5-18		
A3GN632100	12-16	A3GN817500	15-39	A3GNN10100	5-24	A4Y5W01	18-6		
A3GN632200	12-14	A3GN820100	17-24	A3GNN10200	5-18	A4Y5W11	18-6		

ADF & IR SECTION

P 1



bizhub C3350/bizhub C3850

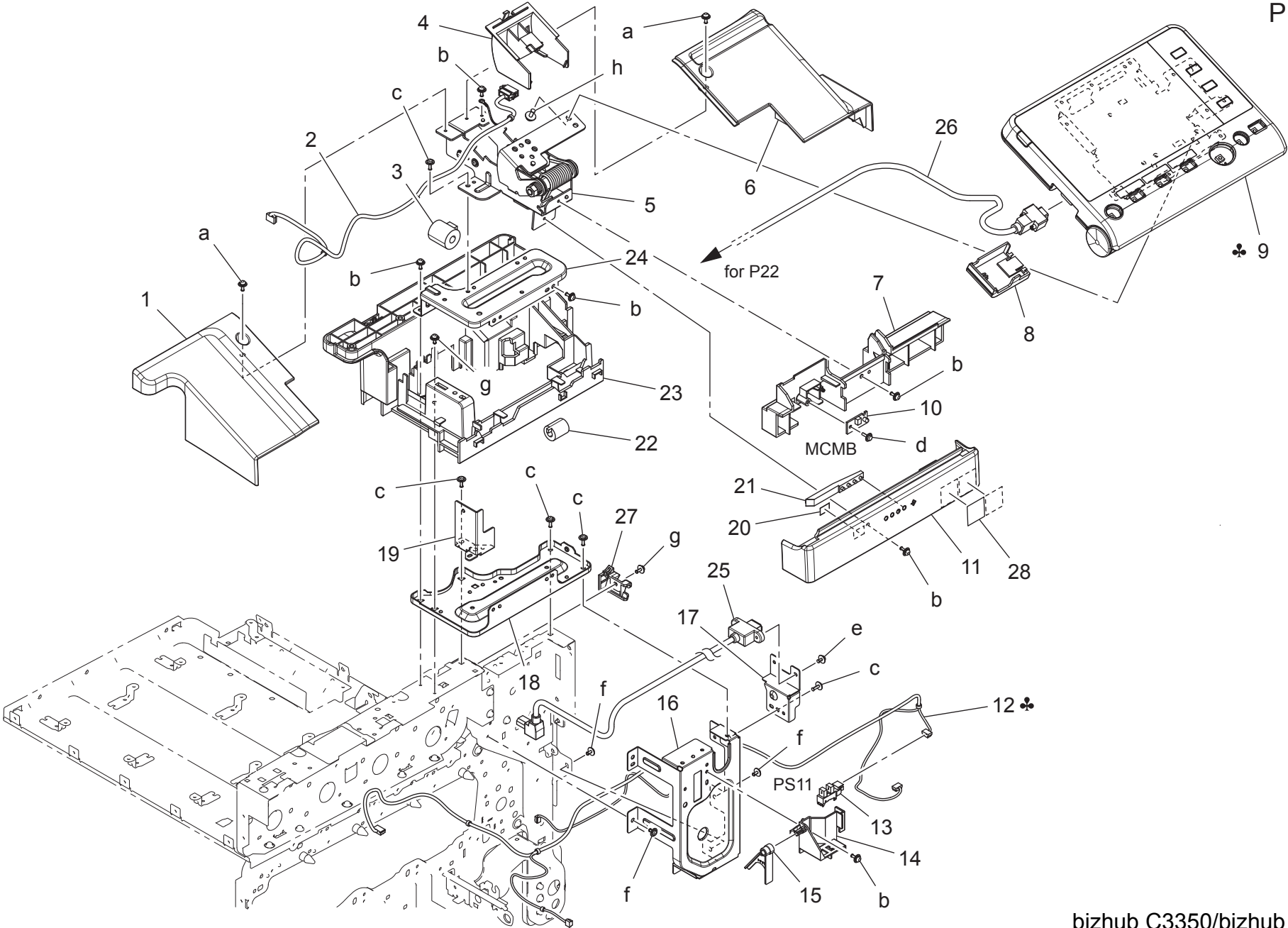
ADF & IR SECTION

Key	Part No.	Description	Destinations	Class	QTY	Standard parts
1	A3GN270100	CONVEYANCE UNIT		C	1	a-A121PP0300 b-V153041203 c-V116041003
2	A3GNPP0000	UPPER COVER/REAR		D	1	
3	A121PP0200	CABLE CLAMP		D	1	
4	A121PP0100	WIRE HARNESS ASSY		D	1	
5	A121PP0400	Tray Assy		C	1	
6	A3GN260100	OPTICAL UNIT		C	1	
7	A121PP0600	HINGE R		D	1	
8	A121944600	Label	A,A1	C	1	
8	A121944700	Label Prohibit	B,G2,H	C	1	
9	A161940602	Label		D	1	
10	A121PP0500	HINGE L		D	1	
11	A3GNPP0100	Separator Roller Assy		C	1	
12	A121PP0B00	Solenoid		C	1	
13	A121PP0900	Photo Sensor		C	1	
14	A121PP0A00	Clutch		C	2	
15	A121PP0800	Photo Sensor		C	1	
16	A121PP0E00	Motor Assy		C	1	
17	A121PP0C00	Solenoid		C	1	
18	A121PP0700	PWB Assembly		I	1	
19	A0CRPP0200	Separator Pad Assy		C	1	
20	A121PP0D00	Pad		C	1	
21	A121PP0G00	Stopper Right		D	1	
22	A121PP0H00	Stopper Left		D	1	

bizhub C3350/bizhub C3850

CONTROL PANEL SECTION

P 2



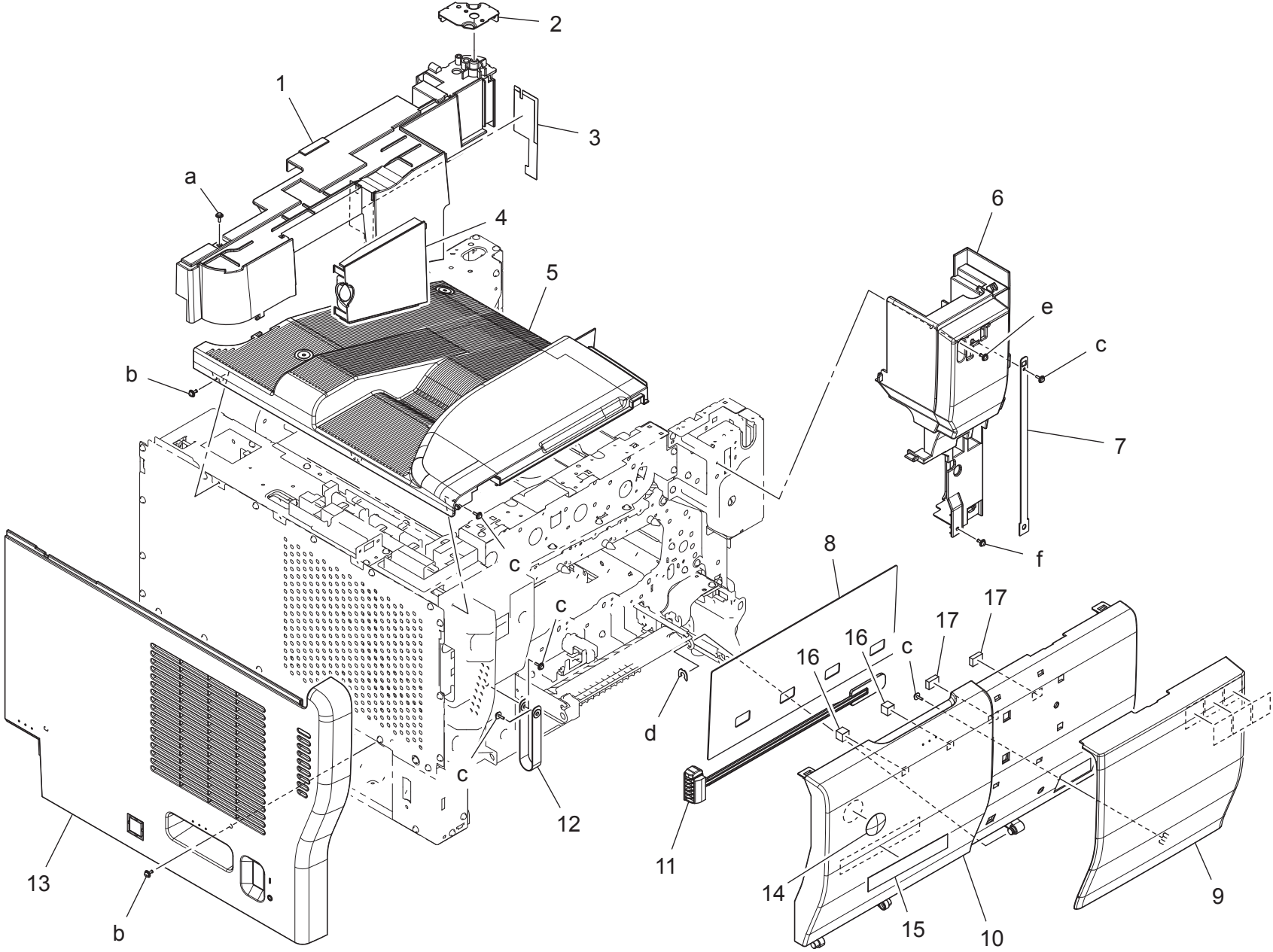
bizhub C3350/bizhub C3850

CONTROL PANEL SECTION

Key	Part No.	Description	Destinations	Class	QTY	Standard parts
1	A3GN161200	Cover		D	1	a-V116030804
2	A3GNN10600	Drive Relay harness		D	1	b-V116030803
3	A3GNM71C00	Ferrite core		D	1	c-V137030803
4	A3GN161701	Cover		D	1	d-V153030803
5	A3GNR70400	Operation Panel Mounting Plate Assy		D	1	e-V116030603
6	A3GN161100	Cover		D	1	f-V144030603
7	A3GN161400	Cover		D	1	g-V125030818
8	A3GN191401	Cover		C	1	h-V116041003
9	A3GNM71007	Panel assembly	A,A1	I	1	
9	A3GNM71107	Panel assembly	B,D1,D3,E,F2,G1,G2, H,I,K	I	1	
9	A3GNM71207	Panel assembly	C	I	1	
10	A3GNH00500	PWB Assembly (MCMB)		C	1	
11	A3GN161301	Cover		D	1	
12	A3GNN10F00	Sensor Wiring	A,A1	D	1	
12	A3GNN10V00	Sensor Wiring /4	B,C,D1,D3,E,F2,G1,G 2,H,I,K	D	1	
13	A108M50100	Photointerrupter		B	1	
14	A3GN135400	Holder		D	1	
15	A3GN135500	Lever		D	1	
16	A3GN190101	Mounting Plate		D	1	
17	A3GN190700	Mounting Plate		D	1	
18	A3GN190600	Mounting Plate		D	1	
19	A3GN190801	Mounting Plate		D	1	
20	A3GN191300	Light blocking Sheet		D	1	
21	A3GN161800	Lens		D	1	
22	A3GNM71D00	Ferrite core		D	1	
23	A3GN161000	Cover		D	1	
24	A3GN190500	Mounting Plate		D	1	
25	A3GNN12100	Relay harness		D	1	
26	A3GNN12001	Relay harness		D	1	
27	A3GN191500	Stopper		D	1	
28	A011946200	Label Emperon		D	1	

bizhub C3350/bizhub C3850

EXTERNAL PARTS



bizhub C3350/bizhub C3850

EXTERNAL PARTS

Key	Part No.	Description	Destinations	Class	QTY	Standard parts
1	A3GN160402	Cover /Upper		C	1	a-V153030804 b-V116030804 c-V153030804 d-V218060086 e-V116030803 f-V116031004
2	A3GN162500	Hold Plate		D	1	
3	A3GN146100	Shield Sheet		D	1	
4	A3GN162100	Cover		C	1	
5	A3GN160503	Cover /Upper		C	1	
6	A3GN160800	Support Part		D	1	
7	A3GN812300	Open/close Stopper		C	1	
8	A3GN941100	Sheet		C	1	
9	A3GN160200	Cover /Front		C	1	
10	A3GN160104	Cover /Front		C	1	
11	A3GN162600	Cleaning Part		C	1	
12	A0ED162401	Band		D	1	
13	A3GN160302	Cover /Left		C	1	
14	A0J945500	Logo Mark		C	1	
15	A3GN941000	Label bizhub C3850		C	1	
15	A4Y4941000	Label bizhub C3350	{bizhub C3850}	C	1	
16	A3GN162900	Seal	{bizhub C3350}	C	2	
17	A3GN163000	Seal		C	2	

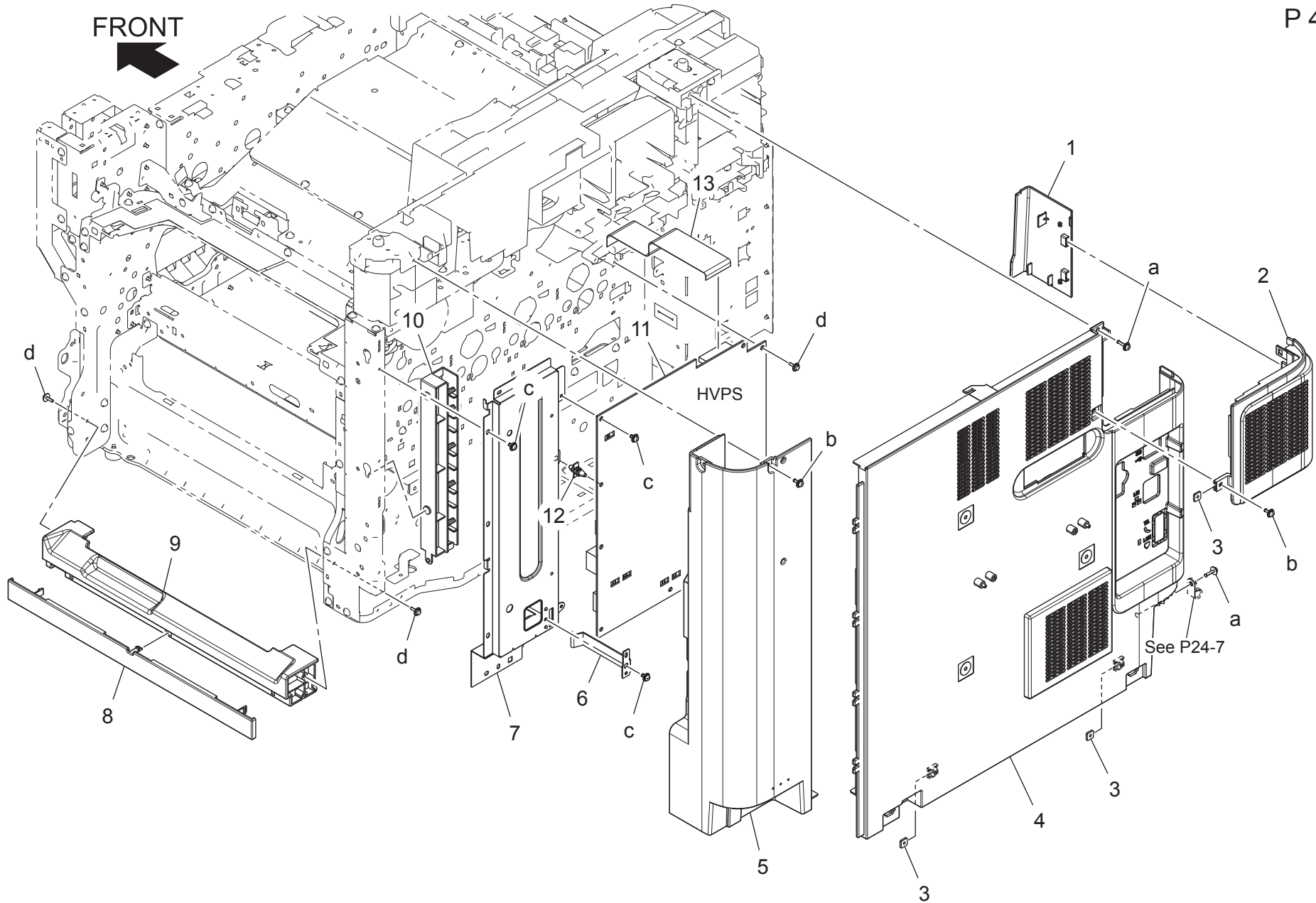
bizhub C3350/bizhub C3850

EXTERNAL PARTS

FRONT



P 4



bizhub C3350/bizhub C3850

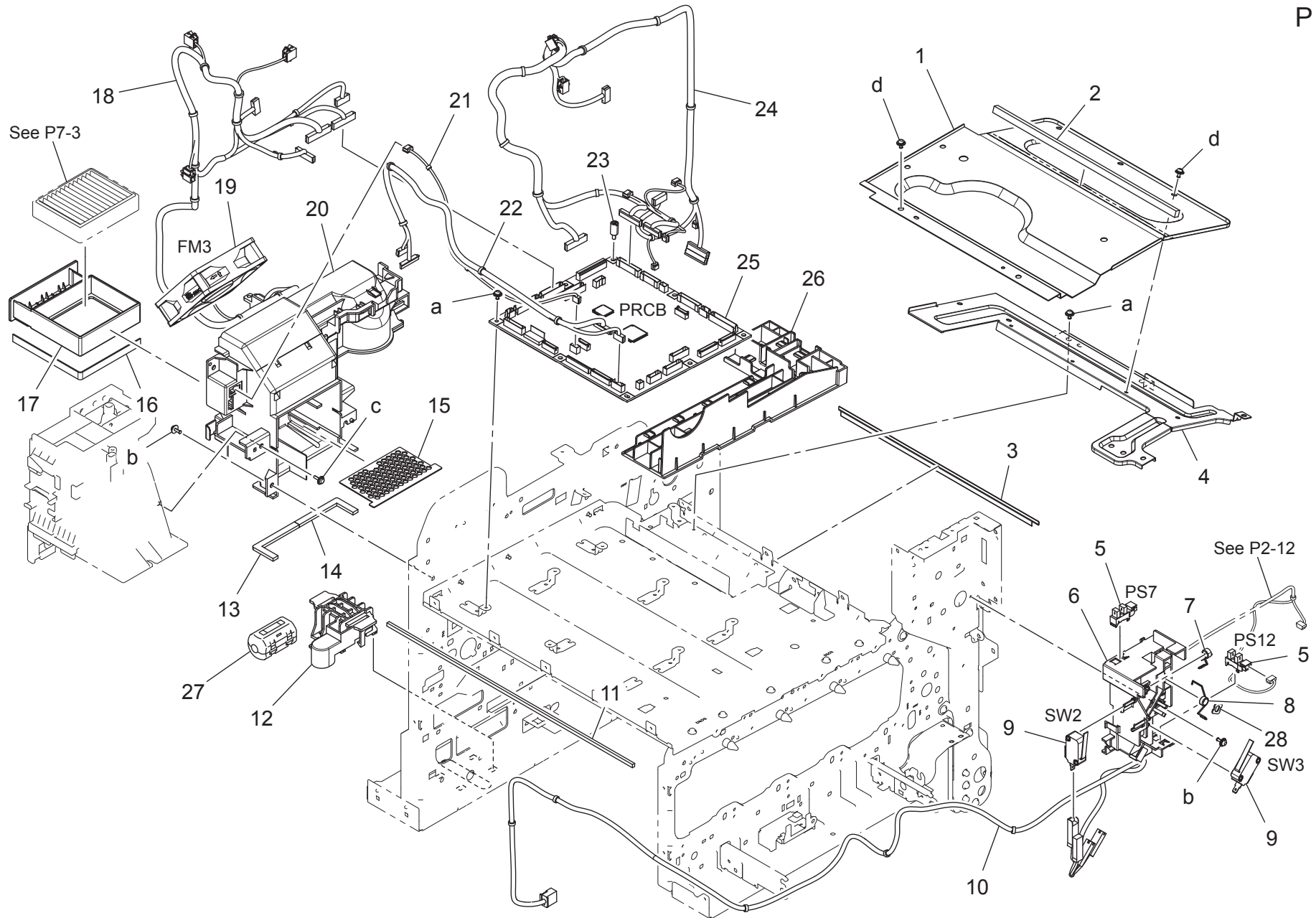
EXTERNAL PARTS

Key	Part No.	Description	Destinations	Class	QTY	Standard parts
1	A3GN162800	Cover Main body		C	1	a-V116031204 b-V116030804 c-V116030603 d-V153030803
2	A3GN162701	Cover Main body		C	1	
3	4002504202	PLATE NUT		D	3	
4	A3GN160602	Cover /Rear		C	1	
5	A3GN160900	Support Part /Right		C	1	
6	A3GN621701	Lock Plate spring		D	1	
7	A3GN109300	Mounting Plate		D	1	
8	A3GN162300	Cover /Right		C	1	
9	A3GN162000	Cover /Right		C	1	
10	A3GN133600	Holder		D	1	
11	A3GNM40300	High voltage unit		I	1	
12	V502010044	PCB Support		D	1	
13	A3GNN10N00	I/F Flat cable		D	1	

bizhub C3350/bizhub C3850

PRINTER CONTROL BOARD SECTION

P 5



bizhub C3350/bizhub C3850

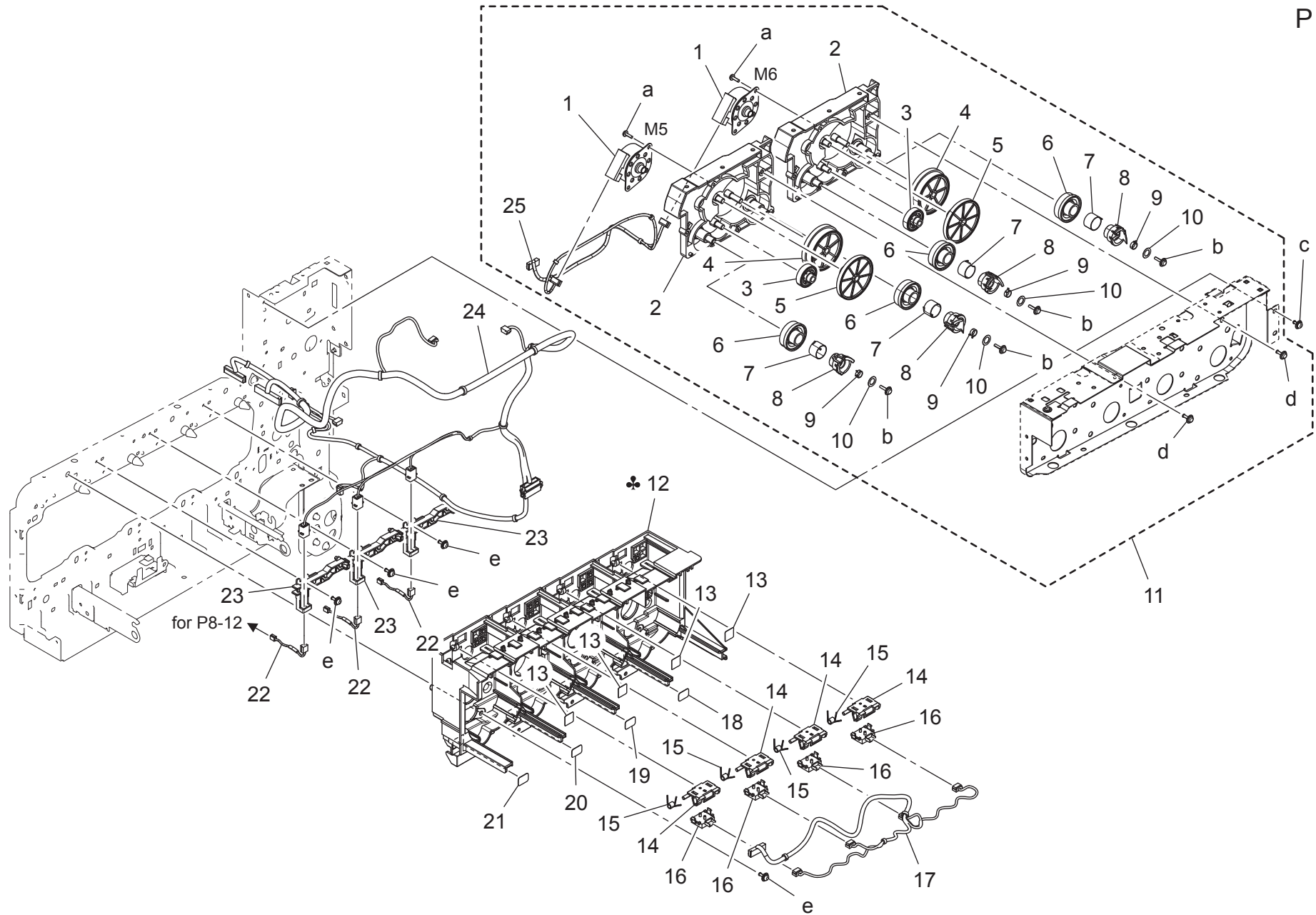
PRINTER CONTROL BOARD SECTION

Key	Part No.	Description		Destinations	Class	QTY	Standard parts
1	A3GN109500	Reinforce Plate /Upper	補強板／上		D	1	a-V116030603 b-V116030803 c-V153030803 d-V125030818
2	A3GN146000	Seal	シール		D	1	
3	A3GN146200	Shield Sheet	シールドシート		D	1	
4	A3GN109800	Reinforce Frame	補強フレーム		D	1	
5	A108M50100	Photointerrupter	透過型センサ		B	2	
6	A3GN135300	Holder	ホルダ		D	1	
7	A0VD135201	Adjusting Spring	調整ばね (前扉 SW)		D	1	
8	A3GN135200	Torsion Coil spring	ねじりコイルばね		D	1	
9	9J06M60100	MICRO SWITCH	マイクロスイッチ		C	2	
10	A3GNN10D00	Interlock Wiring	インターロック束線		D	1	
11	A3GN146400	Seal /Left	シール／左		D	1	
12	A0VD136100	Hold Holder	保持ホルダ (増設 CN)		D	1	
13	A3GN144100	Connecting Seal /Rear	連結シール／奥		D	1	
14	A3GN144500	Connecting Seal	連結シール		D	1	
15	A3GN145700	Cover	カバー		D	1	
16	A3GN144602	Holding Seal	ホルダシール		C	1	
17	A3GN144402	Filter Holder	フィルタホルダ		C	1	
18	A3GNN10200	Main body Wiring /B	本体束線／ B	{bizhub C3850}	D	1	
18	A4Y4N10200	Main body Wiring	本体束線	{bizhub C3350}	D	1	
19	4139M10000	FAN MOTOR	ファンモータ		B	1	
20	A3GN142101	Supply Duct /Left rear	供給ダクト／左後		D	1	
21	A3GNN10T00	Transmitting Wiring	転送束線		D	1	
22	A3GNN10900	Polygon Relay harness	ポリゴン中継束線		D	1	
23	A3GN134700	Mounting Screw	取付ねじ		C	1	
24	A3GNN10100	Main body Wiring /R	本体束線／ R		D	1	
25	A3GNH00104	PWB Assembly(PRCB)	基板 ASSY (PRCB)		I	1	
26	A3GN133500	Holder	ホルダ		D	1	
27	A5C1M92100	Ferritecore	フェライトコア		D	1	
28	A3GN135100	Spacer	スペーサ		D	1	

bizhub C3350/bizhub C3850

TONER BOTTLE DRIVE SECTION

P 6



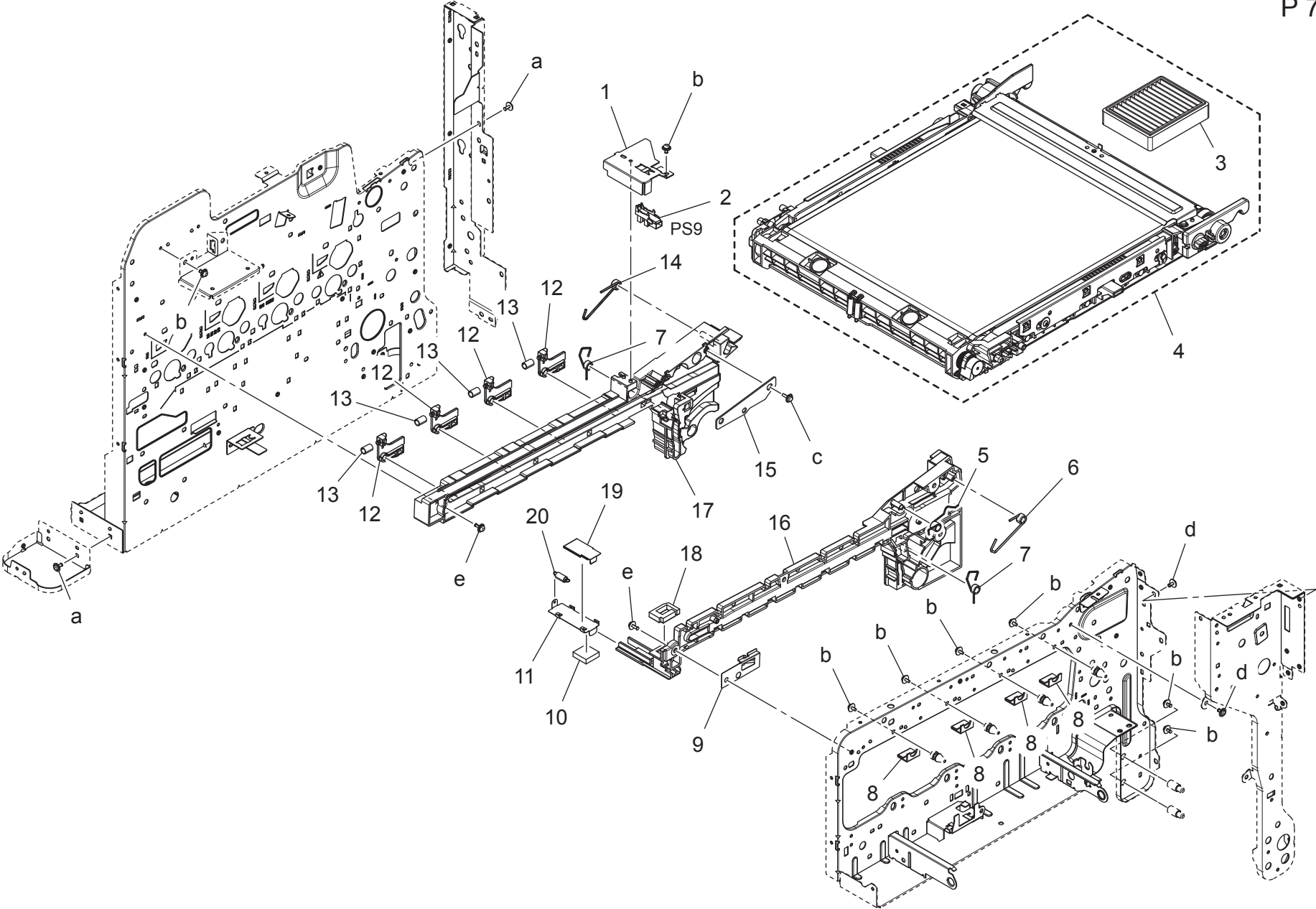
bizhub C3350/bizhub C3850

TONER BOTTLE DRIVE SECTION

Key	Part No.	Description	Destinations	Class	QTY	Standard parts
1	A5C1M10400	Stepping motor		C	2	a-V145030803 b-V153031003 c-V125030818 d-V153030803 e-V116030803
2	A3GN400100	Holder		D	2	
3	A3GN400400	Gear 25T		C	2	
4	A3GN400300	Gear 49/86T		C	2	
5	A3GN400200	Gear 20/107T		C	2	
6	A02E240600	Gear 30T		C	4	
7	4038541101	SPRING		C	4	
8	A3GN400800	Guide		C	4	
9	A3GN401100	Spring		C	4	
10	4131412801	WASHER		C	4	
11	A3GNR70200	TB Drive Assy		C	1	
12	A3GN400002	Holder	A,A1	D	1	
12	A3GN402001	Holder	B,G2,H	D	1	
12	A3GN402101	Holder	C	D	1	
12	A3GN402200	Holder	D1,D3,E,F2,G1,I,K	D	1	
13	A2X0949100	Label	ラベル (TB 注意)	C	4	
14	A3GN400900	Mounting Plate	取付板	D	4	
15	A3GN401000	Torsion Coil spring	ねじりコイルばね	C	4	
16	A0EDM60001	Relay Connector	中継コネクタ (基板接点)	D	4	
17	A3GNN10700	Toner Detection harness	トナー検知束線	D	1	
18	A3GN401600	Label K	ラベル K	C	1	
19	A3GN401500	Label C	ラベル C	C	1	
20	A3GN401400	Label M	ラベル M	C	1	
21	A3GN401300	Label Y	ラベル Y	C	1	
22	A3GNN10U00	Relay Wiring	中継束線	D	3	
23	A3GN137100	Guide	ガイド	D	3	
24	A3GNN10Q00	Transfer Wiring	転写束線	D	1	
25	A3GNN10800	Toner Drive harness	トナー駆動束線	D	1	

TRANSFER BELT UNIT

P 7

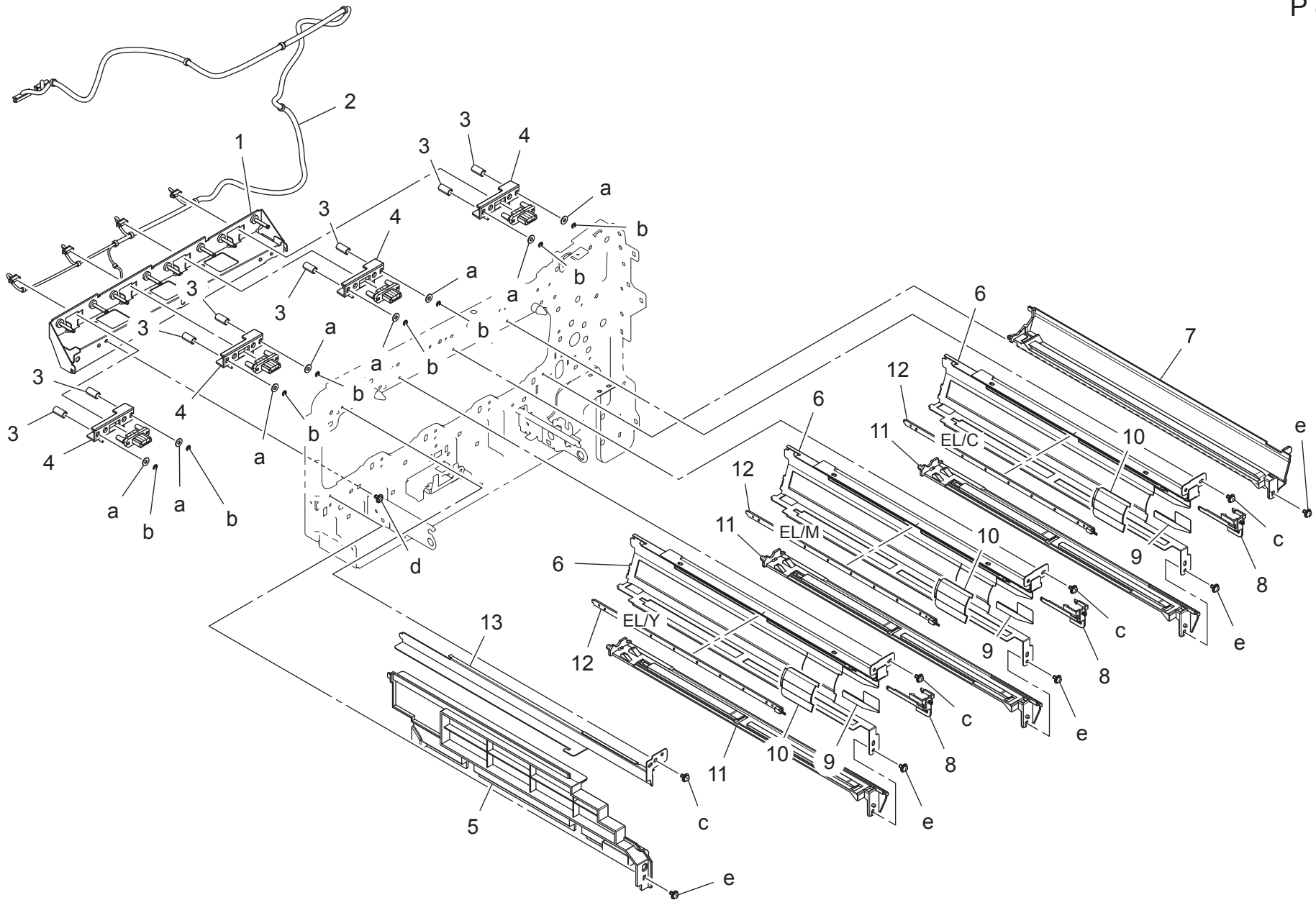


bizhub C3350/bizhub C3850

Key	Part No.	Description	Destinations	Class	QTY	Standard parts
1	A3GN110900	Mounting Plate		D	1	a-V137030603 b-V116030603 c-V153030803 d-V144030603 e-V116030803
2	A108M50100	Photointerrupter		B	1	
3	A0P0158100	Dust-proof Filter		A	1	
4	A4Y5WY2	Transfer Unit		A	1	
5	A0VD136800	Contact		D	1	
6	A3GN110401	Torsion Coil spring		D	1	
7	A0VD114101	Torsion Coil spring		D	2	
8	A3GN111800	Seal		D	4	
9	A3GN110600	Ground Spring		D	1	
10	A0VD363700	Seal		D	1	
11	A0VD362300	Shutter		D	1	
12	A3GN110700	Holding Lever		D	4	
13	A3GN110800	Compressing Coil spring		D	4	
14	A3GN110501	Torsion Coil spring		D	1	
15	A0VD214700	Mounting Plate		D	1	
16	A3GN110001	Rail /Front		D	1	
17	A3GN110101	Rail /Rear		D	1	
18	A3GN113300	Seal		D	1	
19	A0VD362400	Seal		D	1	
20	A0VD362500	Pulling Coil spring		D	1	

TRANSFER BELT UNIT

P 8



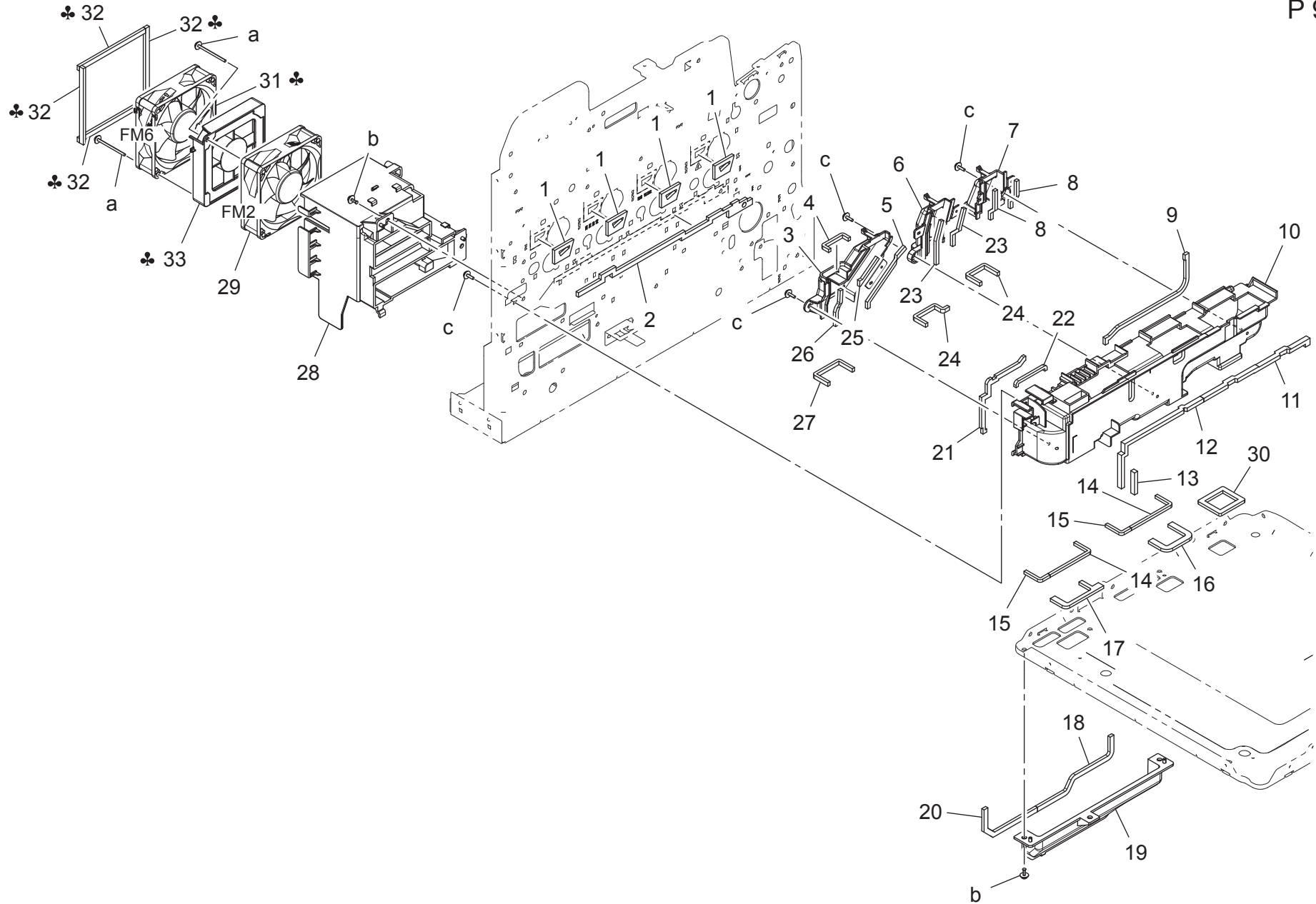
TRANSFER BELT UNIT

Key	Part No.	Description	Destinations	Class	QTY	Standard parts
1	A3GN112900	Mounting Plate		D	1	a-V207030003 b-V217020050 c-V116030603 d-V144030603 e-V116030804
2	A3GNN10000	Main body Wiring		D	1	
3	A3GN112800	Compressing Coil spring		D	8	
4	A3GN113000	Holder		D	4	
5	A3GN111001	Rail /Lower		D	1	
6	A3GN111300	Rail /Upper		D	3	
7	A3GN111200	Rail /Lower		D	1	
8	A3GN112400	Cover		D	3	
9	A3GN113200	Seal		D	3	
10	A3GN113100	Seal		D	3	
11	A3GN111101	Rail /Lower		D	3	
12	A3GNM30400	Neutralizing LED array		I	3	
13	A3GN111400	Rail /Upper		D	1	

bizhub C3350/bizhub C3850

TRANSFER BELT UNIT

P 9

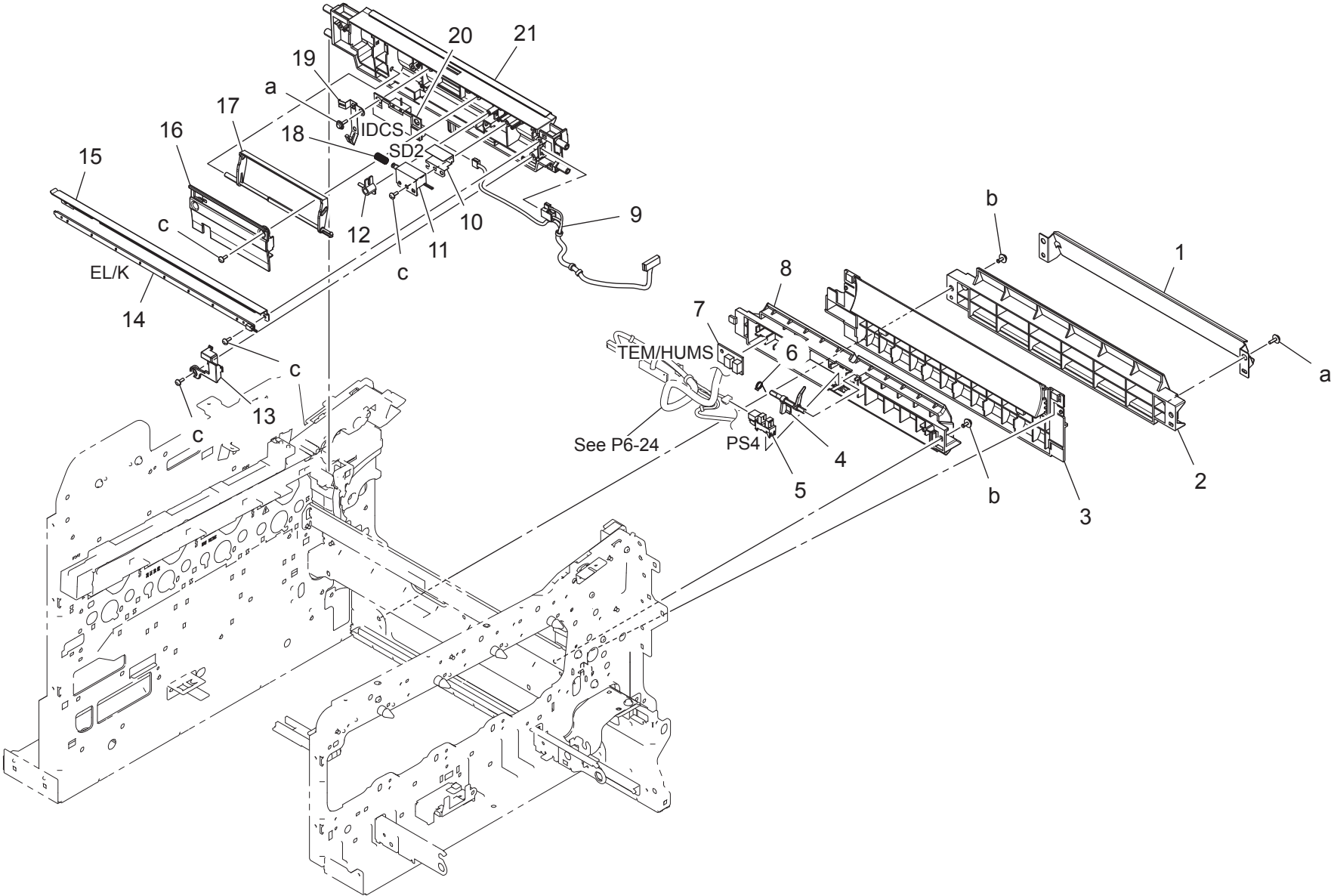


bizhub C3350/bizhub C3850

TRANSFER BELT UNIT

Key	Part No.	Description	Destinations	Class	QTY	Standard parts
1	A3GN144200	Connecting Seal /Middle		D	4	a-V153033503 b-V116030803 c-V153030803
2	A3GN140600	Sealing Part		D	1	
3	A3GN148200	Supply Duct /Rear		D	1	
4	A3GN149600	Sealing Part Outside		D	1	
5	A3GN148700	Sealing Part /Side		D	1	
6	A3GN148100	Supply Duct /Rear		D	1	
7	A3GN148001	Supply Duct /Rear		D	1	
8	A3GN148300	Sealing Part /Side		D	2	
9	A3GN141201	Sealing Part		D	1	
10	A3GN140100	Supply Duct /Rear		D	1	
11	A3GN145100	Sealing Part		D	1	
12	A3GN145200	Sealing Part		D	1	
13	A3GN145600	Sealing Part		D	1	
14	A3GN140700	Sealing Part /Middle		D	2	
15	A3GN145400	Sealing Part		D	2	
16	A3GN149100	Sealing Part /Lower		D	1	
17	A3GN149200	Sealing Part /Lower		D	1	
18	A3GN145300	Sealing Part		D	1	
19	A3GN140300	Supply Duct /Lower		D	1	
20	A3GN141100	Sealing Part		D	1	
21	A3GN141300	Sealing Part		D	1	
22	A3GN140800	Sealing Part		D	1	
23	A3GN148500	Sealing Part /Side		D	2	
24	A3GN149300	Sealing Part Outside		D	2	
25	A3GN148800	Sealing Part /Side		D	1	
26	A3GN148900	Sealing Part /Side		D	1	
27	A3GN149500	Sealing Part Outside		D	1	
28	A3GN147201	Mounting Duct /Rear		D	1	
29	4139M10000	FAN MOTOR		B	1	
30	A3GN149000	Sealing Part /Lower		D	1	
31	4139M10000	FAN MOTOR	C	B	1	
32	A3GN147600	Seal	C	D	4	
33	A3GN147000	Guide	C	D	1	

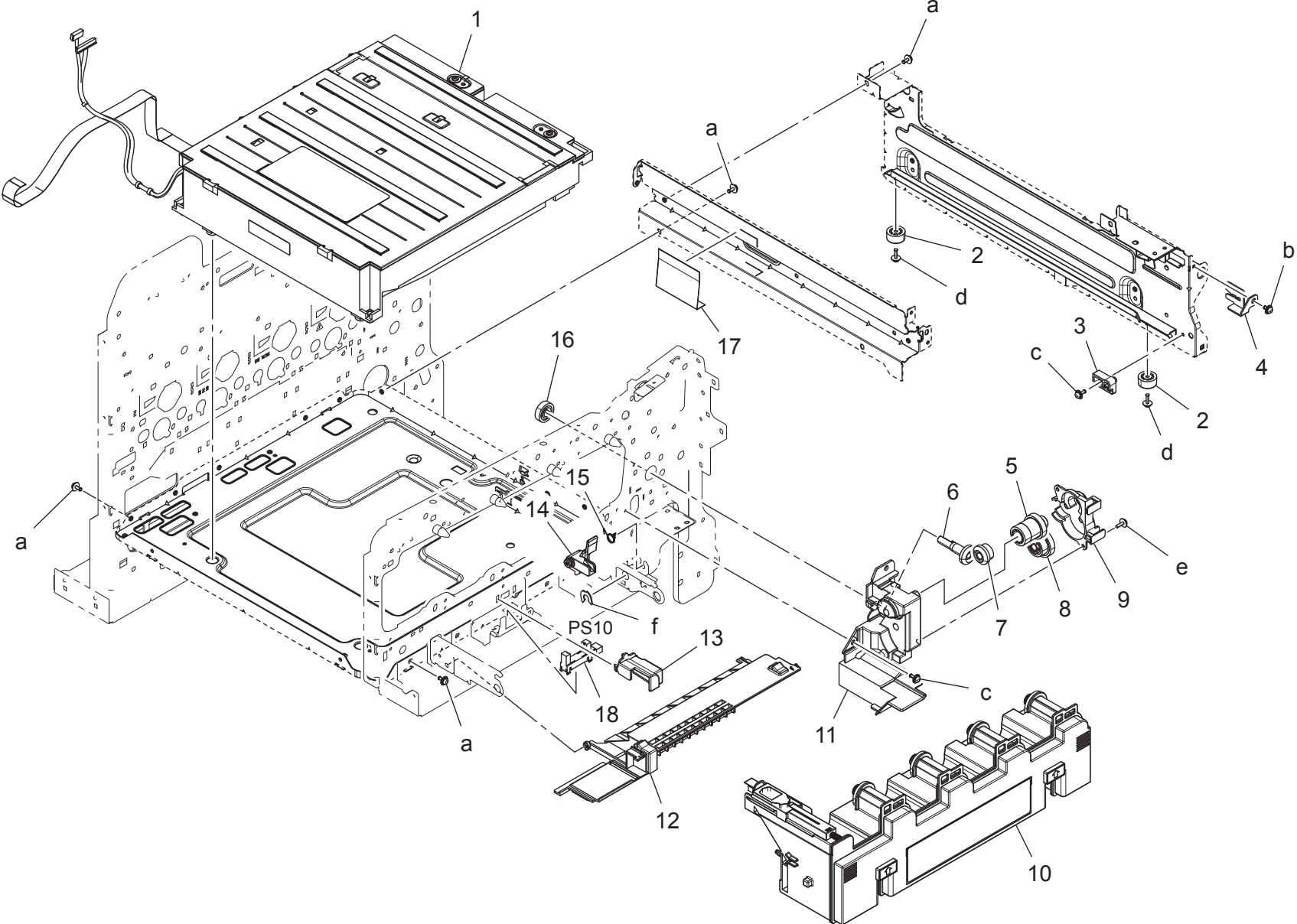
TRANSFER GUIDE SECTION



TRANSFER GUIDE SECTION

Key	Part No.	Description	Destinations	Class	QTY	Standard parts
1	A3GN707700	Guide		D	1	a-V153030803 b-V125030818 c-V145030603
2	A3GN707600	Guide		D	1	
3	A0VD707501	Guide		D	1	
4	A0VD707101	Actuator		C	1	
5	A108M50100	Photointerrupter		B	1	
6	A0VD707201	Torsion Coil spring		D	1	
7	A0P0M50400	Humidity sensor		C	1	
8	A0VD707303	Guide		D	1	
9	A3GNN10R00	Transfer Relay harness		D	1	
10	A3GN708000	Protection Part		D	1	
11	A034M20000	Paperfeed Solenoid		C	1	
12	A3GN706600	Lever		C	1	
13	A3GN112300	Cover		D	1	
14	A3GNM30400	Neutralizing LED array		I	1	
15	A3GN111500	Mounting Plate		D	1	
16	A3GN706500	Holder		D	1	
17	A3GN706100	Cover		D	1	
18	A034213400	Compressing Spring		D	1	
19	A3GN706300	Contact		D	1	
20	A0VDM50000	Photo sensing		I	1	
21	A3GN706402	Guide		D	1	

PRINT HEAD SECTION



bizhub C3350/bizhub C3850

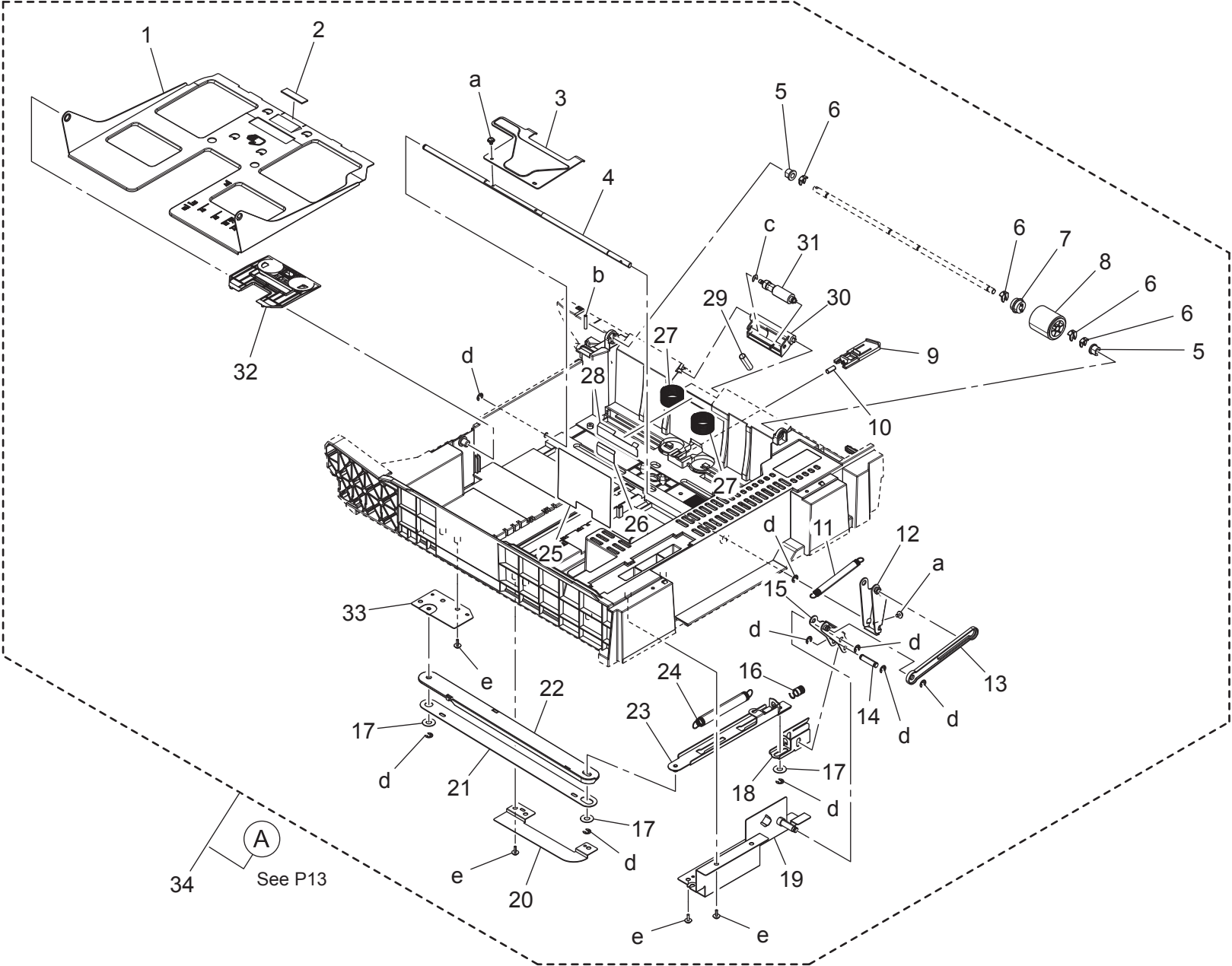


PRINT HEAD SECTION

Key	Part No.	Description	Destinations	Class	QTY	Standard parts
1	A6X0R70000	Print Head Assy		I	1	a-V125030818 b-V116030603 c-V116030803 d-V116031003 e-V153030803 f-V218060086
2	0996305501	RUBBER FOOT		C	2	
3	A3GN102500	Guide		D	1	
4	A3GN621600	Stopper		D	1	
5	A0VD235600	Gear 16/26T		D	1	
6	A0VD235400	Gear 16T		D	1	
7	A0VD235500	Gear 16/16T		D	1	
8	A0VD235900	Gear 22/30T		D	1	
9	A3GN235200	Holding Plate		D	1	
10	A4Y5WY1	Waste Toner Bottle		A	1	
11	A3GN235101	Drive Holder		D	1	
12	A3GN106700	Holder		D	1	
13	A3GN107100	Cover		D	1	
14	A3GN362601	Lever		C	1	
15	A0VD362702	Torsion Coil spring		D	1	
16	A0VD235700	Gear 16T		C	1	
17	A3GN102300	Regulating Sheet		D	1	
18	9335140051	SOLID STATE SWITCH		B	1	

bizhub C3350/bizhub C3850

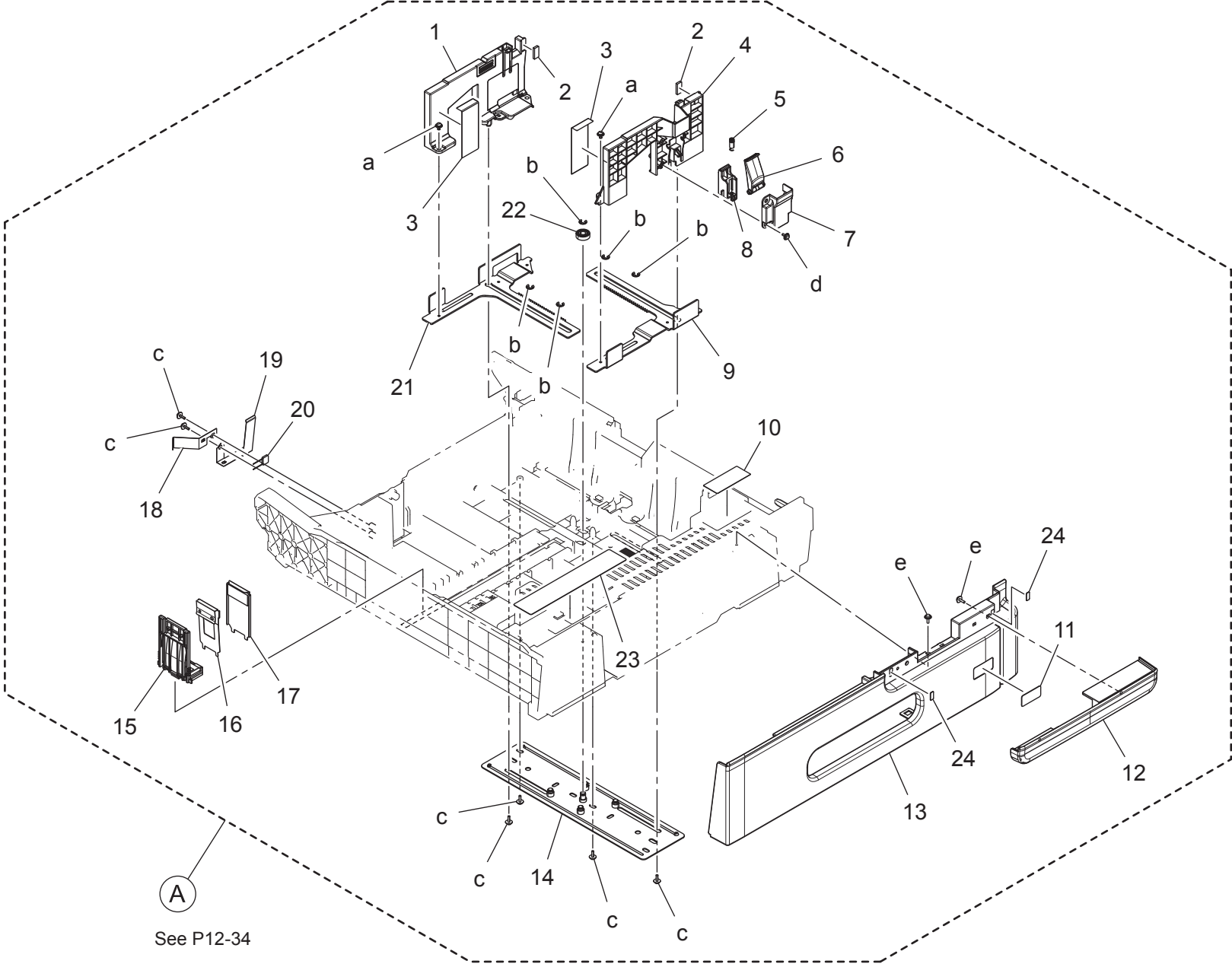
CASSETTE SECTION



Key	Part No.	Description	Destinations	Class	QTY	Standard parts
1	A3GN624102	Lifting Plate		D	1	a-V116030603 b-V232301809 c-V218030086 d-V217040001 e-V153030803
2	0978381101	FRICTION SHEET		C	1	
3	A3GN624502	Lifting Plate		D	1	
4	A3GN624600	Shaft		D	1	
5	4138324401	BUSHING		C	2	
6	56AA40490	SHAFT STOPPER 4		C	4	
7	4030303401	CLUTCH		C	1	
8	4138303202	ROLLER		B	1	
9	A3GN625000	Lock Lever		D	1	
10	1164306201	PRESSURE SPRING		C	1	
11	A3GN632600	Pulling Coil spring		C	1	
12	A3GN632501	Lever		D	1	
13	A3GN632400	Regulating Plate		D	1	
14	A3GN632200	Shaft		D	1	
15	A3GN632301	Lever		D	1	
16	A3GN632100	Compressing Coil spring		C	1	
17	A00J192900	Washer		C	3	
18	A3GN631901	Connecting Plate		D	1	
19	A3GN631102	Mounting Plate		D	1	
20	A3GN631301	Holding Plate		D	1	
21	A3GN631400	Lever		D	1	
22	A3GN631500	Guide		D	1	
23	A3GN631702	Lever		D	1	
24	A3GN631800	Pulling Coil spring		C	1	
25	A3GN623100	Guide		D	1	
26	4131305702	GUIDE		C	1	
27	A3GN624400	Compressing Coil spring		C	2	
28	4131305601	GUIDE PLATE		C	1	
29	A0VD624800	Compressing Coil spring		C	1	
30	A0VD621100	Holder		D	1	
31	4658015106	Roller Assy		A	1	
32	A3GN624201	Guide		D	1	
33	A3GN631200	Mounting Plate		D	1	
34	A3GNR70500	Cassette Assy		C	1	

bizhub C3350/bizhub C3850

CASSETTE SECTION



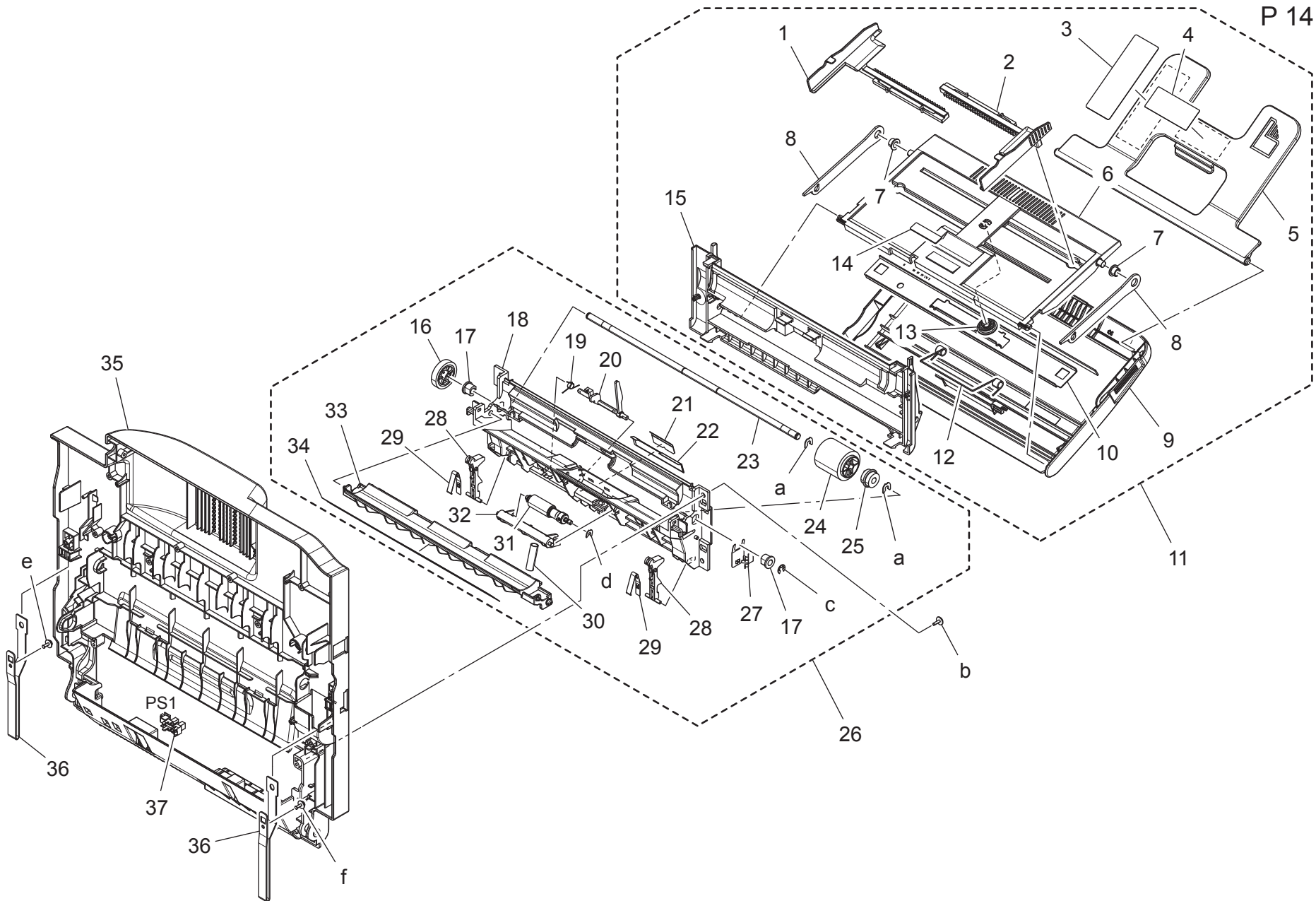
See P12-34

bizhub C3350/bizhub C3850

Key	Part No.	Description	Destinations	Class	QTY	Standard parts
1	A3GN626401	Regulating Plate		D	1	a-V116030603 b-V217040001 c-V153030803 d-V153030603 e-V153030804
2	A0VD624300	Cushion		C	2	
3	A3GN626900	Seal		C	2	
4	A3GN626301	Regulating Plate		D	1	
5	A3GN626800	Compressing Coil spring		C	1	
6	A3GN626600	Lock Lever		D	1	
7	A3GN626700	Holder		D	1	
8	A3GN626500	Lock Claw		D	1	
9	A3GN626100	Rack		D	1	
10	4138731601	Label Prohibition inkjet media		D	1	
11	A3GN940201	Label		C	1	
12	A3GN628200	Paper feed Cover /Upper		C	1	
13	A3GN628100	Paper feed Cover /Front		C	1	
14	A3GN627100	Adjusting Plate		D	1	
15	A3GN627200	Regulating Plate		D	1	
16	A3GN627300	Plate spring		C	1	
17	A3GN627400	Sheet		C	1	
18	A3GN621300	Ground Plate spring /B		D	1	
19	A3GN621200	Ground Plate spring /A		D	1	
20	V800400032	FIXED LEAD RESISTORS		D	1	
21	A3GN626200	Rack		D	1	
22	4658301201	GEAR 14T		C	1	
23	A3GN940101	Label Paper Supply		C	1	
24	4004305201	SPACER		D	2	

bizhub C3350/bizhub C3850

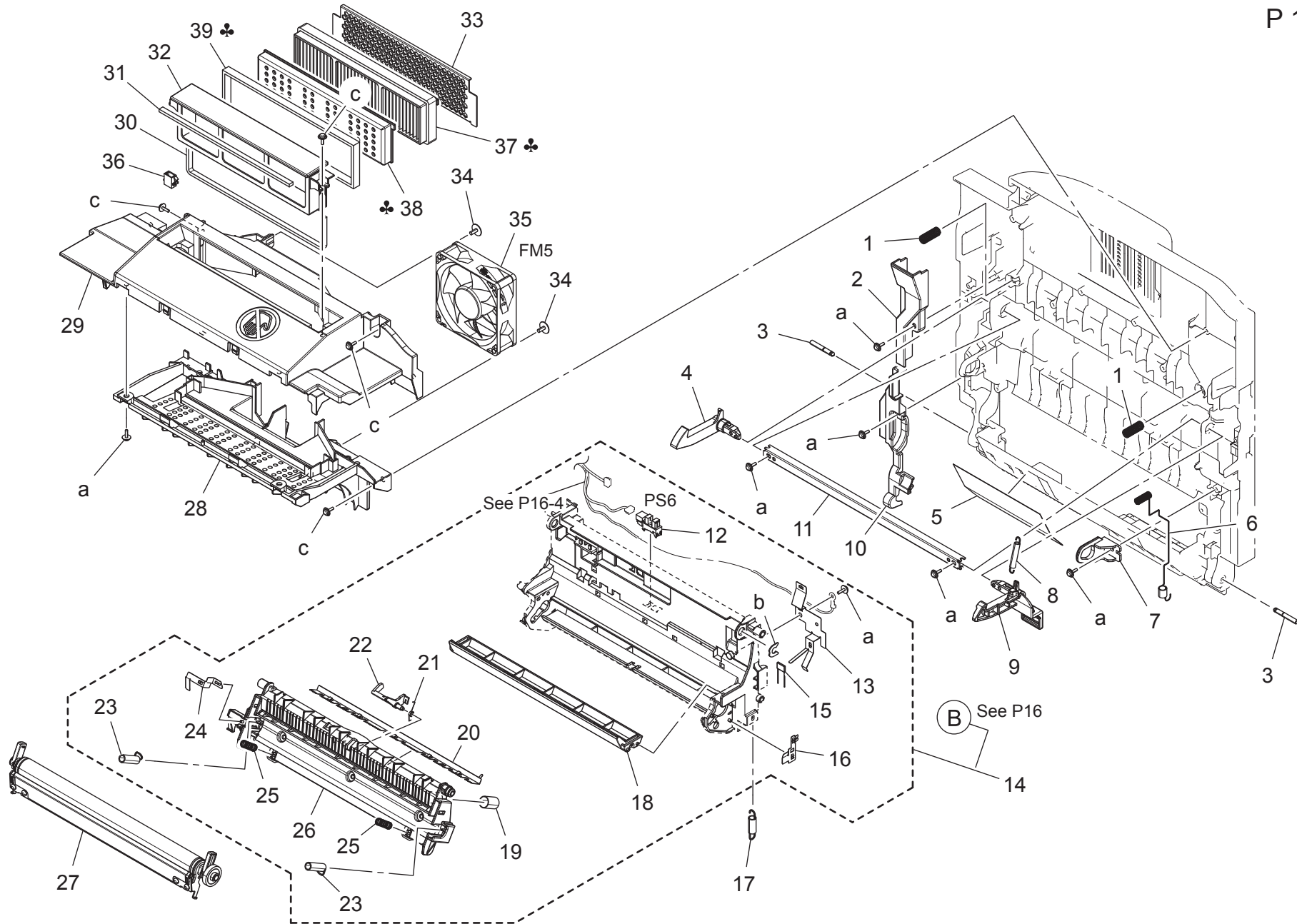
VERTICAL CONVEYANCE SECTION



bizhub C3350/bizhub C3850

Key	Part No.	Description	Destinations	Class	QTY	Standard parts
1	A0VD563201	Regulating Plate		D	1	a-V218040086 b-V153030803 c-V217040003 d-V218030086 e-V116030803 f-V116031004
2	A0VD563101	Regulating Plate		D	1	
3	A3GN940300	Label		C	1	
4	4138731601	Label Prohibition inkjet media		D	1	
5	A0VD561700	Tray		C	1	
6	A00F565101	Lifting plate		C	1	
7	4120301901	COLLAR		C	2	
8	4138320501	LEVER		C	2	
9	A0VD560202	Bypass Tray		C	1	
10	4138325301	REINFORCE PLATE		D	1	
11	A3GNR70900	Manual Bypass Assy		C	1	
12	A3GN590700	Torsion Coil spring		C	1	
13	4131302702	GEAR 14T		C	1	
14	4138325501	FRICITION SHEET		C	1	
15	A0VD560402	Frame		D	1	
16	A0VD561301	Gear 20T		D	1	
17	4138324401	BUSHING		C	2	
18	A3GN590101	Paper feed Frame		D	1	
19	A0VD560601	Torsion Coil spring		C	1	
20	A0VD560300	Actuator		C	1	
21	A0VD561800	Guide		C	1	
22	4131305601	GUIDE PLATE		C	1	
23	A0VD560801	Shaft		D	1	
24	4138303202	ROLLER		B	1	
25	4030303401	CLUTCH		C	1	
26	A3GNR70600	Manual Paper Feed Assy		C	1	
27	A0VD560900	Ground Plate		D	1	
28	4138323602	STOPPER		D	2	
29	4138323701	PLATE SPRING		D	2	
30	A0VD624800	Compressing Coil spring		C	1	
31	4658015106	Roller Assy		A	1	
32	A0VD621100	Holder		D	1	
33	A3GN590501	Guide		D	1	
34	A0VD561502	Guide		D	1	
35	A3GN810101	Open/close Cover		C	1	
36	A3GN812300	Open/close Stopper		C	2	
37	A108M50100	Photointerrupter		B	1	

VERTICAL CONVEYANCE SECTION

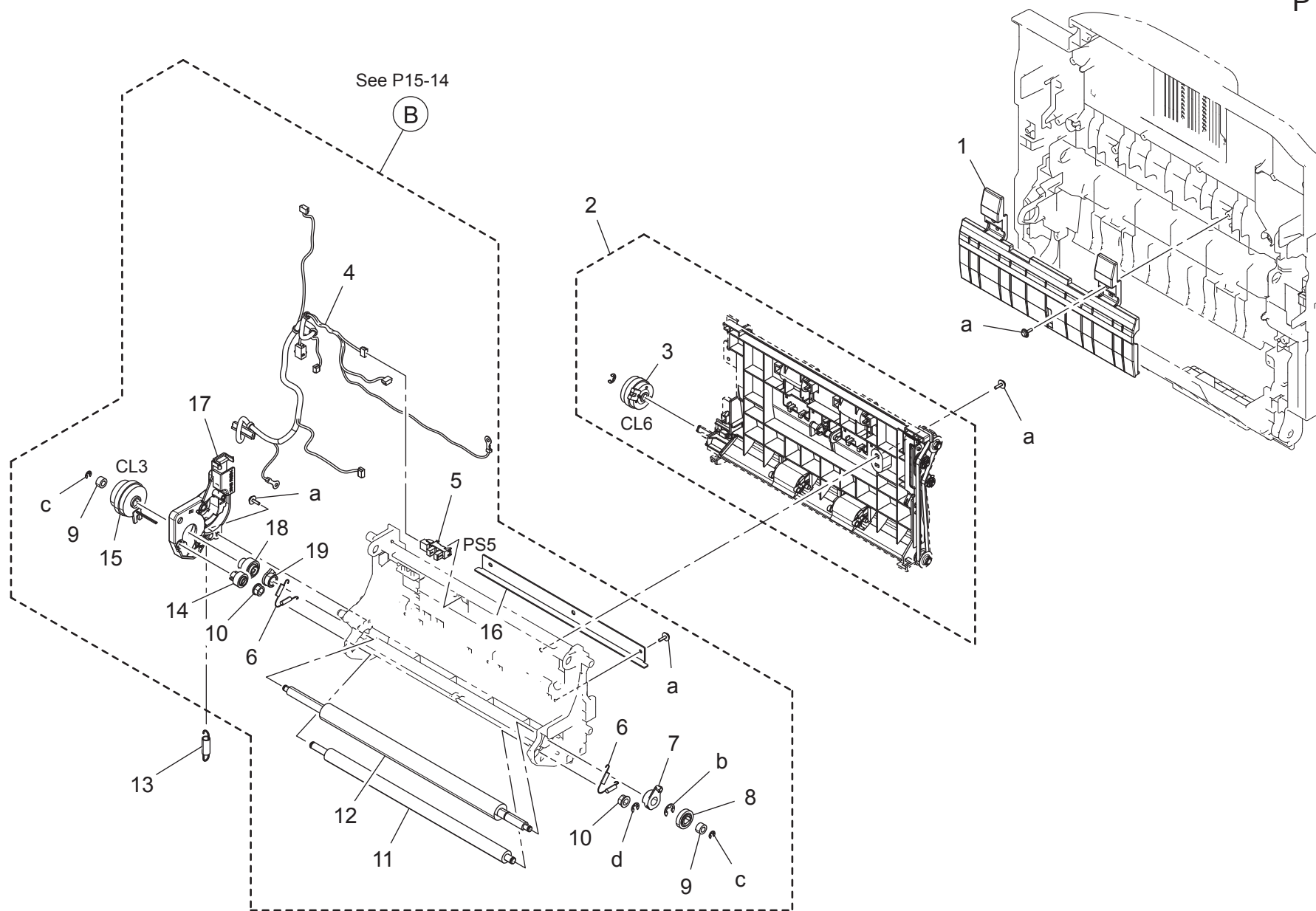


bizhub C3350/bizhub C3850

Key	Part No.	Description	Destinations	Class	QTY	Standard parts
1	A0VD164000	Compressing Coil spring		C	2	a-V153030803 b-V218060086 c-V153030804
2	A3GN812400	Cover		D	1	
3	A0VD162101	Shaft		D	2	
4	A0VD163400	Lever /Rear		D	1	
5	A0VD161600	Guide		D	1	
6	A3GN813900	Compressing Coil spring		C	1	
7	A0VD161100	Holder		D	1	
8	A0VD163500	Pulling Coil spring		C	1	
9	A3GN813600	Lever /Front		C	1	
10	A0VD162400	Wiring Cover		D	1	
11	A0VD163200	Mounting Plate		D	1	
12	A108M50100	Photointerrupter		B	1	
13	A3GN702800	Ground Plate		D	1	
14	A3GNR70700	Conveyance Assy		C	1	
15	V800400032	FIXED LEAD RESISTORS	FIXED LEAD RESISTORS	D	1	
16	A0VD702600	Ground Plate		D	1	
17	A0VD703700	Pulling Coil spring		D	1	
18	A0VD702700	Guide Plate		D	1	
19	A0VD701300	Compressing Coil spring		C	1	
20	A0VD701600	Neutralizing Part		D	1	
21	A0VD700302	Torsion Coil spring		C	1	
22	A0VD700202	Actuator		C	1	
23	A3GN700500	Compressing Spring		C	2	
24	A3GN701100	Contact		D	1	
25	A3GN708101	Compressing Spring		C	2	
26	A3GN700100	Holder		D	1	
27	A4Y5WY3	2nd Transfer Roller Unit		A	1	
28	A3GN813201	Duct		D	1	
29	A3GN816000	Cover		C	1	
30	A3GN816700	Seal		C	1	
31	A3GN816800	Seal		C	1	
32	A3GN816300	Holder		C	1	
33	A3GN817100	Cover		C	1	
34	4163529301	SCREW		C	2	
35	4139M10000	FAN MOTOR		B	1	
36	V651010002	connector		D	1	
37	A3GN816600	Filter		C	1	
38	A3GN817400	Filter Holder		C	1	
39	A3GN817500	Sealing Part /Side		C	1	

VERTICAL CONVEYANCE SECTION

P 16



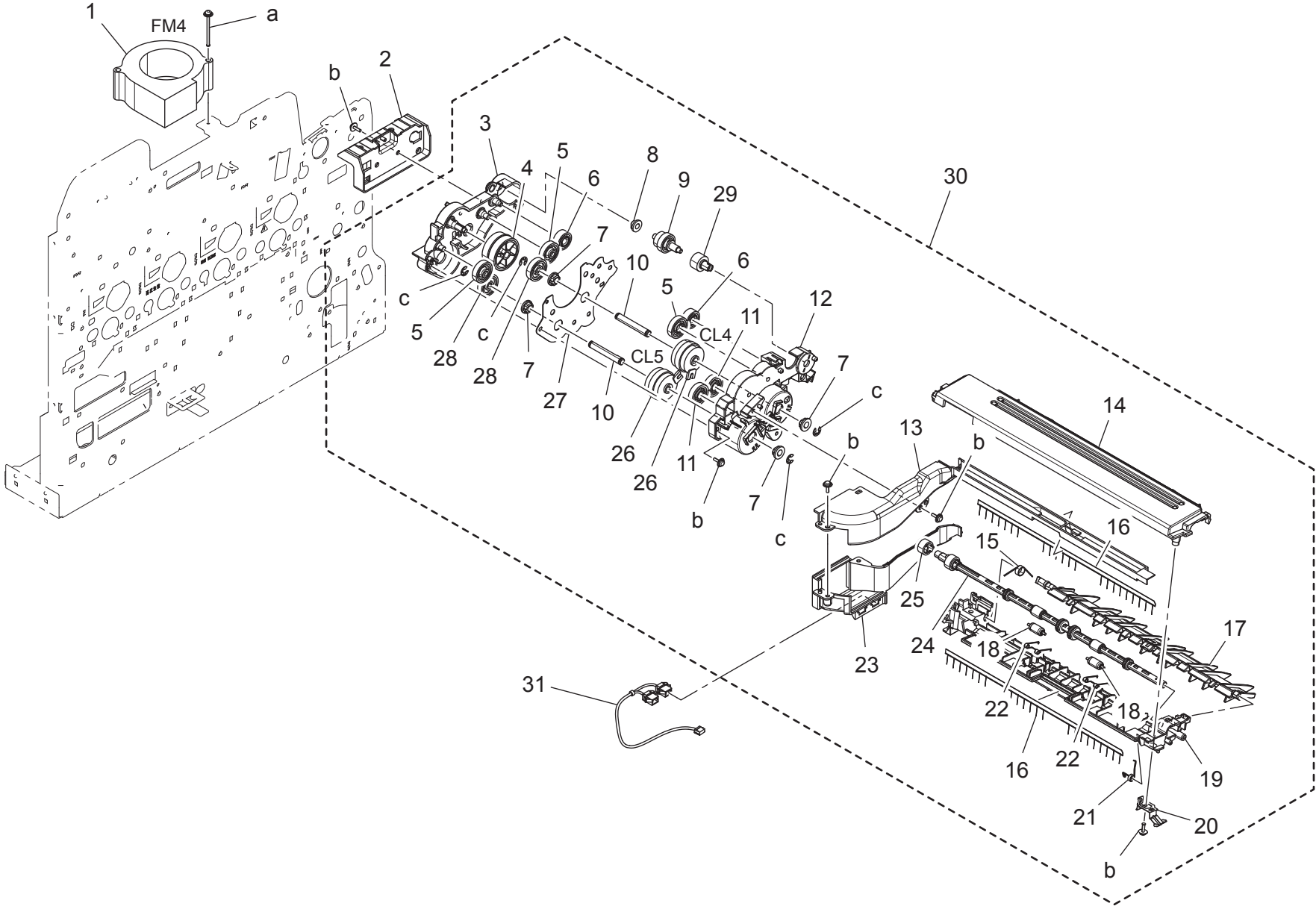
bizhub C3350/bizhub C3850

VERTICAL CONVEYANCE SECTION

Key	Part No.	Description	Destinations	Class	QTY	Standard parts
1	A3GN813700	Guide		D	1	a-V153030803 b-V217060001 c-V217030001 d-V217040001
2	A3GNR70800	DUP Conveyance Assy		C	1	
3	A2YFM20000	Clutch		C	1	
4	A3GNN10300	Conveyance Wiring		D	1	
5	A108M50100	Photointerrupter		B	1	
6	A0VD702501	Pulling Coil spring		D	2	
7	A3GN702300	Bushing		C	1	
8	A0VD235301	Gear 16T		C	1	
9	4138352802	ROLL		C	2	
10	4138353202	BUSHING		C	2	
11	A3GN702900	Roller		C	1	
12	A3GN702100	Roller		C	1	
13	A0VD703700	Pulling Coil spring		D	1	
14	A0VD703001	Gear 15T		D	1	
15	A011M20000	CLUTCH		C	1	
16	A3GN703400	Reinforce Plate		D	1	
17	A0VD705303	Mounting Plate		D	1	
18	A0VD703501	Gear 20T		D	1	
19	A0VD702400	Bushing		D	1	

bizhub C3350/bizhub C3850

DUP RIVERSE DRIVE SECTION

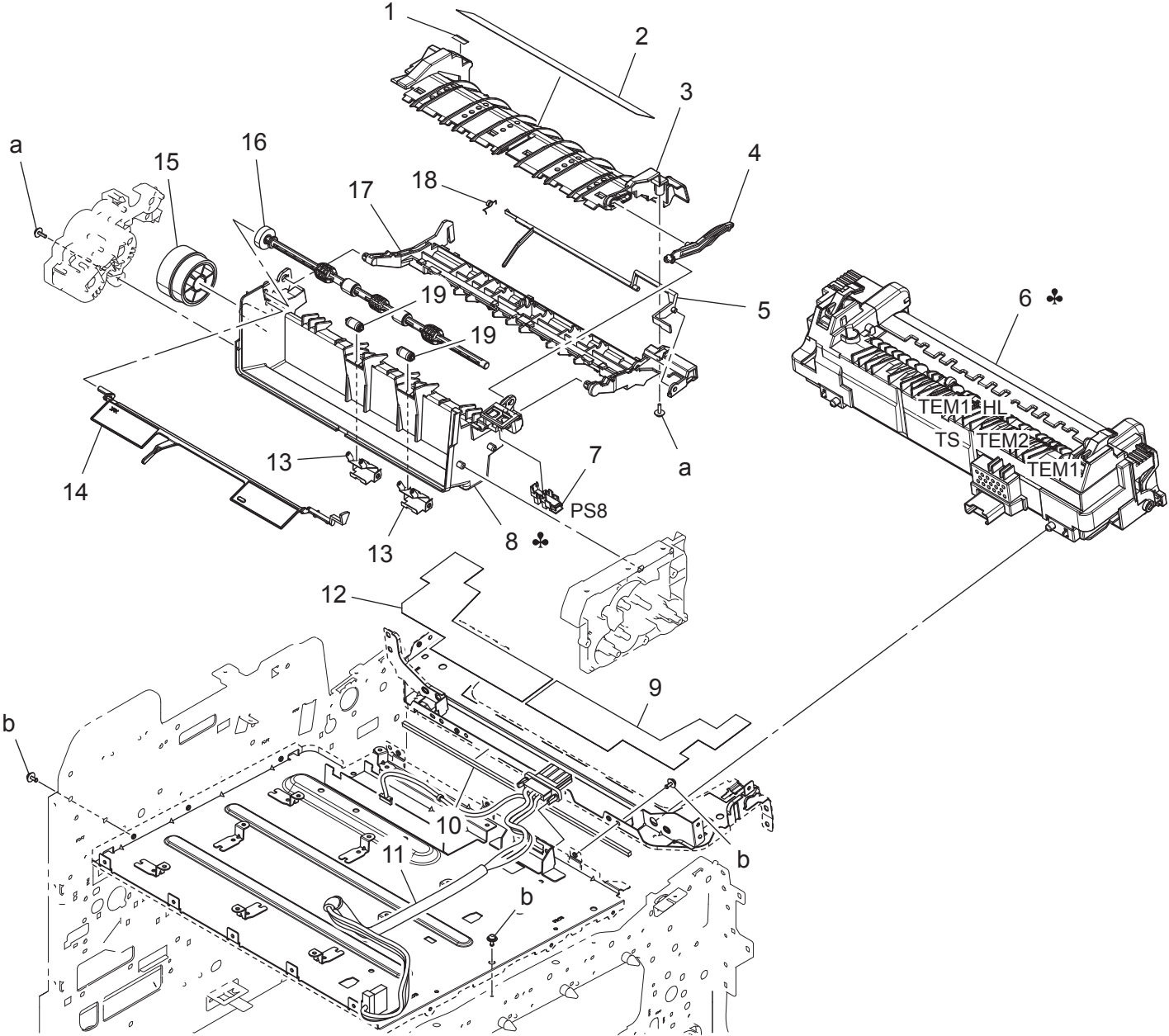


bizhub C3350/bizhub C3850

DUP RIVERSE DRIVE SECTION

Key	Part No.	Description	Destinations	Class	QTY	Standard parts
1	9313130051	FAN MOTOR		B	1	a-V116033503 b-V153030803 c-V217040003
2	A3GN817000	Mounting Plate		D	1	
3	A3GN822200	Drive Holder /B		D	1	
4	A0VD822600	Gear 36/37T		C	1	
5	A0VD822800	Gear 23T		D	3	
6	A0VD822700	Gear 19T		D	2	
7	A00F813000	Bushing		C	4	
8	A00F813100	Roll		C	1	
9	A3GN823500	Torque limiter ASSY		C	1	
10	A3GN822901	Shaft		D	2	
11	A0VD822400	Gear 18T		D	2	
12	A3GN822100	Drive Holder /A		D	1	
13	A0VD814100	Duct		D	1	
14	A3GN820401	Guide /Upper		D	1	
15	A0VD820700	Torsion Coil spring		C	1	
16	A3GN825100	Neutralizing Brush		D	2	
17	A3GN825600	Guide		D	1	
18	A0VD820200	Roll		C	2	
19	A3GN820200	Guide /Lower		D	1	
20	A0VD820900	Contact		D	1	
21	A121820800	Torsion Coil spring		C	1	
22	A0VD820300	Torsion Coil spring		C	2	
23	A0VD814000	Duct		D	1	
24	A3GN820100	Reverse/exit Roller		C	1	
25	A0VD821100	Gear 14T		D	1	
26	A2YFM20000	Clutch		C	2	
27	A0VD822300	Drive Side plate		D	1	
28	A0VD822500	Gear 24T		C	2	
29	A0VD823300	Clutch		C	1	
30	A3GNR70300	DUP Reverse Drive Assy		C	1	
31	A3GNN10400	Relay Wiring		D	1	

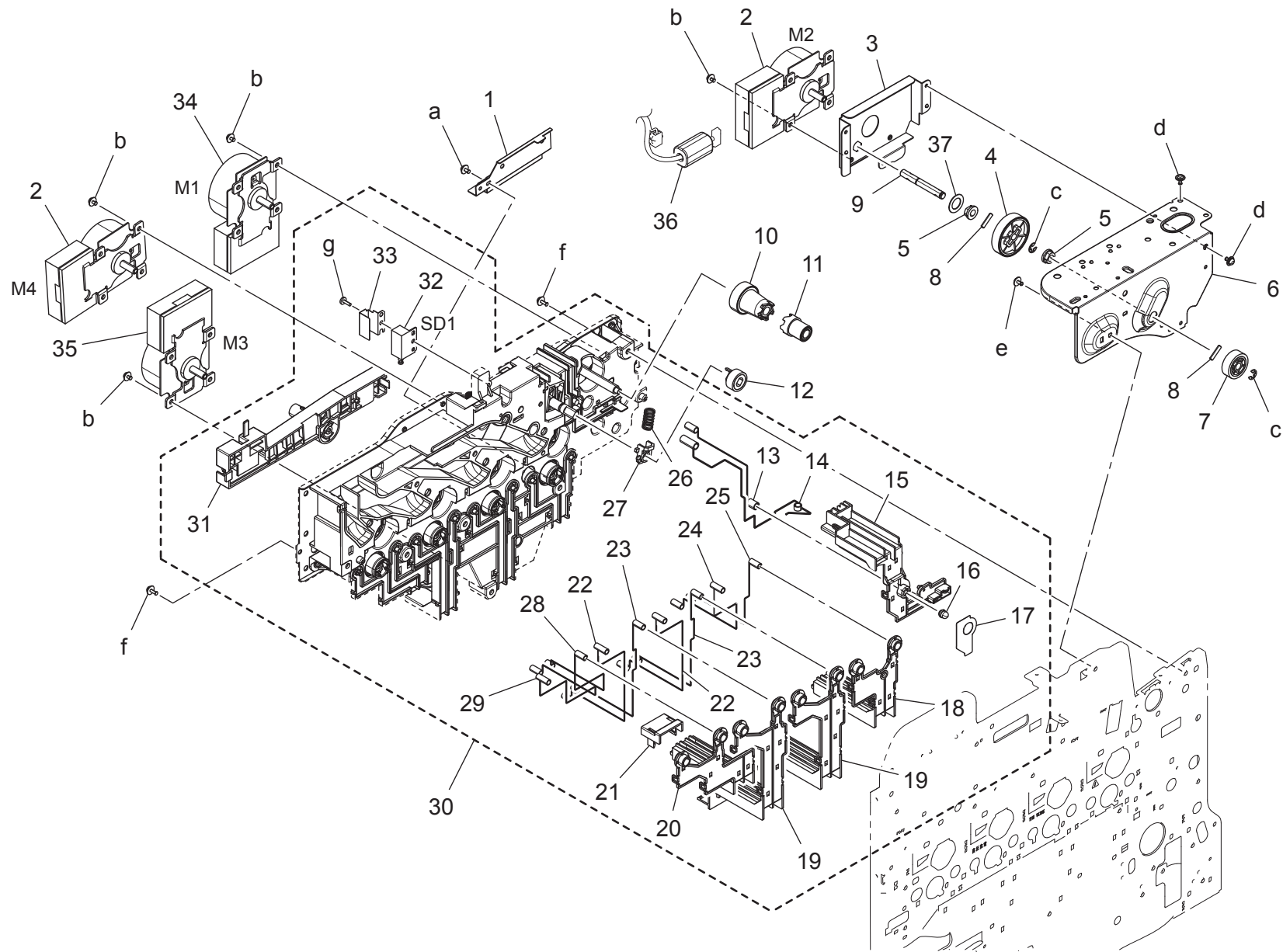
FUSING SECTION



FUSING SECTION

Key	Part No.	Description	Destinations	Class	QTY	Standard parts
1	A0VD949100	Label JAM		D	1	a-V153030803 b-V125030818
2	A3GN948300	Label Hi-Temp Caution/Jam		D	1	
3	A121902500	Guide		D	1	
4	A121893002	Lever		C	1	
5	A0VD907300	Actuator		D	1	
6	A4Y5W01	Fusing Unit (100V)	A,A1	A	1	
6	A4Y5W11	Fusing Unit (120V)	B,G2,H	A	1	
6	A4Y5W21	Fusing Unit (220-240V)	C,D1,D3,E,F2,G1,I,K	A	1	
7	A108M50100	Photointerrupter		B	1	
8	A121890302	Paper exit Holder	A,A1	D	1	
8	A3GN892300	Paper exit Holder	B,G2,H	D	1	
8	A121895302	Paper exit Holder	C,D1,D3,E,F2,G1,I,K	D	1	
9	A3GN106100	Insulating Sheet /Front		D	1	
10	A3GN146300	Seal		D	1	
11	A3GNN10500	Fixing Relay harness		D	1	
12	A3GN106200	Insulating Sheet /Rear		D	1	
13	A0VD890200	Spring		D	2	
14	A3GN891200	Actuator		C	1	
15	A0VD890800	Gear 38/40T		D	1	
16	A3GN890103	Paper exit Roller		D	1	
17	A3GN892101	Guide		D	1	
18	A0VD892400	Torsion Coil spring		D	1	
19	A3GN890301	Paper exit Roll		C	2	

MAIN DRIVE SECTION



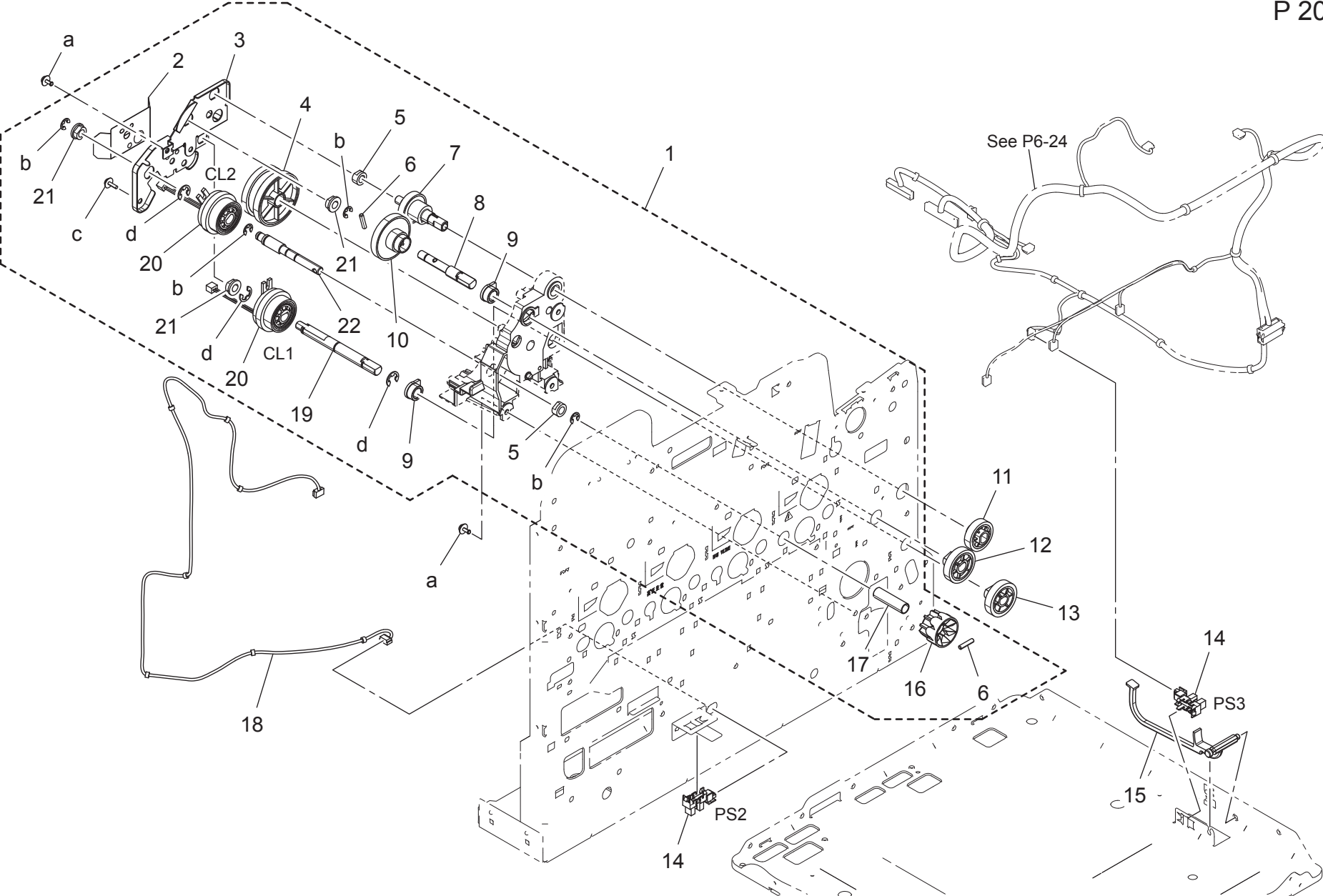
bizhub C3350/bizhub C3850

MAIN DRIVE SECTION

Key	Part No.	Description	Destinations	Class	QTY	Standard parts
1	A3GN210800	Cover		D	1	a-V116030603 b-V116030504 c-V217040050 d-V137030603 e-V144030603 f-V116030803 g-V149030803
2	A161M10200	brushless Motor /20		I	2	
3	A3GN223000	Fusing Panel		D	1	
4	A3GN220200	Drive Gear 68T		C	1	
5	A00F213900	Bearing		C	2	
6	A3GN223302	Fusing Panel		D	1	
7	A0VD218301	Gear 21T		C	1	
8	4036301401	PIN		C	2	
9	A3GN223400	Shaft		D	1	
10	A3GN212501	Gear 60T		C	1	
11	A3GN212401	Gear 16T		C	1	
12	A0VD219800	Gear 20T		C	1	
13	A3GN130700	Contact		D	1	
14	A3GN130600	Bias Contact		D	1	
15	A3GN131200	Holder		D	1	
16	A0VD133300	Shaft		D	1	
17	A3GN136000	Insulating Sheet		D	1	
18	A3GN130900	Holder		D	1	
19	A3GN131000	Holder		D	2	
20	A3GN131400	Holder		D	1	
21	A3GN131100	Cover		D	1	
22	A3GN131900	Contact		D	2	
23	A3GN131700	Contact		D	2	
24	A3GN131800	Contact		D	1	
25	A3GN131600	Contact		D	1	
26	A0VD220300	Compressing Coil spring		D	1	
27	A0VD220201	Bushing		D	1	
28	A3GN135600	Contact		D	1	
29	A3GN135700	Contact		D	1	
30	A3GNR70000	Main Drive Assy		C	1	
31	A3GN134001	Holder		D	1	
32	A034M20000	Paperfeed Solenoid		C	1	
33	A3GN708000	Protection Part		D	1	
34	A161M10001	brushless Motor /40	{bizhub C3850}	I	1	
34	A2XKM10300	Brushless motor	{bizhub C3350}	I	1	
35	A161M10001	brushless Motor /40		I	1	
36	A3EWM90300	Ferritecore		D	1	
37	A02E193000	Washer		C	1	

bizhub C3350/bizhub C3850

PAPER FEED DRIVE SECTION

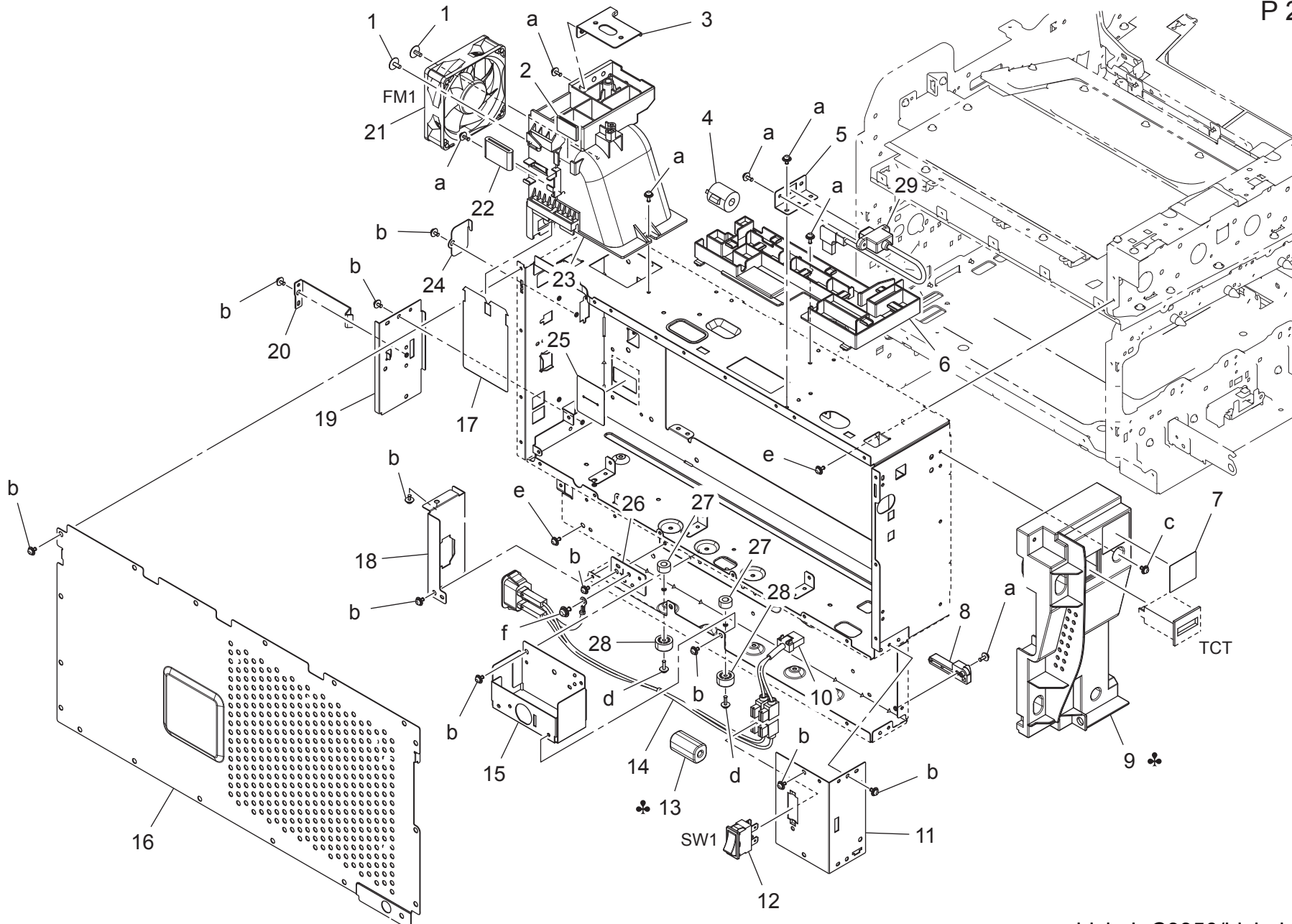


bizhub C3350/bizhub C3850

PAPER FEED DRIVE SECTION

Key	Part No.	Description	Destinations	Class	QTY	Standard parts
1	A3GNR70100	Paper Feed Drive Assy	給紙駆動 A s s y	C	1	a-V125030818 b-V217040001 c-V153030803 d-V217060001
2	A3GN217000	Guide Sheet	ガイドシート	C	1	
3	A0VD233102	Mounting Plate	取付板	D	1	
4	A0VD230400	Gear 38/65T	ギア 38 / 65 T	C	1	
5	4036473001	BUSHING	軸受	C	2	
6	4036301401	PIN	ピン	C	2	
7	A0VD231101	Gear 36T	ギア 36 T	C	1	
8	A0VD230800	Shaft	軸	D	1	
9	A0VD702400	Bushing	すべり軸受	D	2	
10	A0VD230301	Gear 23/55T	ギア 23 / 55 T	C	1	
11	A0VD231200	Gear 22T	ギア 22 T	D	1	
12	A0VD230901	Gear 25T	ギア 25 T	C	1	
13	A0VD233301	Gear 20T	ギア 20 T	C	1	
14	A108M50100	Photointerrupter	透過型センサ	B	2	
15	A0VD624100	Lever	レバー (PE)	C	1	
16	4138259601	PAWL	爪	D	1	
17	4138259701	PRESSURE SPRING	圧縮コイルばね	C	1	
18	A3GNN10K00	Sensor Wiring	センサ束線	D	1	
19	A0VD230501	Shaft	軸	D	1	
20	A02EM20000	Clutch	クラッチ	B	2	
21	4134588202	BUSHING	軸受	D	3	
22	A0VD230101	Shaft	軸	D	1	

ELECTRICAL COMPONENTS

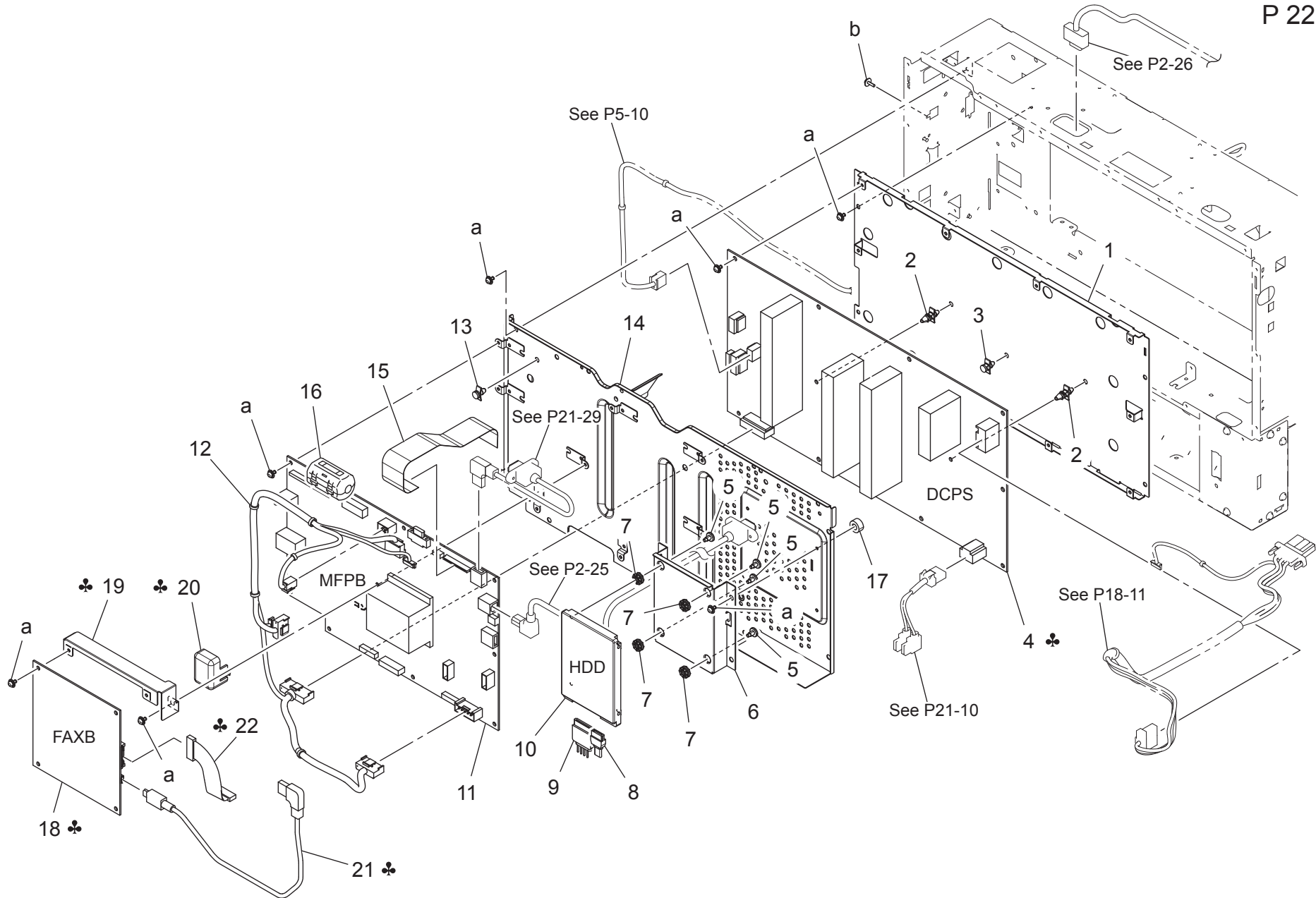


Key	Part No.	Description	Destinations	Class	QTY	Standard parts
1	4163529301	SCREW		C	2	a-V116030803
2	A3GNM93200	Ferrite core		D	1	b-V116030603
3	A3GN145800	Hold Plate		D	1	c-V116030604
4	A3GNM71C00	Ferrite core		D	1	d-V116031003
5	A3GN134100	Mounting Plate		D	1	e-V125030818
6	A3GN133700	Holder		D	1	f-V116040803
7	A3GN401200	Label Toner		C	1	
8	A3GN133800	Guide		D	1	
9	A3GN133102	Cover /Left front	A,A1	D	1	
9	A3GN138100	Cover /Left front	B,C,D1,D3,E,F2,G1,G 2,H,I,K	D	1	
10	A3GNN10C00	AC Wiring		D	1	
11	A3GN132200	Mounting Plate		D	1	
12	4038M60000	SEESAW-SWITCH		C	1	
13	A3EWM90300	Ferritecore	A,A1,B,G2,H	D	1	
14	A3GNN10B00	AC Wiring		D	1	
15	A3GN134600	Mounting Plate		D	1	
16	A3GN132600	Shield Plate		D	1	
17	A3GN134400	Insulating Sheet		D	1	
18	A3GN133400	Mounting Plate		D	1	
19	A3GN132300	Mounting Plate		D	1	
20	A3GN621701	Lock Plate spring		D	1	
21	4139M10000	FAN MOTOR		B	1	
22	A3GNM93100	Ferrite core		D	1	
23	A3GN142200	Supply Duct /Left rear		D	1	
24	A3GN134500	Shield Plate		D	1	
25	A3GN132900	Seal		D	1	
26	A3GN132400	Mounting Plate		D	1	
27	1154467001	PROTECTION		C	2	
28	0996305501	RUBBER FOOT		C	2	
29	A3GNN12200	Relay harness		D	1	

bizhub C3350/bizhub C3850

ELECTRICAL COMPONENTS

P 22



bizhub C3350/bizhub C3850

Key	Part No.	Description	Destinations	Class	QTY	Standard parts
1	A3GN130000	Mounting Plate		D	1	a-V116030603 b-V111030603
2	V502010045	PCB Support		D	2	
3	V502010026	SUPPORT		D	1	
4	A3GNM40000	DC Power source (100-127V)	A,A1,B,G2,H	I	1	
4	A3GNM40100	DC Power source (220-240V)	C,D1,D3,E,F2,G1,I,K	I	1	
5	A121132200	Shoulder screw		D	4	
6	A3GN132801	Mounting Plate		D	1	
7	A121132600	Support Rubber		C	4	
8	A3GNN12500	Relay harness		D	1	
9	A0VDN12300	Relay harness	中継束線 (HDD 電源ハーネス)	D	1	
10	A3GNM71B00	HDD	HDD	I	1	
11	A3GNH01006	PWB Assembly	コントローラ基板 ASSY	I	1	
12	A3GNN10E00	Power supply Wiring	給電束線	D	1	
13	V502010029	spacer	サポートスペーサー	D	1	
14	A3GN132501	Mounting Plate	取付板	D	1	
15	A3GNN10M00	I/F Flat cable	I / F フラットケーブル	D	1	
16	A5C1M92100	Ferritecore	フェライトコア	D	1	
17	1154467001	PROTECTION	保護材	C	1	
18	A6EDH01905	FAX Assembly (WW-100V)	FAX 基板 ASSY (WW-100V 系)	I	1	B,G2,H {bizhub C3850}
18	A6EDH01A05	FAX Assembly (JP)	FAX 基板 ASSY (JP)	I	1	A,A1 {bizhub C3850}
19	A3GN132700	Mounting Plate	取付板	D	1	A,A1,B,G2,H {bizhub C3850}
20	A3GN134300	Protection Cover	保護カバー	D	1	A,A1,B,G2,H {bizhub C3850}
21	A6EDN12300	Relay harness	中継束線	D	1	A,A1,B,G2,H {bizhub C3850}
22	A6EDN12400	Relay harness	中継束線	D	1	A,A1,B,G2,H {bizhub C3850}

bizhub C3350/bizhub C3850

<p>1</p> <p>White</p>	<p>6</p> <p>White</p>						
<p>2</p>	<p>7</p>						
<p>3</p>	<p>8</p>						
<p>4</p>	<p>9</p>						
<p>5</p> <p>White</p>							

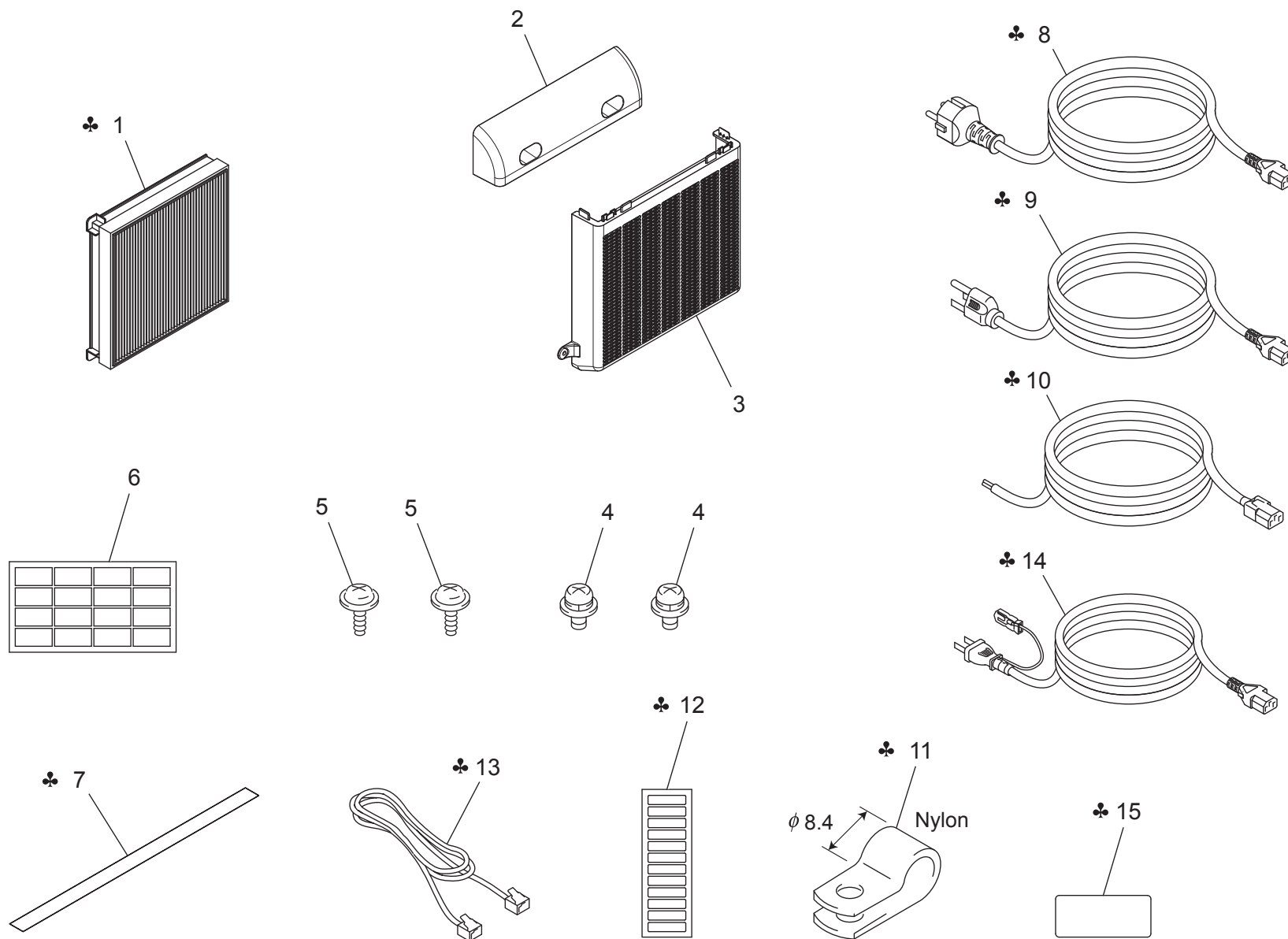
WIRING ACCESSORIES AND JIGS

Key	Part No.	Description	Destinations	Class	QTY	Standard parts
1	V500010081	Locking Wire Saddle		D		
2	V500010082	Locking Wire Saddle		D		
3	V500010083	Locking Wire Saddle		D		
4	V500020098	Mini Locking wire saddle		D		
5	V500020099	Mini Locking wire saddle		D		
6	V500020100	Mini Locking wire saddle		D		
7	V500020018	clamp		D		
8	V570010021	Saddle		D		
9	V570010057	Wing Edge Saddle		D		

bizhub C3350/bizhub C3850

ACCESSORY PARTS

P 24



ACCESSORY PARTS

Key	Part No.	Description	Destinations	Class	QTY	Standard parts
1	A3GN147400	Filter		C	1	
2	A3GN147801	Mounting Cover		C	1	
3	A3GN147100	Cover		C	1	
4	V116031004	Screw		V	2	
5	V153030804	screw		V	2	
6	A3GN940401	Label		C	1	
7	A121944700	Label Prohibit		C	1	
8	A0VDN30000	Power code		C	1	
9	A0EDN30101	Power source Cord /120V		D	1	
10	9381430041	POWER CORD		C	1	
11	V500020039	clamp		D	1	
12	A5C1947000	Label		C	1	
12	A5C1947100	Label		C	1	
13	4628680101	WIRE HARNESS ASSY		D	1	
14	A034N30000	Power source Cord		D	1	
15	A1UD947400	Label		C	1	

MAINTENANCE LIST

● The items with no Page/Key numbers are not handled as spare parts.

No.	Section	PM Parts Description	Maintenance Cycle (K=1,000)		Parts No.	Destinations	Page/Key	Note
			QTY	Replace				
1	Paper feed section	Tray 1 feed roller	1	300k	4138303202		P12-8	*2 *4
2		Tray 1 separation roller	1	300k	4658015106		P12-31	*2 *4
3		Manual feed tray feed roller	1	300k	4138303202		P14-24	*2 *4
4		Manual feed tray separation roller	1	300k	4658015106		P14-31	*2 *4
5	Processing section	Toner cartridge/Y,M,C,K	1	10k	-			*1 *3
6		Imaging unit/Y,M,C	1	30k	-			*3
7		Imaging unit/K *7	1	50k	-			*3
8		Imaging unit/K *8	1	40k	-			*3
9		Toner filter *7	1	150k	A0P0158100		P7-3	*2 *5
10		Toner filter *8	1	120k	A0P0158100		P7-3	*2 *5
11	Waste toner bottle	1	30k	A4Y5WY1		P11-10	*3 *6	
12	Image transfer section	Transfer belt unit *7	1	150k	A4Y5WY2		P7-4	*2
13		Transfer belt unit *8	1	120k	A4Y5WY2		P7-4	*2
14		Transfer roller *7	1	150k	A4Y5WY3		P15-27	*2
15		Transfer roller *8	1	120k	A4Y5WY3		P15-27	*2
16	Fusing section	Fusing unit *7	1	135k	A4Y5W01	100V areas	P18-6	*2
17		Fusing unit *7	1	135k	A4Y5W11	120V areas	P18-6	*2
18		Fusing unit *7	1	135k	A4Y5W21	200V areas	P18-6	*2
19		Fusing unit *8	1	105k	A4Y5W11	120V areas	P18-6	*2
20		Fusing unit *8	1	105k	A4Y5W21	200V areas	P18-6	*2

*1: The parts can be replaced either by user or service engineer.

*2: Actual durable cycle (life counter value)

*3: Field standard yield

*4: Replace those parts at the same time.

*5: The toner filter is furnished with the transfer belt so that all of them are replaced at the same time.

*6: A waste toner full condition is detected with detecting the actual waste toner emissions.

*7: bizhub C3850

*8: bizhub C3350

メンテナンスリスト

● ページ / キーナンバーのないものは、アフターサービス部品ではありません。

No.	区分	PM 部品名称	サイクル (K=1,000)		部品番号	仕向地	頁 / キー	備考
			員数	交換				
1	給紙部	トレイ1 給紙ローラー	1	300k	4138303202		P12-8	*2 *4
2		トレイ1 分離ローラー	1	300k	4658015106		P12-31	*2 *4
3		手差しトレイ給紙ローラー	1	300k	4138303202		P14-24	*2 *4
4		手差しトレイ分離ローラー	1	300k	4658015106		P14-31	*2 *4
5	プロセス部	トナーカートリッジ /Y,M,C,K	1	10k	-			*1 *3
6		イメージングユニット /Y,M,C	1	30k	-			*3
7		イメージングユニット /K *7	1	50k	-			*3
8		イメージングユニット /K *8	1	40k	-			*3
9		トナーフィルター *7	1	150k	A0P0158100		P7-3	*2 *5
10		トナーフィルター *8	1	120k	A0P0158100		P7-3	*2 *5
11		廃トナーボトル	1	30k	A4Y5WY1		P11-10	*3 *6
12	転写部	転写ベルトユニット *7	1	150k	A4Y5WY2		P7-4	*2
13		転写ベルトユニット *8	1	120k	A4Y5WY2		P7-4	*2
14		転写ローラーユニット *7	1	150k	A4Y5WY3		P15-27	*2
15		転写ローラーユニット *8	1	120k	A4Y5WY3		P15-27	*2
16	定着部	定着ユニット *7	1	135k	A4Y5W01	100V areas	P18-6	*2
17		定着ユニット *7	1	135k	A4Y5W11	120V areas	P18-6	*2
18		定着ユニット *7	1	135k	A4Y5W21	200V areas	P18-6	*2
19		定着ユニット *8	1	105k	A4Y5W11	120V areas	P18-6	*2
20		定着ユニット *8	1	105k	A4Y5W21	200V areas	P18-6	*2

*1: ユーザー / サービス交換の選択が可能。

*2: ライフカウンター値

*3: 市場標準印刷枚数値

*4: 同時交換のこと。

*5: 転写ベルトユニット (A4Y5WY2) に同梱されており、同時交換する。

*6: 廃棄トナーフル検知は、実際の廃棄トナー充填量を検知して行う。

*7: bizhub C3850

*8: bizhub C3350

bizhub C3350/bizhub C3850

DESTINATION

Destination No.		Destinations		V	Hz	Model No.
A	A1	JAPAN		100	50/60	A3GN-001
	A2	JAPAN				
B		USA, CANADA		120	60	A3GN-011 A4Y4-011
C		EUROPEAN TYPE		220-240	50/60	A3GN-021 A4Y4-021
D	D1	S.E ASIA TYPE	THAILAND, SRI LANKA, SINGAPORE, MALAYSIA, HONG KONG, PAKISTAN, INDIA, BANGLADESH, INDONESIA	220-240	50/60	A3GN-041 A4Y4-041
	D3	OCEANIA TYPE	AUSTRALIA, NEW ZEALAND	220-240	50/60	A3GN-041 A4Y4-041
E		PHILIPPINES		220-240	50/60	A3GN-041 A4Y4-041
F	F1	SAUDI ARABIA				
	F2	SAUDI ARABIA		220-240	50/60	A3GN-041 A4Y4-041
G	G1	C.S AMERICA		220-240	50/60	A3GN-041 A4Y4-041
	G2	C.S AMERICA		120	60	A3GN-011 A4Y4-011
H		TAIWAN		110	60	A3GN-011 A4Y4-011
I		JORDAN, LEBANON, SYRIA, SOUTH AFRICA, IRAQ, IRAN, N.YEMEN, CAMEROON, UAE, BAHRAIN, OMAN, QATAR, KUWAIT, KENYA, TUNISIA, IVORY COAST, MOROCCO		220-240	50/60	A3GN-041 A4Y4-041
J		CHINA				

bizhub C3350/bizhub C3850

Destination No.	Destinations	V	Hz	Model No.
K	KOREA	220-240	50/60	A3GN-041 A4Y4-041