

KONICA MINOLTA

# *PARTS GUIDE MANUAL*

---

*JULY 2009*

*bizhub C220/bizhub C280/bizhub  
C360  
A0ED001*

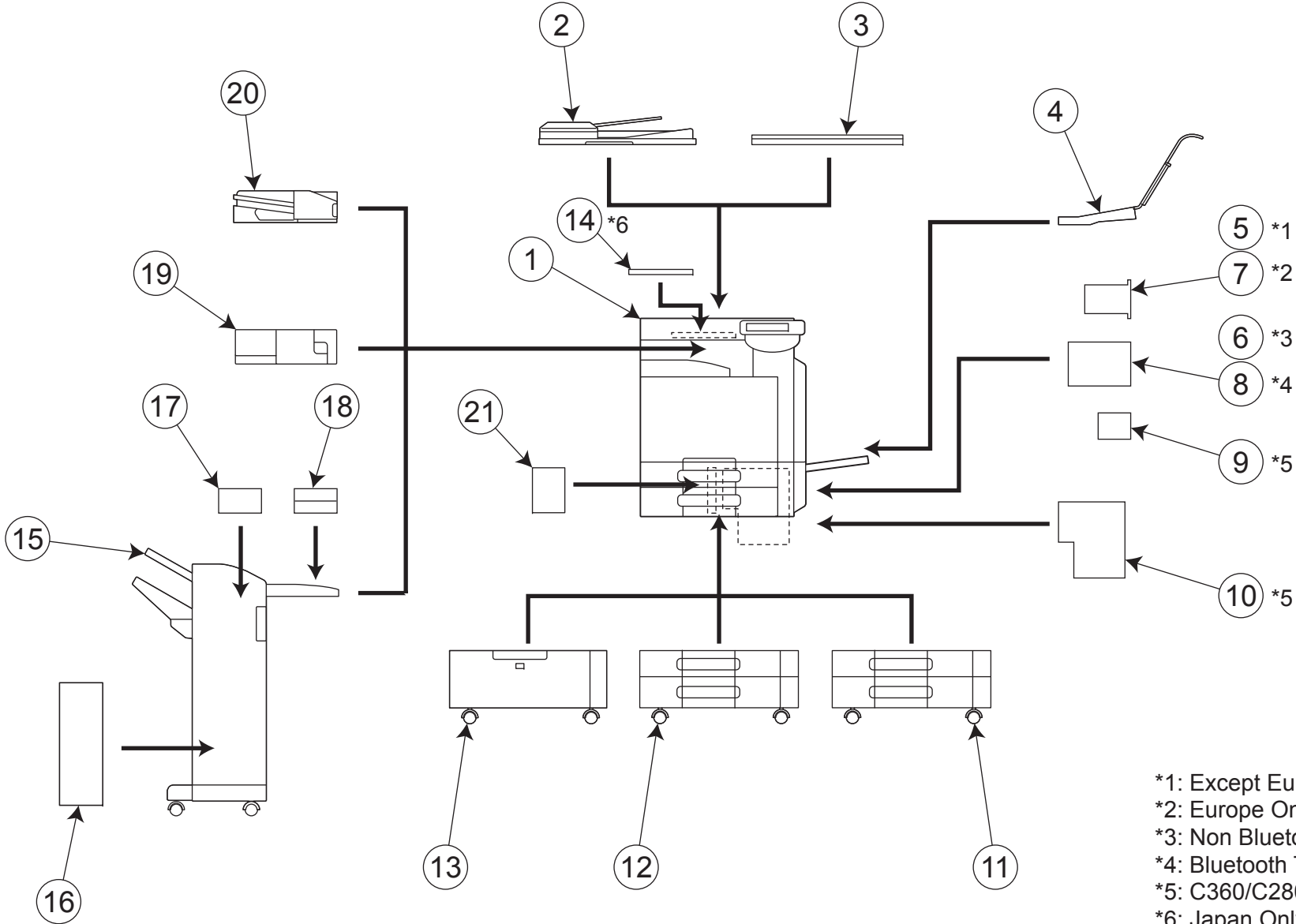
## INFORMATION FOR PARTS GUIDE MANUAL

To find correct Parts No., refer to the "HOW TO MAKE THE BEST USE OF THIS MANUAL" in the following page.

### HOW TO MAKE THE BEST USE OF THIS MANUAL

- 1 When you order, please check the proper figures beforehand that are on Our Parts Guide Manual, and order with the appropriate figures.
- 2 For screws, Nuts, Washers, retaining rings and Pins which are used in this model, one letter is shown on the Standard parts column of Parts list and exploded diagrams.
- 3 In order to maintain safety of the product, some specific parts composed of this product are set up as "essential safety parts".
- 4 The assigned parts number for the "essential safety parts" is indicated as "SP00-\*\*\*\*".  
When replacing these parts, follow precautions for disassembling and installing which are listed in the Service Manual.  
Do not use any parts that are not set up as
- 5 ♣ means that there are exclusive parts for each destination.  
Please check the appropriate destination when you order.
- 6 Revision Mark  
Marked as ▲ on the illustration shows that the revision has been made.
- 7 All rights reserved. (any reprints or quotations are prohibited.)  
Use of this parts guide manual should be strictly supervised to avoid disclosure of confidential information.

# SYSTEM OUTLINE



- \*1: Except Europe
- \*2: Europe Only
- \*3: Non Bluetooth Type
- \*4: Bluetooth Type
- \*5: C360/C280 Only
- \*6: Japan Only

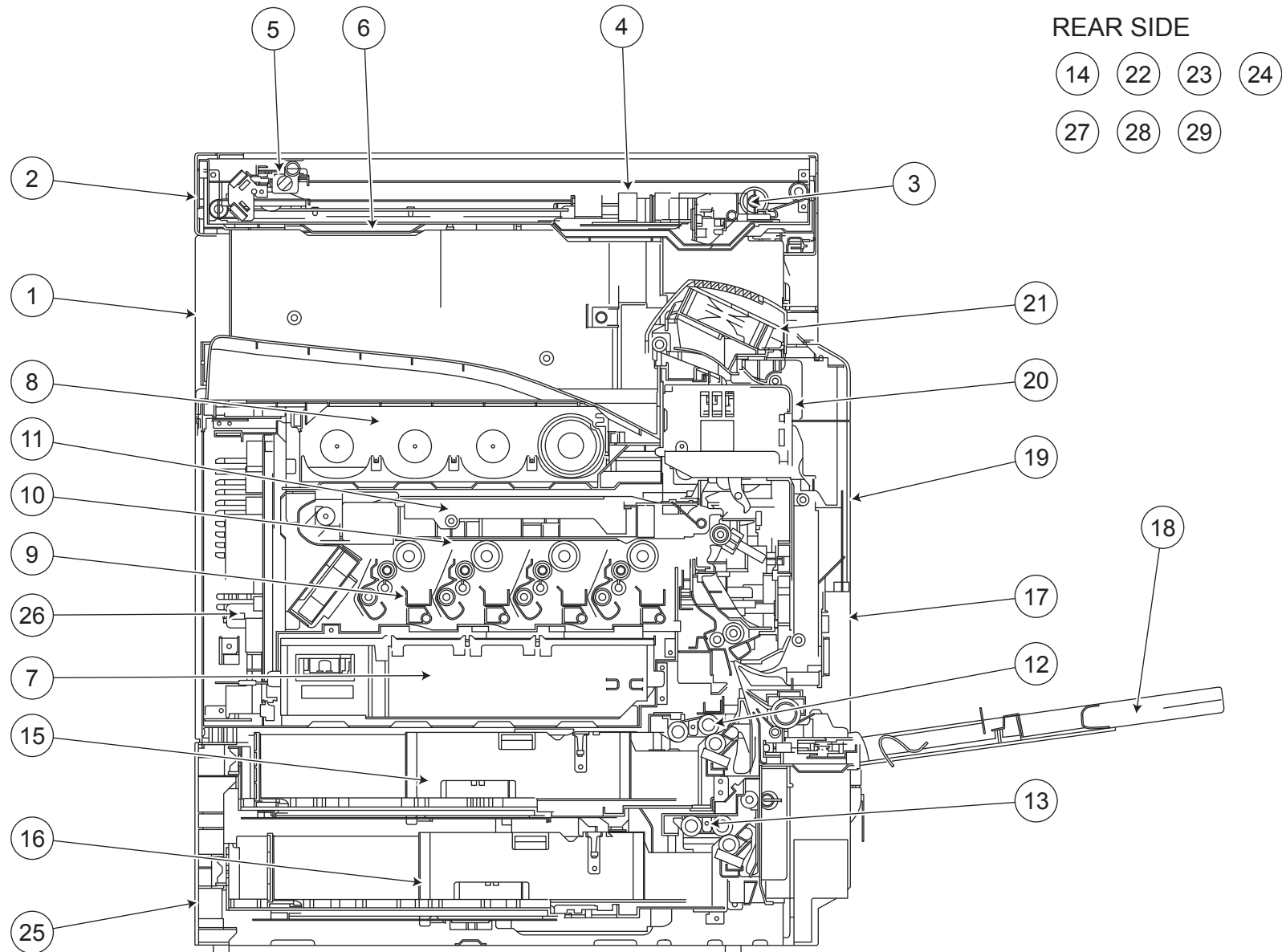
bizhub C220/bizhub C280/bizhub C360

# GENERAL CONTENTS

No.	Description	Model
1	DIGITAL MFP COLOR	bizhub C220/bizhub C280/bizhub C360
2	DOCUMENT FEEDER	DF-617
3	OTHER OPTION	OC-509
4	OTHER OPTION	MK-713
5	FAX CONTROLLER	FK-502
6	OTHER OPTION	EK-604
7	FAX CONTROLLER	FK-502
8	OTHER OPTION	EK-605
9	OTHER OPTION	VI-505
10	OTHER OPTION	IC-412
11	PAPER FEEDER	PC-107
12	PAPER FEEDER	PC-207
13	PAPER FEEDER	PC-408
14	OTHER OPTION	HT-507
15	SORTER/FINISHER	FS-527
16	SORTER/FINISHER	SD-509
17	PUNCH UNIT	PK-517
18	STACKER	JS-603
19	SORTER/FINISHER	FS-529
20	STACKER	JS-505
21	OTHER OPTION	MK-720

bizhub C220/bizhub C280/bizhub C360

# DIAGRAM OF MAIN PARTS SECTION



bizhub C220/bizhub C280/bizhub C360

# CONTENTS

No.	DESCRIPTION	PAGE No.
1	EXTERNAL PARTS	P1 P2 P3
2	IR COVER	P4
3	CONTROL PANEL	P5
4	CCD UNIT/ SCANNER SECTION	P6
5	SCANNER DRIVE SECTION	P7 P8
6	IR FRAME	P9
7	PH UNIT	P10
8	TONER SUPPLY SECTION	P11 P12
9	D/C RAIL SECTION	P13
10	ERASE LAMP SECTION	P14
11	TRANSFER BELT UNIT	P15
12	1ST PAPER FEED SECTION	P16 P17
13	2ND PAPER FEED SECTION	P18 P19
14	PAPER FEED DRIVE	P20
15	1ST CASSETTE SECTION	P21 P22
16	2ND CASSETTE SECTION	P23 P24
17	VERTICAL CONVEYANCE DOOR SECTION	P25 P26 P27 P28
18	MANUAL FEED TRAY UNIT	P29 P30
19	VERTICAL CONVEYANCE SECTION	P31 P32 P33
20	FUSING SECTION/ WASTE TONER BOX	P34
21	PAPER EXIT SECTION	P35
22	MAIN DRIVE SECTION	P36
23	FUSING DRIVE SECTION	P37
24	BOTTLE DRIVE SECTION	P38
25	CASSETTE RAIL SECTION	P39
26	MAIN POWER SUPPLY UNIT	P40
27	HIGH VOLTAGE UNIT	P41
28	REAR FAN SECTION	P42
29	SHIELD BOX	P43
30	WIRING	P44 P45 P46 P47
31	WIRING ACCESSORIES AND JIGS	P48
32	ACCESSORY PARTS	P49

# INDEX

Parts No.	Page No.
0722 4913 01	48-1
0990 5596 01	48-2
0992 3014 01	21-11
0992 3014 01	23-11
0996 3055 01	39-12
0996 3055 01	42-16
1065 3086 01	16-19
1065 3086 01	18-22
1134 3042 02	30-6
1164 3527 02	33-23
4002 3108 01	22-14
4002 3110 01	20-10
4002 3131 01	20-11
4002 7306 01	21-25
4002 7306 01	23-25
4004 1829 02	43-4
4004 5903 01	35-19
4011 3012 01	20-14
4011 3021 01	21-5
4011 3021 01	23-5
4011 5339 01	12-21
4025 2283 01	43-12
4025 3572 01	33-12
4025 5984 01	28-10
4025 5984 01	35-17
4030 3008 01	16-14
4030 3008 01	18-17
4030 3013 01	17-10
4030 3013 01	19-10
4030 3014 01	17-9
4030 3014 01	19-12
4030 3016 12	16-9
4030 3016 12	18-10
4030 3017 03	17-8
4030 3017 03	19-11
4030 3039 01	17-7
4030 3039 01	19-13
4030 3078 01	17-11
4030 3078 01	19-9
4030 3083 01	20-5

Parts No.	Page No.
4030 3091 01	20-12
4030 3122 01	27-4
4030 3125 01	17-3
4030 3125 01	19-3
4030 3206 01	21-10
4030 3206 01	23-10
4030 3207 01	21-21
4030 3207 01	23-21
4030 3224 02	20-7
4030 3226 01	21-2
4030 3226 01	23-2
4030 3228 12	21-18
4030 3228 12	23-18
4030 3403 01	27-15
4030 3446 01	30-5
4030 3475 01	27-9
4030 3489 01	27-16
4034 0151 01	27-12
4036 1720 01	7-6
4036 2549 01	35-21
4036 3075 01	7-10
4036 5348 01	12-22
4037 0104 01	20-13
4037 0903 01	7-8
4037 0903 01	9-9
4037 0906 01	16-1
4037 0906 01	18-4
4037 0906 01	20-6
4037 0906 01	30-16
4037 0906 01	33-24
4037 3204 01	21-4
4037 3204 01	23-4
4038 1014 01	11-12
4038 2287 02	40-4
4038 2580 01	37-20
4038 2592 01	37-25
4038 2593 02	37-24
4038 3234 02	30-15
4038 3511 02	31-22
4038 3525 01	33-15

Parts No.	Page No.
4038 3537 01	33-35
4038 3539 01	33-4
4038 3540 03	33-7
4038 3564 02	31-12
4038 3597 01	33-36
4038 5407 01	38-11
4038 5411 01	12-5
4038 5412 02	38-8
4038 5896 02	35-11
4038 7023 00	33-11
4038 M600 00	40-9
4040 3097 01	16-17
4040 3097 01	18-19
4040 M401 00	6-13
4066 3751 01	32-4
4131 3003 01	16-8
4131 3003 01	18-11
4131 3532 02	18-6
4131 3532 02	26-12
4139 5577 01	35-20
4142 3217 01	26-7
4163 5102 01	12-7
4163 5293 01	10-3
4163 5293 01	15-8
4163 5293 01	21-24
4163 5293 01	22-3
4163 5293 01	23-24
4163 5293 01	24-3
4163 5293 01	28-8
4163 5293 01	31-19
4163 5293 01	32-9
4163 5293 01	33-29
4163 5293 01	35-5
4425 3013 01	16-10
4425 3013 01	18-15
4425 3016 01	16-13
4425 3016 01	18-16
4475 2603 02	1-13
4497 3116 01	28-13
4497 3116 01	32-2

Parts No.	Page No.
4537 3317 01	21-29
4537 3317 01	23-29
4581 1625 01	9-2
4658 3516 02	37-8
4687 3281 01	29-20
56AA 4049 0	1-18
56AA 4049 0	16-7
56AA 4049 0	18-12
9313 1000 72	41-12
9326 1810 51	6-14
9326 2900 06	12-12
9334 2610 12	7-11
9334 2710 11	12-20
9335 1300 61	15-24
9335 1300 61	20-3
9335 1300 61	26-18
9335 1300 61	28-2
9335 1300 61	30-8
9335 1300 61	31-9
9335 1300 61	36-15
9335 1300 61	37-35
9335 1300 61	43-9
9335 1400 81	7-15
9335 1400 81	7-28
9381 4300 31	49-2
9752 2016 50	37-10
9752 3012 50	13-4
9752 3012 50	37-7
9J03 M100 00	10-2
9J03 M100 00	13-14
9J03 N300 00	49-2
9J06 2101 00	37-32
9J06 2574 01	37-17
9J06 3235 01	30-17
9J06 3563 01	31-8
9J06 3573 01	31-11
9J06 7301 01	43-28
9J06 M103 00	20-2
9J06 M200 00	26-15
9J06 M601 00	40-5

Parts No.	Page No.
A00J 1367 00	43-34
A00J 1387 00	43-18
A00J 1396 00	43-19
A00J 1682 02	4-13
A00J 1683 00	1-5
A00J 1685 02	4-14
A00J 1689 02	4-12
A00J 1691 00	4-4
A00J 1691 00	6-21
A00J 1692 00	4-10
A00J 1692 00	6-20
A00J 1917 00	5-22
A00J 1918 00	5-15
A00J 1919 00	5-13
A00J 1928 00	5-18
A00J 1929 00	5-7
A00J 2653 00	6-15
A00J 2763 00	8-12
A00J 2802 00	7-7
A00J 3650 01	10-10
A00J 5601 00	16-15
A00J 5601 00	18-18
A00J 5603 02	16-18
A00J 5603 02	18-20
A00J 5636 00	16-12
A00J 5636 00	18-13
A00J 5640 00	16-16
A00J 5640 00	18-21
A00J 5668 01	16-20
A00J 5668 01	18-23
A00J 9401 00	4-21
A00J 9401 00	4-21
A00J 9402 00	4-21
A00J 9421 02	23-13
A00J 9422 02	21-15
A00J 9422 02	23-15
A00J 9423 02	23-14
A00J 9450 00	3-13
A00J 9452 01	3-10
A00J 9455 00	1-16

Parts No.	Page No.	Parts No.	Page No.	Parts No.	Page No.	Parts No.	Page No.	Parts No.	Page No.
A00J 9457 00	3-13	A02E 5935 00	29-8	A02E 9415 00	21-13	A0ED 1023 00	39-2	A0ED 1072 00	14-7
A00J H00D 00	1-4	A02E 5936 00	29-10	A02E 9418 00	1-9	A0ED 1026 00	10-8	A0ED 1073 00	14-13
A00J H00E 00	4-15	A02E 5937 00	29-18	A02E 9419 00	1-10	A0ED 1027 00	42-20	A0ED 1074 00	10-17
A011 9462 00	5-2	A02E 5947 00	26-6	A02E 9420 00	49-4	A0ED 1028 00	10-7	A0ED 1075 01	39-1
A02E 1173 00	41-11	A02E 5951 00	26-21	A02E 9421 00	49-4	A0ED 1029 00	42-6	A0ED 1076 00	10-16
A02E 1401 00	43-24	A02E 5953 02	26-1	A02E F566 00	17-12	A0ED 1030 00	42-9	A0ED 1077 00	42-17
A02E 1499 00	3-10	A02E 5954 00	18-30	A02E F566 00	19-8	A0ED 1031 00	10-14	A0ED 1078 00	42-23
A02E 1616 00	2-6	A02E 5954 00	26-11	A02E G621 00	29-4	A0ED 1032 01	10-13	A0ED 1079 00	42-19
A02E 1677 00	4-2	A02E 5957 00	26-8	A02E M104 00	12-19	A0ED 1033 00	13-17	A0ED 1080 00	42-21
A02E 1933 00	43-16	A02E 5960 02	26-3	A02E M10A 00	8-18	A0ED 1034 00	13-10	A0ED 1081 00	10-5
A02E 2114 00	36-14	A02E 5961 00	26-13	A02E M200 00	18-32	A0ED 1036 00	13-2	A0ED 1082 00	14-9
A02E 2115 00	36-13	A02E 5963 00	26-5	A02E M200 00	33-33	A0ED 1037 00	13-1	A0ED 1083 00	14-8
A02E 2302 00	37-29	A02E 5972 00	27-8	A02E M200 00	37-26	A0ED 1038 01	42-14	A0ED 1084 00	10-25
A02E 2303 00	37-31	A02E 5973 01	27-17	A02E M201 00	26-14	A0ED 1039 00	42-15	A0ED 1085 00	10-26
A02E 2571 00	37-6	A02E 5976 00	27-11	A02E M202 00	16-25	A0ED 1040 01	42-13	A0ED 1086 00	10-27
A02E 2585 00	37-30	A02E 5981 00	29-6	A02E M202 00	18-27	A0ED 1041 00	39-6	A0ED 1087 00	10-23
A02E 2708 00	8-6	A02E 5982 00	30-14	A02E N125 01	43-30	A0ED 1041 00	42-8	A0ED 1088 00	10-24
A02E 5608 00	16-23	A02E 5983 00	29-5	A02E R727 00	41-16	A0ED 1042 00	39-4	A0ED 1089 00	14-16
A02E 5608 00	18-25	A02E 5984 00	30-4	A02E R729 00	17-14	A0ED 1043 01	14-11	A0ED 1090 01	14-1
A02E 5610 00	17-5	A02E 6214 00	24-14	A02E R729 00	19-16	A0ED 1048 01	13-8	A0ED 1093 00	10-28
A02E 5610 00	19-14	A02E 6223 00	21-19	A02E R734 00	21-31	A0ED 1050 00	13-3	A0ED 1101 00	15-23
A02E 5611 00	16-11	A02E 6223 00	23-19	A02E R734 00	23-31	A0ED 1052 00	13-11	A0ED 1102 00	15-3
A02E 5611 00	18-14	A02E 6224 00	21-16	A034 M201 00	33-25	A0ED 1053 00	13-12	A0ED 1103 00	15-26
A02E 5612 00	16-6	A02E 6224 00	23-16	A034 M500 00	33-28	A0ED 1054 00	14-15	A0ED 1104 00	15-21
A02E 5612 00	18-9	A02E 6227 00	21-28	A0ED 1005 01	14-14	A0ED 1055 00	14-10	A0ED 1105 00	15-20
A02E 5613 00	16-21	A02E 6227 00	23-28	A0ED 1006 00	13-6	A0ED 1056 00	40-6	A0ED 1106 00	15-7
A02E 5613 00	18-24	A02E 6233 00	21-23	A0ED 1007 00	39-14	A0ED 1057 00	13-7	A0ED 1107 00	15-9
A02E 5636 00	17-13	A02E 6233 00	23-23	A0ED 1011 00	10-30	A0ED 1058 00	13-16	A0ED 1108 00	15-4
A02E 5636 00	19-7	A02E 7129 00	33-2	A0ED 1012 00	10-29	A0ED 1060 00	13-5	A0ED 1109 00	15-5
A02E 5843 00	19-6	A02E 8130 00	32-14	A0ED 1013 01	39-8	A0ED 1061 00	42-22	A0ED 1110 00	15-10
A02E 5911 00	30-3	A02E 8131 00	32-15	A0ED 1014 01	42-10	A0ED 1062 00	42-18	A0ED 1111 00	15-22
A02E 5918 01	30-10	A02E 8152 00	28-11	A0ED 1016 01	39-10	A0ED 1063 00	42-1	A0ED 1112 00	15-11
A02E 5921 00	29-3	A02E 8152 00	32-3	A0ED 1017 01	39-9	A0ED 1064 00	42-11	A0ED 1114 00	15-14
A02E 5923 00	29-23	A02E 8906 00	35-22	A0ED 1017 01	42-12	A0ED 1065 00	39-15	A0ED 1115 00	15-16
A02E 5924 00	29-25	A02E 8907 00	35-3	A0ED 1018 00	39-7	A0ED 1066 00	39-13	A0ED 1117 00	15-15
A02E 5925 00	29-11	A02E 9406 00	33-1	A0ED 1019 00	39-5	A0ED 1067 00	14-2	A0ED 1118 00	15-17
A02E 5926 00	29-12	A02E 9408 00	29-1	A0ED 1019 00	42-7	A0ED 1068 00	14-3	A0ED 1119 00	15-13
A02E 5932 00	29-22	A02E 9409 01	29-1	A0ED 1020 00	39-3	A0ED 1069 00	14-4	A0ED 1120 00	15-1
A02E 5933 00	29-24	A02E 9413 00	21-14	A0ED 1021 00	10-15	A0ED 1070 00	14-5	A0ED 1121 00	15-27
A02E 5934 00	29-21	A02E 9414 00	32-6	A0ED 1022 00	10-12	A0ED 1071 00	14-6	A0ED 1303 00	40-12

bizhub C220/bizhub C280/bizhub C360



Parts No.	Page No.	Parts No.	Page No.	Parts No.	Page No.	Parts No.	Page No.	Parts No.	Page No.
A0ED 1311 01	43-35	A0ED 1422 01	38-13	A0ED 1662 00	3-11	A0ED 2404 00	38-4	A0ED 2630 00	9-14
A0ED 1312 00	43-33	A0ED 1430 01	41-8	A0ED 1673 01	1-22	A0ED 2405 00	38-5	A0ED 2632 00	9-3
A0ED 1313 01	43-27	A0ED 1431 00	41-10	A0ED 1674 00	1-23	A0ED 2406 00	38-6	A0ED 2662 00	9-6
A0ED 1314 00	43-26	A0ED 1434 01	41-6	A0ED 1675 00	1-21	A0ED 2407 00	38-9	A0ED 2673 00	6-4
A0ED 1315 01	43-27	A0ED 1435 01	41-5	A0ED 1694 00	5-4	A0ED 2408 00	38-10	A0ED 2675 00	6-24
A0ED 1319 00	43-21	A0ED 1436 01	41-7	A0ED 1701 00	4-11	A0ED 2411 00	38-7	A0ED 2681 00	6-22
A0ED 1320 00	43-20	A0ED 1450 00	38-16	A0ED 1702 00	4-18	A0ED 2450 00	11-17	A0ED 2682 00	6-6
A0ED 1322 00	43-11	A0ED 1451 00	38-14	A0ED 1703 00	4-17	A0ED 2451 00	11-16	A0ED 2683 00	6-5
A0ED 1323 00	43-2	A0ED 1453 00	38-18	A0ED 1704 01	4-3	A0ED 2452 00	11-13	A0ED 2684 00	6-2
A0ED 1324 00	43-45	A0ED 1454 01	38-15	A0ED 1705 00	4-1	A0ED 2454 00	11-15	A0ED 2685 00	6-3
A0ED 1325 00	43-23	A0ED 1455 00	38-17	A0ED 1706 00	4-9	A0ED 2542 00	37-2	A0ED 2687 00	6-23
A0ED 1328 00	43-32	A0ED 1456 00	38-22	A0ED 1707 00	4-19	A0ED 2543 00	37-4	A0ED 2688 00	6-16
A0ED 1330 00	41-4	A0ED 1457 00	38-20	A0ED 1710 01	5-25	A0ED 2544 00	37-1	A0ED 2702 00	8-14
A0ED 1334 00	41-13	A0ED 1458 01	41-9	A0ED 1711 00	4-5	A0ED 2545 00	37-9	A0ED 2703 00	8-10
A0ED 1335 00	41-2	A0ED 1459 00	10-9	A0ED 1712 00	4-7	A0ED 2546 00	37-18	A0ED 2704 00	8-7
A0ED 1336 00	41-15	A0ED 1601 00	2-4	A0ED 1714 01	5-1	A0ED 2556 01	37-34	A0ED 2705 00	8-5
A0ED 1346 00	41-14	A0ED 1602 01	1-15	A0ED 1715 00	4-6	A0ED 2557 00	37-11	A0ED 2706 00	8-16
A0ED 1347 00	36-17	A0ED 1603 00	1-1	A0ED 1716 00	5-16	A0ED 2563 00	37-13	A0ED 2707 00	8-15
A0ED 1348 00	36-1	A0ED 1604 00	1-8	A0ED 1911 00	5-24	A0ED 2570 00	37-3	A0ED 2708 00	8-9
A0ED 1350 01	41-3	A0ED 1605 00	3-9	A0ED 1912 00	5-14	A0ED 2573 00	37-12	A0ED 2709 00	8-8
A0ED 1351 00	40-10	A0ED 1606 01	3-8	A0ED 1915 00	5-6	A0ED 2575 00	37-21	A0ED 2710 00	7-12
A0ED 1357 00	43-29	A0ED 1607 00	2-7	A0ED 1916 00	5-19	A0ED 2576 00	37-19	A0ED 2710 00	8-11
A0ED 1358 00	43-25	A0ED 1608 00	2-8	A0ED 1921 00	5-12	A0ED 2579 00	11-14	A0ED 2732 00	7-2
A0ED 1361 00	40-7	A0ED 1609 03	3-5	A0ED 1922 00	5-8	A0ED 2582 00	37-5	A0ED 2733 00	7-3
A0ED 1367 00	40-3	A0ED 1610 01	2-3	A0ED 1923 00	5-11	A0ED 2584 01	37-28	A0ED 2734 00	7-27
A0ED 1371 00	43-22	A0ED 1612 01	3-7	A0ED 1925 01	5-10	A0ED 2586 01	11-18	A0ED 2736 00	7-13
A0ED 1372 00	43-13	A0ED 1617 02	3-4	A0ED 1926 00	5-9	A0ED 2587 00	37-15	A0ED 2736 00	8-2
A0ED 1373 00	43-15	A0ED 1618 01	3-3	A0ED 2201 00	36-10	A0ED 2591 01	37-27	A0ED 2737 00	7-14
A0ED 1374 00	43-31	A0ED 1621 00	3-1	A0ED 2204 00	36-9	A0ED 2594 00	37-22	A0ED 2739 00	7-18
A0ED 1375 00	43-1	A0ED 1622 00	2-1	A0ED 2205 00	36-5	A0ED 2595 00	37-23	A0ED 2740 00	7-19
A0ED 1376 00	43-39	A0ED 1623 00	3-2	A0ED 2206 00	36-7	A0ED 2596 00	37-14	A0ED 2741 00	7-4
A0ED 1377 00	43-50	A0ED 1624 01	1-20	A0ED 2207 00	36-8	A0ED 2619 00	9-12	A0ED 2742 00	7-1
A0ED 1400 00	42-4	A0ED 1625 00	3-12	A0ED 2208 00	36-6	A0ED 2620 00	9-15	A0ED 2751 00	8-25
A0ED 1402 01	42-2	A0ED 1626 00	1-7	A0ED 2209 00	36-4	A0ED 2621 00	9-11	A0ED 2753 01	8-3
A0ED 1403 00	42-3	A0ED 1627 00	1-6	A0ED 2210 00	36-3	A0ED 2622 00	9-10	A0ED 2754 00	8-1
A0ED 1409 00	13-13	A0ED 1628 00	2-2	A0ED 2211 00	36-11	A0ED 2623 00	9-5	A0ED 2755 01	8-21
A0ED 1409 00	38-21	A0ED 1629 01	3-6	A0ED 2310 00	37-37	A0ED 2624 00	9-4	A0ED 2756 00	8-20
A0ED 1410 00	13-15	A0ED 1630 00	2-5	A0ED 2312 00	37-16	A0ED 2625 00	9-1	A0ED 2757 00	8-23
A0ED 1411 00	38-12	A0ED 1632 00	1-12	A0ED 2401 00	38-2	A0ED 2626 00	9-13	A0ED 2760 00	8-22
A0ED 1420 00	10-1	A0ED 1661 00	3-14	A0ED 2403 00	38-3	A0ED 2627 00	9-7	A0ED 2762 00	8-24

bizhub C220/bizhub C280/bizhub C360

Parts No.	Page No.	Parts No.	Page No.	Parts No.	Page No.	Parts No.	Page No.	Parts No.	Page No.
A0ED 2763 01	8-13	A0ED 4026 01	11-9	A0ED 5685 00	17-1	A0ED 5997 00	27-21	A0ED 6252 01	22-11
A0ED 2765 00	8-4	A0ED 4028 01	12-9	A0ED 5701 00	18-5	A0ED 6201 02	21-12	A0ED 6252 01	24-11
A0ED 2786 00	6-7	A0ED 4050 00	11-19	A0ED 5711 00	18-3	A0ED 6202 00	21-8	A0ED 6253 01	22-7
A0ED 2801 00	7-9	A0ED 4051 01	11-8	A0ED 5781 00	18-1	A0ED 6202 00	23-8	A0ED 6254 00	22-8
A0ED 2811 00	7-20	A0ED 4053 00	11-7	A0ED 5782 00	19-5	A0ED 6204 00	21-22	A0ED 6254 00	24-8
A0ED 2812 00	7-17	A0ED 4054 00	11-6	A0ED 5784 00	19-1	A0ED 6204 00	23-22	A0ED 6255 00	22-4
A0ED 2816 00	7-5	A0ED 4055 01	11-4	A0ED 5785 00	19-2	A0ED 6205 00	21-1	A0ED 6255 00	24-4
A0ED 2817 00	6-8	A0ED 4056 01	11-2	A0ED 5790 00	18-33	A0ED 6205 00	23-1	A0ED 6257 00	22-5
A0ED 2818 00	6-10	A0ED 4057 00	11-3	A0ED 5901 00	27-20	A0ED 6206 01	21-17	A0ED 6257 00	24-5
A0ED 2819 00	6-12	A0ED 4060 00	11-19	A0ED 5902 00	27-19	A0ED 6206 01	23-17	A0ED 6258 00	22-6
A0ED 3603 01	10-11	A0ED 4061 00	11-19	A0ED 5905 00	27-2	A0ED 6209 01	21-26	A0ED 6258 00	24-6
A0ED 3618 01	1-19	A0ED 4062 00	11-19	A0ED 5908 00	30-12	A0ED 6209 01	23-26	A0ED 6275 00	20-9
A0ED 3630 00	10-18	A0ED 4063 00	11-19	A0ED 5909 00	30-1	A0ED 6210 00	21-27	A0ED 6276 00	20-4
A0ED 3631 00	10-21	A0ED 4064 00	11-19	A0ED 5910 00	30-18	A0ED 6210 00	23-27	A0ED 6277 00	20-1
A0ED 3632 00	10-20	A0ED 4065 00	11-19	A0ED 5912 00	26-4	A0ED 6211 01	21-9	A0ED 6301 02	23-12
A0ED 3633 00	10-22	A0ED 4066 00	11-19	A0ED 5915 00	27-18	A0ED 6211 01	23-9	A0ED 6351 02	24-10
A0ED 3634 00	10-19	A0ED 4100 02	36-2	A0ED 5916 00	26-9	A0ED 6213 00	21-6	A0ED 6353 01	24-7
A0ED 4002 01	12-28	A0ED 5084 00	15-19	A0ED 5917 00	27-1	A0ED 6213 00	23-6	A0ED 7001 00	33-5
A0ED 4003 00	12-15	A0ED 5507 00	31-24	A0ED 5919 00	27-3	A0ED 6214 00	21-7	A0ED 7002 00	33-6
A0ED 4004 00	12-16	A0ED 5508 00	31-27	A0ED 5922 01	29-2	A0ED 6214 00	23-7	A0ED 7003 00	33-13
A0ED 4005 00	12-13	A0ED 5509 00	31-25	A0ED 5928 00	29-9	A0ED 6216 00	21-20	A0ED 7004 00	33-26
A0ED 4006 00	12-14	A0ED 5510 00	31-21	A0ED 5931 00	29-13	A0ED 6216 00	23-20	A0ED 7006 00	33-9
A0ED 4007 00	12-25	A0ED 5511 00	31-23	A0ED 5938 00	25-17	A0ED 6219 01	22-13	A0ED 7007 00	33-14
A0ED 4008 01	11-11	A0ED 5515 00	31-20	A0ED 5939 00	30-13	A0ED 6219 01	24-13	A0ED 7010 01	32-7
A0ED 4009 01	11-10	A0ED 5516 00	31-28	A0ED 5940 00	27-14	A0ED 6221 00	22-18	A0ED 7013 01	32-8
A0ED 4010 00	12-23	A0ED 5517 00	31-26	A0ED 5952 00	26-17	A0ED 6221 00	24-18	A0ED 7015 00	31-18
A0ED 4011 01	12-24	A0ED 5601 00	16-5	A0ED 5955 00	26-10	A0ED 6231 00	22-2	A0ED 7016 00	31-2
A0ED 4012 00	12-29	A0ED 5605 00	16-22	A0ED 5956 00	26-19	A0ED 6231 00	24-2	A0ED 7017 00	31-16
A0ED 4013 00	12-26	A0ED 5605 00	18-26	A0ED 5965 00	26-20	A0ED 6232 00	22-17	A0ED 7018 00	31-7
A0ED 4014 00	12-27	A0ED 5609 00	16-2	A0ED 5971 00	27-10	A0ED 6232 00	24-17	A0ED 7019 00	31-13
A0ED 4015 00	12-6	A0ED 5609 00	18-8	A0ED 5977 00	26-24	A0ED 6234 00	22-1	A0ED 7020 00	31-15
A0ED 4016 00	12-4	A0ED 5612 00	17-4	A0ED 5978 00	26-16	A0ED 6234 00	24-1	A0ED 7022 00	31-17
A0ED 4017 00	12-11	A0ED 5612 00	19-4	A0ED 5986 00	30-11	A0ED 6234 00	39-11	A0ED 7024 00	31-6
A0ED 4018 00	12-8	A0ED 5638 00	17-6	A0ED 5987 00	30-7	A0ED 6241 00	22-16	A0ED 7025 00	31-3
A0ED 4019 00	12-2	A0ED 5638 00	19-15	A0ED 5988 00	25-9	A0ED 6241 00	24-16	A0ED 7026 00	31-4
A0ED 4020 00	12-3	A0ED 5651 00	16-26	A0ED 5989 00	26-2	A0ED 6242 00	22-15	A0ED 7028 00	33-31
A0ED 4021 00	12-1	A0ED 5661 00	16-24	A0ED 5990 00	29-14	A0ED 6242 00	24-15	A0ED 7029 00	33-20
A0ED 4023 00	12-18	A0ED 5661 00	18-28	A0ED 5991 00	29-15	A0ED 6250 00	22-12	A0ED 7030 00	33-8
A0ED 4024 00	12-17	A0ED 5662 00	18-31	A0ED 5992 00	29-19	A0ED 6250 00	24-12	A0ED 7031 00	33-34
A0ED 4025 00	12-10	A0ED 5684 00	17-2	A0ED 5993 00	27-13	A0ED 6251 02	22-10	A0ED 7032 00	33-17

bizhub C220/bizhub C280/bizhub C360

Parts No.	Page No.
A0ED 7033 00	32-20
A0ED 7035 00	32-10
A0ED 7036 00	31-1
A0ED 7037 00	33-22
A0ED 7057 01	33-18
A0ED 7058 00	33-32
A0ED 7059 00	33-27
A0ED 7060 00	33-30
A0ED 7067 00	32-22
A0ED 7068 00	32-21
A0ED 7100 00	25-14
A0ED 7103 00	25-7
A0ED 7104 00	25-6
A0ED 7105 00	25-8
A0ED 7106 00	25-3
A0ED 7108 00	25-5
A0ED 7110 00	25-13
A0ED 7116 00	25-2
A0ED 7120 00	25-12
A0ED 7121 00	25-4
A0ED 7128 00	33-3
A0ED 7130 00	33-10
A0ED 7142 00	25-1
A0ED 7143 00	27-6
A0ED 7144 00	27-5
A0ED 7145 00	25-15
A0ED 7146 00	27-7
A0ED 7147 00	25-11
A0ED 8106 00	32-1
A0ED 8111 00	28-20
A0ED 8113 00	28-25
A0ED 8114 00	32-18
A0ED 8117 00	28-18
A0ED 8117 00	32-16
A0ED 8118 00	32-17
A0ED 8119 00	32-19
A0ED 8123 00	32-5
A0ED 8132 00	32-13
A0ED 8136 00	28-24
A0ED 8137 00	28-21

Parts No.	Page No.
A0ED 8140 00	28-23
A0ED 8141 00	28-26
A0ED 8142 00	28-19
A0ED 8144 00	28-22
A0ED 8151 00	28-12
A0ED 8201 01	28-1
A0ED 8202 01	28-16
A0ED 8203 00	28-5
A0ED 8204 00	28-4
A0ED 8205 00	28-9
A0ED 8206 00	28-3
A0ED 8207 01	28-15
A0ED 8210 00	28-6
A0ED 8211 00	28-14
A0ED 8212 00	28-17
A0ED 8901 00	35-1
A0ED 8902 00	35-27
A0ED 8904 01	35-10
A0ED 8905 00	35-12
A0ED 8908 00	35-8
A0ED 8910 00	35-23
A0ED 8911 00	35-16
A0ED 8952 00	35-24
A0ED 8956 00	35-14
A0ED 8963 00	35-13
A0ED 8964 00	35-15
A0ED 8967 00	35-25
A0ED 8969 00	35-18
A0ED 8970 00	35-9
A0ED 8971 00	35-4
A0ED 9400 00	25-16
A0ED 9401 00	22-9
A0ED 9401 00	24-9
A0ED 9402 00	30-2
A0ED 9403 00	4-20
A0ED 9404 00	35-2
A0ED 9405 02	1-17
A0ED 9406 00	11-5
A0ED 9407 00	11-1
A0ED 9408 00	1-11

Parts No.	Page No.
A0ED 9409 00	1-11
A0ED 9411 00	1-24
A0ED 9412 00	1-25
A0ED 9413 00	1-26
A0ED 9414 00	1-27
A0ED 9418 00	1-14
A0ED 9419 00	1-14
A0ED 9420 00	1-14
A0ED 9465 00	1-2
A0ED F164 02	1-28
A0ED F360 00	10-31
A0ED F621 00	21-3
A0ED F621 00	23-3
A0ED F622 00	21-30
A0ED F622 00	23-30
A0ED G571 00	18-29
A0ED G700 00	32-12
A0ED G811 00	28-27
A0ED G812 00	25-10
A0ED H001 03	43-40
A0ED H002 00	40-11
A0ED H003 00	40-8
A0ED H01A 01	7-26
A0ED H020 02	43-48
A0ED H021 02	43-48
A0ED M100 00	36-16
A0ED M101 00	37-36
A0ED M102 00	32-11
A0ED M103 00	35-26
A0ED M104 00	38-1
A0ED M105 00	35-6
A0ED M105 00	38-19
A0ED M105 00	42-5
A0ED M304 00	14-12
A0ED M310 00	8-17
A0ED M401 01	40-13
A0ED M402 00	41-1
A0ED M403 00	40-13
A0ED M410 00	7-25
A0ED M500 00	33-21

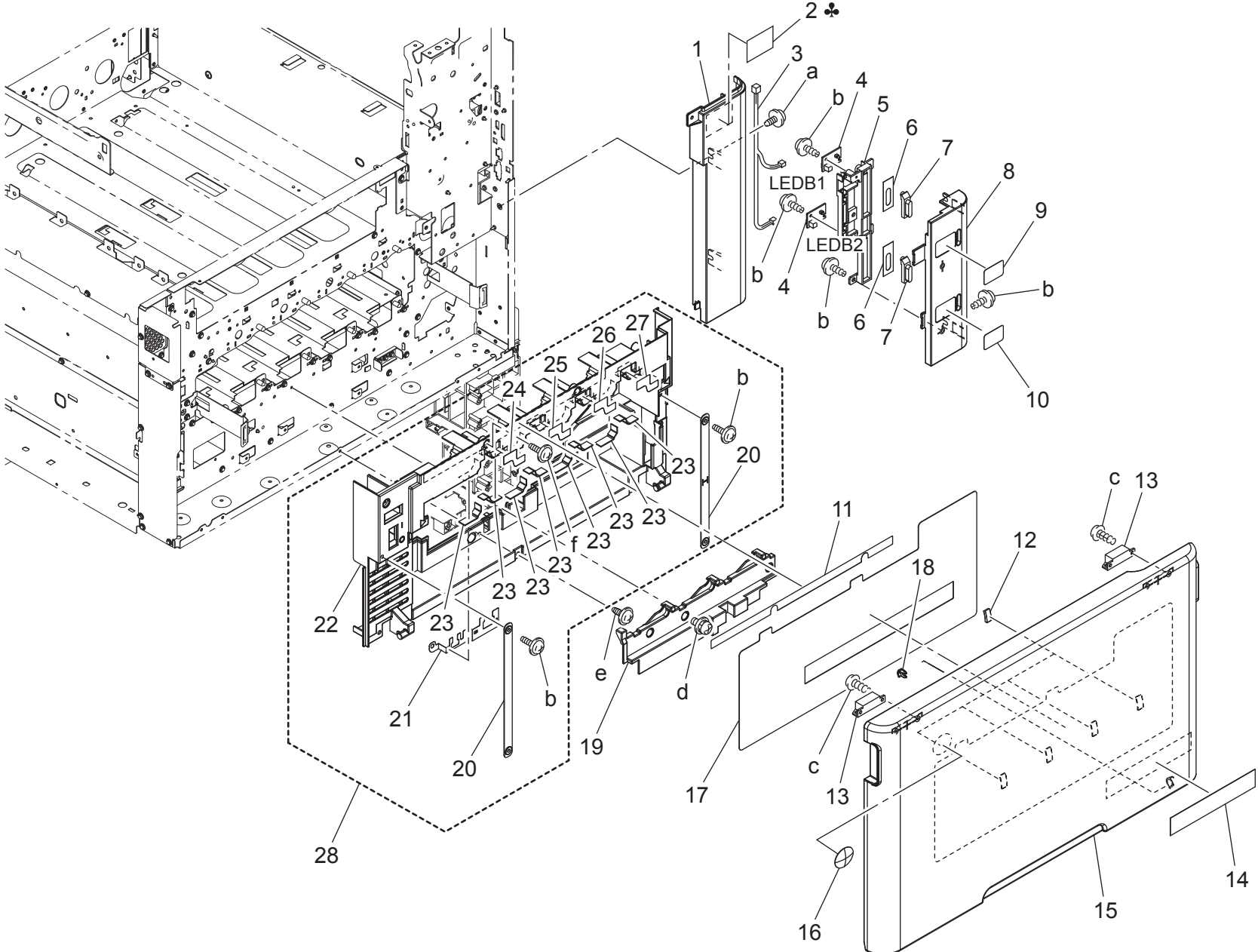
Parts No.	Page No.
A0ED M501 00	16-3
A0ED M501 00	18-2
A0ED M501 00	18-35
A0ED M501 00	29-16
A0ED M600 01	13-9
A0ED M720 00	43-42
A0ED N100 01	46-1
A0ED N101 01	46-2
A0ED N102 01	46-3
A0ED N103 00	40-2
A0ED N104 01	44-1
A0ED N105 00	45-1
A0ED N106 00	33-19
A0ED N108 01	12-30
A0ED N10A 00	31-5
A0ED N10B 01	15-25
A0ED N10C 00	1-3
A0ED N10D 00	47-1
A0ED N10E 00	20-8
A0ED N10F 00	16-4
A0ED N10G 01	18-7
A0ED N10H 00	35-7
A0ED N10J 00	10-4
A0ED N10M 01	30-9
A0ED N10N 00	29-17
A0ED N10P 01	13-18
A0ED N10U 01	15-2
A0ED N10W 01	15-6
A0ED N10X 00	15-12
A0ED N113 00	43-36
A0ED N114 00	43-41
A0ED N115 00	31-10
A0ED N116 00	43-7
A0ED N117 00	13-19
A0ED N119 00	45-1
A0ED N11A 00	45-1
A0ED N11B 01	5-26
A0ED N11C 00	40-1
A0ED N11D 00	16-4
A0ED N11E 01	18-7

Parts No.	Page No.
A0ED N140 00	6-18
A0ED N141 00	7-22
A0ED N142 00	9-8
A0ED N143 01	7-21
A0ED N144 00	7-16
A0ED N145 00	4-16
A0ED N146 00	7-24
A0ED N147 00	4-8
A0ED N300 01	43-49
A0ED N301 01	49-2
A0ED N302 01	49-1
A0ED R700 00	14-17
A0ED R701 00	14-18
A0ED R702 00	5-27
A0ED R703 00	37-39
A0ED R704 00	36-19
A0ED R705 00	36-18
A0ED R706 00	38-23
A0ED R707 00	11-20
A0ED R708 00	10-6
A0ED R709 00	10-6
A0ED R710 00	11-21
A0ED R711 00	11-21
A0ED R712 00	11-21
A0ED R713 00	11-21
A0ED R714 00	11-21
A0ED R715 00	11-21
A0ED R716 00	15-18
A0ED R717 00	31-29
A0ED R718 00	31-30
A0ED R719 00	34-1
A0ED R720 00	34-1
A0ED R721 00	34-1
A0ED R722 11	25-18
A0ED R723 00	37-38
A0ED R724 00	36-12
A0ED R725 00	6-17
A0ED R726 00	6-19
A0ED R727 00	6-1
A0ED R728 00	8-26

Parts No.	Page No.
A0ED R729 00	30-19
A0ED R730 00	27-22
A0ED R731 00	16-27
A0ED R732 00	16-27
A0ED R733 00	18-34
A0ED R734 00	18-34
A0ED R735 11	21-32
A0ED R736 11	23-32
A0ED R737 00	11-21
A0ED R738 00	34-1
A0ED R739 00	11-21
A0P0 1447 01	43-10
A0P0 1449 00	43-8
A0P0 1459 00	43-5
A0P0 1472 01	43-14
A0P0 1473 00	43-3
A0P0 1474 01	43-17
A0P0 1679 00	5-5
A0P0 1680 00	5-17
A0P0 1913 00	5-20
A0P0 1914 00	5-23
A0P0 1927 01	5-21
A0P0 2767 00	8-19
A0P0 9008 00	28-7
A0P0 H00C 00	43-38
A0P0 H025 00	6-9
A0P0 H026 01	43-46
A0P0 M705 01	5-3
A0P0 M706 01	5-3
A0P0 M707 01	5-3
A0P0 M708 00	5-3
A0P0 M709 00	5-3
A0P0 M900 00	43-47
A0P0 N151 00	43-44
A0P0 N152 00	43-43
A0P0 N153 00	6-11
A0PD 1602 00	5-28
A162 WY1	34-2
V116 0308 03	49-3
V500 0100 03	48-3

Parts No.	Page No.
V500 0100 05	48-4
V500 0100 07	48-5
V500 0100 15	48-6
V500 0100 20	48-7
V500 0100 46	48-8
V500 0100 55	48-9
V500 0100 61	48-10
V500 0200 19	48-11
V500 0200 40	48-12
V500 0200 52	48-13
V500 0200 66	48-14
V501 0100 01	48-21
V502 0100 26	43-37
V502 0100 33	7-23
V570 0100 21	48-15
V570 0100 26	48-16
V570 0100 27	48-17
V570 0100 28	48-18
V570 0100 46	48-19
V570 0100 48	48-20
V651 0100 01	26-23
V651 0100 01	37-33
V651 0100 42	26-22
V800 5003 00	31-14
V800 5003 00	33-16
V801 3000 06	29-7
V865 3000 26	43-6

EXTERNAL PARTS



bizhub C220/bizhub C280/bizhub C360

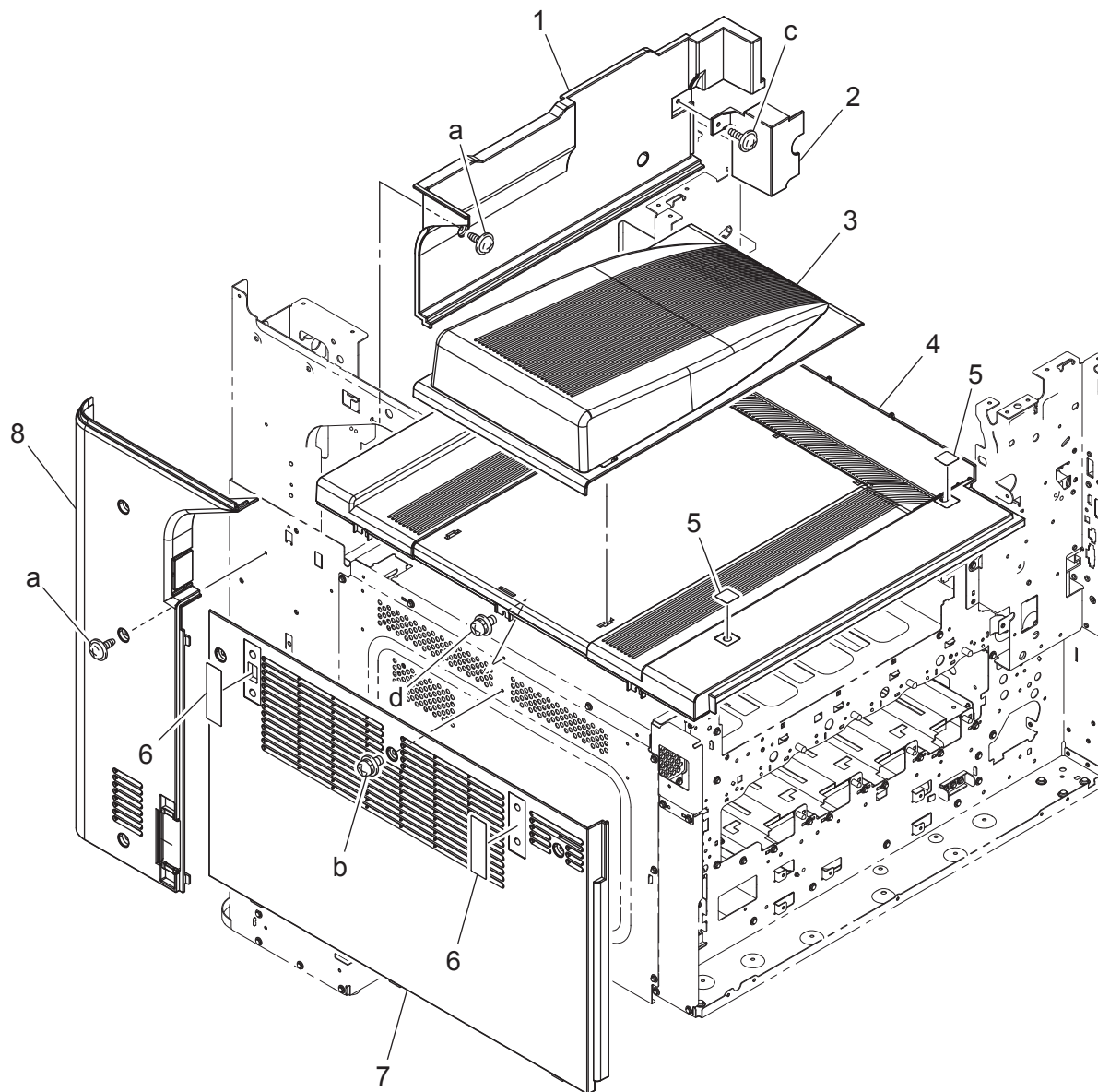
# EXTERNAL PARTS

Key	Part No.	Description	Destinations	Class	QTY	Standard parts
1	A0ED 1603 00	Cover	A,A1	D	1	a-V137 0308 03 b-V153 0308 03 c-V149 0308 03 d-V116 0308 04 e-V137 0308 04 f-V153 0308 04
2	A0ED 9465 00	Label		D	1	
3	A0ED N10C 00	Indicating Wiring		D	1	
4	A00J H00D 00	PWB Assembly LED1		C	2	
5	A00J 1683 00	Light blocking Cover		D	1	
6	A0ED 1627 00	Light blocking Plate		C	2	
7	A0ED 1626 00	Lens		C	2	
8	A0ED 1604 00	Cover		C	1	
9	A02E 9418 00	Label Number 1		C	1	
10	A02E 9419 00	Label Number 2		C	1	
11	A0ED 9408 00	Label Toner 3	{bizhub C360}	D	1	
11	A0ED 9409 00	Label Toner 3	{bizhub C280/C220}	D	1	
12	A0ED 1632 00	Cushion		C	4	
13	4475 2603 02	MAGNET CATCH		D	2	
14	A0ED 9418 00	Label bizhub C360	{bizhub C360}	C	1	
14	A0ED 9419 00	Label bizhub C280	{bizhub C280}	D	1	
14	A0ED 9420 00	Label bizhub C220	{bizhub C220}	D	1	
15	A0ED 1602 01	Open/close Cover /Front		C	1	
16	A00J 9455 00	Logo Mark		C	1	
17	A0ED 9405 02	Label Replace		C	1	
18	56AA 4049 0	SHAFT STOPPER 4		C	1	
19	A0ED 3618 01	Cover		D	1	
20	A0ED 1624 01	Band		D	2	
21	A0ED 1675 00	Contact		D	1	
22	A0ED 1673 01	Cover		D	1	
23	A0ED 1674 00	Protection Part		C	8	
24	A0ED 9411 00	Label DR Y		D	1	
25	A0ED 9412 00	Label DR M		D	1	
26	A0ED 9413 00	Label DR C		D	1	
27	A0ED 9414 00	Label DR K		D	1	
28	A0ED F164 02	Cover (2nd Front)		S	1	

bizhub C220/bizhub C280/bizhub C360

# EXTERNAL PARTS

P 2



bizhub C220/bizhub C280/bizhub C360

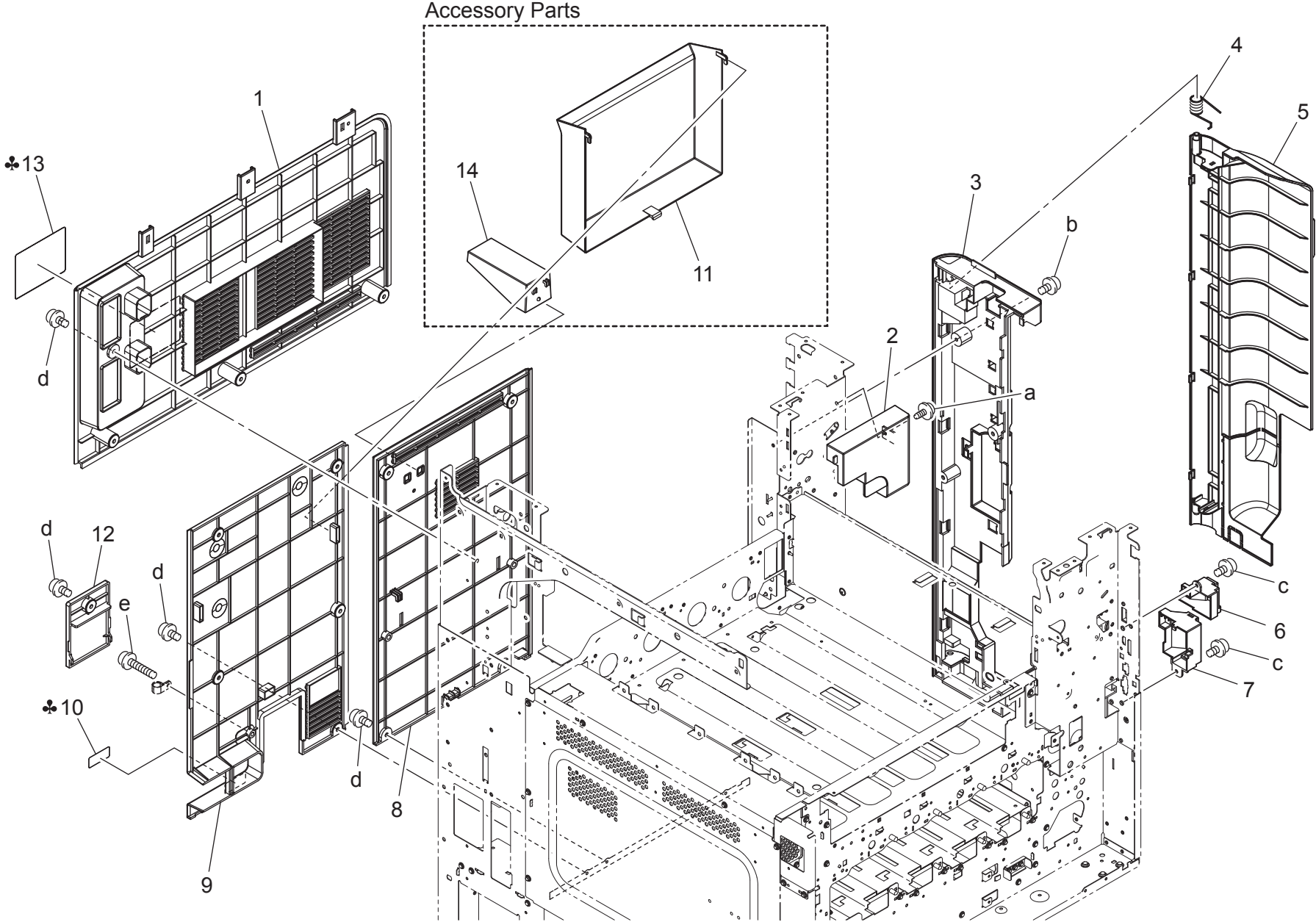
# EXTERNAL PARTS

Key	Part No.	Description	Destinations	Class	QTY	Standard parts
1	A0ED 1622 00	Read Cover /Rear		C	1	a-V137 0308 04 b-V116 0308 04 c-V153 0408 04 d-V116 0308 03
2	A0ED 1628 00	Read Cover /Rear		D	1	
3	A0ED 1610 01	Tray		C	1	
4	A0ED 1601 00	Cover /Upper		C	1	
5	A0ED 1630 00	Seal		C	2	
6	A02E 1616 00	Seal		C	2	
7	A0ED 1607 00	Cover /Left		C	1	
8	A0ED 1608 00	Cover /Left		C	1	

bizhub C220/bizhub C280/bizhub C360



# EXTERNAL PARTS



bizhub C220/bizhub C280/bizhub C360

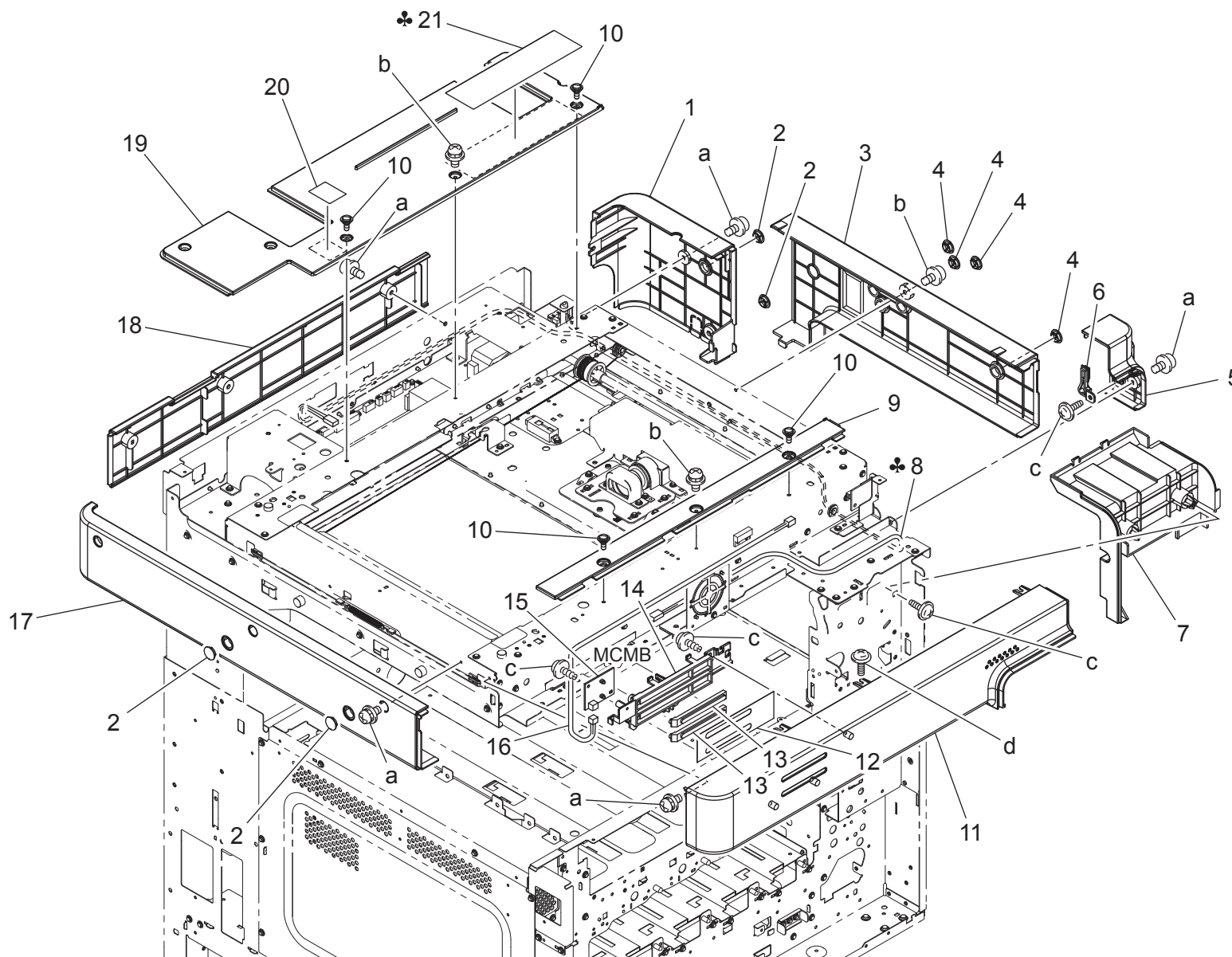
# EXTERNAL PARTS

Key	Part No.	Description	Destinations	Class	QTY	Standard parts
1	A0ED 1621 00	Cover Rear Upper		D	1	a-V137 0308 04 b-V116 0308 03 c-V116 0408 03 d-V116 0308 04 e-V116 0316 04
2	A0ED 1623 00	Read Cover		D	1	
3	A0ED 1618 01	Cover Right Rear		C	1	
4	A0ED 1617 02	Torsion Coil spring		D	1	
5	A0ED 1609 03	Cover Right Open		C	1	
6	A0ED 1629 01	Cover		D	1	
7	A0ED 1612 01	Cover		D	1	
8	A0ED 1606 01	Cover Rear R		C	1	
9	A0ED 1605 00	Cover Rear L		C	1	
10	A00J 9452 01	Label 220-240V 0.65A	C,D1,D3,E,F2,G1,I,J,K	C	1	
10	A02E 1499 00	Label	A,A1	C	1	
11	A0ED 1662 00	Holder		C	1	
12	A0ED 1625 00	Cover		C	1	
13	A00J 9450 00	Label Only connect	C,D1,D3,E,F2,G1,I,K	C	1	
13	A00J 9457 00	Label Caution	A,A1,B,F1,G2,H,{bizhub C360 /C280}	C	1	
14	A0ED 1661 00	Installing Spacer		D	1	

bizhub C220/bizhub C280/bizhub C360

# IR COVER

P 4



bizhub C220/bizhub C280/bizhub C360

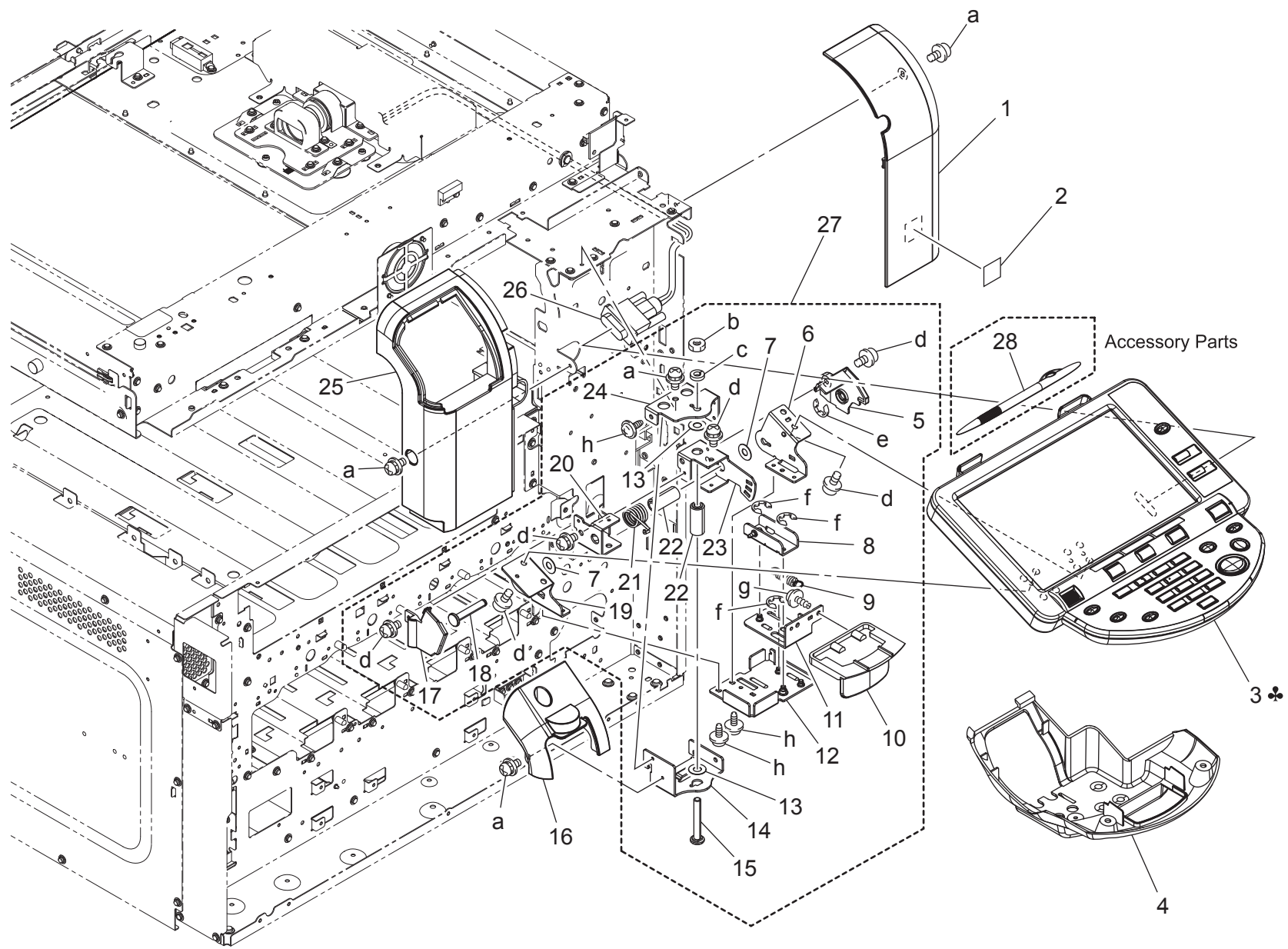
# IR COVER

Key	Part No.	Description	Destinations	Class	QTY	Standard parts
1	A0ED 1705 00	Read Cover /Right rear		C	1	a-V116 0308 03 b-V116 0308 04 c-V153 0308 03 d-V121 0306 04
2	A02E 1677 00	Cover		C	4	
3	A0ED 1704 01	Read Cover /Right		C	1	
4	A00J 1691 00	Cover		C	4	
5	A0ED 1711 00	Read Cover F		C	1	
6	A0ED 1715 00	Read Cover		C	1	
7	A0ED 1712 00	Read Cover		C	1	
8	A0ED N147 00	Scanner Wiring /7	A,A1	D	1	
9	A0ED 1706 00	Read Cover Upper F		C	1	
10	A00J 1692 00	Shoulder screw		C	4	
11	A0ED 1701 00	Read Cover /Front		C	1	
12	A00J 1689 02	Light blocking Plate		C	1	
13	A00J 1682 02	Lens /B		C	2	
14	A00J 1685 02	Light blocking Cover /C		D	1	
15	A00J H00E 00	PWB Assembly LED2		I	1	
16	A0ED N145 00	Scanner Wiring /5		D	1	
17	A0ED 1703 00	Read Cover /Left		C	1	
18	A0ED 1702 00	Read Cover /Rear		C	1	
19	A0ED 1707 00	Read Cover Upper R		C	1	
20	A0ED 9403 00	Label Print Side		C	1	
21	A00J 9401 00	Label Legal Restriction	B,G2	C	1	
21	A00J 9402 00	Label	A,A1	C	1	
21	A00J 9401 00	Label Legal Restriction	C,D1,D3,E,F1,F2,G1,H,I,J,K	C	1	

bizhub C220/bizhub C280/bizhub C360

# CONTROL PANEL

P 5



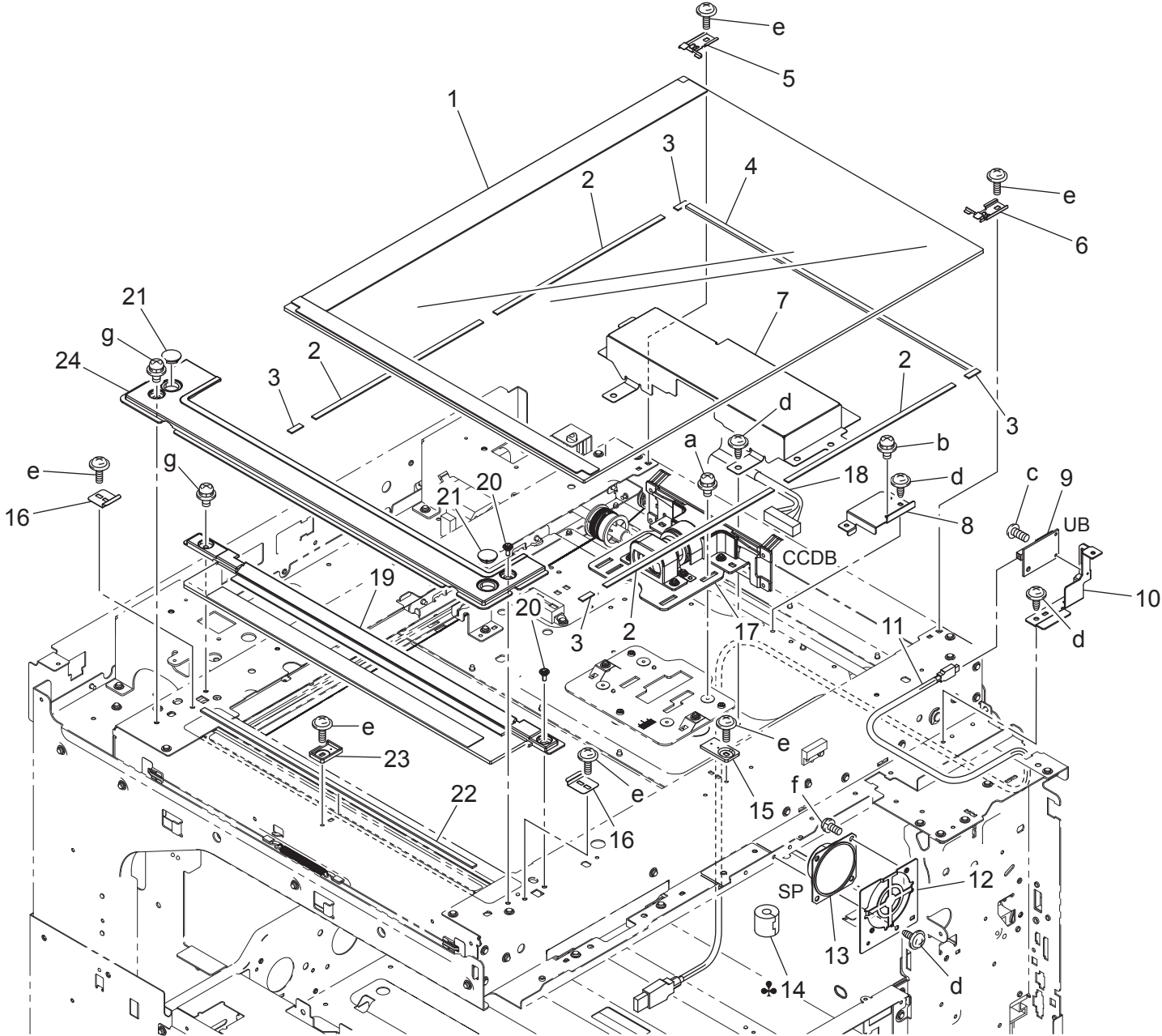
bizhub C220/bizhub C280/bizhub C360

# CONTROL PANEL

Key	Part No.	Description	Destinations	Class	QTY	Standard parts
1	A0ED 1714 01	Read Cover		C	1	a-V116 0308 03
2	A011 9462 00	Label Emperon		D	1	b-V195 0600 03
3	A0P0 M705 01	Panel assembly	A,A1	I	1	c-V205 0600 03
3	A0P0 M706 01	Panel assembly	B,D1,D3,E,F1,F2,G1,G2,I,K	I	1	d-V116 0306 03
3	A0P0 M707 01	Panel assembly	C	I	1	e-V217 0400 01
3	A0P0 M708 00	Panel assembly	J	I	1	f-V217 0300 01
3	A0P0 M709 00	Panel assembly	H	I	1	g-V153 0310 03
4	A0ED 1694 00	Cover		C	1	h-V137 0306 03
5	A0P0 1679 00	Cover		C	1	
6	A0ED 1915 00	Mounting Plate		D	1	
7	A00J 1929 00	Washer		C	2	
8	A0ED 1922 00	Lever		C	1	
9	A0ED 1926 00	Pulling Spring		C	1	
10	A0ED 1925 01	Handle		C	1	
11	A0ED 1923 00	Lever		C	1	
12	A0ED 1921 00	Mounting Plate		C	1	
13	A00J 1919 00	Washer		C	2	
14	A0ED 1912 00	Mounting Plate		C	1	
15	A00J 1918 00	Support Screw		C	1	
16	A0ED 1716 00	Read Cover		C	1	
17	A0P0 1680 00	Cover		D	1	
18	A00J 1928 00	Support Shaft		D	1	
19	A0ED 1916 00	Mounting Plate		C	1	
20	A0P0 1913 00	Arm		D	1	
21	A0P0 1927 01	Torsion Spring		D	1	
22	A00J 1917 00	Collar		D	2	
23	A0P0 1914 00	Arm		D	1	
24	A0ED 1911 00	Mounting Plate		C	1	
25	A0ED 1710 01	Read Cover /Right front		C	1	
26	A0ED N11B 01	Ope.unit Cable		C	1	
27	A0ED R702 00	Mounting Plate (Control Panel) Assy		C	1	
28	A0PD 1602 00	Pen		C	1	

bizhub C220/bizhub C280/bizhub C360

CCD UNIT/ SCANNER SECTION



bizhub C220/bizhub C280/bizhub C360



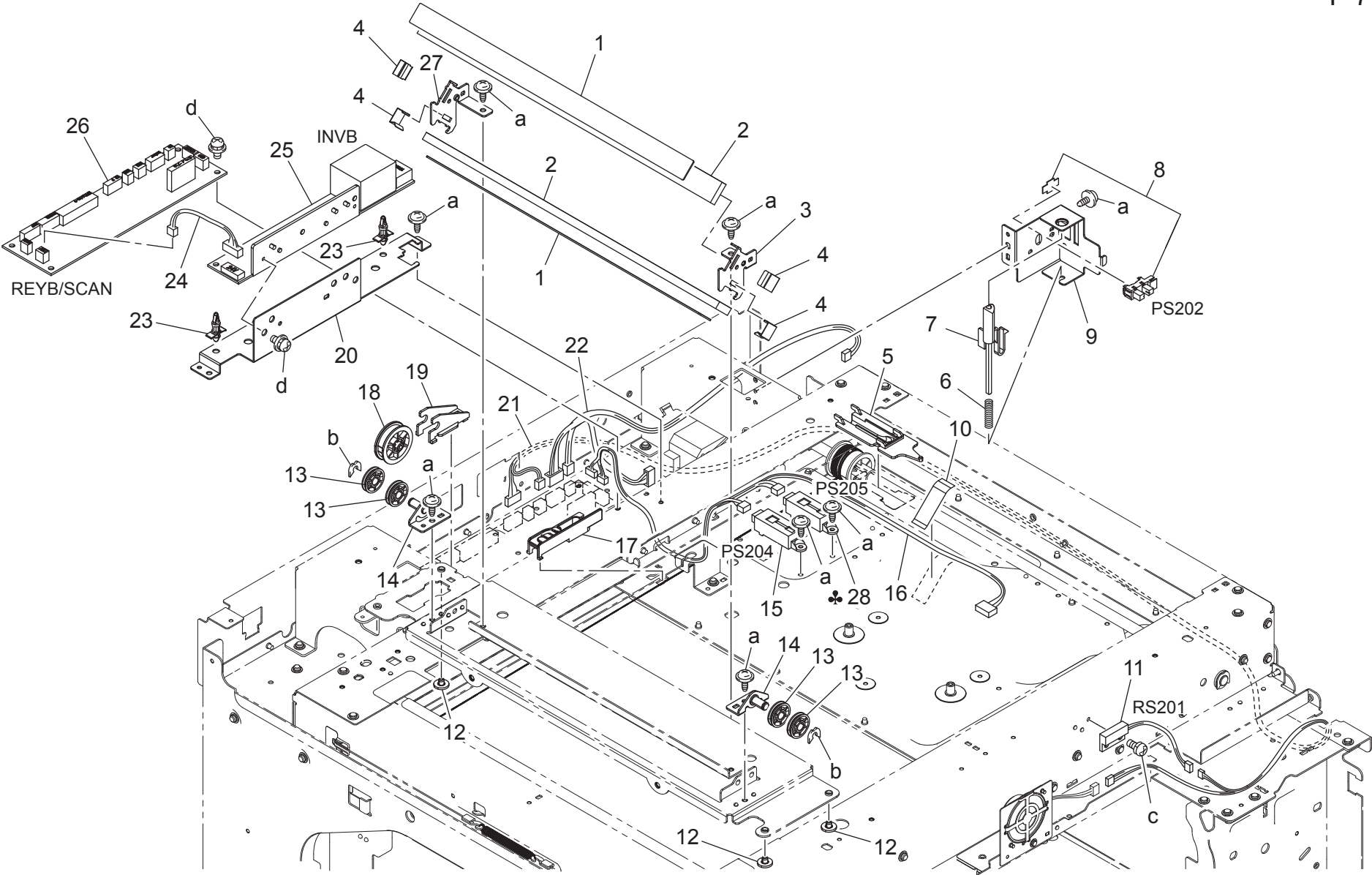
CCD UNIT/ SCANNER SECTION

Key	Part No.	Description	Destinations	Class	QTY	Standard parts
1	A0ED R727 00	Original Glass Assy		C	1	a-V116 0306 03
2	A0ED 2684 00	Seal		C	4	b-V116 0308 03
3	A0ED 2685 00	Seal		C	4	c-V111 0206 03
4	A0ED 2673 00	Cushion		C	1	d-V137 0306 03
5	A0ED 2683 00	Holding Plate		D	1	e-V121 0306 04
6	A0ED 2682 00	Holding Plate		D	1	f-V115 0306 03
7	A0ED 2786 00	Cover		D	1	g-V116 0308 04
8	A0ED 2817 00	Mounting Plate		D	1	
9	A0P0 H025 00	PWB assembly(PWB-UCN ASSY)		D	1	
10	A0ED 2818 00	Mounting Plate		D	1	
11	A0P0 N153 00	Cable		C	1	
12	A0ED 2819 00	Mounting Plate		D	1	
13	4040 M401 00	LOUDSPEAKER		D	1	
14	9326 1810 51	FERRITE CORE	C,D1,D3,E,F2,,G1,H,I,J,K	D	1	
15	A00J 2653 00	Regulating Plate		C	1	
16	A0ED 2688 00	Holding Plate		D	2	
17	A0ED R725 00	CCD Lens		I	1	
18	A0ED N140 00	Interface Cable		C	1	
19	A0ED R726 00	Slit Glass Assy		C	1	
20	A00J 1692 00	Shoulder screw		C	2	
21	A00J 1691 00	Cover		C	2	
22	A0ED 2681 00	Cushion		C	1	
23	A0ED 2687 00	Regulating Plate		D	1	
24	A0ED 2675 00	Cover		C	1	

bizhub C220/bizhub C280/bizhub C360



SCANNER DRIVE SECTION



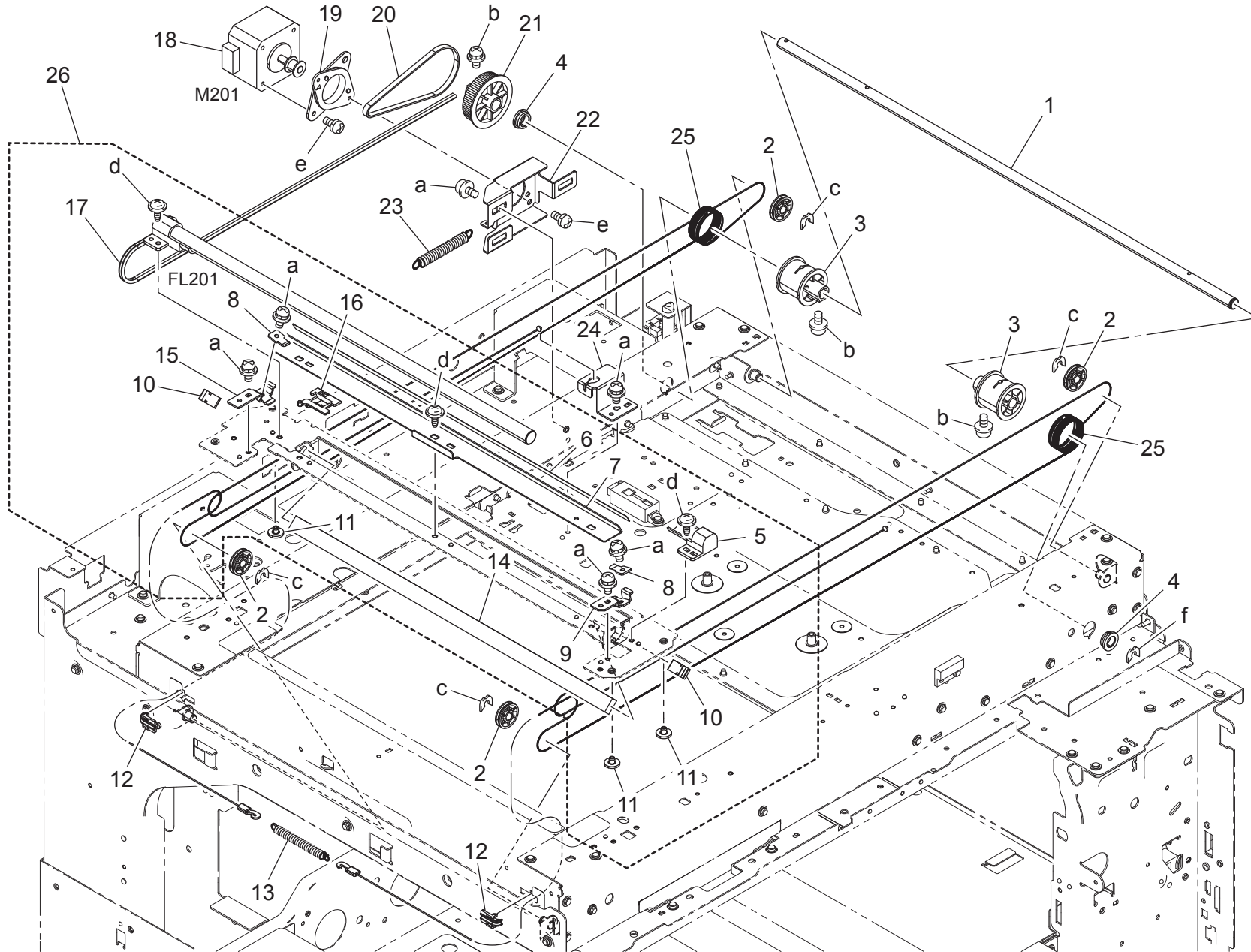
bizhub C220/bizhub C280/bizhub C360

# SCANNER DRIVE SECTION

Key	Part No.	Description	Destinations	Class	QTY	Standard parts
1	A0ED 2742 00	Vibrationproof Plate		D	2	a-V137 0306 03 b-V218 0400 86 c-V115 0306 03 d-V116 0306 03
2	A0ED 2732 00	Mirror		D	2	
3	A0ED 2733 00	Mounting Plate		D	1	
4	A0ED 2741 00	Plate spring		D	4	
5	A0ED 2816 00	Guide		D	1	
6	4036 1720 01	PRESSURE SPRING		C	1	
7	A00J 2802 00	Lever		C	1	
8	4037 0903 01	PHOTO INTERRUPTER		B	1	
9	A0ED 2801 00	Mounting Plate		D	1	
10	4036 3075 01	TAPE		D	1	
11	9334 2610 12	REED SWITCH		C	1	
12	A0ED 2710 00	Bushing		C	3	
13	A0ED 2736 00	Pulley		C	4	
14	A0ED 2737 00	Mounting Plate		D	2	
15	9335 1400 81	SOLID STATE SWITCH		C	1	
16	A0ED N144 00	Scanner Wiring /4		D	1	
17	A0ED 2812 00	Guide		D	1	
18	A0ED 2739 00	Pulley		D	1	
19	A0ED 2740 00	Guide Part		D	1	
20	A0ED 2811 00	Mounting Plate		D	1	
21	A0ED N143 01	Scanner Wiring /3		D	1	
22	A0ED N141 00	Scanner Wiring /1		D	1	
23	V502 0100 33	spacer		D	2	
24	A0ED N146 00	Scanner Wiring /6		D	1	
25	A0ED M410 00	Inverter unit		I	1	
26	A0ED H01A 01	PWB Assembly (PWB-IF ASSY)		I	1	
27	A0ED 2734 00	Mounting Plate		D	1	
28	9335 1400 81	SOLID STATE SWITCH	D1,D3,E,F1,F2,G1,I,K	C	1	

bizhub C220/bizhub C280/bizhub C360

# SCANNER DRIVE SECTION



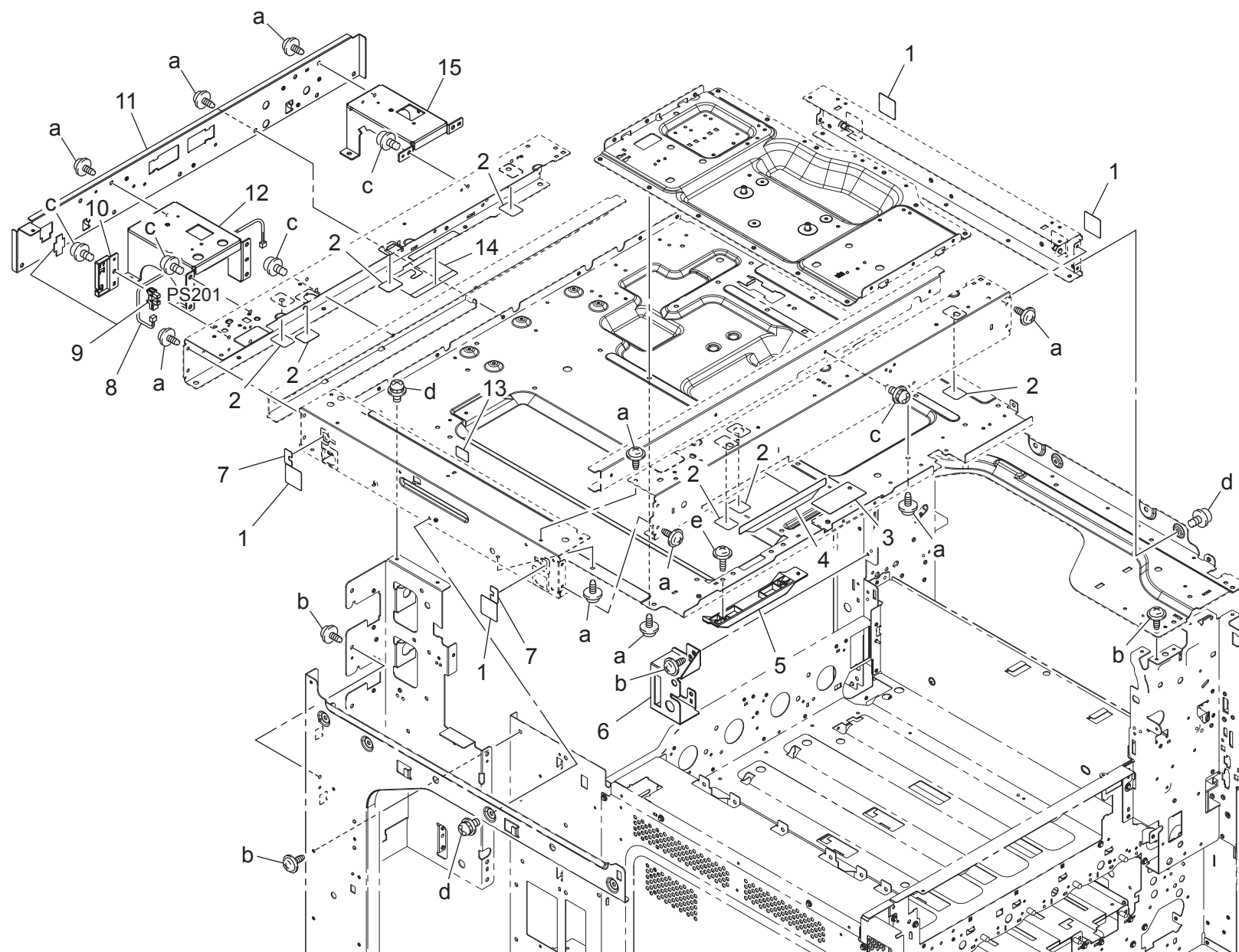
bizhub C220/bizhub C280/bizhub C360

# SCANNER DRIVE SECTION

Key	Part No.	Description	Destinations	Class	QTY	Standard parts
1	A0ED 2754 00	Shaft		D	1	a-V116 0306 03 b-V116 0308 03 c-V218 0400 86 d-V137 0306 03 e-V115 0306 03 f-V218 0600 86
2	A0ED 2736 00	Pulley		C	4	
3	A0ED 2753 01	Pulley		D	2	
4	A0ED 2765 00	Bearing		D	2	
5	A0ED 2705 00	Holder		D	1	
6	A02E 2708 00	Seal		D	1	
7	A0ED 2704 00	Mounting Plate		D	1	
8	A0ED 2709 00	Pressing Plate		D	2	
9	A0ED 2708 00	Mounting Plate		D	1	
10	A0ED 2703 00	Plate spring		D	2	
11	A0ED 2710 00	Bushing		C	3	
12	A00J 2763 00	Guide Part		C	2	
13	A0ED 2763 01	Pulling Spring		D	1	
14	A0ED 2702 00	Mirror		D	1	
15	A0ED 2707 00	Mounting Plate		D	1	
16	A0ED 2706 00	Guide		D	1	
17	A0ED M310 00	Lamp		C	1	
18	A02E M10A 00	Stepping motor		C	1	
19	A0P0 2767 00	Vibrationproof Rubber		D	1	
20	A0ED 2756 00	Belt 210L		D	1	
21	A0ED 2755 01	Pulley 117T		D	1	
22	A0ED 2760 00	Mounting Plate		D	1	
23	A0ED 2757 00	Pulling Spring		D	1	
24	A0ED 2762 00	Mounting Plate		D	1	
25	A0ED 2751 00	Wire		D	2	
26	A0ED R728 00	1st Slider Assy		I	1	

bizhub C220/bizhub C280/bizhub C360

# IR FRAME



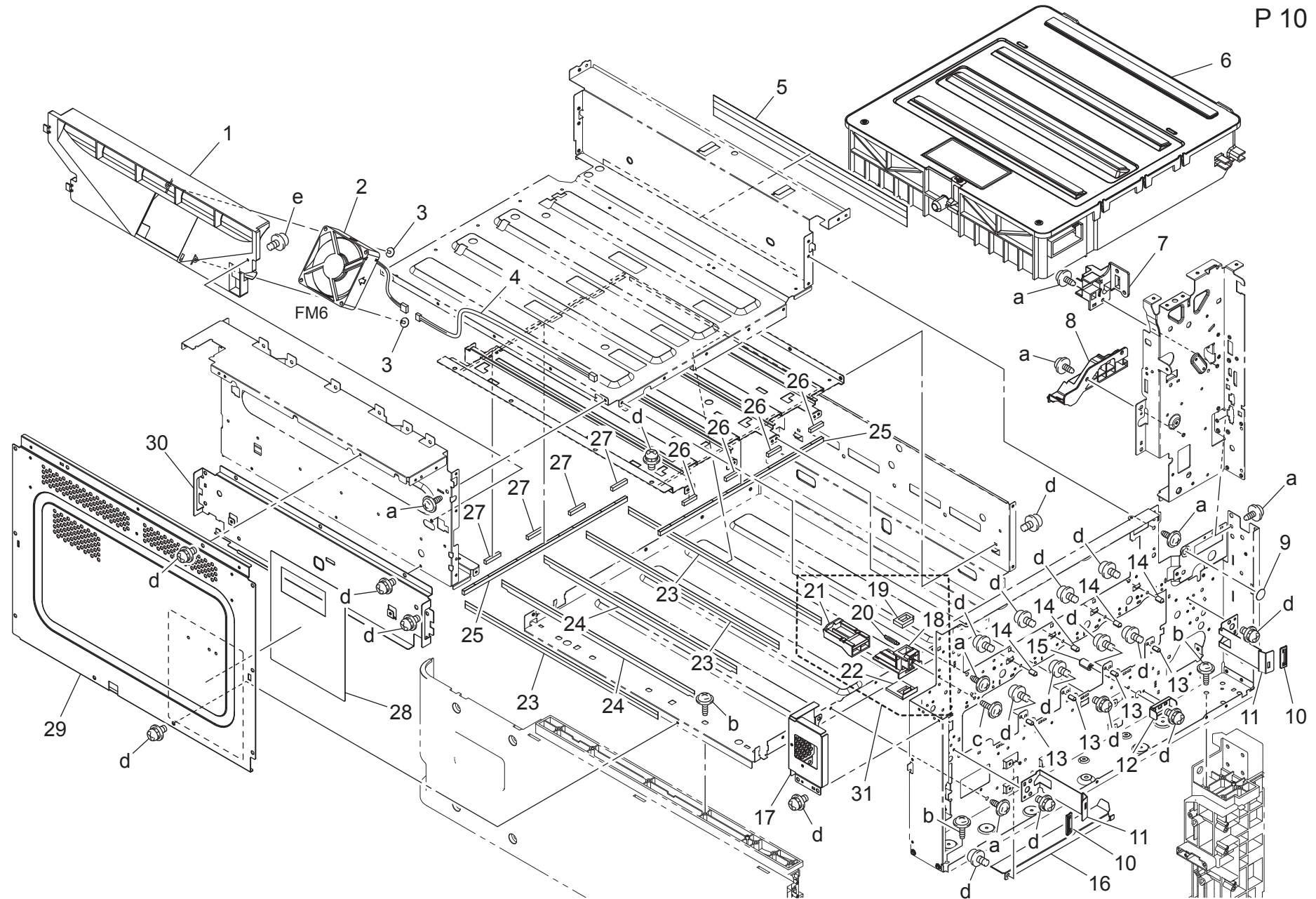
bizhub C220/bizhub C280/bizhub C360

Key	Part No.	Description	Destinations	Class	QTY	Standard parts
1	A0ED 2625 00	Seal		C	4	a-V137 0306 03 b-V137 0308 03 c-V116 0306 03 d-V116 0308 03 e-V153 0308 03
2	4581 1625 01	SEAL		C	7	
3	A0ED 2632 00	Seal		C	1	
4	A0ED 2624 00	Seal		C	1	
5	A0ED 2623 00	Cover		D	1	
6	A0ED 2662 00	Mounting Plate		D	1	
7	A0ED 2627 00	Seal		C	2	
8	A0ED N142 00	Scanner Wiring /2		D	1	
9	4037 0903 01	PHOTO INTERRUPTER		B	1	
10	A0ED 2622 00	Cover		D	1	
11	A0ED 2621 00	Frame		D	1	
12	A0ED 2619 00	Frame		C	1	
13	A0ED 2626 00	Seal		C	1	
14	A0ED 2630 00	Seal		D	1	
15	A0ED 2620 00	Frame		C	1	

bizhub C220/bizhub C280/bizhub C360

# PH UNIT

P 10



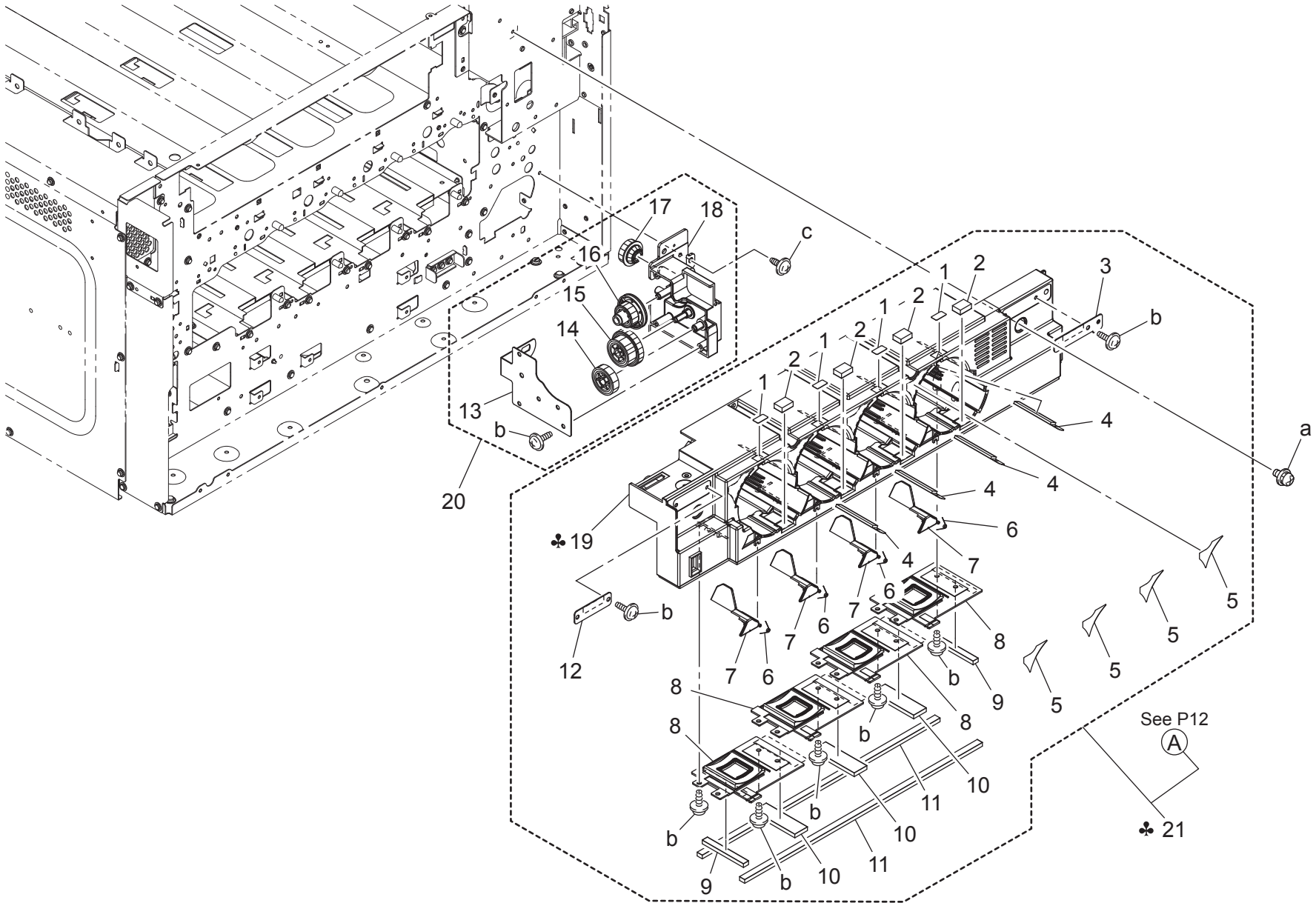
bizhub C220/bizhub C280/bizhub C360

Key	Part No.	Description	Destinations	Class	QTY	Standard parts
1	A0ED 1420 00	Duct		D	1	a-V137 0308 03 b-V153 0410 03 c-V153 0308 03 d-V116 0306 03 e-V116 0308 03
2	9J03 M100 00	FAN MOTOR		B	1	
3	4163 5293 01	SCREW		C	2	
4	A0ED N10J 00	Cooling Wiring /2		D	1	
5	A0ED 1081 00	Seal		D	1	
6	A0ED R708 00	Print Head Assy(Amur1/2)	{bizhub C360/C280}	I	1	
6	A0ED R709 00	Print Head Assy(Amur3)	{bizhub C220}	I	1	
7	A0ED 1028 00	Holder		D	1	
8	A0ED 1026 00	Guide		D	1	
9	A0ED 1459 00	Seal		D	1	
10	A00J 3650 01	Knob		C	2	
11	A0ED 3603 01	Fixing Plate		D	2	
12	A0ED 1022 00	Positioning Plate		D	1	
13	A0ED 1032 01	Pin		D	4	
14	A0ED 1031 00	Pin		D	4	
15	A0ED 1021 00	Pin		D	1	
16	A0ED 1076 00	Rail		D	1	
17	A0ED 1074 00	Reinforce Plate		D	1	
18	A0ED 3630 00	Pipe		D	1	
19	A0ED 3634 00	Seal		C	1	
20	A0ED 3632 00	Pulling Coil spring		D	1	
21	A0ED 3631 00	Shutter		D	1	
22	A0ED 3633 00	Seal		C	1	
23	A0ED 1087 00	Seal		D	3	
24	A0ED 1088 00	Seal		D	2	
25	A0ED 1084 00	Seal		D	2	
26	A0ED 1085 00	Seal		D	4	
27	A0ED 1086 00	Seal		D	4	
28	A0ED 1093 00	Seal		D	1	
29	A0ED 1012 00	Cover		D	1	
30	A0ED 1011 00	Mounting Plate		D	1	
31	A0ED F360 00	Waste Toner Pipe		C	1	

bizhub C220/bizhub C280/bizhub C360



TONER SUPPLY SECTION



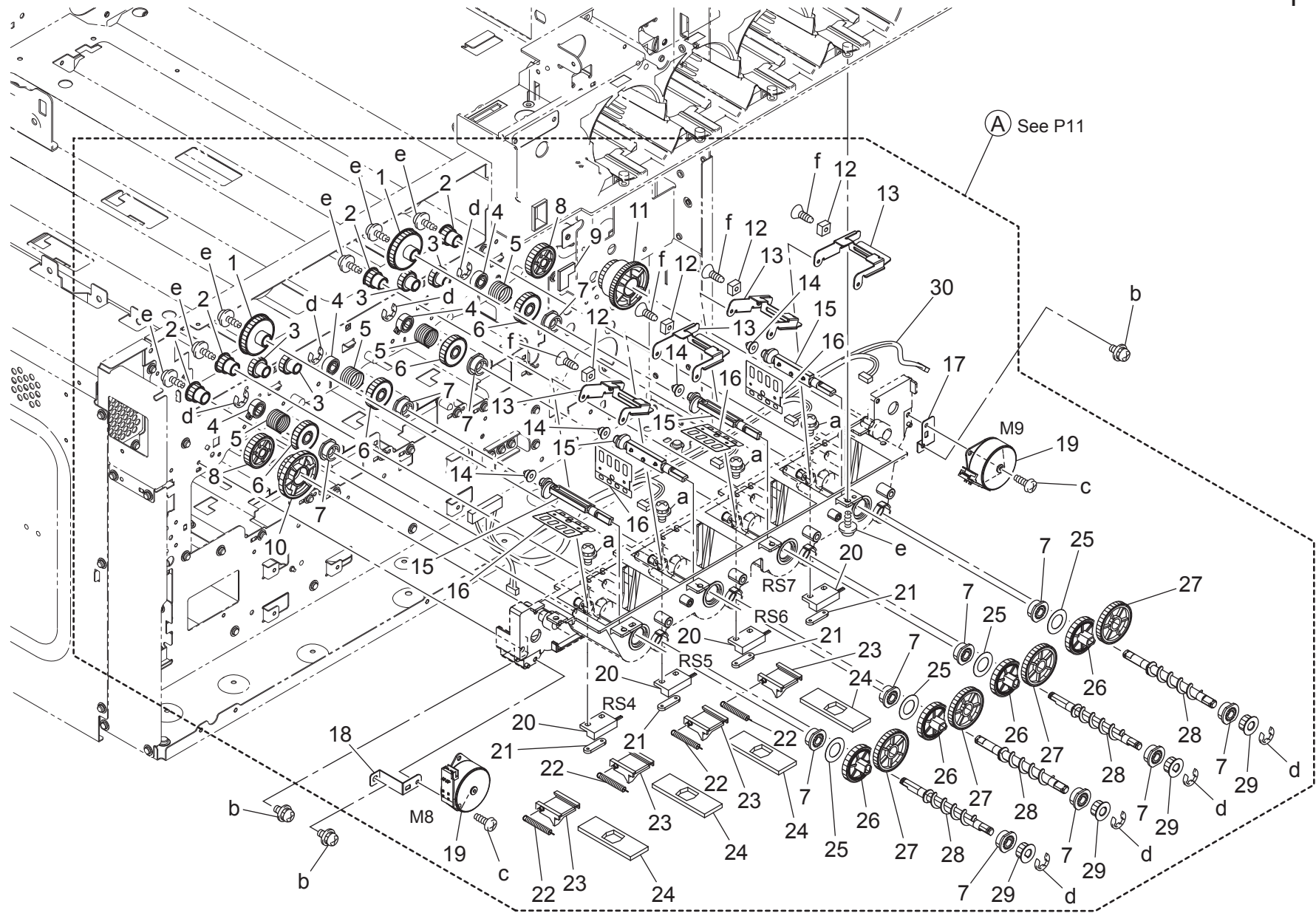
bizhub C220/bizhub C280/bizhub C360

TONER SUPPLY SECTION

Key	Part No.	Description	Destinations	Class	QTY	Standard parts
1	A0ED 9407 00	Label Toner 2		D	4	a-V116 0308 03 b-V153 0308 03 c-V144 0308 03
2	A0ED 4056 01	Seal		D	4	
3	A0ED 4057 00	Suction Plate		D	1	
4	A0ED 4055 01	Spacer		D	4	
5	A0ED 9406 00	Label Toner 1		D	4	
6	A0ED 4054 00	Torsion Coil spring		D	4	
7	A0ED 4053 00	Detecting Plate		D	4	
8	A0ED 4051 01	Cover		D	4	
9	A0ED 4026 01	Seal		D	2	
10	A0ED 4009 01	Seal		D	3	
11	A0ED 4008 01	Seal		D	2	
12	4038 1014 01	SUCTION PLATE		D	1	
13	A0ED 2452 00	Hold Plate		D	1	
14	A0ED 2579 00	Gear 16T		D	1	
15	A0ED 2454 00	Gear 32/16T		D	1	
16	A0ED 2451 00	Gear 40/20T		D	1	
17	A0ED 2450 00	Gear 20/20T		D	1	
18	A0ED 2586 01	Holder		D	1	
19	A0ED 4050 00	Cover	B,F1,G2,{bizhub C360}	D	1	
19	A0ED 4060 00	Cover	B,G2,{bizhub C280/C220}	D	1	
19	A0ED 4061 00	Cover	A,A1,{bizhub C360}	D	1	
19	A0ED 4062 00	Cover	A,A1,{bizhub C280/C220}	D	1	
19	A0ED 4063 00	Cover	C,{bizhub C360}	D	1	
19	A0ED 4064 00	Cover	C,{bizhub C280/C220}	D	1	
19	A0ED 4065 00	Cover	D1,D3,E,F2,G1,H,I,J,K,{bizhub C360}	D	1	
19	A0ED 4066 00	Cover	D1,D3,E,F1,F2,G1,H,I,J,K,{bizhub C280/C220}	D	1	
20	A0ED R707 00	Waste Toner Drive Assy		S	1	
21	A0ED R710 00	Sub Hopper Assy(Amur1JP)	A,A1,{bizhub C360}	S	1	
21	A0ED R711 00	Sub Hopper Assy(Amur1US)	B,F1,G2,{bizhub C360}	S	1	
21	A0ED R712 00	Sub Hopper Assy(Amur1EU)	C,{bizhub C360}	S	1	
21	A0ED R713 00	Sub Hopper Assy(Amur2/3JP)	A,A1,{bizhub C280/C220}	S	1	
21	A0ED R714 00	Sub Hopper Assy(Amur2/3US)	B,G2,{bizhub C280/C220}	S	1	
21	A0ED R715 00	Sub Hopper Assy(Amur2/3EU)	C,{bizhub C280/C220}	S	1	
21	A0ED R737 00	Sub Hopper Assy(Amur1 other)	D1,D3,E,F2,G1,H,I,J,K,{bizhub C360}	S	1	
21	A0ED R739 00	Sub Hopper(Amur2/3 Others)	D1,D3,E,F1,F2,G1,H,I,J,K,{bizhub C280/C220}	S	1	

bizhub C220/bizhub C280/bizhub C360

# TONER SUPPLY SECTION



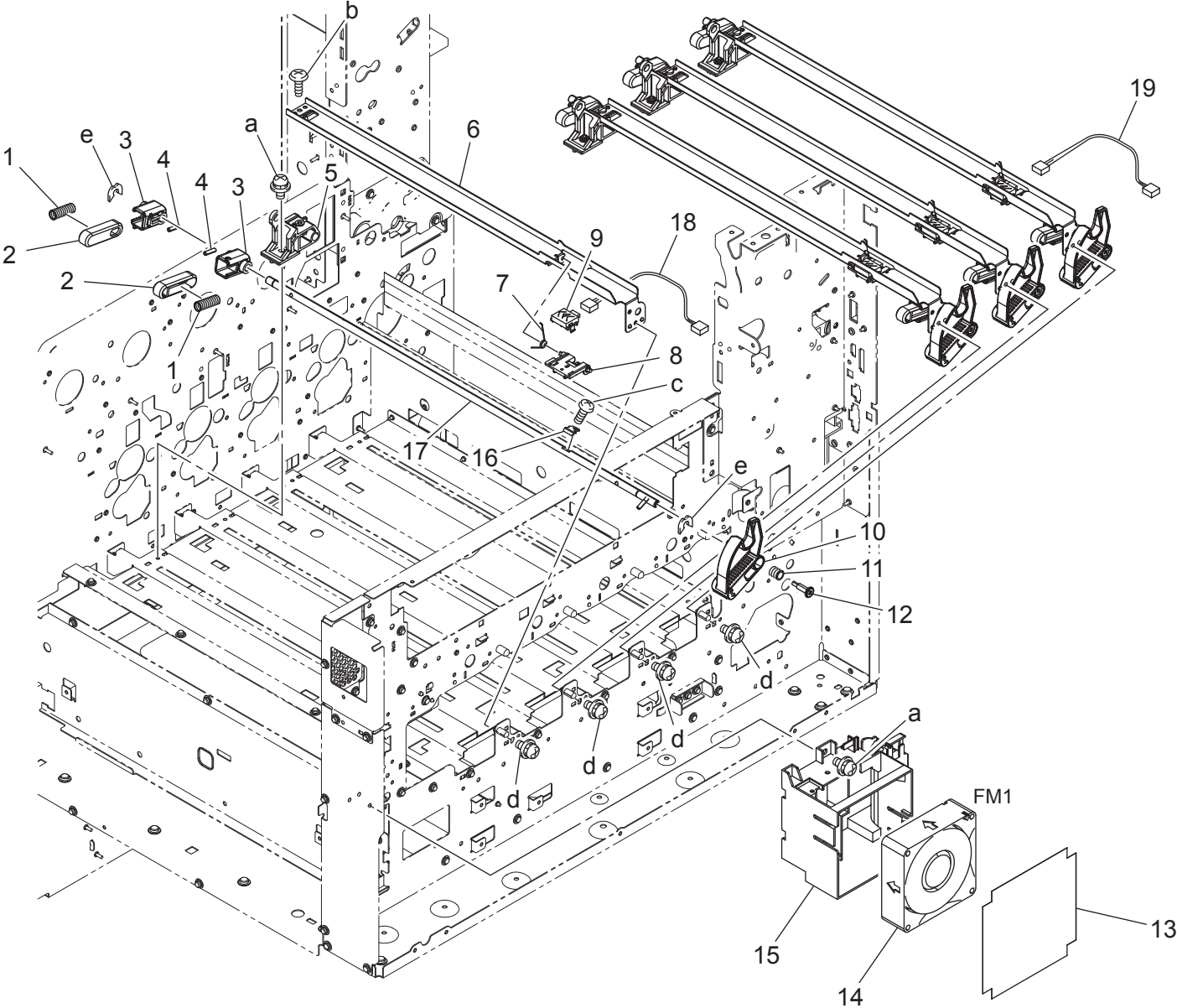
bizhub C220/bizhub C280/bizhub C360

TONER SUPPLY SECTION

Key	Part No.	Description	Destinations	Class	QTY	Standard parts
1	A0ED 4021 00	Gear 47T		D	2	a-V116 0310 03 b-V116 0308 03 c-V145 0308 03 d-V217 0400 01 e-V153 0308 03 f-V112 0308 03
2	A0ED 4019 00	Gear 19T		D	4	
3	A0ED 4020 00	Gear 23T		D	4	
4	A0ED 4016 00	Guide		C	4	
5	4038 5411 01	SPRING		C	4	
6	A0ED 4015 00	Gear 36T		C	4	
7	4163 5102 01	BUSHING		C	12	
8	A0ED 4018 00	Gear 40T		D	2	
9	A0ED 4028 01	Seal		D	1	
10	A0ED 4025 00	Gear 37/37T		D	1	
11	A0ED 4017 00	Gear 37/88T		D	1	
12	9326 2900 06	MAGNET		D	4	
13	A0ED 4005 00	Detecting Plate		D	4	
14	A0ED 4006 00	Pin		D	4	
15	A0ED 4003 00	Agitating Shaft		D	4	
16	A0ED 4004 00	Agitating Part		D	4	
17	A0ED 4024 00	Ground Plate		D	1	
18	A0ED 4023 00	Ground Plate		D	1	
19	A02E M104 00	Stepping motor		C	2	
20	9334 2710 11	SWITCH		C	4	
21	4011 5339 01	PLATE NUT		D	4	
22	4036 5348 01	TENSION SPRING		C	4	
23	A0ED 4010 00	Shutter		D	4	
24	A0ED 4011 01	Seal		D	4	
25	A0ED 4007 00	Seal		D	4	
26	A0ED 4013 00	Gear 33T		D	4	
27	A0ED 4014 00	Gear 20/51T		D	4	
28	A0ED 4002 01	Supply Roller		D	4	
29	A0ED 4012 00	Gear 17T		D	4	
30	A0ED N108 01	Toner Drive harness		D	1	

bizhub C220/bizhub C280/bizhub C360

D/C RAIL SECTION



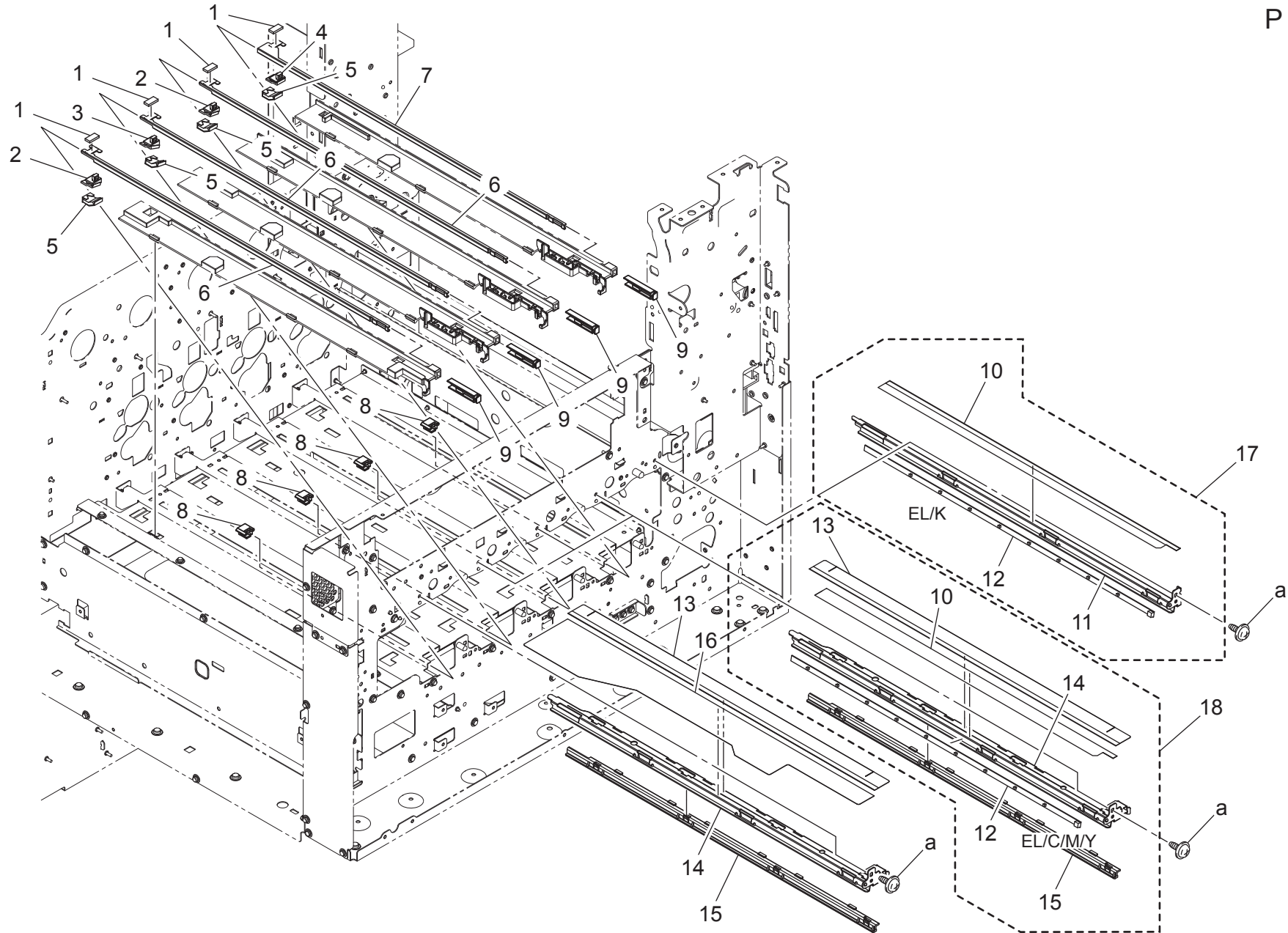
bizhub C220/bizhub C280/bizhub C360

D/C RAIL SECTION

Key	Part No.	Description	Destinations	Class	QTY	Standard parts
1	A0ED 1037 00	Compressing Coil spring		C	8	a-V116 0308 03 b-V149 0308 03 c-V111 0306 03 d-V116 0306 03 e-V217 0400 01
2	A0ED 1036 00	Slide Lever		C	8	
3	A0ED 1050 00	Holder		C	8	
4	9752 3012 50	PIN		V	8	
5	A0ED 1060 00	Support Holder		C	4	
6	A0ED 1006 00	Rail		D	4	
7	A0ED 1057 00	Torsion Coil spring		C	4	
8	A0ED 1048 01	Holder		C	4	
9	A0ED M600 01	Relay Connector		C	4	
10	A0ED 1034 00	Lever		C	4	
11	A0ED 1052 00	Compressing Coil spring		C	4	
12	A0ED 1053 00	Shoulder screw		C	4	
13	A0ED 1409 00	Filter		C	1	
14	9J03 M100 00	FAN MOTOR		B	1	
15	A0ED 1410 00	Duct		D	1	
16	A0ED 1058 00	Lever		D	4	
17	A0ED 1033 00	Shaft		D	4	
18	A0ED N10P 01	Photoconductor Wiring /C		D	3	
19	A0ED N117 00	Photoconductor Wiring /K		D	1	

bizhub C220/bizhub C280/bizhub C360

# ERASE LAMP SECTION



bizhub C220/bizhub C280/bizhub C360

ERASE LAMP SECTION

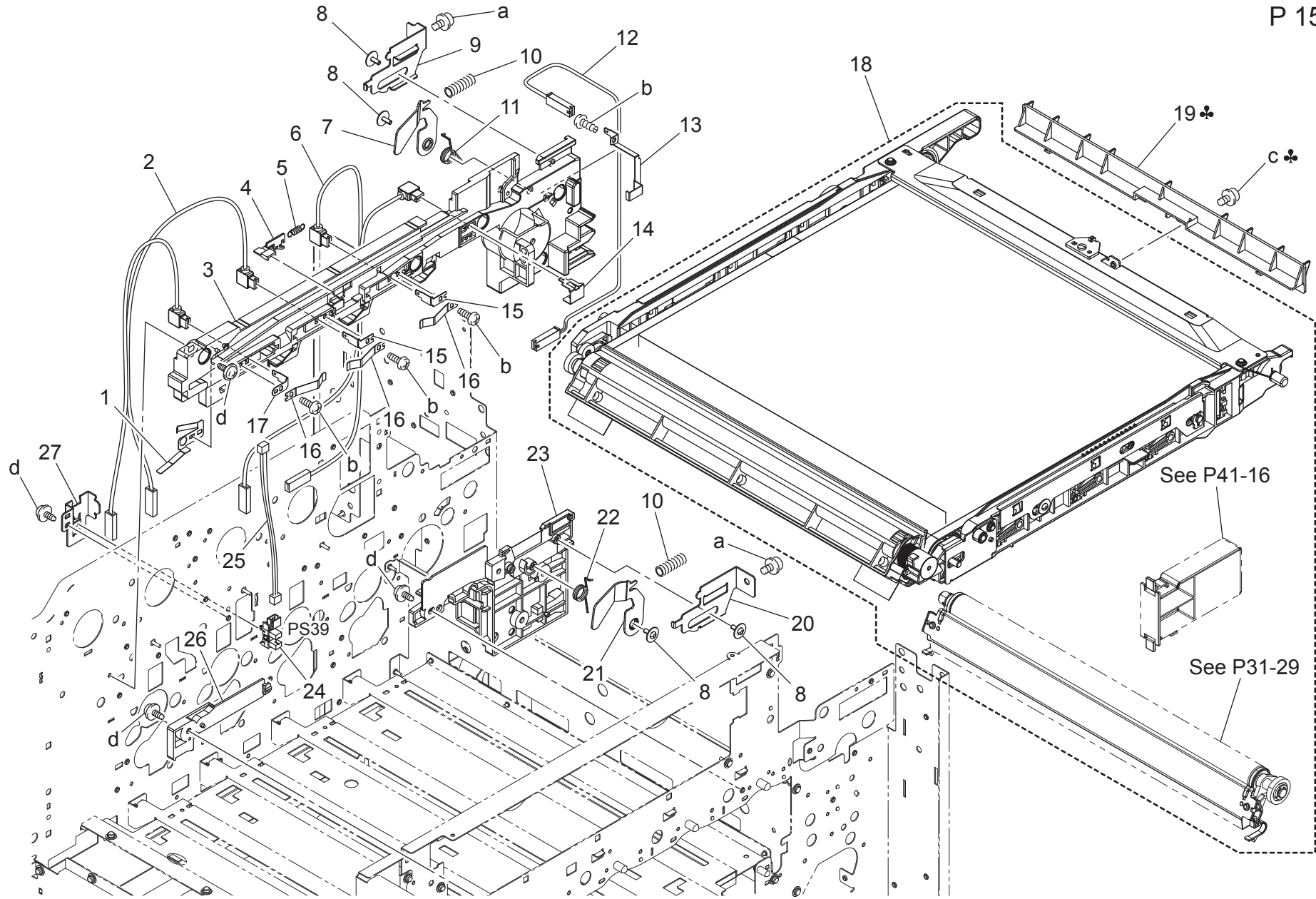
Key	Part No.	Description	Destinations	Class	QTY	Standard parts
1	A0ED 1090 01	Seal		C	4	a-V137 0308 03
2	A0ED 1067 00	Holder		C	2	
3	A0ED 1068 00	Holder		C	1	
4	A0ED 1069 00	Holder		C	1	
5	A0ED 1070 00	Pad		C	4	
6	A0ED 1071 00	Stay		D	3	
7	A0ED 1072 00	Stay		D	1	
8	A0ED 1083 00	Holder		C	4	
9	A0ED 1082 00	Knob		D	4	
10	A0ED 1055 00	Light blocking Part		D	4	
11	A0ED 1043 01	Rail		D	1	
12	A0ED M304 00	Neutralizing LED array		D	4	
13	A0ED 1073 00	Seal		D	4	
14	A0ED 1005 01	Rail		D	4	
15	A0ED 1054 00	Rail		D	4	
16	A0ED 1089 00	Seal		D	1	
17	A0ED R700 00	Eraser (Black) Assy		C	1	
18	A0ED R701 00	Eraser (YMC) Assy		C	3	

bizhub C220/bizhub C280/bizhub C360



# TRANSFER BELT UNIT

P 15



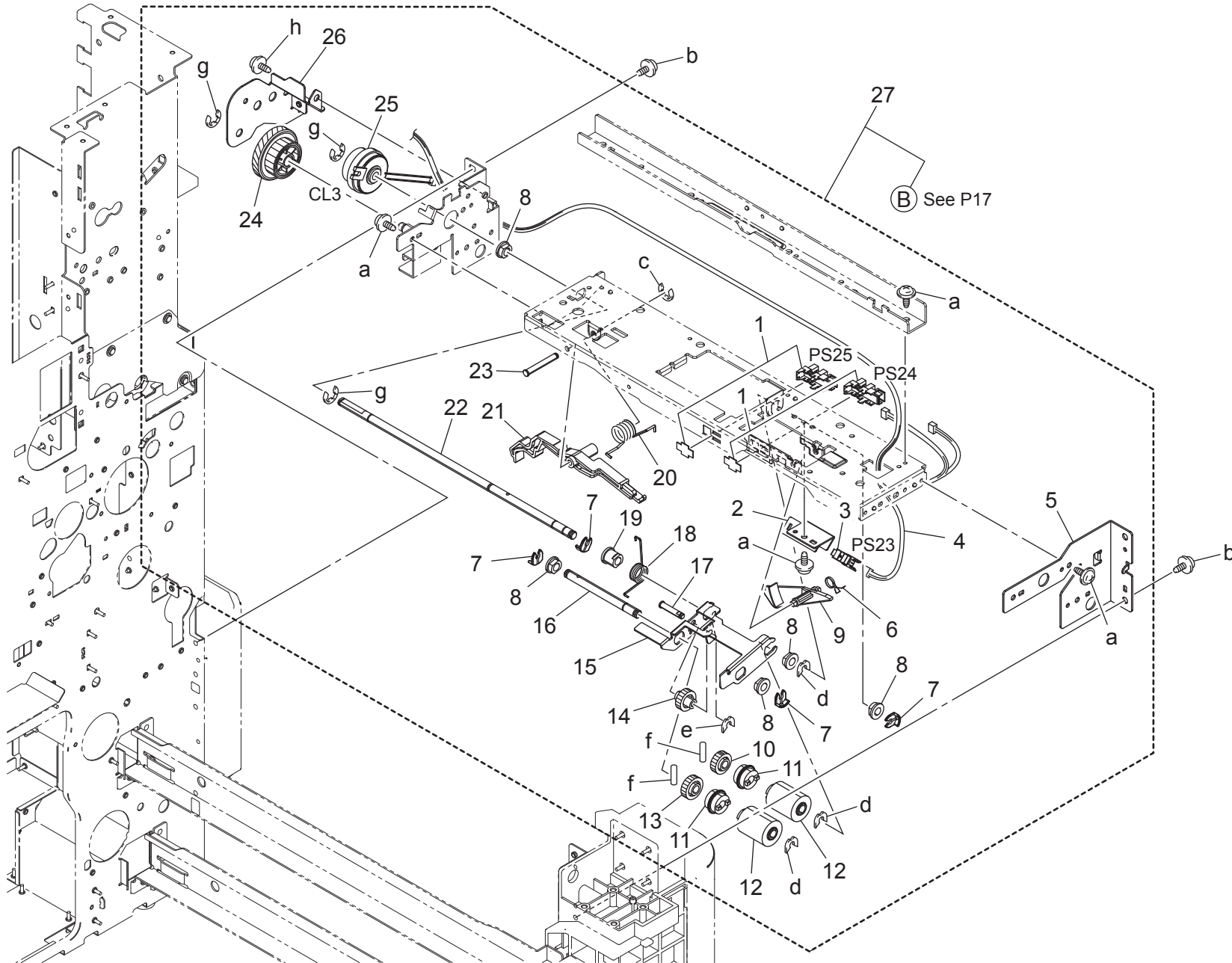
bizhub C220/bizhub C280/bizhub C360

# TRANSFER BELT UNIT

Key	Part No.	Description	Destinations	Class	QTY	Standard parts
1	A0ED 1120 00	Contact		C	1	a-V116 0408 03 b-V145 0308 03 c-V116 0308 04 d-V137 0308 03
2	A0ED N10U 01	Transfer Wiring /Y		D	1	
3	A0ED 1102 00	Rail		C	1	
4	A0ED 1108 00	Detecting Plate		C	1	
5	A0ED 1109 00	Pulling Coil spring		C	1	
6	A0ED N10W 01	Transfer Wiring /K		D	1	
7	A0ED 1106 00	Arm /Rear		D	1	
8	4163 5293 01	SCREW		C	4	
9	A0ED 1107 00	Lever /Rear		C	1	
10	A0ED 1110 00	Compressing Coil spring		C	2	
11	A0ED 1112 00	Torsion Coil spring /R		D	1	
12	A0ED N10X 00	Transfer Wiring /2		D	1	
13	A0ED 1119 00	Contact		D	1	
14	A0ED 1114 00	Contact /K		D	1	
15	A0ED 1117 00	Contact		D	2	
16	A0ED 1115 00	Contact /Color		D	3	
17	A0ED 1118 00	Contact		D	1	
18	A0ED R716 00	Intermediate Image Transfer Kit		A	1	
19	A0ED 5084 00	Guide	A,A1	C	1	
20	A0ED 1105 00	Lever /Front		C	1	
21	A0ED 1104 00	Arm /Front		D	1	
22	A0ED 1111 00	Torsion Coil spring /F		D	1	
23	A0ED 1101 00	Rail		D	1	
24	9335 1300 61	PHOTO INTERRUPTER		B	1	
25	A0ED N10B 01	Connecting Detection harness		D	1	
26	A0ED 1103 00	Rail		D	1	
27	A0ED 1121 00	Mounting Plate		D	1	

bizhub C220/bizhub C280/bizhub C360

# 1ST PAPER FEED SECTION



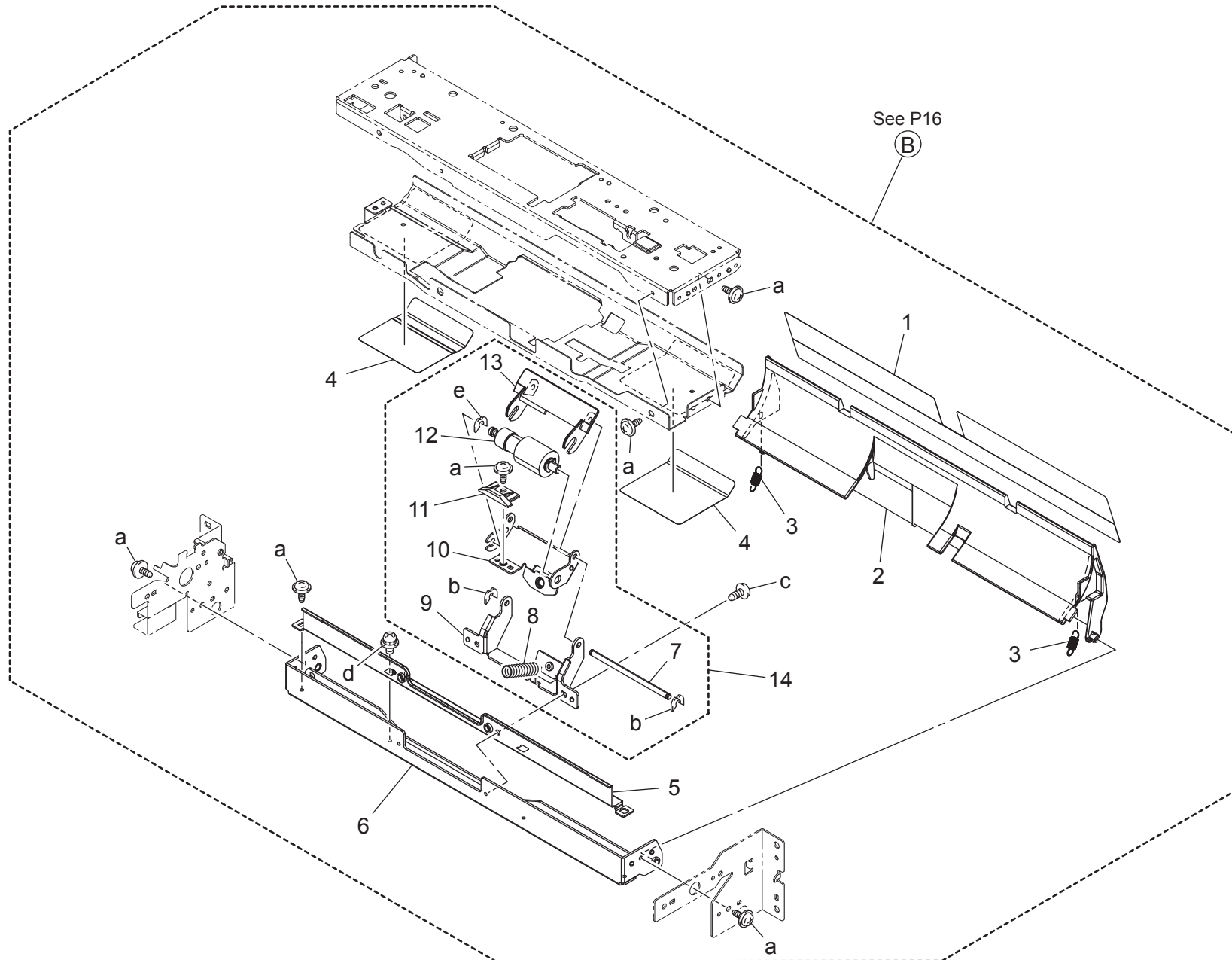
bizhub C220/bizhub C280/bizhub C360

# 1ST PAPER FEED SECTION

Key	Part No.	Description	Destinations	Class	QTY	Standard parts
1	4037 0906 01	PHOTO INTERRUPTER		B	2	a-V137 0306 03
2	A0ED 5609 00	Mounting Plate	{bizhub C360/C280}	D	1	b-V137 0308 03
3	A0ED M501 00	Photoreflector	{bizhub C360/C280}	I	1	c-V217 0300 01
4	A0ED N10F 00	Paperfeed Wiring /1	{bizhub C360/C280}	D	1	d-V218 0400 86
4	A0ED N11D 00	Paperfeed Wiring /1	{bizhub C220}	D	1	e-V218 0300 86
5	A0ED 5601 00	Frame /Front		D	1	f-V237 2008 50
6	A02E 5612 00	Torsion spring		C	1	g-V217 0400 01
7	56AA 4049 0	SHAFT STOPPER 4		C	4	h-V144 0306 03
8	4131 3003 01	BUSHING		C	5	
9	4030 3016 12	ACTUATOR		C	1	
10	4425 3013 01	GEAR 30T		C	1	
11	A02E 5611 00	Clutch		C	2	
12	A00J 5636 00	Roller		A	2	
13	4425 3016 01	GEAR 32T		C	1	
14	4030 3008 01	GEAR 29T		C	1	
15	A00J 5601 00	Paper feed Holder		D	1	
16	A00J 5640 00	Shaft /P		D	1	
17	4040 3097 01	SHAFT		D	1	
18	A00J 5603 02	Torsion Spring		C	1	
19	1065 3086 01	BUSHING		C	1	
20	A00J 5668 01	Torsion Spring		C	1	
21	A02E 5613 00	Lever		C	1	
22	A0ED 5605 00	Shaft		D	1	
23	A02E 5608 00	Shaft		D	1	
24	A0ED 5661 00	Gear 26/36T		C	1	
25	A02E M202 00	Clutch		C	1	
26	A0ED 5651 00	Mounting Plate		D	1	
27	A0ED R731 00	Paper Feed Assy (1st)	{bizhub C360/C280}	S	1	
27	A0ED R732 00	Paper Feed Assy (1st)3	{bizhub C220}	S	1	

bizhub C220/bizhub C280/bizhub C360

# 1ST PAPER FEED SECTION



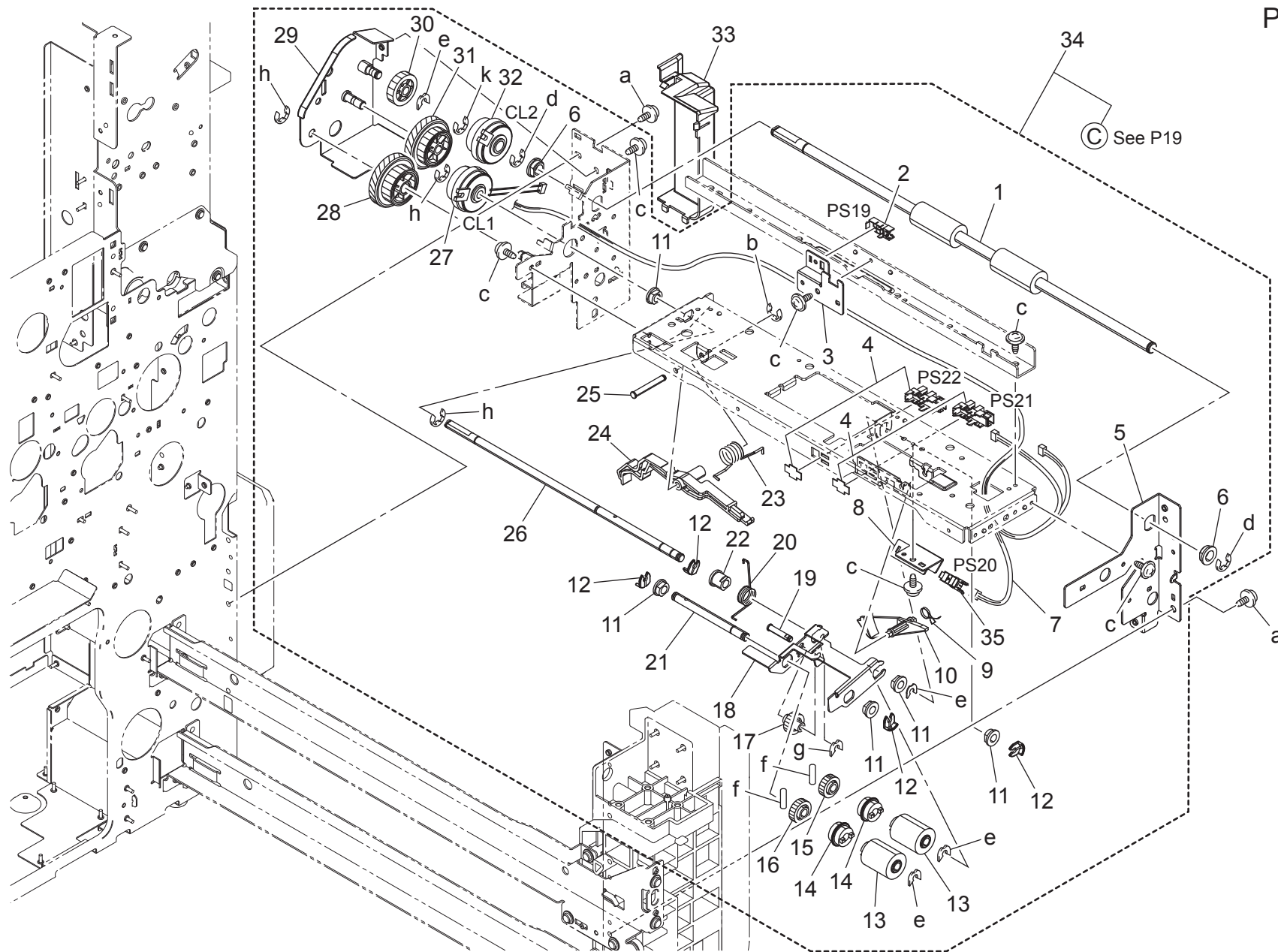
bizhub C220/bizhub C280/bizhub C360

# 1ST PAPER FEED SECTION

Key	Part No.	Description	Destinations	Class	QTY	Standard parts
1	A0ED 5685 00	Guide		C	1	a-V137 0306 03 b-V218 0300 86 c-V136 0308 03 d-V116 0308 03 e-V218 0400 86
2	A0ED 5684 00	Guide Plate		D	1	
3	4030 3125 01	TENSION SPRING		C	2	
4	A0ED 5612 00	Guide		D	2	
5	A02E 5610 00	Reinforce plate		C	1	
6	A0ED 5638 00	Mounting Plate		D	1	
7	4030 3039 01	SHAFT		D	1	
8	4030 3017 03	PRESSURE SPRING		C	1	
9	4030 3014 01	BRACKET		D	1	
10	4030 3013 01	HOLDER		C	1	
11	4030 3078 01	LEVER		C	1	
12	A02E F566 00	Separation Roller Assy		A	1	
13	A02E 5636 00	Guide		D	1	
14	A02E R729 00	Separation Roller Assy		C	1	

bizhub C220/bizhub C280/bizhub C360

# 2ND PAPER FEED SECTION



See P19

bizhub C220/bizhub C280/bizhub C360

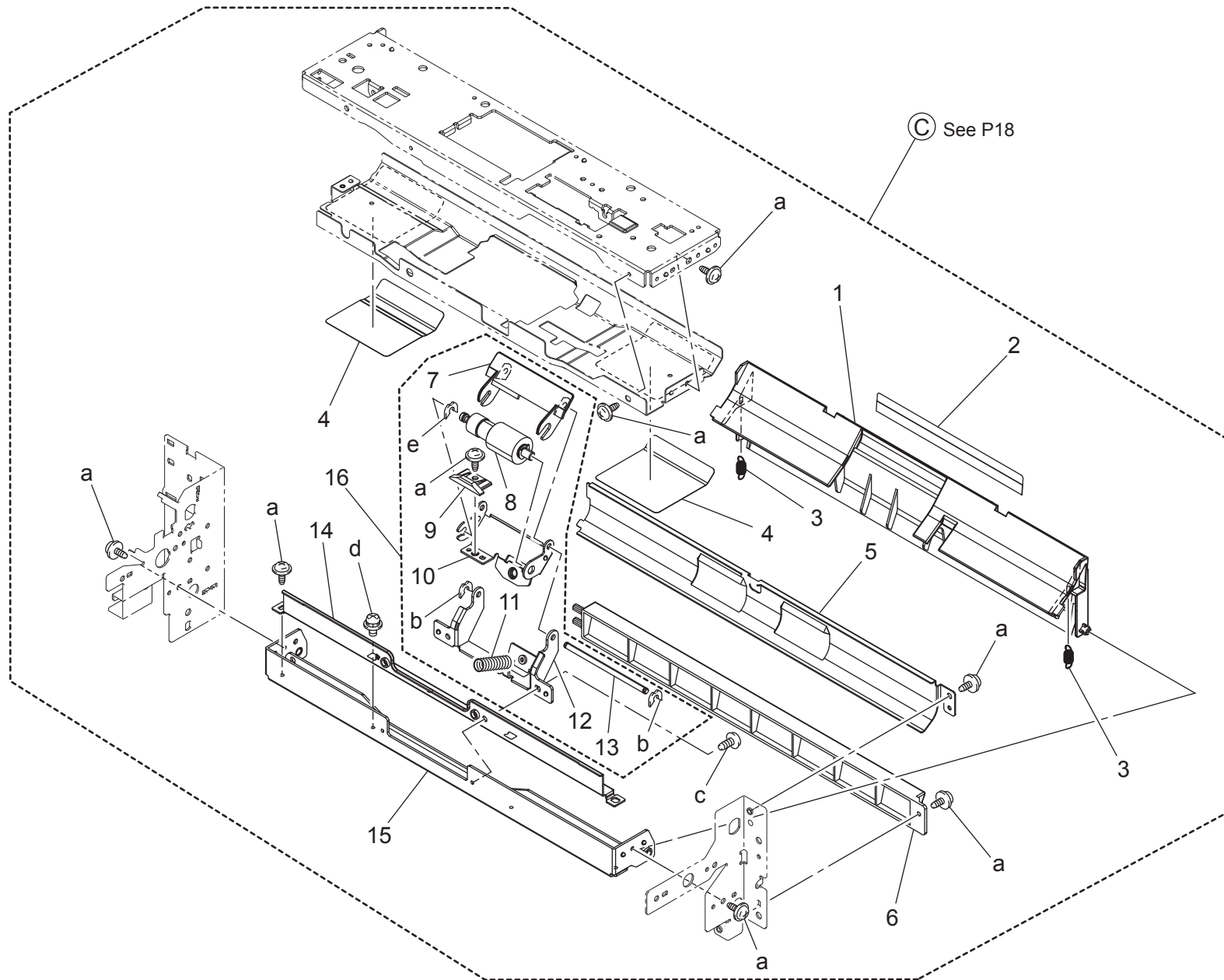
2ND PAPER FEED SECTION

Key	Part No.	Description	Destinations	Class	QTY	Standard parts
1	A0ED 5781 00	Drive Roller		D	1	a-V137 0308 03
2	A0ED M501 00	Photorelector		I	1	b-V217 0300 01
3	A0ED 5711 00	Mounting Plate		D	1	c-V137 0306 03
4	4037 0906 01	PHOTO INTERRUPTER		B	2	d-V217 0600 01
5	A0ED 5701 00	Frame /Front		D	1	e-V218 0400 86
6	4131 3532 02	BUSHING		C	2	f-V237 2008 50
7	A0ED N10G 01	Paperfeed Wiring /2	{bizhub C360/C280}	D	1	g-V218 0300 86
7	A0ED N11E 01	Paperfeed Wiring /2	{bizhub C220}	D	1	h-V217 0400 01
8	A0ED 5609 00	Mounting Plate	{bizhub C360/C280}	D	1	k-V217 0500 01
9	A02E 5612 00	Torsion spring		C	1	
10	4030 3016 12	ACTUATOR		C	1	
11	4131 3003 01	BUSHING		C	5	
12	56AA 4049 0	SHAFT STOPPER 4		C	4	
13	A00J 5636 00	Roller		A	2	
14	A02E 5611 00	Clutch		C	2	
15	4425 3013 01	GEAR 30T		C	1	
16	4425 3016 01	GEAR 32T		C	1	
17	4030 3008 01	GEAR 29T		C	1	
18	A00J 5601 00	Paper feed Holder		D	1	
19	4040 3097 01	SHAFT		D	1	
20	A00J 5603 02	Torsion Spring		C	1	
21	A00J 5640 00	Shaft /P		D	1	
22	1065 3086 01	BUSHING		C	1	
23	A00J 5668 01	Torsion Spring		C	1	
24	A02E 5613 00	Lever		C	1	
25	A02E 5608 00	Shaft		D	1	
26	A0ED 5605 00	Shaft		D	1	
27	A02E M202 00	Clutch		C	1	
28	A0ED 5661 00	Gear 26/36T		C	1	
29	A0ED G571 00	Caulking (Mounting Plate Drive Reinforce)		D	1	
30	A02E 5954 00	Gear 22T		C	1	
31	A0ED 5662 00	Gear 26/35T		C	1	
32	A02E M200 00	Clutch		C	1	
33	A0ED 5790 00	Cover		D	1	
34	A0ED R733 00	Paper Feed Assy (2nd)	{bizhub C360/C280}	S	1	
34	A0ED R734 00	Paper Feed Assy (2nd)3	{bizhub C220}	S	1	
35	A0ED M501 00	Photorelector	{bizhub C360/C280}	I	1	

bizhub C220/bizhub C280/bizhub C360



# 2ND PAPER FEED SECTION

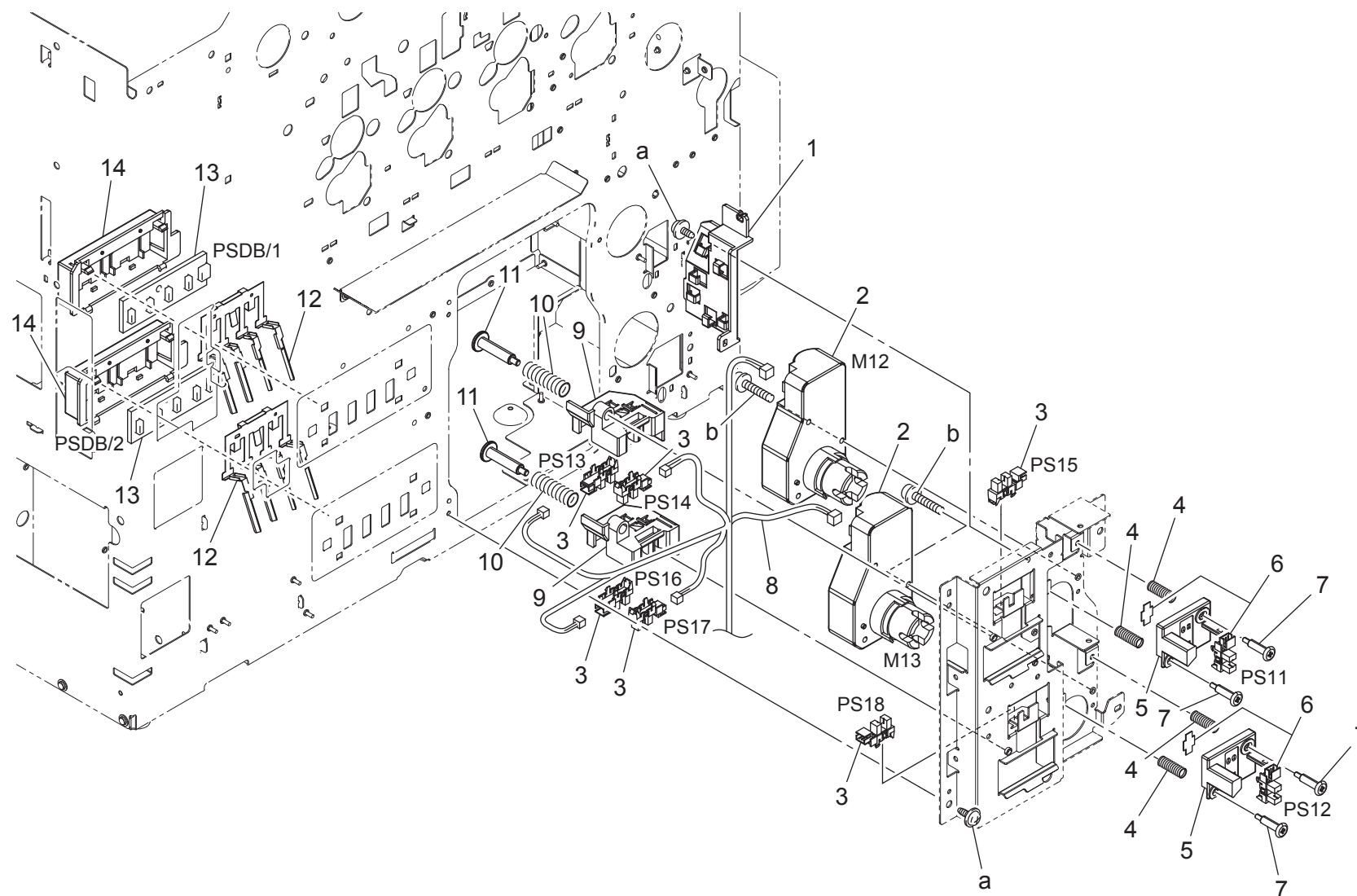


bizhub C220/bizhub C280/bizhub C360

## 2ND PAPER FEED SECTION

Key	Part No.	Description	Destinations	Class	QTY	Standard parts
1	A0ED 5784 00	Guide Plate		D	1	a-V137 0306 03 b-V218 0300 86 c-V136 0308 03 d-V116 0308 03 e-V218 0400 86
2	A0ED 5785 00	Guide		D	1	
3	4030 3125 01	TENSION SPRING		C	2	
4	A0ED 5612 00	Guide		D	2	
5	A0ED 5782 00	Guide Plate		D	1	
6	A02E 5843 00	Guide plate		C	1	
7	A02E 5636 00	Guide		D	1	
8	A02E F566 00	Separation Roller Assy		A	1	
9	4030 3078 01	LEVER		C	1	
10	4030 3013 01	HOLDER		C	1	
11	4030 3017 03	PRESSURE SPRING		C	1	
12	4030 3014 01	BRACKET		D	1	
13	4030 3039 01	SHAFT		D	1	
14	A02E 5610 00	Reinforce plate		C	1	
15	A0ED 5638 00	Mounting Plate		D	1	
16	A02E R729 00	Separation Roller Assy		C	1	

bizhub C220/bizhub C280/bizhub C360



bizhub C220/bizhub C280/bizhub C360

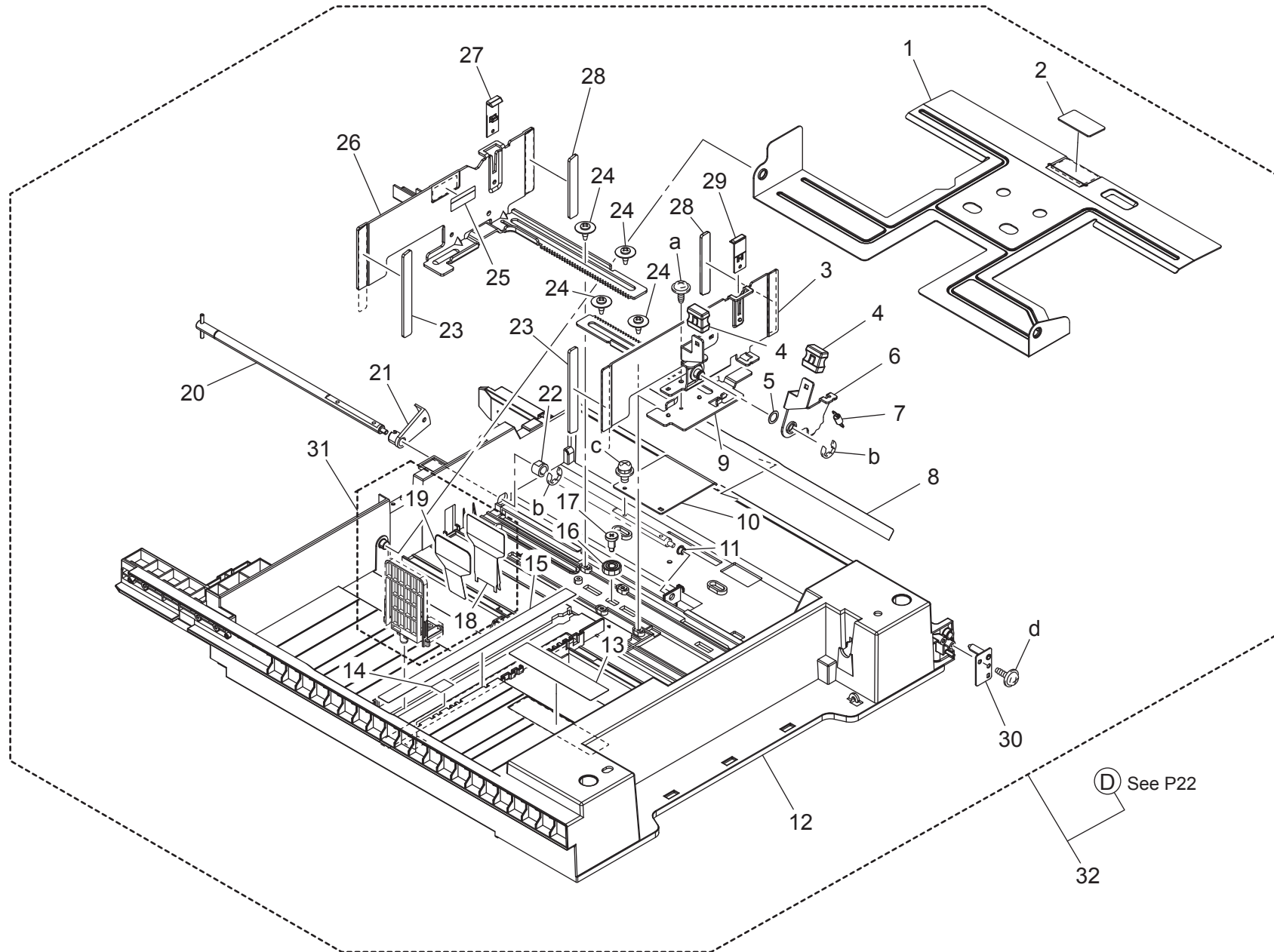
PAPER FEED DRIVE

Key	Part No.	Description	Destinations	Class	QTY	Standard parts
1	A0ED 6277 00	Guide		D	1	a-V137 0308 03 b-V116 0330 03
2	9J06 M103 00	MOTOR		B	2	
3	9335 1300 61	PHOTO INTERRUPTER		B	6	
4	A0ED 6276 00	Compressing Coil spring		D	4	
5	4030 3083 01	HOLDER		D	2	
6	4037 0906 01	PHOTO INTERRUPTER		B	2	
7	4030 3224 02	SHOULDER SCREW		C	4	
8	A0ED N10E 00	Paperfeed Wiring /Rear		D	1	
9	A0ED 6275 00	Holder		C	2	
10	4002 3110 01	PRESSURE SPRING		C	2	
11	4002 3131 01	SHOULDER SCREW		C	2	
12	4030 3091 01	LEVER		C	2	
13	4037 0104 01	PWB ASSY		C	2	
14	4011 3012 01	HOLDER		D	2	

bizhub C220/bizhub C280/bizhub C360

# 1ST CASSETTE SECTION

P 21



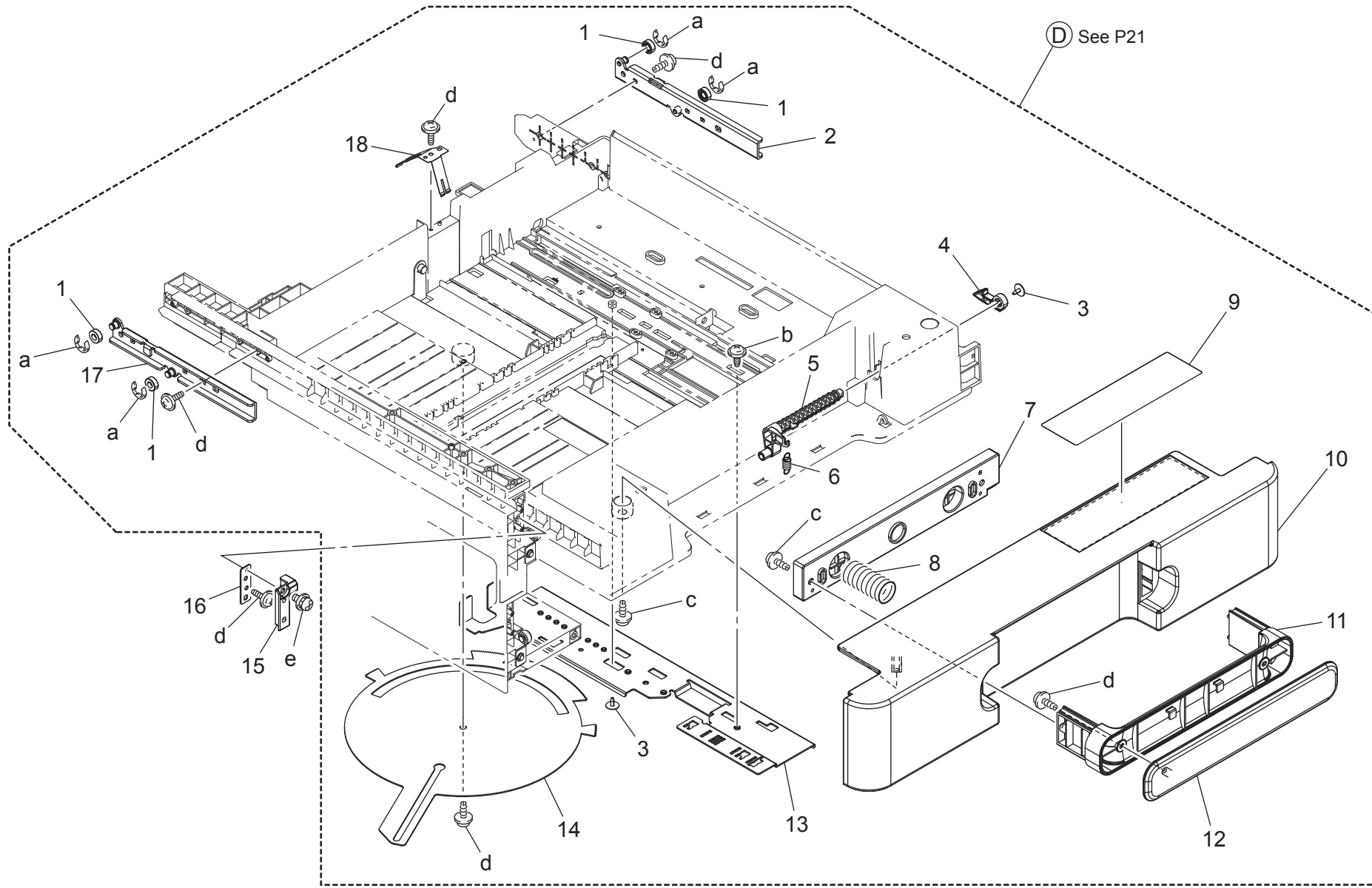
bizhub C220/bizhub C280/bizhub C360

1ST CASSETTE SECTION

Key	Part No.	Description	Destinations	Class	QTY	Standard parts
1	A0ED 6205 00	Lifting Plate		C	1	a-V137 0306 03 b-V217 0600 01 c-V116 0308 03 d-V153 0308 03
2	4030 3226 01	FRICITION SHEET		C	1	
3	A0ED F621 00	Caulking(Regulating Plate/ASSY)		C	1	
4	4037 3204 01	KNOB		C	2	
5	4011 3021 01	WASHER		C	1	
6	A0ED 6213 00	Lever		D	1	
7	A0ED 6214 00	Pulling Coil spring		D	1	
8	A0ED 6202 00	Guide		C	1	
9	A0ED 6211 01	Rack /Front		C	1	
10	4030 3206 01	LEVER		D	1	
11	0992 3014 01	BUSHING		C	1	
12	A0ED 6201 02	Paper feed Cassette		D	1	
13	A02E 9415 00	Label Cd		C	1	
14	A02E 9413 00	Label Fd		C	1	
15	A00J 9422 02	Label FD		C	1	
16	A02E 6224 00	Gear 14T		C	1	
17	A0ED 6206 01	Shoulder screw		D	1	
18	4030 3228 12	GUIDE		C	1	
19	A02E 6223 00	Guide plate		C	1	
20	A0ED 6216 00	Shaft		D	1	
21	4030 3207 01	ACTUATOR		C	1	
22	A0ED 6204 00	Bushing		D	1	
23	A02E 6233 00	Cushion		C	2	
24	4163 5293 01	SCREW		C	4	
25	4002 7306 01	LABEL CARRYING CAPACITY		C	1	
26	A0ED 6209 01	Regulating Plate /Rear		C	1	
27	A0ED 6210 00	Guide		C	1	
28	A02E 6227 00	Cushion		C	2	
29	4537 3317 01	GUIDE		D	1	
30	A0ED F622 00	Caulking(Mounting Plate cassette)		C	1	
31	A02E R734 00	Regulating Plate Assy		C	1	
32	A0ED R735 11	1st Cassette Assy		S	1	

bizhub C220/bizhub C280/bizhub C360

# 1ST CASSETTE SECTION



bizhub C220/bizhub C280/bizhub C360

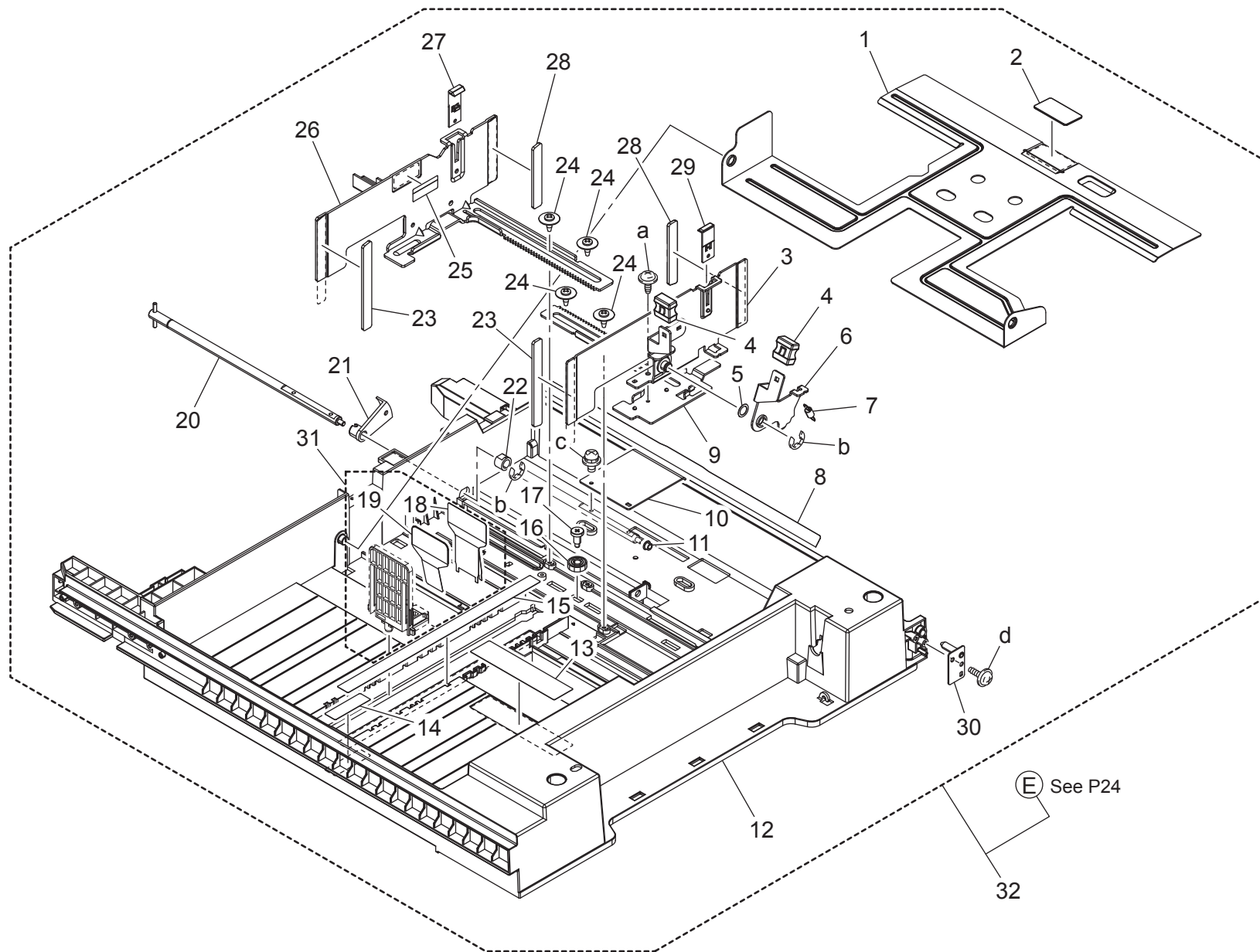
1ST CASSETTE SECTION

Key	Part No.	Description	Destinations	Class	QTY	Standard parts
1	A0ED 6234 00	Roll		D	4	a-V217 0400 01 b-V144 0406 03 c-V153 0410 03 d-V153 0308 03 e-V116 0308 03
2	A0ED 6231 00	Reinforce Plate /Right rear		D	1	
3	4163 5293 01	SCREW		C	2	
4	A0ED 6255 00	Lock Lever		C	1	
5	A0ED 6257 00	Release Lever		C	1	
6	A0ED 6258 00	Pulling Coil spring		D	1	
7	A0ED 6253 01	Holder		D	1	
8	A0ED 6254 00	Compressing Coil spring		D	1	
9	A0ED 9401 00	Label Paper		D	1	
10	A0ED 6251 02	Cover		C	1	
11	A0ED 6252 01	Handle		C	1	
12	A0ED 6250 00	Cover		C	1	
13	A0ED 6219 01	Mounting Plate		D	1	
14	4002 3108 01	LEVER		C	1	
15	A0ED 6242 00	Stopper		C	1	
16	A0ED 6241 00	Mounting Plate		D	1	
17	A0ED 6232 00	Reinforce Plate /Left rear		D	1	
18	A0ED 6221 00	Ground Plate		D	1	

bizhub C220/bizhub C280/bizhub C360



# 2ND CASSETTE SECTION



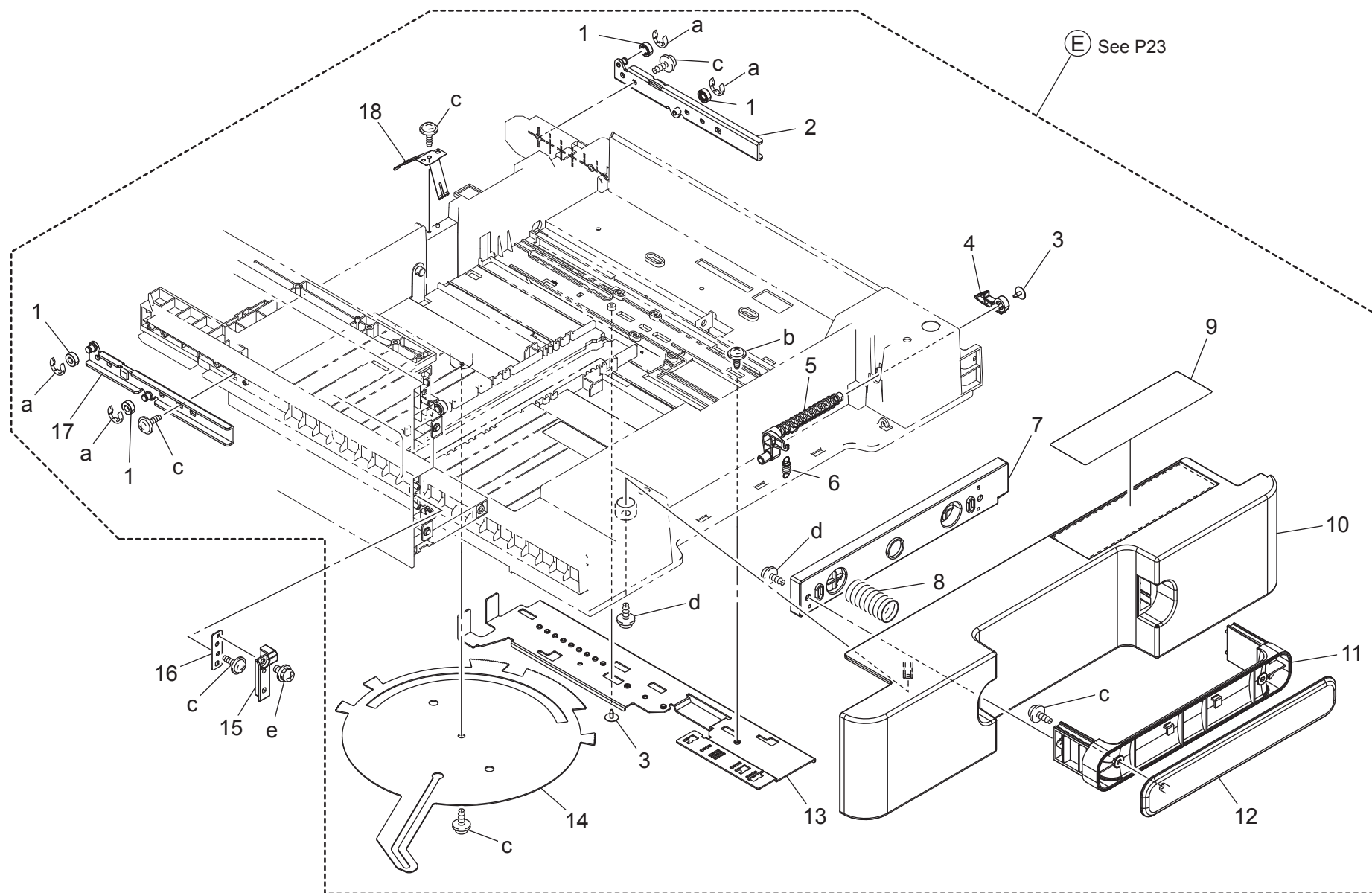
bizhub C220/bizhub C280/bizhub C360

2ND CASSETTE SECTION

Key	Part No.	Description	Destinations	Class	QTY	Standard parts
1	A0ED 6205 00	Lifting Plate		C	1	a-V137 0306 03 b-V217 0600 01 c-V116 0308 03 d-V153 0308 03
2	4030 3226 01	FRICITION SHEET		C	1	
3	A0ED F621 00	Caulking(Regulating Plate/ASSY)		C	1	
4	4037 3204 01	KNOB		C	2	
5	4011 3021 01	WASHER		C	1	
6	A0ED 6213 00	Lever		D	1	
7	A0ED 6214 00	Pulling Coil spring		D	1	
8	A0ED 6202 00	Guide		C	1	
9	A0ED 6211 01	Rack /Front		C	1	
10	4030 3206 01	LEVER		D	1	
11	0992 3014 01	BUSHING		C	1	
12	A0ED 6301 02	Paper feed Cassette		D	1	
13	A00J 9421 02	Label CD		C	1	
14	A00J 9423 02	Label FD		C	1	
15	A00J 9422 02	Label FD		C	1	
16	A02E 6224 00	Gear 14T		C	1	
17	A0ED 6206 01	Shoulder screw		D	1	
18	4030 3228 12	GUIDE		C	1	
19	A02E 6223 00	Guide plate		C	1	
20	A0ED 6216 00	Shaft		D	1	
21	4030 3207 01	ACTUATOR		C	1	
22	A0ED 6204 00	Bushing		D	1	
23	A02E 6233 00	Cushion		C	2	
24	4163 5293 01	SCREW		C	4	
25	4002 7306 01	LABEL CARRYING CAPACITY		C	1	
26	A0ED 6209 01	Regulating Plate /Rear		C	1	
27	A0ED 6210 00	Guide		C	1	
28	A02E 6227 00	Cushion		C	2	
29	4537 3317 01	GUIDE		D	1	
30	A0ED F622 00	Caulking(Mounting Plate cassette)		C	1	
31	A02E R734 00	Regulating Plate Assy		C	1	
32	A0ED R736 11	2nd Cassette Assy		S	1	

bizhub C220/bizhub C280/bizhub C360

# 2ND CASSETTE SECTION



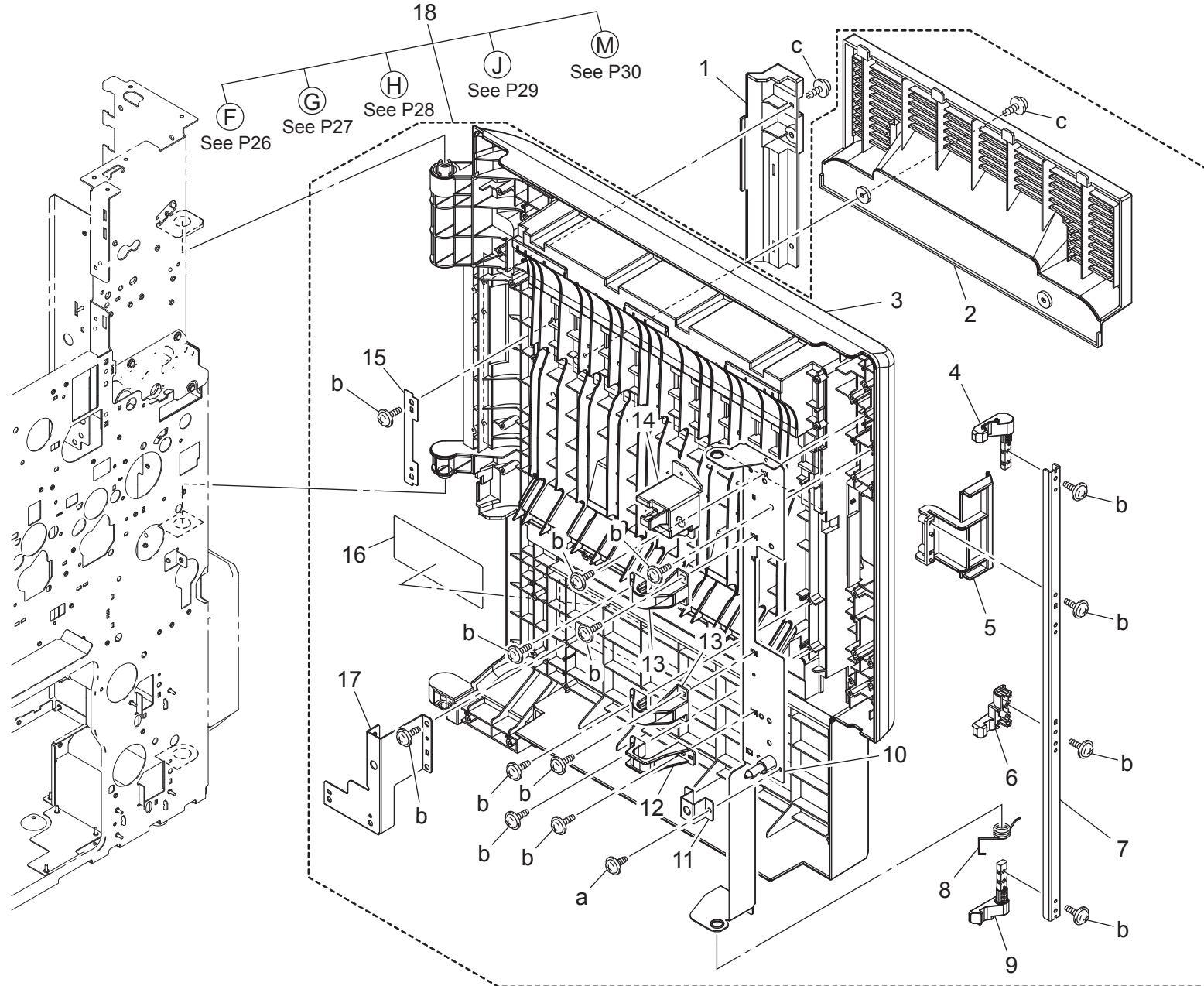
bizhub C220/bizhub C280/bizhub C360

## 2ND CASSETTE SECTION

Key	Part No.	Description	Destinations	Class	QTY	Standard parts
1	A0ED 6234 00	Roll		D	4	a-V217 0400 01 b-V144 0406 03 c-V153 0308 03 d-V153 0410 03 e-V116 0308 03
2	A0ED 6231 00	Reinforce Plate /Right rear		D	1	
3	4163 5293 01	SCREW		C	2	
4	A0ED 6255 00	Lock Lever		C	1	
5	A0ED 6257 00	Release Lever		C	1	
6	A0ED 6258 00	Pulling Coil spring		D	1	
7	A0ED 6353 01	Holder		D	1	
8	A0ED 6254 00	Compressing Coil spring		D	1	
9	A0ED 9401 00	Label Paper		D	1	
10	A0ED 6351 02	Cover		C	1	
11	A0ED 6252 01	Handle		C	1	
12	A0ED 6250 00	Cover		C	1	
13	A0ED 6219 01	Mounting Plate		D	1	
14	A02E 6214 00	Lever		C	1	
15	A0ED 6242 00	Stopper		C	1	
16	A0ED 6241 00	Mounting Plate		D	1	
17	A0ED 6232 00	Reinforce Plate /Left rear		D	1	
18	A0ED 6221 00	Ground Plate		D	1	

bizhub C220/bizhub C280/bizhub C360

# VERTICAL CONVEYANCE DOOR SECTION



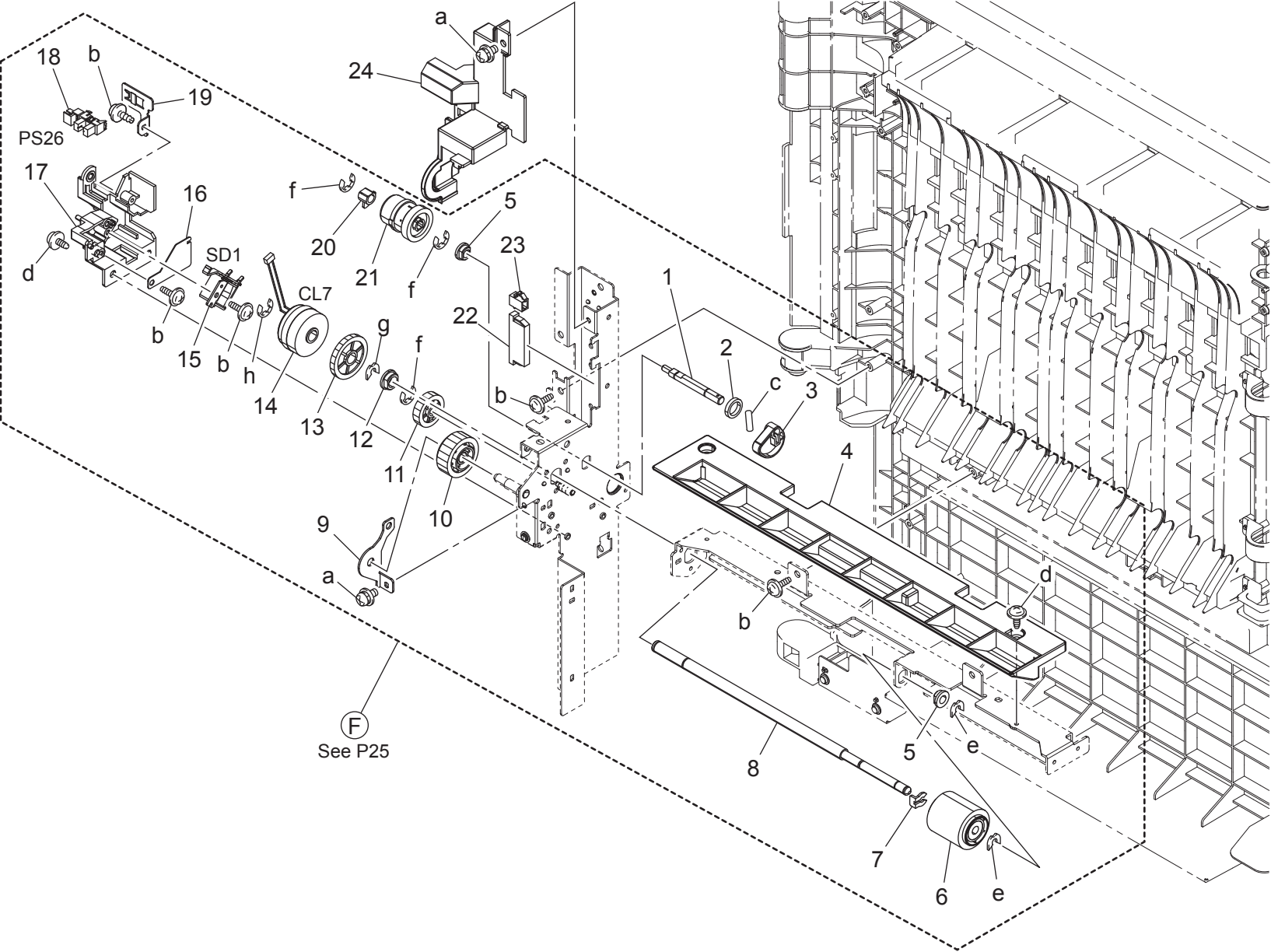
bizhub C220/bizhub C280/bizhub C360

# VERTICAL CONVEYANCE DOOR SECTION

Key	Part No.	Description	Destinations	Class	QTY	Standard parts
1	A0ED 7142 00	Cover		D	1	a-V137 0306 03 b-V153 0308 03 c-V153 0308 04
2	A0ED 7116 00	Cover Door Upper		C	1	
3	A0ED 7106 00	Door /Right		D	1	
4	A0ED 7121 00	Lock Claw		C	1	
5	A0ED 7108 00	Lever		C	1	
6	A0ED 7104 00	Claw		C	1	
7	A0ED 7103 00	Mounting Plate		D	1	
8	A0ED 7105 00	Torsion Coil spring		D	1	
9	A0ED 5988 00	Lock Claw		C	1	
10	A0ED G812 00	Caulking (Reinforce Plate Door Front)		D	1	
11	A0ED 7147 00	Reinforce Plate		D	1	
12	A0ED 7120 00	Holder		D	1	
13	A0ED 7110 00	Positioning Plate		D	2	
14	A0ED 7100 00	Lever		D	1	
15	A0ED 7145 00	Seal		D	1	
16	A0ED 9400 00	Caution Label		D	1	
17	A0ED 5938 00	Connecting Plate		D	1	
18	A0ED R722 11	Door Assy(Vertical Transport)		S	1	

bizhub C220/bizhub C280/bizhub C360

# VERTICAL CONVEYANCE DOOR SECTION



bizhub C220/bizhub C280/bizhub C360

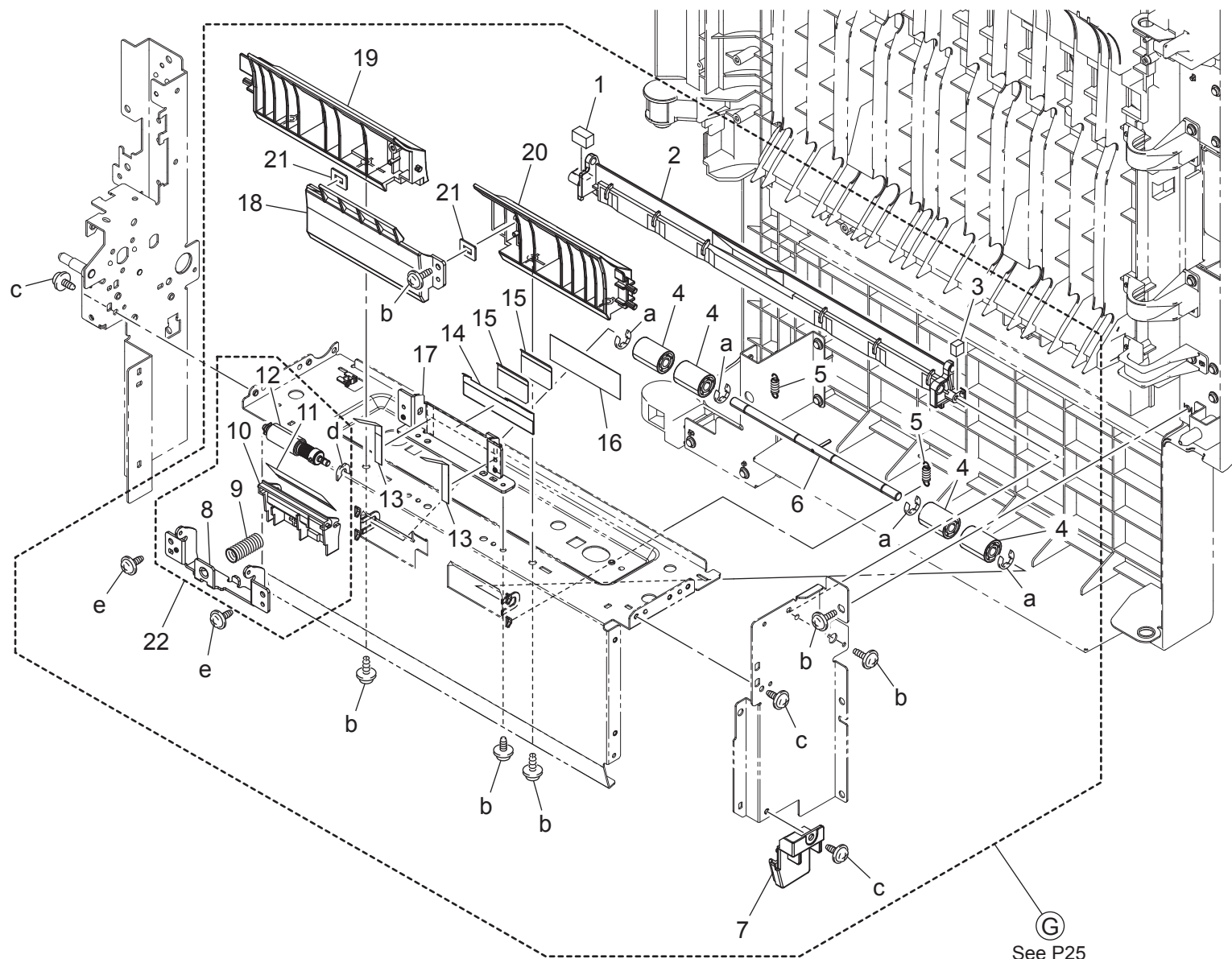
VERTICAL CONVEYANCE DOOR SECTION

Key	Part No.	Description	Destinations	Class	QTY	Standard parts
1	A02E 5953 02	Shaft		D	1	a-V116 0308 03 b-V153 0308 03 c-V233 2010 50 d-V137 0308 03 e-V218 0400 86 f-V217 0400 01 g-V218 0600 86 h-V217 0500 01
2	A0ED 5989 00	Spacer		C	1	
3	A02E 5960 02	Cam		C	1	
4	A0ED 5912 00	Cover		D	1	
5	A02E 5963 00	Bushing		C	2	
6	A02E 5947 00	Feed Roller		A	1	
7	4142 3217 01	STOP RING		C	1	
8	A02E 5957 00	Shaft		D	1	
9	A0ED 5916 00	Reinforce Plate		D	1	
10	A0ED 5955 00	Gear 28T		C	1	
11	A02E 5954 00	Gear 22T		C	1	
12	4131 3532 02	BUSHING		C	1	
13	A02E 5961 00	Gear 30T		C	1	
14	A02E M201 00	Clutch		C	1	
15	9J06 M200 00	SOLENOID		C	1	
16	A0ED 5978 00	Cover		D	1	
17	A0ED 5952 00	Mounting Plate		D	1	
18	9335 1300 61	PHOTO INTERRUPTER		B	1	
19	A0ED 5956 00	Mounting Plate		D	1	
20	A0ED 5965 00	Light blocking Plate		D	1	
21	A02E 5951 00	Clutch assy		C	1	
22	V651 0100 42	WtoW Connector		D	1	
23	V651 0100 01	connector		D	1	
24	A0ED 5977 00	Cover		D	1	

bizhub C220/bizhub C280/bizhub C360



# VERTICAL CONVEYANCE DOOR SECTION



See P25

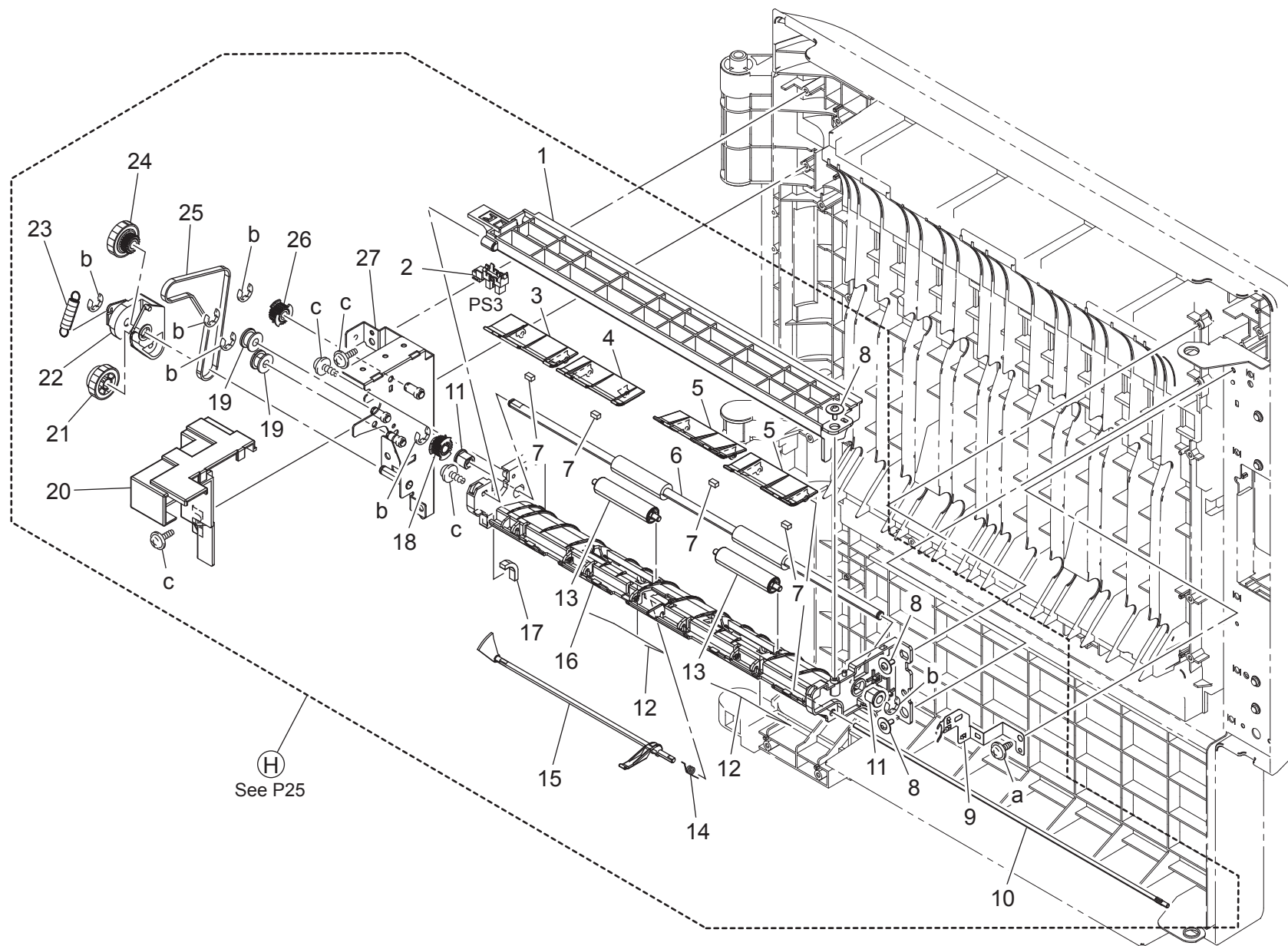
bizhub C220/bizhub C280/bizhub C360

# VERTICAL CONVEYANCE DOOR SECTION

Key	Part No.	Description	Destinations	Class	QTY	Standard parts
1	A0ED 5917 00	Cushion		C	1	a-V217 0400 01 b-V153 0308 03 c-V137 0308 03 d-V218 0300 86 e-V137 0306 03
2	A0ED 5905 00	Holder		C	1	
3	A0ED 5919 00	Cushion		C	1	
4	4030 3122 01	ROLL		C	4	
5	A0ED 7144 00	Pulling Coil spring		D	2	
6	A0ED 7143 00	Shaft		D	1	
7	A0ED 7146 00	Cover		D	1	
8	A02E 5972 00	Bracket		D	1	
9	4030 3475 01	PRESSURE SPRING		C	1	
10	A0ED 5971 00	Holder		D	1	
11	A02E 5976 00	Guide		C	1	
12	4034 0151 01	SEPARATION ROLLER		A	1	
13	A0ED 5993 00	Guide		C	2	
14	A0ED 5940 00	Guide		C	1	
15	4030 3403 01	GUIDE		C	2	
16	4030 3489 01	SEAL		C	1	
17	A02E 5973 01	Reinforce plate		D	1	
18	A0ED 5915 00	Guide		D	1	
19	A0ED 5902 00	Guide		D	1	
20	A0ED 5901 00	Guide		D	1	
21	A0ED 5997 00	Vibrationproof Part		C	2	
22	A0ED R730 00	Paper Separation Assy(Multiple Bypass)		C	1	

bizhub C220/bizhub C280/bizhub C360

# VERTICAL CONVEYANCE DOOR SECTION



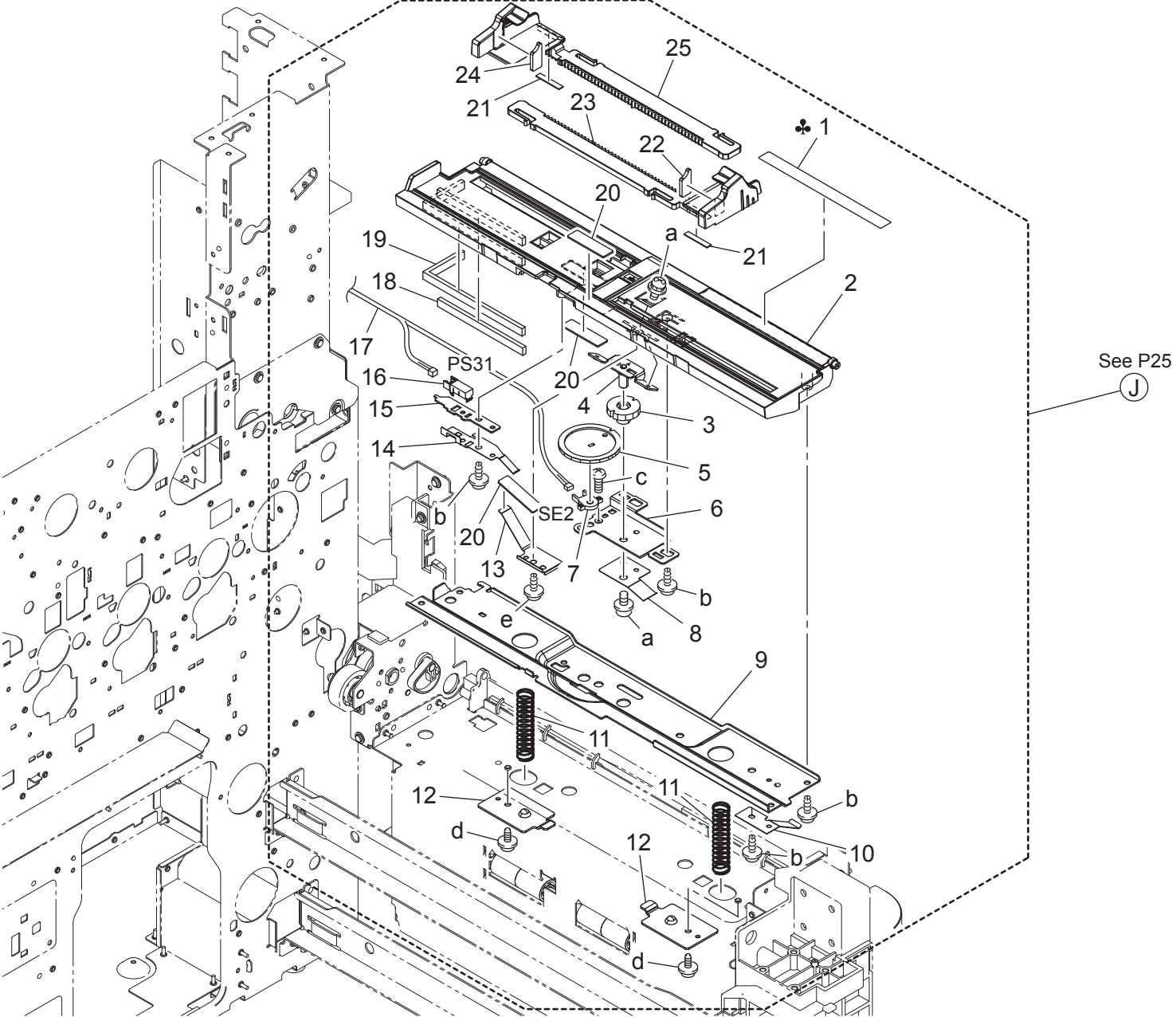
bizhub C220/bizhub C280/bizhub C360

# VERTICAL CONVEYANCE DOOR SECTION

Key	Part No.	Description	Destinations	Class	QTY	Standard parts
1	A0ED 8201 01	Guide Plate		C	1	a-V137 0308 03 b-V217 0400 01 c-V153 0308 03
2	9335 1300 61	PHOTO INTERRUPTER		B	1	
3	A0ED 8206 00	Guide Plate		C	1	
4	A0ED 8204 00	Guide Plate		C	1	
5	A0ED 8203 00	Guide Plate		C	2	
6	A0ED 8210 00	Roller		C	1	
7	A0P0 9008 00	Cushion		D	4	
8	4163 5293 01	SCREW		C	3	
9	A0ED 8205 00	Ground Plate		D	1	
10	4025 5984 01	SHAFT		D	1	
11	A02E 8152 00	BUSHING		C	2	
12	A0ED 8151 00	Holding Part		C	2	
13	4497 3116 01	ROLL		C	2	
14	A0ED 8211 00	Torsion Coil spring		C	1	
15	A0ED 8207 01	Actuator		C	1	
16	A0ED 8202 01	Guide		C	1	
17	A0ED 8212 00	Cushion		C	1	
18	A0ED 8117 00	Pulley 22T		C	1	
19	A0ED 8142 00	Roll		C	2	
20	A0ED 8111 00	Cover		D	1	
21	A0ED 8137 00	Gear 22T		C	1	
22	A0ED 8144 00	Lever		D	1	
23	A0ED 8140 00	Coil spring		C	1	
24	A0ED 8136 00	Gear 22/23T		C	1	
25	A0ED 8113 00	Timing belt 270L		C	1	
26	A0ED 8141 00	Pulley 22T		C	1	
27	A0ED G811 00	Caulking (Drive)		D	1	

bizhub C220/bizhub C280/bizhub C360

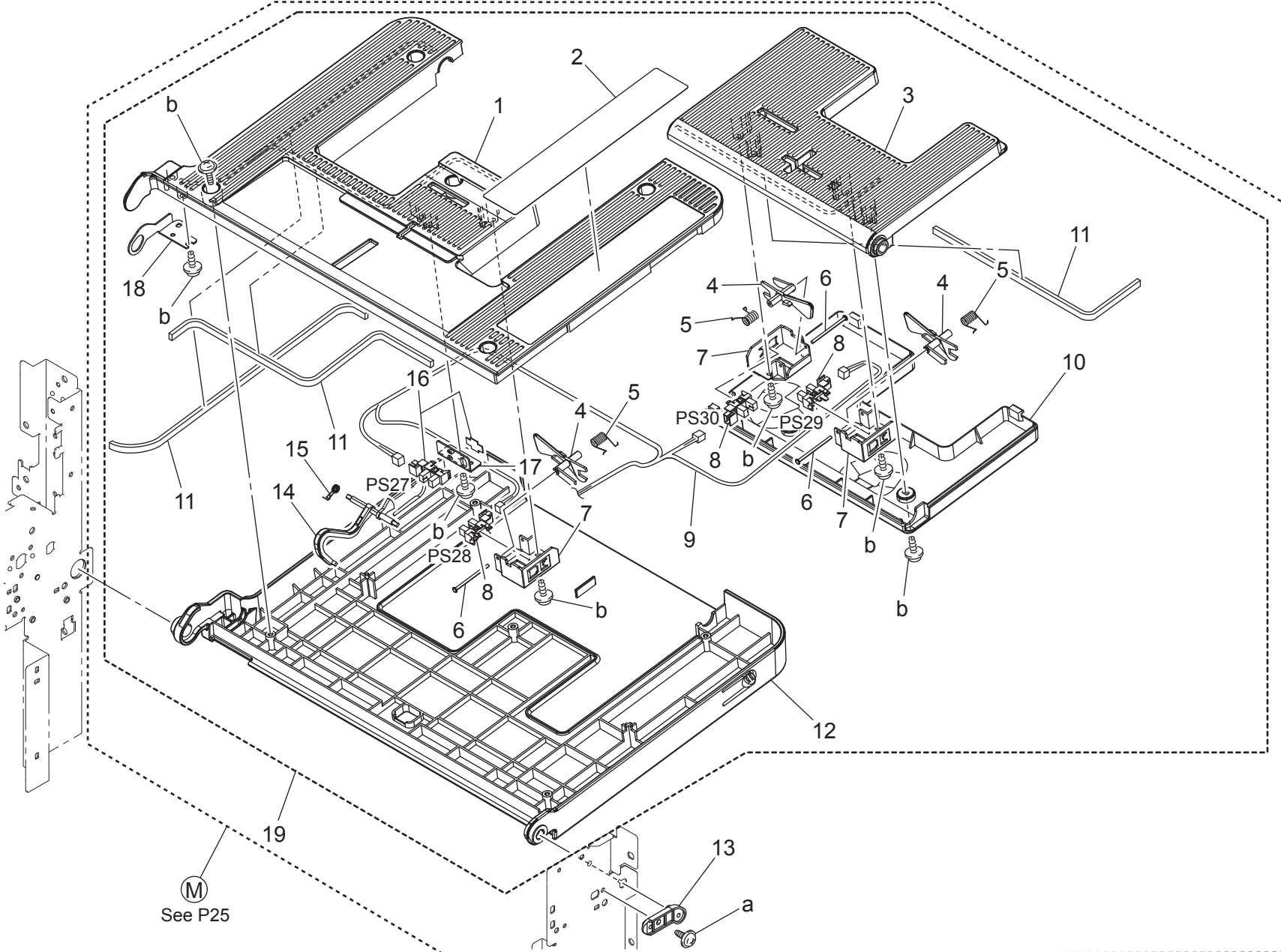
MANUAL FEED TRAY UNIT



bizhub C220/bizhub C280/bizhub C360

Key	Part No.	Description	Destinations	Class	QTY	Standard parts
1	A02E 9408 00	Scale	B,G2	C	1	a-V116 0308 04 b-V153 0308 03 c-V111 1704 03 d-V137 0306 03 e-V153 0306 03
1	A02E 9409 01	Scale	A,A1,C,D1,D3,E,F1,F2,G1,H,I ,J,K	C	1	
2	A0ED 5922 01	Lifting Plate		C	1	
3	A02E 5921 00	Gear 20T		C	1	
4	A02E G621 00	Caulking Gear Mounting Plate		D	1	
5	A02E 5983 00	Gear 40T		C	1	
6	A02E 5981 00	Bracket		D	1	
7	V801 3000 06	RESISTOR		D	1	
8	A02E 5935 00	Earth ground		D	1	
9	A0ED 5928 00	Reinforce Plate		D	1	
10	A02E 5936 00	Earth ground		D	1	
11	A02E 5925 00	Pressure spring		C	2	
12	A02E 5926 00	Hold plate		D	2	
13	A0ED 5931 00	Brake Part		D	1	
14	A0ED 5990 00	Ground Plate		D	1	
15	A0ED 5991 00	Mounting Plate		D	1	
16	A0ED M501 00	Photoreflector		I	1	
17	A0ED N10N 00	Sensor Wiring /2		D	1	
18	A02E 5937 00	Seal		C	1	
19	A0ED 5992 00	Seal		D	1	
20	4687 3281 01	FRICITION SHEET		C	3	
21	A02E 5934 00	Brake		C	2	
22	A02E 5932 00	Brake		C	1	
23	A02E 5923 00	Regulating plate		C	1	
24	A02E 5933 00	Brake		C	1	
25	A02E 5924 00	Regulating plate		C	1	

MANUAL FEED TRAY UNIT



bizhub C220/bizhub C280/bizhub C360

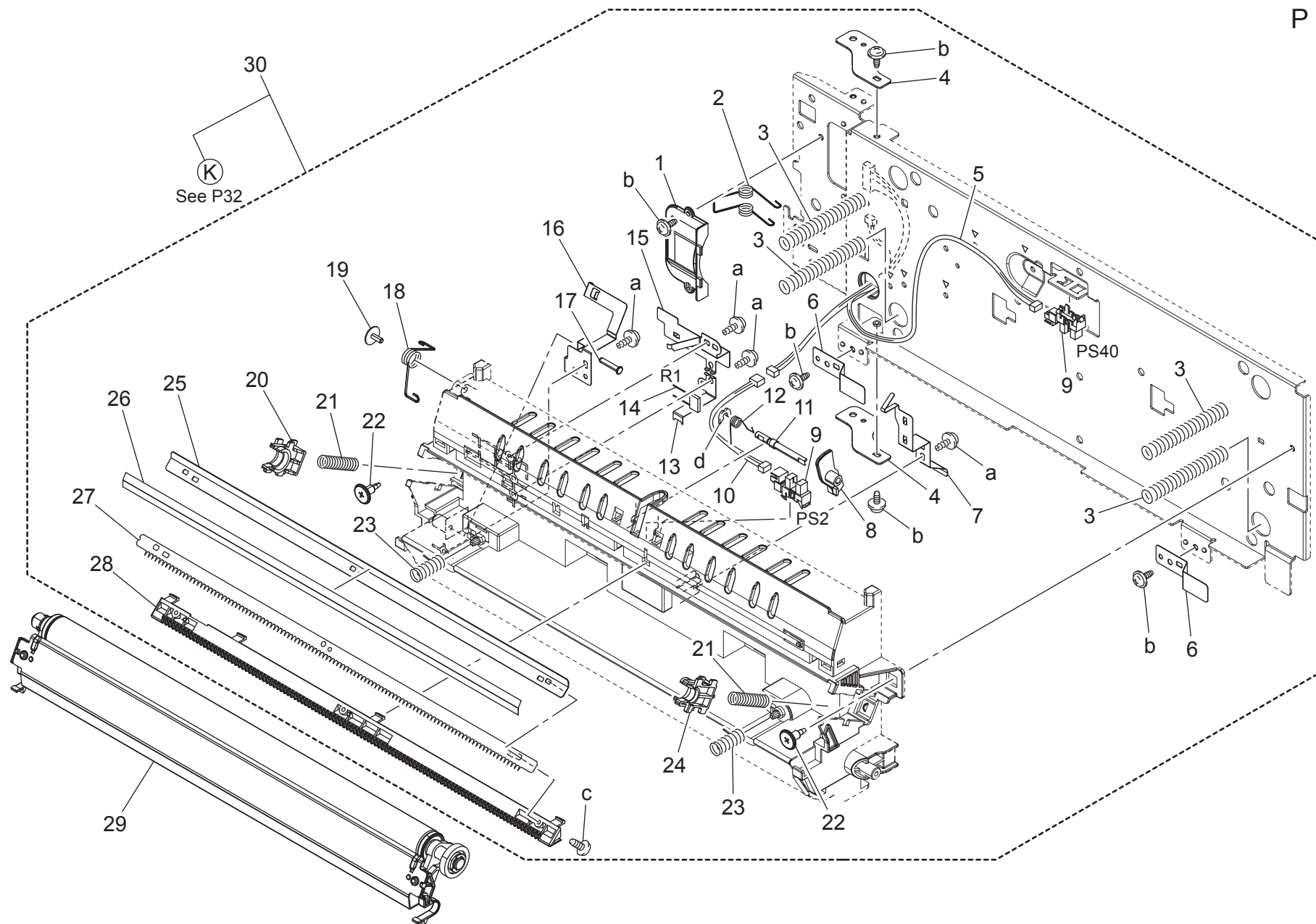
# MANUAL FEED TRAY UNIT

Key	Part No.	Description	Destinations	Class	QTY	Standard parts
1	A0ED 5909 00	Cover		C	1	a-V137 0308 03 b-V153 0308 03
2	A0ED 9402 00	Bypass Label		C	1	
3	A02E 5911 00	Tray		C	1	
4	A02E 5984 00	Actuator		C	3	
5	4030 3446 01	TORSION SPRING		C	3	
6	1134 3042 02	SHAFT		D	3	
7	A0ED 5987 00	Holder		D	3	
8	9335 1300 61	PHOTO INTERRUPTER		B	3	
9	A0ED N10M 01	Sensor Wiring /1		D	1	
10	A02E 5918 01	Cover		C	1	
11	A0ED 5986 00	Seal		D	3	
12	A0ED 5908 00	Tray		C	1	
13	A0ED 5939 00	Hold Plate		C	1	
14	A02E 5982 00	Actuator		C	1	
15	4038 3234 02	TORSION SPRING		C	1	
16	4037 0906 01	PHOTO INTERRUPTER		B	1	
17	9J06 3235 01	BRACKET		D	1	
18	A0ED 5910 00	Mounting Plate		D	1	
19	A0ED R729 00	Multiple Bypass Tray Assy		S	1	

bizhub C220/bizhub C280/bizhub C360



# VERTICAL CONVEYANCE SECTION



bizhub C220/bizhub C280/bizhub C360

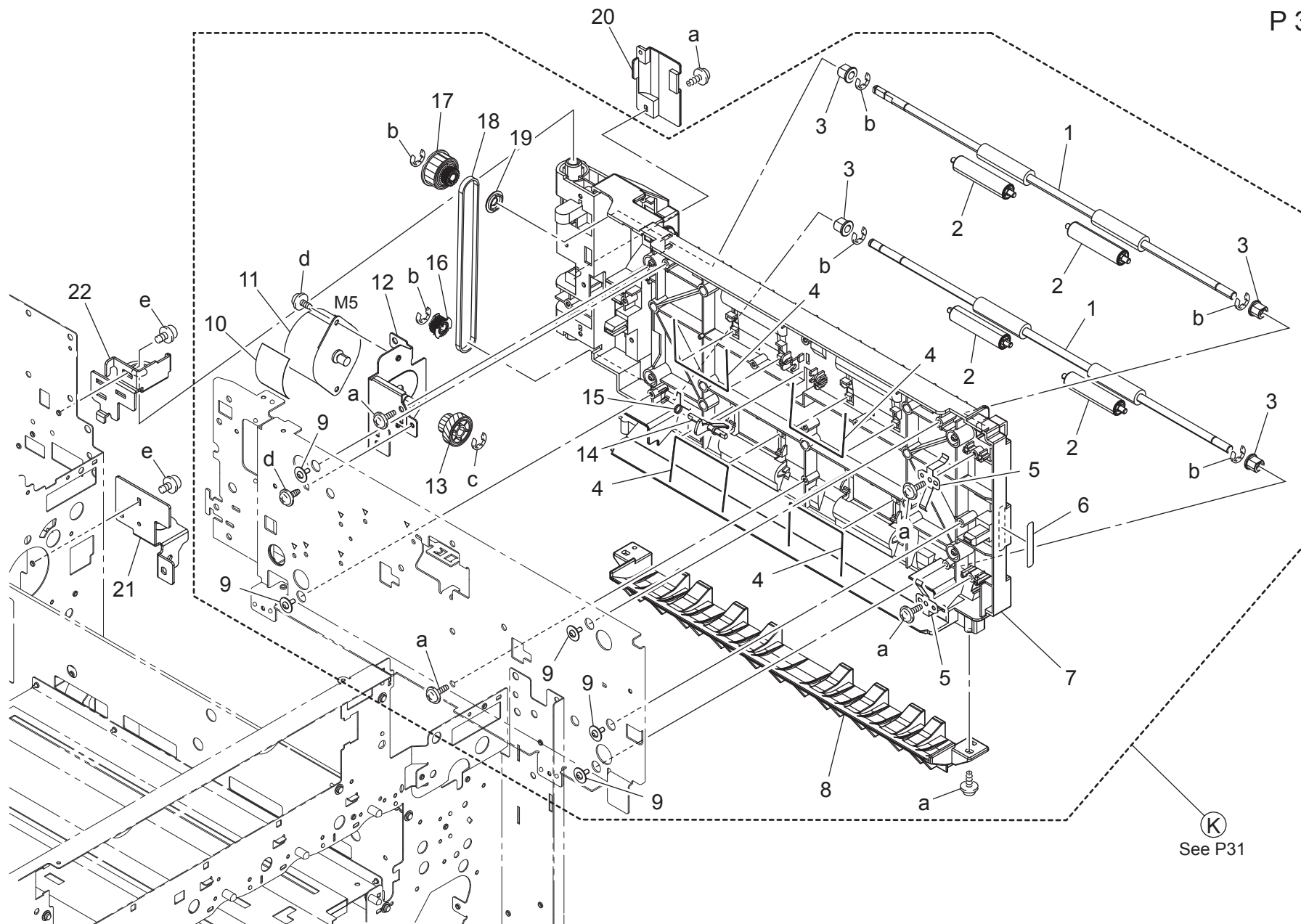
VERTICAL CONVEYANCE SECTION

Key	Part No.	Description	Destinations	Class	QTY	Standard parts
1	A0ED 7036 00	Cover		D	1	a-V153 0308 03 b-V137 0306 03 c-V162 0205 04 d-V218 0300 86
2	A0ED 7016 00	Torsion Coil spring		D	1	
3	A0ED 7025 00	Compressing Spring		D	4	
4	A0ED 7026 00	Reinforce Plate		D	2	
5	A0ED N10A 00	Conveyance Wiring		D	1	
6	A0ED 7024 00	Plate spring		D	2	
7	A0ED 7018 00	Contact		D	1	
8	9J06 3563 01	ACTUATOR		D	1	
9	9335 1300 61	PHOTO INTERRUPTER		B	2	
10	A0ED N115 00	Sensor Wiring /3		D	1	
11	9J06 3573 01	SHAFT		D	1	
12	4038 3564 02	TORSION SPRING		C	1	
13	A0ED 7019 00	Plate spring		D	1	
14	V800 5003 00	FIXED POWER RESISTORS		D	1	
15	A0ED 7020 00	Plate spring		D	1	
16	A0ED 7017 00	Plate spring		D	1	
17	A0ED 7022 00	Pin		D	1	
18	A0ED 7015 00	Torsion Coil spring		D	1	
19	4163 5293 01	SCREW		C	1	
20	A0ED 5515 00	Transfer Holder /2		C	1	
21	A0ED 5510 00	Compressing Coil spring /2		C	2	
22	4038 3511 02	SHOULDER SCREW		C	2	
23	A0ED 5511 00	Compressing Coil spring		D	2	
24	A0ED 5507 00	Transfer Holder /2		C	1	
25	A0ED 5509 00	Mounting Plate		D	1	
26	A0ED 5517 00	Guide Seal		C	1	
27	A0ED 5508 00	Neutralizing Part		D	1	
28	A0ED 5516 00	Mounting Plate		D	1	
29	A0ED R717 00	2nd Image Transfer Rollor Assy		C	1	
30	A0ED R718 00	Vertical Transport Assy		S	1	

bizhub C220/bizhub C280/bizhub C360

# VERTICAL CONVEYANCE SECTION

P 32



(K)  
See P31

bizhub C220/bizhub C280/bizhub C360

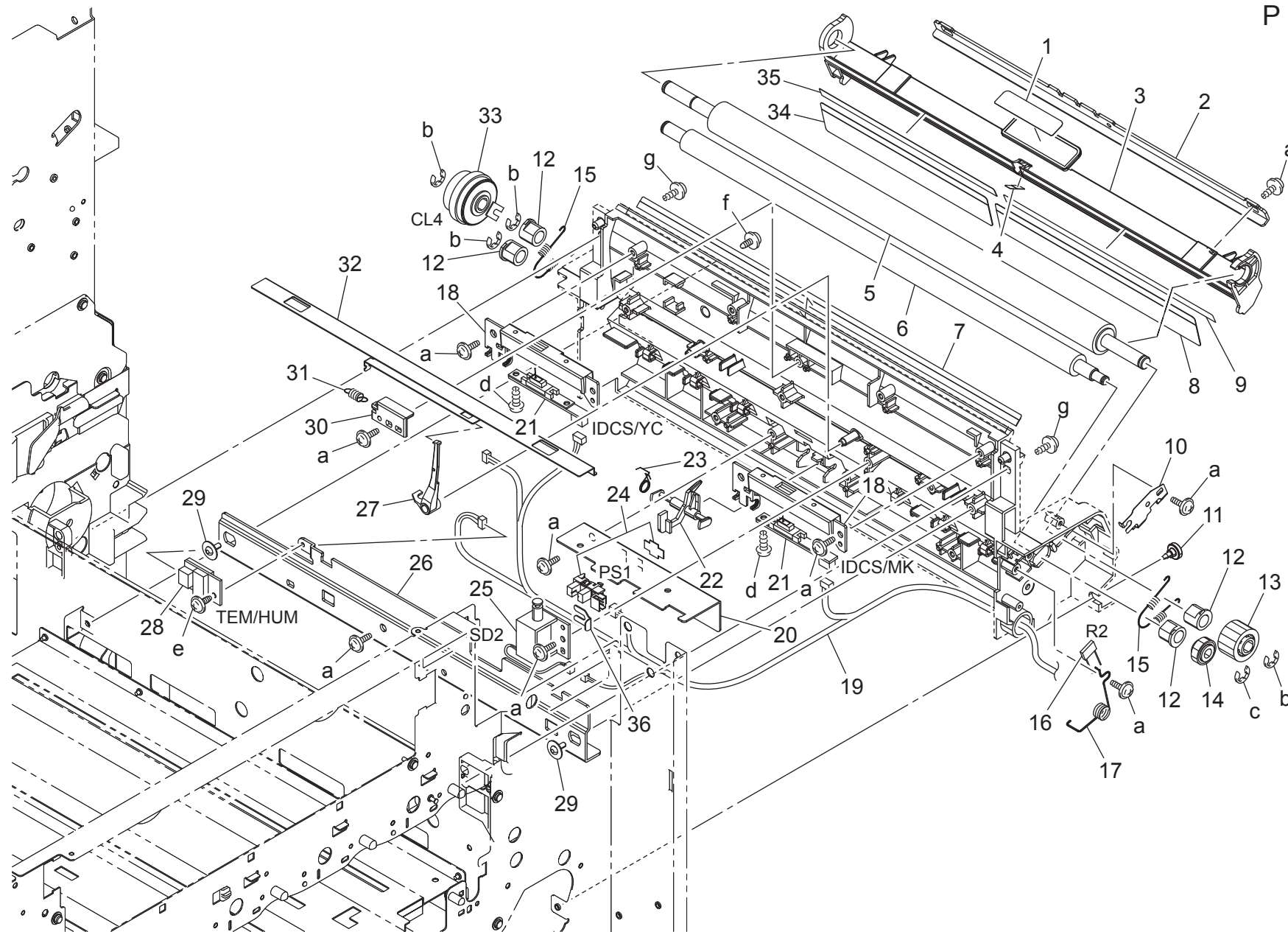
VERTICAL CONVEYANCE SECTION

Key	Part No.	Description	Destinations	Class	QTY	Standard parts
1	A0ED 8106 00	Roller		C	2	a-V153 0308 03 b-V217 0400 01 c-V217 0500 01 d-V137 0306 03 e-V116 0308 03
2	4497 3116 01	ROLL		C	4	
3	A02E 8152 00	BUSHING		C	4	
4	4066 3751 01	MEMBER		C	4	
5	A0ED 8123 00	Plate spring		D	2	
6	A02E 9414 00	Label Jam		C	1	
7	A0ED 7010 01	Holder		D	1	
8	A0ED 7013 01	Guide		C	1	
9	4163 5293 01	SCREW		C	5	
10	A0ED 7035 00	Sheet		D	1	
11	A0ED M102 00	Stepping motor		C	1	
12	A0ED G700 00	Caulking (Mounting Plate ADU)		D	1	
13	A0ED 8132 00	Gear 22/26T		D	1	
14	A02E 8130 00	Actuator		C	1	
15	A02E 8131 00	Torsion spring		D	1	
16	A0ED 8117 00	Pulley 22T		C	1	
17	A0ED 8118 00	Gear 22/23T		C	1	
18	A0ED 8114 00	Timing belt 316L		C	1	
19	A0ED 8119 00	Collar		D	1	
20	A0ED 7033 00	Cover		D	1	
21	A0ED 7068 00	Support Plate		D	1	
22	A0ED 7067 00	Support Plate		D	1	

bizhub C220/bizhub C280/bizhub C360

# VERTICAL CONVEYANCE SECTION

P 33



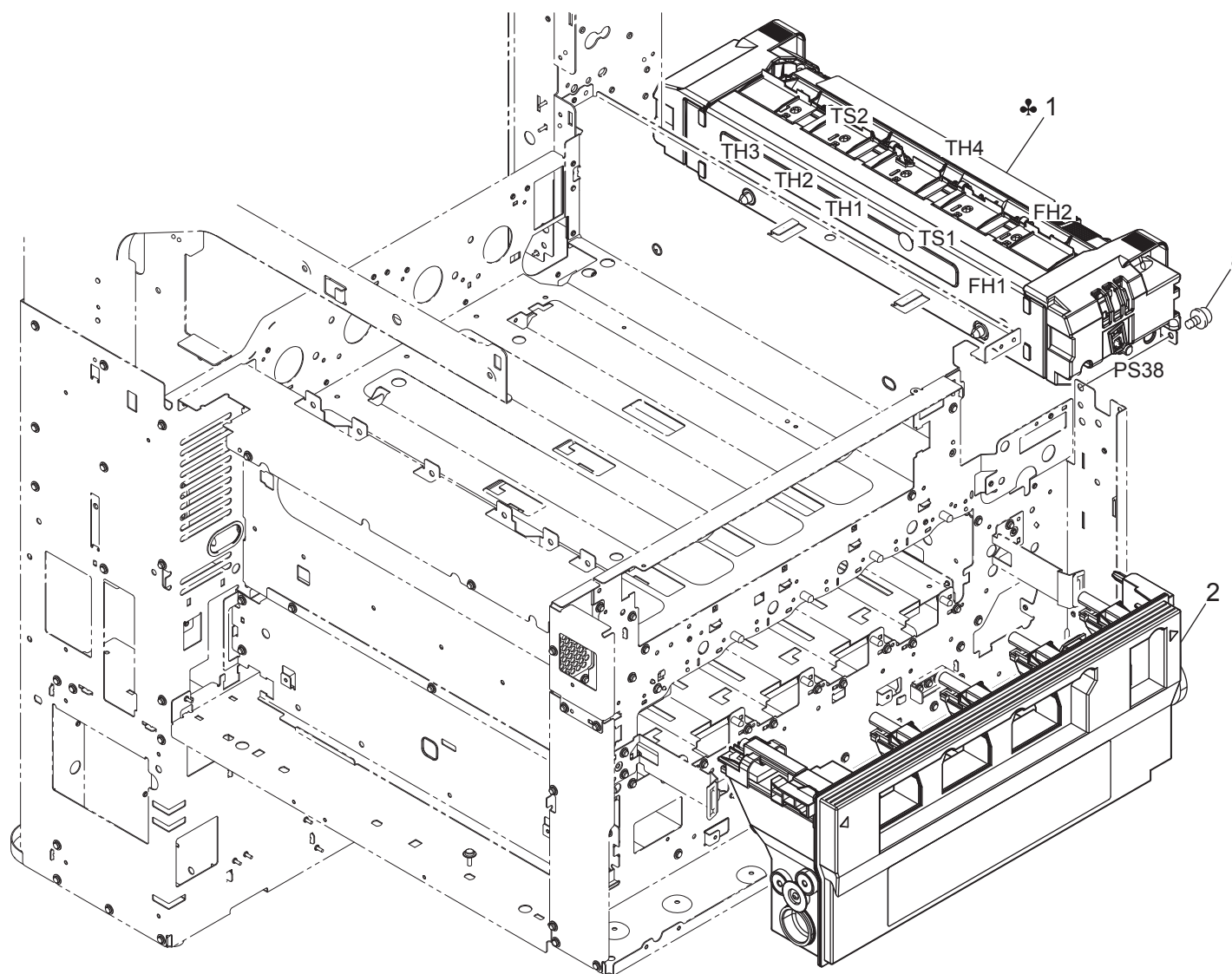
bizhub C220/bizhub C280/bizhub C360

VERTICAL CONVEYANCE SECTION

Key	Part No.	Description	Destinations	Class	QTY	Standard parts
1	A02E 9406 00	Label Jam/M1		D	1	a-V153 0308 03 b-V217 0600 01 c-V217 0400 01 d-V145 0308 03 e-V137 0306 03 f-V137 0308 03 g-V153 0310 03
2	A02E 7129 00	Reinforce plate		D	1	
3	A0ED 7128 00	Guide		D	1	
4	4038 3539 01	GUIDE		C	1	
5	A0ED 7001 00	Roller		C	1	
6	A0ED 7002 00	Roller		D	1	
7	4038 3540 03	GUIDE		C	1	
8	A0ED 7030 00	Sheet		D	1	
9	A0ED 7006 00	Guide Sheet		D	1	
10	A0ED 7130 00	Ground Plate		D	1	
11	4038 7023 00	SHOULDER SCREW		C	1	
12	4025 3572 01	BUSHING		C	4	
13	A0ED 7003 00	Gear 20T		D	1	
14	A0ED 7007 00	Gear 14T		D	1	
15	4038 3525 01	TENSION SPRING		C	2	
16	V800 5003 00	FIXED POWER RESISTORS		D	1	
17	A0ED 7032 00	Torsion Coil spring		D	1	
18	A0ED 7057 01	Holder		D	2	
19	A0ED N106 00	Toner Detection harness		D	1	
20	A0ED 7029 00	Mounting Plate		D	1	
21	A0ED M500 00	Photo sensing		I	2	
22	A0ED 7037 00	Actuator		C	1	
23	1164 3527 02	TORSION SPRING		C	1	
24	4037 0906 01	PHOTO INTERRUPTER		B	1	
25	A034 M201 00	Conveyance Solenoid		C	1	
26	A0ED 7004 00	Reinforce Plate		D	1	
27	A0ED 7059 00	Lever		C	1	
28	A034 M500 00	Humidity sensor		C	1	
29	4163 5293 01	SCREW		C	2	
30	A0ED 7060 00	Holding Shutter		D	1	
31	A0ED 7028 00	Pulling Spring		D	1	
32	A0ED 7058 00	Cover		D	1	
33	A02E M200 00	Clutch		C	1	
34	A0ED 7031 00	Sheet		D	1	
35	4038 3537 01	GUIDE		C	1	
36	4038 3597 01	SPACER		C	1	

bizhub C220/bizhub C280/bizhub C360

# FUSING SECTION/ WASTE TONER BOX



bizhub C220/bizhub C280/bizhub C360

FUSING SECTION/ WASTE TONER BOX

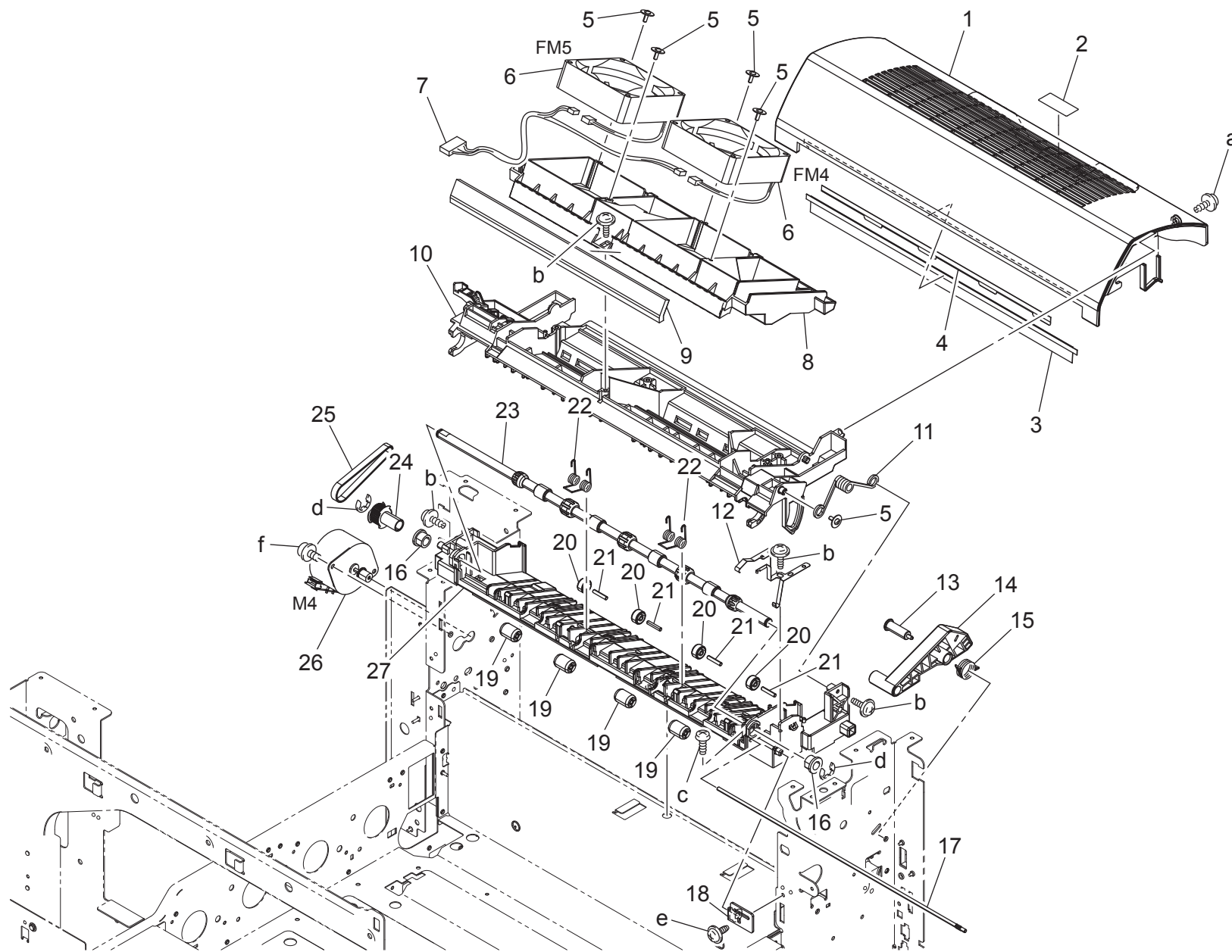
Key	Part No.	Description	Destinations	Class	QTY	Standard parts
1	A0ED R719 00	Fuser Unit(100V)	A,A1	B	1	a-V116 0408 03
1	A0ED R720 00	Fuser Unit(120V)	B,F1,G2	B	1	
1	A0ED R721 00	Fuser Unit(230V)	C,D1,D3,E,F2,G1,I,J,K	B	1	
1	A0ED R738 00	Fuser Unit(110V)	H	B	1	
2	A162 WY1	Waste Toner BOX		A	1	

bizhub C220/bizhub C280/bizhub C360



# PAPER EXIT SECTION

P 35

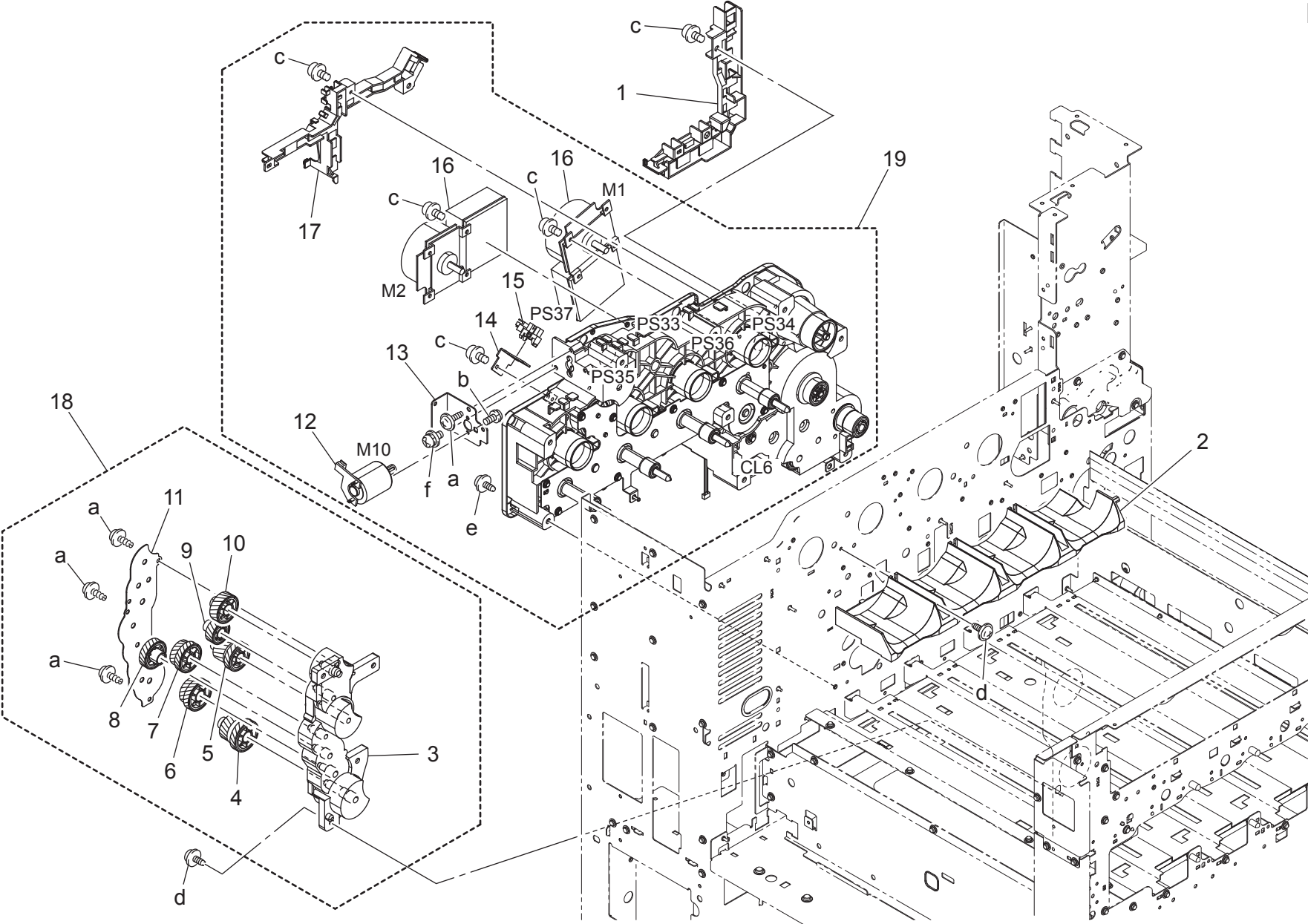


bizhub C220/bizhub C280/bizhub C360

Key	Part No.	Description	Destinations	Class	QTY	Standard parts
1	A0ED 8901 00	Cover Output		C	1	a-V153 0308 04 b-V153 0308 03 c-V145 0308 03 d-V217 0600 01 e-V137 0308 03 f-V116 0308 03
2	A0ED 9404 00	Label Output		D	1	
3	A02E 8907 00	Neutralizing brush		C	1	
4	A0ED 8971 00	Sheet		C	1	
5	4163 5293 01	SCREW		C	5	
6	A0ED M105 00	Fan motor		D	2	
7	A0ED N10H 00	Cooling Wiring /1		D	1	
8	A0ED 8908 00	Duct		D	1	
9	A0ED 8970 00	Seal		D	1	
10	A0ED 8904 01	Guide		D	1	
11	4038 5896 02	TORSION SPRING		C	1	
12	A0ED 8905 00	Ground Plate		D	1	
13	A0ED 8963 00	Shoulder screw		C	1	
14	A0ED 8956 00	Lever		C	1	
15	A0ED 8964 00	Torsion Coil spring		C	1	
16	A0ED 8911 00	Bushing		D	2	
17	4025 5984 01	SHAFT		D	1	
18	A0ED 8969 00	Positioning Plate		D	1	
19	4004 5903 01	ROLL		C	4	
20	4139 5577 01	COLLAR		C	4	
21	4036 2549 01	PIN		D	4	
22	A02E 8906 00	Torsion spring		C	2	
23	A0ED 8910 00	Roller		D	1	
24	A0ED 8952 00	Pulley 28T		D	1	
25	A0ED 8967 00	Timing belt 160L		D	1	
26	A0ED M103 00	Stepping motor		C	1	
27	A0ED 8902 00	Guide Plate		D	1	

bizhub C220/bizhub C280/bizhub C360

MAIN DRIVE SECTION



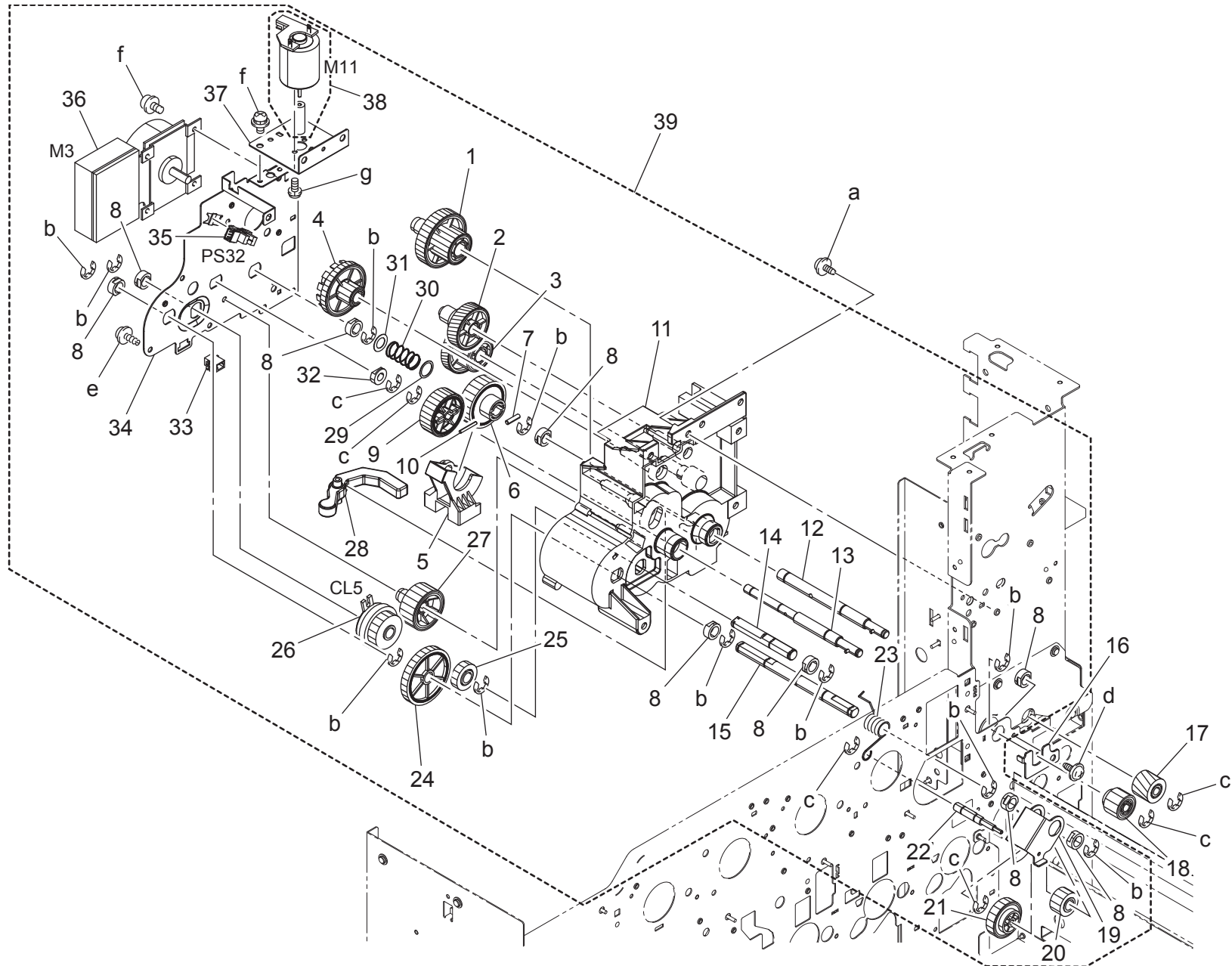
bizhub C220/bizhub C280/bizhub C360

# MAIN DRIVE SECTION

Key	Part No.	Description	Destinations	Class	QTY	Standard parts
1	A0ED 1348 00	Guide		D	1	a-V153 0308 03 b-V115 2605 03 c-V116 0306 03 d-V137 0308 03 e-V144 0308 03 f-V116 0308 03
2	A0ED 4100 02	Holder		D	1	
3	A0ED 2210 00	Holder		D	1	
4	A0ED 2209 00	Gear 27/26T		D	1	
5	A0ED 2205 00	Gear 24/24T		D	1	
6	A0ED 2208 00	Gear 27/34T		D	1	
7	A0ED 2206 00	Gear 32/27T		D	1	
8	A0ED 2207 00	Gear 31T		D	1	
9	A0ED 2204 00	Gear 25T		D	1	
10	A0ED 2201 00	Gear 31T		D	1	
11	A0ED 2211 00	Hold Plate		D	1	
12	A0ED R724 00	Color Developing motor Assy		C	1	
13	A02E 2115 00	Bracket		D	1	
14	A02E 2114 00	Bracket		D	1	
15	9335 1300 61	PHOTO INTERRUPTER		B	1	
16	A0ED M100 00	DC Brushless motor		I	2	
17	A0ED 1347 00	Guide		D	1	
18	A0ED R705 00	2nd Paper Feed Drive Assy		S	1	
19	A0ED R704 00	Main Drive Assy		S	1	

bizhub C220/bizhub C280/bizhub C360

# FUSING DRIVE SECTION



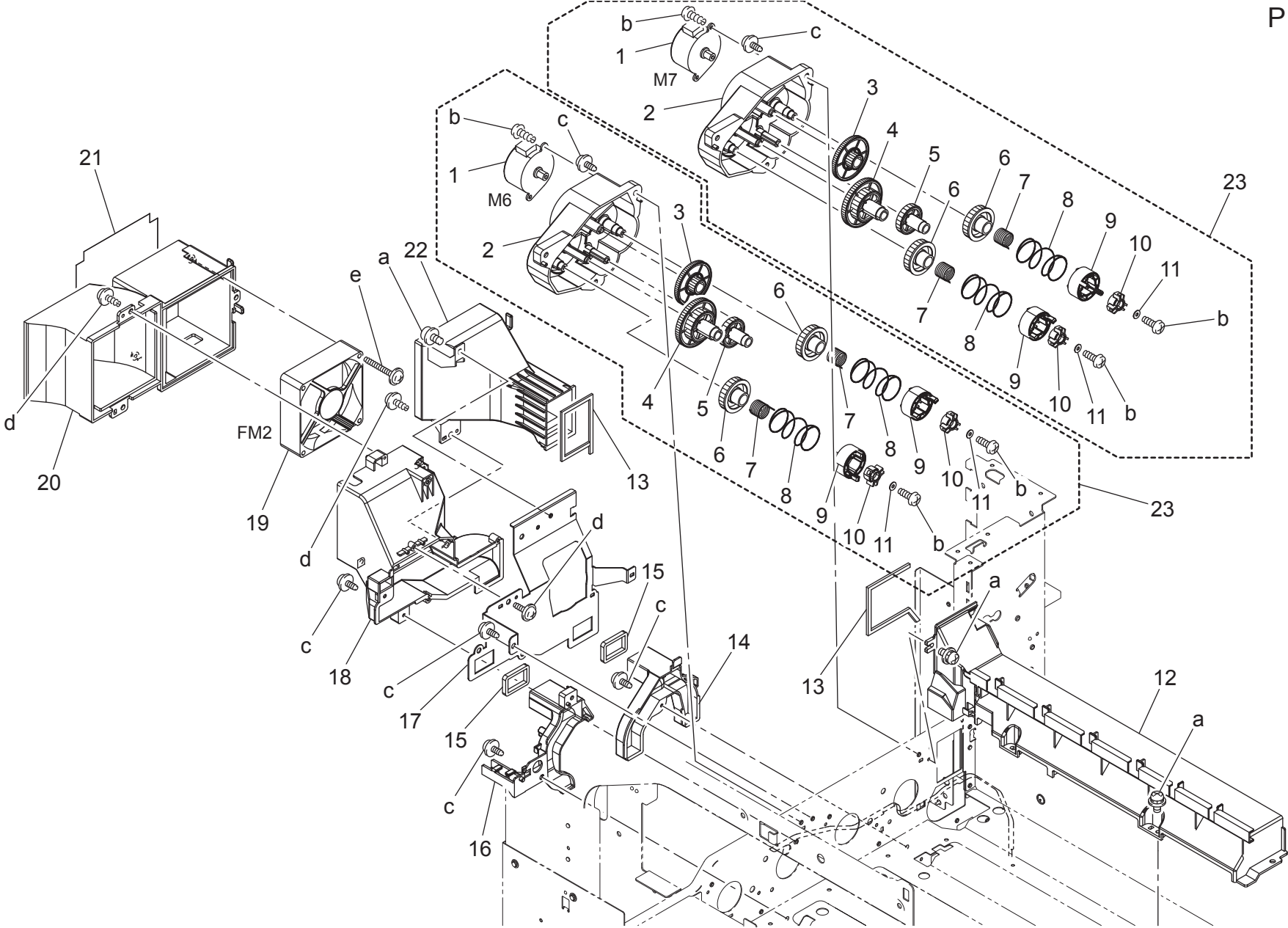
bizhub C220/bizhub C280/bizhub C360

# FUSING DRIVE SECTION

Key	Part No.	Description	Destinations	Class	QTY	Standard parts
1	A0ED 2544 00	Gear 50/28T		D	1	a-V144 0308 03 b-V217 0600 01 c-V217 0400 01 d-V137 0308 03 e-V153 0308 03 f-V116 0306 03 g-V115 2605 03
2	A0ED 2542 00	Gear 52/17T		D	1	
3	A0ED 2570 00	Gear 72/24T		D	1	
4	A0ED 2543 00	Gear 17/48T		D	1	
5	A0ED 2582 00	Holder		D	1	
6	A02E 2571 00	Gear 34T		C	1	
7	9752 3012 50	PIN		V	1	
8	4658 3516 02	Bushing		C	9	
9	A0ED 2545 00	Gear 39T		D	1	
10	9752 2016 50	PIN		V	1	
11	A0ED 2557 00	Holder		D	1	
12	A0ED 2573 00	Shaft		D	1	
13	A0ED 2563 00	Shaft		D	1	
14	A0ED 2596 00	Shaft		D	1	
15	A0ED 2587 00	Shaft		D	1	
16	A0ED 2312 00	Hold Plate		D	1	
17	9J06 2574 01	GEAR 16T		C	1	
18	A0ED 2546 00	Gear 13T		C	1	
19	A0ED 2576 00	Mounting Plate		C	1	
20	4038 2580 01	GEAR 16T		C	1	
21	A0ED 2575 00	Gear 26T		C	1	
22	A0ED 2594 00	Shaft		C	1	
23	A0ED 2595 00	Torsion Coil spring		D	1	
24	4038 2593 02	GEAR 41T		C	1	
25	4038 2592 01	GEAR 18T		C	1	
26	A02E M200 00	Clutch		C	1	
27	A0ED 2591 01	Gear 29T		C	1	
28	A0ED 2584 01	Lever		D	1	
29	A02E 2302 00	Washer		C	1	
30	A02E 2585 00	Pressure spring		C	1	
31	A02E 2303 00	Washer		C	1	
32	9J06 2101 00	BUSHING		C	1	
33	V651 0100 01	connector		D	1	
34	A0ED 2556 01	Mounting Plate		D	1	
35	9335 1300 61	PHOTO INTERRUPTER		B	1	
36	A0ED M101 00	DC Brushless motor		C	1	
37	A0ED 2310 00	Mounting Plate		D	1	
38	A0ED R723 00	Fuser Pressure Release motor Assy		C	1	
39	A0ED R703 00	Fuser Drive Assy		S	1	

bizhub C220/bizhub C280/bizhub C360

BOTTLE DRIVE SECTION



bizhub C220/bizhub C280/bizhub C360



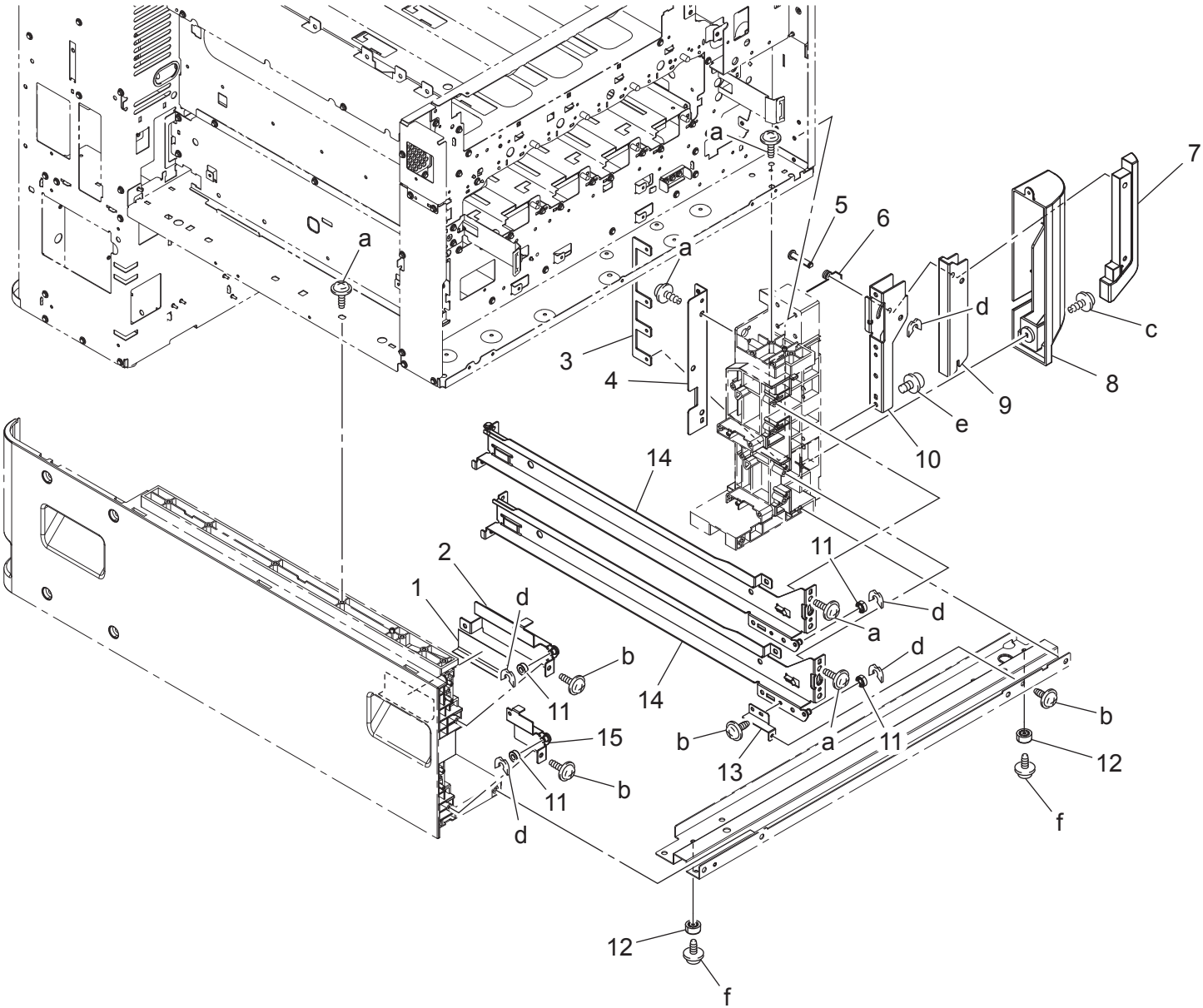
# BOTTLE DRIVE SECTION

Key	Part No.	Description	Destinations	Class	QTY	Standard parts
1	A0ED M104 00	Stepping motor		C	2	a-V116 0308 03 b-V145 0308 03 c-V137 0308 03 d-V153 0308 03 e-V153 0445 03
2	A0ED 2401 00	Holder		D	2	
3	A0ED 2403 00	Gear 106/28T		C	2	
4	A0ED 2404 00	Gear 37/92T		D	2	
5	A0ED 2405 00	Gear 33T		D	2	
6	A0ED 2406 00	Gear 37T		C	4	
7	A0ED 2411 00	Spring		C	4	
8	4038 5412 02	PRESSURE SPRING		C	4	
9	A0ED 2407 00	Joint		C	4	
10	A0ED 2408 00	Guide		C	4	
11	4038 5407 01	COLLAR		C	4	
12	A0ED 1411 00	Duct		D	1	
13	A0ED 1422 01	Seal		D	2	
14	A0ED 1451 00	Duct		D	1	
15	A0ED 1454 01	Seal		D	2	
16	A0ED 1450 00	Duct		D	1	
17	A0ED 1455 00	Mounting Plate		D	1	
18	A0ED 1453 00	Duct		D	1	
19	A0ED M105 00	Fan motor		D	1	
20	A0ED 1457 00	Duct		D	1	
21	A0ED 1409 00	Filter		C	1	
22	A0ED 1456 00	Duct		D	1	
23	A0ED R706 00	Hopper Drive Assy		S	2	

bizhub C220/bizhub C280/bizhub C360



CASSETTE RAIL SECTION



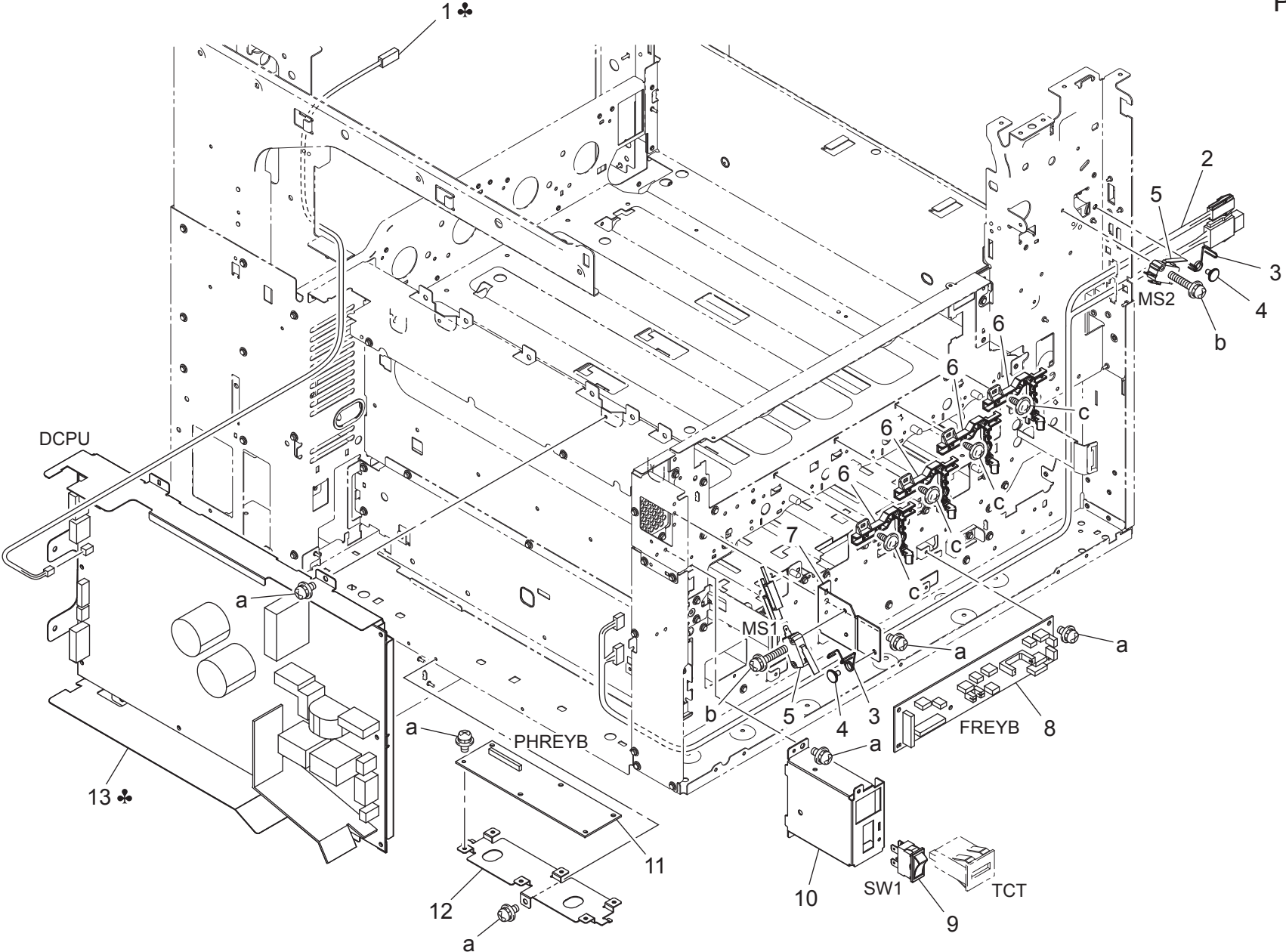
bizhub C220/bizhub C280/bizhub C360

# CASSETTE RAIL SECTION

Key	Part No.	Description	Destinations	Class	QTY	Standard parts
1	A0ED 1075 01	Cushion		D	1	a-V153 0410 03 b-V137 0308 03 c-V153 0308 04 d-V217 0400 01 e-V116 0412 03 f-V137 0312 03
2	A0ED 1023 00	Mounting Plate		D	1	
3	A0ED 1020 00	Reinforce Nut		D	1	
4	A0ED 1042 00	Mounting Plate		D	1	
5	A0ED 1019 00	Shaft		D	1	
6	A0ED 1041 00	Torsion Coil spring		D	1	
7	A0ED 1018 00	Cover		D	1	
8	A0ED 1013 01	Cover Lever		D	1	
9	A0ED 1017 01	Lever		D	1	
10	A0ED 1016 01	Mounting Plate		D	1	
11	A0ED 6234 00	Roll		D	4	
12	0996 3055 01	RUBBER FOOT		C	2	
13	A0ED 1066 00	Mounting Plate		D	1	
14	A0ED 1007 00	Rail		D	2	
15	A0ED 1065 00	Mounting Plate		D	1	

bizhub C220/bizhub C280/bizhub C360

MAIN POWER SUPPLY UNIT



bizhub C220/bizhub C280/bizhub C360

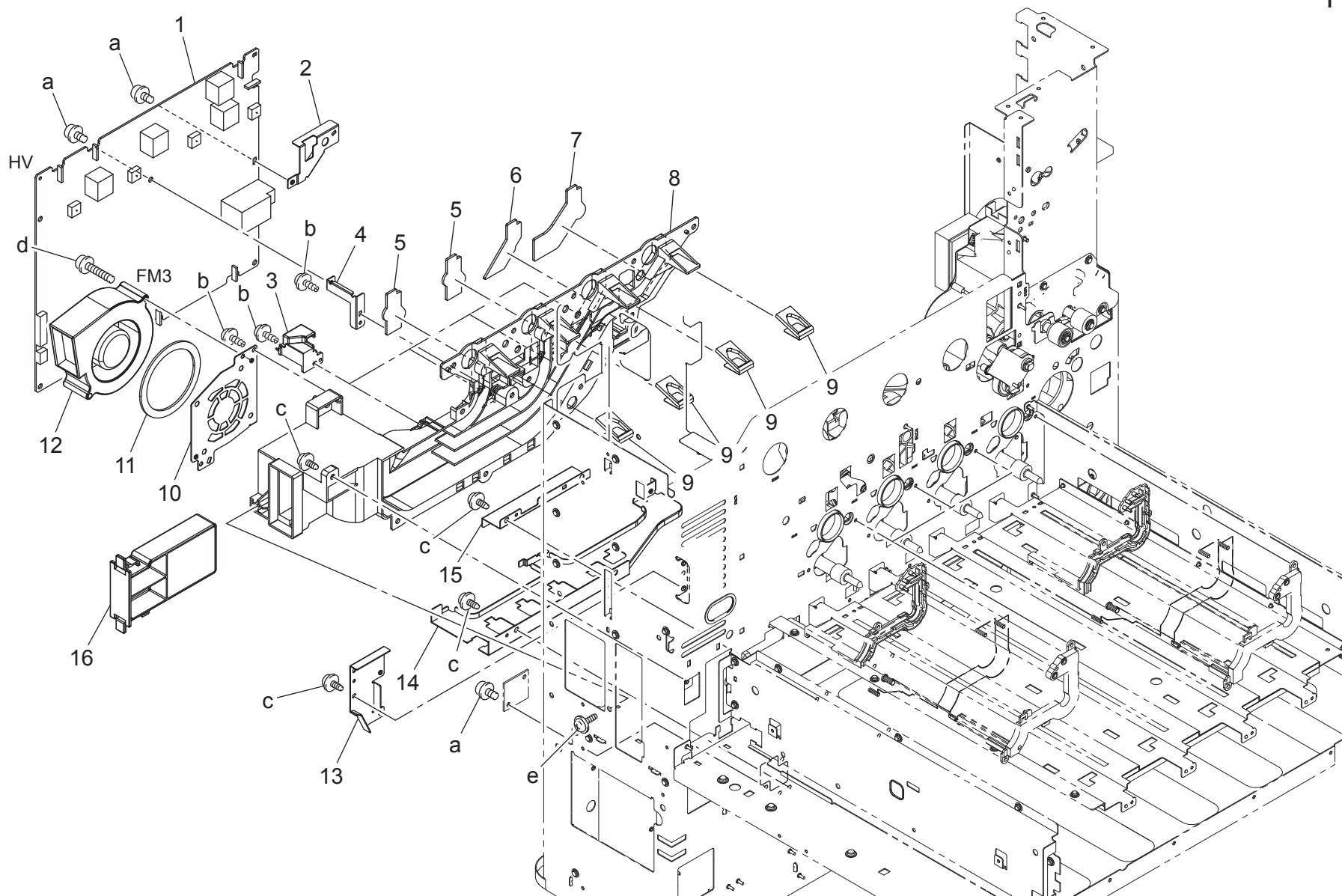
# MAIN POWER SUPPLY UNIT

Key	Part No.	Description	Destinations	Class	QTY	Standard parts
1	A0ED N11C 00	Scanner Relay harness /100V	A,A1	D	1	a-V116 0306 03 b-V116 0316 03 c-V137 0308 03
2	A0ED N103 00	Heater Relay harness		D	1	
3	A0ED 1367 00	Torsion Coil spring		D	2	
4	4038 2287 02	SHOULDER SCREW		C	2	
5	9J06 M601 00	MICRO SWITCH		C	2	
6	A0ED 1056 00	Holder		D	4	
7	A0ED 1361 00	Mounting Plate		D	1	
8	A0ED H003 00	PWB Assembly (PWB-F ASSY)		C	1	
9	4038 M600 00	SEESAW-SWITCH		C	1	
10	A0ED 1351 00	Mounting Plate		D	1	
11	A0ED H002 00	PWB-PH Assembly(PWB-PH ASSY)		I	1	
12	A0ED 1303 00	Mounting Plate		D	1	
13	A0ED M403 00	Power supply /100V	A,A1,B,F1,G2,H	I	1	
13	A0ED M401 01	Power supply /230V	C,D1,D3,E,F2,G1,I,J,K	I	1	

bizhub C220/bizhub C280/bizhub C360

# HIGH VOLTAGE UNIT

P 41



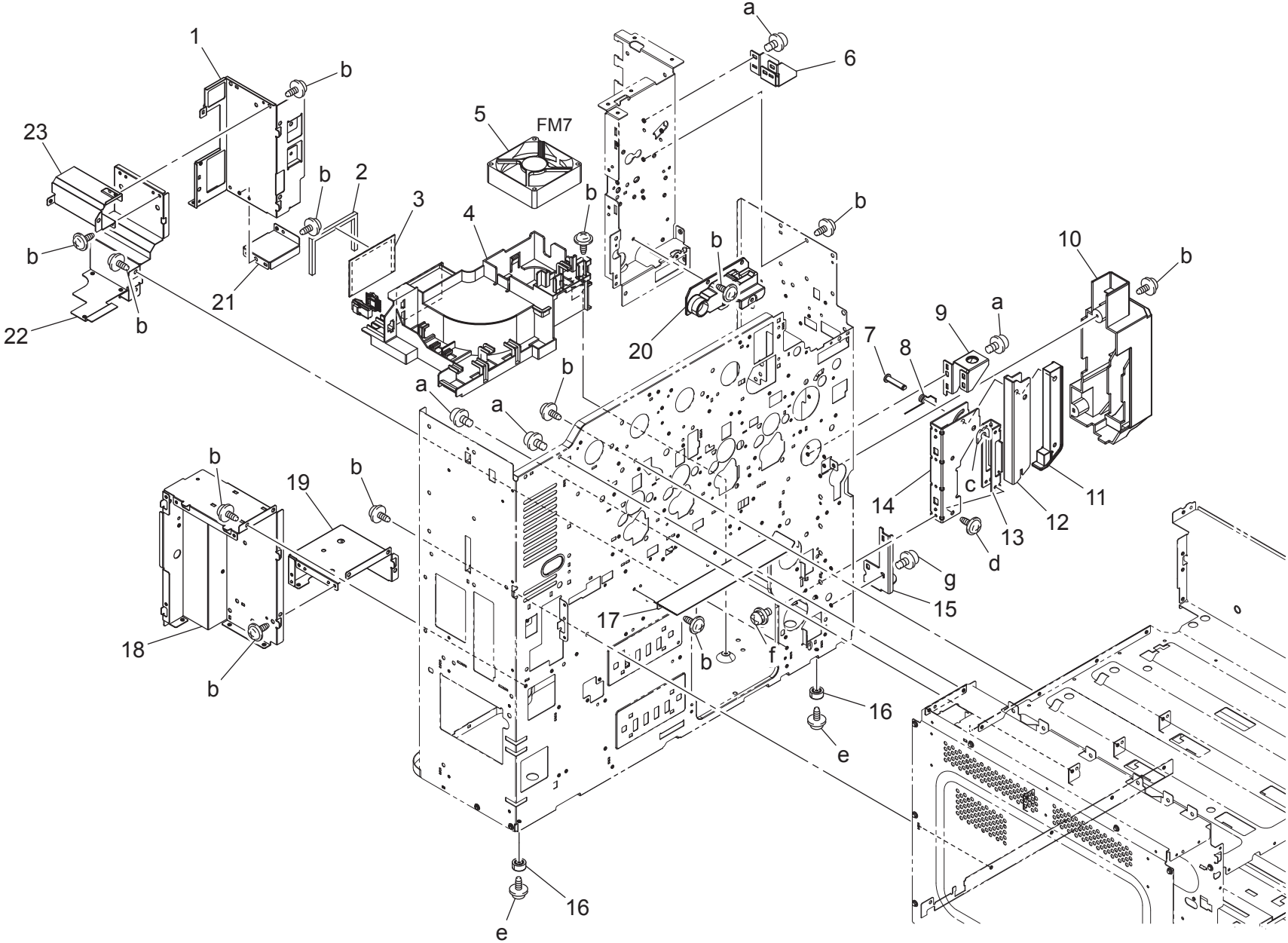
bizhub C220/bizhub C280/bizhub C360

# HIGH VOLTAGE UNIT

Key	Part No.	Description	Destinations	Class	QTY	Standard parts
1	A0ED M402 00	High voltage unit		I	1	a-V116 0306 03 b-V153 0308 03 c-V137 0308 03 d-V116 0335 03 e-V153 0310 03
2	A0ED 1335 00	Mounting Plate		D	1	
3	A0ED 1350 01	Holder		D	4	
4	A0ED 1330 00	Mounting Plate		D	1	
5	A0ED 1435 01	Seal		D	2	
6	A0ED 1434 01	Seal		D	1	
7	A0ED 1436 01	Seal		D	1	
8	A0ED 1430 01	Duct		D	1	
9	A0ED 1458 01	Seal		D	4	
10	A0ED 1431 00	Mounting Plate		D	1	
11	A02E 1173 00	Seal		C	1	
12	9313 1000 72	FAN MOTOR		C	1	
13	A0ED 1334 00	Mounting Plate		D	1	
14	A0ED 1346 00	Holder		D	1	
15	A0ED 1336 00	Guide		D	1	
16	A02E R727 00	Ozone Filter		C	1	

bizhub C220/bizhub C280/bizhub C360

REAR FAN SECTION



bizhub C220/bizhub C280/bizhub C360

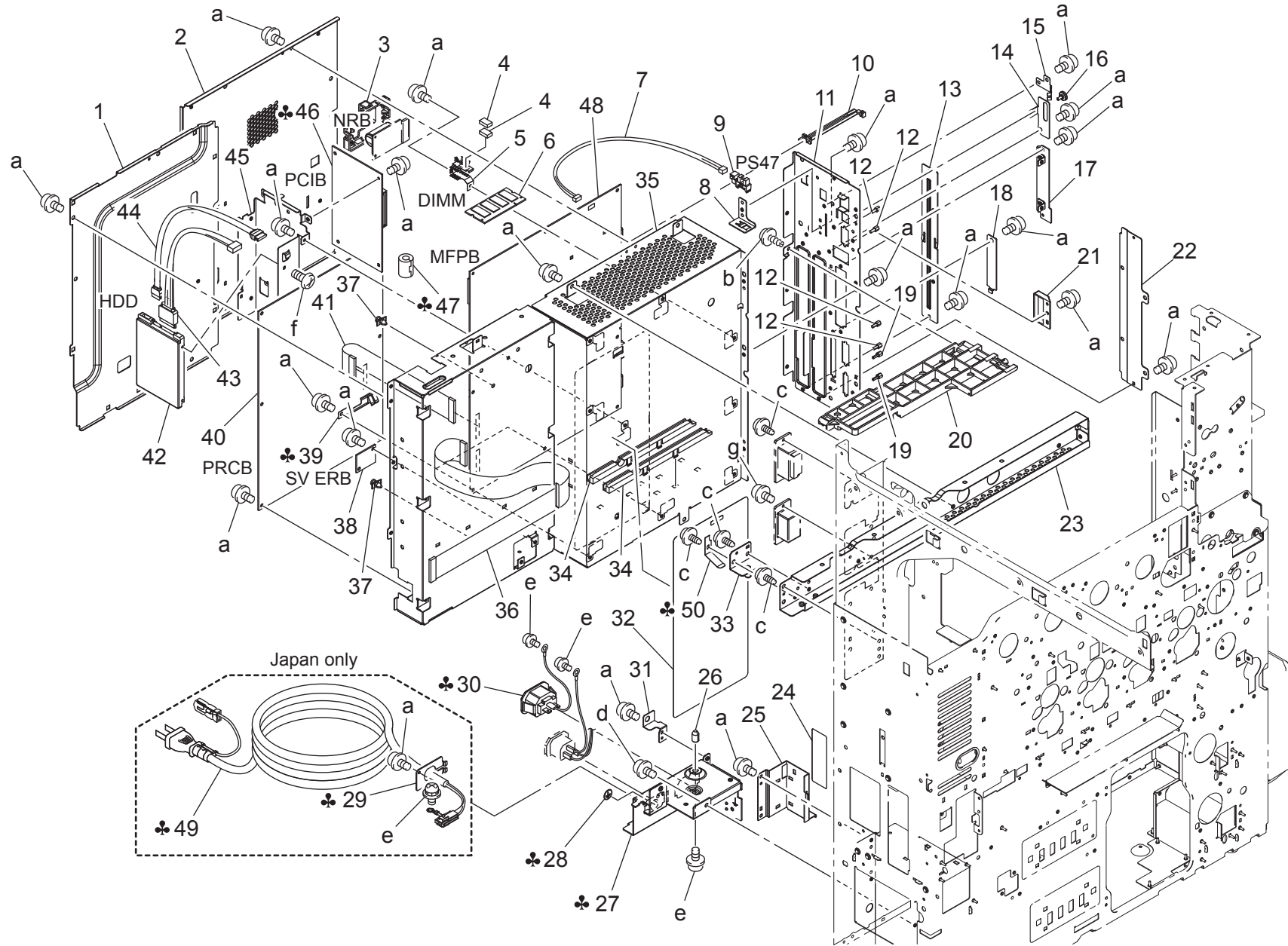
# REAR FAN SECTION

Key	Part No.	Description	Destinations	Class	QTY	Standard parts
1	A0ED 1063 00	Reinforce Plate		D	1	a-V116 0306 03 b-V137 0308 03 c-V217 0400 01 d-V137 0408 03 e-V137 0312 03 f-V116 0408 03 g-V116 0308 03
2	A0ED 1402 01	Seal		C	1	
3	A0ED 1403 00	Filter		C	1	
4	A0ED 1400 00	Duct		D	1	
5	A0ED M105 00	Fan motor		D	1	
6	A0ED 1029 00	Adjusting Plate		D	1	
7	A0ED 1019 00	Shaft		D	1	
8	A0ED 1041 00	Torsion Coil spring		D	1	
9	A0ED 1030 00	Adjusting Plate		D	1	
10	A0ED 1014 01	Cover Lever		D	1	
11	A0ED 1064 00	Cover		D	1	
12	A0ED 1017 01	Lever		D	1	
13	A0ED 1040 01	Mounting Plate		D	1	
14	A0ED 1038 01	Mounting Plate		D	1	
15	A0ED 1039 00	Adjusting Plate		D	1	
16	0996 3055 01	RUBBER FOOT		C	2	
17	A0ED 1077 00	Rail		D	1	
18	A0ED 1062 00	Cover		C	1	
19	A0ED 1079 00	Cover		D	1	
20	A0ED 1027 00	Guide		D	1	
21	A0ED 1080 00	Reinforce Plate		D	1	
22	A0ED 1061 00	Cover		D	1	
23	A0ED 1078 00	Cover		D	1	

bizhub C220/bizhub C280/bizhub C360



# SHIELD BOX

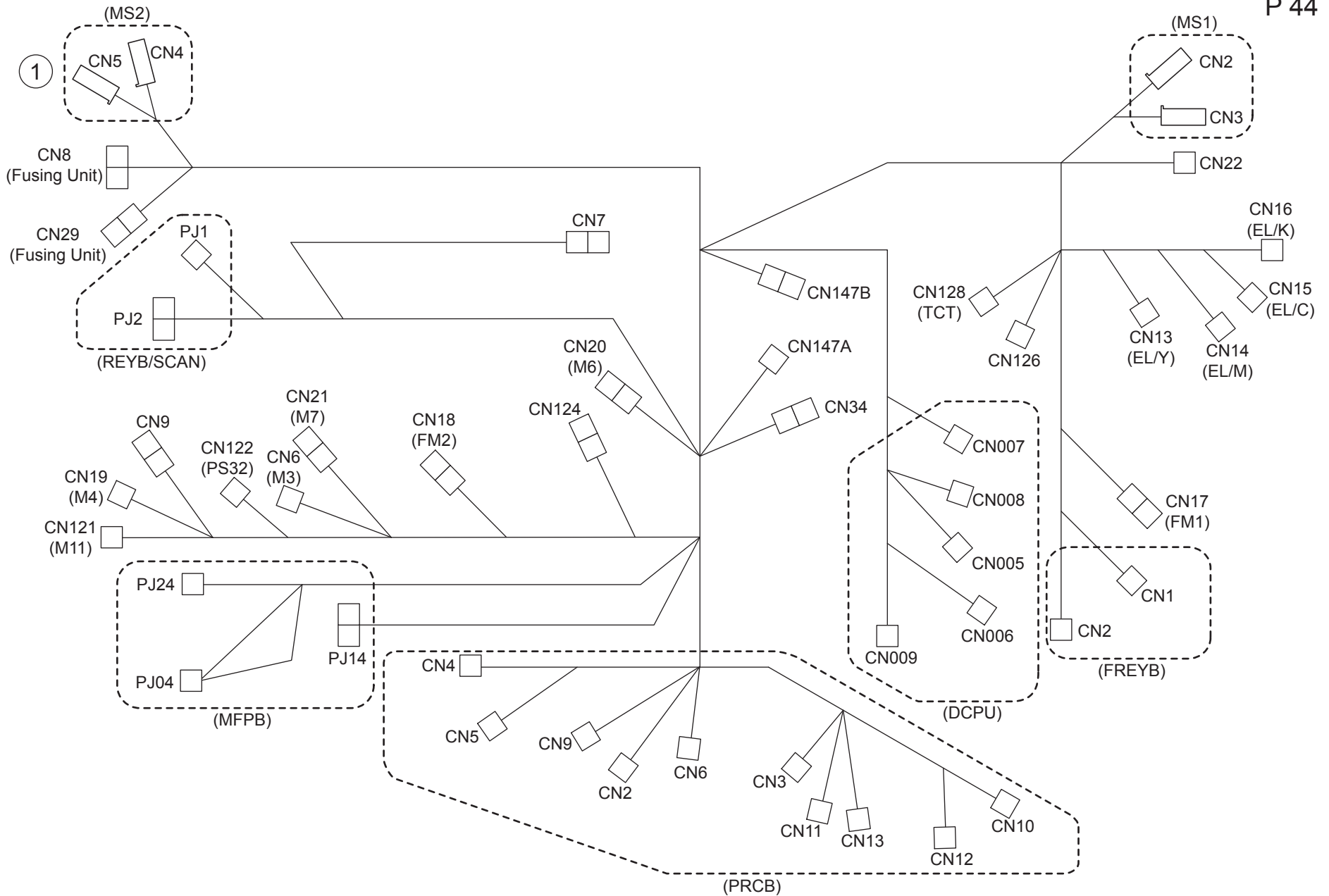


bizhub C220/bizhub C280/bizhub C360

Key	Part No.	Description	Destinations	Class	QTY	Standard parts
1	A0ED 1375 00	Shield Plate		D	1	a-V116 0306 03
2	A0ED 1323 00	Shield Plate		C	1	b-V153 0308 03
3	A0P0 1473 00	Mounting Plate		D	1	c-V137 0308 03
4	4004 1829 02	CUSHION		C	2	d-V116 0406 03
5	A0P0 1459 00	Ground Plate		D	1	e-V116 0408 03
6	V865 3000 26	MEMORY MODULES		C	1	f-V118 0304 03
7	A0ED N116 00	Controller Detection harness		D	1	g-V116 0308 03
8	A0P0 1449 00	Mounting Plate		D	1	
9	9335 1300 61	PHOTO INTERRUPTER		B	1	
10	A0P0 1447 01	Rail		D	1	
11	A0ED 1322 00	Mounting Plate		C	1	
12	4025 2283 01	SCREW		D	4	
13	A0ED 1372 00	Cover		C	1	
14	A0P0 1472 01	Cover		C	1	
15	A0ED 1373 00	Ground Plate		C	1	
16	A02E 1933 00	Shoulder screw		C	1	
17	A0P0 1474 01	Mounting Plate		D	1	
18	A00J 1387 00	Cover		D	1	
19	A00J 1396 00	Screw		C	2	
20	A0ED 1320 00	Guide		D	1	
21	A0ED 1319 00	Cover		D	1	
22	A0ED 1371 00	Cover		C	1	
23	A0ED 1325 00	Reinforce Plate		D	1	
24	A02E 1401 00	Guide		C	1	
25	A0ED 1358 00	Guide		D	1	
26	A0ED 1314 00	Pin		D	1	
27	A0ED 1313 01	Mounting Plate	B,F1,G2,H	D	1	
27	A0ED 1315 01	Mounting Plate	A,A1,C,D1,D3,E,F2,G1,I,J,K	D	1	
28	9J06 7301 01	LABEL	A,A1	D	1	
29	A0ED 1357 00	Mounting Plate	A,A1	D	1	
30	A02E N125 01	Power supply Wiring	C,D1,D3,E,F2,G1,I,J,K	D	1	
31	A0ED 1374 00	Ground Plate		D	1	
32	A0ED 1328 00	Sheet		C	1	
33	A0ED 1312 00	Mounting Plate		D	1	
34	A00J 1367 00	Guide Rail		C	2	
35	A0ED 1311 01	Shield Case		D	1	
36	A0ED N113 00	ImageProcessing Flatcable /25		C	1	
37	V502 0100 26	SUPPORT		D	2	
38	A0P0 H00C 00	PWB Assembly(PWB-EE ASSY)		I	1	
39	A0ED 1376 00	Ground Plate	C,F1,H,J,D1,D3,E,F2,G1,I,K	C	2	
40	A0ED H001 03	PWB Assembly(PWB-MC ASSY)		I	1	
41	A0ED N114 00	ImageProcessing Flatcable /30		C	1	
42	A0ED M720 00	HDD		I	1	
43	A0P0 N152 00	Cable		C	1	
44	A0P0 N151 00	Cable		C	1	
45	A0ED 1324 00	Mounting Plate		C	1	
46	A0P0 H026 01	PWB assembly(PWB-PCI ASSY)	A,A1	I	1	
47	A0P0 M900 00	Ferritecore	C,D1,D3,E,F2,G1,H,I,J,K	D	1	
48	A0ED H020 02	PWB Assembly(PWB-MFP ASSY)	{bizhub C360/C280}	I	1	
48	A0ED H021 02	PWB Assembly(PWB-MFP ASSY)	{bizhub C220}	I	1	
49	A0ED N300 01	Power source Cord /100V	A,A1	D	1	
50	A0ED 1377 00	Ground Plate	C,D1,D3,E,F1,F2,G1,H,I,J,K	D	1	

bizhub C220/bizhub C280/bizhub C360

# WIRING

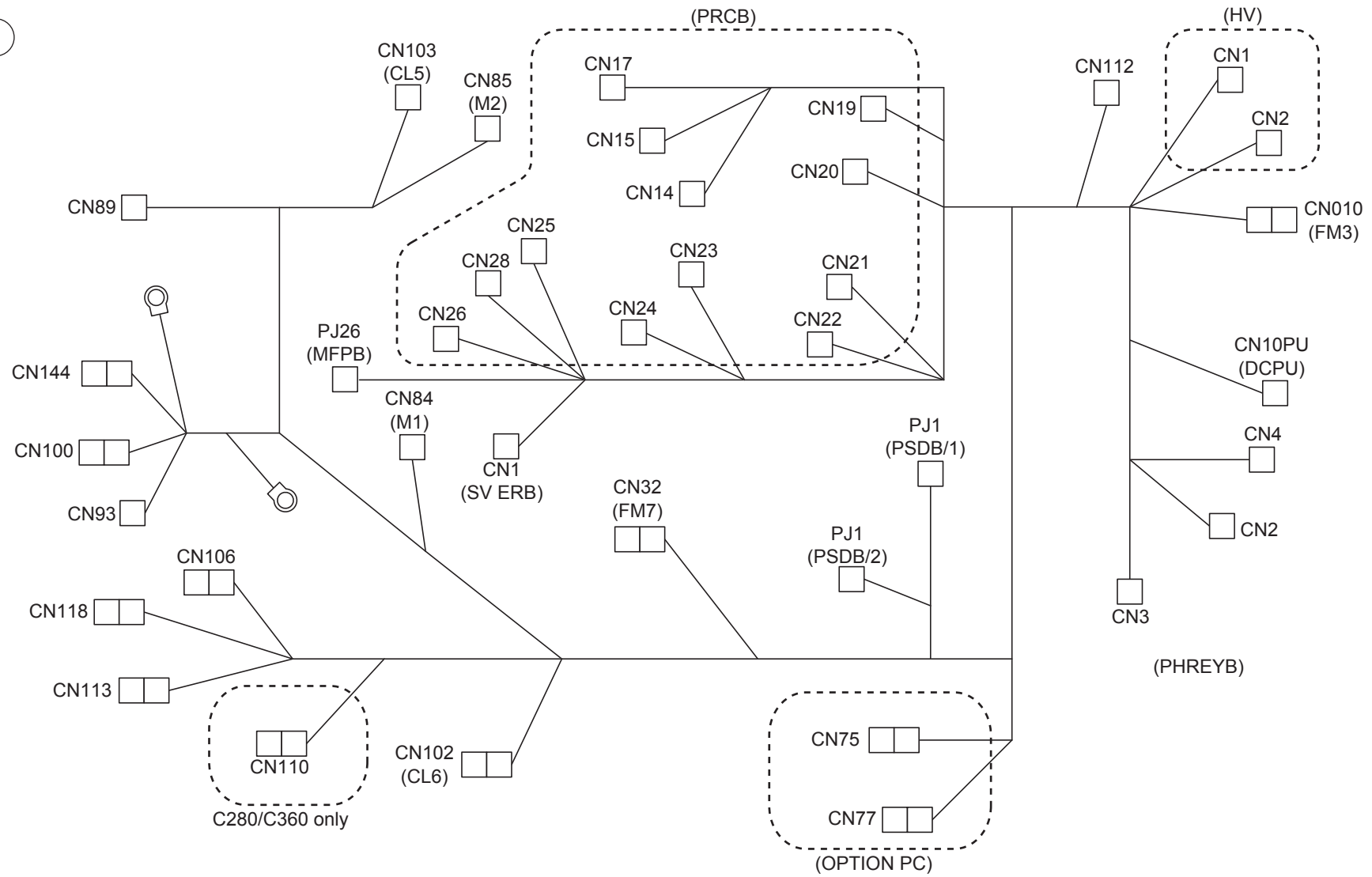


bizhub C220/bizhub C280/bizhub C360

Key	Part No.	Description	Destinations	Class	QTY	Standard parts
1	A0ED N104 01	Main body Wiring /Front		D	1	

bizhub C220/bizhub C280/bizhub C360

1



bizhub C220/bizhub C280/bizhub C360

# WIRING

Key	Part No.	Description	Destinations	Class	QTY	Standard parts
1	A0ED N105 00	Main body Wiring /Rear	{bizhub C360}	D	1	
1	A0ED N119 00	Main body Wiring /Rear	{bizhub C280}	D	1	
1	A0ED N11A 00	Main body Wiring /Rear	{bizhub C220}	D	1	

bizhub C220/bizhub C280/bizhub C360



bizhub C220/bizhub C280/bizhub C360

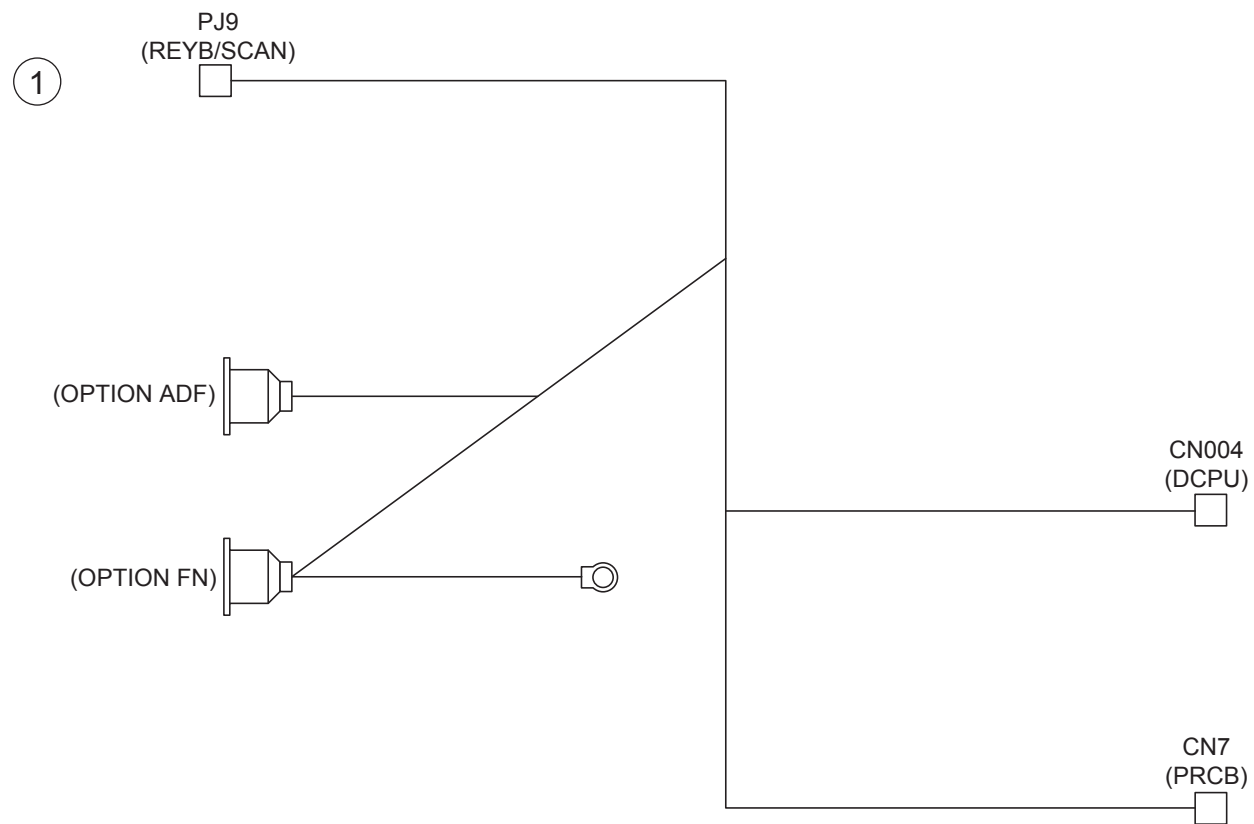
# WIRING

Key	Part No.	Description	Destinations	Class	QTY	Standard parts
1	A0ED N100 01	AC Wiring /100V	A,A1	D	1	
2	A0ED N101 01	AC Wiring /120V	B,F1,G2,H	D	1	
3	A0ED N102 01	AC Wiring /230V	C,D1,D3,E,F2,G1,I,J,K	D	1	

bizhub C220/bizhub C280/bizhub C360



# WIRING



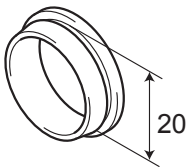
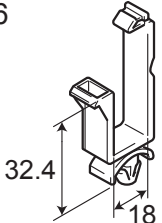
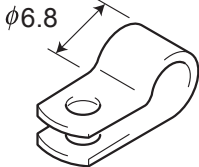
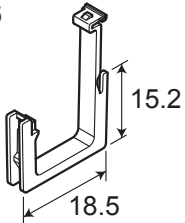
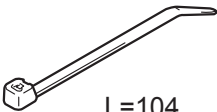
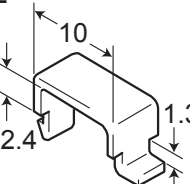
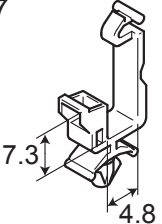
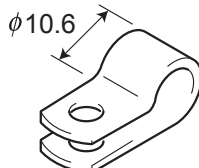
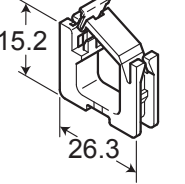
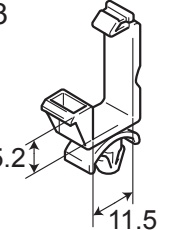
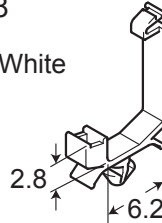
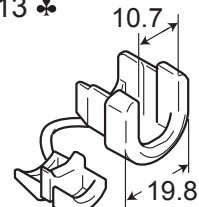
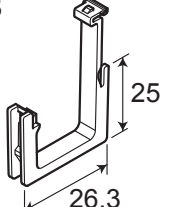
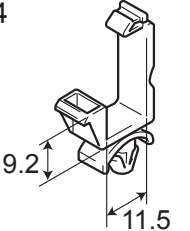
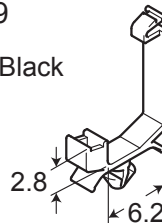
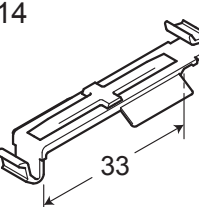
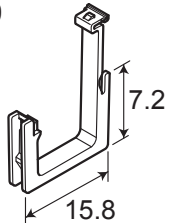
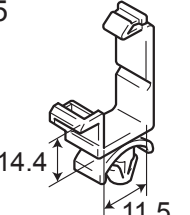
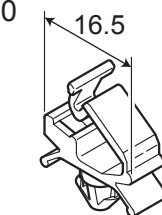
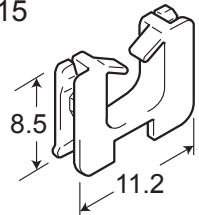
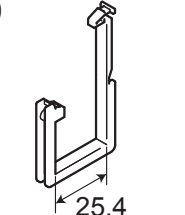
# WIRING

Key	Part No.	Description	Destinations	Class	QTY	Standard parts
1	A0ED N10D 00	FNS Relay harness		D	1	

bizhub C220/bizhub C280/bizhub C360

# WIRING ACCESSORIES AND JIGS

P 48

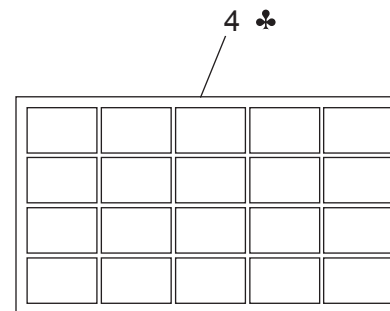
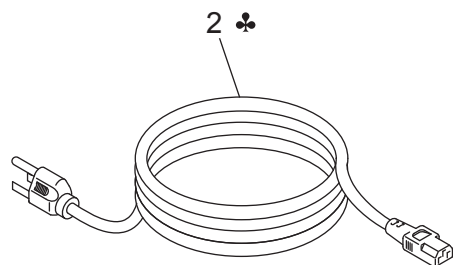
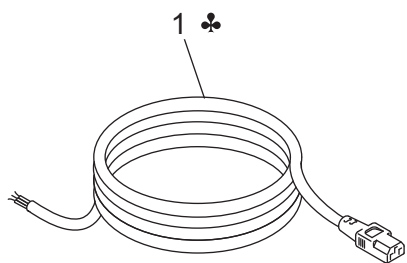
1 	6 	11 	16 	21 ♣ 	26	31	36
2 	7 	12 ♣ 	17 	22	27	32	37
3 	8 White 	13 ♣ 	18 	23	28	33	38
4 	9 Black 	14 	19 	24	29	34	39
5 	10 	15 	20 	25	30	35	40

bizhub C220/bizhub C280/bizhub C360

Key	Part No.	Description	Destinations	Class	QTY	Standard parts
1	0722 4913 01	INSULATING MEMBER		D		
2	0990 5596 01	CORD CLAMP		D		
3	V500 0100 03	Saddle		D		
4	V500 0100 05	saddle		D		
5	V500 0100 07	saddle		D		
6	V500 0100 15	saddle		D		
7	V500 0100 20	Saddle		D		
8	V500 0100 46	saddle		D		
9	V500 0100 55	SADDLE		D		
10	V500 0100 61	saddle		D		
11	V500 0200 19	clamp		D		
12	V500 0200 40	clamp	B,C,D1,D3,E,F1,F2,G1,G2,H,I ,J,K	D		
13	V500 0200 52	bushing	A,A1	D		
14	V500 0200 66	CLAMP		D		
15	V570 0100 21	Saddle		D		
16	V570 0100 26	saddle		D		
17	V570 0100 27	saddle		D		
18	V570 0100 28	saddle		D		
19	V570 0100 46	SADDLE		D		
20	V570 0100 48	SADDLE		D		
21	V501 0100 01	band	C,H,J,D1,D3,E,F2,G1,I,K	D		

bizhub C220/bizhub C280/bizhub C360

# ACCESSORY PARTS



ACCESSORY PARTS

Key	Part No.	Description	Destinations	Class	QTY	Standard parts
1	A0ED N302 01	Power source Cord /230V	D1,D3,E,F2,G1,I,K	D	1	
2	9381 4300 31	POWER CORD	J	D	1	
2	9J03 N300 00	POWER CORD /120V	H	D	1	
2	A0ED N301 01	Power source Cord /120V	B,F1,G2	D	1	
3	V116 0308 03	Screw		V	1	
4	A02E 9420 00	Label Metric	A,A1,C,D1,D3,E,F1,F2,G1,H,I ,J,K	C	1	
4	A02E 9421 00	Label Inch	B,G2	C	1	

bizhub C220/bizhub C280/bizhub C360

# MAINTENANCE LIST

● The items with no Page/Key numbers are not handled as spare parts.

No.	Section	PM Parts Description	Maintenance Cycle (K=1,000)		Parts No.	Destinations	Page/Key	Note
			QTY	Replace				
1	Paper feed section	Tray 1 pick-up roller	1	300K *2	A00J563600		P16-12	*4
2		Tray 1 feed roller	1	300K *2	A00J563600		P16-12	*4
3		Tray 1 separation roller assy	1	300K *2	A02EF56600		P17-12	*4
4		Tray 2 pick-up roller	1	300K *2	A00J563600		P18-13	*4
5		Tray 2 feed roller	1	300K *2	A00J563600		P18-13	*4
6		Tray 2 separation roller assy	1	300K *2	A02EF56600		P19-8	*4
7		Manual bypass tray feed roller	1	200K *2	A02E594700		P26-6	*4
8		Manual bypass tray separation roller assy	1	200K *2	4034015101		P27-12	*4
9	Processing section	Toner cartridge/Y,M,C *1	1	26K	-		-	
10		Toner cartridge/K *1	1	29K	-		-	
11		Drum unit/Y,M,C *1	1	85K / 70K / 55K	-		-	
12		Drum unit/K *1	1	120K / 100K /	-		-	
13		Developing unit/Y,M,C	1	102K *3	-		-	
14		Developing unit/K	1	510K *3	-		-	
15		Ozone filter	1	300K / 260K *3	A02ER72700		P41-16	*5
16	Waste toner box *1	1	45K	A162WY1		P34-2	*6	
17	Image transfer section	Transfer belt unit	1	300K / 260K *3	A0EDR71600		P15-18	
18		Transfer roller unit	1	300K / 260K *3	A0EDR71700		P31-29	*5
19	Fusing section	Fusing unit	1	468K *3	A0EDR71900	AREA 100V	P34-1	
20		Fusing unit	1	468K *3	A0EDR73800	AREA 110V	P34-1	
21		Fusing unit	1	468K *3	A0EDR72000	AREA 120V	P34-1	
22		Fusing unit	1	468K *3	A0EDR72100	AREA 230V	P34-1	

\*1 The parts can be replaced either by user or service engineer.

\*2 Actual durable cycle (life counter value)

\*3 Field standard yield

\*4 Replace those three parts at the same time.

\*5 The ozone filter and the transfer roller unit are furnished with the transfer belt unit so that all of them are replaced at same time.

\*6 A waste toner full condition is detected with detecting the actual waste toner emissions.

## DESTINATION

Destination No.		Destinations		V	Hz	Model No.
A	A1	JAPAN		100	50/60	A0ED001/ A0ED002/ A0ED003
	A2	JAPAN				
B		USA, CANADA		120	60	A0ED011/ A0ED012/ A0ED013
C		EUROPEAN TYPE		220-240	50/60	A0ED021/ A0ED022/ A0ED023
D	D1	S.E ASIA TYPE	THAILAND, SRI LANKA, SINGAPORE, MALAYSIA, HONG KONG, PAKISTAN, INDIA, BANGLADESH, INDONESIA	220-240	50/60	A0ED041/ A0ED042/ A0ED043
	D3	OCEANIA TYPE	AUSTRALIA, NEW ZEALAND	220-240	50/60	A0ED041/ A0ED042/ A0ED043
E		PHILIPPINES		220-240	50/60	A0ED041/ A0ED042/ A0ED043
F	F1	SAUDI ARABIA		127	60	A0ED0M1/ A0ED0M2/ A0ED0M3
	F2	SAUDI ARABIA		220-240	50/60	A0ED041/ A0ED042/ A0ED043

bizhub C220/bizhub C280/bizhub C360



Destination No.		Destinations	V	Hz	Model No.
G	G1	C.S AMERICA	220-240	50/60	A0ED041/ A0ED042/ A0ED043
	G2	C.S AMERICA	120	60	A0ED011/ A0ED012/ A0ED013
H		TAIWAN	110	60	A0ED071/ A0ED072/ A0ED073
I		JORDAN, LEBANON, SYRIA, SOUTH AFRICA, IRAQ, IRAN, N.YEMEN, CAMEROON, UAE, BAHRAIN, OMAN, QATAR, KUWAIT, KENYA, TUNISIA, IVORY COAST, MOROCCO	220-240	50/60	A0ED041/ A0ED042/ A0ED043
J		CHINA	220-240	50/60	A0ED081/ A0ED082/ A0ED083
K		KOREA	220-240	50/60	A0ED041/ A0ED042/ A0ED043

bizhub C220/bizhub C280/bizhub C360