

KONICA MINOLTA

PARTS GUIDE MANUAL

NOVEMBER 2016

bizhub C3851
A92E

INFORMATION FOR PARTS GUIDE MANUAL

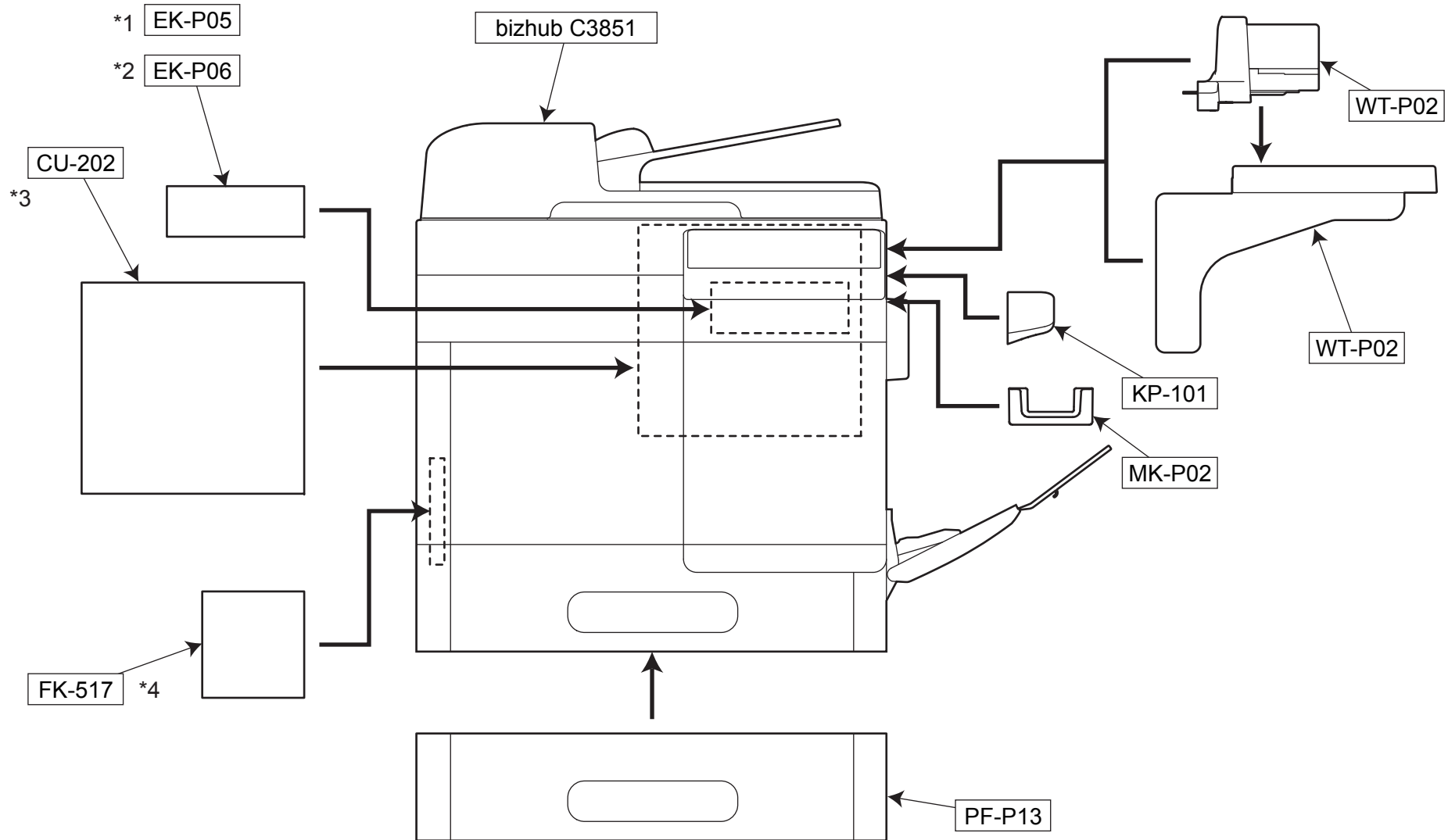
To find correct Parts No., refer to the "HOW TO MAKE THE BEST USE OF THIS MANUAL" in the following page.

HOW TO MAKE THE BEST USE OF THIS MANUAL

- 1 When you order, please check the proper figures beforehand that are on Our Parts Guide Manual, and order with the appropriate figures.
- 2 For screws, Nuts, Washers, retaining rings and Pins which are used in this model, one letter is shown on the Standard parts column of Parts list and exploded diagrams.
- 3 In order to maintain safety of the product, some specific parts composed of this product are set up as "essential safety parts".
- 4 The assigned parts number for the "essential safety parts" is indicated as "SP00-****".
When replacing these parts, follow precautions for disassembling and installing which are listed in the Service Manual.
Do not use any parts that are not set up as
- 5 ♣ means that there are exclusive parts for each destination.
Please check the appropriate destination when you order.
- 6 Revision Mark
Marked as ▲ on the illustration shows that the revision has been made.
- 7 All rights reserved. (any reprints or quotations are prohibited.)
Use of this parts guide manual should be strictly supervised to avoid disclosure of confidential information.

System Configuration

- *1: Non Bluetooth Type
- *2: Bluetooth Type
- *3: Model No. A92E021 only
- *4: Model No. A92E041 only



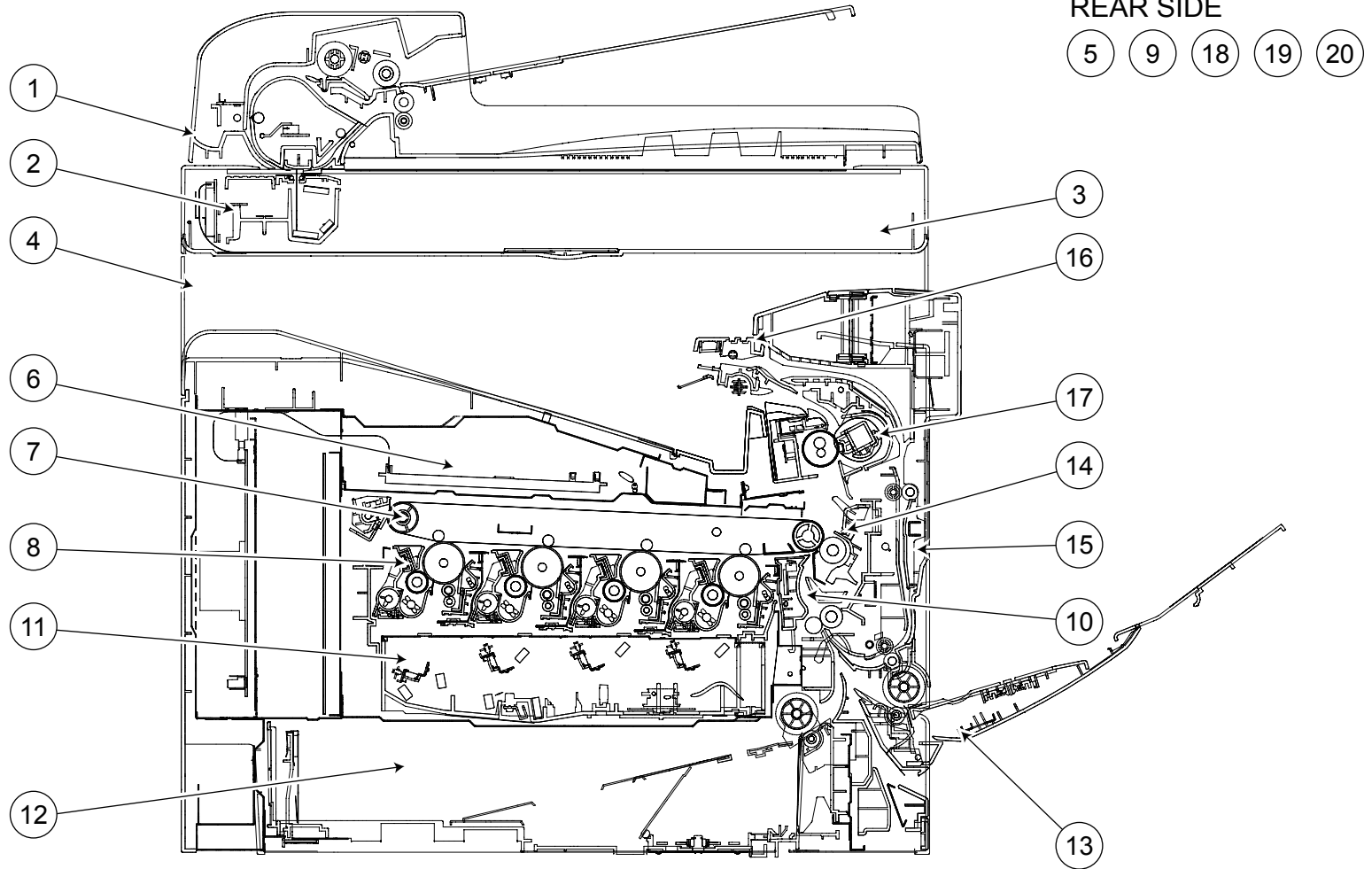
bizhub C3851

GENERAL CONTENTS

No.	Description	Model
1	Printer Color	bizhub C3851
2	Finisher/Sorter	FS-P03
3	Other Option	WT-P02
4	Other Option	KP-101
5	Mount Kit	MK-P02
6	Paper Feeder	PF-P13
7	Other Option	CU-202
8	Other Option	EK-P05
9	Other Option	EK-P06

bizhub C3851

Section Configuration



CONTENTS

No.	DESCRIPTION	PAGE No.
1	Auto document feeder section	P1
2	Scanner section	P2
3	Control panel section	P3
4	External Parts section	P4 P5
5	Toner suction section	P6
6	Toner bottle drive section	P7
7	Transfer belt section	P8
8	Erase LED section	P9
9	Cooling fan section	P10
10	Transfer guide section	P11
11	Write/ Toner collection section	P12
12	Paper feed section (Tray 1)	P13 P14
13	Paper feed section (Manual tray)	P15 P16
14	Transfer section (2nd transfer)	P17
15	Duplex section	P18
16	Duplex reverse drive section	P19
17	Fusing/ Paper exit section	P20
18	Main drive section	P21
19	Paper feed drive section	P22
20	Electrical components	P23 P24
21	Wiring section	P25 P26 P27 P28 P29
22	Wiring accessories and Jigs	P30
23	Accessory parts	P31

INDEX

Parts No.	Page No.
000V-18-1	30-13
000V-18-2	30-14
0978381101	13-2
0996305501	12-2
0996305501	23-20
1154467001	23-14
4002504202	5-3
4030303401	13-10
4036254901	23-16
4036301401	21-8
4036301401	22-6
4036473001	22-5
4036576501	13-30
4038541101	7-7
4120301901	16-15
4131300301	15-3
4131302702	16-13
4131305601	13-40
4131305601	15-32
4131305702	13-39
4131412801	7-10
4134588202	22-21
4138259701	22-17
4138303202	13-11
4138303202	15-11
4138324401	13-7
4138325501	16-14
4138352802	18-9
4138353202	18-10
4139M10000	6-19
4139M10000	10-29
4139M10000	10-31
4139M10000	17-35
4139M10000	19-1
4139M10000	23-2
4163529301	13-34
4163529301	17-34
4163529301	23-1
4628680101	31-10
4658301201	14-13

Parts No.	Page No.
56AA40490	13-8
56AA40490	15-10
65AA-9920	30-15
9335140051	12-18
9J06M60100	6-9
9J06PJP100	30-16
A00F213900	21-5
A00F813000	19-7
A00F813100	19-8
A00J192900	13-15
A00J945500	4-8
A011946200	3-28
A011M20000	18-15
A02E193000	21-34
A02E240600	7-6
A02E940300	14-38
A02EM20000	22-20
A034213400	11-18
A034M20000	11-11
A034M20000	21-32
A034M60200	23-21
A034N30000	31-13
A0ED162401	4-12
A0EDM60001	7-16
A0HF952400	2-2
A0P0364000	20-9
A0P0M50400	11-7
A0P0M73100	23-41
A0VD114101	8-7
A0VD133300	21-16
A0VD135201	6-6
A0VD136100	6-12
A0VD136800	8-5
A0VD161100	17-7
A0VD162101	17-3
A0VD162400	17-10
A0VD163200	17-11
A0VD163400	17-4
A0VD163500	17-8
A0VD164000	17-1

Parts No.	Page No.
A0VD214700	8-15
A0VD218301	21-7
A0VD219800	21-12
A0VD220300	21-26
A0VD230101	22-22
A0VD230301	22-10
A0VD230400	22-4
A0VD230501	22-19
A0VD230800	22-8
A0VD230901	22-12
A0VD231101	22-7
A0VD231200	22-11
A0VD233102	22-3
A0VD233301	22-13
A0VD235301	18-8
A0VD235400	12-6
A0VD235500	12-7
A0VD235600	12-5
A0VD235700	12-16
A0VD235900	12-8
A0VD362300	8-11
A0VD362400	8-19
A0VD362500	8-20
A0VD362702	12-15
A0VD363700	8-10
A0VD560300	15-35
A0VD560601	15-28
A0VD561301	15-2
A0VD561502	15-25
A0VD561800	15-31
A0VD624100	22-15
A0VD624800	13-9
A0VD624800	15-23
A0VD700202	17-22
A0VD700302	17-21
A0VD701301	17-19
A0VD702400	18-19
A0VD702400	22-9
A0VD702501	18-6
A0VD702700	17-18

Parts No.	Page No.
A0VD703001	18-14
A0VD703501	18-18
A0VD703700	17-17
A0VD703700	18-13
A0VD705303	18-17
A0VD707201	11-6
A0VD820200	19-18
A0VD820300	19-22
A0VD820700	19-15
A0VD820900	19-20
A0VD821100	19-25
A0VD822300	19-27
A0VD822400	19-11
A0VD822500	19-28
A0VD822600	19-4
A0VD822700	19-6
A0VD822800	19-5
A0VD823300	19-29
A0VD890800	20-15
A0VD892400	20-18
A0VD949100	20-1
A0VDN30000	31-4
A121820800	19-21
A121893002	20-4
A121902500	20-3
A121PP0200	1-3
A121PP0500	1-12
A121PP0600	1-11
A121PP0700	1-8
A121PP0800	1-19
A121PP0900	1-17
A121PP0A00	1-18
A121PP0B00	1-14
A121PP0C00	1-21
A121PP0D00	1-10
A121PP0G00	1-16
A121PP0H00	1-15
A121PP0J00	1-6
A121PP0N02	2-4
A121PP0Q00	2-5

Parts No.	Page No.
A121PP0R00	1-23
A121PP1000	1-22
A161940602	2-1
A161943000	14-7
A161M50300	11-20
A1UD947400	31-14
A2X0949100	7-13
A2X0M72C00	23-24
A2YFM20000	18-3
A2YFM20000	19-26
A3EW944600	2-10
A3EWM90300	23-19
A3GN102200	12-19
A3GN102300	12-17
A3GN102500	12-3
A3GN106700	12-12
A3GN107100	12-13
A3GN109300	5-7
A3GN109800	6-3
A3GN110001	8-16
A3GN110102	8-17
A3GN110401	8-6
A3GN110501	8-14
A3GN110600	8-9
A3GN110700	8-12
A3GN110800	8-13
A3GN110900	8-1
A3GN111001	9-5
A3GN111101	9-11
A3GN111200	9-7
A3GN111300	9-6
A3GN111400	9-13
A3GN111500	11-15
A3GN111800	8-8
A3GN112300	11-13
A3GN112400	9-8
A3GN112800	9-3
A3GN112900	9-1
A3GN113000	9-4
A3GN113100	9-10

Parts No.	Page No.	Parts No.	Page No.	Parts No.	Page No.	Parts No.	Page No.	Parts No.	Page No.
A3GN113200	9-9	A3GN145100	10-11	A3GN162500	4-2	A3GN623100	13-38	A3GN893700	20-23
A3GN113300	8-18	A3GN145200	10-12	A3GN162600	4-11	A3GN628100	14-19	A3GN940201	14-18
A3GN130000	24-1	A3GN145300	10-18	A3GN162701	5-2	A3GN628201	14-17	A3GN940401	31-11
A3GN130601	21-14	A3GN145400	10-15	A3GN162800	5-1	A3GN700100	17-26	A3GN940500	14-16
A3GN130700	21-13	A3GN145600	10-13	A3GN162900	4-3	A3GN700500	17-23	A3GN940500	16-6
A3GN130900	21-18	A3GN145700	6-15	A3GN163000	4-4	A3GN700700	17-39	A3GN948300	20-2
A3GN131000	21-19	A3GN145800	23-5	A3GN190101	3-16	A3GN700800	17-40	A3GNH00500	3-10
A3GN131100	21-21	A3GN146000	6-24	A3GN190511	3-24	A3GN701100	17-24	A3GNM30400	9-12
A3GN131200	21-15	A3GN146100	4-17	A3GN190600	3-18	A3GN701800	17-20	A3GNM30400	11-14
A3GN131400	21-20	A3GN146300	20-10	A3GN190801	3-19	A3GN702100	18-12	A3GNM40000	24-7
A3GN131600	21-25	A3GN146400	6-11	A3GN191300	3-20	A3GN702300	18-7	A3GNM40102	24-7
A3GN131700	21-23	A3GN147000	10-33	A3GN191500	3-27	A3GN702811	17-13	A3GNM71C00	3-3
A3GN131800	21-24	A3GN147100	31-3	A3GN210800	21-1	A3GN702900	18-11	A3GNM71C00	23-8
A3GN131900	21-22	A3GN147201	10-28	A3GN213300	21-27	A3GN703400	18-16	A3GNM93100	23-3
A3GN132900	23-35	A3GN147600	10-32	A3GN217000	22-2	A3GN706100	11-17	A3GNM93200	23-4
A3GN133600	5-10	A3GN147801	31-2	A3GN220200	21-4	A3GN706500	11-16	A3GNN10300	25-1
A3GN134001	21-31	A3GN148001	10-7	A3GN223000	21-3	A3GN706600	11-12	A3GNN10400	19-31
A3GN135100	6-8	A3GN148100	10-6	A3GN223302	21-6	A3GN707600	11-2	A3GNN10D00	6-10
A3GN135200	6-7	A3GN148200	10-3	A3GN223400	21-9	A3GN707700	11-1	A3GNN10U00	7-22
A3GN135300	6-5	A3GN148300	10-8	A3GN235113	12-11	A3GN708000	11-10	A3GNR70800	18-2
A3GN135400	3-14	A3GN148500	10-23	A3GN235200	12-9	A3GN708000	21-33	A4EU138000	23-30
A3GN135500	3-15	A3GN148700	10-5	A3GN362601	12-14	A3GN708101	17-25	A4Y5W02	20-6
A3GN135600	21-28	A3GN148800	10-25	A3GN400100	7-2	A3GN812200	18-28	A4Y5W22	20-6
A3GN135700	21-29	A3GN148900	10-26	A3GN400200	7-5	A3GN812300	4-7	A4Y5WY1	12-10
A3GN136000	21-17	A3GN149000	10-30	A3GN400300	7-4	A3GN812300	18-27	A4Y5WY3	17-27
A3GN136100	24-6	A3GN149100	10-16	A3GN400400	7-3	A3GN812400	17-2	A4Y5WY4	8-4
A3GN136200	24-8	A3GN149200	10-17	A3GN400800	7-8	A3GN813700	18-1	A5C1134111	23-25
A3GN137100	7-23	A3GN149300	10-24	A3GN400900	7-14	A3GN817000	19-2	A5C1134200	23-31
A3GN140100	10-10	A3GN149500	10-27	A3GN401000	7-15	A3GN820401	19-14	A5C1M10400	7-1
A3GN140300	10-19	A3GN149600	10-4	A3GN401100	7-9	A3GN822100	19-12	A5C1M50100	3-13
A3GN140600	10-2	A3GN160104	4-10	A3GN401300	7-21	A3GN822200	19-3	A5C1M50100	6-4
A3GN140700	10-14	A3GN160200	4-9	A3GN401400	7-20	A3GN822901	19-10	A5C1M50100	8-2
A3GN140800	10-22	A3GN160503	4-16	A3GN401500	7-19	A3GN823500	19-9	A5C1M50100	11-5
A3GN141100	10-20	A3GN160801	4-6	A3GN401600	7-18	A3GN825100	19-16	A5C1M50100	15-38
A3GN141201	10-9	A3GN160900	5-5	A3GN402001	7-12	A3GN825600	19-17	A5C1M50100	17-12
A3GN141300	10-21	A3GN161000	3-23	A3GN621200	14-30	A3GN890302	20-19	A5C1M50100	18-5
A3GN142200	23-6	A3GN161701	3-4	A3GN621300	14-32	A3GN891200	20-14	A5C1M50100	20-7
A3GN144100	6-13	A3GN161800	3-21	A3GN621600	12-4	A3GN892102	20-17	A5C1M50100	22-14
A3GN144200	10-1	A3GN162000	5-9	A3GN621701	5-6	A3GN893500	20-20	A5C1M92100	6-18
A3GN144500	6-14	A3GN162100	4-15	A3GN621701	23-33	A3GN893600	20-21	A5C1M92100	24-20

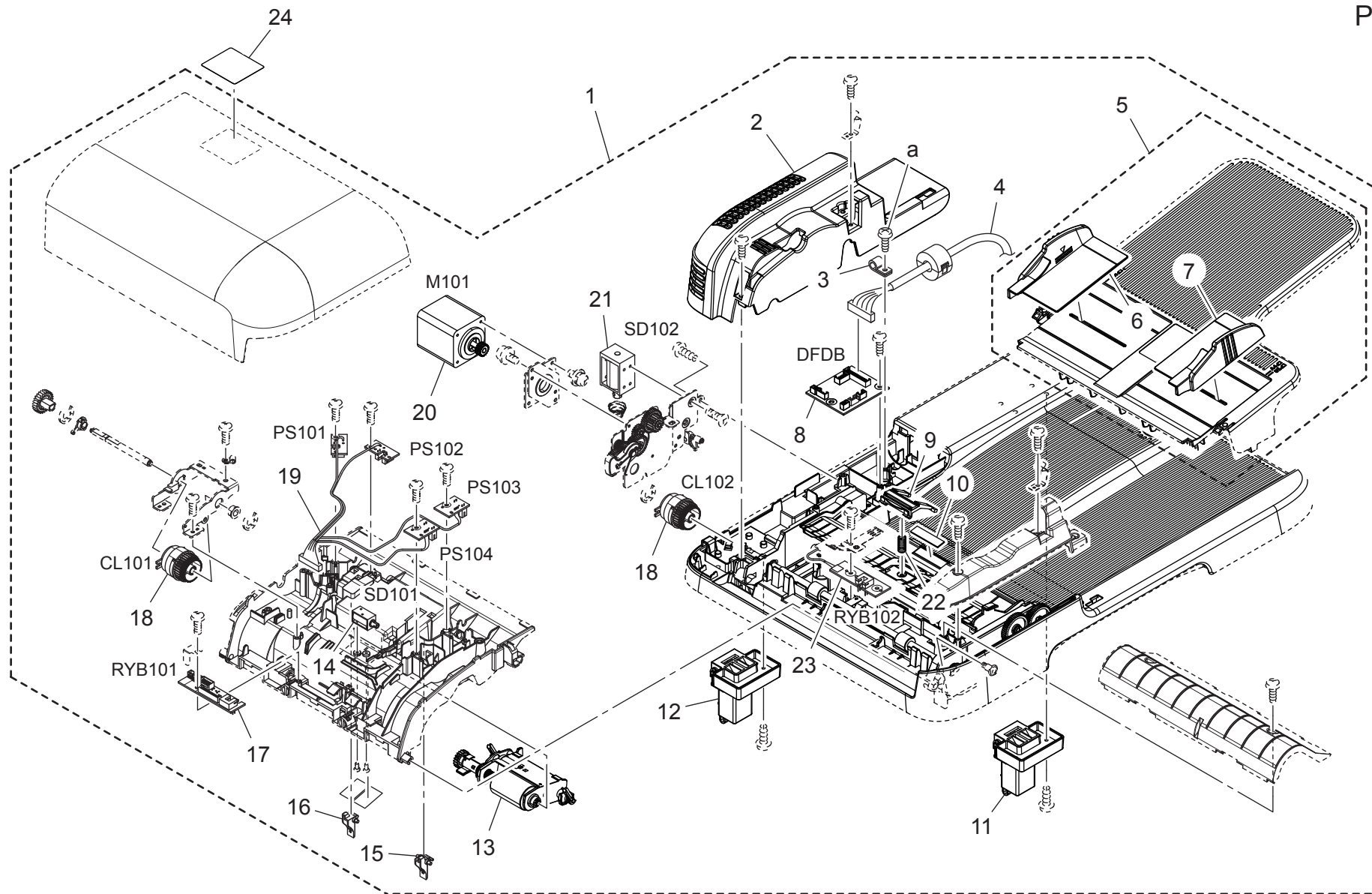
Parts No.	Page No.	Parts No.	Page No.	Parts No.	Page No.	Parts No.	Page No.	Parts No.	Page No.
A61DM10200	21-2	A92E135300	23-32	A92E590700	15-6	A92E626400	14-1	A92E633201	13-21
A61DM10400	21-35	A92E135400	23-37	A92E590800	15-8	A92E626500	14-8	A92E633600	13-3
A6DR892300	20-5	A92E136400	23-36	A92E590900	15-29	A92E626601	14-9	A92E633700	13-4
A6X0R70122	12-1	A92E137100	24-27	A92E591000	15-34	A92E626700	14-10	A92E685100	14-4
A795622700	14-6	A92E137200	24-24	A92E591100	15-22	A92E627100	14-21	A92E685300	14-3
A7AH621000	14-11	A92E137300	24-25	A92E591200	15-20	A92E627202	14-46	A92E693000	22-16
A7AH947600	31-12	A92E138100	23-39	A92E591400	15-7	A92E627300	14-36	A92E702600	18-26
A7PU168600	3-12	A92E142100	6-20	A92E591600	16-7	A92E627401	14-44	A92E703300	17-16
A7PU941701	4-14	A92E142200	19-34	A92E591700	15-39	A92E627500	14-35	A92E706300	11-19
A879H01A03	24-26	A92E142300	19-35	A92E591800	15-21	A92E627600	14-28	A92E706400	11-21
A879H01W03	24-26	A92E142401	19-36	A92E591900	16-2	A92E627701	14-34	A92E707100	11-4
A8A1M10100	15-12	A92E142501	6-25	A92E592000	16-4	A92E627801	14-27	A92E707302	11-8
A92E108700	6-26	A92E144402	6-17	A92E592100	15-16	A92E627901	14-26	A92E707500	11-3
A92E109500	6-1	A92E144600	6-16	A92E592200	15-14	A92E628000	14-45	A92E707800	11-23
A92E111500	9-14	A92E147400	31-1	A92E592400	16-12	A92E628201	13-36	A92E707900	11-24
A92E132200	23-18	A92E158100	8-3	A92E592501	16-10	A92E628300	14-43	A92E708000	18-22
A92E132500	24-14	A92E160300	4-13	A92E593000	16-11	A92E628400	14-41	A92E708100	18-23
A92E132600	23-28	A92E160400	4-1	A92E593100	15-4	A92E628600	14-42	A92E708200	18-24
A92E132700	24-17	A92E160500	4-18	A92E594300	15-15	A92E628701	14-40	A92E708300	18-25
A92E132800	23-13	A92E160602	5-4	A92E594400	15-13	A92E628801	14-39	A92E708500	11-22
A92E132900	23-29	A92E161100	3-6	A92E594500	15-19	A92E629001	13-37	A92E810102	18-4
A92E133000	23-12	A92E161200	3-1	A92E594600	15-9	A92E629200	14-22	A92E811600	18-21
A92E133100	23-39	A92E161300	3-11	A92E594700	15-18	A92E629301	14-37	A92E812000	18-20
A92E133200	24-11	A92E161401	3-7	A92E595301	15-33	A92E631000	13-28	A92E812500	17-42
A92E133300	23-40	A92E161500	3-22	A92E595401	15-30	A92E631100	13-29	A92E813200	17-28
A92E133400	23-7	A92E162301	5-8	A92E595600	15-17	A92E631200	13-33	A92E813401	17-5
A92E133500	6-2	A92E190700	3-8	A92E621000	13-14	A92E631400	13-32	A92E813501	17-41
A92E133700	23-10	A92E191600	3-17	A92E621000	15-26	A92E631501	13-35	A92E813600	17-9
A92E133801	23-15	A92E212400	21-11	A92E621102	13-41	A92E631702	13-26	A92E813900	17-6
A92E134000	24-9	A92E212500	21-10	A92E621400	14-23	A92E631900	13-24	A92E814000	19-13
A92E134200	23-42	A92E260100	2-3	A92E621800	13-12	A92E632101	13-25	A92E814100	19-23
A92E134300	23-11	A92E270100	1-1	A92E624100	13-1	A92E632200	13-19	A92E814100	19-32
A92E134400	23-9	A92E401200	23-38	A92E624300	14-15	A92E632301	13-16	A92E814200	19-33
A92E134500	23-34	A92E402700	7-12	A92E624500	13-5	A92E632500	13-20	A92E816000	17-29
A92E134700	23-22	A92E590102	15-5	A92E624600	13-6	A92E632602	13-17	A92E816300	17-32
A92E134800	24-2	A92E590203	16-8	A92E625200	14-5	A92E632702	13-18	A92E816600	17-37
A92E134900	24-5	A92E590302	16-5	A92E625400	14-2	A92E632800	13-22	A92E816700	17-30
A92E135000	6-23	A92E590403	16-9	A92E626101	14-14	A92E632900	13-23	A92E816800	17-31
A92E135100	6-22	A92E590500	15-24	A92E626200	14-29	A92E633001	13-27	A92E817400	17-38
A92E135200	6-21	A92E590601	16-3	A92E626301	14-12	A92E633100	13-31	A92E817500	17-33

Parts No.	Page No.
A92E817600	17-43
A92E820100	19-24
A92E820201	19-19
A92E821200	19-37
A92E890100	20-16
A92E890201	20-13
A92E890301	20-8
A92E892700	20-22
A92E895300	20-8
A92E940100	14-20
A92E940201	14-47
A92E940301	15-36
A92E940401	14-24
A92E940501	14-25
A92E940601	14-33
A92E941000	4-5
A92E941100	2-9
A92E941200	1-24
A92E955000	31-9
A92E955100	31-8
A92E955200	31-7
A92EH02102	24-10
A92EM40300	5-11
A92EM71002	3-9
A92EM71202	3-9
A92EN10000	26-1
A92EN10100	27-1
A92EN10200	28-1
A92EN10300	20-11
A92EN10400	3-2
A92EN10500	7-17
A92EN10600	7-24
A92EN10700	24-16
A92EN10800	23-23
A92EN10900	23-17
A92EN10A00	24-13
A92EN10B00	22-18
A92EN10C00	5-13
A92EN10D00	29-1
A92EN10E00	20-12

Parts No.	Page No.
A92EN10F00	15-37
A92EN10G00	24-15
A92EN10H00	24-19
A92EN10J00	11-9
A92EN12000	24-12
A92EN12100	24-18
A92EN12300	24-23
A92EN12400	3-29
A92EN12500	24-21
A92EN12600	3-25
A92EN12800	24-22
A92EN12900	23-27
A92EN12A00	23-26
A92EN12B00	3-26
A92EPP0100	2-7
A92EPP0200	2-6
A92EPP0300	2-8
A92EPP0400	1-13
A92EPP0500	1-20
A92EPP0600	1-2
A92EPP0700	1-9
A92EPP0800	1-4
A92EPP0900	1-5
A92EPP1000	1-7
A92ER70000	21-30
A92ER70100	22-1
A92ER70200	7-11
A92ER70300	16-1
A92ER70400	13-42
A92ER70500	3-5
A92ER70600	15-1
A92ER70700	17-14
A92ER70800	19-30
A92EV62001	13-13
A92EV62001	15-27
V116031004	31-5
V153030804	31-6
V500010047	30-1
V500010081	30-2
V500010082	30-3

Parts No.	Page No.
V500010083	30-4
V500010084	30-5
V500020098	30-6
V500020099	30-7
V500020100	30-8
V501010001	30-9
V502010029	24-4
V502010044	5-12
V502010045	24-3
V570010021	30-10
V570010057	30-11
V570010059	30-12
V651010002	17-36
V651020005	9-2
V800400032	14-31
V800400032	17-15
V864800076	24-28

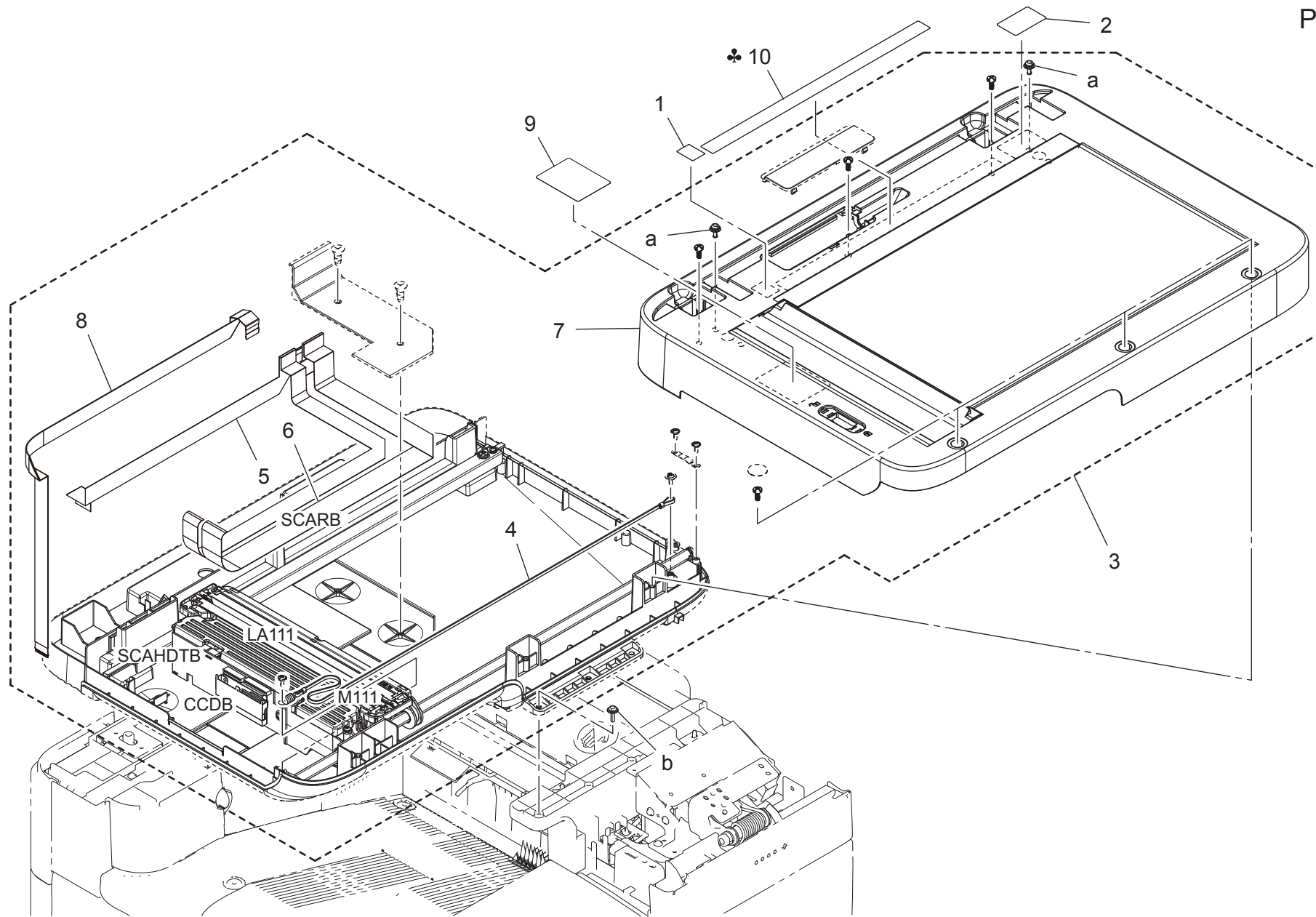
Auto document feeder section



Key	Part No.	Description	Destinations	Class	QTY	Standard parts
1	A92E270100	Auto Document Feeder		S	1	a-A121PP0300
2	A92EPP0600	UPPER COVER/REAR		D	1	
3	A121PP0200	CABLE CLAMP		D	1	
4	A92EPP0800	WIRE HARNESS ASSY		D	1	
5	A92EPP0900	Tray Assy		D	1	
6	A121PP0J00	Guide Right		D	1	
7	A92EPP1000	Guide Left		D	1	
8	A121PP0700	PWB Assembly		I	1	
9	A92EPP0700	Separator Pad Assy		C	1	
10	A121PP0D00	Pad		C	1	
11	A121PP0600	HINGE R		D	1	
12	A121PP0500	HINGE L		D	1	
13	A92EPP0400	Separator Roller Assy		C	1	
14	A121PP0B00	Solenoid		C	1	
15	A121PP0H00	Stopper Left		D	1	
16	A121PP0G00	Stopper Right		D	1	
17	A121PP0900	Photo Sensor		C	1	
18	A121PP0A00	Clutch		C	2	
19	A121PP0800	Photo Sensor		C	1	
20	A92EPP0500	Motor Assy		C	1	
21	A121PP0C00	Solenoid		C	1	
22	A121PP1000	Spring		D	1	
23	A121PP0R00	Photo Sensor		C	1	
24	A92E941200	Label caution		D	1	

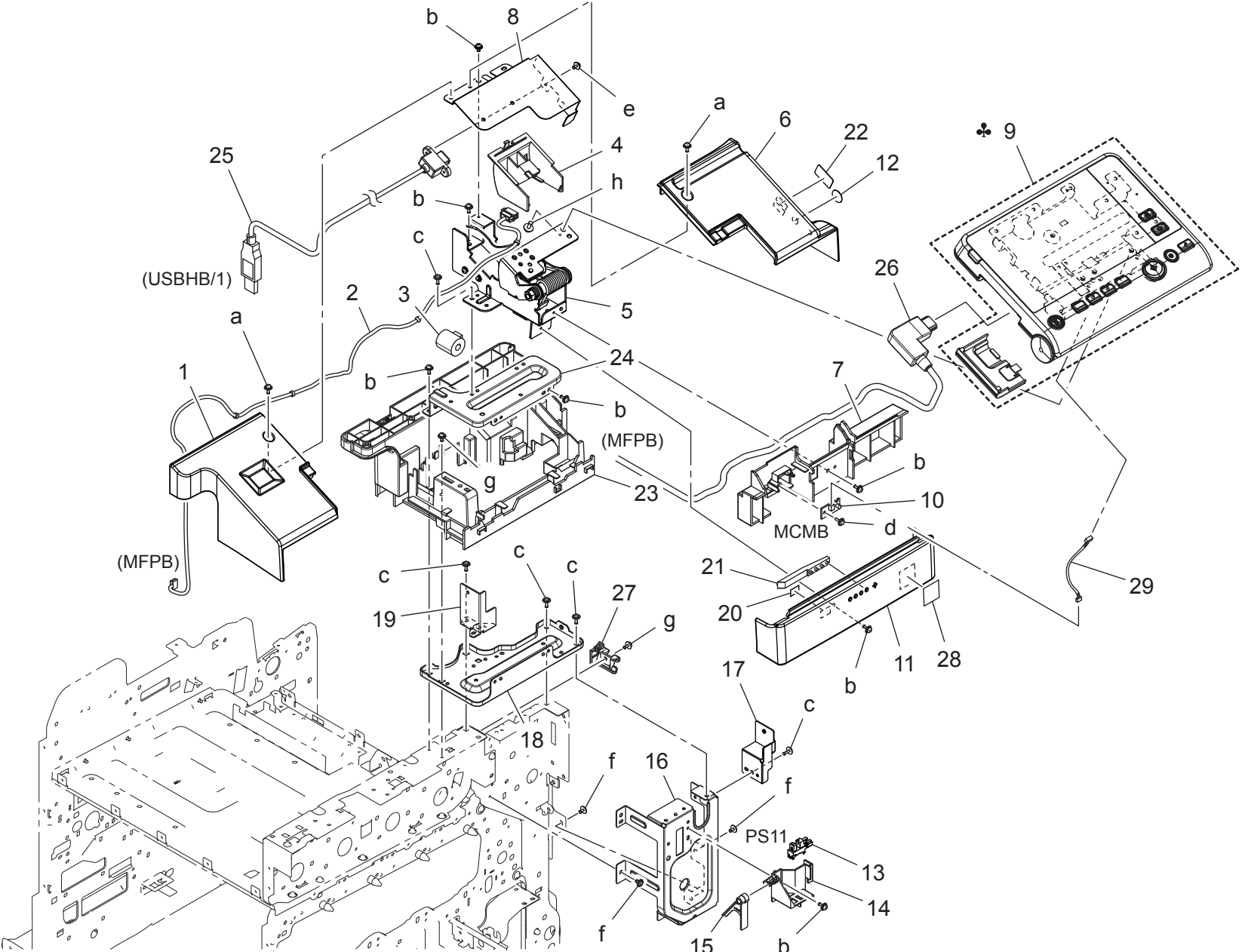
Scanner section

P 2



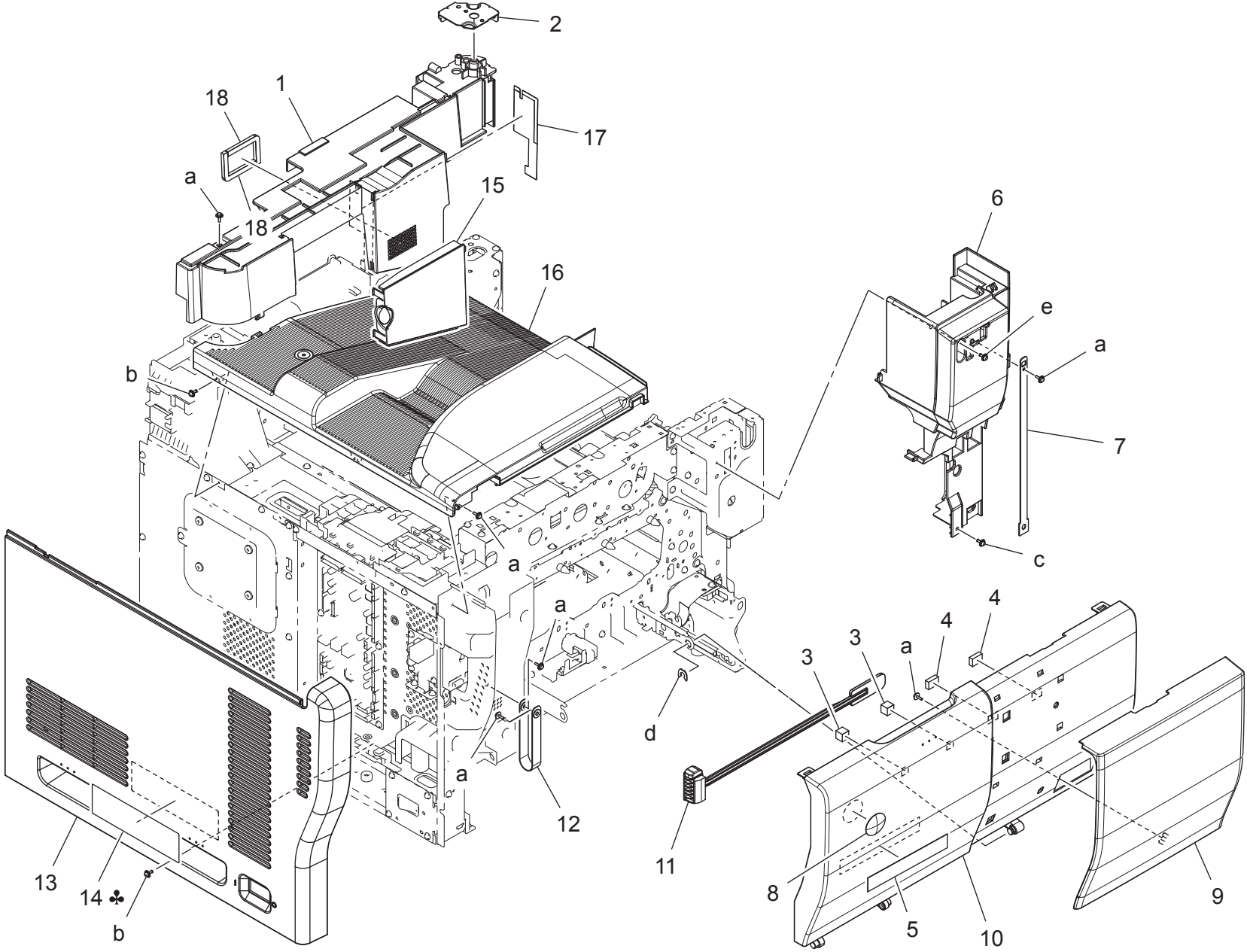
Key	Part No.	Description	Destinations	Class	QTY	Standard parts
1	A161940602	Label		D	1	a-V116041003 b-V153041203
2	A0HF952400	Label		C	1	
3	A92E260100	OPTICAL UNIT		S	1	
4	A121PP0N02	Scanner Belt		C	1	
5	A121PP0Q00	Flat Cable 18P		D	1	
6	A92EPP0200	Flat Cable 31P		D	1	
7	A92EPP0100	IR Cover Assy		D	1	
8	A92EPP0300	Flat Cable 24P		D	1	
9	A92E941100	Label caution		D	1	
10	A3EW944600	Label	A,A1	C	1	

Control panel section



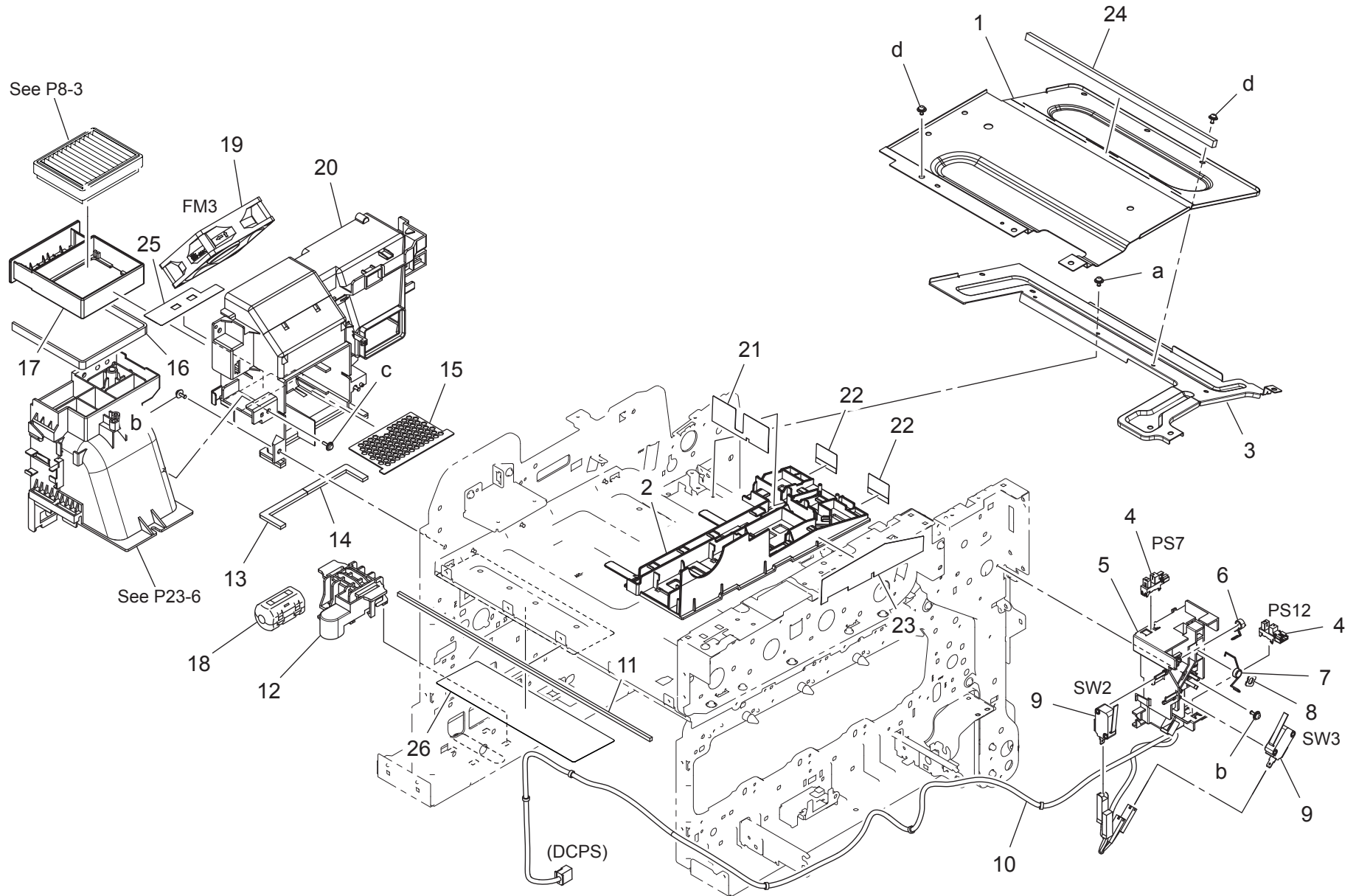
Key	Part No.	Description	Destinations	Class	QTY	Standard parts
1	A92E161200	Cover		D	1	a-V116030804
2	A92EN10400	Drive Relay harness		D	1	b-V116030803
3	A3GNM71C00	Ferrite core		D	1	c-V137030803
4	A3GN161701	Cover		D	1	d-V153030803
5	A92ER70500	Operation Panel Mounting Plate ASSY		D	1	e-V116030603
6	A92E161100	Cover		D	1	f-V144030603
7	A92E161401	Cover		D	1	g-V125030818
8	A92E190700	Mounting Plate		D	1	h-V116041003
9	A92EM71002	Panel assembly	A,A1	I	1	
9	A92EM71202	Panel assembly	C,I(SOUTH AFRICA)	I	1	
10	A3GNH00500	PWB Assembly (MCMB)		C	1	
11	A92E161300	Cover		D	1	
12	A7PU168600	Seal		C	1	
13	A5C1M50100	Photointerrupter		B	1	
14	A3GN135400	Holder		D	1	
15	A3GN135500	Lever		D	1	
16	A3GN190101	Mounting Plate		D	1	
17	A92E191600	Mounting Plate		D	1	
18	A3GN190600	Mounting Plate		D	1	
19	A3GN190801	Mounting Plate		D	1	
20	A3GN191300	Light blocking Sheet		D	1	
21	A3GN161800	Lens		D	1	
22	A92E161500	Seal		D	1	
23	A3GN161000	Cover		D	1	
24	A3GN190511	Mounting Plate		D	1	
25	A92EN12600	I/F Cable /2		D	1	
26	A92EN12B00	I/F Cable /P		D	1	
27	A3GN191500	Stopper		D	1	
28	A011946200	Label Emperon		D	1	
29	A92EN12400	I/F Cable /B		D	1	

External Parts section



Key	Part No.	Description	Destinations	Class	QTY	Standard parts
1	A92E160400	Cover /Upper		D	1	a-V153030804 b-V116030804 c-V116031004 d-V218060086 e-V116030803
2	A3GN162500	Hold Plate		D	1	
3	A3GN162900	Seal		C	2	
4	A3GN163000	Seal		C	2	
5	A92E941000	Label bizhub C3851		D	1	
6	A3GN160801	Support Part		D	1	
7	A3GN812300	Open/close Stopper		C	1	
8	A00J945500	Logo Mark		C	1	
9	A3GN160200	Cover /Front		C	1	
10	A3GN160104	Cover /Front		C	1	
11	A3GN162600	Cleaning Part		C	1	
12	A0ED162401	Band		D	1	
13	A92E160300	Cover /Left		D	1	
14	A7PU941701	Label Caution	C,I(SOUTH AFRICA)	C	1	
15	A3GN162100	Cover		C	1	
16	A3GN160503	Cover /Upper		C	1	
17	A3GN146100	Shield Sheet		D	1	
18	A92E160500	Sheet		D	2	

Toner suction section

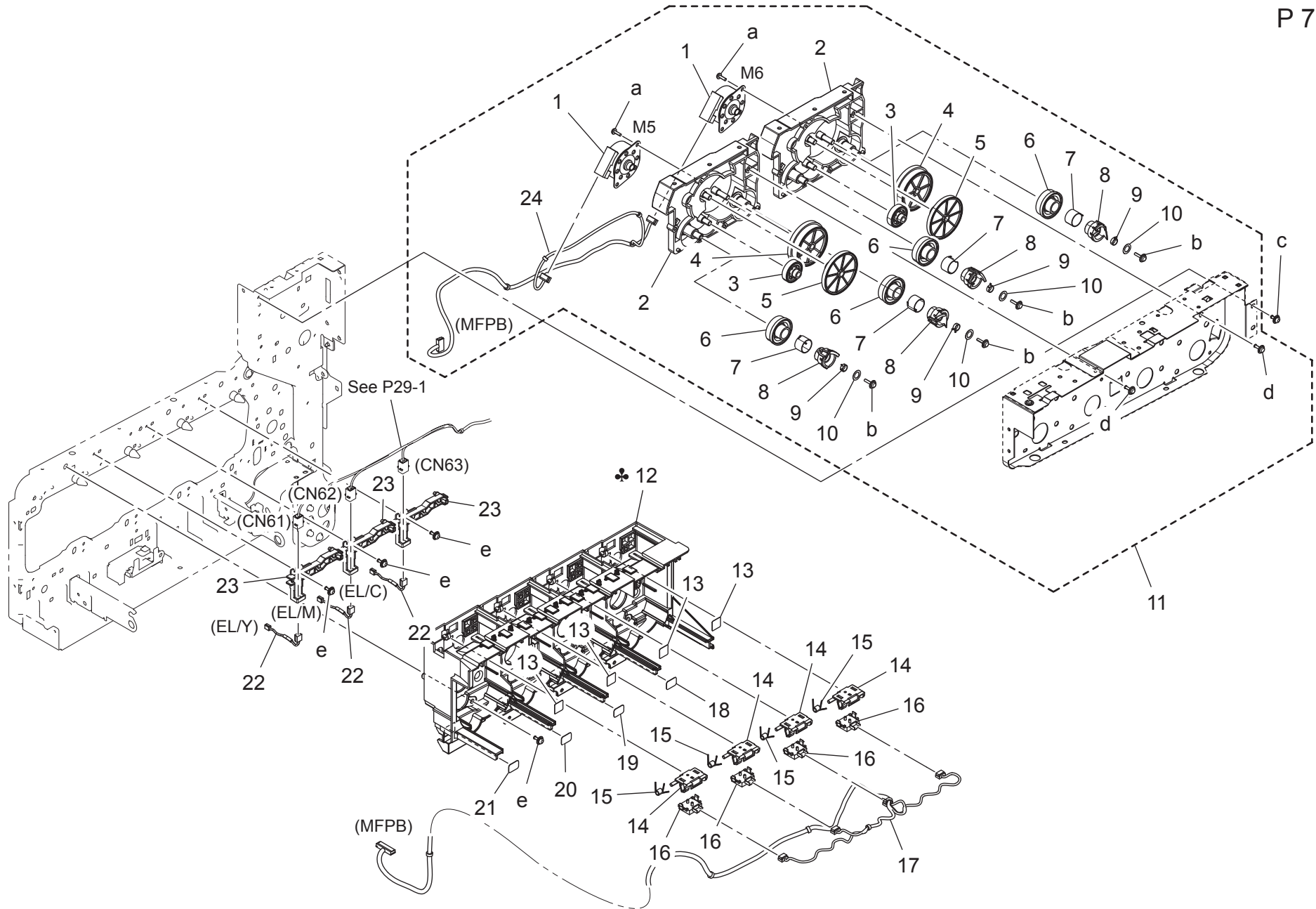


Toner suction section

Key	Part No.	Description	Destinations	Class	QTY	Standard parts
1	A92E109500	Reinforce Plate /Upper		D	1	a-V116030603 b-V116030803 c-V153030803 d-V125030818
2	A92E133500	Holder		D	1	
3	A3GN109800	Reinforce Frame		D	1	
4	A5C1M50100	Photointerrupter		B	2	
5	A3GN135300	Holder		D	1	
6	A0VD135201	Adjusting Spring		D	1	
7	A3GN135200	Torsion Coil spring		D	1	
8	A3GN135100	Spacer		D	1	
9	9J06M60100	MICRO SWITCH		C	2	
10	A3GNN10D00	Interlock Wiring		D	1	
11	A3GN146400	Seal /Left		D	1	
12	A0VD136100	Hold Holder		D	1	
13	A3GN144100	Connecting Seal /Rear		D	1	
14	A3GN144500	Connecting Seal		D	1	
15	A3GN145700	Cover		D	1	
16	A92E144600	Holding Seal		D	1	
17	A92E144402	Filter Holder		C	1	
18	A5C1M92100	Ferritecore		D	1	
19	4139M10000	Fan motor		B	1	
20	A92E142100	Supply Duct /Left rear		D	1	
21	A92E135200	Seal		D	1	
22	A92E135100	Seal		D	2	
23	A92E135000	Seal		D	1	
24	A3GN146000	Seal		D	1	
25	A92E142501	Sheet		D	1	
26	A92E108700	Sheet		D	1	

Toner bottle drive section

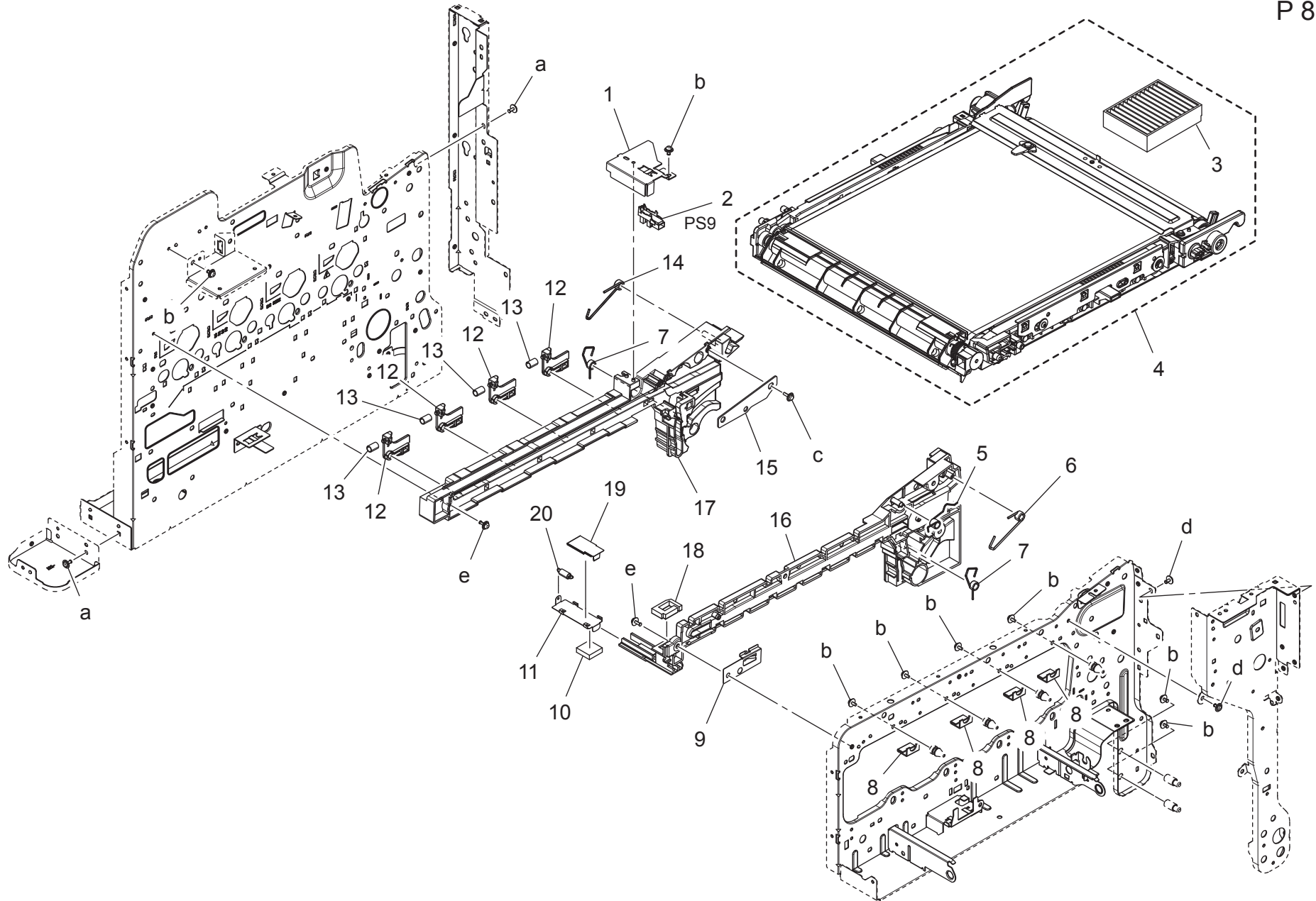
P 7



Key	Part No.	Description	Destinations	Class	QTY	Standard parts
1	A5C1M10400	Stepping motor		C	2	a-V145030803 b-V153031003 c-V125030818 d-V153030803 e-V116030803
2	A3GN400100	Holder		D	2	
3	A3GN400400	Gear 25T		C	2	
4	A3GN400300	Gear 49/86T		C	2	
5	A3GN400200	Gear 20/107T		C	2	
6	A02E240600	Gear 30T		C	4	
7	4038541101	SPRING		C	4	
8	A3GN400800	Guide		C	4	
9	A3GN401100	Spring		C	4	
10	4131412801	WASHER		C	4	
11	A92ER70200	TB Drive Frame ASSY		S	1	
12	A3GN402001	Holder	A,A1	D	1	
12	A92E402700	Holder	C,I(SOUTH AFRICA)	D	1	
13	A2X0949100	Label		C	4	
14	A3GN400900	Mounting Plate		D	4	
15	A3GN401000	Torsion Coil spring		C	4	
16	A0EDM60001	Relay Connector		D	4	
17	A92EN10500	Toner Detection harness		D	1	
18	A3GN401600	Label K		C	1	
19	A3GN401500	Label C		C	1	
20	A3GN401400	Label M		C	1	
21	A3GN401300	Label Y		C	1	
22	A3GNN10U00	Relay Wiring		D	3	
23	A3GN137100	Guide		D	3	
24	A92EN10600	Toner Drive harness		D	1	

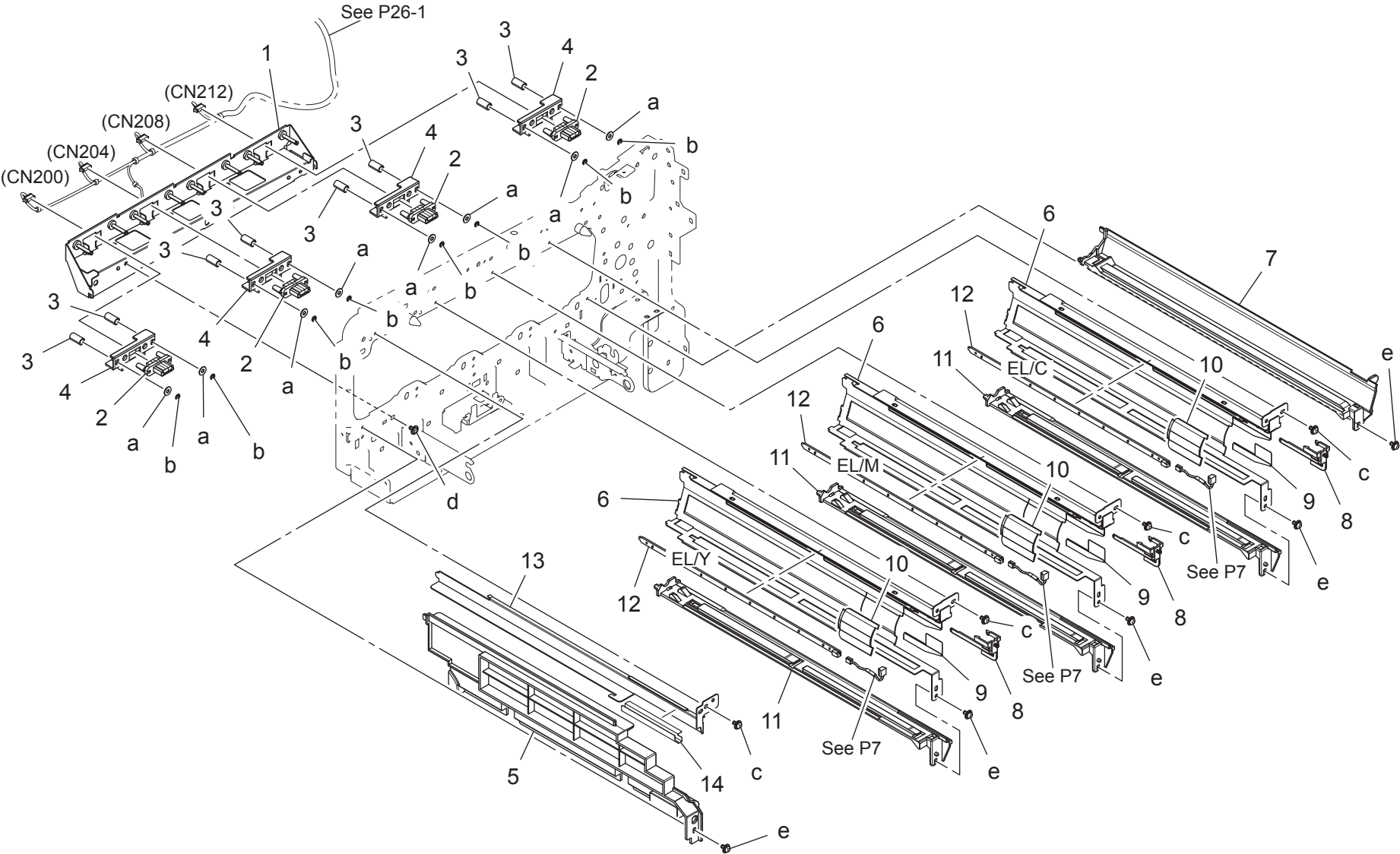
Transfer belt section

P 8



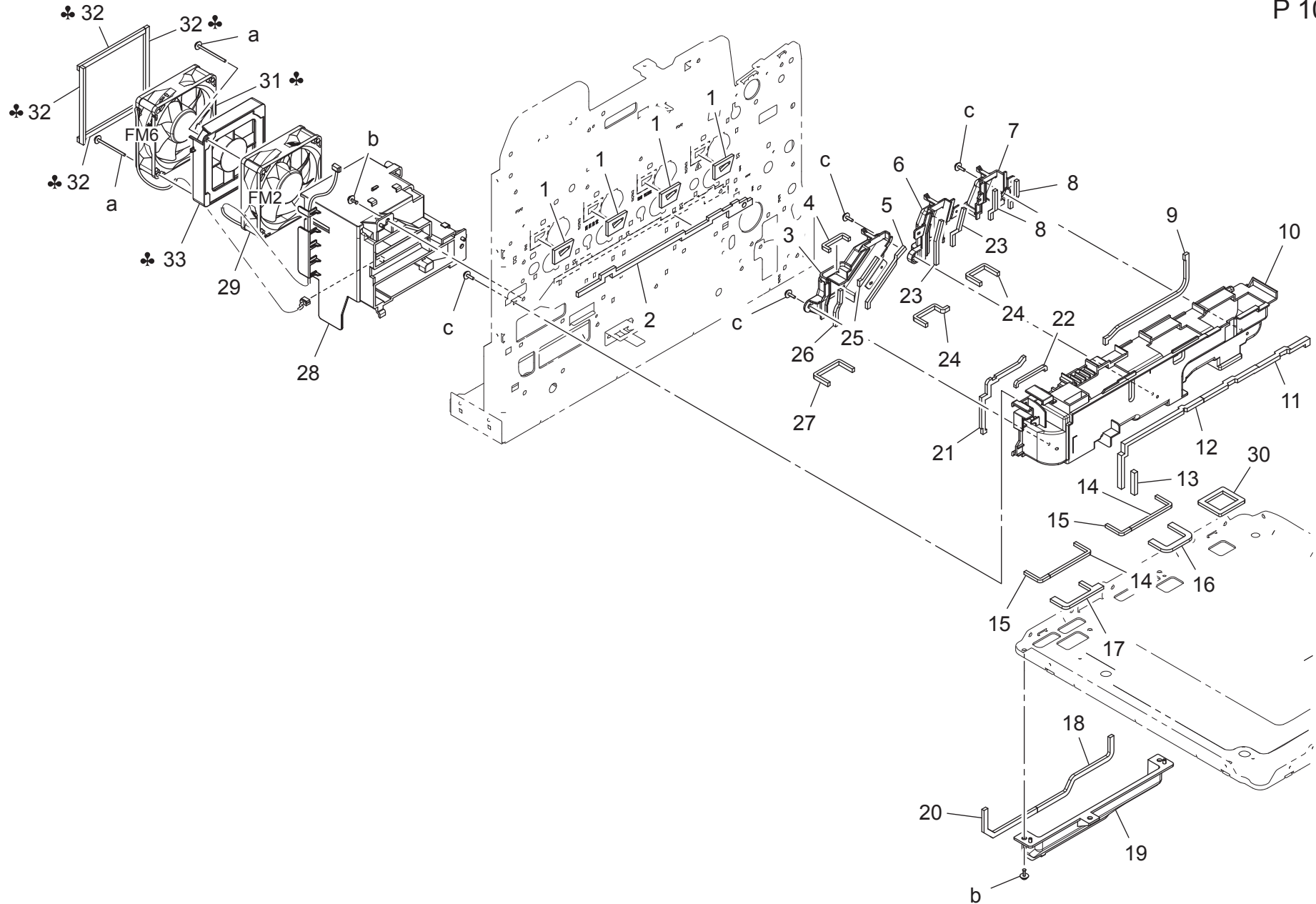
Key	Part No.	Description	Destinations	Class	QTY	Standard parts
1	A3GN110900	Mounting Plate		D	1	a-V137030603 b-V116030603 c-V153030803 d-V144030603 e-V116030803
2	A5C1M50100	Photointerrupter		B	1	
3	A92E158100	Dust-proof Filter		C	1	
4	A4Y5WY4	Transfer Unit		A	1	
5	A0VD136800	Contact		D	1	
6	A3GN110401	Torsion Coil spring		D	1	
7	A0VD114101	Torsion Coil spring		D	2	
8	A3GN111800	Seal		D	4	
9	A3GN110600	Ground Spring		D	1	
10	A0VD363700	Seal		D	1	
11	A0VD362300	Shutter		D	1	
12	A3GN110700	Holding Lever		D	4	
13	A3GN110800	Compressing Coil spring		D	4	
14	A3GN110501	Torsion Coil spring		D	1	
15	A0VD214700	Mounting Plate		D	1	
16	A3GN110001	Rail /Front		D	1	
17	A3GN110102	Rail /Rear		D	1	
18	A3GN113300	Seal		D	1	
19	A0VD362400	Seal		D	1	
20	A0VD362500	Pulling Coil spring		D	1	

Erase LED section



Key	Part No.	Description	Destinations	Class	QTY	Standard parts
1	A3GN112900	Mounting Plate		D	1	a-V207030003 b-V217020050 c-V116030603 d-V144030603 e-V116030804
2	V651020005	Drawer CN		D	4	
3	A3GN112800	Compressing Coil spring		D	8	
4	A3GN113000	Holder		D	4	
5	A3GN111001	Rail /Lower		D	1	
6	A3GN111300	Rail /Upper		D	3	
7	A3GN111200	Rail /Lower		D	1	
8	A3GN112400	Cover		D	3	
9	A3GN113200	Seal		D	3	
10	A3GN113100	Seal		D	3	
11	A3GN111101	Rail /Lower		D	3	
12	A3GNM30400	Neutralizing LED array		I	3	
13	A3GN111400	Rail /Upper		D	1	
14	A92E111500	Scatteringprevention Sheet		D	1	

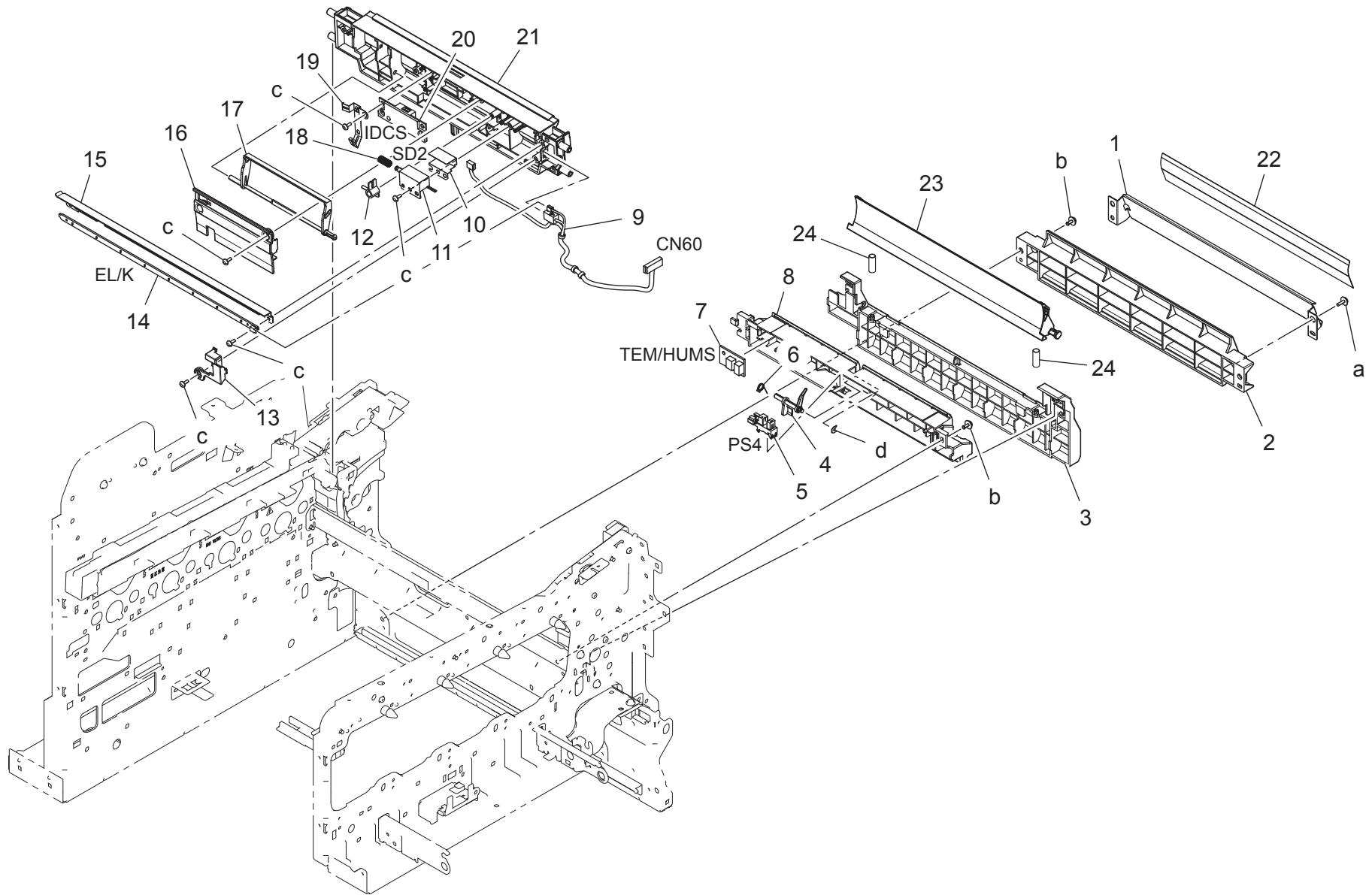
Cooling fan section



Cooling fan section

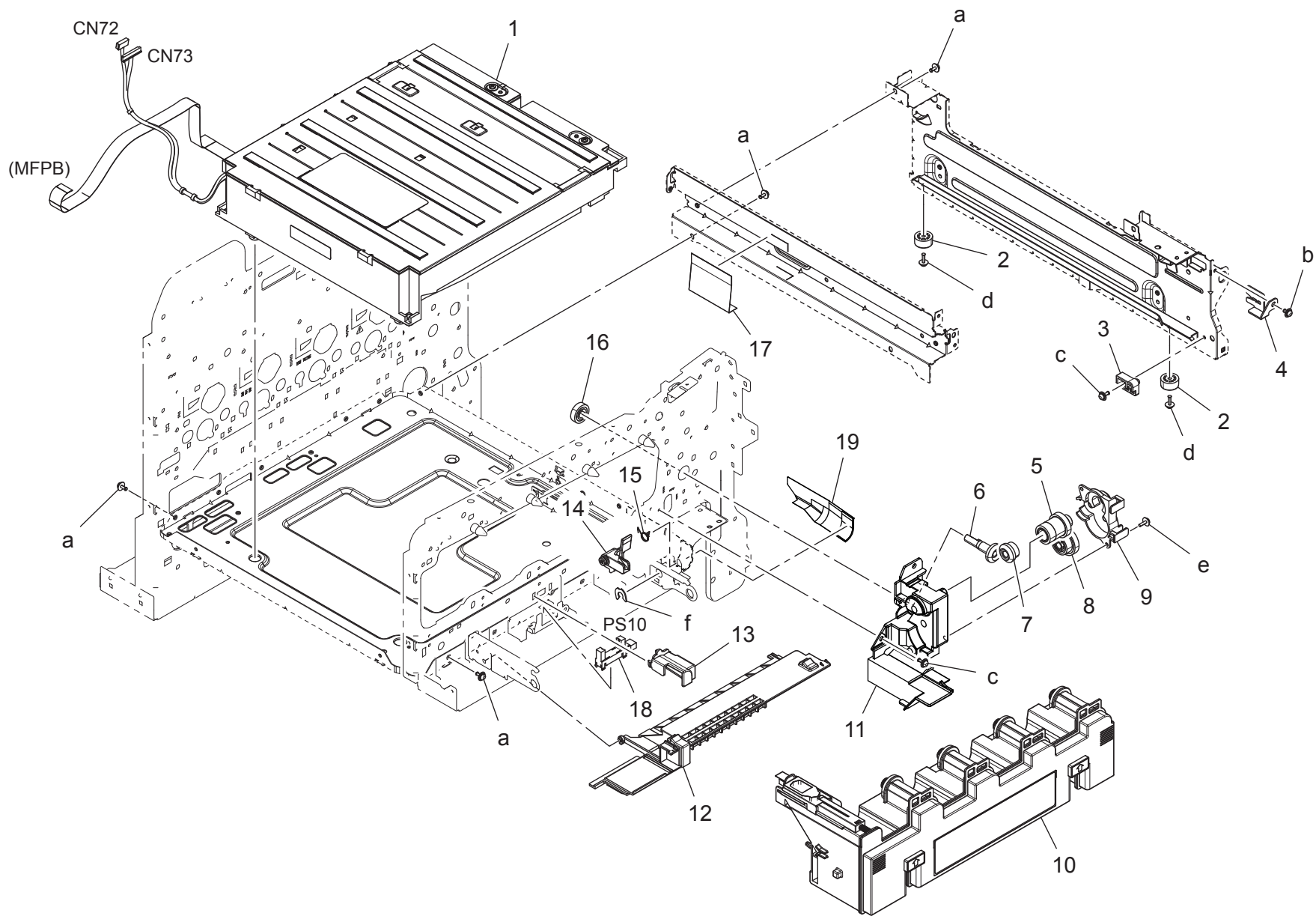
Key	Part No.	Description	Destinations	Class	QTY	Standard parts
1	A3GN144200	Connecting Seal /Middle		D	4	a-V153033503 b-V116030803 c-V153030803
2	A3GN140600	Sealing Part		D	1	
3	A3GN148200	Supply Duct /Rear		D	1	
4	A3GN149600	Sealing Part Outside		D	1	
5	A3GN148700	Sealing Part /Side		D	1	
6	A3GN148100	Supply Duct /Rear		D	1	
7	A3GN148001	Supply Duct /Rear		D	1	
8	A3GN148300	Sealing Part /Side		D	2	
9	A3GN141201	Sealing Part		D	1	
10	A3GN140100	Supply Duct /Rear		D	1	
11	A3GN145100	Sealing Part		D	1	
12	A3GN145200	Sealing Part		D	1	
13	A3GN145600	Sealing Part		D	1	
14	A3GN140700	Sealing Part /Middle		D	2	
15	A3GN145400	Sealing Part		D	2	
16	A3GN149100	Sealing Part /Lower		D	1	
17	A3GN149200	Sealing Part /Lower		D	1	
18	A3GN145300	Sealing Part		D	1	
19	A3GN140300	Supply Duct /Lower		D	1	
20	A3GN141100	Sealing Part		D	1	
21	A3GN141300	Sealing Part		D	1	
22	A3GN140800	Sealing Part		D	1	
23	A3GN148500	Sealing Part /Side		D	2	
24	A3GN149300	Sealing Part Outside		D	2	
25	A3GN148800	Sealing Part /Side		D	1	
26	A3GN148900	Sealing Part /Side		D	1	
27	A3GN149500	Sealing Part Outside		D	1	
28	A3GN147201	Mounting Duct /Rear		D	1	
29	4139M10000	Fan motor		B	1	
30	A3GN149000	Sealing Part /Lower		D	1	
31	4139M10000	Fan motor	C,I(SOUTH AFRICA)	B	1	
32	A3GN147600	Seal	C,I(SOUTH AFRICA)	D	4	
33	A3GN147000	Guide	C,I(SOUTH AFRICA)	D	1	

Transfer guide section



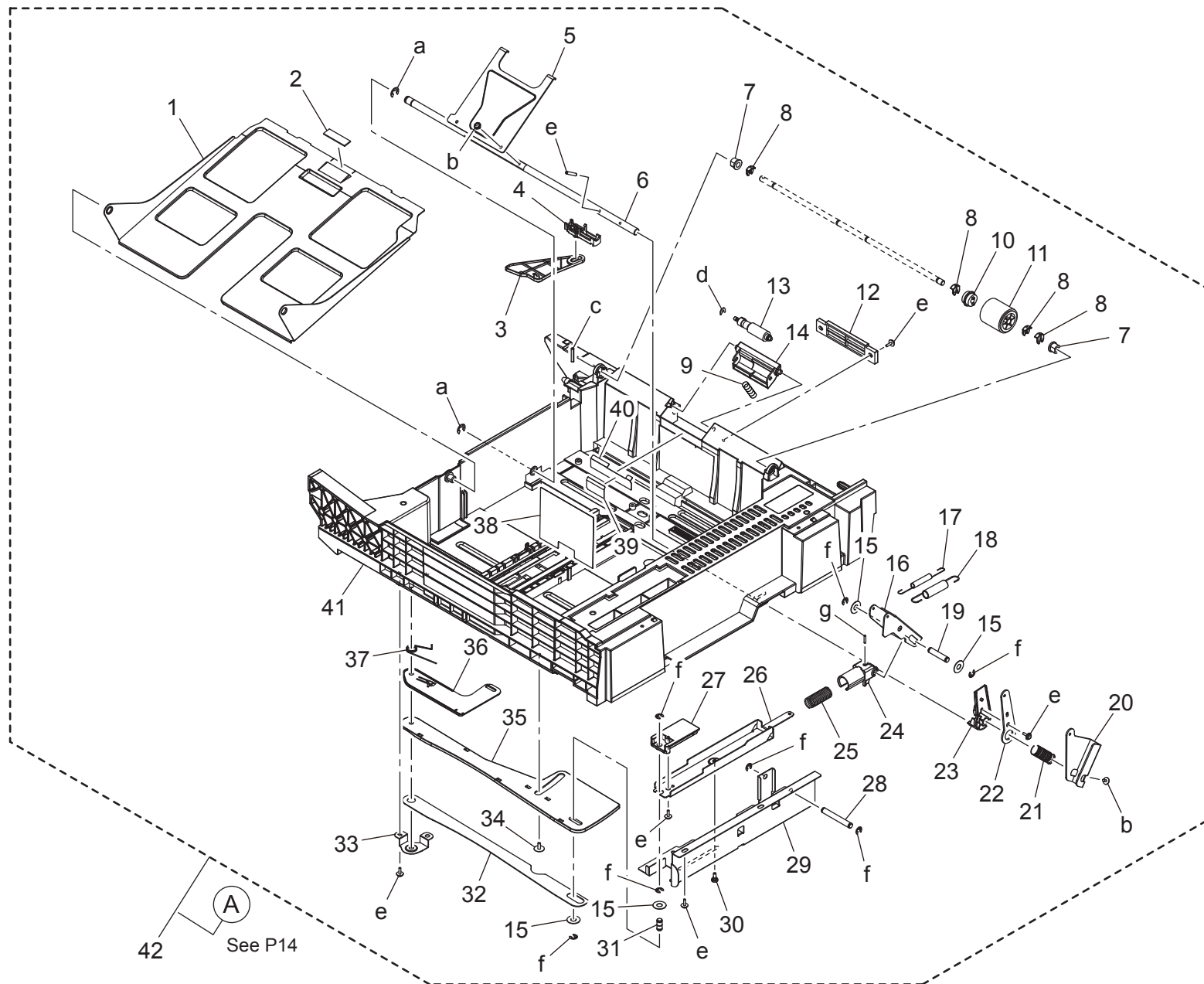
Key	Part No.	Description	Destinations	Class	QTY	Standard parts
1	A3GN707700	Guide		D	1	a-V153030803 b-V125030818 c-V145030603 d-V218025086
2	A3GN707600	Guide		D	1	
3	A92E707500	Holder		D	1	
4	A92E707100	Actuator		C	1	
5	A5C1M50100	Photointerrupter		B	1	
6	A0VD707201	Torsion Coil spring		D	1	
7	A0P0M50400	Humidity sensor		C	1	
8	A92E707302	Guide		D	1	
9	A92EN10J00	Transfer Relay harness		D	1	
10	A3GN708000	Protection Part		D	1	
11	A034M20000	Paperfeed Solenoid		C	1	
12	A3GN706600	Lever		C	1	
13	A3GN112300	Cover		D	1	
14	A3GNM30400	Neutralizing LED array		I	1	
15	A3GN111500	Mounting Plate		D	1	
16	A3GN706500	Holder		D	1	
17	A3GN706100	Cover		D	1	
18	A034213400	Compressing Spring		D	1	
19	A92E706300	Contact		D	1	
20	A161M50300	Photo sensing		I	1	
21	A92E706400	Guide		D	1	
22	A92E708500	Seal		D	1	
23	A92E707800	Guide		C	1	
24	A92E707900	Compressing Coil spring		D	2	

Write/ Toner collection section



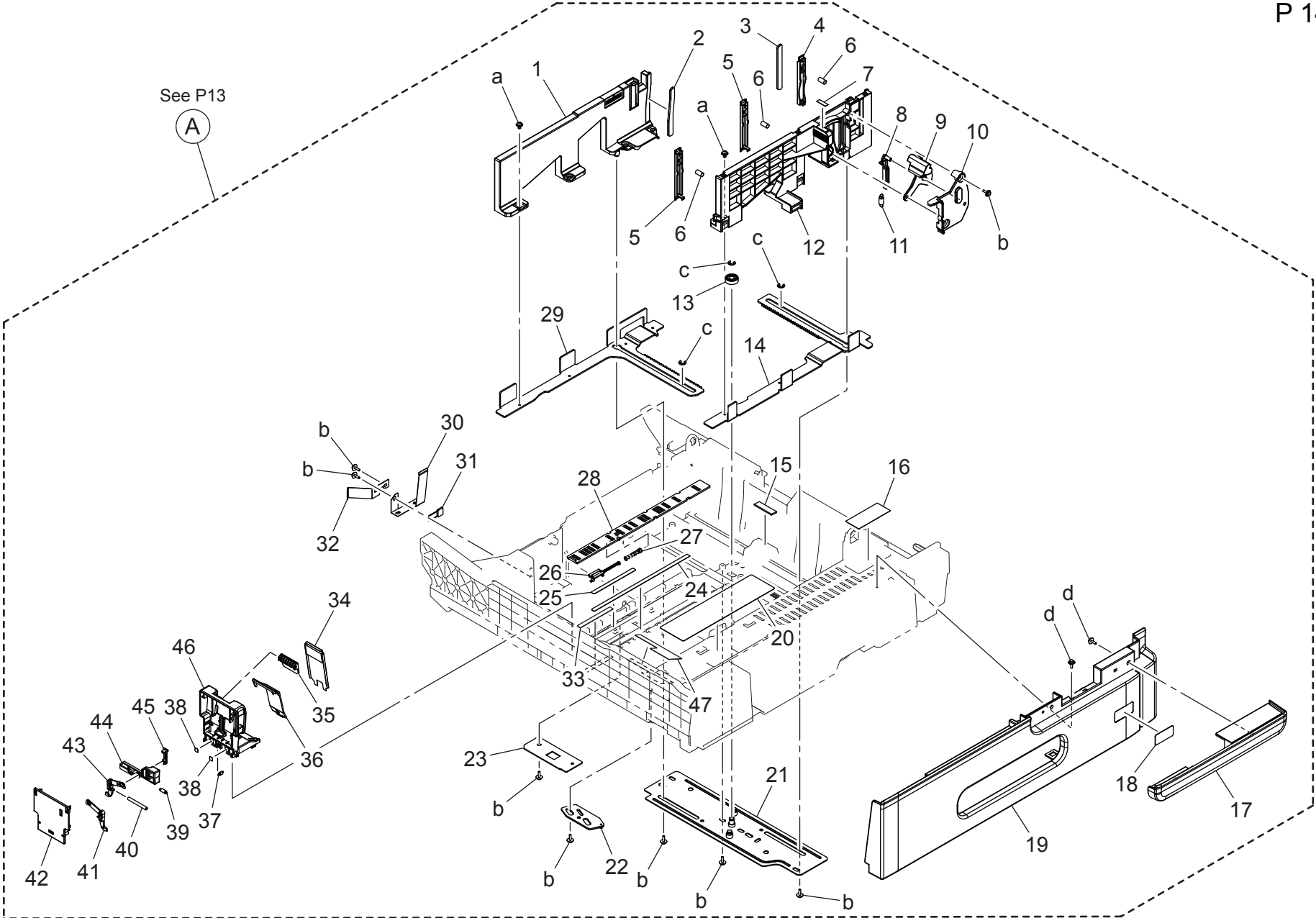
Key	Part No.	Description	Destinations	Class	QTY	Standard parts
1	A6X0R70122	Print Head Assy		I	1	a-V125030818 b-V116030603 c-V116030803 d-V116031003 e-V153030803 f-V218060086
2	0996305501	RUBBER FOOT		C	2	
3	A3GN102500	Guide		D	1	
4	A3GN621600	Stopper		D	1	
5	A0VD235600	Gear 16/26T		D	1	
6	A0VD235400	Gear 16T		D	1	
7	A0VD235500	Gear 16/16T		D	1	
8	A0VD235900	Gear 22/30T		D	1	
9	A3GN235200	Holding Plate		D	1	
10	A4Y5WY1	Waste Toner Bottle		A	1	
11	A3GN235113	Drive Holder		D	1	
12	A3GN106700	Holder		D	1	
13	A3GN107100	Cover		D	1	
14	A3GN362601	Lever		C	1	
15	A0VD362702	Torsion Coil spring		D	1	
16	A0VD235700	Gear 16T		C	1	
17	A3GN102300	Regulating Sheet		D	1	
18	9335140051	SOLID STATE SWITCH		B	1	
19	A3GN102200	Seal		D	1	

Paper feed section (Tray 1)



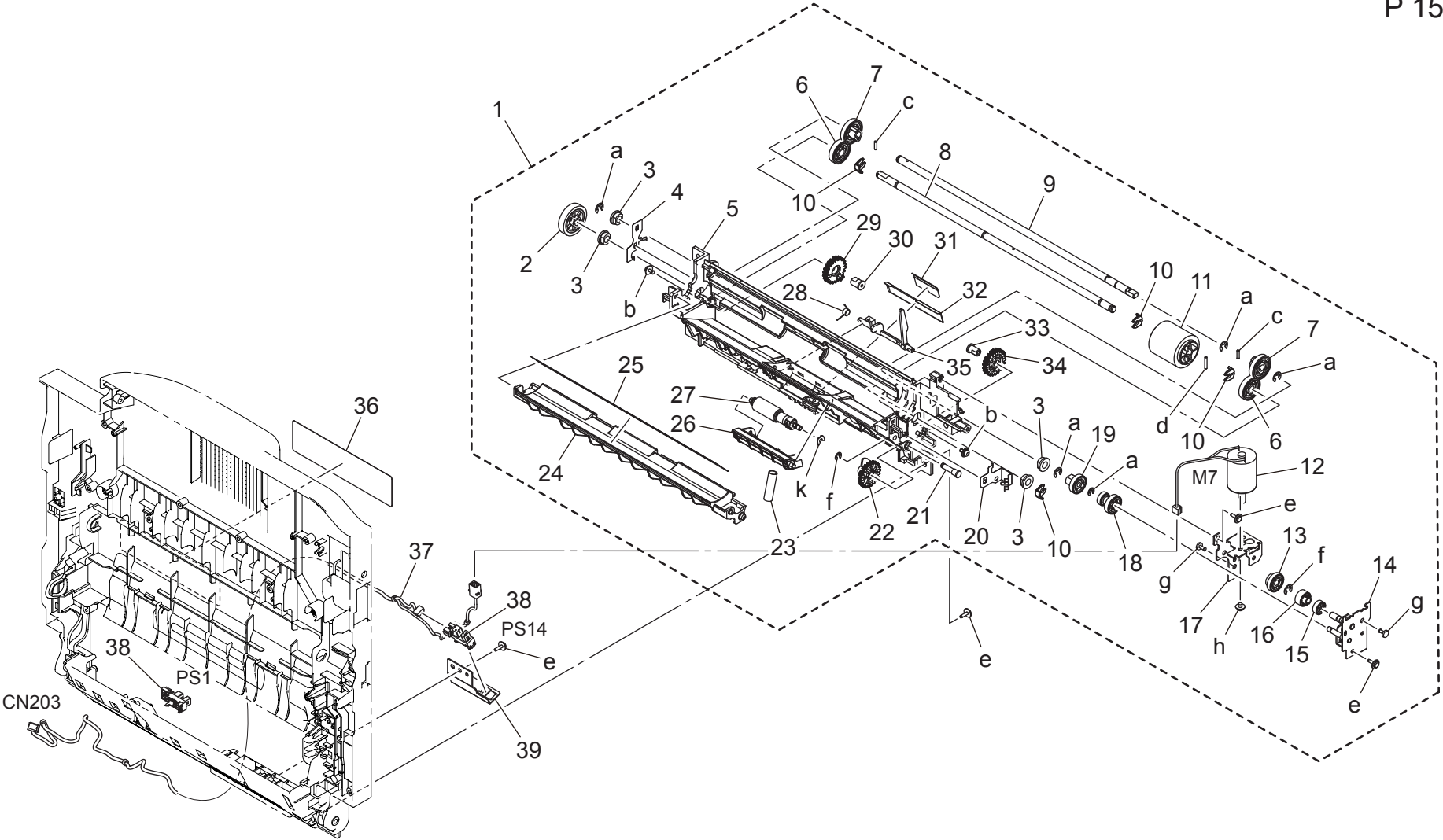
Key	Part No.	Description	Destinations	Class	QTY	Standard parts
1	A92E624100	Lifting Plate		D	1	a-V217060001 b-V116030603 c-V232301809 d-V218030086 e-V153030803 f-V217040001 g-V231201050
2	0978381101	FRICION SHEET		C	1	
3	A92E633600	Lever		D	1	
4	A92E633700	Lever		D	1	
5	A92E624500	Lifting Plate		D	1	
6	A92E624600	Shaft		D	1	
7	4138324401	BUSHING		C	2	
8	56AA40490	SHAFT STOPPER 4		C	4	
9	A0VD624800	Compressing Coil spring		C	1	
10	4030303401	CLUTCH		C	1	
11	4138303202	ROLLER		B	1	
12	A92E621800	Holder		D	1	
13	A92EV62001	Roller Assy		B	1	
14	A92E621000	Holder		D	1	
15	A00J192900	Washer		C	4	
16	A92E632301	Lever		D	1	
17	A92E632602	Pulling Coil spring		C	1	
18	A92E632702	Pulling Coil spring /B		C	1	
19	A92E632200	Shaft		D	1	
20	A92E632500	Lever		D	1	
21	A92E633201	Compressing Coil spring		D	1	
22	A92E632800	Lever /B		D	1	
23	A92E632900	Cover		D	1	
24	A92E631900	Pressing Part		D	1	
25	A92E632101	Compressing Coil spring		C	1	
26	A92E631702	Lever		D	1	
27	A92E633001	Cover		D	1	
28	A92E631000	Shaft		D	1	
29	A92E631100	Mounting Plate		D	1	
30	4036576501	SHOULDER SCREW		C	1	
31	A92E633100	Shaft		D	1	
32	A92E631400	Lever		D	1	
33	A92E631200	Mounting Plate		D	1	
34	4163529301	SCREW		C	1	
35	A92E631501	Guide		D	1	
36	A92E628201	Lever		D	1	
37	A92E629001	Torsion Coil spring		C	1	
38	A3GN623100	Guide		D	1	
39	4131305702	GUIDE		C	1	
40	4131305601	GUIDE PLATE		C	1	
41	A92E621102	Paper feed Cassette		D	1	
42	A92ER70400	Cassette ASSY		S	1	

Paper feed section (Tray 1)



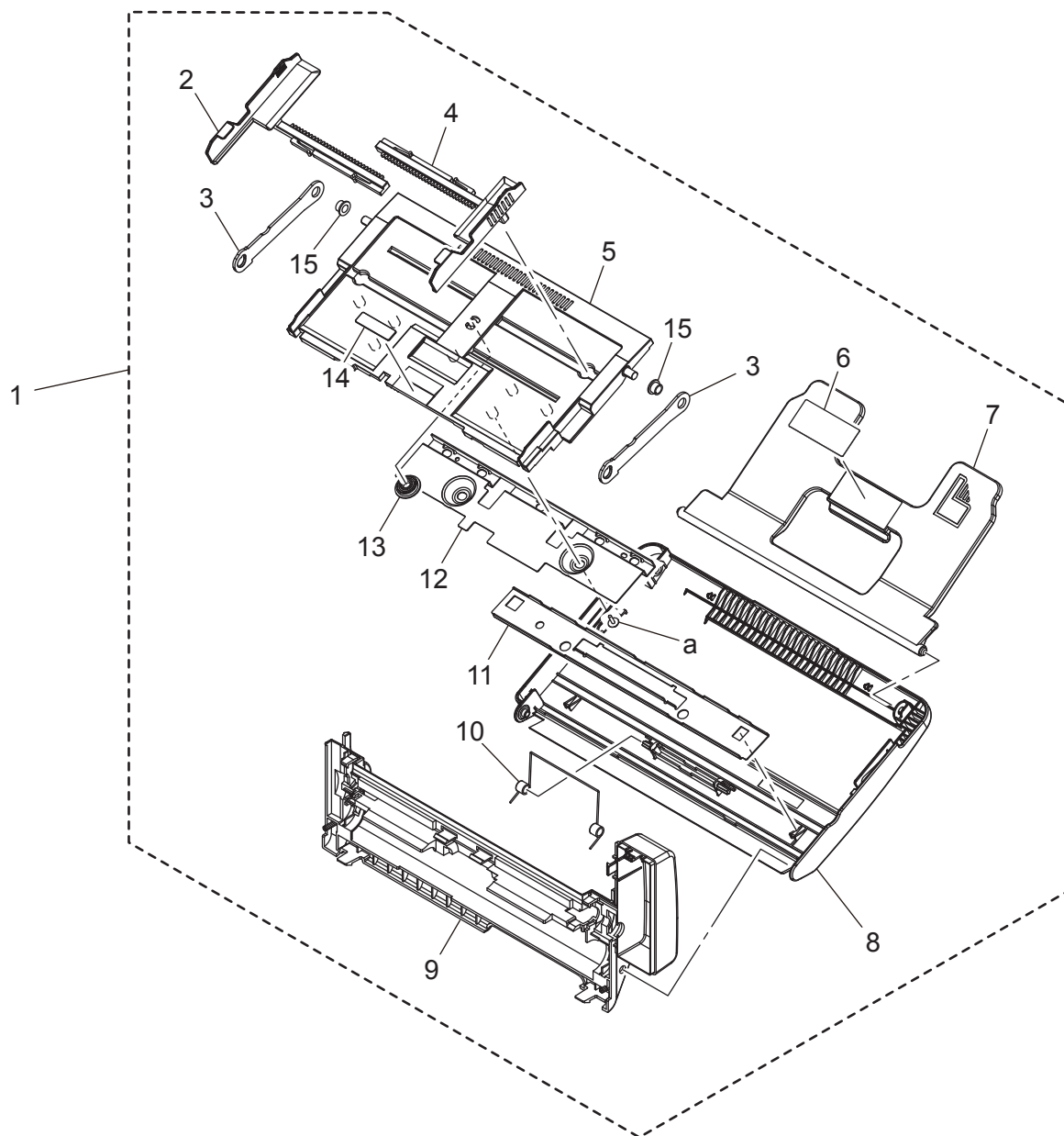
Key	Part No.	Description	Destinations	Class	QTY	Standard parts
1	A92E626400	Regulating Plate		D	1	a-V116030604 b-V153030803 c-V217040001 d-V153030804
2	A92E625400	Cushion		D	1	
3	A92E685300	Cushion		D	1	
4	A92E685100	Auxiliary Guide		D	1	
5	A92E625200	Auxiliary Guide		D	2	
6	A795622700	Compressing Spring		C	3	
7	A161943000	Label		C	1	
8	A92E626500	Lock Claw		D	1	
9	A92E626601	Lever		D	1	
10	A92E626700	Cover		D	1	
11	A7AH621000	Pulling Coil spring		C	1	
12	A92E626301	Regulating Plate		D	1	
13	4658301201	GEAR 14T		C	1	
14	A92E626101	Rack		D	1	
15	A92E624300	Cushion		D	1	
16	A3GN940500	Label		D	1	
17	A3GN628201	Paper feed Cover /Upper		C	1	
18	A3GN940201	Label		C	1	
19	A3GN628100	Paper feed Cover /Front		C	1	
20	A92E940100	Label Paper supply		D	1	
21	A92E627100	Adjusting Plate		D	1	
22	A92E629200	Adjusting Plate		D	1	
23	A92E621400	Mounting Plate		D	1	
24	A92E940401	Label FD metric		D	1	
25	A92E940501	Label FD inch A		D	1	
26	A92E627901	Holder		D	1	
27	A92E627801	Compressing Coil spring		C	1	
28	A92E627600	Holding Plate		D	1	
29	A92E626200	Rack		D	1	
30	A3GN621200	Ground Plate spring /A		D	1	
31	V800400032	FIXED LEAD RESISTORS		D	1	
32	A3GN621300	Ground Plate spring /B		D	1	
33	A92E940601	Label FD inch B		D	1	
34	A92E627701	Sheet		D	1	
35	A92E627500	Holder		D	1	
36	A92E627300	Lever		D	1	
37	A92E629301	Pulling Coil spring		C	1	
38	A02E940300	Label		C	2	
39	A92E628801	Pulling Coil spring		C	1	
40	A92E628701	Compressing Coil spring		C	1	
41	A92E628400	Lever		D	1	
42	A92E628600	Cover		D	1	
43	A92E628300	Lever		D	1	
44	A92E627401	Lever		D	1	
45	A92E628000	Lever		D	1	
46	A92E627202	Regulating Plate		D	1	
47	A92E940201	Label CD scale		D	1	

Paper feed section (Manual tray)



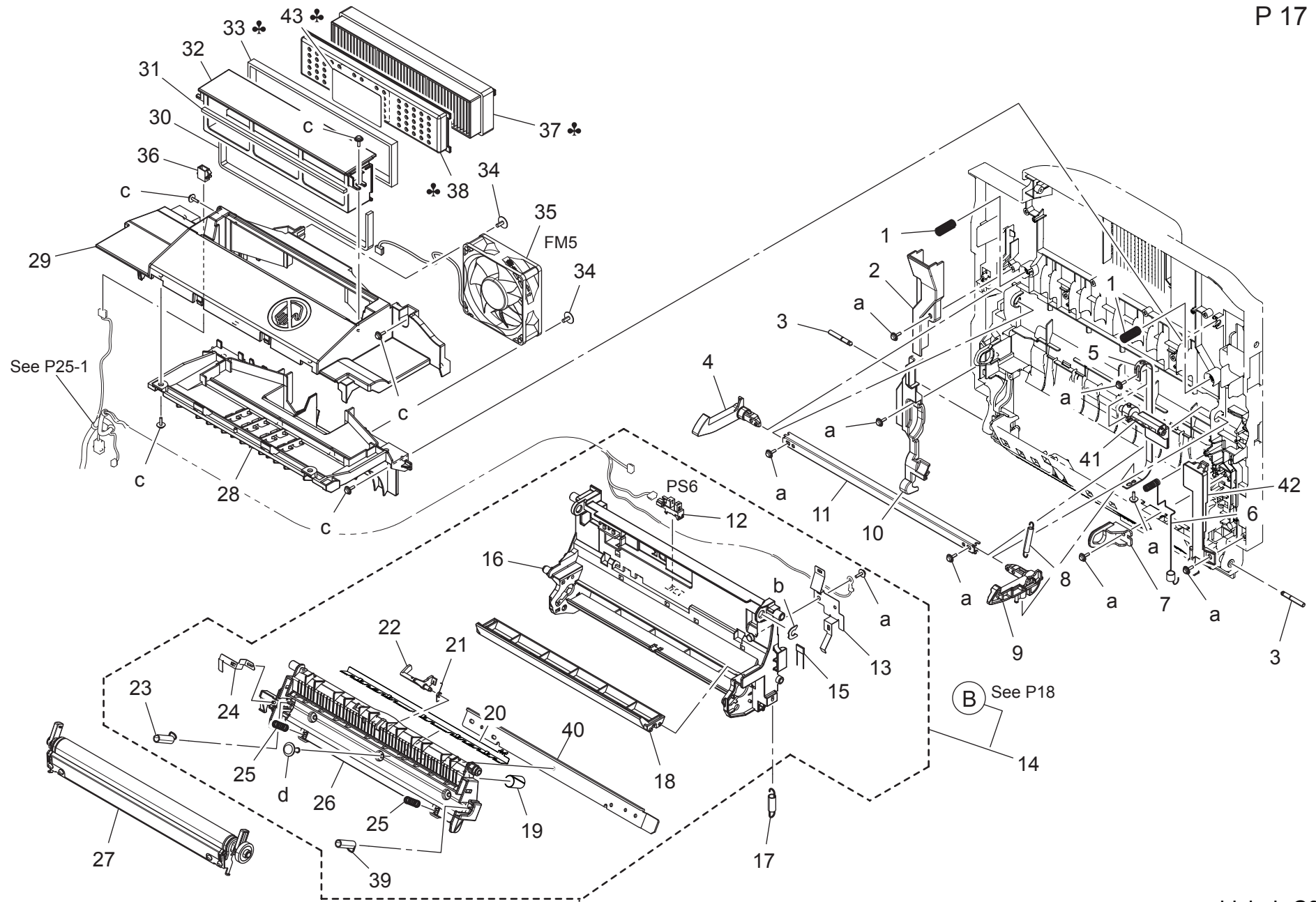
Key	Part No.	Description	Destinations	Class	QTY	Standard parts
1	A92ER70600	Manual Paper Feed ASSY		S	1	a-V217040003
2	A0VD561301	Gear 20T		D	1	b-V116030603
3	4131300301	BUSHING		C	4	c-V231200850
4	A92E593100	Ground Plate		D	1	d-V237201250
5	A92E590102	Paper feed Frame		D	1	e-V153030803
6	A92E590700	Gear 19T		C	2	f-V217030001
7	A92E591400	Gear 20T		C	2	g-V118030603
8	A92E590800	Shaft		D	1	h-V116030403
9	A92E594600	Shaft		D	1	k-V218030086
10	56AA40490	SHAFT STOPPER 4		C	4	
11	4138303202	ROLLER		B	1	
12	A8A1M10100	Brush motor		C	1	
13	A92E594400	Gear 21T		C	1	
14	A92E592200	Mounting Plate		D	1	
15	A92E594300	Gear 21T		C	1	
16	A92E592100	Worm Gear 30T		C	1	
17	A92E595600	Mounting Plate		D	1	
18	A92E594700	Gear 21/31T		C	1	
19	A92E594500	Gear 31T		C	1	
20	A92E591200	Ground Plate		D	1	
21	A92E591800	Shaft		D	1	
22	A92E591100	Gear 22T		C	1	
23	A0VD624800	Compressing Coil spring		C	1	
24	A92E590500	Guide		D	1	
25	A0VD561502	Guide		D	1	
26	A92E621000	Holder		D	1	
27	A92EV62001	Roller Assy		B	1	
28	A0VD560601	Torsion Coil spring		C	1	
29	A92E590900	Gear 22T		C	1	
30	A92E595401	Shaft		D	1	
31	A0VD561800	Guide		C	1	
32	4131305601	GUIDE PLATE		C	1	
33	A92E595301	Shaft		D	1	
34	A92E591000	Gear 22T		C	1	
35	A0VD560300	Actuator		C	1	
36	A92E940301	Label MPT		D	1	
37	A92EN10F00	Conveyance Wiring /2		D	1	
38	A5C1M50100	Photointerrupter		B	2	
39	A92E591700	Mounting Plate		D	1	

Paper feed section (Manual tray)



Key	Part No.	Description	Destinations	Class	QTY	Standard parts
1	A92ER70300	Manual Bypass ASSY		S	1	a-V153030803
2	A92E591900	Regulating Plate		D	1	
3	A92E590601	LEVER		D	2	
4	A92E592000	Regulating Plate		D	1	
5	A92E590302	Lifting Plate		D	1	
6	A3GN940500	Label		D	1	
7	A92E591600	Tray		D	1	
8	A92E590203	Bypass Tray		D	1	
9	A92E590403	Frame		D	1	
10	A92E592501	Torsion Coil spring		C	1	
11	A92E593000	Reinforce Plate		D	1	
12	A92E592400	Mounting Plate		D	1	
13	4131302702	GEAR 14T		C	1	
14	4138325501	FRICTION SHEET		C	1	
15	4120301901	COLLAR		C	2	

Transfer section (2nd transfer)

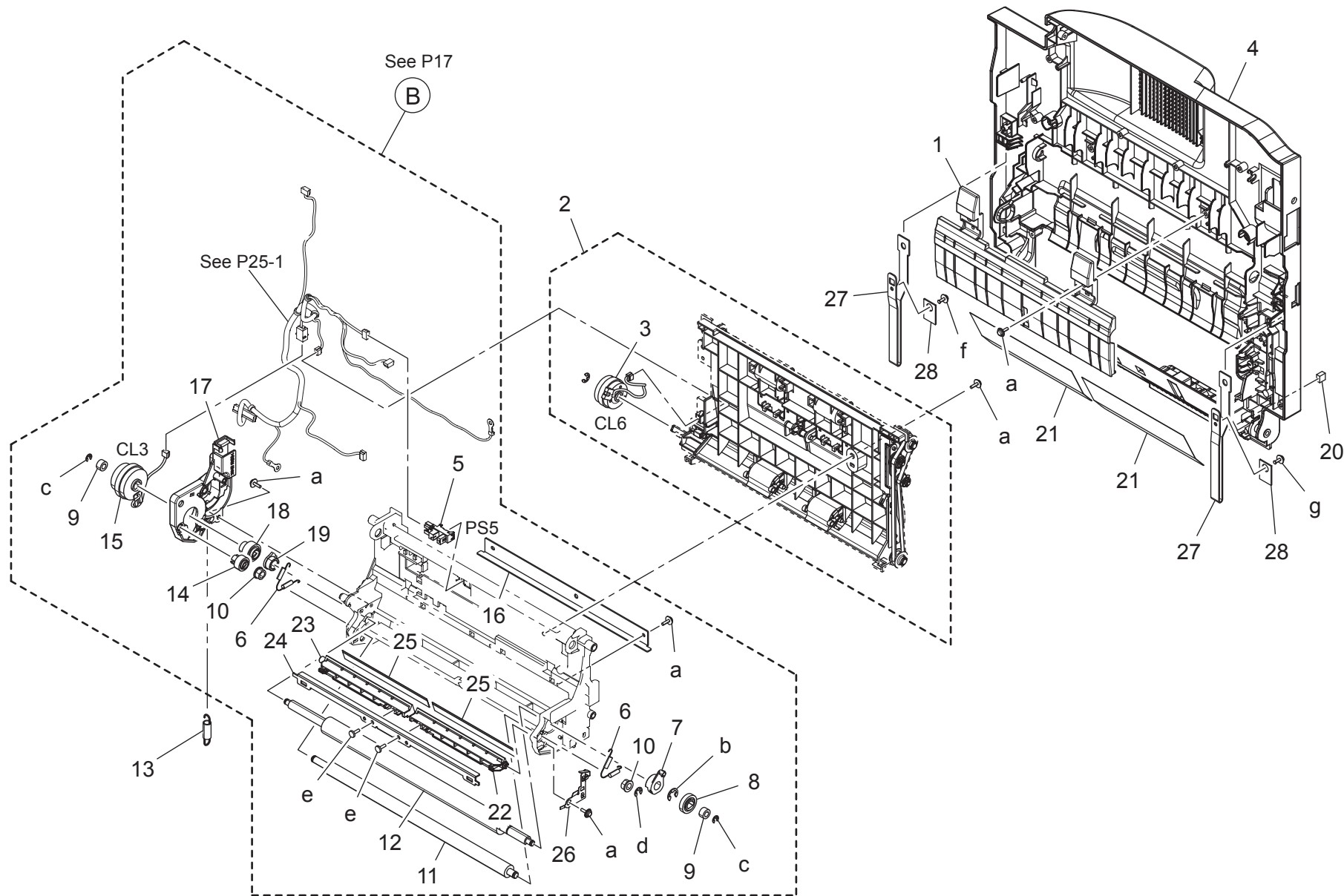


Transfer section (2nd transfer)

Key	Part No.	Description	Destinations	Class	QTY	Standard parts
1	A0VD164000	Compressing Coil spring		C	2	a-V153030803 b-V218060086 c-V153030804 d-V137030803
2	A3GN812400	Cover		D	1	
3	A0VD162101	Shaft		D	2	
4	A0VD163400	Lever /Rear		D	1	
5	A92E813401	Connecting Part		D	1	
6	A92E813900	Compressing Coil spring		C	1	
7	A0VD161100	Holder		D	1	
8	A0VD163500	Pulling Coil spring		C	1	
9	A92E813600	Lock Claw /Front		D	1	
10	A0VD162400	Wiring Cover		D	1	
11	A0VD163200	Mounting Plate		D	1	
12	A5C1M50100	Photointerrupter		B	1	
13	A3GN702811	Ground Plate		D	1	
14	A92ER70700	Conveyance ASSY		S	1	
15	V800400032	FIXED LEAD RESISTORS		D	1	
16	A92E703300	Holder		D	1	
17	A0VD703700	Pulling Coil spring		D	1	
18	A0VD702700	Guide Plate		D	1	
19	A0VD701301	Compressing Coil spring		C	1	
20	A3GN701800	Neutralizing Part		D	1	
21	A0VD700302	Torsion Coil spring		C	1	
22	A0VD700202	Actuator		C	1	
23	A3GN700500	Compressing Spring		C	1	
24	A3GN701100	Contact		D	1	
25	A3GN708101	Compressing Spring		C	2	
26	A3GN700100	Holder		D	1	
27	A4Y5WY3	2nd Transfer Roller Unit		A	1	
28	A92E813200	Duct		D	1	
29	A92E816000	Cover		D	1	
30	A92E816700	Seal		D	1	
31	A92E816800	Seal		D	1	
32	A92E816300	Holder		D	1	
33	A92E817500	Sealing Part /Side	A,A1	D	1	
34	4163529301	SCREW		C	2	
35	4139M10000	Fan motor		B	1	
36	V651010002	connector		D	1	
37	A92E816600	Filter	C,I(SOUTH AFRICA)	C	1	
38	A92E817400	Filter Holder	A,A1	D	1	
39	A3GN700700	Compressing Coil spring		C	1	
40	A3GN700800	Reinforce Plate		D	1	
41	A92E813501	Release Lever		D	1	
42	A92E812500	Cover		D	1	
43	A92E817600	Sheet	A,A1	D	1	

Duplex section

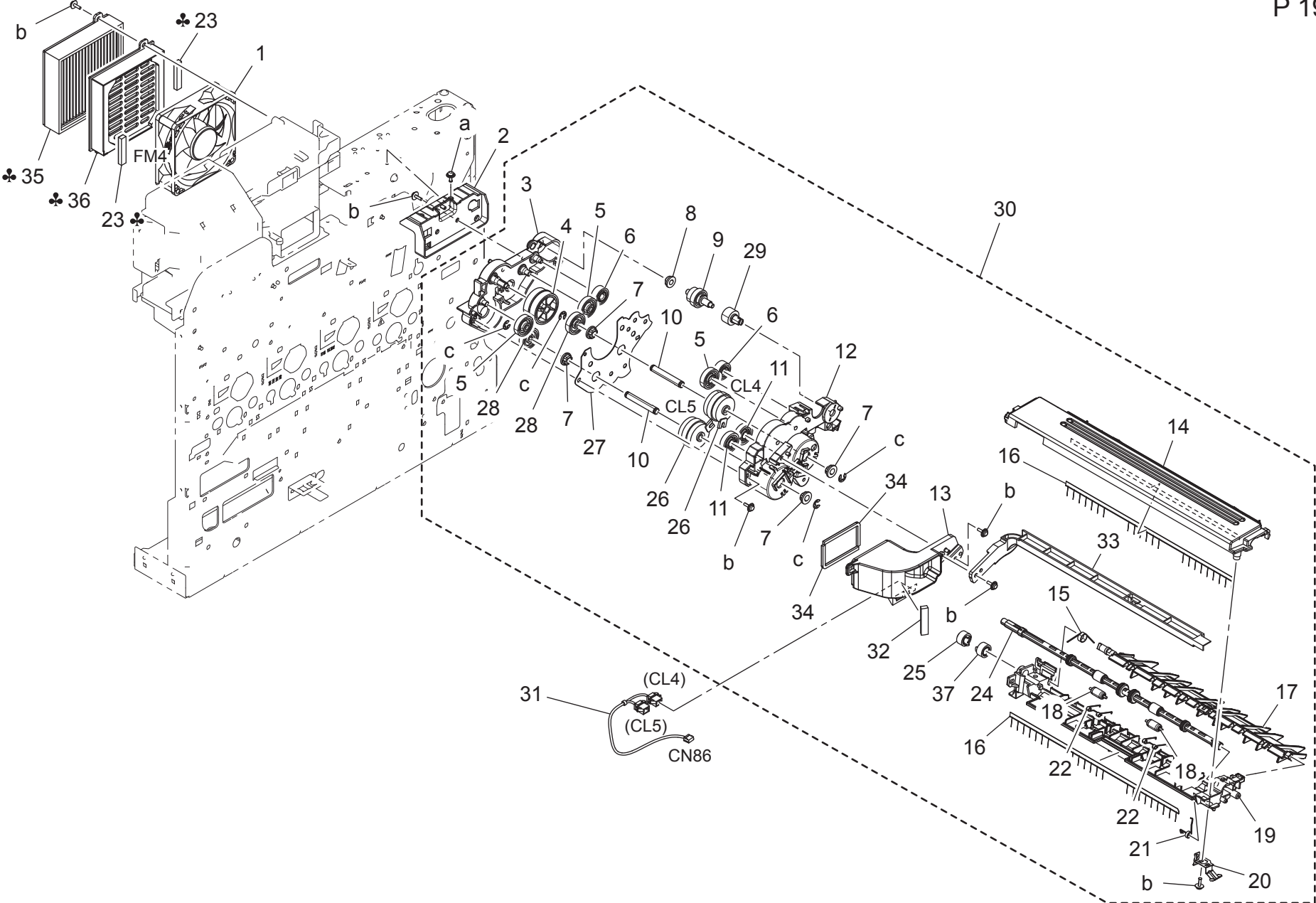
P 18



bizhub C3851

Key	Part No.	Description	Destinations	Class	QTY	Standard parts
1	A3GN813700	Guide		D	1	a-V153030803
2	A3GNR70800	DUP Conveyance Assy		C	1	b-V217060001
3	A2YFM20000	Clutch		C	1	c-V217030001
4	A92E810102	Open/close Cover		D	1	d-V137030803
5	A5C1M50100	Photointerrupter		B	1	d-V217040001
6	A0VD702501	Pulling Coil spring		D	2	e-V149030803
7	A3GN702300	Bushing		C	1	f-V116030803
8	A0VD235301	Gear 16T		C	1	g-V116031004
9	4138352802	ROLL		C	2	
10	4138353202	BUSHING		C	2	
11	A3GN702900	Roller		C	1	
12	A3GN702100	Roller		C	1	
13	A0VD703700	Pulling Coil spring		D	1	
14	A0VD703001	Gear 15T		D	1	
15	A011M20000	CLUTCH		C	1	
16	A3GN703400	Reinforce Plate		D	1	
17	A0VD705303	Mounting Plate		D	1	
18	A0VD703501	Gear 20T		D	1	
19	A0VD702400	Bushing		D	1	
20	A92E812000	Seal		D	1	
21	A92E811600	Guide		D	2	
22	A92E708000	Guide /1		D	1	
23	A92E708100	Guide /2		D	1	
24	A92E708200	Reinforce Plate		D	1	
25	A92E708300	Guide Sheet		D	2	
26	A92E702600	Ground Plate		D	1	
27	A3GN812300	Open/close Stopper		C	2	
28	A3GN812200	Reinforce Spacer		C	2	

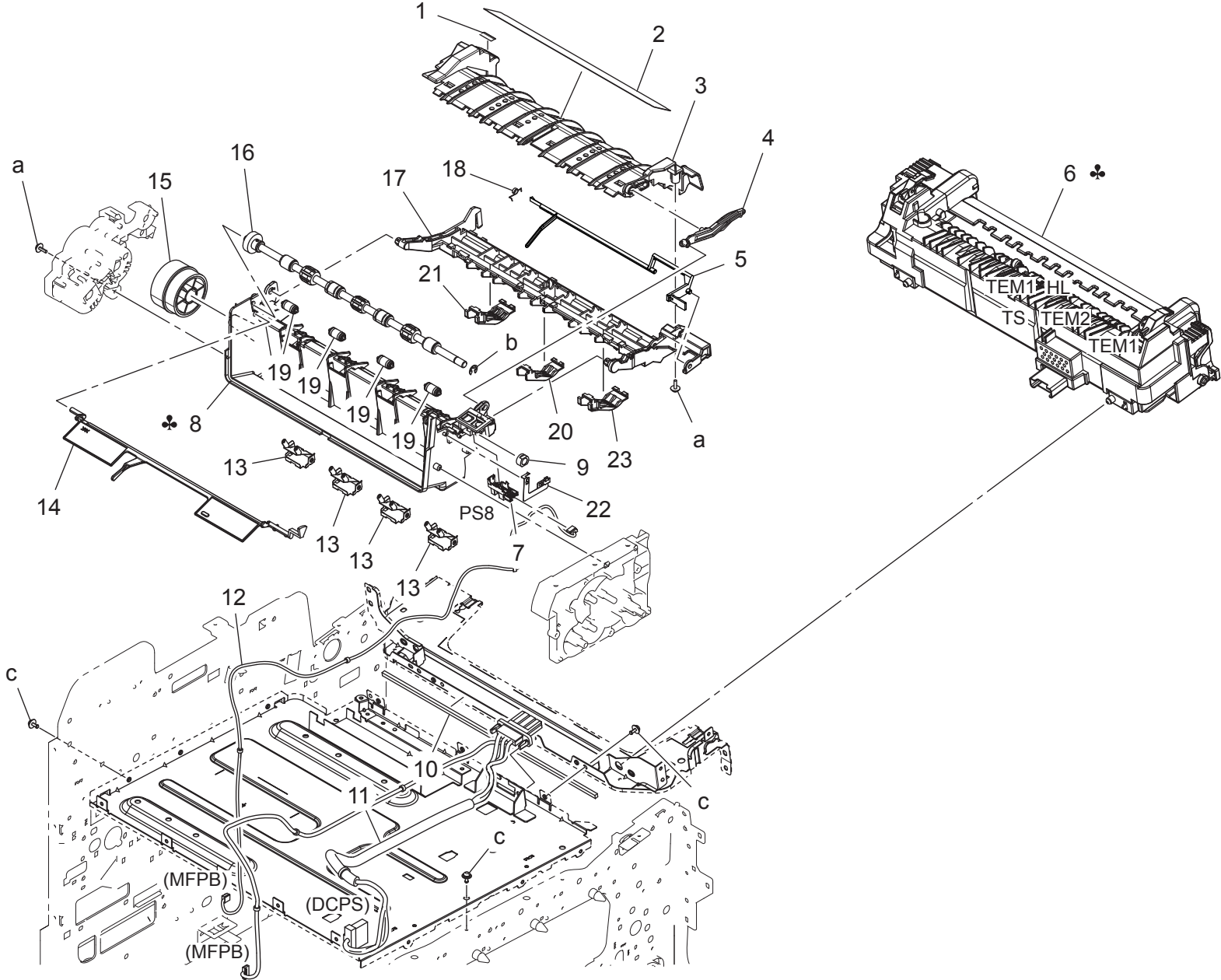
Duplex reverse drive section



bizhub C3851

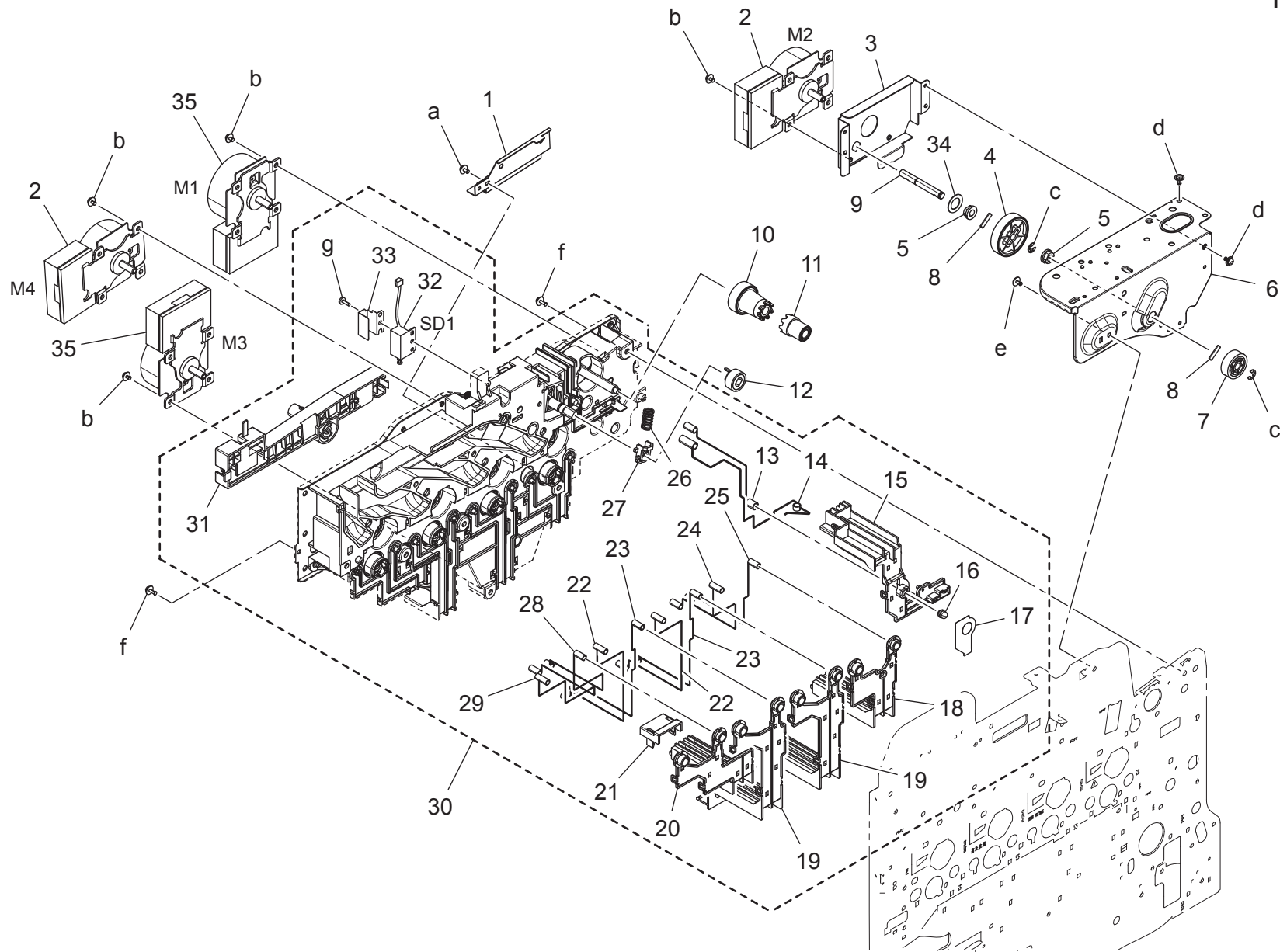
Key	Part No.	Description	Destinations	Class	QTY	Standard parts
1	4139M10000	Fan motor		B	1	a-V116030803 b-V153030803 c-V217040003
2	A3GN817000	Mounting Plate		D	1	
3	A3GN822200	Drive Holder /B		D	1	
4	A0VD822600	Gear 36/37T		C	1	
5	A0VD822800	Gear 23T		D	3	
6	A0VD822700	Gear 19T		D	2	
7	A00F813000	Bushing		C	4	
8	A00F813100	Roll		C	1	
9	A3GN823500	Torque limiter ASSY		C	1	
10	A3GN822901	Shaft		D	2	
11	A0VD822400	Gear 18T		D	2	
12	A3GN822100	Drive Holder /A		D	1	
13	A92E814000	Duct		D	1	
14	A3GN820401	Guide /Upper		D	1	
15	A0VD820700	Torsion Coil spring		C	1	
16	A3GN825100	Neutralizing Brush		D	2	
17	A3GN825600	Guide		D	1	
18	A0VD820200	Roll		C	2	
19	A92E820201	Guide /Lower		D	1	
20	A0VD820900	Contact		D	1	
21	A121820800	Torsion Coil spring		C	1	
22	A0VD820300	Torsion Coil spring		C	2	
23	A92E814100	Seal	A,A1	D	2	
24	A92E820100	Riverse/exit Roller		C	1	
25	A0VD821100	Gear 14T		D	1	
26	A2YFM20000	Clutch		C	2	
27	A0VD822300	Drive Side plate		D	1	
28	A0VD822500	Gear 24T		C	2	
29	A0VD823300	Clutch		C	1	
30	A92ER70800	DUP Riverse Drive ASSY		S	1	
31	A3GNN10400	Relay Wiring		D	1	
32	A92E814100	Seal		D	1	
33	A92E814200	Duct		D	1	
34	A92E142200	Seal		D	2	
35	A92E142300	Filter	C,I(SOUTH AFRICA)	C	1	
36	A92E142401	Filter Holder	A,A1	D	1	
37	A92E821200	Gear 14T		C	1	

Fusing/ Paper exit section



Key	Part No.	Description	Destinations	Class	QTY	Standard parts
1	A0VD949100	Label JAM		D	1	a-V153030803 b-V217040001 c-V125030818
2	A3GN948300	Label Hi-Temp Caution/Jam		D	1	
3	A121902500	Guide		D	1	
4	A121893002	Lever		C	1	
5	A6DR892300	Actuator		D	1	
6	A4Y5W02	Fusing Unit 100V	A,A1	A	1	
6	A4Y5W22	Fusing Unit 230V	C,I	A	1	
7	A5C1M50100	Photointerrupter		B	1	
8	A92E890301	Paper exit Holder	A,A1	D	1	
8	A92E895300	Paper exit Holder	C,I	D	1	
9	A0P0364000	Bushing		C	1	
10	A3GN146300	Seal		D	1	
11	A92EN10300	Fixing Relay harness		D	1	
12	A92EN10E00	Sensor Wiring /3		D	1	
13	A92E890201	Spring		D	4	
14	A3GN891200	Actuator		C	1	
15	A0VD890800	Gear 38/40T		D	1	
16	A92E890100	Paper exit Roller		C	1	
17	A3GN892102	Guide		D	1	
18	A0VD892400	Torsion Coil spring		D	1	
19	A3GN890302	Paper exit Roll		C	4	
20	A3GN893500	Paper exit Guide /Middle		D	1	
21	A3GN893600	Paper exit Guide /Rear		D	1	
22	A92E892700	Ground Contact		D	1	
23	A3GN893700	Paper exit Guide /Front		D	1	

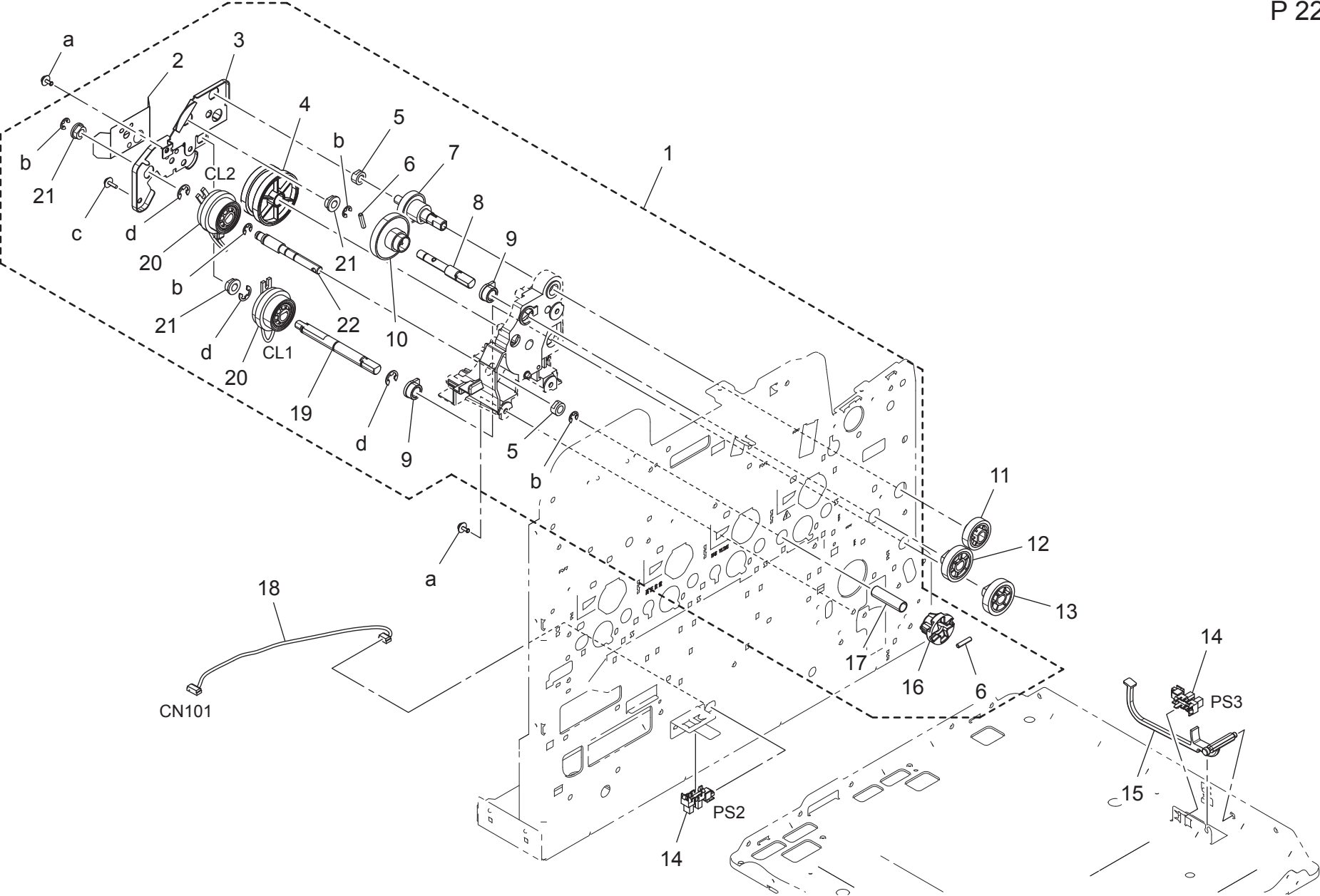
Main drive section



Main drive section

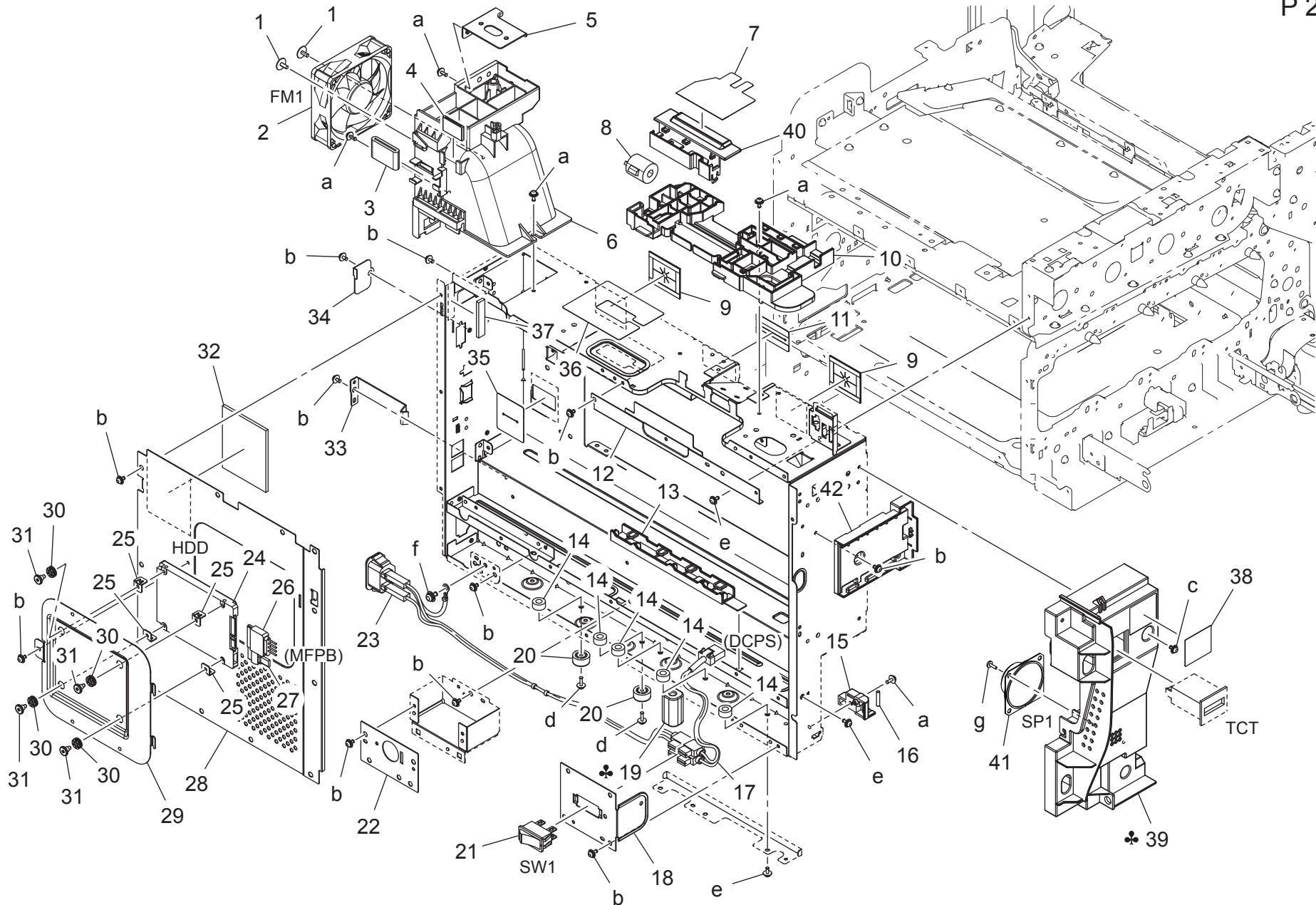
Key	Part No.	Description	Destinations	Class	QTY	Standard parts
1	A3GN210800	Cover		D	1	a-V116030603 b-V116030504 c-V217040050 d-V137030603 e-V144030603 f-V116030803 g-V149030803
2	A61DM10200	brushless Motor /20		I	2	
3	A3GN223000	Fusing Panel		D	1	
4	A3GN220200	Drive Gear 68T		C	1	
5	A00F213900	Bearing		C	2	
6	A3GN223302	Fusing Panel		D	1	
7	A0VD218301	Gear 21T		C	1	
8	4036301401	PIN		C	2	
9	A3GN223400	Shaft		D	1	
10	A92E212500	Gear 32T		C	1	
11	A92E212400	Gear 16T		C	1	
12	A0VD219800	Gear 20T		C	1	
13	A3GN130700	Contact		D	1	
14	A3GN130601	Bias Contact		D	1	
15	A3GN131200	Holder		D	1	
16	A0VD133300	Shaft		D	1	
17	A3GN136000	Insulating Sheet		D	1	
18	A3GN130900	Holder		D	1	
19	A3GN131000	Holder		D	2	
20	A3GN131400	Holder		D	1	
21	A3GN131100	Cover		D	1	
22	A3GN131900	Contact		D	2	
23	A3GN131700	Contact		D	2	
24	A3GN131800	Contact		D	1	
25	A3GN131600	Contact		D	1	
26	A0VD220300	Compressing Coil spring		D	1	
27	A3GN213300	Bushing		D	1	
28	A3GN135600	Contact		D	1	
29	A3GN135700	Contact		D	1	
30	A92ER70000	Main Drive ASSY		S	1	
31	A3GN134001	Holder		D	1	
32	A034M20000	Paperfeed Solenoid		C	1	
33	A3GN708000	Protection Part		D	1	
34	A02E193000	Washer		C	1	
35	A61DM10400	brushless Motor /40		I	2	

Paper feed drive section

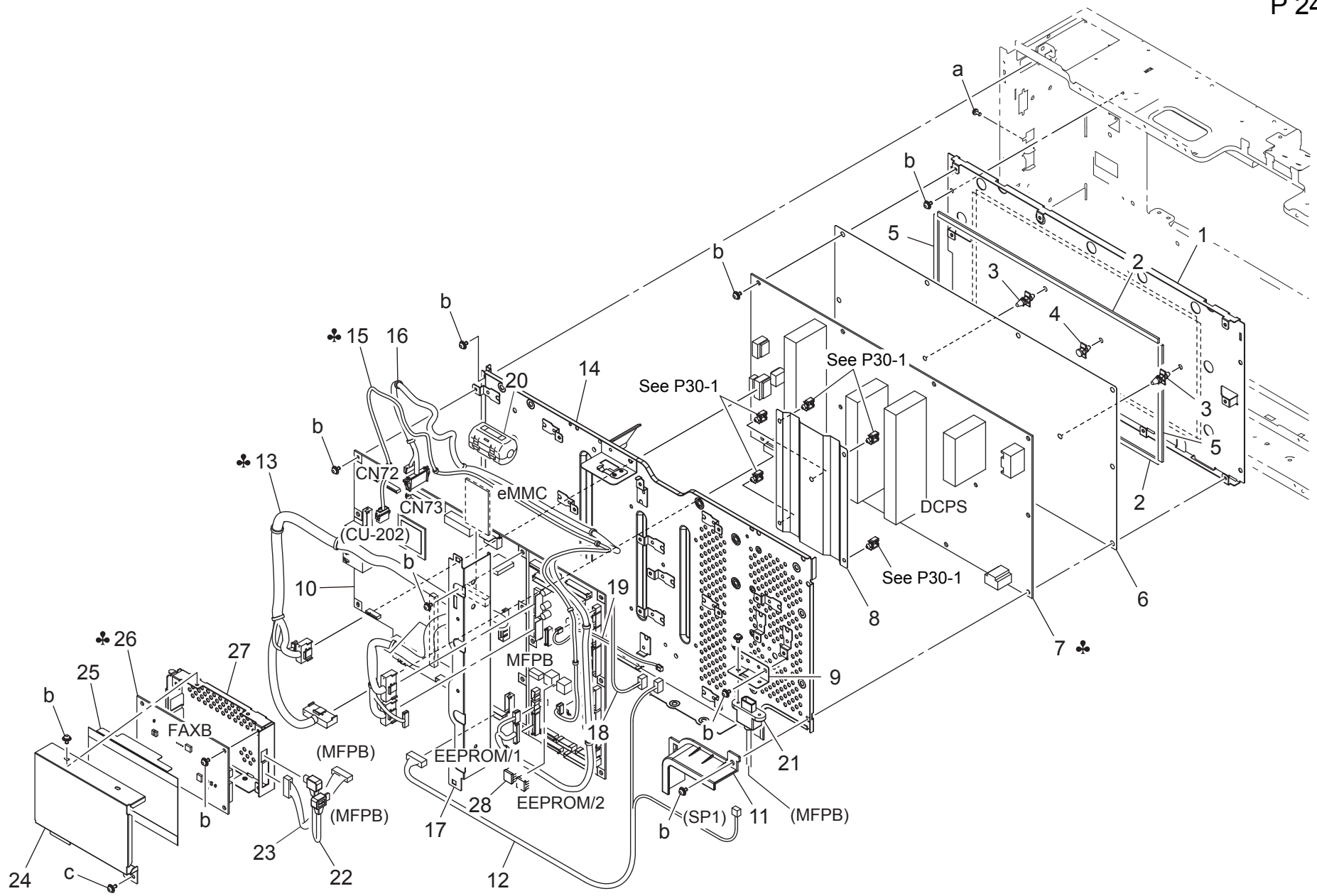


Key	Part No.	Description	Destinations	Class	QTY	Standard parts
1	A92ER70100	Paper Feed Drive ASSY		S	1	a-V125030818 b-V217040001 c-V153030803 d-V217060001
2	A3GN217000	Guide Sheet		C	1	
3	A0VD233102	Mounting Plate		D	1	
4	A0VD230400	Gear 38/65T		C	1	
5	4036473001	BUSHING		C	2	
6	4036301401	PIN		C	2	
7	A0VD231101	Gear 36T		C	1	
8	A0VD230800	Shaft		D	1	
9	A0VD702400	Bushing		D	2	
10	A0VD230301	Gear 23/55T		C	1	
11	A0VD231200	Gear 22T		D	1	
12	A0VD230901	Gear 25T		C	1	
13	A0VD233301	Gear 20T		C	1	
14	A5C1M50100	Photointerrupter		B	2	
15	A0VD624100	Lever		C	1	
16	A92E693000	Connecting Claw		C	1	
17	4138259701	PRESSURE SPRING		C	1	
18	A92EN10B00	Sensor Relay harness		D	1	
19	A0VD230501	Shaft		D	1	
20	A02EM20000	Clutch		B	2	
21	4134588202	BUSHING		D	3	
22	A0VD230101	Shaft		D	1	

Electrical components



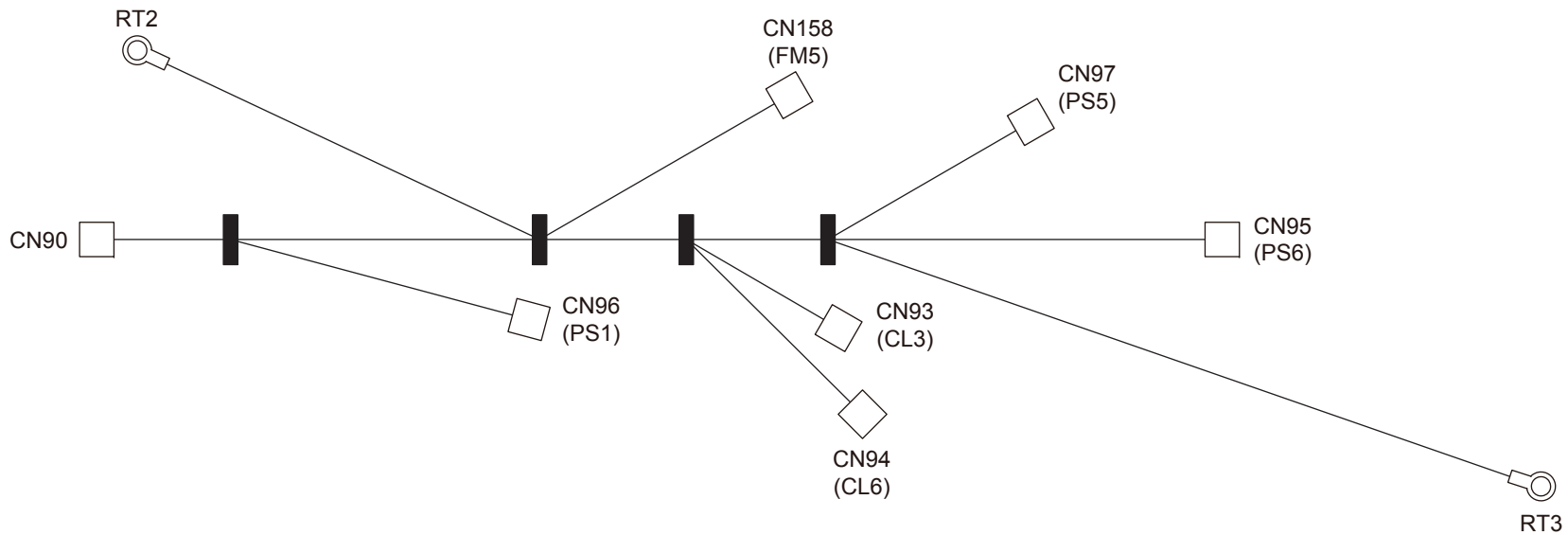
Key	Part No.	Description	Destinations	Class	QTY	Standard parts
1	4163529301	SCREW		C	2	a-V116030803 b-V116030603 c-V116030604 d-V116031003 e-V125030818 f-V116040803 g-V149030803
2	4139M10000	Fan motor		B	1	
3	A3GNM93100	Ferrite core		D	1	
4	A3GNM93200	Ferrite core		D	1	
5	A3GN145800	Hold Plate		D	1	
6	A3GN142200	Supply Duct /Left rear		D	1	
7	A92E133400	Protection Seal		D	1	
8	A3GNM71C00	Ferrite core		D	1	
9	A92E134400	Seal		D	2	
10	A92E133700	Guide		D	1	
11	A92E134300	Seal		D	1	
12	A92E133000	Mounting Plate		D	1	
13	A92E132800	Guide		D	1	
14	1154467001	PROTECTION		C	5	
15	A92E133801	Guide		D	1	
16	4036254901	PIN		D	1	
17	A92EN10900	AC Wiring /2		D	1	
18	A92E132200	Mounting Plate		D	1	
19	A3EWM90300	Ferritecore	A,A1	D	1	
20	0996305501	RUBBER FOOT		C	2	
21	A034M60200	Rocker switch		C	1	
22	A92E134700	Mounting Plate		D	1	
23	A92EN10800	AC Wiring /1		D	1	
24	A2X0M72C00	HDD		I	1	
25	A5C1134111	Spacer		D	4	
26	A92EN12A00	Power source Cable /H		D	1	
27	A92EN12900	I/F Cable /S		D	1	
28	A92E132600	Shield Plate		D	1	
29	A92E132900	Shield Plate		D	1	
30	A4EU138000	Support Rubber		D	4	
31	A5C1134200	Shoulder screw		D	4	
32	A92E135300	Insulating Part /1		D	1	
33	A3GN621701	Lock Plate spring		D	1	
34	A92E134500	Shield Plate		D	1	
35	A3GN132900	Seal		D	1	
36	A92E136400	Protection Sheet		D	1	
37	A92E135400	Insulating Part /2		D	1	
38	A92E401200	Label Toner		D	1	
39	A92E133100	Cover /Left front	A,A1	D	1	
39	A92E138100	Cover /Left front	C,I	D	1	
40	A92E133300	Guide		D	1	
41	A0P0M73100	Speaker		D	1	
42	A92E134200	Mounting Rail		D	1	



Key	Part No.	Description	Destinations	Class	QTY	Standard parts
1	A3GN130000	Mounting Plate		D	1	a-V122030603 b-V116030603 c-V125030818
2	A92E134800	Seal		D	2	
3	V502010045	PCB Support		D	2	
4	V502010029	spacer		D	1	
5	A92E134900	Seal		D	2	
6	A3GN136100	Insulating Sheet		C	1	
7	A3GNM40000	DC Power source (100-127V)	A,A1	I	1	
7	A3GNM40102	DC Power source (220-240V)	C,I	I	1	
8	A3GN136200	Insulating Sheet		C	1	
9	A92E134000	Mounting Plate		D	1	
10	A92EH02102	PWB assemble(PWB-MFP)		I	1	
11	A92E133200	Guide		D	1	
12	A92EN12000	Power source Cable /1		D	1	
13	A92EN10A00	Power supply Wiring		D	1	
14	A92E132500	Mounting Plate		D	1	
15	A92EN10G00	Relay Wiring /2	C,I(SOUTH AFRICA)	D	1	
16	A92EN10700	Polygon Relay harness		D	1	
17	A92E132700	Mounting Plate		D	1	
18	A92EN12100	Power source Cable /2		D	1	
19	A92EN10H00	Drive Wiring	A,A1	D	1	
20	A5C1M92100	Ferritecore		D	1	
21	A92EN12500	I/F Cable /1		D	1	
22	A92EN12800	I/F Cable /F		D	1	
23	A92EN12300	Power source Cable /F		D	1	
24	A92E137200	Cover		D	1	
25	A92E137300	Insulating Part		D	1	
26	A879H01A03	FAX Assembly	A,A1	I	1	
26	A879H01W03	FAX Assembly	C,I(SOUTH AFRICA)	I	1	
27	A92E137100	Mounting Plate		D	1	
28	V864800076	EEPROM		C	1	

Wiring section

1



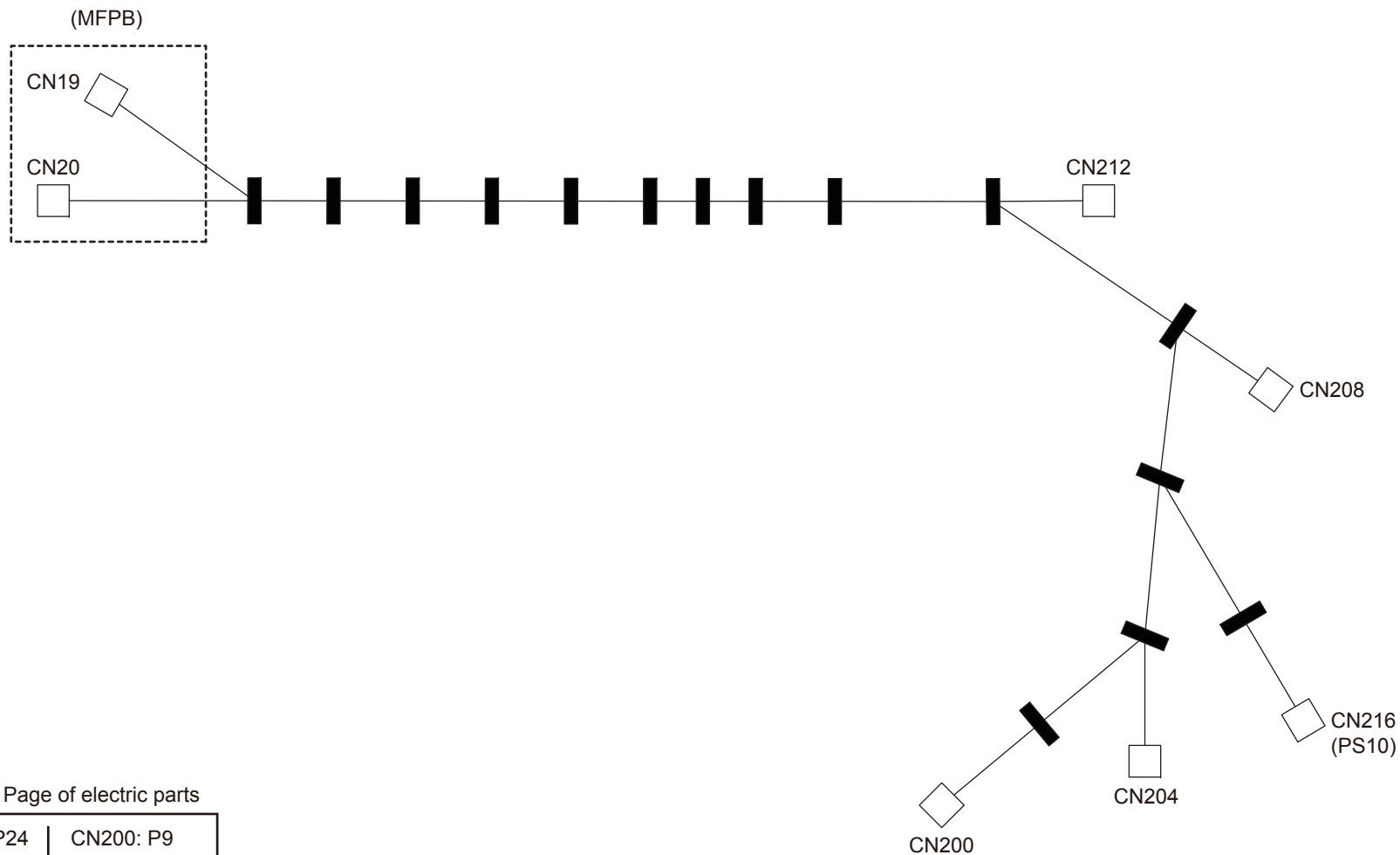
Reference Page of electric parts

CL3: P18	PS5: P18
CL6: P18	PS6: P17
FM5: P17	CN90: P27
PS1: P15	

bizhub C3851

Wiring section

1

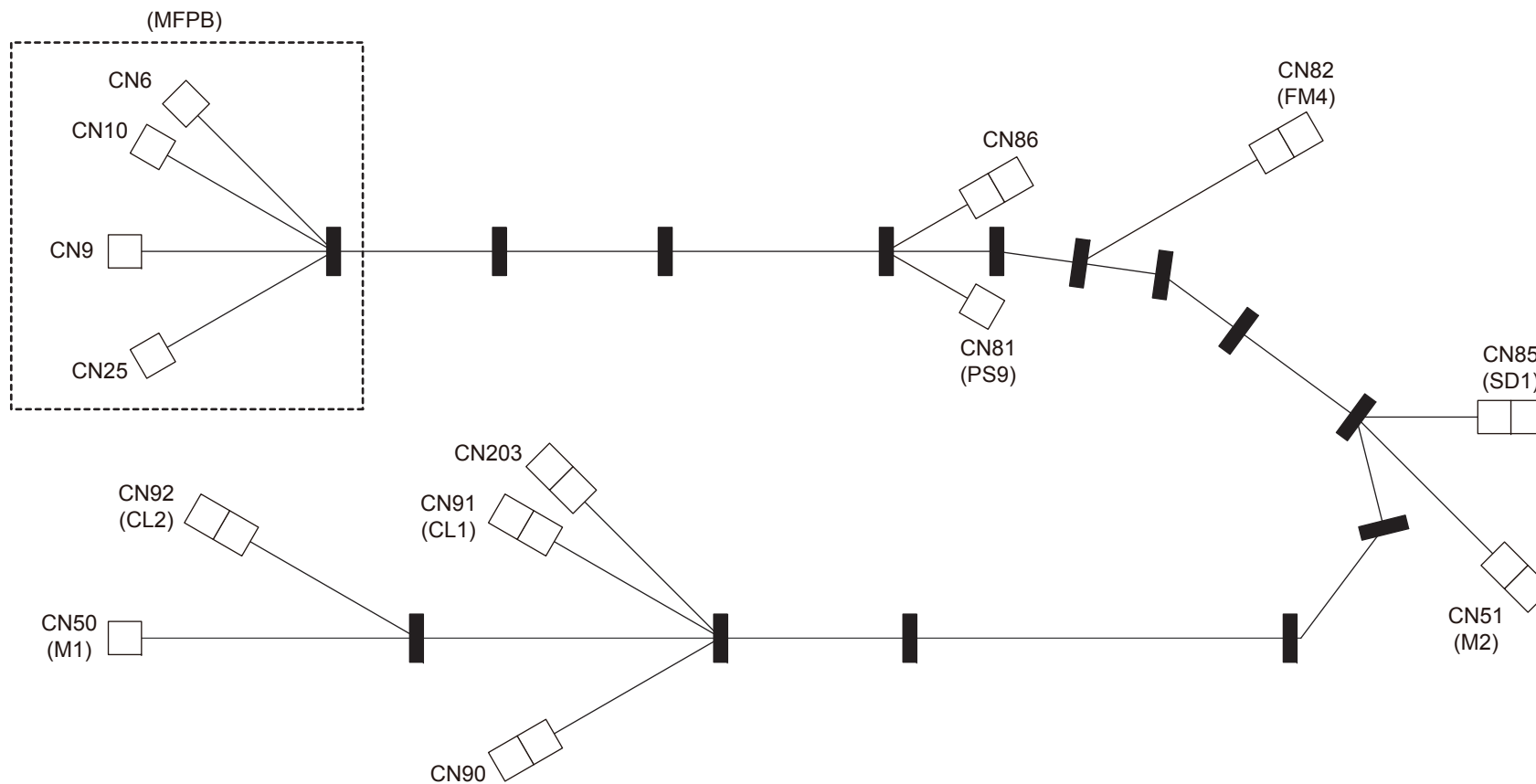


Reference Page of electric parts

MFPB: P24	CN200: P9
PS10: P12	CN204: P9
	CN208: P9
	CN212: P9

Wiring section

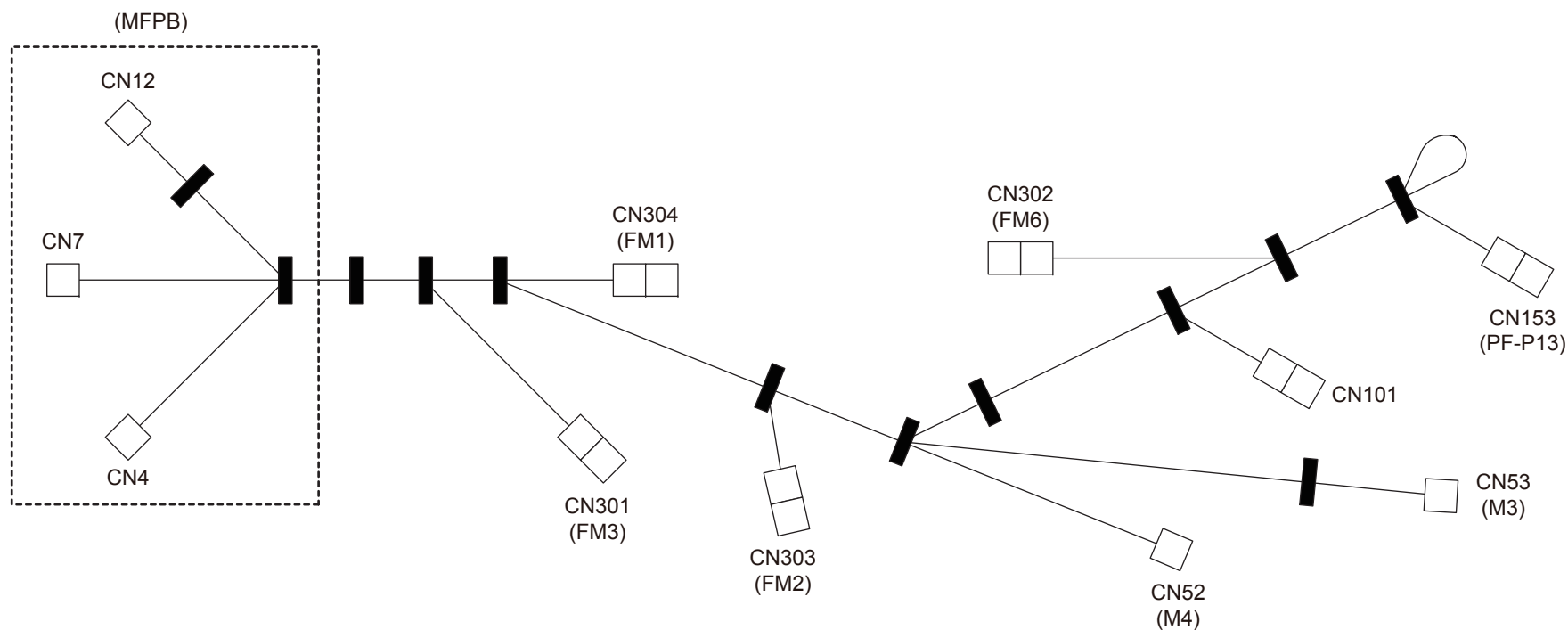
①



Reference Page of electric parts

MFPB: P24	M1: P21	CN86: P19
CL1: P22	M2: P21	CN90: P25
CL2: P22	PS9: P8	CN203: P15
FM4: P19	SD1: P21	

1

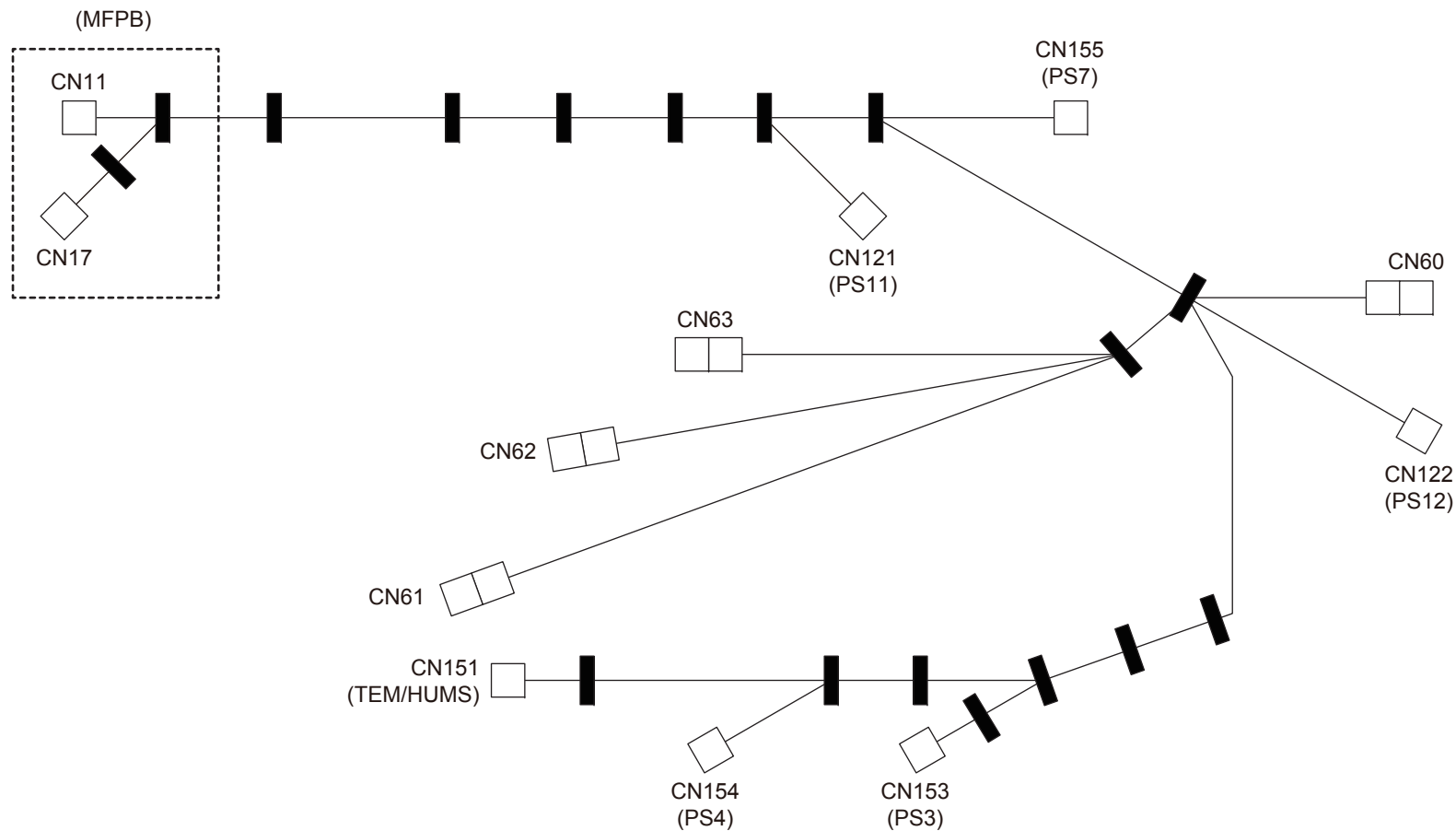


Reference Page of electric parts

MFPB: P24	FM6: P10	PF-P13: Option
FM1: P23	M3: P21	
FM2: P10	M4: P21	
FM3: P6	CN101: P22	

Wiring section

①



Reference Page of electric parts

MFPB: P24	PS11: P3	CN61: P7
PS3: P22	PS12: P6	CN62: P7
PS4: P11	TEM/HUMS: P11	CN63: P7
PS7: P6	CN60: P11	

Wiring accessories and Jigs

P 30

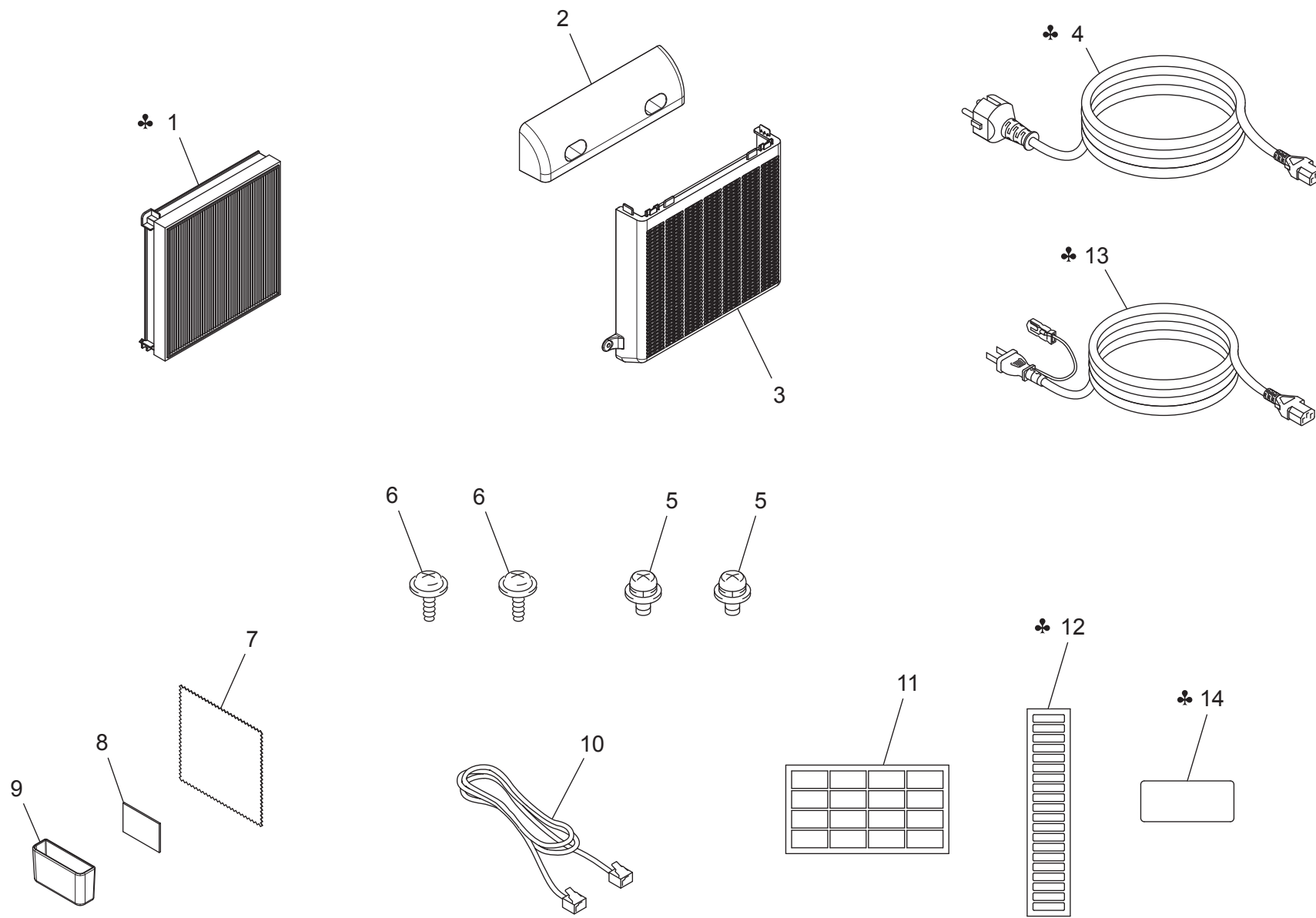
1 	6 	11 	16 	21	26	31	36
2 White 	7 White 	12 	17	22	27	32	37
3 	8 White 	13 	18	23	28	33	38
4 	9 	14 	19	24	29	34	39
5 	10 	15 	20	25	30	35	40

bizhub C3851

Key	Part No.	Description	Destinations	Class	QTY	Standard parts
1	V500010047	saddle		D		
2	V500010081	Locking Wire Saddle		D		
3	V500010082	Locking Wire Saddle		D		
4	V500010083	Locking Wire Saddle		D		
5	V500010084	Locking Wire Saddle		D		
6	V500020098	Mini Locking wire saddle		D		
7	V500020099	Mini Locking wire saddle		D		
8	V500020100	Mini Locking wire saddle		D		
9	V501010001	band		D		
10	V570010021	Saddle		D		
11	V570010057	Wing Edge Saddle		D		
12	V570010059	Wing Edge Saddle		D		
13	000V-18-1	Cleaning Pad (10 pcs)		A	1	
14	000V-18-2	Cleaning Pad (30 pcs)		A	1	
15	65AA-9920	HYDROWIPE		D	1	
16	9J06PJP100	Color chart/A3 size		C	1	

Accessory parts

P 31



Key	Part No.	Description	Destinations	Class	QTY	Standard parts
1	A92E147400	Filter	C,I(SOUTH AFRICA)	C	1	
2	A3GN147801	Mounting Cover		C	1	
3	A3GN147100	Cover		C	1	
4	A0VDN30000	Power code	C,I(SOUTH AFRICA)	C	1	
5	V116031004	Screw		V	2	
6	V153030804	screw		V	2	
7	A92E955200	Cleaning Sheet		C	1	
8	A92E955100	Cushion		C	1	
9	A92E955000	Holder		C	1	
10	4628680101	WIRE HARNESS ASSY		D	1	
11	A3GN940401	Label		C	1	
12	A7AH947600	Seal /Japanese	A,A1	C	1	
13	A034N30000	Power source Cord	A,A1	D	1	
14	A1UD947400	Label	A,A1	C	1	

MAINTENANCE LIST

● The items with no Page/Key numbers are not handled as spare parts.

No.	Section	PM Parts Description	Maintenance Cycle (K=1,000)		Parts No.	Destinations	Page/Key	Note
			QTY	Replace				
1	Paper feed section	Tray 1 feed roller	1	300k	4138303202		P13-11	*2 *4
2		Tray 1 separation roller	1	300k	A92EV62001		P13-13	*2 *4
3		Manual feed tray feed roller	1	300k	4138303202		P15-11	*2 *4
4		Manual feed tray separation roller	1	300k	A92EV62001		P15-27	*2 *4
5	Processing section	Toner cartridge/ Y,M,C	1	12k	-			*1 *3
6		Toner cartridge/K	1	13k	-			*1 *3
7		Imaging unit/Y,M,C	1	30k	-			*1 *3
8		Imaging unit/K	1	60k	-			*1 *3
9		Toner filter	1	150k	-			*2 *5
10		Waste toner bottle	1	30k	A4Y5WY1		P12-10	*1 *3 *6
11	Image transfer section	Transfer belt unit	1	150k	A4Y5WY4		P8-4	*2
12		Transfer roller	1	150k	A4Y5WY3		P17-27	*2
13	Fusing section	Fusing unit	1	135k	A4Y5W02	Area 100V	P20-6	*2
14			1	135k	A4Y5W22	Area 220-240V	P20-6	*2

*1: The parts can be replaced either by user or service engineer.

*2: Actual durable cycle (life counter value)

*3: Field standard yield

*4: Replace those parts at the same time.

*5: The toner filter is furnished with the transfer belt unit (A4Y5WY4) so that all of them are replaced at the same time.

*6: A waste toner full condition is detected with detecting the actual waste toner emissions.

DESTINATION

Destination No.		Destinations		V	Hz	Model No.
A	A1	JAPAN		100	50/60	A92E001
	A2	JAPAN				
B		USA, CANADA				
C		EUROPEAN TYPE		220-240	50/60	A92E021
D	D1	S.E ASIA TYPE	THAILAND, SRI LANKA, SINGAPORE, MALAYSIA, HONG KONG, PAKISTAN, INDIA, BANGLADESH, INDONESIA			
	D3	OCEANIA TYPE	AUSTRALIA, NEW ZEALAND			
E		PHILIPPINES				
F	F1	SAUDI ARABIA				
	F2	SAUDI ARABIA				
G	G1	C.S AMERICA				
	G2	C.S AMERICA				
H		TAIWAN				
I		JORDAN, LEBANON, SYRIA, SOUTH AFRICA, IRAQ, IRAN, N.YEMEN, CAMEROON, UAE, BAHRAIN, OMAN, QATAR, KUWAIT, KENYA, TUNISIA, IVORY COAST, MOROCCO		220-240	50/60	A92E021
J		CHINA				
K		KOREA				

bizhub C3851