

KONICA MINOLTA

PARTS GUIDE MANUAL

APRIL 2023

*bizhub C450i/bizhub C450iS
AA7R*

INFORMATION FOR PARTS GUIDE MANUAL

To find correct Parts No., refer to the "HOW TO MAKE THE BEST USE OF THIS MANUAL" in the following page.

HOW TO MAKE THE BEST USE OF THIS MANUAL

- 1 When you order, please check the proper figures beforehand that are on Our Parts Guide Manual, and order with the appropriate figures.
- 2 For screws, Nuts, Washers, retaining rings and Pins which are used in this model, one letter is shown on the Standard parts column of Parts list and exploded diagrams.
- 3 In order to maintain safety of the product, some specific parts composed of this product are set up as "essential safety parts".
- 4 The assigned parts number for the "essential safety parts" is indicated as "SP00-****".
When replacing these parts, follow precautions for disassembling and installing which are listed in the Service Manual.
Do not use any parts that are not set up as
- 5 ♣ means that there are exclusive parts for each destination.
Please check the appropriate destination when you order.
- 6 Revision Mark
Marked as ▲ on the illustration shows that the revision has been made.
- 7 All rights reserved. (any reprints or quotations are prohibited.)
Use of this parts guide manual should be strictly supervised to avoid disclosure of confidential information.

パーツガイドマニュアルのご案内

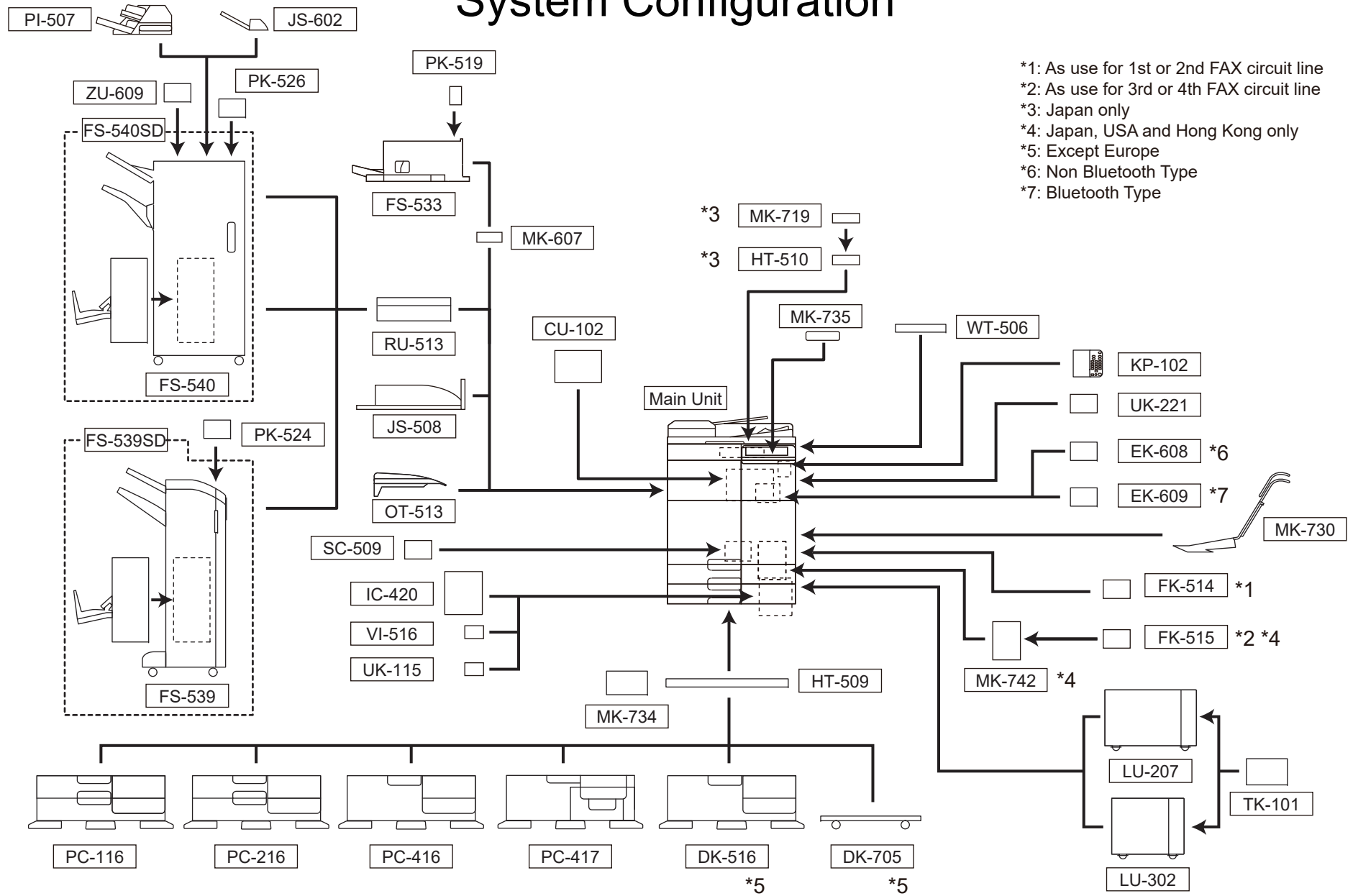
サービス部品をご発注の際には、下記に示す“パーツガイドマニュアルの活用にあたって”をご参照の上、正しい部品番号にてお願い致します。

パーツガイドマニュアルの活用にあたって

- 1 部品発注の際には、掲載されている部品番号の桁数を確認し、掲載されている桁数で発注願います。
- 2 この製品に使用されているネジ、ナット、ワッシャー、止め輪、ピンなどは、リストの右側の Standard parts 欄に a,b,c,……で表示し、イラストにも a,b,c,……表示してあります。
- 3 製品の安全性を維持する為に、製品に使用される特定の部品を「重要保安部品」として設定しています。
- 4 重要保安部品の部品番号は、“SP00-****”と記載されていますので、部品交換時は、サービスマニュアル記載の分解・組み立ての注意事項に従って作業をして下さい。
また、指定以外の部品は一切使用しないで下さい。
- 5 本文に ♣ が表示されている部品は、仕向け地毎に専用部品がある事を意味しています。
オーダーされる時は、仕向け地を確認して下さい。
- 6 改訂記号について
イラスト上に▲印が表示されている部分は、改訂された事を表します。
- 7 著作権所有（無断転載及び無断引用の禁止）
本パーツガイドマニュアルについては、機密保持等その扱いには十分注意して下さい。万一取り扱いを誤った場合には、法律で処罰されることがあります。

11/22/2019

System Configuration



- *1: As use for 1st or 2nd FAX circuit line
- *2: As use for 3rd or 4th FAX circuit line
- *3: Japan only
- *4: Japan, USA and Hong Kong only
- *5: Except Europe
- *6: Non Bluetooth Type
- *7: Bluetooth Type

GENERAL CONTENTS

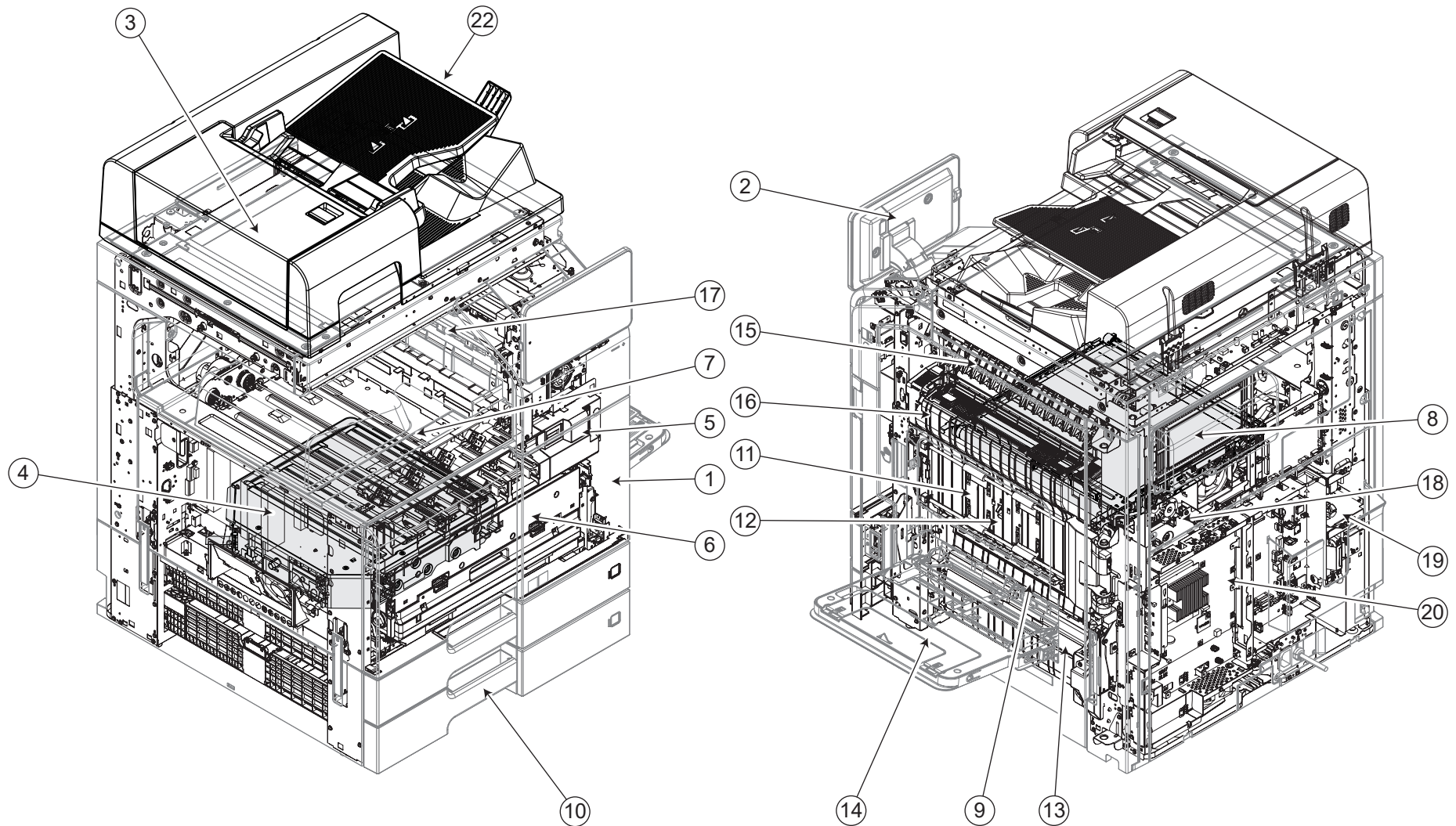
No.	Description	Model
1	Digital MFP Color	bizhub C450i/bizhub C450iS
2	Finisher/Sorter	FS-539
3	Finisher/Sorter	FS-539 SD
4	Finisher/Sorter	FS-540
5	Finisher/Sorter	FS-540 SD
6	Job Separator	JS-508
7	Punch Unit	PK-524
8	Punch Unit	PK-526
9	Paper Feeder	PC-417
10	Mount Kit	MK-607
11	Output Tray	OT-513
12	Finisher/Sorter	FS-533
13	Folding Unit	ZU-609
14	Post Inserter	PI-507
15	Paper Feeder	LU-207
16	Other Option	CU-102
17	Job Separator	JS-602
18	Punch Unit	PK-519
19	Paper Feeder	PC-116
20	Paper Feeder	PC-216
21	Paper Feeder	PC-416
22	Paper Feeder	LU-302

bizhub C450i/bizhub C450iS

No.	Description	Model
23	Desk	DK-516
24	Desk	DK-705
25	Finisher/Sorter	RU-513
26	Other Option	MK-719
27	Mount Kit	MK-730
28	Mount Kit	MK-734
29	Mount Kit	MK-735
30	Mount Kit	MK-742
31	Heater	HT-509
32	Heater	HT-510
33	Working Table	WT-506
34	Image Controller	IC-420
35	Video IF Kit	VI-516
36	Fax Kit	FK-514
37	Fax Kit	FK-515
38	Local IF Kit	EK-608
39	Local IF Kit	EK-609
40	Other Option	SC-509
41	Other Option	UK-221
42	Other Option	UK-115
43	Other Option	TK-101
44	Other Option	KP-102

bizhub C450i/bizhub C450iS

Section Configuration



bizhub C450i/bizhub C450iS

CONTENTS

No.	DESCRIPTION	名称	PAGE No.
1	External Parts	外装部	P1 P2 P3
2	Operation Panel section	操作部	P4 P5
3	Scanner Section	スキャナー部	P6 P7 P8 P9
4	Write Section	書き込み部	P10
5	Toner Supply Section	トナー補給部	P11 P12 P13
6	Toner Collection Section	トナー回収部	P14
7	Photo Conductor/ Developing Section	感光体部 / 現像部	P15 P16
8	1st Transfer Section	1次転写部	P17
9	Paper Feed Section	給紙部	P18 P19 P20 P21 P22
10	Tray Section	トレイ部	P23 P24 P25 P26 P27 P28 P29
11	Registration Section	レジスト部	P30 P31 P32
12	2nd Transfer Section	2次転写部	P33 P34 P35
13	Vertical Conveyance Section	垂直搬送部	P36
14	Bypass Tray Section	手差しトレイ部	P37 P38 P39 P40
15	Reverse Section	反転部	P41 P42 P43 P44
16	Fusing Section	定着部	P45
17	Paper Exit Section	排紙部	P46 P47 P48
18	Drive Section	駆動部	P49 P50 P51 P52 P53 P54
19	Colling Section	冷却部	P55 P56
20	Electrical Parts	電装部	P57 P58 P59 P60
21	Wiring	束線	P61 P62 P63
22	Automatic Document Feeder	自動原稿送り部	P64 P65 P66 P67 P68 P69 P70 P71 P72 P73 P74 P75 P76 P77 P78
23	Wiring Accessories	配線部品	P79
24	Service Tool	サービスツール	P80
25	Accessory Parts	同梱部品	P81 P82

INDEX

Parts No.	Page No.
07BA12352	1-16
0996305501	23-8
1164202801	47-8
15BY561200	64-22
4002311002	24-10
4002504203	17-9
4004590301	47-14
4025598401	47-19
4025598401	48-23
4030320601	27-17
4030320601	29-17
4030322602	27-9
4030322602	29-9
4036307501	7-10
4036534801	13-32
4038101401	3-17
4038101401	11-2
4038101401	12-1
4038258001	54-26
4038541202	52-7
4131253701	69-6
4131253701	73-2
4131253701	78-1
4136N30000	81-15
4163510201	13-10
4163529301	3-1
4163529301	10-3
4163529301	11-4
4163529301	12-16
4163529301	17-6
4163529301	24-11
4163529301	27-23
4163529301	29-23
4163529301	34-8
4163529301	35-20
4163529301	43-3
4163529301	58-11
4163529301	68-1
4163529301	77-17
4470402401	69-4

Parts No.	Page No.
4470402401	72-33
4470402401	75-38
4470402401	76-4
4470402401	77-7
4470402401	78-19
4532341001	20-3
4532341001	22-3
4576536301	13-12
4581162501	7-8
56AA40490	3-6
56AA40490	38-16
65AA-9920	80-2
9321240011	38-31
9335140071	70-13
9J06M10300	24-3
9J06M60100	3-3
9J06M60100	36-18
9J06PJP100	80-3
9J07160200	64-11
9J07210802	7-17
9J07300801	68-8
9J07330102	71-7
9J07330801	71-6
9J07331901	71-14
9J07340901	72-4
9J07341102	68-13
A00F623201	38-18
A00F941100	41-3
A00F941100	42-3
A00J169100	2-5
A00J169100	5-19
A00J169100	6-3
A00J169100	81-3
A00J169200	6-10
A00J169300	19-27
A00J169300	21-30
A00J169300	46-3
A00J265300	7-6
A00J563600	71-11
A00J617900	21-7

Parts No.	Page No.
A00J663200	19-16
A00J663200	21-15
A00J722601	9-27
A00J945201	2-8
A00J945500	1-22
A00JH00D00	1-9
A00V240600	72-18
A00V240600	75-11
A00V240600	77-3
A02E117300	55-4
A02E149900	2-7
A02E561100	19-14
A02E561100	21-13
A02E595100	38-36
A02E595400	38-35
A02E596100	38-25
A02E596300	38-28
A02E597600	39-27
A02E815200	20-11
A02E815200	22-11
A02E815200	35-6
A02E815200	42-9
A02E815200	43-24
A02E940300	27-25
A02E940300	29-25
A02EM20000	31-1
A02EM20100	38-29
A02EN12513	59-13
A034M20100	38-5
A07H570500	71-10
A0ED103100	15-11
A0ED110900	17-22
A0ED111000	17-1
A0ED111400	17-16
A0ED111500	17-15
A0ED111700	17-26
A0ED112000	17-20
A0ED135700	59-5
A0ED257500	54-29
A0ED259700	54-27

Parts No.	Page No.
A0ED271200	8-6
A0ED271300	8-7
A0ED273600	9-10
A0ED274200	9-23
A0ED274300	9-12
A0ED274400	9-13
A0ED276301	9-11
A0ED363200	14-3
A0ED363400	14-4
A0ED401000	13-31
A0ED550800	34-20
A0ED550900	34-21
A0ED551100	34-17
A0ED563900	20-7
A0ED563900	22-7
A0ED597800	38-30
A0ED620200	29-16
A0ED620701	27-34
A0ED620701	29-34
A0ED700200	31-6
A0ED700300	31-18
A0ED700700	31-19
A0ED703800	34-12
A0ED811700	35-1
A0ED811700	42-15
A0ED811900	35-4
A0ED815100	43-7
A0ED891100	47-9
A0ED897700	48-18
A0EDM50100	19-8
A0EDM50100	21-3
A0EDM60001	12-7
A0EDM60001	16-1
A0HT561202	72-5
A0HU250500	75-16
A0P0742300	46-2
A0P0742300	76-26
A0POM50300	57-10
A0POM50300	75-1
A0VDM50200	14-7

Parts No.	Page No.
A108260700	69-19
A108266300	77-15
A108703100	70-4
A108890500	68-9
A108891300	68-11
A108M50000	67-7
A108M50000	70-8
A161101600	23-20
A161101701	23-19
A161101900	23-4
A161103700	23-2
A161103901	23-10
A161104101	33-3
A161104200	23-3
A161104300	23-1
A161105200	23-15
A161105400	10-4
A161105500	49-12
A161105600	15-9
A161107100	15-5
A161110300	17-7
A161110500	17-21
A161110601	17-4
A161112000	17-34
A161112101	17-2
A161112200	17-10
A161112300	17-27
A161112400	17-25
A161112500	17-5
A161112600	17-11
A161112600	17-37
A161112700	17-35
A161116202	16-2
A161119500	16-3
A161121300	36-1
A161122500	45-5
A161137100	36-19
A161137600	60-14
A161137701	57-11
A161137900	60-23

Parts No.	Page No.	Parts No.	Page No.	Parts No.	Page No.	Parts No.	Page No.	Parts No.	Page No.
A161138500	15-10	A161273401	9-14	A161591300	38-34	A161701100	32-4	A161815400	36-14
A161140200	10-1	A161273500	9-20	A161591400	38-22	A161701301	31-5	A161815800	41-7
A161141700	55-17	A161273701	9-17	A161591600	39-14	A161701703	32-6	A161815900	36-7
A161143400	58-8	A161273800	9-15	A161591800	39-25	A161701900	31-4	A161816200	36-12
A161143601	58-1	A161274500	9-18	A161592200	40-1	A161702000	31-3	A161816400	42-14
A161144500	58-5	A161274600	9-16	A161592400	40-5	A161702101	32-5	A161819200	43-25
A161144801	17-17	A161275300	9-8	A161592501	40-6	A161702200	31-2	A161819500	43-31
A161144801	55-18	A161275400	9-9	A161592802	38-39	A161710500	35-7	A161825000	43-27
A161144900	17-19	A161275500	9-6	A161592900	36-21	A161711200	34-6	A161825301	39-28
A161145000	58-3	A161275600	9-5	A161593300	38-23	A161711300	35-11	A161825301	43-5
A161146600	55-13	A161276000	9-4	A161593400	39-6	A161711600	35-14	A161825400	43-15
A161151200	36-20	A161276500	9-7	A161593600	39-10	A161711700	35-12	A161825700	35-8
A161162400	5-13	A161278600	8-1	A161593800	40-10	A161711901	34-31	A161825700	43-8
A161163900	2-11	A161278900	8-2	A161594201	39-13	A161712000	35-17	A161825800	40-22
A161210200	50-13	A161280211	7-23	A161594300	40-13	A161712100	35-15	A161825800	43-16
A161210200	54-39	A161280300	7-24	A161594500	39-1	A161712401	34-4	A161826001	43-28
A161210200	66-7	A161281100	7-26	A161594600	39-3	A161712700	34-11	A161891000	48-7
A161210200	67-13	A161281300	7-25	A161594700	38-7	A161712800	35-19	A161892300	48-8
A161230700	54-19	A161281600	7-11	A161595000	39-22	A161712800	43-10	A161892400	47-17
A161232200	54-15	A161400601	13-21	A161595100	39-20	A161713500	35-18	A161892400	48-22
A161232501	54-31	A161400800	13-24	A161595300	39-17	A161714500	35-16	A161893601	48-2
A161240701	52-9	A161401000	13-9	A161595400	39-24	A161714600	35-9	A161894000	47-6
A161240900	52-10	A161401300	13-15	A161620400	29-10	A161719000	35-2	A161894100	47-5
A161241000	51-2	A161401500	13-6	A161620600	27-4	A161810305	36-16	A161895503	47-10
A161241400	51-4	A161403000	13-26	A161620600	29-4	A161811001	36-5	A161895601	47-11
A161258800	54-28	A161403200	13-30	A161620701	27-5	A161811302	36-10	A161900100	48-20
A161259400	54-30	A161404200	13-19	A161620701	29-5	A161811500	36-4	A161900201	47-13
A161261902	7-16	A161561100	18-2	A161621411	27-22	A161813001	43-29	A161943301	81-8
A161262002	7-19	A161561200	18-3	A161621600	27-32	A161813100	43-30	A161943400	81-7
A161262200	7-15	A161565102	18-4	A161621600	29-32	A161813200	43-9	A161F59002	38-43
A161263000	7-12	A161571100	21-4	A161623400	23-16	A161813300	42-13	A161M10300	54-40
A161268200	7-4	A161576100	18-7	A161623400	26-3	A161813400	43-14	A161M20300	49-6
A161268300	7-3	A161578214	21-1	A161623400	28-3	A161813600	43-4	A161M50300	32-2
A161270102	8-8	A161578700	21-2	A161624100	27-3	A161813701	42-12	A161M50400	40-12
A161270600	8-10	A161579011	18-5	A161624100	29-3	A161814401	43-2	A161M50501	24-9
A161271000	8-12	A161590304	39-12	A161626502	26-7	A161814601	42-8	A161M50600	24-13
A161271000	9-22	A161590600	38-27	A161626800	26-8	A161814700	42-10	A161M50A00	7-22
A161271100	8-11	A161590901	39-7	A161626800	28-7	A161815000	36-11	A161N11300	57-7
A161271100	9-21	A161591000	39-8	A161631411	29-22	A161815100	41-2	A161N11C01	6-8
A161273113	9-19	A161591100	39-9	A161636502	28-6	A161815300	36-15	A161N11K00	57-8

Parts No.	Page No.	Parts No.	Page No.	Parts No.	Page No.	Parts No.	Page No.	Parts No.	Page No.
A161N12701	21-5	A5C1112900	17-24	A5C1M50100	35-22	A782101600	69-17	A782211500	69-20
A161N12801	13-23	A5C1134800	57-9	A5C1M50100	38-37	A782101700	65-10	A782211600	69-2
A161N14000	8-9	A5C1135300	10-18	A5C1M50100	39-26	A782101900	78-14	A782211700	69-11
A161N14100	7-9	A5C1192104	81-5	A5C1M50100	40-4	A782103200	78-12	A782211800	69-7
A161N14201	7-14	A5C1254600	54-25	A5C1M50100	43-11	A782103600	77-24	A782212000	69-5
A161R72811	55-1	A5C1263300	7-27	A5C1M50100	67-5	A782104301	76-6	A782212300	75-4
A1UD192400	23-14	A5C1263400	7-7	A5C1M50100	68-10	A782104500	78-17	A782212702	69-12
A1UDM50100	67-10	A5C1280101	7-20	A5C1M50100	69-15	A782105001	65-4	A782214300	69-8
A1UDM50200	7-5	A5C1404600	13-20	A5C1M50100	70-15	A782105101	65-3	A782215100	72-31
A1UDN30200	81-15	A5C1551701	34-1	A5C1M50100	72-37	A782110600	64-16	A782215800	69-10
A2UPN30100	81-15	A5C1562200	38-17	A5C1M50100	75-22	A782111000	65-8	A782230700	75-36
A2UPN30300	81-15	A5C1591200	38-32	A5C1M50100	76-24	A782111100	65-9	A782231000	75-10
A2UPN30601	81-15	A5C1591900	38-38	A5C1M50100	77-37	A782111200	65-14	A782262101	75-30
A2UPN31000	81-15	A5C1627103	24-4	A5C1M50100	78-13	A782112305	64-15	A782262200	75-21
A2UPN31200	81-15	A5C1627300	24-6	A5C1M92000	5-2	A782114100	64-21	A782262300	75-33
A2X0M10000	49-5	A5C1627900	24-5	A5C1M92100	59-14	A782115700	72-25	A782262501	75-26
A2X0M10600	42-20	A5C1628000	24-12	A5C1N14300	9-1	A782115700	75-3	A782262700	75-31
A2X0M10800	69-14	A5C1628500	26-17	A61DM10000	49-16	A782115700	77-4	A782262800	65-11
A2X0M10800	78-4	A5C1628500	28-16	A61DM10000	50-15	A782115800	78-8	A782262800	75-23
A2XK144201	10-11	A5C1700101	31-7	A61F100600	58-9	A782116201	74-5	A782262900	75-15
A2XK709000	21-29	A5C1700800	31-17	A64J257800	49-11	A782116301	74-3	A782263000	75-17
A3CK272001	73-7	A5C1703201	31-20	A64J363700	14-2	A782116801	73-5	A782263201	76-13
A3CK272600	73-6	A5C17111500	35-13	A64J564101	19-13	A782117000	65-2	A782263212	76-13
A3CK300102	76-15	A5C1711801	34-16	A64J564101	21-12	A782117100	65-5	A782263700	75-34
A3CK300200	75-25	A5C1811101	36-6	A64J564201	19-20	A782117500	64-19	A782263801	75-14
A3CK300200	76-10	A5C1811803	43-6	A64J564201	21-18	A782117600	64-20	A782264000	76-21
A3CK565100	72-8	A5C1811901	43-32	A64J709100	35-3	A782117700	77-26	A782264202	76-3
A3CK568300	72-11	A5C1814200	43-13	A64J719100	34-30	A782117800	77-36	A782264300	75-28
A3CK940000	77-16	A5C1814300	42-17	A64J815500	36-13	A782117900	72-19	A782264300	76-12
A3CKH00200	74-4	A5C1825000	43-26	A64J891100	47-15	A782117900	75-12	A782264501	75-27
A3CKM20000	69-3	A5C1M50100	3-18	A64JM20000	21-28	A782117900	77-6	A782264600	76-16
A55D941100	6-9	A5C1M50100	7-13	A64JM20000	54-34	A782118000	75-20	A782264700	76-18
A5AWP00100	80-1	A5C1M50100	13-28	A782100001	73-4	A782118300	75-13	A782264800	76-9
A5C1102800	15-8	A5C1M50100	14-11	A782100200	73-19	A782119300	64-17	A782264900	65-12
A5C1104400	23-7	A5C1M50100	17-29	A782100301	73-14	A782125500	65-6	A782265102	77-8
A5C1104700	23-6	A5C1M50100	19-25	A782100400	73-13	A782130301	65-1	A782265201	76-7
A5C1104800	23-5	A5C1M50100	21-26	A782100501	73-16	A782130500	66-5	A782265300	76-20
A5C1105500	15-6	A5C1M50100	24-7	A782100600	73-17	A782130600	64-3	A782265600	77-11
A5C1112102	17-28	A5C1M50100	32-8	A782100701	73-18	A782211300	69-9	A782265700	77-10
A5C1112800	17-14	A5C1M50100	34-13	A782101000	69-18	A782211400	69-13	A782265800	77-33

Parts No.	Page No.	Parts No.	Page No.	Parts No.	Page No.	Parts No.	Page No.	Parts No.	Page No.
A782266000	77-12	A782569300	71-4	A782705600	75-42	A795275700	9-3	A79J149100	2-22
A782266100	77-30	A782569801	71-9	A782707201	70-25	A795565500	27-30	A79J149200	2-23
A782266200	77-18	A782569900	71-13	A782707400	70-24	A795565500	29-30	A79J149300	82-5
A782266300	77-23	A782569900	78-3	A782710000	72-16	A795565700	27-18	A79J149300	82-9
A782266401	77-21	A782570602	71-16	A782710100	72-17	A795565700	29-18	A79J162201	2-19
A782266502	77-14	A782571800	68-7	A782710201	72-15	A795565800	27-20	A79J168200	82-6
A782266601	77-27	A782572000	66-9	A782710806	72-13	A795565800	29-20	A79J220000	50-10
A782266700	77-32	A782572101	68-4	A782711901	72-2	A795565900	27-19	A79J220701	50-17
A782266800	77-22	A782572101	70-10	A782712300	72-12	A795565900	29-19	A79J220800	50-20
A782266900	77-13	A782572900	66-11	A782714100	72-26	A795621901	27-21	A79J220901	50-1
A782267000	77-25	A782573401	66-12	A782714200	72-1	A795621901	29-21	A79J222500	50-19
A782267100	77-28	A782573501	71-5	A782890111	78-16	A795622700	27-8	A79J223101	50-9
A782267200	77-19	A782573800	66-6	A782890200	78-18	A795622700	29-8	A79J226200	50-6
A782268001	77-31	A782573901	68-12	A782890711	78-9	A797102701	45-2	A79J226301	50-7
A782268201	77-29	A782576000	72-10	A782891500	78-11	A797105400	15-7	A79J226400	50-8
A782268301	76-14	A782576100	71-1	A782891600	78-6	A797564400	20-12	A79J226500	50-11
A782268500	76-8	A782600101	67-4	A782891800	67-15	A797564400	22-12	A79J226600	50-5
A782269200	75-29	A782600900	67-9	A782891901	67-14	A79J101801	10-8	A79J226700	50-12
A782269200	76-11	A782601500	67-6	A782940300	77-20	A79J120700	56-9	A79J226800	50-16
A782269300	76-19	A782700400	70-11	A782945003	81-2	A79J122200	3-8	A79J240400	52-5
A782269500	76-17	A782700900	71-26	A782M10000	72-23	A79J122200	36-22	A79J240500	52-6
A782561000	67-22	A782701000	70-19	A782M10000	75-39	A79J134701	49-18	A79J253000	50-18
A782561801	68-14	A782701100	70-18	A782N10000	64-4	A79J136000	59-4	A79J253300	50-3
A782561900	68-6	A782701200	70-17	A782N10300	67-21	A79J139000	59-6	A79J254200	49-10
A782562001	67-8	A782701501	70-27	A782N10400	67-23	A79J140502	56-15	A79J259800	50-2
A782562101	71-2	A782701900	71-25	A782N10700	77-35	A79J140801	58-6	A79J401400	13-14
A782562101	76-23	A782701900	71-25	A782N10700	77-35	A79J140900	58-10	A79J401600	13-4
A782562400	67-17	A782702600	71-24	A782N10900	74-2	A79J141501	56-4	A79J401700	13-5
A782562400	71-21	A782702700	71-22	A782N11100	70-16	A79J142600	56-17	A79J401800	13-8
A782562400	71-21	A782702801	70-20	A782N11800	49-4	A79J142600	56-17	A79J401800	13-8
A782562600	67-11	A782703001	71-23	A782N11800	65-13	A79J142701	56-16	A79J401900	13-7
A782563800	77-9	A782703401	71-27	A782N11800	77-34	A79J142800	82-1	A79J508400	17-3
A782565301	70-14	A782704101	70-2	A782N12012	74-6	A79J142902	82-2	A79J566000	27-6
A782566000	66-10	A782704200	70-21	A782N12200	74-7	A79J143300	82-3	A79J566000	29-6
A782566800	67-18	A782704200	72-14	A782N12300	75-2	A79J143600	55-14	A79J576400	19-28
A782568200	72-6	A782704301	70-26	A782N12400	76-22	A79J143600	56-11	A79J622500	27-7
A782568600	72-7	A782704400	70-3	A782N12600	75-9	A79J143800	56-13	A79J622500	29-7
A782568701	72-9	A782704501	70-9	A782N12700	72-27	A79J145100	56-2	A79J701000	31-12
A782568901	71-8	A782704800	70-12	A782N20400	72-34	A79J145200	56-1	A79J811200	42-16
A782569000	71-3	A782705600	70-6	A782R70800	71-28	A79J147501	10-12	A79J811700	43-1
A782569200	71-12	A782705600	72-35	A795273900	9-24	A79J148305	56-14	A79J812202	42-7

Parts No.	Page No.	Parts No.	Page No.	Parts No.	Page No.	Parts No.	Page No.	Parts No.	Page No.
A79J814901	41-9	A7AH562100	19-19	A7PU701000	32-1	AA2J106000	23-9	AA2J161501	5-5
A79J819000	42-18	A7AH562100	21-23	A7PU701100	30-2	AA2J107500	57-12	AA2J161805	2-12
A79J819800	42-19	A7AH562300	19-17	A7PU810201	41-8	AA2J110100	17-18	AA2J161903	5-14
A79J821000	43-19	A7AH562300	21-16	A7PU810901	43-12	AA2J110200	17-8	AA2J163200	3-7
A79J829900	44-15	A7AH562400	19-15	A7PU890700	48-10	AA2J110202	17-8	AA2J163400	2-3
A79J830001	44-13	A7AH562400	21-14	A7PU941701	2-20	AA2J110401	17-12	AA2J164400	2-18
A79J830100	44-3	A7AH562600	19-21	A7PU944900	40-19	AA2J112200	17-13	AA2J164603	3-9
A79J830600	42-2	A7AH562600	21-19	A7PUF60001	40-15	AA2J121201	36-2	AA2J164800	1-1
A79J831000	44-8	A7AH562900	19-18	A7PUM10600	14-14	AA2J130101	15-3	AA2J165100	1-14
A79J831100	42-6	A7AH562900	21-17	A7PUM10600	52-12	AA2J130400	3-4	AA2J165200	3-13
A79J831200	44-2	A7AH563400	19-22	A7PUM10700	13-25	AA2J130501	3-2	AA2J165300	3-11
A79J831300	44-4	A7AH563400	21-20	A7PUM10700	52-1	AA2J130801	59-3	AA2J165500	3-14
A79J831600	42-4	A7AH565000	20-8	A7PUM72100	4-18	AA2J131101	60-7	AA2J168700	2-13
A79J832000	44-6	A7AH565000	22-8	A7PUN10700	60-11	AA2J131401	59-1	AA2J169102	1-7
A79J832100	44-10	A7AHM50400	32-3	A7PUN10800	60-10	AA2J131602	60-18	AA2J169201	1-8
A79J832200	44-14	A7PU102201	23-13	A7PUN10B01	40-16	AA2J131903	60-3	AA2J169500	5-11
A79J832300	44-12	A7PU102301	23-12	A7PUR70611	15-4	AA2J132301	2-9	AA2J170105	6-5
A79J832400	44-7	A7PU106100	24-14	A85GM50000	75-5	AA2J134100	10-15	AA2J170300	6-7
A79J891300	48-27	A7PU109000	17-23	A85Y375100	3-16	AA2J134201	10-6	AA2J170403	6-2
A79J892000	48-9	A7PU109100	2-16	A85Y375100	12-17	AA2J134401	14-8	AA2J171700	5-6
A79J893200	47-22	A7PU130400	60-17	A8JEN30200	59-8	AA2J134602	4-19	AA2J171800	5-7
A79J893501	48-13	A7PU135700	59-7	A90GN15300	5-3	AA2J135101	60-12	AA2J171900	5-8
A79J893700	48-16	A7PU139800	60-19	A92T940800	6-6	AA2J135301	59-2	AA2J173300	5-9
A79J893800	48-15	A7PU140100	60-15	A93E134700	2-24	AA2J136100	1-26	AA2J190101	4-6
A79J894000	47-12	A7PU141800	57-2	A93EM10000	10-2	AA2J137201	45-3	AA2J190102	4-6
A79J894500	48-14	A7PU166101	81-13	A93EM10000	56-8	AA2J137601	60-2	AA2J190201	4-11
A79J895200	47-16	A7PU168500	5-20	A93EM10000	58-7	AA2J137902	57-15	AA2J190212	4-11
A79J895400	47-18	A7PU168600	5-21	A93EM10600	44-11	AA2J137902	60-22	AA2J191000	4-10
A79J895603	47-7	A7PU169900	81-1	A93EM10600	55-5	AA2J139800	60-13	AA2J191100	4-7
A79J895702	47-3	A7PU170702	6-1	A93EM10600	56-12	AA2J140600	45-8	AA2J191201	4-14
A79J895800	47-20	A7PU241200	51-3	A93EM60000	1-4	AA2J140800	45-7	AA2J191300	4-8
A79J897300	50-4	A7PU254800	54-24	A9HG830701	44-9	AA2J142000	55-19	AA2J191402	4-21
A79J897300	54-20	A7PU593500	40-14	A9UVN14101	63-2	AA2J160103	1-2	AA2J191500	4-13
A79J898300	47-21	A7PU593700	40-9	AA2J101100	23-11	AA2J160412	1-5	AA2J191512	4-13
A79JM90911	43-34	A7PU594000	39-18	AA2J101200	23-21	AA2J160511	1-6	AA2J191800	4-20
A79JN10Q00	48-30	A7PU595500	40-18	AA2J101300	23-22	AA2J160703	1-19	AA2J192100	4-3
A79JJPJG000	80-5	A7PU596800	39-11	AA2J101400	23-23	AA2J160802	1-20	AA2J192200	4-1
A79JJPJP000	80-4	A7PU596900	38-33	AA2J101900	25-6	AA2J160902	2-14	AA2J192302	4-4
A79K254000	49-7	A7PU599300	40-11	AA2J103500	1-18	AA2J161201	2-15	AA2J192501	4-5
A7AH561601	21-10	A7PU627500	24-8	AA2J104003	23-18	AA2J161401	5-4	AA2J192602	5-10

Parts No.	Page No.	Parts No.	Page No.	Parts No.	Page No.	Parts No.	Page No.	Parts No.	Page No.
AA2J192801	4-2	AA2J369600	14-12	AA2J566000	19-2	AA2J593800	38-26	AA2J626714	26-11
AA2J193200	4-23	AA2J400001	13-33	AA2J567500	20-1	AA2J593900	40-2	AA2J626714	28-10
AA2J193300	4-24	AA2J400100	13-13	AA2J568401	20-2	AA2J594201	39-23	AA2J626900	26-14
AA2J195100	4-9	AA2J400400	13-18	AA2J568900	20-4	AA2J594301	38-10	AA2J626900	28-13
AA2J228100	54-8	AA2J400700	13-29	AA2J569000	22-4	AA2J594500	39-15	AA2J628601	27-31
AA2J228200	54-10	AA2J401100	13-3	AA2J571100	19-5	AA2J595000	38-14	AA2J628601	29-31
AA2J229000	54-6	AA2J402101	12-3	AA2J571200	19-4	AA2J620102	27-24	AA2J628700	27-28
AA2J229100	54-17	AA2J402401	12-12	AA2J574101	22-13	AA2J620200	27-16	AA2J628700	29-28
AA2J229202	54-14	AA2J402500	12-13	AA2J575202	21-9	AA2J620400	27-10	AA2J628800	27-33
AA2J229300	54-12	AA2J402600	12-11	AA2J575300	21-8	AA2J620804	27-15	AA2J628800	29-33
AA2J229400	54-22	AA2J402700	13-1	AA2J577500	22-1	AA2J620804	29-15	AA2J628901	27-27
AA2J229500	54-4	AA2J402800	13-2	AA2J578100	21-6	AA2J620901	27-1	AA2J628901	29-27
AA2J229600	54-13	AA2J403100	13-11	AA2J578401	22-2	AA2J620901	29-1	AA2J629000	27-29
AA2J229711	54-3	AA2J403300	13-16	AA2J579603	19-23	AA2J621000	27-13	AA2J629000	29-29
AA2J232400	54-23	AA2J404101	12-4	AA2J579603	21-25	AA2J621000	29-13	AA2J629200	27-26
AA2J240101	52-2	AA2J404300	13-27	AA2J590100	39-16	AA2J621100	27-35	AA2J629200	29-26
AA2J240600	52-4	AA2J404503	12-8	AA2J590202	38-11	AA2J621100	29-35	AA2J629600	26-6
AA2J241502	52-11	AA2J404600	12-9	AA2J590300	38-2	AA2J621200	27-14	AA2J630102	29-24
AA2J241700	52-8	AA2J405301	12-5	AA2J590900	38-1	AA2J621200	29-14	AA2J633101	28-2
AA2J242101	52-2	AA2J405500	13-17	AA2J591000	38-41	AA2J621300	27-11	AA2J635001	28-11
AA2J242501	52-11	AA2J550701	34-18	AA2J591500	38-40	AA2J621300	29-11	AA2J635012	28-11
AA2J245003	14-15	AA2J551000	34-3	AA2J591600	38-3	AA2J621500	27-12	AA2J635101	28-8
AA2J245100	14-17	AA2J551500	34-2	AA2J591900	38-13	AA2J621500	29-12	AA2J700104	31-15
AA2J245200	14-16	AA2J551600	34-19	AA2J592000	38-15	AA2J621600	27-36	AA2J700300	32-7
AA2J245300	14-18	AA2J560000	20-6	AA2J592100	38-20	AA2J622101	26-5	AA2J700614	31-10
AA2J254200	54-38	AA2J560000	22-6	AA2J592200	38-21	AA2J622101	28-5	AA2J701000	31-9
AA2J254300	54-16	AA2J560500	19-11	AA2J592301	38-8	AA2J623101	26-2	AA2J701200	30-3
AA2J254400	54-37	AA2J560500	21-21	AA2J592401	38-6	AA2J623300	26-4	AA2J701400	31-13
AA2J255700	54-5	AA2J561301	20-9	AA2J592600	38-19	AA2J623300	28-4	AA2J701500	31-8
AA2J256300	54-32	AA2J561301	22-9	AA2J592701	38-12	AA2J624300	26-1	AA2J702900	31-11
AA2J258500	54-2	AA2J561600	19-10	AA2J592800	38-42	AA2J624300	28-1	AA2J710101	34-5
AA2J258700	54-33	AA2J563104	20-10	AA2J592900	38-24	AA2J625000	26-12	AA2J710204	35-5
AA2J259100	54-35	AA2J563104	22-10	AA2J593000	39-5	AA2J625011	26-12	AA2J710302	34-22
AA2J276000	9-4	AA2J563801	20-5	AA2J593100	38-9	AA2J625101	26-9	AA2J710402	35-21
AA2J276200	9-26	AA2J563801	22-5	AA2J593200	39-2	AA2J625212	26-15	AA2J710602	34-37
AA2J363000	14-5	AA2J564200	20-13	AA2J593301	39-4	AA2J625212	28-14	AA2J710701	34-33
AA2J368001	14-6	AA2J565300	19-9	AA2J593400	40-20	AA2J626600	26-16	AA2J710900	34-9
AA2J369101	14-10	AA2J565400	19-7	AA2J593500	40-21	AA2J626600	28-15	AA2J711000	34-14
AA2J369301	14-9	AA2J565700	19-6	AA2J593601	40-8	AA2J626702	26-11	AA2J712100	36-3
AA2J369500	14-19	AA2J565700	21-11	AA2J593700	38-4	AA2J626702	28-10	AA2J712300	33-2

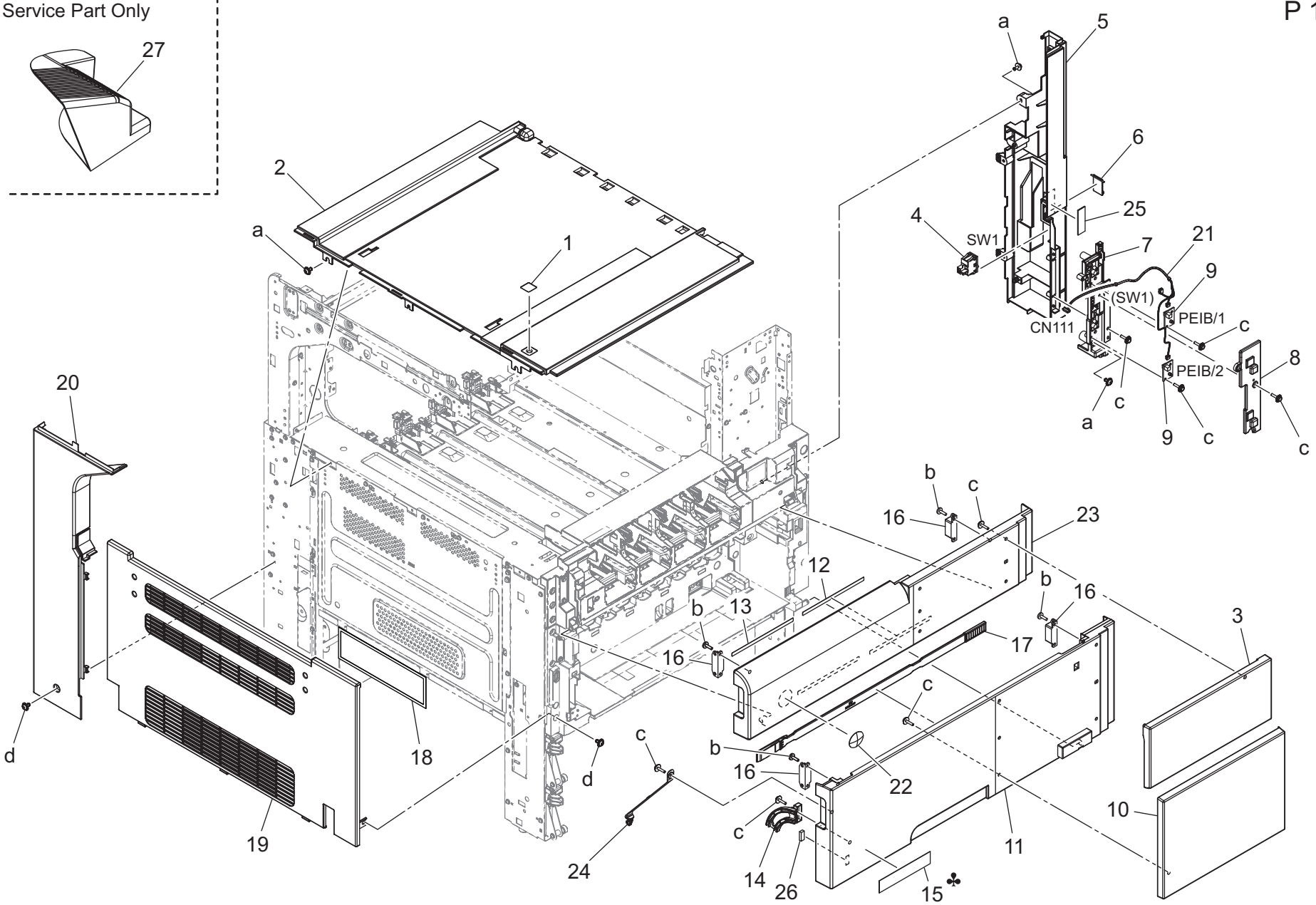
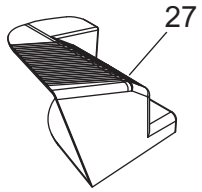
Parts No.	Page No.	Parts No.	Page No.	Parts No.	Page No.	Parts No.	Page No.	Parts No.	Page No.
AA2J712500	34-10	AA2J947100	25-3	AA2JN15K11	2-26	AA7N147500	55-8	AA7N401600	11-5
AA2J715100	34-7	AA2J947100	41-5	AA2JP10100	2-21	AA7N147600	55-21	AA7N401600	12-15
AA2J716000	34-27	AA2J947200	25-3	AA2JR70800	1-17	AA7N147700	55-10	AA7N401701	11-1
AA2J716700	31-14	AA2J947200	41-5	AA2JR71011	14-13	AA7N147901	55-2	AA7N405100	12-6
AA2J810102	41-1	AA2J947400	25-5	AA2JR72200	24-1	AA7N148000	55-7	AA7N406100	12-6
AA2J810511	43-23	AA2J947800	23-17	AA2JR72444	25-1	AA7N148200	55-11	AA7N406200	12-6
AA2J810611	43-21	AA2J948600	5-22	AA2JR72533	25-2	AA7N148300	45-9	AA7N406300	12-6
AA2J810800	43-20	AA2J948600	81-4	AA2JR73200	7-1	AA7N148500	55-23	AA7N560101	19-3
AA2J811600	36-8	AA2J949700	41-11	AA2JR73300	7-2	AA7N149200	82-4	AA7N560200	19-26
AA2J812100	36-23	AA2J949700	81-17	AA2JR73400	13-22	AA7N149200	82-10	AA7N562800	19-12
AA2J814500	43-22	AA2JH00C00	60-5	AA2JR73600	14-1	AA7N162000	1-24	AA7N562800	21-22
AA2J815200	36-9	AA2JH02T00	60-6	AA2JR73700	17-33	AA7N162101	2-2	AA7N565201	19-1
AA2J815700	41-6	AA2JM10400	47-23	AA6RN30000	59-9	AA7N163101	1-23	AA7N565300	19-29
AA2J825100	43-18	AA2JM10500	60-16	AA6RN30100	59-8	AA7N163200	1-3	AA7N565400	19-30
AA2J890201	48-5	AA2JM11000	49-3	AA7N100600	58-12	AA7N163302	1-11	AA7N568900	19-31
AA2J890402	48-4	AA2JM11100	49-2	AA7N101500	18-6	AA7N163400	1-10	AA7N569200	21-27
AA2J891100	48-19	AA2JM11100	54-41	AA7N106100	51-5	AA7N164300	2-10	AA7N590500	36-17
AA2J891500	48-31	AA2JM50P00	60-4	AA7N106200	51-6	AA7N165003	3-5	AA7N591100	39-21
AA2J900300	48-6	AA2JM70300	4-15	AA7N120800	56-18	AA7N166302	2-4	AA7N591200	39-29
AA2J901101	48-3	AA2JM70600	5-15	AA7N131101	15-2	AA7N166600	1-25	AA7N591300	39-30
AA2J941200	28-17	AA2JM72002	5-16	AA7N131702	57-14	AA7N168501	2-17	AA7N595100	39-19
AA2J941300	26-19	AA2JM72100	5-17	AA7N131800	57-16	AA7N168600	82-8	AA7N701800	33-5
AA2J941500	26-20	AA2JM72702	60-8	AA7N135502	3-19	AA7N168700	82-7	AA7N710801	34-38
AA2J941600	26-18	AA2JM72F01	2-25	AA7N140100	45-6	AA7N216100	49-17	AA7N716100	34-26
AA2J942400	25-4	AA2JM72M00	60-8	AA7N140500	45-10	AA7N221200	50-14	AA7N716500	34-23
AA2J942500	25-4	AA2JM72Q00	60-8	AA7N141502	55-15	AA7N221700	49-15	AA7N716601	32-14
AA2J943000	3-15	AA2JN10E00	13-34	AA7N143001	56-3	AA7N222200	49-13	AA7N716700	34-24
AA2J943100	26-13	AA2JN10F00	16-4	AA7N143200	56-7	AA7N222400	49-14	AA7N716801	32-9
AA2J943200	28-12	AA2JN10G01	10-7	AA7N143400	56-6	AA7N228000	54-11	AA7N717000	34-36
AA2J943500	28-18	AA2JN10H01	32-11	AA7N145200	55-16	AA7N230500	54-9	AA7N830100	42-5
AA2J943600	28-19	AA2JN10J00	1-21	AA7N145300	10-17	AA7N230600	54-7	AA7N830200	44-5
AA2J943701	27-2	AA2JN10S00	38-44	AA7N145401	10-13	AA7N231000	54-18	AA7N830300	44-1
AA2J943701	29-2	AA2JN10T00	24-2	AA7N145701	10-14	AA7N231300	54-21	AA7N831500	42-22
AA2J944100	37-2	AA2JN10X00	17-31	AA7N146300	10-5	AA7N231800	54-36	AA7N890102	48-17
AA2J944200	37-2	AA2JN11200	17-32	AA7N146400	55-3	AA7N240300	52-3	AA7N890300	48-24
AA2J944300	41-4	AA2JN11C00	10-9	AA7N146500	55-22	AA7N255601	54-1	AA7N896500	47-2
AA2J944400	41-4	AA2JN11E00	12-2	AA7N146600	55-6	AA7N401301	12-10	AA7N896600	47-1
AA2J944500	40-3	AA2JN14500	8-4	AA7N146800	55-9	AA7N401401	11-1	AA7N897400	48-29
AA2J946100	42-11	AA2JN15612	5-12	AA7N146900	55-12	AA7N401501	11-6	AA7N897600	48-21
AA2J946400	34-28	AA2JN15701	5-18	AA7N147400	10-16	AA7N401501	12-14	AA7N898201	48-25

Parts No.	Page No.	Parts No.	Page No.	Parts No.	Page No.	Parts No.	Page No.	Parts No.	Page No.
AA7N898300	48-28	AA7NR70811	18-1	AA7RR71033	45-1	AAMP264100	76-1	AAMPH00107	64-6
AA7N898400	48-26	AA7NR70900	49-9	AA7RR71100	58-2	AAMP264400	76-5	AAMPH10U00	32-13
AA7N898500	48-12	AA7NR71000	57-4	AA7RR71211	45-1	AAMP268600	73-12	AAMPH10U00	72-28
AA7N898601	48-1	AA7NR71100	57-3	AA7RR71311	45-1	AAMP268700	73-8	AAMPH10U01	32-13
AA7N942100	1-13	AA7NR71200	57-5	AA7RR71411	45-1	AAMP268900	75-19	AAMPH10U01	72-28
AA7N942600	1-12	AA7NR71411	53-1	AA7RR71500	45-1	AAMP269600	73-9	AAMPH10V02	70-1
AA7N945700	2-6	AA7NR71522	51-1	AAMP100100	73-1	AAMP269800	75-18	AAMPH10V03	70-1
AA7NH00500	57-1	AA7NR71811	11-3	AAMP100111	73-1	AAMP272000	73-20	AAMPM10200	75-8
AA7NH00H00	32-12	AA7NR71911	11-3	AAMP100500	73-16	AAMP272901	73-11	AAMPM10300	76-2
AA7NH00R00	34-25	AA7NR72011	11-3	AAMP100801	73-10	AAMP273000	76-27	AAMPM10900	66-1
AA7NH00V00	34-34	AA7NR72144	46-1	AAMP101200	65-16	AAMP290100	75-41	AAMPN10101	72-3
AA7NH00V01	34-34	AA7NR72334	37-1	AAMP102900	75-7	AAMP290200	77-1	AAMPN10202	70-23
AA7NH00W00	32-10	AA7NR72500	8-3	AAMP110001	64-10	AAMP296700	73-15	AAMPN10502	75-37
AA7NH01A01	7-18	AA7NR72511	8-3	AAMP110100	64-8	AAMP561101	67-12	AAMPN10801	69-16
AA7NH02102	60-1	AA7NR72600	48-11	AAMP113701	64-18	AAMP561701	67-3	AAMPN11201	64-25
AA7NM31200	8-5	AA7NR72811	81-11	AAMP113800	64-9	AAMP565001	68-3	AAMPN11301	72-30
AA7NM40601	57-6	AA7NR72911	11-3	AAMP115600	77-5	AAMP566901	67-20	AAMPN20501	72-36
AA7NN10500	56-5	AA7NR73400	33-6	AAMP125400	65-15	AAMP568501	67-16	AAMPN20501	72-36
AA7NN10600	55-20	AA7PR70100	49-1	AAMP130000	64-2	AAMP570400	71-15	AAMPN20501	72-36
AA7NN10A05	61-1	AA7R813900	43-17	AAMP160000	64-1	AAMP570900	68-2	AAMPN20501	72-36
AA7NN10B01	62-1	AA7R940100	1-15	AAMP160100	64-14	AAMP571100	66-8	AAMPN20501	72-36
AA7NN10D01	63-1	AA7R941100	1-15	AAMP160200	64-26	AAMP571200	66-13	AAMPN20501	72-36
AA7NN10E00	47-4	AA7RH02P0H	60-9	AAMP160400	64-13	AAMP571300	66-4	AAMPN20501	72-36
AA7NN10F00	49-19	AA7RN10000	59-10	AAMP160500	64-5	AAMP571600	66-3	AAMPN20501	72-36
AA7NN10M00	42-21	AA7RN10101	59-11	AAMP160600	64-7	AAMP571900	68-5	AAMPN20501	72-36
AA7NN10N00	43-33	AA7RN10200	59-12	AAMP160700	64-12	AAMP700500	70-5	AAMPN20501	72-36
AA7NN10P00	19-24	AA7RN10400	45-4	AAMP210800	78-2	AAMP700800	70-7	AAMPN20501	72-36
AA7NN10Q00	21-24	AA7RN10C00	62-2	AAMP211900	69-21	AAMP710500	72-29	AAMPN20501	72-36
AA7NN10U01	32-15	AA7RN10K00	35-10	AAMP212500	78-5	AAMP711000	72-20	AAMPN20501	72-36
AA7NN10V00	34-32	AA7RN10Y00	2-1	AAMP212601	72-22	AAMP719000	70-29	AAMPN20501	72-36
AA7NN10W00	34-35	AA7RR70100	10-10	AAMP213000	72-24	AAMP719301	71-20	AAMPN20501	72-36
AA7NN10X00	49-8	AA7RR70200	58-2	AAMP213100	75-35	AAMP719401	71-19	AAMPN20501	72-36
AA7NP10100	39-31	AA7RR70411	33-1	AAMP213300	75-32	AAMP719501	71-18	AAMPN20501	72-36
AA7NP10400	20-14	AA7RR70533	41-10	AAMP213600	77-38	AAMP719600	70-22	AAMPN20501	72-36
AA7NP10500	27-37	AA7RR70644	45-1	AAMP213700	77-39	AAMP719800	70-28	AAMPN20501	72-36
AA7NP10700	48-32	AA7RR70744	45-1	AAMP214400	72-21	AAMP890000	78-10	AAMPN20501	72-36
AA7NP10800	48-33	AA7RR70744	45-1	AAMP215000	72-32	AAMP890600	78-15	AAMPN20501	72-36
AA7NP11000	1-27	AA7RR70844	45-1	AAMP215700	75-6	AAMP891000	65-7	AAMPN20501	72-36
AA7NR70411	33-4	AA7RR70844	45-1	AAMP260700	73-3	AAMP891700	78-7	AAMPN20501	72-36
AA7NR70600	15-1	AA7RR70911	30-1	AAMP263300	75-24	AAMP940400	71-17	AAMPN20501	72-36

Parts No.	Page No.
V500020040	81-9
V500020052	79-9
V500020069	79-17
V500020073	79-18
V500020080	79-22
V500020080	81-18
V500020082	79-10
V500020094	79-16
V500020098	79-5
V500020099	79-6
V500020100	79-8
V501010002	81-16
V570010021	79-11
V570010048	79-15
V570010050	79-19
V570010057	79-12
V570010059	79-13
V570010060	79-14
V651010002	58-4
V651010025	60-20
V651010034	75-40
V800500300	31-16
V800500300	34-15

External Parts

Service Part Only



P 1

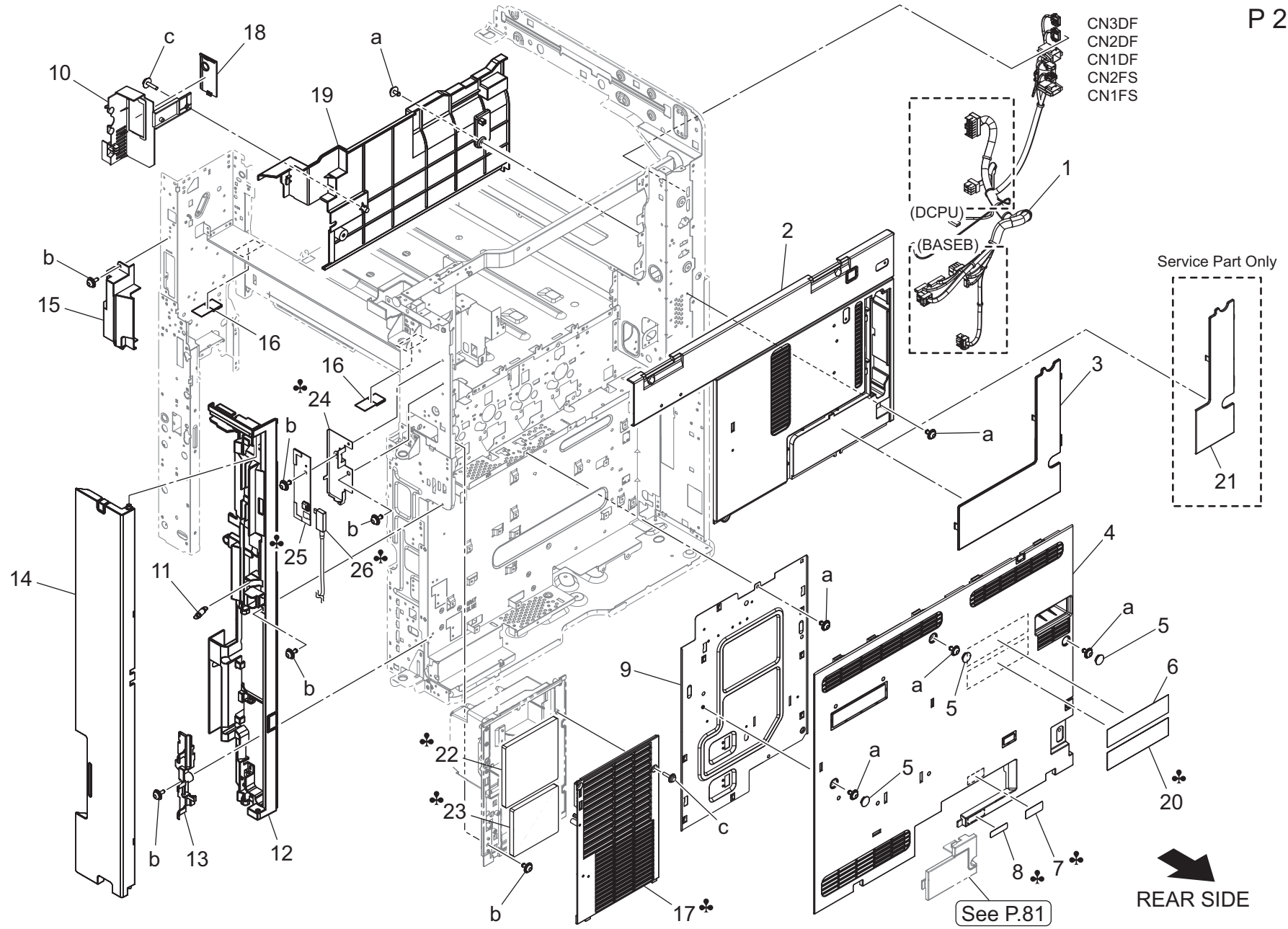
bizhub C450i/bizhub C450iS

Key	Part No.	Description	Destinations	Class	QTY	Standard parts
1	AA2J164800	Seal		D	1	a-V125030803 b-V149030803 c-V153031004 d-V127030604
2	AA2J160103	Cover /Upper		D	1	
3	AA7N163200	Open/close Cover /Front		D	1	
4	A93EM60000	Rocker switch		C	1	
5	AA2J160412	Cover /Right front		D	1	
6	AA2J160511	Cover		D	1	
7	AA2J169102	Receiving Pedestal		D	1	
8	AA2J169201	Cover		D	1	
9	A00JH00D00	PWB Assembly LED1		C	2	
10	AA7N163400	Open/close Cover /Front		D	1	
11	AA7N163302	Open/close Cover /Front		D	1	
12	AA7N942600	Label		D	1	
13	AA7N942100	Label		D	1	
14	AA2J165100	Open/close Cover /Front		D	1	
15	AA7R940100	Label bizhub C450i	(bizhub C450i)	D	1	
15	AA7R941100	Label bizhub C450iS	(bizhub C450iS)	D	1	
16	07BA12352	Magnet Catch		C	4	
17	AA2JR70800	Cleaning Material		C	1	
18	AA2J103500	Filter		C	1	
19	AA2J160703	Cover /Left front		D	1	
20	AA2J160802	Cover /Left rear		D	1	
21	AA2JN10J00	Indicating Wiring		D	1	
22	A00J945500	Logo Mark		C	1	
23	AA7N163101	Open/close Cover /Front		D	1	
24	AA7N162000	Band		C	1	
25	AA7N166600	Seal		D	1	
26	AA2J136100	Seal		D	1	
27	AA7NP11000	Tray		D	1	

bizhub C450i/bizhub C450iS

External Parts

P 2



- CN3DF
- CN2DF
- CN1DF
- CN2FS
- CN1FS

Service Part Only

See P.81

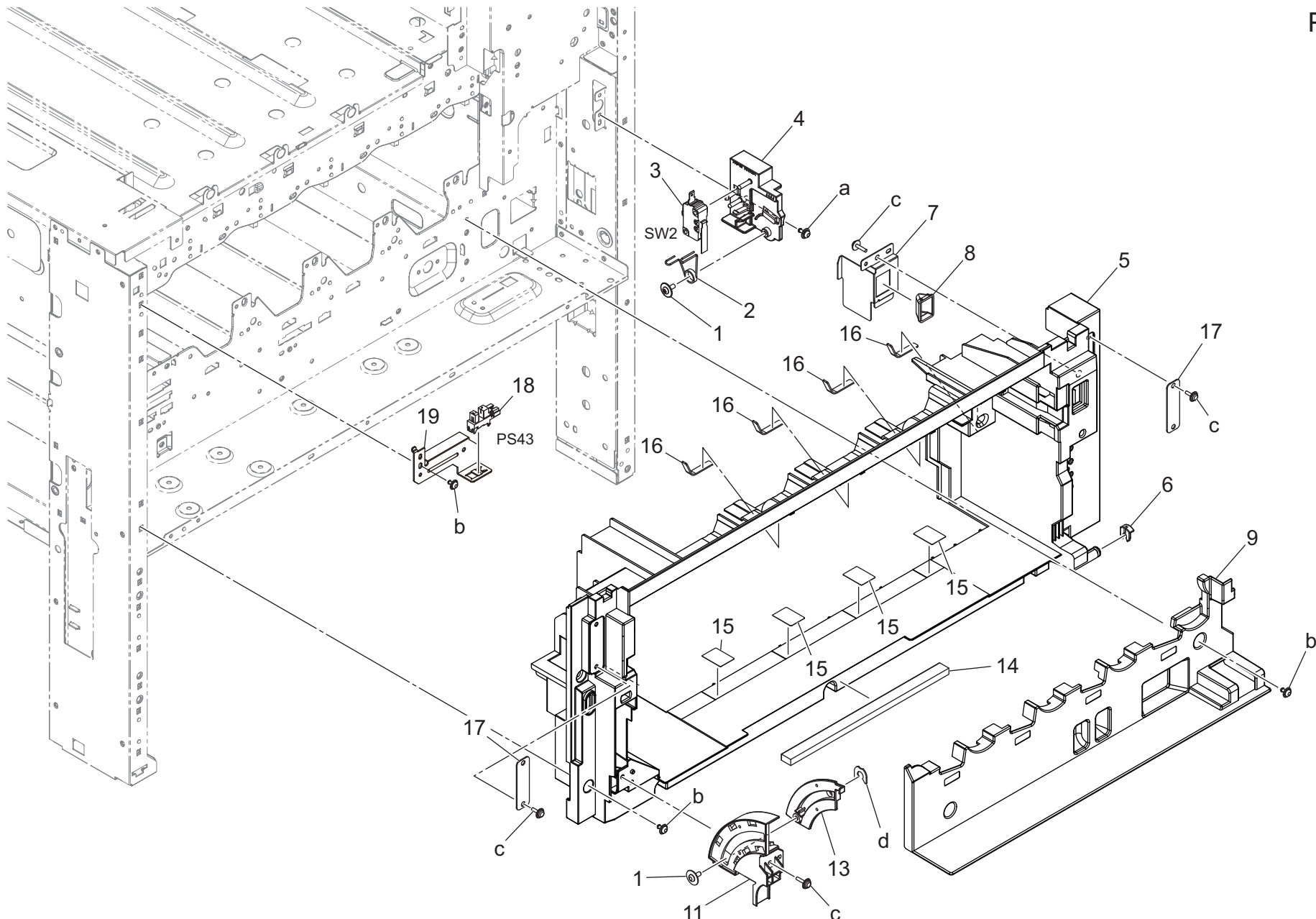
REAR SIDE

bizhub C450i/bizhub C450iS

Key	Part No.	Description	Destinations	Class	QTY	Standard parts
1	AA7RN10Y00	Power source Harness		D	1	a-V127030604 b-V125030803 c-V153031004
2	AA7N162101	Cover /Rear		D	1	
3	AA2J163400	Cover /Rear		D	1	
4	AA7N166302	Cover /Rear		D	1	
5	A00J169100	Cover		D	3	
6	AA7N945700	Label		D	1	
7	A02E149900	Label	A	C	1	
8	A00J945201	Label 220-240V 0.65A	C,D1,D3,E,F2,G1,I,K ,J	C	1	
9	AA2J132301	Shield Plate		D	1	
10	AA7N164300	Cover		D	1	
11	A161163900	Pulling Coil spring		C	1	
12	AA2J161805	Cover /Right rear		D	1	
13	AA2J168700	Cover		D	1	
14	AA2J160902	Cover /Right rear		D	1	
15	AA2J161201	Cover /Right front		D	1	
16	A7PU109100	Cushion		C	2	
17	AA7N168501	Cover	A,B,D1,D3,E,F2,G1,G 2,I,K,J,H	D	1	
18	AA2J164400	Cover		D	1	
19	A79J162201	Cover		C	1	
20	A7PU941701	Label Caution	C,G1,I	C	1	
21	AA2JP10100	Cover /Rear		D	1	
22	A79J149100	Filter	J	C	1	
23	A79J149200	Filter	J	C	1	
24	A93E134700	Mounting Plate	(bizhub C450iS)	D	1	
25	AA2JM72F01	Interface Board	(bizhub C450iS)	D	1	
26	AA2JN15K11	Interface Cable	(bizhub C450iS)	D	1	

bizhub C450i/bizhub C450iS

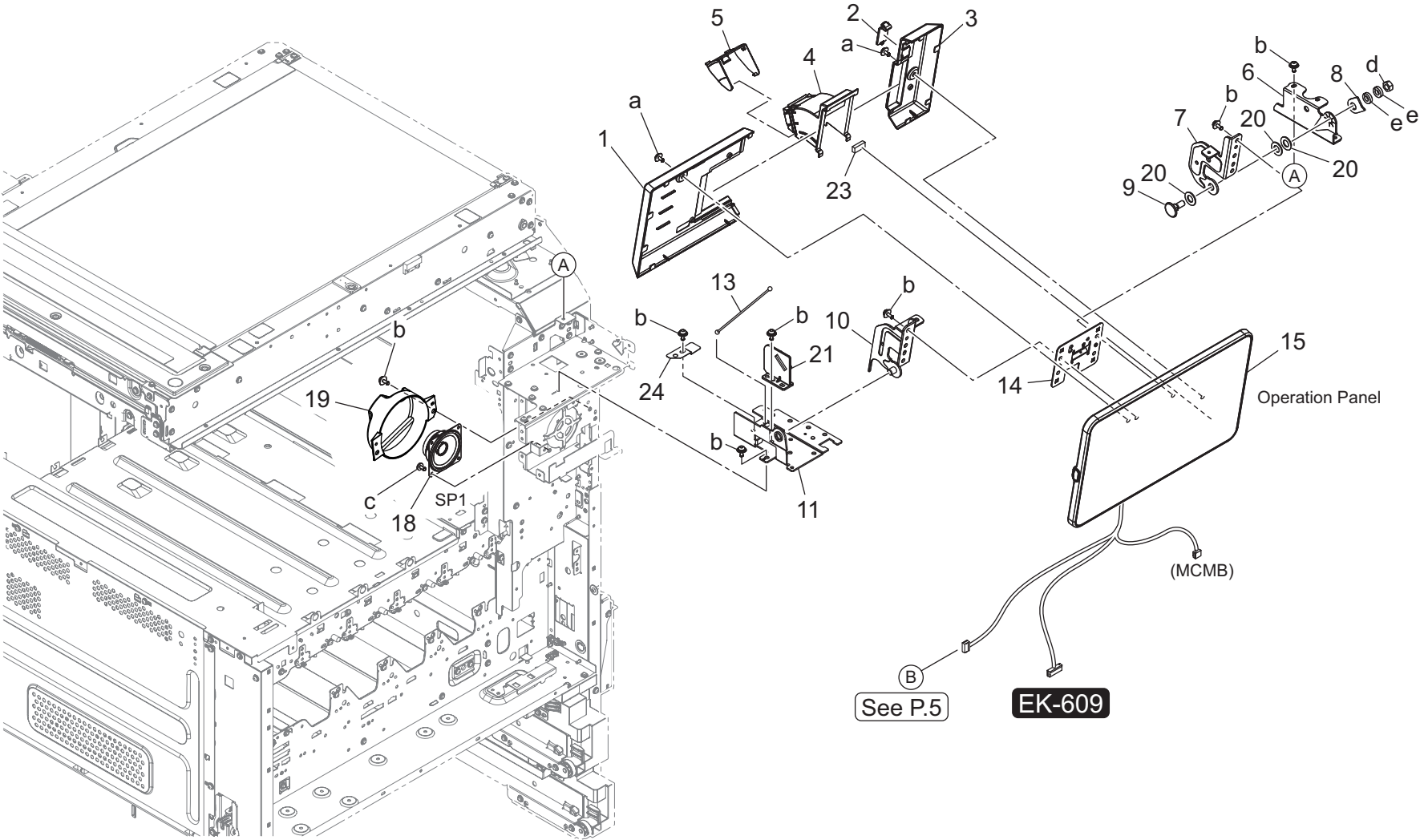
External Parts



Key	Part No.	Description	Destinations	Class	QTY	Standard parts	
1	4163529301	SCREW		C	2	a-V125030803 b-V127030604 c-V153031004 d-V218060086	
2	AA2J130501	Torsion Coil spring		C	1		
3	9J06M60100	Micro Switch		C	1		
4	AA2J130400	Holder		D	1		
5	AA7N165003	Cover /Front		D	1		
6	56AA40490	Shaft Stopper /4		C	1		
7	AA2J163200	Mounting Plate		D	1		
8	A79J122200	Collar		D	1		
9	AA2J164603	Cover /Front		D	1		
11	AA2J165300	Arm /2		D	1		
13	AA2J165200	Arm		D	1		
14	AA2J165500	Seal		D	1		
15	AA2J943000	Label		D	4		
16	A85Y375100	Protection Part		D	4		
17	4038101401	SUCTION PLATE		D	2		
18	A5C1M50100	Photointerrupter		B	1		
19	AA7N135502	Mounting Plate		D	1		

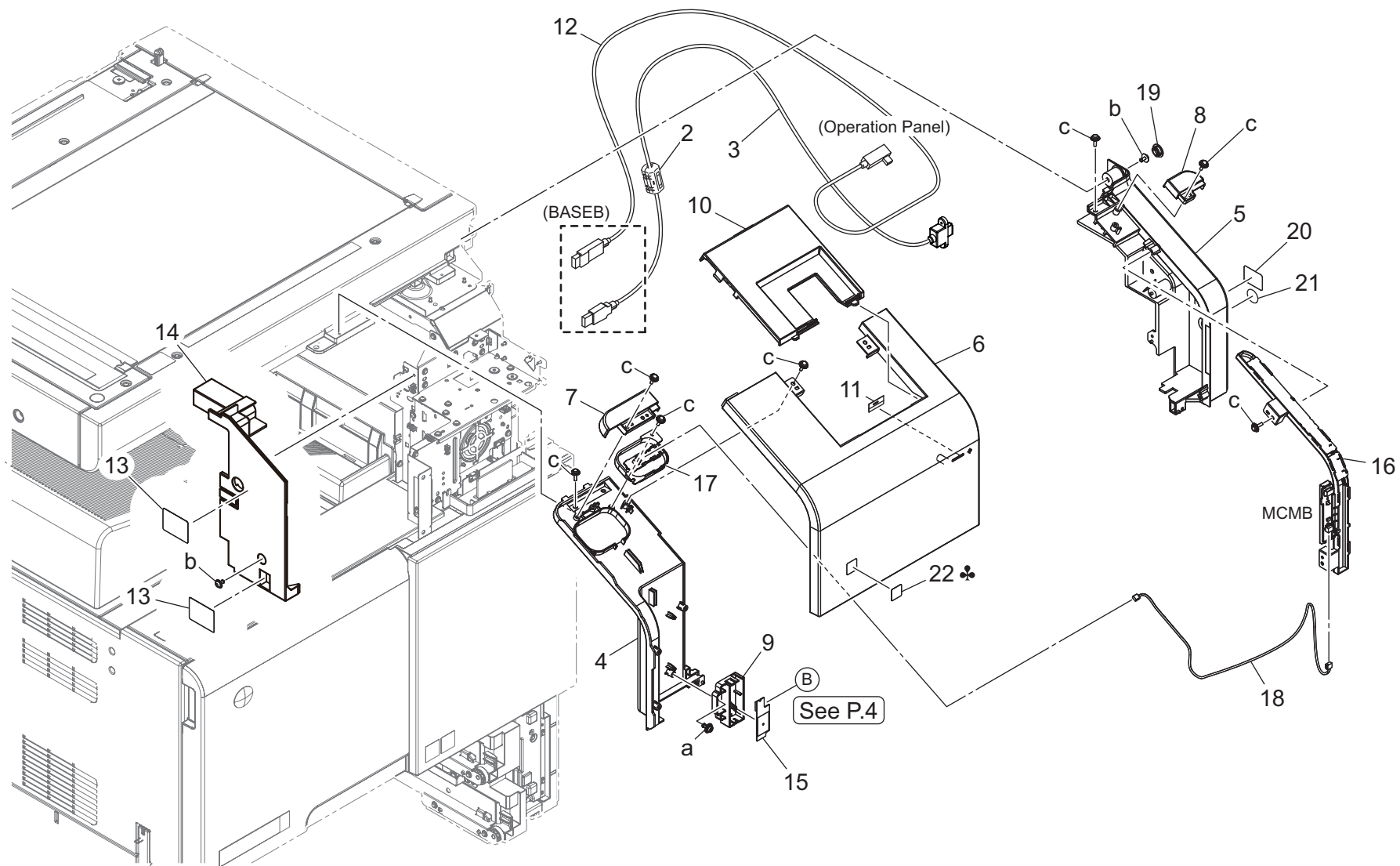
bizhub C450i/bizhub C450iS

Operation Panel section



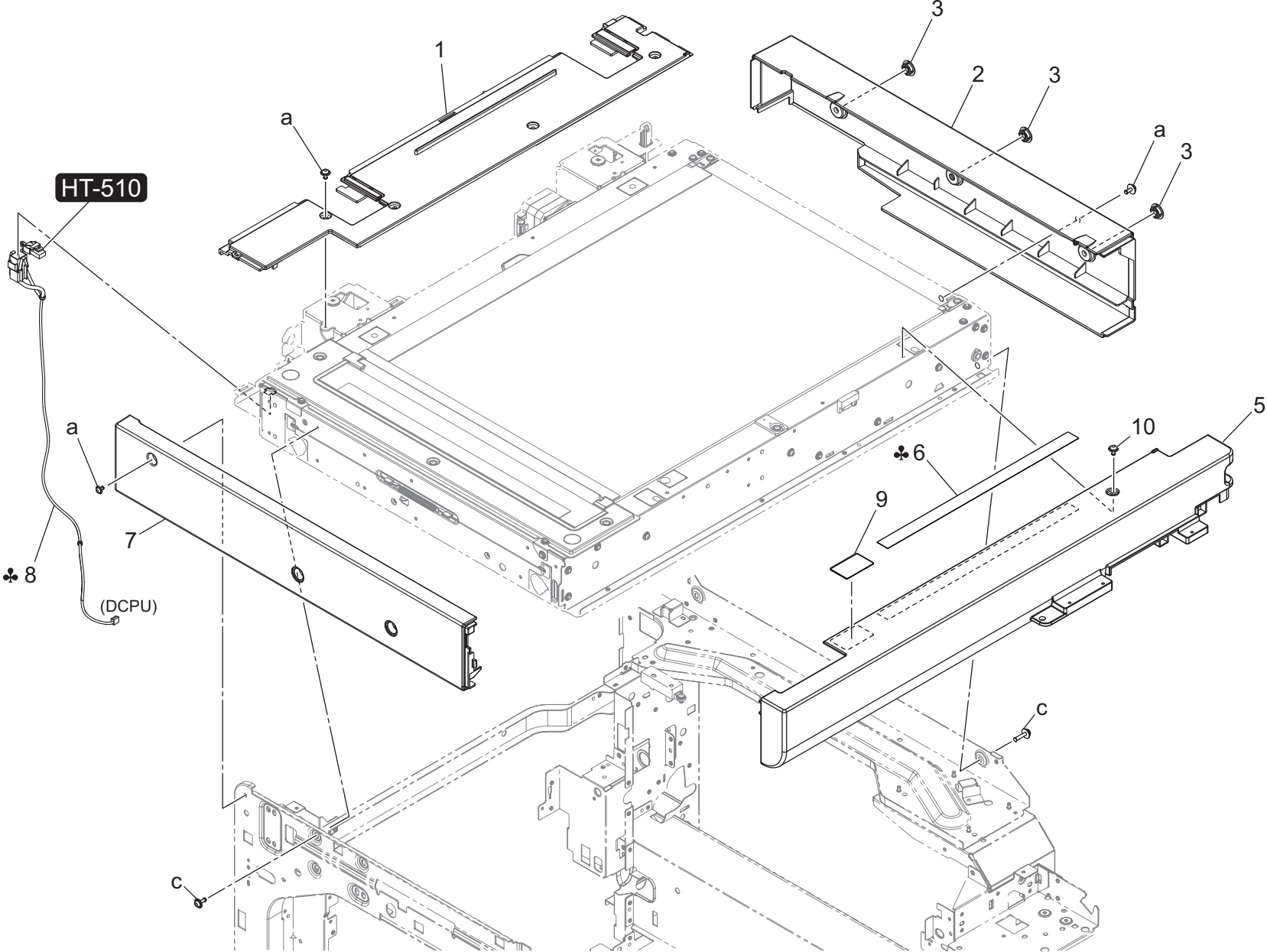
bizhub C450i/bizhub C450iS

Key	Part No.	Description	Destinations	Class	QTY	Standard parts
1	AA2J192200	Cover /Left rear		D	1	a-V127030604 b-V125030803 c-V126030603 d-V195060003 e-V205060003
2	AA2J192801	Cover		D	1	
3	AA2J192100	Cover /Right rear		D	1	
4	AA2J192302	Cover		D	1	
5	AA2J192501	Cover		D	1	
6	AA2J190101Old	Mounting Plate /Right		D	1	
6	AA2J190102	Mounting Plate /Right		D	1	
7	AA2J191100	Hinge		D	1	
8	AA2J191300	Spacer		D	1	
9	AA2J195100	Shaft		D	1	
10	AA2J191000	Hinge /ASSY		D	1	
11	AA2J190201Old	Mounting Plate		D	1	
11	AA2J190212	Mounting Plate		D	1	
13	AA2J191500Old	Wire		D	1	
13	AA2J191512	Wire		D	1	
14	AA2J191201	Mounting Plate		D	1	
15	AA2JM70300	Panel Assy		I	1	
18	A7PUM72100	Speaker		D	1	
19	AA2J134602	Mounting Cover		D	1	
20	AA2J191800	Slide Spacer		D	3	
21	AA2J191402	Guide		D	1	
23	AA2J193200	Spacer		D	1	
24	AA2J193300	Plate spring		C	1	



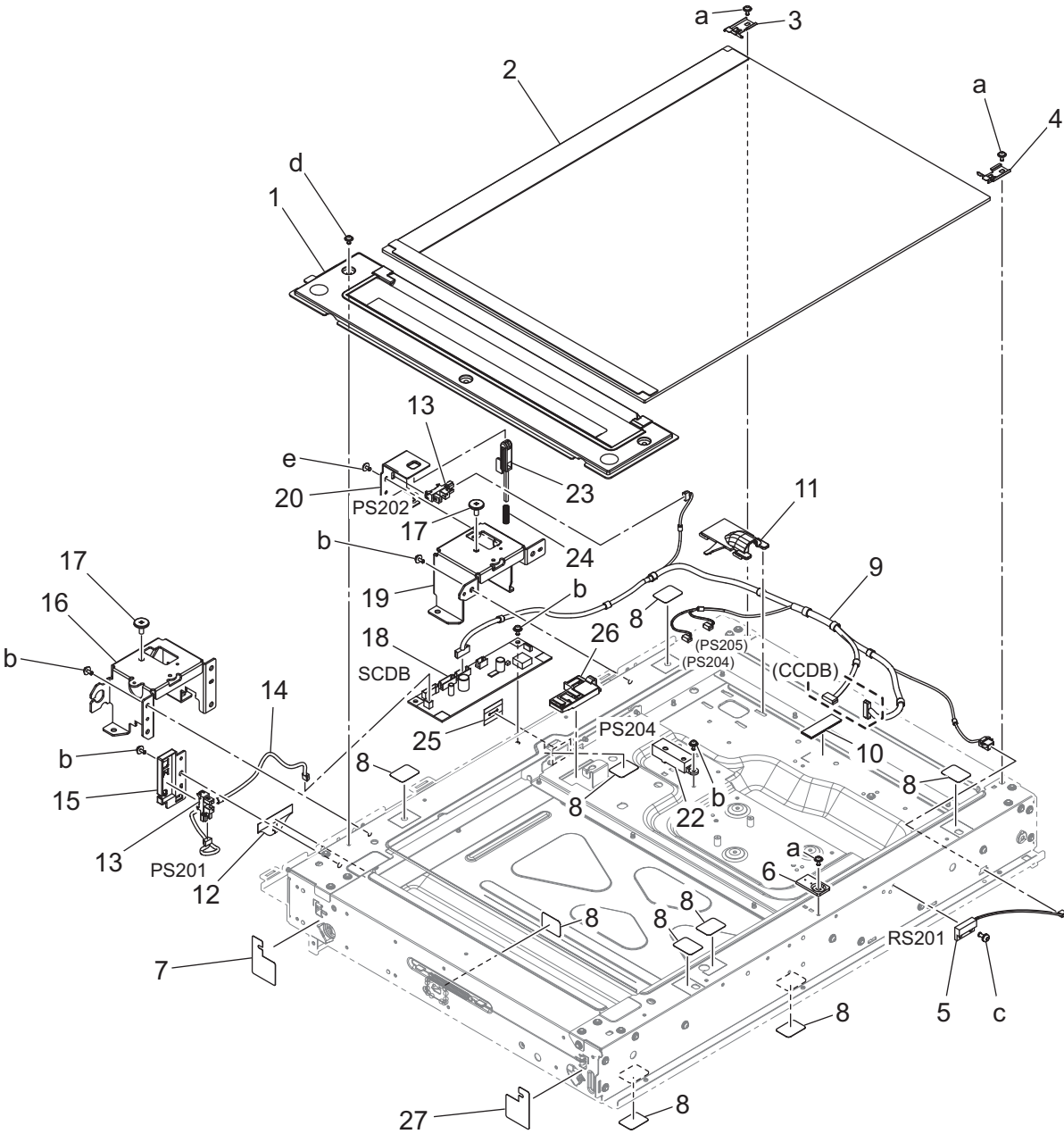
Key	Part No.	Description	Destinations	Class	QTY	Standard parts
2	A5C1M92000	Ferritecore		D	1	a-V125030803 b-V127030604 c-V153030803
3	A90GN15300	Interface Cable		D	1	
4	AA2J161401	Cover		D	1	
5	AA2J161501	Cover		D	1	
6	AA2J171700	Cover		D	1	
7	AA2J171800	Cover		D	1	
8	AA2J171900	Cover		D	1	
9	AA2J173300	Holder		D	1	
10	AA2J192602	Cover		D	1	
11	AA2J169500	Seal		D	1	
12	AA2JN15612	Interface Cable		D	1	
13	A161162400	Seal		C	2	
14	AA2J161903	Cover		D	1	
15	AA2JM70600	Interface Unit		C	1	
16	AA2JM72002	Indicating Unit		C	1	
17	AA2JM72100	Indicating Unit		C	1	
18	AA2JN15701	Wiring		D	1	
19	A00J169100	Cover		D	1	
20	A7PU168500	Seal		C	1	
21	A7PU168600	Seal		C	1	
22	AA2J948600	Label	A	D	1	

Scanner Section



bizhub C450i/bizhub C450iS

Key	Part No.	Description	Destinations	Class	QTY	Standard parts
1	A7PU170702	Read Cover		C	1	a-V127030604 c-V125030803
2	AA2J170403	Read Cover /Right		D	1	
3	A00J169100	Cover		D	3	
5	AA2J170105	Read Cover /Front		D	1	
6	A92T940800	Label ラベル (複製禁止事項・黒)	A	D	1	
7	AA2J170300	Read Cover /Left		D	1	
8	A161N11C01	Scanner Relay harness /100V	A	D	1	
9	A55D941100	Caution Label		D	1	
10	A00J169200	Shoulder screw		C	1	

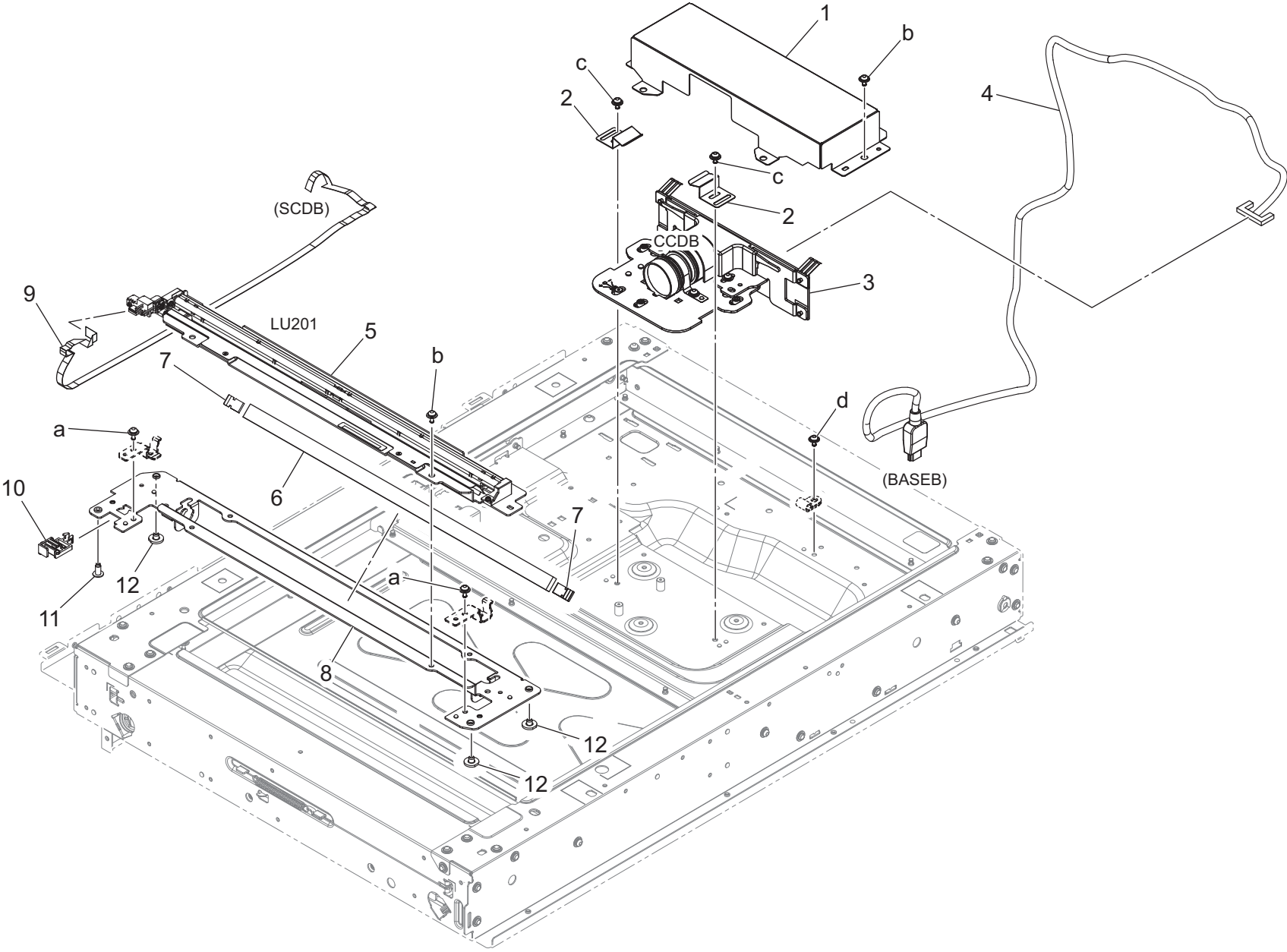


Scanner Section

Key	Part No.	Description	Destinations	Class	QTY	Standard parts
1	AA2JR73200	Slit Glass ASSY	スリットガラス Assy	C	1	a-V121030604 b-V125030803 c-V115030603 d-V116030804 e-V144030603
2	AA2JR73300	Original Glass ASSY	原稿ガラス Assy	C	1	
3	A161268300	Holding Plate	押さえ板 (ガラス・後)	D	1	
4	A161268200	Holding Plate	押さえ板 (ガラス・前)	D	1	
5	A1UDM50200	Lead Switch	リードスイッチ	C	1	
6	A00J265300	Regulating Plate	規制板	C	1	
7	A5C1263400	Seal	シール (左)	C	1	
8	4581162501	SEAL	シール	C	9	
9	A161N14100	Scanner Wiring /1	スキャナー束線 /1 (CCD 電源部)	D	1	
10	4036307501	Tape	テープ	D	1	
11	A161281600	Guide	ガイド (CCD ハーネス)	D	1	
12	A161263000	Seal	シール (防湿ヒーター)	D	1	
13	A5C1M50100	Photointerrupter	透過型センサ	B	2	
14	A161N14201	Scanner Wiring /2	スキャナー束線 /2 (HOME センサ部)	D	1	
15	A161262200	Cover	カバー (HS)	D	1	
16	A161261902	Frame	フレーム (ADF・左)	D	1	
17	9J07210802	Shoulder Screw	段ねじ	C	2	
18	AA7NH01A01	Scana Drive Board Assy	スキャナ駆動基板 ASSY	C	1	
19	A161262002	Frame	フレーム (ADF・右)	D	1	
20	A5C1280101	Mounting Plate	取付板 (20deg)	D	1	
22	A161M50A00	APS Photorelector	APS 反射型センサ (原稿サイズ検知)	C	1	
23	A161280211	Lever	レバー (20deg)	D	1	
24	A161280300	Compressing Coil spring	圧縮コイルばね	C	1	
25	A161281300	Seal	シール (close センサ)	D	1	
26	A161281100	Guide	ガイド (LED ハーネス)	D	1	
27	A5C1263300	Seal	シール (右)	C	1	

bizhub C450i/bizhub C450iS

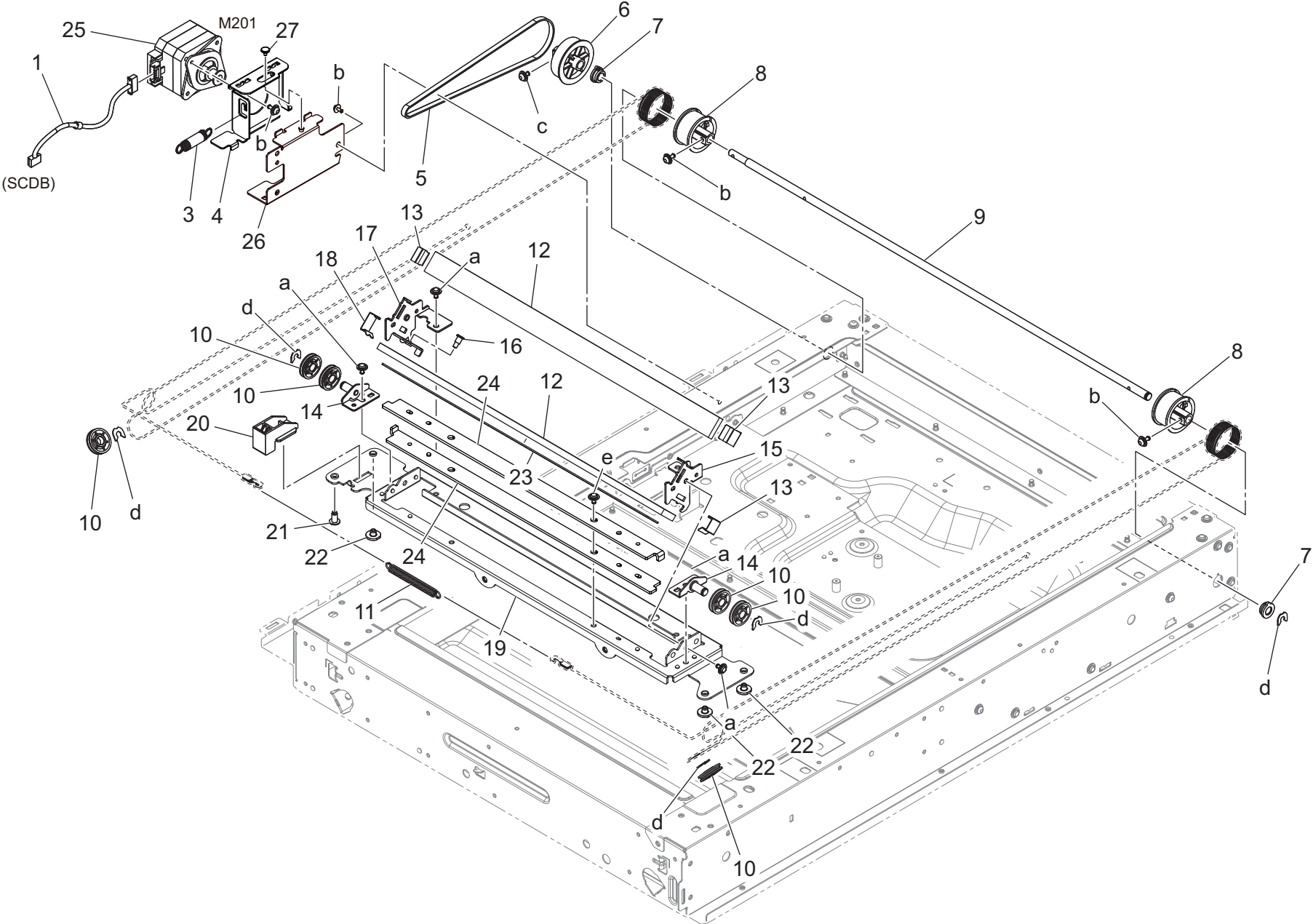
Scanner Section



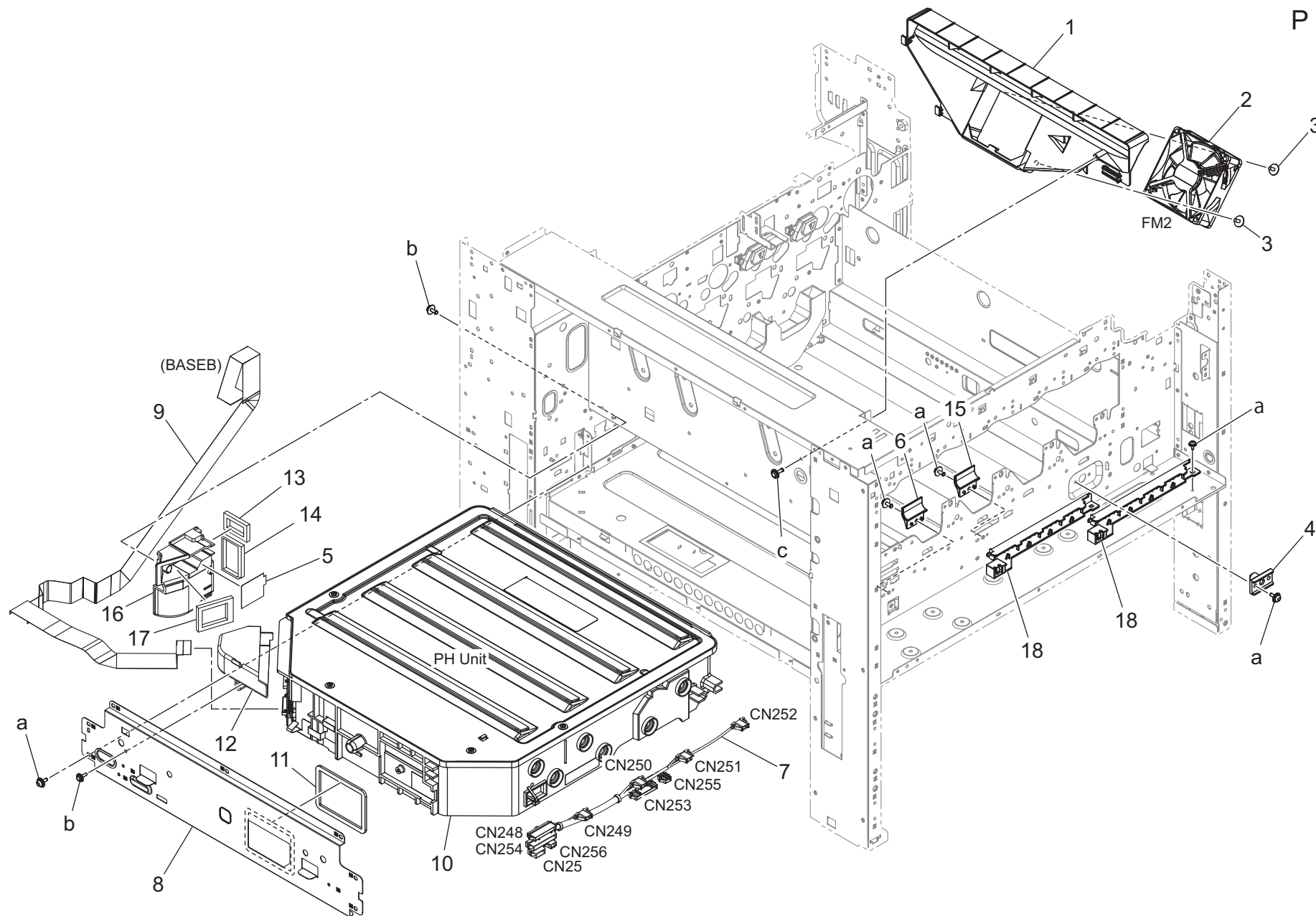
Key	Part No.	Description	Destinations	Class	QTY	Standard parts
1	A161278600	Cover		D	1	a-V125030803 b-V127030604 c-V116030603 d-V144030803
2	A161278900	Plate spring		D	2	
3	AA7NR72500Old	CCD Assy		I	1	
3	AA7NR72511	CCD Assy		I	1	
4	AA2JN14500	CCD Cable		D	1	
5	AA7NM31200	Lamp		I	1	
6	A0ED271200	Mirror		D	1	
7	A0ED271300	Plate spring		D	2	
8	A161270102	Frame		D	1	
9	A161N14000	Scanner Wiring /4		D	1	
10	A161270600	Guide		D	1	
11	A161271100	Bushing		D	1	
12	A161271000	Bushing		D	3	

bizhub C450i/bizhub C450iS

Scanner Section

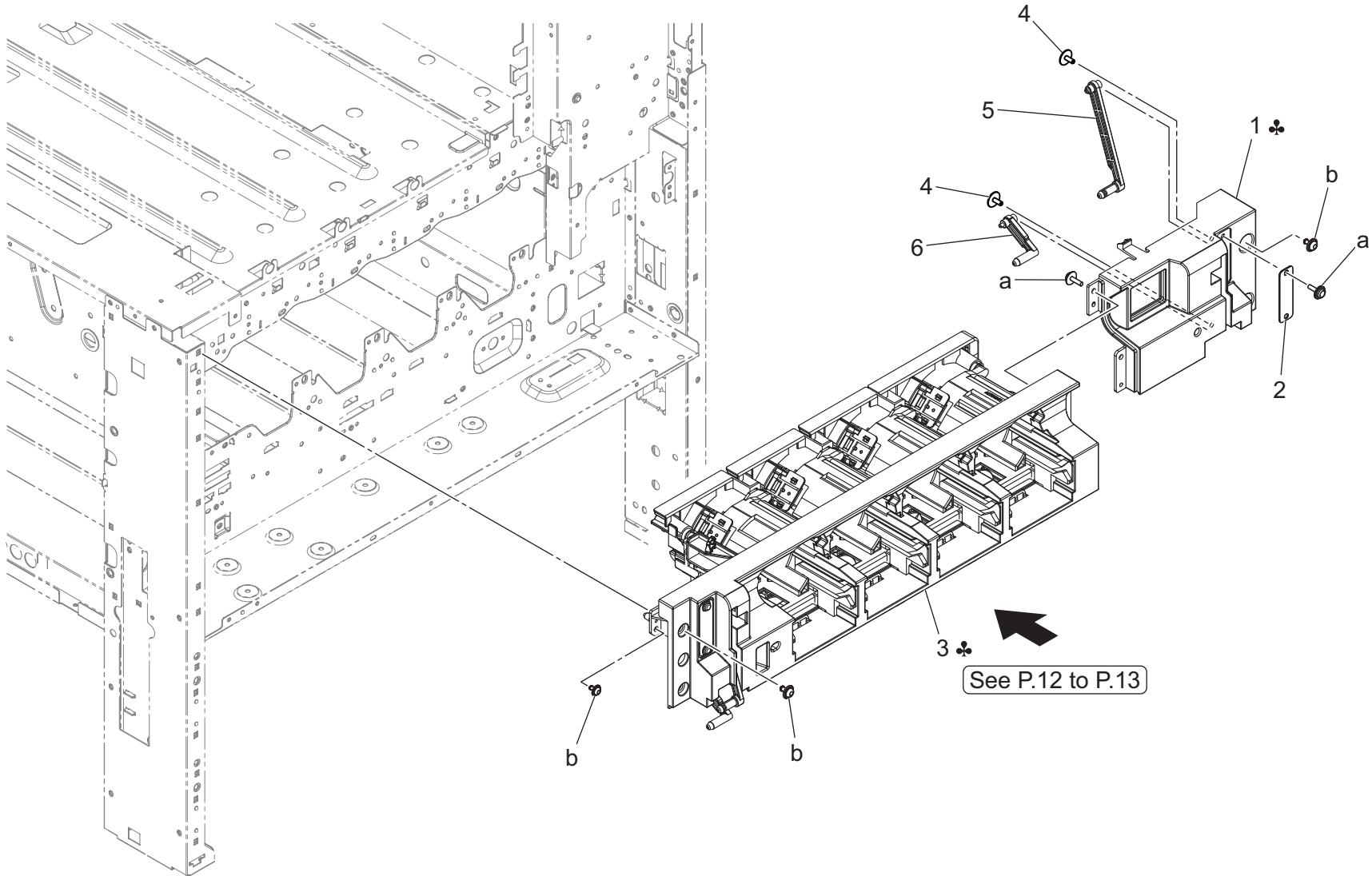


Key	Part No.	Description	Destinations	Class	QTY	Standard parts
1	A5C1N14300	Scanner Wiring		D	1	a-V137030803 b-V125030803 c-V116030603 d-V218040086 e-V144030603
3	A795275700	Pulling Spring		D	1	
4	A161276000Old	Mounting Plate		D	1	
4	AA2J276000	Mounting Plate		D	1	
5	A161275600	Timing belt 335L		D	1	
6	A161275500	Pulley 103T		D	1	
7	A161276500	Bearing		D	2	
8	A161275300	Pulley		D	2	
9	A161275400	Shaft		D	1	
10	A0ED273600	Pulley		C	6	
11	A0ED276301	Pulling Spring		D	1	
12	A0ED274300	Mirror		D	2	
13	A0ED274400	Plate spring		D	3	
14	A161273401	Mounting Plate		D	2	
15	A161273800	Mounting Plate		D	1	
16	A161274600	Adjusting Screw		C	1	
17	A161273701	Mounting Plate		D	1	
18	A161274500	Plate spring /1		D	1	
19	A161273113	Frame		D	1	
20	A161273500	Guide Part		D	1	
21	A161271100	Bushing		D	1	
22	A161271000	Bushing		D	3	
23	A0ED274200	Vibrationproof Plate		D	1	
24	A795273900	Vibrationproof Plate		D	2	
25	AC57M10A00	Stepping Motor		C	1	
26	AA2J276200	Mounting Plate		D	1	
27	A00J722601	Shoulder screw		D	1	



Key	Part No.	Description	Destinations	Class	QTY	Standard parts
1	A161140200	Duct		D	1	a-V125030803 b-V153030803 c-V153031004
2	A93EM10000	Fan motor		C	1	
3	4163529301	SCREW		C	2	
4	A161105400	Positioning Plate		D	1	
5	AA7N146300	Seal /2		D	1	
6	AA2J134201	Guide		D	1	
7	AA2JN10G01	Relay Wiring /Front		D	1	
8	A79J101801	Mounting Plate		D	1	
9	AA2JN11C00	I/F Flatcable		C	1	
10	AA7RR70100	Print Head Assy		I	1	
11	A2XK144201	Seal /2		D	1	
12	A79J147501	Duct /3		D	1	
13	AA7N145401	Seal		D	1	
14	AA7N145701	Seal		D	1	
15	AA2J134100	Guide		D	1	
16	AA7N147400	Duct /2		D	1	
17	AA7N145300	Seal		D	1	
18	A5C1135300	Guide		D	2	

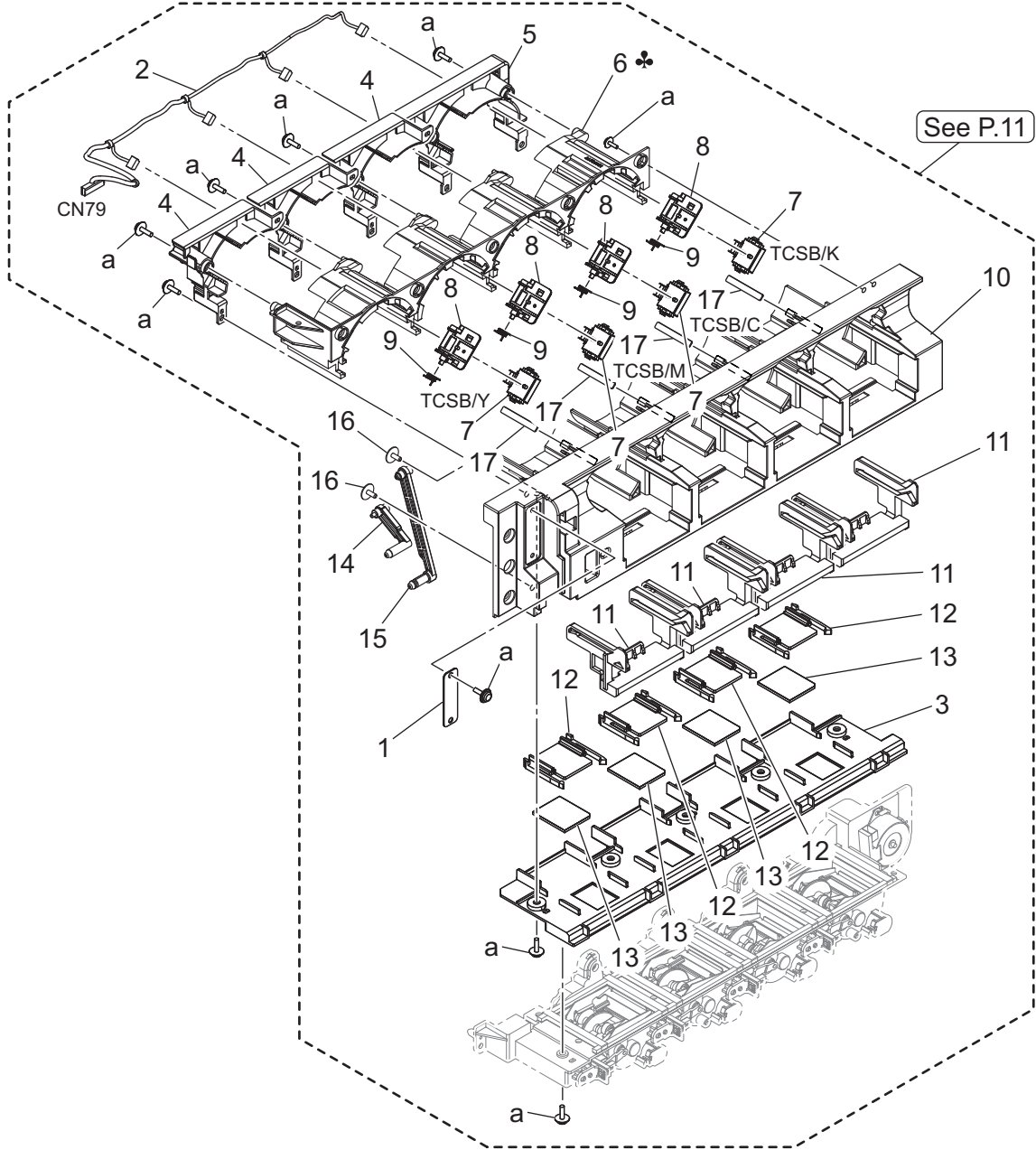
Toner Supply Section



See P.12 to P.13

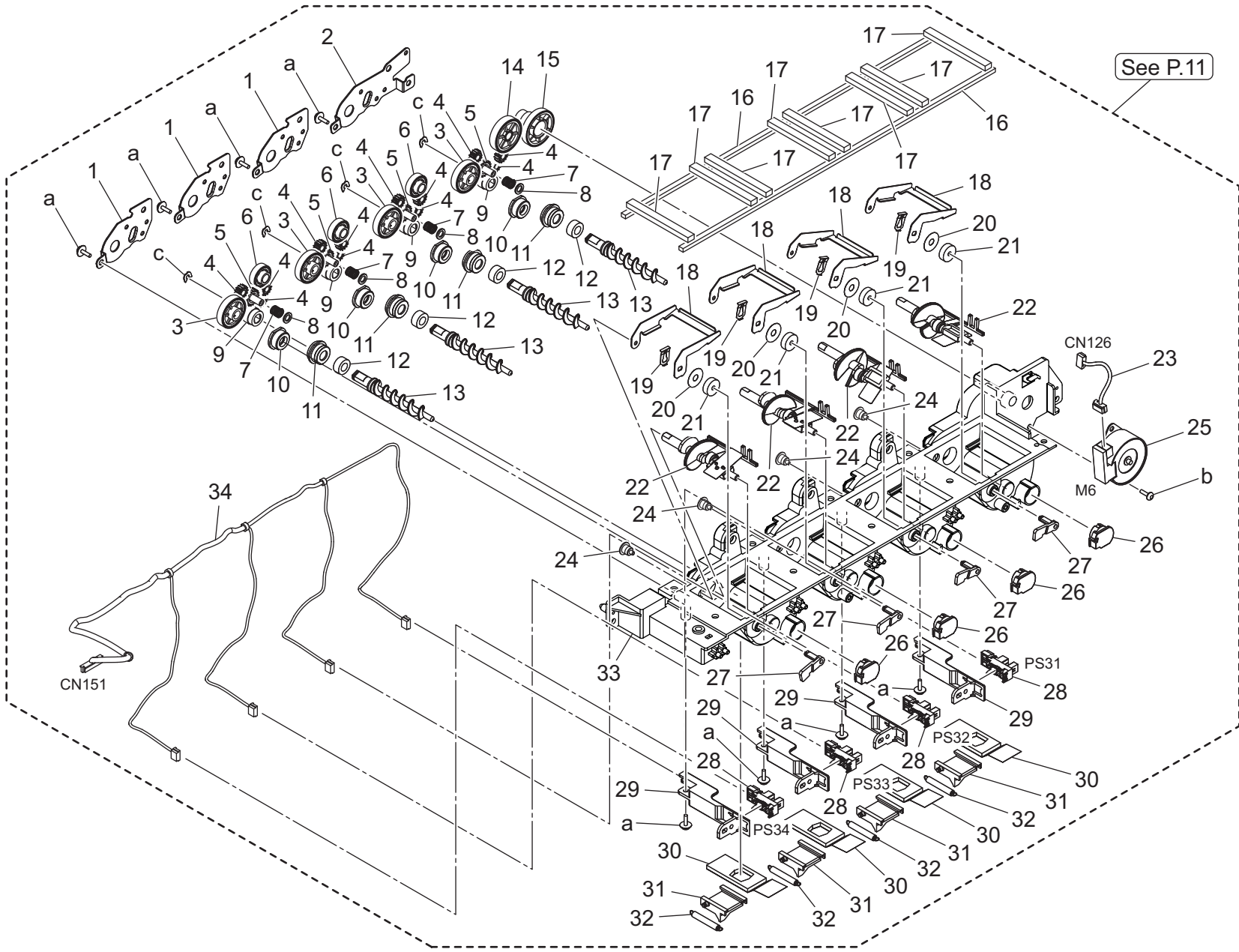
Key	Part No.	Description	Destinations	Class	QTY	Standard parts
1	AA7N401401	Cover /Right	A	D	1	a-V153030803 b-V127030604
1	AA7N401701	Cover /Right	B,C,D1,D3,E,F2,G1,G 2,I,K,H	D	1	
2	4038101401	SUCTION PLATE		D	1	
3	AA7NR71811	Sub Hopper Assy	A	S	1	
3	AA7NR71911	Sub Hopper Assy	B,G2	S	1	
3	AA7NR72011	Sub Hopper Assy	C,G1,I (South Africa)	S	1	
3	AA7NR72911	Sub Hopper Assy	D1,D3,E,F2,G1,I(Except South Africa),K J,H	S	1	
4	4163529301	SCREW		C	2	
5	AA7N401600	Arm		C	1	
6	AA7N401501	Arm		C	1	

Toner Supply Section



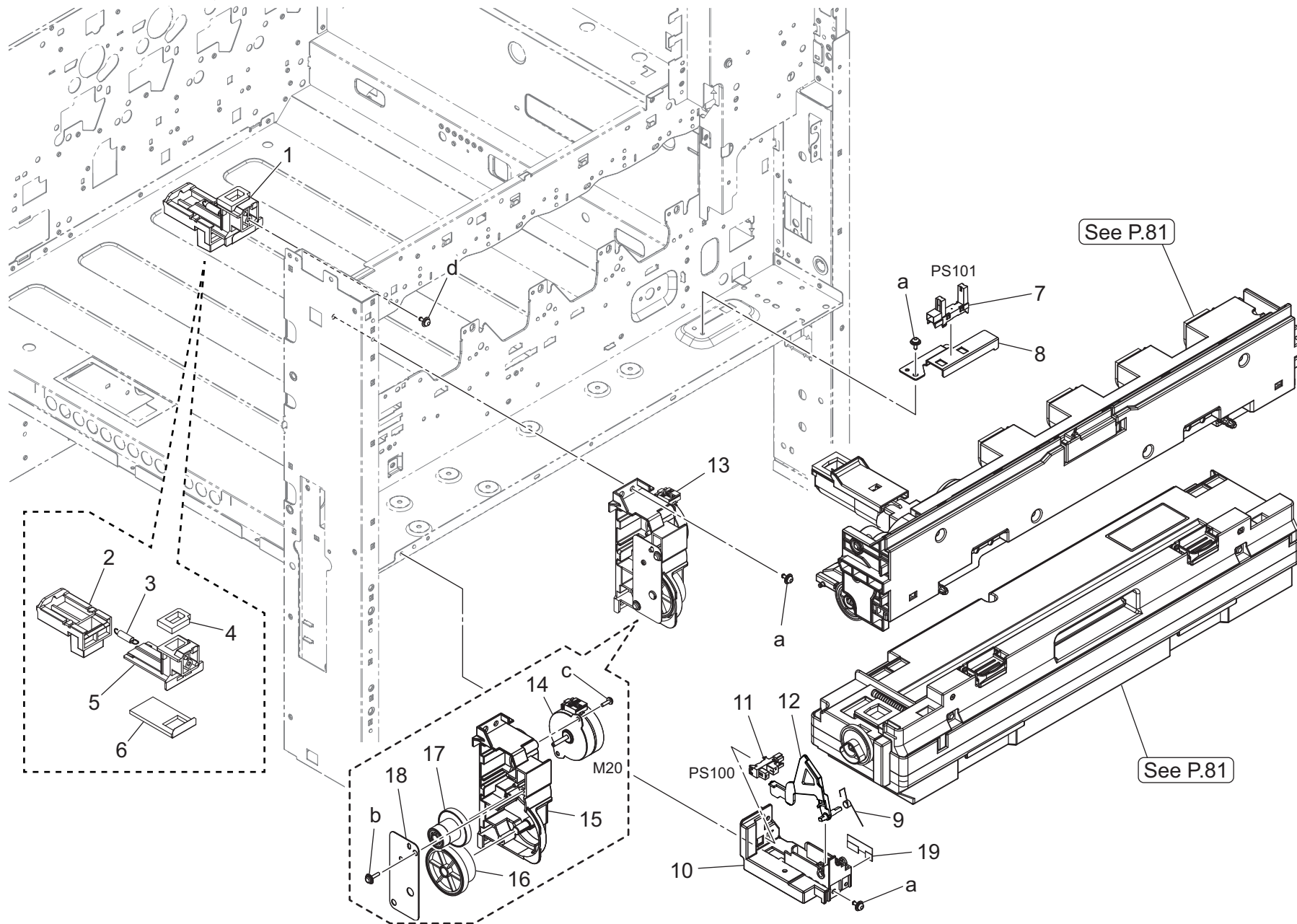
Key	Part No.	Description	Destinations	Class	QTY	Standard parts
1	4038101401	SUCTION PLATE		D	1	a-V153030803
2	AA2JN11E00	Toner Detection harness /2		D	1	
3	AA2J402101	Cover		D	1	
4	AA2J404101	Guide		D	3	
5	AA2J405301	Guide		D	1	
6	AA7N405100	Cover	B,G2	D	1	
6	AA7N406100	Cover	C,G1,I (South Africa)	D	1	
6	AA7N406200	Cover	A	D	1	
6	AA7N406300	Cover	D1,D3,E,F2,G1,I(Except South Africa),K,J,H	D	1	
7	A0EDM60001	Relay Connector		D	4	
8	AA2J404503	Holder		D	4	
9	AA2J404600	Torsion Coil spring		C	4	
10	AA7N401301	Cover		D	1	
11	AA2J402600	Guide		D	4	
12	AA2J402401	Shutter		D	4	
13	AA2J402500	Seal		D	4	
14	AA7N401501	Arm		C	1	
15	AA7N401600	Arm		C	1	
16	4163529301	SCREW		C	2	
17	A85Y375100	Protection Part		D	4	

Toner Supply Section



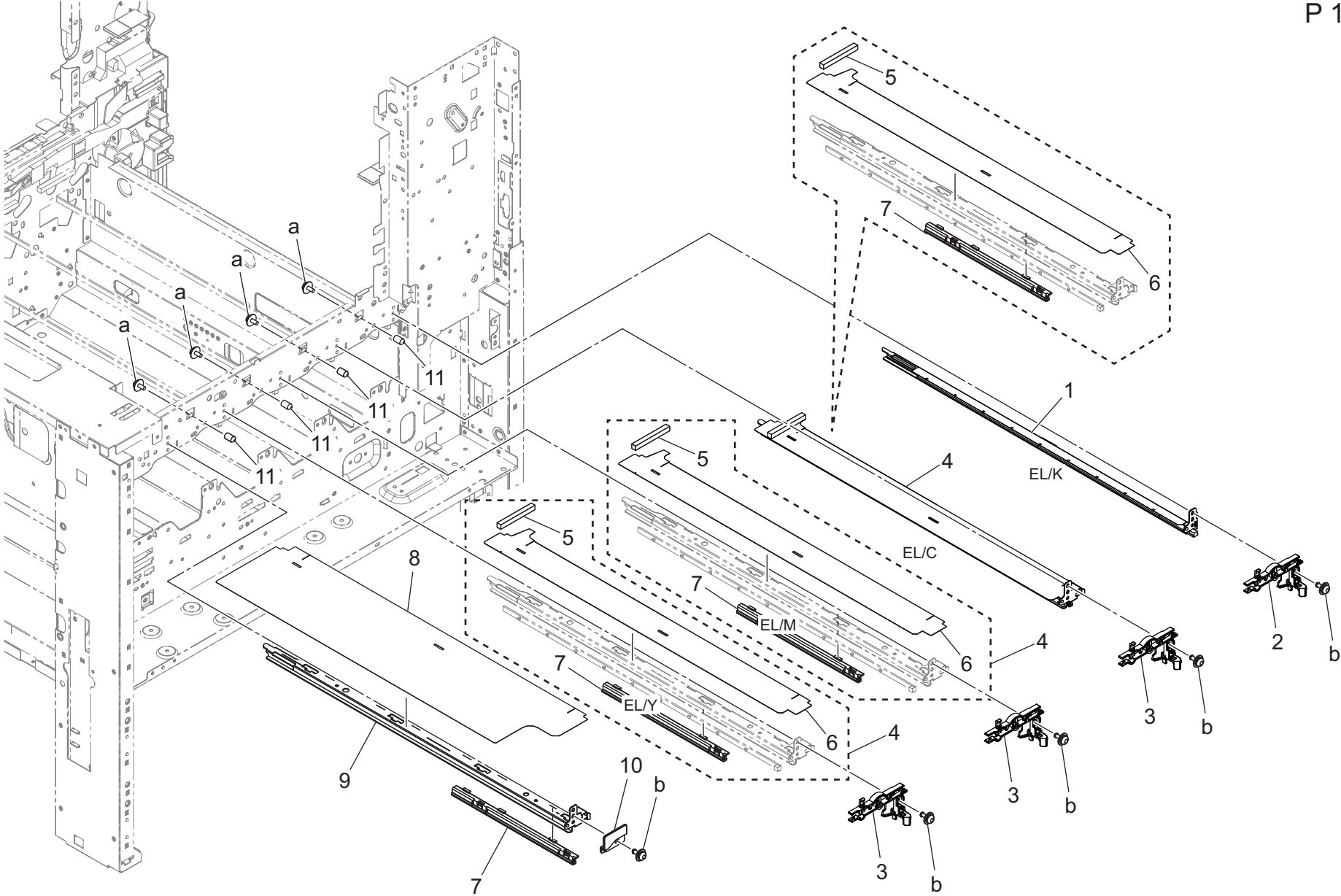
Key	Part No.	Description	Destinations	Class	QTY	Standard parts
1	AA2J402700	Mounting Plate		D	3	a-V153030803 b-V145030803 c-V218030086
2	AA2J402800	Mounting Plate		D	1	
3	AA2J401100	Gear 36T		C	4	
4	A79J401600	Gear 20T		C	12	
5	A79J401700	Gear 18T		C	4	
6	A161401500	Gear 25T		C	3	
7	A79J401900	Spring		C	4	
8	A79J401800	Washer		C	4	
9	A161401000	Gear 18T		C	4	
10	4163510201	BUSHING		C	4	
11	AA2J403100	Holder		D	4	
12	4576536301	SEAL		D	4	
13	AA2J400100	Screw		D	4	
14	A79J401400	Gear 40T		C	1	
15	A161401300	Gear 17/65T		C	1	
16	AA2J403300	Seal		D	2	
17	AA2J405500	Seal		D	8	
18	AA2J400400	Detecting Plate		D	4	
19	A161404200	Fixing Plate		D	4	
20	A5C1404600	Washer		D	4	
21	A161400601	Detecting Seal		D	4	
22	AA2JR73400	Agitating Shaft Assy		D	4	
23	A161N12801	Toner Drive harness /K		D	1	
24	A161400800	Pin		D	4	
25	A7PUM10700	Stepping motor		C	1	
26	A161403000	Bushing		D	4	
27	AA2J404300	Detecting Actuator		D	4	
28	A5C1M50100	Photointerrupter		B	4	
29	AA2J400700	Mounting Plate		D	4	
30	A161403200	Seal		D	4	
31	A0ED401000	Shutter		D	4	
32	4036534801	TENSION SPRING		C	4	
33	AA2J400001	Casing		D	1	
34	AA2JN10E00	Toner Detection harness /1		D	1	

Toner Collection Section



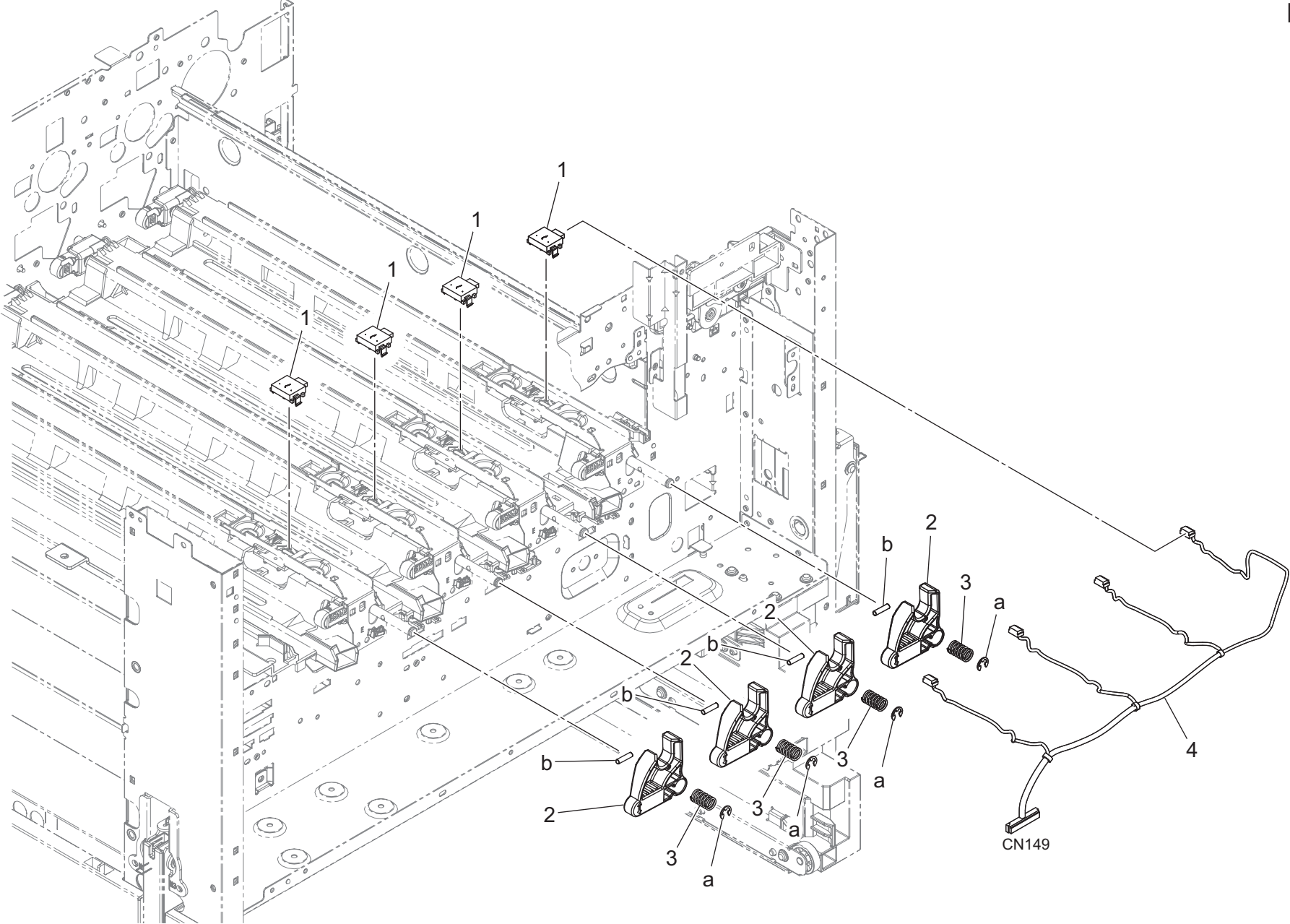
Key	Part No.	Description	Destinations	Class	QTY	Standard parts
1	AA2JR73600	Waste Toner Pipe Assy	廃トナーパイプ Assy	C	1	a-V125030803 b-V153031004 c-V145030803 d-V153030803
2	A64J363700	Shutter	シャッター	D	1	
3	A0ED363200	Pulling Coil spring	引張りコイルばね	D	1	
4	A0ED363400	Seal	シール (ジョイント上)	D	1	
5	AA2J363000	Pipe	パイプ	D	1	
6	AA2J368001	Seal	シール (ジョイント下)	D	1	
7	A0VDM50200	Photointerrupter	透過型センサ	I	1	
8	AA2J134401	Mounting Plate	取付板 (廃トナー検出センサ)	D	1	
9	AA2J369301	Torsion Coil spring	ねじりコイルばね	C	1	
10	AA2J369101	Holder	ホルダ (WT B 回転検知)	D	1	
11	A5C1M50100	Photointerrupter	透過型センサ	B	1	
12	AA2J369600	Lever	レバー	C	1	
13	AA2JR71011	Waste Toner Drive	廃トナー駆動 Assy	S	1	
14	A7PUM10600	Stepping motor	ステッピングモータ	C	1	
15	AA2J245003	Drive Holder	駆動ホルダ (WT 駆動)	D	1	
16	AA2J245200	Gear 20/50T	ギア 20 / 50 T	C	1	
17	AA2J245100	Gear 20/76T	ギア 20 / 76 T	C	1	
18	AA2J245300	Mounting Plate	取付板 (WT 駆動)	D	1	
19	AA2J369500	Sheet	シート	D	1	

Photo Conductor/ Developing Section



Key	Part No.	Description	Destinations	Class	QTY	Standard parts
1	AA7NR70600	Eraser Assy (Black)		C	1	a-V116030603 b-V125030803
2	AA7N131101	Holder		D	1	
3	AA2J130101	Holder		D	3	
4	A7PUR70611	Eraser (YMC) Assy		C	3	
5	A161107100	Seal		D	3	
6	A5C1105500	Light blocking Part		D	3	
7	A797105400	Rail		D	4	
8	A5C1102800	Seal		D	1	
9	A161105600	Rail		D	1	
10	A161138500	Guide		D	1	
11	A0ED103100	Pin		D	4	

Photo Conductor/ Developing Section

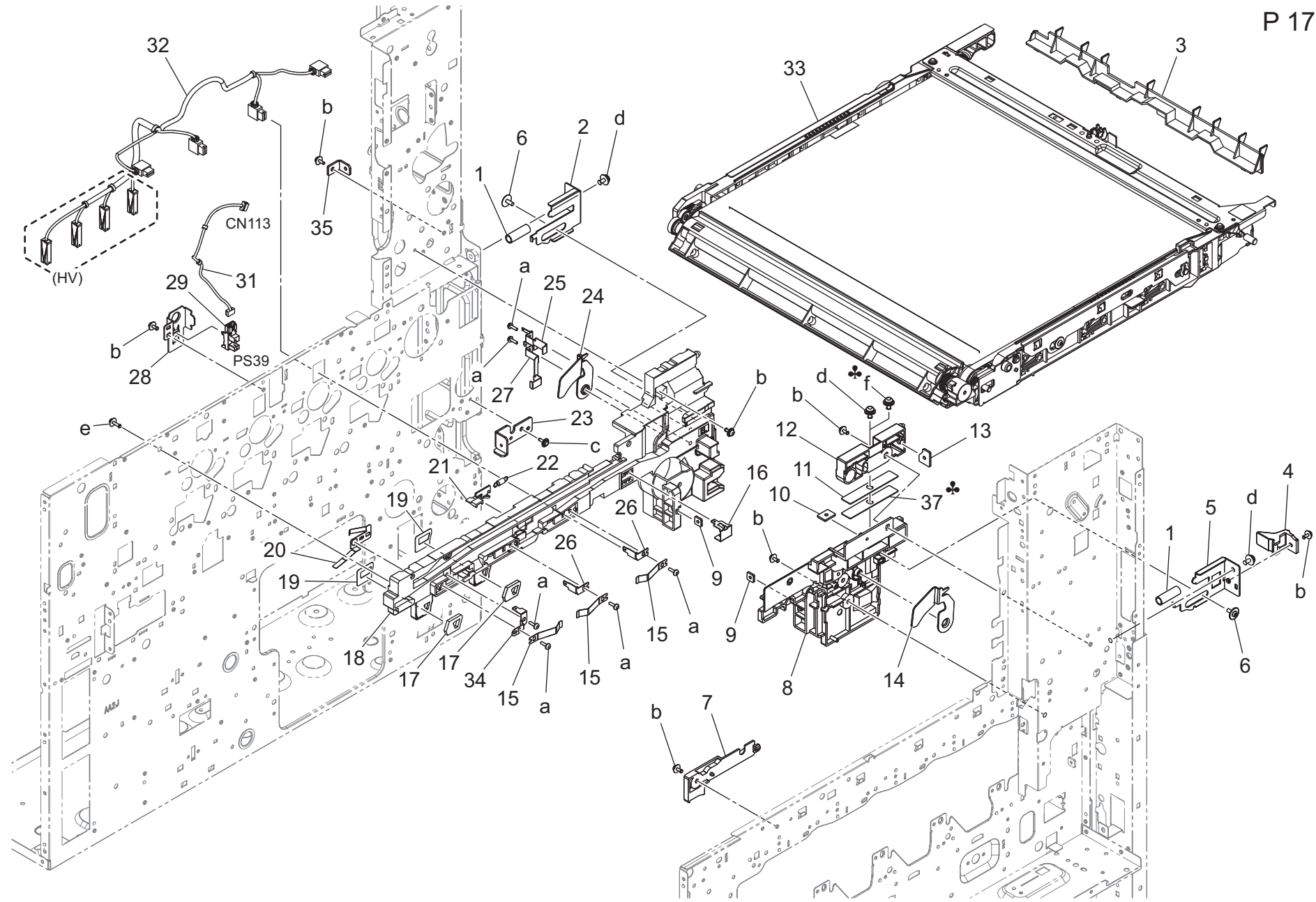


Key	Part No.	Description	Destinations	Class	QTY	Standard parts
1	A0EDM60001	Relay Connector		D	4	a-V217040003 b-V234301250
2	A161116202	Release Lever		D	4	
3	A161119500	Compressing Coil spring		D	4	
4	AA2JN10F00	Photoconductor Wiring		D	1	

bizhub C450i/bizhub C450iS

1st Transfer Section

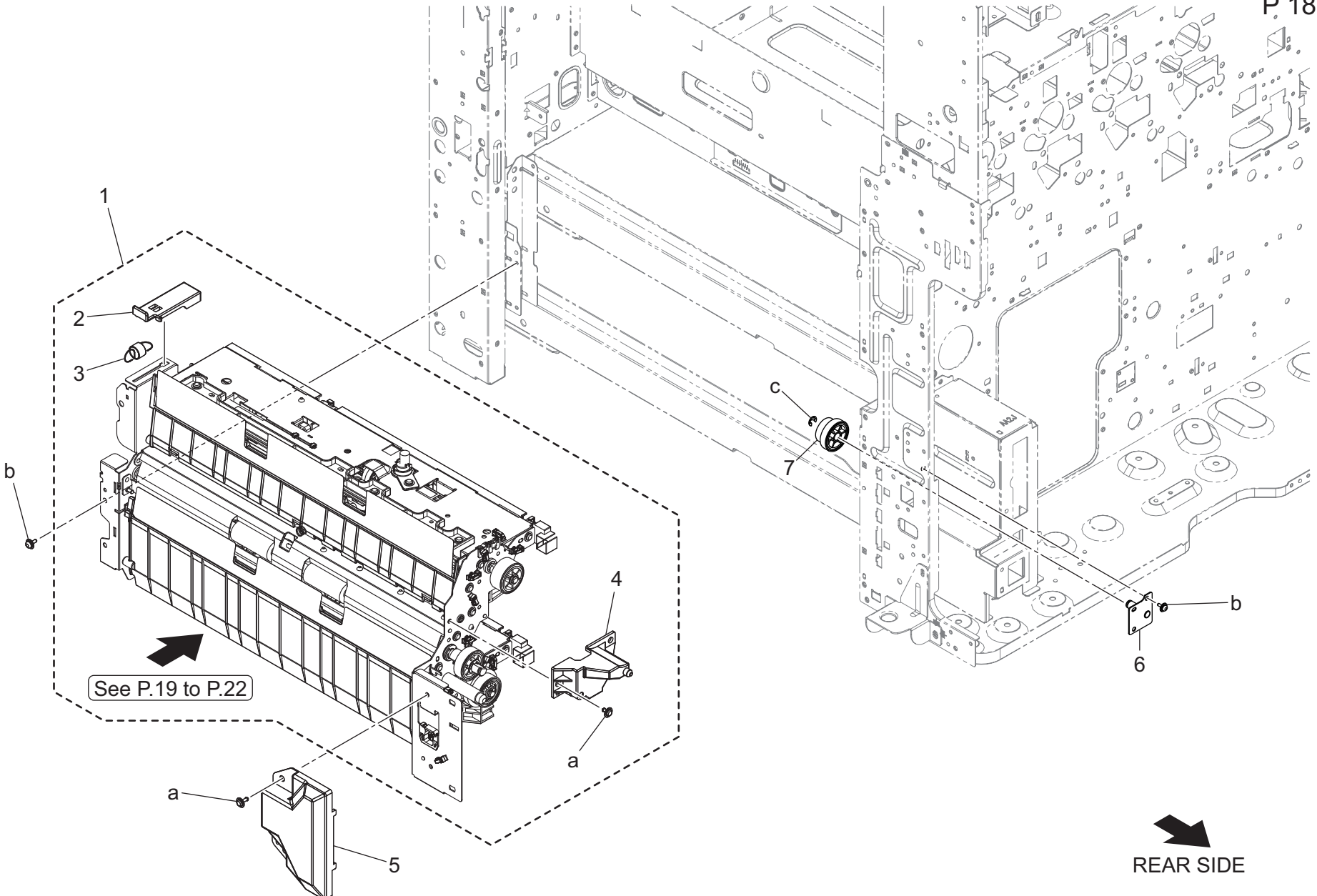
P 17



bizhub C450i/bizhub C450iS

Key	Part No.	Description	Destinations	Class	QTY	Standard parts
1	A0ED111000	Compressing Coil spring		D	2	a-V145030803
2	A161112101	Lever /Rear		D	1	b-V125030803
3	A79J508400	Guide		D	1	c-V144030803
4	A161110601	Lock Part		D	1	d-V116040803
5	A161112500	Lever /Front		D	1	e-V153031003
6	4163529301	SCREW		C	2	f-V116041003
7	A161110300	Rail		D	1	
8	AA2J110200Old	Rail		D	1	
8	AA2J110202	Rail		D	1	
9	4002504203	PLATE NUT		D	2	
10	A161112200	Mounting Plate		D	1	
11	A161112600	Adjusting Plate		D	1	
12	AA2J110401	Fusing Rail /Front		D	1	
13	AA2J112200	Mounting Plate		D	1	
14	A5C1112800	Arm /Front		D	1	
15	A0ED111500	Contact /Color		D	3	
16	A0ED111400	Contact /K		D	1	
17	A161144801	Seal		C	2	
18	AA2J110100	Rail		D	1	
19	A161144900	Seal		C	2	
20	A0ED112000	Contact		D	1	
21	A161110500	Detecting Plate		D	1	
22	A0ED110900	Pulling Coil spring		C	1	
23	A7PU109000	Reinforce Plate		D	1	
24	A5C1112900	Arm /Rear		D	1	
25	A161112400	Contact		D	1	
26	A0ED111700	Contact		D	2	
27	A161112300	Contact		D	1	
28	A5C1112102	Mounting Plate		D	1	
29	A5C1M50100	Photointerrupter		B	1	
31	AA2JN10X00	Connecting Detection harness		D	1	
32	AA2JN11200	Transfer Wiring /1		D	1	
33	AA2JR73700	Intermediate Image Transfer Unit	A,B,C,D1,D3,E,F2,G1 .G2,I,K,J,H	A	1	
34	A161112000	Contact		D	1	
35	A161112700	Mounting Plate		D	1	
37	A161112600	Adjusting Plate	(AA7R007,017,018,02 7,047,01D,077,078,0 87)	D	1	

Paper Feed Section



See P.19 to P.22

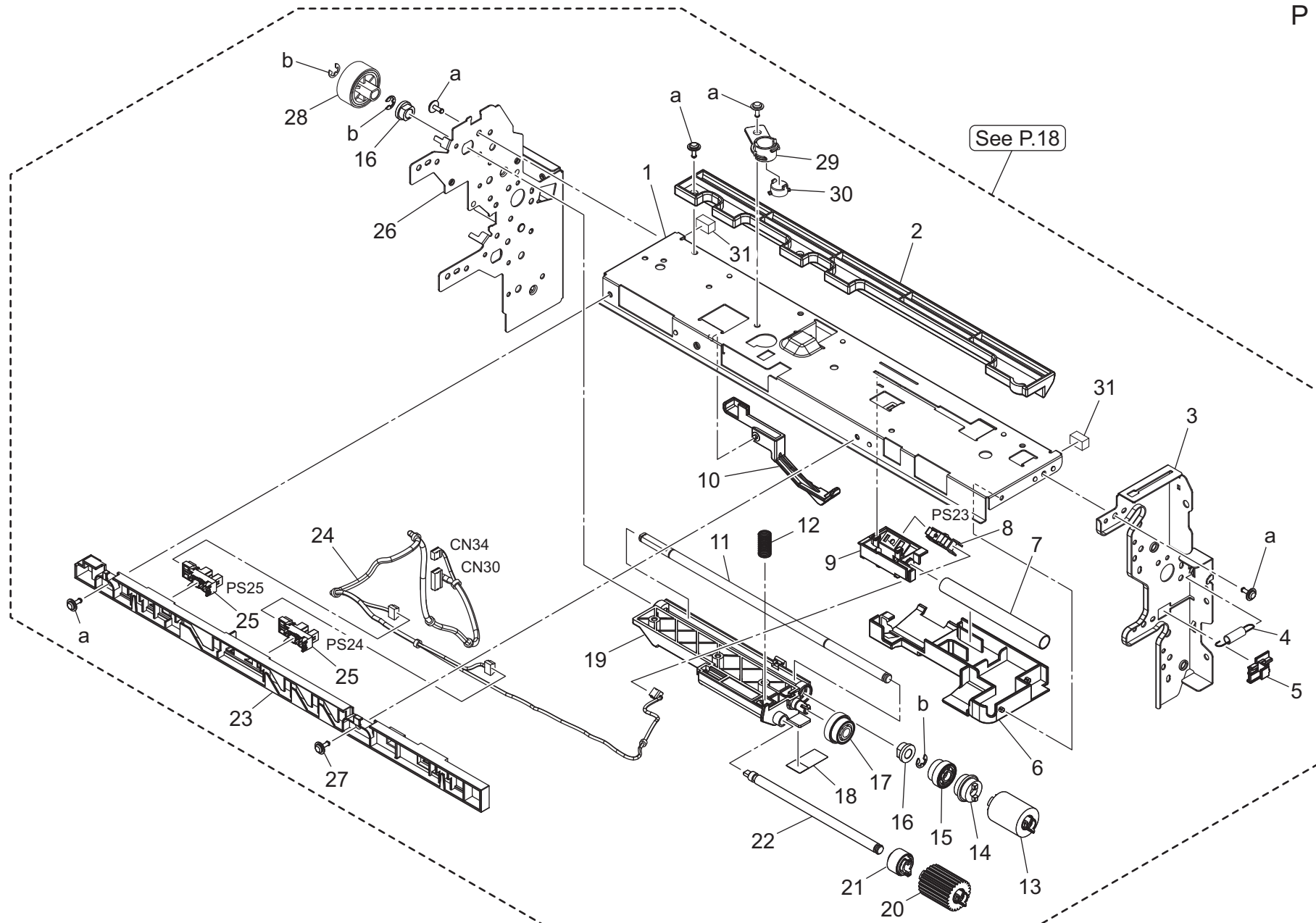
REAR SIDE

bizhub C450i/bizhub C450iS

Paper Feed Section

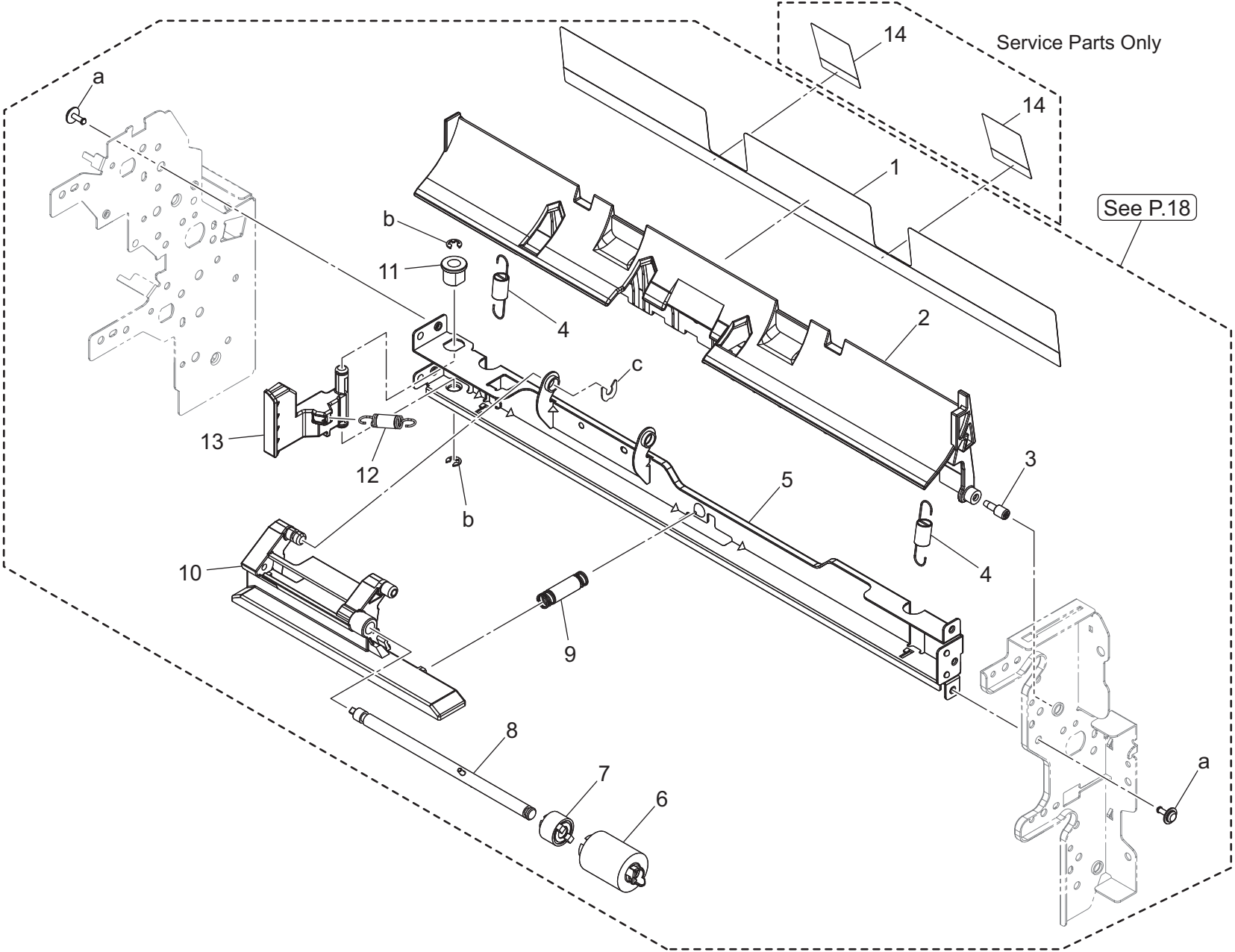
Key	Part No.	Description	Destinations	Class	QTY	Standard parts
1	AA7NR70811	Paper Feed Assy		S	1	a-V144030803 b-V125030803 c-V217040003
2	A161561100	Holder		D	1	
3	A161561200	Pulling Coil spring		D	1	
4	A161565102	Mounting Plate		D	1	
5	A161579011	Cover		D	1	
6	AA7N101500	Mounting Plate /ASSY		D	1	
7	A161576100	Gear 21/26T		C	1	

bizhub C450i/bizhub C450iS



Key	Part No.	Description	Destinations	Class	QTY	Standard parts
1	AA7N565201	Paper feed Frame	給紙フレーム (1 st)	D	1	a-V144030803 b-V217040003
2	AA2J566000	Paper feed Guide	給紙ガイド (上)	D	1	
3	AA7N560101	Frame /Front	フレーム/前	D	1	
4	AA2J571200	Pulling Coil spring	引張りコイルばね	C	1	
5	AA2J571100	Holder	ホルダ	D	1	
6	AA2J565700	Conveyance Guide /3	搬送ガイド /3	D	1	
7	AA2J565400	Compressing Coil spring	圧縮コイルばね (給紙センサ)	C	1	
8	A0EDM50100	Photoreflector	反射型センサ (アンプ内蔵)	I	1	
9	AA2J565300	Holder	ホルダ (給紙センサ)	D	1	
10	AA2J561600	Detecting Lever	検出レバー (エンブティ)	C	1	
11	AA2J560500	Paper feed Shaft	給紙軸 (1 st)	D	1	
12	AA7N562800	Compressing Coil spring	圧縮コイルばね (ピック圧)	C	1	
13	A64J564101	Paper feed Roller	給紙ローラ	A	1	
14	A02E561100	Clutch	クラッチ	C	1	
15	A7AH562400	Paper feed Gear	給紙ギア	C	1	
16	A00J663200	Bushing	すべり軸受	B	2	
17	A7AH562300	Idling Gear	アイドルギア	C	1	
18	A7AH562900	Protection Sheet	保護シート	C	1	
19	A7AH562100	Conveyance Guide /4	搬送ガイド /4	D	1	
20	A64J564201	Paper feed Roller	給紙ローラ (ピックアップ)	A	1	
21	A7AH562600	Conveyance Gear 28T	搬送ギア 28 T	C	1	
22	A7AH563400	Support Shaft	支点軸	D	1	
23	AA2J579603	Guide	ガイド (ハーネス)	D	1	
24	AA7NN10P00	Paper Feed Harness /1	給紙束線 /1	D	1	
25	A5C1M50100	Photointerrupter	透過型センサ	B	2	
26	AA7N560200	Frame /ASSY	フレーム/ASSY (後)	D	1	
27	A00J169300	Shoulder screw	段ねじ	C	1	
28	A79J576400	Gear 24T	ギア 24 T	C	1	
29	AA7N565300	Holder	ホルダ	D	1	
30	AA7N565400	Lever	レバー	D	1	
31	AA7N568900	Cushion	クッション	D	2	

Paper Feed Section



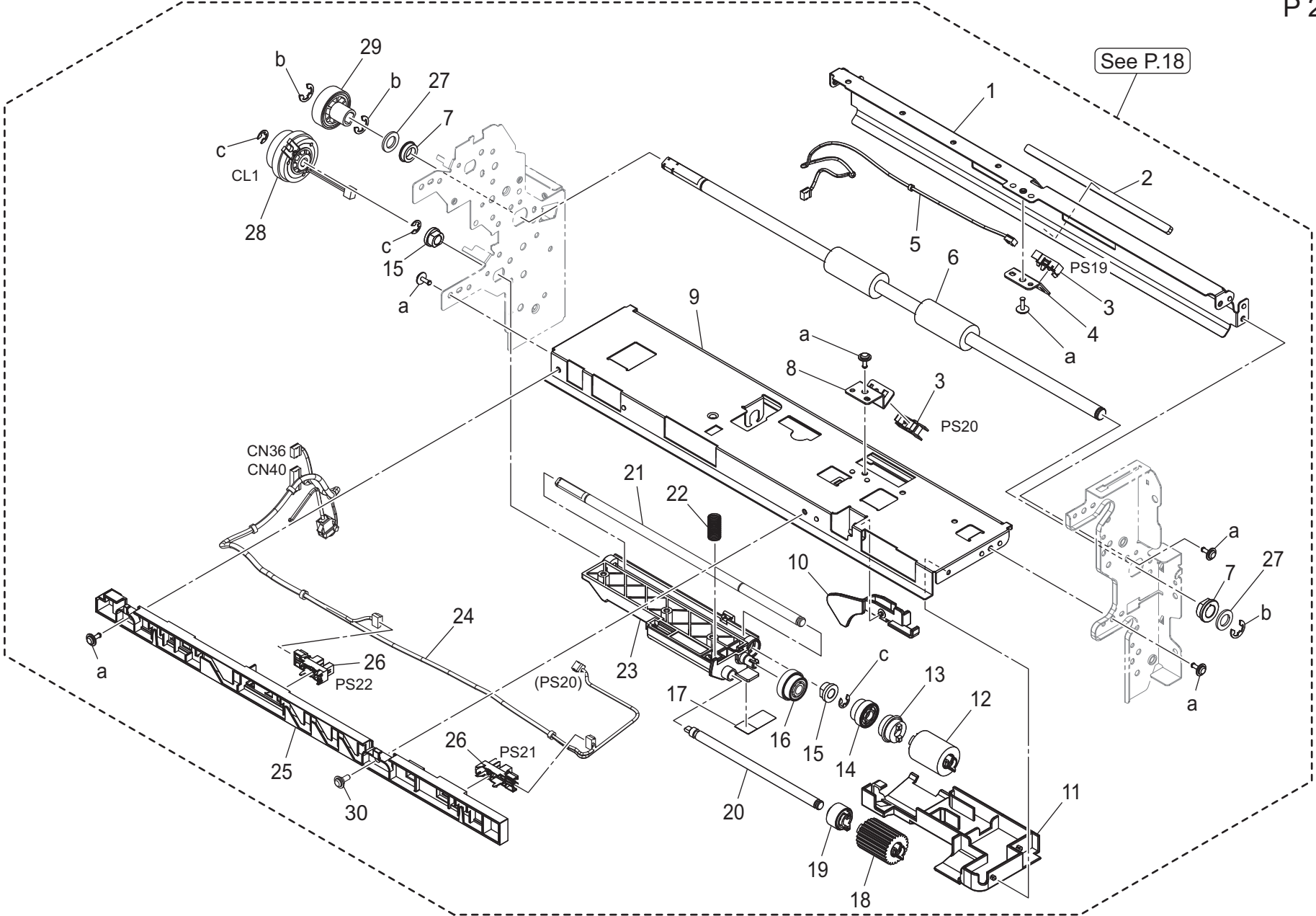
bizhub C450i/bizhub C450iS



Key	Part No.	Description	Destinations	Class	QTY	Standard parts
1	AA2J567500	Guide		C	1	a-V144030803 b-V217040003 c-V218040086
2	AA2J568401	Guide Plate		C	1	
3	4532341001	SHOULDER SCREW		D	1	
4	AA2J568900	Pulling Coil spring		C	2	
5	AA2J563801	Frame		D	1	
6	AA2J560000	Paper feed Roller		A	1	
7	A0ED563900	Torque limiter		C	1	
8	A7AH565000	Support Shaft		D	1	
9	AA2J561301	Compressing Coil spring		C	1	
10	AA2J563104	Holder		D	1	
11	A02E815200	Bushing		C	1	
12	A797564400	Pulling Coil spring		C	1	
13	AA2J564200	Release Lever		D	1	
14	AA7NP10400	Guide		D	2	

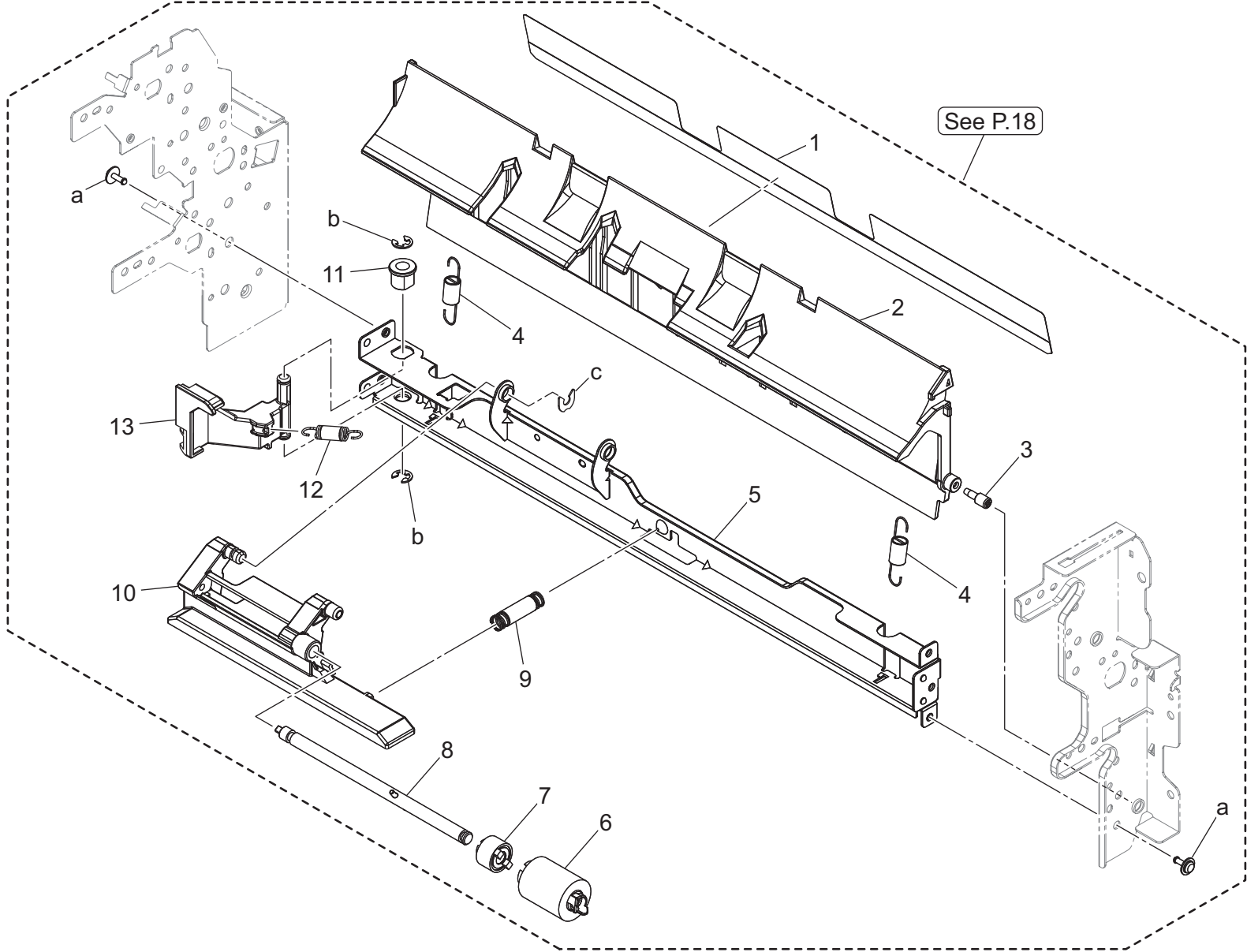
bizhub C450i/bizhub C450iS

Paper Feed Section



bizhub C450i/bizhub C450iS

Key	Part No.	Description	Destinations	Class	QTY	Standard parts
1	A161578214	Guide Plate	ガイド板 (縦搬送)	D	1	a-V144030803 b-V217060003 c-V217040003
2	A161578700	Cushion	クッション	C	1	
3	A0EDM50100	Photoreflector	反射型センサ (アンブ内蔵)	I	2	
4	A161571100	Mounting Plate	取付板	D	1	
5	A161N12701	Conveyance Detection harness	搬送検知束線	D	1	
6	AA2J578100	Drive Roller	駆動ローラ (縦搬送)	C	1	
7	A00J617900	Ball Bearing	ボールベアリング	B	2	
8	AA2J575300	Mounting Plate	取付板 (給紙用反射センサ)	D	1	
9	AA2J575202	Paper feed Frame	給紙フレーム (2nd)	D	1	
10	A7AH561601	Detecting Lever	検出レバー	C	1	
11	AA2J565700	Conveyance Guide /3	搬送ガイド /3	D	1	
12	A64J564101	Paper feed Roller	給紙ローラ	A	1	
13	A02E561100	Clutch	クラッチ	C	1	
14	A7AH562400	Paper feed Gear	給紙ギア	C	1	
15	A00J663200	Bushing	すべり軸受	B	2	
16	A7AH562300	Idling Gear	アイドルギア	C	1	
17	A7AH562900	Protection Sheet	保護シート	C	1	
18	A64J564201	Paper feed Roller	給紙ローラ (ピックアップ)	A	1	
19	A7AH562600	Conveyance Gear 28T	搬送ギア 28T	C	1	
20	A7AH563400	Support Shaft	支点軸	D	1	
21	AA2J560500	Paper feed Shaft	給紙軸 (1st)	D	1	
22	AA7N562800	Compressing Coil spring	圧縮コイルばね (ピックアップ)	C	1	
23	A7AH562100	Conveyance Guide /4	搬送ガイド /4	D	1	
24	AA7NN10Q00	Paper Feed Harness /2	給紙束線 /2	D	1	
25	AA2J579603	Guide	ガイド (ハーネス)	D	1	
26	A5C1M50100	Photointerrupter	透過型センサ	B	2	
27	AA7N569200	Spacer	スペーサ	D	2	
28	A64JM20000	Clutch	クラッチ	C	1	
29	A2XK709000	Gear 24T	ギア 24T	C	1	
30	A00J169300	Shoulder screw	段ねじ	C	1	

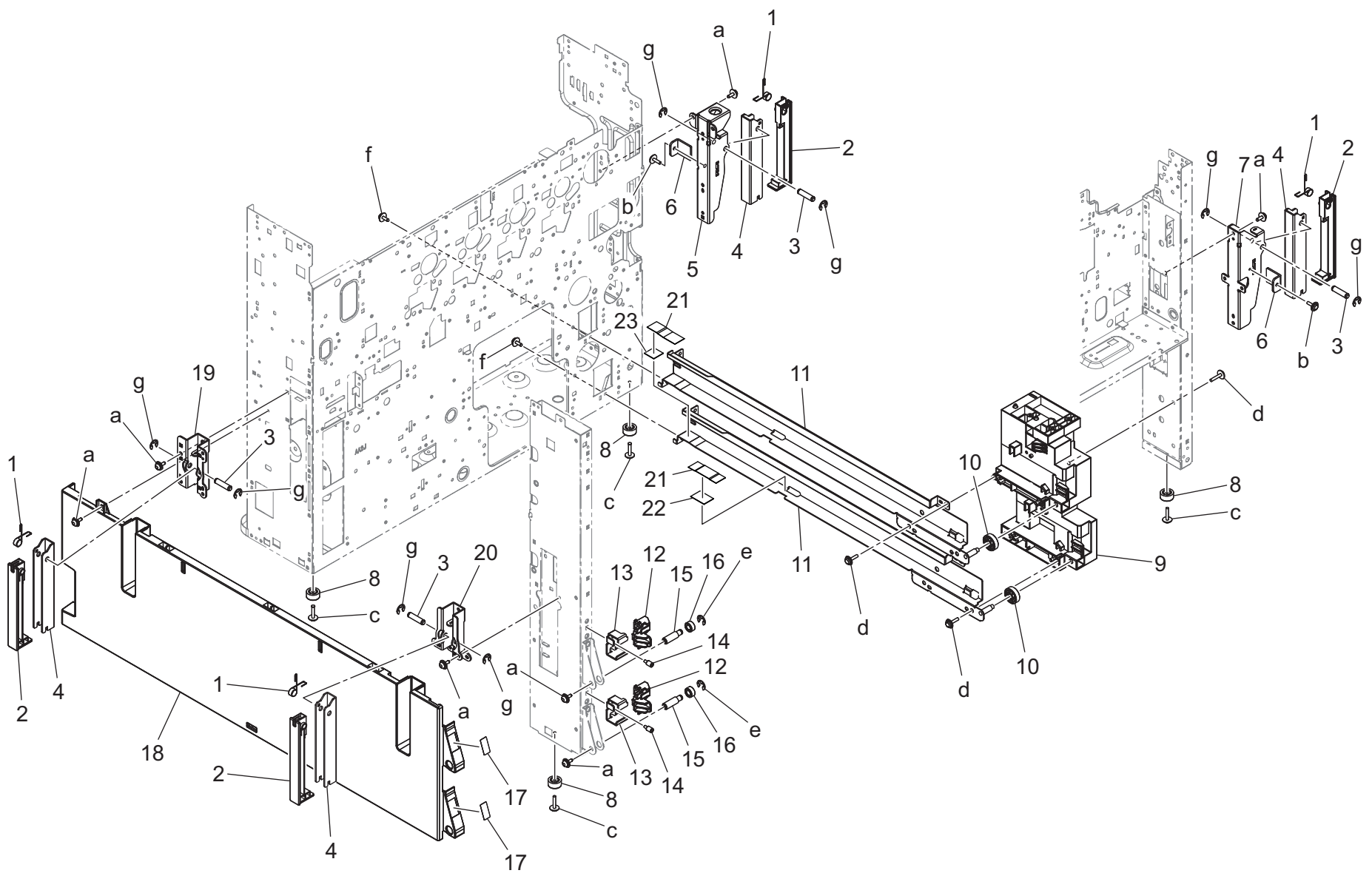


bizhub C450i/bizhub C450iS



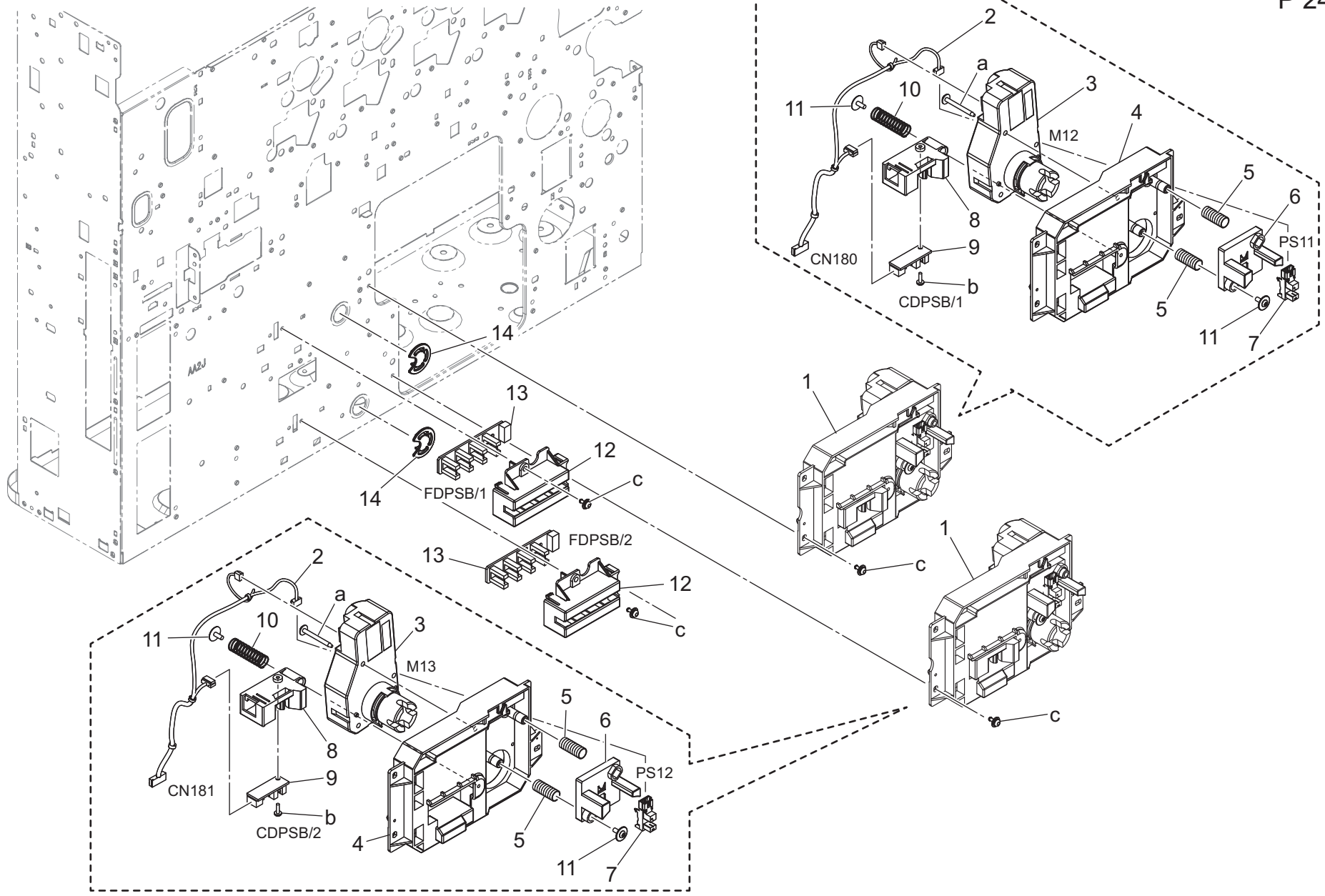
Key	Part No.	Description	Destinations	Class	QTY	Standard parts
1	AA2J577500	Guide		C	1	a-V144030803 b-V217040003 c-V218040086
2	AA2J578401	Guide Plate		C	1	
3	4532341001	SHOULDER SCREW		D	1	
4	AA2J569000	Pulling Coil spring		C	2	
5	AA2J563801	Frame		D	1	
6	AA2J560000	Paper feed Roller		A	1	
7	A0ED563900	Torque limiter		C	1	
8	A7AH565000	Support Shaft		D	1	
9	AA2J561301	Compressing Coil spring		C	1	
10	AA2J563104	Holder		D	1	
11	A02E815200	Bushing		C	1	
12	A797564400	Pulling Coil spring		C	1	
13	AA2J574101	Release Lever		D	1	

Tray Section



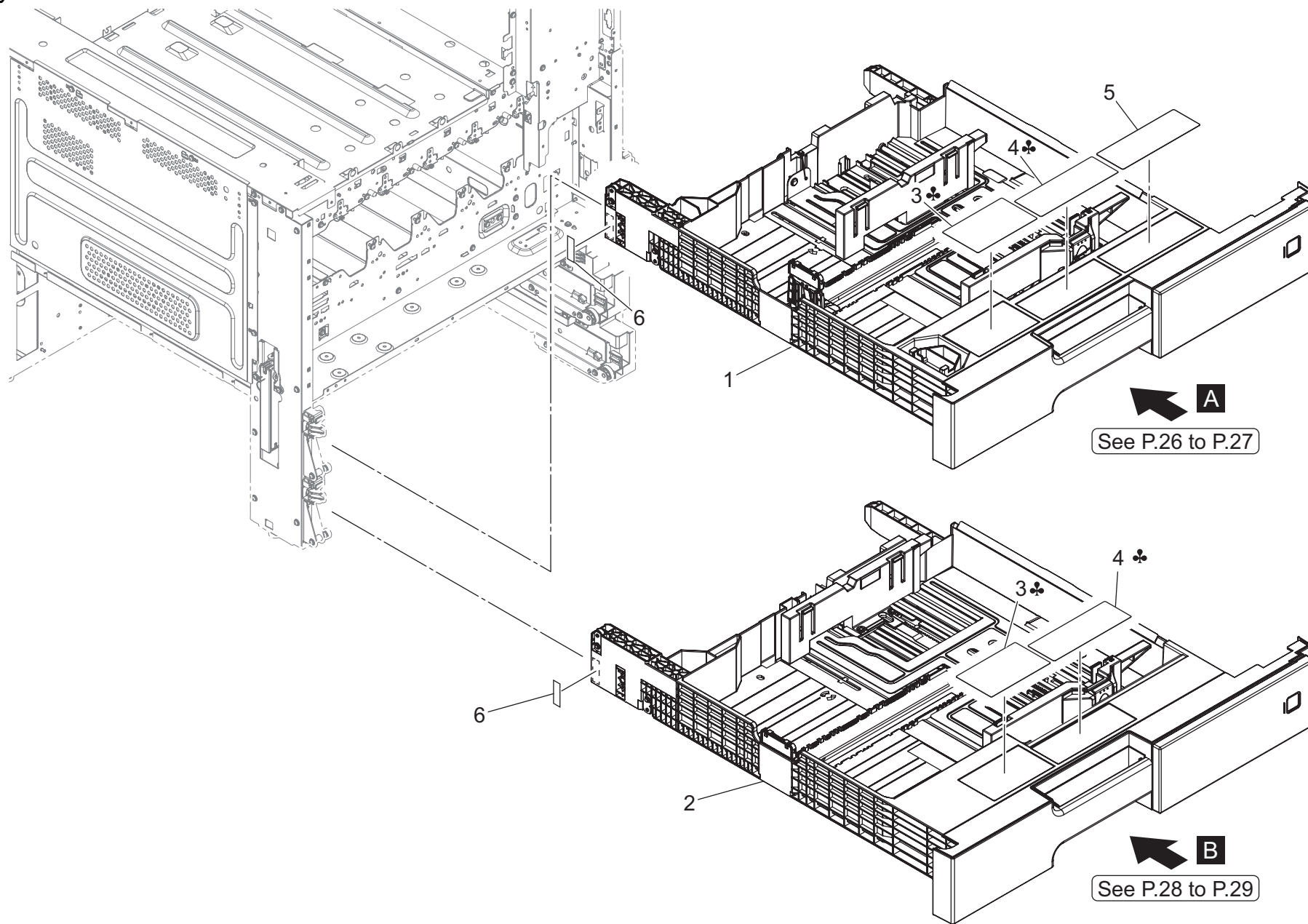
Key	Part No.	Description	Destinations	Class	QTY	Standard parts
1	A161104300	Torsion Coil spring		D	4	a-V125030803 b-V137030803 c-V137031203 d-V153031004 e-V217040003 f-V144030603 g-V217040001
2	A161103700	Cover		D	4	
3	A161104200	Shaft		D	4	
4	A161101900	Lever		D	4	
5	A5C1104800	Mounting Plate		D	1	
6	A5C1104700	Mounting Plate		D	2	
7	A5C1104400	Mounting Plate		D	1	
8	0996305501	RUBBER FOOT		C	4	
9	AA2J106000	Holder		D	1	
10	A161103901	Roll		D	2	
11	AA2J101100	Rail /ASSY		D	2	
12	A7PU102301	Stopper		D	2	
13	A7PU102201	Mounting Plate		D	2	
14	A1UD192400	Shoulder screw /2		C	2	
15	A161105200	Shaft		D	2	
16	A161623400	Roll		D	2	
17	AA2J947800	Label		D	2	
18	AA2J104003	Holder		D	1	
19	A161101701	Mounting Plate		D	1	
20	A161101600	Mounting Plate		D	1	
21	AA2J101200	Spacer /1		D	2	
22	AA2J101300	Spacer /2		D	1	
23	AA2J101400	Spacer /3		D	1	

Tray Section

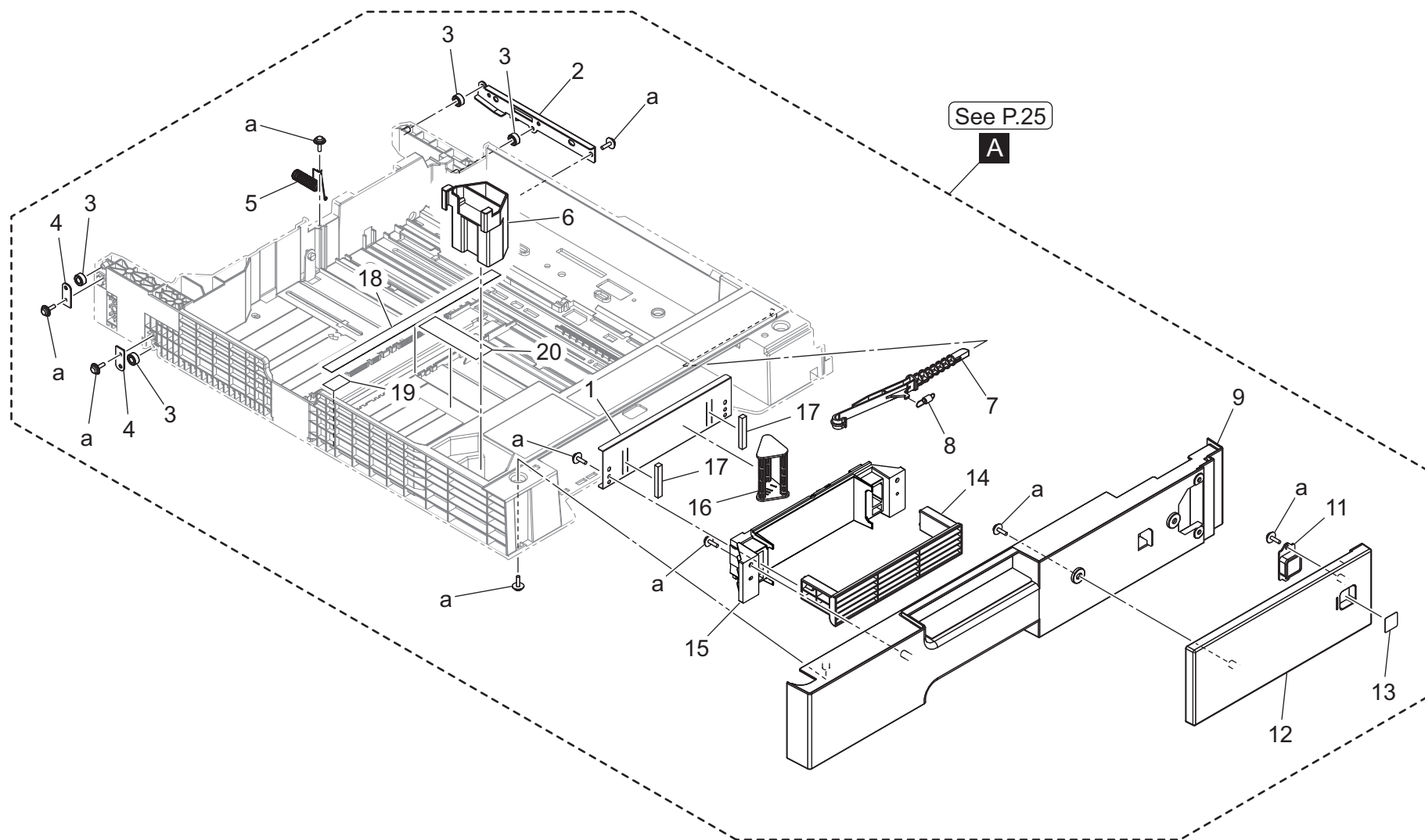


Key	Part No.	Description	Destinations	Class	QTY	Standard parts
1	AA2JR72200	Paper Size Detection Assy/ Upper		S	2	a-V153033003 b-V145030803 c-V125030803
2	AA2JN10T00	Paperfeed Wiring /K		D	2	
3	9J06M10300	MOTOR		B	2	
4	A5C1627103	Holder		D	2	
5	A5C1627900	Compressing Coil spring		D	4	
6	A5C1627300	Holder		D	2	
7	A5C1M50100	Photointerrupter		B	2	
8	A7PU627500	Holder		D	2	
9	A161M50501	Photointerrupter		C	2	
10	4002311002	Pressure Spring		C	2	
11	4163529301	SCREW		C	4	
12	A5C1628000	Holder		C	2	
13	A161M50600	Photointerrupter		C	2	
14	A7PU106100	Cover		D	2	

Tray Section

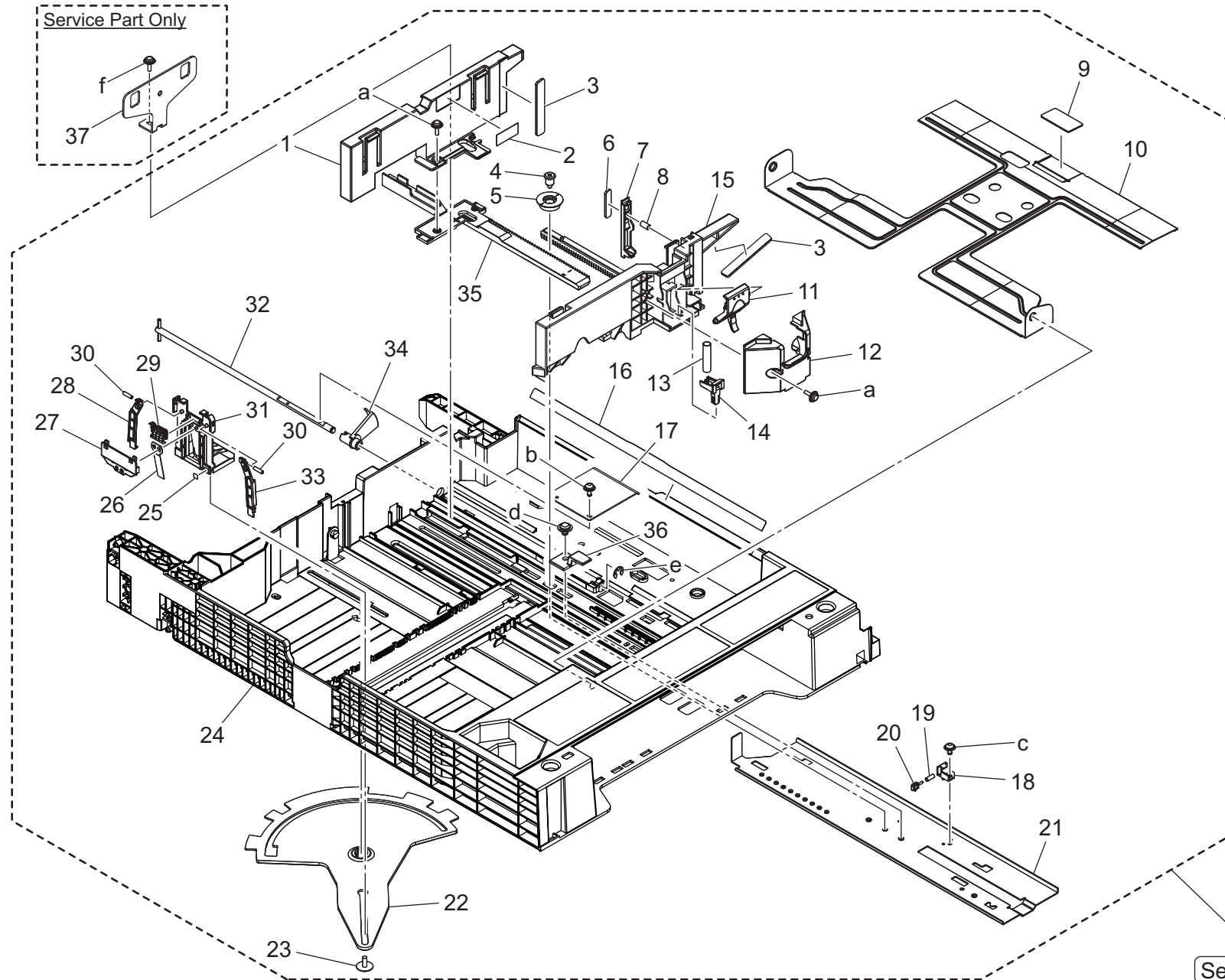


Key	Part No.	Description	Destinations	Class	QTY	Standard parts
1	AA2JR72444	Cassette Assy /1st		S	1	
2	AA2JR72533	Cassette Assy /2nd		S	1	
3	AA2J947100	Label	A	D	2	
3	AA2J947200	Label	B,C,D1,D3,E,F2,G1,G 2,I,K,J,H	D	2	
4	AA2J942400	Label	A	D	2	
4	AA2J942500	Label	B,C,D1,D3,E,F2,G1,G 2,I,K,J,H	D	2	
5	AA2J947400	Label		D	1	
6	AA2J101900	Spacer /4		D	2	



Key	Part No.	Description	Destinations	Class	QTY	Standard parts
1	AA2J624300	Holder		D	1	a-V153030803
2	AA2J623101	Reinforce Plate /Right		D	1	
3	A161623400	Roll		D	4	
4	AA2J623300	Reinforce Plate /Left		D	2	
5	AA2J622101	Ground Spring		C	1	
6	AA2J629600	Regulating Part		D	1	
7	A161626502	Lever		C	1	
8	A161626800	Pulling Coil spring		C	1	
9	AA2J625101	Cover		D	1	
11	AA2J626702Old	Cover		D	1	
11	AA2J626714	Cover		D	1	
12	AA2J625000Old	Cover		D	1	
12	AA2J625011	Cover		D	1	
13	AA2J943100	Label		D	1	
14	AA2J626900	Handle		D	1	
15	AA2J625212	Cover		D	1	
16	AA2J626600	Lever		C	1	
17	A5C1628500	Cushion		D	2	
18	AA2J941600	Label		D	1	
19	AA2J941300	Label		D	1	
20	AA2J941500	Label		D	1	

Tray Section

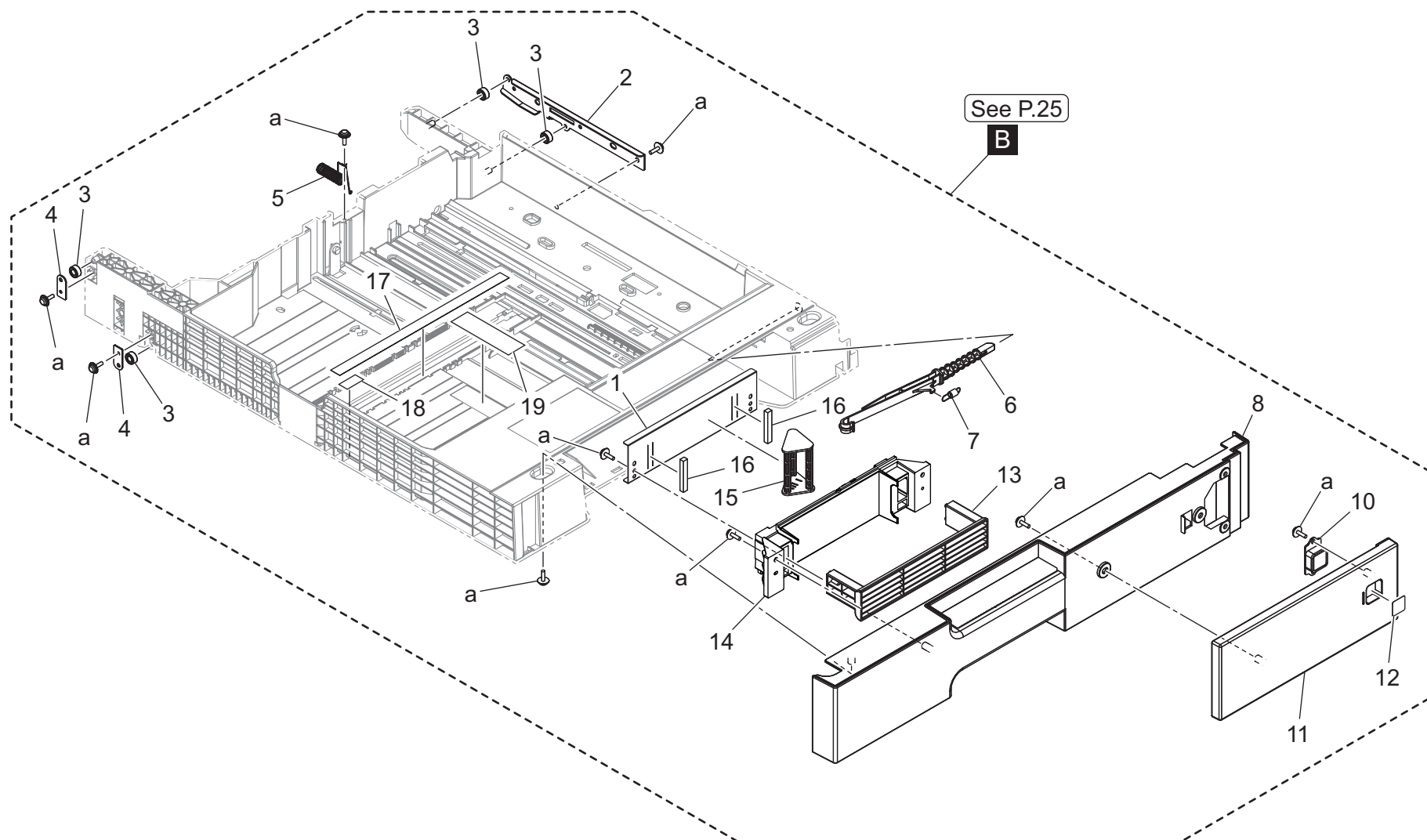


A

See P.25

bizhub C450i/bizhub C450iS

Key	Part No.	Description	Destinations	Class	QTY	Standard parts
1	AA2J620901	Regulating Plate /Rear		C	1	a-V153030803 b-V125030803 c-V127030603 d-V146040804 e-V217040003 f-V144030803
2	AA2J943701	Label		D	1	
3	A161624100	Cushion		C	2	
4	A161620600	Shoulder screw		D	1	
5	A161620701	Gear		D	1	
6	A79J566000	Cushion		C	1	
7	A79J622500	Auxiliary Guide /1		C	1	
8	A795622700	Compressing Spring		C	1	
9	4030322602	FRICITION SHEET		C	1	
10	AA2J620400	Lifting Plate		D	1	
11	AA2J621300	Lock Lever		C	1	
12	AA2J621500	Holder		D	1	
13	AA2J621000	Compressing Spring		C	1	
14	AA2J621200	Lock Lever /2		D	1	
15	AA2J620804	Regulating Plate		C	1	
16	AA2J620200	Guide		C	1	
17	4030320601	LEVER		D	1	
18	A795565700	Holder		C	1	
19	A795565900	Compressing Spring		C	1	
20	A795565800	Lever		C	1	
21	A795621901	Mounting Plate		D	1	
22	A161621411	Lever		C	1	
23	4163529301	SCREW		C	1	
24	AA2J620102	Paper feed Cassette		D	1	
25	A02E940300	Label		C	1	
26	AA2J629200	Plate spring		D	1	
27	AA2J628901	Cover		D	1	
28	AA2J628700	Lock Lever		C	1	
29	AA2J629000	Operation Lever		D	1	
30	A795565500	Compressing Spring		C	2	
31	AA2J628601	Regulating Plate		C	1	
32	A161621600	Lifting Shaft		D	1	
33	AA2J628800	Lock Lever		C	1	
34	A0ED620701	Actuator		C	1	
35	AA2J621100	Rack		D	1	
36	AA2J621600	Stopper /1		D	1	
37	AA7NP10500	Stopper		D	1	

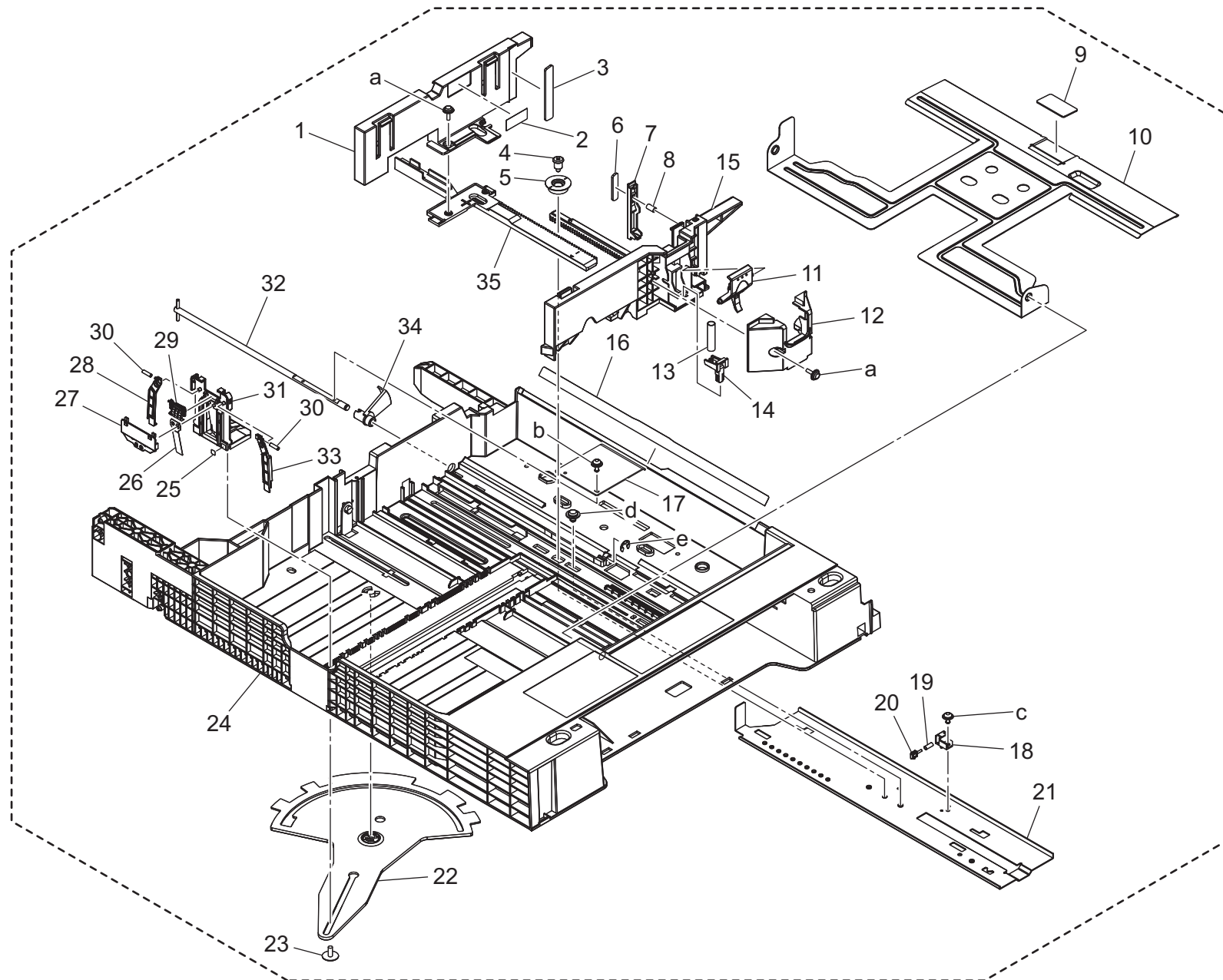


Key	Part No.	Description	Destinations	Class	QTY	Standard parts
1	AA2J624300	Holder		D	1	a-V153030803
2	AA2J633101	Reinforce Plate /Right		D	1	
3	A161623400	Roll		D	4	
4	AA2J623300	Reinforce Plate /Left		D	2	
5	AA2J622101	Ground Spring		C	1	
6	A161636502	Lever		C	1	
7	A161626800	Pulling Coil spring		C	1	
8	AA2J635101	Cover		D	1	
10	AA2J626702Old	Cover		D	1	
10	AA2J626714	Cover		D	1	
11	AA2J635001Old	Cover		D	1	
11	AA2J635012	Cover		D	1	
12	AA2J943200	Label		D	1	
13	AA2J626900	Handle		D	1	
14	AA2J625212	Cover		D	1	
15	AA2J626600	Lever		C	1	
16	A5C1628500	Cushion		D	2	
17	AA2J941200	Label		D	1	
18	AA2J943500	Label		D	1	
19	AA2J943600	Label		D	1	

bizhub C450i/bizhub C450iS

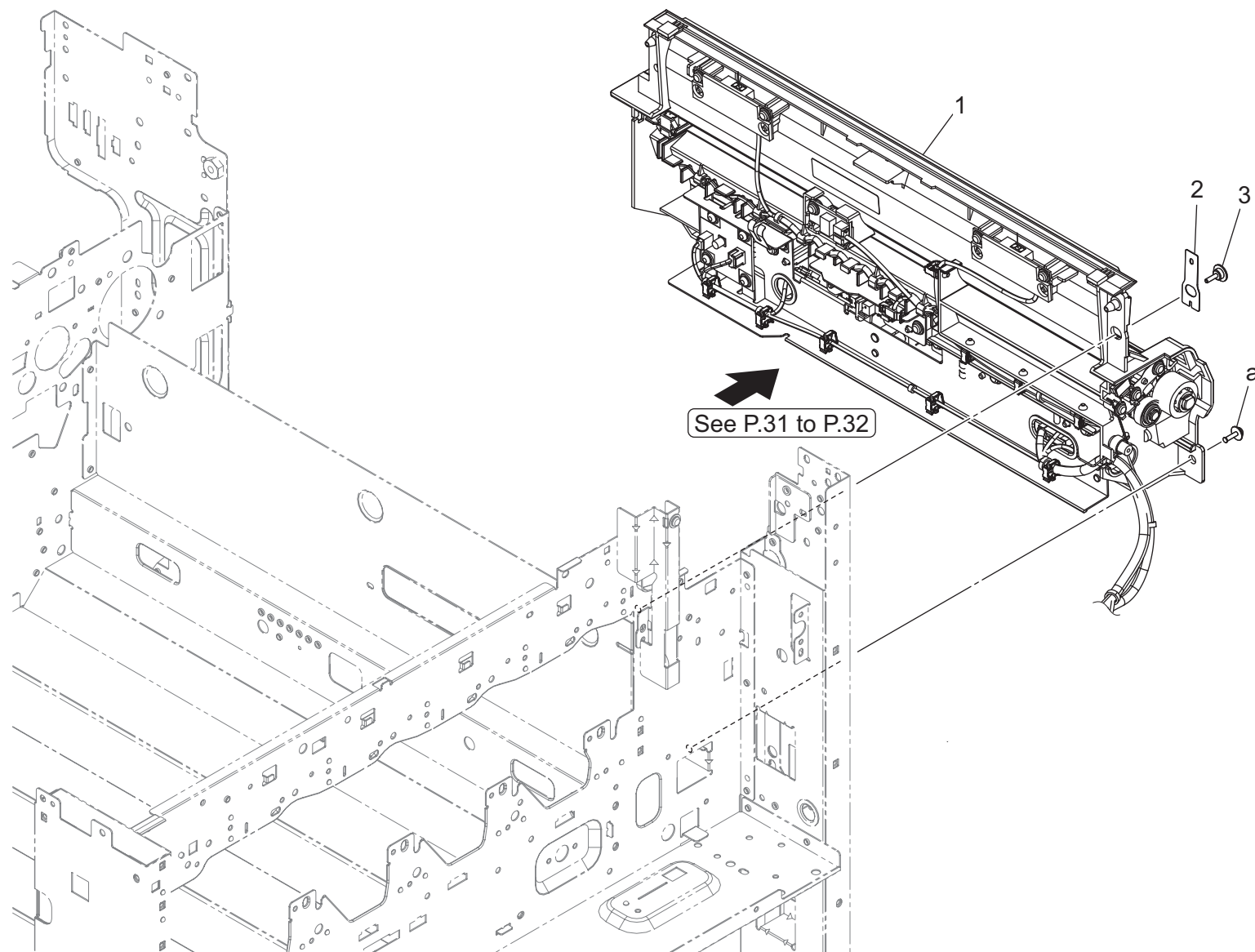
Tray Section

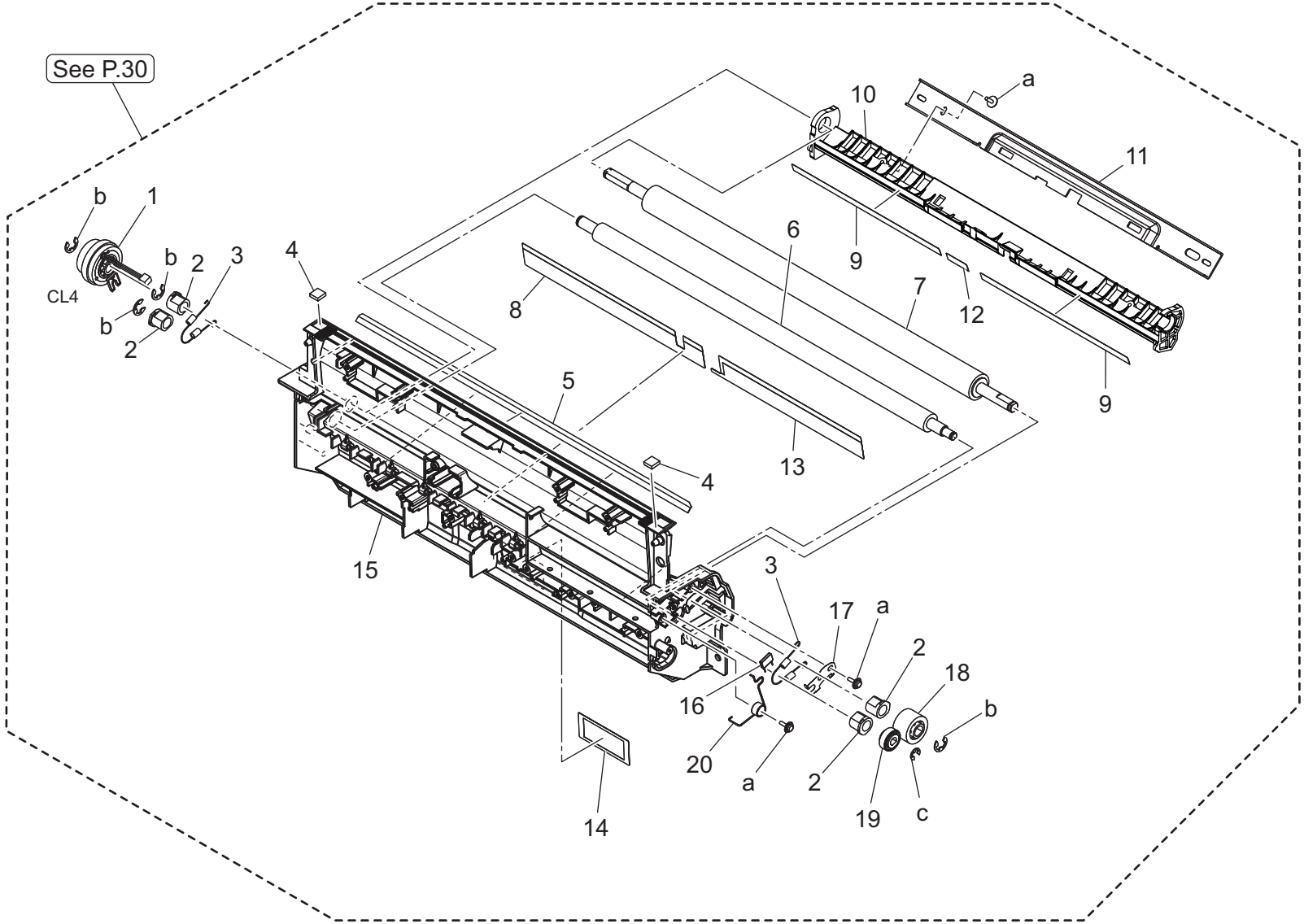
P 29

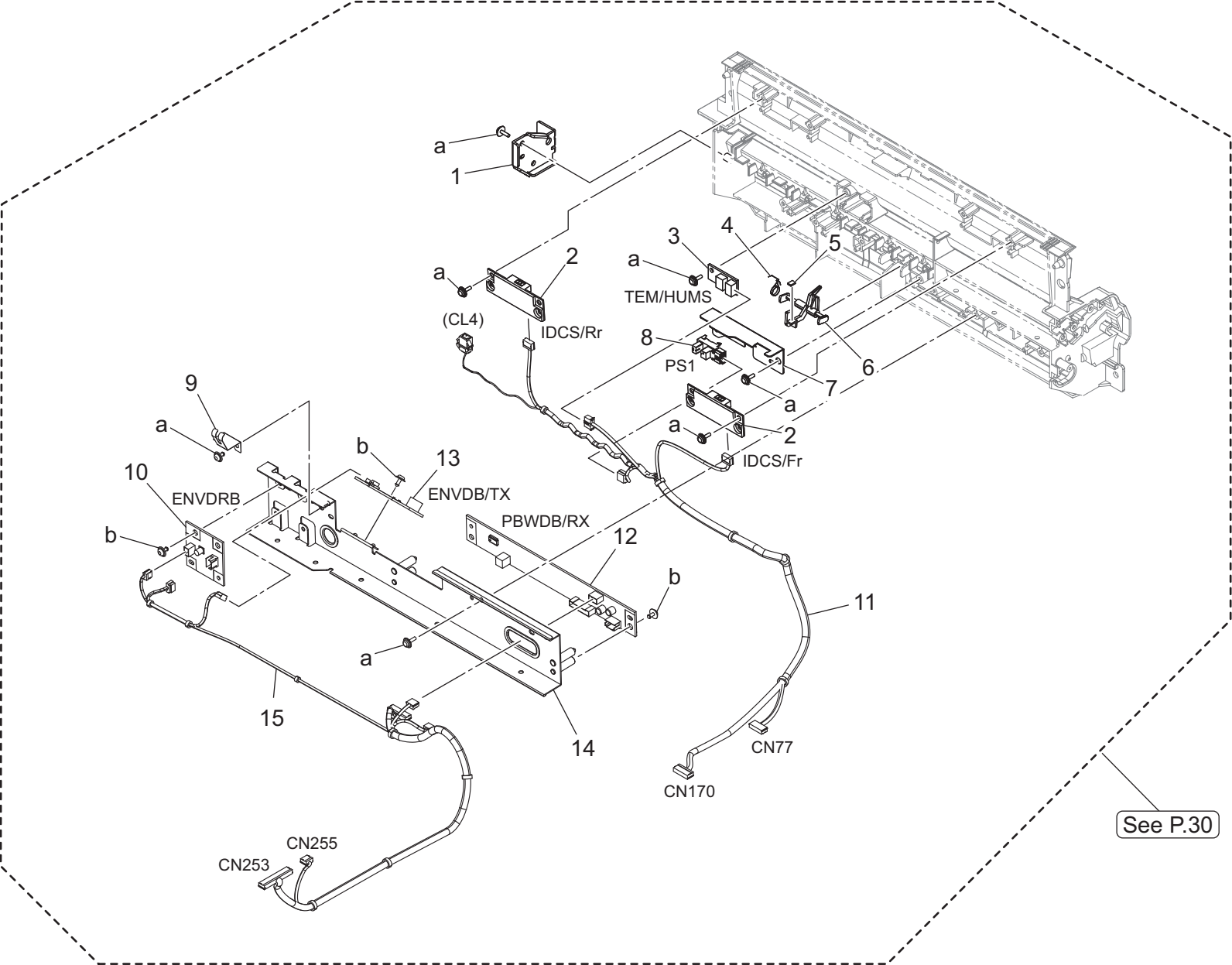


bizhub C450i/bizhub C450iS

Key	Part No.	Description	Destinations	Class	QTY	Standard parts
1	AA2J620901	Regulating Plate /Rear		C	1	a-V153030803 b-V125030803 c-V127030603 d-V144040603 e-V217040003
2	AA2J943701	Label		D	1	
3	A161624100	Cushion		C	1	
4	A161620600	Shoulder screw		D	1	
5	A161620701	Gear		D	1	
6	A79J566000	Cushion		C	1	
7	A79J622500	Auxiliary Guide /1		C	1	
8	A795622700	Compressing Spring		C	1	
9	4030322602	FRICITION SHEET		C	1	
10	A161620400	Lifting Plate		D	1	
11	AA2J621300	Lock Lever		C	1	
12	AA2J621500	Holder		D	1	
13	AA2J621000	Compressing Spring		C	1	
14	AA2J621200	Lock Lever /2		D	1	
15	AA2J620804	Regulating Plate		C	1	
16	A0ED620200	Guide		C	1	
17	4030320601	LEVER		D	1	
18	A795565700	Holder		C	1	
19	A795565900	Compressing Spring		C	1	
20	A795565800	Lever		C	1	
21	A795621901	Mounting Plate		D	1	
22	A161631411	Lever		C	1	
23	4163529301	SCREW		C	1	
24	AA2J630102	Paper feed Cassette		D	1	
25	A02E940300	Label		C	1	
26	AA2J629200	Plate spring		D	1	
27	AA2J628901	Cover		D	1	
28	AA2J628700	Lock Lever		C	1	
29	AA2J629000	Operation Lever		D	1	
30	A795565500	Compressing Spring		C	2	
31	AA2J628601	Regulating Plate		C	1	
32	A161621600	Lifting Shaft		D	1	
33	AA2J628800	Lock Lever		C	1	
34	A0ED620701	Actuator		C	1	
35	AA2J621100	Rack		D	1	

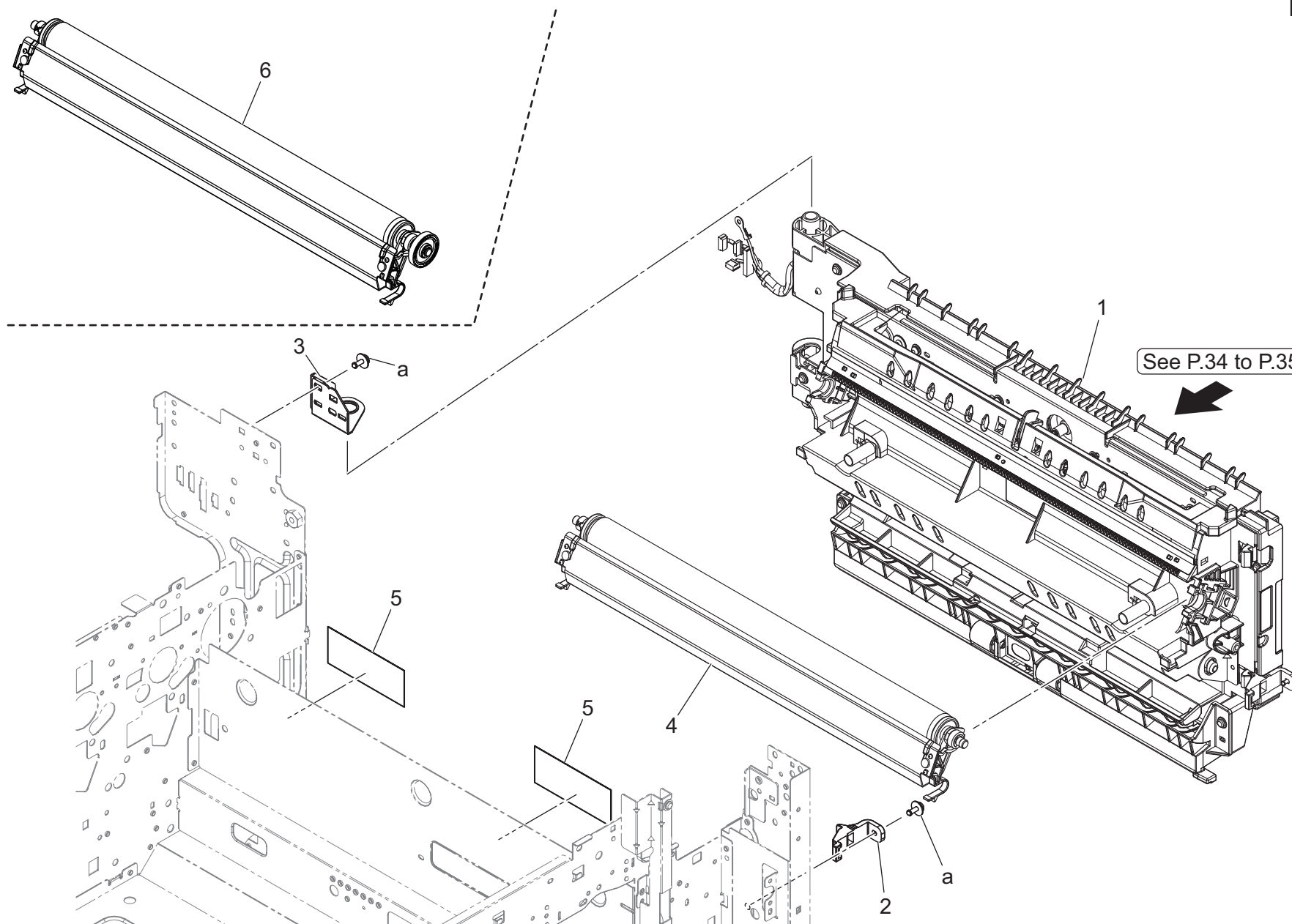






See P.30

2nd Transfer Section



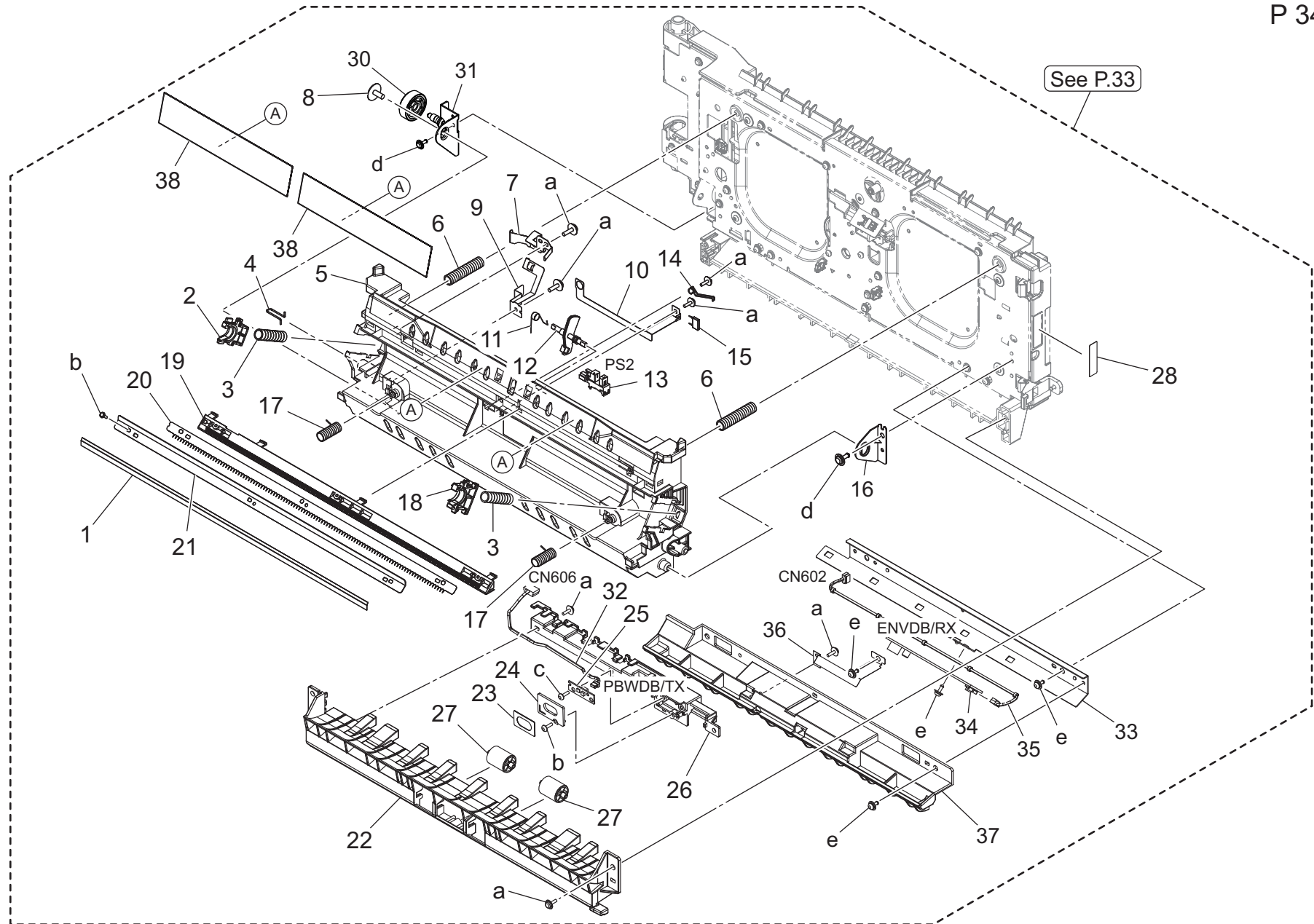
bizhub C450i/bizhub C450iS

2nd Transfer Section

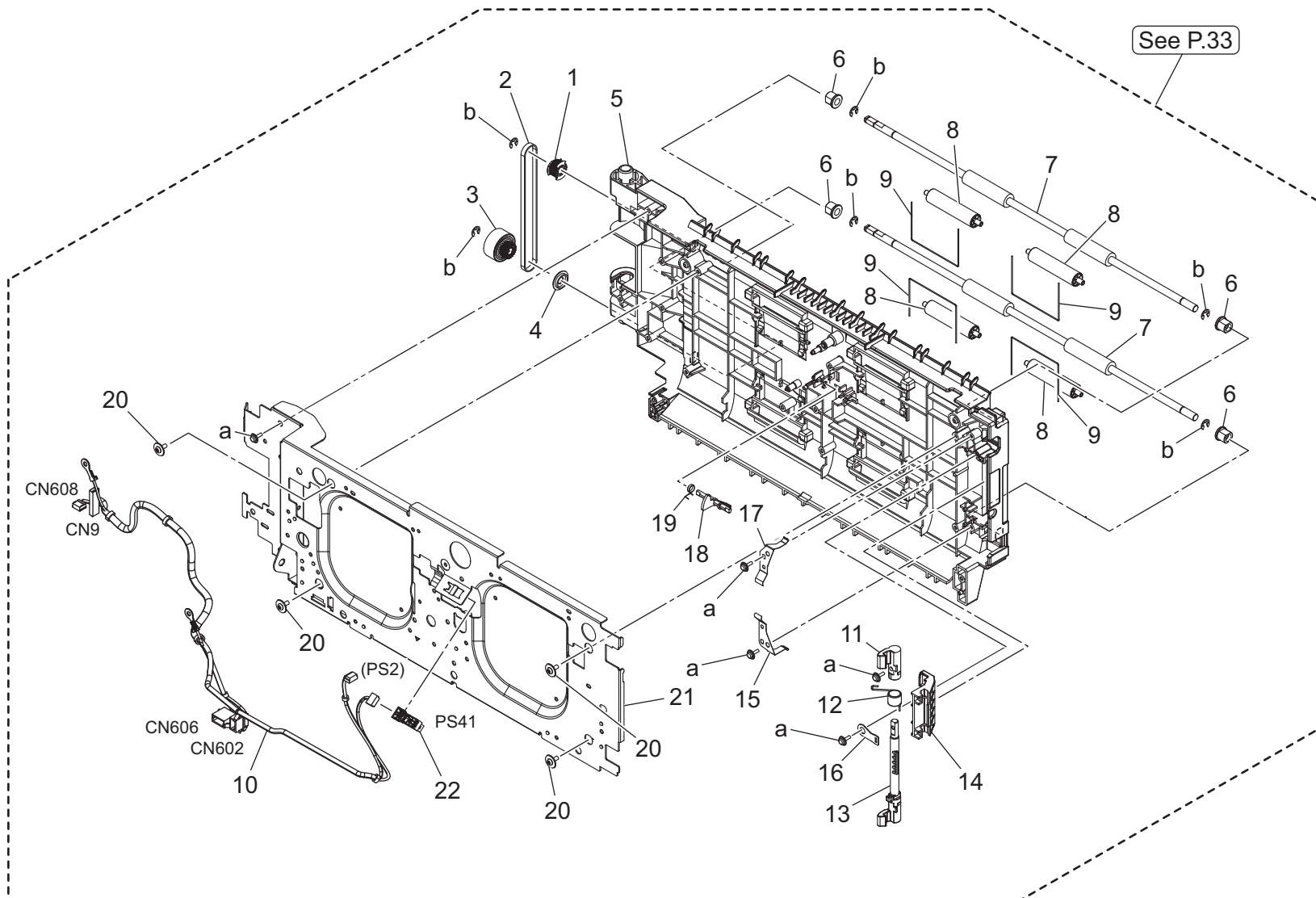
Key	Part No.	Description	Destinations	Class	QTY	Standard parts
1	AA7RR70411	Vertical Conveyance Assy		S	1	a-V125030803
2	AA2J712300	Fixing Part /Lower		D	1	
3	A161104101	Adjusting Plate		D	1	
4	AA7NR70411	2nd Image Transfer Roller Assy		A	1	
5	AA7N701800	Protection Sheet		D	2	
6	AA7NR73400	2nd Image Transfer Roller Assy (Dealer s	(Service Part Only)	A	1	

bizhub C450i/bizhub C450iS

2nd Transfer Section

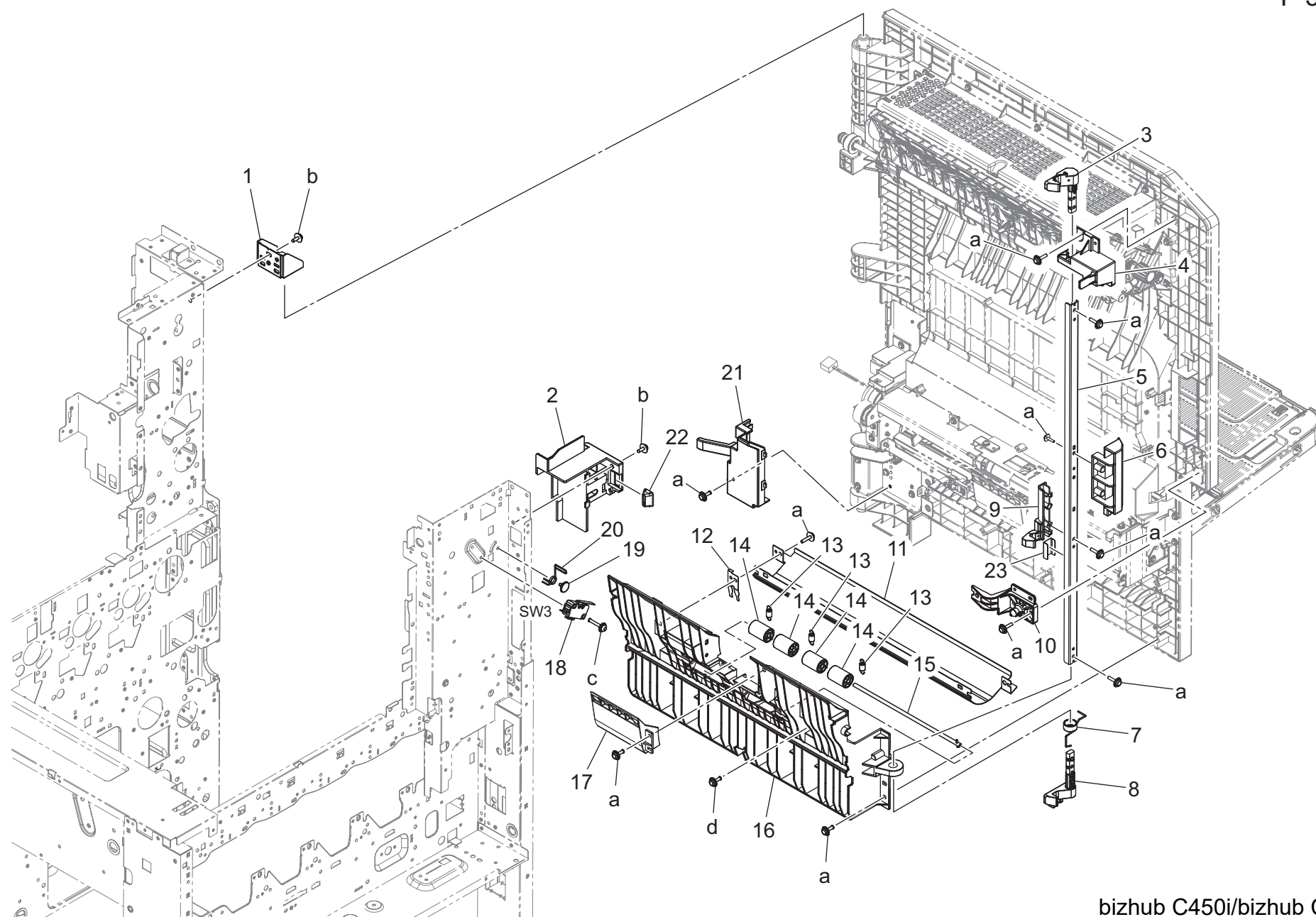


Key	Part No.	Description	Destinations	Class	QTY	Standard parts
1	A5C1551701	Guide Seal		D	1	a-V153030803
2	AA2J551500	Transfer Holder /2	転写ホルダ /2 (後 / Rear)	D	1	b-V162020504
3	AA2J551000	Compressing Coil spring /2	圧縮コイルばね /2	C	2	c-V145030804
4	A161712401	Ground Spring /A	アースばね / A	D	1	d-V144030803
5	AA2J710101	Holder /A	ホルダ / A	D	1	e-V125030803
6	A161711200	Pressing Spring	押圧ばね	D	2	
7	AA2J715100	Ground Plate /C	アース板 / C	D	1	
8	4163529301	SCREW	ねじ	C	1	
9	AA2J710900	Ground Plate /A	アース板 / A (2次接点)	D	1	
10	AA2J712500	Plate spring	板ばね (転前アース)	D	1	
11	A161712700	Spring /C	ばね / C	D	1	
12	A0ED703800	Actuator	アクチュエータ (ループセンサ)	D	1	
13	A5C1M50100	Photointerrupter	透過型センサ	B	1	
14	AA2J711000	Ground Spring /B	アースばね / B	D	1	
15	V800500300	FIXED POWER RESISTORS	固定抵抗器	D	1	
16	A5C1711801	Support Plate /Front	支点板 /前	D	1	
17	A0ED551100	Compressing Coil spring	圧縮コイルばね (転前)	D	2	
18	AA2J550701	Transfer Holder /2	転写ホルダ /2 (前 / Front)	D	1	
19	AA2J551600	Mounting Plate	取付板 (除電下)	D	1	
20	A0ED550800	Neutralizing Part	除電部材	D	1	
21	A0ED550900	Mounting Plate	取付板 (除電上)	D	1	
22	AA2J710302	Guide Plate /B	ガイド板 / B	D	1	
23	AA7N716500	Reflecting Plate	反射板 (基準)	C	1	
24	AA7N716700	Mounting Plate	取付板 (光学センサ・絞り)	D	1	
25	AA7NH00R00	PWB Assembly(BWLEB)	基板 ASSY (BWLEB)	C	1	
26	AA7N716100	Holder	ホルダ (光学センサ・発光)	D	1	
27	AA2J716000	Roll	ころ	C	2	
28	AA2J946400	Label	ラベル (M3)	C	1	
30	A64J719100	Gear 23T	ギア 23 T	C	1	
31	A161711901	Support Plate /Rear	支点板 /奥	D	1	
32	AA7NN10V00	Conveyance Detection Harness /2	搬送検知束線 /2 (LED)	D	1	
33	AA2J710701	Mounting Plate /C	取付板 / C	D	1	
34	AA7NH00V00Old	PWB-Assembly(MFDTB/R)	基板 ASSY (MFDTB /R)	C	1	
34	AA7NH00V01	PWB-Assembly(PWB-MFDTB/R ASSY)	基板 ASSY (PWB-MFDTB /R A)	C	1	
35	AA7NN10W00	Conveyance Detection Harness /3	搬送検知束線 /3 (超音波)	D	1	
36	AA7N717000	Ground Plate	アース板 (受信側)	D	1	
37	AA2J710602	Guide Plate /C	ガイド板 / C	D	1	
38	AA7N710801	Guide Sheet	ガイドシート (t = 0.1)	D	2	



Key	Part No.	Description	Destinations	Class	QTY	Standard parts
1	A0ED811700	Pulley 22T		C	1	a-V153030803 b-V217040003
2	A161719000	Drive Belt 266L		C	1	
3	A64J709100	Gear 22/23T		C	1	
4	A0ED811900	Collar		D	1	
5	AA2J710204	Guide Plate /A		D	1	
6	A02E815200	Bushing		C	4	
7	A161710500	Roller /A		D	2	
8	A161825700	Idler Roller /A		D	4	
9	A161714600	Conveyance Spring /B		D	4	
10	AA7RN10K00	Conveyance Harness /2		D	1	
11	A161711300	Lock Shaft /A		C	1	
12	A161711700	Spring /B		C	1	
13	A5C1711500	Lock Shaft		C	1	
14	A161711600	Open/close Lever		C	1	
15	A161712100	Ground Plate /E		D	1	
16	A161714500	Fixing Part		D	1	
17	A161712000	Ground Plate /D		D	1	
18	A161713500	Actuator		C	1	
19	A161712800	Spring /D		D	1	
20	4163529301	SCREW		C	4	
21	AA2J710402	Mounting Plate		D	1	
22	A5C1M50100	Photointerrupter		B	1	

Vertical Conveyance Section



bizhub C450i/bizhub C450iS

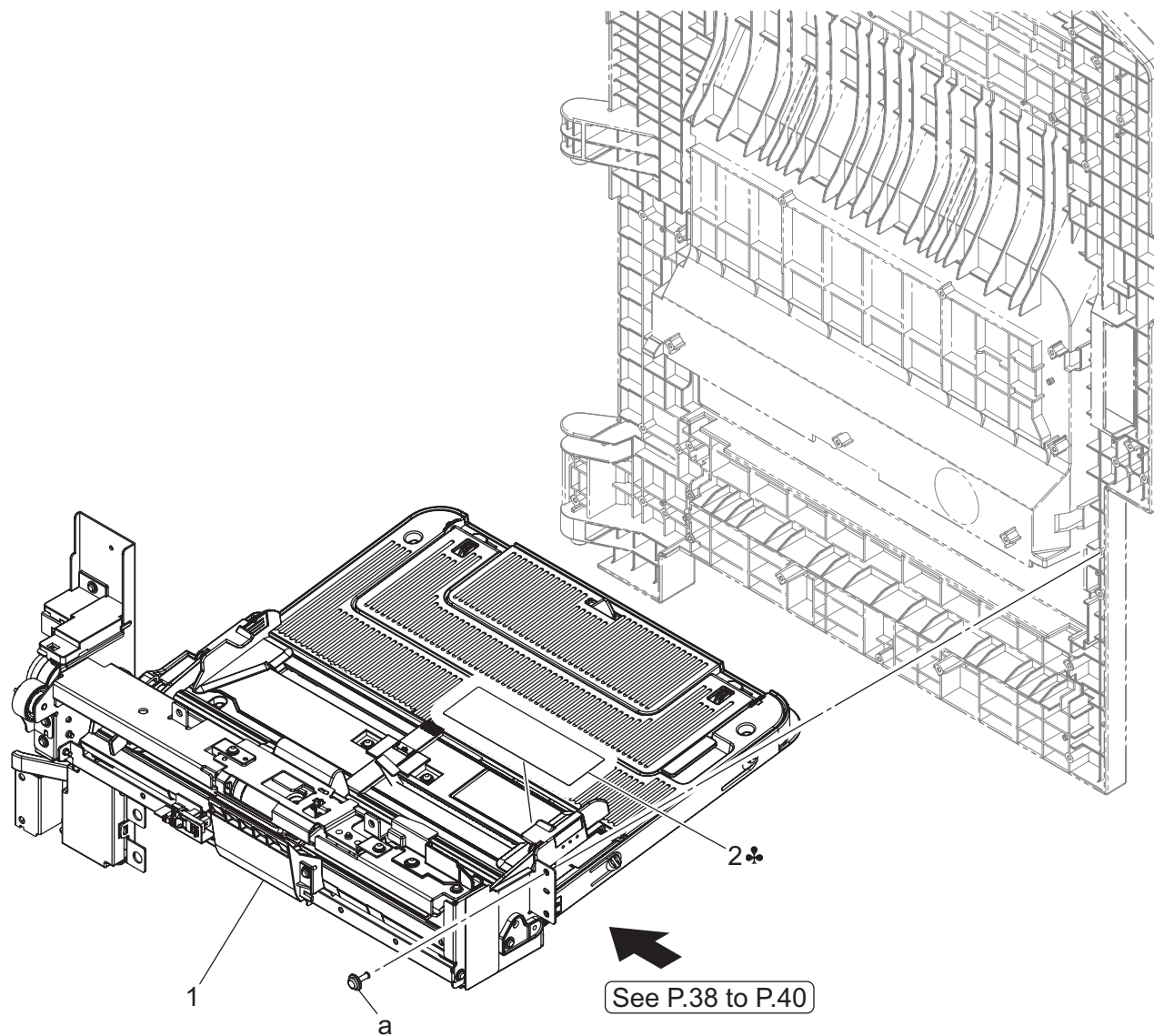
Vertical Conveyance Section

Key	Part No.	Description	Destinations	Class	QTY	Standard parts
1	A161121300	Adjusting Plate		D	1	a-V153030803 b-V125030803 c-V116031603 d-V144030803
2	AA2J121201	Holder		D	1	
3	AA2J712100	Lock Claw /Upper		C	1	
4	A161811500	Support Part /Upper		D	1	
5	A161811001	Lock Plate		D	1	
6	A5C1811101	Open/close Handle		C	1	
7	A161815900	Torsion Coil spring		C	1	
8	AA2J811600	Lock Claw /Lower		C	1	
9	AA2J815200	Lock /Middle		C	1	
10	A161811302	Lock Part /Lower		D	1	
11	A161815000	Guide Door		D	1	
12	A161816200	Ground Guide		D	1	
13	A64J815500	Pulling Spring		C	3	
14	A161815400	Roll		C	4	
15	A161815300	Shaft		D	1	
16	A161810305	Guide Plate /2		D	1	
17	AA7N590500	Paper feed Guide		D	1	
18	9J06M60100	Micro Switch		C	1	
19	A161137100	Shoulder screw		D	1	
20	A161151200	Torsion Coil spring		D	1	
21	A161592900	Wiring Cover /B		D	1	
22	A79J122200	Collar		D	1	
23	AA2J812100	Protection Sheet		D	1	

bizhub C450i/bizhub C450iS

Bypass Tray Section

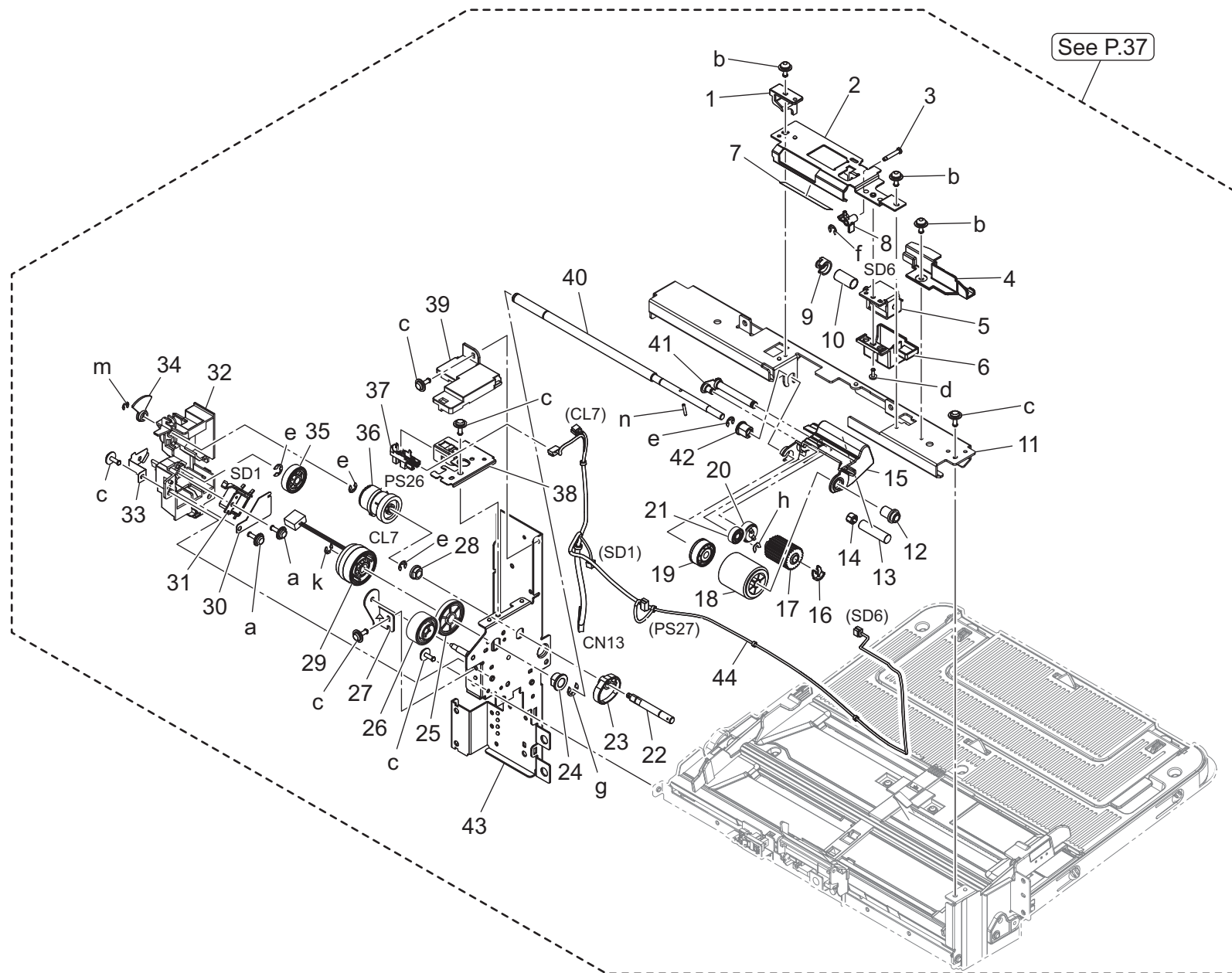
P 37



Bypass Tray Section

Key	Part No.	Description	Destinations	Class	QTY	Standard parts
1	AA7NR72334	Manual Feed Tray Assy	手差し A s s y	S	1	a-V153030803
2	AA2J944100	Label	ラベル (手差し・メトリック)	D	1	
2	AA2J944200	Label	ラベル (手差し・インチ)	D	1	

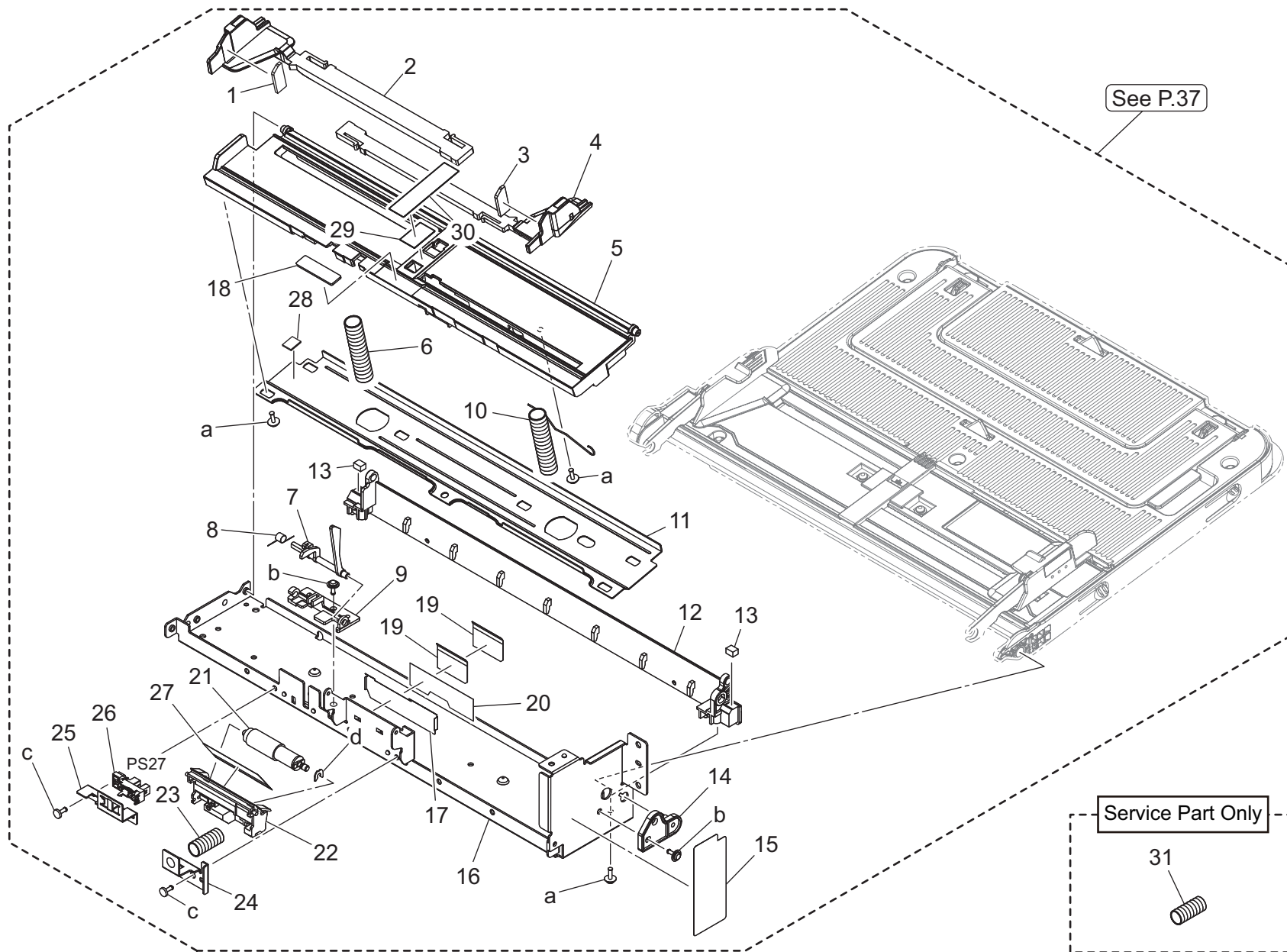
bizhub C450i/bizhub C450iS



bizhub C450i/bizhub C450iS

Key	Part No.	Description	Destinations	Class	QTY	Standard parts
1	AA2J590900	Holding Plate		D	1	a-V153030803
2	AA2J590300	Reinforce Plate		D	1	b-V125030803
3	AA2J591600	Shaft		D	1	c-V144030803
4	AA2J593700	Wiring Cover /Front		D	1	d-V126030803
5	A034M20100	Conveyance Solenoid		C	1	e-V217040003
6	AA2J592401	Cover		D	1	f-V217020003
7	A161594700	Guide Sheet		C	1	g-V217060003
8	AA2J592301	Lifting Lever		D	1	h-V218030086
9	AA2J593100	Pressing Holder		D	1	k-V217050003
10	AA2J594301	Compressing Coil spring		C	1	m-V217030003
11	AA2J590202	Paper feed Frame		D	1	n-V234201250
12	AA2J592701	Bushing		D	1	
13	AA2J591900	Weight		D	1	
14	AA2J595000	Cover		D	1	
15	AA2J592000	Paper feed Holder		D	1	
16	56AA40490	Shaft Stopper /4		C	1	
17	A5C1562200	Roller		A	1	
18	A00F623201	Roller		B	1	
19	AA2J592600	Gear 42T		C	1	
20	AA2J592100	Gear 32T		C	1	
21	AA2J592200	Idling Gear 26T		C	1	
22	A161591400	Drive Shaft		D	1	
23	A161593300	Paper feed Cam		C	1	
24	AA2J592900	Slide Bearing		D	1	
25	A02E596100	Gear 30T		C	1	
26	AA2J593800	Bypass Gear 24T		C	1	
27	A161590600	Reinforce Plate		D	1	
28	A02E596300	Bushing		C	1	
29	A02EM20100	Clutch		B	1	
30	A0ED597800	Cover		D	1	
31	9321240011	SOLENOID		C	1	
32	A5C1591200	Drive Cover		D	1	
33	A7PU596900	Auxiliary Cover		D	1	
34	A161591300	Light blocking Plate		C	1	
35	A02E595400	Gear 22T		C	1	
36	A02E595100	Clutch assy		C	1	
37	A5C1M50100	Photointerrupter		B	1	
38	A5C1591900	Mounting Plate		D	1	
39	A161592802	Wiring Cover /A		D	1	
40	AA2J591500	Paper feed Shaft		D	1	
41	AA2J591000	Mounting Plate /ASSY		D	1	
42	AA2J592800	Bushing		D	1	
43	A161F59002	Caulking(Mounting Plate Drive Frame)		D	1	
44	AA2JN10S00	Paperfeed Wiring /4		D	1	

Bypass Tray Section

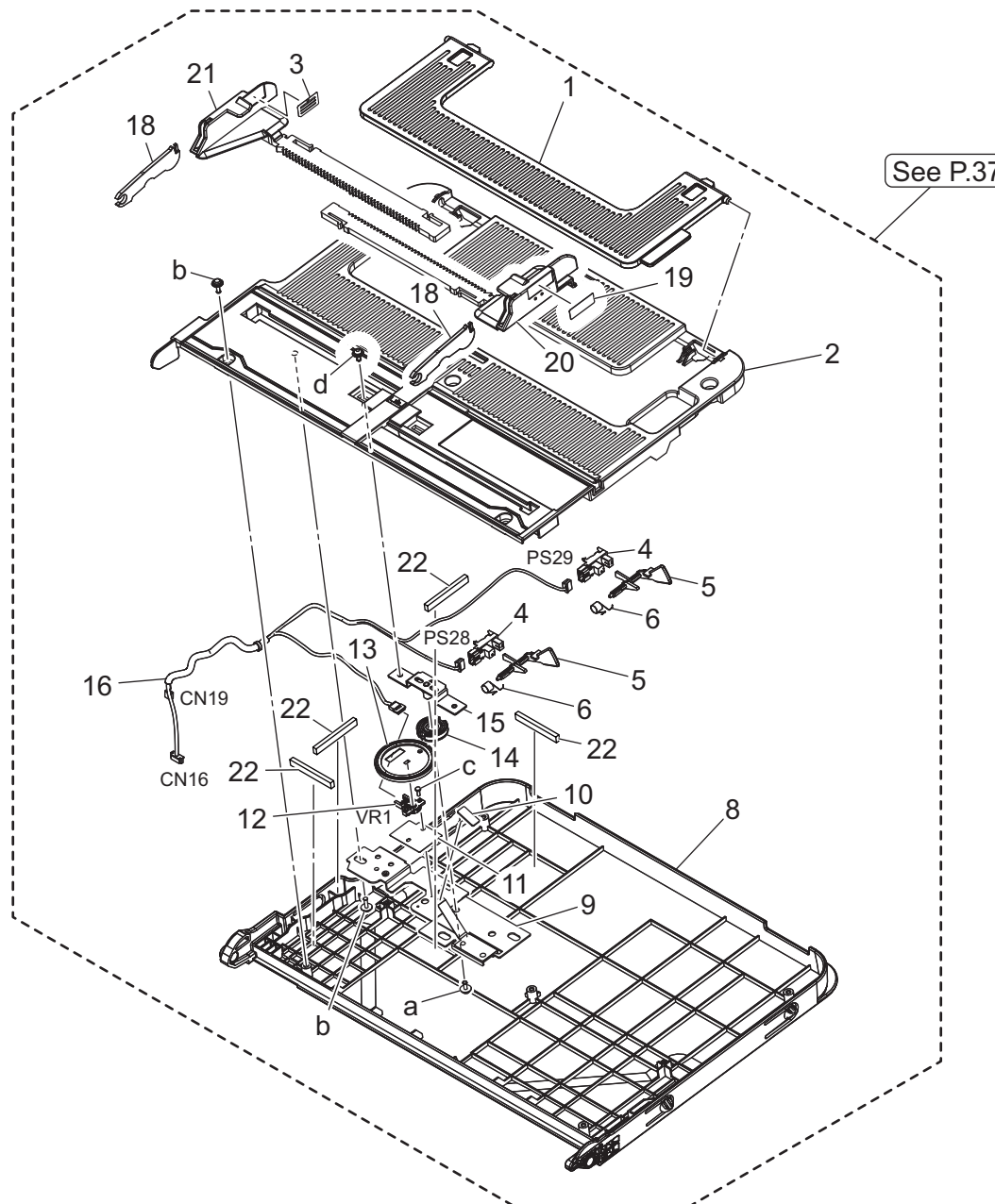


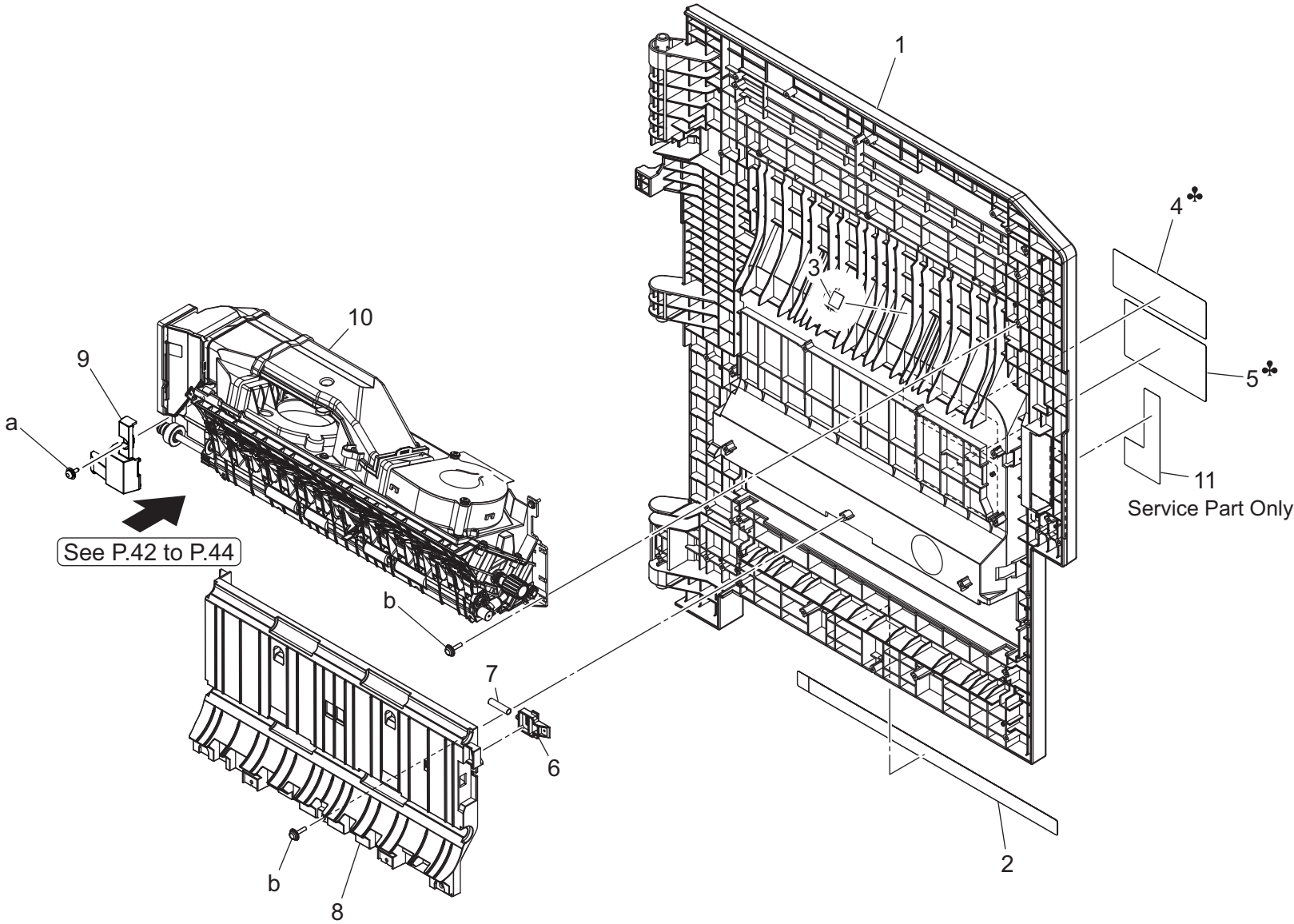
bizhub C450i/bizhub C450iS

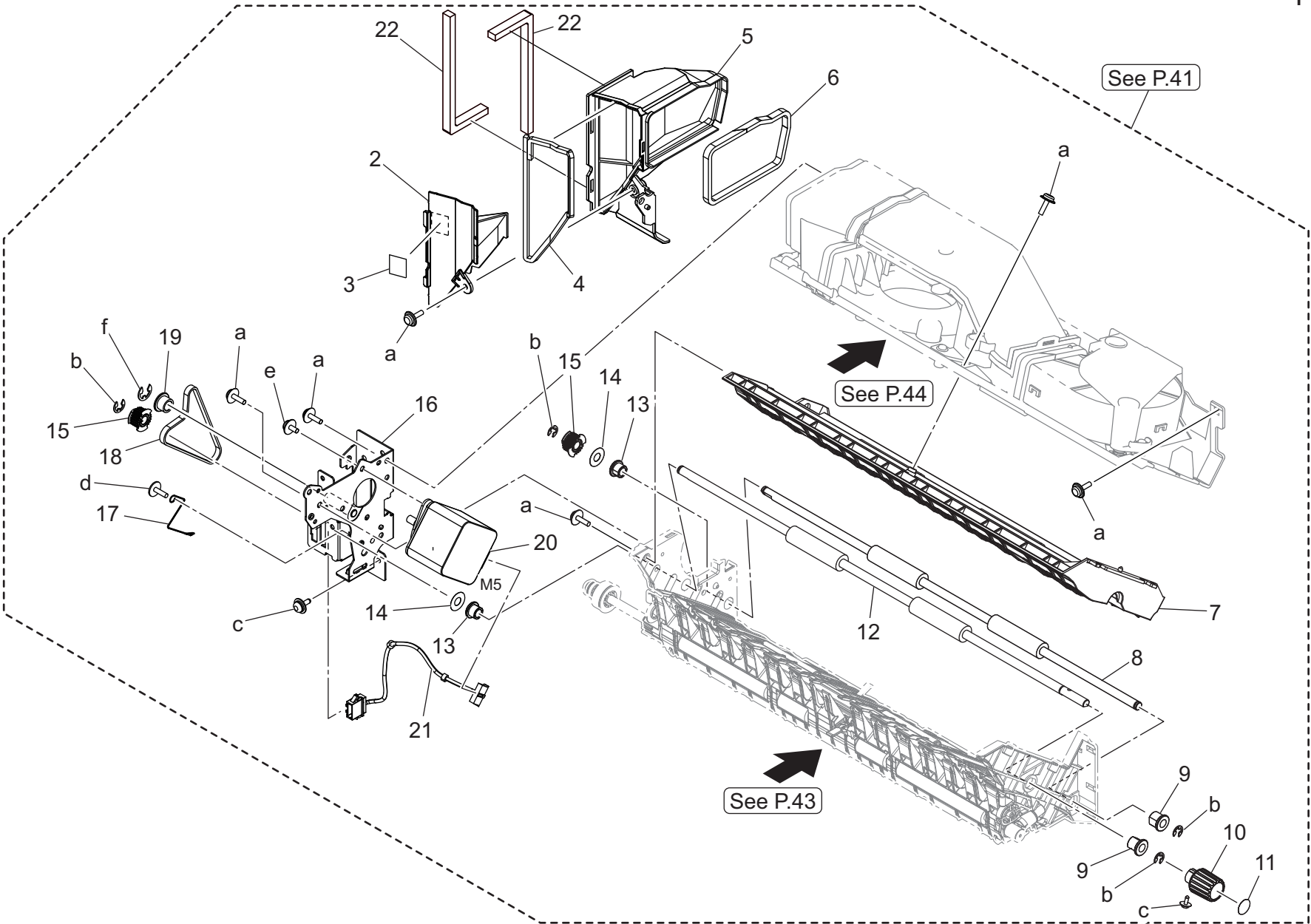


Key	Part No.	Description	Destinations	Class	QTY	Standard parts
1	A161594500	Brake Part		C	1	a-V153030803 b-V144030803 c-V126030803 d-V218030086
2	AA2J593200	Regulating Plate /R		C	1	
3	A161594600	Brake Part /F		C	1	
4	AA2J593301	Regulating Plate /L		C	1	
5	AA2J593000	Lifting Plate		D	1	
6	A161593400	Compressing Coil spring		C	1	
7	A161590901	Actuator		C	1	
8	A161591000	Torsion Spring		C	1	
9	A161591100	Sensor Holder		D	1	
10	A161593600	Compressing Coil spring		C	1	
11	A7PU596800	Mounting Plate		D	1	
12	A161590304	Support Holder		D	1	
13	A161594201	Cushion		D	2	
14	A161591600	Hold Plate		C	1	
15	AA2J594500	Protection Seal /Front		D	1	
16	AA2J590100	Bypass Frame		D	1	
17	A161595300	Separating Plate		C	1	
18	A7PU594000	Separating Sheet		C	1	
19	AA7N595100	Guide		C	2	
20	A161595100	Seal		C	1	
21	AA7N591100	Roller /ASSY		A	1	
22	A161595000	Holder		D	1	
23	AA2J594201	Compressing Coil spring		C	1	
24	A161595400	Hold Plate		D	1	
25	A161591800	Sensor Holder		D	1	
26	A5C1M50100	Photointerrupter		B	1	
27	A02E597600	Guide		C	1	
28	A161825301	Cushion /A		D	1	
29	AA7N591200	Sheet /1		D	1	
30	AA7N591300	Sheet /2		D	1	
31	AA7NP10100	Compressing Coil spring		D	1	

Bypass Tray Section







See P.41

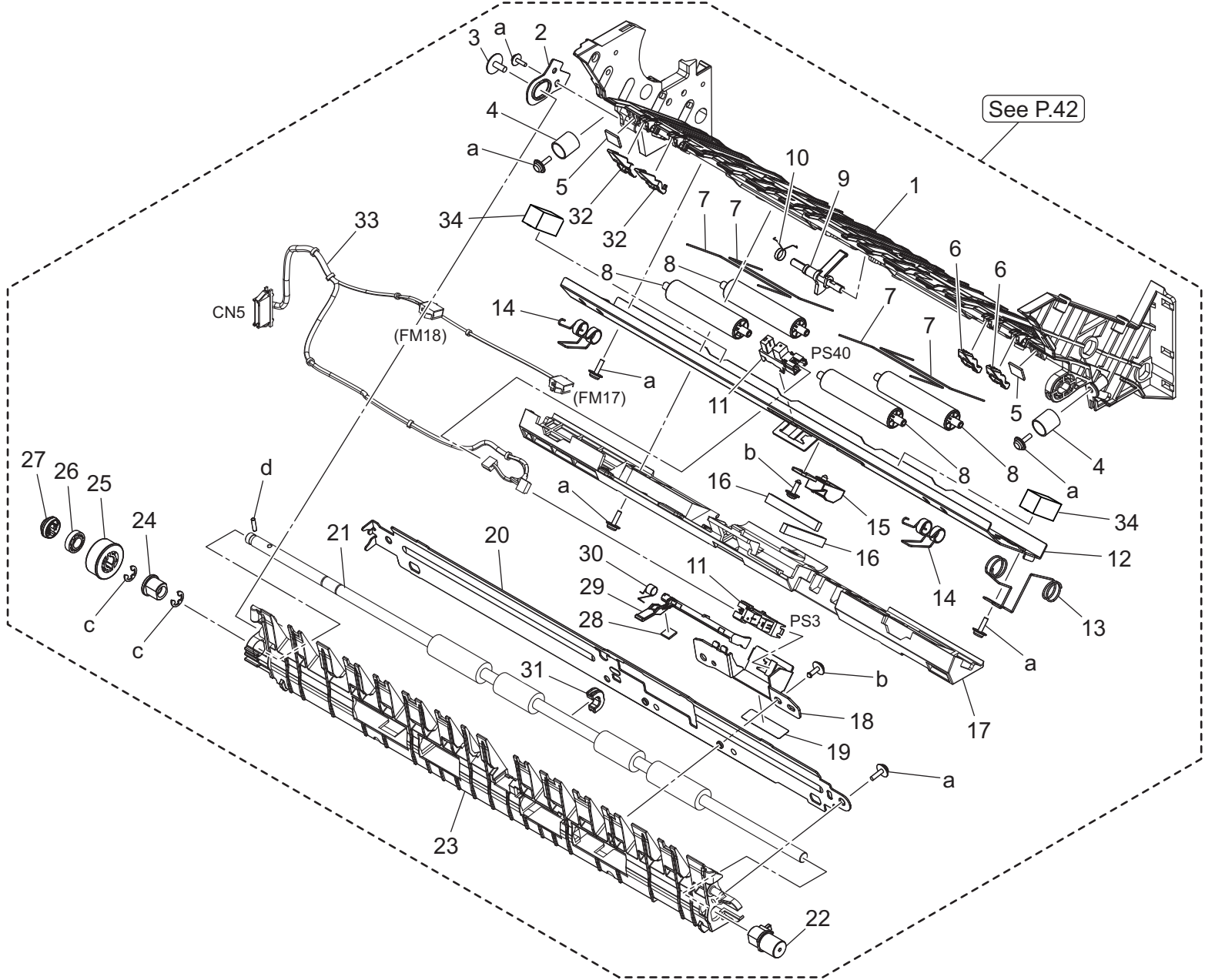
See P.44

See P.43

bizhub C450i/bizhub C450iS

Key	Part No.	Description	Destinations	Class	QTY	Standard parts
2	A79J830600	Duct	ダクト	D	1	a-V153030803 b-V217040003 c-V125030803 d-V144030803 e-V116030603 f-V217050001
3	A00F941100	Label	ラベル (高温マーク)	D	1	
4	A79J831600	Cushion	クッション	C	1	
5	AA7N830100	Duct	ダクト (ドッキング)	D	1	
6	A79J831100	Cushion	クッション	C	1	
7	A79J812202	Guide Plate	ガイド板	D	1	
8	A161814601	Roller /C	ローラ /C	C	1	
9	A02E815200	Bushing	軸受	C	2	
10	A161814700	Knob /A	ノブ /A	C	1	
11	AA2J946100	Label	ラベル (M2)	D	1	
12	A161813701	Roller /B	ローラ /B	C	1	
13	A161813300	Bushing /A	すべり軸受 /A	C	2	
14	A161816400	Spacer /A	スペーサ /A	C	2	
15	A0ED811700	Pulley 22T	プーリー (ADU 第3) 22T	C	2	
16	A79J811200	Frame /ASSY	フレーム /ASSY	D	1	
17	A5C1814300	Contact /B	接点 /B	D	1	
18	A79J819000	Timing belt 200L	タイミングベルト 200L	C	1	
19	A79J819800	Roll	ころ	C	1	
20	A2X0M10600	Stepping motor	ステッピングモーター	C	1	
21	AA7NN10M00	ADU Drive Harness	ADU 駆動束線	D	1	
22	AA7N831500	Seal	シール (ユニット側)	C	2	

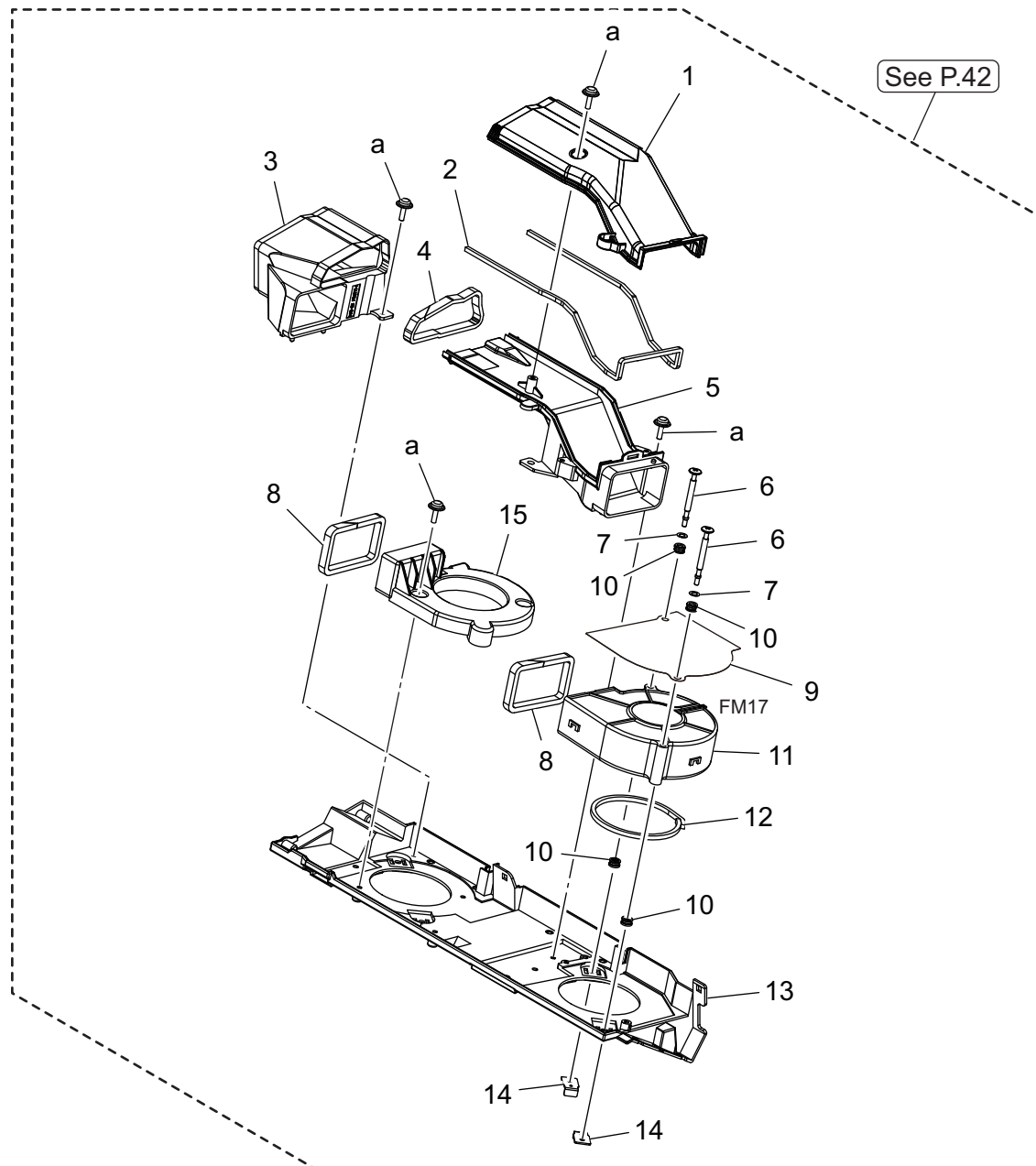
Reverse Section



bizhub C450i/bizhub C450iS



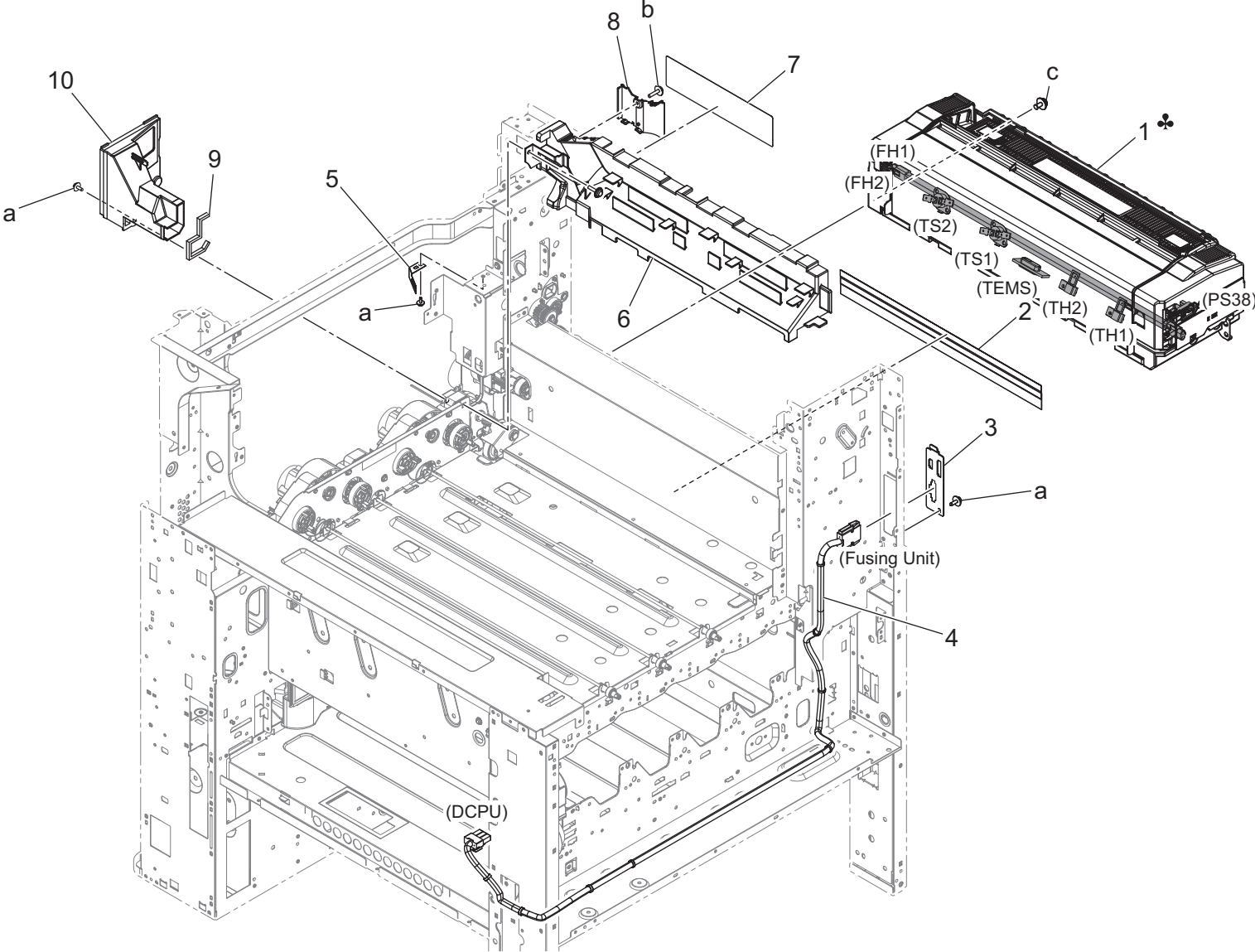
Key	Part No.	Description	Destinations	Class	QTY	Standard parts
1	A79J811700	Guide Plate	ガイド板	D	1	a-V153030803 b-V144030803 c-V217040003 d-V234200850
2	A161814401	Mounting Plate /3	取付板 /3	D	1	
3	4163529301	SCREW	ねじ	C	1	
4	A161813600	Pressing Spring /A	押圧ばね / A	C	2	
5	A161825301	Cushion /A	クッション / A	D	2	
6	A5C1811803	Guide Plate /Front	ガイド板 /前	D	2	
7	A0ED815100	Holding Part	押さえ材 (ADU第1R)	D	4	
8	A161825700	Idler Roller /A	従動ローラ / A	D	4	
9	A161813200	Actuator	アクチュエータ (ADU上JAM検)	C	1	
10	A161712800	Spring /D	ばね /D	D	1	
11	A5C1M50100	Photointerrupter	透過型センサ	B	2	
12	A7PU810901	Mounting Plate /1	取付板 /1	D	1	
13	A5C1814200	Contact /A	接点 / A	D	1	
14	A161813400	Torsion Coil spring	ねじりコイルばね (ガイド押さえ)	D	2	
15	A161825400	Wiring Part	配線部材	D	1	
16	A161825800	Cushion /B	クッション /B	D	2	
17	AA7R813900	Cover /A	カバー / A	D	1	
18	AA2J825100	Mounting Plate /4	取付板 /4	D	1	
19	A79J821000	Protection Part	保護部材	C	1	
20	AA2J810800	Mounting Plate /2	取付板 /2	D	1	
21	AA2J810611	Roller /1	ローラ /1	C	1	
22	AA2J814500	Bushing	すべり軸受 (排紙前)	D	1	
23	AA2J810511	Guide Plate /4	ガイド板 /4 (排紙前)	D	1	
24	A02E815200	Bushing	軸受	C	1	
25	A161819200	Gear 18T	ギア 18T	C	1	
26	A5C1825000	Bushing	すべり軸受	C	1	
27	A161825000	Bushing	すべり軸受 (排紙ドッキング丸2)	C	1	
28	A161826001	Cushion /B	クッション /B	D	1	
29	A161813001	Actuator	アクチュエータ (排紙JAM検)	C	1	
30	A161813100	Torsion Coil spring	ねじりコイルばね (排紙JAM検)	C	1	
31	A161819500	Bushing /C	すべり軸受 /C	C	1	
32	A5C1811901	Guide Plate /Rear	ガイド板 /奥	D	2	
33	AA7NN10N00	Conveyance Harness /3	搬送束線 /3 (TOP)	D	1	
34	A79JM90911	Gasket	ガスケット	D	2	



Key	Part No.	Description	Destinations	Class	QTY	Standard parts
1	AA7N830300	Duct		D	1	a-V153030803
2	A79J831200	Cushion		C	1	
3	A79J830100	Duct		D	1	
4	A79J831300	Cushion		C	1	
5	AA7N830200	Duct		D	1	
6	A79J832000	Shoulder screw		C	2	
7	A79J832400	Washer		C	2	
8	A79J831000	Cushion		C	2	
9	A9HG830701	Cover		D	1	
10	A79J832100	Support Rubber		D	4	
11	A93EM10600	Fan motor		C	1	
12	A79J832300	Seal		C	1	
13	A79J830001	Holder		D	1	
14	A79J832200	Mounting Plate		D	2	
15	A79J829900	Cover		D	1	

bizhub C450i/bizhub C450iS

Fusing Section



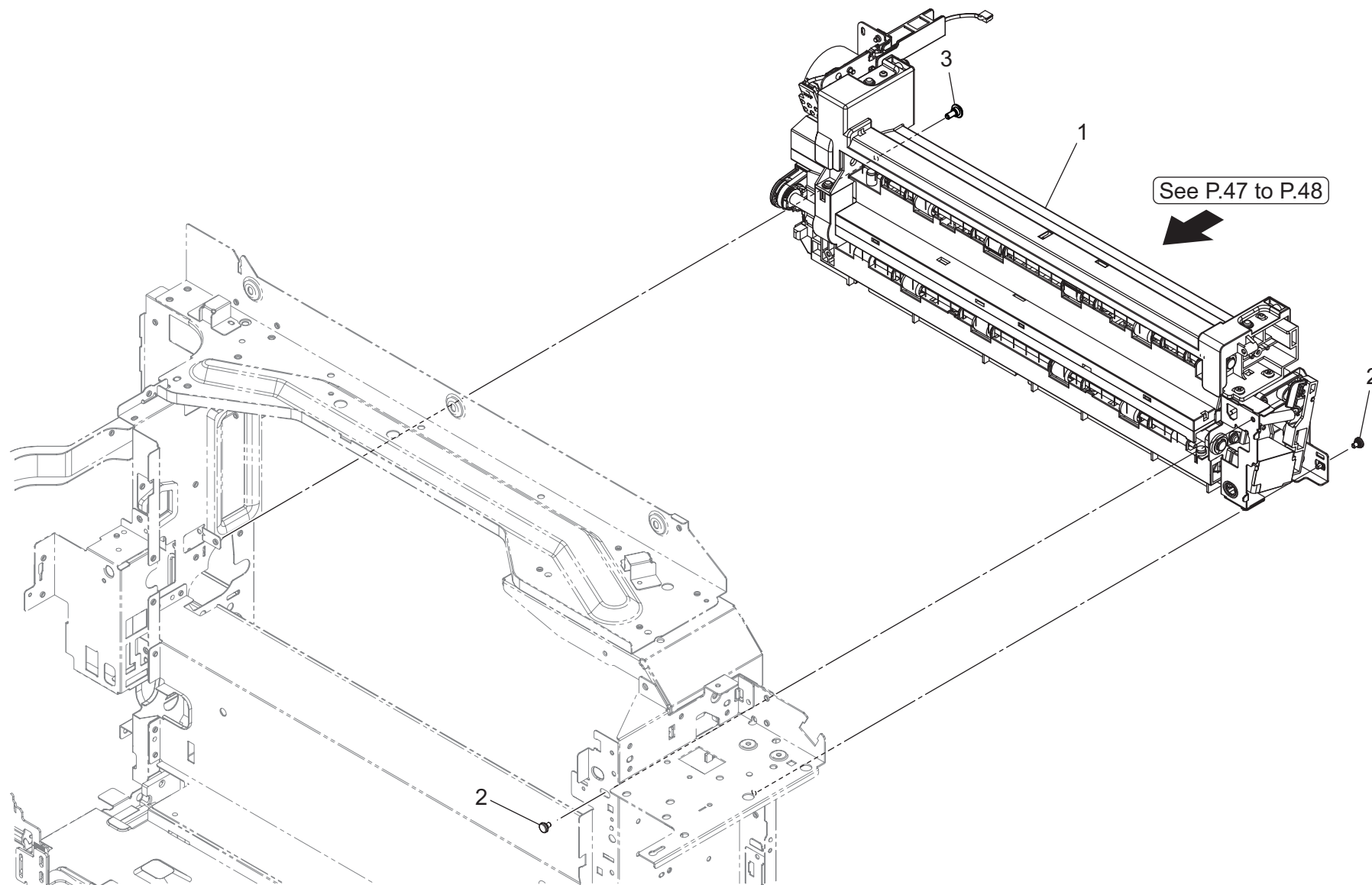
bizhub C450i/bizhub C450iS

Fusing Section

Key	Part No.	Description	Destinations	Class	QTY	Standard parts	
1	AA7RR70644	Fusing Unit Assy (100V)	定着器 Assy (100V)	A(bizhub C450i)	A	1	a-V125030803 b-V153031004 c-V116033503
1	AA7RR70744	Fusing Unit Assy (120V)	定着器 Assy (120V)	G2	A	1	
1	AA7RR70844	Fusing Unit Assy (230V)	定着器 Assy (230V)	(Model No.AA7R021)C	A	1	
1	AA7RR71033	Fusing Unit Assy (110V)	定着器 Assy (110V)	(AA7R071)H	A	1	
1	AA7RR70844	Fusing Unit Assy (230V)	定着器 Assy (230V)	(AA7R041,081)D1,D3, E,F2,G1,I,K,J	A	1	
1	AA7RR71211	Fusing Unit (100V)	定着ユニット (100V)	A(bizhub C450iS)	A	1	
1	AA7RR71311	Fusing Unit (120V)	定着ユニット (120V)	(Model No.AA7R017,0 1D,018)B,G2	A	1	
1	AA7RR71411	Fusing Unit (220-240V)	定着ユニット (220-240V)	(AA7R027,047,087)C, D1,D3,E,F2,G1,I,K,J	A	1	
1	AA7RR71500	Fusing Unit (110V)	定着ユニット (110V)	(AA7R077,078)H	A	1	
1	AA7RR70744	Fusing Unit Assy (120V)	定着器 Assy (120V)	(Model No.AA7R011,0 12)B	A	1	
2	A797102701	Seal	シール		C	1	
3	AA2J137201	Mounting Plate	取付板 (定着コネクタ /1)		D	1	
4	AA7RN10400	Heater Relay Harness	ヒーター中継束線 (0)		D	1	
5	A161122500	Ground Plate	アース板		D	1	
6	AA7N140100	Duct	ダクト (TB 冷却)		D	1	
7	AA2J140800	Seal	シール (ジョイント TB 冷却)		D	1	
8	AA2J140600	Duct	ダクト (TB 冷却 ジョイント)		D	1	
9	AA7N148300	Seal	シール (TB 冷却ジョイント)		C	1	
10	AA7N140500	Duct	ダクト (TB 冷却)		D	1	

Paper Exit Section

P 46



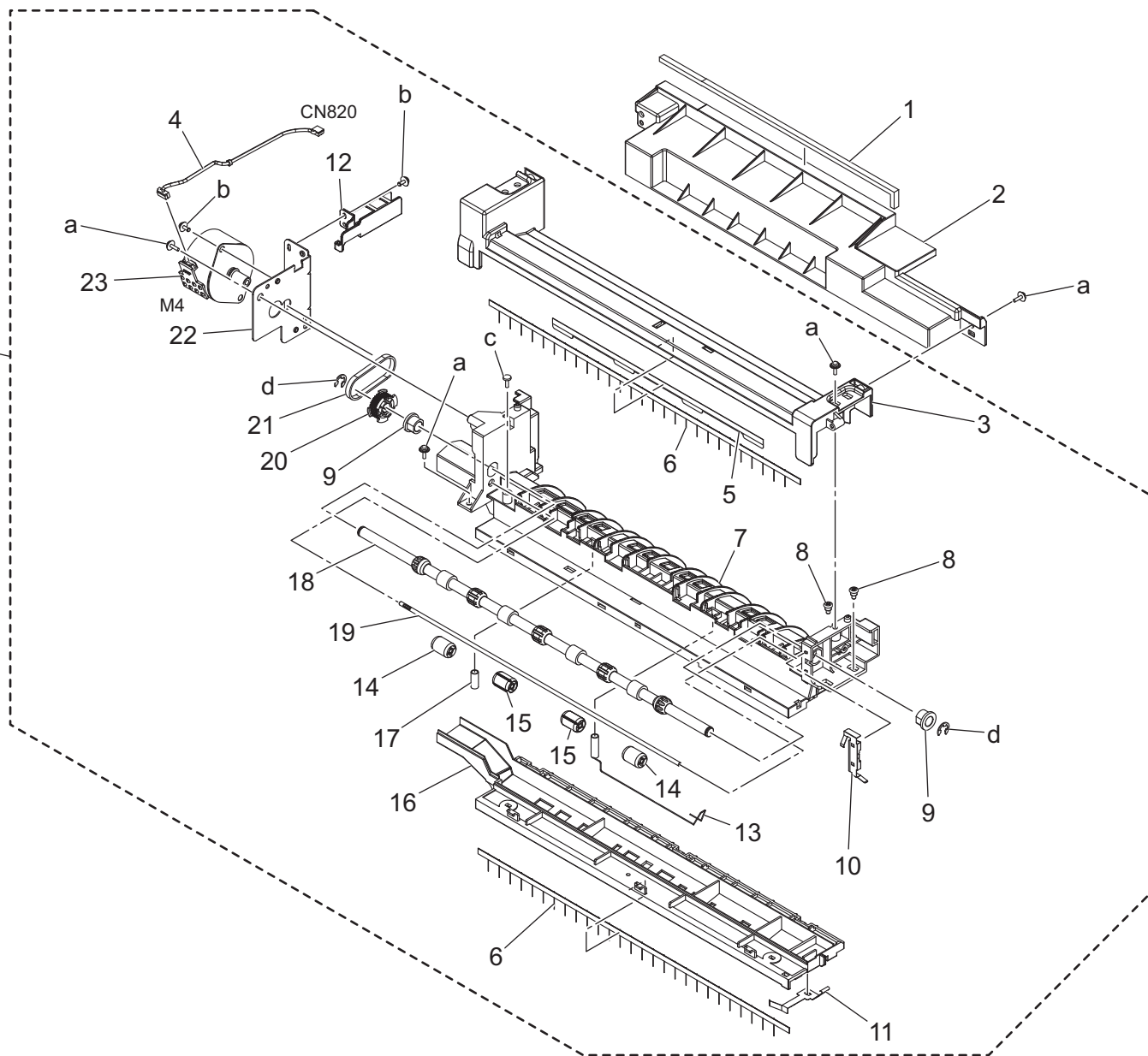
bizhub C450i/bizhub C450iS

Key	Part No.	Description	Destinations	Class	QTY	Standard parts
1	AA7NR72144	Paper Exit Assy		S	1	
2	A0P0742300	Shoulder screw		C	2	
3	A00J169300	Shoulder screw		C	1	

bizhub C450i/bizhub C450iS

Paper Exit Section

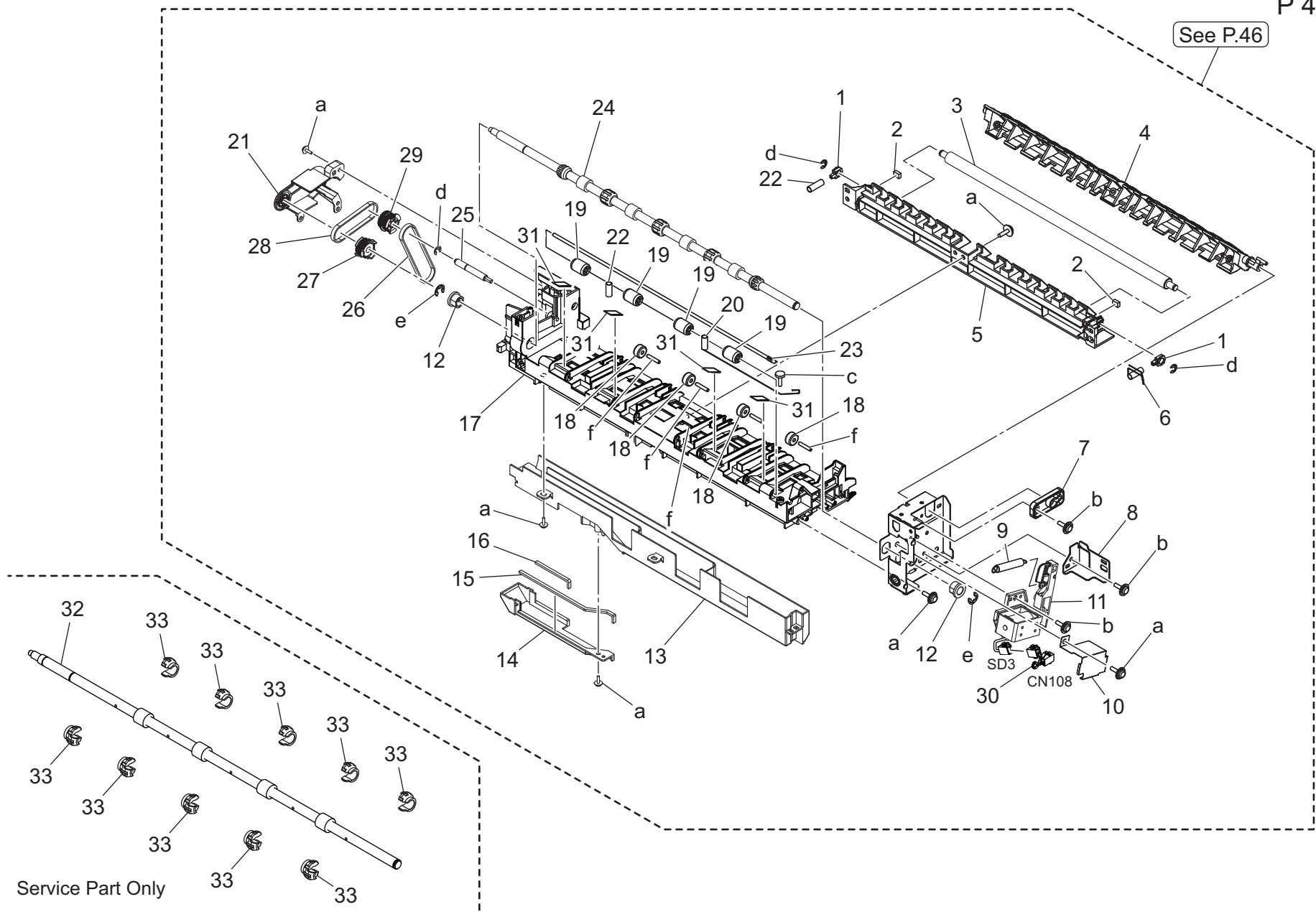
See P.46



Paper Exit Section

P 48

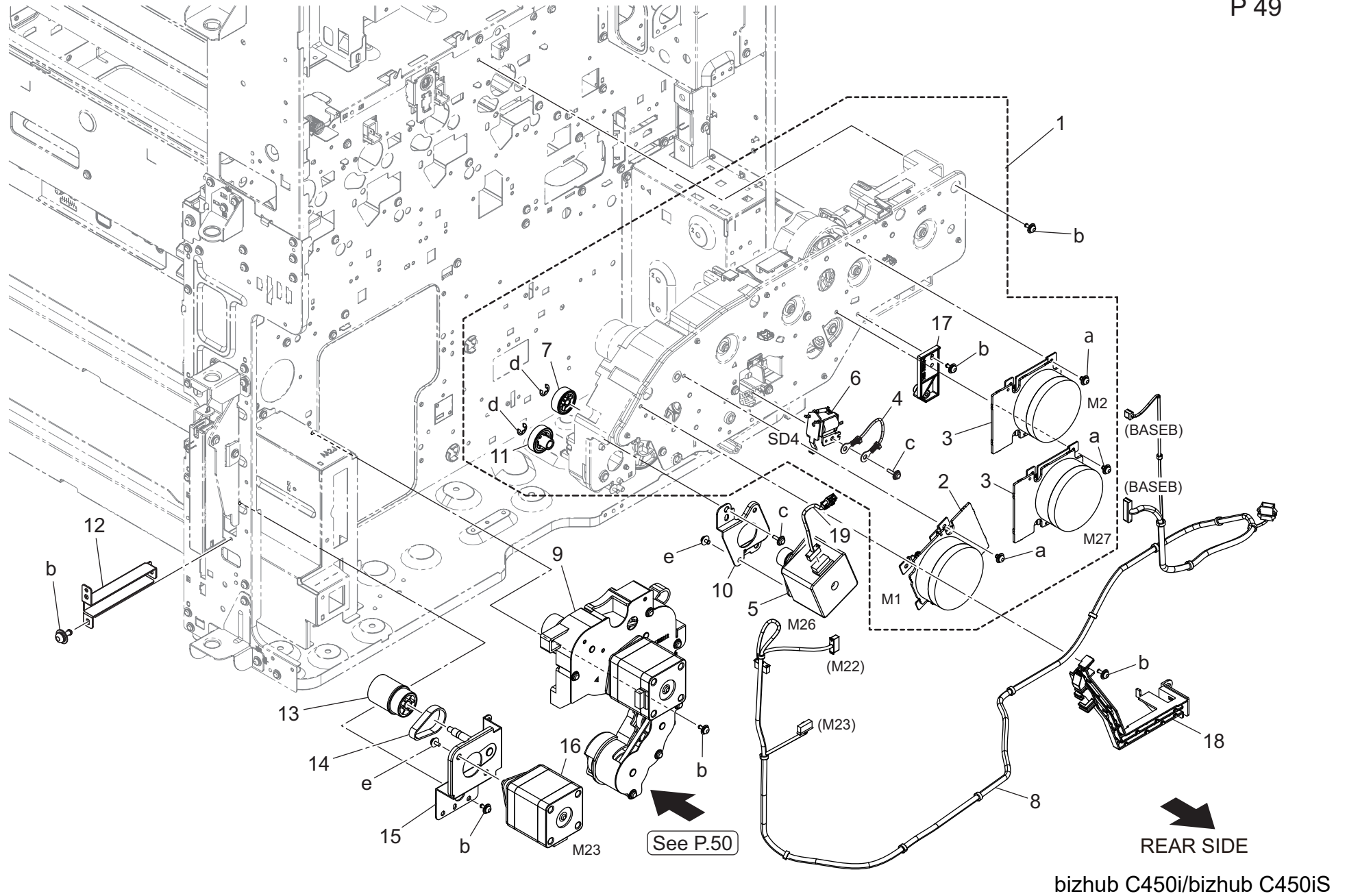
See P.46

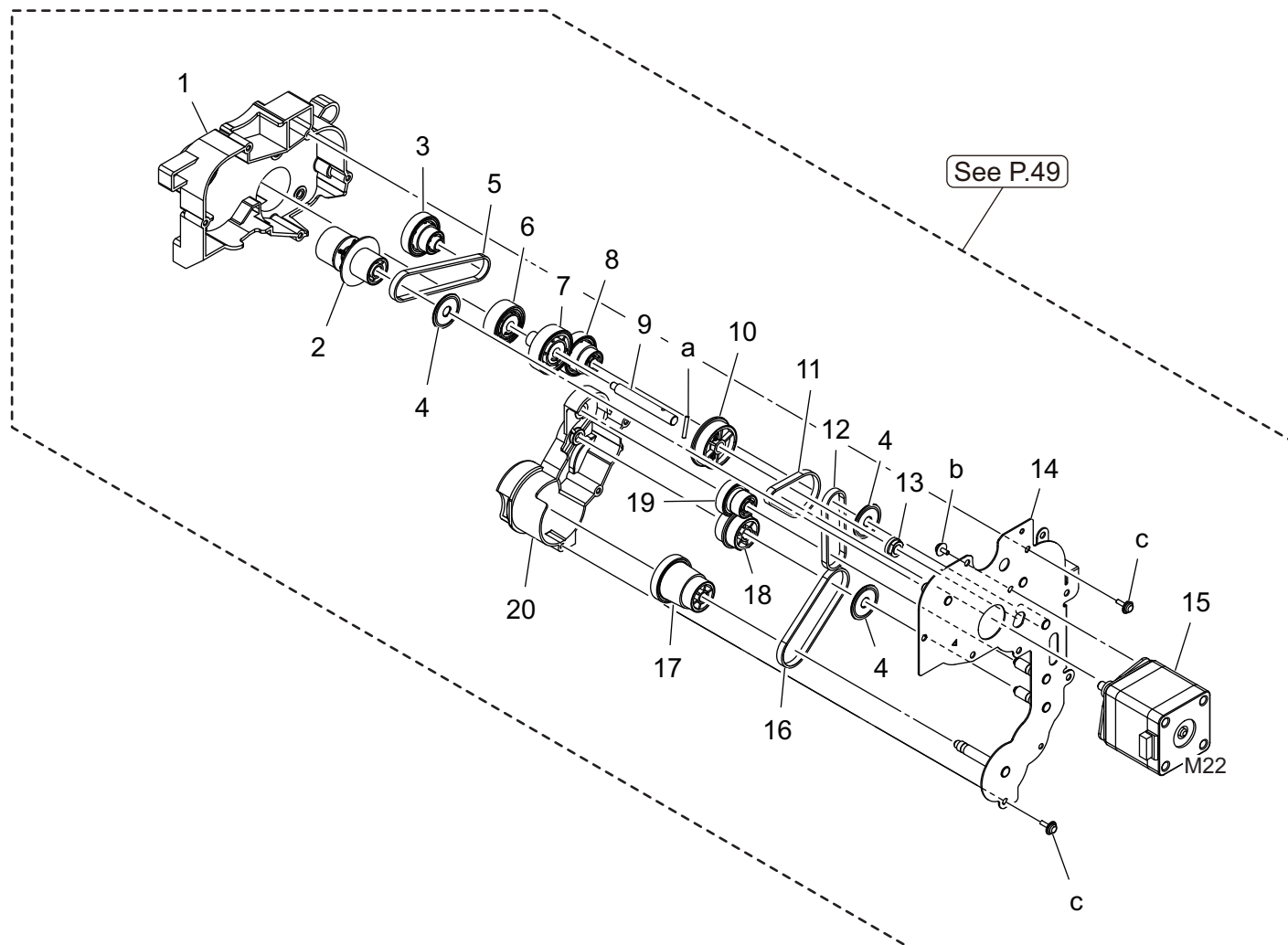


Service Part Only

bizhub C450i/bizhub C450iS

Drive Section



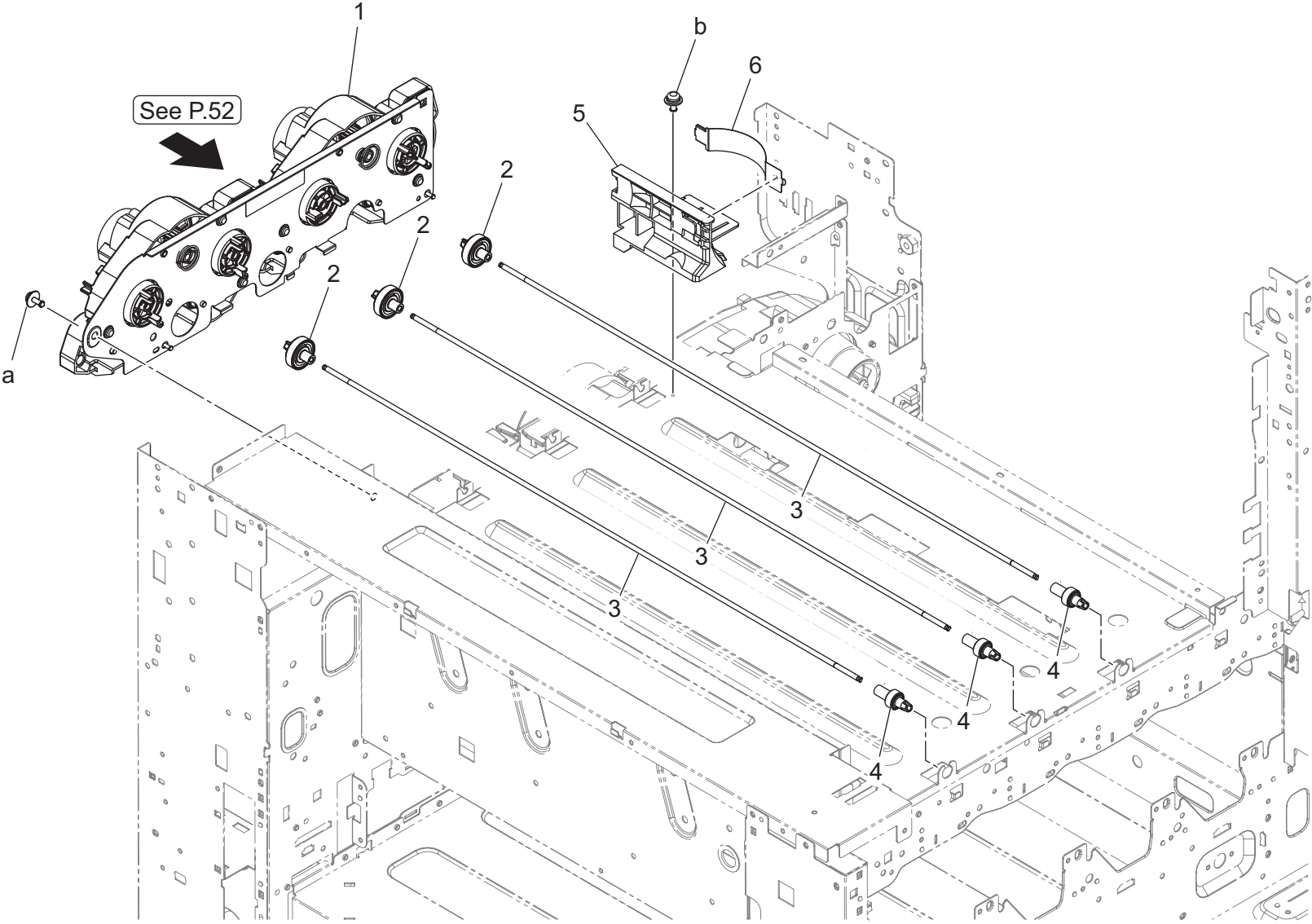


REAR SIDE

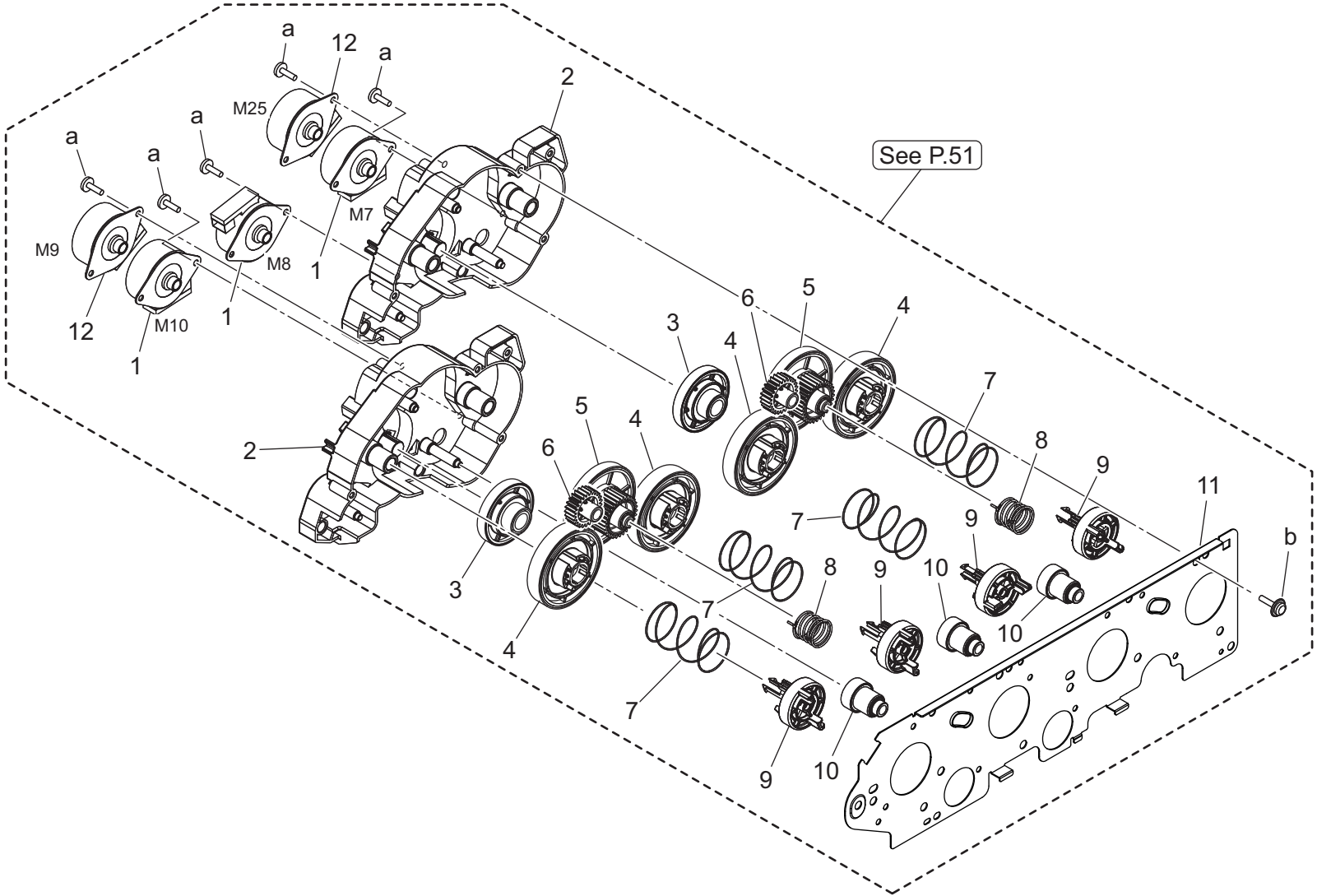
bizhub C450i/bizhub C450iS



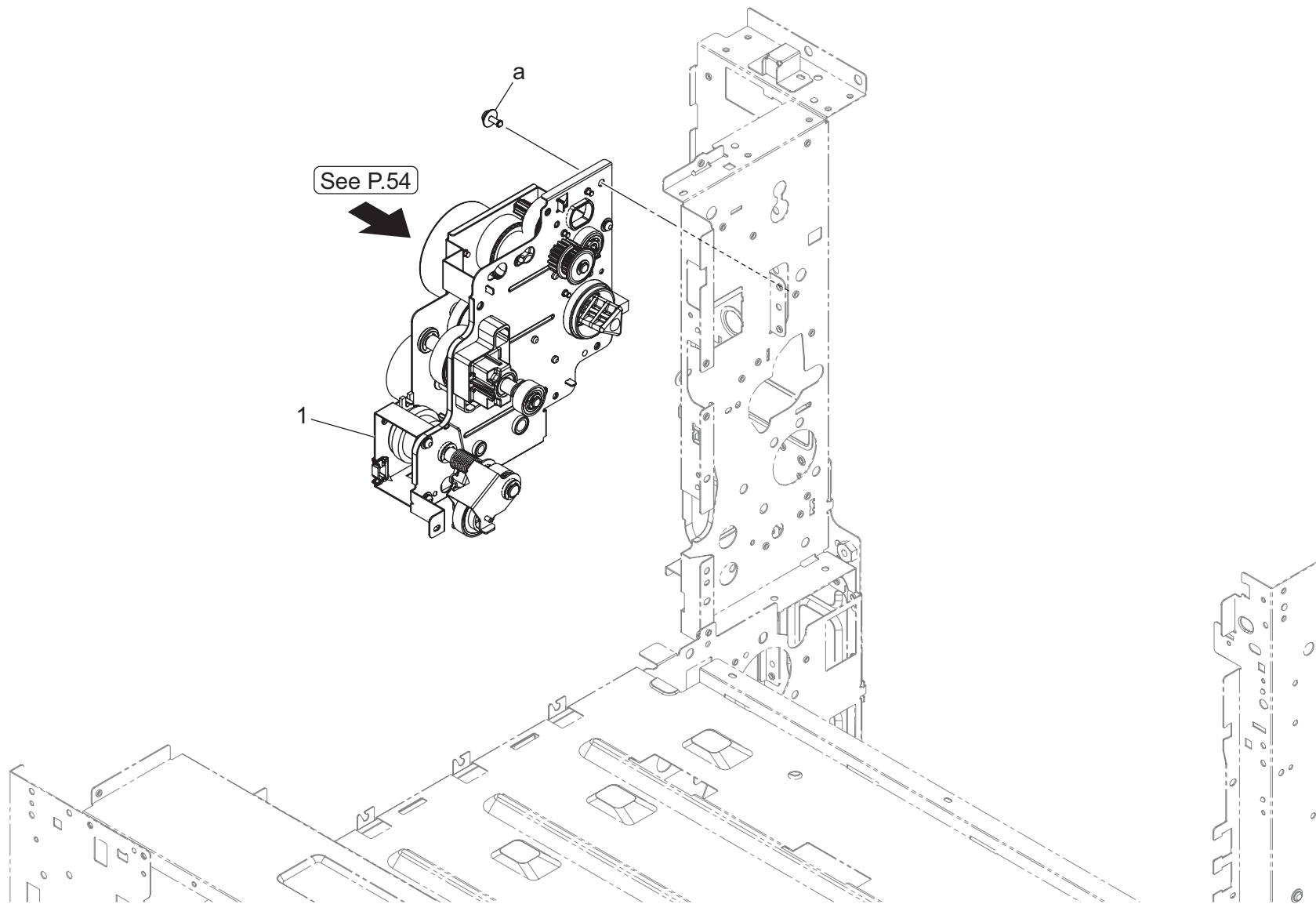
Key	Part No.	Description	Destinations	Class	QTY	Standard parts
1	A79J220901	Holder		C	1	a-V234201450 b-V127030604 c-V153031004
2	A79J259800	Gear 19T		C	1	
3	A79J253300	Gear 29T		C	1	
4	A79J897300	Collar		C	3	
5	A79J226600	Timing belt 180L		C	1	
6	A79J226200	Gear 23T		C	1	
7	A79J226301	Gear 32T		C	1	
8	A79J226400	Gear 30T		C	1	
9	A79J223101	Shaft (1 st ドッキング)		D	1	
10	A79J220000	Pulley 44T		C	1	
11	A79J226500	Timing belt 112L		C	1	
12	A79J226700	Timing belt 126L		C	1	
13	A161210200	Bushing		D	1	
14	AA7N221200	Frame /ASSY		D	1	
15	A61DM10000	HB Stepping motor		C	1	
16	A79J226800	Timing belt 156L		C	1	
17	A79J220701	Gear 28T		C	1	
18	A79J253000	Pulley 24T		C	1	
19	A79J222500	Pulley 24T		C	1	
20	A79J220800	Holder		C	1	



Key	Part No.	Description	Destinations	Class	QTY	Standard parts
1	AA7NR71522	TB Drive Assy		S	1	a-V125030803 b-V116040803
2	A161241000	Gear 31T		C	3	
3	A7PU241200	Shaft		D	3	
4	A161241400	Gear 17T		C	3	
5	AA7N106100	Mounting Part /1		D	1	
6	AA7N106200	Plate spring		D	1	



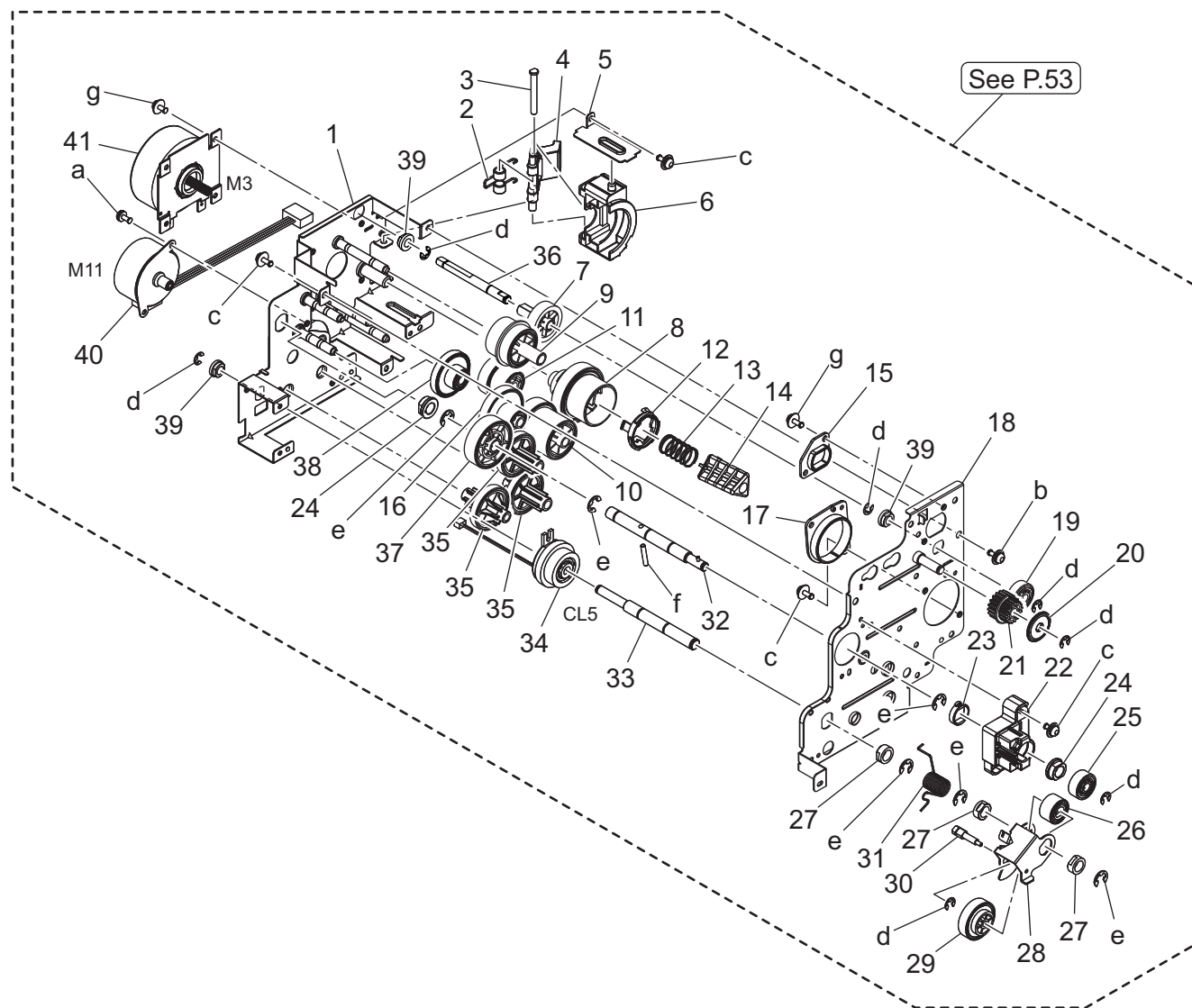
Key	Part No.	Description	Destinations	Class	QTY	Standard parts
1	A7PUM10700	Stepping motor		C	3	a-V149030803 b-V153031004
2	AA2J240101Old	Holder		D	2	
2	AA2J242101	Holder		D	2	
3	AA7N240300	Gear 25/91T		C	2	
4	AA2J240600	Gear 58T		C	4	
5	A79J240400	Gear 52T/29T		C	2	
6	A79J240500	Gear 25T		C	2	
7	4038541202	PRESSURE SPRING		C	4	
8	AA2J241700	Spring		C	2	
9	A161240701	Joint		C	4	
10	A161240900	Gear 20/42T		D	3	
11	AA2J241502Old	Mounting Plate		D	1	
11	AA2J242501	Mounting Plate		D	1	
12	A7PUM10600	Stepping motor		C	2	



bizhub C450i/bizhub C450iS

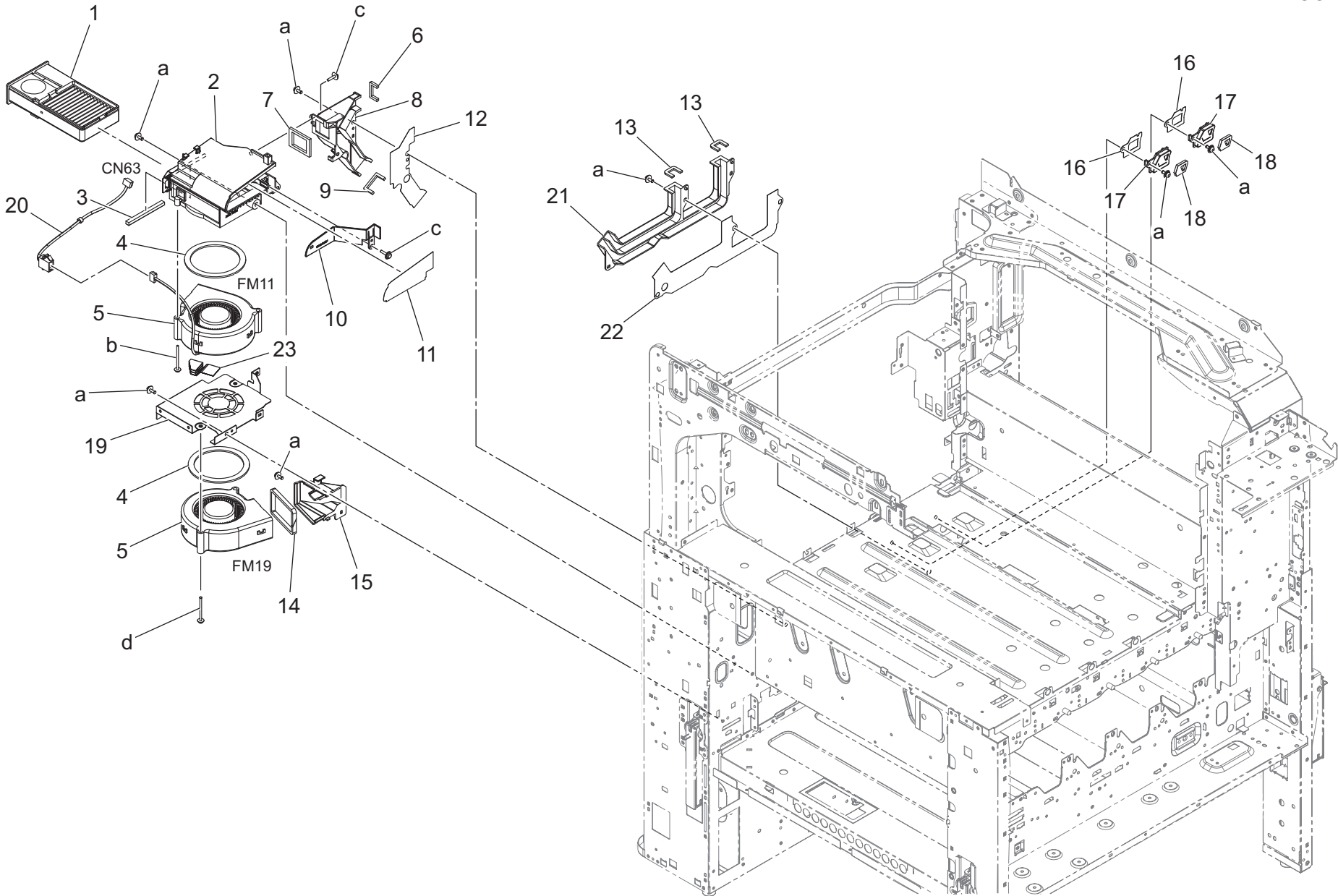
Key	Part No.	Description	Destinations	Class	QTY	Standard parts
1	AA7NR71411	Fusing Drive Assy 定着駆動 A s s y		S	1	a-V125030803

bizhub C450i/bizhub C450iS



Key	Part No.	Description	Destinations	Class	QTY	Standard parts
1	AA7N255601	Frame /ASSY	フレーム / ASSY (定着 / H 1)	D	1	a-V115030603 b-V116030603 c-V125030803 d-V217040003 e-V217060003 f-V234301850 g-V116030604
2	AA2J258500	Spring	ばね (定着)	C	1	
3	AA2J229711	Shaft	軸 (定着揺動)	D	1	
4	AA2J229500	Lever	レバー (定着)	C	1	
5	AA2J255700	Reinforce Plate	補強板 (定着 3)	D	1	
6	AA2J229000	Holder	ホルダ (定着)	D	1	
7	AA7N230600	Gear 25T	ギア 25 T	C	1	
8	AA2J228100	Gear 39T	ギア 39 T	C	1	
9	AA7N230500	Gear 27/50T	ギア 27 / 50 T	C	1	
10	AA2J228200	Gear 27/40T	ギア 27 / 40 T	C	1	
11	AA7N228000	Gear 23/50T	ギア 23 / 50 T	C	1	
12	AA2J229300	Ring	リング	D	1	
13	AA2J229600	Compressing Coil spring	圧縮コイルばね (定着揺動)	C	1	
14	AA2J229202	Joint	ジョイント	C	1	
15	A161232200	Bushing	すべり軸受 (排紙ドッキング)	D	1	
16	AA2J254300	Gear 18/43T	ギア 18 / 43 T	C	1	
17	AA2J229100	Bushing	すべり軸受 (定着)	D	1	
18	AA7N231000	Frame /ASSY	フレーム / ASSY (定着 / H 2)	D	1	
19	A161230700	Gear 18T	ギア 18 T	C	1	
20	A79J897300	Collar	カラー	C	1	
21	AA7N231300	Gear 18/28T	ギア 18 / 28 T	C	1	
22	AA2J229400	Holder	ホルダ (圧離)	D	1	
23	AA2J232400	Collar	カラー (ガイド)	D	1	
24	A7PU254800	Slide Bearing	すべり軸受	B	2	
25	A5C1254600	Gear	ギア	C	1	
26	4038258001	GEAR 16T	ギヤ 16 T	C	1	
27	A0ED259700	Bushing	すべり軸受 (Φ 8小判)	C	3	
28	A161258800	Mounting Plate	取付板 (一次離間)	D	1	
29	A0ED257500	Gear 26T	ギア (一次離間アイドル) 26 T	C	1	
30	A161259400	Shaft	軸 (一次離間 2)	D	1	
31	A161232501	Torsion Coil spring	ねじりコイルばね (一次離間)	D	1	
32	AA2J256300	Shaft	軸 (定着離間)	D	1	
33	AA2J258700	Shaft	軸 (一次離間 1)	D	1	
34	A64JM20000	Clutch	クラッチ	C	1	
35	AA2J259100	Gear 30T	ギア 30 T	C	3	
36	AA7N231800	Shaft	軸 (排紙 / H)	D	1	
37	AA2J254400	Gear 42T	ギア 42 T	C	1	
38	AA2J254200	Gear 18/80T	ギア 18 / 80 T	C	1	
39	A161210200	Bushing	すべり軸受	D	3	
40	A161M10300	Stepping motor	ステッピングモータ (φ 42 P M)	C	1	
41	AA2JM11100	Brushless motor /40	ブラシレスモータ / 40	C	1	

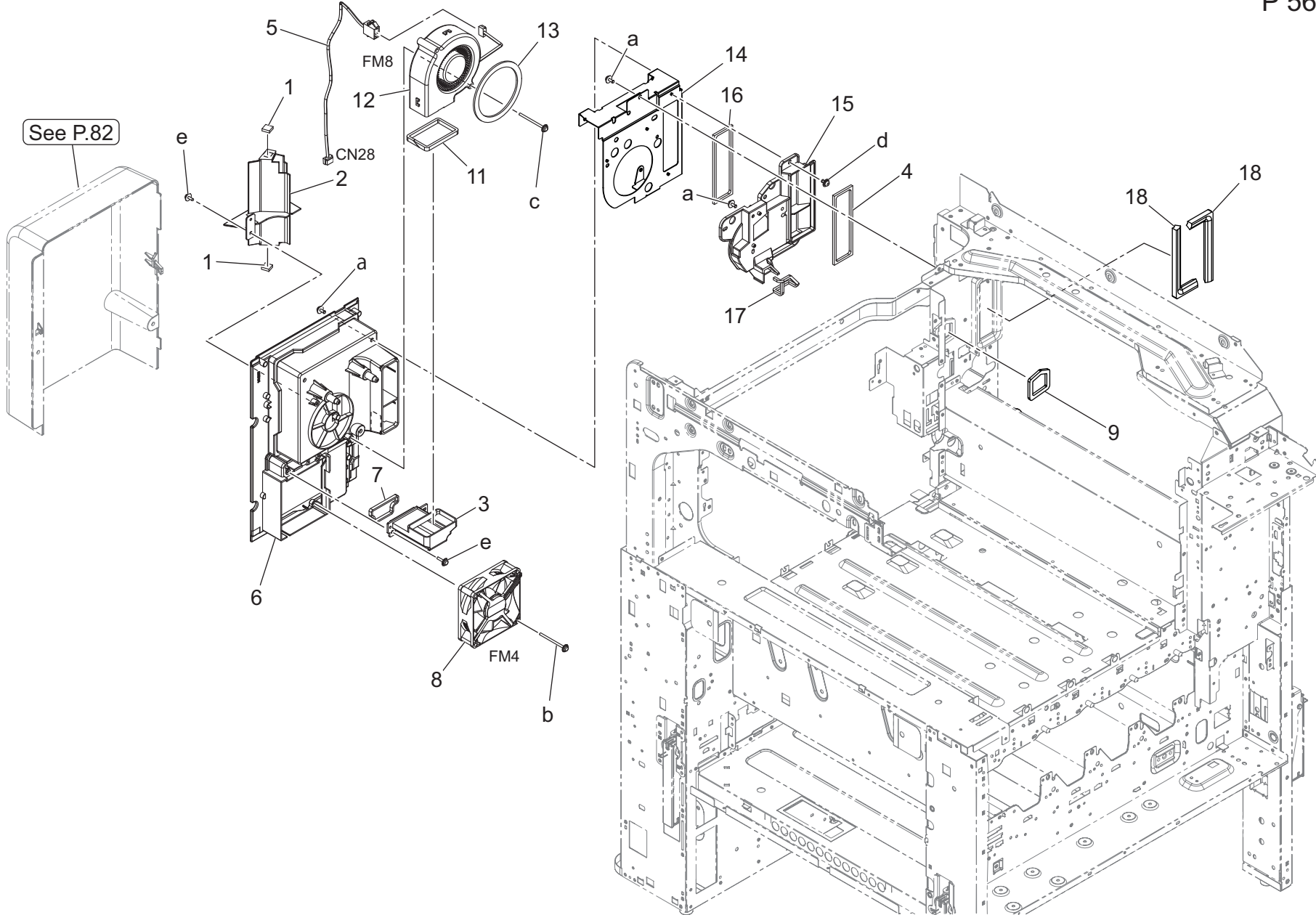
Colling Section



bizhub C450i/bizhub C450iS

Key	Part No.	Description	Destinations	Class	QTY	Standard parts
1	A161R72811	Toner Filter Assy		A	1	a-V125030803 b-V153033503 c-V153031004 d-V116033503
2	AA7N147901	Duct /B		D	1	
3	AA7N146400	Seal		C	1	
4	A02E117300	Seal		C	2	
5	A93EM10600	Fan motor		C	2	
6	AA7N146600	Seal		C	1	
7	AA7N148000	Seal		C	1	
8	AA7N147500	Duct		D	1	
9	AA7N146800	Seal		C	1	
10	AA7N147700	Duct		D	1	
11	AA7N148200	Seal /4		C	1	
12	AA7N146900	Seal /4		D	1	
13	A161146600	Seal /3		D	2	
14	A79J143600	Cushion		C	1	
15	AA7N141502	Duct /2		D	1	
16	AA7N145200	Seal		D	2	
17	A161141700	Duct		D	2	
18	A161144801	Seal		C	2	
19	AA2J142000	Mounting Plate		D	1	
20	AA7NN10600	Relay Harness /2		D	1	
21	AA7N147600	Duct		D	1	
22	AA7N146500	Seal		D	1	
23	AA7N148500	Cushion		D	1	

Colling Section

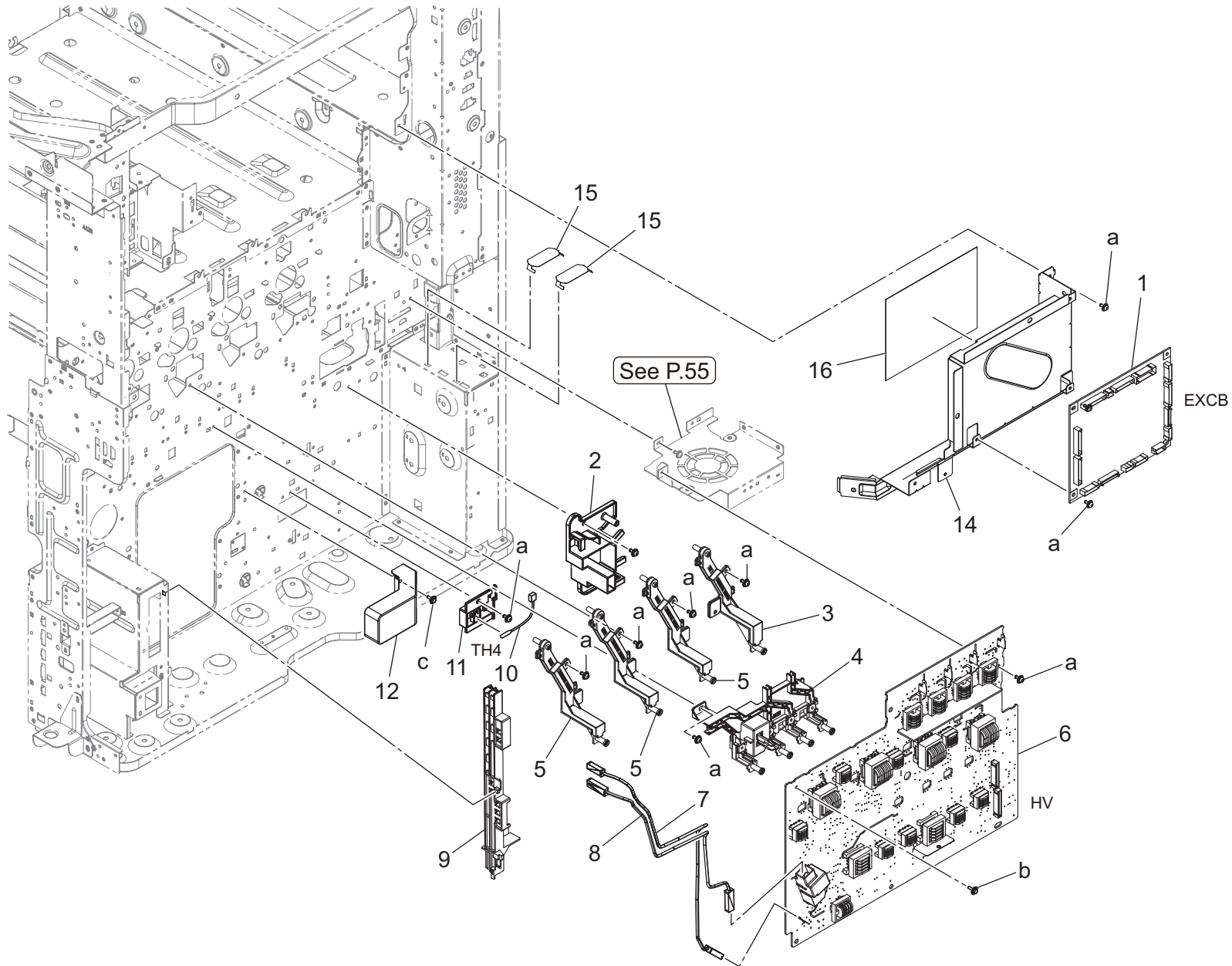


bizhub C450i/bizhub C450iS

Key	Part No.	Description	Destinations	Class	QTY	Standard parts
1	A79J145200	Cushion		C	2	a-V125030803 b-V153033003 c-V153033503 d-V116030603 e-V153031004
2	A79J145100	Guide Plate		D	1	
3	AA7N143001	Duct /2		D	1	
4	A79J141501	Cushion		C	1	
5	AA7NN10500	Relay Harness /1		D	1	
6	AA7N143400	Duct		D	1	
7	AA7N143200	Seal		C	1	
8	A93EM10000	Fan motor		C	1	
9	A79J120700	Cushion		C	1	
11	A79J143600	Cushion		C	1	
12	A93EM10600	Fan motor		C	1	
13	A79J143800	Cushion		C	1	
14	A79J148305	Mounting Plate		D	1	
15	A79J140502	Duct		D	1	
16	A79J142701	Cushion		C	1	
17	A79J142600	Cushion		C	1	
18	AA7N120800	Seal		C	2	

bizhub C450i/bizhub C450iS

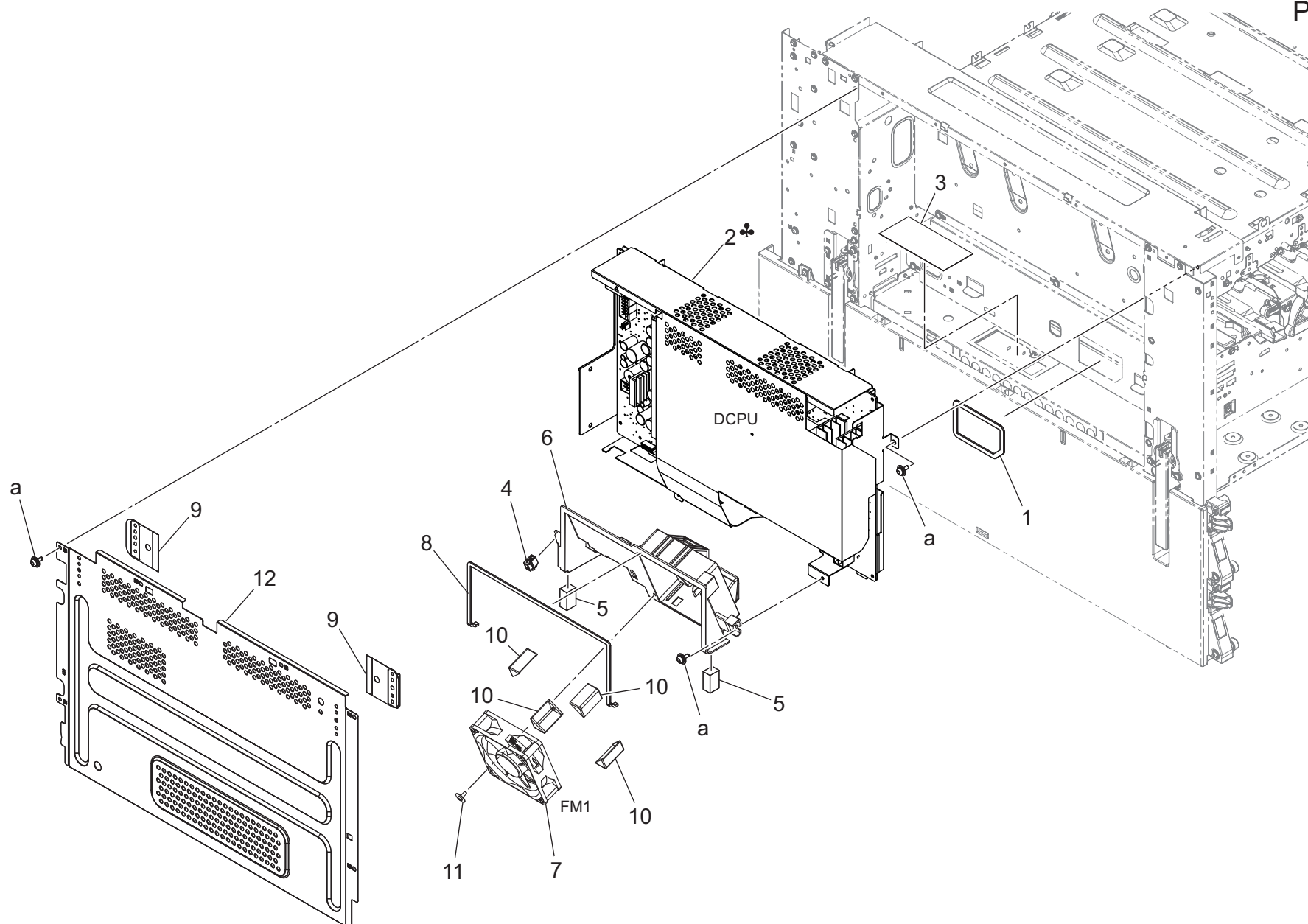
Electrical Parts



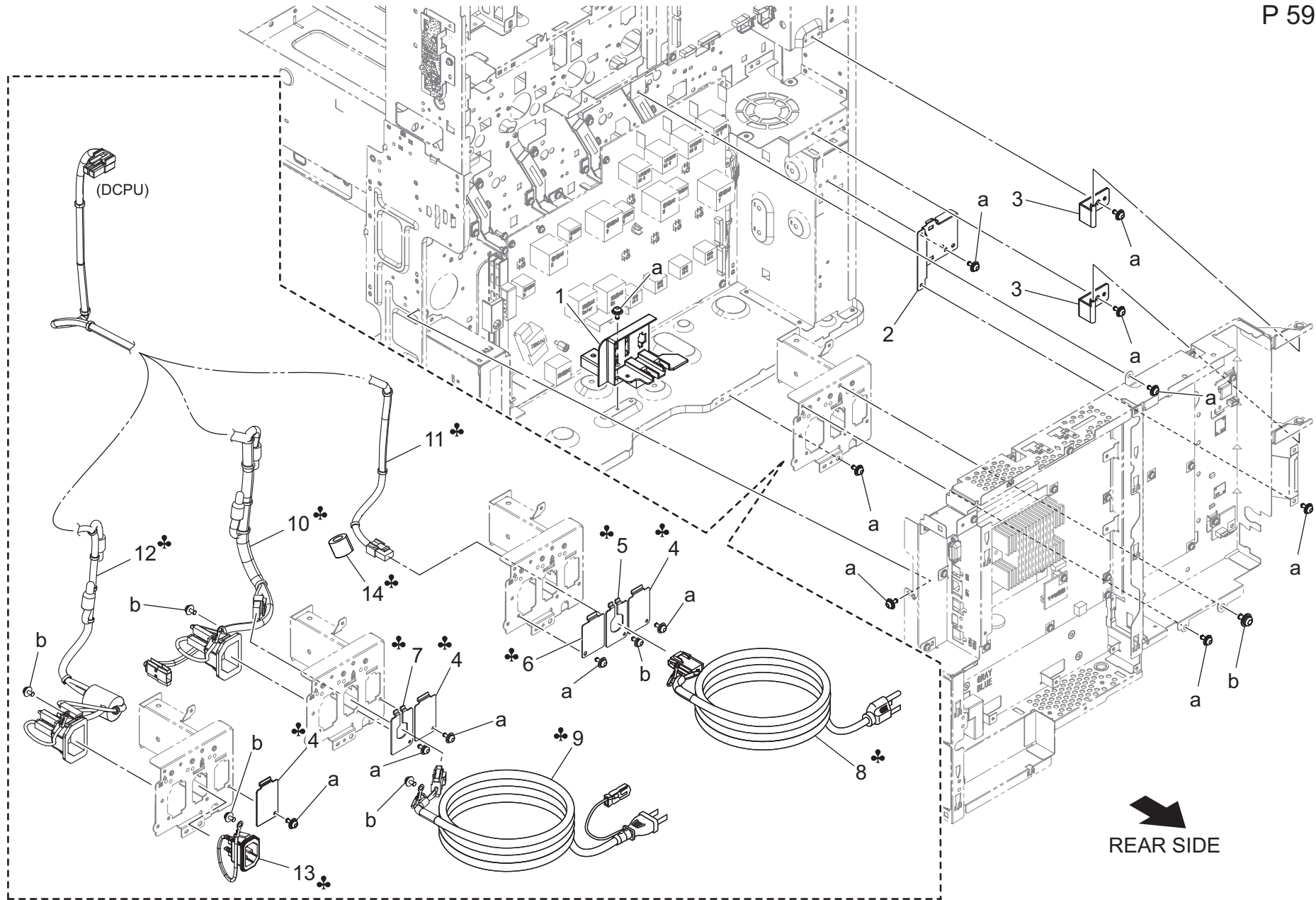
REAR SIDE

bizhub C450i/bizhub C450iS

Key	Part No.	Description	Destinations	Class	QTY	Standard parts
1	AA7NH00500	PWB Assembly(EXCB)	基板 ASSY (EXCB)	I	1	a-V125030803 b-V153030804 c-V144030603
2	A7PU141800	Holder	ホルダ	D	1	
3	AA7NR71100	HV Contact Assy	HV 接点 Assy / Y	D	1	
4	AA7NR71000	Holder Assy	ホルダ Assy (現像接点)	D	1	
5	AA7NR71200	HV Contact Assy	HV 接点 Assy / MCK	D	3	
6	AA7NM40601	High Voltage Unit	高圧電源	I	1	
7	A161N11300	Transfer Wiring /2	転写束線 /2	D	1	
8	A161N11K00	Neutralizing Wiring	除電束線	D	1	
9	A5C1134800	Guide	ガイド	D	1	
10	A0P0M50300	Thermistor	サーミスタ (用紙温度センサ)	C	1	
11	A161137701	Holder	ホルダ (温度検出)	D	1	
12	AA2J107500	Cover	カバー	D	1	
14	AA7N131702	Mounting Plate	取付板 (中継基板)	D	1	
15	AA2J137902	Fixing Plate	固定板 (FFC)	D	2	
16	AA7N131800	Insulating Sheet	絶縁シート	D	1	



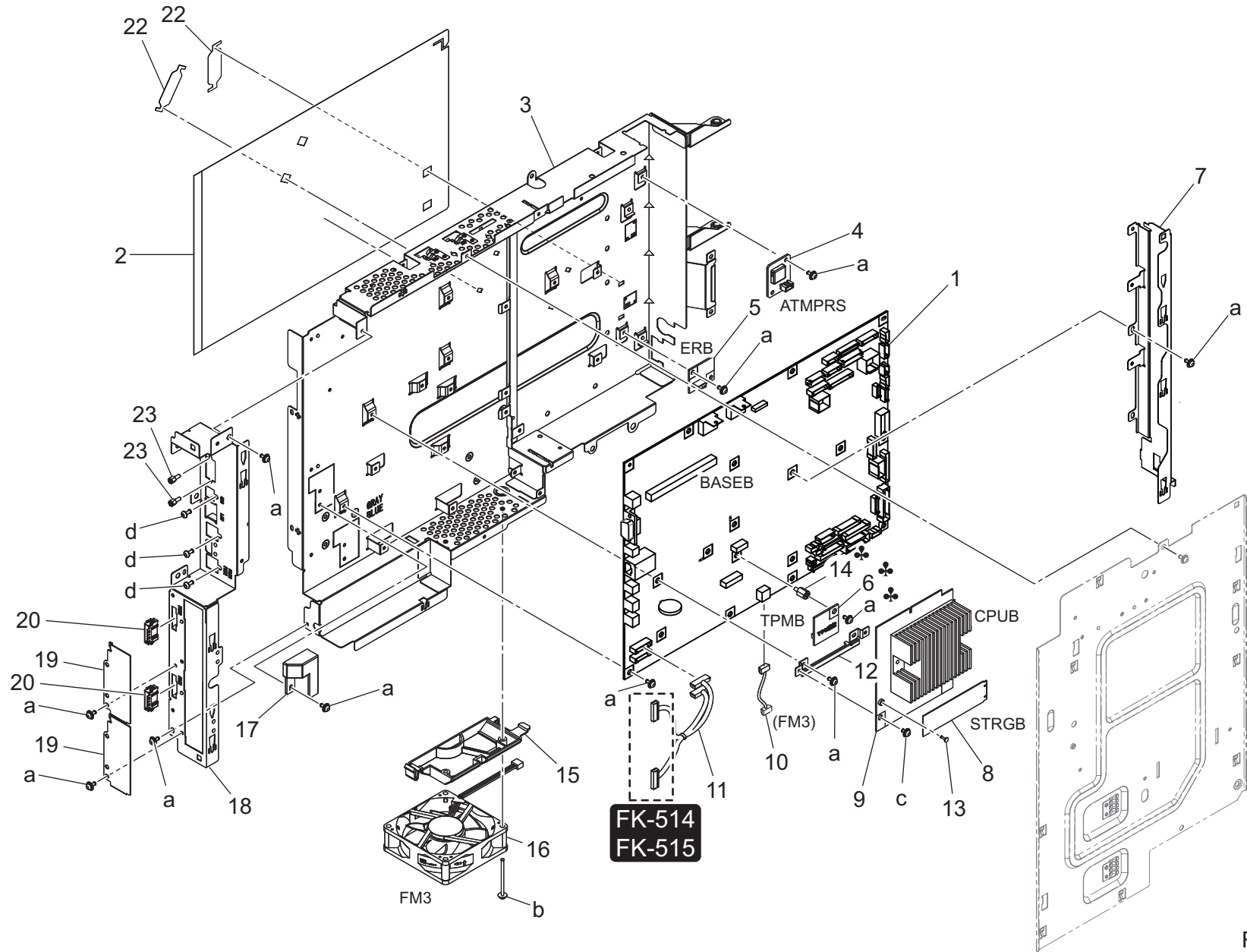
Key	Part No.	Description	Destinations	Class	QTY	Standard parts
1	A161143601	Seal /3		D	1	a-V125030803
2	AA7RR70200	Power Source Unit (100V)	A,B,G2,H	I	1	
2	AA7RR71100	Power Source Unit (200V)	C,D1,D3,E,F2,G1,I,K ,J	I	1	
3	A161145000	Filter		C	1	
4	V651010002	connector		D	1	
5	A161144500	Seal /3		C	2	
6	A79J140801	Cooling Duct		D	1	
7	A93EM10000	Fan motor		C	1	
8	A161143400	Seal /1		D	1	
9	A61F100600	Sheet		D	2	
10	A79J140900	Vibrationproof Rubber		D	4	
11	4163529301	SCREW		C	1	
12	AA7N100600	Cover		D	1	



bizhub C450i/bizhub C450iS

Key	Part No.	Description	Destinations	Class	QTY	Standard parts
1	AA2J131401	Holder		D	1	a-V125030803 b-V116040803
2	AA2J135301	Fixing Plate		D	1	
3	AA2J130801	Hinge		D	2	
4	A79J136000	Mounting Plate		D	1	
5	A0ED135700	Mounting Plate	取付板 (電源コード)	D	1	
6	A79J139000	Cover	カバー	D	1	
7	A7PU135700	Mounting Plate	取付板 (電源コード)	D	1	
8	AA6RN30100	Power code (120V)	電源コード (120V)	D	1	
8	A8JEN30200	Power code	電源コード (台湾)	C	1	
9	AA6RN30000	Power code (100V)	電源コード (100V)	D	1	
10	AA7RN10000	AC Harness(100V)	AC 束線 (100V /O)	D	1	
11	AA7RN10101	AC Harness(120V)	AC 束線 (120V /O)	D	1	
12	AA7RN10200	AC Harness(230V)	AC 束線 (230V /O)	D	1	
13	A02EN12513	Power supply Wiring	給電束線	D	1	
14	A5C1M92100	Ferritecore	フェライトコア	D	1	

Electrical Parts

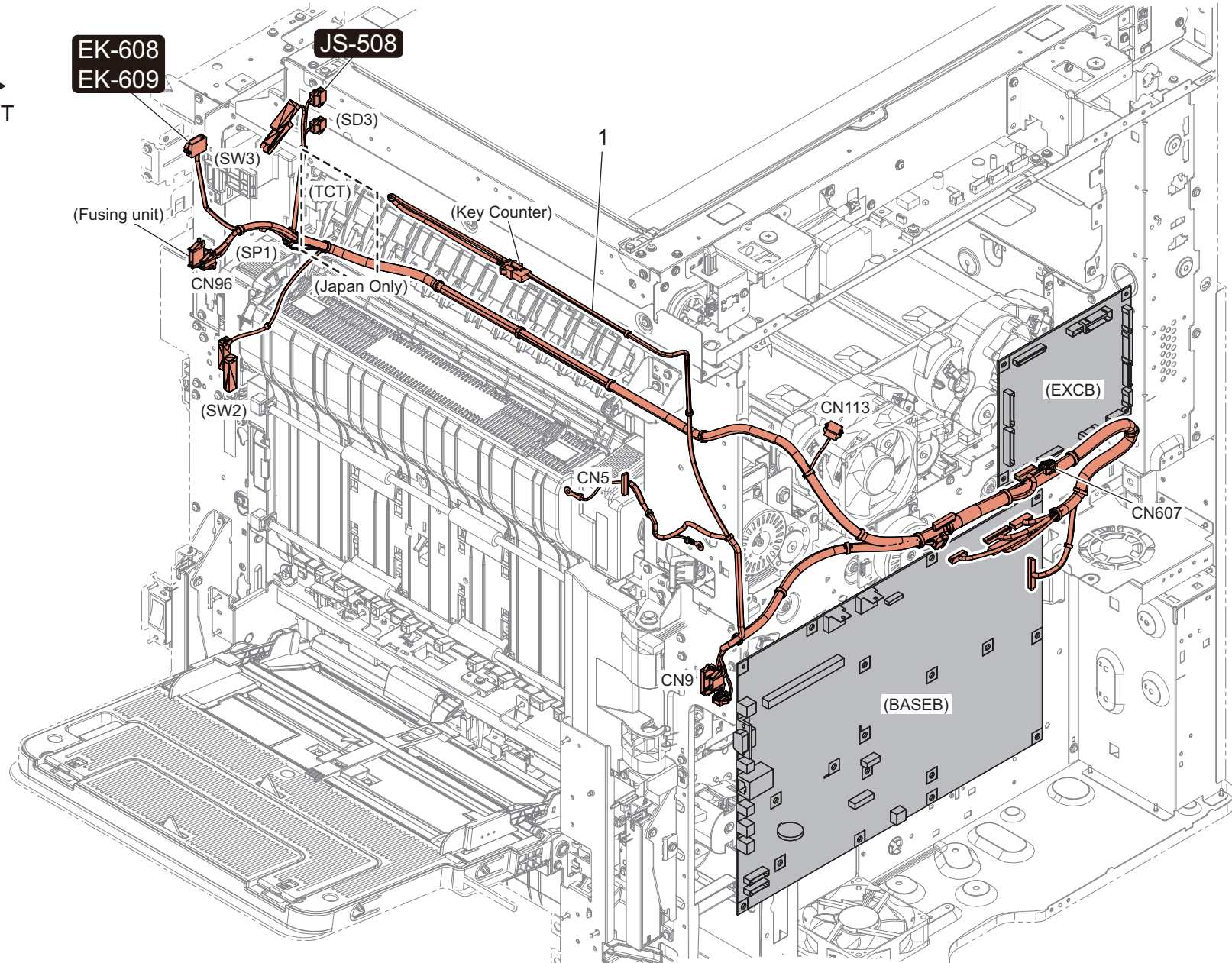


REAR SIDE

bizhub C450i/bizhub C450iS

Key	Part No.	Description	Destinations	Class	QTY	Standard parts
1	AA7NH02102	PWB Assembly(BASEB)		I	1	a-V125030803 b-V116034003 c-V116030604 d-V111030603
2	AA2J137601	Sheet		D	1	
3	AA2J131903	Mounting Plate		D	1	
4	AA2JM50P00	Sensor Board		C	1	
5	AA2JH00C00	ERB ASSY		C	1	
6	AA2JH02T00	PWB Assembly(PWB-TPM)	基板 ASSY (P W B - T P M)	C	1	
7	AA2J131101	Mounting Plate	取付板 (コント仕切)	D	1	
8	AA2JM72702Old	Memory Board	メモリ基板 (ストレージ基板__P h i s o	C	1	
8	AA2JM72M00Old	Memory Board	メモリ基板 (ストレージ基板__P h i s	C	1	
8	AA2JM72Q00	Memory Board	メモリ基板 (ストレージ基板、キオクシア	C	1	
9	AA7RH02P0H	PWB Assembly(PWB-CPU ASSY)	基板 ASSY (P W B - C P U A S S Y)	I	1	
10	A7PUN10800	Harness /Relay	中継束線	D	1	
11	A7PUN10700	Harness /Fax relay	中継束線 (F A X)	D	1	
12	AA2J135101	Mounting Plate	取付板 (S 8 0 0)	D	1	
13	AA2J139800	Screw	ねじ (S S D)	D	1	
14	A161137600	Shoulder screw	段ねじ (S S D)	D	1	
15	A7PU140100	Duct	ダクト	D	1	
16	AA2JM10500	Fan Motor	ファンモーター (1 2 V 軸流ファン)	C	1	
17	A7PU130400	Guide	ガイド	D	1	
18	AA2J131602	Mounting Plate	取付板 (コント左側面)	D	1	
19	A7PU139800	Cover	カバー	D	2	
20	V651010025	connector	W t o W コネクタ	V	2	
22	AA2J137902	Fixing Plate	固定板 (F F C)	D	2	
23	A161137900	Screw	ねじ (D - S U B)	C	2	

Wiring

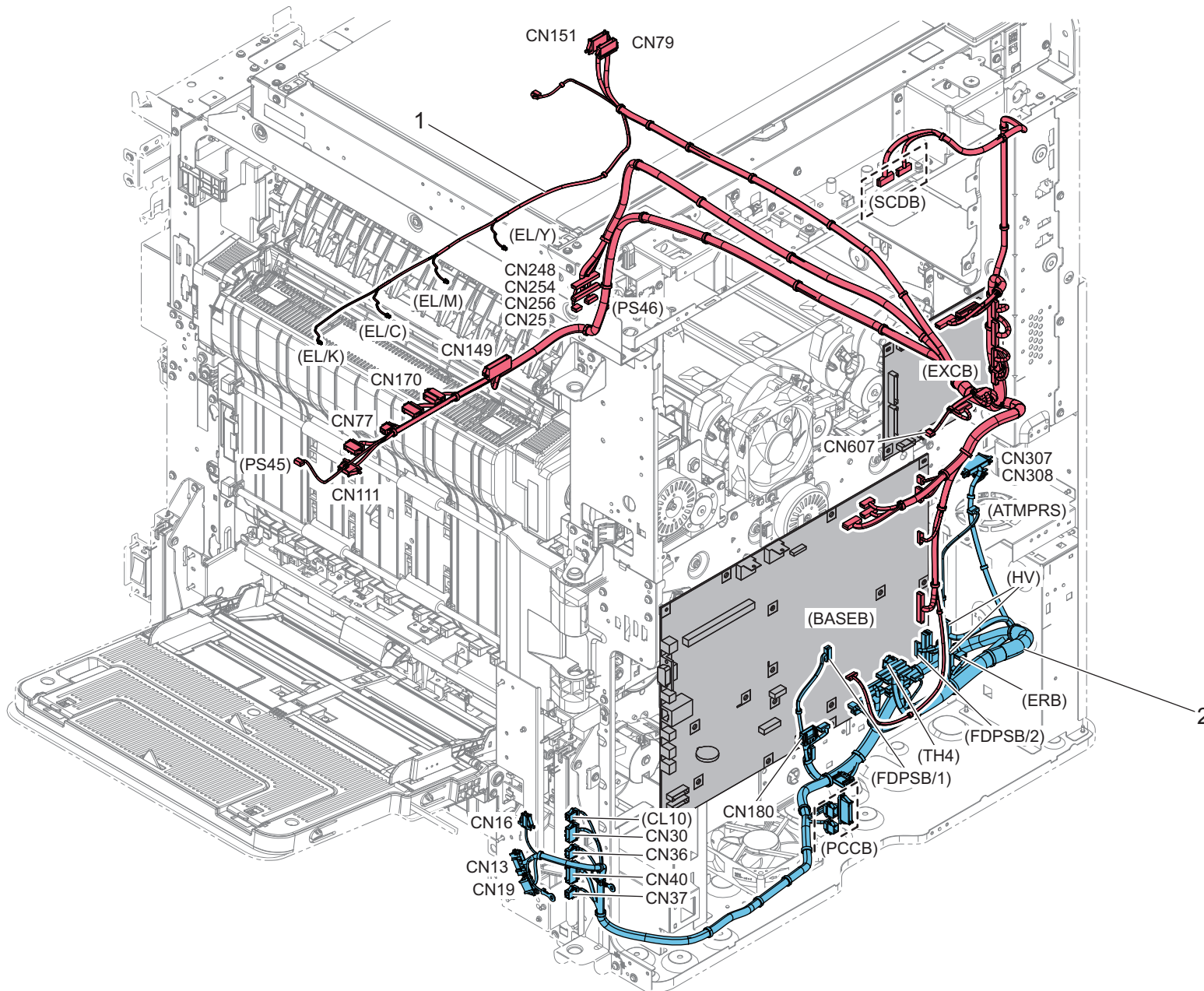


Key	Part No.	Description	Destinations	Class	QTY	Standard parts
1	AA7NN10A05	Main Body Harness /1 本体束線 /1 (High)		D	1	

bizhub C450i/bizhub C450iS

Wiring

FRONT

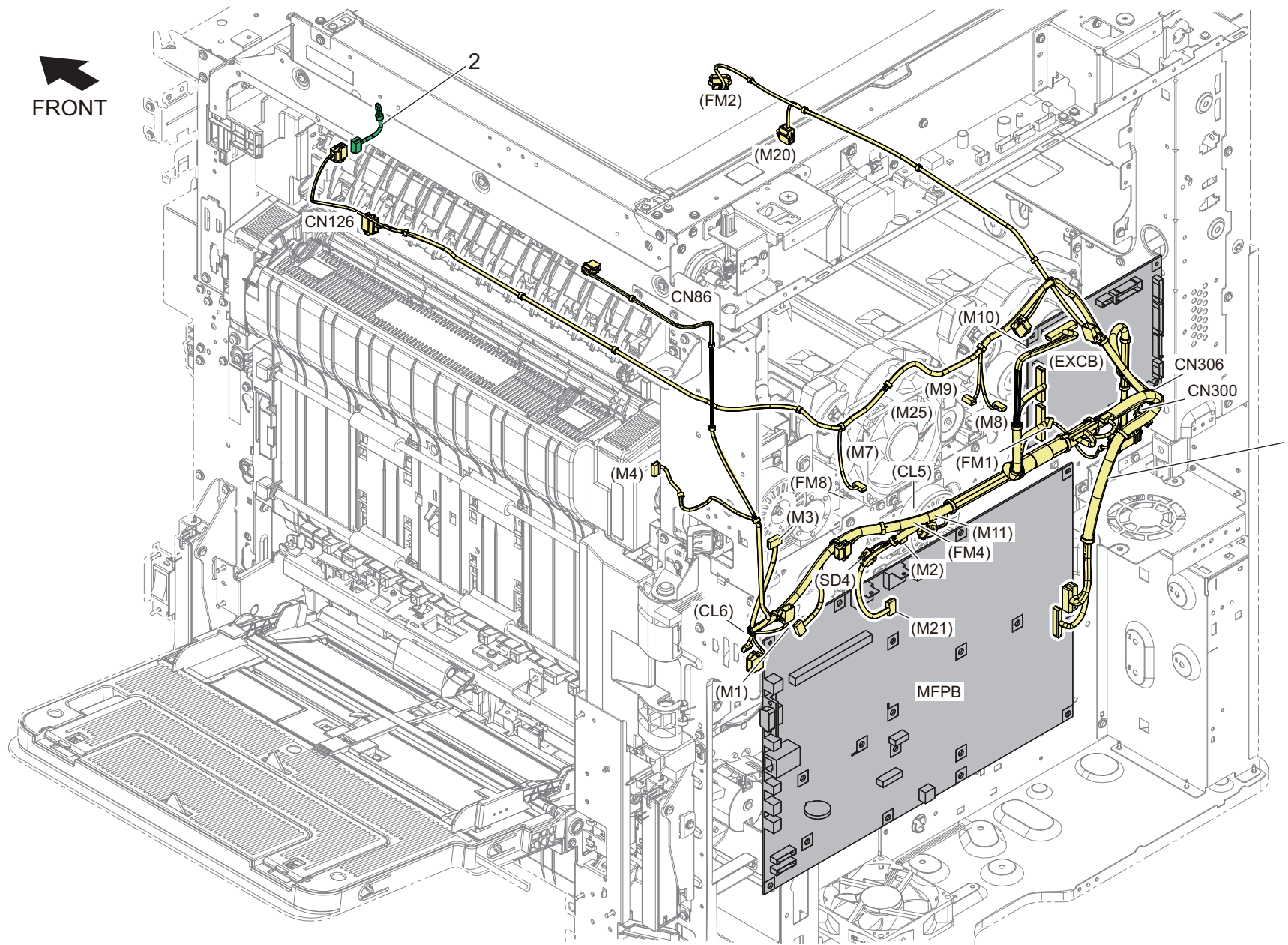


Key	Part No.	Description	Destinations	Class	QTY	Standard parts
1	AA7NN10B01	Main Body Harness /2		D	1	
2	AA7RN10C00	Main Body Harness /3		D	1	

bizhub C450i/bizhub C450iS

Wiring

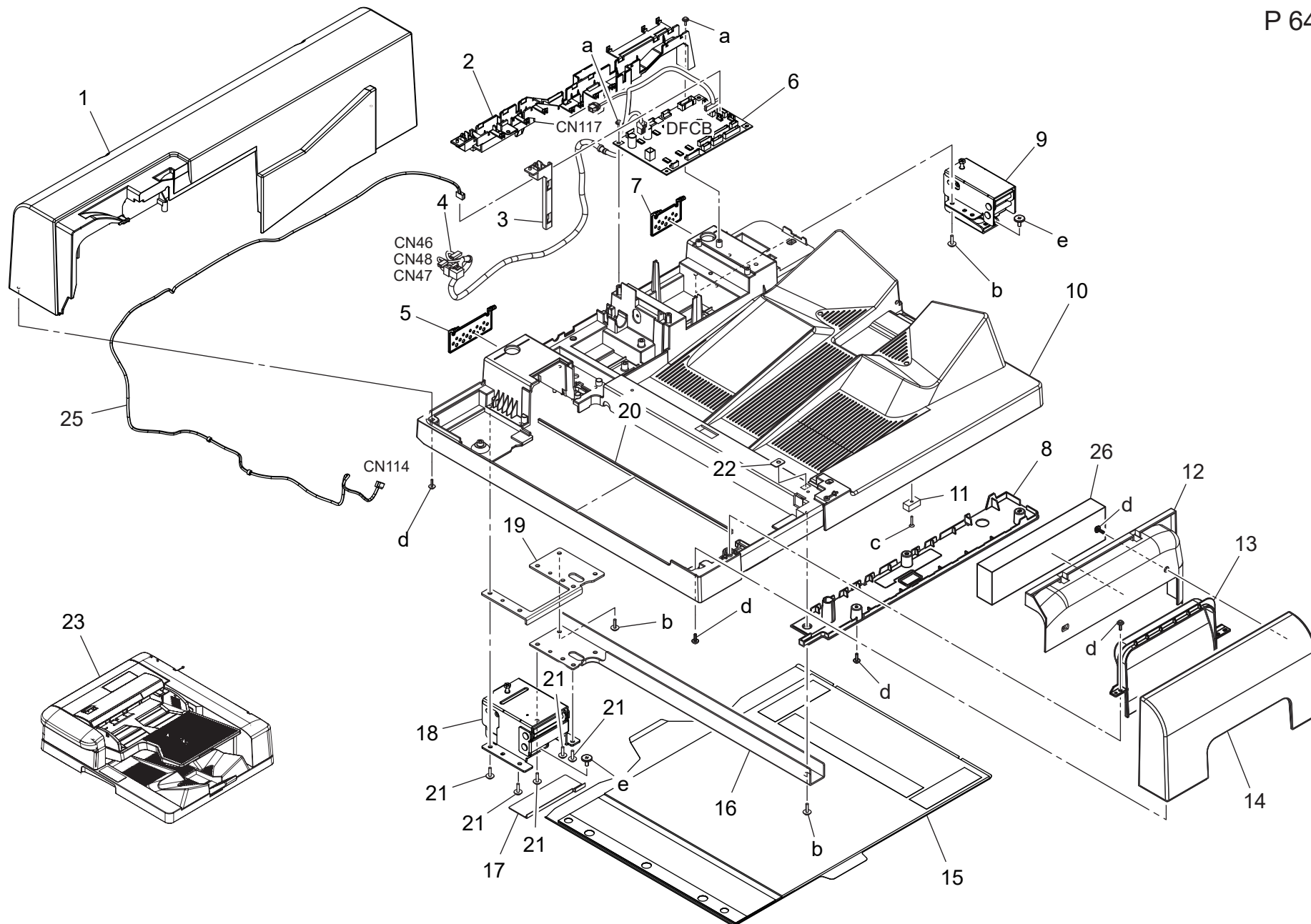
FRONT



Key	Part No.	Description	Destinations	Class	QTY	Standard parts
1	AA7NN10D01	Drive Harness /1	駆動束線 /1 (High)	D	1	
2	A9UVN14101	Drive Wiring /4	駆動束線 /4 (ロック検出短絡線)	D	1	

Automatic Document Feeder

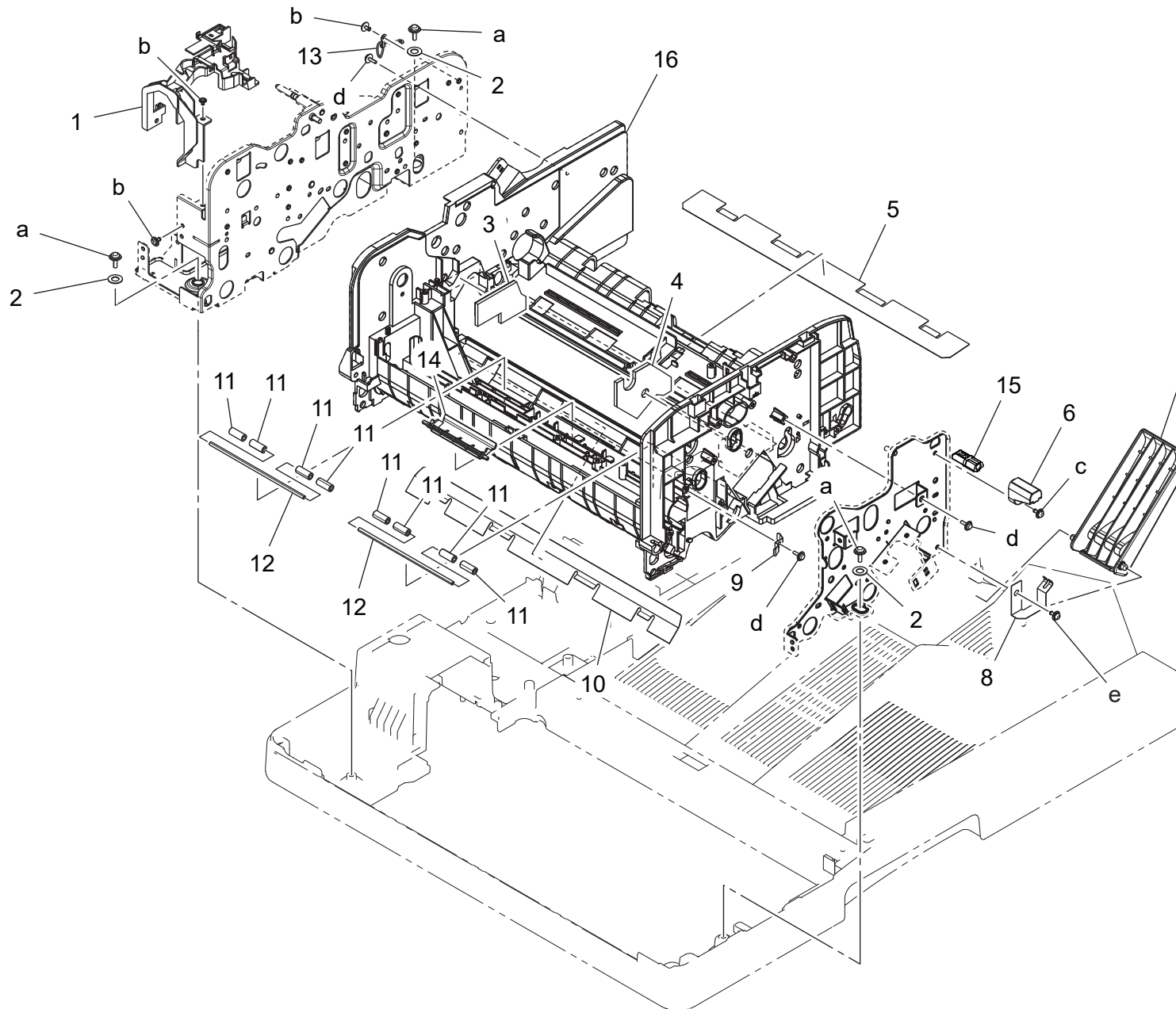
P 64



Key	Part No.	Description	Destinations	Class	QTY	Standard parts
1	AAMP160000	Cover /Rear		D	1	a-V153030803 b-V153041203 c-V147031403 d-V153031004 e-V121040803
2	AAMP130000	Wiring Guide		D	1	
3	A782130600	Wiring Guide /3		D	1	
4	A782N10000	ADF Wiring /1		D	1	
5	AAMP160500	Cover Hinge /Right		C	1	
6	AAMPH00107	DF Control Board		I	1	
7	AAMP160600	Cover Hinge /Left		C	1	
8	AAMP110100	Cover /Lower		D	1	
9	AAMP113800	Hinge /Right		C	1	
10	AAMP110001	Base frame		D	1	
11	9J07160200	MAGNET		D	1	
12	AAMP160700	Cover Side plate		D	1	
13	AAMP160400	Cover		D	1	
14	AAMP160100	Cover /Front		D	1	
15	A782112305	Holding Mat /1		C	1	
16	A782110600	Reinforce Plate /1		D	1	
17	A782119300	Seal /Rear		C	1	
18	AAMP113701	Hinge /Left		C	1	
19	A782117500	Reinforce Plate /2		D	1	
20	A782117600	Cushion		C	1	
21	A782114100	Screw		C	5	
22	15BY561200	Cover Spacer		D	1	
23	AAMP70844	ADF Assy		S	1	
25	AAMPN11201	ADF Harness /13		D	1	
26	AAMP160200	Sound shield Cushion /10		D	1	

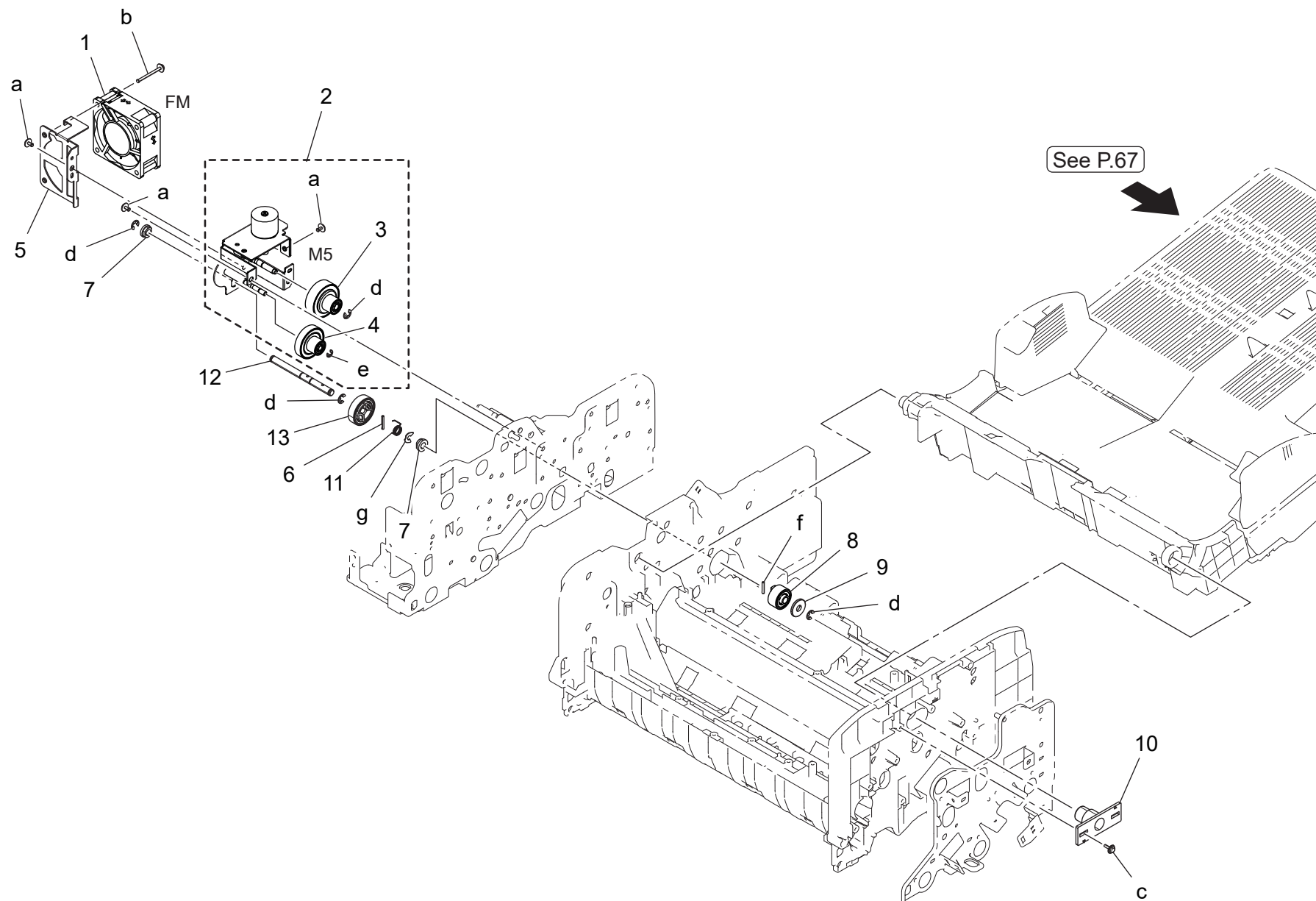
Automatic Document Feeder

P 65



Key	Part No.	Description	Destinations	Class	QTY	Standard parts
1	A782130301	Wiring Guide /2		D	1	a-V153041003 b-V144030603 c-V127031203 d-V153030803 e-V116030803
2	A782117000	Washer		C	3	
3	A782105101	Cushion		C	1	
4	A782105001	Cushion		C	1	
5	A782117100	Guide Film		C	1	
6	A782125500	Holder		D	1	
7	AAMP891000	Auxiliary Plate /1		D	1	
8	A782111000	Ground Plate spring /1		D	1	
9	A782111100	Ground Plate spring /2		D	1	
10	A782101700	Guide Sheet		D	1	
11	A782262800	Roll		C	8	
12	A782264900	Shaft		D	2	
13	A782N11800	ADF Wiring /19		D	1	
14	A782111200	Guide		D	1	
15	AAMP125400	Stopper Shaft		D	1	
16	AAMP101200	Frame		D	1	

bizhub C450i/bizhub C450iS



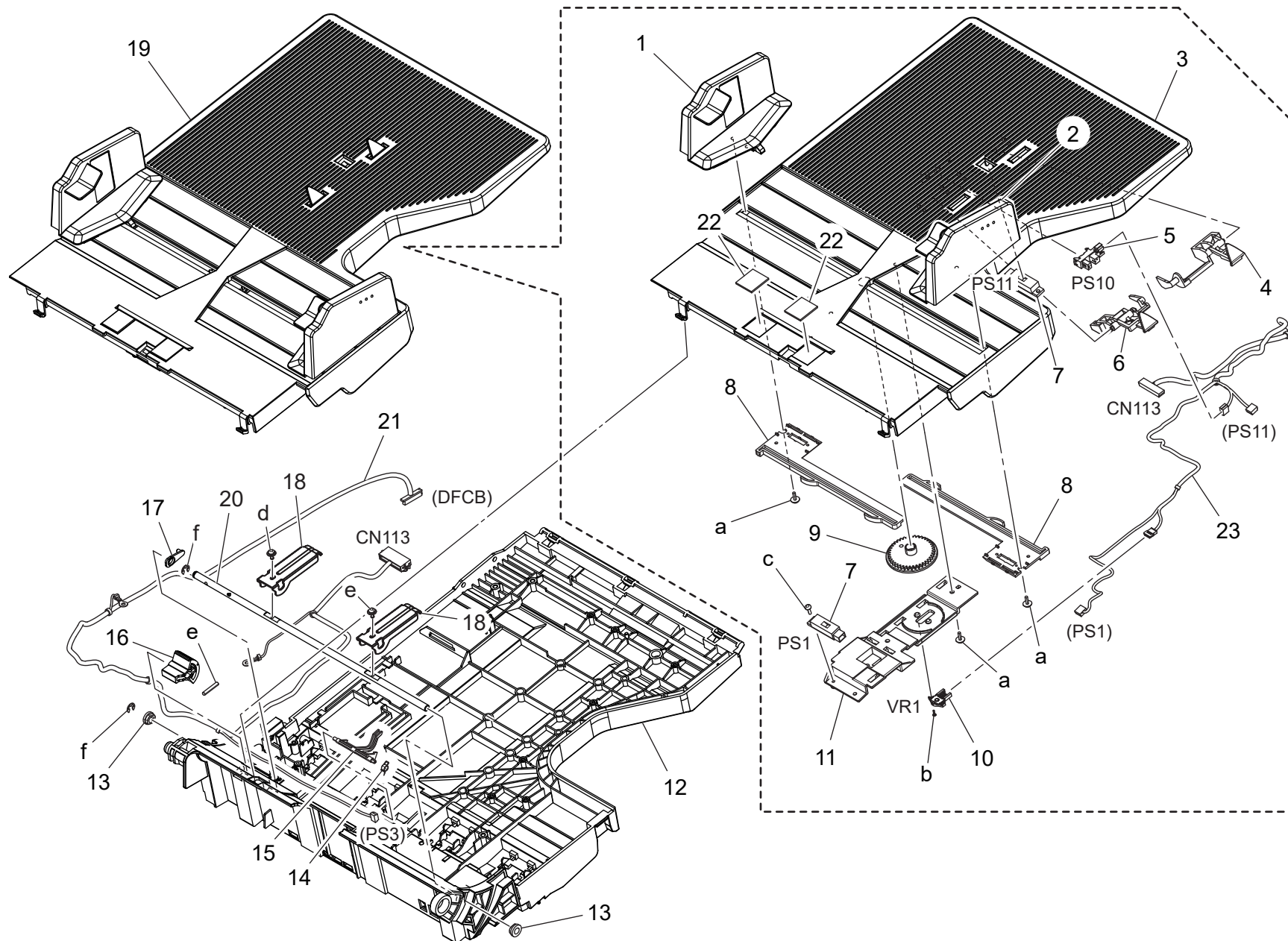
Key	Part No.	Description	Destinations	Class	QTY	Standard parts
1	AAMP10900	Fan Motor		C	1	a-V144030603
2	AAMP70700	Lifting Plate Drive ASSY		C	1	b-V116033003
3	AAMP571600	Gear /2		C	1	c-V153030803
4	AAMP571300	Gear /3		C	1	d-V217040003
5	A782130500	Mounting Plate		D	1	e-V217030003
6	A782573800	Pin		D	1	f-V234201250
7	A161210200	Bushing		D	2	g-V218040086
8	AAMP571100	Gear 18T		C	1	
9	A782572000	Flange		C	1	
10	A782566000	Mounting Plate		D	1	
11	A782572900	Torsion Coil spring /5		C	1	
12	A782573401	Shaft		D	1	
13	AAMP571200	Gear 34T		C	1	

bizhub C450i/bizhub C450iS



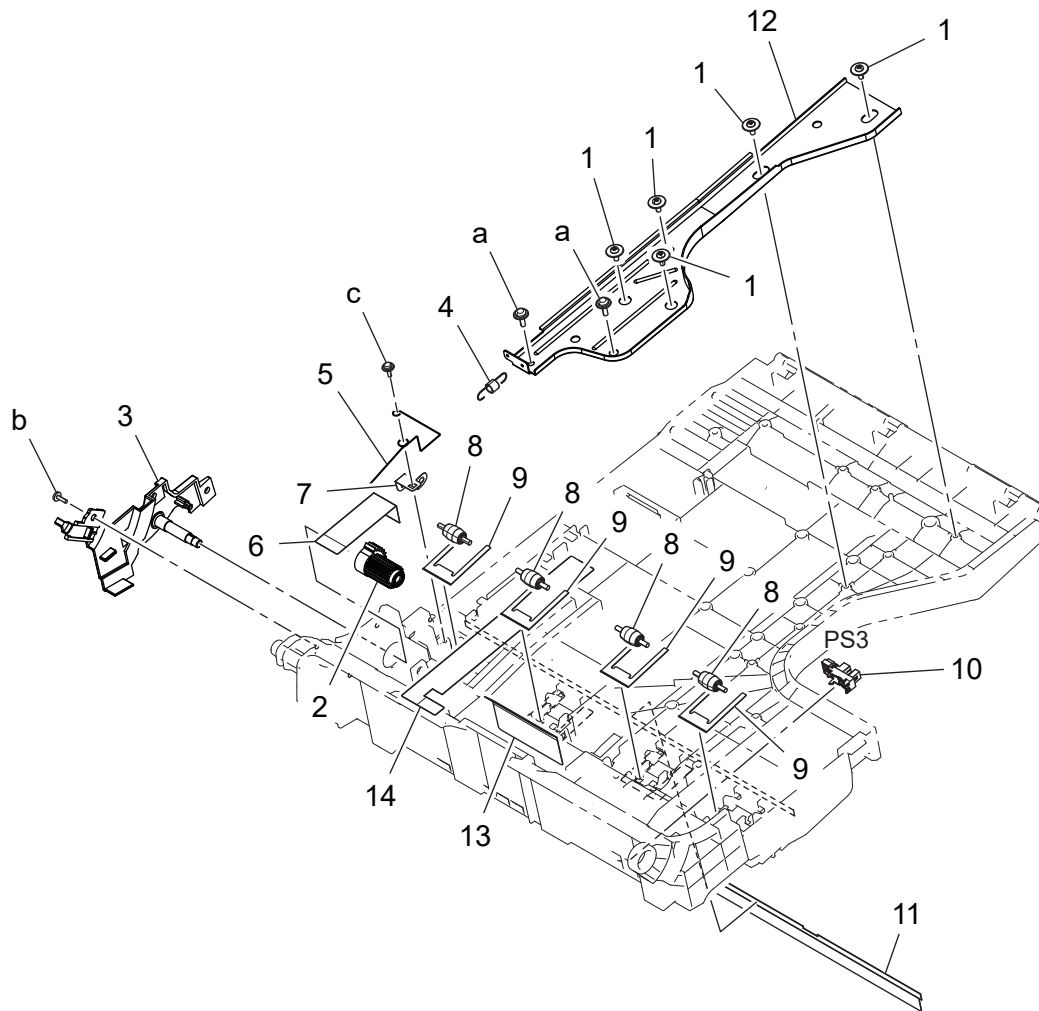
Automatic Document Feeder

P 67



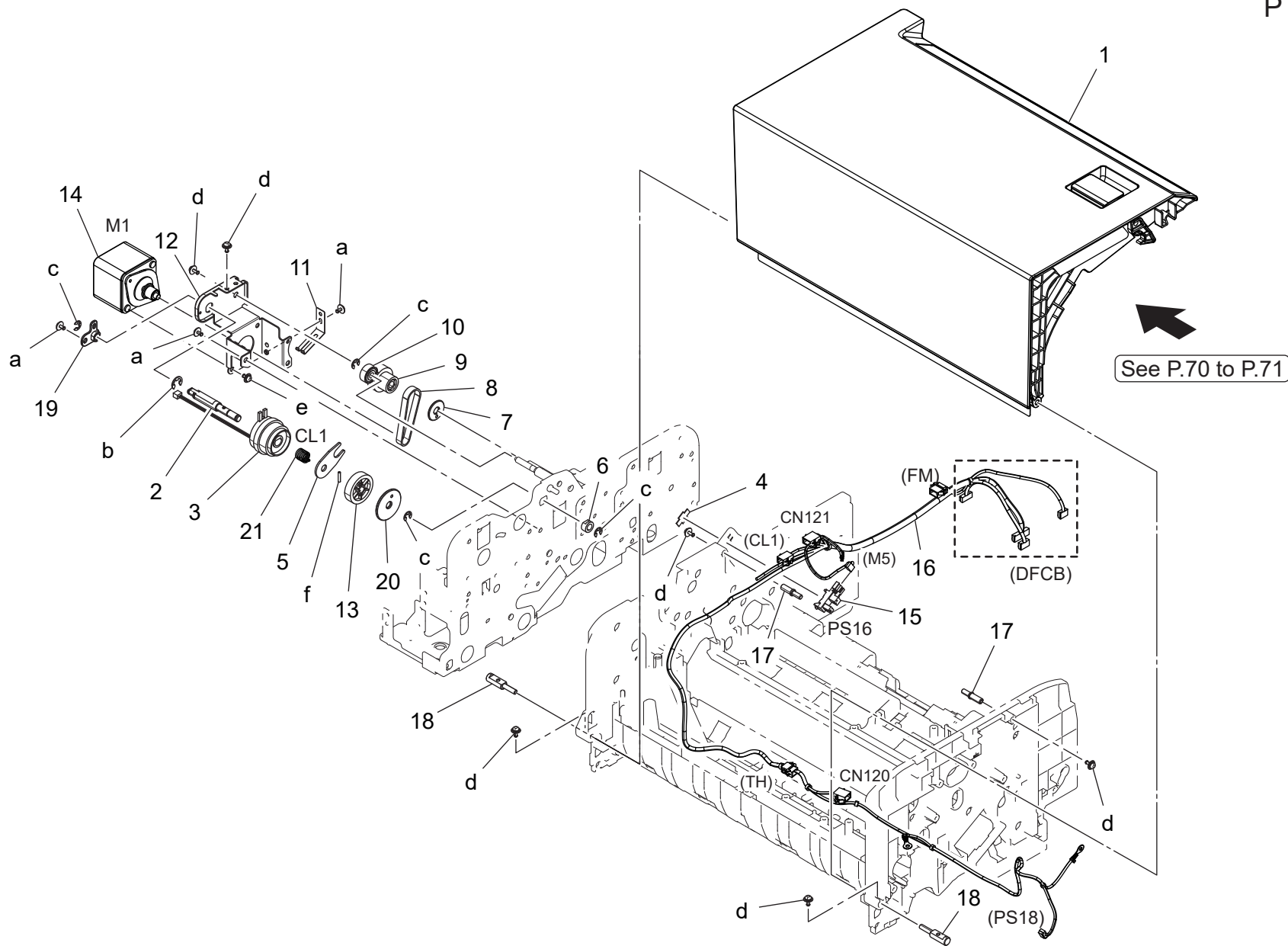
bizhub C450i/bizhub C450iS

Key	Part No.	Description	Destinations	Class	QTY	Standard parts
1	AAMP561701	Regulating Plate/ Rear ASSY		C	1	a-V153030803 b-V166170504 c-V145030803 d-V116030803 e-V234302050 f-V217040003
2	AAMP561701	Regulating Plate/ Front ASSY		C	1	
3	AAMP561701	Lifting Plate		C	1	
4	A782600101	Arm /1		C	1	
5	A5C1M50100	Photointerrupter		B	1	
6	A782601500	Arm /2		C	1	
7	A108M50000	Photoreflector		B	2	
8	A782562001	Rack		C	2	
9	A782600900	Gear 40T		C	1	
10	A1UDM50100	Volume		D	1	
11	A782562600	Mounting Plate		D	1	
12	AAMP561101	Tray		D	1	
13	A161210200	Bushing		D	2	
14	A782891901	Paper exit Spring /6		C	1	
15	A782891800	Actuator		C	1	
16	AAMP568501	Gear 34T		C	1	
17	A782562400	Washer		C	1	
18	A782566800	Lever		D	2	
19	AAMP567400	Lifting Plate ASSY		S	1	
20	AAMP566901	Lifting Shaft		D	1	
21	A782N10300	ADF Wiring /4		C	1	
22	A782561000	Friction Plate		C	2	
23	A782N10400	ADF Wiring /5		C	1	

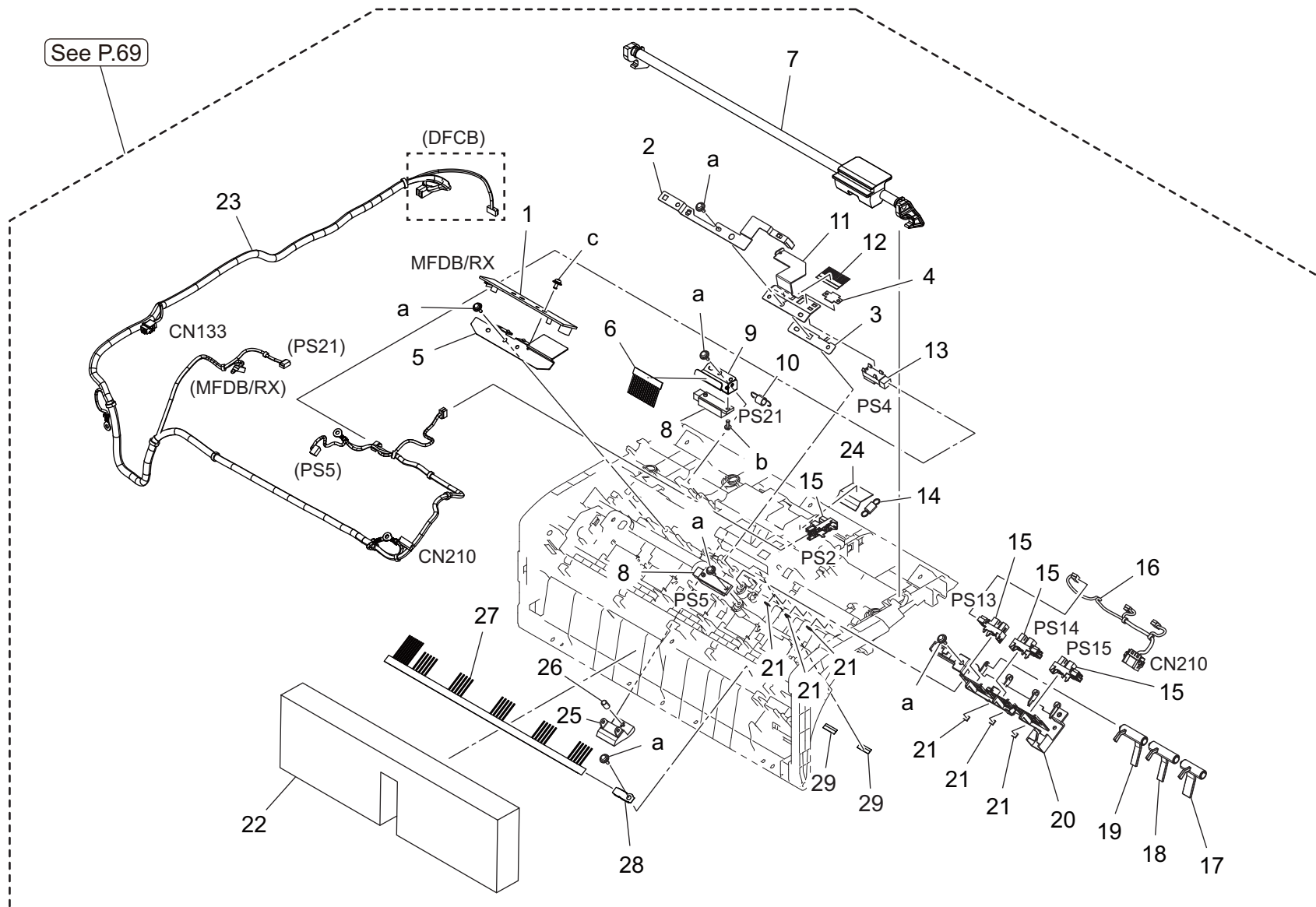


Key	Part No.	Description	Destinations	Class	QTY	Standard parts
1	4163529301	SCREW		C	5	a-V153041003 b-V149030803 c-V153030803
2	AAMP570900	Gear 18/23T		C	1	
3	AAMP565001	Cover		D	1	
4	A782572101	Pulling Coil spring		C	1	
5	AAMP571900	Pulling Coil spring		C	1	
6	A782561900	Protection Seal /2		D	1	
7	A782571800	Ground Plate		C	1	
8	9J07300801	ROLL		C	4	
9	A108890500	Plate spring		D	4	
10	A5C1M50100	Photointerrupter		B	1	
11	A108891300	Neutralizing Brush		C	1	
12	A782573901	Reinforce Plate /1		D	1	
13	9J07341102	GUIDE		D	1	
14	A782561801	Protection Seal /1		D	1	

bizhub C450i/bizhub C450iS



Key	Part No.	Description	Destinations	Class	QTY	Standard parts
1	AAMPR70500Old	Top Cover ASSY		S	1	a-V144030603 b-V217060003 c-V217040003 d-V116030803 e-V116030603 f-V234201050
1	AAMPR70511	Top Cover ASSY		S	1	
2	A782211600	Shaft		D	1	
3	A3CKM20000	Clutch		C	1	
4	4470402401	Stopper		D	1	
5	A782212000	Holder		D	1	
6	4131253701	BUSHING		C	1	
7	A782211800	Flange		C	1	
8	A782214300	Timing belt 124L		C	1	
9	A782211300	Pulley 27T		C	1	
10	A782215800	Gear		D	1	
11	A782211700	Ground Plate		C	1	
12	A782212702	Mounting Plate		D	1	
13	A782211400	Gear 27T		C	1	
14	A2X0M10800	Stepping motor		C	1	
15	A5C1M50100	Photointerrupter		B	1	
16	AAMPN10801	ADF Harness /9		D	1	
17	A782101600	Positioning Shaft /1		C	2	
18	A782101000	Shaft		C	2	
19	A108260700	Bushing		D	1	
20	A782211500	Ring		D	1	
21	AAMP211900	Compressing Spring /1		C	1	



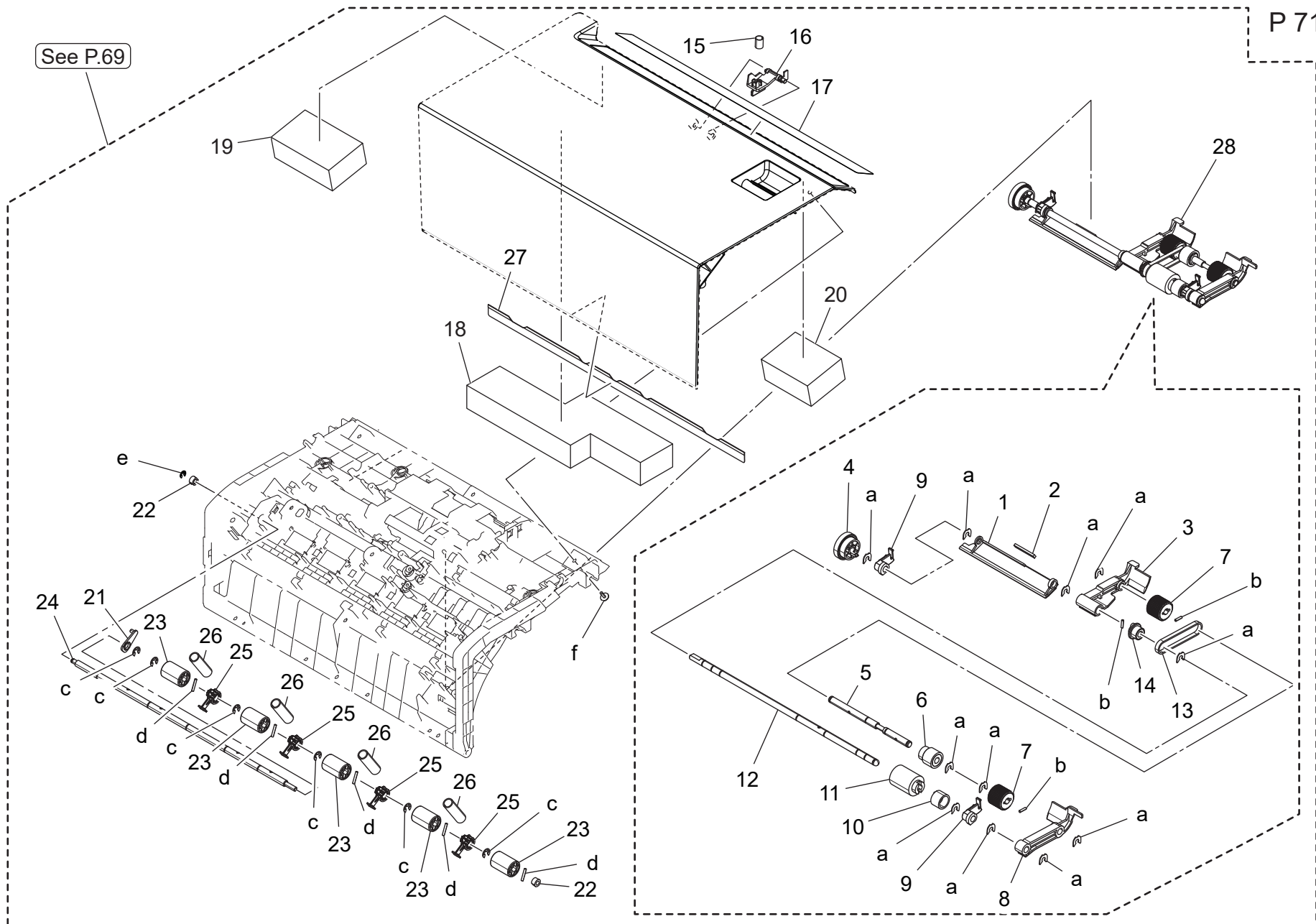
bizhub C450i/bizhub C450iS

Key	Part No.	Description	Destinations	Class	QTY	Standard parts
1	AAMPH10V02Old	DF Recive Board		C	1	a-V153030803 b-V135030603 c-V116030603
1	AAMPH10V03	DF Recive Board		C	1	
2	A782704101	Ground Plate		C	1	
3	A782704400	Scatteringprevention Plate		D	1	
4	A108703100	Stopper		D	1	
5	AAMP700500	Mounting Plate /Upper		D	1	
6	A782705600	Neutralizing Brush /1		D	1	
7	AAMP700800	Open/close Lever		C	1	
8	A108M50000	Photoreflector		B	2	
9	A782704501	Mounting Plate		D	1	
10	A782572101	Pulling Coil spring		C	1	
11	A782700400	Mounting Plate		D	1	
12	A782704800	Neutralizing Brush		C	1	
13	9335140071	Solid State Switch		B	1	
14	A782565301	Pulling Coil spring		C	1	
15	A5C1M50100	Photointerrupter		B	4	
16	A782N11100	ADF Wiring /12		D	1	
17	A782701200	Actuator /3		C	1	
18	A782701100	Actuator /2		C	1	
19	A782701000	Actuator /1		C	1	
20	A782702801	Mounting Plate		D	1	
21	A782704200	Adjusting Cushion		C	6	
22	AAMP719600	Sound shield Cushion /9		D	1	
23	AAMPN10202	ADF Harness /3		D	1	
24	A782707400	Light blocking Part		D	1	
25	A782707201	Guide /J		D	1	
26	A782704301	Spring		C	1	
27	A782701501	Neutralizing Brush		C	1	
28	AAMP719800	Ground Plate /Lower		D	1	
29	AAMP719000	Seal		D	2	



Automatic Document Feeder

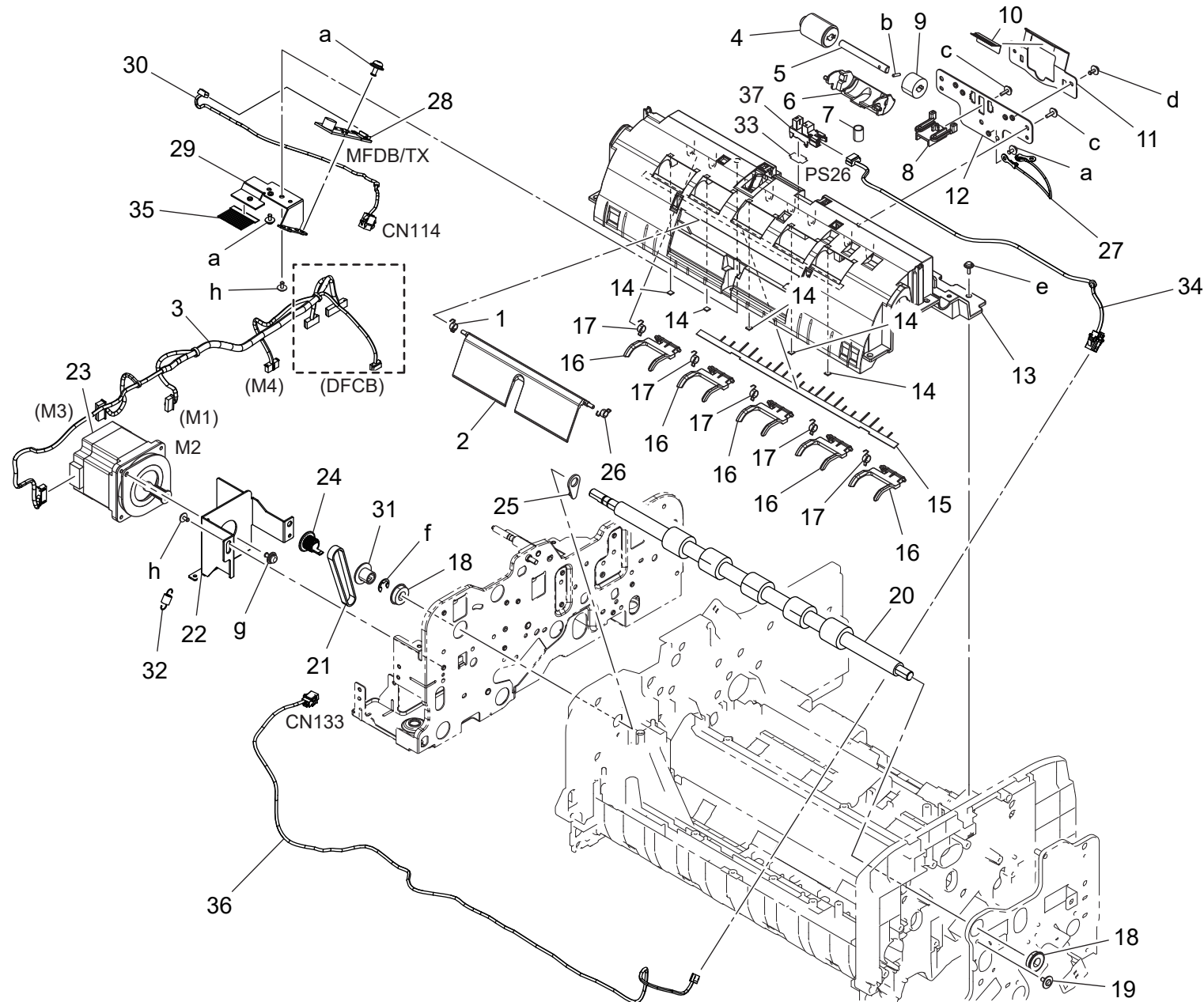
P 71



bizhub C450i/bizhub C450iS

Key	Part No.	Description	Destinations	Class	QTY	Standard parts
1	A782576100	Guide Plate		D	1	a-V218040086 b-V234200850 c-V217040003 d-V234201250 e-V217030003 f-V153030804
2	A782562101	Cushion		C	1	
3	A782569000	Arm /Front		C	1	
4	A782569300	Gear /2 25T		C	1	
5	A782573501	Shaft		D	1	
6	9J07330801	Pulley 21T		C	1	
7	9J07330102	Roller		A	2	
8	A782568901	Arm /Front		C	1	
9	A782569801	Lever /2		C	2	
10	A07H570500	Clutch		C	1	
11	A00J563600	Roller		A	1	
12	A782569200	Paper feed Shaft		D	1	
13	A782569900	Timing belt 128L		C	1	
14	9J07331901	Pulley 19T		C	1	
15	AAMP570400	Spring		C	1	
16	A782570602	Lever /1		D	1	
17	AAMP940400	Label		D	1	
18	AAMP719501	Sound shield Cushion /8		D	1	
19	AAMP719401	Sound shield Cushion /7		D	1	
20	AAMP719301	Sound shield Cushion /6		D	1	
21	A782562400	Washer		C	1	
22	A782702700	Bushing		C	2	
23	A782703001	Idler Roll		D	5	
24	A782702600	Rotation Shaft		D	1	
25	A782701900	Bushing		C	4	
26	A782700900	Compressing Spring		C	4	
27	A782703401	Sealing Rubber		C	1	
28	A782R70800	Pick Up ASSY		C	1	

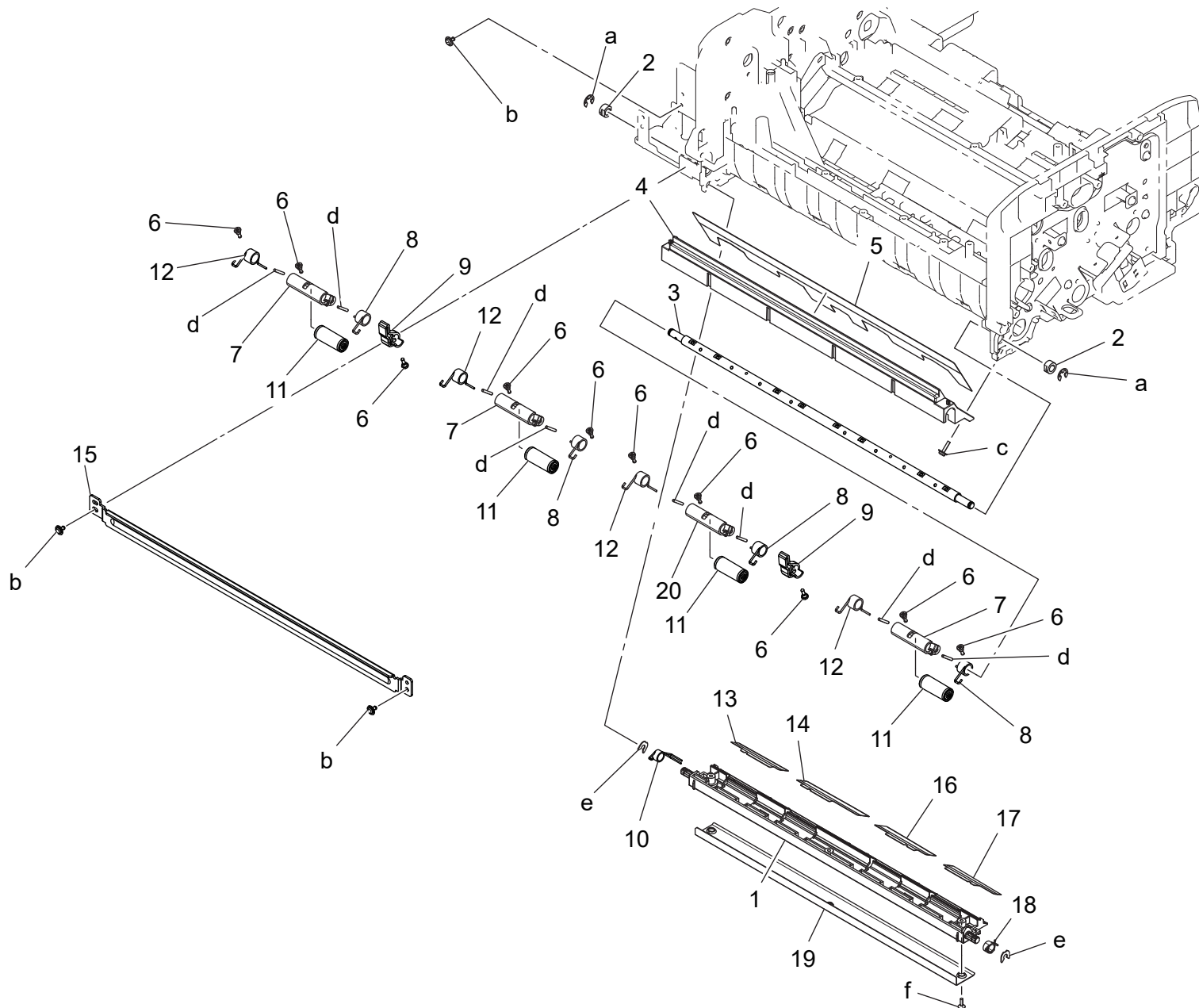
Automatic Document Feeder



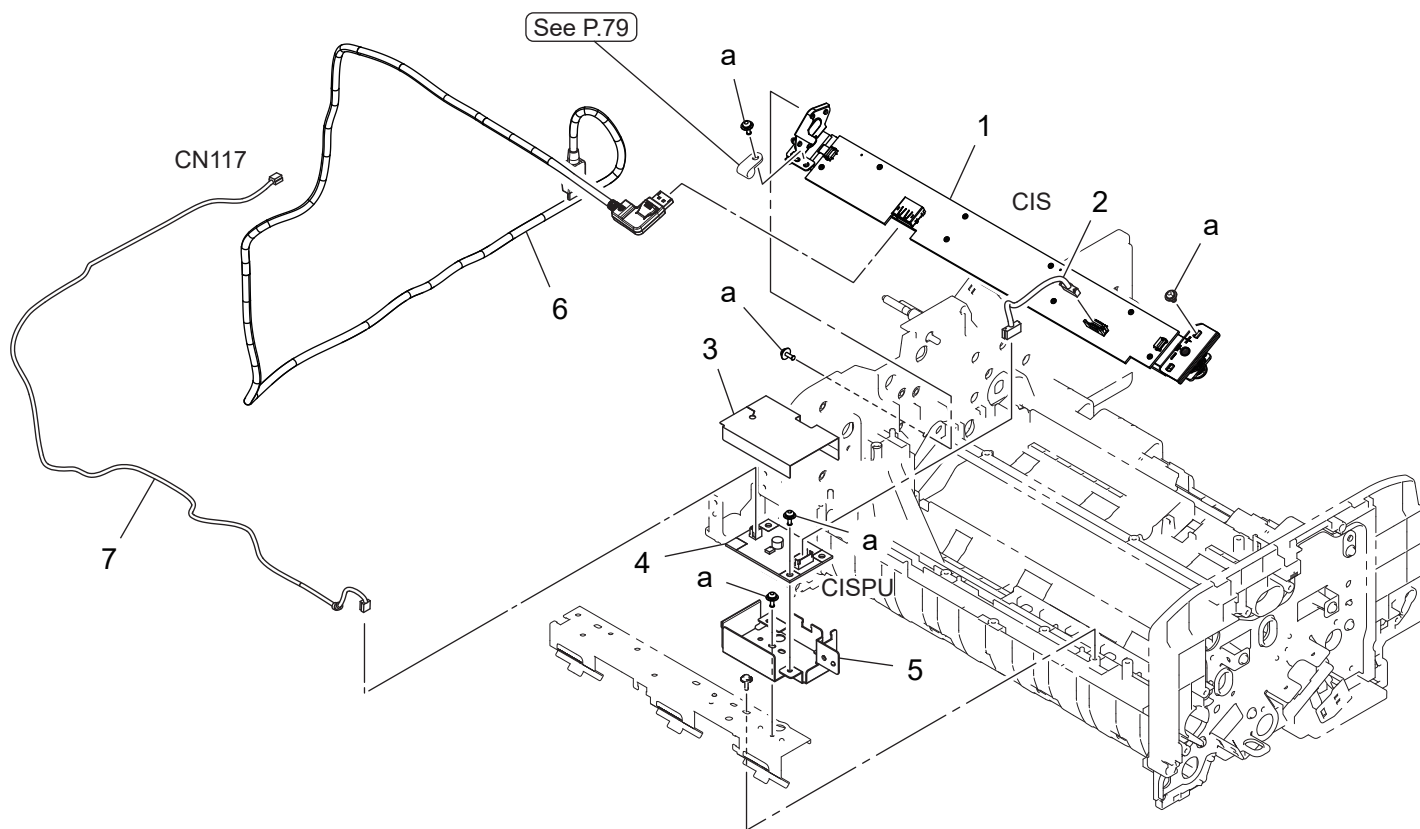
Key	Part No.	Description	Destinations	Class	QTY	Standard parts
1	A782714200	Spring /Lower		C	1	a-V116030603
2	A782711901	Lever /1		C	1	b-V234200850
3	AAMPN10101	ADF Harness /2		D	1	c-V153030803
4	9J07340901	ROLLER		A	1	d-V116030803
5	A0HT561202	Shaft		C	1	e-V153031004
6	A782568200	Holder		C	1	f-V217060003
7	A782568600	Spring		C	1	g-V116040803
8	A3CK565100	Holder		D	1	h-V144030603
9	A782568701	Torque limiter		A	1	
10	A782576000	Neutralizing Brush		C	1	
11	A3CK568300	Guide		D	1	
12	A782712300	Mounting Plate /2		D	1	
13	A782710806	Guide		D	1	
14	A782704200	Adjusting Cushion		C	5	
15	A782710201	Neutralizing Brush		C	1	
16	A782710000	Lever /Upper		C	5	
17	A782710100	Spring /1		C	5	
18	A00V240600	Ball Bearing		B	2	
19	A782117900	Shoulder screw		C	1	
20	AAMP711000	Conveyance Roller		C	1	
21	AAMP214400	Timing belt 146L		C	1	
22	AAMP212601	Mounting Plate /B		D	1	
23	A782M10000	Stepping motor		C	1	
24	AAMP213000	Gear 19T		C	1	
25	A782115700	Washer /1		C	1	
26	A782714100	Spring /Lower		C	1	
27	A782N12700	ADF Wiring /B		D	1	
28	AAMPH10U00Old	DF Send Board		C	1	
28	AAMPH10U01	DF Send Board		C	1	
29	AAMP710500	Mounting Plate /Lower		D	1	
30	AAMPN11301	ADF Harness /B		D	1	
31	A782215100	Collar		C	1	
32	AAMP215000	Pulling Spring		C	1	
33	4470402401	Stopper		D	1	
34	A782N20400	ADF Wiring		D	1	
35	A782705600	Neutralizing Brush /1		D	1	
36	AAMPN20501	ADF Harness		D	1	
37	A5C1M50100	Photointerrupter		B	1	

Automatic Document Feeder

P 73



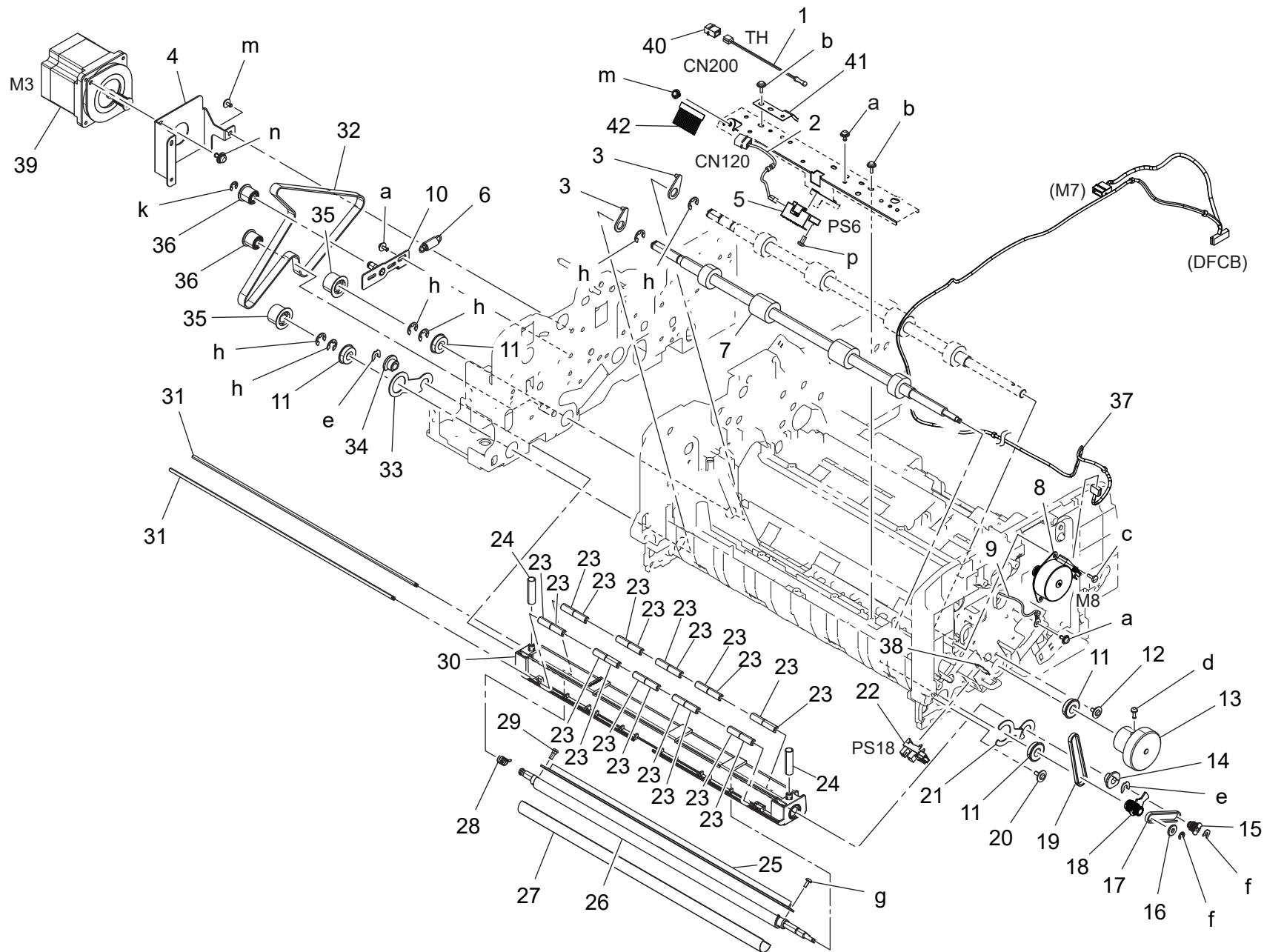
Key	Part No.	Description	Destinations	Class	QTY	Standard parts
1	AAMP100100Old	Guide		D	1	a-V217050003 b-V144030603 c-V153031003 d-V234201450 e-V218030086 f-V147030803
1	AAMP100111	Guide	ガイド (読取前下)	D	1	
2	4131253701	BUSHING	軸受	C	2	
3	AAMP260700	Support Shaft	支点軸	D	1	
4	A782100001	Guide	ガイド (読取前上)	D	1	
5	A782116801	Guide	ガイド	C	1	
6	A3CK272600	Shoulder screw	段ねじ	C	10	
7	A3CK272001	Lever	レバー	C	3	
8	AAMP268700	Holding Spring	押さえばね (1)	C	4	
9	AAMP269600	Lever	レバー (圧離)	C	2	
10	AAMP100801	Torsion Coil spring	ねじりコイルばね (後)	C	1	
11	AAMP272901	Roll	ころ (R 1 圧離)	C	4	
12	AAMP268600	Holding Spring	押さえばね (2)	C	4	
13	A782100400	Guide /2	ガイド /2	C	1	
14	A782100301	Guide /1	ガイド /1	C	1	
15	AAMP296700	Reinforce Plate	補強板	D	1	
16	A782100501Old	Guide /3	ガイド /3	C	1	
16	AAMP100500	Guide /3	ガイド /3 (読取前下)	C	1	
17	A782100600	Guide /4	ガイド /4	C	1	
18	A782100701	Torsion Coil spring	ねじりコイルばね	C	1	
19	A782100200	Reinforce Plate	補強板	D	1	
20	AAMP272000	Lever	レバー	C	1	



Key	Part No.	Description	Destinations	Class	QTY	Standard parts
1	AAMPR70100	CIS ASSY		I	1	a-V116030803
2	A782N10900	ADF Wiring /10		D	1	
3	A782116301	Wiring Cover		C	1	
4	A3CKH00200	PWB Assembly(PWB-DC Assy)		I	1	
5	A782116201	Plate		D	1	
6	A782N12012	ADF Cable		D	1	
7	A782N12200	ADF Wiring /40		D	1	

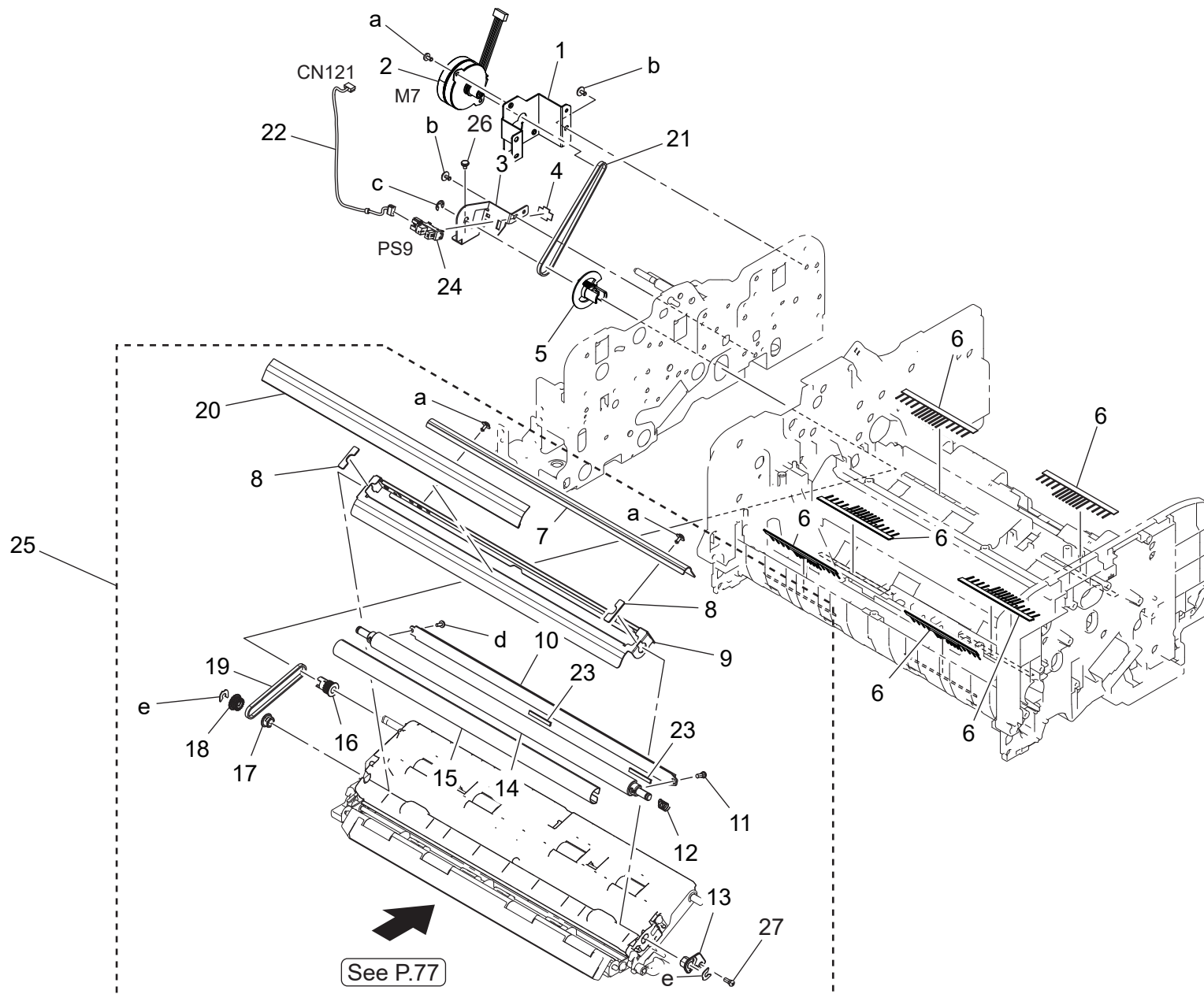
bizhub C450i/bizhub C450iS

Automatic Document Feeder



bizhub C450i/bizhub C450iS

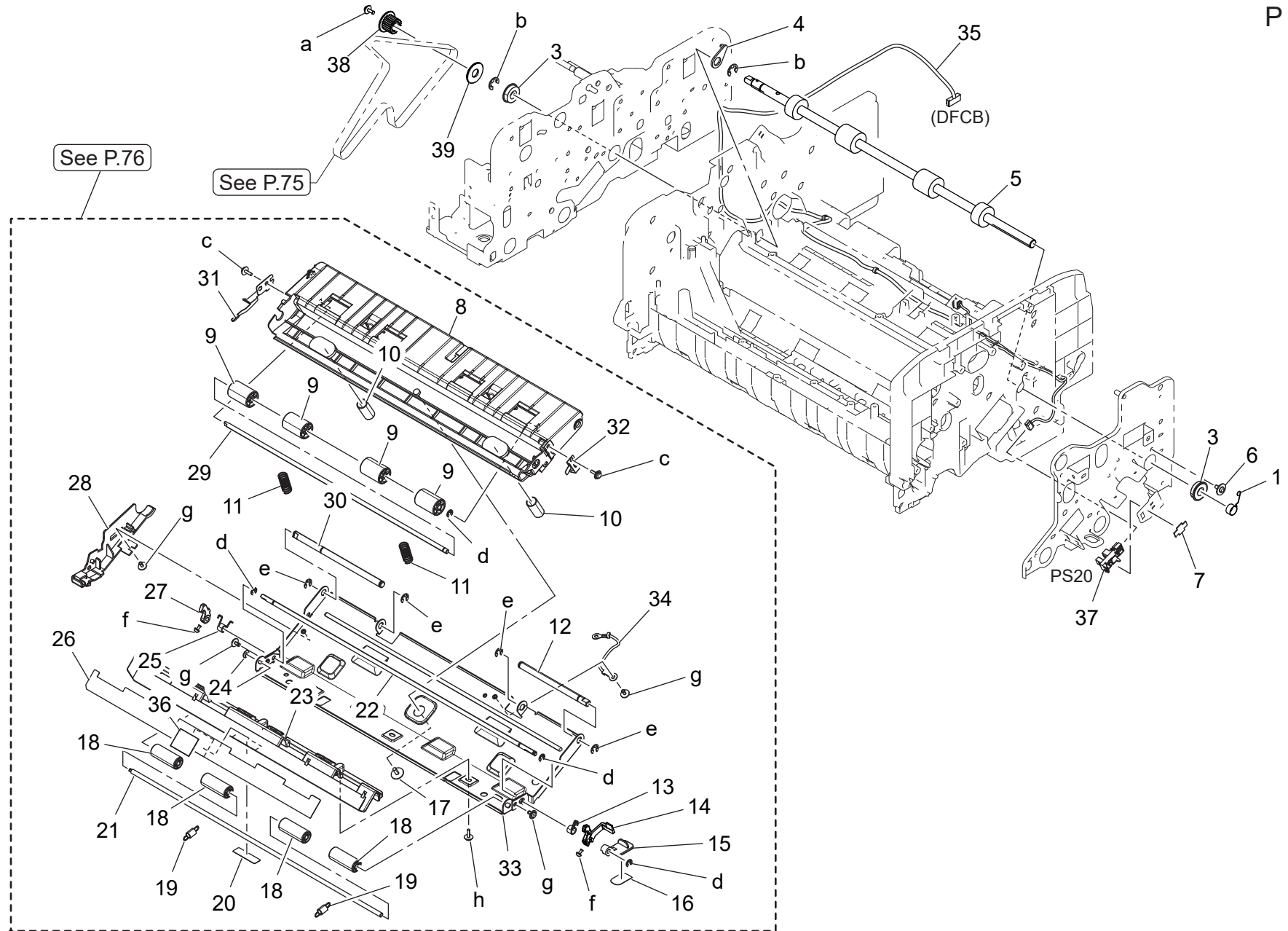
Key	Part No.	Description	Destinations	Class	QTY	Standard parts
1	A0P0M50300	Thermistor		C	1	a-V116030803
2	A782N12300	ADF Wiring /50		D	1	b-V153030803
3	A782115700	Washer /1		C	2	c-V149030803
4	A782212300	Mounting Plate		D	1	d-V115030803
5	A85GM50000	Photorelector		C	1	e-V218040086
6	AAMP215700	Pulling Coil spring		C	1	f-V218030086
7	AAMP102900	Roller		C	1	g-V145030603
8	AAMP10200	Stepping Motor		C	1	h-V217060003
9	A782N12600	ADF Wiring /A		D	1	k-V217040003
10	A782231000	Tension Plate		D	1	m-V144030603
11	A00V240600	Ball Bearing		B	4	n-V116040803
12	A782117900	Shoulder screw		C	1	p-V126030803
13	A782118300	Weight		D	1	
14	A782263801	Bushing		C	1	
15	A782262900	Pulley 14T		C	1	
16	A0HU250500	Flange		D	1	
17	A782263000	Belt 100L		C	1	
18	AAMP269800	Pulley 14/17T		C	1	
19	AAMP268900	Timing belt 132L		C	1	
20	A782118000	Shoulder screw		C	1	
21	A782262200	Arm		D	1	
22	A5C1M50100	Photointerrupter		B	1	
23	A782262800	Roll		C	20	
24	AAMP263300	Compressing Coil spring		C	2	
25	A3CK300200	Brush		C	1	
26	A782262501	Shaft		D	1	
27	A782264501	Sheet		C	1	
28	A782264300	Spring		D	1	
29	A782269200	Shoulder screw		C	1	
30	A782262101	Guide		C	1	
31	A782262700	Shaft		D	2	
32	AAMP213300	Timing belt 456L		C	1	
33	A782262300	Arm		D	1	
34	A782263700	Bushing		C	1	
35	AAMP213100	Pulley 21T		C	2	
36	A782230700	Pulley		C	2	
37	AAMPN10502	ADF Harness /6		D	1	
38	4470402401	Stopper		D	1	
39	A782M10000	Stepping motor		C	1	
40	V651010034	Connector		V	1	
41	AAMP290100	Ground Plate spring		D	1	
42	A782705600	Neutralizing Brush /1		D	1	



Key	Part No.	Description	Destinations	Class	QTY	Standard parts
1	AAMP264100	Mounting Plate		D	1	a-V143030603 b-V144030603 c-V217040003 d-V145030603 e-V218040086
2	AAMP110300	Stepping Motor		C	1	
3	A782264202	Mounting Plate		D	1	
4	4470402401	Stopper		D	1	
5	AAMP264400	Pulley 21T		C	1	
6	A782104301	Neutralizing Brush		D	6	
7	A782265201	Mounting Plate		D	1	
8	A782268500	Spacer		D	2	
9	A782264800	Housing		D	1	
10	A3CK300200	Brush		C	1	
11	A782269200	Shoulder screw		C	1	
12	A782264300	Spring		D	1	
13	A782263201Old	Bushing		C	1	
13	A782263212	Bushing		C	1	
14	A782268301	Shaft		D	1	
15	A3CK300102	Sheet		C	1	
16	A782264600	Pulley T18		C	1	
17	A782269500	Bushing		C	1	
18	A782264700	Pulley /2 T18		C	1	
19	A782269300	Belt 154L		C	1	
20	A782265300	Sheet /1		D	1	
21	A782264000	Belt 230L		C	1	
22	A782N12400	ADF Wiring /60		D	1	
23	A782562101	Cushion		C	2	
24	A5C1M50100	Photointerrupter		B	1	
25	AAMPR70600	CIS Cleaning ASSY		S	1	
26	A0P0742300	Shoulder screw		C	1	
27	AAMP273000	Shoulder screw		C	1	

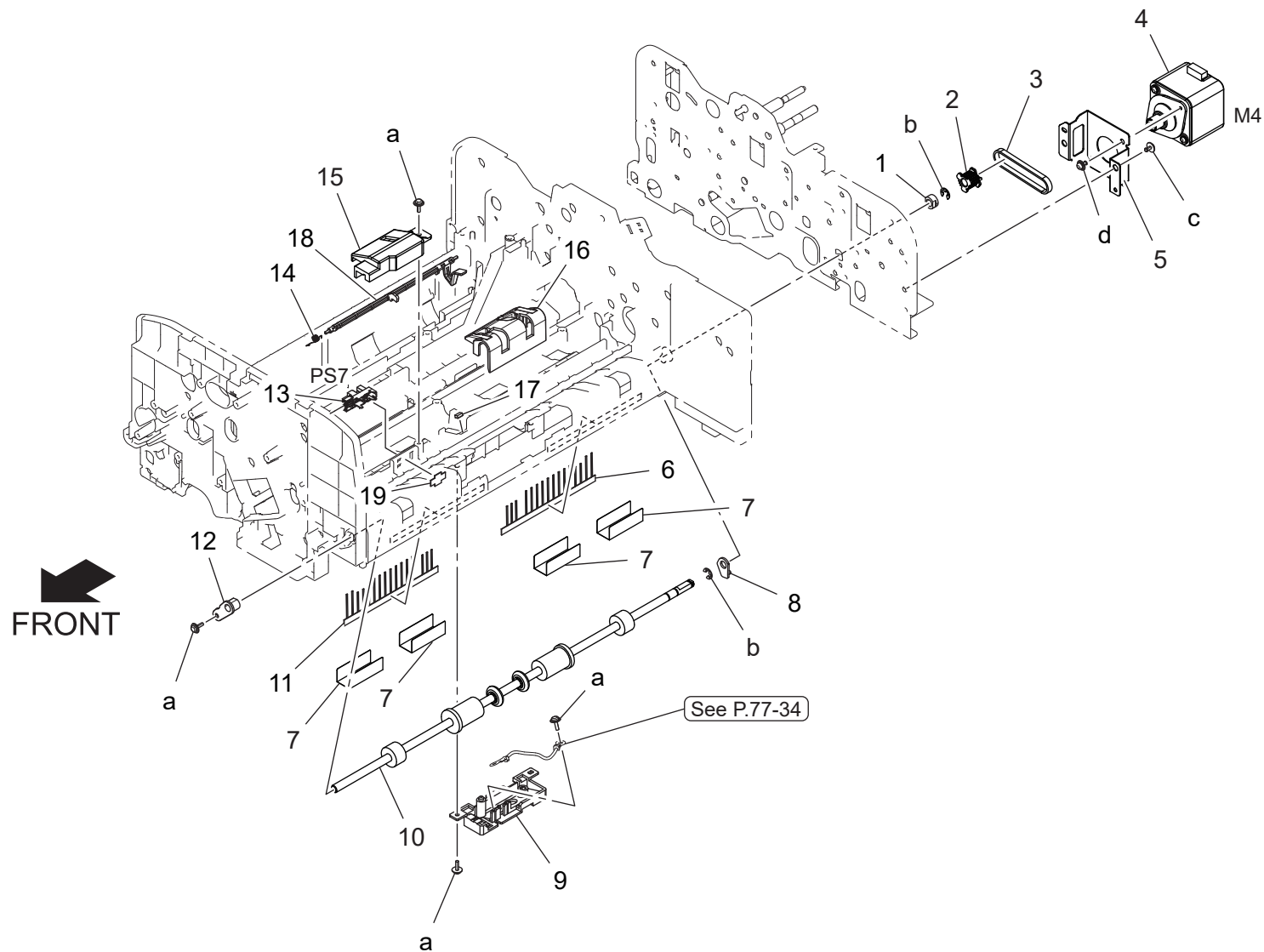
Automatic Document Feeder

P 77



bizhub C450i/bizhub C450iS

Key	Part No.	Description	Destinations	Class	QTY	Standard parts
1	AAMP290200	Discharge Spring		C	1	a-V116030803
3	A00V240600	Ball Bearing		B	2	b-V217060003
4	A782115700	Washer /1		C	1	c-V153030803
5	AAMP115600	Roller		C	1	d-V217030003
6	A782117900	Shoulder screw		C	1	e-V217040003
7	4470402401	Stopper		D	1	f-V115260503
8	A782265102	Conveyance Guide		D	1	g-V144030603
9	A782563800	Idling Roller		C	4	h-V149030803
10	A782265700	Compressing Coil spring		C	2	
11	A782265600	Compressing Coil		C	2	
12	A782266000	Open/close Shaft /Front		D	1	
13	A782266900	Open/close Spring /Left		D	1	
14	A782266502	Lock Part /Front		D	1	
15	A108266300	Lock Lever		C	1	
16	A3CK940000	Label		C	1	
17	4163529301	SCREW		C	1	
18	A782266200	Roll		C	4	
19	A782267200	Pulling Coil spring /3		C	2	
20	A782940300	Cover Film		C	1	
21	A782266401	Shaft		D	1	
22	A782266800	Open/close Shaft		D	1	
23	A782266300	Guide		D	1	
24	A782103600	Slide Stopper		C	1	
25	A782267000	Open/close Spring /Right		D	1	
26	A782117700	Conveyance Guide		D	1	
27	A782266601	Lock Part /Rear		D	1	
28	A782267100	Cover		D	1	
29	A782268201	Shaft		D	1	
30	A782266100	Shaft		D	1	
31	A782268001	Plate spring		D	1	
32	A782266700	Ground Plate spring		D	1	
33	A782265800	Cover /1		D	1	
34	A782N11800	ADF Wiring /19		D	1	
35	A782N10700	ADF Wiring /8		D	1	
36	A782117800	Guide /Middle		D	1	
37	A5C1M50100	Photointerrupter		B	1	
38	AAMP213600	Pulley		D	1	
39	AAMP213700	Flange		D	1	

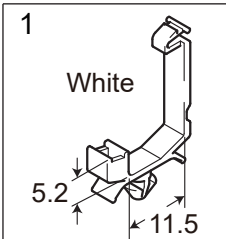
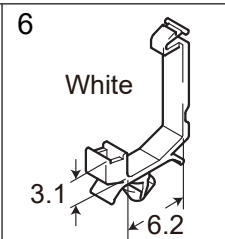
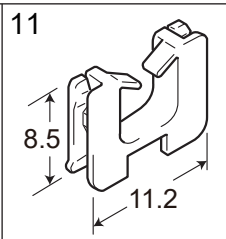
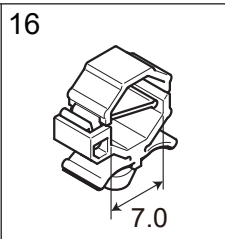

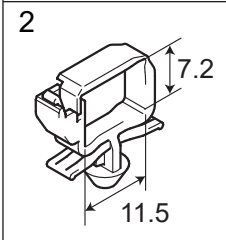
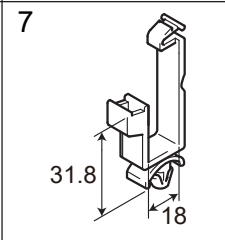
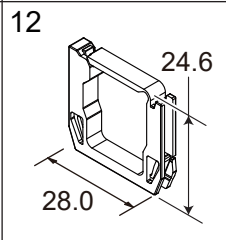
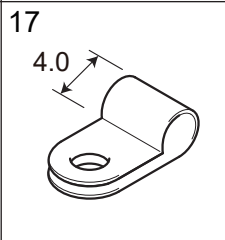
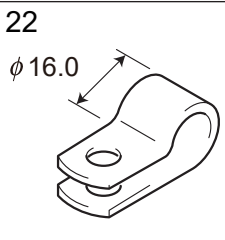
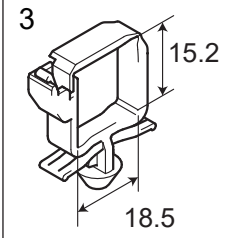
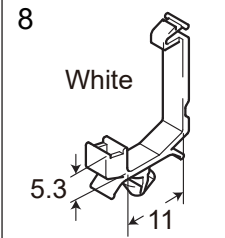
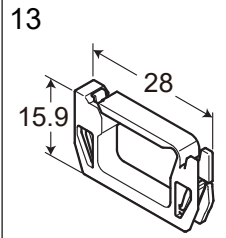
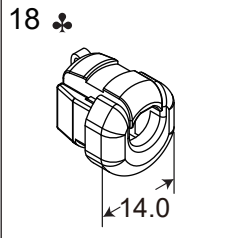
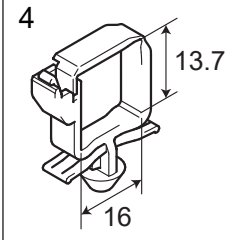
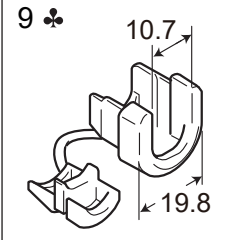
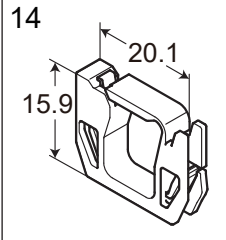
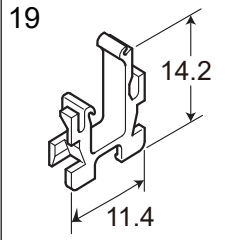
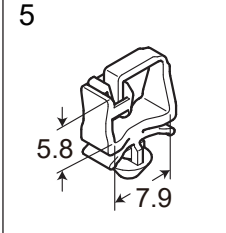
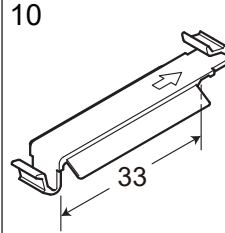
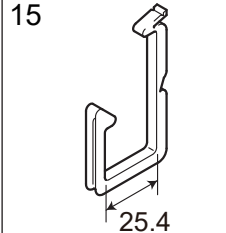
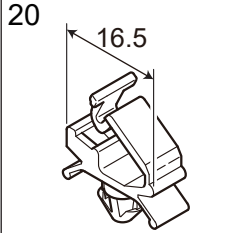


Key	Part No.	Description	Destinations	Class	QTY	Standard parts
1	4131253701	BUSHING		C	1	a-V153030803 b-V217040003 c-V144030603 d-V116030603
2	AAMP210800	Pulley 19T		C	1	
3	A782569900	Timing belt 128L		C	1	
4	A2X0M10800	Stepping motor		C	1	
5	AAMP212500	Mounting Plate		D	1	
6	A782891600	Neutralizing Brush /2		C	1	
7	AAMP891700	Wiring Cover		D	4	
8	A782115800	Paper exit Washer		C	1	
9	A782890711	Mounting Pedestal		D	1	
10	AAMP890000	Paper exit Roller		C	1	
11	A782891500	Neutralizing Brush /1		C	1	
12	A782103200	Bushing		C	1	
13	A5C1M50100	Photointerrupter		B	1	
14	A782101900	Paper exit Spring		C	1	
15	AAMP890600	Sensor Cover		D	1	
16	A782890111	Paper exit Cover		D	1	
17	A782104500	Cushion		C	1	
18	A782890200	Paper exit Actuator		C	1	
19	4470402401	Stopper		D	1	

bizhub C450i/bizhub C450iS

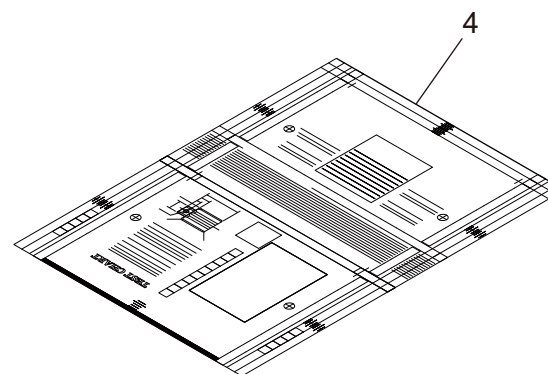
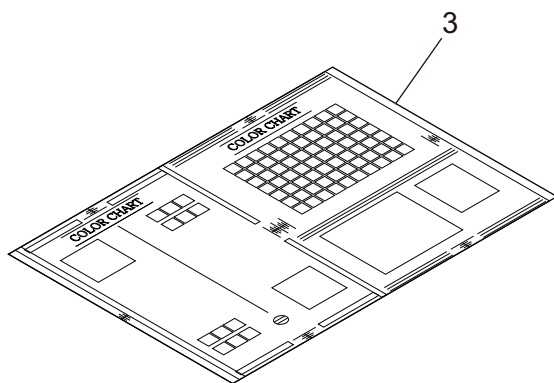
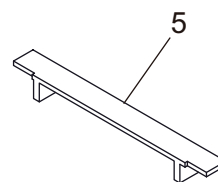
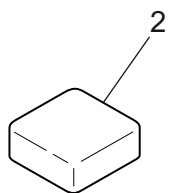
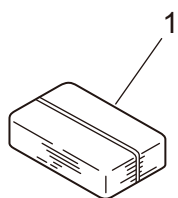
Wiring Accessories

P 79

1 White 	6 White 	11 	16 	21 ϕ 5.6 	26	31	36
2 	7 	12 	17 4.0 	22 ϕ 16.0 	27	32	37
3 	8 White 	13 	18 ♣ 	23	28	33	38
4 	9 ♣ 	14 	19 	24	29	34	39
5 	10 	15 	20 16.5 	25	30	35	40

bizhub C450i/bizhub C450iS

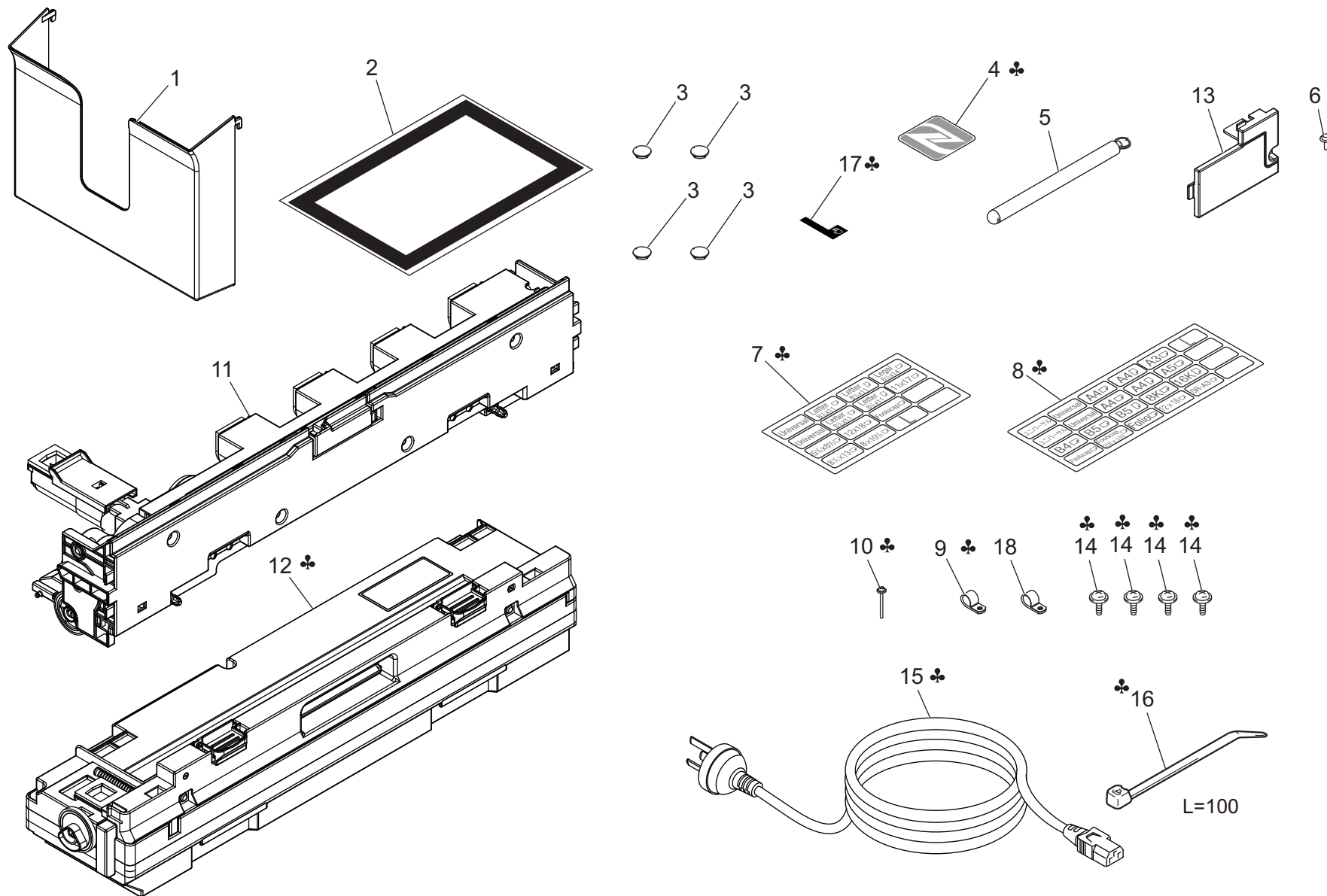
Key	Part No.	Description	Destinations	Class	QTY	Standard parts
1	V500010081	Locking Wire Saddle		D		
2	V500010082	Locking Wire Saddle		D		
3	V500010083	Locking Wire Saddle		D		
4	V500010084	Locking Wire Saddle		D		
5	V500020098	Mini Locking wire saddle		D		
6	V500020099	Mini Locking wire saddle		D		
7	V500010085	Locking Wire Saddle		D		
8	V500020100	Mini Locking wire saddle		D		
9	V500020052	bushing	B,G2	D		
10	V500020082	Clamping for FFC		D		
11	V570010021	Saddle		D		
12	V570010057	Wing Edge Saddle		D		
13	V570010059	Wing Edge Saddle		D		
14	V570010060	Wing Edge Saddle		D		
15	V570010048	Saddle		D		
16	V500020094	FG Clamp		D		
17	V500020069	Clamp		D		
18	V500020073	bushing		D		
19	V570010050	Locking Edge Saddle		D		
20	V500010061	saddle		D		
21	V500020018	clamp		D		
22	V500020080	Nylon Clamp		D		



Key	Part No.	Description	Destinations	Class	QTY	Standard parts
1	A5AWP00100	Cleaning Pad		S	1	
2	65AA-9920	Hydrowipe		S	1	
3	9J06PJP100	Color chart/A3 size		S	1	
4	A79JPJP000	Test chart/A3 size		S	1	
5	A79JPJG000	Jig		S	1	

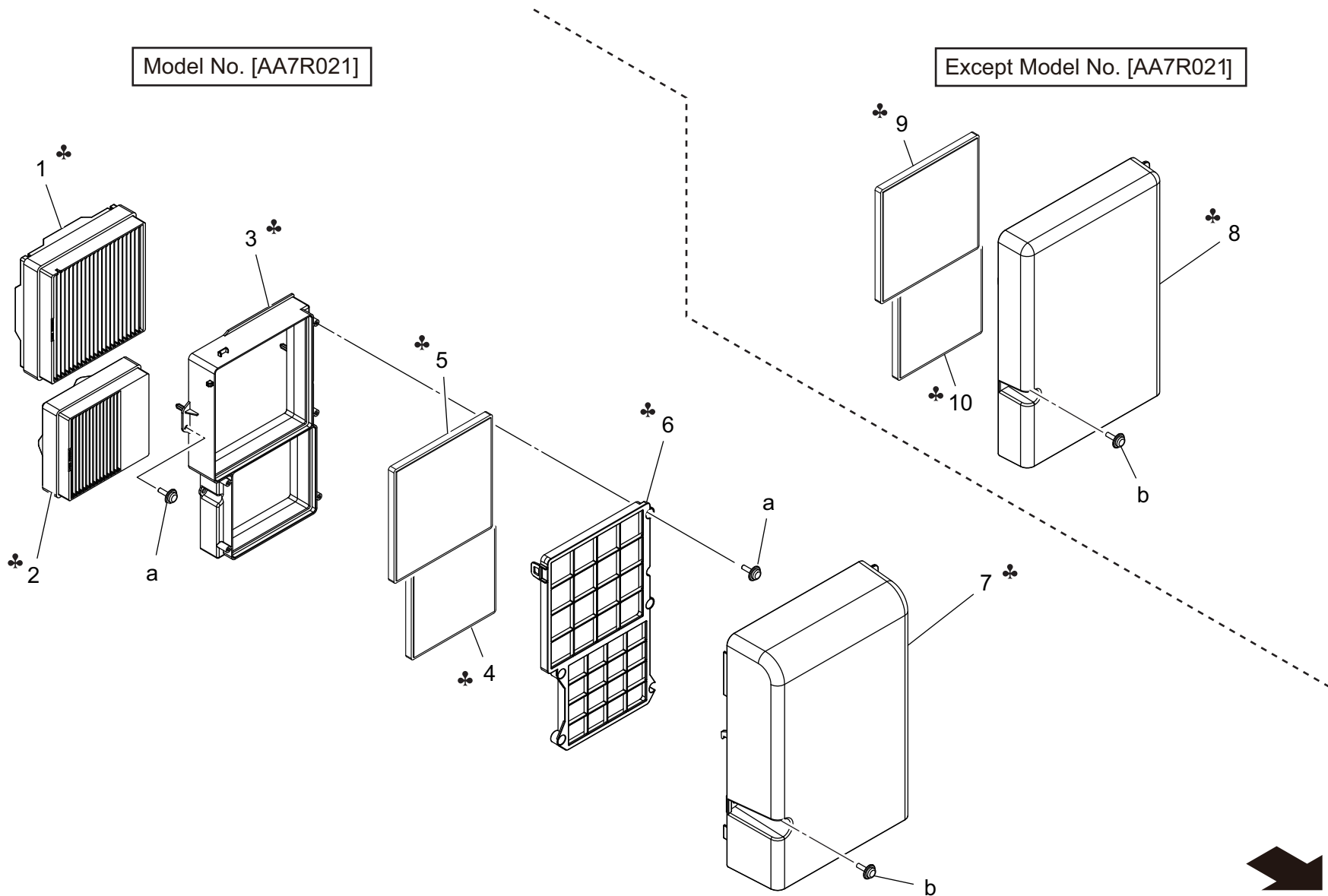
Accessory Parts

P 81



bizhub C450i/bizhub C450iS

Key	Part No.	Description	Destinations	Class	QTY	Standard parts
1	A7PU169900	Holder		C	1	
2	A782945003	Adjusting Sheet		S	1	
3	A00J169100	Cover		D	4	
4	AA2J948600	Label	ラベル (NFC)	D	1	
5	A5C1192104	Pen	ペン	C	1	
6	V116030804	Screw	なべ小ねじ・セムス2	V	1	
7	A161943400	Label Paper Size/Inch	ラベル 集合ラベルI	C	1	
8	A161943301	Label Paper Size/Metric	ラベル 集合ラベルM	C	1	
9	V500020040	clamp	ナイロンクランプ	D	1	
10	V116033003	Screw	なべ小ねじ・セムス2	V	1	
11	AA7NR72811	Waste Toner Conveyance ASSY	廃棄トナー搬送 Assy	C	1	
12	AAVA0Y1	WASTE TONER BOX	廃棄トナーボックス	A	1	
12	AAVAWY1	WASTE TONER BOX	廃棄トナーボックス	A	1	
13	A7PU166101	Cover	カバー	C	1	
14	V153030803	Screw	カップ頭タッピンねじ B タイ	V	4	
15	AC4GN30G00	Power Code	電源コード (中国・インレットタイプ)	J	1	
15	4136N30000	POWER CODE	プラグ電源コード	(Korea,Pakistan,Bolivia,Chile,Uruguay,Nepal,Maldives)	D	1
15	A2UPN31200	Power Code /230V	電源コード /230V (オーストラリア・イ)	(New Zealand,Australia)	D	1
15	A2UPN31000	Power Code /230V	電源コード /230V (インド・インレット)	(India)	D	1
15	A2UPN30300	Power code (220-240V)	電源コード (220-240V)	(Peru)	D	1
15	A2UPN30601	Power code (220-240V)	電源コード (220-240V)	(Brazil)	D	1
15	A2UPN30100	Power code (220-240V)	電源コード (220-240V)	(Saudi Arabia,Kuwait,UAE,Bahrain,Qatar,Oman,Yemen,HongKong,Mongolia)	D	1
15	A1UDN30200	Power cord /230V	電源コード /230V (アルゼンチン)	(Argentina)	C	1
16	V501010002	band	結束バンド	(Brazil)	D	1
17	AA2J949700	Label	ラベル (右扉手マーク)	(bizhub C450iS)	D	1
18	V500020080	Nylon Clamp	ナイロンクランプ	D	1	



REAR SIDE

bizhub C450i/bizhub C450iS

Key	Part No.	Description	Destinations	Class	QTY	Standard parts
1	A79J142800	Filter /UFP フィルタ /UFP	C,G1,I (South Africa)	C	1	a-V153030803 b-V153031004
2	A79J142902	Filter /UFP フィルタ /UFP	C,G1,I (South Africa)	C	1	
3	A79J143300	Duct ダクト	C,G1,I (South Africa)	D	1	
4	AA7N149200	Filter フィルタ (活性炭 B 2)	C,G1,I (South Africa)	C	1	
5	A79J149300	Filter フィルタ (活性炭 P)	C,G1,I (South Africa)	C	1	
6	A79J168200	Cover カバー	C,G1,I (South Africa)	D	1	
7	AA7N168700	Cover カバー	C,G1,I (South Africa)	D	1	
8	AA7N168600	Cover カバー	A,B,G2,D1,D3,E,F2,G 1,I,K,J,H	D	1	
9	A79J149300	Filter フィルタ (活性炭 P)	A,B,G2,D1,D3,E,F2,G 1,I,K,H	C	1	
10	AA7N149200	Filter フィルタ (活性炭 B 2)	A,B,G2,D1,D3,E,F2,G 1,I,K,H	C	1	

MAINTENANCE LIST

● The items with no Page/Key numbers are not handled as spare parts.

No.	Section	PM Parts Description	Maintenance Cycle (K=1,000)		Parts No.	Destinations	Page/Key	Note
			QTY	Replace				
1	Tray 1	Tray 1 pick-up roller	1	300000	A64J564201		P19-20	*1, *2
2		Tray 1 feed roller	1	300000	A64J564101		P19-13	
3		Tray 1 separation roller	1	300000	AA2J560000		P20-6	
4	Tray 2	Tray 2 pick-up roller	1	300000	A64J564201		P21-18	*1, *2
5		Tray 2 feed roller	1	300000	A64J564101		P21-12	
6		Tray 2 separation roller	1	300000	AA2J560000		P22-6	
7	Manual bypass tray	Bypass pick-up roller	1	200000	A5C1562200		P37-17	*1, *2
8		Manual bypass tray feed roller	1	200000	A00F623201		P38-18	
9		Manual bypass tray separation roller assy	1	200000	AA7N591100		P39-21	
10	Processing section	Toner cartridge/Y, /M, /C, /K	1	28000	-			*3
11		Drum unit/Y, /M, /C	1	165000	-			*3, *4
12		Drum unit/K	1	240000	-			*3, *4
13		Developing unit/Y, /M, /C, /K	1	1000000	-			*4
14		Toner filter/Y, /M, /C	1	165000	A161R72811			
15		Toner filter/K	1	330000	A161R72811			
16		Waste toner box	1	44000	AAVA0Y1	Japan, North America	P81-12	*3, *4
17			1	44000	AAVAWY1	Except for Japan and	P81-12	*3, *4
18	Image transfer section	Transfer belt unit	1	330000	AA2JR73700	Japan	P17-33	*4
19			1	330000	AA2JR73100	Except for Japan	P17-33	*4
20		Transfer roller unit	1	1000000	AA7NR70411		P33-4	*4
21	Fusing section	Fusing unit	1	1000000	AA7RR70644	(bizhub C450i)A	P45-1	*4
22			1	1000000	AA7RR70744	(AA7R011,012)B,G2	P45-1	*4
23			1	1000000	AA7RR71311	(AA7R017,01D,018)B,	P45-1	*4
24			1	1000000	AA7RR70844	(AA7R021)C	P45-1	*4
25			1	1000000	AA7RR71411	(AA7R027,047,087)	P45-1	*4
26			1	1000000	AA7RR70844	C,D1,D3,E,F2,G1,I,K,J (AA7R041,081)	P45-1	*4
26			1	1000000	AA7RR71033	D1,D3,E,F2,G1,I,K,J (AA7R071)H	P45-1	*4
28			1	1000000	AA7RR71500	(AA7R077,078)H	P45-1	*4
29			1	1000000	AA7RR71211	(bizhub C450iS)A	P45-1	*4
30	Dual scan document feeder	Pick-up roller	2	200000	9J07330102		P71-7	*1, *2
31		Feed roller	1	200000	A00J563600		P71-11	*1, *2
32		Separation roller	1	200000	9J07340901		P72-4	*1, *2

*1: Life counter value

*2: Replace these parts at the same time.

*3: The parts can be replaced either by user or service engineer.

*4: Field standard yield

*: The part names used on this page follow the ones used in the Service Manual and they are occasionally different from those written in other pages.

メンテナンスリスト

● ページ / キーナンバーのないものは、アフターサービス部品ではありません。

No.	区分	P M 部品名称	サイクル (K=1,000)		部品番号	仕向地	頁 / キー	備考
			員数	交換				
1	トレイ1	トレイ1ピックアップローラー	1	300000	A64J564201		P19-20	*1, *2
2		トレイ1給紙ローラー	1	300000	A64J564101		P19-13	
3		トレイ1分離ローラー	1	300000	AA2J560000		P20-6	
4	トレイ2	トレイ2ピックアップローラー	1	300000	A64J564201		P21-18	*1, *2
5		トレイ2給紙ローラー	1	300000	A64J564101		P21-12	
6		トレイ2分離ローラー	1	300000	AA2J560000		P22-6	
7	手差し	手差しピックアップローラー	1	200000	A5C1562200		P37-17	*1, *2
8		手差し給紙ローラー	1	200000	A00F623201		P38-18	
9		手差し分離ローラー Assy	1	200000	AA7N591100		P39-21	
10	プロセス部	トナーカートリッジ /Y, /M, /C, /K	1	28000	-			*3
11		ドラムユニット /Y, /M, /C	1	165000	-			*3, *4
12		ドラムユニット /K	1	240000	-			*3, *4
13		現像ユニット /Y, /M, /C, /K	1	1000000	-			*4
14		トナーフィルター /Y, /M, /C	1	165000	A161R72811			
15		トナーフィルター /K	1	330000	A161R72811			
16		廃棄トナーボックス	1	44000	AAVA0Y1	日本 / 北米	P81-12	*3, *4
17			44000	AAVAWY1	日本 / 北米 以外	P81-12	*3, *4	
18	転写部	転写ベルト ユニット	1	330000	AA2JR73700	日本	P17-33	*4
19			1	330000	AA2JR73100	日本 以外	P17-33	*4
20		転写ローラーユニット	1	1000000	AA7NR70411		P33-4	*4
21	定着部	定着ユニット	1	1000000	AA7RR70644	(bizhub C450i)A	P45-1	*4
22			1	1000000	AA7RR70744	(AA7R011,012)B,G2	P45-1	*4
23			1	1000000	AA7RR71311	(AA7R017,01D,018)B,G2	P45-1	*4
24			1	1000000	AA7RR70844	(AA7R021)C	P45-1	*4
25			1	1000000	AA7RR71411	(AA7R027,047,087)	P45-1	*4
25						C,D1,D3,E,F2,G1,I,K,J		
26			1	1000000	AA7RR70844	(AA7R041,081)	P45-1	*4
26						D1,D3,E,F2,G1,I,K,J		
27			1	1000000	AA7RR71033	(AA7R071)H	P45-1	*4
28	1	1000000	AA7RR71500	(AA7R077,078)H	P45-1	*4		
29	1	1000000	AA7RR71211	(bizhub C450i)S	P45-1	*4		
30	両面同時原稿送り装置	ピックアップローラー	2	200000	9J07330102		P71-7	*1, *2
31		給紙ローラー	1	200000	A00J563600		P71-11	*1, *2
32		分離ローラー	1	200000	9J07340901		P72-4	*1, *2

*1: ライフカウンター値

*2: 同時交換のこと

*3: ユーザー / サービス交換の選択が可能。

*4: 市場標準印刷枚数値

*: ここに記載されている部品名称はサービスマニュアルで使用されている部品名称であり、他のページに記載されている部品名称とは異なる場合があります。

bizhub C450i/bizhub C450iS

DESTINATION

Destination No.		Destinations		V	Hz	Model No.
A	A1	JAPAN		100	50/60	AA7R001,A A7R007,AA 7R00D
	A2	JAPAN				
B		USA, CANADA		120V	60	AA7R011,A A7R012,AA 7R017,AA7 R018,AA7R 01D
C		EUROPEAN TYPE		220-240	50/60	AA7R021,A A7R027
D	D1	S.E ASIA TYPE	THAILAND, SRI LANKA, SINGAPORE, MALAYSIA, HONG KONG, PAKISTAN, INDIA, BANGLADESH, INDONESIA	220-240	50/60	AA7R041,A A7R047
	D3	OCEANIA TYPE	AUSTRALIA, NEW ZEALAND	220-240	50/60	AA7R041,A A7R047
E		PHILIPPINES		220-240	50/60	AA7R041,A A7R047
F	F1	SAUDI ARABIA				
	F2	SAUDI ARABIA		220-240	50/60	AA7R041,A A7R047
G	G1	C.S AMERICA		220-240	50/60	AA7R021,A A7R041,AA 7R027,AA7 R047
	G2	C.S AMERICA		120	60	AA7R011,A A7R017,AA 7R01D

bizhub C450i/bizhub C450iS

Destination No.	Destinations	V	Hz	Model No.
H	TAIWAN	110	60	AA7R071,A A7R077,AA 7R078
I	JORDAN, LEBANON, SYRIA, SOUTH AFRICA, IRAQ, IRAN, N.YEMEN, CAME- ROON, UAE, BAHRAIN, OMAN, QATAR, KUWAIT, KENYA, TUNISIA, IVORY COAST, MOROCCO	220-240	50/60	AA7R021,A A7R041,AA 7R027,AA7 R047
J	CHINA	220-240	50/60	AA7R081,A A7R087
K	KOREA	220-240	50/60	AA7R041,A A7R047

bizhub C450i/bizhub C450iS