

KONICA MINOLTA

PARTS GUIDE MANUAL

APRIL 2016

bizhub C454
A4FJ

INFORMATION FOR PARTS GUIDE MANUAL

To find correct Parts No., refer to the "HOW TO MAKE THE BEST USE OF THIS MANUAL" in the following page.

HOW TO MAKE THE BEST USE OF THIS MANUAL

- 1 When you order, please check the proper figures beforehand that are on Our Parts Guide Manual, and order with the appropriate figures.
- 2 For screws, Nuts, Washers, retaining rings and Pins which are used in this model, one letter is shown on the Standard parts column of Parts list and exploded diagrams.
- 3 In order to maintain safety of the product, some specific parts composed of this product are set up as "essential safety parts".
- 4 The assigned parts number for the "essential safety parts" is indicated as "SP00-****".
When replacing these parts, follow precautions for disassembling and installing which are listed in the Service Manual.
Do not use any parts that are not set up as
- 5 ♣ means that there are exclusive parts for each destination.
Please check the appropriate destination when you order.
- 6 Revision Mark
Marked as ▲ on the illustration shows that the revision has been made.
- 7 All rights reserved. (any reprints or quotations are prohibited.)
Use of this parts guide manual should be strictly supervised to avoid disclosure of confidential information.

パーツガイドマニュアルのご案内

サービス部品をご発注の際には、下記に示す“パーツガイドマニュアルの活用にあたって”をご参照の上、正しい部品番号にてお願い致します。

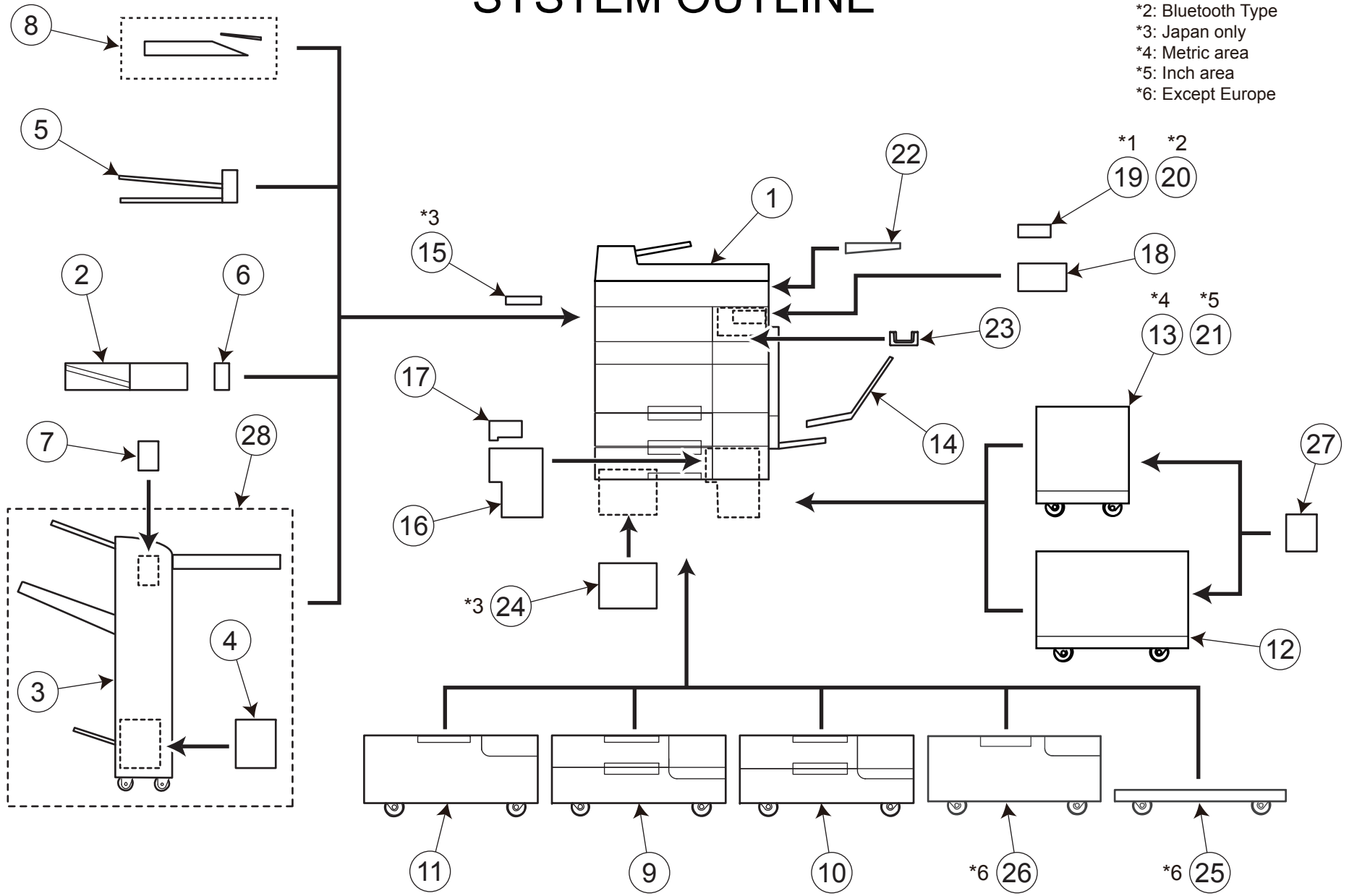
パーツガイドマニュアルの活用にあたって

- 1 部品発注の際には、掲載されている部品番号の桁数を確認し、掲載されている桁数で発注願います。
- 2 この製品に使用されているネジ、ナット、ワッシャー、止め輪、ピンなどは、リストの右側の Standard parts 欄に a,b,c,……で表示し、イラストにも a,b,c,……表示してあります。
- 3 製品の安全性を維持する為に、製品に使用される特定の部品を「重要保安部品」として設定しています。
- 4 重要保安部品の部品番号は、“SP00-****”と記載されていますので、部品交換時は、サービスマニュアル記載の分解・組み立ての注意事項に従って作業して下さい。
また、指定以外の部品は一切使用しないで下さい。
- 5 本文に ♣ が表示されている部品は、仕向け地毎に専用部品がある事を意味しています。
オーダーされる時は、仕向け地を確認して下さい。
- 6 改訂記号について
イラスト上に▲印が表示されている部分は、改訂された事を表します。
- 7 著作権所有（無断転載及び無断引用の禁止）
本パーツガイドマニュアルについては、機密保持等その扱いには十分注意して下さい。万一取り扱いを誤った場合には、法律で処罰されることがあります。

05/21/2012

SYSTEM OUTLINE

- *1: Non Bluetooth Type
- *2: Bluetooth Type
- *3: Japan only
- *4: Metric area
- *5: Inch area
- *6: Except Europe



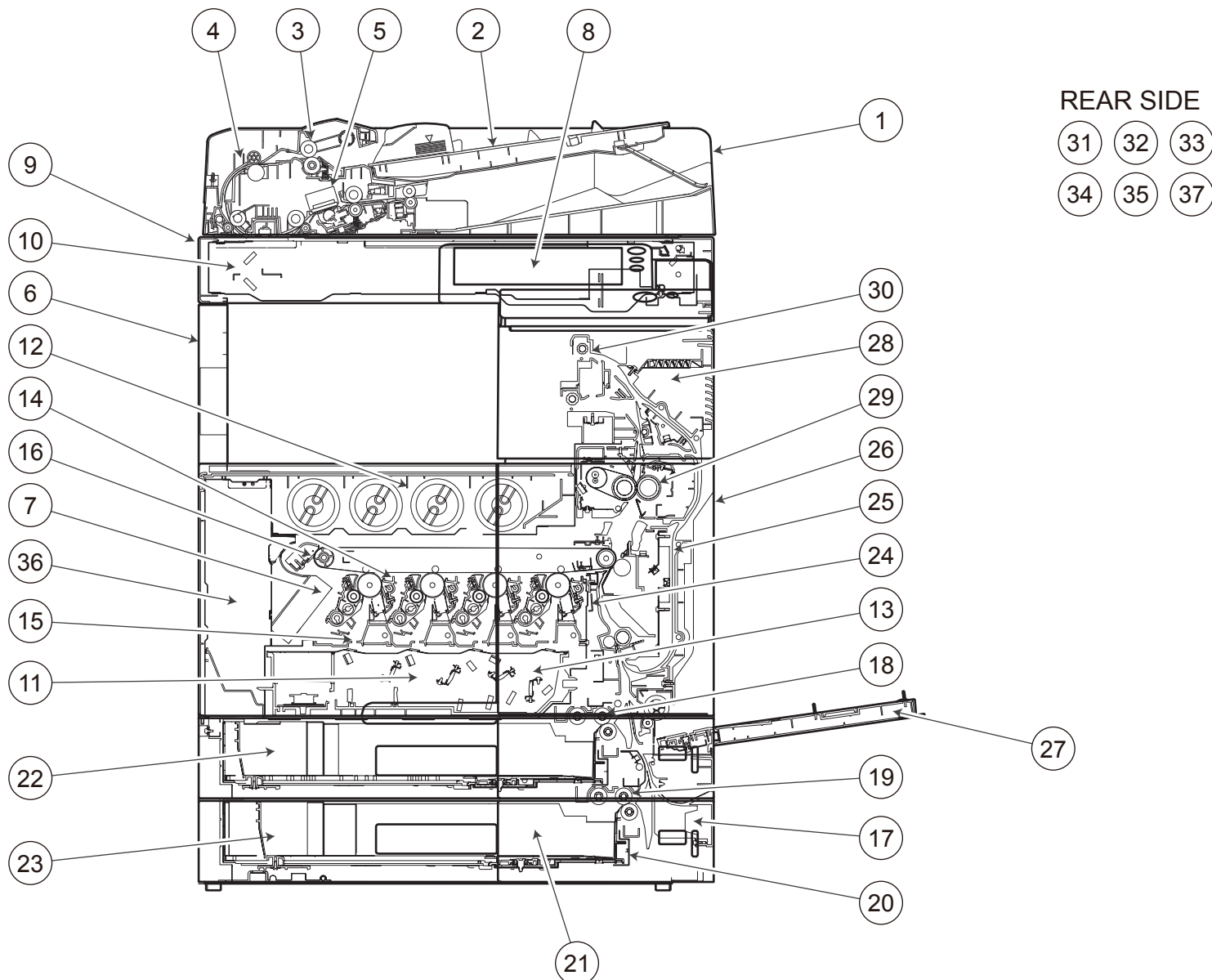
GENERAL CONTENTS

No.	Description	Model
1	Digital MFP Color	bizhub C454
2	Finisher/Sorter	FS-533
3	Finisher/Sorter	FS-534
4	Saddle Unit	SD-511
5	Job Separator	JS-506
6	Punch Unit	PK-519
7	Punch Unit	PK-520
8	Output Tray	OT-506
9	Paper Feeder	PC-110
10	Paper Feeder	PC-210
11	Paper Feeder	PC-410
12	Paper Feeder	LU-204
13	Paper Feeder	LU-301
14	Mount Kit	MK-730
15	Heater	HT-510
16	Image Controller	IC-414
17	Video IF Kit	VI-506
18	Fax Kit	FK-511
19	Local IF Kit	EK-606
20	Local IF Kit	EK-607
21	Paper Feeder	LU-301
22	Working Table	WT-506

bizhub C454

No.	Description	Model
23	Mount Kit	MK-735
24	Other Option	MK-719
25	Desk	DK-705
26	Desk	DK-510
27	Other Option	TK-101
28	Finisher/Sorter	FS-534SD

DIAGRAMS OF MAIN PARTS SECTION



CONTENTS

No.	DESCRIPTION	名称	PAGE No.
1	EXTERNAL PARTS	外装部	P1 P2
2	PAPER FEED TRAY SECTION	給紙トレイ部	P3
3	PAPER TAKE-UP SECTION	給紙部	P4 P5 P6
4	PAPER TRANSPORT SECTION	搬送部	P7 P8 P9 P10 P11 P12
5	CIS SECTION	C I S 部	P13 P14 P15 P16
6	EXTERNAL PARTS	外装部	P17 P18
7	INNER COVER SECTION	2次カバー部	P19
8	OPERATION PANEL SECTION	オペレーションパネル部	P20
9	IR COVER SECTION	I R カバー部	P21
10	SCANNER SECTION	スキャナー部	P22 P23 P24
11	PH UNIT	P H 部	P25
12	TONER SUPPLY SECTION	トナー補給部	P26 P27
13	WASTE TONER BOX SECTION	廃棄トナーボックス部	P28
14	ERASE LAMP SECTION	イレーザーランプ部	P29
15	DV LOCK LEVER SECTION	D V ロックレバー部	P30
16	TRANSFER UNIT	転写ベルト部	P31
17	PAPER FEED SECTION	給紙部	P32
18	1ST PAPER FEED SECTION	1 段目給紙部	P33 P34
19	2ND PAPER FEED SECTION	2 段目給紙部	P35 P36
20	CASSETTE RAIL SECTION	カセットレール部	P37
21	PAPER SIZE DETECTION SECTION	カセットサイズ検出部	P38
22	1ST CASSETTE SECTION	1 段目カセット部	P39 P40
23	2ND CASSETTE SECTION	2 段目カセット部	P41 P42
24	CONVEYANCE SECTION	搬送部	P43
25	VERTICAL TRANSPORT SECTION	縦搬送部	P44 P45
26	VERTICAL CONVEYANCE DOOR SECTION	縦搬送扉部	P46
27	BYPASS TRAY SECTION	手差しトレイ部	P47 P48
28	REVERSAL UNIT	反転部	P49 P50
29	FUSING SECTION	定着部	P51
30	PAPER EXIT SECTION	排紙部	P52 P53
31	MAIN DRIVE/ PAPER FEED DRIVE SECTION	メイン駆動 / 給紙駆動部	P54
32	TONER BOTTLE DRIVE SECTION	トナーボトル駆動部	P55
33	FUSING DRIVE SECTION	定着駆動部	P56 P57
34	OZONE DUCT SECTION	オゾン排気部	P58
35	HIGH VOLTAGE SECTION	高圧電源部	P59
36	MAIN POWER SUPPLY SECTION	低圧電源部	P60
37	ELECTRICAL COMPONENTS	電装部	P61 P62
38	WIRING	束線	P63 P64
39	WIRING ACCESSORIES AND JIGS	配線部品・治具	P65
40	ACCESSORY PARTS	同梱部品	P66

INDEX

Parts No.	Page No.
0996305501	37-7
1164202801	53-5
4002311002	38-7
4004590301	53-1
4011585202	43-35
4025598401	53-3
4030301703	34-11
4030301703	36-12
4030320601	40-15
4030320601	42-16
4030322601	40-9
4030322601	42-9
4030340301	48-21
4030347501	48-24
4034352501	33-2
4036254901	53-16
4036307501	22-7
4036534801	27-24
4037320401	40-11
4037320401	42-11
4038101401	19-21
4038101401	26-4
4038228702	19-17
4038258001	56-18
4038353701	43-9
4038353901	43-13
4038541202	55-8
4038M60000	19-4
4040561000	34-20
4040561000	36-21
4131300301	33-12
4131300301	35-17
4131353202	47-17
4139M10000	25-2
4139M10000	59-18
4139M10000	60-6
4163510201	27-7
4163529301	25-3
4163529301	31-35
4163529301	38-14

Parts No.	Page No.
4163529301	40-23
4163529301	42-13
4163529301	43-32
4163529301	44-2
4163529301	45-26
4163529301	49-27
4163529301	50-3
4163529301	53-23
4333501201	27-17
4475260302	17-9
4532341001	34-13
4532341001	36-15
4576536301	27-8
4581162501	22-8
4640392001	52-3
4658015106	48-30
56AA17471	30-2
56AA17471	57-12
56AA40490	17-4
56AA40490	33-15
56AA40490	34-8
56AA40490	35-19
56AA40490	36-7
9313100072	51-2
9313100072	58-6
9381430031	66-12
9J06730101	61-6
9J06M10000	1-2
9J06M10300	38-8
9J06M20000	47-24
9J06M60100	19-18
9J06M60100	46-3
9J06PJG100	65-17
A00F623201	47-10
A00J106202	17-25
A00J169100	66-3
A00J169300	21-6
A00J265300	22-5
A00J563600	33-14
A00J563600	34-6

Parts No.	Page No.
A00J563600	35-18
A00J563600	36-6
A00J617900	35-12
A00J663200	33-28
A00J663200	35-16
A00J940100	21-3
A00J940100	66-7
A00J942202	39-5
A00J942202	41-5
A00J945201	18-26
A00J945500	17-14
A00JH00D00	17-7
A00JN30200	61-9
A011946200	20-24
A02E117300	58-12
A02E149900	18-25
A02E167700	21-8
A02E167700	66-4
A02E560800	33-24
A02E560800	35-28
A02E561100	33-16
A02E561100	35-20
A02E592100	48-39
A02E595100	47-21
A02E595400	47-16
A02E596100	47-20
A02E596300	47-9
A02E597600	48-29
A02E712902	43-12
A02E815200	45-10
A02E815200	49-9
A02E815200	50-17
A02E940300	40-24
A02E940300	42-24
A02E941300	39-20
A02E941500	39-6
A02EM10400	27-16
A02EM10400	55-2
A02EM20100	47-22
A02EM20200	33-26

Parts No.	Page No.
A02EM20200	35-29
A02EN12513	61-13
A034M20100	43-34
A03U733400	58-18
A03U812800	56-29
A03U812800	57-21
A03UM15300	58-19
A0CR953400	60-8
A0ED103100	29-7
A0ED105400	29-4
A0ED110900	31-16
A0ED111000	31-4
A0ED111400	31-29
A0ED111500	31-12
A0ED111700	31-17
A0ED112000	31-14
A0ED131900	62-28
A0ED135700	61-8
A0ED146900	51-12
A0ED162401	19-7
A0ED163000	17-2
A0ED166100	66-2
A0ED166200	66-1
A0ED245000	28-7
A0ED257500	56-20
A0ED259700	56-12
A0ED271200	23-7
A0ED271300	23-6
A0ED273600	24-12
A0ED274300	24-19
A0ED274400	24-8
A0ED276301	24-16
A0ED363001	28-4
A0ED363200	28-2
A0ED363301	28-5
A0ED363312	28-5
A0ED363400	28-3
A0ED401000	27-25
A0ED550800	44-24
A0ED550900	44-17

Parts No.	Page No.
A0ED551000	44-14
A0ED551100	44-15
A0ED563900	34-5
A0ED563900	36-5
A0ED597800	47-23
A0ED620200	40-16
A0ED620200	42-17
A0ED620701	40-22
A0ED620701	42-22
A0ED621400	40-12
A0ED621400	42-12
A0ED627600	38-11
A0ED700200	43-17
A0ED700300	43-19
A0ED700600	43-14
A0ED700700	43-20
A0ED702400	45-28
A0ED702800	43-5
A0ED703200	43-23
A0ED703800	44-9
A0ED705800	43-4
A0ED712100	46-8
A0ED811700	45-1
A0ED811700	49-19
A0ED811900	45-4
A0ED815100	50-9
A0ED891100	53-6
A0ED897700	53-15
A0ED940600	26-6
A0ED940700	17-3
A0EDM10200	49-21
A0EDM10300	52-1
A0EDM10500	51-1
A0EDM10500	62-20
A0EDM50100	33-5
A0EDM50100	35-3
A0EDM60001	26-19
A0EDM60001	30-8
A0EDN30002	61-9
A0EDN30201	66-12

Parts No.	Page No.	Parts No.	Page No.	Parts No.	Page No.	Parts No.	Page No.	Parts No.	Page No.
A0G6411200	17-9	A143PP1M00	8-16	A143PP6F01	3-13	A161110601	31-3	A161137302	20-20
A0HT811400	54-15	A143PP1M00	9-6	A143PP6K01	3-12	A161112000	31-13	A161137402	62-4
A0HT811400	54-32	A143PP1M00	12-2	A143PP6M01	3-11	A161112101	31-27	A161137501	62-6
A0P0144300	62-12	A143PP1S00	15-16	A143PP6X00	3-10	A161112200	31-8	A161137600	62-18
A0P0144400	62-11	A143PP1X00	7-10	A143PP7301	5-16	A161112300	31-20	A161137701	59-5
A0P0145900	62-30	A143PP1X00	8-13	A143PP7900	11-12	A161112400	31-26	A161137802	25-10
A0P0149100	62-29	A143PP1Y00	4-7	A143PP8600	16-10	A161112500	31-5	A161137900	62-27
A0P0742300	52-8	A143PP1Y00	11-4	A143PP8D01	16-17	A161112600	31-9	A161138002	20-8
A0P0742300	62-29	A143PP2901	2-3	A143PP8F00	1-13	A161112700	31-25	A161138500	29-10
A0P0901100	53-12	A143PP3P01	16-5	A143PP8F00	16-19	A161116202	30-3	A161138601	62-2
A0P0H02500	20-7	A143PP4D02	9-9	A143PP9300	8-5	A161119500	30-4	A161138804	62-5
A0P0M50300	59-16	A143PP4D02	12-3	A143PP9G00	6-6	A161121103	51-5	A161139400	62-24
A0P0M50400	43-29	A143PP4F01	11-11	A161100603	60-7	A161121200	46-6	A161139501	62-17
A0P0M73100	20-19	A143PP4G01	11-10	A161101600	37-15	A161121300	46-1	A161139800	18-16
A0P0N15100	62-13	A143PP4H01	12-11	A161101701	37-16	A161121401	51-7	A161140102	62-19
A0P0N30000	61-9	A143PP4P01	7-7	A161101802	25-7	A161121900	56-7	A161140200	25-1
A108M50000	3-5	A143PP4Y00	6-19	A161101900	37-4	A161122002	56-6	A161140400	51-8
A108M50100	3-4	A143PP5000	6-17	A161102300	37-2	A161122500	51-13	A161140501	51-6
A108M50100	5-2	A143PP5101	6-18	A161102500	46-2	A161130101	29-3	A161140800	60-5
A108M50100	10-4	A143PP5200	6-13	A161102700	51-9	A161130301	25-8	A161141500	58-2
A108M50100	11-3	A143PP5301	6-12	A161103700	37-12	A161130502	61-7	A161141700	31-32
A108M50100	16-3	A143PP5403	6-20	A161103901	37-10	A161130603	61-10	A161141902	58-3
A108M50100	22-14	A143PP5601	6-24	A161104002	37-17	A161130701	62-16	A161142000	58-1
A108M50100	27-22	A143PP5901	6-23	A161104101	44-22	A161130801	61-4	A161143400	60-4
A108M50100	33-8	A143PP5A00	6-16	A161104200	37-3	A161131005	62-3	A161143500	58-16
A108M50100	35-9	A143PP5B01	6-22	A161104300	37-1	A161131401	61-1	A161143601	60-2
A108M50100	38-13	A143PP5F01	4-6	A161104400	37-11	A161132103	59-4	A161144500	60-10
A108M50100	43-33	A143PP5J01	5-7	A161104800	37-6	A161132203	62-26	A161144801	31-34
A108M50100	44-10	A143PP5K01	5-8	A161105200	37-14	A161132302	18-7	A161144900	31-31
A108M50100	45-27	A143PP5M01	5-9	A161105400	25-5	A161132504	59-1	A161145000	60-1
A108M50100	47-2	A143PP5R04	4-2	A161105500	54-37	A161132801	59-3	A161145201	58-10
A108M50100	50-12	A143PP5T03	6-8	A161105600	29-6	A161134500	62-1	A161145300	58-9
A108M50100	62-23	A143PP5U03	6-7	A161107100	29-9	A161134600	66-15	A161146200	31-33
A108R90000	22-29	A143PP5V00	4-3	A161107400	29-14	A161134702	54-6	A161146300	25-14
A108R90000	26-26	A143PP5Y01	6-14	A161108000	18-27	A161135100	19-14	A161146400	25-15
A108R90000	31-37	A143PP6100	4-4	A161110102	31-28	A161135502	26-15	A161146500	58-21
A143114600	1-17	A143PP6601	6-25	A161110201	31-10	A161135504	26-15	A161146600	58-13
A143563100	6-26	A143PP6800	4-8	A161110300	31-11	A161135700	62-35	A161146600	58-20
A143563300	6-15	A143PP6800	11-14	A161110400	31-7	A161136200	62-31	A161146800	27-27
A143PP1B00	5-14	A143PP6900	5-3	A161110500	31-15	A161137100	46-4	A161146900	58-14

Parts No.	Page No.	Parts No.	Page No.	Parts No.	Page No.	Parts No.	Page No.	Parts No.	Page No.
A161147401	25-13	A161166101	66-13	A161241200	55-13	A161274600	24-21	A161403500	26-10
A161147500	58-15	A161166203	18-4	A161241400	55-14	A161275300	24-9	A161403600	26-11
A161147600	58-22	A161166400	18-22	A161241500	55-11	A161275400	24-10	A161403701	26-2
A161151100	19-19	A161167000	20-10	A161241600	55-1	A161275500	24-6	A161403800	26-9
A161151200	46-5	A161167100	20-12	A161245100	28-6	A161275600	24-5	A161403901	26-5
A161151300	19-16	A161167200	20-9	A161245400	28-8	A161275700	24-3	A161404001	26-16
A161160103	17-1	A161167300	20-14	A161253900	54-8	A161276000	24-4	A161404100	26-17
A161160300	17-8	A161167400	20-13	A161254000	54-1	A161276500	24-7	A161404200	27-28
A161160403	17-6	A161170100	21-11	A161254300	56-2	A161278600	23-1	A161404300	27-19
A161160605	18-6	A161170203	21-1	A161254400	56-3	A161278900	23-3	A161508400	31-2
A161160702	17-21	A161170300	21-12	A161254500	56-5	A161280101	22-19	A161550700	44-12
A161160801	17-22	A161170400	21-7	A161254600	56-23	A161280112	22-19	A161551500	44-21
A161160902	18-13	A161170602	21-5	A161254700	56-4	A161280211	22-22	A161551600	44-20
A161161201	18-17	A161170701	21-4	A161256300	56-10	A161280300	22-18	A161560101	33-10
A161161401	20-18	A161170800	21-9	A161257800	54-2	A161281100	22-25	A161560112	33-10
A161161503	20-5	A161190903	20-2	A161258501	57-18	A161281300	22-24	A161560302	35-10
A161161702	20-11	A161191500	20-28	A161258700	57-13	A161281600	22-4	A161560500	33-29
A161161804	18-11	A161191600	20-29	A161258800	56-19	A161282102	21-13	A161560500	35-14
A161161900	20-16	A161210200	54-4	A161259100	57-14	A161362000	28-12	A161560900	33-4
A161162102	18-2	A161220700	54-22	A161259200	57-15	A161400100	27-10	A161560900	35-7
A161162201	18-19	A161228100	57-10	A161259400	56-17	A161400401	27-11	A161561000	35-1
A161162304	52-5	A161228301	57-11	A161259800	54-26	A161400501	27-19	A161561100	32-1
A161162400	20-25	A161228312	57-11	A161261902	22-16	A161400601	27-12	A161561200	32-2
A161162604	20-4	A161228601	57-16	A161262002	22-17	A161400701	27-20	A161561600	33-7
A161162703	20-21	A161228701	56-22	A161262200	22-15	A161400800	27-26	A161561600	35-8
A161162803	18-20	A161230600	57-7	A161263000	22-12	A161401000	27-6	A161562000	33-19
A161162900	18-18	A161231800	57-5	A161268200	22-3	A161401100	27-5	A161562000	35-23
A161163503	18-3	A161232200	56-8	A161268300	22-1	A161401200	27-4	A161562101	33-21
A161163900	18-14	A161232300	56-14	A161270102	23-10	A161401300	27-2	A161562101	35-25
A161164000	20-6	A161232300	57-3	A161270600	23-12	A161401400	27-1	A161562300	33-17
A161164104	20-17	A161232401	56-21	A161271000	23-9	A161401500	27-3	A161562300	35-21
A161164401	18-12	A161232501	56-13	A161271000	24-14	A161402101	26-14	A161562400	33-13
A161164600	18-10	A161240100	55-4	A161271100	23-11	A161402114	26-14	A161562400	35-15
A161164702	18-9	A161240300	55-15	A161271100	24-17	A161402403	26-8	A161562500	33-20
A161164800	18-8	A161240400	55-7	A161273100	24-15	A161402502	26-7	A161562500	35-24
A161164902	17-23	A161240500	55-6	A161273401	24-13	A161403000	27-18	A161562600	33-18
A161165007	19-6	A161240600	55-5	A161273500	24-18	A161403101	27-9	A161562600	35-22
A161165300	19-5	A161240700	55-9	A161273701	24-11	A161403200	27-23	A161562800	33-11
A161165602	17-16	A161240900	55-10	A161273800	24-20	A161403300	26-12	A161562800	35-13
A161165700	19-1	A161241000	55-12	A161274500	24-22	A161403403	26-13	A161563000	35-32

Parts No.	Page No.	Parts No.	Page No.	Parts No.	Page No.	Parts No.	Page No.	Parts No.	Page No.
A161563100	34-1	A161578700	35-33	A161594500	48-44	A161623400	37-13	A161700901	43-40
A161563100	36-1	A161579000	32-3	A161594600	48-42	A161623400	39-3	A161701100	43-28
A161563300	34-12	A161579011	32-3	A161594700	47-7	A161623400	41-3	A161701301	43-15
A161563300	36-13	A161590101	48-18	A161594800	47-27	A161624100	40-3	A161701703	43-27
A161563400	34-9	A161590201	47-5	A161594900	47-28	A161624100	42-3	A161701800	43-36
A161563400	36-10	A161590304	48-15	A161595000	48-23	A161625000	39-15	A161701900	43-3
A161563501	34-4	A161590600	47-19	A161595100	48-20	A161625012	39-15	A161702000	43-21
A161563501	36-4	A161590800	47-18	A161595200	48-26	A161625114	39-18	A161702101	43-41
A161563901	34-14	A161590901	48-33	A161595300	48-22	A161625900	39-16	A161702200	43-2
A161563901	36-14	A161591000	48-32	A161595400	48-25	A161625900	41-17	A161702200	56-26
A161564001	34-10	A161591100	48-31	A161595600	48-19	A161626000	39-12	A161706001	43-6
A161564001	36-11	A161591200	47-26	A161620107	40-19	A161626000	41-13	A161709100	45-3
A161564200	34-16	A161591300	47-25	A161620400	40-10	A161626100	39-13	A161710102	44-11
A161564200	36-17	A161591400	47-13	A161620400	42-10	A161626100	41-14	A161710300	45-29
A161564300	34-18	A161591500	47-12	A161620600	40-6	A161626200	39-2	A161710405	45-25
A161564300	36-19	A161591600	48-17	A161620600	42-6	A161626200	41-2	A161710500	45-8
A161564400	34-15	A161591700	47-8	A161620701	40-7	A161626502	39-9	A161711100	44-5
A161564400	36-16	A161591800	48-27	A161620701	42-8	A161626602	39-10	A161711200	45-5
A161565102	32-6	A161591900	47-3	A161620803	40-14	A161626602	41-11	A161711300	45-14
A161565302	33-9	A161592002	48-12	A161620803	42-15	A161626800	39-11	A161711600	45-19
A161565500	33-6	A161592200	48-3	A161620904	40-1	A161626800	41-12	A161711700	45-22
A161566000	33-1	A161592300	48-13	A161620904	42-1	A161626900	39-17	A161711901	45-31
A161567300	33-23	A161592400	48-9	A161621100	40-5	A161626900	41-18	A161712000	45-18
A161567300	35-27	A161592501	48-10	A161621100	42-5	A161627102	38-9	A161712100	45-24
A161567400	33-22	A161592600	48-11	A161621300	40-13	A161627300	38-10	A161712300	44-16
A161567400	35-26	A161592800	47-1	A161621300	42-14	A161627500	38-3	A161712401	44-4
A161568401	34-7	A161592900	46-7	A161621400	40-18	A161630102	42-23	A161712500	44-19
A161568500	34-2	A161593001	48-45	A161621411	40-18	A161631400	42-19	A161712600	45-6
A161568600	34-3	A161593101	48-41	A161621600	40-4	A161631411	42-19	A161712700	44-3
A161568700	36-9	A161593200	48-43	A161621600	42-4	A161633101	41-4	A161712800	45-15
A161568800	36-2	A161593300	47-14	A161621701	40-21	A161633202	41-20	A161712800	50-25
A161568901	35-34	A161593400	48-38	A161621701	42-21	A161635000	41-16	A161712900	45-32
A161571100	35-6	A161593600	48-34	A161621800	40-20	A161635012	41-16	A161713100	45-7
A161575101	32-4	A161593701	48-14	A161621800	42-20	A161635117	41-19	A161713500	45-16
A161576100	32-5	A161593800	48-35	A161621900	40-17	A161636502	41-10	A161714500	45-21
A161578100	35-2	A161594000	48-46	A161621900	42-18	A161700107	43-25	A161714600	45-17
A161578200	35-4	A161594100	47-6	A161622100	39-1	A161700300	43-26	A161719000	45-2
A161578212	35-4	A161594201	48-16	A161622100	41-1	A161700401	43-31	A161719100	45-30
A161578401	36-8	A161594300	48-37	A161623104	39-4	A161700600	43-10	A161810102	49-4
A161578500	36-3	A161594400	47-11	A161623301	39-19	A161700700	43-30	A161810200	49-15

Parts No.	Page No.	Parts No.	Page No.	Parts No.	Page No.	Parts No.	Page No.	Parts No.	Page No.
A161810305	46-21	A161819701	49-18	A161941100	56-25	A161F81103	49-22	A161N11200	31-24
A161810503	50-28	A161825000	50-31	A161941500	21-3	A161F89002	53-22	A161N11300	59-10
A161810600	50-6	A161825102	50-14	A161942000	19-13	A161H00501	25-6	A161N11800	62-8
A161810701	49-1	A161825301	50-7	A161942200	19-11	A161H00800	25-9	A161N11901	25-11
A161810801	50-5	A161825400	50-19	A161942300	19-10	A161H00C02	59-2	A161N11B00	62-22
A161810902	50-24	A161825500	50-29	A161942400	19-9	A161H00U01	20-15	A161N11C01	21-10
A161811001	46-10	A161825700	45-9	A161942500	19-8	A161H01A00	22-23	A161N11K00	59-9
A161811100	46-12	A161825700	50-10	A161943000	19-3	A161H01B12	22-23	A161N11Q01	48-6
A161811302	46-14	A161825800	50-11	A161943000	40-8	A161H02A00	62-25	A161N12100	50-4
A161811500	46-9	A161825901	50-33	A161943000	42-7	A161M10001	54-5	A161N12200	47-4
A161813001	50-26	A161826001	50-34	A161943100	39-14	A161M10300	55-3	A161N12602	62-21
A161813100	50-27	A161890102	53-24	A161943200	41-15	A161M10300	57-1	A161N12701	35-5
A161813200	50-18	A161890203	53-14	A161943301	66-8	A161M10A00	24-2	A161N12801	27-15
A161813300	49-16	A161890300	53-28	A161943400	66-9	A161M20100	57-6	A161N12H00	43-37
A161813400	50-21	A161891000	53-18	A161943500	41-6	A161M20201	54-7	A161N12K01	59-15
A161813600	50-8	A161891301	53-26	A161943601	41-7	A161M20300	54-9	A161N12M01	59-14
A161813701	49-8	A161891401	52-2	A161943700	40-2	A161M20400	57-20	A161N12N01	59-13
A161813801	49-17	A161892000	53-20	A161943700	42-2	A161M31100	23-8	A161N12P01	59-12
A161813902	50-22	A161892100	53-13	A161943802	39-7	A161M40601	59-8	A161N14000	23-13
A161814300	49-24	A161892300	53-19	A161943802	41-8	A161M50000	43-38	A161N14100	22-6
A161814401	50-2	A161892400	53-2	A161944101	48-1	A161M50300	43-39	A161N14201	22-13
A161814500	50-16	A161892902	53-27	A161944201	48-1	A161M50400	48-36	A161N14300	24-1
A161814601	49-7	A161893500	53-25	A161944300	48-2	A161M50501	38-6	A161N15500	62-34
A161814700	49-11	A161893601	53-10	A161944400	48-4	A161M50600	38-5	A161N15602	20-23
A161814901	49-25	A161894000	52-7	A161946100	49-10	A161M50A00	22-20	A161N15J00	62-14
A161815000	46-15	A161894000	53-8	A161946200	45-13	A161M50A00	22-26	A161P19100	20-26
A161815100	49-5	A161894100	52-6	A161946300	43-11	A161M50A00	22-26	A161R70011	29-12
A161815201	46-13	A161895102	53-30	A161946400	45-11	A161M70504	20-1	A161R70100	29-11
A161815300	46-17	A161895113	53-30	A161947000	66-6	A161M70604	20-1	A161R70211	59-6
A161815400	46-20	A161895201	53-29	A161F10901	56-24	A161M70704	20-1	A161R70322	59-7
A161815700	49-13	A161895212	53-29	A161F16102	19-2	A161M70800	20-1	A161R70811	55-16
A161815800	49-14	A161895301	52-4	A161F21013	28-10	A161M70900	20-1	A161R71311	31-1
A161815900	46-18	A161895400	53-4	A161F56003	33-25	A161N10F01	27-21	A161R71411	44-23
A161816200	46-23	A161895502	53-7	A161F56016	33-25	A161N10H01	44-1	A161R72000	20-3
A161816300	45-34	A161895600	53-9	A161F56027	33-25	A161N10J00	31-23	A161R72022	20-3
A161816400	49-26	A161895800	53-31	A161F59002	47-15	A161N10K00	17-5	A161R72100	23-4
A161819000	49-20	A161900100	53-34	A161F6200C	39-21	A161N10M05	18-1	A161R72200	22-2
A161819400	50-15	A161900201	53-32	A161F6201K	39-21	A161N10N01	38-1	A161R72300	22-21
A161819500	50-13	A161900300	53-33	A161F6300C	41-21	A161N10P01	33-27	A161R72611	53-21
A161819600	49-23	A161940400	17-24	A161F6301L	41-21	A161N10X00	48-28	A161R72711	58-5

Parts No.	Page No.	Parts No.	Page No.	Parts No.	Page No.	Parts No.	Page No.	Parts No.	Page No.
A161R72811	58-17	A2XK400001	26-20	A2XKR71200	60-3	A3CEPP2100	2-7	A3CEPP3A00	14-5
A161R7A011	48-40	A2XK400100	26-21	A2XKR71300	60-3	A3CEPP2201	2-6	A3CEPP3B00	14-3
A1RF505400	57-19	A2XK400200	26-22	A2XKR71411	26-18	A3CEPP2302	1-9	A3CEPP3C00	14-12
A1UDM50200	22-9	A2XK401101	26-3	A2XKR71422	26-18	A3CEPP2403	16-18	A3CEPP3D01	14-6
A2X0945701	18-23	A2XK401112	26-3	A3CE213300	9-4	A3CEPP2601	16-13	A3CEPP3E01	11-5
A2X0M72C00	62-15	A2XK401201	26-3	A3CEM70000	13-6	A3CEPP2700	15-3	A3CEPP3F00	14-7
A2X0P00000	20-27	A2XK401212	26-3	A3CEN11700	13-5	A3CEPP2800	15-2	A3CEPP3G00	14-19
A2XK130000	29-13	A2XK401302	26-3	A3CEN11711	13-5	A3CEPP2900	13-1	A3CEPP3H01	15-12
A2XK131700	59-21	A2XK401313	26-3	A3CEPP1002	10-16	A3CEPP2A02	10-7	A3CEPP3J01	15-15
A2XK140300	51-4	A2XK401400	26-3	A3CEPP1204	12-7	A3CEPP2B01	10-1	A3CEPP3K00	15-14
A2XK142201	58-7	A2XK401411	26-3	A3CEPP1300	11-1	A3CEPP2C04	1-1	A3CEPP3L00	14-9
A2XK143400	51-3	A2XK709000	35-30	A3CEPP1400	9-12	A3CEPP2D05	1-6	A3CEPP3M00	14-17
A2XK144201	25-4	A2XK709000	43-1	A3CEPP1500	8-14	A3CEPP2E00	9-15	A3CEPP3N01	14-8
A2XK147001	58-8	A2XK942102	19-12	A3CEPP1607	1-5	A3CEPP2F01	8-19	A3CEPP3P00	14-15
A2XK163102	17-17	A2XK942601	19-20	A3CEPP1701	16-9	A3CEPP2G01	9-2	A3CEPP3Q00	14-10
A2XK163201	17-10	A2XKF21100	54-18	A3CEPP1802	1-12	A3CEPP2H01	8-3	A3CEPP3R00	14-16
A2XK163303	17-12	A2XKF21200	54-13	A3CEPP1900	1-7	A3CEPP2J01	8-21	A3CEPP3S00	14-18
A2XK163401	17-11	A2XKF22000	54-31	A3CEPP1A00	16-20	A3CEPP2K00	8-17	A3CEPP3T00	13-8
A2XK163701	17-20	A2XKF25002	57-4	A3CEPP1B03	2-4	A3CEPP2M00	9-7	A3CEPP3U00	13-3
A2XK165000	17-18	A2XKF25015	57-4	A3CEPP1C00	14-20	A3CEPP2N00	8-22	A3CEPP3V00	13-10
A2XK165700	17-19	A2XKF25102	56-11	A3CEPP1D02	1-8	A3CEPP2P00	8-8	A3CEPP3X00	14-11
A2XK220000	54-25	A2XKH00502	59-22	A3CEPP1E02	16-15	A3CEPP2Q00	8-18	A3CEPP4001	13-7
A2XK220800	54-29	A2XKH02004	62-9	A3CEPP1F00	9-11	A3CEPP2R00	9-3	A3CEPP4100	13-2
A2XK220900	54-28	A2XKM10000	54-14	A3CEPP1G01	8-11	A3CEPP2S00	8-20	A3CEPP4201	15-8
A2XK221400	54-17	A2XKM10300	54-10	A3CEPP1H01	13-9	A3CEPP2T01	10-3	A3CEPP4301	15-1
A2XK222100	54-34	A2XKM10300	57-2	A3CEPP1J00	13-12	A3CEPP2U00	16-23	A3CEPP4407	7-5
A2XK222200	54-35	A2XKN10403	64-1	A3CEPP1K01	11-9	A3CEPP2V00	16-2	A3CEPP4501	4-1
A2XK222500	54-23	A2XKN10B00	26-24	A3CEPP1L01	11-8	A3CEPP2X01	15-10	A3CEPP4602	4-11
A2XK222600	54-21	A2XKN10C00	19-15	A3CEPP1M02	1-10	A3CEPP2Y00	15-17	A3CEPP4701	7-11
A2XK224000	54-19	A2XKN10G00	43-24	A3CEPP1N00	15-13	A3CEPP3000	16-7	A3CEPP4800	3-9
A2XK224100	54-20	A2XKN10H01	35-31	A3CEPP1Q00	14-13	A3CEPP3101	16-24	A3CEPP4900	1-3
A2XK224100	56-28	A2XKR70000	54-30	A3CEPP1R00	11-6	A3CEPP3200	16-22	A3CEPP4A01	16-1
A2XK228000	57-9	A2XKR70100	54-11	A3CEPP1S02	9-18	A3CEPP3301	12-20	A3CEPP4B00	8-23
A2XK228800	56-9	A2XKR70300	54-36	A3CEPP1S03	9-18	A3CEPP3301	15-9	A3CEPP4C00	9-1
A2XK230500	57-8	A2XKR70511	26-18	A3CEPP1T01	16-14	A3CEPP3401	15-5	A3CEPP4D00	5-17
A2XK253000	54-24	A2XKR70522	26-18	A3CEPP1U00	16-12	A3CEPP3501	15-6	A3CEPP4E00	3-14
A2XK253300	54-27	A2XKR70611	26-18	A3CEPP1V01	16-21	A3CEPP3600	15-4	A3CEPP4F00	11-16
A2XK254200	56-1	A2XKR70622	26-18	A3CEPP1X01	16-16	A3CEPP3702	14-2	A3CEPP4G00	10-21
A2XK259600	54-16	A2XKR70711	26-18	A3CEPP1Y00	16-11	A3CEPP3800	14-1	A3CEPP4H00	11-15
A2XK259600	54-33	A2XKR70722	26-18	A3CEPP2000	11-18	A3CEPP3900	15-11	A3CEPP4K00	12-23

Parts No.	Page No.	Parts No.	Page No.	Parts No.	Page No.	Parts No.	Page No.	Parts No.	Page No.
A3CEPP4L00	9-19	A3CFPP1G00	12-6	A3CFPP4500	12-22	A3CFPP6M00	10-22	A5C1104400	37-11
A3CEPP4M01	16-27	A3CFPP1J01	6-4	A3CFPP4500	15-7	A3CFPP6N00	10-23	A5C1104700	37-18
A3CEPP4N00	8-24	A3CFPP1J01	9-16	A3CFPP4600	12-21	A3CFPP6T00	16-28	A5C1104800	37-6
A3CEPP4P00	8-25	A3CFPP1K01	10-6	A3CFPP4700	12-13	A3CFPP6U00	4-10	A5C1105500	29-16
A3CEPP4Q01	1-11	A3CFPP1N02	7-12	A3CFPP4800	12-10	A3CFPP6V00	6-29	A5C1106000	37-19
A3CEPP4R00	16-25	A3CFPP1N03	7-12	A3CFPP4900	12-12	A3CFPP6X00	6-31	A5C1112100	31-22
A3CEPP4S00	16-26	A3CFPP1P00	10-19	A3CFPP4A00	12-15	A3CFPP6Y00	6-32	A5C1112101	31-22
A3CEPP4U00	13-15	A3CFPP2704	1-4	A3CFPP4C00	12-14	A3CFPP7000	6-30	A5C1112800	31-6
A3CEPP4V00	13-14	A3CFPP2A01	2-2	A3CFPP4C00	16-8	A4FJ150101	59-17	A5C1112900	31-19
A3CEPP4X00	12-24	A3CFPP2B00	11-7	A3CFPP4F00	12-8	A4FJ150200	59-20	A5C1120700	26-1
A3CEPP4Y00	13-11	A3CFPP2C00	8-2	A3CFPP4G00	7-1	A4FJ150301	51-11	A5C1130800	61-4
A3CEPP5000	12-18	A3CFPP2E00	8-15	A3CFPP4H00	7-3	A4FJ230700	56-15	A5C1132001	18-21
A3CEPP5100	14-14	A3CFPP2E00	9-8	A3CFPP4L00	7-4	A4FJ231301	56-16	A5C1134800	59-11
A3CEPP5200	7-13	A3CFPP2E00	12-5	A3CFPP4N00	7-2	A4FJ819200	50-32	A5C1137303	20-20
A3CEPP5400	7-8	A3CFPP2H01	11-14	A3CFPP4Q00	7-6	A4FJ940101	17-13	A5C1137800	61-14
A3CEPP5500	7-9	A3CFPP2H01	13-13	A3CFPP4S01	6-27	A4FJH00104	62-7	A5C1139900	62-10
A3CEPP5700	10-2	A3CFPP2Q01	10-20	A3CFPP4T01	5-11	A4FJM40J01	59-19	A5C1141800	58-11
A3CEPP5A00	14-21	A3CFPP2R00	2-5	A3CFPP4T01	14-4	A4FJM40K01	59-19	A5C1142001	58-1
A3CEPP5B00	1-18	A3CFPP2S00	13-4	A3CFPP4U01	5-12	A4FJM40M01	59-19	A5C1192100	66-5
A3CEPP5C00	15-18	A3CFPP2X00	10-11	A3CFPP4V00	5-6	A4FJN10001	61-5	A5C1216100	54-3
A3CEPP6R00	13-1	A3CFPP3500	9-14	A3CFPP4X01	5-5	A4FJN10101	61-11	A5C1263300	22-27
A3CEPP6T00	13-16	A3CFPP3800	9-13	A3CFPP5200	5-4	A4FJN10201	61-12	A5C1263400	22-28
A3CEPP7100	11-2	A3CFPP3900	8-10	A3CFPP5300	4-5	A4FJN10302	63-1	A5C1280100	22-19
A3CEPP7200	4-13	A3CFPP3C00	8-9	A3CFPP5400	5-13	A4FJN10401	51-14	A5C1404500	19-22
A3CF103400	8-12	A3CFPP3D01	8-6	A3CFPP5801	6-5	A4FJN10500	61-11	A5C1404500	26-27
A3CF103400	9-17	A3CFPP3J01	9-5	A3CFPP5A00	4-9	A4FJR70122	25-12	A5C1551701	44-18
A3CF103400	12-16	A3CFPP3J01	12-1	A3CFPP5B02	3-2	A4FJR70244	51-10	A5C1560600	33-3
A3CF113900	1-15	A3CFPP3M00	16-4	A3CFPP5C01	3-6	A4FJR70344	51-10	A5C1560600	35-11
A3CF116100	1-16	A3CFPP3P01	8-7	A3CFPP5F03	3-3	A4FJR70444	51-10	A5C1562200	33-30
A3CF116400	1-14	A3CFPP3R00	8-4	A3CFPP5G03	3-1	A4FJR70600	51-10	A5C1562200	35-35
A3CFPP1102	10-17	A3CFPP3T00	16-6	A3CFPP5H01	3-7	A4MG130900	62-33	A5C1563100	34-1
A3CFPP1202	10-18	A3CFPP3U00	10-15	A3CFPP5J01	3-8	A4NNWY1	28-9	A5C1563100	36-1
A3CFPP1300	10-13	A3CFPP3V01	10-9	A3CFPP5K01	5-1	A4NNWY3	28-9	A5C1563400	34-9
A3CFPP1401	10-12	A3CFPP3X00	10-10	A3CFPP5L00	5-15	A5AY131100	60-9	A5C1563400	36-10
A3CFPP1600	6-28	A3CFPP3Y01	10-5	A3CFPP5N01	4-12	A5AY943100	60-12	A5C1563500	34-4
A3CFPP1700	5-18	A3CFPP4000	10-14	A3CFPP5R00	12-9	A5AYR70322	32-7	A5C1563500	36-4
A3CFPP1901	11-13	A3CFPP4101	10-8	A3CFPP5S00	8-1	A5C0231300	56-16	A5C1564101	34-17
A3CFPP1902	11-13	A3CFPP4202	12-19	A3CFPP6B00	2-1	A5C0R70011	56-27	A5C1564101	36-18
A3CFPP1E01	9-10	A3CFPP4301	12-17	A3CFPP6C00	5-10	A5C1101101	37-8	A5C1565500	33-6
A3CFPP1E02	9-10	A3CFPP4400	12-4	A3CFPP6L00	7-14	A5C1102800	29-15	A5C1565600	34-21

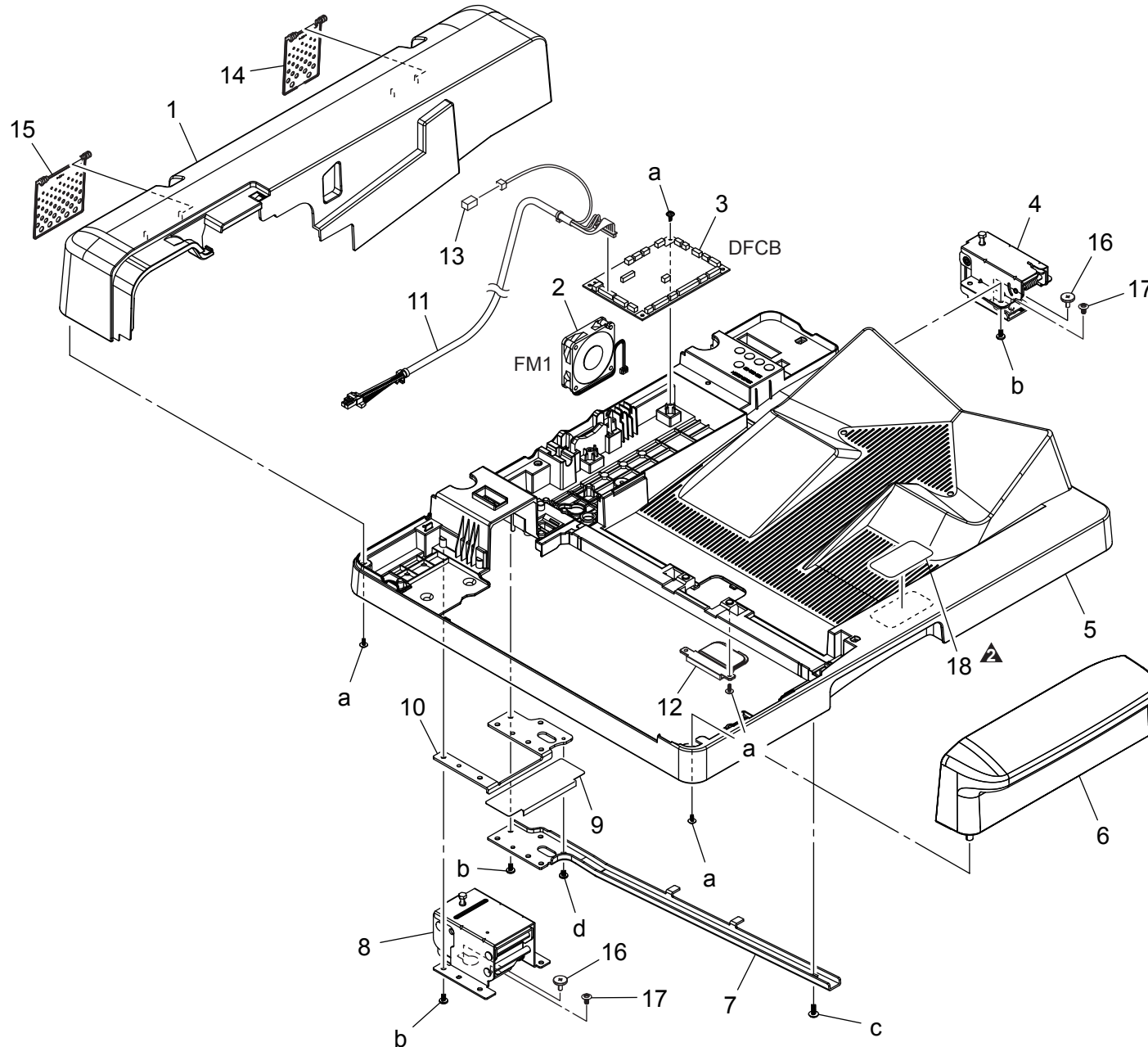
Parts No.	Page No.
A5C1565600	36-22
A5C1590500	46-22
A5C1591200	47-26
A5C1591900	47-3
A5C1593100	48-41
A5C1593200	48-43
A5C1599102	48-8
A5C1627101	38-9
A5C1627300	38-10
A5C1627500	38-3
A5C1627900	38-11
A5C1628000	38-4
A5C1628100	39-22
A5C1628100	41-22
A5C1700101	43-8
A5C1700800	43-18
A5C1701400	43-42
A5C1710200	45-12
A5C1710900	44-8
A5C1711000	44-6
A5C1711500	45-35
A5C1711800	44-13
A5C1810100	49-4
A5C1810200	49-15
A5C1810403	50-1
A5C1811600	46-19
A5C1812200	49-6
A5C1814200	50-20
A5C1814300	49-24
A5C1815700	49-13
A5C1825000	50-30
A5C1890400	53-11
A5C1F42000	27-29
A5C1M50100	48-7
A5C1N14500	23-2
A5C1N15300	20-22
A5C1P00100	35-36
A5C1R70800	34-19
A5C1R70800	36-20
A5C1R71011	44-25

Parts No.	Page No.
A5C1R711111	47-29
A5C1R71600	17-15
A61DM10000	54-12
A61EN10401	51-14
A61FM31100	23-8
A64J363700	28-1
A64J815500	46-16
A64JR71400	28-11
A782945000	65-18
A7AH624300	39-8
A7AH624300	41-9
A7PU940600	21-2
A7PU941701	18-24
V116030804	66-14
V116033003	66-11
V500010052	65-7
V500010081	65-1
V500010082	65-2
V500010083	65-3
V500010084	65-4
V500020040	65-16
V500020040	66-10
V500020052	65-9
V500020069	23-14
V500020082	65-10
V500020094	65-15
V500020098	65-5
V500020099	65-6
V500020100	65-8
V570010021	65-11
V570010057	65-12
V570010059	65-13
V570010060	65-14
V651010002	60-11
V651010003	58-4
V800500300	43-22
V800500300	44-7
V865300066	62-32

EXTERNAL PARTS

P 1

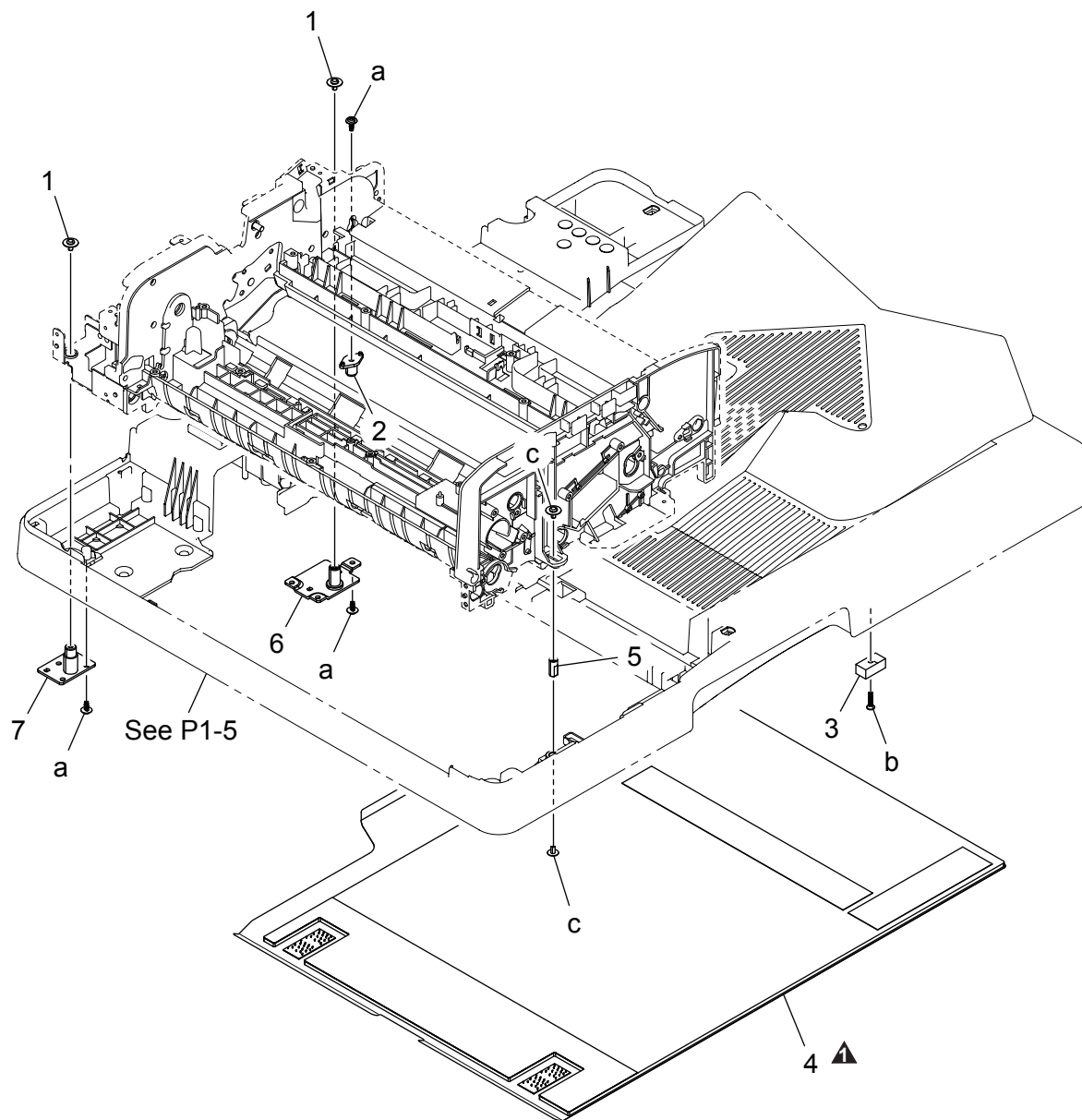
改訂版 REVISED EDITION	日付 DATE
	NOVEMBER 2012



EXTERNAL PARTS

P 2

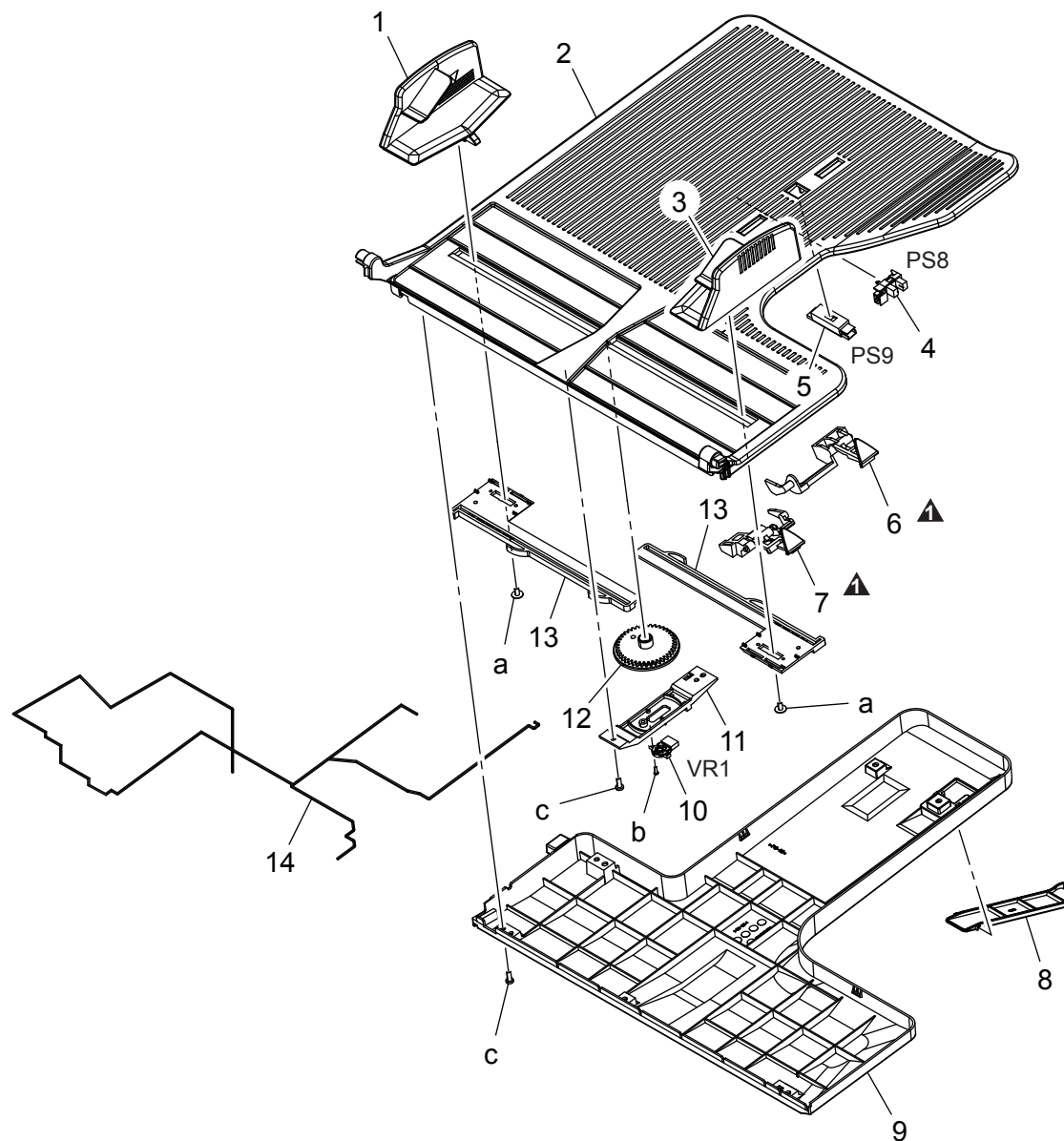
改訂版 REVISED EDITION	日付 DATE
▲	MARCH 2013



PAPER FEED TRAY SECTION

P 3

改訂版 REVISED EDITION	日付 DATE
▲	MARCH 2013



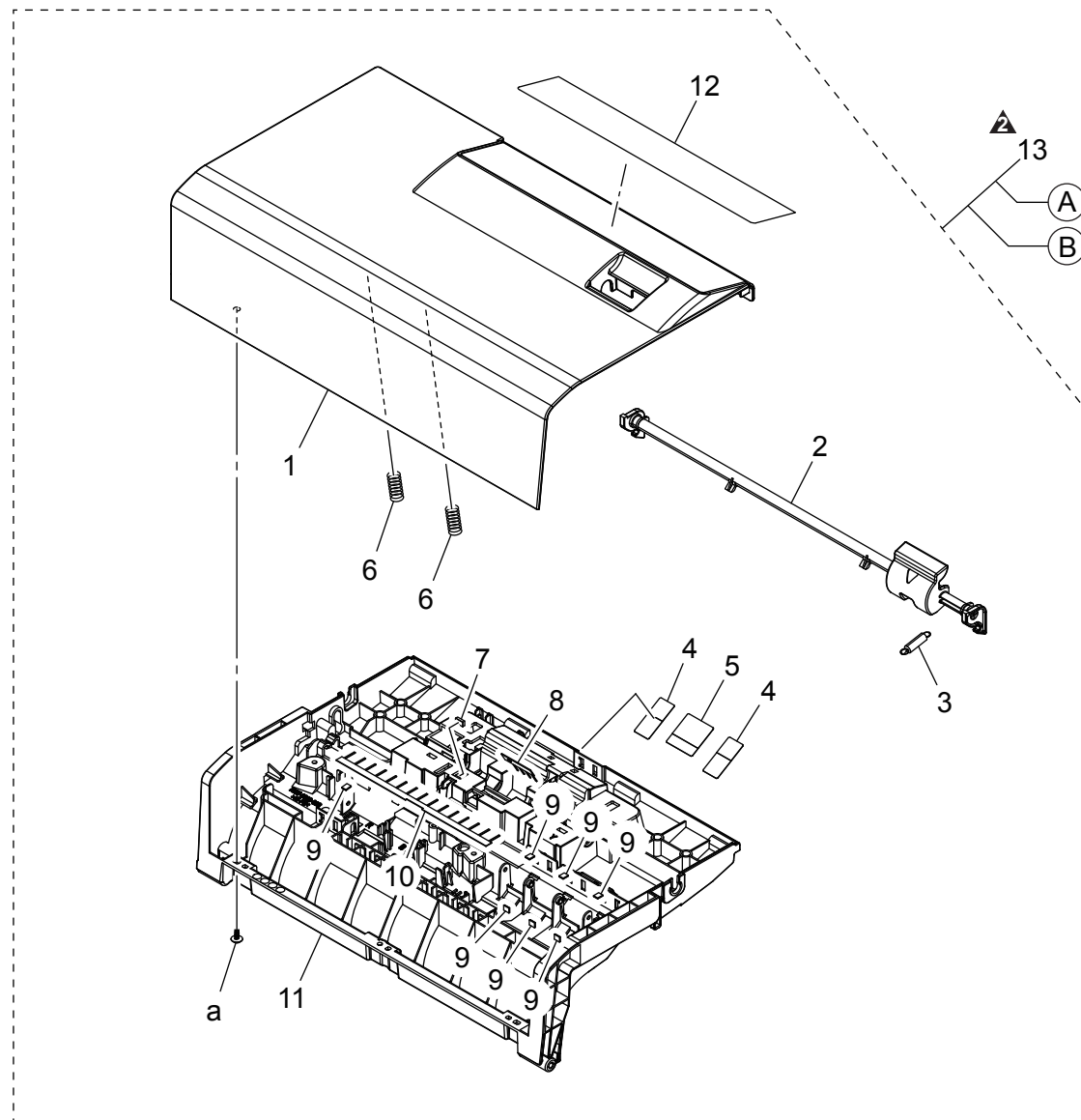
PAPER FEED TRAY SECTION

Key	Part No.	Description	Destinations	Class	QTY	Standard parts
1	A3CFPP5G03	Regulating Plate		C	1	a-A143PP0B00 b-A143PP8R00 c-A143PP0A00
2	A3CFPP5B02	Cover		C	1	
3	A3CFPP5F03	Regulating Plate		C	1	
4	A108M50100	Photointerrupter		B	1	
5	A108M50000	Photoreflector		B	1	
6	A3CFPP5C01	Lever		C	1	
7	A3CFPP5H01	Lever		C	1	
8	A3CFPP5J01	Lever		C	1	
9	A3CEPP4800	Tray		C	1	
10	A143PP6X00	PW Board Assy		C	1	
11	A143PP6M01	Holder		D	1	
12	A143PP6K01	Gear 40T		C	1	
13	A143PP6F01	Rack		C	2	
14	A3CEPP4E00	Wire Harness Assy		D	1	

PAPER TAKE-UP SECTION

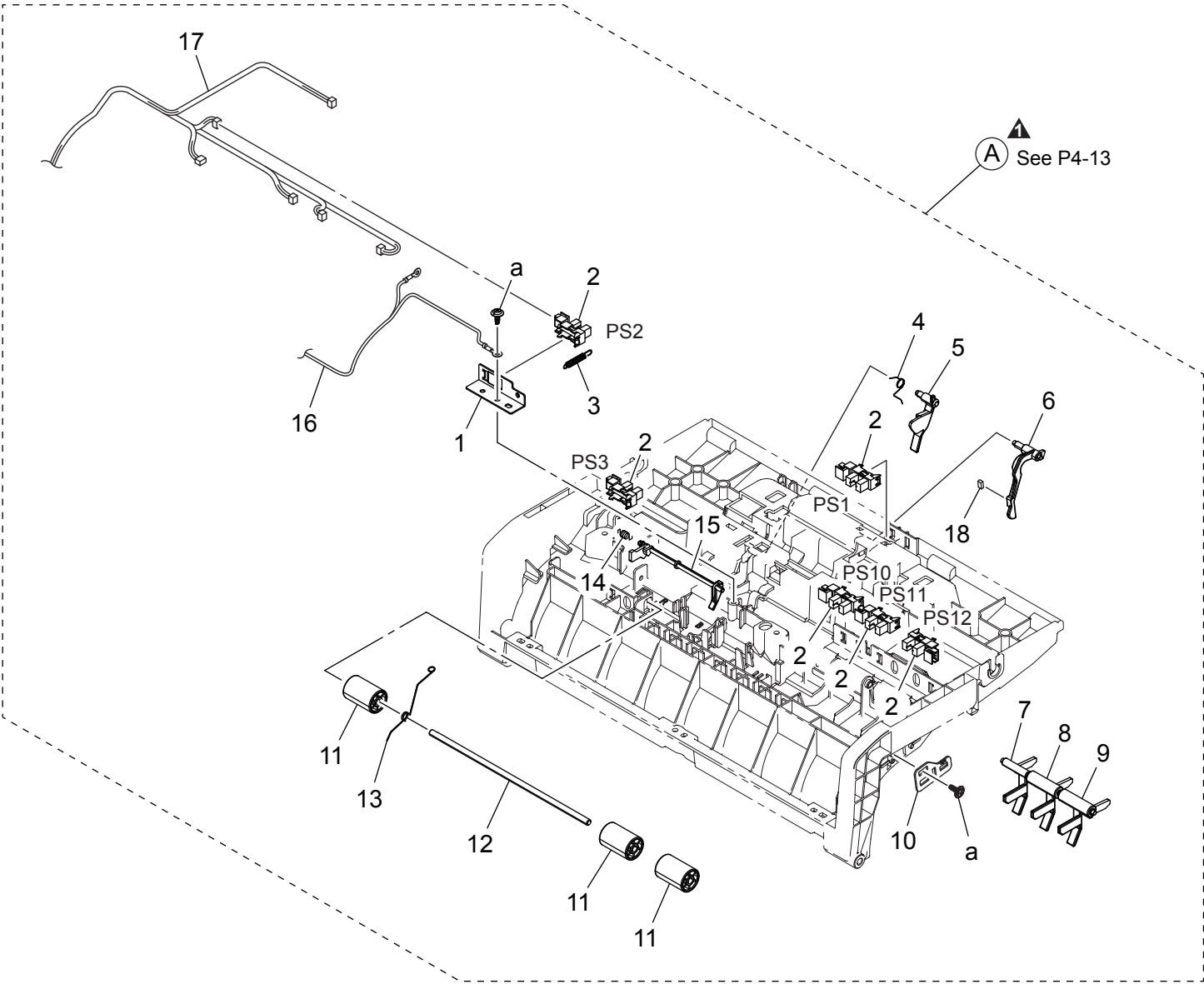
P 4

改訂版 REVISED EDITION	日付 DATE
▲	FEBRUARY 2015



PAPER TAKE-UP SECTION

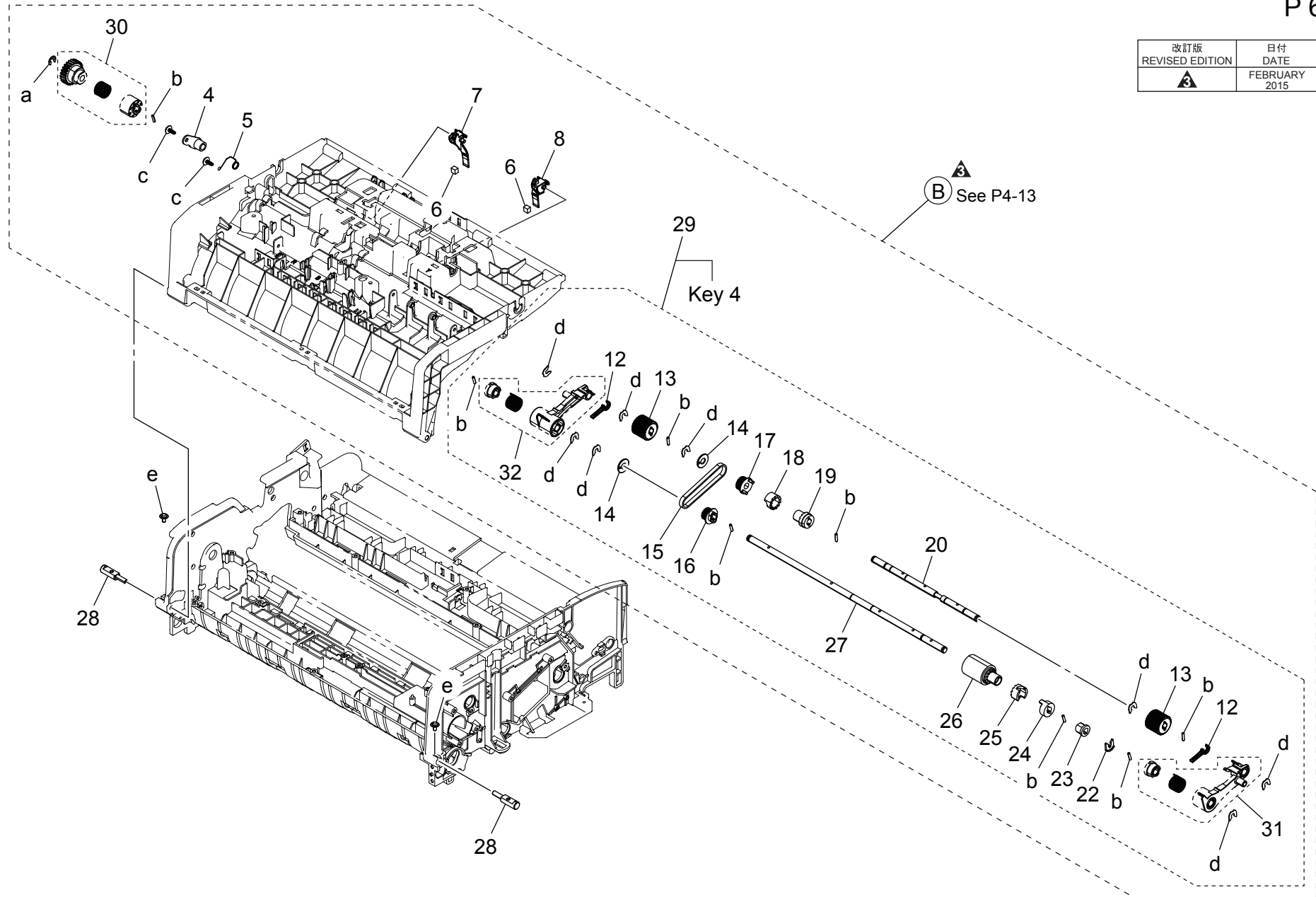
改訂版 REVISED EDITION	日付 DATE
▲	FEBRUARY 2015



PAPER TAKE-UP SECTION

P 6

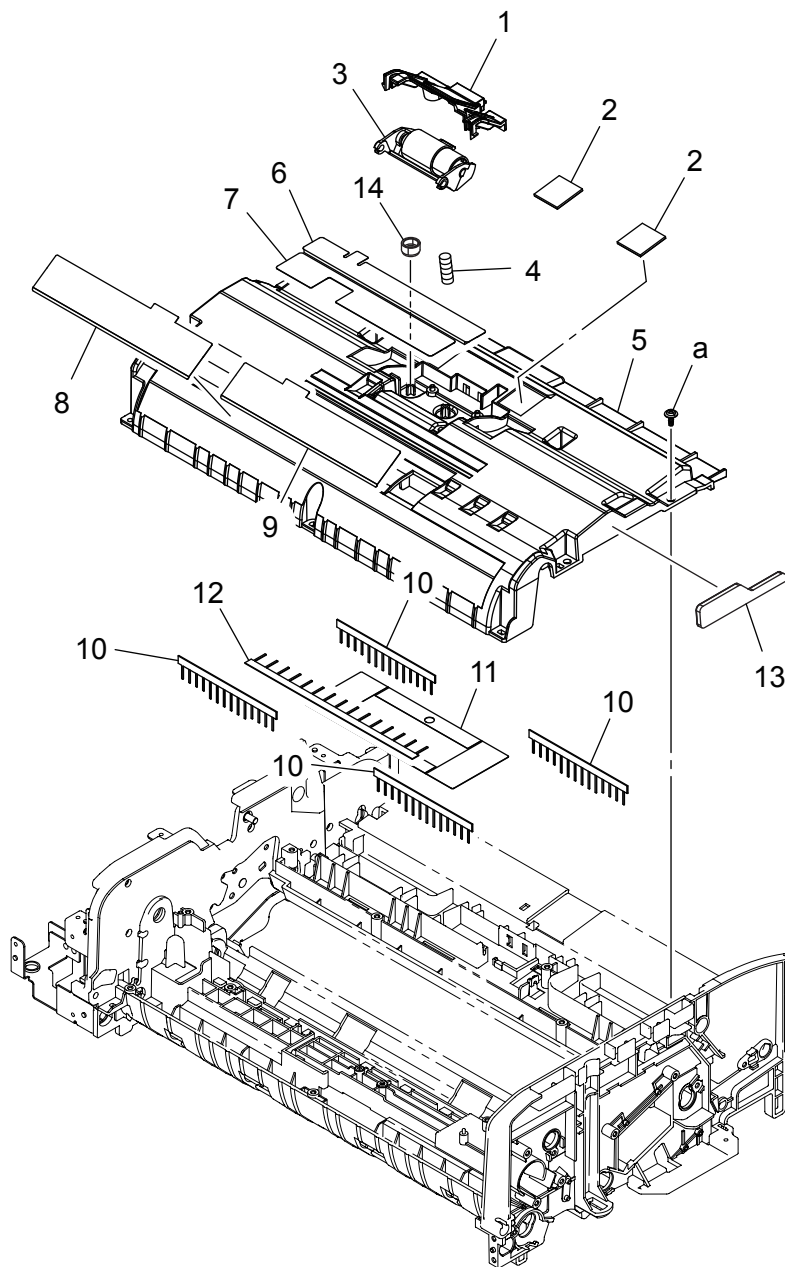
改訂版 REVISED EDITION	日付 DATE
	FEBRUARY 2015



bizhub C454

PAPER TRANSPORT SECTION

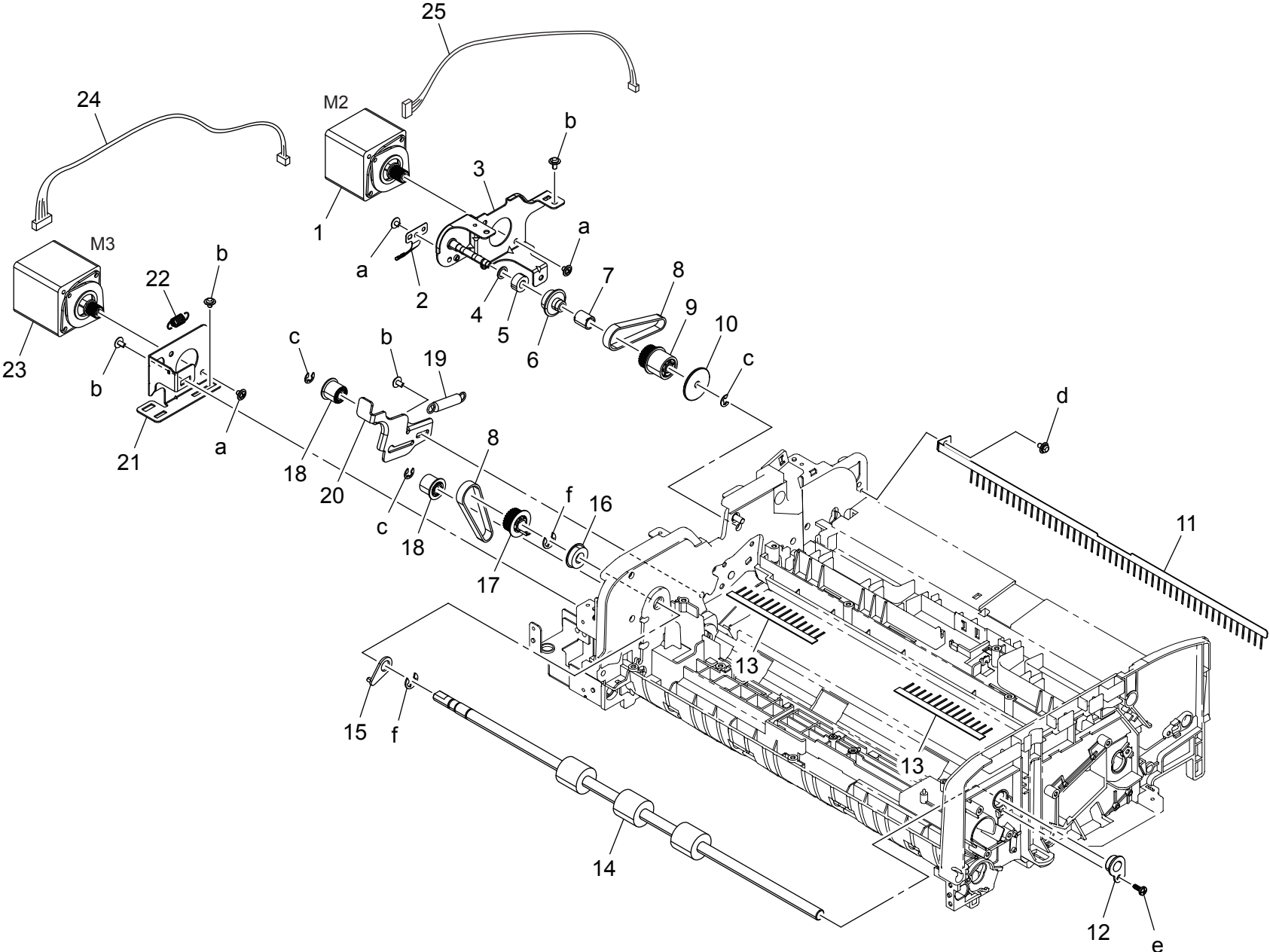
P 7



PAPER TRANSPORT SECTION

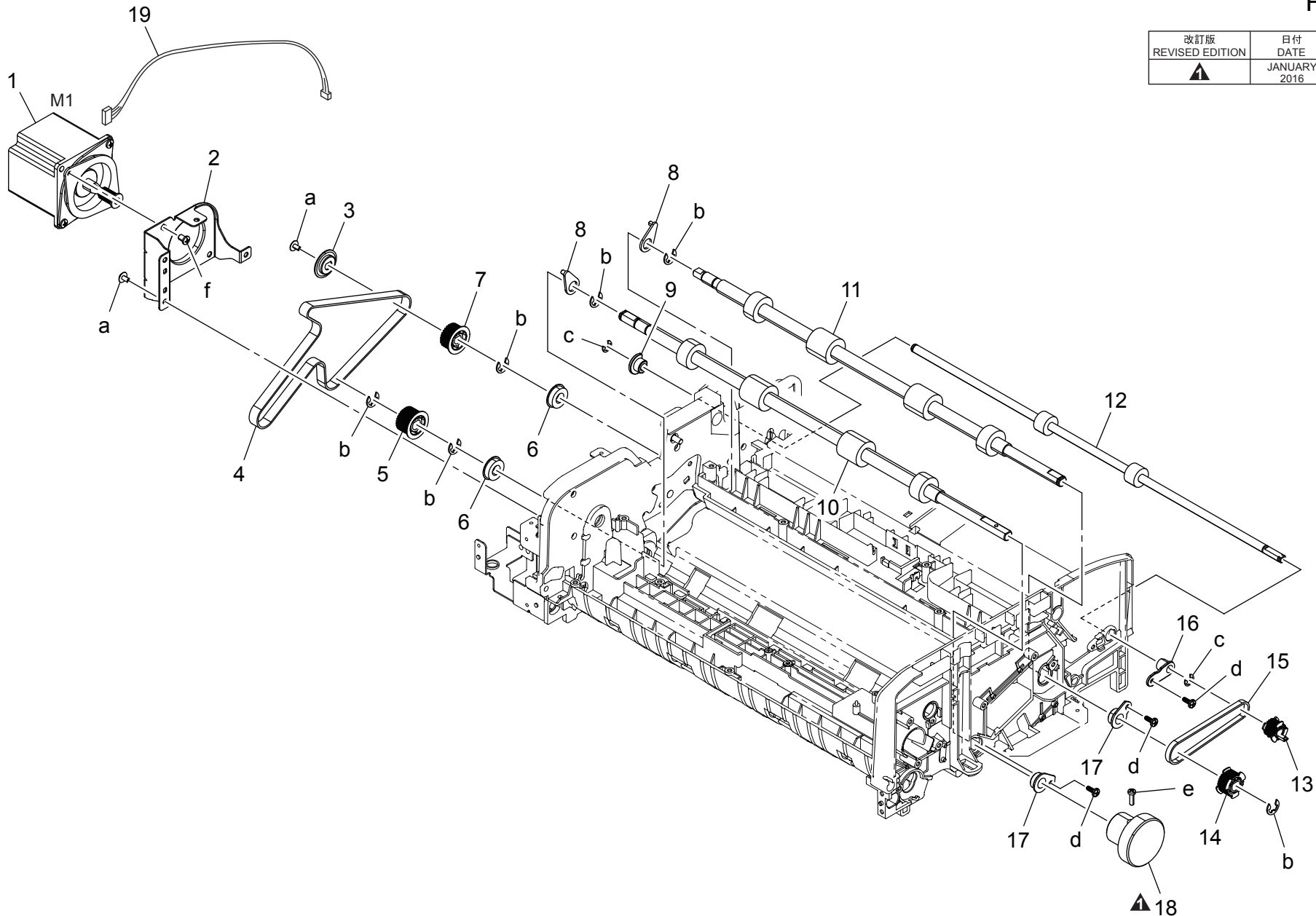
Key	Part No.	Description	Destinations	Class	QTY	Standard parts
1	A3CFPP4G00	Cover Assy		C	1	a-A3CFPP6K00
2	A3CFPP4N00	Pad		C	2	
3	A3CFPP4H00	Roller Assy		A	1	
4	A3CFPP4L00	Pressure Spring		C	1	
5	A3CEPP4407	Guide		C	1	
6	A3CFPP4Q00	Film		C	1	
7	A143PP4P01	Film		C	1	
8	A3CEPP5400	Film		C	1	
9	A3CEPP5500	Film		C	1	
10	A143PP1X00	NEUTRALIZING BRUSH		C	4	
11	A3CEPP4701	Film		C	1	
12	A3CFPP1N02Old	Neutralizing Brush		C	1	
12	A3CFPP1N03	Neutralizing Brush		C	1	
13	A3CEPP5200	Sponge		D	1	
14	A3CFPP6L00	Spacer		C	1	

PAPER TRANSPORT SECTION



PAPER TRANSPORT SECTION

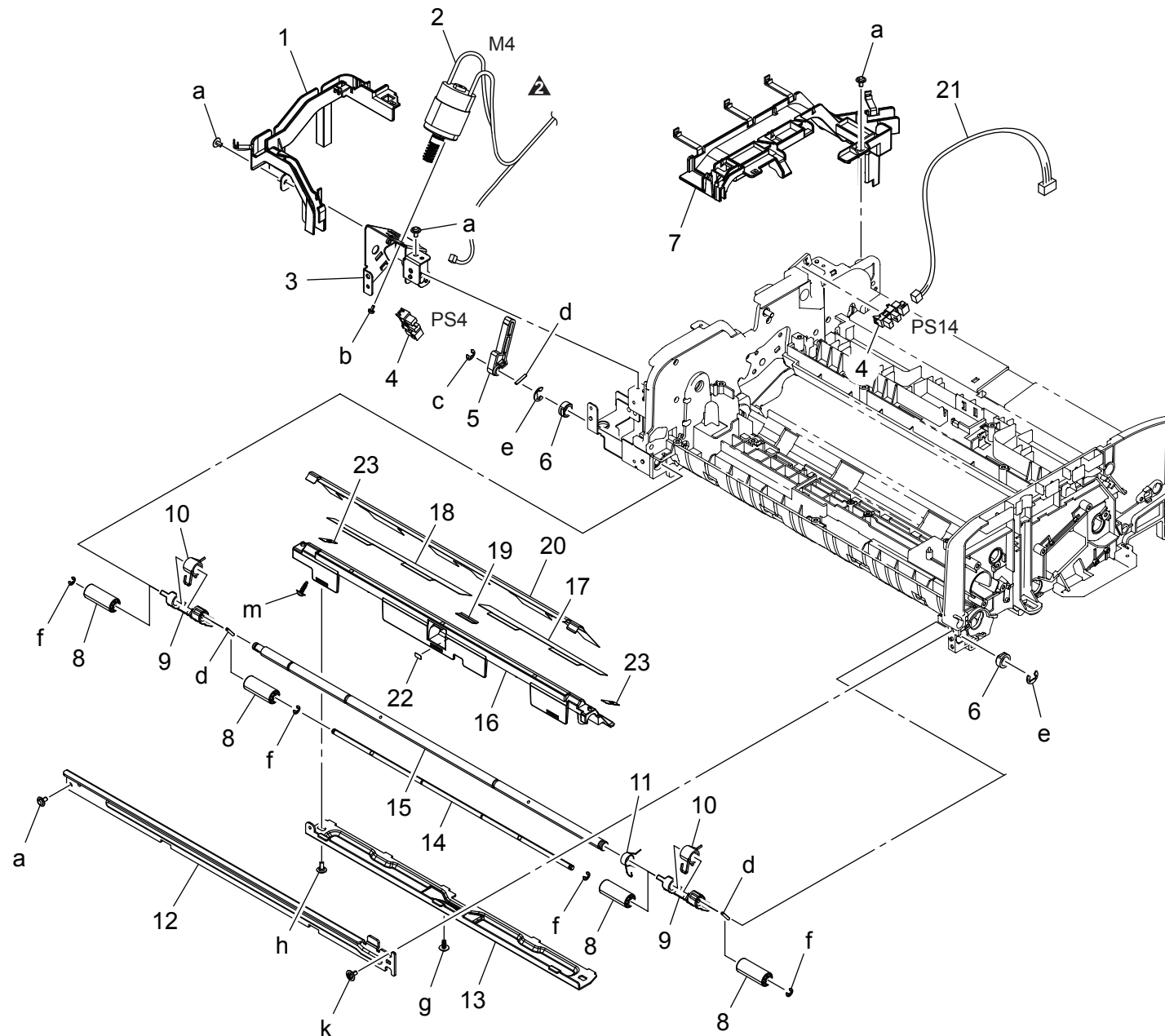
改訂版 REVISED EDITION	日付 DATE
▲	JANUARY 2016



PAPER TRANSPORT SECTION

P 10

改訂版 REVISED EDITION	日付 DATE
	DECEMBER 2015



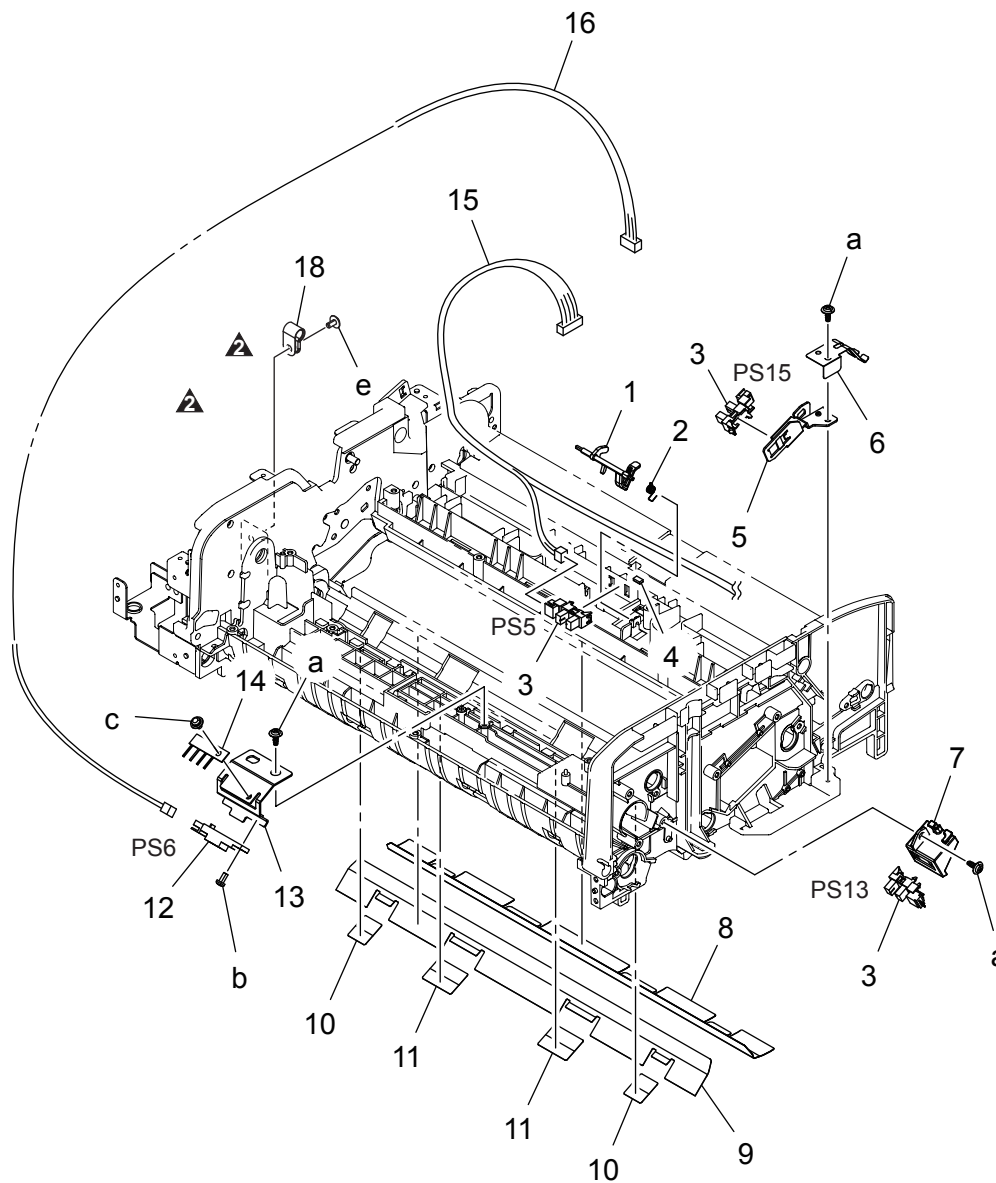
PAPER TRANSPORT SECTION

Key	Part No.	Description	Destinations	Class	QTY	Standard parts
1	A3CEPP2B01	Guide		C	1	a-A143PP7M00
2	A3CEPP5700	Motor Assy		C	1	b-A143PP3M00
3	A3CEPP2T01	Bracket		D	1	c-A143PP0Q00
4	A108M50100	Photointerrupter		B	2	d-A143PP3X00
5	A3CFPP3Y01	Lever		C	1	e-A143PP0P00
6	A3CFPP1K01	Bushing		C	2	f-A3CFPP5M00
7	A3CEPP2A02	Guide		C	1	g-A3CFPP2G00
8	A3CFPP4101	Roller		C	4	h-A3CFPP2K00
9	A3CFPP3V01	Arm		C	2	k-A3CFPP2F00
10	A3CFPP3X00	Torsion Spring		C	2	m-A3CFPP2V00
11	A3CFPP2X00	Torsion Spring		C	1	
12	A3CFPP1401	Bracket		D	1	
13	A3CFPP1300	Bracket		D	1	
14	A3CFPP4000	Shaft		D	1	
15	A3CFPP3U00	Shaft		D	1	
16	A3CEPP1002	Guide		C	1	
17	A3CFPP1102	Film		C	1	
18	A3CFPP1202	Film		C	1	
19	A3CFPP1P00	Cushion		C	1	
20	A3CFPP2Q01	Film		C	1	
21	A3CEPP4G00	Wire Harness Assy		D	1	
22	A3CFPP6M00	Spacer		C	1	
23	A3CFPP6N00	Spacer		C	2	

PAPER TRANSPORT SECTION

P 11

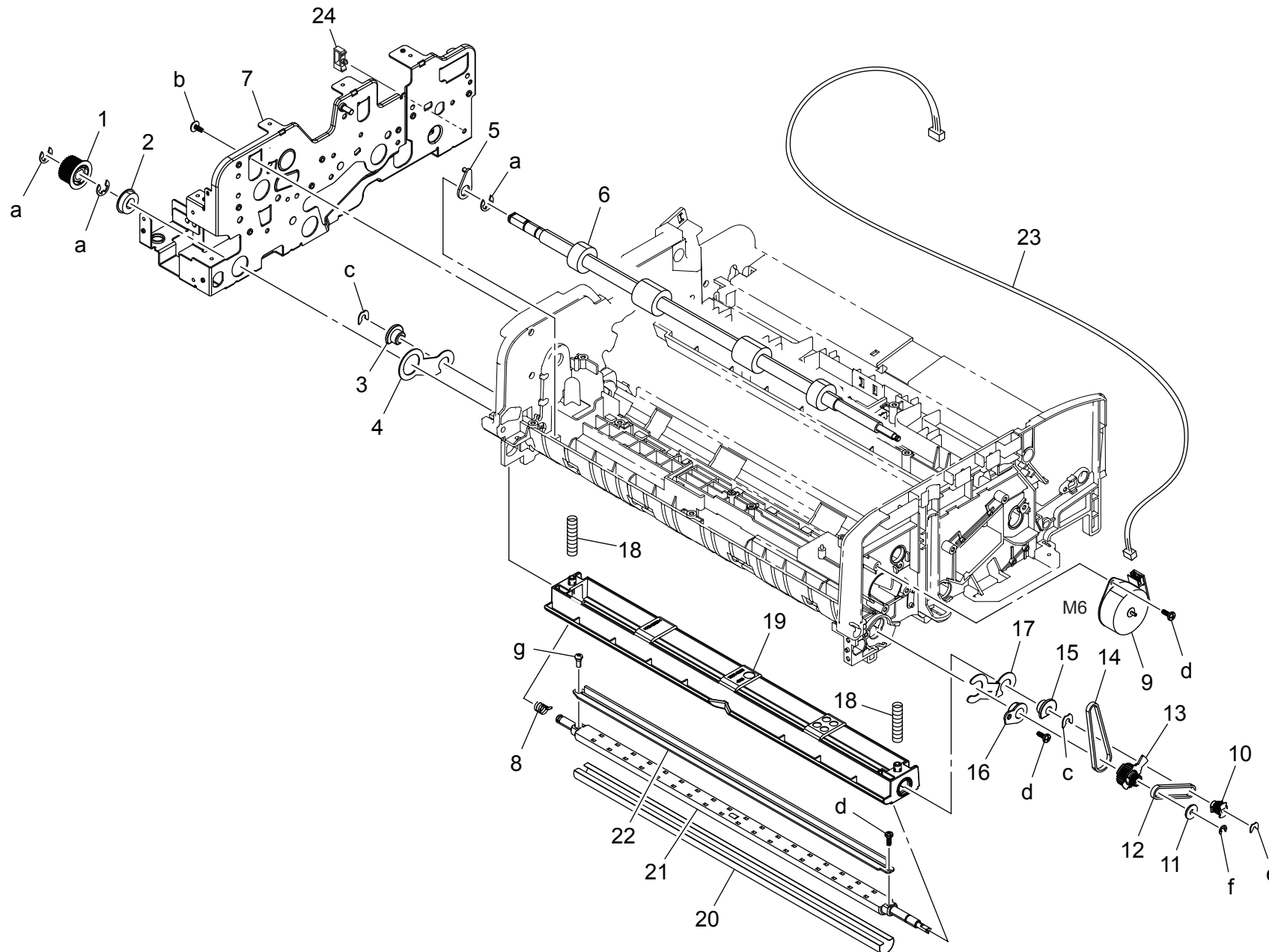
改訂版 REVISED EDITION	日付 DATE
	OCTOBER 2014



Key	Part No.	Description	Destinations	Class	QTY	Standard parts
1	A3CEPP1300	Arm		C	1	a-A3CFPP2G00 b-A143PP0D00 c-A3CFPP2Y01 e-A143PP7M00
2	A3CEPP7100	Torsion Spring		C	1	
3	A108M50100	Photointerrupter		B	3	
4	A143PP1Y00	Sponge		C	1	
5	A3CEPP3E01	Holder		C	1	
6	A3CEPP1R00	Plate Spring		C	1	
7	A3CFPP2B00	Holder		D	1	
8	A3CEPP1L01	Film		C	1	
9	A3CEPP1K01	Film		C	1	
10	A143PP4G01	Film		C	2	
11	A143PP4F01	Film		C	2	
12	A143PP7900	Solid State Switch		B	1	
13	A3CFPP1901Old	Bracket		D	1	
13	A3CFPP1902	Bracket		D	1	
14	A3CFPP2H01Old	Neutralizing Brush		C	1	
14	A143PP6800	Neutralizing Brush		C	1	
15	A3CEPP4H00	Wire Harness Assy		D	1	
16	A3CEPP4F00	Wire Harness Assy		D	1	
18	A3CEPP2000	Clamp		C	1	

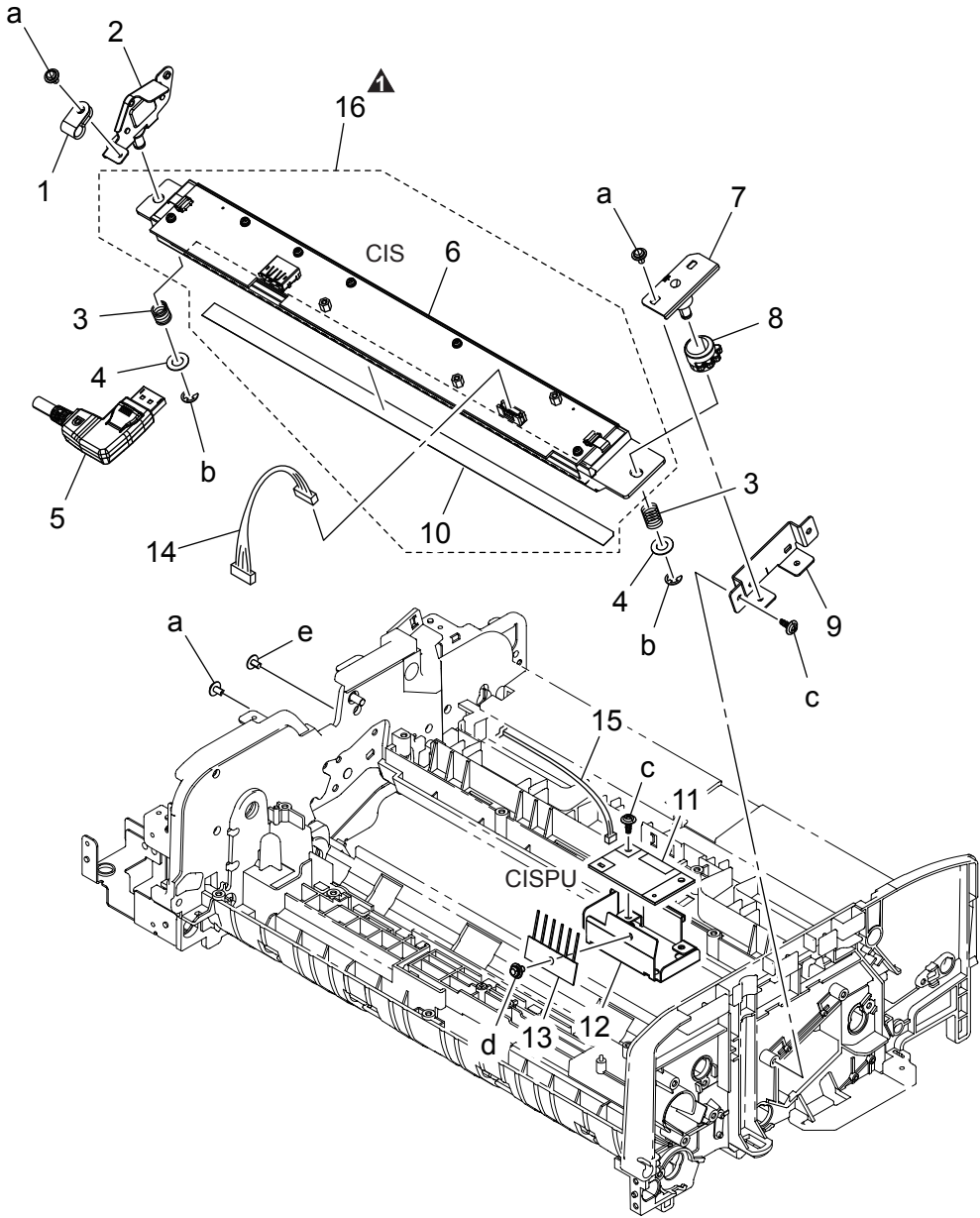
PAPER TRANSPORT SECTION

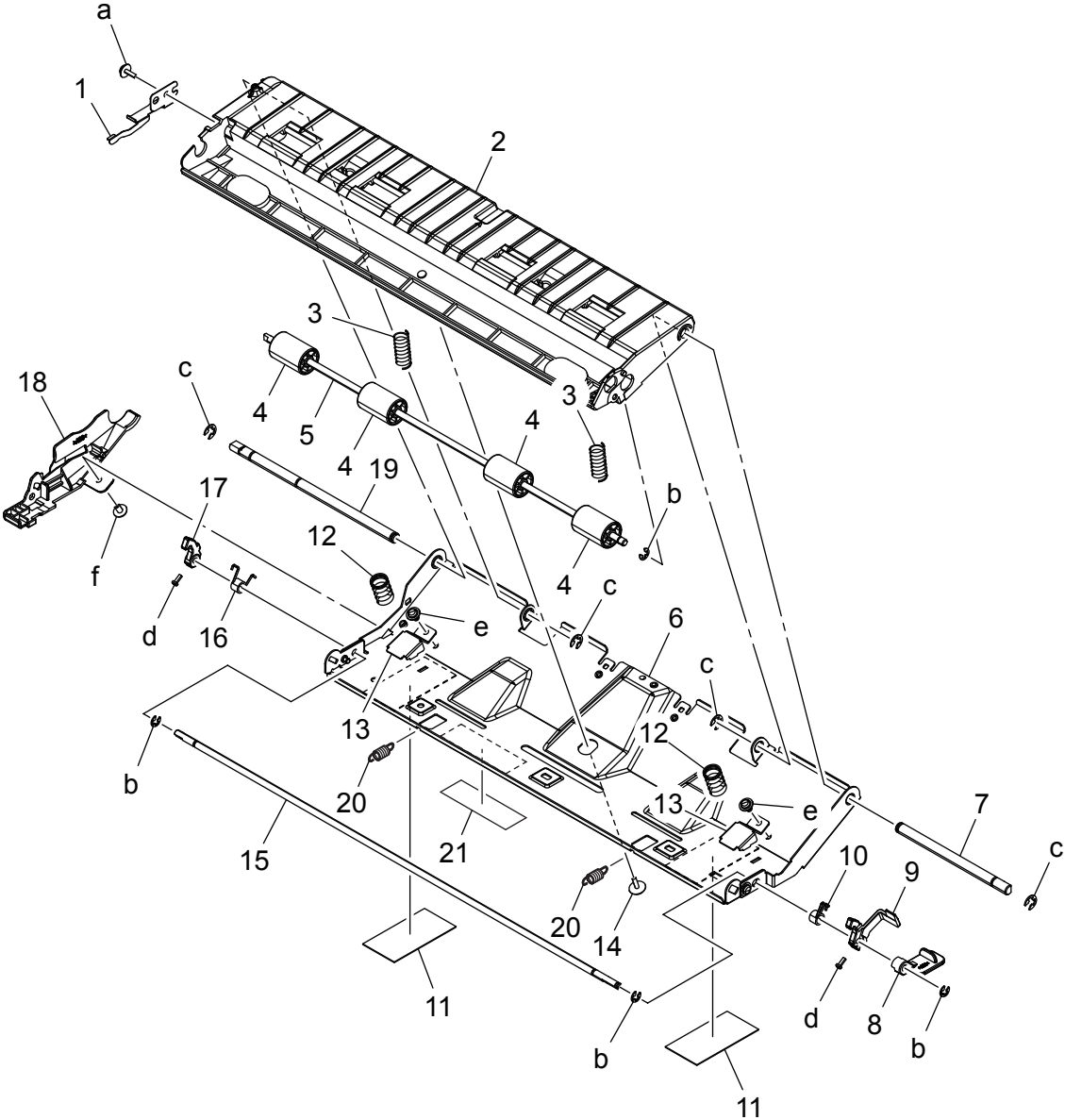
P 12



CIS SECTION

改訂版 REVISED EDITION	日付 DATE
▲	SEPTEMBER 2014

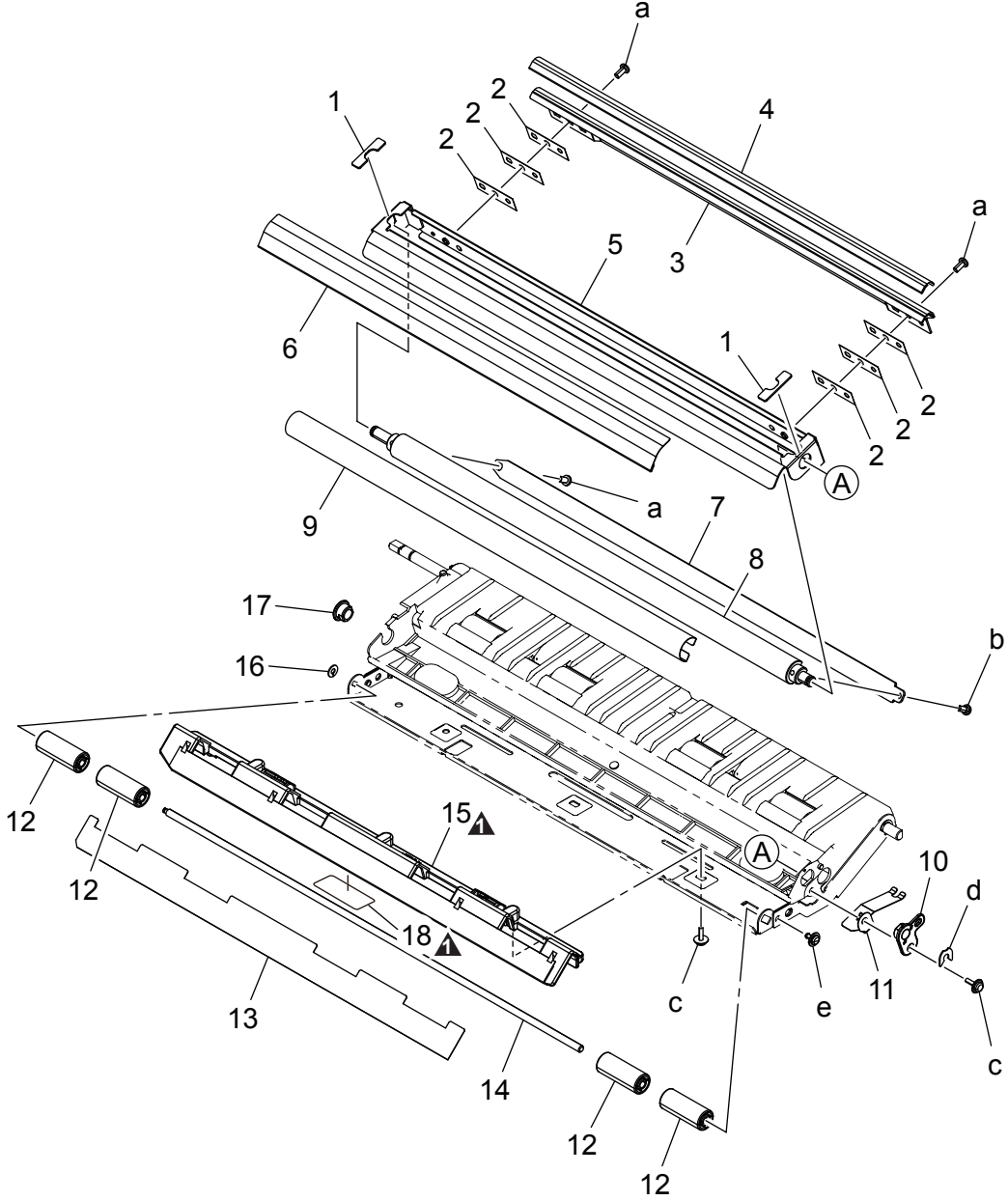




Key	Part No.	Description	Destinations	Class	QTY	Standard parts
1	A3CEPP3800	Plate Spring		C	1	a-A3CFPP2G00 b-A3CFPP5M00 c-A143PP0Q00 d-A3CEPP1P00 e-A143PP0E00 f-A143PP7M00
2	A3CEPP3702	Cover		C	1	
3	A3CEPP3B00	Pressure Spring		C	2	
4	A3CFPP4T01	Roller		C	4	
5	A3CEPP3A00	Shaft		D	1	
6	A3CEPP3D01	Bracket		D	1	
7	A3CEPP3F00	Shaft		D	1	
8	A3CEPP3N01	Lever		C	1	
9	A3CEPP3L00	Lever		C	1	
10	A3CEPP3Q00	Torsion Spring		C	1	
11	A3CEPP3X00	Sheet		C	2	
12	A3CEPP3C00	Pressure Spring		C	2	
13	A3CEPP1Q00	Mounting Plate		D	2	
14	A3CEPP5100	Screw		C	1	
15	A3CEPP3P00	Shaft		D	1	
16	A3CEPP3R00	Torsion Spring		C	1	
17	A3CEPP3M00	Lever		C	1	
18	A3CEPP3S00	Cover		C	1	
19	A3CEPP3G00	Shaft		D	1	
20	A3CEPP1C00	Tension Spring		C	2	
21	A3CEPP5A00	Label		C	1	

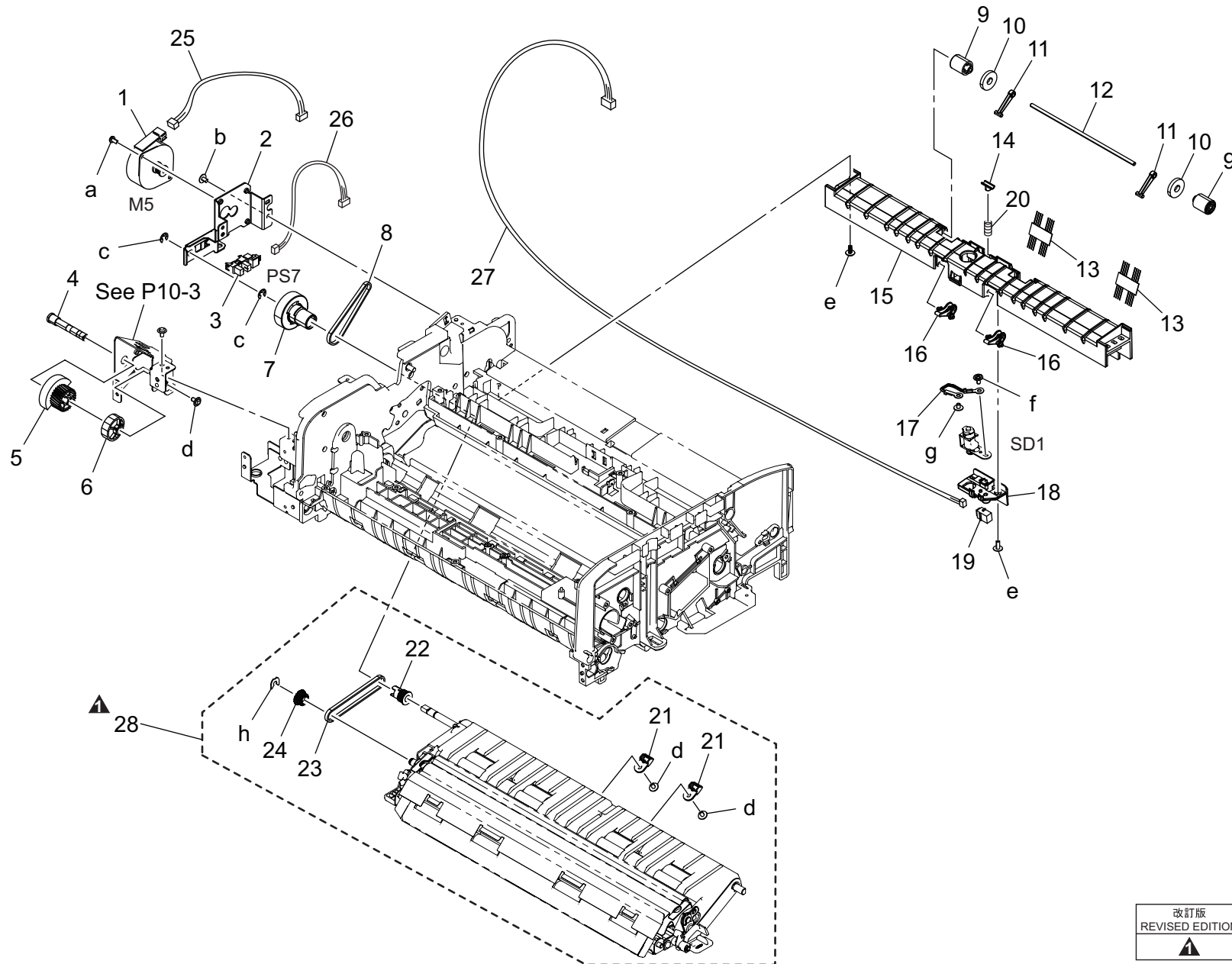
CIS SECTION

改訂版 REVISED EDITION	日付 DATE
▲	MARCH 2013



Key	Part No.	Description	Destinations	Class	QTY	Standard parts
1	A3CEPP4301	Spacer		C	2	a-A143PP0D00 b-A3CEPP2500 c-A3CFPP2G00 d-A143PP5501 e-A143PP0E00
2	A3CEPP2800	Film		C	6	
3	A3CEPP2700	Mounting Plate		D	1	
4	A3CEPP3600	Film		C	1	
5	A3CEPP3401	Mounting Plate		D	1	
6	A3CEPP3501	Film		C	1	
7	A3CFPP4500	Brush		C	1	
8	A3CEPP4201	Shaft		D	1	
9	A3CEPP3301	Sheet		C	1	
10	A3CEPP2X01	Bushing		C	1	
11	A3CEPP3900	Plate Spring		C	1	
12	A3CEPP3H01	Roll		C	4	
13	A3CEPP1N00	Film		C	1	
14	A3CEPP3K00	Shaft		D	1	
15	A3CEPP3J01	Guide		C	1	
16	A143PP1S00	Washer		C	1	
17	A3CEPP2Y00	Bushing		C	1	
18	A3CEPP5C00	Label		C	1	

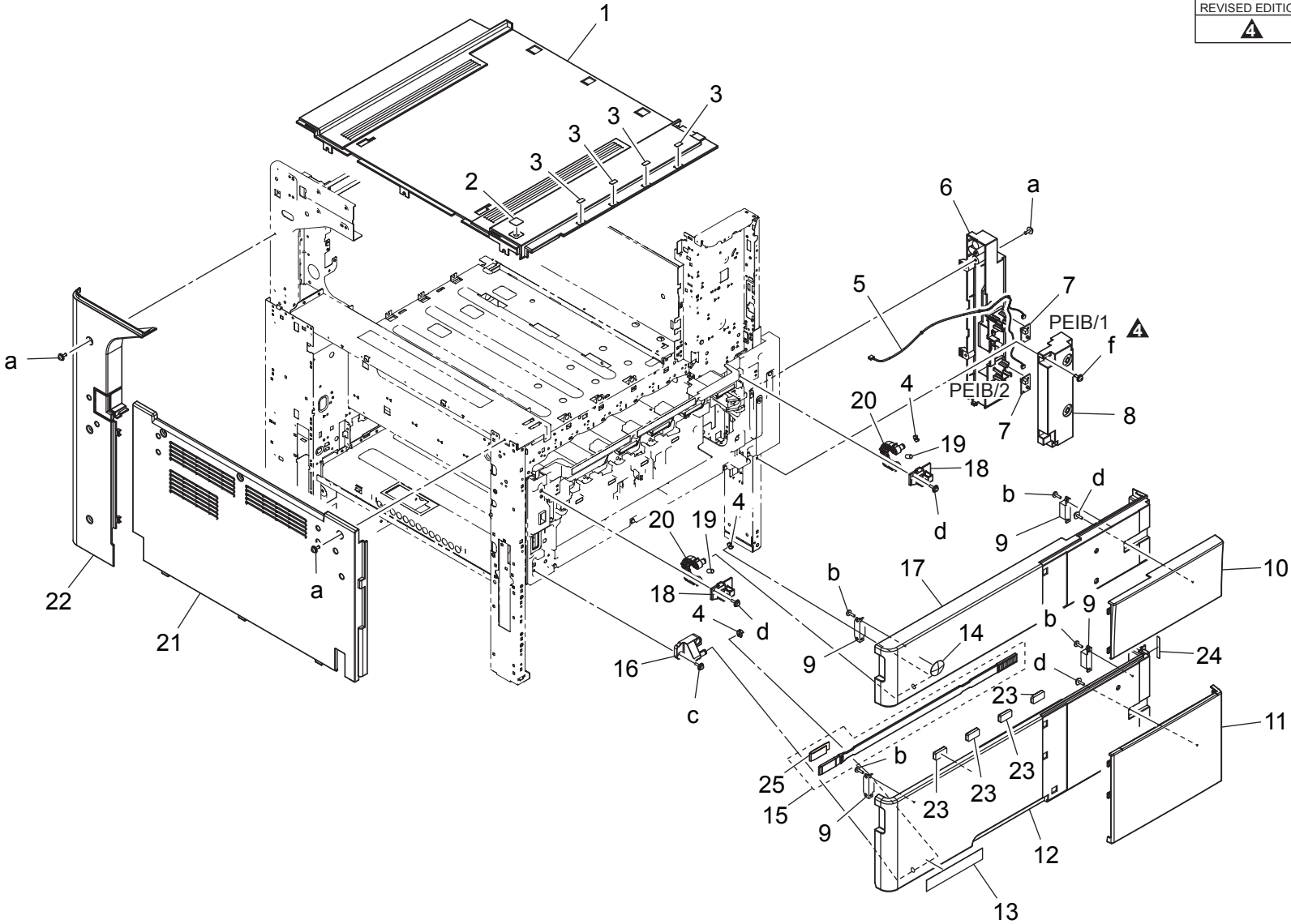
CIS SECTION



Key	Part No.	Description	Destinations	Class	QTY	Standard parts
1	A3CEPP4A01	Motor		C	1	a-A143PP0D00
2	A3CEPP2V00	Bracket		D	1	b-A143PP0E00
3	A108M50100	Photointerrupter		B	1	c-A143PP0Q00
4	A3CFPP3M00	Shaft		D	1	d-A143PP7M00
5	A143PP3P01	Gear		C	1	e-A3CFPP2G00
6	A3CFPP3T00	Cam		C	1	f-A143PP0B00
7	A3CEPP3000	Pulley		C	1	g-A143PP7N00
8	A3CFPP4C00	Timing Belt		C	1	h-A143PP5501
9	A3CEPP1701	Roll		C	2	
10	A143PP8600	Washer		C	2	
11	A3CEPP1Y00	Crank		C	2	
12	A3CEPP1U00	Shaft		D	1	
13	A3CEPP2601	Brush		C	2	
14	A3CEPP1T01	Holder		C	1	
15	A3CEPP1E02	Guide		C	1	
16	A3CEPP1X01	Lever		C	2	
17	A143PP8D01	Wire Harness Assy		D	1	
18	A3CEPP2403	Holder		C	1	
19	A143PP8F00	Wire Harness Assy		D	1	
20	A3CEPP1A00	Pressure Spring		C	1	
21	A3CEPP1V01	Cam		C	2	
22	A3CEPP3200	Pulley		C	1	
23	A3CEPP2U00	Timing Belt		C	1	
24	A3CEPP3101	Pulley		C	1	
25	A3CEPP4R00	Wire Harness Assy		D	1	
26	A3CEPP4S00	Wire Harness Assy		D	1	
27	A3CEPP4M01	Wire Harness Assy		D	1	
28	A3CFPP6T00	Guide Assy		D	1	

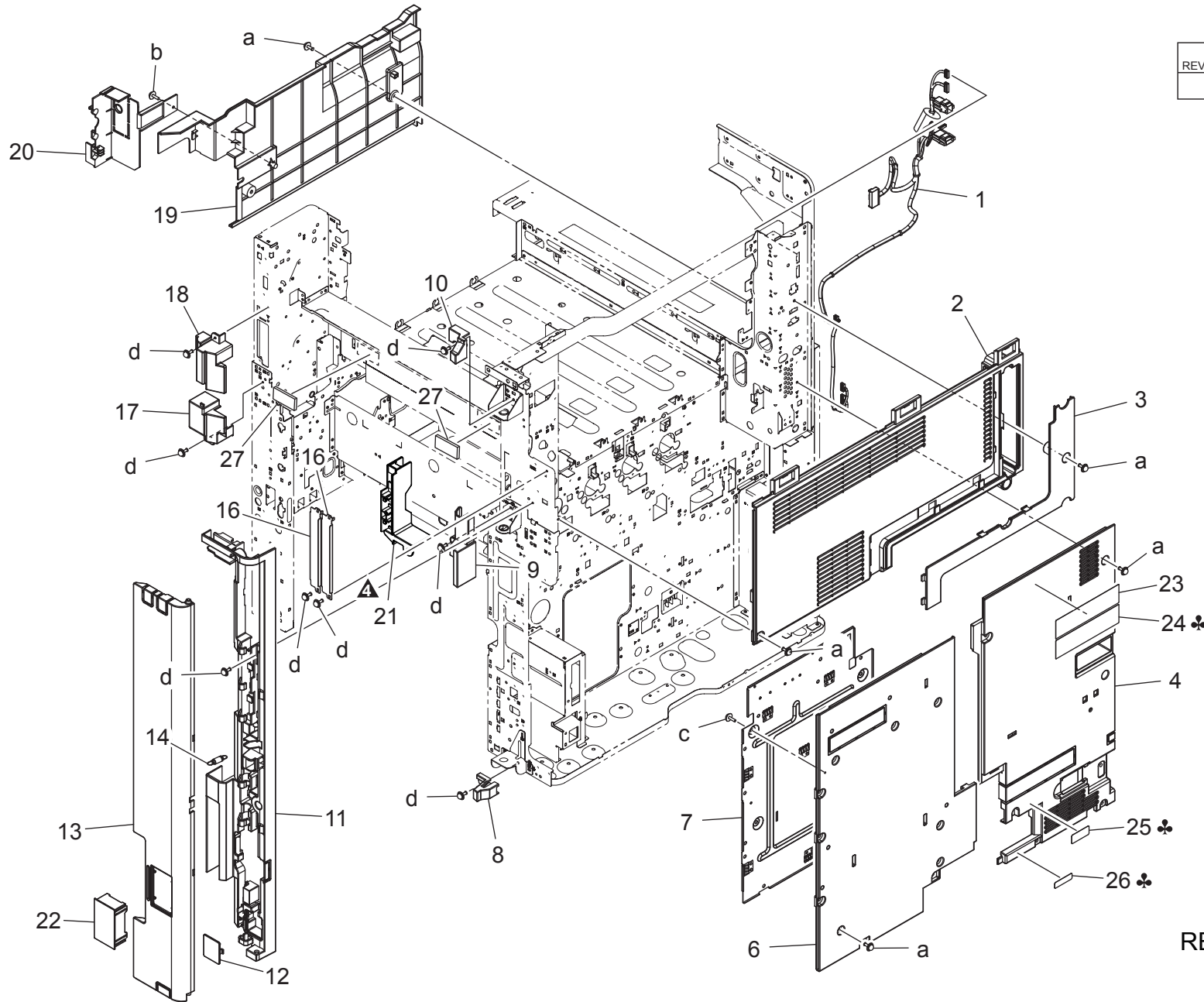
EXTERNAL PARTS

改訂版 REVISED EDITION	日付 DATE
	JANUARY 2014



EXTERNAL PARTS

改訂版 REVISED EDITION	日付 DATE
	OCTOBER 2013




REAR SIDE

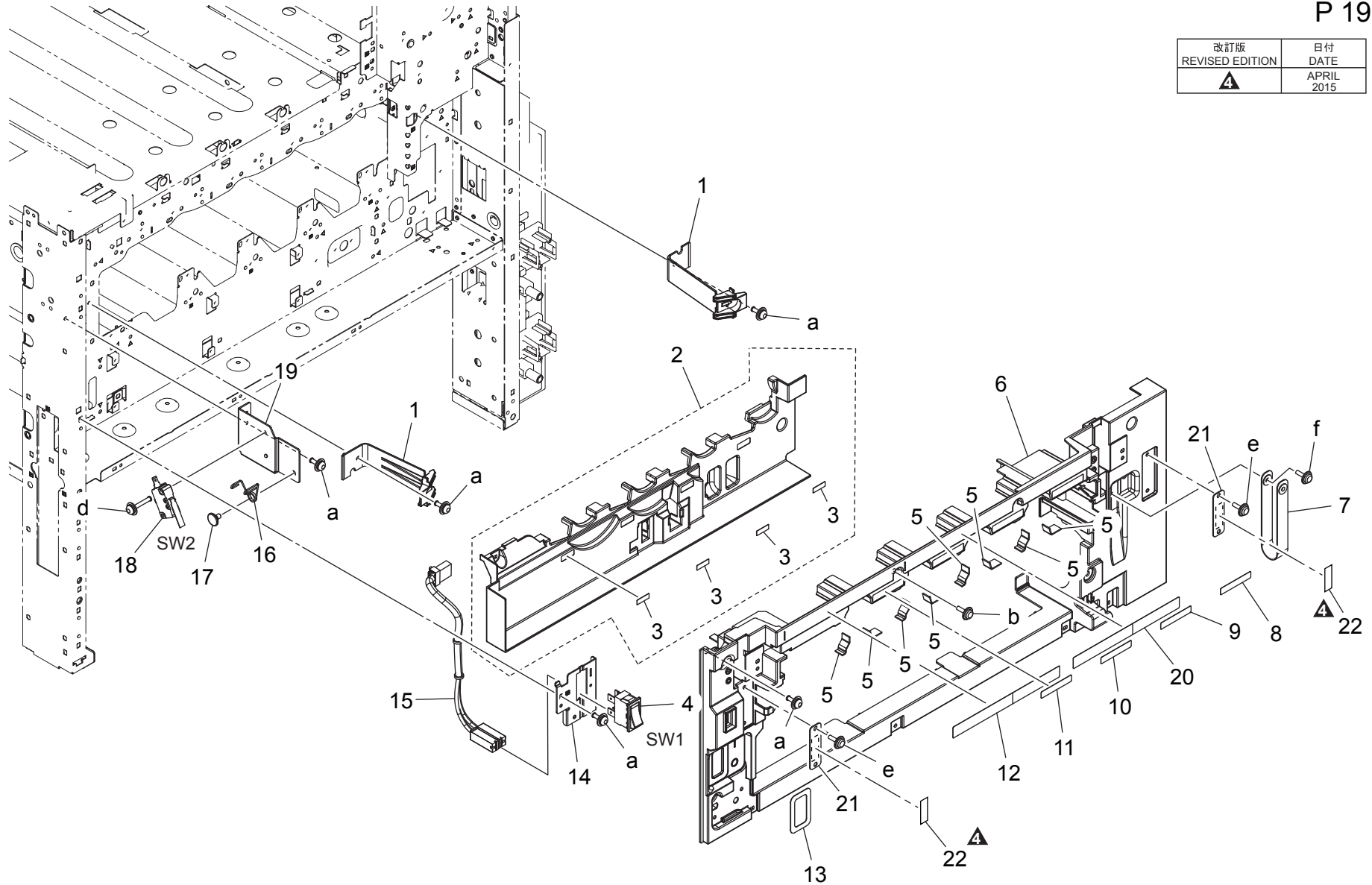
EXTERNAL PARTS

Key	Part No.	Description	Destinations	Class	QTY	Standard parts
1	A161N10M05	FNS Relay harness	FNS 中継束線 (ADF)	D	1	a-V116030804 b-V153030804 c-V153030803 d-V116030803
2	A161162102	Cover	カバー (背面・上)	C	1	
3	A161163503	Cover	カバー (目隠し・後上)	C	1	
4	A161166203	Cover	カバー (背面・左)	C	1	
6	A161160605	Cover	カバー (背面・右)	C	1	
7	A161132302	Shield Cover	シールドカバー (シールドボックス)	C	1	
8	A161164800	Regulating Part /Lower	規制部材 /下	D	1	
9	A161164702	Regulating Part /Middle	規制部材 /中	D	1	
10	A161164600	Regulating Part /Upper	規制部材 /上	D	1	
11	A161161804	Cover	カバー (右後・固定)	C	1	
12	A161164401	Cover	蓋	C	1	
13	A161160902	Cover	カバー (右後・開閉)	C	1	
14	A161163900	Pulling Coil spring	引張りコイルばね	C	1	
16	A161139800	Cover	カバー (Fax)	D	2	
17	A161161201	Cover	カバー (右前・定着1次)	D	1	
18	A161162900	Cover	カバー (右前・定着2次)	D	1	
19	A161162201	Cover	カバー (排紙・奥)	C	1	
20	A161162803	Cover	カバー (排紙・奥右)	C	1	
21	A5C1132001	Guide	ガイド	D	1	
22	A161166400	Cover	カバー (右後・小)	C	1	
23	A2X0945701	Label	ラベル (2プラグ注意)	C	1	C,D1,D3,E,F2,G1,I,K A,A1 C,D1,D3,E,F2,G1,I,K ,J
24	A7PU941701	Label Caution	ラベル アース注意	C	1	
25	A02E149900	Label	ラベル (定格)	C	1	
26	A00J945201	Label 220-240V 0.65A	ラベル	C	1	
27	A161108000	Cushion	クッション	C	2	

INNER COVER SECTION

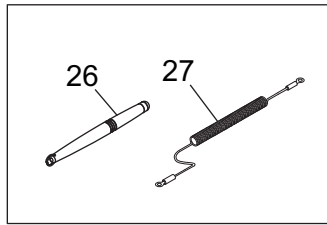
P 19

改訂版 REVISED EDITION	日付 DATE
	APRIL 2015

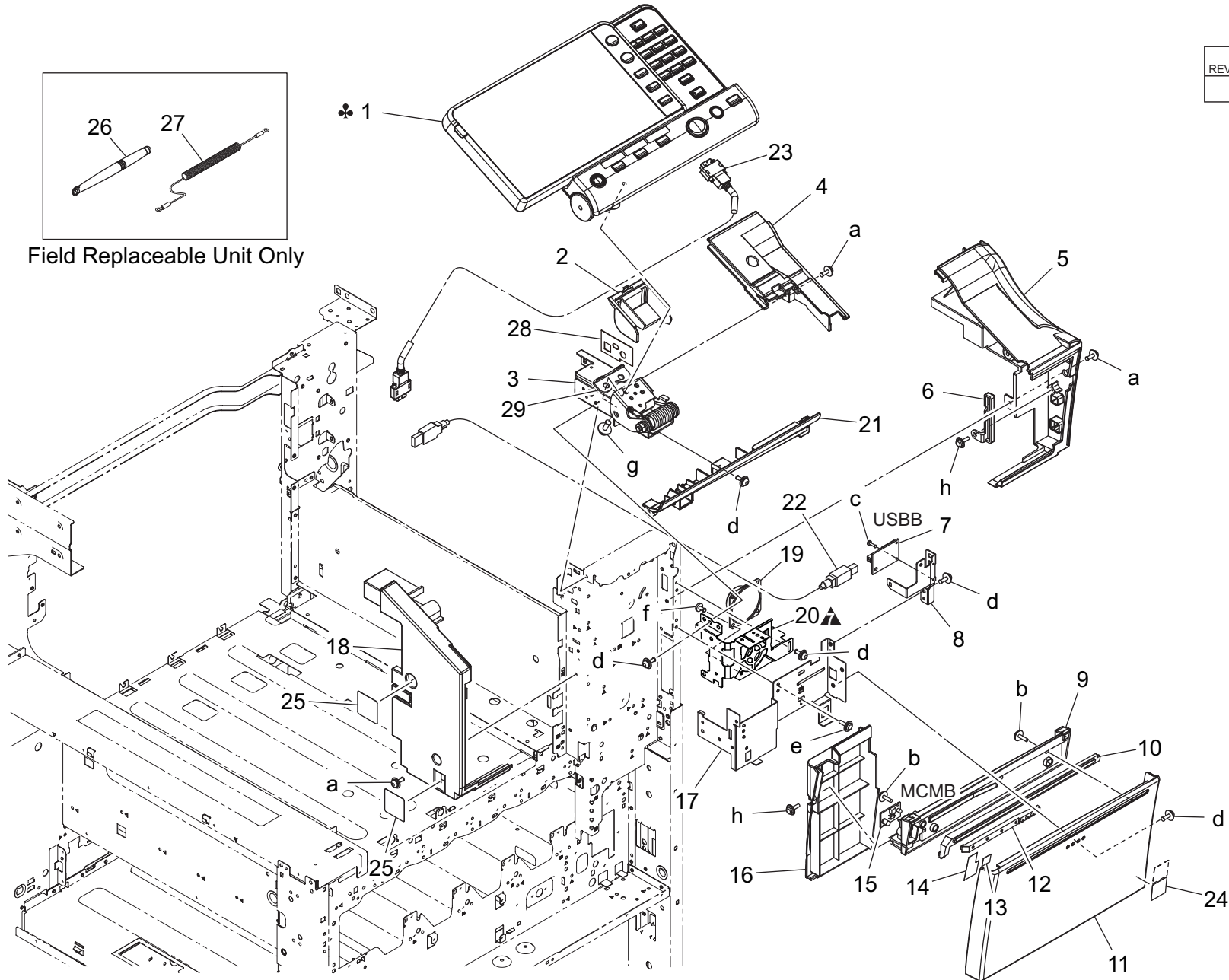


OPERATION PANEL SECTION

改訂版 REVISED EDITION	日付 DATE
	JANUARY 2014



Field Replaceable Unit Only



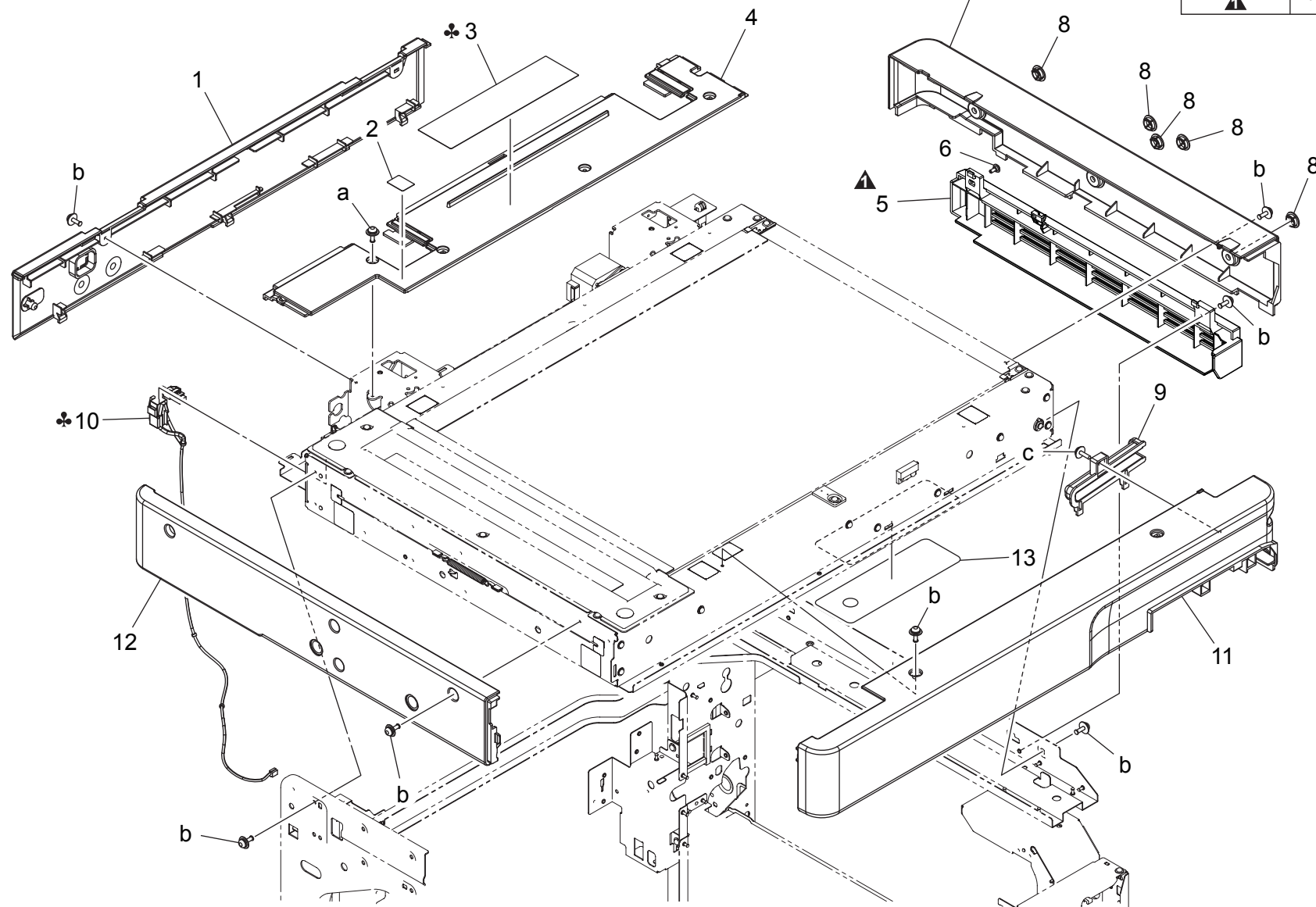
OPERATION PANEL SECTION

Key	Part No.	Description	Destinations	Class	QTY	Standard parts
1	A161M70504	Panel assembly	A,A1	I	1	a-V116030804 b-V153030803 c-V111020603 d-V116030803 e-V137030803 f-V126030603 g-V116041003Old h-V153030804
1	A161M70604	Panel assembly	B,D1,D3,E,F2,G1,G2, I,K	I	1	
1	A161M70704	Panel assembly	C	I	1	
1	A161M70800	Panel assembly	J	I	1	
1	A161M70900	Panel assembly	H	I	1	
2	A161190903	Cover		C	1	
3	A161R72000Old	Mounting Plate Assy		C	1	
3	A161R72022	Mounting Plate Assy		C	1	
4	A161162604	Cover		C	1	
5	A161161503	Cover		C	1	
6	A161164000	Cover		D	1	
7	A0P0H02500	PWB assembly(PWB-UCN ASSY)		D	1	
8	A161138002	Mounting Plate		D	1	
9	A161167200	Light blocking Cover		D	1	
10	A161167000	Lens		D	1	
11	A161161702	Cover		C	1	
12	A161167100	Lens		D	1	
13	A161167400	Light blocking Sheet /2		D	1	
14	A161167300	Light blocking Sheet /1		D	1	
15	A161H00U01	PWB Assembly(PWB-LED ASSY)		C	1	
16	A161161900	Cover		D	1	
17	A161164104	Mounting Plate		D	1	
18	A161161401	Cover		C	1	
19	A0P0M73100	Speaker		D	1	
20	A161137302Old	Mounting Plate		D	1	
20	A5C1137303	Mounting Plate		D	1	
21	A161162703	Cover		D	1	
22	A5C1N15300	I/F Cable		C	1	
23	A161N15602	Interface Cable		C	1	
24	A011946200	Label Emperon		D	1	
25	A161162400	Seal		C	2	
26	A161P19100	Pen		C	1	
27	A2X0P00000	Ground Cable		D	1	
28	A161191500	Spacer		C	1	
29	A161191600	Auxiliary Plate		D	1	

IR COVER SECTION

P 21

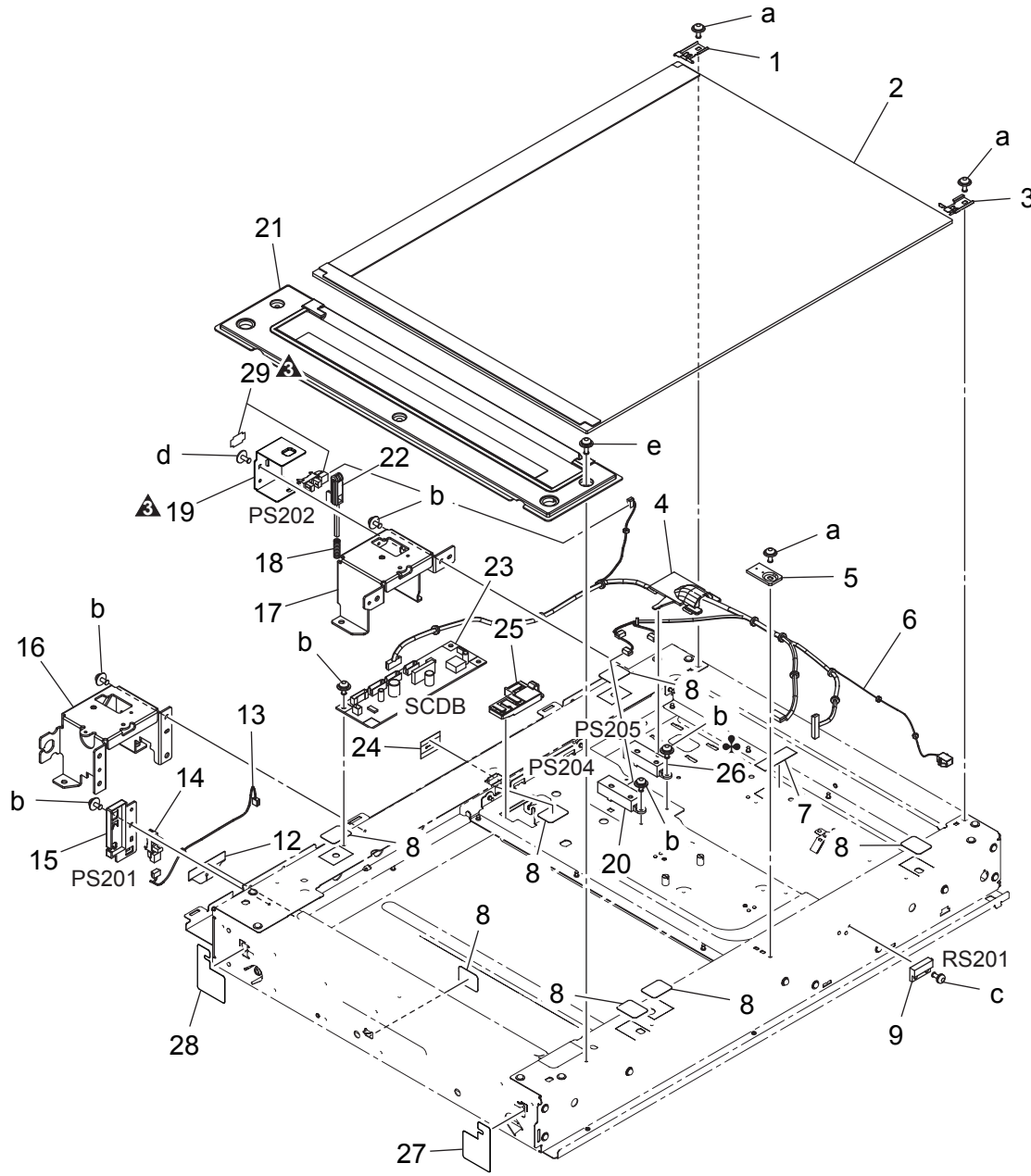
改訂版 REVISED EDITION	日付 DATE
▲	JANUARY 2014



SCANNER SECTION

P 22

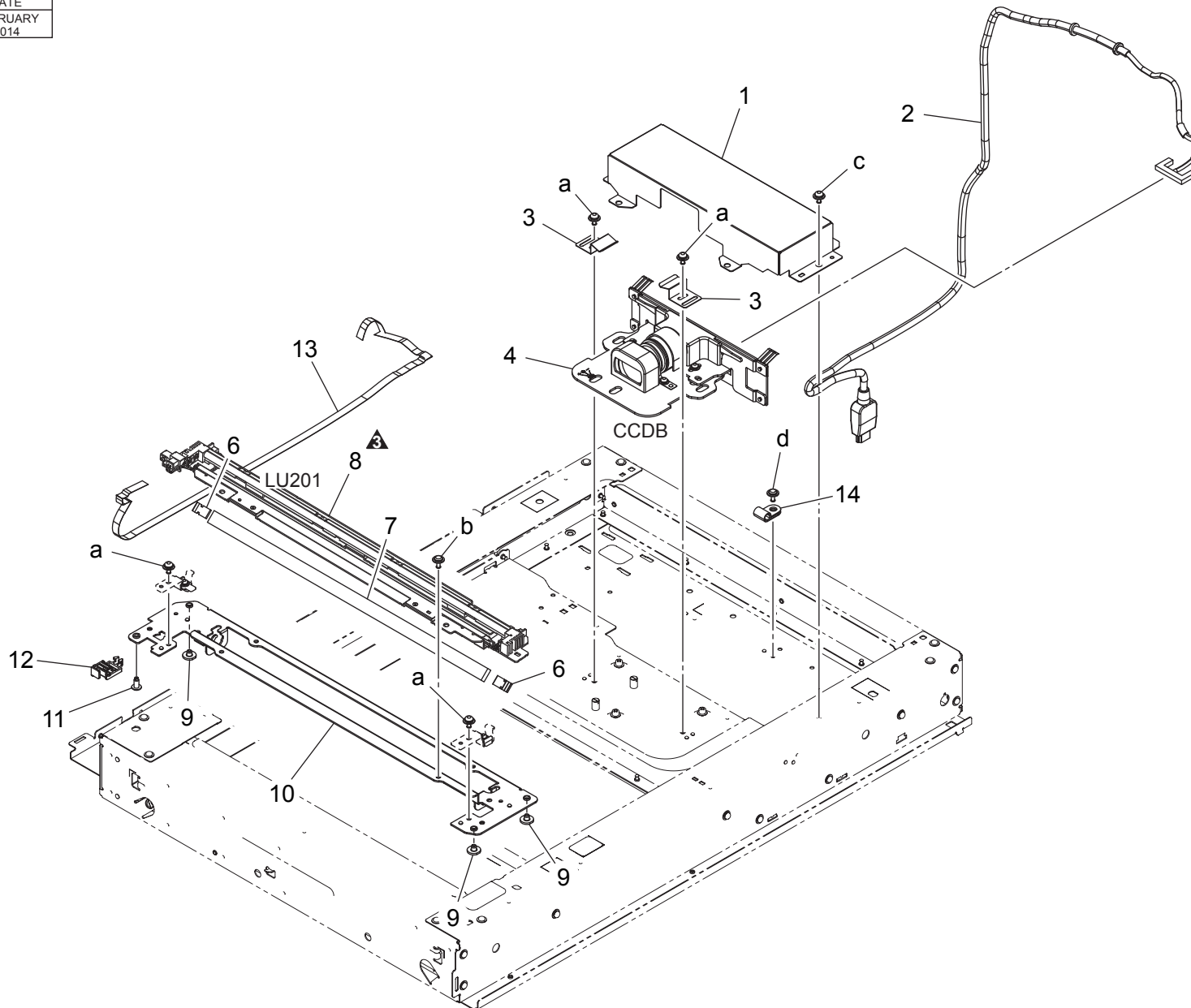
改訂版 REVISED EDITION	日付 DATE
	JULY 2014



Key	Part No.	Description	Destinations	Class	QTY	Standard parts
1	A161268300	Holding Plate		D	1	a-V121030604 b-V116030603 c-V115030603 d-V137030603 e-V116030804
2	A161R72200	Original Glass Assy		C	1	
3	A161268200	Holding Plate		D	1	
4	A161281600	Guide		D	1	
5	A00J265300	Regulating Plate		C	1	
6	A161N14100	Scanner Wiring /1		D	1	
7	4036307501	TAPE		D	1	
8	4581162501	SEAL		C	7	
9	A1UDM50200	Lead Switch		C	1	
12	A161263000	Seal		D	1	
13	A161N14201	Scanner Wiring /2		D	1	
14	A108M50100	Photointerrupter		B	1	
15	A161262200	Cover		D	1	
16	A161261902	Frame		D	1	
17	A161262002	Frame		D	1	
18	A161280300	Compressing Coil spring		C	1	
19	A161280101Old	Mounting Plate		D	1	
19	A161280112Old	Mounting Plate		D	1	
19	A5C1280100	Mounting Plate		D	1	
20	A161M50A00	APS Photoreflector		C	1	
21	A161R72300	Slit Glass Assy		C	1	
22	A161280211	Lever		D	1	
23	A161H01A00Old	PWB Assembly(PWB-ID ASSY)		I	1	
23	A161H01B12	PWB Assembly(PWB-ID ASSY)		I	1	
24	A161281300	Seal		D	1	
25	A161281100	Guide		D	1	
26	A161M50A00	APS Photoreflector	A,A1,B,C,G2 (OPTION)	C	1	
26	A161M50A00	APS Photoreflector	APS 反射型センサ (原稿サイズ検知)	C	1	
27	A5C1263300	Seal	D1,D3,E,F2,G1,I,K	C	1	
28	A5C1263400	Seal		C	1	
29	A108R90000	PHOTO INTERRUPTER		I	1	

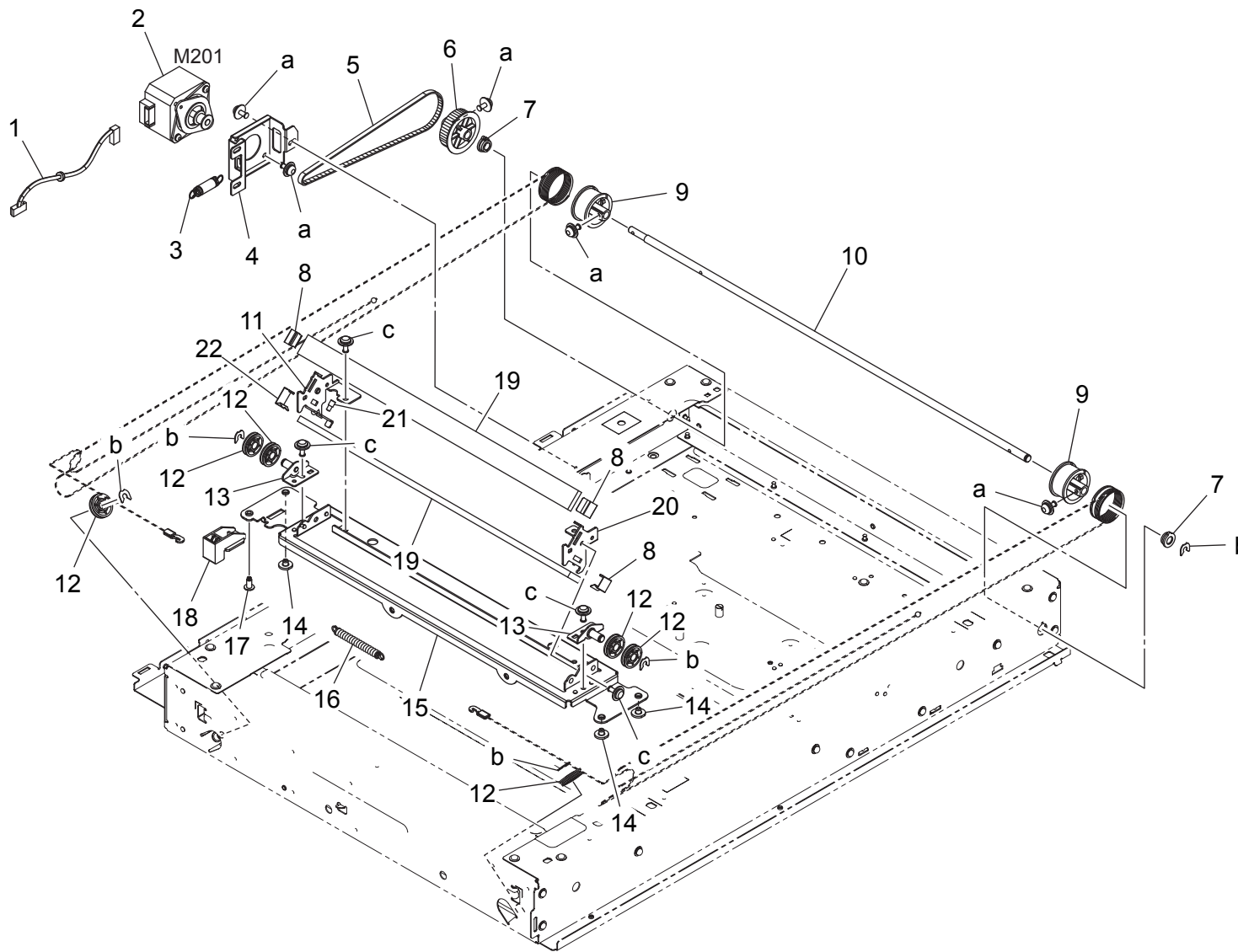
SCANNER SECTION

改訂版 REVISED EDITION	日付 DATE
	FEBRUARY 2014



Key	Part No.	Description	Destinations	Class	QTY	Standard parts
1	A161278600	Cover		D	1	a-V116030603 b-V137030603 c-V127030516 d-V137030804
2	A5C1N14500	CCD Cable		D	1	
3	A161278900	Plate spring		D	2	
4	A161R72100	CCD Lens Assy		I	1	
6	A0ED271300	Plate spring		D	2	
7	A0ED271200	Mirror		D	1	
8	A161M31100Old	Lamp		C	1	
8	A61FM31100	Lamp		D	1	
9	A161271000	Bushing		D	3	
10	A161270102	Frame		D	1	
11	A161271100	Bushing		D	1	
12	A161270600	Guide		D	1	
13	A161N14000	Scanner Wiring /4		D	1	
14	V500020069	Clamp		D	1	

SCANNER SECTION

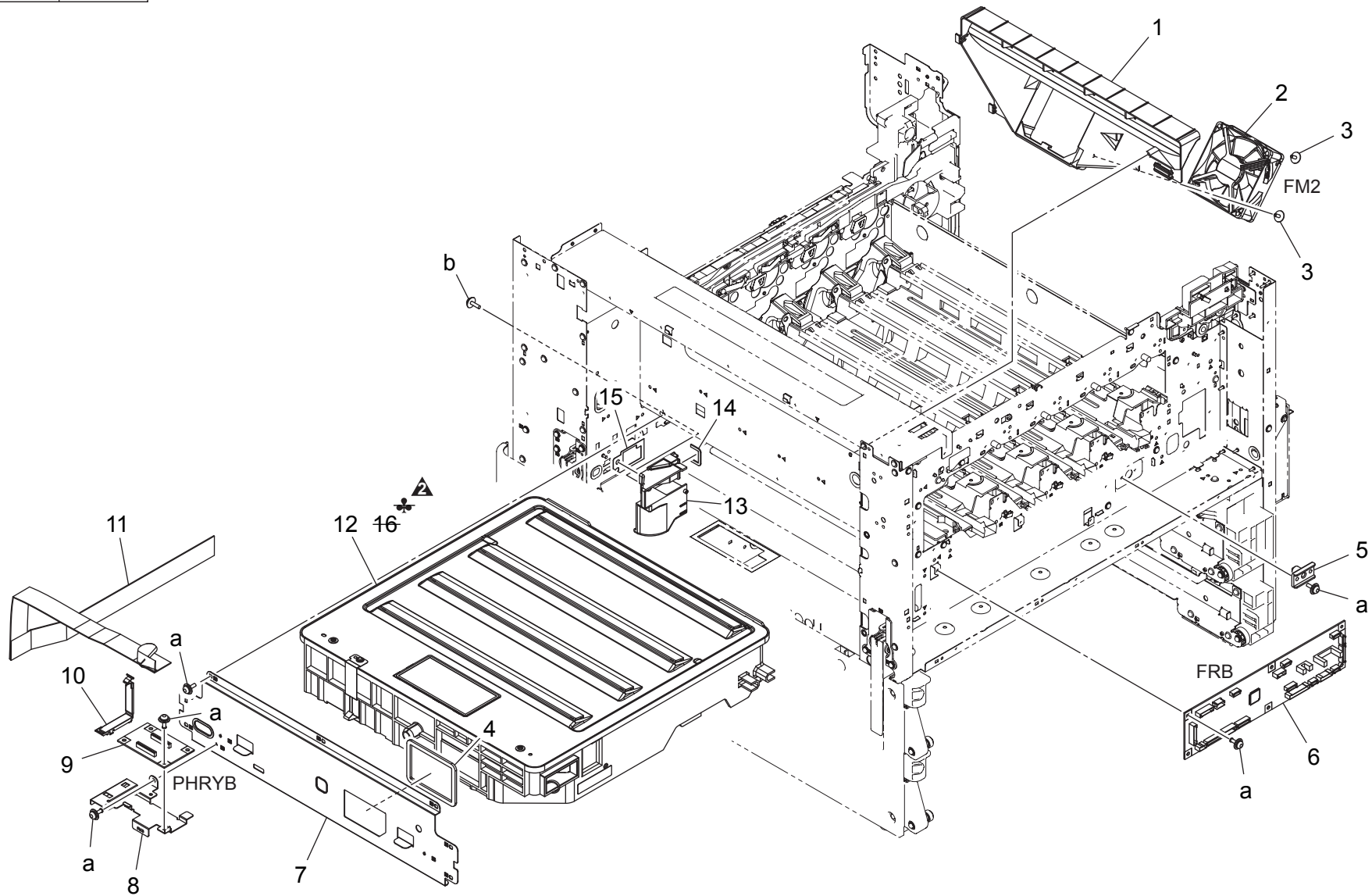


SCANNER SECTION

Key	Part No.	Description	Destinations	Class	QTY	Standard parts
1	A161N14300	Scanner Wiring /3		D	1	a-V116030603 b-V218040086 c-V137030603
2	A161M10A00	Stepping motor		C	1	
3	A161275700	Pulling Spring		D	1	
4	A161276000	Mounting Plate		D	1	
5	A161275600	Timing belt 335L		D	1	
6	A161275500	Pulley 103T		D	1	
7	A161276500	Bearing		D	2	
8	A0ED274400	Plate spring		D	3	
9	A161275300	Pulley		D	2	
10	A161275400	Shaft		D	1	
11	A161273701	Mounting Plate		D	1	
12	A0ED273600	Pulley		C	6	
13	A161273401	Mounting Plate		D	2	
14	A161271000	Bushing		D	3	
15	A161273100	Frame		D	1	
16	A0ED276301	Pulling Spring		D	1	
17	A161271100	Bushing		D	1	
18	A161273500	Guide Part		D	1	
19	A0ED274300	Mirror		D	2	
20	A161273800	Mounting Plate		D	1	
21	A161274600	Adjusting Screw		C	1	
22	A161274500	Plate spring /1		D	1	

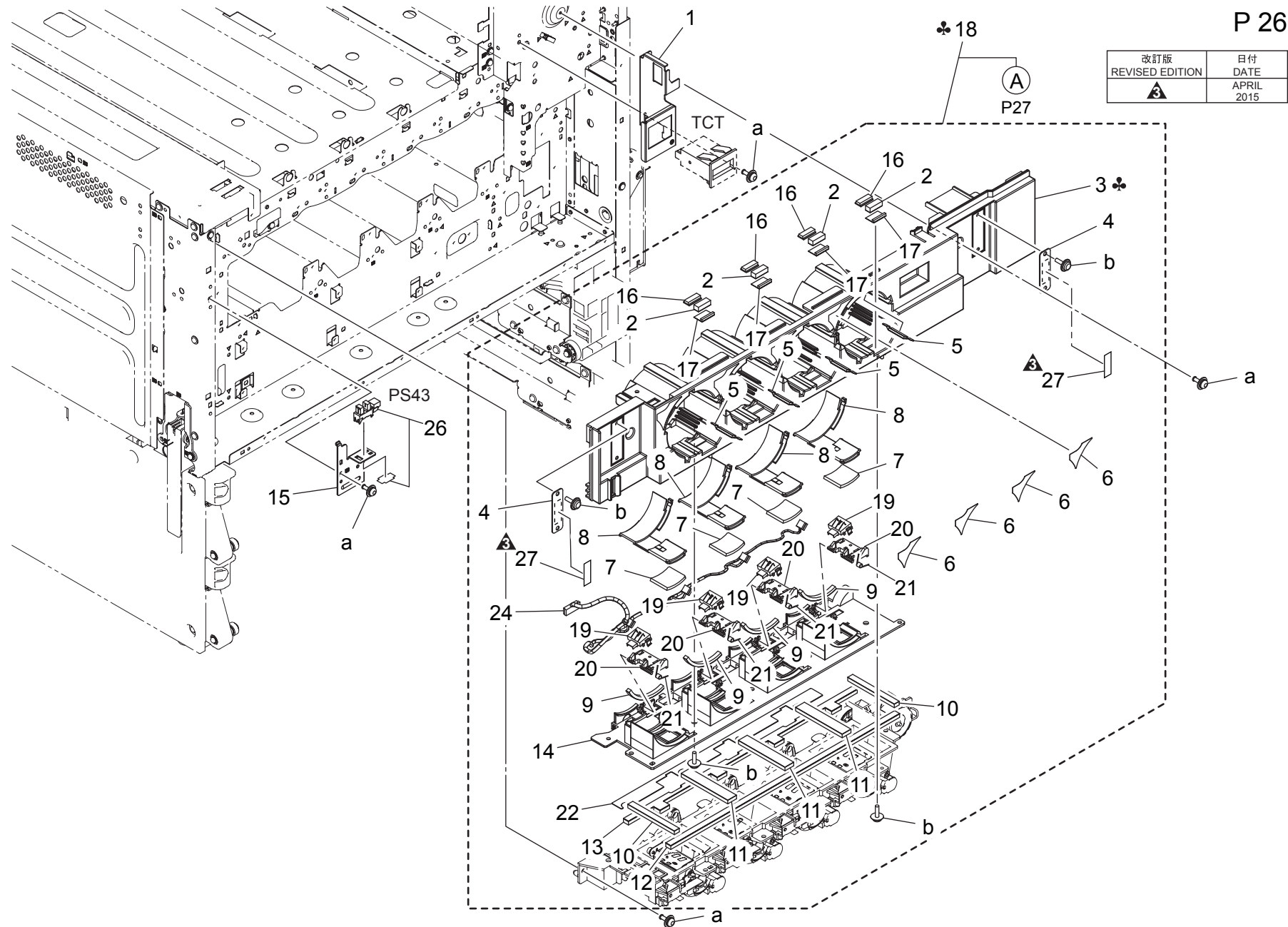
PH UNIT

改訂版 REVISED EDITION	日付 DATE
	FEBRUARY 2013



Key	Part No.	Description	Destinations	Class	QTY	Standard parts
1	A161140200	Duct	ダクト (転写 CL 冷却)	D	1	a-V116030803 b-V153030803
2	4139M10000	FAN MOTOR	ファンモータ	B	1	
3	4163529301	SCREW	ねじ	C	2	
4	A2XK144201	Seal /2	シール /2 (LV・PH)	D	1	
5	A161105400	Positioning Plate	位置決め板 (PH)	D	1	
6	A161H00501	PWB Assembly(PWB-FR ASSY)	基板 ASSY (PWB-FR ASSY)	I	1	
7	A161101802	Mounting Plate	取付板 (PH)	D	1	
8	A161130301	Mounting Plate	取付板 (PH 中継基板)	D	1	
9	A161H00800	PWB Assembly(PWB-VD2 ASSY)	基板 ASSY (PWB-VD2 ASSY)	C	1	
10	A161137802	Holder	ホルダ (FFC)	D	1	
11	A161N11901	Flatcable /25	フラットケーブル /25	C	1	
12	A4FJR70122	Print Head Assy	PH ユニット Assy	I	1	
13	A161147401	Duct	ダクト (プロセス冷却)	D	1	
14	A161146300	Seal	シール	D	1	
15	A161146400	Seal	シール (トナー吸引)	D	1	

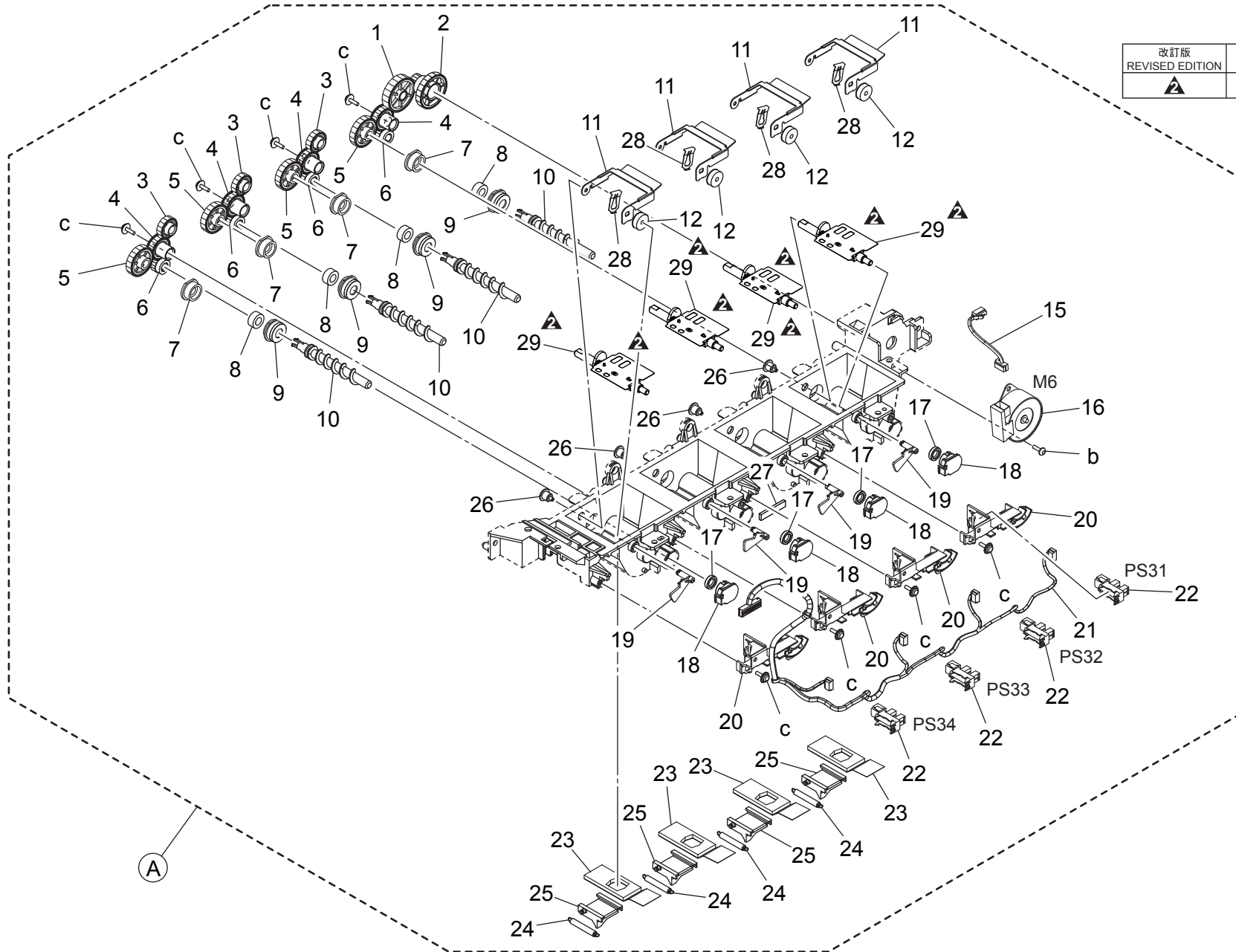
TONER SUPPLY SECTION



Key	Part No.	Description	Destinations	Class	QTY	Standard parts
1	A5C1120700	Reinforce Plate		D	1	a-V116030803 b-V153030803
2	A161403701	Seal		D	4	
3	A2XK401302Old	Cover		D	1	
3	A2XK401313	Cover	A,A1	D	1	
3	A2XK401101Old	Cover	A,A1	D	1	
3	A2XK401112	Cover	B,G2	D	1	
3	A2XK401201Old	Cover	B,G2	D	1	
3	A2XK401212	Cover	C	D	1	
3	A2XK401400Old	Cover	C	D	1	
3	A2XK401411	Cover	D1,D3,E,F2,G1,I,K	D	1	
3	A2XK401411	Cover	D1,D3,E,F2,G1,I,K,J	D	1	
3	A2XK401411	Cover	,H	D	1	
4	4038101401	SUCTION PLATE		D	2	
5	A161403901	Spacer		D	4	
6	A0ED940600	Label Toner 1		D	4	
7	A161402502	Seal		D	4	
8	A161402403	Shutter		D	4	
9	A161403800	Seal		D	4	
10	A161403500	Seal		D	2	
11	A161403600	Seal		D	3	
12	A161403300	Seal		D	1	
13	A161403403	Seal		D	1	
14	A161402101Old	Cover		D	1	
14	A161402114	Cover		D	1	
15	A161135502Old	Mounting Plate		D	1	
15	A161135504	Mounting Plate		D	1	
16	A161404001	Seal /1		D	4	
17	A161404100	Seal /2		D	4	
18	A2XKR70511Old	Sub Hopper Assy		S	1	
18	A2XKR70522	Sub Hopper Assy	A,A1	S	1	
18	A2XKR70611Old	Sub Hopper Assy	A,A1	S	1	
18	A2XKR70622	Sub Hopper Assy	B,G2	S	1	
18	A2XKR70711Old	Sub Hopper Assy	B,G2	S	1	
18	A2XKR70722	Sub Hopper Assy	C	S	1	
18	A2XKR71411Old	Sub Hopper Assy	C	S	1	
18	A2XKR71422	Sub Hopper Assy	D1,D3,E,F2,G1,I,K,J	S	1	
18	A2XKR71422	Sub Hopper Assy	,H	S	1	
19	A0EDM60001	Relay Connector		D	4	
20	A2XK400001	Holder		D	4	
21	A2XK400100	Torsion Coil spring		D	4	
22	A2XK400200	Partition		D	1	
24	A2XKN10B00	Toner Detection harness /2		D	1	
26	A108R90000	PHOTO INTERRUPTER	トナー検知束線 /2 (TB 新品検出)	D	1	
27	A5C1404500	Seal	フォトインタラプター	I	1	
			シール (吸着板)	C	2	

TONER SUPPLY SECTION

P 27



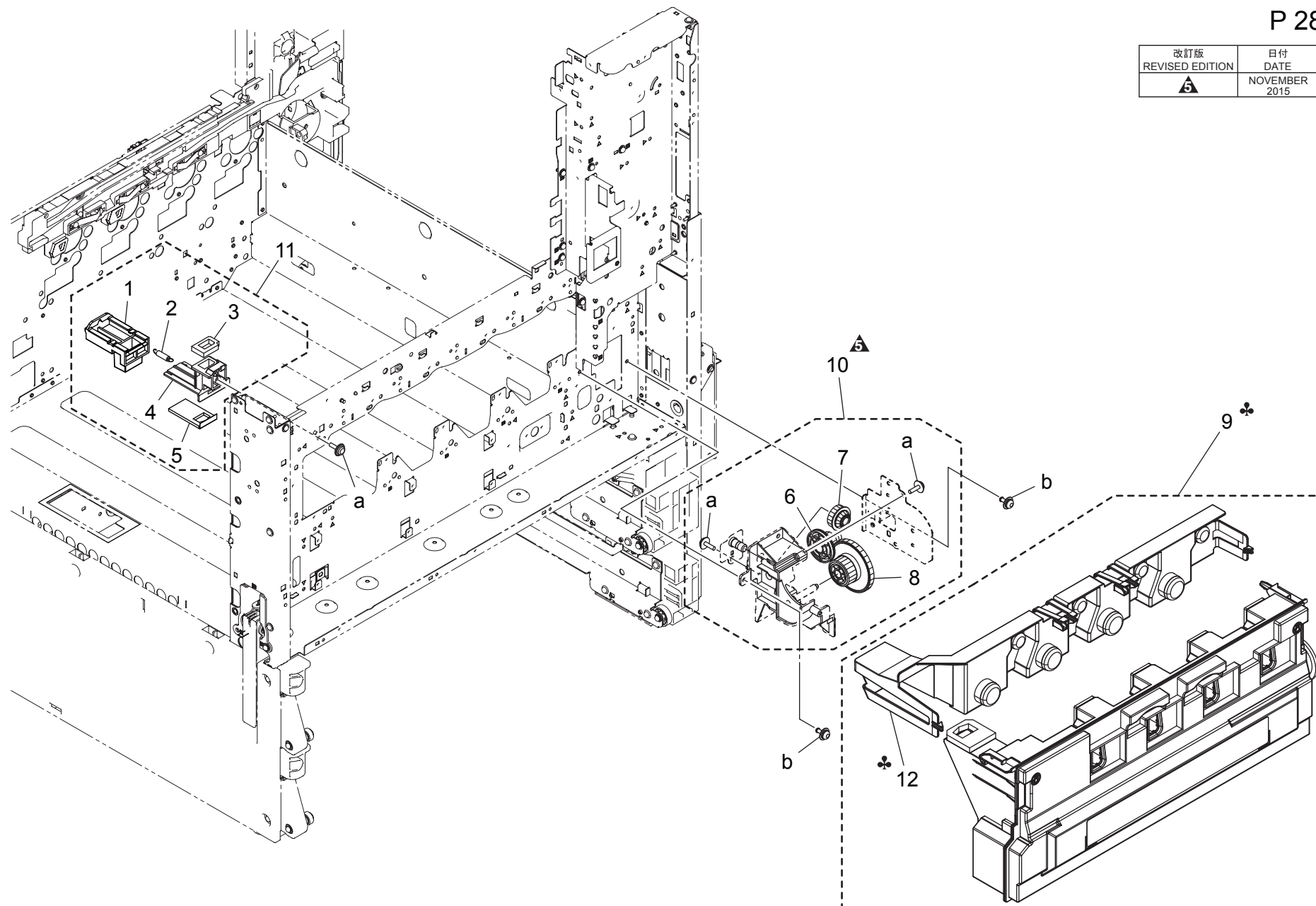
改訂版 REVISED EDITION	日付 DATE
	NOVEMBER 2014

TONER SUPPLY SECTION

Key	Part No.	Description	Destinations	Class	QTY	Standard parts
1	A161401400	Gear 43T		C	1	b-V145030803 c-V153030803
2	A161401300	Gear 17/65T		C	1	
3	A161401500	Gear 25T		C	3	
4	A161401200	Gear 28T		C	4	
5	A161401100	Gear 36T		C	4	
6	A161401000	Gear 18T		C	4	
7	4163510201	BUSHING		C	4	
8	4576536301	SEAL		D	4	
9	A161403101	Holder		C	4	
10	A161400100	Screw		C	4	
11	A161400401	Detecting Plate		D	4	
12	A161400601	Detecting Seal		D	4	
15	A161N12801	Toner Drive harness /K		D	1	
16	A02EM10400	Stepping motor		C	1	
17	4333501201	SEAL		D	4	
18	A161403000	Bushing		D	4	
19	A161400501Old	Detecting Actuator		D	4	
19	A161404300	Detecting Actuator		D	4	
20	A161400701	Mounting Plate		D	4	
21	A161N10F01	Toner Detection harness /1		D	1	
22	A108M50100	Photointerrupter		B	4	
23	A161403200	Seal		D	4	
24	4036534801	TENSION SPRING		C	4	
25	A0ED401000	Shutter		D	4	
26	A161400800	Pin		D	4	
27	A161146800	Seal		D	1	
28	A161404200	Fixing Plate		D	4	
29	A5C1F42000	Agitating Shaft		D	4	

WASTE TONER BOX SECTION

改訂版 REVISED EDITION	日付 DATE
	NOVEMBER 2015

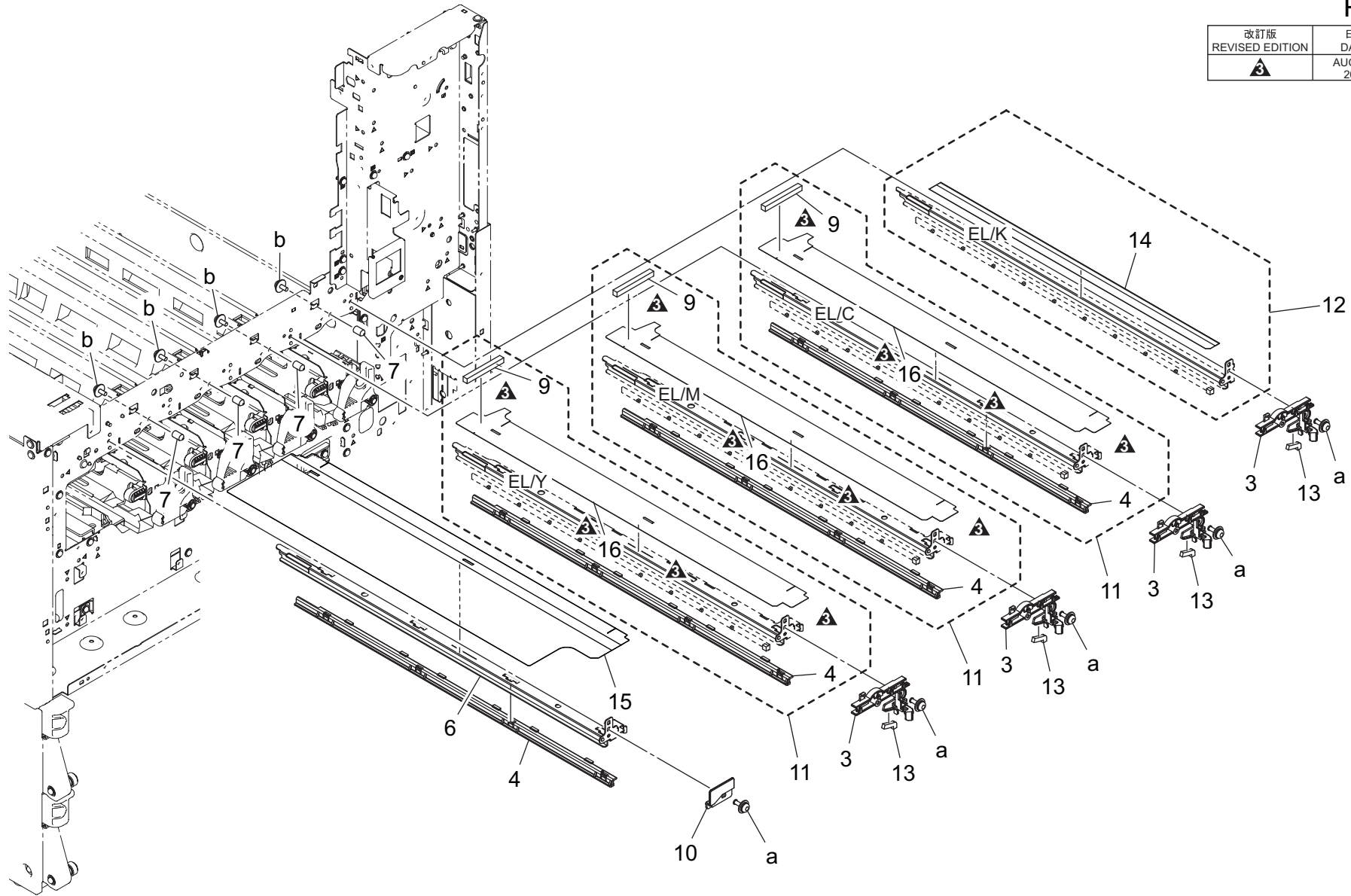


bizhub C454

ERASE LAMP SECTION

P 29

改訂版 REVISED EDITION	日付 DATE
	AUGUST 2013



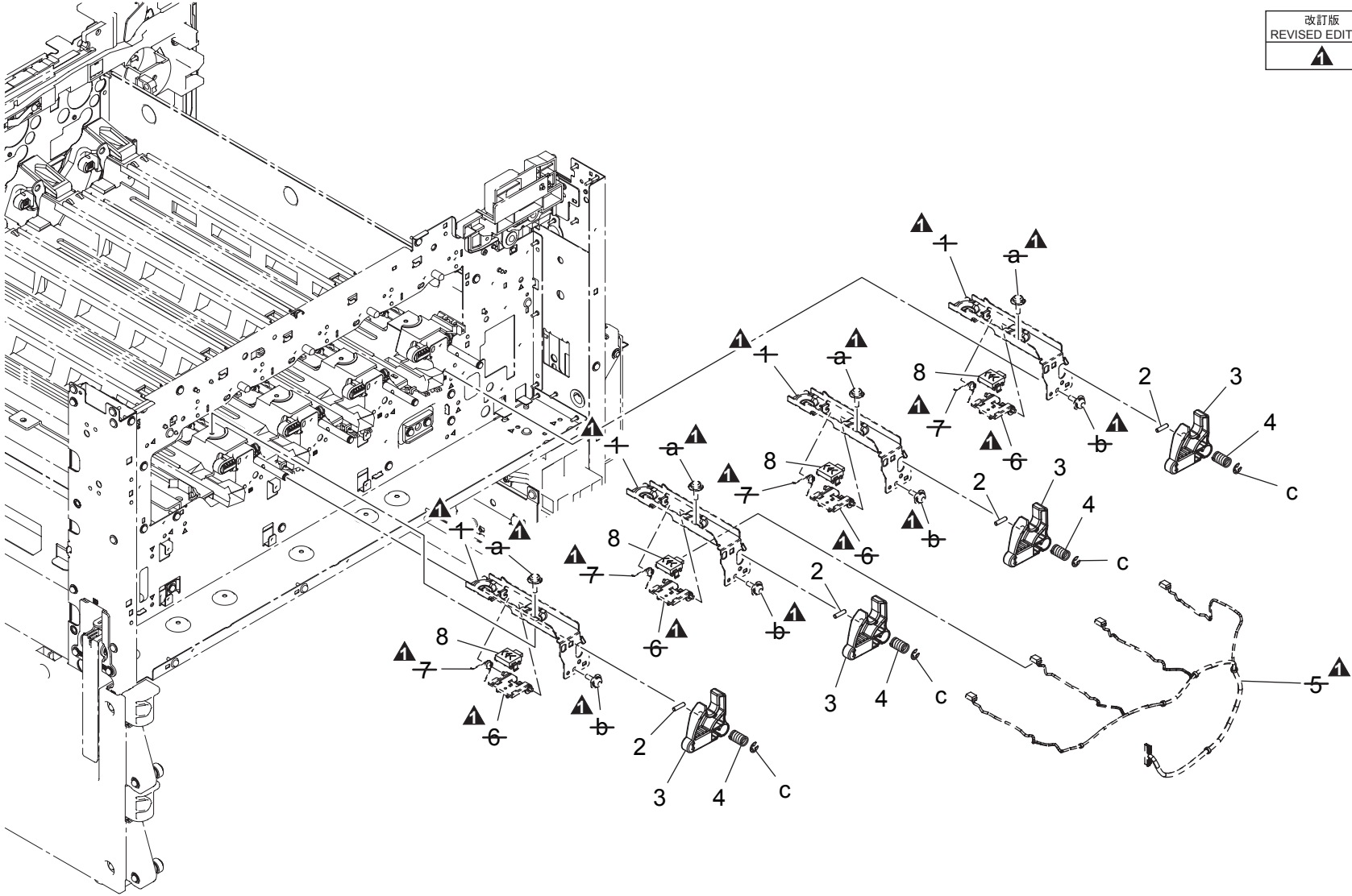
bizhub C454

ERASE LAMP SECTION

Key	Part No.	Description	Destinations	Class	QTY	Standard parts	
3	A161130101	Holder		D	4	a-V116030803 b-V116030603	
4	A0ED105400	Rail		D	4		
6	A161105600	Rail		D	1		
7	A0ED103100	Pin		D	4		
9	A161107100	Seal		D	3		
10	A161138500	Guide		D	1		
11	A161R70100	Eraser (YMC) Assy		C	3		
12	A161R70011	Eraser (Black) Assy		C	1		
13	A2XK130000	Light blocking Seal		D	4		
14	A161107400	Light blocking Part		C	1		
15	A5C1102800	Seal		D	1		
16	A5C1105500	Light blocking Part		D	3		

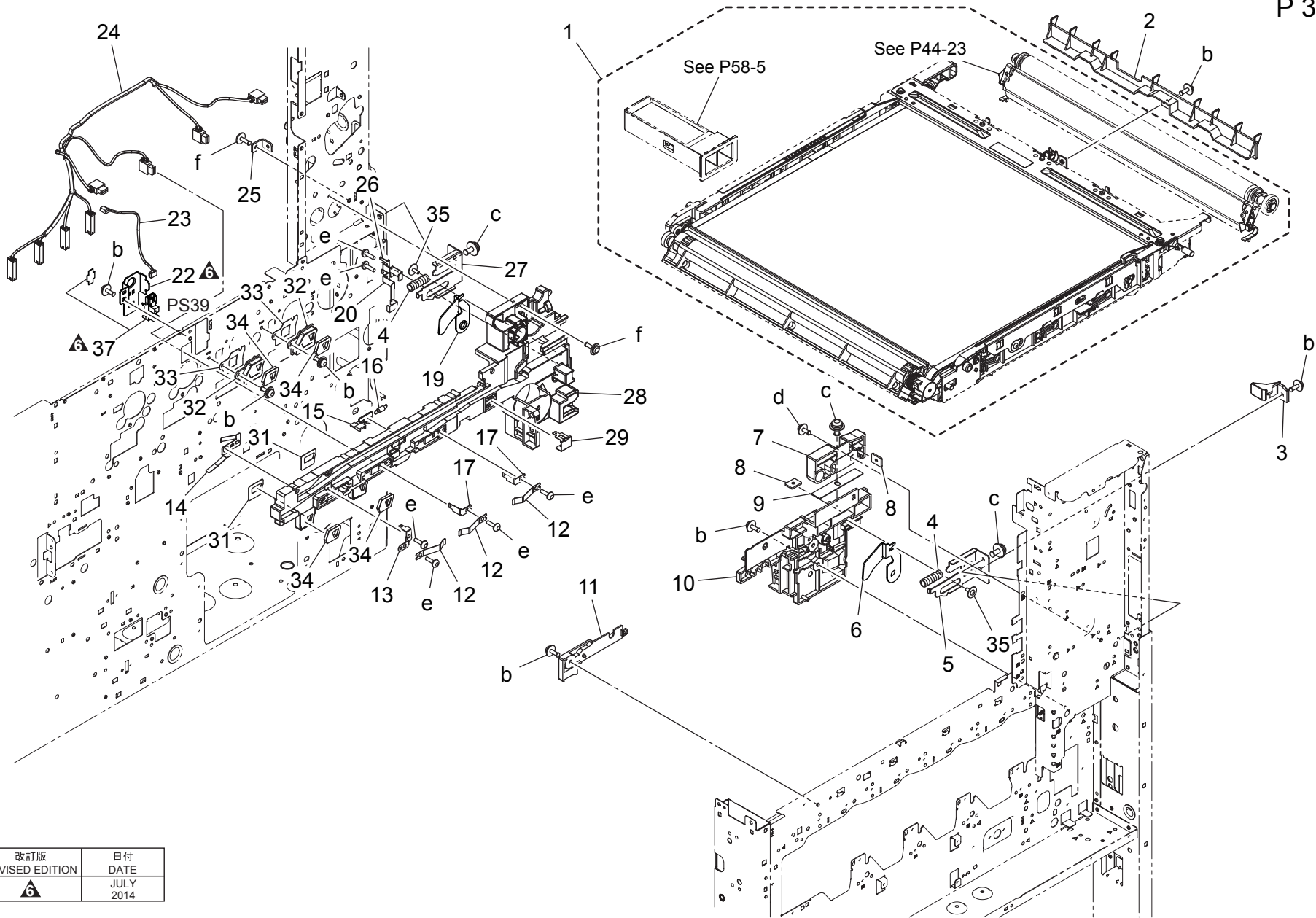
DV LOCK LEVER SECTION

改訂版 REVISED EDITION	日付 DATE
▲	APRIL 2015



TRANSFER UNIT

P 31



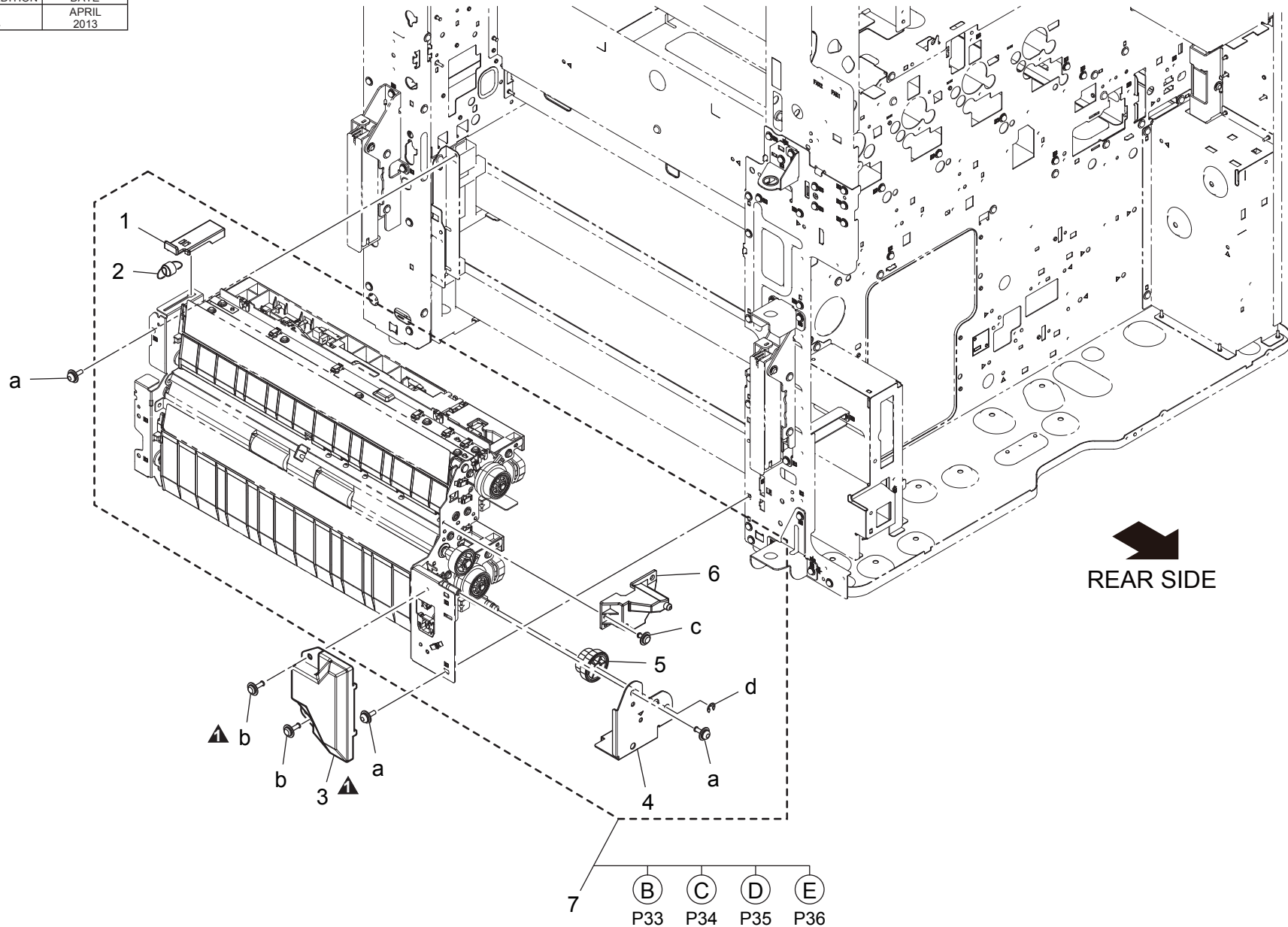
改訂版 REVISED EDITION	日付 DATE
6	JULY 2014

bizhub C454

Key	Part No.	Description	Destinations	Class	QTY	Standard parts	
1	A161R71311	Intermediate Image Transfer Kit		A	1	b-V116030803 c-V116040803 d-V125030818 e-V145030803 f-V137030803	
2	A161508400	Guide		C	1		
3	A161110601	Lock Part		D	1		
4	A0ED111000	Compressing Coil spring		D	2		
5	A161112500	Lever /Front		D	1		
6	A5C1112800	Arm /Front		D	1		
7	A161110400	Fusing Rail /Front		D	1		
8	A161112200	Mounting Plate		D	2		
9	A161112600	Adjusting Plate		D	1		
10	A161110201	Rail		D	1		
11	A161110300	Rail		D	1		
12	A0ED111500	Contact /Color		D	3		
13	A161112000	Contact		D	1		
14	A0ED112000	Contact		D	1		
15	A161110500	Detecting Plate		D	1		
16	A0ED110900	Pulling Coil spring		C	1		
17	A0ED111700	Contact		D	2		
19	A5C1112900	Arm /Rear		D	1		
20	A161112300	Contact		D	1		
22	A5C1112100Old	Mounting Plate		D	1		
22	A5C1112101	Mounting Plate		D	1		
23	A161N10J00	Connecting Detection harness		D	1		
24	A161N11200	Transfer Wiring /1		D	1		
25	A161112700	Mounting Plate		D	1		
26	A161112400	Contact		D	1		
27	A161112101	Lever /Rear		D	1		
28	A161110102	Rail		D	1		
29	A0ED111400	Contact /K		D	1		
31	A161144900	Seal		C	2		
32	A161141700	Duct		D	2		
33	A161146200	Seal		D	2		
34	A161144801	Seal		C	4		
35	4163529301	SCREW		C	2		
37	A108R90000	PHOTO INTERRUPTER		I	1		

PAPER FEED SECTION

改訂版 REVISED EDITION	日付 DATE
▲	APRIL 2013



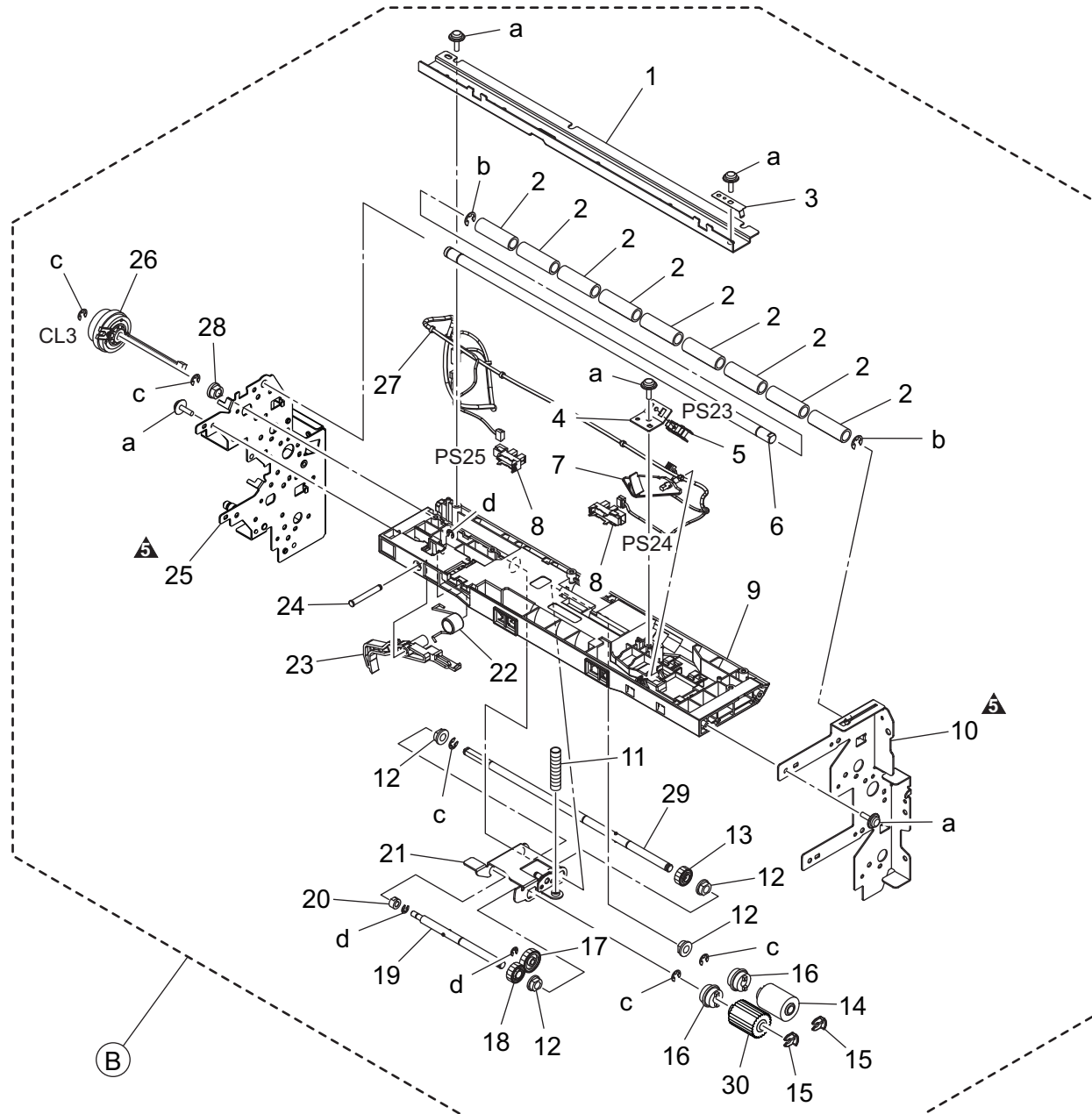
PAPER FEED SECTION

Key	Part No.	Description	Destinations	Class	QTY	Standard parts
1	A161561100	Holder		D	1	a-V116030803 b-V137030803 c-V144030603 d-V217040001
2	A161561200	Pulling Coil spring		D	1	
3	A161579000Old	Cover		D	1	
3	A161579011	Cover		D	1	
4	A161575101	Mounting Plate		D	1	
5	A161576100	Gear 21/26T		C	1	
6	A161565102	Mounting Plate		D	1	
7	A5AYR70322	Paper Feed Assy		S	1	

1ST PAPER FEED SECTION

P 33

改訂版 REVISED EDITION	日付 DATE
	SEPTEMBER 2015



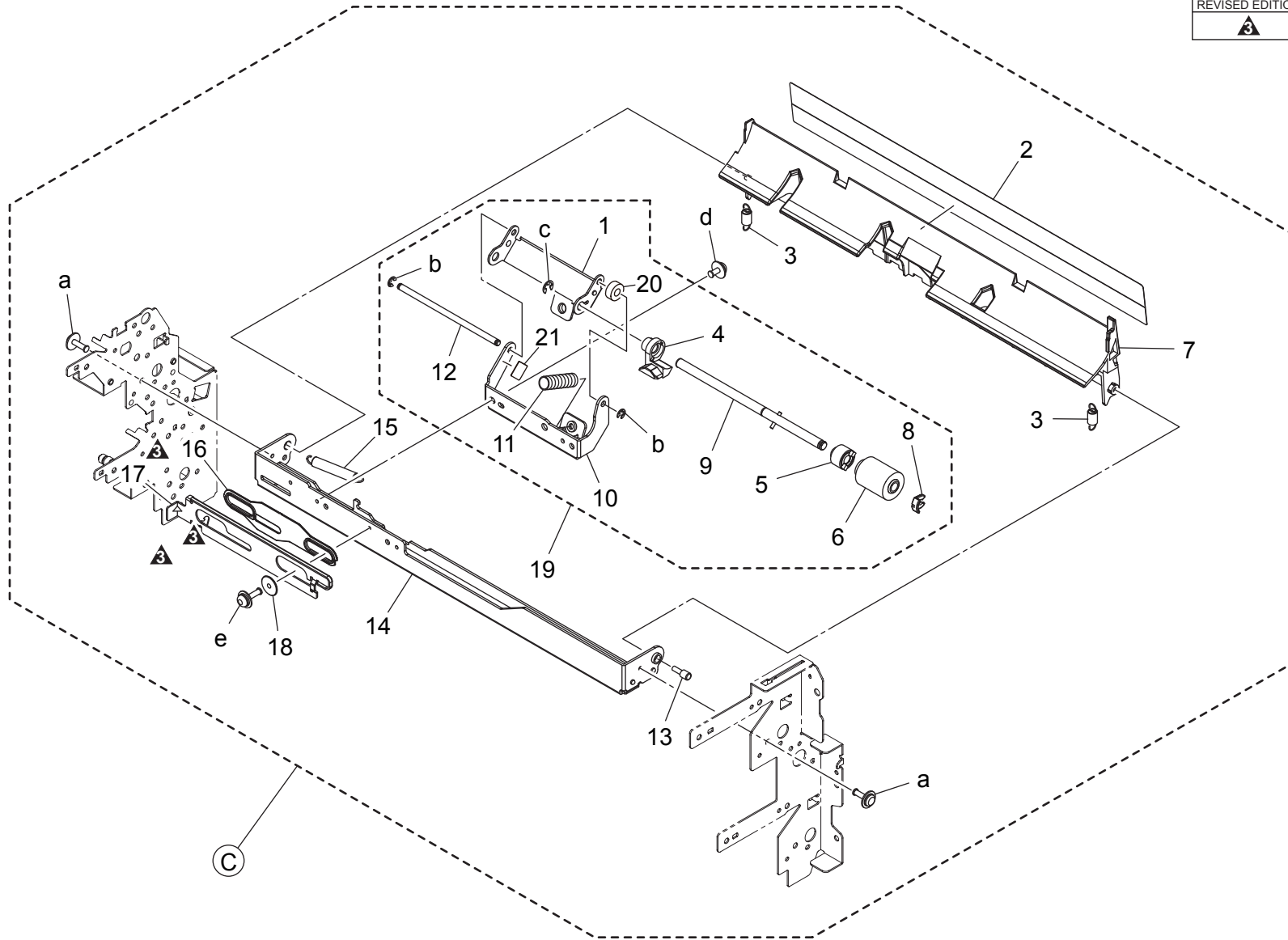
bizhub C454

Key	Part No.	Description	Destinations	Class	QTY	Standard parts
1	A161566000	Reinforce Plate		D	1	a-V153030803 b-V217050001 c-V217040001 d-V217030001
2	4034352501	ROLLER		C	9	
3	A5C1560600	Ground Plate		D	1	
4	A161560900	Mounting Plate		D	1	
5	A0EDM50100	Photorelector		I	1	
6	A161565500Old	Shaft		D	1	
6	A5C1565500	Shaft		D	1	
7	A161561600	Actuator		C	1	
8	A108M50100	Photointerrupter		B	2	
9	A161565302	Paper feed Frame		D	1	
10	A161560101Old	Frame /Front		D	1	
10	A161560112	Frame /Front		D	1	
11	A161562800	Compressing Coil spring		C	1	
12	4131300301	BUSHING		C	4	
13	A161562400	Gear 26T		C	1	
14	A00J563600	Roller		A	1	
15	56AA40490	SHAFT STOPPER 4		C	2	
16	A02E561100	Clutch		C	2	
17	A161562300	Gear 34T		C	1	
18	A161562600	Gear 28T		C	1	
19	A161562000	Shaft		D	1	
20	A161562500	Bushing		C	1	
21	A161562101	Holder		D	1	
22	A161567400	Torsion Spring		C	1	
23	A161567300	Lever		C	1	
24	A02E560800	Shaft		D	1	
25	A161F56003Old	Caulking(Frame)		D	1	
25	A161F56016Old	Caulking(Frame)		D	1	
25	A161F56027	Caulking(Frame)		D	1	
26	A02EM20200	Clutch		B	1	
27	A161N10P01	Paperfeed Wiring /1		D	1	
28	A00J663200	Bushing		C	1	
29	A161560500	Shaft		D	1	
30	A5C1562200	Roller		A	1	

1ST PAPER FEED SECTION

P 34

改訂版 REVISED EDITION	日付 DATE
	JANUARY 2014

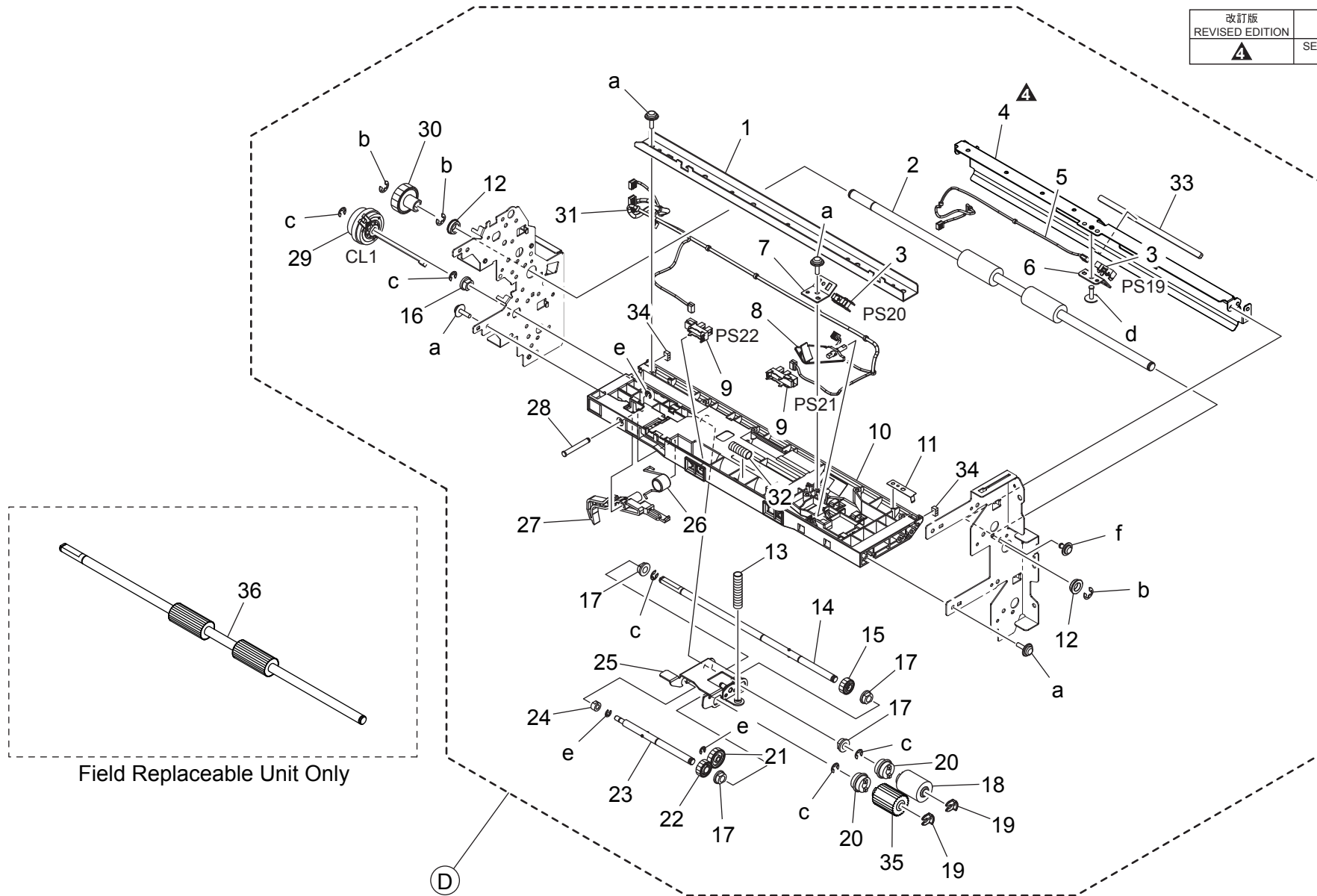


1ST PAPER FEED SECTION

Key	Part No.	Description	Destinations	Class	QTY	Standard parts
1	A161563100Old	Holder		D	1	a-V137030803 b-V217030001 c-V217040001 d-V116030603 e-V116031003
1	A5C1563100	Holder		D	1	
2	A161568500	Guide		C	1	
3	A161568600	Pulling Coil spring		C	2	
4	A161563501Old	Guide		D	1	
4	A5C1563500	Guide		D	1	
5	A0ED563900	Torque limiter		C	1	
6	A00J563600	Roller		A	1	
7	A161568401	Guide Plate		C	1	
8	56AA40490	SHAFT STOPPER 4		C	1	
9	A161563400Old	Shaft		D	1	
9	A5C1563400	Shaft		D	1	
10	A161564001	Mounting Plate		D	1	
11	4030301703	PRESSURE SPRING		C	1	
12	A161563300	Shaft		D	1	
13	4532341001	SHOULDER SCREW		D	1	
14	A161563901	Mounting Plate		D	1	
15	A161564400	Pulling Coil spring		C	1	
16	A161564200	Spacer		D	1	
17	A5C1564101	Lever		D	1	
18	A161564300	Spacer		D	1	
19	A5C1R70800	Separation Roller Assy		C	1	
20	4040561000	Spacer		D	1	
21	A5C1565600	Sheet		C	1	

2ND PAPER FEED SECTION

改訂版 REVISED EDITION	日付 DATE
	SEPTEMBER 2015



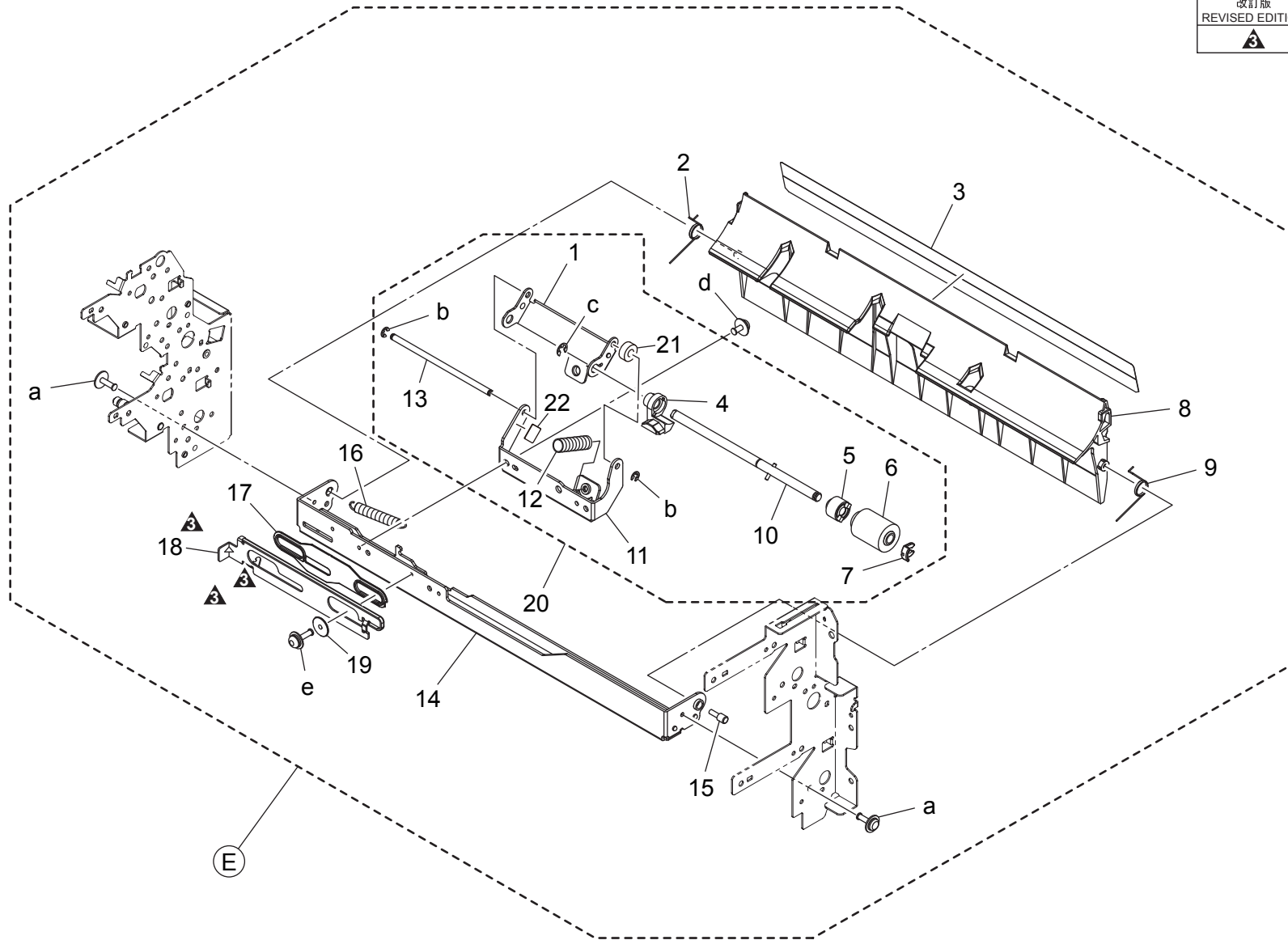
2ND PAPER FEED SECTION

Key	Part No.	Description	Destinations	Class	QTY	Standard parts
1	A161561000	Reinforce Plate		D	1	a-V153030803 b-V217050001 c-V217040001 d-V137030803 e-V217030001 f-V144030603
2	A161578100	Drive Roller		C	1	
3	A0EDM50100	Photorelector		I	2	
4	A161578200Old	Guide Plate		D	1	
4	A161578212	Guide Plate		D	1	
5	A161N12701	Conveyance Detection harness		D	1	
6	A161571100	Mounting Plate		D	1	
7	A161560900	Mounting Plate		D	1	
8	A161561600	Actuator		C	1	
9	A108M50100	Photointerrupter		B	2	
10	A161560302	Paper feed Frame		D	1	
11	A5C1560600	Ground Plate		D	1	
12	A00J617900	Ball Bearing		B	2	
13	A161562800	Compressing Coil spring		C	1	
14	A161560500	Shaft		D	1	
15	A161562400	Gear 26T		C	1	
16	A00J663200	Bushing		C	1	
17	4131300301	BUSHING		C	4	
18	A00J563600	Roller		A	1	
19	56AA40490	SHAFT STOPPER 4		C	2	
20	A02E561100	Clutch		C	2	
21	A161562300	Gear 34T		C	1	
22	A161562600	Gear 28T		C	1	
23	A161562000	Shaft		D	1	
24	A161562500	Bushing		C	1	
25	A161562101	Holder		D	1	
26	A161567400	Torsion Spring		C	1	
27	A161567300	Lever		C	1	
28	A02E560800	Shaft		D	1	
29	A02EM20200	Clutch		B	1	
30	A2XK709000	Gear 24T		C	1	
31	A2XKN10H01	Paperfeed Wiring /2		D	1	
32	A161563000	Compressing Coil spring		C	1	
33	A161578700	Cushion		C	1	
34	A161568901	Cushion		D	2	
35	A5C1562200	Roller		A	1	
36	A5C1P00100	Drive Roller		D	1	

2ND PAPER FEED SECTION

P 36

改訂版 REVISED EDITION	日付 DATE
	JANUARY 2014

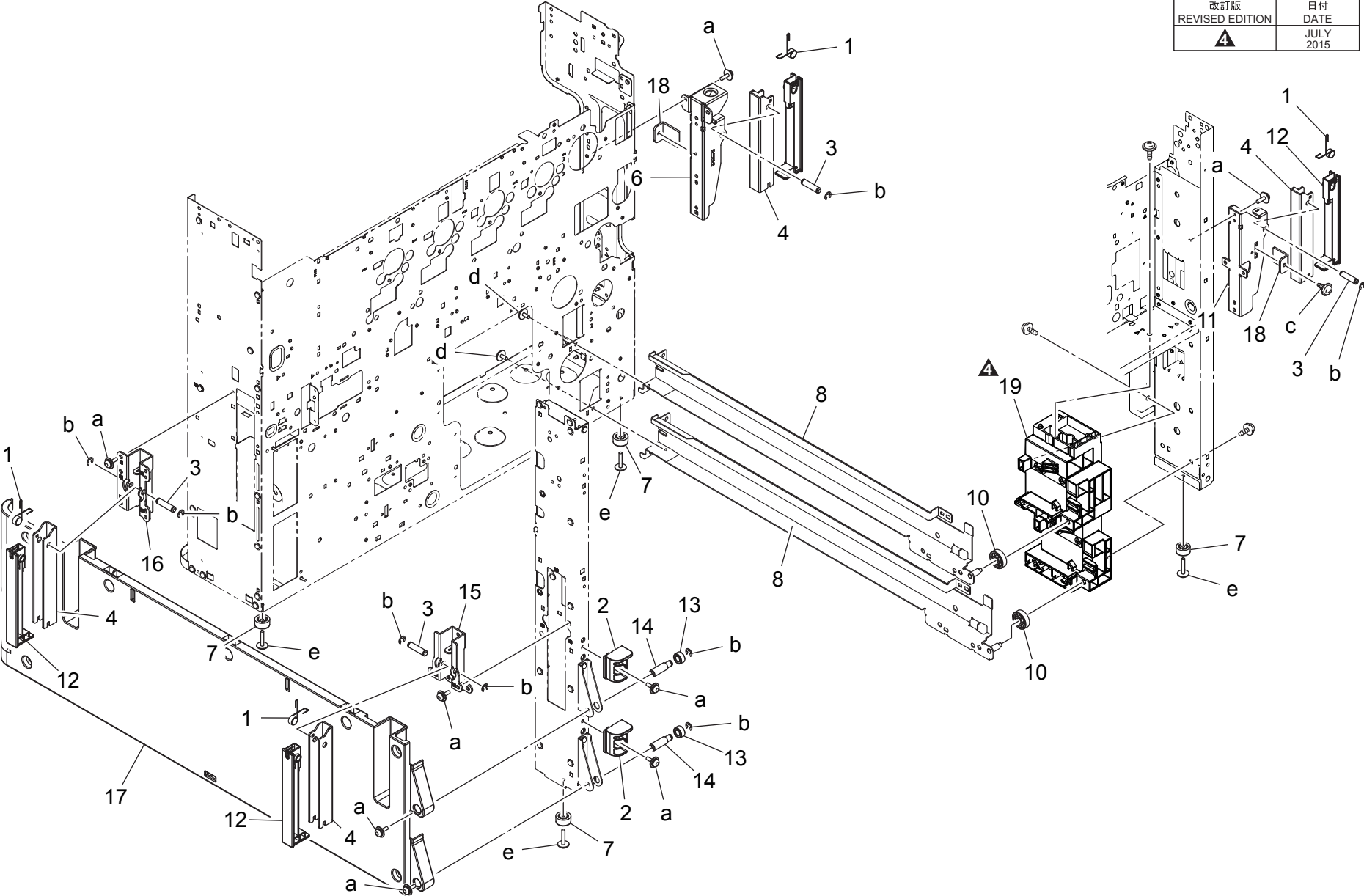


2ND PAPER FEED SECTION

Key	Part No.	Description	Destinations	Class	QTY	Standard parts
1	A161563100Old	Holder		D	1	a-V137030803 b-V217030001 c-V217040001 d-V116030603 e-V116031003
1	A5C1563100	Holder		D	1	
2	A161568800	Torsion Coil spring		C	1	
3	A161578500	Guide		C	1	
4	A161563501Old	Guide		D	1	
4	A5C1563500	Guide		D	1	
5	A0ED563900	Torque limiter		C	1	
6	A00J563600	Roller		A	1	
7	56AA40490	SHAFT STOPPER 4		C	1	
8	A161578401	Guide Plate		C	1	
9	A161568700	Torsion Coil spring		C	1	
10	A161563400Old	Shaft		D	1	
10	A5C1563400	Shaft		D	1	
11	A161564001	Mounting Plate		D	1	
12	4030301703	PRESSURE SPRING		C	1	
13	A161563300	Shaft		D	1	
14	A161563901	Mounting Plate		D	1	
15	4532341001	SHOULDER SCREW		D	1	
16	A161564400	Pulling Coil spring		C	1	
17	A161564200	Spacer		D	1	
18	A5C1564101	Lever		D	1	
19	A161564300	Spacer		D	1	
20	A5C1R70800	Separation Roller Assy		C	1	
21	4040561000	Spacer		D	1	
22	A5C1565600	Sheet		C	1	

CASSETTE RAIL SECTION

改訂版 REVISED EDITION	日付 DATE
▲	JULY 2015

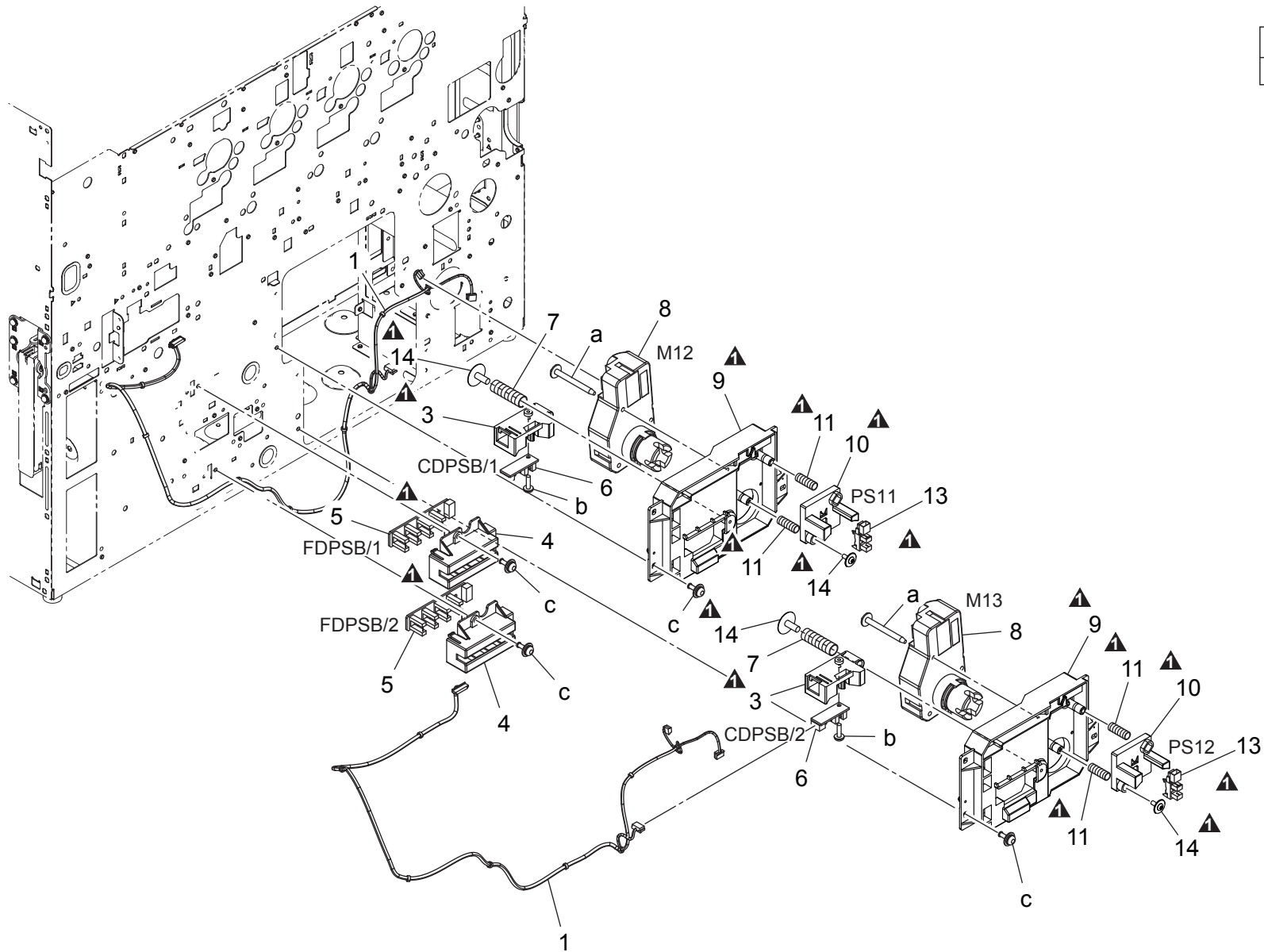


CASSETTE RAIL SECTION

Key	Part No.	Description	Destinations	Class	QTY	Standard parts
1	A161104300	Torsion Coil spring		D	4	a-V116030803 b-V217040001 c-V137030803 d-V144030603 e-V137031203
2	A161102300	Stopper		D	2	
3	A161104200	Shaft		D	4	
4	A161101900	Lever		D	4	
6	A161104800Old	Mounting Plate		D	1	
6	A5C1104800	Mounting Plate		D	1	
7	0996305501	RUBBER FOOT		C	4	
8	A5C1101101	Rail /ASSY		D	2	
10	A161103901	Roll		D	2	
11	A161104400Old	Mounting Plate		D	1	
11	A5C1104400	Mounting Plate		D	1	
12	A161103700	Cover		D	4	
13	A161623400	Roll		D	2	
14	A161105200	Shaft		D	2	
15	A161101600	Mounting Plate		D	1	
16	A161101701	Mounting Plate		D	1	
17	A161104002	Holder		D	1	
18	A5C1104700	Mounting Plate		D	2	
19	A5C1106000	Holder		D	1	

PAPER SIZE DETECTION SECTION

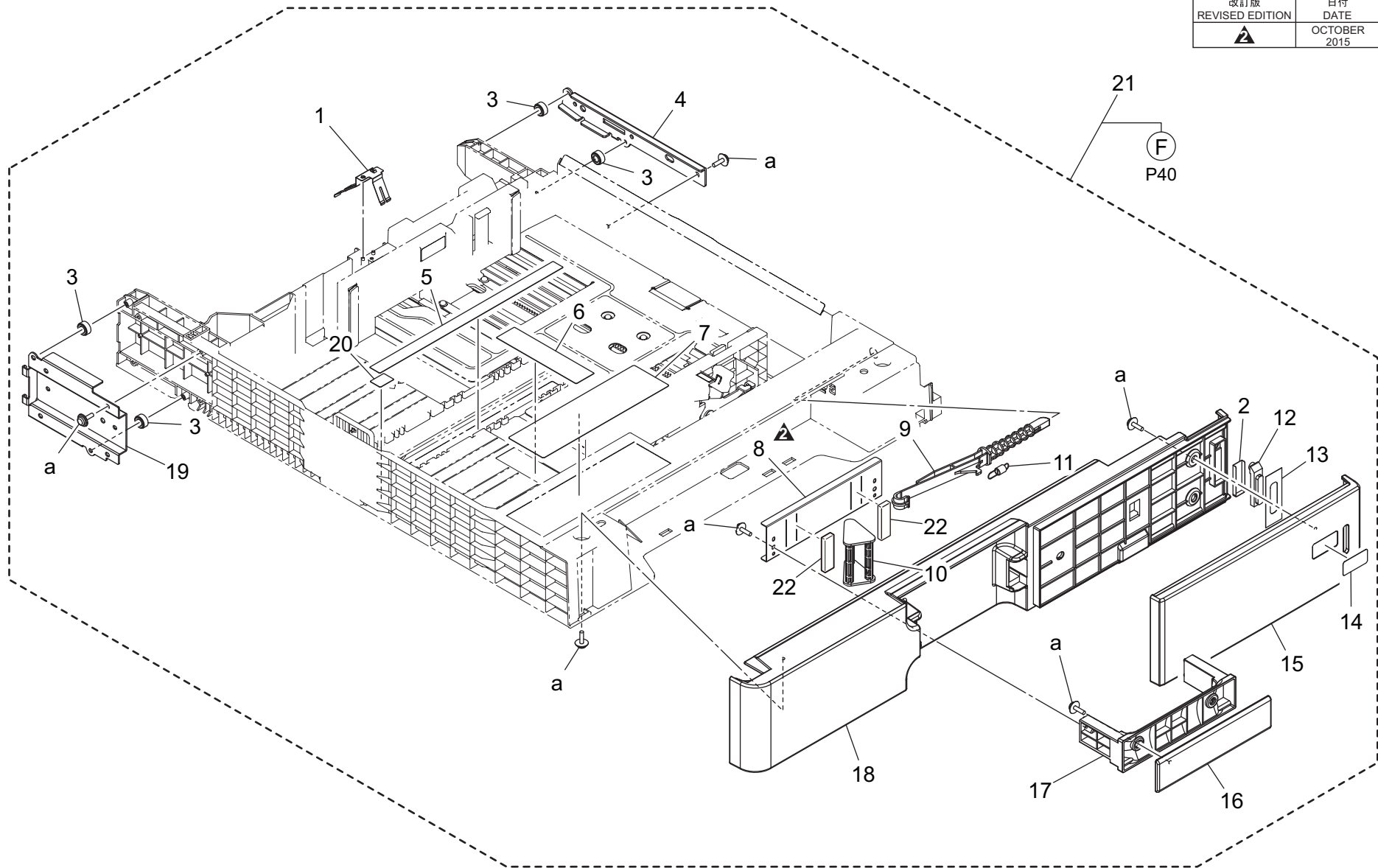
改訂版 REVISED EDITION	日付 DATE
▲	SEPTEMBER 2013



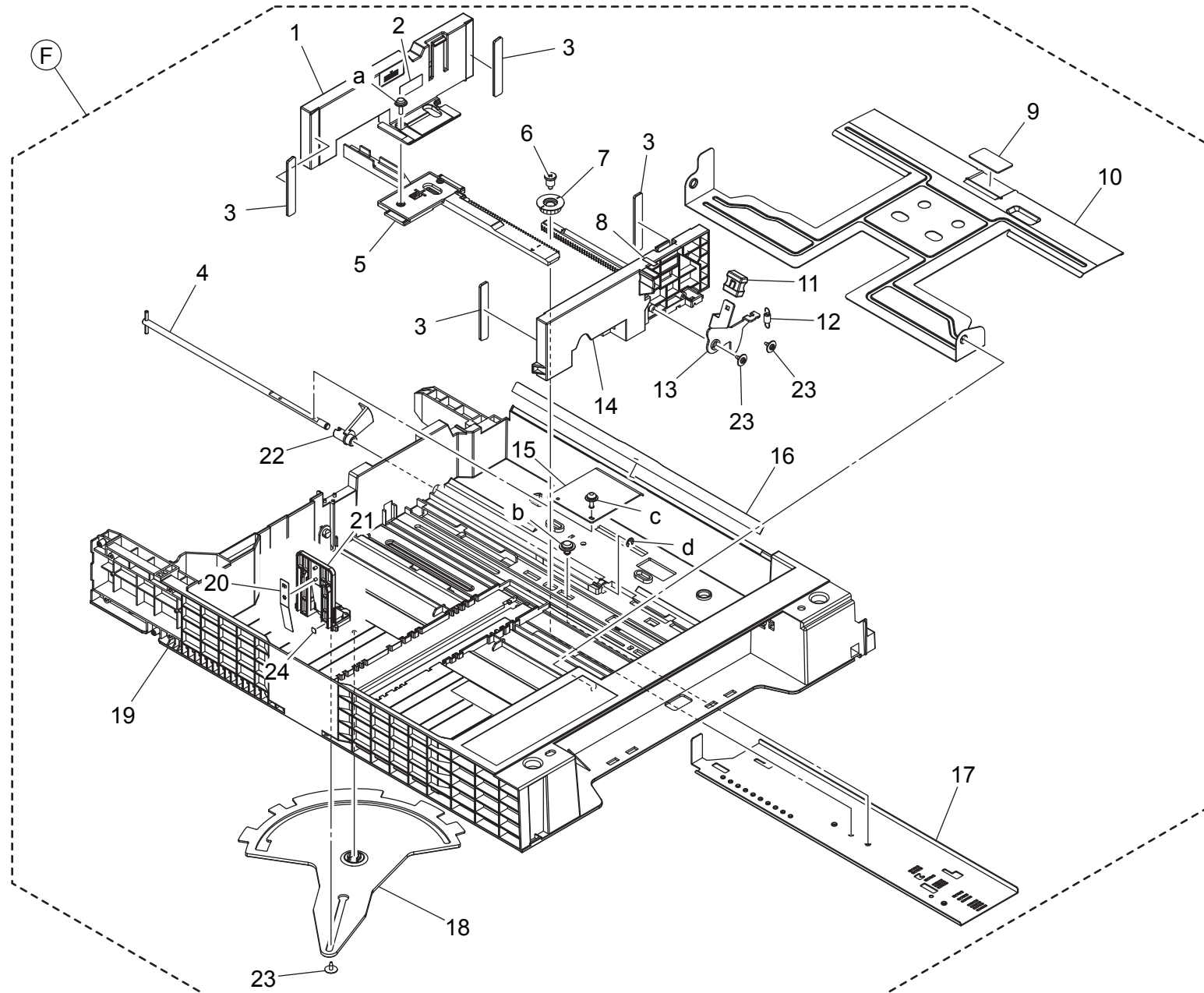
1ST CASSETTE SECTION

P 39

改訂版 REVISED EDITION	日付 DATE
	OCTOBER 2015



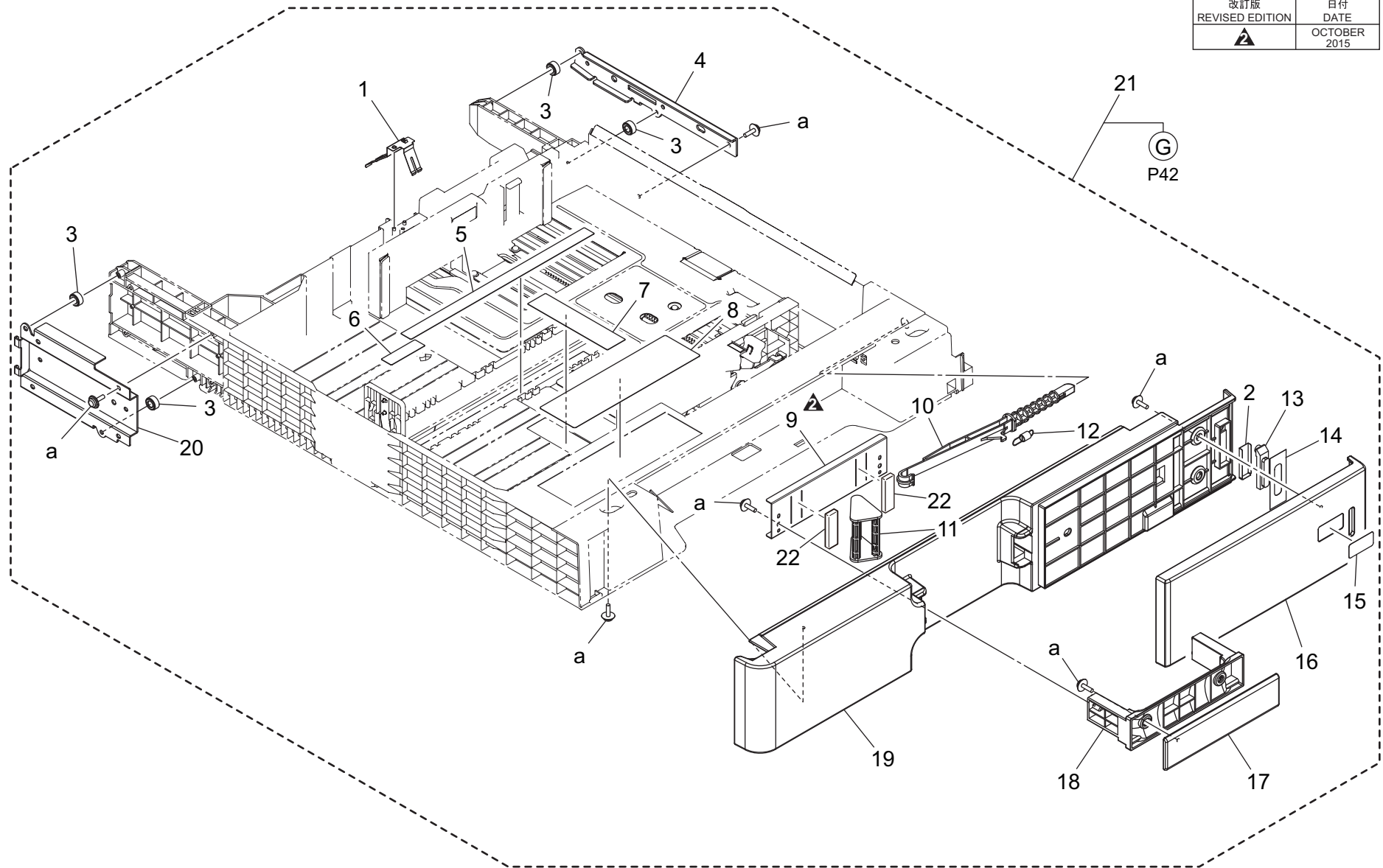
1ST CASSETTE SECTION



2ND CASSETTE SECTION

P 41

改訂版 REVISED EDITION	日付 DATE
	OCTOBER 2015

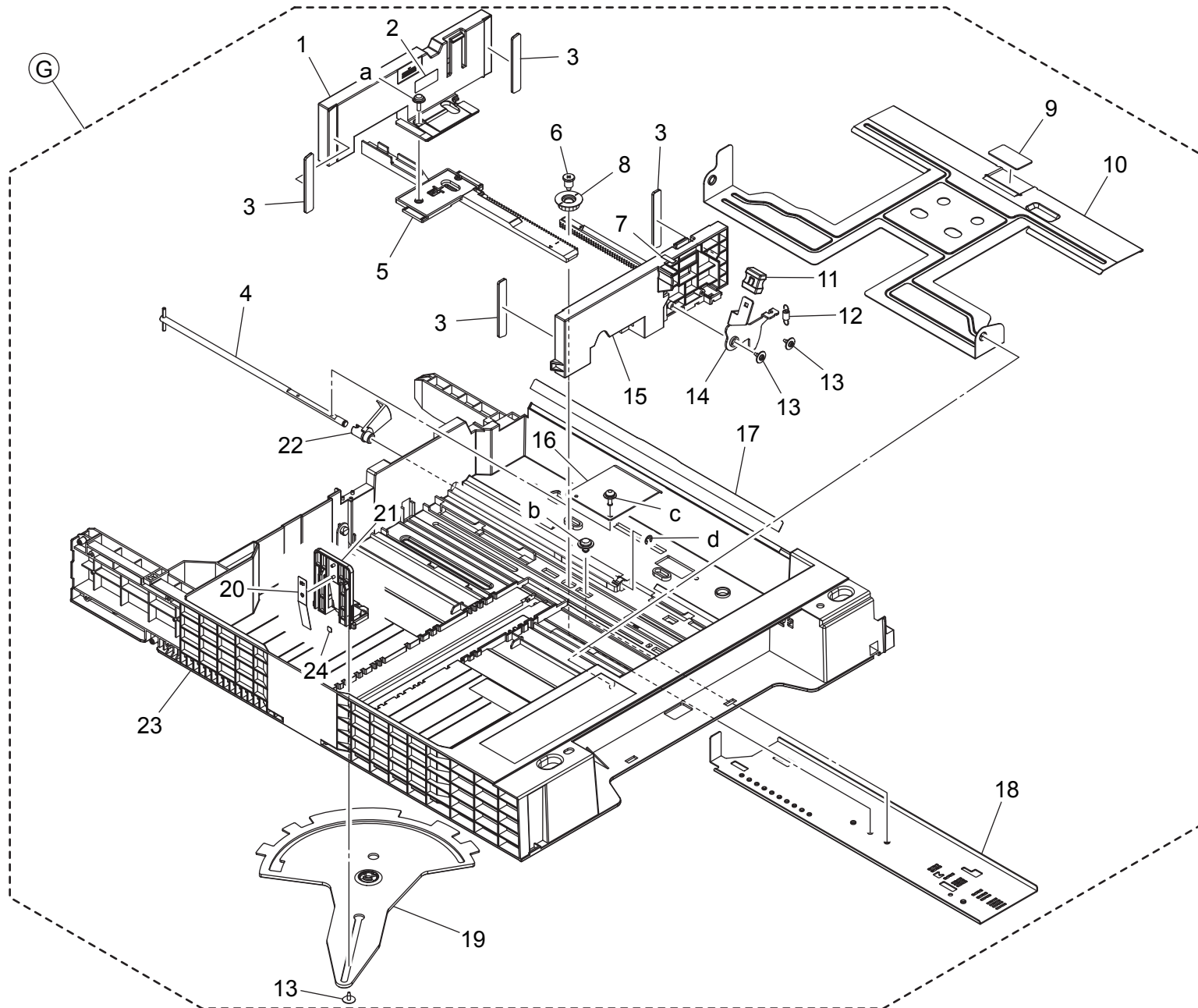


2ND CASSETTE SECTION

Key	Part No.	Description	Destinations	Class	QTY	Standard parts
1	A161622100	Ground Plate	アース板 (カセット)	D	1	a-V153030803
2	A161626200	Sheet	シート (反射板)	D	1	
3	A161623400	Roll	ころ	D	4	
4	A161633101	Reinforce Plate /Right	補強板 /右	D	1	
5	A00J942202	Label FD	ラベル F D	C	1	
6	A161943500	Label	ラベル (F D スケール)	C	1	
7	A161943601	Label	ラベル (C D スケール)	C	1	
8	A161943802	Label	ラベル (用紙補給)	C	1	
9	A7AH624300	Holder	ホルダ	D	1	
10	A161636502	Lever	レバー (ロック)	C	1	
11	A161626602	Lever	レバー (解除)	C	1	
12	A161626800	Pulling Coil spring	引張りコイルばね (ロックレバー)	C	1	
13	A161626000	Lens	レンズ (ライトガイド・給紙)	D	1	
14	A161626100	Light blocking Sheet	遮光シート	D	1	
15	A161943200	Label 2	ラベル 給紙段数表示 2	C	1	
16	A161635000Old	Cover	カバー (カセット右)	C	1	
16	A161635012	Cover	カバー (カセット右)	C	1	
17	A161625900	Cover	カバー (カセット 取手)	C	1	
18	A161626900	Handle	取手 (カセット)	C	1	
19	A161635117	Cover	カバー (カセット 2 n d)	C	1	
20	A161633202	Reinforce Plate /Left	補強板 /左	D	1	
21	A161F6300COld	2nd Cassette	2 段目カセット	S	1	
21	A161F6301L	2nd Cassette	2 段目カセット	S	1	
22	A5C1628100	Cushion	クッション	D	2	

2ND CASSETTE SECTION

P 42



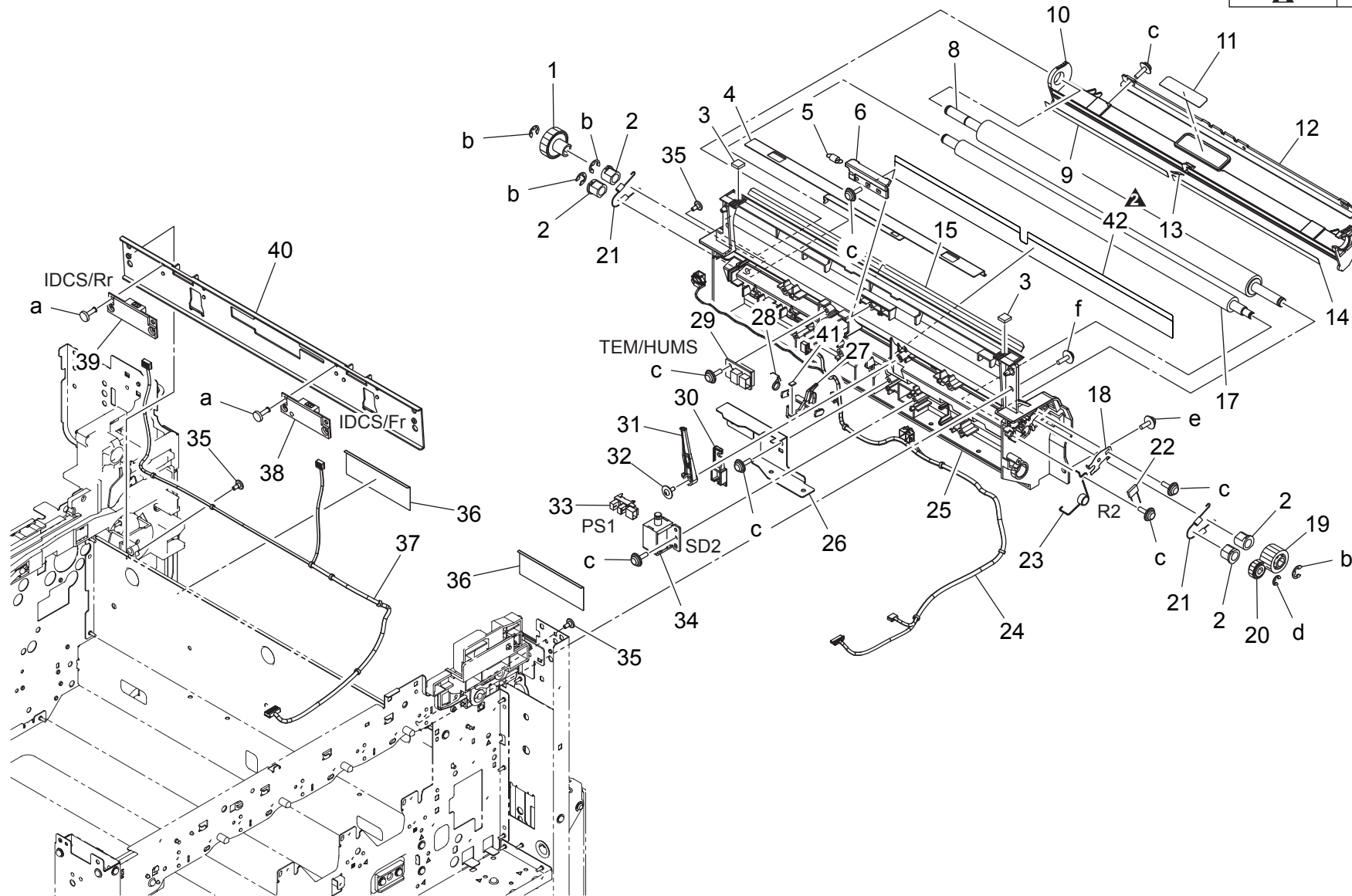
2ND CASSETTE SECTION

Key	Part No.	Description	Destinations	Class	QTY	Standard parts
1	A161620904	Regulating Plate /Rear		C	1	a-V153030803 b-V144040603 c-V116030803 d-V217040001
2	A161943700	Label Max Level		C	1	
3	A161624100	Cushion		C	4	
4	A161621600	Lifting Shaft		D	1	
5	A161621100	Rack		C	1	
6	A161620600	Shoulder screw		D	1	
7	A161943000	Label		C	1	
8	A161620701	Gear		D	1	
9	4030322601	FRICTION SHEET		C	1	
10	A161620400	Lifting Plate		D	1	
11	4037320401	KNOB		C	1	
12	A0ED621400	Pulling Coil spring		D	1	
13	4163529301	SCREW		C	3	
14	A161621300	Lever		D	1	
15	A161620803	Regulating Plate /Front		C	1	
16	4030320601	LEVER		D	1	
17	A0ED620200	Guide		C	1	
18	A161621900	Mounting Plate		D	1	
19	A161631400Old	Lever		C	1	
19	A161631411	Lever		C	1	
20	A161621800	Plate spring		C	1	
21	A161621701	Regulating Plate		C	1	
22	A0ED620701	Actuator		C	1	
23	A161630102	Paper feed Cassette		D	1	
24	A02E940300	Label		C	1	

CONVEYANCE SECTION

P 43

改訂版 REVISED EDITION	日付 DATE
	SEPTEMBER 2013



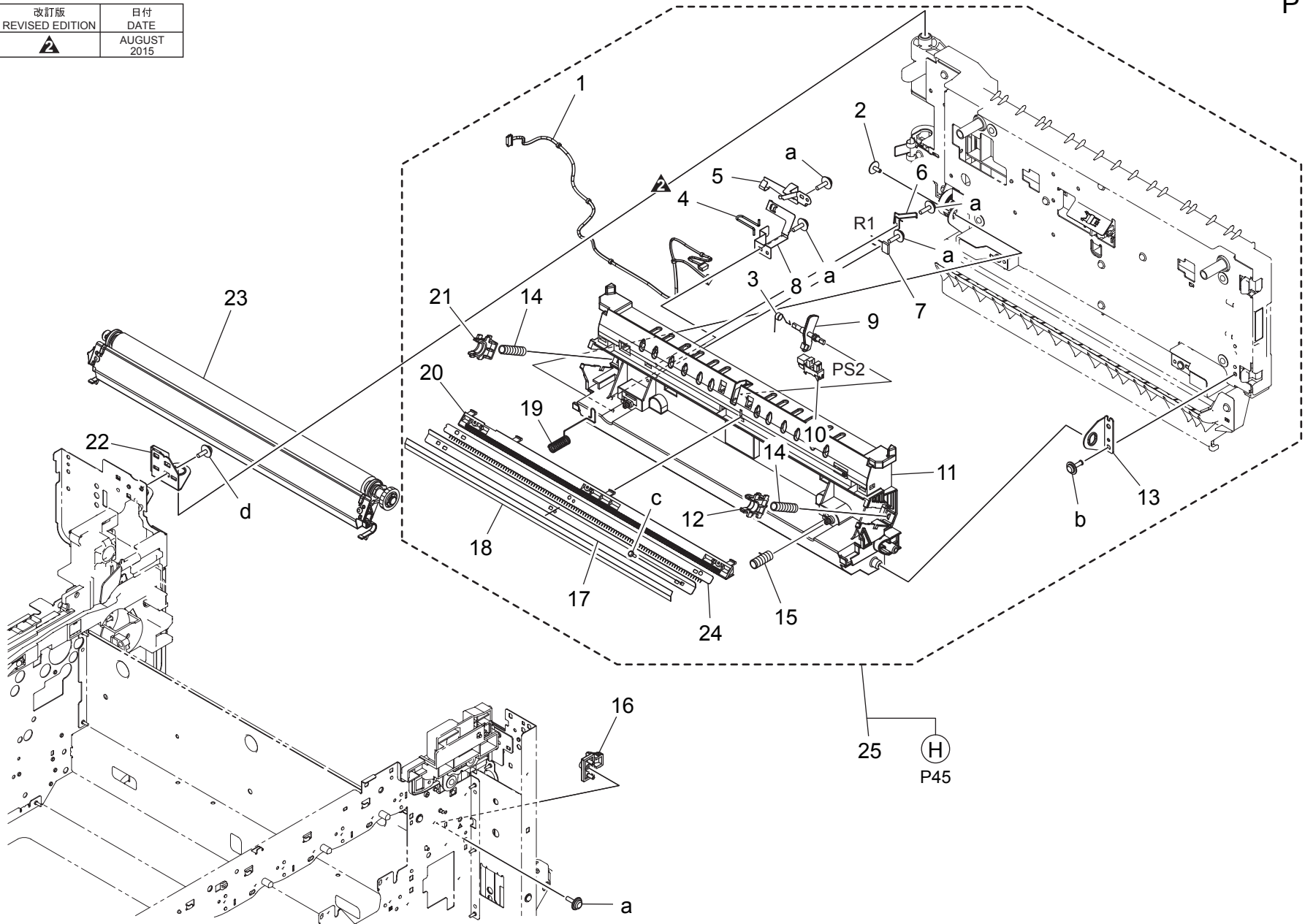
bizhub C454

CONVEYANCE SECTION

Key	Part No.	Description	Destinations	Class	QTY	Standard parts	
1	A2XK709000	Gear 24T	ギア 24 T	C	1	a-V118030803 b-V217060001 c-V153030803 d-V217040001 e-V116030803 f-V153031003	
2	A161702200	Bushing	すべり軸受	C	4		
3	A161701900	Seal /A	シール /A	D	2		
4	A0ED705800	Cover	カバー (レジスト センサ)	D	1		
5	A0ED702800	Pulling Spring	引張りばね	D	1		
6	A161706001	Holding Shutter	押さえシャッター	D	1		
8	A5C1700101	Roller	ローラ (タイミング駆動)	C	1		
9	4038353701	GUIDE	ガイド	C	1		
10	A161700600	Guide Plate /Middle	ガイド板 /中	D	1		
11	A161946300	Label M2	ラベル M2	D	1		
12	A02E712902	Reinforce Plate	補強板	D	1		
13	4038353901	GUIDE	ガイド	C	1		
14	A0ED700600	Guide Sheet	ガイドシート (T /R・前)	D	1		
15	A161701301	Guide Sheet /A	ガイドシート /A	C	1		
17	A0ED700200	Roller	ローラ (タイミング加圧)	D	1		
18	A5C1700800	Ground Plate /D	アース板 /D	D	1		
19	A0ED700300	Gear 20T	ギア (A) 20 T	D	1		
20	A0ED700700	Gear 14T	ギア (B) 14 T	D	1		
21	A161702000	Conveyance Spring /A	搬送ばね /A	C	2		
22	V800500300	FIXED POWER RESISTORS	固定抵抗器	D	1		
23	A0ED703200	Torsion Coil spring	ねじりコイルばね (タイミングアース)	D	1		
24	A2XKN10G00	Conveyance Detection harness /H	搬送検知束線 /H (内ガイド)	D	1		
25	A161700107	Guide Plate /Inside	ガイド板 /内	D	1		
26	A161700300	Mounting Plate /B	取付板 /B	D	1		
27	A161701703	Actuator /T	アクチュエータ /T	C	1		
28	A161701100	Spring /A	ばね /A	C	1		
29	A0P0M50400	Humidity sensor	温湿度センサ	C	1		
30	A161700700	Arm /2	アーム /2	D	1		
31	A161700401	Arm /1	アーム /1	D	1		
32	4163529301	SCREW	ねじ	C	1		
33	A108M50100	Photointerrupter	透過型センサ	B	1		
34	A034M20100	Conveyance Solenoid	搬送ソレノイド	C	1		
35	4011585202	SHOULDER SCREW	段ねじ	C	3		
36	A161701800	Protection Sheet	保護シート	D	2		
37	A161N12H00	Sensor Wiring /3	センサ束線 /3 (I DC)	D	1		
38	A161M50000	Photo sensing	光電変換素子 (I DC センサ)	I	1		
39	A161M50300	Photo sensing	光電変換素子 (I DC センサ)	I	1		
40	A161700901	Reinforce Plate	補強板	D	1		
41	A161702101	Cushion /C	クッション /C	C	1		
42	A5C1701400	Guide Sheet /B	ガイドシート /B	D	1		

VERTICAL TRANSPORT SECTION

改訂版 REVISED EDITION	日付 DATE
	AUGUST 2015

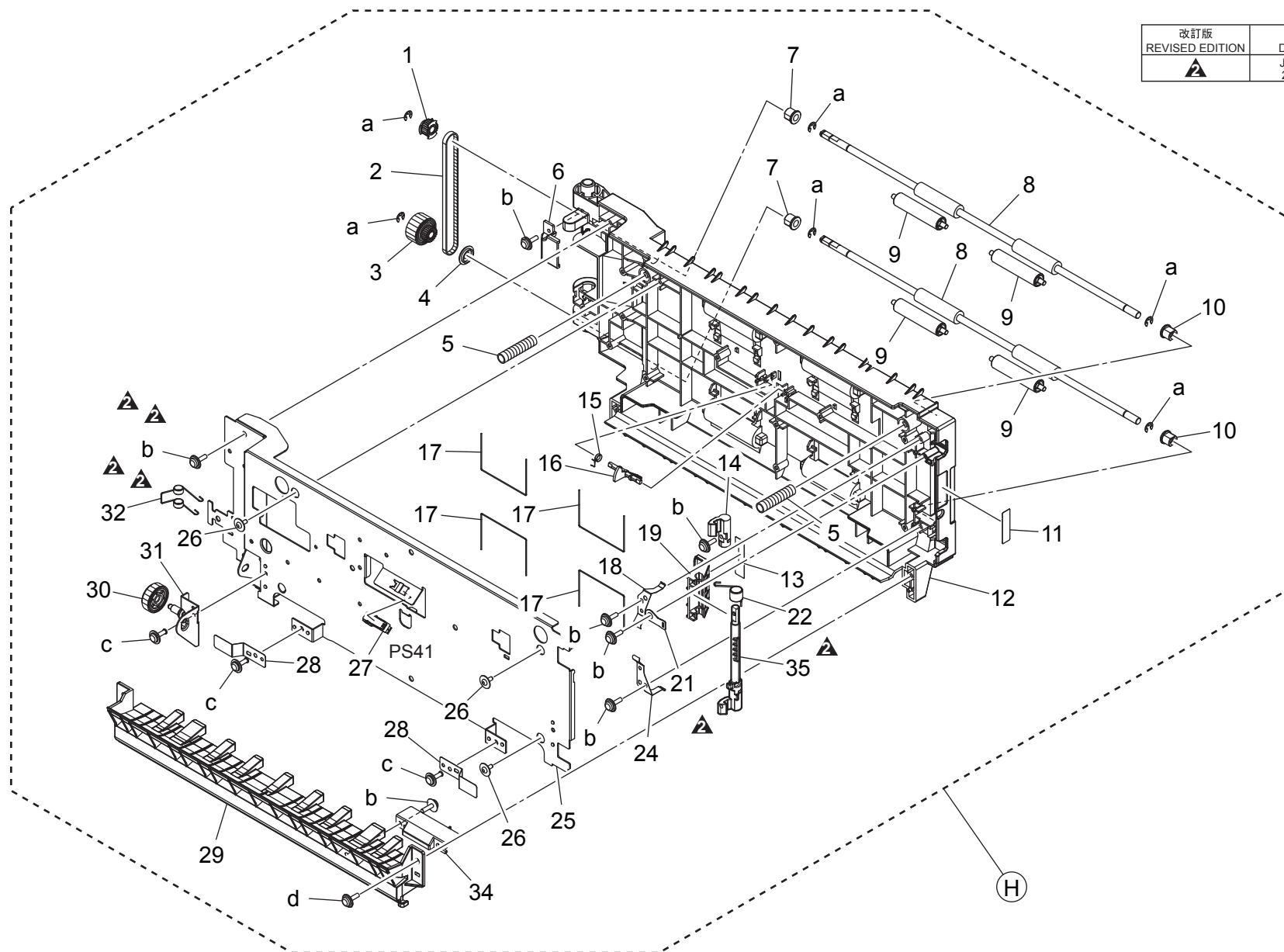


Key	Part No.	Description	Destinations	Class	QTY	Standard parts
1	A161N10H01	Conveyance Wiring	搬送束線	D	1	a-V153030803 b-V137030803 c-V162020504 d-V116030803
2	4163529301	SCREW	ねじ	C	1	
3	A161712700	Spring /C	ばね /C	D	1	
4	A161712401	Ground Spring /A	アースばね / A	D	1	
5	A161711100	Ground Plate /C	アース板 /C	D	1	
6	A5C1711000	Ground Spring /B	アースばね /B	D	1	
7	V800500300	FIXED POWER RESISTORS	固定抵抗器	D	1	
8	A5C1710900	Ground Plate /A	アース板 / A (2次接点)	D	1	
9	A0ED703800	Actuator	アクチュエータ (ループセンサ)	D	1	
10	A108M50100	Photointerrupter	透過型センサ	B	1	
11	A161710102	Holder /A	ホルダ / A	D	1	
12	A161550700	Transfer Holder /2	転写ホルダ /2	C	1	
13	A5C1711800	Support Plate /Front	支点板 /前	D	1	
14	A0ED551000	Compressing Coil spring /2	圧縮コイルばね /2	C	2	
15	A0ED551100	Compressing Coil spring	圧縮コイルばね (転前)	D	1	
16	A161712300	Fixing Part /Lower	固定部材 /下	D	1	
17	A0ED550900	Mounting Plate	取付板 (除電上)	D	1	
18	A5C1551701	Guide Seal	ガイドシール	D	1	
19	A161712500	Ground Spring /C	アースばね /C	D	1	
20	A161551600	Mounting Plate	取付板 (除電下)	D	1	
21	A161551500	Transfer Holder /2	転写ホルダ /2 (後 /Rear)	C	1	
22	A161104101	Adjusting Plate	調整板 (搬送扉上)	D	1	
23	A161R71411	2nd Image Transfer Roller Assy	2次転写ローラー Assy	A	1	
24	A0ED550800	Neutralizing Part	除電部材	D	1	
25	A5C1R71011	Vertical Transport Assy	縦搬送 Assy	S	1	

VERTICAL TRANSPORT SECTION

P 45

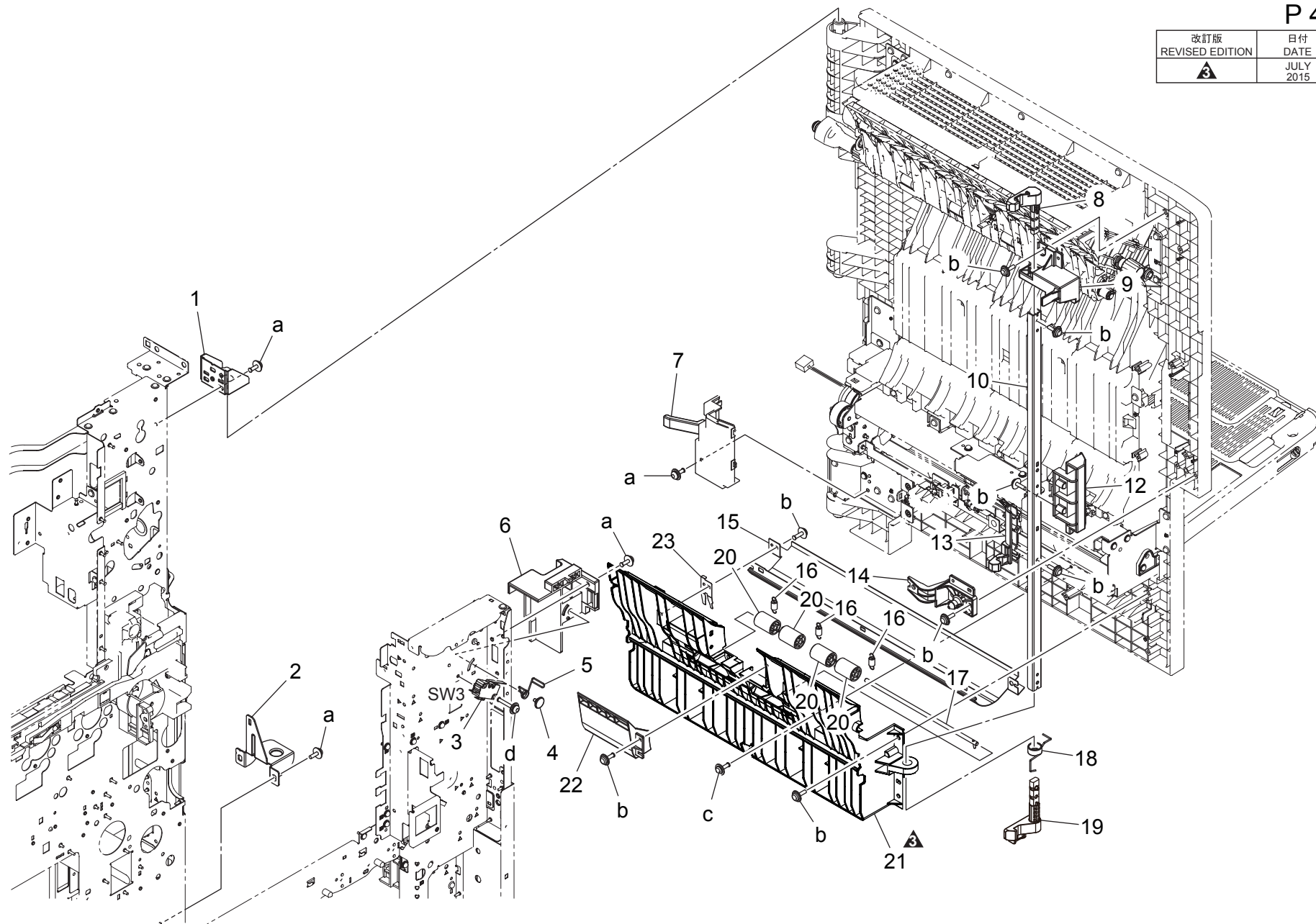
改訂版 REVISED EDITION	日付 DATE
	JUNE 2015



VERTICAL CONVEYANCE DOOR SECTION

P 46

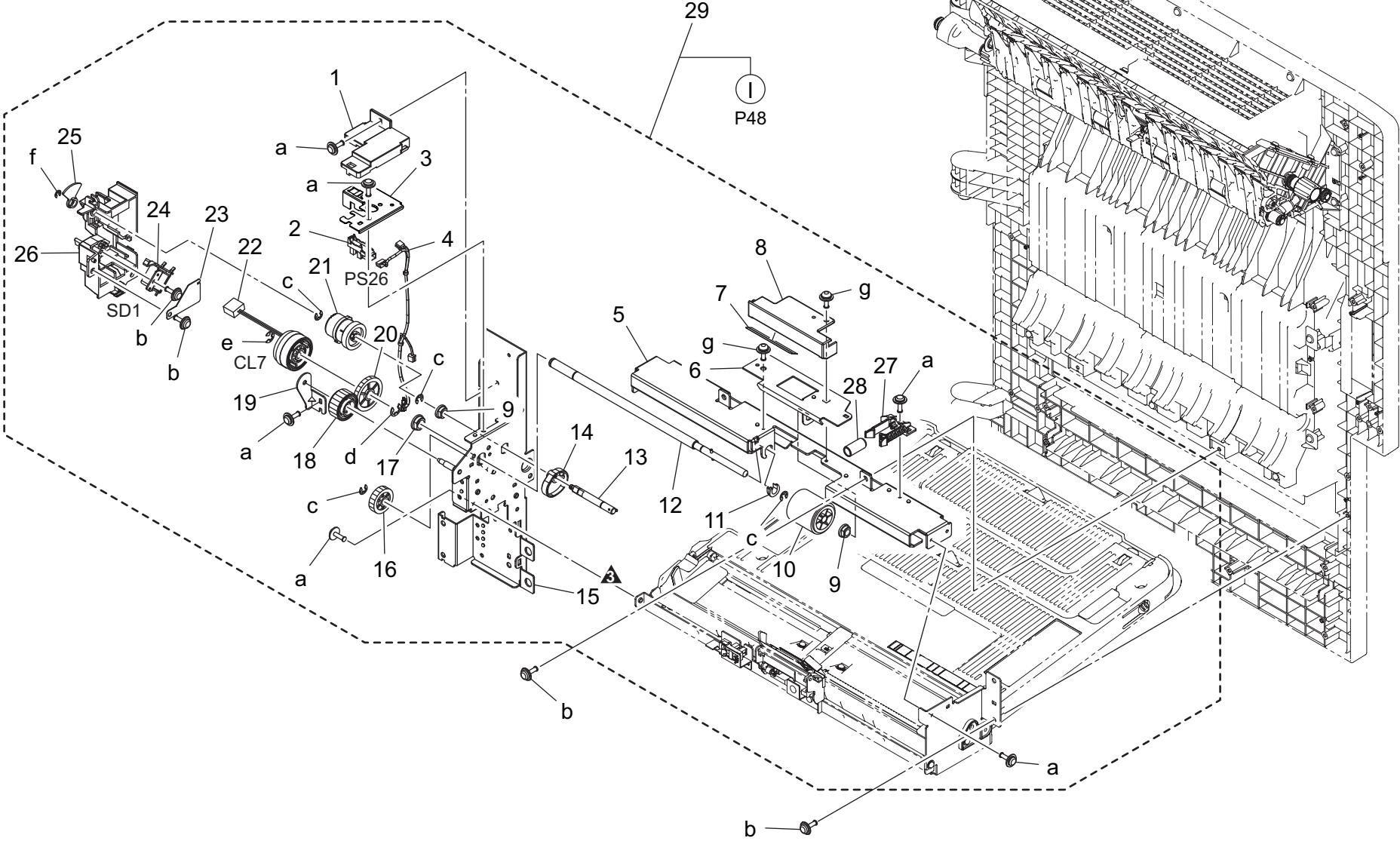
改訂版 REVISED EDITION	日付 DATE
	JULY 2015



bizhub C454

BYPASS TRAY SECTION

P 47	
改訂版 REVISED EDITION	日付 DATE
⚠	JULY 2015

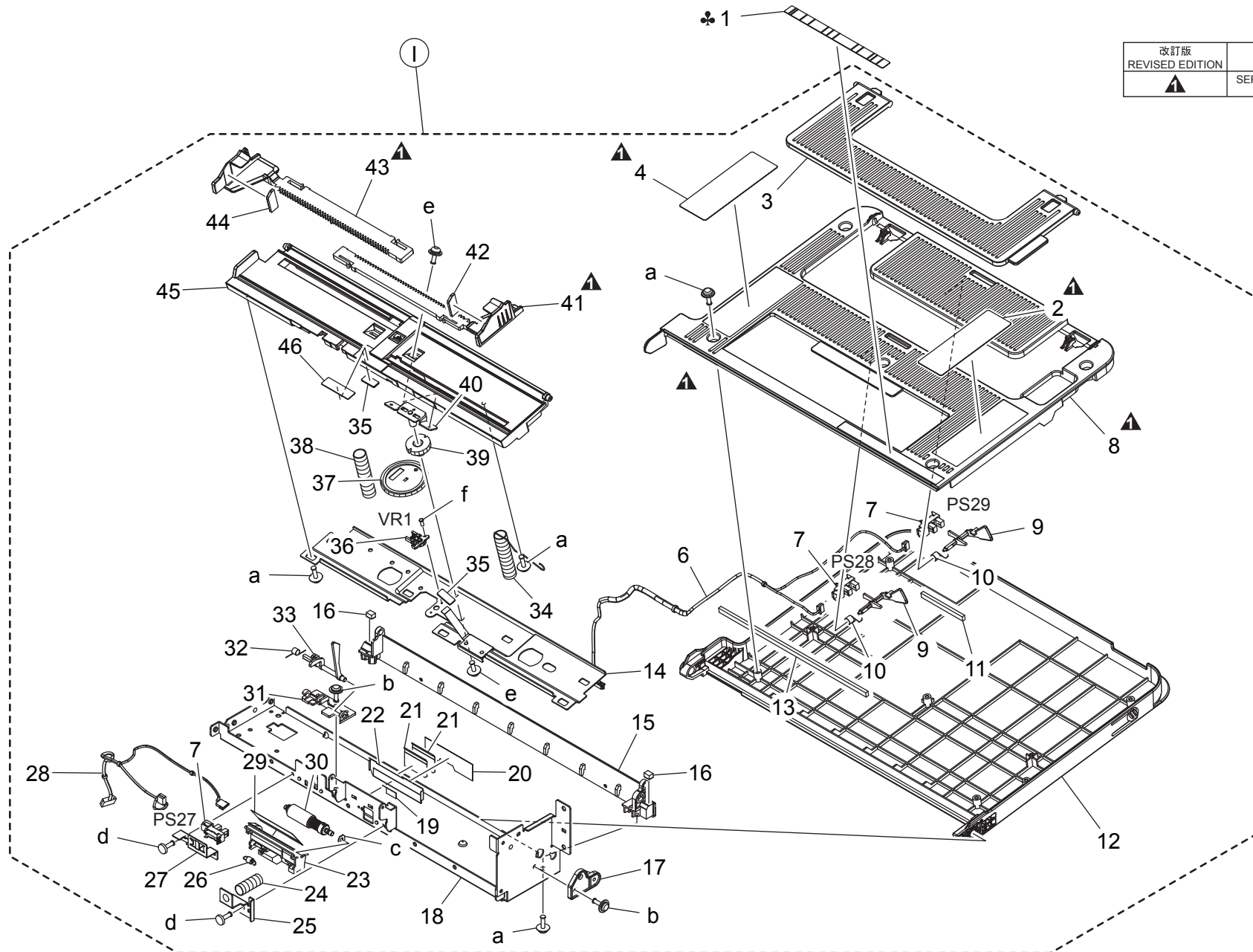


BYPASS TRAY SECTION

Key	Part No.	Description	Destinations	Class	QTY	Standard parts
1	A161592800	Wiring Cover /A		D	1	a-V137030803 b-V153030803 c-V217040001 d-V217060001 e-V217050001 f-V217030001 g-V116030803
2	A108M50100	Photointerrupter		B	1	
3	A161591900Old	Mounting Plate		D	1	
3	A5C1591900	Mounting Plate		D	1	
4	A161N12200	Paperfeed Drive harness /1		D	1	
5	A161590201	Paper feed Frame		D	1	
6	A161594100	Reinforce Plate		D	1	
7	A161594700	Guide Sheet		C	1	
8	A161591700	Auxiliary Guide		D	1	
9	A02E596300	Bushing		C	2	
10	A00F623201	Roller		B	1	
11	A161594400	Slide Stopper		C	1	
12	A161591500	Paper feed Shaft		D	1	
13	A161591400	Drive Shaft		D	1	
14	A161593300	Paper feed Cam		C	1	
15	A161F59002	Caulking(Mounting Plate Drive Frame)		D	1	
16	A02E595400	Gear 22T		C	1	
17	4131353202	BUSHING		C	1	
18	A161590800	Bypass Gear 24T		C	1	
19	A161590600	Reinforce Plate		D	1	
20	A02E596100	Gear 30T		C	1	
21	A02E595100	Clutch assy		C	1	
22	A02EM20100	Clutch		B	1	
23	A0ED597800	Cover		D	1	
24	9J06M20000	SOLENOID		B	1	
25	A161591300	Light blocking Plate		C	1	
26	A161591200Old	Drive Cover		D	1	
26	A5C1591200	Drive Cover		D	1	
27	A161594800	Hold Claw		C	1	
28	A161594900	Coil spring		C	1	
29	A5C1R71111	Multiple Bypass Tray Assy		S	1	

BYPASS TRAY SECTION

改訂版 REVISED EDITION	日付 DATE
▲	SEPTEMBER 2013



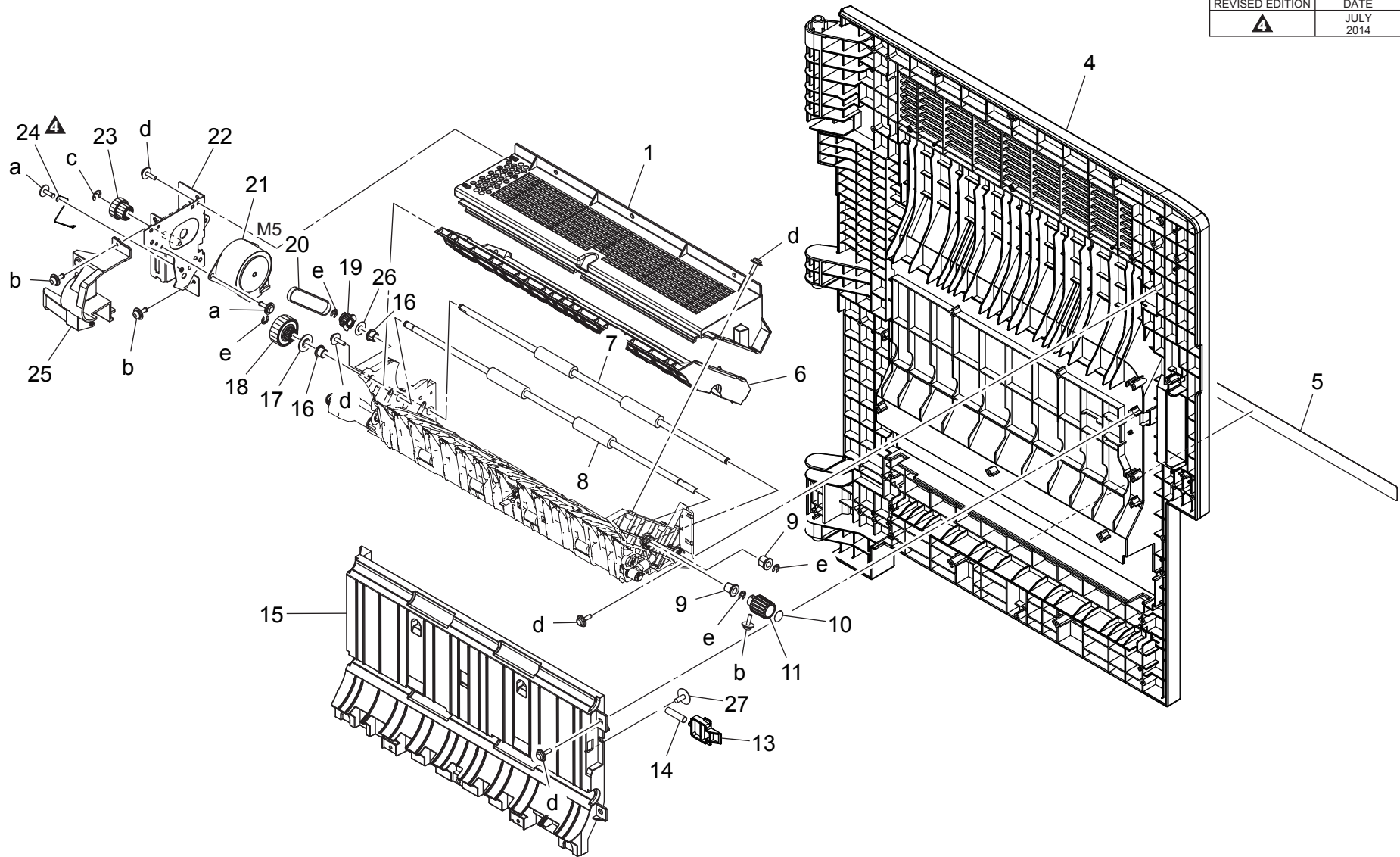
BYPASS TRAY SECTION

Key	Part No.	Description	Destinations	Class	QTY	Standard parts	
1	A161944101	Label Scale/Metric	ラベル 手差し /メトリック	A,A1,C,D1,D3,E,F2,G 1,I,K,J,H	C	1	a-V153030803 b-V137030803 c-V218030086 d-V118030803 e-V116030804 f-V111170403
1	A161944201	Label Scale/Inch	ラベル 手差し /インチ	B,G2	C	1	
2	A161944300	Label Paper Supply 1	ラベル 用紙補給 1		D	1	
3	A161592200	Auxiliary Tray	補助トレイ		C	1	
4	A161944400	Label Paper Supply 2	ラベル 用紙補給 2		D	1	
6	A161N11Q01	Paperfeed Detection harness /1	給紙検知束線 /1 (マル手 F D)		D	1	
7	A5C1M50100	Photointerrupter	透過型センサ		B	3	
8	A5C1599102	Bypass Tray /Upper	手差しトレイ /上		C	1	
9	A161592400	Actuator	アクチュエータ		C	2	
10	A161592501	Torsion Spring	ねじりばね		C	2	
11	A161592600	Holding Cover /2	押さえカバー /2		D	1	
12	A161592002	Bypass Tray	手差しトレイ		C	1	
13	A161592300	Holding Cover	押さえカバー		D	1	
14	A161593701	Mounting Plate	取付板		D	1	
15	A161590304	Support Holder	支点ホルダ		D	1	
16	A161594201	Cushion	クッション		D	2	
17	A161591600	Hold Plate	保持板		C	1	
18	A161590101	Bypass Frame	手差しフレーム		D	1	
19	A161595600	Slide Guide	すべりガイド		C	1	
20	A161595100	Seal	シール		C	1	
21	4030340301	GUIDE	ガイド		C	2	
22	A161595300	Separating Plate	分離板		C	1	
23	A161595000	Holder	ホルダ		D	1	
24	4030347501	PRESSURE SPRING	圧縮コイルばね		C	1	
25	A161595400	Hold Plate	保持板		D	1	
26	A161595200	Pulling Coil spring	引張りコイルばね		C	1	
27	A161591800	Sensor Holder	センサホルダ		D	1	
28	A161N10X00	Paperfeed Detection harness /2	給紙検知束線 /2 (マル手 C D)		D	1	
29	A02E597600	Guide	ガイド (捌き後)		C	1	
30	4658015106	Roller Assy	ローラ ASSY		A	1	
31	A161591100	Sensor Holder	センサホルダ		D	1	
32	A161591000	Torsion Spring	ねじりばね (P E)		C	1	
33	A161590901	Actuator	アクチュエータ (P E)		C	1	
34	A161593600	Compressing Coil spring	圧縮コイルばね		C	1	
35	A161593800	Friction Plate	摩擦板		C	2	
36	A161M50400	VR	ボリューム		D	1	
37	A161594300	Regulating Gear 41T	規制ギア 41 T		C	1	
38	A161593400	Compressing Coil spring	圧縮コイルばね		C	1	
39	A02E592100	Gear 20T	ギヤ 20 T		C	1	
40	A161R7A011	Caulking Gear Mounting Plate	ギア取付板カシメ A s s y		D	1	
41	A161593101Old	Regulating Plate /L	規制板 /L		C	1	
41	A5C1593100	Regulating Plate /L	規制板 /L		C	1	
42	A161594600	Brake Part /F	ブレーキ材 /F		C	1	
43	A161593200Old	Regulating Plate /R	規制板 /R		C	1	
43	A5C1593200	Regulating Plate /R	規制板 /R		C	1	
44	A161594500	Brake Part	ブレーキ材		C	1	
45	A161593001	Lifting Plate	押上げ板		D	1	
46	A161594000	Separating Sheet	分離シート		C	1	

REVERSAL UNIT

P 49

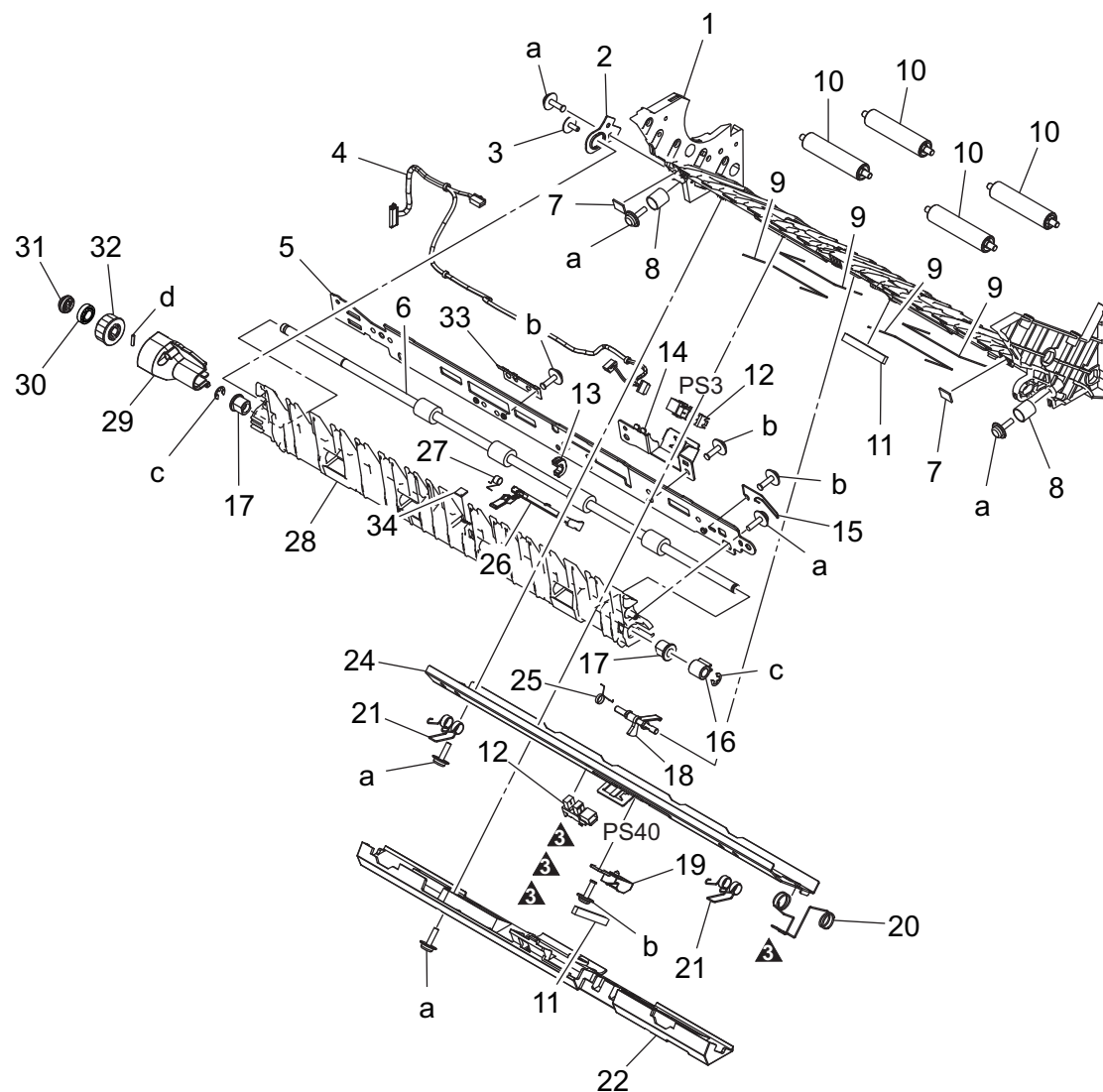
改訂版 REVISED EDITION	日付 DATE
	JULY 2014



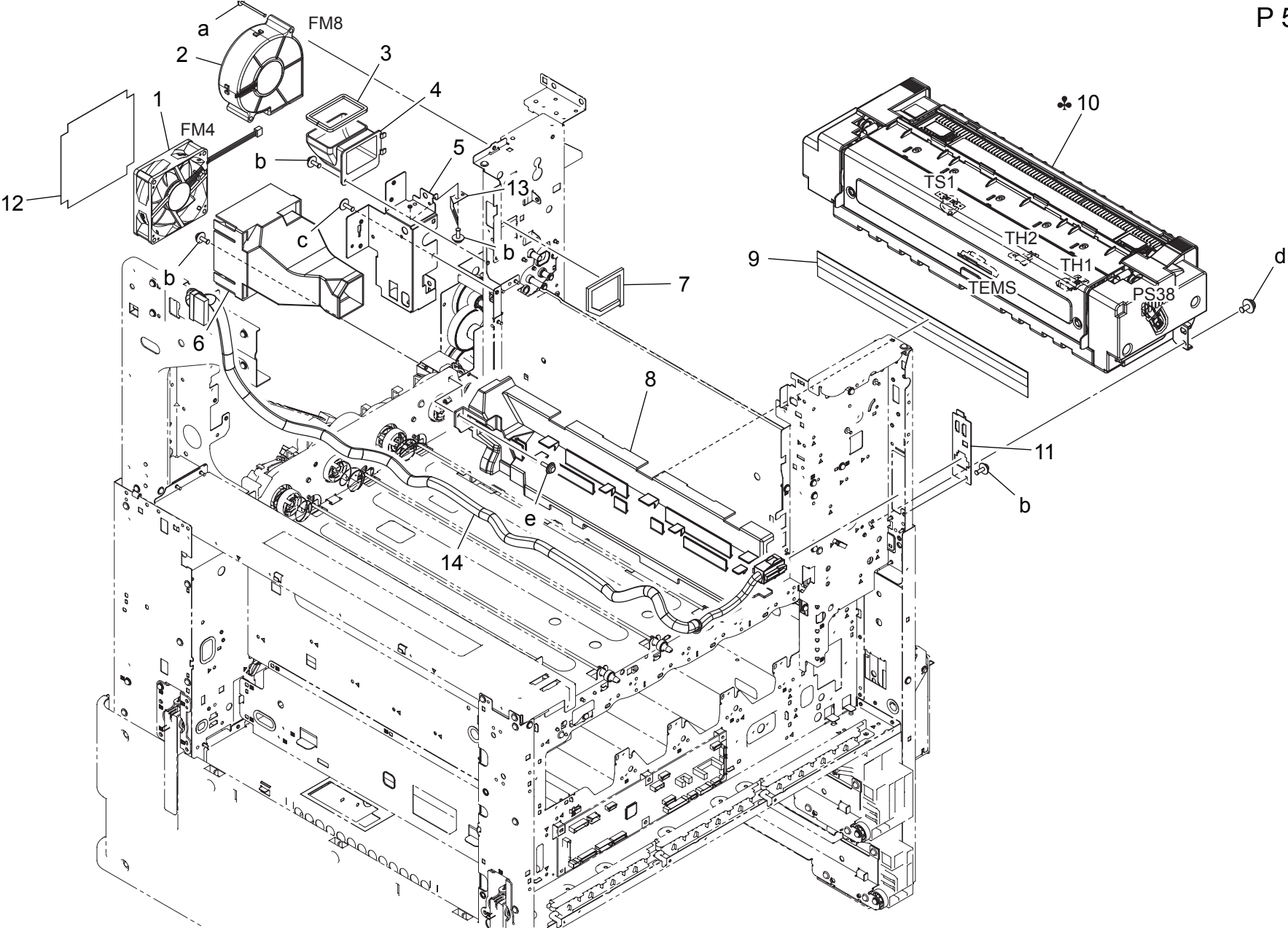
REVERSAL UNIT

P 50

改訂版 REVISED EDITION	日付 DATE
	JULY 2014



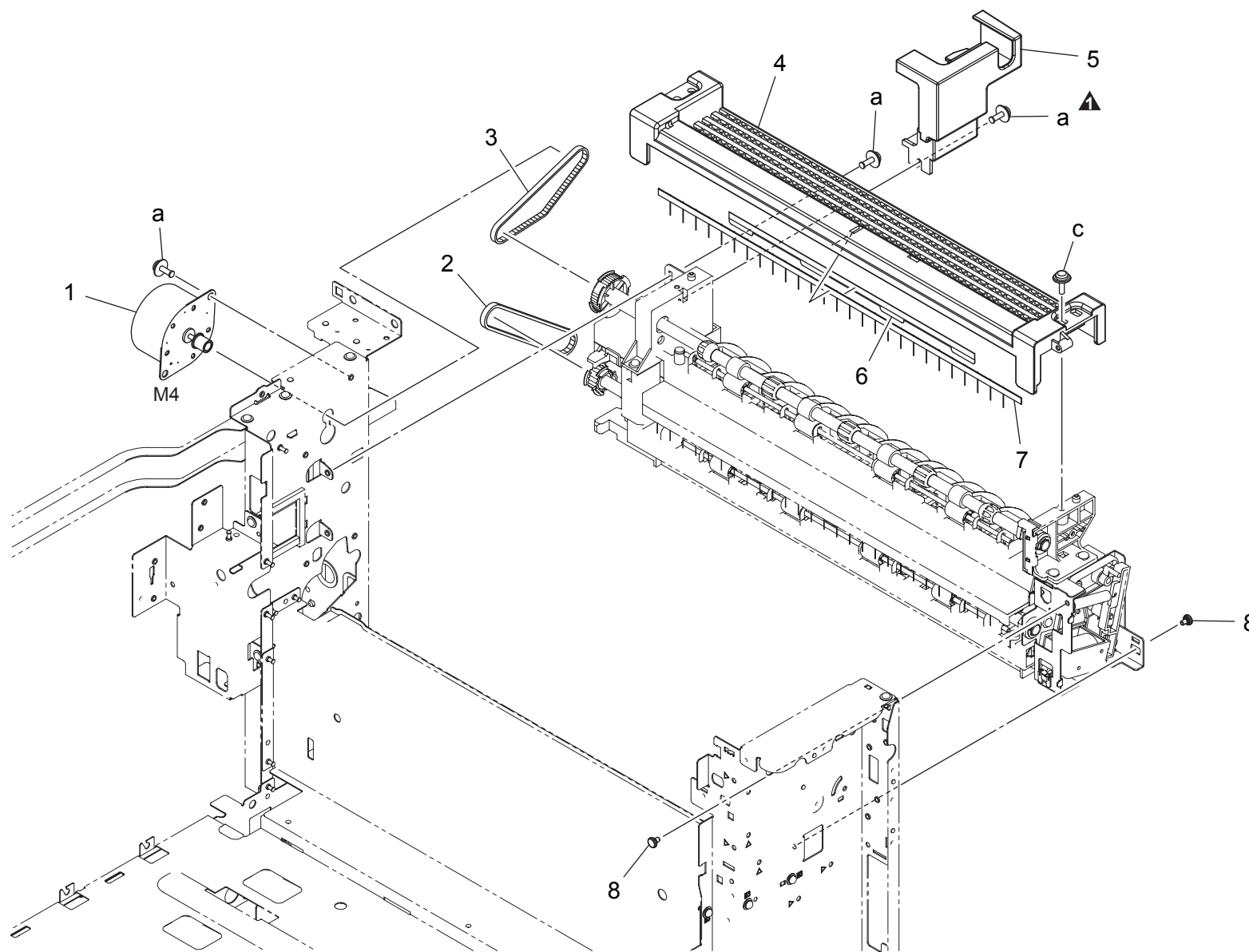
FUSING SECTION



PAPER EXIT SECTION

P 52

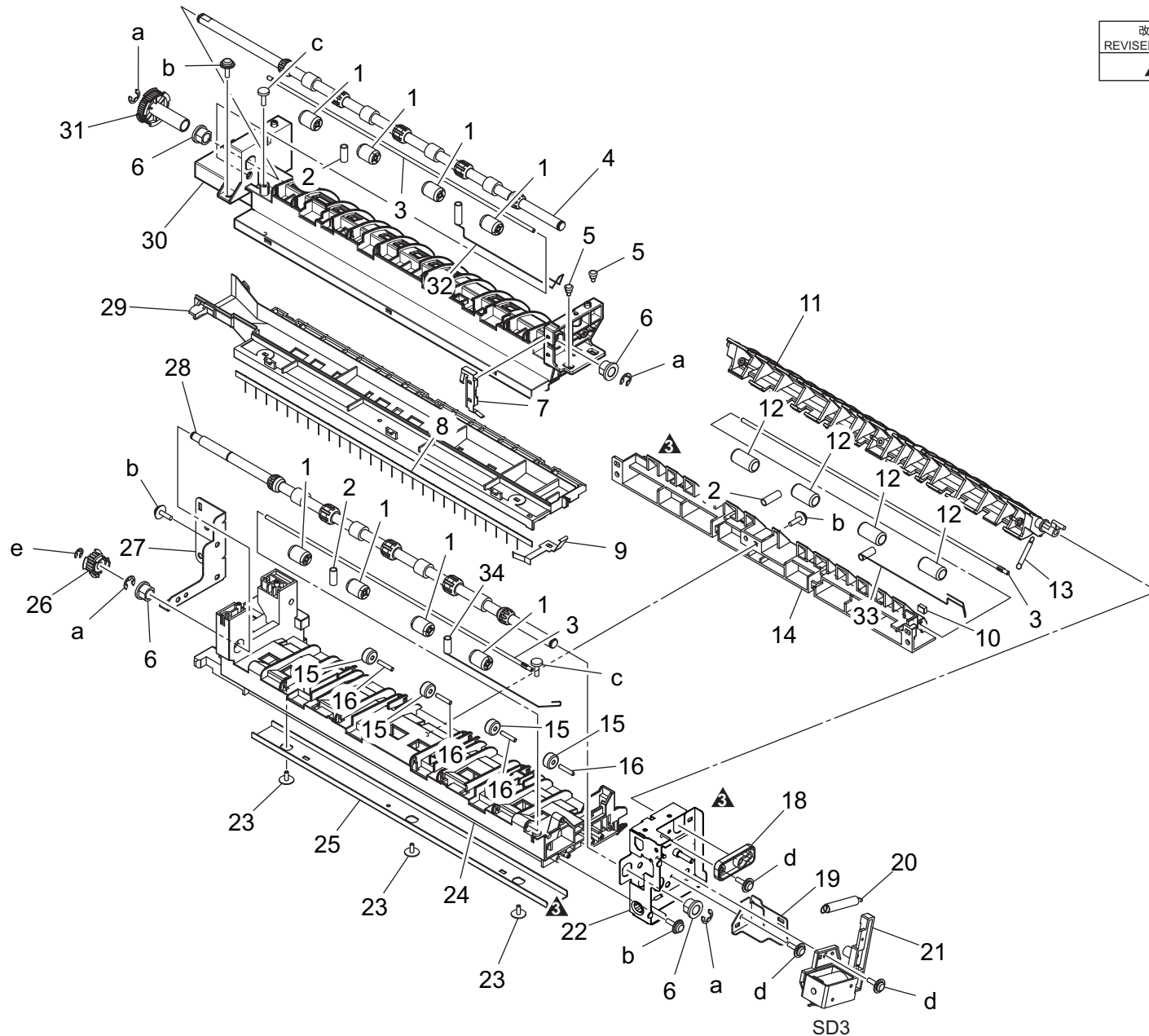
改訂版 REVISED EDITION	日付 DATE
▲	JANUARY 2014



PAPER EXIT SECTION

P 53

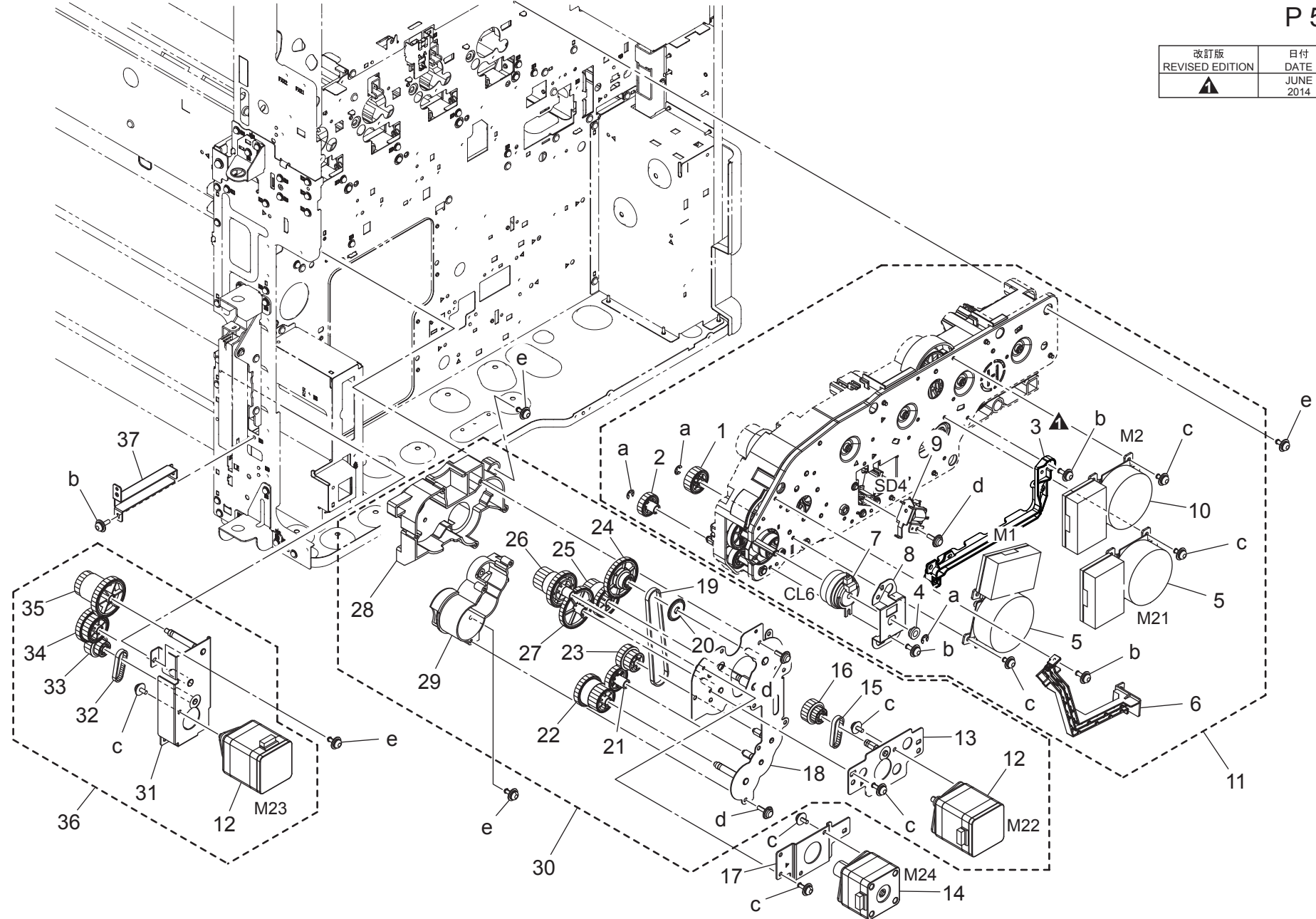
改訂版 REVISED EDITION	日付 DATE
	JULY 2014



Key	Part No.	Description	Destinations	Class	QTY	Standard parts
1	4004590301	ROLL	ころ	C	8	a-V217060001 b-V153030803 c-V149030803 d-V137030803 e-V217040001
2	A161892400	Spring	ばね (排紙)	C	3	
3	4025598401	SHAFT	シャフト	D	3	
4	A161895400	Roller	ローラ (反転)	C	1	
5	1164202801	SHOULDER SCREW	段ねじ	D	2	
6	A0ED891100	Bushing	すべり軸受	D	4	
7	A161895502	Ground Contact /Upper	アース接点 /上	D	1	
8	A161894000	Neutralizing Brush	除電ブラシ	C	1	
9	A161895600	Ground Contact /Lower	アース接点 /下	D	1	
10	A161893601	Cushion	クッション	D	1	
11	A5C1890400	Guide Lever	ガイドレバー	D	1	
12	A0P0901100	Roll	ころ	C	4	
13	A161892100	Spring	ばね (ガイドレバー)	C	1	
14	A161890203	Guide Part /Lower	ガイド部材 /下	D	1	
15	A0ED897700	Collar	カラー (排紙)	C	4	
16	4036254901	PIN	ピン	D	4	
18	A161891000	Bushing	すべり軸受	D	1	
19	A161892300	Mounting Plate	取付板 (パネル)	D	1	
20	A161892000	Spring	ばね (経路切替 SL)	D	1	
21	A161R72611	Solenoid Assy	ソレノイド Assy	C	1	
22	A161F89002	Caulking(Mounting Plate)	取付板カシメ	D	1	
23	4163529301	SCREW	ねじ	C	3	
24	A161890102	Paper exit Main body	排紙本体	D	1	
25	A161893500	Regulating Plate	規制板 (ダクト)	D	1	
26	A161891301	Pulley 18T	プーリー 18 T	D	1	
27	A161892902	Fixing Part	固定部材	D	1	
28	A161890300	Roller	ローラ (排紙)	C	1	
29	A161895201Old	Paper exit Guide /Lower	排紙ガイド /下	D	1	
29	A161895212	Paper exit Guide /Lower	排紙ガイド /下	D	1	
30	A161895102Old	Paper exit Guide /Upper	排紙ガイド /上	D	1	
30	A161895113	Paper exit Guide /Upper	排紙ガイド /上	D	1	
31	A161895800	Pulley 44T	プーリー 44 T	D	1	
32	A161900201	Ground Spring	アースばね (反転)	C	1	
33	A161900300	Ground Spring	アースばね (排紙前)	C	1	
34	A161900100	Ground Spring	アースばね (排紙)	C	1	

MAIN DRIVE/ PAPER FEED DRIVE SECTION

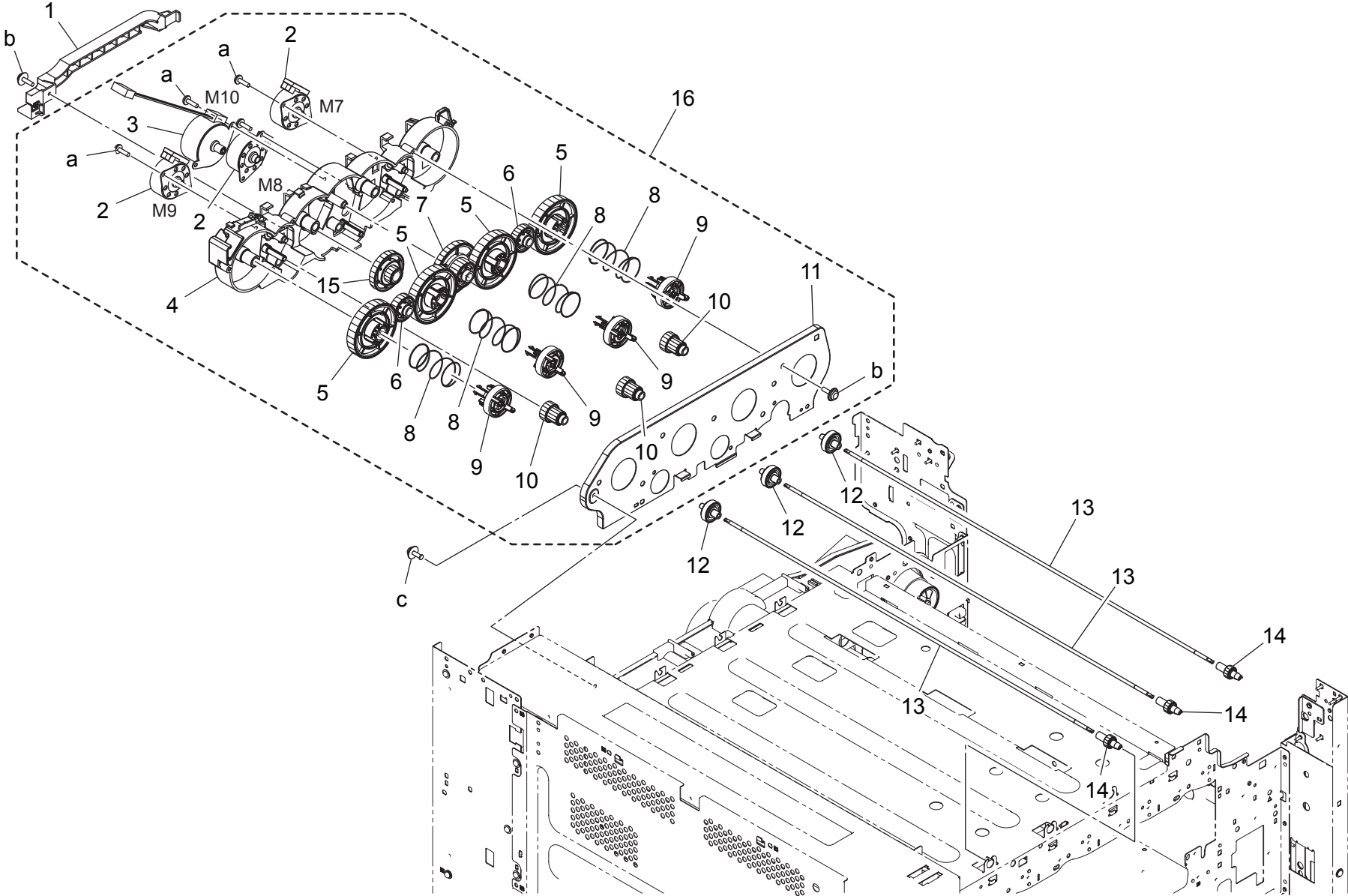
改訂版 REVISED EDITION	日付 DATE
▲	JUNE 2014



MAIN DRIVE/ PAPER FEED DRIVE SECTION

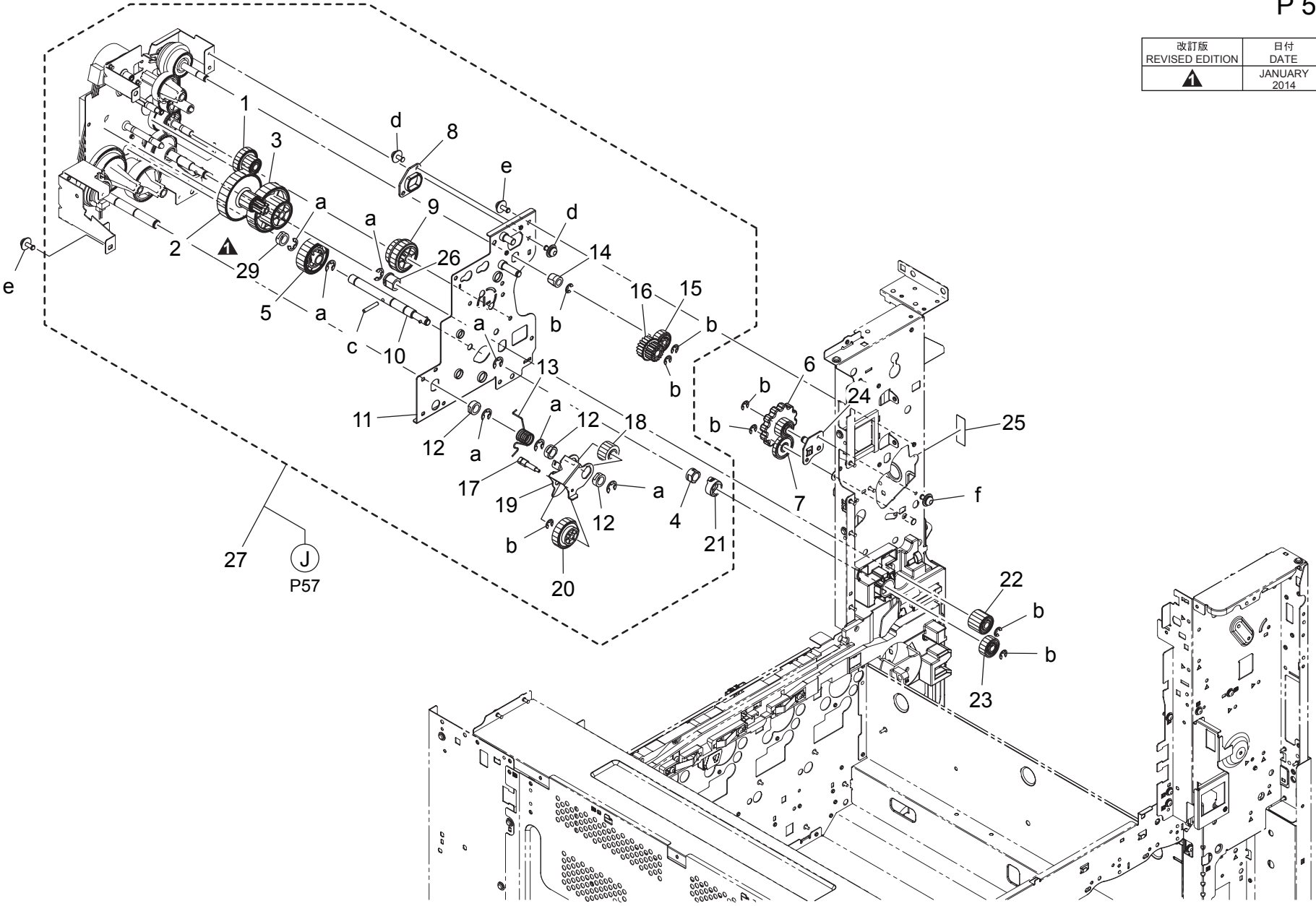
Key	Part No.	Description	Destinations	Class	QTY	Standard parts
1	A161254000	Gear 22T	ギア 22T	C	1	a-V217040001 b-V116030803 c-V116030603 d-V153030803 e-V125030818
2	A161257800	Gear 20T	ギア 20T	C	1	
3	A5C1216100	Guide	ガイド (HV)	D	1	
4	A161210200	Bushing	すべり軸受	D	1	
5	A161M10001	brushless Motor /40	ブラシレスモータ /40	I	2	
6	A161134702	Guide	ガイド (高圧ハーネス)	D	1	
7	A161M20201	Clutch	クラッチ (Z=30)	C	1	
8	A161253900	Hold Plate	保持板 (DUPクラッチ)	D	1	
9	A161M20300	Flapper solenoid	フラッパーソレノイド	C	1	
10	A2XKM10300	Brushless motor	ブラシレスモータ (30W)	I	1	
11	A2XKR70100	Main Drive Assy	メイン駆動(H) Assy	S	1	
12	A61DM10000	HB Stepping motor	HB ステッピングモーター	C	2	
13	A2XKF21200	Caulking(Hold Plate Paper Feed Drive)	取付板(給紙駆動)カシメ	D	1	
14	A2XKM10000	Stepping motor	ステッピングモーター	C	1	
15	A0HT811400	Timing belt 76L	タイミングベルト (モータ) 76L	D	1	
16	A2XK259600	Gear 24/24T	ギア 24 /24 T	D	1	
17	A2XK221400	Mounting Plate	取付板 (TRモータ /Hi)	D	1	
18	A2XKF21100	Caulking(Hold Plate Paper Feed DriveH)	保持板(給紙駆動H)カシメ	D	1	
19	A2XK224000	Conveyance Belt	搬送ベルト (給紙 /Hi)	D	1	
20	A2XK224100	Collar	カラー	D	1	
21	A2XK222600	Gear 28T	ギア 28 T	D	1	
22	A161220700	Gear 28/28T	ギア 28 /28 T	D	1	
23	A2XK222500	Gear 26/30T	ギア 26 /30 T	D	1	
24	A2XK253000	Gear 24/26/47T	ギア 24 /26 /47 T	D	1	
25	A2XK220000	Gear 23/35T	ギア 22 /35 T	D	1	
26	A161259800	Gear 19/32T	ギア 19 /32 T	D	1	
27	A2XK253300	Gear 23/48T	ギア 23 /48 T	D	1	
28	A2XK220900	Holder	ホルダ (給紙駆動 /Hi)	D	1	
29	A2XK220800	Holder	ホルダ (給紙駆動2 /Hi)	D	1	
30	A2XKR70000	Paper Feed Drive Assy	給紙駆動(H) Assy	C	1	
31	A2XKF22000	Caulking(Hold Plate)	保持板カシメ	D	1	
32	A0HT811400	Timing belt 76L	タイミングベルト (モータ) 76L	D	1	
33	A2XK259600	Gear 24/24T	ギア 24 /24 T	D	1	
34	A2XK222100	Gear 25/38T	ギア 25 /38 T	D	1	
35	A2XK222200	Gear 22/36T	ギア 22 /36 T	D	1	
36	A2XKR70300	Vertical conveyance Drive Assy	縦搬送駆動 Assy	S	1	
37	A161105500	Reinforce Plate	補強板 (本体取手右後)	D	1	

TONER BOTTLE DRIVE SECTION



FUSING DRIVE SECTION


改訂版 REVISED EDITION	日付 DATE
	JANUARY 2014

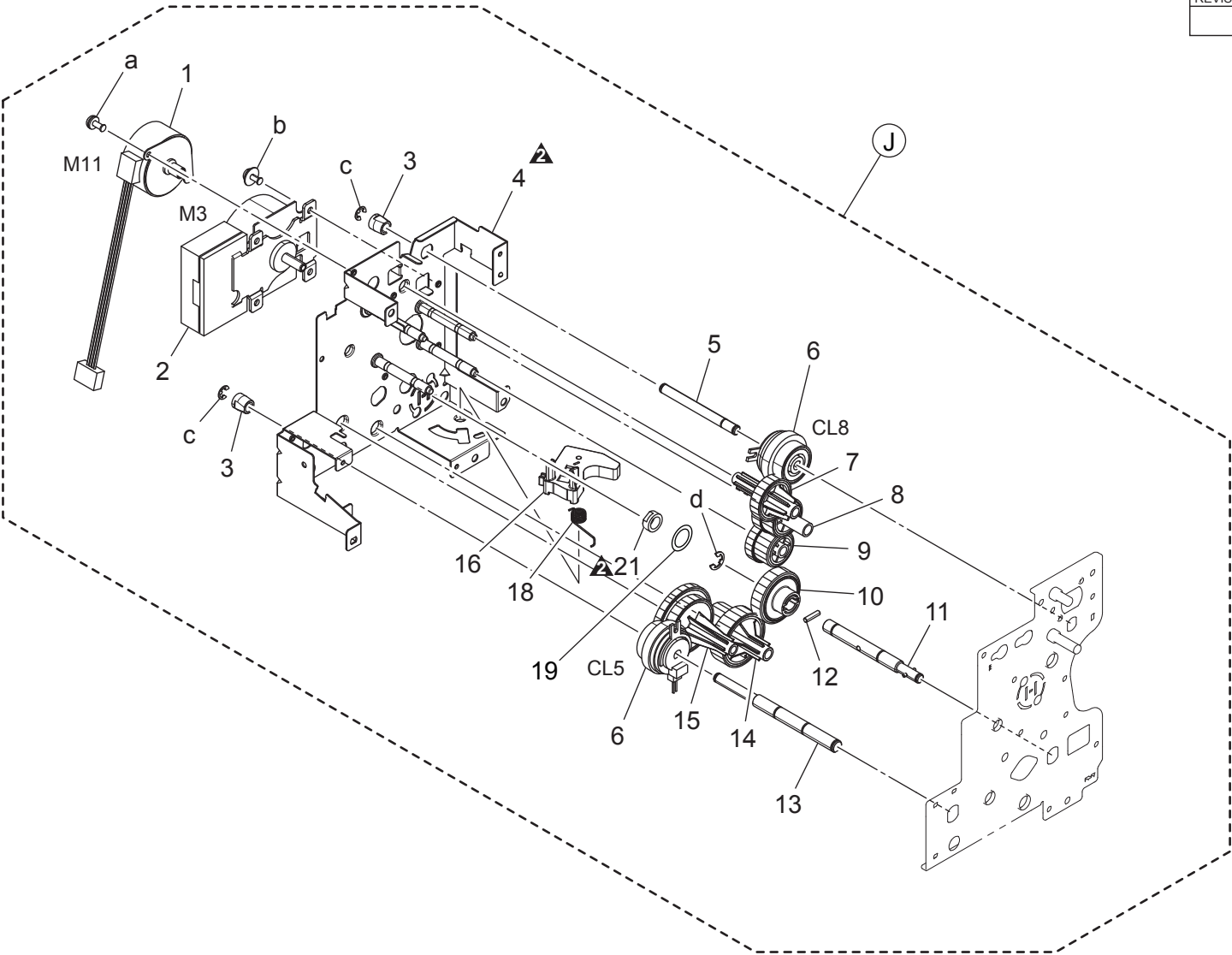


FUSING DRIVE SECTION

Key	Part No.	Description	Destinations	Class	QTY	Standard parts
1	A2XK254200	Gear 18/62T	ギア 18 / 6 2 T	D	1	a-V217060001 b-V217040001 c-V237301850 d-V116030603 e-V125030818 f-V116030803
2	A161254300	Gear 18/57T	ギア 18 / 5 7 T	D	1	
3	A161254400	Gear 33/55T	ギア 3 3 / 5 5 T	D	1	
4	A161254700	Bushing	すべり軸受	D	1	
5	A161254500	Gear 38T	ギア 3 8 T	D	1	
6	A161122002	Gear 12T	ギア 1 2 T	D	1	
7	A161121900	Gear 17T	ギア 1 7 T	D	1	
8	A161232200	Bushing	すべり軸受 (排紙ドッキング)	D	1	
9	A2XK228800	Gear 22/22T	ギア 2 2 / 2 2 T	D	1	
10	A161256300	Shaft	軸 (定着離間)	D	1	
11	A2XKF25102	Caulking(Mounting Plate Fuser Drive 2H)	取付板 (定着駆動 2 H) カシメ	D	1	
12	A0ED259700	Bushing	すべり軸受 (Φ 8 小判)	C	3	
13	A161232501	Torsion Coil spring	ねじりコイルばね (一次離間)	D	1	
14	A161232300	Bushing	すべり軸受 (φ 6)	D	1	
15	A4FJ230700	Gear 19T	ギア 1 9 T	D	1	
16	A4FJ231301Old	Gear 17/18T	ギア 1 7 / 1 8 T	D	1	
16	A5C0231300	Gear 17/18T	ギア 1 7 / 1 8 T	C	1	
17	A161259400	Shaft	軸 (一次離間 2)	D	1	
18	4038258001	GEAR 16T	ギヤ 1 6 T	C	1	
19	A161258800	Mounting Plate	取付板 (一次離間)	D	1	
20	A0ED257500	Gear 26T	ギア (一次離間アイドル) 2 6 T	C	1	
21	A161232401	Collar	カラー (ガイド)	D	1	
22	A161228701	Gear 16T	ギア 1 6 T	C	1	
23	A161254600	Gear	ギア (定着離間 5)	C	1	
24	A161F10901	Caulking	取付板カシメ	D	1	
25	A161941100	Label M4	ラベル M 4	D	1	
26	A161702200	Bushing	すべり軸受	C	1	
27	A5C0R70011	Fusing Drive Assy	定着駆動 A s s y	S	1	
28	A2XK224100	Collar	カラー	D	1	
29	A03U812800	Slide Shaft Holder	すべり軸受	B	1	

FUSING DRIVE SECTION

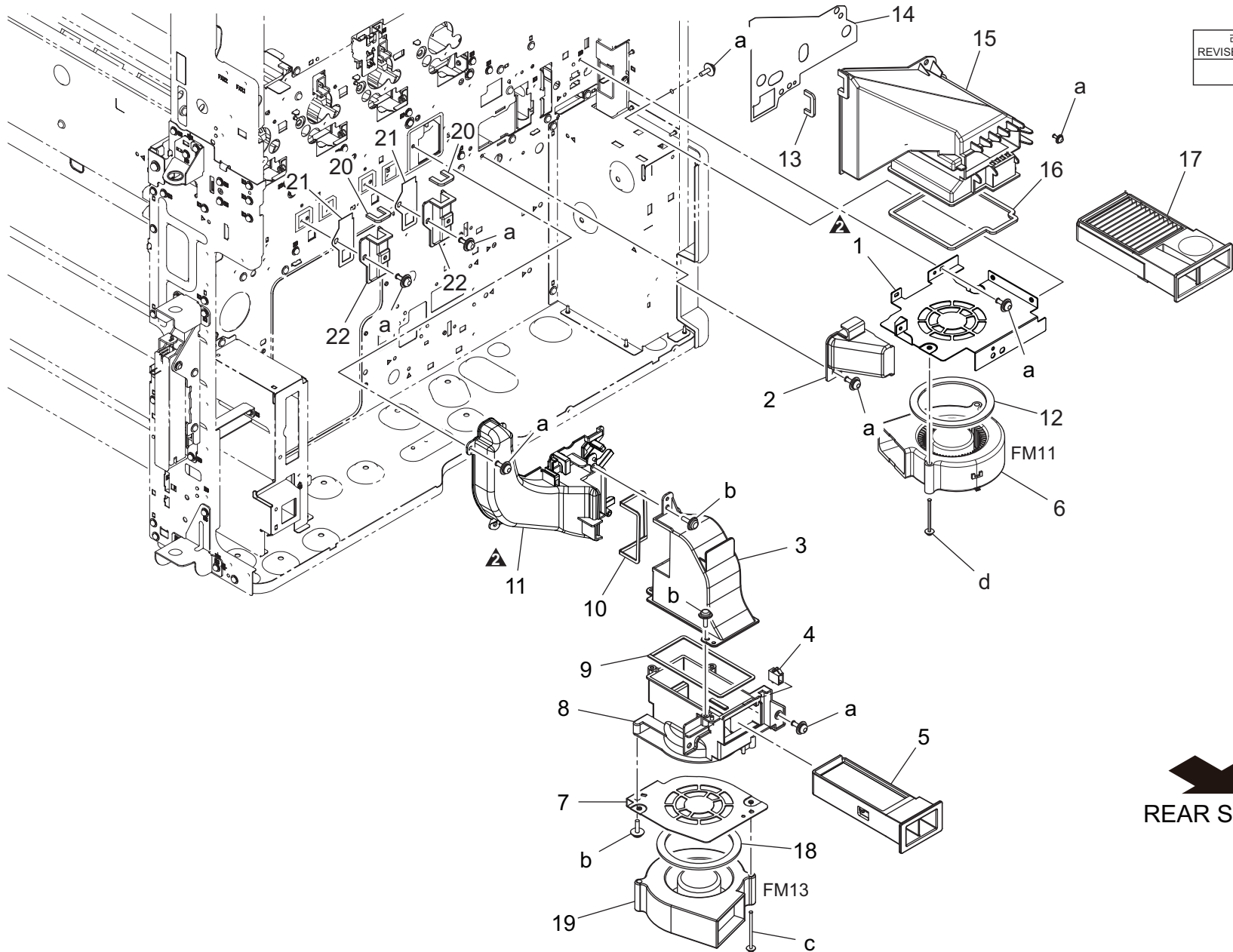
改訂版 REVISED EDITION	日付 DATE
	JANUARY 2014



OZONE DUCT SECTION

P 58

改訂版 REVISED EDITION	日付 DATE
	SEPTEMBER 2013

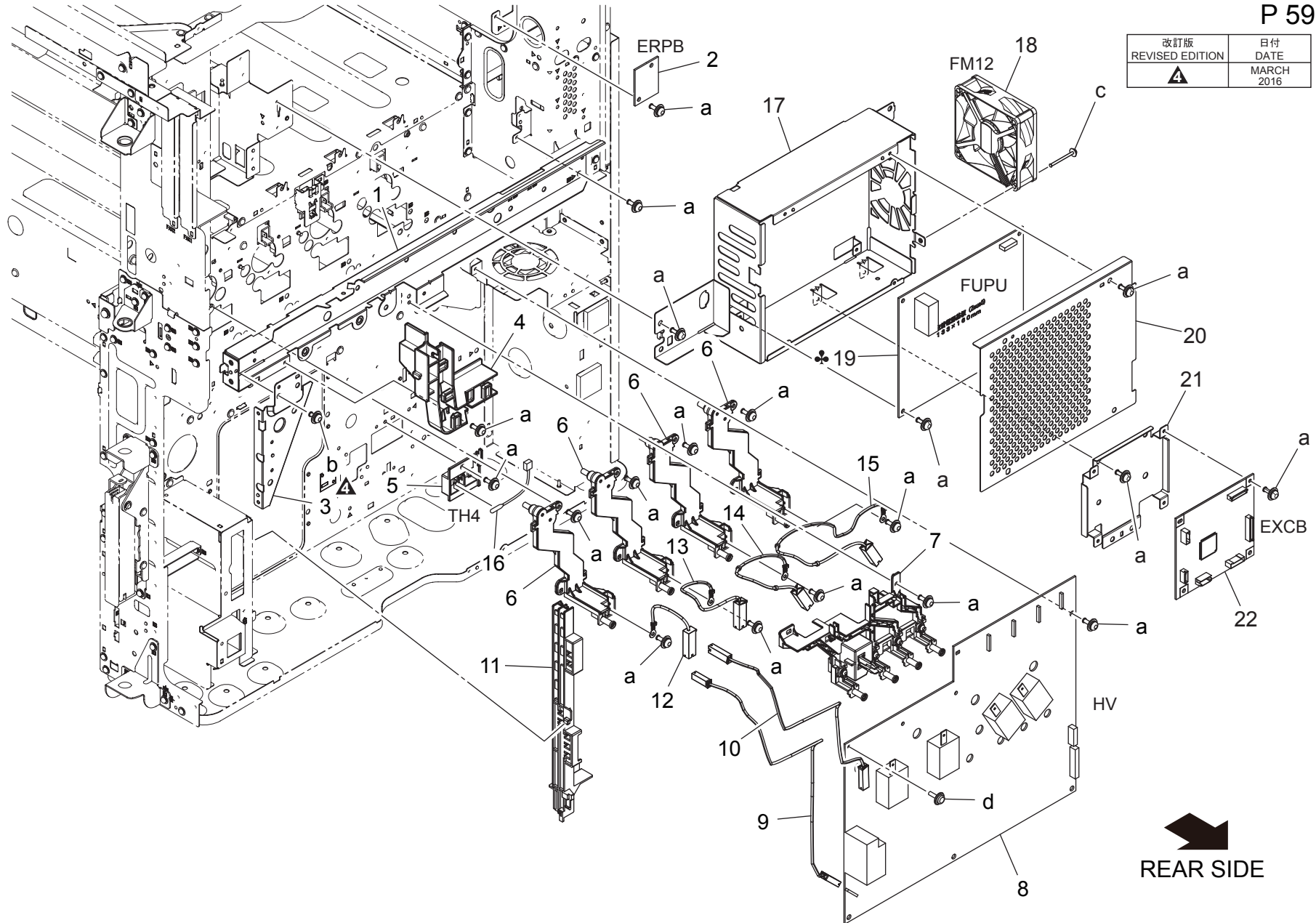



REAR SIDE

OZONE DUCT SECTION

Key	Part No.	Description	Destinations	Class	QTY	Standard parts
1	A161142000Old	Mounting Plate		D	1	a-V116030803 b-V153030803 c-V116034003 d-V116033503
1	A5C1142001	Mounting Plate		D	1	
2	A161141500	Duct /2		D	1	
3	A161141902	Duct /2		D	1	
4	V651010003	CONNECTOR		D	1	
5	A161R72711	Ozone Filter Assy		A	1	
6	9313100072	FAN MOTOR		C	1	
7	A2XK142201	Mounting Plate		D	1	
8	A2XK147001	Duct /3		D	1	
9	A161145300	Seal /2		D	1	
10	A161145201	Seal /1		D	1	
11	A5C1141800	Duct /1		D	1	
12	A02E117300	Seal		C	1	
13	A161146600	Seal /3		D	1	
14	A161146900	Seal /4		D	1	
15	A161147500	Duct /1		D	1	
16	A161143500	Seal /1		D	1	
17	A161R72811	Toner Filter Assy		A	1	
18	A03U733400	Seal /5		C	1	
19	A03UM15300	Fixing Cooling Fan		C	1	
20	A161146600	Seal /3		D	2	
21	A161146500	Seal		D	2	
22	A161147600	Duct		D	2	

HIGH VOLTAGE SECTION




REAR SIDE

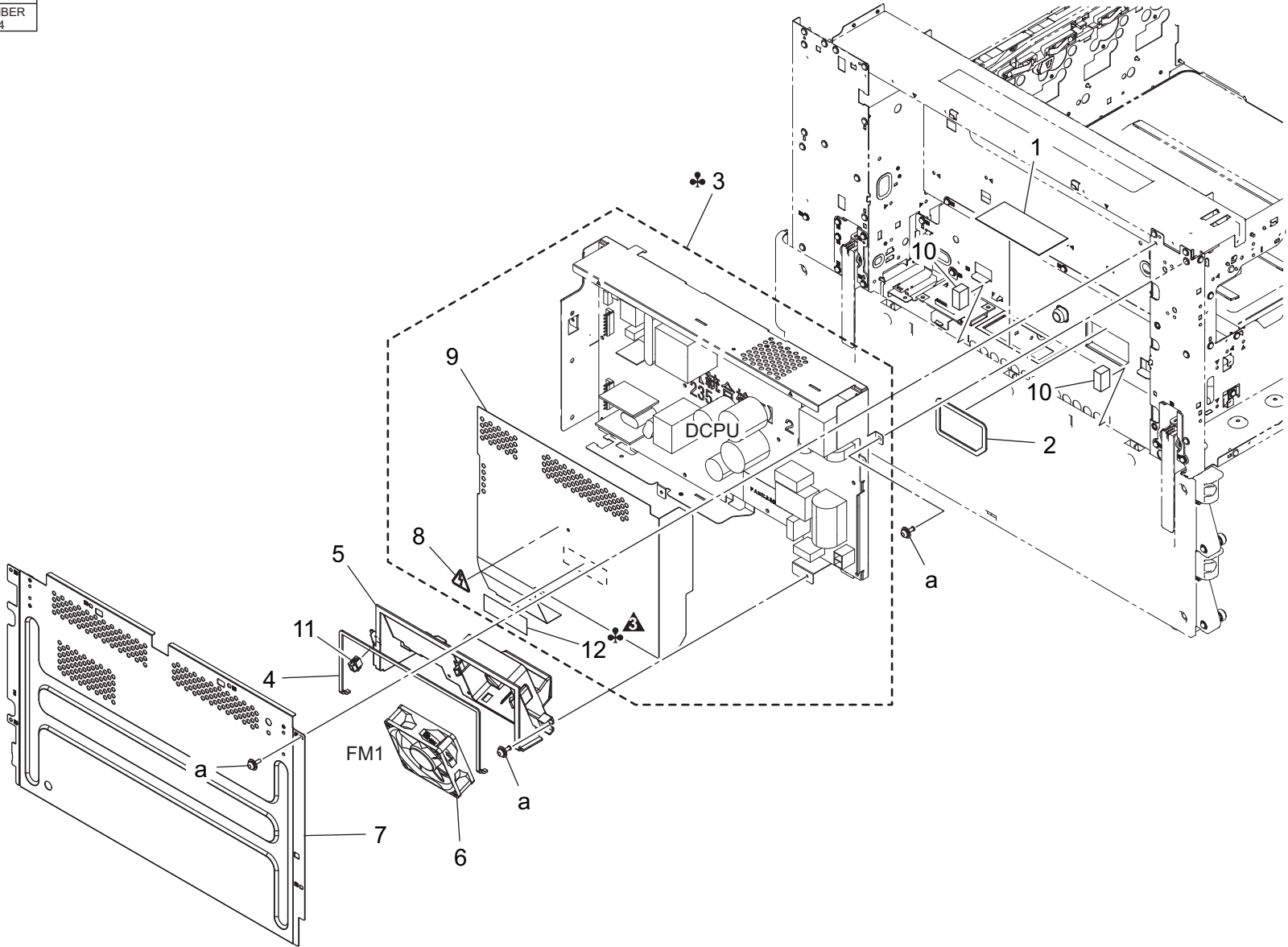
bizhub C454

HIGH VOLTAGE SECTION

Key	Part No.	Description	Destinations	Class	QTY	Standard parts
1	A161132504	Mounting Plate		D	1	a-V116030803 b-V116030603 c-V116033003 d-V153030804
2	A161H00C02	PWB Assembly(PWB-DC ASSY)		C	1	
3	A161132801	Reinforce Plate		D	1	
4	A161132103	Guide		D	1	
5	A161137701	Holder		D	1	
6	A161R70211	HV Contact Assy		D	4	
7	A161R70322	DV Contact Assy		D	1	
8	A161M40601	High voltage unit		I	1	
9	A161N11K00	Neutralizing Wiring		D	1	
10	A161N11300	Transfer Wiring /2		D	1	
11	A5C1134800	Guide		D	1	
12	A161N12P01	Charging Wiring /K		D	1	
13	A161N12N01	Charging Wiring /C		D	1	
14	A161N12M01	Charging Wiring /M		D	1	
15	A161N12K01	Charging Wiring /Y		D	1	
16	A0P0M50300	Thermistor		C	1	
17	A4FJ150101	Shield Case		D	1	
18	4139M10000	FAN MOTOR		B	1	
19	A4FJM40J01	Fixing Power source /100V	A,A1	I	1	
19	A4FJM40K01	Fixing Power source /120V	B,G2,H	I	1	
19	A4FJM40M01	Fixing Power source /230V	C,D1,D3,E,F2,G1,I,K ,J	I	1	
20	A4FJ150200	Shield Plate		D	1	
21	A2XK131700	Mounting Plate		D	1	
22	A2XKH00502	PWB Assembly(PWB-EX ASSY)		C	1	

MAIN POWER SUPPLY SECTION

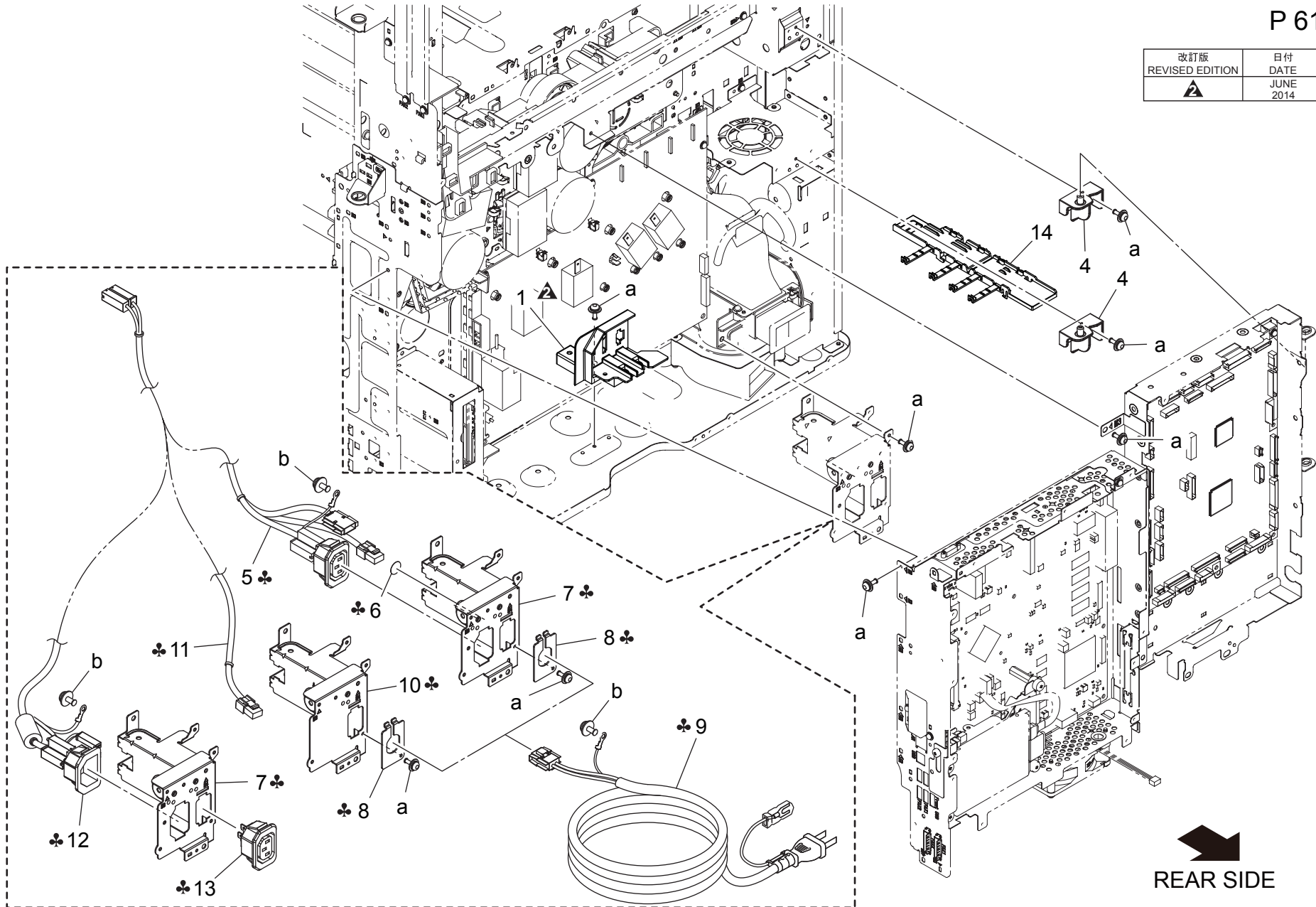
改訂版 REVISED EDITION	日付 DATE
	DECEMBER 2014



ELECTRICAL COMPONENTS

P 61

改訂版 REVISED EDITION	日付 DATE
	JUNE 2014



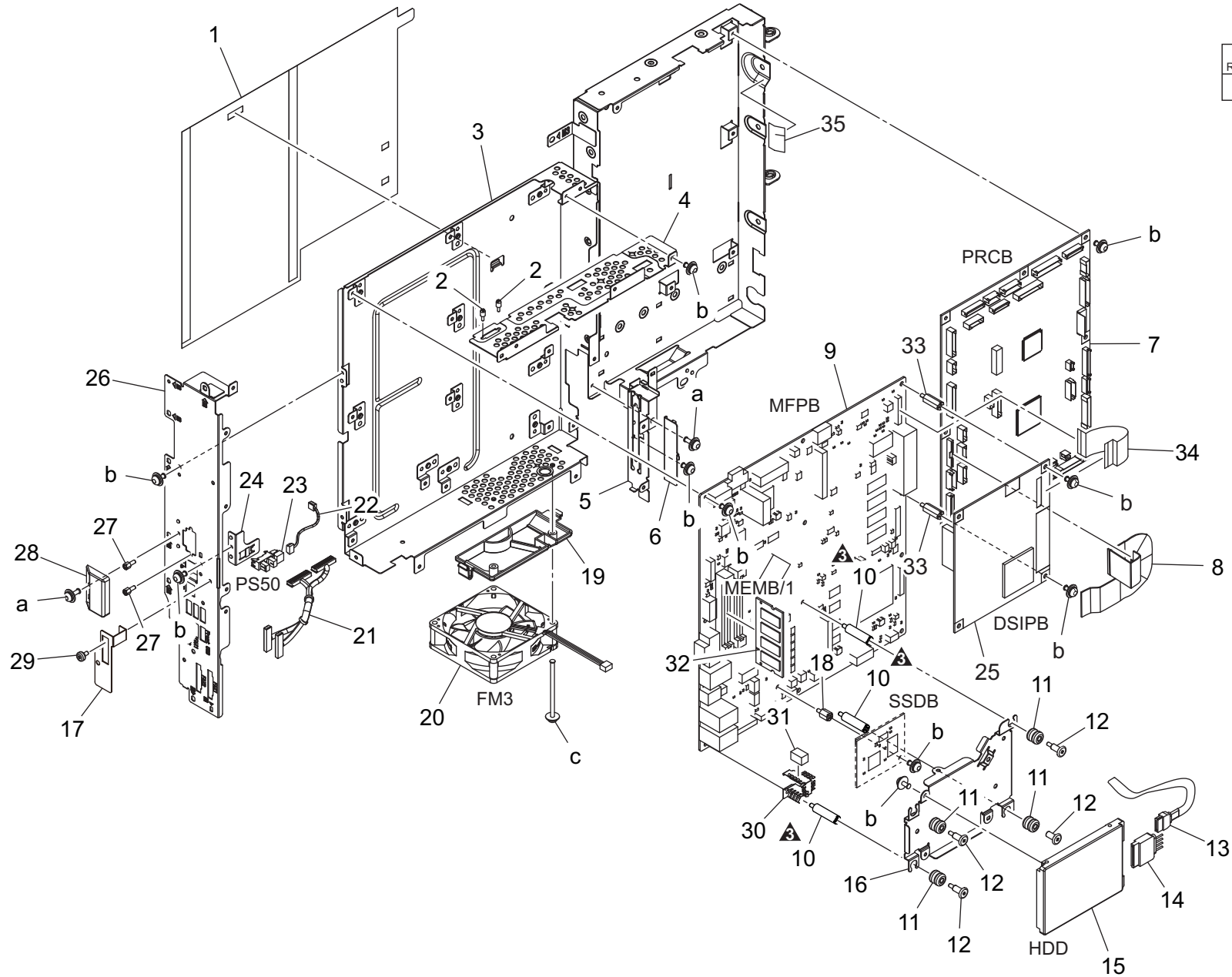

REAR SIDE

bizhub C454

ELECTRICAL COMPONENTS

P 62

改訂版 REVISED EDITION	日付 DATE
	OCTOBER 2013

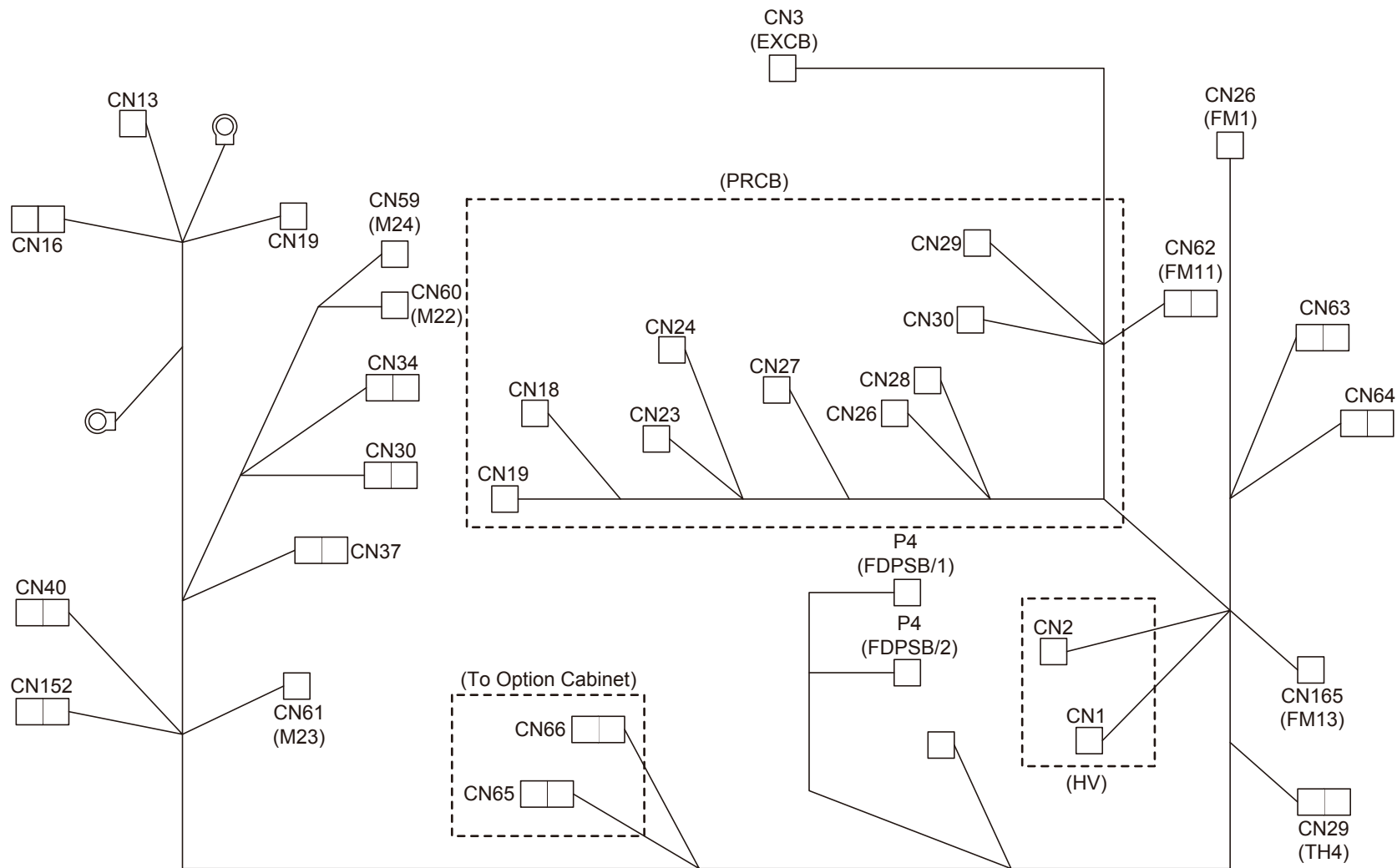



REAR SIDE

bizhub C454

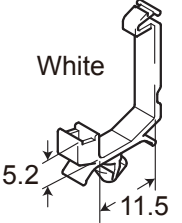
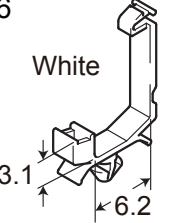
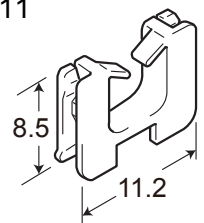
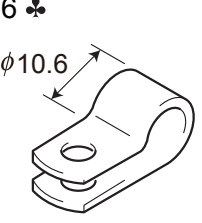
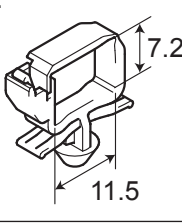
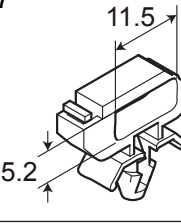
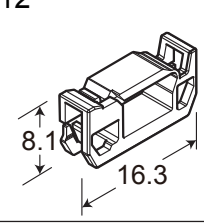
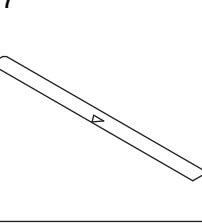
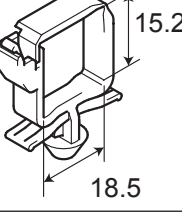
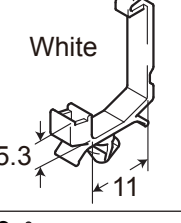
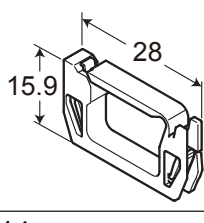
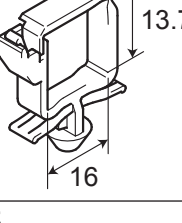
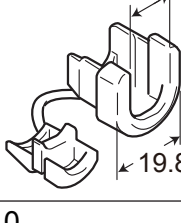
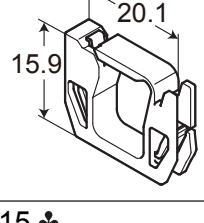
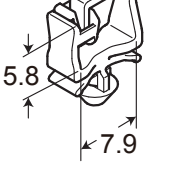
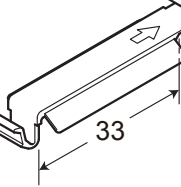
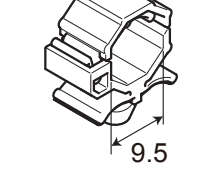
Key	Part No.	Description	Destinations	Class	QTY	Standard parts
1	A161134500	Sheet	シート (HV 基板)	D	1	a-V116030803 b-V116030603 c-V116034003
2	A161138601	Shoulder screw	段ねじ	C	2	
3	A161131005	Shield Case	シールドケース	D	1	
4	A161137402	Mounting Plate	取付板 (パネルコネクタ)	D	1	
5	A161138804	Mounting Plate	取付板 (F i e r y コネクタ)	D	1	
6	A161137501	Cover	カバー (I / F 基板)	D	1	
7	A4FJH00104	PWB Assembly(PWB-MC ASSY)	基板 ASSY (PWB-MC ASSY)	I	1	
8	A161N11800	Flatcable /50	フラットケーブル/50	C	1	
9	A2XKH02004	PWB assembly(PWB-MFP ASSY)	基板 ASSY (PWB-MFP ASSY)	I	1	
10	A5C1139900	Shoulder screw	段ねじ (HDD A s s y)	D	3	
11	A0P0144400	Bushing	ブッシュ (HDD)	D	4	
12	A0P0144300	Shoulder screw	段ねじ (HDD)	D	4	
13	A0PON15100	Cable	ケーブル	C	1	
14	A161N15J00	Power source Cable	電源ケーブル (S A T A C A B L E)	C	1	
15	A2X0M72C00	HDD	HDD	I	1	
16	A161130701	Mounting Plate	取付板 (HDD)	D	1	
17	A161139501	Cover	蓋 (USB)	D	1	
18	A161137600	Shoulder screw	段ねじ (SSD)	D	1	
19	A161140102	Duct	ダクト (コント冷却)	D	1	
20	A0EDM10500	Fan motor	ファンモータ	C	1	
21	A161N12602	Control Relay harness	制御中継束線 (F A X 中継)	D	1	
22	A161N11B00	Controller Detection harness	コントローラ検知束線	D	1	
23	A108M50100	Photointerrupter	透過型センサ	B	1	
24	A161139400	Mounting Plate	取付板 (USB 蓋センサ)	D	1	
25	A161H02A00	PWB assembly(PWB-DS ASSY)	基板 ASSY (PWB-DS ASSY)	I	1	
26	A161132203	Mounting Plate	取付板 (コントローラ左側面)	D	1	
27	A161137900	Screw	ねじ (D-SUB)	C	2	
28	A0ED131900	Cover	カバー (D-s u b)	D	1	
29	A0P0149100Old	Shoulder screw	段ねじ (USB 蓋)	C	1	
29	A0P0742300	Shoulder screw	段ねじ	C	1	
30	A0P0145900	Ground Plate	アース板 (USB)	D	1	
31	A161136200	Cushion	クッション (USB)	D	1	
32	V865300066	MEMORY MODULES	M E M O R Y M O D U L E S	C	1	
33	A4MG130900	Shoulder screw	段ねじ (DS 基板)	D	2	
34	A161N15500	Interface Flatcable	インターフェースフラットケーブル	C	1	
35	A161135700	Protection Seal	保護シール	C	1	

1



WIRING ACCESSORIES AND JIGS

P 65

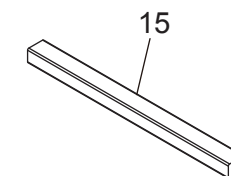
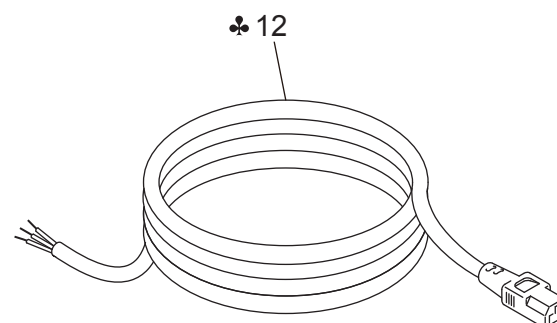
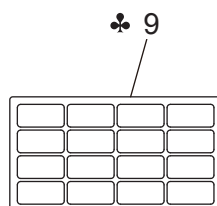
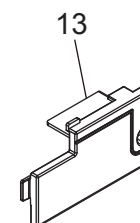
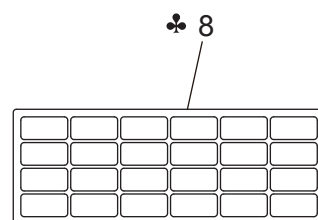
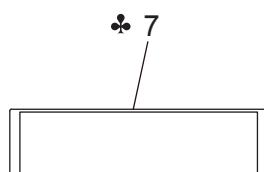
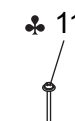
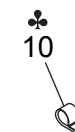
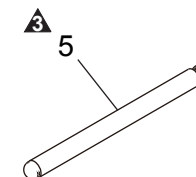
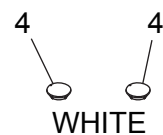
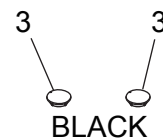
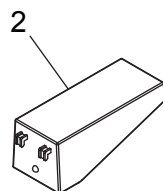
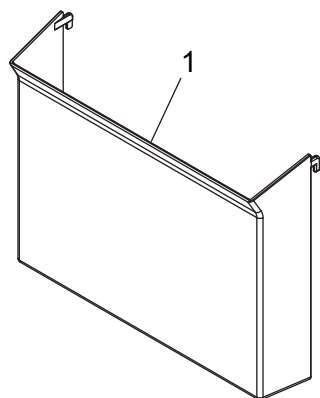
1 White 	6 White 	11 	16 ♣ $\phi 10.6$ 	21	26	31	36
2 	7 	12 	17 	22	27	32	37
3 	8 White 	13 	18	23	28	33	38
4 	9 ♣ 	14 	19	24	29	34	39
5 	10 	15 ♣ 	20	25	30	35	40

bizhub C454

ACCESSORY PARTS

P 66

改訂版 REVISED EDITION	日付 DATE
	OCTOBER 2013



MAINTENANCE LIST

● The items with no Page/Key numbers are not handled as spare parts.

No.	Section	PM Parts Description	Maintenance Cycle (K=1,000)		Parts No.	Destinations	Page/Key	Note
			QTY	Replace				
1	ADF Section	Pick-up roller	2	200K	A143PP5200		P6-13	*2, *7
2		Feed roller	1	200K	A143563100		P6-26	*2, *7
3		Separation roller	1	200K	A3CFPP4H00		P7-3	*2, *7
4	Paper feed section	Tray 1 pick-up roller	1	300k	A5C1562200		P33-30	*2, *4
5		Tray 1 feed roller	1	300k	A00J563600		P33-14	*2, *4
6		Tray 1 separation roller	1	300k	A00J563600		P34-6	*2, *4
7		Tray 2 pick-up roller	1	300k	A5C1562200		P35-35	*2, *4
8		Tray 2 feed roller	1	300k	A00J563600		P35-18	*2, *4
9		Tray 2 separation roller	1	300k	A00J563600		P36-6	*2, *4
10		Manual bypass tray feed roller	1	200k	A00F623201		P47-10	*2, *4
11		Manual bypass tray separation roller assy	1	200k	4658015106		P48-30	*2, *4
12	Processing section	Toner cartridge/Y,M,C *1	1	26k	-			
13		Toner cartridge/K *1	1	27.5k	-			
14		Drum unit/Y,M,C *1	1	80k(JP)	-			*3
15		Drum unit/Y,M,C *1	1	95k(US/EU)	-			*3
16		Drum unit/K *1	1	130k	-			*3
17		Developing unit/Y,M,C,K	1	580k(JP)	-			*3
18		Developing unit/Y,M,C,K	1	590k(US)	-			*3
19		Developing unit/Y,M,C,K	1	600k(EU)	-			*3
20		Ozone filter	1	300k	A161R72711		P58-5	*3, *5
21		Toner filter	1	300k	A161R72811		P58-17	*3, *5
22	Image transfer section	Waste toner box *1	1	40k	A4NNWY1	A,A1,D1,D3,E,F2,G1, B,C	P28-9	*6
23		Waste toner box *1	1	40k	A4NNWY3		P28-9	*6
24		Transfer belt unit	1	300k	A161R71311		P31-1	*3
25		Transfer roller unit	1	300k	A161R71411		P44-23	*3, *5
26	Fusing section	Fusing unit 100V	1	580k	A4FJR70244	Aera 100V	P51-10	*3
27		Fusing unit 120V	1	590k	A4FJR70344	Aera 110-127V	P51-10	*3
28		Fusing unit 230V	1	600k	A4FJR70444	Aera 220-240V	P51-10	*3

*1: The parts can be replaced either by user or service engineer.

*2: Actual durable cycle (life counter value)

*3: Field standard yield

*4: Replace those three parts at the same time.

*5: The ozone filter and the transfer roller unit are furnished with the transfer belt unit so that all of them are replaced at same time.

*6: A waste toner full condition is detected with detecting the actual waste toner emissions.

*7: Replace those parts at the same time.

メンテナンスリスト

● ページ / キーナンバーのないものは、アフターサービス部品ではありません。

No.	区分	P M 部品名称	サイクル (K=1,000)		部品番号	仕向地	頁 / キー	備考
			員数	交換				
1	ADF 部	ピックアップローラー	2	200K	A143PP5200		P6-13	*2, *7
2		給紙ローラー	1	200K	A143563100		P6-26	*2, *7
3		分離ローラー Assy	1	200K	A3CFPP4H00		P7-3	*2, *7
4	給紙部	トレイ1ピックアップローラー	1	300k	A5C1562200		P33-30	*2, *4
5		トレイ1給紙ローラー	1	300k	A00J563600		P33-14	*2, *4
6		トレイ1分離ローラー	1	300k	A00J563600		P34-6	*2, *4
7		トレイ2ピックアップローラー	1	300k	A5C1562200		P35-35	*2, *4
8		トレイ2給紙ローラー	1	300k	A00J563600		P35-18	*2, *4
9		トレイ2分離ローラー	1	300k	A00J563600		P36-6	*2, *4
10		手差しトレイ給紙ローラー	1	200k	A00F623201		P47-10	*2, *4
11		手差しトレイ分離ローラー Assy	1	200k	4658015106		P48-30	*2, *4
12	プロセス部	トナーカートリッジ /Y,M,C *1	1	26k	-			
13		トナーカートリッジ /K *1	1	27.5k	-			
14		ドラムユニット /Y,M,C *1	1	80k(JP)	-			*3
15		ドラムユニット /Y,M,C *1	1	95k(US/EU)	-			*3
16		ドラムユニット /K *1	1	130k	-			*3
17		現像ユニット /Y,M,C,K	1	580k(JP)	-			*3
18		現像ユニット /Y,M,C,K	1	590k(US)	-			*3
19		現像ユニット /Y,M,C,K	1	600k(EU)	-			*3
20		オゾンフィルター	1	300k	A161R72711		P58-5	*3, *5
21		トナーフィルター	1	300k	A161R72811		P58-17	*3, *5
22	転写部	廃棄トナーボックス *1	1	40k	A4NNWY1	A,A1,D1,D3,E,F2,G1,G2,	P28-9	*6
23		廃棄トナーボックス *1	1	40k	A4NNWY3	B,C	P28-9	*6
24		転写ベルトユニット	1	300k	A161R71311		P31-1	*3
25		転写ローラーユニット	1	300k	A161R71411		P44-23	*3, *5
26	定着部	定着ユニット 1 0 0 V	1	580k	A4FJR70244	Aera 100V	P51-10	*3
27		定着ユニット 1 2 0 V	1	590k	A4FJR70344	Aera 110-127V	P51-10	*3
28		定着ユニット 2 3 0 V	1	600k	A4FJR70444	Aera 220-240V	P51-10	*3

*1: ユーザー / サービス交換の選択が可能。

*2: ライフカウンター値

*3: 市場標準印刷枚数値

*4: 同時交換する。

*5: 転写ベルトユニット (A161R713) に同梱されており、同時交換する。

*6: 廃棄トナーフル検知は、実際の廃棄トナー充填量を検知して行う。

*7: 3点同時交換すること。

DESTINATION

Destination No.		Destinations		V	Hz	Model No.
A	A1	JAPAN		100	50/60	A4FJ001
	A2	JAPAN				
B		USA, CANADA		120	60	A4FJ011/ A4FJ012
C		EUROPEAN TYPE		220-240	50/60	A4FJ021
D	D1	S.E ASIA TYPE	THAILAND, SRI LANKA, SINGAPORE, MALAYSIA, HONG KONG, PAKISTAN, INDIA, BANGLADESH, INDONESIA	220-240	50/60	A4FJ041
	D3	OCEANIA TYPE	AUSTRALIA, NEW ZEALAND	220-240	50/60	A4FJ041
E		PHILIPPINES		220-240	50/60	A4FJ041
F	F1	SAUDI ARABIA				
	F2	SAUDI ARABIA		220-240	50/60	A4FJ041
G	G1	C.S AMERICA		220-240	50/60	A4FJ041
	G2	C.S AMERICA		120	60	A4FJ011
H		TAIWAN		110	60	A4FJ071
I		JORDAN, LEBANON, SYRIA, SOUTH AFRICA, IRAQ, IRAN, N.YEMEN, CAMEROON, UAE, BAHRAIN, OMAN, QATAR, KUWAIT, KENYA, TUNISIA, IVORY COAST, MOROCCO		220-240	50/60	A4FJ041
J		CHINA				A4FJ081
K		KOREA		220-240	50/60	A4FJ041

bizhub C454