

KONICA MINOLTA

# *PARTS GUIDE MANUAL*

---

*MARCH 2021*

*bizhub C550i*  
*AA7P*

## INFORMATION FOR PARTS GUIDE MANUAL

To find correct Parts No., refer to the "HOW TO MAKE THE BEST USE OF THIS MANUAL" in the following page.

### HOW TO MAKE THE BEST USE OF THIS MANUAL

- 1 When you order, please check the proper figures beforehand that are on Our Parts Guide Manual, and order with the appropriate figures.
- 2 For screws, Nuts, Washers, retaining rings and Pins which are used in this model, one letter is shown on the Standard parts column of Parts list and exploded diagrams.
- 3 In order to maintain safety of the product, some specific parts composed of this product are set up as "essential safety parts".
- 4 The assigned parts number for the "essential safety parts" is indicated as "SP00-\*\*\*\*".  
When replacing these parts, follow precautions for disassembling and installing which are listed in the Service Manual.  
Do not use any parts that are not set up as
- 5 ♣ means that there are exclusive parts for each destination.  
Please check the appropriate destination when you order.
- 6 All rights reserved. (any reprints or quotations are prohibited.)  
Use of this parts guide manual should be strictly supervised to avoid disclosure of confidential information.

## パーツガイド マニュアルのご案内

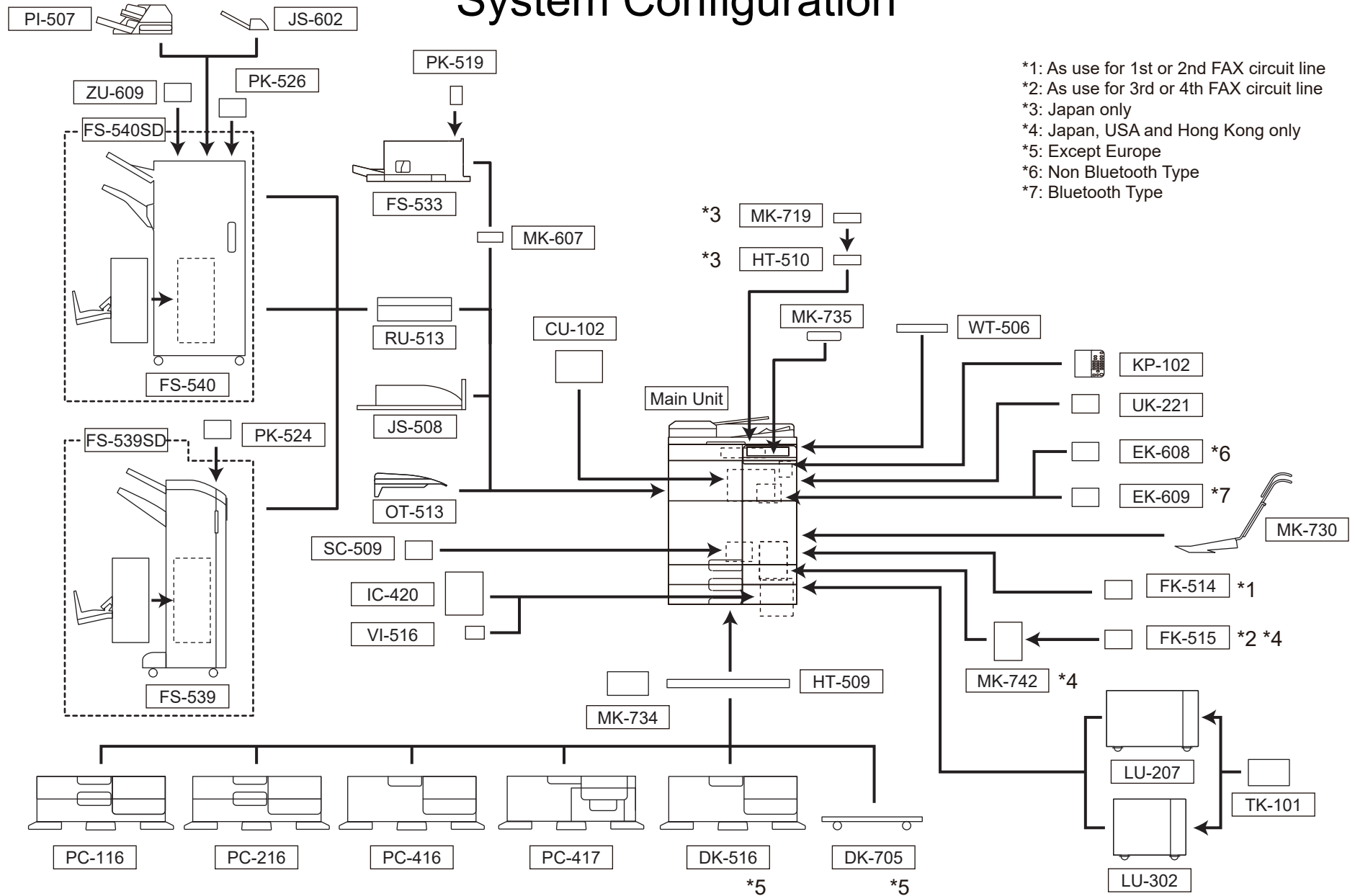
サービス部品をご発注の際には、下記に示す“パーツガイド マニュアルの活用にあたって”をご参照の上、正しい部品番号にてお願い致します。

### パーツガイド マニュアルの活用にあたって

- 1 部品発注の際には、掲載されている部品番号の桁数を確認し、掲載されている桁数で発注願います。
- 2 この製品に使用されているネジ、ナット、ワッシャー、止め輪、ピンなどは、リストの右側の Standard parts 欄に a,b,c,…… で表示し、イラストにも a,b,c,…… 表示してあります。
- 3 製品の安全性を維持する為に、製品に使用される特定の部品を「重要保安部品」として設定しています。
- 4 重要保安部品の部品番号は、“SP00-\*\*\*\*”と記載されていますので、部品交換時は、サービスマニュアル記載の分解・組み立ての注意事項に従って作業をして下さい。  
また、指定以外の部品は一切使用しないで下さい。
- 5 本文に ♣ が表示されている部品は、仕向け地毎に専用部品がある事を意味しています。  
オーダーされる時は、仕向け地を確認して下さい。
- 6 著作権所有（無断転載及び無断引用の禁止）  
本パーツガイド マニュアルについては、機密保持等その扱いには十分注意して下さい。万一取り扱いを誤った場合には、法律で処罰される場合があります。

11/22/2019

# System Configuration



bizhub C550i

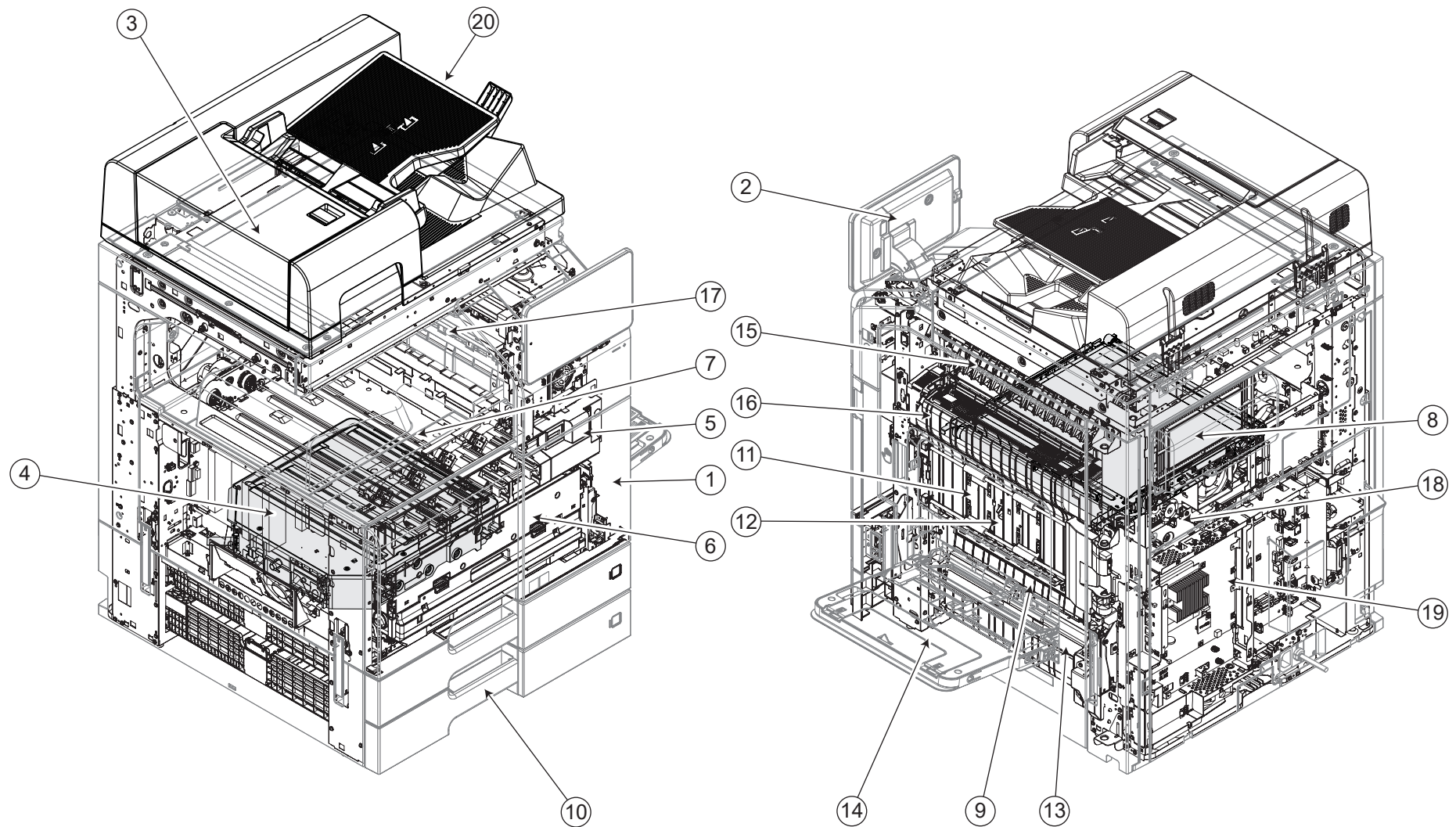
# GENERAL CONTENTS

No.	Description	Model
1	Digital MFP Color	bizhub C550i
2	Finisher/Sorter	FS-539
3	Finisher/Sorter	FS-539 SD
4	Finisher/Sorter	FS-540
5	Finisher/Sorter	FS-540 SD
6	Job Separator	JS-508
7	Punch Unit	PK-524
8	Punch Unit	PK-526
9	Paper Feeder	PC-417
10	Mount Kit	MK-607
11	Output Tray	OT-513
12	Finisher/Sorter	FS-533
13	Folding Unit	ZU-609
14	Post Inserter	PI-507
15	Paper Feeder	LU-207
16	Other Option	CU-102
17	Job Separator	JS-602
18	Punch Unit	PK-519
19	Paper Feeder	PC-116
20	Paper Feeder	PC-216
21	Paper Feeder	PC-416
22	Paper Feeder	LU-302

bizhub C550i

<b>No.</b>	<b>Description</b>	<b>Model</b>
23	Desk	DK-516
24	Desk	DK-705
25	Finisher/Sorter	RU-513
26	Other Option	MK-719
27	Mount Kit	MK-730
28	Mount Kit	MK-734
29	Mount Kit	MK-735
30	Mount Kit	MK-742
31	Heater	HT-509
32	Heater	HT-510
33	Working Table	WT-506
34	Image Controller	IC-420
35	Video IF Kit	VI-516
36	Fax Kit	FK-514
37	Fax Kit	FK-515
38	Local IF Kit	EK-608
39	Local IF Kit	EK-609
40	Other Option	SC-509
41	Other Option	UK-221
42	Other Option	TK-101
43	Other Option	KP-102

# Section Configuration



bizhub C550i

# CONTENTS

No.	DESCRIPTION	名称	PAGE No.
1	External Parts	外装部	P1 P2 P3
2	Operation Panel section	操作部	P4 P5
3	Scanner Section	スキャナ一部	P6 P7 P8 P9
4	Write Section	書き込み部	P10
5	Toner Supply Section	トナー補給部	P11 P12 P13
6	Toner Collection Section	トナー回収部	P14
7	Photo Conductor/ Developing Section	感光体部 / 現像部	P15 P16
8	1st Transfer Section	1次転写部	P17
9	Paper Feed Section	給紙部	P18 P19 P20 P21 P22
10	Tray Section	トレイ部	P23 P24 P25 P26 P27 P28 P29
11	Registration Section	レジスト部	P30 P31 P32
12	2nd Transfer Section	2次転写部	P33 P34 P35
13	Vertical Conveyance Section	垂直搬送部	P36
14	Bypass Tray Section	手差しトレイ部	P37 P38 P39 P40
15	Reverse Section	反転部	P41 P42 P43 P44
16	Fusing Section	定着部	P45
17	Paper Exit Section	排紙部	P46 P47 P48
18	Drive Section	駆動部	P49 P50 P51 P52 P53 P54
19	Colling Section	冷却部	P55 P56
20	Electrical Parts	電装部	P57 P58 P59 P60
21	Wiring	束線	P61 P62 P63
22	Automatic Document Feeder	自動原稿送り部	P64 P65 P66 P67 P68 P69 P70 P71 P72 P73 P74 P75 P76 P77 P78
23	Wiring Accessories	配線部品	P79
24	Service Tool	サービスツール	P80
25	Accessory Parts	同梱部品	P81 P82

# INDEX

Parts No.	Page No.	Parts No.	Page No.	Parts No.	Page No.	Parts No.	Page No.	Parts No.	Page No.
07BA12352	1-16	4470402401	72-33	A00J563600	71-11	A0ED257500	54-29	A0P0M50300	57-10
0996305501	23-8	4470402401	75-38	A00J617900	21-7	A0ED259700	54-27	A0P0M50300	75-1
1164202801	47-8	4470402401	76-4	A00J663200	19-16	A0ED271200	8-6	A0VDM50200	14-7
15BY561200	64-22	4470402401	77-7	A00J663200	21-15	A0ED271300	8-7	A108260700	69-19
4002311002	24-10	4470402401	78-19	A00J945201	2-8	A0ED273600	9-10	A108266300	77-15
4002504203	17-9	4532341001	20-3	A00J945500	1-22	A0ED274200	9-23	A108703100	70-4
4004590301	47-14	4532341001	22-3	A00JH00D00	1-9	A0ED274300	9-12	A108890500	68-9
4025598401	47-19	4576536301	13-12	A00V240600	72-18	A0ED274400	9-13	A108891300	68-11
4025598401	48-23	4581162501	7-8	A00V240600	75-11	A0ED276301	9-11	A108M50000	67-7
4030320601	27-17	56AA40490	3-6	A00V240600	77-3	A0ED363200	14-3	A108M50000	70-8
4030320601	29-17	56AA40490	38-16	A02E117300	55-4	A0ED363400	14-4	A161101600	23-20
4030322602	27-9	65AA-9920	80-2	A02E149900	2-7	A0ED401000	13-31	A161101701	23-19
4030322602	29-9	9321240011	38-31	A02E561100	19-14	A0ED550800	34-20	A161101900	23-4
4036307501	7-10	9335140071	70-13	A02E561100	21-13	A0ED550900	34-21	A161103700	23-2
4036534801	13-32	9381420021	81-15	A02E595100	38-36	A0ED551100	34-17	A161103901	23-10
4038101401	3-17	9381430031	81-15	A02E595400	38-35	A0ED563900	20-7	A161104101	33-3
4038101401	11-2	9J06M10300	24-3	A02E596100	38-25	A0ED563900	22-7	A161104200	23-3
4038101401	12-1	9J06M60100	3-3	A02E596300	38-28	A0ED597800	38-30	A161104300	23-1
4038258001	54-26	9J06M60100	36-18	A02E597600	39-27	A0ED620200	29-16	A161105200	23-15
4038541202	52-7	9J06PJP100	80-3	A02E815200	20-11	A0ED620701	27-34	A161105400	10-4
4131253701	69-6	9J07160200	64-11	A02E815200	22-11	A0ED620701	29-34	A161105500	49-12
4131253701	73-2	9J07210802	7-17	A02E815200	35-6	A0ED700200	31-6	A161105600	15-9
4131253701	78-1	9J07300801	68-8	A02E815200	42-9	A0ED700300	31-18	A161107100	15-5
4136N30000	81-15	9J07330102	71-7	A02E815200	43-24	A0ED700700	31-19	A161110300	17-7
4163510201	13-10	9J07330801	71-6	A02E940300	27-25	A0ED703800	34-12	A161110500	17-21
4163529301	3-1	9J07331901	71-14	A02E940300	29-25	A0ED811700	35-1	A161110601	17-4
4163529301	10-3	9J07340901	72-4	A02EM20000	31-1	A0ED811700	42-15	A161112000	17-34
4163529301	11-4	9J07341102	68-13	A02EM20100	38-29	A0ED811900	35-4	A161112101	17-2
4163529301	12-16	A00F623201	38-18	A02EN12513	59-13	A0ED815100	43-7	A161112200	17-10
4163529301	17-6	A00F941100	41-3	A034M20100	38-5	A0ED891100	47-9	A161112300	17-27
4163529301	24-11	A00F941100	42-3	A03U812800	54-24	A0ED897700	48-18	A161112400	17-25
4163529301	27-23	A00J169100	2-5	A07H570500	71-10	A0EDM50100	19-8	A161112500	17-5
4163529301	29-23	A00J169100	5-19	A0ED103100	15-11	A0EDM50100	21-3	A161112600	17-11
4163529301	34-8	A00J169100	6-3	A0ED110900	17-22	A0EDM50100	31-13	A161112700	17-35
4163529301	35-30	A00J169100	81-3	A0ED111000	17-1	A0EDM60001	12-7	A161116202	16-2
4163529301	43-3	A00J169200	6-10	A0ED111400	17-16	A0EDM60001	16-1	A161119500	16-3
4163529301	58-11	A00J169300	19-27	A0ED111500	17-15	A0HT561202	72-5	A161121300	36-1
4163529301	68-1	A00J169300	21-30	A0ED111700	17-26	A0HU250500	75-16	A161122500	45-5
4163529301	77-17	A00J169300	46-3	A0ED112000	17-20	A0P0742300	46-2	A161137100	36-19
4470402401	69-4	A00J265300	7-6	A0ED135700	59-5	A0P0742300	76-26	A161137600	60-14



Parts No.	Page No.	Parts No.	Page No.	Parts No.	Page No.	Parts No.	Page No.	Parts No.	Page No.
A161137701	57-11	A161271100	8-11	A161590901	39-7	A161626502	26-7	A161814601	42-8
A161137900	60-25	A161271100	9-21	A161591000	39-8	A161626800	26-8	A161814700	42-10
A161138500	15-10	A161273113	9-19	A161591100	39-9	A161626800	28-7	A161815000	36-11
A161140200	10-1	A161273401	9-14	A161591300	38-34	A161631411	29-22	A161815100	41-2
A161141700	55-17	A161273500	9-20	A161591400	38-22	A161636502	28-6	A161815300	36-15
A161143400	58-8	A161273701	9-17	A161591600	39-14	A161701100	32-4	A161815400	36-14
A161143601	58-1	A161273800	9-15	A161591800	39-25	A161701301	31-5	A161815800	41-7
A161144500	58-5	A161274500	9-18	A161592200	40-1	A161701703	32-6	A161815900	36-7
A161144801	17-17	A161274600	9-16	A161592300	40-17	A161701900	31-4	A161816200	36-12
A161144801	55-18	A161275300	9-8	A161592400	40-5	A161702000	31-3	A161816400	42-14
A161144900	17-19	A161275400	9-9	A161592501	40-6	A161702101	32-5	A161819200	43-25
A161145000	58-3	A161275500	9-6	A161592600	40-7	A161702200	31-2	A161819500	43-31
A161146600	55-13	A161275600	9-5	A161592800	38-39	A161710500	35-7	A161825000	43-27
A161151200	36-20	A161276000	9-4	A161592900	36-21	A161711200	34-6	A161825301	39-28
A161162400	5-13	A161276500	9-7	A161593300	38-23	A161711300	35-11	A161825301	43-5
A161163900	2-11	A161278600	8-1	A161593400	39-6	A161711600	35-14	A161825400	43-15
A161170800	6-4	A161278900	8-2	A161593600	39-10	A161711700	35-12	A161825700	35-8
A161210200	50-13	A161280211	7-23	A161593800	40-10	A161711901	34-31	A161825700	43-8
A161210200	54-39	A161280300	7-24	A161594201	39-13	A161712000	35-17	A161825800	5-1
A161210200	66-7	A161281100	7-26	A161594300	40-13	A161712100	35-15	A161825800	43-16
A161210200	67-13	A161281300	7-25	A161594500	39-1	A161712401	34-4	A161826001	43-28
A161230700	54-19	A161281600	7-11	A161594600	39-3	A161712700	34-11	A161891000	48-7
A161232200	54-15	A161400601	13-21	A161594700	38-7	A161712800	35-19	A161892300	48-8
A161232501	54-31	A161400800	13-24	A161595000	39-22	A161712800	43-10	A161892400	47-17
A161240700	52-9	A161401000	13-9	A161595100	39-20	A161713500	35-18	A161892400	48-22
A161240900	52-10	A161401300	13-15	A161595300	39-17	A161714500	35-16	A161893601	48-2
A161241000	51-2	A161401500	13-6	A161595400	39-24	A161714600	35-9	A161894000	47-6
A161241400	51-4	A161403000	13-26	A161620400	29-10	A161719000	35-2	A161894100	47-5
A161258800	54-28	A161403200	13-30	A161620600	27-4	A161810305	36-16	A161895503	47-10
A161259400	54-30	A161404200	13-19	A161620600	29-4	A161811001	36-5	A161895601	47-11
A161261902	7-16	A161561100	18-2	A161620701	27-5	A161811302	36-10	A161900100	48-20
A161262002	7-19	A161561200	18-3	A161620701	29-5	A161811500	36-4	A161900201	47-13
A161262200	7-15	A161565102	18-4	A161621411	27-22	A161813001	43-29	A161943000	3-10
A161263000	7-12	A161571100	21-4	A161621600	27-32	A161813100	43-30	A161943301	81-8
A161268200	7-4	A161576100	18-7	A161621600	29-32	A161813200	43-9	A161943400	81-7
A161268300	7-3	A161578214	21-1	A161623400	23-16	A161813300	42-13	A161F59002	38-43
A161270102	8-8	A161578700	21-2	A161623400	26-3	A161813400	43-14	A161M10300	54-40
A161270600	8-10	A161579011	18-5	A161623400	28-3	A161813600	43-4	A161M20300	49-6
A161271000	8-12	A161590304	39-12	A161624100	27-3	A161813701	42-12	A161M50300	32-2
A161271000	9-22	A161590600	38-27	A161624100	29-3	A161814401	43-2	A161M50400	40-12

Parts No.	Page No.	Parts No.	Page No.	Parts No.	Page No.	Parts No.	Page No.	Parts No.	Page No.
A161M50501	24-9	A5C1104700	23-6	A5C1M50100	21-26	A782100600	73-17	A782130500	66-5
A161M50600	24-13	A5C1104800	23-5	A5C1M50100	24-7	A782100701	73-18	A782130600	64-3
A161M50A00	7-22	A5C1105500	15-6	A5C1M50100	32-8	A782101000	69-18	A782211300	69-9
A161N11300	57-7	A5C1112102	17-28	A5C1M50100	34-13	A782101600	69-17	A782211400	69-13
A161N11C01	6-8	A5C1112800	17-14	A5C1M50100	35-24	A782101700	65-10	A782211500	69-20
A161N11K00	57-8	A5C1112900	17-24	A5C1M50100	38-37	A782101900	78-14	A782211600	69-2
A161N12701	21-5	A5C1134800	57-9	A5C1M50100	39-26	A782103200	78-12	A782211700	69-11
A161N12801	13-23	A5C1192104	81-5	A5C1M50100	40-4	A782103600	77-24	A782211800	69-7
A161N14000	8-9	A5C1254600	54-25	A5C1M50100	43-11	A782104301	76-6	A782212000	69-5
A161N14100	7-9	A5C1263300	7-27	A5C1M50100	67-5	A782104500	78-17	A782212300	75-4
A161N14201	7-14	A5C1263400	7-7	A5C1M50100	68-10	A782105001	65-4	A782212702	69-12
A161R72811	55-1	A5C1280101	7-20	A5C1M50100	69-15	A782105101	65-3	A782214300	69-8
A1UD192400	23-14	A5C1404600	13-20	A5C1M50100	70-15	A782106200	64-24	A782215100	72-31
A1UDM50100	67-10	A5C1551701	34-1	A5C1M50100	72-37	A782110600	64-16	A782215800	69-10
A1UDM50200	7-5	A5C1562200	38-17	A5C1M50100	75-22	A782111000	65-8	A782230700	75-36
A1UDN30200	81-15	A5C1591200	38-32	A5C1M50100	76-24	A782111100	65-9	A782231000	75-10
A2UPN30100	81-15	A5C1591900	38-38	A5C1M50100	77-37	A782111200	65-14	A782262101	75-30
A2UPN30300	81-15	A5C1627103	24-4	A5C1M50100	78-13	A782112305	64-15	A782262200	75-21
A2UPN30601	81-15	A5C1627300	24-6	A5C1M92000	5-2	A782114100	64-21	A782262300	75-33
A2X0M10000	49-5	A5C1627900	24-5	A5C1N14300	9-1	A782115700	72-25	A782262501	75-26
A2X0M10600	42-20	A5C1628000	24-12	A61DM10000	49-16	A782115700	75-3	A782262700	75-31
A2X0M10800	69-14	A5C1628500	26-17	A61DM10000	50-15	A782115700	77-4	A782262800	65-11
A2X0M10800	78-4	A5C1628500	28-16	A61F100600	58-9	A782115800	78-8	A782262800	75-23
A2XK144201	10-11	A5C1700101	31-7	A64J257800	49-11	A782116201	74-5	A782262900	75-15
A2XK709000	21-29	A5C1700800	31-17	A64J363700	14-2	A782116301	74-3	A782263000	75-17
A3CK272001	73-7	A5C1703201	31-20	A64J564101	19-13	A782116801	73-5	A782263201	76-13
A3CK272600	73-6	A5C1711500	35-13	A64J564101	21-12	A782117000	65-2	A782263700	75-34
A3CK300102	76-15	A5C1711801	34-16	A64J564201	19-20	A782117100	65-5	A782263801	75-14
A3CK300200	75-25	A5C1811101	36-6	A64J564201	21-18	A782117500	64-19	A782264000	76-21
A3CK300200	76-10	A5C1811803	43-6	A64J709100	35-3	A782117600	64-20	A782264202	76-3
A3CK565100	72-8	A5C1811901	43-32	A64J719100	34-30	A782117700	77-26	A782264300	75-28
A3CK568300	72-11	A5C1814200	43-13	A64J815500	36-13	A782117800	77-36	A782264300	76-12
A3CK940000	77-16	A5C1814300	42-17	A64J891100	47-15	A782117900	72-19	A782264501	75-27
A3CKH00200	74-4	A5C1825000	43-26	A64JM20000	21-28	A782117900	75-12	A782264600	76-16
A3CKM20000	69-3	A5C1M50100	3-18	A64JM20000	54-34	A782117900	77-6	A782264700	76-18
A3EWM90200	45-11	A5C1M50100	7-13	A782100001	73-4	A782118000	75-20	A782264800	76-9
A55D941100	6-9	A5C1M50100	13-28	A782100200	73-19	A782118300	75-13	A782264900	65-12
A5AWP00100	80-1	A5C1M50100	14-11	A782100301	73-14	A782119300	64-17	A782265102	77-8
A5C1102800	15-8	A5C1M50100	17-29	A782100400	73-13	A782125500	65-6	A782265201	76-7
A5C1104400	23-7	A5C1M50100	19-25	A782100501	73-16	A782130301	65-1	A782265300	76-20

Parts No.	Page No.	Parts No.	Page No.	Parts No.	Page No.	Parts No.	Page No.	Parts No.	Page No.
A782265600	77-11	A782568901	71-8	A782704800	70-12	A782N20400	72-34	A79J145100	56-2
A782265700	77-10	A782569000	71-3	A782705600	70-6	A782R70800	71-28	A79J145200	56-1
A782265800	77-33	A782569200	71-12	A782705600	72-35	A795273900	9-24	A79J147501	10-12
A782266000	77-12	A782569300	71-4	A782705600	75-42	A795275700	9-3	A79J148304	56-14
A782266100	77-30	A782569801	71-9	A782707201	70-25	A795565500	27-30	A79J149100	2-22
A782266200	77-18	A782569900	71-13	A782707400	70-24	A795565500	29-30	A79J149200	2-23
A782266300	77-23	A782569900	78-3	A782710000	72-16	A795565700	27-18	A79J149200	82-4
A782266401	77-21	A782570602	71-16	A782710100	72-17	A795565700	29-18	A79J149200	82-10
A782266502	77-14	A782571800	68-7	A782710201	72-15	A795565800	27-20	A79J149300	82-5
A782266601	77-27	A782572000	66-9	A782710806	72-13	A795565800	29-20	A79J149300	82-9
A782266700	77-32	A782572101	68-4	A782711901	72-2	A795565900	27-19	A79J162201	2-19
A782266800	77-22	A782572101	70-10	A782712300	72-12	A795565900	29-19	A79J168200	82-6
A782266900	77-13	A782572900	66-11	A782714100	72-26	A795621901	27-21	A79J220000	50-10
A782267000	77-25	A782573401	66-12	A782714200	72-1	A795621901	29-21	A79J220701	50-17
A782267100	77-28	A782573501	71-5	A782890111	78-16	A795622700	27-8	A79J220800	50-20
A782267200	77-19	A782573800	66-6	A782890200	78-18	A795622700	29-8	A79J220901	50-1
A782268001	77-31	A782573901	68-12	A782890711	78-9	A797102701	45-2	A79J222500	50-19
A782268201	77-29	A782576000	72-10	A782891500	78-11	A797105400	15-7	A79J223101	50-9
A782268301	76-14	A782576100	71-1	A782891600	78-6	A797564400	20-12	A79J226200	50-6
A782268500	76-8	A782600101	67-4	A782891800	67-15	A797564400	22-12	A79J226301	50-7
A782269200	75-29	A782600900	67-9	A782891901	67-14	A79J101801	10-8	A79J226400	50-8
A782269200	76-11	A782601500	67-6	A782940300	77-20	A79J120700	56-9	A79J226500	50-11
A782269300	76-19	A782700400	70-11	A782945003	81-2	A79J120801	56-10	A79J226600	50-5
A782269500	76-17	A782700900	71-26	A782M10000	72-23	A79J122200	3-8	A79J226700	50-12
A782561000	67-22	A782701000	70-19	A782M10000	75-39	A79J122200	36-22	A79J226800	50-16
A782561801	68-14	A782701100	70-18	A782N10000	64-4	A79J134701	49-18	A79J240400	52-5
A782561900	68-6	A782701200	70-17	A782N10300	67-21	A79J136000	59-4	A79J240500	52-6
A782562001	67-8	A782701501	70-27	A782N10400	67-23	A79J139000	59-6	A79J253000	50-18
A782562101	71-2	A782701900	71-25	A782N10700	77-35	A79J140502	56-15	A79J253300	50-3
A782562101	76-23	A782702600	71-24	A782N10900	74-2	A79J140801	58-6	A79J254200	49-10
A782562400	67-17	A782702700	71-22	A782N11100	70-16	A79J140900	58-10	A79J259800	50-2
A782562400	71-21	A782702801	70-20	A782N11800	49-4	A79J141501	56-4	A79J401400	13-14
A782562600	67-11	A782703001	71-23	A782N11800	65-13	A79J142600	56-17	A79J401600	13-4
A782563800	77-9	A782703401	71-27	A782N11800	77-34	A79J142701	56-16	A79J401700	13-5
A782565301	70-14	A782704101	70-2	A782N12001	74-6	A79J142800	82-1	A79J401800	13-8
A782566000	66-10	A782704200	70-21	A782N12200	74-7	A79J142902	82-2	A79J401900	13-7
A782566800	67-18	A782704200	72-14	A782N12300	75-2	A79J143300	82-3	A79J508400	17-3
A782568200	72-6	A782704301	70-26	A782N12400	76-22	A79J143600	55-14	A79J566000	27-6
A782568600	72-7	A782704400	70-3	A782N12600	75-9	A79J143600	56-11	A79J566000	29-6
A782568701	72-9	A782704501	70-9	A782N12700	72-27	A79J143800	56-13	A79J576400	19-28

Parts No.	Page No.	Parts No.	Page No.	Parts No.	Page No.	Parts No.	Page No.	Parts No.	Page No.
A79J622500	27-7	A79J897300	50-4	A7PU170702	6-1	A93EM60000	1-4	AA2J160703	1-19
A79J622500	29-7	A79J897300	54-20	A7PU241200	51-3	A9HG830701	44-9	AA2J160802	1-20
A79J700800	31-8	A79J898300	47-21	A7PU593500	40-14	A9UVN14101	63-2	AA2J160902	2-14
A79J701000	31-12	A79JM90900	43-34	A7PU593700	40-9	AA2J101100	23-11	AA2J161201	2-15
A79J810902	43-12	A79JN10Q00	48-30	A7PU594000	39-18	AA2J104003	23-18	AA2J161401	5-4
A79J811200	42-16	A79JPJG000	80-5	A7PU595500	40-18	AA2J106000	23-9	AA2J161501	5-5
A79J811700	43-1	A79JPJP000	80-4	A7PU596800	39-11	AA2J107500	57-12	AA2J161805	2-12
A79J812202	42-7	A79K254000	49-7	A7PU596900	38-33	AA2J110100	17-18	AA2J161902	5-14
A79J814901	41-9	A7AH561601	21-10	A7PU599300	40-11	AA2J110200	17-8	AA2J163200	3-7
A79J819000	42-18	A7AH562100	19-19	A7PU627500	24-8	AA2J110202	17-8	AA2J163400	2-3
A79J819800	42-19	A7AH562100	21-23	A7PU701000	32-1	AA2J110401	17-12	AA2J164400	2-18
A79J821000	43-19	A7AH562300	19-17	A7PU701100	30-2	AA2J112200	17-13	AA2J164603	3-9
A79J830001	44-13	A7AH562300	21-16	A7PU810201	41-8	AA2J121201	36-2	AA2J164800	1-1
A79J830100	44-3	A7AH562400	19-15	A7PU890700	48-10	AA2J130101	15-3	AA2J165100	1-14
A79J830600	42-2	A7AH562400	21-14	A7PU941701	2-20	AA2J130400	3-4	AA2J165200	3-13
A79J831000	44-8	A7AH562600	19-21	A7PU944900	40-19	AA2J130501	3-2	AA2J165300	3-11
A79J831100	42-6	A7AH562600	21-19	A7PUF60001	40-15	AA2J130801	59-3	AA2J165500	3-14
A79J831200	44-2	A7AH562900	19-18	A7PUM10600	14-14	AA2J131100	60-7	AA2J168700	2-13
A79J831300	44-4	A7AH562900	21-17	A7PUM10600	52-12	AA2J131401	59-1	AA2J169102	1-7
A79J831501	42-1	A7AH563400	19-22	A7PUM10700	13-25	AA2J131602	60-18	AA2J169201	1-8
A79J831600	42-4	A7AH563400	21-20	A7PUM10700	35-36	AA2J131903	60-3	AA2J170104	6-5
A79J832000	44-6	A7AH565000	20-8	A7PUM10700	52-1	AA2J132301	2-9	AA2J170300	6-7
A79J832100	44-10	A7AH565000	22-8	A7PUM72100	4-18	AA2J133000	57-13	AA2J170403	6-2
A79J832200	44-14	A7AHM50400	32-3	A7PUN10700	60-11	AA2J134100	10-15	AA2J171700	5-6
A79J832300	44-12	A7AHN30000	81-15	A7PUN10800	60-10	AA2J134201	10-6	AA2J171800	5-7
A79J832400	44-7	A7PU101500	1-18	A7PUN10B01	40-16	AA2J134401	14-8	AA2J171900	5-8
A79J891300	48-27	A7PU102201	23-13	A7PUR70611	15-4	AA2J134601	4-19	AA2J173300	5-9
A79J892000	48-9	A7PU102301	23-12	A85GM50000	75-5	AA2J135101	60-12	AA2J190101	4-6
A79J893200	47-22	A7PU106100	24-14	A85Y375100	3-16	AA2J135301	59-2	AA2J190102	4-6
A79J893501	48-13	A7PU109000	17-23	A85Y375100	12-17	AA2J136100	1-26	AA2J190201	4-11
A79J893700	48-16	A7PU109100	2-16	A8JEN30200	59-9	AA2J137600	60-2	AA2J190212	4-11
A79J893800	48-15	A7PU130400	60-17	A90GN15300	5-3	AA2J137902	57-23	AA2J191000	4-10
A79J894000	47-12	A7PU135700	59-7	A92T940800	6-6	AA2J137902	60-22	AA2J191100	4-7
A79J894500	48-14	A7PU139800	60-19	A93EM10000	10-2	AA2J139800	60-23	AA2J191201	4-14
A79J895200	47-16	A7PU140100	60-15	A93EM10000	56-8	AA2J140600	45-8	AA2J191300	4-8
A79J895400	47-18	A7PU141800	57-2	A93EM10000	57-19	AA2J140800	45-7	AA2J191401	4-21
A79J895603	47-7	A7PU166101	81-13	A93EM10000	58-7	AA2J142000	55-19	AA2J191500	4-13
A79J895702	47-3	A7PU168500	5-20	A93EM10600	44-11	AA2J160103	1-2	AA2J191512	4-13
A79J895800	47-20	A7PU168600	5-21	A93EM10600	55-5	AA2J160412	1-5	AA2J191800	4-20
A79J897300	35-10	A7PU169900	81-1	A93EM10600	56-12	AA2J160511	1-6	AA2J192100	4-3

Parts No.	Page No.	Parts No.	Page No.	Parts No.	Page No.	Parts No.	Page No.	Parts No.	Page No.
AA2J192200	4-1	AA2J369101	14-10	AA2J565400	19-7	AA2J593500	40-21	AA2J626600	26-16
AA2J192302	4-4	AA2J369301	14-9	AA2J565700	19-6	AA2J593601	40-8	AA2J626600	28-15
AA2J192501	4-5	AA2J369500	14-19	AA2J565700	21-11	AA2J593700	38-4	AA2J626702	26-11
AA2J192602	5-10	AA2J369600	14-12	AA2J566000	19-2	AA2J593800	38-26	AA2J626702	28-10
AA2J192801	4-2	AA2J400001	13-33	AA2J567500	20-1	AA2J593900	40-2	AA2J626900	26-14
AA2J193000	5-11	AA2J400100	13-13	AA2J568401	20-2	AA2J594201	39-23	AA2J626900	28-13
AA2J193200	4-23	AA2J400400	13-18	AA2J568900	20-4	AA2J594301	38-10	AA2J628601	27-31
AA2J193300	4-24	AA2J400700	13-29	AA2J569000	22-4	AA2J594500	39-15	AA2J628601	29-31
AA2J195100	4-9	AA2J401100	13-3	AA2J571100	19-5	AA2J595000	38-14	AA2J628700	27-28
AA2J228100	54-8	AA2J402101	12-3	AA2J571200	19-4	AA2J620102	27-24	AA2J628700	29-28
AA2J228200	54-10	AA2J402401	12-12	AA2J574101	22-13	AA2J620200	27-16	AA2J628800	27-33
AA2J229000	54-6	AA2J402500	12-13	AA2J575202	21-9	AA2J620400	27-10	AA2J628800	29-33
AA2J229100	54-17	AA2J402600	12-11	AA2J575300	21-8	AA2J620804	27-15	AA2J628901	27-27
AA2J229202	54-14	AA2J402700	13-1	AA2J577500	22-1	AA2J620804	29-15	AA2J628901	29-27
AA2J229300	54-12	AA2J402800	13-2	AA2J578100	21-6	AA2J620901	27-1	AA2J629000	27-29
AA2J229400	54-22	AA2J403100	13-11	AA2J578401	22-2	AA2J620901	29-1	AA2J629000	29-29
AA2J229500	54-4	AA2J403300	13-16	AA2J579603	19-23	AA2J621000	27-13	AA2J629200	27-26
AA2J229600	54-13	AA2J404101	12-4	AA2J579603	21-25	AA2J621000	29-13	AA2J629200	29-26
AA2J229711	54-3	AA2J404300	13-27	AA2J590100	39-16	AA2J621100	27-35	AA2J629600	26-6
AA2J232400	54-23	AA2J404503	12-8	AA2J590202	38-11	AA2J621100	29-35	AA2J630102	29-24
AA2J240101	52-2	AA2J404600	12-9	AA2J590300	38-2	AA2J621200	27-14	AA2J633101	28-2
AA2J240600	52-4	AA2J405301	12-5	AA2J590900	38-1	AA2J621200	29-14	AA2J635001	28-11
AA2J241502	52-11	AA2J405500	13-17	AA2J591000	38-41	AA2J621300	27-11	AA2J635101	28-8
AA2J241700	52-8	AA2J550701	34-18	AA2J591500	38-40	AA2J621300	29-11	AA2J700300	32-7
AA2J242100	52-2	AA2J551000	34-3	AA2J591600	38-3	AA2J621500	27-12	AA2J701200	30-3
AA2J242500	52-11	AA2J551500	34-2	AA2J591900	38-13	AA2J621500	29-12	AA2J710204	35-5
AA2J245003	14-15	AA2J551600	34-19	AA2J592000	38-15	AA2J621600	27-36	AA2J710302	34-22
AA2J245100	14-17	AA2J560000	20-6	AA2J592100	38-20	AA2J622101	26-5	AA2J710402	35-21
AA2J245200	14-16	AA2J560000	22-6	AA2J592200	38-21	AA2J622101	28-5	AA2J710602	34-37
AA2J245300	14-18	AA2J560500	19-11	AA2J592301	38-8	AA2J623101	26-2	AA2J710701	34-33
AA2J254200	54-38	AA2J560500	21-21	AA2J592401	38-6	AA2J623300	26-4	AA2J710900	34-9
AA2J254300	54-16	AA2J561301	20-9	AA2J592600	38-19	AA2J623300	28-4	AA2J711000	34-14
AA2J254400	54-37	AA2J561301	22-9	AA2J592701	38-12	AA2J624300	26-1	AA2J712100	36-3
AA2J255700	54-5	AA2J561600	19-10	AA2J592800	38-42	AA2J624300	28-1	AA2J712300	33-2
AA2J256300	54-32	AA2J563103	20-10	AA2J592900	38-24	AA2J625000	26-12	AA2J712500	34-10
AA2J258500	54-2	AA2J563103	22-10	AA2J593000	39-5	AA2J625101	26-9	AA2J715100	34-7
AA2J258700	54-33	AA2J563801	20-5	AA2J593100	38-9	AA2J625201	26-15	AA2J716000	34-27
AA2J259100	54-35	AA2J563801	22-5	AA2J593200	39-2	AA2J625201	28-14	AA2J716700	31-14
AA2J363000	14-5	AA2J564200	20-13	AA2J593301	39-4	AA2J625300	26-10	AA2J810102	41-1
AA2J368001	14-6	AA2J565300	19-9	AA2J593400	40-20	AA2J625300	28-9	AA2J810511	43-23

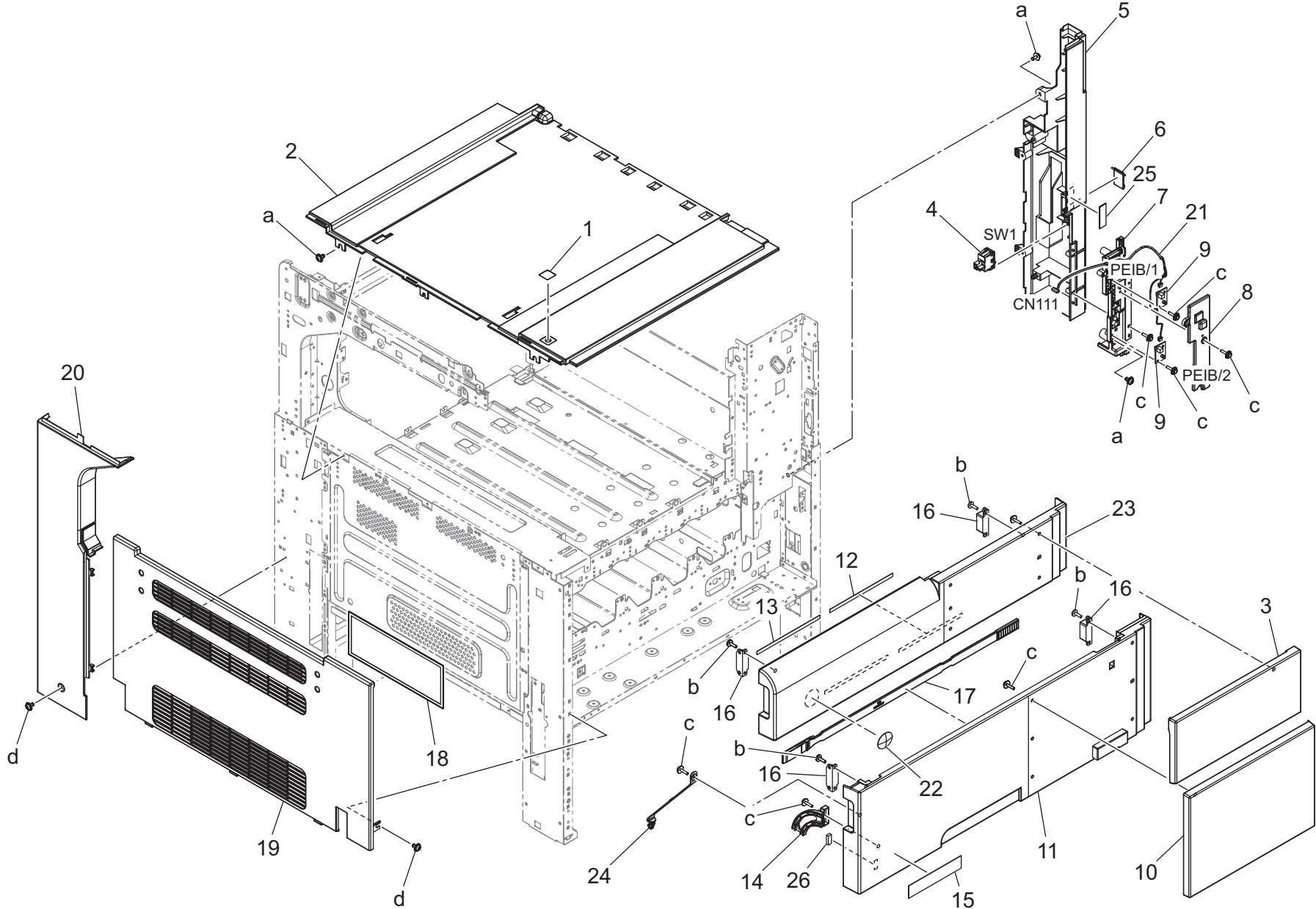
Parts No.	Page No.	Parts No.	Page No.	Parts No.	Page No.	Parts No.	Page No.	Parts No.	Page No.
AA2J810611	43-21	AA2J947800	23-17	AA2JR73700	17-33	AA7N162101	2-2	AA7N565201	19-1
AA2J810800	43-20	AA2J948600	5-22	AA6RN30000	59-9	AA7N163101	1-23	AA7N565300	19-29
AA2J811600	36-8	AA2J948600	81-4	AA6RN30100	59-8	AA7N163200	1-3	AA7N565400	19-30
AA2J812100	36-23	AA2JH00C00	60-5	AA7N100600	58-12	AA7N163302	1-11	AA7N568900	19-31
AA2J814500	43-22	AA2JH02A03	60-24	AA7N101500	18-6	AA7N163400	1-10	AA7N569200	21-27
AA2J815200	36-9	AA2JH02T00	60-6	AA7N130100	57-20	AA7N164300	2-10	AA7N590500	36-17
AA2J815700	41-6	AA2JM10400	47-23	AA7N130201	57-15	AA7N165001	3-5	AA7N591100	39-21
AA2J825100	43-18	AA2JM10500	60-16	AA7N130300	57-21	AA7N166302	2-4	AA7N591200	39-29
AA2J890201	48-5	AA2JM11000	49-3	AA7N130400	57-17	AA7N166600	1-25	AA7N591300	39-30
AA2J890402	48-4	AA2JM11100	49-2	AA7N131101	15-2	AA7N168501	2-17	AA7N595100	39-19
AA2J891100	48-19	AA2JM11100	54-41	AA7N131702	57-14	AA7N168600	82-8	AA7N700102	31-22
AA2J891500	48-31	AA2JM50P00	60-4	AA7N131800	57-16	AA7N168700	82-7	AA7N700600	31-10
AA2J900300	48-6	AA2JM70006	4-15	AA7N135502	3-19	AA7N216100	49-17	AA7N700800	31-9
AA2J901101	48-3	AA2JM70600	5-15	AA7N137200	45-3	AA7N221200	50-14	AA7N700900	31-16
AA2J941200	28-17	AA2JM72002	5-16	AA7N140100	45-6	AA7N221700	49-15	AA7N701100	31-23
AA2J941300	26-19	AA2JM72100	5-17	AA7N140500	45-10	AA7N222200	49-13	AA7N701200	31-24
AA2J941500	26-20	AA2JM72702	60-8	AA7N141502	55-15	AA7N222400	49-14	AA7N701400	31-25
AA2J941600	26-18	AA2JN10E00	13-34	AA7N143001	56-3	AA7N228000	54-11	AA7N701500	31-26
AA2J942400	25-4	AA2JN10F00	16-4	AA7N143200	56-7	AA7N230500	54-9	AA7N701600	31-15
AA2J942500	25-4	AA2JN10G01	10-7	AA7N143400	56-6	AA7N230600	54-7	AA7N701800	33-5
AA2J943000	3-15	AA2JN10J00	1-21	AA7N145200	55-16	AA7N231000	54-18	AA7N702400	32-9
AA2J943100	26-13	AA2JN10S00	38-44	AA7N145300	10-17	AA7N231300	54-21	AA7N702500	32-10
AA2J943200	28-12	AA2JN10T00	24-2	AA7N145401	10-13	AA7N231800	54-36	AA7N702900	31-11
AA2J943500	28-18	AA2JN10X00	17-31	AA7N145701	10-14	AA7N240300	52-3	AA7N710101	34-5
AA2J943600	28-19	AA2JN11200	17-32	AA7N146300	10-5	AA7N255601	54-1	AA7N710801	34-39
AA2J943701	27-2	AA2JN11E00	12-2	AA7N146400	55-3	AA7N401301	12-10	AA7N716100	34-26
AA2J943701	29-2	AA2JN14500	8-4	AA7N146500	55-22	AA7N401401	11-1	AA7N716500	34-23
AA2J944100	37-2	AA2JN15600	5-12	AA7N146600	55-6	AA7N401501	11-6	AA7N716601	32-14
AA2J944200	37-2	AA2JN15701	5-18	AA7N146800	55-9	AA7N401501	12-14	AA7N716700	34-24
AA2J944300	41-4	AA2JN15B00	60-26	AA7N146900	55-12	AA7N401600	11-5	AA7N716801	32-17
AA2J944400	41-4	AA2JP10100	2-21	AA7N147400	10-16	AA7N401600	12-15	AA7N717000	34-36
AA2J944500	40-3	AA2JR70800	1-17	AA7N147500	55-8	AA7N401701	11-1	AA7N718000	35-38
AA2J946100	42-11	AA2JR71011	14-13	AA7N147600	55-21	AA7N405100	12-6	AA7N718100	35-39
AA2J946400	34-28	AA2JR72200	24-1	AA7N147700	55-10	AA7N406100	12-6	AA7N718200	35-33
AA2J946500	34-29	AA2JR72422	25-1	AA7N147901	55-2	AA7N406200	12-6	AA7N718300	35-22
AA2J947100	25-3	AA2JR72511	25-2	AA7N148000	55-7	AA7N406300	12-6	AA7N718400	35-23
AA2J947100	41-5	AA2JR73200	7-1	AA7N148200	55-11	AA7N560101	19-3	AA7N718500	35-26
AA2J947200	25-3	AA2JR73300	7-2	AA7N148300	45-9	AA7N560200	19-26	AA7N718600	35-34
AA2J947200	41-5	AA2JR73400	13-22	AA7N148500	55-23	AA7N562800	19-12	AA7N718800	35-25
AA2J947400	25-5	AA2JR73600	14-1	AA7N162000	1-24	AA7N562800	21-22	AA7N718900	35-20

Parts No.	Page No.	Parts No.	Page No.	Parts No.	Page No.	Parts No.	Page No.	Parts No.	Page No.
AA7N719300	35-29	AA7NN10700	57-22	AA7NR72011	11-3	AAMP212601	72-22	AAMP719301	71-20
AA7N719400	35-28	AA7NN10A01	61-1	AA7NR72122	46-1	AAMP213000	72-24	AAMP719401	71-19
AA7N719501	35-32	AA7NN10B01	62-1	AA7NR72211	33-1	AAMP213100	75-35	AAMP719501	71-18
AA7N719700	34-32	AA7NN10D01	63-1	AA7NR72323	37-1	AAMP213300	75-32	AAMP719600	70-22
AA7N830100	42-5	AA7NN10E00	47-4	AA7NR72411	41-10	AAMP213600	77-38	AAMP719800	70-28
AA7N830200	44-5	AA7NN10F00	49-19	AA7NR72500	8-3	AAMP213700	77-39	AAMP890000	78-10
AA7N830300	44-1	AA7NN10H00	32-11	AA7NR72600	48-11	AAMP214400	72-21	AAMP890600	78-15
AA7N890102	48-17	AA7NN10K01	35-35	AA7NR72800	81-11	AAMP215000	72-32	AAMP891000	65-7
AA7N890300	48-24	AA7NN10M00	42-21	AA7NR72900	11-3	AAMP215700	75-6	AAMP891700	78-7
AA7N896500	47-2	AA7NN10N00	43-33	AA7NR73011	45-1	AAMP260700	73-3	AAMP940400	71-17
AA7N896600	47-1	AA7NN10P00	19-24	AA7P940100	1-15	AAMP263300	75-24	AAMPH00105	64-6
AA7N897400	48-29	AA7NN10Q00	21-24	AA7PH02P01	60-9	AAMP264100	76-1	AAMPH10U00	32-13
AA7N897600	48-21	AA7NN10U01	32-15	AA7PN10001	59-10	AAMP264400	76-5	AAMPH10U00	72-28
AA7N898200	48-25	AA7NN10V00	34-38	AA7PN10C00	62-2	AAMP268600	73-12	AAMPH10V02	70-1
AA7N898300	48-28	AA7NN10W00	34-35	AA7PR70100	49-1	AAMP268700	73-8	AAMPM10200	75-8
AA7N898400	48-26	AA7NN10X00	49-8	AA7PR70200	30-1	AAMP268900	75-19	AAMPM10300	76-2
AA7N898500	48-12	AA7NN10Y00	2-1	AA7R813900	43-17	AAMP269600	73-9	AAMPM10900	66-1
AA7N898601	48-1	AA7NN11C00	10-9	AAAMP100100	73-1	AAMP269800	75-18	AAMPN10101	72-3
AA7N942100	1-13	AA7NN11K01	35-31	AAMP100111	73-1	AAMP272000	73-20	AAMPN10202	70-23
AA7N942600	1-12	AA7NP10100	39-31	AAMP100500	73-16	AAMP272900	73-11	AAMPN10502	75-37
AA7N945700	2-6	AA7NP10400	20-14	AAMP100801	73-10	AAMP290100	75-41	AAMPN10801	69-16
AA7NH00500	57-1	AA7NP10500	27-37	AAMP101200	65-16	AAMP290200	77-1	AAMPN11201	64-25
AA7NH00R00	34-25	AA7NR70122	45-1	AAMP102900	75-7	AAMP296700	73-15	AAMPN11301	72-30
AA7NH00S00	32-12	AA7NR70211	45-1	AAMP110001	64-10	AAMP561101	67-12	AAMPN20501	72-36
AA7NH00V00	34-34	AA7NR70311	45-1	AAMP110100	64-8	AAMP561701	67-3	AAMPN20501	72-36
AA7NH00W00	32-16	AA7NR70400	33-4	AAMP113701	64-18	AAMP565001	68-3	AAMPN20501	72-36
AA7NH01A00	7-18	AA7NR70500	10-10	AAMP113800	64-9	AAMP566901	67-20	AAMPN20501	72-36
AA7NH02102	60-1	AA7NR70600	15-1	AAMP115600	77-5	AAMP566901	67-20	AAMPN20501	72-36
AA7NM10H00	35-27	AA7NR70800	18-1	AAMP125400	65-15	AAMP568501	67-16	AAMPN20501	72-36
AA7NM31200	8-5	AA7NR70900	49-9	AAMP130000	64-2	AAMP570400	71-15	AAMPN20501	72-36
AA7NM40601	57-6	AA7NR71000	57-4	AAMP160000	64-1	AAMP570900	68-2	AAMPN20501	72-36
AA7NM40800	57-18	AA7NR71100	57-3	AAMP160100	64-14	AAMP571100	66-8	AAMPN20501	72-36
AA7NM40900	57-18	AA7NR71200	57-5	AAMP160200	64-26	AAMP571200	66-13	AAMPN20501	72-36
AA7NM90000	45-11	AA7NR71400	53-1	AAMP160400	64-13	AAMP571300	66-4	AAMPN20501	72-36
AA7NM90000	59-15	AA7NR71511	51-1	AAMP160500	64-5	AAMP571600	66-3	AAMPN20501	72-36
AA7NN10101	59-11	AA7NR71600	58-2	AAMP160600	64-7	AAMP571900	68-5	AAMPN20501	72-36
AA7NN10201	59-14	AA7NR71711	58-2	AAMP160700	64-12	AAMP700500	70-5	AAMPN20501	72-36
AA7NN10401	45-4	AA7NR71711	58-2	AAMP210800	78-2	AAMP700800	70-7	AAMPN20501	72-36
AA7NN10500	56-5	AA7NR71811	11-3	AAMP211900	69-21	AAMP710500	72-29	AAMPN20501	72-36
AA7NN10600	55-20	AA7NR71911	11-3	AAMP212500	78-5	AAMP711000	72-20	AAMPN20501	72-36
						AAMP719000	70-29	AAMPN20501	72-36

Parts No.	Page No.
V500010082	79-2
V500010083	79-3
V500010084	79-4
V500010085	79-7
V500020018	79-21
V500020040	81-9
V500020052	79-9
V500020069	79-17
V500020073	79-18
V500020080	79-22
V500020082	79-10
V500020094	79-16
V500020098	79-5
V500020099	79-6
V500020100	79-8
V503010002	60-21
V570010021	79-11
V570010048	79-15
V570010050	79-19
V570010057	79-12
V570010059	79-13
V570010060	79-14
V651010002	58-4
V651010025	60-20
V651010034	75-40
V800500300	31-21
V800500300	34-15



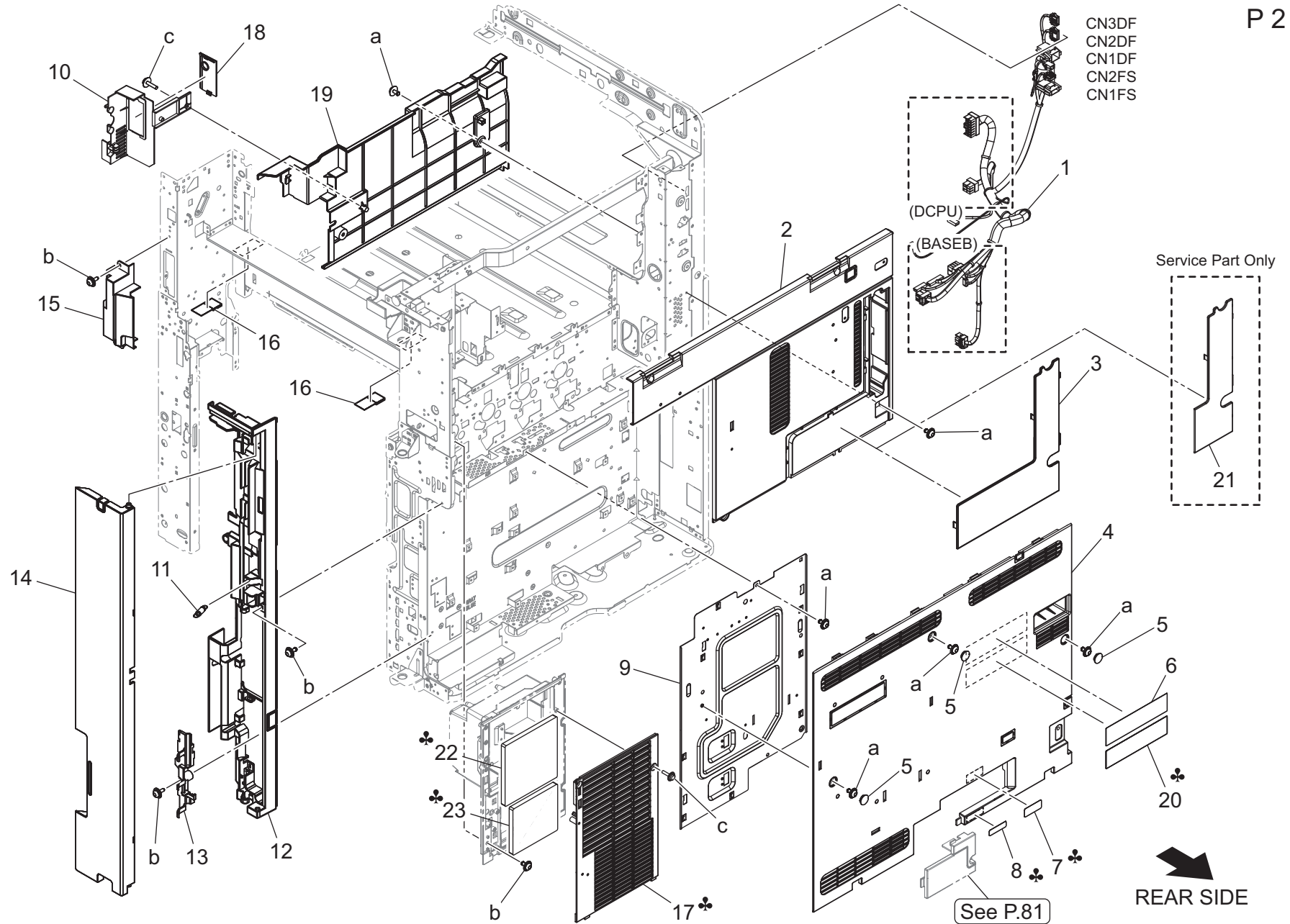
External Parts



Key	Part No.	Description	Destinations	Class	QTY	Standard parts
1	AA2J164800	Seal		D	1	a-V125030803 b-V149030803 c-V153031004 d-V127030604
2	AA2J160103	Cover /Upper		D	1	
3	AA7N163200	Open/close Cover /Front		D	1	
4	A93EM60000	Rocker switch		C	1	
5	AA2J160412	Cover /Right front		D	1	
6	AA2J160511	Cover		D	1	
7	AA2J169102	Receiving Pedestal		D	1	
8	AA2J169201	Cover		D	1	
9	A00JH00D00	PWB Assembly LED1		C	2	
10	AA7N163400	Open/close Cover /Front		D	1	
11	AA7N163302	Open/close Cover /Front		D	1	
12	AA7N942600	Label		D	1	
13	AA7N942100	Label		D	1	
14	AA2J165100	Open/close Cover /Front		D	1	
15	AA7P940100	Label bizhub C550i		D	1	
16	07BA12352	Magnet Catch		C	4	
17	AA2JR70800	Cleaning Material		C	1	
18	A7PU101500	Filter		C	1	
19	AA2J160703	Cover /Left front		D	1	
20	AA2J160802	Cover /Left rear		D	1	
21	AA2JN10J00	Indicating Wiring		D	1	
22	A00J945500	Logo Mark		C	1	
23	AA7N163101	Open/close Cover /Front		D	1	
24	AA7N162000	Band		C	1	
25	AA7N166600	Seal		D	1	
26	AA2J136100	Seal		D	1	

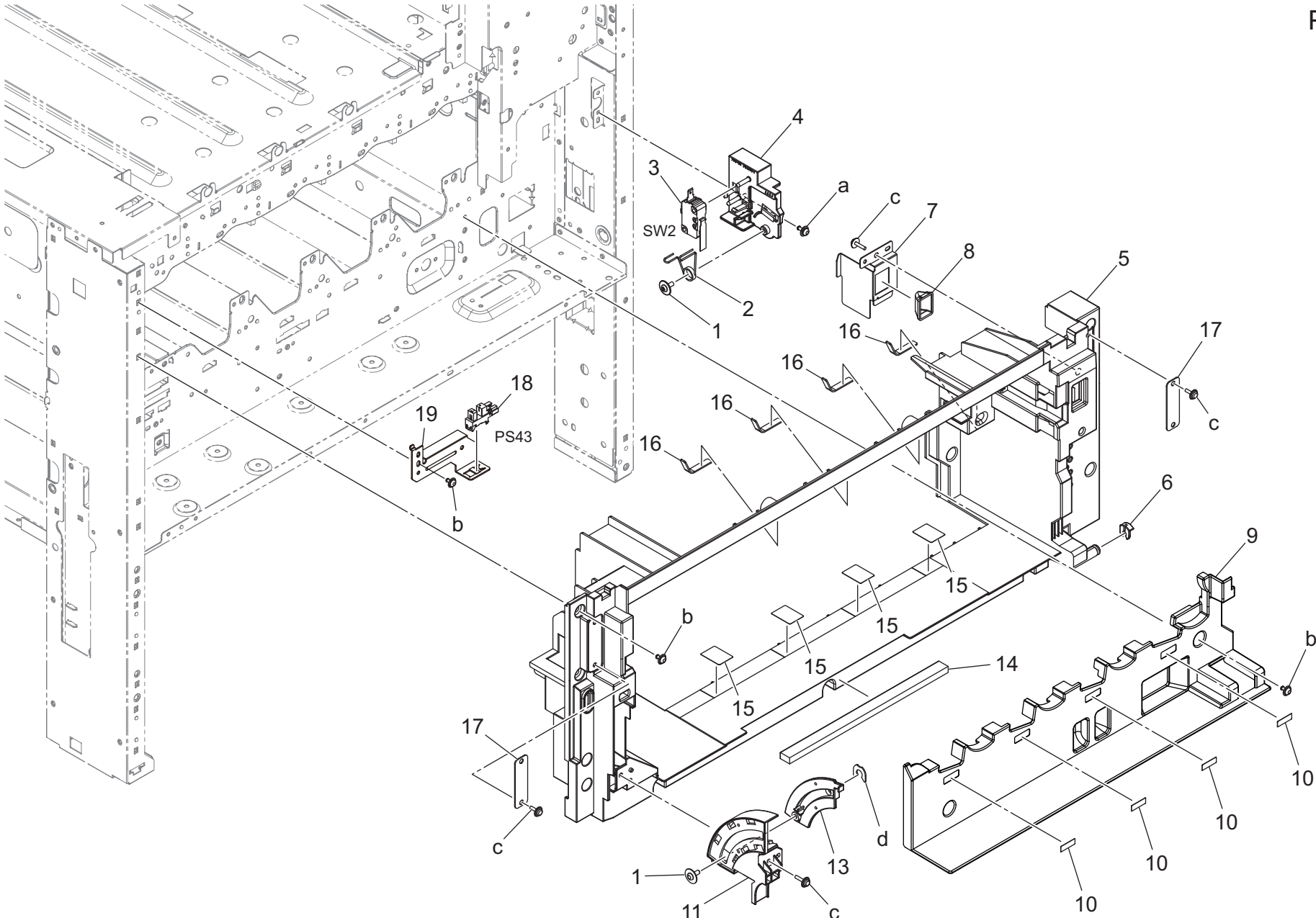
# External Parts

P 2



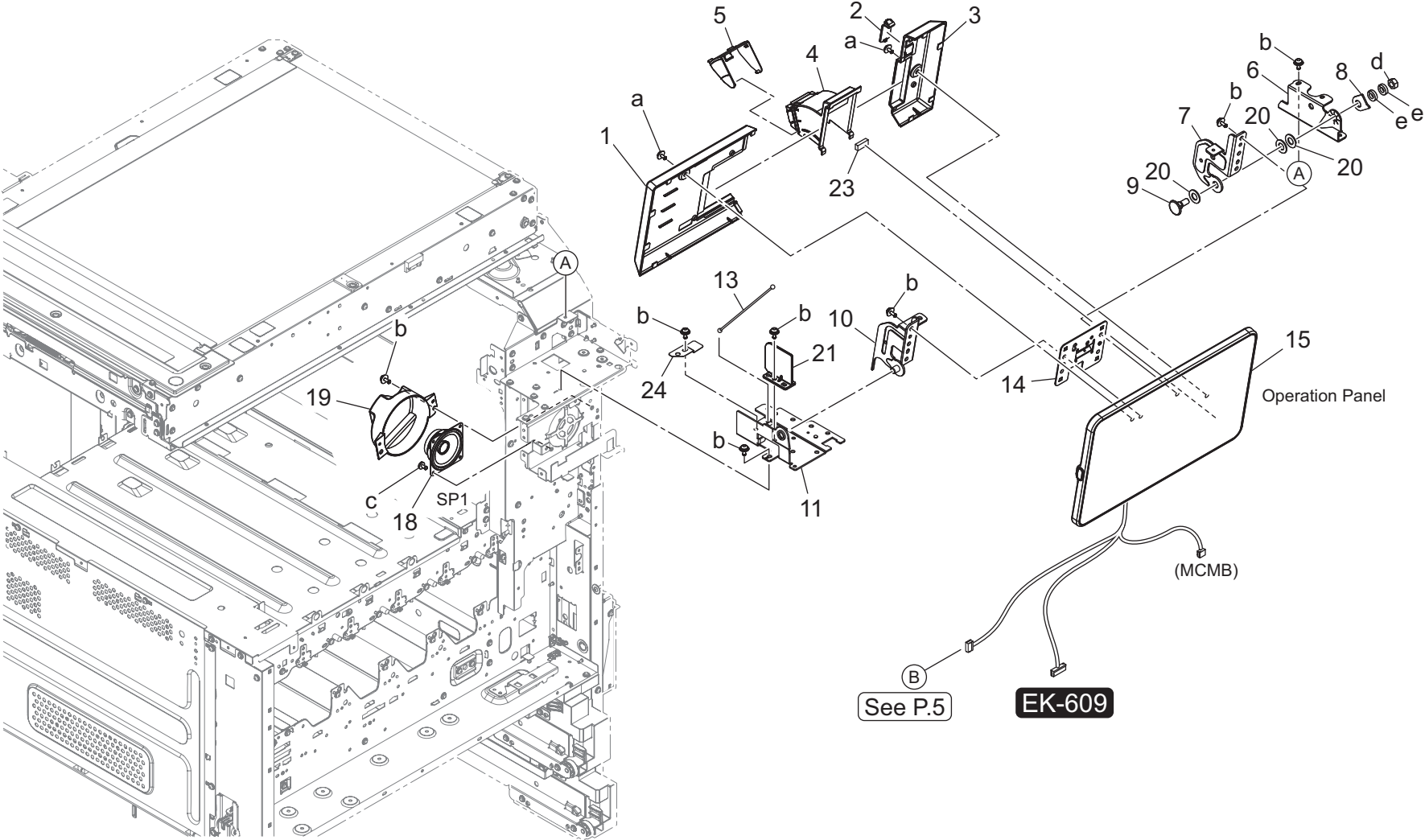
Key	Part No.	Description	Destinations	Class	QTY	Standard parts
1	AA7NN10Y00	Power source Harness		D	1	a-V127030604 b-V125030803 c-V153031004
2	AA7N162101	Cover /Rear		D	1	
3	AA2J163400	Cover /Rear		D	1	
4	AA7N166302	Cover /Rear		D	1	
5	A00J169100	Cover		D	3	
6	AA7N945700	Label		D	1	
7	A02E149900	Label	A	C	1	
8	A00J945201	Label 220-240V 0.65A	C,D1,D3,E,F2,G1,I,K ,J	C	1	
9	AA2J132301	Shield Plate		D	1	
10	AA7N164300	Cover		D	1	
11	A161163900	Pulling Coil spring		C	1	
12	AA2J161805	Cover /Right rear		D	1	
13	AA2J168700	Cover		D	1	
14	AA2J160902	Cover /Right rear		D	1	
15	AA2J161201	Cover /Right front		D	1	
16	A7PU109100	Cushion		C	2	
17	AA7N168501	Cover	A,B,D1,D3,E,F2,G1,G 2,I,K,J,H	D	1	
18	AA2J164400	Cover		D	1	
19	A79J162201	Cover		C	1	
20	A7PU941701	Label Caution	C,G1,I	C	1	
21	AA2JP10100	Cover /Rear		D	1	
22	A79J149100	Filter	J	C	1	
23	A79J149200	Filter	J	C	1	

External Parts



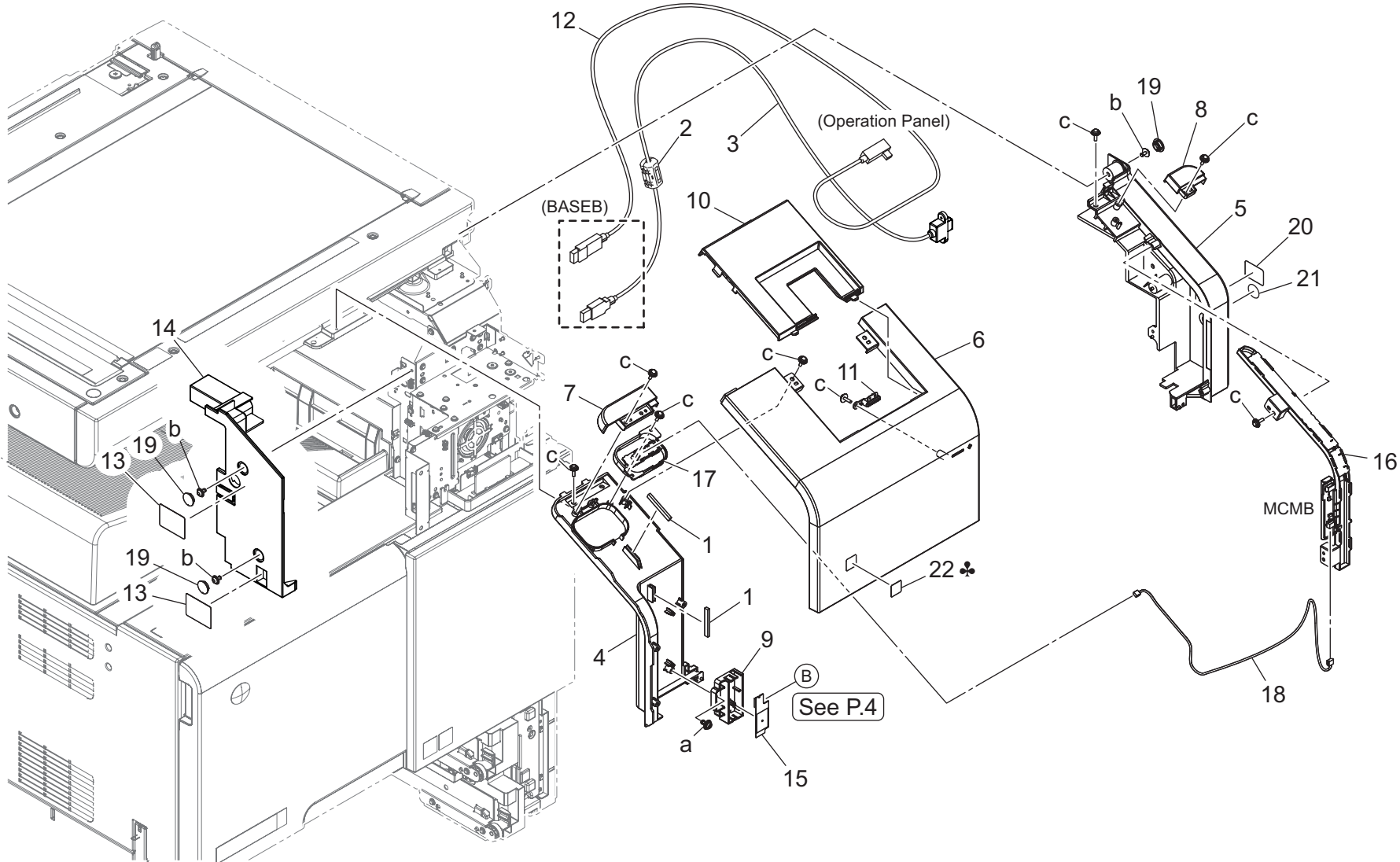
Key	Part No.	Description	Destinations	Class	QTY	Standard parts
1	4163529301	SCREW		C	2	a-V125030803 b-V127030604 c-V153031004 d-V218060086
2	AA2J130501	Torsion Coil spring		C	1	
3	9J06M60100	Micro Switch		C	1	
4	AA2J130400	Holder		D	1	
5	AA7N165001	Cover /Front		D	1	
6	56AA40490	Shaft Stopper /4		C	1	
7	AA2J163200	Mounting Plate		D	1	
8	A79J122200	Collar		D	1	
9	AA2J164603	Cover /Front		D	1	
10	A161943000	Label		C	4	
11	AA2J165300	Arm /2		D	1	
13	AA2J165200	Arm		D	1	
14	AA2J165500	Seal		D	1	
15	AA2J943000	Label		D	4	
16	A85Y375100	Protection Part		D	4	
17	4038101401	SUCTION PLATE		D	2	
18	A5C1M50100	Photointerrupter		B	1	
19	AA7N135502	Mounting Plate		D	1	

Operation Panel section



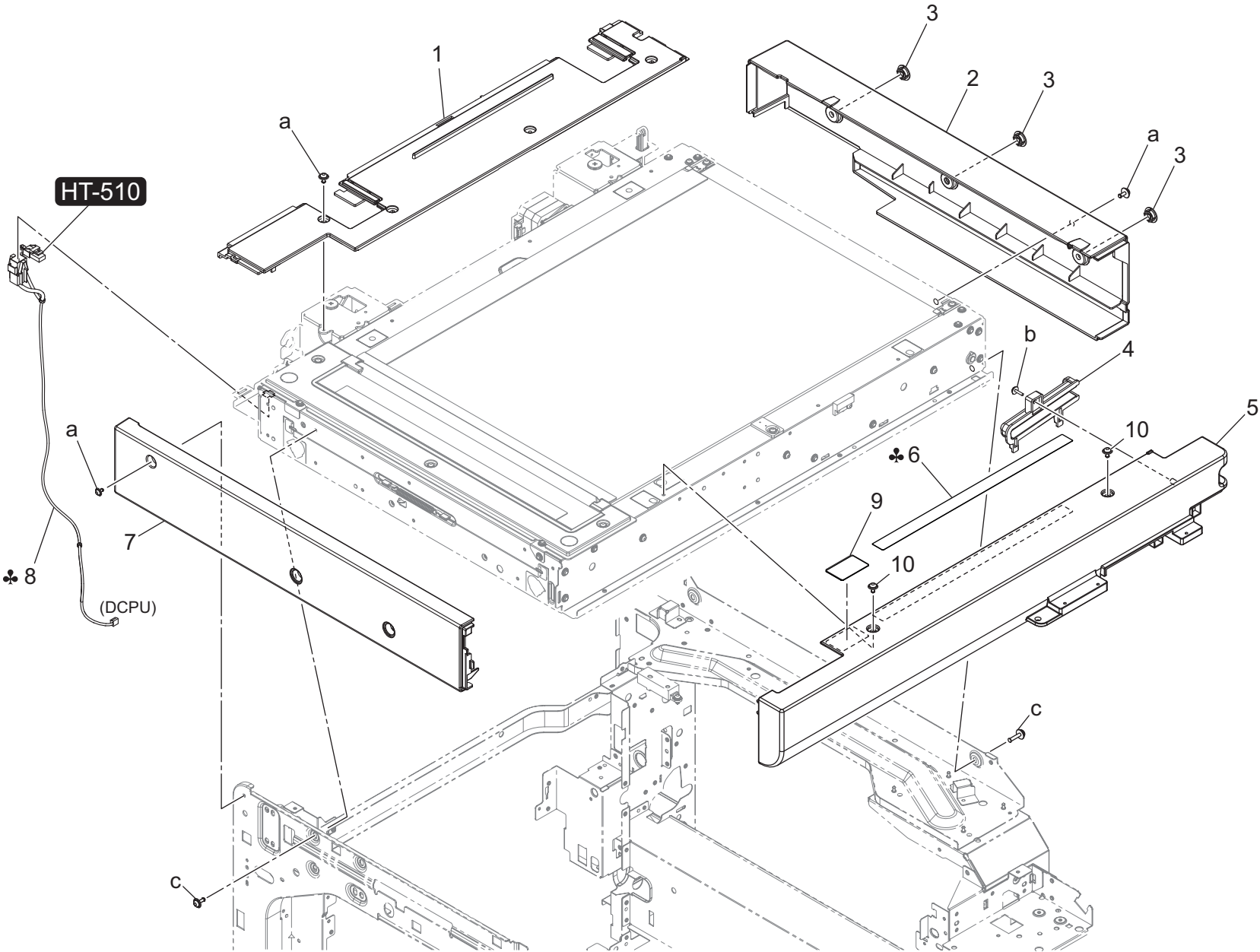
Key	Part No.	Description	Destinations	Class	QTY	Standard parts
1	AA2J192200	Cover /Left rear		D	1	a-V127030604 b-V125030803 c-V126030603 d-V195060003 e-V205060003
2	AA2J192801	Cover		D	1	
3	AA2J192100	Cover /Right rear		D	1	
4	AA2J192302	Cover		D	1	
5	AA2J192501	Cover		D	1	
6	AA2J190101Old	Mounting Plate /Right		D	1	
6	AA2J190102	Mounting Plate /Right		D	1	
7	AA2J191100	Hinge		D	1	
8	AA2J191300	Spacer		D	1	
9	AA2J195100	Shaft		D	1	
10	AA2J191000	Hinge /ASSY		D	1	
11	AA2J190201Old	Mounting Plate		D	1	
11	AA2J190212	Mounting Plate		D	1	
13	AA2J191500Old	Wire		D	1	
13	AA2J191512	Wire		D	1	
14	AA2J191201	Mounting Plate		D	1	
15	AA2JM70006	Panel assembly		I	1	
18	A7PUM72100	Speaker		D	1	
19	AA2J134601	Mounting Cover		D	1	
20	AA2J191800	Slide Spacer		D	3	
21	AA2J191401	Guide		D	1	
23	AA2J193200	Spacer		D	1	
24	AA2J193300	Plate spring		C	1	





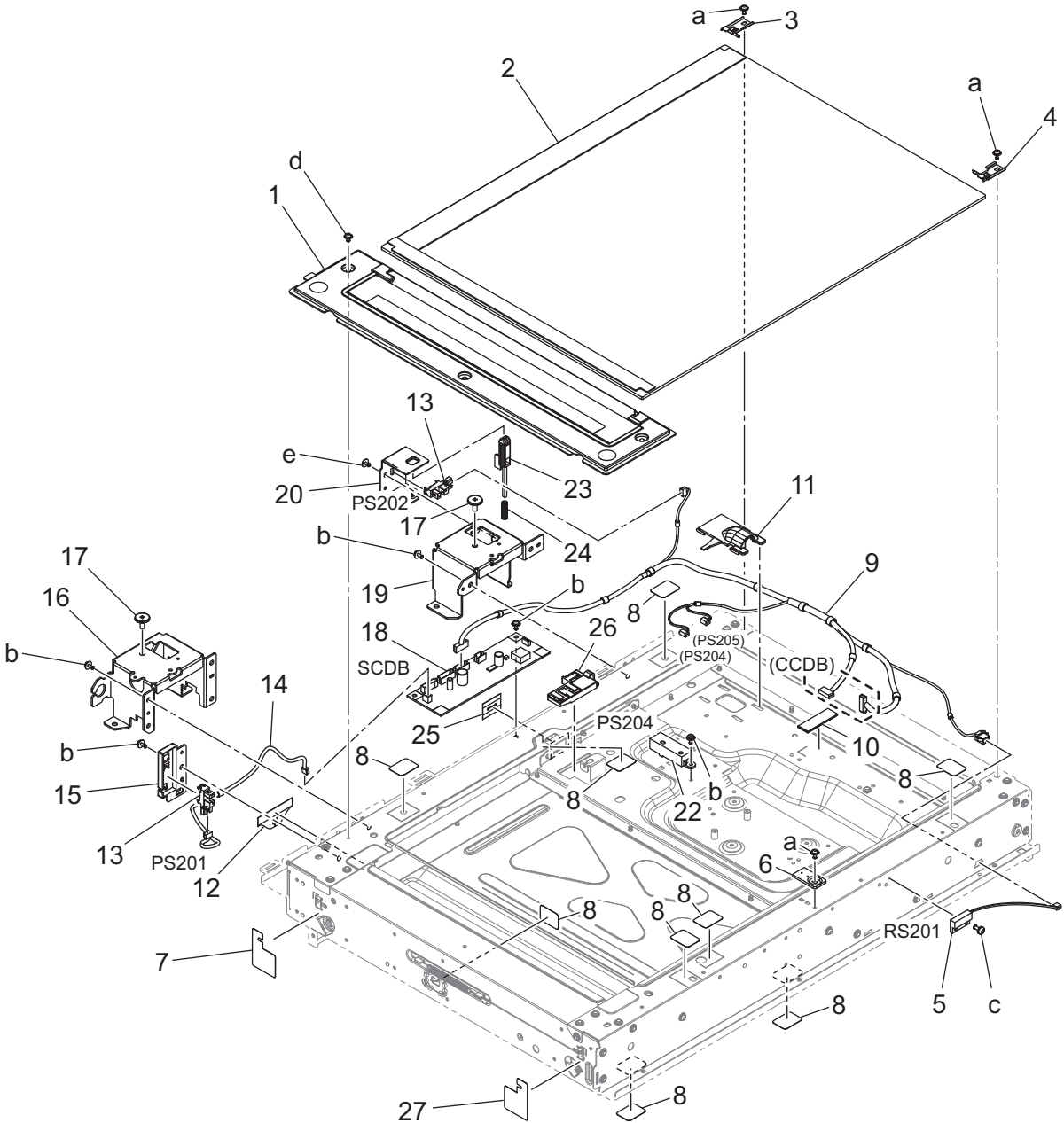
Key	Part No.	Description	Destinations	Class	QTY	Standard parts
1	A161825800	Cushion /B		D	2	a-V125030803 b-V127030604 c-V153030803
2	A5C1M92000	Ferritecore		D	1	
3	A90GN15300	Interface Cable		D	1	
4	AA2J161401	Cover		D	1	
5	AA2J161501	Cover		D	1	
6	AA2J171700	Cover		D	1	
7	AA2J171800	Cover		D	1	
8	AA2J171900	Cover		D	1	
9	AA2J173300	Holder		D	1	
10	AA2J192602	Cover		D	1	
11	AA2J193000	Indicating Part		D	1	
12	AA2JN15600	Interface Cable		D	1	
13	A161162400	Seal		C	2	
14	AA2J161902	Cover		D	1	
15	AA2JM70600	Interface Unit		C	1	
16	AA2JM72002	Indicating Unit		C	1	
17	AA2JM72100	Indicating Unit		C	1	
18	AA2JN15701	Wiring		D	1	
19	A00J169100	Cover		D	3	
20	A7PU168500	Seal		C	1	
21	A7PU168600	Seal		C	1	
22	AA2J948600	Label	A	D	1	

Scanner Section



# Scanner Section

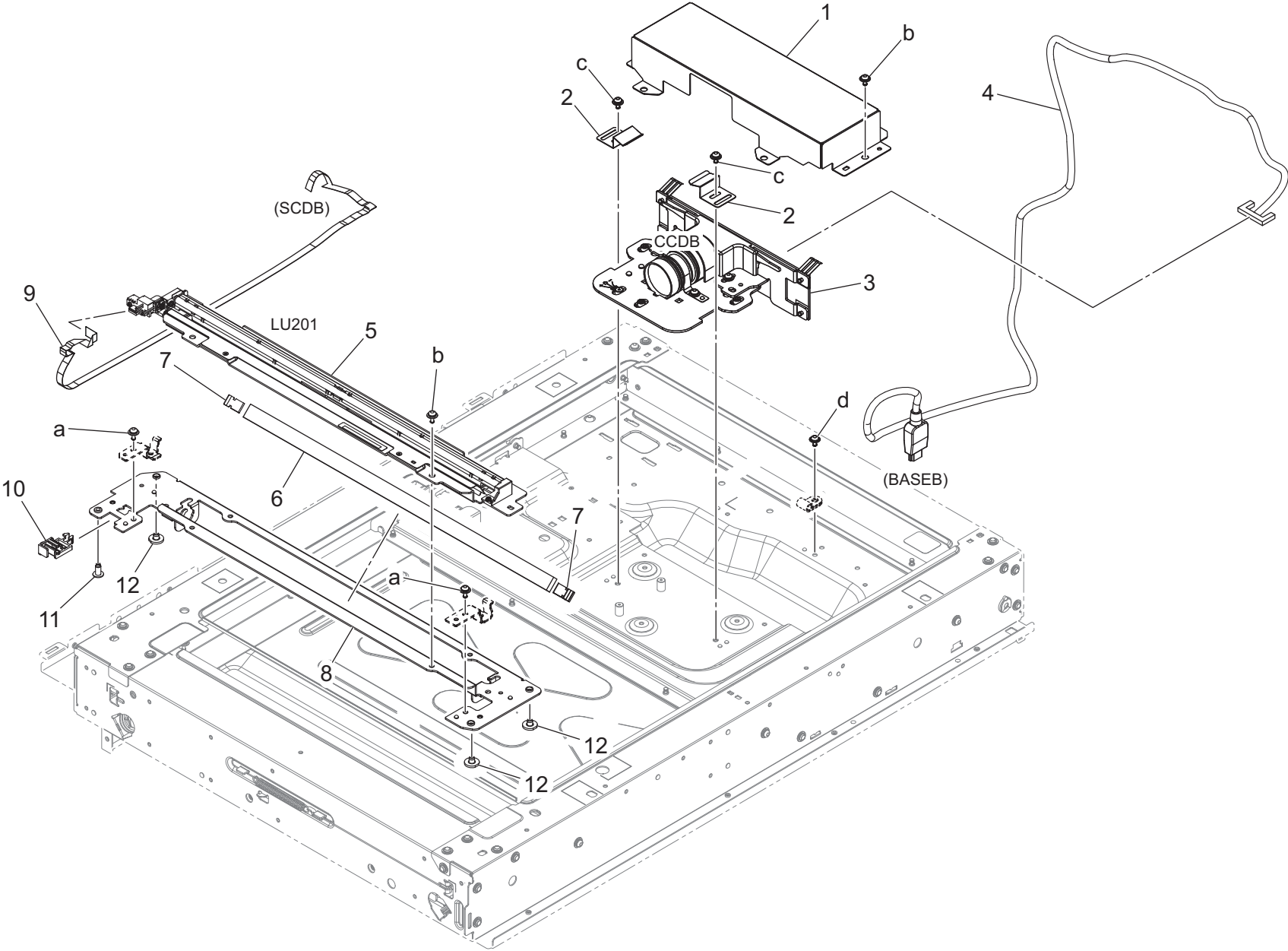
Key	Part No.	Description	Destinations	Class	QTY	Standard parts
1	A7PU170702	Read Cover		C	1	a-V127030604 b-V153031004 c-V125030803
2	AA2J170403	Read Cover /Right		D	1	
3	A00J169100	Cover		D	3	
4	A161170800	Holder		D	1	
5	AA2J170104	Read Cover /Front		D	1	
6	A92T940800	Label	A	D	1	
7	AA2J170300	Read Cover /Left		D	1	
8	A161N11C01	Scanner Relay harness /100V	A	D	1	
9	A55D941100	Caution Label		D	1	
10	A00J169200	Shoulder screw		C	2	



## Scanner Section

Key	Part No.	Description	Destinations	Class	QTY	Standard parts
1	AA2JR73200	Slit Glass ASSY		C	1	a-V121030604 b-V125030803 c-V115030603 d-V116030804 e-V144030603
2	AA2JR73300	Original Glass ASSY		C	1	
3	A161268300	Holding Plate		D	1	
4	A161268200	Holding Plate		D	1	
5	A1UDM50200	Lead Switch		C	1	
6	A00J265300	Regulating Plate		C	1	
7	A5C1263400	Seal		C	1	
8	4581162501	SEAL		C	9	
9	A161N14100	Scanner Wiring /1		D	1	
10	4036307501	Tape		D	1	
11	A161281600	Guide		D	1	
12	A161263000	Seal		D	1	
13	A5C1M50100	Photointerrupter		B	2	
14	A161N14201	Scanner Wiring /2		D	1	
15	A161262200	Cover		D	1	
16	A161261902	Frame		D	1	
17	9J07210802	Shoulder Screw		C	2	
18	AA7NH01A00	Scana Drive Board Assy		C	1	
19	A161262002	Frame		D	1	
20	A5C1280101	Mounting Plate		D	1	
22	A161M50A00	APS Photorelector		C	1	
23	A161280211	Lever		D	1	
24	A161280300	Compressing Coil spring		C	1	
25	A161281300	Seal		D	1	
26	A161281100	Guide		D	1	
27	A5C1263300	Seal		C	1	

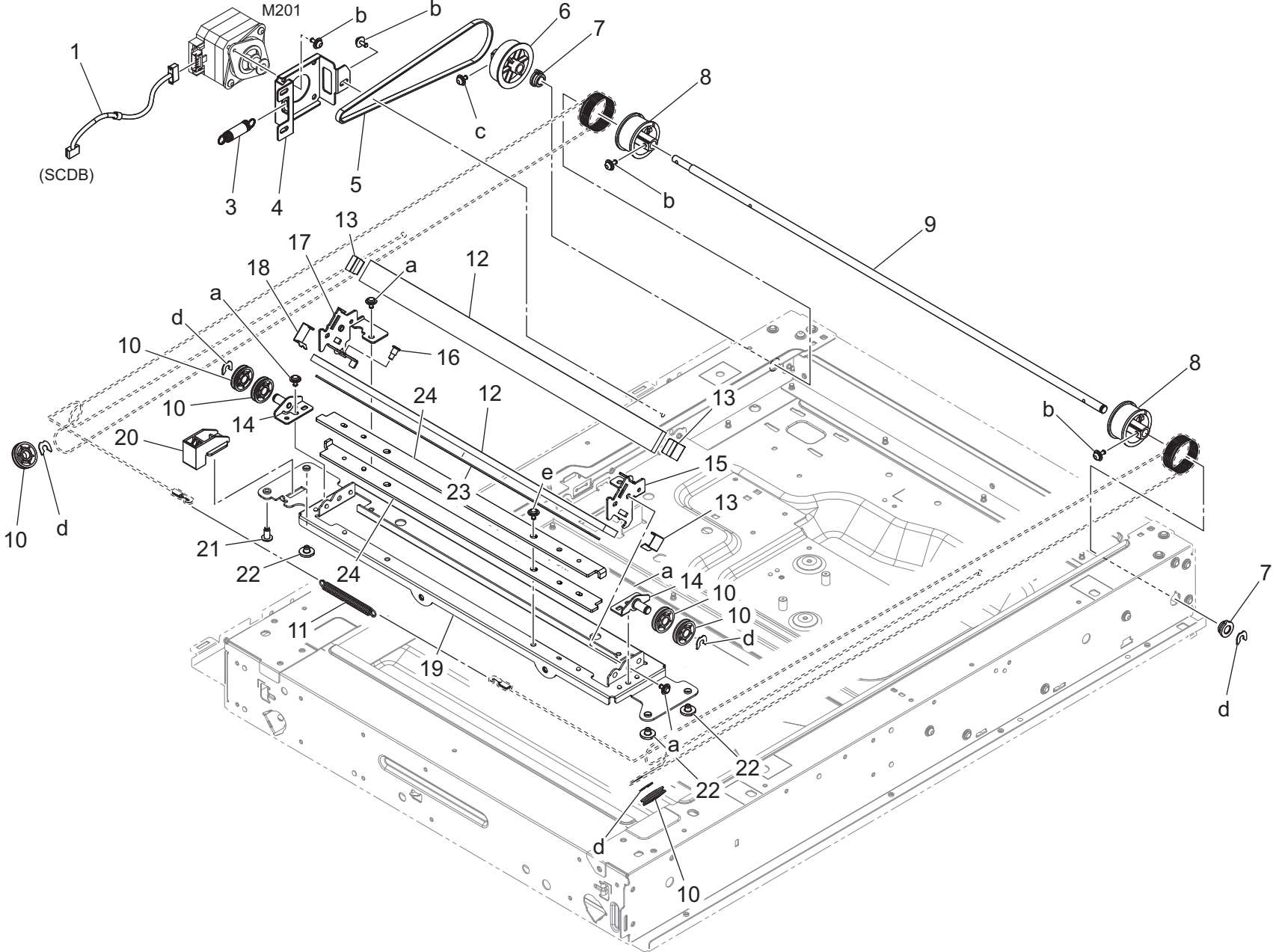
Scanner Section



Key	Part No.	Description	Destinations	Class	QTY	Standard parts
1	A161278600	Cover		D	1	a-V125030803 b-V127030604 c-V116030603 d-V144030803
2	A161278900	Plate spring		D	2	
3	AA7NR72500	CCD Assy		I	1	
4	AA2JN14500	CCD Cable		D	1	
5	AA7NM31200	Lamp		I	1	
6	A0ED271200	Mirror		D	1	
7	A0ED271300	Plate spring		D	2	
8	A161270102	Frame		D	1	
9	A161N14000	Scanner Wiring /4		D	1	
10	A161270600	Guide		D	1	
11	A161271100	Bushing		D	1	
12	A161271000	Bushing		D	3	



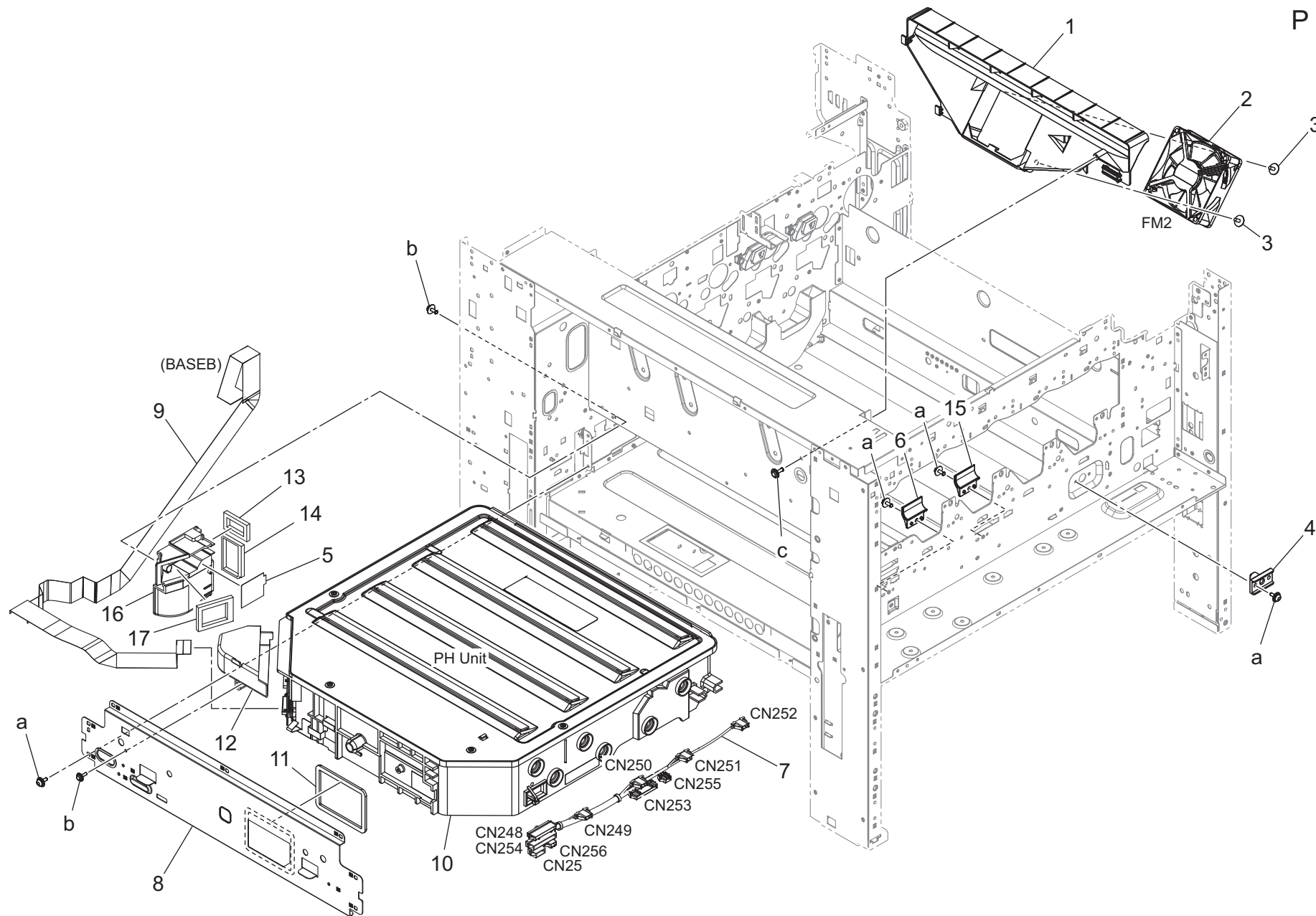
# Scanner Section



Key	Part No.	Description	Destinations	Class	QTY	Standard parts
1	A5C1N14300	Scanner Wiring		D	1	a-V137030803 b-V125030803 c-V116030603 d-V218040086 e-V144030603
3	A795275700	Pulling Spring		D	1	
4	A161276000	Mounting Plate		D	1	
5	A161275600	Timing belt 335L		D	1	
6	A161275500	Pulley 103T		D	1	
7	A161276500	Bearing		D	2	
8	A161275300	Pulley		D	2	
9	A161275400	Shaft		D	1	
10	A0ED273600	Pulley		C	6	
11	A0ED276301	Pulling Spring		D	1	
12	A0ED274300	Mirror		D	2	
13	A0ED274400	Plate spring		D	3	
14	A161273401	Mounting Plate		D	2	
15	A161273800	Mounting Plate		D	1	
16	A161274600	Adjusting Screw		C	1	
17	A161273701	Mounting Plate		D	1	
18	A161274500	Plate spring /1		D	1	
19	A161273113	Frame		D	1	
20	A161273500	Guide Part		D	1	
21	A161271100	Bushing		D	1	
22	A161271000	Bushing		D	3	
23	A0ED274200	Vibrationproof Plate		D	1	
24	A795273900	Vibrationproof Plate		D	2	

# Write Section

P 10

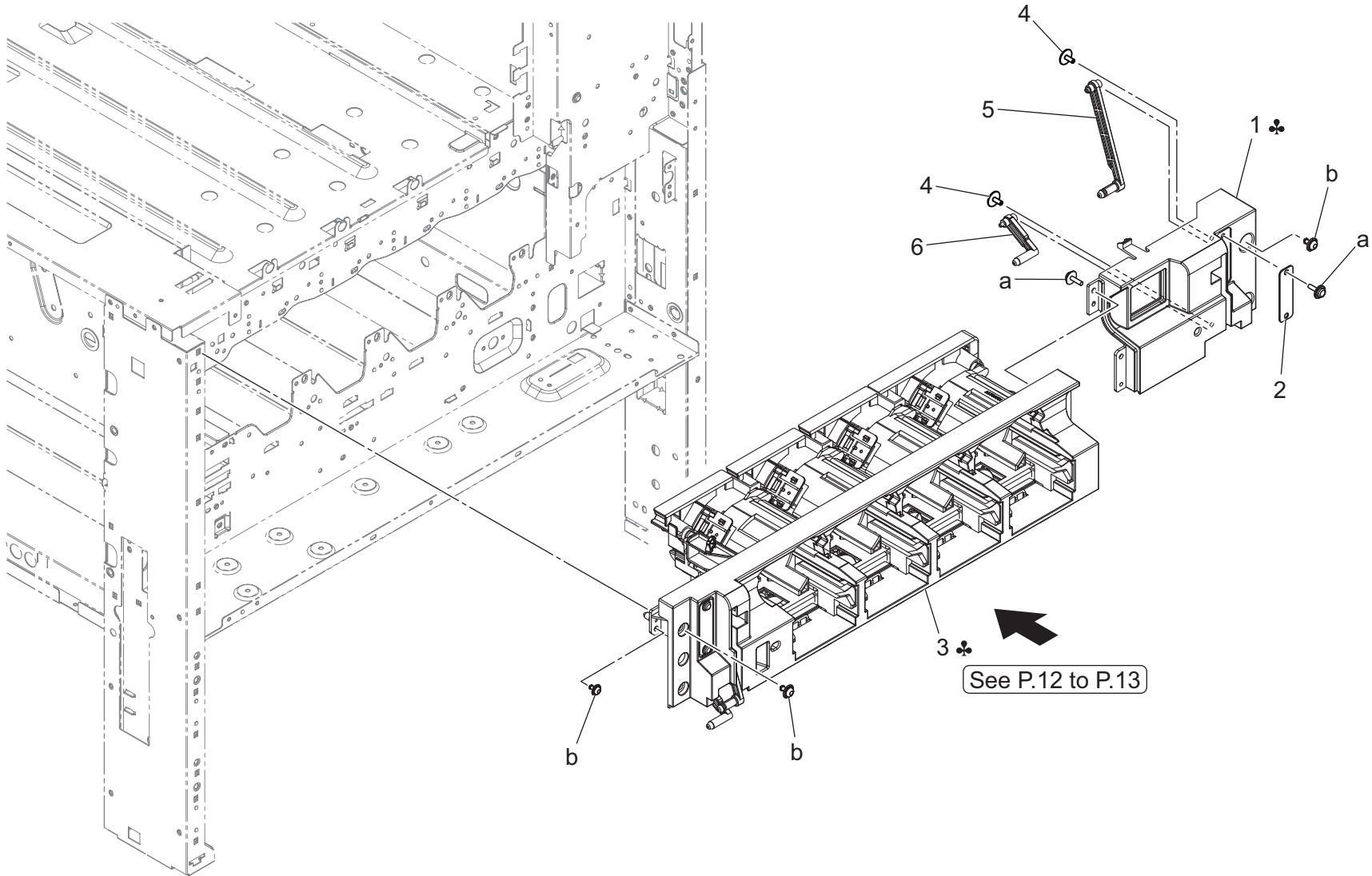


bizhub C550i

Write Section

Key	Part No.	Description	Destinations	Class	QTY	Standard parts
1	A161140200	Duct		D	1	a-V125030803 b-V153030803 c-V153031004
2	A93EM10000	Fan motor		C	1	
3	4163529301	SCREW		C	2	
4	A161105400	Positioning Plate		D	1	
5	AA7N146300	Seal /2		D	1	
6	AA2J134201	Guide		D	1	
7	AA2JN10G01	Relay Wiring /Front		D	1	
8	A79J101801	Mounting Plate		D	1	
9	AA7NN11C00	I/F Flat Cable /W		D	1	
10	AA7NR70500	Print Head Assy		I	1	
11	A2XK144201	Seal /2		D	1	
12	A79J147501	Duct /3		D	1	
13	AA7N145401	Seal		D	1	
14	AA7N145701	Seal		D	1	
15	AA2J134100	Guide		D	1	
16	AA7N147400	Duct /2		D	1	
17	AA7N145300	Seal		D	1	

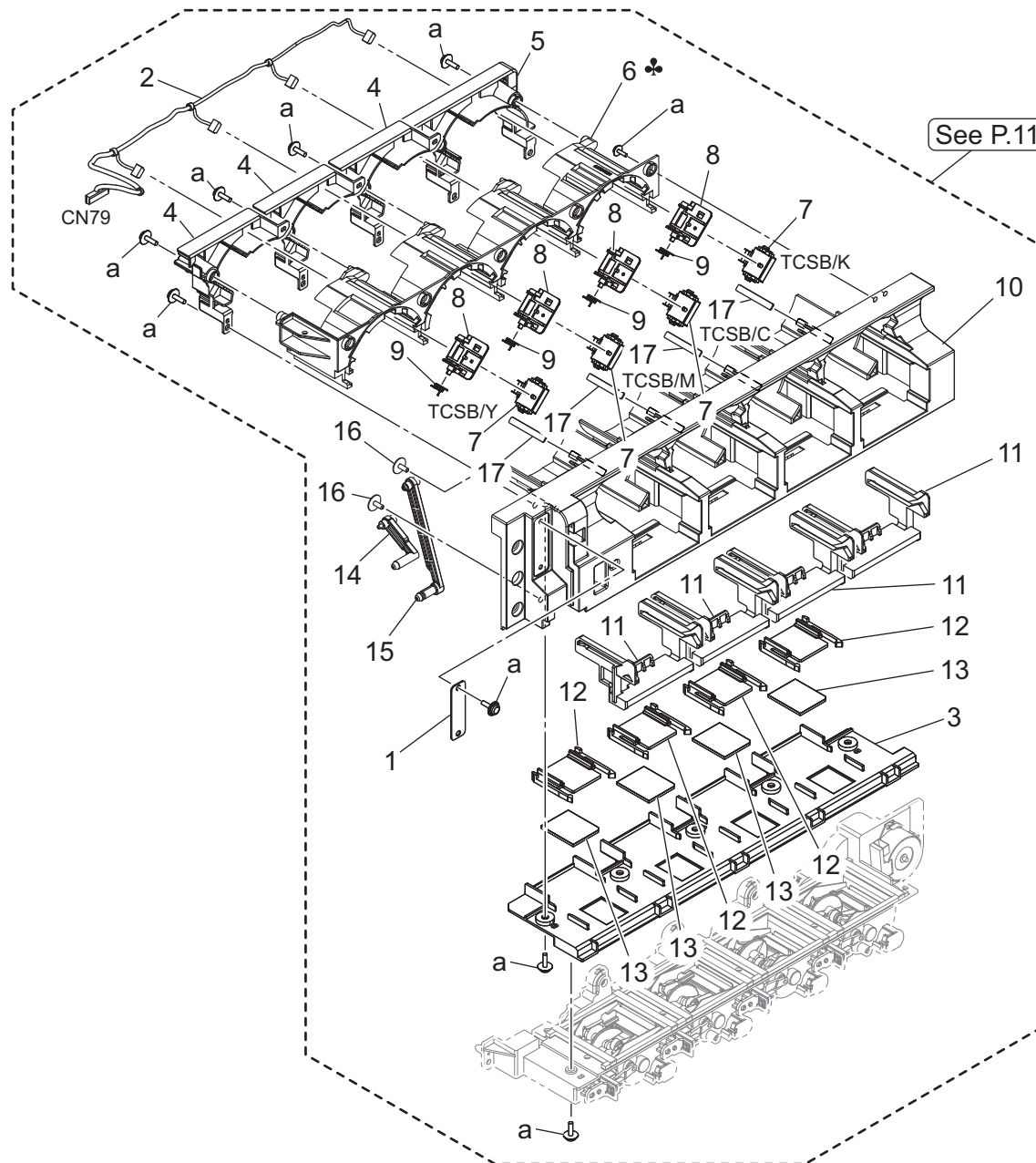
# Toner Supply Section



See P.12 to P.13

Key	Part No.	Description	Destinations	Class	QTY	Standard parts
1	AA7N401401	Cover /Right	A	D	1	a-V153030803 b-V127030604
1	AA7N401701	Cover /Right	B,C,D1,D3,E,F2,G1,G 2,I,K,H	D	1	
2	4038101401	SUCTION PLATE		D	1	
3	AA7NR71811	Sub Hopper Assy	A	S	1	
3	AA7NR71911	Sub Hopper Assy	B,G2	S	1	
3	AA7NR72011	Sub Hopper Assy	C,G1,I (South Africa)	S	1	
3	AA7NR72900	Sub Hopper Assy	D1,D3,E,F2,G1,I(Except South Africa),K J,H	S	1	
4	4163529301	SCREW		C	2	
5	AA7N401600	Arm		C	1	
6	AA7N401501	Arm		C	1	

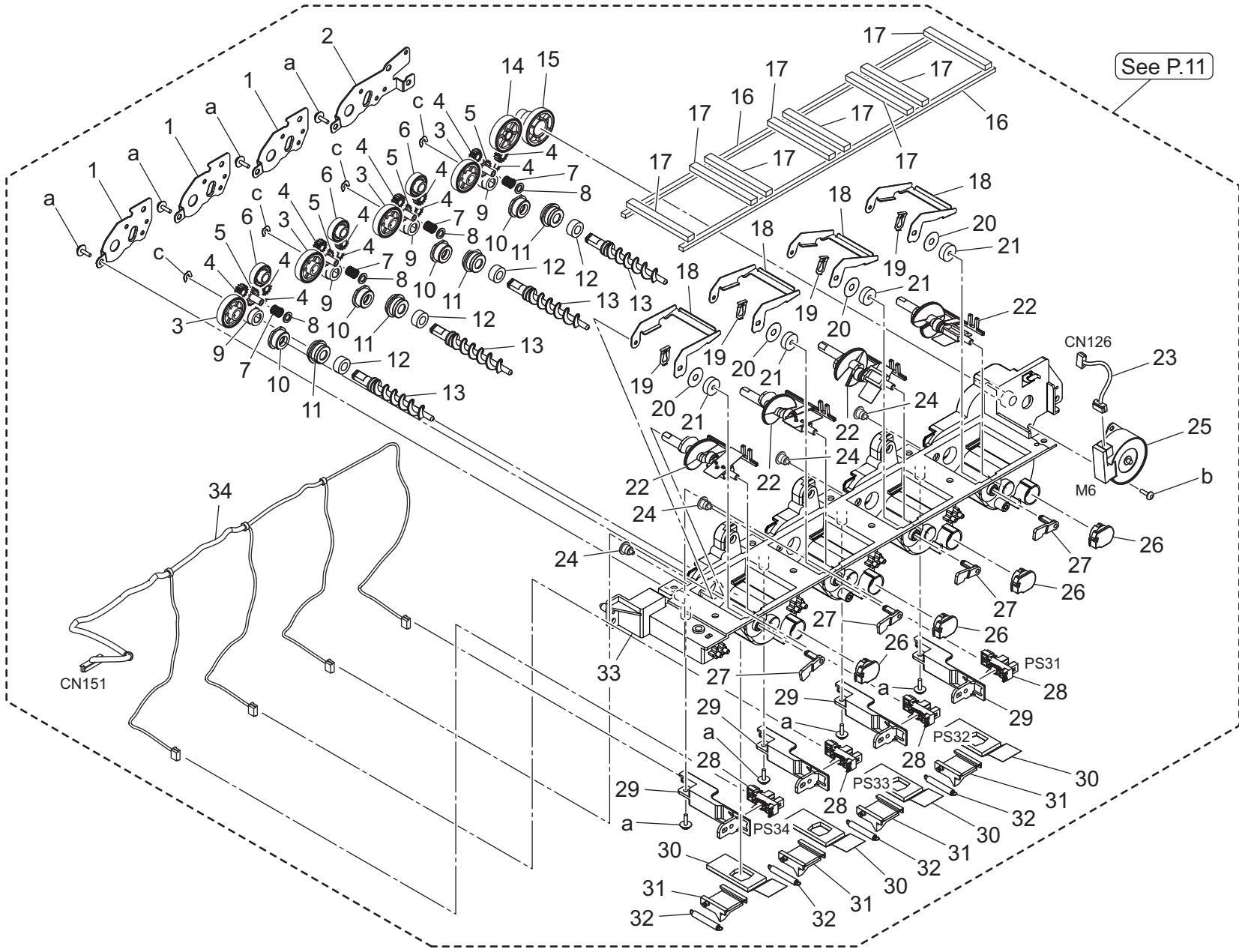
# Toner Supply Section



Key	Part No.	Description	Destinations	Class	QTY	Standard parts
1	4038101401	SUCTION PLATE		D	1	a-V153030803
2	AA2JN11E00	Toner Detection harness /2		D	1	
3	AA2J402101	Cover		D	1	
4	AA2J404101	Guide		D	3	
5	AA2J405301	Guide		D	1	
6	AA7N405100	Cover		D	1	
6	AA7N406100	Cover	B,G2 C,G1,I (South Africa)	D	1	
6	AA7N406200	Cover	A	D	1	
6	AA7N406300	Cover	D1,D3,E,F2,G1,(Except South Africa),K ,J,H	D	1	
7	A0EDM60001	Relay Connector		D	4	
8	AA2J404503	Holder		D	4	
9	AA2J404600	Torsion Coil spring		C	4	
10	AA7N401301	Cover		D	1	
11	AA2J402600	Guide		D	4	
12	AA2J402401	Shutter		D	4	
13	AA2J402500	Seal		D	4	
14	AA7N401501	Arm		C	1	
15	AA7N401600	Arm		C	1	
16	4163529301	SCREW		C	2	
17	A85Y375100	Protection Part		D	4	



Toner Supply Section



Key	Part No.	Description	Destinations	Class	QTY	Standard parts
1	AA2J402700	Mounting Plate		D	3	a-V153030803 b-V145030803 c-V218030086
2	AA2J402800	Mounting Plate		D	1	
3	AA2J401100	Gear 36T		C	4	
4	A79J401600	Gear 20T		C	12	
5	A79J401700	Gear 18T		C	4	
6	A161401500	Gear 25T		C	3	
7	A79J401900	Spring		C	4	
8	A79J401800	Washer		C	4	
9	A161401000	Gear 18T		C	4	
10	4163510201	BUSHING		C	4	
11	AA2J403100	Holder		D	4	
12	4576536301	SEAL		D	4	
13	AA2J400100	Screw		D	4	
14	A79J401400	Gear 40T		C	1	
15	A161401300	Gear 17/65T		C	1	
16	AA2J403300	Seal		D	2	
17	AA2J405500	Seal		D	8	
18	AA2J400400	Detecting Plate		D	4	
19	A161404200	Fixing Plate		D	4	
20	A5C1404600	Washer		D	4	
21	A161400601	Detecting Seal		D	4	
22	AA2JR73400	Agitating Shaft Assy		D	4	
23	A161N12801	Toner Drive harness /K		D	1	
24	A161400800	Pin		D	4	
25	A7PUM10700	Stepping motor		C	1	
26	A161403000	Bushing		D	4	
27	AA2J404300	Detecting Actuator		D	4	
28	A5C1M50100	Photointerrupter		B	4	
29	AA2J400700	Mounting Plate		D	4	
30	A161403200	Seal		D	4	
31	A0ED401000	Shutter		D	4	
32	4036534801	TENSION SPRING		C	4	
33	AA2J400001	Casing		D	1	
34	AA2JN10E00	Toner Detection harness /1		D	1	

# Toner Collection Section

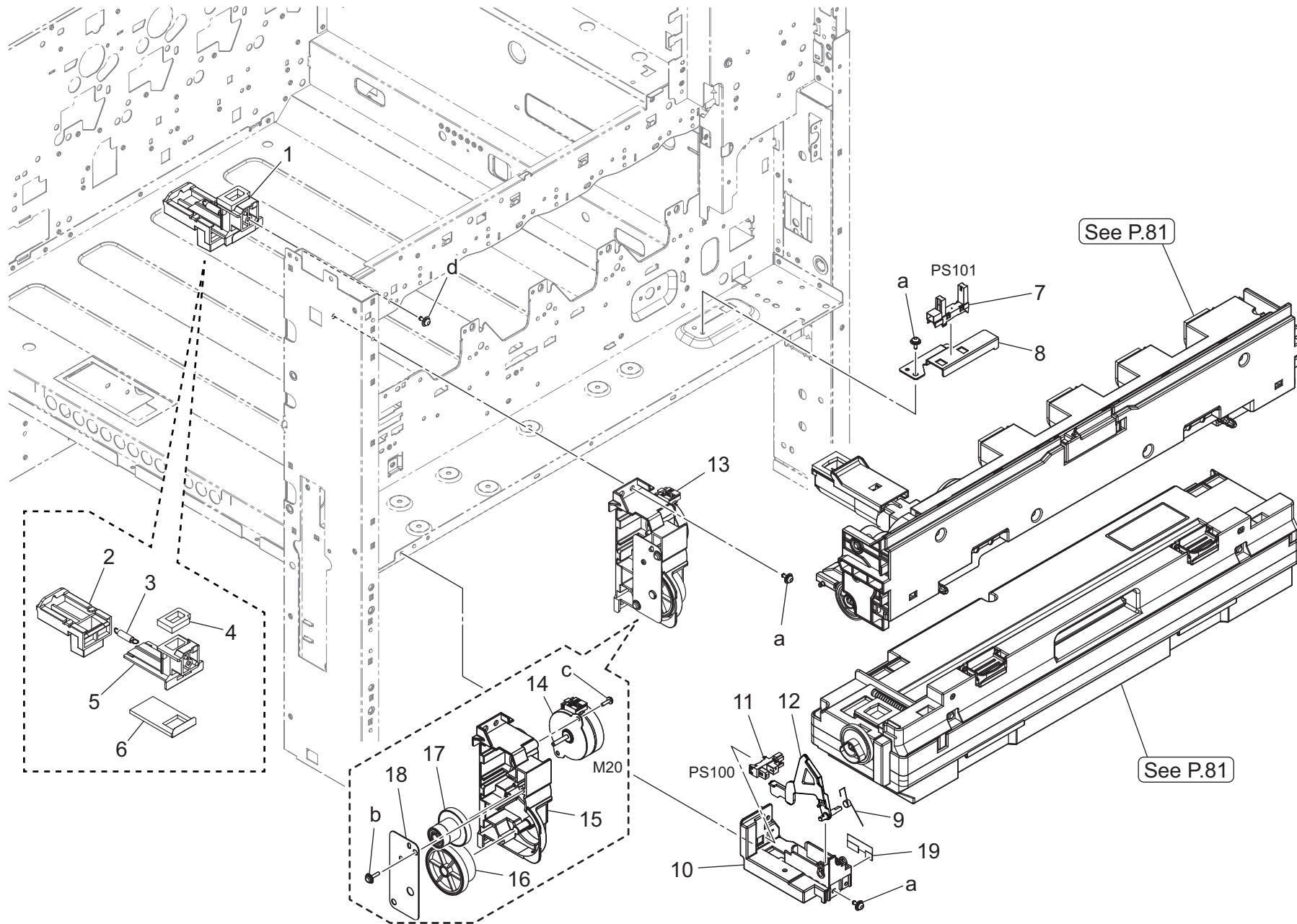




Photo Conductor/ Developing Section

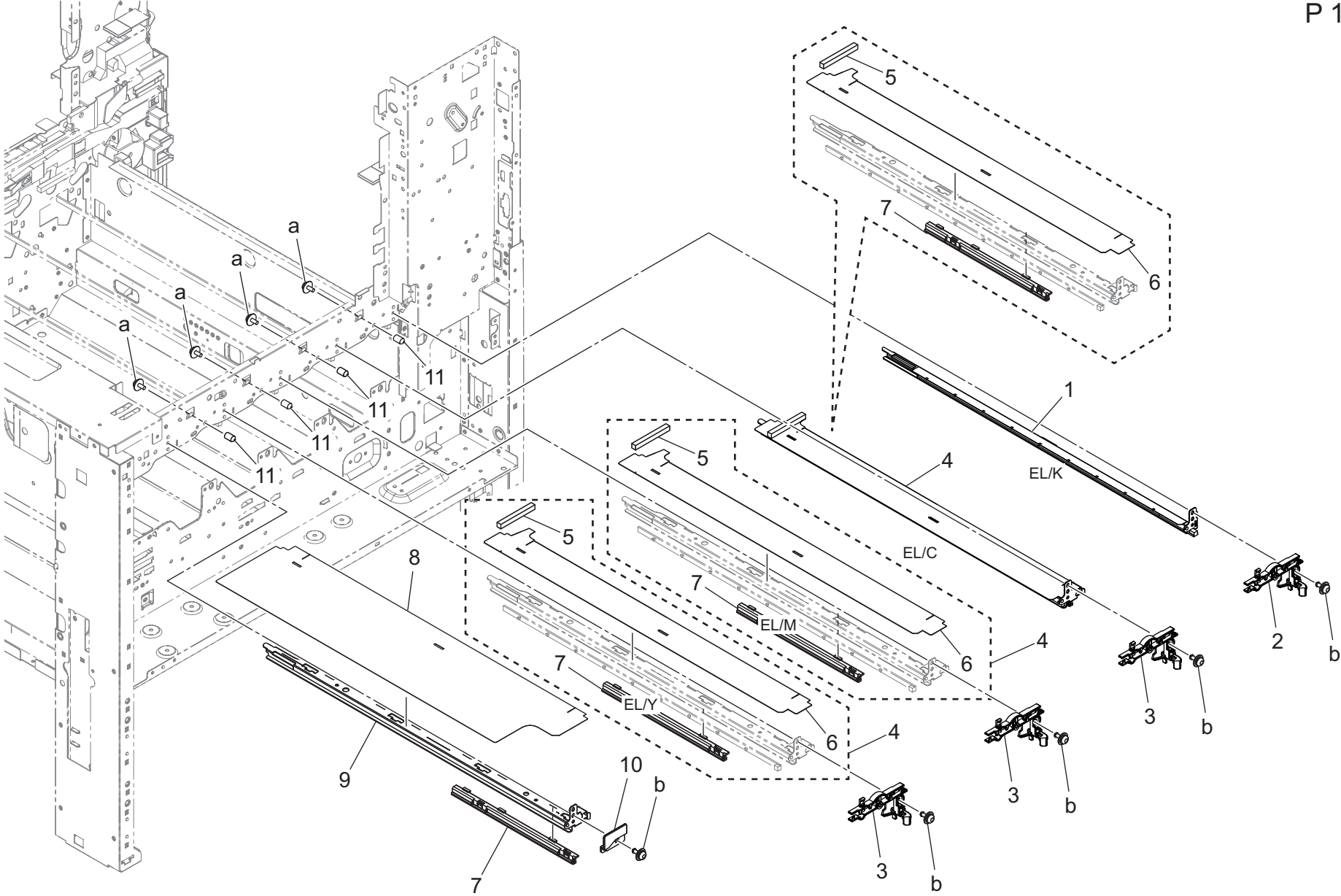
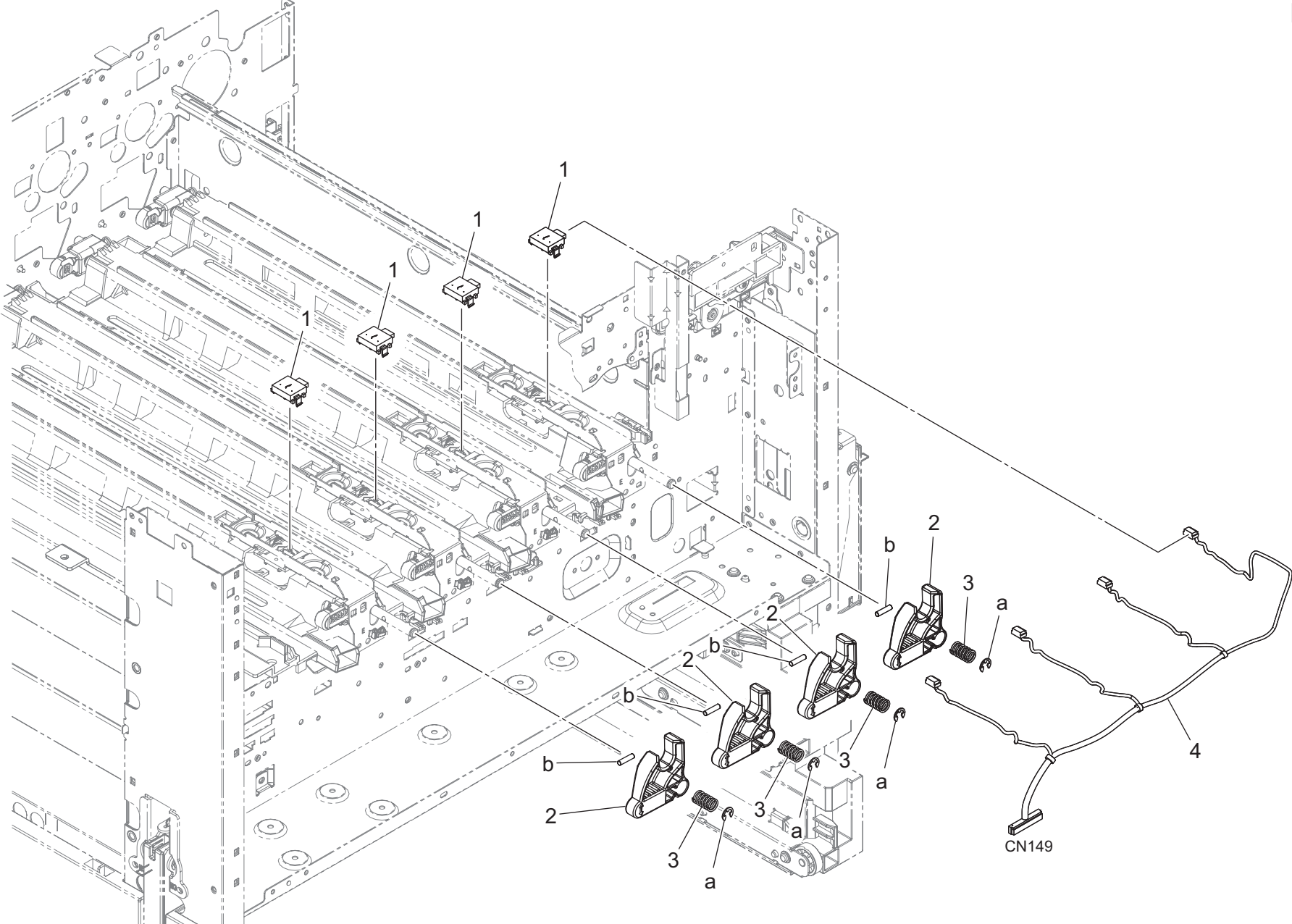




Photo Conductor/ Developing Section

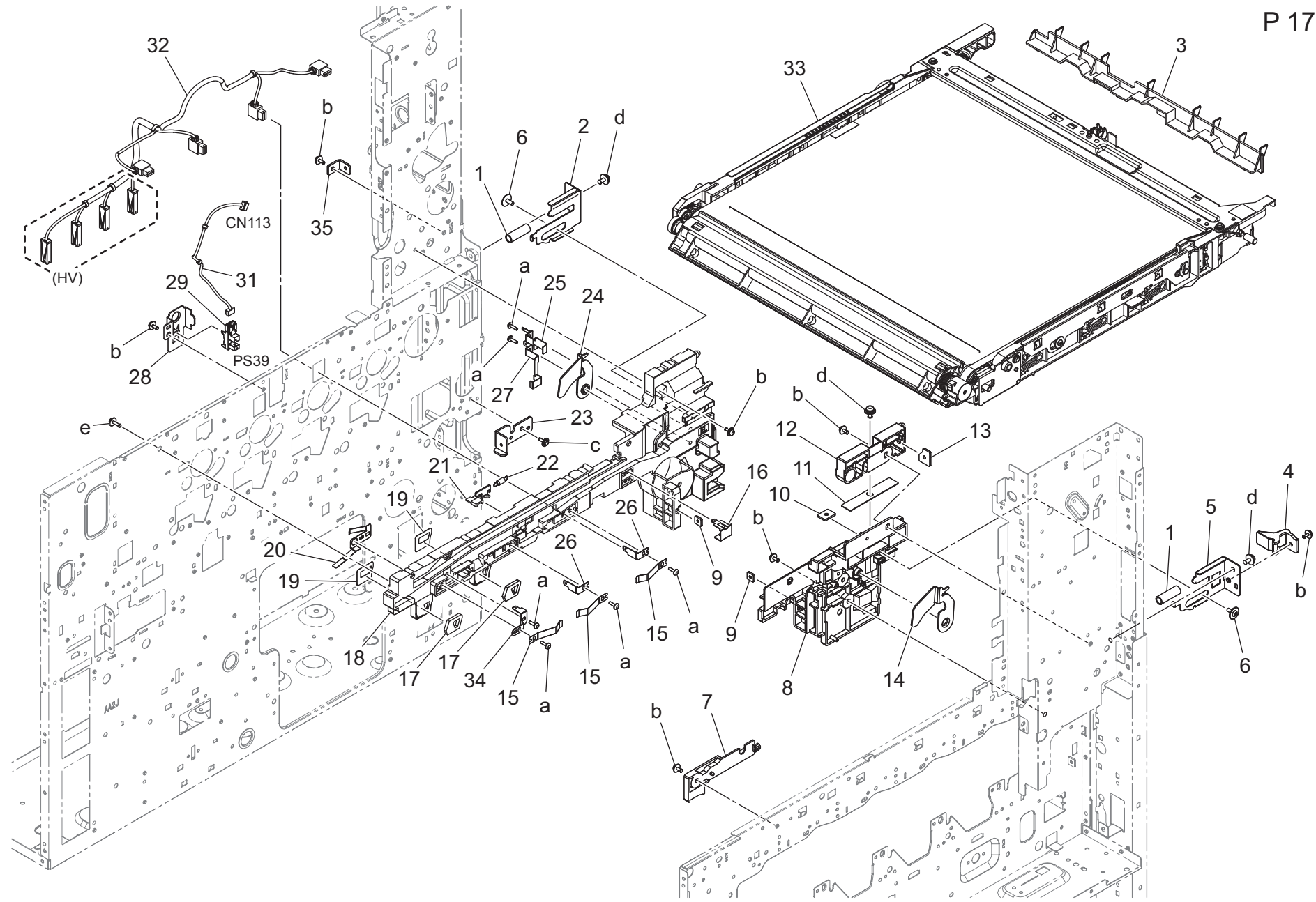






# 1st Transfer Section

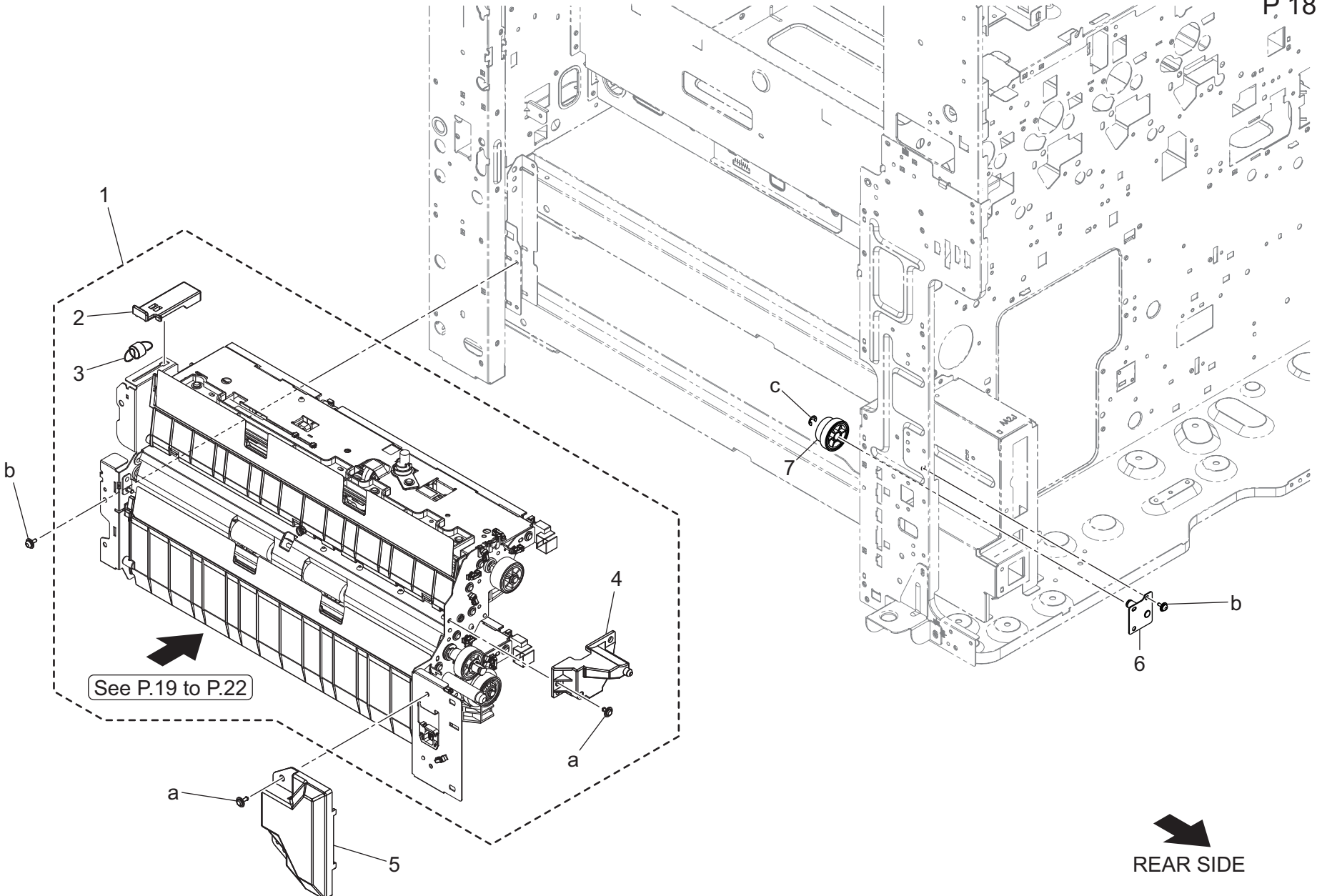
P 17



## 1st Transfer Section

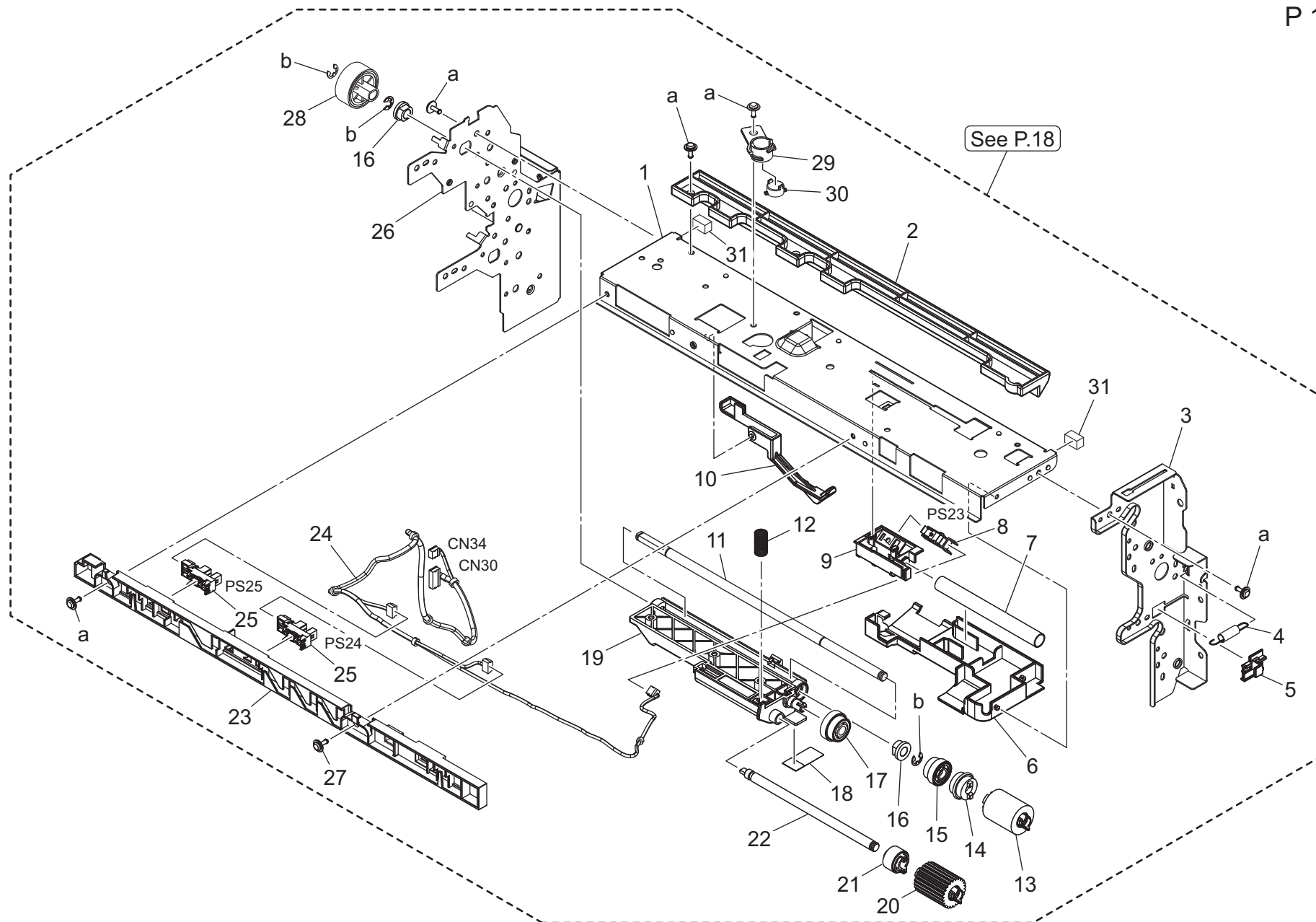
Key	Part No.	Description	Destinations	Class	QTY	Standard parts
1	A0ED111000	Compressing Coil spring		D	2	a-V145030803 b-V125030803 c-V144030803 d-V116040803 e-V153031003
2	A161112101	Lever /Rear		D	1	
3	A79J508400	Guide		D	1	
4	A161110601	Lock Part		D	1	
5	A161112500	Lever /Front		D	1	
6	4163529301	SCREW		C	2	
7	A161110300	Rail		D	1	
8	AA2J110200Old	Rail		D	1	
8	AA2J110202	Rail		D	1	
9	4002504203	PLATE NUT		D	2	
10	A161112200	Mounting Plate		D	1	
11	A161112600	Adjusting Plate		D	1	
12	AA2J110401	Fusing Rail /Front		D	1	
13	AA2J112200	Mounting Plate		D	1	
14	A5C1112800	Arm /Front		D	1	
15	A0ED111500	Contact /Color		D	3	
16	A0ED111400	Contact /K		D	1	
17	A161144801	Seal		C	2	
18	AA2J110100	Rail		D	1	
19	A161144900	Seal		C	2	
20	A0ED112000	Contact		D	1	
21	A161110500	Detecting Plate		D	1	
22	A0ED110900	Pulling Coil spring		C	1	
23	A7PU109000	Reinforce Plate		D	1	
24	A5C1112900	Arm /Rear		D	1	
25	A161112400	Contact		D	1	
26	A0ED111700	Contact		D	2	
27	A161112300	Contact		D	1	
28	A5C1112102	Mounting Plate		D	1	
29	A5C1M50100	Photointerrupter		B	1	
31	AA2JN10X00	Connecting Detection harness		D	1	
32	AA2JN11200	Transfer Wiring /1		D	1	
33	AA2JR73700	Intermediate Image Transfer Unit	A,B,C,D1,D3,E,F2,G1 .G2,I,K,J,H	A	1	
34	A161112000	Contact		D	1	
35	A161112700	Mounting Plate		D	1	

# Paper Feed Section



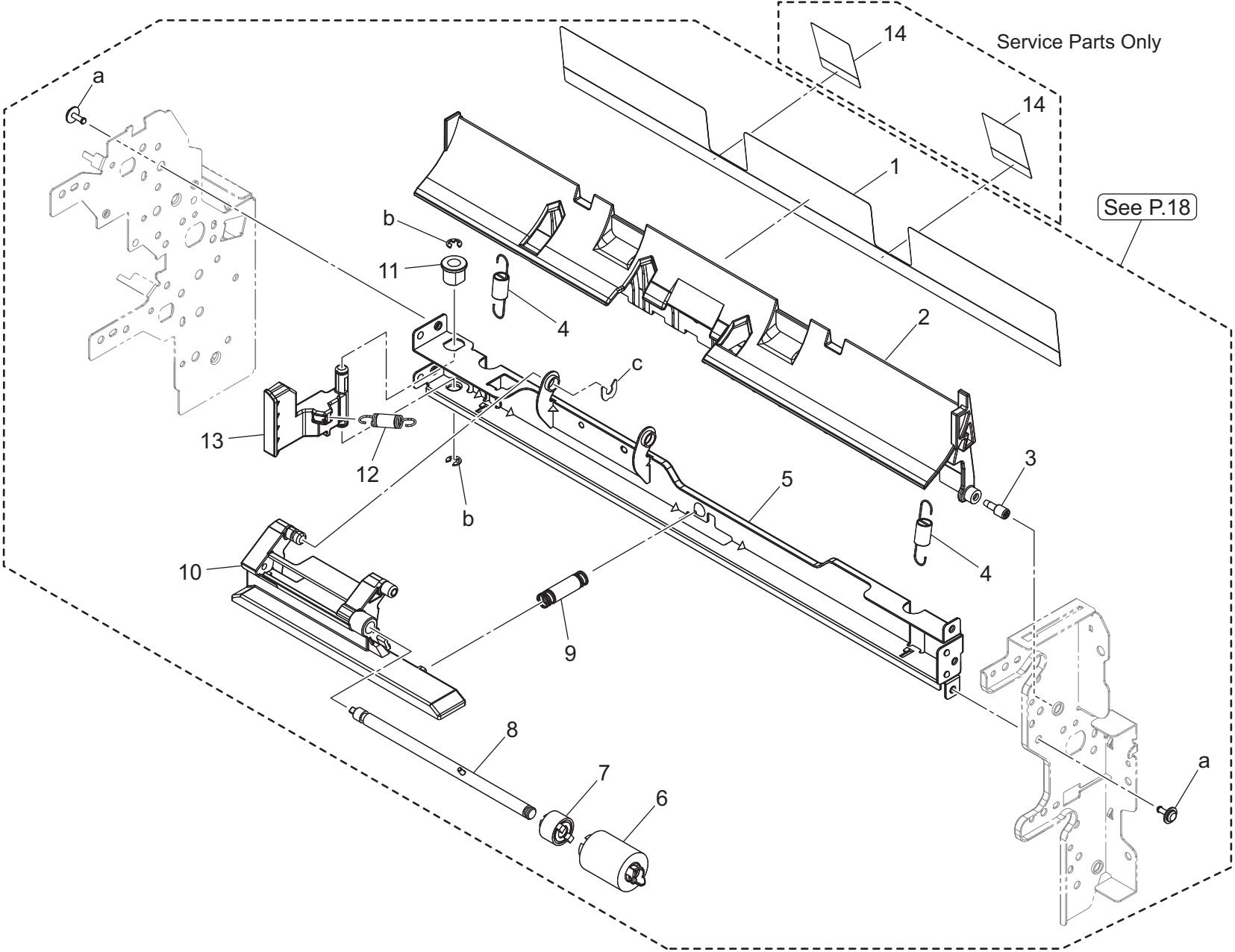


# Paper Feed Section



Key	Part No.	Description	Destinations	Class	QTY	Standard parts
1	AA7N565201	Paper feed Frame	給紙フレーム ( 1 s t )	D	1	a-V144030803 b-V217040003
2	AA2J566000	Paper feed Guide	給紙ガイド ( 上 )	D	1	
3	AA7N560101	Frame /Front	フレーム /前	D	1	
4	AA2J571200	Pulling Coil spring	引張りコイルばね	C	1	
5	AA2J571100	Holder	ホルダ	D	1	
6	AA2J565700	Conveyance Guide /3	搬送ガイド /3	D	1	
7	AA2J565400	Compressing Coil spring	圧縮コイルばね ( 給紙センサ )	C	1	
8	A0EDM50100	Photoreflector	反射型センサ ( アンブ内蔵 )	I	1	
9	AA2J565300	Holder	ホルダ ( 給紙センサ )	D	1	
10	AA2J561600	Detecting Lever	検出レバー ( エンプティ )	C	1	
11	AA2J560500	Paper feed Shaft	給紙軸 ( 1 s t )	D	1	
12	AA7N562800	Compressing Coil spring	圧縮コイルばね ( ピック圧 )	C	1	
13	A64J564101	Paper feed Roller	給紙ローラ	A	1	
14	A02E561100	Clutch	クラッチ	C	1	
15	A7AH562400	Paper feed Gear	給紙ギア	C	1	
16	A00J663200	Bushing	すべり軸受	B	2	
17	A7AH562300	Idling Gear	アイドラギア	C	1	
18	A7AH562900	Protection Sheet	保護シート	C	1	
19	A7AH562100	Conveyance Guide /4	搬送ガイド /4	D	1	
20	A64J564201	Paper feed Roller	給紙ローラ ( ピックアップ )	A	1	
21	A7AH562600	Conveyance Gear 28T	搬送ギア 28 T	C	1	
22	A7AH563400	Support Shaft	支点軸	D	1	
23	AA2J579603	Guide	ガイド ( ハーネス )	D	1	
24	AA7NN10P00	Paper Feed Harness /1	給紙束線 /1	D	1	
25	A5C1M50100	Photointerrupter	透過型センサ	B	2	
26	AA7N560200	Frame /ASSY	フレーム / ASSY ( 後 )	D	1	
27	A00J169300	Shoulder screw	段ねじ	C	1	
28	A79J576400	Gear 24T	ギア 24 T	C	1	
29	AA7N565300	Holder	ホルダ	D	1	
30	AA7N565400	Lever	レバー	D	1	
31	AA7N568900	Cushion	クッション	D	2	

Paper Feed Section

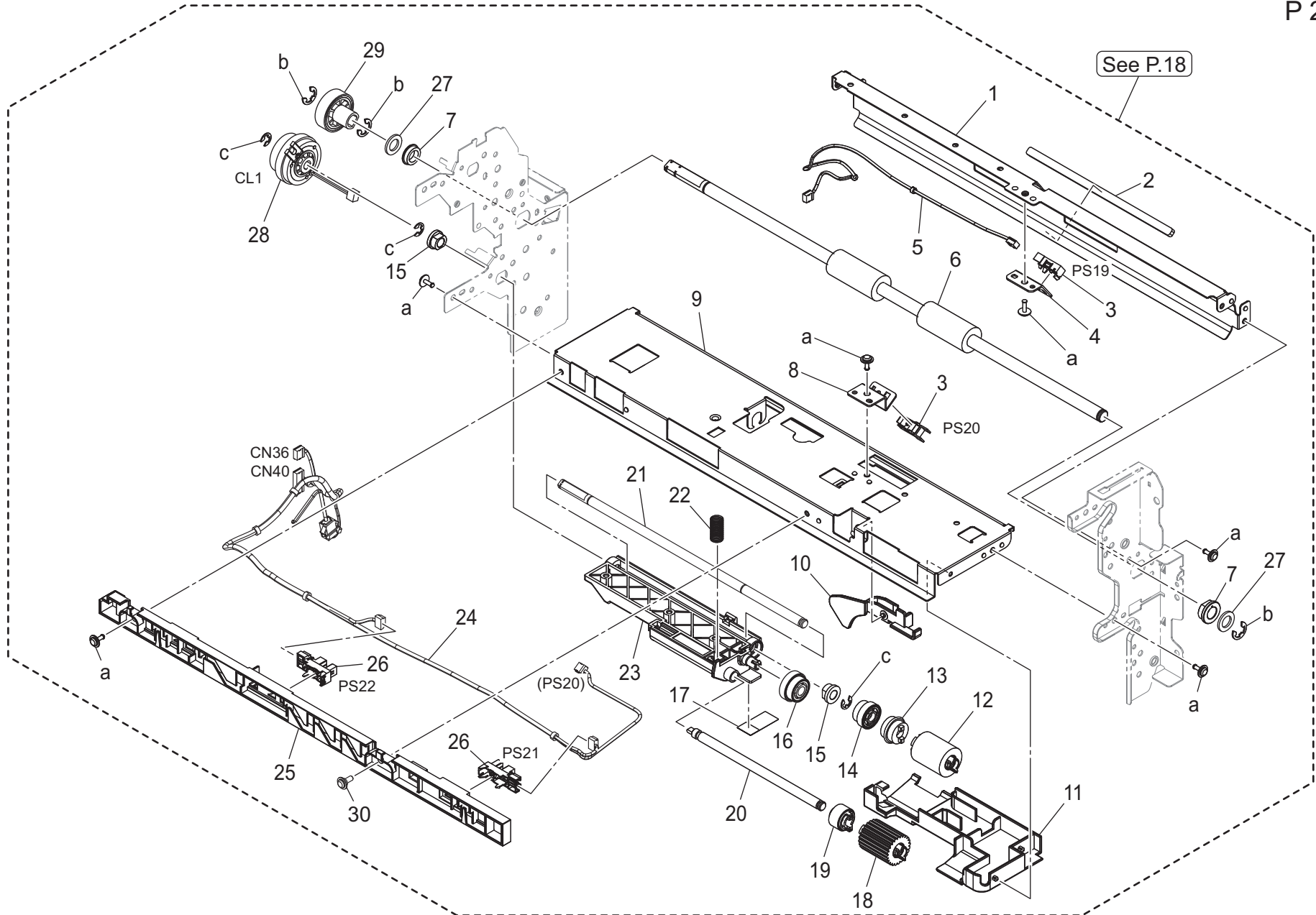






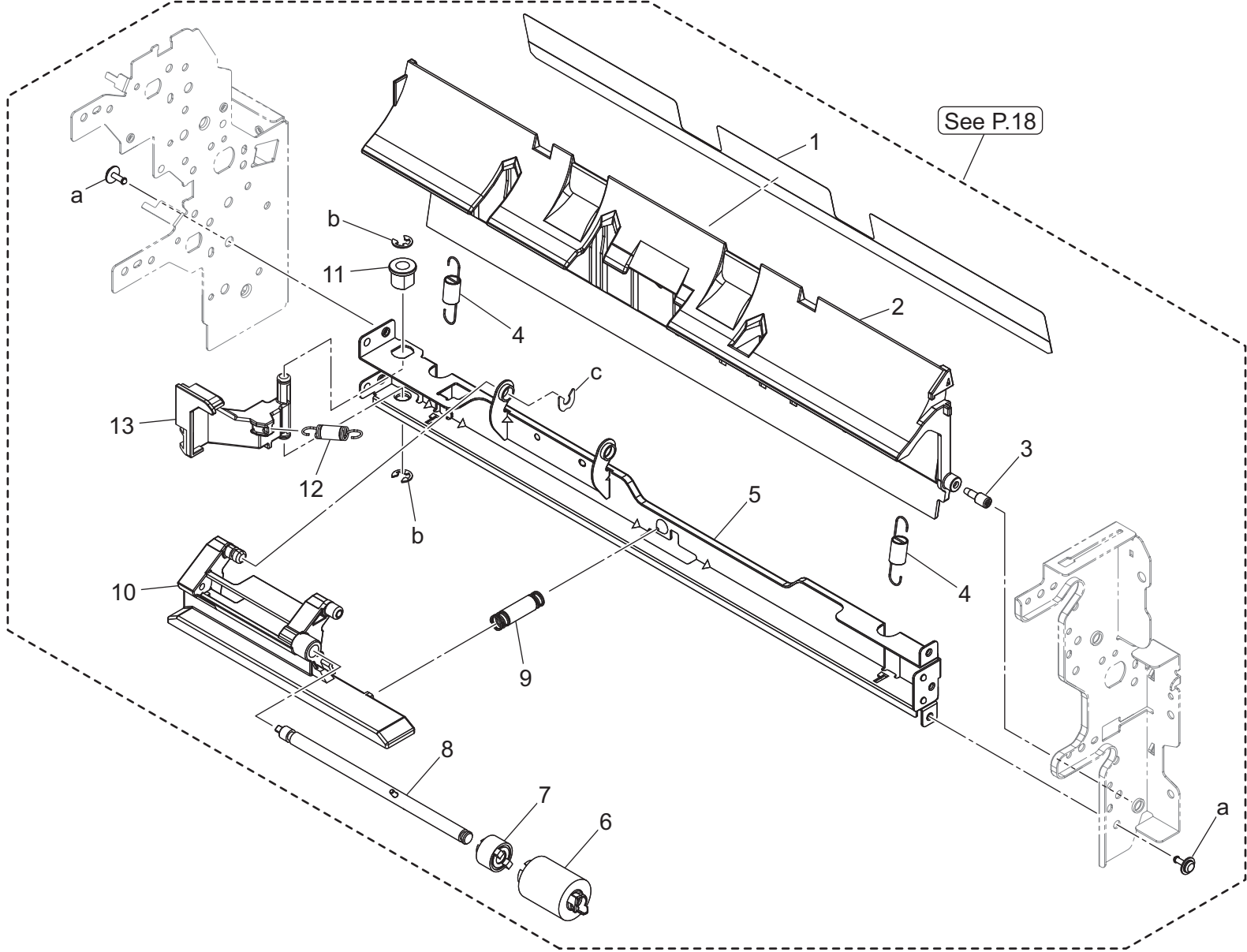
# Paper Feed Section

P 21



bizhub C550i

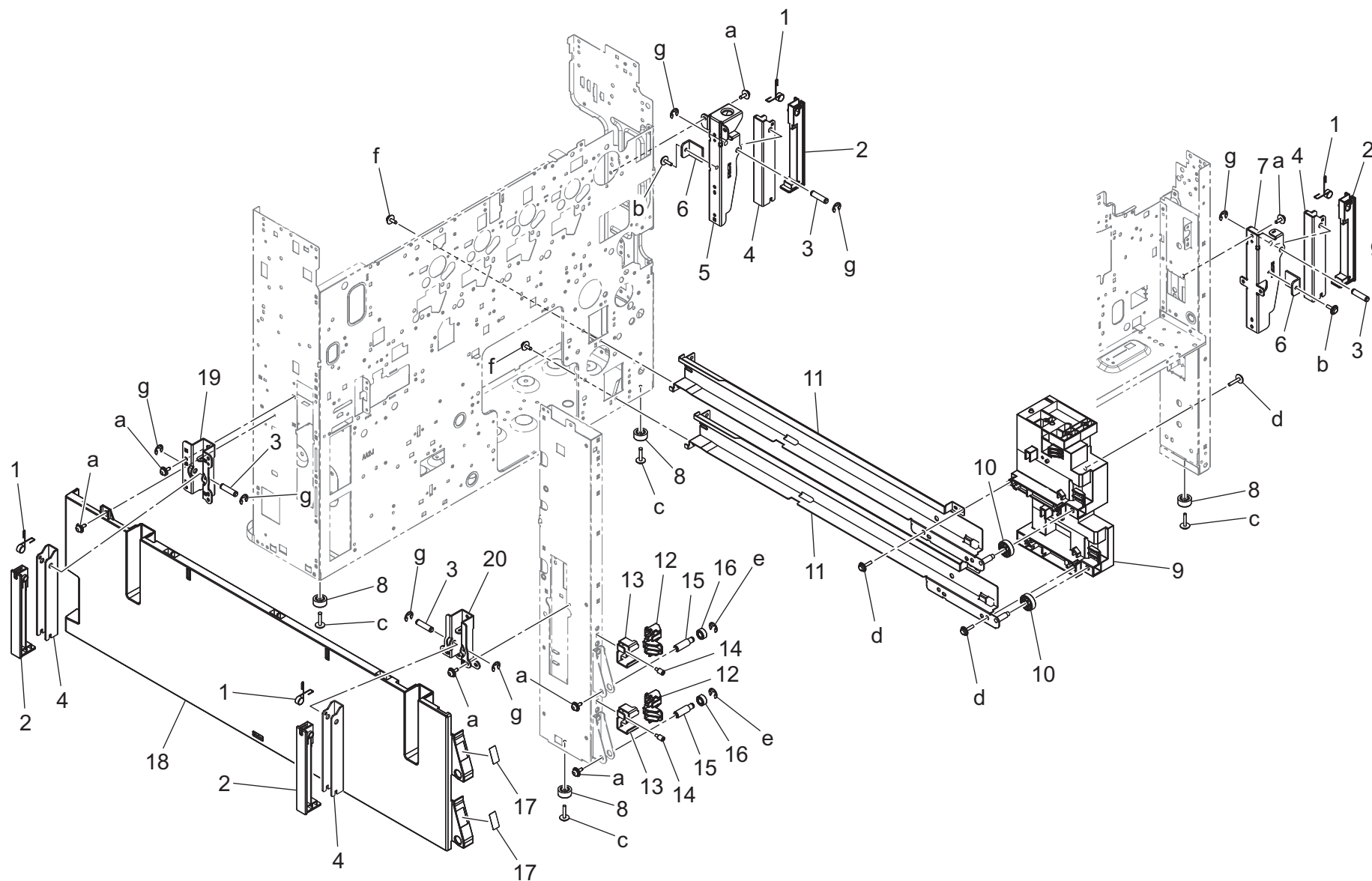




See P.18

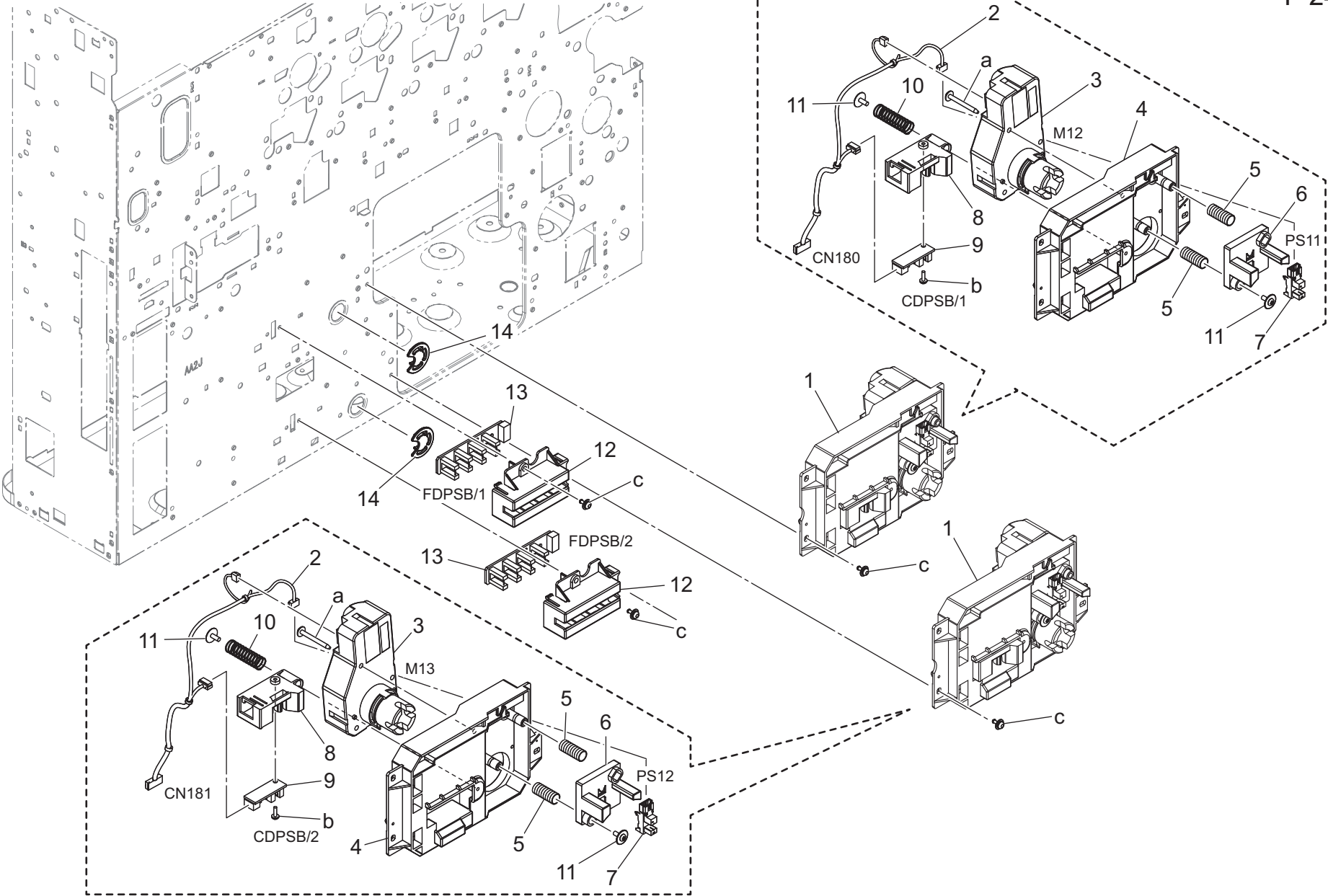


# Tray Section





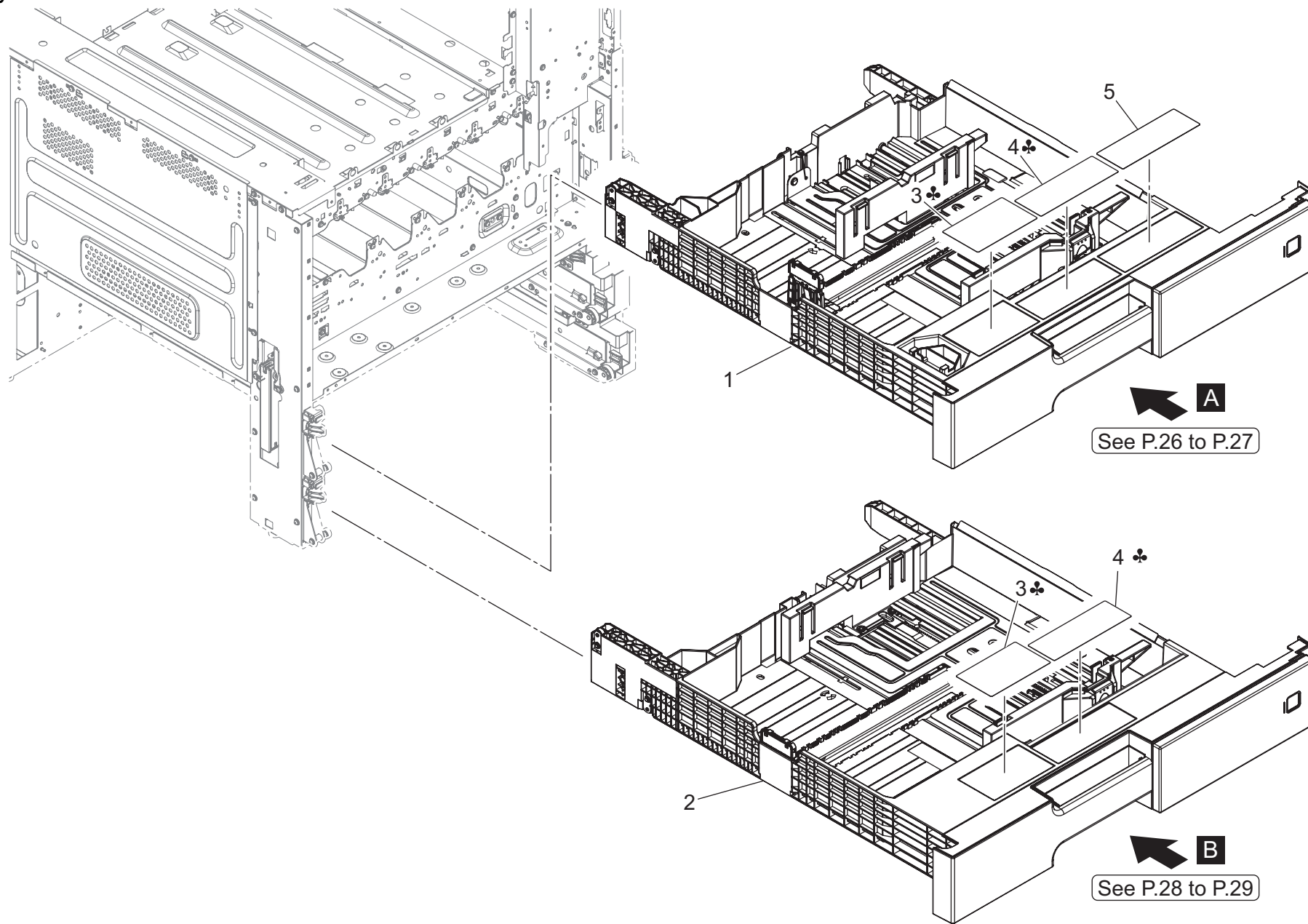
# Tray Section



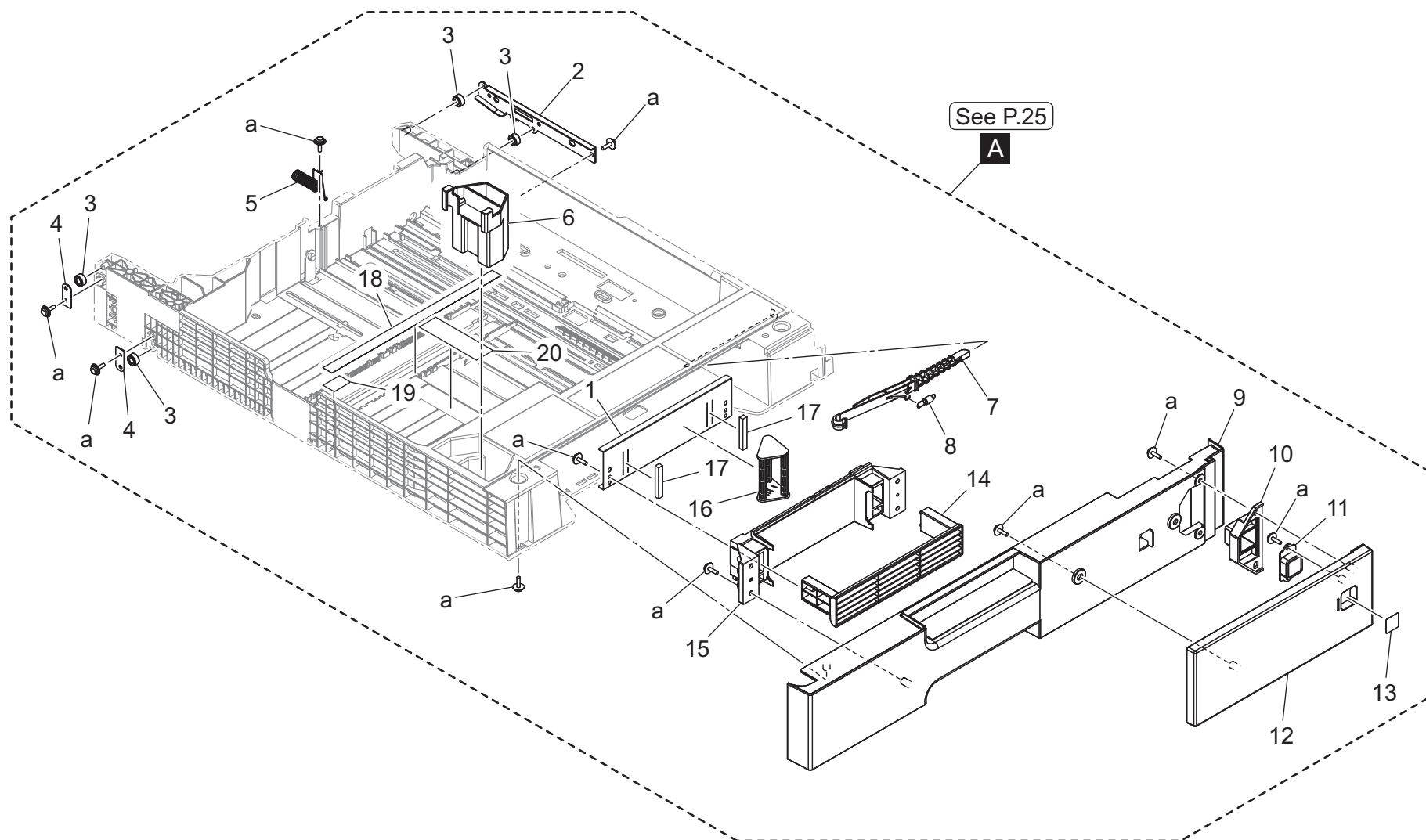




# Tray Section



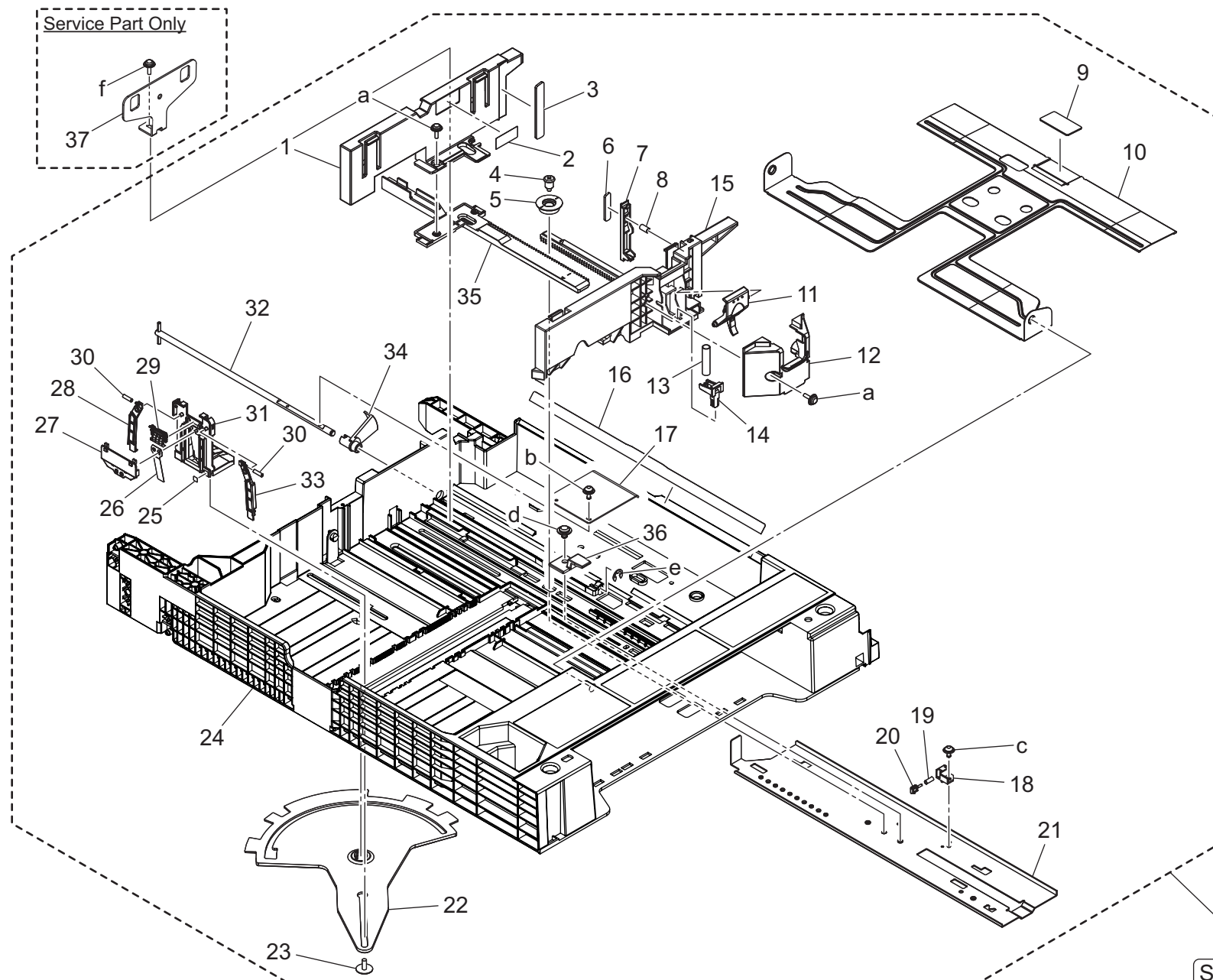




Key	Part No.	Description	Destinations	Class	QTY	Standard parts
1	AA2J624300	Holder		D	1	a-V153030803
2	AA2J623101	Reinforce Plate /Right		D	1	
3	A161623400	Roll		D	4	
4	AA2J623300	Reinforce Plate /Left		D	2	
5	AA2J622101	Ground Spring		C	1	
6	AA2J629600	Regulating Part		D	1	
7	A161626502	Lever		C	1	
8	A161626800	Pulling Coil spring		C	1	
9	AA2J625101	Cover		D	1	
10	AA2J625300	Cover		D	1	
11	AA2J626702	Cover		D	1	
12	AA2J625000	Cover		D	1	
13	AA2J943100	Label		D	1	
14	AA2J626900	Handle		D	1	
15	AA2J625201	Cover		D	1	
16	AA2J626600	Lever		C	1	
17	A5C1628500	Cushion		D	2	
18	AA2J941600	Label		D	1	
19	AA2J941300	Label		D	1	
20	AA2J941500	Label		D	1	

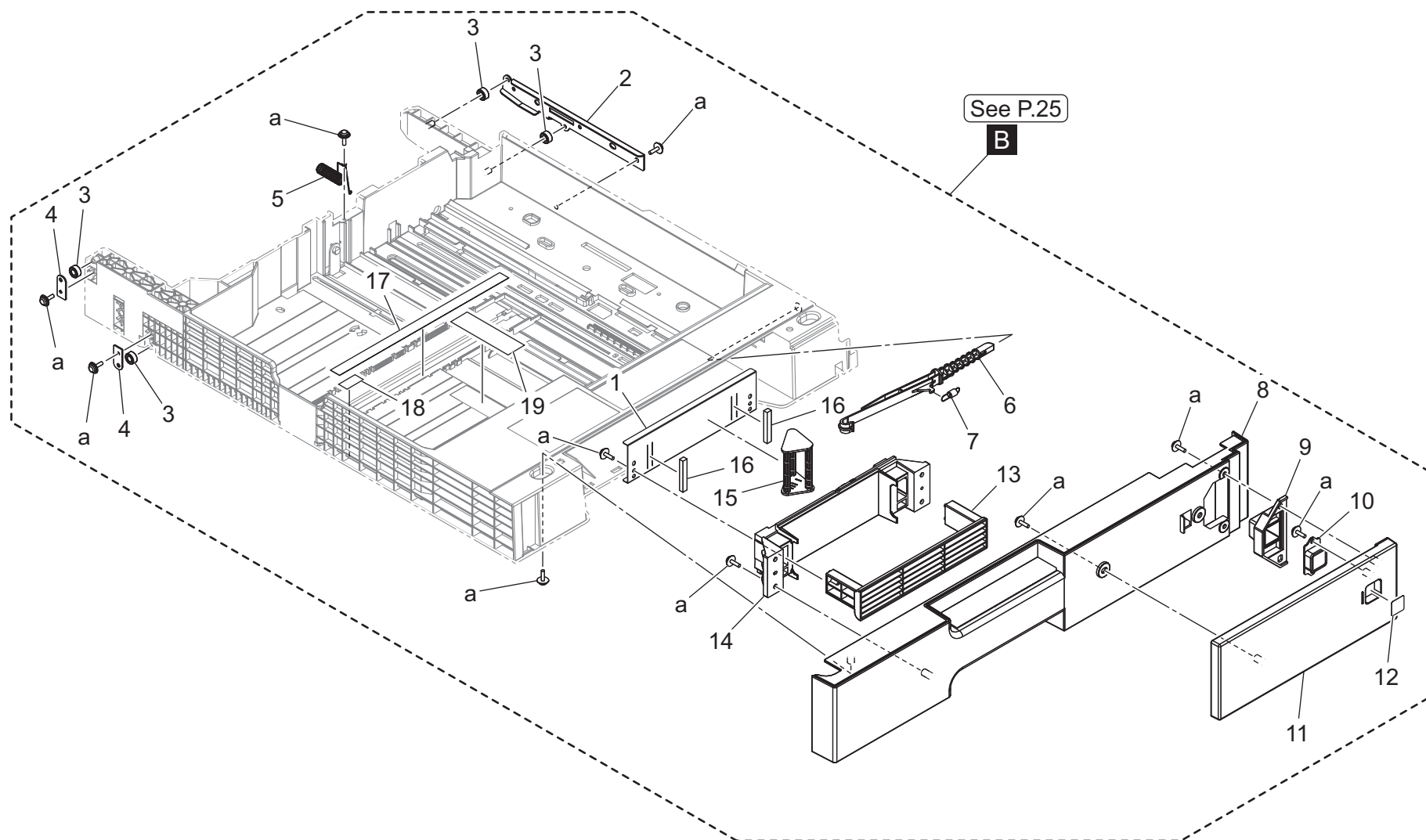
# Tray Section

P 27



**A**  
See P.25  
bizhub C550i

Key	Part No.	Description	Destinations	Class	QTY	Standard parts
1	AA2J620901	Regulating Plate /Rear		C	1	a-V153030803 b-V125030803 c-V127030603 d-V146040804 e-V217040003 f-V144030803
2	AA2J943701	Label		D	1	
3	A161624100	Cushion		C	1	
4	A161620600	Shoulder screw		D	1	
5	A161620701	Gear		D	1	
6	A79J566000	Cushion		C	1	
7	A79J622500	Auxiliary Guide /1		C	1	
8	A795622700	Compressing Spring		C	1	
9	4030322602	FRICITION SHEET		C	1	
10	AA2J620400	Lifting Plate		D	1	
11	AA2J621300	Lock Lever		C	1	
12	AA2J621500	Holder		D	1	
13	AA2J621000	Compressing Spring		C	1	
14	AA2J621200	Lock Lever /2		D	1	
15	AA2J620804	Regulating Plate		C	1	
16	AA2J620200	Guide		C	1	
17	4030320601	LEVER		D	1	
18	A795565700	Holder		C	1	
19	A795565900	Compressing Spring		C	1	
20	A795565800	Lever		C	1	
21	A795621901	Mounting Plate		D	1	
22	A161621411	Lever		C	1	
23	4163529301	SCREW		C	1	
24	AA2J620102	Paper feed Cassette		D	1	
25	A02E940300	Label		C	1	
26	AA2J629200	Plate spring		D	1	
27	AA2J628901	Cover		D	1	
28	AA2J628700	Lock Lever		C	1	
29	AA2J629000	Operation Lever		D	1	
30	A795565500	Compressing Spring		C	2	
31	AA2J628601	Regulating Plate		C	1	
32	A161621600	Lifting Shaft		D	1	
33	AA2J628800	Lock Lever		C	1	
34	A0ED620701	Actuator		C	1	
35	AA2J621100	Rack		D	1	
36	AA2J621600	Stopper /1		D	1	
37	AA7NP10500	Stopper		D	1	

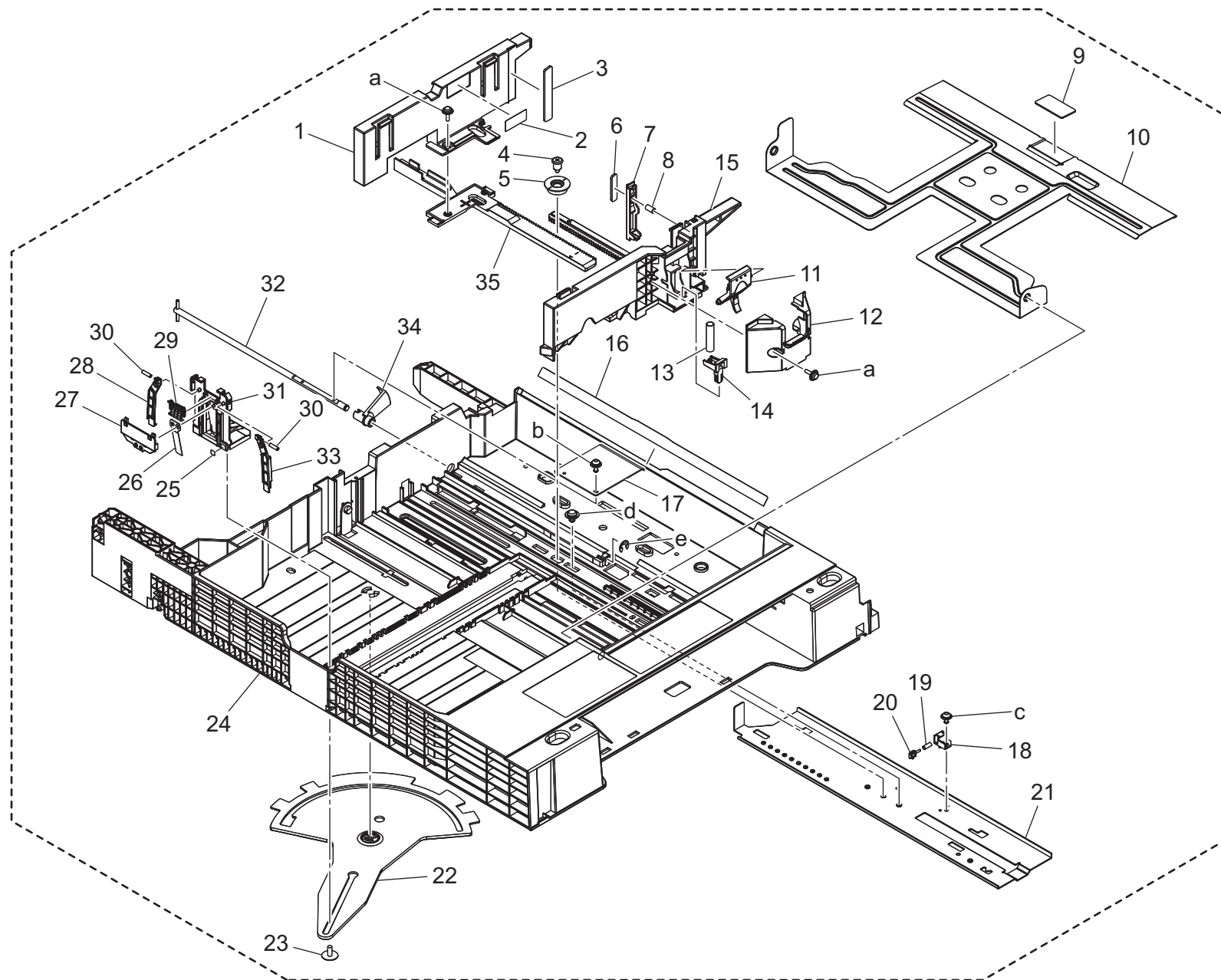


Key	Part No.	Description	Destinations	Class	QTY	Standard parts
1	AA2J624300	Holder		D	1	a-V153030803
2	AA2J633101	Reinforce Plate /Right		D	1	
3	A161623400	Roll		D	4	
4	AA2J623300	Reinforce Plate /Left		D	2	
5	AA2J622101	Ground Spring		C	1	
6	A161636502	Lever		C	1	
7	A161626800	Pulling Coil spring		C	1	
8	AA2J635101	Cover		D	1	
9	AA2J625300	Cover		D	1	
10	AA2J626702	Cover		D	1	
11	AA2J635001	Cover		D	1	
12	AA2J943200	Label		D	1	
13	AA2J626900	Handle		D	1	
14	AA2J625201	Cover		D	1	
15	AA2J626600	Lever		C	1	
16	A5C1628500	Cushion		D	2	
17	AA2J941200	Label		D	1	
18	AA2J943500	Label		D	1	
19	AA2J943600	Label		D	1	



# Tray Section

P 29

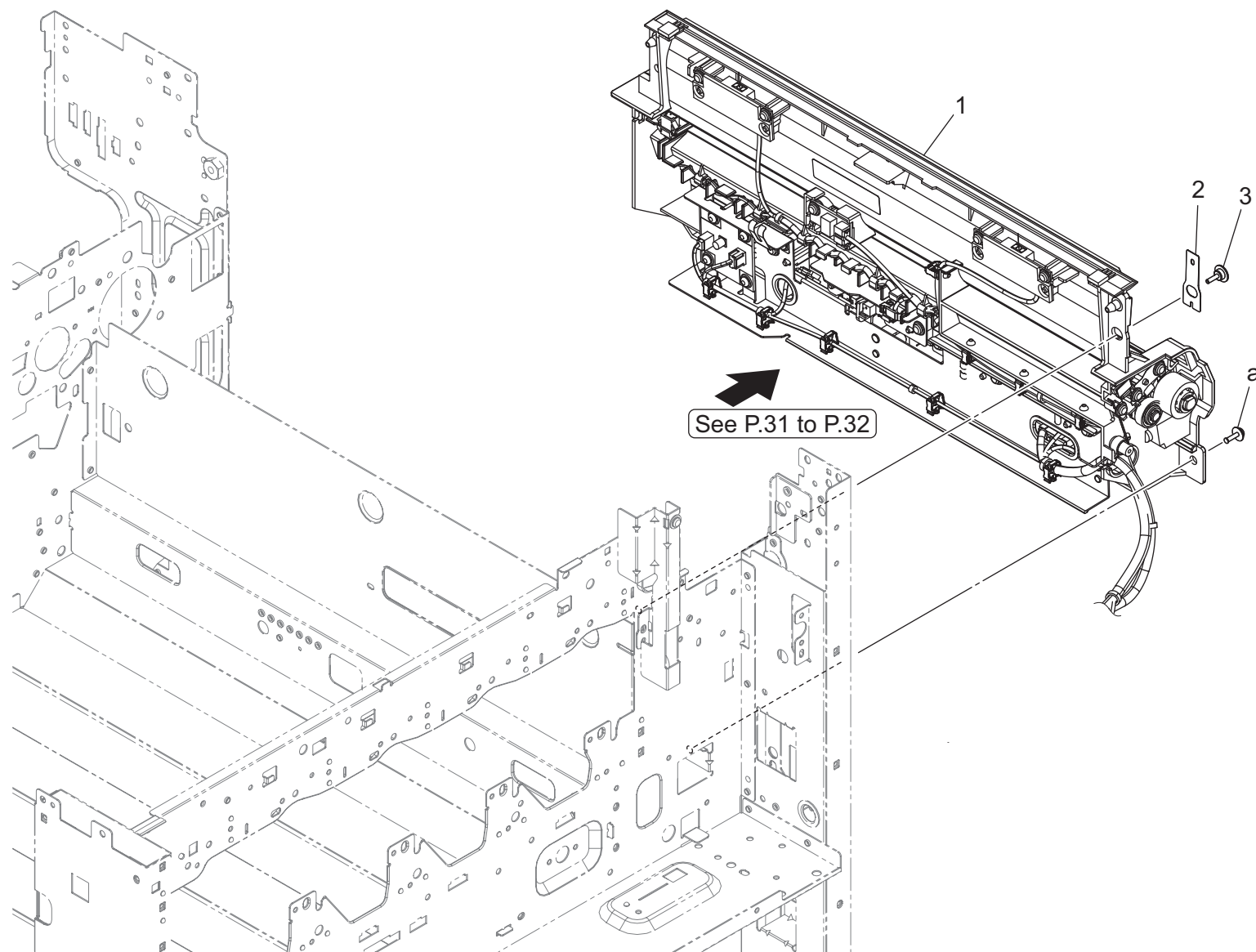


See P.25

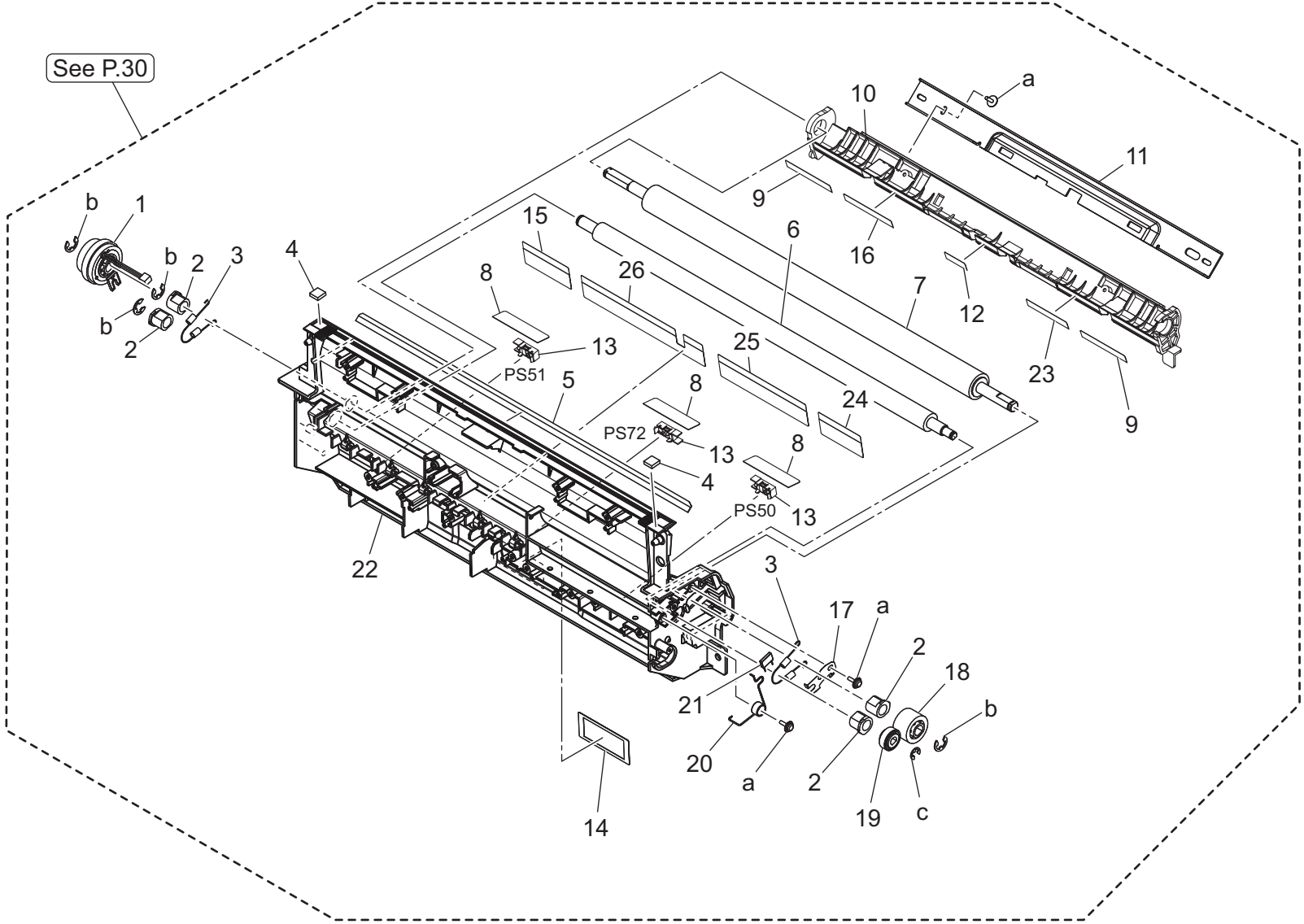
**B**

bizhub C550i

Key	Part No.	Description	Destinations	Class	QTY	Standard parts
1	AA2J620901	Regulating Plate /Rear		C	1	a-V153030803 b-V125030803 c-V127030603 d-V144040603 e-V217040003
2	AA2J943701	Label		D	1	
3	A161624100	Cushion		C	1	
4	A161620600	Shoulder screw		D	1	
5	A161620701	Gear		D	1	
6	A79J566000	Cushion		C	1	
7	A79J622500	Auxiliary Guide /1		C	1	
8	A795622700	Compressing Spring		C	1	
9	4030322602	FRICTION SHEET		C	1	
10	A161620400	Lifting Plate		D	1	
11	AA2J621300	Lock Lever		C	1	
12	AA2J621500	Holder		D	1	
13	AA2J621000	Compressing Spring		C	1	
14	AA2J621200	Lock Lever /2		D	1	
15	AA2J620804	Regulating Plate		C	1	
16	A0ED620200	Guide		C	1	
17	4030320601	LEVER		D	1	
18	A795565700	Holder		C	1	
19	A795565900	Compressing Spring		C	1	
20	A795565800	Lever		C	1	
21	A795621901	Mounting Plate		D	1	
22	A161631411	Lever		C	1	
23	4163529301	SCREW		C	1	
24	AA2J630102	Paper feed Cassette		D	1	
25	A02E940300	Label		C	1	
26	AA2J629200	Plate spring		D	1	
27	AA2J628901	Cover		D	1	
28	AA2J628700	Lock Lever		C	1	
29	AA2J629000	Operation Lever		D	1	
30	A795565500	Compressing Spring		C	2	
31	AA2J628601	Regulating Plate		C	1	
32	A161621600	Lifting Shaft		D	1	
33	AA2J628800	Lock Lever		C	1	
34	A0ED620701	Actuator		C	1	
35	AA2J621100	Rack		D	1	

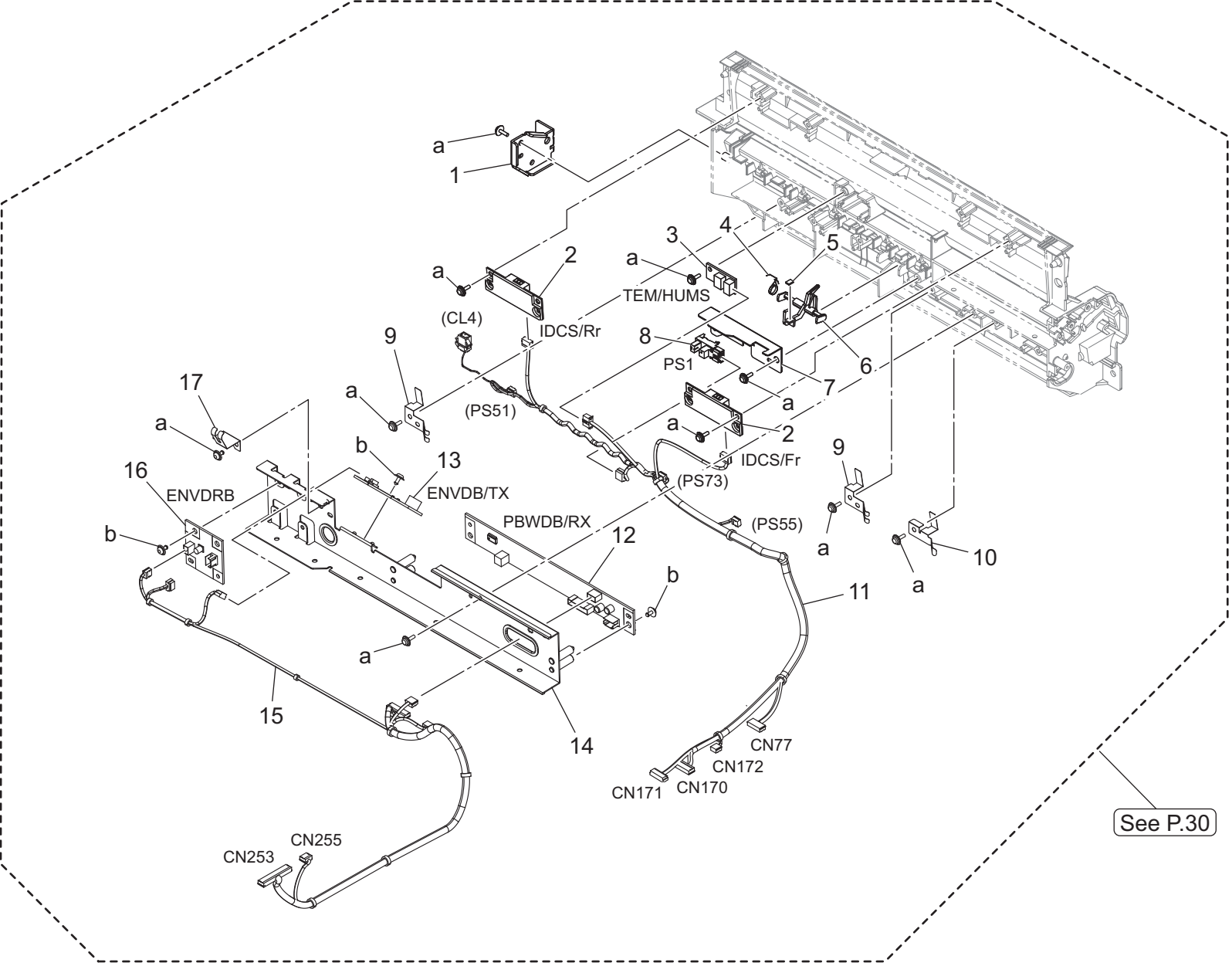


Key	Part No.	Description	Destinations	Class	QTY	Standard parts
1	AA7PR70200	Conveyance ASSY		S	1	a-V116031003
2	A7PU701100	Plate spring		D	1	
3	AA2J701200	Shoulder screw		C	1	



Key	Part No.	Description	Destinations	Class	QTY	Standard parts
1	A02EM20000	Clutch		B	1	a-V153030803 b-V217060003 c-V217040003
2	A161702200	Bushing		C	4	
3	A161702000	Conveyance Spring /A		C	2	
4	A161701900	Seal /A		D	2	
5	A161701301	Guide Sheet /A		C	1	
6	A0ED700200	Roller		D	1	
7	A5C1700101	Roller		C	1	
8	A79J700800	Guide Sheet		C	3	
9	AA7N700800	Guide Film /5		C	2	
10	AA7N700600	Conveyance Guide		D	1	
11	AA7N702900	Reinforce Plate		D	1	
12	A79J701000	Guide Sheet		C	1	
13	A0EDM50100	Photorelector		I	3	
14	AA2J716700	Guide		D	1	
15	AA7N701600	Guide Sheet /E		C	1	
16	AA7N700900	Guide Film /7		C	1	
17	A5C1700800	Ground Plate /D		D	1	
18	A0ED700300	Gear 20T		D	1	
19	A0ED700700	Gear 14T		D	1	
20	A5C1703201	Torsion Coil spring		D	1	
21	V800500300	FIXED POWER RESISTORS		D	1	
22	AA7N700102	Guide Plate /Inside		D	1	
23	AA7N701100	Guide Film /8		C	1	
24	AA7N701200	Guide Sheet /B		C	1	
25	AA7N701400	Guide Sheet /C		C	1	
26	AA7N701500	Guide Sheet /D		C	1	

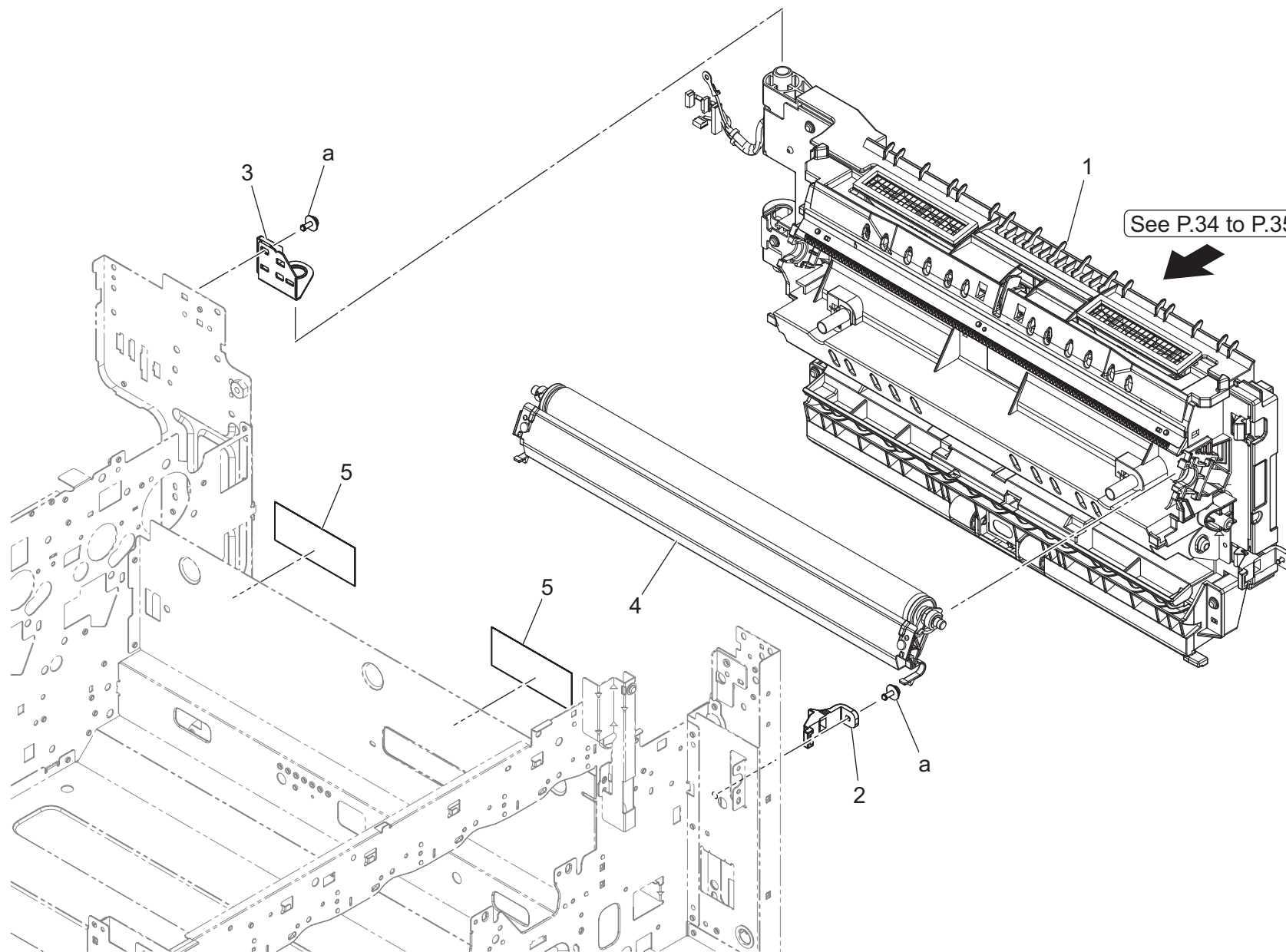




Key	Part No.	Description	Destinations	Class	QTY	Standard parts
1	A7PU701000	Reinforce Plate		D	1	a-V153030803 b-V127030604
2	A161M50300	Photo sensing		I	2	
3	A7AHM50400	Humidity sensor		I	1	
4	A161701100	Spring /A		C	1	
5	A161702101	Cushion /C		C	1	
6	A161701703	Actuator /T		C	1	
7	AA2J700300	Mounting Plate /B		D	1	
8	A5C1M50100	Photointerrupter		B	1	
9	AA7N702400	Ground Plate		D	2	
10	AA7N702500	Ground Plate		D	1	
11	AA7NN10H00	Conveyance Harness /1		D	1	
12	AA7NH00S00	PWB Assembly(BWDTB/PR)		C	1	
13	AAMPH10U00	DF Send Board		C	1	
14	AA7N716601	Mounting Plate		D	1	
15	AA7NN10U01	Conveyance Detection Harness /1		D	1	
16	AA7NH00W00	PWB Assembly(MFRB)		C	1	
17	AA7N716801	Ground Plate		D	1	



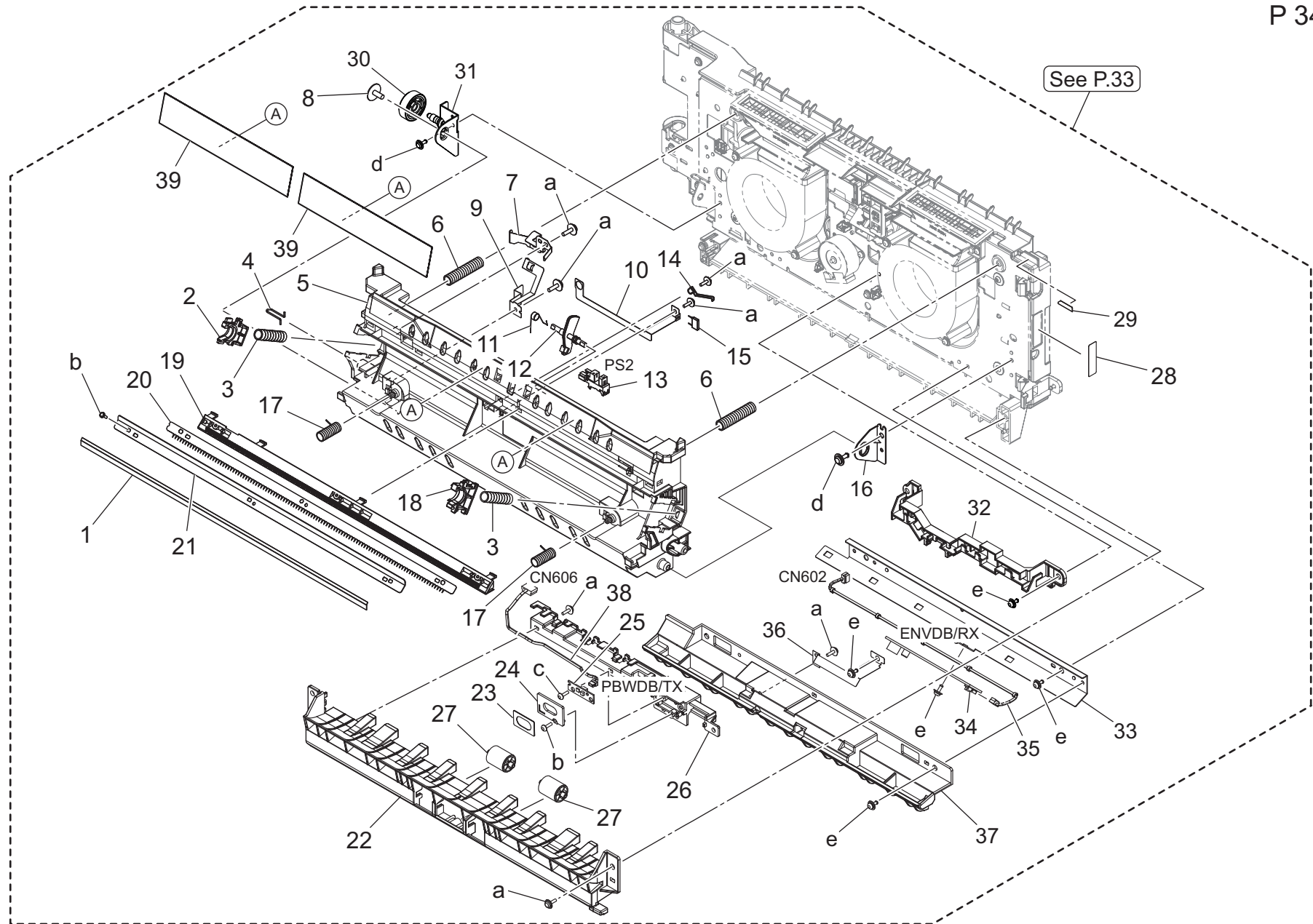
# 2nd Transfer Section



## 2nd Transfer Section

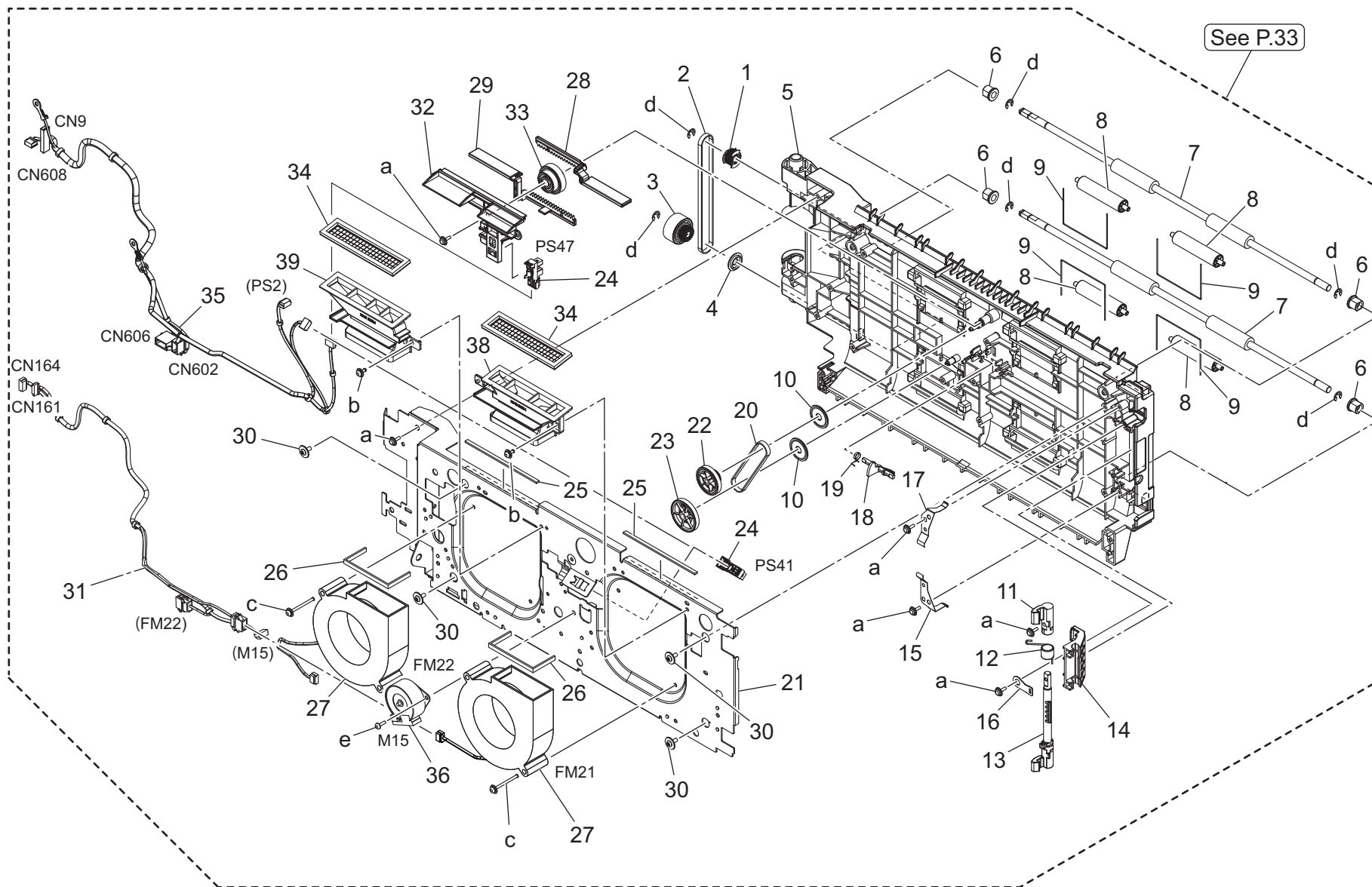
Key	Part No.	Description	Destinations	Class	QTY	Standard parts
1	AA7NR72211	Vertical Conveyance Assy		S	1	a-V125030803
2	AA2J712300	Fixing Part /Lower		D	1	
3	A161104101	Adjusting Plate		D	1	
4	AA7NR70400	2nd Image Transfer Roller Assy		A	1	
5	AA7N701800	Protection Sheet		D	2	

# 2nd Transfer Section



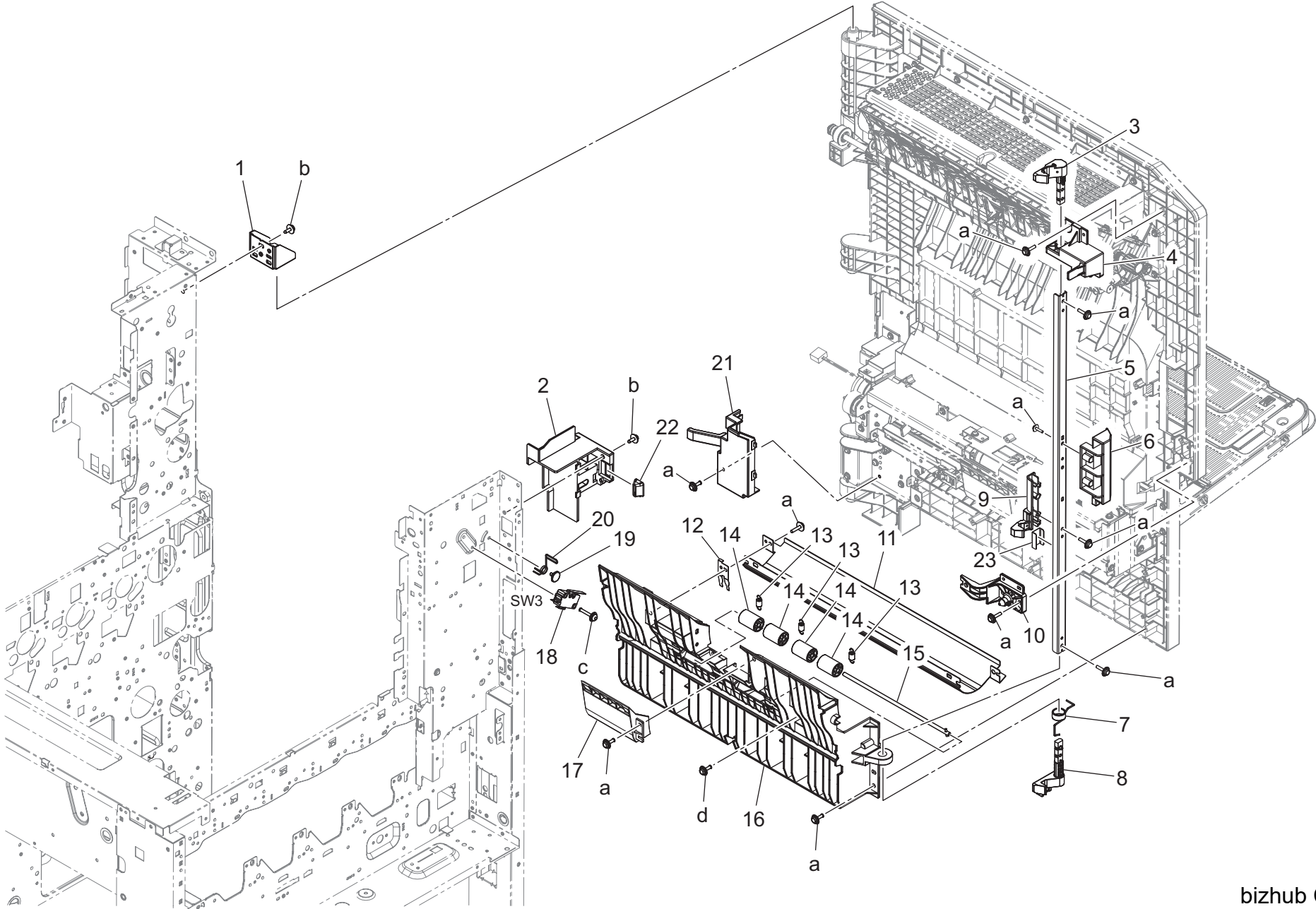
Key	Part No.	Description	Destinations	Class	QTY	Standard parts
1	A5C1551701	Guide Seal		D	1	a-V153030803 b-V162020504 c-V145030804 d-V144030803 e-V125030803
2	AA2J551500	Transfer Holder /2		D	1	
3	AA2J551000	Compressing Coil spring /2		C	2	
4	A161712401	Ground Spring /A		D	1	
5	AA7N710101	Holder /A		D	1	
6	A161711200	Pressing Spring		D	2	
7	AA2J715100	Ground Plate /C		D	1	
8	4163529301	SCREW		C	1	
9	AA2J710900	Ground Plate /A		D	1	
10	AA2J712500	Plate spring		D	1	
11	A161712700	Spring /C		D	1	
12	A0ED703800	Actuator		D	1	
13	A5C1M50100	Photointerrupter		B	1	
14	AA2J711000	Ground Spring /B		D	1	
15	V800500300	FIXED POWER RESISTORS		D	1	
16	A5C1711801	Support Plate /Front		D	1	
17	A0ED551100	Compressing Coil spring		D	2	
18	AA2J550701	Transfer Holder /2		D	1	
19	AA2J551600	Mounting Plate		D	1	
20	A0ED550800	Neutralizing Part		D	1	
21	A0ED550900	Mounting Plate		D	1	
22	AA2J710302	Guide Plate /B		D	1	
23	AA7N716500	Reflecting Plate		C	1	
24	AA7N716700	Mounting Plate		D	1	
25	AA7NH00R00	PWB Assembly(BWLEB)		C	1	
26	AA7N716100	Holder		D	1	
27	AA2J716000	Roll		C	2	
28	AA2J946400	Label		C	1	
29	AA2J946500	Label		D	1	
30	A64J719100	Gear 23T		C	1	
31	A161711901	Support Plate /Rear		D	1	
32	AA7N719700	Holder		D	1	
33	AA2J710701	Mounting Plate /C		D	1	
34	AA7NH00V00	PWB-Assembly(MFDTB/R)		C	1	
35	AA7NN10W00	Conveyance Detection Harness /3		D	1	
36	AA7N717000	Ground Plate		D	1	
37	AA2J710602	Guide Plate /C		D	1	
38	AA7NN10V00	Conveyance Detection Harness /2		D	1	
39	AA7N710801	Guide Sheet		D	2	

# 2nd Transfer Section



Key	Part No.	Description	Destinations	Class	QTY	Standard parts
1	A0ED811700	Pulley 22T		C	1	a-V153030803 b-V125030803 c-V116033003 d-V217040003 e-V145030803
2	A161719000	Drive Belt 266L		C	1	
3	A64J709100	Gear 22/23T		C	1	
4	A0ED811900	Collar		D	1	
5	AA2J710204	Guide Plate /A		D	1	
6	A02E815200	Bushing		C	4	
7	A161710500	Roller /A		D	2	
8	A161825700	Idler Roller /A		D	4	
9	A161714600	Conveyance Spring /B		D	4	
10	A79J897300	Collar		C	2	
11	A161711300	Lock Shaft /A		C	1	
12	A161711700	Spring /B		C	1	
13	A5C1711500	Lock Shaft		C	1	
14	A161711600	Open/close Lever		C	1	
15	A161712100	Ground Plate /E		D	1	
16	A161714500	Fixing Part		D	1	
17	A161712000	Ground Plate /D		D	1	
18	A161713500	Actuator		C	1	
19	A161712800	Spring /D		D	1	
20	AA7N718900	Drive Belt 164L		C	1	
21	AA2J710402	Mounting Plate		D	1	
22	AA7N718300	Gear /Middle 22/25T		C	1	
23	AA7N718400	Gear /Lower 22/75T		C	1	
24	A5C1M50100	Photointerrupter		B	2	
25	AA7N718800	Seal /Middle		C	2	
26	AA7N718500	Seal /Lower		C	2	
27	AA7NM10H00	Fan Motor		C	2	
28	AA7N719400	Rack /F		C	1	
29	AA7N719300	Rack /R		C	1	
30	4163529301	SCREW		C	4	
31	AA7NN11K01	Drive Relay Harness /3		D	1	
32	AA7N719501	Holder		D	1	
33	AA7N718200	Gear /Upper 18/25T		C	1	
34	AA7N718600	Seal /Upper		C	2	
35	AA7NN10K01	Conveyance Harness /2		D	1	
36	A7PUM10700	Stepping motor		C	1	
38	AA7N718000	Duct /F		D	1	
39	AA7N718100	Duct /R		D	1	

Vertical Conveyance Section

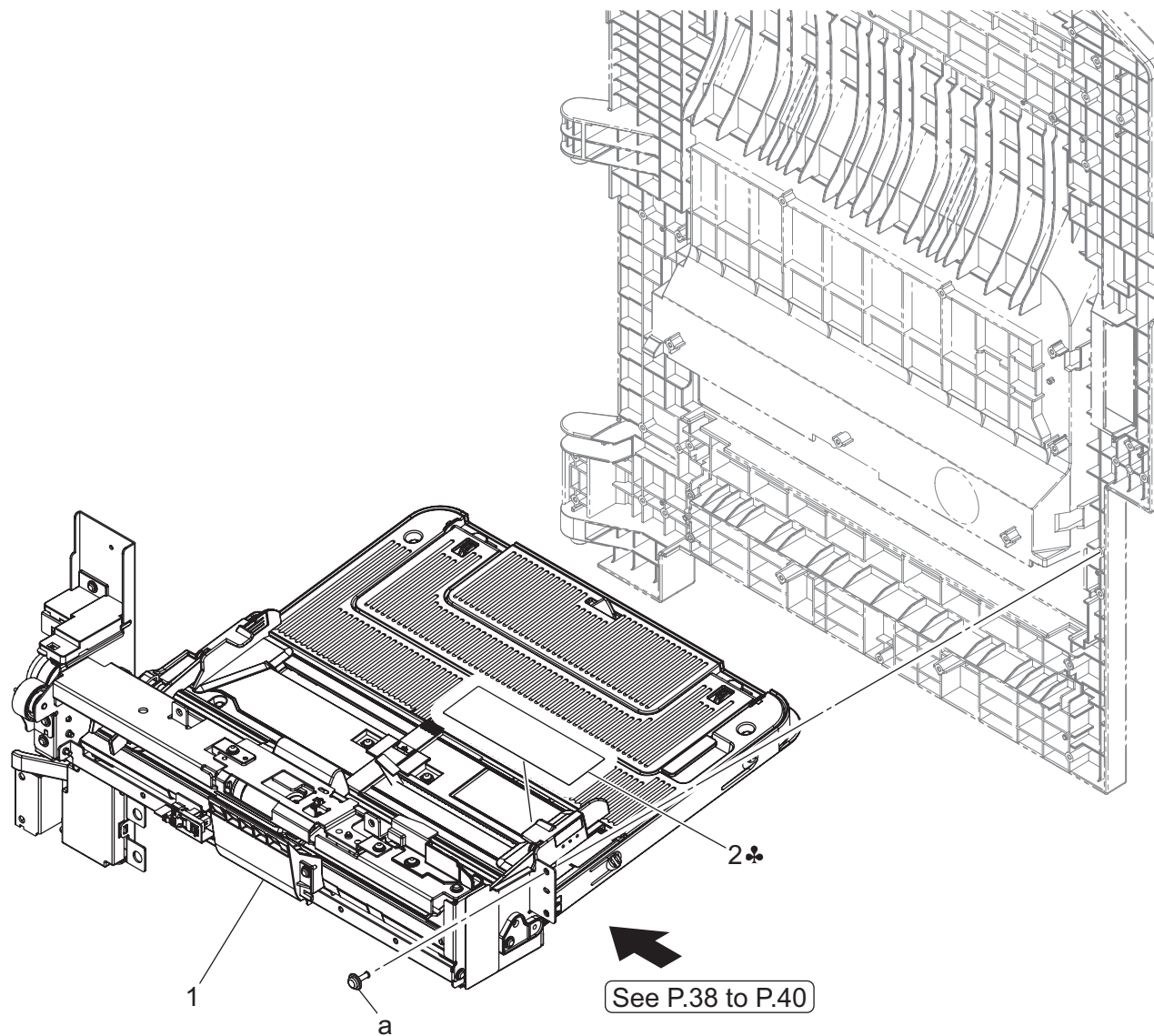


Key	Part No.	Description	Destinations	Class	QTY	Standard parts
1	A161121300	Adjusting Plate		D	1	a-V153030803 b-V125030803 c-V116031603 d-V144030803
2	AA2J121201	Holder		D	1	
3	AA2J712100	Lock Claw /Upper		C	1	
4	A161811500	Support Part /Upper		D	1	
5	A161811001	Lock Plate		D	1	
6	A5C1811101	Open/close Handle		C	1	
7	A161815900	Torsion Coil spring		C	1	
8	AA2J811600	Lock Claw /Lower		C	1	
9	AA2J815200	Lock /Middle		C	1	
10	A161811302	Lock Part /Lower		D	1	
11	A161815000	Guide Door		D	1	
12	A161816200	Ground Guide		D	1	
13	A64J815500	Pulling Spring		C	3	
14	A161815400	Roll		C	4	
15	A161815300	Shaft		D	1	
16	A161810305	Guide Plate /2		D	1	
17	AA7N590500	Paper feed Guide		D	1	
18	9J06M60100	Micro Switch		C	1	
19	A161137100	Shoulder screw		D	1	
20	A161151200	Torsion Coil spring		D	1	
21	A161592900	Wiring Cover /B		D	1	
22	A79J122200	Collar		D	1	
23	AA2J812100	Protection Sheet		D	1	



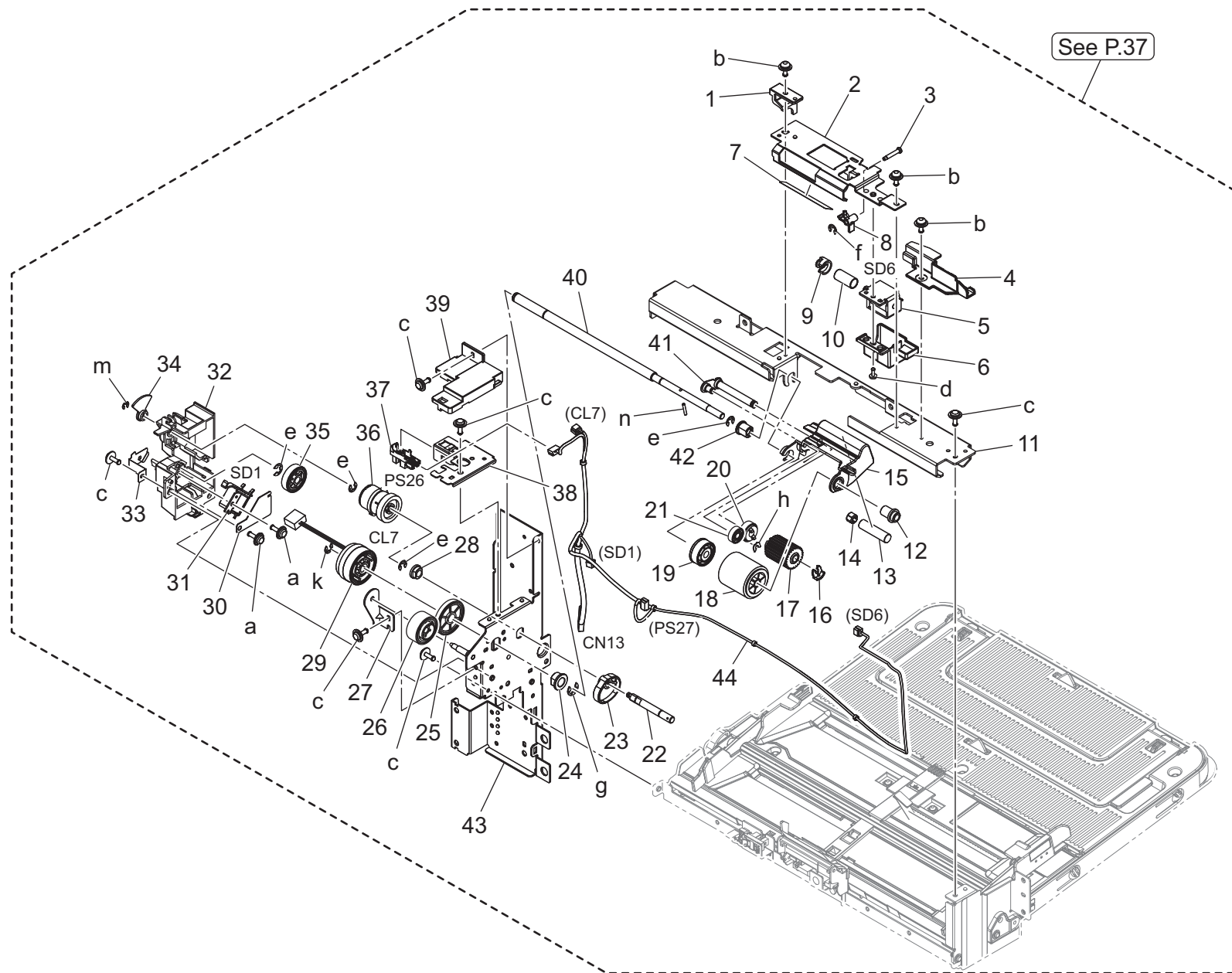
# Bypass Tray Section

P 37



# Bypass Tray Section

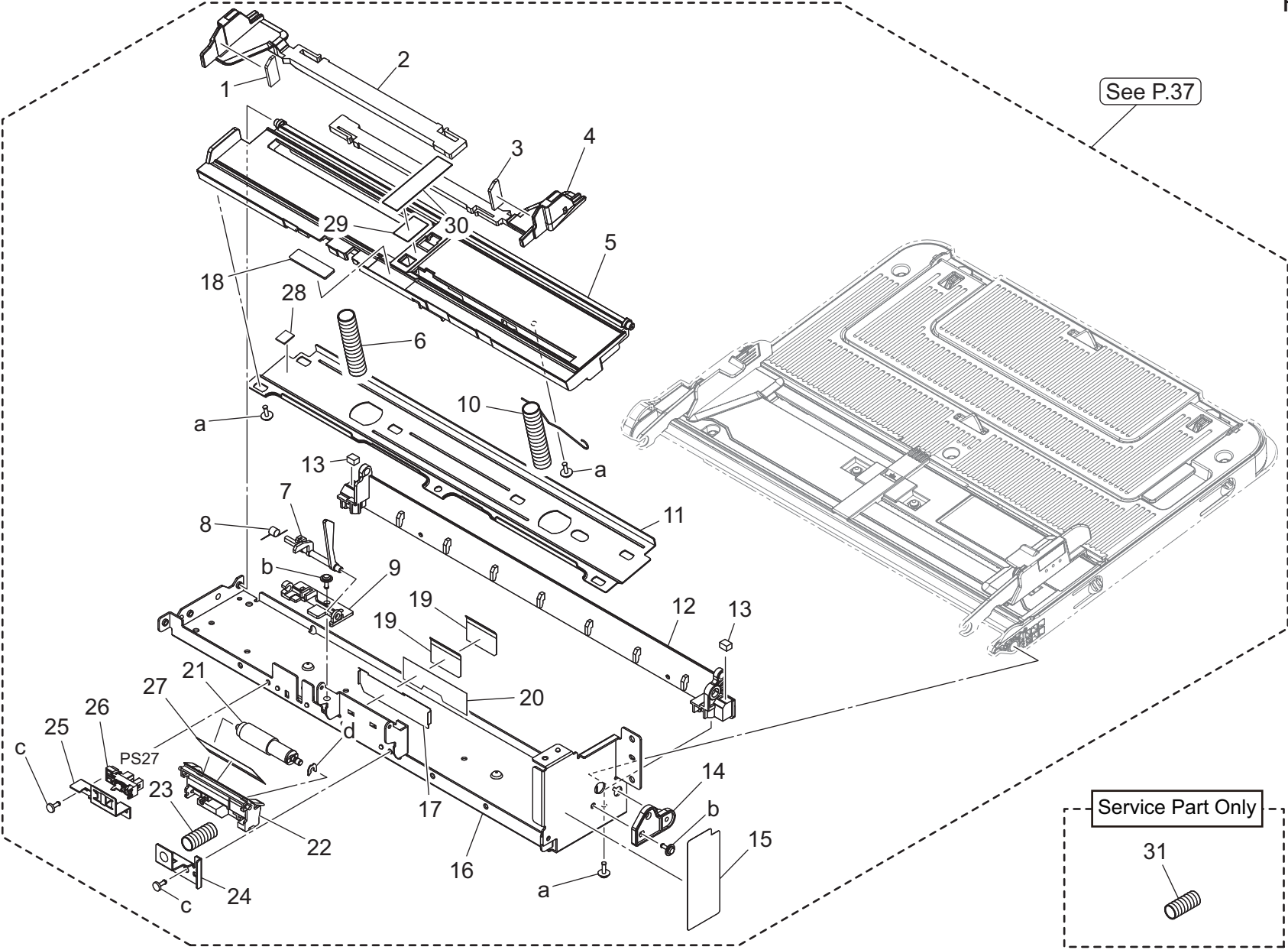
Key	Part No.	Description	Destinations	Class	QTY	Standard parts
1	AA7NR72323	Manual Feed Tray Assy	手差し A s s y	S	1	a-V153030803
2	AA2J944100	Label	ラベル ( 手差し・メトリック)	D		
2	AA2J944200	Label	ラベル ( 手差し・インチ)	D	1	



See P.37

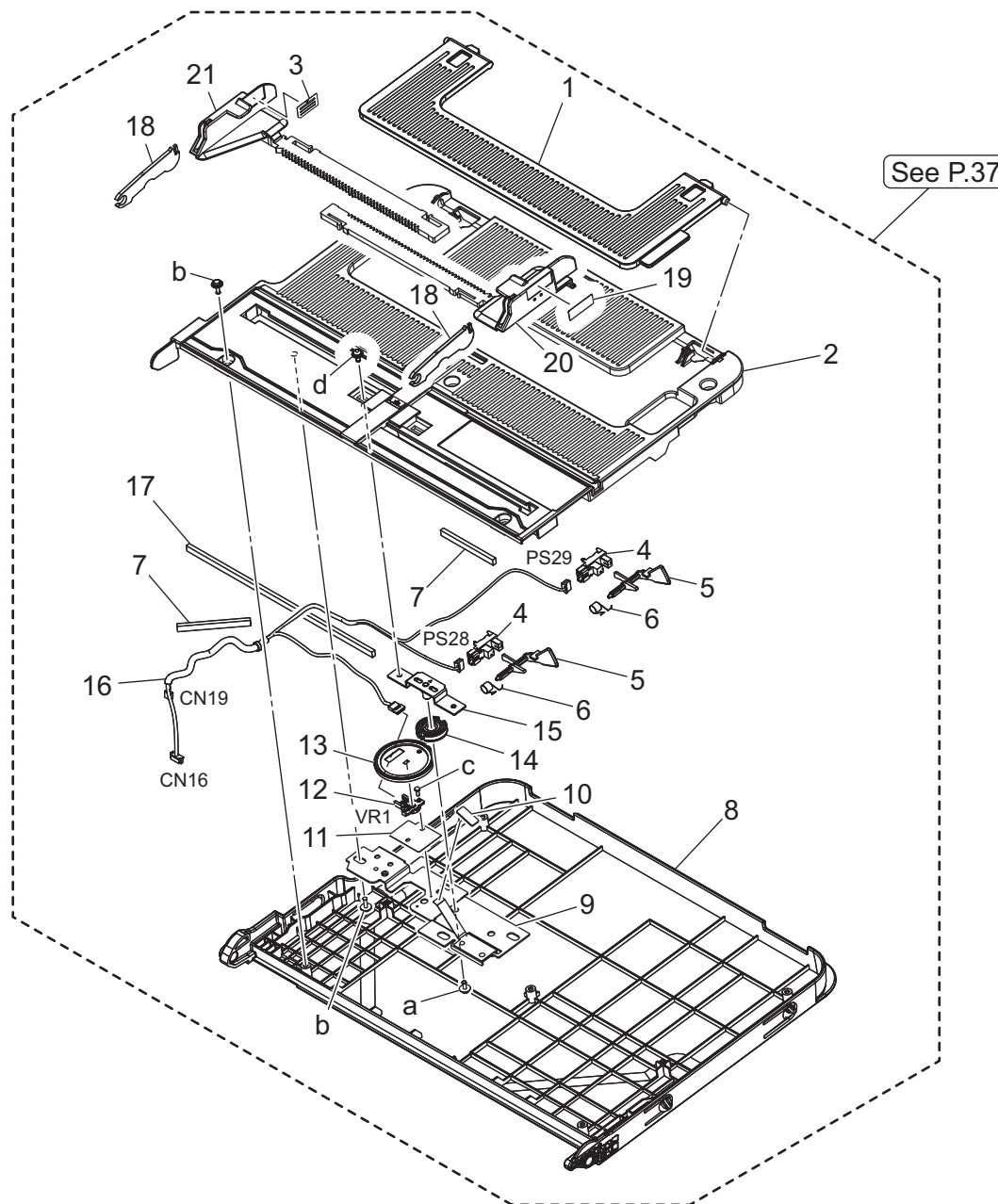
Key	Part No.	Description	Destinations	Class	QTY	Standard parts
1	AA2J590900	Holding Plate		D	1	a-V153030803
2	AA2J590300	Reinforce Plate		D	1	b-V125030803
3	AA2J591600	Shaft		D	1	c-V144030803
4	AA2J593700	Wiring Cover /Front		D	1	d-V126030803
5	A034M20100	Conveyance Solenoid		C	1	e-V217040003
6	AA2J592401	Cover		D	1	f-V217020003
7	A161594700	Guide Sheet		C	1	g-V217060003
8	AA2J592301	Lifting Lever		D	1	h-V218030086
9	AA2J593100	Pressing Holder		D	1	k-V217050003
10	AA2J594301	Compressing Coil spring		C	1	m-V217030003
11	AA2J590202	Paper feed Frame		D	1	n-V234201250
12	AA2J592701	Bushing		D	1	
13	AA2J591900	Weight		D	1	
14	AA2J595000	Cover		D	1	
15	AA2J592000	Paper feed Holder		D	1	
16	56AA40490	Shaft Stopper /4		C	1	
17	A5C1562200	Roller		A	1	
18	A00F623201	Roller		B	1	
19	AA2J592600	Gear 42T		C	1	
20	AA2J592100	Gear 32T		C	1	
21	AA2J592200	Idling Gear 26T		C	1	
22	A161591400	Drive Shaft		D	1	
23	A161593300	Paper feed Cam		C	1	
24	AA2J592900	Slide Bearing		D	1	
25	A02E596100	Gear 30T		C	1	
26	AA2J593800	Bypass Gear 24T		C	1	
27	A161590600	Reinforce Plate		D	1	
28	A02E596300	Bushing		C	1	
29	A02EM20100	Clutch		B	1	
30	A0ED597800	Cover		D	1	
31	9321240011	SOLENOID		C	1	
32	A5C1591200	Drive Cover		D	1	
33	A7PU596900	Auxiliary Cover		D	1	
34	A161591300	Light blocking Plate		C	1	
35	A02E595400	Gear 22T		C	1	
36	A02E595100	Clutch assy		C	1	
37	A5C1M50100	Photointerrupter		B	1	
38	A5C1591900	Mounting Plate		D	1	
39	A161592800	Wiring Cover /A		D	1	
40	AA2J591500	Paper feed Shaft		D	1	
41	AA2J591000	Mounting Plate /ASSY		D	1	
42	AA2J592800	Bushing		D	1	
43	A161F59002	Caulking(Mounting Plate Drive Frame )		D	1	
44	AA2JN10S00	Paperfeed Wiring /4		D	1	

Bypass Tray Section



Key	Part No.	Description	Destinations	Class	QTY	Standard parts
1	A161594500	Brake Part		C	1	a-V153030803 b-V144030803 c-V126030803 d-V218030086
2	AA2J593200	Regulating Plate /R	ブレーキ材 規制板 / R	C	1	
3	A161594600	Brake Part /F	ブレーキ材 / F	C	1	
4	AA2J593301	Regulating Plate /L	規制板 / L	C	1	
5	AA2J593000	Lifting Plate	押上げ板	D	1	
6	A161593400	Compressing Coil spring	圧縮コイルばね	C	1	
7	A161590901	Actuator	アクチュエータ ( P E )	C	1	
8	A161591000	Torsion Spring	ねじりばね ( P E )	C	1	
9	A161591100	Sensor Holder	センサホルダ	D	1	
10	A161593600	Compressing Coil spring	圧縮コイルばね	C	1	
11	A7PU596800	Mounting Plate	取付板	D	1	
12	A161590304	Support Holder	支点ホルダ	D	1	
13	A161594201	Cushion	クッション	D	2	
14	A161591600	Hold Plate	保持板	C	1	
15	AA2J594500	Protection Seal /Front	保護シール / 前	D	1	
16	AA2J590100	Bypass Frame	手差しフレーム	D	1	
17	A161595300	Separating Plate	分離板	C	1	
18	A7PU594000	Separating Sheet	分離シート	C	1	
19	AA7N595100	Guide	ガイド ( 前さばき )	C	2	
20	A161595100	Seal	シール	C	1	
21	AA7N591100	Roller /ASSY	ローラ / A S S Y	A	1	
22	A161595000	Holder	ホルダ	D	1	
23	AA2J594201	Compressing Coil spring	圧縮コイルばね	C	1	
24	A161595400	Hold Plate	保持板	D	1	
25	A161591800	Sensor Holder	センサホルダ	D	1	
26	A5C1M50100	Photointerrupter	透過型センサ	B	1	
27	A02E597600	Guide	ガイド ( 捌き後 )	C	1	
28	A161825301	Cushion /A	クッション / A	D	1	
29	AA7N591200	Sheet /1	シート / 1	D	1	
30	AA7N591300	Sheet /2	シート / 2	D	1	
31	AA7NP10100	Compressing Coil spring	圧縮コイルばね	D	1	

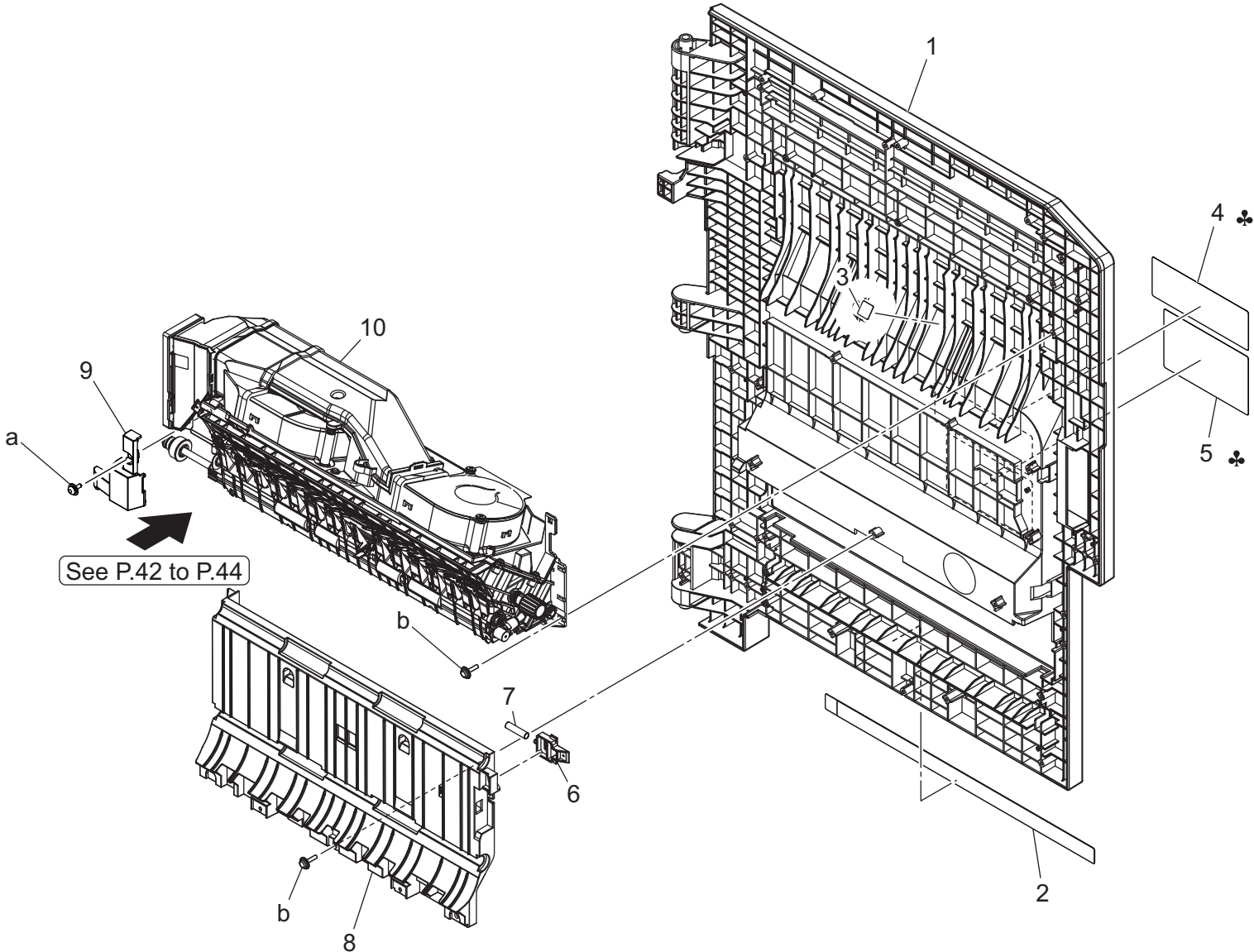
# Bypass Tray Section



# Bypass Tray Section

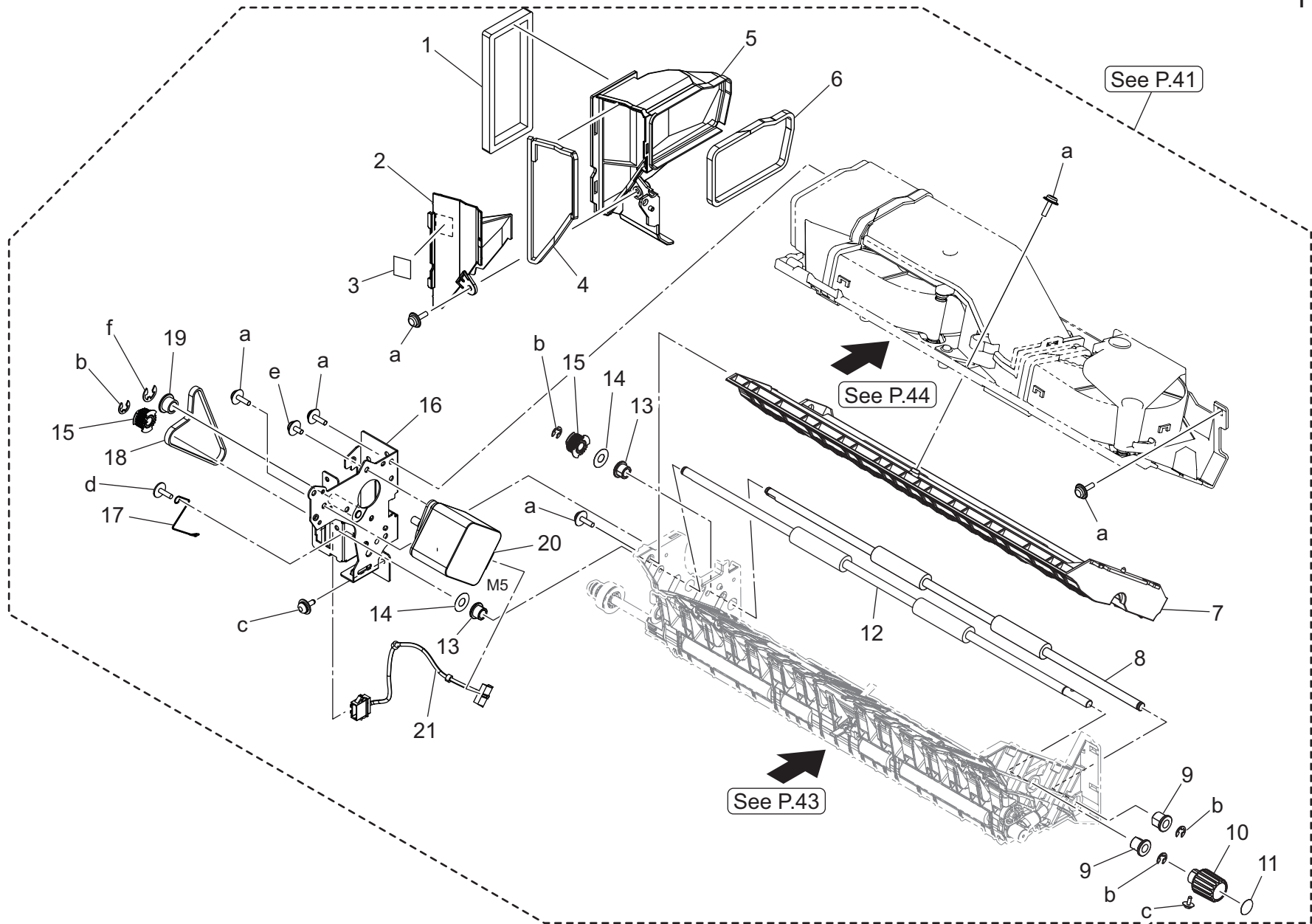
Key	Part No.	Description	Destinations	Class	QTY	Standard parts
1	A161592200	Auxiliary Tray		C	1	a-V125030803 b-V153030803 c-V111170403 d-V116030603
2	AA2J593900	Bypass Tray /Upper		D	1	
3	AA2J944500	Label		C	1	
4	A5C1M50100	Photointerrupter		B	2	
5	A161592400	Actuator		C	2	
6	A161592501	Torsion Spring		C	2	
7	A161592600	Holding Cover /2		D	2	
8	AA2J593601	Bypass Tray		D	1	
9	A7PU593700	Mounting Plate		D	1	
10	A161593800	Friction Plate		C	1	
11	A7PU599300	Insulating Sheet		D	1	
12	A161M50400	Volume		D	1	
13	A161594300	Regulating Gear 41T		C	1	
14	A7PU593500	Gear		C	1	
15	A7PUF60001	Mounting Plate		D	1	
16	A7PUN10B01	Harness/ Sensor		D	1	
17	A161592300	Holding Cover		D	1	
18	A7PU595500	Lever		C	2	
19	A7PU944900	Label		C	1	
20	AA2J593400	Regulating Plate /F		C	1	
21	AA2J593500	Regulating Plate /R		C	1	





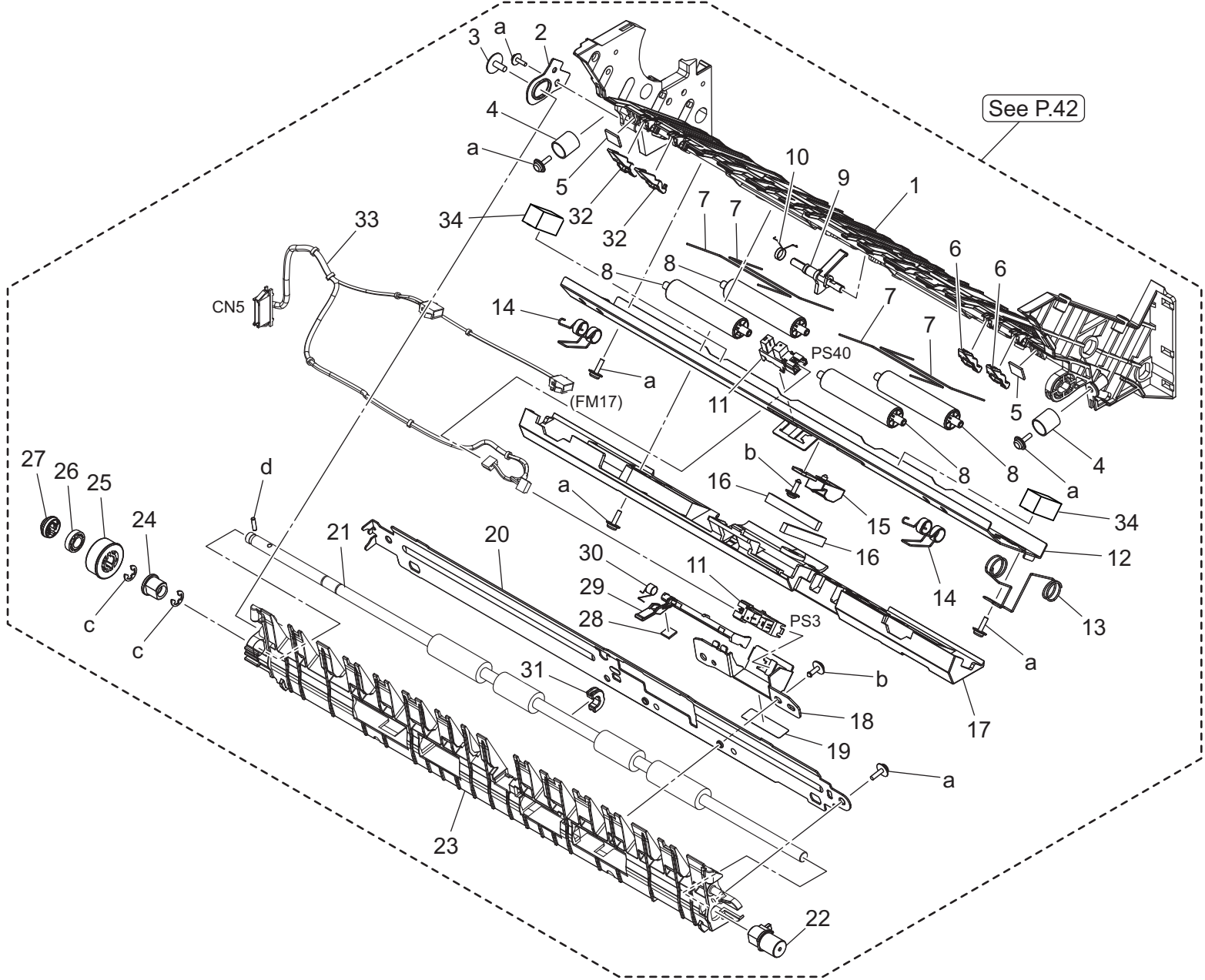
## Reverse Section

Key	Part No.	Description	Destinations	Class	QTY	Standard parts
1	AA2J810102	Guide Door /Right		D	1	a-V125030803 b-V153031004
2	A161815100	Cover Door		C	1	
3	A00F941100	Label ラベル ( 高温マーク )		D	1	
4	AA2J944300	Label ラベル ( 手差し・用紙補給 / US )	B,C,D1,D3,E,F2,G1,G 2,I,K,J,H	D	1	
4	AA2J944400	Label ラベル ( 手差し・用紙補給 / JP )	A	D	1	
5	AA2J947100	Label ラベル ( 使用禁止用紙 / JP )	A	D	1	
5	AA2J947200	Label ラベル ( 使用禁止用紙 / US )	B,C,D1,D3,E,F2,G1,G 2,I,K,J,H	D	1	
6	AA2J815700	Open/close Claw		D	1	
7	A161815800	Swing Spring		C	1	
8	A7PU810201	Guide Plate /1		D	1	
9	A79J814901	Cover カバー		D	1	
10	AA7NR72411	Reverse Assy 反転 A s s y		S	1	



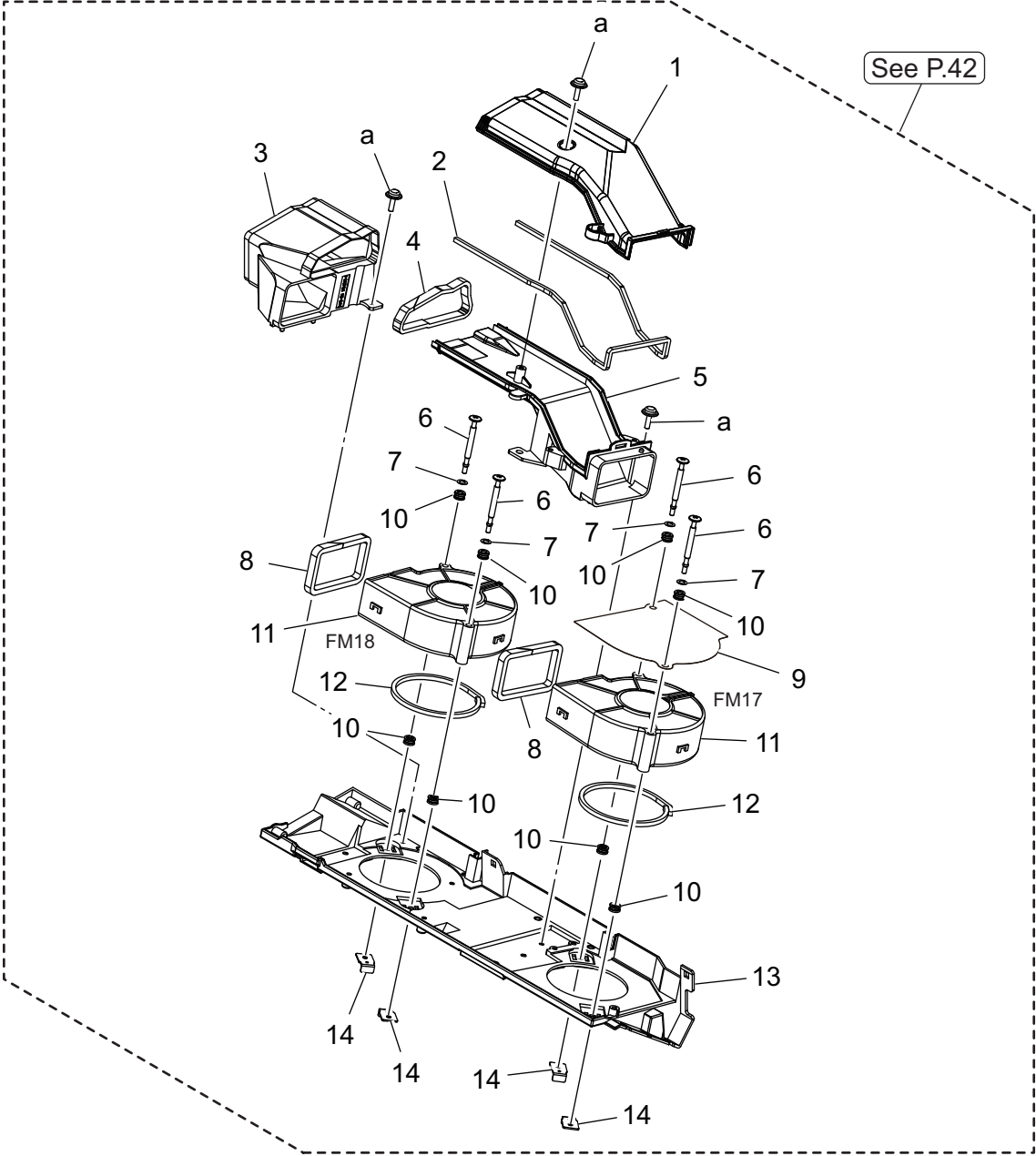
Key	Part No.	Description	Destinations	Class	QTY	Standard parts
1	A79J831501	Seal		C	1	a-V153030803 b-V217040003 c-V125030803 d-V144030803 e-V116030603 f-V217050001
2	A79J830600	Duct		D	1	
3	A00F941100	Label		D	1	
4	A79J831600	Cushion		C	1	
5	AA7N830100	Duct		D	1	
6	A79J831100	Cushion		C	1	
7	A79J812202	Guide Plate		D	1	
8	A161814601	Roller /C		C	1	
9	A02E815200	Bushing		C	2	
10	A161814700	Knob /A		C	1	
11	AA2J946100	Label		D	1	
12	A161813701	Roller /B		C	1	
13	A161813300	Bushing /A		C	2	
14	A161816400	Spacer /A		C	2	
15	A0ED811700	Pulley 22T		C	2	
16	A79J811200	Frame /ASSY		D	1	
17	A5C1814300	Contact /B		D	1	
18	A79J819000	Timing belt 200L		C	1	
19	A79J819800	Roll		C	1	
20	A2X0M10600	Stepping motor		C	1	
21	AA7NN10M00	ADU Drive Harness		D	1	

Reverse Section



Key	Part No.	Description	Destinations	Class	QTY	Standard parts
1	A79J811700	Guide Plate	ガイド板	D	1	a-V153030803 b-V144030803 c-V217040003 d-V234200850
2	A161814401	Mounting Plate /3	取付板/3	D	1	
3	4163529301	SCREW	ねじ	C	1	
4	A161813600	Pressing Spring /A	押圧ばね/A	C	2	
5	A161825301	Cushion /A	クッション/A	D	2	
6	A5C1811803	Guide Plate /Front	ガイド板/前	D	2	
7	A0ED815100	Holding Part	押さえ材 ( A D U 第 1 R )	D	4	
8	A161825700	Idler Roller /A	従動ローラ/A	D	4	
9	A161813200	Actuator	アクチュエータ ( A D U 上 J A M 検 )	C	1	
10	A161712800	Spring /D	ばね/D	D	1	
11	A5C1M50100	Photointerrupter	透過型センサ	B	2	
12	A79J810902	Mounting Plate	取付板	D	1	
13	A5C1814200	Contact /A	接点/A	D	1	
14	A161813400	Torsion Coil spring	ねじりコイルばね ( ガイド 押さえ )	D	2	
15	A161825400	Wiring Part	配線部材	D	1	
16	A161825800	Cushion /B	クッション/B	D	2	
17	AA7R813900	Cover /A	カバー/A	D	1	
18	AA2J825100	Mounting Plate /4	取付板/4	D	1	
19	A79J821000	Protection Part	保護部材	C	1	
20	AA2J810800	Mounting Plate /2	取付板/2	D	1	
21	AA2J810611	Roller /1	ローラ/1	C	1	
22	AA2J814500	Bushing	すべり軸受 ( 排紙前 )	D	1	
23	AA2J810511	Guide Plate /4	ガイド板/4 ( 排紙前 )	D	1	
24	A02E815200	Bushing	軸受	C	1	
25	A161819200	Gear 18T	ギア 18 T	C	1	
26	A5C1825000	Bushing	すべり軸受	C	1	
27	A161825000	Bushing	すべり軸受 ( 排紙ドッキング丸2 )	C	1	
28	A161826001	Cushion /B	クッション/B	D	1	
29	A161813001	Actuator	アクチュエータ ( 排紙 J A M 検 )	C	1	
30	A161813100	Torsion Coil spring	ねじりコイルばね ( 排紙 J A M 検 )	C	1	
31	A161819500	Bushing /C	すべり軸受/C	C	1	
32	A5C1811901	Guide Plate /Rear	ガイド板/奥	D	2	
33	AA7NN10N00	Conveyance Harness /3	搬送束線/3 ( T O P )	D	1	
34	A79JM90900	Gasket	ガスケット	D	2	

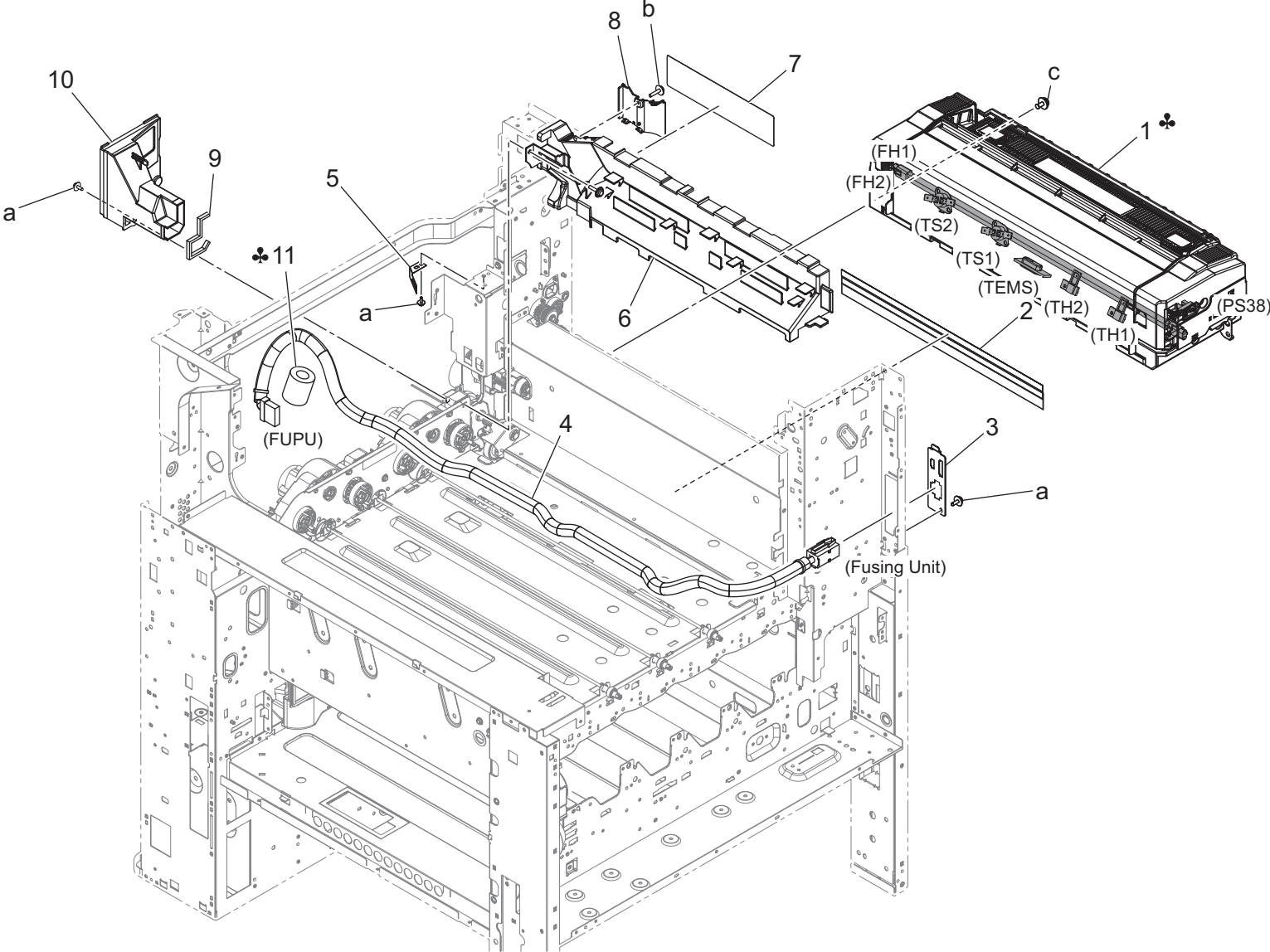
Reverse Section



Key	Part No.	Description	Destinations	Class	QTY	Standard parts
1	AA7N830300	Duct		D	1	a-V153030803
2	A79J831200	Cushion		C	1	
3	A79J830100	Duct		D	1	
4	A79J831300	Cushion		C	1	
5	AA7N830200	Duct		D	1	
6	A79J832000	Shoulder screw		C	4	
7	A79J832400	Washer		C	4	
8	A79J831000	Cushion		C	2	
9	A9HG830701	Cover		D	1	
10	A79J832100	Support Rubber		D	8	
11	A93EM10600	Fan motor		C	2	
12	A79J832300	Seal		C	2	
13	A79J830001	Holder		D	1	
14	A79J832200	Mounting Plate		D	4	



Fusing Section

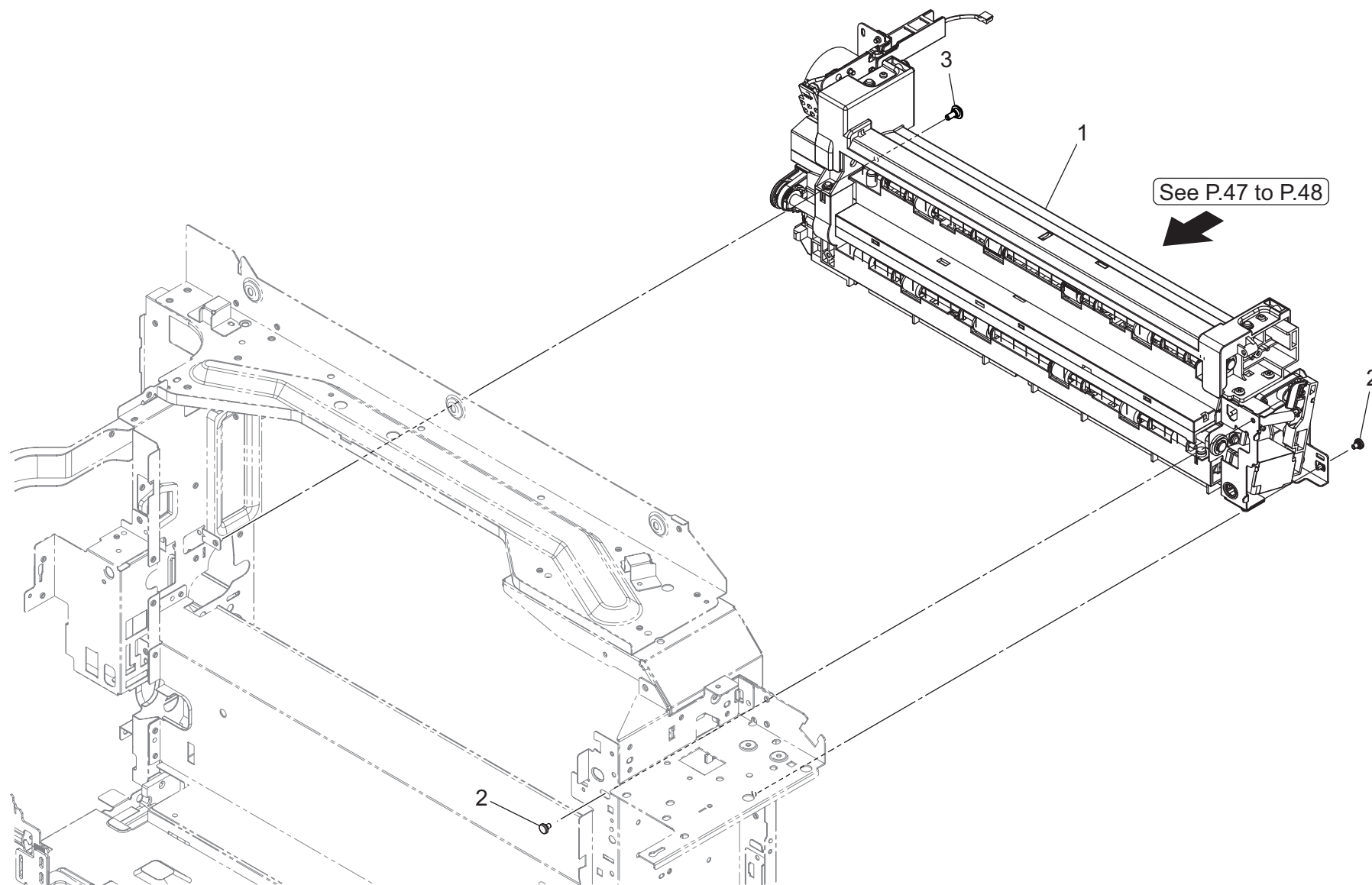


# Fusing Section

Key	Part No.	Description	Destinations	Class	QTY	Standard parts
1	AA7NR70122	Fusing Unit Assy (100V)	A	A	1	a-V125030803 b-V153031004 c-V116033503
1	AA7NR70211	Fusing Unit Assy (120V)	B,G2	A	1	
1	AA7NR70311	Fusing Unit Assy (230V)	C,D1,D3,E,F2,G1,I,K ,J	A	1	
1	AA7NR73011	Fusing Unit Assy (110V)	H	A	1	
2	A797102701	Seal		C	1	
3	AA7N137200	Mounting Plate		D	1	
4	AA7NN10401	Heater Relay Harness		D	1	
5	A161122500	Ground Plate		D	1	
6	AA7N140100	Duct		D	1	
7	AA2J140800	Seal		D	1	
8	AA2J140600	Duct		D	1	
9	AA7N148300	Seal		C	1	
10	AA7N140500	Duct		D	1	
11	A3EWM90200	Ferritecore	A,B,G2	D	1	
11	AA7NM90000	Ferritecore	H	D	1	

# Paper Exit Section

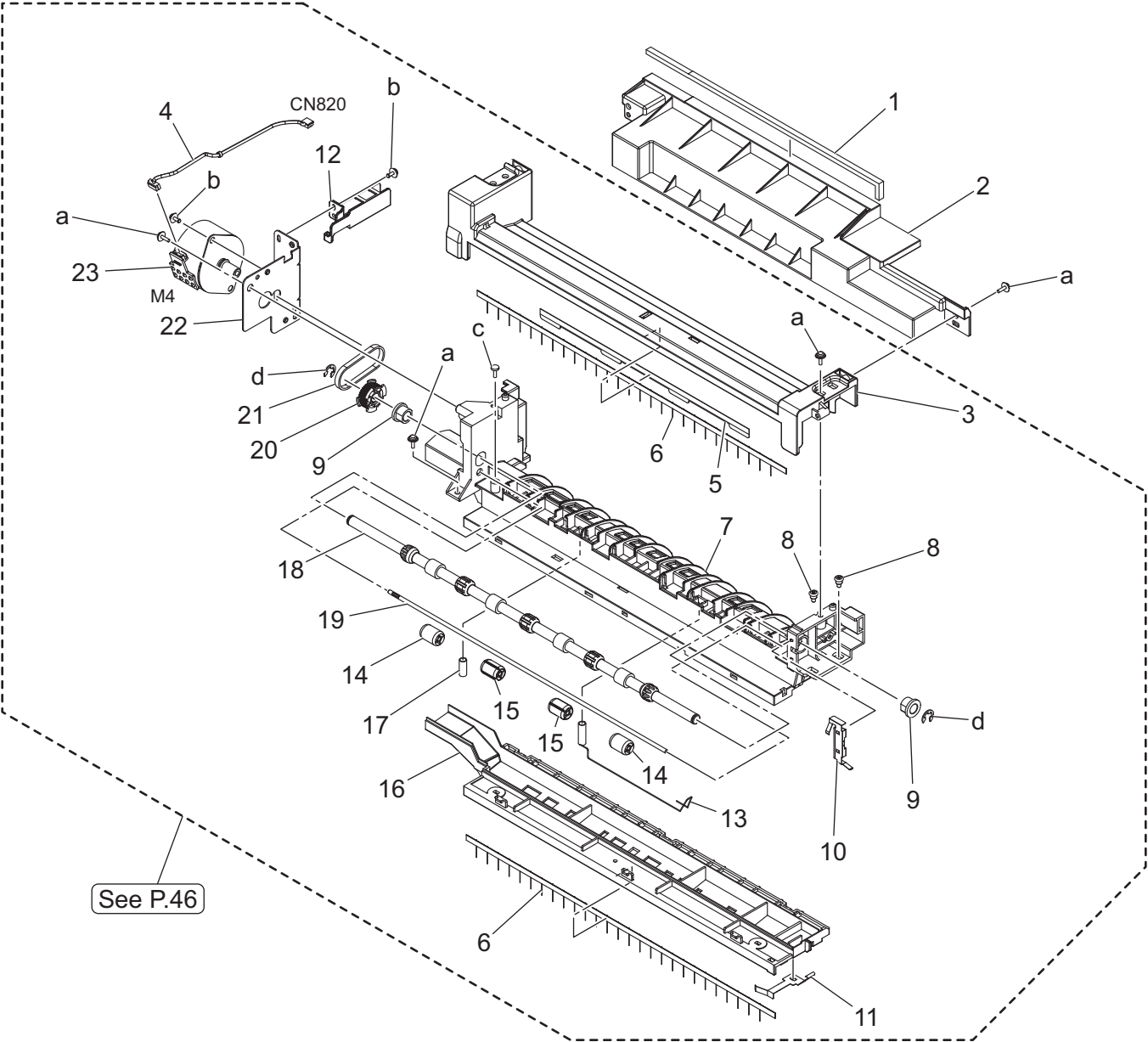
P 46



Paper Exit Section

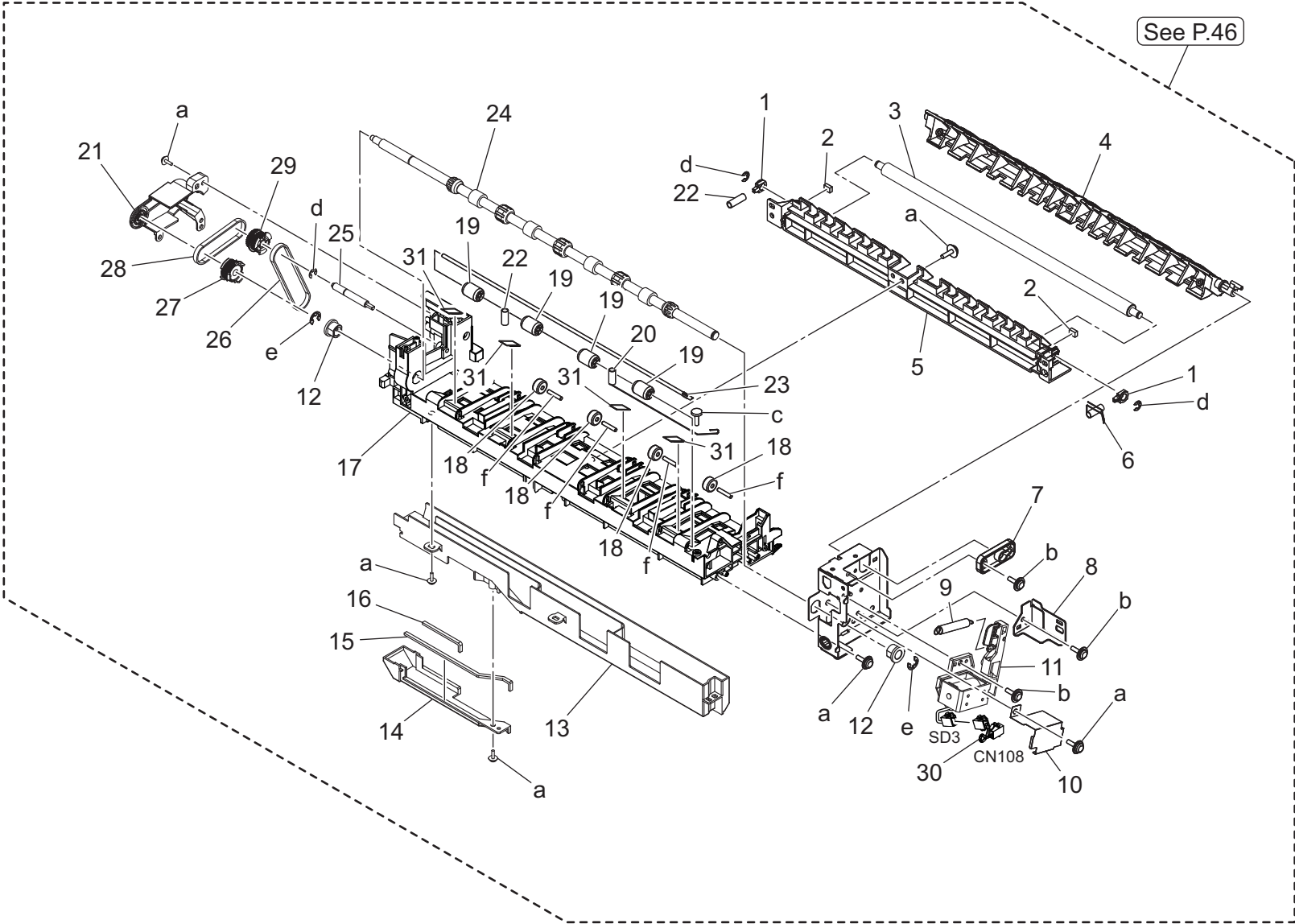
Key	Part No.	Description	Destinations	Class	QTY	Standard parts
1	AA7NR72122	Paper Exit Assy		S	1	
2	A0P0742300	Shoulder screw		C	2	
3	A00J169300	Shoulder screw		C	1	

Paper Exit Section



Key	Part No.	Description	Destinations	Class	QTY	Standard parts
1	AA7N896600	Seal	シール ( 排紙ユニット上)	C	1	a-V153030803 b-V125030803 c-V149030803 d-V217060003
2	AA7N896500	Guide	ガイド ( 排紙上)	D	1	
3	A79J895702	Paper exit Cover	排紙カバー	D	1	
4	AA7NN10E00	Drive Relay Harness /1	駆動中継束線/1 ( 排紙・反転)	D	1	
5	A161894100	Sheet	シート ( 除電ブラシ)	D	1	
6	A161894000	Neutralizing Brush	除電ブラシ	C	2	
7	A79J895603	Paper exit Guide /Upper	排紙ガイド/上	D	1	
8	1164202801	SHOULDER SCREW	段ねじ	D	2	
9	A0ED891100	Bushing	すべり軸受	D	2	
10	A161895503	Ground Contact /Upper	アース接点/上	D	1	
11	A161895601	Ground Contact /Lower	アース接点/下	D	1	
12	A79J894000	Guide	ガイド	D	1	
13	A161900201	Ground Spring	アースばね ( 反転)	C	1	
14	4004590301	ROLL	ころ	C	2	
15	A64J891100	Roll	ころ	D	2	
16	A79J895200	Paper exit Guide /Lower	排紙ガイド/下	D	1	
17	A161892400	Spring	ばね ( 排紙)	C	1	
18	A79J895400	Roller	ローラ	C	1	
19	4025598401	SHAFT	シャフト	D	1	
20	A79J895800	Pulley 33T	プーリ 33 T	C	1	
21	A79J898300	Timing belt 116L	タイミングベルト 116 L	C	1	
22	A79J893200	Mounting Plate	取付板	D	1	
23	AA2JM10400	Stepping motor	ステッピングモータ ( φ 49 プーリ)	C	1	

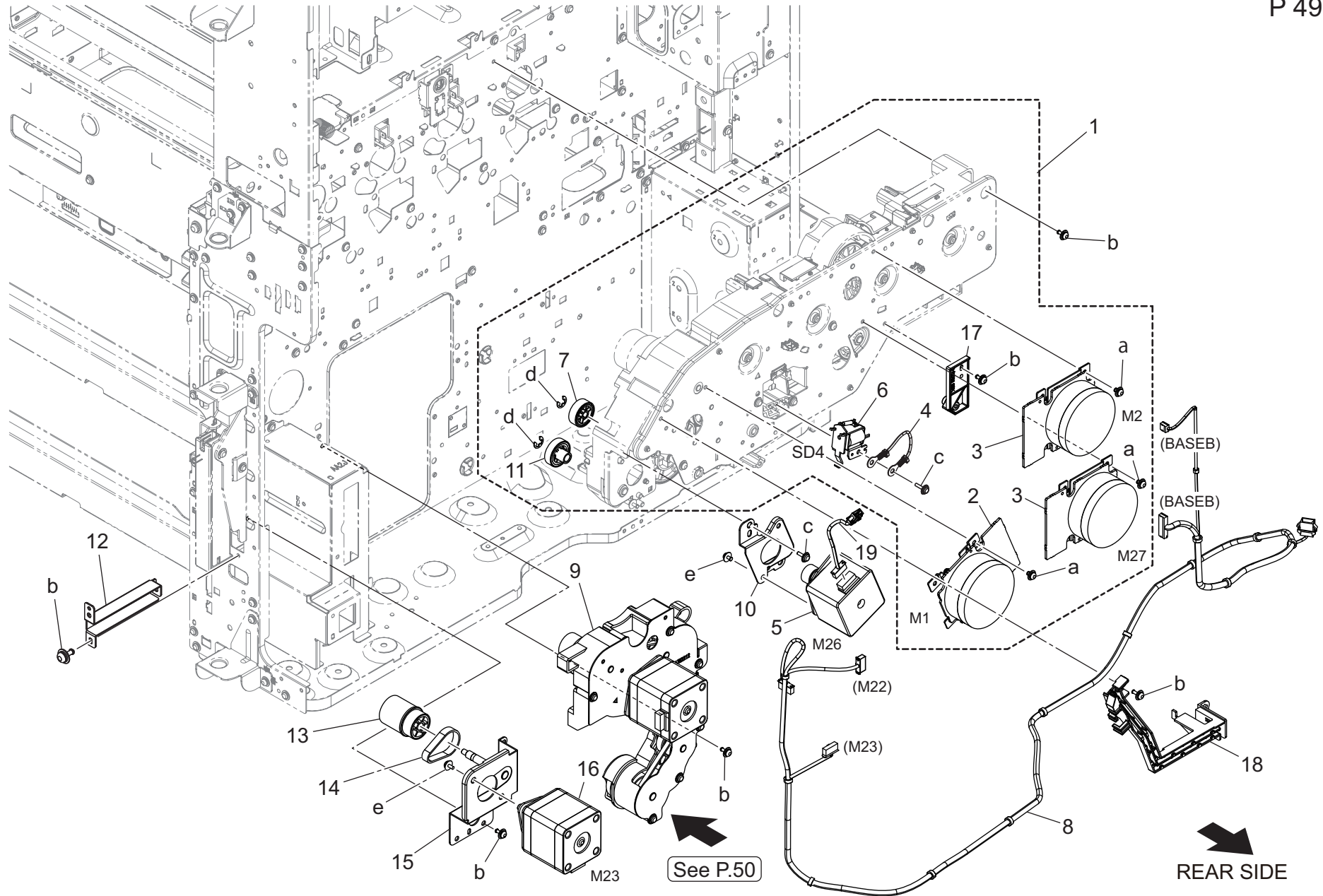
Paper Exit Section



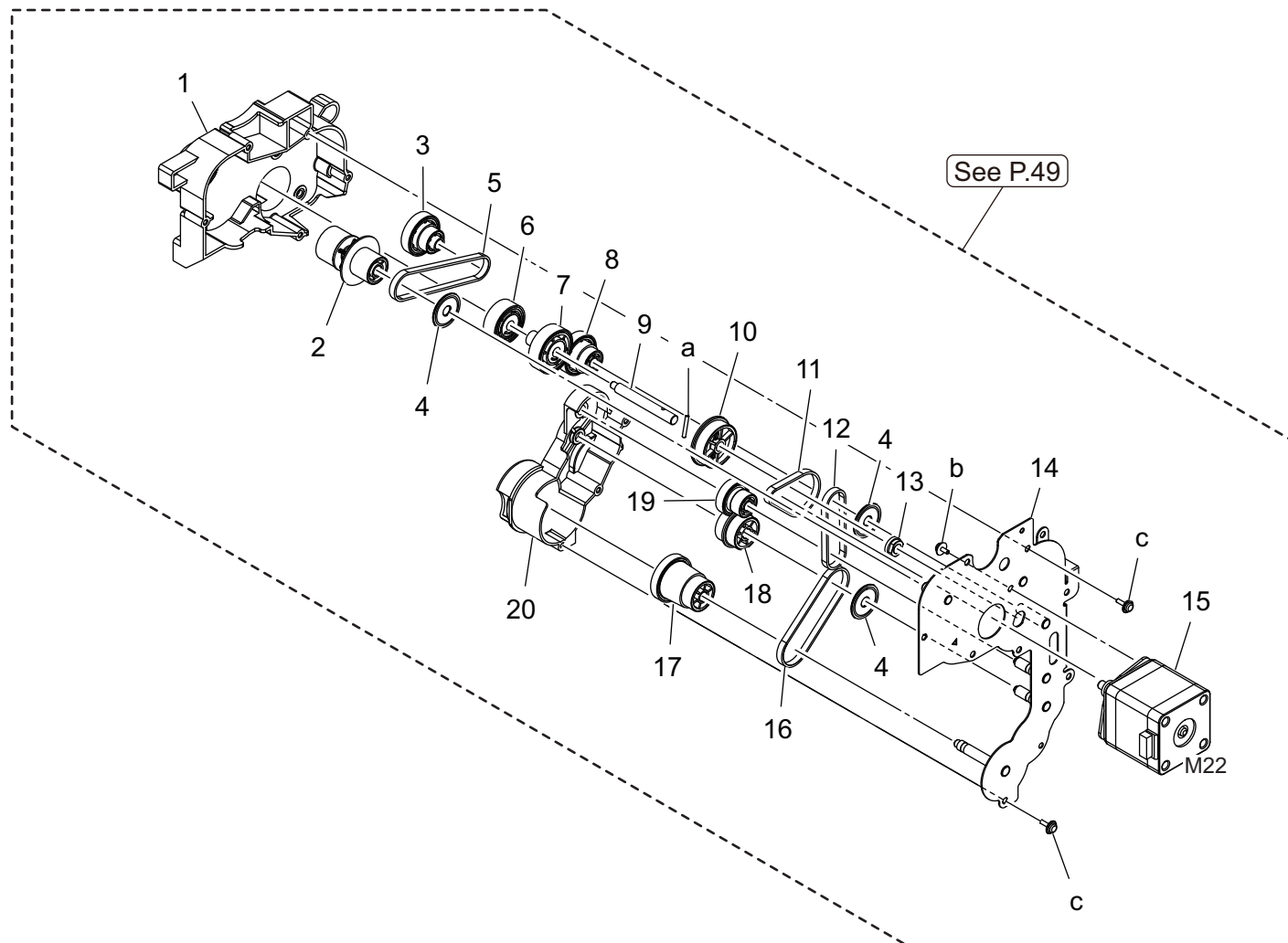
Key	Part No.	Description	Destinations	Class	QTY	Standard parts
1	AA7N898601	Bushing		D	2	a-V153030803 b-V144030803 c-V149030803 d-V217040003 e-V217060003 f-V234301650
2	A161893601	Cushion		D	2	
3	AA2J901101	Roller		C	1	
4	AA2J890402	Guide Lever		D	1	
5	AA2J890201	Guide Part /Lower		D	1	
6	AA2J900300	Ground Spring		D	1	
7	A161891000	Bushing		D	1	
8	A161892300	Mounting Plate		D	1	
9	A79J892000	Pulling Coil spring		C	1	
10	A7PU890700	Cover		D	1	
11	AA7NR72600	Solenoid /Paper Exit Assy		C	1	
12	AA7N898500	Bushing		D	2	
13	A79J893501	Duct		D	1	
14	A79J894500	Duct		D	1	
15	A79J893800	Cushion		C	1	
16	A79J893700	Cushion		C	1	
17	AA7N890102	Paper exit Main body		D	1	
18	A0ED897700	Collar		C	4	
19	AA2J891100	Roll		C	4	
20	A161900100	Ground Spring		C	1	
21	AA7N897600	Holder		D	1	
22	A161892400	Spring		C	2	
23	4025598401	SHAFT		D	1	
24	AA7N890300	Roller		C	1	
25	AA7N898200	Shaft		D	1	
26	AA7N898400	Timing belt 190L		C	1	
27	A79J891300	Pulley 28T		C	1	
28	AA7N898300	Timing belt 140L		C	1	
29	AA7N897400	Pulley 28T		C	1	
30	A79JN10Q00	Relay Wiring /5		D	1	
31	AA2J891500	Sheet		D	4	



# Drive Section



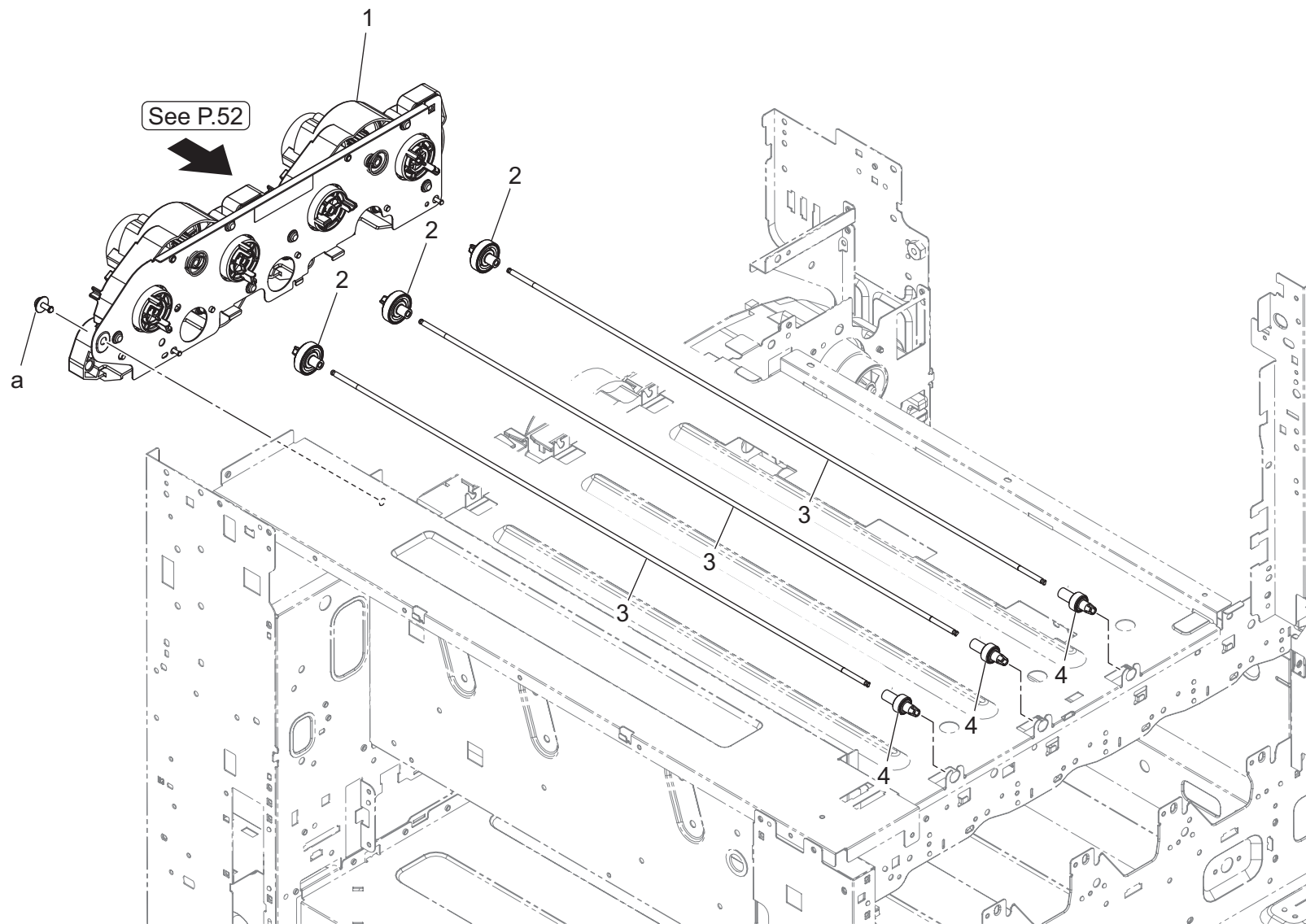
Key	Part No.	Description	Destinations	Class	QTY	Standard parts
1	AA7PR70100	Main Drive Assy		C	1	a-V116030504 b-V125030803 c-V153031004 d-V217040003 e-V127030604
2	AA2JM11100	Brushless motor /40		C	1	
3	AA2JM11000	Brushless motor /30		C	2	
4	A782N11800	ADF Wiring /19		D	1	
5	A2X0M10000	Stepping motor		C	1	
6	A161M20300	Flapper solenoid		C	1	
7	A79K254000	Gear 23T		C	1	
8	AA7NN10X00	Drive Harness /2		D	1	
9	AA7NR70900	Paper Feed Drive Assy		S	1	
10	A79J254200	Mounting Plate		D	1	
11	A64J257800	Gear 20T		C	1	
12	A161105500	Reinforce Plate		D	1	
13	AA7N222200	Gear 22/35T		C	1	
14	AA7N222400	Belt 92L		C	1	
15	AA7N221700	Mounting Plate		D	1	
16	A61DM10000	HB Stepping motor		C	1	
17	AA7N216100	Guide		D	1	
18	A79J134701	Guide		D	1	
19	AA7NN10F00	Drive Relay Harness /2		D	1	



REAR SIDE

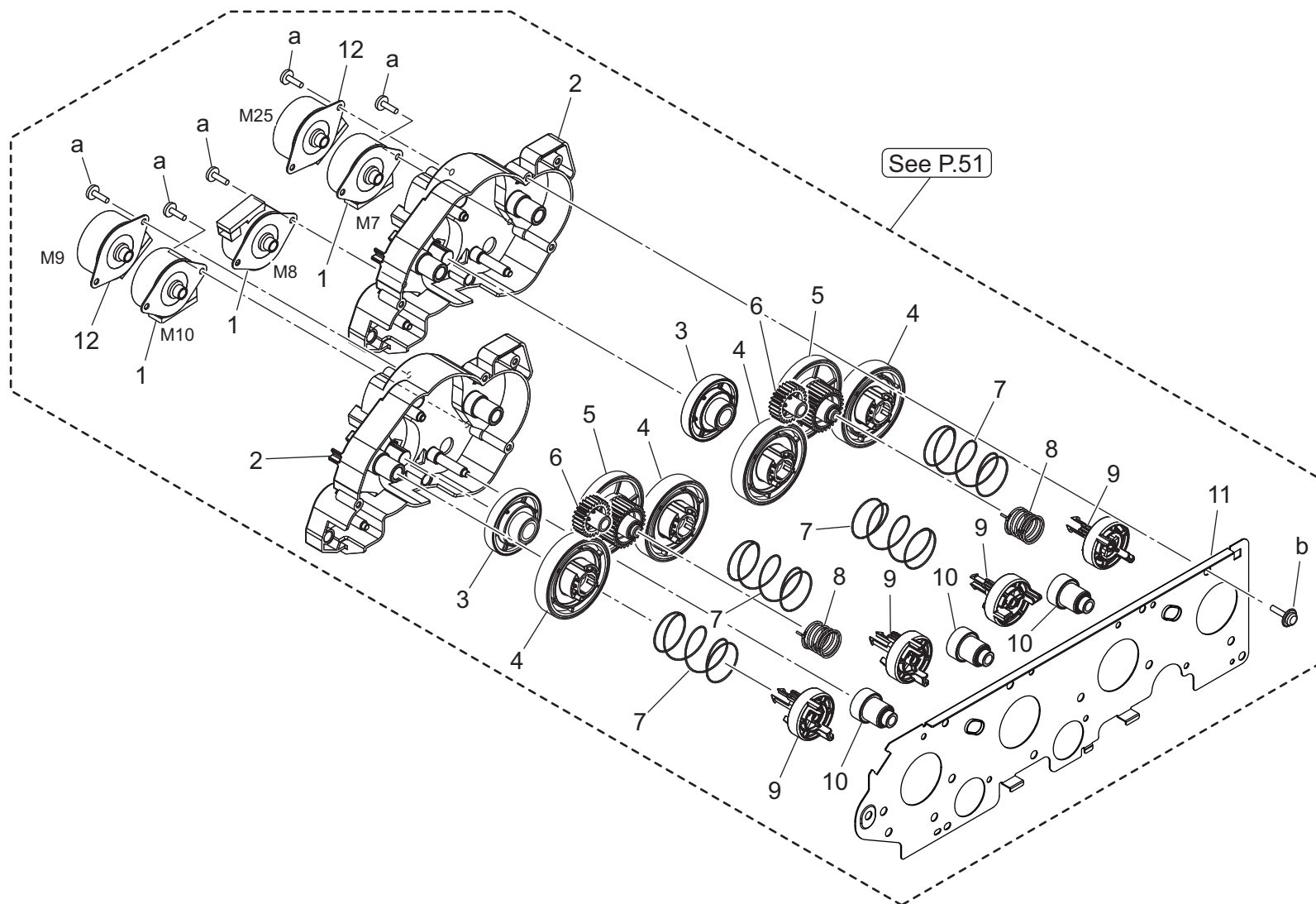
bizhub C550i

Key	Part No.	Description	Destinations	Class	QTY	Standard parts
1	A79J220901	Holder		C	1	a-V234201450 b-V127030604 c-V153031004
2	A79J259800	Gear 19T		C	1	
3	A79J253300	Gear 29T		C	1	
4	A79J897300	Collar		C	3	
5	A79J226600	Timing belt 180L		C	1	
6	A79J226200	Gear 23T		C	1	
7	A79J226301	Gear 32T		C	1	
8	A79J226400	Gear 30T		C	1	
9	A79J223101	Shaft		D	1	
10	A79J220000	Pulley 44T		C	1	
11	A79J226500	Timing belt 112L		C	1	
12	A79J226700	Timing belt 126L		C	1	
13	A161210200	Bushing		D	1	
14	AA7N221200	Frame /ASSY		D	1	
15	A61DM10000	HB Stepping motor		C	1	
16	A79J226800	Timing belt 156L		C	1	
17	A79J220701	Gear 28T		C	1	
18	A79J253000	Pulley 24T		C	1	
19	A79J222500	Pulley 24T		C	1	
20	A79J220800	Holder		C	1	



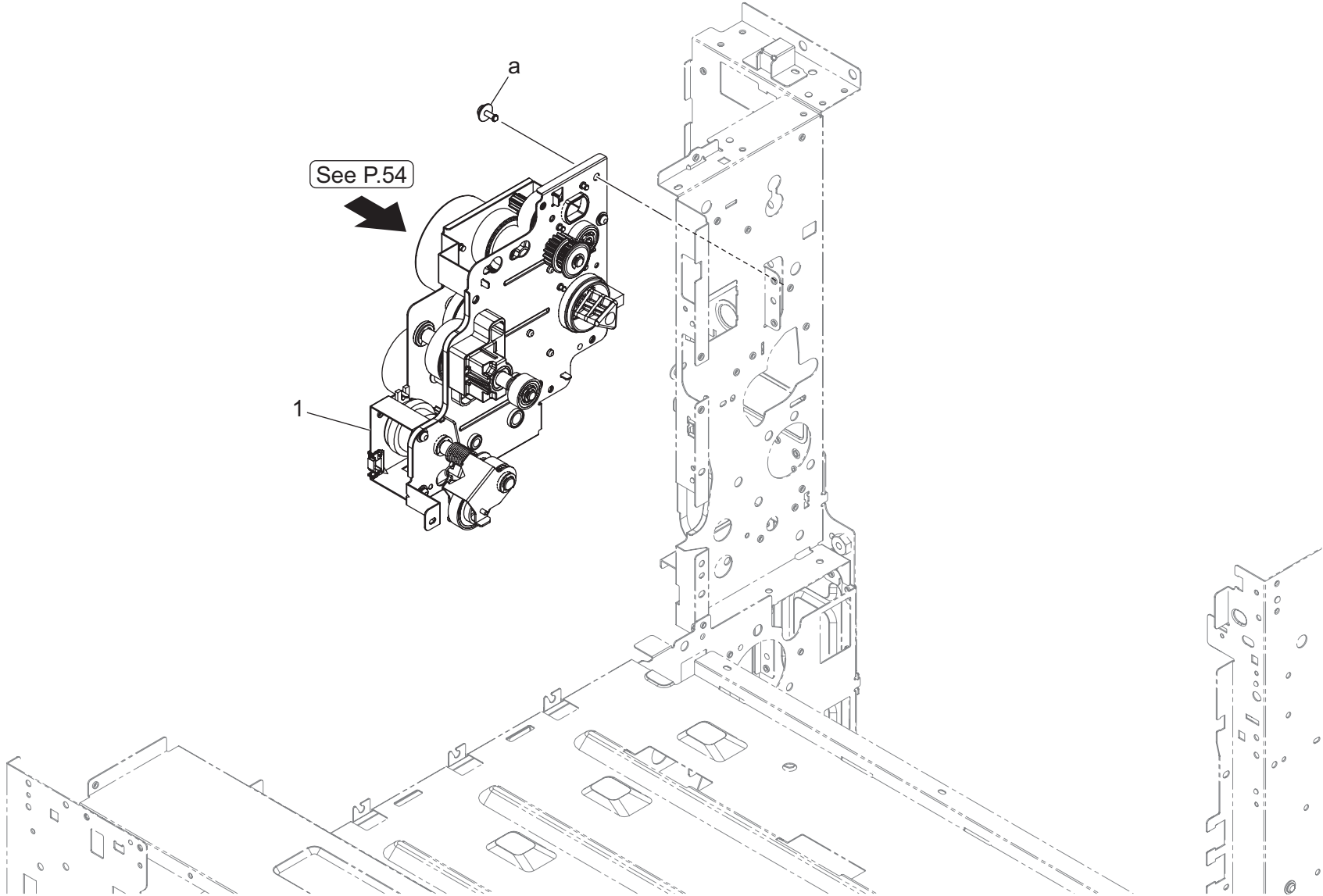
# Drive Section

Key	Part No.	Description	Destinations	Class	QTY	Standard parts
1	AA7NR71511	TB Drive Assy		S	1	a-V125030803
2	A161241000	Gear 31T		C	3	
3	A7PU241200	Shaft		D	3	
4	A161241400	Gear 17T		C	3	



Key	Part No.	Description	Destinations	Class	QTY	Standard parts
1	A7PUM10700	Stepping motor		C	3	a-V149030803 b-V153031004
2	AA2J240101Old	Holder		D	2	
2	AA2J242100	Holder		D	2	
3	AA7N240300	Gear 25/91T		C	2	
4	AA2J240600	Gear 58T		C	4	
5	A79J240400	Gear 52T/29T		C	2	
6	A79J240500	Gear 25T		C	2	
7	4038541202	PRESSURE SPRING		C	4	
8	AA2J241700	Spring		C	2	
9	A161240700	Joint		C	4	
10	A161240900	Gear 20/42T		D	3	
11	AA2J241502Old	Mounting Plate		D	1	
11	AA2J242500	Mounting Plate		D	1	
12	A7PUM10600	Stepping motor		C	2	

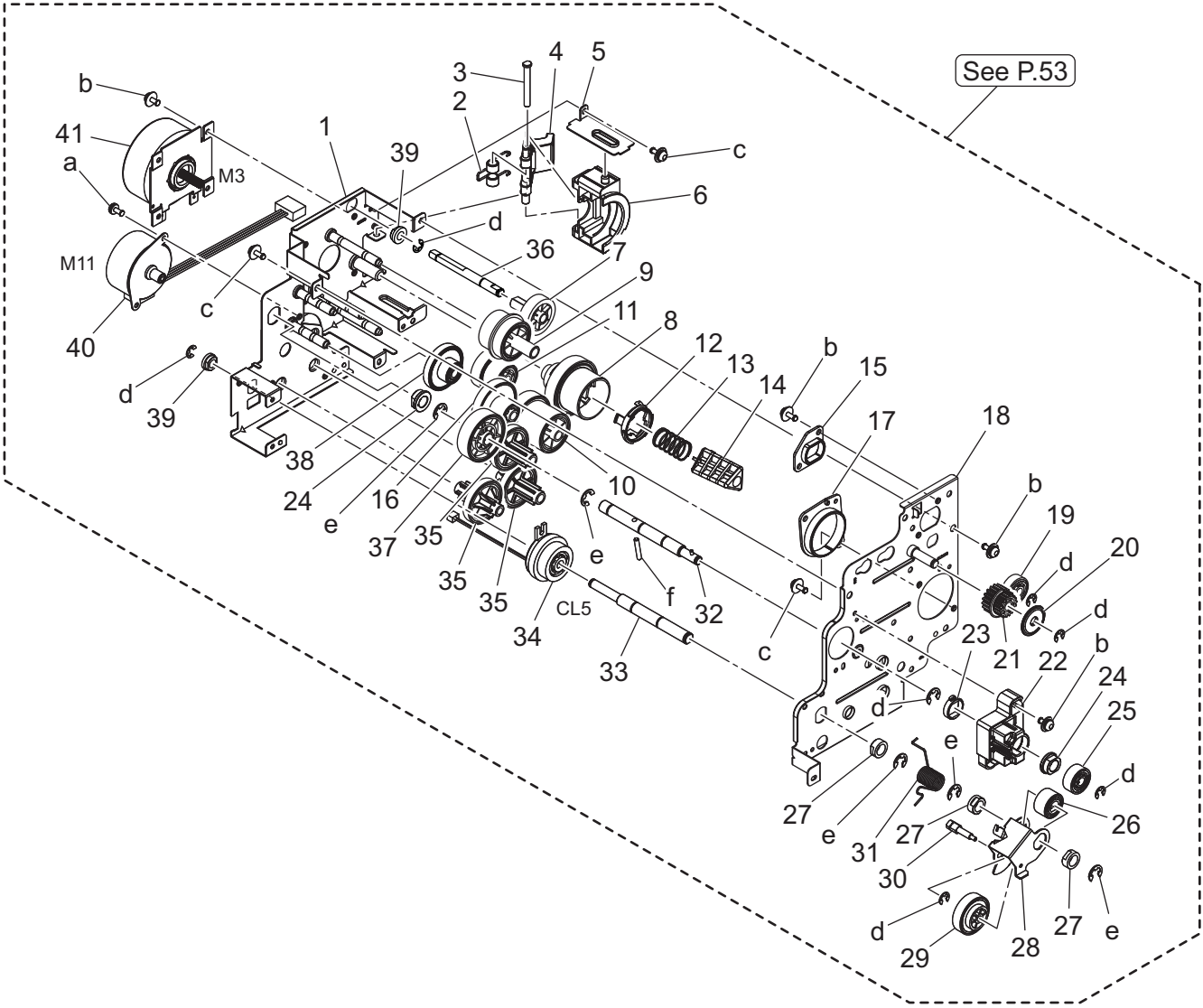




bizhub C550i

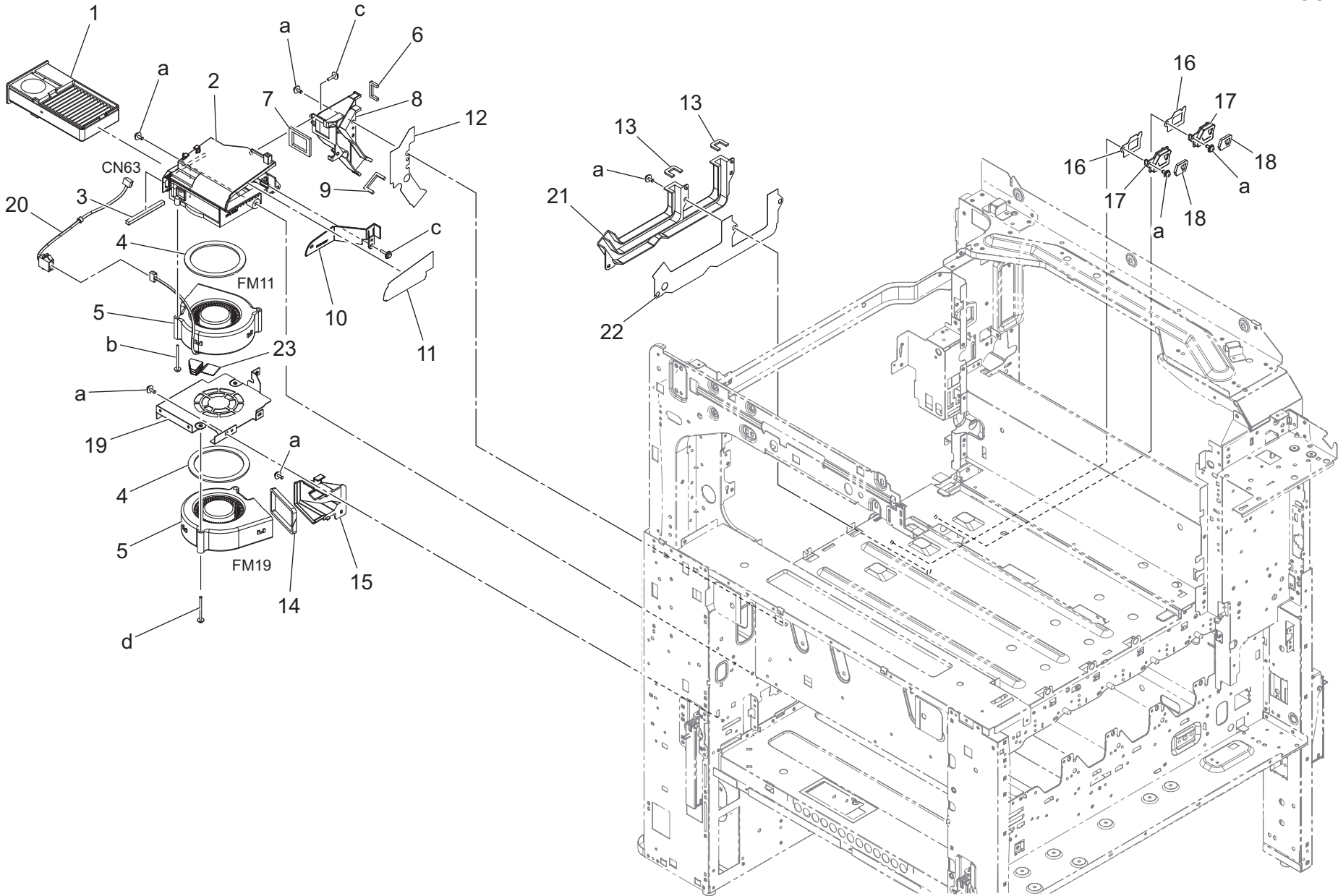
Drive Section

Key	Part No.	Description		Destinations	Class	QTY	Standard parts
1	AA7NR71400	Fusing Drive Assy	定着駆動 A s s y		S	1	a-V125030803



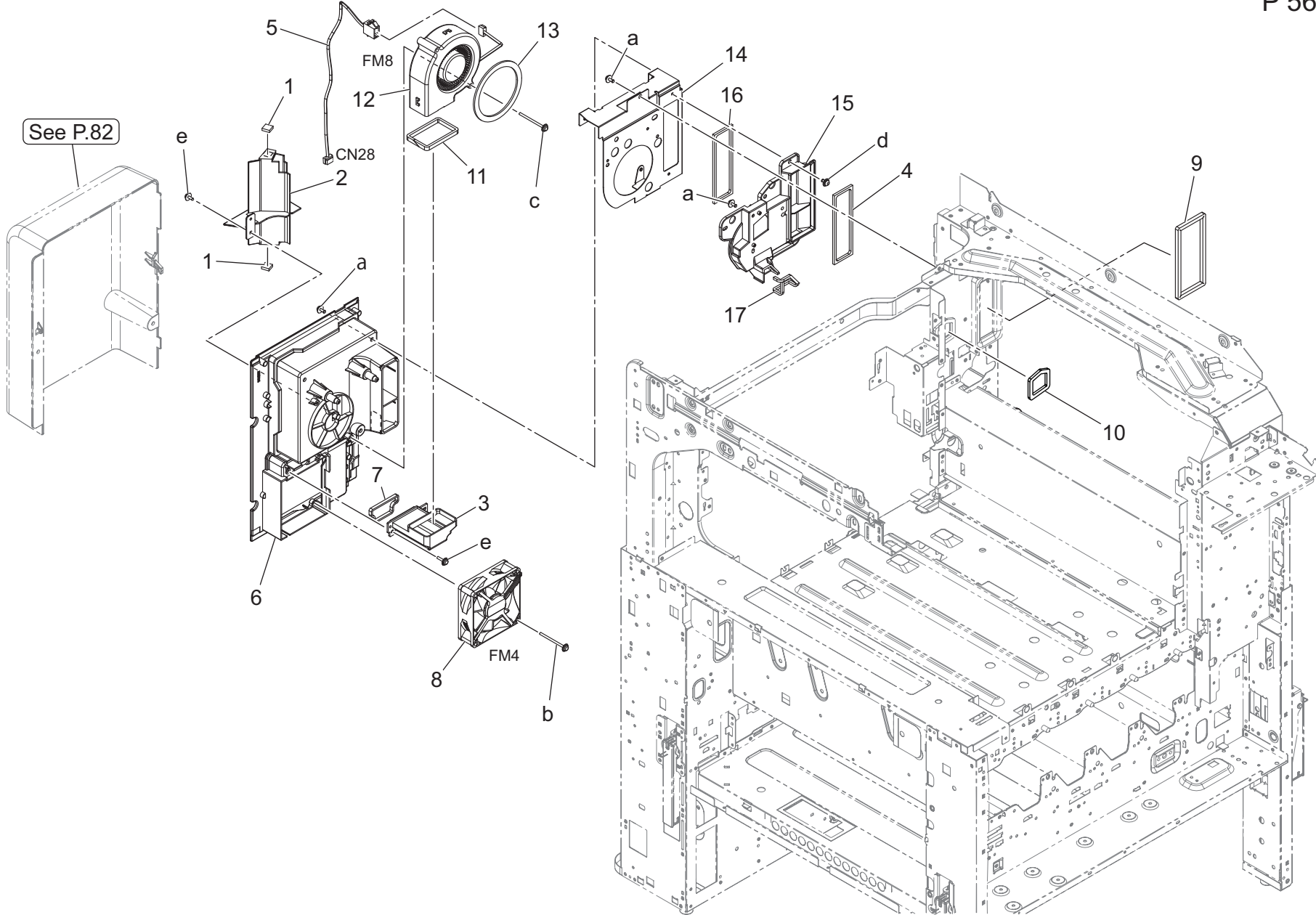
Key	Part No.	Description	Destinations	Class	QTY	Standard parts
1	AA7N255601	Frame /ASSY	フレーム / A S S Y ( 定着 / H 1 )	D	1	a-V115030603 b-V116030603 c-V125030803 d-V217040003 e-V217060003 f-V234301850
2	AA2J258500	Spring	ばね ( 定着 )	C	1	
3	AA2J229711	Shaft	軸 ( 定着揺動 )	D	1	
4	AA2J229500	Lever	レバー ( 定着 )	C	1	
5	AA2J255700	Reinforce Plate	補強板 ( 定着 3 )	D	1	
6	AA2J229000	Holder	ホルダ ( 定着 )	D	1	
7	AA7N230600	Gear 25T	ギア 2 5 T	C	1	
8	AA2J228100	Gear 39T	ギア 3 9 T	C	1	
9	AA7N230500	Gear 27/50T	ギア 2 7 / 5 0 T	C	1	
10	AA2J228200	Gear 27/40T	ギア 2 7 / 4 0 T	C	1	
11	AA7N228000	Gear 23/50T	ギア 2 3 / 5 0 T	C	1	
12	AA2J229300	Ring	リング	D	1	
13	AA2J229600	Compressing Coil spring	圧縮コイルばね ( 定着揺動 )	C	1	
14	AA2J229202	Joint	ジョイント	C	1	
15	A161232200	Bushing	すべり軸受 ( 排紙ドッキング )	D	1	
16	AA2J254300	Gear 18/43T	ギア 1 8 / 4 3 T	C	1	
17	AA2J229100	Bushing	すべり軸受 ( 定着 )	D	1	
18	AA7N231000	Frame /ASSY	フレーム / A S S Y ( 定着 / H 2 )	D	1	
19	A161230700	Gear 18T	ギア 1 8 T	C	1	
20	A79J897300	Collar	カラー	C	1	
21	AA7N231300	Gear 18/28T	ギア 1 8 / 2 8 T	C	1	
22	AA2J229400	Holder	ホルダ ( 圧離 )	D	1	
23	AA2J232400	Collar	カラー ( ガイド )	D	1	
24	A03U812800	Slide Shaft Holder	すべり軸受	B	2	
25	A5C1254600	Gear	ギア	C	1	
26	4038258001	GEAR 16T	ギヤ 1 6 T	C	1	
27	A0ED259700	Bushing	すべり軸受 ( $\phi$ 8 小判 )	C	3	
28	A161258800	Mounting Plate	取付板 ( 一次離間 )	D	1	
29	A0ED257500	Gear 26T	ギア ( 一次離間アイドル ) 2 6 T	C	1	
30	A161259400	Shaft	軸 ( 一次離間 2 )	D	1	
31	A161232501	Torsion Coil spring	ねじりコイルばね ( 一次離間 )	D	1	
32	AA2J256300	Shaft	軸 ( 定着離間 )	D	1	
33	AA2J258700	Shaft	軸 ( 一次離間 1 )	D	1	
34	A64JM20000	Clutch	クラッチ	C	1	
35	AA2J259100	Gear 30T	ギア 3 0 T	C	3	
36	AA7N231800	Shaft	軸 ( 排紙 / H )	D	1	
37	AA2J254400	Gear 42T	ギア 4 2 T	C	1	
38	AA2J254200	Gear 18/80T	ギア 1 8 / 8 0 T	C	1	
39	A161210200	Bushing	すべり軸受	D	2	
40	A161M10300	Stepping motor	ステッピングモータ ( $\phi$ 4 2 P M )	C	1	
41	AA2JM11100	Brushless motor /40	ブラシレスモータ / 4 0	C	1	

Colling Section



Key	Part No.	Description	Destinations	Class	QTY	Standard parts
1	A161R72811	Toner Filter Assy		A	1	a-V125030803 b-V153033503 c-V153031004 d-V116033503
2	AA7N147901	Duct /B	ダクト / B (トナー吸引)	D	1	
3	AA7N146400	Seal	シール	C	1	
4	A02E117300	Seal	シール( オゾンファン)	C	2	
5	A93EM10600	Fan motor	ファンモータ	C	2	
6	AA7N146600	Seal	シール ( トナー吸引 Y M)	C	1	
7	AA7N148000	Seal	シール	C	1	
8	AA7N147500	Duct	ダクト ( トナー吸引)	D	1	
9	AA7N146800	Seal	シール ( トナー吸引 C K)	C	1	
10	AA7N147700	Duct	ダクト ( 仕切り)	D	1	
11	AA7N148200	Seal /4	シール / 4 ( トナー吸引)	C	1	
12	AA7N146900	Seal /4	シール / 4 ( トナー吸引)	D	1	
13	A161146600	Seal /3	シール / 3 ( トナー吸引)	D	2	
14	A79J143600	Cushion	クッション	C	1	
15	AA7N141502	Duct /2	ダクト / 2 ( プロセス冷却)	D	1	
16	AA7N145200	Seal	シール ( 噴煙吸引)	D	2	
17	A161141700	Duct	ダクト	D	2	
18	A161144801	Seal	シール	C	2	
19	AA2J142000	Mounting Plate	取付板 ( トナー吸引)	D	1	
20	AA7NN10600	Relay Harness /2	中継束線 / 2 ( 粉煙吸引)	D	1	
21	AA7N147600	Duct	ダクト	D	1	
22	AA7N146500	Seal	シール	D	1	
23	AA7N148500	Cushion	クッション	D	1	

Colling Section

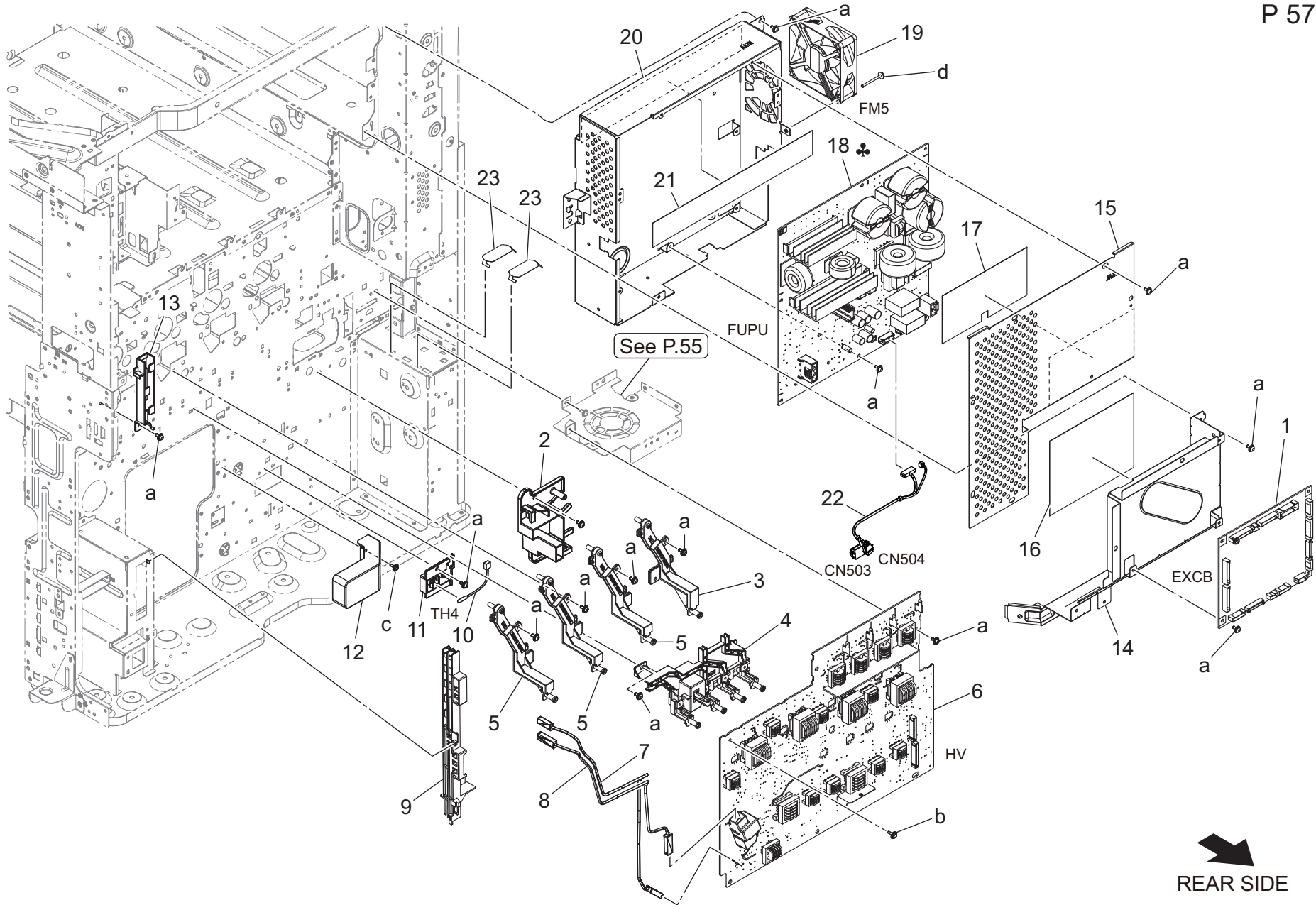


## Colling Section

Key	Part No.	Description	Destinations	Class	QTY	Standard parts
1	A79J145200	Cushion		C	2	a-V125030803 b-V153033003 c-V153033503 d-V116030603 e-V153031004
2	A79J145100	Guide Plate		D	1	
3	AA7N143001	Duct /2		D	1	
4	A79J141501	Cushion		C	1	
5	AA7NN10500	Relay Harness /1		D	1	
6	AA7N143400	Duct		D	1	
7	AA7N143200	Seal		C	1	
8	A93EM10000	Fan motor		C	1	
9	A79J120700	Cushion		C	1	
10	A79J120801	Seal		C	1	
11	A79J143600	Cushion		C	1	
12	A93EM10600	Fan motor		C	1	
13	A79J143800	Cushion		C	1	
14	A79J148304	Mounting Plate		D	1	
15	A79J140502	Duct		D	1	
16	A79J142701	Cushion		C	1	
17	A79J142600	Cushion		C	1	



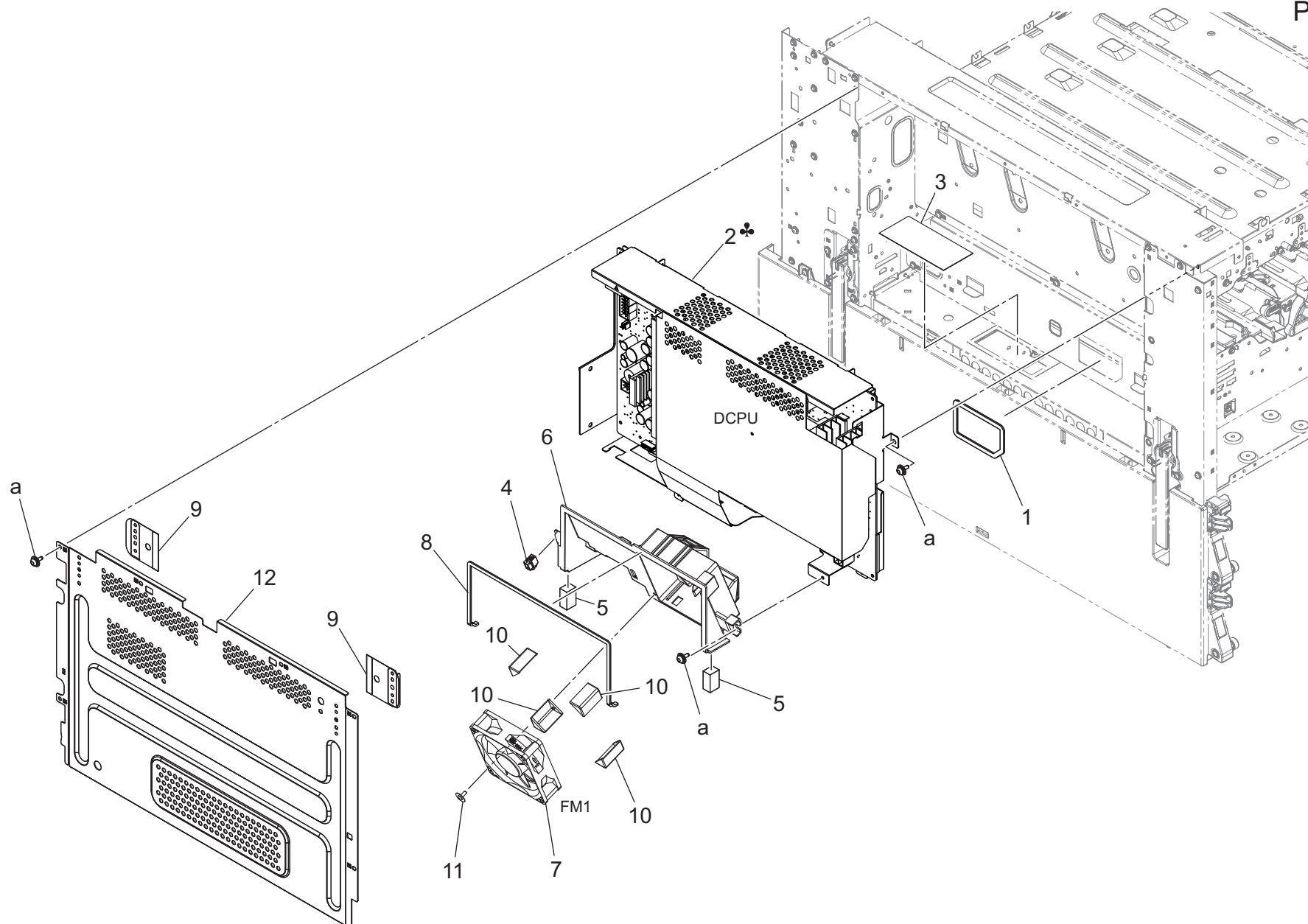
# Electrical Parts



REAR SIDE

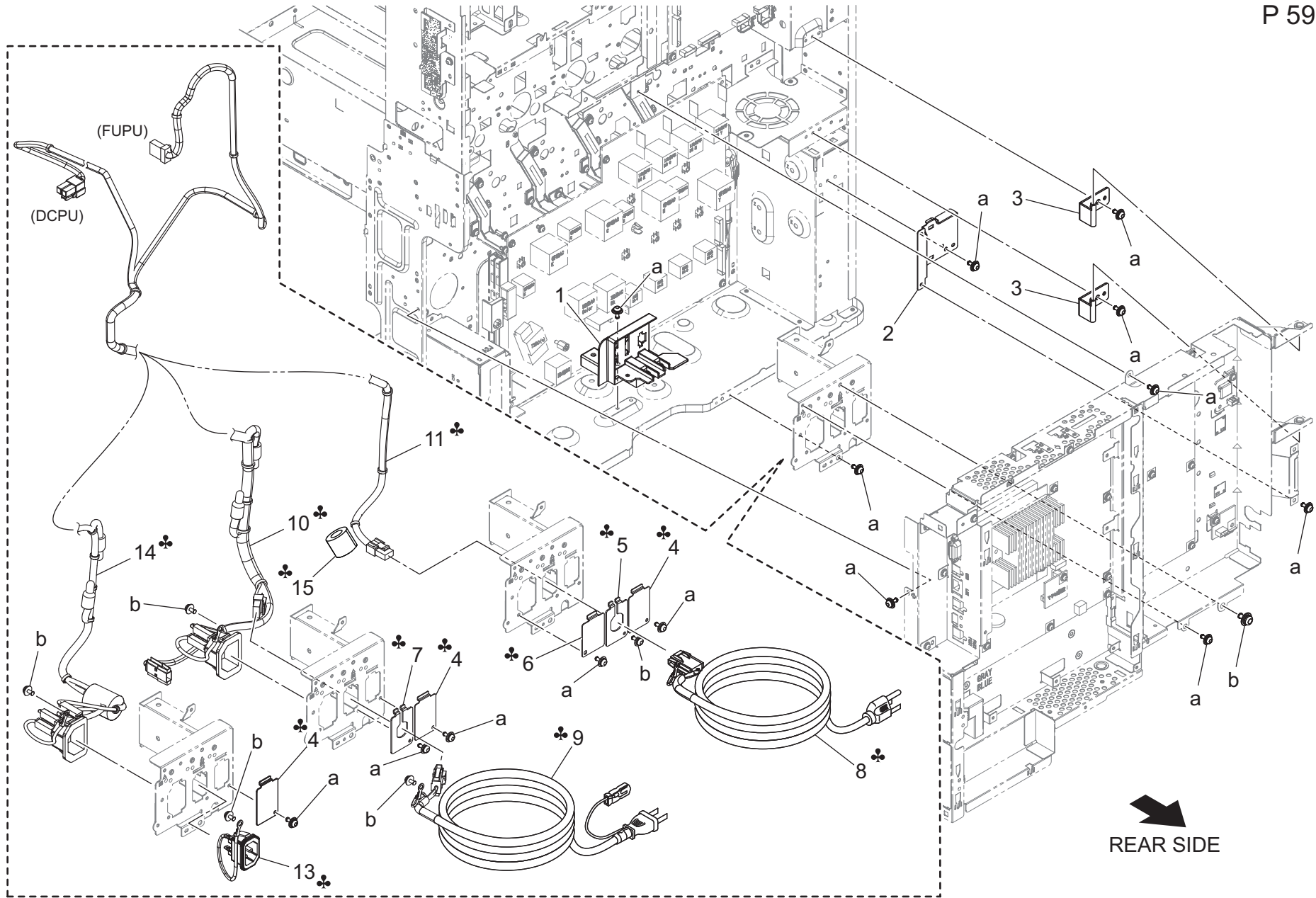
bizhub C550i

Key	Part No.	Description	Destinations	Class	QTY	Standard parts
1	AA7NH00500	PWB Assembly(EXCB)	基板 A S S Y ( E X C B )	I	1	a-V125030803 b-V153030804 c-V144030603 d-V116033003
2	A7PU141800	Holder	ホルダ	D	1	
3	AA7NR71100	HV Contact Assy	HV 接点 A s s y / Y	D	1	
4	AA7NR71000	Holder Assy	ホルダ A s s y ( 現像接点 )	D	1	
5	AA7NR71200	HV Contact Assy	HV 接点 A s s y / MCK	D	3	
6	AA7NM40601	High Voltage Unit	高圧電源	I	1	
7	A161N11300	Transfer Wiring /2	転写束線 / 2	D	1	
8	A161N11K00	Neutralizing Wiring	除電束線	D	1	
9	A5C1134800	Guide	ガイド	D	1	
10	A0P0M50300	Thermistor	サーミスタ ( 用紙温度センサ )	C	1	
11	A161137701	Holder	ホルダ ( 温度検出 )	D	1	
12	AA2J107500	Cover	カバー	D	1	
13	AA2J133000	Guide	ガイド ( パネルハーネス )	D	1	
14	AA7N131702	Mounting Plate	取付板 ( 中継基板 )	D	1	
15	AA7N130201	Shield Plate	シールド板 ( 定着電源 )	D	1	
16	AA7N131800	Insulating Sheet	絶縁シート	D	1	
17	AA7N130400	Insulating Sheet	絶縁シート	D	1	
18	AA7NM40800	Fusing Power Source(100V)	定着電源 ( 1 0 0 V )	I	1	
18	AA7NM40900	Fusing Power Source(230V)	定着電源 ( 2 3 0 V )	I	1	
19	A93EM10000	Fan motor	ファンモータ	C	1	
20	AA7N130100	Shield Case	シールドケース ( 定着電源 )	D	1	
21	AA7N130300	Insulating Sheet	絶縁シート	C	1	
22	AA7NN10700	Relay Harness /3	中継束線 / 3 ( H a C S )	D	1	
23	AA2J137902	Fixing Plate	固定板 ( F F C )	D	2	



Key	Part No.	Description	Destinations	Class	QTY	Standard parts
1	A161143601	Seal /3		D	1	a-V125030803
2	AA7NR71600	Power Source Unit (100V)	電源ユニット ( 100 V )	I	1	
2	AA7NR71711	Power Source Unit (200V)	電源ユニット ( 200 V )	I	1	
2	AA7NR71711	Power Source Unit (200V)	電源ユニット ( 200 V )	I	1	
3	A161145000	Filter	フィルタ ( L V ・ P H )	C	1	
4	V651010002	connector	Wt o Wコネクタ	D	1	
5	A161144500	Seal /3	シールノ3 ( L V ・ P H )	C	2	
6	A79J140801	Cooling Duct	冷却ダクト	D	1	
7	A93EM10000	Fan motor	ファンモータ	C	1	
8	A161143400	Seal /1	シールノ1 ( L V ・ P H )	D	1	
9	A61F100600	Sheet	シート	D	2	
10	A79J140900	Vibrationproof Rubber	防振ゴム	D	4	
11	4163529301	SCREW	ねじ	C	1	
12	AA7N100600	Cover	カバー ( 電源左 )	D	1	

# Electrical Parts

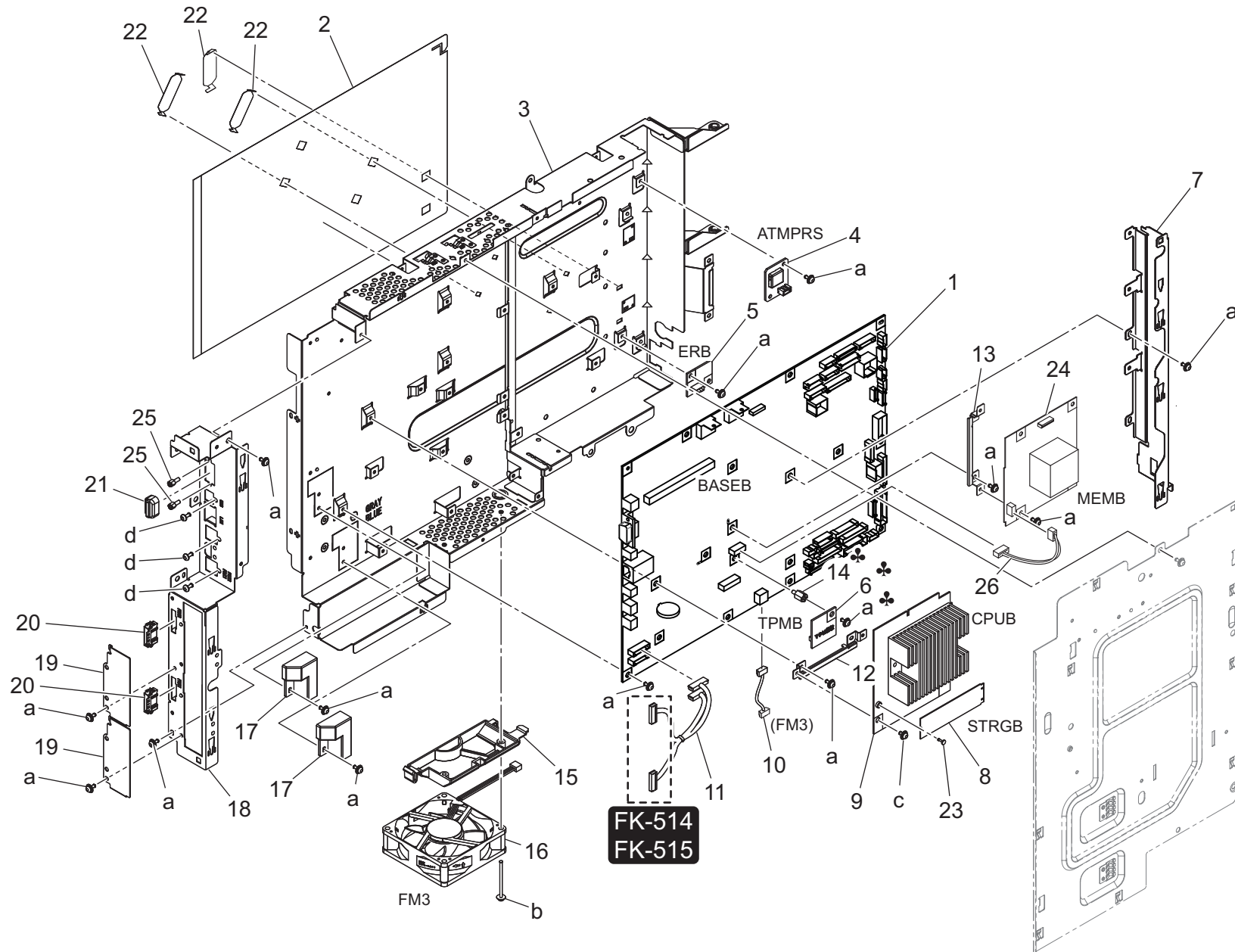


REAR SIDE

bizhub C550i

Key	Part No.	Description	Destinations	Class	QTY	Standard parts
1	AA2J131401	Holder		D	1	a-V125030803 b-V116040803
2	AA2J135301	Fixing Plate		D	1	
3	AA2J130801	Hinge		D	2	
4	A79J136000	Mounting Plate		D	1	
5	A0ED135700	Mounting Plate		D	1	
6	A79J139000	Cover		D	1	
7	A7PU135700	Mounting Plate		D	1	
8	AA6RN30100	Power code (120V)		D	1	
9	AA6RN30000	Power code (100V)		D	1	
9	A8JEN30200	Power code		C	1	
10	AA7PN10001	AC Harness(100V)		D	1	
11	AA7NN10101	AC Harness(120V)		D	1	
13	A02EN12513	Power supply Wiring		D	1	
14	AA7NN10201	AC Harness(230V)		D	1	
15	AA7NM90000	Ferritecore		D	1	

# Electrical Parts

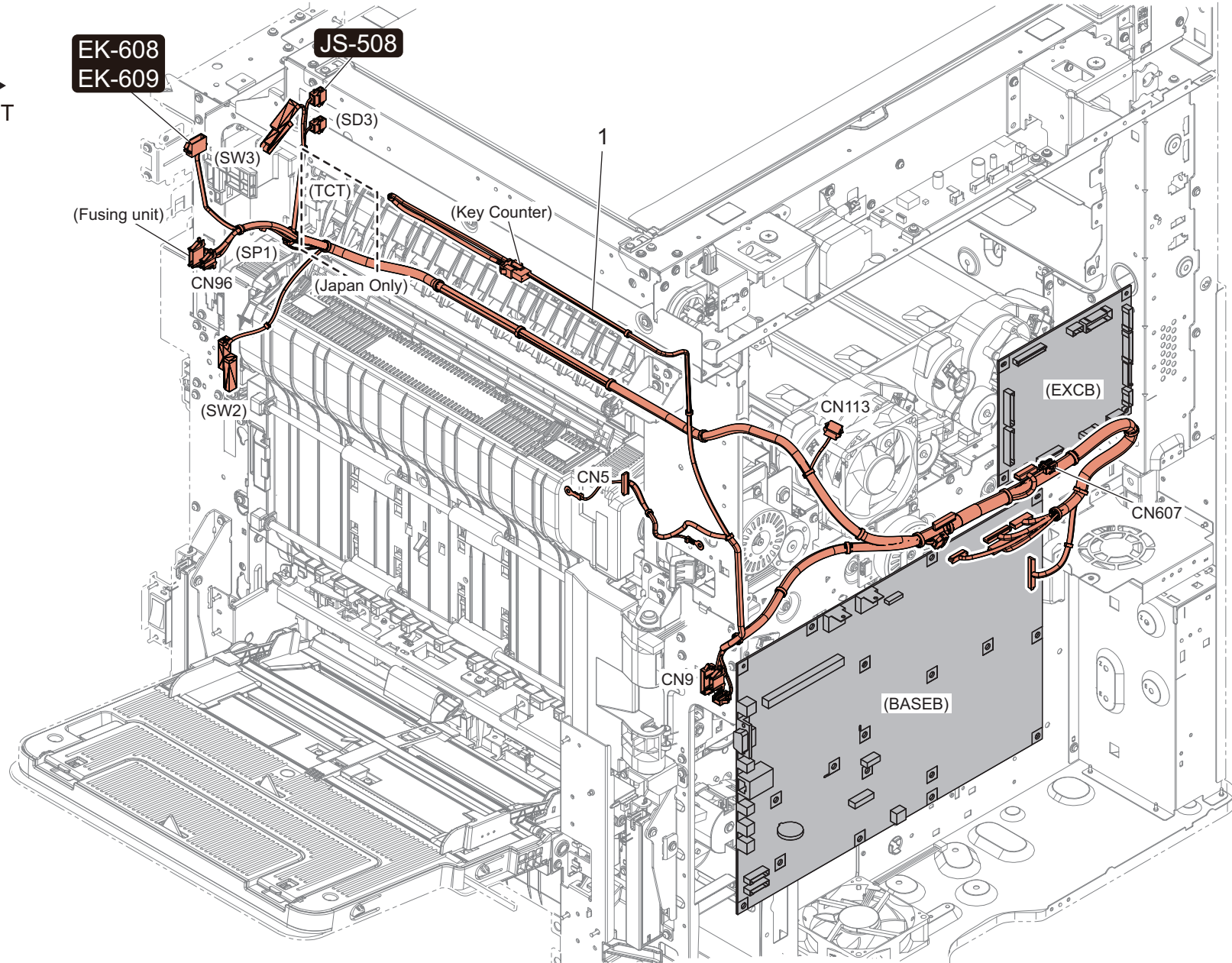


REAR SIDE  
bizhub C550i

Key	Part No.	Description	Destinations	Class	QTY	Standard parts
1	AA7NH02102	PWB Assembly(BASEB)		I	1	a-V125030803 b-V116034003 c-V116030604 d-V111030603
2	AA2J137600	Sheet		D	1	
3	AA2J131903	Mounting Plate		D	1	
4	AA2JM50P00	Sensor Board		C	1	
5	AA2JH00C00	ERB ASSY		C	1	
6	AA2JH02T00	PWB Assembly(PWB-TPM)	基板 ASSY ( PWB - TPM )	C	1	
7	AA2J131100	Mounting Plate	取付板 ( コント 仕切 )	D	1	
8	AA2JM72702	Memory Board	メモリ基板 ( ストレージ基板_ P h i s o )	C	1	
9	AA7PH02P01	PWB Assembly(CPUB)	基板 ASSY ( CPUB )	I	1	
10	A7PUN10800	Harness /Relay	中継束線	D	1	
11	A7PUN10700	Harness /Fax relay	中継束線 ( FAX )	D	1	
12	AA2J135101	Mounting Plate	取付板 ( S 8 0 0 )	D	1	
13	ACDF135201	Mounting Plate	取付板 ( A 8 0 0 )	D	1	
14	A161137600	Shoulder screw	段ねじ ( S S D )	D	1	
15	A7PU140100	Duct	ダクト	D	1	
16	AA2JM10500	Fan Motor	ファンモーター ( 1 2 V 軸流ファン )	C	1	
17	A7PU130400	Guide	ガイド	D	2	
18	AA2J131602	Mounting Plate	取付板 ( コント 左側面 )	D	1	
19	A7PU139800	Cover	カバー	D	2	
20	V651010025	connector	Wt o W コネクタ	V	2	
21	V503010002	Connector Cover	コネクタカバー	D	1	
22	AA2J137902	Fixing Plate	固定板 ( F F C )	D	3	
23	AA2J139800	Screw	ねじ ( S S D )	D	1	
24	AA2JH02A03	PWB Assembly(A800)	基板 ASSY ( A 8 0 0 )	I	1	
25	A161137900	Screw	ねじ ( D - S U B )	C	2	
26	AA2JN15B00	Power source harness	電源束線 ( A 8 0 0 )	D	1	



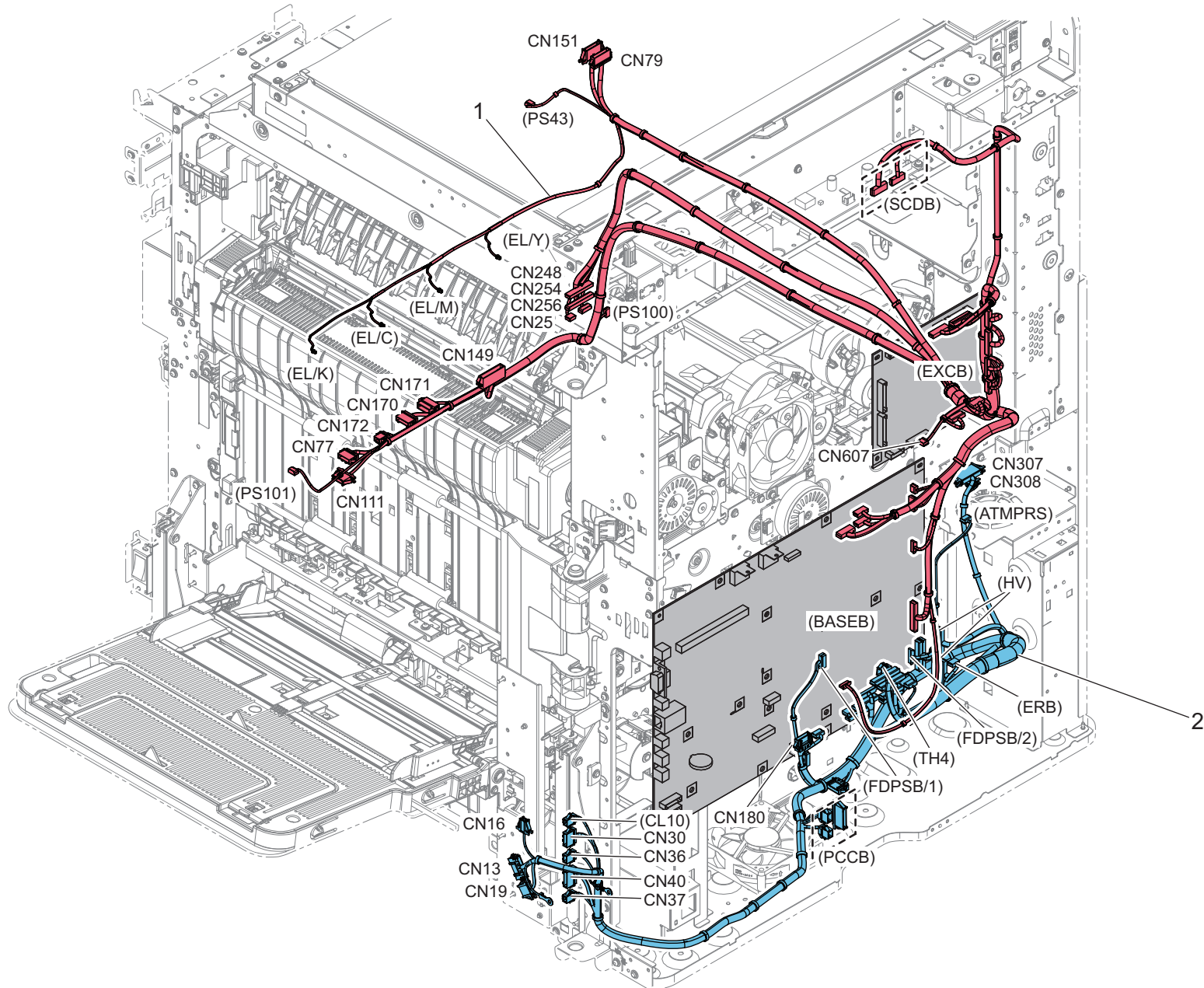
# Wiring



Key	Part No.	Description		Destinations	Class	QTY	Standard parts
1	AA7NN10A01	Main Body Harness /1	本体束線 /1 ( High )		D	1	

# Wiring

←  
FRONT

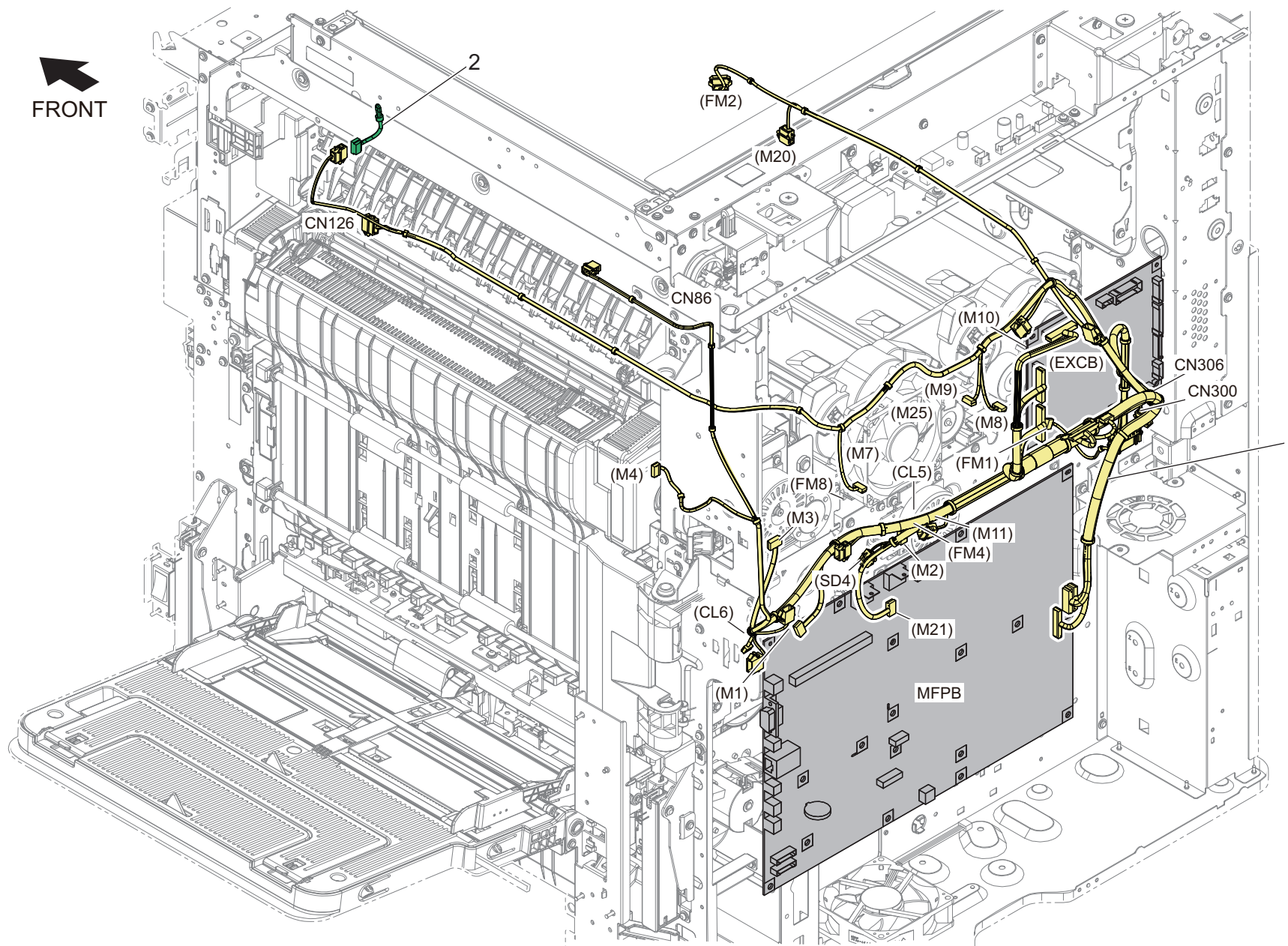


# Wiring

Key	Part No.	Description	Destinations	Class	QTY	Standard parts
1	AA7NN10B01	Main Body Harness /2		D	1	
2	AA7PN10C00	Main Body Harness /3		D	1	

# Wiring

FRONT

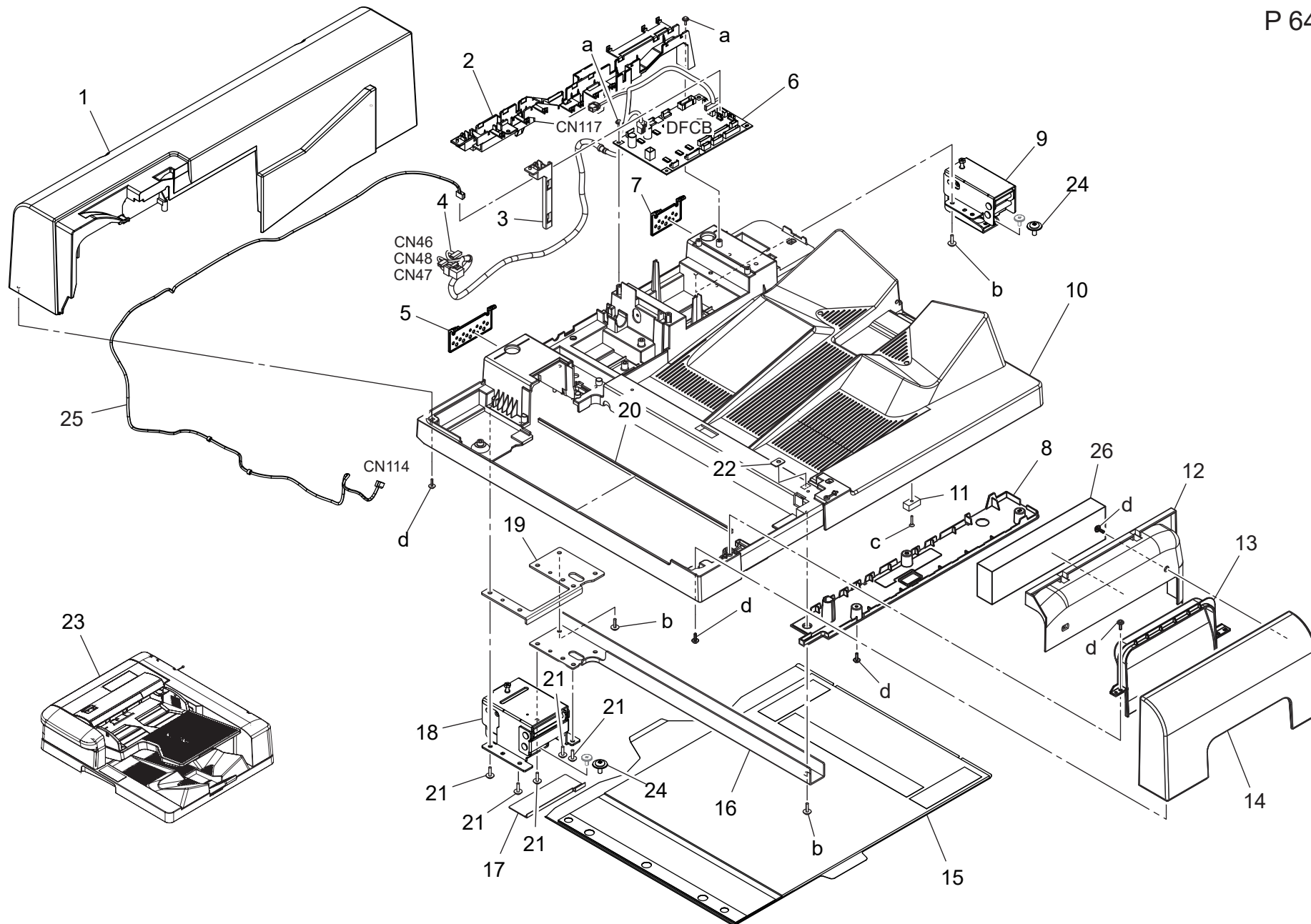


# Wiring

Key	Part No.	Description	Destinations	Class	QTY	Standard parts
1	AA7NN10D01	Drive Harness /1		D	1	
2	A9UVN14101	Drive Wiring /4		D	1	

# Automatic Document Feeder

P 64

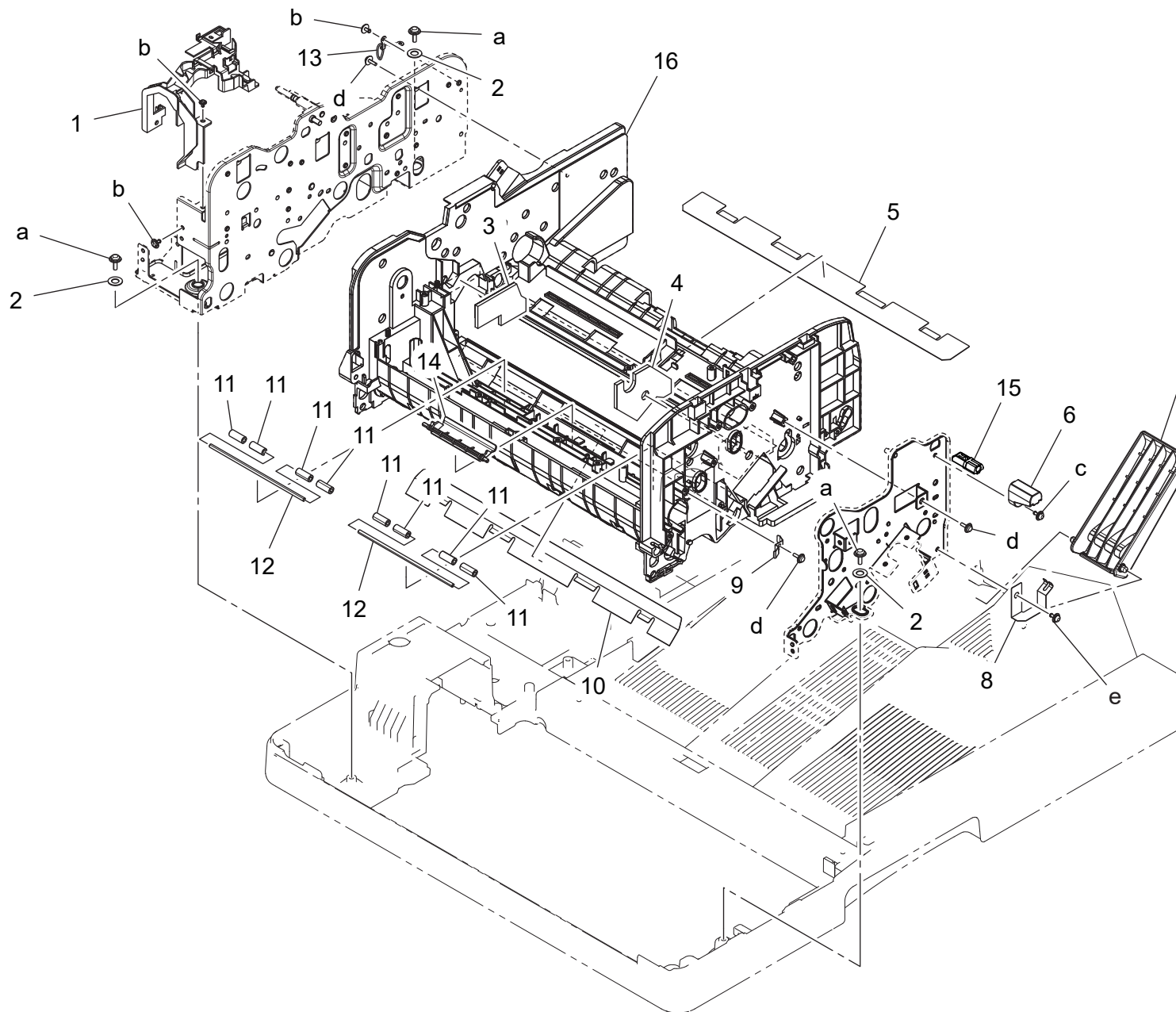


Key	Part No.	Description	Destinations	Class	QTY	Standard parts
1	AAMP160000	Cover /Rear		D	1	a-V153030803 b-V153041203 c-V147031403 d-V153031004
2	AAMP130000	Wiring Guide		D	1	
3	A782130600	Wiring Guide /3		D	1	
4	A782N10000	ADF Wiring /1		D	1	
5	AAMP160500	Cover Hinge /Right		C	1	
6	AAMPH00105	DF Control Board		I	1	
7	AAMP160600	Cover Hinge /Left		C	1	
8	AAMP110100	Cover /Lower		D	1	
9	AAMP113800	Hinge /Right		C	1	
10	AAMP110001	Base frame		D	1	
11	9J07160200	MAGNET		D	1	
12	AAMP160700	Cover Side plate		D	1	
13	AAMP160400	Cover		D	1	
14	AAMP160100	Cover /Front		D	1	
15	A782112305	Holding Mat /1		C	1	
16	A782110600	Reinforce Plate /1		D	1	
17	A782119300	Seal /Rear		C	1	
18	AAMP113701	Hinge /Left		C	1	
19	A782117500	Reinforce Plate /2		D	1	
20	A782117600	Cushion		C	1	
21	A782114100	Screw		C	5	
22	15BY561200	Cover Spacer		D	1	
23	AAMP170822	ADF Assy		S	1	
24	A782106200	Fixing Screw		C	2	
25	AAMPN11201	ADF Harness /13		D	1	
26	AAMP160200	Sound shield Cushion /10		D	1	



# Automatic Document Feeder

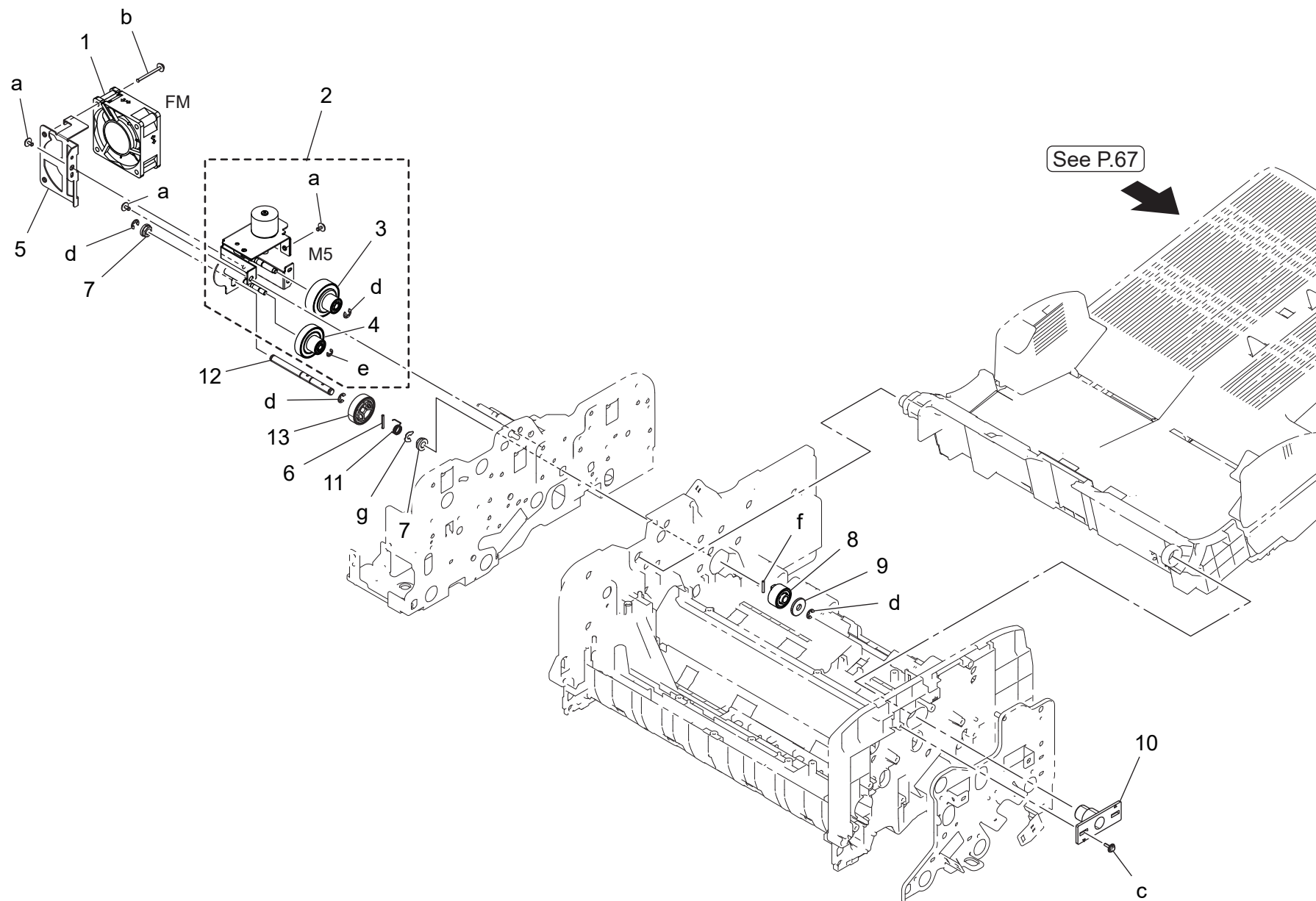
P 65





# Automatic Document Feeder

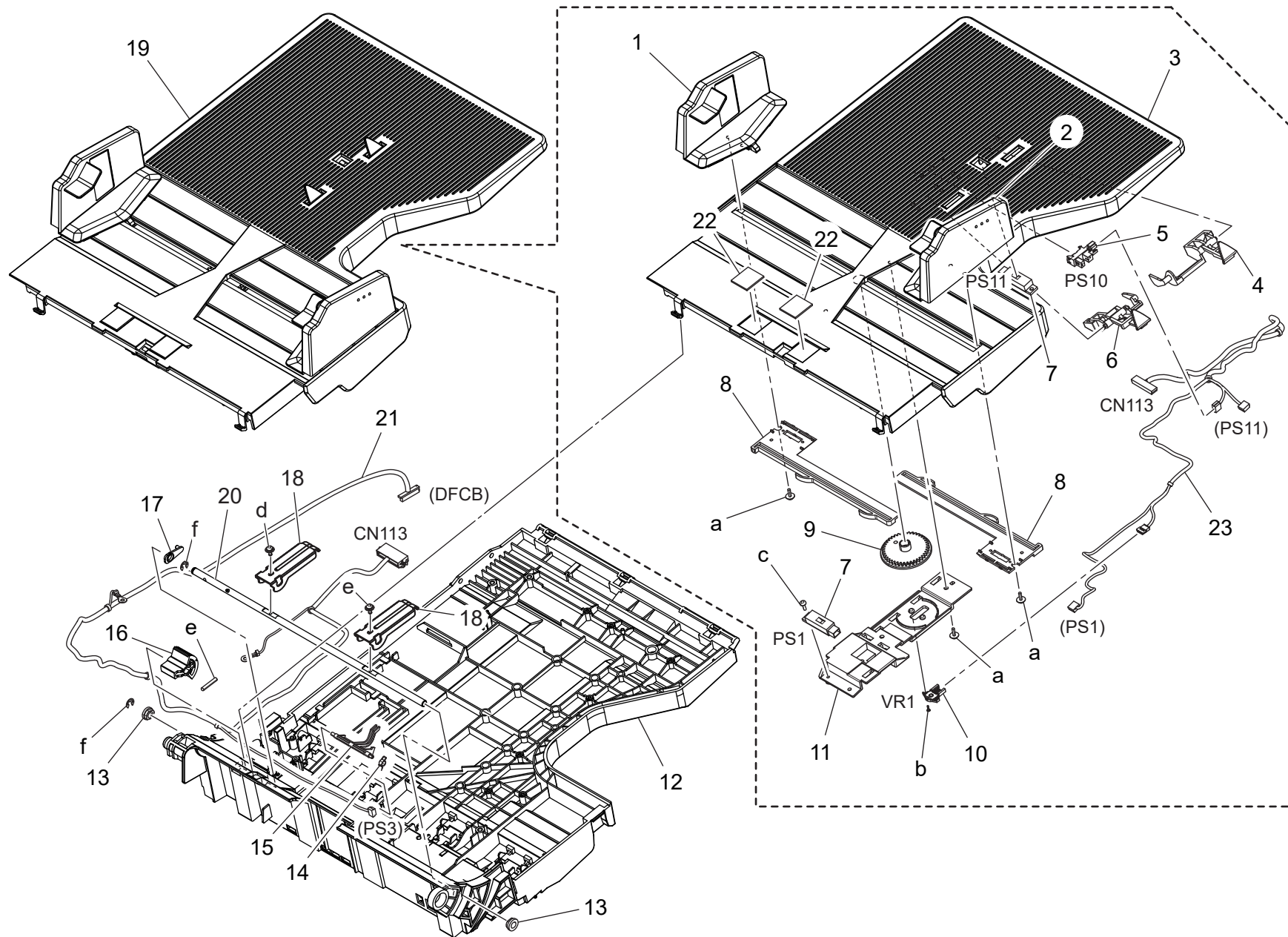
P 66



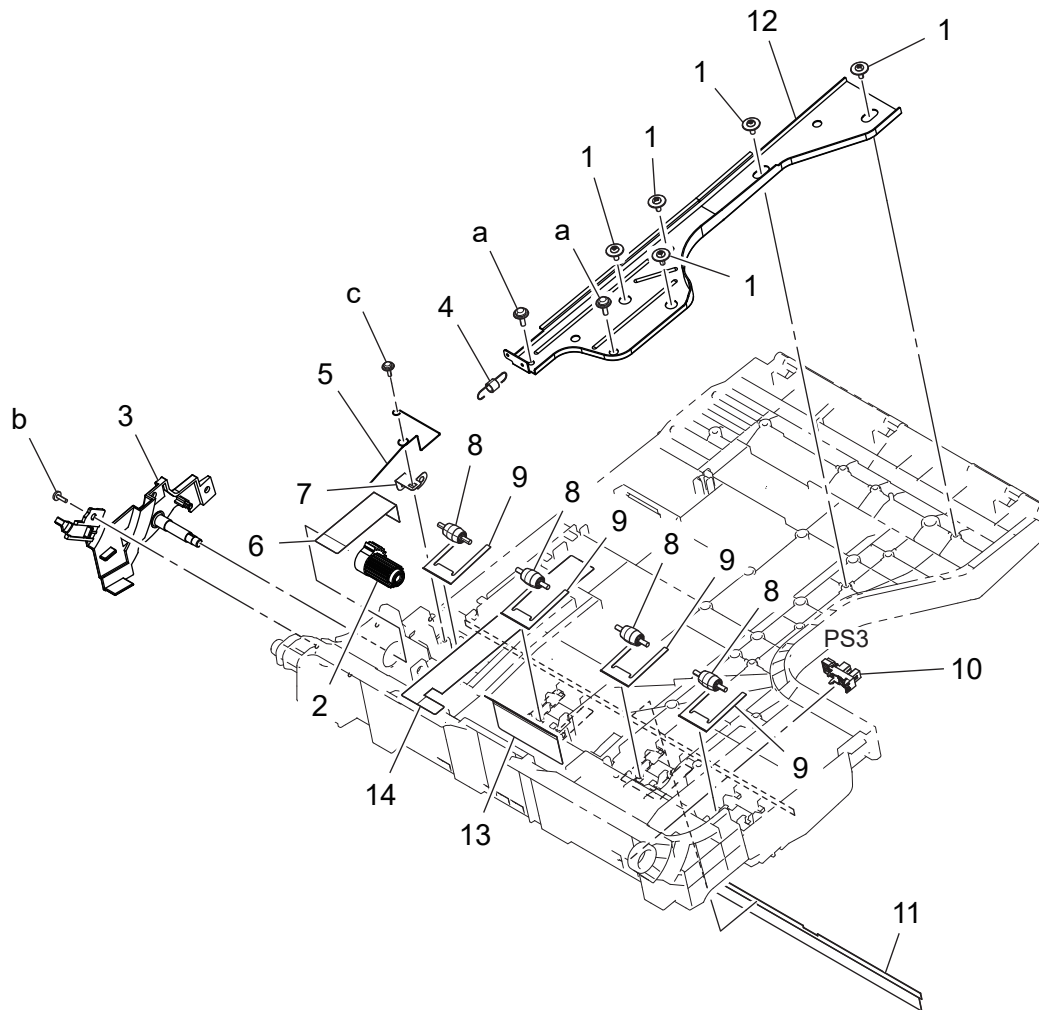
Key	Part No.	Description	Destinations	Class	QTY	Standard parts
1	AAMPM10900	Fan Motor		C	1	a-V144030603 b-V116033003 c-V153030803 d-V217040003 e-V217030003 f-V234201250 g-V218040086
2	AAMP571600	Lifting Plate Drive ASSY		C	1	
3	AAMP571300	Gear /2		C	1	
4	AAMP571300	Gear /3		C	1	
5	A782130500	Mounting Plate		D	1	
6	A782573800	Pin		D	1	
7	A161210200	Bushing		D	2	
8	AAMP571100	Gear 18T		C	1	
9	A782572000	Flange		C	1	
10	A782566000	Mounting Plate		D	1	
11	A782572900	Torsion Coil spring /5		C	1	
12	A782573401	Shaft		D	1	
13	AAMP571200	Gear 34T		C	1	

# Automatic Document Feeder

P 67

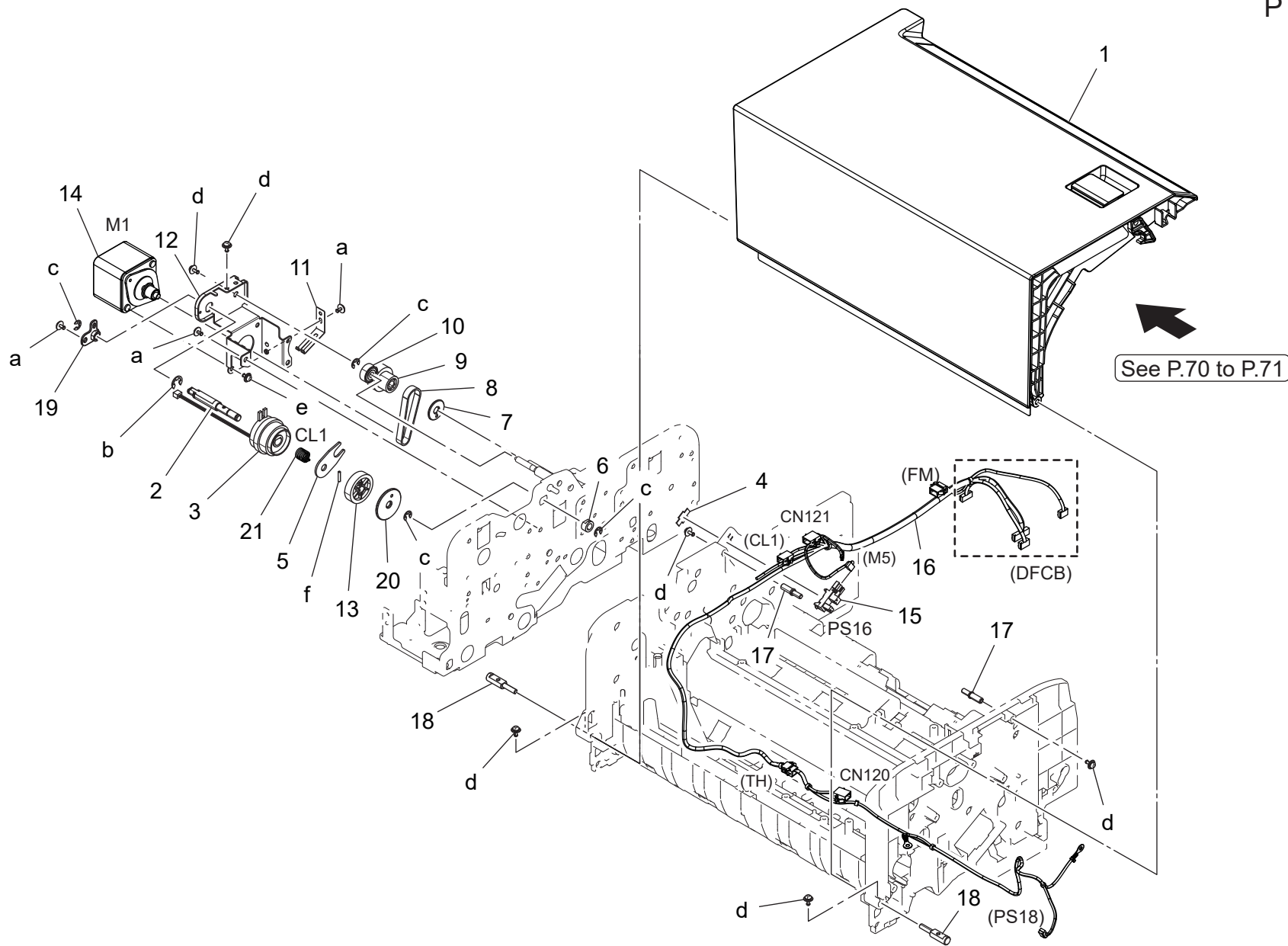


Key	Part No.	Description	Destinations	Class	QTY	Standard parts
1	AAMPR70300	Regulating Plate/ Rear ASSY		C	1	a-V153030803 b-V166170504 c-V145030803 d-V116030803 e-V234302050 f-V217040003
2	AAMPR70200	Regulating Plate/ Front ASSY		C	1	
3	AAMP561701	Lifting Plate		C	1	
4	A782600101	Arm /1		C	1	
5	A5C1M50100	Photointerrupter		B	1	
6	A782601500	Arm /2		C	1	
7	A108M50000	Photorelector		B	2	
8	A782562001	Rack		C	2	
9	A782600900	Gear 40T		C	1	
10	A1UDM50100	Volume		D	1	
11	A782562600	Mounting Plate		D	1	
12	AAMP561101	Tray		D	1	
13	A161210200	Bushing		D	2	
14	A782891901	Paper exit Spring /6		C	1	
15	A782891800	Actuator		C	1	
16	AAMP568501	Gear 34T		C	1	
17	A782562400	Washer		C	1	
18	A782566800	Lever		D	2	
19	AAMPR70400	Lifting Plate ASSY		S	1	
20	AAMP566901	Lifting Shaft		D	1	
21	A782N10300	ADF Wiring /4		C	1	
22	A782561000	Friction Plate		C	2	
23	A782N10400	ADF Wiring /5		C	1	

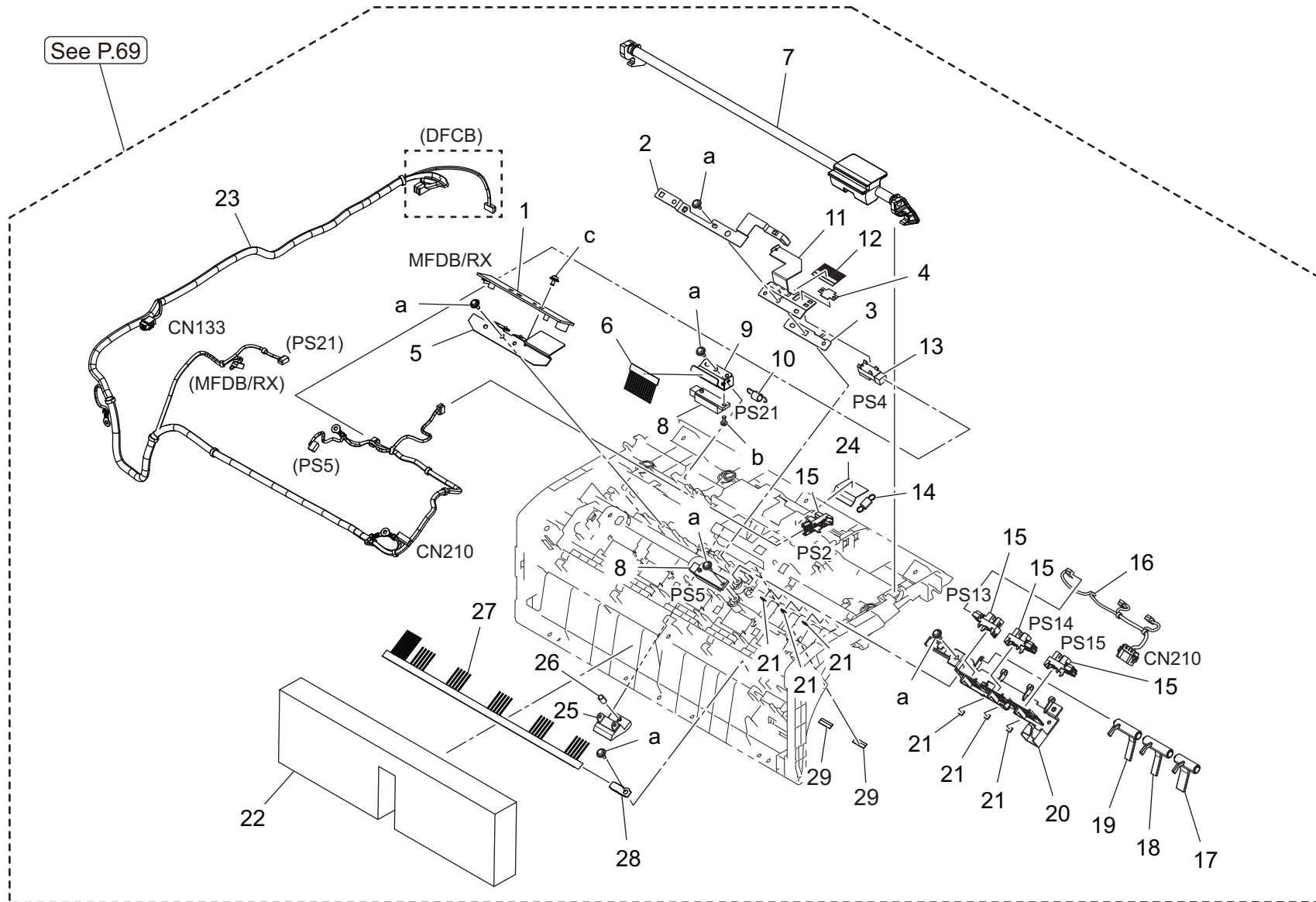


Key	Part No.	Description	Destinations	Class	QTY	Standard parts
1	4163529301	SCREW		C	5	a-V153041003 b-V149030803 c-V153030803
2	AAMP570900	Gear 18/23T		C	1	
3	AAMP565001	Cover		D	1	
4	A782572101	Pulling Coil spring		C	1	
5	AAMP571900	Pulling Coil spring		C	1	
6	A782561900	Protection Seal /2		D	1	
7	A782571800	Ground Plate		C	1	
8	9J07300801	ROLL		C	4	
9	A108890500	Plate spring		D	4	
10	A5C1M50100	Photointerrupter		B	1	
11	A108891300	Neutralizing Brush		C	1	
12	A782573901	Reinforce Plate /1		D	1	
13	9J07341102	GUIDE		D	1	
14	A782561801	Protection Seal /1		D	1	





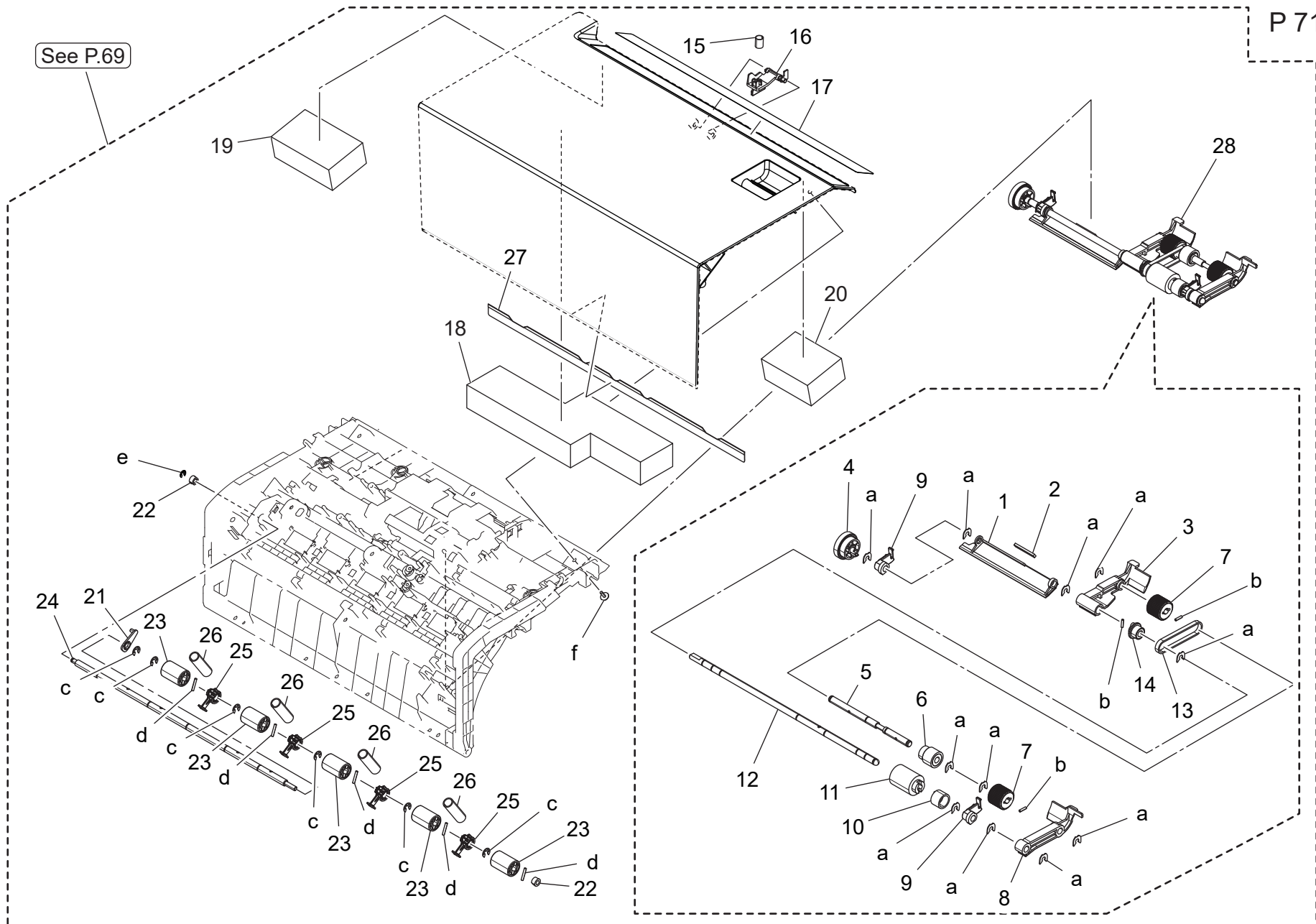
Key	Part No.	Description	Destinations	Class	QTY	Standard parts
1	AAMPR70500	Top Cover ASSY		S	1	a-V144030603 b-V217060003 c-V217040003 d-V116030803 e-V116030603 f-V234201050
2	A782211600	Shaft	上カバー A s s y 軸	D	1	
3	A3CKM20000	Clutch	クラッチ	C	1	
4	4470402401	Stopper	ストッパー	D	1	
5	A782212000	Holder	ホルダ	D	1	
6	4131253701	BUSHING	軸受	C	1	
7	A782211800	Flange	フランジ	C	1	
8	A782214300	Timing belt 124L	タイミングベルト 1 2 4 L	C	1	
9	A782211300	Pulley 27T	プーリ 2 7 T	C	1	
10	A782215800	Gear	ギア	D	1	
11	A782211700	Ground Plate	アース板	C	1	
12	A782212702	Mounting Plate	取付板	D	1	
13	A782211400	Gear 27T	ギア 2 7 T	C	1	
14	A2X0M10800	Stepping motor	ステッピングモーター	C	1	
15	A5C1M50100	Photointerrupter	透過型センサ	B	1	
16	AAMPN10801	ADF Harness /9	A D F 束線 / 9 ( 読取部)	D	1	
17	A782101600	Positioning Shaft /1	位置決め軸 / 1	C	2	
18	A782101000	Shaft	軸	C	2	
19	A108260700	Bushing	すべり軸受 ( 清掃軸)	D	1	
20	A782211500	Ring	リング	D	1	
21	AAMP211900	Compressing Spring /1	圧縮ばね / 1 ( 給紙ギア)	C	1	



Key	Part No.	Description	Destinations	Class	QTY	Standard parts
1	AAMPH10V02	DF Recive Board		C	1	a-V153030803 b-V135030603 c-V116030603
2	A782704101	Ground Plate		C	1	
3	A782704400	Scatteringprevention Plate		D	1	
4	A108703100	Stopper		D	1	
5	AAMP700500	Mounting Plate /Upper		D	1	
6	A782705600	Neutralizing Brush /1		D	1	
7	AAMP700800	Open/close Lever		C	1	
8	A108M50000	Photoreflector		B	2	
9	A782704501	Mounting Plate		D	1	
10	A782572101	Pulling Coil spring		C	1	
11	A782700400	Mounting Plate		D	1	
12	A782704800	Neutralizing Brush		C	1	
13	9335140071	Solid State Switch		B	1	
14	A782565301	Pulling Coil spring		C	1	
15	A5C1M50100	Photointerrupter		B	4	
16	A782N11100	ADF Wiring /12		D	1	
17	A782701200	Actuator /3		C	1	
18	A782701100	Actuator /2		C	1	
19	A782701000	Actuator /1		C	1	
20	A782702801	Mounting Plate		D	1	
21	A782704200	Adjusting Cushion		C	6	
22	AAMP719600	Sound shield Cushion /9		D	1	
23	AAMPN10202	ADF Harness /3		D	1	
24	A782707400	Light blocking Part		D	1	
25	A782707201	Guide /J		D	1	
26	A782704301	Spring		C	1	
27	A782701501	Neutralizing Brush		C	1	
28	AAMP719800	Ground Plate /Lower		D	1	
29	AAMP719000	Seal		D	2	

# Automatic Document Feeder

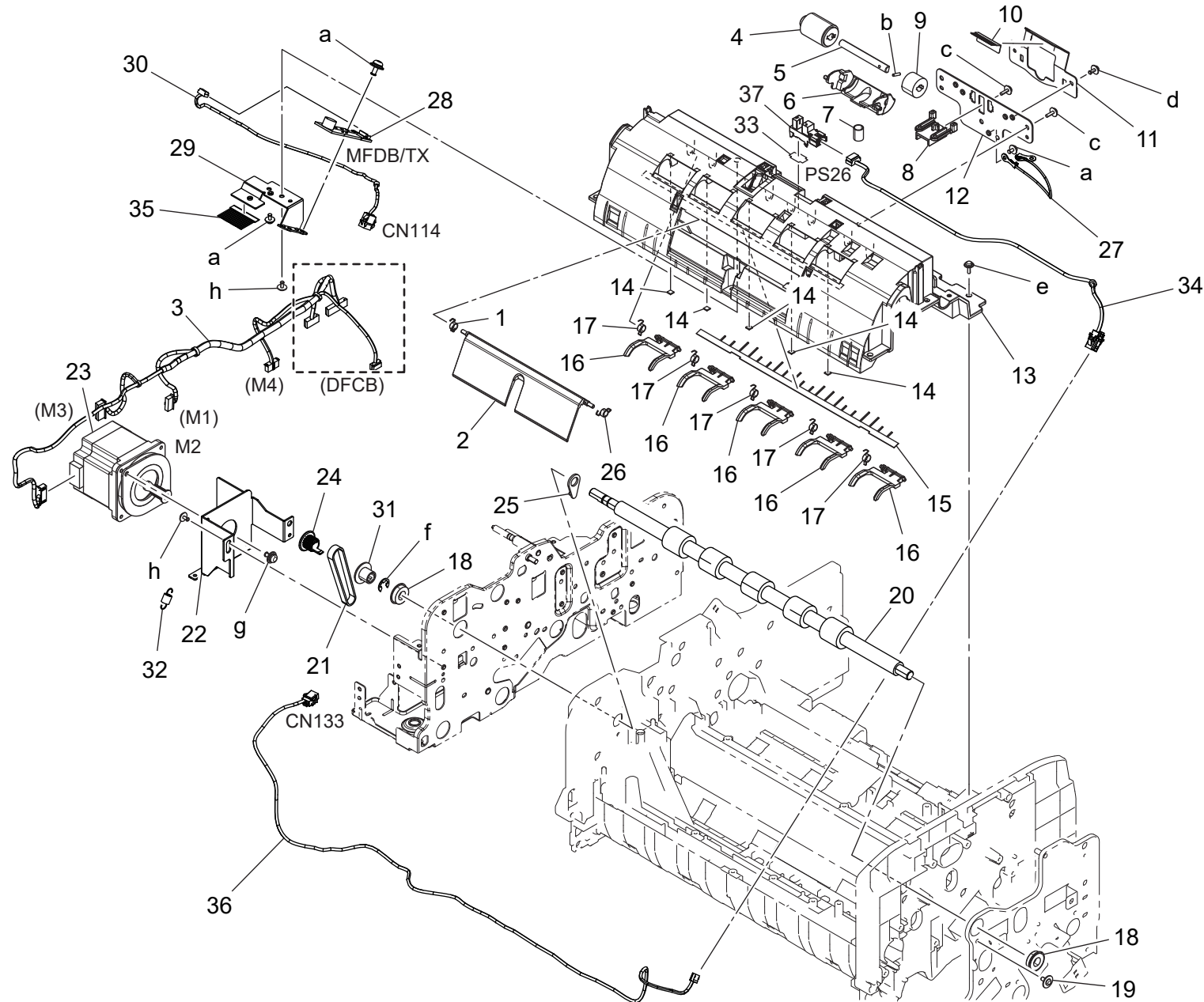
P 71



bizhub C550i

Key	Part No.	Description	Destinations	Class	QTY	Standard parts
1	A782576100	Guide Plate		D	1	a-V218040086 b-V234200850 c-V217040003 d-V234201250 e-V217030003 f-V153030804
2	A782562101	Cushion		C	1	
3	A782569000	Arm /Front		C	1	
4	A782569300	Gear /2 25T		C	1	
5	A782573501	Shaft		D	1	
6	9J07330801	Pulley 21T		C	1	
7	9J07330102	Roller		A	2	
8	A782568901	Arm /Front		C	1	
9	A782569801	Lever /2		C	2	
10	A07H570500	Clutch		C	1	
11	A00J563600	Roller		A	1	
12	A782569200	Paper feed Shaft		D	1	
13	A782569900	Timing belt 128L		C	1	
14	9J07331901	Pulley 19T		C	1	
15	AAMP570400	Spring		C	1	
16	A782570602	Lever /1		D	1	
17	AAMP940400	Label		D	1	
18	AAMP719501	Sound shield Cushion /8		D	1	
19	AAMP719401	Sound shield Cushion /7		D	1	
20	AAMP719301	Sound shield Cushion /6		D	1	
21	A782562400	Washer		C	1	
22	A782702700	Bushing		C	2	
23	A782703001	Idler Roll		D	5	
24	A782702600	Rotation Shaft		D	1	
25	A782701900	Bushing		C	4	
26	A782700900	Compressing Spring		C	4	
27	A782703401	Sealing Rubber		C	1	
28	A782R70800	Pick Up ASSY		C	1	

# Automatic Document Feeder

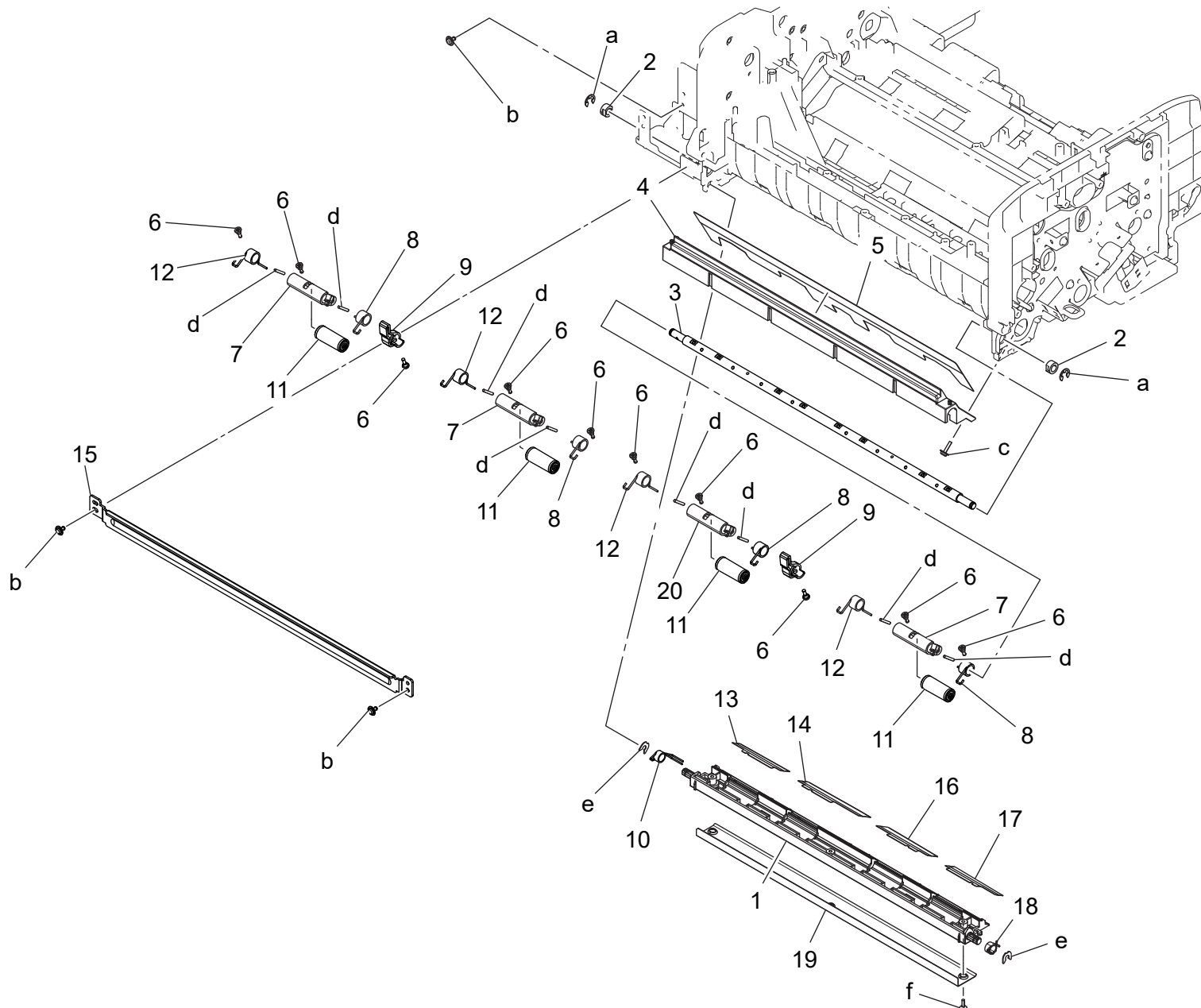


Key	Part No.	Description	Destinations	Class	QTY	Standard parts
1	A782714200	Spring /Lower		C	1	a-V116030603 b-V234200850 c-V153030803 d-V116030803 e-V153031004 f-V217060003 g-V116040803 h-V144030603
2	A782711901	Lever /1		C	1	
3	AAMPN10101	ADF Harness /2		D	1	
4	9J07340901	ROLLER		A	1	
5	A0HT561202	Shaft		C	1	
6	A782568200	Holder		C	1	
7	A782568600	Spring		C	1	
8	A3CK565100	Holder		D	1	
9	A782568701	Torque limiter		A	1	
10	A782576000	Neutralizing Brush		C	1	
11	A3CK568300	Guide		D	1	
12	A782712300	Mounting Plate /2		D	1	
13	A782710806	Guide		D	1	
14	A782704200	Adjusting Cushion		C	5	
15	A782710201	Neutralizing Brush		C	1	
16	A782710000	Lever /Upper		C	5	
17	A782710100	Spring /1		C	5	
18	A00V240600	Ball Bearing		B	2	
19	A782117900	Shoulder screw		C	1	
20	AAMP711000	Conveyance Roller		C	1	
21	AAMP214400	Timing belt 146L		C	1	
22	AAMP212601	Mounting Plate /B		D	1	
23	A782M10000	Stepping motor		C	1	
24	AAMP213000	Gear 19T		C	1	
25	A782115700	Washer /1		C	1	
26	A782714100	Spring /Lower		C	1	
27	A782N12700	ADF Wiring /B		D	1	
28	AAMPH10U00	DF Send Board		C	1	
29	AAMP710500	Mounting Plate /Lower		D	1	
30	AAMPN11301	ADF Harness /B		D	1	
31	A782215100	Collar		C	1	
32	AAMP215000	Pulling Spring		C	1	
33	4470402401	Stopper		D	1	
34	A782N20400	ADF Wiring		D	1	
35	A782705600	Neutralizing Brush /1		D	1	
36	AAMPN20501	ADF Harness		D	1	
37	A5C1M50100	Photointerrupter		B	1	

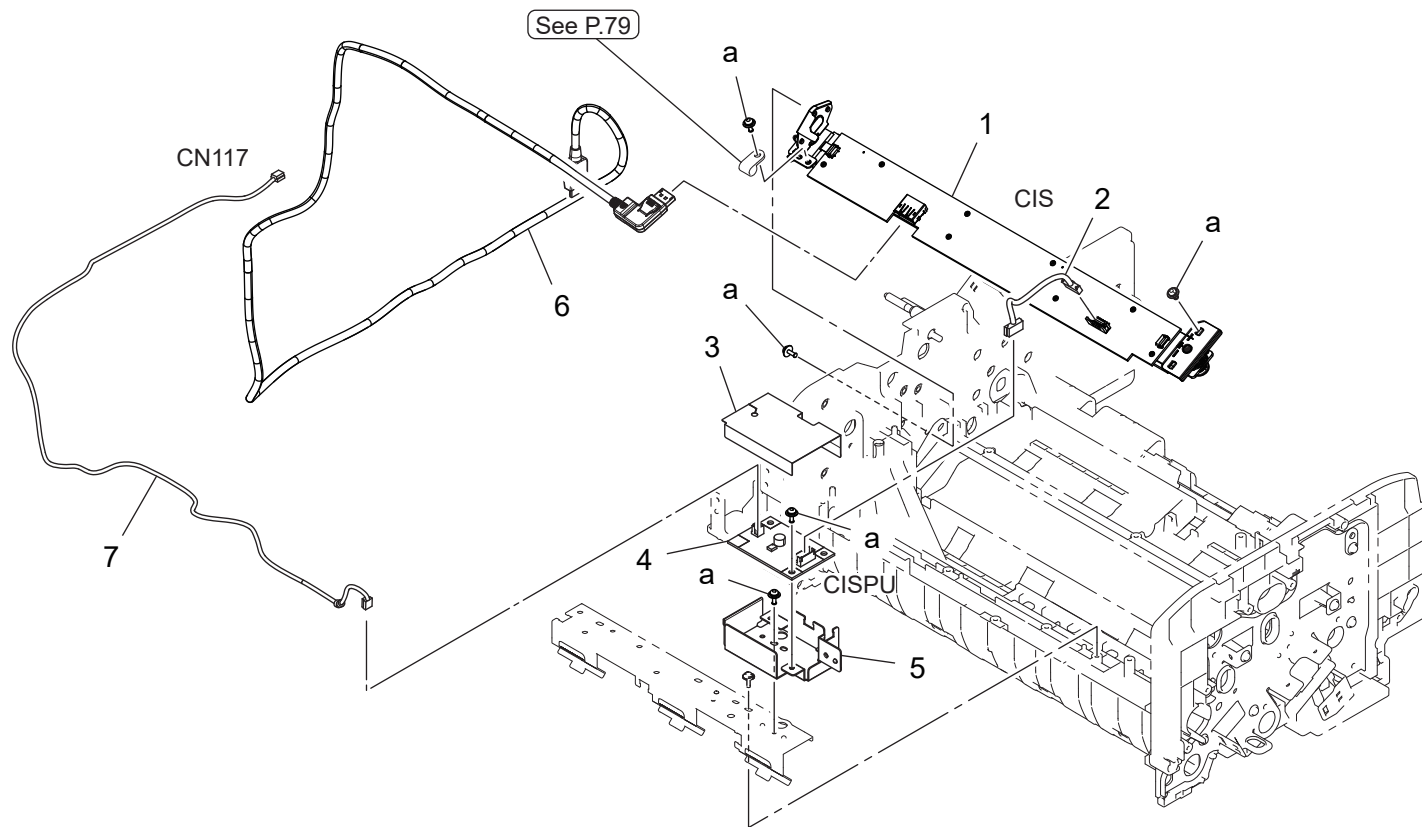


# Automatic Document Feeder

P 73

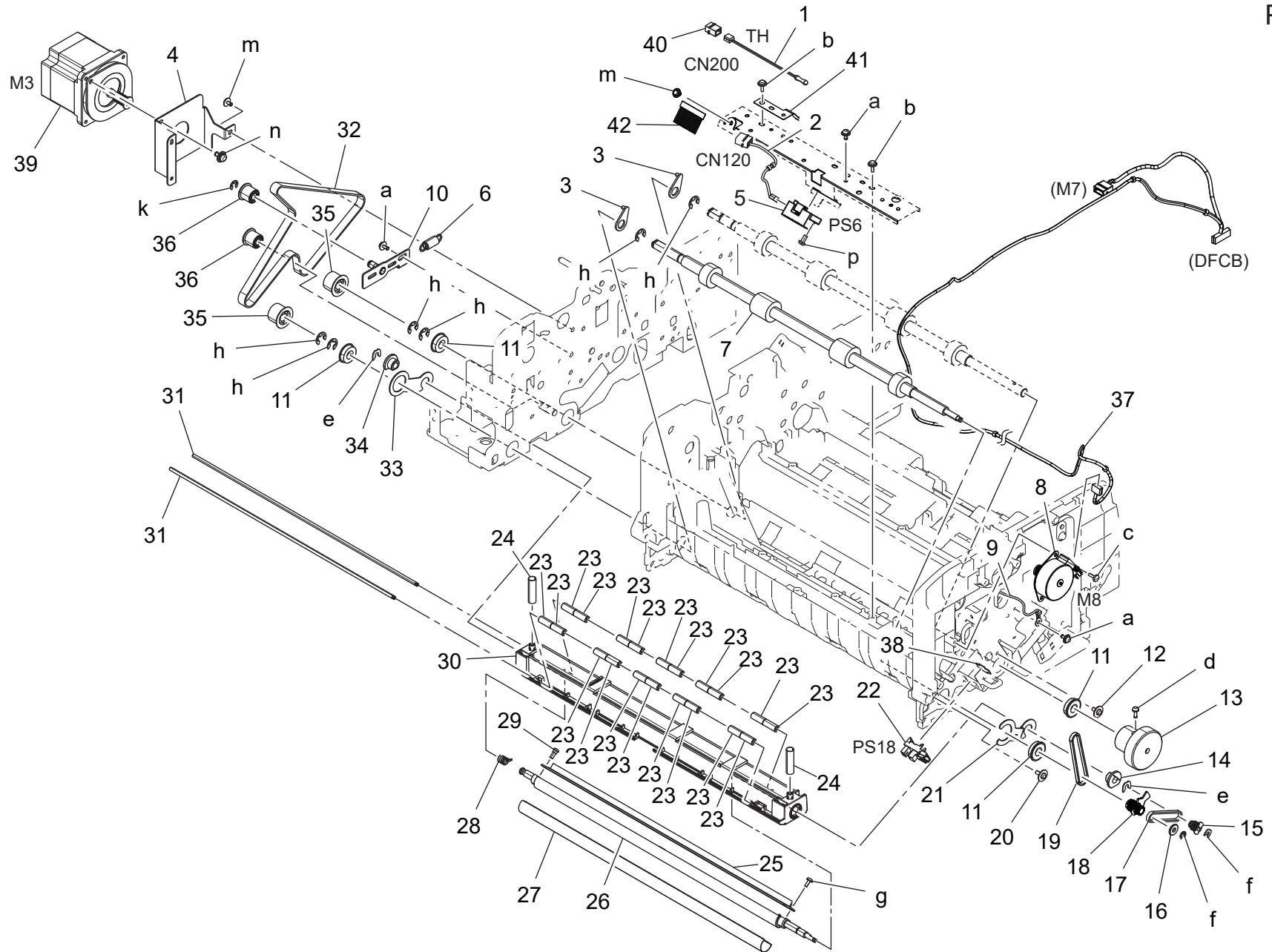


Key	Part No.	Description	Destinations	Class	QTY	Standard parts
1	AAMP100100Old	Guide		D	1	a-V217050003 b-V144030603 c-V153031003 d-V234201450 e-V218030086 f-V147030803
1	AAMP100111	Guide		D	1	
2	4131253701	BUSHING		C	2	
3	AAMP260700	Support Shaft		D	1	
4	A782100001	Guide		D	1	
5	A782116801	Guide		C	1	
6	A3CK272600	Shoulder screw		C	10	
7	A3CK272001	Lever		C	3	
8	AAMP268700	Holding Spring		C	4	
9	AAMP269600	Lever		C	2	
10	AAMP100801	Torsion Coil spring		C	1	
11	AAMP272900	Roll		C	4	
12	AAMP268600	Holding Spring		C	4	
13	A782100400	Guide /2		C	1	
14	A782100301	Guide /1		C	1	
15	AAMP296700	Reinforce Plate		D	1	
16	A782100501Old	Guide /3		C	1	
16	AAMP100500	Guide /3		C	1	
17	A782100600	Guide /4		C	1	
18	A782100701	Torsion Coil spring		C	1	
19	A782100200	Reinforce Plate		D	1	
20	AAMP272000	Lever		C	1	

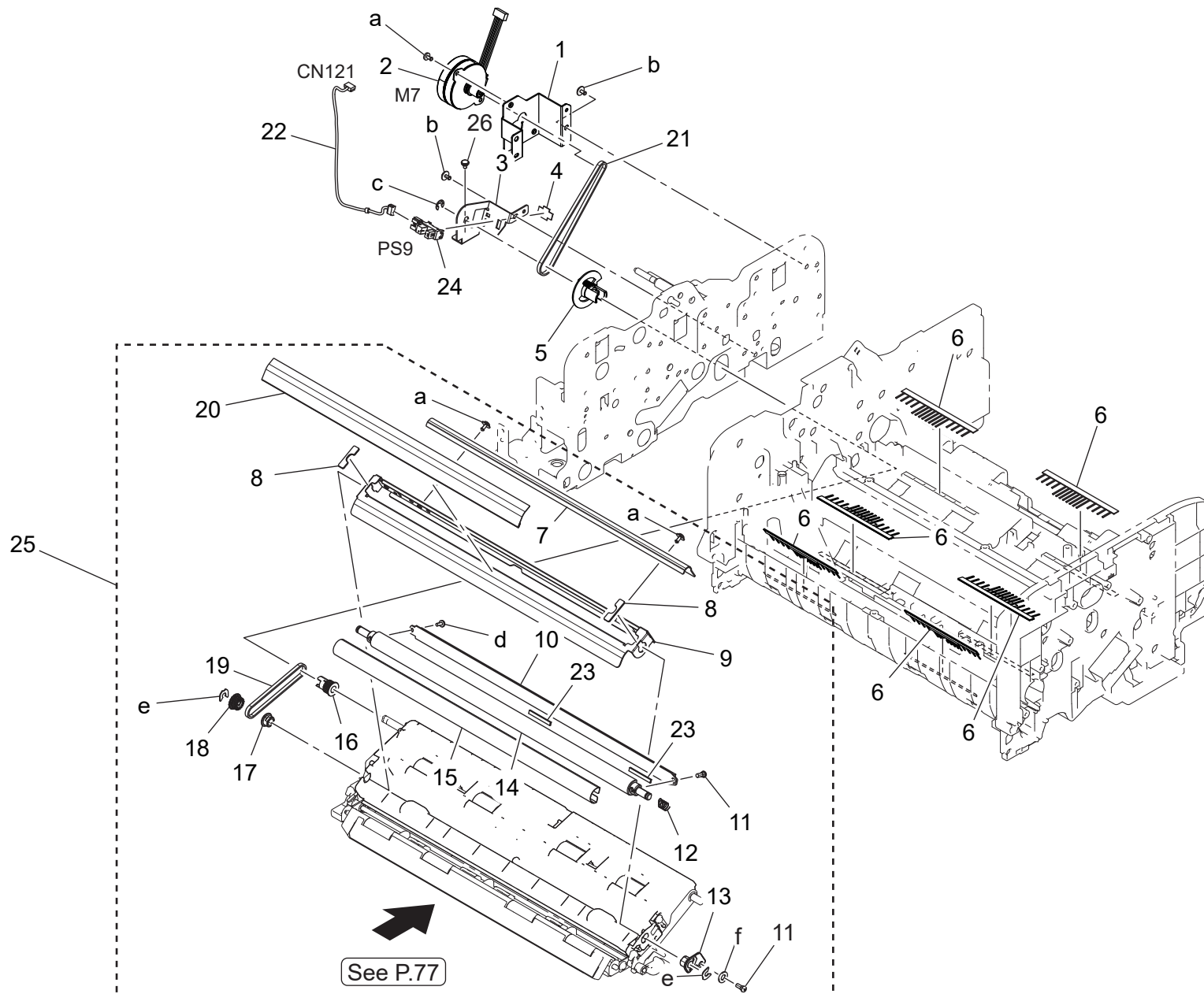


Key	Part No.	Description	Destinations	Class	QTY	Standard parts
1	AAMPR70100	CIS ASSY		I	1	a-V116030803
2	A782N10900	ADF Wiring /10		D	1	
3	A782116301	Wiring Cover		C	1	
4	A3CKH00200	PWB Assembly(PWB-DC Assy)		I	1	
5	A782116201	Plate		D	1	
6	A782N12001	ADF Cable		D	1	
7	A782N12200	ADF Wiring /40		D	1	

# Automatic Document Feeder



Key	Part No.	Description	Destinations	Class	QTY	Standard parts
1	A0P0M50300	Thermistor		C	1	a-V116030803
2	A782N12300	ADF Wiring /50		D	1	b-V153030803
3	A782115700	Washer /1		C	2	c-V149030803
4	A782212300	Mounting Plate		D	1	d-V115030803
5	A85GM50000	Photorelector		C	1	e-V218040086
6	AAMP215700	Pulling Coil spring		C	1	f-V218030086
7	AAMP102900	Roller		C	1	g-V145030603
8	AAMP10200	Stepping Motor		C	1	h-V217060003
9	A782N12600	ADF Wiring /A		D	1	k-V217040003
10	A782231000	Tension Plate		D	1	m-V144030603
11	A00V240600	Ball Bearing		B	4	n-V116040803
12	A782117900	Shoulder screw		C	1	p-V126030803
13	A782118300	Weight		D	1	
14	A782263801	Bushing		C	1	
15	A782262900	Pulley 14T		C	1	
16	A0HU250500	Flange		D	1	
17	A782263000	Belt 100L		C	1	
18	AAMP269800	Pulley 14/17T		C	1	
19	AAMP268900	Timing belt 132L		C	1	
20	A782118000	Shoulder screw		C	1	
21	A782262200	Arm		D	1	
22	A5C1M50100	Photointerrupter		B	1	
23	A782262800	Roll		C	20	
24	AAMP263300	Compressing Coil spring		C	2	
25	A3CK300200	Brush		C	1	
26	A782262501	Shaft		D	1	
27	A782264501	Sheet		C	1	
28	A782264300	Spring		D	1	
29	A782269200	Shoulder screw		C	1	
30	A782262101	Guide		C	1	
31	A782262700	Shaft		D	2	
32	AAMP213300	Timing belt 456L		C	1	
33	A782262300	Arm		D	1	
34	A782263700	Bushing		C	1	
35	AAMP213100	Pulley 21T		C	2	
36	A782230700	Pulley		C	2	
37	AAMPN10502	ADF Harness /6		D	1	
38	4470402401	Stopper		D	1	
39	A782M10000	Stepping motor		C	1	
40	V651010034	Connector		V	1	
41	AAMP290100	Ground Plate spring		D	1	
42	A782705600	Neutralizing Brush /1		D	1	



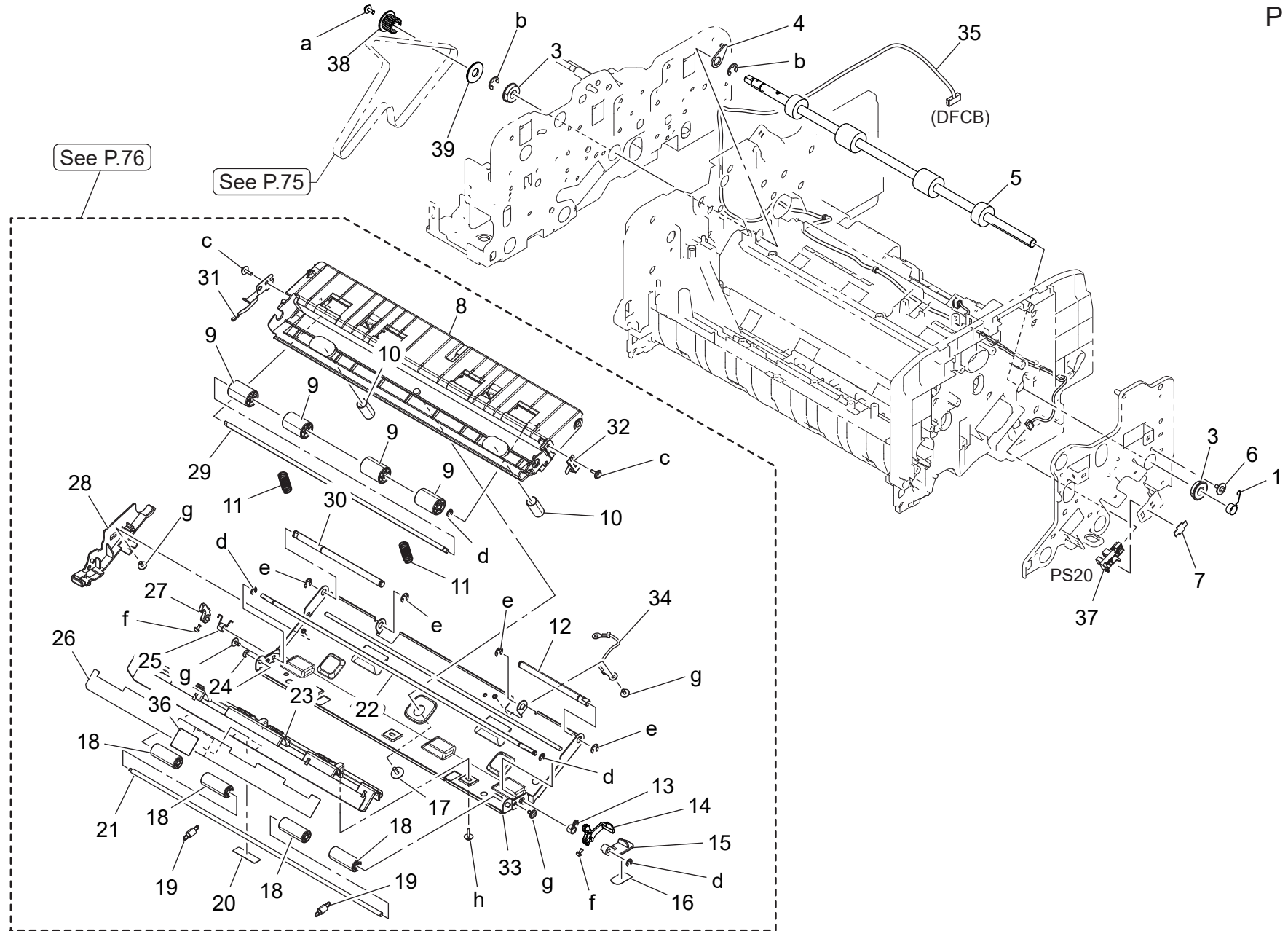
See P.77

Key	Part No.	Description	Destinations	Class	QTY	Standard parts
1	AAMP264100	Mounting Plate		D	1	a-V143030603 b-V144030603 c-V217040003 d-V145030603 e-V218040086 f-V207030003
2	AAMP10300	Stepping Motor	取付板 ( C I S クリーニング M ) ステッピングモーター	C	1	
3	A782264202	Mounting Plate	取付板	D	1	
4	4470402401	Stopper	ストッパ	D	1	
5	AAMP264400	Pulley 21T	プーリ 21 T	C	1	
6	A782104301	Neutralizing Brush	除電ブラシ	D	6	
7	A782265201	Mounting Plate	取付板	D	1	
8	A782268500	Spacer	スペーサ	D	2	
9	A782264800	Housing	ハウジング	D	1	
10	A3CK300200	Brush	ブラシ ( 清掃 )	C	1	
11	A782269200	Shoulder screw	段ねじ	C	2	
12	A782264300	Spring	ばね	D	1	
13	A782263201	Bushing	すべり軸受	C	1	
14	A782268301	Shaft	軸	D	1	
15	A3CK300102	Sheet	シート ( 清掃軸 )	C	1	
16	A782264600	Pulley T18	プーリ T 18	C	1	
17	A782269500	Bushing	すべり軸受	C	1	
18	A782264700	Pulley /2 T18	プーリ /2 T 18	C	1	
19	A782269300	Belt 154L	ベルト 154 L	C	1	
20	A782265300	Sheet /1	シート /1	D	1	
21	A782264000	Belt 230L	ベルト 230 L	C	1	
22	A782N12400	ADF Wiring /60	A D F 束線 /60	D	1	
23	A782562101	Cushion	クッション	C	2	
24	A5C1M50100	Photointerrupter	透過型センサ	B	1	
25	AAMP70600	CIS Cleaning ASSY	C I S 清掃 A s s y	S	1	
26	A0P0742300	Shoulder screw	段ねじ	C	1	



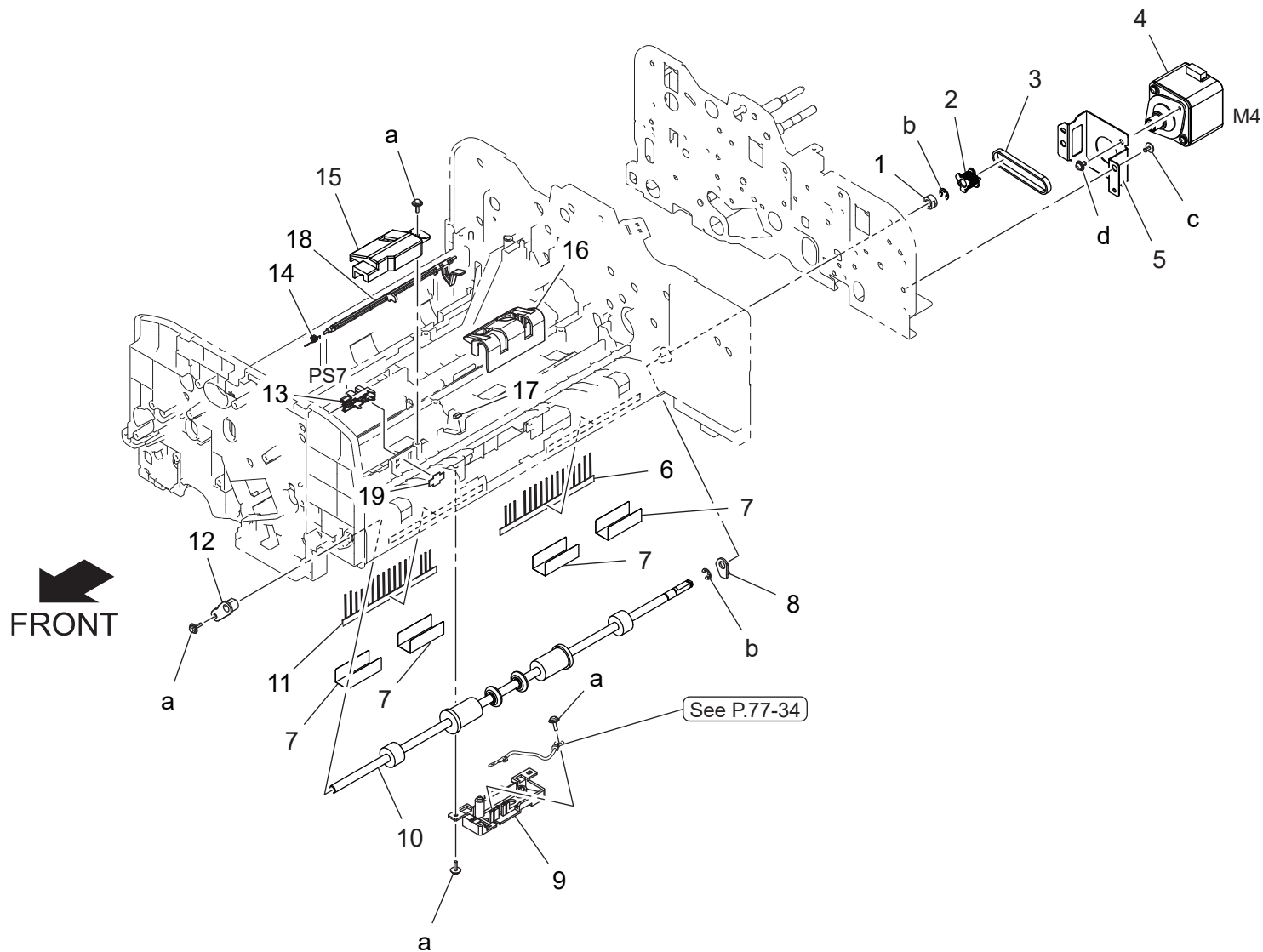
# Automatic Document Feeder

P 77



bizhub C550i

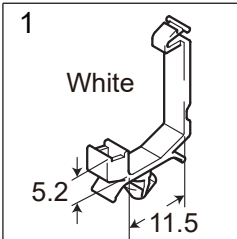
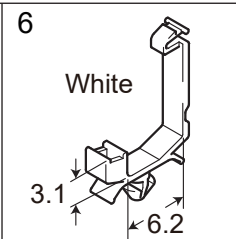
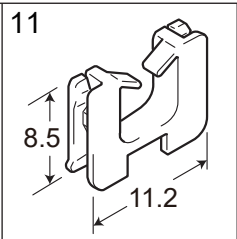
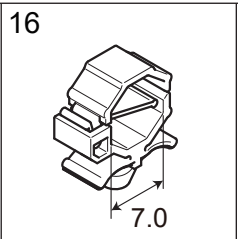
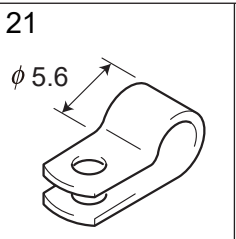
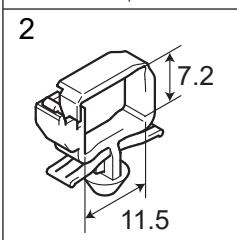
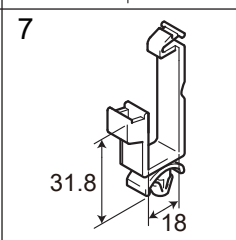
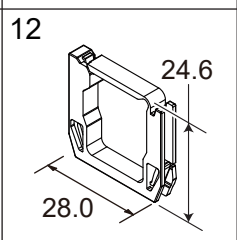
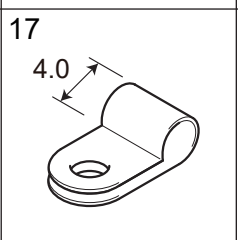
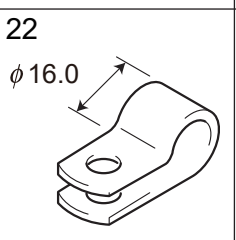
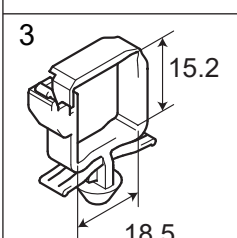
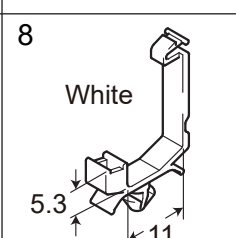
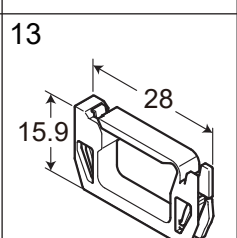
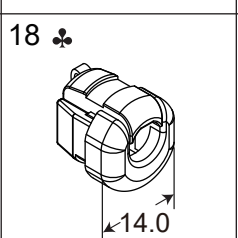
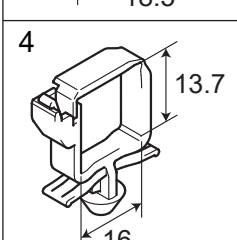
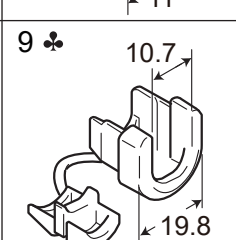
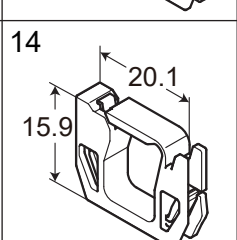
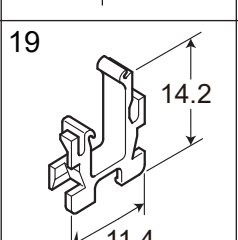
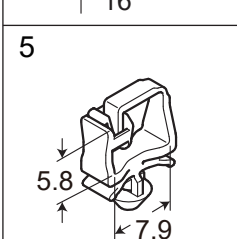
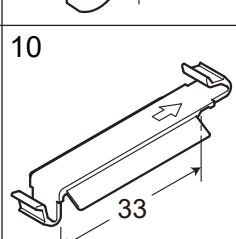
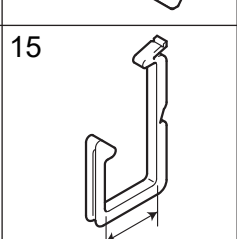
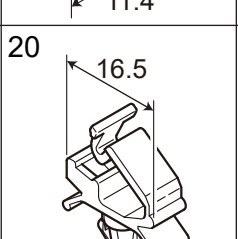
Key	Part No.	Description	Destinations	Class	QTY	Standard parts
1	AAMP290200	Discharge Spring		C	1	a-V116030803
3	A00V240600	Ball Bearing		B	2	b-V217060003
4	A782115700	Washer /1		C	1	c-V153030803
5	AAMP115600	Roller		C	1	d-V217030003
6	A782117900	Shoulder screw		C	1	e-V217040003
7	4470402401	Stopper		D	1	f-V115260503
8	A782265102	Conveyance Guide		D	1	g-V144030603
9	A782563800	Idling Roller		C	4	h-V149030803
10	A782265700	Compressing Coil spring		C	2	
11	A782265600	Compressing Coil		C	2	
12	A782266000	Open/close Shaft /Front		D	1	
13	A782266900	Open/close Spring /Left		D	1	
14	A782266502	Lock Part /Front		D	1	
15	A108266300	Lock Lever		C	1	
16	A3CK940000	Label		C	1	
17	4163529301	SCREW		C	1	
18	A782266200	Roll		C	4	
19	A782267200	Pulling Coil spring /3		C	2	
20	A782940300	Cover Film		C	1	
21	A782266401	Shaft		D	1	
22	A782266800	Open/close Shaft		D	1	
23	A782266300	Guide		D	1	
24	A782103600	Slide Stopper		C	1	
25	A782267000	Open/close Spring /Right		D	1	
26	A782117700	Conveyance Guide		D	1	
27	A782266601	Lock Part /Rear		D	1	
28	A782267100	Cover		D	1	
29	A782268201	Shaft		D	1	
30	A782266100	Shaft		D	1	
31	A782268001	Plate spring		D	1	
32	A782266700	Ground Plate spring		D	1	
33	A782265800	Cover /1		D	1	
34	A782N11800	ADF Wiring /19		D	1	
35	A782N10700	ADF Wiring /8		D	1	
36	A782117800	Guide /Middle		D	1	
37	A5C1M50100	Photointerrupter		B	1	
38	AAMP213600	Pulley		D	1	
39	AAMP213700	Flange		D	1	



Key	Part No.	Description	Destinations	Class	QTY	Standard parts
1	4131253701	BUSHING		C	1	a-V153030803 b-V217040003 c-V144030603 d-V116030603
2	AAMP210800	Pulley 19T		C	1	
3	A782569900	Timing belt 128L		C	1	
4	A2X0M10800	Stepping motor		C	1	
5	AAMP212500	Mounting Plate		D	1	
6	A782891600	Neutralizing Brush /2		C	1	
7	AAMP891700	Wiring Cover		D	4	
8	A782115800	Paper exit Washer		C	1	
9	A782890711	Mounting Pedestal		D	1	
10	AAMP890000	Paper exit Roller		C	1	
11	A782891500	Neutralizing Brush /1		C	1	
12	A782103200	Bushing		C	1	
13	A5C1M50100	Photointerrupter		B	1	
14	A782101900	Paper exit Spring		C	1	
15	AAMP890600	Sensor Cover		D	1	
16	A782890111	Paper exit Cover		D	1	
17	A782104500	Cushion		C	1	
18	A782890200	Paper exit Actuator		C	1	
19	4470402401	Stopper		D	1	

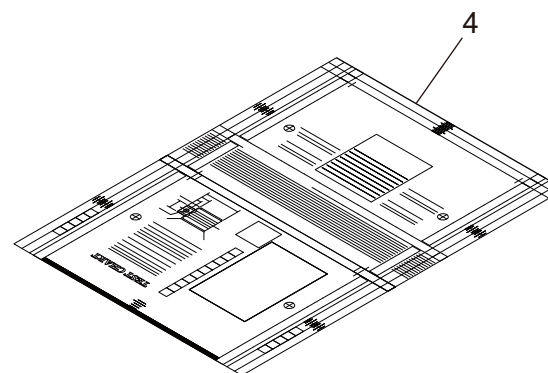
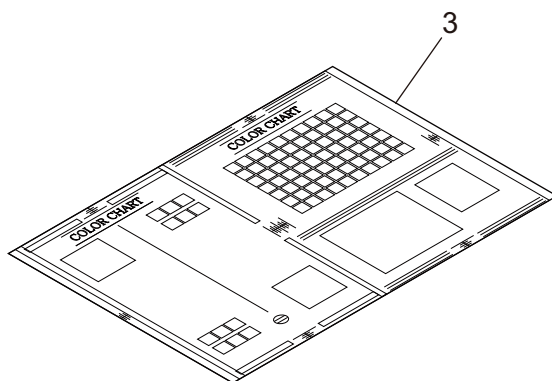
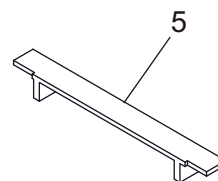
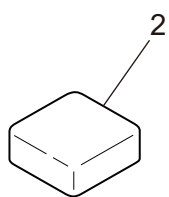
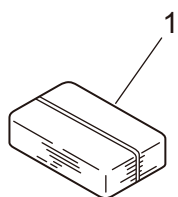
# Wiring Accessories

P 79

1 White 	6 White 	11 	16 	21 $\phi 5.6$ 	26	31	36
2 	7 	12 	17 4.0 	22 $\phi 16.0$ 	27	32	37
3 	8 White 	13 	18 ♣ 	23	28	33	38
4 	9 ♣ 	14 	19 	24	29	34	39
5 	10 	15 	20 	25	30	35	40

bizhub C550i

Key	Part No.	Description	Destinations	Class	QTY	Standard parts
1	V500010081	Locking Wire Saddle	ロッキングワイヤーサドル	D		
2	V500010082	Locking Wire Saddle	ロッキングワイヤーサドル	D		
3	V500010083	Locking Wire Saddle	ロッキングワイヤーサドル	D		
4	V500010084	Locking Wire Saddle	ロッキングワイヤーサドル	D		
5	V500020098	Mini Locking wire saddle	ミニロッキングワイヤーサドル	D		
6	V500020099	Mini Locking wire saddle	ミニロッキングワイヤーサドル	D		
7	V500010085	Locking Wire Saddle	ロッキングワイヤーサドル	D		
8	V500020100	Mini Locking wire saddle	ミニロッキングワイヤーサドル	D		
9	V500020052	bushing	コードブッシュ	D	B,G2	
10	V500020082	Clamping for FFC	FFC 用クランプ	D		
11	V570010021	Saddle	エッジサドル	D		
12	V570010057	Wing Edge Saddle	ウィングエッジサドル	D		
13	V570010059	Wing Edge Saddle	ウィングエッジサドル	D		
14	V570010060	Wing Edge Saddle	ウィングエッジサドル	D		
15	V570010048	Saddle	エッジカバー	D		
16	V500020094	FG Clamp	FG クランプ	D		
17	V500020069	Clamp	導電クランプ	D		
18	V500020073	bushing	コードブッシュ	D		
19	V570010050	Locking Edge Saddle	ロッキングエッジサドル	D		
20	V500010061	saddle	ミニロッキングワイヤーサドル	D		
21	V500020018	clamp	導電クランプ	D		
22	V500020080	Nylon Clamp	ナイロンクランプ	D		

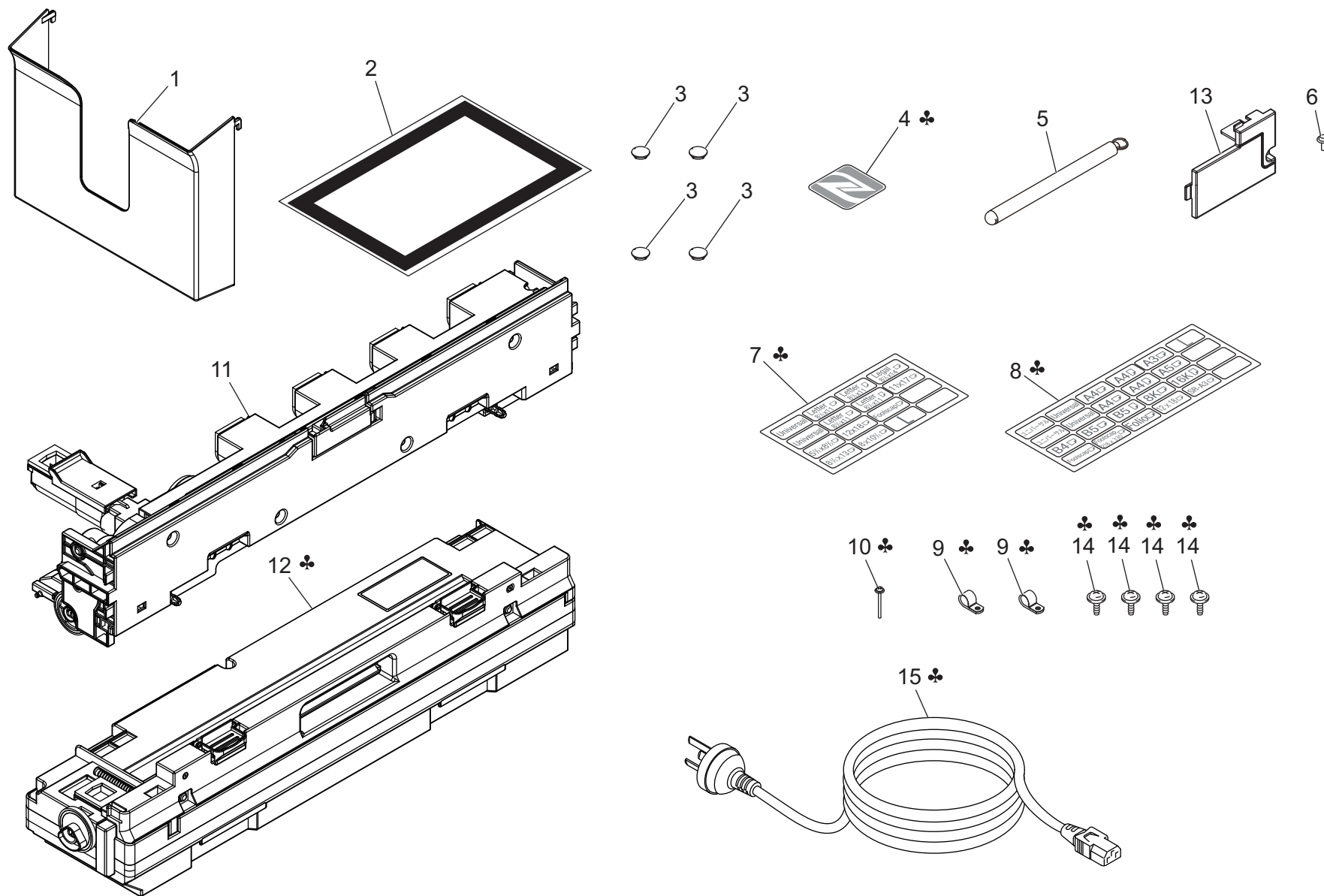


Key	Part No.	Description	Destinations	Class	QTY	Standard parts
1	A5AWP00100	Cleaning Pad		S	1	
2	65AA-9920	Hydrowipe		S	1	
3	9J06PJP100	Color chart/A3 size		S	1	
4	A79JJP000	Test chart/A3 size		S	1	
5	A79JJPJG000	Jig		S	1	

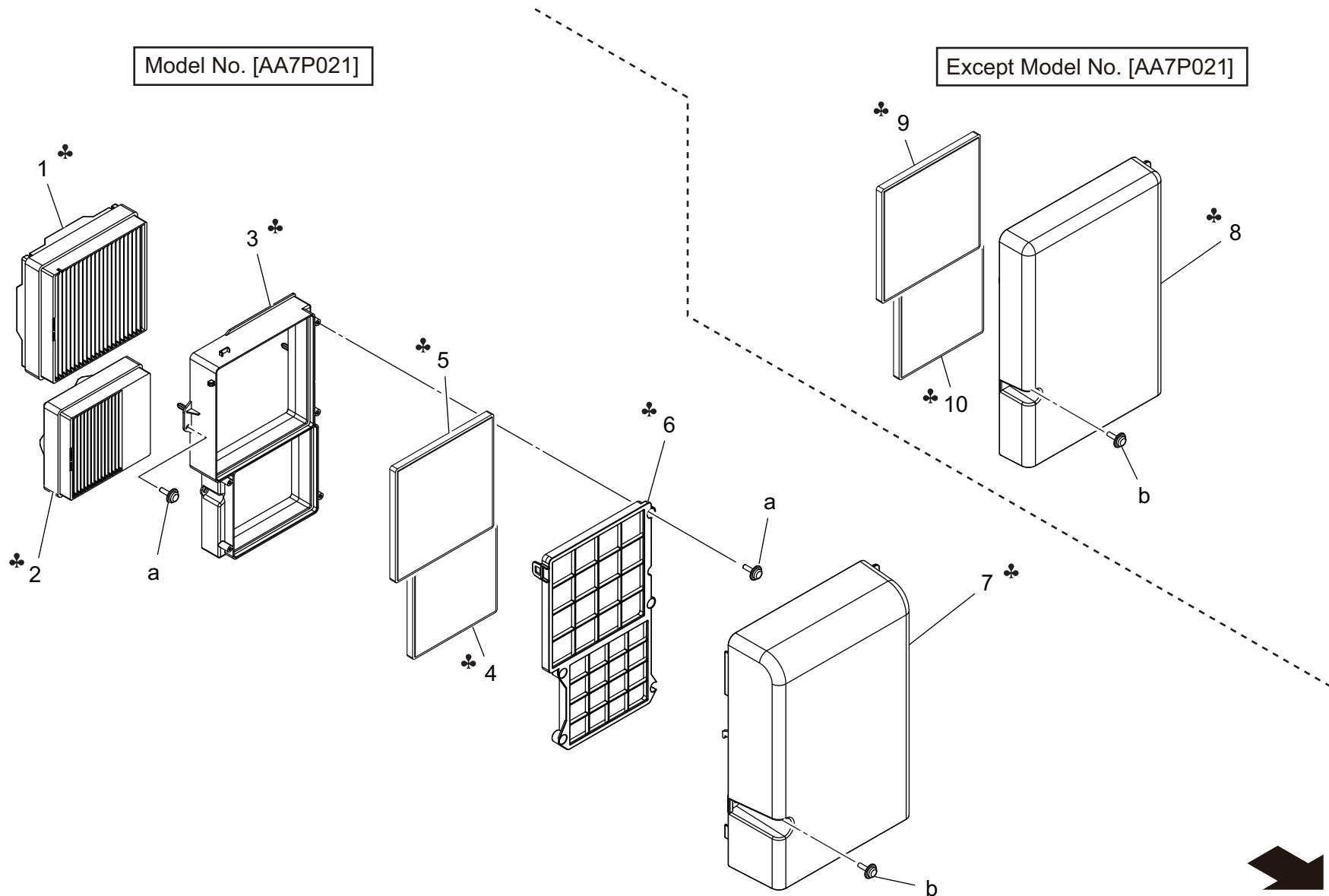


# Accessory Parts

P 81



Key	Part No.	Description	Destinations	Class	QTY	Standard parts
1	A7PU169900	Holder		C	1	
2	A782945003	Adjusting Sheet		S	1	
3	A00J169100	Cover		D	4	
4	AA2J948600	Label	ラベル ( N F C )	D	1	
5	A5C1192104	Pen	ペン	C	1	
6	V116030804	Screw	なべ小ねじ・セムス2	V	1	
7	A161943400	Label Paper Size/Inch	ラベル 集合ラベル I	C	1	
8	A161943301	Label Paper Size/Metric	ラベル 集合ラベル M	C	1	
9	V500020040	clamp	ナイロンクランプ	D	2	
10	V116033003	Screw	なべ小ねじ・セムス2	V	1	
11	AA7NR72800	Waste Toner Conveyance ASSY	廃棄トナー搬送 A s s y	C	1	
12	AAVA0Y1	WASTE TONER BOX	廃棄トナーボックス	A	1	
12	AAVAWY1	WASTE TONER BOX	廃棄トナーボックス	A	1	
13	A7PU166101	Cover	カバー	C	1	
14	V153030803	Screw	カップ頭タッピンねじ B タイ	V	4	
15	9381430031	POWER CORD	プラグ付電源コード	D	1	
15	4136N30000	POWER CODE	プラグ電源コード	D	1	
15	9381420021	POWER CORD	プラグ付電源コード	D	1	
15	A7AHN30000	Power code /230V	電源コード / 2 3 0 V ( インド )	D	1	
15	A2UPN30300	Power code (220-240V)	電源コード ( 2 2 0 - 2 4 0 V )	D	1	
15	A2UPN30601	Power code (220-240V)	電源コード ( 2 2 0 - 2 4 0 V )	D	1	
15	A2UPN30100	Power code (220-240V)	電源コード ( 2 2 0 - 2 4 0 V )	D	1	
15	A1UDN30200	Power cord /230V	電源コード / 2 3 0 V ( アルゼンチン )	C	1	



REAR SIDE

bizhub C550i

# Accessory Parts

Key	Part No.	Description	Destinations	Class	QTY	Standard parts
1	A79J142800	Filter /UFP フィルタ / U F P	C,G1,I (South Africa)	C	1	a-V153030803 b-V153031004
2	A79J142902	Filter /UFP フィルタ / U F P	C,G1,I (South Africa)	C	1	
3	A79J143300	Duct ダクト	C,G1,I (South Africa)	D	1	
4	A79J149200	Filter フィルタ ( 活性炭 B )	C,G1,I (South Africa)	C	1	
5	A79J149300	Filter フィルタ ( 活性炭 P )	C,G1,I (South Africa)	C	1	
6	A79J168200	Cover カバー	C,G1,I (South Africa)	D	1	
7	AA7N168700	Cover カバー	C,G1,I (South Africa)	D	1	
8	AA7N168600	Cover カバー	A,B,G2,D1,D3,E,F2,G1,I,K,H	D	1	
9	A79J149300	Filter フィルタ ( 活性炭 P )	A,B,G2,D1,D3,E,F2,G1,I,K,H	C	1	
10	A79J149200	Filter フィルタ ( 活性炭 B )	A,B,G2,D1,D3,E,F2,G1,I,K,H	C	1	

# MAINTENANCE LIST

● The items with no Page/Key numbers are not handled as spare parts.

No.	Section	PM Parts Description	Maintenance Cycle (K=1,000)		Parts No.	Destinations	Page/Key	Note
			QTY	Replace				
1	Tray 1	Tray 1 pick-up roller	1	300000	A64J564201		P19-20	*1, *2
2		Tray 1 feed roller	1	300000	A64J564101		P19-13	
3		Tray 1 separation roller	1	300000	AA2J560000		P20-6	
4	Tray 2	Tray 2 pick-up roller	1	300000	A64J564201		P21-18	*1, *2
5		Tray 2 feed roller	1	300000	A64J564101		P21-12	
6		Tray 2 separation roller	1	300000	AA2J560000		P22-6	
7	Manual bypass tray	Bypass pick-up roller	1	200000	A5C1562200		P37-17	*1, *2
8		Manual bypass tray feed roller	1	200000	A00F623201		P38-18	
9		Manual bypass tray separation roller assy	1	200000	AA7N591100		P39-21	
10	Processing section	Toner cartridge/Y, /M, /C, /K	1	28000	-			*3
11		Drum unit/Y, /M, /C	1	165000	-			*3, *4
12		Drum unit/K	1	240000	-			*3, *4
13		Developing unit/Y, /M, /C, /K	1	1000000	-			*4
14		Toner filter/Y, /M, /C	1	165000	A161R72811			
15		Toner filter/K	1	330000	A161R72811			
16		Waste toner box	1	44000	AAVA0Y1	Japan, North America	P81-12	*3, *4
17			1	44000	AAVAWY1	Except for Japan and	P81-12	*3, *4
18	Image transfer section	Transfer belt unit	1	330000	AA2JR73700	Japan	P17-33	*4
19			1	330000	AA2JR73100	Except for Japan	P17-33	*4
20		Transfer roller unit	1	1000000	AA7NR70400		P33-4	*4
21	Fusing section	Fusing unit	1	1000000	AA7NR70122	100V	P45-1	*4
22			1	1000000	AA7NR70211	120V	P45-1	*4
23			1	1000000	AA7NR70311	220-240V	P45-1	*4
24			1	1000000	AA7NR73011	110V	P45-1	*4
25	Dual scan document feeder	Pick-up roller	2	200000	9J07330102		P71-7	*1, *2
26		Feed roller	1	200000	A00J563600		P71-11	*1, *2
27		Separation roller	1	200000	9J07340901		P72-4	*1, *2

\*1: Life counter value

\*2: Replace these parts at the same time.

\*3: The parts can be replaced either by user or service engineer.

\*4: Field standard yield

\*: The part names used on this page follow the ones used in the Service Manual and they are occasionally different from those written in other pages.

## メンテナンスリスト

● ページ / キーナンバーのないものは、アフターサービス部品ではありません。

No.	区分	P M 部品名称	サイクル ( K=1,000)		部品番号	仕向地	頁 / キー	備考
			員数	交換				
1	トレイ 1	トレイ 1 ビックアップローラー	1	300000	A64J564201		P19-20	*1, *2
2		トレイ 1 給紙ローラー	1	300000	A64J564101		P19-13	
3		トレイ 1 分離ローラー	1	300000	AA2J560000		P20-6	
4	トレイ 2	トレイ 2 ビックアップローラー	1	300000	A64J564201		P21-18	*1, *2
5		トレイ 2 給紙ローラー	1	300000	A64J564101		P21-12	
6		トレイ 2 分離ローラー	1	300000	AA2J560000		P22-6	
7	手差し	手差し ビックアップローラー	1	200000	A5C1562200		P37-17	*1, *2
8		手差し 給紙ローラー	1	200000	A00F623201		P38-18	
9		手差し 分離ローラー Assy	1	200000	AA7N591100		P39-21	
10	プロセス部	トナーカートリッジ /Y, /M, /C, /K	1	28000	-			*3
11		ドラムユニット /Y, /M, /C	1	165000	-			*3, *4
12		ドラムユニット /K	1	240000	-			*3, *4
13		現像ユニット /Y, /M, /C, /K	1	1000000	-			*4
14		トナーフィルター /Y, /M, /C	1	165000	A161R72811			
15		トナーフィルター /K	1	330000	A161R72811			
16		廃棄トナーボックス	1	44000	AAVA0Y1	日本 / 北米	P81-12	*3, *4
17			44000	AAVAWY1	日本 / 北米 以外	P81-12	*3, *4	
18	転写部	転写ベルト ユニット	1	330000	AA2JR73700	日本	P17-33	*4
19			1	330000	AA2JR73100	日本 以外	P17-33	*4
20		転写ローラーユニット	1	1000000	AA7NR70400		P33-4	*4
21	定着部	定着ユニット	1	1000000	AA7NR70122	100V	P45-1	*4
22			1	1000000	AA7NR70211	120V	P45-1	*4
23			1	1000000	AA7NR70311	220-240V	P45-1	*4
24			1	1000000	AA7NR73011	110V	P45-1	*4
25	両面同時原稿送り装置	ビックアップローラー	2	200000	9J07330102		P71-7	*1, *2
26		給紙ローラー	1	200000	A00J563600		P71-11	*1, *2
27		分離ローラー	1	200000	9J07340901		P72-4	*1, *2

\*1: ライフカウンター値

\*2: 同時交換のこと

\*3: ユーザー / サービス交換の選択が可能。

\*4: 市場標準印刷枚数値

\*: ここに記載されている部品名称はサービスマニュアルで使用されている部品名称であり、他のページに記載されている部品名称とは異なる場合があります。

## DESTINATION

Destination No.		Destinations		V	Hz	Model No.
A	A1	JAPAN		100	50/60	AA7P001
	A2	JAPAN				
B		USA, CANADA		120V	60	AA7P011,A A7P012
C		EUROPEAN TYPE		220-240	50/60	AA7P021
D	D1	S.E ASIA TYPE	THAILAND, SRI LANKA, SINGAPORE, MALAYSIA, HONG KONG, PAKISTAN, INDIA, BANGLADESH, INDONESIA	220-240	50/60	AA7P041
	D3	OCEANIA TYPE	AUSTRALIA, NEW ZEALAND	220-240	50/60	AA7P041
E		PHILIPPINES		220-240	50/60	AA7P041
F	F1	SAUDI ARABIA				
	F2	SAUDI ARABIA		220-240	50/60	AA7P041
G	G1	C.S AMERICA		220-240	50/60	AA7P021,A A7P041
	G2	C.S AMERICA		120	60	AA7P011
H		TAIWAN		110	60	AA7P071
I		JORDAN, LEBANON, SYRIA, SOUTH AFRICA, IRAQ, IRAN, N.YEMEN, CAMEROON, UAE, BAHRAIN, OMAN, QATAR, KUWAIT, KENYA, TUNISIA, IVORY COAST, MOROCCO		220-240	50/60	AA7P021,A A7P041
J		CHINA		220-240	50/60	AA7P081
K		KOREA		220-240	50/60	AA7P041

bizhub C550i