

KONICA MINOLTA

PARTS GUIDE MANUAL

MAY 2012

*bizhub C554
A2XK*

INFORMATION FOR PARTS GUIDE MANUAL

To find correct Parts No., refer to the "HOW TO MAKE THE BEST USE OF THIS MANUAL" in the following page.

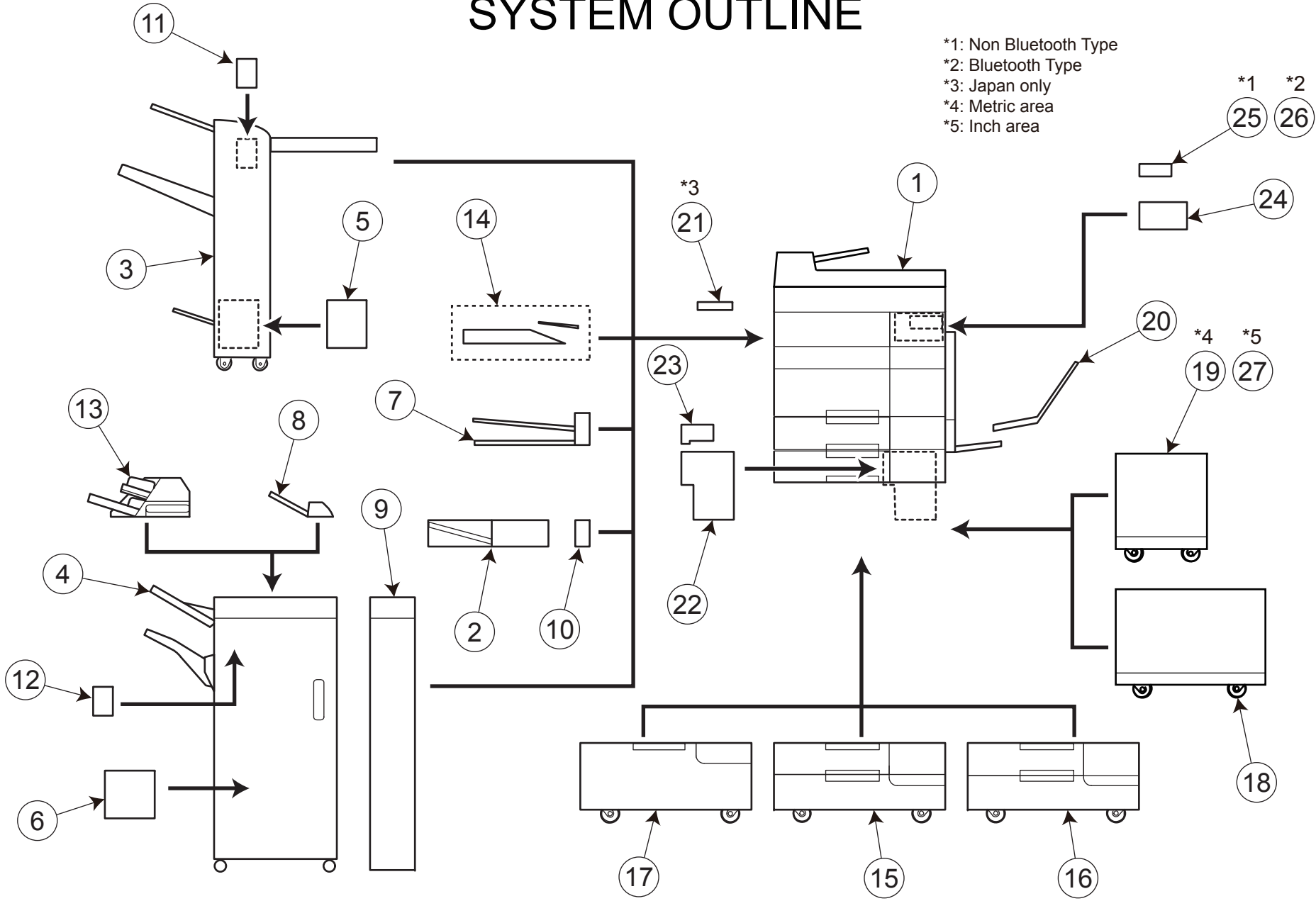
HOW TO MAKE THE BEST USE OF THIS MANUAL

- 1 When you order, please check the proper figures beforehand that are on Our Parts Guide Manual, and order with the appropriate figures.
- 2 For screws, Nuts, Washers, retaining rings and Pins which are used in this model, one letter is shown on the Standard parts column of Parts list and exploded diagrams.
- 3 In order to maintain safety of the product, some specific parts composed of this product are set up as "essential safety parts".
- 4 The assigned parts number for the "essential safety parts" is indicated as "SP00-****".
When replacing these parts, follow precautions for disassembling and installing which are listed in the Service Manual.
Do not use any parts that are not set up as
- 5 ♣ means that there are exclusive parts for each destination.
Please check the appropriate destination when you order.
- 6 Revision Mark
Marked as ▲ on the illustration shows that the revision has been made.
- 7 All rights reserved. (any reprints or quotations are prohibited.)
Use of this parts guide manual should be strictly supervised to avoid disclosure of confidential information.

05/18/2012

SYSTEM OUTLINE

- *1: Non Bluetooth Type
- *2: Bluetooth Type
- *3: Japan only
- *4: Metric area
- *5: Inch area



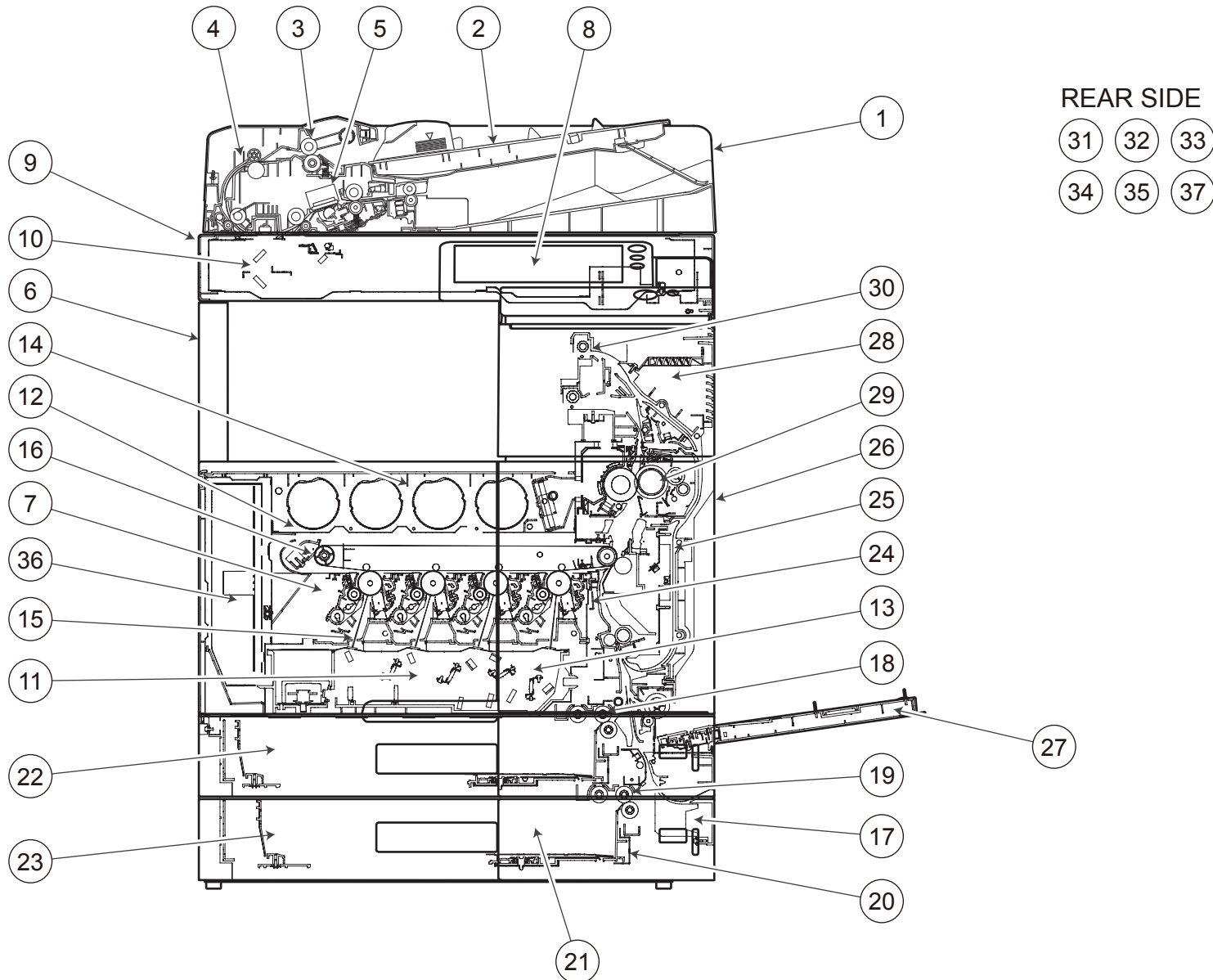
GENERAL CONTENTS

No.	Description	Model
1	DIGITAL MFP COLOR	bizhub C554
2	SORTER/FINISHER	FS-533
3	SORTER/FINISHER	FS-534
4	SORTER/FINISHER	FS-535
5	SORTER/FINISHER	SD-511
6	SORTER/FINISHER	SD-512
7	OTHER OPTION	JS-506
8	OTHER OPTION	JS-602
9	OTHER OPTION	ZU-606
10	PUNCH UNIT	PK-519
11	PUNCH UNIT	PK-520
12	PUNCH UNIT	PK-521
13	OTHER OPTION	PI-505
14	OTHER OPTION	OT-506
15	PAPER FEEDER	PC-110
16	PAPER FEEDER	PC-210
17	PAPER FEEDER	PC-410
18	PAPER FEEDER	LU-204
19	PAPER FEEDER	LU-301
20	OTHER OPTION	MK-730
21	OTHER OPTION	HT-510
22	OTHER OPTION	IC-414

bizhub C554

No.	Description	Model
23	OTHER OPTION	VI-506
24	FAX CONTROLLER	FK-511
25	OTHER OPTION	EK-606
26	OTHER OPTION	EK-607
27	PAPER FEEDER	LU-301

DIAGRAMS OF MAIN PARTS SECTION



CONTENTS

No.	DESCRIPTION	PAGE No.
1	EXTERNAL PARTS	P1 P2
2	PAPER FEED TRAY SECTION	P3
3	PAPER TAKE-UP SECTION	P4 P5 P6
4	PAPER TRANSPORT SECTION	P7 P8 P9 P10 P11 P12
5	CIS SECTION	P13 P14 P15 P16
6	EXTERNAL PARTS	P17 P18
7	INNER COVER SECTION	P19
8	OPERATION PANEL SECTION	P20
9	IR COVER SECTION	P21
10	SCANNER SECTION	P22 P23 P24
11	PH UNIT	P25
12	TONER SUPPLY SECTION	P26 P27
13	WASTE TONER BOX SECTION	P28
14	ERASE LAMP SECTION	P29
15	DV LOCK LEVER SECTION	P30
16	TRANSFER UNIT	P31
17	PAPER FEED SECTION	P32
18	1ST PAPER FEED SECTION	P33 P34
19	2ND PAPER FEED SECTION	P35 P36
20	CASSETTE RAIL SECTION	P37
21	PAPER SIZE DETECTION SECTION	P38
22	1ST CASSETTE SECTION	P39 P40
23	2ND CASSETTE SECTION	P41 P42
24	CONVEYANCE SECTION	P43

No.	DESCRIPTION	PAGE No.
25	VERTICAL TRANSPORT SECTION	P44 P45
26	VERTICAL CONVEYANCE DOOR SECTION	P46
27	BYPASS TRAY SECTION	P47 P48
28	REVERSAL UNIT	P49 P50
29	FUSING SECTION	P51
30	PAPER EXIT SECTION	P52 P53
31	MAIN DRIVE/ PAPER FEED DRIVE SECTION	P54
32	TONER BOTTLE DRIVE SECTION	P55
33	FUSING DRIVE SECTION	P56 P57
34	OZONE DUCT SECTION	P58
35	HIGH VOLTAGE SECTION	P59
36	MAIN POWER SUPPLY SECTION	P60
37	ELECTRICAL COMPONENTS	P61 P62
38	WIRING	P63 P64
39	WIRING ACCESSORIES AND JIGS	P65
40	ACCESSORY PARTS	P66

INDEX

Parts No.	Page No.
0996305501	37-7
1164202801	53-5
4002311002	38-7
4004590301	53-1
4011585202	43-35
4025357201	43-2
4025357201	56-26
4025598401	53-3
4030301703	34-11
4030301703	36-12
4030320601	40-15
4030320601	42-16
4030322601	40-9
4030322601	42-9
4030340301	48-21
4030347501	48-24
4034352501	33-2
4036254901	53-16
4036307501	22-7
4036534801	27-24
4037320401	40-11
4037320401	42-11
4038101401	19-21
4038101401	26-4
4038228702	19-17
4038258001	56-18
4038353701	43-9
4038353901	43-13
4038541202	55-8
4038M60000	19-4
4131300301	33-12
4131300301	35-17
4131353202	47-17
4139M10000	25-2
4139M10000	59-23
4139M10000	60-6
4163510201	27-7
4163529301	25-3
4163529301	31-35
4163529301	40-23

Parts No.	Page No.
4163529301	42-13
4163529301	43-32
4163529301	44-2
4163529301	45-26
4163529301	49-2
4163529301	50-3
4163529301	53-23
4333501201	27-17
4475260302	17-9
4532341001	34-13
4532341001	36-15
4576536301	27-8
4581162501	22-8
4640392001	52-3
4658015106	48-30
56AA17471	30-2
56AA17471	57-12
56AA40490	17-4
56AA40490	33-15
56AA40490	34-8
56AA40490	35-19
56AA40490	36-7
9313100072	51-1
9313100072	58-6
9J06730101	61-6
9J06M10000	1-2
9J06M10000	51-22
9J06M10300	38-8
9J06M20000	47-24
9J06M60100	19-18
9J06M60100	46-3
9J06PJG100	65-18
A00F623201	47-10
A00J169100	66-3
A00J169300	21-6
A00J265300	22-5
A00J563600	33-14
A00J563600	34-6
A00J563600	35-18
A00J563600	36-6

Parts No.	Page No.
A00J617900	35-12
A00J663200	33-28
A00J663200	35-16
A00J940100	21-3
A00J940100	66-7
A00J942202	39-5
A00J942202	41-5
A00J945201	18-17
A00J945500	17-14
A00JH00D00	17-7
A011946200	20-24
A02E117300	58-12
A02E149900	18-25
A02E167700	21-8
A02E167700	66-4
A02E560800	33-24
A02E560800	35-28
A02E561100	33-16
A02E561100	35-20
A02E592100	48-39
A02E595100	47-21
A02E595400	47-16
A02E596100	47-20
A02E596300	47-9
A02E597600	48-29
A02E712902	43-12
A02E815200	45-10
A02E815200	49-9
A02E815200	50-17
A02E940300	40-24
A02E940300	42-24
A02E941300	39-20
A02E941500	39-6
A02EM10400	27-16
A02EM10400	55-2
A02EM20100	47-22
A02EM20200	33-26
A02EM20200	35-29
A02EN12513	61-13
A034M20100	43-34

Parts No.	Page No.
A03U733400	58-18
A03UM15300	58-19
A0CR953400	60-8
A0ED103100	29-7
A0ED104801	30-6
A0ED105400	29-4
A0ED105500	29-1
A0ED105700	30-7
A0ED110900	31-16
A0ED111000	31-4
A0ED111100	31-30
A0ED111200	31-18
A0ED111400	31-29
A0ED111500	31-12
A0ED111700	31-17
A0ED112000	31-14
A0ED112100	31-22
A0ED131900	62-28
A0ED135700	61-8
A0ED162401	19-7
A0ED163000	17-2
A0ED166100	66-2
A0ED166200	66-1
A0ED245000	28-7
A0ED257500	56-20
A0ED259700	56-12
A0ED262500	22-11
A0ED271200	23-7
A0ED271300	23-6
A0ED273600	24-12
A0ED274300	24-19
A0ED274400	24-8
A0ED276301	24-16
A0ED363000	28-4
A0ED363100	28-1
A0ED363200	28-2
A0ED363300	28-5
A0ED363400	28-3
A0ED401000	27-25
A0ED550800	44-24

Parts No.	Page No.
A0ED550900	44-17
A0ED551000	44-14
A0ED551100	44-15
A0ED551700	44-18
A0ED563900	34-5
A0ED563900	36-5
A0ED597800	47-23
A0ED620200	40-16
A0ED620200	42-17
A0ED620701	40-22
A0ED620701	42-22
A0ED621400	40-12
A0ED621400	42-12
A0ED627600	38-11
A0ED700100	43-8
A0ED700200	43-17
A0ED700300	43-19
A0ED700600	43-14
A0ED700700	43-20
A0ED702400	45-28
A0ED702800	43-5
A0ED703200	43-23
A0ED705800	43-4
A0ED712100	46-8
A0ED811700	45-1
A0ED811700	49-19
A0ED811900	45-4
A0ED815100	50-9
A0ED891100	53-6
A0ED897700	53-15
A0ED940600	26-6
A0ED940700	17-3
A0EDF36000	28-11
A0EDM10200	49-21
A0EDM10300	52-1
A0EDM10500	62-20
A0EDM50100	33-5
A0EDM50100	35-3
A0EDM60001	26-19
A0EDM60001	30-8

Parts No.	Page No.	Parts No.	Page No.	Parts No.	Page No.	Parts No.	Page No.	Parts No.	Page No.
A0EDN30002	61-9	A143114600	1-17	A143PP5R03	4-2	A161105500	54-37	A161131400	61-1
A0EDN30201	66-12	A143563100	6-26	A143PP5T02	6-8	A161105600	29-6	A161132000	18-21
A0HT811400	54-15	A143563300	6-15	A143PP5U02	6-7	A161105800	37-9	A161132100	59-4
A0HT811400	54-32	A143PP1B00	5-14	A143PP5V00	4-3	A161107100	29-9	A161132203	62-26
A0P0144300	62-12	A143PP1B00	11-2	A143PP5Y01	6-14	A161107200	29-8	A161132302	18-7
A0P0144400	62-11	A143PP1M00	8-16	A143PP6100	4-4	A161107300	29-2	A161132504	59-1
A0P0145900	62-30	A143PP1M00	9-6	A143PP6601	6-25	A161110102	31-28	A161132800	59-3
A0P0149100	62-29	A143PP1M00	12-2	A143PP6800	4-8	A161110201	31-10	A161134500	62-1
A0P0742300	52-8	A143PP1S00	15-16	A143PP6900	5-3	A161110300	31-11	A161134701	54-6
A0P0901100	53-12	A143PP1W00	4-10	A143PP6F01	3-13	A161110400	31-7	A161134800	59-11
A0P0H02500	20-7	A143PP1X00	7-10	A143PP6K01	3-12	A161110500	31-15	A161135100	19-14
A0P0M50000	51-19	A143PP1X00	8-13	A143PP6M01	3-11	A161110601	31-3	A161135502	26-15
A0P0M50300	59-16	A143PP1Y00	4-7	A143PP6X00	3-10	A161112000	31-13	A161135600	18-15
A0P0M50400	43-29	A143PP1Y00	11-4	A143PP7301	5-16	A161112100	31-27	A161136200	62-31
A0P0M73100	20-19	A143PP2901	2-3	A143PP7900	11-12	A161112200	31-8	A161136500	61-2
A0P0N15100	62-13	A143PP3P01	16-5	A143PP8600	16-10	A161112300	31-20	A161137100	46-4
A0P0N15200	62-14	A143PP4D02	9-9	A143PP8D01	16-17	A161112400	31-26	A161137302	20-20
A0P0N15300	20-22	A143PP4D02	12-3	A143PP8F00	1-13	A161112500	31-5	A161137402	62-4
A0P0N30000	61-9	A143PP4F01	11-11	A143PP8F00	16-19	A161112600	31-9	A161137501	62-6
A0TK397501	50-30	A143PP4G01	11-10	A143PP9300	8-5	A161112700	31-25	A161137600	62-18
A108M50000	3-5	A143PP4H01	12-11	A143PP9G00	6-6	A161112800	31-6	A161137701	59-5
A108M50100	3-4	A143PP4P01	7-7	A161100602	60-7	A161112900	31-19	A161137802	25-10
A108M50100	5-2	A143PP4R03	6-21	A161101101	37-8	A161115201	30-1	A161137802	61-3
A108M50100	10-4	A143PP4T01	6-9	A161101600	37-15	A161116202	30-3	A161137900	62-27
A108M50100	11-3	A143PP4V02	6-11	A161101700	37-16	A161119500	30-4	A161138002	20-8
A108M50100	16-3	A143PP4X01	6-3	A161101802	25-7	A161120701	26-1	A161138500	29-10
A108M50100	22-14	A143PP4Y00	6-19	A161101900	37-4	A161121103	51-4	A161138601	62-2
A108M50100	26-23	A143PP5000	6-17	A161102300	37-2	A161121200	46-6	A161138804	62-5
A108M50100	27-22	A143PP5101	6-18	A161102500	46-2	A161121300	46-1	A161139400	62-24
A108M50100	31-21	A143PP5200	6-13	A161102800	29-5	A161121401	51-9	A161139500	62-17
A108M50100	33-8	A143PP5301	6-12	A161103700	37-12	A161121900	56-7	A161139800	18-16
A108M50100	35-9	A143PP5403	6-20	A161103901	37-10	A161122002	56-6	A161139901	62-10
A108M50100	38-13	A143PP5601	6-24	A161104101	44-22	A161122500	51-6	A161140101	62-19
A108M50100	43-33	A143PP5901	6-23	A161104200	37-3	A161130101	29-3	A161140200	25-1
A108M50100	44-10	A143PP5A00	6-16	A161104300	37-1	A161130301	25-8	A161140800	60-5
A108M50100	45-27	A143PP5B01	6-22	A161104400	37-11	A161130502	61-7	A161141500	58-2
A108M50100	47-2	A143PP5F01	4-6	A161104701	37-5	A161130603	61-10	A161141700	31-32
A108M50100	48-7	A143PP5J01	5-7	A161104800	37-6	A161130700	62-16	A161141800	58-11
A108M50100	50-12	A143PP5K01	5-8	A161105200	37-14	A161130801	61-4	A161141901	58-3
A108M50100	62-23	A143PP5M01	5-9	A161105400	25-5	A161131005	62-3	A161142000	58-1

Parts No.	Page No.	Parts No.	Page No.	Parts No.	Page No.	Parts No.	Page No.	Parts No.	Page No.
A161143400	60-4	A161162702	20-21	A161230600	57-7	A161261902	22-16	A161400400	27-11
A161143500	58-16	A161162801	18-20	A161230700	56-15	A161262002	22-17	A161400501	27-19
A161143601	60-2	A161162900	18-18	A161231301	56-16	A161262200	22-15	A161400601	27-12
A161144500	60-10	A161163501	18-3	A161231800	57-5	A161262700	22-10	A161400701	27-20
A161144801	31-34	A161163900	18-14	A161232200	56-8	A161263000	22-12	A161400800	27-26
A161144900	31-31	A161164000	20-6	A161232300	56-14	A161268200	22-3	A161401000	27-6
A161145000	60-1	A161164103	20-17	A161232300	57-3	A161268300	22-1	A161401100	27-5
A161145201	58-10	A161164401	18-12	A161232401	56-21	A161270102	23-10	A161401200	27-4
A161145300	58-9	A161164600	18-10	A161232501	56-13	A161270600	23-12	A161401300	27-2
A161146200	31-33	A161164702	18-9	A161240100	55-4	A161271000	23-9	A161401400	27-1
A161146300	25-14	A161164800	18-8	A161240300	55-15	A161271000	24-14	A161401500	27-3
A161146400	25-15	A161164902	17-23	A161240400	55-7	A161271100	23-11	A161402101	26-14
A161146500	58-21	A161165005	19-6	A161240500	55-6	A161271100	24-17	A161402401	26-8
A161146600	58-13	A161165300	19-5	A161240600	55-5	A161273100	24-15	A161402501	26-7
A161146600	58-20	A161165602	17-16	A161240700	55-9	A161273401	24-13	A161403000	27-18
A161146800	27-27	A161165700	19-1	A161240900	55-10	A161273500	24-18	A161403100	27-9
A161146900	58-14	A161166101	18-5	A161241000	55-12	A161273701	24-11	A161403200	27-23
A161147401	25-13	A161166201	18-4	A161241200	55-13	A161273800	24-20	A161403300	26-12
A161147500	58-15	A161166400	18-22	A161241400	55-14	A161274500	24-22	A161403400	26-13
A161147600	58-22	A161167000	20-10	A161241500	55-11	A161274600	24-21	A161403500	26-10
A161151100	19-19	A161167100	20-12	A161241600	55-1	A161275300	24-9	A161403600	26-11
A161151200	46-5	A161167200	20-9	A161245100	28-6	A161275400	24-10	A161403701	26-2
A161151300	19-16	A161167300	20-14	A161245400	28-8	A161275500	24-6	A161403800	26-9
A161160103	17-1	A161167400	20-13	A161253900	54-8	A161275600	24-5	A161403901	26-5
A161160300	17-8	A161170100	21-11	A161254000	54-1	A161275700	24-3	A161404001	26-16
A161160402	17-6	A161170203	21-1	A161254300	56-2	A161276000	24-4	A161404100	26-17
A161160605	18-6	A161170300	21-12	A161254400	56-3	A161276500	24-7	A161508400	31-2
A161160702	17-21	A161170400	21-7	A161254500	56-5	A161278600	23-1	A161550700	44-12
A161160801	17-22	A161170601	21-5	A161254600	56-23	A161278900	23-3	A161551500	44-21
A161160902	18-13	A161170701	21-4	A161254700	56-4	A161280101	22-19	A161551600	44-20
A161161401	20-18	A161170800	21-9	A161254700	57-17	A161280200	22-22	A161560101	33-10
A161161503	20-5	A161190900	20-2	A161256300	56-10	A161280300	22-18	A161560300	35-10
A161161700	20-11	A161192000	66-5	A161257800	54-2	A161281100	22-25	A161560500	33-29
A161161804	18-11	A161210200	54-4	A161258501	57-18	A161281300	22-24	A161560500	35-14
A161161900	20-16	A161216101	54-3	A161258700	57-13	A161281600	22-4	A161560600	33-3
A161162102	18-2	A161220700	54-22	A161258800	56-19	A161281700	23-5	A161560600	35-11
A161162201	18-19	A161228100	57-10	A161259100	57-14	A161282100	21-13	A161560900	33-4
A161162302	52-5	A161228301	57-11	A161259200	57-15	A161400100	27-10	A161560900	35-7
A161162400	20-25	A161228600	57-16	A161259400	56-17	A161400200	27-14	A161561000	35-1
A161162602	20-4	A161228700	56-22	A161259800	54-26	A161400300	27-13	A161561100	32-1

Parts No.	Page No.	Parts No.	Page No.	Parts No.	Page No.	Parts No.	Page No.	Parts No.	Page No.
A161561200	32-2	A161565500	33-6	A161592200	48-3	A161620802	42-15	A161626800	39-11
A161561600	33-7	A161566000	33-1	A161592300	48-13	A161620903	40-1	A161626800	41-12
A161561600	35-8	A161567300	33-23	A161592400	48-9	A161620903	42-1	A161626900	39-17
A161562000	33-19	A161567300	35-27	A161592500	48-10	A161621100	40-5	A161626900	41-18
A161562000	35-23	A161567400	33-22	A161592600	48-11	A161621100	42-5	A161627102	38-9
A161562101	33-21	A161567400	35-26	A161592700	48-5	A161621300	40-13	A161627300	38-10
A161562101	35-25	A161568401	34-7	A161592800	47-1	A161621300	42-14	A161627500	38-3
A161562300	33-17	A161568500	34-2	A161592900	46-7	A161621400	40-18	A161627701	38-12
A161562300	35-21	A161568600	34-3	A161593001	48-45	A161621600	40-4	A161627801	38-2
A161562400	33-13	A161568700	36-9	A161593101	48-41	A161621600	42-4	A161628000	38-4
A161562400	35-15	A161568800	36-2	A161593200	48-43	A161621701	40-21	A161630102	42-23
A161562500	33-20	A161568901	35-34	A161593300	47-14	A161621701	42-21	A161631400	42-19
A161562500	35-24	A161571100	35-6	A161593400	48-38	A161621800	40-20	A161633101	41-4
A161562600	33-18	A161575101	32-4	A161593600	48-34	A161621800	42-20	A161633202	41-20
A161562600	35-22	A161576100	32-5	A161593701	48-14	A161621900	40-17	A161635000	41-16
A161562800	33-11	A161578100	35-2	A161593800	48-35	A161621900	42-18	A161635103	41-19
A161562800	35-13	A161578200	35-4	A161594000	48-46	A161622100	39-1	A161636502	41-10
A161563000	35-32	A161578401	36-8	A161594100	47-6	A161622100	41-1	A161700104	43-25
A161563100	34-1	A161578500	36-3	A161594201	48-16	A161623101	39-4	A161700300	43-26
A161563100	36-1	A161578700	35-33	A161594300	48-37	A161623301	39-19	A161700401	43-31
A161563300	34-12	A161579000	32-3	A161594400	47-11	A161623400	37-13	A161700600	43-10
A161563300	36-13	A161590101	48-18	A161594500	48-44	A161623400	39-3	A161700700	43-30
A161563400	34-9	A161590201	47-5	A161594600	48-42	A161623400	41-3	A161700800	43-18
A161563400	36-10	A161590303	48-15	A161594700	47-7	A161624100	40-3	A161700901	43-40
A161563501	34-4	A161590500	46-22	A161594800	47-27	A161624100	42-3	A161701100	43-28
A161563501	36-4	A161590600	47-19	A161594900	47-28	A161625000	39-15	A161701301	43-15
A161563901	34-14	A161590800	47-18	A161595000	48-23	A161625103	39-18	A161701401	43-16
A161563901	36-14	A161590901	48-33	A161595100	48-20	A161625900	39-16	A161701501	43-7
A161564001	34-10	A161591000	48-32	A161595200	48-26	A161625900	41-17	A161701703	43-27
A161564001	36-11	A161591100	48-31	A161595300	48-22	A161626000	39-12	A161701800	43-36
A161564100	34-17	A161591200	47-26	A161595400	48-25	A161626000	41-13	A161701900	43-3
A161564100	36-18	A161591300	47-25	A161595600	48-19	A161626100	39-13	A161702000	43-21
A161564200	34-16	A161591400	47-13	A161620103	40-19	A161626100	41-14	A161702100	43-41
A161564200	36-17	A161591500	47-12	A161620400	40-10	A161626200	39-2	A161706001	43-6
A161564300	34-18	A161591600	48-17	A161620400	42-10	A161626200	41-2	A161709100	45-3
A161564300	36-19	A161591700	47-8	A161620600	40-6	A161626300	39-8	A161710102	44-11
A161564400	34-15	A161591800	48-27	A161620600	42-6	A161626300	41-9	A161710202	45-12
A161564400	36-16	A161591900	47-3	A161620701	40-7	A161626502	39-9	A161710300	45-29
A161565102	32-6	A161592002	48-12	A161620701	42-8	A161626601	39-10	A161710401	45-25
A161565300	33-9	A161592100	48-8	A161620802	40-14	A161626601	41-11	A161710500	45-8

Parts No.	Page No.	Parts No.	Page No.	Parts No.	Page No.	Parts No.	Page No.	Parts No.	Page No.
A161710900	44-8	A161811401	46-11	A161825000	50-31	A161940602	21-2	A161H00800	25-9
A161711000	44-6	A161811500	46-9	A161825100	50-14	A161941100	56-25	A161H00C02	59-2
A161711100	44-5	A161811600	46-19	A161825300	50-7	A161941500	21-3	A161H00U01	20-15
A161711200	45-5	A161812200	49-6	A161825400	50-19	A161942000	19-13	A161H01A00	22-23
A161711300	45-14	A161813001	50-26	A161825500	50-29	A161942200	19-11	A161H02A00	62-25
A161711400	45-20	A161813100	50-27	A161825600	50-23	A161942300	19-10	A161M10001	54-5
A161711500	45-23	A161813200	50-18	A161825700	45-9	A161942400	19-9	A161M10300	55-3
A161711600	45-19	A161813300	49-16	A161825700	50-10	A161942500	19-8	A161M10300	57-1
A161711700	45-22	A161813400	50-21	A161825800	50-11	A161943000	19-3	A161M10A00	24-2
A161711800	44-13	A161813600	50-8	A161825901	50-33	A161943000	40-8	A161M20100	57-6
A161711900	45-31	A161813701	49-8	A161826000	50-34	A161943000	42-7	A161M20200	54-7
A161712000	45-18	A161813800	49-17	A161890102	53-24	A161943100	39-14	A161M20300	54-9
A161712100	45-24	A161813902	50-22	A161890202	53-14	A161943200	41-15	A161M31100	23-8
A161712300	44-16	A161814202	50-20	A161890300	53-28	A161943300	66-8	A161M40601	59-8
A161712400	44-4	A161814300	49-24	A161890401	53-11	A161943400	66-9	A161M50000	43-38
A161712500	44-19	A161814401	50-2	A161891000	53-18	A161943500	41-6	A161M50300	43-39
A161712600	45-6	A161814500	50-16	A161891301	53-26	A161943601	41-7	A161M50400	48-36
A161712700	44-3	A161814601	49-7	A161891401	52-2	A161943700	40-2	A161M50501	38-6
A161712800	45-15	A161814700	49-11	A161892000	53-20	A161943700	42-2	A161M50600	38-5
A161712800	50-25	A161814901	49-25	A161892100	53-13	A161943801	39-7	A161M50A00	22-20
A161712900	45-32	A161815000	46-15	A161892300	53-19	A161943801	41-8	A161M50A00	22-26
A161713100	45-7	A161815100	49-5	A161892400	53-2	A161944101	48-1	A161M50A00	22-26
A161713500	45-16	A161815201	46-13	A161892901	53-27	A161944201	48-1	A161M70503	20-1
A161714500	45-21	A161815300	46-17	A161893500	53-25	A161944300	48-2	A161M70603	20-1
A161714600	45-17	A161815400	46-20	A161893600	53-10	A161944400	48-4	A161M70703	20-1
A161714800	45-33	A161815500	46-16	A161893800	53-17	A161946100	49-10	A161M72000	62-15
A161719000	45-2	A161815600	49-12	A161894000	52-7	A161946200	45-13	A161N10F01	27-21
A161719100	45-30	A161815700	49-13	A161894000	53-8	A161946300	43-11	A161N10H01	44-1
A161810102	49-4	A161815800	49-14	A161894100	52-6	A161946400	45-11	A161N10J00	31-23
A161810200	49-15	A161815900	46-18	A161895102	53-30	A161947000	66-6	A161N10K00	17-5
A161810301	46-21	A161816100	49-3	A161895201	53-29	A161F10901	56-24	A161N10M04	18-1
A161810400	50-1	A161816200	46-23	A161895300	52-4	A161F16100	19-2	A161N10N01	38-1
A161810503	50-28	A161816300	45-34	A161895400	53-4	A161F21000	28-10	A161N10P01	33-27
A161810600	50-6	A161816400	49-26	A161895502	53-7	A161F56002	33-25	A161N10X00	48-28
A161810701	49-1	A161819000	49-20	A161895600	53-9	A161F59000	47-15	A161N10Y02	30-5
A161810801	50-5	A161819200	50-32	A161895800	53-31	A161F6200C	39-21	A161N11200	31-24
A161810900	50-24	A161819400	50-15	A161900100	53-34	A161F6300C	41-21	A161N11300	59-10
A161811000	46-10	A161819500	50-13	A161900201	53-32	A161F81102	49-22	A161N11800	62-8
A161811100	46-12	A161819600	49-23	A161900300	53-33	A161F89001	53-22	A161N11901	25-11
A161811301	46-14	A161819701	49-18	A161940400	17-24	A161H00501	25-6	A161N11B00	62-22

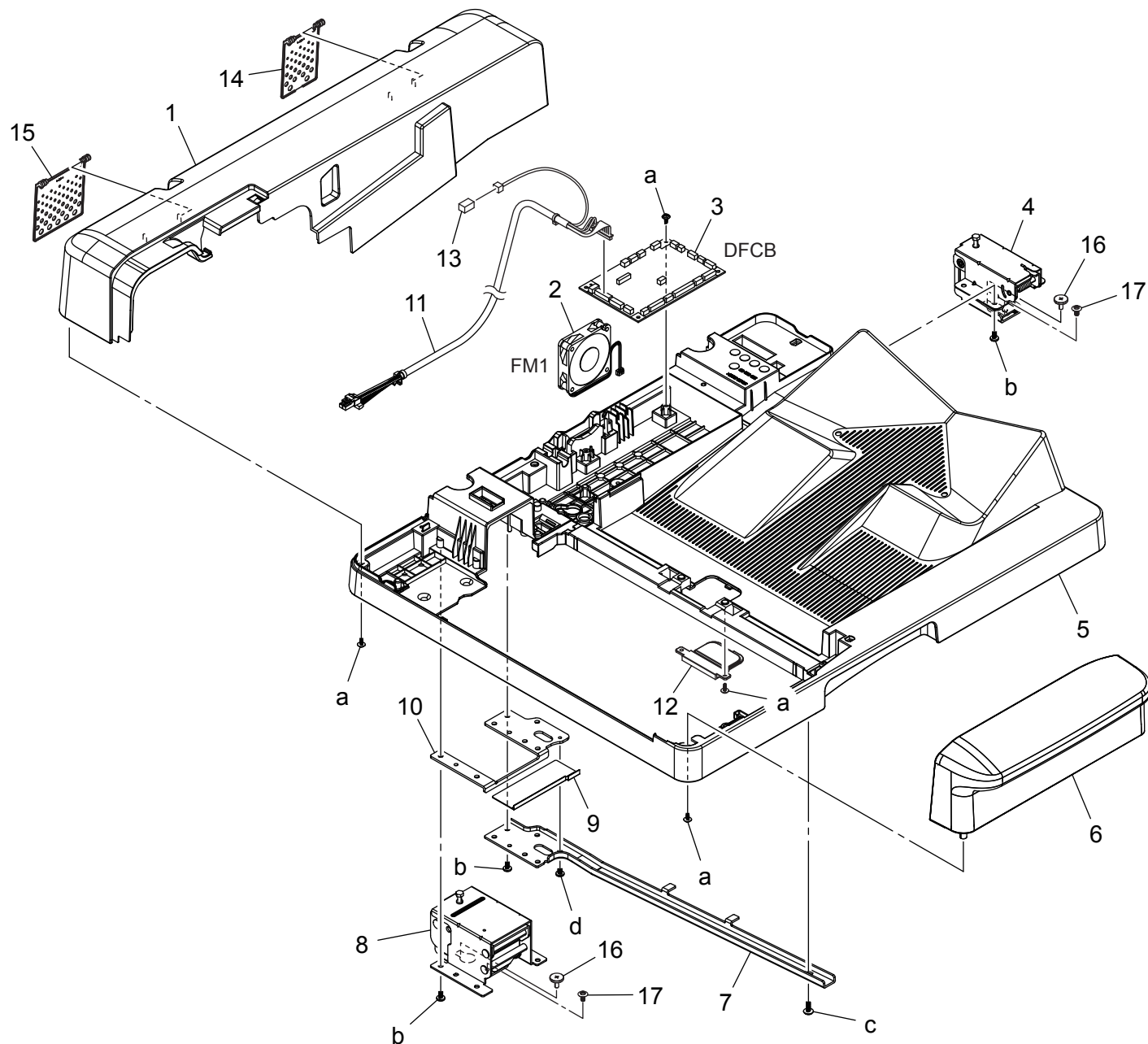
Parts No.	Page No.	Parts No.	Page No.	Parts No.	Page No.	Parts No.	Page No.	Parts No.	Page No.
A161N11C01	21-10	A2X0945000	18-24	A2XK224000	54-19	A2XKM40A00	59-18	A3CEPP1500	8-14
A161N11K00	59-9	A2X0945700	18-23	A2XK224100	54-20	A2XKM40B00	59-18	A3CEPP1603	1-5
A161N11Q01	48-6	A2XK102700	51-10	A2XK228000	57-9	A2XKM40C01	51-13	A3CEPP1701	16-9
A161N12100	50-4	A2XK103200	51-7	A2XK228800	56-9	A2XKM40D01	51-13	A3CEPP1802	1-12
A161N12200	47-4	A2XK103300	51-8	A2XK230500	57-8	A2XKM40G00	59-27	A3CEPP1900	1-7
A161N12602	62-21	A2XK130000	29-13	A2XK253000	54-24	A2XKM40H00	59-27	A3CEPP1A00	16-20
A161N12701	35-5	A2XK130101	59-22	A2XK253300	54-27	A2XKN10002	61-5	A3CEPP1B01	2-4
A161N12801	27-15	A2XK130201	59-26	A2XK254200	56-1	A2XKN10102	61-11	A3CEPP1C00	14-20
A161N12H00	43-37	A2XK130400	51-5	A2XK259600	54-16	A2XKN10202	61-12	A3CEPP1D02	1-8
A161N12K01	59-15	A2XK130500	59-17	A2XK259600	54-33	A2XKN10302	63-1	A3CEPP1E02	16-15
A161N12M01	59-14	A2XK130601	51-25	A2XK400000	26-20	A2XKN10403	64-1	A3CEPP1F00	9-11
A161N12N01	59-13	A2XK130801	51-21	A2XK400100	26-21	A2XKN10600	59-30	A3CEPP1G01	8-11
A161N12P01	59-12	A2XK131100	60-9	A2XK400200	26-22	A2XKN10700	51-26	A3CEPP1H00	13-9
A161N14000	23-13	A2XK131700	59-24	A2XK401101	26-3	A2XKN10801	59-28	A3CEPP1J00	13-12
A161N14100	22-6	A2XK138100	51-18	A2XK401201	26-3	A2XKN10B00	26-24	A3CEPP1K01	11-9
A161N14200	22-13	A2XK138200	51-20	A2XK401302	26-3	A2XKN10C00	19-15	A3CEPP1L01	11-8
A161N14300	24-1	A2XK140100	51-23	A2XK401400	26-3	A2XKN10G00	43-24	A3CEPP1M00	1-10
A161N14401	23-2	A2XK140200	51-24	A2XK404400	26-25	A2XKN10H01	35-31	A3CEPP1N00	15-13
A161N15500	62-34	A2XK140300	51-3	A2XK709000	35-30	A2XKN10K00	59-29	A3CEPP1Q00	14-13
A161N15602	20-23	A2XK142201	58-7	A2XK709000	43-1	A2XKR70000	54-30	A3CEPP1R00	11-6
A161R70000	29-12	A2XK143000	51-12	A2XK710100	44-9	A2XKR70100	54-11	A3CEPP1S02	9-18
A161R70100	29-11	A2XK143100	51-11	A2XK754000	51-16	A2XKR70200	56-27	A3CEPP1T01	16-14
A161R70200	59-6	A2XK143400	51-2	A2XK754100	51-15	A2XKR70300	54-36	A3CEPP1U00	16-12
A161R70300	59-7	A2XK144201	25-4	A2XK754200	51-14	A2XKR70400	25-12	A3CEPP1V01	16-21
A161R70400	17-15	A2XK147001	58-8	A2XK940101	17-13	A2XKR70500	26-18	A3CEPP1X01	16-16
A161R70800	55-16	A2XK163102	17-17	A2XK942101	19-12	A2XKR70600	26-18	A3CEPP1Y00	16-11
A161R71300	31-1	A2XK163200	17-10	A2XK942600	19-20	A2XKR70700	26-18	A3CEPP2000	11-18
A161R71400	44-23	A2XK163302	17-12	A2XKF21100	54-18	A2XKR70800	32-7	A3CEPP2100	2-7
A161R72000	20-3	A2XK163400	17-11	A2XKF21200	54-13	A2XKR70922	44-25	A3CEPP2201	2-6
A161R72100	23-4	A2XK163701	17-20	A2XKF22000	54-31	A2XKR71000	51-17	A3CEPP2301	1-9
A161R72200	22-2	A2XK165000	17-18	A2XKF25002	57-4	A2XKR71200	60-3	A3CEPP2403	16-18
A161R72300	22-21	A2XK165700	17-19	A2XKF25102	56-11	A2XKR71300	60-3	A3CEPP2601	16-13
A161R72400	47-29	A2XK220000	54-25	A2XKH00104	62-7	A2XKR71400	26-18	A3CEPP2700	15-3
A161R72500	34-19	A2XK220800	54-29	A2XKH00502	59-25	A3CE213300	9-4	A3CEPP2800	15-2
A161R72500	36-20	A2XK220900	54-28	A2XKH00A00	59-21	A3CEM70000	13-6	A3CEPP2900	13-1
A161R72600	53-21	A2XK221400	54-17	A2XKH02004	62-9	A3CEN11700	13-5	A3CEPP2A01	10-7
A161R72700	58-5	A2XK222100	54-34	A2XKM10000	54-14	A3CEPP1002	10-16	A3CEPP2B00	10-1
A161R72800	58-17	A2XK222200	54-35	A2XKM10100	54-12	A3CEPP1203	12-7	A3CEPP2C03	1-1
A161R7A000	48-40	A2XK222500	54-23	A2XKM10300	54-10	A3CEPP1300	11-1	A3CEPP2D03	1-6
A1UDM50200	22-9	A2XK222600	54-21	A2XKM10300	57-2	A3CEPP1400	9-12	A3CEPP2E00	9-15

Parts No.	Page No.	Parts No.	Page No.	Parts No.	Page No.	Parts No.	Page No.	Parts No.	Page No.
A3CEPP2F01	8-19	A3CEPP3P00	14-15	A3CEPP5200	7-13	A3CFPP3800	9-13	A3CFPP4X01	5-5
A3CEPP2G01	9-2	A3CEPP3Q00	14-10	A3CEPP5300	11-17	A3CFPP3900	8-10	A3CFPP5200	5-4
A3CEPP2H01	8-3	A3CEPP3R00	14-16	A3CEPP5400	7-8	A3CFPP3C00	8-9	A3CFPP5300	4-5
A3CEPP2J01	8-21	A3CEPP3S00	14-18	A3CEPP5500	7-9	A3CFPP3D01	8-6	A3CFPP5400	5-13
A3CEPP2K00	8-17	A3CEPP3T00	13-8	A3CEPP5700	10-2	A3CFPP3J01	9-5	A3CFPP5602	6-10
A3CEPP2M00	9-7	A3CEPP3U00	13-3	A3CEPP5A00	14-21	A3CFPP3J01	12-1	A3CFPP5801	6-5
A3CEPP2N00	8-22	A3CEPP3V00	13-10	A3CF103400	8-12	A3CFPP3M00	16-4	A3CFPP5A00	4-9
A3CEPP2P00	8-8	A3CEPP3X00	14-11	A3CF103400	9-17	A3CFPP3P01	8-7	A3CFPP5B01	3-2
A3CEPP2Q00	8-18	A3CEPP4000	13-7	A3CF103400	12-16	A3CFPP3R00	8-4	A3CFPP5C00	3-6
A3CEPP2R00	9-3	A3CEPP4100	13-2	A3CF113900	1-15	A3CFPP3T00	16-6	A3CFPP5F03	3-3
A3CEPP2S00	8-20	A3CEPP4201	15-8	A3CF116100	1-16	A3CFPP3U00	10-15	A3CFPP5G03	3-1
A3CEPP2T01	10-3	A3CEPP4301	15-1	A3CF116400	1-14	A3CFPP3V01	10-9	A3CFPP5H00	3-7
A3CEPP2U00	16-23	A3CEPP4403	7-5	A3CFPP1102	10-17	A3CFPP3X00	10-10	A3CFPP5J01	3-8
A3CEPP2V00	16-2	A3CEPP4501	4-1	A3CFPP1202	10-18	A3CFPP3Y01	10-5	A3CFPP5K00	5-1
A3CEPP2X01	15-10	A3CEPP4602	4-11	A3CFPP1300	10-13	A3CFPP4000	10-14	A3CFPP5L00	5-15
A3CEPP2Y00	15-17	A3CEPP4701	7-11	A3CFPP1401	10-12	A3CFPP4101	10-8	A3CFPP5R00	12-9
A3CEPP3000	16-7	A3CEPP4800	3-9	A3CFPP1600	6-28	A3CFPP4202	12-19	A3CFPP5S00	8-1
A3CEPP3101	16-24	A3CEPP4900	1-3	A3CFPP1700	5-18	A3CFPP4300	12-17	A3CFPP6B00	2-1
A3CEPP3200	16-22	A3CEPP4A01	16-1	A3CFPP1901	11-13	A3CFPP4400	12-4	A3CFPP6C00	5-10
A3CEPP3301	12-20	A3CEPP4B00	8-23	A3CFPP1E01	9-10	A3CFPP4500	12-22	A3CFPP6D00	6-2
A3CEPP3301	15-9	A3CEPP4C00	9-1	A3CFPP1G00	12-6	A3CFPP4500	15-7	A3CFPP6L00	7-14
A3CEPP3401	15-5	A3CEPP4D00	5-17	A3CFPP1J01	6-4	A3CFPP4600	12-21	A3CFPP6M00	10-22
A3CEPP3501	15-6	A3CEPP4E00	3-14	A3CFPP1J01	9-16	A3CFPP4700	12-13	A3CFPP6N00	10-23
A3CEPP3600	15-4	A3CEPP4F00	11-16	A3CFPP1K01	10-6	A3CFPP4800	12-10	A4MG130900	62-33
A3CEPP3701	14-2	A3CEPP4G00	10-21	A3CFPP1N02	7-12	A3CFPP4900	12-12	A4NNWY1	28-9
A3CEPP3800	14-1	A3CEPP4H00	11-15	A3CFPP1P00	10-19	A3CFPP4A00	12-15	V116033003	66-11
A3CEPP3900	15-11	A3CEPP4K00	12-23	A3CFPP2701	1-4	A3CFPP4C00	12-14	V500010003	65-1
A3CEPP3A00	14-5	A3CEPP4L00	9-19	A3CFPP2A01	2-2	A3CFPP4C00	16-8	V500010005	65-2
A3CEPP3B00	14-3	A3CEPP4M01	16-27	A3CFPP2B00	11-7	A3CFPP4F00	12-8	V500010007	65-3
A3CEPP3C00	14-12	A3CEPP4N00	8-24	A3CFPP2C00	8-2	A3CFPP4G00	7-1	V500010008	65-4
A3CEPP3D01	14-6	A3CEPP4P00	8-25	A3CFPP2E00	8-15	A3CFPP4H00	7-3	V500010020	65-5
A3CEPP3E01	11-5	A3CEPP4Q01	1-11	A3CFPP2E00	9-8	A3CFPP4L00	7-4	V500010046	65-6
A3CEPP3F00	14-7	A3CEPP4R00	16-25	A3CFPP2E00	12-5	A3CFPP4N00	7-2	V500010052	65-7
A3CEPP3G00	14-19	A3CEPP4S00	16-26	A3CFPP2H01	11-14	A3CFPP4Q00	7-6	V500010061	65-8
A3CEPP3H01	15-12	A3CEPP4U00	13-15	A3CFPP2H01	13-13	A3CFPP4R00	6-1	V500020040	65-17
A3CEPP3J00	15-15	A3CEPP4V00	13-14	A3CFPP2Q01	10-20	A3CFPP4S01	6-27	V500020040	66-10
A3CEPP3K00	15-14	A3CEPP4X00	12-24	A3CFPP2R00	2-5	A3CFPP4T01	5-11	V500020052	65-9
A3CEPP3L00	14-9	A3CEPP4Y00	13-11	A3CFPP2S00	13-4	A3CFPP4T01	14-4	V500020082	65-10
A3CEPP3M00	14-17	A3CEPP5000	12-18	A3CFPP2X00	10-11	A3CFPP4U01	5-12	V500020094	65-15
A3CEPP3N01	14-8	A3CEPP5100	14-14	A3CFPP3500	9-14	A3CFPP4V00	5-6	V502010036	59-19

Parts No.	Page No.
V502010046	59-20
V570010021	65-11
V570010038	65-16
V570010057	65-12
V570010059	65-13
V570010060	65-14
V651010002	60-11
V651010003	58-4
V800500300	43-22
V800500300	44-7
V865300026	62-32

EXTERNAL PARTS

P 1

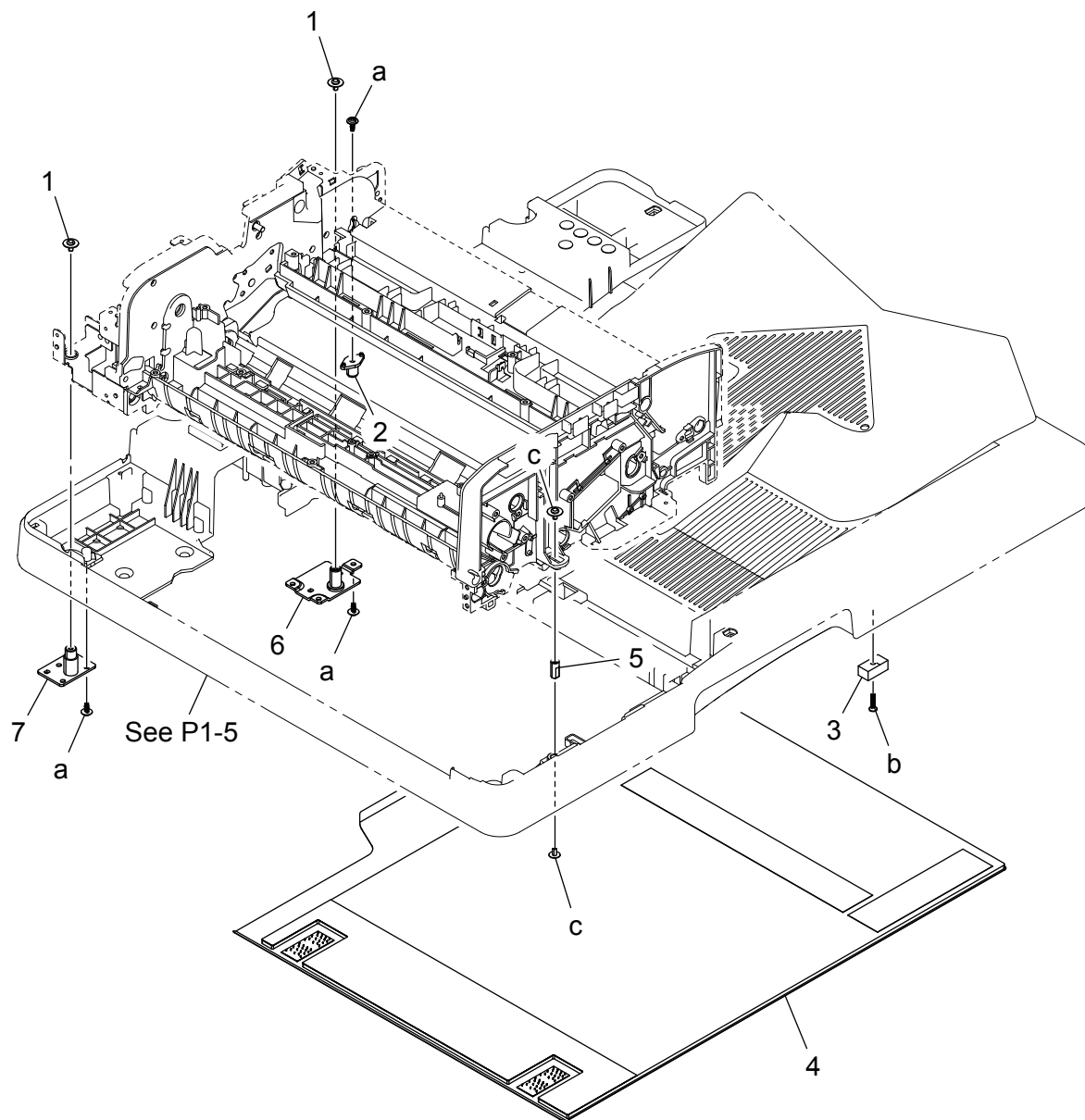


EXTERNAL PARTS

Key	Part No.	Description	Destinations	Class	QTY	Standard parts
1	A3CEPP2C03	Rear Cover		C	1	a-A3CFPP2G00 b-A143PP0J00 c-A143PP8E01 d-A143PP0H00
2	9J06M10000	FAN MOTOR		C	1	
3	A3CEPP4900	PW Board Assy		C	1	
4	A3CFPP2701	Hinge-R		C	1	
5	A3CEPP1603	Base Frame		C	1	
6	A3CEPP2D03	Front Cover		C	1	
7	A3CEPP1900	Reinforce Plate		D	1	
8	A3CEPP1D02	Hinge-L		C	1	
9	A3CEPP2301	Film		C	1	
10	A3CEPP1M00	Cover		C	1	
11	A3CEPP4Q01	Wire Harness Assy		D	1	
12	A3CEPP1802	Cover		C	1	
13	A143PP8F00	Wire Harness Assy		D	1	
14	A3CF116400	Hinge Cover Right		C	1	
15	A3CF113900	Hinge Cover Left		C	1	
16	A3CF116100	Screw_two step		C	2	
17	A143114600	Screw		C	2	

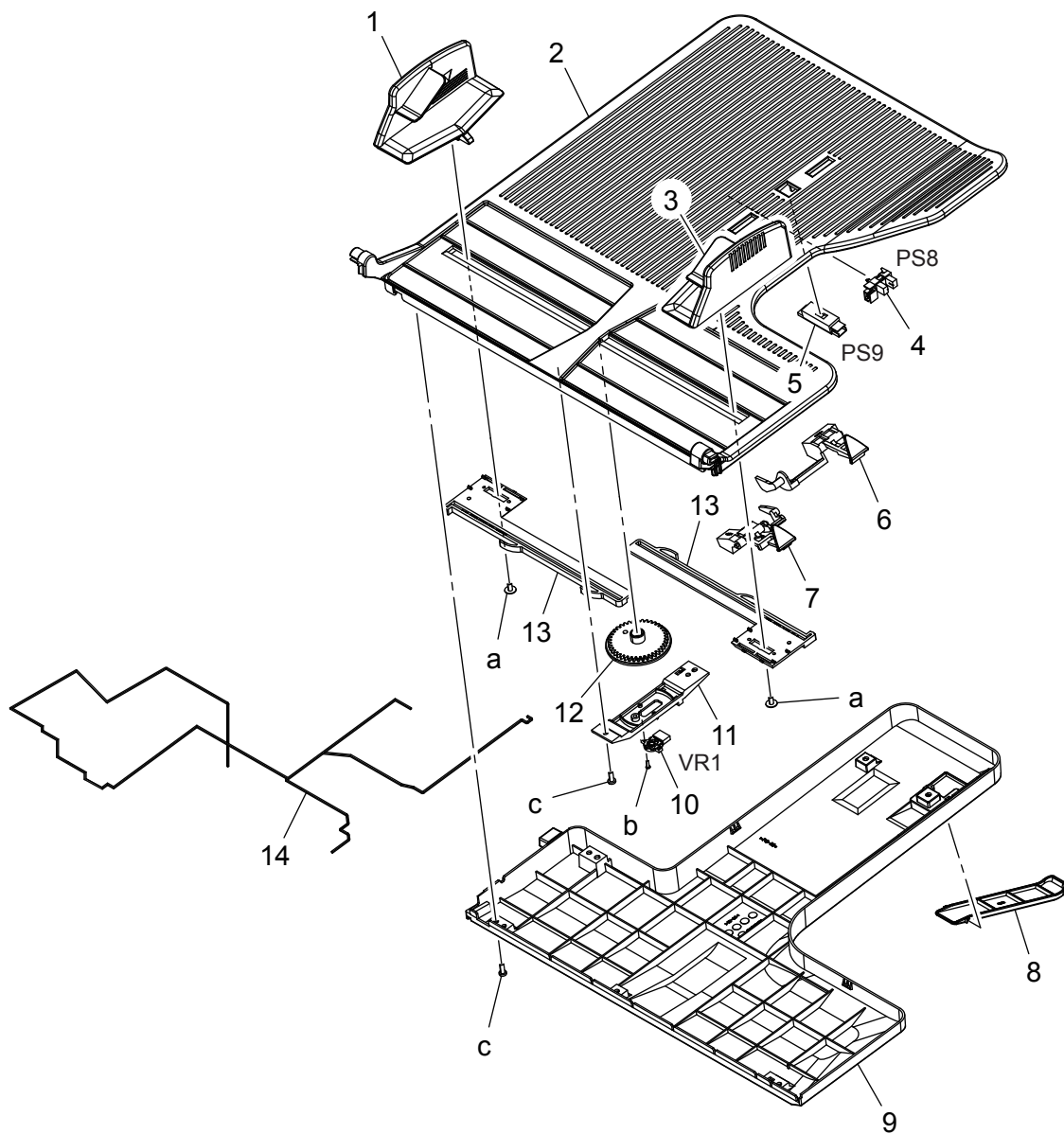
EXTERNAL PARTS

P 2



PAPER FEED TRAY SECTION

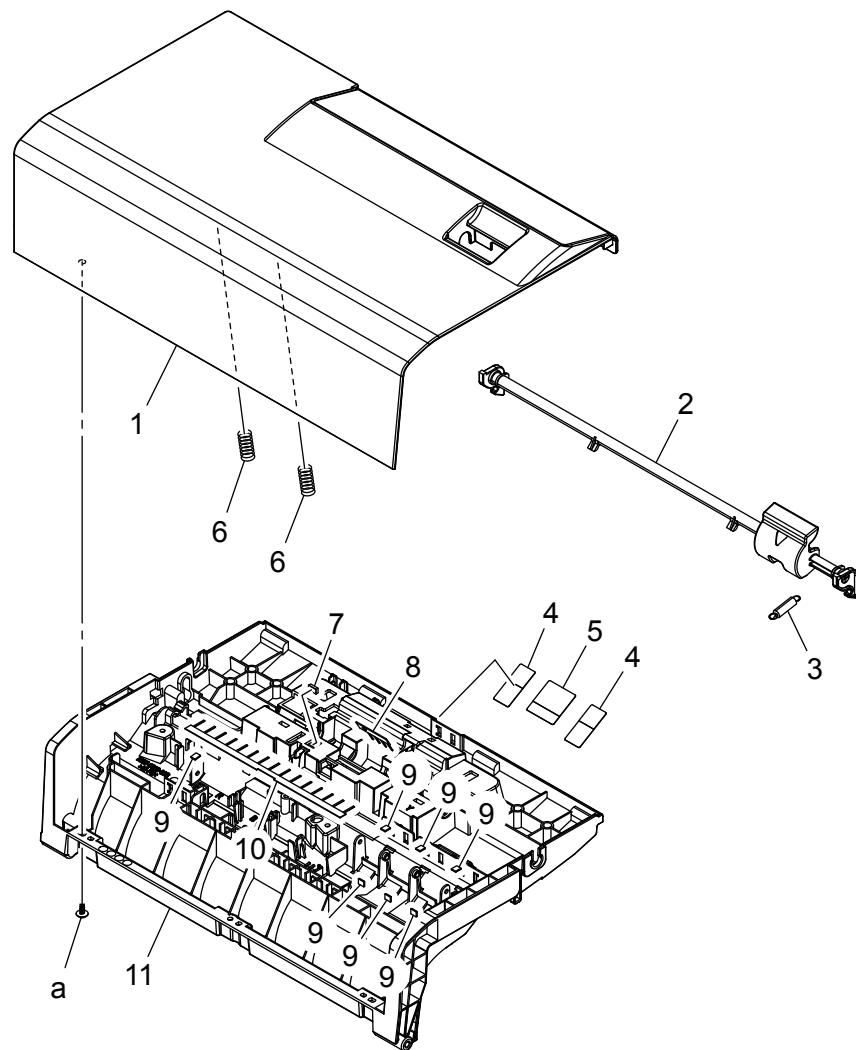
P 3



PAPER FEED TRAY SECTION

Key	Part No.	Description	Destinations	Class	QTY	Standard parts
1	A3CFPP5G03	Regulating Plate		C	1	a-A143PP0B00 b-A143PP8R00 c-A143PP0A00
2	A3CFPP5B01	Cover		C	1	
3	A3CFPP5F03	Regulating Plate		C	1	
4	A108M50100	Photointerrupter		B	1	
5	A108M50000	Photoreflector		B	1	
6	A3CFPP5C00	Lever		C	1	
7	A3CFPP5H00	Lever		C	1	
8	A3CFPP5J01	Lever		C	1	
9	A3CEPP4800	Tray		C	1	
10	A143PP6X00	PW Board Assy		C	1	
11	A143PP6M01	Holder		D	1	
12	A143PP6K01	Gear 40T		C	1	
13	A143PP6F01	Rack		C	2	
14	A3CEPP4E00	Wire Harness Assy		D	1	

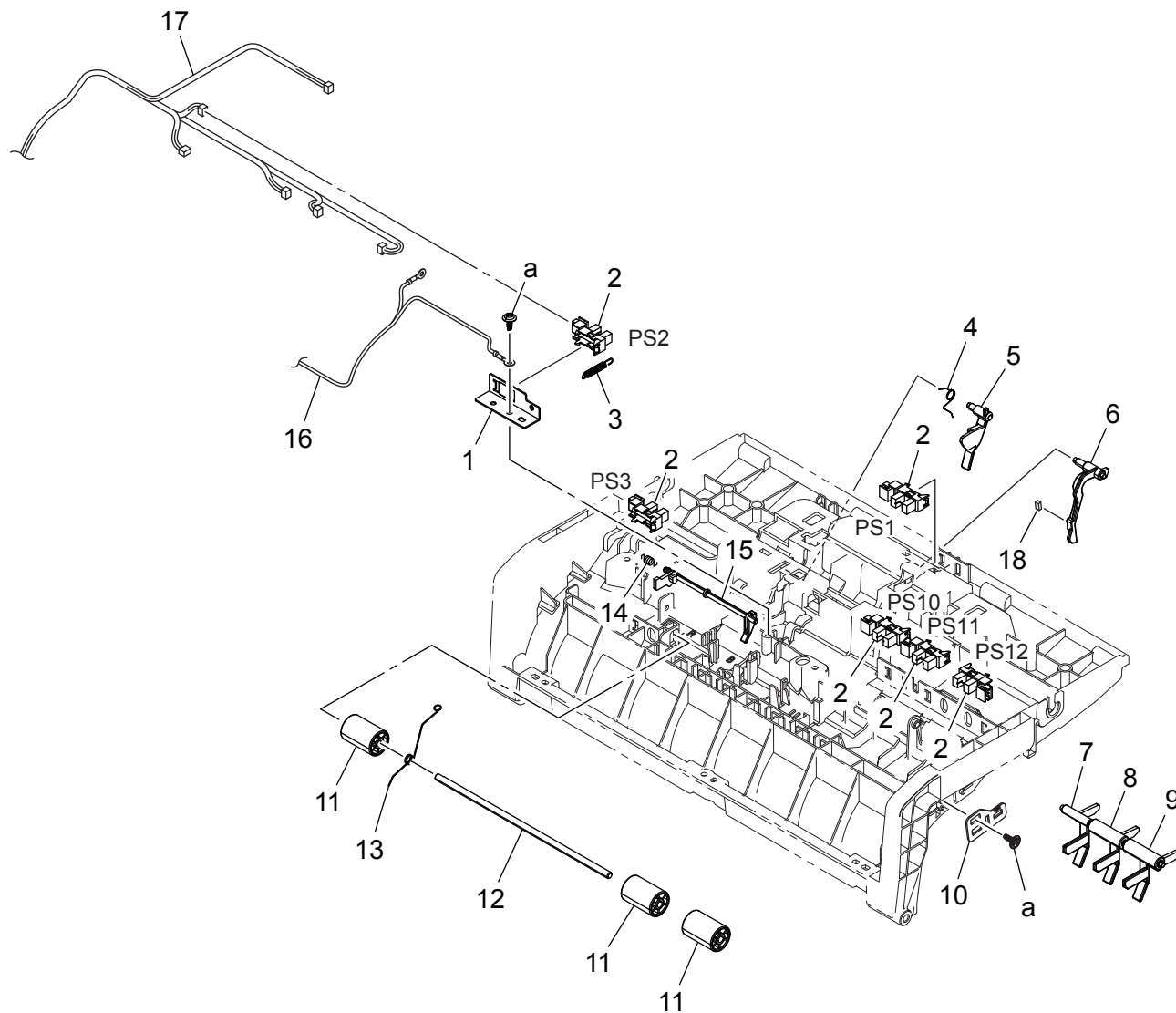
PAPER TAKE-UP SECTION



PAPER TAKE-UP SECTION

Key	Part No.	Description	Destinations	Class	QTY	Standard parts
1	A3CEPP4501	Cover		C	1	a-A3CFPP2G00
2	A143PP5R03	Knob		C	1	
3	A143PP5V00	Tension Spring		C	1	
4	A143PP6100	Film		C	2	
5	A3CFPP5300	Film		C	1	
6	A143PP5F01	Pressure Spring		C	2	
7	A143PP1Y00	Sponge		C	1	
8	A143PP6800	Neuralizing Brush		C	1	
9	A3CFPP5A00	Sponge		C	7	
10	A143PP1W00	Neuralizing Brush		C	1	
11	A3CEPP4602	Cover		C	1	

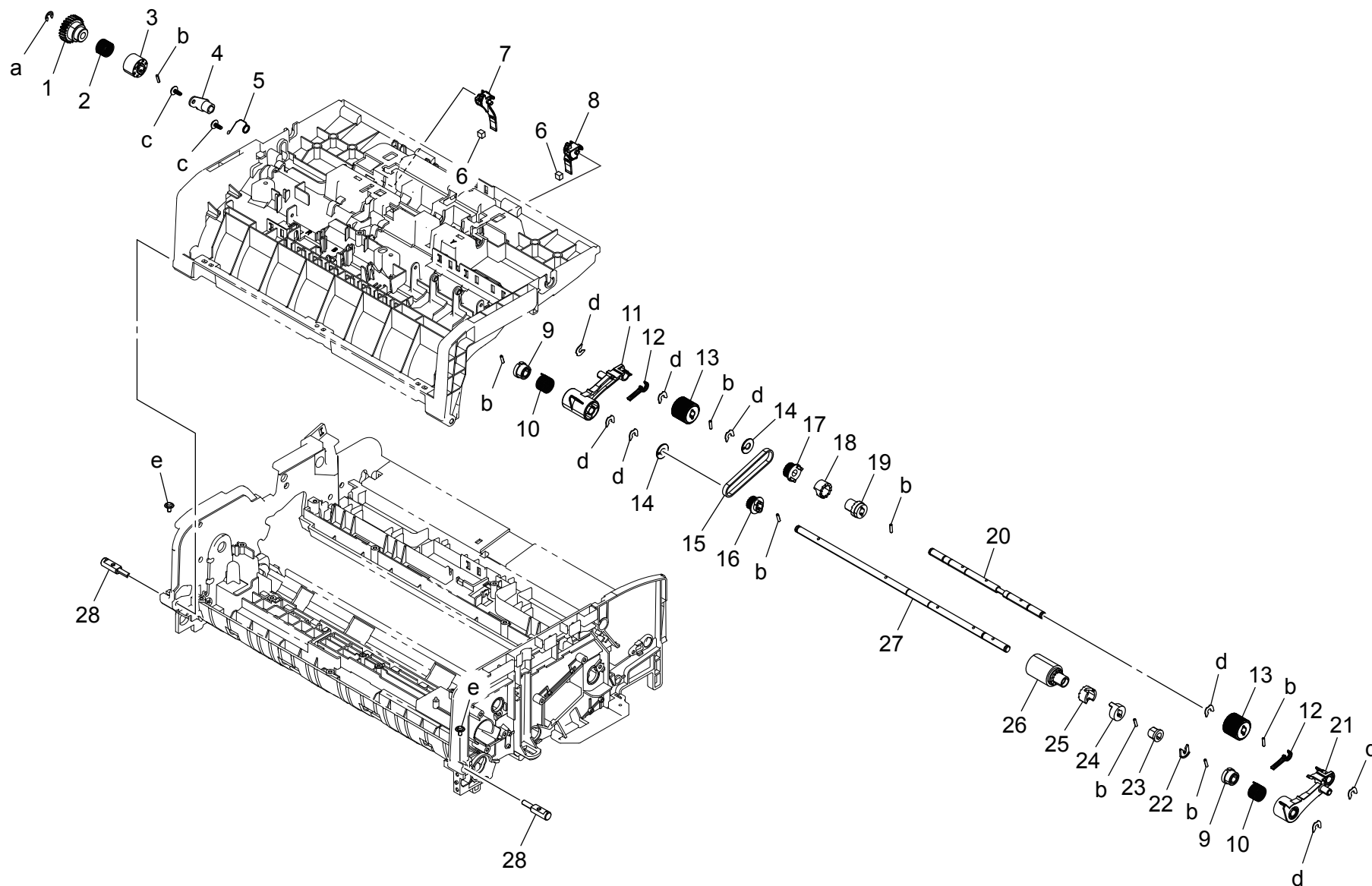
PAPER TAKE-UP SECTION



PAPER TAKE-UP SECTION

Key	Part No.	Description	Destinations	Class	QTY	Standard parts
1	A3CFPP5K00	Bracket		D	1	a-A3CFPP2G00
2	A108M50100	Photointerrupter		B	6	
3	A143PP6900	Tension Spring		C	1	
4	A3CFPP5200	Torsion Spring		C	1	
5	A3CFPP4X01	Lever		C	1	
6	A3CFPP4V00	Lever		C	1	
7	A143PP5J01	Lever		C	1	
8	A143PP5K01	Lever		C	1	
9	A143PP5M01	Lever		C	1	
10	A3CFPP6C00	Bracket		D	1	
11	A3CFPP4T01	Roller		C	3	
12	A3CFPP4U01	Shaft		D	1	
13	A3CFPP5400	Torsion Spring		C	1	
14	A143PP1B00	Torsion Spring		C	1	
15	A3CFPP5L00	Lever		C	1	
16	A143PP7301	Wire Harness Assy		D	1	
17	A3CEPP4D00	Wire Harness Assy		D	1	
18	A3CFPP1700	Magnet		D	1	

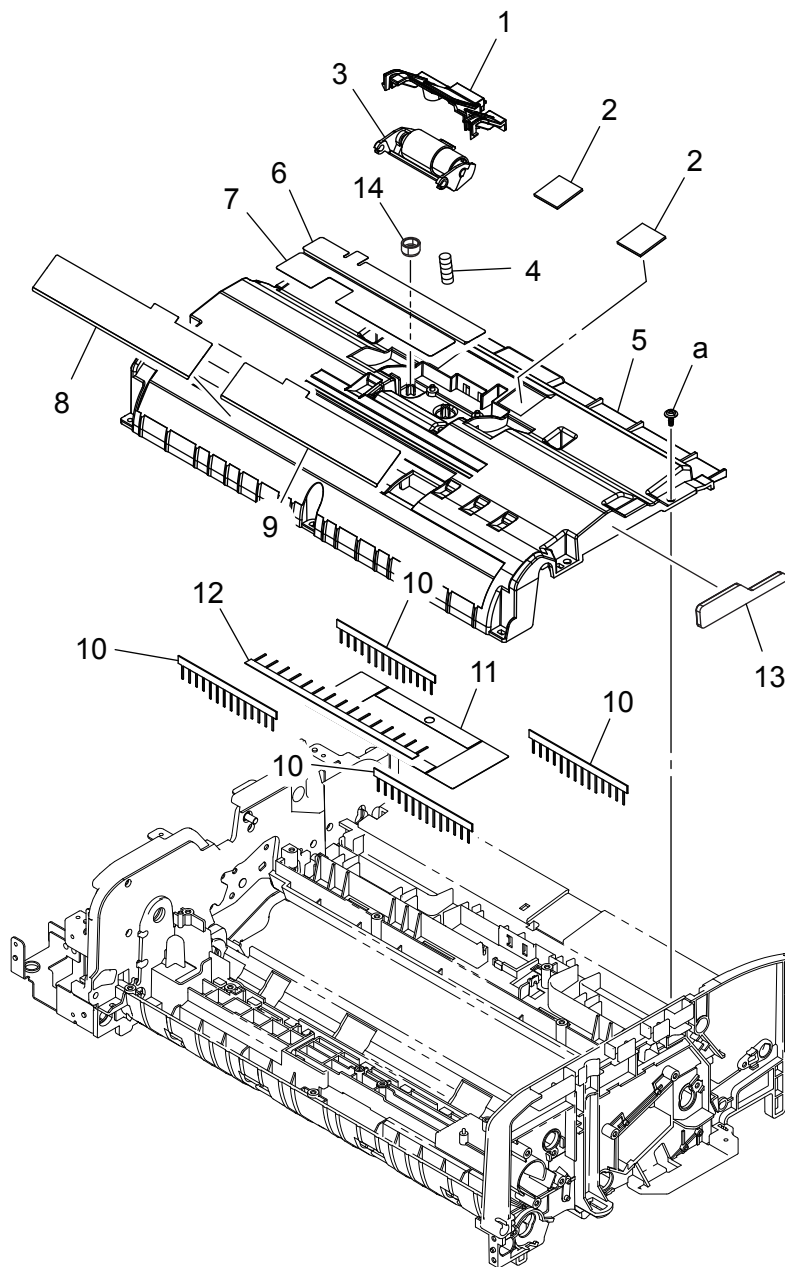
PAPER TAKE-UP SECTION



Key	Part No.	Description	Destinations	Class	QTY	Standard parts
1	A3CFPP4R00	Gear		C	1	a-A143PP0Q00 b-A143PP4S00 c-A3CFPP2G00 d-A143PP5501 e-A143PP7M00
2	A3CFPP6D00	Torsion Spring		C	1	
3	A143PP4X01	Holder		C	1	
4	A3CFPP1J01	Bushing		C	1	
5	A3CFPP5801	Torsion Spring		C	1	
6	A143PP9G00	Damper		C	2	
7	A143PP5U02	Stopper		C	1	
8	A143PP5T02	Stopper		C	1	
9	A143PP4T01	Holder		C	2	
10	A3CFPP5602	Torsion Spring		C	2	
11	A143PP4V02	Lever		C	1	
12	A143PP5301	Stopper		C	2	
13	A143PP5200	Roller		A	2	
14	A143PP5Y01	Flange		D	2	
15	A143563300	TIMING BELT 134L		C	1	
16	A143PP5A00	Pulley 19T		C	1	
17	A143PP5000	Pulley 21T		C	1	
18	A143PP5101	Coupling		C	1	
19	A143PP4Y00	Holder		C	1	
20	A143PP5403	Shaft		D	1	
21	A143PP4R03	Lever		C	1	
22	A143PP5B01	Stop Ring		C	1	
23	A143PP5901	Bushing		C	1	
24	A143PP5601	Coupling		C	1	
25	A143PP6601	Coupling		C	1	
26	A143563100	Roller		A	1	
27	A3CFPP4S01	Shaft		D	1	
28	A3CFPP1600	Shaft		D	2	

PAPER TRANSPORT SECTION

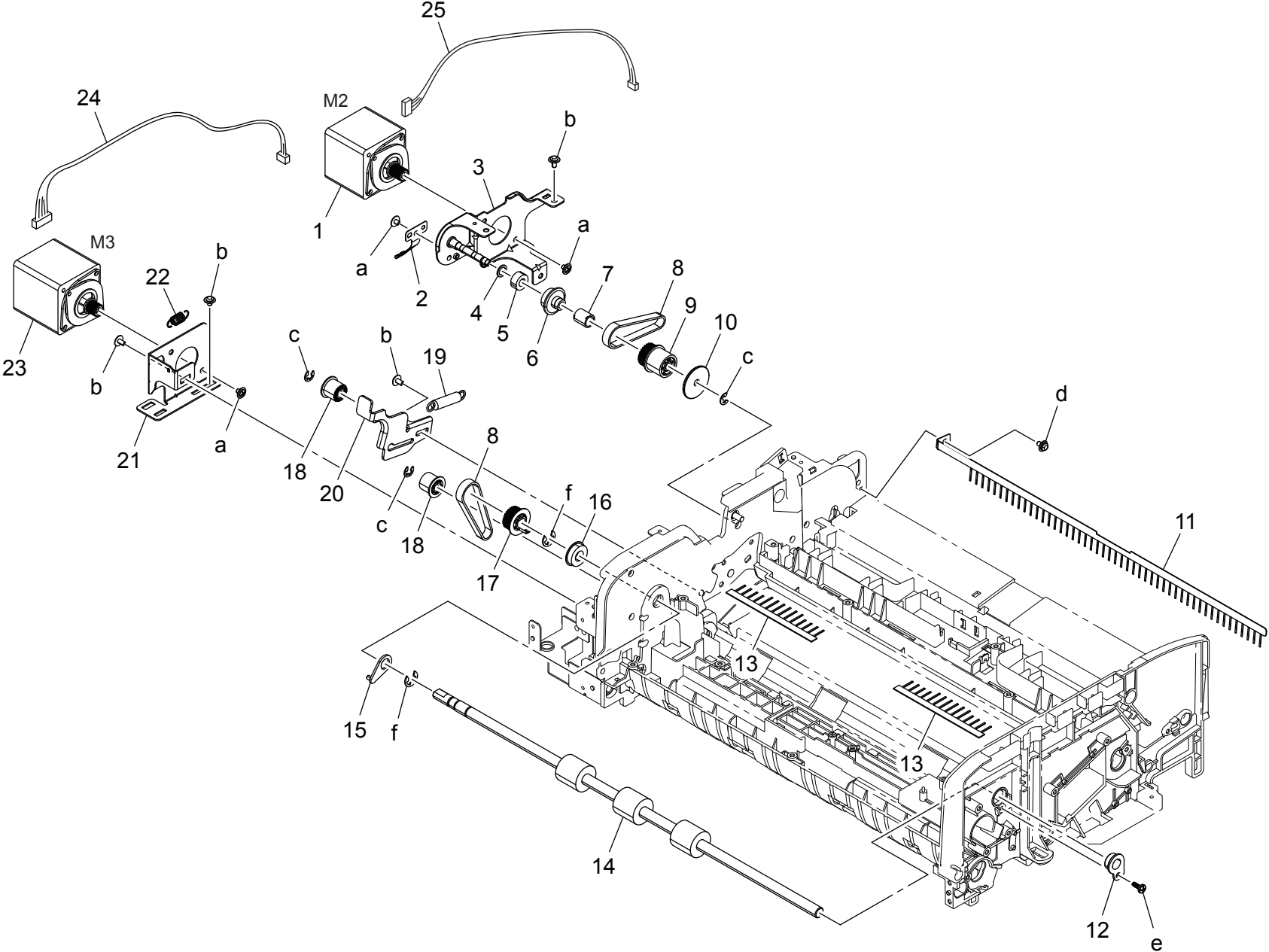
P 7



PAPER TRANSPORT SECTION

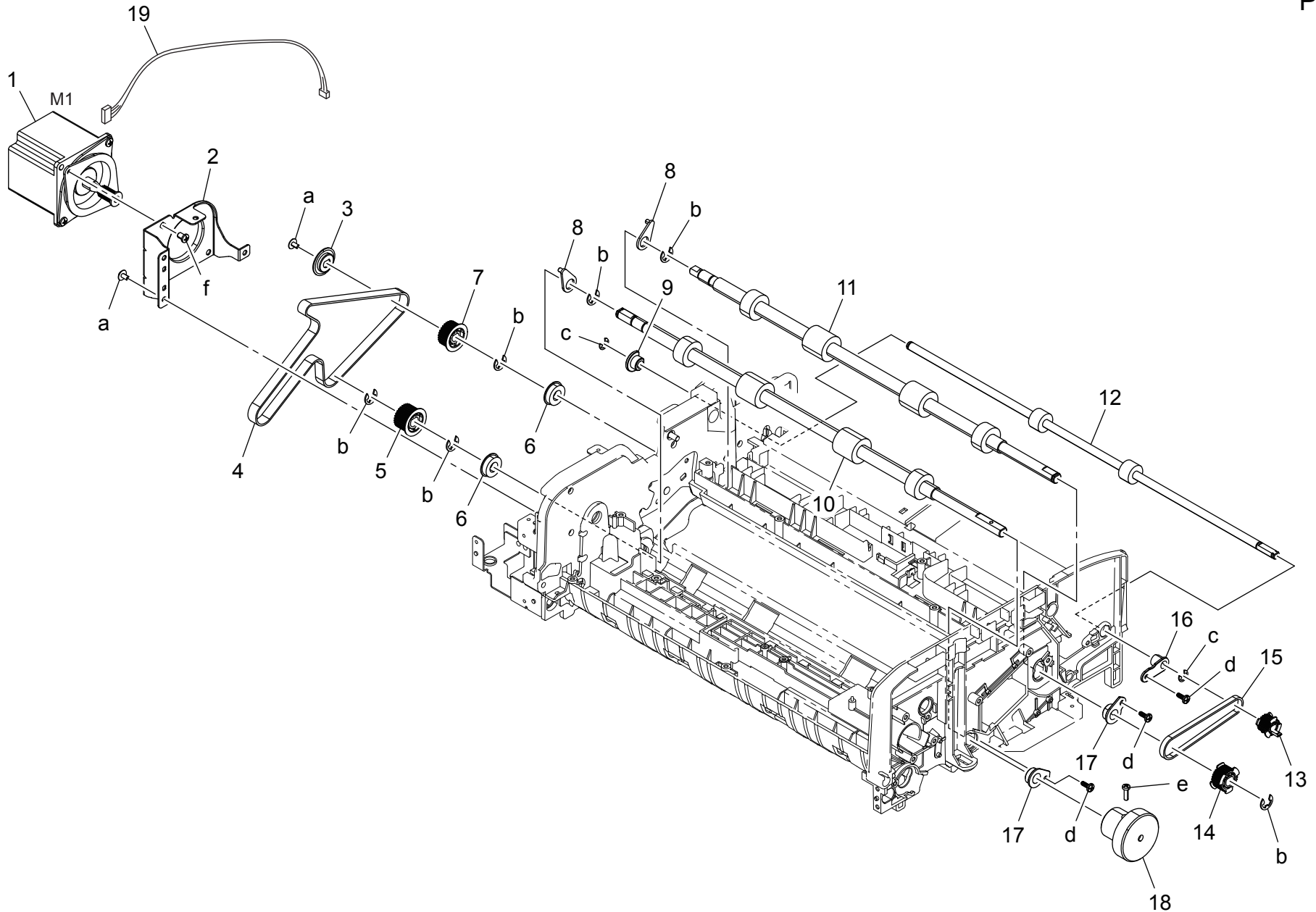
Key	Part No.	Description	Destinations	Class	QTY	Standard parts
1	A3CFPP4G00	Cover Assy		C	1	a-A3CFPP6K00
2	A3CFPP4N00	Pad		C	2	
3	A3CFPP4H00	Roller Assy		A	1	
4	A3CFPP4L00	Pressure Spring		C	1	
5	A3CEPP4403	Guide		C	1	
6	A3CFPP4Q00	Film		C	1	
7	A143PP4P01	Film		C	1	
8	A3CEPP5400	Film		C	1	
9	A3CEPP5500	Film		C	1	
10	A143PP1X00	Neutralizing Brush		C	4	
11	A3CEPP4701	Film		C	1	
12	A3CFPP1N02	Neutralizing Brush		C	1	
13	A3CEPP5200	Sponge		D	1	
14	A3CFPP6L00	Spacer		C	1	

PAPER TRANSPORT SECTION



Key	Part No.	Description	Destinations	Class	QTY	Standard parts
1	A3CFPP5S00	Motor		C	1	a-A143PP7N00 b-A143PP7M00 c-A143PP0Q00 d-A3CFPP2Y01 e-A143PP0A00 f-A143PP0P00
2	A3CFPP2C00	Plate Spring		D	1	
3	A3CEPP2H01	Bracket		D	1	
4	A3CFPP3R00	Washer		C	1	
5	A143PP9300	BEARING		C	1	
6	A3CFPP3D01	Pulley		C	1	
7	A3CFPP3P01	Pressure Spring		C	1	
8	A3CEPP2P00	Timing Belt		C	2	
9	A3CFPP3C00	Pulley		C	1	
10	A3CFPP3900	Flange		C	1	
11	A3CEPP1G01	Neuralizing Brush		C	1	
12	A3CF103400	Bushing		C	1	
13	A143PP1X00	Neuralizing Brush		C	2	
14	A3CEPP1500	Roller		C	1	
15	A3CFPP2E00	Bushing		D	1	
16	A143PP1M00	Ball Bearing		C	1	
17	A3CEPP2K00	Pulley		C	1	
18	A3CEPP2Q00	Pulley		C	2	
19	A3CEPP2F01	Tension Spring		C	1	
20	A3CEPP2S00	Bracket		D	1	
21	A3CEPP2J01	Bracket		D	1	
22	A3CEPP2N00	Tension Spring		C	1	
23	A3CEPP4B00	Motor		C	1	
24	A3CEPP4N00	Wire Harness Assy		D	1	
25	A3CEPP4P00	Wire Harness Assy		D	1	

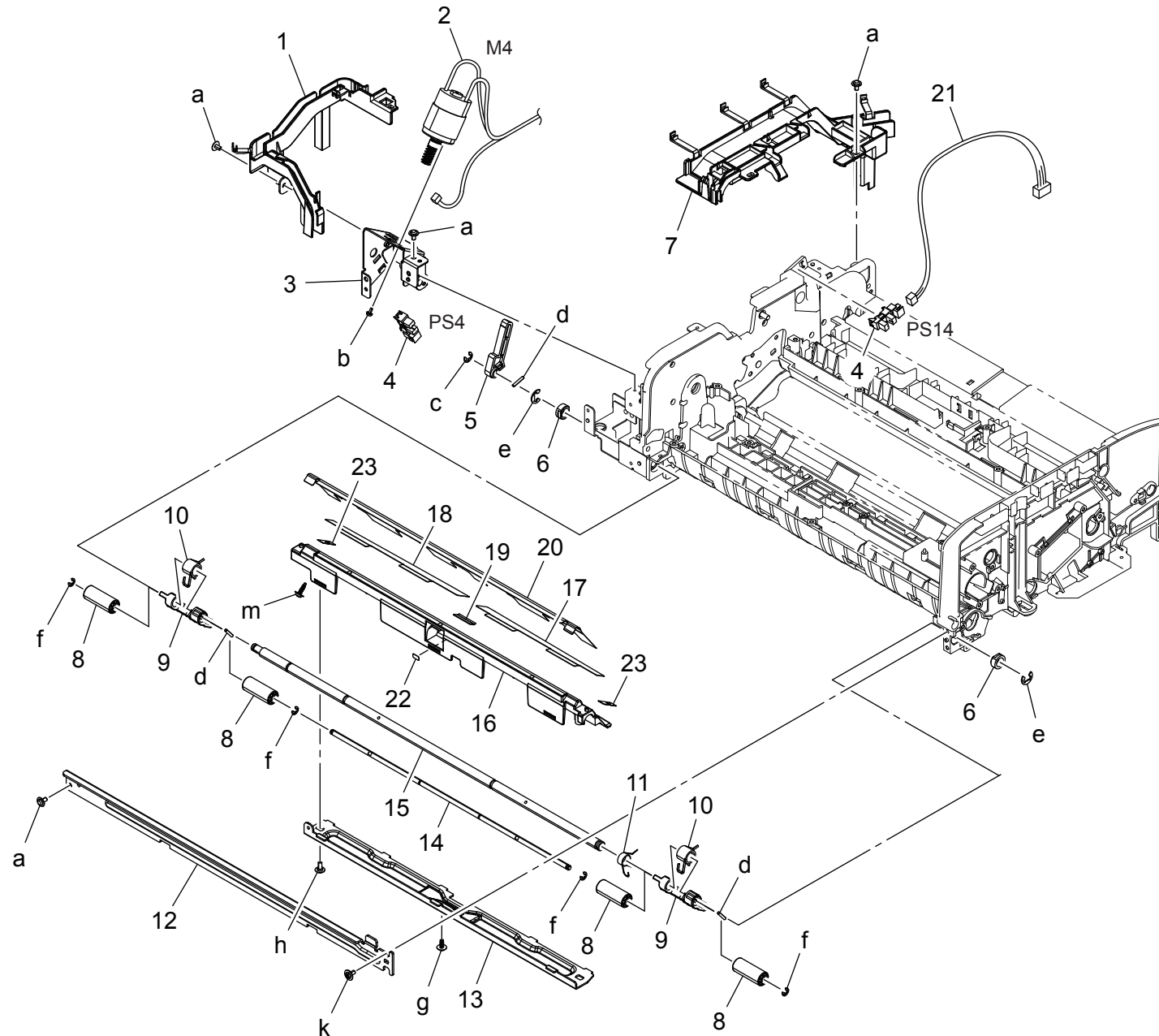
PAPER TRANSPORT SECTION



PAPER TRANSPORT SECTION

Key	Part No.	Description	Destinations	Class	QTY	Standard parts
1	A3CEPP4C00	Motor		C	1	a-A143PP7M00 b-A143PP0P00 c-A143PP0Q00 d-A143PP0A00 e-A3CFPP6E00 f-A3CEPP5900
2	A3CEPP2G01	Bracket		D	1	
3	A3CEPP2R00	Flange		C	1	
4	A3CE213300	Timing belt		C	1	
5	A3CFPP3J01	Pulley		C	1	
6	A143PP1M00	Ball Bearing		C	2	
7	A3CEPP2M00	Pulley		C	1	
8	A3CFPP2E00	Bushing		D	2	
9	A143PP4D02	Bushing		C	1	
10	A3CFPP1E01	Roller		C	1	
11	A3CEPP1F00	Roller		C	1	
12	A3CEPP1400	Roller		C	1	
13	A3CFPP3800	Pulley		C	1	
14	A3CFPP3500	Pulley		C	1	
15	A3CEPP2E00	Timing Belt		C	1	
16	A3CFPP1J01	Bushing		C	1	
17	A3CF103400	Bushing		C	2	
18	A3CEPP1S02	Fly Wheel		D	1	
19	A3CEPP4L00	Wire Harness Assy		D	1	

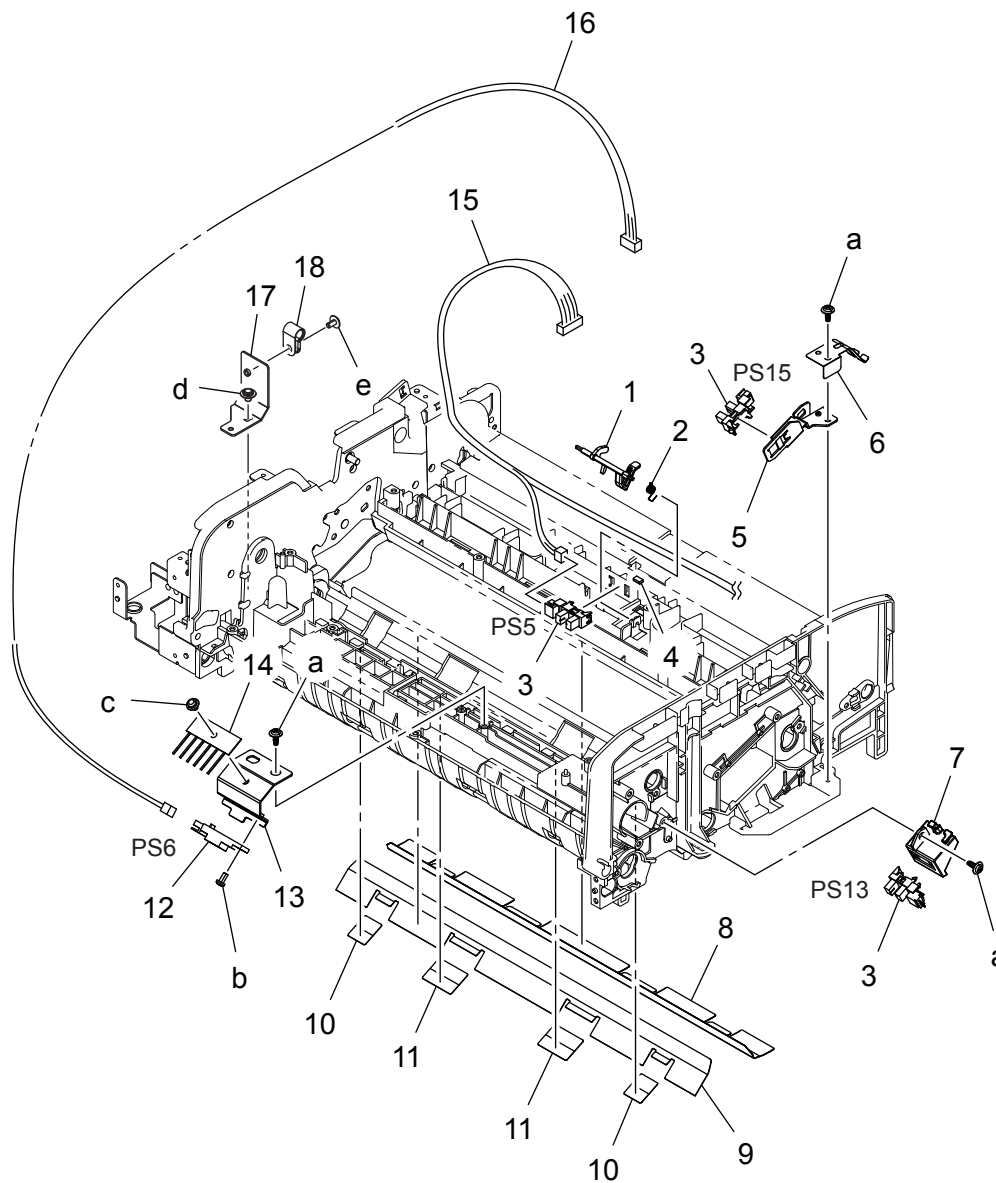
PAPER TRANSPORT SECTION



PAPER TRANSPORT SECTION

Key	Part No.	Description	Destinations	Class	QTY	Standard parts
1	A3CEPP2B00	Guide		C	1	a-A143PP7M00 b-A143PP3M00 c-A143PP0Q00 d-A143PP3X00 e-A143PP0P00 f-A3CFPP5M00 g-A3CFPP2G00 h-A3CFPP2K00 k-A3CFPP2F00 m-A3CFPP2V00
2	A3CEPP5700	Motor Assy		C	1	
3	A3CEPP2T01	Bracket		D	1	
4	A108M50100	Photointerrupter		B	2	
5	A3CFPP3Y01	Lever		C	1	
6	A3CFPP1K01	Bushing		C	2	
7	A3CEPP2A01	Guide		C	1	
8	A3CFPP4101	Roller		C	4	
9	A3CFPP3V01	Arm		C	2	
10	A3CFPP3X00	Torsion Spring		C	2	
11	A3CFPP2X00	Torsion Spring		C	1	
12	A3CFPP1401	Bracket		D	1	
13	A3CFPP1300	Bracket		D	1	
14	A3CFPP4000	Shaft		D	1	
15	A3CFPP3U00	Shaft		D	1	
16	A3CEPP1002	Guide		C	1	
17	A3CFPP1102	Film		C	1	
18	A3CFPP1202	Film		C	1	
19	A3CFPP1P00	Cushion		C	1	
20	A3CFPP2Q01	Film		C	1	
21	A3CEPP4G00	Wire Harness Assy		D	1	
22	A3CFPP6M00	Spacer		C	1	
23	A3CFPP6N00	Spacer		C	2	

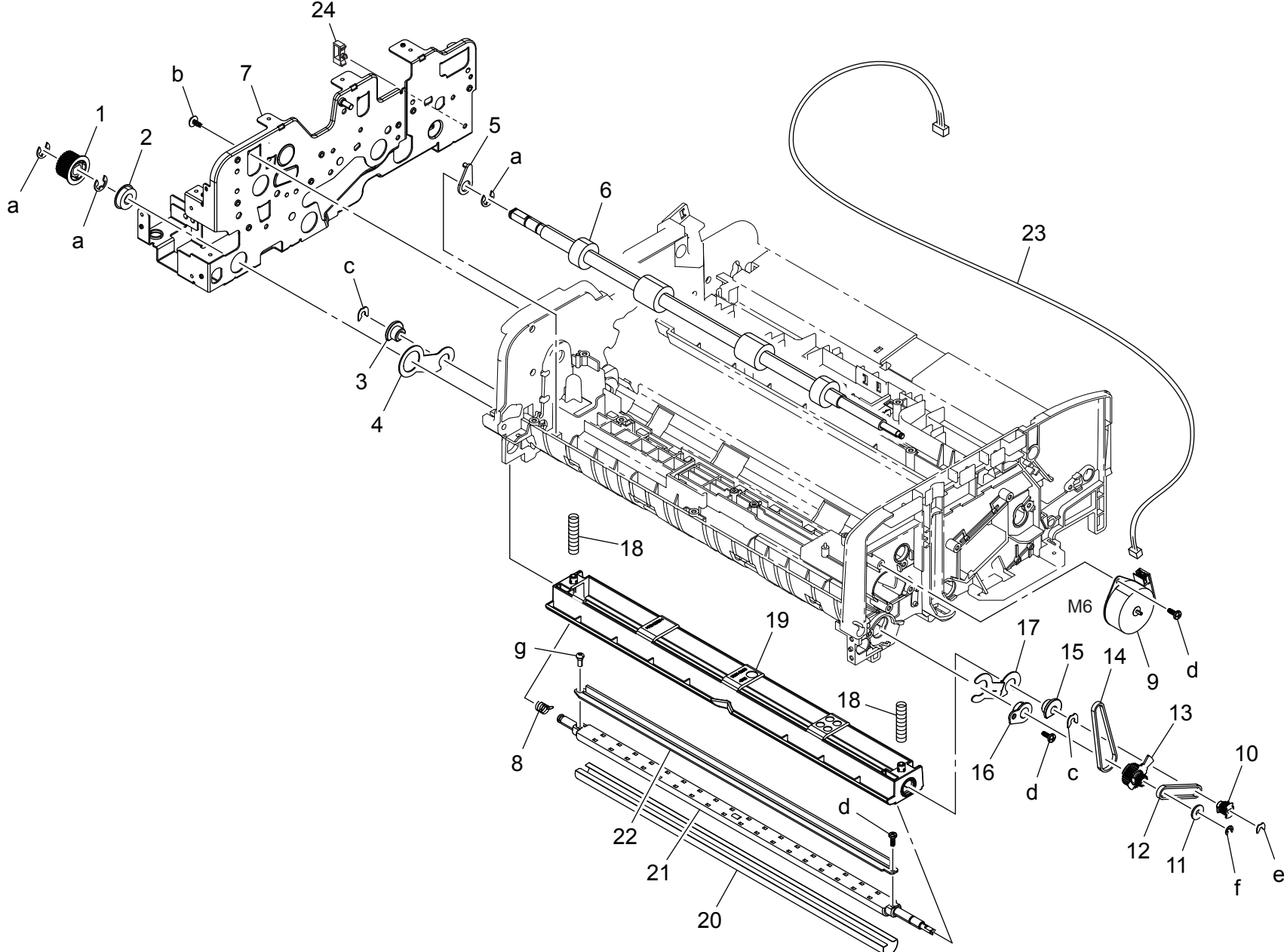
PAPER TRANSPORT SECTION



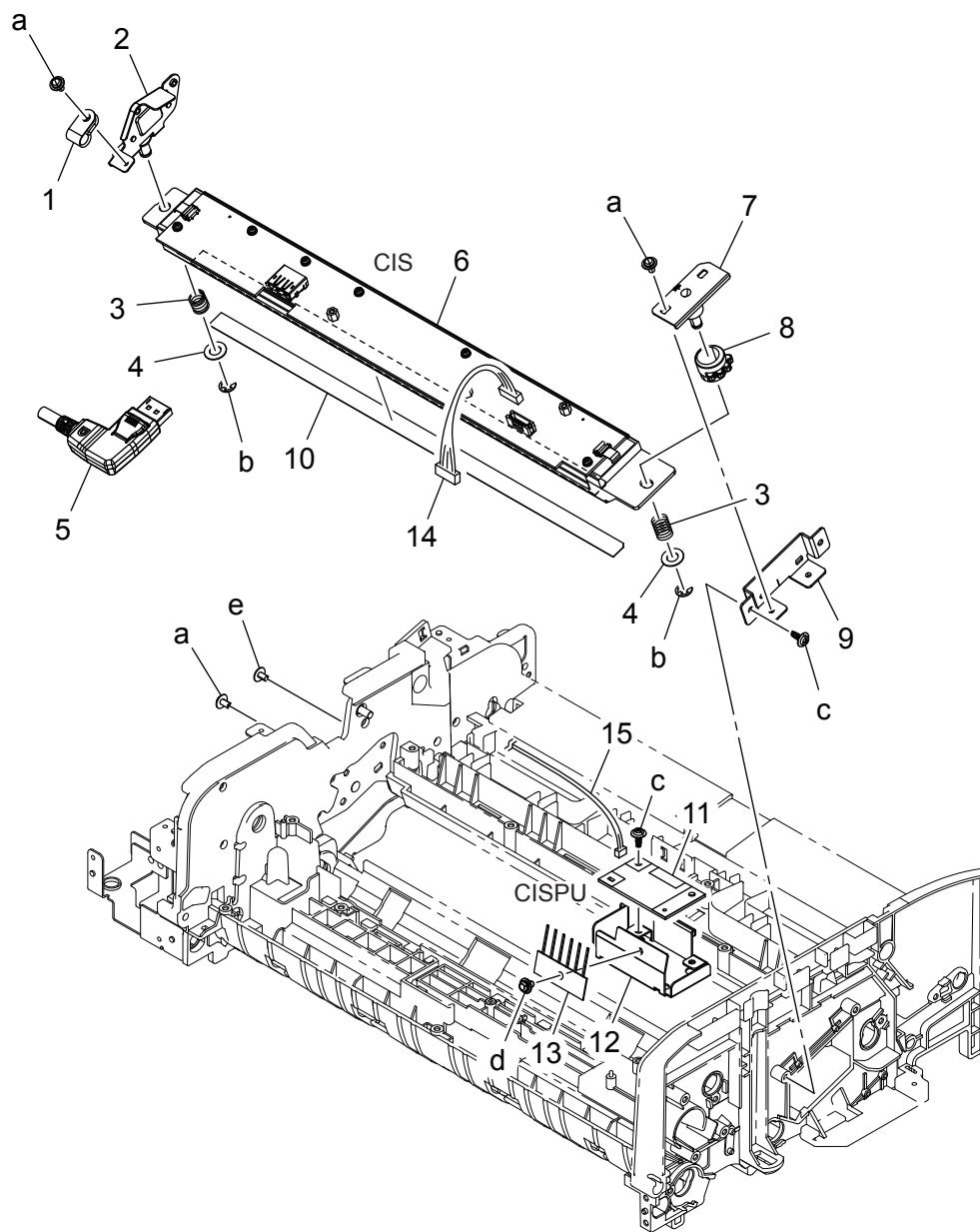
PAPER TRANSPORT SECTION

Key	Part No.	Description	Destinations	Class	QTY	Standard parts
1	A3CEPP1300	Arm		C	1	a-A3CFPP2G00 b-A143PP0D00 c-A3CFPP2Y01 d-A143PP7N00 e-A143PP7M00
2	A143PP1B00	Torsion Spring		C	1	
3	A108M50100	Photointerrupter		B	3	
4	A143PP1Y00	Sponge		C	1	
5	A3CEPP3E01	Holder		C	1	
6	A3CEPP1R00	Plate Spring		C	1	
7	A3CFPP2B00	Holder		D	1	
8	A3CEPP1L01	Film		C	1	
9	A3CEPP1K01	Film		C	1	
10	A143PP4G01	Film		C	2	
11	A143PP4F01	Film		C	2	
12	A143PP7900	Solid State Switch		B	1	
13	A3CFPP1901	Bracket		D	1	
14	A3CFPP2H01	Neuralizing Brush		C	1	
15	A3CEPP4H00	Wire Harness Assy		D	1	
16	A3CEPP4F00	Wire Harness Assy		D	1	
17	A3CEPP5300	Bracket		D	1	
18	A3CEPP2000	Clamp		C	1	

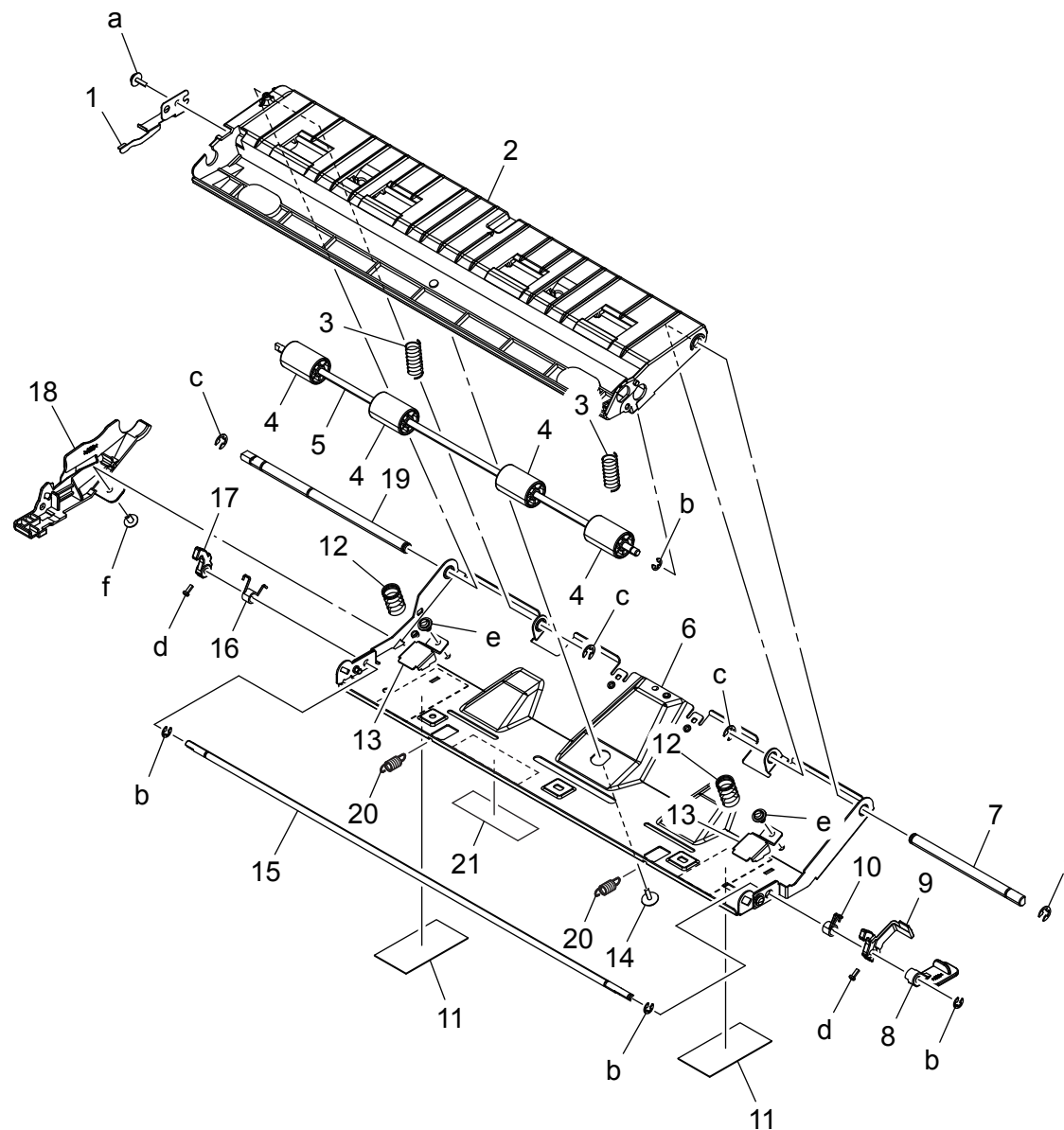
PAPER TRANSPORT SECTION



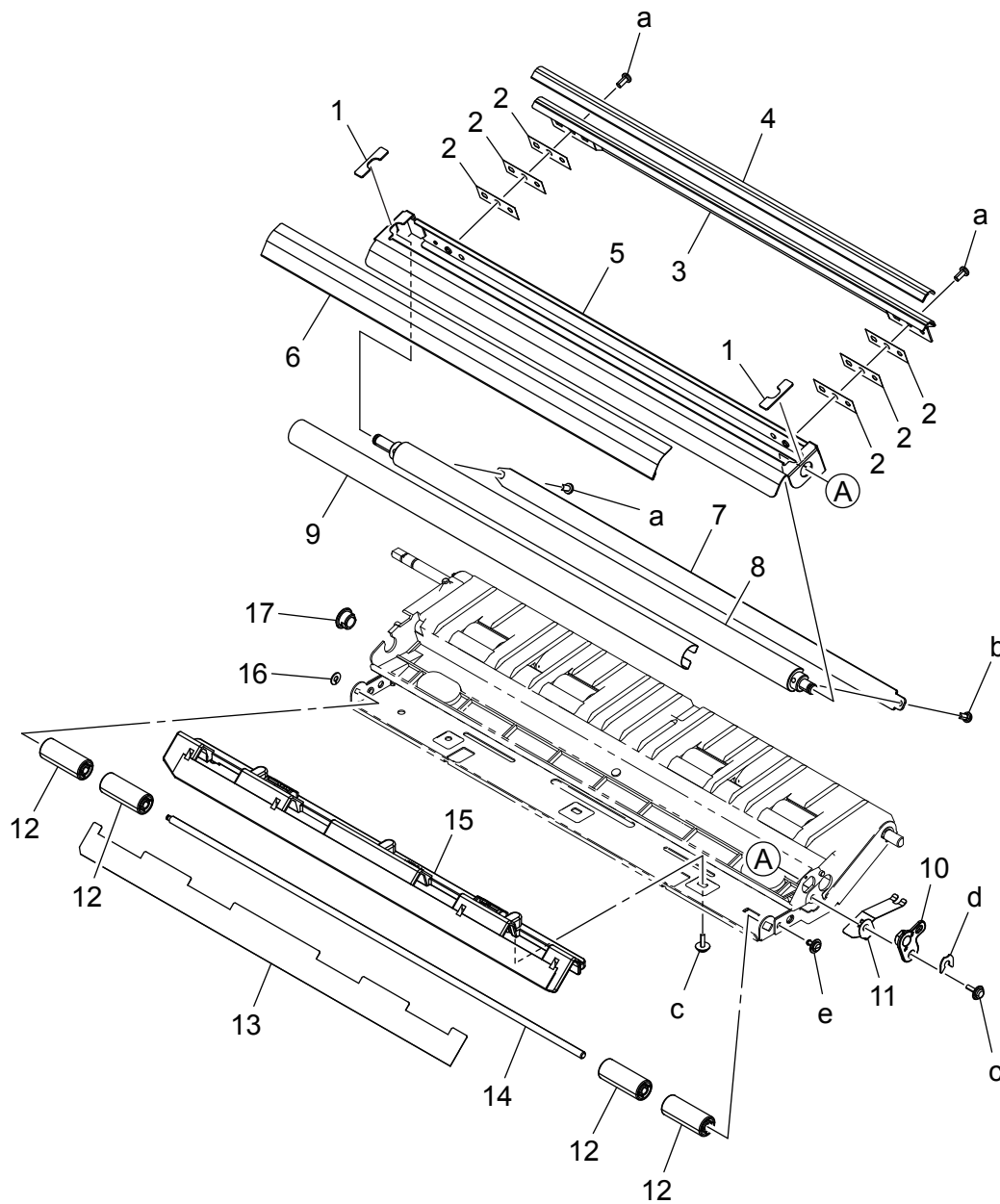
Key	Part No.	Description	Destinations	Class	QTY	Standard parts
1	A3CFPP3J01	Pulley		C	1	a-A143PP0P00 b-A3CFPP2G00 c-A143PP5501 d-A143PP0A00 e-A3CFPP4D00 f-A3CFPP5M00 g-A3CFPP4E00
2	A143PP1M00	Ball Bearing		C	1	
3	A143PP4D02	Bushing		C	1	
4	A3CFPP4400	Arm		C	1	
5	A3CFPP2E00	Bushing		D	1	
6	A3CFPP1G00	Roller		C	1	
7	A3CEPP1203	Frame Assy		C	1	
8	A3CFPP4F00	Tension Spring		C	1	
9	A3CFPP5R00	Motor		C	1	
10	A3CFPP4800	Pulley		C	1	
11	A143PP4H01	Flange		D	1	
12	A3CFPP4900	Timing Belt		C	1	
13	A3CFPP4700	Pulley		C	1	
14	A3CFPP4C00	Timing Belt		C	1	
15	A3CFPP4A00	Bushing		C	1	
16	A3CF103400	Bushing		C	1	
17	A3CFPP4300	Arm		C	1	
18	A3CEPP5000	Pressure Spring		C	2	
19	A3CFPP4202	Cover		D	1	
20	A3CEPP3301	Sheet		C	1	
21	A3CFPP4600	Shaft		D	1	
22	A3CFPP4500	Brush		C	1	
23	A3CEPP4K00	Wire Harness Assy		D	1	
24	A3CEPP4X00	Clamp		C	1	



Key	Part No.	Description	Destinations	Class	QTY	Standard parts
1	A3CEPP2900	Clamp		C	1	a-A143PP7M00 b-A143PP0Q00 c-A3CFPP2G00 d-A3CFPP2Y01 e-A143PP0E00
2	A3CEPP4100	Bracket		D	1	
3	A3CEPP3U00	Pressure Spring		C	2	
4	A3CFPP2S00	Washer		C	2	
5	A3CEN11700	ADF Cable		D	1	
6	A3CEM70000	CIS		I	1	
7	A3CEPP4000	Bracket		D	1	
8	A3CEPP3T00	Adjustment Wheel		C	1	
9	A3CEPP1H00	Bracket		D	1	
10	A3CEPP3V00	Film		C	1	
11	A3CEPP4Y00	PCB Board Assy		I	1	
12	A3CEPP1J00	Bracket		D	1	
13	A3CFPP2H01	Neuralizing Brush		C	1	
14	A3CEPP4V00	Wire Harness Assy		D	1	
15	A3CEPP4U00	Wire Harness Assy		D	1	

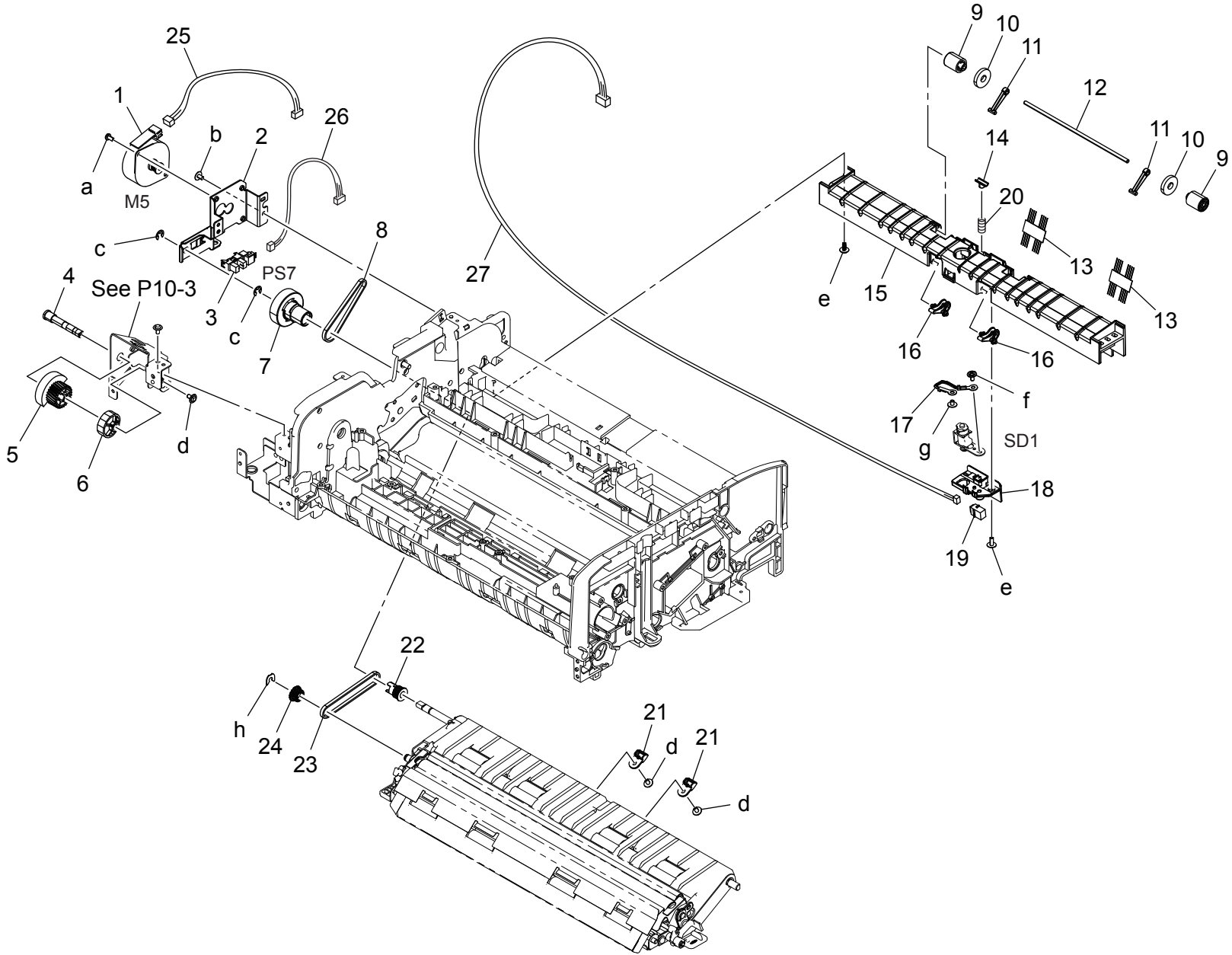


Key	Part No.	Description	Destinations	Class	QTY	Standard parts
1	A3CEPP3800	Plate Spring		C	1	a-A3CFPP2G00 b-A3CFPP5M00 c-A143PP0Q00 d-A3CEPP1P00 e-A143PP0E00 f-A143PP7M00
2	A3CEPP3701	Cover		C	1	
3	A3CEPP3B00	Pressure Spring		C	2	
4	A3CFPP4T01	Roller		C	4	
5	A3CEPP3A00	Shaft		D	1	
6	A3CEPP3D01	Bracket		D	1	
7	A3CEPP3F00	Shaft		D	1	
8	A3CEPP3N01	Lever		C	1	
9	A3CEPP3L00	Lever		C	1	
10	A3CEPP3Q00	Torsion Spring		C	1	
11	A3CEPP3X00	Sheet		C	2	
12	A3CEPP3C00	Pressure Spring		C	2	
13	A3CEPP1Q00	Mounting Plate		D	2	
14	A3CEPP5100	Screw		C	1	
15	A3CEPP3P00	Shaft		D	1	
16	A3CEPP3R00	Torsion Spring		C	1	
17	A3CEPP3M00	Lever		C	1	
18	A3CEPP3S00	Cover		C	1	
19	A3CEPP3G00	Shaft		D	1	
20	A3CEPP1C00	Tension Spring		C	2	
21	A3CEPP5A00	Label		C	1	

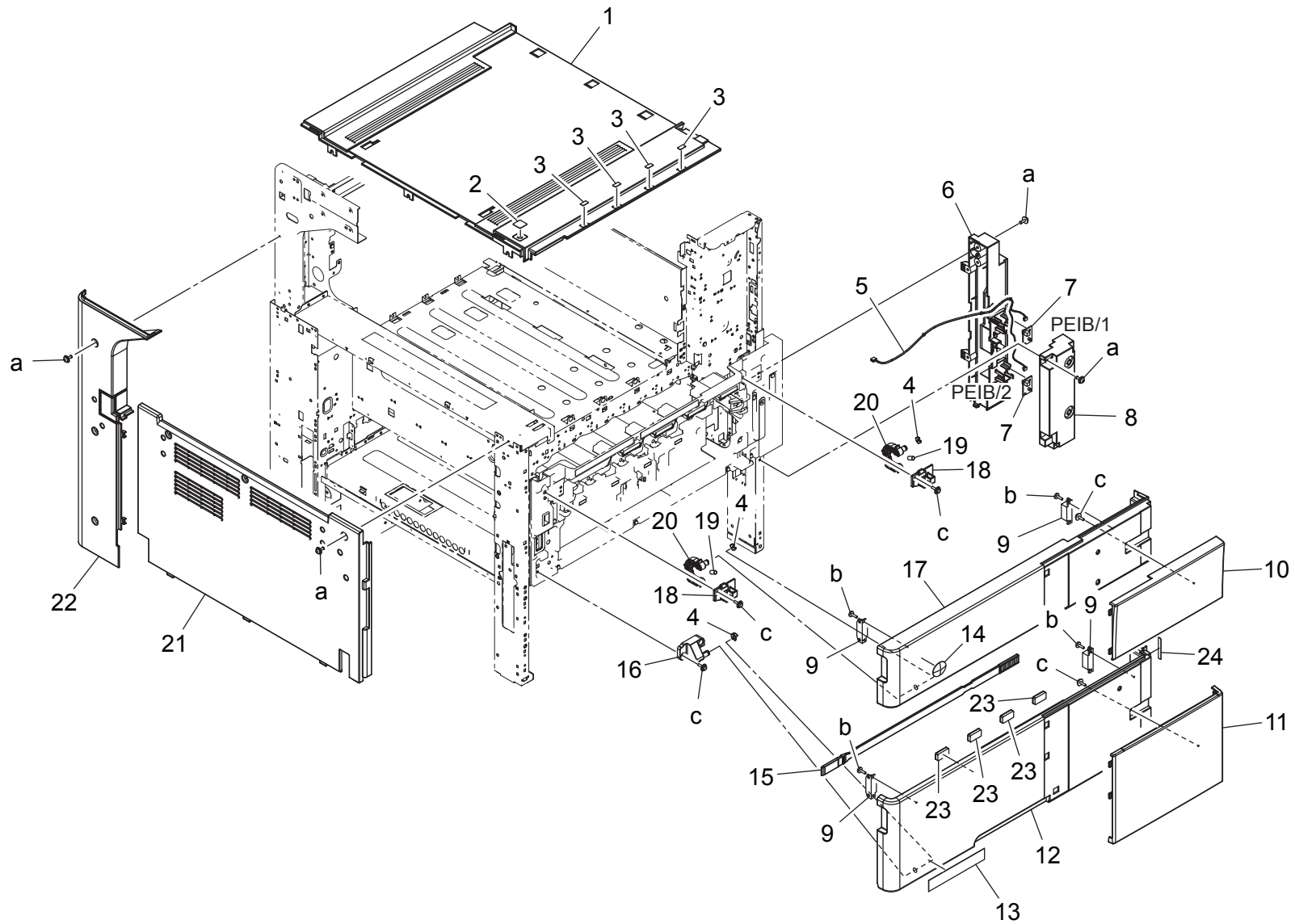


Key	Part No.	Description	Destinations	Class	QTY	Standard parts
1	A3CEPP4301	Spacer		C	2	a-A143PP0D00 b-A3CEPP2500 c-A3CFPP2G00 d-A143PP5501 e-A143PP0E00
2	A3CEPP2800	Film		C	6	
3	A3CEPP2700	Mounting Plate		D	1	
4	A3CEPP3600	Film		C	1	
5	A3CEPP3401	Mounting Plate		D	1	
6	A3CEPP3501	Film		C	1	
7	A3CFPP4500	Brush		C	1	
8	A3CEPP4201	Shaft		D	1	
9	A3CEPP3301	Sheet		C	1	
10	A3CEPP2X01	Bushing		C	1	
11	A3CEPP3900	Plate Spring		C	1	
12	A3CEPP3H01	Roll		C	4	
13	A3CEPP1N00	Film		C	1	
14	A3CEPP3K00	Shaft		D	1	
15	A3CEPP3J00	Guide		C	1	
16	A143PP1S00	Washer		C	1	
17	A3CEPP2Y00	Bushing		C	1	

CIS SECTION



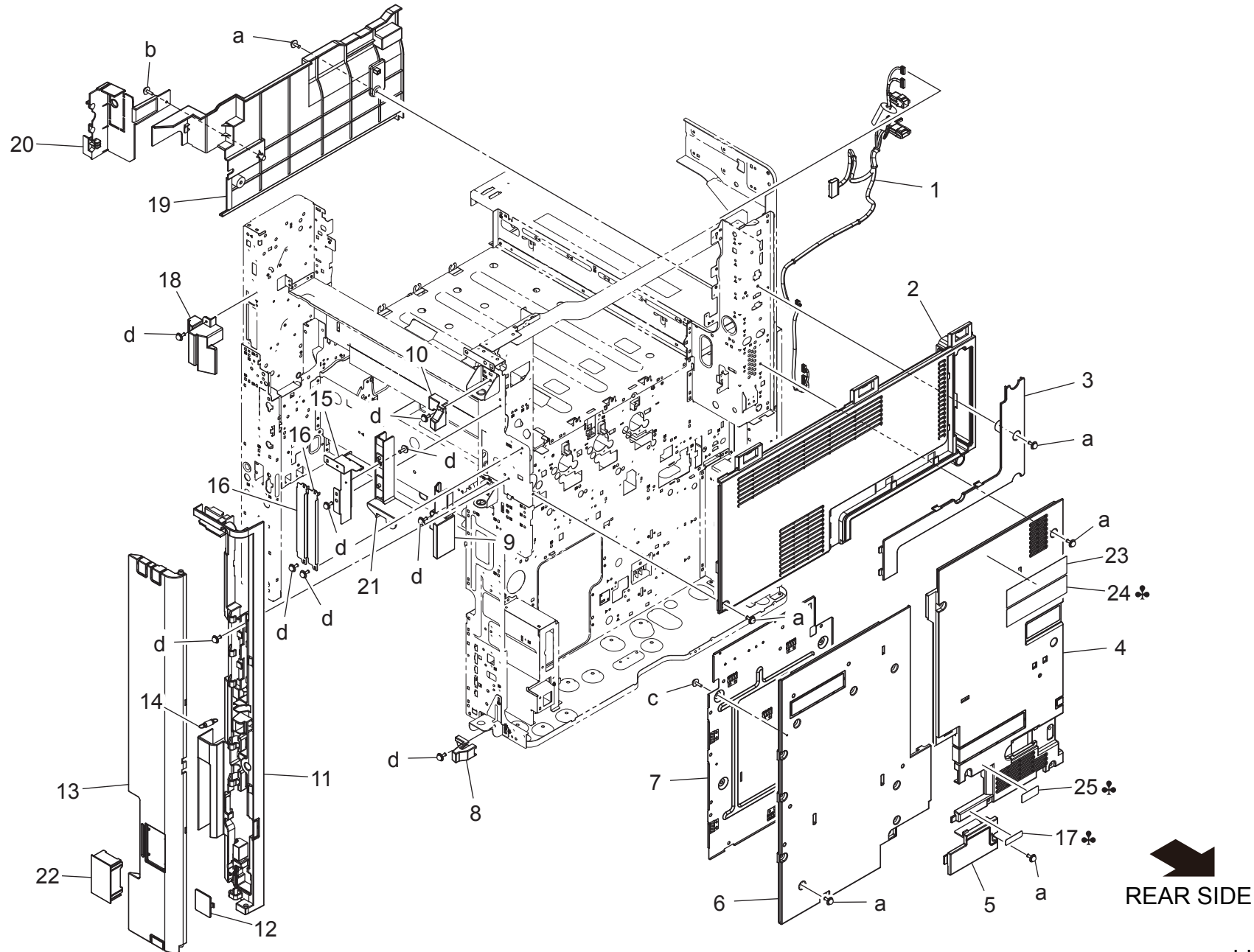
Key	Part No.	Description	Destinations	Class	QTY	Standard parts
1	A3CEPP4A01	Motor		C	1	a-A143PP0D00 b-A143PP0E00 c-A143PP0Q00 d-A143PP7M00 e-A3CFPP2G00 f-A143PP0B00 g-A143PP7N00 h-A143PP5501
2	A3CEPP2V00	Bracket		D	1	
3	A108M50100	Photointerrupter		B	1	
4	A3CFPP3M00	Shaft		D	1	
5	A143PP3P01	Gear		C	1	
6	A3CFPP3T00	Cam		C	1	
7	A3CEPP3000	Pulley		C	1	
8	A3CFPP4C00	Timing Belt		C	1	
9	A3CEPP1701	Roll		C	2	
10	A143PP8600	Washer		C	2	
11	A3CEPP1Y00	Crank		C	2	
12	A3CEPP1U00	Shaft		D	1	
13	A3CEPP2601	Brush		C	2	
14	A3CEPP1T01	Holder		C	1	
15	A3CEPP1E02	Guide		C	1	
16	A3CEPP1X01	Lever		C	2	
17	A143PP8D01	Wire Harness Assy		D	1	
18	A3CEPP2403	Holder		C	1	
19	A143PP8F00	Wire Harness Assy		D	1	
20	A3CEPP1A00	Pressure Spring		C	1	
21	A3CEPP1V01	Cam		C	2	
22	A3CEPP3200	Pulley		C	1	
23	A3CEPP2U00	Timing Belt		C	1	
24	A3CEPP3101	Pulley		C	1	
25	A3CEPP4R00	Wire Harness Assy		D	1	
26	A3CEPP4S00	Wire Harness Assy		D	1	
27	A3CEPP4M01	Wire Harness Assy		D	1	



EXTERNAL PARTS

Key	Part No.	Description	Destinations	Class	QTY	Standard parts
1	A161160103	Cover /Upper		C	1	a-V116030804 b-V149030803 c-V153030804
2	A0ED163000	Seal		C	1	
3	A0ED940700	Label Toner 2		D	4	
4	56AA40490	SHAFT STOPPER 4		C	3	
5	A161N10K00	Indicating Wiring		D	1	
6	A161160402	Cover		C	1	
7	A00JH00D00	PWB Assembly LED1		C	2	
8	A161160300	Cover		C	1	
9	4475260302	MAGNET CATCH		D	4	
10	A2XK163200	Open/close Cover /Front		C	1	
11	A2XK163400	Open/close Cover /Front		C	1	
12	A2XK163302	Open/close Cover /Front		C	1	
13	A2XK940101	Label bizhub C554		C	1	
14	A00J945500	Logo Mark		C	1	
15	A161R70400	CLEANING MATERIAL		C	1	
16	A161165602	Support Shaft		C	1	
17	A2XK163102	Open/close Cover /Front		C	1	
18	A2XK165000	Open/close Shaft		C	2	
19	A2XK165700	Compressing Spring		C	2	
20	A2XK163701	Hinge		C	2	
21	A161160702	Cover /Left		C	1	
22	A161160801	Cover /Left		C	1	
23	A161164902	Cushion		C	4	
24	A161940400	Label		C	1	

EXTERNAL PARTS



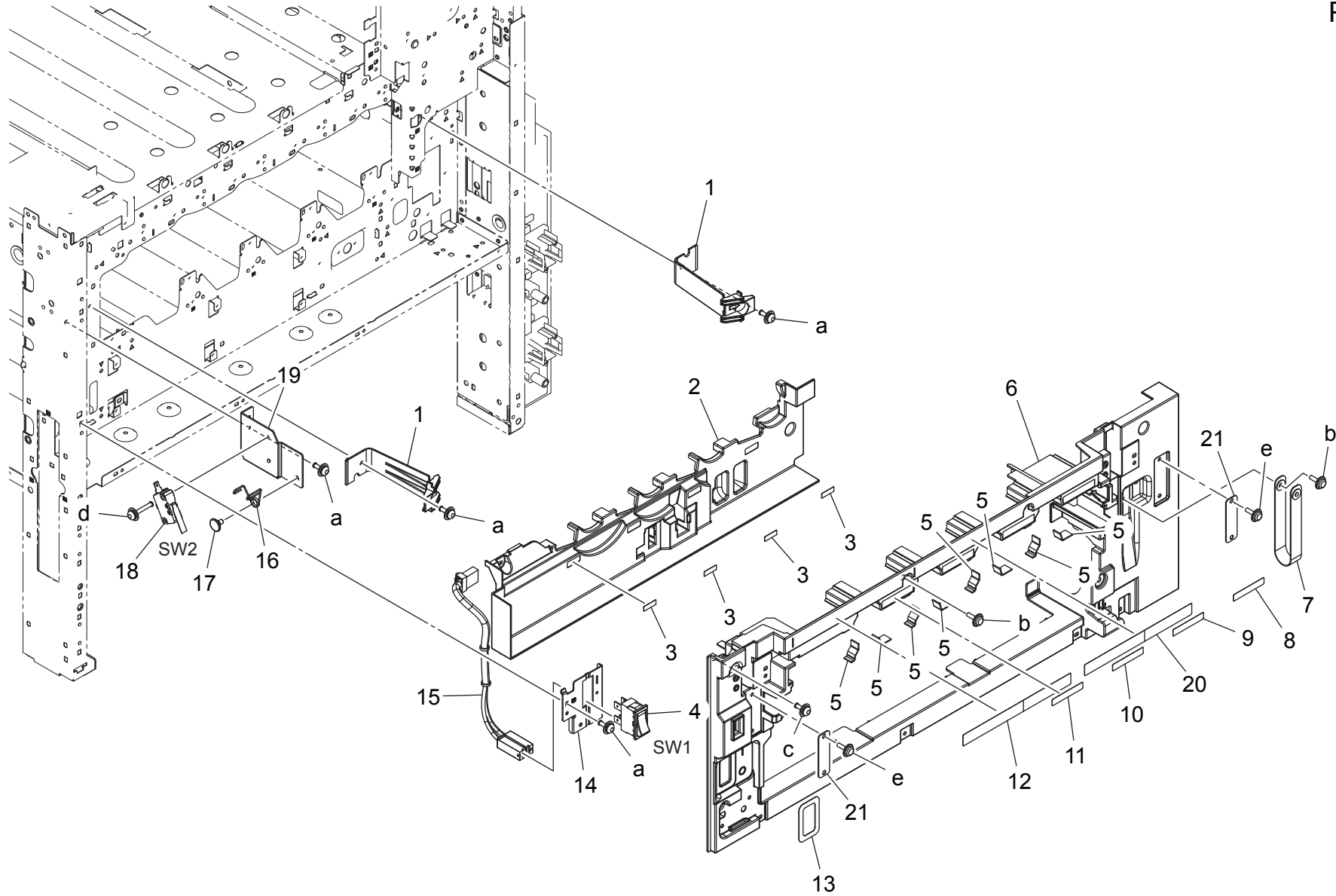
REAR SIDE

bizhub C554

EXTERNAL PARTS

Key	Part No.	Description	Destinations	Class	QTY	Standard parts
1	A161N10M04	FNS Relay harness		D	1	a-V116030804 b-V153030804 c-V153030803 d-V116030803
2	A161162102	Cover		C	1	
3	A161163501	Cover		C	1	
4	A161166201	Cover		C	1	
5	A161166101	Cover		C	1	
6	A161160605	Cover		C	1	
7	A161132302	Shield Cover		C	1	
8	A161164800	Regulating Part /Lower		D	1	
9	A161164702	Regulating Part /Middle		D	1	
10	A161164600	Regulating Part /Upper		D	1	
11	A161161804	Cover		C	1	
12	A161164401	Cover		C	1	
13	A161160902	Cover		C	1	
14	A161163900	Pulling Coil spring		C	1	
15	A161135600	Mounting Plate		D	1	
16	A161139800	Cover		D	2	
17	A00J945201	Label 220-240V 0.65A	C,D1,D3,E,F2,G1,I,K	C	1	
18	A161162900	Cover		D	1	
19	A161162201	Cover		C	1	
20	A161162801	Cover		C	1	
21	A161132000	Guide		D	1	
22	A161166400	Cover		C	1	
23	A2X0945700	Label		C	1	
24	A2X0945000	Label	C,D1,D3,E,F2,G1,I,K	C	1	
25	A02E149900	Label	A,A1	C	1	

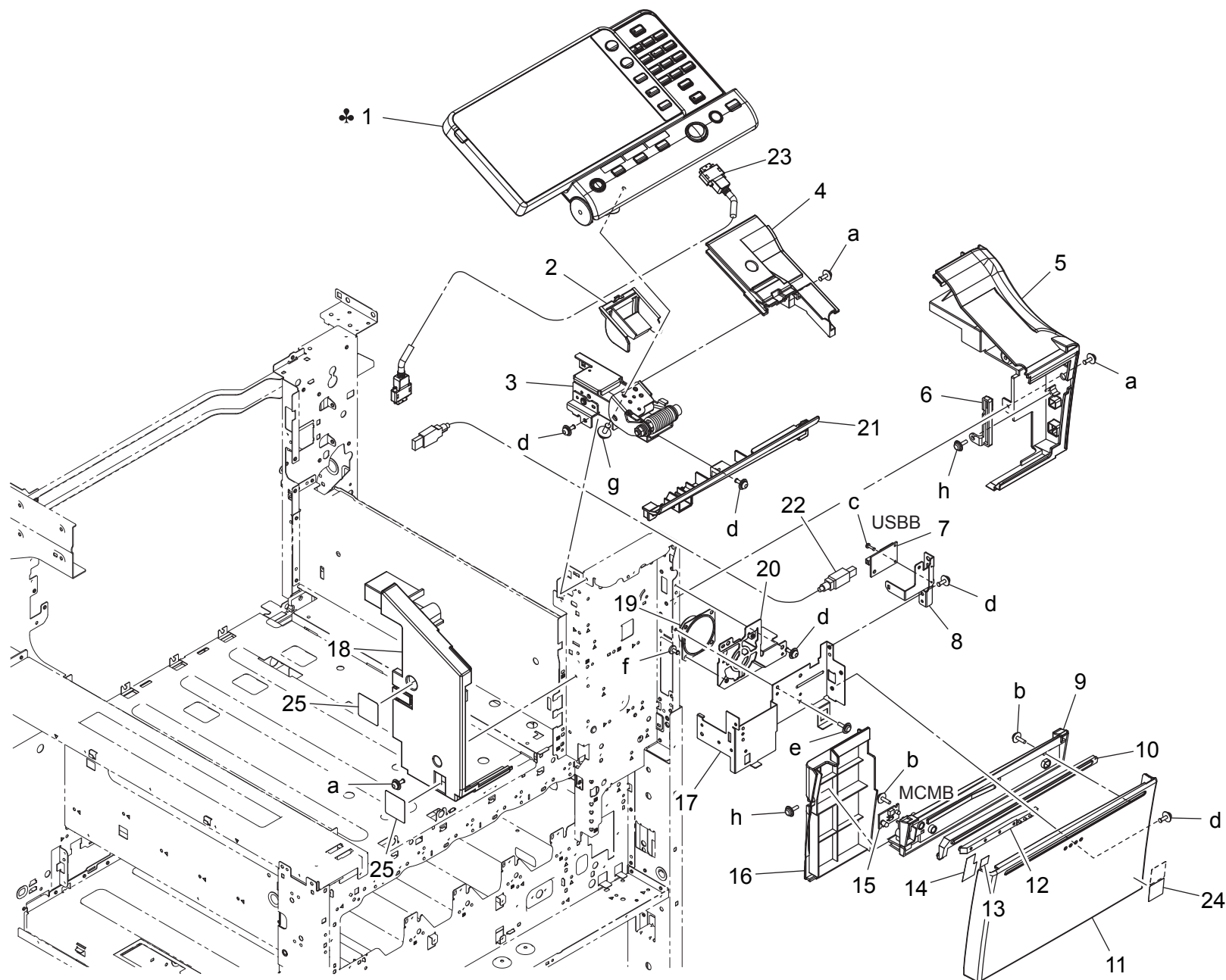
INNER COVER SECTION



INNER COVER SECTION

Key	Part No.	Description	Destinations	Class	QTY	Standard parts
1	A161165700	Fixing Claw		D	2	a-V116030803 b-V153030804 c-V116030804 d-V116031603 e-V153030803
2	A161F16100	Cover Front(2nd)		C	1	
3	A161943000	Label		C	4	
4	4038M60000	SEESAW-SWITCH		C	1	
5	A161165300	Protection Part		C	8	
6	A161165005	Cover /Front		C	1	
7	A0ED162401	Band		D	1	
8	A161942500	Label DR/K		D	1	
9	A161942400	Label DR/C		D	1	
10	A161942300	Label DR/M		D	1	
11	A161942200	Label DR/Y		D	1	
12	A2XK942101	Label		D	1	
13	A161942000	Label		D	1	
14	A161135100	Mounting Plate		D	1	
15	A2XKN10C00	AC Wiring /B		D	1	
16	A161151300	Torsion Coil spring		D	1	
17	4038228702	SHOULDER SCREW		C	1	
18	9J06M60100	MICRO SWITCH		C	1	
19	A161151100	Mounting Plate		D	1	
20	A2XK942600	Label		D	1	
21	4038101401	SUCTION PLATE		D	2	

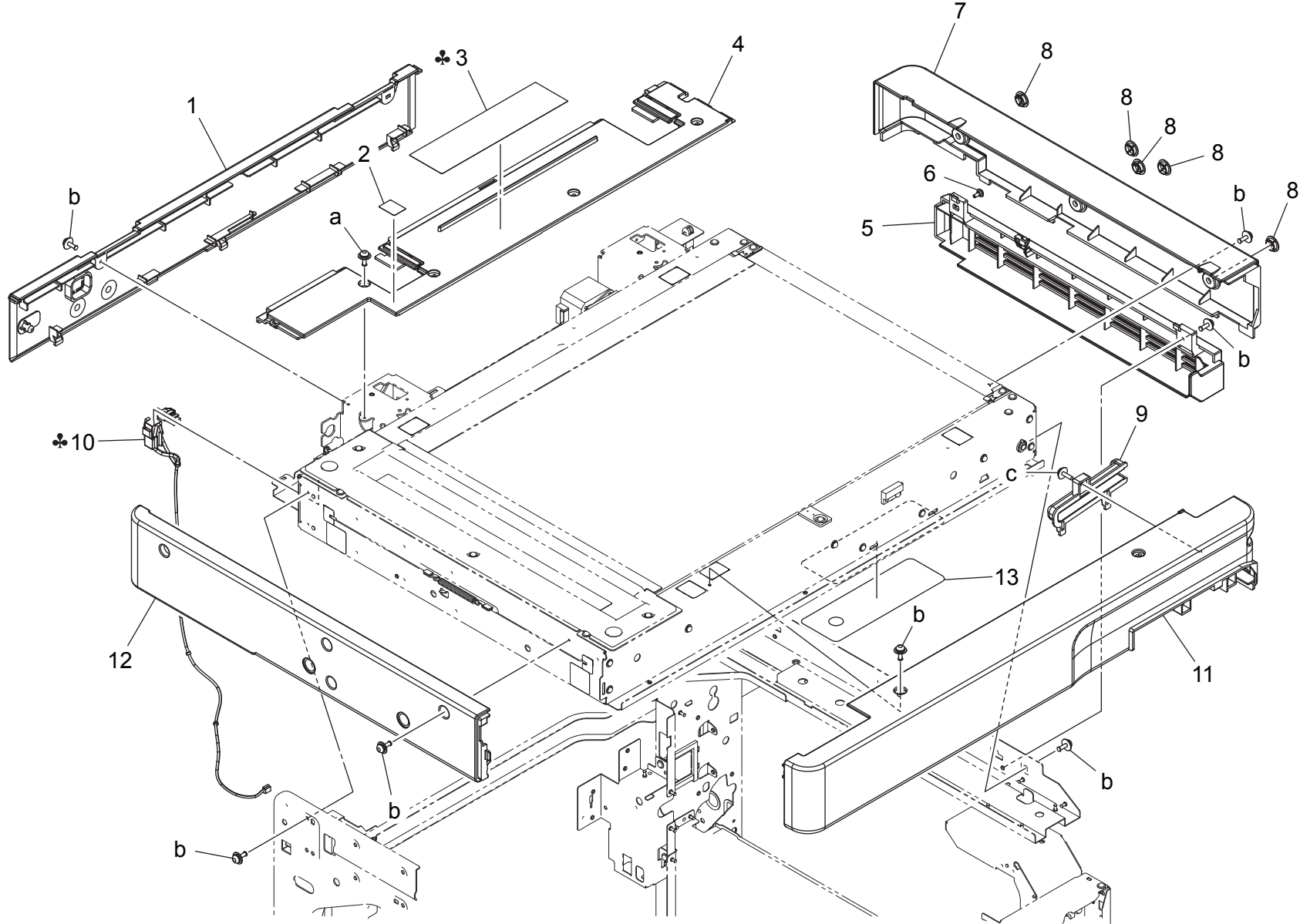
OPERATION PANEL SECTION



OPERATION PANEL SECTION

Key	Part No.	Description	Destinations	Class	QTY	Standard parts
1	A161M70503	Panel assembly	A,A1	I	1	a-V116030804
1	A161M70603	Panel assembly	B,D1,D3,E,F2,G1,G2,I,K	I	1	b-V153030803
1	A161M70703	Panel assembly	C	I	1	c-V111020603
2	A161190900	Cover		C	1	d-V116030803
3	A161R72000	Mounting Plate Assy		C	1	e-V137030803
4	A161162602	Cover		C	1	f-V126030603
5	A161161503	Cover		C	1	g-V116041003
6	A161164000	Cover		D	1	h-V153030804
7	A0P0H02500	PWB assembly(PWB-UCN ASSY)		D	1	
8	A161138002	Mounting Plate		D	1	
9	A161167200	Light blocking Cover		D	1	
10	A161167000	Lens		D	1	
11	A161161700	Cover		C	1	
12	A161167100	Lens		D	1	
13	A161167400	Light blocking Sheet /2		D	1	
14	A161167300	Light blocking Sheet /1		D	1	
15	A161H00U01	PWB Assembly(PWB-LED ASSY)		C	1	
16	A161161900	Cover		D	1	
17	A161164103	Mounting Plate		D	1	
18	A161161401	Cover		C	1	
19	A0P0M73100	Speaker		D	1	
20	A161137302	Mounting Plate		D	1	
21	A161162702	Cover		D	1	
22	A0P0N15300	Cable		C	1	
23	A161N15602	Interface Cable		C	1	
24	A011946200	Label Emperon		D	1	
25	A161162400	Seal		C	2	

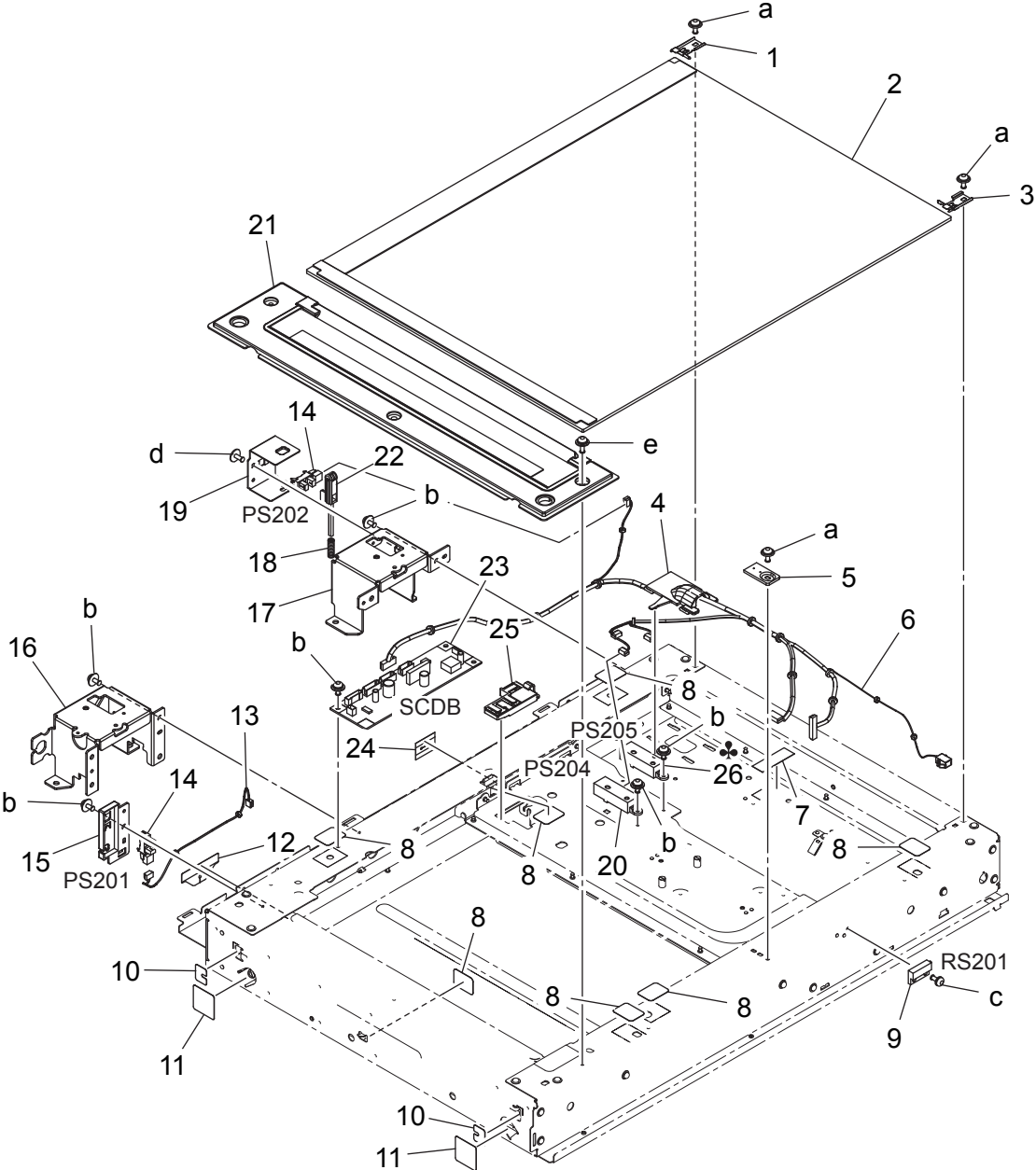
IR COVER SECTION



IR COVER SECTION

Key	Part No.	Description	Destinations	Class	QTY	Standard parts
1	A161170203	Read Cover /Rear		C	1	a-V116030804 b-V116030803 c-V153030803
2	A161940602	Label		D	1	
3	A00J940100	Label Legal Restriction	B,G2	C	1	
3	A161941500	Label	A,A1	D	1	
4	A161170701	Read Cover		C	1	
5	A161170601	Read Cover		C	1	
6	A00J169300	Shoulder screw		C	1	
7	A161170400	Read Cover /Right		C	1	
8	A02E167700	Cover		C	5	
9	A161170800	Holder		D	1	
10	A161N11C01	Scanner Relay harness /100V	A,A1	D	1	
11	A161170100	Read Cover /Front		C	1	
12	A161170300	Read Cover /Left		C	1	
13	A161282100	Ground Sheet		D	1	

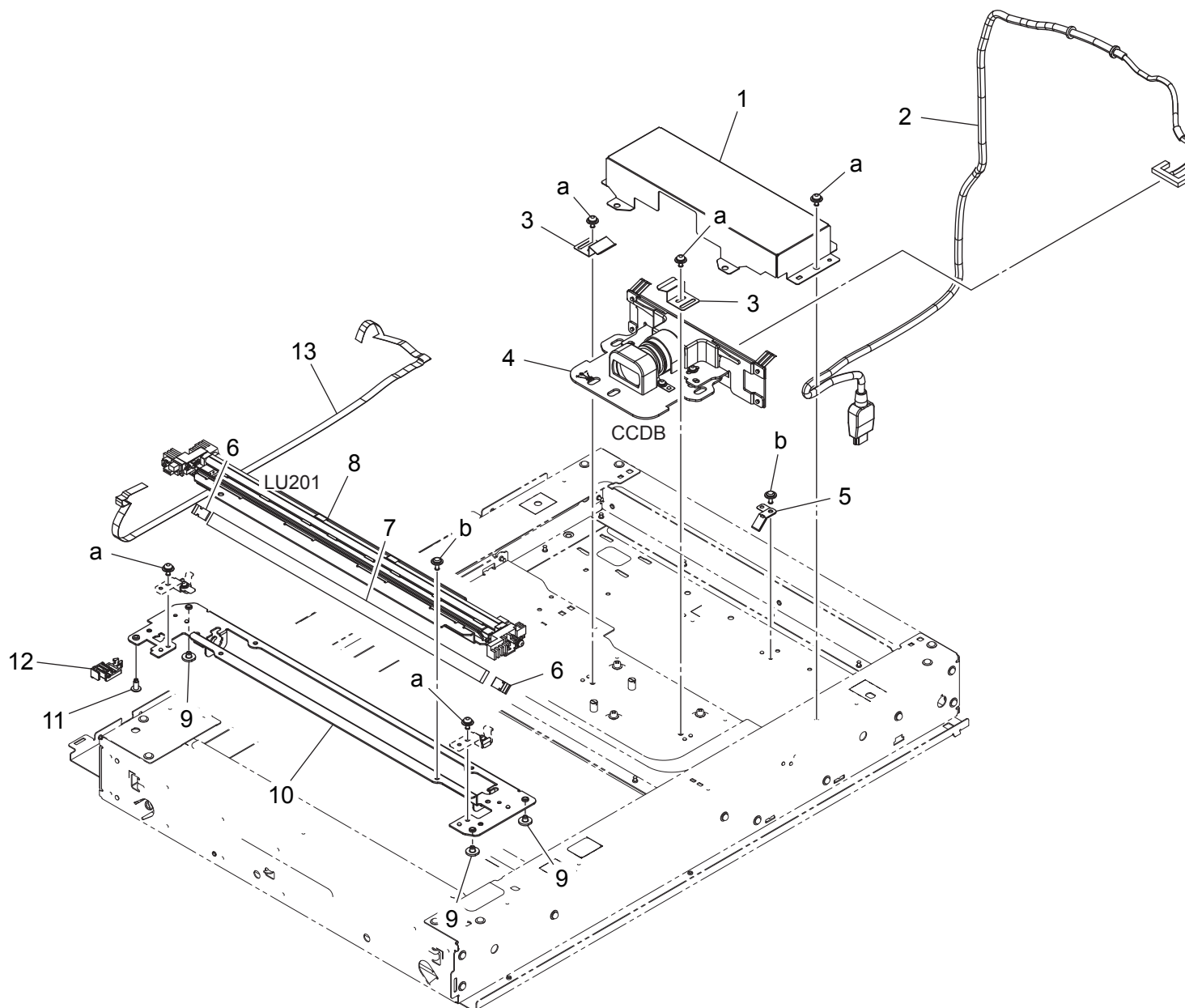
SCANNER SECTION



SCANNER SECTION

Key	Part No.	Description	Destinations	Class	QTY	Standard parts
1	A161268300	Holding Plate		D	1	a-V121030604 b-V116030603 c-V115030603 d-V137030603 e-V116030804
2	A161R72200	Original Glass Assy		C	1	
3	A161268200	Holding Plate		D	1	
4	A161281600	Guide		D	1	
5	A00J265300	Regulating Plate		C	1	
6	A161N14100	Scanner Wiring /1		D	1	
7	4036307501	TAPE		D	1	
8	4581162501	SEAL		C	7	
9	A1UDM50200	Lead Switch		C	1	
10	A161262700	Seal		D	2	
11	A0ED262500	Seal		D	2	
12	A161263000	Seal		D	1	
13	A161N14200	Scanner Wiring /2		D	1	
14	A108M50100	Photointerrupter		B	2	
15	A161262200	Cover		D	1	
16	A161261902	Frame		D	1	
17	A161262002	Frame		D	1	
18	A161280300	Compressing Coil spring		C	1	
19	A161280101	Mounting Plate		D	1	
20	A161M50A00	APS Photoreflector		C	1	
21	A161R72300	Slit Glass Assy		C	1	
22	A161280200	Lever		D	1	
23	A161H01A00	PWB Assembly(PWB-ID ASSY)		I	1	
24	A161281300	Seal		D	1	
25	A161281100	Guide		D	1	
26	A161M50A00	APS Photoreflector	D1,D3,E,F2,G1,I,K	C	1	
26	A161M50A00	APS Photoreflector	A,A1,B,C,G2 (OPTION)	C	1	

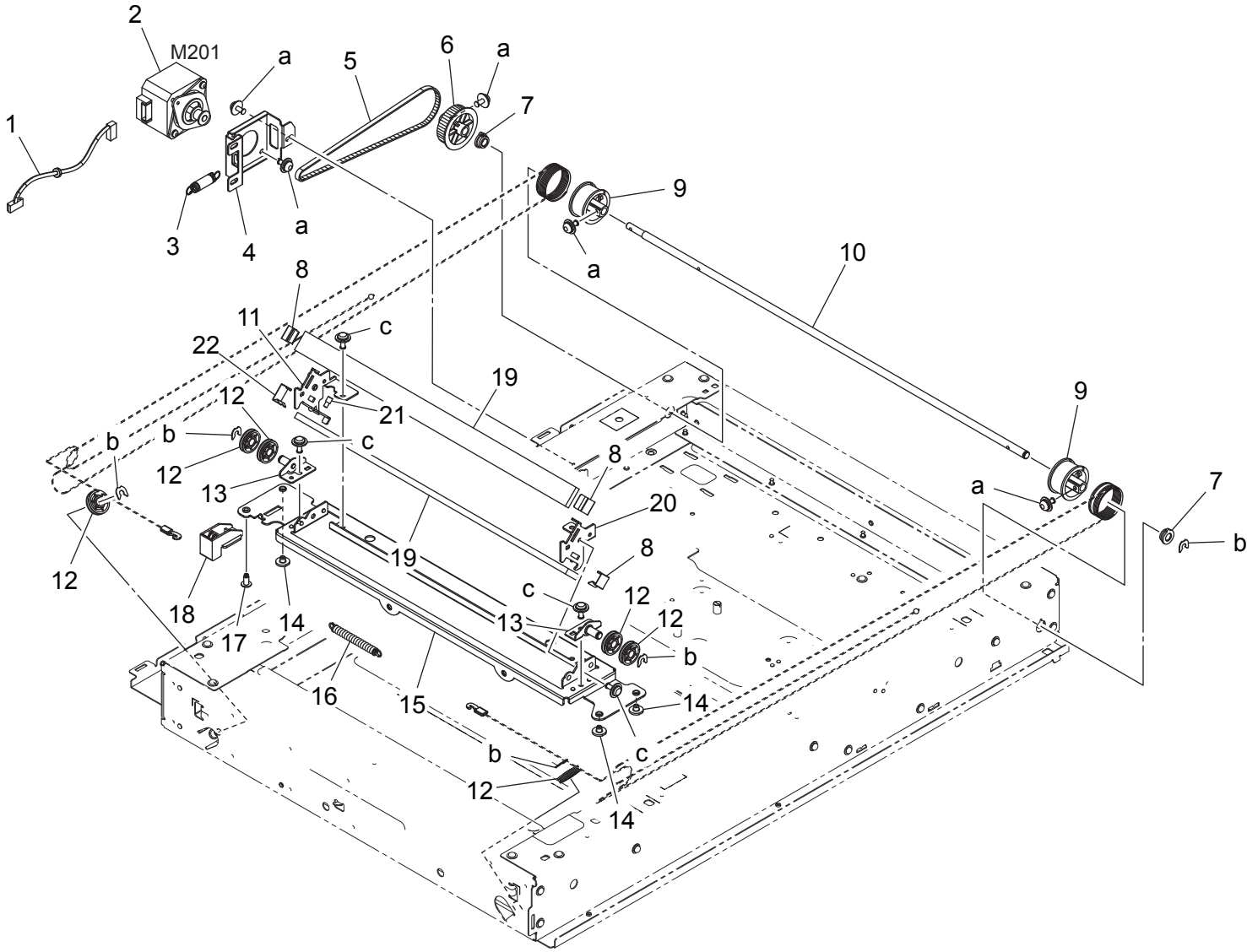
SCANNER SECTION



SCANNER SECTION

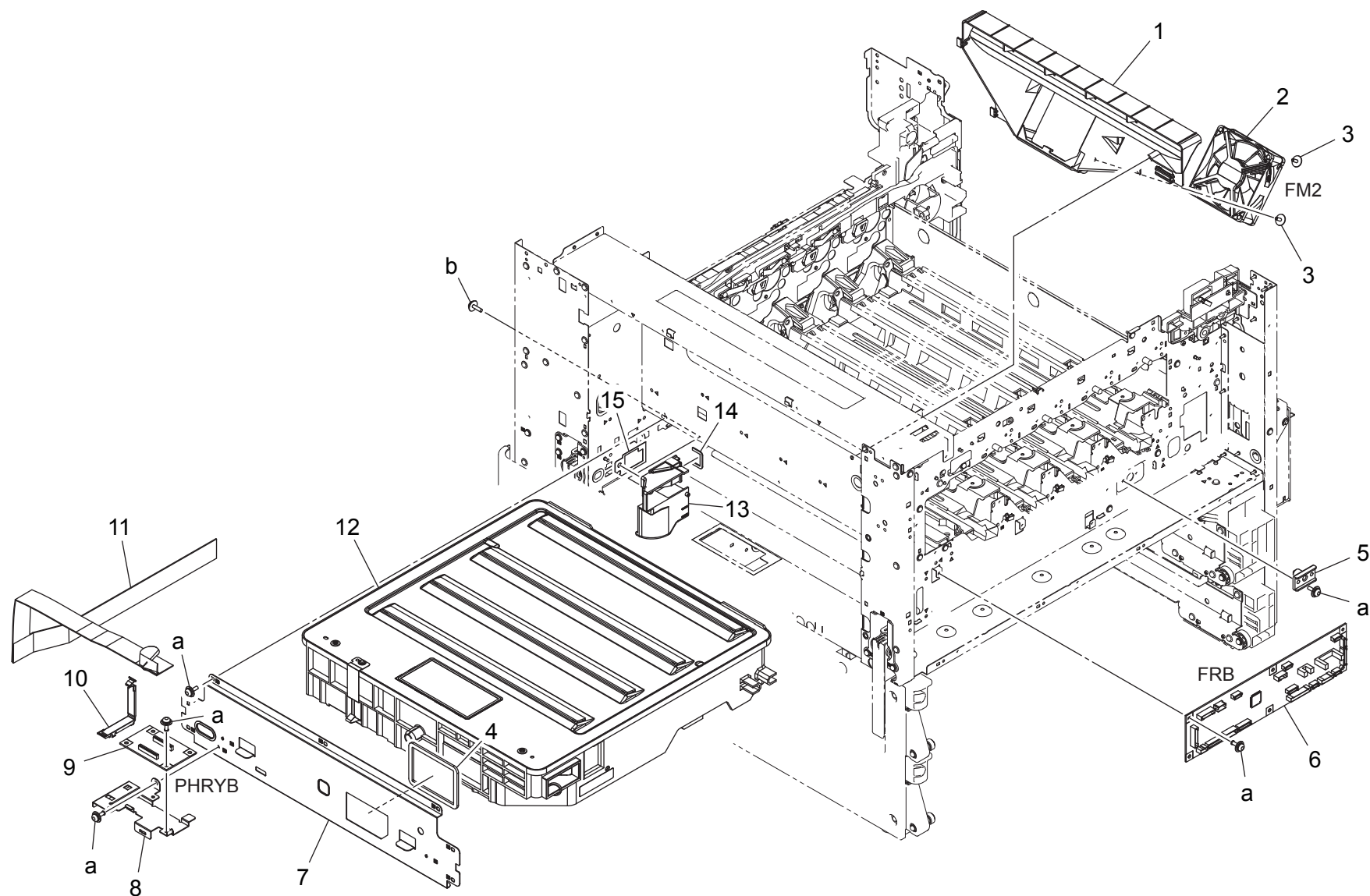
Key	Part No.	Description	Destinations	Class	QTY	Standard parts
1	A161278600	Cover		D	1	a-V116030603 b-V137030603
2	A161N14401	CCD Cable		D	1	
3	A161278900	Plate spring		D	2	
4	A161R72100	CCD Lens Assy		I	1	
5	A161281700	Plate spring /1		D	1	
6	A0ED271300	Plate spring		D	2	
7	A0ED271200	Mirror		D	1	
8	A161M31100	Lamp		C	1	
9	A161271000	Bushing		D	3	
10	A161270102	Frame		D	1	
11	A161271100	Bushing		D	1	
12	A161270600	Guide		D	1	
13	A161N14000	Scanner Wiring /4		D	1	

SCANNER SECTION



SCANNER SECTION

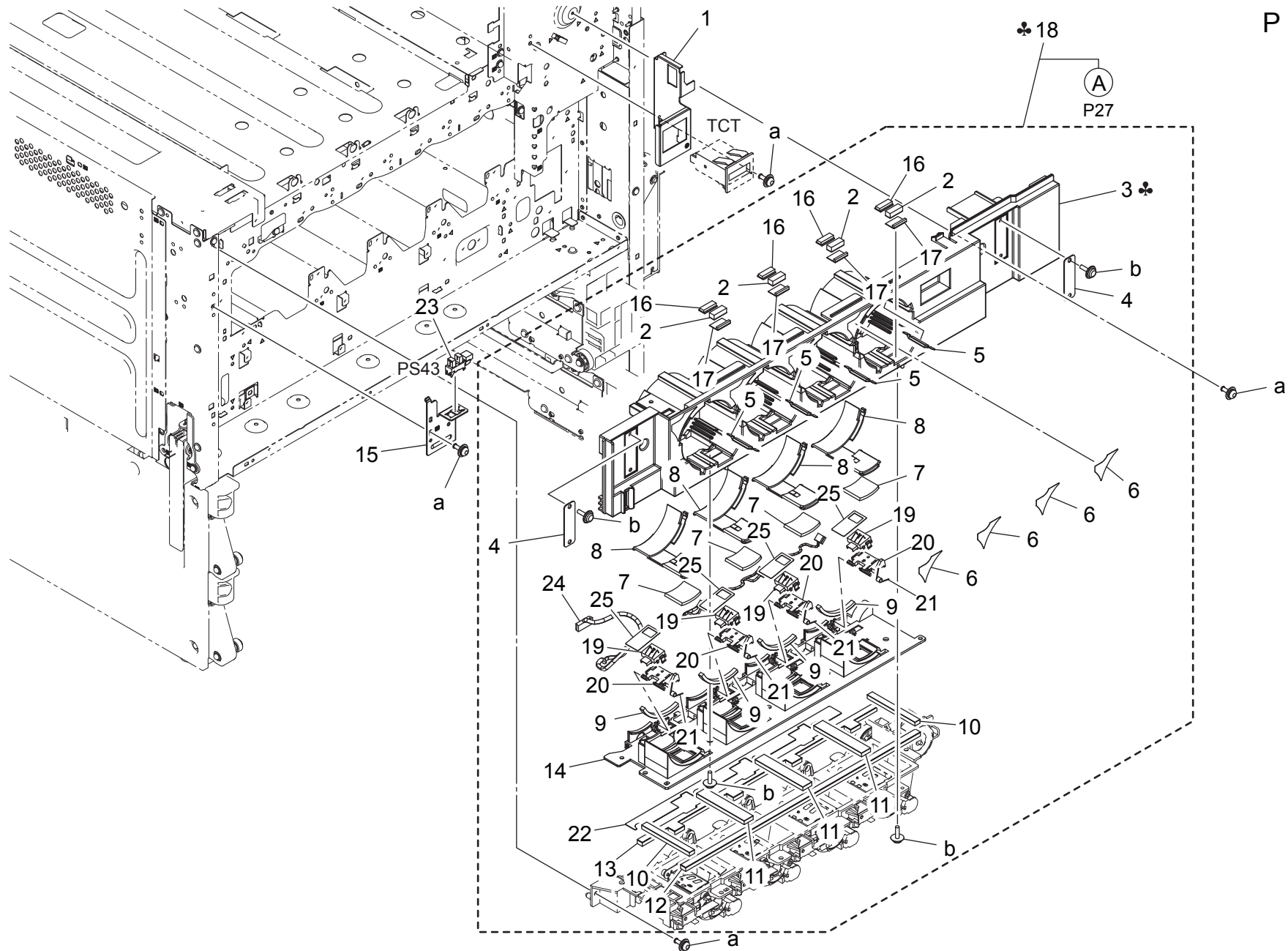
Key	Part No.	Description	Destinations	Class	QTY	Standard parts
1	A161N14300	Scanner Wiring /3		D	1	a-V116030603 b-V218040086 c-V137030603
2	A161M10A00	Stepping motor		C	1	
3	A161275700	Pulling Spring		D	1	
4	A161276000	Mounting Plate		D	1	
5	A161275600	Timing belt 335L		D	1	
6	A161275500	Pulley 103T		D	1	
7	A161276500	Bearing		D	2	
8	A0ED274400	Plate spring		D	3	
9	A161275300	Pulley		D	2	
10	A161275400	Shaft		D	1	
11	A161273701	Mounting Plate		D	1	
12	A0ED273600	Pulley		C	6	
13	A161273401	Mounting Plate		D	2	
14	A161271000	Bushing		D	3	
15	A161273100	Frame		D	1	
16	A0ED276301	Pulling Spring		D	1	
17	A161271100	Bushing		D	1	
18	A161273500	Guide Part		D	1	
19	A0ED274300	Mirror		D	2	
20	A161273800	Mounting Plate		D	1	
21	A161274600	Adjusting Screw		C	1	
22	A161274500	Plate spring /1		D	1	



Key	Part No.	Description	Destinations	Class	QTY	Standard parts
1	A161140200	Duct		D	1	a-V116030803 b-V153030803
2	4139M10000	FAN MOTOR		B	1	
3	4163529301	SCREW		C	2	
4	A2XK144201	Seal /2		D	1	
5	A161105400	Positioning Plate		D	1	
6	A161H00501	PWB Assembly(PWB-FR ASSY)		I	1	
7	A161101802	Mounting Plate		D	1	
8	A161130301	Mounting Plate		D	1	
9	A161H00800	PWB Assembly(PWB-VD2 ASSY)		C	1	
10	A161137802	Holder		D	1	
11	A161N11901	Flatcable /25		C	1	
12	A2XKR70400	Print Head Assy		I	1	
13	A161147401	Duct		D	1	
14	A161146300	Seal		D	1	
15	A161146400	Seal		D	1	

TONER SUPPLY SECTION

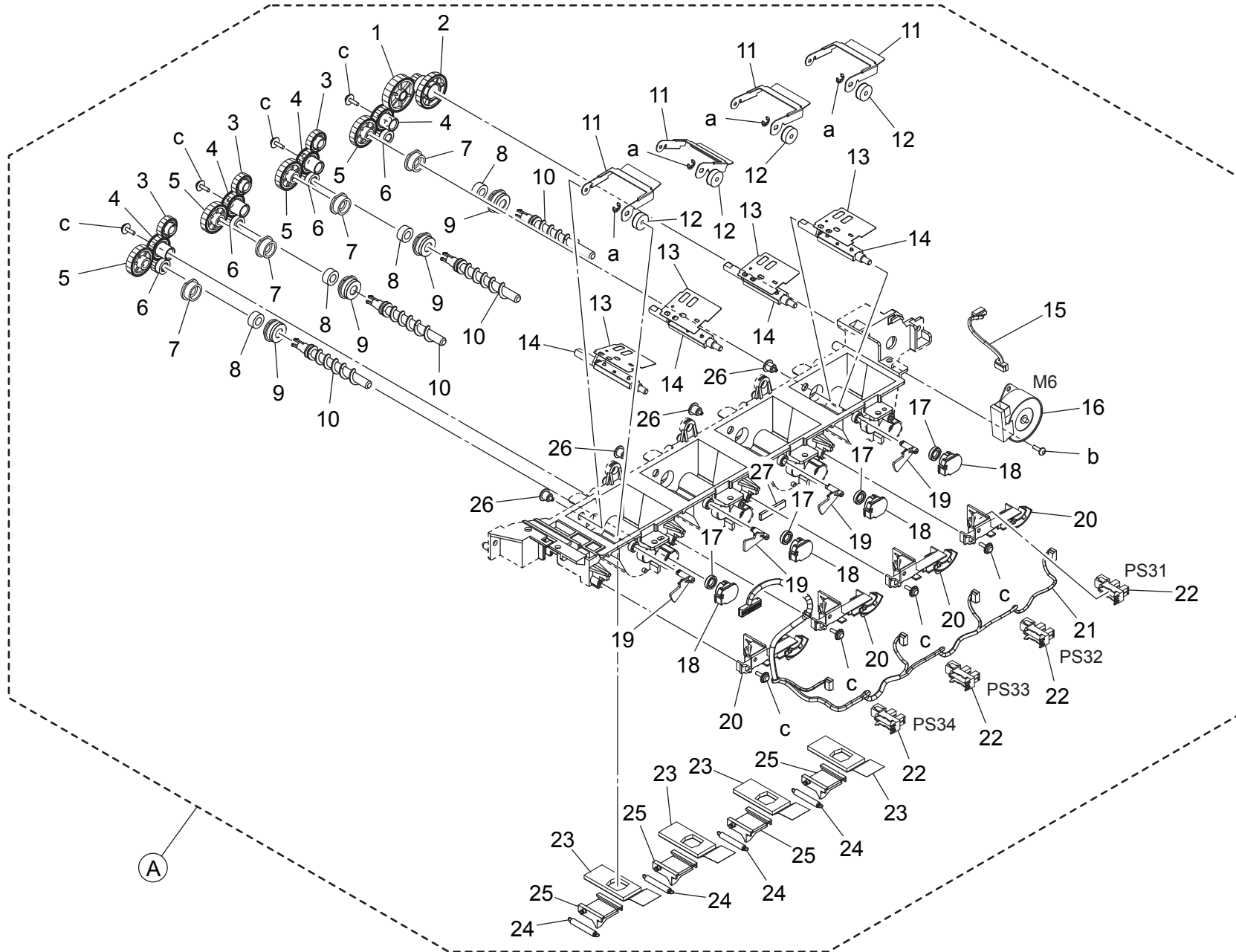
P 26



TONER SUPPLY SECTION

Key	Part No.	Description	Destinations	Class	QTY	Standard parts
1	A161120701	Reinforce Plate		D	1	a-V116030803 b-V153030803
2	A161403701	Seal		D	4	
3	A2XK401101	Cover	B,G2	D	1	
3	A2XK401201	Cover	C	D	1	
3	A2XK401302	Cover	A,A1	D	1	
3	A2XK401400	Cover	D1,D3,E,F2,G1,I,K	D	1	
4	4038101401	SUCTION PLATE		D	2	
5	A161403901	Spacer		D	4	
6	A0ED940600	Label Toner 1		D	4	
7	A161402501	Seal		D	4	
8	A161402401	Shutter		D	4	
9	A161403800	Seal		D	4	
10	A161403500	Seal		D	2	
11	A161403600	Seal		D	3	
12	A161403300	Seal		D	1	
13	A161403400	Seal		D	1	
14	A161402101	Cover		D	1	
15	A161135502	Mounting Plate		D	1	
16	A161404001	Seal /1		D	4	
17	A161404100	Seal /2		D	4	
18	A2XKR70500	Sub Hopper Assy (JP)	A,A1	S	1	
18	A2XKR70600	Sub Hopper Assy (US)	B,G2	S	1	
18	A2XKR70700	Sub Hopper Assy (EU)	C	S	1	
18	A2XKR71400	Sub Hopper Assy (AP)	D1,D3,E,F2,G1,I,K	S	1	
19	A0EDM60001	Relay Connector		C	4	
20	A2XK400000	Holder		D	4	
21	A2XK400100	Torsion Coil spring		D	4	
22	A2XK400200	Partition		D	1	
23	A108M50100	Photointerrupter		B	1	
24	A2XKN10B00	Toner Detection harness /2		D	1	
25	A2XK404400	Guide Sheet		D	4	

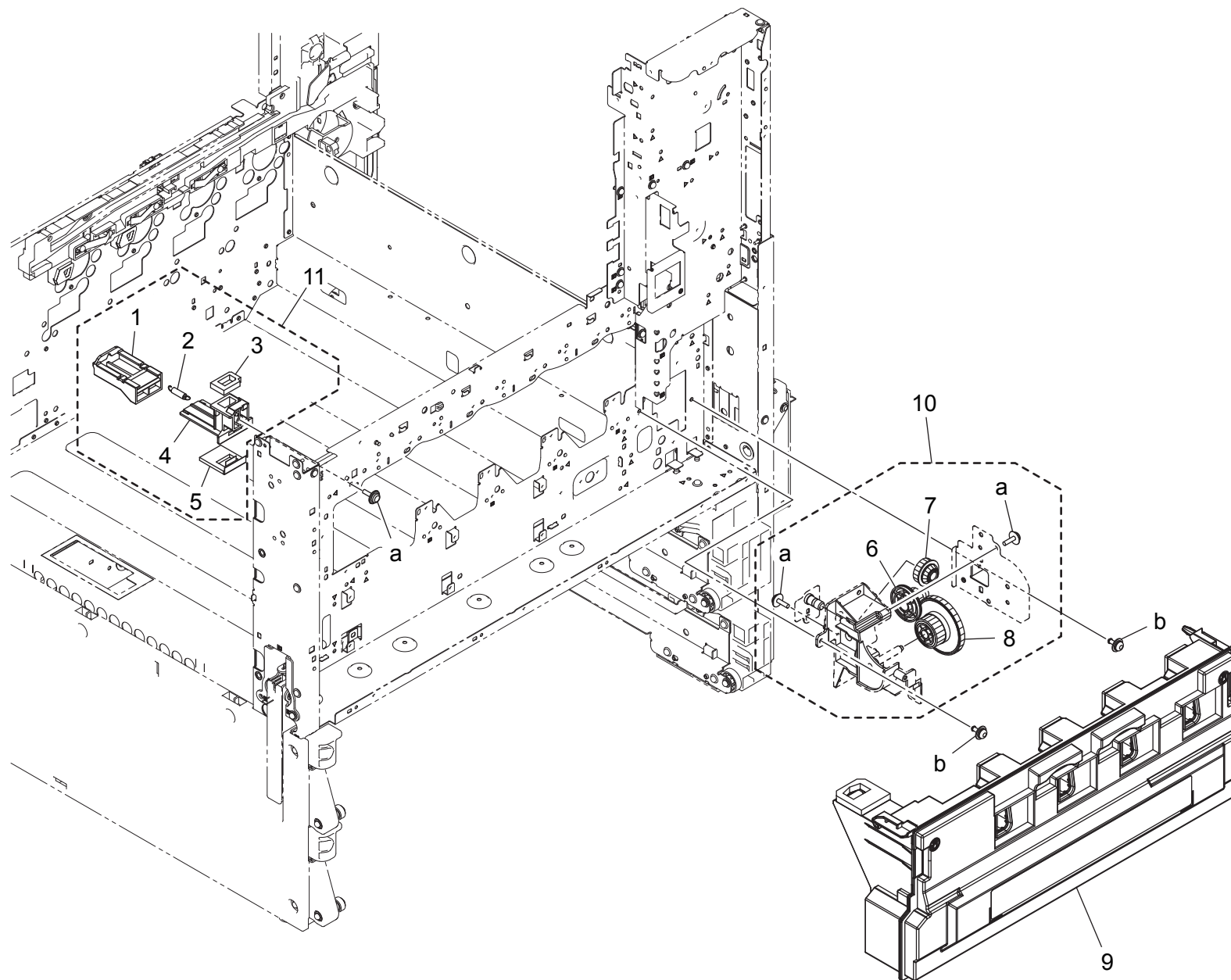
TONER SUPPLY SECTION



TONER SUPPLY SECTION

Key	Part No.	Description	Destinations	Class	QTY	Standard parts
1	A161401400	Gear 43T		C	1	a-V217030001 b-V145030803 c-V153030803
2	A161401300	Gear 17/65T		C	1	
3	A161401500	Gear 25T		C	3	
4	A161401200	Gear 28T		C	4	
5	A161401100	Gear 36T		C	4	
6	A161401000	Gear 18T		C	4	
7	4163510201	BUSHING		C	4	
8	4576536301	SEAL		D	4	
9	A161403100	Holder		C	4	
10	A161400100	Screw		C	4	
11	A161400400	Detecting Plate		D	4	
12	A161400601	Detecting Seal		D	4	
13	A161400300	Agitating Part		D	4	
14	A161400200	Agitating Shaft		D	4	
15	A161N12801	Toner Drive harness /K		D	1	
16	A02EM10400	Stepping motor		C	1	
17	4333501201	SEAL		D	4	
18	A161403000	Bushing		D	4	
19	A161400501	Detecting Actuator		D	4	
20	A161400701	Mounting Plate		D	4	
21	A161N10F01	Toner Detection harness /1		D	1	
22	A108M50100	Photointerrupter		B	4	
23	A161403200	Seal		D	4	
24	4036534801	TENSION SPRING		C	4	
25	A0ED401000	Shutter		D	4	
26	A161400800	Pin		D	4	
27	A161146800	Seal		D	1	

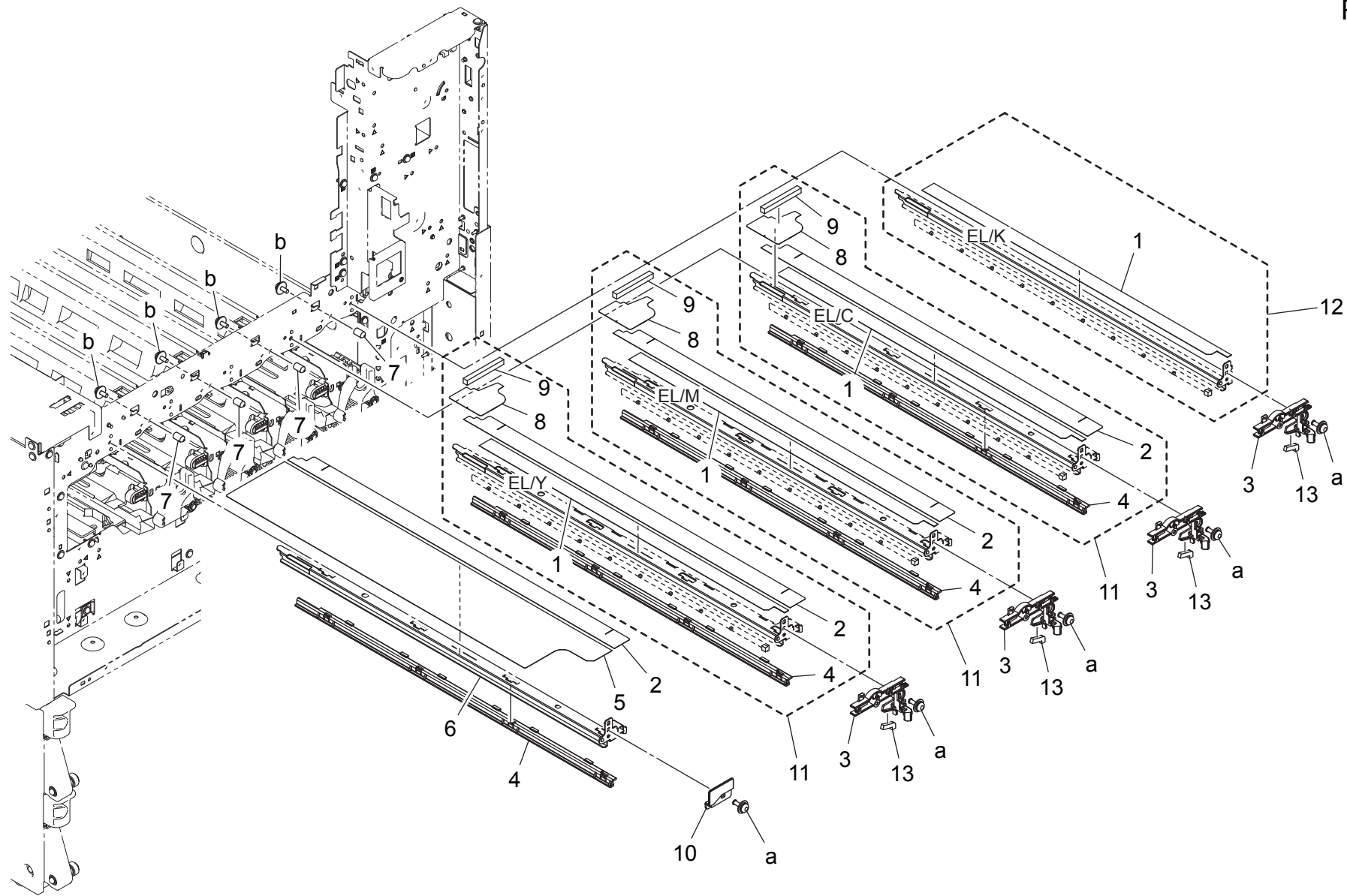
WASTE TONER BOX SECTION



WASTE TONER BOX SECTION

Key	Part No.	Description	Destinations	Class	QTY	Standard parts
1	A0ED363100	Shutter		D	1	a-V153030803 b-V125030818
2	A0ED363200	Pulling Coil spring		D	1	
3	A0ED363400	Seal		D	1	
4	A0ED363000	Pipe		D	1	
5	A0ED363300	Seal		D	1	
6	A161245100	Gear 16/40T		D	1	
7	A0ED245000	Gear 20/20T		D	1	
8	A161245400	Gear 16/51T		D	1	
9	A4NNWY1	WASTE TONER BOX		A	1	
10	A161F21000	Waste Toner Drive		C	1	
11	A0EDF36000	Waste Toner Pipe		C	1	

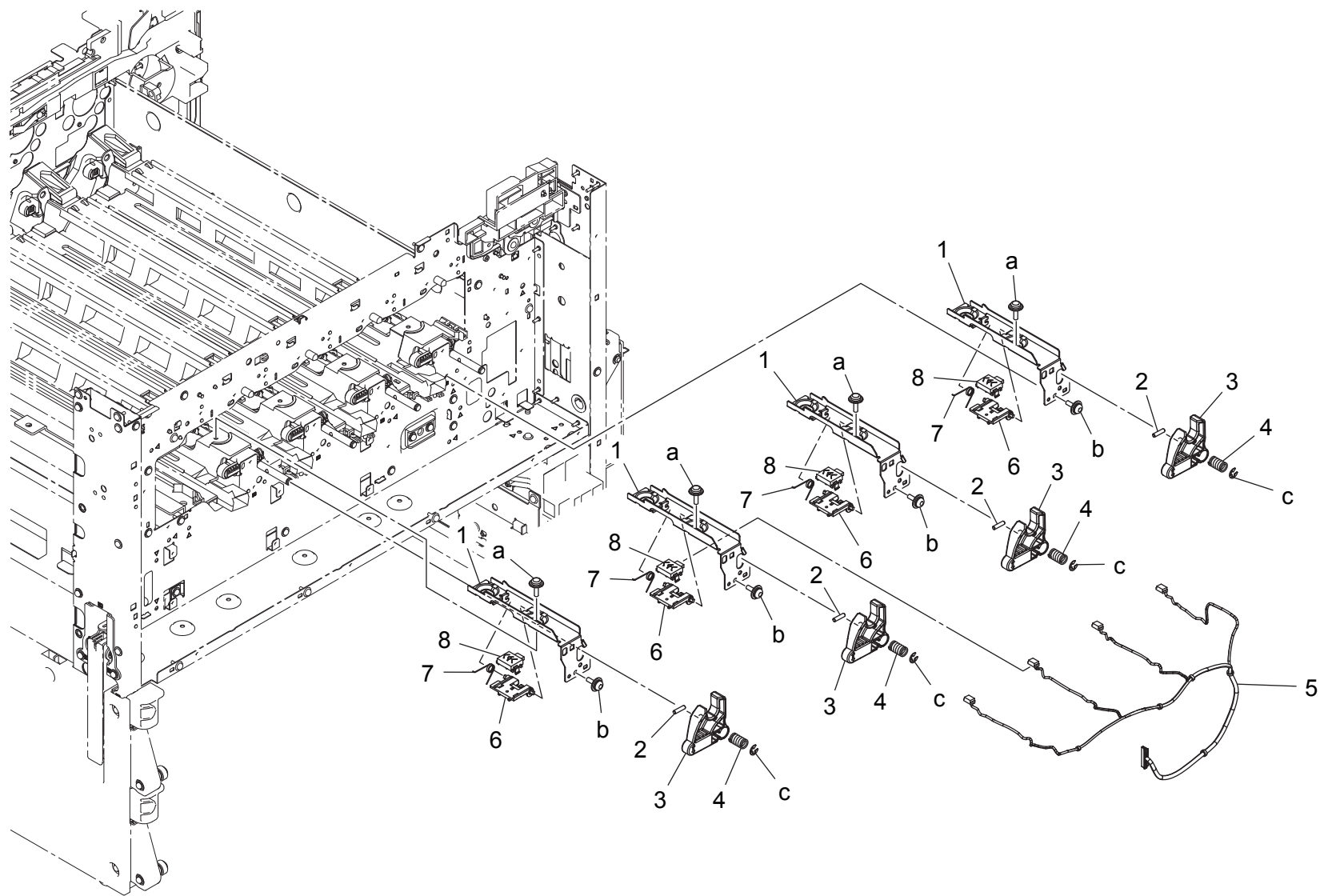
ERASE LAMP SECTION



ERASE LAMP SECTION

Key	Part No.	Description	Destinations	Class	QTY	Standard parts
1	A0ED105500	Light blocking Part		D	4	a-V116030803 b-V116030603
2	A161107300	Seal		D	4	
3	A161130101	Holder		D	4	
4	A0ED105400	Rail		D	4	
5	A161102800	Seal		D	1	
6	A161105600	Rail		D	1	
7	A0ED103100	Pin		D	4	
8	A161107200	Seal		D	3	
9	A161107100	Seal		D	3	
10	A161138500	Guide		D	1	
11	A161R70100	Eraser (YMC) Assy		C	3	
12	A161R70000	Eraser (Black) Assy		C	1	
13	A2XK130000	Light blocking Seal		D	4	

DV LOCK LEVER SECTION

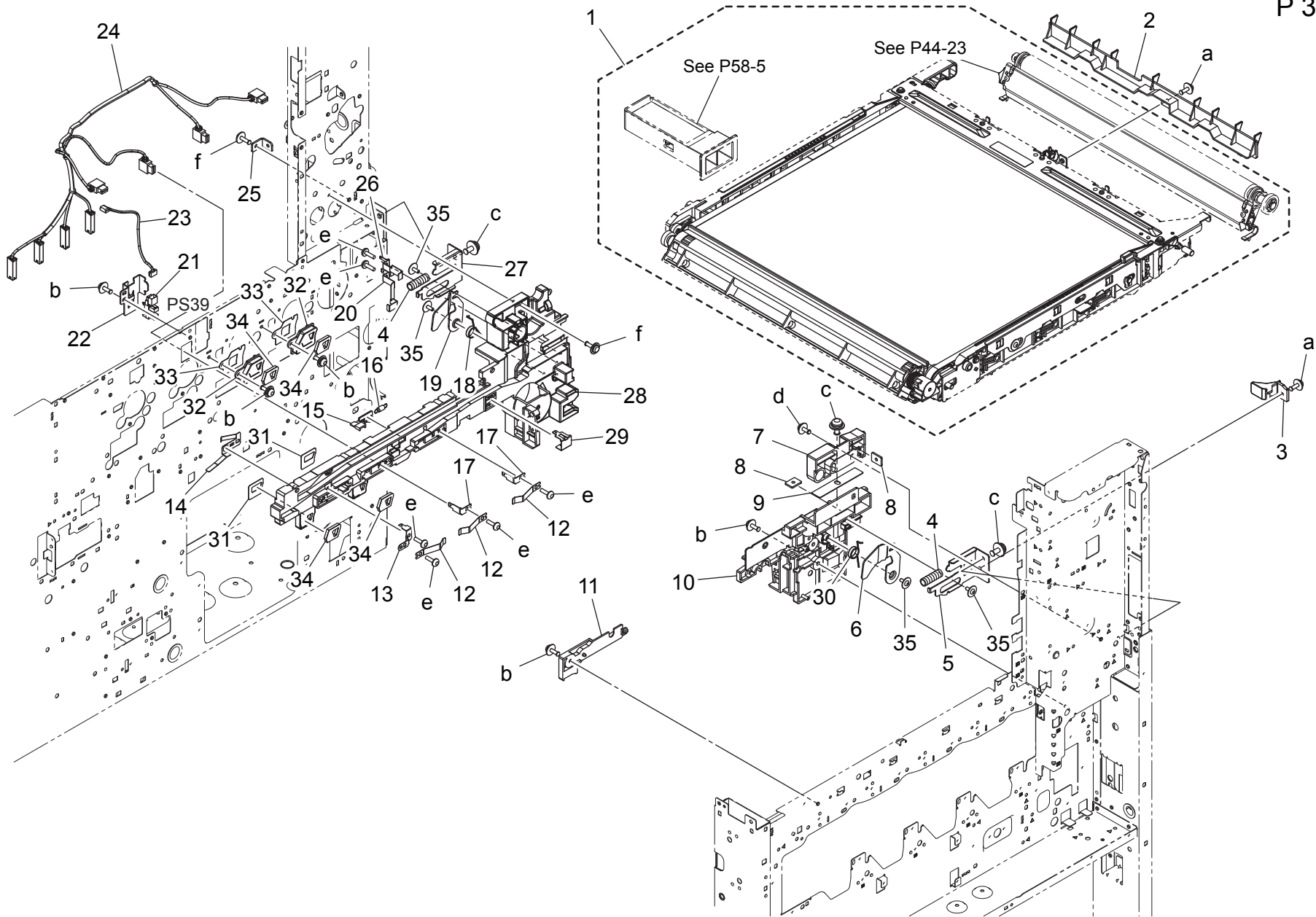


DV LOCK LEVER SECTION

Key	Part No.	Description	Destinations	Class	QTY	Standard parts
1	A161115201	Reinforce Plate		D	4	a-V153030803 b-V116030803 c-V217040001
2	56AA17471	PIN B 3X12		C	4	
3	A161116202	Release Lever		D	4	
4	A161119500	Compressing Coil spring		D	4	
5	A161N10Y02	Photoconductor Wiring		D	1	
6	A0ED104801	Holder		C	4	
7	A0ED105700	Torsion Coil spring		D	4	
8	A0EDM60001	Relay Connector		C	4	

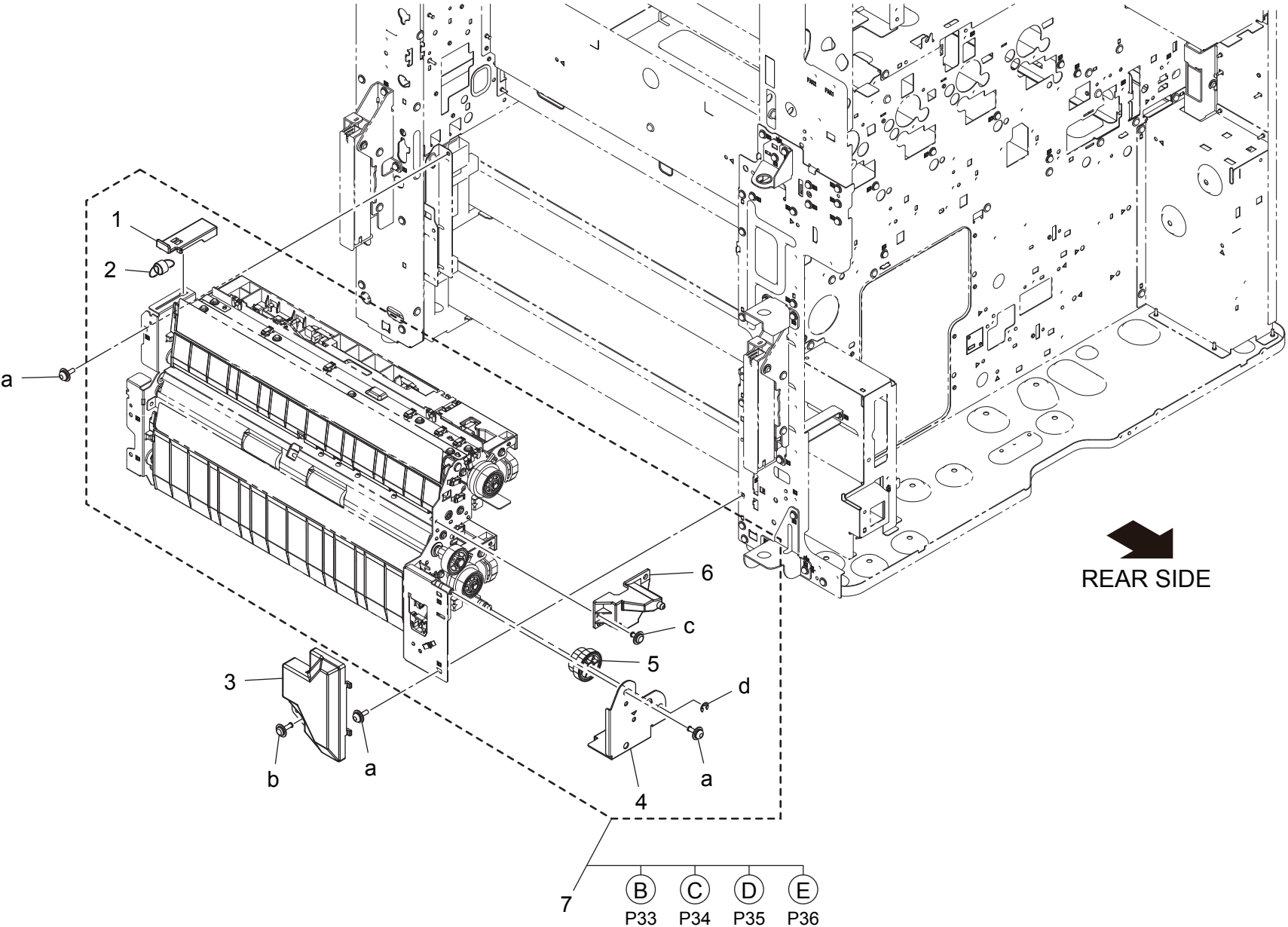
TRANSFER UNIT

P 31



Key	Part No.	Description	Destinations	Class	QTY	Standard parts
1	A161R71300	Intermediate Image Transfer Kit		A	1	a-V116030804 b-V116030803 c-V116040803 d-V125030818 e-V145030803 f-V137030803
2	A161508400	Guide		C	1	
3	A161110601	Lock Part		D	1	
4	A0ED111000	Compressing Coil spring		D	2	
5	A161112500	Lever /Front		D	1	
6	A161112800	Arm /Front		D	1	
7	A161110400	Fusing Rail /Front		D	1	
8	A161112200	Mounting Plate		D	2	
9	A161112600	Adjusting Plate		D	1	
10	A161110201	Rail		D	1	
11	A161110300	Rail		D	1	
12	A0ED111500	Contact /Color		D	3	
13	A161112000	Contact		D	1	
14	A0ED112000	Contact		D	1	
15	A161110500	Detecting Plate		D	1	
16	A0ED110900	Pulling Coil spring		C	1	
17	A0ED111700	Contact		D	2	
18	A0ED111200	Torsion Coil spring /R		D	1	
19	A161112900	Arm /Rear		D	1	
20	A161112300	Contact		D	1	
21	A108M50100	Photointerrupter		B	1	
22	A0ED112100	Mounting Plate		D	1	
23	A161N10J00	Connecting Detection harness		D	1	
24	A161N11200	Transfer Wiring /1		D	1	
25	A161112700	Mounting Plate		D	1	
26	A161112400	Contact		D	1	
27	A161112100	Lever /Rear		D	1	
28	A161110102	Rail		D	1	
29	A0ED111400	Contact /K		D	1	
30	A0ED111100	Torsion Coil spring /F		D	1	
31	A161144900	Seal		C	2	
32	A161141700	Duct		D	2	
33	A161146200	Seal		D	2	
34	A161144801	Seal		C	4	
35	4163529301	SCREW		C	4	

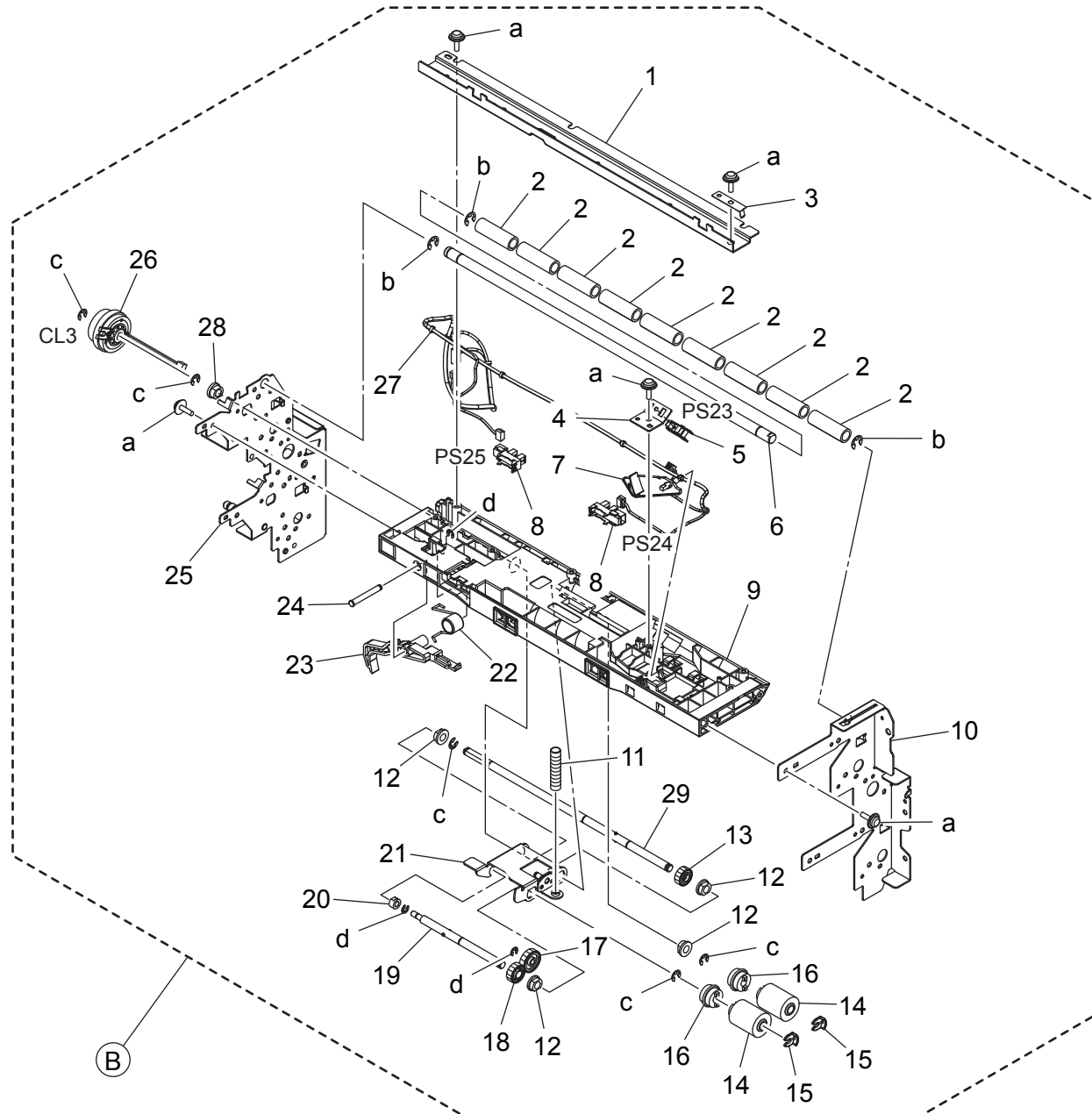
PAPER FEED SECTION



PAPER FEED SECTION

Key	Part No.	Description	Destinations	Class	QTY	Standard parts
1	A161561100	Holder		D	1	a-V116030803 b-V137030803 c-V144030603 d-V217040001
2	A161561200	Pulling Coil spring		D	1	
3	A161579000	Cover		D	1	
4	A161575101	Mounting Plate		D	1	
5	A161576100	Gear 21/26T		C	1	
6	A161565102	Mounting Plate		D	1	
7	A2XKR70800	Paper Feed Assy		S	1	

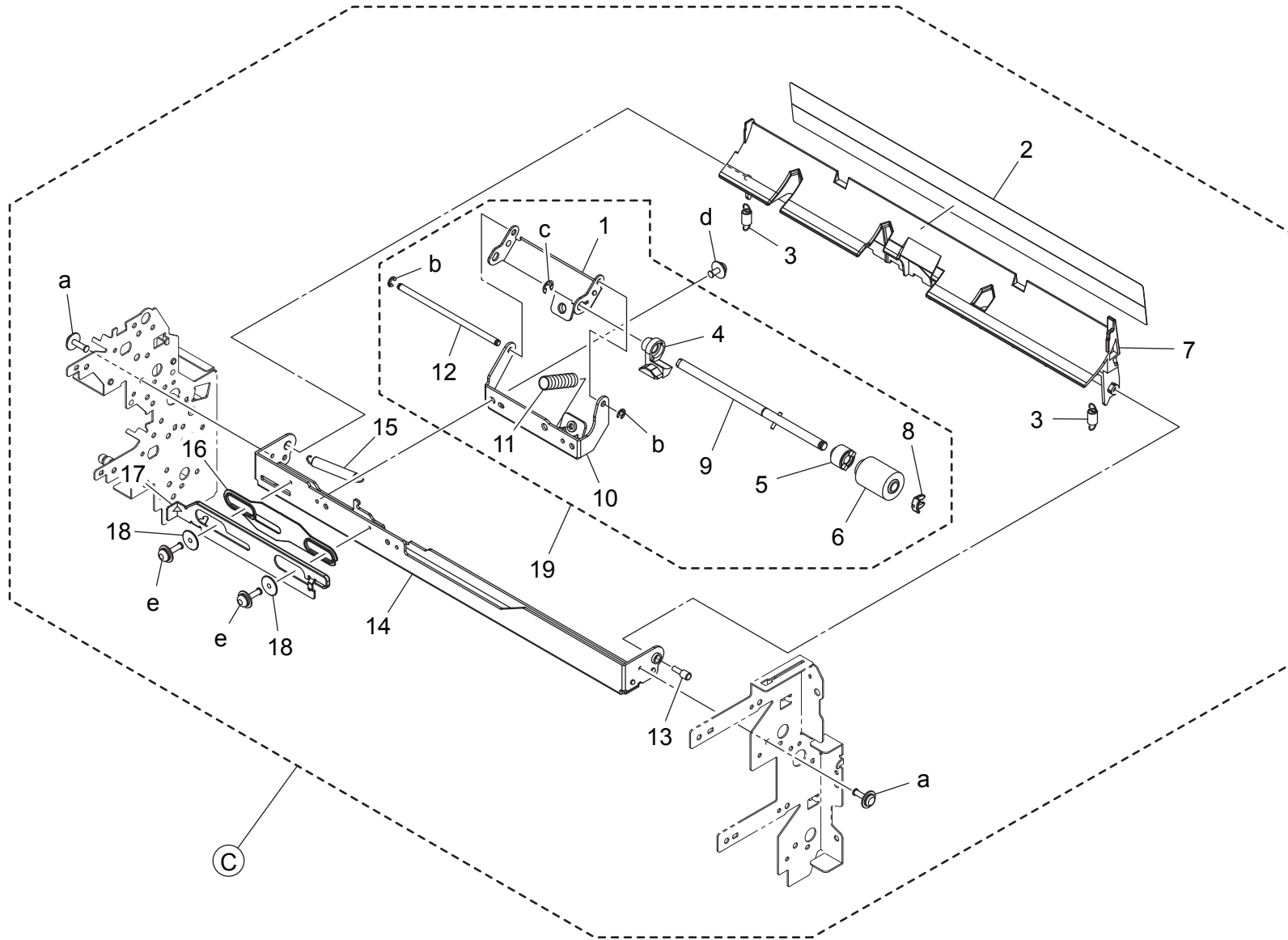
1ST PAPER FEED SECTION



1ST PAPER FEED SECTION

Key	Part No.	Description	Destinations	Class	QTY	Standard parts
1	A161566000	Reinforce Plate		D	1	a-V153030803 b-V217050001 c-V217040001 d-V217030001
2	4034352501	ROLLER		C	9	
3	A161560600	Ground Plate		D	1	
4	A161560900	Mounting Plate		D	1	
5	A0EDM50100	Photoreflector		I	1	
6	A161565500	Shaft		D	1	
7	A161561600	Actuator		C	1	
8	A108M50100	Photointerrupter		B	2	
9	A161565300	Paper feed Frame		D	1	
10	A161560101	Frame /Front		D	1	
11	A161562800	Compressing Coil spring		C	1	
12	4131300301	BUSHING		C	4	
13	A161562400	Gear 26T		C	1	
14	A00J563600	Roller		A	2	
15	56AA40490	SHAFT STOPPER 4		C	2	
16	A02E561100	Clutch		C	2	
17	A161562300	Gear 34T		C	1	
18	A161562600	Gear 28T		C	1	
19	A161562000	Shaft		D	1	
20	A161562500	Bushing		C	1	
21	A161562101	Holder		D	1	
22	A161567400	Torsion Spring		C	1	
23	A161567300	Lever		C	1	
24	A02E560800	Shaft		D	1	
25	A161F56002	Caulking(Frame)		D	1	
26	A02EM20200	Clutch		C	1	
27	A161N10P01	Paperfeed Wiring /1		D	1	
28	A00J663200	Bushing		C	1	
29	A161560500	Shaft		D	1	

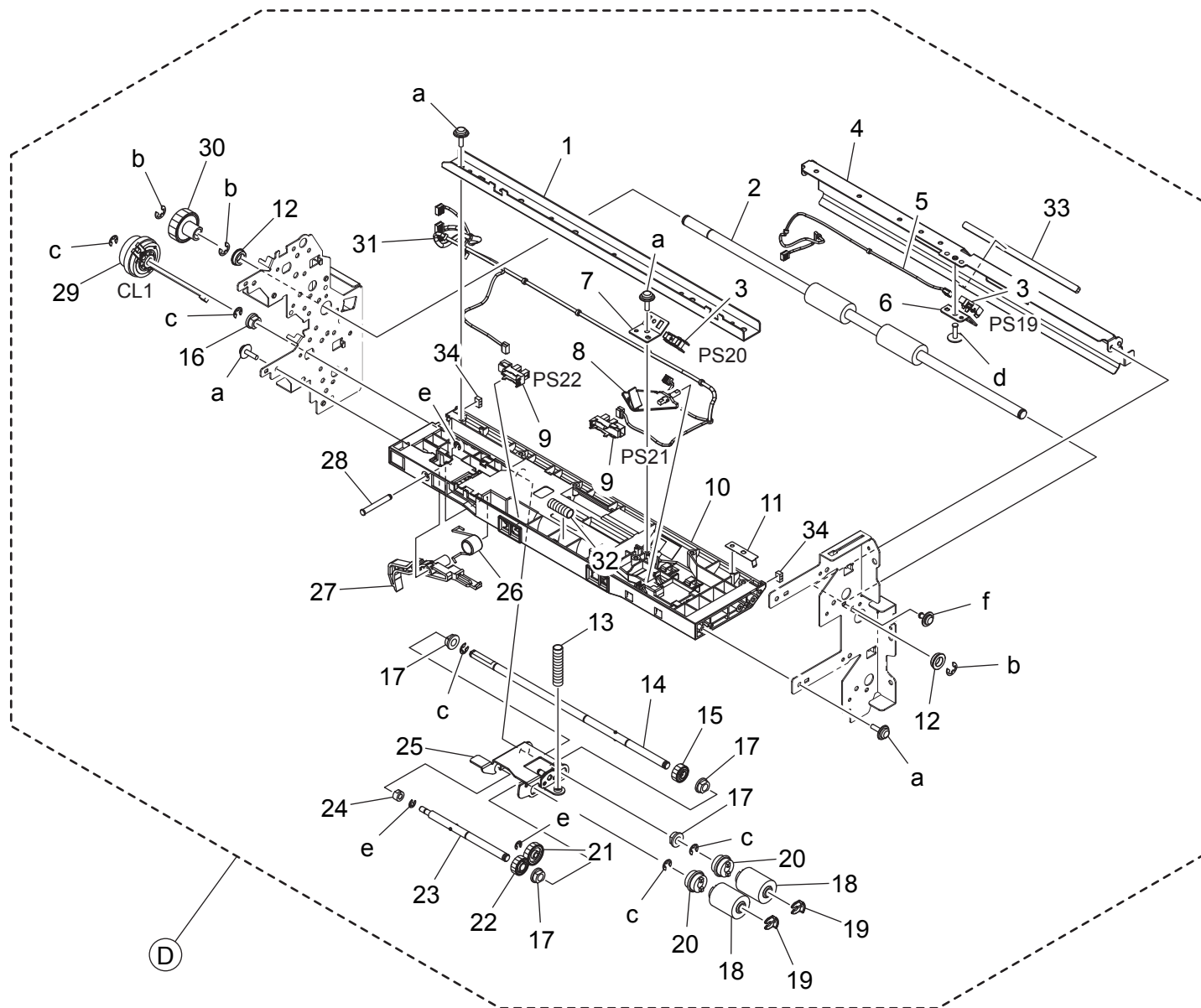
1ST PAPER FEED SECTION



1ST PAPER FEED SECTION

Key	Part No.	Description	Destinations	Class	QTY	Standard parts
1	A161563100	Holder		D	1	a-V137030803 b-V217030001 c-V217040001 d-V116030603 e-V116031003
2	A161568500	Guide		C	1	
3	A161568600	Pulling Coil spring		C	2	
4	A161563501	Guide		D	1	
5	A0ED563900	Torque limiter		C	1	
6	A00J563600	Roller		A	1	
7	A161568401	Guide Plate		C	1	
8	56AA40490	SHAFT STOPPER 4		C	1	
9	A161563400	Shaft		D	1	
10	A161564001	Mounting Plate		D	1	
11	4030301703	PRESSURE SPRING		C	1	
12	A161563300	Shaft		D	1	
13	4532341001	SHOULDER SCREW		D	1	
14	A161563901	Mounting Plate		D	1	
15	A161564400	Pulling Coil spring		C	1	
16	A161564200	Spacer		D	1	
17	A161564100	Lever		D	1	
18	A161564300	Spacer		D	2	
19	A161R72500	Separation Roller Assy		C	1	

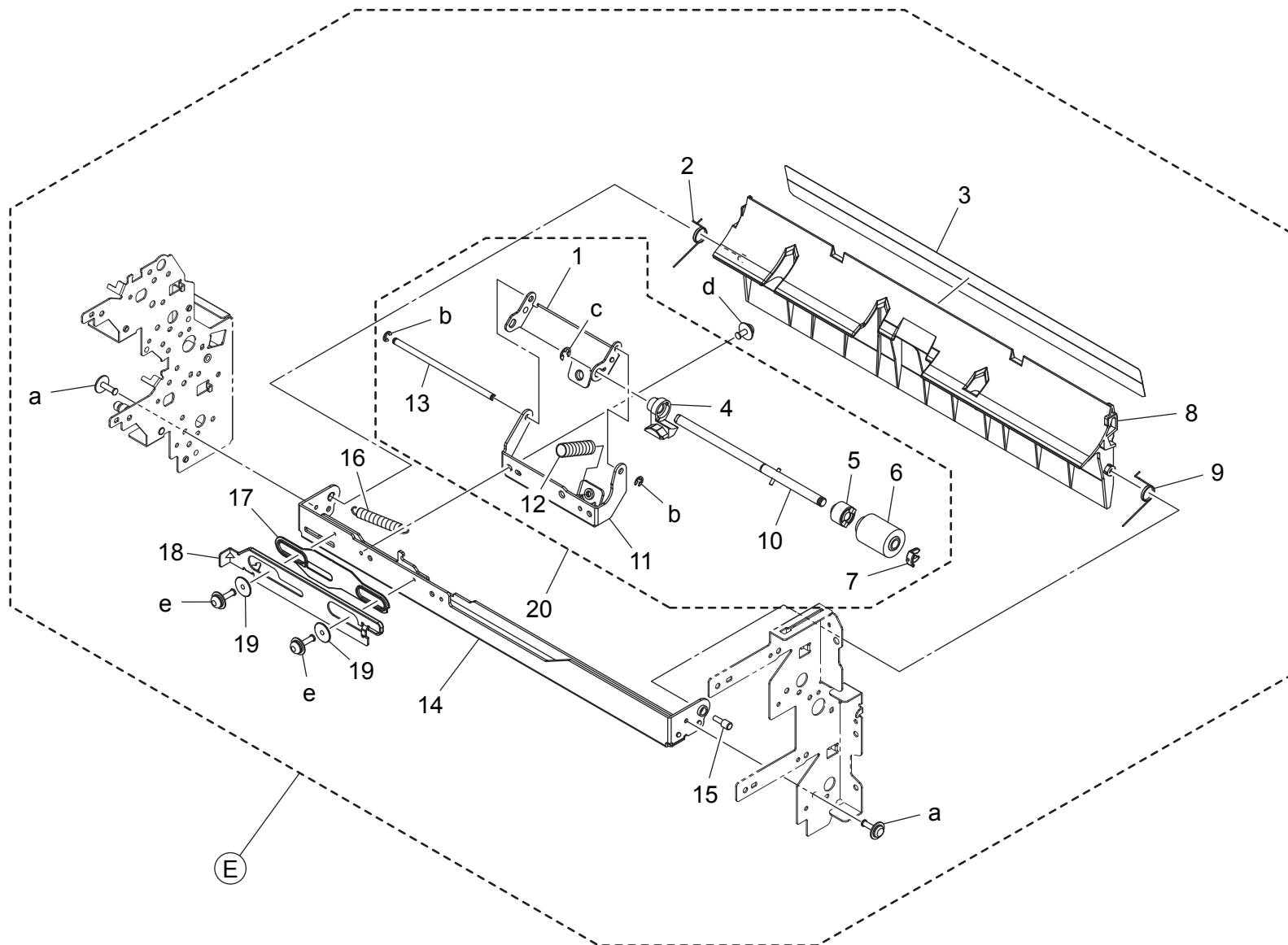
2ND PAPER FEED SECTION



2ND PAPER FEED SECTION

Key	Part No.	Description	Destinations	Class	QTY	Standard parts
1	A161561000	Reinforce Plate		D	1	a-V153030803 b-V217050001 c-V217040001 d-V137030803 e-V217030001 f-V144030603
2	A161578100	Drive Roller		C	1	
3	A0EDM50100	Photorelector		I	2	
4	A161578200	Guide Plate		D	1	
5	A161N12701	Conveyance Detection harness		D	1	
6	A161571100	Mounting Plate		D	1	
7	A161560900	Mounting Plate		D	1	
8	A161561600	Actuator		C	1	
9	A108M50100	Photointerrupter		B	2	
10	A161560300	Paper feed Frame		D	1	
11	A161560600	Ground Plate		D	1	
12	A00J617900	Ball Bearing		B	2	
13	A161562800	Compressing Coil spring		C	1	
14	A161560500	Shaft		D	1	
15	A161562400	Gear 26T		C	1	
16	A00J663200	Bushing		C	1	
17	4131300301	BUSHING		C	4	
18	A00J563600	Roller		A	2	
19	56AA40490	SHAFT STOPPER 4		C	2	
20	A02E561100	Clutch		C	2	
21	A161562300	Gear 34T		C	1	
22	A161562600	Gear 28T		C	1	
23	A161562000	Shaft		D	1	
24	A161562500	Bushing		C	1	
25	A161562101	Holder		D	1	
26	A161567400	Torsion Spring		C	1	
27	A161567300	Lever		C	1	
28	A02E560800	Shaft		D	1	
29	A02EM20200	Clutch		C	1	
30	A2XK709000	Gear 24T		C	1	
31	A2XKN10H01	Paperfeed Wiring /2		D	1	
32	A161563000	Compressing Coil spring		C	1	
33	A161578700	Cushion		C	1	
34	A161568901	Cushion		D	2	

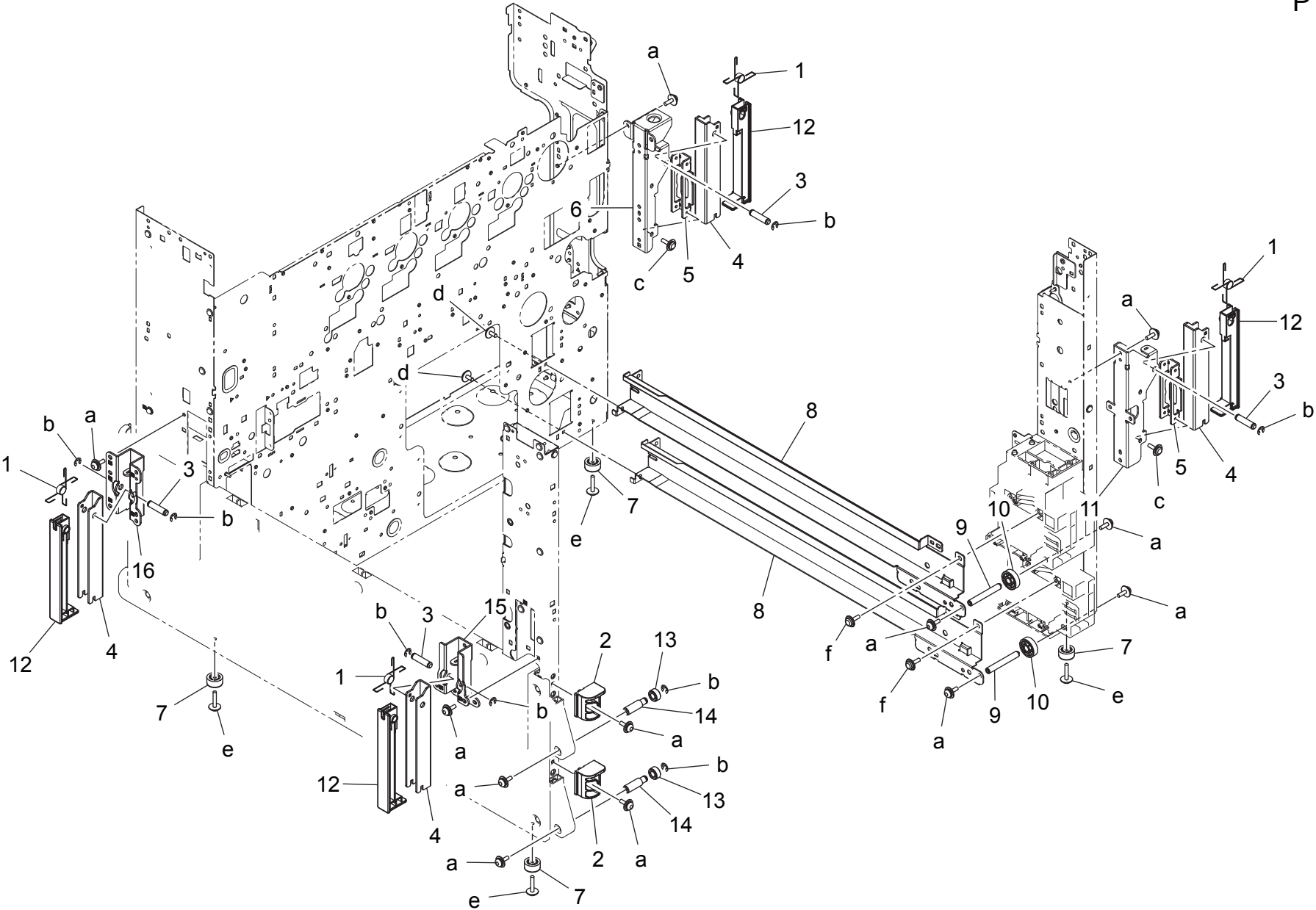
2ND PAPER FEED SECTION



2ND PAPER FEED SECTION

Key	Part No.	Description	Destinations	Class	QTY	Standard parts
1	A161563100	Holder		D	1	a-V137030803 b-V217030001 c-V217040001 d-V116030603 e-V116031003
2	A161568800	Torsion Coil spring		C	1	
3	A161578500	Guide		C	1	
4	A161563501	Guide		D	1	
5	A0ED563900	Torque limiter		C	1	
6	A00J563600	Roller		A	1	
7	56AA40490	SHAFT STOPPER 4		C	1	
8	A161578401	Guide Plate		C	1	
9	A161568700	Torsion Coil spring		C	1	
10	A161563400	Shaft		D	1	
11	A161564001	Mounting Plate		D	1	
12	4030301703	PRESSURE SPRING		C	1	
13	A161563300	Shaft		D	1	
14	A161563901	Mounting Plate		D	1	
15	4532341001	SHOULDER SCREW		D	1	
16	A161564400	Pulling Coil spring		C	1	
17	A161564200	Spacer		D	1	
18	A161564100	Lever		D	1	
19	A161564300	Spacer		D	2	
20	A161R72500	Separation Roller Assy		C	1	

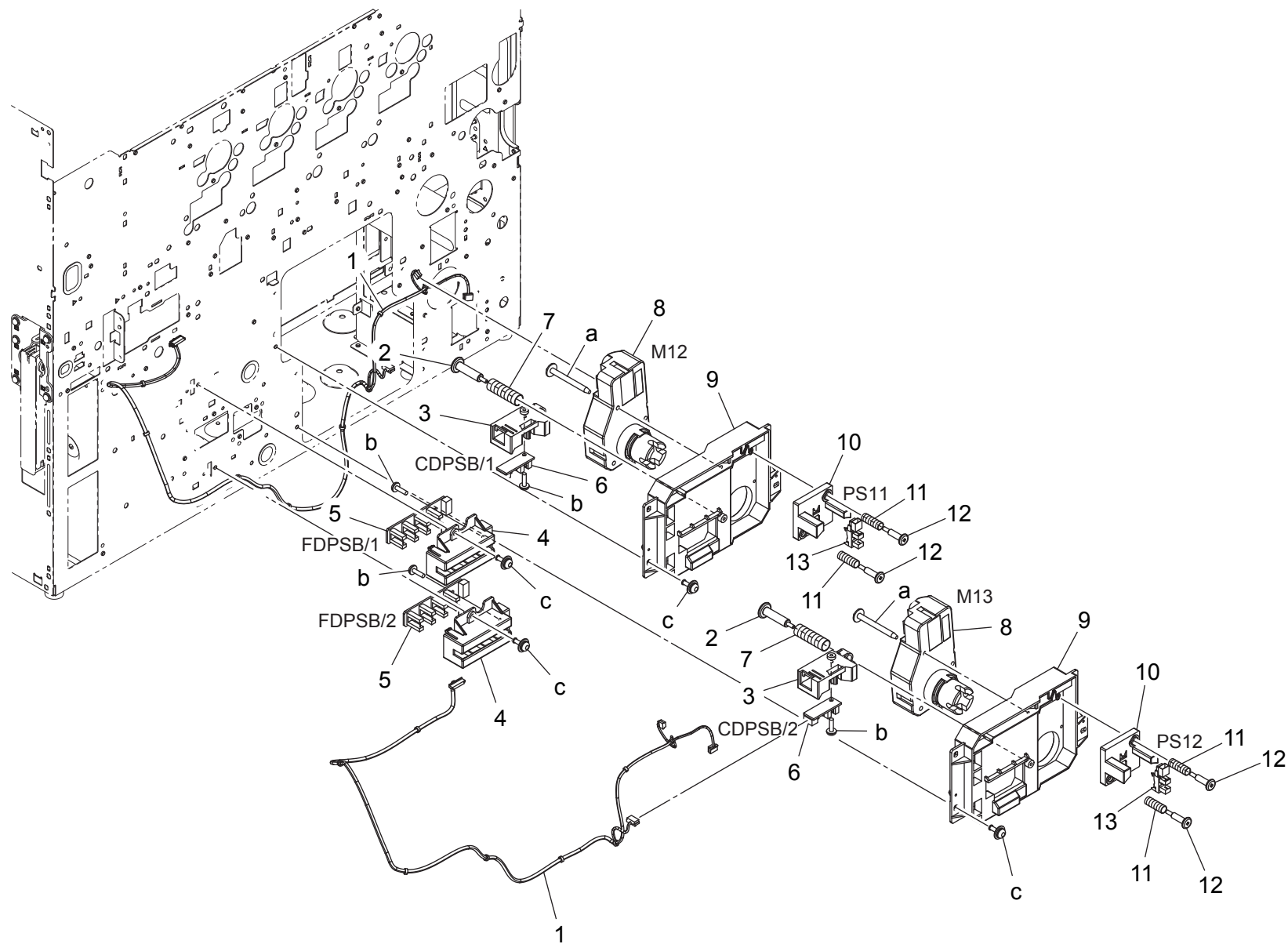
CASSETTE RAIL SECTION



CASSETTE RAIL SECTION

Key	Part No.	Description	Destinations	Class	QTY	Standard parts
1	A161104300	Torsion Coil spring		D	4	a-V116030803 b-V217040001 c-V137030803 d-V144030603 e-V137031203 f-V153030803
2	A161102300	Stopper		D	2	
3	A161104200	Shaft		D	4	
4	A161101900	Lever		D	4	
5	A161104701	Reinforce Plate		D	2	
6	A161104800	Mounting Plate		D	1	
7	0996305501	RUBBER FOOT		C	4	
8	A161101101	Rail		D	2	
9	A161105800	Shaft		D	2	
10	A161103901	Roll		D	2	
11	A161104400	Mounting Plate		D	1	
12	A161103700	Cover		D	4	
13	A161623400	Roll		D	2	
14	A161105200	Shaft		D	2	
15	A161101600	Mounting Plate		D	1	
16	A161101700	Mounting Plate		D	1	

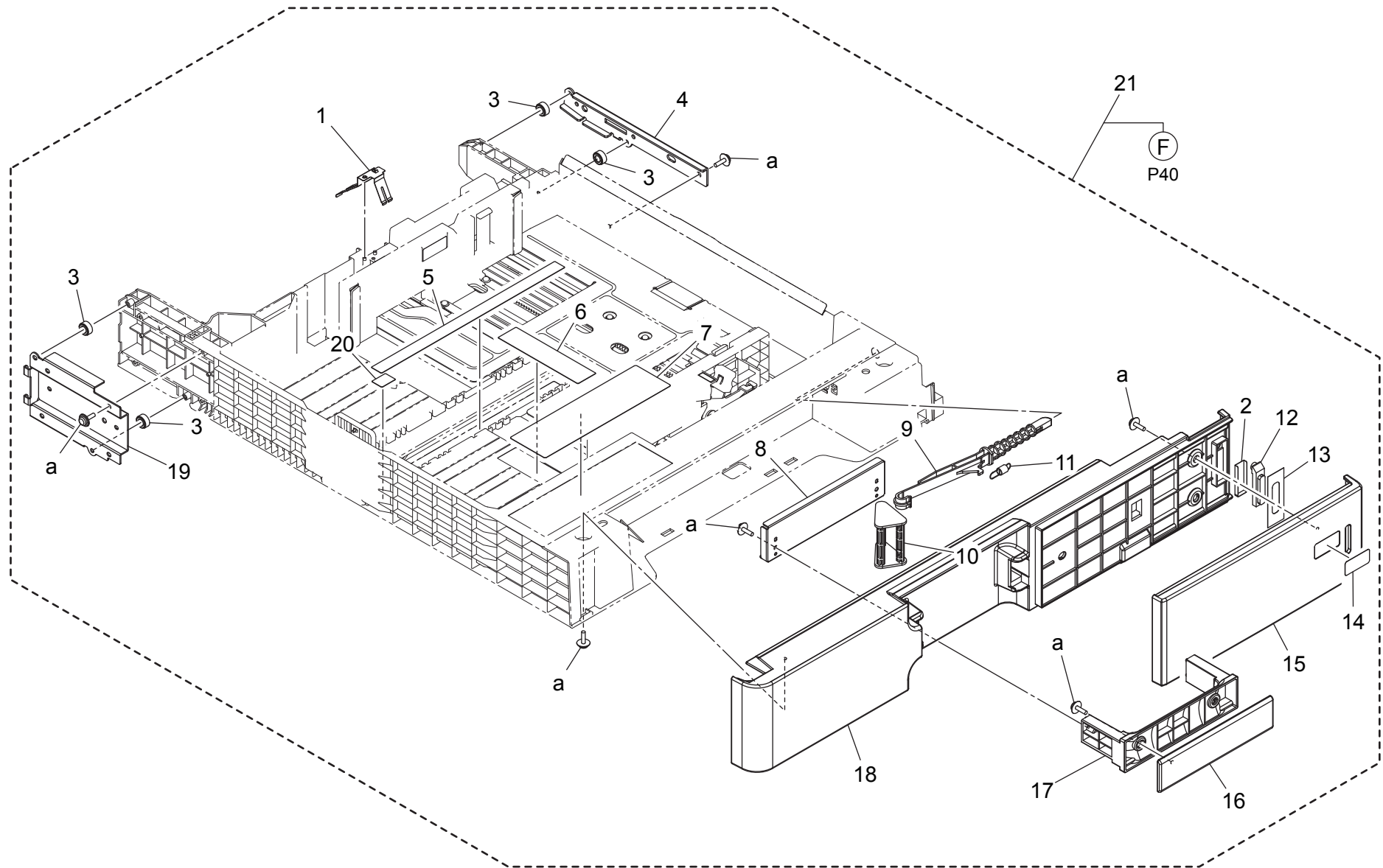
PAPER SIZE DETECTION SECTION



PAPER SIZE DETECTION SECTION

Key	Part No.	Description	Destinations	Class	QTY	Standard parts
1	A161N10N01	Paperfeed Wiring /Rear		D	2	a-V153033003 b-V145030803 c-V116030803
2	A161627801	Shoulder screw		C	2	
3	A161627500	Holder		C	2	
4	A161628000	Holder		C	2	
5	A161M50600	Photointerrupter		C	2	
6	A161M50501	Photointerrupter		C	2	
7	4002311002	Pressure Spring		C	2	
8	9J06M10300	MOTOR		B	2	
9	A161627102	Holder		D	2	
10	A161627300	Holder		D	2	
11	A0ED627600	Compressing Coil spring		D	4	
12	A161627701	Shoulder screw		C	4	
13	A108M50100	Photointerrupter		B	2	

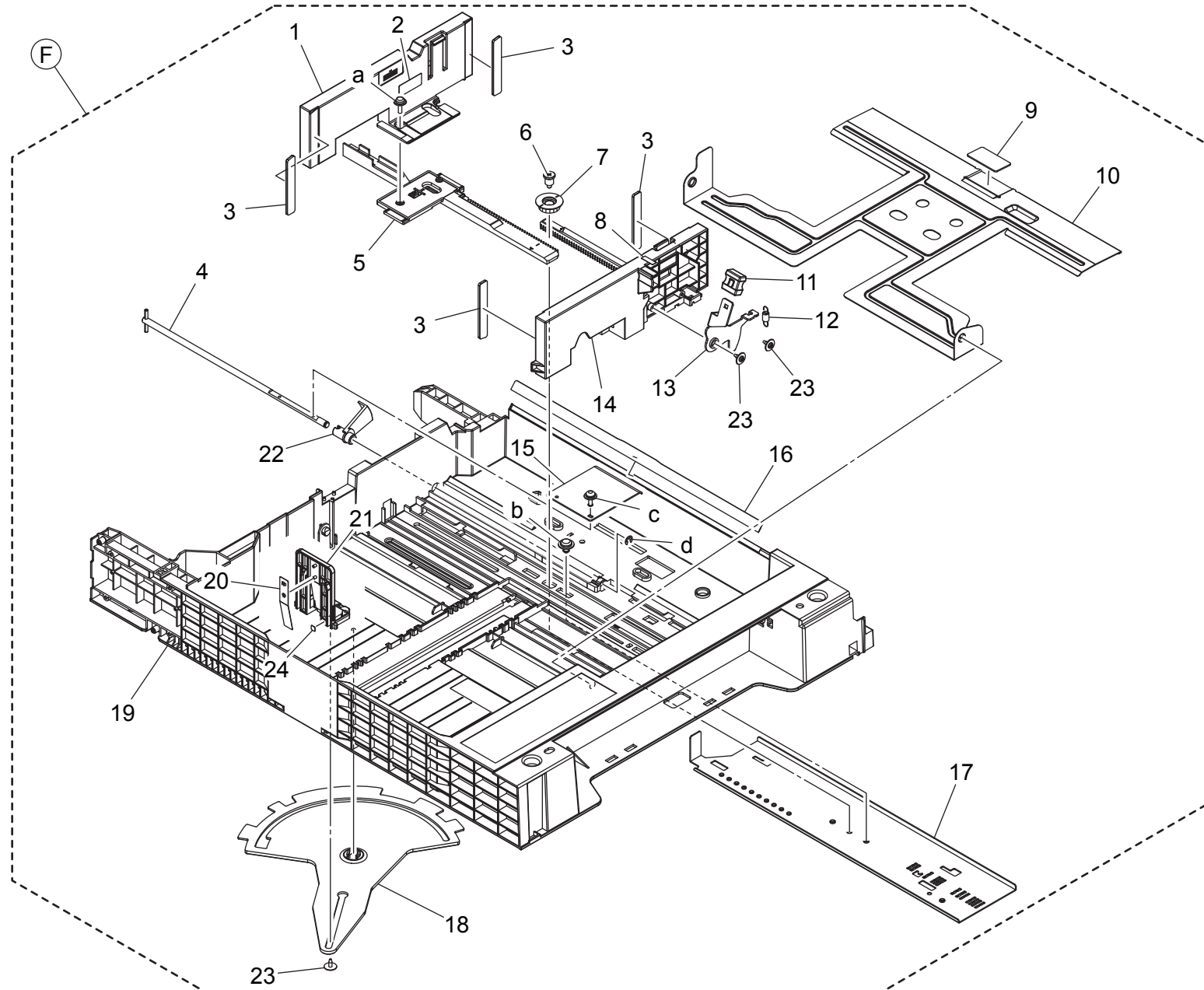
1ST CASSETTE SECTION



1ST CASSETTE SECTION

Key	Part No.	Description	Destinations	Class	QTY	Standard parts
1	A161622100	Ground Plate		D	1	a-V153030803
2	A161626200	Sheet		D	1	
3	A161623400	Roll		D	4	
4	A161623101	Reinforce Plate /Right		D	1	
5	A00J942202	Label FD		C	1	
6	A02E941500	Label Cd		C	1	
7	A161943801	Label		C	1	
8	A161626300	Holder		D	1	
9	A161626502	Lever		C	1	
10	A161626601	Lever		C	1	
11	A161626800	Pulling Coil spring		C	1	
12	A161626000	Lens		D	1	
13	A161626100	Light blocking Sheet		D	1	
14	A161943100	Label 1		C	1	
15	A161625000	Cover		C	1	
16	A161625900	Cover		C	1	
17	A161626900	Handle		C	1	
18	A161625103	Cover		C	1	
19	A161623301	Reinforce Plate /Left		D	1	
20	A02E941300	Label Fd		C	1	
21	A161F6200C	1st Cassette		S	1	

1ST CASSETTE SECTION

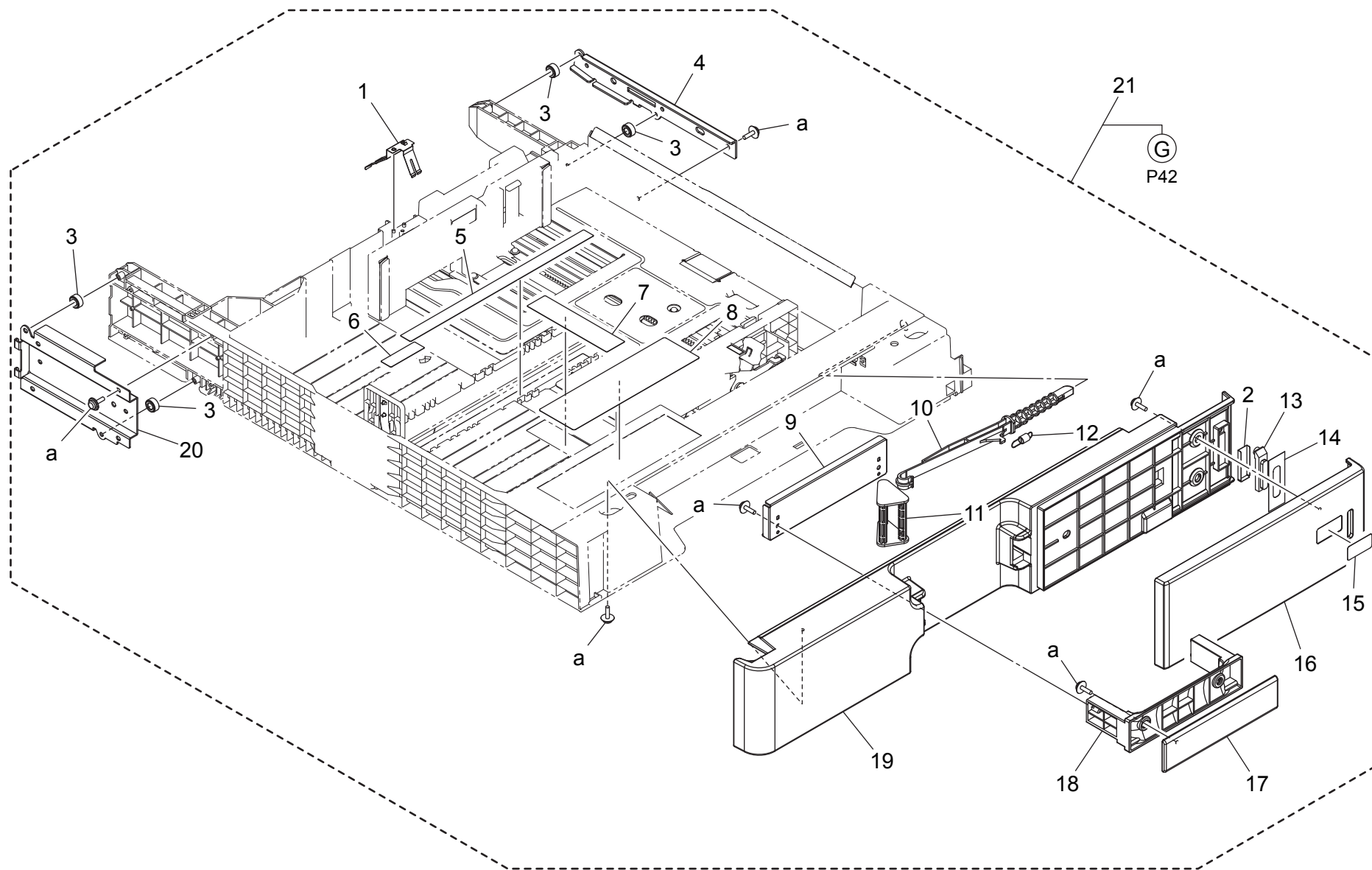


1ST CASSETTE SECTION

Key	Part No.	Description	Destinations	Class	QTY	Standard parts
1	A161620903	Regulating Plate /Rear		C	1	a-V153030803 b-V144040603 c-V116030803 d-V217040001
2	A161943700	Label Max Level		C	1	
3	A161624100	Cushion		C	4	
4	A161621600	Lifting Shaft		D	1	
5	A161621100	Rack		C	1	
6	A161620600	Shoulder screw		D	1	
7	A161620701	Gear		D	1	
8	A161943000	Label		C	1	
9	4030322601	FRICION SHEET		C	1	
10	A161620400	Lifting Plate		D	1	
11	4037320401	KNOB		C	1	
12	A0ED621400	Pulling Coil spring		D	1	
13	A161621300	Lever		D	1	
14	A161620802	Regulating Plate /Front		C	1	
15	4030320601	LEVER		D	1	
16	A0ED620200	Guide		C	1	
17	A161621900	Mounting Plate		D	1	
18	A161621400	Lever		C	1	
19	A161620103	Paper feed Cassette		D	1	
20	A161621800	Plate spring		C	1	
21	A161621701	Regulating Plate		C	1	
22	A0ED620701	Actuator		C	1	
23	4163529301	SCREW		C	3	
24	A02E940300	Label		C	1	

2ND CASSETTE SECTION

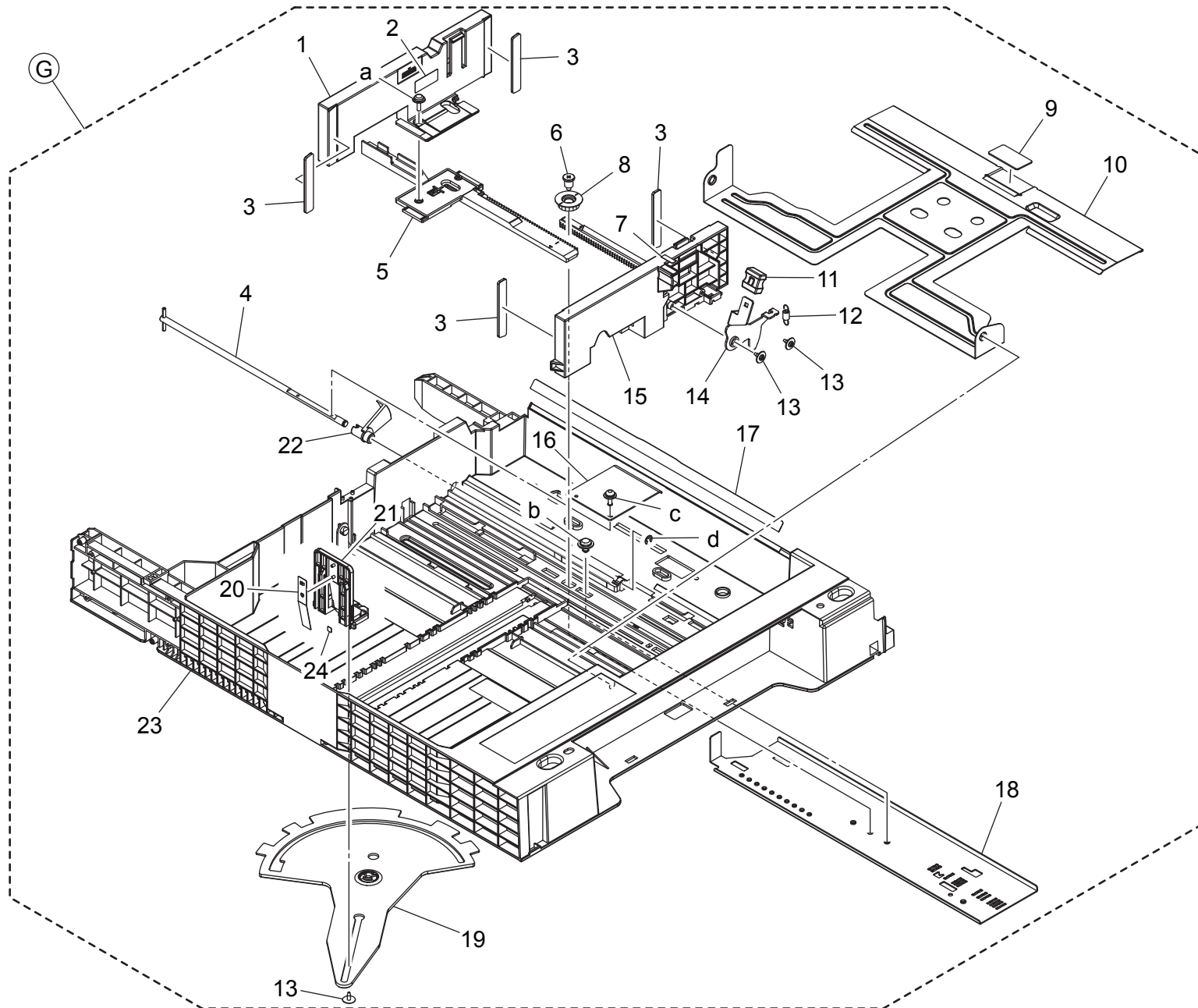
P 41



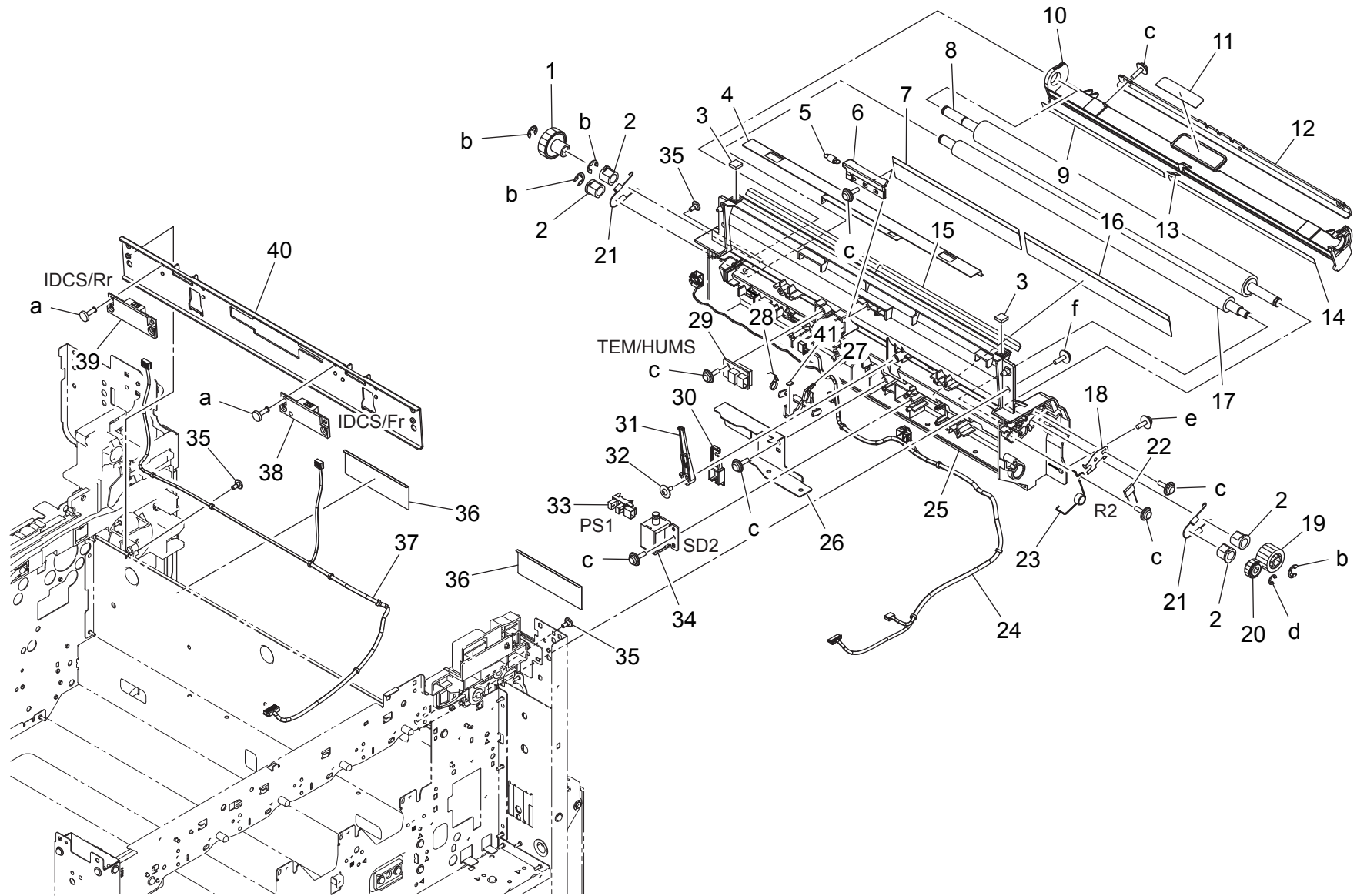
2ND CASSETTE SECTION

Key	Part No.	Description	Destinations	Class	QTY	Standard parts
1	A161622100	Ground Plate		D	1	a-V153030803
2	A161626200	Sheet		D	1	
3	A161623400	Roll		D	4	
4	A161633101	Reinforce Plate /Right		D	1	
5	A00J942202	Label FD		C	1	
6	A161943500	Label		C	1	
7	A161943601	Label		C	1	
8	A161943801	Label		C	1	
9	A161626300	Holder		D	1	
10	A161636502	Lever		C	1	
11	A161626601	Lever		C	1	
12	A161626800	Pulling Coil spring		C	1	
13	A161626000	Lens		D	1	
14	A161626100	Light blocking Sheet		D	1	
15	A161943200	Label 2		C	1	
16	A161635000	Cover		C	1	
17	A161625900	Cover		C	1	
18	A161626900	Handle		C	1	
19	A161635103	Cover		C	1	
20	A161633202	Reinforce Plate /Left		D	1	
21	A161F6300C	2nd Cassette		S	1	

2ND CASSETTE SECTION



Key	Part No.	Description	Destinations	Class	QTY	Standard parts
1	A161620903	Regulating Plate /Rear		C	1	a-V153030803 b-V144040603 c-V116030803 d-V217040001
2	A161943700	Label Max Level		C	1	
3	A161624100	Cushion		C	4	
4	A161621600	Lifting Shaft		D	1	
5	A161621100	Rack		C	1	
6	A161620600	Shoulder screw		D	1	
7	A161943000	Label		C	1	
8	A161620701	Gear		D	1	
9	4030322601	FRICION SHEET		C	1	
10	A161620400	Lifting Plate		D	1	
11	4037320401	KNOB		C	1	
12	A0ED621400	Pulling Coil spring		D	1	
13	4163529301	SCREW		C	3	
14	A161621300	Lever		D	1	
15	A161620802	Regulating Plate /Front		C	1	
16	4030320601	LEVER		D	1	
17	A0ED620200	Guide		C	1	
18	A161621900	Mounting Plate		D	1	
19	A161631400	Lever		C	1	
20	A161621800	Plate spring		C	1	
21	A161621701	Regulating Plate		C	1	
22	A0ED620701	Actuator		C	1	
23	A161630102	Paper feed Cassette		D	1	
24	A02E940300	Label		C	1	

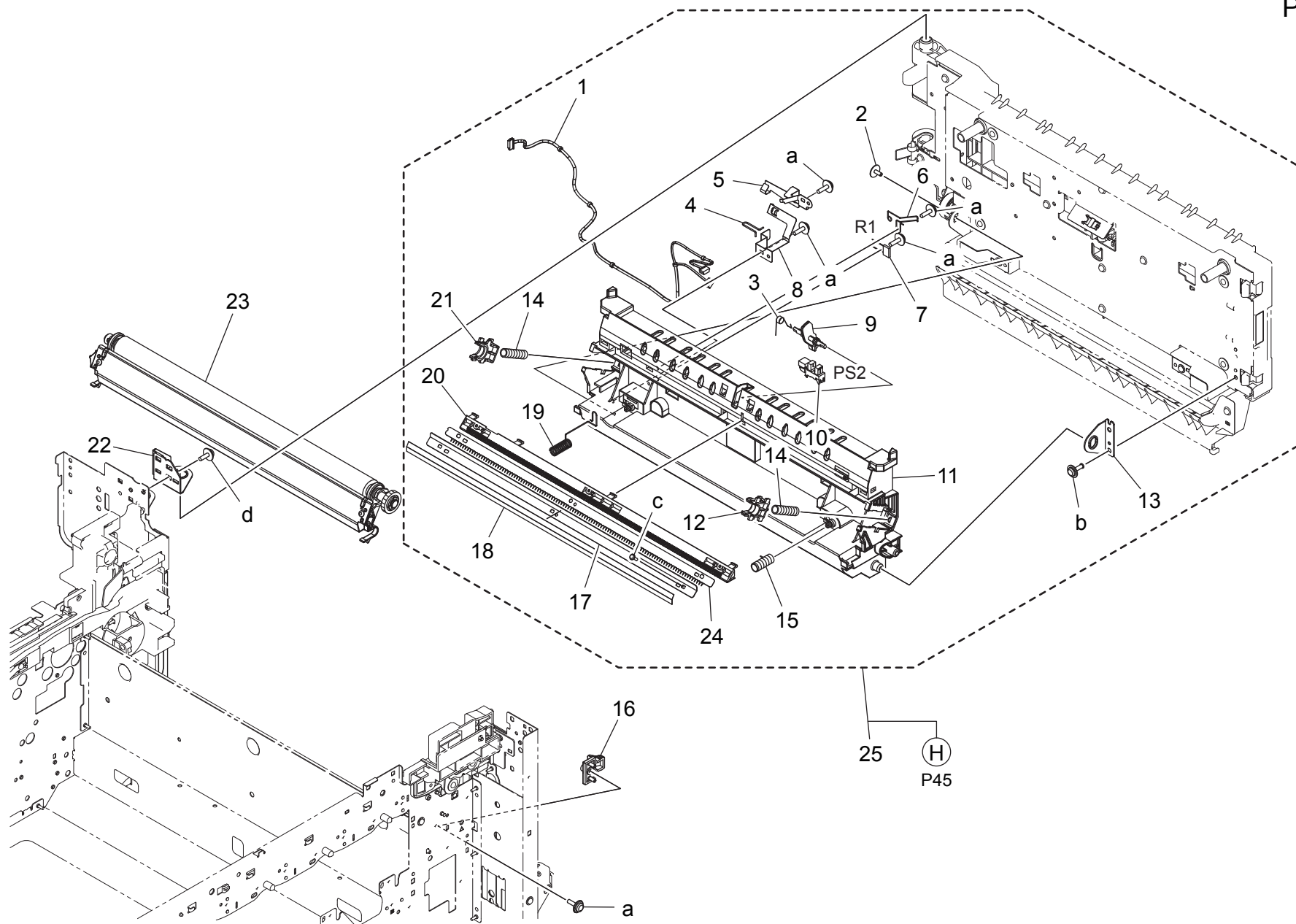


CONVEYANCE SECTION

Key	Part No.	Description	Destinations	Class	QTY	Standard parts
1	A2XK709000	Gear 24T		C	1	a-V118030803 b-V217060001 c-V153030803 d-V217040001 e-V116030803 f-V153031003
2	4025357201	BUSHING		C	4	
3	A161701900	Seal /A		D	2	
4	A0ED705800	Cover		D	1	
5	A0ED702800	Pulling Spring		D	1	
6	A161706001	Holding Shutter		D	1	
7	A161701501	Guide Sheet /C		D	1	
8	A0ED700100	Roller		C	1	
9	4038353701	GUIDE		C	1	
10	A161700600	Guide Plate /Middle		D	1	
11	A161946300	Label M2		D	1	
12	A02E712902	Reinforce Plate		D	1	
13	4038353901	GUIDE		C	1	
14	A0ED700600	Guide Sheet		D	1	
15	A161701301	Guide Sheet /A		C	1	
16	A161701401	Guide Sheet /B		D	1	
17	A0ED700200	Roller		D	1	
18	A161700800	Ground Plate /D		D	1	
19	A0ED700300	Gear 20T		D	1	
20	A0ED700700	Gear 14T		D	1	
21	A161702000	Conveyance Spring /A		C	2	
22	V800500300	FIXED POWER RESISTORS		D	1	
23	A0ED703200	Torsion Coil spring		D	1	
24	A2XKN10G00	Conveyance Detection harness /H		D	1	
25	A161700104	Guide Plate /Inside		D	1	
26	A161700300	Mounting Plate /B		D	1	
27	A161701703	Actuator /T		C	1	
28	A161701100	Spring /A		C	1	
29	A0P0M50400	Humidity sensor		C	1	
30	A161700700	Arm /2		D	1	
31	A161700401	Arm /1		D	1	
32	4163529301	SCREW		C	1	
33	A108M50100	Photointerrupter		B	1	
34	A034M20100	Conveyance Solenoid		C	1	
35	4011585202	SHOULDER SCREW		C	3	
36	A161701800	Protection Sheet		D	2	
37	A161N12H00	Sensor Wiring /3		D	1	
38	A161M50000	Photo sensing		I	1	
39	A161M50300	Photo sensing		I	1	
40	A161700901	Reinforce Plate		D	1	
41	A161702100	Cushion /C		C	1	

VERTICAL TRANSPORT SECTION

P 44

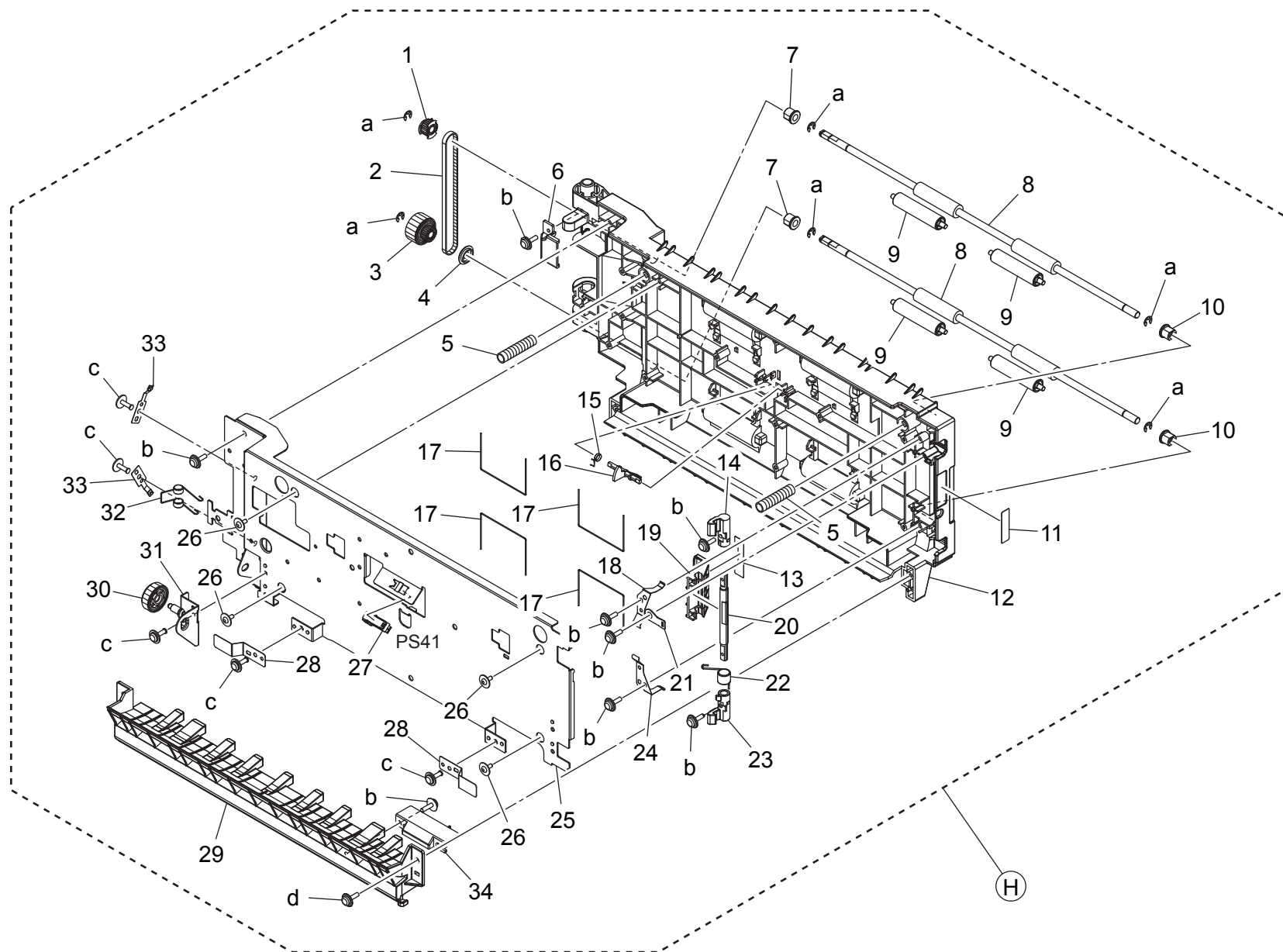


VERTICAL TRANSPORT SECTION

Key	Part No.	Description	Destinations	Class	QTY	Standard parts
1	A161N10H01	Conveyance Wiring		D	1	a-V153030803 b-V137030803 c-V162020504 d-V116030803
2	4163529301	SCREW		C	1	
3	A161712700	Spring /C		D	1	
4	A161712400	Ground Spring /A		D	1	
5	A161711100	Ground Plate /C		D	1	
6	A161711000	Ground Spring /B		D	1	
7	V800500300	FIXED POWER RESISTORS		D	1	
8	A161710900	Ground Plate /A		D	1	
9	A2XK710100	Actuator /A		D	1	
10	A108M50100	Photointerrupter		B	1	
11	A161710102	Holder /A		D	1	
12	A161550700	Transfer Holder /2		C	1	
13	A161711800	Support Plate /Front		D	1	
14	A0ED551000	Compressing Coil spring /2		C	2	
15	A0ED551100	Compressing Coil spring		D	1	
16	A161712300	Fixing Part /Lower		D	1	
17	A0ED550900	Mounting Plate		D	1	
18	A0ED551700	Guide Seal		D	1	
19	A161712500	Ground Spring /C		D	1	
20	A161551600	Mounting Plate		D	1	
21	A161551500	Transfer Holder /2		C	1	
22	A161104101	Adjusting Plate		D	1	
23	A161R71400	2nd Image Transfer Rollor Assy		C	1	
24	A0ED550800	Neutralizing Part		D	1	
25	A2XKR70922	Vertical Transport Assy		S	1	

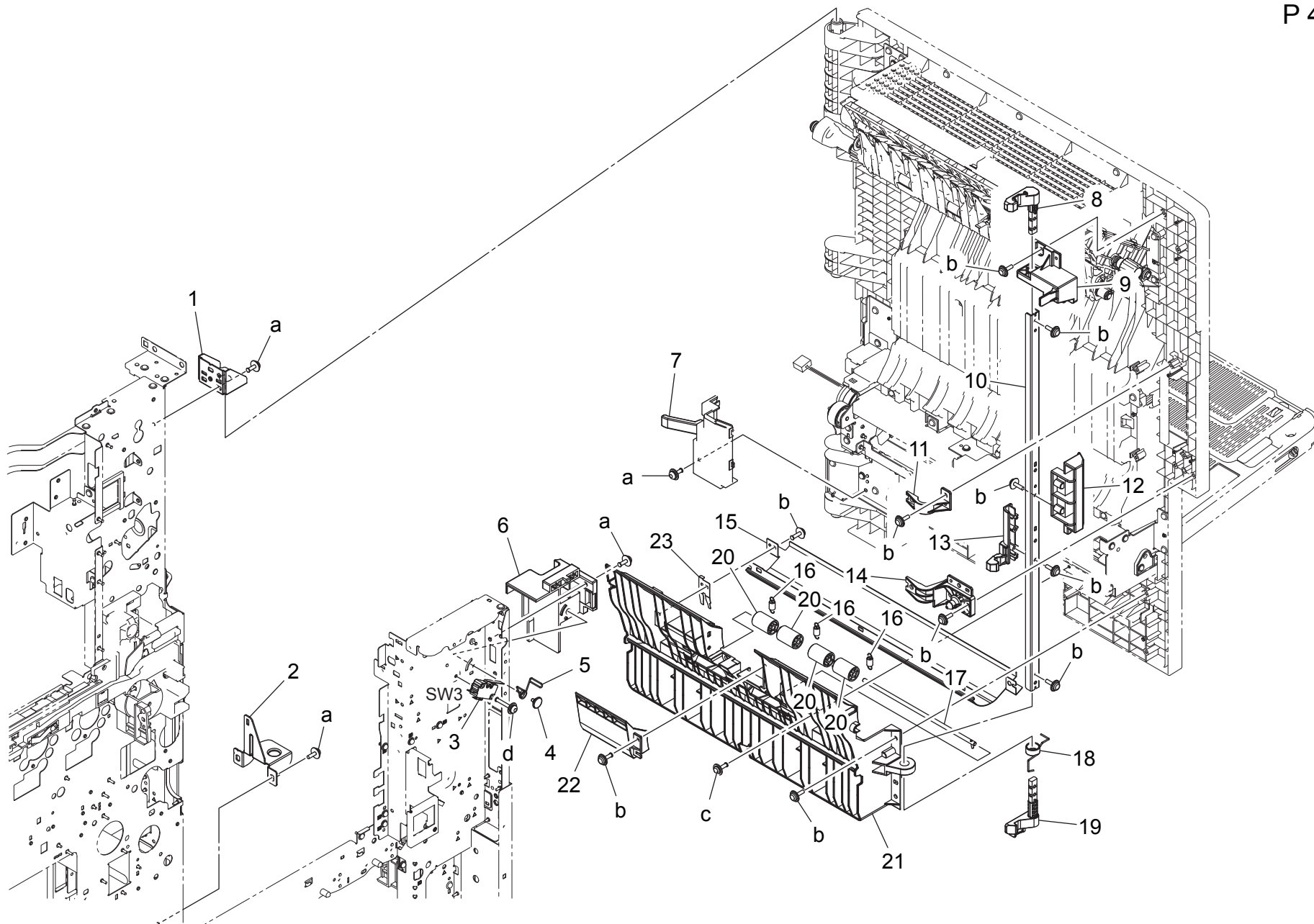
VERTICAL TRANSPORT SECTION

P 45



Key	Part No.	Description	Destinations	Class	QTY	Standard parts
1	A0ED811700	Pulley 22T		C	1	a-V217040001 b-V153030803 c-V137030803 d-V153031003
2	A161719000	Drive Belt 266L		C	1	
3	A161709100	Gear 22/23T		D	1	
4	A0ED811900	Collar		D	1	
5	A161711200	Pressing Spring		D	2	
6	A161712600	Cover /C		D	1	
7	A161713100	Bushing /1		D	2	
8	A161710500	Roller /A		D	2	
9	A161825700	Idler Roller /A		D	4	
10	A02E815200	BUSHING		C	2	
11	A161946400	Label M6		D	1	
12	A161710202	Guide Plate /A		D	1	
13	A161946200	Label M1		D	1	
14	A161711300	Lock Shaft /A		C	1	
15	A161712800	Spring /D		D	1	
16	A161713500	Actuator		C	1	
17	A161714600	Conveyance Spring /B		D	4	
18	A161712000	Ground Plate /D		D	1	
19	A161711600	Open/close Lever		C	1	
20	A161711400	Lock Shaft /B		D	1	
21	A161714500	Fixing Part		D	1	
22	A161711700	Spring /B		C	1	
23	A161711500	Lock Shaft /C		C	1	
24	A161712100	Ground Plate /E		D	1	
25	A161710401	Mounting Plate		D	1	
26	4163529301	SCREW		C	4	
27	A108M50100	Photointerrupter		B	1	
28	A0ED702400	Plate spring		D	2	
29	A161710300	Guide Plate /B		D	1	
30	A161719100	Gear 23T		C	1	
31	A161711900	Support Plate /Rear		D	1	
32	A161712900	Ground Spring /D		D	1	
33	A161714800	Contact		D	2	
34	A161816300	Lock Plate		D	1	

VERTICAL CONVEYANCE DOOR SECTION

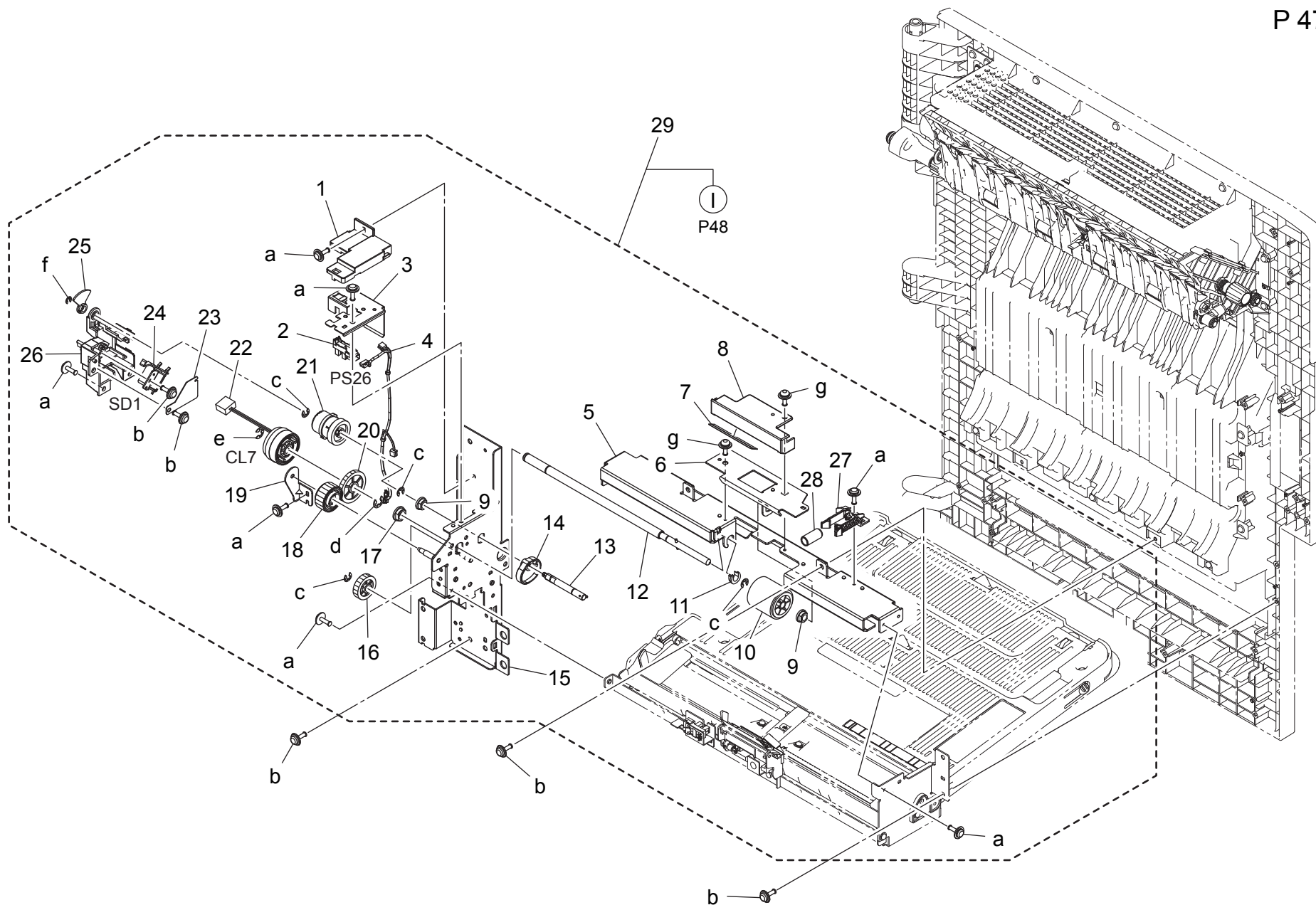


VERTICAL CONVEYANCE DOOR SECTION

Key	Part No.	Description	Destinations	Class	QTY	Standard parts
1	A161121300	Adjusting Plate		D	1	a-V116030803 b-V153030803 c-V137030804 d-V116031603
2	A161102500	Adjusting Plate		D	1	
3	9J06M60100	MICRO SWITCH		C	1	
4	A161137100	Shoulder screw		D	1	
5	A161151200	Torsion Coil spring		D	1	
6	A161121200	Holder		D	1	
7	A161592900	Wiring Cover /B		D	1	
8	A0ED712100	Lock Claw		C	1	
9	A161811500	Support Part /Upper		D	1	
10	A161811000	Lock Plate		D	1	
11	A161811401	Lock Part /Middle		D	1	
12	A161811100	Open/close Handle		C	1	
13	A161815201	Lock /Middle		C	1	
14	A161811301	Lock Part /Lower		D	1	
15	A161815000	Guide Door		D	1	
16	A161815500	Pulling Spring		C	3	
17	A161815300	Shaft		D	1	
18	A161815900	Torsion Coil spring		C	1	
19	A161811600	Lock Claw /Lower		C	1	
20	A161815400	Roll		C	4	
21	A161810301	Guide Plate /2		D	1	
22	A161590500	Paper feed Guide		D	1	
23	A161816200	Ground Guide		D	1	

BYPASS TRAY SECTION

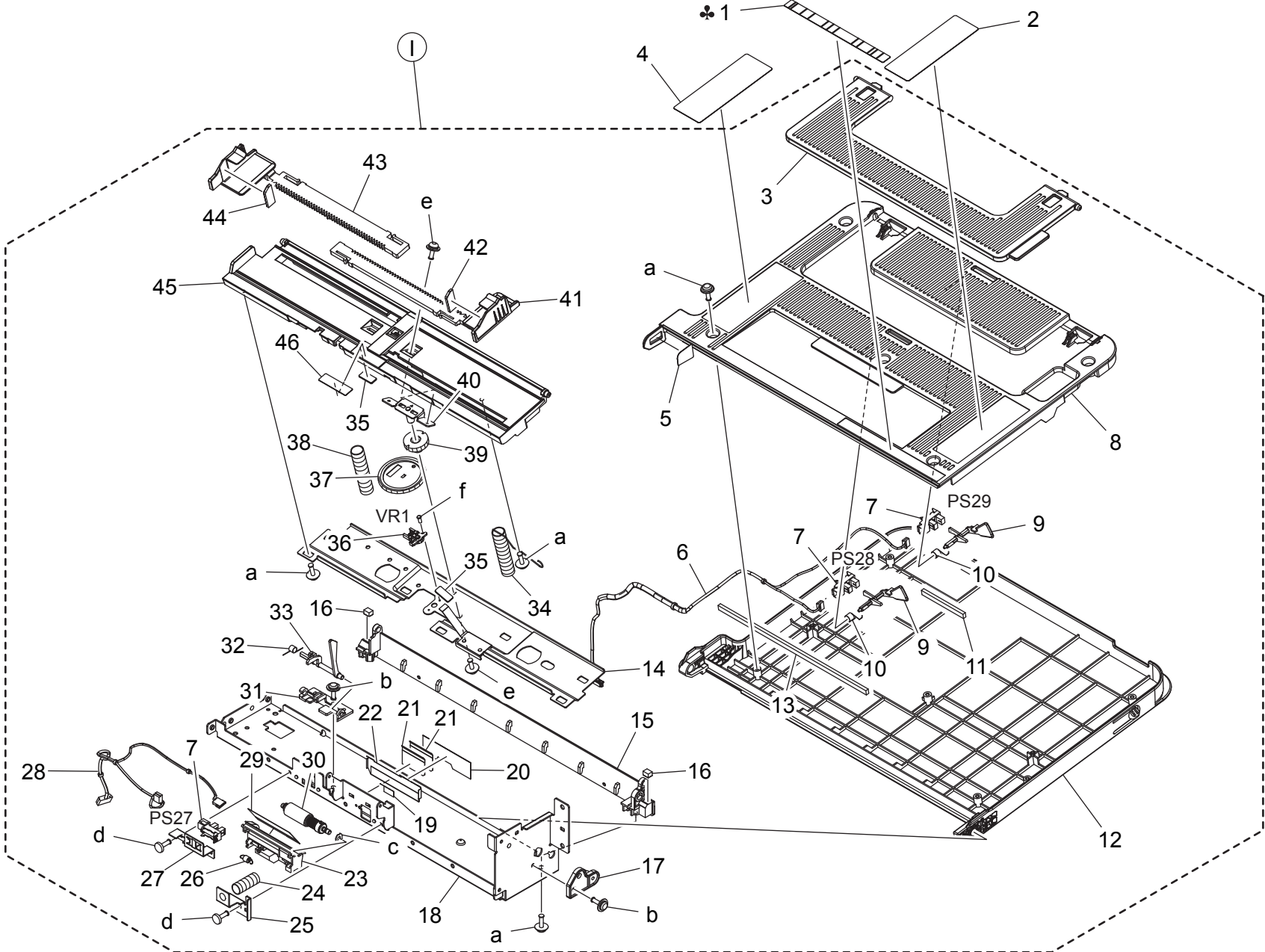
P 47



BYPASS TRAY SECTION

Key	Part No.	Description	Destinations	Class	QTY	Standard parts
1	A161592800	Wiring Cover /A		D	1	a-V137030803 b-V153030803 c-V217040001 d-V217060001 e-V217050001 f-V217030001 g-V116030803
2	A108M50100	Photointerrupter		B	1	
3	A161591900	Mounting Plate		D	1	
4	A161N12200	Paperfeed Drive harness /1		D	1	
5	A161590201	Paper feed Frame		D	1	
6	A161594100	Reinforce Plate		D	1	
7	A161594700	Guide Sheet		C	1	
8	A161591700	Auxiliary Guide		D	1	
9	A02E596300	Bushing		C	2	
10	A00F623201	Roller		B	1	
11	A161594400	Slide Stopper		C	1	
12	A161591500	Paper feed Shaft		D	1	
13	A161591400	Drive Shaft		D	1	
14	A161593300	Paper feed Cam		C	1	
15	A161F59000	Caulking(Mounting Plate Drive Frame)		D	1	
16	A02E595400	Gear 22T		C	1	
17	4131353202	BUSHING		C	1	
18	A161590800	Bypass Gear 24T		C	1	
19	A161590600	Reinforce Plate		D	1	
20	A02E596100	Gear 30T		C	1	
21	A02E595100	Clutch assy		C	1	
22	A02EM20100	Clutch		C	1	
23	A0ED597800	Cover		D	1	
24	9J06M20000	SOLENOID		C	1	
25	A161591300	Light blocking Plate		C	1	
26	A161591200	Drive Cover		D	1	
27	A161594800	Hold Claw		C	1	
28	A161594900	Coil spring		C	1	
29	A161R72400	Multiple Bypass Tray Assy		S	1	

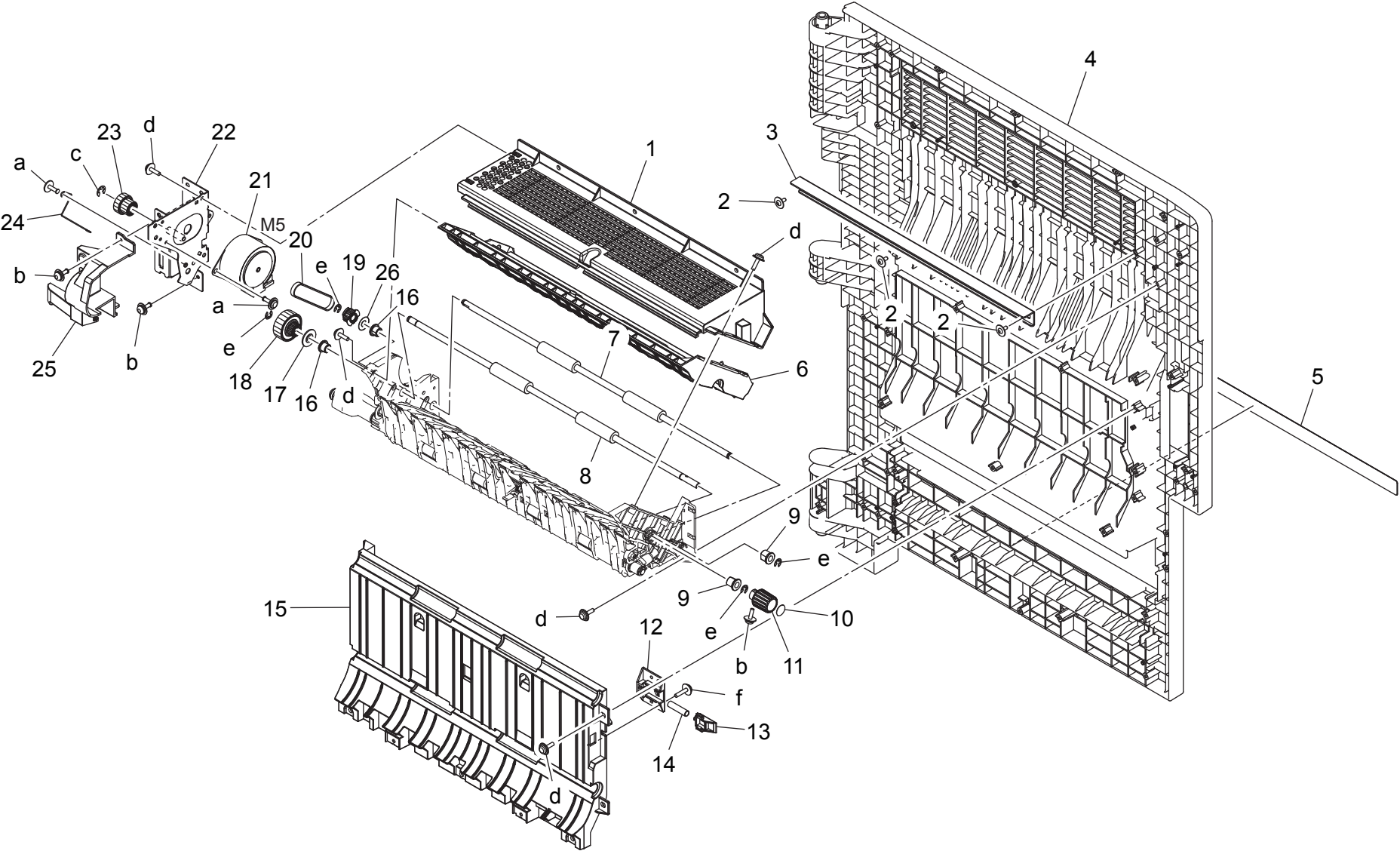
BYPASS TRAY SECTION



BYPASS TRAY SECTION

Key	Part No.	Description	Destinations	Class	QTY	Standard parts
1	A161944101	Label Scale/Metric	A,A1,C,D1,D3,E,F2,G1,I,K B,G2	C	1	a-V153030803 b-V137030803 c-V218030086 d-V118030803 e-V116030804 f-V111170403
1	A161944201	Label Scale/Inch		C	1	
2	A161944300	Label Paper Supply 1		D	1	
3	A161592200	Auxiliary Tray		C	1	
4	A161944400	Label Paper Supply 2	D	1		
5	A161592700	Seal	C	1		
6	A161N11Q01	Paperfeed Detection harness /1	D	1		
7	A108M50100	Photointerrupter	B	3		
8	A161592100	Bypass Tray /Upper	C	1		
9	A161592400	Actuator	C	2		
10	A161592500	Torsion Spring	C	2		
11	A161592600	Holding Cover /2	D	1		
12	A161592002	Bypass Tray	C	1		
13	A161592300	Holding Cover	D	1		
14	A161593701	Mounting Plate	D	1		
15	A161590303	Support Holder	D	1		
16	A161594201	Cushion	D	2		
17	A161591600	Hold Plate	C	1		
18	A161590101	Bypass Frame	D	1		
19	A161595600	Slide Guide	C	1		
20	A161595100	Seal	C	1		
21	4030340301	GUIDE	C	2		
22	A161595300	Separating Plate	C	1		
23	A161595000	Holder	D	1		
24	4030347501	PRESSURE SPRING	C	1		
25	A161595400	Hold Plate	D	1		
26	A161595200	Pulling Coil spring	C	1		
27	A161591800	Sensor Holder	D	1		
28	A161N10X00	Paperfeed Detection harness /2	D	1		
29	A02E597600	Guide	C	1		
30	4658015106	Roller Assy	A	1		
31	A161591100	Sensor Holder	D	1		
32	A161591000	Torsion Spring	C	1		
33	A161590901	Actuator	C	1		
34	A161593600	Compressing Coil spring	C	1		
35	A161593800	Friction Plate	C	2		
36	A161M50400	VR	D	1		
37	A161594300	Regulating Gear 41T	C	1		
38	A161593400	Compressing Coil spring	C	1		
39	A02E592100	Gear 20T	C	1		
40	A161R7A000	Caulking Gear Mounting Plate	D	1		
41	A161593101	Regulating Plate /L	C	1		
42	A161594600	Brake Part /F	C	1		
43	A161593200	Regulating Plate /R	C	1		
44	A161594500	Brake Part	C	1		
45	A161593001	Lifting Plate	D	1		
46	A161594000	Separating Sheet	C	1		

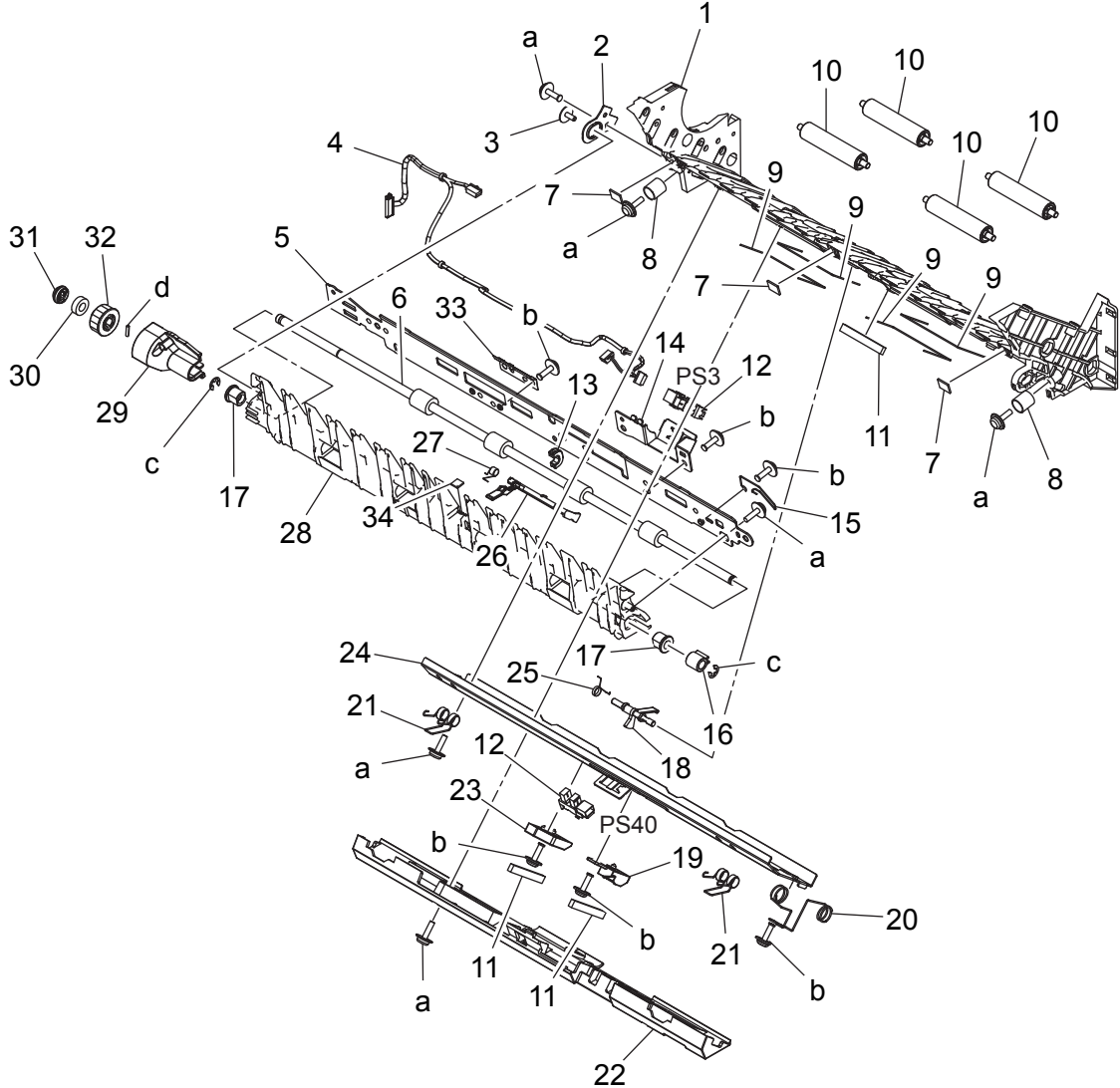
REVERSAL UNIT



REVERSAL UNIT

Key	Part No.	Description	Destinations	Class	QTY	Standard parts
1	A161810701	Cover /Upper		D	1	a-V137030803 b-V116030803 c-V217050001 d-V153030803 e-V217040001 f-V153031003
2	4163529301	SCREW		C	3	
3	A161816100	Reinforce Plate		D	1	
4	A161810102	Guide Door /Right		C	1	
5	A161815100	Cover Door		C	1	
6	A161812200	Guide Plate /5		D	1	
7	A161814601	Roller /C		C	1	
8	A161813701	Roller /B		C	1	
9	A02E815200	BUSHING		C	2	
10	A161946100	Label M5		C	1	
11	A161814700	Knob /A		C	1	
12	A161815600	Swing Holder		D	1	
13	A161815700	Open/close Claw		C	1	
14	A161815800	Swing Spring		C	1	
15	A161810200	Guide Plate /1		D	1	
16	A161813300	Bushing /A		C	2	
17	A161813800	Collar /A		C	1	
18	A161819701	Gear 22/27T		C	1	
19	A0ED811700	Pulley 22T		C	1	
20	A161819000	Drive Belt 156L		C	1	
21	A0EDM10200	Stepping motor		C	1	
22	A161F81102	Caulking(Panel Rear)		D	1	
23	A161819600	Gear 18/26T		C	1	
24	A161814300	Contact /B		D	1	
25	A161814901	Cover /B		D	1	
26	A161816400	Spacer /A		C	1	

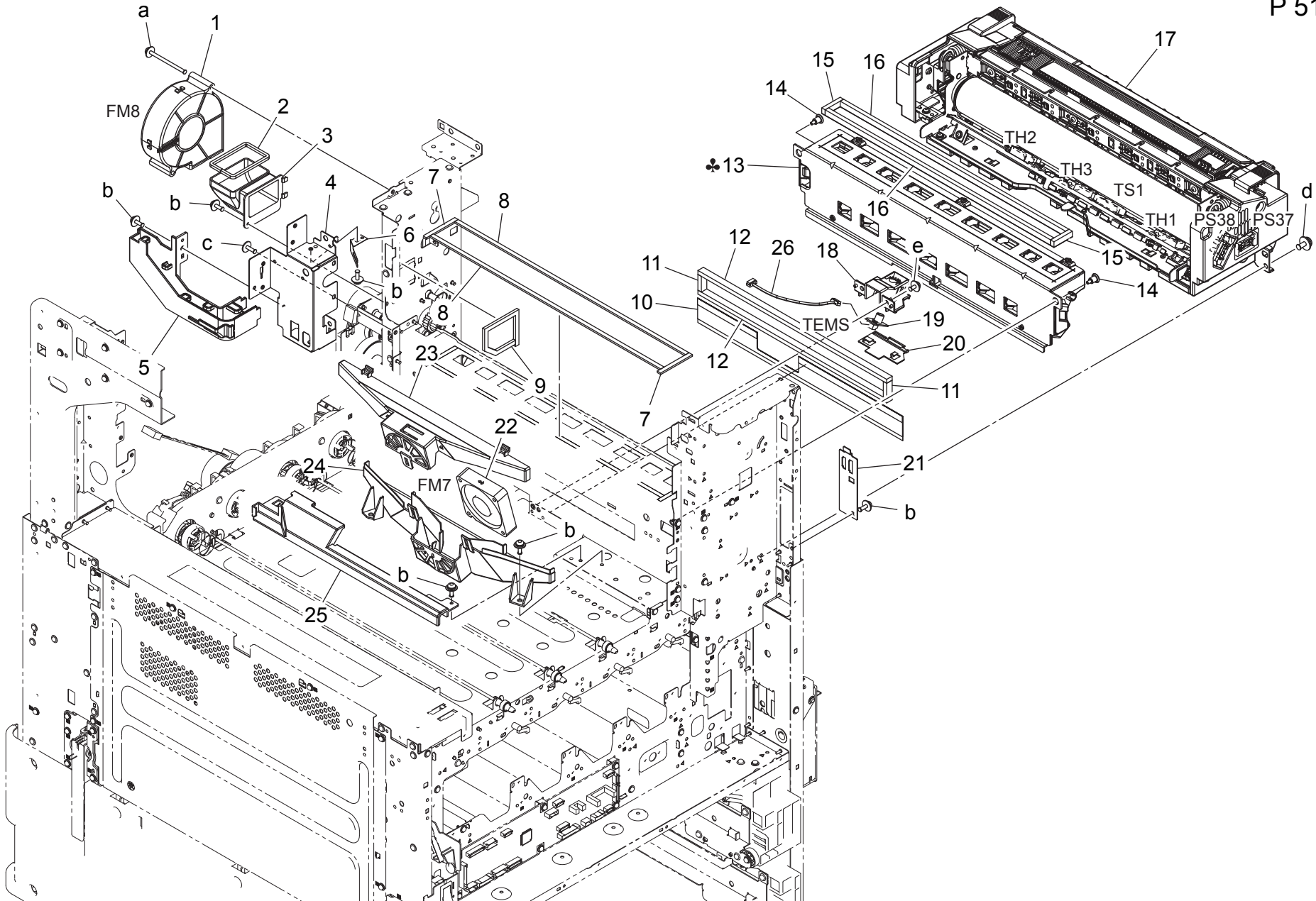
REVERSAL UNIT



Key	Part No.	Description	Destinations	Class	QTY	Standard parts
1	A161810400	Guide Plate /3		D	1	a-V153030803 b-V137030803 c-V217040001 d-V237200850
2	A161814401	Mounting Plate /3		D	1	
3	4163529301	SCREW		C	1	
4	A161N12100	Conveyance Drive harness /Upper		D	1	
5	A161810801	Mounting Plate /2		D	1	
6	A161810600	Roller /1		C	1	
7	A161825300	Cushion /A		D	3	
8	A161813600	Pressing Spring /A		C	2	
9	A0ED815100	Holding Part		D	4	
10	A161825700	Idler Roller /A		D	4	
11	A161825800	Cushion /B		D	3	
12	A108M50100	Photointerrupter		B	2	
13	A161819500	Bushing /C		C	1	
14	A161825100	Mounting Plate /4		D	1	
15	A161819400	Contact /C		D	1	
16	A161814500	Bushing /B		C	1	
17	A02E815200	BUSHING		C	2	
18	A161813200	Actuator		C	1	
19	A161825400	Wiring Part		D	1	
20	A161814202	Contact /A		D	1	
21	A161813400	Torsion Coil spring		D	2	
22	A161813902	Cover /A		D	1	
23	A161825600	Wiring Part /2		D	1	
24	A161810900	Mounting Plate /1		D	1	
25	A161712800	Spring /D		D	1	
26	A161813001	Actuator		C	1	
27	A161813100	Torsion Coil spring		C	1	
28	A161810503	Guide Plate /4		D	1	
29	A161825500	Cover /D		D	1	
30	A0TK397501	Ball bearing		C	1	
31	A161825000	Bushing		C	1	
32	A161819200	Gear 18T		C	1	
33	A161825901	Ground Contact /D		D	1	
34	A161826000	Cushion /B		D	1	

FUSING SECTION

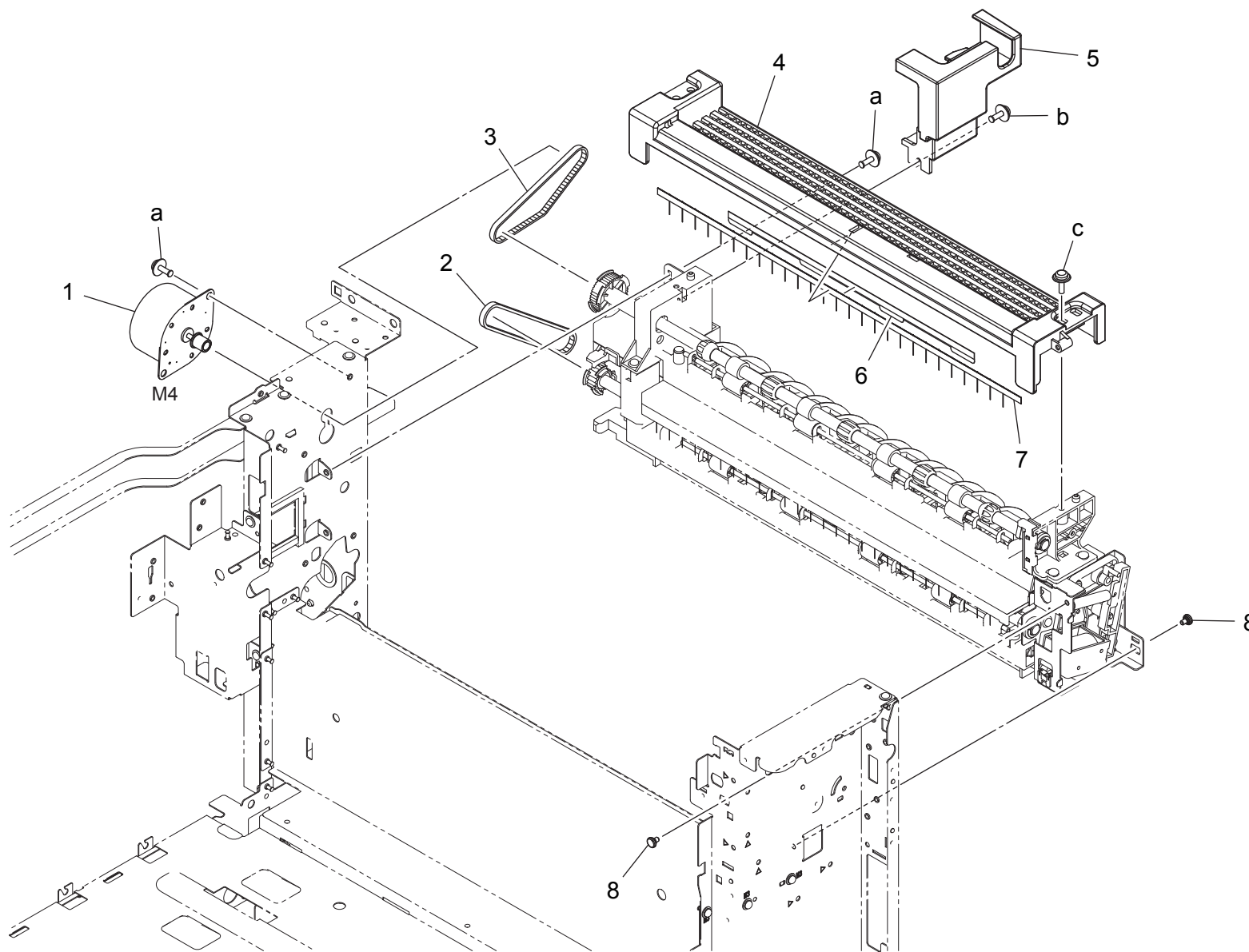
P 51



FUSING SECTION

Key	Part No.	Description	Destinations	Class	QTY	Standard parts
1	9313100072	FAN MOTOR		C	1	a-V116033503 b-V116030803 c-V137030803 d-V116040803 e-V116030603
2	A2XK143400	Seal		D	1	
3	A2XK140300	Duct		D	1	
4	A161121103	Mounting Plate		D	1	
5	A2XK130400	Guide		D	1	
6	A161122500	Ground Plate		D	1	
7	A2XK103200	Seal		D	2	
8	A2XK103300	Seal		D	2	
9	A161121401	Seal /Upper		D	1	
10	A2XK102700	Seal		D	1	
11	A2XK143100	Seal /2		D	2	
12	A2XK143000	Seal /1		D	2	
13	A2XKM40C01	Fixing Coil /100V	A,A1,B,G2	I	1	
13	A2XKM40D01	Fixing Coil /230V	C,D1,D3,E,F2,G1,I,K	I	1	
14	A2XK754200	Shoulder screw		C	2	
15	A2XK754100	Sealing Part		C	2	
16	A2XK754000	Sealing Part		C	2	
17	A2XKR71000	Fusing Unit		A	1	
18	A2XK138100	Holder		D	1	
19	A0P0M50000	Temp. transfer		I	1	
20	A2XK138200	Protection Plate		D	1	
21	A2XK130801	Mounting Plate		D	1	
22	9J06M10000	FAN MOTOR		C	1	
23	A2XK140100	Duct /1		D	1	
24	A2XK140200	Duct /2		D	1	
25	A2XK130601	Wiring Guide		D	1	
26	A2XKN10700	Temperature Relay harness		D	1	

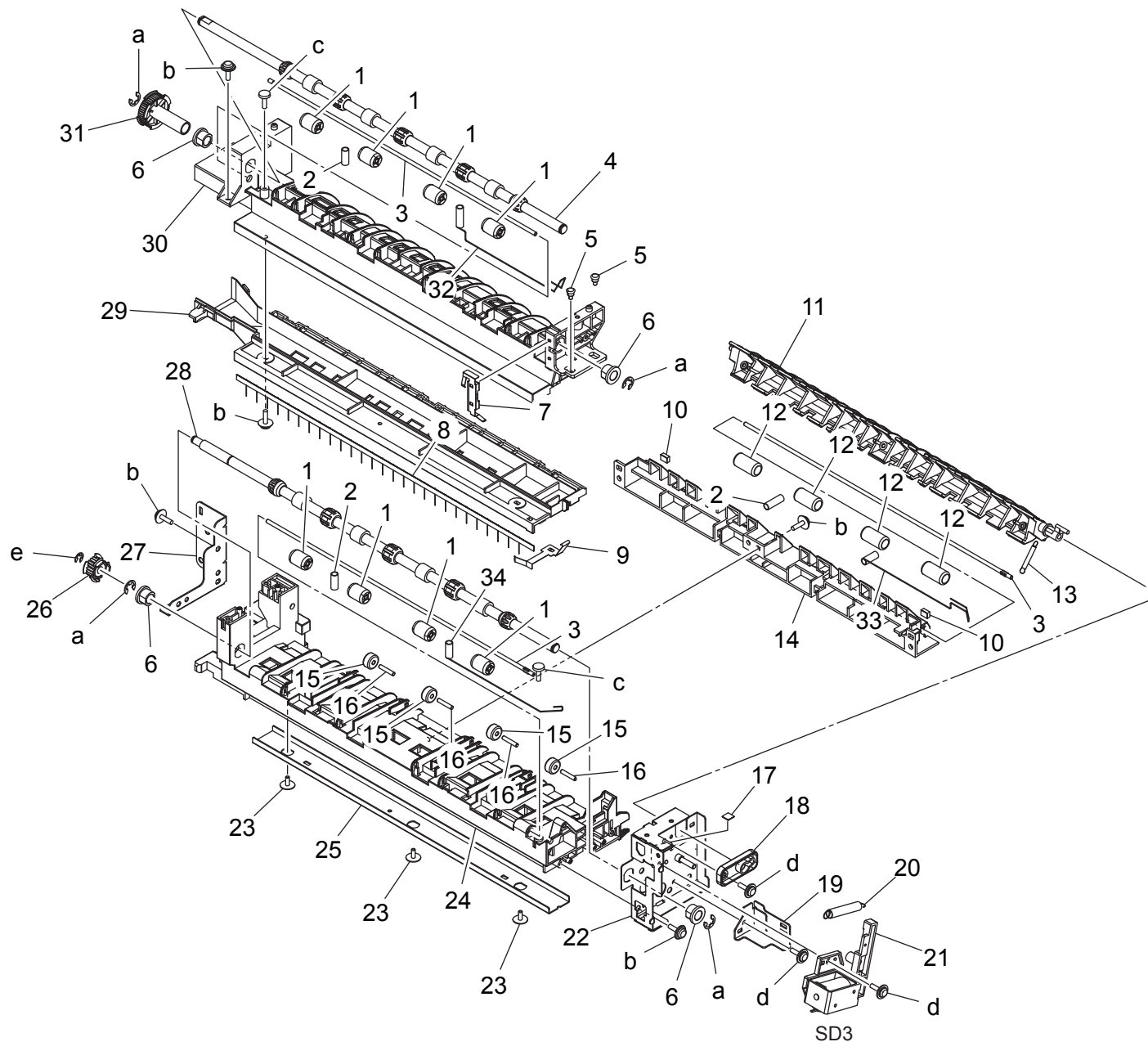
PAPER EXIT SECTION



PAPER EXIT SECTION

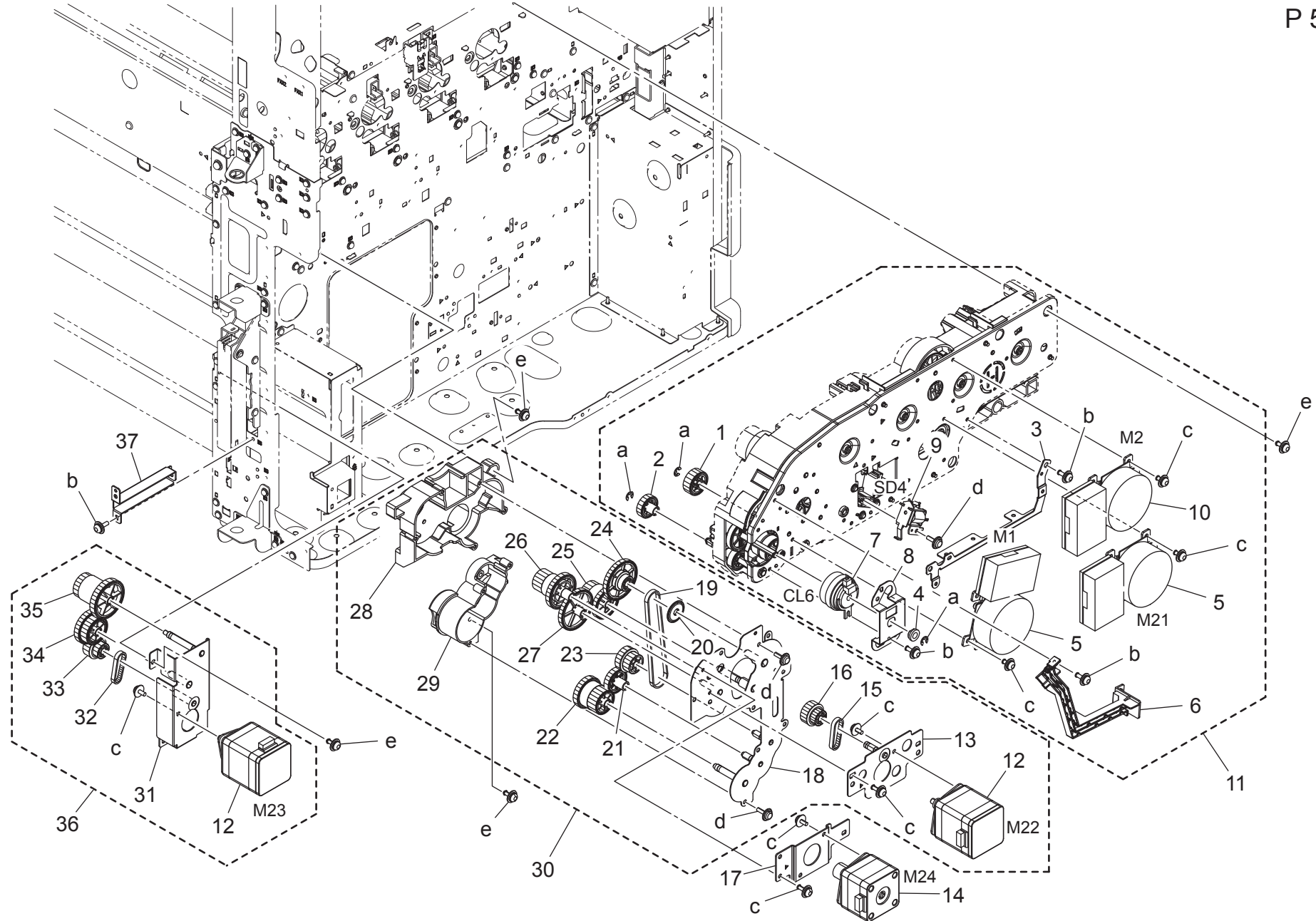
Key	Part No.	Description	Destinations	Class	QTY	Standard parts
1	A0EDM10300	Stepping motor		C	1	a-V116030803 b-V116030804 c-V153030803
2	A161891401	Timing belt 231L		D	1	
3	4640392001	BELT		C	1	
4	A161895300	Paper exit Cover		D	1	
5	A161162302	Cover		D	1	
6	A161894100	Sheet		D	1	
7	A161894000	Neutralizing Brush		C	1	
8	A0P0742300	Shoulder screw		C	2	

PAPER EXIT SECTION



Key	Part No.	Description	Destinations	Class	QTY	Standard parts
1	4004590301	ROLL		C	8	a-V217060001 b-V153030803 c-V149030803 d-V137030803 e-V217040001
2	A161892400	Spring		C	3	
3	4025598401	SHAFT		D	2	
4	A161895400	Roller		C	1	
5	1164202801	SHOULDER SCREW		D	2	
6	A0ED891100	Bushing		D	4	
7	A161895502	Ground Contact /Upper		D	1	
8	A161894000	Neutralizing Brush		C	1	
9	A161895600	Ground Contact /Lower		D	1	
10	A161893600	Cushion		D	2	
11	A161890401	Guide Lever		D	1	
12	A0P0901100	Roll		C	4	
13	A161892100	Spring		C	1	
14	A161890202	Guide Part /Lower		D	1	
15	A0ED897700	Collar		C	4	
16	4036254901	PIN		D	4	
17	A161893800	Seal		D	1	
18	A161891000	Bushing		D	1	
19	A161892300	Mounting Plate		D	1	
20	A161892000	Spring		D	1	
21	A161R72600	Solenoid Assy		C	1	
22	A161F89001	Caulking(Mounting Plate)		D	1	
23	4163529301	SCREW		C	3	
24	A161890102	Paper exit Main body		D	1	
25	A161893500	Regulating Plate		D	1	
26	A161891301	Pulley 18T		D	1	
27	A161892901	Fixing Part		D	1	
28	A161890300	Roller		C	1	
29	A161895201	Paper exit Guide /Lower		D	1	
30	A161895102	Paper exit Guide /Upper		D	1	
31	A161895800	Pulley 44T		D	1	
32	A161900201	Ground Spring		C	1	
33	A161900300	Ground Spring		C	1	
34	A161900100	Ground Spring		C	1	

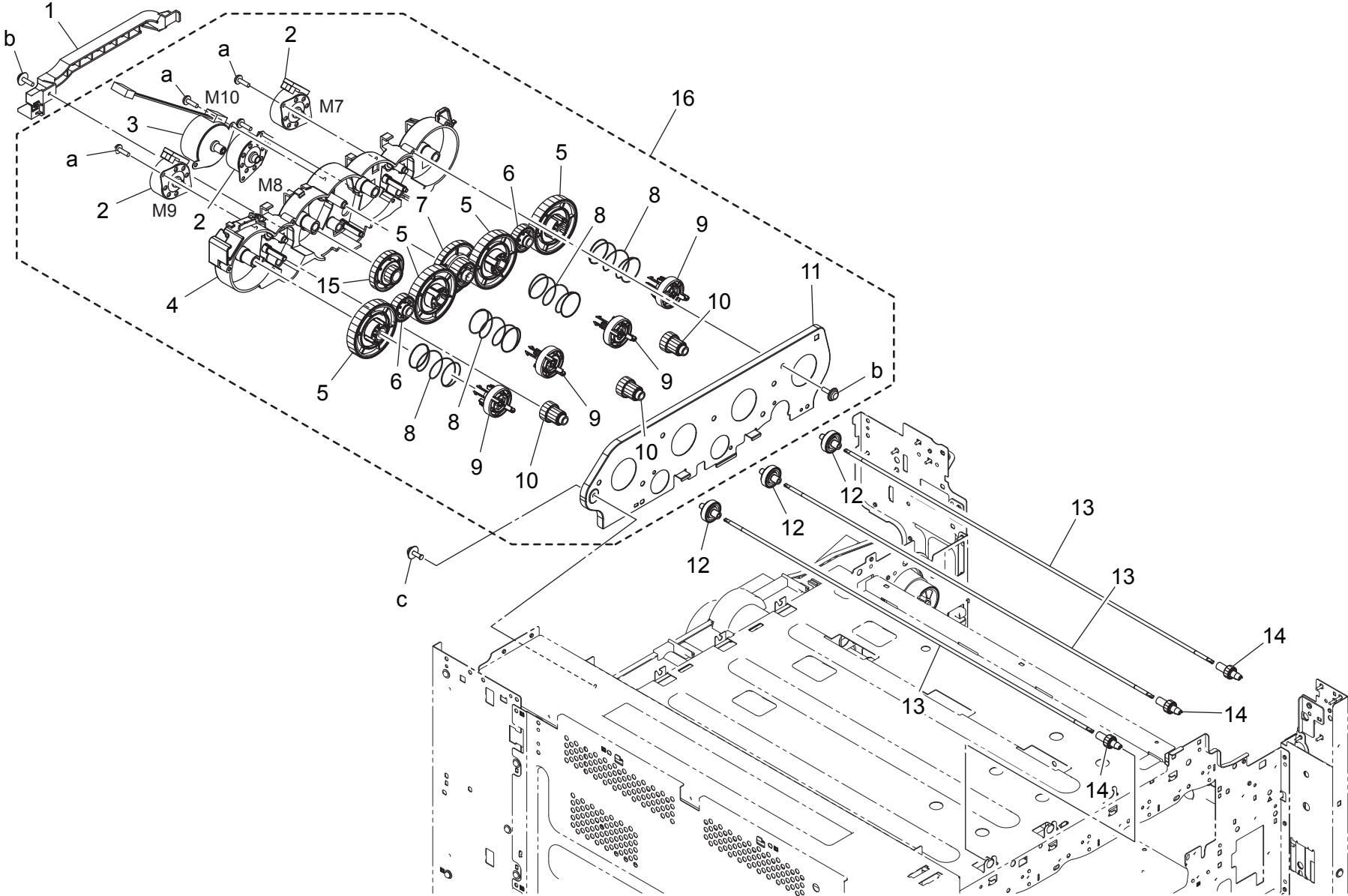
MAIN DRIVE/ PAPER FEED DRIVE SECTION



MAIN DRIVE/ PAPER FEED DRIVE SECTION

Key	Part No.	Description	Destinations	Class	QTY	Standard parts
1	A161254000	Gear 22T		C	1	a-V217040001 b-V116030803 c-V116030603 d-V153030803 e-V125030818
2	A161257800	Gear 20T		C	1	
3	A161216101	Mounting Plate		D	1	
4	A161210200	Bushing		D	1	
5	A161M10001	brushless Motor /40		I	2	
6	A161134701	Guide		D	1	
7	A161M20200	Clutch		C	1	
8	A161253900	Hold Plate		D	1	
9	A161M20300	Flapper solenoid		C	1	
10	A2XKM10300	Brushless motor		C	1	
11	A2XKR70100	Main Drive Assy		S	1	
12	A2XKM10100	Stepping motor		C	2	
13	A2XKF21200	Caulking(Hold Plate Paper Feed Drive)		D	1	
14	A2XKM10000	Stepping motor		C	1	
15	A0HT811400	Timing belt 76L		D	1	
16	A2XK259600	Gear 24/24T		D	1	
17	A2XK221400	Mounting Plate		D	1	
18	A2XKF21100	Caulking(Hold Plate Paper Feed DriveH)		D	1	
19	A2XK224000	Conveyance Belt		D	1	
20	A2XK224100	Collar		D	1	
21	A2XK222600	Gear 28T		D	1	
22	A161220700	Gear 28/28T		D	1	
23	A2XK222500	Gear 26/30T		D	1	
24	A2XK253000	Gear 24/26/47T		D	1	
25	A2XK220000	Gear 23/35T		D	1	
26	A161259800	Gear 19/32T		D	1	
27	A2XK253300	Gear 23/48T		D	1	
28	A2XK220900	Holder		D	1	
29	A2XK220800	Holder		D	1	
30	A2XKR70000	Paper Feed Drive Assy		S	1	
31	A2XKF22000	Caulking(Hold Plate)		D	1	
32	A0HT811400	Timing belt 76L		D	1	
33	A2XK259600	Gear 24/24T		D	1	
34	A2XK222100	Gear 25/38T		D	1	
35	A2XK222200	Gear 22/36T		D	1	
36	A2XKR70300	Vertical conveyance Drive Assy		S	1	
37	A161105500	Reinforce Plate		D	1	

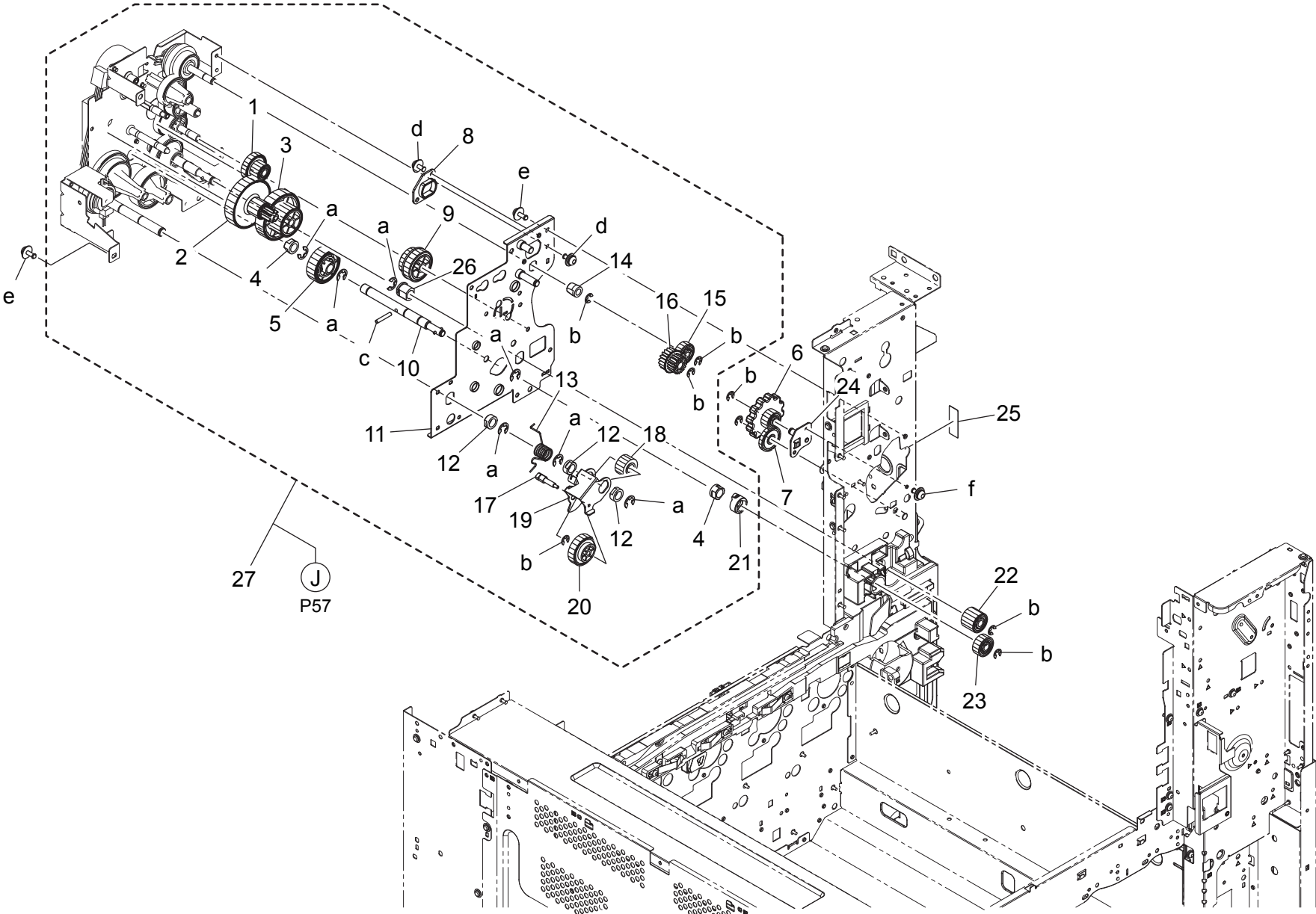
TONER BOTTLE DRIVE SECTION



TONER BOTTLE DRIVE SECTION

Key	Part No.	Description	Destinations	Class	QTY	Standard parts
1	A161241600	Guide		D	1	a-V145030803 b-V153030803 c-V116030803
2	A02EM10400	Stepping motor		C	3	
3	A161M10300	Stepping motor		C	1	
4	A161240100	Drive Holder		D	1	
5	A161240600	Gear 65T		D	4	
6	A161240500	Gear 29T		D	2	
7	A161240400	Gear 29/62T		D	1	
8	4038541202	PRESSURE SPRING		C	4	
9	A161240700	Joint		C	4	
10	A161240900	Gear 20/42T		D	3	
11	A161241500	Mounting Plate		D	1	
12	A161241000	Gear 31T		C	3	
13	A161241200	Shaft		D	3	
14	A161241400	Gear 17T		C	3	
15	A161240300	Gear 18/91T		D	1	
16	A161R70800	Toner Bottle Drive Assy		S	1	

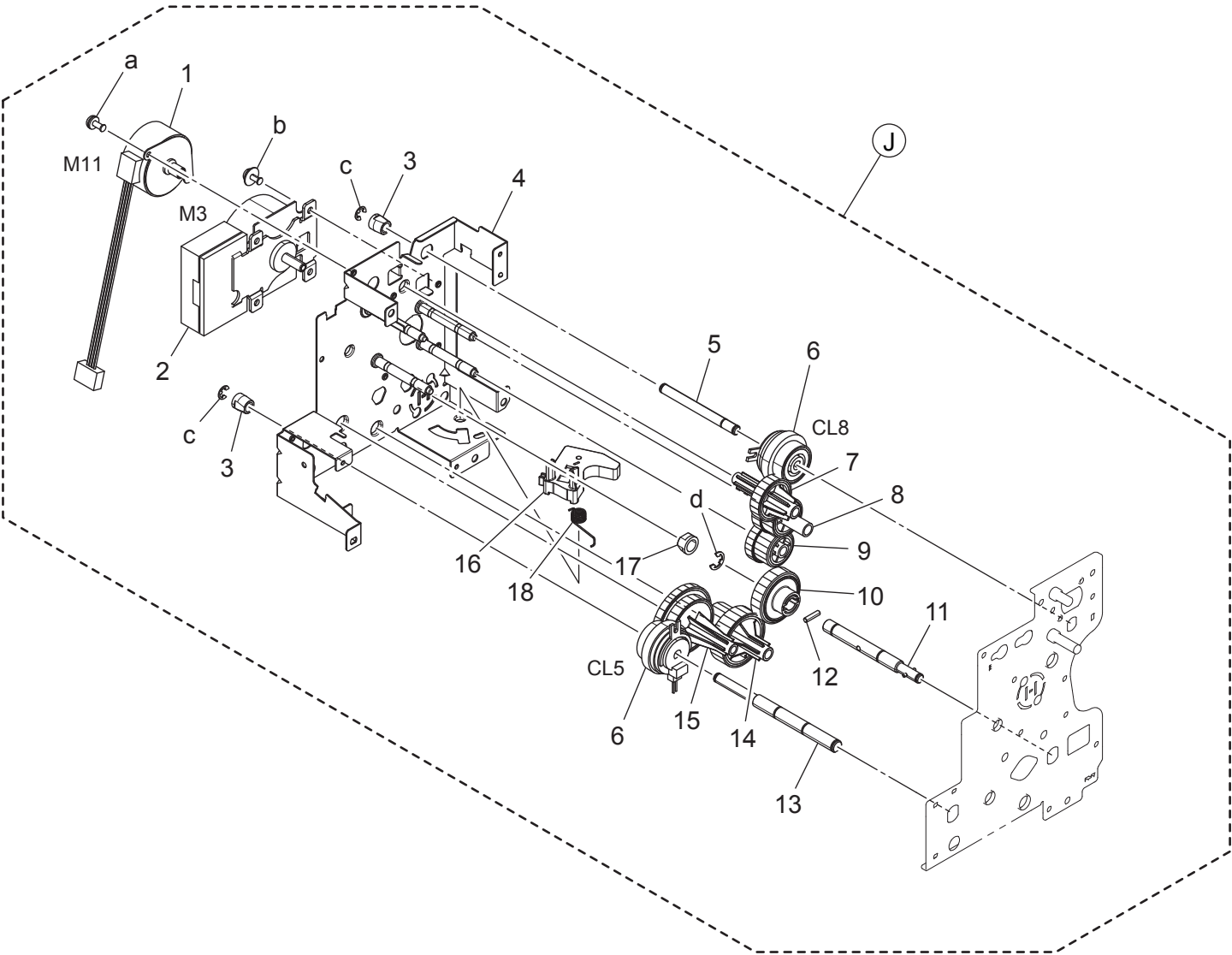
FUSING DRIVE SECTION



FUSING DRIVE SECTION

Key	Part No.	Description	Destinations	Class	QTY	Standard parts
1	A2XK254200	Gear 18/62T		D	1	a-V217060001 b-V217040001 c-V237301850 d-V116030603 e-V125030818 f-V116030803
2	A161254300	Gear 18/57T		D	1	
3	A161254400	Gear 33/55T		D	1	
4	A161254700	Bushing		D	2	
5	A161254500	Gear 38T		D	1	
6	A161122002	Gear 12T		D	1	
7	A161121900	Gear 17T		D	1	
8	A161232200	Bushing		D	1	
9	A2XK228800	Gear 22/22T		D	1	
10	A161256300	Shaft		D	1	
11	A2XKF25102	Caulking(Mounting Plate Fuser Drive2H)		D	1	
12	A0ED259700	Bushing		C	3	
13	A161232501	Torsion Coil spring		D	1	
14	A161232300	Bushing		D	1	
15	A161230700	Gear 18T		C	1	
16	A161231301	Gear 18/18T		C	1	
17	A161259400	Shaft		D	1	
18	4038258001	GEAR 16T		C	1	
19	A161258800	Mounting Plate		D	1	
20	A0ED257500	Gear 26T		C	1	
21	A161232401	Collar		D	1	
22	A161228700	Gear 16T		C	1	
23	A161254600	Gear		C	1	
24	A161F10901	Caulking		D	1	
25	A161941100	Label M4		D	1	
26	4025357201	BUSHING		C	1	
27	A2XKR70200	Fuser Drive Assy		S	1	

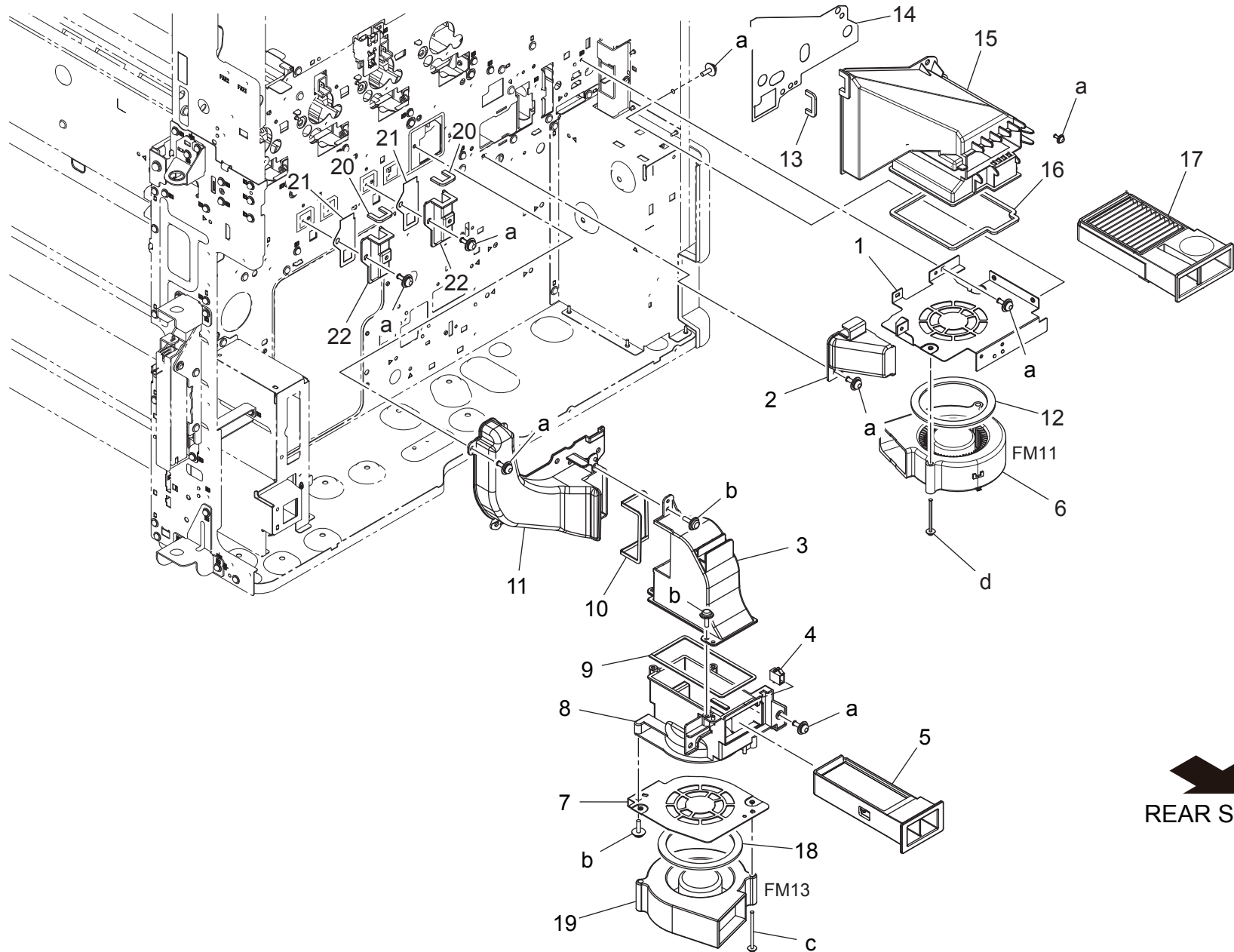
FUSING DRIVE SECTION



FUSING DRIVE SECTION

Key	Part No.	Description	Destinations	Class	QTY	Standard parts
1	A161M10300	Stepping motor		C	1	a-V115030603 b-V116030603 c-V217040001 d-V217060001
2	A2XKM10300	Brushless motor		C	1	
3	A161232300	Bushing		D	2	
4	A2XKF25002	Caulking(Mounting Plate Fuser DriveH)		D	1	
5	A161231800	Shaft		D	1	
6	A161M20100	Clutch		C	2	
7	A161230600	Gear 27T		D	1	
8	A2XK230500	Gear 24/52T		D	1	
9	A2XK228000	Gear 22/50T		D	1	
10	A161228100	Gear 33T		D	1	
11	A161228301	Shaft		D	1	
12	56AA17471	PIN B 3X12		C	1	
13	A161258700	Shaft		D	1	
14	A161259100	Gear 26/35T		D	1	
15	A161259200	Gear 35/45T		D	1	
16	A161228600	Lever		D	1	
17	A161254700	Bushing		D	1	
18	A161258501	Torsion Coil spring		D	1	

OZONE DUCT SECTION

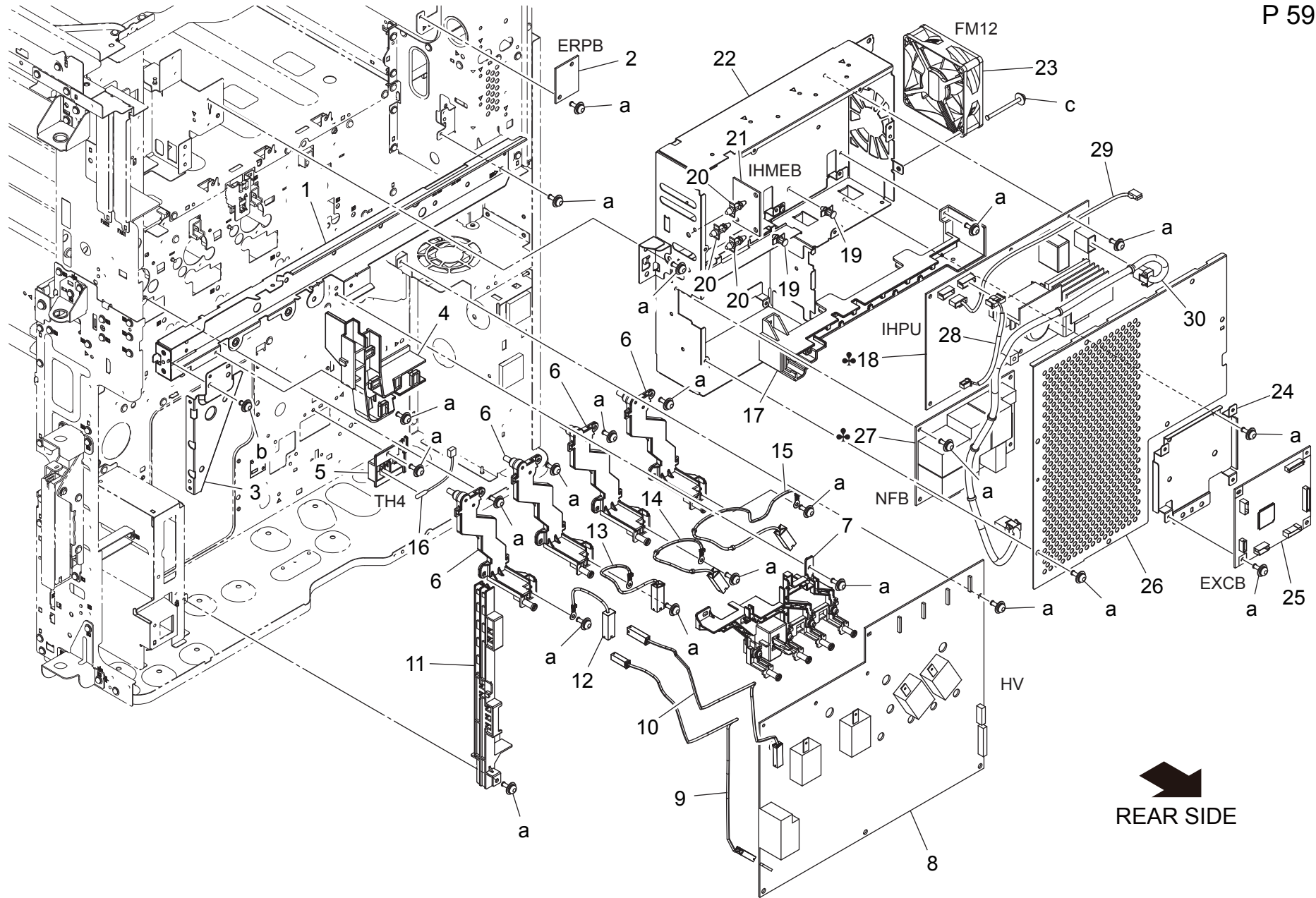



REAR SIDE

OZONE DUCT SECTION

Key	Part No.	Description	Destinations	Class	QTY	Standard parts
1	A161142000	Mounting Plate		D	1	a-V116030803 b-V153030803 c-V116034003 d-V116033503
2	A161141500	Duct /2		D	1	
3	A161141901	Duct /2		D	1	
4	V651010003	CONNECTOR		D	1	
5	A161R72700	Ozone Filter Assy		C	1	
6	9313100072	FAN MOTOR		C	1	
7	A2XK142201	Mounting Plate		D	1	
8	A2XK147001	Duct /3		D	1	
9	A161145300	Seal /2		D	1	
10	A161145201	Seal /1		D	1	
11	A161141800	Duct /1		D	1	
12	A02E117300	Seal		C	1	
13	A161146600	Seal /3		D	1	
14	A161146900	Seal /4		D	1	
15	A161147500	Duct /1		D	1	
16	A161143500	Seal /1		D	1	
17	A161R72800	Toner Filter Assy		C	1	
18	A03U733400	Seal /5		C	1	
19	A03UM15300	Fixing Cooling Fan		C	1	
20	A161146600	Seal /3		D	2	
21	A161146500	Seal		D	2	
22	A161147600	Duct		D	2	

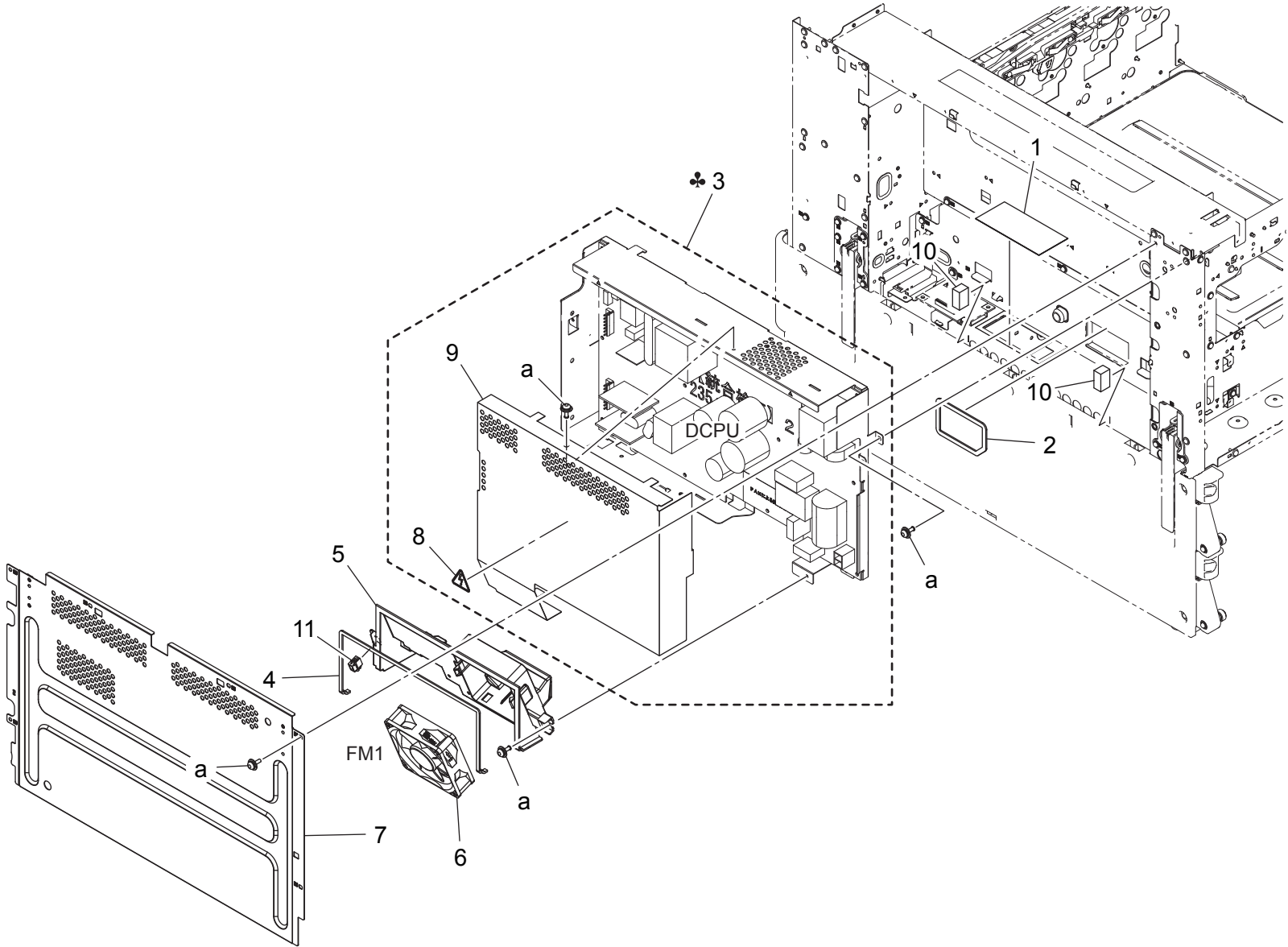
HIGH VOLTAGE SECTION



HIGH VOLTAGE SECTION

Key	Part No.	Description	Destinations	Class	QTY	Standard parts
1	A161132504	Mounting Plate		D	1	a-V116030803 b-V116030603 c-V116033003
2	A161H00C02	PWB Assembly(PWB-DC ASSY)		C	1	
3	A161132800	Reinforce Plate		D	1	
4	A161132100	Guide		D	1	
5	A161137701	Holder		D	1	
6	A161R70200	HV Contact Assy		D	4	
7	A161R70300	DV Contact Assy		D	1	
8	A161M40601	High voltage unit		I	1	
9	A161N11K00	Neutralizing Wiring		D	1	
10	A161N11300	Transfer Wiring /2		D	1	
11	A161134800	Guide		D	1	
12	A161N12P01	Charging Wiring /K		D	1	
13	A161N12N01	Charging Wiring /C		D	1	
14	A161N12M01	Charging Wiring /M		D	1	
15	A161N12K01	Charging Wiring /Y		D	1	
16	A0P0M50300	Thermistor		C	1	
17	A2XK130500	Guide		D	1	
18	A2XKM40A00	Power source /100V	A,A1,B,G2	I	1	
18	A2XKM40B00	Power source /230V	C,D1,D3,E,F2,G1,I,K	I	1	
19	V502010036	spacer		D	2	
20	V502010046	PCB Support		D	3	
21	A2XKH00A00	PWB Assembly(PWB-CR ASSY)		C	1	
22	A2XK130101	Shield Case		D	1	
23	4139M10000	FAN MOTOR		B	1	
24	A2XK131700	Mounting Plate		D	1	
25	A2XKH00502	PWB Assembly(PWB-EX ASSY)		C	1	
26	A2XK130201	Shield Plate		D	1	
27	A2XKM40G00	Board /100V	A,A1,B,G2	C	1	
27	A2XKM40H00	Board /230V	C,D1,D3,E,F2,G1,I,K	C	1	
28	A2XKN10801	Fixing Control harness		D	1	
29	A2XKN10K00	Fixing Relay harness		D	1	
30	A2XKN10600	Heater Wiring		D	1	

MAIN POWER SUPPLY SECTION

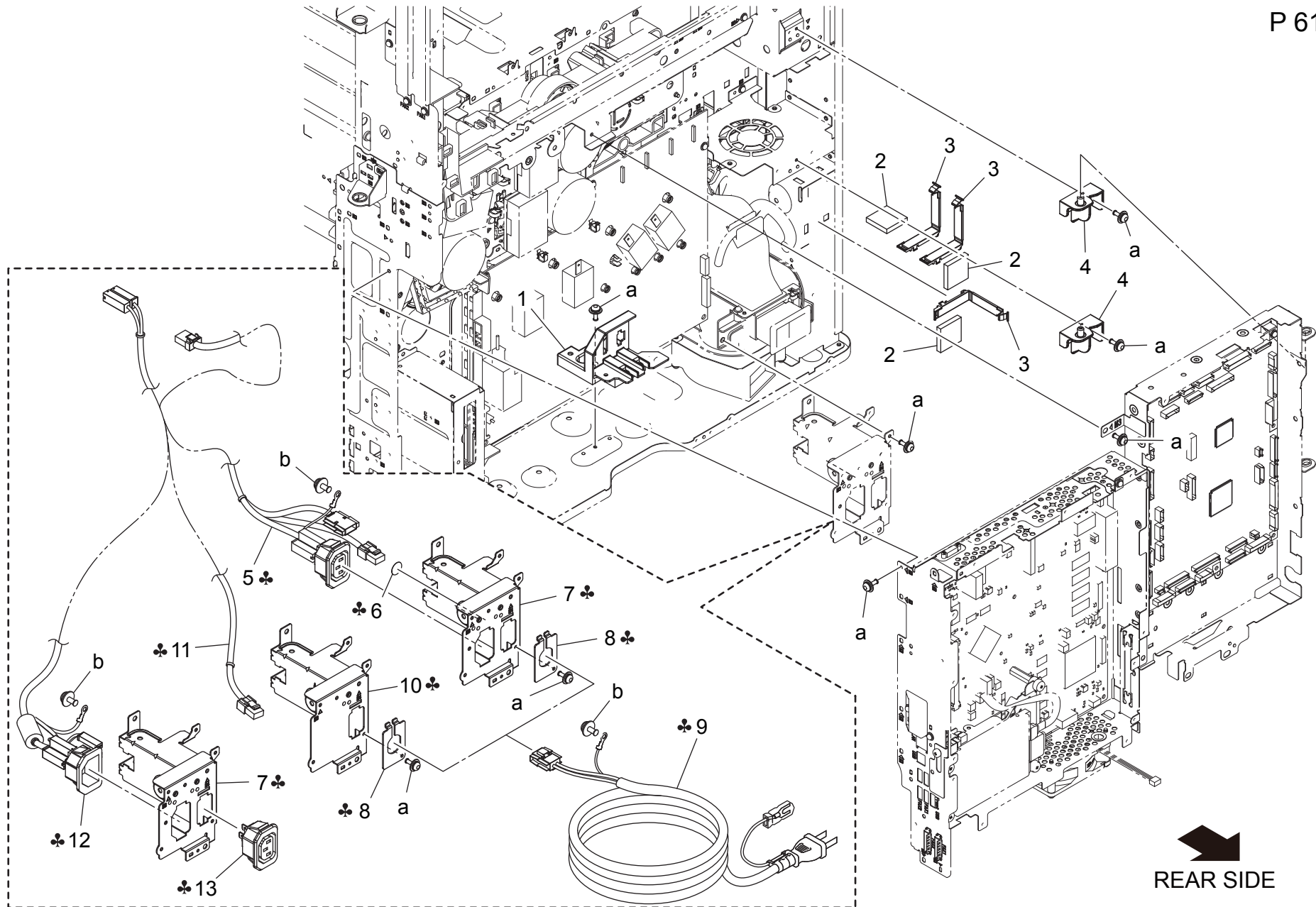


MAIN POWER SUPPLY SECTION

Key	Part No.	Description	Destinations	Class	QTY	Standard parts
1	A161145000	Filter		C	1	a-V116030803
2	A161143601	Seal /3		D	1	
3	A2XKR71200	Power supply Assy /100V	A,A1,B,G2	I	1	
3	A2XKR71300	Power supply Assy /230V	C,D1,D3,E,F2,G1,I,K	I	1	
4	A161143400	Seal /1		D	1	
5	A161140800	Cooling Duct		D	1	
6	4139M10000	FAN MOTOR		B	1	
7	A161100602	Cover		D	1	
8	A0CR953400	Label		C	1	
9	A2XK131100	Sheet		D	1	
10	A161144500	Seal /3		C	2	
11	V651010002	connector		D	1	

ELECTRICAL COMPONENTS

P 61



REAR SIDE

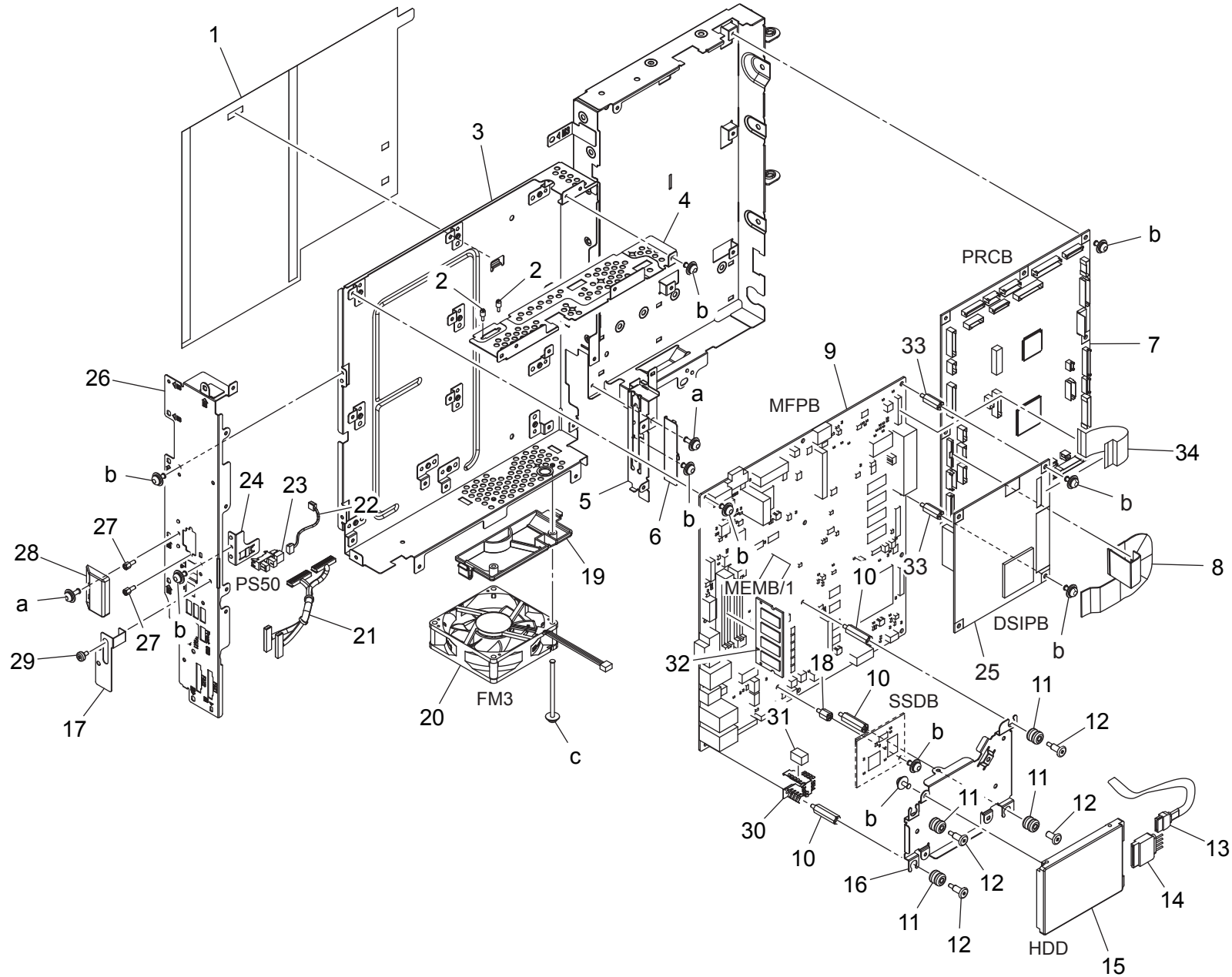
bizhub C554

ELECTRICAL COMPONENTS

Key	Part No.	Description	Destinations	Class	QTY	Standard parts
1	A161131400	Holder		D	1	a-V116030803 b-V116040803
2	A161136500	Spacer		C	3	
3	A161137802	Holder		D	3	
4	A161130801	Support Shaft		D	2	
5	A2XKN10002	AC Wiring /100V	A,A1	D	1	
6	9J06730101	LABEL	A,A1	D	1	
7	A161130502	Mounting Plate	A,A1,C,D1,D3,E,F2,G1,I,K	D	1	
8	A0ED135700	Mounting Plate	A,A1,B,G2	D	1	
9	A0EDN30002	Power source Cord /100V	A,A1	D	1	
9	A0P0N30000	Power source Cord /120V	B,G2	D	1	
10	A161130603	Mounting Plate	B,G2	D	1	
11	A2XKN10102	AC Wiring /120V	B,G2	D	1	
12	A2XKN10202	AC Wiring /230V	C,D1,D3,E,F2,G1,I,K	D	1	
13	A02EN12513	Power supply Wiring	C,D1,D3,E,F2,G1,I,K	D	1	

ELECTRICAL COMPONENTS

P 62



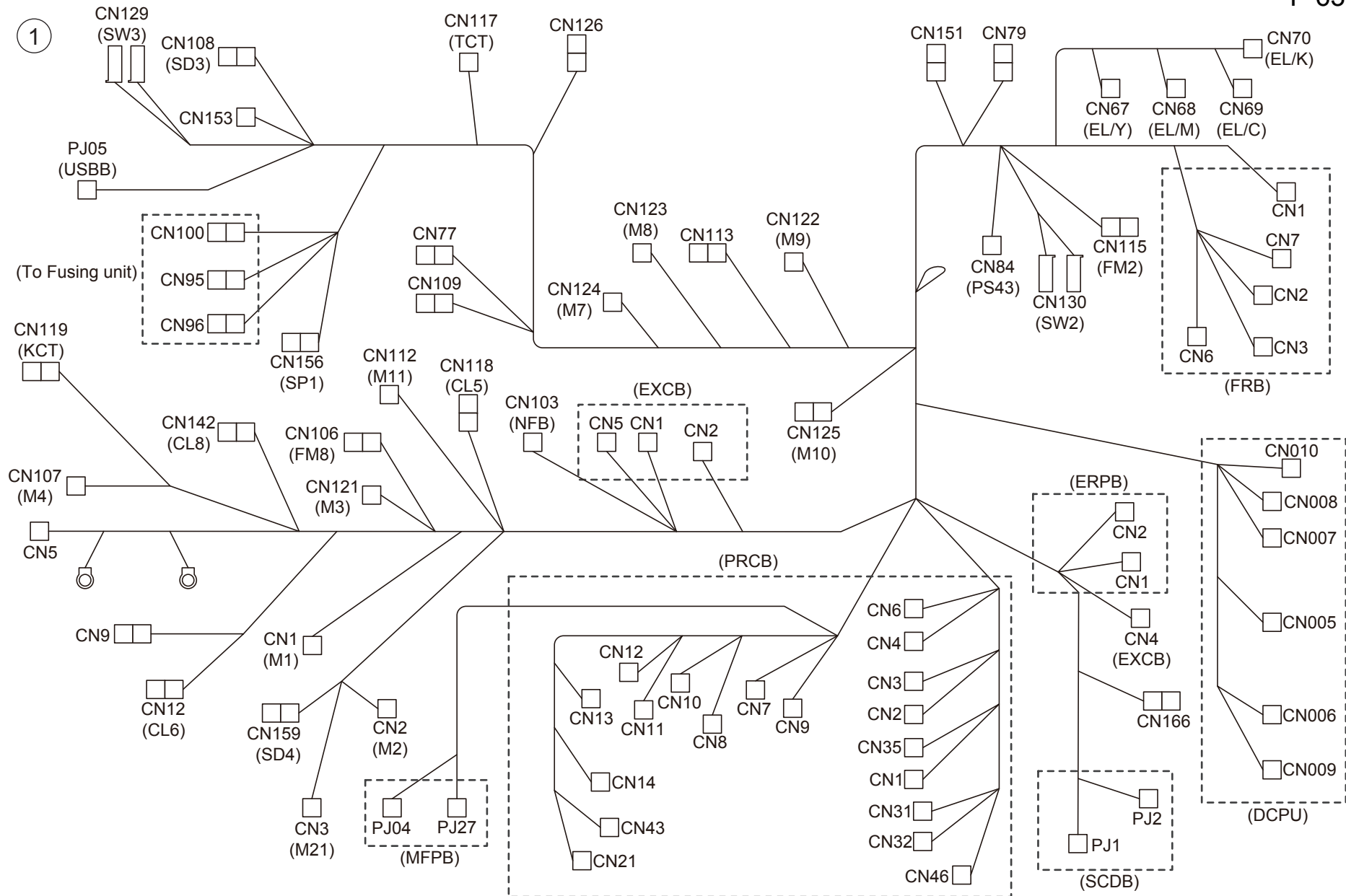

REAR SIDE

bizhub C554

ELECTRICAL COMPONENTS

Key	Part No.	Description	Destinations	Class	QTY	Standard parts
1	A161134500	Sheet		D	1	a-V116030803 b-V116030603 c-V116034003
2	A161138601	Shoulder screw		C	2	
3	A161131005	Shield Case		D	1	
4	A161137402	Mounting Plate		D	1	
5	A161138804	Mounting Plate		D	1	
6	A161137501	Cover		D	1	
7	A2XKH00104	PWB Assembly(PWB-MC ASSY)		I	1	
8	A161N11800	Flatcable /50		C	1	
9	A2XKH02004	PWB assembly(PWB-MFP ASSY)		I	1	
10	A161139901	Shoulder screw		D	3	
11	A0P0144400	Bushing		D	4	
12	A0P0144300	Shoulder screw		D	4	
13	A0P0N15100	Cable		C	1	
14	A0P0N15200	Cable		C	1	
15	A161M72000	HDD		I	1	
16	A161130700	Mounting Plate		D	1	
17	A161139500	Cover		D	1	
18	A161137600	Shoulder screw		D	1	
19	A161140101	Duct		D	1	
20	A0EDM10500	Fan motor		C	1	
21	A161N12602	Control Relay harness		D	1	
22	A161N11B00	Controller Detection harness		D	1	
23	A108M50100	Photointerrupter		B	1	
24	A161139400	Mounting Plate		D	1	
25	A161H02A00	PWB assembly(PWB-DS ASSY)		I	1	
26	A161132203	Mounting Plate		D	1	
27	A161137900	Screw		C	2	
28	A0ED131900	Cover		D	1	
29	A0P0149100	Shoulder screw		C	1	
30	A0P0145900	Ground Plate		D	1	
31	A161136200	Cushion		D	1	
32	V865300026	MEMORY MODULES		C	1	
33	A4MG130900	Shoulder screw		D	2	
34	A161N15500	Interface Flatcable		C	1	

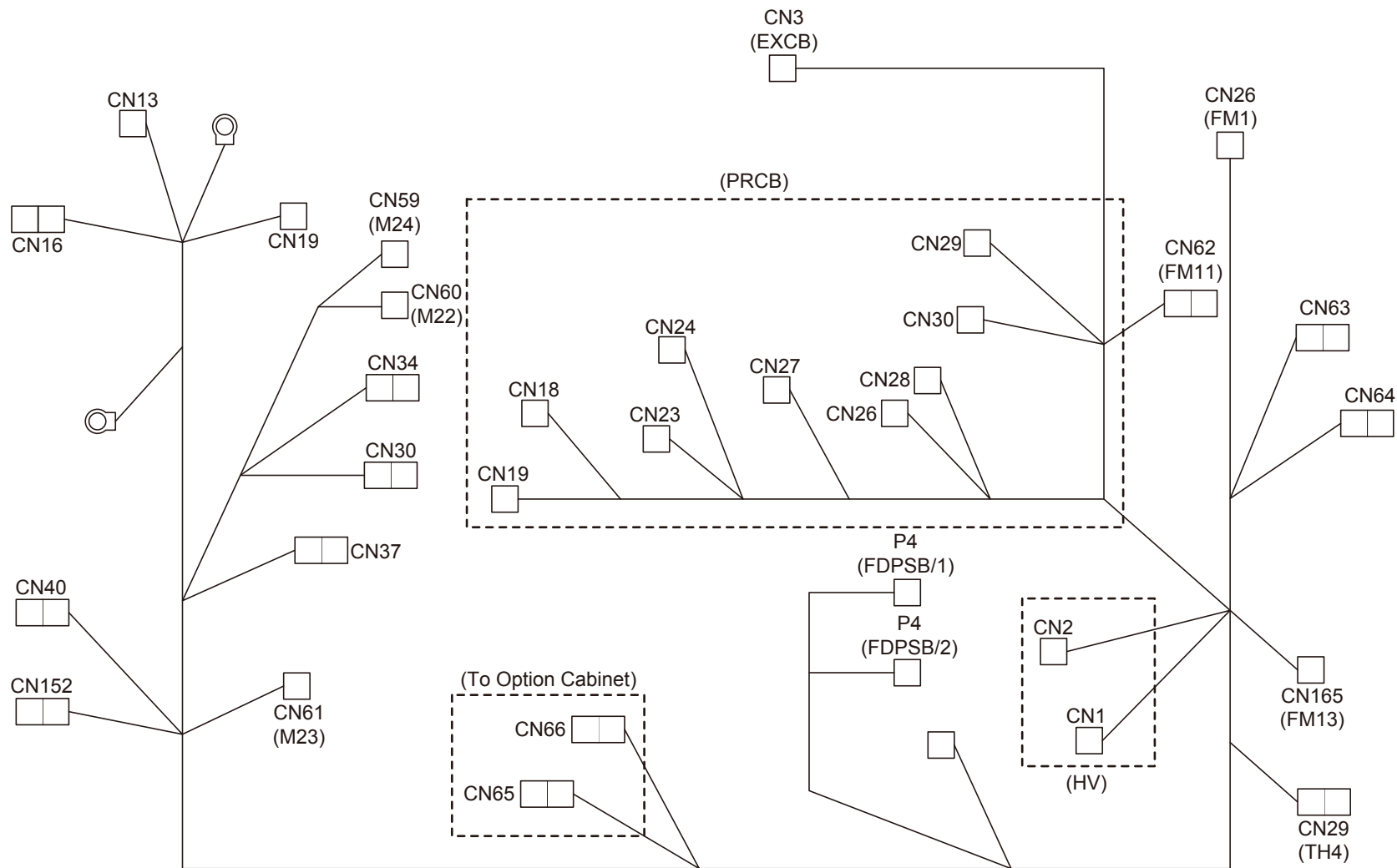
WIRING



WIRING

Key	Part No.	Description	Destinations	Class	QTY	Standard parts
1	A2XKN10302	Main body Wiring /Front		D	1	

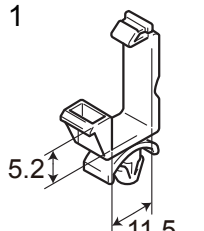
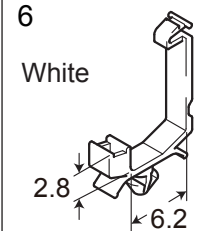
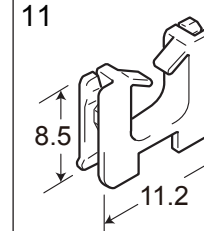
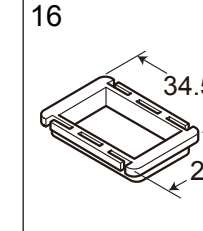
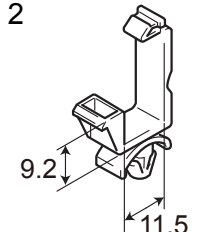
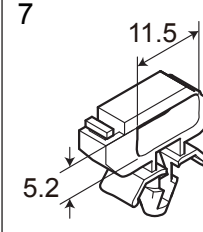
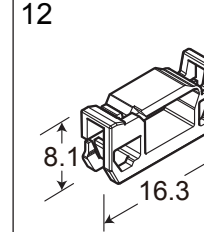
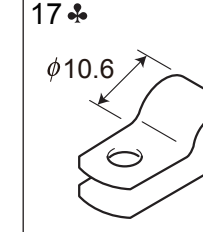
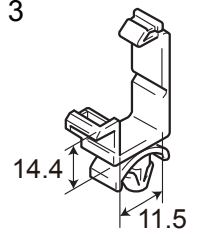
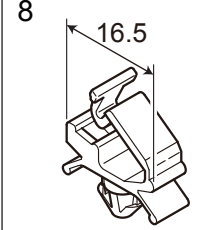
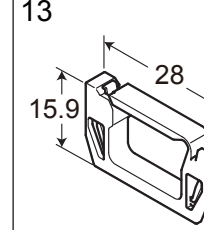
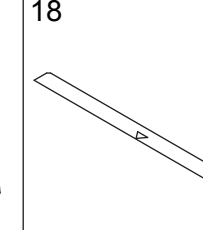
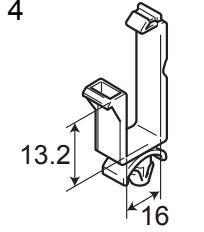
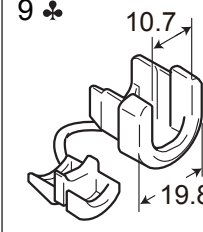
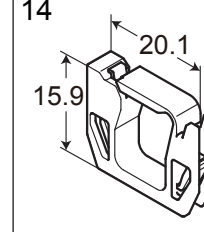
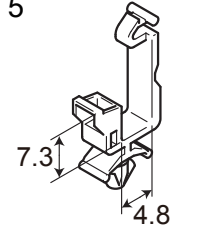
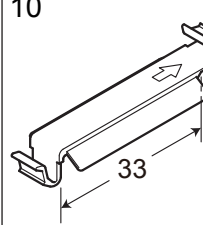
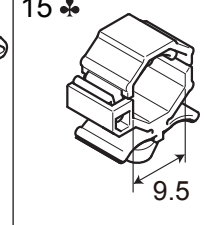
1



Key	Part No.	Description	Destinations	Class	QTY	Standard parts
1	A2XKN10403	Main body Wiring /Rear		D	1	

WIRING ACCESSORIES AND JIGS

P 65

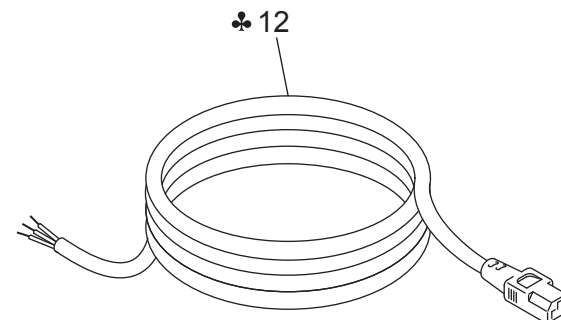
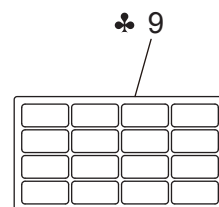
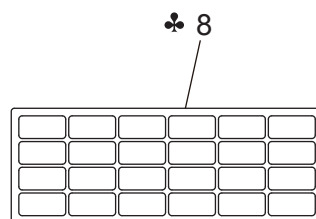
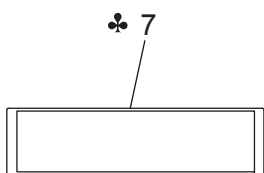
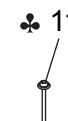
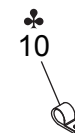
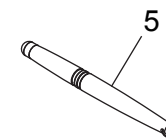
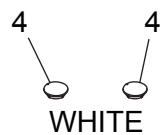
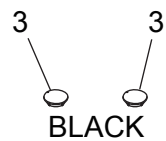
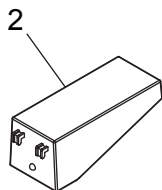
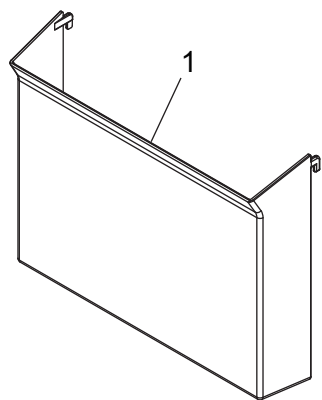
1 	6 White 	11 	16 	21	26	31	36
2 	7 	12 	17 ♣ 	22	27	32	37
3 	8 	13 	18 	23	28	33	38
4 	9 ♣ 	14 	19	24	29	34	39
5 	10 	15 ♣ 	20	25	30	35	40

bizhub C554

WIRING ACCESSORIES AND JIGS

Key	Part No.	Description	Destinations	Class	QTY	Standard parts
1	V500010003	Saddle		D		
2	V500010005	saddle		D		
3	V500010007	saddle		D		
4	V500010008	saddle		D		
5	V500010020	Saddle		D		
6	V500010046	saddle		D		
7	V500010052	SADDLE		D		
8	V500010061	saddle		D		
9	V500020052	bushing	A,A1,B,G2	D		
10	V500020082	Clamping for FFC		D		
11	V570010021	Saddle		D		
12	V570010057	Wing Edge Saddle		D		
13	V570010059	Wing Edge Saddle		D		
14	V570010060	Wing Edge Saddle		D		
15	V500020094	FG Clamp	C,D1,D3,E,F2,G1,I,K	D		
16	V570010038	bushing		D		
17	V500020040	clamp	C,D1,D3,E,F2,G1,I,K	D		
18	9J06PJG100	JIG		S	1	

ACCESSORY PARTS



ACCESSORY PARTS

Key	Part No.	Description	Destinations	Class	QTY	Standard parts
1	A0ED166200	Holder		C	1	
2	A0ED166100	Installing Spacer		D	1	
3	A00J169100	Cover		C	2	
4	A02E167700	Cover		C	2	
5	A161192000	Panel		C	1	
6	A161947000	Label	A,A1,B,G2,C,D1,D3,E,F2,G1,I,K	C	1	
7	A00J940100	Label Legal Restriction	C,D1,D3,E,F2,G1,I,K	C	1	
8	A161943300	Label Paper Size/Metric	A,A1,C,D1,D3,E,F2,G1,I,K	C	1	
9	A161943400	Label Paper Size/Inch	B,G2	C	1	
10	V500020040	clamp	C,D1,D3,E,F2,G1,I,K	D	1	
11	V116033003	Screw	C,D1,D3,E,F2,G1,I,K	V	1	
12	A0EDN30201	Power source Cord /230V	D1,D3,E,F2,G1,I,K	D	1	

MAINTENANCE LIST

● The items with no Page/Key numbers are not handled as spare parts.

No.	Section	PM Parts Description	Maintenance Cycle (K=1,000)		Parts No.	Destinations	Page/Key	Note
			QTY	Replace				
1	ADF Section	Pick-up roller	2	200K	A143PP5200		P6-13	*2, *7
2		Feed roller	1	200K	A143563100		P6-26	*2, *7
3		Separation roller	1	200K	A3CFPP4H00		P7-3	*2, *7
4	Paper feed section	Tray 1 pick-up roller	1	300k	A00J563600		P33-14	*2, *4
5		Tray 1 feed roller	1	300k	A00J563600		P33-14	*2, *4
6		Tray 1 separation roller	1	300k	A00J563600		P34-6	*2, *4
7		Tray 2 pick-up roller	1	300k	A00J563600		P35-18	*2, *4
8		Tray 2 feed roller	1	300k	A00J563600		P35-18	*2, *4
9		Tray 2 separation roller	1	300k	A00J563600		P36-6	*2, *4
10		Manual bypass tray feed roller	1	200k	A00F623201		P47-10	*2, *4
11		Manual bypass tray separation roller assy	1	200k	4658015106		P48-30	*2, *4
12	Processing section	Toner cartridge/Y,M,C *1	1	26k	-			
13		Toner cartridge/K *1	1	27.5k	-			
14		Drum unit/Y,M,C *1	1	95k	-			*3
15		Drum unit/K *1	1	135k	-			*3
16		Developing unit/Y,M,C,K	1	595k(JP)	-			*3
17		Developing unit/Y,M,C,K	1	590k(US)	-			*3
18		Developing unit/Y,M,C,K	1	600k(EU)	-			*3
19		Ozone filter	1	300k	A161R72700		P58-5	*3, *5
20		Toner filter	1	300k	A161R72800		P58-17	*3, *5
21	Image transfer section	Waste toner box *1	1	(40k)	A4NNWY1		P28-9	*6
22		Transfer belt unit	1	300k	A161R71300		P31-1	*3
23		Transfer roller unit	1	300k	A161R71400		P44-23	*3, *5
24	Fusing section	Fusing unit	1	1,185k(JP)	A2XKR71000		P51-17	*3
25		Fusing unit	1	1,175k(US)	A2XKR71000		P51-17	*3
26		Fusing unit	1	1,200k(EU)	A2XKR71000		P51-17	*3

*1: The parts can be replaced either by user or service engineer.

*2: Actual durable cycle (life counter value)

*3: Field standard yield

*4: Replace those three parts at the same time.

*5: The ozone filter and the transfer roller unit are furnished with the transfer belt unit so that all of them are replaced at same time.

*6: A waste toner full condition is detected with detecting the actual waste toner emissions.

*7: Replace those parts at the same time.

DESTINATION

Destination No.		Destinations		V	Hz	Model No.
A	A1	JAPAN		100	50/60	A2XK001
	A2	JAPAN				
B		USA, CANADA		120	60	A2XK011
C		EUROPEAN TYPE		220-240	50/60	A2XK021
D	D1	S.E ASIA TYPE	THAILAND, SRI LANKA, SINGAPORE, MALAYSIA, HONG KONG, PAKISTAN, INDIA, BANGLADESH, INDONESIA	220-240	50/60	A2XK041
	D3	OCEANIA TYPE	AUSTRALIA, NEW ZEALAND	220-240	50/60	A2XK041
E		PHILIPPINES		220-240	50/60	A2XK041
F	F1	SAUDI ARABIA				
	F2	SAUDI ARABIA		220-240	50/60	A2XK041
G	G1	C.S AMERICA		220-240	50/60	A2XK041
	G2	C.S AMERICA		120	60	A2XK011
H		TAIWAN				
I		JORDAN, LEBANON, SYRIA, SOUTH AFRICA, IRAQ, IRAN, N.YEMEN, CAMEROON, UAE, BAHRAIN, OMAN, QATAR, KUWAIT, KENYA, TUNISIA, IVORY COAST, MOROCCO		220-240	50/60	A2XK041
J		CHINA				
K		KOREA		220-240	50/60	A2XK041

bizhub C554