

KONICA MINOLTA

PARTS GUIDE MANUAL

SEPTEMBER 2013

*bizhub C654/bizhub C754
A2X0*

INFORMATION FOR PARTS GUIDE MANUAL

To find correct Parts No., refer to the "HOW TO MAKE THE BEST USE OF THIS MANUAL" in the following page.

HOW TO MAKE THE BEST USE OF THIS MANUAL

- 1 When you order, please check the proper figures beforehand that are on Our Parts Guide Manual, and order with the appropriate figures.
- 2 For screws, Nuts, Washers, retaining rings and Pins which are used in this model, one letter is shown on the Standard parts column of Parts list and exploded diagrams.
- 3 In order to maintain safety of the product, some specific parts composed of this product are set up as "essential safety parts".
- 4 The assigned parts number for the "essential safety parts" is indicated as "SP00-****".
When replacing these parts, follow precautions for disassembling and installing which are listed in the Service Manual.
Do not use any parts that are not set up as
- 5 ♣ means that there are exclusive parts for each destination.
Please check the appropriate destination when you order.
- 6 Revision Mark
Marked as ▲ on the illustration shows that the revision has been made.
- 7 All rights reserved. (any reprints or quotations are prohibited.)
Use of this parts guide manual should be strictly supervised to avoid disclosure of confidential information.

パーツガイドマニュアルのご案内

サービス部品をご発注の際には、下記に示す“パーツガイドマニュアルの活用にあたって”をご参照の上、正しい部品番号にてお願い致します。

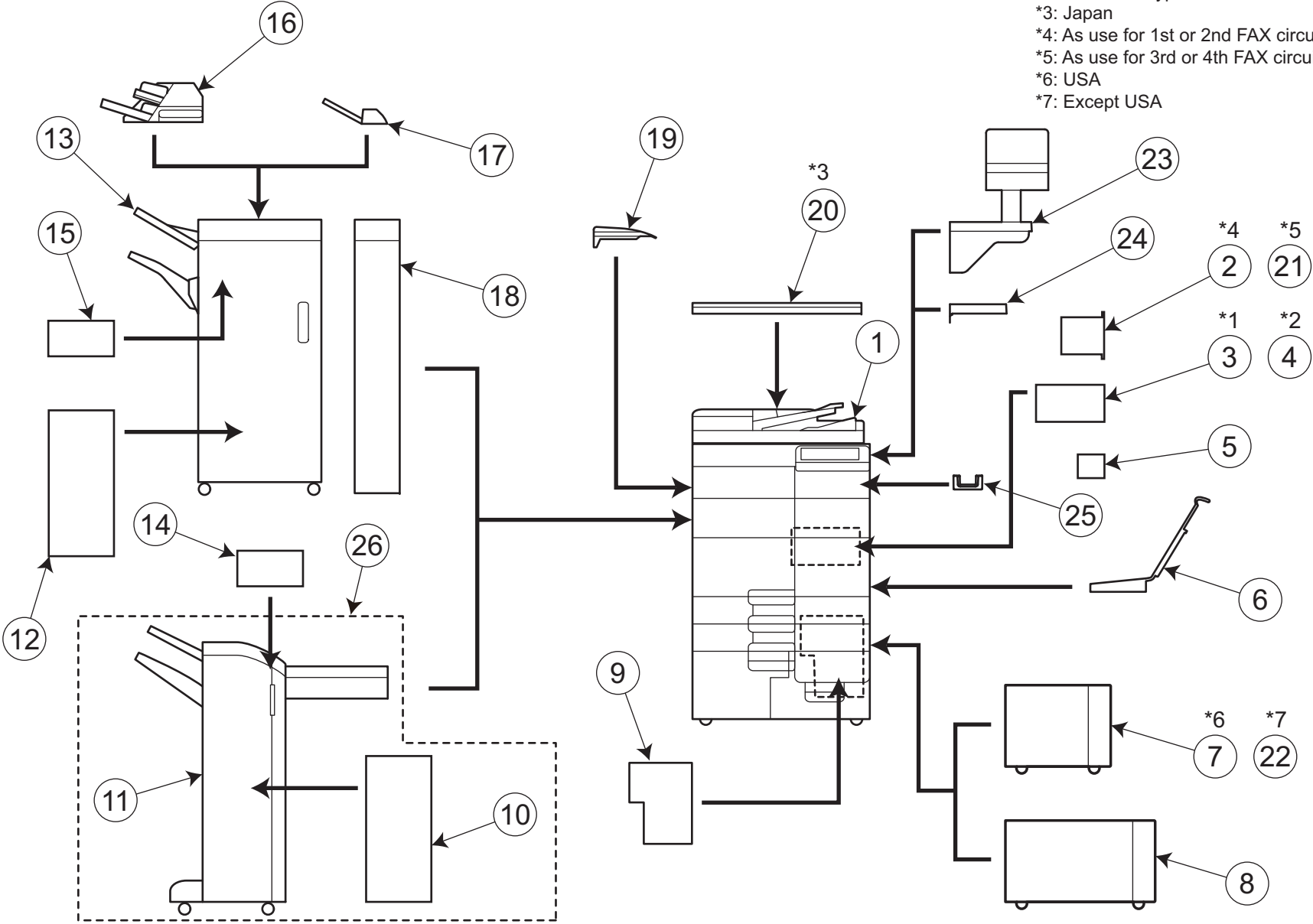
パーツガイドマニュアルの活用にあたって

- 1 部品発注の際には、掲載されている部品番号の桁数を確認し、掲載されている桁数で発注願います。
- 2 この製品に使用されているネジ、ナット、ワッシャー、止め輪、ピンなどは、リストの右側の Standard parts 欄に a,b,c,……で表示し、イラストにも a,b,c,……表示してあります。
- 3 製品の安全性を維持する為に、製品に使用される特定の部品を「重要保安部品」として設定しています。
- 4 重要保安部品の部品番号は、“SP00-****”と記載されていますので、部品交換時は、サービスマニュアル記載の分解・組み立ての注意事項に従って作業をして下さい。
また、指定以外の部品は一切使用しないで下さい。
- 5 本文に ♣ が表示されている部品は、仕向け地毎に専用部品がある事を意味しています。
オーダーされる時は、仕向け地を確認して下さい。
- 6 改訂記号について
イラスト上に ▲ 印が表示されている部分は、改訂された事を表します。
- 7 著作権所有（無断転載及び無断引用の禁止）
本パーツガイドマニュアルについては、機密保持等その扱いには十分注意して下さい。万一取り扱いを誤った場合には、法律で処罰されることがあります。

12/27/2011

SYSTEM OUTLINE

- *1: Non Bluetooth Type
- *2: Bluetooth Type
- *3: Japan
- *4: As use for 1st or 2nd FAX circuit line
- *5: As use for 3rd or 4th FAX circuit line
- *6: USA
- *7: Except USA



bizhub C654/bizhub C754

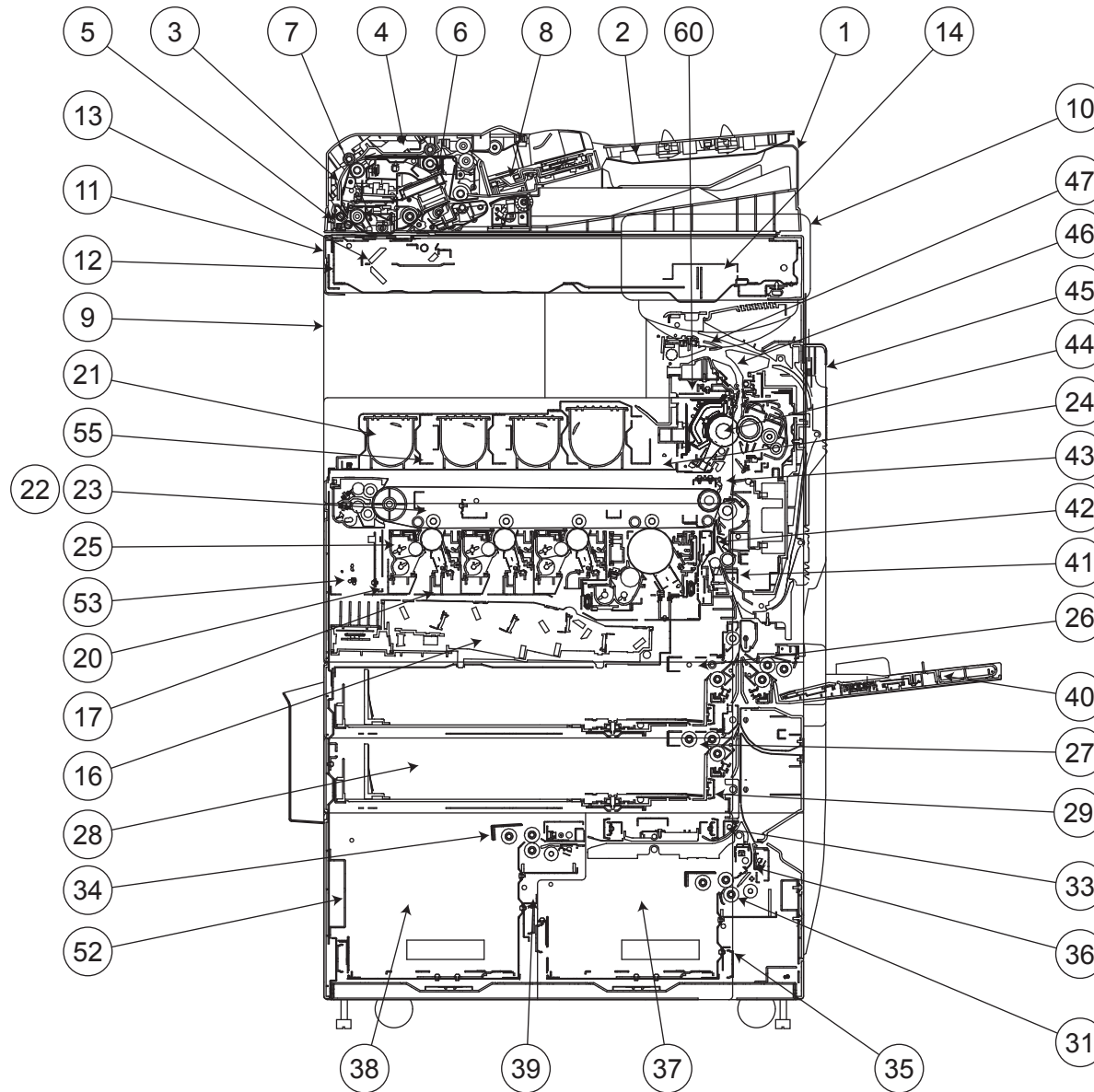
GENERAL CONTENTS

No.	Description	Model
1	Digital MFP Color	bizhub C654/bizhub C754
2	Fax Kit	FK-511
3	Local IF Kit	EK-604
4	Local IF Kit	EK-605
5	Video IF Kit	VI-506
6	Mount Kit	MK-715
7	Paper Feeder	LU-301
8	Paper Feeder	LU-204
9	Image Controller	IC-414
10	Saddle Unit	SD-511
11	Finisher/Sorter	FS-534
12	Saddle Unit	SD-512
13	Finisher/Sorter	FS-535
14	Punch Unit	PK-520
15	Punch Unit	PK-521
16	Post Inserter	PI-505
17	Job Separator	JS-602
18	Folding Unit	ZU-606
19	Output Tray	OT-503
20	Original Cover	OC-507
21	Fax Kit	FK-508
22	Paper Feeder	LU-301

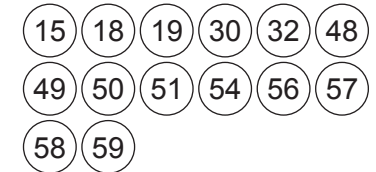
bizhub C654/bizhub C754

No.	Description	Model
23	Working Table	WT-509
24	Working Table	WT-506
25	Mount Kit	MK-735
26	Finisher/Sorter	FS-534SD

DIAGRAMS OF MAIN PARTS SECTION



REAR SIDE



CONTENTS

No.	DESCRIPTION	名称	PAGE No.
1	ADF EXTERNAL PARTS	A D F 外装部	P1
2	ADF PAPER FEED TRAY SECTION	A D F 給紙トレイ部	P2 P3 P4
3	ADF CONVEYANCE SECTION	A D F 搬送部	P5
4	ADF LEFT COVER SECTION	A D F 左カバー部	P6
5	ADF READ GUIDE SECTION	A D F 読取ガイド部	P7 P8
6	ADF CIS SECTION	A D F C I S 部	P9
7	ADF GLASS CLEANING SECTION	A D F ガラス清掃部	P10
8	ADF CIS CLEANING SECTION	A D F C I S 清掃部	P11 P12
9	EXTERNAL PARTS	外装部	P13 P14 P15 P16
10	CONTROL PANEL SECTION	操作パネル部	P17
11	IR COVER SECTION	I R カバー部	P18
12	IR FRAME SECTION	I R フレーム部	P19
13	SCANNER SECTION	スキャナ部	P20
14	CCD UNIT	C C D ユニット	P21
15	SCANNER DRIVE/IR BOARD SECTION	スキャナ駆動 / I R 基板部	P22
16	PH UNIT	P / H	P23
17	TONER RAIL SECTION	トナーレール部	P24
18	CONTACT SECTION	接点部	P25
19	I/U LOCK LEVER SECTION	I / U ロックレバー部	P26
20	OZONE DUCT SECTION	オゾン排気部	P27
21	TONER SUPPLY SECTION	トナー補給部	P28 P29
22	TRANSFER UNIT	転写ベルトユニット	P30
23	TRANSFER RAIL SECTION	転写レール部	P31
24	ERASE LAMP SECTION	イレーサランプ部	P32
25	TONER COLLECT SECTION	トナー搬送部	P33
26	1ST PAPER FEED SECTION	1 段目給紙部	P34
27	2ND PAPER FEED SECTION	2 段目給紙部	P35
28	CASSETTE TRAY	カセットトレイ	P36
29	CASSETTE RAIL SECTION	カセットレール部	P37
30	SIZE DETECTING SECTION	給紙サイズ検出部	P38
31	1000-SHEET PAPER FEED SECTION	1 0 0 0 枚給紙部	P39 P40
32	LCC DRIVE SECTION	L C C 駆動部	P41
33	LEVEL CONVEYANCE SECTION	水平搬送部	P42 P43
34	1500-SHEET PAPER FEED SECTION	1 5 0 0 枚給紙部	P44 P45
35	LCC CASSETTE RAIL SECTION	L C C カセットレール部	P46
36	LCC LENGTH CONVEYANCE SECTION	L C C 搬送部	P47
37	1000-SHEET TRAY	1 0 0 0 枚給紙トレイ	P48
38	1500-SHEET TRAY	1 5 0 0 枚給紙トレイ	P49
39	CASSETTE TRAY	L C C カセットトレイ	P50
40	MANUAL FEED TRAY UNIT	手差し給紙ユニット	P51 P52 P53 P54

bizhub C654/bizhub C754

No.	DESCRIPTION	名称	PAGE No.
41	PAPER EXIT CONVEYANCE SECTION	排紙搬送部	P55 P56 P57
42	REGISTRATION SENSOR SECTION	用紙検出部	P58
43	ROTATION DETECTING SENSOR SECTION	回転検出部	P59
44	FUSING UNIT	定着ユニット	P60
45	ADU	A D U	P61 P62
46	PAPER EXIT SECTION	排紙部	P63
47	REVERSAL SECTION	反転部	P64 P65
48	MAIN DRIVE SECTION	メイン駆動部	P66
49	FUSING DRIVE SECTION	定着駆動部	P67
50	BOTTLE DRIVE SECTION	ボトル駆動部	P68
51	EJECT DRIVE SECTION	排紙ベルト駆動部	P69
52	MAIN FRAME SECTION	フレーム部	P70
53	I/U FRAME SECTION	I / U フレーム部	P71
54	REAR FAN SECTION	背面排気部	P72 P73
55	DOOR SAFE SWITCH SECTION	ドア安全スイッチ部	P74
56	HIGH VOLTAGE SECTION	高圧基板部	P75
57	MAIN POWER SUPPLY SECTION	電源基板部	P76
58	SHIELD BOX	シールドボックス	P77 P78
59	REAR ELECTRICAL SECTION	背面電気部	P79 P80
60	IH POWER SUPPLY SECTION	電源基板部	P81
61	WIRING	束線	P82 P83 P84 P85 P86 P87 P88
62	WIRING ACCESSORIES AND JIGS	配線部品・治具	P89 P90
63	ACCESSORY PARTS	同梱部品	P91

bizhub C654/bizhub C754

INDEX

Parts No.	Page No.
0910362001	61-13
0957149101	70-29
1033440203	3-11
1038400601	89-1
1050480501	89-2
1052430102	89-3
1053481201	89-4
1065308601	53-17
1065587202	89-5
1067250101	3-8
1067250101	53-8
1067250101	61-27
1079221901	71-3
1134304101	44-2
1134304202	44-5
1134304202	51-3
1144520001	56-16
1151330001	36-13
1164306501	66-7
1164350901	55-30
1164352702	55-12
1200164603	61-10
1200164603	65-20
1200164603	69-7
1200312109	7-1
1200312109	9-16
1500266013	41-43
15AG50280	39-38
26NA45440	48-20
26NA45440	49-19
4002145801	22-12
4002311002	38-7
4002313101	38-6
4002504202	58-27
4002730601	36-51
4004182902	26-1
4004224802	67-3
4004231701	25-4
4004254701	41-23
4004254701	66-28

Parts No.	Page No.
4004258201	67-6
4004351202	59-16
4004471002	56-17
4004472202	56-15
4004472301	56-19
4004533901	69-8
4004590301	64-21
4004590301	65-6
4004598701	63-34
4011533901	28-26
4011585202	65-8
4025228301	78-26
4025353401	55-2
4025355601	58-21
4025356801	55-20
4025367402	58-11
4025367601	58-6
4025470902	56-32
4025471902	56-26
4025472001	56-31
4025472501	56-20
4025490701	56-5
4025490801	56-11
4025490901	56-12
4025491001	56-6
4025593901	65-19
4025598401	64-22
4025598401	65-14
4030104002	14-31
4030300301	53-7
4030303901	54-17
4030308104	38-9
4030308301	38-12
4030309301	63-15
4030309301	64-7
4030309301	65-9
4030312201	35-6
4030312201	43-14
4030312501	54-24
4030320601	36-43

Parts No.	Page No.
4030322402	38-11
4030322601	36-35
4030382301	64-14
4036141001	37-4
4036141001	54-8
4036172002	19-11
4036224102	67-4
4036225801	67-2
4036231101	25-5
4036231101	31-11
4036248501	27-18
4036248501	73-16
4036252401	67-23
4036351701	66-5
4036355701	58-26
4036359002	57-18
4036365901	51-34
4036365901	57-8
4036367301	58-9
4036367502	55-11
4036471201	56-18
4036473001	56-23
4036482701	30-3
4036491101	56-13
4036534702	28-9
4036534702	29-9
4036534801	28-8
4036534801	29-8
4036534903	28-7
4036534903	29-7
4036578501	51-26
4036591301	63-32
4036596601	43-11
4036596601	47-3
4036596601	62-12
4036596601	63-3
4036596601	64-23
4036606202	27-5
4037077501	80-1
4037090101	33-10

Parts No.	Page No.
4037090201	47-2
4037090301	19-8
4037090601	38-10
4037090601	43-6
4037090601	47-17
4037090601	48-17
4037090601	49-18
4037090601	51-7
4037090601	52-25
4037223902	80-9
4037320401	36-7
4038101401	14-27
4038228104	14-3
4038229301	23-8
4038229401	23-3
4038229501	23-5
4038540701	68-9
4038541101	68-6
4038541202	68-10
4038541301	68-8
4038M60000	70-14
4040078001	91-13
4040309701	53-15
40AA88031	29-31
4120101402	14-9
4120101402	15-27
4131253701	5-45
4131253701	9-5
4131300301	53-2
4131300301	54-15
4131300301	61-6
4131300301	62-17
4131462304	51-36
4136675101	14-4
4138586601	57-25
4163407201	30-2
4163529301	11-15
4163529301	36-10
4425301301	53-13
4425301601	53-9

Parts No.	Page No.
4469346501	3-12
4475260302	14-11
4475260302	15-4
4497310603	61-2
4537331701	36-52
4556M10000	70-11
4556M10000	73-4
4581131601	22-13
4581162501	19-5
4581162501	23-14
4641341501	2-21
4641341702	2-15
4641343601	2-22
4641350301	2-3
4641351401	3-26
4643300701	3-29
4643460501	58-18
4657371301	61-16
4657373401	62-4
4657373501	61-25
4657373501	62-8
4657374301	62-30
4658351701	8-19
540047200	50-7
55VA15541	42-13
55VA40610	50-6
55VA40930	48-2
55VA40930	49-1
55VA42120	39-23
55VA42120	41-13
55VA42120	44-26
56AA17080	47-14
56AA17330	47-13
56AA40380	39-31
56AA40380	44-32
56AA40430	40-5
56AA40430	45-5
56AA40450	40-26
56AA40450	45-30
56AA40490	14-18

Parts No.	Page No.	Parts No.	Page No.	Parts No.	Page No.	Parts No.	Page No.	Parts No.	Page No.
56AA40490	15-25	56QA59110	49-4	9J07210802	19-3	9J07R70900	6-11	A00J118100	25-22
56AA40490	34-2	56QA59120	49-26	9J07210901	1-6	9J07R71000	4-8	A00J118200	25-17
56AA40490	35-8	56QA59150D	50-18	9J07300801	4-1	9J08210401	5-25	A00J118300	25-21
56AA40490	39-10	57AA17010	50-4	9J07301601	4-7	9J08210401	9-12	A00J118400	25-19
56AA40490	40-15	57AA97870	50-12	9J07301702	4-3	A00HN10K12	80-7	A00J118500	25-23
56AA40490	41-6	65AA32501	28-5	9J07301902	4-5	A00J101400	70-17	A00J119500	27-7
56AA40490	43-5	65AA32501	29-4	9J07302001	4-4	A00J101603	70-26	A00J119600	27-6
56AA40490	44-10	65AA32501	33-20	9J07310313	2-28	A00J102301	23-19	A00J120100	26-8
56AA40490	45-17	9313100072	27-17	9J07310401	2-25	A00J102402	70-5	A00J120201	26-5
56AA40490	53-6	9313100072	57-20	9J07310502	2-30	A00J102700	70-33	A00J120300	26-6
56AA40490	54-16	9313100072	72-3	9J07310701	2-7	A00J104400	70-21	A00J120500	26-12
56AA40510	40-25	9313100072	73-17	9J07330102	3-6	A00J104700	32-3	A00J120600	26-14
56AA40510	45-29	9313110033	71-11	9J07330201	3-9	A00J105400	70-23	A00J120900	26-4
56AA40540	40-20	9313150021	5-1	9J07330801	3-7	A00J105601	23-12	A00J121000	26-2
56AA41711	43-28	9314130021	68-12	9J07331801	4-9	A00J106202	91-11	A00J121200	24-11
56AA75050	40-27	9314230021	66-17	9J07331901	3-28	A00J106400	70-20	A00J121200	26-13
56AA75050	45-26	9326282011	14-30	9J07332102	3-15	A00J106500	70-9	A00J121400	26-3
56AA82012	39-22	9326290006	28-2	9J07341102	2-13	A00J107001	32-5	A00J121500	26-7
56AA82012	44-27	9334261012	74-6	9J07400601	6-27	A00J107100	32-14	A00J121600	71-5
56AA83061D	46-2	9334271011	28-27	9J07400802	5-33	A00J107401	32-26	A00J121700	71-2
56AA84520	80-16	9335140061	19-23	9J07400803	5-33	A00J110800	25-8	A00J123200	71-16
56AF84521	80-16	9335140071	5-42	9J07400902	5-32	A00J110900	25-10	A00J123300	71-15
56QA15190	41-28	9335191092	10-6	9J07401201	5-39	A00J112200	25-9	A00J123400	71-14
56QA57110	43-18	9381430031	80-19	9J07420204	7-28	A00J112800	25-12	A00J132102	75-6
56QA57170	43-8	9381430041	91-13	9J07420301	7-13	A00J113401	27-8	A00J132600	75-3
56QA57210	43-33	9384160011	89-6	9J07420402	7-14	A00J113800	27-10	A00J132700	75-10
56QA57240	43-7	9454407602	56-8	9J07420502	7-8	A00J114401	27-3	A00J133101	77-4
56QA58041D	48-14	9454407602	58-25	9J07420603	7-27	A00J114502	27-25	A00J133200	38-2
56QA58041D	49-14	9J03M10000	70-22	9J07420801	7-12	A00J114603	27-26	A00J133500	77-7
56QA58050D	50-9	9J03N30000	91-13	9J07420901	7-9	A00J114701	27-9	A00J134000	75-11
56QA58060D	50-5	9J06730101	80-14	9J07430201	12-14	A00J114801	27-23	A00J134500	70-15
56QA58070D	50-13	9J06M10000	63-4	9J07431101	7-22	A00J114901	27-1	A00J134600	74-9
56QA58110	48-4	9J06M60100	67-5	9J07431502	6-5	A00J115900	25-11	A00J134702	80-12
56QA58120	48-27	9J06M60100	74-8	9J07441502	12-16	A00J116100	27-12	A00J135100	75-1
56QA58150	50-15	9J06PJG100	90-3	9J07491101	9-10	A00J116201	27-11	A00J135201	74-11
56QA58420	50-1	9J07160200	1-13	9J07491201	9-14	A00J116301	27-15	A00J135500	75-7
56QA58450	50-8	9J07160302	6-1	9J07501901	5-31	A00J116400	27-14	A00J135800	74-7
56QA58470D	48-15	9J07160600	5-34	9J07560000	2-27	A00J116511	27-20	A00J136302	79-4
56QA58490D	50-14	9J07200702	1-12	9J07810300	12-2	A00J117000	27-22	A00J136400	80-17
56QA59060D	50-17	9J07200801	1-11	9J07890000	9-13	A00J118000	25-18	A00J136500	74-10

Parts No.	Page No.
A00J137105	32-13
A00J137500	23-23
A00J137600	41-35
A00J137701	70-12
A00J137800	75-5
A00J138000	67-7
A00J138700	78-4
A00J138900	80-20
A00J139000	80-10
A00J139100	80-8
A00J139400	77-8
A00J140401	80-13
A00J140600	77-3
A00J140900	75-4
A00J142900	68-19
A00J145000	32-23
A00J145101	32-22
A00J145200	32-24
A00J150600	72-6
A00J151002	72-19
A00J152700	73-10
A00J154600	73-15
A00J154801	73-2
A00J155300	71-7
A00J157100	72-9
A00J157200	72-7
A00J157301	72-10
A00J157401	72-11
A00J157501	72-12
A00J157600	72-15
A00J157901	72-14
A00J160605	13-8
A00J161400	13-9
A00J161804	16-5
A00J162802	16-10
A00J162901	16-13
A00J163401	13-1
A00J163503	13-4
A00J164201	16-11
A00J164501	15-9

Parts No.	Page No.
A00J164600	70-24
A00J164701	14-7
A00J165103	14-5
A00J166101	91-2
A00J166300	13-3
A00J166400	13-2
A00J167104	18-13
A00J167812	18-2
A00J169100	91-4
A00J169200	18-3
A00J169200	20-6
A00J169901	91-6
A00J220600	66-4
A00J225000	66-23
A00J225100	66-20
A00J230000	67-9
A00J230100	67-11
A00J230200	67-34
A00J230300	67-32
A00J230400	67-37
A00J230500	67-17
A00J230711	67-13
A00J230800	67-16
A00J231200	67-12
A00J231812	67-14
A00J232011	67-8
A00J232111	67-15
A00J232200	67-38
A00J232400	67-10
A00J265200	20-2
A00J265300	20-4
A00J280101	19-9
A00J280200	19-10
A00J360800	33-9
A00J361000	33-38
A00J361101	33-6
A00J361200	33-7
A00J361700	33-8
A00J361800	33-34
A00J361900	33-21

Parts No.	Page No.
A00J362400	33-26
A00J362500	33-25
A00J362600	33-31
A00J362700	33-22
A00J362800	33-32
A00J363000	33-23
A00J365001	33-2
A00J365402	33-39
A00J400113	29-6
A00J400300	29-23
A00J400401	28-32
A00J400401	29-25
A00J400500	28-16
A00J400500	29-20
A00J400611	29-2
A00J400900	28-35
A00J400900	29-29
A00J401200	28-30
A00J401200	29-24
A00J401401	28-28
A00J401401	29-22
A00J401600	28-17
A00J401600	29-19
A00J401700	28-12
A00J401700	29-12
A00J401900	28-18
A00J401900	29-17
A00J402200	29-18
A00J402300	29-5
A00J402601	68-3
A00J402711	68-15
A00J402801	68-11
A00J402900	68-4
A00J403000	68-2
A00J403100	68-1
A00J403402	74-5
A00J403700	68-14
A00J403800	68-13
A00J404000	68-5
A00J404601	14-2

Parts No.	Page No.
A00J404700	14-1
A00J405400	29-10
A00J405500	29-30
A00J405600	29-28
A00J406600	29-32
A00J406801	29-26
A00J406901	29-27
A00J407300	28-25
A00J407300	29-21
A00J407400	14-20
A00J407500	14-6
A00J520102	31-12
A00J520203	31-24
A00J520300	31-19
A00J520400	31-21
A00J520500	31-30
A00J520600	31-22
A00J520800	31-25
A00J520900	31-26
A00J521601	31-13
A00J521701	31-17
A00J522600	31-18
A00J522700	31-20
A00J523201	31-7
A00J523901	31-15
A00J524101	31-3
A00J524201	31-2
A00J524300	31-29
A00J524402	31-10
A00J562200	34-11
A00J562300	34-9
A00J562400	34-7
A00J562502	34-4
A00J562513	34-4
A00J562800	34-8
A00J563500	34-18
A00J563500	35-25
A00J563500	39-47
A00J563500	44-42
A00J563600	3-24

Parts No.	Page No.
A00J563600	34-3
A00J563600	35-9
A00J563600	39-16
A00J563600	40-16
A00J563600	44-20
A00J563600	45-18
A00J563600	53-10
A00J566300	34-6
A00J566600	35-19
A00J571712	35-3
A00J572200	47-5
A00J573601	35-22
A00J573712	35-2
A00J573801	35-17
A00J573900	35-18
A00J574100	35-5
A00J574500	35-4
A00J574611	35-1
A00J575302	38-3
A00J585100	52-24
A00J585300	51-5
A00J585401	52-13
A00J585500	52-12
A00J585601	52-14
A00J585700	52-21
A00J585800	54-26
A00J586000	53-21
A00J586100	53-20
A00J586201	53-5
A00J586300	54-37
A00J586400	52-2
A00J586600	52-26
A00J586700	52-19
A00J586800	70-34
A00J587000	53-19
A00J587200	51-38
A00J587300	54-14
A00J587600	54-7
A00J587702	54-12
A00J587901	54-29

Parts No.	Page No.	Parts No.	Page No.	Parts No.	Page No.	Parts No.	Page No.	Parts No.	Page No.
A00J588200	52-17	A00J595800	53-24	A00J601201	39-2	A00J605600	40-30	A00J611600	41-16
A00J588300	52-16	A00J596000	53-11	A00J601300	40-7	A00J605700	45-2	A00J611711	41-24
A00J588601	52-29	A00J596300	54-36	A00J601402	40-22	A00J606100	43-17	A00J611800	41-32
A00J588800	52-7	A00J596602	52-15	A00J601402	45-1	A00J606500	43-13	A00J611900	41-29
A00J589100	54-11	A00J596700	53-23	A00J601501	40-9	A00J606600	43-15	A00J612000	41-42
A00J590300	53-14	A00J596900	51-16	A00J601501	45-24	A00J606700	43-21	A00J612100	41-5
A00J590400	53-16	A00J597000	51-33	A00J601503	45-24	A00J606802	43-19	A00J612200	41-22
A00J590500	53-3	A00J597100	51-15	A00J601600	40-21	A00J606900	43-20	A00J612500	41-14
A00J590700	53-18	A00J597300	51-27	A00J601600	45-23	A00J607100	42-3	A00J612600	41-19
A00J590901	54-21	A00J597511	54-22	A00J601700	40-11	A00J607301	43-23	A00J612800	41-25
A00J591014	54-19	A00J597800	51-9	A00J601700	45-13	A00J607401	42-5	A00J613000	41-41
A00J591100	54-20	A00J597911	51-6	A00J602401	44-19	A00J607500	42-6	A00J613101	50-11
A00J591300	54-25	A00J598002	54-1	A00J602700	39-18	A00J607600	43-30	A00J613103	50-11
A00J591700	53-27	A00J598101	52-1	A00J602700	44-22	A00J607700	43-31	A00J613200	48-22
A00J591800	54-5	A00J598200	52-6	A00J603102	39-28	A00J607800	42-4	A00J613200	49-22
A00J592201	53-26	A00J598401	52-10	A00J603102	44-30	A00J608100	46-7	A00J613300	48-16
A00J592502	51-28	A00J598600	54-32	A00J603201	39-8	A00J608200	46-10	A00J613300	49-15
A00J592600	53-25	A00J598800	52-23	A00J603300	39-7	A00J608300	46-11	A00J613401	46-4
A00J592800	53-28	A00J599000	51-10	A00J603400	40-28	A00J608400	46-5	A00J613500	48-1
A00J593000	53-29	A00J599100	51-4	A00J603400	45-25	A00J608500	46-9	A00J613500	49-2
A00J593101	54-27	A00J599200	52-9	A00J603500	44-25	A00J608600	46-6	A00J613700	48-9
A00J593300	54-28	A00J599300	51-31	A00J603600	40-24	A00J608700	47-8	A00J613700	49-9
A00J593400	54-3	A00J599500	52-22	A00J603713	44-13	A00J608800	47-9	A00J613900	50-19
A00J593500	52-3	A00J599700	52-28	A00J603800	44-1	A00J608900	47-15	A00J614002	43-1
A00J593600	51-19	A00J599800	52-20	A00J603900	44-9	A00J609000	47-18	A00J614101	43-32
A00J593700	51-20	A00J600116	44-23	A00J604101	45-27	A00J609100	47-6	A00J614200	43-10
A00J593800	51-21	A00J600204	39-19	A00J604301	39-15	A00J609201	47-23	A00J614300	43-4
A00J593900	52-4	A00J600313	39-6	A00J604401	39-41	A00J609300	47-19	A00J614400	43-35
A00J594013	51-22	A00J600400	39-33	A00J604701	40-2	A00J609400	47-1	A00J614501	43-2
A00J594024	51-22	A00J600400	44-33	A00J604701	45-9	A00J609501	47-4	A00J614600	43-34
A00J594035	51-22	A00J600500	39-36	A00J604800	40-6	A00J609800	47-21	A00J614700	43-3
A00J594112	51-35	A00J600500	44-35	A00J604800	45-11	A00J610200	41-15	A00J614800	43-9
A00J594603	51-30	A00J600600	39-12	A00J605001	39-9	A00J610300	41-21	A00J615000	48-21
A00J594701	52-18	A00J600600	44-14	A00J605100	40-3	A00J610600	41-17	A00J615000	49-20
A00J594800	52-8	A00J600701	39-39	A00J605100	45-10	A00J610812	41-20	A00J615101	48-6
A00J594900	52-11	A00J600800	39-37	A00J605200	40-4	A00J611000	41-33	A00J615500	48-26
A00J595100	51-32	A00J600900	40-29	A00J605200	45-12	A00J611100	41-34	A00J615500	49-25
A00J595200	70-4	A00J600900	45-31	A00J605300	39-24	A00J611200	41-30	A00J615800	44-7
A00J595600	53-30	A00J601000	45-3	A00J605400	39-25	A00J611300	41-2	A00J615901	39-40
A00J595702	54-34	A00J601111	44-4	A00J605511	39-4	A00J611500	41-18	A00J616200	41-10

Parts No.	Page No.	Parts No.	Page No.	Parts No.	Page No.	Parts No.	Page No.	Parts No.	Page No.
A00J616300	41-11	A00J619800	40-18	A00J700301	55-35	A00J706800	55-1	A00J812600	62-31
A00J616400	41-37	A00J619800	45-20	A00J700501	55-31	A00J706900	55-34	A00J813000	61-9
A00J616500	41-38	A00J619901	46-1	A00J700600	55-15	A00J707102	59-15	A00J813200	62-3
A00J616601	41-39	A00J622600	43-25	A00J700900	41-12	A00J707200	58-16	A00J813600	61-11
A00J616800	41-40	A00J623300	43-26	A00J700900	55-36	A00J707300	57-29	A00J813800	62-18
A00J616900	41-3	A00J623400	36-30	A00J701000	55-13	A00J707501	59-1	A00J813900	62-19
A00J616911	41-3	A00J623400	48-3	A00J701200	55-28	A00J707801	55-21	A00J814101	61-20
A00J617000	47-24	A00J623400	49-3	A00J701500	55-3	A00J708000	57-22	A00J814101	62-10
A00J617700	41-7	A00J630102	37-8	A00J701701	55-6	A00J708100	56-22	A00J814411	61-21
A00J617800	5-21	A00J630500	36-31	A00J701800	55-5	A00J708300	56-41	A00J814411	62-11
A00J617800	11-19	A00J631100	36-34	A00J701900	55-18	A00J708400	56-39	A00J814500	61-22
A00J617800	39-5	A00J631204	37-3	A00J702000	55-37	A00J708700	56-28	A00J814500	62-13
A00J617800	44-12	A00J631204	42-1	A00J702101	58-8	A00J708900	56-40	A00J814600	61-3
A00J617900	39-27	A00J631700	36-48	A00J702400	55-7	A00J709000	59-3	A00J814700	61-35
A00J617900	44-28	A00J631800	37-7	A00J702500	58-23	A00J709100	55-4	A00J815101	61-28
A00J617900	47-7	A00J631900	36-33	A00J702600	58-12	A00J710400	56-29	A00J815200	61-32
A00J618002	44-36	A00J660100	42-12	A00J702700	55-16	A00J710700	56-36	A00J815300	62-27
A00J618101	39-1	A00J660200	43-22	A00J702811	58-22	A00J710800	56-14	A00J815400	62-16
A00J618300	39-29	A00J660300	48-28	A00J702901	58-3	A00J711101	58-2	A00J815711	57-5
A00J618300	44-29	A00J660300	49-27	A00J703001	55-33	A00J711301	55-8	A00J815801	61-37
A00J618400	37-2	A00J660500	49-21	A00J703600	58-4	A00J711400	56-21	A00J816100	62-26
A00J618400	42-2	A00J660600	48-18	A00J703700	58-20	A00J711500	55-10	A00J816200	62-14
A00J618400	46-3	A00J660600	49-16	A00J703800	58-24	A00J711601	58-10	A00J816300	62-2
A00J618500	40-14	A00J660700	39-26	A00J704100	58-1	A00J711700	55-9	A00J816400	61-34
A00J618500	45-16	A00J660700	44-38	A00J704200	55-25	A00J810201	62-1	A00J890411	65-7
A00J618601	40-10	A00J660700	47-25	A00J704400	58-19	A00J810302	61-1	A00J891100	64-3
A00J618700	40-1	A00J660800	39-42	A00J704500	58-7	A00J810601	62-25	A00J891200	64-16
A00J618800	45-8	A00J660800	44-39	A00J704600	55-23	A00J810713	62-9	A00J891801	63-1
A00J619011	48-13	A00J660900	39-44	A00J704700	55-19	A00J810800	61-26	A00J892001	63-20
A00J619011	49-13	A00J663000	43-27	A00J705200	57-12	A00J811000	61-19	A00J892101	63-7
A00J619101	44-3	A00J663100	48-19	A00J705600	57-21	A00J811100	62-21	A00J892202	57-9
A00J619300	48-24	A00J663100	49-17	A00J705700	57-11	A00J811200	61-31	A00J892300	63-9
A00J619400	39-30	A00J663200	39-11	A00J705800	57-10	A00J811600	61-33	A00J892600	63-18
A00J619400	44-31	A00J663200	40-8	A00J705900	57-13	A00J811800	61-24	A00J892712	63-10
A00J619500	40-17	A00J663200	44-11	A00J706100	58-17	A00J811900	62-7	A00J893100	57-2
A00J619500	45-19	A00J663200	45-6	A00J706200	57-16	A00J812000	62-6	A00J893201	65-15
A00J619611	40-13	A00J663200	48-8	A00J706400	57-19	A00J812100	61-30	A00J893311	65-17
A00J619611	45-15	A00J663200	49-8	A00J706500	57-17	A00J812200	61-15	A00J893413	65-12
A00J619700	40-19	A00J700100	55-27	A00J706600	57-23	A00J812300	61-14	A00J893512	65-1
A00J619700	45-21	A00J700201	55-26	A00J706700	57-24	A00J812400	61-12	A00J893601	65-16

Parts No.	Page No.	Parts No.	Page No.	Parts No.	Page No.	Parts No.	Page No.	Parts No.	Page No.
A00J893800	64-20	A00J941800	42-11	A00JR7AP00	52-5	A07H570001	3-14	A0HU250500	10-15
A00J894000	63-14	A00J941900	43-29	A00JR7AQ11	53-22	A07H570200	3-18	A0HU250600	8-16
A00J894200	63-17	A00J942202	36-47	A00JR7AR00	54-4	A07H570400	3-22	A0HU250800	9-3
A00J894300	69-6	A00J942500	51-2	A00JR7AS11	54-38	A07H570500	3-23	A0HU251100	9-24
A00J894400	69-19	A00J945400	16-20	A00JR7AT00	55-29	A07H570600	3-21	A0HU251200	9-22
A00J894500	69-20	A00J945500	14-16	A00JR7AU11	56-10	A07H570800	3-19	A0HU260300	10-11
A00J894600	69-14	A00J945800	16-21	A00JR7AV00	61-7	A07H750200	5-35	A0HU261000	10-5
A00J895000	69-2	A00JH00D00	15-3	A00JR7AW00	61-17	A0DA701200	7-16	A0HU261103	10-19
A00J895100	64-6	A00JM11000	66-26	A00JR7AX11	61-18	A0DA701200	9-19	A0HU261200	10-23
A00J895200	69-5	A00JM11300	66-30	A00JR7AY00	61-29	A0DA701800	8-18	A0HU261700	10-4
A00J895300	69-16	A00JM12100	28-21	A00JR7B000	62-22	A0ED268700	20-9	A0HU261900	10-16
A00J895700	69-9	A00JM12100	29-15	A00JR7B100	62-29	A0ED275600	22-5	A0HU300300	10-12
A00J896000	69-3	A00JM12100	33-29	A00JR7B200	63-27	A0ED276500	22-4	A0HU300400	10-20
A00J896100	63-26	A00JM20000	41-4	A00JR7B500	64-19	A0ED620200	36-11	A0HU300500	10-21
A00J896300	63-25	A00JM30301	32-21	A00JR7B600	66-22	A0ED621400	36-9	A0HU300601	10-22
A00J896412	65-11	A00JM60300	80-11	A00JR7B700	66-6	A0FD892900	11-25	A0HUM10000	11-29
A00J896500	64-18	A00JN11101	57-4	A00JR90000	31-1	A0G6243900	5-5	A0P0101212	23-1
A00J896801	64-9	A00JN11501	51-18	A00JR90100	55-22	A0HT210700	8-4	A0P0101311	70-18
A00J896901	13-10	A00JN11A00	49-23	A00V240600	5-29	A0HT560200	2-6	A0P0102000	70-35
A00J897000	63-23	A00JN11B01	48-23	A00V240600	8-5	A0HT560813	3-1	A0P0102901	59-10
A00J897100	63-22	A00JN11C01	47-22	A00V240600	41-8	A0HT561202	4-15	A0P0103300	59-4
A00J897200	69-15	A00JN11D01	44-37	A00V240600	55-14	A0HT561600	4-6	A0P0103401	59-8
A00J897401	65-2	A00JN11E01	39-32	A00V240600	66-3	A0HT562200	3-4	A0P0103902	59-6
A00J897800	63-16	A00JN11F01	43-36	A00V240600	67-19	A0HT562800	4-24	A0P0104001	59-9
A00J898001	64-10	A00JN11N01	50-3	A011946200	17-18	A0HT563100	2-42	A0P0104600	70-19
A00J898101	64-11	A00JN12100	29-11	A01H100300	1-19	A0HT563200	2-43	A0P0105100	70-1
A00J898200	64-17	A00JN12201	58-15	A01H100400	1-7	A0HT700400	8-14	A0P0105200	70-3
A00J898400	63-11	A00JN30200	80-19	A01H561100	2-11	A0HT700600	5-37	A0P0105300	70-6
A00J898500	65-18	A00JR73400	25-7	A01H561200	2-26	A0HT700800	6-12	A0P0107500	59-7
A00J898900	63-2	A00JR73700	32-4	A01H565100	3-20	A0HT701000	6-17	A0P0107601	23-9
A00J899101	64-12	A00JR73800	25-20	A02E167700	18-5	A0HT701300	6-19	A0P0107700	23-4
A00J899200	65-10	A00JR73900	25-24	A02E167700	91-5	A0HT704100	6-25	A0P0108100	24-3
A00J899301	65-13	A00JR74400	29-3	A02E622700	36-1	A0HT704200	6-26	A0P0108201	24-14
A00J899400	69-12	A00JR7A200	31-4	A02E890700	65-3	A0HT811400	34-14	A0P0108300	24-13
A00J899500	65-4	A00JR7A300	31-6	A02E940300	36-54	A0HT811400	35-12	A0P0108400	24-1
A00J899711	63-13	A00JR7A500	31-14	A02EM10C01	66-21	A0HT890800	5-27	A0P0108500	24-16
A00J940100	18-12	A00JR7A600	31-16	A03TM50000	3-17	A0HT891400	4-23	A0P0108623	24-8
A00J940100	91-10	A00JR7AJ00	41-36	A03U812800	39-21	A0HT891900	9-11	A0P0108900	24-7
A00J941201	24-5	A00JR7AK11	45-4	A03U812800	42-10	A0HU250100	10-14	A0P0109001	70-10
A00J941201	71-4	A00JR7AN00	50-10	A03U812800	44-24	A0HU250300	9-26	A0P0109100	71-13

Parts No.	Page No.
A0P0109300	70-31
A0P0109501	31-23
A0P0109701	24-15
A0P0110501	24-6
A0P0111900	25-3
A0P0113600	27-2
A0P0114100	24-12
A0P0115000	27-13
A0P0115700	24-4
A0P0119700	27-16
A0P0119800	27-19
A0P0120800	26-9
A0P0121300	26-11
A0P0125000	24-2
A0P0125100	71-18
A0P0125211	71-1
A0P0125311	24-9
A0P0131301	81-8
A0P0132300	75-8
A0P0133701	79-7
A0P0133800	79-6
A0P0134300	81-1
A0P0135400	70-13
A0P0137401	23-25
A0P0138200	70-7
A0P0138300	70-8
A0P0138600	38-1
A0P0141300	81-5
A0P0144000	71-8
A0P0144300	78-10
A0P0144400	78-11
A0P0148000	21-4
A0P0148101	21-5
A0P0148201	21-6
A0P0148300	77-1
A0P0148701	70-28
A0P0148801	76-1
A0P0149000	81-9
A0P0149100	78-25
A0P0149700	77-2

Parts No.	Page No.
A0P0149800	81-4
A0P0150100	72-1
A0P0150200	72-5
A0P0150212	72-5
A0P0150311	72-16
A0P0150400	72-2
A0P0150500	72-17
A0P0151100	72-4
A0P0153300	73-3
A0P0155100	71-9
A0P0157700	72-13
A0P0159100	71-10
A0P0161300	16-12
A0P0162004	16-8
A0P0162600	14-13
A0P0162600	15-5
A0P0162702	16-15
A0P0163101	18-1
A0P0163201	18-15
A0P0163800	16-14
A0P0165200	18-7
A0P0165301	16-7
A0P0165500	70-2
A0P0165900	91-1
A0P0166600	18-17
A0P0167202	18-4
A0P0169600	14-22
A0P0228100	66-10
A0P0228200	66-13
A0P0228400	66-14
A0P0228700	66-12
A0P0228900	66-9
A0P0232500	67-35
A0P0262002	19-6
A0P0262103	19-2
A0P0262200	19-18
A0P0263301	19-21
A0P0263400	19-22
A0P0263800	19-16
A0P0267000	19-24

Parts No.	Page No.
A0P0267300	18-18
A0P0267300	19-20
A0P0267501	19-15
A0P0267600	19-12
A0P0267800	19-1
A0P0275500	22-3
A0P0276600	22-2
A0P0278500	21-1
A0P0281801	19-25
A0P0360700	33-19
A0P0361000	33-30
A0P0361100	33-43
A0P0361500	33-45
A0P0362900	33-12
A0P0364000	33-24
A0P0364100	33-13
A0P0364200	33-15
A0P0364800	33-1
A0P0364900	33-17
A0P0366000	33-3
A0P0366100	33-11
A0P0366200	33-5
A0P0366301	33-18
A0P0366400	33-41
A0P0368100	33-37
A0P0368200	33-35
A0P0368400	33-33
A0P0368500	33-27
A0P0368600	33-36
A0P0382400	23-11
A0P0382700	24-10
A0P0400100	28-6
A0P0400301	28-29
A0P0400600	28-11
A0P0400800	28-13
A0P0401000	29-14
A0P0402200	28-24
A0P0402500	28-1
A0P0405400	28-10
A0P0405500	28-34

Parts No.	Page No.
A0P0405600	28-33
A0P0406700	29-1
A0P0406800	28-31
A0P0407701	28-3
A0P0407800	28-14
A0P0407900	28-23
A0P0502300	30-1
A0P0570400	34-13
A0P0570400	35-11
A0P0571811	35-20
A0P0571911	35-7
A0P0573100	35-15
A0P0575500	35-16
A0P0587500	53-4
A0P0588112	54-31
A0P0588700	54-33
A0P0590100	53-12
A0P0594200	51-1
A0P0594300	51-12
A0P0596500	54-9
A0P0597400	54-10
A0P0599600	51-29
A0P0602100	45-22
A0P0606000	42-8
A0P0606200	43-16
A0P0606400	43-12
A0P0607000	42-7
A0P0615200	49-6
A0P0615600	48-25
A0P0615700	49-24
A0P0618900	48-10
A0P0618900	49-10
A0P0623700	36-40
A0P0662700	48-12
A0P0662700	49-12
A0P0663300	39-43
A0P0663400	43-24
A0P0663500	40-23
A0P0663500	45-28
A0P0663511	45-28

Parts No.	Page No.
A0P0663600	42-9
A0P0663800	48-11
A0P0663800	49-11
A0P0663900	48-5
A0P0663900	49-5
A0P0664000	39-46
A0P0664000	40-12
A0P0664000	44-41
A0P0664000	45-32
A0P0666400	41-26
A0P0701600	55-24
A0P0701611	55-24
A0P0702200	58-5
A0P0707600	59-17
A0P0707701	59-2
A0P0709000	57-31
A0P0709101	56-38
A0P0710502	56-27
A0P0710600	56-34
A0P0712200	57-14
A0P0742300	78-25
A0P0812800	61-5
A0P0812900	61-8
A0P0816600	62-24
A0P0816700	62-35
A0P0817000	62-34
A0P0890200	64-24
A0P0891000	64-4
A0P0893911	65-5
A0P0896600	64-5
A0P0897300	69-13
A0P0897600	63-19
A0P0900001	69-17
A0P0900100	63-31
A0P0900201	63-24
A0P0900600	64-27
A0P0900700	63-33
A0P0900800	65-21
A0P0989900	90-4
A0P0A14002	26-15

Parts No.	Page No.
A0P0A14102	26-16
A0P0H02500	21-3
A0P0M11500	67-1
A0P0M14200	72-18
A0P0M50000	59-11
A0P0M50300	70-25
A0P0M50400	58-13
A0P0M50600	66-33
A0P0M73100	19-17
A0P0M90000	66-19
A0P0N10G00	14-29
A0P0N11G00	47-16
A0P0N12H00	59-18
A0P0N12P00	70-27
A0P0N15100	78-13
A0P0N15200	78-14
A0P0N30000	80-19
A0P0R70100	73-1
A0P0R71000	20-1
A0P0R71322	33-40
A0P0R71500	25-6
A0P0R71800	25-25
A0P0R71911	56-24
A0P0R72911	54-39
A0P0R73133	56-25
A0P0R74100	54-23
A0P0R75000	58-28
A0P0R75200	54-2
A0P0R75200	71-12
A0P0R75400	56-4
A0P0R7A111	34-15
A0P0R7A111	35-13
A0P0R7A200	41-27
A0P0R7A311	41-44
A0P0R7A400	64-2
A0P0R7A600	66-15
A0P2N10X00	47-11
A0TJ602800	39-14
A0TJ602800	44-16
A0TJ602900	39-13

Parts No.	Page No.
A0TJ602900	44-15
A0TJ603000	39-17
A0TJ603000	44-21
A0XPWY1	33-4
A108100801	1-17
A108101200	4-21
A108130100	1-4
A108160002	1-15
A108160102	1-1
A108210100	8-6
A108210400	8-9
A108210800	8-3
A108212200	5-49
A108213200	5-48
A108214100	5-52
A108214300	5-51
A108216000	9-2
A108216200	9-4
A108251000	8-17
A108260201	12-20
A108260301	12-21
A108260403	11-14
A108260501	12-8
A108260700	5-7
A108260700	11-9
A108261701	12-4
A108262501	8-20
A108262800	9-25
A108264100	11-20
A108264200	11-21
A108264400	11-35
A108264601	11-11
A108264700	11-6
A108264800	11-22
A108265301	11-12
A108265600	11-28
A108265700	11-26
A108265800	11-23
A108265900	9-17
A108266300	12-9

Parts No.	Page No.
A108266600	12-3
A108266701	11-18
A108266800	12-6
A108267600	8-12
A108268100	8-13
A108269200	8-15
A108269600	12-7
A108269700	12-19
A108269900	8-11
A108270200	11-3
A108270400	11-10
A108270601	11-1
A108270700	11-31
A108270801	11-24
A108271101	12-10
A108272000	12-12
A108272101	12-15
A108272200	12-17
A108272300	12-22
A108272501	12-18
A108272700	12-1
A108272900	11-17
A108273200	11-16
A108561103	2-31
A108561400	4-22
A108561500	4-10
A108561701	2-4
A108561800	2-12
A108562600	2-24
A108563000	2-17
A108563100	2-23
A108563200	2-19
A108563300	2-20
A108563400	2-16
A108563900	4-16
A108564301	2-34
A108564400	2-36
A108564500	2-37
A108700200	8-10
A108701001	6-9

Parts No.	Page No.
A108701200	6-28
A108701600	4-26
A108701800	5-36
A108702104	6-2
A108702201	5-22
A108702500	5-23
A108703000	6-6
A108703100	5-40
A108703400	6-10
A108703600	5-53
A108703700	6-7
A108703800	6-8
A108704500	5-20
A108711100	5-16
A108713200	7-11
A108713300	7-10
A108890000	9-7
A108890100	9-15
A108890200	9-8
A108890500	4-2
A108890601	9-29
A108890800	9-6
A108891300	4-11
A108940000	1-27
A108940101	3-3
A108940201	11-13
A108940300	1-8
A108940401	1-25
A108M50000	2-9
A108M50100	2-8
A108M50100	3-13
A108M50100	4-25
A108M50100	5-24
A108M50100	7-15
A108M50100	9-27
A108M50100	11-27
A108M50100	12-11
A108M50100	23-2
A108M50100	26-10
A108M50100	33-14

Parts No.	Page No.
A108M50100	38-8
A108M50100	39-3
A108M50100	44-8
A108M50100	52-30
A108M50100	55-39
A108M50100	56-37
A108M50100	59-5
A108M50100	62-15
A108M50100	63-12
A108M50100	71-17
A108M50100	78-21
A108N10600	2-10
A108N10700	3-16
A108N10800	2-29
A108N10900	1-10
A108R70400	2-18
A108R70800	2-41
A108R90000	5-9
A108R90000	9-9
A161132400	78-16
A161137600	78-17
A161138601	78-2
A161139400	78-20
A161139501	78-23
A161139800	78-24
A161139901	78-12
A161164401	16-19
A161167000	17-8
A161167100	17-9
A161190900	17-5
A161192000	91-14
A161254600	67-18
A161620400	36-29
A161620600	36-3
A161620701	36-4
A161620802	36-6
A161621100	36-49
A161621300	36-8
A161621701	36-46
A161621800	36-36

Parts No.	Page No.	Parts No.	Page No.	Parts No.	Page No.	Parts No.	Page No.	Parts No.	Page No.
A161621900	36-27	A161M50A00	22-8	A2X0101800	80-3	A2X0155000	23-15	A2X0170402	17-10
A161622100	36-38	A161M70504	17-17	A2X0102500	32-6	A2X0156300	23-18	A2X0170500	17-15
A161625900	36-19	A161M70604	17-17	A2X0102600	32-16	A2X0156600	13-7	A2X0170512	17-15
A161626000	15-10	A161M70704	17-17	A2X0104301	70-16	A2X0156700	23-6	A2X0170600	17-14
A161626000	36-16	A161M70800	17-17	A2X0104801	59-14	A2X0156800	23-17	A2X0170701	14-14
A161626100	15-11	A161M70900	17-17	A2X0105700	23-13	A2X0157500	72-8	A2X0170801	15-6
A161626100	36-17	A161N15500	78-6	A2X0106700	32-18	A2X0157600	72-20	A2X0170901	36-18
A161626200	15-12	A161P19100	17-21	A2X0106800	32-19	A2X0158800	76-2	A2X0171001	15-13
A161626200	36-15	A161R70400	91-12	A2X0107300	59-12	A2X0158901	81-10	A2X0171101	17-4
A161626300	36-24	A1DM266000	20-7	A2X0107500	59-13	A2X0160100	13-5	A2X0171600	15-20
A161626601	36-22	A1DM267501	20-10	A2X0110000	23-7	A2X0160202	14-15	A2X0171701	15-18
A161626800	36-23	A1DM268801	20-5	A2X0110200	73-9	A2X0160301	15-23	A2X0171801	15-21
A161626800	48-32	A1DM403200	74-3	A2X0113500	27-24	A2X0160402	14-8	A2X0171901	15-22
A161626800	49-33	A1DM403300	74-2	A2X0114300	27-4	A2X0160500	13-6	A2X0172000	15-17
A161626900	36-20	A1DM403600	32-25	A2X0125400	32-2	A2X0160702	36-21	A2X0172100	15-7
A161627500	38-17	A1DM403900	32-15	A2X0130401	78-27	A2X0160800	15-1	A2X0172200	15-28
A161628011	38-14	A1DMN11200	63-5	A2X0131300	81-8	A2X0160900	15-19	A2X0172300	15-15
A161702200	55-17	A1MT140100	80-15	A2X0131500	81-13	A2X0161000	15-16	A2X0172400	15-30
A161940400	14-10	A1UD947400	18-20	A2X0132200	73-12	A2X0161600	16-2	A2X0172501	15-29
A161940602	18-21	A1UDM50100	2-32	A2X0132400	76-3	A2X0161700	16-4	A2X0172600	15-14
A161941500	18-12	A1UDM50200	19-14	A2X0132800	16-1	A2X0161903	16-6	A2X0195102	17-25
A161942000	14-12	A2WU133900	79-1	A2X0133000	78-22	A2X0162100	15-26	A2X0195201	17-24
A161943000	36-5	A2WU156000	23-16	A2X0135700	81-2	A2X0162301	16-3	A2X0195401	81-16
A161943500	36-45	A2WU156400	70-36	A2X0135900	23-26	A2X0163001	18-9	A2X0228500	66-11
A161943601	36-44	A2WU156700	74-4	A2X0138500	60-5	A2X0163302	18-19	A2X0230600	67-33
A161943802	36-14	A2WU156900	74-1	A2X0143500	76-5	A2X0165400	16-16	A2X0231000	67-20
A161947000	91-7	A2WU220000	66-27	A2X0144200	77-10	A2X0165602	16-18	A2X0231500	67-36
A161H00C02	78-3	A2WU220100	66-8	A2X0145500	79-8	A2X0165702	16-9	A2X0235100	67-28
A161H00U01	17-13	A2WU220300	66-2	A2X0145700	60-3	A2X0165801	18-6	A2X0235400	67-21
A161H02A00	78-9	A2WU220400	66-29	A2X0145800	81-3	A2X0167300	18-14	A2X0235500	67-29
A161M10200	41-31	A2WU220800	66-1	A2X0145900	81-6	A2X0167401	17-3	A2X0235600	67-27
A161M10200	66-16	A2WU220901	66-31	A2X0145911	81-6	A2X0167500	17-16	A2X0235900	67-31
A161M10300	67-25	A2WU221001	66-25	A2X0152100	73-11	A2X0167601	18-8	A2X0236100	67-24
A161M10A00	22-1	A2WU221200	66-32	A2X0152600	73-6	A2X0167900	17-1	A2X0261900	19-4
A161M31001	21-7	A2WU362900	33-44	A2X0153100	73-13	A2X0168101	17-7	A2X0263100	19-19
A161M31014	21-7	A2WU364100	33-28	A2X0153700	73-8	A2X0168102	17-7	A2X0263200	17-2
A161M50400	51-13	A2WUR70400	33-16	A2X0154001	70-32	A2X0168300	18-10	A2X0264600	22-14
A161M50501	38-16	A2X0100701	32-20	A2X0154501	73-5	A2X0168500	15-2	A2X0265100	20-3
A161M50600	38-15	A2X0101500	70-30	A2X0154800	73-7	A2X0168600	18-11	A2X0267900	18-16
A161M50A00	22-7	A2X0101700	80-18	A2X0154900	73-14	A2X0168700	17-20	A2X0281100	22-10

Parts No.	Page No.	Parts No.	Page No.	Parts No.	Page No.	Parts No.	Page No.	Parts No.	Page No.
A2X0281200	22-9	A2X0604200	44-17	A2X0667900	45-34	A2X0940500	14-25	A2X0M10100	34-12
A2X0401000	28-20	A2X0605900	45-29	A2X0668200	44-6	A2X0940600	14-23	A2X0M10200	41-1
A2X0401000	29-33	A2X0608000	46-8	A2X0705101	57-3	A2X0940700	14-21	A2X0M10300	34-16
A2X0401800	28-19	A2X0620901	36-50	A2X0708200	56-7	A2X0941600	50-16	A2X0M10300	35-14
A2X0401800	29-13	A2X0621400	36-28	A2X0708800	56-35	A2X0941701	50-2	A2X0M10500	55-38
A2X0404101	68-7	A2X0621411	36-28	A2X0709300	57-27	A2X0942600	51-24	A2X0M10600	62-23
A2X0404800	14-19	A2X0621600	36-39	A2X0709400	57-26	A2X0942700	51-11	A2X0M10700	62-32
A2X0404901	32-8	A2X0624001	36-25	A2X0709700	57-1	A2X0942800	51-40	A2X0M10800	64-1
A2X0405001	32-10	A2X0624101	37-6	A2X0710200	56-1	A2X0942900	51-40	A2X0M10900	69-1
A2X0405101	32-11	A2X0624200	34-5	A2X0713000	56-33	A2X0943000	91-8	A2X0M12001	38-5
A2X0405800	14-19	A2X0624211	34-5	A2X0713100	56-3	A2X0943100	91-8	A2X0M12101	47-12
A2X0405900	14-19	A2X0624300	36-41	A2X0713200	56-2	A2X0943301	15-31	A2X0M14000	77-9
A2X0406001	32-8	A2X0624400	36-2	A2X0713300	57-6	A2X0944001	15-24	A2X0M40200	60-2
A2X0406101	32-10	A2X0624500	36-26	A2X0713400	56-9	A2X0945000	16-22	A2X0M40300	60-2
A2X0406201	32-11	A2X0624600	36-37	A2X0713500	57-32	A2X0945700	16-22	A2X0M40700	75-9
A2X0406301	32-8	A2X0630800	37-1	A2X0713600	55-40	A2X0948300	32-12	A2X0M40800	75-2
A2X0406401	32-10	A2X0631000	36-32	A2X0713700	57-33	A2X0948400	32-9	A2X0M40900	79-9
A2X0406501	32-11	A2X0631300	36-12	A2X0810101	61-23	A2X0948500	32-7	A2X0M72C00	78-15
A2X0568400	35-21	A2X0631400	36-42	A2X0810400	61-4	A2X0948600	14-17	A2X0M90000	16-23
A2X0575100	38-13	A2X0631600	37-5	A2X0810500	61-36	A2X0948700	17-19	A2X0N10001	82-1
A2X0584000	54-42	A2X0665101	46-13	A2X0813300	62-20	A2X0948800	55-32	A2X0N10101	83-1
A2X0584100	54-41	A2X0665300	48-7	A2X0814500	61-38	A2X0948900	16-17	A2X0N10201	60-4
A2X0584200	54-43	A2X0665300	49-31	A2X0816800	62-36	A2X0949000	62-5	A2X0N10300	84-1
A2X0584300	54-44	A2X0665401	49-30	A2X0816900	62-33	A2X0949100	14-26	A2X0N10400	85-1
A2X0584400	51-25	A2X0665500	49-35	A2X0890600	60-6	A2X0F41001	28-22	A2X0N10501	86-1
A2X0586900	51-23	A2X0665600	49-34	A2X0890600	64-26	A2X0F41001	29-16	A2X0N10601	86-1
A2X0590200	52-27	A2X0665800	49-7	A2X0890701	64-8	A2X0F62007	36-53	A2X0N10701	80-7
A2X0591200	54-13	A2X0665811	49-7	A2X0892400	63-21	A2X0F6201D	36-53	A2X0N10900	68-16
A2X0592000	54-18	A2X0665900	49-32	A2X0892900	63-28	A2X0F63006	48-30	A2X0N10A00	87-1
A2X0594400	51-39	A2X0666001	48-31	A2X0894800	69-18	A2X0F63106	48-30	A2X0N10B00	74-12
A2X0594500	51-37	A2X0666500	48-33	A2X0894900	69-10	A2X0F64007	49-29	A2X0N10C00	15-8
A2X0595001	53-1	A2X0666500	49-36	A2X0895400	13-11	A2X0F64107	49-29	A2X0N10D00	15-32
A2X0597200	51-14	A2X0666601	46-12	A2X0897701	69-11	A2X0H00102	78-5	A2X0N10E00	88-1
A2X0597600	51-25	A2X0666900	48-29	A2X0898300	63-30	A2X0H00202	79-5	A2X0N10F00	35-24
A2X0597611	51-25	A2X0666900	49-28	A2X0899601	57-28	A2X0H00300	23-22	A2X0N10P00	68-20
A2X0597700	51-8	A2X0667100	45-14	A2X0900500	63-35	A2X0H00W01	81-12	A2X0N10T00	78-1
A2X0599900	54-40	A2X0667200	41-45	A2X0900900	57-30	A2X0H00X00	80-6	A2X0N10U00	59-19
A2X0603000	39-20	A2X0667400	44-34	A2X0901000	57-7	A2X0H01A01	22-11	A2X0N10V01	81-15
A2X0603000	44-18	A2X0667500	39-35	A2X0901100	63-8	A2X0H01A12	22-11	A2X0N11001	56-30
A2X0604200	39-34	A2X0667800	45-33	A2X0940400	14-28	A2X0M10000	54-35	A2X0N11300	62-28

Parts No.	Page No.	Parts No.	Page No.	Parts No.	Page No.	Parts No.	Page No.	Parts No.	Page No.
A2X0N11401	54-30	A2X0R70900	67-26	A2XKM40A00	81-7	A3CK272001	7-3	A3CK702400	5-17
A2X0N11600	38-4	A2X0R70A00	20-8	A2XKM40B00	81-7	A3CK272100	7-6	A3CK702500	5-18
A2X0N11700	38-4	A2X0R70B00	23-20	A2XKM40H00	80-4	A3CK272200	7-5	A3CK703200	6-29
A2X0N12300	28-4	A2X0R70C11	68-18	A2XKM40J00	80-4	A3CK272301	7-4	A3CK703300	6-23
A2X0N12701	71-6	A2X0R70D11	68-17	A2XKN10J00	32-1	A3CK272401	7-7	A3CK705200	5-41
A2X0N12D00	81-14	A2X0R70E00	34-1	A3CK100300	1-5	A3CK272501	7-26	A3CK705301	6-15
A2X0N12E00	79-2	A2X0R70F00	5-28	A3CK100401	1-9	A3CK272600	7-2	A3CK705400	6-14
A2X0N12F00	78-8	A2X0R70G00	6-21	A3CK100700	4-20	A3CK281300	10-18	A3CK705600	6-13
A2X0N12G00	23-21	A2X0R70H00	7-18	A3CK100900	9-28	A3CK281400	10-17	A3CK705700	6-20
A2X0N12M00	31-5	A2X0R70J00	35-10	A3CK101100	4-27	A3CK281800	11-32	A3CK705800	6-18
A2X0N12R00	78-29	A2X0R70K00	8-8	A3CK101400	1-3	A3CK281900	10-10	A3CK706401	6-4
A2X0N12X00	78-28	A2X0R70M00	9-30	A3CK105000	1-18	A3CK282100	11-2	A3CK706500	6-3
A2X0N13000	25-15	A2X0R70N00	67-30	A3CK130000	1-21	A3CK300001	10-9	A3CK706600	6-22
A2X0N13100	25-16	A2X0R70P00	34-10	A3CK130100	5-2	A3CK300102	10-24	A3CK710100	5-47
A2X0N13200	25-1	A2X0R70Q00	39-45	A3CK130200	5-3	A3CK300102	11-34	A3CK711000	5-43
A2X0N13300	25-14	A2X0R70R44	44-40	A3CK130300	1-28	A3CK300200	10-8	A3CK711200	5-26
A2X0N13600	25-13	A2X0R70S00	41-9	A3CK130700	1-20	A3CK300200	11-7	A3CK713301	7-24
A2X0N13700	25-2	A2X0R70T22	51-17	A3CK160300	1-16	A3CK300400	10-13	A3CK713400	7-23
A2X0N13C00	31-8	A2X0R71033	60-1	A3CK160400	1-14	A3CK300500	10-25	A3CK713800	7-19
A2X0N13D00	31-9	A2X0R71100	64-25	A3CK210000	8-2	A3CK560400	2-5	A3CK713900	7-21
A2X0N13E00	31-27	A2X0R71200	69-4	A3CK210700	5-8	A3CK560500	2-2	A3CK714100	7-20
A2X0N13F00	31-28	A2X0R71422	28-15	A3CK210700	8-7	A3CK560700	2-40	A3CK714800	7-25
A2X0N14001	21-8	A2X0R71611	2-35	A3CK211900	5-13	A3CK562700	5-56	A3CK714900	7-17
A2X0N14100	21-9	A2X0R71700	63-29	A3CK212100	5-10	A3CK565100	4-18	A3CK714900	9-20
A2X0N14200	22-6	A2X0R71800	1-26	A3CK212700	5-11	A3CK568200	4-17	A3CK892100	2-39
A2X0N14300	19-13	A2X0R71900	5-4	A3CK213000	5-46	A3CK568300	4-12	A3CK892201	2-38
A2X0N14400	19-7	A2X0R71A00	5-54	A3CK213300	5-6	A3CK568601	4-19	A3CK940000	12-24
A2X0N15400	77-5	A2X0R71B00	63-6	A3CK213400	5-44	A3CK568701	4-14	A3CK940100	2-1
A2X0N15601	77-6	A2X0R71C22	55-41	A3CK213500	5-50	A3CK568800	4-13	A3CK940200	3-2
A2X0P00000	17-22	A2X0R71D22	57-15	A3CK213600	5-15	A3CK568900	3-10	A3CKH00102	1-2
A2X0R70000	21-2	A2X0R71E00	27-21	A3CK213900	5-14	A3CK569000	3-5	A3CKH00200	10-2
A2X0R70100	30-4	A2X0R71F00	33-42	A3CK260100	11-8	A3CK569200	3-25	A3CKM10200	8-1
A2X0R70200	47-10	A2X0R72011	41-47	A3CK262100	11-33	A3CK569300	3-27	A3CKM10300	9-1
A2X0R70300	76-4	A2X0R90100	34-17	A3CK262400	12-13	A3CK700200	8-21	A3CKM10400	9-18
A2X0R70400	76-4	A2X0R90100	35-23	A3CK262900	9-21	A3CK700300	6-24	A3CKM20000	5-12
A2X0R70500	17-6	A2X1943301	15-31	A3CK264500	12-5	A3CK700300	12-23	A3CKN10000	1-23
A2X0R70511	17-6	A2X1N10A00	87-1	A3CK265000	11-30	A3CK700600	1-24	A3CKN10100	9-32
A2X0R70600	66-24	A2XK742901	60-7	A3CK270001	11-5	A3CK700900	6-16	A3CKN10101	9-32
A2X0R70700	6-30	A2XKH02004	78-19	A3CK270100	11-4	A3CK701300	5-19	A3CKN10200	10-1
A2X0R70800	67-22	A2XKM10300	66-18	A3CK271800	10-7	A3CK701900	5-38	A3CKN10300	1-22

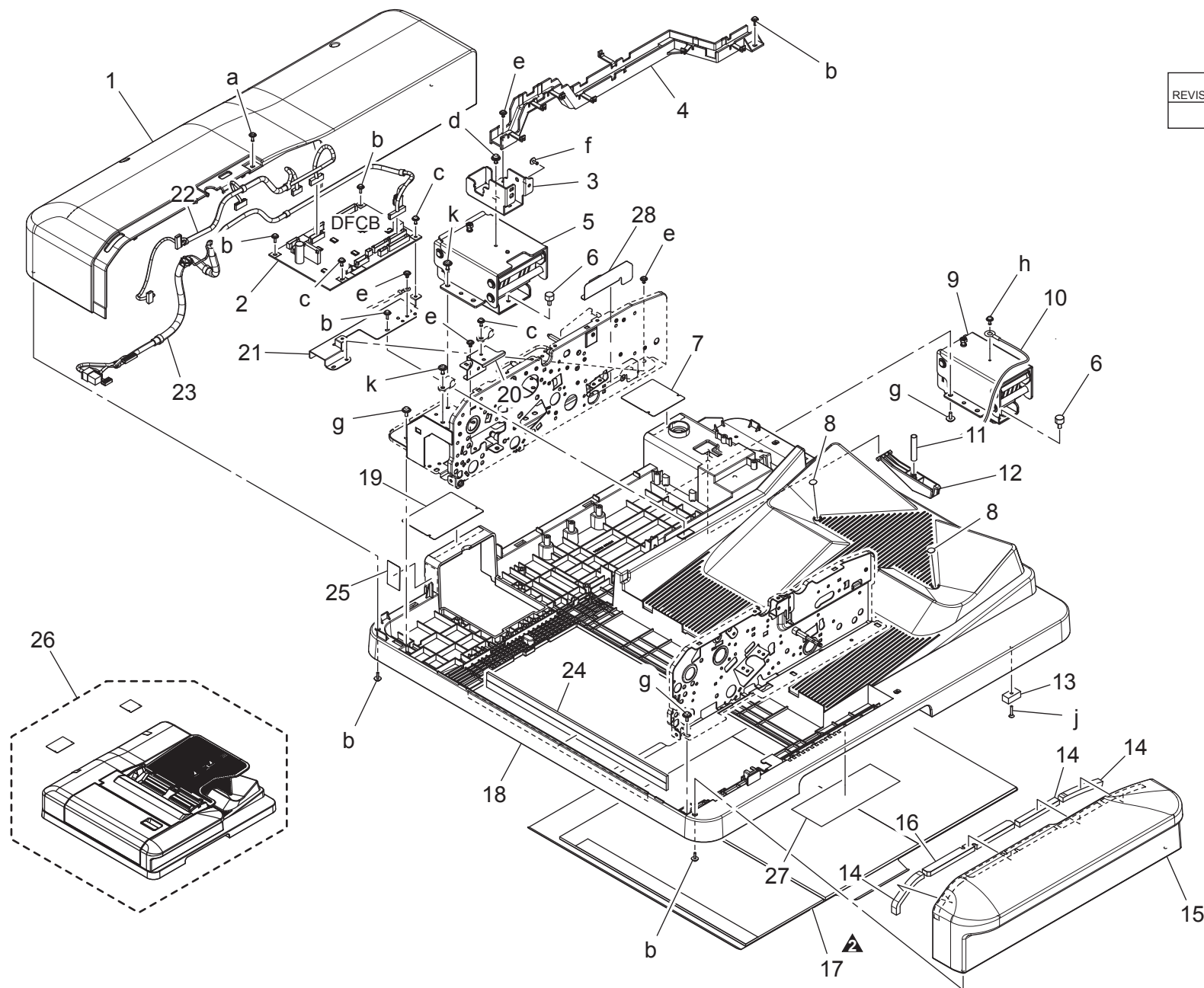
Parts No.	Page No.
A3CKN10400	2-14
A3CKN10500	9-31
A3CKN10600	10-3
A3CKN10700	5-30
A3CKN10800	9-33
A3CKN10A01	9-23
A4MG130900	78-7
A55V624700	36-55
V121030803	91-9
V500010013	89-11
V500010022	89-14
V500010023	89-15
V500010052	89-17
V500010053	89-18
V500010054	89-19
V500010055	89-20
V500010081	89-7
V500010082	89-8
V500010083	89-9
V500010084	89-10
V500010085	89-12
V500020011	89-22
V500020037	89-23
V500020038	89-24
V500020039	89-25
V500020052	90-2
V500020069	89-26
V500020077	89-27
V500020082	89-28
V500020091	89-29
V500020094	89-30
V500020098	89-13
V500020099	89-16
V500020100	89-21
V501010001	89-31
V501010018	89-32
V502010026	23-24
V502010026	79-3
V502010033	80-5
V502010056	80-2

Parts No.	Page No.
V502010061	81-11
V503010002	91-3
V570010021	89-33
V570010023	89-34
V570010025	89-35
V570010026	89-36
V570010027	89-37
V570010028	89-38
V570010031	89-39
V570010046	89-40
V570010047	90-1
V651020004	23-10
V865300066	78-18
V869900045	58-14

ADF EXTERNAL PARTS

P 1

改訂版 REVISED EDITION	日付 DATE
	JULY 2012

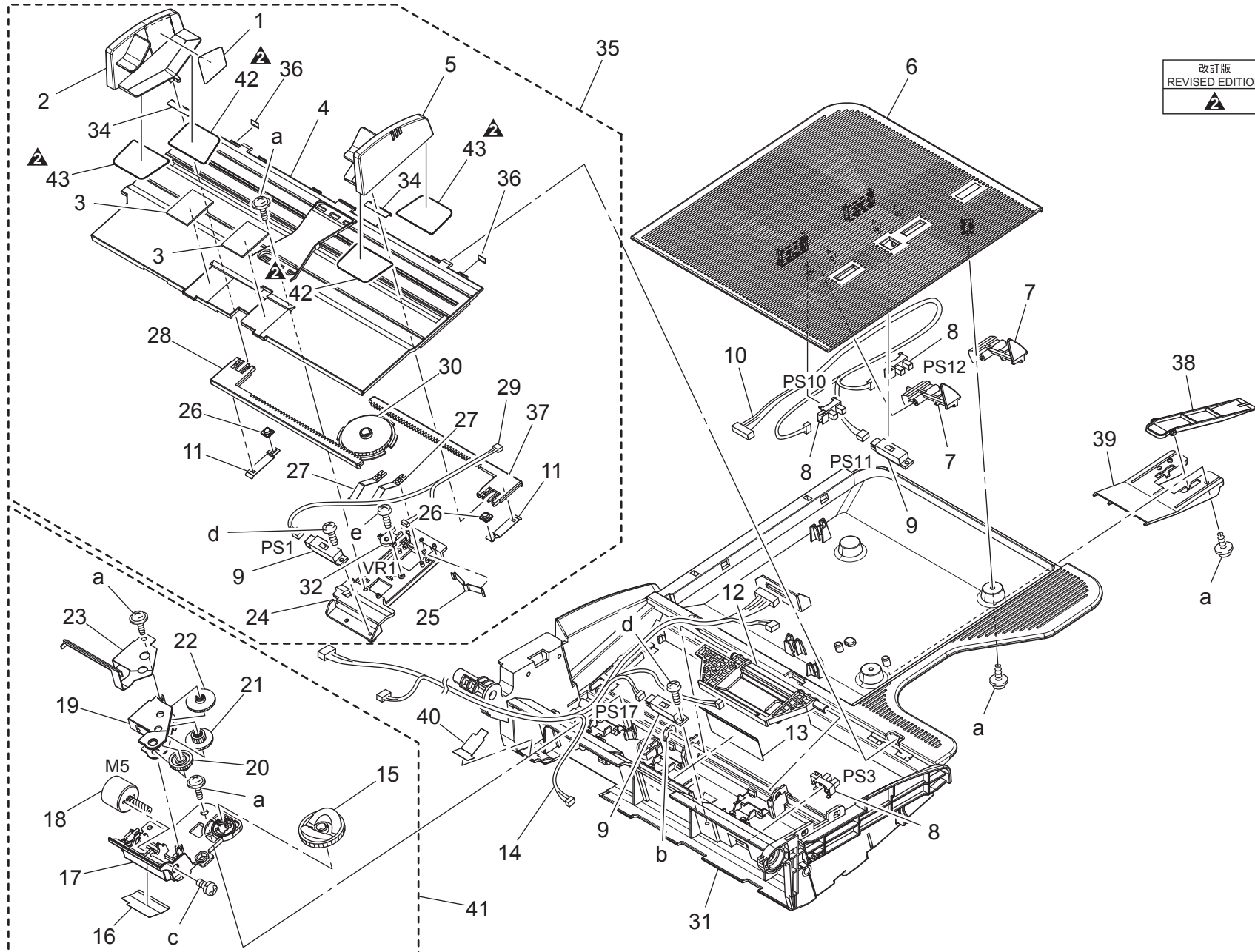


bizhub C654/bizhub C754

Key	Part No.	Description	Destinations	Class	QTY	Standard parts
1	A108160102	Cover	カバー (後)	D	1	a-V137030803
2	A3CKH00102	PWB Assembly(PWB-ADF Assy)	基板 A s s y (P W B - A D F A s s y)	I	1	b-V153030803
3	A3CK101400	Reinforce Plate	補強板 (ヒンジ補強)	D	1	c-V116030803
4	A108130100	Wiring Guide	配線ガイド	D	1	d-V116040803
5	A3CK100300	Hinge-L	ヒンジ (左)	D	1	e-V144030603
6	9J07210901	SHOULDER SCREW	段ねじ	C	2	f-V144030803
7	A01H100400	GUIDE	ガイド (右ヒンジ)	C	1	g-V153040803
8	A108940300	Label	ラベル	D	2	h-V116030603
9	A3CK100401	Hinge	ヒンジ (右)	D	1	j-V147031403
10	A108N10900	ADF Wiring	A D F 束線 (基板アース線)	D	1	k-V137040803
11	9J07200801	PRESSURE SPRING	圧縮コイルばね	C	1	
12	9J07200702	Lever	レバー	C	1	
13	9J07160200	MAGNET	マグネット	D	1	
14	A3CK160400	Seal	シール	C	3	
15	A108160002	Cover	カバー (前)	C	1	
16	A3CK160300	Seal	シール	C	1	
17	A108100801	Holding Mat /1	押さえマット / 1	C	1	
18	A3CK105000	Base frame	台板	D	1	
19	A01H100300	GUIDE	ガイド (左ヒンジ)	C	1	
20	A3CK130700	Guide	ガイド (ハーネス左奥)	D	1	
21	A3CK130000	Fixing Plate /P	固定板 / P	D	1	
22	A3CKN10300	ADF Wiring	A D F 束線 (搬送モータ部)	D	1	
23	A3CKN10000	ADF Wiring	A D F 束線 (本体接続部)	D	1	
24	A3CK700600	Seal	シール (左カバー)	C	1	
25	A108940401	Sheet	シート	C	1	
26	A2X0R71800	Dual Scan ADF	1パス両面 A D F A s s y	D	1	
27	A108940000	Label	ラベル (JAM処理・読み取り)	C	1	
28	A3CK130300	Guide	ガイド (ハーネス)	D	1	

ADF PAPER FEED TRAY SECTION

改訂版 REVISED EDITION	日付 DATE
	SEPTEMBER 2012

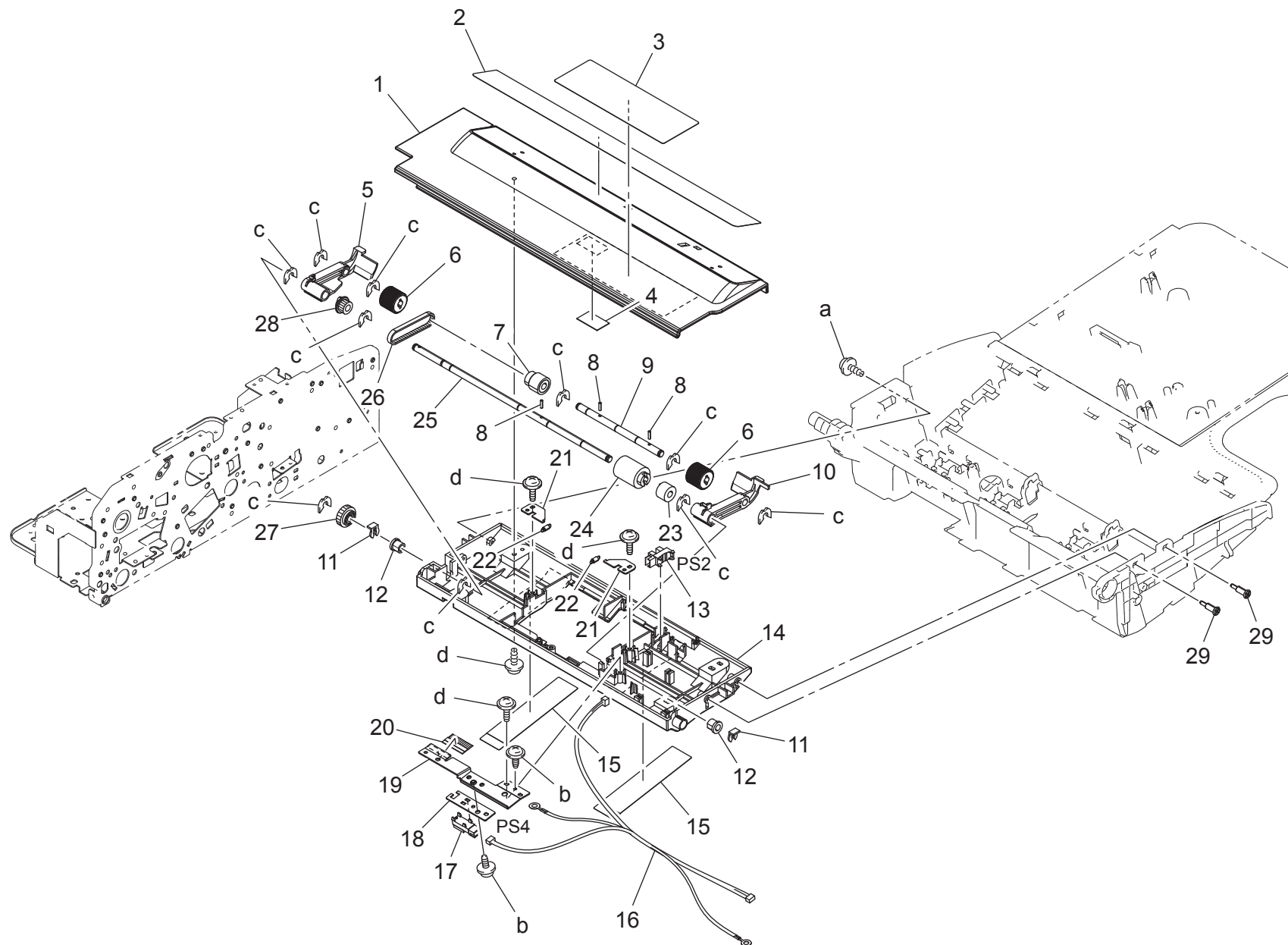


bizhub C654/bizhub C754

ADF PAPER FEED TRAY SECTION

Key	Part No.	Description	Destinations	Class	QTY	Standard parts
1	A3CK940100	Label	ラベル (MAX 表示)	C	1	a-V153030803 b-V218040086 c-V115030803 d-V145030803 e-V166170504
2	A3CK560500	Regulating Plate /Rear	規制板/後	C	1	
3	4641350301	SEAL	シール	C	2	
4	A108561701	Lifting Plate	押上げ板	C	1	
5	A3CK560400	Regulating Plate /Front	規制板/前	C	1	
6	A0HT560200	Bracket	取付板	C	1	
7	9J07310701	ACTUATOR	アクチュエータ	C	2	
8	A108M50100	Photointerrupter	透過型センサ	B	3	
9	A108M50000	Photoreflector	反射型センサ	B	3	
10	A108N10600	ADF Wiring	ADF 束線 (原稿トレイ内センサ部)	D	1	
11	A01H561100	Plate spring	板ばね	D	2	
12	A108561800	Lever	レバー (リフトアップ)	D	1	
13	9J07341102	GUIDE	ガイド (前さばき)	D	1	
14	A3CKN10400	ADF Wiring	ADF 束線 (原稿トレイ内部)	D	1	
15	4641341702	CAM	カム	C	1	
16	A108563400	Guide	ガイド (モータ下)	D	1	
17	A108563000	Mounting Plate	取付板 (リフトアップ)	D	1	
18	A108R70400	Lifting Motor Assy	リフトアップモーター ASSY	C	1	
19	A108563200	Holder	ホルダ	D	1	
20	A108563300	Gear 14/37T	ギア 14/37T	D	1	
21	4641341501	GEAR 13/28T	ギア 13/28T	C	1	
22	4641343601	GEAR 30T	ギア 30T	C	1	
23	A108563100	Plate spring	板ばね	D	1	
24	A108562600	Mounting Plate	取付板 (センサ)	D	1	
25	9J07310401	STOPPER	ストッパ	C	1	
26	A01H561200	GUIDE	ガイド	C	2	
27	9J07560000	PLATE SPRING	板ばね	D	2	
28	9J07310313	Rack	ラック	C	1	
29	A108N10800	ADF Wiring	ADF 束線 (規制板部)	D	1	
30	9J07310502	GEAR 40T	ギア 40T	C	1	
31	A108561103	Tray	トレイ (給紙)	D	1	
32	A1UDM50100	VR	ボリューム	D	1	
34	A108564301	Spacer /A	スペーサ/A	C	2	
35	A2X0R71611	Push Up Plate Assy	押上げ板 Assy	D	1	
36	A108564400	Spacer	スペーサ (押上げ)	C	2	
37	A108564500	Rack	ラック	C	1	
38	A3CK892201	Lever	レバー	C	1	
39	A3CK892100	Holder	ホルダ	C	1	
40	A3CK560700	Guide	ガイド (ハーネス)	D	1	
41	A108R70800	Lifting Motor Assy	リフトアップモーター ASSY	C	1	
42	A0HT563100	Slide Sheet /1	すべりシート/1	C	2	
43	A0HT563200	Slide Sheet /2	すべりシート/2	C	2	

ADF PAPER FEED TRAY SECTION

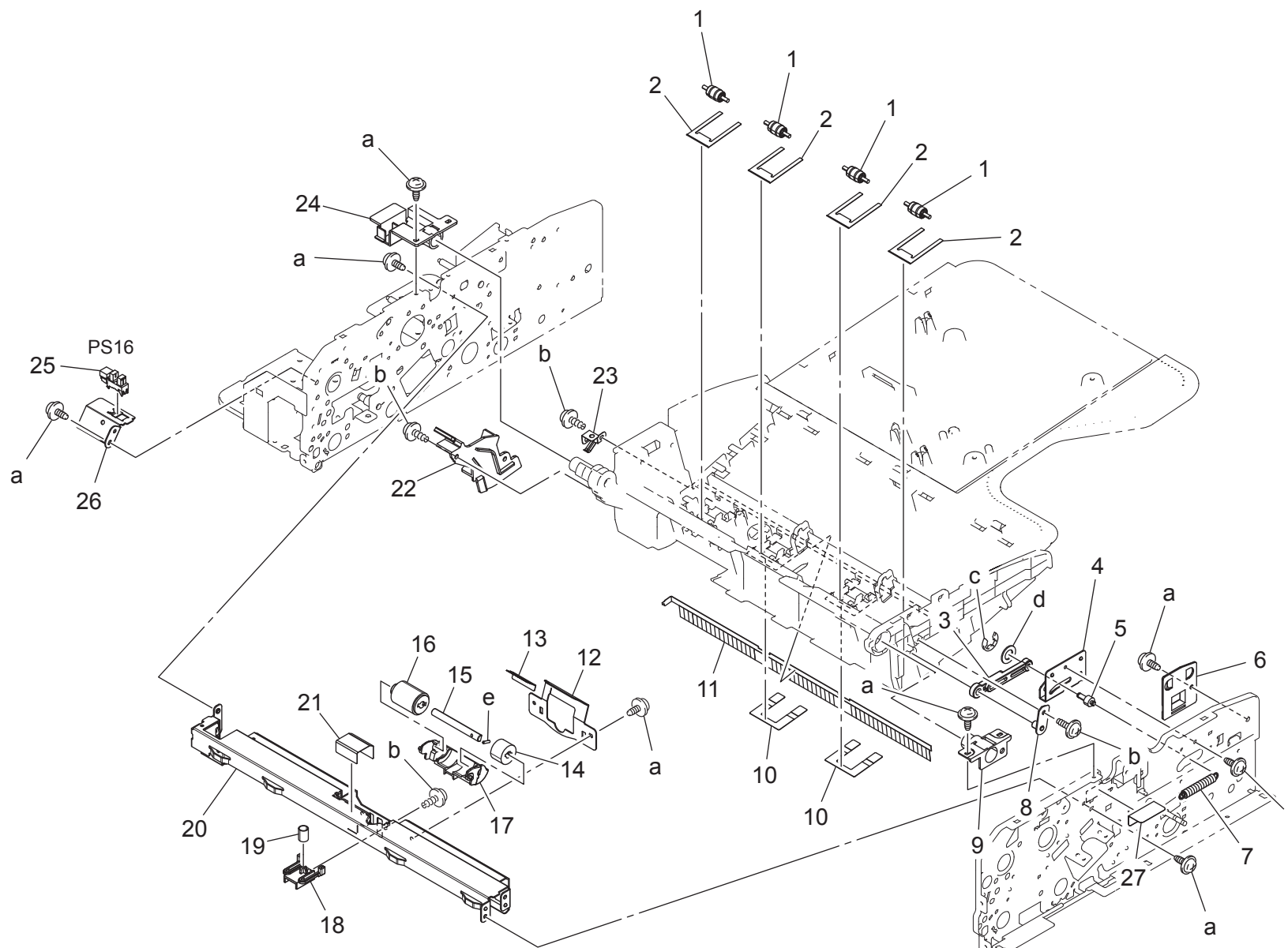


bizhub C654/bizhub C754

ADF PAPER FEED TRAY SECTION

Key	Part No.	Description	Destinations	Class	QTY	Standard parts
1	A0HT560813	Cover Upper		C	1	a-V153031003 b-V144030603 c-V218040086 d-V153030803
2	A3CK940200	Label		C	1	
3	A108940101	Label		C	1	
4	A0HT562200	Light blocking Part		D	1	
5	A3CK569000	Arm /Rear		C	1	
6	9J07330102	Roller		A	2	
7	9J07330801	PULLEY 21T		C	1	
8	1067250101	PIN		C	3	
9	9J07330201	SHAFT		D	1	
10	A3CK568900	Arm /Front		C	1	
11	1033440203	STOPPER RING		C	2	
12	4469346501	BUSHING		C	2	
13	A108M50100	Photointerrupter		B	1	
14	A07H570001	Guide		C	1	
15	9J07332102	GUIDE		C	2	
16	A108N10700	ADF Wiring		D	1	
17	A03TM50000	Photoreflector		I	1	
18	A07H570200	Bracket		D	1	
19	A07H570800	Bracket		D	1	
20	A01H565100	NEUTRALIZING BRUSH		D	1	
21	A07H570600	Bracket		D	2	
22	A07H570400	Tension spring		C	2	
23	A07H570500	Clutch		C	1	
24	A00J563600	Roller		A	1	
25	A3CK569200	Paper feed Shaft		D	1	
26	4641351401	TIMING BELT 122L		C	1	
27	A3CK569300	Gear 16T		C	1	
28	9J07331901	PULLEY 19T		C	1	
29	4643300701	SHOULDER SCREW		C	2	

ADF PAPER FEED TRAY SECTION



bizhub C654/bizhub C754

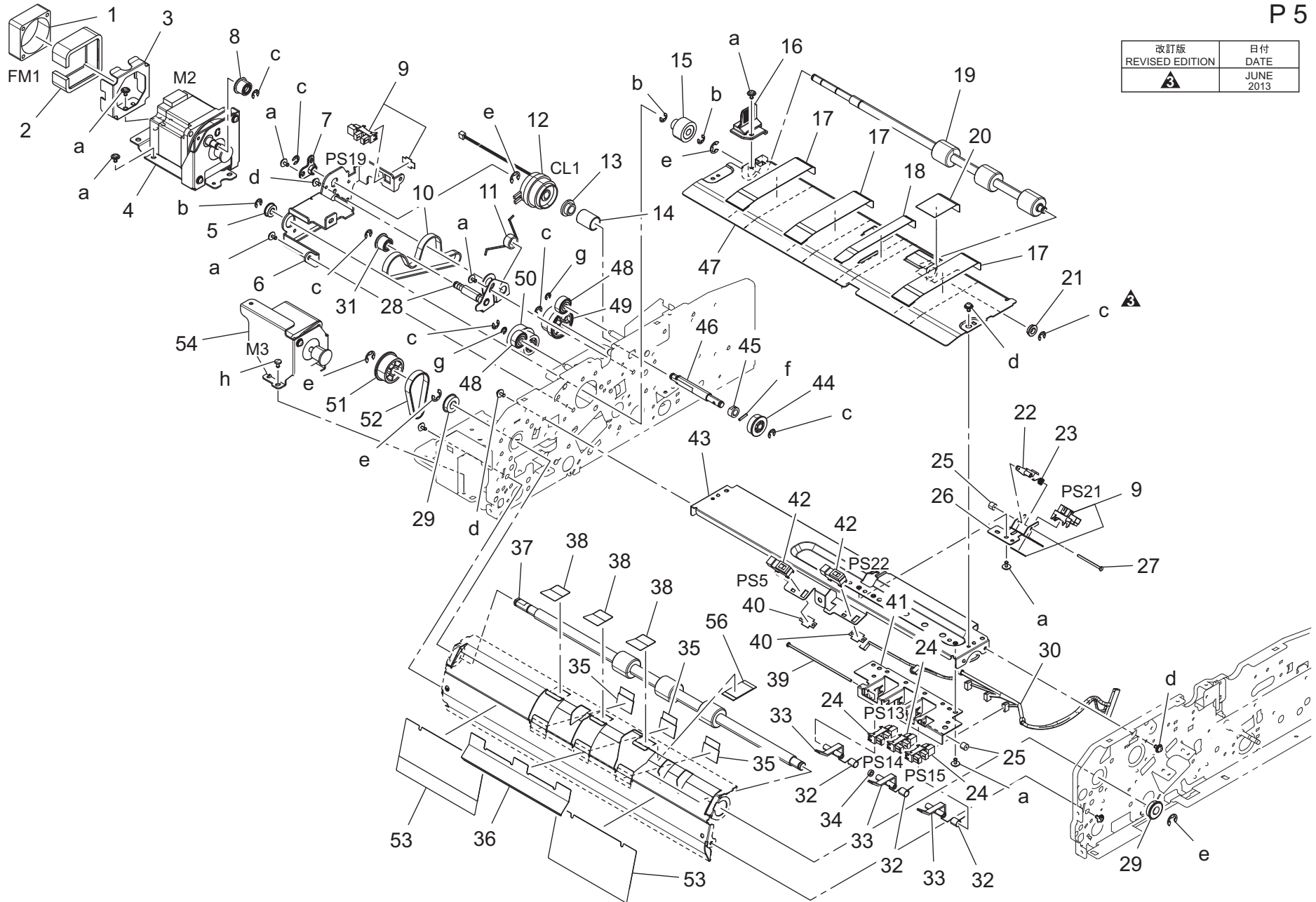
ADF PAPER FEED TRAY SECTION

Key	Part No.	Description	Destinations	Class	QTY	Standard parts
1	9J07300801	ROLL		C	4	a-V144030603 b-V153030803 c-V217030001 d-V206040001 e-V237200850
2	A108890500	Plate spring		D	4	
3	9J07301702	ARM		C	1	
4	9J07302001	BRACKET		D	1	
5	9J07301902	SHAFT		D	1	
6	A0HT561600	Holder /Front		D	1	
7	9J07301601	TENSION SPRING		C	1	
8	9J07R71000	BRACKET ASSY		D	1	
9	9J07331801	BRACKET		D	1	
10	A108561500	Guide		D	2	
11	A108891300	Neutralizing Brush		C	1	
12	A3CK568300	Guide		D	1	
13	A3CK568800	Neutralizing Brush		C	1	
14	A3CK568701	Torque limiter		B	1	
15	A0HT561202	Shaft		C	1	
16	A108563900	Roller		A	1	
17	A3CK568200	Holder		C	1	
18	A3CK565100	Holder		D	1	
19	A3CK568601	Spring		C	1	
20	A3CK100700	Reinforce Plate		D	1	
21	A108101200	Guide		D	1	
22	A108561400	Cover		D	1	
23	A0HT891400	Ground Plate		C	1	
24	A0HT562800	Holder		C	1	
25	A108M50100	Photointerrupter		B	1	
26	A108701600	Mounting Plate		D	1	
27	A3CK101100	Wiring Cover		D	1	

ADF CONVEYANCE SECTION

P 5

改訂版 REVISED EDITION	日付 DATE
	JUNE 2013



bizhub C654/bizhub C754

ADF CONVEYANCE SECTION

Key	Part No.	Description	Destinations	Class	QTY	Standard parts
1	9313150021	FAN MOTOR		C	1	a-V144030603
2	A3CK130100	Vibrationproof Sheet		C	1	b-V217040050
3	A3CK130200	Holder		D	1	c-V217040001
4	A2X0R71900	Paper Feed Motor Assy		C	1	d-V116030603
5	A0G6243900	Ball Bearing		C	1	e-V217060001
6	A3CK213300	Mounting Plate		D	1	f-V231201050
7	A108260700	Bushing		D	1	g-V217030001
8	A3CK210700	Roll		C	1	h-V143030603
9	A108R90000	PHOTO INTERRUPTER		I	2	
10	A3CK212100	Timing Belt 268L		C	1	
11	A3CK212700	Torsion Coil spring		C	1	
12	A3CKM20000	Clutch		C	1	
13	A3CK211900	Holding Plate		C	1	
14	A3CK213900	Compressing Coil spring		C	1	
15	A3CK213600	Pulley 24T		C	1	
16	A108711100	Handle /Rear		D	1	
17	A3CK702400	Guide		D	3	
18	A3CK702500	Guide		D	1	
19	A3CK701300	Roller		C	1	
20	A108704500	Guide Sheet		C	1	
21	A00J617800	BALL BEARING		C	1	
22	A108702201	Detecting Plate		D	1	
23	A108702500	Torsion Coil spring		D	1	
24	A108M50100	Photointerrupter		B	3	
25	9J08210401	COLLAR		C	2	
26	A3CK711200	Sensor Holder		D	1	
27	A0HT890800	Shaft		D	1	
28	A2X0R70F00	Tension Plate (B) Assy		D	1	
29	A00V240600	BALL BEARING		C	2	
30	A3CKN10700	ADF Wiring		D	1	
31	9J07501901	ROLL		C	1	
32	9J07400902	TORSION SPRING		C	3	
33	9J07400802Old	Lever		C	3	
33	9J07400803	Lever		C	3	
34	9J07160600	WASHER		C	1	
35	A07H750200	Neutralizing brush		C	3	
36	A108701800	Guide		C	1	
37	A0HT700600	Roller		D	1	
38	A3CK701900	Guide		C	3	
39	9J07401201	SHAFT		D	1	
40	A108703100	Stopper		D	2	
41	A3CK705200	Mounting Plate		D	1	
42	9335140071	SOLID STATE SWITCH		B	2	
43	A3CK711000	Mounting Plate		D	1	
44	A3CK213400	Gear 16T		C	1	
45	4131253701	BUSHING		C	1	
46	A3CK213000	Shaft		D	1	
47	A3CK710100	Guide		D	1	
48	A108213200	Gear 18T		D	2	
49	A108212200	Pulley 34/40T		C	1	
50	A3CK213500	Pulley 24/40T		C	1	
51	A108214300	Pulley 40T		D	1	
52	A108214100	Timing belt 122L		D	1	
53	A108703600	Guide		C	2	
54	A2X0R71A00	Registration Lower Motor Assy		C	1	

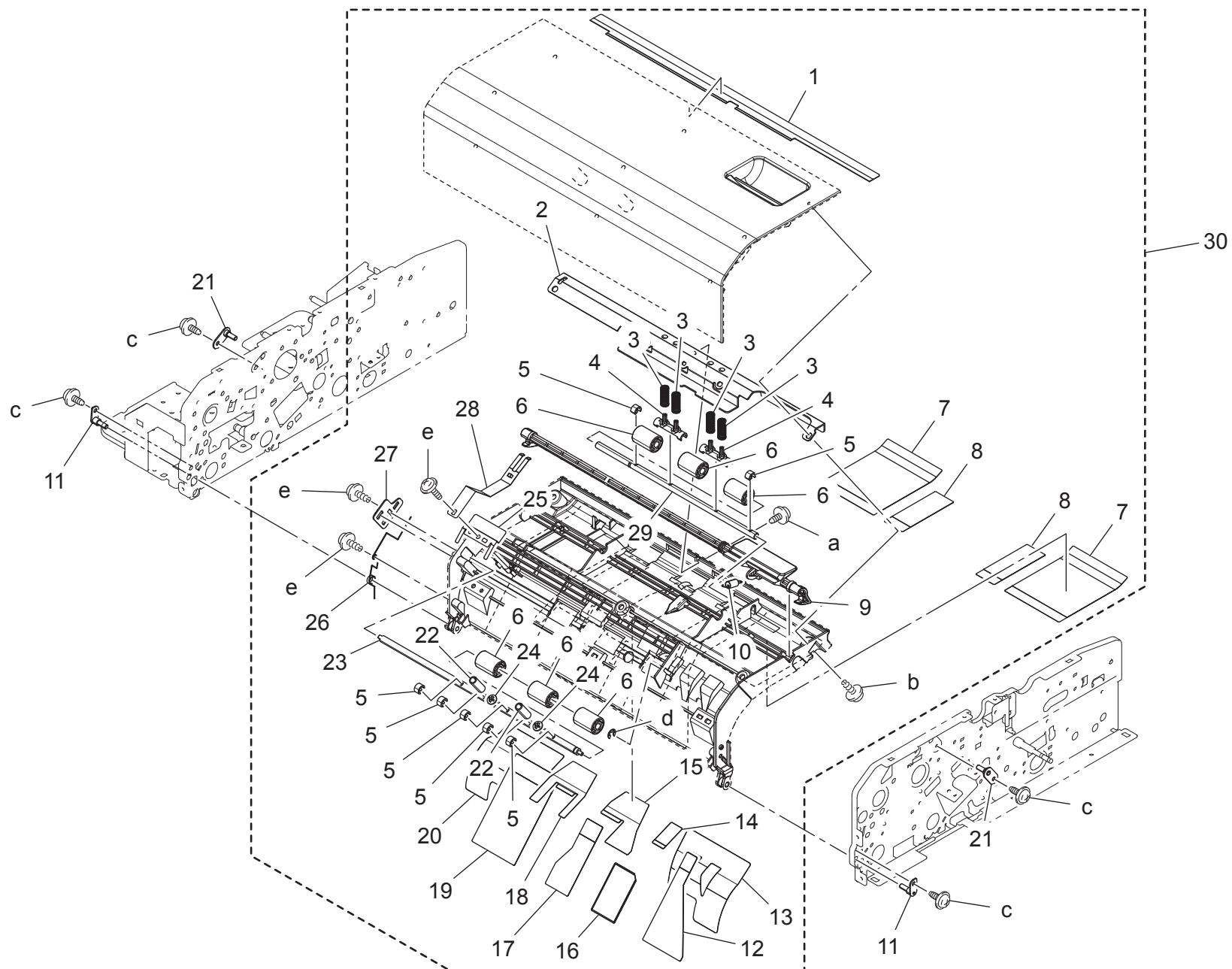
bizhub C654/bizhub C754

Key	Part No.	Description		Destinations	Class	QTY	Standard parts
56	A3CK562700	Spacer	スペーサ		C	1	

bizhub C654/bizhub C754

ADF LEFT COVER SECTION

P 6

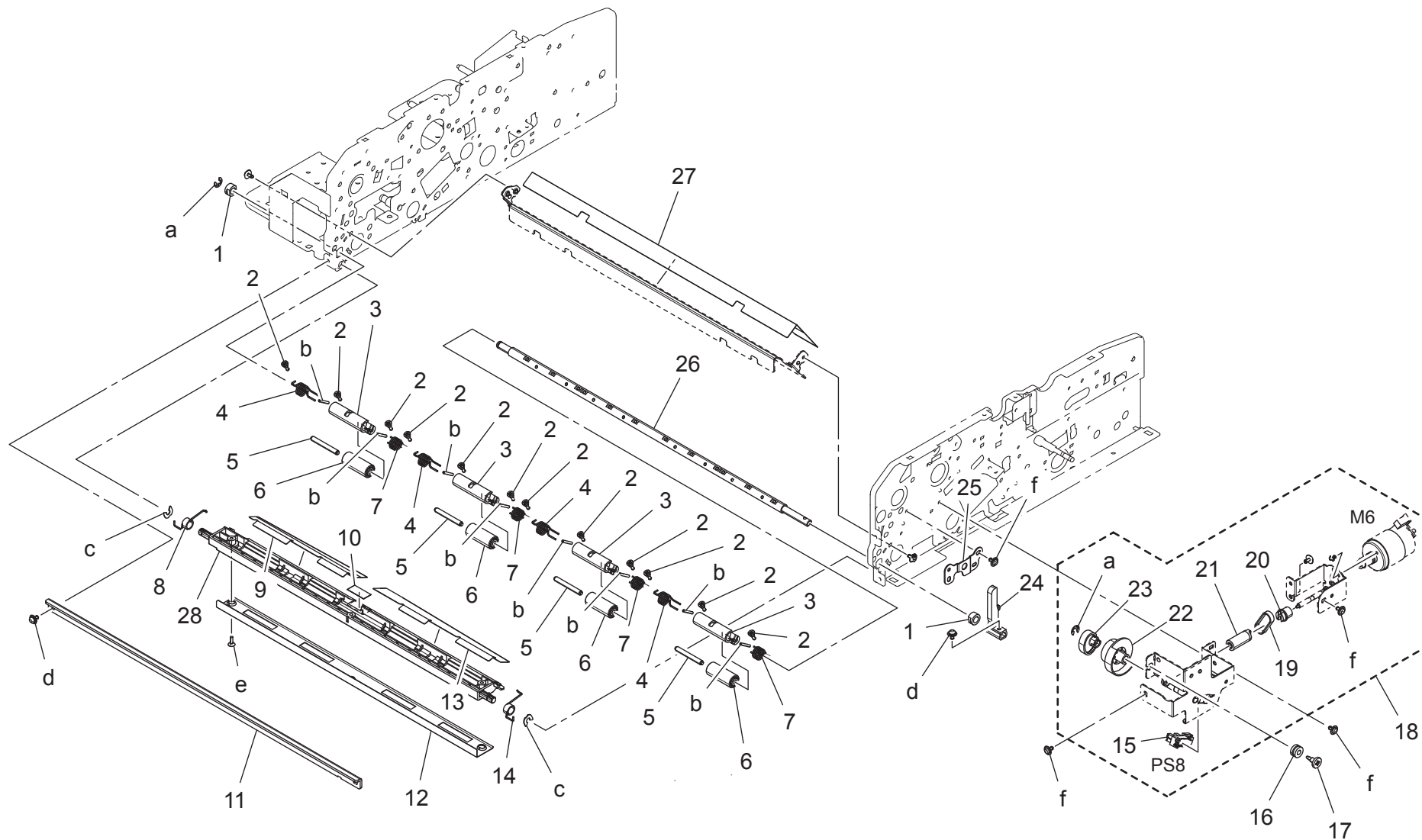


bizhub C654/bizhub C754

ADF LEFT COVER SECTION

Key	Part No.	Description	Destinations	Class	QTY	Standard parts
1	9J07160302	SEAL		C	1	a-V137030804 b-V116030603 c-V144030603 d-V217040001 e-V153030803
2	A108702104	Mounting Plate		D	1	
3	A3CK706500	Compressing Coil spring		D	4	
4	A3CK706401	Holder		D	2	
5	9J07431502	Stopper		C	7	
6	A108703000	Idler Roll		D	6	
7	A108703700	Guide		D	2	
8	A108703800	Guide		D	2	
9	A108701001	Lever		D	1	
10	A108703400	Pulling Coil spring		C	1	
11	9J07R70900	BRACKET ASSY		D	2	
12	A0HT700800	Guide		D	1	
13	A3CK705600	Guide		C	1	
14	A3CK705400	Guide /2		C	1	
15	A3CK705301	Guide /1		C	1	
16	A3CK700900	Guide		D	1	
17	A0HT701000	Guide		D	1	
18	A3CK705800	Guide		C	1	
19	A0HT701300	Guide		D	1	
20	A3CK705700	Guide		C	1	
21	A2X0R70G00	Lock Shaft Assy		D	2	
22	A3CK706600	Spring		C	2	
23	A3CK703300	Registration Shaft		D	1	
24	A3CK700300	Guide		D	2	
25	A0HT704100	Plate spring		D	1	
26	A0HT704200	Torsion Coil spring		D	1	
27	9J07400601	BRACKET		D	1	
28	A108701200	Ground Plate		D	1	
29	A3CK703200	Conveyance Shaft		D	1	
30	A2X0R70700	Left Cover Assy		D	1	

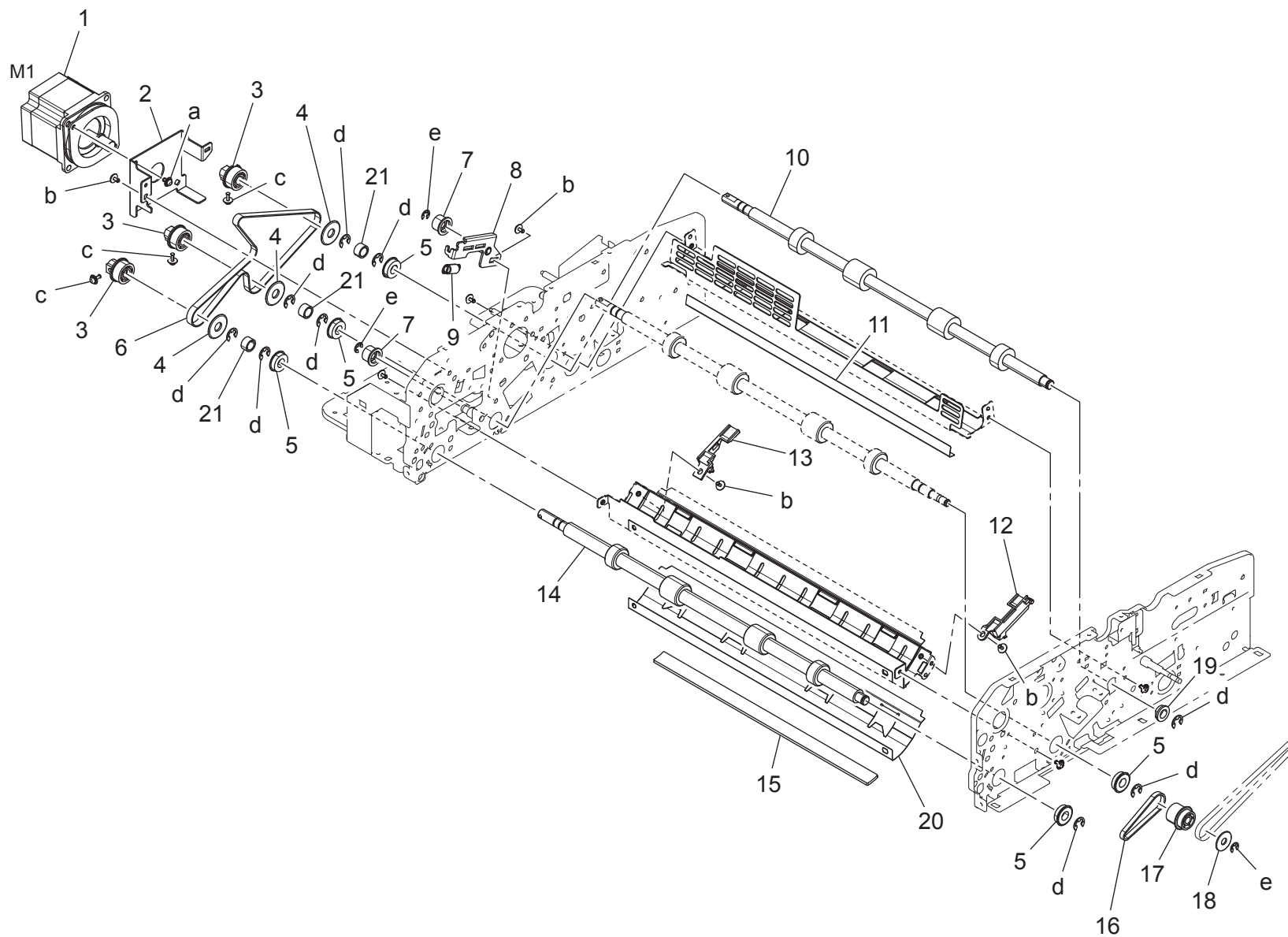
ADF READ GUIDE SECTION



ADF READ GUIDE SECTION

Key	Part No.	Description	Destinations	Class	QTY	Standard parts
1	1200312109	BUSHING		C	2	a-V217040001 b-V237201450 c-V218040086 d-V116030603 e-V147030803 f-V144030603
2	A3CK272600	Shoulder screw		C	12	
3	A3CK272001	Lever		C	4	
4	A3CK272301	Torsion Coil spring		C	4	
5	A3CK272200	Shaft		D	4	
6	A3CK272100	Roll		C	4	
7	A3CK272401	Torsion Coil spring		C	4	
8	9J07420502	TORSION SPRING		C	1	
9	9J07420901	GUIDE		C	1	
10	A108713300	Seal		C	1	
11	A108713200	Reinforce Plate		D	1	
12	9J07420801	COVER		D	1	
13	9J07420301	GUIDE		C	1	
14	9J07420402	TORSION SPRING		C	1	
15	A108M50100	Photointerrupter		B	1	
16	A0DA701200	Bushing		C	1	
17	A3CK714900	Shoulder screw		C	1	
18	A2X0R70H00	Pressure/Release Motor Assy		D	1	
19	A3CK713800	Timing Belt 66L		C	1	
20	A3CK714100	Pulley 15T		C	1	
21	A3CK713900	Worm		C	1	
22	9J07431101	GEAR 26T		C	1	
23	A3CK713400	Cam		C	1	
24	A3CK713301	Lever		C	1	
25	A3CK714800	Mounting Plate		D	1	
26	A3CK272501	Support Shaft		D	1	
27	9J07420603	Guide		C	1	
28	9J07420204	Guide		C	1	

ADF READ GUIDE SECTION

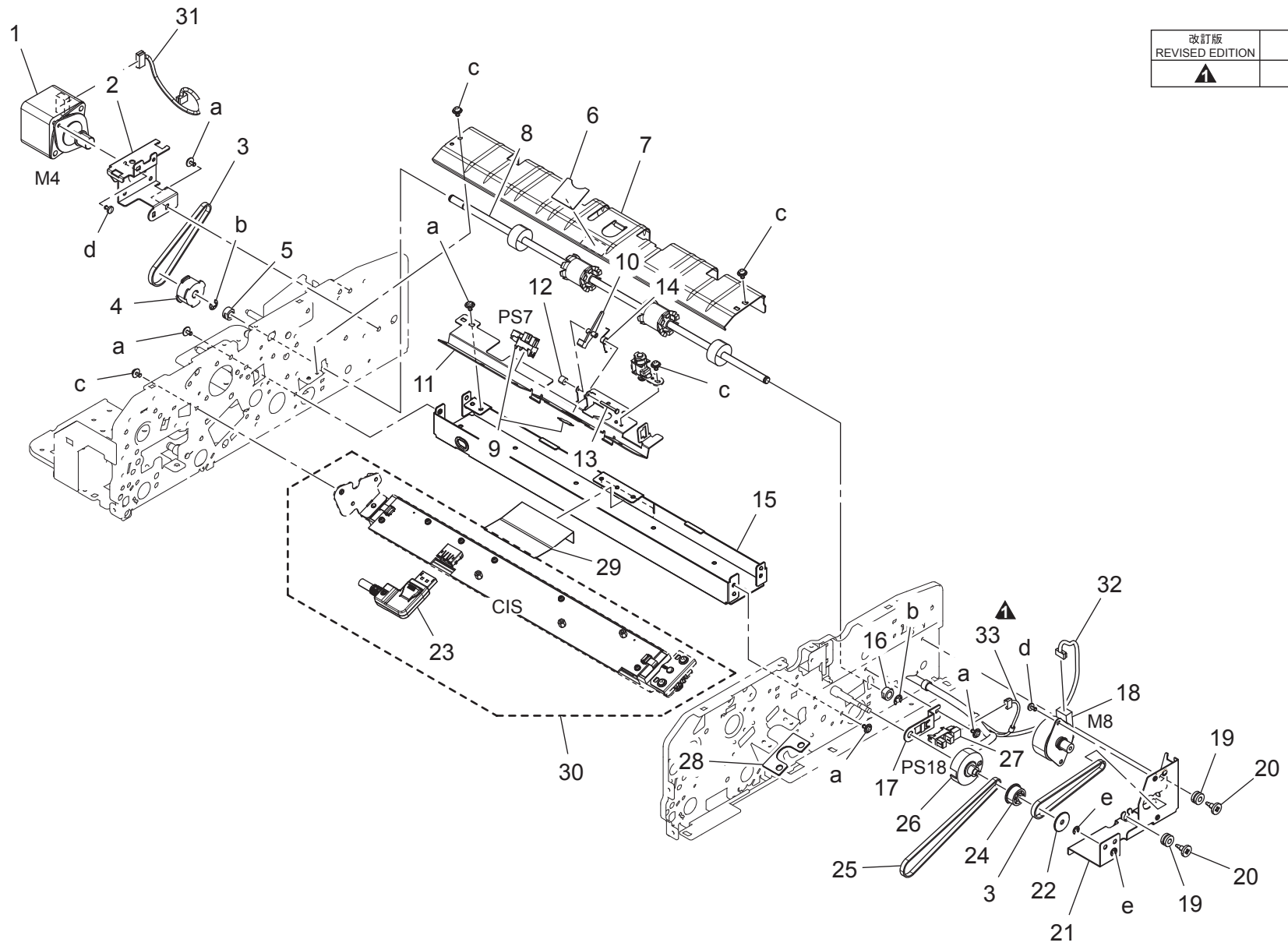


ADF READ GUIDE SECTION

Key	Part No.	Description	Destinations	Class	QTY	Standard parts
1	A3CKM10200	Stepping motor		C	1	a-V116030603 b-V144030603 c-V116030803 d-V217060001 e-V217040001
2	A3CK210000	Mounting Plate		D	1	
3	A108210800	Pulley		C	3	
4	A0HT210700	Flange		D	3	
5	A00V240600	BALL BEARING		C	5	
6	A108210100	Timing belt		C	1	
7	A3CK210700	Roll		C	2	
8	A2X0R70K00	Tension Plate (A) Assy		D	1	
9	A108210400	Pulling Coil spring		D	1	
10	A108700200	Roller		D	1	
11	A108269900	Guide Sheet		D	1	
12	A108267600	Protection Cover /Front		D	1	
13	A108268100	Protection Cover /Rear		D	1	
14	A0HT700400	Roller		C	1	
15	A108269200	Guide		C	1	
16	A0HU250600	Timing belt		D	1	
17	A108251000	Pulley 27/27T		D	1	
18	A0DA701800	Flange		C	1	
19	4658351701	BUSHING		C	1	
20	A108262501	Guide Sheet /C		D	1	
21	A3CK700200	Collar		C	3	

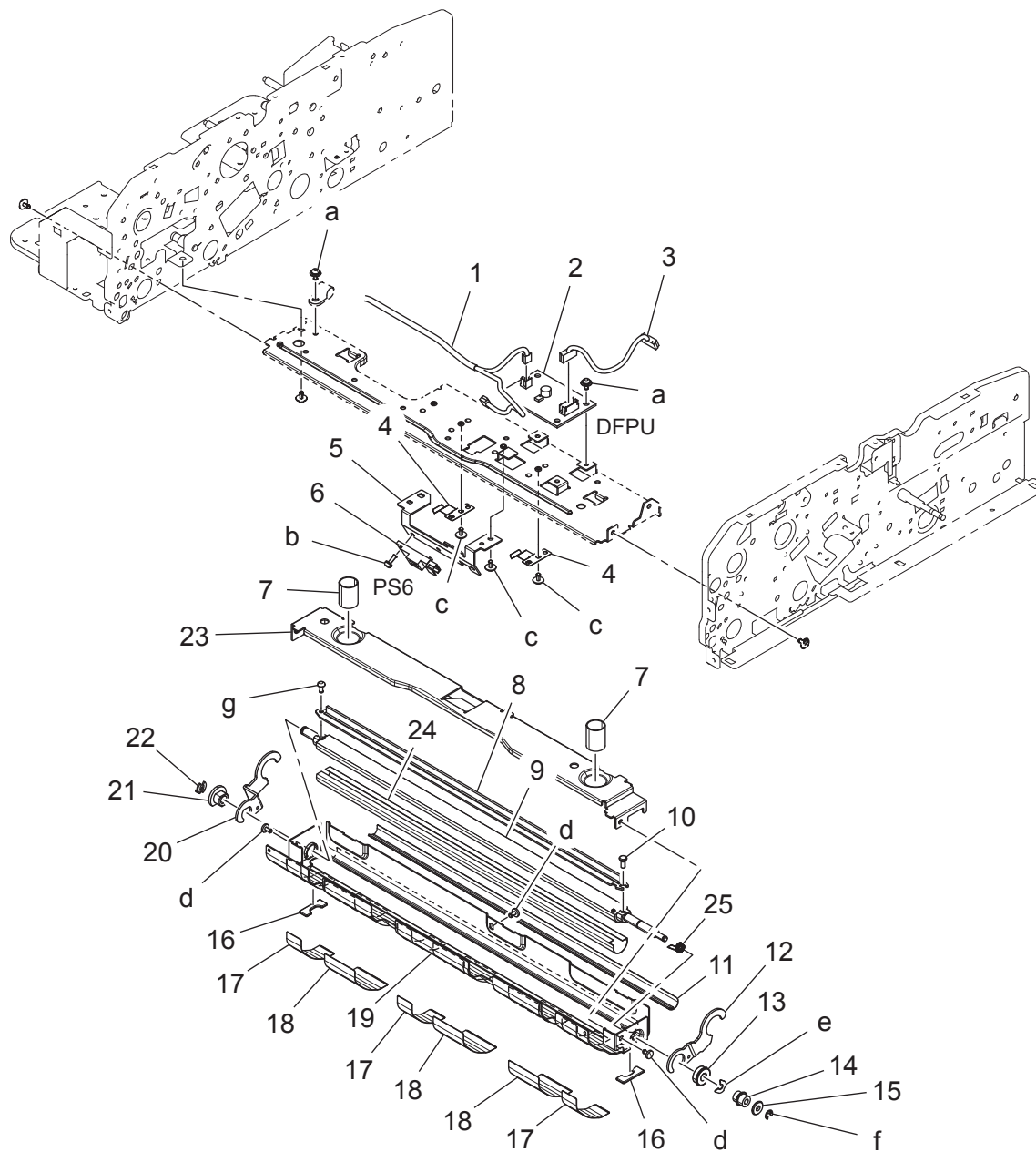
ADF CIS SECTION

改訂版 REVISED EDITION	日付 DATE
▲	JUNE 2012



Key	Part No.	Description	Destinations	Class	QTY	Standard parts
1	A3CKM10300	Stepping motor		C	1	a-V144030603 b-V217040001 c-V116030603 d-V143030603 e-V217030050
2	A108216000	Mounting Plate		D	1	
3	A0HU250800	Timing belt		C	2	
4	A108216200	Pulley 34T		D	1	
5	4131253701	BUSHING		C	1	
6	A108890800	Guide		D	1	
7	A108890000	Paper exit Guide /1		D	1	
8	A108890200	Paper exit Roller		C	1	
9	A108R90000	PHOTO INTERRUPTER		I	1	
10	9J07491101	LEVER		C	1	
11	A0HT891900	Bracket		D	1	
12	9J08210401	COLLAR		C	1	
13	9J07890000	SHAFT		D	1	
14	9J07491201	TORSION SPRING		C	1	
15	A108890100	Reinforce Stay /4		D	1	
16	1200312109	BUSHING		C	1	
17	A108265900	Mounting Plate		D	1	
18	A3CKM10400	Stepping motor		C	1	
19	A0DA701200	Bushing		C	2	
20	A3CK714900	Shoulder screw		C	2	
21	A3CK262900	Mounting Plate		D	1	
22	A0HU251200	Flange		C	1	
23	A3CKN10A01	ADF Cable		C	1	
24	A0HU251100	Pulley		C	1	
25	A108262800	Belt 260L		D	1	
26	A0HU250300	Pulley		D	1	
27	A108M50100	Photointerrupter		B	1	
28	A3CK100900	Guide		C	1	
29	A108890601	Guide		D	1	
30	A2X0R70M00	CIS Unit		I	1	
31	A3CKN10500	ADF Wiring		D	1	
32	A3CKN10100Old	ADF Wiring		D	1	
32	A3CKN10101	ADF Wiring		D	1	
33	A3CKN10800	ADF Wiring		D	1	

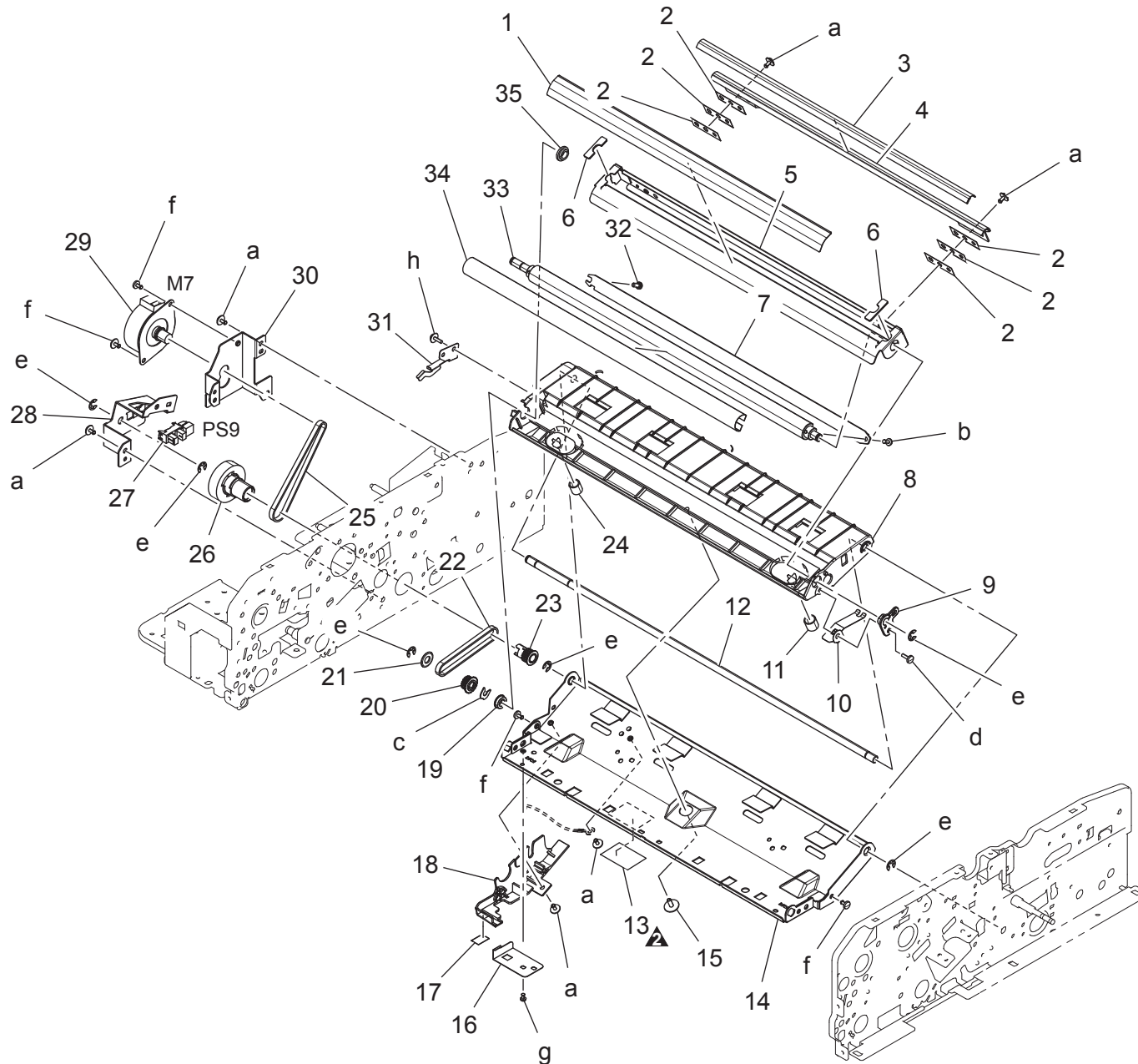
ADF GLASS CLEANING SECTION



Key	Part No.	Description	Destinations	Class	QTY	Standard parts
1	A3CKN10200	ADF Wiring	ADF 束線 (後フレーム部)	D	1	a-V116030603
2	A3CKH00200	PWB Assembly(PWB-DC Assy)	基板 A s s y (PWB-DC)	I	1	b-V115030803
3	A3CKN10600	ADF Wiring	ADF 束線 (C I S 電源部)	D	1	c-V144030603
4	A0HU261700	Ground Plate	アース板	D	2	d-V143030603
5	A0HU261000	Mounting Plate	取付板 (読取前センサ)	D	1	e-V218040086
6	9335191092	SOLID STATE SWITCH	反射型フォトスイッチ	B	1	f-V217030050
7	A3CK271800	Compressing Coil spring	圧縮コイルばね	C	2	g-V111030603
8	A3CK300200	Brush	ブラシ (清掃)	C	1	
9	A3CK300001	Shaft	軸 (清掃軸表面)	D	1	
10	A3CK281900	Shoulder screw	段ねじ (B タイト)	C	1	
11	A0HU260300	Slide Part	すべり材	C	1	
12	A0HU300300	Arm	アーム (前)	D	1	
13	A3CK300400	Bushing	すべり軸受	C	1	
14	A0HU250100	Pulley	プーリ (軸)	D	1	
15	A0HU250500	Flange	フランジ	D	1	
16	A0HU261900	Spacer	スペーサ (高さ規制)	D	2	
17	A3CK281400	Sheet	シート (読取前 B)	D	3	
18	A3CK281300	Sheet	シート (読取前 A)	D	3	
19	A0HU261103	Guide	ガイド (清掃)	C	1	
20	A0HU300400	Arm	アーム (後)	D	1	
21	A0HU300500	Bushing	すべり軸受	D	1	
22	A0HU300601	Fixing Ring	固定リング	C	1	
23	A0HU261200	Mounting Plate	取付板 (清掃・蓋)	D	1	
24	A3CK300102	Sheet	シート (清掃軸)	C	1	
25	A3CK300500	Contact	接点	C	1	

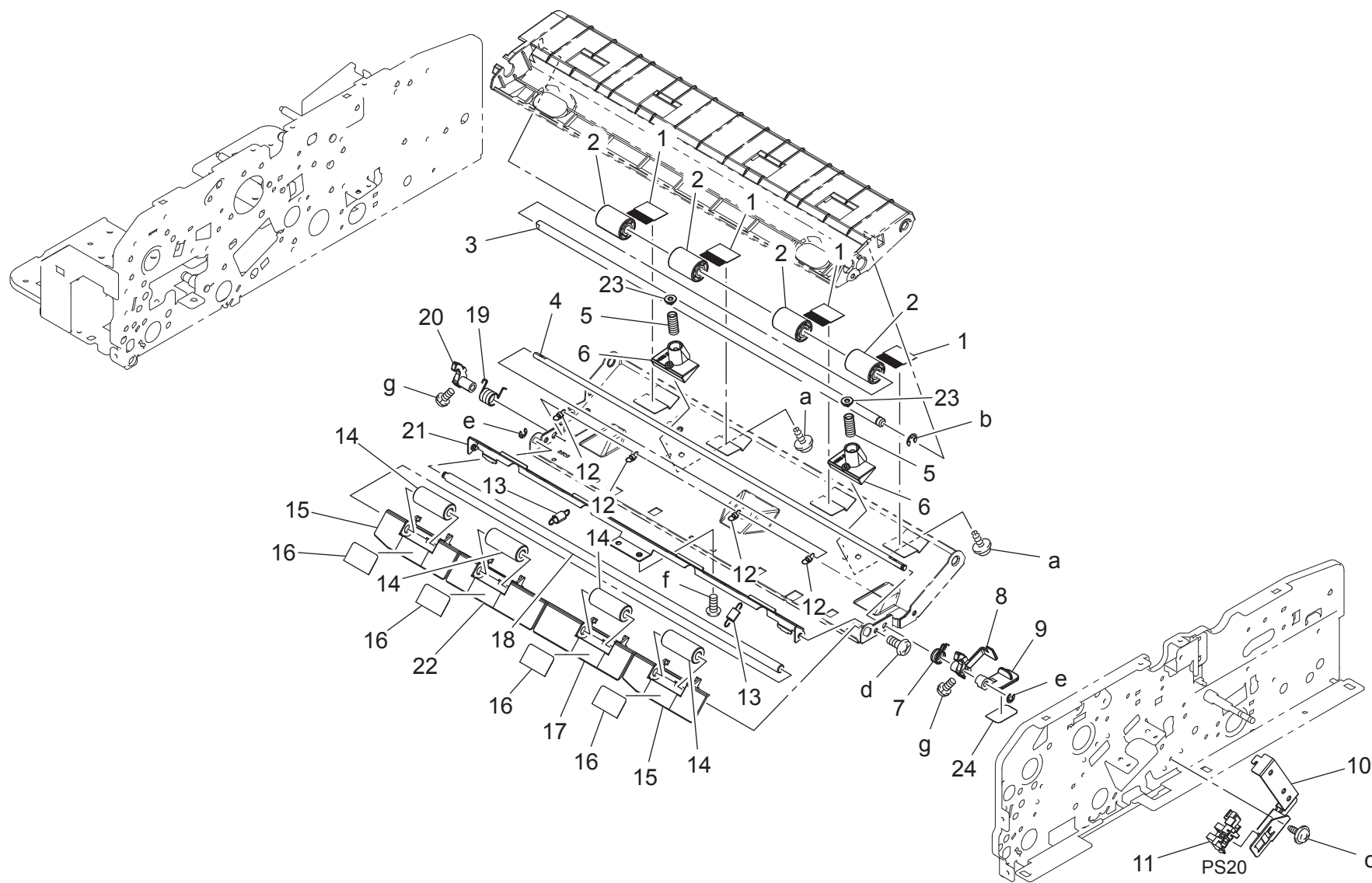
ADF CIS CLEANING SECTION

改訂版 REVISED EDITION	日付 DATE
	MARCH 2013



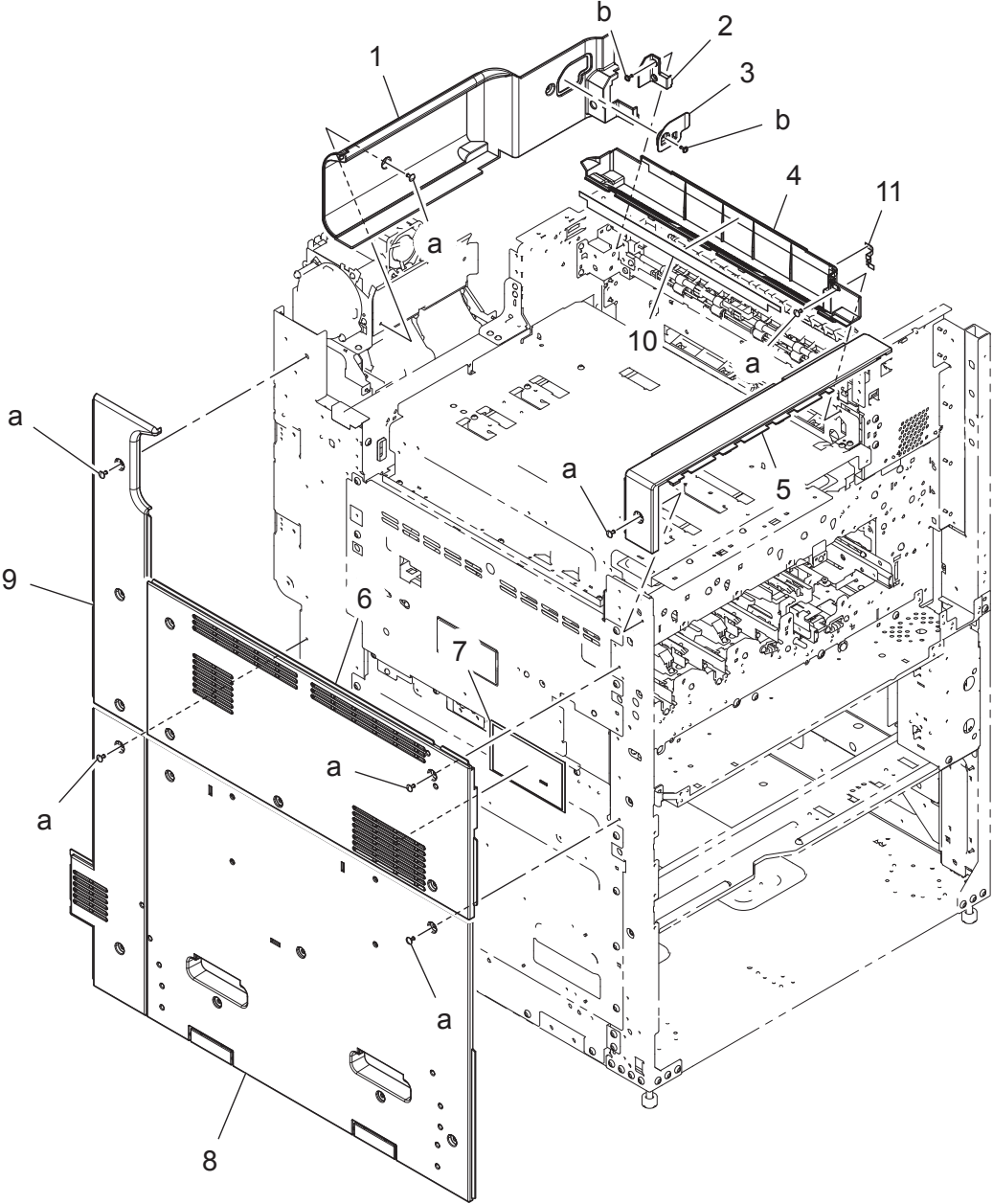
bizhub C654/bizhub C754

Key	Part No.	Description	Destinations	Class	QTY	Standard parts
1	A108270601	Sheet	シート (C I S 対向)	D	1	a-V144030603
2	A3CK282100	Spacer	スペーサ	C	6	b-V111030603
3	A108270200	Slide Part	すべり材	D	1	c-V218040086
4	A3CK270100	Guide	ガイド (隙間調整)	D	1	d-V149030803
5	A3CK270001	Guide	ガイド (C I S 対向)	D	1	e-V217040001
6	A108264700	Spacer	スペーサ	D	2	f-V143030603
7	A3CK300200	Brush	ブラシ (清掃)	C	1	g-V111260403
8	A3CK260100	Conveyance Guide	搬送ガイド (C I S 対向)	D	1	h-V153030803
9	A108260700	Bushing	すべり軸受 (清掃軸)	D	1	
10	A108270400	Ground Plate	アース板 (通紙ガイド)	D	1	
11	A108264601	Compressing Coil spring	圧縮コイルばね (清掃前)	D	1	
12	A108265301	Shaft	軸 (支点)	D	1	
13	A108940201	Label	ラベル (PUSH)	C	1	
14	A108260403	Cover	カバー (搬送下)	D	1	
15	4163529301	SCREW	ねじ	C	1	
16	A108273200	Guide Plate	ガイド板 (ベルトカバー)	D	1	
17	A108272900	Slide Part	すべり材	D	1	
18	A108266701	Cover	カバー (ベルト)	D	1	
19	A00J617800	BALL BEARING	ボールベアリング	C	1	
20	A108264100	Pulley	プーリ (清掃軸)	D	1	
21	A108264200	Flange	フランジ	D	1	
22	A108264800	Timing belt 146L	タイミングベルト 146 L	D	1	
23	A108265800	Pulley	プーリ (支点軸)	D	1	
24	A108270801	Compressing Coil spring	圧縮コイルばね (清掃軸奥)	D	1	
25	A0FD892900	Timing belt 190L	タイミングベルト 190 L	C	1	
26	A108265700	Pulley 25L	プーリ 25 L	D	1	
27	A108M50100	Photointerrupter	透過型センサ	B	1	
28	A108265600	Mounting Plate	取付板 (センサー)	D	1	
29	A0HUM10000	Stepping motor	ステッピングモータ	C	1	
30	A3CK265000	Mounting Plate	取付板 (清掃モータ裏)	D	1	
31	A108270700	Plate spring	板ばね (ローラロック)	D	1	
32	A3CK281800	Shoulder screw	段ねじ	C	1	
33	A3CK262100	Shaft	軸 (清掃ローラ)	D	1	
34	A3CK300102	Sheet	シート (清掃軸)	C	1	
35	A108264400	Bushing	すべり軸受 (通紙ガイド)	D	1	



Key	Part No.	Description	Destinations	Class	QTY	Standard parts
1	A108272700	Neutralizing Brush		D	4	a-V153030803
2	9J07810300	ROLL		C	4	b-V217040001
3	A108266600	Shaft		D	1	c-V144030603
4	A108261701	Shaft		D	1	d-V143030603
5	A3CK264500	Compressing Coil spring		C	2	e-V217030001
6	A108266800	Guide		D	2	f-V111260403
7	A108269600	Torsion Spring /Front		D	1	g-V115260503
8	A108260501	Lock Part /Front		D	1	
9	A108266300	Lock Lever		C	1	
10	A108271101	Mounting Plate		D	1	
11	A108M50100	Photointerrupter		B	1	
12	A108272000	Pulling Coil spring		D	4	
13	A3CK262400	Pulling Coil spring		D	2	
14	9J07430201	ROLL		C	4	
15	A108272101	Guide Plate		D	2	
16	9J07441502	GUIDE		C	4	
17	A108272200	Guide Plate		D	1	
18	A108272501	Shaft		D	1	
19	A108269700	Torsion Spring /Rear		D	1	
20	A108260201	Lock Part /Rear		D	1	
21	A108260301	Mounting Plate		D	1	
22	A108272300	Guide Plate		D	1	
23	A3CK700300	Guide		D	2	
24	A3CK940000	Label		C	1	

EXTERNAL PARTS



EXTERNAL PARTS

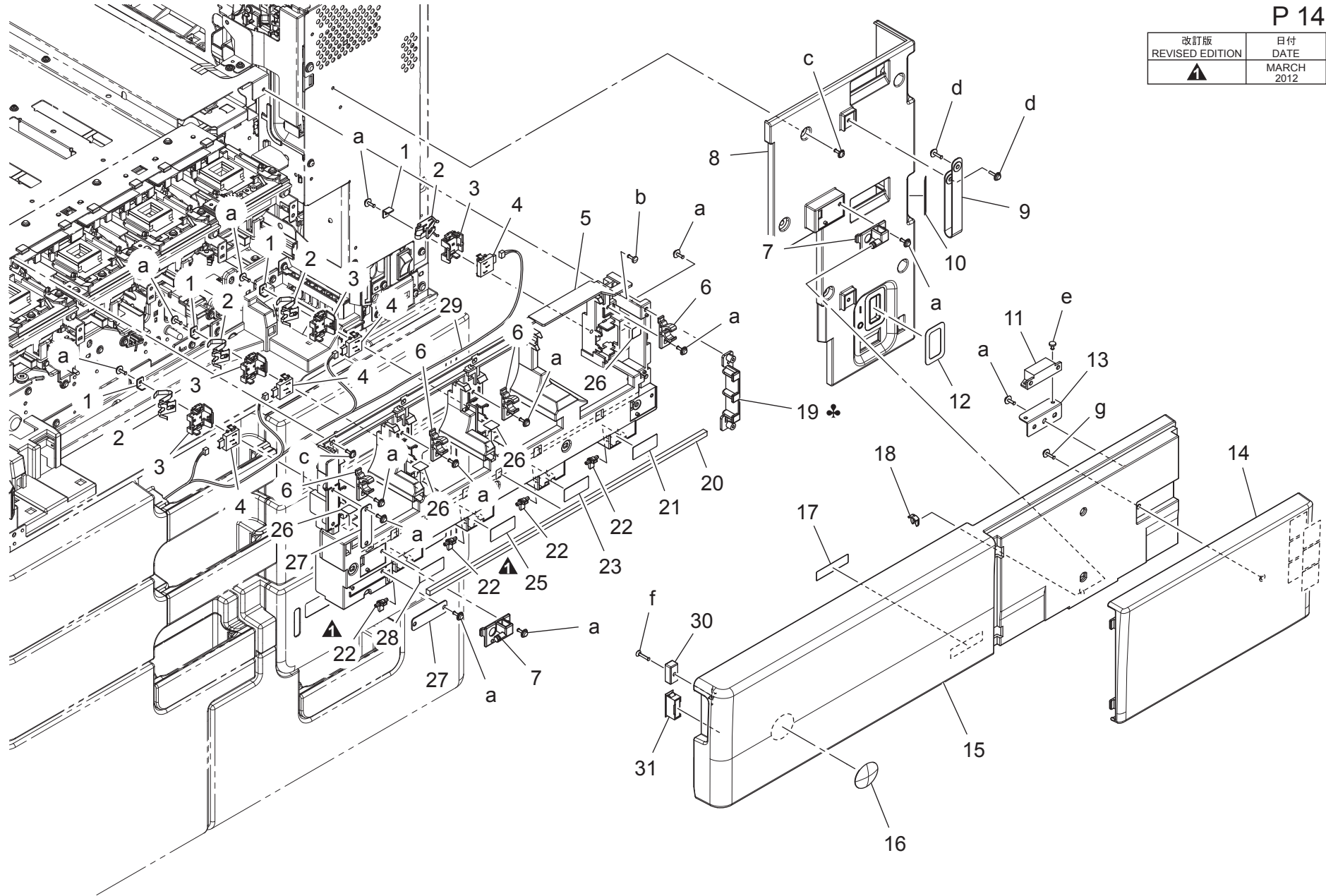
Key	Part No.	Description	Destinations	Class	QTY	Standard parts
1	A00J163401	Paper exit Cover /Rear		C	1	a-V114040804 b-V121030804
2	A00J166400	Paper exit Cover /Right		C	1	
3	A00J166300	Paper exit Cover /Rear		C	1	
4	A00J163503	Paper exit Cover /Right		C	1	
5	A2X0160100	Paper exit Cover /Front		C	1	
6	A2X0160500	Cover /Left front		C	1	
7	A2X0156600	Filter		C	1	
8	A00J160605	Cover /Left		C	1	
9	A00J161400	Cover /Left rear		C	1	
10	A00J896901	Neutralizing Brush		C	1	
11	A2X0895400	Ground Seal /1		C	1	

bizhub C654/bizhub C754

EXTERNAL PARTS

P 14

改訂版 REVISED EDITION	日付 DATE
	MARCH 2012

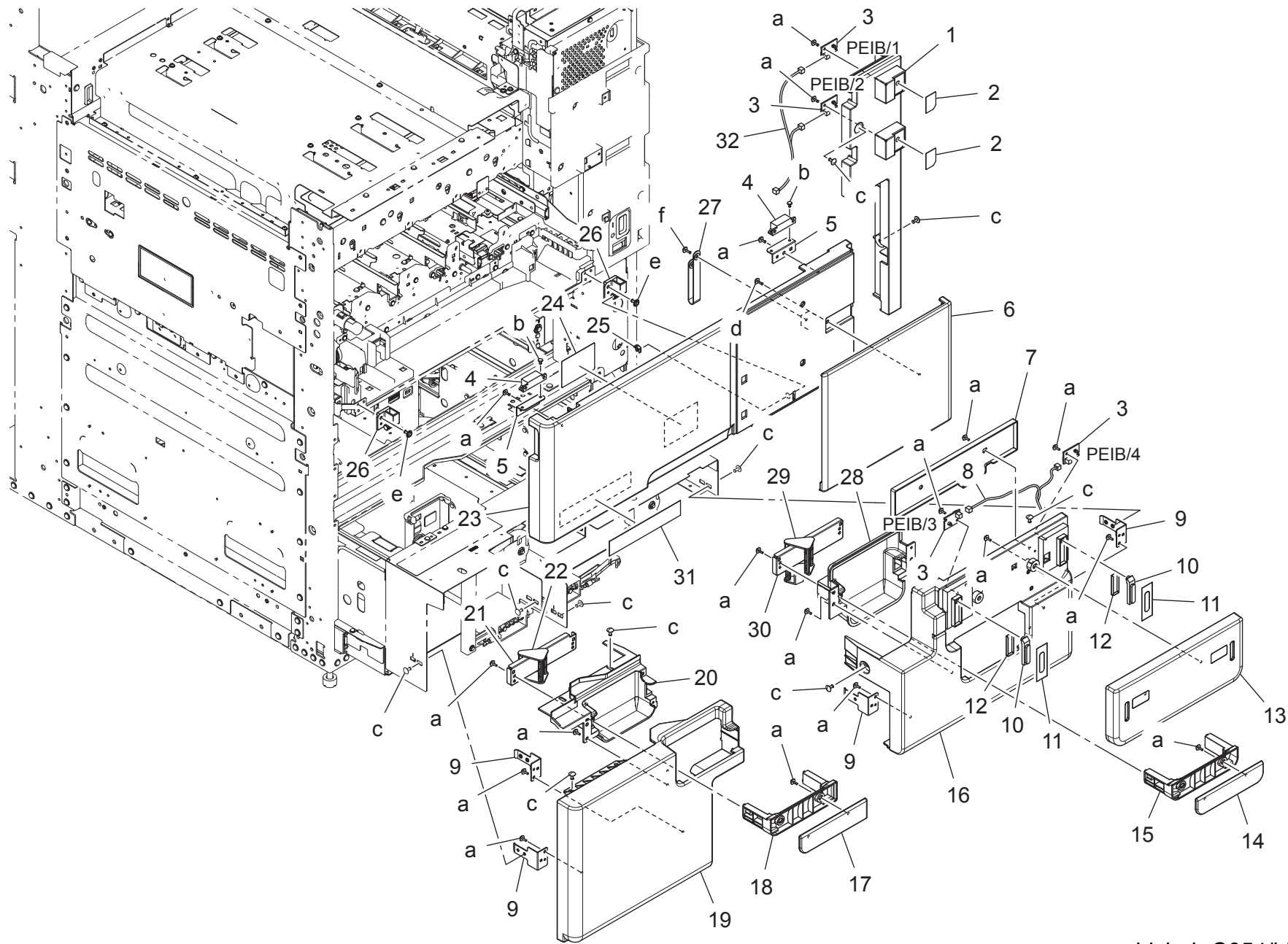


EXTERNAL PARTS

Key	Part No.	Description	Destinations	Class	QTY	Standard parts
1	A00J404700	Spacer		C	4	a-V153030803
2	A00J404601	Plate spring		C	4	b-V118030803
3	4038228104	HOLDER		C	4	c-V121030804
4	4136675101	CONNECTOR PIN		D	4	d-V153031003
5	A00J165103	Cover /Inside		D	1	e-V126030603
6	A00J407500	Holder		D	4	f-V147031403
7	A00J164701	Open/close Shaft		C	2	g-V153031004
8	A2X0160402	Cover /Front		C	1	
9	4120101402	BAND		C	1	
10	A161940400	Label		C	1	
11	4475260302	MAGNET CATCH		D	1	
12	A161942000	Label		D	1	
13	A0P0162600	Mounting Plate /B		D	1	
14	A2X0170701	Open/close Cover /Front		C	1	
15	A2X0160202	Open/close Cover /Front		C	1	
16	A00J945500	Logo Mark		C	1	
17	A2X0948600	Label		C	1	
18	56AA40490	SHAFT STOPPER 4		C	1	
19	A2X0404800	Regulating Block /Black	A,A1	D	1	
19	A2X0405800	Regulating Block /Black	B,G2	D	1	
19	A2X0405900	Regulating Block /Black	C,D1,D3,E,F2,G1,I,K J,H	D	1	
20	A00J407400	SEAL		C	1	
21	A2X0940700	Label		C	1	
22	A0P0169600	Claw /Black		C	4	
23	A2X0940600	Label		C	1	
25	A2X0940500	Label		C	1	
26	A2X0949100	Label		C	4	
27	4038101401	SUCTION PLATE		D	2	
28	A2X0940400	Label		C	1	
29	A0P0N10G00	Toner Wiring		D	1	
30	9326282011	MAGNET		D	1	
31	4030104002	CATCH		D	1	

bizhub C654/bizhub C754

EXTERNAL PARTS



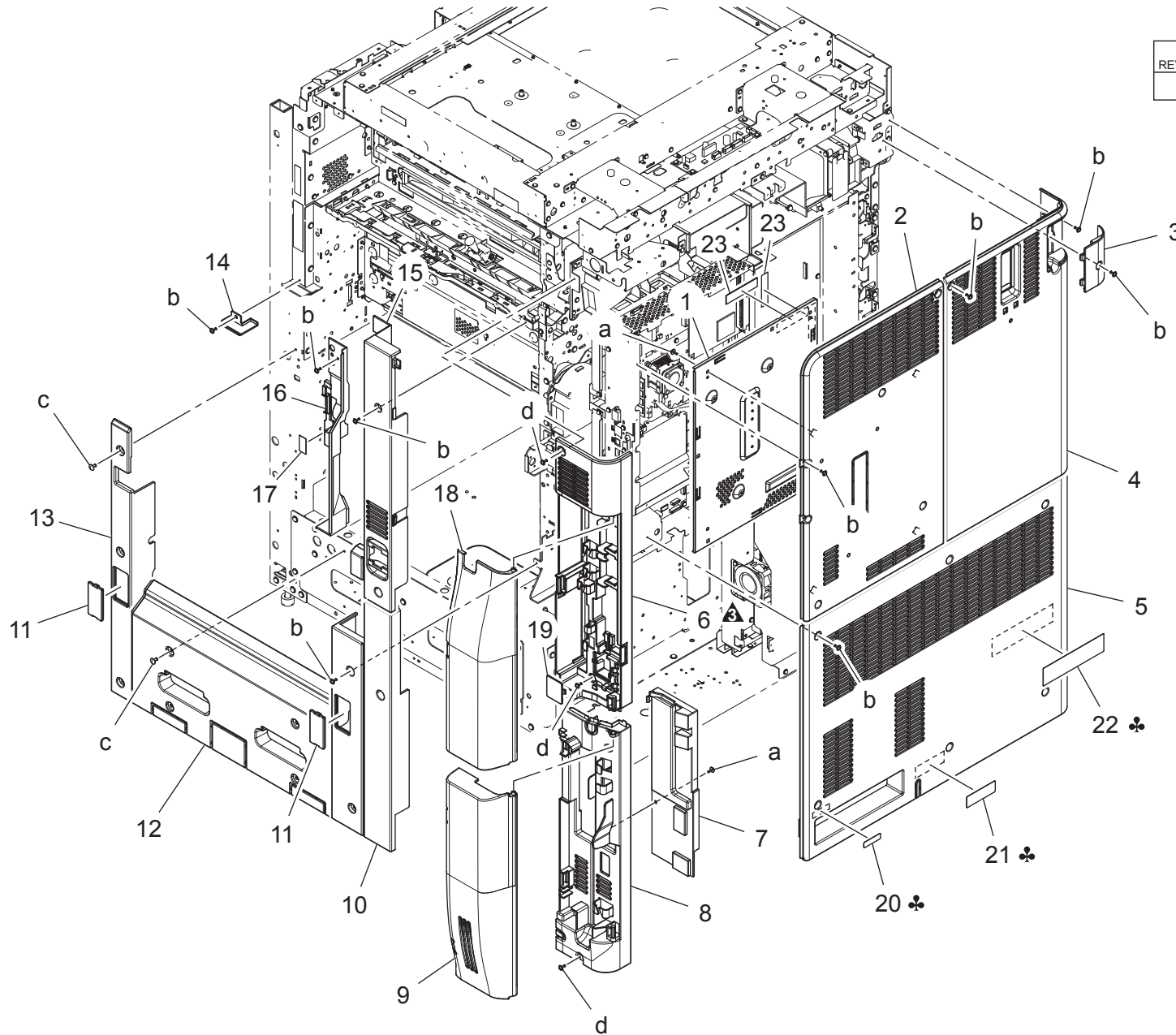
Key	Part No.	Description	Destinations	Class	QTY	Standard parts
1	A2X0160800	Cover Cassette /Right	カバーカセット／右 (固定)	D	1	a-V153030803
2	A2X0168500	Protection Sheet	保護シート (静電)	D	2	b-V126030603
3	A00JH00D00	PWB Assembly LED1	基板 ASSY LED 1	C	4	c-V114040804
4	4475260302	MAGNET CATCH	マグネットキャッチ	D	2	d-V153031004
5	A0P0162600	Mounting Plate /B	取付板／B (Mag・IU)	D	2	e-V137040803
6	A2X0170801	Open/close Cover /Front	開閉カバー／前 (IU・右)	C	1	f-V153031003
7	A2X0172100	Cover	カバー (4 段目・内)	D	1	
8	A2X0N10C00	Indicating Relay harness /2	表示中継束線／2	D	1	
9	A00J164501	Mounting Plate	取付板	D	4	
10	A161626000	Lens	レンズ (ライトガイド・給紙)	D	2	
11	A161626100	Light blocking Sheet	遮光シート	D	2	
12	A161626200	Sheet	シート (反射板)	D	2	
13	A2X0171001	Cover	カバー (パレット・4 段目)	C	1	
14	A2X0172600	Cover	カバー (4 段目取手)	C	1	
15	A2X0172300	Handle	取手 (4 段目)	C	1	
16	A2X0161000	Cover	カバー (4 段目)	C	1	
17	A2X0172000	Cover	カバー (3 段目取手)	C	1	
18	A2X0171701	Handle	取手 (3 段目)	C	1	
19	A2X0160900	Cover	カバー (3 段目)	C	1	
20	A2X0171600	Cover	カバー (3 段目取手奥)	C	1	
21	A2X0171801	Holder	ホルダ (3 段目)	D	1	
22	A2X0171901	Release Lever	解除レバー (3 段目)	D	1	
23	A2X0160301	Open/close Cover /Front	開閉カバー／前 (IU)	C	1	
24	A2X0944001	Label	ラベル (IU 交換)	C	1	
25	56AA40490	SHAFT STOPPER 4	軸ストッパ 4	C	1	
26	A2X0162100	Hinge	ヒンジ (IU カバー)	D	2	
27	4120101402	BAND	バンド	C	1	
28	A2X0172200	Cover	カバー (4 段目取手奥)	C	1	
29	A2X0172501	Release Lever	解除レバー (4 段目)	D	1	
30	A2X0172400	Holder	ホルダ (4 段目)	D	1	
31	A2X1943301	Label	ラベル (bizhub C654)	C	1	{bizhub C654}
31	A2X0943301	Label	ラベル (bizhub C754)	C	1	{bizhub C754}
32	A2X0N10D00	Indicating Relay harness /1	表示中継束線／1	D	1	

bizhub C654/bizhub C754

EXTERNAL PARTS

P 16

改訂版 REVISED EDITION	日付 DATE
	MARCH 2013



bizhub C654/bizhub C754

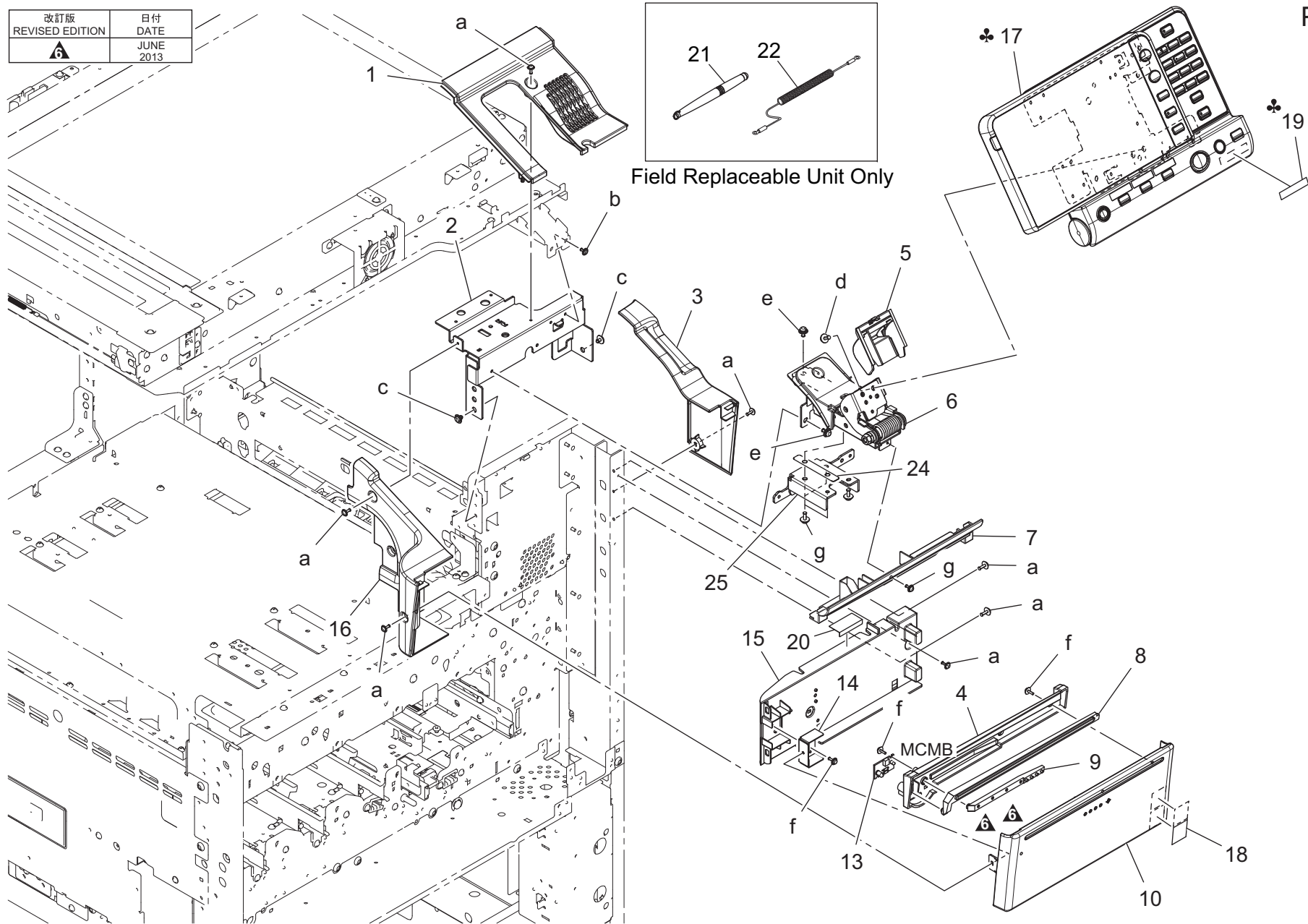
Key	Part No.	Description	Destinations	Class	QTY	Standard parts
1	A2X0132800	Cover		D	1	a-V153030803 b-V121030804 c-V114040804 d-V121030803
2	A2X0161600	Cover /Rear		D	1	
3	A2X0162301	Cover /Rear		D	1	
4	A2X0161700	Cover /Rear		D	1	
5	A00J161804	Cover /Rear		C	1	
6	A2X0161903	Cover /Rear		D	1	
7	A0P0165301	Cover		C	1	
8	A0P0162004	Cover /Rear		D	1	
9	A2X0165702	Cover		C	1	
10	A00J162802	COVER /RIGHT REAR		C	1	
11	A00J164201	Cover		C	2	
12	A0P0161300	Cover /Right		D	1	
13	A00J162901	Cover /Right front		C	1	
14	A0P0163800	Cover		C	1	
15	A0P0162702	Cover /Right rear		D	1	
16	A2X0165400	Cover /Inside		D	1	
17	A2X0948900	Seal		C	1	
18	A2X0165602	Cover		C	1	
19	A161164401	Cover		C	1	
20	A00J945400	Label Dehumidifier SW.	A,A1,D1,D3,E,F2,G1, I,K,J,H	C	1	
21	A00J945800	Label Controller	B,G2	C	1	
22	A2X0945700	Label	A,A1,B,G2,H	C	1	
22	A2X0945000	Label	C,D1,D3,E,F2,G1,I,K	C	1	
23	A2X0M90000	Gasket	A,A1,B,G2,D1,D3,E,F 2,G1,I,K,C	D	2	

bizhub C654/bizhub C754

CONTROL PANEL SECTION

改訂版 REVISED EDITION	日付 DATE
	JUNE 2013

P 17



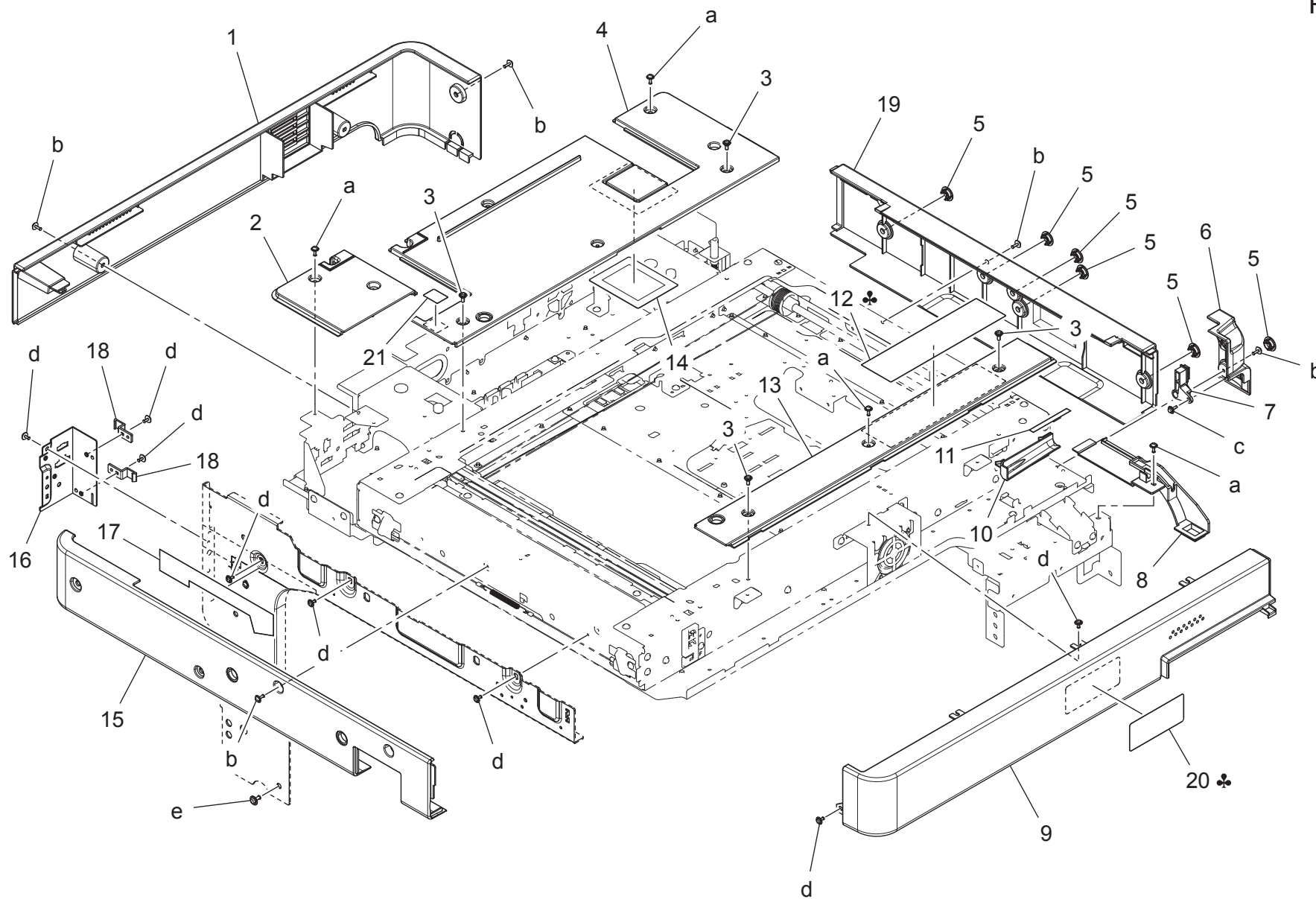
bizhub C654/bizhub C754

CONTROL PANEL SECTION

Key	Part No.	Description	Destinations	Class	QTY	Standard parts
1	A2X0167900	Cover		C	1	a-V121030804
2	A2X0263200	Frame		D	1	b-V137030603
3	A2X0167401	Cover		C	1	c-V144040603
4	A2X0171101	Light blocking Cover		D	1	d-V125041003
5	A161190900	Cover		C	1	e-V116040803
6	A2X0R70500Old	Operation Panel Mounting Part Assy		C	1	f-V153030803
6	A2X0R70511	Operation Panel Mounting Part Assy		C	1	g-V116030803
7	A2X0168101Old	Cover		D	1	
7	A2X0168102	Cover		D	1	
8	A161167000	Lens		D	1	
9	A161167100	Lens		D	1	
10	A2X0170402	Cover /Front		C	1	
13	A161H00U01	PWB Assembly(PWB-LED ASSY)		C	1	
14	A2X0170600	Mounting Plate		D	1	
15	A2X0170500Old	Cover /Front		D	1	
15	A2X0170512	Cover /Front		D	1	
16	A2X0167500	Cover		C	1	
17	A161M70504	Panel assembly	A,A1	I	1	
17	A161M70604	Panel assembly	B,G2,D1,D3,E,F2,G1, I,K	I	1	
17	A161M70704	Panel assembly	C	I	1	
17	A161M70800	Panel assembly	J	I	1	
17	A161M70900	Panel assembly	H	I	1	
18	A011946200	Label Emperon		D	1	
19	A2X0948700	Label		C	1	
20	A2X0168700	Slide Part	B,G2	C	1	
21	A161P19100	Pen		C	1	
22	A2X0P00000	Ground Cable		D	1	
24	A2X0195201	Spacer		D	1	
25	A2X0195102	Reinforce Plate		D	1	

bizhub C654/bizhub C754

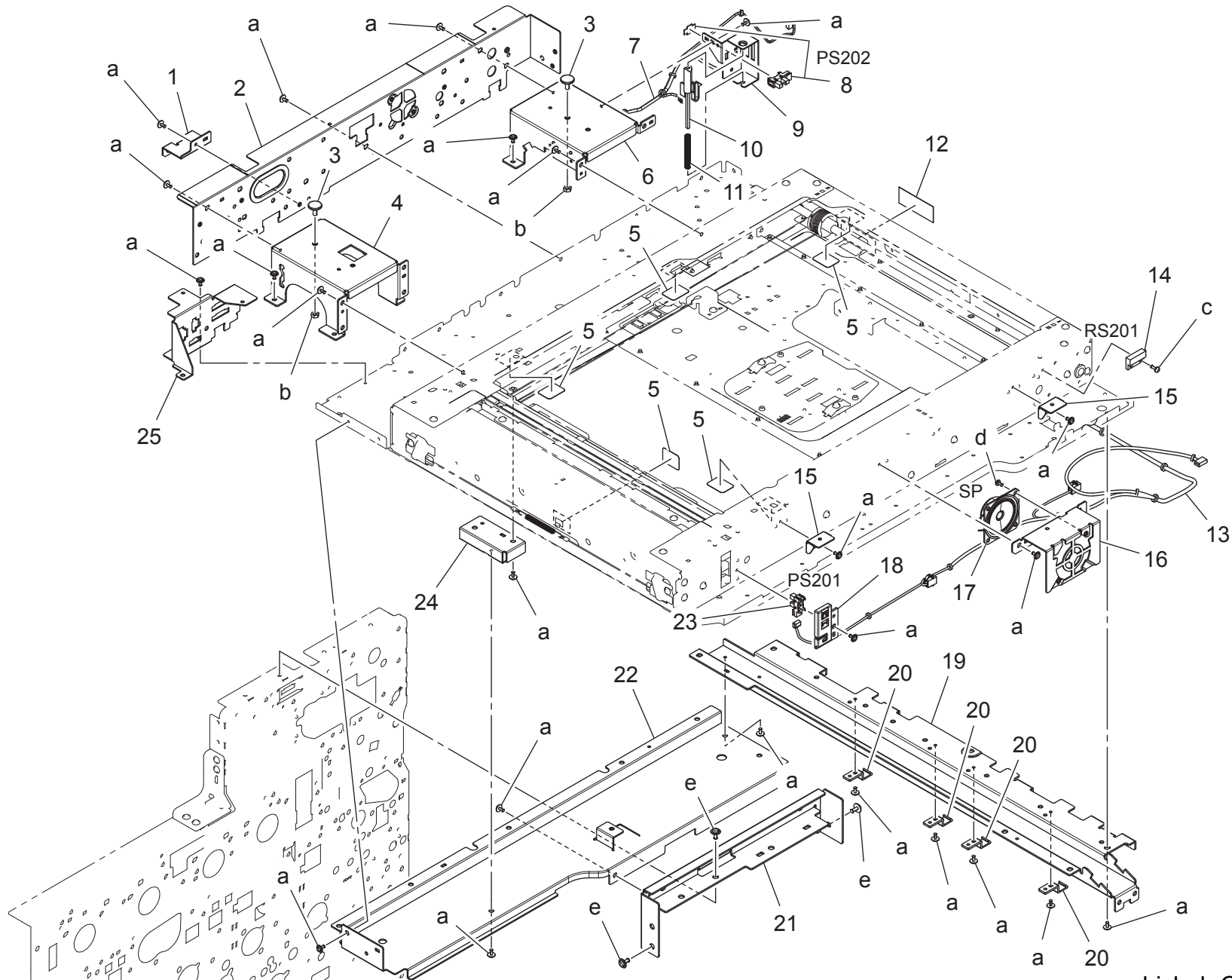
IR COVER SECTION



bizhub C654/bizhub C754

Key	Part No.	Description	Destinations	Class	QTY	Standard parts
1	A0P0163101	Read Cover /Rear		C	1	a-V121030804 b-V121030803 c-V153030803 d-V137030603 e-V137040803
2	A00J167812	Read Cover /Upper		C	1	
3	A00J169200	Shoulder screw		C	4	
4	A0P0167202	Read Cover /Upper		D	1	
5	A02E167700	Cover		C	6	
6	A2X0165801	Read Cover /Front		C	1	
7	A0P0165200	Cover		C	1	
8	A2X0167601	Read Cover		C	1	
9	A2X0163001	Read Cover /Front		C	1	
10	A2X0168300	Holder		D	1	
11	A2X0168600	Cushion		D	1	
12	A161941500	Label	A,A1	D	1	
12	A00J940100	Label Legal Restriction	B,G2	C	1	
13	A00J167104	Read Cover /Upper		C	1	
14	A2X0167300	Seal		C	1	
15	A0P0163201	Read Cover /Left		C	1	
16	A2X0267900	Mounting Plate		D	1	
17	A0P0166600	Seal		D	1	
18	A0P0267300	Guide		D	2	
19	A2X0163302	Read Cover /Right		C	1	
20	A1UD947400	Label	A,A1	C	1	
21	A161940602	Label		D	1	

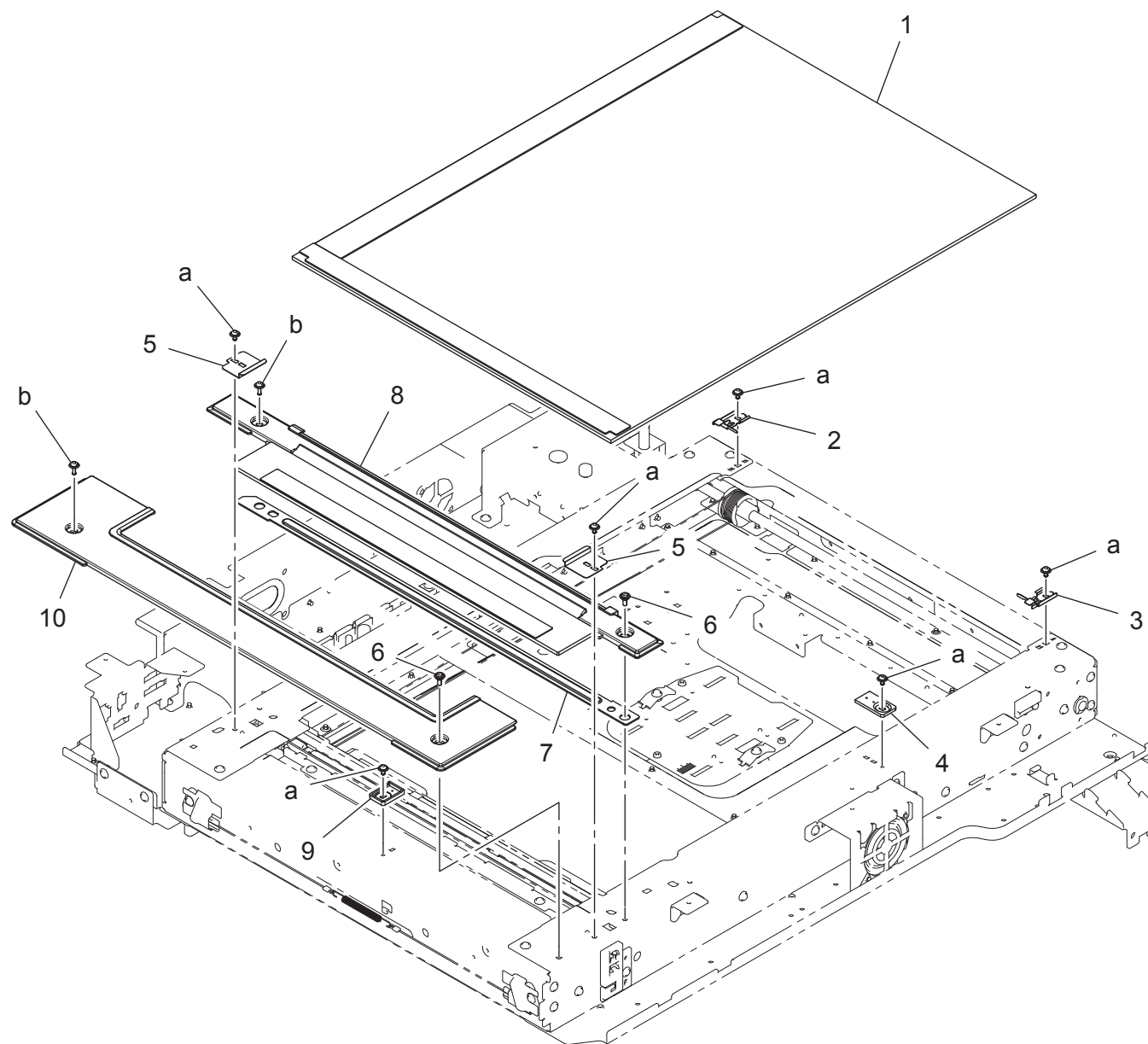
IR FRAME SECTION



bizhub C654/bizhub C754

Key	Part No.	Description	Destinations	Class	QTY	Standard parts
1	A0P0267800	Mounting Plate		D	1	a-V137030603 b-V195040003 c-V115030803 d-V115030603 e-V137040803
2	A0P0262103	Frame	取付板 (外装・後)	C	1	
3	9J07210802	SHOULDER SCREW	フレーム (ADF・後)	C	2	
4	A2X0261900	Frame	段ねじ	C	1	
5	4581162501	SEAL	フレーム (ADF・左)	C	5	
6	A0P0262002	Frame	シール	C	1	
7	A2X0N14400	Scanner Wiring /4	フレーム (ADF・右)	D	1	
8	4037090301	PHOTO INTERRUPTER	スキャナー束線/4 (モータ部)	B	1	
9	A00J280101	Mounting Plate	フォトインタラプター	D	1	
10	A00J280200	Lever	取付板	C	1	
11	4036172002	PRESSURE SPRING	レバー	C	1	
12	A0P0267600	Seal	圧縮コイルばね	D	1	
13	A2X0N14300	Scanner Wiring /3	シール (I/Fケーブル)	D	1	
14	A1UDM50200	Lead Switch	スキャナー束線/3 (前部)	C	1	
15	A0P0267501	Mounting Plate	リードスイッチ	D	2	
16	A0P0263800	Mounting Plate	取付板 (外装・前)	D	1	
17	A0P0M73100	Speaker	取付板 (スピーカー)	D	1	
18	A0P0262200	Mounting Plate	スピーカ	D	1	
19	A2X0263100	Reinforce Plate	取付板 (ホームセンサ)	D	1	
20	A0P0267300	Guide	補強板 (IR右)	D	4	
21	A0P0263301	Mounting Plate /Right rear	ガイド (パネルハーネス)	C	1	
22	A0P0263400	Reinforce Plate	取付板/右後	D	1	
23	9335140061	SOLID STATE SWITCH	補強板 (IR後)	B	1	
24	A0P0267000	Reinforce Plate	透過型フォトスイッチ	D	1	
25	A0P0281801	Mounting Plate	補強板 (底板・後)	C	1	
			取付板 (ラティスハーネス)			

SCANNER SECTION



SCANNER SECTION

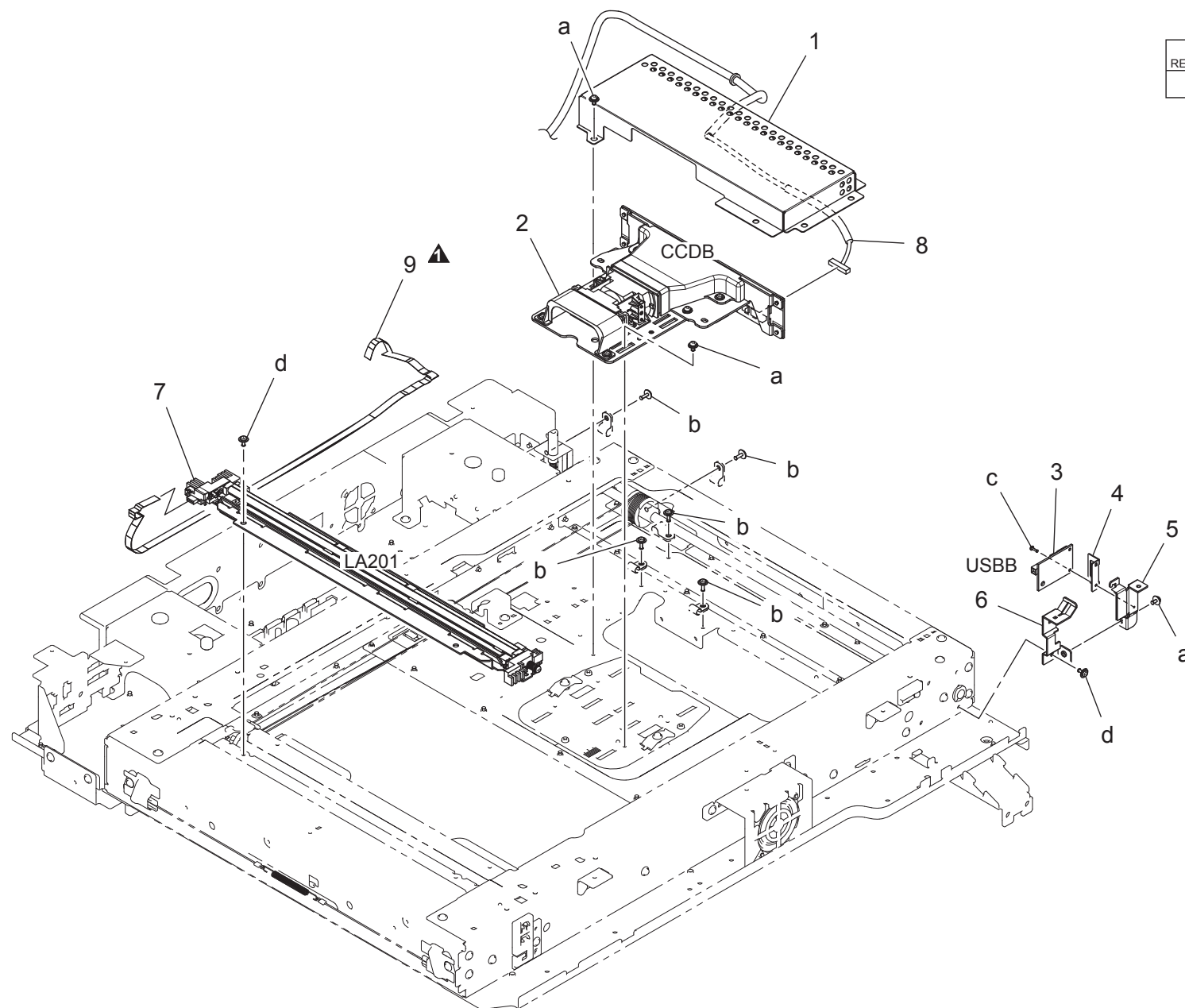
Key	Part No.	Description	Destinations	Class	QTY	Standard parts
1	A0P0R71000	Manuscript glass assy		C	1	a-V127030604 b-V121030804
2	A00J265200	Holding Plate		C	1	
3	A2X0265100	Holding Plate		C	1	
4	A00J265300	Regulating Plate		C	1	
5	A1DM268801	Holding Plate		D	2	
6	A00J169200	Shoulder screw		C	2	
7	A1DM266000	Hold Plate		D	1	
8	A2X0R70A00	Slit Glass Assy		C	1	
9	A0ED268700	Regulating Plate		D	1	
10	A1DM267501	Cover		D	1	

bizhub C654/bizhub C754

CCD UNIT

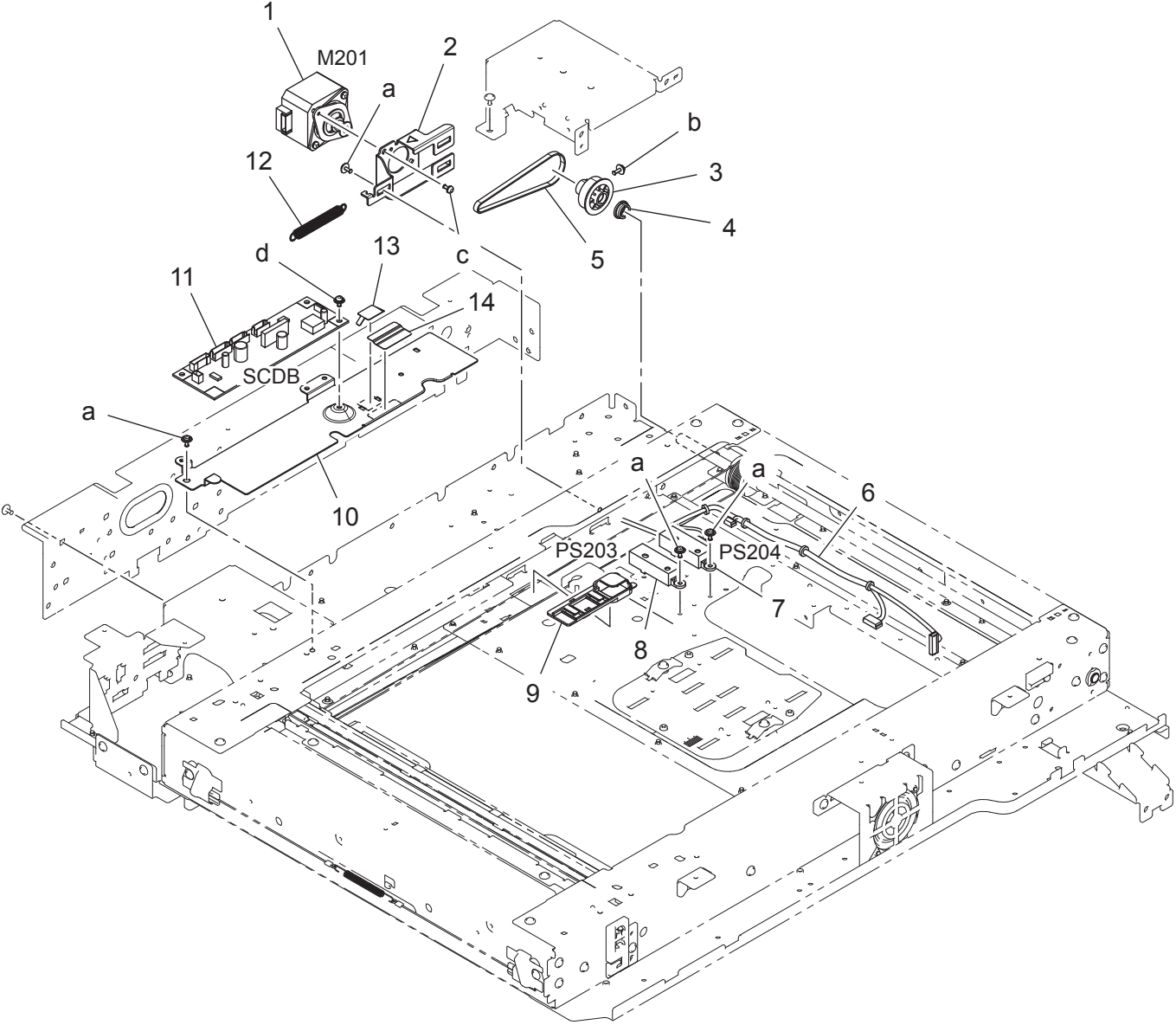
P 21

改訂版 REVISED EDITION	日付 DATE
▲	JANUARY 2013



bizhub C654/bizhub C754

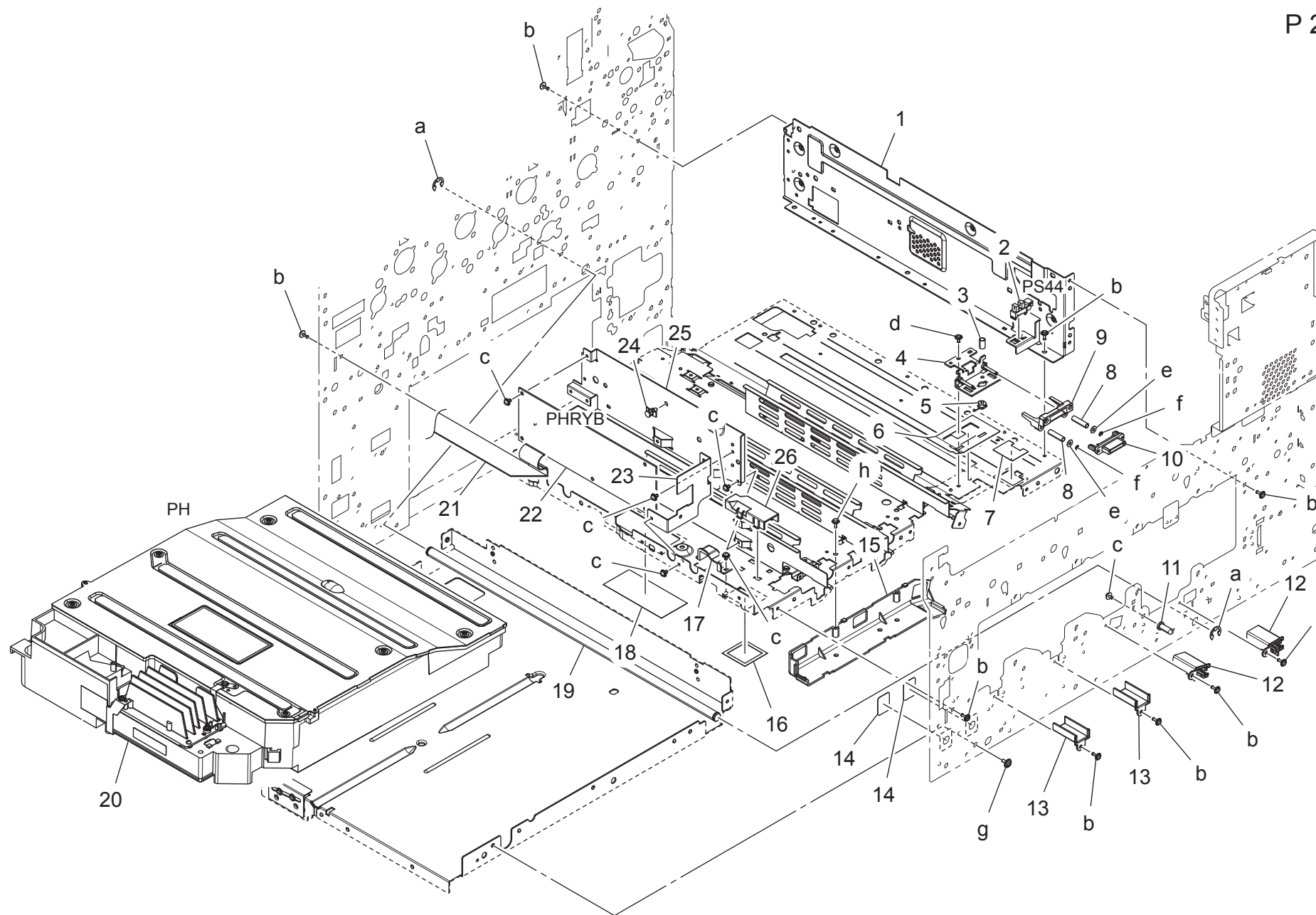
SCANNER DRIVE/IR BOARD SECTION



SCANNER DRIVE/IR BOARD SECTION

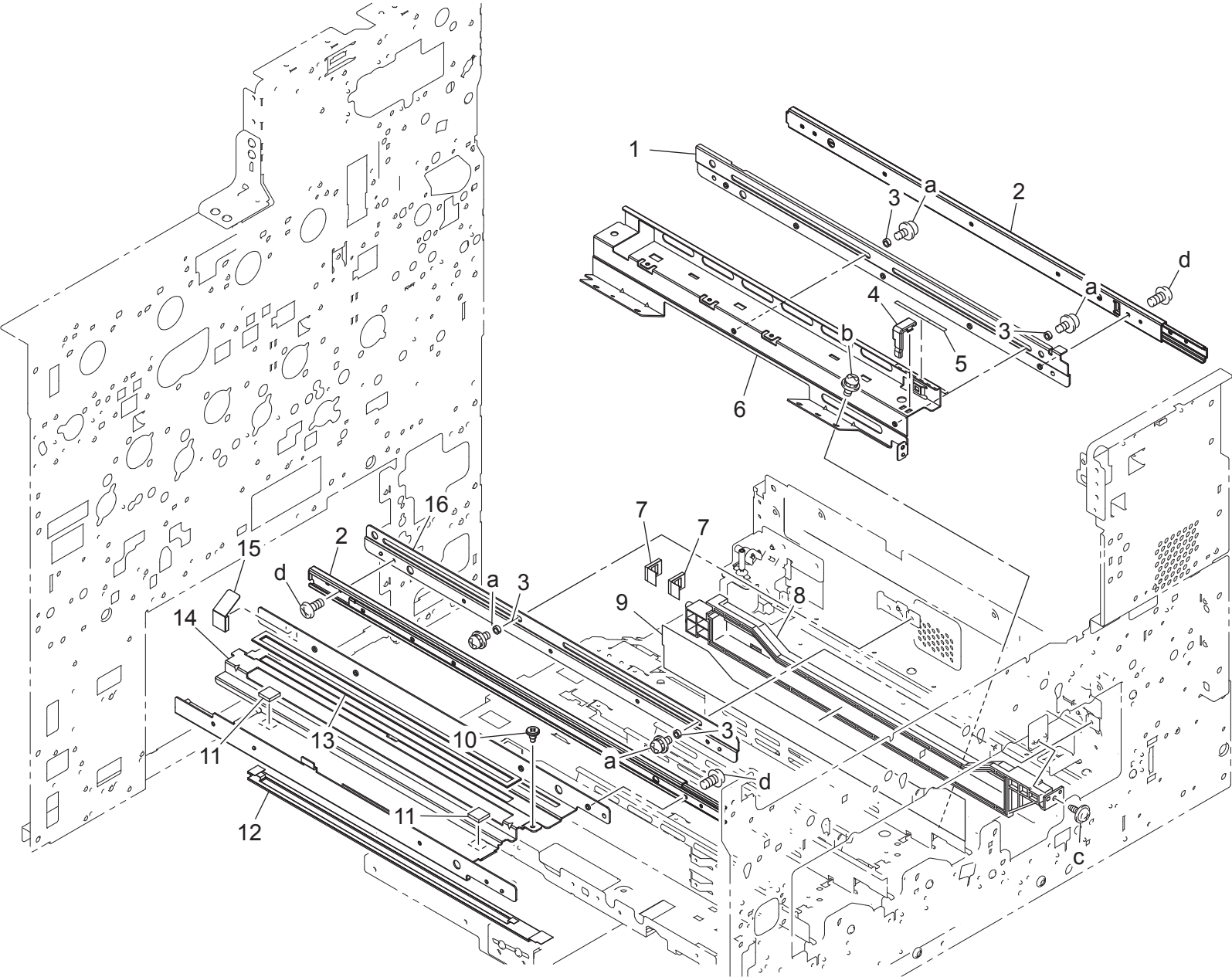
Key	Part No.	Description	Destinations	Class	QTY	Standard parts
1	A161M10A00	Stepping motor		C	1	a-V137030603 b-V116030803 c-V115030603 d-V116030603
2	A0P0276600	Mounting Plate		D	1	
3	A0P0275500	Pulley 84T		D	1	
4	A0ED276500	Bearing		C	1	
5	A0ED275600	Belt 210L		C	1	
6	A2X0N14200	Scanner Wiring /2		D	1	
7	A161M50A00	APS Photoreflector	(OPTION)	C	1	
8	A161M50A00	APS Photoreflector		C	1	
9	A2X0281200	Guide		C	1	
10	A2X0281100	Mounting Plate		D	1	
11	A2X0H01A01Old	PWB Assembly(PWB-ID ASSY)		I	1	
11	A2X0H01A12	PWB Assembly(PWB-ID ASSY)		I	1	
12	4002145801	TENSION SPRING		C	1	
13	4581131601	SEAL		C	1	
14	A2X0264600	Seal		D	1	

bizhub C654/bizhub C754



Key	Part No.	Description	Destinations	Class	QTY	Standard parts
1	A0P0101212	Support Plate		D	1	a-V217080001 b-V137030803 c-V116030603 d-V137030603 e-V207030003 f-V217020050 g-V137040803 h-V153030803
2	A108M50100	Photointerrupter		B	1	
3	4038229401	SPRING		C	1	
4	A0P0107700	Mounting Plate /ASSY		C	1	
5	4038229501	HOLDER		D	1	
6	A2X0156700	Seal		C	1	
7	A2X0110000	Seal		C	1	
8	4038229301	SPRING		C	2	
9	A0P0107601	Holder /Black		C	1	
10	V651020004	Drawer CN		D	1	
11	A0P0382400	Positioning Pin /Front		D	1	
12	A00J105601	Guide Post		C	2	
13	A2X0105700	Guide Post		C	2	
14	4581162501	SEAL		C	2	
15	A2X0155000	Cover		C	1	
16	A2WU156000	Seal		D	1	
17	A2X0156800	Cover		C	1	
18	A2X0156300	Seal		C	1	
19	A00J102301	Shaft		D	1	
20	A2X0R70B00	Print Head Assy		I	1	
21	A2X0N12G00	Control Relay harness /3		C	1	
22	A2X0H00300	PWB Assembly(PWB-J ASSY)		I	1	
23	A00J137500	Mounting Plate		D	1	
24	V502010026	SUPPORT		D	1	
25	A0P0137401	Mounting Plate		D	1	
26	A2X0135900	Holder		C	1	

TONER RAIL SECTION

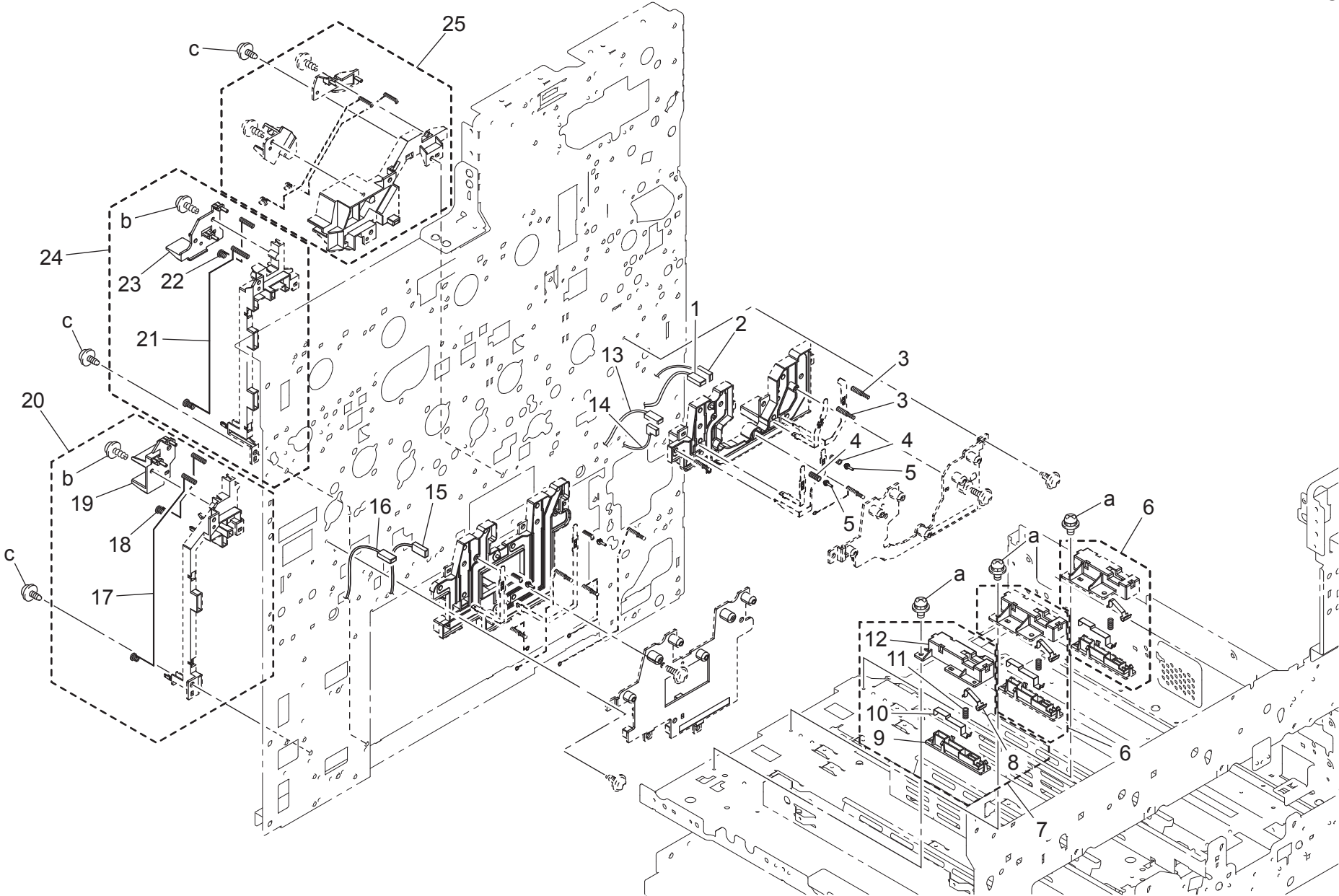


bizhub C654/bizhub C754

TONER RAIL SECTION

Key	Part No.	Description	Destinations	Class	QTY	Standard parts
1	A0P0108400	Mounting Plate /Left		D	1	a-V116030803 b-V116030603 c-V137030803 d-V118030403
2	A0P0125000	Slide Rail		D	2	
3	A0P0108100	Spacer		D	4	
4	A0P0115700	Holder		D	1	
5	A0QJ941201	Label		C	1	
6	A0P0110501	Rail /E		D	1	
7	A0P0108900	Sealing Part		D	2	
8	A0P0108623	Scatteringprevention Duct		D	1	
9	A0P0125311	Seal		C	1	
10	A0P0382700	Screw		C	1	
11	A0QJ121200	Cushion /Lower		C	2	
12	A0P0114100	Ozone Seal /Black		C	1	
13	A0P0108300	Sealing Part		D	1	
14	A0P0108201	Mounting Plate /Lower		D	1	
15	A0P0109701	Protection Cushion		C	1	
16	A0P0108500	Mounting Plate /Right		D	1	

CONTACT SECTION

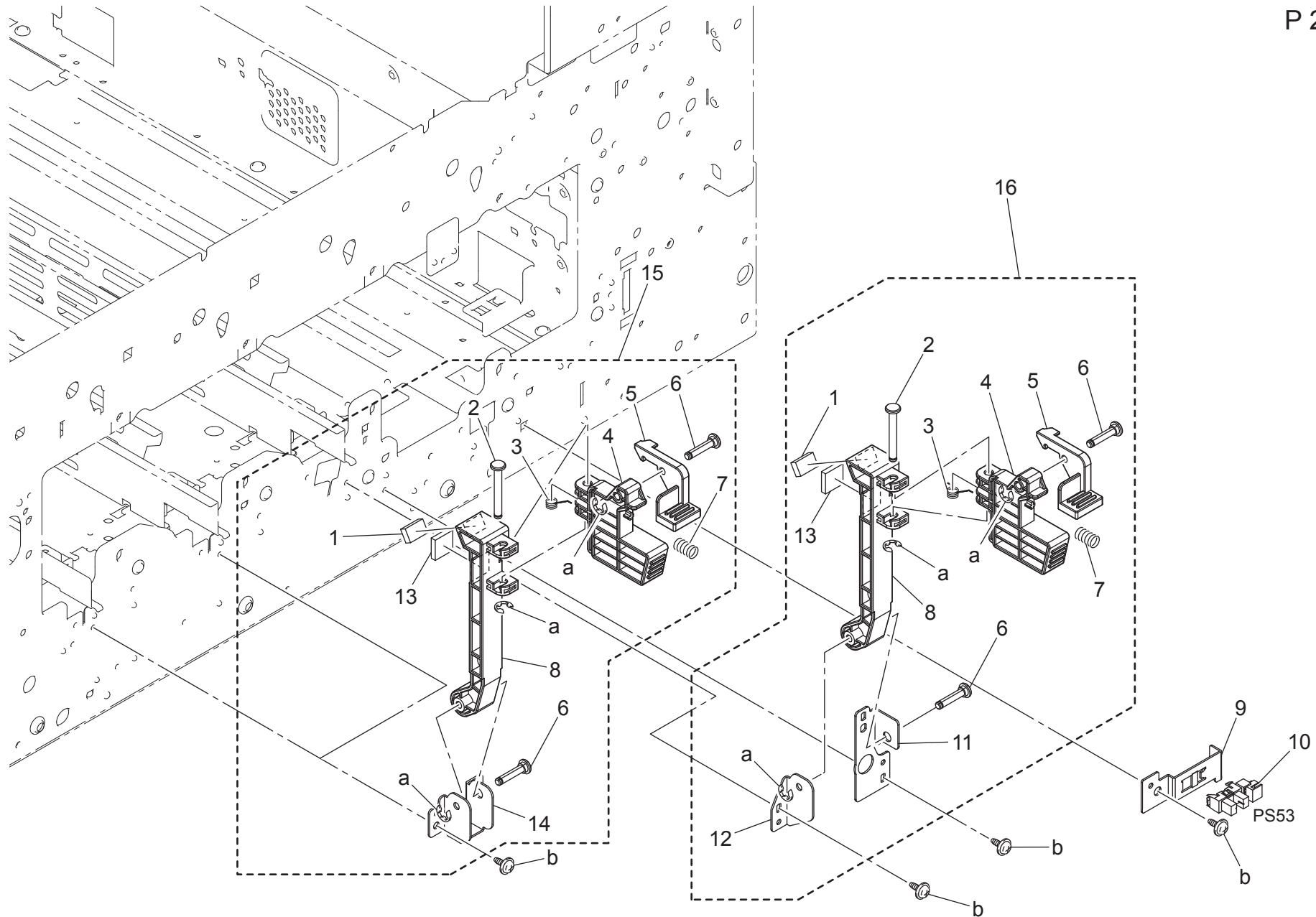


bizhub C654/bizhub C754

CONTACT SECTION

Key	Part No.	Description	Destinations	Class	QTY	Standard parts
1	A2X0N13200	Chaging Wiring /C	帯電束線 / C	D	1	a-V116030603 b-V153030803 c-V137030803
2	A2X0N13700	Chaging Wiring /2	帯電束線 / 2 (グリッド K)	D	1	
3	A0P0111900	Compressing Coil spring	圧縮コイルばね	D	2	
4	4004231701	PRESSURE SPRING	圧縮コイルばね	C	2	
5	4036231101	PIN	ピン	D	2	
6	A0P0R71500	Contact2 assy	接点 2 A S S Y	C	2	
7	A00JR73400	TERMINAL 3 ASSY	接点 3 アッセン	C	1	
8	A00J110800	Developing Contact /Front	現像接点 / 前	C	1	
9	A00J112200	Holder /Color	ホルダ / カラー	C	1	
10	A00J110900	Developing Contact /Middle	現像接点 / 中	C	1	
11	A00J115900	Compressing Spring	圧縮ばね	C	1	
12	A00J112800	COVER /YELLOW	カバー / イエロー	C	1	
13	A2X0N13600	Chaging Wiring /1	帯電束線 / 1 (グリッド C)	D	1	
14	A2X0N13300	Chaging Relay harness /K	帯電中継束線 / K	D	1	
15	A2X0N13000	Chaging Wiring /Y	帯電束線 / Y	D	1	
16	A2X0N13100	Chaging Wiring /M	帯電束線 / M	D	1	
17	A00J118200	Contact /Yellow	接点 / イエロー	C	1	
18	A00J118000	Developing Contact /Yellow	現像接点 / イエロー	C	1	
19	A00J118400	Cover /Yellow	カバー / イエロー	C	1	
20	A00JR73800	TERMINAL Y ASSY	接点 Y アッセン	C	1	
21	A00J118300	Contact /Magenta	接点 / マゼンタ	C	1	
22	A00J118100	Developing Contact /Magenta	現像接点 / マゼンタ	C	1	
23	A00J118500	Cover /Magenta	カバー / マゼンタ	C	1	
24	A00JR73900	TERMINAL M ASSY	接点 M アッセン	C	1	
25	A0P0R71800	C/K contact assy	C / K 接点 A S S Y	C	1	

I/U LOCK LEVER SECTION

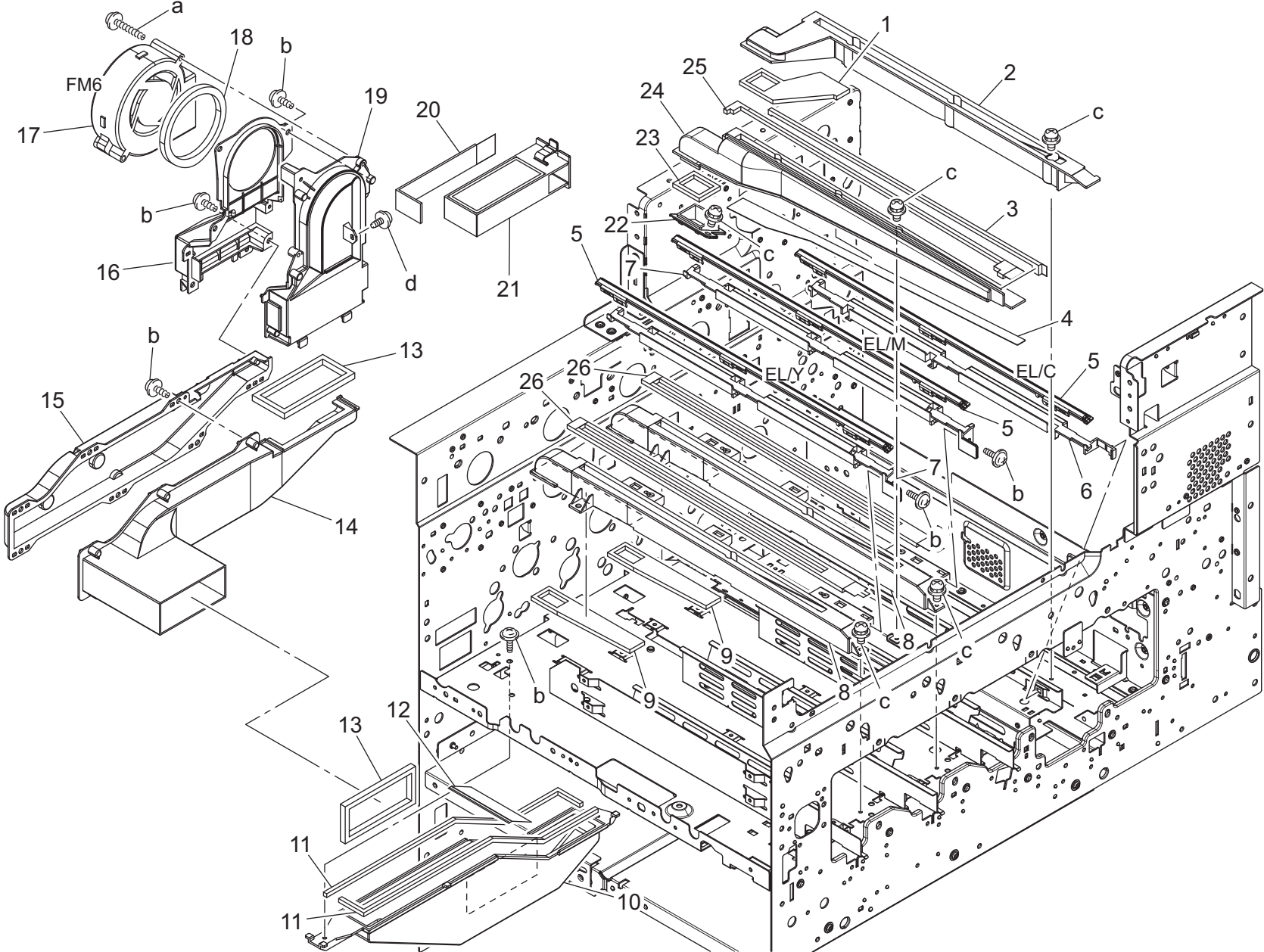


bizhub C654/bizhub C754

I/U LOCK LEVER SECTION

Key	Part No.	Description	Destinations	Class	QTY	Standard parts
1	4004182902	CUSHION		C	3	a-V217030001 b-V137030603
2	A00J121000	Swing Shaft		D	3	
3	A00J121400	Torsion Spring		C	3	
4	A00J120900	Knob		C	3	
5	A00J120201	Claw		C	3	
6	A00J120300	Support Shaft		D	6	
7	A00J121500	Compressing Spring		C	3	
8	A00J120100	Lever /Color		C	3	
9	A0P0120800	Mounting Plate /Black		D	1	
10	A108M50100	Photointerrupter		B	1	
11	A0P0121300	Mounting Plate /Cyan		D	1	
12	A00J120500	Mounting Plate /Left		D	1	
13	A00J121200	Cushion /Lower		C	3	
14	A00J120600	Mounting Plate /Right		D	2	
15	A0P0A14002	IU Lock(YM)		C	2	
16	A0P0A14102	IU Lock (C)		C	1	

OZONE DUCT SECTION

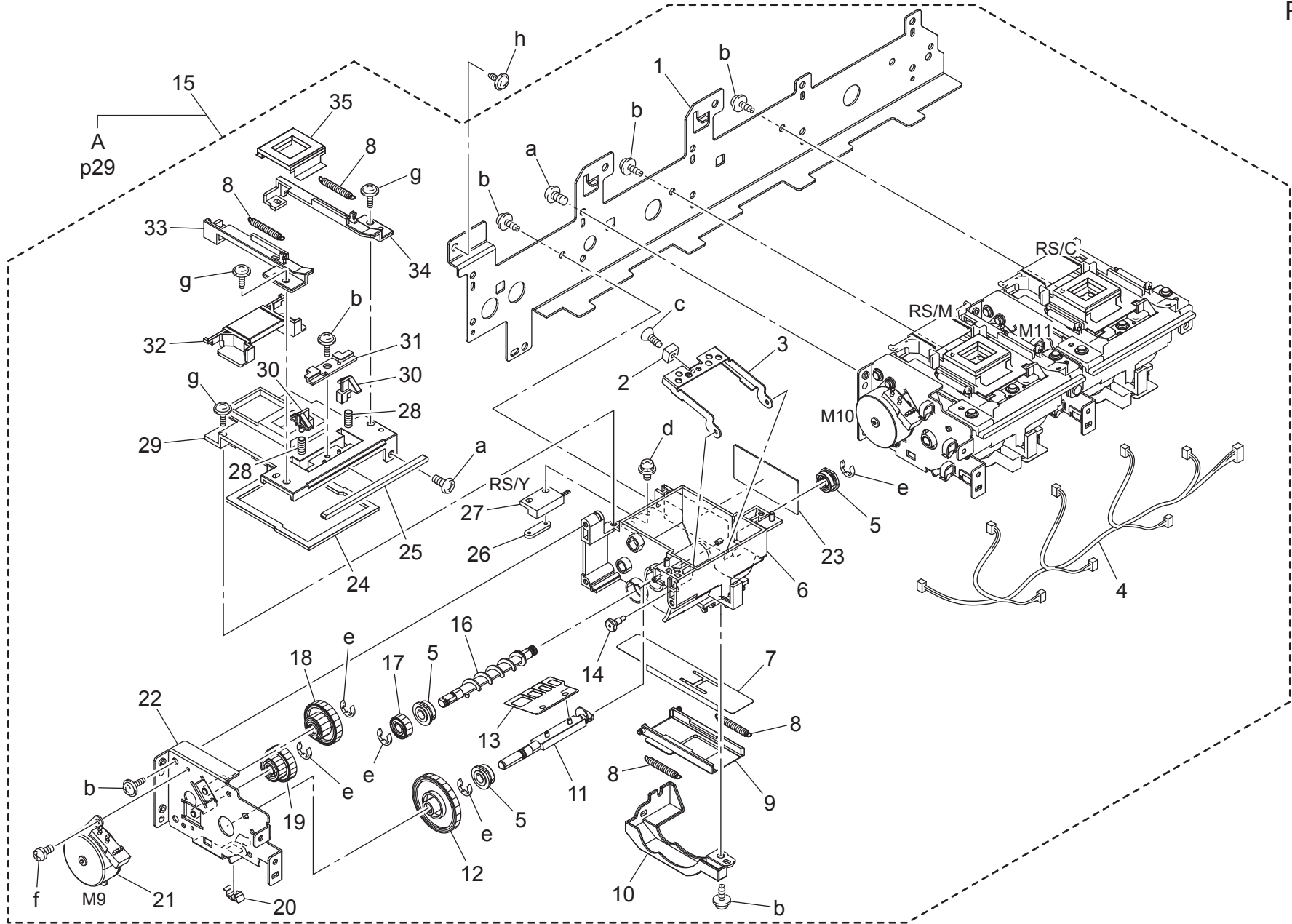


bizhub C654/bizhub C754

OZONE DUCT SECTION

Key	Part No.	Description	Destinations	Class	QTY	Standard parts
1	A00J114901	Seal /B		C	1	a-V153044503 b-V153030803 c-V116030603 d-V137030603
2	A0P0113600	Ozone Duct /B		D	1	
3	A00J114401	Seal /A		C	1	
4	A2X0114300	Seal /Cyan		C	1	
5	4036606202	ERASE ASSY		C	3	
6	A00J119600	Positioning Holder /Cyan		C	1	
7	A00J119500	Positioning Holder /Yellow		C	2	
8	A00J113401	Ozone Duct		D	2	
9	A00J114701	Seal		C	2	
10	A00J113800	Ozone Duct /Inside		D	1	
11	A00J116201	Seal /Upper		C	2	
12	A00J116100	Seal /Lower		C	1	
13	A0P0115000	Seal /Inside		C	2	
14	A00J116400	Ozone Duct /Front		D	1	
15	A00J116301	Ozone Duct /Rear		D	1	
16	A0P0119700	Ozone Duct /A		D	1	
17	9313100072	FAN MOTOR		C	1	
18	4036248501	SEAL		C	1	
19	A0P0119800	Ozone Duct /B		D	1	
20	A00J116511	Seal		C	1	
21	A2X0R71E00	Ozone Filter		B	1	
22	A00J117000	Duct /Cyan		C	1	
23	A00J114801	Seal /Cyan		C	1	
24	A2X0113500	Ozone Duct /Cyan		D	1	
25	A00J114502	Seal /B		C	1	
26	A00J114603	Seal		C	2	

TONER SUPPLY SECTION



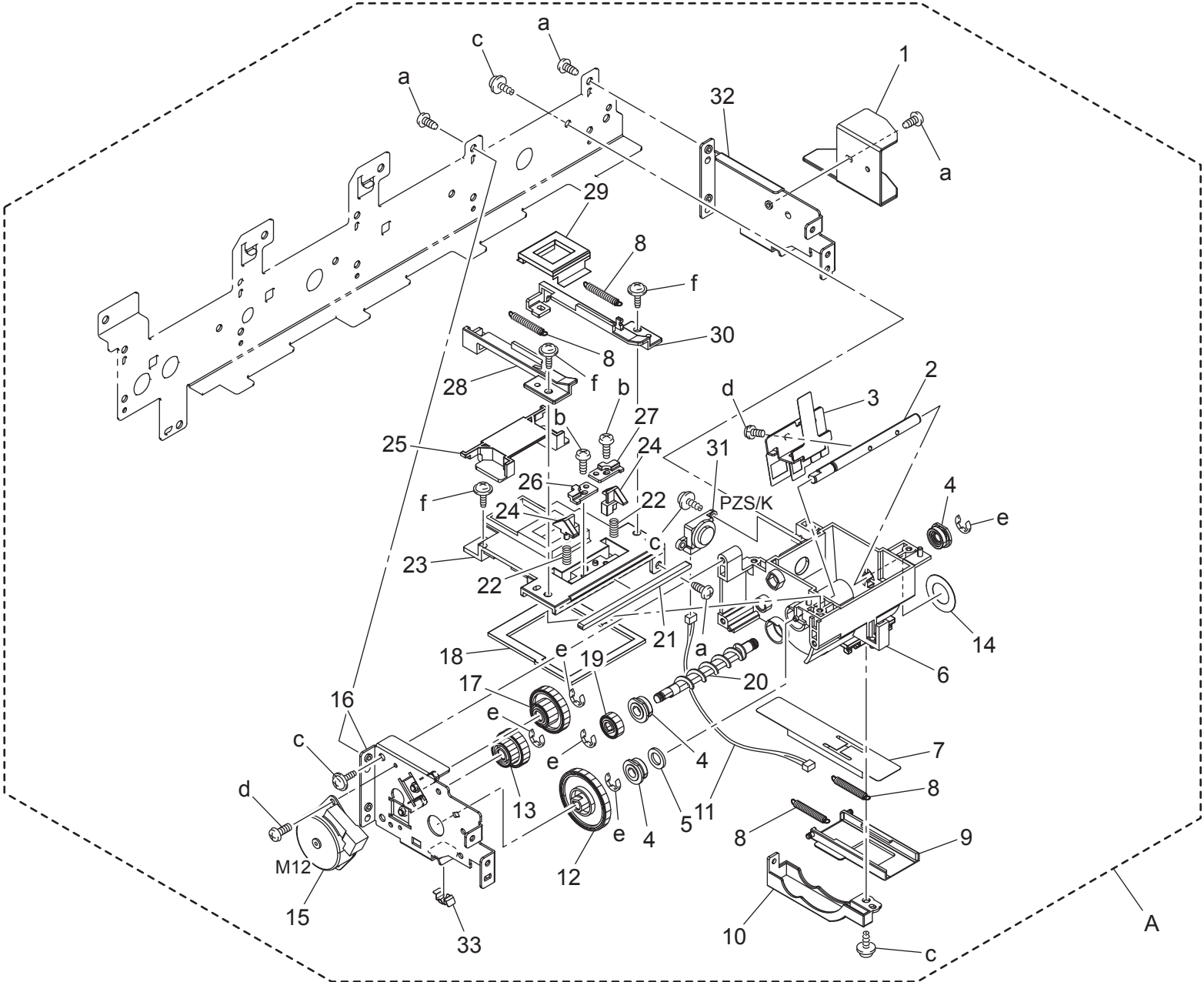
bizhub C654/bizhub C754

TONER SUPPLY SECTION

Key	Part No.	Description	Destinations	Class	QTY	Standard parts
1	A0P0402500	Mounting Plate /T		D	1	a-V118030803
2	9326290006	MAGNET		D	3	b-V153030803
3	A0P0407701	Detecting Plate		D	3	c-V112030803
4	A2X0N12300	Toner Drive harness		D	1	d-V116031003
5	65AA32501	BUSHING /B		C	9	e-V217040001
6	A0P0400100	Supply Casing		D	3	f-V115030803
7	4036534903	SEAL		C	3	g-V153031004
8	4036534801	TENSION SPRING		C	12	h-V137030603
9	4036534702	SHUTTER		C	3	
10	A0P0405400	Cover /Lower		D	3	
11	A0P0400600	Agitating Shaft		D	3	
12	A00J401700	Gear 45T		C	3	
13	A0P0400800	Toner supply Sheet		D	3	
14	A0P0407800	Pin		D	3	
15	A2X0R71422	Sub Hopper Assy		C	1	
16	A00J400500	Supply Roller		C	3	
17	A00J401600	Gear 22T		C	3	
18	A00J401900	Gear 17/44T		C	3	
19	A2X0401800	Gear 35/45T		C	3	
20	A2X0401000	Guide Plate		C	3	
21	A00JM12100	Stepping motor		C	3	
22	A2X0F41001	DrivePanel/H		D	3	
23	A0P0407900	Protection Plate		C	3	
24	A0P0402200	Seal /A		D	3	
25	A00J407300	SEAL		C	3	
26	4011533901	PLATE NUT		D	3	
27	9334271011	SWITCH		C	3	
28	A00J401401	Spring /A		C	6	
29	A0P0400301	Cover /Upper		D	3	
30	A00J401200	Regulating Claw		C	6	
31	A0P0406800	Receiving Block		D	3	
32	A00J400401	Shutter /H		C	3	
33	A0P0405600	Guide Cover /Left		D	3	
34	A0P0405500	Guide Cover /Right		D	3	
35	A00J400900	Seal /S		C	3	

bizhub C654/bizhub C754

TONER SUPPLY SECTION

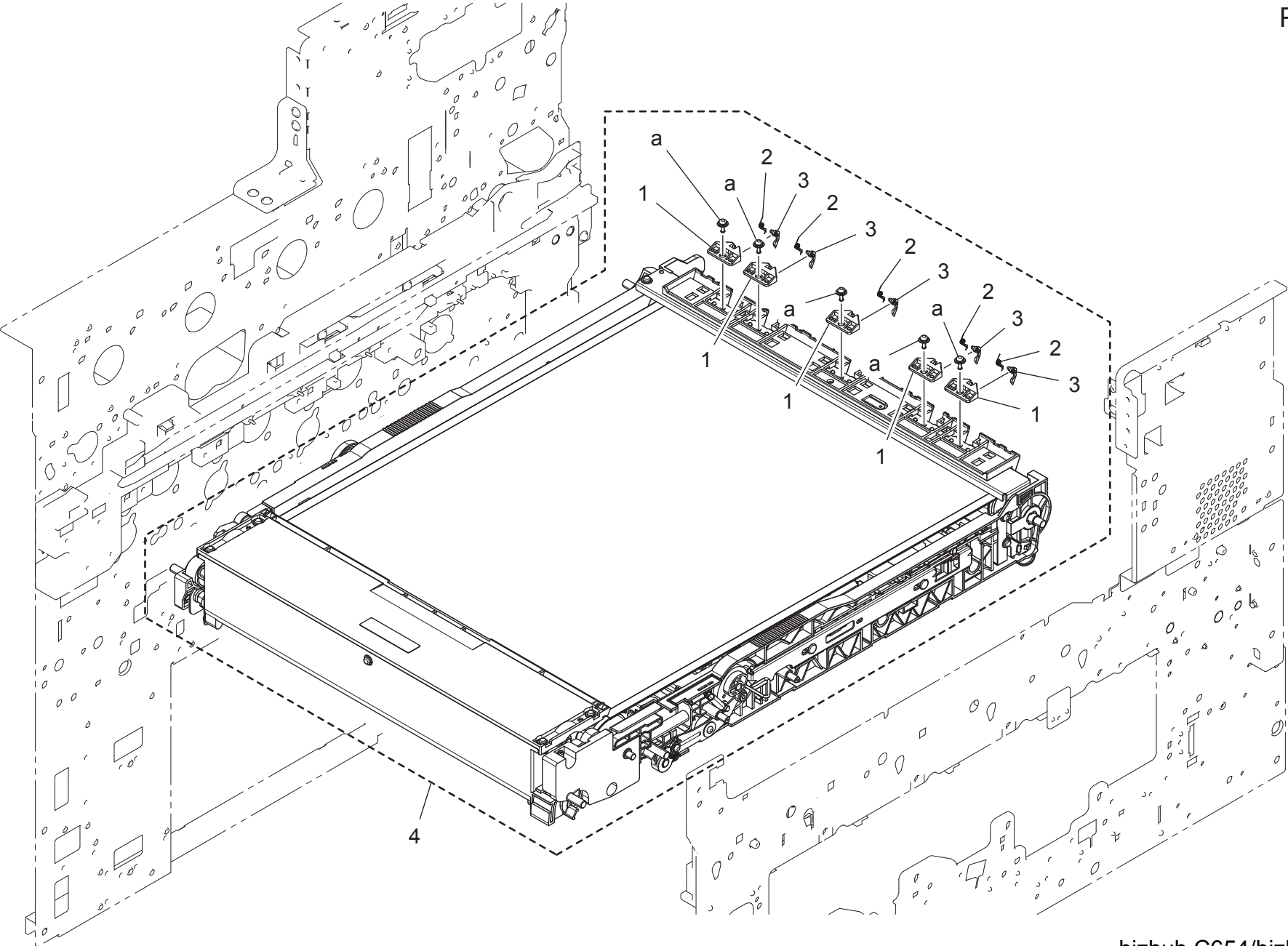


bizhub C654/bizhub C754



Key	Part No.	Description	Destinations	Class	QTY	Standard parts
1	A0P0406700	Cover		D	1	a-V118030803
2	A00J400611	Agitating Shaft		D	1	b-V145030803
3	A00JR74400	AGITAING PANEL		C	1	c-V153030803
4	65AA32501	BUSHING /B		C	3	d-V115030803
5	A00J402300	Seal		C	1	e-V217040001
6	A00J400113	Supply Casing		D	1	f-V153031004
7	4036534903	SEAL		C	1	
8	4036534801	TENSION SPRING		C	4	
9	4036534702	SHUTTER		C	1	
10	A00J405400	Cover /Lower		C	1	
11	A00JN12100	TONER RELAY HARNESS/3		D	1	
12	A00J401700	Gear 45T		C	1	
13	A2X0401800	Gear 35/45T		C	1	
14	A0P0401000	Seal		C	1	
15	A00JM12100	Stepping motor		C	1	
16	A2X0F41001	DrivePanel/H		D	1	
17	A00J401900	Gear 17/44T		C	1	
18	A00J402200	Seal /A		C	1	
19	A00J401600	Gear 22T		C	1	
20	A00J400500	Supply Roller		C	1	
21	A00J407300	SEAL		C	1	
22	A00J401401	Spring /A		C	2	
23	A00J400300	Cover /Upper		D	1	
24	A00J401200	Regulating Claw		C	2	
25	A00J400401	Shutter /H		C	1	
26	A00J406801	Receiving Block /Left		C	1	
27	A00J406901	Receiving Block /Right		C	1	
28	A00J405600	Guide Cover /Left		C	1	
29	A00J400900	Seal /S		C	1	
30	A00J405500	Guide Cover /Right		C	1	
31	40AA88031	Level Detection Sensor		C	1	
32	A00J406600	Panel /P		D	1	
33	A2X0401000	Guide Plate		C	1	

TRANSFER UNIT

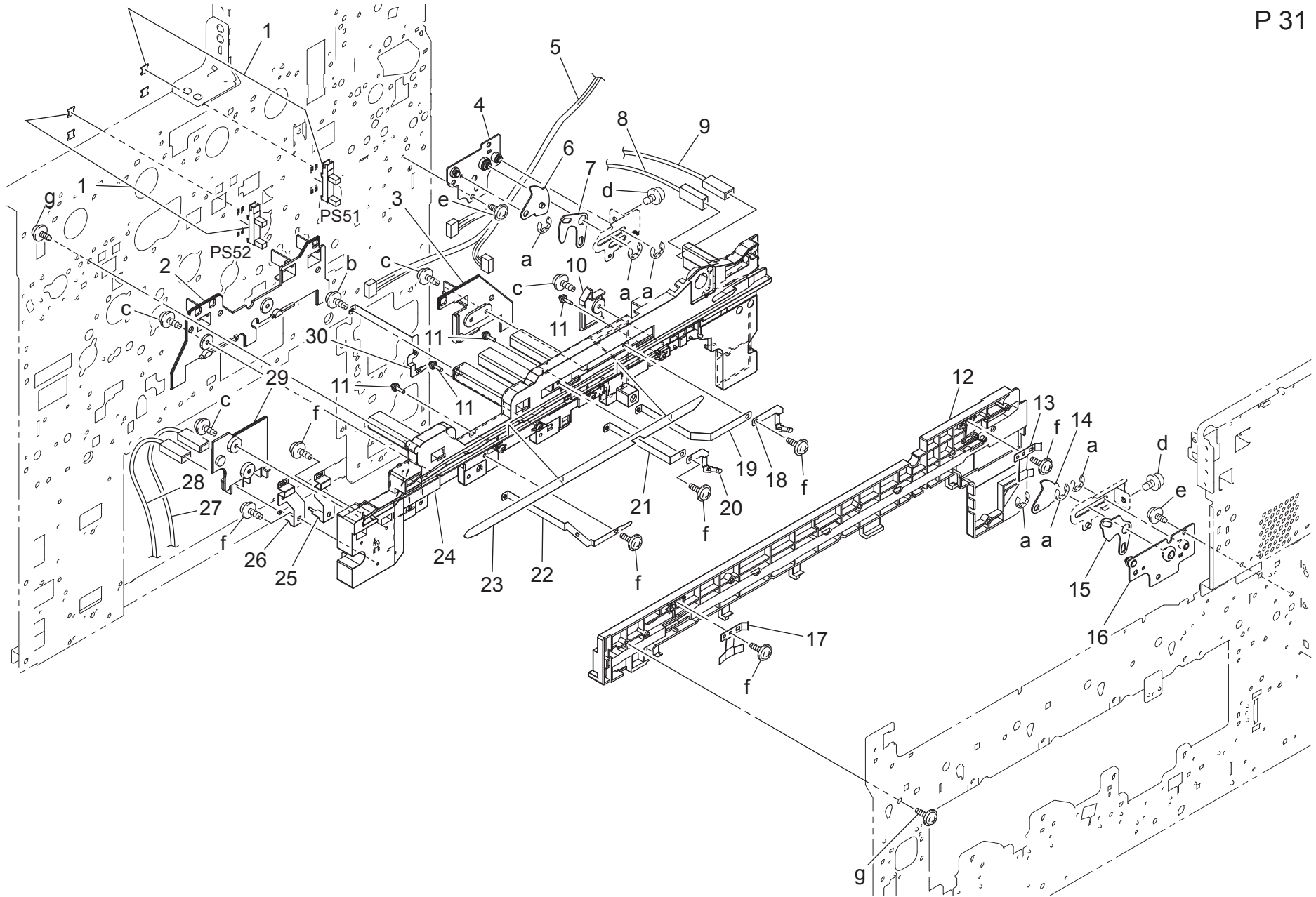


TRANSFER UNIT

Key	Part No.	Description	Destinations	Class	QTY	Standard parts
1	A0P0502300	Holder		D	5	a-V116030803
2	4163407201	TORSION SPRING		C	5	
3	4036482701	SEPARATOR		C	5	
4	A2X0R70100	Transfer unit		A	1	

bizhub C654/bizhub C754

TRANSFER RAIL SECTION



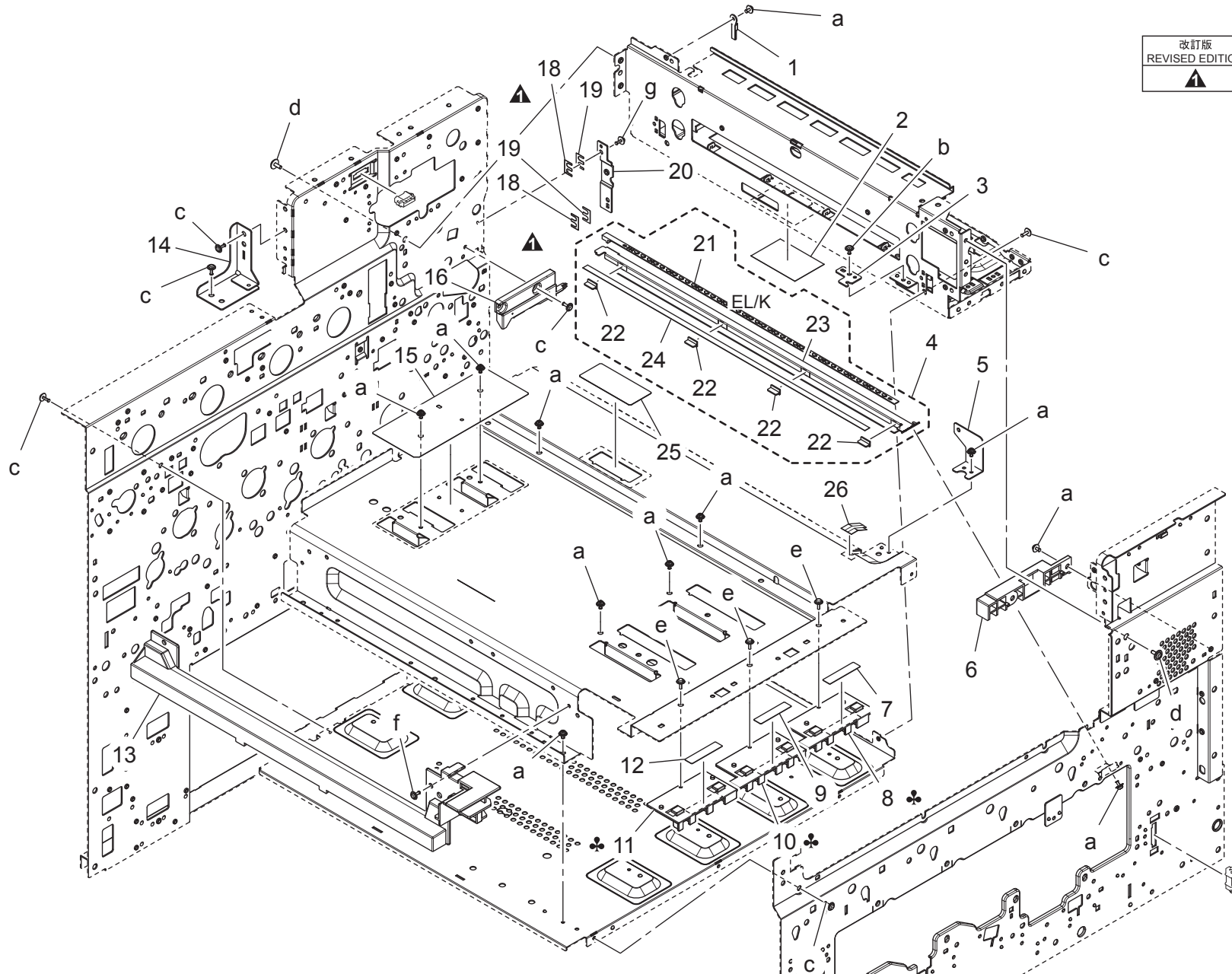
bizhub C654/bizhub C754

TRANSFER RAIL SECTION

Key	Part No.	Description	Destinations	Class	QTY	Standard parts
1	A00JR90000	PHOTO INTERRUPTER		B	2	a-V217040001 b-V153031003 c-V153030803 d-V116040803 e-V137030603 f-V153030603 g-V153040803
2	A00J524201	Cover /2		D	1	
3	A00J524101	Cover /1		D	1	
4	A00JR7A200	PLATE / REAR		D	1	
5	A2X0N12M00	Sensor Relay harness /4		D	1	
6	A00JR7A300	LOCK PLATE / REAR		D	1	
7	A00J523201	Connecting Plate		C	1	
8	A2X0N13C00	Transfer Wiring		D	1	
9	A2X0N13D00	Separating Wiring /E		D	1	
10	A00J524402	Cover /4		C	1	
11	4036231101	PIN		D	4	
12	A00J520102	Transfer Rail /Front		D	1	
13	A00J521601	Plate spring /1		D	1	
14	A00JR7A500	LOCK PLATE / FRONT		D	1	
15	A00J523901	Connecting Plate		D	1	
16	A00JR7A600	PLATE / FRONT		D	1	
17	A00J521701	Plate spring /2		D	1	
18	A00J522600	Contact /Black		C	1	
19	A00J520300	Contact /Black		C	1	
20	A00J522700	Contact /Cyan		C	1	
21	A00J520400	Contact /Cyan		C	1	
22	A00J520600	Contact /Yellow		C	1	
23	A0P0109501	Guide Seal /2		D	1	
24	A00J520203	Transfer Rail /Rear		D	1	
25	A00J520800	Contact		C	1	
26	A00J520900	Contact		C	1	
27	A2X0N13E00	Separating Wiring /1		D	1	
28	A2X0N13F00	Separating Wiring /2		D	1	
29	A00J524300	Cover /3		D	1	
30	A00J520500	Contact /Magenta		C	1	

ERASE LAMP SECTION

改訂版 REVISED EDITION	日付 DATE
▲	FEBRUARY 2012

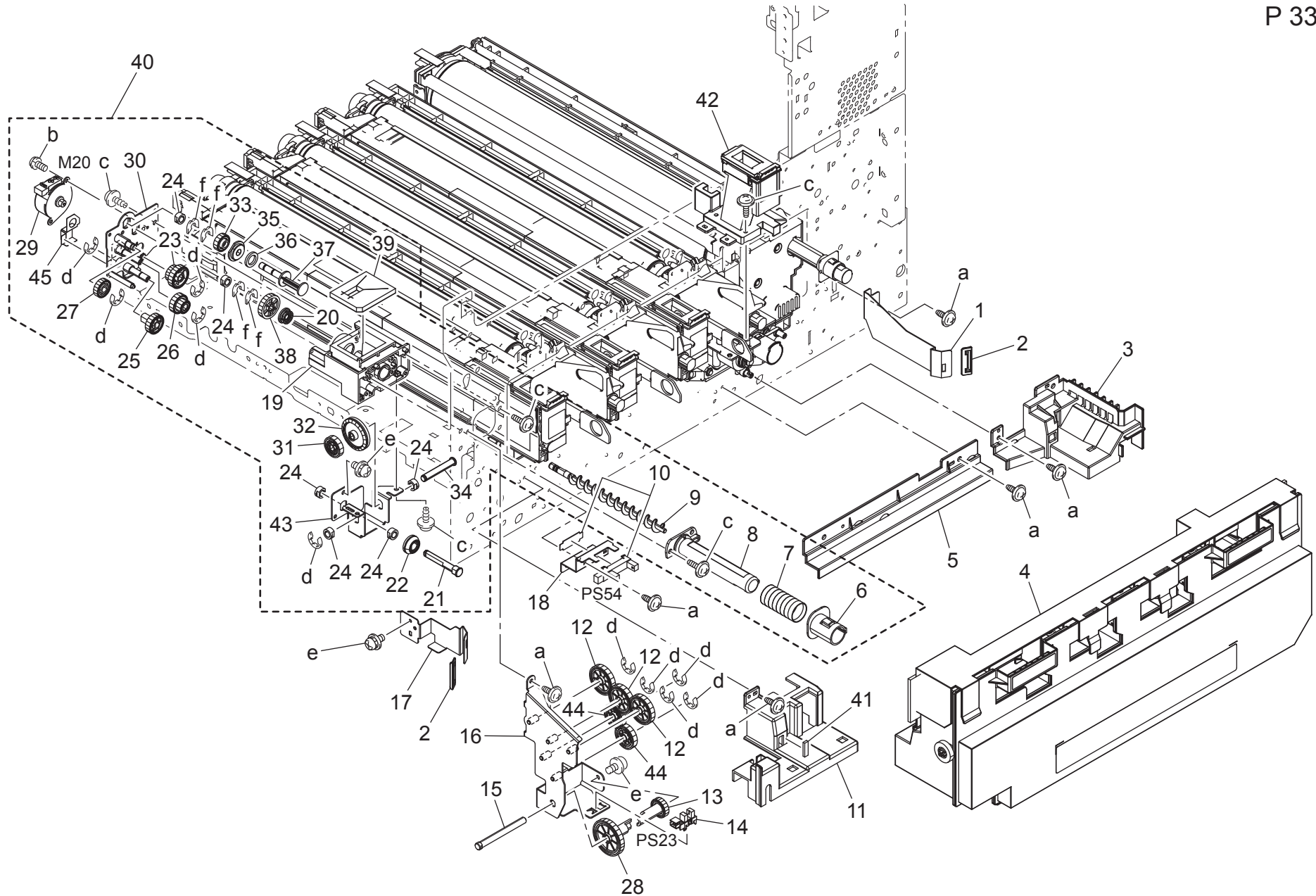


bizhub C654/bizhub C754

ERASE LAMP SECTION

Key	Part No.	Description	Destinations	Class	QTY	Standard parts
1	A2XKN10J00	Grounding Wiring		D	1	a-V116030603
2	A2X0125400	Protection Sheet		D	1	b-V137030603
3	A00J104700	Mounting Plate		D	1	c-V137030803
4	A00JR73700	ERASER LAMP ASSY		C	1	d-V137040803
5	A00J107001	Mounting Plate		D	1	e-V153030803
6	A2X0102500	Guide Plate /Front		D	1	f-V144030803
7	A2X0948500	Label		C	1	g-V116030803
8	A2X0404901	Regulating Block /Cyan	A,A1	D	1	
8	A2X0406001	Regulating Block /Cyan	B,G2	D	1	
8	A2X0406301	Regulating Block /Cyan	C,D1,D3,E,F2,G1,I,K J,H	D	1	
9	A2X0948400	Label		C	1	
10	A2X0405001	Regulating Block /Magenta	A,A1	D	1	
10	A2X0406101	Regulating Block /Magenta	B,G2	D	1	
10	A2X0406401	Regulating Block /Magenta	C,D1,D3,E,F2,G1,I,K J,H	D	1	
11	A2X0405101	Regulating Block /Yellow	A,A1	D	1	
11	A2X0406201	Regulating Block /Yellow	B,G2	D	1	
11	A2X0406501	Regulating Block /Yellow	C,D1,D3,E,F2,G1,I,K J,H	D	1	
12	A2X0948300	Label		C	1	
13	A00J137105	Cover		D	1	
14	A00J107100	Reinforce Plate		D	1	
15	A1DM403900	Protection Plate		D	1	
16	A2X0102600	Guide Plate /Rear		D	1	
18	A2X0106700	Spacer		D	2	
19	A2X0106800	Spacer		D	2	
20	A2X0100701	Mounting Plate		D	1	
21	A00JM30301	LED array		I	1	
22	A00J145101	Mounting Plate		C	4	
23	A00J145000	Mounting Plate		D	1	
24	A00J145200	Light blocking Part		C	1	
25	A1DM403600	Seal		C	1	
26	A00J107401	Sheet		C	1	

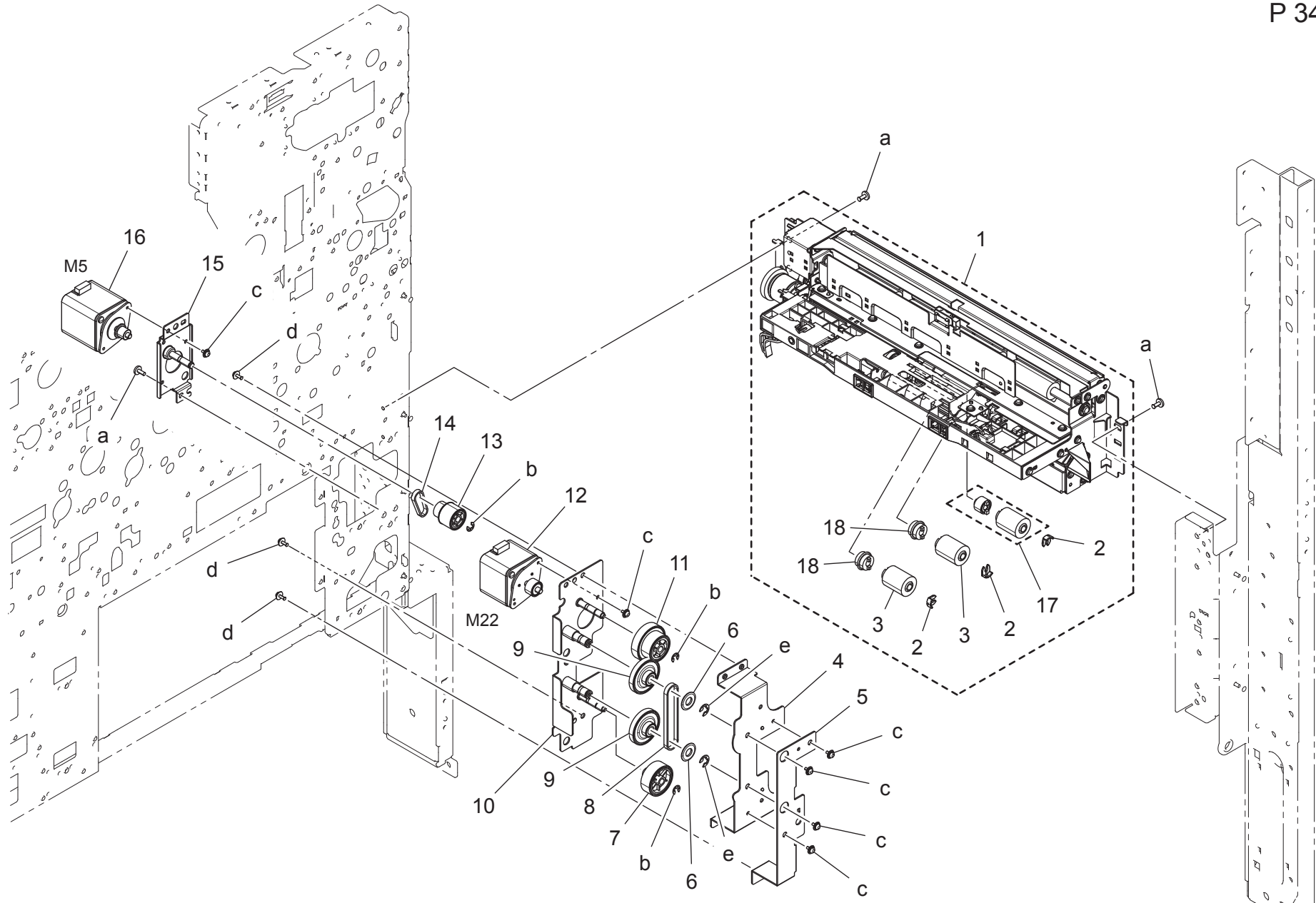
TONER COLLECT SECTION



TONER COLLECT SECTION

Key	Part No.	Description	Destinations	Class	QTY	Standard parts
1	A0P0364800	Fixing Plate /Right		D	1	a-V137030603 b-V115030603 c-V153030803 d-V217040001 e-V116030603 f-V218040086
2	A00J365001	Knob		C	2	
3	A0P0366000	Guide Part /Right		D	1	
4	A0XPWY1	Bottle(Toner Collection)		A	1	
5	A0P0366200	Guide Part /Middle		D	1	
6	A00J361101	Collection Shutter		C	1	
7	A00J361200	Compressing Spring		C	1	
8	A00J361700	Collection Pipe		C	1	
9	A00J360800	Conveyance Screw		C	1	
10	4037090101	PHOTO INTERRUPTER		B	1	
11	A0P0366100	Guide Part /Left		D	1	
12	A0P0362900	Gear 27T		D	3	
13	A0P0364100	Drive Gear /10 17T		D	1	
14	A108M50100	Photointerrupter		B	1	
15	A0P0364200	Shaft		D	1	
16	A2WUR70400	Fixing Plate		D	1	
17	A0P0364900	Fixing Plate /Left		D	1	
18	A0P0366301	Mounting Plate		D	1	
19	A0P0360700	Collection Casing		D	1	
20	65AA32501	BUSHING /B		C	1	
21	A00J361900	Drive Shaft /2		D	1	
22	A00J362700	Gear 20T		C	1	
23	A00J363000	Gear 38/35T		C	1	
24	A0P0364000	Bushing		C	6	
25	A00J362500	Gear 30T		C	1	
26	A00J362400	Gear 30/20T		C	1	
27	A0P0368500	Gear 28T		C	1	
28	A2WU364100	Gear 34T		D	1	
29	A00JM12100	Stepping motor		C	1	
30	A0P0361000	Mounting Plate /ASSY		D	1	
31	A00J362600	Gear 18T		C	1	
32	A00J362800	Gear 40T		C	1	
33	A0P0368400	Gear26T		D	1	
34	A00J361800	Drive Shaft /1		D	1	
35	A0P0368200	Bushing		D	1	
36	A0P0368600	Seal		D	1	
37	A0P0368100	Agitating Paddle		D	1	
38	A00J361000	Gear 38T		C	1	
39	A00J365402	Sealing Shutter		C	1	
40	A0P0R71322	Toner collection assy		C	1	
41	A0P0366400	Seal		C	1	
42	A2X0R71F00	Toner Supply Duct Assy		C	1	
43	A0P0361100	Mounting Plate /2		D	1	
44	A2WU362900	Gear 22T		D	2	
45	A0P0361500	Seal		C	1	

1ST PAPER FEED SECTION

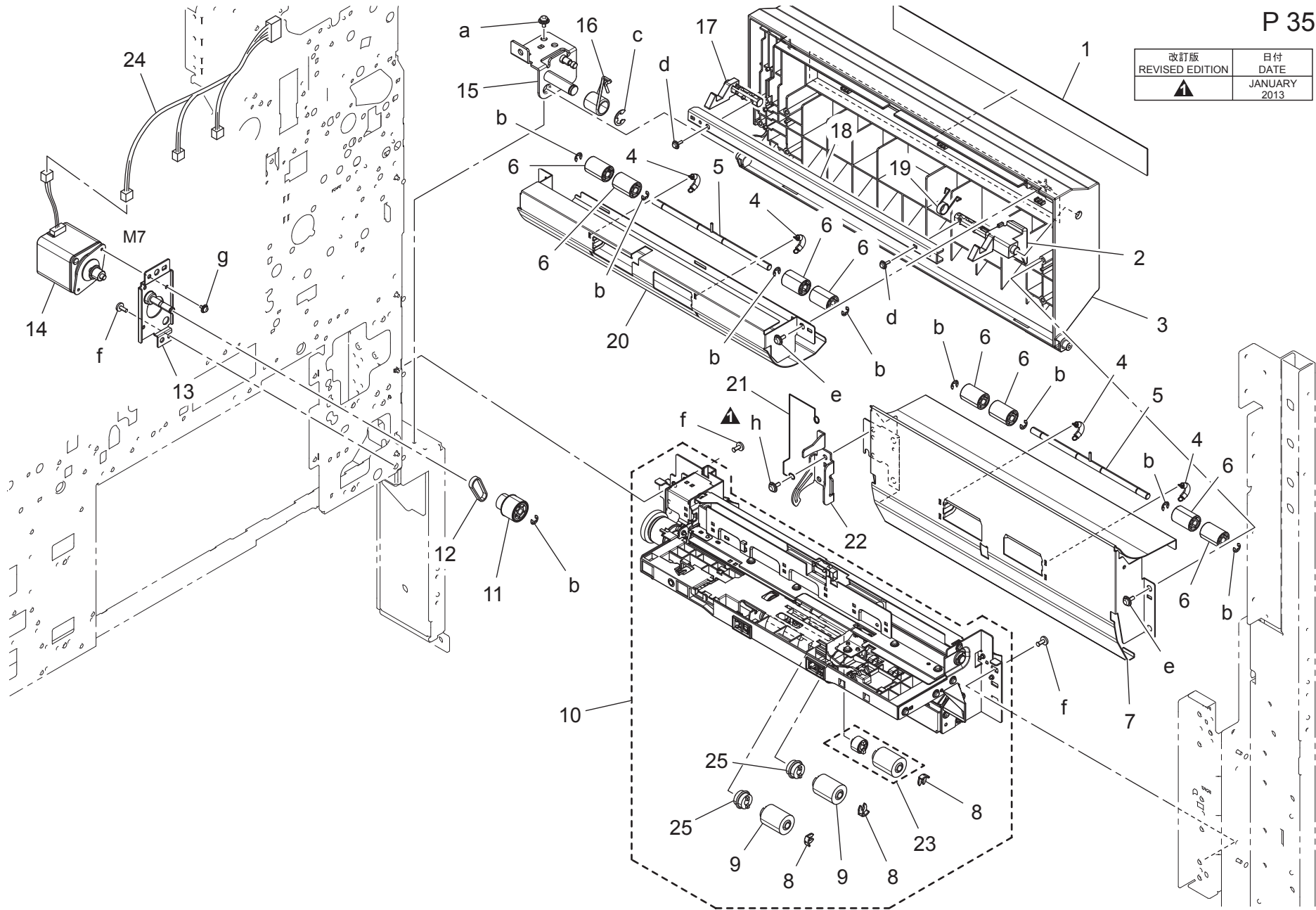


bizhub C654/bizhub C754

Key	Part No.	Description	Destinations	Class	QTY	Standard parts
1	A2X0R70E00	Paper Feed 1 Assy		C	1	a-V118040803 b-V217040001 c-V116030603 d-V116030803 e-V217060001
2	56AA40490	SHAFT STOPPER 4		C	3	
3	A00J563600	Roller		A	2	
4	A00J562502Old	Mounting Plate /1		D	1	
4	A00J562513	Mounting Plate /1		D	1	
5	A2X0624200Old	Mounting Plate		D	1	
5	A2X0624211	Mounting Plate		D	1	
6	A00J566300	Washer		C	2	
7	A00J562400	Gear 28T		C	1	
8	A00J562800	Timing belt 160L		C	1	
9	A00J562300	Gear 22/32T		C	2	
10	A2X0R70P00	Mounting Plate Assy		D	1	
11	A00J562200	Gear 24/42T		C	1	
12	A2X0M10100	Stepping motor		C	1	
13	A0P0570400	Gear 24T		C	1	
14	A0HT811400	Timing belt 76L		D	1	
15	A0P0R7A111	Frame/Drive Moter		D	1	
16	A2X0M10300	Stepping motor		C	1	
17	A2X0R90100	Separation Roller Kit		A	1	
18	A00J563500	Clutch		C	2	

2ND PAPER FEED SECTION

改訂版 REVISED EDITION	日付 DATE
▲	JANUARY 2013



bizhub C654/bizhub C754

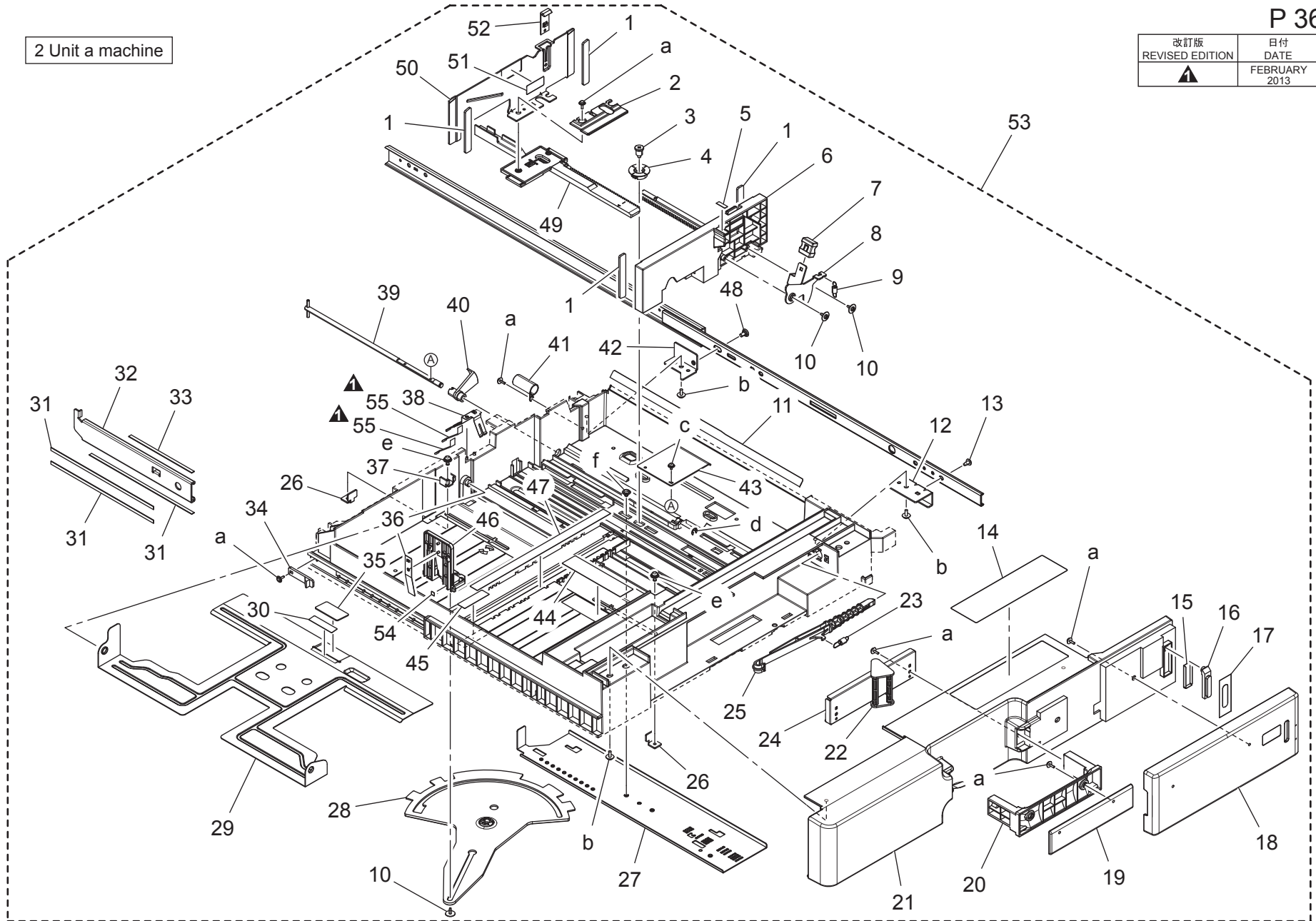
Key	Part No.	Description	Destinations	Class	QTY	Standard parts
1	A00J574611	Attaching Cover		C	1	a-V116040803
2	A00J573712	Lock Claw /Front		C	1	b-V217040001
3	A00J571712	Paper feed Door /Lower		C	1	c-V217080001
4	A00J574500	PULLING SPRING /LOWER		C	4	d-V153030803
5	A00J574100	IDLER SHAFT		D	2	e-V153040803
6	4030312201	ROLL		C	8	f-V118040803
7	A0P0571911	Guide Plate /Lower		D	1	g-V116030603
8	56AA40490	SHAFT STOPPER 4		C	3	h-V153041003
9	A00J563600	Roller		A	2	
10	A2X0R70J00	Paper Feed 2 Assy		C	1	
11	A0P0570400	Gear 24T		C	1	
12	A0HT811400	Timing belt 76L		D	1	
13	A0P0R7A111	Frame/Drive Moter		D	1	
14	A2X0M10300	Stepping motor		C	1	
15	A0P0573100	Mounting Plate		C	1	
16	A0P0575500	Torsion Spring		D	1	
17	A00J573801	Lock Claw /Rear		C	1	
18	A00J573900	MOUNTING PLATE		D	1	
19	A00J566600	Torsion Spring		C	1	
20	A0P0571811	Guide Plate /Upper		D	1	
21	A2X0568400	Ground Contact		D	1	
22	A00J573601	Stopper Door		D	1	
23	A2X0R90100	Separation Roller Kit		A	1	
24	A2X0N10F00	Paperfeed Drive harness		D	1	
25	A00J563500	Clutch		C	2	

CASSETTE TRAY

2 Unit a machine

P 36

改訂版 REVISED EDITION	日付 DATE
	FEBRUARY 2013



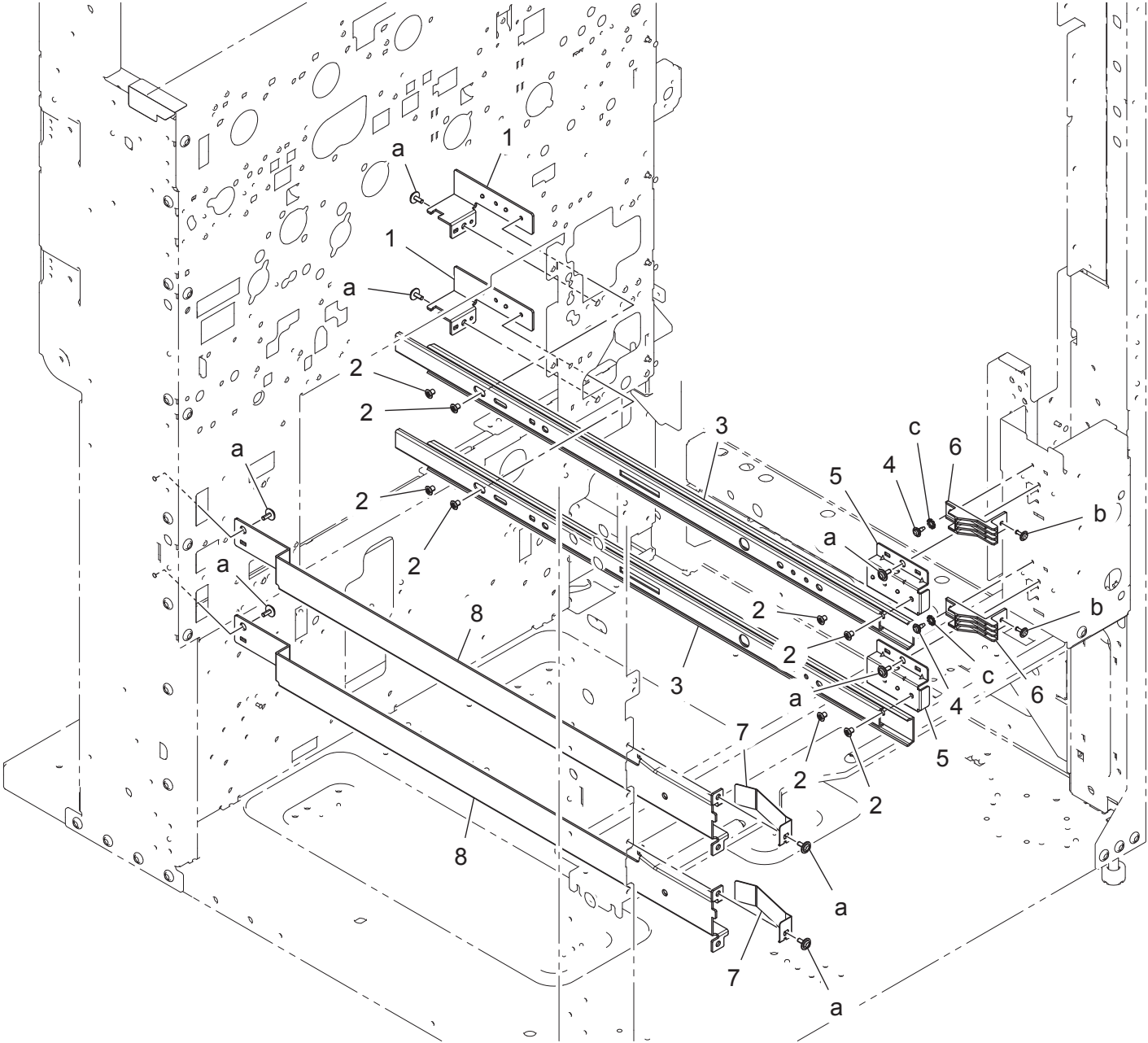
bizhub C654/bizhub C754

Key	Part No.	Description	Destinations	Class	QTY	Standard parts
1	A02E622700	Cushion	クッション (ガイド)	C	8	a-V153030803
2	A2X0624400	Cover	カバー	C	2	b-V153040803
3	A161620600	Shoulder screw	段ねじ	D	2	c-V116030603
4	A161620701	Gear	ギア	D	2	d-V217040001
5	A161943000	Label	ラベル	C	2	e-V125041001
6	A161620802	Regulating Plate /Front	規制板 /前	C	2	f-V144040603
7	4037320401	KNOB	つまみ	C	2	
8	A161621300	Lever	レバー	D	2	
9	A0ED621400	Pulling Coil spring	引張りコイルばね	D	2	
10	4163529301	SCREW	ねじ	C	6	
11	A0ED620200	Guide	ガイド (前さばき)	C	2	
12	A2X0631300	Mounting Plate	取付板	D	2	
13	1151330001	SCREW	ねじ	C	2	
14	A161943802	Label	ラベル (用紙補給)	C	2	
15	A161626200	Sheet	シート (反射板)	D	2	
16	A161626000	Lens	レンズ (ライトガイド・給紙)	D	2	
17	A161626100	Light blocking Sheet	遮光シート	D	2	
18	A2X0170901	Cover	カバー (パレット・カセット)	C	2	
19	A161625900	Cover	カバー (カセット取手)	C	2	
20	A161626900	Handle	取手 (カセット)	C	2	
21	A2X0160702	Cover	カバー (カセット)	C	2	
22	A161626601	Lever	レバー (解除)	C	2	
23	A161626800	Pulling Coil spring	引張りコイルばね (ロックレバー)	C	2	
24	A161626300	Holder	ホルダ (取手)	D	2	
25	A2X0624001	Lever	レバー (ロック)	C	2	
26	A2X0624500	Stopper	ストッパ (規制板)	D	4	
27	A161621900	Mounting Plate	取付板	D	2	
28	A2X0621400Old	Lever	レバー	C	2	
28	A2X0621411	Lever	レバー	C	2	
29	A161620400	Lifting Plate	押上げ板	D	2	
30	A00J623400	FRICITION PLATE	摩擦板	C	2	
31	A00J630500	Guide Sheet	ガイドシート	C	6	
32	A2X0631000	Mounting Plate	取付板	D	2	
33	A00J631900	GUIDE SHEET/2	ガイドシート / 2	C	2	
34	A00J631100	Stopper	ストッパ	C	2	
35	4030322601	FRICITION SHEET	摩擦板	C	2	
36	A161621800	Plate spring	板ばね	C	2	
37	A2X0624600	Stopper /2	ストッパ / 2 (規制板)	D	2	
38	A161622100	Ground Plate	アース板 (カセット)	D	2	
39	A2X0621600	Lifting Shaft	押上げ軸	D	2	
40	A0P0623700	Lever	レバー	C	2	
41	A2X0624300	Compressing Coil spring	圧縮コイルばね	C	2	
42	A2X0631400	Mounting Plate	取付板	D	2	
43	4030320601	LEVER	レバー	D	2	
44	A161943601	Label	ラベル (CD スケール)	C	2	
45	A161943500	Label	ラベル (FD スケール)	C	2	
46	A161621701	Regulating Plate	規制板 (後端)	C	2	
47	A00J942202	Label FD	ラベル FD	C	2	
48	A00J631700	Screw	ねじ	C	2	
49	A161621100	Rack	ラック	C	2	
50	A2X0620901	Regulating Plate /Rear	規制板 /後	C	2	
51	4002730601	LABEL CARRYING CAPACITY	ラベル 積載量	C	2	
52	4537331701	GUIDE	ガイド	D	2	
53	A2X0F62007Old	cassette	カセット A s s y	C	2	
53	A2X0F6201D	cassette	カセット A s s y	C	2	

Key	Part No.	Description	Destinations	Class	QTY	Standard parts
54	A02E940300	Label		C	2	
55	A55V624700	Protection Sheet		C	4	

bizhub C654/bizhub C754

CASSETTE RAIL SECTION



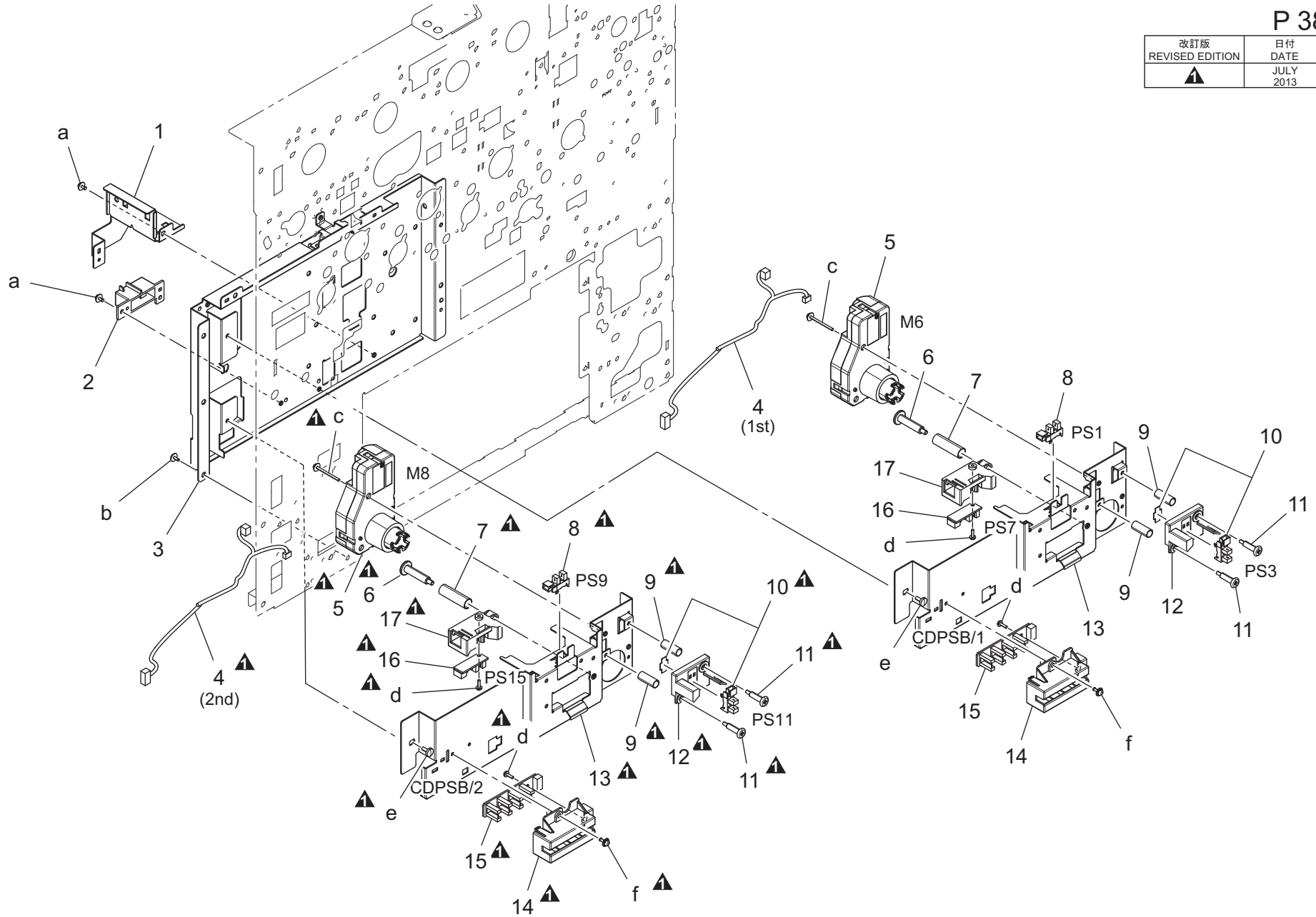
CASSETTE RAIL SECTION

Key	Part No.	Description	Destinations	Class	QTY	Standard parts
1	A2X0630800	Mounting Plate		D	2	a-V137040803 b-V137030803 c-V209040003
2	A00J618400	Screw		C	8	
3	A00J631204	Slide Rail /A		D	2	
4	4036141001	SHOULDER SCREW		C	2	
5	A2X0631600	Mounting Plate /Front		D	2	
6	A2X0624101	Lock Holder		C	2	
7	A00J631800	HOLDING PLATE		D	2	
8	A00J630102	Mounting Plate		D	2	

bizhub C654/bizhub C754

SIZE DETECTING SECTION

改訂版 REVISED EDITION	日付 DATE
▲	JULY 2013



bizhub C654/bizhub C754

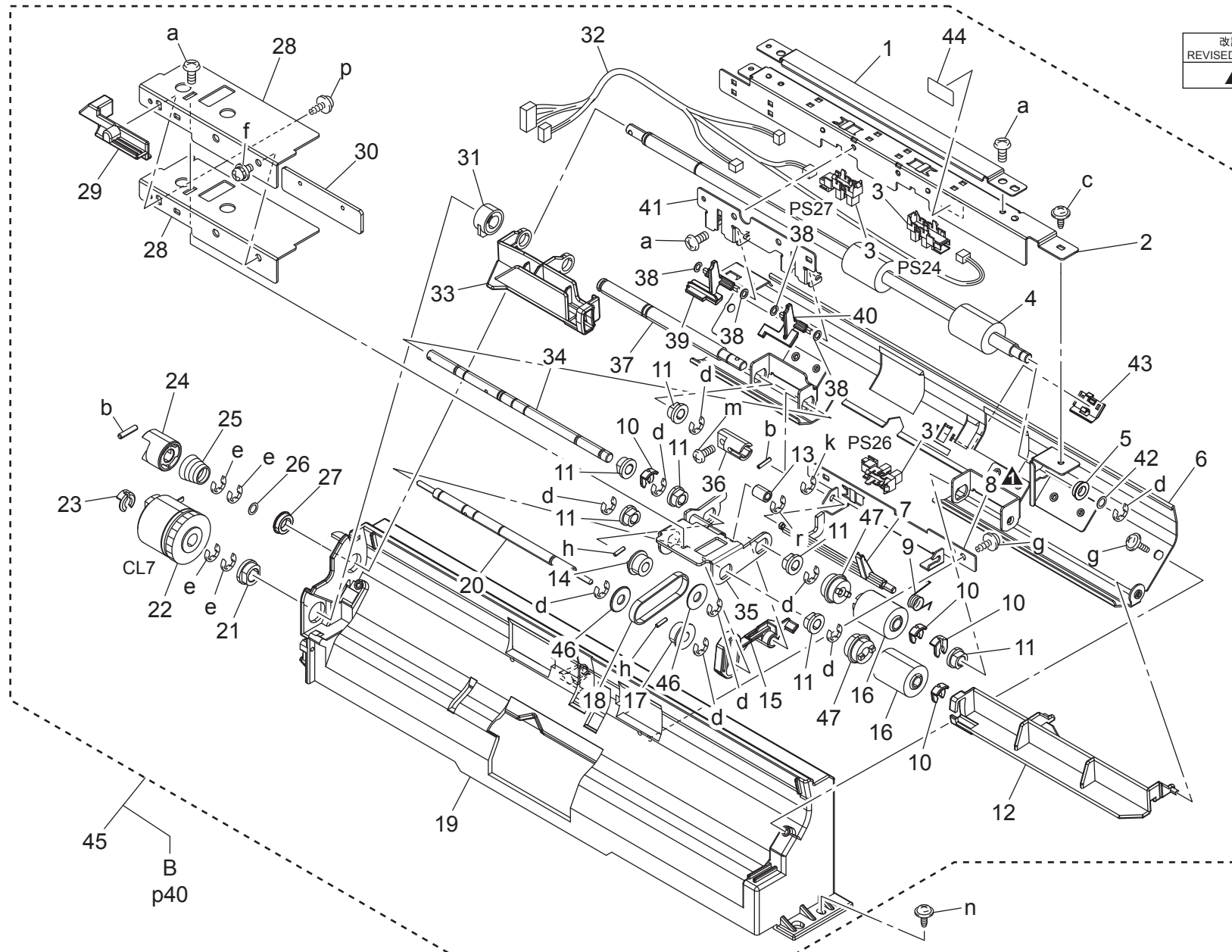
SIZE DETECTING SECTION

Key	Part No.	Description	Destinations	Class	QTY	Standard parts
1	A0P0138600	Cover		D	1	a-V116030603 b-V137030603 c-V116033003 d-V145030803 e-V118040803 f-V116030803
2	A00J133200	Rail /Left		C	1	
3	A00J575302	Mounting Plate		D	1	
4	A2X0N11600	Paperfeed Relay harness /1		D	1	
4	A2X0N11700	Paperfeed Relay harness /2		D	1	
5	A2X0M12001	Brush motor		C	2	
6	4002313101	SHOULDER SCREW		C	2	
7	4002311002	Pressure Spring		C	2	
8	A108M50100	Photointerrupter		B	2	
9	4030308104	Pressure Spring		C	4	
10	4037090601	PHOTO INTERRUPTER		B	2	
11	4030322402	SHOULDER SCREW		C	4	
12	4030308301	HOLDER		D	2	
13	A2X0575100	Mounting Plate		D	2	
14	A161628011	Holder		C	2	
15	A161M50600	Photointerrupter		C	2	
16	A161M50501	Photointerrupter		C	2	
17	A161627500	Holder		C	2	

bizhub C654/bizhub C754

1000-SHEET PAPER FEED SECTION

改訂版 REVISED EDITION	日付 DATE
▲	MAY 2012

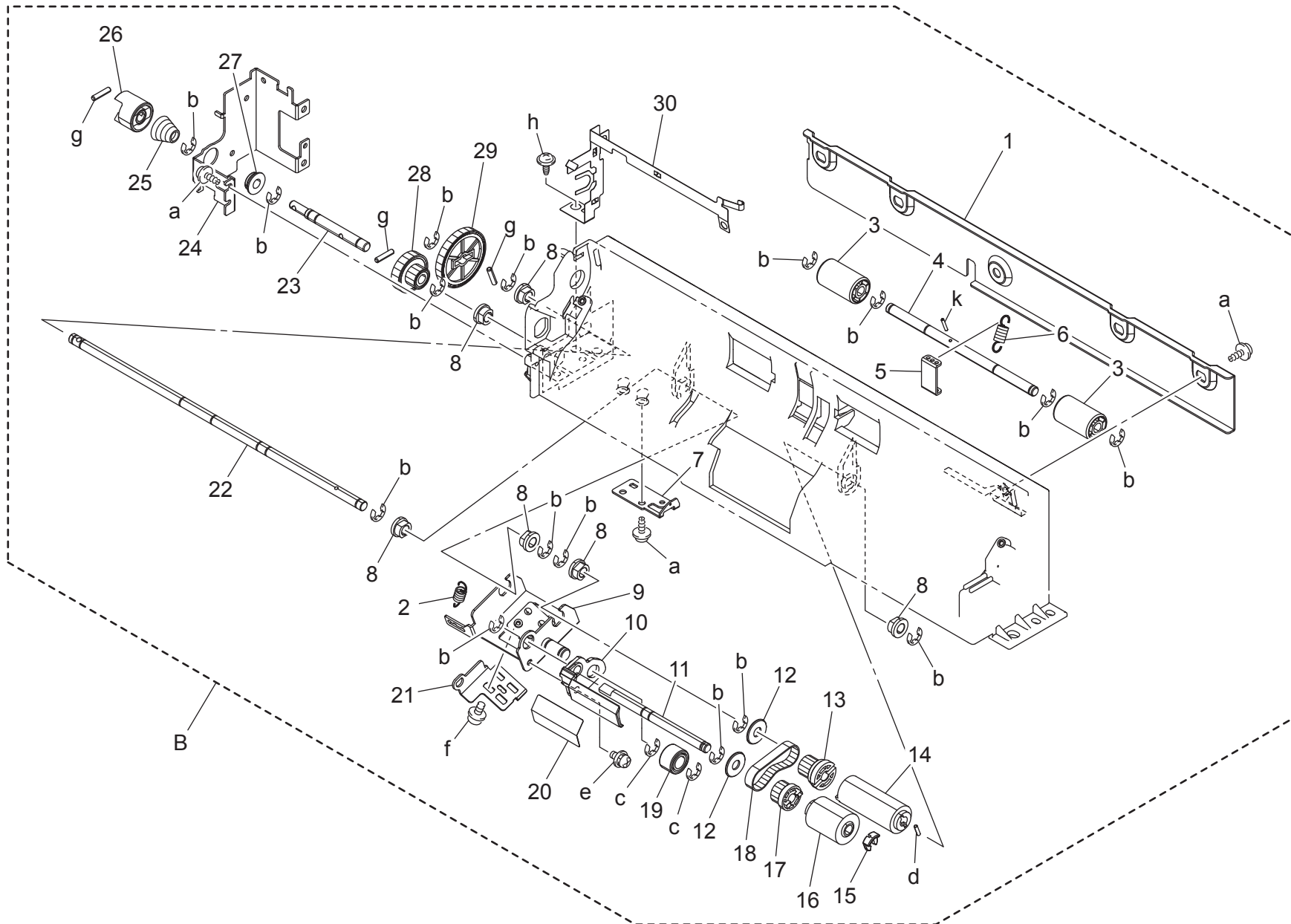


bizhub C654/bizhub C754

1000-SHEET PAPER FEED SECTION

Key	Part No.	Description	Destinations	Class	QTY	Standard parts
1	A00J618101	Cover		D	1	a-V118030603
2	A00J601201	Paper feed Cover /1		D	1	b-V233201050
3	A108M50100	Photointerrupter		B	3	c-V127030603
4	A00J605511	Conveyance Roller		C	1	d-V217040001
5	A00J617800	BALL BEARING		C	1	e-V217060001
6	A00J600313	Guide Assy draw /1		D	1	f-V116030803
7	A00J603300	Detection Actuator /2		C	1	g-V153030803
8	A00J603201	Mounting Plate		D	1	h-V231200850
9	A00J605001	Torsion Spring		C	1	k-V218030086
10	56AA40490	SHAFT STOPPER 4		C	4	m-V118030403
11	A00J663200	Bushing		C	7	n-V127030803
12	A00J600600	Regulating Plate /Front		C	1	p-V153031003
13	A0TJ602900	Pulley /3		D	1	r-V217030001
14	A0TJ602800	Pulley /2		D	1	
15	A00J604301	Actuator		C	1	
16	A00J563600	Roller		A	2	
17	A0TJ603000	Pulley /1		D	1	
18	A00J602700	Timing belt 102L		C	1	
19	A00J600204	Paper feed Base frame /2		D	1	
20	A2X0603000	Shaft		D	1	
21	A03U812800	Slide Shaft Holder		B	1	
22	56AA82012	PAPER FEED DRIVING CLUTCH		B	1	
23	55VA42120	SHAFT STOPPER		C	1	
24	A00J605300	Paper feed Coupling /2		C	1	
25	A00J605400	Pressing Spring		C	1	
26	A00J660700	Washer		D	1	
27	A00J617900	Ball Bearing		B	1	
28	A00J603102	Auxiliary Part		D	2	
29	A00J618300	Handle		C	1	
30	A00J619400	Auxiliary Part /2		C	1	
31	56AA40380	PAPER FEED REGULATING BLOCK		C	1	
32	A00JN11E01	PFU Relay harness /5		D	1	
33	A00J600400	Regulating Plate /Rear		C	1	
34	A2X0604200	Paper feed Shaft		D	1	
35	A2X0667500	Holder		D	1	
36	A00J600500	Coupling		C	1	
37	A00J600800	Paper feed Shaft /1		D	1	
38	15AG50280	PUNCH SPACER		C	4	
39	A00J600701	Detection Actuator /1		C	1	
40	A00J615901	Detection Actuator /1		C	1	
41	A00J604401	Mounting Plate		D	1	
42	A00J660800	Washer		D	1	
43	A0P0663300	Holder		D	1	
44	A00J660900	Sealing Magnet		D	1	
45	A2X0R70Q00	1000-Sheet Paper Feed Assy		S	1	
46	A0P0664000	Washer		D	2	
47	A00J563500	Clutch		C	2	

1000-SHEET PAPER FEED SECTION



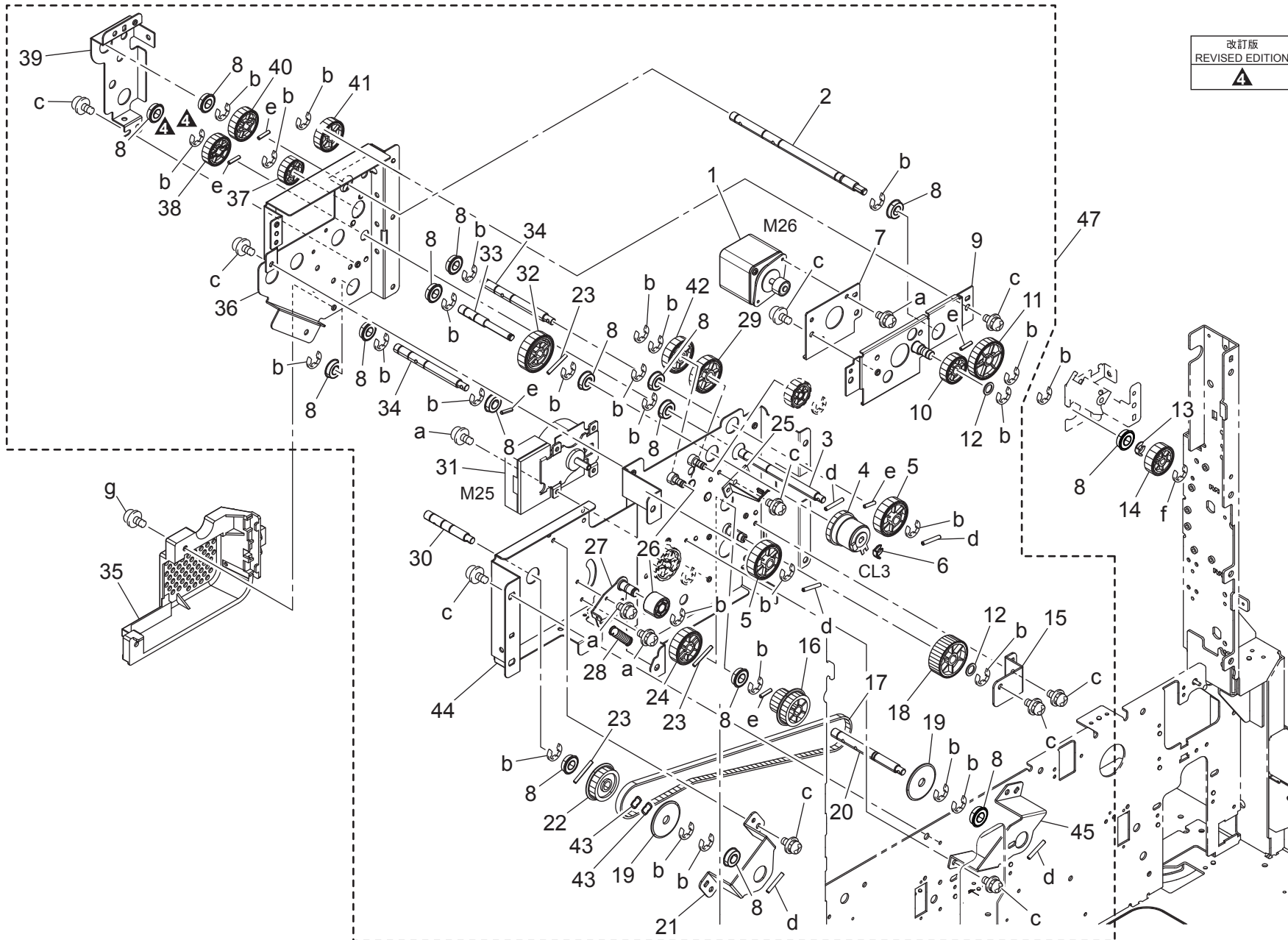
1000-SHEET PAPER FEED SECTION

Key	Part No.	Description	Destinations	Class	QTY	Standard parts
1	A00J618700	Conveyance Cover		D	1	a-V153030803
2	A00J604701	Pulling Spring		C	1	b-V217040001
3	A00J605100	Idler Roll		C	2	c-V217060001
4	A00J605200	Idler Shaft		D	1	d-V231200850
5	56AA40430	SPRING MOUNTING PLATE 1		D	1	e-V116030803
6	A00J604800	Pulling Spring		C	1	f-V116030603
7	A00J601300	Mounting Plate		D	1	g-V231301450
8	A00J663200	Bushing		C	6	h-V127030803
9	A00J601501	Mounting Plate /ASSY		D	1	k-V233161050
10	A00J618601	Guide Plate /2		C	1	
11	A00J601700	Shaft		D	1	
12	A0P0664000	Washer		D	2	
13	A00J619611	Pulley 14T		C	1	
14	A00J618500	Torque limiter		A	1	
15	56AA40490	SHAFT STOPPER 4		C	1	
16	A00J563600	Roller		A	1	
17	A00J619500	Pulley 15T		C	1	
18	A00J619800	Timing Belt 96L		C	1	
19	A00J619700	ROLL /1		C	1	
20	56AA40540	ENTRANCE GUIDE SHEET		C	1	
21	A00J601600	Multi-feed Adjusting Plate		D	1	
22	A00J601402	Input Shaft		D	1	
23	A0P0663500	Input Shaft		D	1	
24	A00J603600	Mounting Plate		D	1	
25	56AA40510	PRESSING SPRING		C	1	
26	56AA40450	PAPER FEED COUPLING PART		C	1	
27	56AA75050	CLEANER SHAFT HOLDER		C	1	
28	A00J603400	Gear 22/14T		C	1	
29	A00J600900	Gear43T		C	1	
30	A00J605600	Ground Plate /1		D	1	

LCC DRIVE SECTION

P 41

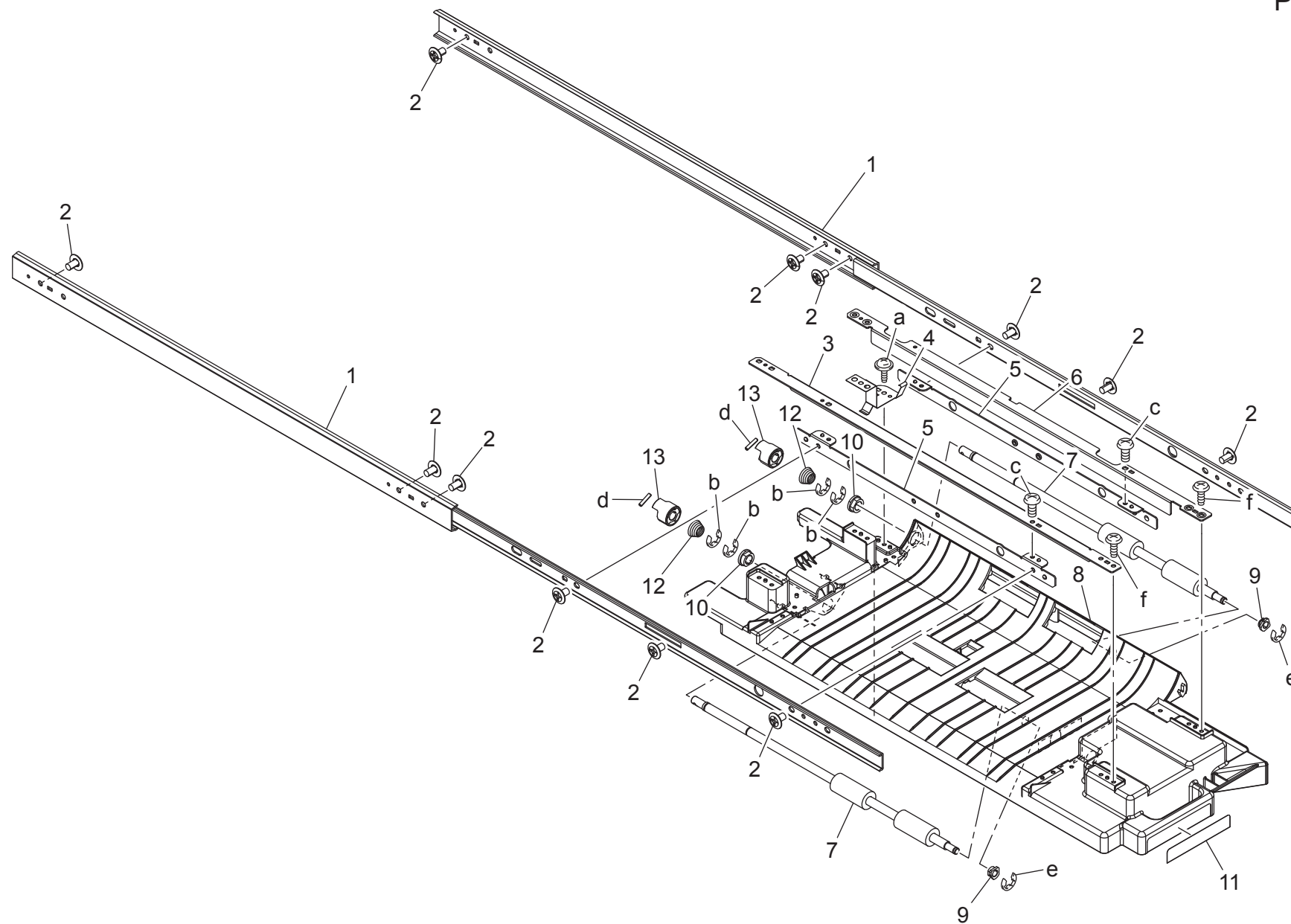
改訂版 REVISED EDITION	日付 DATE
▲	SEPTEMBER 2013



bizhub C654/bizhub C754

Key	Part No.	Description	Destinations	Class	QTY	Standard parts
1	A2X0M10200	Stepping motor	ステッピングモーター	C	1	a-V116030603
2	A00J611300	Drive Shaft /5	駆動軸 / 5	D	1	b-V217060001
3	A00J616900Old	Drive Shaft /1	駆動軸 / 1	D	1	c-V116040803
3	A00J616911	Drive Shaft /1	駆動軸 / 1	D	1	d-V232302209
4	A00JM20000	Clutch	クラッチ	C	1	e-V231301450
5	A00J612100	Gear 32T	ギア 32 T	C	2	f-V217040001
6	56AA40490	SHAFT STOPPER 4	軸ストッパ 4	C	1	g-V116030803
7	A00J617700	Mounting Plate	取付板	D	1	
8	A00V240600	BALL BEARING	ボールベアリング	C	16	
9	A2X0R70S00	Mounting plate	取付板 / LCC 縦搬送かしめ	D	1	
10	A00J616200	Gear 31T	ギア 31 T	C	1	
11	A00J616300	Gear 44T	ギア 44 T	C	1	
12	A00J700900	Collar	カラー	C	2	
13	55VA42120	SHAFT STOPPER	軸ストッパ	C	1	
14	A00J612500	Gear 25T	ギア 25 T	C	1	
15	A00J610200	Fixing Plate /1	固定板 / 1	D	1	
16	A00J611600	Gear 40/33T	ギア 40 / 33 T	C	1	
17	A00J610600	Timing belt 633L	タイミングベルト 633 L	C	1	
18	A00J611500	Gear 67T	ギア 67 T	C	1	
19	A00J612600	Holder Part /1	押さえ材 / 1	C	2	
20	A00J610812	Drive Shaft /1	駆動軸 / 1	D	1	
21	A00J610300	Fixing Plate	固定板	D	1	
22	A00J612200	Pulley 33T	プーリ 33 T	C	1	
23	4004254701	PIN	ピン	D	3	
24	A00J611711	Gear 29T	ギア 29 T	C	1	
25	A00J612800	Regulating Part	規制部材	C	1	
26	A0P0666400	Tension Roll	テンションころ	D	1	
27	A0P0R7A200	Mounting plate /Belt tension	取付板 / ベルトテンションかしめ	D	1	
28	56QA15190	BELT TENSION SPRING	ベルトテンションバネ	C	1	
29	A00J611900	Gear 30T	ギア 30 T	C	1	
30	A00J611200	Drive Shaft /4	駆動軸 / 4	D	1	
31	A161M10200	brushless Motor /20	ブラシレスモーター / 20	I	1	
32	A00J611800	Gear 33T	ギア 33 T	C	1	
33	A00J611000	Drive Shaft /2	駆動軸 / 2	D	1	
34	A00J611100	Drive Shaft /3	駆動軸 / 3	D	2	
35	A00J137600	Cover	カバー	D	1	
36	A00JR7AJ00	MOUNTING PLATE / LCC DRIVE 2	取付板 / LCC 駆動2 かしめ	D	1	
37	A00J616400	Gear 29T	ギア 29 T	C	1	
38	A00J616500	Gear 33T	ギア 33 T	C	1	
39	A00J616601	Mounting Plate	取付板	D	1	
40	A00J616800	Gear 35T	ギア 35 T	C	1	
41	A00J613000	Gear 35T	ギア 35 T	C	1	
42	A00J612000	Gear 29T	ギア 29 T	C	1	
43	1500266013	WAVE WASHER	ナミワッシャー	C	2	
44	A0P0R7A311	Mounting plate / LCC drive 1	取付板 / LCC 駆動1 かしめ A s s y	D	1	
45	A2X0667200	Fixing Plate	固定板	D	1	
47	A2X0R72011	LCC Drive Assy	LCC 駆動 A s s y	D	1	

LEVEL CONVEYANCE SECTION



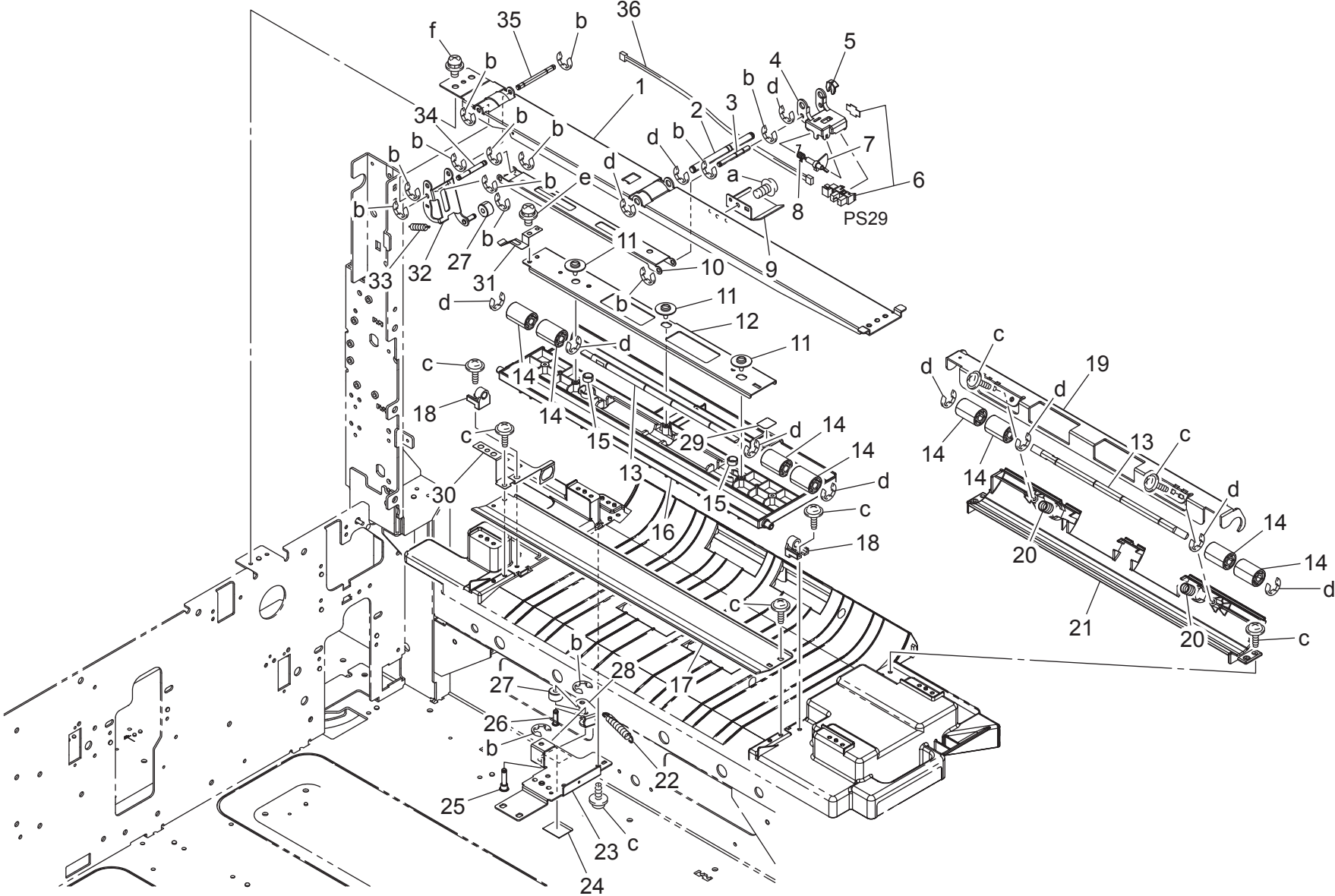
bizhub C654/bizhub C754

LEVEL CONVEYANCE SECTION

Key	Part No.	Description	Destinations	Class	QTY	Standard parts
1	A00J631204	Slide Rail /A		D	2	a-V153030803 b-V217060001 c-V118030803 d-V231301450 e-V217040001 f-V149030803
2	A00J618400	Screw		C	12	
3	A00J607100	Mounting Plate		D	1	
4	A00J607800	Ground Plate		C	1	
5	A00J607401	Mounting Plate		D	2	
6	A00J607500	Mounting Plate		D	1	
7	A0P0607000	Conveyance Roller /A		C	2	
8	A0P0606000	Conveyance Base frame		D	1	
9	A0P0663600	Bushing		C	2	
10	A03U812800	Slide Shaft Holder		B	2	
11	A00J941800	Label LC1		C	1	
12	A00J660100	COUPLING SPRING		C	2	
13	55VA15541	CLEANER COUPLING PART		C	2	

bizhub C654/bizhub C754

LEVEL CONVEYANCE SECTION

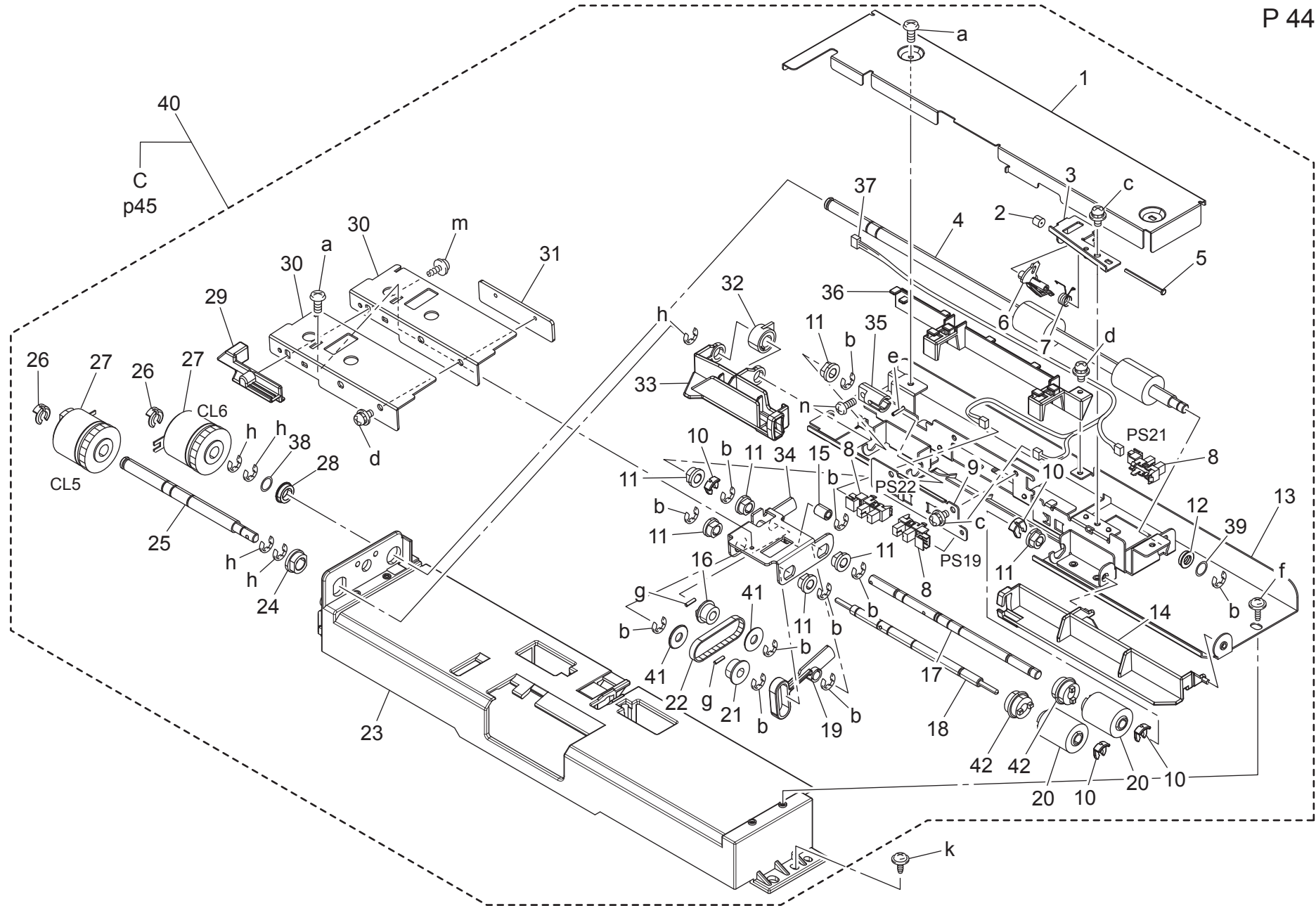


bizhub C654/bizhub C754

LEVEL CONVEYANCE SECTION

Key	Part No.	Description	Destinations	Class	QTY	Standard parts
1	A00J614002	Mounting Plate /A	取付板 / A	D	1	a-V118030603 b-V217030001 c-V153030803 d-V217040001 e-V116030603 f-V118040603
2	A00J614501	Support Shaft /B	支点軸 / B	D	1	
3	A00J614700	Swing Shaft /B	揺動軸 / B	D	1	
4	A00J614300	Sensor Block	センサブロック	D	1	
5	56AA40490	SHAFT STOPPER 4	軸ストッパ 4	C	1	
6	4037090601	PHOTO INTERRUPTER	フォトインタラプター	B	1	
7	56QA57240	PAPER DETECTION ACTUATOR	紙検知アクチュエタ	C	1	
8	56QA57170	PRESSURE SPRING	センサ押圧ばね	C	1	
9	A00J614800	Mounting Plate	取付板	D	1	
10	A00J614200	Swing Panel /B	揺動パネル / B	D	1	
11	4036596601	SCREW	ねじ	C	3	
12	A0P0606400	Mounting Plate	取付板	D	1	
13	A00J606500	Idler Shaft	従動軸	D	2	
14	4030312201	ROLL	ころ	C	8	
15	A00J606600	Compressing Spring	圧縮ばね	C	2	
16	A0P0606200	Conveyance Cover	搬送カバー	C	1	
17	A00J606100	Guide Plate	ガイド板	D	1	
18	56QA57110	SUPPORT BLOCK	支点ブロック	D	2	
19	A00J606802	Mounting Plate	取付板	D	1	
20	A00J606900	Compressing Spring	圧縮ばね	C	2	
21	A00J606700	Guide Plate	ガイド板	D	1	
22	A00J660200	LOCK SPRING	ロックばね	C	1	
23	A00J607301	Mounting Plate /1	取付板 / 1	D	1	
24	A0P0663400	Light blocking Sheet	遮光シート	C	1	
25	A00J622600	Shaft /L	軸 / L	D	1	
26	A00J623300	Shaft	軸	D	1	
27	A00J663000	Roll	ころ (トレイロック)	C	2	
28	56AA41711	TRAY PRESSING PLATE	トレイ押圧板	D	1	
29	A00J941900	Label LC2	ラベル LC 2	C	1	
30	A00J607600	Ground Plate	アース板	C	1	
31	A00J607700	Ground Plate	アース板	C	1	
32	A00J614101	Swing Panel /ASSY	揺動パネル / ASSY	D	1	
33	56QA57210	SWING SPRING REAR	センサ揺動パネ 奥	C	1	
34	A00J614600	Swing Shaft /A	揺動軸 / A	D	1	
35	A00J614400	Support Shaft /A	支点軸 / A	D	1	
36	A00JN11F01	PFU Relay harness /6	PFU 中継束線 / 6	D	1	

1500-SHEET PAPER FEED SECTION



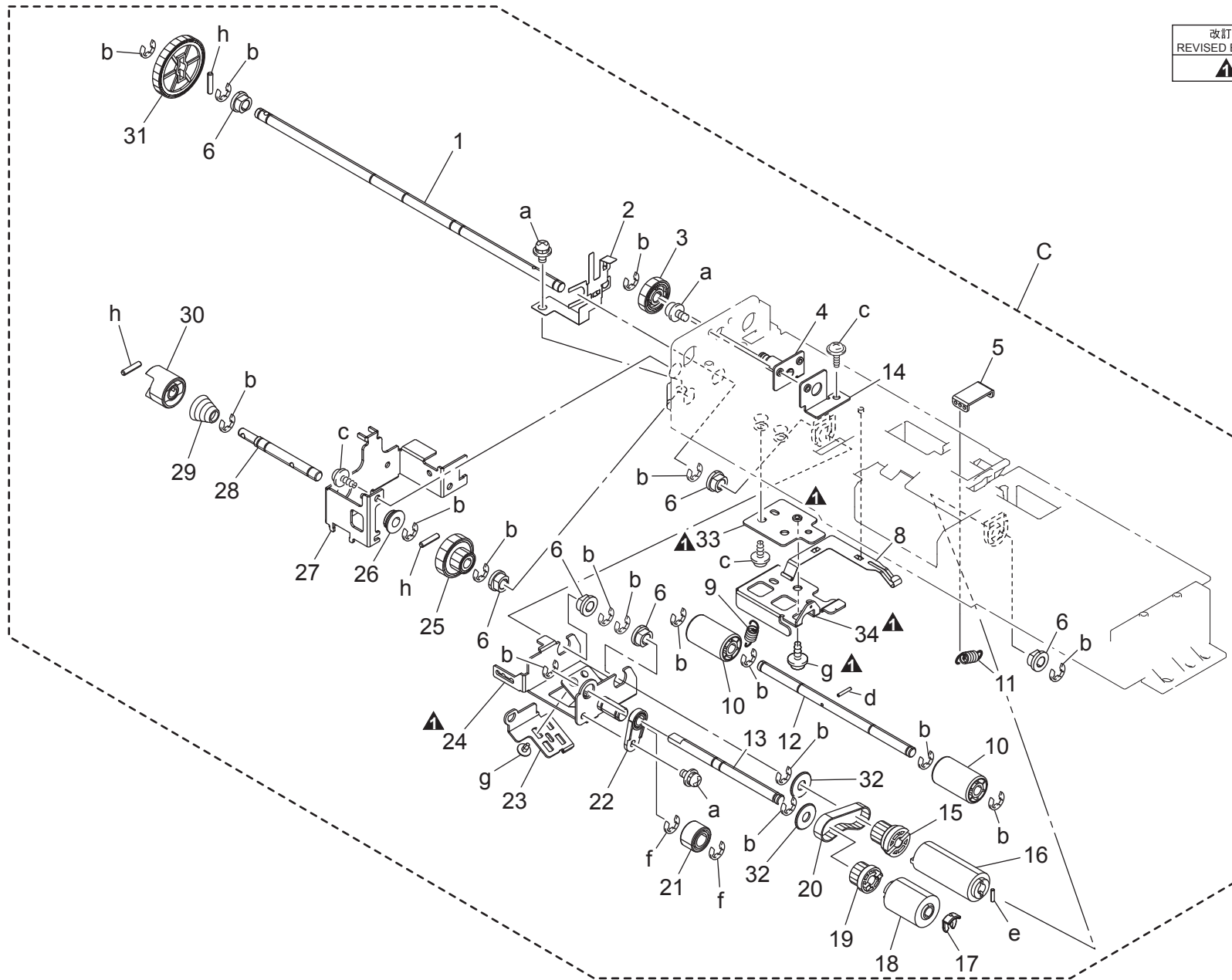
bizhub C654/bizhub C754

1500-SHEET PAPER FEED SECTION

Key	Part No.	Description	Destinations	Class	QTY	Standard parts
1	A00J603800	Paper feed Cover	給紙カバー	D	1	a-V118030603
2	1134304101	COLLAR	カラー	D	1	b-V217040001
3	A00J619101	Mounting Plate	取付板	D	1	c-V116030603
4	A00J601111	Conveyance Roller	搬送ローラ	C	1	d-V116030803
5	1134304202	SHAFT	シャフト	D	1	e-V233201050
6	A2X0668200	Actuator	アクチュエータ	C	1	f-V153030803
7	A00J615800	Torsion Spring	ねじりばね	C	1	g-V231200850
8	A108M50100	Photointerrupter	透過型センサ	B	3	h-V217060001
9	A00J603900	Mounting Plate	取付板	D	1	k-V127030803
10	56AA40490	SHAFT STOPPER 4	軸ストッパ 4	C	4	m-V153031003
11	A00J663200	Bushing	すべり軸受	C	7	n-V118030403
12	A00J617800	BALL BEARING	ボールベアリング	C	1	
13	A00J603713	Guide Assy draw /2	ガイド部組図 / 2	D	1	
14	A00J600600	Regulating Plate /Front	規制板 / 前	C	1	
15	A0TJ602900	Pulley /3	プーリ / 3	D	1	
16	A0TJ602800	Pulley /2	プーリ / 2	D	1	
17	A2X0604200	Paper feed Shaft	給紙軸 (給紙ローラ)	D	1	
18	A2X0603000	Shaft	軸	D	1	
19	A00J602401	Level Actuator /1	残検アクチュエータ / 1	C	1	
20	A00J563600	Roller	ローラ	A	2	
21	A0TJ603000	Pulley /1	プーリ / 1	D	1	
22	A00J602700	Timing belt 102L	給紙タイミングベルト 102L	C	1	
23	A00J600116	Paper feed Base frame /1	給紙台板 / 1	D	1	
24	A03U812800	Slide Shaft Holder	すべり軸受	B	1	
25	A00J603500	Paper feed Shaft /2	給紙軸 / 2	D	1	
26	55VA42120	SHAFT STOPPER	軸ストッパー	C	2	
27	56AA82012	PAPER FEED DRIVING CLUTCH	給紙駆動クラッチ	B	2	
28	A00J617900	Ball Bearing	ボールベアリング	B	1	
29	A00J618300	Handle	把手	C	1	
30	A00J603102	Auxiliary Part	補助部材	D	2	
31	A00J619400	Auxiliary Part /2	補助部材 / 2	C	1	
32	56AA40380	PAPER FEED REGULATING BLOCK	給紙規制ブロック	C	1	
33	A00J600400	Regulating Plate /Rear	規制板 / 奥	C	1	
34	A2X0667400	Holder	ホルダ	D	1	
35	A00J600500	Coupling	カップリング	C	1	
36	A00J618002	Wiring Cover	配線カバー	D	1	
37	A00JN11D01	PFU Relay harness /4	PFU 中継束線 / 4	D	1	
38	A00J660700	Washer	ワッシャ	D	1	
39	A00J660800	Washer	ワッシャ	D	1	
40	A2X0R70R44	1500-Sheet Paper Feed Assy	1500枚給紙 Assy	S	1	
41	A0P0664000	Washer	ワッシャ	D	2	
42	A00J563500	Clutch	クラッチ	C	2	

1500-SHEET PAPER FEED SECTION

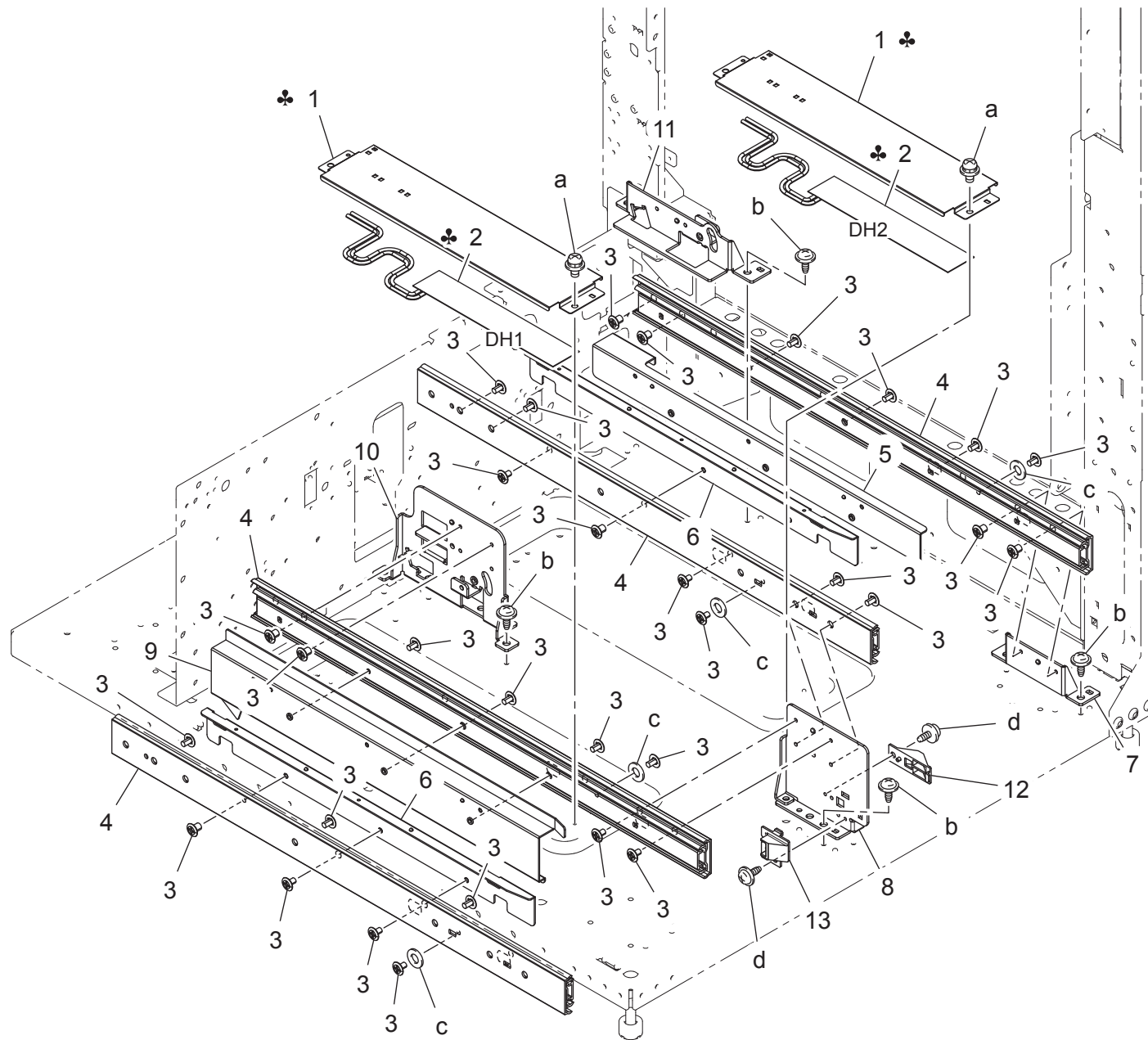
改訂版 REVISED EDITION	日付 DATE
▲	MARCH 2013



bizhub C654/bizhub C754

Key	Part No.	Description	Destinations	Class	QTY	Standard parts
1	A00J601402	Input Shaft		D	1	a-V116030803
2	A00J605700	Ground Plate /2		D	1	b-V217040001
3	A00J601000	Gear 18T		C	1	c-V153030803
4	A00JR7AK11	MOUNTING PLATE / LCC FEED DRIVE		D	1	d-V233161050
5	56AA40430	SPRING MOUNTING PLATE 1		D	1	e-V231200850
6	A00J663200	Bushing		C	6	f-V217060001
8	A00J618800	Ground Plate /Middle		C	1	g-V116030603
9	A00J604701	Pulling Spring		C	1	h-V231301450
10	A00J605100	Idler Roll		C	2	
11	A00J604800	Pulling Spring		C	1	
12	A00J605200	Idler Shaft		D	1	
13	A00J601700	Shaft		D	1	
14	A2X0667100	Mounting Plate		D	1	
15	A00J619611	Pulley 14T		C	1	
16	A00J618500	Torque limiter		A	1	
17	56AA40490	SHAFT STOPPER 4		C	1	
18	A00J563600	Roller		A	1	
19	A00J619500	Pulley 15T		C	1	
20	A00J619800	Timing Belt 96L		C	1	
21	A00J619700	ROLL /1		C	1	
22	A0P0602100	Guide Washer		D	1	
23	A00J601600	Multi-feed Adjusting Plate		D	1	
24	A00J601501Old	Mounting Plate /ASSY		D	1	
24	A00J601503	Mounting Plate /ASSY		D	1	
25	A00J603400	Gear 22/14T		C	1	
26	56AA75050	CLEANER SHAFT HOLDER		C	1	
27	A00J604101	Paper feed Plate		D	1	
28	A0P0663500Old	Input Shaft		D	1	
28	A0P0663511	Input Shaft		D	1	
29	56AA40510Old	PRESSING SPRING		C	1	
29	A2X0605900	Pressing Spring		C	1	
30	56AA40450	PAPER FEED COUPLING PART		C	1	
31	A00J600900	Gear43T		C	1	
32	A0P0664000	Washer		D	2	
33	A2X0667800	Mounting Plate		D	1	
34	A2X0667900	Mounting Plate		D	1	

LCC CASSETTE RAIL SECTION



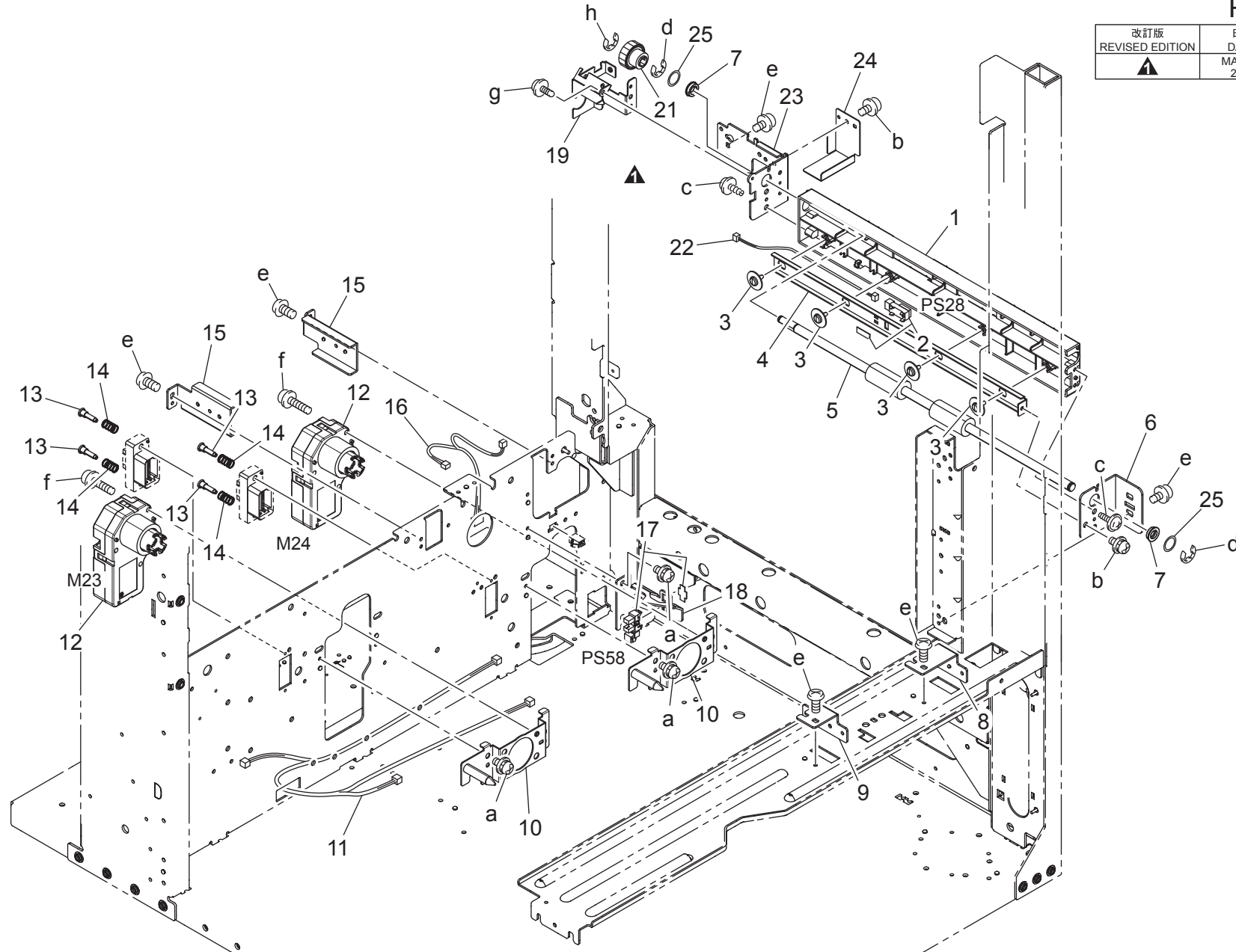
Key	Part No.	Description	Destinations	Class	QTY	Standard parts
1	A00J619901	Mounting Plate	取付板	D	2	a-V116030603 b-V137040803 c-V205040003 d-V137030603
2	56AA83061D	Internal Heater	機内ヒーター	D	2	
3	A00J618400	Screw	ねじ	C	31	
4	A00J613401	Slide Rail /A	スライドレール / A	C	4	
5	A00J608400	Mounting Plate	取付板	D	1	
6	A00J608600	Mounting Plate	取付板	D	2	
7	A00J608100	Mounting Plate	取付板	D	1	
8	A2X0608000	Mounting Plate /1	取付板 / 1	D	1	
9	A00J608500	Mounting Plate	取付板	D	1	
10	A00J608200	Mounting Plate	取付板	D	1	
11	A00J608300	Mounting Plate	取付板	D	1	
12	A2X0666601	Lock Holder	ロックホルダ (4 段目)	C	1	
13	A2X0665101	Lock Holder	ロックホルダ (3 段目)	C	1	

bizhub C654/bizhub C754

LCC LENGTH CONVEYANCE SECTION

P 47

改訂版 REVISED EDITION	日付 DATE
▲	MARCH 2012



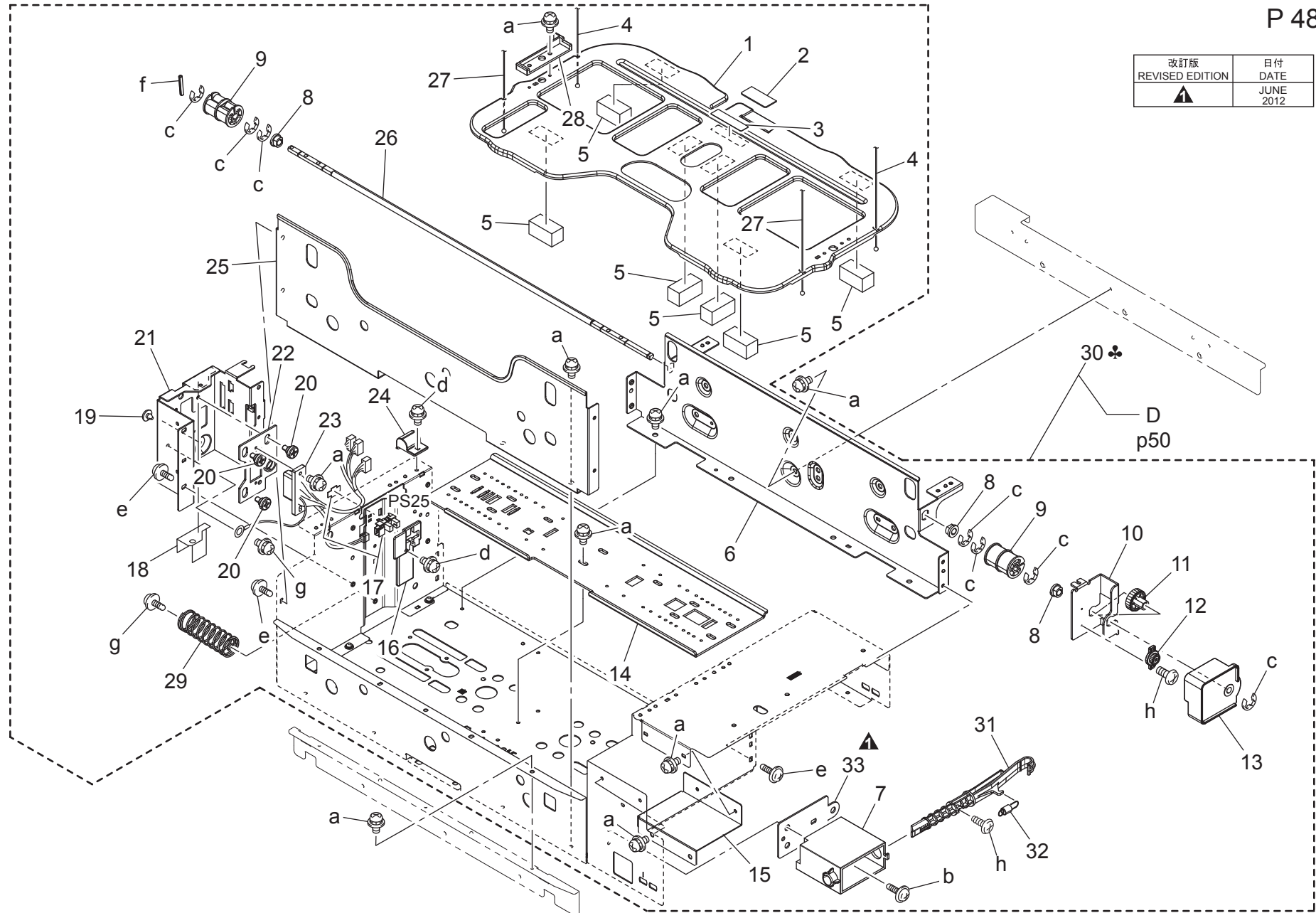
bizhub C654/bizhub C754

LCC LENGTH CONVEYANCE SECTION

Key	Part No.	Description	Destinations	Class	QTY	Standard parts
1	A00J609400	Guide Part		C	1	a-V116040803
2	4037090201	PHOTO INTERRUPTER		B	1	b-V116030603
3	4036596601	SCREW		C	4	c-V153030803
4	A00J609501	Mounting Plate /F		D	1	d-V217060001
5	A00J572200	Roller		C	1	e-V118040803
6	A00J609100	Mounting Plate		D	1	f-V116032003
7	A00J617900	Ball Bearing		B	2	g-V126030603
8	A00J608700	Mounting Plate		D	1	h-V217040001
9	A00J608800	Mounting Plate		D	1	
10	A2X0R70200	Mounting Plate/Updown Motor Assy		D	2	
11	A0P2N10X00	Heater Relay harness		D	1	
12	A2X0M12101	Brush motor		C	2	
13	56AA17330	SLIDE SHAFT		C	4	
14	56AA17080	TERMINAL ROCKING SPRING		C	4	
15	A00J608900	Mounting Plate /Rear		D	2	
16	A0PON11G00	PFU Relay harness		D	1	
17	4037090601	PHOTO INTERRUPTER		B	1	
18	A00J609000	Mounting Plate		D	1	
19	A00J609300	Mounting Plate		D	1	
21	A00J609800	Clutch Assy		C	1	
22	A00JN11C01	PFU Relay harness /3		D	1	
23	A00J609201	Mounting Plate		D	1	
24	A00J617000	Protection Cover /S		D	1	
25	A00J660700	Washer		D	2	

1000-SHEET TRAY

改訂版 REVISED EDITION	日付 DATE
▲	JUNE 2012



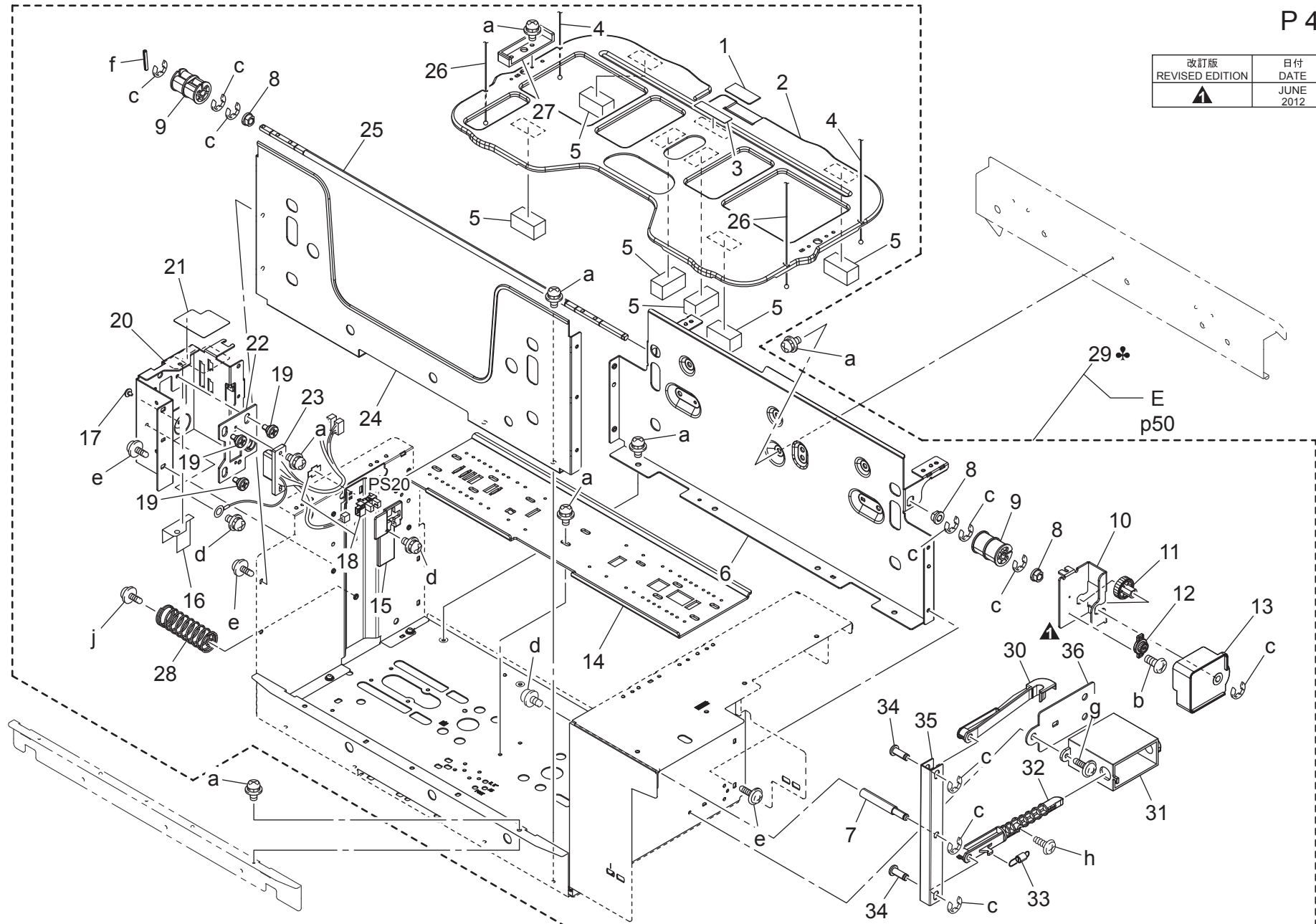
bizhub C654/bizhub C754

Key	Part No.	Description	Destinations	Class	QTY	Standard parts
1	A00J613500	Up/down Plate		C	1	a-V116030603
2	55VA40930	DOUBLE FEED PREVENTIVE PLATE		C	1	b-V118020803
3	A00J623400	FRICITION PLATE		C	1	c-V217040001
4	56QA58110	LCT UP DOWN WIRE RIGHT FRONT		C	2	d-V116030803
5	A0P0663900	Pad		C	6	e-V127030603
6	A00J615101	Stopper Plate /1		D	1	f-V232302509
7	A2X0665300	Lock Guide		C	1	g-V125040803
8	A00J663200	Bushing		C	3	h-V149030803
9	A00J613700	Up/down Pulley		C	2	
10	A0P0618900	Regulating Plate /1		D	1	
11	A0P0663800	Gear /1		C	1	
12	A0P0662700	Dumper		C	1	
13	A00J619011	Protection Cover		D	1	
14	56QA58041D	LCT SLIDE BOARD		D	1	
15	56QA58470D	EXTERNAL PROTECTION PLATE		D	1	
16	A00J613300	Sensor Cover		C	1	
17	4037090601	PHOTO INTERRUPTER		B	1	
18	A00J660600	Protection Sheet		D	1	
19	A00J663100	Stopper Rubber		C	1	
20	26NA45440	REGISTRATION UNIT FIXED SCREW		C	3	
21	A00J615000	Connecting Plate		D	1	
22	A00J613200	Guide Plate		D	1	
23	A00JN11B01	PFU Relay harness /2		D	1	
24	A00J619300	Receiving Block		C	1	
25	A0P0615600	Regulating Plate		D	1	
26	A00J615500	Up/down Shaft		D	1	
27	56QA58120	LCT UP DOWN WIRE RIGHT REAR		C	2	
28	A00J660300	LIGHT BLOCKING PART		C	1	
29	A2X0666900	Pressure Spring		C	1	
30	A2X0F63006	1000-sheet tray	1000枚トレイ (M) Assy	D	1	A,A1,C,D1,D3,E,F2,G 1,I,K,J,H
30	A2X0F63106	1000-sheet tray	1000枚トレイ (I) Assy	D	1	B,G2
31	A2X0666001	Lever	レバー (ロック・4段)	C	1	
32	A161626800	Pulling Coil spring	引張りコイルばね (ロックレバー)	C	1	
33	A2X0666500	Auxiliary Plate /Front	補助板/前	D	1	

bizhub C654/bizhub C754

1500-SHEET TRAY

改訂版 REVISED EDITION	日付 DATE
	JUNE 2012

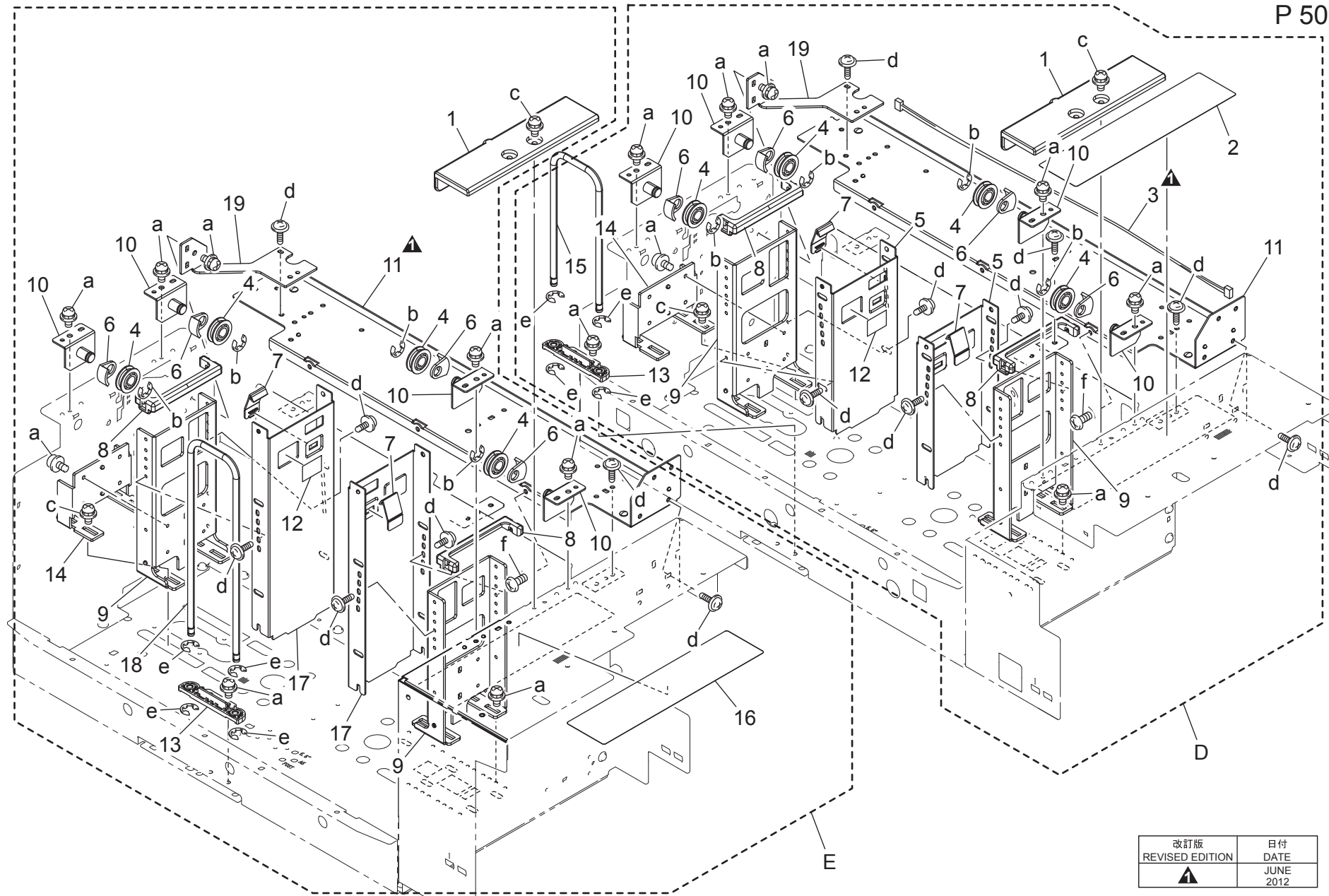


bizhub C654/bizhub C754

Key	Part No.	Description	Destinations	Class	QTY	Standard parts
1	55VA40930	DOUBLE FEED PREVENTIVE PLATE		C	1	a-V116030603
2	A00J613500	Up/down Plate		C	1	b-V118020803
3	A00J623400	FRICITION PLATE		C	1	c-V217040001
4	56QA59110	LCT UP DOWN WIRE LEFT FRONT		C	2	d-V116030803
5	A0P0663900	Pad		C	6	e-V127030603
6	A0P0615200	Stopper Plate /2		C	1	f-V232302509
7	A2X0665800Old	Shaft		D	1	g-V127030803
7	A2X0665811	Shaft		D	1	h-V149030803
8	A00J663200	Bushing		C	3	j-V125040803
9	A00J613700	Up/down Pulley		C	2	
10	A0P0618900	Regulating Plate /1		D	1	
11	A0P0663800	Gear /1		C	1	
12	A0P0662700	Dumper		C	1	
13	A00J619011	Protection Cover		D	1	
14	56QA58041D	LCT SLIDE BOARD		D	1	
15	A00J613300	Sensor Cover		C	1	
16	A00J660600	Protection Sheet		D	1	
17	A00J663100	Stopper Rubber		C	1	
18	4037090601	PHOTO INTERRUPTER		B	1	
19	26NA45440	REGISTRATION UNIT FIXED SCREW		C	3	
20	A00J615000	Connecting Plate		D	1	
21	A00J660500	Protection Sheet		C	1	
22	A00J613200	Guide Plate		D	1	
23	A00JN11A00	PFU RELAY HARNESS/1		D	1	
24	A0P0615700	Regulating Plate		D	1	
25	A00J615500	Up/down Shaft		D	1	
26	56QA59120	LCT UP DOWN WIRE LEFT REAR		C	2	
27	A00J660300	LIGHT BLOCKING PART		C	1	
28	A2X0666900	Pressure Spring		C	1	
29	A2X0F64007	1500-sheet tray	1500枚トレイ (M) Assy	D	1	A,A1,C,D1,D3,E,F2,G 1,I,K,J,H
29	A2X0F64107	1500-sheet tray	1500枚トレイ (I) Assy	D	1	B,G2
30	A2X0665401	Lever	レバー (3段目)	C	1	
31	A2X0665300	Lock Guide	ロックガイド	C	1	
32	A2X0665900	Lever	レバー (ロック・3段)	C	1	
33	A161626800	Pulling Coil spring	引張りコイルばね (ロックレバー)	C	1	
34	A2X0665600	Connecting Shaft /1	連結軸 / 1	D	2	
35	A2X0665500	Connecting Plate	連結板	D	1	
36	A2X0666500	Auxiliary Plate /Front	補助板 / 前	D	1	

CASSETTE TRAY

P 50



改訂版 REVISED EDITION	日付 DATE
	JUNE 2012

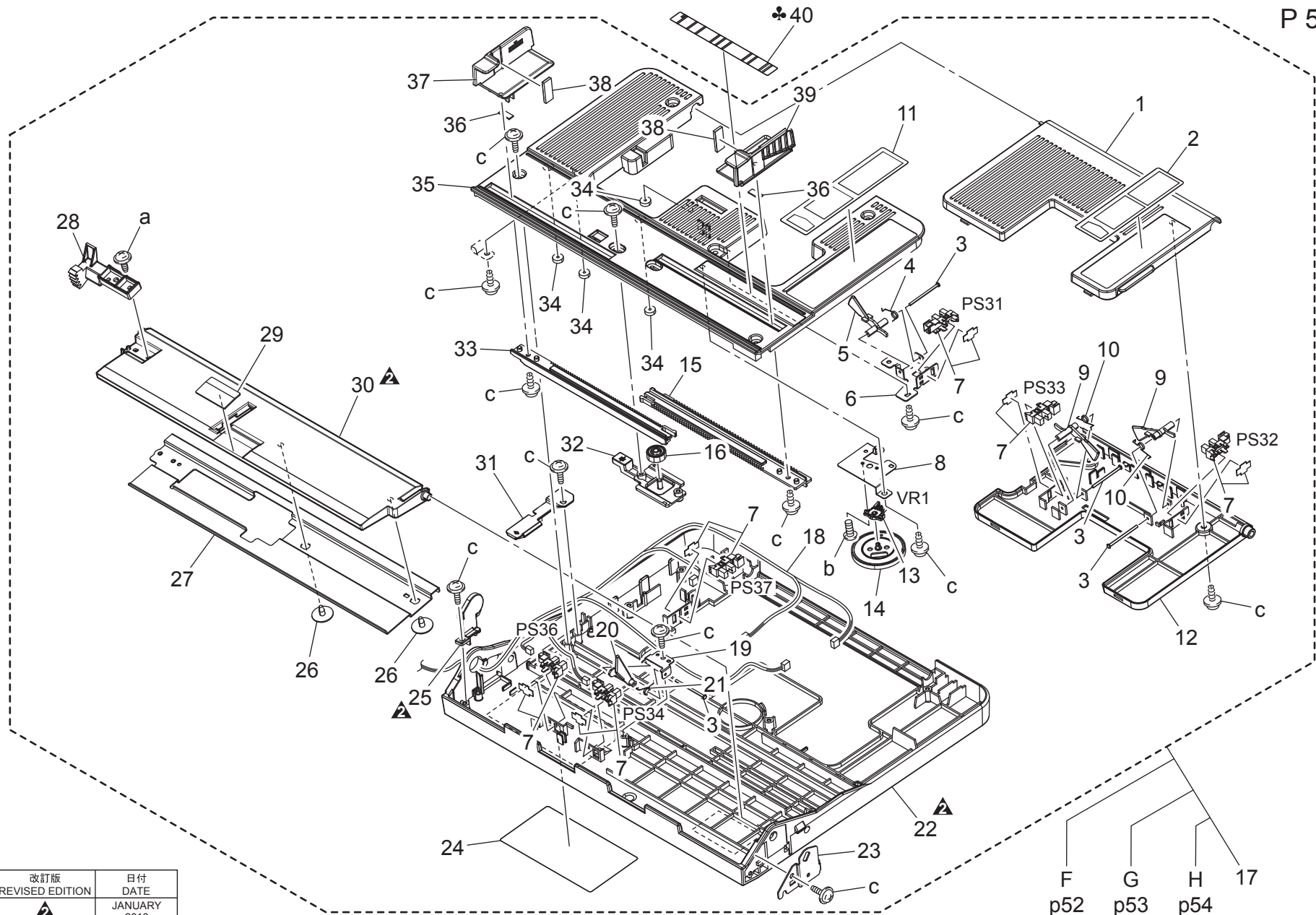
bizhub C654/bizhub C754

CASSETTE TRAY

Key	Part No.	Description	Destinations	Class	QTY	Standard parts
1	56QA58420	PULLEY GUIDE PART		D	2	a-V116030603 b-V217060001 c-V116030803 d-V127030603 e-V217040001 f-V118030603
2	A2X0941701	Label	プーリガイド部材	C	1	
3	A00JN11N01	PFU Relay harness /8	ラベル (4 t h ペーパー補給)	D	1	
4	57AA17010	WIRE PULLEY	P F U 中継束線 / 8	C	8	
5	56QA58060D	LCT GUIDE PLATE RIGHT	ワイヤープーリ	D	2	
6	55VA40610	WIRE HOLDER A	L C T ガイド板 / 右	C	8	
7	540047200	PAPER REGULATING CLAW	ワイヤー押え A	C	4	
8	56QA58450	PROTECTION COVER	紙規制爪	D	4	
9	56QA58050D	LCT Adjustment Side Plate	保護カバー	D	4	
10	A00JR7AN00	SUPPORT BOARD / WIRE PULLEY	L C T 調整側板	D	8	
11	A00J613101Old	Mounting Plate	支持板 / ワイヤープーリ かしめ	D	2	
11	A00J613103	Mounting Plate	取付板	D	2	
12	57AA97870	PAPER GUIDE LABEL	取付板	C	2	
13	56QA58070D	SHAFT HOLDING PART	紙案内ラベル	D	2	
14	56QA58490D	REAR REINFORCE PLATE	軸押さえ部材	D	2	
15	56QA58150	PAPER GUIDE SHAFT RIGHT	背面補強板	D	1	
16	A2X0941600	Label	紙ガイド軸 右	C	1	
17	56QA59060D	LCT GUIDE PLATE LEFT	ラベル (3 r d ペーパー補給)	D	2	
18	56QA59150D	PAPER GUIDE SHAFT LEFT	L C T ガイド板 / 左	C	1	
19	A00J613900	Reinforce Plate /Rear	紙ガイド軸 / 左	D	2	
			補強板 / 奥			

MANUAL FEED TRAY UNIT

P 51



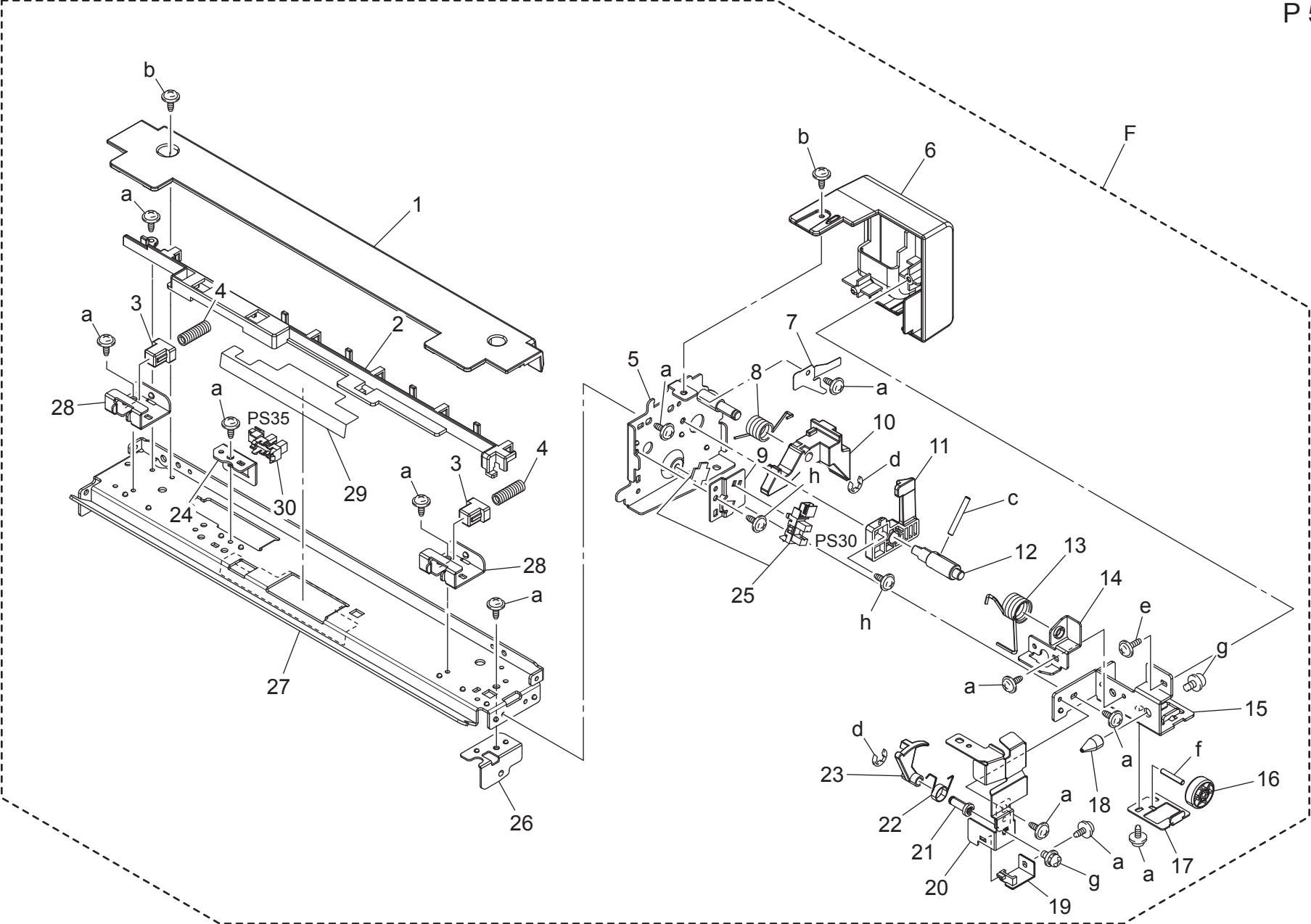
改訂版 REVISED EDITION	目付 DATE
	JANUARY 2013

F p52
G p53
H p54
17

bizhub C654/bizhub C754

Key	Part No.	Description	Destinations	Class	QTY	Standard parts
1	A0P0594200	Bypass Tray /3		C	1	a-V137030803 b-V111170403 c-V153030803
2	A00J942500	Label	手差しトレイ / 3	C	1	
3	1134304202	SHAFT	ラベル	D	4	
4	A00J599100	Torsion Spring	シャフト	C	1	
5	A00J585300	Actuator	ねじりばね	C	1	
6	A00J597911	Mounting Plate	アクチュエータ	D	1	
7	4037090601	PHOTO INTERRUPTER	取付板	B	6	
8	A2X0597700	Mounting Plate	フォトインタラプター	D	1	
9	A00J597800	Actuator	取付板	C	2	
10	A00J599000	Torsion Spring	アクチュエータ	C	2	
11	A2X0942700	Label	ねじりばね	C	1	
12	A0P0594300	Bypass Tray /4	ラベル (手差し操作 B)	C	1	
13	A161M50400	VR	手差しトレイ / 4	D	1	
14	A2X0597200	Gear 43T	ボリューム	C	1	
15	A00J597100	Rack /L	ギア 43 T	C	1	
16	A00J596900	Gear 18T	ラック / L	C	1	
17	A2X0R70T22	Manual Feed Tray Unit	ギア 18 T	C	1	
18	A00JN11501	Paperfeed Relay Harness /6	手差しユニット	C	1	
19	A00J593600	Sensor Plate	給紙中継束線 / 6	D	1	
20	A00J593700	Actuator /E	センサ板	D	1	
21	A00J593800	Torsion Spring /E	アクチュエータ / E	C	1	
22	A00J594013Old	Bypass Tray /1	ねじりばね / E	C	1	
22	A00J594024Old	Bypass Tray /1	手差しトレイ / 1	C	1	
22	A00J594035	Bypass Tray /1	手差しトレイ / 1	C	1	
23	A2X0586900	Mounting Plate	手差しトレイ / 1	D	1	
24	A2X0942600	Label	取付板	C	1	
25	A2X0597600Old	Holder	ラベル (手差し注意)	D	1	
25	A2X0597611Old	Holder	ホルダ	D	1	
25	A2X0584400	Holder	ホルダ	D	1	
26	4036578501	SCREW	ホルダ	D	2	
27	A00J597300	Mounting Plate	ねじ	D	1	
28	A00J592502	Lifting Lever	取付板	C	1	
29	A0P0599600	Friction Plate	押し上げレバー	C	1	
30	A00J594603	Lifting Plate	摩擦板	C	1	
31	A00J599300	Holding Plate	押し上げ板	C	1	
32	A00J595100	Holder	押しえ板	D	1	
33	A00J597000	Rack /R	ホルダ	C	1	
34	4036365901	COLLAR	ラック / R	D	4	
35	A00J594112	Bypass Tray /2	カラー	C	1	
36	4131462304	CLEANING PAD	手差しトレイ / 2	C	2	
37	A2X0594500	Regulating Plate /R	クリーニングパッド	C	1	
38	A00J587200	Brake Part	規制板 / R	C	2	
39	A2X0594400	Regulating Plate /L	ブレーキ材	C	1	
40	A2X0942800	Scale	規制板 / L	C	1	
40	A2X0942900	Scale	スケール (手差し・メトリック)	C	1	
			スケール (手差し・インチ)	C	1	

MANUAL FEED TRAY UNIT



bizhub C654/bizhub C754

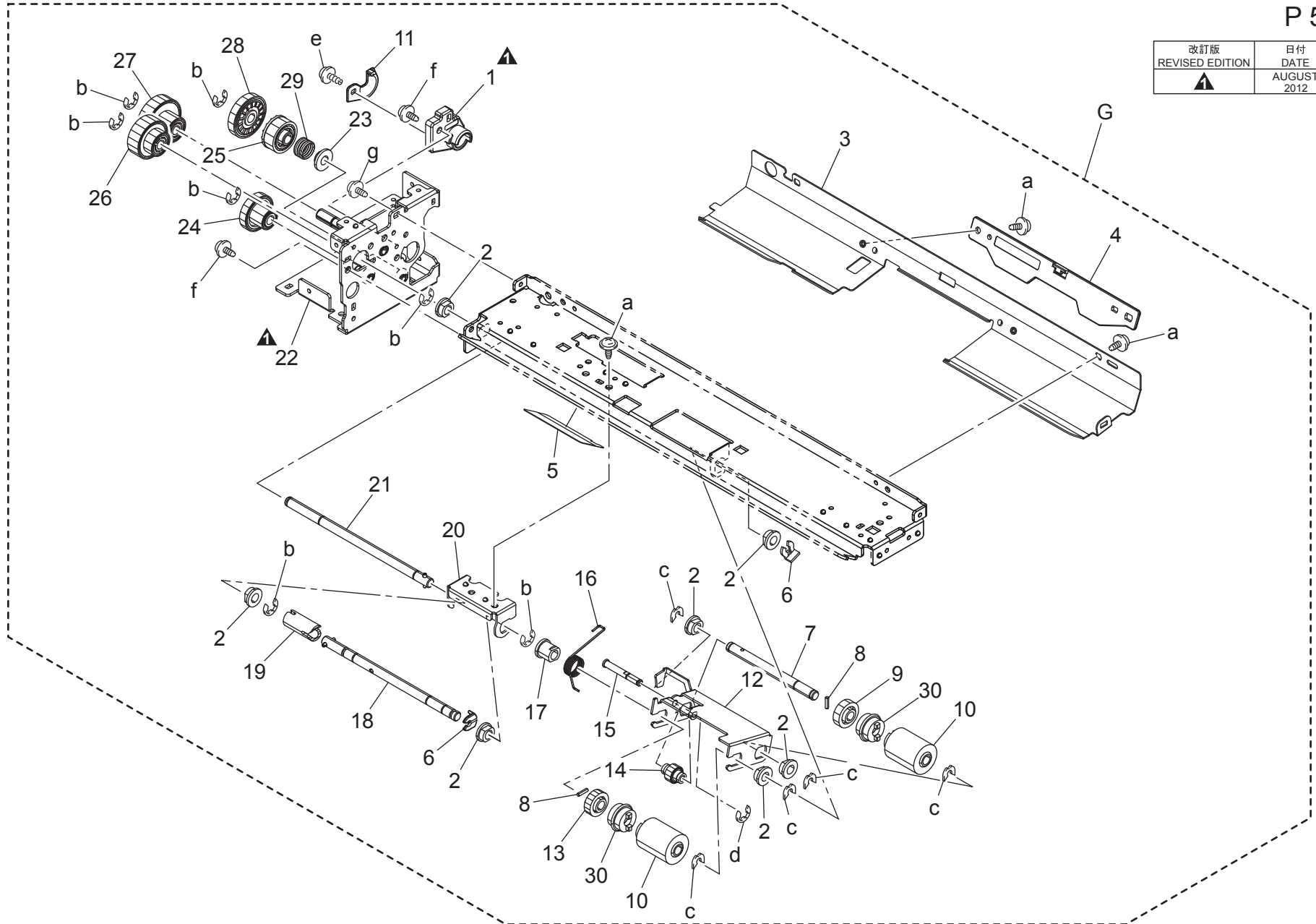
Key	Part No.	Description	Destinations	Class	QTY	Standard parts
1	A00J598101	Cover /Middle		C	1	a-V137030603
2	A00J586400	Holder		D	1	b-V121030803
3	A00J593500	Pressure Holder		C	2	c-V232302509
4	A00J593900	Compressing Spring		C	2	d-V217040001
5	A00JR7AP00	FRAME / BYPASS (FRONT)		D	1	e-V153030803
6	A00J598200	Bypass Cover /Front		C	1	f-V231301850
7	A00J588800	PLATE SPRING		C	1	g-V116030603
8	A00J594800	Torsion Spring		C	1	h-V144030803
9	A00J599200	Mounting Plate /F		D	1	
10	A00J598401	Lock Lever		C	1	
11	A00J594900	Holder		C	1	
12	A00J585500	Shaft		D	1	
13	A00J585401	Torsion Spring		C	1	
14	A00J585601	Mounting Plate		D	1	
15	A00J596602	Mounting Plate		D	1	
16	A00J588300	Roll		C	1	
17	A00J588200	Fixing Plate		D	1	
18	A00J594701	Positioning Shaft		D	1	
19	A00J586700	Hold Holder		C	1	
20	A00J599800	Mounting Plate		D	1	
21	A00J585700	Detecting Shaft		D	1	
22	A00J599500	Torsion Spring		C	1	
23	A00J598800	Set Actuator		C	1	
24	A00J585100	Mounting Plate		D	1	
25	4037090601	PHOTO INTERRUPTER		B	1	
26	A00J586600	Mounting Plate		D	1	
27	A2X0590200	Frame		D	1	
28	A00J599700	Mounting Plate		D	2	
29	A00J588601	Seal		C	1	
30	A108M50100	Photointerrupter		B	1	



MANUAL FEED TRAY UNIT

P 53

改訂版 REVISED EDITION	日付 DATE
▲	AUGUST 2012



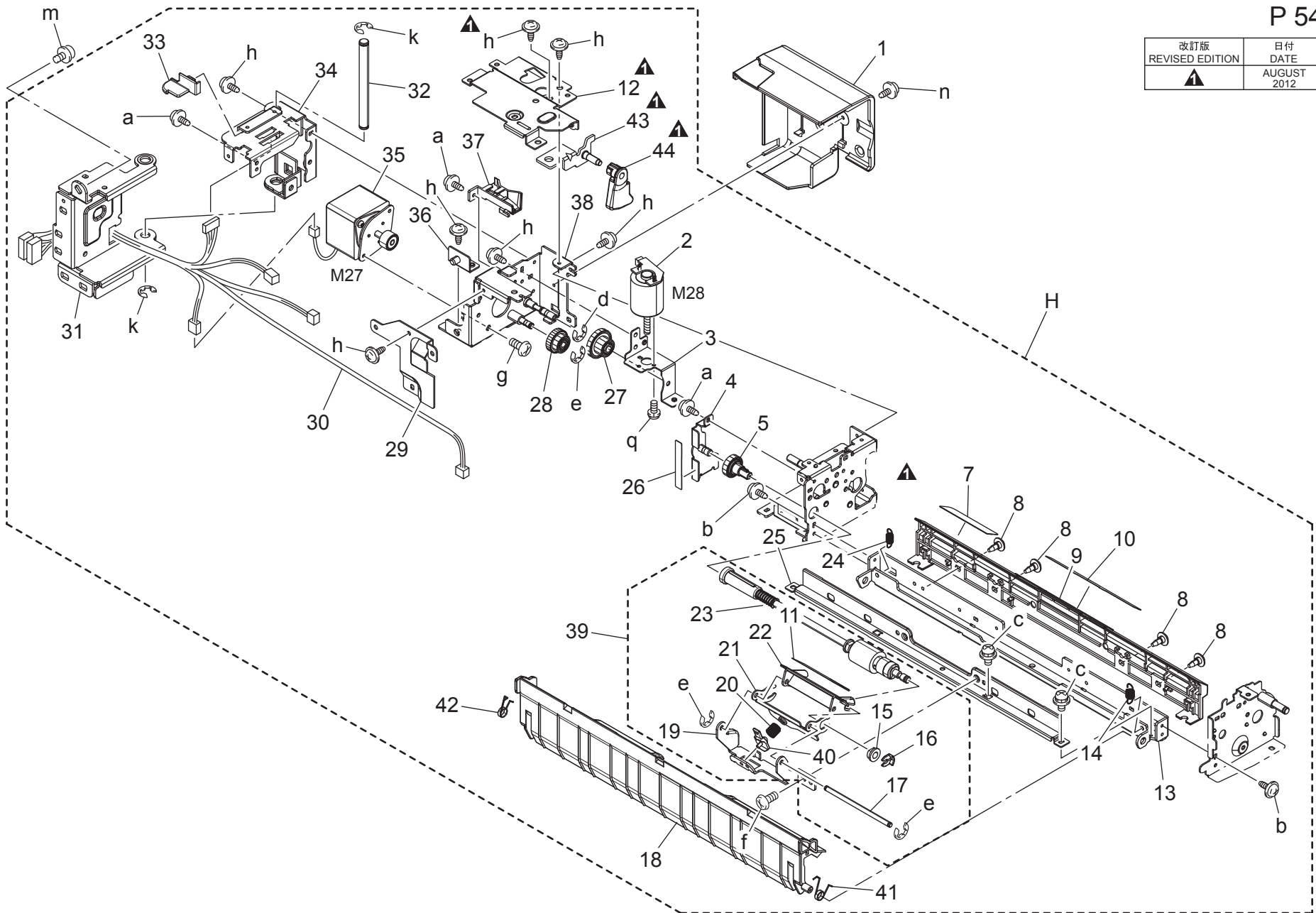
bizhub C654/bizhub C754

Key	Part No.	Description	Destinations	Class	QTY	Standard parts
1	A2X0595001	Support Holder		C	1	a-V137030603 b-V217040001 c-V218040086 d-V217030001 e-V153030603 f-V144030803 g-V137030803
2	4131300301	BUSHING		C	7	
3	A00J590500	Guide Plate		D	1	
4	A0P0587500	Guide Plate /Front		D	1	
5	A00J586201	Guide Sheet		C	1	
6	56AA40490	SHAFT STOPPER 4		C	2	
7	4030300301	SHAFT		D	1	
8	1067250101	PIN		C	2	
9	4425301601	GEAR 32T		C	1	
10	A00J563600	Roller		A	2	
11	A00J596000	Wiring Cover		D	1	
12	A0P0590100	Paper feed Holder		D	1	
13	4425301301	GEAR 30T		C	1	
14	A00J590300	Gear 20T		C	1	
15	4040309701	SHAFT		D	1	
16	A00J590400	Torsion Spring		C	1	
17	1065308601	BUSHING		C	1	
18	A00J590700	Paper feed Shaft		D	1	
19	A00J587000	Paper feed Coupling		C	1	
20	A00J586100	Mounting Plate		D	1	
21	A00J586000	Paper feed Shaft		D	1	
22	A00JR7AQ11	FRAME /BYPASS (REAR)		D	1	
23	A00J596700	Pressing Collar		C	1	
24	A00J595800	Gear 15/28T		C	1	
25	A00J592600	Gear 14T		C	1	
26	A00J592201	Gear 18/29T		C	1	
27	A00J591700	Gear 18/35T		C	1	
28	A00J592800	Gear 26T		C	1	
29	A00J593000	Compressing Coil		C	1	
30	A00J595600	Clutch		C	2	

MANUAL FEED TRAY UNIT

P 54

改訂版 REVISED EDITION	日付 DATE
▲	AUGUST 2012



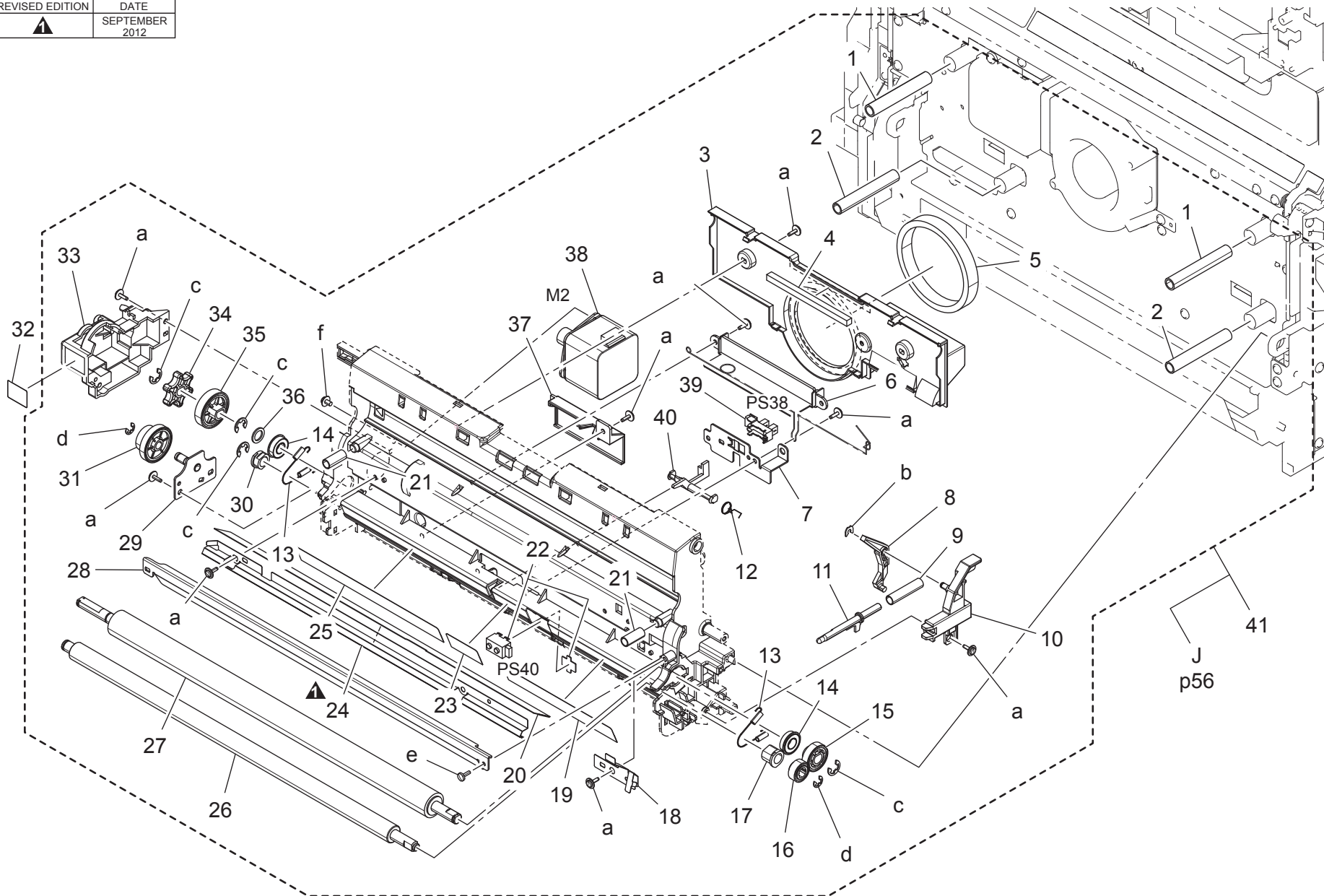
bizhub C654/bizhub C754

Key	Part No.	Description	Destinations	Class	QTY	Standard parts
1	A00J598002	Bypass Cover /Rear		C	1	a-V137030803
2	A0P0R75200	MOTOR ASSY		B	1	b-V126030803
3	A00J593400	Mounting Plate		D	1	c-V116030603
4	A00JR7AR00	MOUNTING PLATE / BYPASS 1		D	1	d-V217040001
5	A00J591800	Gear 22T		C	1	e-V217030001
7	A00J587600	Guide Sheet		C	1	f-V118030803
8	4036141001	SHOULDER SCREW		C	4	g-V118030603
9	A0P0596500	Bypass Holder /Front		D	1	h-V137030603
10	A0P0597400	Guide Sheet		D	1	k-V217060001
11	A00J589100	Guide Sheet		C	1	m-V116041203
12	A00J587702	Reinforce Plate		D	1	n-V121030804
13	A2X0591200	Mounting Plate		D	1	q-V115260503
14	A00J587300	Pulling Spring		C	1	
15	4131300301	BUSHING		C	1	
16	56AA40490	SHAFT STOPPER 4		C	1	
17	4030303901	SHAFT		D	1	
18	A2X0592000	Guide Plate		D	1	
19	A00J591014	Mounting Plate /S		D	1	
20	A00J591100	Compressing Spring		C	1	
21	A00J590901	Holder /S		C	1	
22	A00J597511	Guide Part		C	1	
23	A0P0R74100	Fieldroller/1 assy		A	1	
24	4030312501	TENSION SPRING		C	1	
25	A00J591300	Reinforce Plate		D	1	
26	A00J585800	Seal		C	1	
27	A00J593101	Gear 14/24T		C	1	
28	A00J593300	Gear 14/50T		C	1	
29	A00J587901	Mounting Plate /Rear		D	1	
30	A2X0N11401	Paperfeed Relay harness /5		D	1	
31	A0P0588112	Mounting Plate /ASSY		D	1	
32	A00J598600	Support Shaft		D	1	
33	A0P0588700	Cover		D	1	
34	A00J595702	Mounting Plate /ASSY		D	1	
35	A2X0M10000	Stepping motor		C	1	
36	A00J596300	Mounting Plate /ASSY		D	1	
37	A00J586300	Wiring Holder		D	1	
38	A00JR7AS11	MUUNTINGPLATE/BYPASS2		D	1	
39	A0P0R72911	Bypass field roller assy		C	1	
40	A2X0599900	Holder		D	1	
41	A2X0584100	Torsion Coil spring		C	1	
42	A2X0584000	Torsion Coil spring		C	1	
43	A2X0584200	Mounting Plate /ASSY		D	1	
44	A2X0584300	Rotation Plate		D	1	

PAPER EXIT CONVEYANCE SECTION

P 55

改訂版 REVISED EDITION	日付 DATE
▲	SEPTEMBER 2012

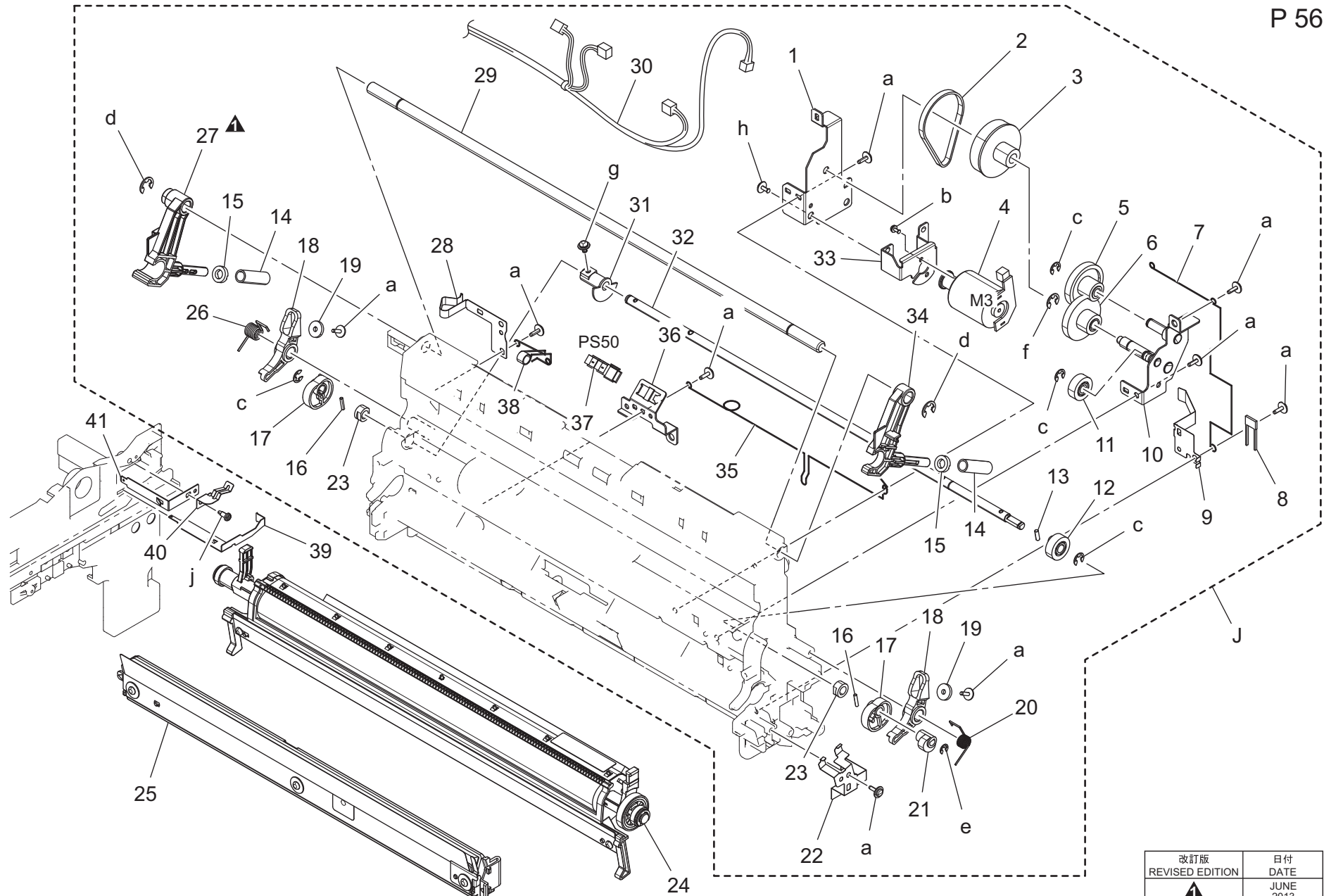


bizhub C654/bizhub C754

PAPER EXIT CONVEYANCE SECTION

Key	Part No.	Description	Destinations	Class	QTY	Standard parts
1	A00J706800	Compressing Spring		C	2	a-V153030803 b-V218030086 c-V217060001 d-V217040001 e-V149030803 f-V116030603
2	4025353401	PRESSURE SPRING		D	2	
3	A00J701500	Conveyance Duct		D	1	
4	A00J709100	Seal		C	1	
5	A00J701800	Suction Seal		C	1	
6	A00J701701	Cover		D	1	
7	A00J702400	Mounting Plate		D	1	
8	A00J711301	Lever /1		C	1	
9	A00J711700	Compressing Spring		C	1	
10	A00J711500	Hold Plate		D	1	
11	4036367502	LEVER		C	1	
12	1164352702	TORSION SPRING		C	1	
13	A00J701000	Pulling Spring		C	2	
14	A00V240600	BALL BEARING		C	2	
15	A00J700600	Gear 20T		C	1	
16	A00J702700	Gear 14T		C	1	
17	A161702200	Bushing		C	1	
18	A00J701900	Ground Contact		C	1	
19	A00J704700	Guide Film		C	1	
20	4025356801	NETURALIZING MEMBER		C	1	
21	A00J707801	Compressing Spring		C	2	
22	A00JR90100	PHOTO INTERRUPTER		C	1	
23	A00J704600	Guide Film		C	1	
24	A0P0701600Old	Neutralizing Holder		D	1	
24	A0P0701611	Neutralizing Holder		D	1	
25	A00J704200	Guide Film		C	1	
26	A00J700201	Roller		C	1	
27	A00J700100	Roller		C	1	
28	A00J701200	Guide Plate		D	1	
29	A00JR7AT00	Mounting Plate Assy		D	1	
30	1164350901	BUSHING		C	1	
31	A00J700501	Gear 34/17T		C	1	
32	A2X0948800	Seal		C	1	
33	A00J703001	Positioning Holder		D	1	
34	A00J706900	Rotation Knob		C	1	
35	A00J700301	Gear 26T		C	1	
36	A00J700900	Collar		C	1	
37	A00J702000	Wiring Cover		D	1	
38	A2X0M10500	Stepping motor		C	1	
39	A108M50100	Photointerrupter		B	1	
40	A2X0713600	Actuator		C	1	
41	A2X0R71C22	Conveyance Holder Assy		C	1	

PAPER EXIT CONVEYANCE SECTION



改訂版 REVISED EDITION	日付 DATE
▲	JUNE 2013


bizhub C654/bizhub C754



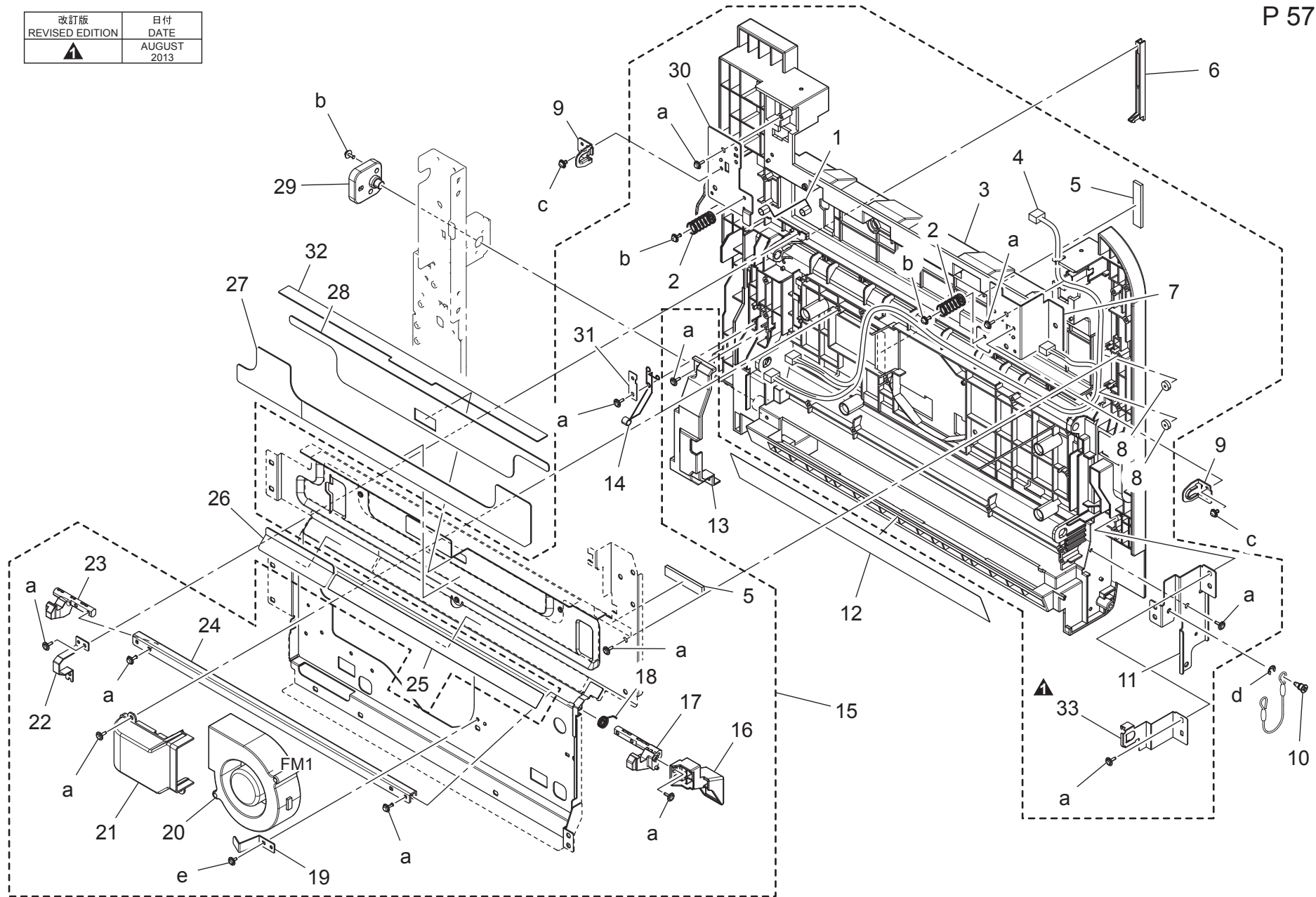
Key	Part No.	Description	Destinations	Class	QTY	Standard parts
1	A2X0710200	Mounting Plate	取付板	D	1	a-V153030803 b-V115260503 c-V217040001 d-V217060001 e-V217050001 f-V217030001 g-V116030603 h-V137030603 j-V149030803
2	A2X0713200	Timing Belt 152L	タイミングベルト 152 L	C	1	
3	A2X0713100	Pulley 16T	プーリ 16 T	C	1	
4	A0P0R75400	Motor Assy	縦搬圧接離間モーター	C	1	
5	4025490701	GEAR 16/40T	ギヤ 16 / 40 T	C	1	
6	4025491001	GEAR 12/40T	ギヤ 12 / 40 T	C	1	
7	A2X0708200	Contact	接点	C	1	
8	9454407602	RESISTOR	固定抵抗器	D	1	
9	A2X0713400	Ground Plate	アース板	D	1	
10	A00JR7AU11	2ND TRANSFER RETRACTION DRIVE	2次転写圧接離間 かしめ	D	1	
11	4025490801	GEAR 15T	ギヤ 15 T	C	1	
12	4025490901	GEAR 15T	ギヤ 15 T	C	1	
13	4036491101	PIN	ピン	D	1	
14	A00J710800	Compressing Spring	圧縮ばね	C	2	
15	4004472202	WASHER	座金	D	2	
16	1144520001	PIN	ピン	D	2	
17	4004471002	CAM	カム	D	2	
18	4036471201	ARM	アーム	C	2	
19	4004472301	WASHER	座金	D	2	
20	4025472501	TORSION SPRING	ねじりコイルばね	D	1	
21	A00J711400	Cam /1	カム / 1	C	1	
22	A00J708100	Ground Plate	アース板	C	1	
23	4036473001	BUSHING	軸受	C	2	
24	A0P0R71911	2nd transfer roller assy	2次転写ローラ ASSY	A	1	
25	A0P0R73133	Removal guide assy	紙粉除去 Assy	C	1	
26	4025471902	TORSION SPRING	ねじりコイルばね	D	1	
27	A0P0710502	Arm /Rear	アーム / 奥	C	1	
28	A00J708700	Contact	接点	C	1	
29	A00J710400	Support Shaft	支点軸	D	1	
30	A2X0N11001	Conveyance Wiring	搬送束線	D	1	
31	4025472001	DETECTING PLATE	検出板	D	1	
32	4025470902	SHAFT	シャフト	D	1	
33	A2X0713000	Mounting Plate	取付板 (モータ)	D	1	
34	A0P0710600	Arm /Front	アーム / 前	D	1	
35	A2X0708800	Contact	接点	C	1	
36	A00J710700	Mounting Plate	取付板	D	1	
37	A108M50100	Photointerrupter	透過型センサ	B	1	
38	A0P0709101	Contact	接点 (除電針印加)	C	1	
39	A00J708400	Contact	接点	C	1	
40	A00J708900	Contact	接点	C	1	
41	A00J708300	Contact	接点	C	1	



PAPER EXIT CONVEYANCE SECTION

改訂版 REVISED EDITION	日付 DATE
	AUGUST 2013

P 57

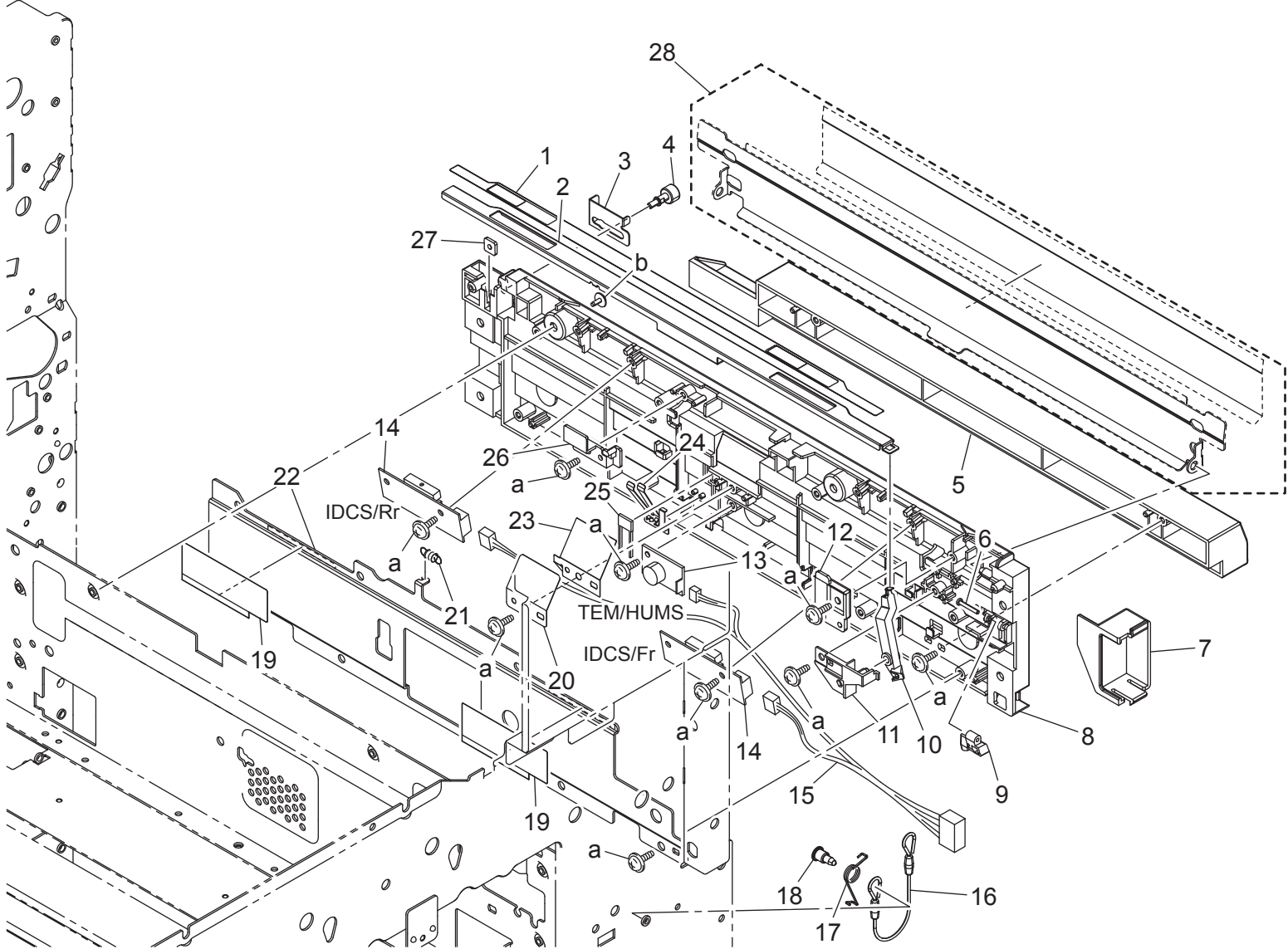


bizhub C654/bizhub C754



Key	Part No.	Description	Destinations	Class	QTY	Standard parts
1	A2X0709700	Spring		C	1	a-V153030803 b-V116030803 c-V116030603 d-V217040001 e-V137030603
2	A00J893100	Compressing Spring		D	2	
3	A2X0705101	Conveyance Cover /Right		C	1	
4	A00JN11101	Conveyance Relay harness /1		D	1	
5	A00J815711	Cushion		C	2	
6	A2X0713300	Holder		D	1	
7	A2X0901000	Mounting Plate /Front		D	1	
8	4036365901	COLLAR		D	2	
9	A00J892202	Mounting Plate		D	2	
10	A00J705800	Shoulder screw		C	1	
11	A00J705700	Reinforce Plate /Front		D	1	
12	A00J705200	Guide Film		C	1	
13	A00J705900	Wiring Cover		D	1	
14	A0P0712200	Contact		C	1	
15	A2X0R71D22	Paper Exit Conveyance Door Assy		C	1	
16	A00J706200	Open/close Lever /Right		C	1	
17	A00J706500	Lock Lever /F		C	1	
18	4036359002	TORSION SPRING		D	1	
19	A00J706400	Mounting Plate		D	1	
20	9313100072	FAN MOTOR		C	1	
21	A00J705600	Conveyance Duct		D	1	
22	A00J708000	Reinforce Plate		D	1	
23	A00J706600	Lock Lever /R		C	1	
24	A00J706700	Support Plate		D	1	
25	4138586601	LABEL HI-TEMP CAUTION		D	1	
26	A2X0709400	Protection Part		C	1	
27	A2X0709300	Protection Part		C	1	
28	A2X0899601	Protection Part		C	1	
29	A00J073000	Support Shaft		C	1	
30	A2X0900900	Mounting Plate /Rear		D	1	
31	A0P0709000	Mounting Plate		D	1	
32	A2X0713500	Protection Part		C	1	
33	A2X0713700	Regulating Plate		D	1	

REGISTRATION SENSOR SECTION

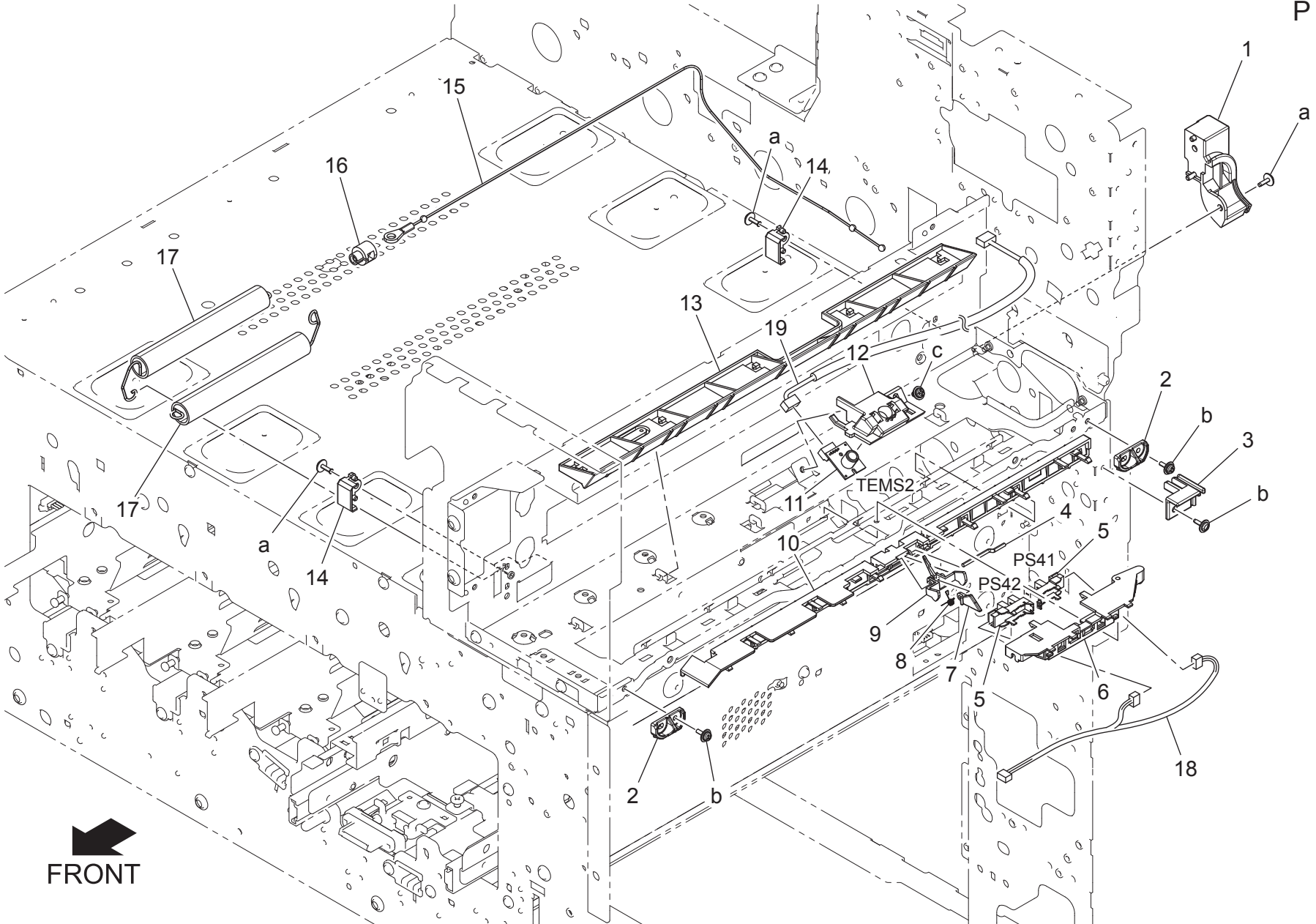


bizhub C654/bizhub C754

Key	Part No.	Description	Destinations	Class	QTY	Standard parts
1	A00J704100	Sensor Cover		C	1	a-V153030803 b-V137030603
2	A00J711101	Sensor Shutter		C	1	
3	A00J702901	Guide Stopper		D	1	
4	A00J703600	Shoulder screw		C	1	
5	A0P0702200	Guide Plate		D	1	
6	4025367601	PIN		D	1	
7	A00J704500	Wiring Cover		D	1	
8	A00J702101	Guide Holder /Left		D	1	
9	4036367301	LEVER		C	1	
10	A00J711601	Lever		C	1	
11	4025367402	HOLD PLATE		D	1	
12	A00J702600	Guide Shutter		C	1	
13	A0P0M50400	Humidity sensor		C	1	
14	V869900045	PHOTO SENSING ELEMENT		C	2	
15	A00JN12201	Sensor Relay harness /4		D	1	
16	A00J707200	Hold Wire /Front		C	1	
17	A00J706100	Torsion Spring		C	1	
18	4643460501	SHOULDER SCREW		C	1	
19	A00J704400	Sensor Cover /2		C	2	
20	A00J703700	Plate spring /2		C	1	
21	4025355601	TENSION SPRING		C	1	
22	A00J702811	Reinforce Plate		D	1	
23	A00J702500	Plate spring /1		C	1	
24	A00J703800	Plate spring /3		C	1	
25	9454407602	RESISTOR		D	1	
26	4036355701	STOPPER		D	1	
27	4002504202	PLATE NUT		D	1	
28	A0P0R75000	GUIDE ASSY		C	1	

ROTATION DETECTING SENSOR SECTION

P 59



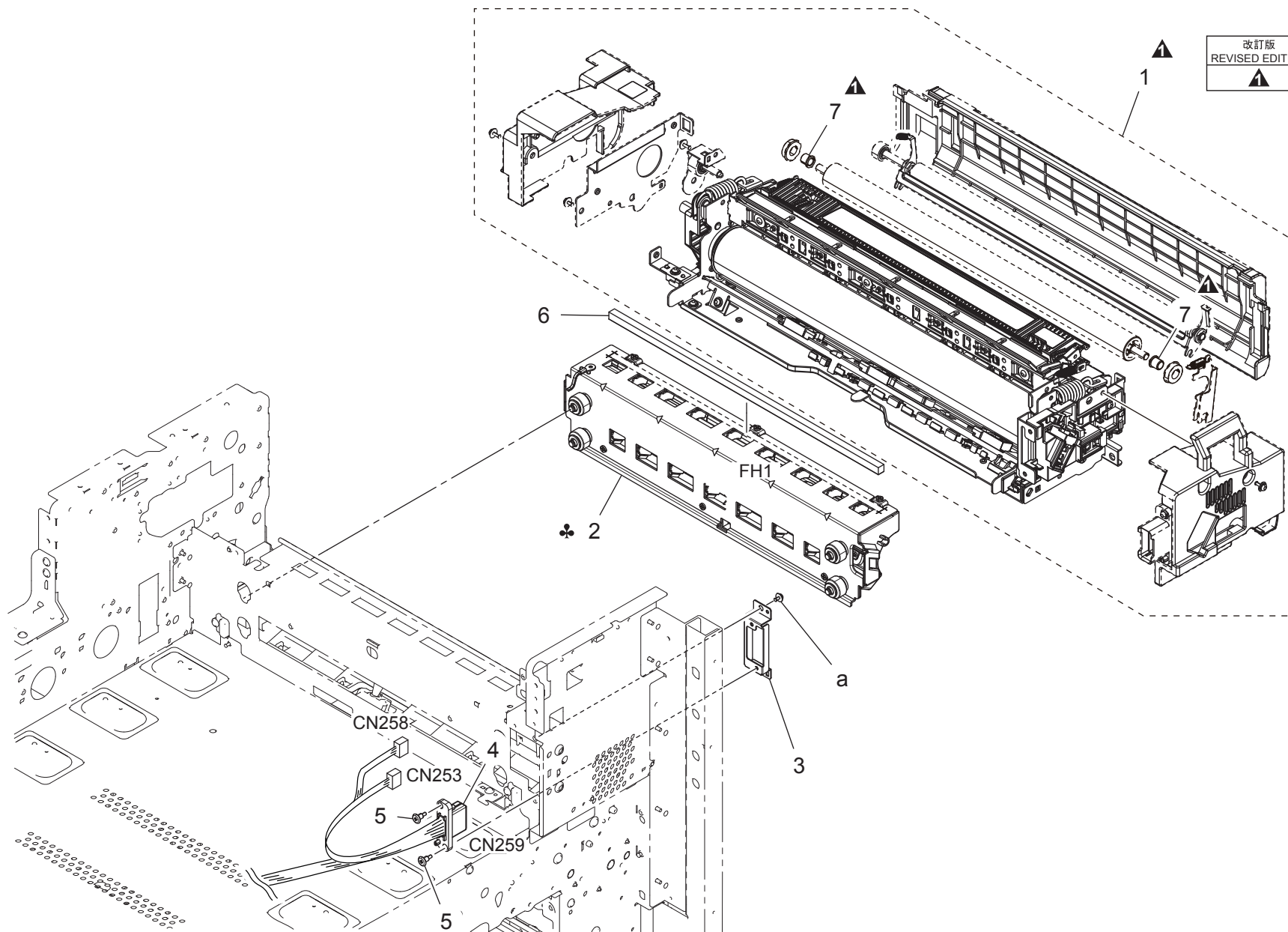
FRONT

bizhub C654/bizhub C754

FUSING UNIT

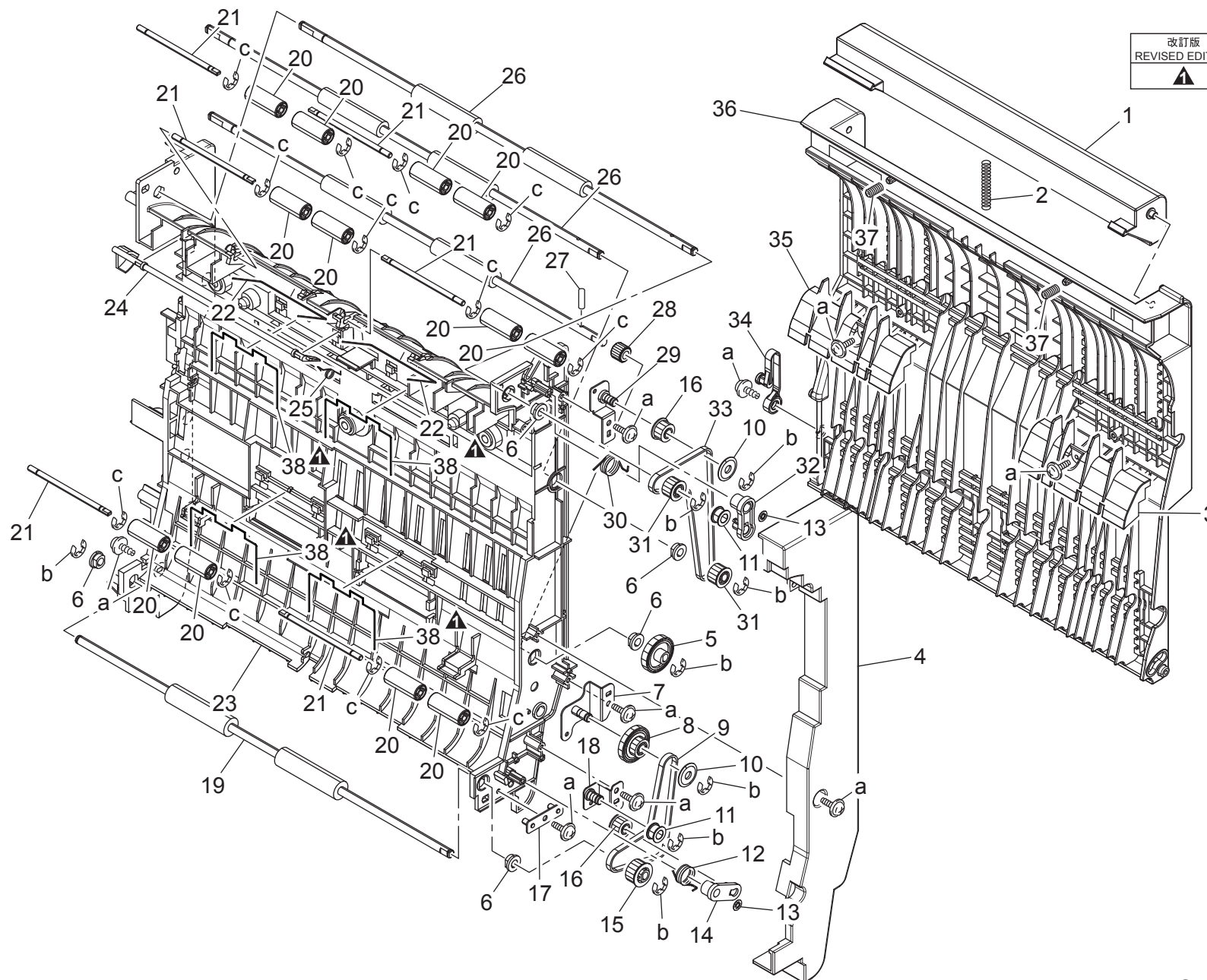
P 60

改訂版 REVISED EDITION	日付 DATE
▲	JULY 2012



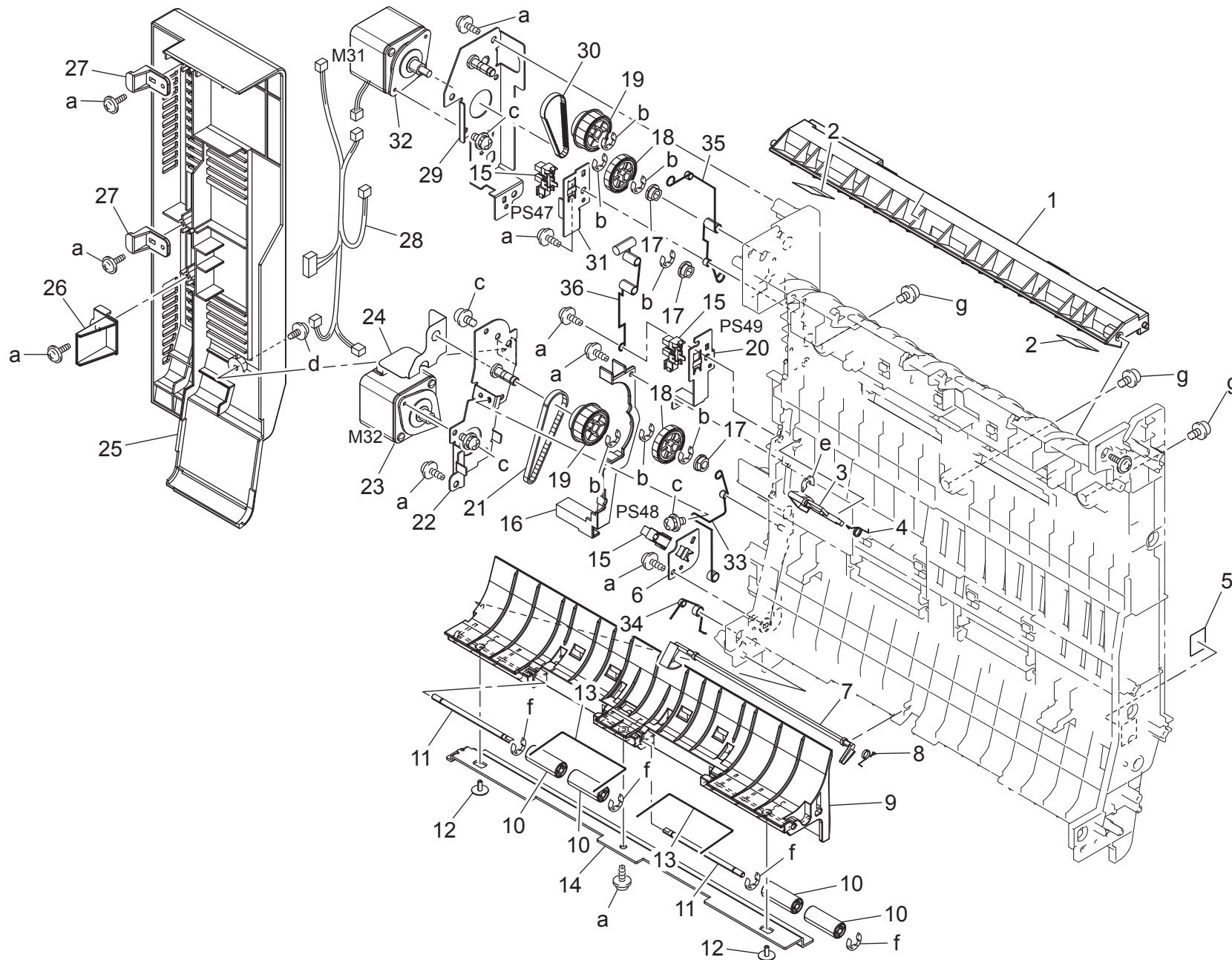
bizhub C654/bizhub C754

改訂版 REVISED EDITION	日付 DATE
▲	APRIL 2012



Key	Part No.	Description	Destinations	Class	QTY	Standard parts
1	A00J810302	Handle		C	1	a-V153030803 b-V217040001 c-V217030001
2	4497310603	PRESSURE SPRING		C	1	
3	A00J814600	Guide Part /Front		C	1	
4	A2X0810400	Cover /Front		C	1	
5	A0P0812800	Gear 48T		C	1	
6	4131300301	BUSHING		C	5	
7	A00JR7AV00	MOUNTING PLATE /B		D	1	
8	A0P0812900	Gear 22/48T		C	1	
9	A00J813000	Belt 248L		C	1	
10	1200164603	WASHER		D	2	
11	A00J813600	Roll		C	2	
12	A00J812400	Torsion Spring /Lower		C	1	
13	0910362001	STOP RING		D	2	
14	A00J812300	Lever		C	1	
15	A00J812200	Pulley 26T		C	1	
16	4657371301	PULLEY 22T		C	2	
17	A00JR7AW00	MOUNTING PLATE /D		D	1	
18	A00JR7AX11	MOUNTING PLATE /C		D	1	
19	A00J811000	Roller /4		C	1	
20	A00J814101	Roll		C	12	
21	A00J814411	Shaft		C	6	
22	A00J814500	Spring		C	2	
23	A2X0810101	Duplex Base frame		D	1	
24	A00J811800	Actuator /Upper		C	1	
25	4657373501	TORSION SPRING		C	1	
26	A00J810800	Roller /1		C	3	
27	1067250101	PIN		C	1	
28	A00J815101	Knob		C	1	
29	A00JR7AY00	MOUNTING PLATE /A		D	1	
30	A00J812100	Torsion Spring /Upper		D	1	
31	A00J811200	Pulley 22T		C	2	
32	A00J815200	Lever		C	1	
33	A00J811600	Belt 306L		C	1	
34	A00J816400	STOPPER		C	1	
35	A00J814700	Guide Part /Rear		C	1	
36	A2X0810500	Open/close Cover		C	1	
37	A00J815801	Compressing Spring		C	2	
38	A2X0814500	Spring		C	4	

bizhub C654/bizhub C754

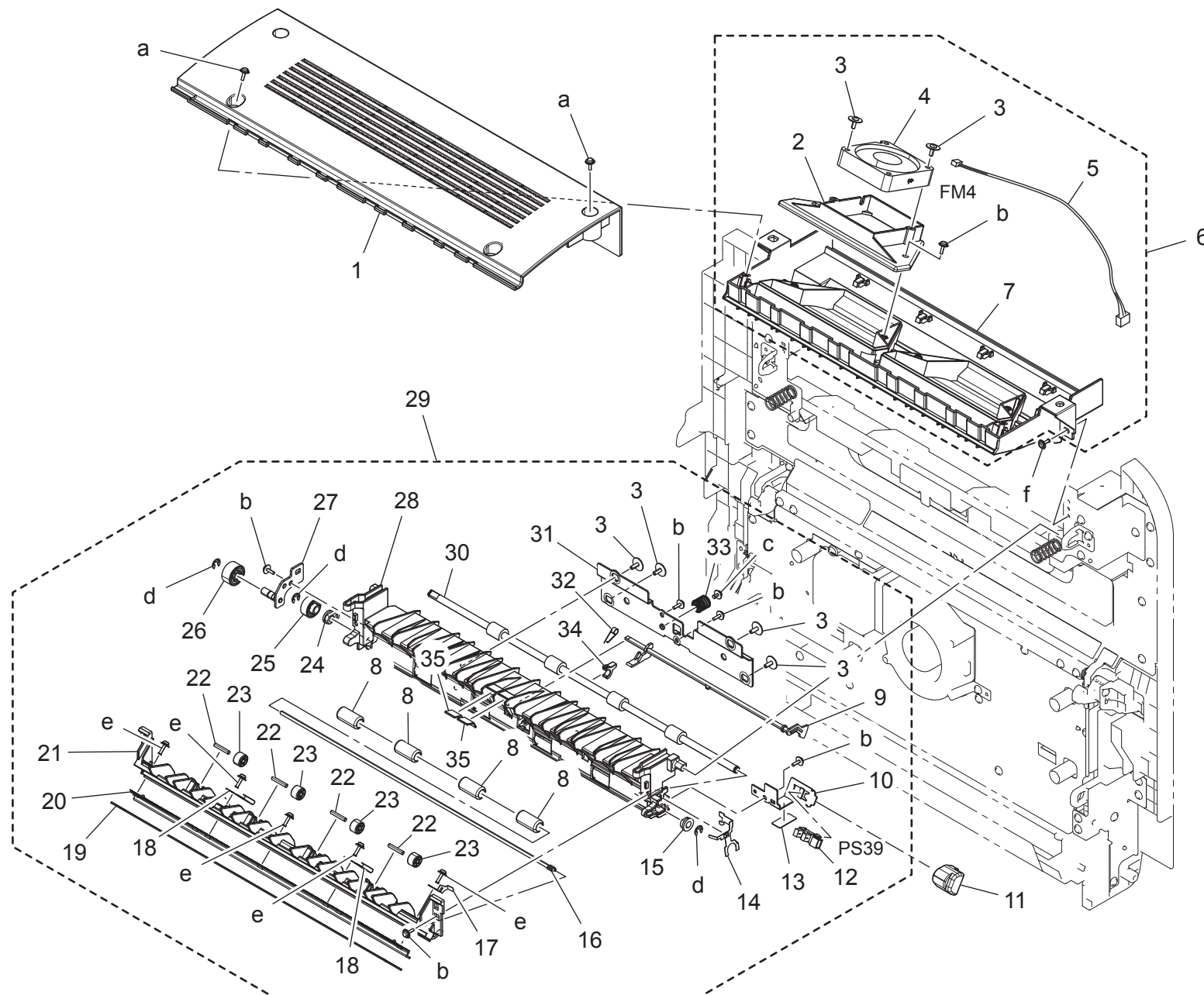


Key	Part No.	Description	Destinations	Class	QTY	Standard parts
1	A00J810201	Cover /Upper		C	1	a-V153030803 b-V217040001 c-V116030603 d-V121030804 e-V218030086 f-V217030001 g-V125041001
2	A00J816300	Guide Film		C	2	
3	A00J813200	Actuator		C	1	
4	4657373401	TORSION SPRING		C	1	
5	A2X0949000	Label		C	1	
6	A00J812000	Sensor Plate /Lower		D	1	
7	A00J811900	Actuator /Lower		C	1	
8	4657373501	TORSION SPRING		C	1	
9	A00J810713	Cover /Lower		C	1	
10	A00J814101	Roll		C	4	
11	A00J814411	Shaft		C	2	
12	4036596601	SCREW		C	2	
13	A00J814500	Spring		C	2	
14	A00J816200	Reinforce Plate		D	1	
15	A108M50100	Photointerrupter		B	3	
16	A00J815400	Wiring Cover		D	1	
17	4131300301	BUSHING		C	3	
18	A00J813800	Gear 25T		C	2	
19	A00J813900	Pulley 33/25T		C	2	
20	A2X0813300	Sensor Plate /Middle		D	1	
21	A00J811100	Belt 160L		C	1	
22	A00JR7B000	DRIVE FRAME / LOWER		D	1	
23	A2X0M10600	Stepping motor		C	1	
24	A0P0816600	Protection Film		C	1	
25	A00J810601	Cover /Rear		C	1	
26	A00J816100	Lever		C	1	
27	A00J815300	Hook		C	2	
28	A2X0N11300	ADU Wiring		D	1	
29	A00JR7B100	DRIVE FRAME / UPPER		D	1	
30	4657374301	TIMING BELT 134L		C	1	
31	A00J812600	Sensor Plate /Upper		D	1	
32	A2X0M10700	Stepping motor		C	1	
33	A2X0816900	Contact /3		C	1	
34	A0P0817000	Contact /4		C	1	
35	A0P0816700	Contact /1		C	1	
36	A2X0816800	Contact /2		C	1	

bizhub C654/bizhub C754

PAPER EXIT SECTION

P 63



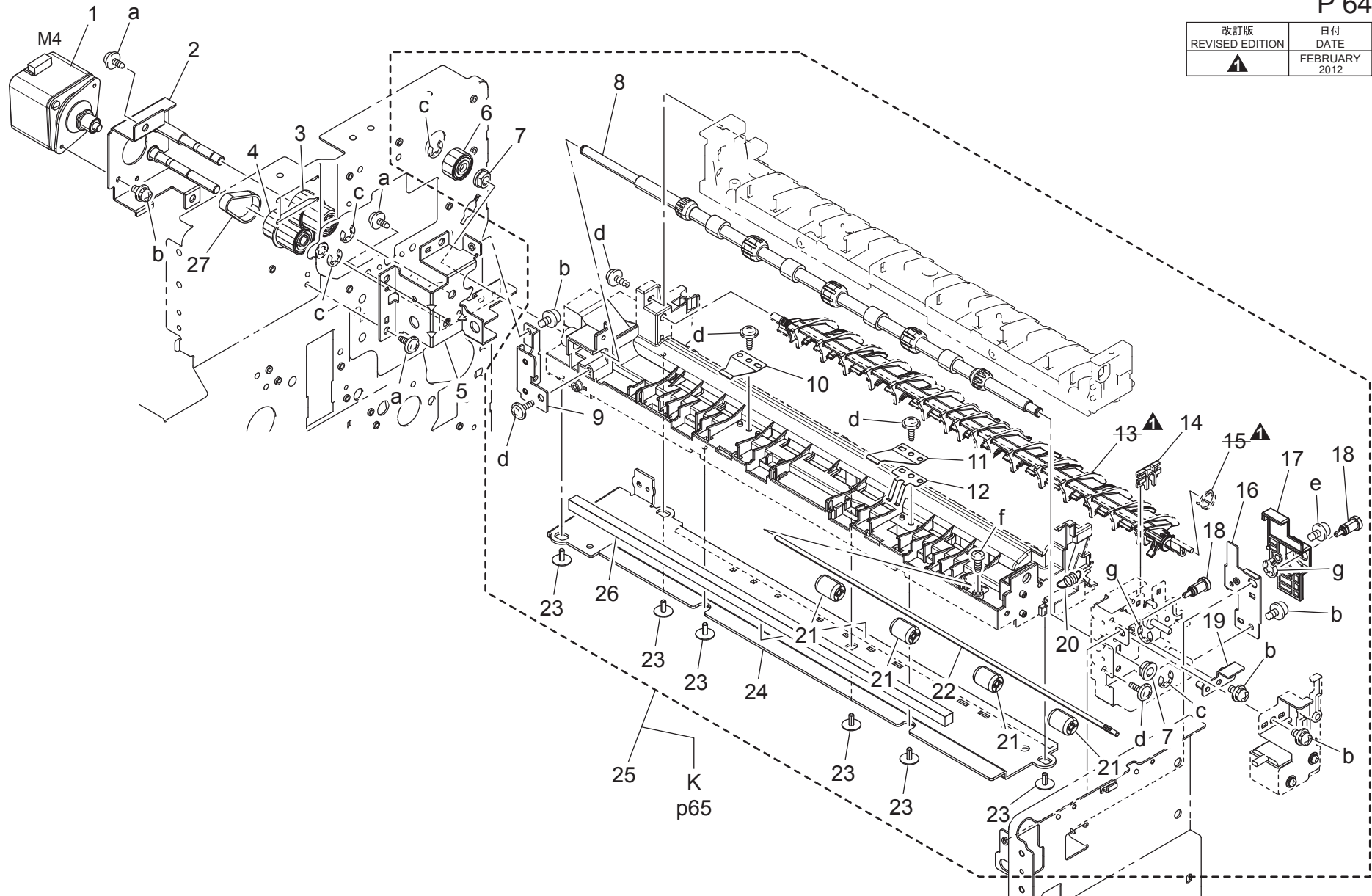
bizhub C654/bizhub C754

PAPER EXIT SECTION

Key	Part No.	Description	Destinations	Class	QTY	Standard parts
1	A00J891801	Paper exit Cover		C	1	a-V153030804 b-V153030803 c-V116030603 d-V217040001 e-V116031003 f-V137030803
2	A00J898900	Cover		D	1	
3	4036596601	SCREW		C	6	
4	9J06M10000	FAN MOTOR		C	1	
5	A1DMN11200	Conveyance Relay harness /1		D	1	
6	A2X0R71B00	Cooling Fan Assy		C	1	
7	A00J892101	Guide Plate		D	1	
8	A2X0901100	Roll		C	4	
9	A00J892300	Paper exit Actuator		C	1	
10	A00J892712	Sensor Plate		D	1	
11	A00J898400	Cover		C	1	
12	A108M50100	Photointerrupter		B	1	
13	A00J899711	Protection Part		C	1	
14	A00J894000	Contact		C	1	
15	4030309301	BUSHING		C	1	
16	A00J897800	Shaft		D	1	
17	A00J894200	Contact		C	1	
18	A00J892600	Plate spring /1		C	2	
19	A0P0897600	Protection Part		C	1	
20	A00J892001	Reinforce Plate		D	1	
21	A2X0892400	Guide Plate		D	1	
22	A00J897100	Pin		C	4	
23	A00J897000	Roll		C	4	
24	A0P0900201	Bushing		D	1	
25	A00J896300	Gear 15T		C	1	
26	A00J896100	Gear 16T		C	1	
27	A00JR7B200	MOUNTING PLATE / 1ST EXIT		D	1	
28	A2X0892900	Guide Plate		C	1	
29	A2X0R71700	Mounting Plate/Exit Assy		C	1	
30	A2X0898300	Roller		D	1	
31	A0P0900100	Mounting Plate		D	1	
32	4036591301	TORSION SPRING		D	1	
33	A0P0900700	Compressing Coil spring		D	1	
34	4004598701	BUSHING		C	1	
35	A2X0900500	Cushion		D	2	

REVERSAL SECTION

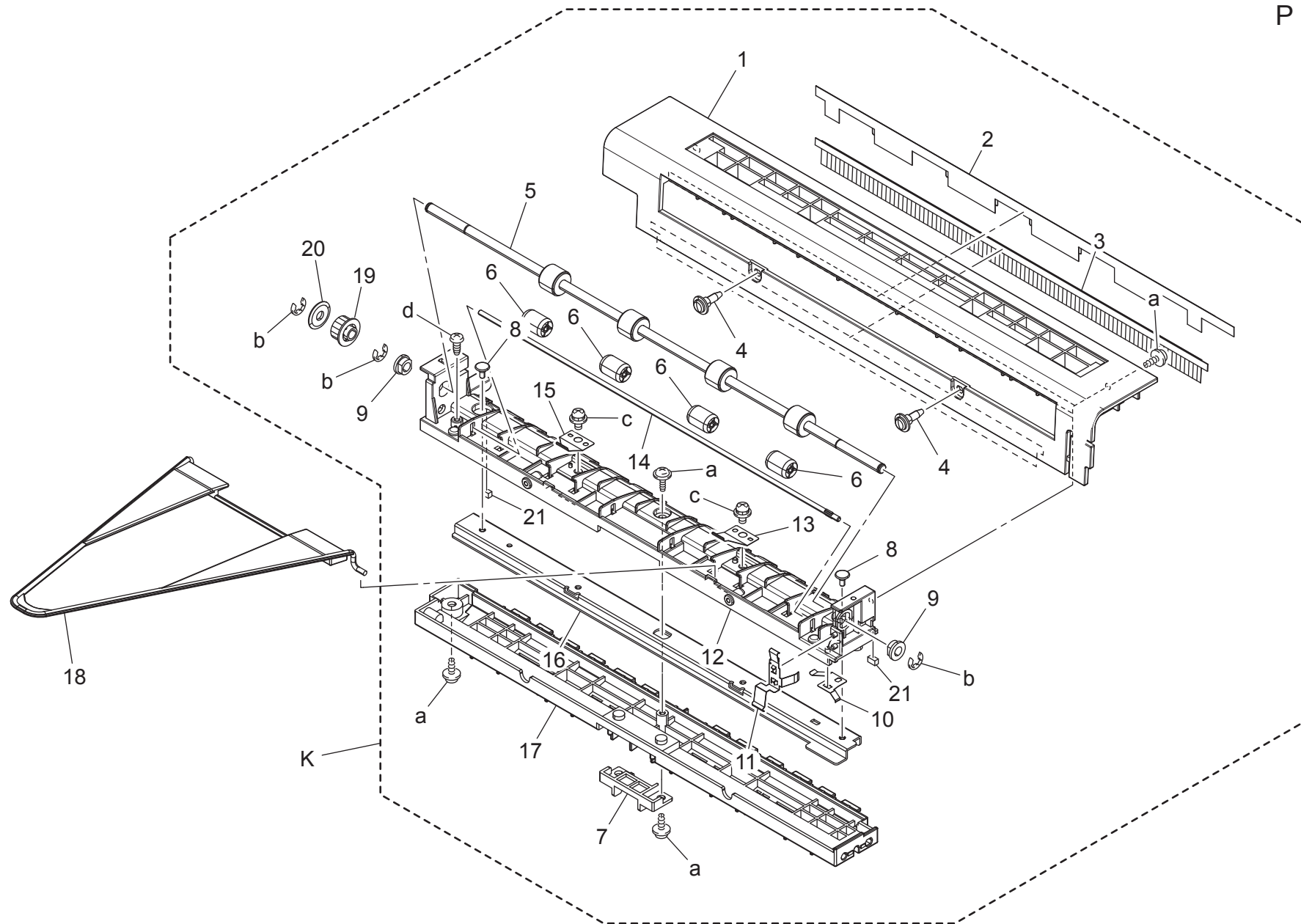
改訂版 REVISED EDITION	日付 DATE
▲	FEBRUARY 2012



Key	Part No.	Description	Destinations	Class	QTY	Standard parts
1	A2X0M10800	Stepping motor		C	1	a-V137030603
2	A0P0R7A400	Mounting plate / Paper exit motor		D	1	b-V116030603
3	A00J891100	Gear 16/26T		C	1	c-V217040001
4	A0P0891000	Idler Gear 22T		C	1	d-V153030803
5	A0P0896600	Mounting Plate		D	1	e-V116030803
6	A00J895100	Gear 16T		C	1	f-V149030803
7	4030309301	BUSHING		C	2	g-V217050001
8	A2X0890701	Paper exit Roller		C	1	
9	A00J896801	Mounting Plate		D	1	
10	A00J898001	Plate spring		D	1	
11	A00J898101	Plate spring		D	1	
12	A00J899101	Contact		C	1	
14	4030382301	BUSHING		D	1	
16	A00J891200	Mounting Plate		D	1	
17	A00J898200	Cover		C	1	
18	A00J896500	Shoulder screw		C	2	
19	A00JR7B500	REVERSAL UPPER STAKE		D	1	
20	A00J893800	Pulling Spring		D	1	
21	4004590301	ROLL		C	4	
22	4025598401	SHAFT		D	1	
23	4036596601	SCREW		C	6	
24	A0P0890200	Mounting Plate		D	1	
25	A2X0R71100	Riverse Unit		C	1	
26	A2X0890600	Sealing Part		C	1	
27	A0P0900600	Timing belt 86L		D	1	

REVERSAL SECTION

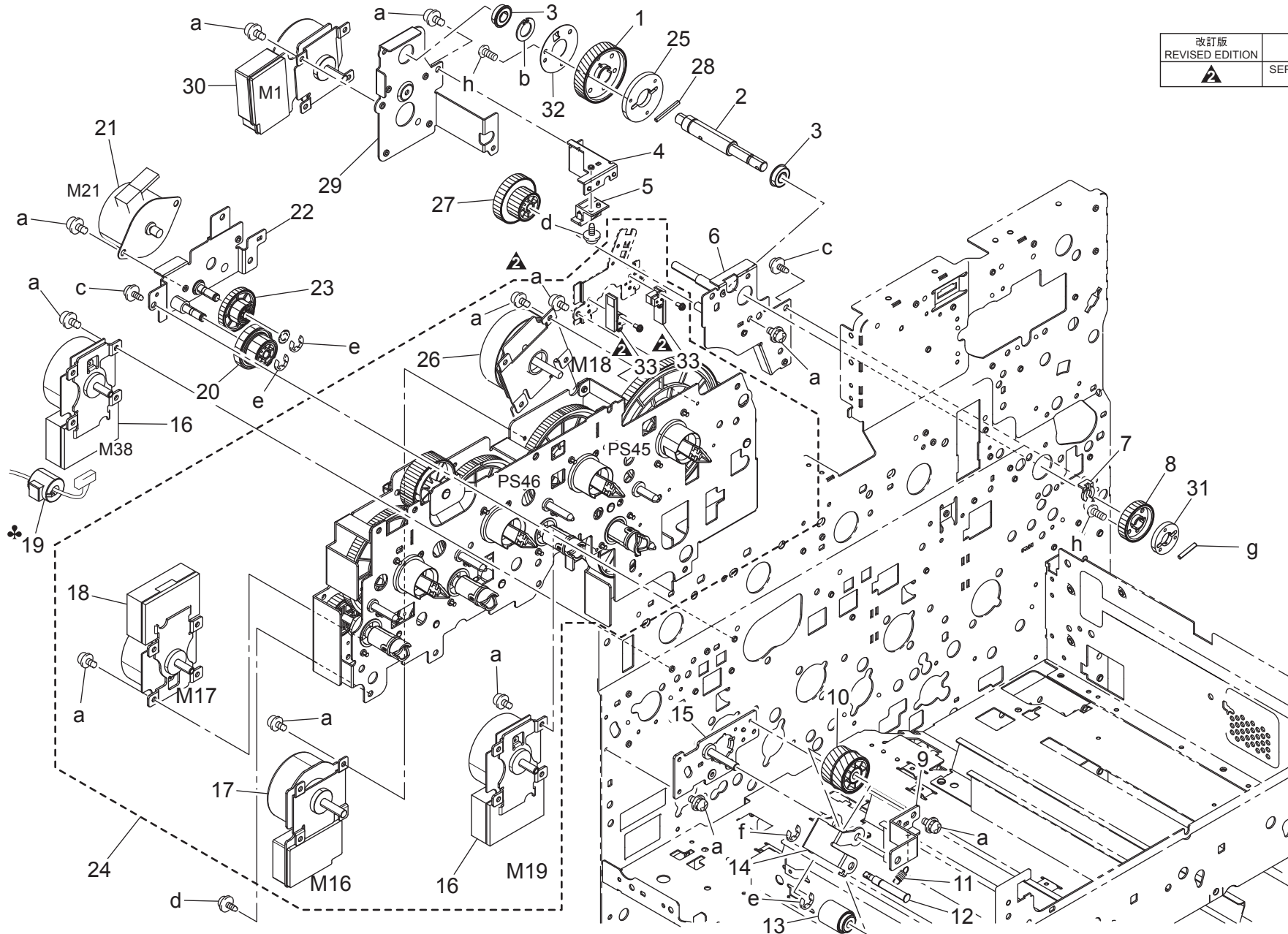
P 65



MAIN DRIVE SECTION

P 66

改訂版 REVISED EDITION	日付 DATE
▲	SEPTEMBER 2012



bizhub C654/bizhub C754

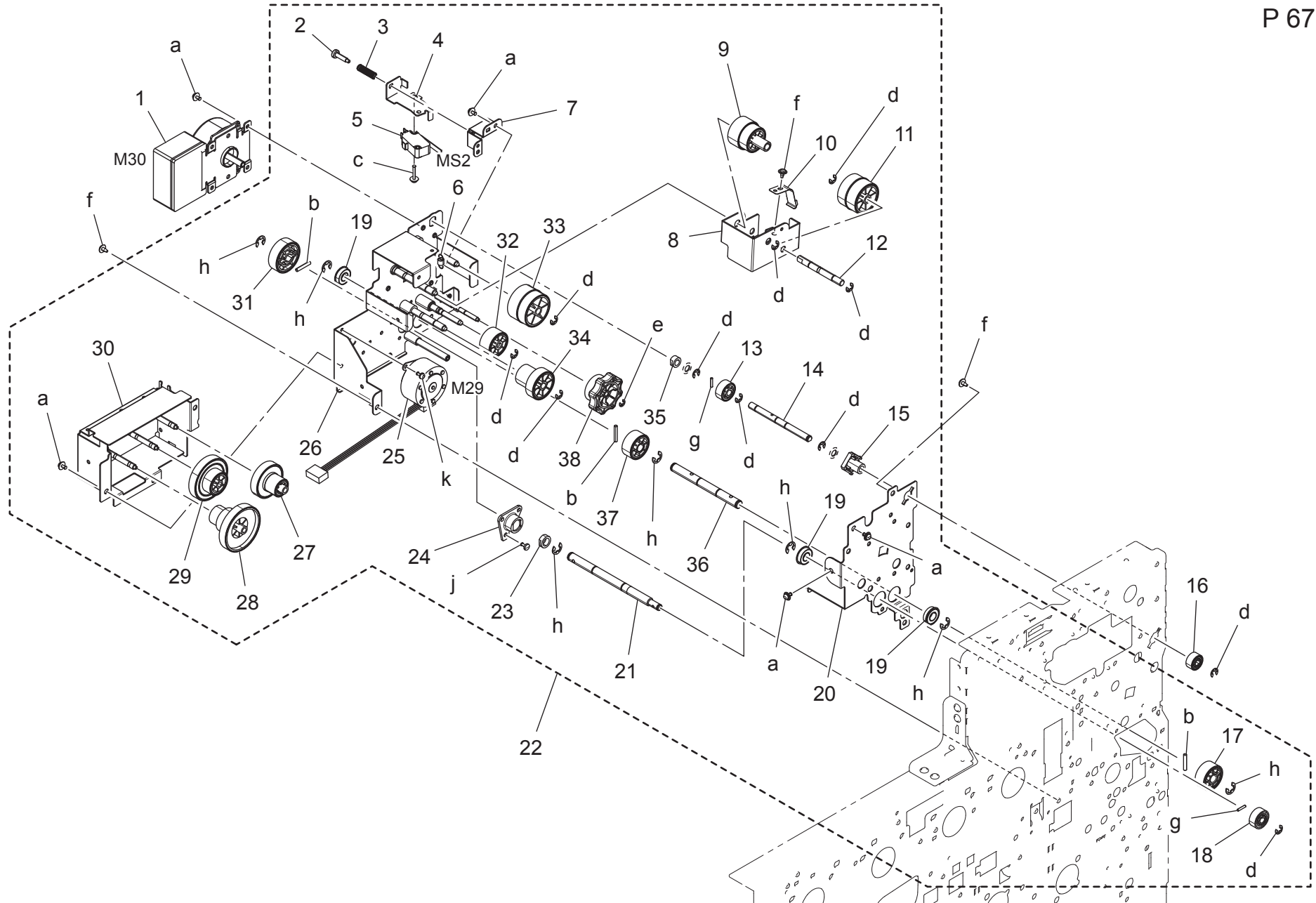
MAIN DRIVE SECTION

Key	Part No.	Description	Destinations	Class	QTY	Standard parts
1	A2WU220800	Gear 88T		C	1	a-V116030603 b-V223120050 c-V137030603 d-V137030803 e-V217040001 f-V217030001 g-V237301850 h-V118030503
2	A2WU220300	Transfer Shaft		D	1	
3	A00V240600	BALL BEARING		C	2	
4	A00J220600	Transfer Frame /C		D	1	
5	4036351701	GUIDE		D	1	
6	A00JR7B700	TRANSFER FRAME / B		D	1	
7	1164306501	STOPPER RING		D	1	
8	A2WU220100	Gear 59T		C	1	
9	A0P0228900	Reinforce Plate /T		C	1	
10	A0P0228100	Transfer Gear /M 55/34T		C	1	
11	A2X0228500	Pulling Coil spring		C	1	
12	A0P0228700	Transfer Shaft /B		C	1	
13	A0P0228200	Transfer Gear /Y 20T		C	1	
14	A0P0228400	Transfer Frame /E		C	1	
15	A0P0R7A600	Transfer freme / F		D	1	
16	A161M10200	brushless Motor /20		I	2	
17	9314230021	MOTOR		B	1	
18	A2XKM10300	Brushless motor		I	1	
19	A0P0M90000	Ferritecore	B,D1,D3,E,F2,G1,G2, I,K,J,H	D	1	
20	A00J225100	Gear 22/33T		C	1	
21	A02EM10C01	Stepping motor		C	1	
22	A00JR7B600	TRANSFER FRAME / D		D	1	
23	A00J225000	Gear 16/64T		C	1	
24	A2X0R70600	Main Drive Assy		C	1	
25	A2WU221001	Flange		C	1	
26	A00JM11000	Brushless motor /15		C	1	
27	A2WU220000	Gear 44/60T		C	1	
28	4004254701	PIN		D	1	
29	A2WU220400	Transfer Frame /A		D	1	
30	A00JM11300	Brushless motor /12		C	1	
31	A2WU220901	Flange		C	1	
32	A2WU221200	Spacer		C	1	
33	A0P0M50600	Photointerrupter		I	2	

bizhub C654/bizhub C754

FUSING DRIVE SECTION

P 67

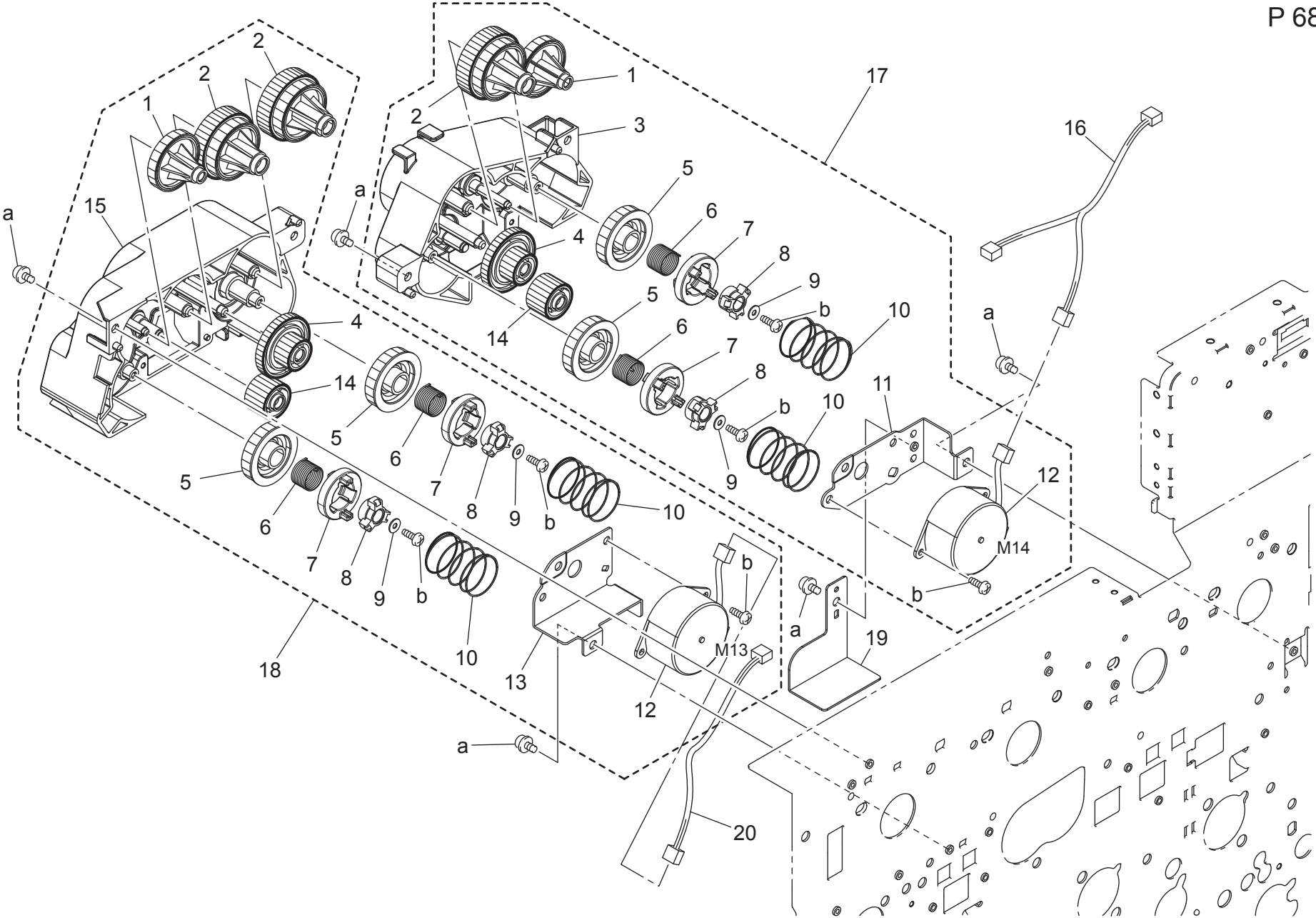


bizhub C654/bizhub C754

FUSING DRIVE SECTION

Key	Part No.	Description	Destinations	Class	QTY	Standard parts
1	A0P0M11500	Brushless motor /30		C	1	a-V116030603
2	4036225801	SHOULDER SCREW		C	1	b-V237301850
3	4004224802	PRESSURE SPRING		C	1	c-V116031603
4	4036224102	Bracket		D	1	d-V217040001
5	9J06M60100	MICRO SWITCH		C	1	e-V217030001
6	4004258201	TENSION SPRING		C	1	f-V137030603
7	A00J138000	Mounting Plate		D	1	g-V231201050
8	A00J232011	Fusing Frame /3		D	1	h-V217060001
9	A00J230000	Gear 52/30T		C	1	j-V118030603
10	A00J232400	PLATE SPRING		D	1	k-V115030603
11	A00J230100	Gear 38/38T		C	1	
12	A00J231200	Fusing Shaft /1		D	1	
13	A00J230711	Gear 33T		C	1	
14	A00J231812	Paper exit Shaft /1		D	1	
15	A00J232111	Paper exit Bearing /1		C	1	
16	A00J230800	Gear 18T		C	1	
17	A00J230500	Gear 23T		C	1	
18	A161254600	Gear		C	1	
19	A00V240600	BALL BEARING		C	3	
20	A2X0231000	Fusing Frame /2		D	1	
21	A2X0235400	Pressure Shaft		D	1	
22	A2X0R70800	Fusing Drive Assy		C	1	
23	4036252401	BUSHING		C	1	
24	A2X0236100	Support Part		C	1	
25	A161M10300	Stepping motor		C	1	
26	A2X0R70900	Fusing Drive Frame Assy		D	1	
27	A2X0235600	Gear 21/42T		C	1	
28	A2X0235100	Gear 21/115T		C	1	
29	A2X0235500	Gear 28/53T		C	1	
30	A2X0R70N00	Mounting plate		D	1	
31	A2X0235900	Gear 38T		C	1	
32	A00J230300	Gear 30T		C	1	
33	A2X0230600	Gear 61/62T		C	1	
34	A00J230200	Gear 35/23T		C	1	
35	A0P0232500	Bushing		C	1	
36	A2X0231500	Fusing Shaft /2		D	1	
37	A00J230400	Gear 30T		C	1	
38	A00J232200	Fusing Knob /1		C	1	

BOTTLE DRIVE SECTION



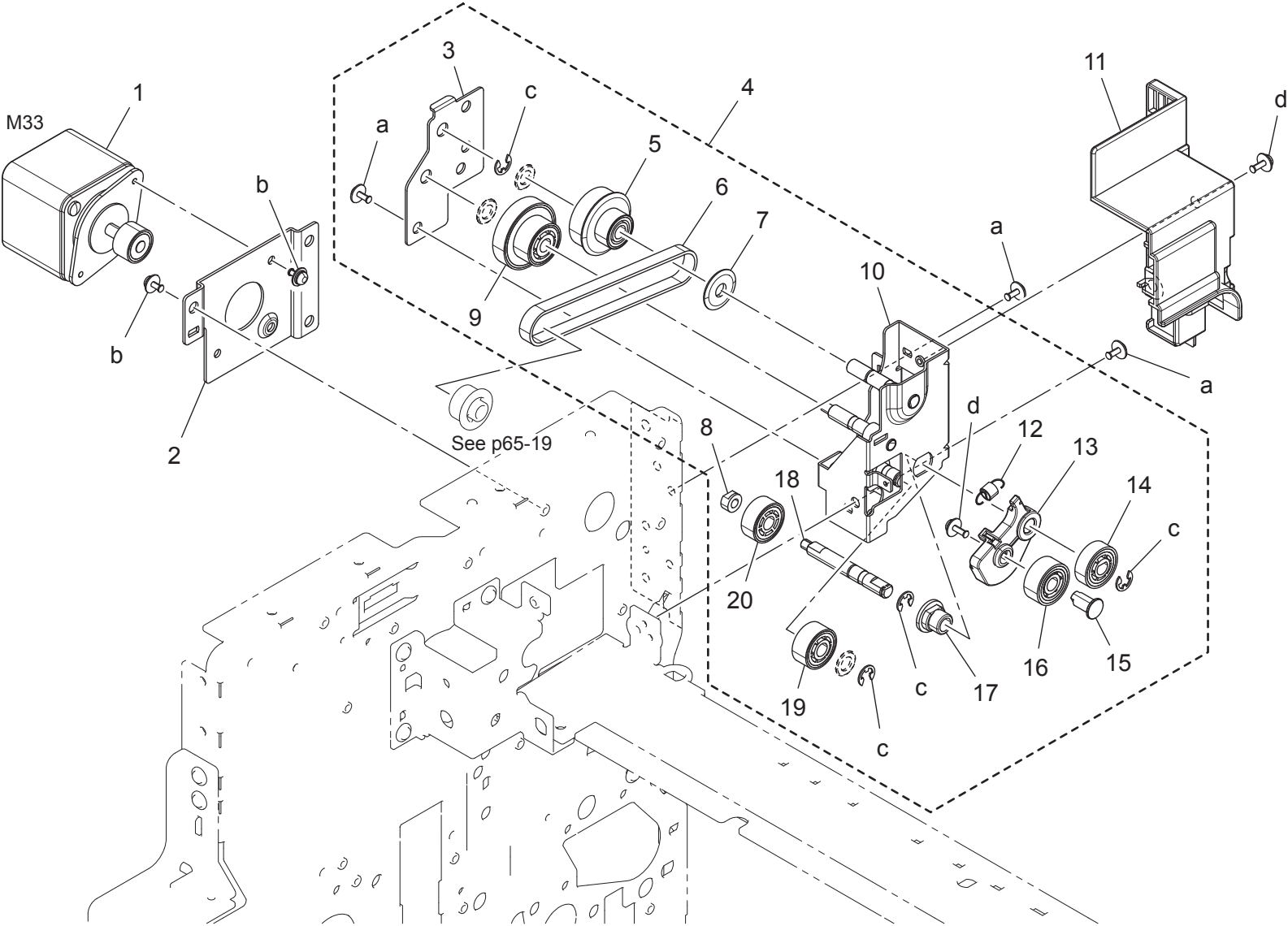
bizhub C654/bizhub C754

BOTTLE DRIVE SECTION

Key	Part No.	Description	Destinations	Class	QTY	Standard parts
1	A00J403100	Drive Gear /3 40T		C	2	a-V116030603 b-V145030803
2	A00J403000	Drive Gear /2 75/40T		C	3	
3	A00J402601	Drive Holder /Right		D	1	
4	A00J402900	Drive Gear /1 70/35T		C	2	
5	A00J404000	Gear 40T		C	4	
6	4038541101	SPRING		C	4	
7	A2X0404101	Joint		C	4	
8	4038541301	GUIDE		C	4	
9	4038540701	COLLAR		C	4	
10	4038541202	PRESSURE SPRING		C	4	
11	A00J402801	Fixing Plate /Right		D	1	
12	9314130021	MOTOR		B	2	
13	A00J403800	Fixing Plate /Left		D	1	
14	A00J403700	Gear 40T		C	2	
15	A00J402711	Drive Holder /Left		D	1	
16	A2X0N10900	Drive Wiring /1		D	1	
17	A2X0R70D11	Bottle Drive (C/BK) Assy		C	1	
18	A2X0R70C11	Bottle Drive (Y/M) Assy		C	1	
19	A00J142900	Protection Plate		D	1	
20	A2X0N10P00	Drive Wiring /2		D	1	

bizhub C654/bizhub C754

EJECT DRIVE SECTION

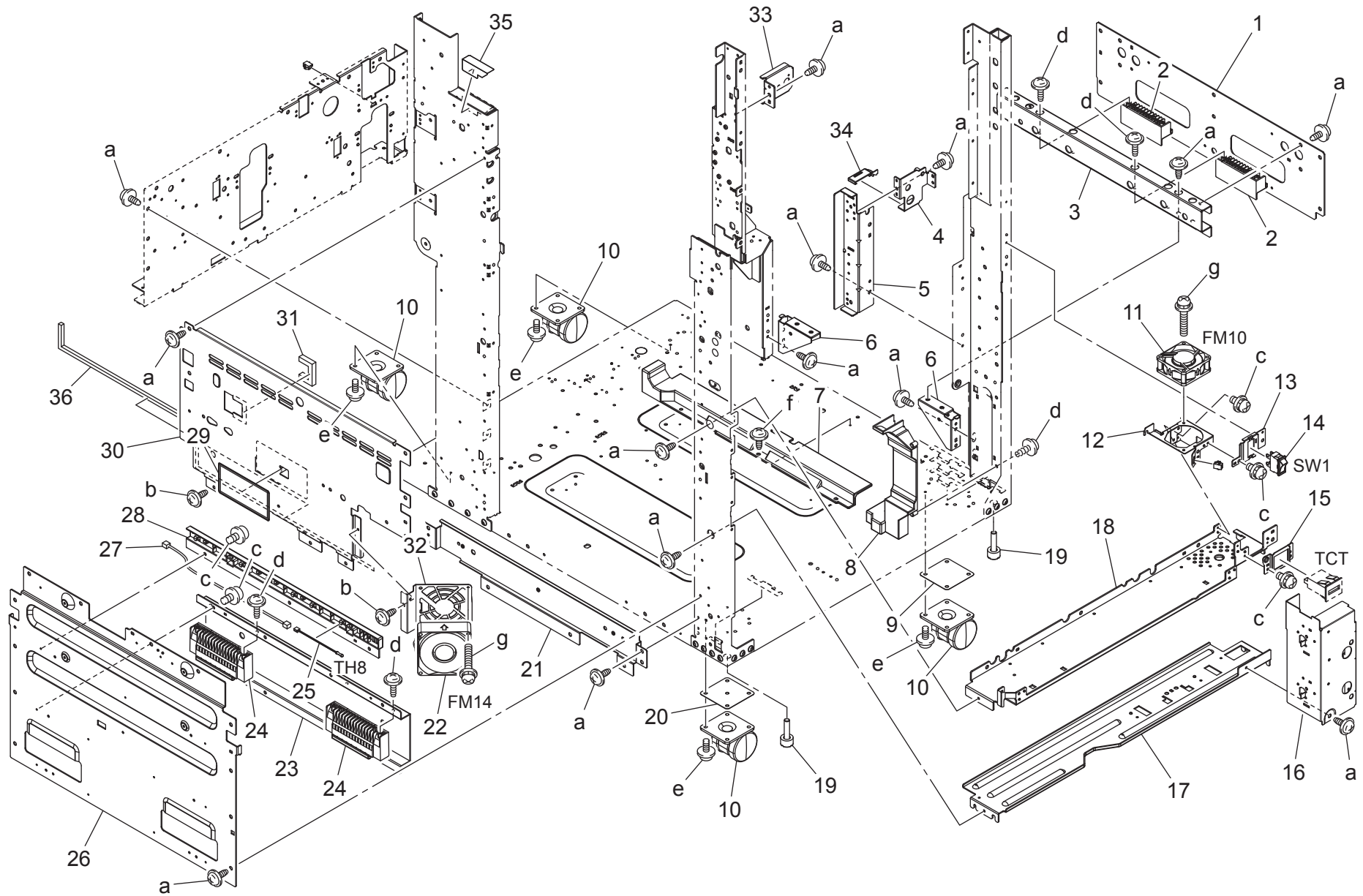


EJECT DRIVE SECTION

Key	Part No.	Description	Destinations	Class	QTY	Standard parts
1	A2X0M10900	Stepping motor		C	1	a-V137030603 b-V116030603 c-V217040001 d-V116030803
2	A00J895000	Mounting Plate		D	1	
3	A00J896000	Mounting Plate		D	1	
4	A2X0R71200	Paper Exit Belt Drive Assy		C	1	
5	A00J895200	Pulley 24/29T		C	1	
6	A00J894300	Timing belt 210L		C	1	
7	1200164603	WASHER		D	1	
8	4004533901	BUSHING		C	1	
9	A00J895700	Gear 21/34T		C	1	
10	A2X0894900	Mounting Plate /ASSY		D	1	
11	A2X0897701	Cover		C	1	
12	A00J899400	Pulling Spring		C	1	
13	A0P0897300	Cam		D	1	
14	A00J894600	Gear 16T		C	1	
15	A00J897200	Shaft		D	1	
16	A00J895300	Gear 16T		C	1	
17	A0P0900001	Bushing		D	1	
18	A2X0894800	Shaft		D	1	
19	A00J894400	Gear 21T		C	1	
20	A00J894500	Gear 21T		C	1	

MAIN FRAME SECTION

P 70



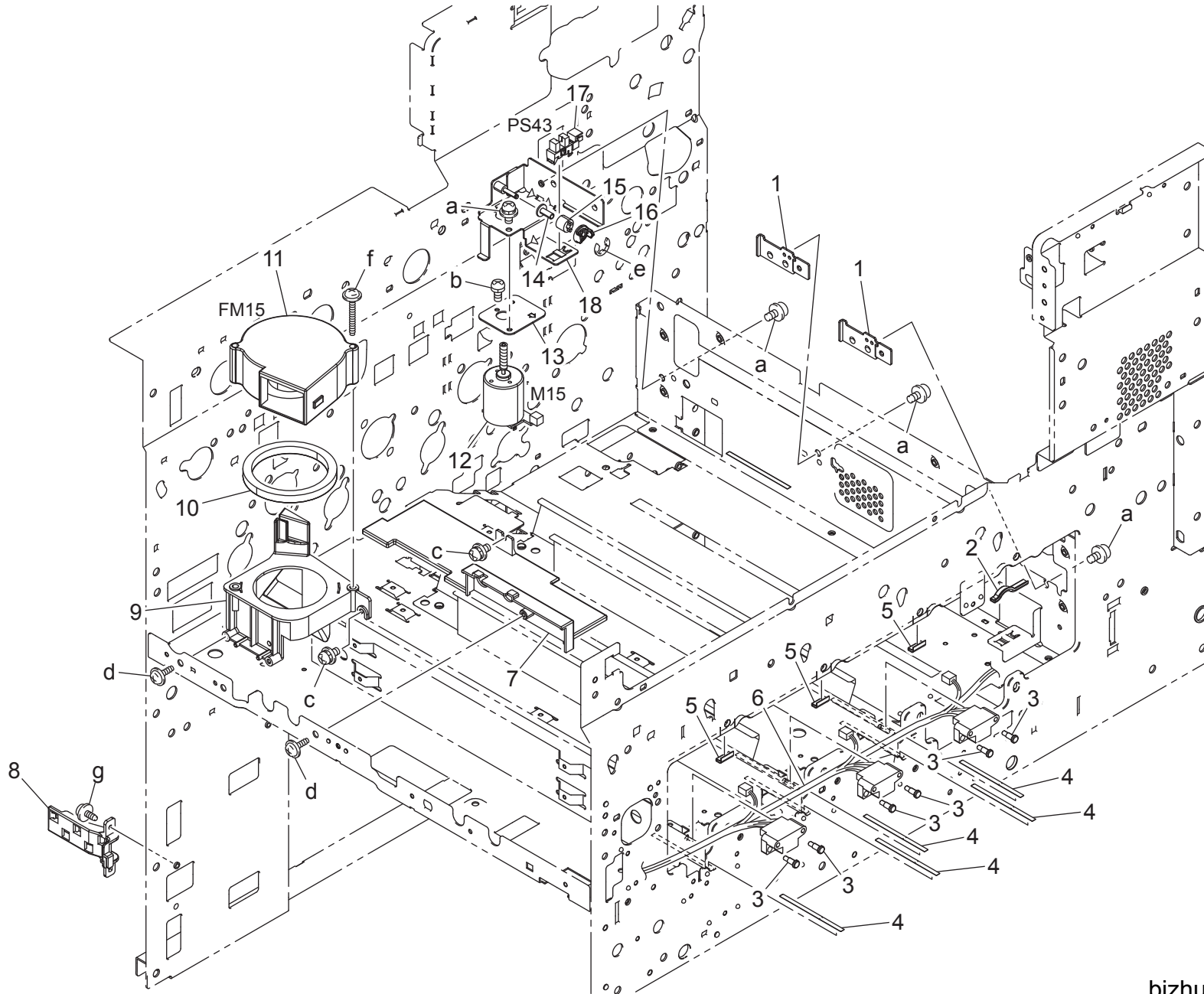
bizhub C654/bizhub C754

MAIN FRAME SECTION

Key	Part No.	Description	Destinations	Class	QTY	Standard parts
1	A0P0105100	Hold Plate /1		D	1	a-V137040803 b-V137030603 c-V116030603 d-V153030803 e-V121040603 f-V137030803 g-V116033003
2	A0P0165500	Cover Handle	カバー取手 (右)	C	2	
3	A0P0105200	Hold Plate /2	保持板 / 2	D	1	
4	A00J595200	Mounting Plate /ASSY	取付板 / ASSY	D	1	
5	A00J102402	Mounting Plate	取付板	D	1	
6	A0P0105300	Mounting Plate	取付板	D	2	
7	A0P0138200	Cover	カバー (LCC 奥)	D	1	
8	A0P0138300	Cover	カバー (LCC 手前)	D	1	
9	A00J106500	Plate	プレート	D	1	
10	A0P0109001	Castor	キャスタ	C	4	
11	4556M10000	FAN MOTOR	ファンモータ	B	1	
12	A00J137701	Mounting Plate	取付板	D	1	
13	A0P0135400	Mounting Plate	取付板 (メイン SW)	D	1	
14	4038M60000	SEESAW-SWITCH	波形スイッチ	C	1	
15	A00J134500	Mounting Plate	取付板	D	1	
16	A2X0104301	Mounting Plate	取付板	D	1	
17	A00J101400	Stay /Lower	ステー / 下	D	1	
18	A0P0101311	Stay /Upper	ステー / 上	D	1	
19	A0P0104600	Rubber foot	ゴム足	C	2	
20	A00J106400	Plate	プレート	D	1	
21	A00J104400	Mounting Plate	取付板	D	1	
22	9J03M10000	FAN MOTOR	ファンモータ	B	1	
23	A00J105400	Mounting Plate	取付板	D	1	
24	A00J164600	Cover Handle	カバー取手	C	2	
25	A0P0M50300	Thermistor	サーミスタ (用紙温度センサ)	C	1	
26	A00J101603	Side plate /Middle	側板 / 中	D	1	
27	A0P0N12P00	Temperature Relay harness	温度中継線 (用紙温度検出中継)	D	1	
28	A0P0148701	Cover	カバー (サーミスタ配線)	D	1	
29	0957149101	LABEL	ラベル ケケンレーサー コウセン	D	1	
30	A2X0101500	Side plate /Upper	側板 / 上	D	1	
31	A0P0109300	Sealing Part /2	シール材 / 2	D	1	
32	A2X0154001	Mounting Plate	取付板	D	1	
33	A00J102700	Mounting Plate	取付板	D	1	
34	A00J586800	Guide Holder	ガイドホルダ	C	1	
35	A0P0102000	Seal	シール	C	1	
36	A2WU156400	Seal	シール (側板 / 上)	D	1	

I/U FRAME SECTION

P 71



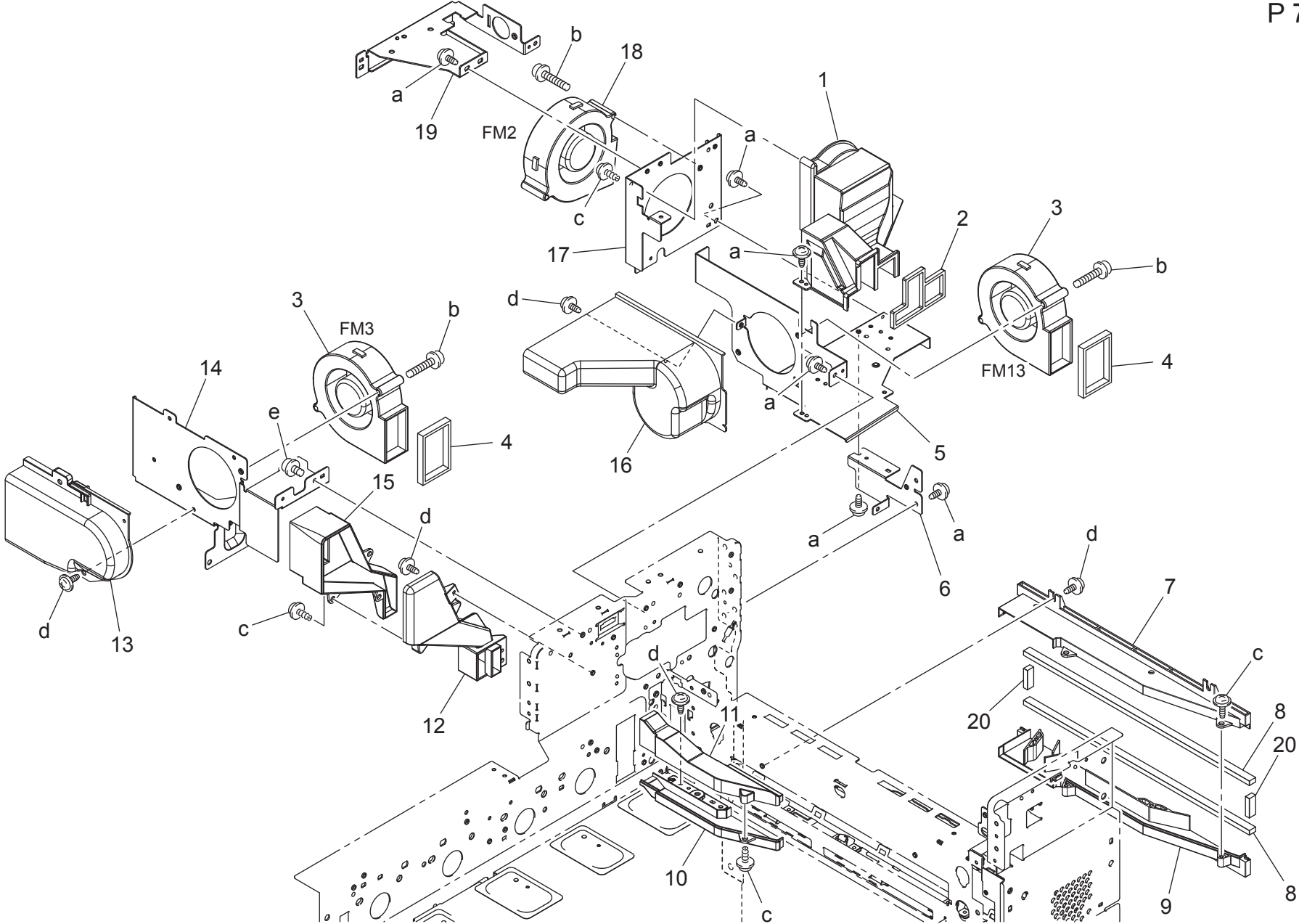
bizhub C654/bizhub C754

I/U FRAME SECTION

Key	Part No.	Description	Destinations	Class	QTY	Standard parts
1	A0P0125211	Mounting Plate		D	2	a-V116030603 b-V115260503 c-V116030803 d-V153030803 e-V217020001 f-V153044503 g-V137030803
2	A00J121700	Protection Sheet /Black		C	1	
3	1079221901	SHOULDER SCREW		C	6	
4	A00J941201	Label		C	5	
5	A00J121600	Protection Seal		C	3	
6	A2X0N12701	Developing Relay harness		D	1	
7	A00J155300	Mounting Plate		D	1	
8	A0P0144000	Mounting Plate		D	1	
9	A0P0155100	Duct		D	1	
10	A0P0159100	Seal		D	1	
11	9313110033	FAN MOTOR		C	1	
12	A0P0R75200	MOTOR ASSY		B	1	
13	A0P0109100	Mounting Plate		D	1	
14	A00J123400	Collar		C	1	
15	A00J123300	Gear 22T		C	1	
16	A00J123200	Coupling		C	1	
17	A108M50100	Photointerrupter		B	1	
18	A0P0125100	Mounting Plate		D	1	

bizhub C654/bizhub C754

REAR FAN SECTION



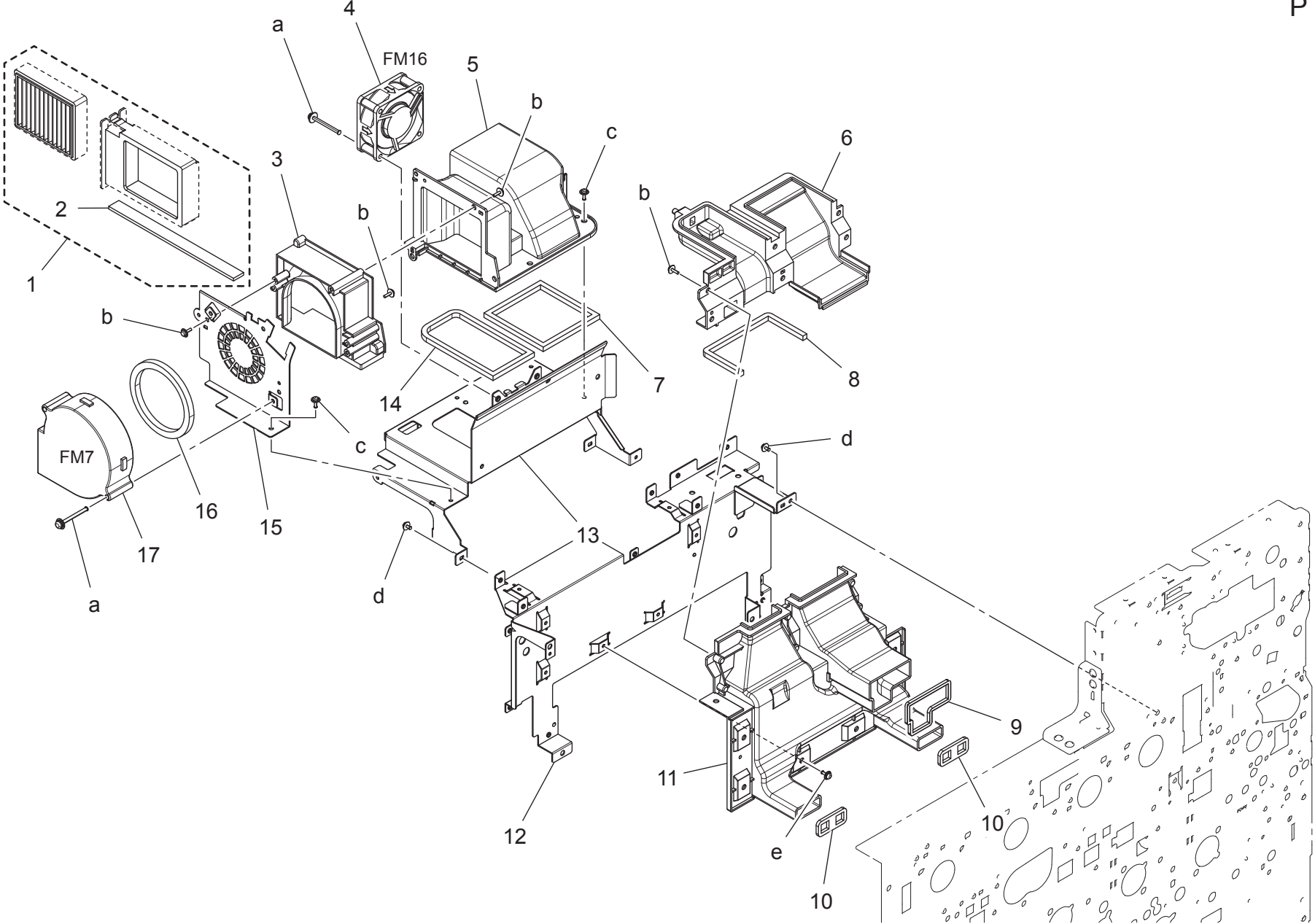
bizhub C654/bizhub C754

REAR FAN SECTION

Key	Part No.	Description	Destinations	Class	QTY	Standard parts
1	A0P0150100	Duct	ダクト	D	1	a-V137030603 b-V116043503 c-V153030803 d-V137030803 e-V116030603
2	A0P0150400	Seal	シール	D	1	
3	9313100072	FAN MOTOR	ファンモータ	C	2	
4	A0P0151100	Sealing Part	シール材	D	2	
5	A0P0150200Old	Mounting Plate	取付板	D	1	
5	A0P0150212	Mounting Plate	取付板	D	1	
6	A00J150600	Mounting Plate	取付板	D	1	
7	A00J157200	Duct /2	ダクト / 2	D	1	
8	A2X0157500	Sealing Part	シール材	C	2	
9	A00J157100	Duct /1	ダクト / 1	D	1	
10	A00J157301	Duct /3	ダクト / 3	D	1	
11	A00J157401	Duct /4	ダクト / 4	D	1	
12	A00J157501	Duct /5	ダクト / 5	D	1	
13	A0P0157700	Duct	ダクト	D	1	
14	A00J157901	Mounting Plate	取付板	D	1	
15	A00J157600	Duct /6	ダクト / 6	D	1	
16	A0P0150311	Duct	ダクト	D	1	
17	A0P0150500	Mounting Plate	取付板	C	1	
18	A0P0M14200	Fan motor	ファンモータ (シロッコ)	C	1	
19	A00J151002	Mounting Plate	取付板	D	1	
20	A2X0157600	Sealing Part	シール材	C	2	

bizhub C654/bizhub C754

REAR FAN SECTION



bizhub C654/bizhub C754

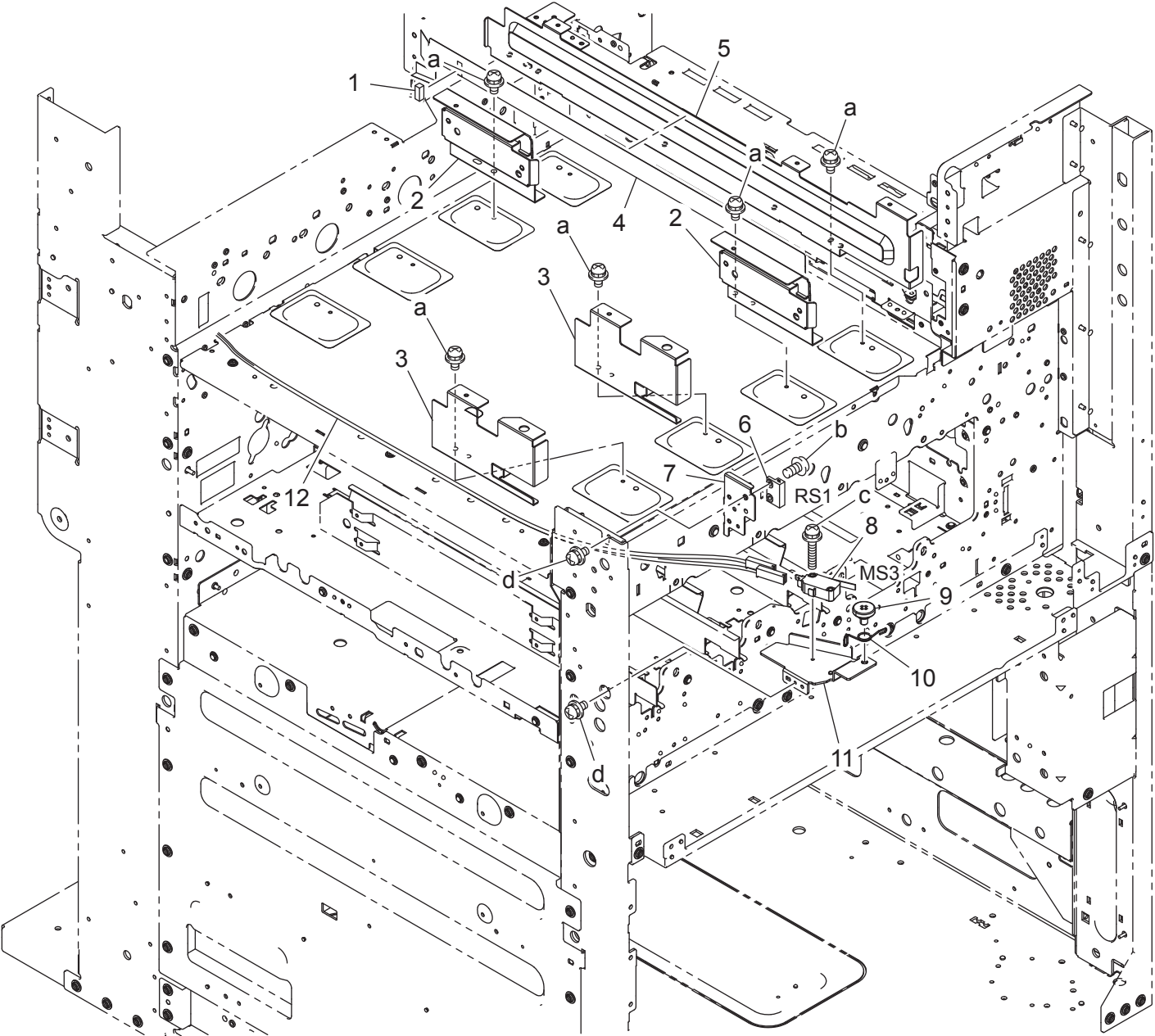


REAR FAN SECTION

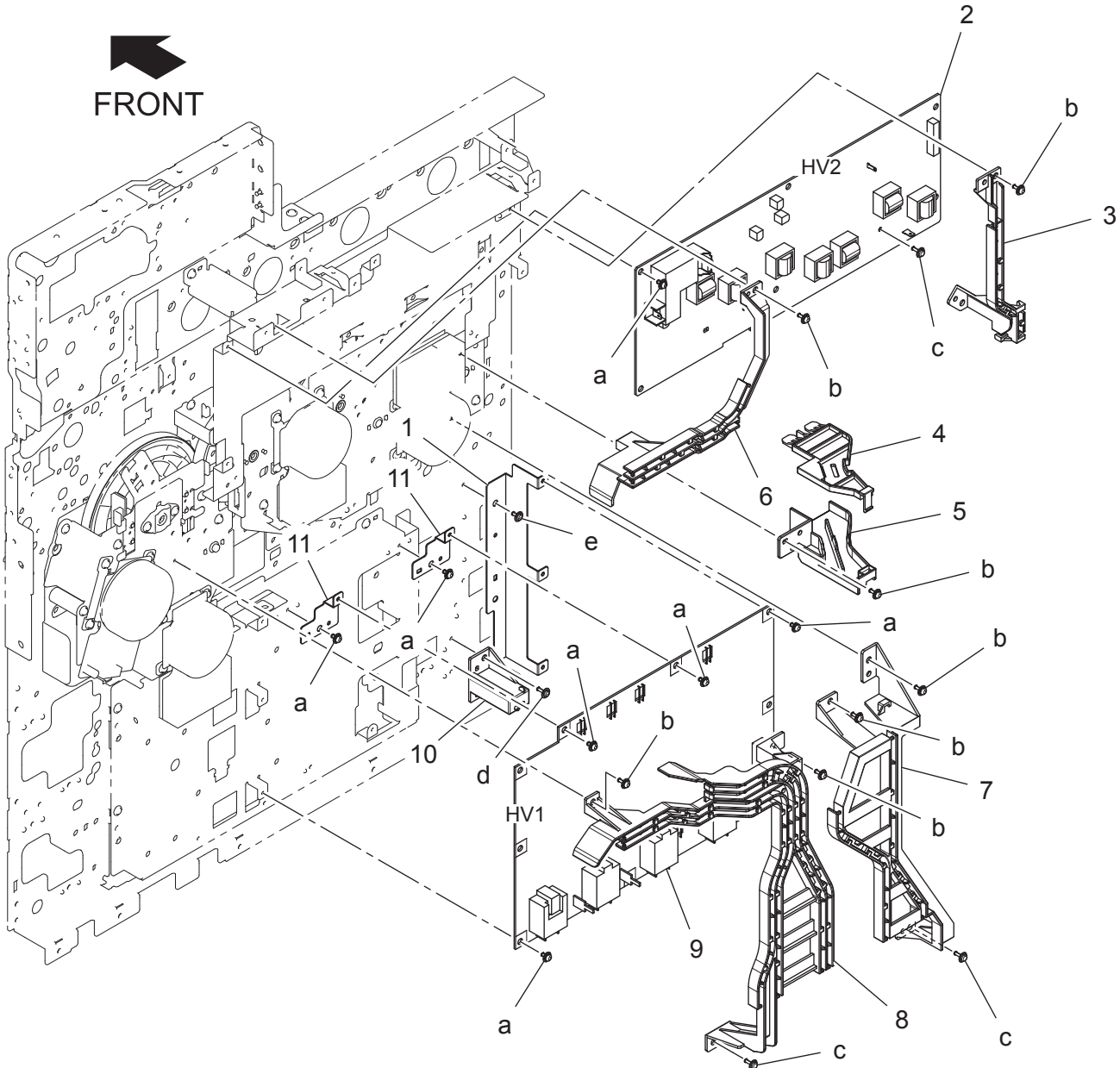
Key	Part No.	Description	Destinations	Class	QTY	Standard parts
1	A0P0R70100	Toner Filter		B	1	a-V116043503 b-V153030803 c-V137030803 d-V116030603 e-V116030803
2	A00J154801	Seal		C	1	
3	A0P0153300	Duct		D	1	
4	4556M10000	FAN MOTOR		B	1	
5	A2X0154501	Duct		D	1	
6	A2X0152600	Duct		D	1	
7	A2X0154800	Seal		D	1	
8	A2X0153700	Seal		D	1	
9	A2X0110200	Seal		D	1	
10	A00J152700	Seal		C	2	
11	A2X0152100	Duct		D	1	
12	A2X0132200	Mounting Plate /ASSY		D	1	
13	A2X0153100	Mounting Plate		D	1	
14	A2X0154900	Seal		D	1	
15	A00J154600	Mounting Plate		D	1	
16	4036248501	SEAL		C	1	
17	9313100072	FAN MOTOR		C	1	

bizhub C654/bizhub C754

DOOR SAFE SWITCH SECTION



HIGH VOLTAGE SECTION

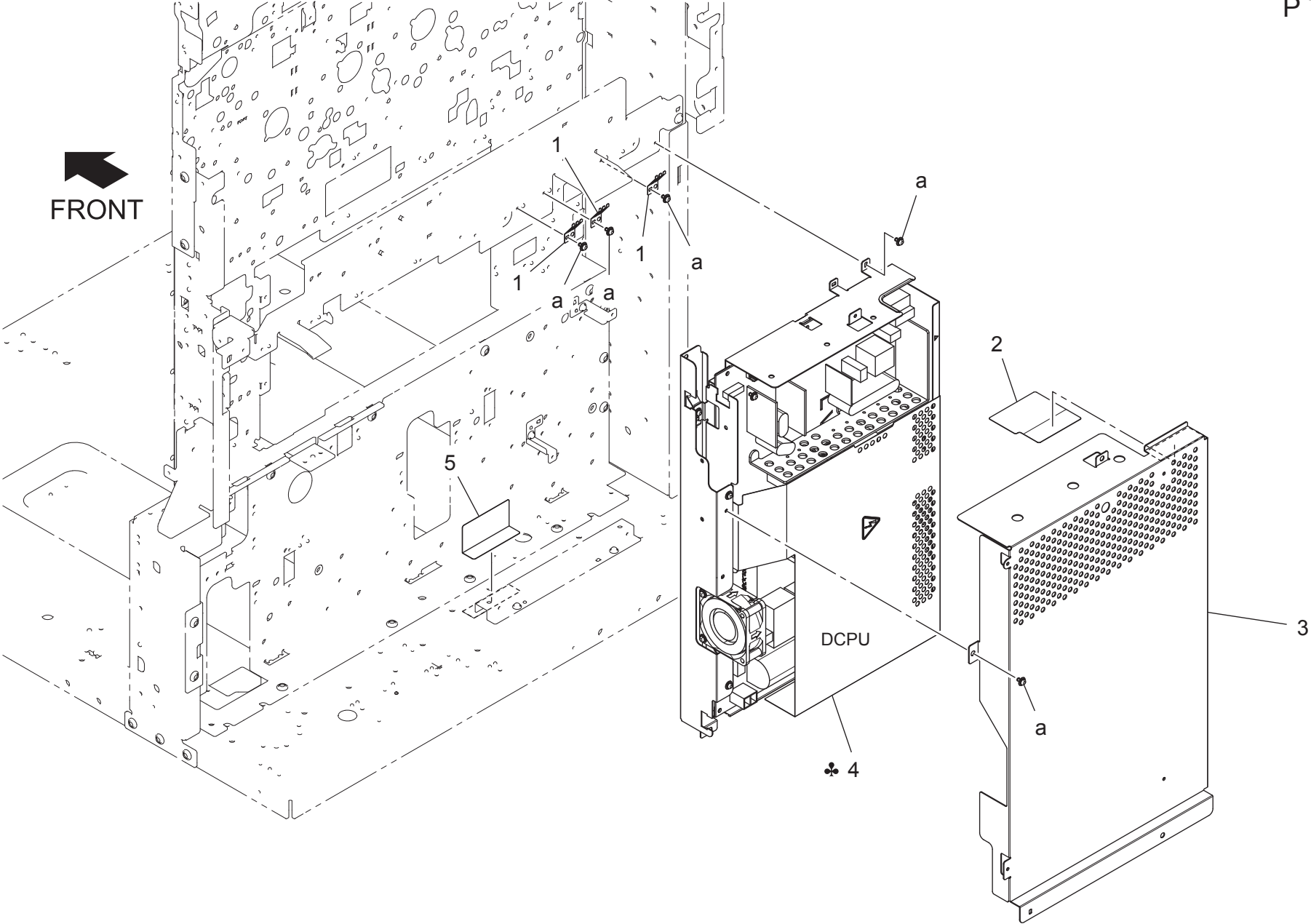


HIGH VOLTAGE SECTION

Key	Part No.	Description	Destinations	Class	QTY	Standard parts
1	A00J135100	Mounting Plate		D	1	a-V116030603 b-V116030803 c-V153030803 d-V137030803 e-V137030603
2	A2X0M40800	High voltage unit /2		I	1	
3	A00J132600	Guide Rail		D	1	
4	A00J140900	Cover		C	1	
5	A00J137800	Guide Holder		D	1	
6	A00J132102	Guide Rail		D	1	
7	A00J135500	Guide Rail		D	1	
8	A0P0132300	Guide Rail /Right		D	1	
9	A2X0M40700	High voltage unit /1		I	1	
10	A00J132700	Rail /Right		C	1	
11	A00J134000	Mounting Plate		D	2	

bizhub C654/bizhub C754

MAIN POWER SUPPLY SECTION



bizhub C654/bizhub C754

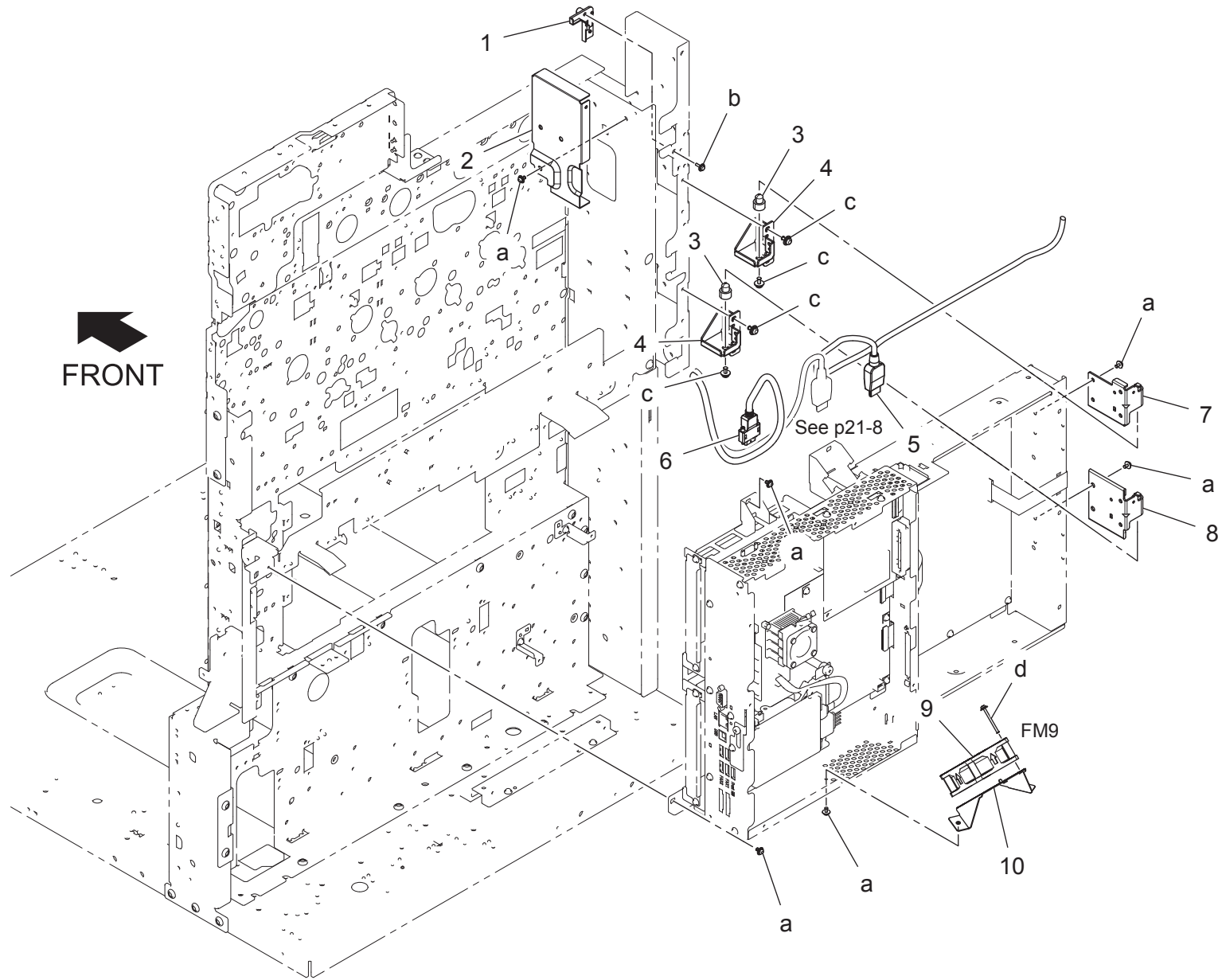
MAIN POWER SUPPLY SECTION

Key	Part No.	Description	Destinations	Class	QTY	Standard parts
1	A0P0148801	Plate spring		D	3	a-V116030603
2	A2X0158800	Protection Sheet		C	1	
3	A2X0132400	Cover		D	1	
4	A2X0R70300	Main Power (100V) Assy	A,A1,B,G2,H	I	1	
4	A2X0R70400	Main Power (200V) Assy	C,D1,D3,E,F2,G1,I,K ,J	I	1	
5	A2X0143500	Protection Sheet		C	1	

bizhub C654/bizhub C754

SHIELD BOX

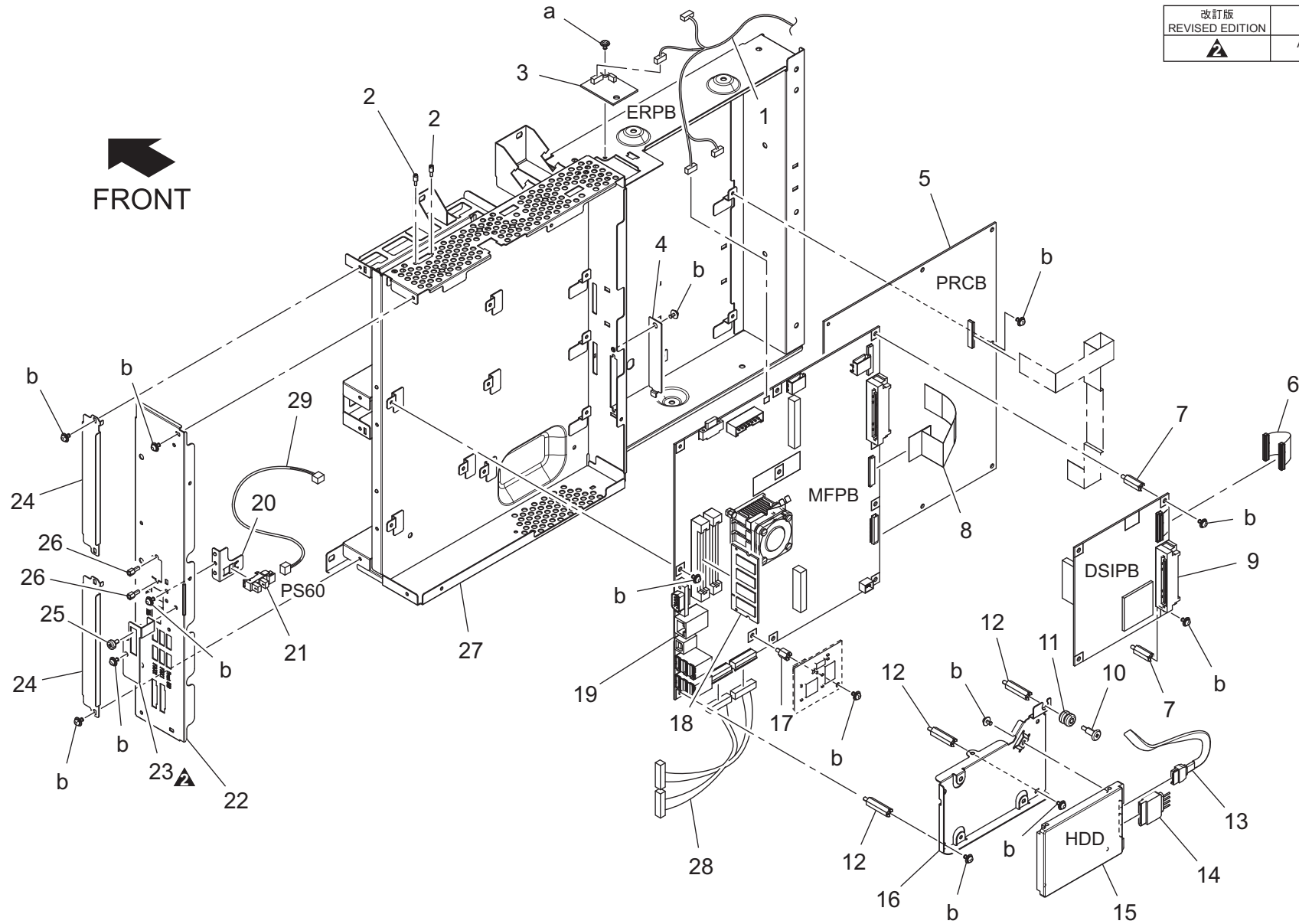
P 77



SHIELD BOX

P 78

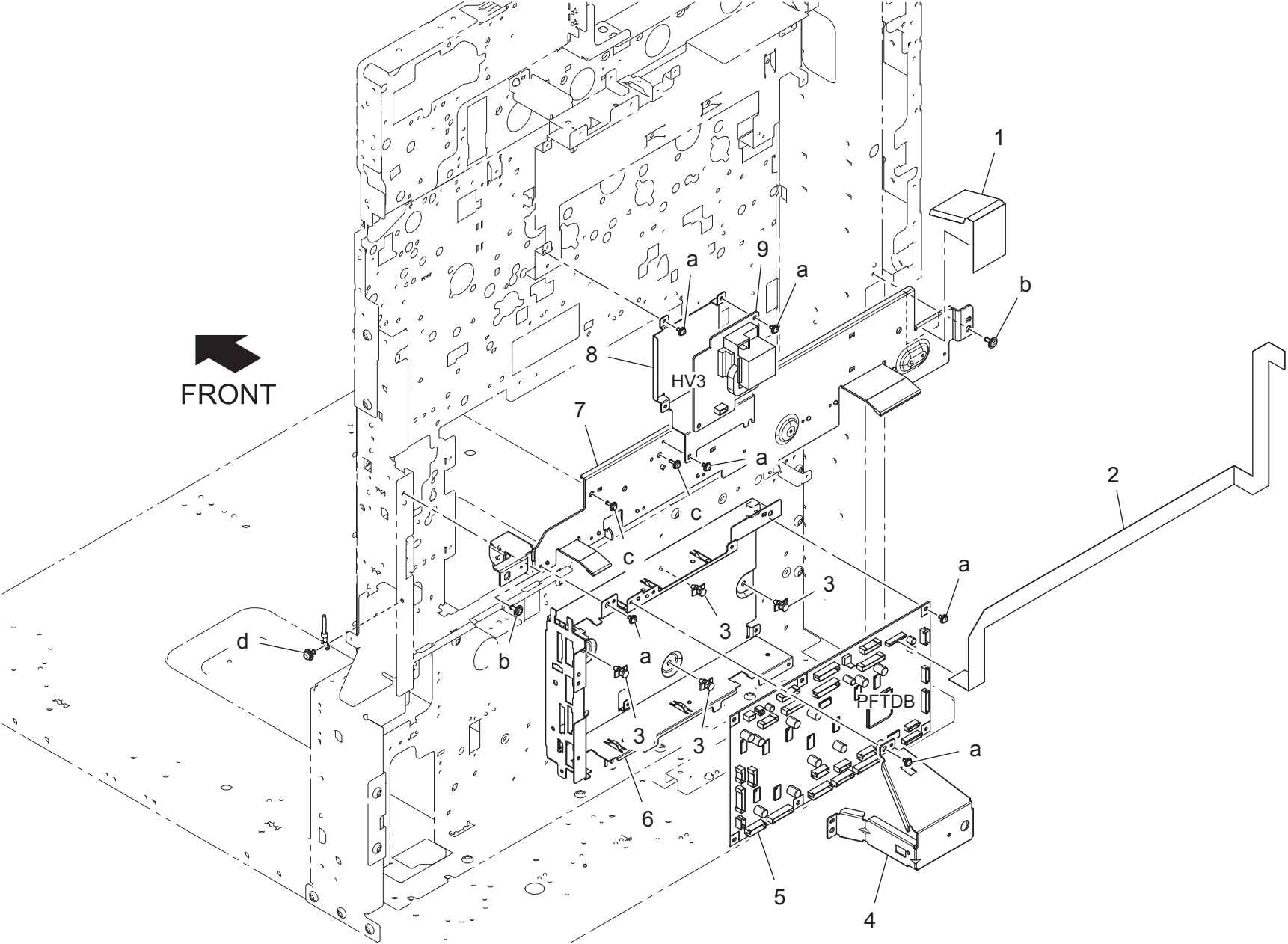
改訂版 REVISED EDITION	日付 DATE
	APRIL 2013



bizhub C654/bizhub C754

Key	Part No.	Description	Destinations	Class	QTY	Standard parts
1	A2X0N10T00	DC Power source harness /3	DC 電源束線 / 3 (MFP)	D	1	a-V144030603 b-V116030603
2	A161138601	Shoulder screw	段ねじ	C	2	
3	A161H00C02	PWB Assembly(PWB-DC ASSY)	基板 ASSY (PWB-DC ASSY)	C	1	
4	A00J138700	Cover	カバー	D	1	
5	A2X0H00102	PWB Assembly(PWB-MC ASSY)	基板 ASSY (PWB-MC ASSY)	I	1	
6	A161N15500	Interface Flatcable	インターフェースフラットケーブル	C	1	
7	A4MG130900	Shoulder screw	段ねじ (DS 基板)	D	2	
8	A2X0N12F00	Control Relay harness /2	制御中継束線 / 2	C	1	
9	A161H02A00	PWB assembly(PWB-DS ASSY)	基板 ASSY (PWB-DS ASSY)	I	1	
10	A0P0144300	Shoulder screw	段ねじ (HDD)	D	1	
11	A0P0144400	Bushing	ブッシュ (HDD)	D	1	
12	A161139901	Shoulder screw	段ねじ (HDD Assy)	D	3	
13	A0P0N15100	Cable	ケーブル	C	1	
14	A0P0N15200	Cable	ケーブル	C	1	
15	A2X0M72C00	HDD	HDD	I	1	
16	A161132400	Mounting Plate	取付板 (HDD)	D	1	
17	A161137600	Shoulder screw	段ねじ (SSD)	D	1	
18	V865300066	MEMORY MODULES	MEMORY MODULES	C	1	
19	A2XKH02004	PWB assembly(PWB-MFP ASSY)	基板 ASSY (PWB-MFP ASSY)	I	1	
20	A161139400	Mounting Plate	取付板 (USB 蓋センサ)	D	1	
21	A108M50100	Photointerrupter	透過型センサ	B	1	
22	A2X0133000	Mounting Plate /ASSY	取付板 / ASSY (Box 側面)	D	1	
23	A161139501	Cover	蓋 (USB)	D	1	
24	A161139800	Cover	カバー (Fax)	D	2	
25	A0P0149100Old	Shoulder screw	段ねじ (USB 蓋)	C	1	
25	A0P0742300	Shoulder screw	段ねじ	C	1	
26	4025228301	SCREW	ねじ	D	2	
27	A2X0130401	Mounting Plate /ASSY	取付板 / ASSY	D	1	
28	A2X0N12X00	Controller Relay harness /2	コントローラ中継束線 / 2 (FAX 中継)	C	1	
29	A2X0N12R00	Controller Relay harness /1	コントローラ中継束線 / 1 (センサ中継)	C	1	

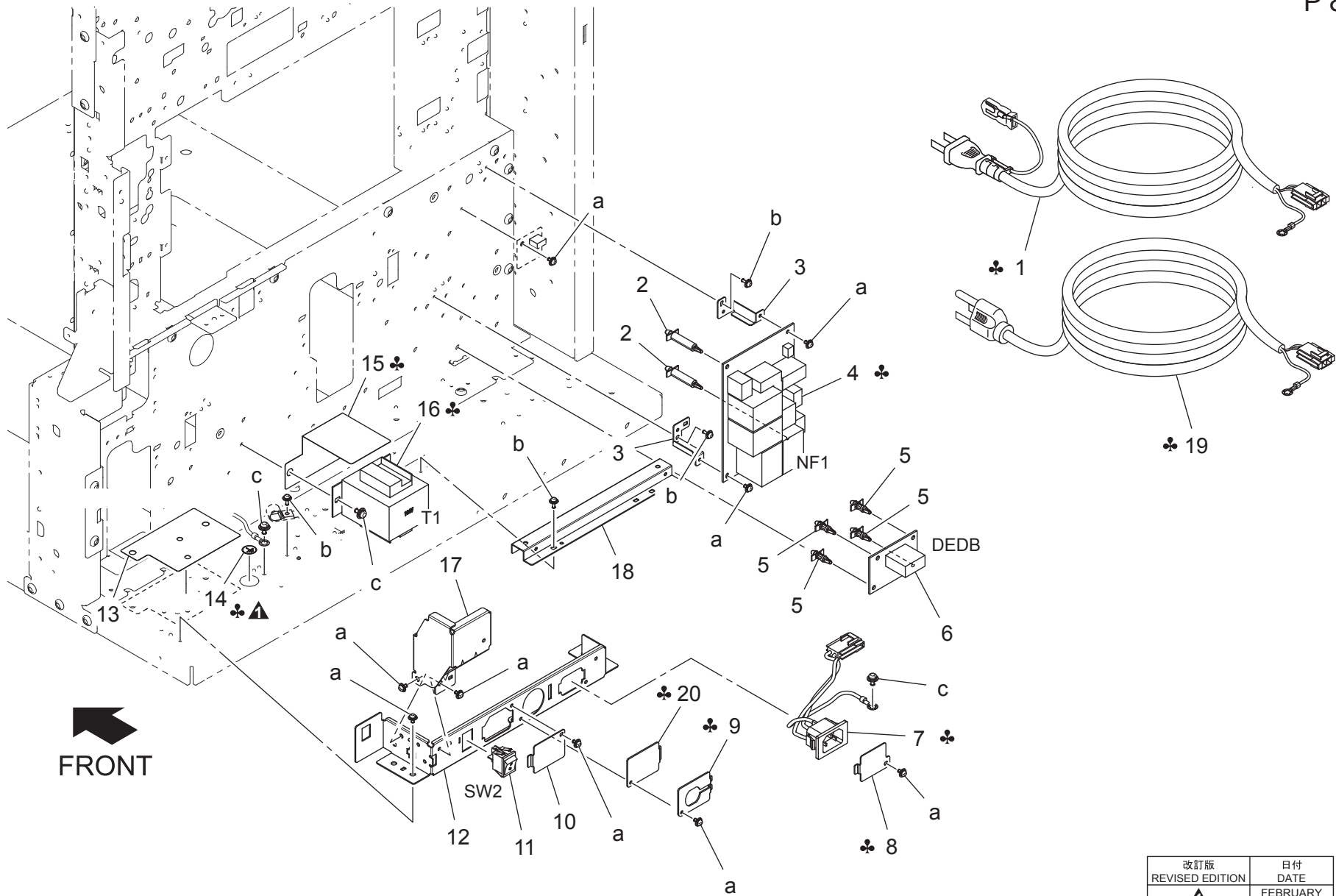
REAR ELECTRICAL SECTION



bizhub C654/bizhub C754



REAR ELECTRICAL SECTION



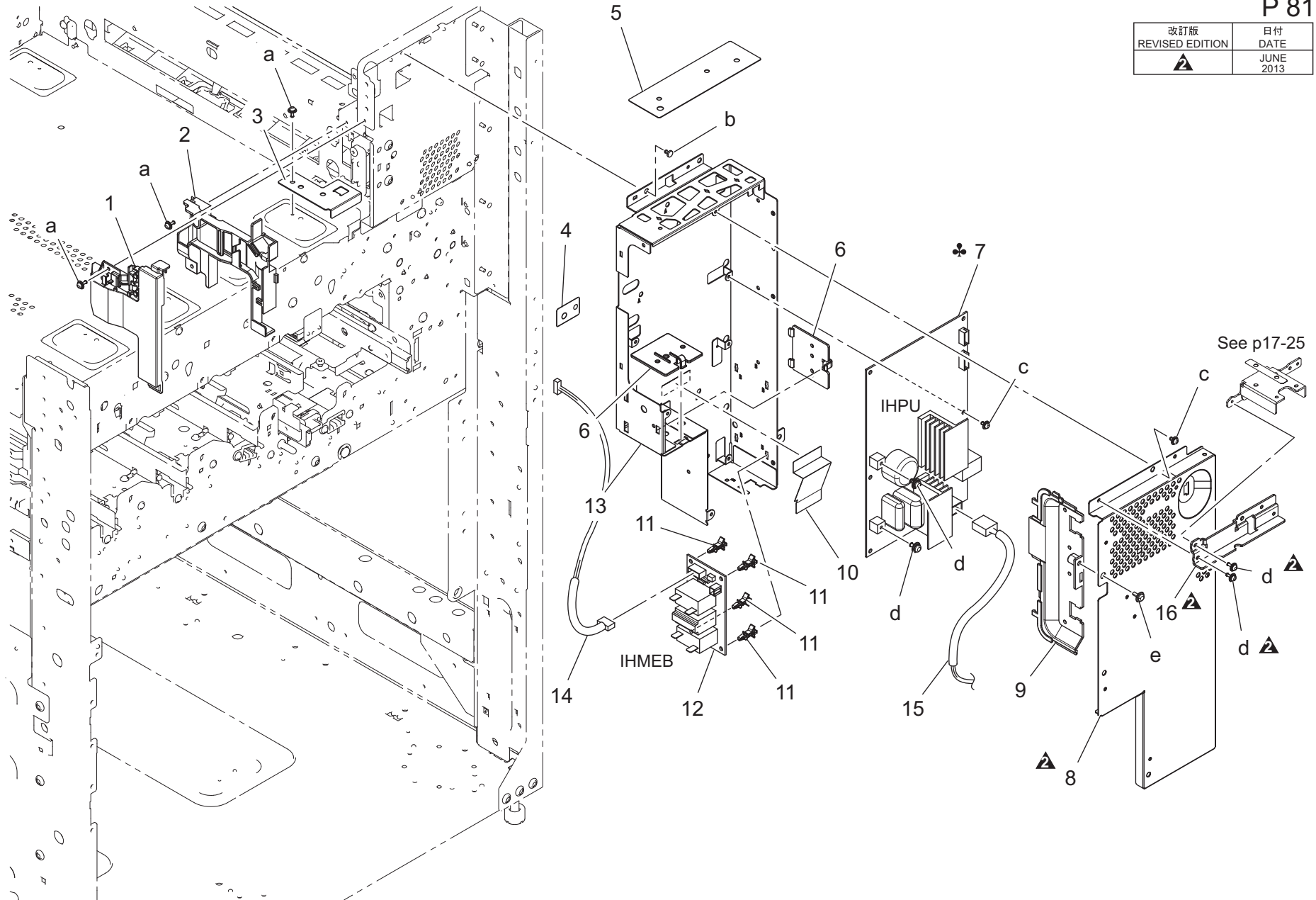
改訂版 REVISED EDITION	日付 DATE
	FEBRUARY 2012

bizhub C654/bizhub C754

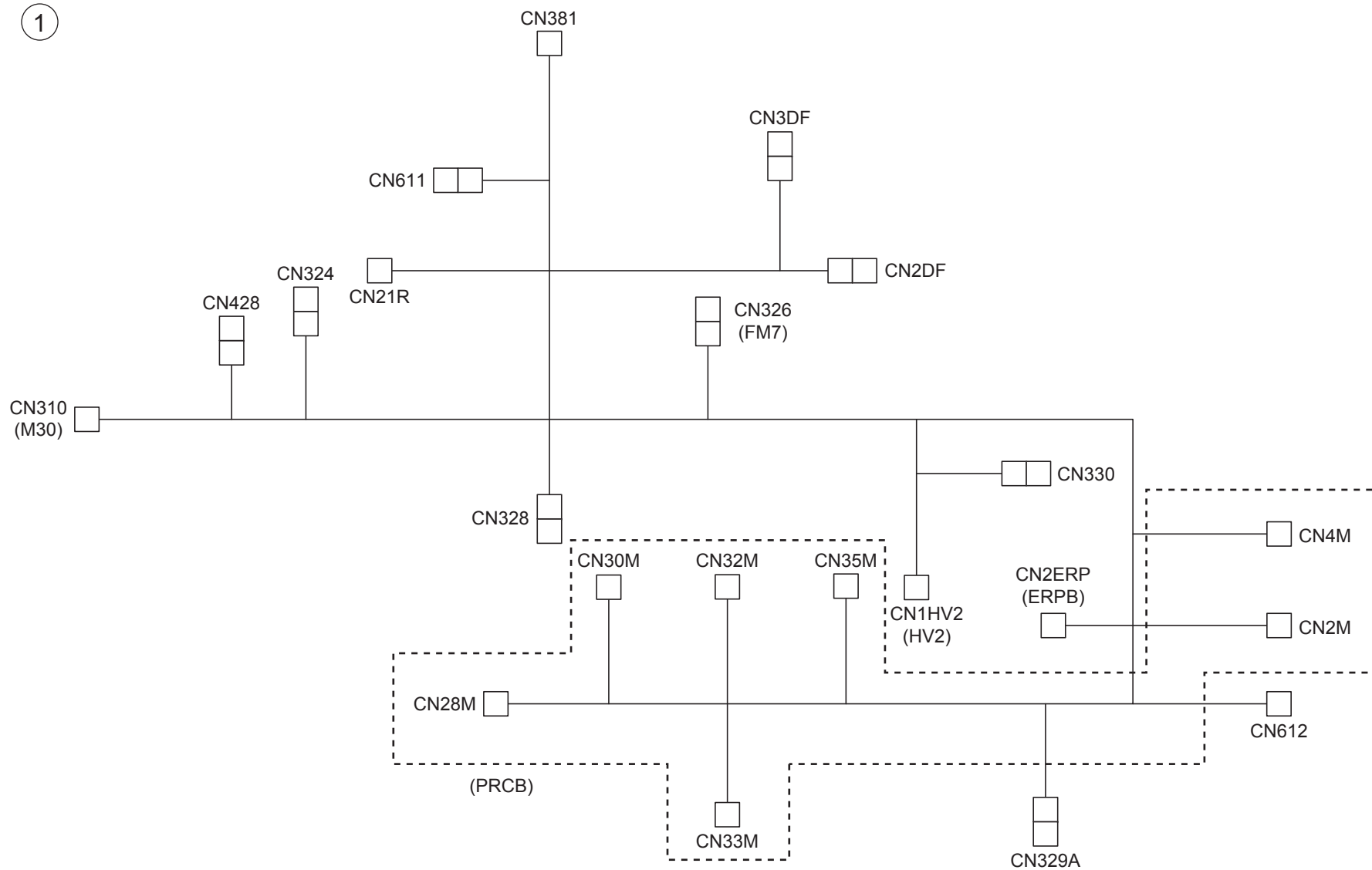
IH POWER SUPPLY SECTION

P 81

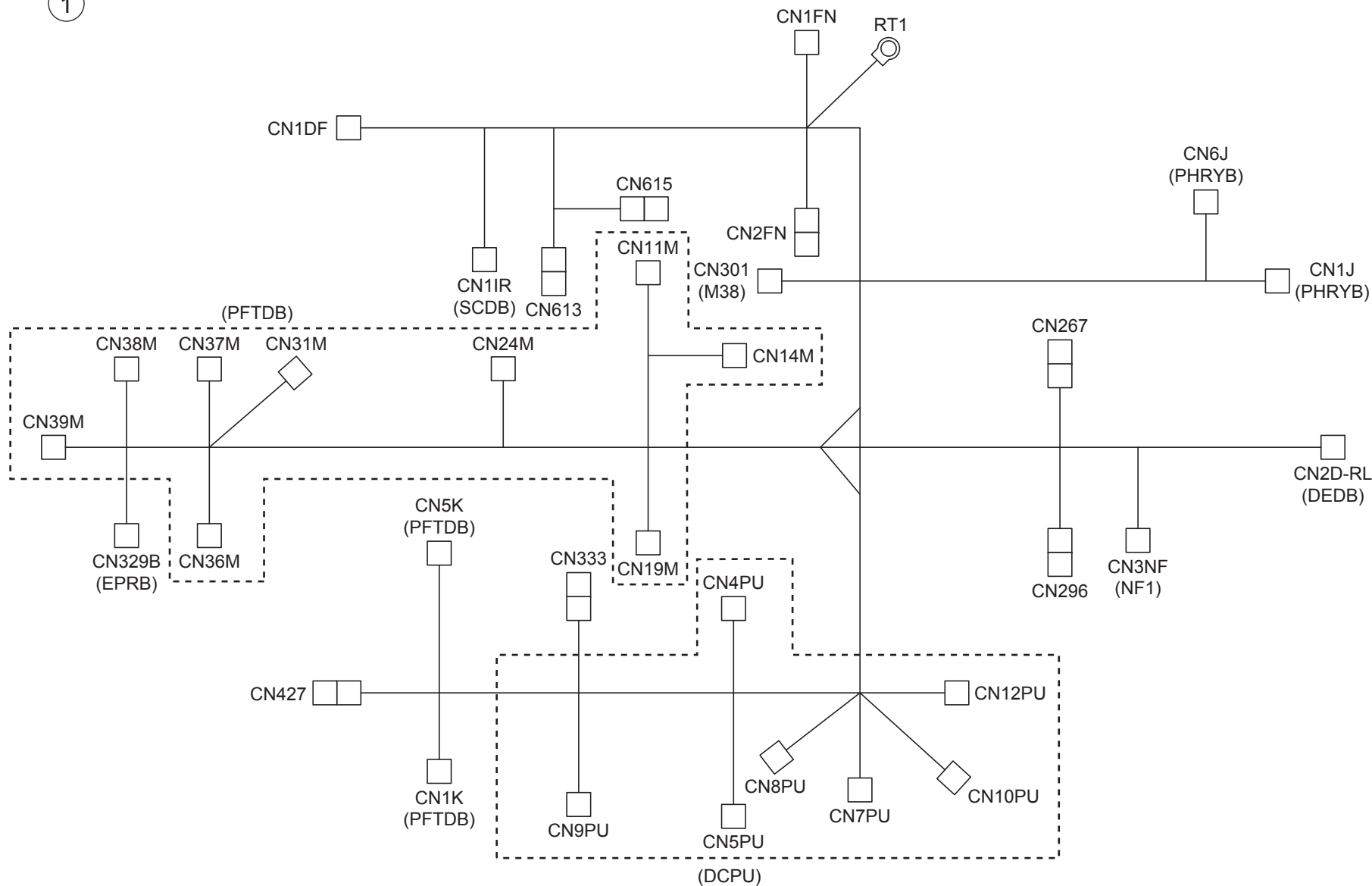
改訂版 REVISED EDITION	日付 DATE
	JUNE 2013



①

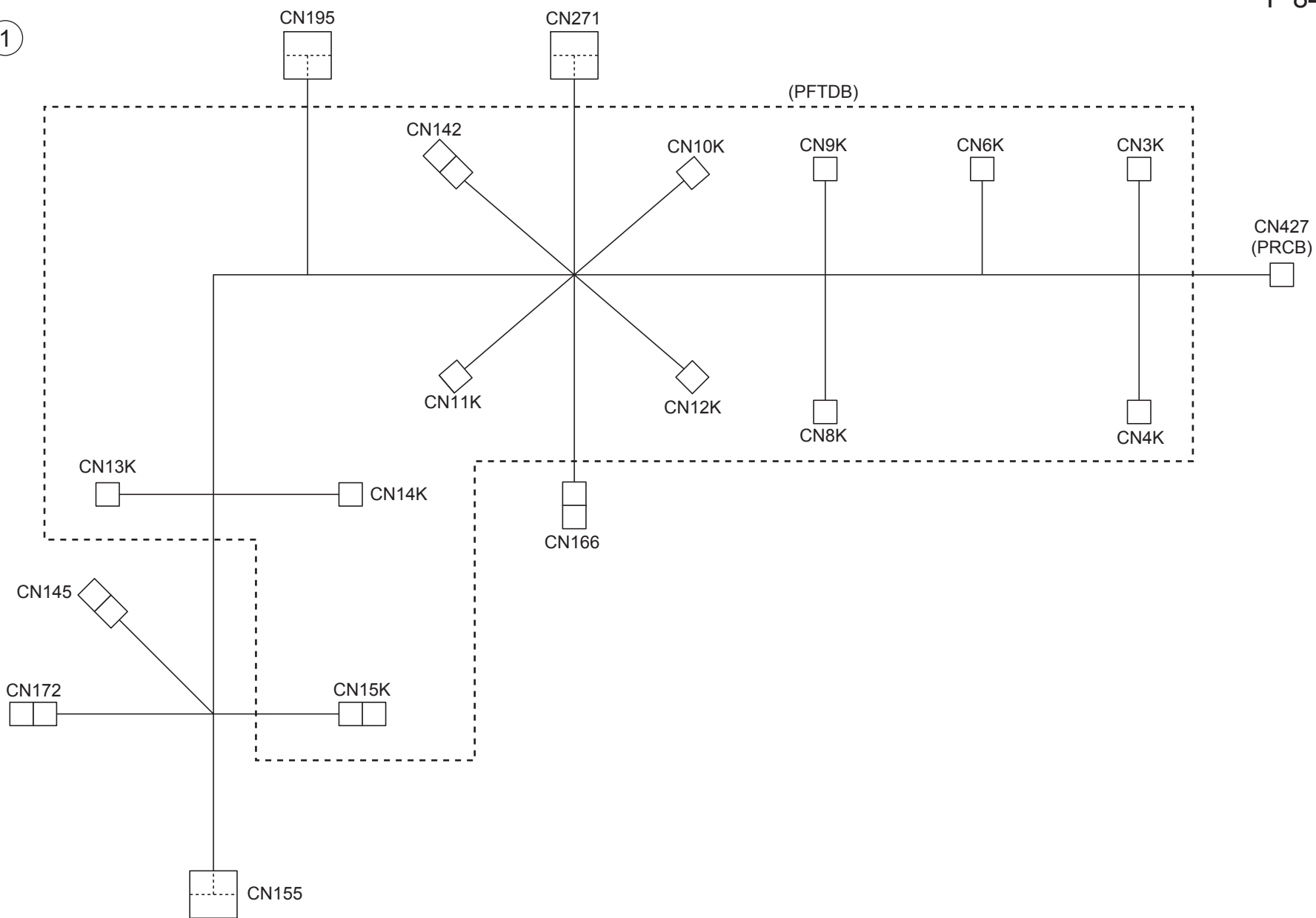


1

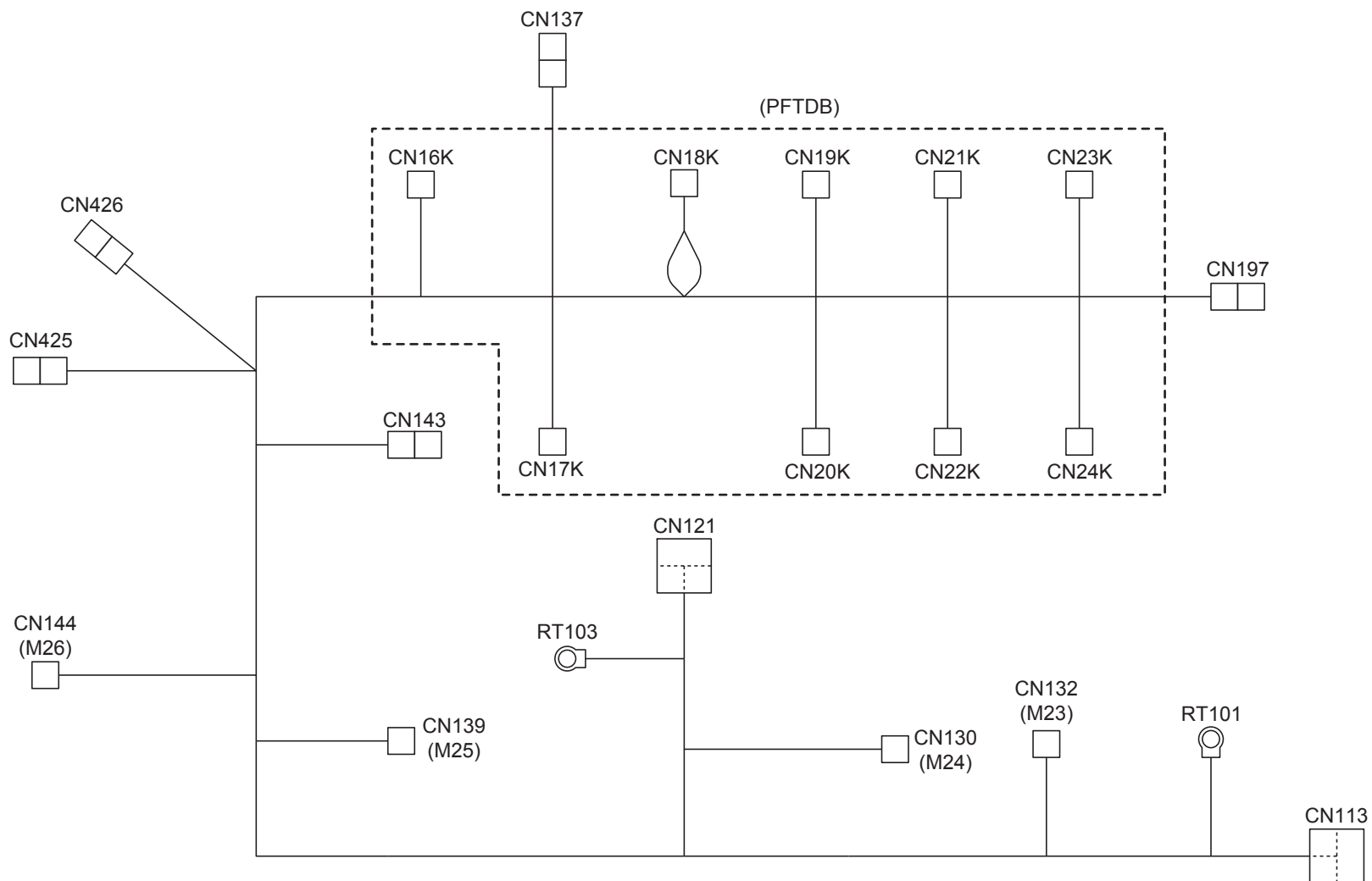


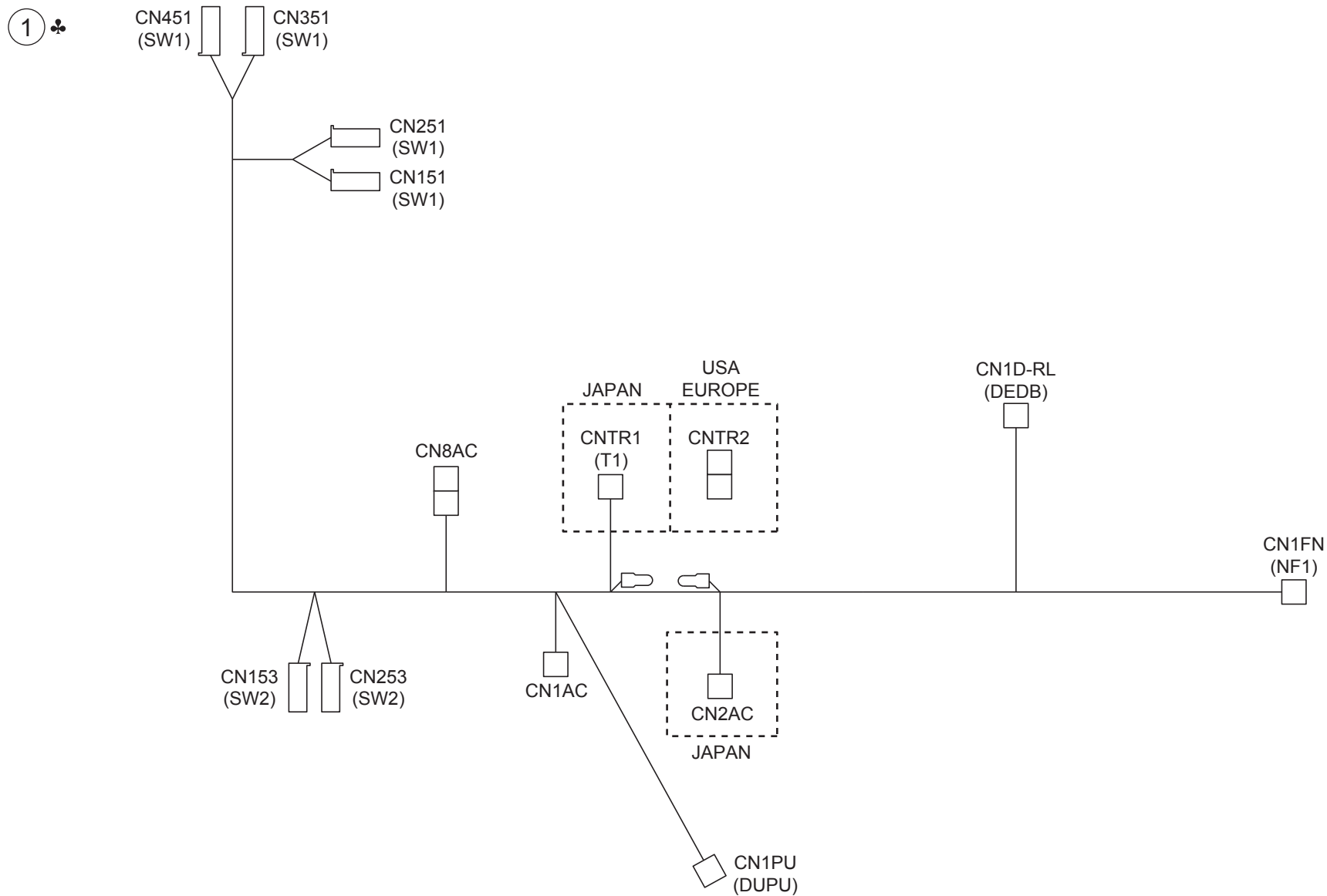
WIRING

1



1

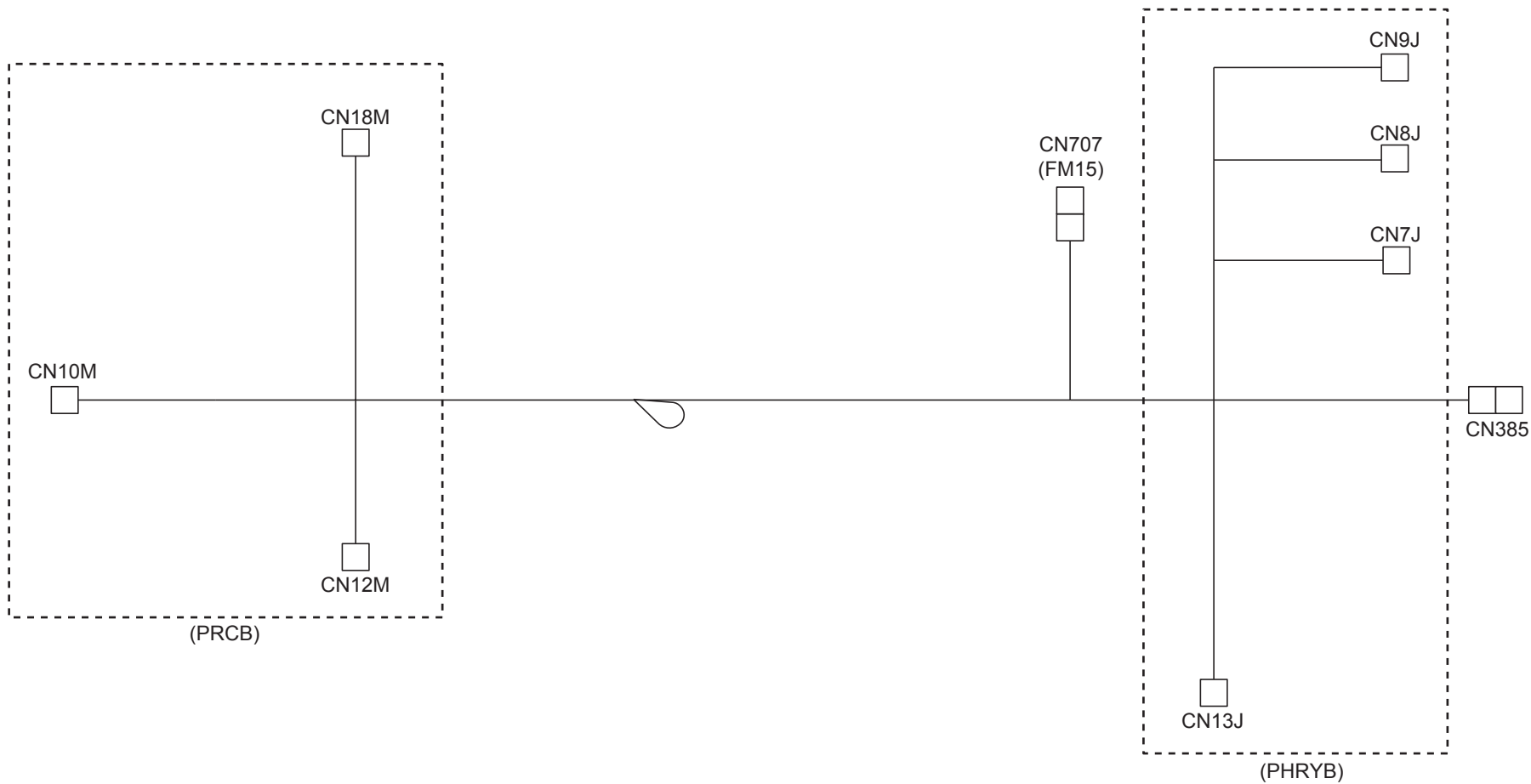




Key	Part No.	Description	Destinations	Class	QTY	Standard parts
1	A2X0N10501	AC Wiring /1	A,A1,H	D	1	
1	A2X0N10601	AC Wiring /1	B,C,G2,D1,D3,E,F2,G 1,I,K,J	D	1	

bizhub C654/bizhub C754

1

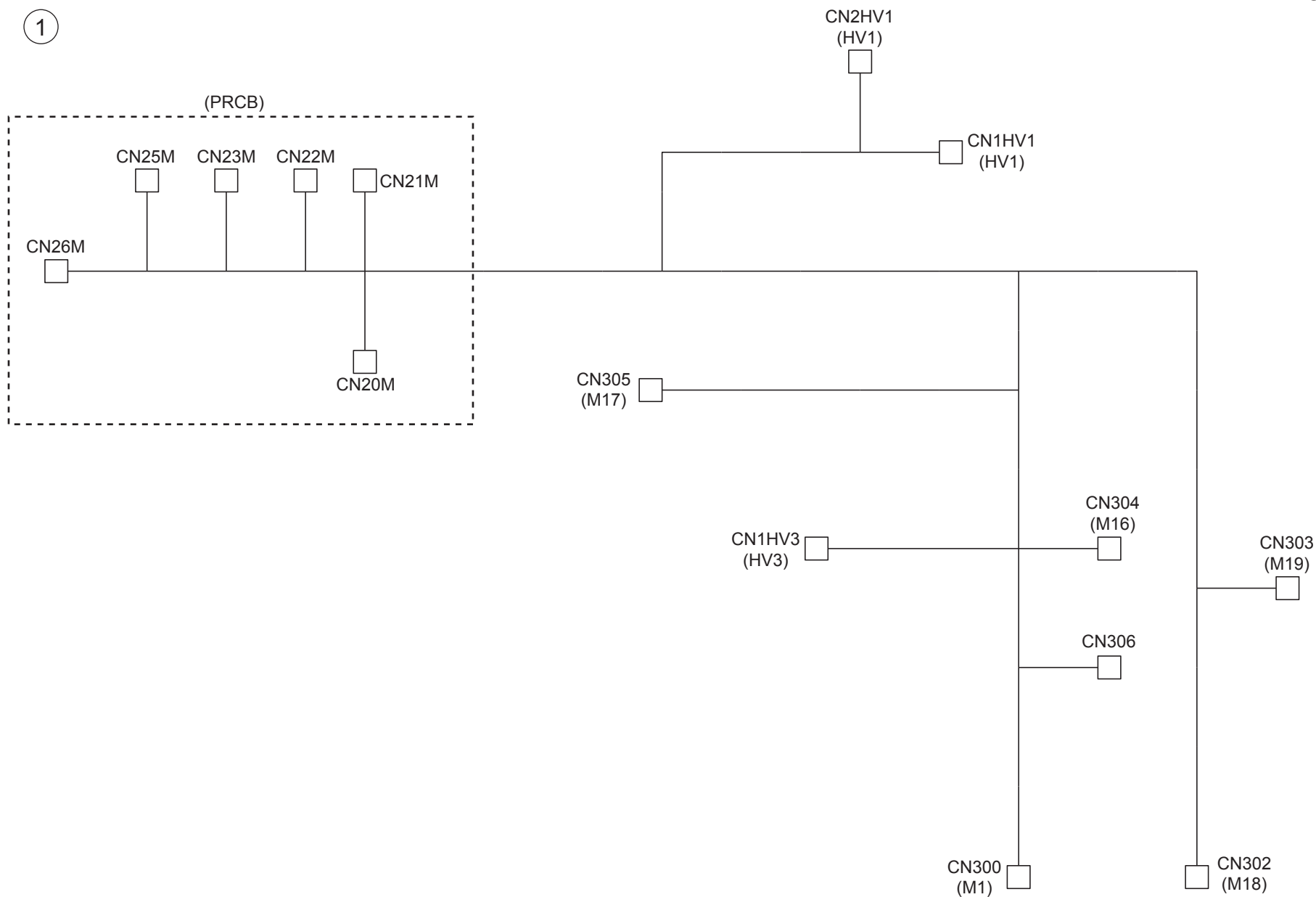


Key	Part No.	Description	Destinations	Class	QTY	Standard parts
1	A2X1N10A00	Main body Wiring /2	{bizhub C654}	D	1	
1	A2X0N10A00	Main body Wiring /2	{bizhub C754}	D	1	

bizhub C654/bizhub C754

WIRING

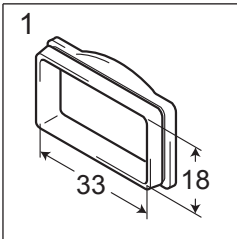
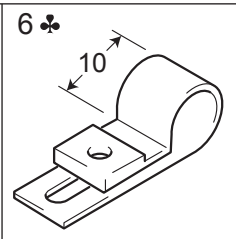
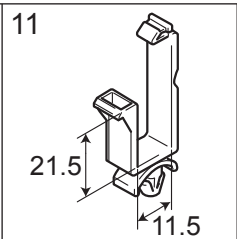
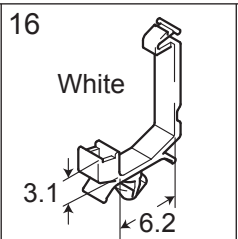
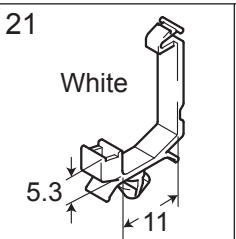
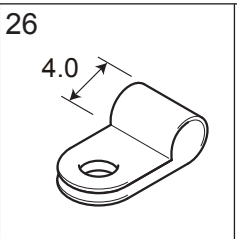
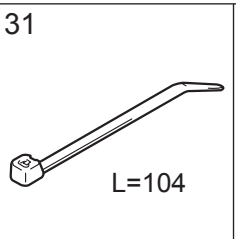
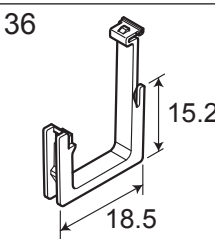
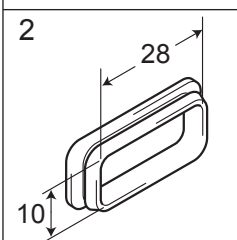
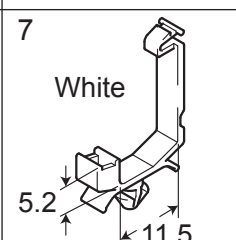
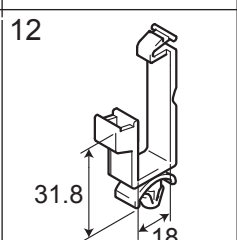
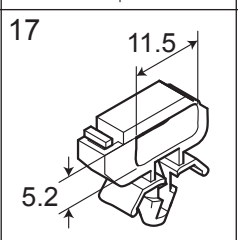
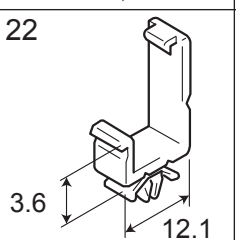
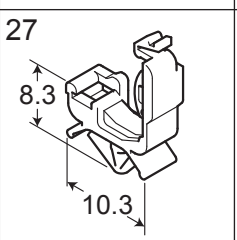
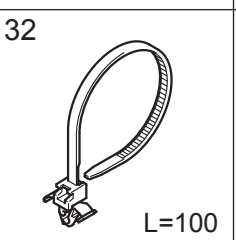
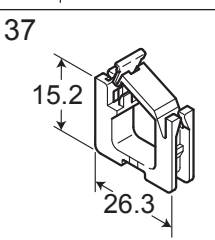
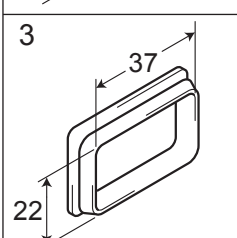
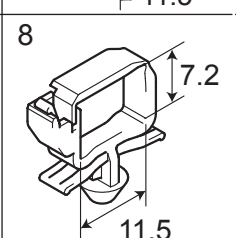
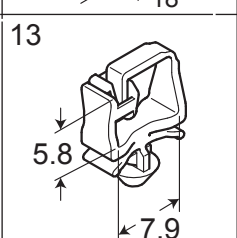
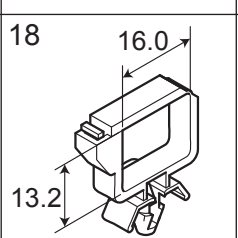
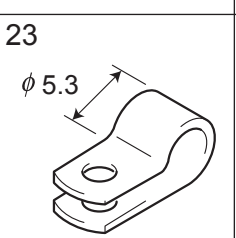
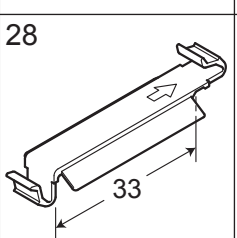
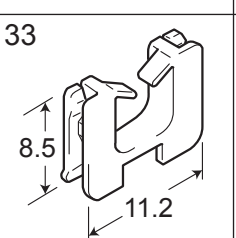
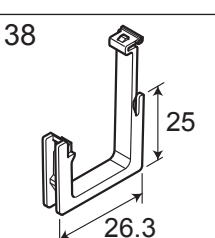
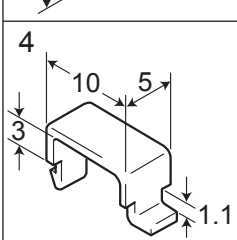
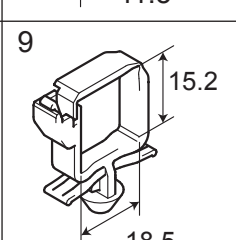
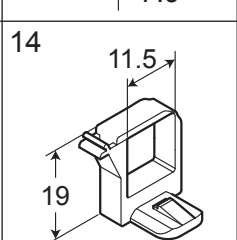
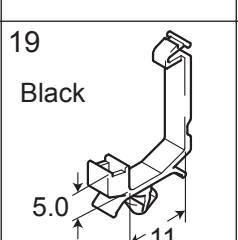
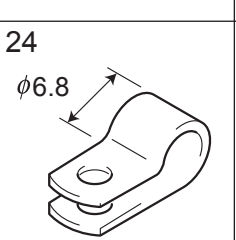
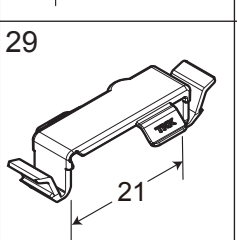
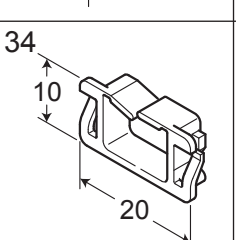
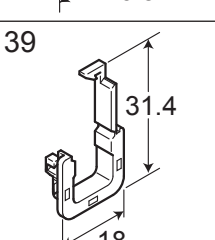
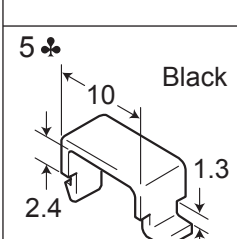
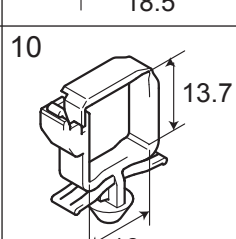
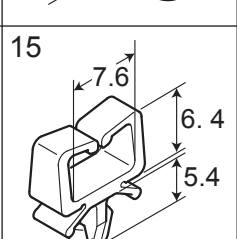
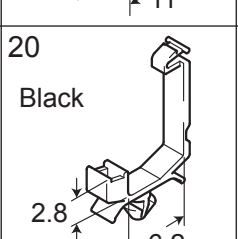
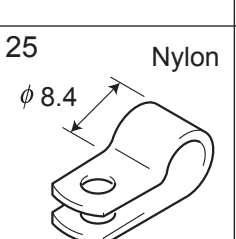
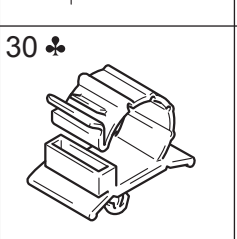
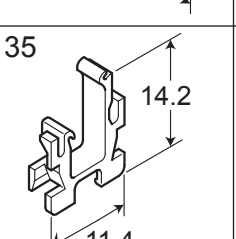
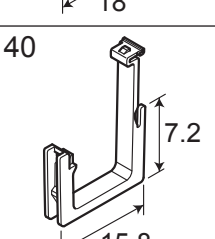
1



bizhub C654/bizhub C754

WIRING ACCESSORIES AND JIGS

P 89

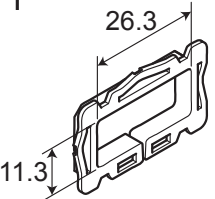
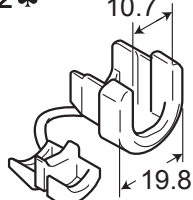
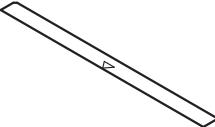
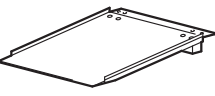
1 	6 ♣ 	11 	16 White 	21 White 	26 	31 	36 
2 	7 White 	12 	17 	22 	27 	32 	37 
3 	8 	13 	18 	23 	28 	33 	38 
4 	9 	14 	19 Black 	24 	29 	34 	39 
5 ♣ Black 	10 	15 	20 Black 	25 Nylon 	30 ♣ 	35 	40 

bizhub C654/bizhub C754

Key	Part No.	Description	Destinations	Class	QTY	Standard parts
1	1038400601	INSULATING MEMBER		D		
2	1050480501	INSULATING MEMBER		D		
3	1052430102	Insulating Member		D		
4	1053481201	CORD CLAMP		D		
5	1065587202	CORD CLAMP	A,A1,D1,D3,E,F2,G1, I,K,J,H	D	1	
6	9384160011	P-CLIP 10D	コード ` オサエ	A,A1,B,G2,H	D	1
7	V500010081	Locking Wire Saddle	ロッキングワイヤーサドル		D	
8	V500010082	Locking Wire Saddle	ロッキングワイヤーサドル		D	
9	V500010083	Locking Wire Saddle	ロッキングワイヤーサドル		D	
10	V500010084	Locking Wire Saddle	ロッキングワイヤーサドル		D	
11	V500010013	saddle	ロッキングワイヤーサドル		D	
12	V500010085	Locking Wire Saddle	ロッキングワイヤーサドル		D	
13	V500020098	Mini Locking wire saddle	ミニロッキングワイヤーサドル		D	
14	V500010022	saddle	ロッキングワイヤーサドル		D	
15	V500010023	clip	ミニクリップ		D	
16	V500020099	Mini Locking wire saddle	ミニロッキングワイヤーサドル		D	
17	V500010052	SADDLE	ロッキングワイヤーサドル		D	
18	V500010053	SADDLE	ロッキングワイヤーサドル		D	
19	V500010054	SADDLE	ロッキングワイヤーサドル		D	
20	V500010055	SADDLE	ロッキングワイヤーサドル		D	
21	V500020100	Mini Locking wire saddle	ミニロッキングワイヤーサドル		D	
22	V500020011	clip	コードクリップ (S)		D	
23	V500020037	clamp	ナイロンクランプ		D	
24	V500020038	clamp	ナイロンクランプ		D	
25	V500020039	clamp	ナイロンクランプ		D	
26	V500020069	Clamp	導電クランプ		D	
27	V500020077	wabe Clamp	小型ウェーブクランプ		D	
28	V500020082	Clamping for FFC	F F C 用クランプ		D	
29	V500020091	Clamp	リユースワイヤープレスクランプ		D	
30	V500020094	FG Clamp	F G クランプ	C	D	
31	V501010001	band	結束バンド		D	
32	V501010018	BAND	スナップバンド		D	
33	V570010021	Saddle	エッジサドル		D	
34	V570010023	saddle	エッジサドル		D	
35	V570010025	saddle	ロッキングエッジサドル		D	
36	V570010026	saddle	ロッキングエッジサドル		D	
37	V570010027	saddle	ロッキングエッジサドル		D	
38	V570010028	saddle	ロッキングエッジサドル		D	
39	V570010031	holder	エッジホルダー		D	
40	V570010046	SADDLE	ロッキングエッジサドル		D	

WIRING ACCESSORIES AND JIGS

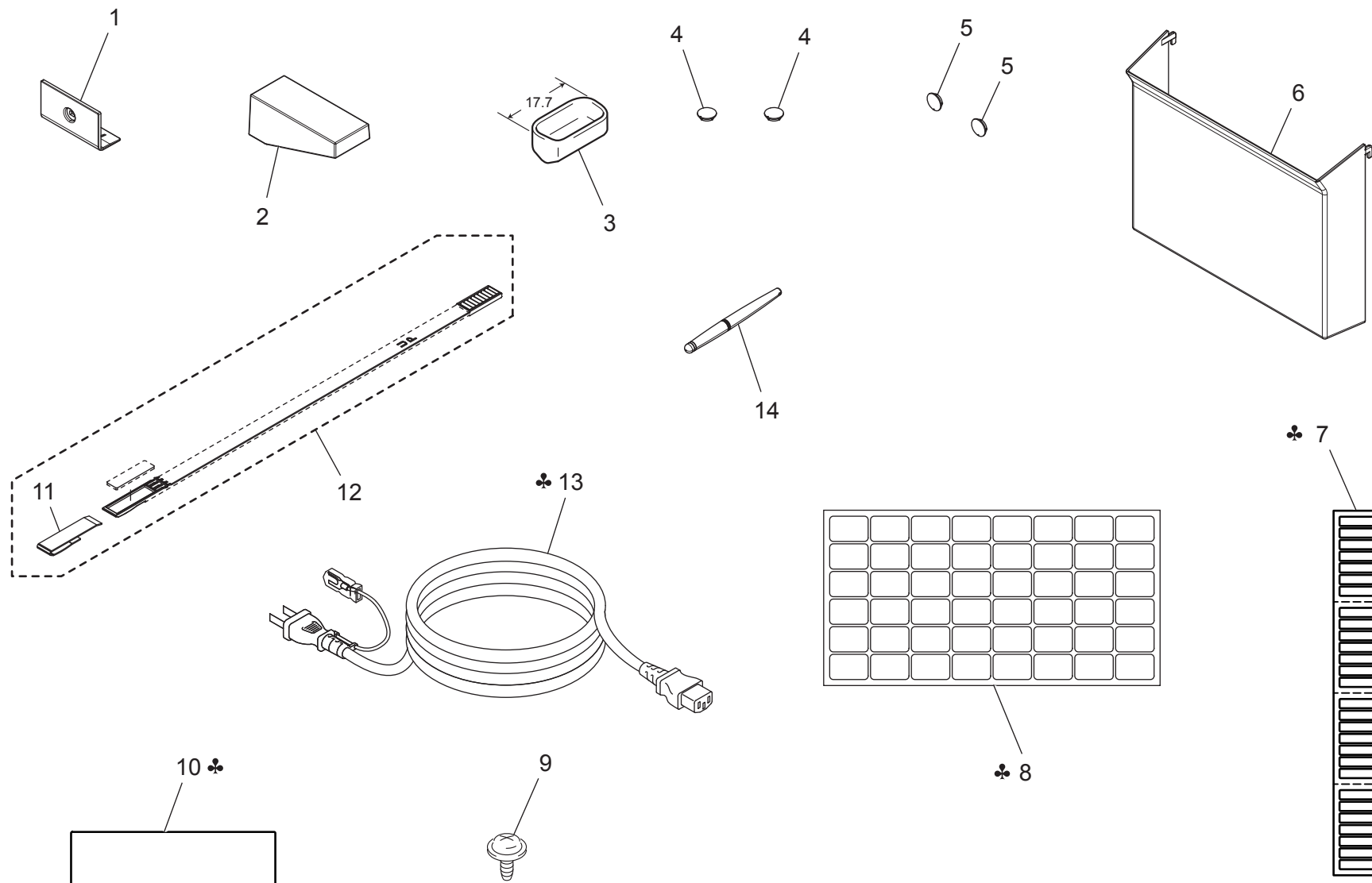
P 90

<p>1</p> 							
<p>2 ♣</p> 							
<p>3</p> 							
<p>4</p> 							

bizhub C654/bizhub C754

ACCESSORY PARTS

P 91



MAINTENANCE LIST

● The items with no Page/Key numbers are not handled as spare parts.

No.	Section	PM Parts Description	Maintenance Cycle (K=1,000)		Parts No.	Destinations	Page/Key	Note
			QTY	Replace				
1	DF-702	Pick-up roller	2	200K *1	9J07330102		P3-6	*2
2		Feed roller	1	200K *1	A00J563600		P3-24	*2
3		Separation roller	1	200K *1	A108563900		P4-16	*2
4	Tray 1	Feed roller	1	300K *1	A00J563600		P34-3	*2 *5
5		Pick-up roller	1	300K *1	A00J563600		P34-3	*2 *5
6		Separation roller assy + torque limiter	1	300K *1	A2X0R90100		P34-17	*2 *5
7	Tray 2	Feed roller	1	300K *1	A00J563600		P35-9	*2 *5
8		Pick-up roller	1	300K *1	A00J563600		P35-9	*2 *5
9		Separation roller assy + torque limiter	1	300K *1	A2X0R90100		P35-23	*2 *5
10	Tray 3	Feed roller	1	300K *1	A00J563600		P44-20	*2
11		Separation roller	1	300K *1	A00J563600		P45-18	*2
12		Pick-up roller	1	300K *1	A00J563600		P44-20	*2
13	Tray 4	Feed roller	1	300K *1	A00J563600		P39-16	*2
14		Separation roller	1	300K *1	A00J563600		P40-16	*2
15		Pick-up roller	1	300K *1	A00J563600		P39-16	*2
16	Manual bypass tray	Feed roller	1	300K *1	A00J563600		P53-10	*2
17		Separation roller assy	1	300K *1	A0P0R74100		P54-23	*2
18		Pick-up roller	1	300K *1	A00J563600		P53-10	*2
19	Conveyance section	Transfer roller unit	1	600K	A0P0R71911		P56-24	
20	Fusing section	Fusing unit	1	1200K	A2X0R71033		P60-1	
21	Image transfer section	Transfer belt unit	1	1200K	A2X0R70100		P30-4	
22		Waste toner box	1	48K	A0XPWY1		P33-4	*3 *4
23	Processing section	Imaging unit/ Y,M,C	1	155K *6	-	{bizhub C754}		*3
24		Imaging unit/ Y,M,C	1	130K *6	-	B {bizhub C654}		*3
25		Imaging unit/ Y,M,C	1	155K *6	-	C {bizhub C654}		*3
26		Drum unit/ K	1	300K *6	-			*7
27		Developing unit/ K	1	1200K *6	-			
28		Ozone filter	1	300K	A2X0R71E00		P27-21	
29		Toner cartridge/ Y,M,C	1	31.5K *6	-			
30		Toner cartridge/ K	1	47.2K *6	-			
31		Toner filter	1	300K *6	A0P0R70100		P73-1	

*1: Actual durable cycle (life counter value)

*2: Replace those three parts at the same time.

*3: The parts can be replaced either by user or service engineer.

*4: A waste toner full condition is detected with detecting the actual waste toner emissions.

*5: When replacing the separation roller for tray 1 or tray 2, replace the torque limiter at the same time. The described part no. is the number of the roller and torque limiter assy.

*6: Standard value

*7: The ozone filter and the toner filter are furnished with the drum unit/K so that all of them are replaced at same time.

bizhub C654/bizhub C754

メンテナンスリスト

● ページ / キーナンバーのないものは、アフターサービス部品ではありません。

No.	区分	PM 部品名称	サイクル (K=1,000)		部品番号	仕向地	頁 / キー	備考
			員数	交換				
1	DF-702	ピックアップローラー	2	200K *1	9J07330102		P3-6	*2
2		給紙ローラー	1	200K *1	A00J563600		P3-24	*2
3		分離ローラー	1	200K *1	A108563900		P4-16	*2
4	トレイ 1	給紙ローラー	1	300K *1	A00J563600		P34-3	*2 *5
5		ピックアップローラー	1	300K *1	A00J563600		P34-3	*2 *5
6		分離ローラー+トルクリミッター	1	300K *1	A2X0R90100		P34-17	*2 *5
7	トレイ 2	給紙ローラー	1	300K *1	A00J563600		P35-9	*2 *5
8		ピックアップローラー	1	300K *1	A00J563600		P35-9	*2 *5
9		分離ローラー+トルクリミッター	1	300K *1	A2X0R90100		P35-23	*2 *5
10	トレイ 3	給紙ローラー	1	300K *1	A00J563600		P44-20	*2
11		分離ローラー	1	300K *1	A00J563600		P45-18	*2
12		ピックアップローラー	1	300K *1	A00J563600		P44-20	*2
13	トレイ 4	給紙ローラー	1	300K *1	A00J563600		P39-16	*2
14		分離ローラー	1	300K *1	A00J563600		P40-16	*2
15		ピックアップローラー	1	300K *1	A00J563600		P39-16	*2
16	手差し	給紙ローラー	1	300K *1	A00J563600		P53-10	*2
17		分離ローラー Assy	1	300K *1	A0P0R74100		P54-23	*2
18		ピックアップローラー	1	300K *1	A00J563600		P53-10	*2
19	搬送部	転写ローラーユニット	1	600K	A0P0R71911		P56-24	
20	定着部	定着ユニット	1	1200K	A2X0R71033		P60-1	
21	転写部	転写ベルトユニット	1	1200K	A2X0R70100		P30-4	
22		廃棄トナーボックス	1	48K	A0XPWY1		P33-4	*3 *4
23	プロセス部	イメージングユニット /Y,M,C	1	150K *6	-	[bizhub C754]		*3
24		イメージングユニット /Y,M,C	1	130K *6	-	[bizhub C654]		*3
25		ドラムユニット /K	1	300K *6	-			*7
26		現像ユニット /K	1	1200K *6	-			
27		オゾンフィルター	1	300K	A2X0R71E00		P27-21	
28		トナーカートリッジ /Y,M,C	1	31.5K *6	-			
29		トナーカートリッジ /K	1	47.2K *6	-			
30		トナーフィルター	1	300K *6	A0P0R70100		P73-1	

*1: 実質交換サイクル値 (ライフカウンター値)

*2: 3点同時交換のこと

*3: ユーザー / サービス交換の選択が可能

*4: 廃棄トナーフル検知は、実際のトナー廃棄量を検知して行う

*5: トレイ 1、トレイ 2 の分離ローラーはトルクリミッターも同時交換のこと 記載の部品番号はローラーとトルクリミッターの Assy 品番である

*6: 標準モード

*7: 同梱されるオゾンフィルター、トナーフィルターも同時交換のこと

bizhub C654/bizhub C754

DESTINATION

Destination No.		Destinations		V	Hz	Model No.
A	A1	JAPAN		100	50/60	A2X0-001 A2X1-001
	A2	JAPAN		200	50/60	
B		USA, CANADA		120	60	A2X0-011 A2X1-011 A2X0-012 A2X1-012
C		EUROPEAN TYPE		220-240	50/60	A2X0-021 A2X1-021
D	D1	S.E ASIA TYPE	THAILAND, SRI LANKA, SINGAPORE, MALAYSIA, HONG KONG, PAKISTAN, INDIA, BANGLADESH, INDONESIA	220-240	50/60	A2X0-041 A2X1-041
	D3	OCEANIA TYPE	AUSTRALIA, NEW ZEALAND	220-240	50/60	A2X0-041 A2X1-041
E		PHILIPPINES		220-240	50/60	A2X0-041 A2X1-041
F	F1	SAUDI ARABIA		127	60	
	F2	SAUDI ARABIA		220-240	50/60	A2X0-041 A2X1-041
G	G1	C.S AMERICA		220-240	50/60	A2X0-041 A2X1-041
	G2	C.S AMERICA		120	60	A2X0-011 A2X1-011
H		TAIWAN		110	60	A2X0-071 A2X1-071

bizhub C654/bizhub C754

Destination No.	Destinations	V	Hz	Model No.
I	JORDAN, LEBANON, SYRIA, SOUTH AFRICA, IRAQ, IRAN, N.YEMEN, CAMEROON, UAE, BAHRAIN, OMAN, QATAR, KUWAIT, KENYA, TUNISIA, IVORY COAST, MOROCCO	220-240	50/60	A2X0-041 A2X1-041
J	CHINA	220-240	50/60	A2X0-081 A2X1-081
K	KOREA	220-240	50/60	A2X0-041 A2X1-041