

KONICA MINOLTA

PARTS GUIDE MANUAL

MARCH 2018

bizhub C654e/bizhub C754e
A2X0007

INFORMATION FOR PARTS GUIDE MANUAL

To find correct Parts No., refer to the "HOW TO MAKE THE BEST USE OF THIS MANUAL" in the following page.

HOW TO MAKE THE BEST USE OF THIS MANUAL

- 1 When you order, please check the proper figures beforehand that are on Our Parts Guide Manual, and order with the appropriate figures.
- 2 For screws, Nuts, Washers, retaining rings and Pins which are used in this model, one letter is shown on the Standard parts column of Parts list and exploded diagrams.
- 3 In order to maintain safety of the product, some specific parts composed of this product are set up as "essential safety parts".
- 4 The assigned parts number for the "essential safety parts" is indicated as "SP00-****".
When replacing these parts, follow precautions for disassembling and installing which are listed in the Service Manual.
Do not use any parts that are not set up as
- 5 ♣ means that there are exclusive parts for each destination.
Please check the appropriate destination when you order.
- 6 Revision Mark
Marked as ▲ on the illustration shows that the revision has been made.
- 7 All rights reserved. (any reprints or quotations are prohibited.)
Use of this parts guide manual should be strictly supervised to avoid disclosure of confidential information.

パーツガイドマニュアルのご案内

サービス部品をご発注の際には、下記に示す“パーツガイドマニュアルの活用にあたって”をご参照の上、正しい部品番号にてお願い致します。

パーツガイドマニュアルの活用にあたって

- 1 部品発注の際には、掲載されている部品番号の桁数を確認し、掲載されている桁数で発注願います。
- 2 この製品に使用されているネジ、ナット、ワッシャー、止め輪、ピンなどは、リストの右側の Standard parts 欄に a,b,c,…… で表示し、イラストにも a,b,c,…… 表示してあります。
- 3 製品の安全性を維持する為に、製品に使用される特定の部品を「重要保安部品」として設定しています。
- 4 重要保安部品の部品番号は、“SP00-****”と記載されていますので、部品交換時は、サービスマニュアル記載の分解・組み立ての注意事項に従って作業をして下さい。
また、指定以外の部品は一切使用しないで下さい。
- 5 本文に ♣ が表示されている部品は、仕向け地毎に専用部品がある事を意味しています。
オーダーされる時は、仕向け地を確認して下さい。
- 6 改訂記号について
イラスト上に ▲ 印が表示されている部分は、改訂された事を表します。
- 7 著作権所有（無断転載及び無断引用の禁止）
本パーツガイドマニュアルについては、機密保持等その扱いには十分注意して下さい。万一取り扱いを誤った場合には、法律で処罰されることがあります。

05/27/2013

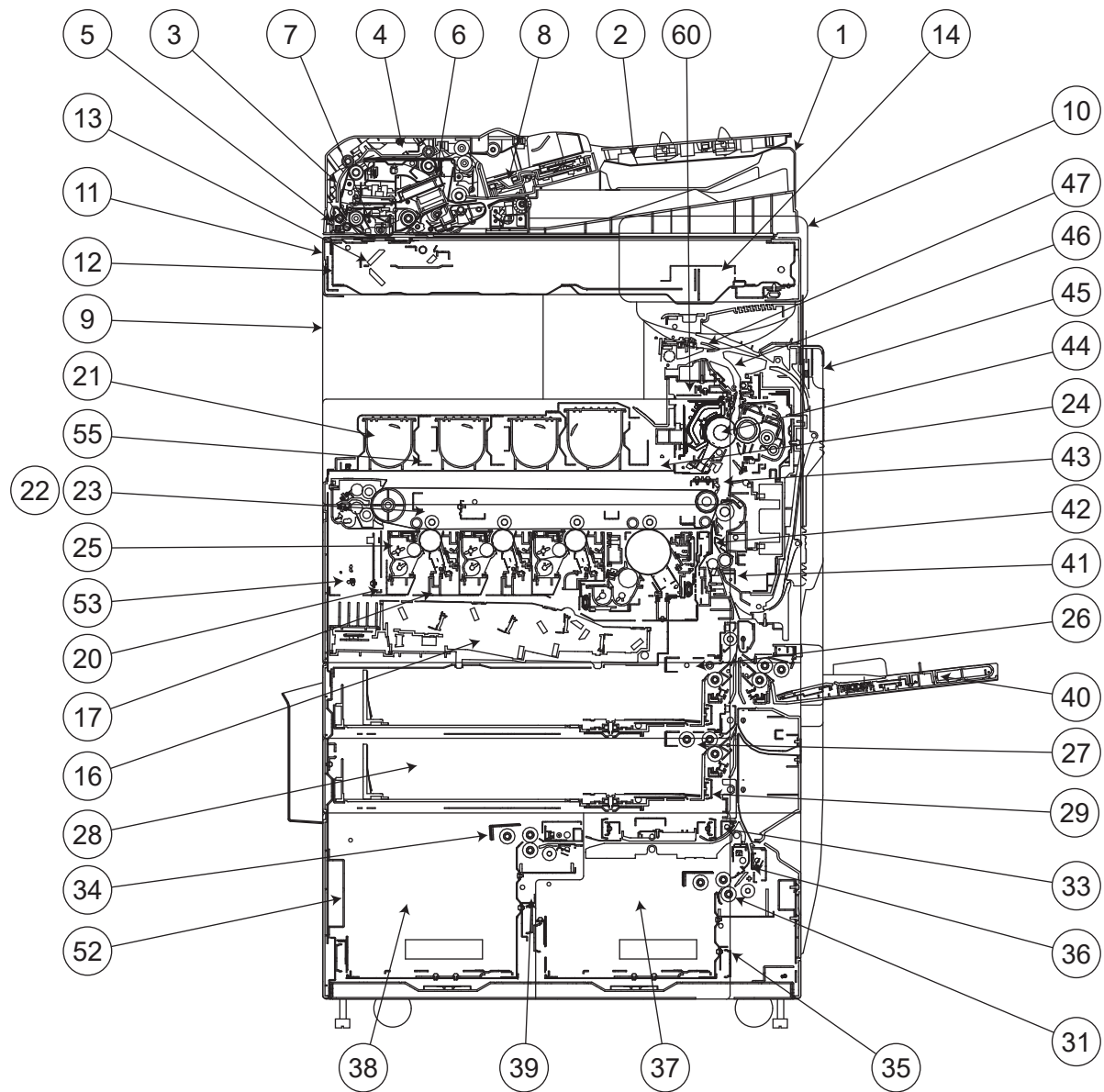
GENERAL CONTENTS

No.	Description	Model
1	Digital MFP Color	bizhub C654e/bizhub C754e
2	Fax Kit	FK-511
3	Local IF Kit	EK-604
4	Local IF Kit	EK-605
5	Video IF Kit	VI-506
6	Mount Kit	MK-715
7	Paper Feeder	LU-301
8	Paper Feeder	LU-204
9	Image Controller	IC-414
10	Saddle Unit	SD-511
11	Finisher/Sorter	FS-534
12	Saddle Unit	SD-512
13	Finisher/Sorter	FS-535
14	Punch Unit	PK-520
15	Punch Unit	PK-521
16	Post Inserter	PI-505
17	Job Separator	JS-602
18	Folding Unit	ZU-606
19	Output Tray	OT-503
20	Original Cover	OC-507
21	Fax Kit	FK-508
22	Paper Feeder	LU-301

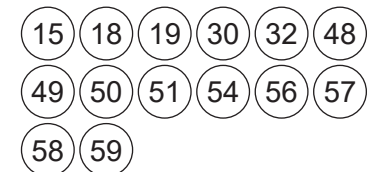
bizhub C654e/bizhub C754e

No.	Description	Model
23	Working Table	WT-509
24	Working Table	WT-506
25	Mount Kit	MK-735
26	Other Option	KP-101
27	Other Option	MK-728
28	Finisher/Sorter	FS-534SD
29	Finisher/Sorter	RU-513

DIAGRAMS OF MAIN PARTS SECTION



REAR SIDE



CONTENTS

No.	DESCRIPTION	名称	PAGE No.
1	ADF EXTERNAL PARTS	A D F 外装部	P1
2	ADF PAPER FEED TRAY SECTION	A D F 給紙トレイ部	P2 P3 P4
3	ADF CONVEYANCE SECTION	A D F 搬送部	P5 P6
4	ADF LEFT COVER SECTION	A D F 左カバー部	P7
5	ADF READ GUIDE SECTION	A D F 読取ガイド部	P8 P9
6	ADF CIS SECTION	A D F C I S 部	P10
7	ADF GLASS CLEANING SECTION	A D F ガラス清掃部	P11
8	ADF CIS CLEANING SECTION	A D F C I S 清掃部	P12 P13
9	EXTERNAL PARTS	外装部	P14 P15 P16 P17
10	CONTROL PANEL SECTION	操作パネル部	P18
11	IR COVER SECTION	I R カバー部	P19
12	IR FRAME SECTION	I R フレーム部	P20
13	SCANNER SECTION	スキャナ部	P21
14	CCD UNIT	C C D ユニット	P22
15	SCANNER DRIVE/IR BOARD SECTION	スキャナ駆動 / I R 基板部	P23
16	PH UNIT	P / H	P24
17	TONER RAIL SECTION	トナーレール部	P25
18	CONTACT SECTION	接点部	P26
19	I/U LOCK LEVER SECTION	I / U ロックレバー部	P27
20	OZONE DUCT SECTION	オゾン排気部	P28
21	TONER SUPPLY SECTION	トナー補給部	P29 P30
22	TRANSFER UNIT	転写ベルトユニット	P31
23	TRANSFER RAIL SECTION	転写レール部	P32
24	ERASE LAMP SECTION	イレーサランプ部	P33
25	TONER COLLECT SECTION	トナー搬送部	P34
26	1ST PAPER FEED SECTION	1 段目給紙部	P35
27	2ND PAPER FEED SECTION	2 段目給紙部	P36
28	CASSETTE TRAY	カセットトレイ	P37 P38
29	CASSETTE RAIL SECTION	カセットレール部	P39
30	SIZE DETECTING SECTION	給紙サイズ検出部	P40
31	1000-SHEET PAPER FEED SECTION	1 0 0 0 枚給紙部	P41 P42
32	LCC DRIVE SECTION	L C C 駆動部	P43
33	LEVEL CONVEYANCE SECTION	水平搬送部	P44 P45
34	1500-SHEET PAPER FEED SECTION	1 5 0 0 枚給紙部	P46 P47
35	LCC CASSETTE RAIL SECTION	L C C カセットレール部	P48
36	LCC LENGTH CONVEYANCE SECTION	L C C 搬送部	P49
37	1000-SHEET TRAY	1 0 0 0 枚給紙トレイ	P50
38	1500-SHEET TRAY	1 5 0 0 枚給紙トレイ	P51
39	CASSETTE TRAY	L C C カセットトレイ	P52
40	MANUAL FEED TRAY UNIT	手差し給紙ユニット	P53 P54 P55 P56

bizhub C654e/bizhub C754e

No.	DESCRIPTION	名称	PAGE No.
41	PAPER EXIT CONVEYANCE SECTION	排紙搬送部	P57 P58 P59
42	REGISTRATION SENSOR SECTION	用紙検出部	P60
43	ROTATION DETECTING SENSOR SECTION	回転検出部	P61
44	FUSING UNIT	定着ユニット	P62
45	ADU	A D U	P63 P64
46	PAPER EXIT SECTION	排紙部	P65
47	REVERSAL SECTION	反転部	P66 P67
48	MAIN DRIVE SECTION	メイン駆動部	P68
49	FUSING DRIVE SECTION	定着駆動部	P69
50	BOTTLE DRIVE SECTION	ボトル駆動部	P70
51	EJECT DRIVE SECTION	排紙ベルト駆動部	P71
52	MAIN FRAME SECTION	フレーム部	P72
53	I/U FRAME SECTION	I / U フレーム部	P73
54	REAR FAN SECTION	背面排気部	P74 P75
55	DOOR SAFE SWITCH SECTION	ドア安全スイッチ部	P76
56	HIGH VOLTAGE SECTION	高圧基板部	P77
57	MAIN POWER SUPPLY SECTION	電源基板部	P78
58	SHIELD BOX	シールドボックス	P79 P80
59	REAR ELECTRICAL SECTION	背面電気部	P81 P82
60	IH POWER SUPPLY SECTION	電源基板部	P83
61	WIRING	束線	P84 P85 P86 P87 P88 P89 P90
62	WIRING ACCESSORIES AND JIGS	配線部品・治具	P91 P92
63	ACCESSORY PARTS	同梱部品	P93

bizhub C654e/bizhub C754e

INDEX

Parts No.	Page No.
0910362001	63-13
0957149101	72-29
1033440203	3-11
1038400601	91-1
1050480501	91-2
1052430102	91-3
1053481201	91-4
1065308601	55-17
1065587202	91-5
1067250101	3-8
1067250101	55-8
1067250101	63-27
1079221901	73-3
1134304101	46-2
1134304202	46-5
1134304202	53-3
1144520001	58-16
1151330001	37-5
1164306501	68-7
1164350901	57-30
1164352702	57-12
1200164603	63-10
1200164603	67-20
1200164603	71-7
1200312109	8-1
1200312109	10-16
1500266013	43-43
15AG50280	41-38
26NA45440	50-20
26NA45440	51-19
4002145801	23-12
4002148002	21-19
4002148101	21-20
4002311002	40-7
4002313101	40-6
4002504202	60-27
4002730601	38-28
4004182902	27-1
4004224802	69-3
4004231701	26-4

Parts No.	Page No.
4004254701	43-23
4004254701	68-28
4004258201	69-6
4004351202	61-16
4004471004	58-17
4004472202	58-15
4004472301	58-19
4004533901	71-8
4004590301	66-21
4004590301	67-6
4004598701	65-34
4011533901	29-26
4011585202	67-8
4025228301	80-26
4025353401	57-2
4025355601	60-21
4025356801	57-20
4025367402	60-11
4025367601	60-6
4025470902	58-32
4025471902	58-26
4025472001	58-31
4025472501	58-20
4025490701	58-5
4025490801	58-11
4025490901	58-12
4025491001	58-6
4025593901	67-19
4025598401	66-22
4025598401	67-14
4030104002	15-24
4030300301	55-7
4030303901	56-17
4030308104	40-9
4030308301	40-12
4030309301	65-15
4030309301	66-7
4030309301	67-9
4030312201	36-6
4030312201	45-14

Parts No.	Page No.
4030312501	56-24
4030320601	38-12
4030322402	40-11
4030322601	38-19
4030382301	66-14
4036141001	39-4
4036141001	56-8
4036172002	20-11
4036224102	69-4
4036225801	69-2
4036231101	26-5
4036231101	32-11
4036248501	28-18
4036248501	75-16
4036351701	68-5
4036355701	60-26
4036359002	59-18
4036365901	53-34
4036365901	59-8
4036367301	60-9
4036367502	57-11
4036471201	58-18
4036473001	58-23
4036482701	31-3
4036491101	58-13
4036534702	29-9
4036534702	30-9
4036534713	29-9
4036534713	30-9
4036534801	29-8
4036534801	30-8
4036534903	29-7
4036534903	30-7
4036534914	29-7
4036534914	30-7
4036578501	53-26
4036591301	65-32
4036596601	45-11
4036596601	49-3
4036596601	64-12

Parts No.	Page No.
4036596601	65-3
4036596601	66-23
4036606202	28-5
4037077501	82-1
4037090101	34-10
4037090301	20-8
4037223902	82-9
4037223902	82-9
4037320401	38-7
4038101401	15-27
4038228104	15-3
4038229301	24-8
4038229401	24-3
4038229501	24-5
4038540701	70-9
4038541101	70-6
4038541202	70-10
4038541301	70-8
4038M60000	72-14
4040078001	93-13
4040309701	55-15
40AA88031	30-31
4120101402	15-9
4120101402	16-27
4131253701	6-17
4131253701	10-5
4131300301	55-2
4131300301	56-15
4131300301	63-6
4131300301	64-17
4131462304	53-36
4136675101	15-4
4138586601	59-25
4163407201	31-2
4163529301	12-15
4163529301	38-10
4425301301	55-13
4425301601	55-9
4469346501	3-12
4475260302	15-11

Parts No.	Page No.
4475260302	16-4
4497310603	63-2
4537331701	38-29
4556M10000	72-11
4556M10000	75-4
4581131601	23-13
4581162501	20-5
4581162501	21-11
4581162501	24-14
4581162501	78-6
4641341501	2-21
4641341702	2-15
4641343601	2-22
4641350301	2-3
4641351401	3-26
4643300701	3-29
4643460501	60-18
4657371301	63-16
4657373401	64-4
4657373501	63-25
4657373501	64-8
4657374301	64-30
4658351701	9-19
540047200	52-7
55VA15541	44-13
55VA40610	52-6
55VA40930	50-2
55VA40930	51-1
55VA42120	41-23
55VA42120	43-13
55VA42120	46-26
56AA17080	49-14
56AA17330	49-13
56AA40380	41-31
56AA40380	46-32
56AA40430	42-5
56AA40430	47-5
56AA40450	42-26
56AA40450	47-30
56AA40490	15-18

Parts No.	Page No.	Parts No.	Page No.	Parts No.	Page No.	Parts No.	Page No.	Parts No.	Page No.
56AA40490	16-25	56QA59150D	52-18	9J07300801	4-1	A00HN10K12	82-7	A00J118500	26-23
56AA40490	35-2	57AA17010	52-4	9J07301601	4-7	A00J101401	72-17	A00J119500	28-7
56AA40490	36-8	57AA82030	35-23	9J07301702	4-3	A00J101603	72-26	A00J119600	28-6
56AA40490	41-10	57AA82030	36-30	9J07301902	4-5	A00J102301	24-19	A00J120100	27-8
56AA40490	42-15	57AA97870	52-12	9J07302001	4-4	A00J102402	72-5	A00J120201	27-5
56AA40490	43-6	65AA32501	29-5	9J07310313	2-28	A00J102700	72-33	A00J120300	27-6
56AA40490	45-5	65AA32501	30-4	9J07310401	2-25	A00J104400	72-21	A00J120500	27-12
56AA40490	46-10	65AA32501	34-20	9J07310502	2-30	A00J104700	33-3	A00J120600	27-14
56AA40490	47-17	9313100072	28-17	9J07310701	2-7	A00J105400	72-23	A00J120900	27-4
56AA40490	55-6	9313100072	59-20	9J07330102	3-6	A00J105601	24-12	A00J121000	27-2
56AA40490	56-16	9313100072	74-3	9J07330201	3-9	A00J106202	93-11	A00J121200	25-11
56AA40540	42-20	9313100072	75-17	9J07330801	3-7	A00J106400	72-20	A00J121200	27-13
56AA41711	45-28	9313110033	73-11	9J07331801	4-9	A00J106500	72-9	A00J121400	27-3
56AA75050	42-27	9313150021	6-1	9J07331901	3-28	A00J107001	33-5	A00J121500	27-7
56AA75050	47-26	9314130021	70-12	9J07332102	3-15	A00J107100	33-14	A00J121600	73-5
56AA82012	41-22	9314230021	68-17	9J07341102	2-13	A00J107401	33-17	A00J121700	73-2
56AA82012	46-27	9326282011	15-30	9J07400601	7-27	A00J110800	26-8	A00J123200	73-16
56AA83061D	48-2	9334271011	29-27	9J07400803	5-16	A00J110900	26-10	A00J123300	73-15
56AA84520	82-16	9335140061	20-23	9J07400902	5-15	A00J112200	26-9	A00J123400	73-14
56AF84521	82-16	9335140071	5-27	9J07401201	5-24	A00J112800	26-12	A00J132102	77-6
56QA15190	43-28	9335191092	11-6	9J07420205	8-28	A00J113401	28-8	A00J132600	77-3
56QA57110	45-18	9381430031	93-13	9J07420301	8-13	A00J113800	28-10	A00J132700	77-10
56QA57170	45-8	9381430041	93-13	9J07420402	8-14	A00J114401	28-3	A00J133101	79-4
56QA57210	45-33	9384160011	91-6	9J07420502	8-8	A00J114502	28-25	A00J133200	40-2
56QA57240	45-7	9454407602	58-8	9J07420603	8-27	A00J114603	28-26	A00J133500	79-7
56QA58041D	50-14	9454407602	60-25	9J07420801	8-12	A00J114701	28-9	A00J134000	77-11
56QA58041D	51-14	9J03M10000	72-22	9J07420901	8-9	A00J114801	28-23	A00J134500	72-15
56QA58050D	52-9	9J03N30000	93-13	9J07430201	13-14	A00J114901	28-1	A00J134600	76-9
56QA58060D	52-5	9J06730101	82-14	9J07431101	8-22	A00J115900	26-11	A00J134702	82-12
56QA58070D	52-13	9J06M10000	65-4	9J07431502	7-5	A00J116100	28-12	A00J134702	82-12
56QA58110	50-4	9J06M60100	69-5	9J07441502	13-16	A00J116201	28-11	A00J135100	77-1
56QA58120	50-27	9J06M60100	76-8	9J07491101	10-10	A00J116301	28-15	A00J135201	76-11
56QA58150	52-15	9J06PJG100	92-11	9J07501901	6-23	A00J116400	28-14	A00J135500	77-7
56QA58420	52-1	9J07160200	1-13	9J07560000	2-27	A00J116511	28-20	A00J135800	76-7
56QA58450	52-8	9J07160302	7-1	9J07810300	13-2	A00J117000	28-22	A00J136302	81-4
56QA58470D	50-15	9J07160600	5-17	9J07890000	10-13	A00J118000	26-18	A00J136400	82-17
56QA58490D	52-14	9J07200702	1-12	9J07R70900	7-11	A00J118100	26-22	A00J136500	76-10
56QA59060D	52-17	9J07200801	1-11	9J07R71000	4-8	A00J118200	26-17	A00J137105	33-13
56QA59110	51-4	9J07210802	20-3	9J08210401	5-10	A00J118300	26-21	A00J137500	24-23
56QA59120	51-26	9J07210901	1-6	9J08210401	10-12	A00J118400	26-19	A00J137600	43-35

Parts No.	Page No.	Parts No.	Page No.	Parts No.	Page No.	Parts No.	Page No.	Parts No.	Page No.
A00J137701	72-12	A00J166300	14-3	A00J361000	34-38	A00J403100	70-1	A00J562800	35-8
A00J137800	77-5	A00J166400	14-2	A00J361101	34-6	A00J403402	76-5	A00J563500	35-18
A00J138000	69-7	A00J167104	19-13	A00J361200	34-7	A00J403700	70-14	A00J563500	36-25
A00J138700	80-4	A00J167812	19-2	A00J361700	34-8	A00J403800	70-13	A00J563500	41-47
A00J138900	82-20	A00J169100	93-4	A00J361800	34-34	A00J404000	70-5	A00J563500	46-42
A00J139000	82-10	A00J169200	19-3	A00J361900	34-21	A00J404601	15-2	A00J563600	3-24
A00J139100	82-8	A00J169200	21-6	A00J362400	34-26	A00J404700	15-1	A00J563600	35-3
A00J139400	79-8	A00J220600	68-4	A00J362500	34-25	A00J405400	30-10	A00J563600	36-9
A00J140401	82-13	A00J225000	68-23	A00J362600	34-31	A00J405500	30-30	A00J563600	41-16
A00J140600	79-3	A00J225100	68-20	A00J362700	34-22	A00J405600	30-28	A00J563600	42-16
A00J140900	77-4	A00J230000	69-9	A00J362800	34-32	A00J406600	30-32	A00J563600	46-20
A00J142901	70-19	A00J230100	69-11	A00J363000	34-23	A00J406801	30-26	A00J563600	47-18
A00J145000	33-23	A00J230200	69-34	A00J365001	34-2	A00J406901	30-27	A00J563600	55-10
A00J145101	33-22	A00J230300	69-32	A00J365402	34-39	A00J407300	29-25	A00J566300	35-6
A00J145200	33-24	A00J230400	69-37	A00J400113	30-6	A00J407300	30-21	A00J566600	36-19
A00J150600	74-6	A00J230500	69-17	A00J400300	30-23	A00J407400	15-20	A00J567211	35-22
A00J151002	74-19	A00J230711	69-13	A00J400401	29-32	A00J407500	15-6	A00J571715	36-3
A00J152700	75-10	A00J230800	69-16	A00J400401	30-25	A00J520102	32-12	A00J572200	49-5
A00J154600	75-15	A00J231200	69-12	A00J400500	29-16	A00J520206	32-24	A00J573601	36-22
A00J154801	75-2	A00J231812	69-14	A00J400500	30-20	A00J520300	32-19	A00J573712	36-2
A00J155300	73-7	A00J232011	69-8	A00J400611	30-2	A00J520400	32-21	A00J573801	36-17
A00J157100	74-9	A00J232111	69-15	A00J400900	29-35	A00J520500	32-30	A00J573900	36-18
A00J157200	74-7	A00J232200	69-38	A00J400900	30-29	A00J520600	32-22	A00J574100	36-5
A00J157301	74-10	A00J232400	69-10	A00J401200	29-30	A00J520800	32-25	A00J574500	36-4
A00J157401	74-11	A00J265200	21-2	A00J401200	30-24	A00J520900	32-26	A00J574611	36-1
A00J157501	74-12	A00J265300	21-4	A00J401401	29-28	A00J521601	32-13	A00J575302	40-3
A00J157600	74-15	A00J273103	21-21	A00J401401	30-22	A00J521701	32-17	A00J585100	54-24
A00J160605	14-8	A00J273701	21-22	A00J401600	29-17	A00J522600	32-18	A00J585300	53-5
A00J161400	14-9	A00J273801	21-23	A00J401600	30-19	A00J522700	32-20	A00J585401	54-13
A00J161804	17-5	A00J273900	21-24	A00J401700	29-12	A00J523201	32-7	A00J585500	54-12
A00J162802	17-10	A00J274000	21-25	A00J401700	30-12	A00J523901	32-15	A00J585601	54-14
A00J162902	17-13	A00J274100	21-26	A00J401900	29-18	A00J524101	32-3	A00J585700	54-21
A00J163401	14-1	A00J274201	21-27	A00J401900	30-17	A00J524201	32-2	A00J585800	56-26
A00J163503	14-4	A00J274300	21-13	A00J402200	30-18	A00J524300	32-29	A00J586000	55-21
A00J164201	17-11	A00J274401	21-14	A00J402300	30-5	A00J524402	32-10	A00J586100	55-20
A00J164501	16-9	A00J275100	23-15	A00J402601	70-3	A00J561000	36-29	A00J586201	55-5
A00J164600	72-24	A00J275200	23-16	A00J402711	70-15	A00J562200	35-11	A00J586300	56-37
A00J164701	15-7	A00J280101	20-9	A00J402801	70-11	A00J562300	35-9	A00J586400	54-2
A00J165103	15-5	A00J280200	20-10	A00J402900	70-4	A00J562400	35-7	A00J586600	54-26
A00J166101	93-2	A00J360800	34-9	A00J403000	70-2	A00J562514	35-4	A00J586800	72-34

Parts No.	Page No.	Parts No.	Page No.	Parts No.	Page No.	Parts No.	Page No.	Parts No.	Page No.
A00J587000	55-19	A00J594800	54-8	A00J600701	41-39	A00J605200	42-4	A00J611100	43-34
A00J587200	53-38	A00J594900	54-11	A00J600800	41-37	A00J605200	47-12	A00J611200	43-30
A00J587300	56-14	A00J595100	53-32	A00J600900	42-29	A00J605411	41-25	A00J611300	43-2
A00J587600	56-7	A00J595200	72-4	A00J600900	47-31	A00J605522	41-4	A00J611500	43-18
A00J587702	56-12	A00J595600	55-30	A00J601000	47-3	A00J605600	42-30	A00J611600	43-16
A00J587901	56-29	A00J595702	56-34	A00J601111	46-4	A00J605700	47-2	A00J611711	43-24
A00J588200	54-17	A00J595800	55-24	A00J601202	41-2	A00J606100	45-17	A00J611800	43-32
A00J588300	54-16	A00J596000	55-11	A00J601402	42-22	A00J606500	45-13	A00J611900	43-29
A00J588601	54-29	A00J596300	56-36	A00J601402	47-1	A00J606600	45-15	A00J612000	43-42
A00J588800	54-7	A00J596602	54-15	A00J601503	42-9	A00J606700	45-21	A00J612100	43-5
A00J589100	56-11	A00J596700	55-23	A00J601503	47-24	A00J606802	45-19	A00J612200	43-22
A00J590300	55-14	A00J596900	53-16	A00J601600	42-21	A00J606900	45-20	A00J612500	43-14
A00J590400	55-16	A00J597000	53-33	A00J601600	47-23	A00J607100	44-3	A00J612600	43-19
A00J590500	55-3	A00J597100	53-15	A00J601700	42-11	A00J607301	45-23	A00J612800	43-25
A00J590700	55-18	A00J597300	53-27	A00J601700	47-13	A00J607401	44-5	A00J613000	43-41
A00J590901	56-21	A00J597511	56-22	A00J602401	46-19	A00J607500	44-6	A00J613103	52-11
A00J591014	56-19	A00J597800	53-9	A00J602700	41-18	A00J607600	45-30	A00J613200	50-22
A00J591100	56-20	A00J597911	53-6	A00J602700	46-22	A00J607700	45-31	A00J613200	51-22
A00J591700	55-27	A00J598002	56-1	A00J603102	41-28	A00J607800	44-4	A00J613301	50-16
A00J591800	56-5	A00J598101	54-1	A00J603102	46-30	A00J608100	48-7	A00J613301	51-15
A00J592201	55-26	A00J598200	54-6	A00J603201	41-8	A00J608200	48-10	A00J613401	48-4
A00J592502	53-28	A00J598401	54-10	A00J603300	41-7	A00J608300	48-11	A00J613500	50-1
A00J592600	55-25	A00J598611	56-32	A00J603400	42-28	A00J608400	48-5	A00J613500	51-2
A00J592800	55-28	A00J598800	54-23	A00J603400	47-25	A00J608500	48-9	A00J613700	50-9
A00J593000	55-29	A00J599000	53-10	A00J603500	46-25	A00J608600	48-6	A00J613700	51-9
A00J593101	56-27	A00J599100	53-4	A00J603601	42-24	A00J608700	49-8	A00J613900	52-19
A00J593300	56-28	A00J599200	54-9	A00J603716	46-13	A00J608800	49-9	A00J614002	45-1
A00J593400	56-3	A00J599300	53-31	A00J603800	46-1	A00J608900	49-15	A00J614101	45-32
A00J593411	56-3	A00J599501	54-22	A00J603801	46-1	A00J609001	49-18	A00J614200	45-10
A00J593500	54-3	A00J599701	54-28	A00J603900	46-9	A00J609100	49-6	A00J614300	45-4
A00J593600	53-19	A00J599800	54-20	A00J604101	47-27	A00J609201	49-23	A00J614400	45-35
A00J593700	53-20	A00J600117	46-23	A00J604301	41-15	A00J609300	49-19	A00J614501	45-2
A00J593800	53-21	A00J600205	41-19	A00J604401	41-41	A00J609400	49-1	A00J614600	45-34
A00J593900	54-4	A00J600315	41-6	A00J604701	42-2	A00J609501	49-4	A00J614700	45-3
A00J594035	53-22	A00J600401	41-33	A00J604701	47-9	A00J609800	49-21	A00J614800	45-9
A00J594037	53-22	A00J600401	46-33	A00J604800	42-6	A00J610200	43-15	A00J615000	50-21
A00J594114	53-35	A00J600500	41-36	A00J604800	47-11	A00J610300	43-21	A00J615000	51-20
A00J594603	53-30	A00J600500	46-35	A00J605001	41-9	A00J610600	43-17	A00J615101	50-6
A00J594615	53-30	A00J600600	41-12	A00J605100	42-3	A00J610812	43-20	A00J615500	50-26
A00J594701	54-18	A00J600600	46-14	A00J605100	47-10	A00J611000	43-33	A00J615500	51-25

Parts No.	Page No.	Parts No.	Page No.	Parts No.	Page No.	Parts No.	Page No.	Parts No.	Page No.
A00J615800	46-7	A00J619700	42-19	A00J700301	57-35	A00J706800	57-1	A00J812600	64-31
A00J615901	41-40	A00J619700	47-21	A00J700501	57-31	A00J706900	57-34	A00J813000	63-9
A00J616200	43-10	A00J619800	42-18	A00J700600	57-15	A00J707102	61-15	A00J813200	64-3
A00J616300	43-11	A00J619800	47-20	A00J700900	43-12	A00J707200	60-16	A00J813600	63-11
A00J616400	43-37	A00J619901	48-1	A00J700900	57-36	A00J707300	59-29	A00J813800	64-18
A00J616500	43-38	A00J622600	45-25	A00J701000	57-13	A00J707501	61-1	A00J813900	64-19
A00J616601	43-39	A00J623300	45-26	A00J701200	57-28	A00J707801	57-21	A00J814101	63-20
A00J616800	43-40	A00J623400	38-17	A00J701500	57-3	A00J708000	59-22	A00J814101	64-10
A00J616911	43-3	A00J623400	50-3	A00J701701	57-6	A00J708100	58-22	A00J814411	63-21
A00J617000	49-24	A00J623400	51-3	A00J701800	57-5	A00J708300	58-41	A00J814411	64-11
A00J617700	43-7	A00J630102	39-8	A00J701900	57-18	A00J708400	58-39	A00J814500	63-22
A00J617800	5-6	A00J630500	37-23	A00J702000	57-37	A00J708700	58-28	A00J814500	64-13
A00J617800	12-19	A00J631100	37-22	A00J702101	60-8	A00J708900	58-40	A00J814600	63-3
A00J617800	41-5	A00J631204	39-3	A00J702400	57-7	A00J709000	61-3	A00J814700	63-35
A00J617800	46-12	A00J631204	44-1	A00J702500	60-23	A00J709100	57-4	A00J815101	63-28
A00J617900	41-27	A00J631700	37-2	A00J702600	60-12	A00J710400	58-29	A00J815200	63-32
A00J617900	46-28	A00J631800	39-7	A00J702700	57-16	A00J710700	58-36	A00J815300	64-27
A00J617900	49-7	A00J631900	37-24	A00J702811	60-22	A00J710800	58-14	A00J815400	64-16
A00J618002	46-36	A00J660100	44-12	A00J702901	60-3	A00J711101	60-2	A00J815711	59-5
A00J618101	41-1	A00J660200	45-22	A00J703001	57-33	A00J711301	57-8	A00J815801	63-37
A00J618300	41-29	A00J660300	50-28	A00J703600	60-4	A00J711400	58-21	A00J816100	64-26
A00J618300	46-29	A00J660300	51-27	A00J703700	60-20	A00J711500	57-10	A00J816200	64-14
A00J618400	39-2	A00J660500	51-21	A00J703800	60-24	A00J711601	60-10	A00J816300	64-2
A00J618400	44-2	A00J660600	50-18	A00J704100	60-1	A00J711700	57-9	A00J816400	63-34
A00J618400	48-3	A00J660600	51-16	A00J704200	57-25	A00J810201	64-1	A00J890411	67-7
A00J618500	42-14	A00J660700	41-26	A00J704400	60-19	A00J810302	63-1	A00J891100	66-3
A00J618500	47-16	A00J660700	46-38	A00J704500	60-7	A00J810601	64-25	A00J891200	66-16
A00J618601	42-10	A00J660700	49-20	A00J704600	57-23	A00J810713	64-9	A00J891801	65-1
A00J618700	42-1	A00J660800	41-42	A00J704700	57-19	A00J810800	63-26	A00J892001	65-20
A00J618800	47-8	A00J660800	46-39	A00J705200	59-12	A00J811000	63-19	A00J892101	65-7
A00J619011	50-13	A00J660900	41-44	A00J705600	59-21	A00J811100	64-21	A00J892202	59-9
A00J619011	51-13	A00J663000	45-27	A00J705700	59-11	A00J811200	63-31	A00J892300	65-9
A00J619101	46-3	A00J663200	41-11	A00J705800	59-10	A00J811600	63-33	A00J892600	65-18
A00J619300	50-24	A00J663200	42-8	A00J705900	59-13	A00J811800	63-24	A00J892712	65-10
A00J619400	41-30	A00J663200	46-11	A00J706100	60-17	A00J811900	64-7	A00J893100	59-2
A00J619400	46-31	A00J663200	47-6	A00J706200	59-16	A00J812000	64-6	A00J893201	67-15
A00J619500	42-17	A00J663200	50-8	A00J706400	59-19	A00J812100	63-30	A00J893311	67-17
A00J619500	47-19	A00J663200	51-8	A00J706500	59-17	A00J812200	63-15	A00J893413	67-12
A00J619611	42-13	A00J700100	57-27	A00J706600	59-23	A00J812300	63-14	A00J893512	67-1
A00J619611	47-15	A00J700201	57-26	A00J706700	59-24	A00J812400	63-12	A00J893601	67-16

Parts No.	Page No.	Parts No.	Page No.	Parts No.	Page No.	Parts No.	Page No.	Parts No.	Page No.
A00J893800	66-20	A00J945401	17-20	A00JR7AS22	56-38	A07H570400	3-22	A0HU260300	11-11
A00J894000	65-14	A00J945500	15-16	A00JR7AT00	57-29	A07H570500	3-23	A0HU261000	11-5
A00J894200	65-17	A00J945800	17-21	A00JR7AU11	58-10	A07H570600	3-21	A0HU261103	11-19
A00J894300	71-6	A00JH00D00	16-3	A00JR7AV00	63-7	A07H570800	3-19	A0HU261200	11-23
A00J894400	71-19	A00JM11000	68-26	A00JR7AW00	63-17	A07H750200	5-20	A0HU261700	11-4
A00J894500	71-20	A00JM11300	68-30	A00JR7AX11	63-18	A0DA701200	8-16	A0HU261900	11-16
A00J894600	71-14	A00JM12100	29-21	A00JR7AY00	63-29	A0DA701200	10-19	A0HU300300	11-12
A00J895000	71-2	A00JM12100	30-15	A00JR7B000	64-22	A0DA701800	9-18	A0HU300400	11-20
A00J895100	66-6	A00JM12100	34-29	A00JR7B100	64-29	A0ED166200	93-6	A0HU300500	11-21
A00J895200	71-5	A00JM20000	43-4	A00JR7B200	65-27	A0ED275600	23-5	A0HU300601	11-22
A00J895300	71-16	A00JM30301	33-21	A00JR7B500	66-19	A0ED276500	23-4	A0HUM10000	12-29
A00J895700	71-9	A00JM60300	82-11	A00JR7B600	68-22	A0ED620200	38-11	A0P0101213	24-1
A00J896000	71-3	A00JN11101	59-4	A00JR7B700	68-6	A0ED621400	38-9	A0P0101311	72-18
A00J896100	65-26	A00JN11501	53-18	A00JR90000	32-1	A0FD892900	12-25	A0P0102000	72-35
A00J896300	65-25	A00JN11A00	51-23	A00JR90100	57-22	A0G6243900	6-5	A0P0102901	61-10
A00J896412	67-11	A00JN11B01	50-23	A00V240600	5-14	A0HT210700	9-4	A0P0103300	61-4
A00J896500	66-18	A00JN11C01	49-22	A00V240600	9-5	A0HT560200	2-6	A0P0103401	61-8
A00J896801	66-9	A00JN11D01	46-37	A00V240600	43-8	A0HT560813	3-1	A0P0103902	61-6
A00J896901	14-10	A00JN11E01	41-32	A00V240600	57-14	A0HT561202	4-15	A0P0104001	61-9
A00J897000	65-23	A00JN11F01	45-36	A00V240600	62-9	A0HT561600	4-6	A0P0104600	72-19
A00J897100	65-22	A00JN11N01	52-3	A00V240600	68-3	A0HT562200	3-4	A0P0105100	72-1
A00J897200	71-15	A00JN12100	30-11	A00V240600	69-19	A0HT562800	4-24	A0P0105201	72-3
A00J897401	67-2	A00JN12201	60-15	A011946200	18-18	A0HT563100	2-42	A0P0105300	72-6
A00J897800	65-16	A00JN30200	82-19	A01H100300	1-19	A0HT563200	2-33	A0P0107500	61-7
A00J898001	66-10	A00JR73400	26-7	A01H100400	1-7	A0HT700400	9-14	A0P0107601	24-9
A00J898101	66-11	A00JR73700	33-4	A01H561100	2-11	A0HT700600	5-21	A0P0107700	24-4
A00J898200	66-17	A00JR73800	26-20	A01H561200	2-26	A0HT704100	7-25	A0P0108100	25-3
A00J898400	65-11	A00JR73900	26-24	A01H565100	3-20	A0HT704201	7-26	A0P0108201	25-14
A00J898500	67-18	A00JR74400	30-3	A02E167700	19-5	A0HT811400	35-14	A0P0108301	25-13
A00J898900	65-2	A00JR7A211	32-4	A02E167700	93-5	A0HT811400	36-12	A0P0108401	25-1
A00J899101	66-12	A00JR7A300	32-6	A02E622700	38-1	A0HT890800	5-12	A0P0108500	25-16
A00J899200	67-10	A00JR7A500	32-14	A02E890700	67-3	A0HT891400	4-23	A0P0108623	25-8
A00J899301	67-13	A00JR7A600	32-16	A02E940300	38-18	A0HT891900	10-11	A0P0108900	25-7
A00J899400	71-12	A00JR7AJ00	43-36	A02EM10C01	68-21	A0HU250100	11-14	A0P0109001	72-10
A00J899500	67-4	A00JR7AK22	47-4	A03TM50000	3-17	A0HU250300	10-26	A0P0109100	73-13
A00J899711	65-13	A00JR7AN00	52-10	A03U812800	41-21	A0HU250500	11-15	A0P0109300	72-31
A00J941800	44-11	A00JR7AP00	54-5	A03U812800	44-10	A0HU250600	9-16	A0P0109501	32-23
A00J941900	45-29	A00JR7AQ11	55-22	A03U812800	46-24	A0HU250800	10-3	A0P0109701	25-15
A00J942202	37-20	A00JR7AR00	56-4	A07H570001	3-14	A0HU251100	10-24	A0P0110501	25-6
A00J942500	53-2	A00JR7AS11	56-38	A07H570200	3-18	A0HU251200	10-22	A0P0111900	26-3

Parts No.	Page No.
A0P0113600	28-2
A0P0114101	25-12
A0P0115000	28-13
A0P0115700	25-4
A0P0119700	28-16
A0P0119800	28-19
A0P0120800	27-9
A0P0120801	27-9
A0P0121300	27-11
A0P0125000	25-2
A0P0125100	73-18
A0P0125211	73-1
A0P0125311	25-9
A0P0132300	77-8
A0P0133701	81-7
A0P0133800	81-6
A0P0134300	83-1
A0P0135400	72-13
A0P0137402	24-25
A0P0138200	72-7
A0P0138300	72-8
A0P0138602	40-1
A0P0141300	83-5
A0P0144000	73-8
A0P0144300	80-10
A0P0144400	80-11
A0P0148000	22-4
A0P0148101	22-5
A0P0148201	22-6
A0P0148300	79-1
A0P0148701	72-28
A0P0148801	78-1
A0P0149000	83-9
A0P0149700	79-2
A0P0149800	83-4
A0P0150100	74-1
A0P0150212	74-5
A0P0150311	74-16
A0P0150400	74-2
A0P0150500	74-17

Parts No.	Page No.
A0P0151100	74-4
A0P0153300	75-3
A0P0155100	73-9
A0P0157700	74-13
A0P0159100	73-10
A0P0161300	17-12
A0P0162004	17-8
A0P0162600	15-13
A0P0162600	16-5
A0P0162702	17-15
A0P0163101	19-1
A0P0163201	19-15
A0P0163800	17-14
A0P0165200	19-7
A0P0165301	17-7
A0P0165500	72-2
A0P0165900	93-1
A0P0167202	19-4
A0P0169600	15-22
A0P0228100	68-10
A0P0228200	68-13
A0P0228403	68-14
A0P0228701	68-12
A0P0228901	68-9
A0P0232500	69-35
A0P0262002	20-6
A0P0262103	20-2
A0P0262201	20-18
A0P0263301	20-21
A0P0263400	20-22
A0P0263800	20-16
A0P0267000	20-24
A0P0267300	19-18
A0P0267300	20-20
A0P0267501	20-15
A0P0267600	20-12
A0P0267800	20-1
A0P0273212	21-15
A0P0275500	23-3
A0P0276600	23-2

Parts No.	Page No.
A0P0278500	22-1
A0P0281801	20-25
A0P0360700	34-19
A0P0361000	34-30
A0P0361100	34-43
A0P0361501	34-45
A0P0362900	34-12
A0P0364000	34-24
A0P0364100	34-13
A0P0364200	34-15
A0P0364800	34-1
A0P0364900	34-17
A0P0366001	34-3
A0P0366102	34-11
A0P0366200	34-5
A0P0366301	34-18
A0P0366400	34-41
A0P0368100	34-37
A0P0368200	34-35
A0P0368400	34-33
A0P0368500	34-27
A0P0368600	34-36
A0P0382400	24-11
A0P0382700	25-10
A0P0400100	29-6
A0P0400301	29-29
A0P0400600	29-11
A0P0400800	29-13
A0P0401000	30-14
A0P0402200	29-24
A0P0402501	29-1
A0P0405400	29-10
A0P0405500	29-34
A0P0405600	29-33
A0P0406700	30-1
A0P0406800	29-31
A0P0407701	29-3
A0P0407800	29-14
A0P0502300	31-1
A0P0570400	35-13

Parts No.	Page No.
A0P0570400	36-11
A0P0571812	36-20
A0P0571911	36-7
A0P0573100	36-15
A0P0575500	36-16
A0P0587500	55-4
A0P0588112	56-31
A0P0588700	56-33
A0P0590100	55-12
A0P0594200	53-1
A0P0594300	53-12
A0P0596501	56-9
A0P0597400	56-10
A0P0599600	53-29
A0P0602100	47-22
A0P0606000	44-8
A0P0606200	45-16
A0P0606400	45-12
A0P0607000	44-7
A0P0615200	51-6
A0P0615600	50-25
A0P0615700	51-24
A0P0618900	50-10
A0P0618900	51-10
A0P0623700	38-24
A0P0662700	50-12
A0P0662700	51-12
A0P0663300	41-43
A0P0663400	45-24
A0P0663511	42-23
A0P0663511	47-28
A0P0663600	44-9
A0P0663800	50-11
A0P0663800	51-11
A0P0663900	50-5
A0P0663900	51-5
A0P0664000	41-46
A0P0664000	42-12
A0P0664000	46-41
A0P0664000	47-32

Parts No.	Page No.
A0P0666201	43-47
A0P0666301	43-48
A0P0666400	43-26
A0P0701136	57-42
A0P0701611	57-24
A0P0702200	60-5
A0P0707600	61-17
A0P0707701	61-2
A0P0709000	59-31
A0P0709101	58-38
A0P0710502	58-27
A0P0710600	58-34
A0P0712200	59-14
A0P0742300	80-25
A0P0812800	63-5
A0P0812900	63-8
A0P0816600	64-24
A0P0816700	64-35
A0P0817000	64-34
A0P0890200	66-24
A0P0891000	66-4
A0P0893911	67-5
A0P0896600	66-5
A0P0897300	71-13
A0P0897600	65-19
A0P0900001	71-17
A0P0900101	65-31
A0P0900201	65-24
A0P0900600	66-15
A0P0900700	65-33
A0P0900800	67-21
A0P0989900	92-12
A0P0A14002	27-15
A0P0A14102	27-16
A0P0H02500	22-3
A0P0M11500	69-1
A0P0M14200	74-18
A0P0M50000	61-11
A0P0M50300	72-25
A0P0M50400	60-13

Parts No.	Page No.	Parts No.	Page No.	Parts No.	Page No.	Parts No.	Page No.	Parts No.	Page No.
A0P0M50600	68-33	A108100801	1-17	A108267601	9-12	A108701800	5-19	A108M50100	64-15
A0P0M73100	20-17	A108101200	4-21	A108268101	9-13	A108702104	7-2	A108M50100	65-12
A0P0M90000	68-19	A108130100	1-4	A108269200	9-15	A108702201	5-7	A108M50100	73-17
A0P0N10G00	15-29	A108160002	1-15	A108269600	13-7	A108702500	5-8	A108M50100	80-21
A0P0N11G00	49-16	A108160102	1-1	A108269700	13-19	A108703000	7-6	A108N10600	2-10
A0P0N12H00	61-18	A108210100	9-6	A108269900	9-11	A108703100	5-25	A108N10700	3-16
A0P0N12P00	72-27	A108210400	9-9	A108270200	12-3	A108703400	7-10	A108N10800	2-29
A0P0N15100	80-13	A108210800	9-3	A108270400	12-10	A108703600	5-18	A108N10900	1-10
A0P0N30000	82-19	A108212200	6-19	A108270601	12-1	A108703700	7-7	A108R70400	2-18
A0P0R70100	75-1	A108213200	6-20	A108270700	12-31	A108703800	7-8	A108R70800	2-41
A0P0R71000	21-1	A108214100	5-29	A108270801	12-24	A108704500	5-5	A108R90000	6-9
A0P0R71333	34-40	A108214300	5-30	A108271101	13-10	A108711100	5-1	A108R90000	8-15
A0P0R71500	26-6	A108216000	10-2	A108271103	13-10	A108713200	8-11	A108R90000	10-9
A0P0R71800	26-25	A108216200	10-4	A108272000	13-12	A108713300	8-10	A108R90000	10-34
A0P0R71911	58-24	A108251000	9-17	A108272101	13-15	A108890000	10-7	A108R90000	12-27
A0P0R72911	56-39	A108260201	13-20	A108272200	13-17	A108890100	10-15	A108R90000	13-25
A0P0R73133	58-25	A108260301	13-21	A108272300	13-22	A108890200	10-8	A108R90000	27-17
A0P0R74100	56-23	A108260403	12-14	A108272501	13-18	A108890500	4-2	A108R90000	40-10
A0P0R75000	60-28	A108260501	13-8	A108272700	13-1	A108890601	10-29	A108R90000	40-19
A0P0R75200	56-2	A108260700	6-7	A108272900	12-17	A108890800	10-6	A108R90000	45-6
A0P0R75200	73-12	A108260700	12-9	A108273200	12-16	A108891300	4-11	A108R90000	46-44
A0P0R75400	58-4	A108261701	13-4	A108561103	2-31	A108940000	1-27	A108R90000	49-17
A0P0R7A111	35-15	A108262502	9-20	A108561400	4-22	A108940101	3-3	A108R90000	50-17
A0P0R7A111	36-13	A108262800	10-25	A108561500	4-10	A108940201	12-13	A108R90000	51-18
A0P0R7A200	43-27	A108264100	12-20	A108561701	2-4	A108940300	1-8	A108R90000	53-7
A0P0R7A311	43-44	A108264200	12-21	A108561800	2-12	A108940401	1-25	A108R90000	54-25
A0P0R7A400	66-2	A108264400	12-35	A108562600	2-24	A108M50000	2-9	A161132400	80-16
A0P0R7A600	68-15	A108264601	12-11	A108563000	2-17	A108M50100	2-8	A161137600	80-17
A0P2N10X01	49-11	A108264700	12-6	A108563100	2-23	A108M50100	3-13	A161138601	80-2
A0TJ602800	41-14	A108264800	12-22	A108563200	2-19	A108M50100	4-25	A161139400	80-20
A0TJ602800	46-16	A108265301	12-12	A108563300	2-20	A108M50100	5-9	A161139501	80-23
A0TJ602900	41-13	A108265601	12-28	A108563400	2-16	A108M50100	8-15	A161139800	80-24
A0TJ602900	46-15	A108265700	12-26	A108563900	4-16	A108M50100	24-2	A161139901	80-12
A0TJ603000	41-17	A108265800	12-23	A108564301	2-34	A108M50100	34-14	A161164401	17-19
A0TJ603000	46-21	A108265900	10-17	A108564400	2-36	A108M50100	41-3	A161167000	18-8
A0XPWY3	34-4	A108265901	10-17	A108564500	2-37	A108M50100	46-8	A161167100	18-9
A0XPWY4	34-4	A108266300	13-9	A108700200	9-10	A108M50100	54-30	A161190903	18-5
A0XPWY4	34-4	A108266600	13-3	A108701001	7-9	A108M50100	57-39	A161561600	35-20
A0XPWY6	34-4	A108266701	12-18	A108701200	7-28	A108M50100	58-37	A161561600	36-27
A0XPWY6	34-4	A108266800	13-6	A108701600	4-26	A108M50100	61-5	A161620400	38-16

Parts No.	Page No.	Parts No.	Page No.	Parts No.	Page No.	Parts No.	Page No.	Parts No.	Page No.
A161620600	38-3	A161M31001	22-7	A2WUR90000	49-2	A2X0154501	75-5	A2X0168300	19-10
A161620701	38-4	A161M50400	53-13	A2X0100701	33-20	A2X0154800	75-7	A2X0168500	16-2
A161620803	38-6	A161M50501	40-16	A2X0101500	72-30	A2X0154900	75-14	A2X0168600	19-11
A161621100	38-26	A161M50600	40-15	A2X0101700	82-18	A2X0155000	24-15	A2X0168700	18-20
A161621300	38-8	A161M50A00	23-7	A2X0101800	82-3	A2X0156300	24-18	A2X0170402	18-10
A161621701	38-21	A161M50A00	23-8	A2X0102500	33-6	A2X0156600	14-7	A2X0170512	18-15
A161621800	38-20	A161N15500	80-6	A2X0102600	33-16	A2X0156700	24-6	A2X0170600	18-14
A161621900	38-14	A161N15J00	80-14	A2X0104301	72-16	A2X0156800	24-17	A2X0170701	15-14
A161622100	37-21	A161PP0100	80-31	A2X0104801	61-14	A2X0157500	74-8	A2X0170801	16-6
A161625900	37-11	A161R70400	93-12	A2X0105700	24-13	A2X0157600	74-20	A2X0170901	37-10
A161626000	16-10	A1DM266000	21-7	A2X0106700	33-18	A2X0157900	74-14	A2X0171001	16-13
A161626000	37-8	A1DM267501	21-10	A2X0106800	33-19	A2X0158800	78-2	A2X0171101	18-4
A161626100	16-11	A1DM268801	21-5	A2X0107300	61-12	A2X0158901	83-10	A2X0171600	16-20
A161626100	37-9	A1DM403200	76-3	A2X0107500	61-13	A2X0160101	14-5	A2X0171701	16-18
A161626200	16-12	A1DM403300	76-2	A2X0110000	24-7	A2X0160202	15-15	A2X0171801	16-21
A161626200	37-7	A1DM403600	33-25	A2X0110200	75-9	A2X0160301	16-23	A2X0171901	16-22
A161626602	37-14	A1DM403900	33-15	A2X0113500	28-24	A2X0160402	15-8	A2X0172000	16-17
A161626800	37-15	A1DMN11200	65-5	A2X0114300	28-4	A2X0160500	14-6	A2X0172100	16-7
A161626800	50-32	A1MT140100	82-15	A2X0125400	33-2	A2X0160702	37-13	A2X0172200	16-28
A161626800	51-33	A1UDM50100	2-32	A2X0130401	80-27	A2X0160800	16-1	A2X0172300	16-15
A161626900	37-12	A1UDM50200	20-14	A2X0131300	83-8	A2X0160900	16-19	A2X0172400	16-30
A161627500	40-17	A1UDM50200	29-27	A2X0131500	83-13	A2X0161000	16-16	A2X0172501	16-29
A161628013	40-14	A1UDM50200	76-6	A2X0132200	75-12	A2X0161600	17-2	A2X0172600	16-14
A161702200	57-17	A1UDM90600	29-2	A2X0132402	78-3	A2X0161700	17-4	A2X0172700	14-12
A161771000	62-7	A2WU133900	81-1	A2X0132800	17-1	A2X0161903	17-6	A2X0195102	83-17
A161940400	15-10	A2WU156000	24-16	A2X0133000	80-22	A2X0162100	16-26	A2X0195201	83-18
A161940602	19-20	A2WU156400	72-36	A2X0135700	83-2	A2X0162301	17-3	A2X0195401	83-16
A161941500	19-12	A2WU156700	76-4	A2X0135901	24-26	A2X0163001	19-9	A2X0228500	68-11
A161942000	15-12	A2WU156900	76-1	A2X0138500	62-5	A2X0163302	19-19	A2X0230600	69-33
A161943000	38-5	A2WU220000	68-27	A2X0143500	78-5	A2X0165400	17-16	A2X0231000	69-20
A161943500	37-18	A2WU220100	68-8	A2X0144200	79-10	A2X0165602	17-18	A2X0231500	69-36
A161943601	37-19	A2WU220300	68-2	A2X0145500	81-8	A2X0165702	17-9	A2X0235100	69-28
A161943802	37-6	A2WU220400	68-29	A2X0145700	62-3	A2X0165801	19-6	A2X0235401	69-21
A161947000	93-7	A2WU220800	68-1	A2X0145800	83-3	A2X0166600	19-17	A2X0235500	69-29
A161H00C02	80-3	A2WU220901	68-31	A2X0145911	83-6	A2X0167300	19-14	A2X0235600	69-27
A161H00U01	18-13	A2WU221001	68-25	A2X0152100	75-11	A2X0167401	18-3	A2X0235900	69-31
A161M10200	43-31	A2WU221200	68-32	A2X0152600	75-6	A2X0167500	18-16	A2X0261900	20-4
A161M10200	68-16	A2WU362900	34-44	A2X0153101	75-13	A2X0167601	19-8	A2X0263100	20-19
A161M10300	69-25	A2WU364100	34-28	A2X0153700	75-8	A2X0167900	18-1	A2X0263200	18-2
A161M10A00	23-1	A2WUR70411	34-16	A2X0154001	72-32	A2X0168102	18-7	A2X0264600	23-14

Parts No.	Page No.	Parts No.	Page No.	Parts No.	Page No.	Parts No.	Page No.	Parts No.	Page No.
A2X0265100	21-3	A2X0591100	56-20	A2X0666500	50-19	A2X0892400	65-21	A2X0F63106	50-30
A2X0267901	19-16	A2X0592000	56-18	A2X0666500	51-17	A2X0892901	65-28	A2X0F64007	51-29
A2X0268000	21-12	A2X0594400	53-39	A2X0666601	48-12	A2X0894800	71-18	A2X0F64107	51-29
A2X0273300	21-16	A2X0594500	53-37	A2X0666900	50-29	A2X0894900	71-10	A2X0H00202	81-5
A2X0273400	21-17	A2X0595001	55-1	A2X0666900	51-28	A2X0895400	14-11	A2X0H00300	24-22
A2X0273500	21-18	A2X0597200	53-14	A2X0667100	47-14	A2X0897701	71-11	A2X0H00S06	80-5
A2X0281100	23-10	A2X0597700	53-8	A2X0667200	43-45	A2X0898300	65-30	A2X0H00S06	80-5
A2X0281200	23-9	A2X0599900	56-40	A2X0667400	46-34	A2X0899601	59-28	A2X0H00W02	83-12
A2X0401000	29-20	A2X0603000	41-20	A2X0667500	41-35	A2X0900500	65-35	A2X0H00X00	82-6
A2X0401000	30-33	A2X0603000	46-18	A2X0667800	47-33	A2X0900900	59-30	A2X0H01A01	23-11
A2X0401800	29-19	A2X0604200	41-34	A2X0667900	47-7	A2X0901000	59-7	A2X0H01A12	23-11
A2X0401800	30-13	A2X0604200	46-17	A2X0668000	42-7	A2X0901100	65-8	A2X0H02015	80-19
A2X0404101	70-7	A2X0605800	41-24	A2X0668100	42-31	A2X0940400	15-28	A2X0H02015	80-19
A2X0404800	15-19	A2X0605900	42-25	A2X0668200	46-6	A2X0940500	15-25	A2X0M10000	56-35
A2X0404901	33-8	A2X0605900	47-29	A2X0705101	59-3	A2X0940600	15-23	A2X0M10100	35-12
A2X0405001	33-10	A2X0608000	48-8	A2X0708200	58-7	A2X0940700	15-21	A2X0M10200	43-1
A2X0405101	33-11	A2X0620901	38-27	A2X0708800	58-35	A2X0941600	52-16	A2X0M10300	35-16
A2X0405800	15-19	A2X0621411	38-15	A2X0709300	59-27	A2X0941701	52-2	A2X0M10300	36-14
A2X0405900	15-19	A2X0621600	38-25	A2X0709400	59-26	A2X0942600	53-24	A2X0M10500	57-38
A2X0406001	33-8	A2X0624001	37-17	A2X0709700	59-1	A2X0942700	53-11	A2X0M10600	64-23
A2X0406101	33-10	A2X0624101	39-6	A2X0710200	58-1	A2X0942800	53-40	A2X0M10700	64-32
A2X0406201	33-11	A2X0624212	35-5	A2X0713000	58-33	A2X0942900	53-40	A2X0M10800	66-1
A2X0406301	33-8	A2X0624300	38-23	A2X0713100	58-3	A2X0943000	93-8	A2X0M10900	71-1
A2X0406401	33-10	A2X0624400	38-2	A2X0713200	58-2	A2X0943100	93-8	A2X0M12001	40-5
A2X0406501	33-11	A2X0624500	38-13	A2X0713300	59-6	A2X0943400	16-31	A2X0M12101	49-12
A2X0568400	36-21	A2X0624600	38-22	A2X0713400	58-9	A2X0944001	16-24	A2X0M14000	79-9
A2X0574301	35-21	A2X0630800	39-1	A2X0713500	59-32	A2X0945701	17-22	A2X0M31000	22-7
A2X0574301	36-28	A2X0631000	37-25	A2X0713600	57-40	A2X0948300	33-12	A2X0M40200	62-2
A2X0575100	40-13	A2X0631300	37-4	A2X0713700	59-33	A2X0948400	33-9	A2X0M40300	62-2
A2X0575101	40-13	A2X0631400	37-3	A2X0746500	62-8	A2X0948500	33-7	A2X0M40700	77-9
A2X0577500	36-31	A2X0631600	39-5	A2X0810101	63-23	A2X0948600	15-17	A2X0M40801	77-2
A2X0577600	36-32	A2X0665101	48-13	A2X0810400	63-4	A2X0948700	18-19	A2X0M40900	81-9
A2X0584000	56-42	A2X0665300	50-7	A2X0810500	63-36	A2X0948800	57-32	A2X0M90000	17-23
A2X0584100	56-41	A2X0665300	51-31	A2X0813300	64-20	A2X0948900	17-17	A2X0N10001	84-1
A2X0584200	56-43	A2X0665401	51-30	A2X0814500	63-38	A2X0949000	64-5	A2X0N10101	85-1
A2X0584300	56-6	A2X0665500	51-35	A2X0816800	64-36	A2X0949100	15-26	A2X0N10201	62-4
A2X0584400	53-25	A2X0665600	51-34	A2X0816900	64-33	A2X0F41001	29-22	A2X0N10300	86-1
A2X0586700	54-19	A2X0665811	51-7	A2X0890600	62-6	A2X0F41001	30-16	A2X0N10400	87-1
A2X0586900	53-23	A2X0665900	51-32	A2X0890600	66-13	A2X0F6201D	37-1	A2X0N10501	88-1
A2X0590200	54-27	A2X0666001	50-31	A2X0890701	66-8	A2X0F63006	50-30	A2X0N10601	88-1

Parts No.	Page No.
A2X0N10701	82-7
A2X0N10900	70-16
A2X0N10A00	89-1
A2X0N10B00	76-12
A2X0N10C00	16-8
A2X0N10D00	16-32
A2X0N10E00	90-1
A2X0N10F00	36-24
A2X0N10K00	82-7
A2X0N10P00	70-20
A2X0N10T00	80-1
A2X0N10U00	61-19
A2X0N10V01	83-15
A2X0N11001	58-30
A2X0N11300	64-28
A2X0N11401	56-30
A2X0N11600	40-4
A2X0N11700	40-18
A2X0N12300	29-4
A2X0N12701	73-6
A2X0N12D00	83-14
A2X0N12E00	81-2
A2X0N12F00	80-8
A2X0N12G00	24-21
A2X0N12M00	32-5
A2X0N12R00	80-29
A2X0N12X00	80-28
A2X0N13000	26-15
A2X0N13100	26-16
A2X0N13200	26-1
A2X0N13300	26-14
A2X0N13600	26-13
A2X0N13700	26-2
A2X0N13C00	32-8
A2X0N13D00	32-9
A2X0N13E00	32-27
A2X0N13F00	32-28
A2X0N14100	22-9
A2X0N14200	23-6
A2X0N14300	20-13

Parts No.	Page No.
A2X0N14400	20-7
A2X0N14500	22-8
A2X0N15400	79-5
A2X0P10000	56-44
A2X0P10100	56-45
A2X0R70100	31-4
A2X0R70200	49-10
A2X0R70311	78-4
A2X0R70400	78-4
A2X0R70422	78-4
A2X0R70600	68-24
A2X0R70711	7-30
A2X0R70811	69-22
A2X0R70900	69-26
A2X0R70A00	21-8
A2X0R70B22	24-20
A2X0R70C11	70-18
A2X0R70D11	70-17
A2X0R70E11	35-1
A2X0R70F00	6-22
A2X0R70G00	7-21
A2X0R70H11	8-18
A2X0R70J11	36-10
A2X0R70K00	9-8
A2X0R70M00	10-30
A2X0R70N00	69-30
A2X0R70P00	35-10
A2X0R70Q44	41-45
A2X0R70R77	46-40
A2X0R70S00	43-9
A2X0R70T77	53-17
A2X0R71055	62-1
A2X0R71100	66-25
A2X0R71200	71-4
A2X0R71433	29-15
A2X0R71611	2-35
A2X0R71711	65-29
A2X0R71800	1-26
A2X0R71900	6-4
A2X0R71A00	5-31

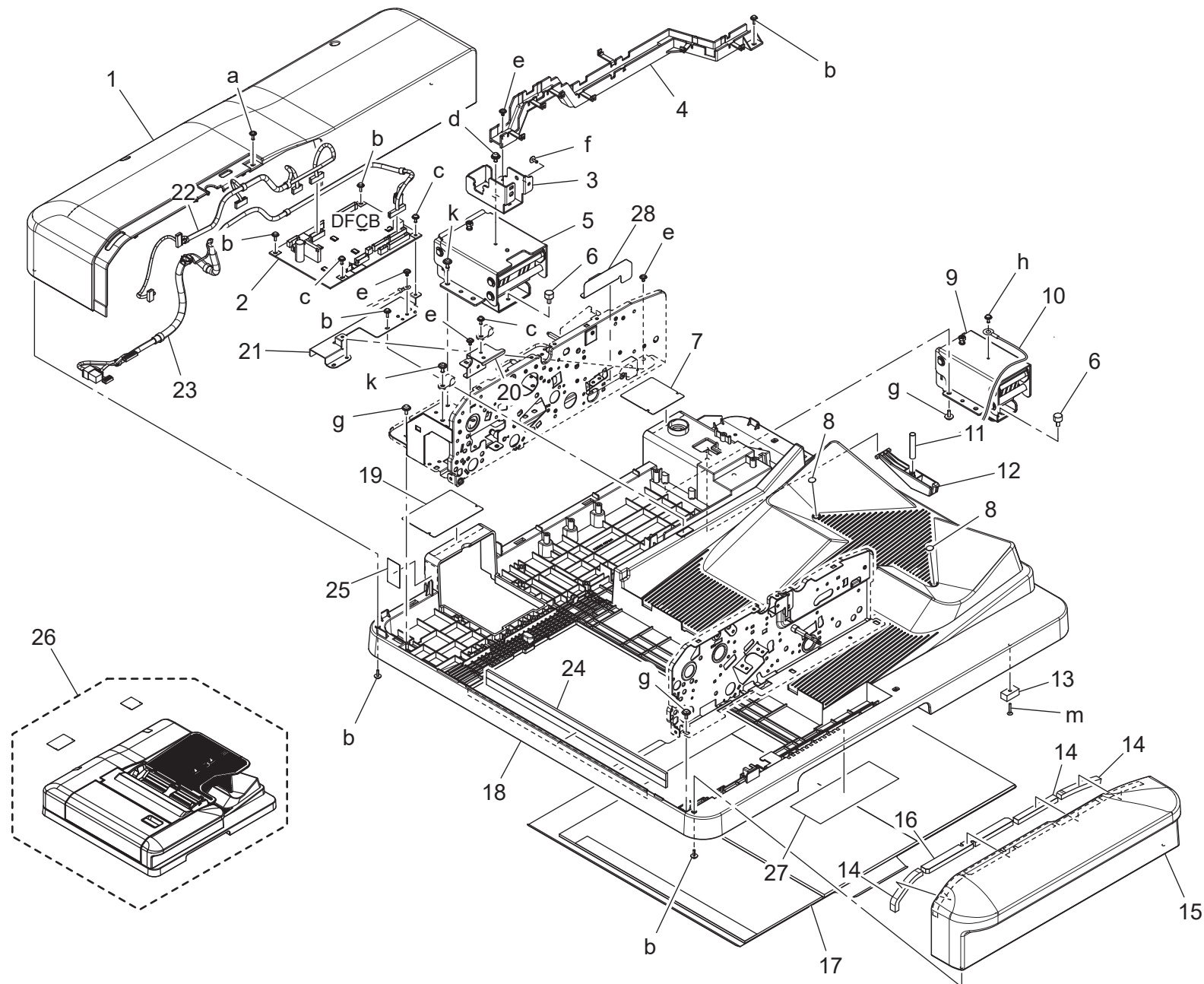
Parts No.	Page No.
A2X0R71B00	65-6
A2X0R71C22	57-41
A2X0R71D22	59-15
A2X0R71E00	28-21
A2X0R71F00	34-42
A2X0R72011	43-46
A2X0R72111	22-2
A2X0R72200	56-39
A2X0R73000	62-11
A2X0R73100	63-39
A2X0R90100	35-17
A2X0R90100	36-23
A2X1943400	16-31
A2X1N10A00	89-1
A2XK740301	62-10
A2XK740400	62-12
A2XK743300	62-13
A2XKM10300	68-18
A2XKM40H00	82-4
A2XKM40J00	82-4
A2XKN10J00	33-1
A3CK100700	4-20
A3CK100900	10-28
A3CK101100	4-27
A3CK101400	1-3
A3CK105000	1-18
A3CK130000	1-21
A3CK130100	6-2
A3CK130200	6-3
A3CK130300	1-28
A3CK130700	1-20
A3CK160300	1-16
A3CK160400	1-14
A3CK210000	9-2
A3CK210700	6-8
A3CK210700	9-7
A3CK211900	6-13
A3CK212100	6-10
A3CK212700	6-11
A3CK213000	6-18

Parts No.	Page No.
A3CK213300	6-6
A3CK213400	6-16
A3CK213500	6-21
A3CK213600	6-15
A3CK213900	6-14
A3CK260100	12-8
A3CK262100	12-33
A3CK262400	13-13
A3CK262900	10-21
A3CK264500	13-5
A3CK265000	12-30
A3CK270001	12-5
A3CK270100	12-4
A3CK271800	11-7
A3CK272001	8-3
A3CK272100	8-6
A3CK272200	8-5
A3CK272301	8-4
A3CK272401	8-7
A3CK272501	8-26
A3CK272600	8-2
A3CK281300	11-18
A3CK281400	11-17
A3CK281800	12-32
A3CK281900	11-10
A3CK282100	12-2
A3CK300001	11-9
A3CK300102	11-24
A3CK300102	12-34
A3CK300200	11-8
A3CK300200	12-7
A3CK300400	11-13
A3CK300500	11-25
A3CK560200	2-43
A3CK560400	2-5
A3CK560500	2-2
A3CK560700	2-40
A3CK562700	5-23
A3CK565100	4-18
A3CK568200	4-17

Parts No.	Page No.
A3CK568300	4-12
A3CK568601	4-19
A3CK568701	4-14
A3CK568800	4-13
A3CK568900	3-10
A3CK569000	3-5
A3CK569200	3-25
A3CK569300	3-27
A3CK700200	9-21
A3CK700300	7-24
A3CK700300	13-23
A3CK700600	1-24
A3CK701300	5-4
A3CK701900	5-22
A3CK702400	5-2
A3CK702500	5-3
A3CK703200	7-29
A3CK703300	7-23
A3CK705200	5-26
A3CK705301	7-15
A3CK705400	7-14
A3CK705600	7-13
A3CK705700	7-20
A3CK705800	7-18
A3CK706401	7-4
A3CK706500	7-3
A3CK706600	7-22
A3CK710100	5-32
A3CK711000	5-28
A3CK711200	5-11
A3CK713301	8-24
A3CK713400	8-23
A3CK713800	8-19
A3CK713900	8-21
A3CK714100	8-20
A3CK714800	8-25
A3CK714900	8-17
A3CK714900	10-20
A3CK892100	2-39
A3CK892201	2-38

Parts No.	Page No.	Parts No.	Page No.	Parts No.	Page No.
A3CK892500	10-14	A5C1H02A01	80-9	V500020038	91-24
A3CK940000	13-24	A5C1M50100	20-23	V500020039	91-25
A3CK940100	2-1	A5C1M50100	34-14	V500020052	92-10
A3CK940200	3-2	A5C1M50100	41-51	V500020069	91-26
A3CKH00102	1-2	A5C1M70003	18-17	V500020077	91-27
A3CKH00200	11-2	A5C1M70103	18-17	V500020082	91-28
A3CKM10200	9-1	A5C1M70203	18-17	V500020091	91-29
A3CKM10300	10-1	A5C1M70301	18-17	V500020094	91-30
A3CKM10400	10-18	A5C1M70400	18-17	V500020098	91-13
A3CKM20000	6-12	A5C1M72H00	80-15	V500020098	92-5
A3CKN10000	1-23	A5C1N10B00	18-12	V500020099	91-16
A3CKN10101	10-32	A5C1N12W00	72-37	V500020099	92-6
A3CKN10200	11-1	A61DM40A00	83-7	V500020100	91-21
A3CKN10300	1-22	A61DM40B00	83-7	V500020100	92-7
A3CKN10400	2-14	A782945000	92-14	V501010001	91-31
A3CKN10500	10-31	A795134700	82-12	V501010018	91-32
A3CKN10600	10-35	A795597300	53-27	V502010026	24-24
A3CKN10700	5-13	A796N10700	82-7	V502010026	81-3
A3CKN10800	10-33	A7AH624300	37-16	V502010033	82-5
A3CKN10A12	10-23	A7PU941701	17-22	V502010056	82-2
A3CKP00100	7-31	V121030803	93-9	V502010061	83-11
A4MG130900	80-7	V500010013	91-11	V503010002	93-3
A55D941100	19-21	V500010022	91-14	V570010021	91-33
A55V100300	1-5	V500010023	91-15	V570010023	91-34
A55V100400	1-9	V500010052	91-17	V570010025	91-35
A55V161201	18-11	V500010053	91-18	V570010026	91-36
A55V170100	15-31	V500010054	91-19	V570010027	91-37
A55V624700	37-26	V500010055	91-20	V570010028	91-38
A55VN15600	79-6	V500010081	91-7	V570010031	91-39
A55VR70500	18-6	V500010081	92-1	V570010046	91-40
A5AY943000	83-19	V500010082	91-8	V570010047	92-8
A5AY943100	78-7	V500010082	92-2	V570010063	92-9
A5C1192100	93-14	V500010083	91-9	V651020004	24-10
A5C1254600	69-18	V500010083	92-3	V865300066	80-18
A5C1562200	35-19	V500010084	91-10	V869900045	60-14
A5C1562200	36-26	V500010084	92-4		
A5C1562200	41-48	V500010085	91-12		
A5C1562200	46-43	V500020011	91-22		
A5C1562200	55-31	V500020035	92-13		
A5C1947200	93-7	V500020037	91-23		

ADF EXTERNAL PARTS



bizhub C654e/bizhub C754e

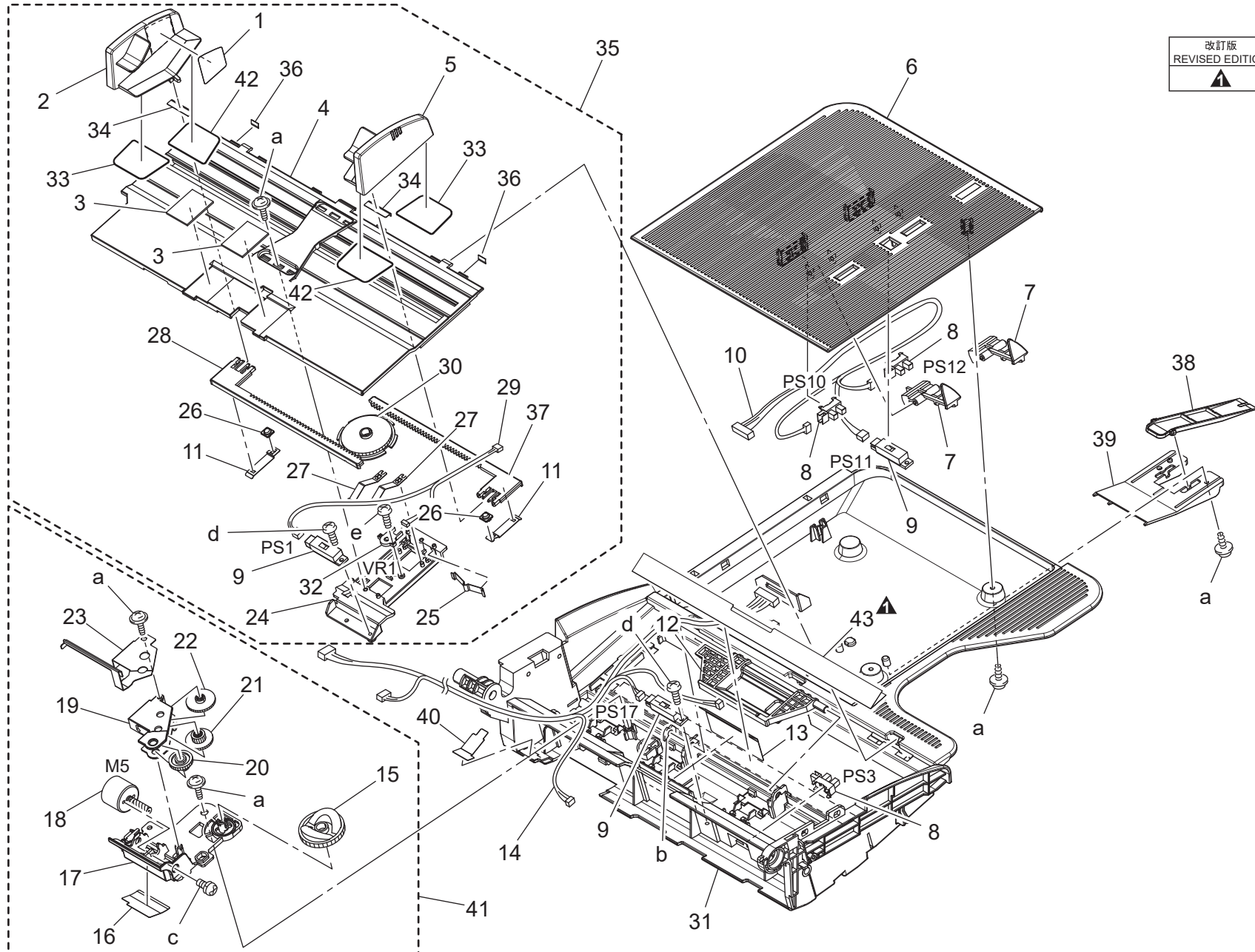
ADF EXTERNAL PARTS

Key	Part No.	Description	Destinations	Class	QTY	Standard parts
1	A108160102	Cover		D	1	a-V137030803
2	A3CKH00102	PWB Assembly(PWB-ADF Assy)	基板 A s s y (P W B - A D F A s s y)	I	1	b-V153030803
3	A3CK101400	Reinforce Plate	補強板 (ヒンジ補強)	D	1	c-V116030803
4	A108130100	Wiring Guide	配線ガイド	D	1	d-V116040803
5	A55V100300	Hinge /Left	ヒンジ/左	D	1	e-V144030603
6	9J07210901	Shoulder Screw	段ねじ	C	2	f-V144030803
7	A01H100400	GUIDE	ガイド (右ヒンジ)	C	1	g-V153040803
8	A108940300	Label	ラベル	D	2	h-V116030603
9	A55V100400	Hinge /Right	ヒンジ/右	D	1	k-V137040803
10	A108N10900	ADF Wiring	A D F 束線 (基板アース線)	D	1	m-V147031403
11	9J07200801	PRESSURE SPRING	圧縮コイルばね	C	1	
12	9J07200702	Lever	レバー	C	1	
13	9J07160200	MAGNET	マグネット	D	1	
14	A3CK160400	Seal	シール	C	3	
15	A108160002	Cover	カバー (前)	C	1	
16	A3CK160300	Seal	シール	C	1	
17	A108100801	Holding Mat /1	押さえマット/1	C	1	
18	A3CK105000	Base frame	台板	D	1	
19	A01H100300	GUIDE	ガイド (左ヒンジ)	C	1	
20	A3CK130700	Guide	ガイド (ハーネス左奥)	D	1	
21	A3CK130000	Fixing Plate /P	固定板/P	D	1	
22	A3CKN10300	ADF Wiring	A D F 束線 (搬送モータ部)	D	1	
23	A3CKN10000	ADF Wiring	A D F 束線 (本体接続部)	D	1	
24	A3CK700600	Seal	シール (左カバー)	C	1	
25	A108940401	Sheet	シート	C	1	
26	A2X0R71800	Dual Scan ADF	1パス両面 A D F A s s y	D	1	
27	A108940000	Label	ラベル (JAM処理・読み取り)	C	1	
28	A3CK130300	Guide	ガイド (ハーネス)	D	1	

ADF PAPER FEED TRAY SECTION

P 2

改訂版 REVISED EDITION	日付 DATE
▲	SEPTEMBER 2017

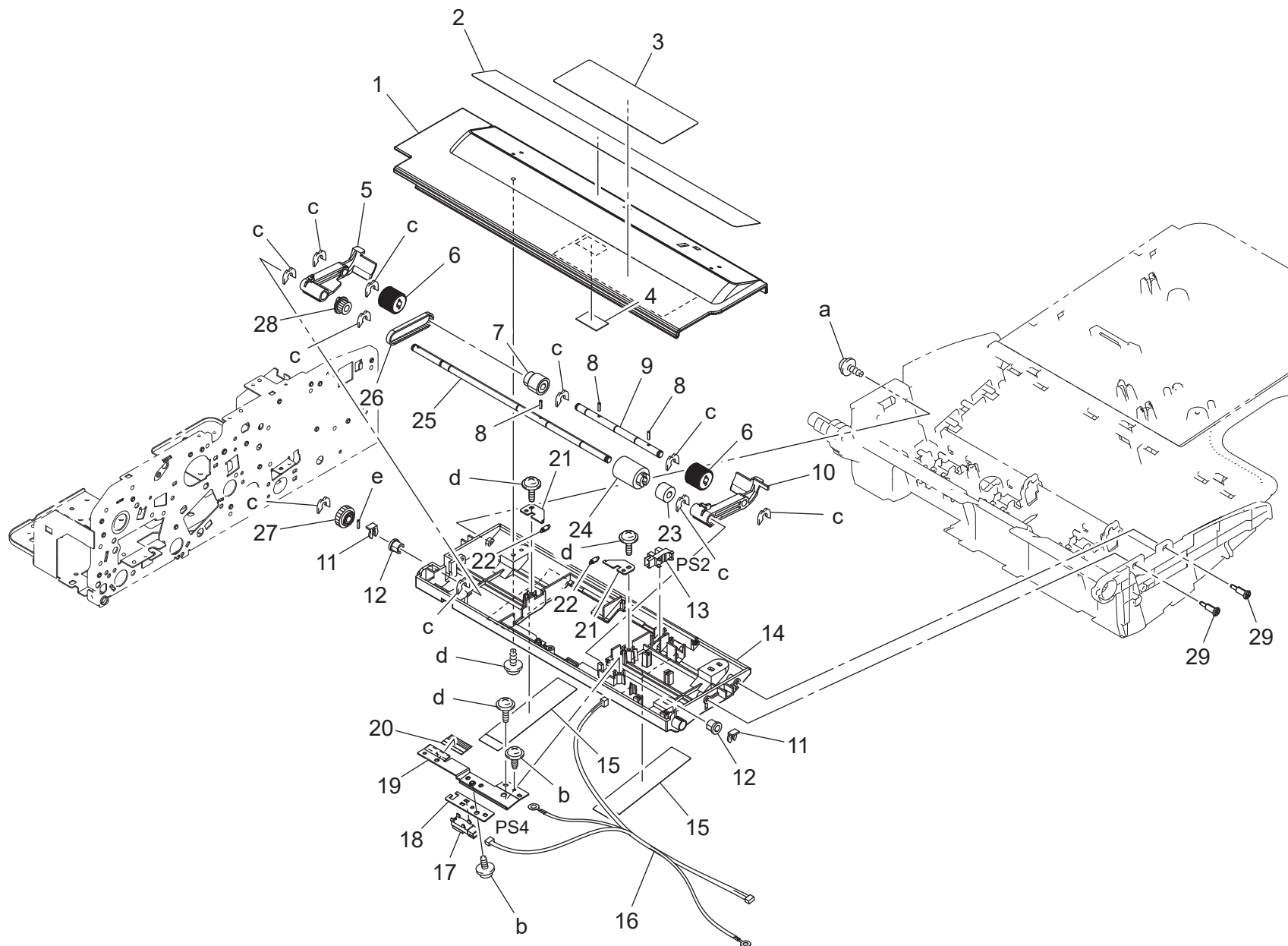


bizhub C654e/bizhub C754e

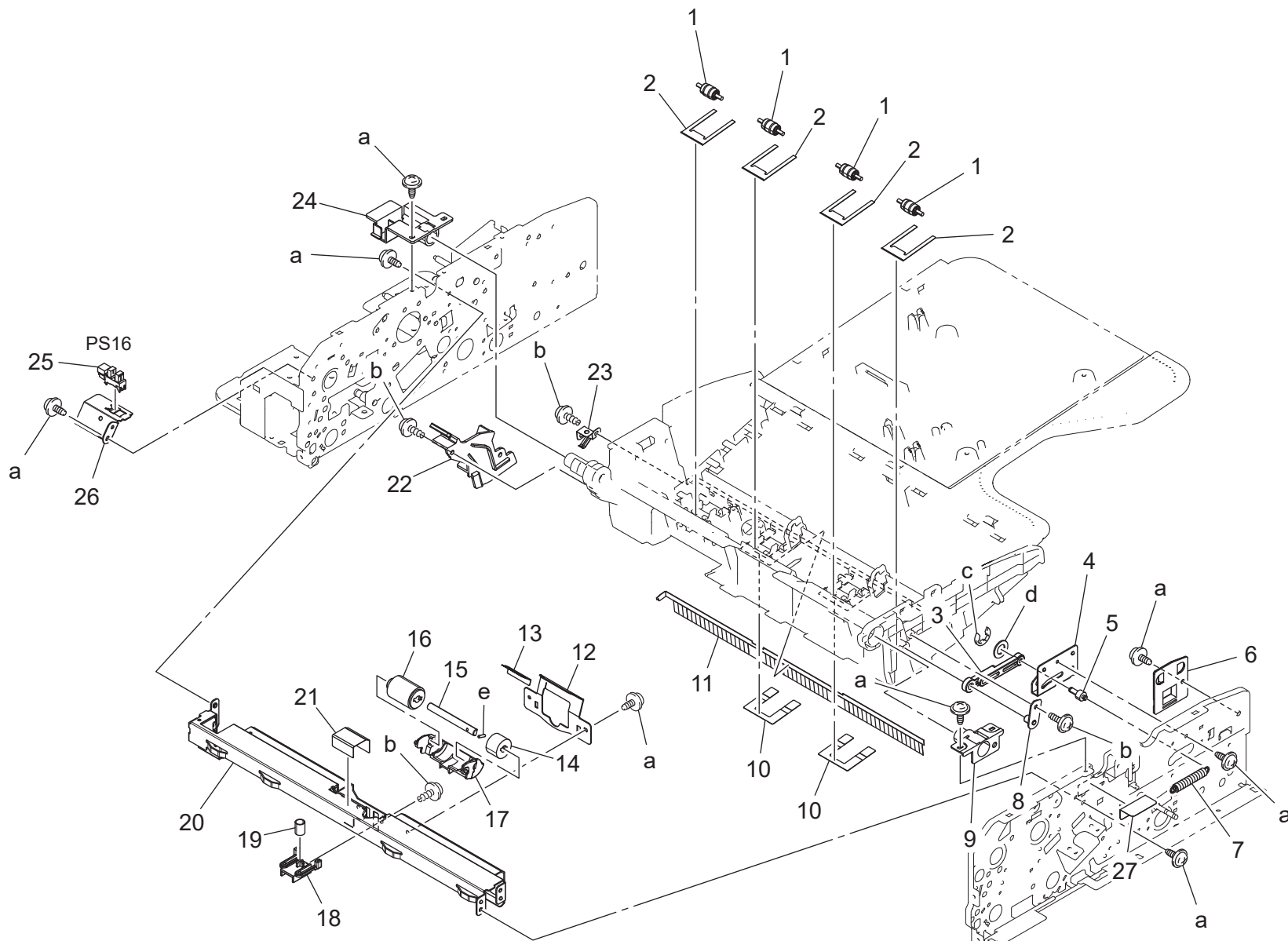
ADF PAPER FEED TRAY SECTION

Key	Part No.	Description	Destinations	Class	QTY	Standard parts
1	A3CK940100	Label	ラベル (MAX 表示)	C	1	a-V153030803 b-V218040086 c-V115260403 d-V145030803 e-V166170504
2	A3CK560500	Regulating Plate /Rear	規制板/後	C	1	
3	4641350301	SEAL	シール	C	2	
4	A108561701	Lifting Plate	押上げ板	C	1	
5	A3CK560400	Regulating Plate /Front	規制板/前	C	1	
6	A0HT560200	Bracket	取付板	C	1	
7	9J07310701	ACTUATOR	アクチュエータ	C	2	
8	A108M50100	Photointerrupter	透過型センサ	B	3	
9	A108M50000	Photoreflector	反射型センサ	B	3	
10	A108N10600	ADF Wiring	ADF 束線 (原稿トレイ内センサ部)	D	1	
11	A01H561100	Plate spring	板ばね	D	2	
12	A108561800	Lever	レバー (リフトアップ)	D	1	
13	9J07341102	GUIDE	ガイド (前さばき)	D	1	
14	A3CKN10400	ADF Wiring	ADF 束線 (原稿トレイ内部)	D	1	
15	4641341702	CAM	カム	C	1	
16	A108563400	Guide	ガイド (モータ下)	D	1	
17	A108563000	Mounting Plate	取付板 (リフトアップ)	D	1	
18	A108R70400	Lifting Motor Assy	リフトアップモーター ASSY	C	1	
19	A108563200	Holder	ホルダ	D	1	
20	A108563300	Gear 14/37T	ギア 14/37T	D	1	
21	4641341501	GEAR 13/28T	ギア 13/28T	C	1	
22	4641343601	GEAR 30T	ギア 30T	C	1	
23	A108563100	Plate spring	板ばね	D	1	
24	A108562600	Mounting Plate	取付板 (センサ)	D	1	
25	9J07310401	STOPPER	ストッパ	C	1	
26	A01H561200	GUIDE	ガイド	C	2	
27	9J07560000	PLATE SPRING	板ばね	D	2	
28	9J07310313	Rack	ラック	C	1	
29	A108N10800	ADF Wiring	ADF 束線 (規制板部)	D	1	
30	9J07310502	GEAR 40T	ギア 40T	C	1	
31	A108561103	Tray	トレイ (給紙)	D	1	
32	A1UDM50100	VR	ポリウム	D	1	
33	A0HT563200	Slide Sheet /2	すべりシート/2	C	2	
34	A108564301	Spacer /A	スペーサ/A	C	2	
35	A2X0R71611	Push Up Plate Assy	押上げ板 Assy	D	1	
36	A108564400	Spacer	スペーサ (押上げ)	C	2	
37	A108564500	Rack	ラック	C	1	
38	A3CK892201	Lever	レバー	C	1	
39	A3CK892100	Holder	ホルダ	C	1	
40	A3CK560700	Guide	ガイド (ハーネス)	D	1	
41	A108R70800	Lifting Motor Assy	リフトアップモーター ASSY	C	1	
42	A0HT563100	Slide Sheet /1	すべりシート/1	C	2	
43	A3CK560200	Guide	ガイド (マイラー)	D	1	

ADF PAPER FEED TRAY SECTION



ADF PAPER FEED TRAY SECTION



bizhub C654e/bizhub C754e

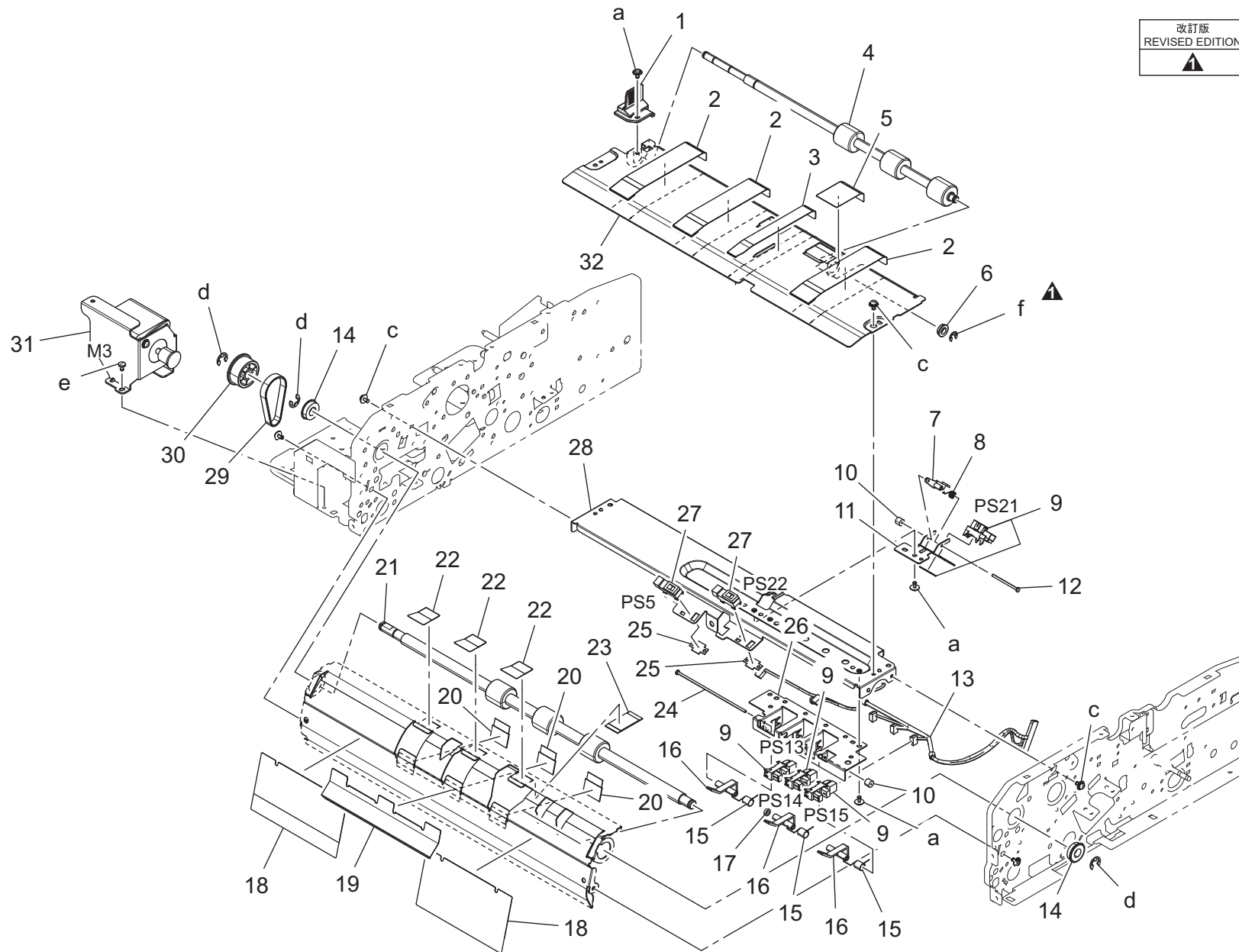
ADF PAPER FEED TRAY SECTION

Key	Part No.	Description	Destinations	Class	QTY	Standard parts
1	9J07300801	ROLL		C	4	a-V144030603 b-V153030803 c-V217030001 d-V206040001 e-V237200850
2	A108890500	Plate spring		D	4	
3	9J07301702	ARM		C	1	
4	9J07302001	BRACKET		D	1	
5	9J07301902	SHAFT		D	1	
6	A0HT561600	Holder /Front	ホルダノ前 (板ばね)	D	1	
7	9J07301601	TENSION SPRING	引張コイルばね	C	1	
8	9J07R71000	BRACKET ASSY	取付板 A S S Y	D	1	
9	9J07331801	BRACKET	取付板	D	1	
10	A108561500	Guide	ガイド (排紙ころ)	D	2	
11	A108891300	Neutralizing Brush	除電ブラシ	C	1	
12	A3CK568300	Guide	ガイド	D	1	
13	A3CK568800	Neutralizing Brush	除電ブラシ (さばきローラ)	C	1	
14	A3CK568701	Torque limiter	トルクリミッタ	B	1	
15	A0HT561202	Shaft	軸	C	1	
16	A108563900	Roller	ローラ	A	1	
17	A3CK568200	Holder	ホルダ (分離ローラ)	C	1	
18	A3CK565100	Holder	ホルダ	D	1	
19	A3CK568601	Spring	ばね	C	1	
20	A3CK100700	Reinforce Plate	補強板	D	1	
21	A108101200	Guide	ガイド (給紙)	D	1	
22	A108561400	Cover	カバー (ハーネス)	D	1	
23	A0HT891400	Ground Plate	アース板	C	1	
24	A0HT562800	Holder	ホルダ	C	1	
25	A108M50100	Photointerrupter	透過型センサ	B	1	
26	A108701600	Mounting Plate	取付板 (左カバー開閉センサー)	D	1	
27	A3CK101100	Wiring Cover	配線カバー	D	1	

ADF CONVEYANCE SECTION

P 5

改訂版 REVISED EDITION	日付 DATE
▲	JUNE 2013

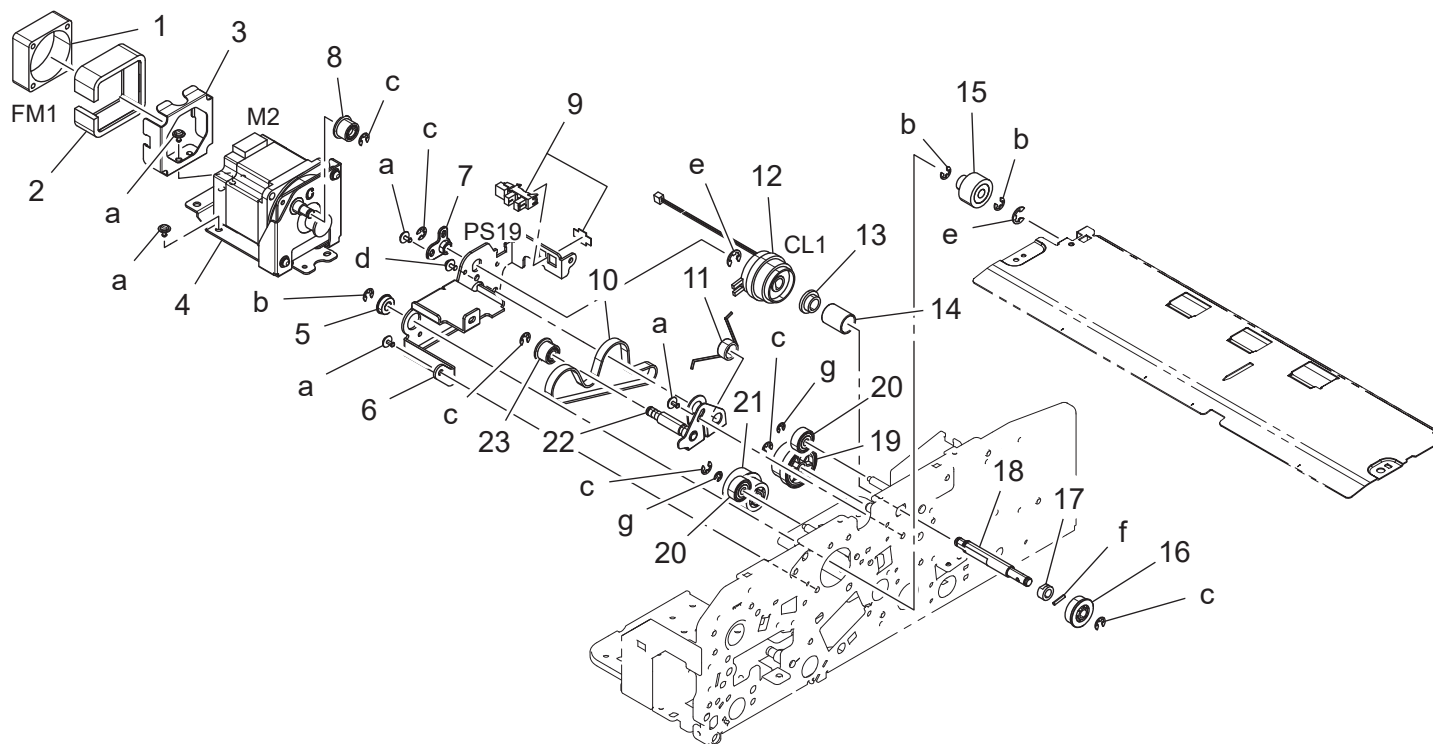


bizhub C654e/bizhub C754e


ADF CONVEYANCE SECTION

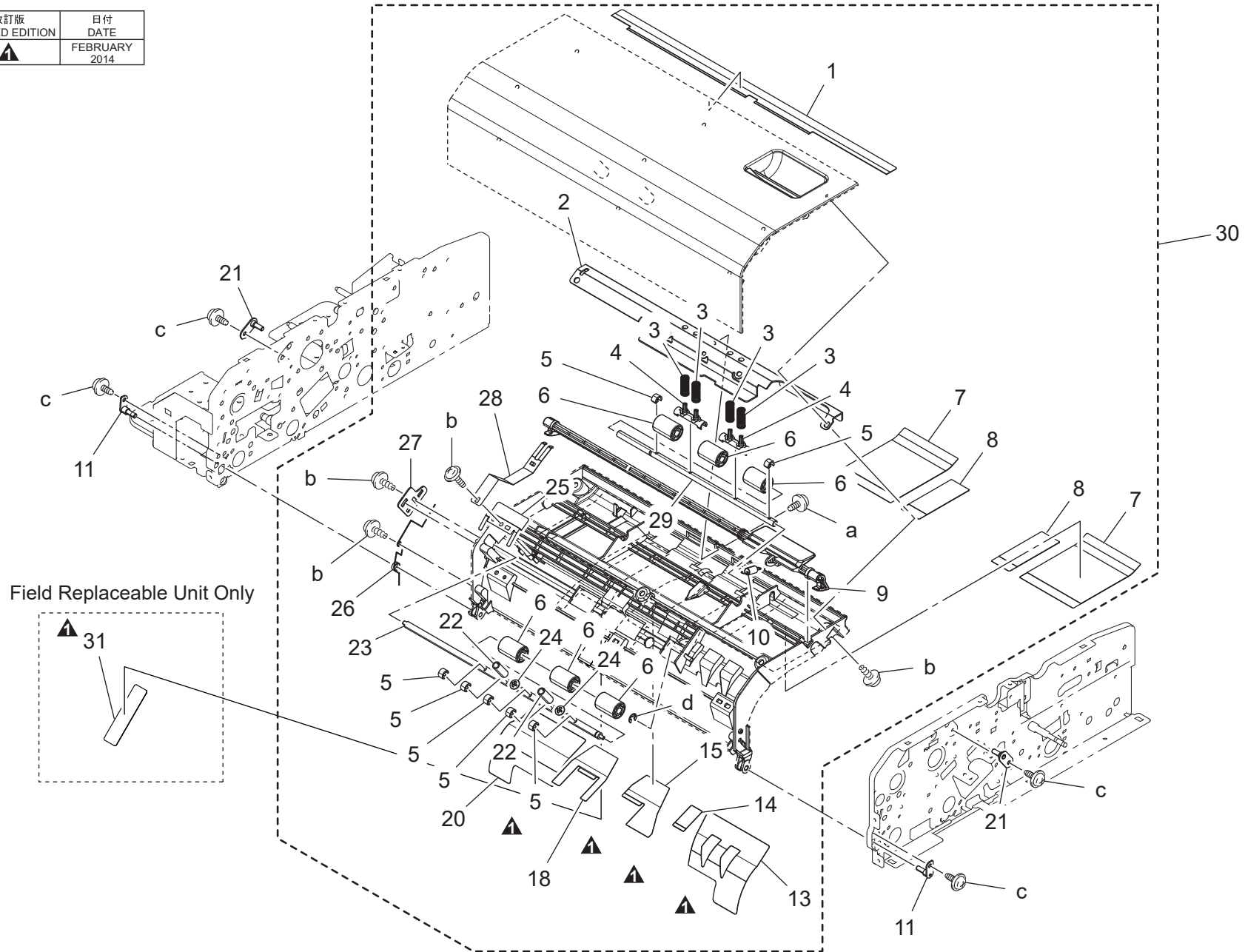
Key	Part No.	Description	Destinations	Class	QTY	Standard parts
1	A108711100	Handle /Rear		D	1	a-V144030603
2	A3CK702400	Guide		D	3	b-V217040050
3	A3CK702500	Guide		D	1	c-V116030603
4	A3CK701300	Roller		C	1	d-V217060001
5	A108704500	Guide Sheet		C	1	e-V143030603
6	A00J617800	Ball Bearing		B	1	f-V217040001
7	A108702201	Detecting Plate		D	1	
8	A108702500	Torsion Coil spring		D	1	
9	A108M50100	Photointerrupter		B	4	
10	9J08210401	COLLAR		C	2	
11	A3CK711200	Sensor Holder		D	1	
12	A0HT890800	Shaft		D	1	
13	A3CKN10700	ADF Wiring		D	1	
14	A00V240600	Ball Bearing		B	2	
15	9J07400902	TORSION SPRING		C	3	
16	9J07400803	Lever		C	3	
17	9J07160600	WASHER		C	1	
18	A108703600	Guide		C	2	
19	A108701800	Guide		C	1	
20	A07H750200	Neutralizing brush		C	3	
21	A0HT700600	Roller		D	1	
22	A3CK701900	Guide		C	3	
23	A3CK562700	Spacer		C	1	
24	9J07401201	SHAFT		D	1	
25	A108703100	Stopper		D	2	
26	A3CK705200	Mounting Plate		D	1	
27	9335140071	Solid State Switch		B	2	
28	A3CK711000	Mounting Plate		D	1	
29	A108214100	Timing belt 122L		D	1	
30	A108214300	Pulley 40T		D	1	
31	A2X0R71A00	Registration Lower Motor Assy		C	1	
32	A3CK710100	Guide		D	1	

ADF CONVEYANCE SECTION



ADF LEFT COVER SECTION

改訂版 REVISED EDITION	日付 DATE
	FEBRUARY 2014



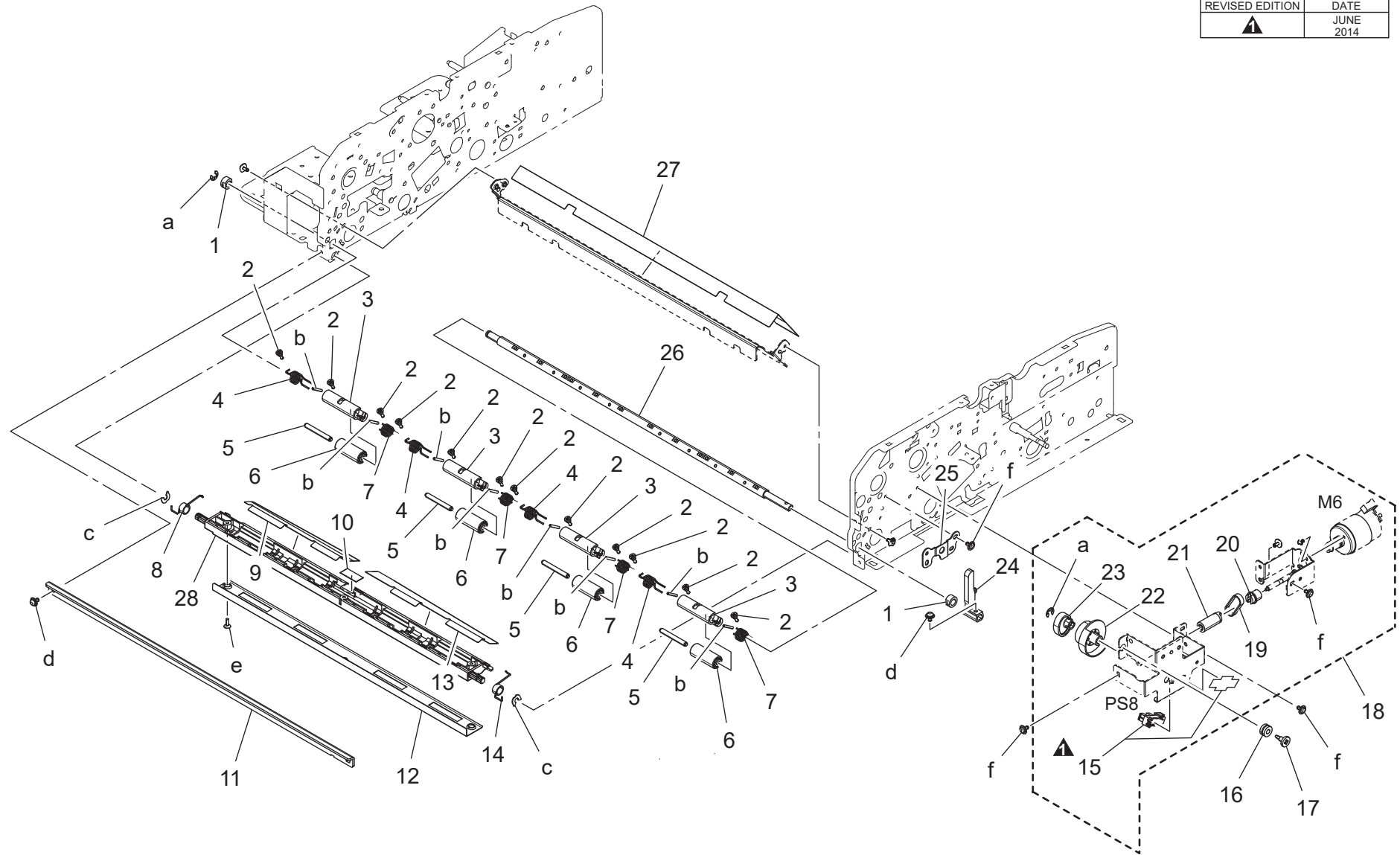
bizhub C654e/bizhub C754e

ADF LEFT COVER SECTION

Key	Part No.	Description	Destinations	Class	QTY	Standard parts	
1	9J07160302	SEAL		C	1	a-V137030804 b-V153030803 c-V144030603 d-V217040001	
2	A108702104	Mounting Plate		D	1		
3	A3CK706500	Compressing Coil spring		D	4		
4	A3CK706401	Holder		D	2		
5	9J07431502	Stopper		C	7		
6	A108703000	Idler Roll		D	6		
7	A108703700	Guide		D	2		
8	A108703800	Guide		D	2		
9	A108701001	Lever		D	1		
10	A108703400	Pulling Coil spring		C	1		
11	9J07R70900	BRACKET ASSY		D	2		
13	A3CK705600	Guide		C	1		
14	A3CK705400	Guide /2		C	1		
15	A3CK705301	Guide /1		C	1		
18	A3CK705800	Guide		C	1		
20	A3CK705700	Guide		C	1		
21	A2X0R70G00	Lock Shaft Assy		D	2		
22	A3CK706600	Spring		C	2		
23	A3CK703300	Registration Shaft		D	1		
24	A3CK700300	Guide		D	2		
25	A0HT704100	Plate spring		D	1		
26	A0HT704201	Torsion Coil spring		D	1		
27	9J07400601	BRACKET		D	1		
28	A108701200	Ground Plate		D	1		
29	A3CK703200	Conveyance Shaft		D	1		
30	A2X0R70711	Left Cover Assy		D	1		
31	A3CKP00100	Sheet		C	1		

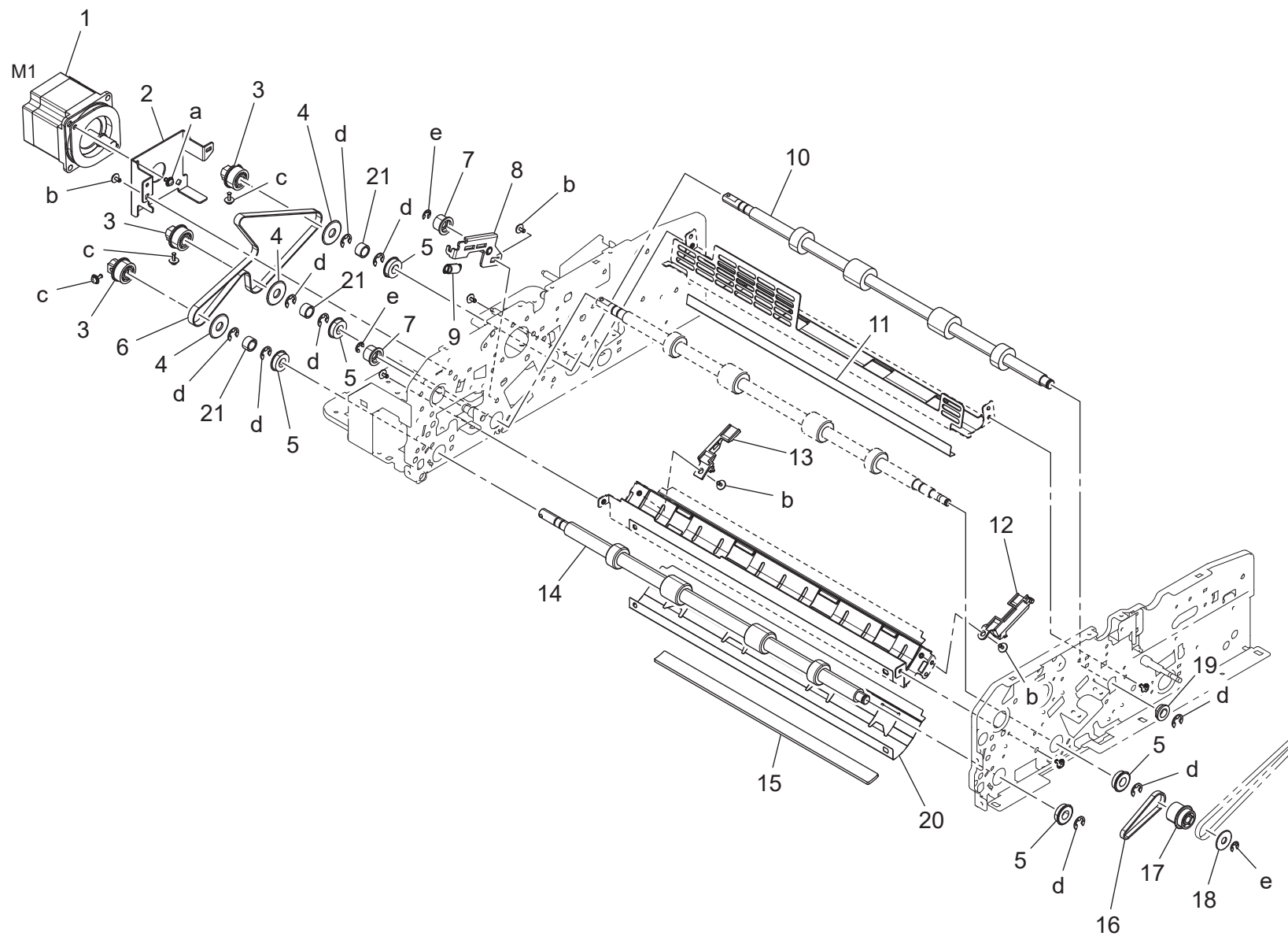
ADF READ GUIDE SECTION

改訂版 REVISED EDITION	日付 DATE
▲	JUNE 2014



bizhub C654e/bizhub C754e

ADF READ GUIDE SECTION



bizhub C654e/bizhub C754e

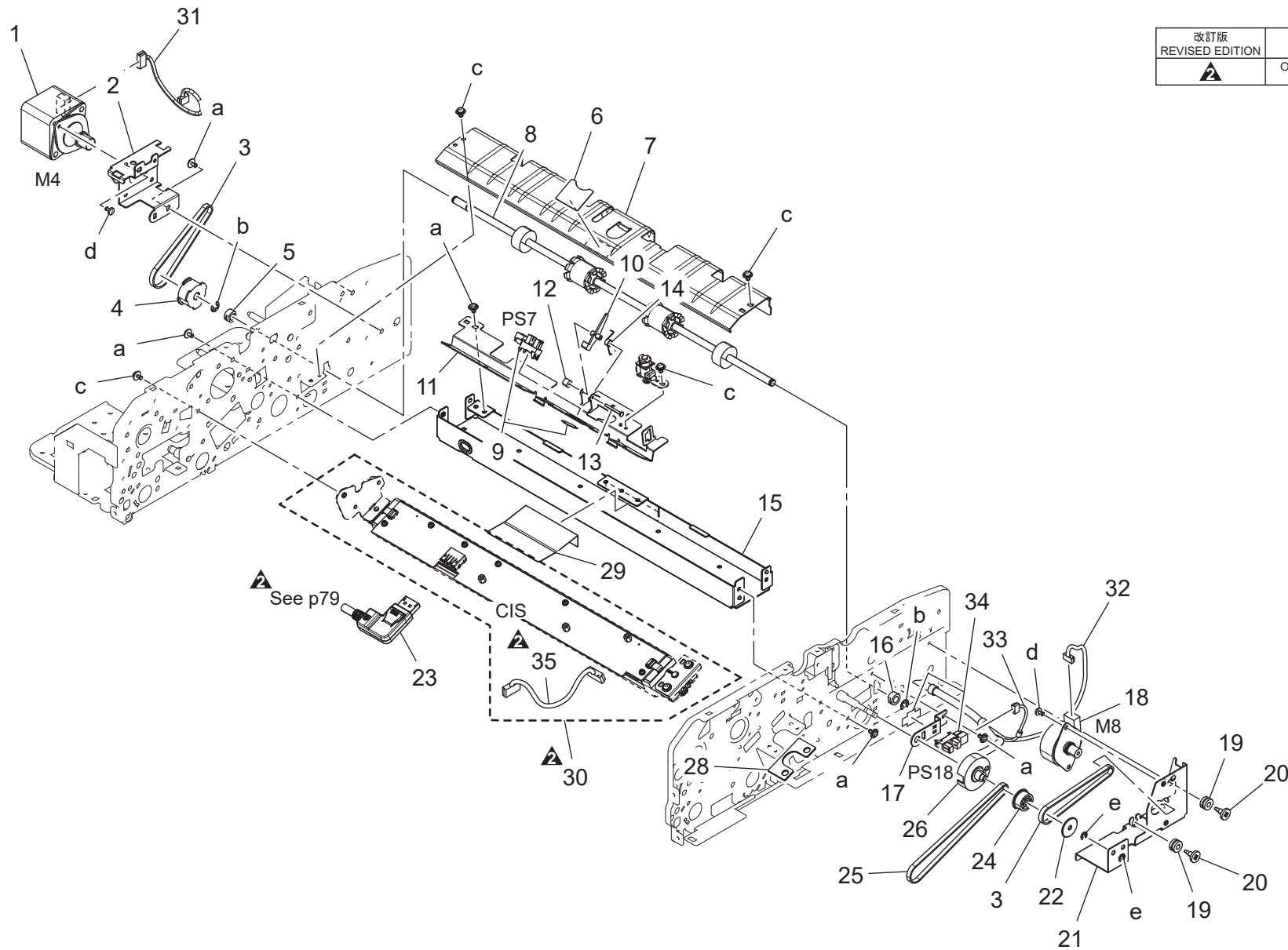
ADF READ GUIDE SECTION

Key	Part No.	Description	Destinations	Class	QTY	Standard parts
1	A3CKM10200	Stepping motor		C	1	a-V116040803 b-V144030603 c-V116030803 d-V217060001 e-V217040001
2	A3CK210000	Mounting Plate		D	1	
3	A108210800	Pulley		C	3	
4	A0HT210700	Flange		D	3	
5	A00V240600	Ball Bearing		B	5	
6	A108210100	Timing belt		C	1	
7	A3CK210700	Roll		C	2	
8	A2X0R70K00	Tension Plate (A) Assy		D	1	
9	A108210400	Pulling Coil spring		D	1	
10	A108700200	Roller		D	1	
11	A108269900	Guide Sheet		D	1	
12	A108267601	Protection Cover /Front		D	1	
13	A108268101	Protection Cover /Rear		D	1	
14	A0HT700400	Roller		C	1	
15	A108269200	Guide		C	1	
16	A0HU250600	Timing belt 120L		D	1	
17	A108251000	Pulley 27/27T		D	1	
18	A0DA701800	Flange		C	1	
19	4658351701	BUSHING		C	1	
20	A108262502	Guide Sheet /C		D	1	
21	A3CK700200	Collar		C	3	

bizhub C654e/bizhub C754e

ADF CIS SECTION

改訂版 REVISED EDITION	日付 DATE
	OCTOBER 2014

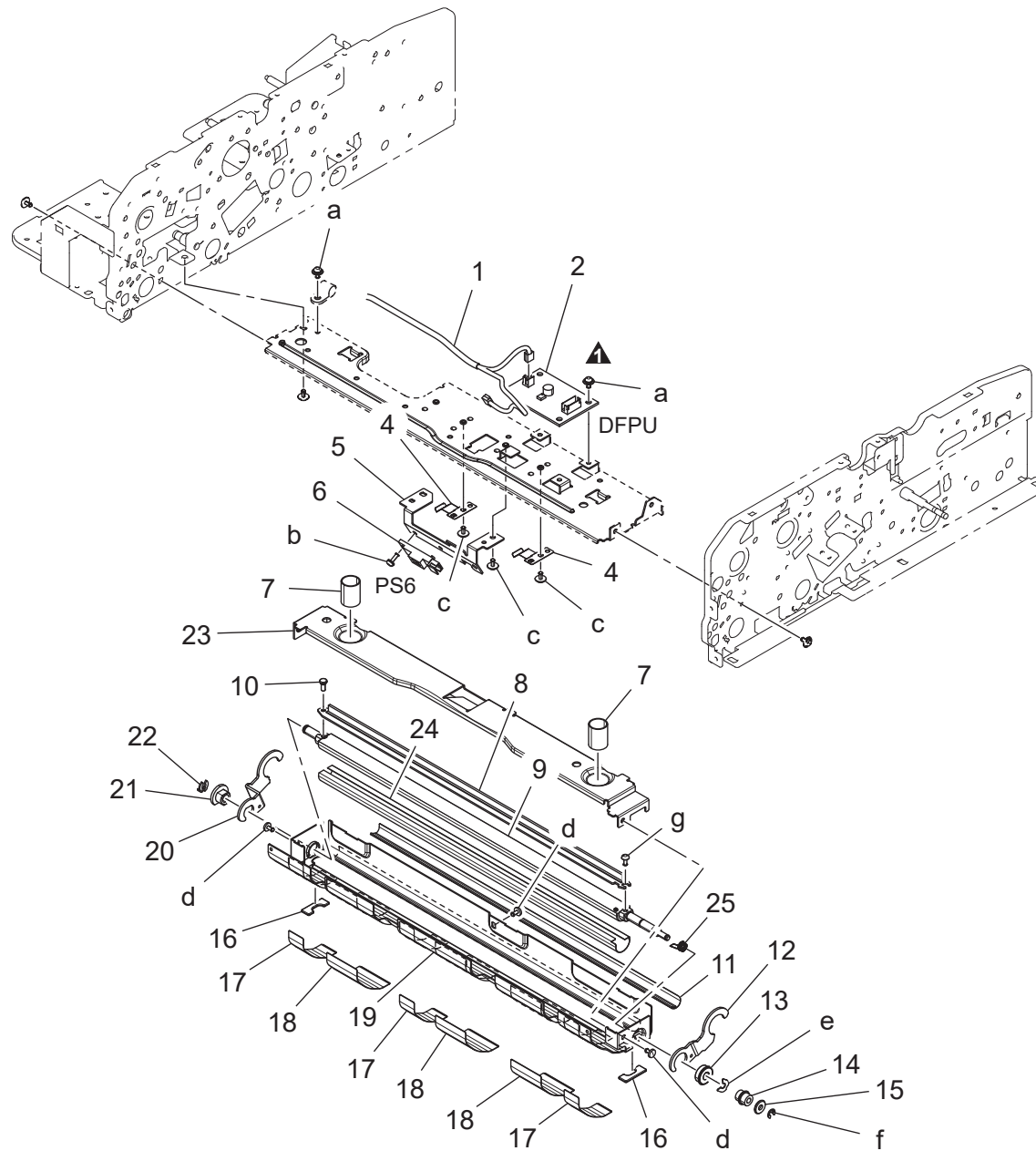


Key	Part No.	Description	Destinations	Class	QTY	Standard parts
1	A3CKM10300	Stepping motor		C	1	a-V144030603 b-V217040001 c-V116030603 d-V143030603 e-V217030001
2	A108216000	Mounting Plate		D	1	
3	A0HU250800	Timing belt		C	2	
4	A108216200	Pulley 34T		D	1	
5	4131253701	BUSHING		C	1	
6	A108890800	Guide		D	1	
7	A108890000	Paper exit Guide /1		D	1	
8	A108890200	Paper exit Roller		C	1	
9	A108R90000	PHOTO INTERRUPTER		I	1	
10	9J07491101	LEVER		C	1	
11	A0HT891900	Bracket		D	1	
12	9J08210401	COLLAR		C	1	
13	9J07890000	SHAFT		D	1	
14	A3CK892500	TORSION SPRING		C	1	
15	A108890100	Reinforce Stay /4		D	1	
16	1200312109	BUSHING		C	1	
17	A108265900Old	Mounting Plate		D	1	
17	A108265901	Mounting Plate		D	1	
18	A3CKM10400	Stepping motor		C	1	
19	A0DA701200	Bushing		C	2	
20	A3CK714900	Shoulder screw		C	2	
21	A3CK262900	Mounting Plate		D	1	
22	A0HU251200	Flange		C	1	
23	A3CKN10A12	ADF Cable		C	1	
24	A0HU251100	Pulley		C	1	
25	A108262800	Belt 260L		D	1	
26	A0HU250300	Pulley		D	1	
28	A3CK100900	Guide		C	1	
29	A108890601	Guide		D	1	
30	A2X0R70M00	CIS Unit		I	1	
31	A3CKN10500	ADF Wiring		D	1	
32	A3CKN10101	ADF Wiring		D	1	
33	A3CKN10800	ADF Wiring		D	1	
34	A108R90000	PHOTO INTERRUPTER		I	1	
35	A3CKN10600	ADF Wiring		D	1	

bizhub C654e/bizhub C754e

ADF GLASS CLEANING SECTION

改訂版 REVISED EDITION	日付 DATE
	OCTOBER 2014

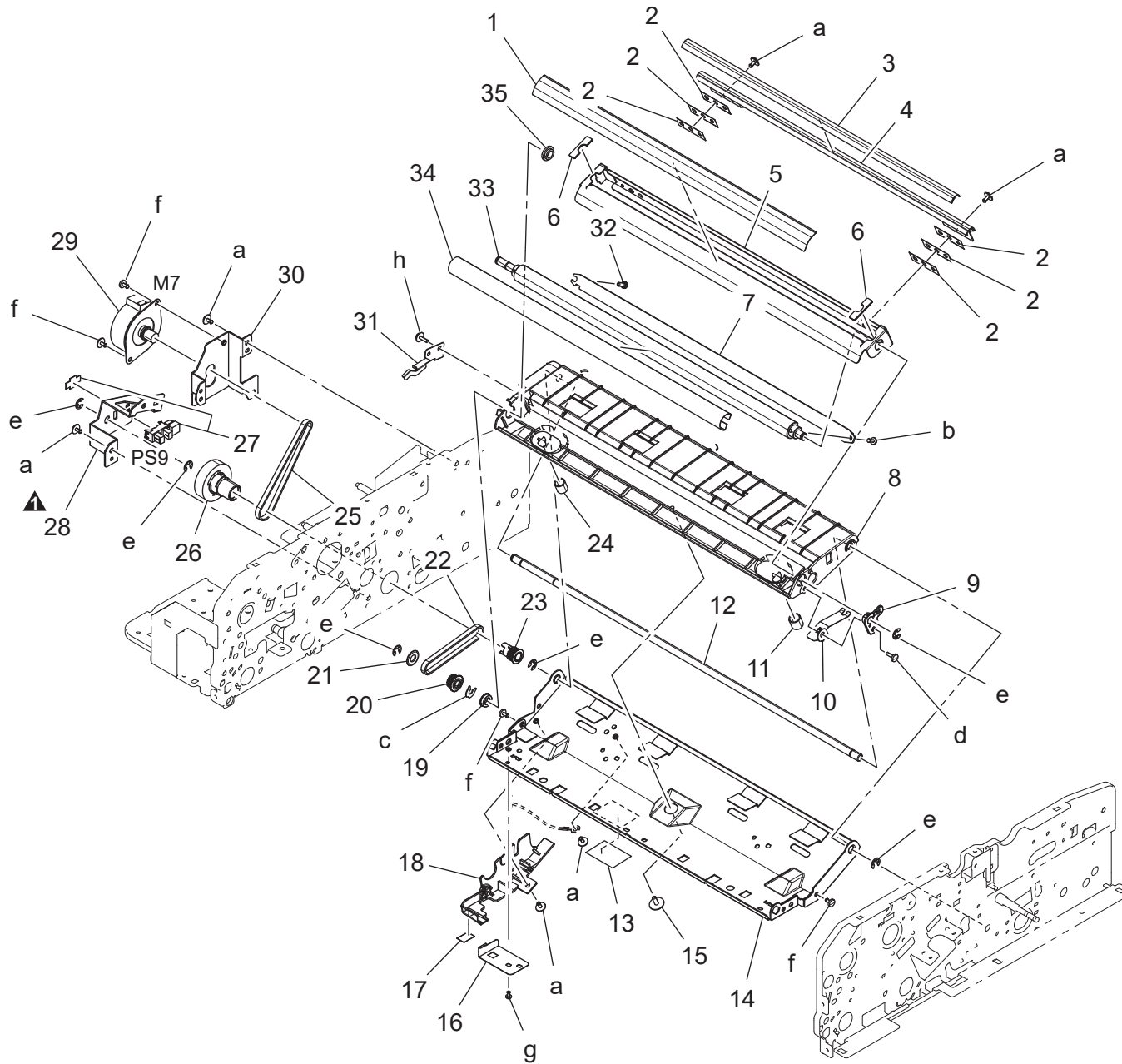


bizhub C654e/bizhub C754e

Key	Part No.	Description	Destinations	Class	QTY	Standard parts
1	A3CKN10200	ADF Wiring	ADF 束線 (後フレーム部)	D	1	a-V116030603
2	A3CKH00200	PWB Assembly(PWB-DC Assy)	基板 A s s y (P W B - D C)	I	1	b-V115030803
4	A0HU261700	Ground Plate	アース板	D	2	c-V144030603
5	A0HU261000	Mounting Plate	取付板 (読取前センサ)	D	1	d-V143030603
6	9335191092	SOLID STATE SWITCH	反射型フォトスイッチ	B	1	e-V218040086
7	A3CK271800	Compressing Coil spring	圧縮コイルばね	C	2	f-V217030001
8	A3CK300200	Brush	ブラシ (清掃)	C	1	g-V145030803
9	A3CK300001	Shaft	軸 (清掃軸表面)	D	1	
10	A3CK281900	Shoulder screw	段ねじ (B タイト)	C	1	
11	A0HU260300	Slide Part	すべり材	C	1	
12	A0HU300300	Arm	アーム (前)	D	1	
13	A3CK300400	Bushing	すべり軸受	C	1	
14	A0HU250100	Pulley	プーリ (軸)	D	1	
15	A0HU250500	Flange	フランジ	D	1	
16	A0HU261900	Spacer	スペーサ (高さ規制)	D	2	
17	A3CK281400	Sheet	シート (読取前 B)	D	3	
18	A3CK281300	Sheet	シート (読取前 A)	D	3	
19	A0HU261103	Guide	ガイド (清掃)	C	1	
20	A0HU300400	Arm	アーム (後)	D	1	
21	A0HU300500	Bushing	すべり軸受	D	1	
22	A0HU300601	Fixing Ring	固定リング	C	1	
23	A0HU261200	Mounting Plate	取付板 (清掃・蓋)	D	1	
24	A3CK300102	Sheet	シート (清掃軸)	C	1	
25	A3CK300500	Contact	接点	C	1	

ADF CIS CLEANING SECTION

改訂版 REVISED EDITION	日付 DATE
	JUNE 2014

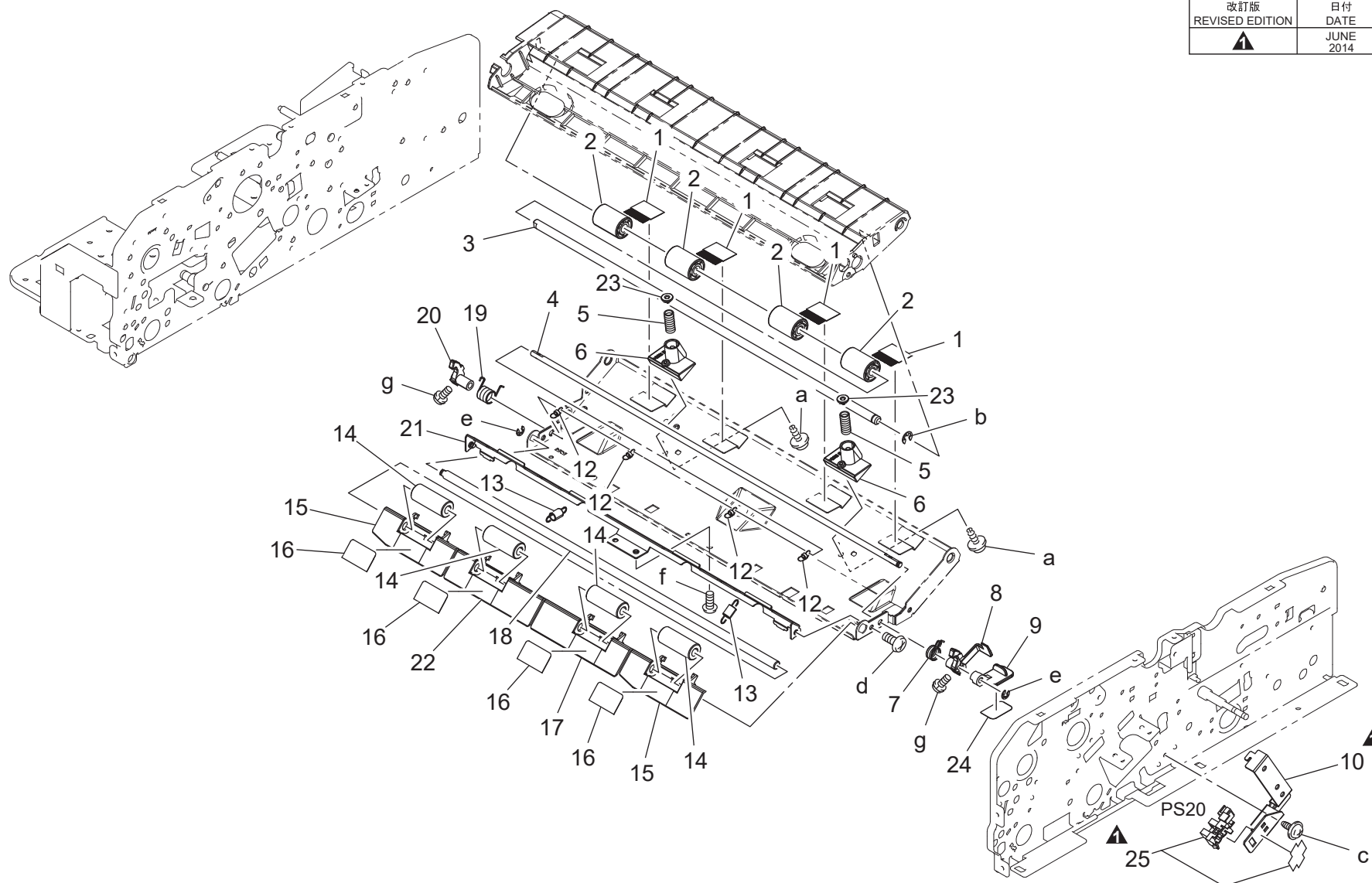


bizhub C654e/bizhub C754e

Key	Part No.	Description	Destinations	Class	QTY	Standard parts
1	A108270601	Sheet		D	1	a-V144030603 b-V111030603 c-V218040086 d-V149030803 e-V217040001 f-V143030603 g-V111260403 h-V153030803
2	A3CK282100	Spacer		C	6	
3	A108270200	Slide Part		D	1	
4	A3CK270100	Guide		D	1	
5	A3CK270001	Guide		D	1	
6	A108264700	Spacer		D	2	
7	A3CK300200	Brush		C	1	
8	A3CK260100	Conveyance Guide		D	1	
9	A108260700	Bushing		D	1	
10	A108270400	Ground Plate		D	1	
11	A108264601	Compressing Coil spring		D	1	
12	A108265301	Shaft		D	1	
13	A108940201	Label		C	1	
14	A108260403	Cover		D	1	
15	4163529301	SCREW		C	1	
16	A108273200	Guide Plate		D	1	
17	A108272900	Slide Part		D	1	
18	A108266701	Cover		D	1	
19	A00J617800	Ball Bearing		B	1	
20	A108264100	Pulley		D	1	
21	A108264200	Flange		D	1	
22	A108264800	Timing belt 146L		D	1	
23	A108265800	Pulley		D	1	
24	A108270801	Compressing Coil spring		D	1	
25	A0FD892900	Timing belt 190L		C	1	
26	A108265700	Pulley 25L		D	1	
27	A108R90000	PHOTO INTERRUPTER		I	1	
28	A108265601	Mounting Plate		D	1	
29	A0HUM10000	Stepping motor		C	1	
30	A3CK265000	Mounting Plate		D	1	
31	A108270700	Plate spring		D	1	
32	A3CK281800	Shoulder screw		C	1	
33	A3CK262100	Shaft		D	1	
34	A3CK300102	Sheet		C	1	
35	A108264400	Bushing		D	1	

ADF CIS CLEANING SECTION

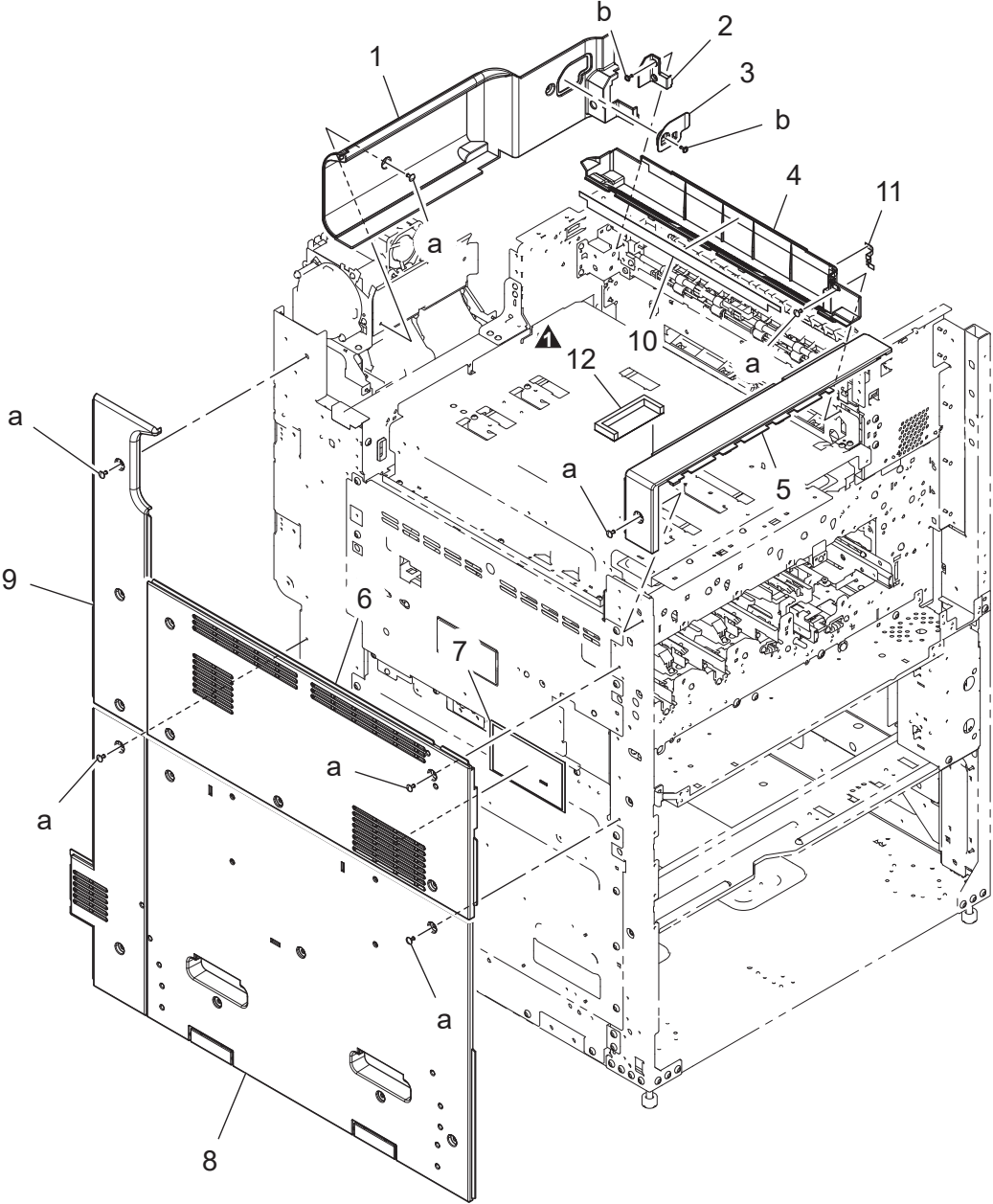
改訂版 REVISED EDITION	日付 DATE
	JUNE 2014



bizhub C654e/bizhub C754e

EXTERNAL PARTS

改訂版 REVISED EDITION	日付 DATE
▲	OCTOBER 2016



bizhub C654e/bizhub C754e

EXTERNAL PARTS

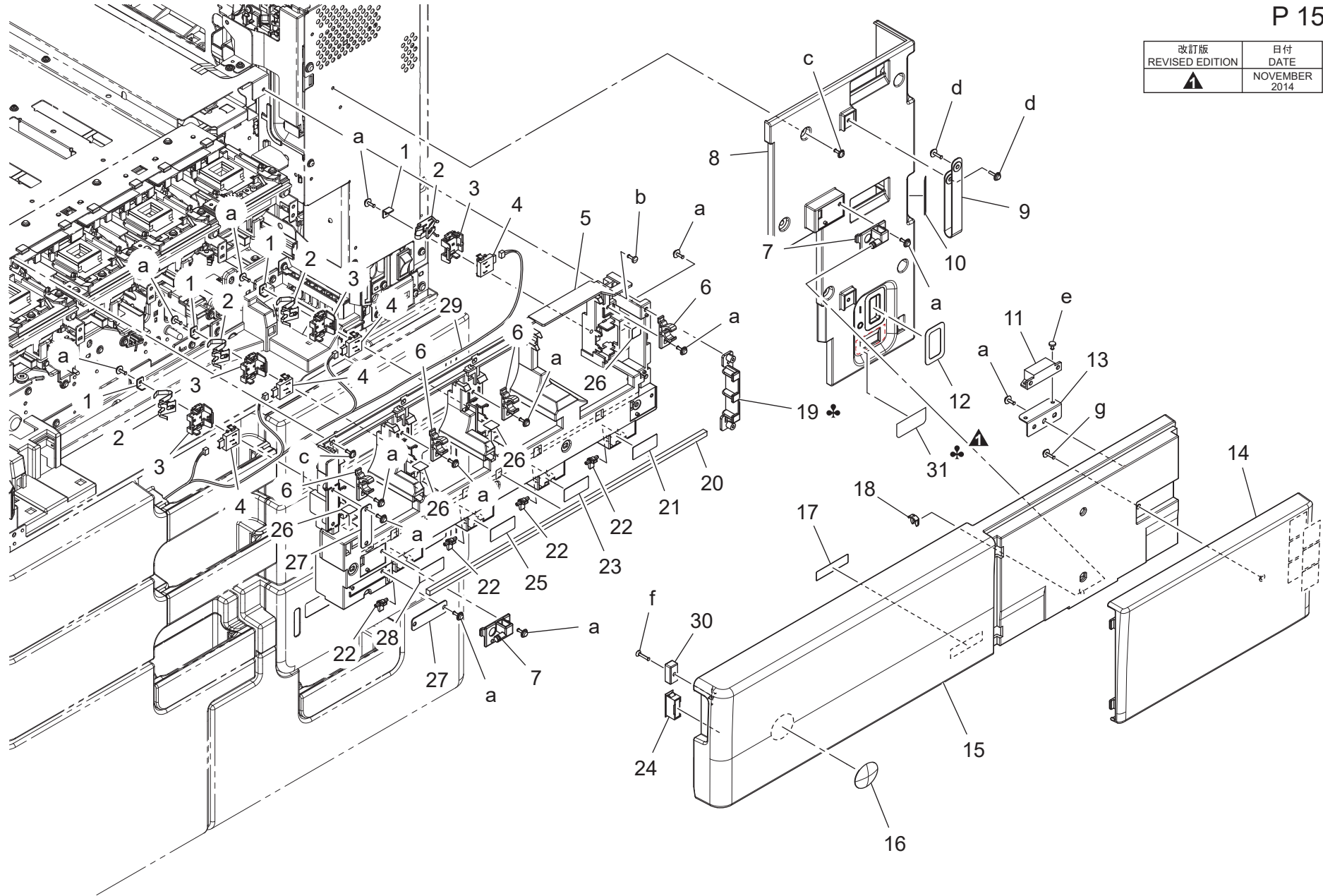
Key	Part No.	Description	Destinations	Class	QTY	Standard parts
1	A00J163401	Paper exit Cover /Rear		C	1	a-V114040804 b-V121030804
2	A00J166400	Paper exit Cover /Right		C	1	
3	A00J166300	Paper exit Cover /Rear		C	1	
4	A00J163503	Paper exit Cover /Right		C	1	
5	A2X0160101	Paper exit Cover /Front		C	1	
6	A2X0160500	Cover /Left front		C	1	
7	A2X0156600	Filter		C	1	
8	A00J160605	Cover /Left		C	1	
9	A00J161400	Cover /Left rear		C	1	
10	A00J896901	Neutralizing Brush		C	1	
11	A2X0895400	Ground Seal /1		C	1	
12	A2X0172700	Collection Case		D	1	

bizhub C654e/bizhub C754e

EXTERNAL PARTS

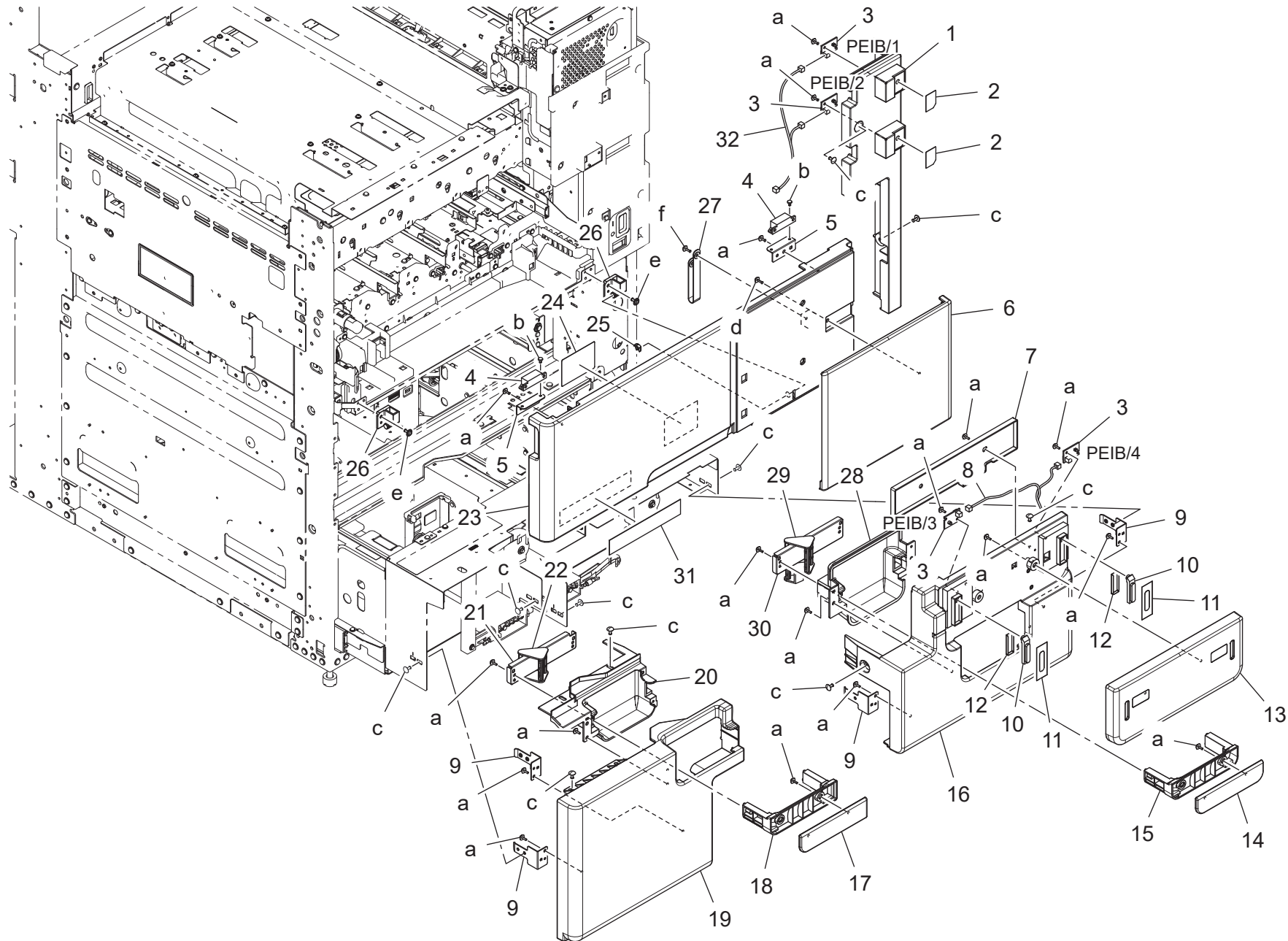
P 15

改訂版 REVISED EDITION	日付 DATE
	NOVEMBER 2014



Key	Part No.	Description	Destinations	Class	QTY	Standard parts
1	A00J404700	Spacer		C	4	a-V153030803
2	A00J404601	Plate spring		C	4	b-V118030803
3	4038228104	HOLDER		C	4	c-V121030804
4	4136675101	CONNECTOR PIN		D	4	d-V153031003
5	A00J165103	Cover /Inside		D	1	e-V126030603
6	A00J407500	Holder		D	4	f-V147031403
7	A00J164701	Open/close Shaft		C	2	g-V153031004
8	A2X0160402	Cover /Front		C	1	
9	4120101402	BAND		C	1	
10	A161940400	Label		C	1	
11	4475260302	MAGNET CATCH		D	1	
12	A161942000	Label		D	1	
13	A0P0162600	Mounting Plate /B		D	1	
14	A2X0170701	Open/close Cover /Front		C	1	
15	A2X0160202	Open/close Cover /Front		C	1	
16	A00J945500	Logo Mark		C	1	
17	A2X0948600	Label		C	1	
18	56AA40490	SHAFT STOPPER 4		C	1	
19	A2X0404800	Regulating Block /Black	A,A1	D	1	
19	A2X0405800	Regulating Block /Black	B,G2	D	1	
19	A2X0405900	Regulating Block /Black	C,D1,D3,E,F2,G1,I,K ,H,J	D	1	
20	A00J407400	SEAL		C	1	
21	A2X0940700	Label		C	1	
22	A0P0169600	Claw /Black		C	4	
23	A2X0940600	Label		C	1	
24	4030104002	CATCH		D	1	
25	A2X0940500	Label		C	1	
26	A2X0949100	Label		C	4	
27	4038101401	SUCTION PLATE		D	2	
28	A2X0940400	Label		C	1	
29	A0PON10G00	Toner Wiring		D	1	
30	9326282011	MAGNET		D	1	
31	A55V170100	Sheet	B,C,D1,D3,E,F2,G1,G 2,H,I,J,K	C	1	

EXTERNAL PARTS



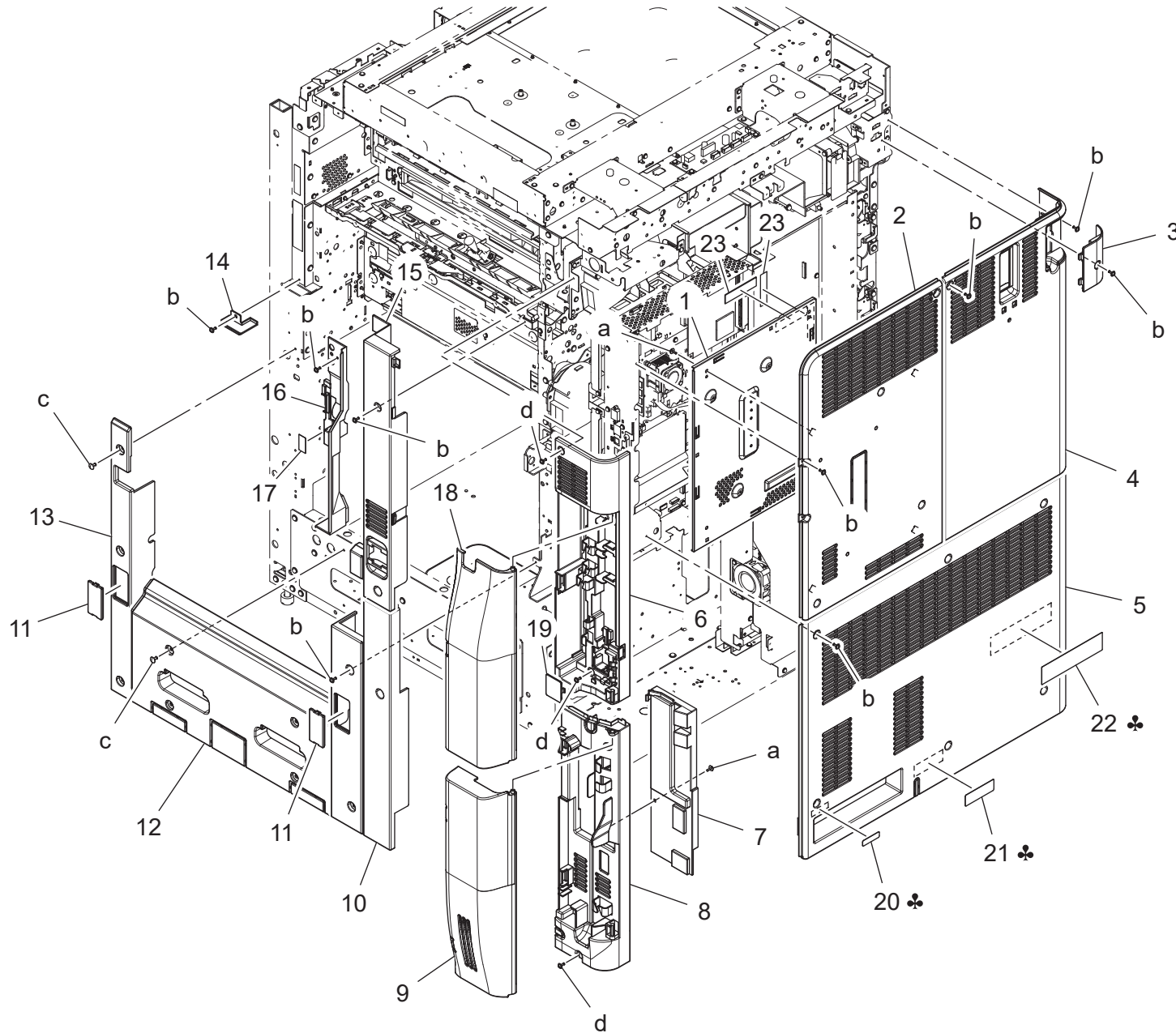
bizhub C654e/bizhub C754e

Key	Part No.	Description	Destinations	Class	QTY	Standard parts
1	A2X0160800	Cover Cassette /Right	カバーカセット／右 (固定)	D	1	a-V153030803
2	A2X0168500	Protection Sheet	保護シート (静電)	D	2	b-V126030603
3	A00JH00D00	PWB Assembly LED1	基板 ASSY LED 1	C	4	c-V114040804
4	4475260302	MAGNET CATCH	マグネットキャッチ	D	2	d-V153031004
5	A0P0162600	Mounting Plate /B	取付板／B (Mag・IU)	D	2	e-V137040803
6	A2X0170801	Open/close Cover /Front	開閉カバー／前 (IU・右)	C	1	f-V153031003
7	A2X0172100	Cover	カバー (4 段目・内)	D	1	
8	A2X0N10C00	Indicating Relay harness /2	表示中継束線／2	D	1	
9	A00J164501	Mounting Plate	取付板	D	4	
10	A161626000	Lens	レンズ (ライトガイド・給紙)	D	2	
11	A161626100	Light blocking Sheet	遮光シート	D	2	
12	A161626200	Sheet	シート (反射板)	D	2	
13	A2X0171001	Cover	カバー (パレット・4 段目)	C	1	
14	A2X0172600	Cover	カバー (4 段目取手)	C	1	
15	A2X0172300	Handle	取手 (4 段目)	C	1	
16	A2X0161000	Cover	カバー (4 段目)	C	1	
17	A2X0172000	Cover	カバー (3 段目取手)	C	1	
18	A2X0171701	Handle	取手 (3 段目)	C	1	
19	A2X0160900	Cover	カバー (3 段目)	C	1	
20	A2X0171600	Cover	カバー (3 段目取手奥)	C	1	
21	A2X0171801	Holder	ホルダ (3 段目)	D	1	
22	A2X0171901	Release Lever	解除レバー (3 段目)	D	1	
23	A2X0160301	Open/close Cover /Front	開閉カバー／前 (IU)	C	1	
24	A2X0944001	Label	ラベル (IU 交換)	C	1	
25	56AA40490	SHAFT STOPPER 4	軸ストッパ 4	C	1	
26	A2X0162100	Hinge	ヒンジ (IU カバー)	D	2	
27	4120101402	BAND	バンド	C	1	
28	A2X0172200	Cover	カバー (4 段目取手奥)	C	1	
29	A2X0172501	Release Lever	解除レバー (4 段目)	D	1	
30	A2X0172400	Holder	ホルダ (4 段目)	D	1	
31	A2X1943400	Label bizhub C654e	ラベル (bizhub C654e)	C	1	{bizhub C654e}
31	A2X0943400	Label bizhub C754e	ラベル (bizhub C754e)	C	1	{bizhub C754e}
32	A2X0N10D00	Indicating Relay harness /1	表示中継束線／1	D	1	

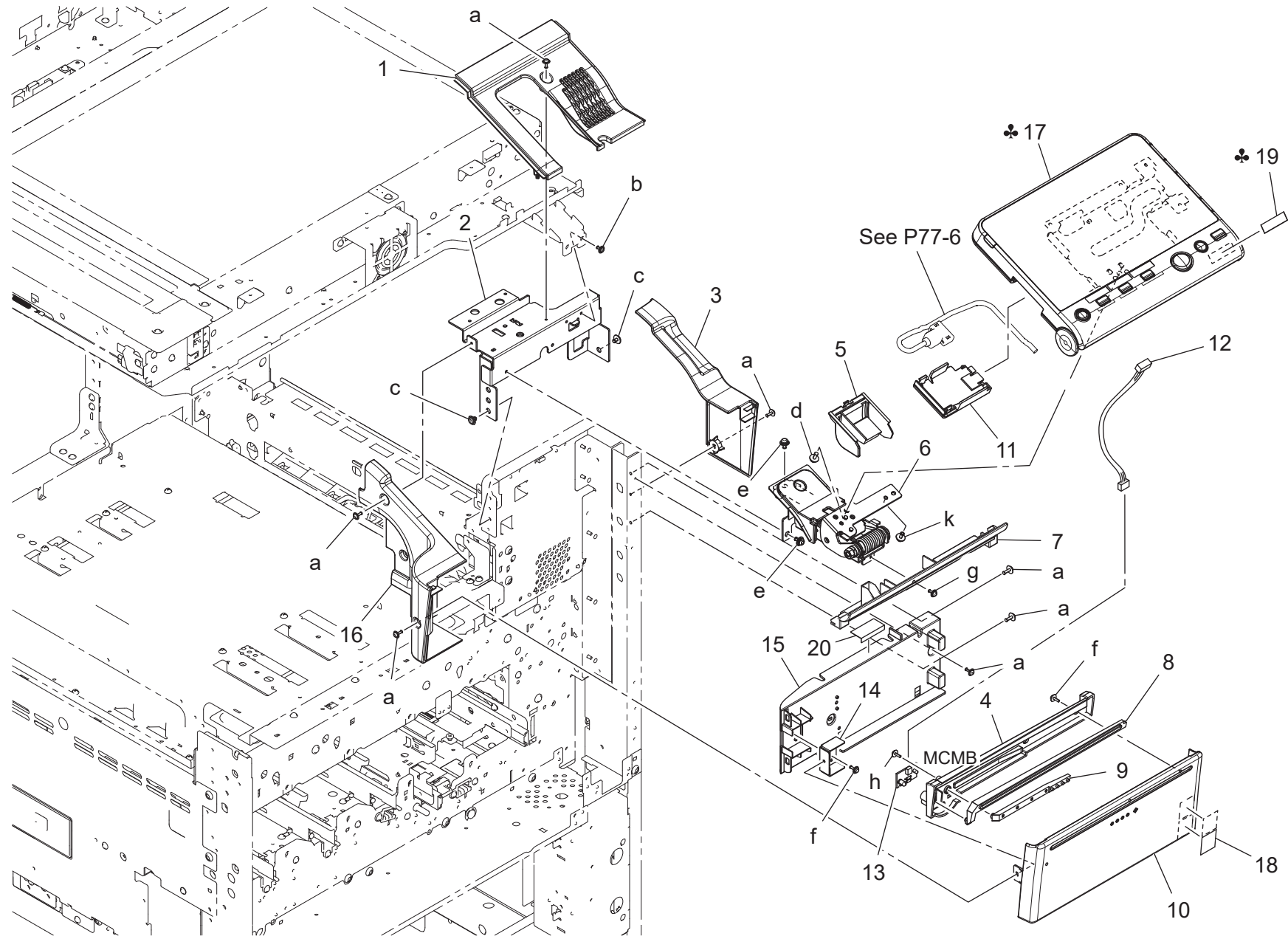
bizhub C654e/bizhub C754e

EXTERNAL PARTS

P 17



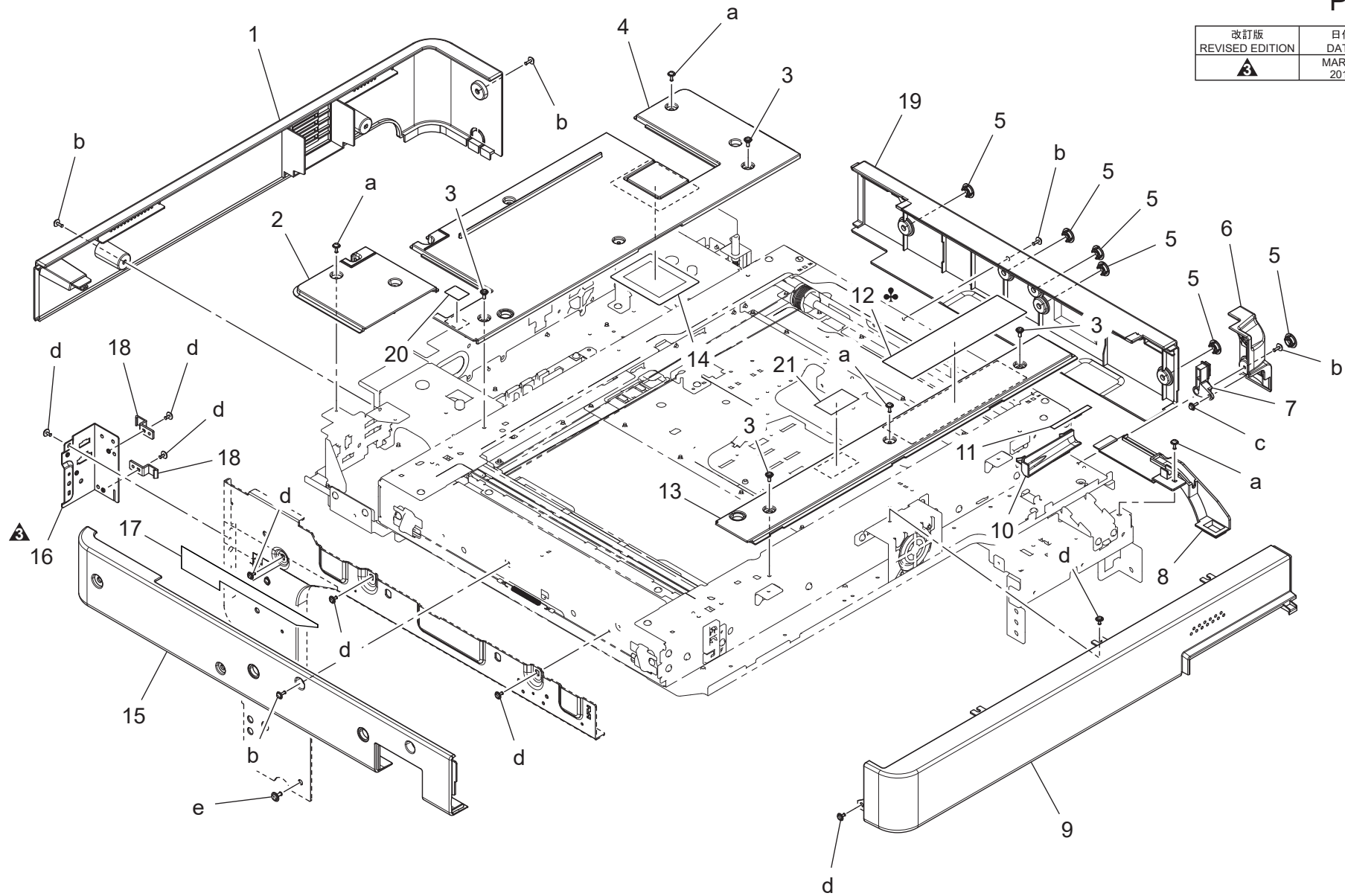
CONTROL PANEL SECTION



bizhub C654e/bizhub C754e

IR COVER SECTION

改訂版 REVISED EDITION	日付 DATE
	MARCH 2016



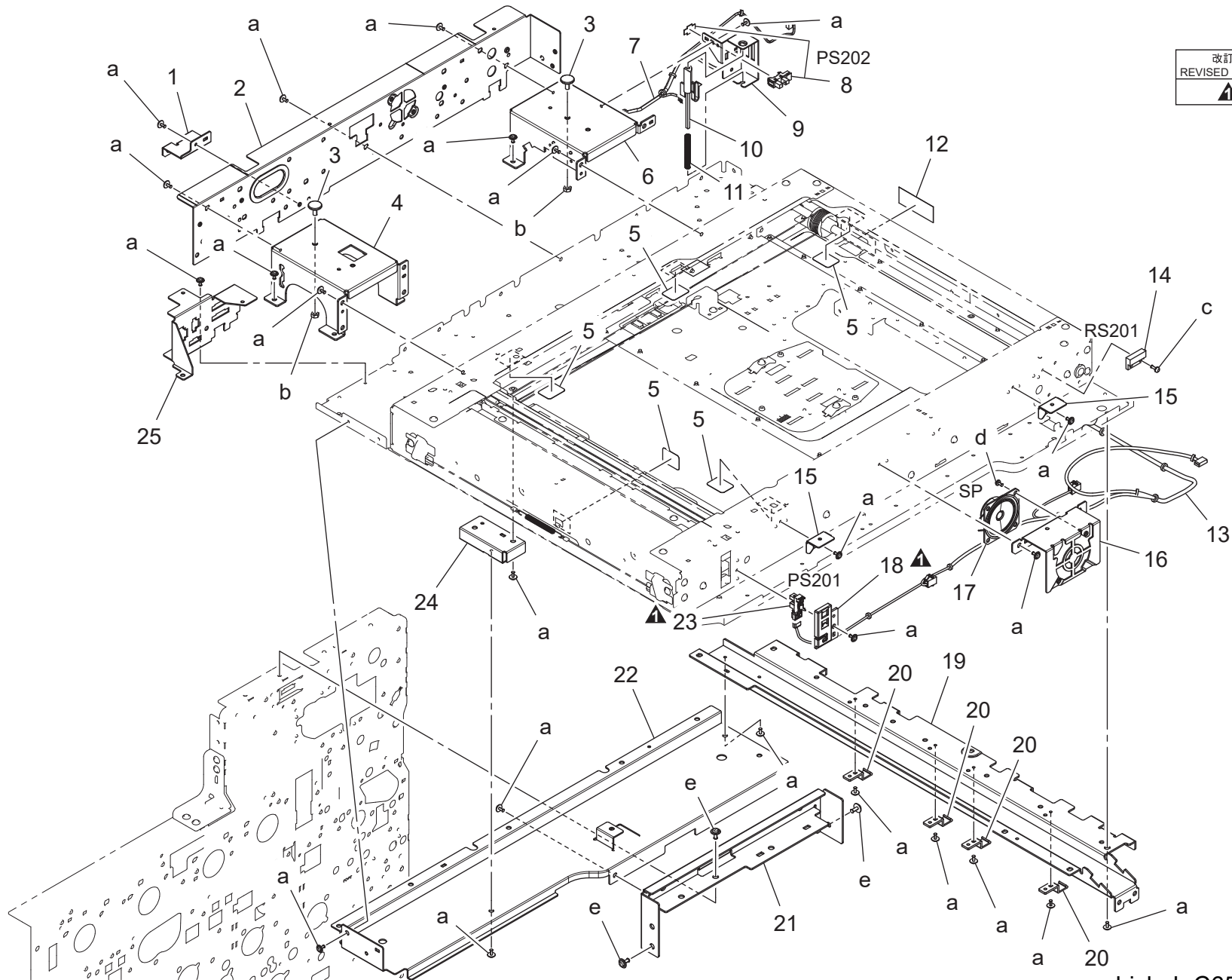
bizhub C654e/bizhub C754e

Key	Part No.	Description	Destinations	Class	QTY	Standard parts
1	A0P0163101	Read Cover /Rear		C	1	a-V121030804 b-V121030803 c-V153030803 d-V137030603 e-V137040803
2	A00J167812	Read Cover /Upper		C	1	
3	A00J169200	Shoulder screw		C	4	
4	A0P0167202	Read Cover /Upper		D	1	
5	A02E167700	Cover		C	6	
6	A2X0165801	Read Cover /Front		C	1	
7	A0P0165200	Cover		C	1	
8	A2X0167601	Read Cover		C	1	
9	A2X0163001	Read Cover /Front		C	1	
10	A2X0168300	Holder		D	1	
11	A2X0168600	Cushion		D	1	
12	A161941500	Label	A,A1	D	1	
13	A00J167104	Read Cover /Upper		C	1	
14	A2X0167300	Seal		C	1	
15	A0P0163201	Read Cover /Left		C	1	
16	A2X0267901	Mounting Plate		D	1	
17	A2X0166600	Seal		D	1	
18	A0P0267300	Guide		D	2	
19	A2X0163302	Read Cover /Right		C	1	
20	A161940602	Label		D	1	
21	A55D941100	Caution Label		D	1	

IR FRAME SECTION

P 20

改訂版 REVISED EDITION	日付 DATE
▲	JULY 2014

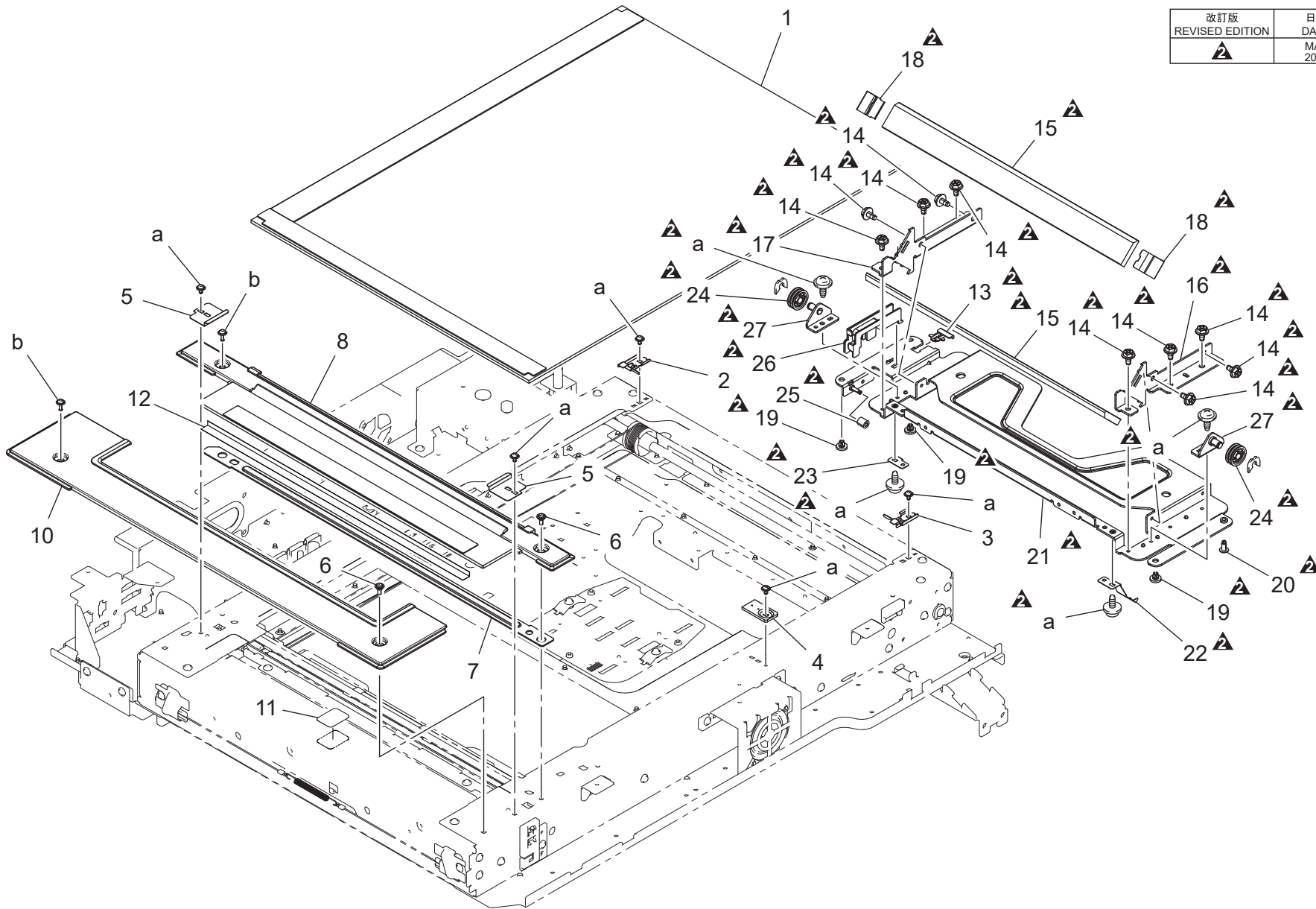


bizhub C654e/bizhub C754e

SCANNER SECTION

P 21

改訂版 REVISED EDITION	日付 DATE
	MAY 2016



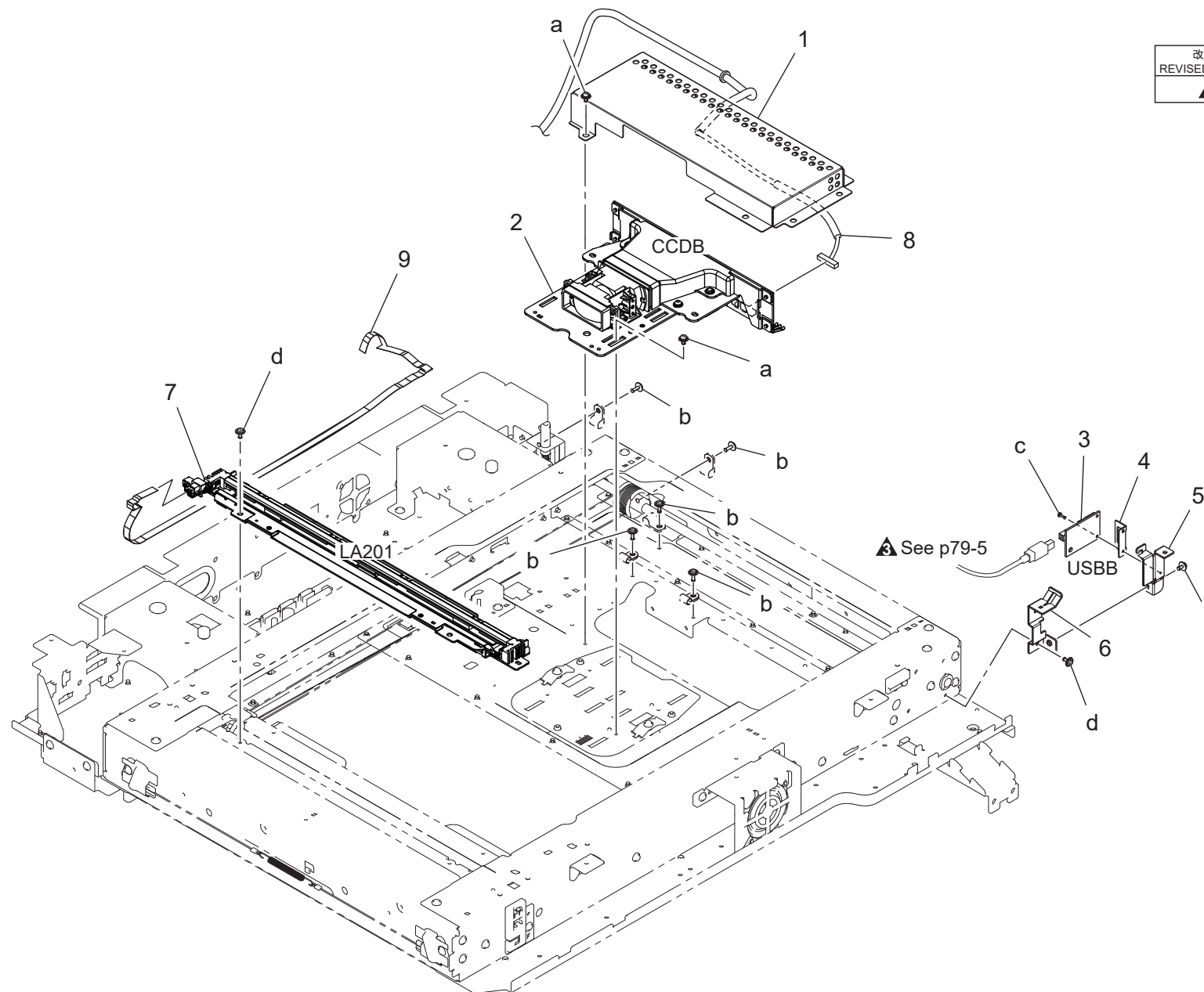
bizhub C654e/bizhub C754e

Key	Part No.	Description	Destinations	Class	QTY	Standard parts
1	A0P0R71000	Manuscript glass assy		C	1	a-V127030604 b-V121030804
2	A00J265200	Holding Plate		C	1	
3	A2X0265100	Holding Plate		C	1	
4	A00J265300	Regulating Plate		C	1	
5	A1DM268801	Holding Plate		D	2	
6	A00J169200	Shoulder screw		C	2	
7	A1DM266000	Hold Plate		D	1	
8	A2X0R70A00	Slit Glass Assy		C	1	
10	A1DM267501	Cover		D	1	
11	4581162501	SEAL		C	1	
12	A2X0268000	Seal		C	1	
13	A00J274300	Cover		C	1	
14	A00J274401	Screw		C	10	
15	A0P0273212	Mirror		C	2	
16	A2X0273300	Mounting Plate		C	1	
17	A2X0273400	Mounting Plate		C	1	
18	A2X0273500	Plate spring		C	2	
19	4002148002	Bushing		C	3	
20	4002148101	BUSHING		C	1	
21	A00J273103	Frame		D	1	
22	A00J273701	Holding Plate spring		D	1	
23	A00J273801	Holding Plate spring		D	1	
24	A00J273900	Pulley		C	2	
25	A00J274000	Pulley		C	1	
26	A00J274100	Guide Part		C	1	
27	A00J274201	Mounting Plate		D	2	

CCD UNIT


P 22

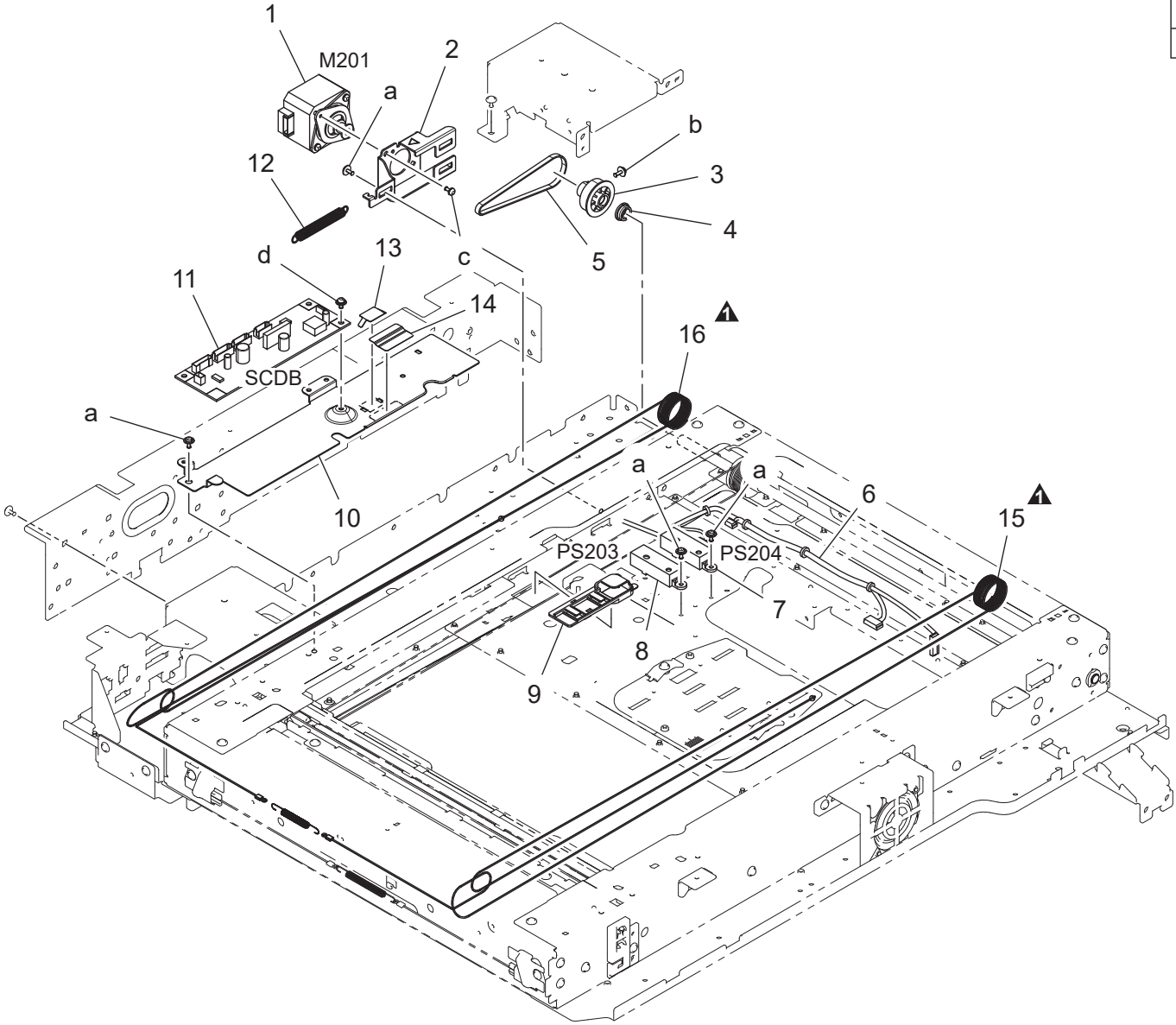
改訂版 REVISED EDITION	日付 DATE
	OCTOBER 2014



bizhub C654e/bizhub C754e

SCANNER DRIVE/IR BOARD SECTION

改訂版 REVISED EDITION	日付 DATE
	FEBRUARY 2017



SCANNER DRIVE/IR BOARD SECTION

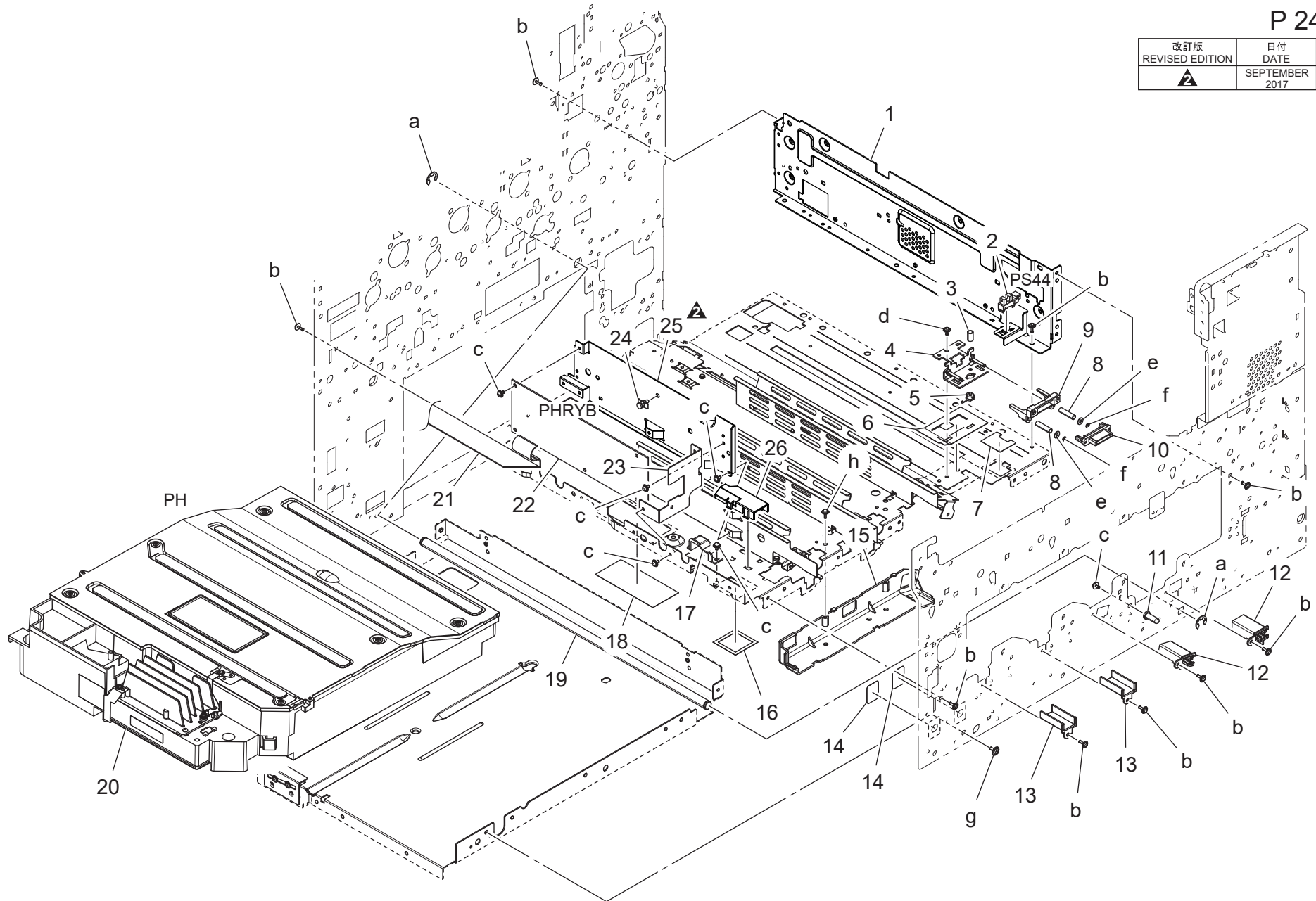
Key	Part No.	Description	Destinations	Class	QTY	Standard parts
1	A161M10A00	Stepping motor		C	1	a-V137030603
2	A0P0276600	Mounting Plate		D	1	b-V116030803
3	A0P0275500	Pulley 84T		D	1	c-V115030603
4	A0ED276500	Bearing		C	1	d-V116030603
5	A0ED275600	Belt 210L		C	1	
6	A2X0N14200	Scanner Wiring /2		D	1	
7	A161M50A00	APS Photoreflector	(OPTION)	C	1	
8	A161M50A00	APS Photoreflector		C	1	
9	A2X0281200	Guide		C	1	
10	A2X0281100	Mounting Plate		D	1	
11	A2X0H01A01Old	PWB Assembly(PWB-ID ASSY)		I	1	
11	A2X0H01A12	PWB Assembly(PWB-ID ASSY)		I	1	
12	4002145801	TENSION SPRING		C	1	
13	4581131601	SEAL		C	1	
14	A2X0264600	Seal		D	1	
15	A00J275100	Wire /Front		C	1	
16	A00J275200	Wire /Rear		C	1	

bizhub C654e/bizhub C754e

PH UNIT

P 24

改訂版 REVISED EDITION	日付 DATE
	SEPTEMBER 2017



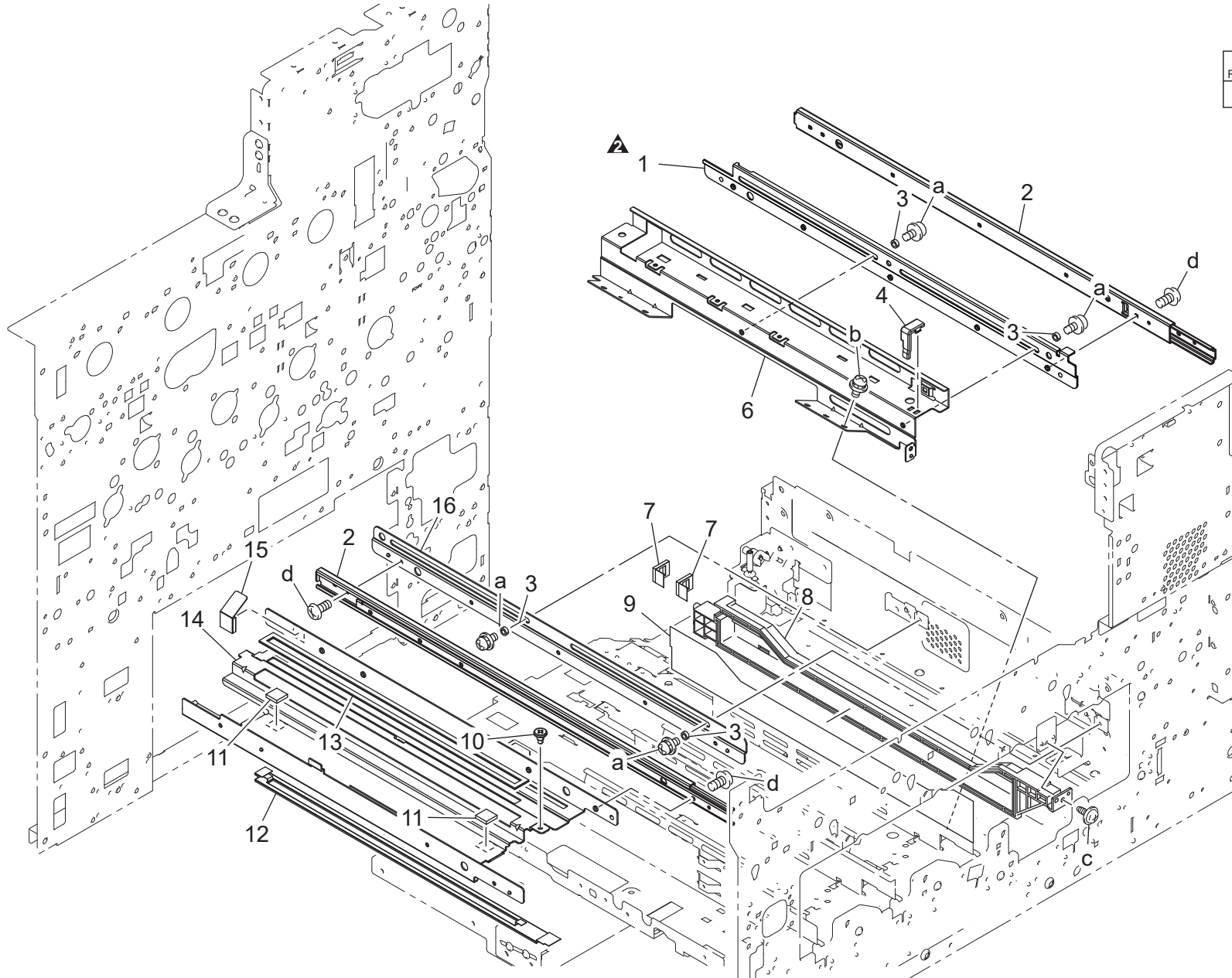
bizhub C654e/bizhub C754e

Key	Part No.	Description	Destinations	Class	QTY	Standard parts
1	A0P0101213	Support Plate		D	1	a-V217080001 b-V137030803 c-V116030603 d-V137030603 e-V207030003 f-V217020001 g-V137040803 h-V153030803
2	A108M50100	Photointerrupter		B	1	
3	4038229401	SPRING		C	1	
4	A0P0107700	Mounting Plate /ASSY		C	1	
5	4038229501	HOLDER		D	1	
6	A2X0156700	Seal		C	1	
7	A2X0110000	Seal		C	1	
8	4038229301	SPRING		C	2	
9	A0P0107601	Holder /Black		C	1	
10	V651020004	Drawer CN		D	1	
11	A0P0382400	Positioning Pin /Front		D	1	
12	A00J105601	Guide Post		C	2	
13	A2X0105700	Guide Post		C	2	
14	4581162501	SEAL		C	2	
15	A2X0155000	Cover		C	1	
16	A2WU156000	Seal		D	1	
17	A2X0156800	Cover		C	1	
18	A2X0156300	Seal		C	1	
19	A00J102301	Shaft		D	1	
20	A2X0R70B22	Print Head Assy		I	1	
21	A2X0N12G00	Control Relay harness /3		C	1	
22	A2X0H00300	PWB Assembly(PWB-J ASSY)		I	1	
23	A00J137500	Mounting Plate		D	1	
24	V502010026	SUPPORT		D	1	
25	A0P0137402	Mounting Plate		D	1	
26	A2X0135901	Holder		C	1	



TONER RAIL SECTION

改訂版 REVISED EDITION	日付 DATE
	MARCH 2016



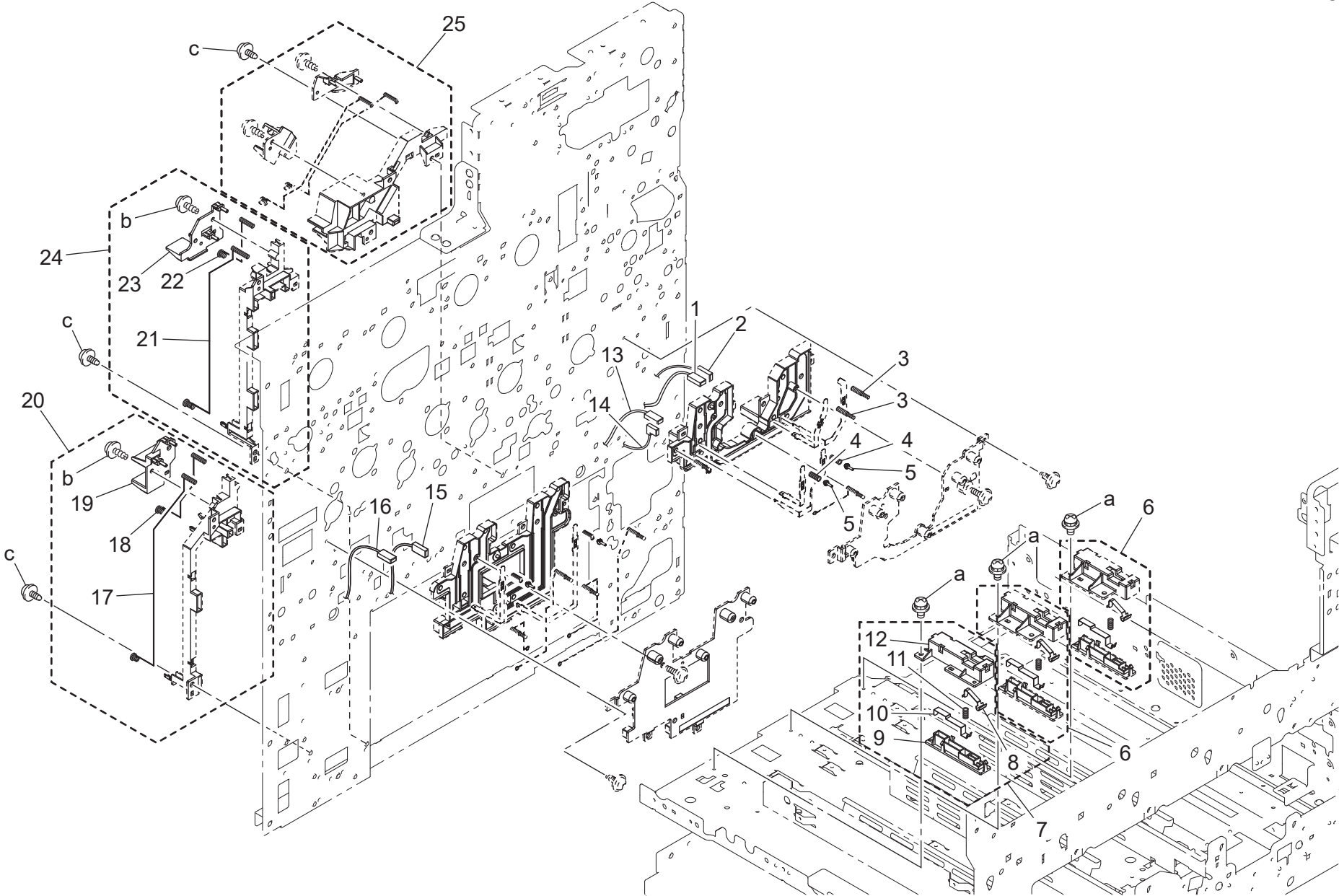
bizhub C654e/bizhub C754e

TONER RAIL SECTION

Key	Part No.	Description	Destinations	Class	QTY	Standard parts
1	A0P0108401	Mounting Plate /Left		D	1	a-V116030803 b-V116030603 c-V137030803 d-V118030403
2	A0P0125000	Slide Rail		D	2	
3	A0P0108100	Spacer		D	4	
4	A0P0115700	Holder		D	1	
6	A0P0110501	Rail /E		D	1	
7	A0P0108900	Sealing Part		D	2	
8	A0P0108623	Scatteringprevention Duct		D	1	
9	A0P0125311	Seal		C	1	
10	A0P0382700	Screw		C	1	
11	A00J121200	Cushion /Lower		C	2	
12	A0P0114101	Ozone Seal /Black		C	1	
13	A0P0108301	Sealing Part		D	1	
14	A0P0108201	Mounting Plate /Lower		D	1	
15	A0P0109701	Protection Cushion		C	1	
16	A0P0108500	Mounting Plate /Right		D	1	

bizhub C654e/bizhub C754e

CONTACT SECTION



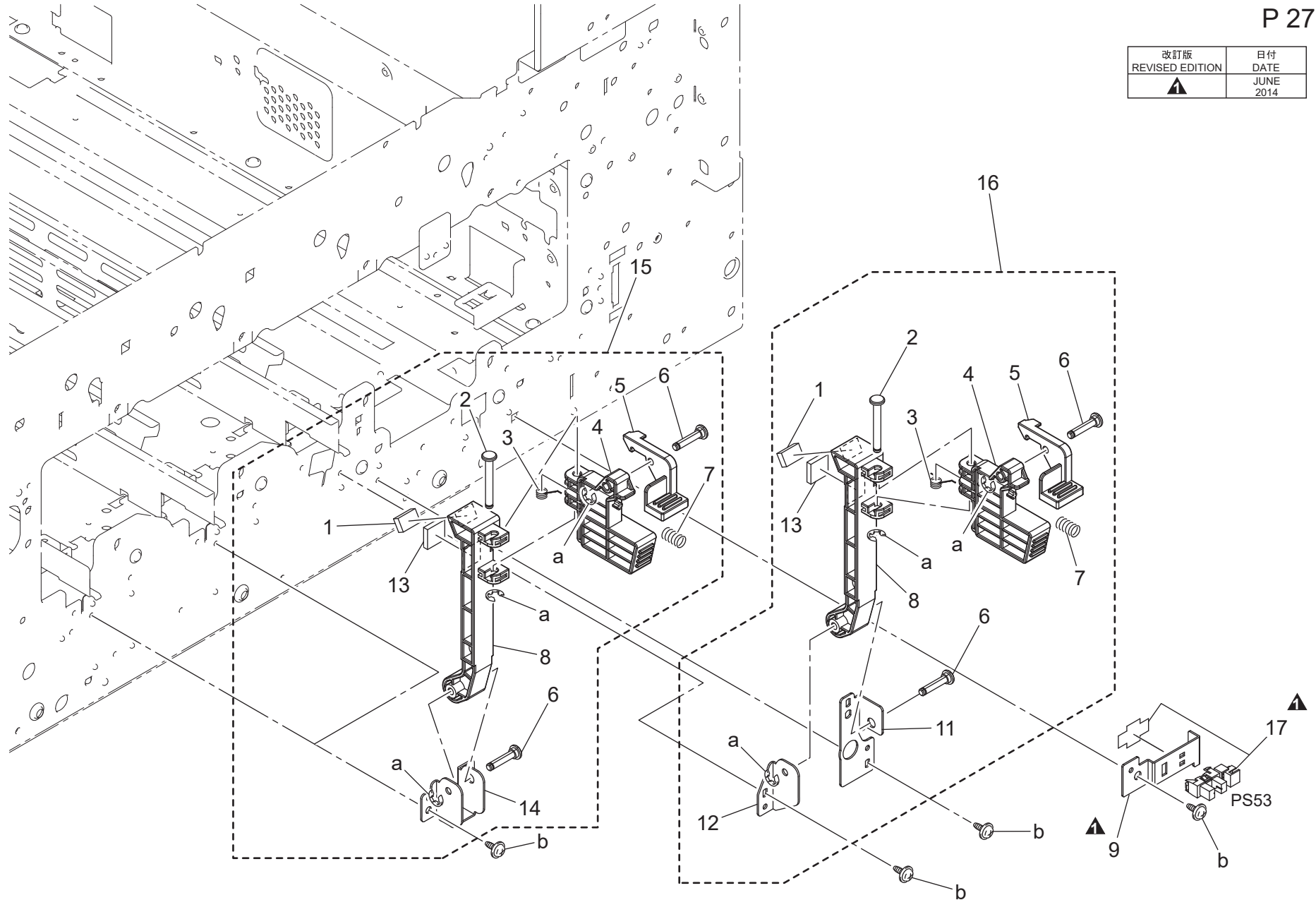
bizhub C654e/bizhub C754e

CONTACT SECTION

Key	Part No.	Description	Destinations	Class	QTY	Standard parts
1	A2X0N13200	Chaging Wiring /C	帯電束線 / C	D	1	a-V116030603 b-V153030803 c-V137030803
2	A2X0N13700	Chaging Wiring /2	帯電束線 / 2 (グリッド K)	D	1	
3	A0P0111900	Compressing Coil spring	圧縮コイルばね	D	2	
4	4004231701	PRESSURE SPRING	圧縮コイルばね	C	2	
5	4036231101	PIN	ピン	D	2	
6	A0P0R71500	Contact2 assy	接点 2 A S S Y	C	2	
7	A00JR73400	TERMINAL 3 ASSY	接点 3 アッセン	C	1	
8	A00J110800	Developing Contact /Front	現像接点 / 前	C	1	
9	A00J112200	Holder /Color	ホルダ / カラー	C	1	
10	A00J110900	Developing Contact /Middle	現像接点 / 中	C	1	
11	A00J115900	Compressing Spring	圧縮ばね	C	1	
12	A00J112800	COVER /YELLOW	カバー / イエロー	C	1	
13	A2X0N13600	Chaging Wiring /1	帯電束線 / 1 (グリッド C)	D	1	
14	A2X0N13300	Chaging Relay harness /K	帯電中継束線 / K	D	1	
15	A2X0N13000	Chaging Wiring /Y	帯電束線 / Y	D	1	
16	A2X0N13100	Chaging Wiring /M	帯電束線 / M	D	1	
17	A00J118200	Contact /Yellow	接点 / イエロー	C	1	
18	A00J118000	Developing Contact /Yellow	現像接点 / イエロー	C	1	
19	A00J118400	Cover /Yellow	カバー / イエロー	C	1	
20	A00JR73800	TERMINAL Y ASSY	接点 Y アッセン	C	1	
21	A00J118300	Contact /Magenta	接点 / マゼンタ	C	1	
22	A00J118100	Developing Contact /Magenta	現像接点 / マゼンタ	C	1	
23	A00J118500	Cover /Magenta	カバー / マゼンタ	C	1	
24	A00JR73900	TERMINAL M ASSY	接点 M アッセン	C	1	
25	A0P0R71800	C/K contact assy	C / K 接点 A S S Y	C	1	

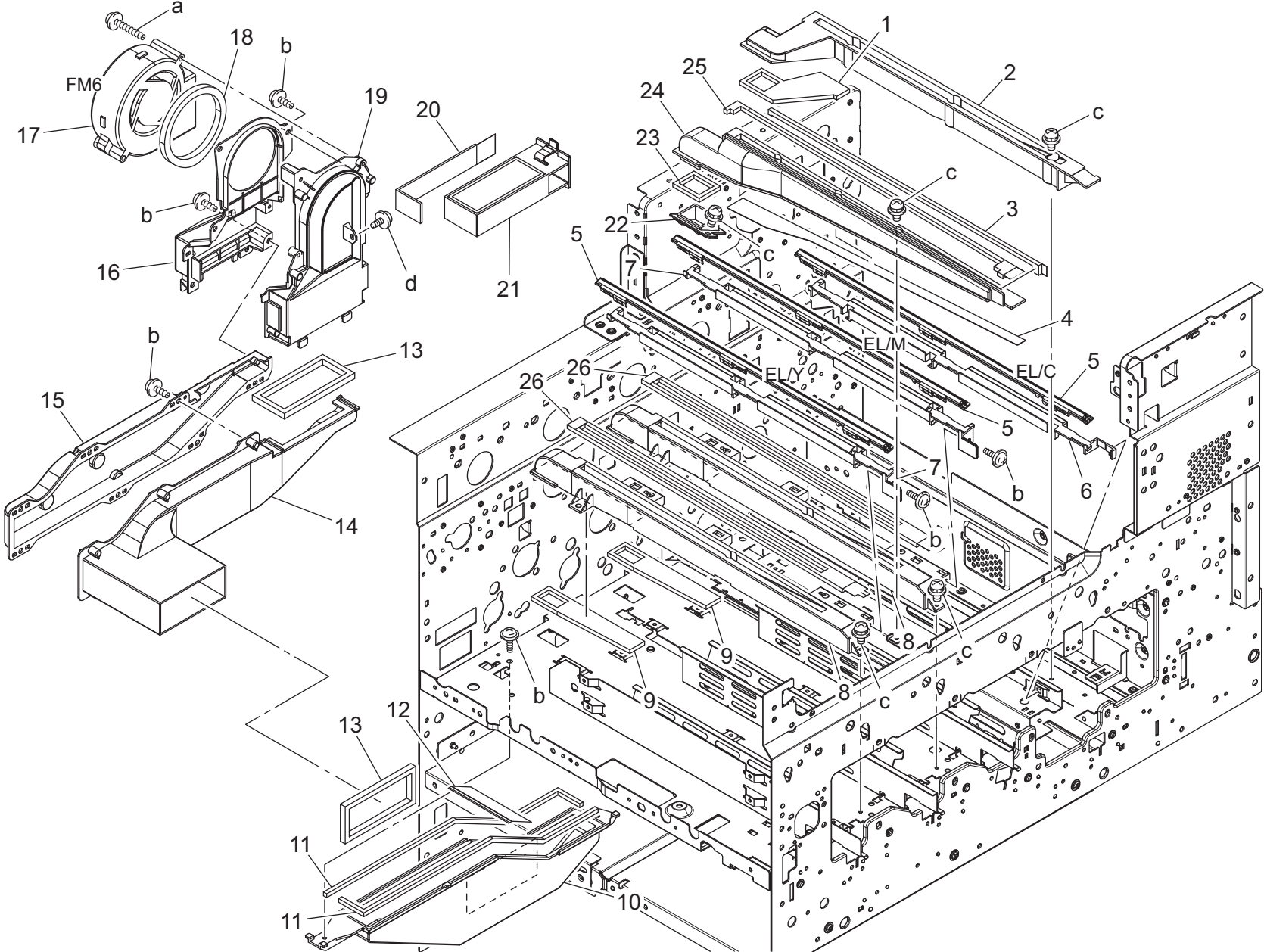
I/U LOCK LEVER SECTION

改訂版 REVISED EDITION	日付 DATE
▲	JUNE 2014



bizhub C654e/bizhub C754e

OZONE DUCT SECTION



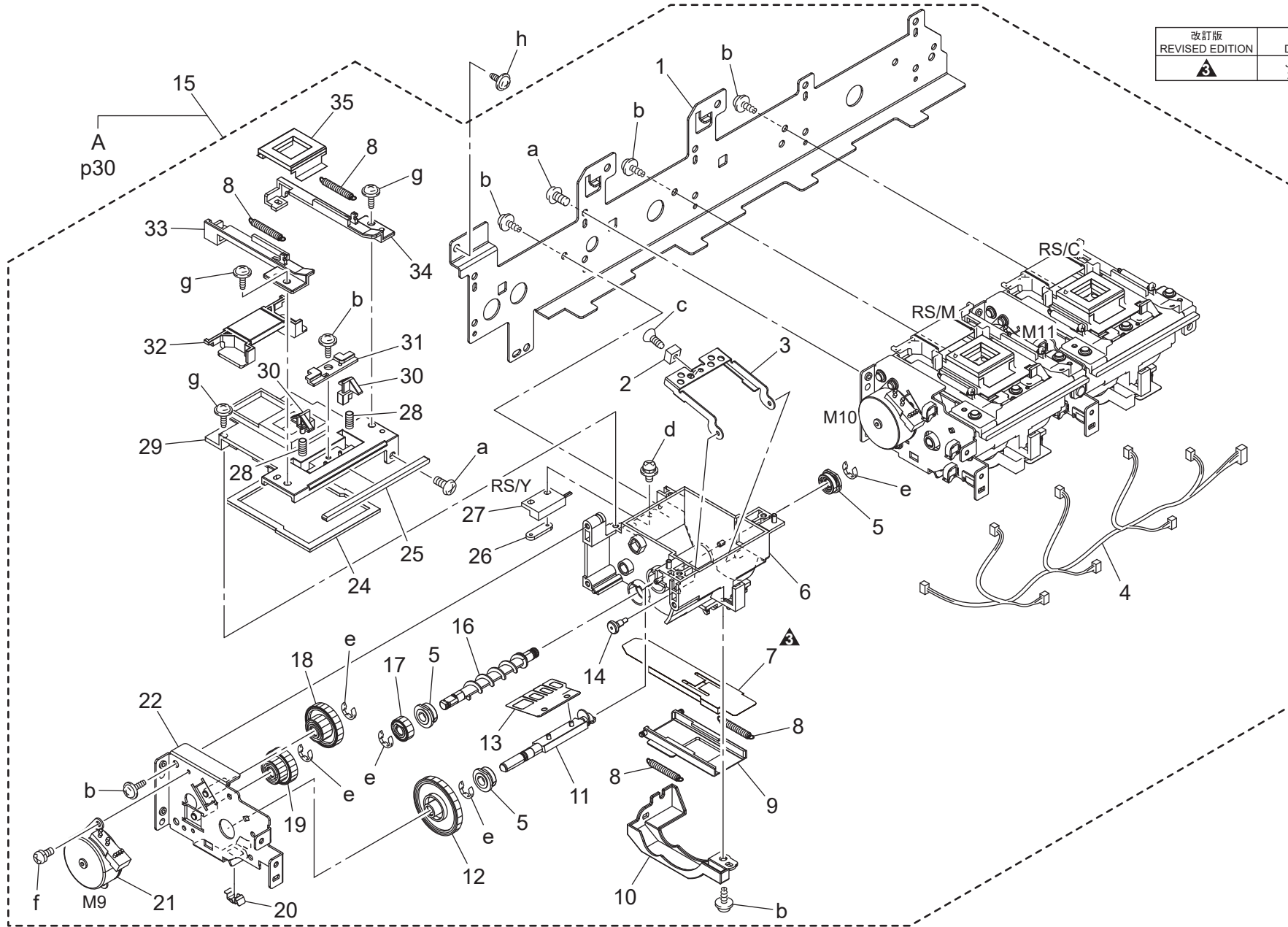
bizhub C654e/bizhub C754e

OZONE DUCT SECTION

Key	Part No.	Description	Destinations	Class	QTY	Standard parts
1	A00J114901	Seal /B		C	1	a-V153044503 b-V153030803 c-V116030603 d-V137030803
2	A0P0113600	Ozone Duct /B		D	1	
3	A00J114401	Seal /A		C	1	
4	A2X0114300	Seal /Cyan		C	1	
5	4036606202	ERASE ASSY		C	3	
6	A00J119600	Positioning Holder /Cyan		C	1	
7	A00J119500	Positioning Holder /Yellow		C	2	
8	A00J113401	Ozone Duct		D	2	
9	A00J114701	Seal		C	2	
10	A00J113800	Ozone Duct /Inside		D	1	
11	A00J116201	Seal /Upper		C	2	
12	A00J116100	Seal /Lower		C	1	
13	A0P0115000	Seal /Inside		C	2	
14	A00J116400	Ozone Duct /Front		D	1	
15	A00J116301	Ozone Duct /Rear		D	1	
16	A0P0119700	Ozone Duct /A		D	1	
17	9313100072	FAN MOTOR		C	1	
18	4036248501	SEAL		C	1	
19	A0P0119800	Ozone Duct /B		D	1	
20	A00J116511	Seal		C	1	
21	A2X0R71E00	Ozone Filter		B	1	
22	A00J117000	Duct /Cyan		C	1	
23	A00J114801	Seal /Cyan		C	1	
24	A2X0113500	Ozone Duct /Cyan		D	1	
25	A00J114502	Seal /B		C	1	
26	A00J114603	Seal		C	2	

TONER SUPPLY SECTION

改訂版 REVISED EDITION	日付 DATE
	JUNE 2016




bizhub C654e/bizhub C754e

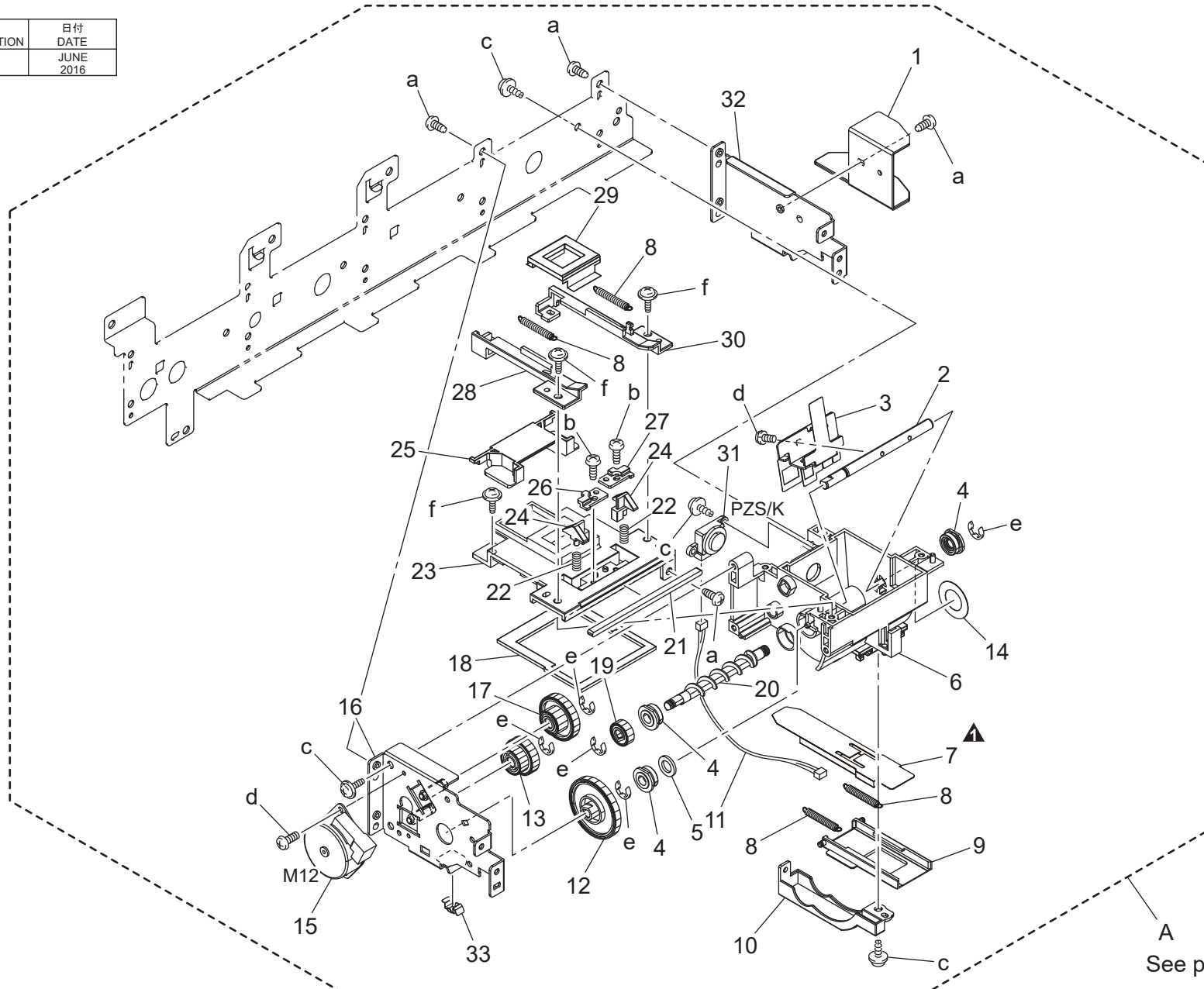
TONER SUPPLY SECTION

Key	Part No.	Description	Destinations	Class	QTY	Standard parts
1	A0P0402501	Mounting Plate /T		D	1	a-V118030803
2	A1UDM90600	Magnet		D	3	b-V153030803
3	A0P0407701	Detecting Plate		D	3	c-V112030803
4	A2X0N12300	Toner Drive harness		D	1	d-V116031003
5	65AA32501	BUSHING /B		C	9	e-V217040001
6	A0P0400100	Supply Casing		D	3	f-V115030803
7	4036534903Old	SEAL		C	3	g-V153031004
7	4036534914	SEAL		C	3	h-V137030603
8	4036534801	TENSION SPRING		C	12	
9	4036534702Old	SHUTTER		C	3	
9	4036534713	Shutter		C	3	
10	A0P0405400	Cover /Lower		D	3	
11	A0P0400600	Agitating Shaft		D	3	
12	A00J401700	Gear 45T		C	3	
13	A0P0400800	Toner supply Sheet		D	3	
14	A0P0407800	Pin		D	3	
15	A2X0R71433	Sub Hopper Assy		C	1	
16	A00J400500	Supply Roller		C	3	
17	A00J401600	Gear 22T		C	3	
18	A00J401900	Gear 17/44T		C	3	
19	A2X0401800	Gear 35/45T		C	3	
20	A2X0401000	Guide Plate		C	3	
21	A00JM12100	Stepping motor		C	3	
22	A2X0F41001	DrivePanel/H		D	3	
24	A0P0402200	Seal /A		D	3	
25	A00J407300	SEAL		C	3	
26	4011533901	PLATE NUT		D	3	
27	9334271011Old	SWITCH		C	3	
27	A1UDM50200	Lead Switch		C	3	
28	A00J401401	Spring /A		C	6	
29	A0P0400301	Cover /Upper		D	3	
30	A00J401200	Regulating Claw		C	6	
31	A0P0406800	Receiving Block		D	3	
32	A00J400401	Shutter /H		C	3	
33	A0P0405600	Guide Cover /Left		D	3	
34	A0P0405500	Guide Cover /Right		D	3	
35	A00J400900	Seal /S		C	3	

bizhub C654e/bizhub C754e

TONER SUPPLY SECTION

改訂版 REVISED EDITION	日付 DATE
	JUNE 2016

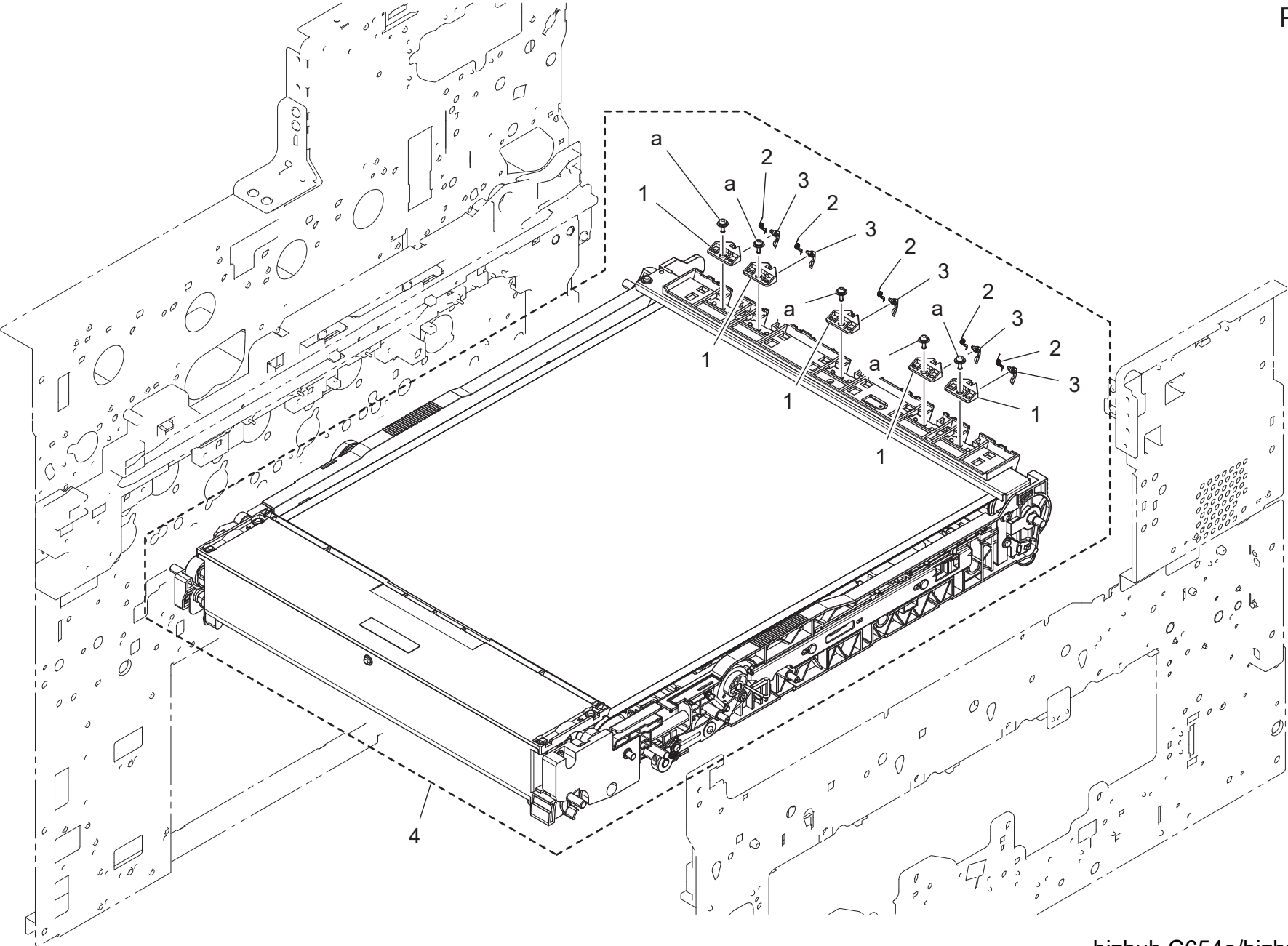


A
See p29-15

bizhub C654e/bizhub C754e

Key	Part No.	Description	Destinations	Class	QTY	Standard parts
1	A0P0406700	Cover		D	1	a-V118030803 b-V145030803 c-V153030803 d-V115030803 e-V217040001 f-V153031004
2	A00J400611	Agitating Shaft		D	1	
3	A00JR74400	AGITAING PANEL		C	1	
4	65AA32501	BUSHING /B		C	3	
5	A00J402300	Seal		C	1	
6	A00J400113	Supply Casing		D	1	
7	4036534903Old	SEAL		C	1	
7	4036534914	SEAL		C	1	
8	4036534801	TENSION SPRING		C	4	
9	4036534702Old	SHUTTER		C	1	
9	4036534713	Shutter		C	1	
10	A00J405400	Cover /Lower		C	1	
11	A00JN12100	TONER RELAY HARNESS/3		D	1	
12	A00J401700	Gear 45T		C	1	
13	A2X0401800	Gear 35/45T		C	1	
14	A0P0401000	Seal		C	1	
15	A00JM12100	Stepping motor		C	1	
16	A2X0F41001	DrivePanel/H		D	1	
17	A00J401900	Gear 17/44T		C	1	
18	A00J402200	Seal /A		C	1	
19	A00J401600	Gear 22T		C	1	
20	A00J400500	Supply Roller		C	1	
21	A00J407300	SEAL		C	1	
22	A00J401401	Spring /A		C	2	
23	A00J400300	Cover /Upper		D	1	
24	A00J401200	Regulating Claw		C	2	
25	A00J400401	Shutter /H		C	1	
26	A00J406801	Receiving Block /Left		C	1	
27	A00J406901	Receiving Block /Right		C	1	
28	A00J405600	Guide Cover /Left		C	1	
29	A00J400900	Seal /S		C	1	
30	A00J405500	Guide Cover /Right		C	1	
31	40AA88031	Level Detection Sensor		C	1	
32	A00J406600	Panel /P		D	1	
33	A2X0401000	Guide Plate		C	1	

TRANSFER UNIT



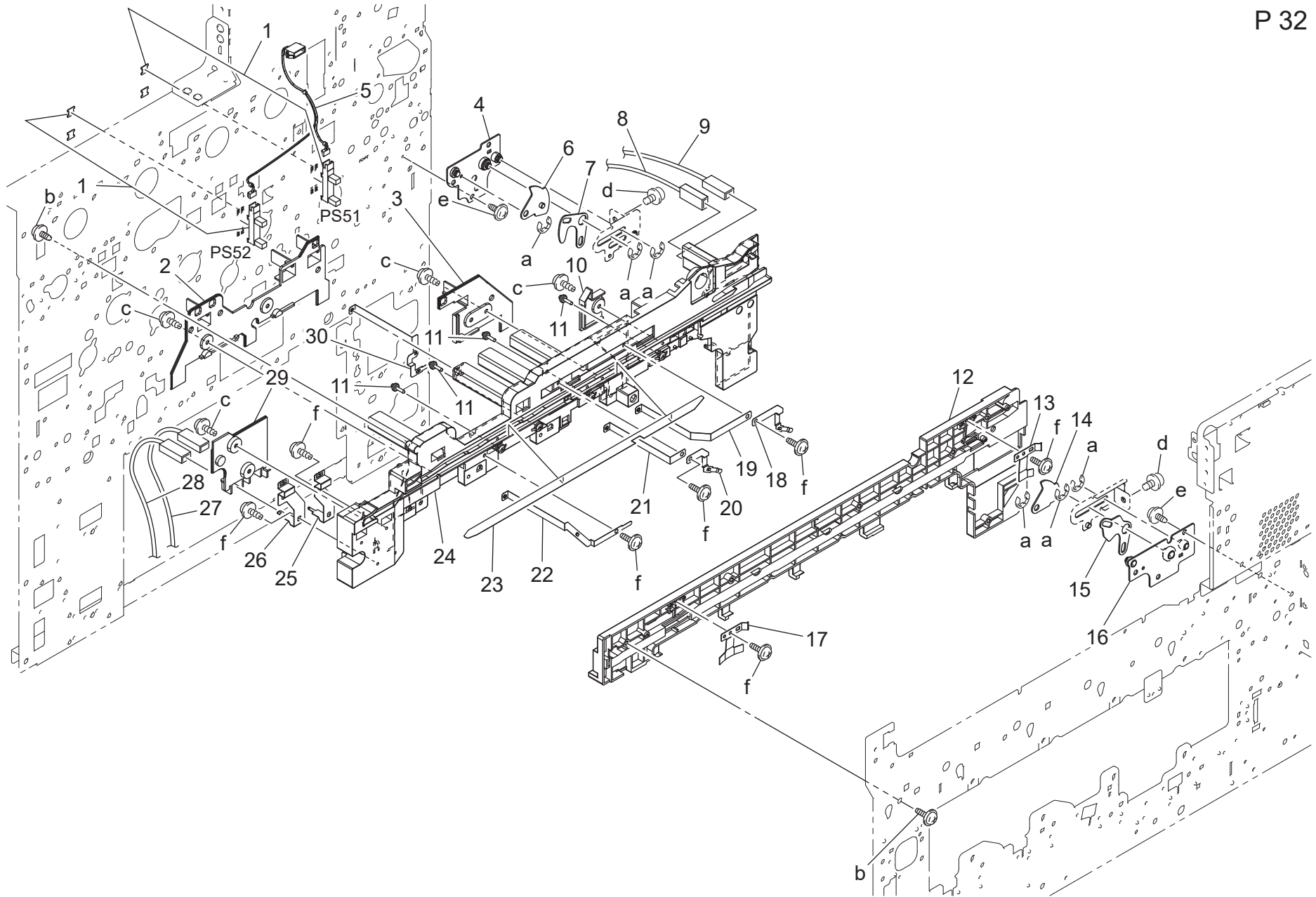
bizhub C654e/bizhub C754e

TRANSFER UNIT

Key	Part No.	Description	Destinations	Class	QTY	Standard parts
1	A0P0502300	Holder		D	5	a-V116030803
2	4163407201	TORSION SPRING		C	5	
3	4036482701	SEPARATOR		C	5	
4	A2X0R70100	Transfer unit		A	1	

bizhub C654e/bizhub C754e

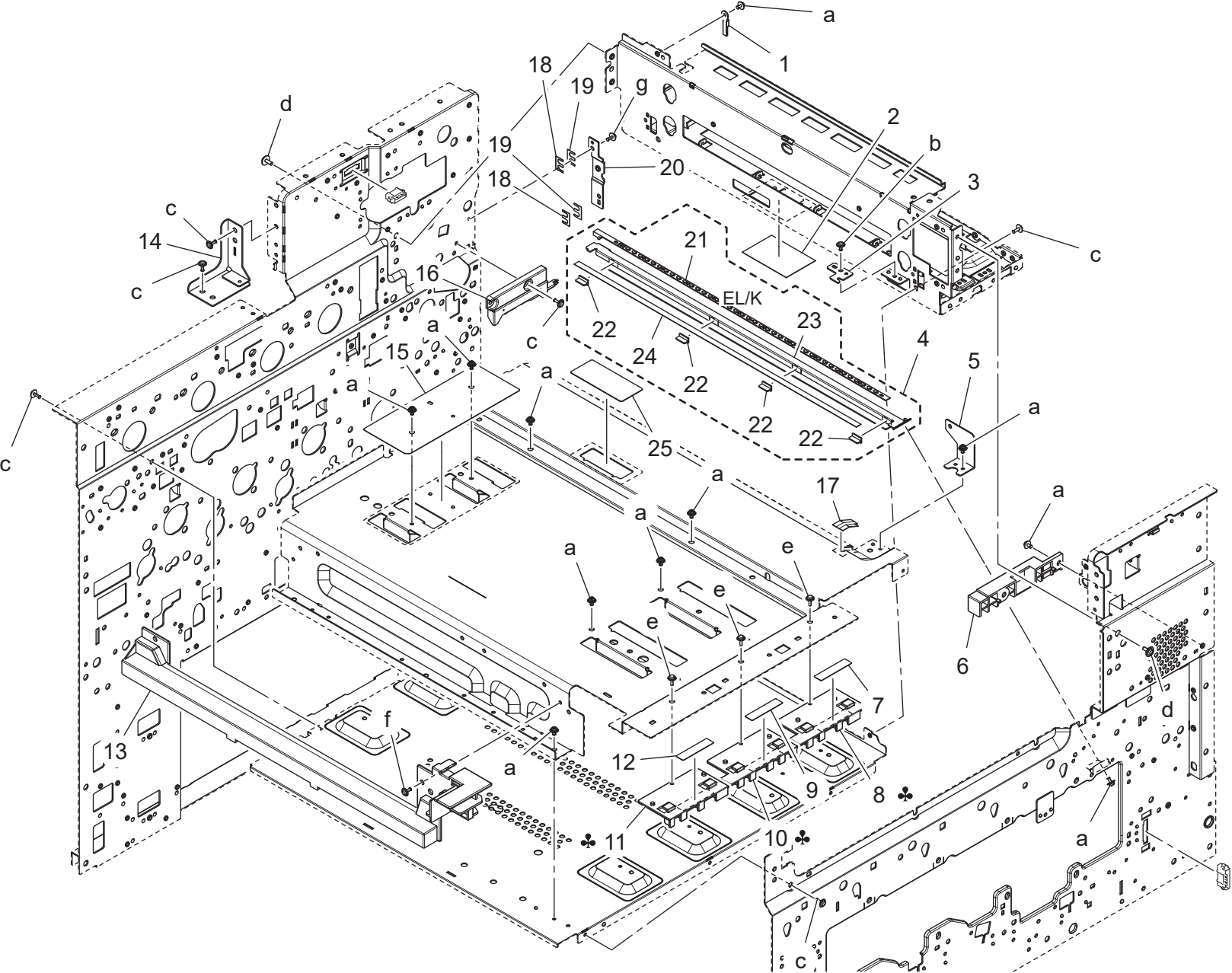
TRANSFER RAIL SECTION



TRANSFER RAIL SECTION

Key	Part No.	Description	Destinations	Class	QTY	Standard parts
1	A00JR90000	PHOTO INTERRUPTER		B	2	a-V217040001 b-V153040803 c-V153030803 d-V116040803 e-V137030603 f-V153030603
2	A00J524201	Cover /2		D	1	
3	A00J524101	Cover /1		D	1	
4	A00JR7A211	PLATE / REAR		D	1	
5	A2X0N12M00	Sensor Relay harness /4		D	1	
6	A00JR7A300	LOCK PLATE / REAR		D	1	
7	A00J523201	Connecting Plate		C	1	
8	A2X0N13C00	Transfer Wiring		D	1	
9	A2X0N13D00	Separating Wiring /E		D	1	
10	A00J524402	Cover /4		C	1	
11	4036231101	PIN		D	4	
12	A00J520102	Transfer Rail /Front		D	1	
13	A00J521601	Plate spring /1		D	1	
14	A00JR7A500	LOCK PLATE / FRONT		D	1	
15	A00J523901	Connecting Plate		D	1	
16	A00JR7A600	PLATE / FRONT		D	1	
17	A00J521701	Plate spring /2		D	1	
18	A00J522600	Contact /Black		C	1	
19	A00J520300	Contact /Black		C	1	
20	A00J522700	Contact /Cyan		C	1	
21	A00J520400	Contact /Cyan		C	1	
22	A00J520600	Contact /Yellow		C	1	
23	A0P0109501	Guide Seal /2		D	1	
24	A00J520206	Transfer Rail /Rear		D	1	
25	A00J520800	Contact		C	1	
26	A00J520900	Contact		C	1	
27	A2X0N13E00	Separating Wiring /1		D	1	
28	A2X0N13F00	Separating Wiring /2		D	1	
29	A00J524300	Cover /3		D	1	
30	A00J520500	Contact /Magenta		C	1	

ERASE LAMP SECTION



bizhub C654e/bizhub C754e

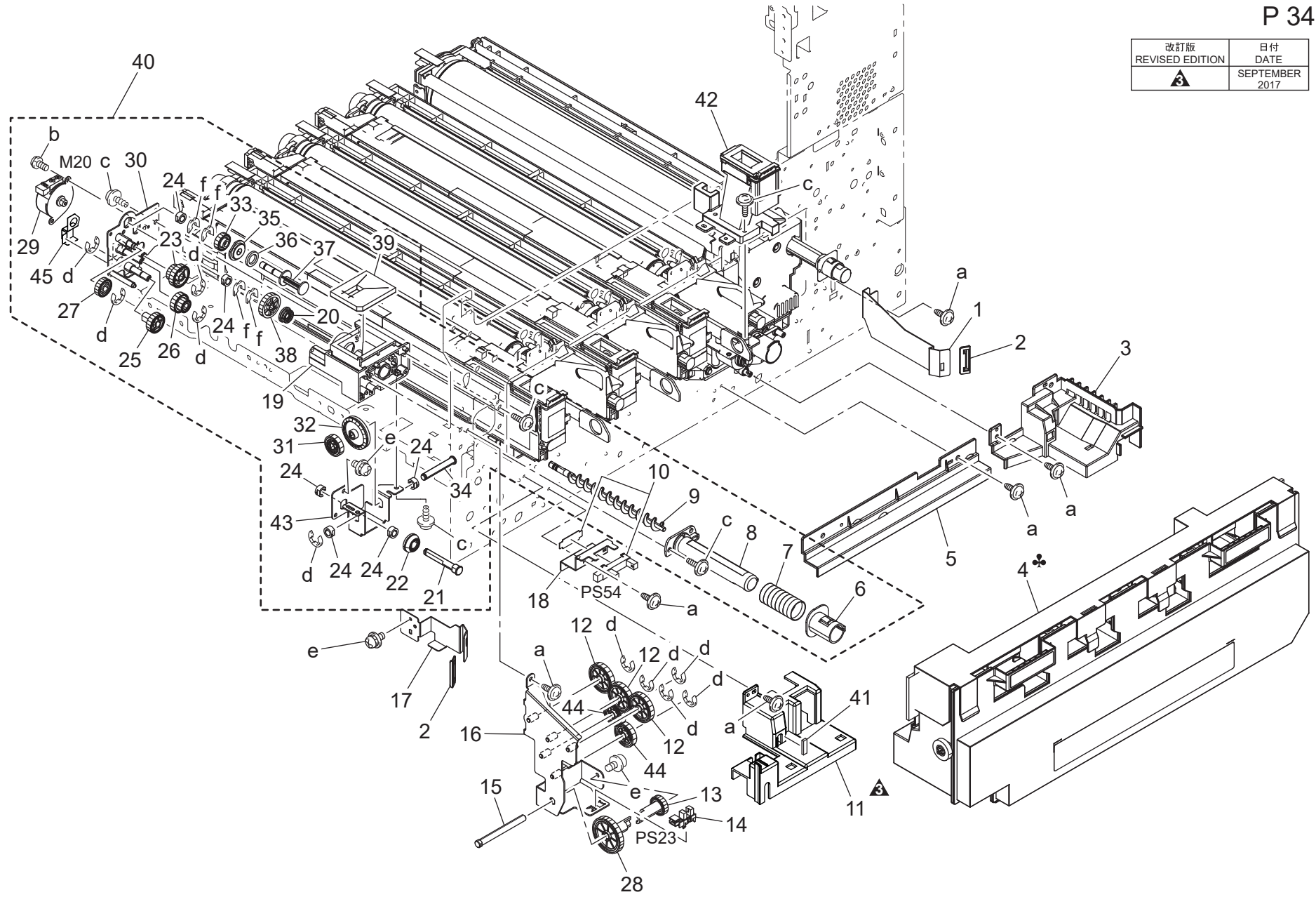
ERASE LAMP SECTION

Key	Part No.	Description	Destinations	Class	QTY	Standard parts
1	A2XKN10J00	Grounding Wiring		D	1	a-V116030603
2	A2X0125400	Protection Sheet		D	1	b-V137030603
3	A00J104700	Mounting Plate		D	1	c-V137030803
4	A00JR73700	ERASER LAMP ASSY		C	1	d-V137040803
5	A00J107001	Mounting Plate		D	1	e-V153030803
6	A2X0102500	Guide Plate /Front		D	1	f-V144030803
7	A2X0948500	Label		C	1	g-V116030803
8	A2X0404901	Regulating Block /Cyan	A,A1	D	1	
8	A2X0406001	Regulating Block /Cyan	B,G2	D	1	
8	A2X0406301	Regulating Block /Cyan	C,D1,D3,E,F2,G1,I,K ,H,J	D	1	
9	A2X0948400	Label		C	1	
10	A2X0405001	Regulating Block /Magenta	A,A1	D	1	
10	A2X0406101	Regulating Block /Magenta	B,G2	D	1	
10	A2X0406401	Regulating Block /Magenta	C,D1,D3,E,F2,G1,I,K ,H,J	D	1	
11	A2X0405101	Regulating Block /Yellow	A,A1	D	1	
11	A2X0406201	Regulating Block /Yellow	B,G2	D	1	
11	A2X0406501	Regulating Block /Yellow	C,D1,D3,E,F2,G1,I,K ,H,J	D	1	
12	A2X0948300	Label		C	1	
13	A00J137105	Cover		D	1	
14	A00J107100	Reinforce Plate		D	1	
15	A1DM403900	Protection Plate		D	1	
16	A2X0102600	Guide Plate /Rear		D	1	
17	A00J107401	Sheet		C	1	
18	A2X0106700	Spacer		D	2	
19	A2X0106800	Spacer		D	2	
20	A2X0100701	Mounting Plate		D	1	
21	A00JM30301	LED array		I	1	
22	A00J145101	Mounting Plate		C	4	
23	A00J145000	Mounting Plate		D	1	
24	A00J145200	Light blocking Part		C	1	
25	A1DM403600	Seal		C	1	

bizhub C654e/bizhub C754e

TONER COLLECT SECTION

改訂版 REVISED EDITION	日付 DATE
	SEPTEMBER 2017

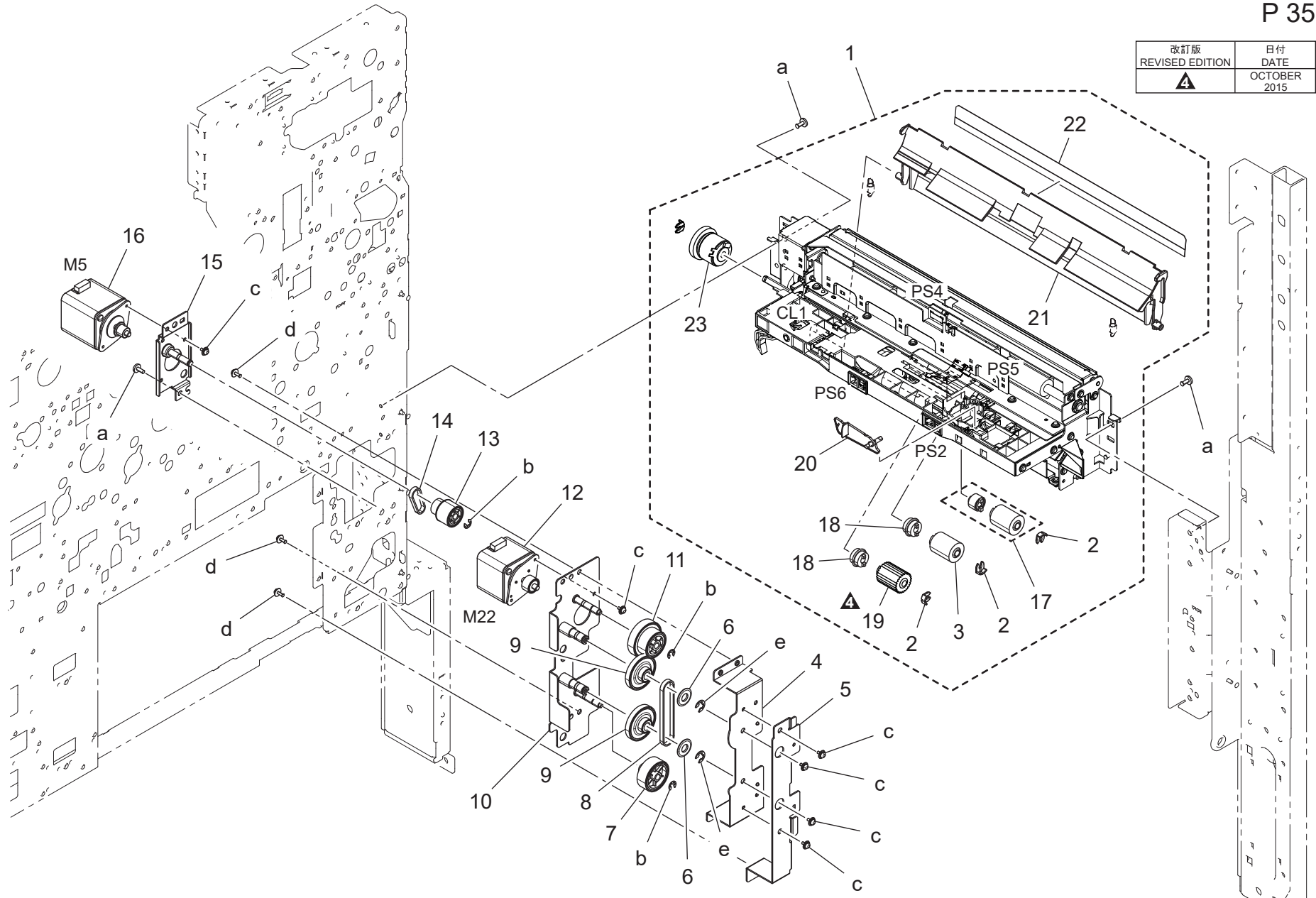


bizhub C654e/bizhub C754e

Key	Part No.	Description	Destinations	Class	QTY	Standard parts
1	A0P0364800	Fixing Plate /Right		D	1	a-V137030603 b-V115030603 c-V153030803 d-V217040001 e-V116030603 f-V218040086
2	A00J365001	Knob		C	2	
3	A0P0366001	Guide Part /Right		D	1	
4	A0XPWY4	Waste Toner Box	D1,D3,E,F2,G1,G2,H, I,K,B(Except BUS),C (Except BEU)	A	1	
4	A0XPWY3	Bottle(Toner Collection)	C(BEU only)	A	1	
4	A0XPWY6	Waste Toner Box	B(BUS only)	A	1	
4	A0XPWY6	Waste Toner Box	A,A1	A	1	
4	A0XPWY4	Waste Toner Box	J	A	1	
5	A0P0366200	Guide Part /Middle		D	1	
6	A00J361101	Collection Shutter		C	1	
7	A00J361200	Compressing Spring		C	1	
8	A00J361700	Collection Pipe		C	1	
9	A00J360800	Conveyance Screw		C	1	
10	4037090101	PHOTO INTERRUPTER		B	1	
11	A0P0366102	Guide Part /Left		D	1	
12	A0P0362900	Gear 27T		D	3	
13	A0P0364100	Drive Gear /10 17T		D	1	
14	A108M50100Old	Photointerrupter		B	1	
14	A5C1M50100	Photointerrupter		B	1	
15	A0P0364200	Shaft		D	1	
16	A2WUR70411	Fixing Plate		D	1	
17	A0P0364900	Fixing Plate /Left		D	1	
18	A0P0366301	Mounting Plate		D	1	
19	A0P0360700	Collection Casing		D	1	
20	65AA32501	BUSHING /B		C	1	
21	A00J361900	Drive Shaft /2		D	1	
22	A00J362700	Gear 20T		C	1	
23	A00J363000	Gear 38/35T		C	1	
24	A0P0364000	Bushing		C	6	
25	A00J362500	Gear 30T		C	1	
26	A00J362400	Gear 30/20T		C	1	
27	A0P0368500	Gear 28T		C	1	
28	A2WU364100	Gear 34T		D	1	
29	A00JM12100	Stepping motor		C	1	
30	A0P0361000	Mounting Plate /ASSY		D	1	
31	A00J362600	Gear 18T		C	1	
32	A00J362800	Gear 40T		C	1	
33	A0P0368400	Gear26T		D	1	
34	A00J361800	Drive Shaft /1		D	1	
35	A0P0368200	Bushing		D	1	
36	A0P0368600	Seal		D	1	
37	A0P0368100	Agitating Paddle		D	1	
38	A00J361000	Gear 38T		C	1	
39	A00J365402	Sealing Shutter		C	1	
40	A0P0R71333	Toner collection assy		C	1	
41	A0P0366400	Seal		C	1	
42	A2X0R71F00	Toner Supply Duct Assy		C	1	
43	A0P0361100	Mounting Plate /2		D	1	
44	A2WU362900	Gear 22T		D	2	
45	A0P0361501	Seal		C	1	

1ST PAPER FEED SECTION

改訂版 REVISED EDITION	日付 DATE
4	OCTOBER 2015



bizhub C654e/bizhub C754e

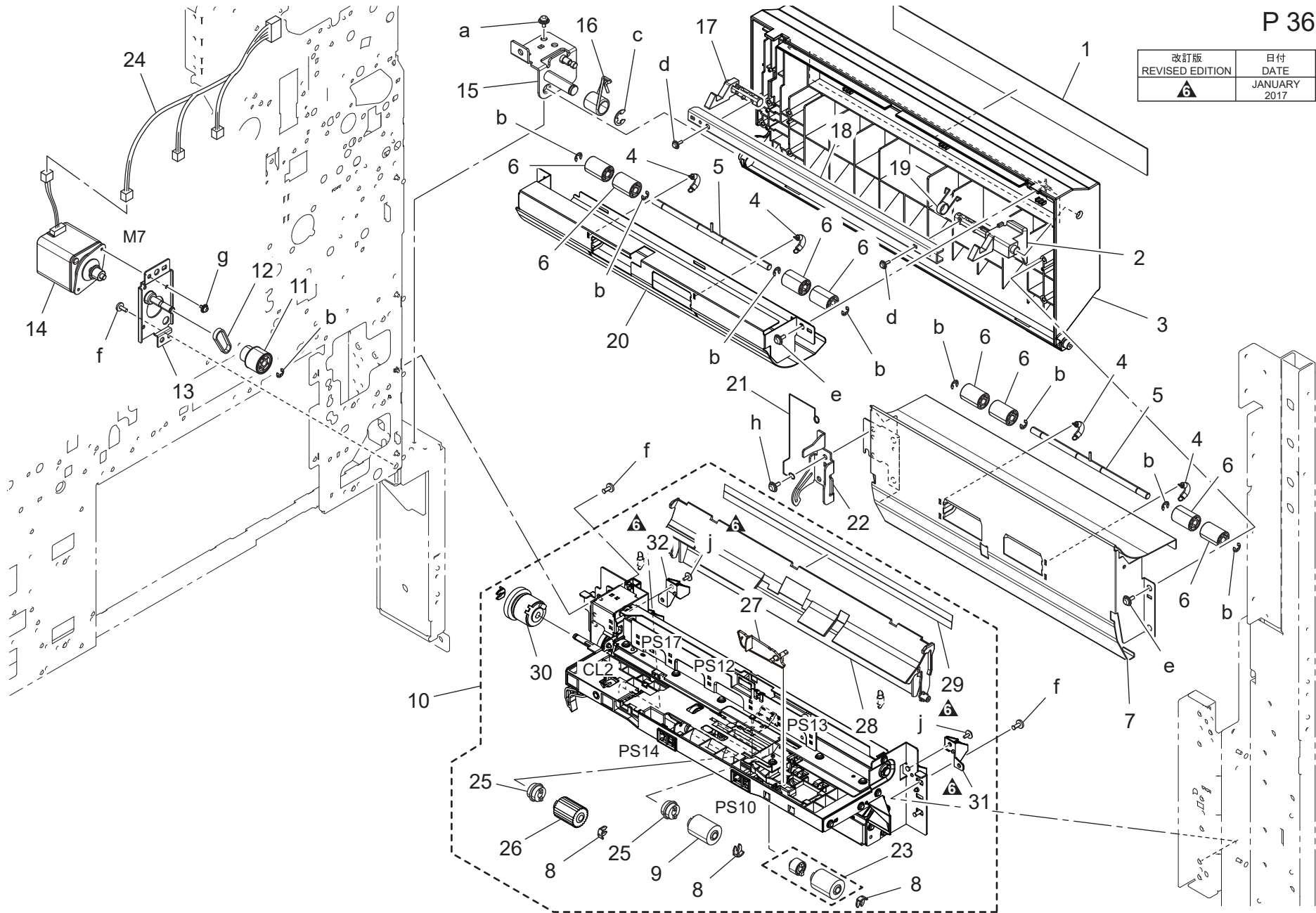
1ST PAPER FEED SECTION

Key	Part No.	Description	Destinations	Class	QTY	Standard parts
1	A2X0R70E11	Paper Feed 1 Assy		C	1	a-V118040803
2	56AA40490	SHAFT STOPPER 4		C	3	b-V217040001
3	A00J563600	Roller		A	1	c-V116030603
4	A00J562514	Mounting Plate /1		D	1	d-V116030803
5	A2X0624212	Mounting Plate		D	1	e-V217060001
6	A00J566300	Washer		C	2	
7	A00J562400	Gear 28T		C	1	
8	A00J562800	Timing belt 160L		C	1	
9	A00J562300	Gear 22/32T		C	2	
10	A2X0R70P00	Mounting Plate Assy		D	1	
11	A00J562200	Gear 24/42T		C	1	
12	A2X0M10100	Stepping motor		C	1	
13	A0P0570400	Gear 24T		C	1	
14	A0HT811400	Timing belt 76L		D	1	
15	A0P0R7A111	Frame/Drive Moter		D	1	
16	A2X0M10300	Stepping motor		C	1	
17	A2X0R90100	Separation Roller Kit		A	1	
18	A00J563500	Clutch		C	2	
19	A5C1562200	Roller		A	1	
20	A161561600	Actuator		C	1	
21	A2X0574301	Guide Part		D	1	
22	A00J567211	Guide Part		C	1	
23	57AA82030	CONVEYANCE DRIVE CLUTCH		B	1	

bizhub C654e/bizhub C754e

2ND PAPER FEED SECTION

改訂版 REVISED EDITION	日付 DATE
▲	JANUARY 2017



bizhub C654e/bizhub C754e

2ND PAPER FEED SECTION

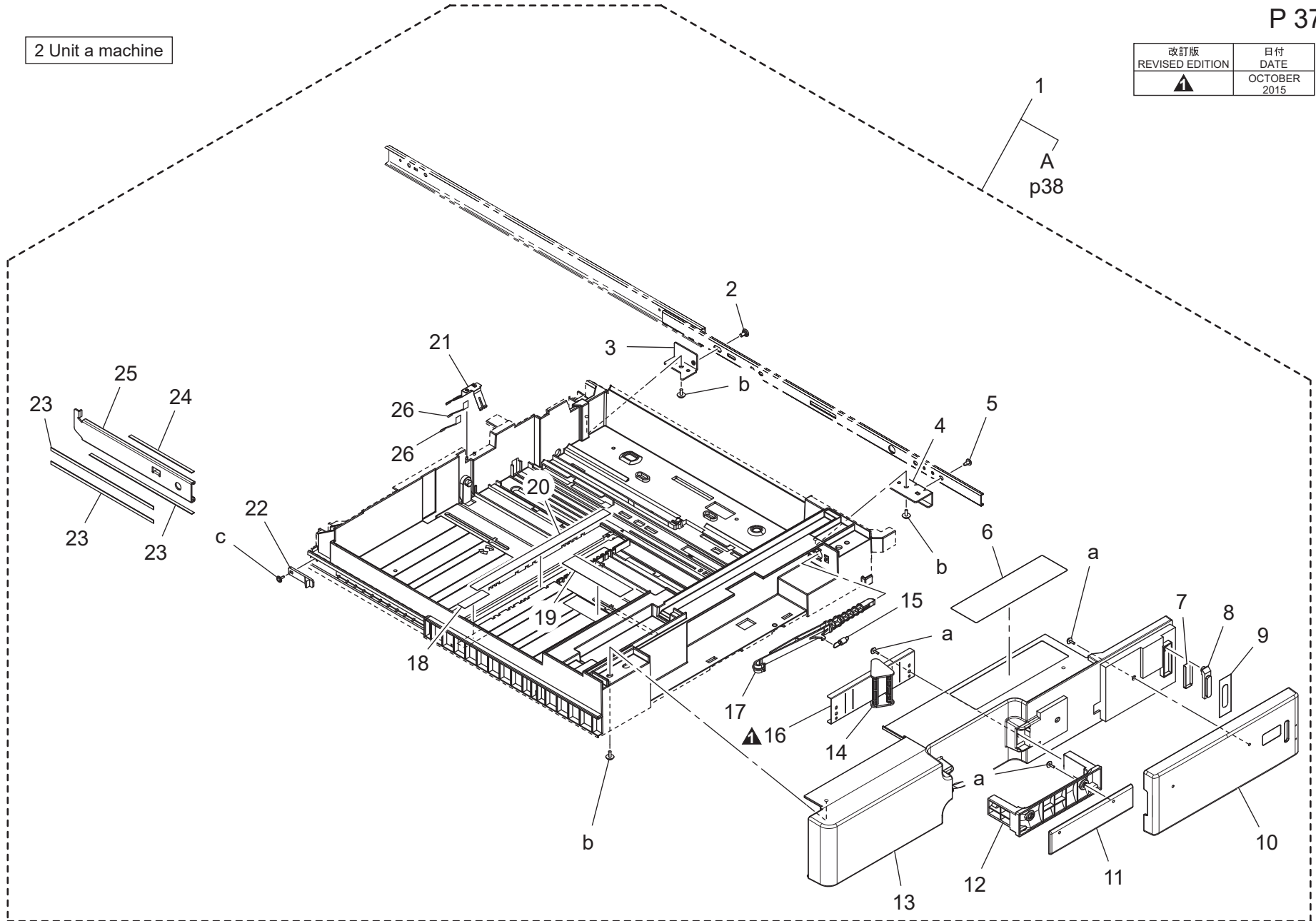
Key	Part No.	Description	Destinations	Class	QTY	Standard parts
1	A00J574611	Attaching Cover		C	1	a-V116040803
2	A00J573712	Lock Claw /Front		C	1	b-V217040001
3	A00J571715	Paper feed Door /Lower		C	1	c-V217080001
4	A00J574500	PULLING SPRING /LOWER		C	4	d-V153030803
5	A00J574100	IDLER SHAFT		D	2	e-V153040803
6	4030312201	ROLL		C	8	f-V118040803
7	A0P0571911	Guide Plate /Lower		D	1	g-V116030603
8	56AA40490	SHAFT STOPPER 4		C	3	h-V153041003
9	A00J563600	Roller		A	1	j-V137030603
10	A2X0R70J11	Paper Feed 2 Assy		C	1	
11	A0P0570400	Gear 24T		C	1	
12	A0HT811400	Timing belt 76L		D	1	
13	A0P0R7A111	Frame/Drive Moter		D	1	
14	A2X0M10300	Stepping motor		C	1	
15	A0P0573100	Mounting Plate		C	1	
16	A0P0575500	Torsion Spring		D	1	
17	A00J573801	Lock Claw /Rear		C	1	
18	A00J573900	MOUNTING PLATE		D	1	
19	A00J566600	Torsion Spring		C	1	
20	A0P0571812	Guide Plate /Upper		D	1	
21	A2X0568400	Ground Contact		D	1	
22	A00J573601	Stopper Door		D	1	
23	A2X0R90100	Separation Roller Kit		A	1	
24	A2X0N10F00	Paperfeed Drive harness		D	1	
25	A00J563500	Clutch		C	2	
26	A5C1562200	Roller		A	1	
27	A161561600	Actuator		C	1	
28	A2X0574301	Guide Part		D	1	
29	A00J561000	Guide Part		C	1	
30	57AA82030	CONVEYANCE DRIVE CLUTCH		B	1	
31	A2X0577500	Lock Catch /1		D	1	
32	A2X0577600	Lock Catch /2		D	1	

CASSETTE TRAY

2 Unit a machine

P 37

改訂版 REVISED EDITION	日付 DATE
	OCTOBER 2015



bizhub C654e/bizhub C754e

CASSETTE TRAY

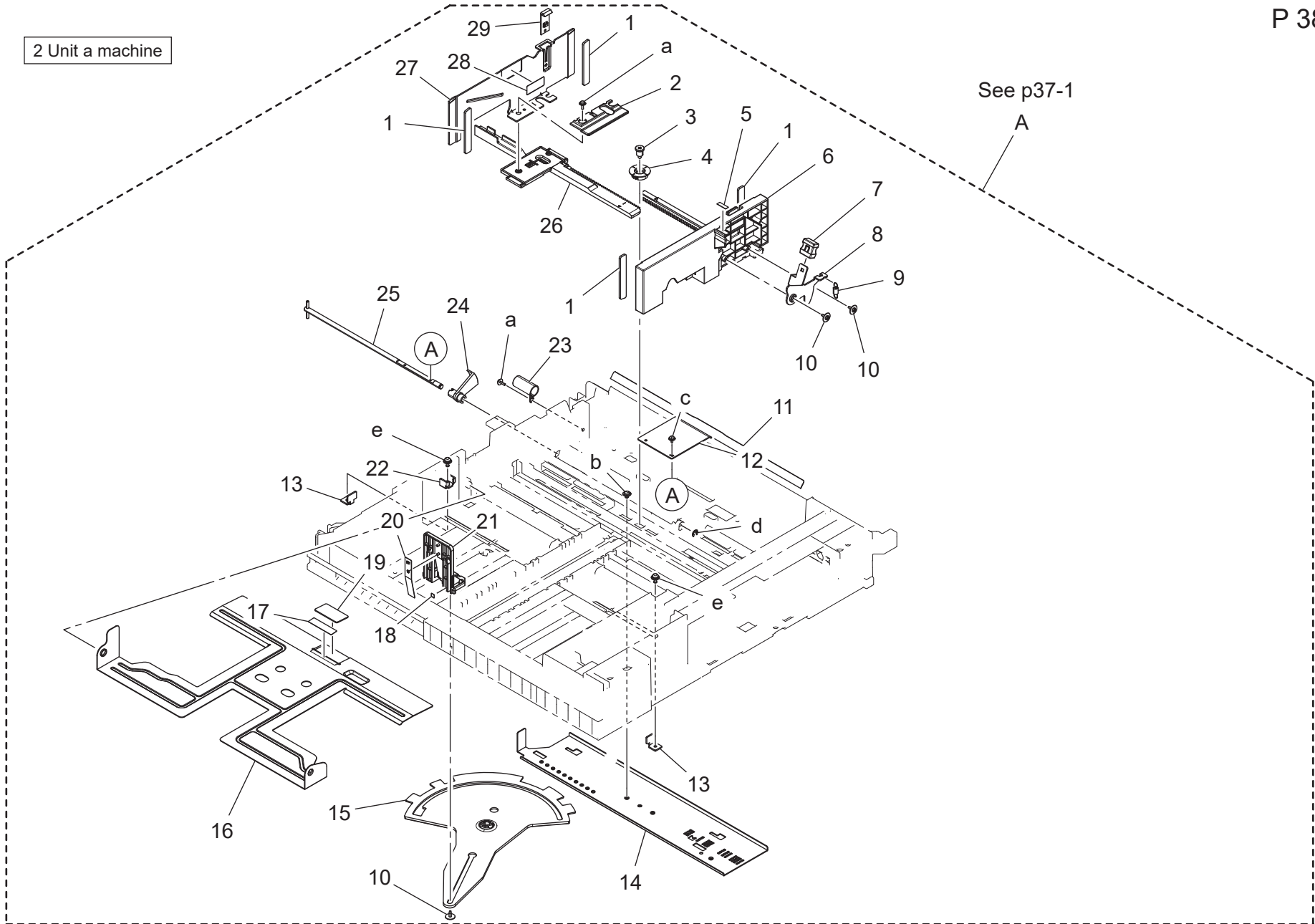
Key	Part No.	Description	Destinations	Class	QTY	Standard parts
1	A2X0F6201D	cassette		C	2	a-V153030803 b-V153041003 c-V153031003
2	A00J631700	Screw	カセット A s s y	C	2	
3	A2X0631400	Mounting Plate	ねじ	D	2	
4	A2X0631300	Mounting Plate	取付板	D	2	
5	1151330001	SCREW	取付板	C	2	
6	A161943802	Label	ねじ	C	2	
7	A161626200	Sheet	ラベル (用紙補給)	D	2	
8	A161626000	Lens	シート (反射板)	D	2	
9	A161626100	Light blocking Sheet	レンズ (ライトガイド・給紙)	D	2	
10	A2X0170901	Cover	遮光シート	C	2	
11	A161625900	Cover	カバー (パレット・カセット)	C	2	
12	A161626900	Handle	カバー (カセット取手)	C	2	
13	A2X0160702	Cover	取手 (カセット)	C	2	
14	A161626602	Lever	カバー (カセット)	C	2	
15	A161626800	Pulling Coil spring	レバー (解除)	C	2	
16	A7AH624300	Holder	引張りコイルばね (ロックレバー)	D	2	
17	A2X0624001	Lever	ホルダ	C	2	
18	A161943500	Label	レバー (ロック)	C	2	
19	A161943601	Label	ラベル (FD スケール)	C	2	
20	A00J942202	Label FD	ラベル (CD スケール)	C	2	
21	A161622100	Ground Plate	ラベル FD	D	2	
22	A00J631100	Stopper	アース板 (カセット)	C	2	
23	A00J630500	Guide Sheet	ストッパ	C	6	
24	A00J631900	GUIDE SHEET/2	ガイドシート	C	2	
25	A2X0631000	Mounting Plate	ガイドシート/2	D	2	
26	A55V624700	Protection Sheet	取付板	C	4	

CASSETTE TRAY

2 Unit a machine

See p37-1

A



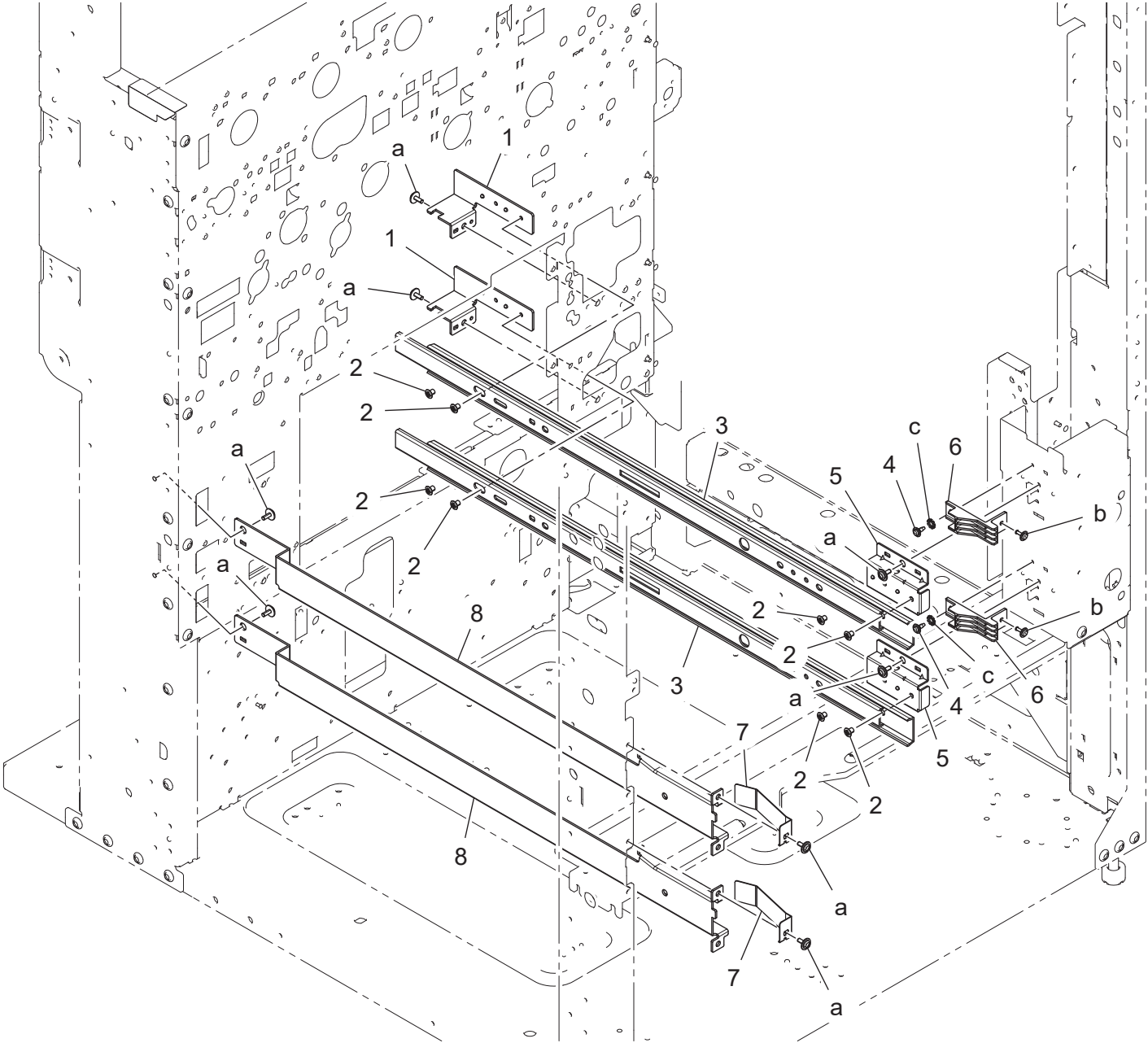
bizhub C654e/bizhub C754e

CASSETTE TRAY

Key	Part No.	Description	Destinations	Class	QTY	Standard parts
1	A02E622700	Cushion	クッション (ガイド)	C	8	a-V153030803 b-V144040603 c-V116030603 d-V217040001 e-V125041003
2	A2X0624400	Cover	カバー	C	2	
3	A161620600	Shoulder screw	段ねじ	D	2	
4	A161620701	Gear	ギア	D	2	
5	A161943000	Label	ラベル	C	2	
6	A161620803	Regulating Plate /Front	規制板 /前	C	2	
7	4037320401	KNOB	つまみ	C	2	
8	A161621300	Lever	レバー	D	2	
9	A0ED621400	Pulling Coil spring	引張りコイルばね	D	2	
10	4163529301	SCREW	ねじ	C	6	
11	A0ED620200	Guide	ガイド (前さばき)	C	2	
12	4030320601	LEVER	レバー	D	2	
13	A2X0624500	Stopper	ストッパ (規制板)	D	4	
14	A161621900	Mounting Plate	取付板	D	2	
15	A2X0621411	Lever	レバー	C	2	
16	A161620400	Lifting Plate	押上げ板	D	2	
17	A00J623400	FRICION PLATE	摩擦板	C	2	
18	A02E940300	Label	ラベル	C	2	
19	4030322601	FRICION SHEET	摩擦板	C	2	
20	A161621800	Plate spring	板ばね	C	2	
21	A161621701	Regulating Plate	規制板 (後端)	C	2	
22	A2X0624600	Stopper /2	ストッパ /2 (規制板)	D	2	
23	A2X0624300	Compressing Coil spring	圧縮コイルばね	C	2	
24	A0P0623700	Lever	レバー	C	2	
25	A2X0621600	Lifting Shaft	押上げ軸	D	2	
26	A161621100	Rack	ラック	C	2	
27	A2X0620901	Regulating Plate /Rear	規制板 /後	C	2	
28	4002730601	LABEL CARRYING CAPACITY	ラベル 積載量	C	2	
29	4537331701	GUIDE	ガイド	D	2	

bizhub C654e/bizhub C754e

CASSETTE RAIL SECTION



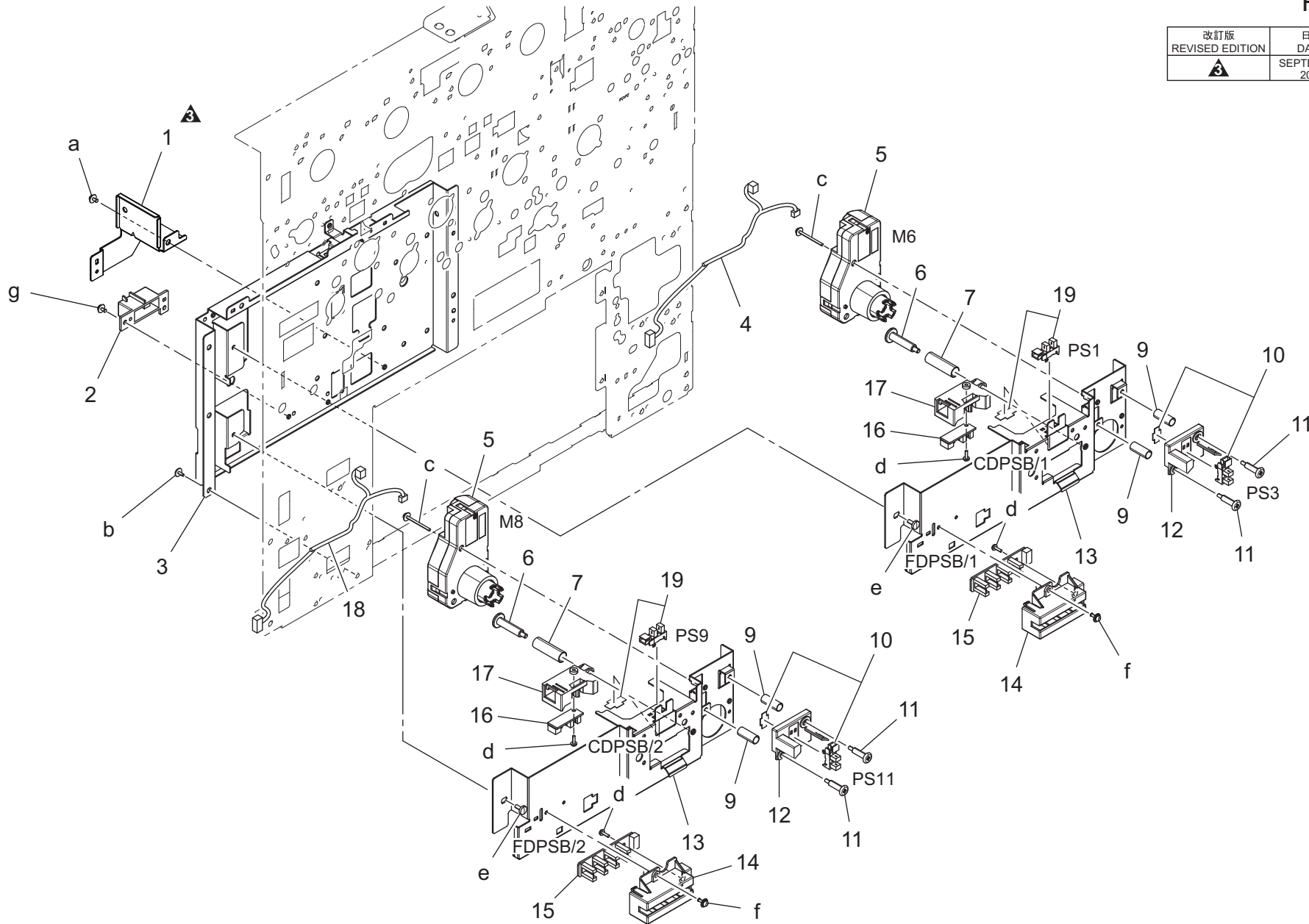
CASSETTE RAIL SECTION

Key	Part No.	Description	Destinations	Class	QTY	Standard parts
1	A2X0630800	Mounting Plate		D	2	a-V137040803 b-V137030803 c-V209040003
2	A00J618400	Screw		C	8	
3	A00J631204	Slide Rail /A		D	2	
4	4036141001	SHOULDER SCREW		C	2	
5	A2X0631600	Mounting Plate /Front		D	2	
6	A2X0624101	Lock Holder		C	2	
7	A00J631800	HOLDING PLATE		D	2	
8	A00J630102	Mounting Plate		D	2	

bizhub C654e/bizhub C754e

SIZE DETECTING SECTION

改訂版 REVISED EDITION	日付 DATE
	SEPTEMBER 2017



SIZE DETECTING SECTION

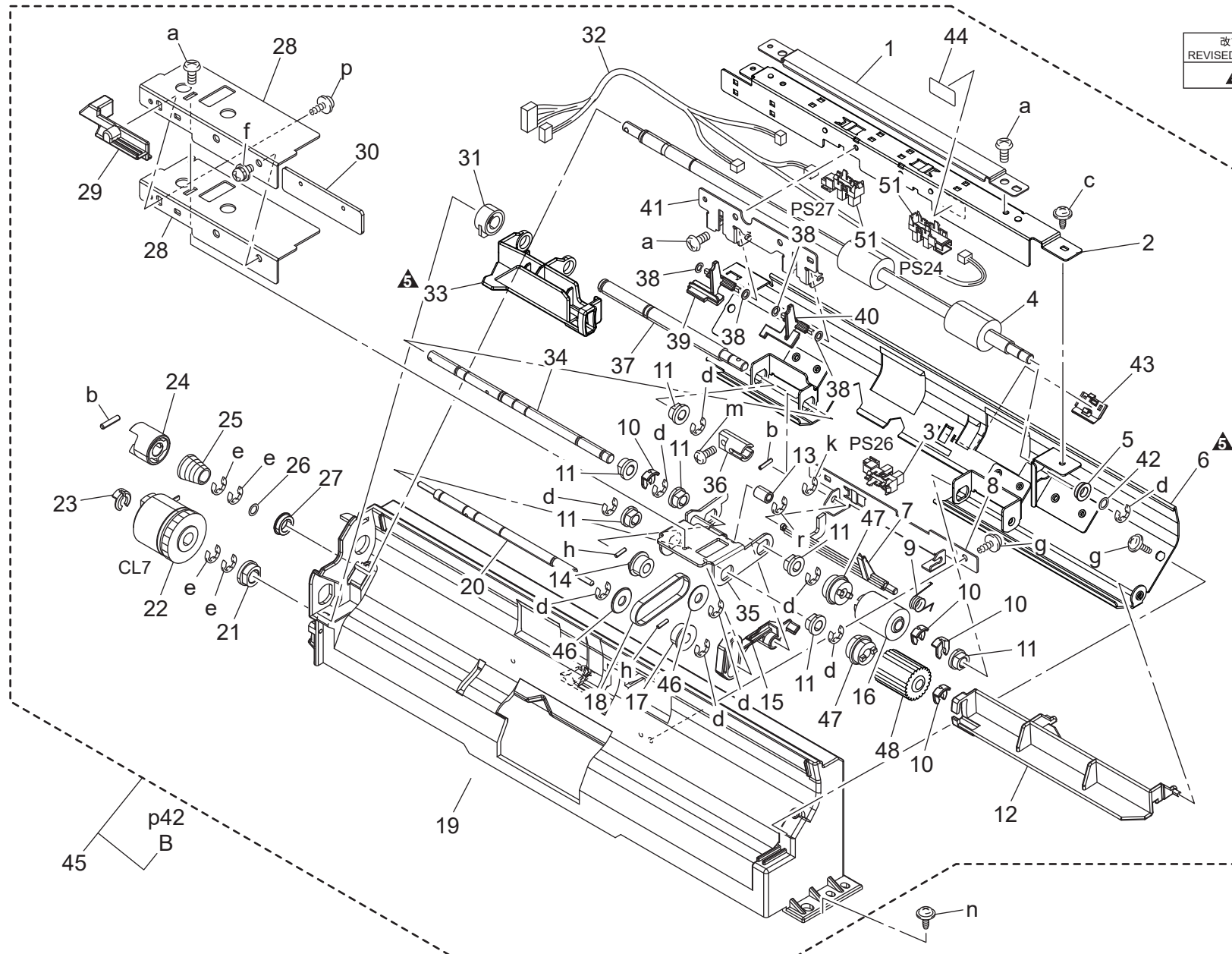
Key	Part No.	Description	Destinations	Class	QTY	Standard parts
1	A0P0138602	Cover		D	1	a-V116030603 b-V137030603 c-V116033003 d-V145030803 e-V118040803 f-V116030803 g-V137030803
2	A00J133200	Rail /Left		C	1	
3	A00J575302	Mounting Plate		D	1	
4	A2X0N11600	Paperfeed Relay harness /1		D	1	
5	A2X0M12001	Brush motor		C	2	
6	4002313101	SHOULDER SCREW		C	2	
7	4002311002	Pressure Spring		C	2	
9	4030308104	Pressure Spring		C	4	
10	A108R90000	PHOTO INTERRUPTER		I	2	
11	4030322402	SHOULDER SCREW		C	4	
12	4030308301	HOLDER		D	2	
13	A2X0575100Old	Mounting Plate		D	2	
13	A2X0575101	Mounting Plate		D	2	
14	A161628013	Holder		C	2	
15	A161M50600	Photointerrupter		C	2	
16	A161M50501	Photointerrupter		C	2	
17	A161627500	Holder		C	2	
18	A2X0N11700	Paperfeed Relay harness /2		D	1	
19	A108R90000	PHOTO INTERRUPTER		I	2	

bizhub C654e/bizhub C754e

1000-SHEET PAPER FEED SECTION

P 41

改訂版 REVISED EDITION	日付 DATE
	SEPTEMBER 2017



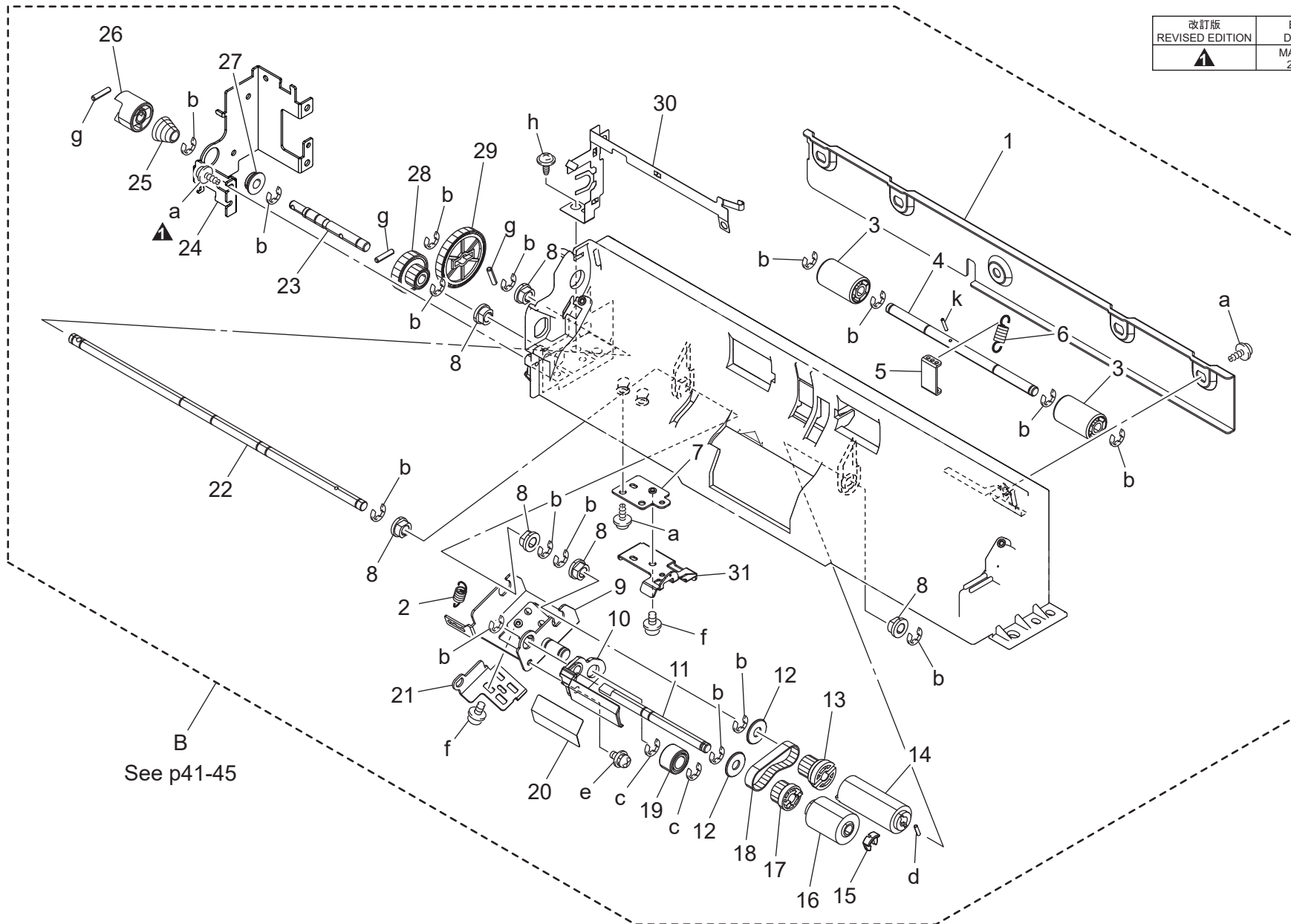
bizhub C654e/bizhub C754e

1000-SHEET PAPER FEED SECTION

Key	Part No.	Description	Destinations	Class	QTY	Standard parts
1	A00J618101	Cover		D	1	a-V118030603
2	A00J601202	Paper feed Cover /1		D	1	b-V233201050
3	A108M50100	Photointerrupter		B	1	c-V127030603
4	A00J605522	Conveyance Roller		C	1	d-V217040001
5	A00J617800	Ball Bearing		B	1	e-V217060001
6	A00J600315	Guide Assy draw /1		D	1	f-V116030803
7	A00J603300	Detection Actuator /2		C	1	g-V153030803
8	A00J603201	Mounting Plate		D	1	h-V231200850
9	A00J605001	Torsion Spring		C	1	k-V218030086
10	56AA40490	SHAFT STOPPER 4		C	4	m-V118030403
11	A00J663200	Bushing		C	7	n-V127030803
12	A00J600600	Regulating Plate /Front		C	1	p-V153031003
13	A0TJ602900	Pulley /3		D	1	r-V217030001
14	A0TJ602800	Pulley /2		D	1	
15	A00J604301	Actuator		C	1	
16	A00J563600	Roller		A	1	
17	A0TJ603000	Pulley /1		D	1	
18	A00J602700	Timing belt 102L		C	1	
19	A00J600205	Paper feed Base frame /2		D	1	
20	A2X0603000	Shaft		D	1	
21	A03U812800	Slide Shaft Holder		B	1	
22	56AA82012	Paper Feed Drive Clutch		B	1	
23	55VA42120	Shaft Stopper		C	1	
24	A2X0605800	Paper feed Coupling		C	1	
25	A00J605411	Pressing Spring		C	1	
26	A00J660700	Washer		D	1	
27	A00J617900	Ball Bearing		B	1	
28	A00J603102	Auxiliary Part		D	2	
29	A00J618300	Handle		C	1	
30	A00J619400	Auxiliary Part /2		C	1	
31	56AA40380	PAPER FEED REGULATING BLOCK		B	1	
32	A00JN11E01	PFU Relay harness /5		D	1	
33	A00J600401	Regulating Plate /Rear		C	1	
34	A2X0604200	Paper feed Shaft		D	1	
35	A2X0667500	Holder		D	1	
36	A00J600500	Coupling		C	1	
37	A00J600800	Paper feed Shaft /1		D	1	
38	15AG50280	PUNCH SPACER		C	4	
39	A00J600701	Detection Actuator /1		C	1	
40	A00J615901	Detection Actuator /1		C	1	
41	A00J604401	Mounting Plate		D	1	
42	A00J660800	Washer		D	1	
43	A0P0663300	Holder		D	1	
44	A00J660900	Sealing Magnet		D	1	
45	A2X0R70Q44	1000-Sheet Paper Feed Assy		S	1	
46	A0P0664000	Washer		D	2	
47	A00J563500	Clutch		C	2	
48	A5C1562200	Roller		A	1	
51	A5C1M50100	Photointerrupter		B	2	

1000-SHEET PAPER FEED SECTION

改訂版 REVISED EDITION	日付 DATE
▲	MARCH 2016



B
See p41-45



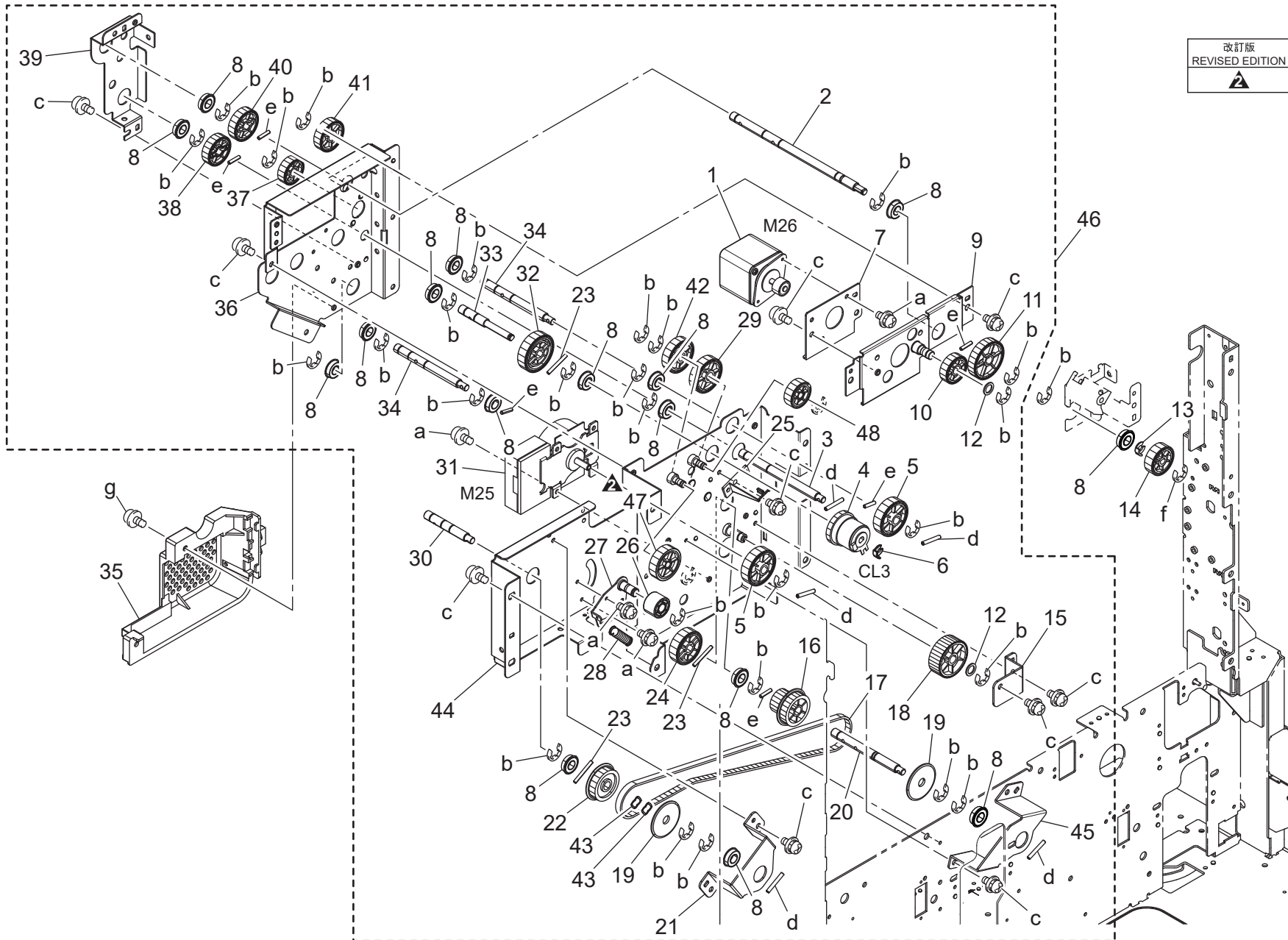
1000-SHEET PAPER FEED SECTION

Key	Part No.	Description	Destinations	Class	QTY	Standard parts
1	A00J618700	Conveyance Cover		D	1	a-V153030803
2	A00J604701	Pulling Spring		C	1	b-V217040001
3	A00J605100	Idler Roll		C	2	c-V217060001
4	A00J605200	Idler Shaft		D	1	d-V231200850
5	56AA40430	SPRING MOUNTING PLATE 1		D	1	e-V116030803
6	A00J604800	Pulling Spring		C	1	f-V116030603
7	A2X0668000	Mounting Plate		D	1	g-V231301450
8	A00J663200	Bushing		C	6	h-V127030603
9	A00J601503	Mounting Plate /ASSY		D	1	k-V233161050
10	A00J618601	Guide Plate /2		C	1	
11	A00J601700	Shaft		D	1	
12	A0P0664000	Washer		D	2	
13	A00J619611	Pulley 14T		C	1	
14	A00J618500	Torque limiter		A	1	
15	56AA40490	SHAFT STOPPER 4		C	1	
16	A00J563600	Roller		A	1	
17	A00J619500	Pulley 15T		C	1	
18	A00J619800	Timing Belt 96L		C	1	
19	A00J619700	ROLL /1		C	1	
20	56AA40540	ENTRANCE GUIDE SHEET		C	1	
21	A00J601600	Multi-feed Adjusting Plate		D	1	
22	A00J601402	Input Shaft		D	1	
23	A0P0663511	Input Shaft		D	1	
24	A00J603601	Mounting Plate		D	1	
25	A2X0605900	Pressing Spring		C	1	
26	56AA40450	Paper Feed Coupling Part		C	1	
27	56AA75050	CLEANER SHAFT HOLDER		C	1	
28	A00J603400	Gear 22/14T		C	1	
29	A00J600900	Gear43T		C	1	
30	A00J605600	Ground Plate /1		D	1	
31	A2X0668100	Mounting Plate		D	1	

bizhub C654e/bizhub C754e

LCC DRIVE SECTION

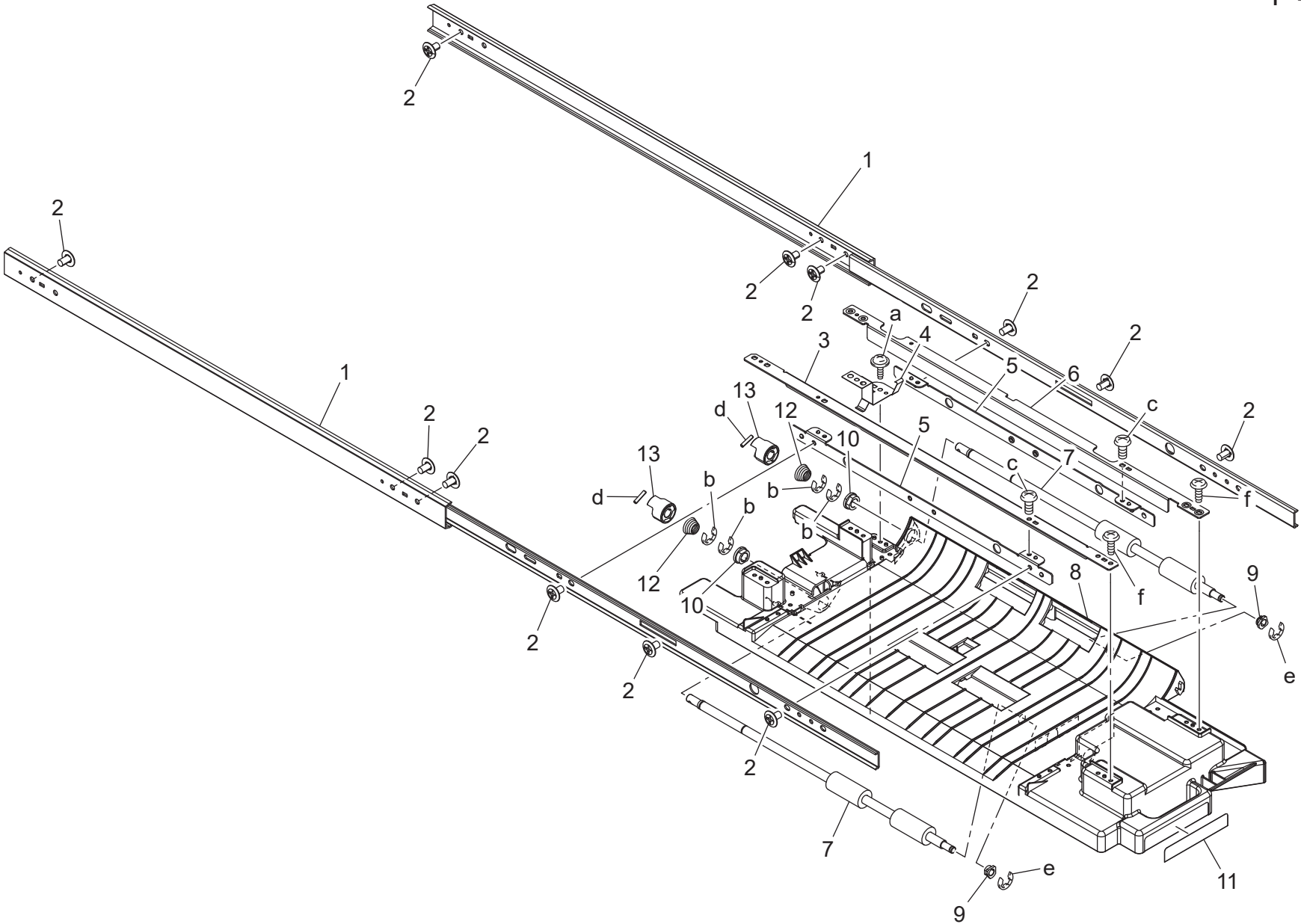
改訂版 REVISED EDITION	日付 DATE
	JUNE 2017



bizhub C654e/bizhub C754e

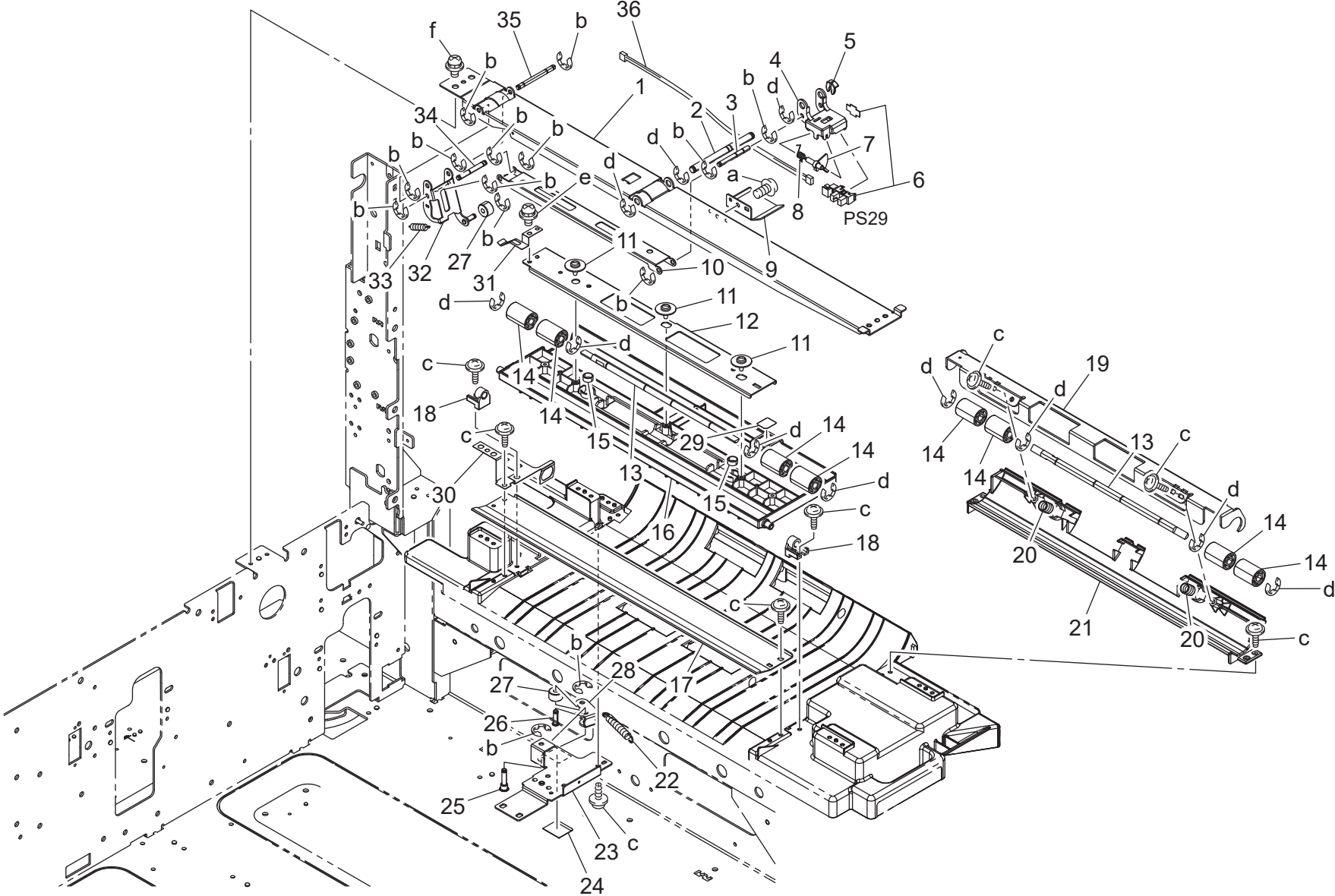
Key	Part No.	Description	Destinations	Class	QTY	Standard parts
1	A2X0M10200	Stepping motor	ステッピングモーター	C	1	a-V116030603
2	A00J611300	Drive Shaft /5	駆動軸 / 5	D	1	b-V217060001
3	A00J616911	Drive Shaft /1	駆動軸 / 1	D	1	c-V116040803
4	A00JM20000	Clutch	クラッチ	C	1	d-V232302209
5	A00J612100	Gear 32T	ギア 3 2 T	C	2	e-V231301450
6	56AA40490	SHAFT STOPPER 4	軸ストッパ 4	C	1	f-V217040001
7	A00J617700	Mounting Plate	取付板	D	1	g-V116030803
8	A00V240600	Ball Bearing	ボールベアリング	B	16	
9	A2X0R70S00	Mounting plate	取付板 / L C C 縦搬送かしめ	D	1	
10	A00J616200	Gear 31T	ギア 3 1 T	C	1	
11	A00J616300	Gear 44T	ギア 4 4 T	C	1	
12	A00J700900	Collar	カラー	C	2	
13	55VA42120	Shaft Stopper	軸ストッパ	C	1	
14	A00J612500	Gear 25T	ギア 2 5 T	C	1	
15	A00J610200	Fixing Plate /1	固定板 / 1	D	1	
16	A00J611600	Gear 40/33T	ギア 4 0 / 3 3 T	C	1	
17	A00J610600	Timing belt 633L	タイミングベルト 6 3 3 L	C	1	
18	A00J611500	Gear 67T	ギア 6 7 T	C	1	
19	A00J612600	Holding Part /1	押さえ材 / 1	C	2	
20	A00J610812	Drive Shaft /1	駆動軸 / 1	D	1	
21	A00J610300	Fixing Plate	固定板	D	1	
22	A00J612200	Pulley 33T	プーリ 3 3 T	C	1	
23	4004254701	PIN	ピン	D	3	
24	A00J611711	Gear 29T	ギア 2 9 T	C	1	
25	A00J612800	Regulating Part	規制部材	C	1	
26	A0P0666400	Tension Roll	テンションころ	D	1	
27	A0P0R7A200	Mounting plate /Belt tension	取付板 / ベルトテンションかしめ	D	1	
28	56QA15190	BELT TENSION SPRING	ベルトテンションバネ	C	1	
29	A00J611900	Gear 30T	ギア 3 0 T	C	1	
30	A00J611200	Drive Shaft /4	駆動軸 / 4	D	1	
31	A161M10200	brushless Motor /20	ブラシレスモーター / 2 0	I	1	
32	A00J611800	Gear 33T	ギア 3 3 T	C	1	
33	A00J611000	Drive Shaft /2	駆動軸 / 2	D	1	
34	A00J611100	Drive Shaft /3	駆動軸 / 3	D	2	
35	A00J137600	Cover	カバー	D	1	
36	A00JR7AJ00	MOUNTING PLATE / LCC DRIVE 2	取付板 / L C C 駆動2 かしめ	D	1	
37	A00J616400	Gear 29T	ギア 2 9 T	C	1	
38	A00J616500	Gear 33T	ギア 3 3 T	C	1	
39	A00J616601	Mounting Plate	取付板	D	1	
40	A00J616800	Gear 35T	ギア 3 5 T	C	1	
41	A00J613000	Gear 35T	ギア 3 5 T	C	1	
42	A00J612000	Gear 29T	ギア 2 9 T	C	1	
43	1500266013	WAVE WASHER	ナミワッシャー	C	2	
44	A0P0R7A311	Mounting plate / LCC drive 1	取付板 / L C C 駆動1 かしめ A s s y	D	1	
45	A2X0667200	Fixing Plate	固定板	D	1	
46	A2X0R72011	LCC Drive Assy	L C C 駆動 A s s y	D	1	
47	A0P0666201	Idling Gear	アイドラギア (クラッチ)	C	1	
48	A0P0666301	Idling Gear 23T	アイドラギア 2 3 T	C	1	

LEVEL CONVEYANCE SECTION



bizhub C654e/bizhub C754e

LEVEL CONVEYANCE SECTION



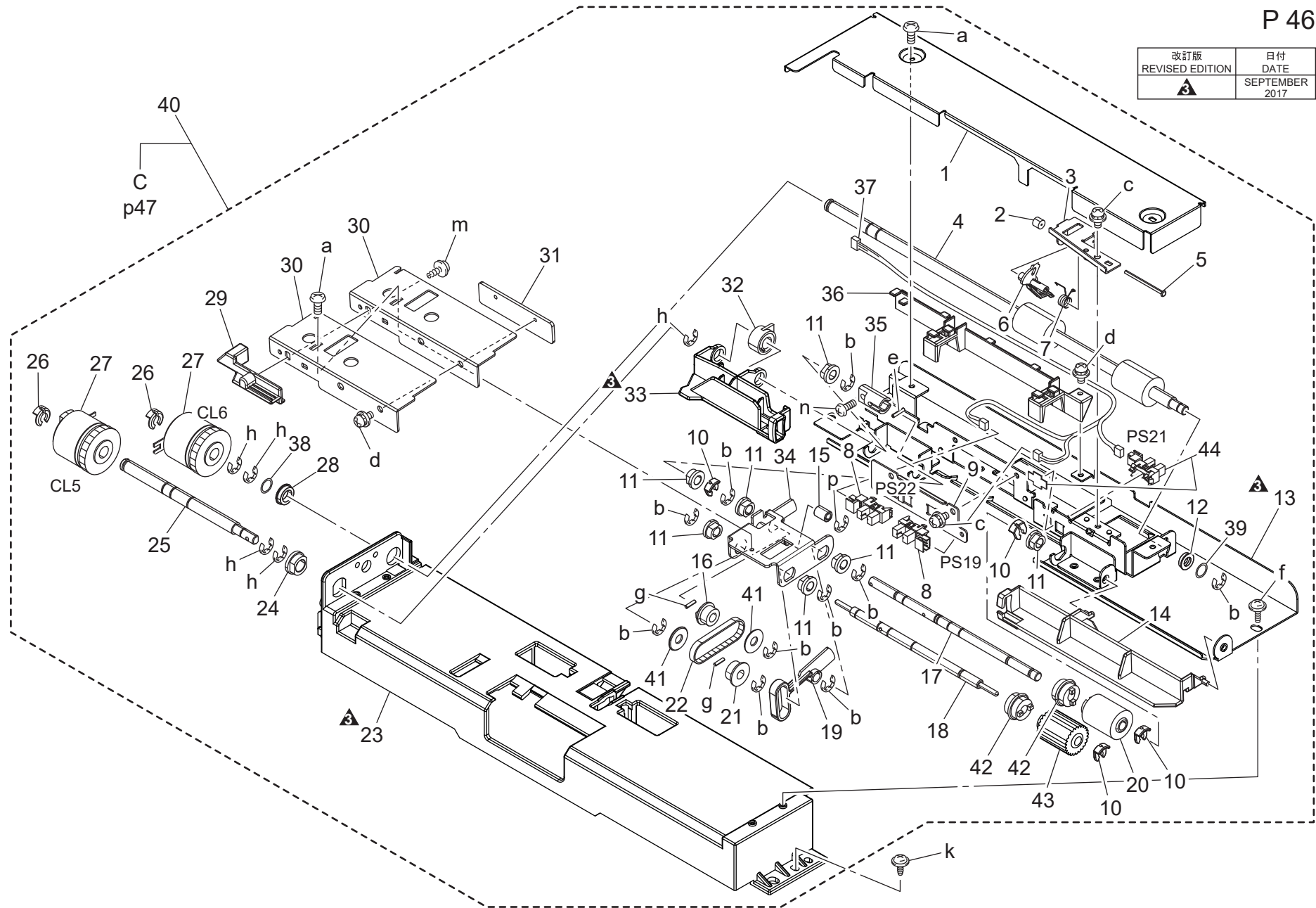
bizhub C654e/bizhub C754e

LEVEL CONVEYANCE SECTION

Key	Part No.	Description	Destinations	Class	QTY	Standard parts
1	A00J614002	Mounting Plate /A	取付板 / A	D	1	a-V118030603 b-V217030001 c-V153030803 d-V217040001 e-V116030603 f-V118040603
2	A00J614501	Support Shaft /B	支点軸 / B	D	1	
3	A00J614700	Swing Shaft /B	揺動軸 / B	D	1	
4	A00J614300	Sensor Block	センサブロック	D	1	
5	56AA40490	SHAFT STOPPER 4	軸ストッパ 4	C	1	
6	A108R90000	PHOTO INTERRUPTER	フォトインタラプター	I	1	
7	56QA57240	PAPER DETECTION ACTUATOR	紙検知アクチュエタ	C	1	
8	56QA57170	PRESSURE SPRING	センサ押圧ばね	C	1	
9	A00J614800	Mounting Plate	取付板	D	1	
10	A00J614200	Swing Panel /B	揺動パネル / B	D	1	
11	4036596601	SCREW	ねじ	C	3	
12	A0P0606400	Mounting Plate	取付板	D	1	
13	A00J606500	Idler Shaft	従動軸	D	2	
14	4030312201	ROLL	ころ	C	8	
15	A00J606600	Compressing Spring	圧縮ばね	C	2	
16	A0P0606200	Conveyance Cover	搬送カバー	C	1	
17	A00J606100	Guide Plate	ガイド板	D	1	
18	56QA57110	SUPPORT BLOCK	支点ブロック	D	2	
19	A00J606802	Mounting Plate	取付板	D	1	
20	A00J606900	Compressing Spring	圧縮ばね	C	2	
21	A00J606700	Guide Plate	ガイド板	D	1	
22	A00J660200	LOCK SPRING	ロックばね	C	1	
23	A00J607301	Mounting Plate /1	取付板 / 1	D	1	
24	A0P0663400	Light blocking Sheet	遮光シート	C	1	
25	A00J622600	Shaft /L	軸 / L	D	1	
26	A00J623300	Shaft	軸	D	1	
27	A00J663000	Roll	ころ (トレイロック)	C	2	
28	56AA41711	TRAY PRESSING PLATE	トレイ押圧板	D	1	
29	A00J941900	Label LC2	ラベル LC 2	C	1	
30	A00J607600	Ground Plate	アース板	C	1	
31	A00J607700	Ground Plate	アース板	C	1	
32	A00J614101	Swing Panel /ASSY	揺動パネル / ASSY	D	1	
33	56QA57210	SWING SPRING REAR	センサ揺動パネ 奥	C	1	
34	A00J614600	Swing Shaft /A	揺動軸 / A	D	1	
35	A00J614400	Support Shaft /A	支点軸 / A	D	1	
36	A00JN11F01	PFU Relay harness /6	PFU 中継束線 / 6	D	1	

1500-SHEET PAPER FEED SECTION

改訂版 REVISED EDITION	日付 DATE
	SEPTEMBER 2017

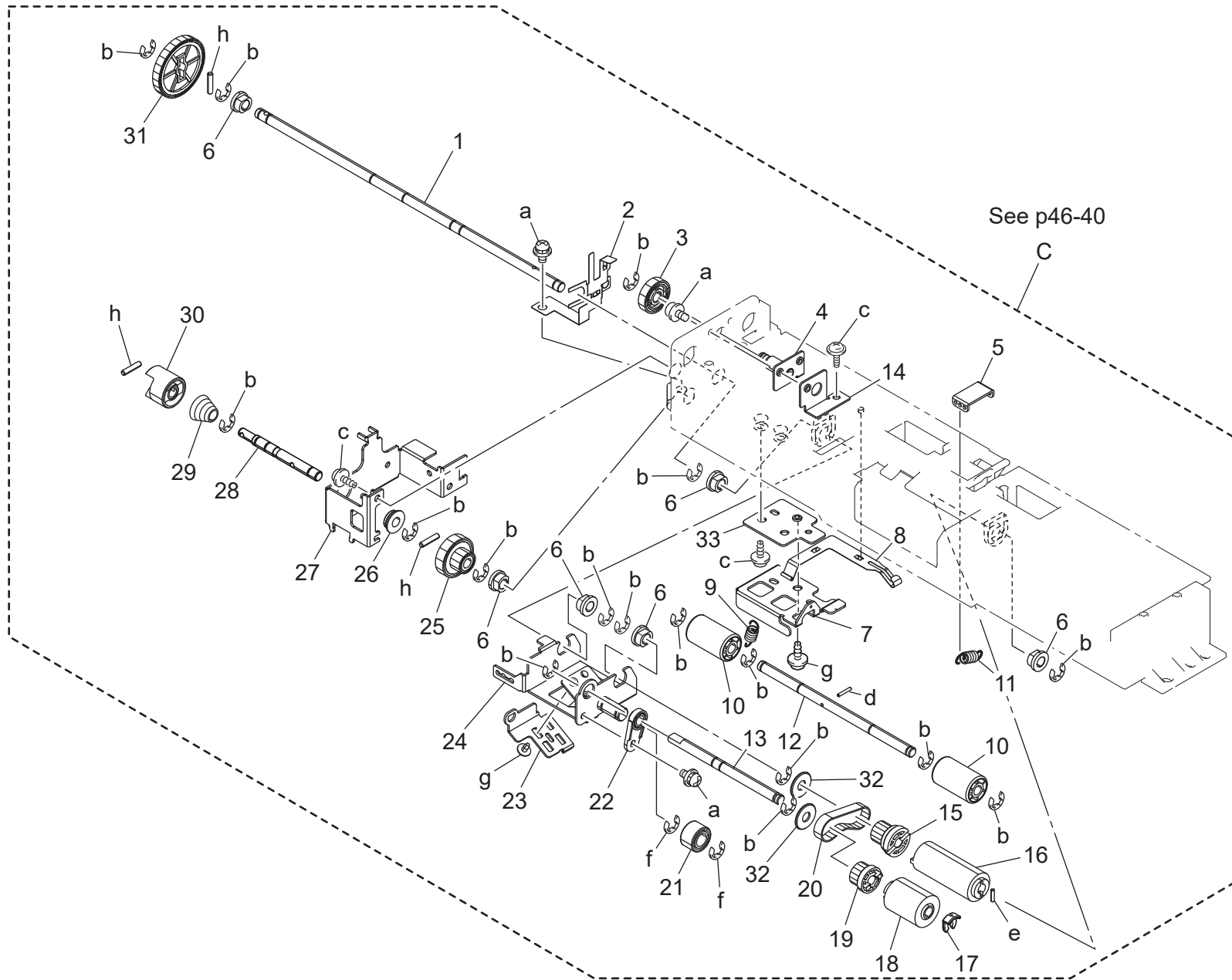


bizhub C654e/bizhub C754e

1500-SHEET PAPER FEED SECTION

Key	Part No.	Description	Destinations	Class	QTY	Standard parts
1	A00J603800Old	Paper feed Cover	給紙カバー	D	1	a-V118030603
1	A00J603801	Paper feed Cover	給紙カバー	D	1	b-V217040001
2	1134304101	COLLAR	カラー	D	1	c-V116030603
3	A00J619101	Mounting Plate	取付板	D	1	d-V116030803
4	A00J601111	Conveyance Roller	搬送ローラ	C	1	e-V233201050
5	1134304202	SHAFT	シャフト	D	1	f-V153030803
6	A2X0668200	Actuator	アクチュエータ	C	1	g-V231200850
7	A00J615800	Torsion Spring	ねじりばね	C	1	h-V217060001
8	A108M50100	Photointerrupter	透過型センサ	B	2	k-V127030803
9	A00J603900	Mounting Plate	取付板	D	1	m-V153031003
10	56AA40490	SHAFT STOPPER 4	軸ストッパ 4	C	4	n-V118030403
11	A00J663200	Bushing	すべり軸受	C	7	p-V217030001
12	A00J617800	Ball Bearing	ボールベアリング	B	1	
13	A00J603716	Guide Assy draw /2	ガイド部組図 / 2	D	1	
14	A00J600600	Regulating Plate /Front	規制板 / 前	C	1	
15	A0TJ602900	Pulley /3	プーリ / 3	D	1	
16	A0TJ602800	Pulley /2	プーリ / 2	D	1	
17	A2X0604200	Paper feed Shaft	給紙軸 (給紙ローラ)	D	1	
18	A2X0603000	Shaft	軸	D	1	
19	A00J602401	Level Actuator /1	残検アクチュエータ / 1	C	1	
20	A00J563600	Roller	ローラ	A	1	
21	A0TJ603000	Pulley /1	プーリ / 1	D	1	
22	A00J602700	Timing belt 102L	給紙タイミングベルト 102 L	C	1	
23	A00J600117	Paper feed Base frame /1	給紙台板 / 1	D	1	
24	A03U812800	Slide Shaft Holder	すべり軸受	B	1	
25	A00J603500	Paper feed Shaft /2	給紙軸 / 2	D	1	
26	55VA42120	Shaft Stopper	軸ストッパー	C	2	
27	56AA82012	Paper Feed Drive Clutch	給紙駆動クラッチ	B	2	
28	A00J617900	Ball Bearing	ボールベアリング	B	1	
29	A00J618300	Handle	把手	C	1	
30	A00J603102	Auxiliary Part	補助部材	D	2	
31	A00J619400	Auxiliary Part /2	補助部材 / 2	C	1	
32	56AA40380	PAPER FEED REGULATING BLOCK	給紙規制ブロック	B	1	
33	A00J600401	Regulating Plate /Rear	規制板 / 奥	C	1	
34	A2X0667400	Holder	ホルダ	D	1	
35	A00J600500	Coupling	カップリング	C	1	
36	A00J618002	Wiring Cover	配線カバー	D	1	
37	A00JN11D01	PFU Relay harness /4	P F U 中継束線 / 4	D	1	
38	A00J660700	Washer	ワッシャ	D	1	
39	A00J660800	Washer	ワッシャ	D	1	
40	A2X0R70R77	1500-Sheet Paper Feed Assy	1500枚給紙 A s s y	S	1	
41	A0P0664000	Washer	ワッシャー	D	2	
42	A00J563500	Clutch	クラッチ	C	2	
43	A5C1562200	Roller	ローラ (ピック)	A	1	
44	A108R90000	PHOTO INTERRUPTER	フォトインタラプター	I	1	

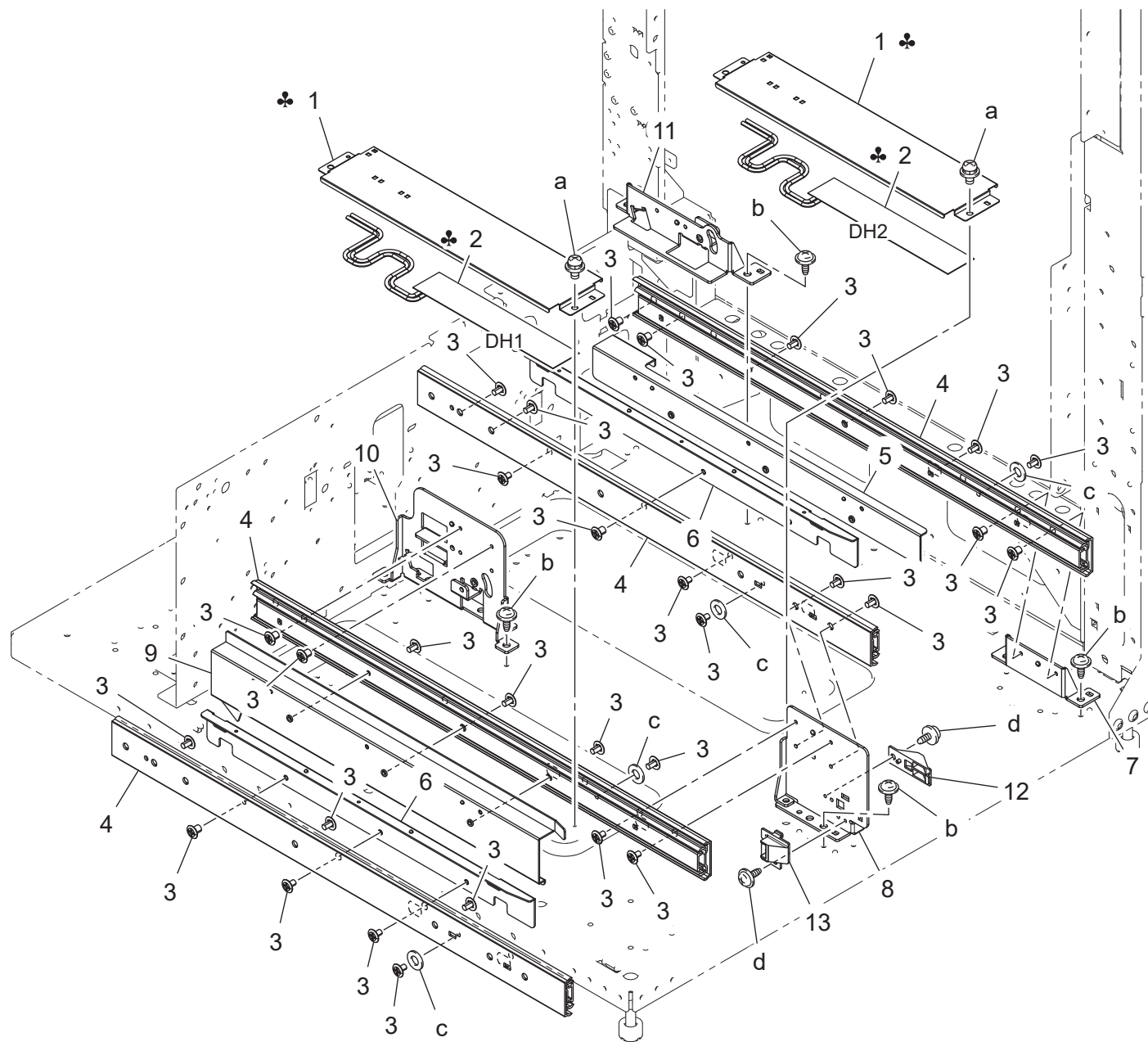
1500-SHEET PAPER FEED SECTION



bizhub C654e/bizhub C754e

Key	Part No.	Description	Destinations	Class	QTY	Standard parts
1	A00J601402	Input Shaft		D	1	a-V116030803
2	A00J605700	Ground Plate /2		D	1	b-V217040001
3	A00J601000	Gear 18T		C	1	c-V153030803
4	A00JR7AK22	MOUNTING PLATE / LCC FEED DRIVE		D	1	d-V233161050
5	56AA40430	SPRING MOUNTING PLATE 1		D	1	e-V231200850
6	A00J663200	Bushing		C	6	f-V217060001
7	A2X0667900	Mounting Plate		D	1	g-V116030603
8	A00J618800	Ground Plate /Middle		C	1	h-V231301450
9	A00J604701	Pulling Spring		C	1	
10	A00J605100	Idler Roll		C	2	
11	A00J604800	Pulling Spring		C	1	
12	A00J605200	Idler Shaft		D	1	
13	A00J601700	Shaft		D	1	
14	A2X0667100	Mounting Plate		D	1	
15	A00J619611	Pulley 14T		C	1	
16	A00J618500	Torque limiter		A	1	
17	56AA40490	SHAFT STOPPER 4		C	1	
18	A00J563600	Roller		A	1	
19	A00J619500	Pulley 15T		C	1	
20	A00J619800	Timing Belt 96L		C	1	
21	A00J619700	ROLL /1		C	1	
22	A0P0602100	Guide Washer		D	1	
23	A00J601600	Multi-feed Adjusting Plate		D	1	
24	A00J601503	Mounting Plate /ASSY		D	1	
25	A00J603400	Gear 22/14T		C	1	
26	56AA75050	CLEANER SHAFT HOLDER		C	1	
27	A00J604101	Paper feed Plate		D	1	
28	A0P0663511	Input Shaft		D	1	
29	A2X0605900	Pressing Spring		C	1	
30	56AA40450	Paper Feed Coupling Part		C	1	
31	A00J600900	Gear43T		C	1	
32	A0P0664000	Washer		D	2	
33	A2X0667800	Mounting Plate		D	1	

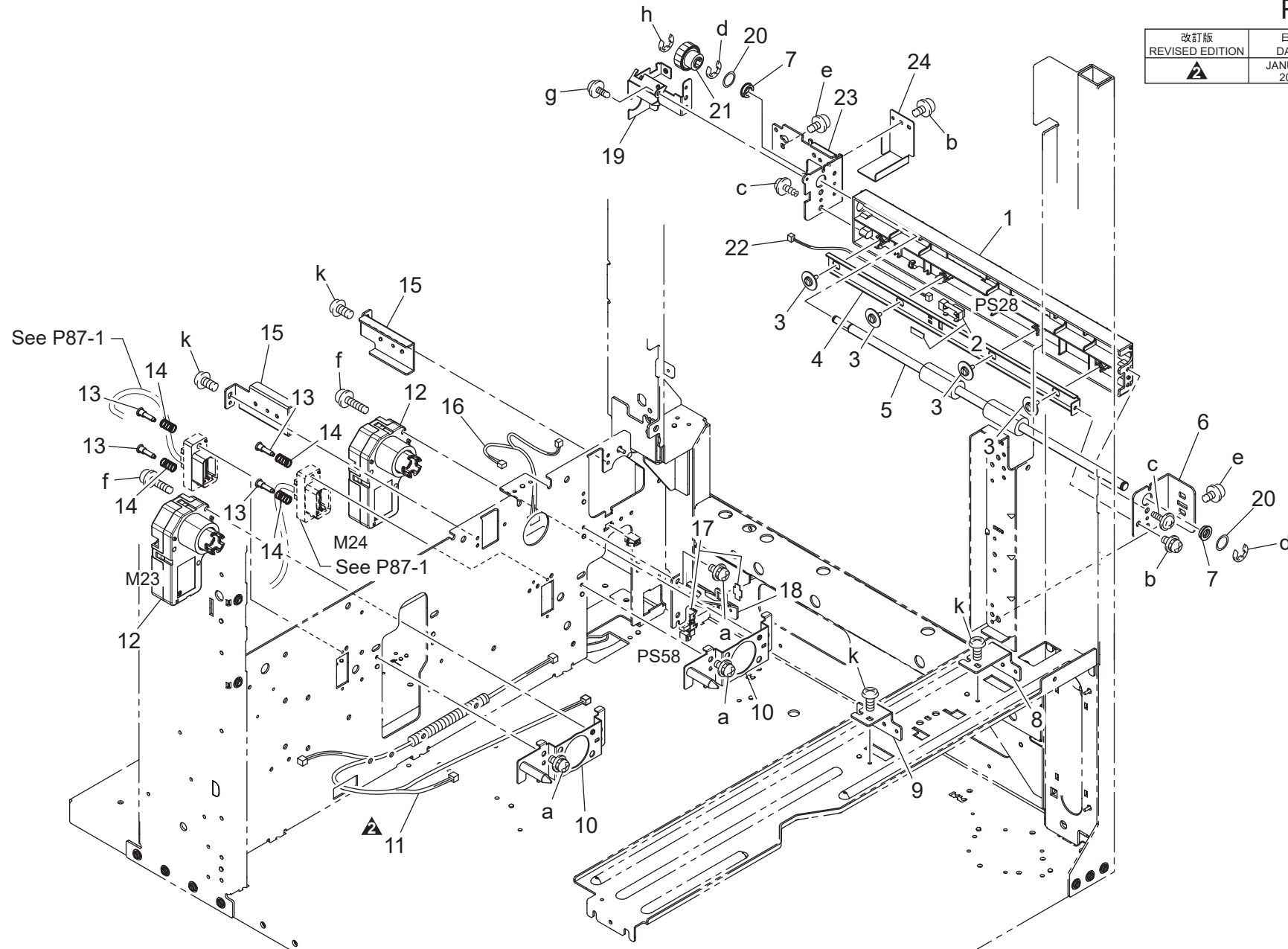
LCC CASSETTE RAIL SECTION



LCC LENGTH CONVEYANCE SECTION

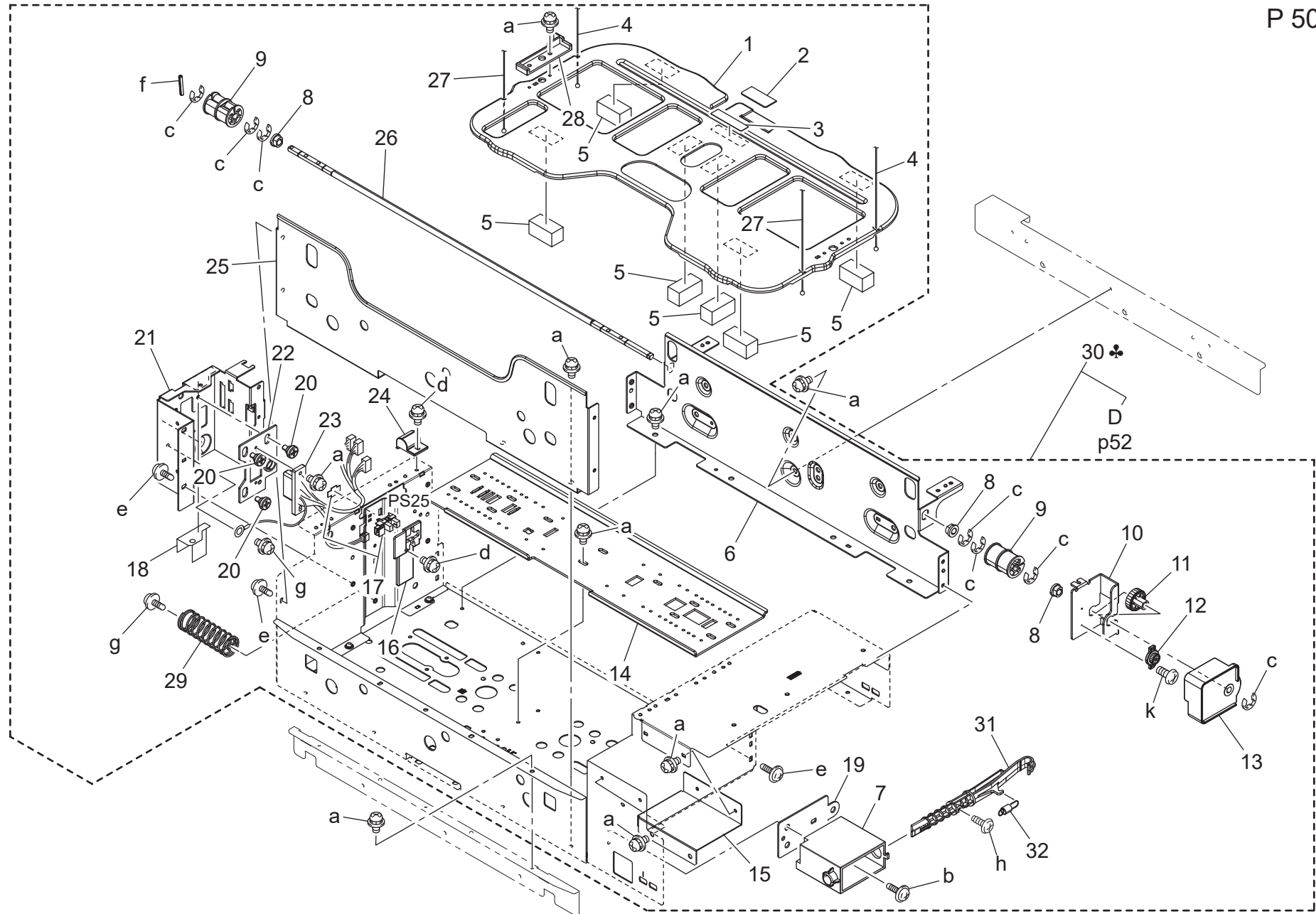
P 49

改訂版 REVISED EDITION	日付 DATE
	JANUARY 2018



bizhub C654e/bizhub C754e

1000-SHEET TRAY



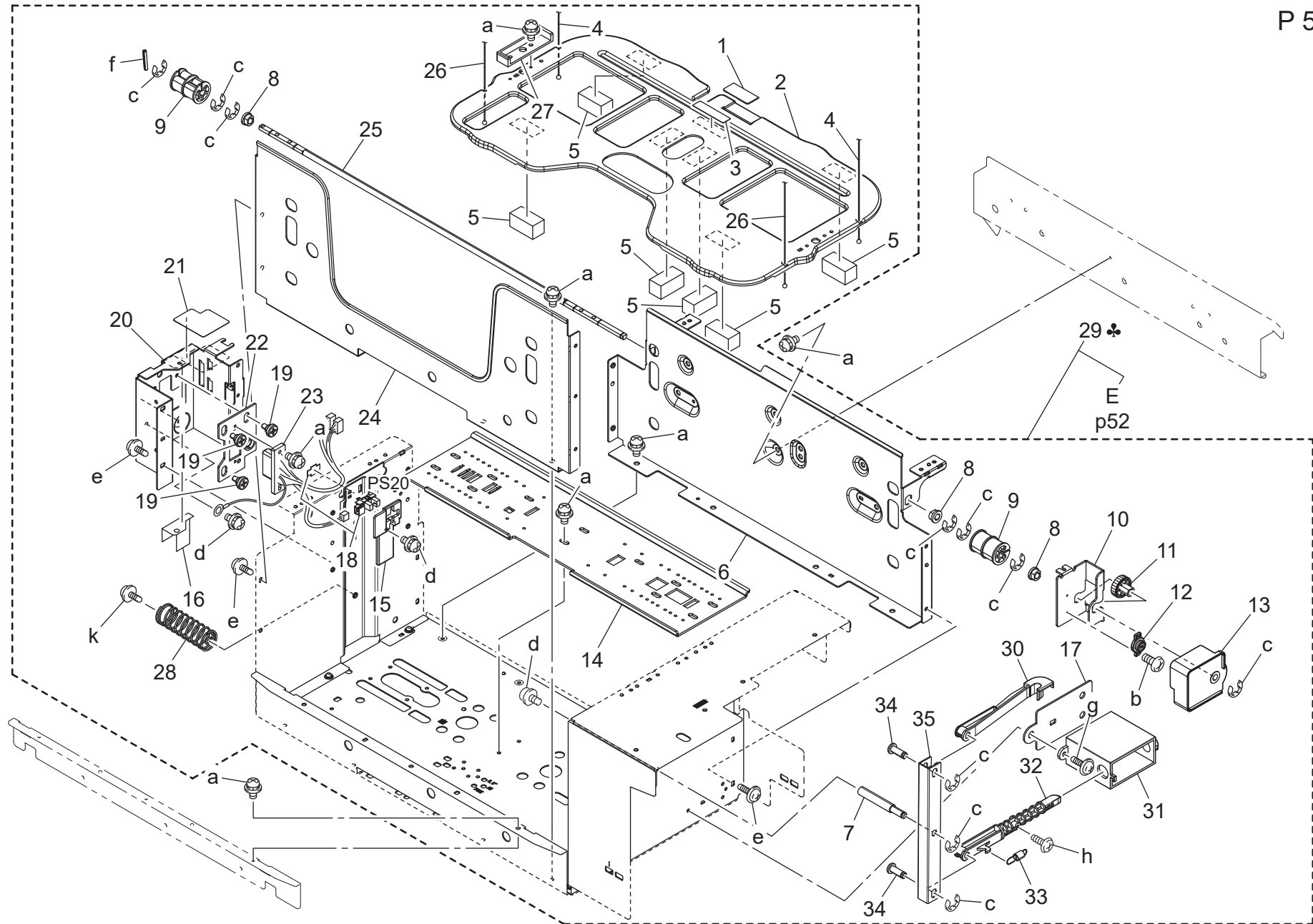
bizhub C654e/bizhub C754e

Key	Part No.	Description	Destinations	Class	QTY	Standard parts
1	A00J613500	Up/down Plate		C	1	a-V116030603
2	55VA40930	DOUBLE FEED PREVENTIVE PLATE		C	1	b-V127030803
3	A00J623400	FRICITION PLATE		C	1	c-V217040001
4	56QA58110	LCT UP DOWN WIRE RIGHT FRONT		C	2	d-V116030803
5	A0P0663900	Pad		C	6	e-V127030603
6	A00J615101	Stopper Plate /1		D	1	f-V232302509
7	A2X0665300	Lock Guide		C	1	g-V125040803
8	A00J663200	Bushing		C	3	h-V149030803
9	A00J613700	Up/down Pulley		C	2	k-V118020603
10	A0P0618900	Regulating Plate /1		D	1	
11	A0P0663800	Gear /1		C	1	
12	A0P0662700	Dumper		C	1	
13	A00J619011	Protection Cover		D	1	
14	56QA58041D	LCT SLIDE BOARD		D	1	
15	56QA58470D	EXTERNAL PROTECTION PLATE		D	1	
16	A00J613301	Sensor Cover		C	1	
17	A108R90000	PHOTO INTERRUPTER		I	1	
18	A00J660600	Protection Sheet		D	1	
19	A2X0666500	Auxiliary Plate /Front		D	1	
20	26NA45440	REGISTRATION UNIT FIXED SCREW		C	3	
21	A00J615000	Connecting Plate		D	1	
22	A00J613200	Guide Plate		D	1	
23	A00JN11B01	PFU Relay harness /2		D	1	
24	A00J619300	Receiving Block		C	1	
25	A0P0615600	Regulating Plate		D	1	
26	A00J615500	Up/down Shaft		D	1	
27	56QA58120	LCT UP DOWN WIRE RIGHT REAR		C	2	
28	A00J660300	LIGHT BLOCKING PART		C	1	
29	A2X0666900	Pressure Spring		C	1	
30	A2X0F63006	1000-sheet tray	1000枚トレイ (M) A s s y	D	1	A,A1,C,D1,D3,E,F2,G 1,I,K,H,J
30	A2X0F63106	1000-sheet tray	1000枚トレイ (I) A s s y	D	1	B,G2
31	A2X0666001	Lever	レバー (ロック・4段)	C	1	
32	A161626800	Pulling Coil spring	引張りコイルばね (ロックレバー)	C	1	

bizhub C654e/bizhub C754e

1500-SHEET TRAY

P 51



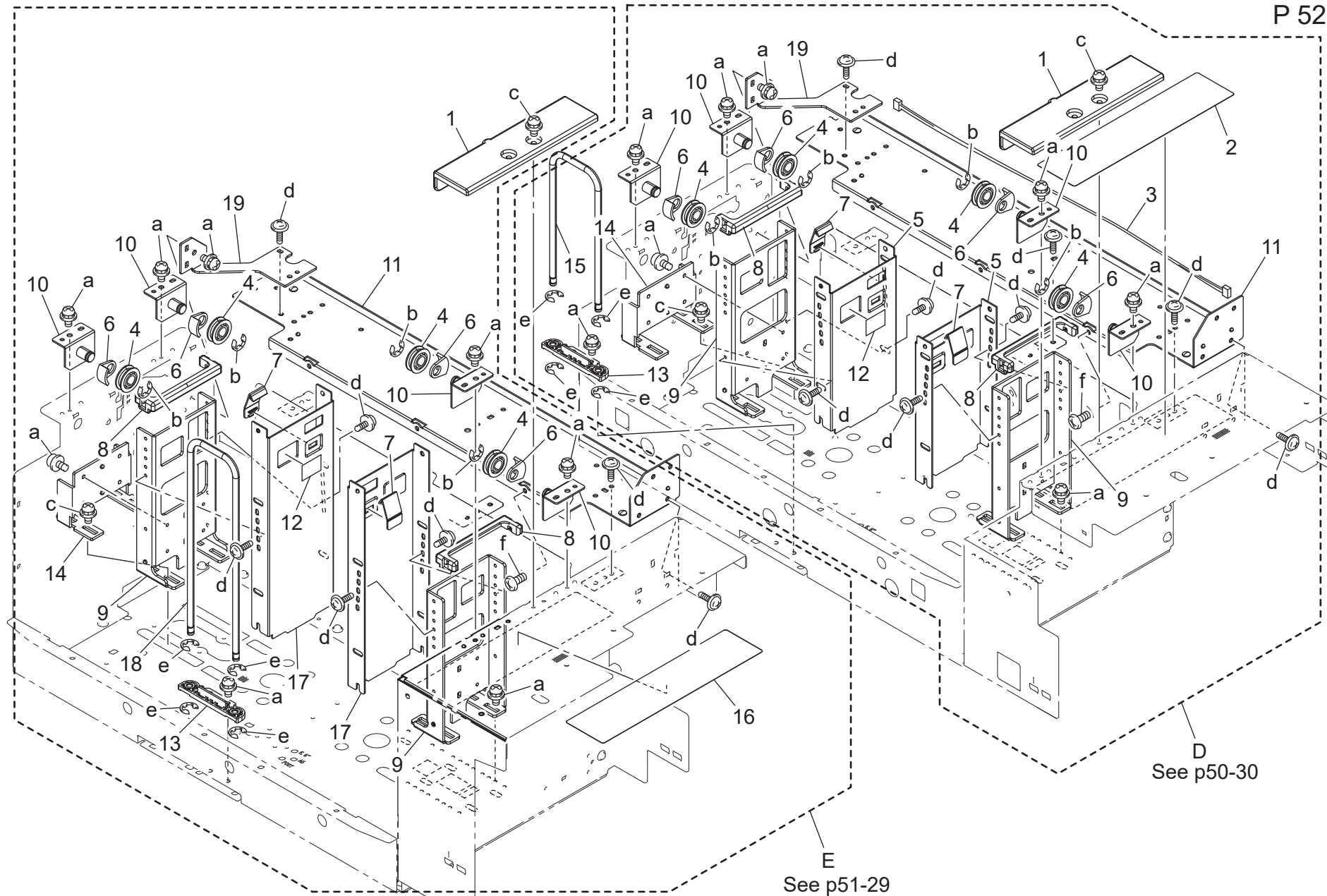
bizhub C654e/bizhub C754e

Key	Part No.	Description	Destinations	Class	QTY	Standard parts
1	55VA40930	DOUBLE FEED PREVENTIVE PLATE		C	1	a-V116030603
2	A00J613500	Up/down Plate		C	1	b-V118020603
3	A00J623400	FRICITION PLATE		C	1	c-V217040001
4	56QA59110	LCT UP DOWN WIRE LEFT FRONT		C	2	d-V116030803
5	A0P0663900	Pad		C	6	e-V127030603
6	A0P0615200	Stopper Plate /2		C	1	f-V232302509
7	A2X0665811	Shaft		D	1	g-V127030803
8	A00J663200	Bushing		C	3	h-V149030803
9	A00J613700	Up/down Pulley		C	2	k-V125040803
10	A0P0618900	Regulating Plate /1		D	1	
11	A0P0663800	Gear /1		C	1	
12	A0P0662700	Dumper		C	1	
13	A00J619011	Protection Cover		D	1	
14	56QA58041D	LCT SLIDE BOARD		D	1	
15	A00J613301	Sensor Cover		C	1	
16	A00J660600	Protection Sheet		D	1	
17	A2X0666500	Auxiliary Plate /Front		D	1	
18	A108R90000	PHOTO INTERRUPTER		I	1	
19	26NA45440	REGISTRATION UNIT FIXED SCREW		C	3	
20	A00J615000	Connecting Plate		D	1	
21	A00J660500	Protection Sheet		C	1	
22	A00J613200	Guide Plate		D	1	
23	A00JN11A00	PFU RELAY HARNESS/1		D	1	
24	A0P0615700	Regulating Plate		D	1	
25	A00J615500	Up/down Shaft		D	1	
26	56QA59120	LCT UP DOWN WIRE LEFT REAR		C	2	
27	A00J660300	LIGHT BLOCKING PART		C	1	
28	A2X0666900	Pressure Spring		C	1	
29	A2X0F64007	1500-sheet tray		D	1	A,A1,C,D1,D3,E,F2,G 1,I,K,H,J
29	A2X0F64107	1500-sheet tray		D	1	B,G2
30	A2X0665401	Lever		C	1	
31	A2X0665300	Lock Guide		C	1	
32	A2X0665900	Lever		C	1	
33	A161626800	Pulling Coil spring		C	1	
34	A2X0665600	Connecting Shaft /1		D	2	
35	A2X0665500	Connecting Plate		D	1	

bizhub C654e/bizhub C754e

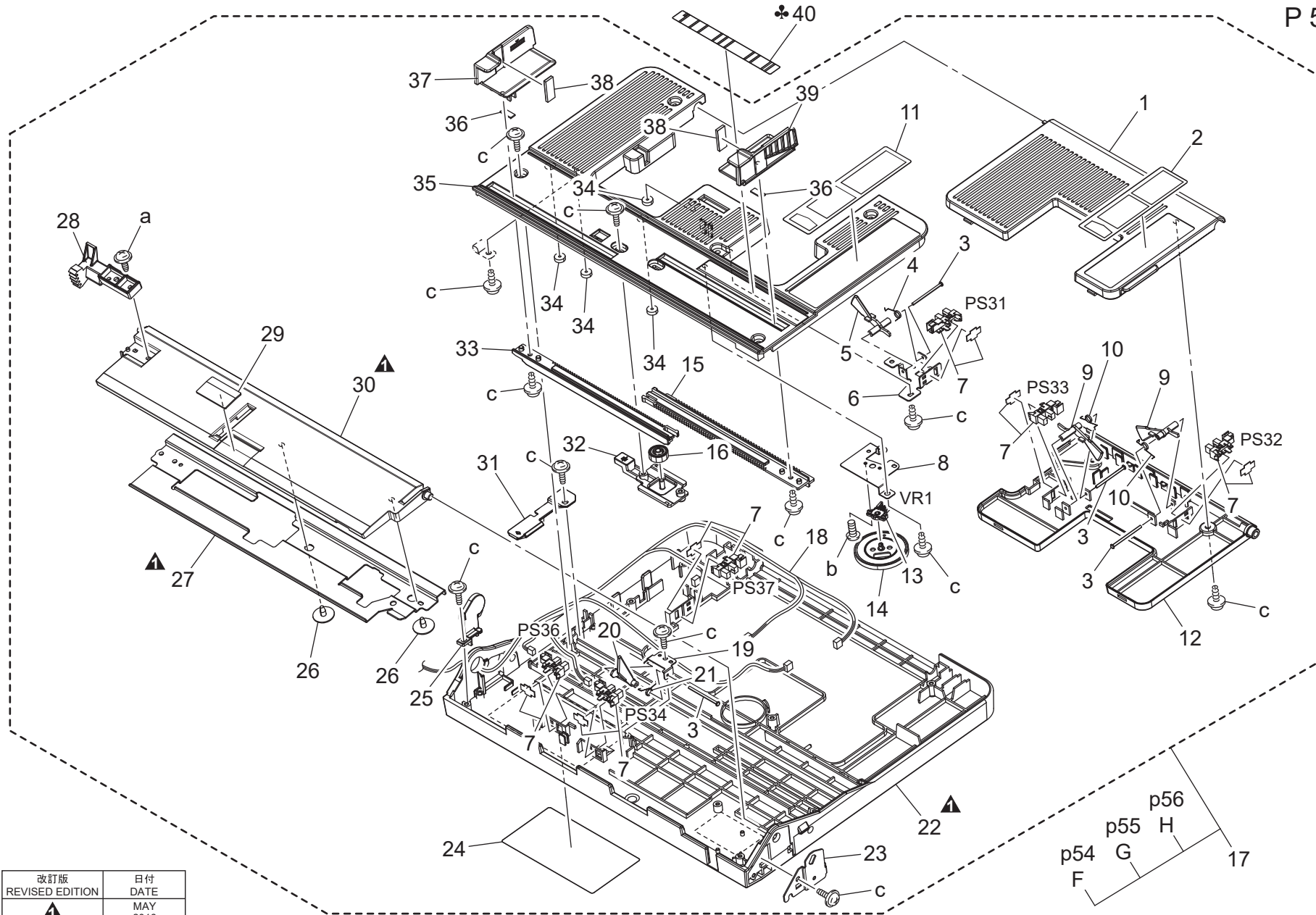
CASSETTE TRAY

P 52



bizhub C654e/bizhub C754e

MANUAL FEED TRAY UNIT



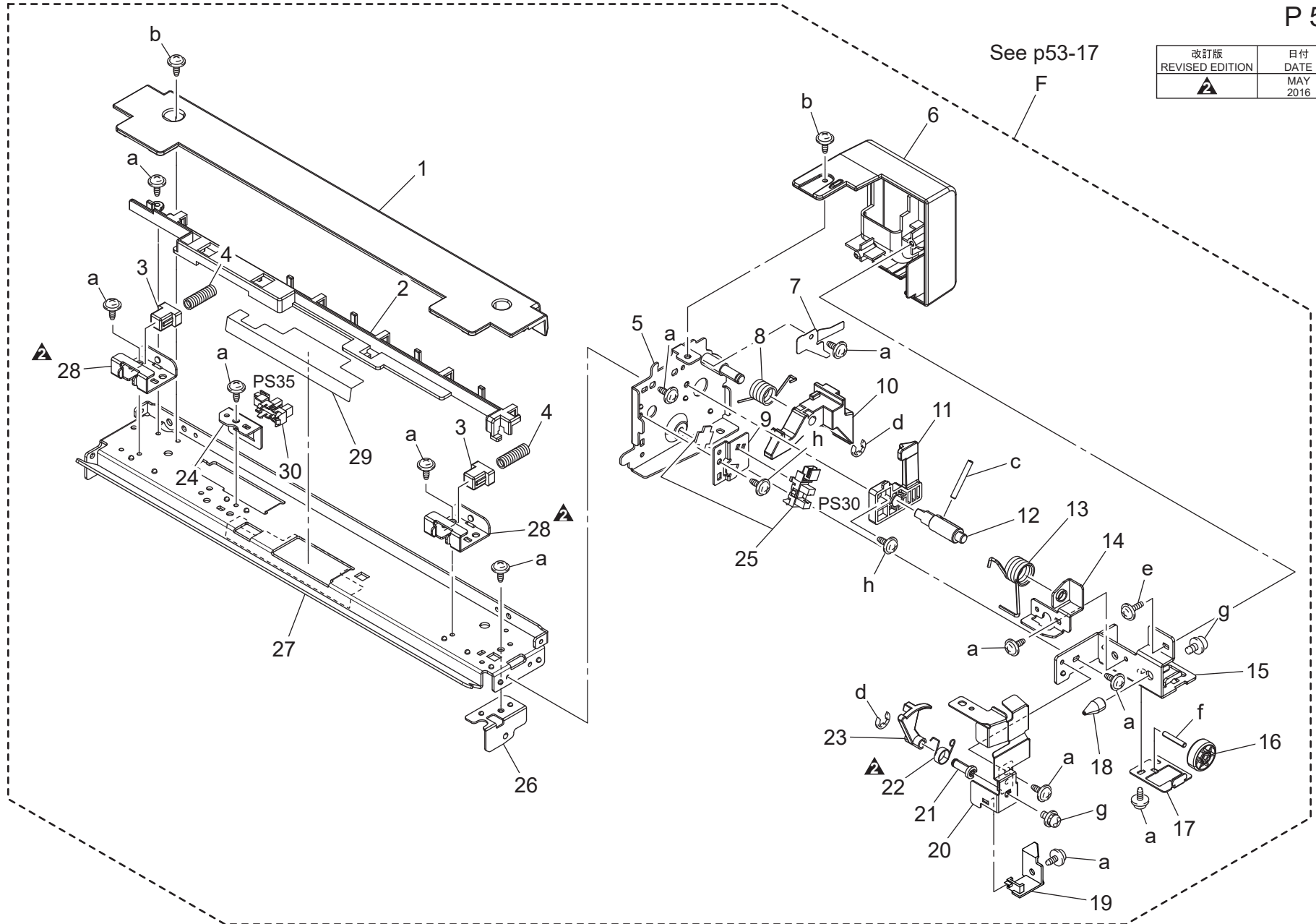
改訂版 REVISED EDITION	日付 DATE
▲	MAY 2016

p56
p55 H
p54 G
F 17

bizhub C654e/bizhub C754e

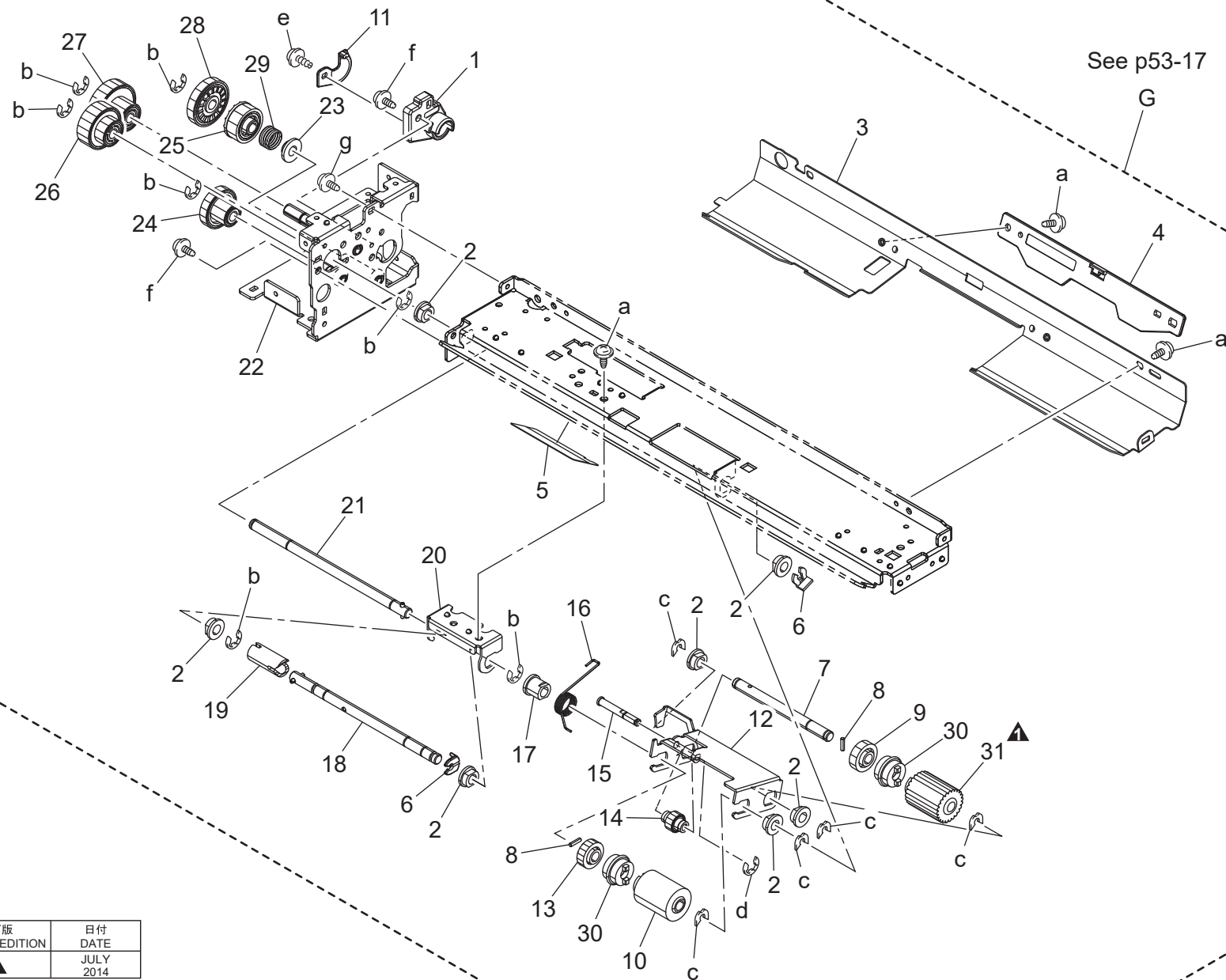
Key	Part No.	Description	Destinations	Class	QTY	Standard parts
1	A0P0594200	Bypass Tray /3		C	1	a-V137030803 b-V111170403 c-V153030803
2	A00J942500	Label	手差しトレイ / 3	C	1	
3	1134304202	SHAFT	ラベル	D	4	
4	A00J599100	Torsion Spring	シャフト	C	1	
5	A00J585300	Actuator	ねじりばね	C	1	
6	A00J597911	Mounting Plate	アクチュエータ	D	1	
7	A108R90000	PHOTO INTERRUPTER	取付板	I	6	
8	A2X0597700	Mounting Plate	フォトインタラプター	D	1	
9	A00J597800	Actuator	取付板	C	2	
10	A00J599000	Torsion Spring	アクチュエータ	C	2	
11	A2X0942700	Label	ねじりばね	C	1	
12	A0P0594300	Bypass Tray /4	ラベル (手差し操作 B)	C	1	
13	A161M50400	VR	手差しトレイ / 4	C	1	
14	A2X0597200	Gear 43T	ボリューム	D	1	
15	A00J597100	Rack /L	ギア 43 T	C	1	
16	A00J596900	Gear 18T	ラック / L	C	1	
17	A2X0R70T77	Manual Feed Tray Unit	ギア 18 T	C	1	
18	A00JN11501	Paperfeed Relay Harness /6	手差しユニット	C	1	
19	A00J593600	Sensor Plate	給紙中継束線 / 6	D	1	
20	A00J593700	Actuator /E	センサ板	D	1	
21	A00J593800	Torsion Spring /E	アクチュエータ / E	C	1	
22	A00J594035Old	Bypass Tray /1	ねじりばね / E	C	1	
22	A00J594037	Bypass Tray /1	手差しトレイ / 1	C	1	
23	A2X0586900	Mounting Plate	手差しトレイ / 1	C	1	
24	A2X0942600	Label	取付板	D	1	
25	A2X0584400	Holder	ラベル (手差し注意)	C	1	
26	4036578501	SCREW	ホルダ	D	1	
27	A00J597300Old	Mounting Plate	ねじ	D	2	
27	A795597300	Mounting Plate	取付板	D	1	
28	A00J592502	Lifting Lever	取付板	D	1	
29	A0P0599600	Friction Plate	押し上げレバー	C	1	
30	A00J594603Old	Lifting Plate	摩擦板	C	1	
30	A00J594615	Lifting Plate	押し上げ板	C	1	
31	A00J599300	Holding Plate	押し上げ板	C	1	
32	A00J595100	Holder	押さえ板	D	1	
33	A00J597000	Rack /R	ホルダ	C	1	
34	4036365901	COLLAR	ラック / R	D	4	
35	A00J594114	Bypass Tray /2	カラー	C	1	
36	4131462304	CLEANING PAD	手差しトレイ / 2	C	1	
37	A2X0594500	Regulating Plate /R	クリーニングパッド	C	2	
38	A00J587200	Brake Part	規制板 / R	C	1	
39	A2X0594400	Regulating Plate /L	ブレーキ材	C	2	
40	A2X0942800	Scale	規制板 / L	C	1	
40	A2X0942900	Scale	スケール (手差し・メトリック)	C	1	
			スケール (手差し・インチ)	C	1	

MANUAL FEED TRAY UNIT



bizhub C654e/bizhub C754e

MANUAL FEED TRAY UNIT

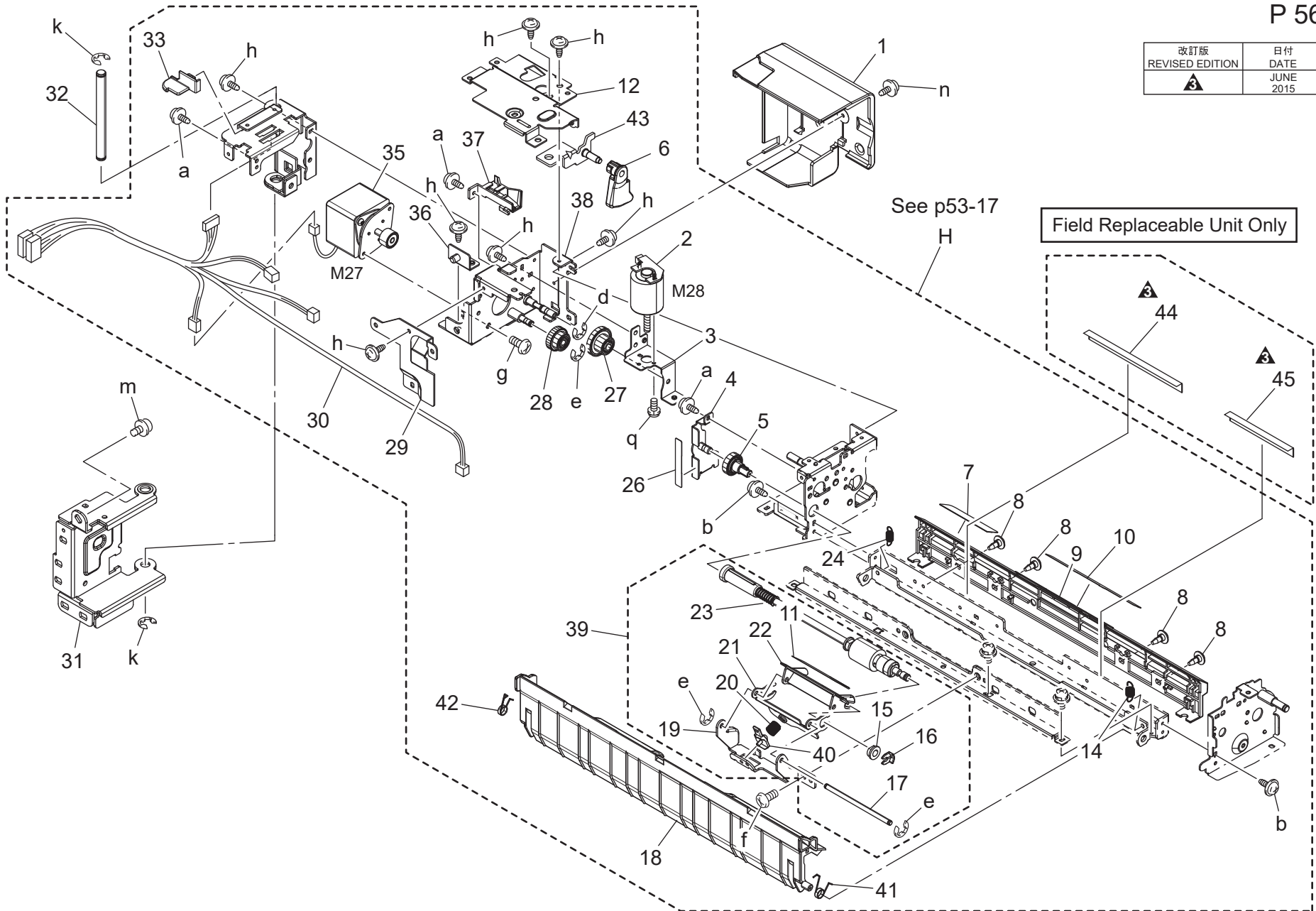


改訂版 REVISED EDITION	日付 DATE
▲	JULY 2014

bizhub C654e/bizhub C754e

MANUAL FEED TRAY UNIT

改訂版 REVISED EDITION	日付 DATE
	JUNE 2015



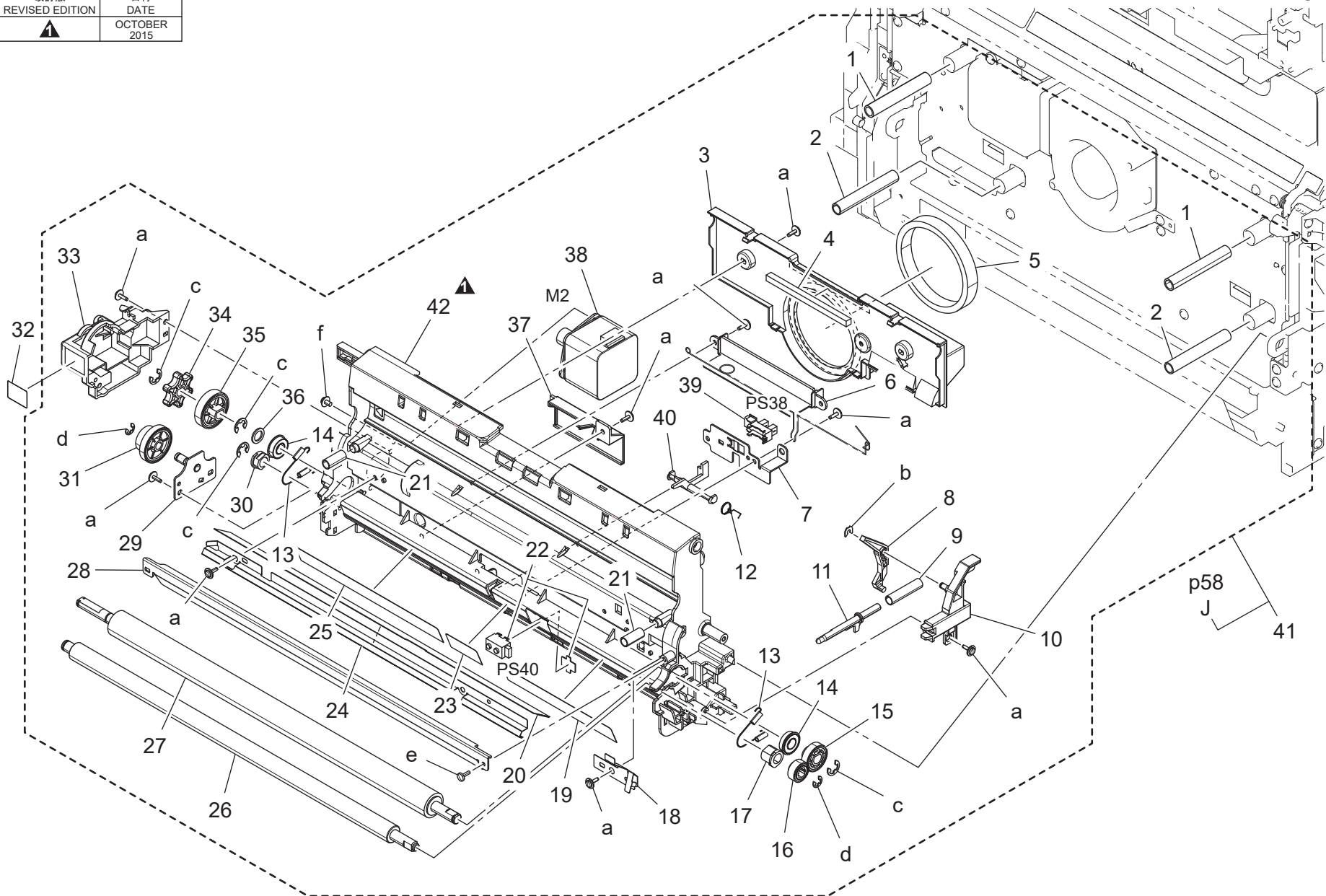
bizhub C654e/bizhub C754e

Key	Part No.	Description	Destinations	Class	QTY	Standard parts
1	A00J598002	Bypass Cover /Rear		C	1	a-V137030803
2	A0P0R75200	MOTOR ASSY		B	1	b-V126030803
3	A00J593400Old	Mounting Plate		D	1	c-V116030603
3	A00J593411	Mounting Plate		D	1	d-V217040001
4	A00JR7AR00	MOUNTING PLATE / BYPASS 1		D	1	e-V217030001
5	A00J591800	Gear 22T		C	1	f-V118030803
6	A2X0584300	Rotation Plate		D	1	g-V118030603
7	A00J587600	Guide Sheet		C	1	h-V137030603
8	4036141001	SHOULDER SCREW		C	4	k-V217060001
9	A0P0596501	Bypass Holder /Front		D	1	m-V116041203
10	A0P0597400	Guide Sheet		D	1	n-V121030804
11	A00J589100	Guide Sheet		C	1	p-V116030803
12	A00J587702	Reinforce Plate		D	1	q-V115260503
14	A00J587300	Pulling Spring		C	1	
15	4131300301	BUSHING		C	1	
16	56AA40490	SHAFT STOPPER 4		C	1	
17	4030303901	SHAFT		D	1	
18	A2X0592000	Guide Plate		D	1	
19	A00J591014	Mounting Plate /S		D	1	
20	A00J591100Old	Compressing Spring		C	1	
20	A2X0591100	Compressing Spring		C	1	
21	A00J590901	Holder /S		C	1	
22	A00J597511	Guide Part		C	1	
23	A0P0R74100	Fieldroller/1 assy		A	1	
24	4030312501	TENSION SPRING		C	1	
26	A00J585800	Seal		C	1	
27	A00J593101	Gear 14/24T		C	1	
28	A00J593300	Gear 14/50T		C	1	
29	A00J587901	Mounting Plate /Rear		D	1	
30	A2X0N11401	Paperfeed Relay harness /5		D	1	
31	A0P0588112	Mounting Plate /ASSY		D	1	
32	A00J598611	Support Shaft		D	1	
33	A0P0588700	Cover		D	1	
34	A00J595702	Mounting Plate /ASSY		D	1	
35	A2X0M10000	Stepping motor		C	1	
36	A00J596300	Mounting Plate /ASSY		D	1	
37	A00J586300	Wiring Holder		D	1	
38	A00JR7AS110Old	MUUNTINGPLATE/BYPASS2		D	1	
38	A00JR7AS22	MUUNTINGPLATE/BYPASS2		D	1	
39	A0P0R729110Old	Bypass field roller assy		C	1	
39	A2X0R72200	Bypass field roller assy		C	1	
40	A2X0599900	Holder		D	1	
41	A2X0584100	Torsion Coil spring		C	1	
42	A2X0584000	Torsion Coil spring		C	1	
43	A2X0584200	Mounting Plate /ASSY		D	1	
44	A2X0P10000	Spacer		D	1	
45	A2X0P10100	Spacer		D	1	

PAPER EXIT CONVEYANCE SECTION

改訂版 REVISED EDITION	日付 DATE
▲	OCTOBER 2015

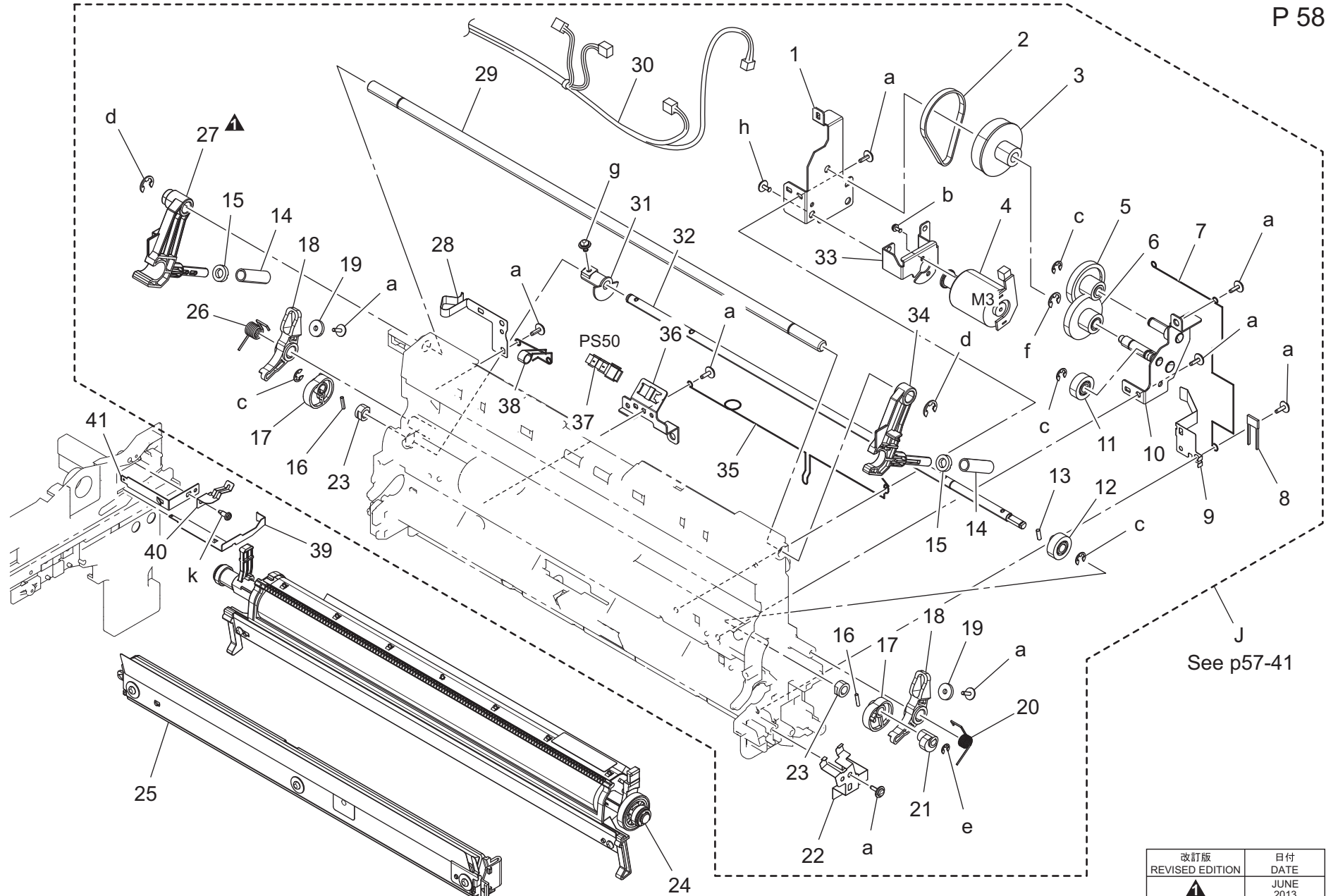
P 57



bizhub C654e/bizhub C754e

Key	Part No.	Description	Destinations	Class	QTY	Standard parts
1	A00J706800	Compressing Spring		C	2	a-V153030803 b-V218030086 c-V217060001 d-V217040001 e-V149030803 f-V116030603
2	4025353401	PRESSURE SPRING		D	2	
3	A00J701500	Conveyance Duct		D	1	
4	A00J709100	Seal		C	1	
5	A00J701800	Suction Seal		C	1	
6	A00J701701	Cover		D	1	
7	A00J702400	Mounting Plate		D	1	
8	A00J711301	Lever /1		C	1	
9	A00J711700	Compressing Spring		C	1	
10	A00J711500	Hold Plate		D	1	
11	4036367502	LEVER		C	1	
12	1164352702	TORSION SPRING		C	1	
13	A00J701000	Pulling Spring		C	2	
14	A00V240600	Ball Bearing		B	2	
15	A00J700600	Gear 20T		C	1	
16	A00J702700	Gear 14T		C	1	
17	A161702200	Bushing		C	1	
18	A00J701900	Ground Contact		C	1	
19	A00J704700	Guide Film		C	1	
20	4025356801	NETURALIZING MEMBER		C	1	
21	A00J707801	Compressing Spring		C	2	
22	A00JR90100	PHOTO INTERRUPTER		C	1	
23	A00J704600	Guide Film		C	1	
24	A0P0701611	Neutralizing Holder		D	1	
25	A00J704200	Guide Film		C	1	
26	A00J700201	Roller		C	1	
27	A00J700100	Roller		C	1	
28	A00J701200	Guide Plate		D	1	
29	A00JR7AT00	Mounting Plate Assy		D	1	
30	1164350901	BUSHING		C	1	
31	A00J700501	Gear 34/17T		C	1	
32	A2X0948800	Seal		C	1	
33	A00J703001	Positioning Holder		D	1	
34	A00J706900	Rotation Knob		C	1	
35	A00J700301	Gear 26T		C	1	
36	A00J700900	Collar		C	1	
37	A00J702000	Wiring Cover		D	1	
38	A2X0M10500	Stepping motor		C	1	
39	A108M50100	Photointerrupter		B	1	
40	A2X0713600	Actuator		C	1	
41	A2X0R71C22	Conveyance Holder Assy		C	1	
42	A0P0701136	Conveyance Holder		D	1	

PAPER EXIT CONVEYANCE SECTION



J
See p57-41

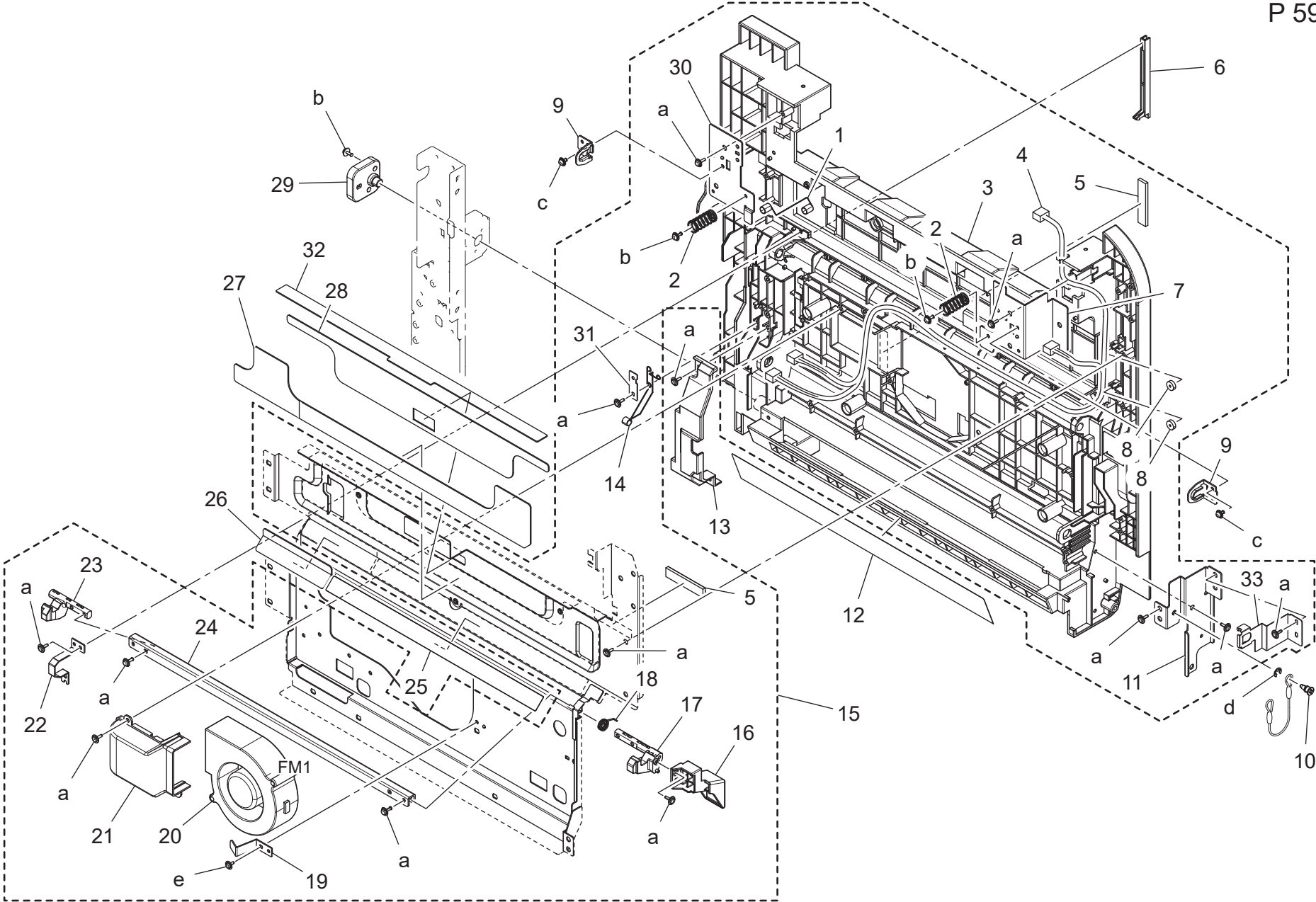
改訂版 REVISED EDITION	日付 DATE
	JUNE 2013

bizhub C654e/bizhub C754e

PAPER EXIT CONVEYANCE SECTION

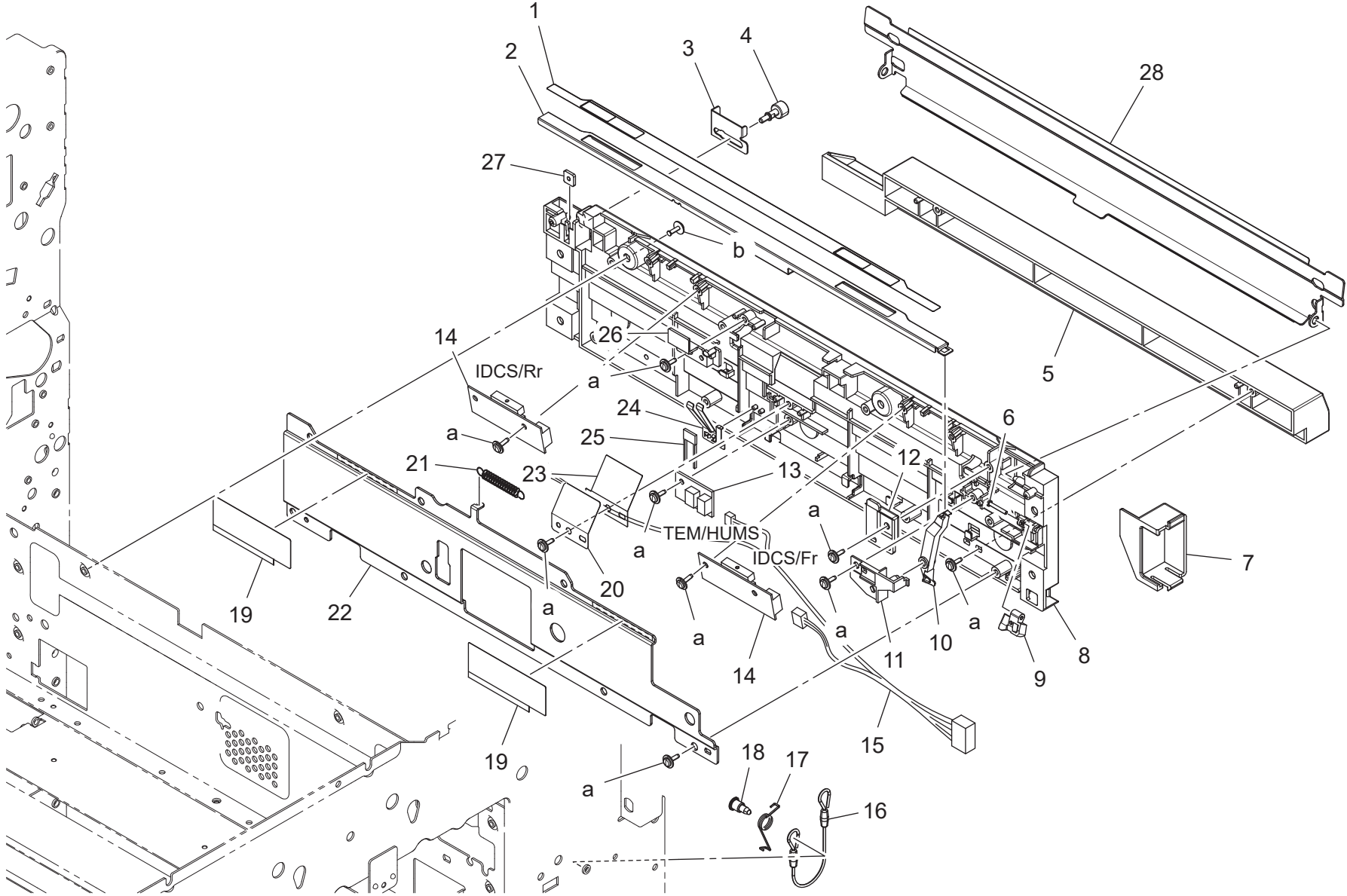
Key	Part No.	Description	Destinations	Class	QTY	Standard parts
1	A2X0710200	Mounting Plate		D	1	a-V153030803
2	A2X0713200	Timing Belt 152L		C	1	b-V115260503
3	A2X0713100	Pulley 16T		C	1	c-V217040001
4	A0P0R75400	Motor Assy		C	1	d-V217060001
5	4025490701	GEAR 16/40T		C	1	e-V217050001
6	4025491001	GEAR 12/40T		C	1	f-V217030001
7	A2X0708200	Contact		C	1	g-V116030603
8	9454407602	RESISTOR		D	1	h-V137030603
9	A2X0713400	Ground Plate		D	1	k-V149030803
10	A00JR7AU11	2ND TRANSFER RETRACTION DRIVE		D	1	
11	4025490801	GEAR 15T		C	1	
12	4025490901	GEAR 15T		C	1	
13	4036491101	PIN		D	1	
14	A00J710800	Compressing Spring		C	2	
15	4004472202	WASHER		D	2	
16	1144520001	PIN		D	2	
17	4004471004	Cam		D	2	
18	4036471201	ARM		C	2	
19	4004472301	WASHER		D	2	
20	4025472501	TORSION SPRING		D	1	
21	A00J711400	Cam /1		C	1	
22	A00J708100	Ground Plate		C	1	
23	4036473001	BUSHING		C	2	
24	A0P0R71911	2nd transfer roller assy		A	1	
25	A0P0R73133	Removal guide assy		C	1	
26	4025471902	TORSION SPRING		D	1	
27	A0P0710502	Arm /Rear		C	1	
28	A00J708700	Contact		C	1	
29	A00J710400	Support Shaft		D	1	
30	A2X0N11001	Conveyance Wiring		D	1	
31	4025472001	DETECTING PLATE		D	1	
32	4025470902	SHAFT		D	1	
33	A2X0713000	Mounting Plate		D	1	
34	A0P0710600	Arm /Front		D	1	
35	A2X0708800	Contact		C	1	
36	A00J710700	Mounting Plate		D	1	
37	A108M50100	Photointerrupter		B	1	
38	A0P0709101	Contact		C	1	
39	A00J708400	Contact		C	1	
40	A00J708900	Contact		C	1	
41	A00J708300	Contact		C	1	

PAPER EXIT CONVEYANCE SECTION



bizhub C654e/bizhub C754e

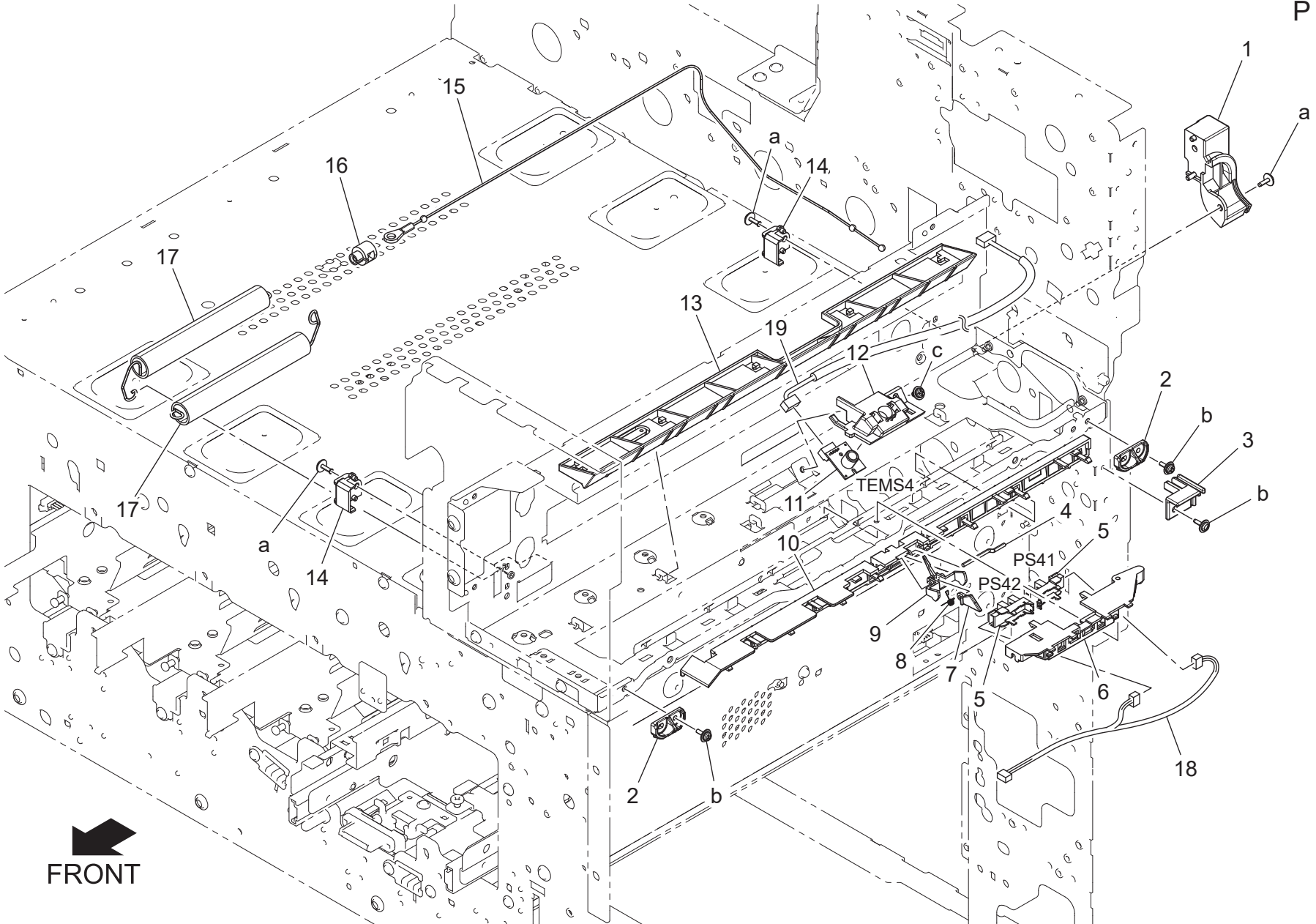
REGISTRATION SENSOR SECTION



bizhub C654e/bizhub C754e

ROTATION DETECTING SENSOR SECTION

P 61



FRONT

bizhub C654e/bizhub C754e

ROTATION DETECTING SENSOR SECTION

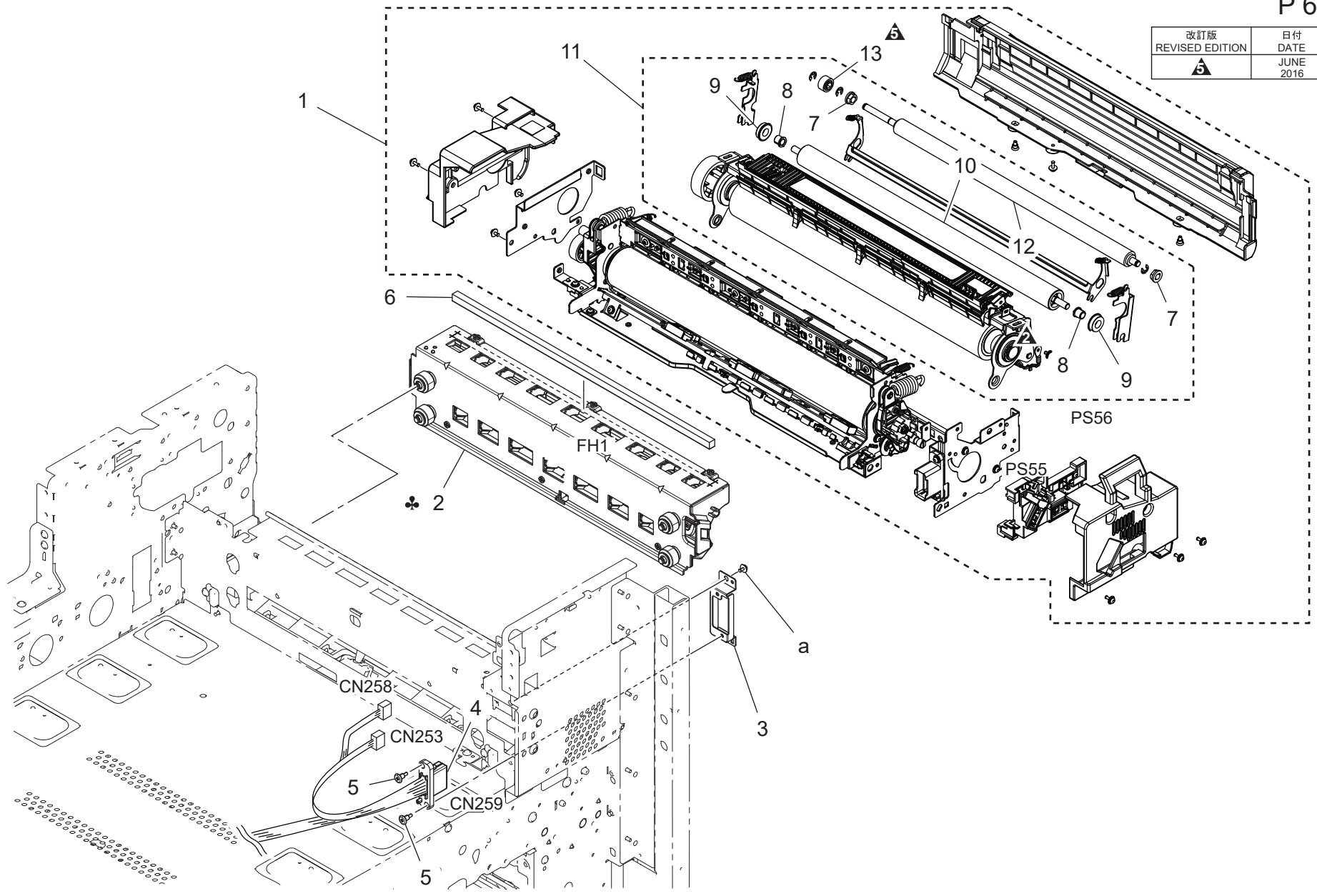
Key	Part No.	Description	Destinations	Class	QTY	Standard parts
1	A00J707501	Guide Wire		C	1	a-V137030803 b-V116030803 c-V116030603
2	A0P0707701	Holder		C	2	
3	A00J709000	Guide Plate		C	1	
4	A0P0103300	Shaft		D	1	
5	A108M50100	Photointerrupter		B	2	
6	A0P0103902	Holder		C	1	
7	A0P0107500	Actuator		C	1	
8	A0P0103401	Torsion Spring		D	1	
9	A0P0104001	Actuator		C	1	
10	A0P0102901	Guide Plate		D	1	
11	A0P0M50000	Temp. transfer		I	1	
12	A2X0107300	Guide Holder		D	1	
13	A2X0107500	Guide		D	1	
14	A2X0104801	Guide		C	2	
15	A00J707102	Hold Wire /Rear		C	1	
16	4004351202	FLANGE		D	1	
17	A0P0707600	Open/close Spring		C	2	
18	A0P0N12H00	Sensor Relay harness /2		C	1	
19	A2X0N10U00	Temperature Detection harness		D	1	

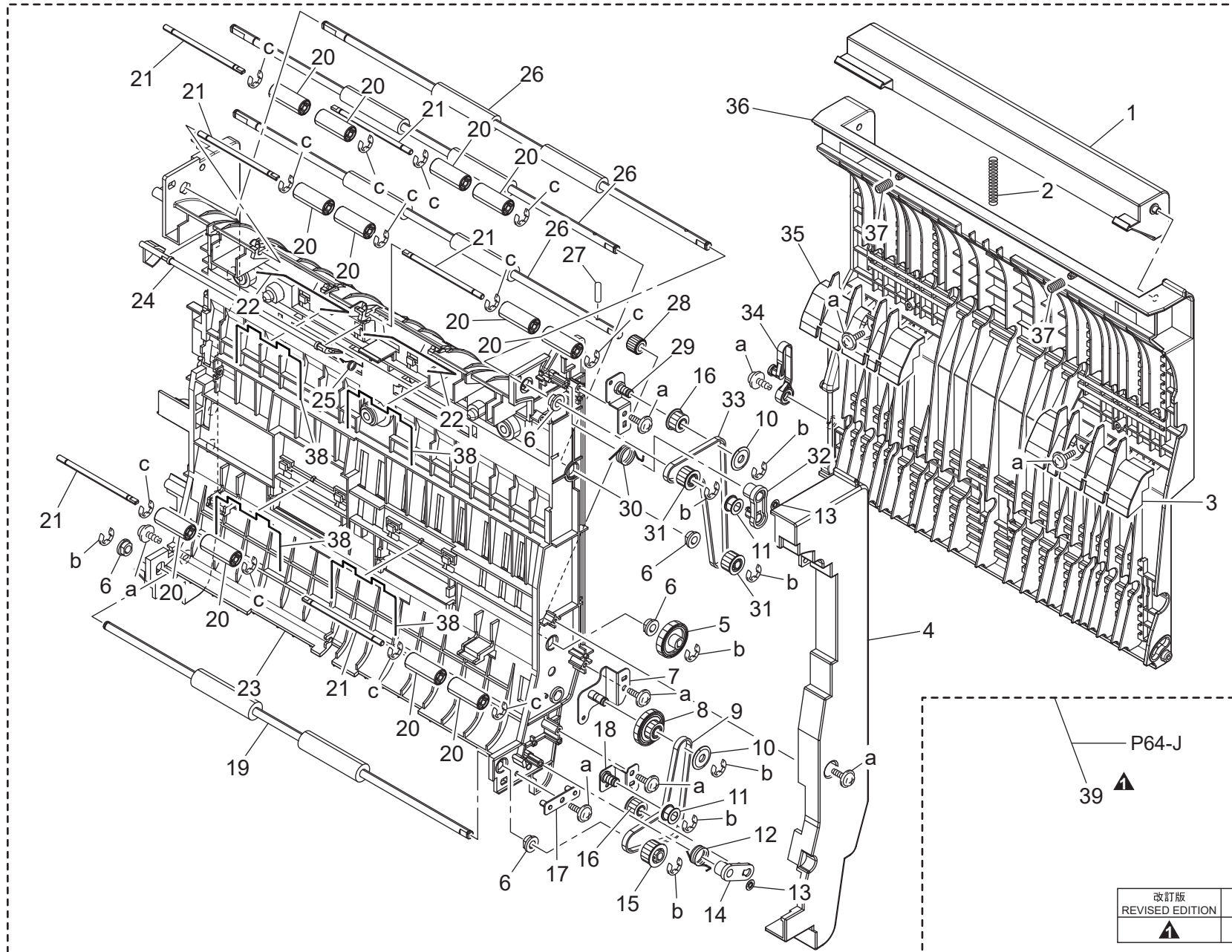
bizhub C654e/bizhub C754e

FUSING UNIT

P 62

改訂版 REVISED EDITION	日付 DATE
	JUNE 2016





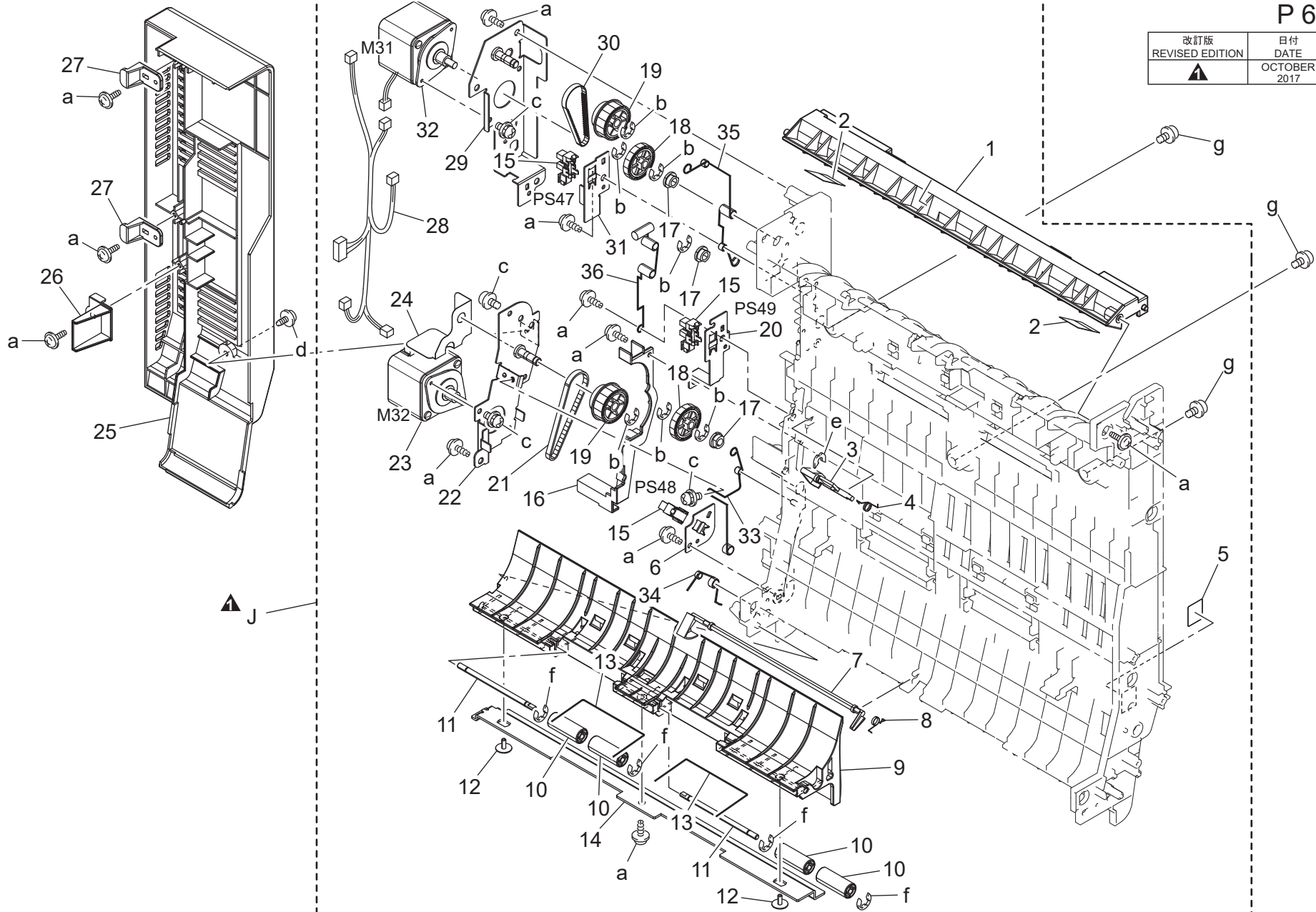
改訂版 REVISED EDITION	日付 DATE
▲	OCTOBER 2017

bizhub C654e/bizhub C754e

Key	Part No.	Description	Destinations	Class	QTY	Standard parts
1	A00J810302	Handle		C	1	a-V153030803 b-V217040001 c-V217030001
2	4497310603	PRESSURE SPRING		C	1	
3	A00J814600	Guide Part /Front		C	1	
4	A2X0810400	Cover /Front		C	1	
5	A0P0812800	Gear 48T		C	1	
6	4131300301	BUSHING		C	5	
7	A00JR7AV00	MOUNTING PLATE /B		D	1	
8	A0P0812900	Gear 22/48T		C	1	
9	A00J813000	Belt 248L		C	1	
10	1200164603	WASHER		D	2	
11	A00J813600	Roll		C	2	
12	A00J812400	Torsion Spring /Lower		C	1	
13	0910362001	STOP RING		D	2	
14	A00J812300	Lever		C	1	
15	A00J812200	Pulley 26T		C	1	
16	4657371301	PULLEY 22T		C	2	
17	A00JR7AW00	MOUNTING PLATE /D		D	1	
18	A00JR7AX11	MOUNTING PLATE /C		D	1	
19	A00J811000	Roller /4		C	1	
20	A00J814101	Roll		C	12	
21	A00J814411	Shaft		C	6	
22	A00J814500	Spring		C	2	
23	A2X0810101	Duplex Base frame		D	1	
24	A00J811800	Actuator /Upper		C	1	
25	4657373501	TORSION SPRING		C	1	
26	A00J810800	Roller /1		C	3	
27	1067250101	PIN		C	1	
28	A00J815101	Knob		C	1	
29	A00JR7AY00	MOUNTING PLATE /A		D	1	
30	A00J812100	Torsion Spring /Upper		D	1	
31	A00J811200	Pulley 22T		C	2	
32	A00J815200	Lever		C	1	
33	A00J811600	Belt 306L		C	1	
34	A00J816400	STOPPER		C	1	
35	A00J814700	Guide Part /Rear		C	1	
36	A2X0810500	Open/close Cover		C	1	
37	A00J815801	Compressing Spring		C	2	
38	A2X0814500	Spring		C	4	
39	A2X0R73100	ADU Assy		S	1	

bizhub C654e/bizhub C754e

改訂版 REVISED EDITION	日付 DATE
▲	OCTOBER 2017



bizhub C654e/bizhub C754e

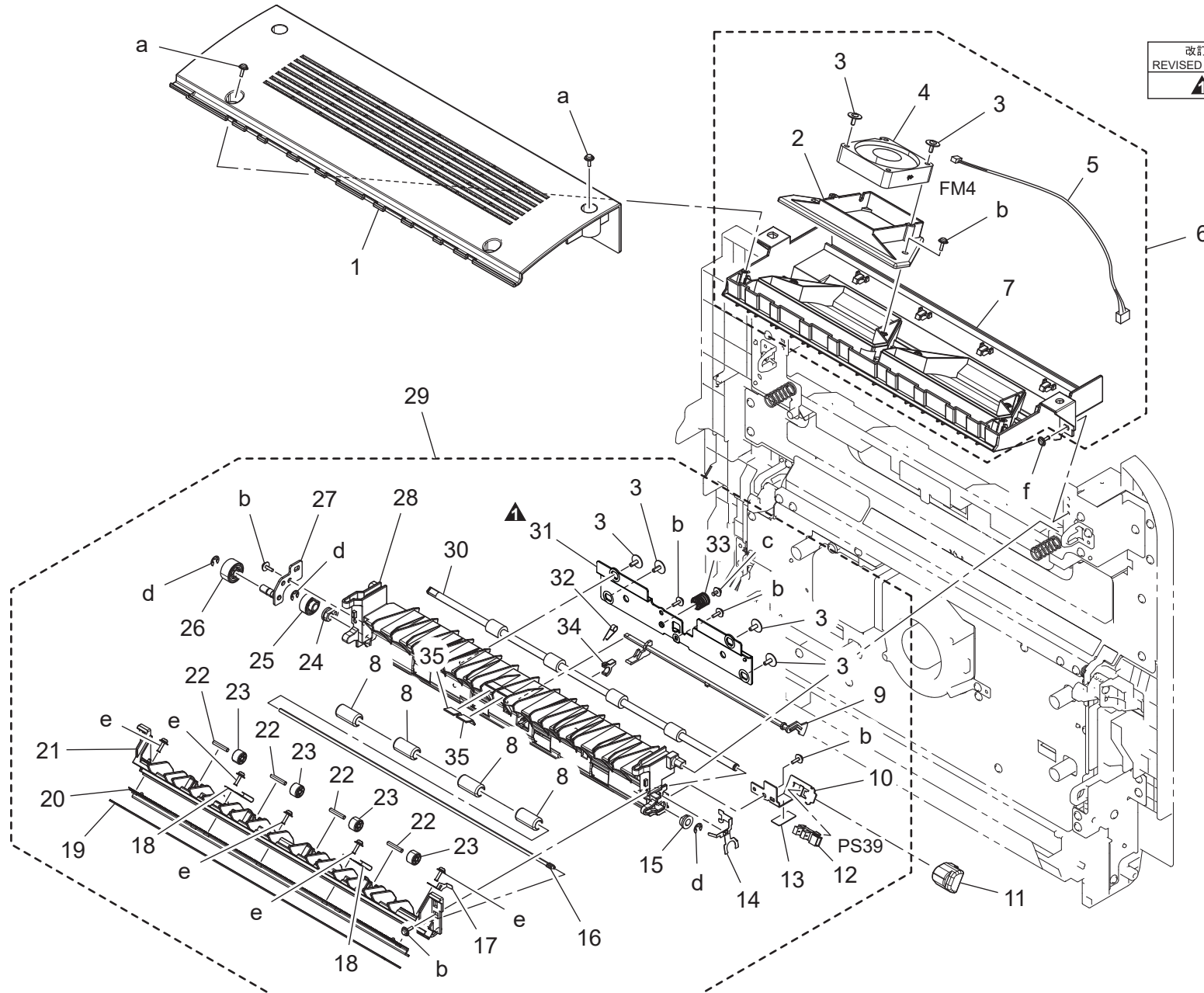
Key	Part No.	Description	Destinations	Class	QTY	Standard parts
1	A00J810201	Cover /Upper		C	1	a-V153030803 b-V217040001 c-V116030603 d-V121030804 e-V218030086 f-V217030001 g-V125041003
2	A00J816300	Guide Film		C	2	
3	A00J813200	Actuator		C	1	
4	4657373401	TORSION SPRING		C	1	
5	A2X0949000	Label		C	1	
6	A00J812000	Sensor Plate /Lower		D	1	
7	A00J811900	Actuator /Lower		C	1	
8	4657373501	TORSION SPRING		C	1	
9	A00J810713	Cover /Lower		C	1	
10	A00J814101	Roll		C	4	
11	A00J814411	Shaft		C	2	
12	4036596601	SCREW		C	2	
13	A00J814500	Spring		C	2	
14	A00J816200	Reinforce Plate		D	1	
15	A108M50100	Photointerrupter		B	3	
16	A00J815400	Wiring Cover		D	1	
17	4131300301	BUSHING		C	3	
18	A00J813800	Gear 25T		C	2	
19	A00J813900	Pulley 33/25T		C	2	
20	A2X0813300	Sensor Plate /Middle		D	1	
21	A00J811100	Belt 160L		C	1	
22	A00JR7B000	DRIVE FRAME / LOWER		D	1	
23	A2X0M10600	Stepping motor		C	1	
24	A0P0816600	Protection Film		C	1	
25	A00J810601	Cover /Rear		C	1	
26	A00J816100	Lever		C	1	
27	A00J815300	Hook		C	2	
28	A2X0N11300	ADU Wiring		D	1	
29	A00JR7B100	DRIVE FRAME / UPPER		D	1	
30	4657374301	TIMING BELT 134L		C	1	
31	A00J812600	Sensor Plate /Upper		D	1	
32	A2X0M10700	Stepping motor		C	1	
33	A2X0816900	Contact /3		C	1	
34	A0P0817000	Contact /4		C	1	
35	A0P0816700	Contact /1		C	1	
36	A2X0816800	Contact /2		C	1	

bizhub C654e/bizhub C754e

PAPER EXIT SECTION

P 65

改訂版 REVISED EDITION	日付 DATE
▲	APRIL 2016



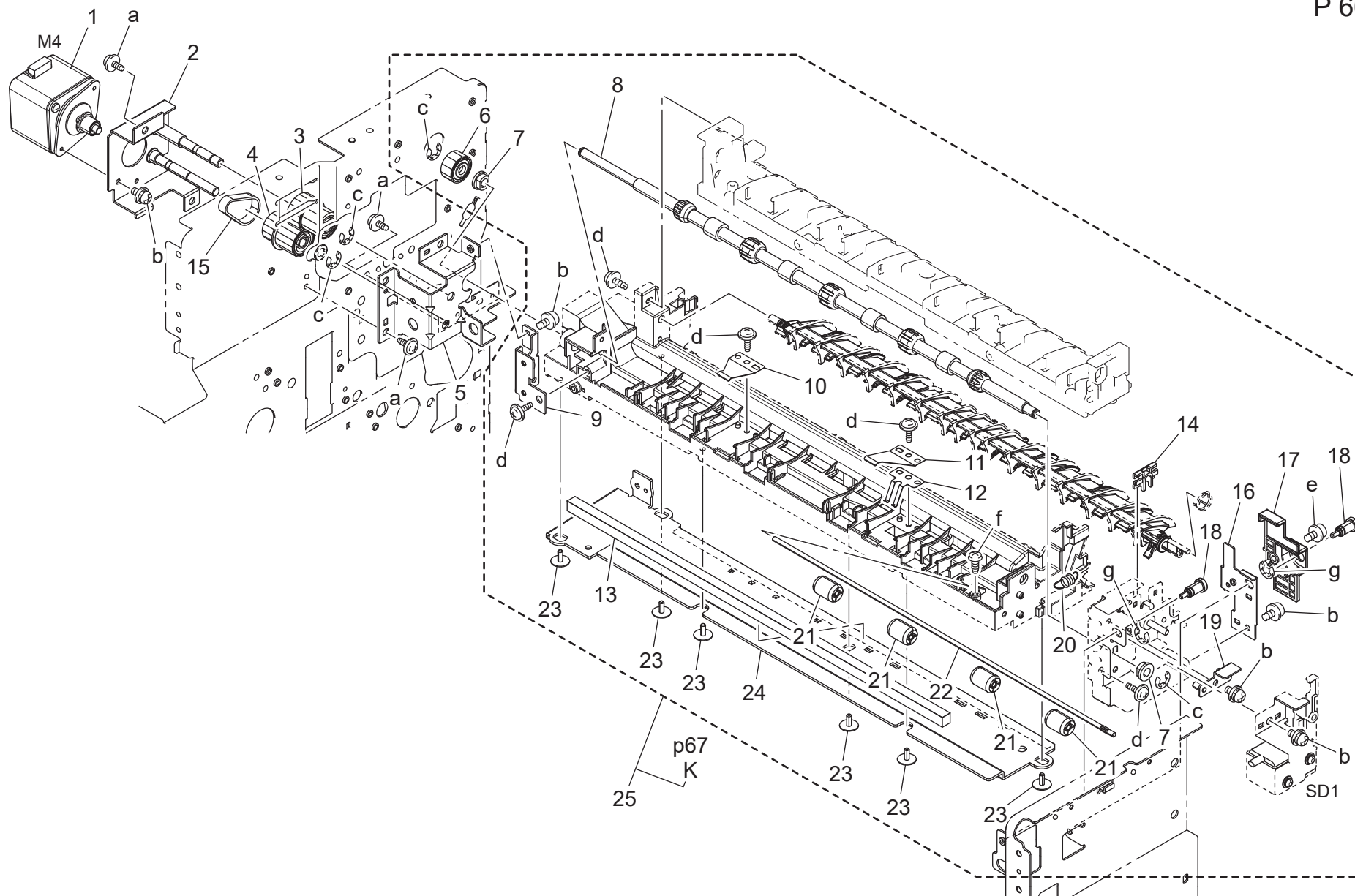
bizhub C654e/bizhub C754e

PAPER EXIT SECTION

Key	Part No.	Description	Destinations	Class	QTY	Standard parts
1	A00J891801	Paper exit Cover		C	1	a-V153030804 b-V153030803 c-V116030603 d-V217040001 e-V116031003 f-V137030803
2	A00J898900	Cover		D	1	
3	4036596601	SCREW		C	6	
4	9J06M10000	Fan motor		C	1	
5	A1DMN11200	Conveyance Relay harness /1		D	1	
6	A2X0R71B00	Cooling Fan Assy		C	1	
7	A00J892101	Guide Plate		D	1	
8	A2X0901100	Roll		C	4	
9	A00J892300	Paper exit Actuator		C	1	
10	A00J892712	Sensor Plate		D	1	
11	A00J898400	Cover		C	1	
12	A108M50100	Photointerrupter		B	1	
13	A00J899711	Protection Part		C	1	
14	A00J894000	Contact		C	1	
15	4030309301	BUSHING		C	1	
16	A00J897800	Shaft		D	1	
17	A00J894200	Contact		C	1	
18	A00J892600	Plate spring /1		C	2	
19	A0P0897600	Protection Part		C	1	
20	A00J892001	Reinforce Plate		D	1	
21	A2X0892400	Guide Plate		D	1	
22	A00J897100	Pin		C	4	
23	A00J897000	Roll		C	4	
24	A0P0900201	Bushing		D	1	
25	A00J896300	Gear 15T		C	1	
26	A00J896100	Gear 16T		C	1	
27	A00JR7B200	MOUNTING PLATE / 1ST EXIT		D	1	
28	A2X0892901	Guide Plate		C	1	
29	A2X0R71711	Mounting Plate/Exit Assy		C	1	
30	A2X0898300	Roller		D	1	
31	A0P0900101	Mounting Plate		D	1	
32	4036591301	TORSION SPRING		D	1	
33	A0P0900700	Compressing Coil spring		D	1	
34	4004598701	BUSHING		C	1	
35	A2X0900500	Cushion		D	2	

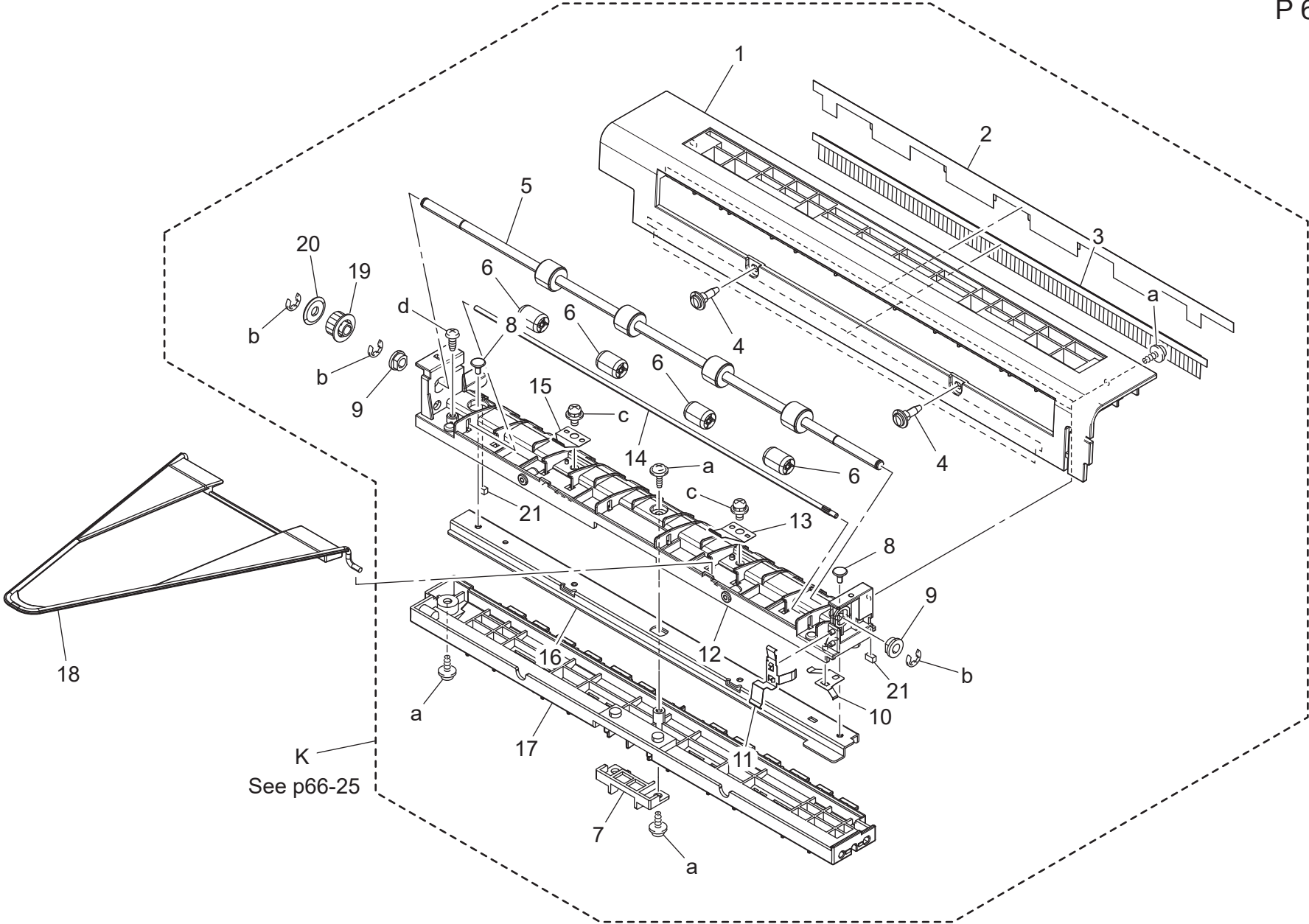
bizhub C654e/bizhub C754e

REVERSAL SECTION



Key	Part No.	Description	Destinations	Class	QTY	Standard parts
1	A2X0M10800	Stepping motor		C	1	a-V137030603
2	A0P0R7A400	Mounting plate / Paper exit motor		D	1	b-V116030603
3	A00J891100	Gear 16/26T		C	1	c-V217040001
4	A0P0891000	Idler Gear 22T		C	1	d-V153030803
5	A0P0896600	Mounting Plate		D	1	e-V116030803
6	A00J895100	Gear 16T		C	1	f-V149030803
7	4030309301	BUSHING		C	2	g-V217050001
8	A2X0890701	Paper exit Roller		C	1	
9	A00J896801	Mounting Plate		D	1	
10	A00J898001	Plate spring		D	1	
11	A00J898101	Plate spring		D	1	
12	A00J899101	Contact		C	1	
13	A2X0890600	Sealing Part		C	1	
14	4030382301	BUSHING		D	1	
15	A0P0900600	Timing belt 86L		D	1	
16	A00J891200	Mounting Plate		D	1	
17	A00J898200	Cover		C	1	
18	A00J896500	Shoulder screw		C	2	
19	A00JR7B500	REVERSAL UPPER STAKE		D	1	
20	A00J893800	Pulling Spring		D	1	
21	4004590301	ROLL		C	4	
22	4025598401	SHAFT		D	1	
23	4036596601	SCREW		C	6	
24	A0P0890200	Mounting Plate		D	1	
25	A2X0R71100	Riverse Unit		C	1	

REVERSAL SECTION



REVERSAL SECTION

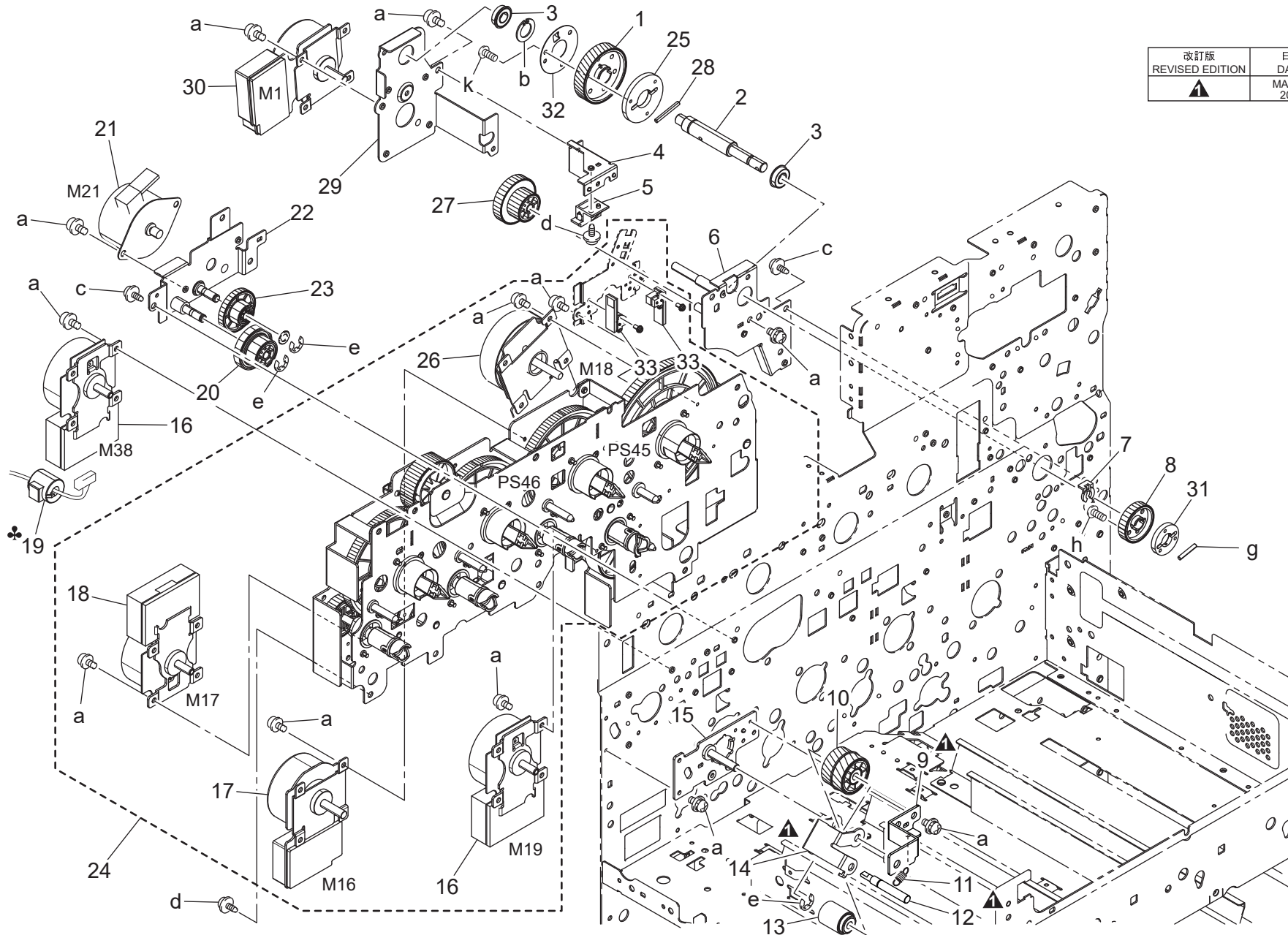
Key	Part No.	Description	Destinations	Class	QTY	Standard parts
1	A00J893512	Riverse/exit Cover		C	1	a-V153030803 b-V217040001 c-V116030803 d-V149030803
2	A00J897401	Neutralizing Brush		C	1	
3	A02E890700	Neutralizing brush		C	1	
4	A00J899500	Shoulder screw		C	2	
5	A0P0893911	Riverse/exit Roller		D	1	
6	4004590301	ROLL		C	4	
7	A00J890411	Bushing		C	1	
8	4011585202	SHOULDER SCREW		C	2	
9	4030309301	BUSHING		C	2	
10	A00J899200	Contact		C	1	
11	A00J896412	Contact		C	1	
12	A00J893413	Guide Plate		D	1	
13	A00J899301	Plate spring		C	1	
14	4025598401	SHAFT		D	1	
15	A00J893201	Plate spring		C	1	
16	A00J893601	Mounting Plate		D	1	
17	A00J893311	Guide Plate		D	1	
18	A00J898500	Guide Part		C	1	
19	4025593901	PULLEY 24 T		C	1	
20	1200164603	WASHER		D	1	
21	A0P0900800	Cushion		D	2	

bizhub C654e/bizhub C754e

MAIN DRIVE SECTION

P 68

改訂版 REVISED EDITION	日付 DATE
▲	MARCH 2016



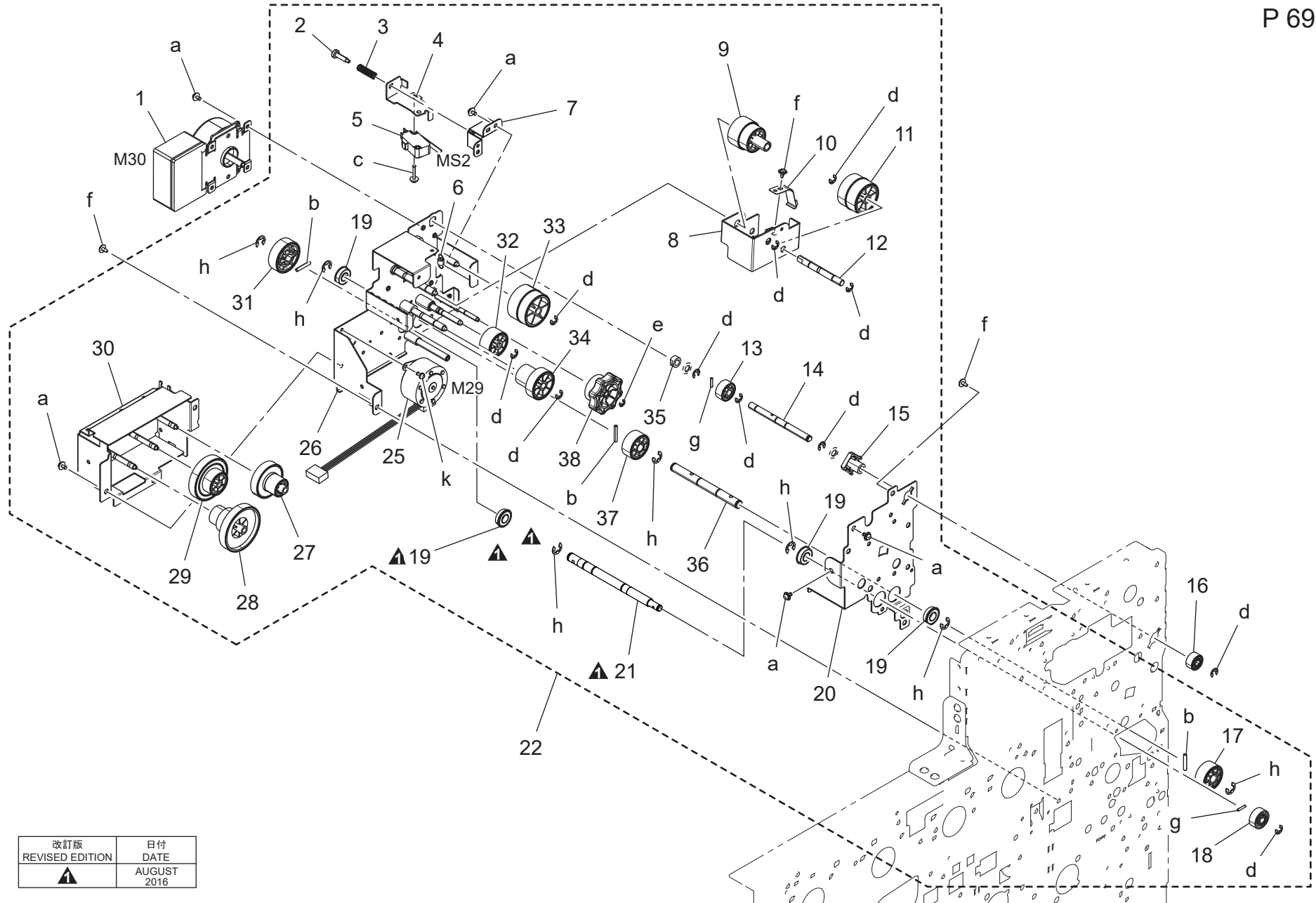
bizhub C654e/bizhub C754e

MAIN DRIVE SECTION

Key	Part No.	Description	Destinations	Class	QTY	Standard parts
1	A2WU220800	Gear 88T		C	1	a-V116030603
2	A2WU220300	Transfer Shaft		D	1	b-V223120050
3	A00V240600	Ball Bearing		B	2	c-V137030603
4	A00J220600	Transfer Frame /C		D	1	d-V137030803
5	4036351701	GUIDE		D	1	e-V217040001
6	A00JR7B700	TRANSFER FRAME / B		D	1	g-V237301850
7	1164306501	STOPPER RING		D	1	h-V118030503
8	A2WU220100	Gear 59T		C	1	k-V118030603
9	A0P0228901	Reinforce Plate /T		C	1	
10	A0P0228100	Transfer Gear /M 55/34T		C	1	
11	A2X0228500	Pulling Coil spring		C	1	
12	A0P0228701	Transfer Shaft /B		C	1	
13	A0P0228200	Transfer Gear /Y 20T		C	1	
14	A0P0228403	Transfer Frame /E		C	1	
15	A0P0R7A600	Transfer frame / F		D	1	
16	A161M10200	brushless Motor /20		I	2	
17	9314230021	MOTOR		B	1	
18	A2XKM10300	Brushless motor		I	1	
19	A0P0M90000	Ferritecore	C,D1,D3,E,F2,G1,I,K ,H,J	D	1	
20	A00J225100	Gear 22/33T		C	1	
21	A02EM10C01	Stepping motor		C	1	
22	A00JR7B600	TRANSFER FRAME / D		D	1	
23	A00J225000	Gear 16/64T		C	1	
24	A2X0R70600	Main Drive Assy		C	1	
25	A2WU221001	Flange		C	1	
26	A00JM11000	Brushless motor /15		C	1	
27	A2WU220000	Gear 44/60T		C	1	
28	4004254701	PIN		D	1	
29	A2WU220400	Transfer Frame /A		D	1	
30	A00JM11300	Brushless motor /12		C	1	
31	A2WU220901	Flange		C	1	
32	A2WU221200	Spacer		C	1	
33	A0P0M50600	Photointerrupter		I	2	

bizhub C654e/bizhub C754e

FUSING DRIVE SECTION



改訂版 REVISED EDITION	日付 DATE
▲	AUGUST 2016

bizhub C654e/bizhub C754e

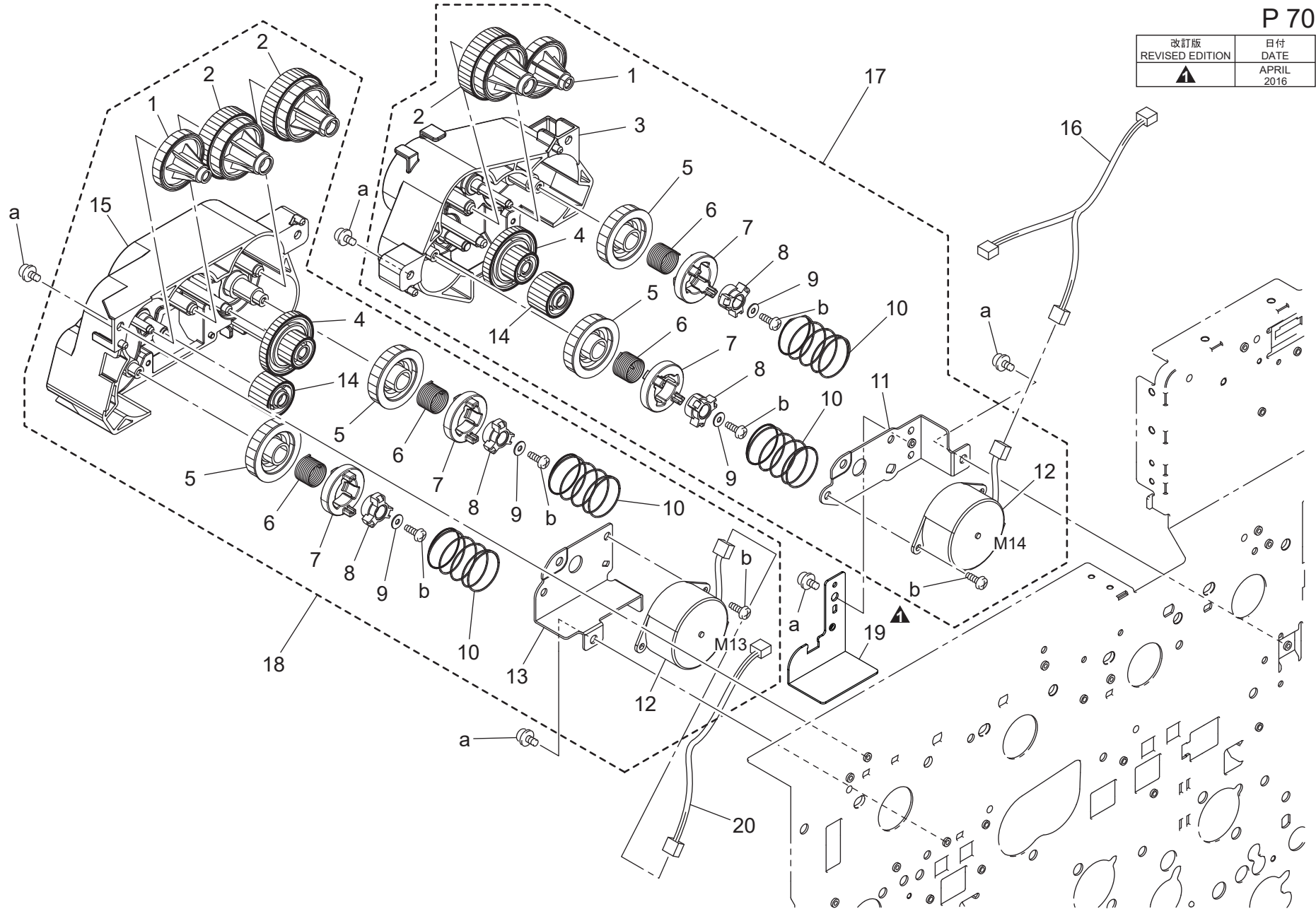
FUSING DRIVE SECTION

Key	Part No.	Description	Destinations	Class	QTY	Standard parts
1	A0P0M11500	Brushless motor /30		C	1	a-V116030603
2	4036225801	SHOULDER SCREW		C	1	b-V237301850
3	4004224802	PRESSURE SPRING		C	1	c-V116031603
4	4036224102	Bracket		D	1	d-V217040001
5	9J06M60100	MICRO SWITCH		C	1	e-V217030001
6	4004258201	TENSION SPRING		C	1	f-V137030603
7	A00J138000	Mounting Plate		D	1	g-V231201050
8	A00J232011	Fusing Frame /3		D	1	h-V217060001
9	A00J230000	Gear 52/30T		C	1	k-V115030603
10	A00J232400	PLATE SPRING		D	1	
11	A00J230100	Gear 38/38T		C	1	
12	A00J231200	Fusing Shaft /1		D	1	
13	A00J230711	Gear 33T		C	1	
14	A00J231812	Paper exit Shaft /1		D	1	
15	A00J232111	Paper exit Bearing /1		C	1	
16	A00J230800	Gear 18T		C	1	
17	A00J230500	Gear 23T		C	1	
18	A5C1254600	Gear		C	1	
19	A00V240600	Ball Bearing		B	4	
20	A2X0231000	Fusing Frame /2		D	1	
21	A2X0235401	Pressure Shaft		D	1	
22	A2X0R70811	Fusing Drive Assy		C	1	
25	A161M10300	Stepping motor		C	1	
26	A2X0R70900	Fusing Drive Frame Assy		D	1	
27	A2X0235600	Gear 21/42T		C	1	
28	A2X0235100	Gear 21/115T		C	1	
29	A2X0235500	Gear 28/53T		C	1	
30	A2X0R70N00	Mounting plate		D	1	
31	A2X0235900	Gear 38T		C	1	
32	A00J230300	Gear 30T		C	1	
33	A2X0230600	Gear 61/62T		C	1	
34	A00J230200	Gear 35/23T		C	1	
35	A0P0232500	Bushing		C	1	
36	A2X0231500	Fusing Shaft /2		D	1	
37	A00J230400	Gear 30T		C	1	
38	A00J232200	Fusing Knob /1		C	1	

BOTTLE DRIVE SECTION

P 70

改訂版 REVISED EDITION	日付 DATE
▲	APRIL 2016



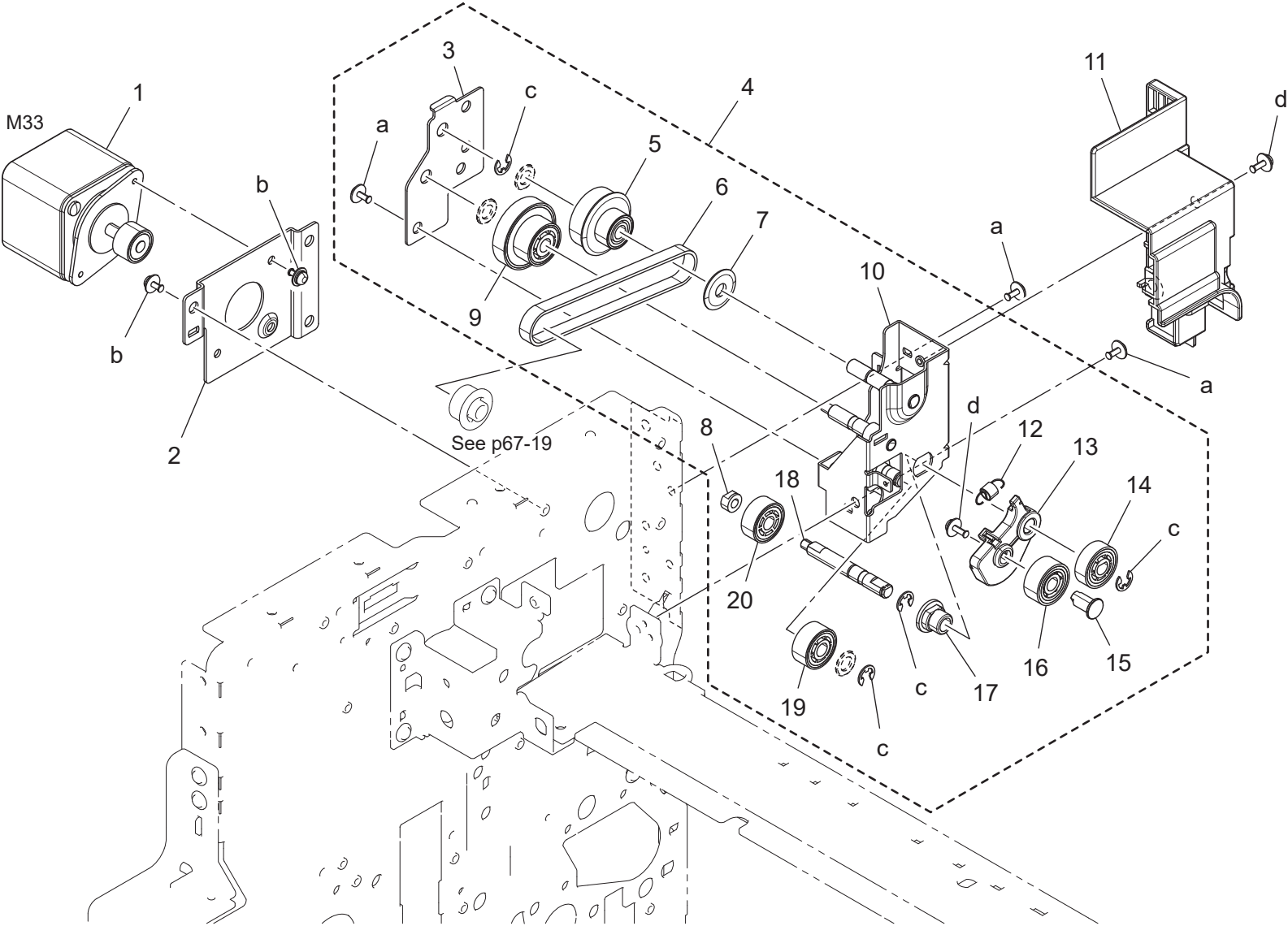
bizhub C654e/bizhub C754e

BOTTLE DRIVE SECTION

Key	Part No.	Description	Destinations	Class	QTY	Standard parts
1	A00J403100	Drive Gear /3 40T		C	2	a-V116030603 b-V145030803
2	A00J403000	Drive Gear /2 75/40T		C	3	
3	A00J402601	Drive Holder /Right		D	1	
4	A00J402900	Drive Gear /1 70/35T		C	2	
5	A00J404000	Gear 40T		C	4	
6	4038541101	SPRING		C	4	
7	A2X0404101	Joint		C	4	
8	4038541301	GUIDE		C	4	
9	4038540701	COLLAR		C	4	
10	4038541202	PRESSURE SPRING		C	4	
11	A00J402801	Fixing Plate /Right		D	1	
12	9314130021	MOTOR		B	2	
13	A00J403800	Fixing Plate /Left		D	1	
14	A00J403700	Gear 40T		C	2	
15	A00J402711	Drive Holder /Left		D	1	
16	A2X0N10900	Drive Wiring /1		D	1	
17	A2X0R70D11	Bottle Drive (C/BK) Assy		C	1	
18	A2X0R70C11	Bottle Drive (Y/M) Assy		C	1	
19	A00J142901	Protection Plate		D	1	
20	A2X0N10P00	Drive Wiring /2		D	1	

bizhub C654e/bizhub C754e

EJECT DRIVE SECTION




EJECT DRIVE SECTION

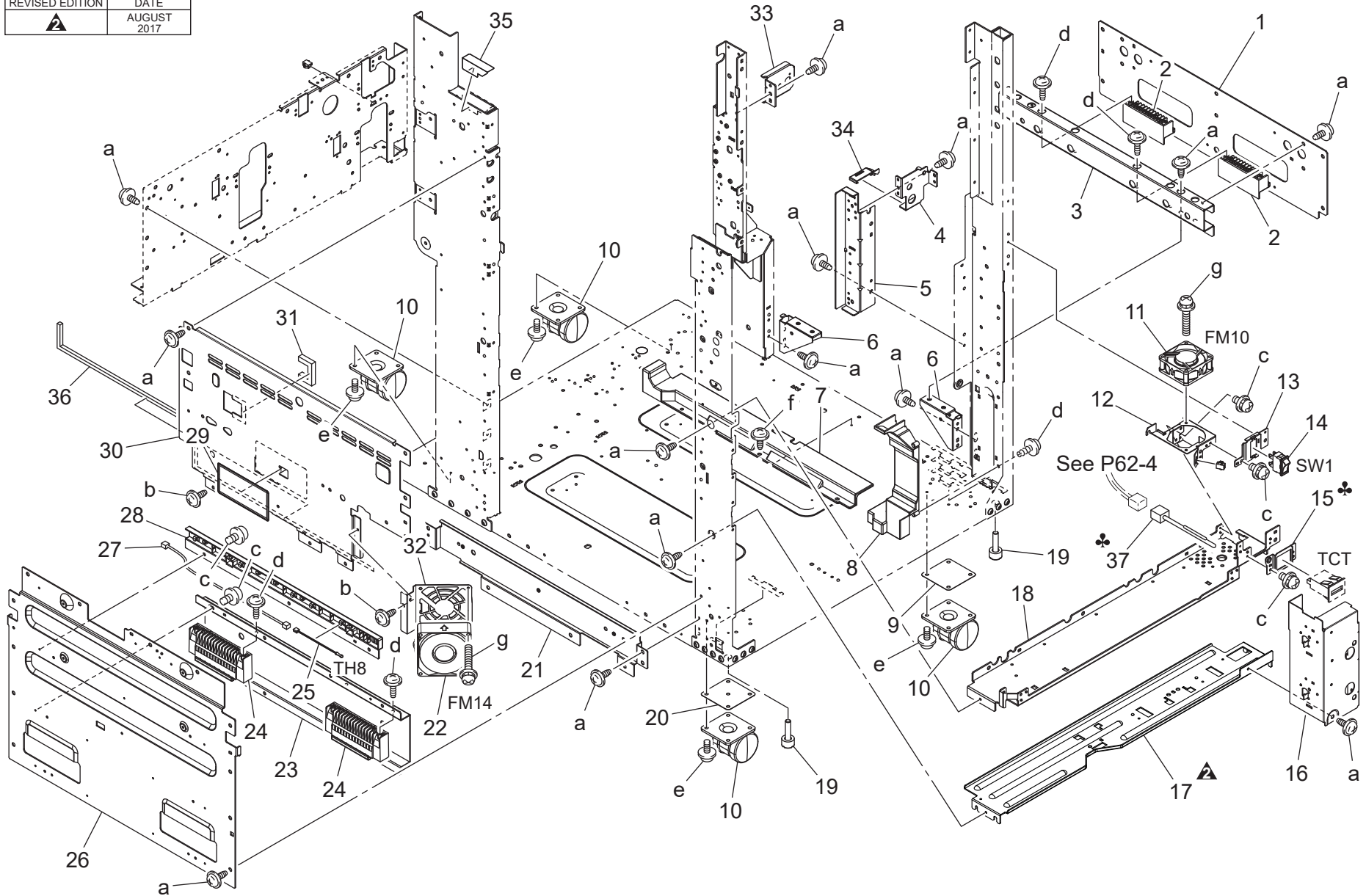
Key	Part No.	Description	Destinations	Class	QTY	Standard parts
1	A2X0M10900	Stepping motor		C	1	a-V137030603 b-V116030603 c-V217040001 d-V116030803
2	A00J895000	Mounting Plate		D	1	
3	A00J896000	Mounting Plate		D	1	
4	A2X0R71200	Paper Exit Belt Drive Assy		C	1	
5	A00J895200	Pulley 24/29T		C	1	
6	A00J894300	Timing belt 210L		C	1	
7	1200164603	WASHER		D	1	
8	4004533901	BUSHING		C	1	
9	A00J895700	Gear 21/34T		C	1	
10	A2X0894900	Mounting Plate /ASSY		D	1	
11	A2X0897701	Cover		C	1	
12	A00J899400	Pulling Spring		C	1	
13	A0P0897300	Cam		D	1	
14	A00J894600	Gear 16T		C	1	
15	A00J897200	Shaft		D	1	
16	A00J895300	Gear 16T		C	1	
17	A0P0900001	Bushing		D	1	
18	A2X0894800	Shaft		D	1	
19	A00J894400	Gear 21T		C	1	
20	A00J894500	Gear 21T		C	1	

bizhub C654e/bizhub C754e

MAIN FRAME SECTION

P 72

改訂版 REVISED EDITION	日付 DATE
	AUGUST 2017



bizhub C654e/bizhub C754e

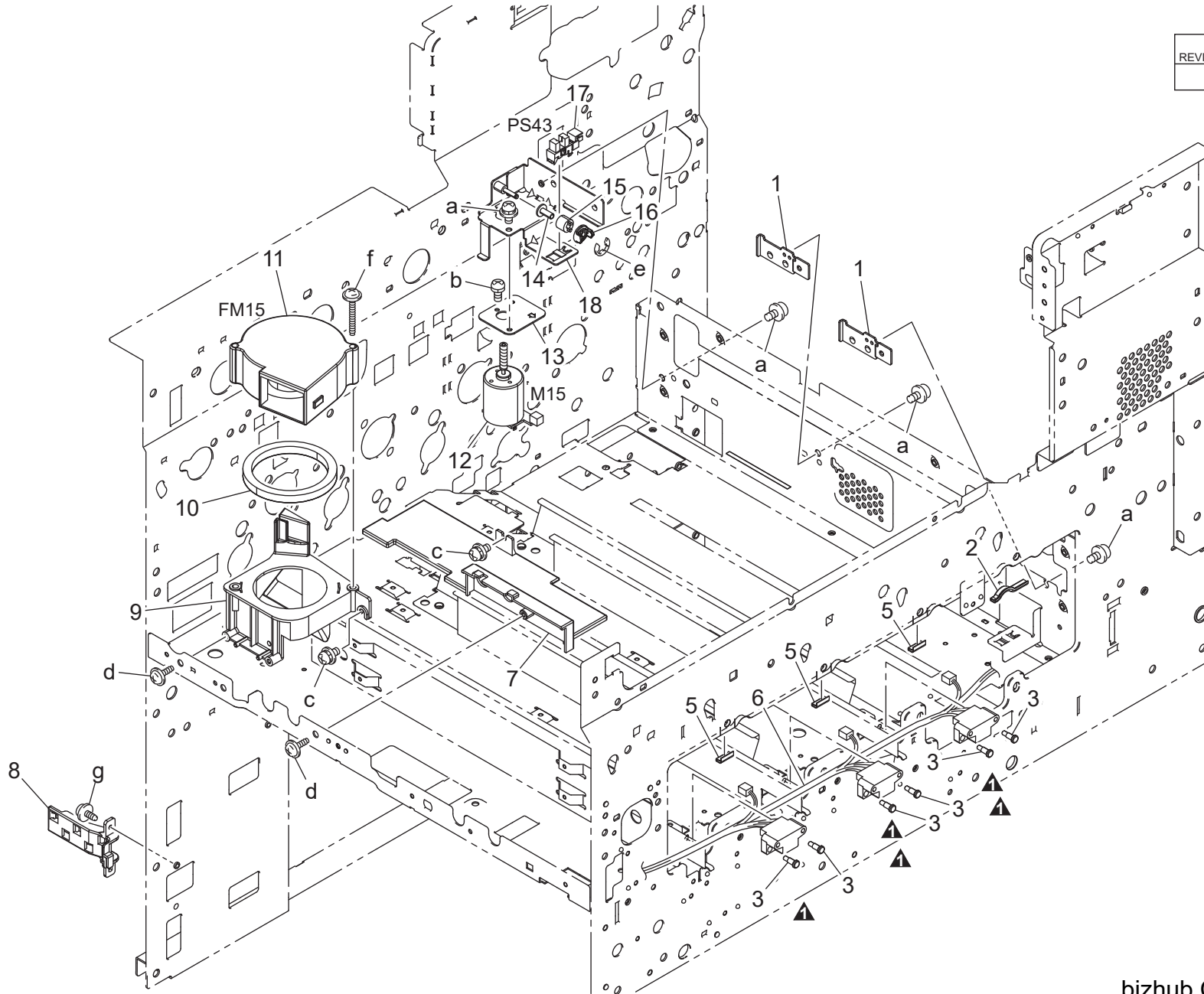
MAIN FRAME SECTION

Key	Part No.	Description	Destinations	Class	QTY	Standard parts
1	A0P0105100	Hold Plate /1		D	1	a-V137040803 b-V137030603 c-V116030603 d-V153030803 e-V121040603 f-V137030803 g-V116033003
2	A0P0165500	Cover Handle		C	2	
3	A0P0105201	Hold Plate /2		D	1	
4	A00J595200	Mounting Plate /ASSY		D	1	
5	A00J102402	Mounting Plate		D	1	
6	A0P0105300	Mounting Plate		D	2	
7	A0P0138200	Cover		D	1	
8	A0P0138300	Cover		D	1	
9	A00J106500	Plate		D	1	
10	A0P0109001	Castor		C	4	
11	4556M10000	Fan Motor		B	1	
12	A00J137701	Mounting Plate		D	1	
13	A0P0135400	Mounting Plate		D	1	
14	4038M60000	SEESAW-SWITCH		C	1	
15	A00J134500	Mounting Plate	A,A1	D	1	
16	A2X0104301	Mounting Plate		D	1	
17	A00J101401	Stay /Lower		D	1	
18	A0P0101311	Stay /Upper		D	1	
19	A0P0104600	Rubber foot		C	2	
20	A00J106400	Plate		D	1	
21	A00J104400	Mounting Plate		D	1	
22	9J03M10000	FAN MOTOR		B	1	
23	A00J105400	Mounting Plate		D	1	
24	A00J164600	Cover Handle		C	2	
25	A0P0M50300	Thermistor		C	1	
26	A00J101603	Side plate /Middle		D	1	
27	A0P0N12P00	Temperature Relay harness		D	1	
28	A0P0148701	Cover		D	1	
29	0957149101	LABEL		D	1	
30	A2X0101500	Side plate /Upper		D	1	
31	A0P0109300	Sealing Part /2		D	1	
32	A2X0154001	Mounting Plate		D	1	
33	A00J102700	Mounting Plate		D	1	
34	A00J586800	Guide Holder		C	1	
35	A0P0102000	Seal		C	1	
36	A2WU156400	Seal		D	1	
37	A5C1N12W00	Relay Wiring /1	B,C,D1,D3,E,F2,G1,G 2,H,I,J,K	D	1	

I/U FRAME SECTION

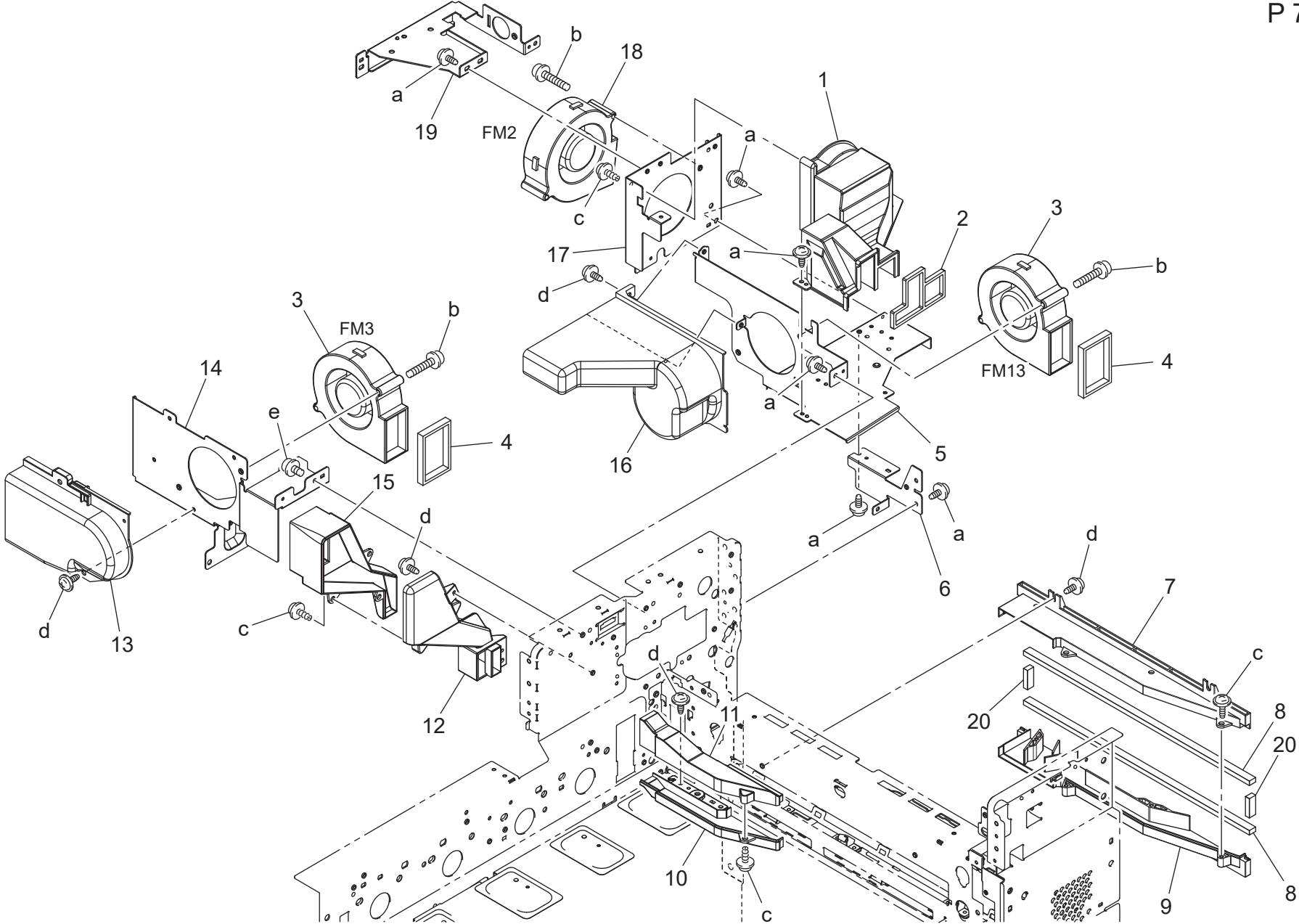
P 73

改訂版 REVISED EDITION	日付 DATE
	OCTOBER 2013



bizhub C654e/bizhub C754e

REAR FAN SECTION



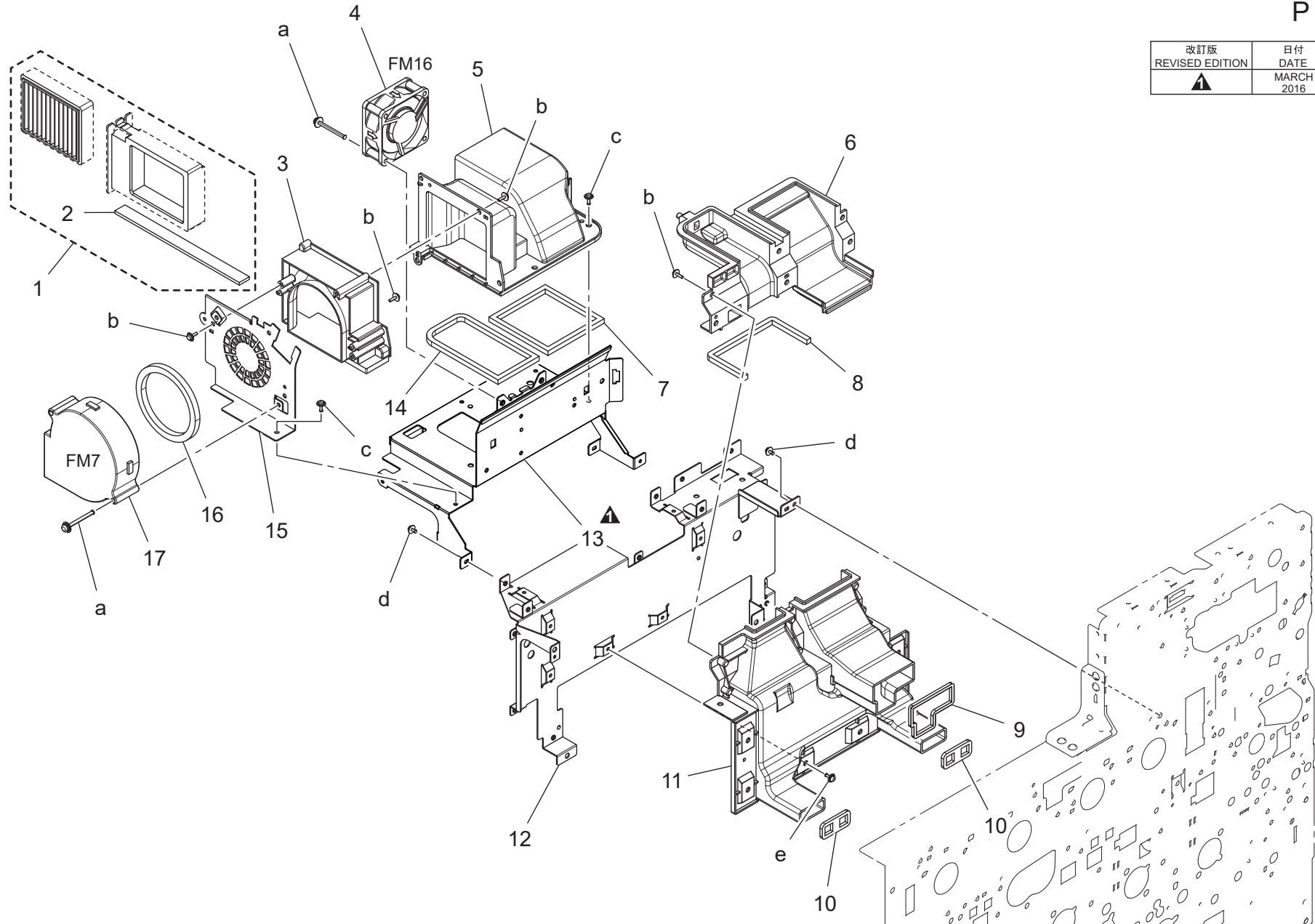
bizhub C654e/bizhub C754e

Key	Part No.	Description	Destinations	Class	QTY	Standard parts
1	A0P0150100	Duct	ダクト	D	1	a-V137030603 b-V116043503 c-V153030803 d-V137030803 e-V116030603
2	A0P0150400	Seal	シール	D	1	
3	9313100072	FAN MOTOR	ファンモータ	C	2	
4	A0P0151100	Sealing Part	シール材	D	2	
5	A0P0150212	Mounting Plate	取付板	D	1	
6	A00J150600	Mounting Plate	取付板	D	1	
7	A00J157200	Duct /2	ダクト / 2	D	1	
8	A2X0157500	Sealing Part	シール材	C	2	
9	A00J157100	Duct /1	ダクト / 1	D	1	
10	A00J157301	Duct /3	ダクト / 3	D	1	
11	A00J157401	Duct /4	ダクト / 4	D	1	
12	A00J157501	Duct /5	ダクト / 5	D	1	
13	A0P0157700	Duct	ダクト	D	1	
14	A2X0157900	Mounting Plate	取付板	D	1	
15	A00J157600	Duct /6	ダクト / 6	D	1	
16	A0P0150311	Duct	ダクト	D	1	
17	A0P0150500	Mounting Plate	取付板	C	1	
18	A0P0M14200	Fan motor	ファンモータ (シロッコ)	C	1	
19	A00J151002	Mounting Plate	取付板	D	1	
20	A2X0157600	Sealing Part	シール材	C	2	

REAR FAN SECTION

P 75

改訂版 REVISED EDITION	日付 DATE
▲	MARCH 2016



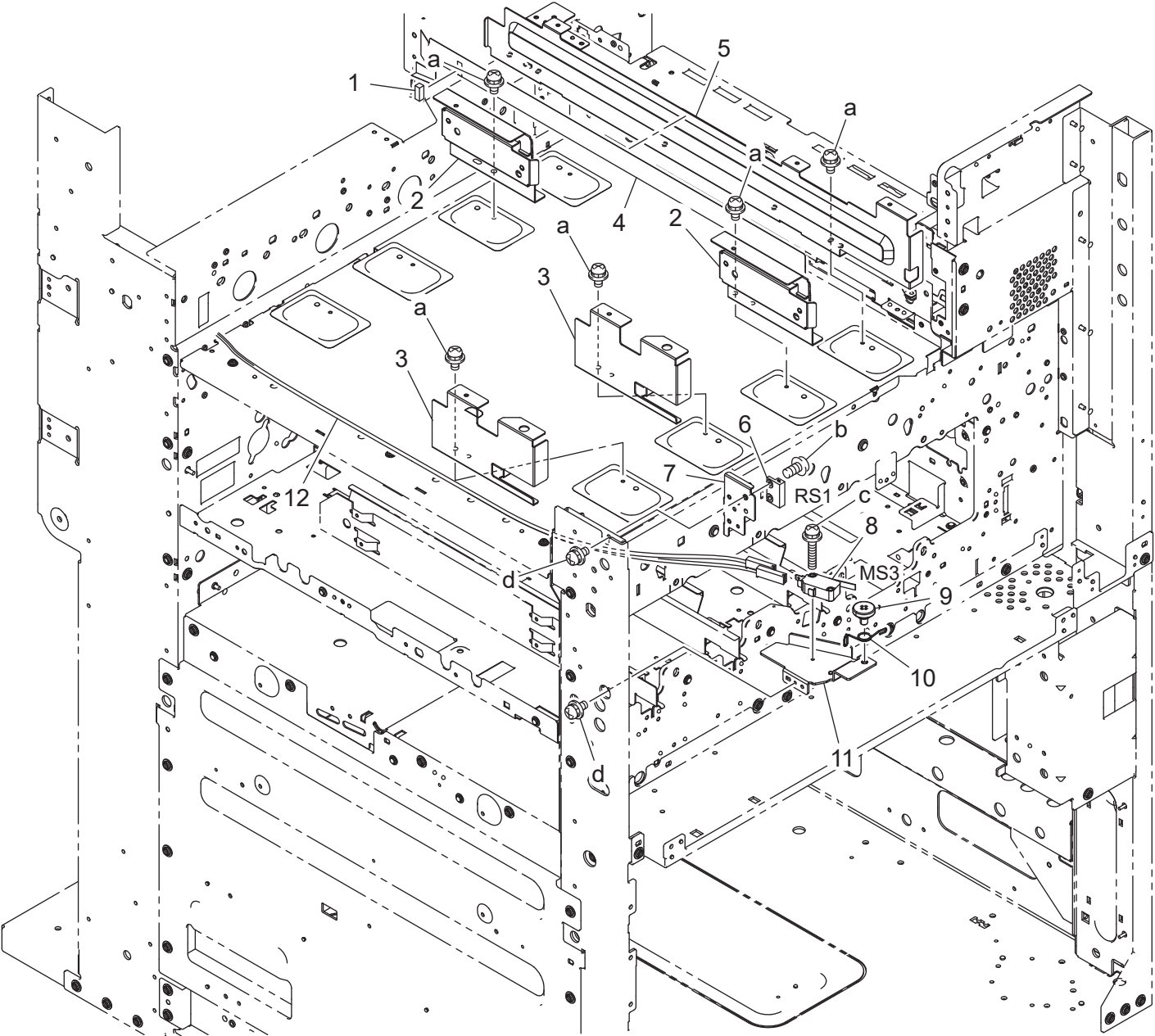
bizhub C654e/bizhub C754e

REAR FAN SECTION

Key	Part No.	Description	Destinations	Class	QTY	Standard parts
1	A0P0R70100	Toner Filter		B	1	a-V116043503 b-V153030803 c-V137030803 d-V116030603 e-V116030803
2	A00J154801	Seal		C	1	
3	A0P0153300	Duct		D	1	
4	4556M10000	Fan Motor		B	1	
5	A2X0154501	Duct		D	1	
6	A2X0152600	Duct		D	1	
7	A2X0154800	Seal		D	1	
8	A2X0153700	Seal		D	1	
9	A2X0110200	Seal		D	1	
10	A00J152700	Seal		C	2	
11	A2X0152100	Duct		D	1	
12	A2X0132200	Mounting Plate /ASSY		D	1	
13	A2X0153101	Mounting Plate		D	1	
14	A2X0154900	Seal		D	1	
15	A00J154600	Mounting Plate		D	1	
16	4036248501	SEAL		C	1	
17	9313100072	FAN MOTOR		C	1	

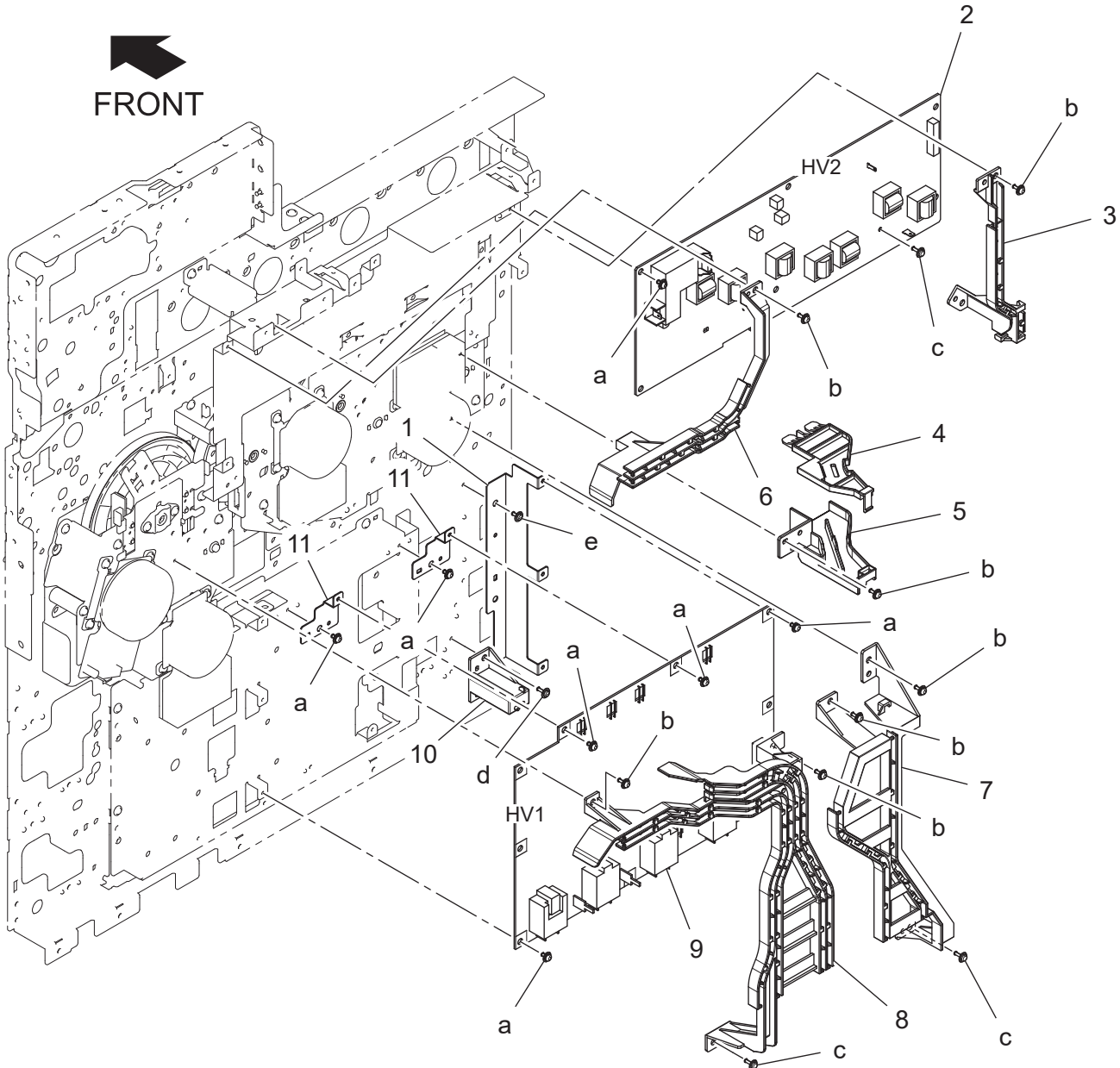
bizhub C654e/bizhub C754e

DOOR SAFE SWITCH SECTION



bizhub C654e/bizhub C754e

HIGH VOLTAGE SECTION



HIGH VOLTAGE SECTION

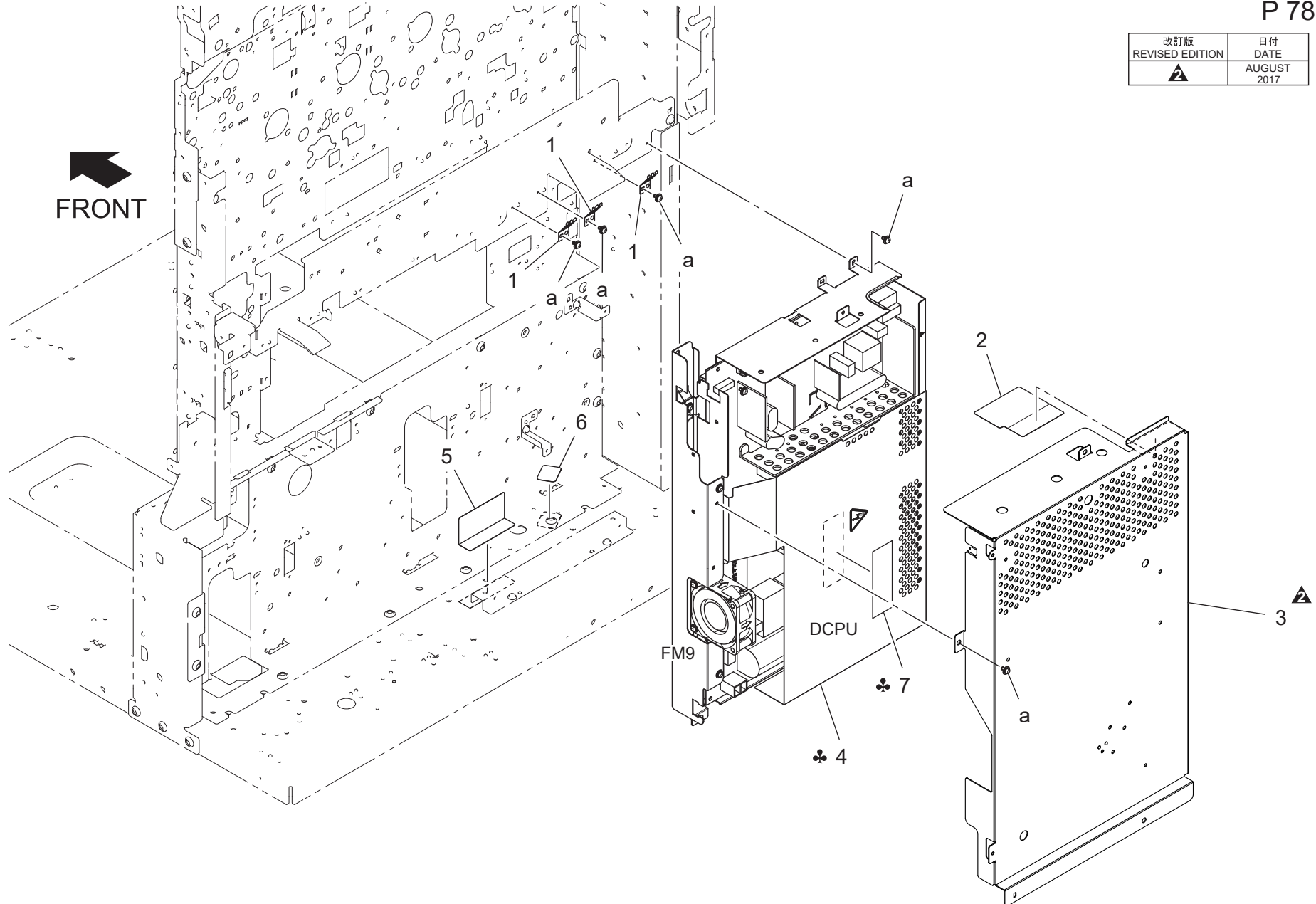
Key	Part No.	Description	Destinations	Class	QTY	Standard parts
1	A00J135100	Mounting Plate		D	1	a-V116030603 b-V116030803 c-V153030803 d-V137030803 e-V137030603
2	A2X0M40801	High voltage unit /2		I	1	
3	A00J132600	Guide Rail		D	1	
4	A00J140900	Cover		C	1	
5	A00J137800	Guide Holder		D	1	
6	A00J132102	Guide Rail		D	1	
7	A00J135500	Guide Rail		D	1	
8	A0P0132300	Guide Rail /Right		D	1	
9	A2X0M40700	High voltage unit /1		I	1	
10	A00J132700	Rail /Right		C	1	
11	A00J134000	Mounting Plate		D	2	

bizhub C654e/bizhub C754e

MAIN POWER SUPPLY SECTION

P 78

改訂版 REVISED EDITION	日付 DATE
	AUGUST 2017



bizhub C654e/bizhub C754e

MAIN POWER SUPPLY SECTION

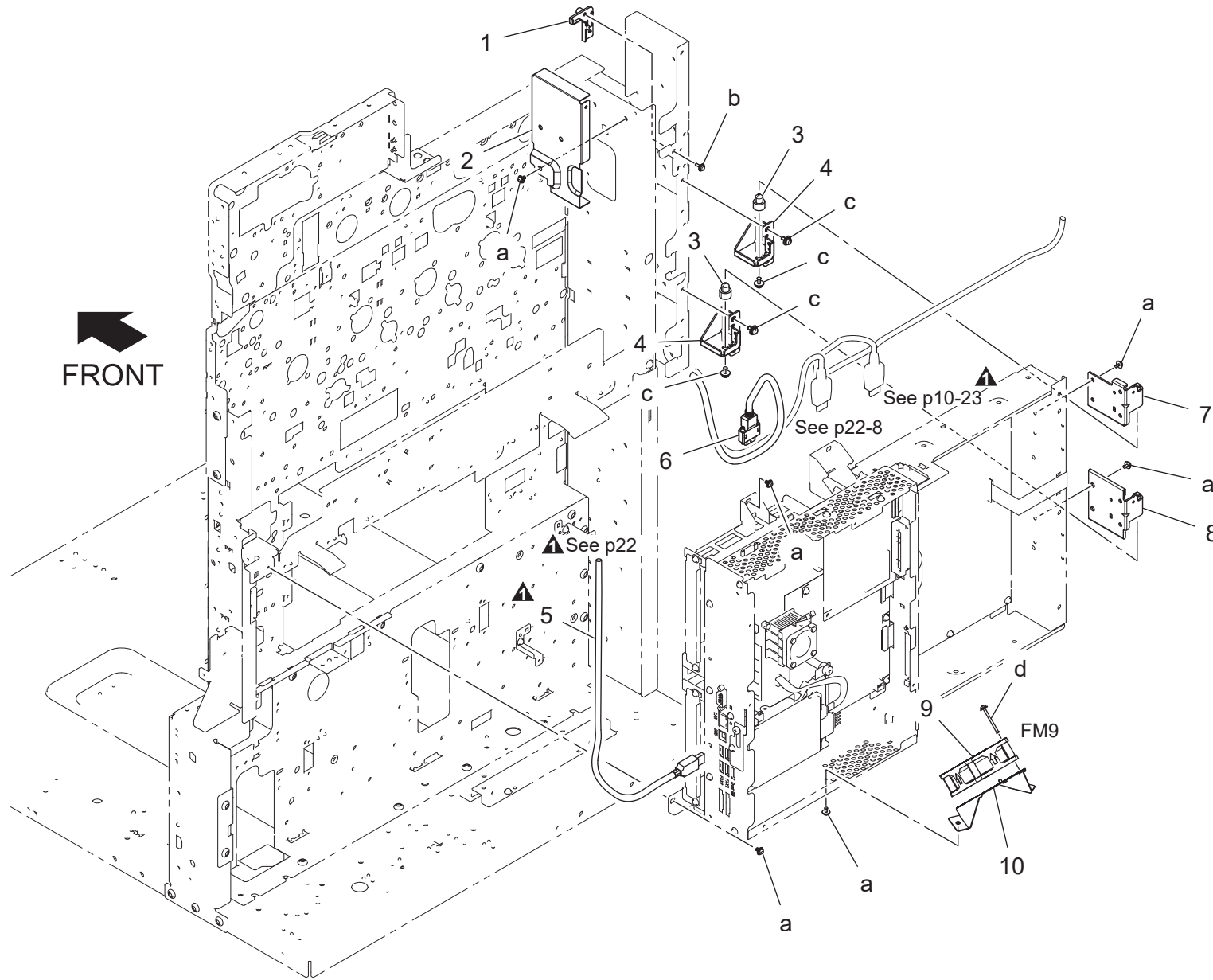
Key	Part No.	Description	Destinations	Class	QTY	Standard parts
1	A0P0148801	Plate spring		D	3	a-V116030603
2	A2X0158800	Protection Sheet		C	1	
3	A2X0132402	Cover		D	1	
4	A2X0R70311	Main Power (100V) Assy	A,A1,B,G2,H	I	1	
4	A2X0R70422	Main Power (200V) Assy	C,I(South Africa)	I	1	
4	A2X0R70400	Main Power (200V) Assy	D1,D3,E,F2,G1,I(Except South Africa),K,J	I	1	
5	A2X0143500	Protection Sheet		C	1	
6	4581162501	SEAL		C	1	
7	A5AY943100	Label	A,A1,B,G2,H	C	1	

bizhub C654e/bizhub C754e

SHIELD BOX

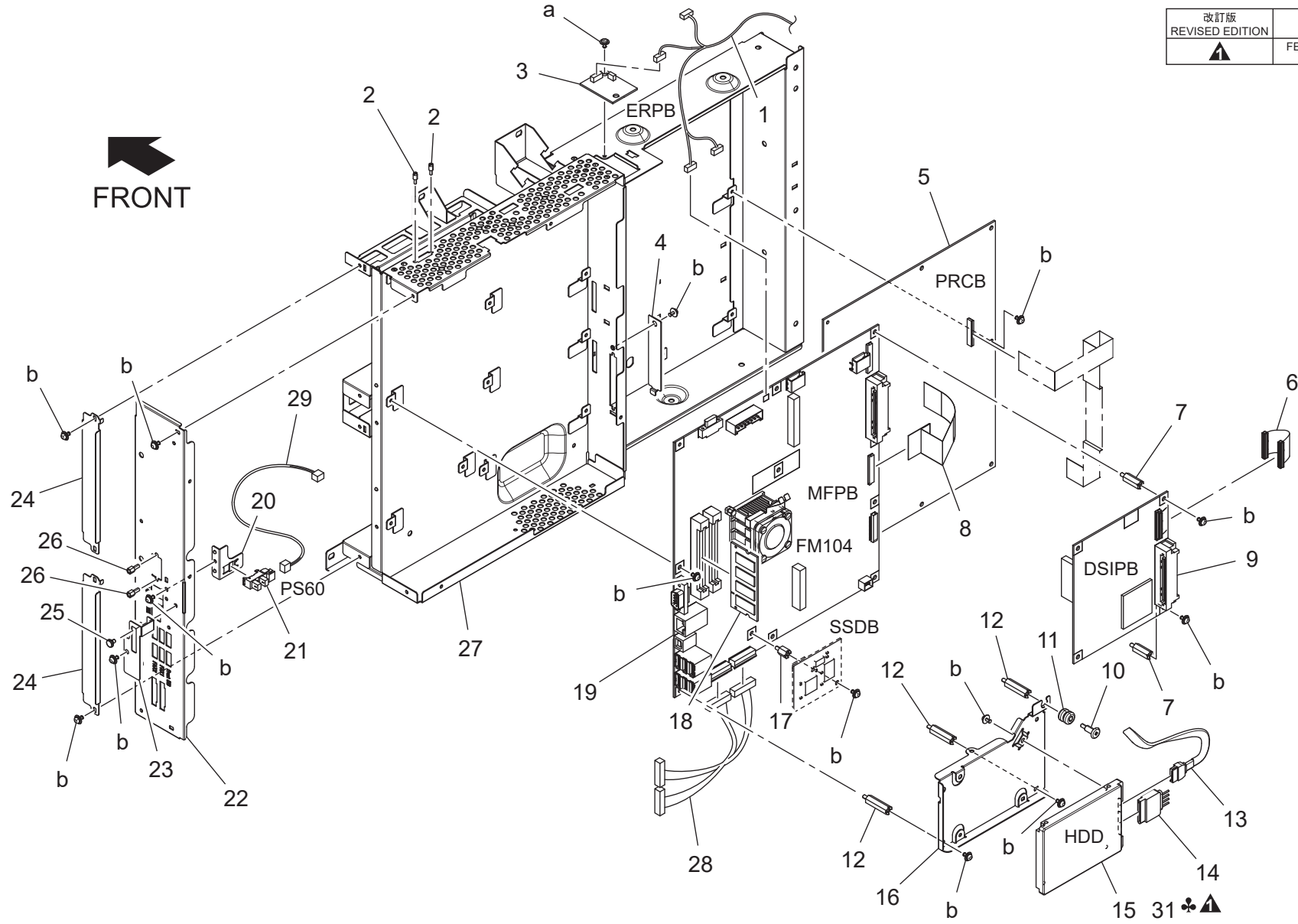
P 79

改訂版 REVISED EDITION	日付 DATE
▲	OCTOBER 2014



SHIELD BOX

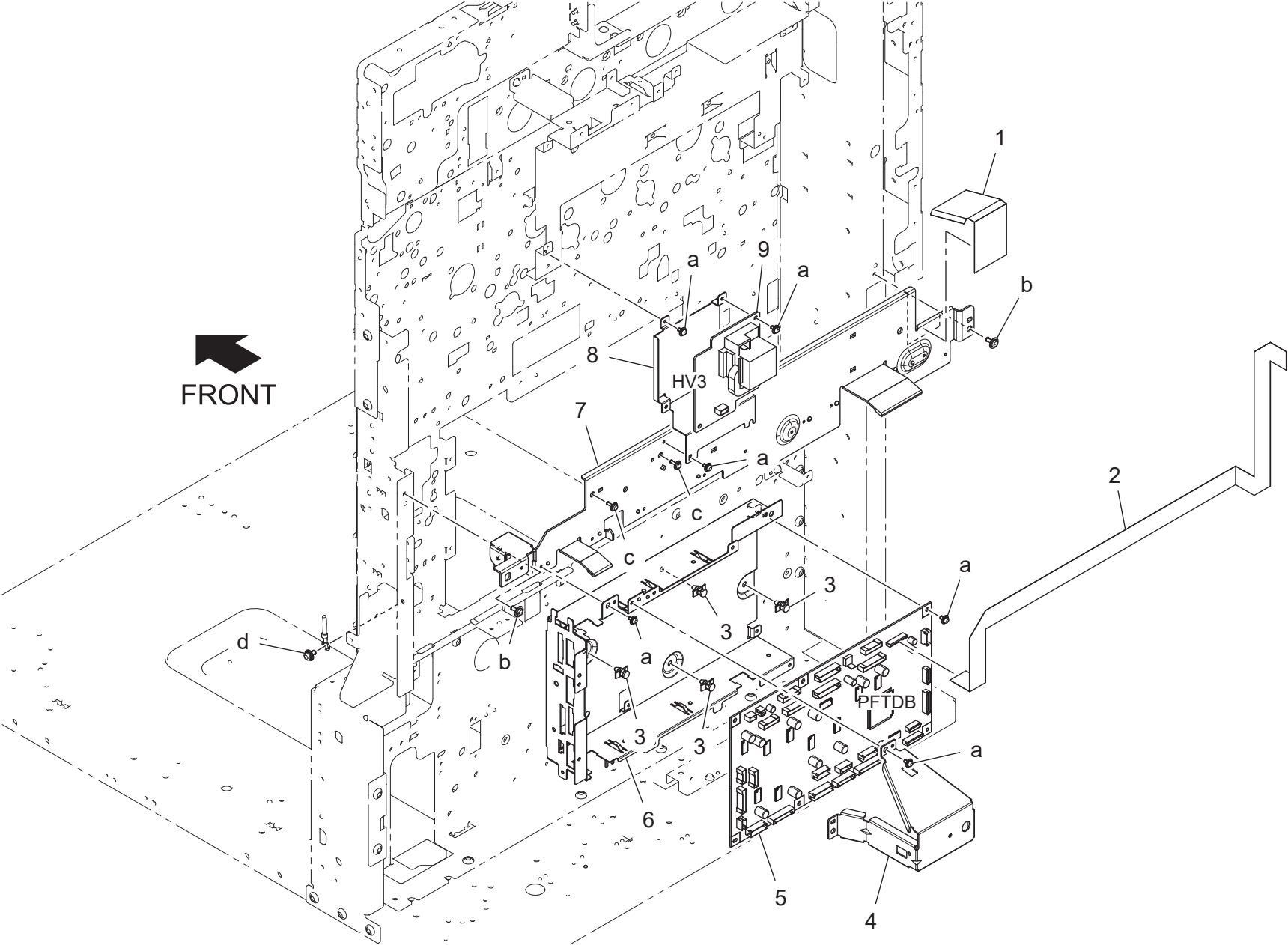
改訂版 REVISED EDITION	日付 DATE
	FEBRUARY 2017



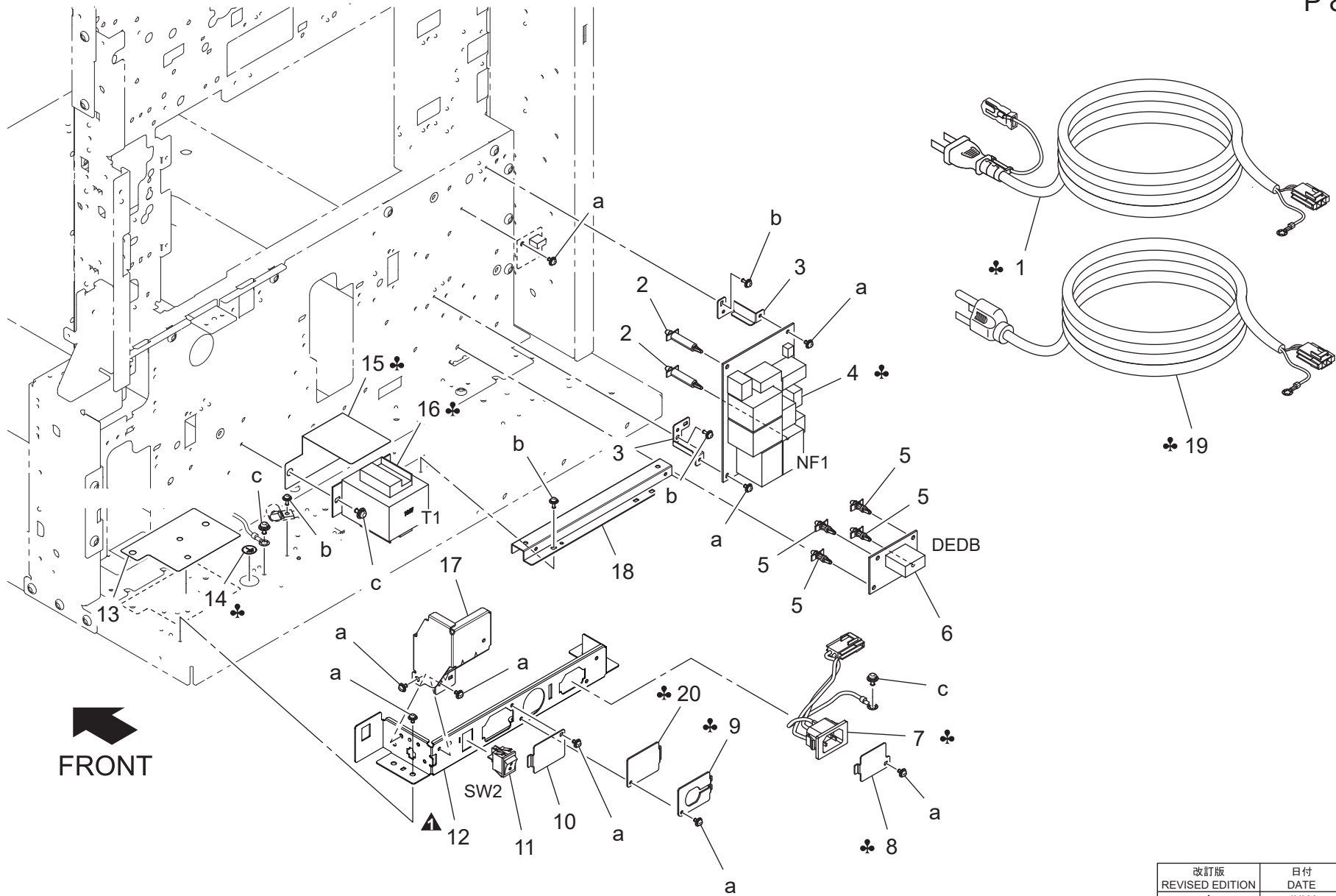
bizhub C654e/bizhub C754e

Key	Part No.	Description	Destinations	Class	QTY	Standard parts
1	A2X0N10T00	DC Power source harness /3		D	1	a-V144030603 b-V116030603
2	A161138601	Shoulder screw		C	2	
3	A161H00C02	PWB Assembly(PWB-DC ASSY)		C	1	
4	A00J138700	Cover		D	1	
5	A2X0H00S06	PWB Assembly(PWB-MC)		I	1	
5	A2X0H00S06	PWB Assembly(PWB-MC)	基板 ASSY (PWB-MC)	C	1	
6	A161N15500	Interface Flatcable	A,A1,B,D1,D3,E,F2,G 1,G2,I,K,H,J	I	1	
7	A4MG130900	Shoulder screw		C	1	
8	A2X0N12F00	Control Relay harness /2		D	2	
9	A5C1H02A01	PWB assembly(PWB-DS)		C	1	
9	A5C1H02A01	PWB assembly(PWB-DS)	基板 ASSY (PWB-DS)	I	1	
10	A0P0144300	Shoulder screw		D	1	
11	A0P0144400	Bushing		D	1	
12	A161139901	Shoulder screw		D	3	
13	A0P0N15100	Cable		D	1	
14	A161N15J00	Power source Cable		C	1	
14	A161N15J00	Power source Cable	電源ケーブル (SATA CABLE)	C	1	
15	A5C1M72H00	HDD		I	1	
16	A161132400	Mounting Plate		D	1	
17	A161137600	Shoulder screw		D	1	
18	V865300066	MEMORY MODULES		C	1	
19	A2X0H02015	PWB assembly(PWB-MFP)		I	1	
19	A2X0H02015	PWB assembly(PWB-MFP)	基板 ASSY (PWB-MFP)	C	1	
19	A2X0H02015	PWB assembly(PWB-MFP)	基板 ASSY (PWB-MFP)	A,A1,B,D1,D3,E,F2,G 1,G2,I,K,H,J	I	1
20	A161139400	Mounting Plate		D	1	
21	A108M50100	Photointerrupter		B	1	
22	A2X0133000	Mounting Plate /ASSY		D	1	
23	A161139501	Cover		D	1	
24	A161139800	Cover		D	2	
25	A0P0742300	Shoulder screw		C	1	
26	4025228301	SCREW		D	2	
27	A2X0130401	Mounting Plate /ASSY		D	1	
28	A2X0N12X00	Controller Relay harness /2		C	1	
28	A2X0N12X00	Controller Relay harness /2	コントローラ中継束線 / 2 (FAX 中継)	C	1	
29	A2X0N12R00	Controller Relay harness /1		C	1	
31	A161PP0100	HDD		I	1	
31	A161PP0100	HDD	コントローラ中継束線 / 1 (センサ中継)	A,A1,B,G2	1	

REAR ELECTRICAL SECTION



REAR ELECTRICAL SECTION



FRONT

改訂版 REVISED EDITION	日付 DATE
▲	JULY 2017

bizhub C654e/bizhub C754e

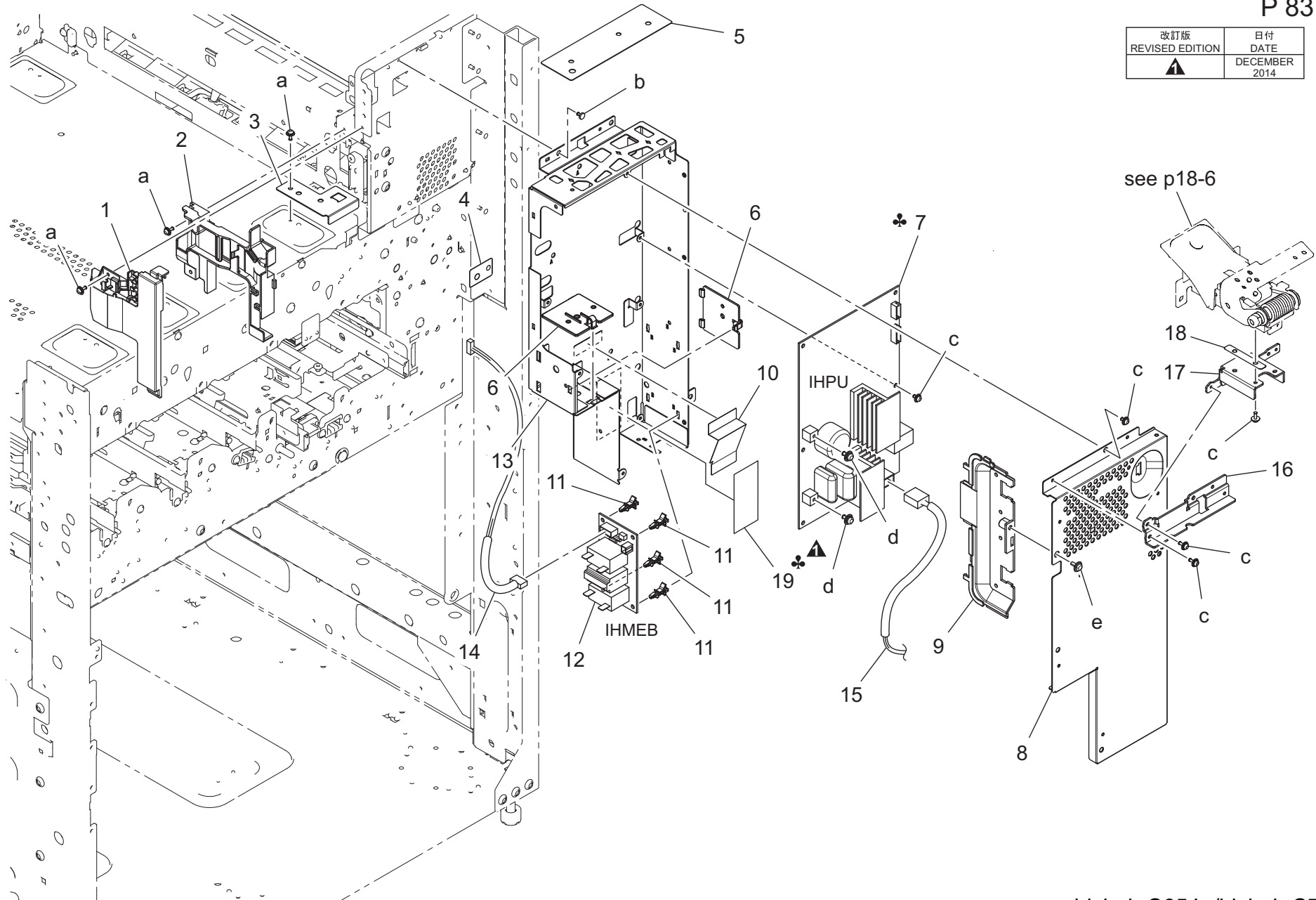
REAR ELECTRICAL SECTION

Key	Part No.	Description	Destinations	Class	QTY	Standard parts	
1	4037077501	POWER CORD	電源コード	A,A1	D	1	a-V116030603 b-V116030803 c-V116040803
2	V502010056	Circuit Board Spacer	サーキットボードスペーサー		D	2	
3	A2X0101800	Mounting Plate	取付板 (リレー基板)		D	2	
4	A2XKM40J00	Board /110V	基板 / 110 V (NF-RY)	A,A1,B,G2,H	C	1	
4	A2XKM40H00	Board /230V	基板 / 230 V (NF-RY)	C,D1,D3,E,F2,G1,I,K ,J	C	1	
5	V502010033	Circuit Board Spacer	サーキットボードスペーサー		D	4	
6	A2X0H00X00	PWB Assembly(PWB-DHR ASSY)	基板 ASSY (PWB-DHR ASSY)		C	1	
7	A00HN10K12Old	AC Relay harness /5	AC 中継束線 / 5 (インレット中継)	A,A1,H	D	1	
7	A2X0N10K00	AC Relay harness /5	AC 中継束線 / 5 (インレット中継)	A,A1,H	D	1	
7	A2X0N10701Old	AC Relay harness /1	AC 中継束線 / 1	C,D1,D3,E,F2,G1,I,K ,J	D	1	
7	A796N10700	AC Relay harness	AC 中継束線	C,D1,D3,E,F2,G1,I,K ,J	D	1	
8	A00J139100	Cover	蓋	B,G2	D	1	
9	4037223902	BRACKET	取付板	A,A1,B,G2	D	1	
9	4037223902	BRACKET	取付板	H	D	1	
10	A00J139000	Cover	蓋		D	1	
11	A00JM60300	Rocker switch	波形スイッチ		C	1	
12	A00J134702	Mounting Plate	取付板	B,G2	D	1	
12	A00J134702Old	Mounting Plate	取付板	A,A1,C,D1,D3,E,F2,G 1,H,I,J,K	D	1	
12	A795134700	Mounting Plate	取付板 (電源コード)	A,A1,C,D1,D3,E,F2,G 1,H,I,J,K	D	1	
13	A00J140401	Protection Part	保護材		C	1	
14	9J06730101	LABEL	ラベル	A,A1,B,G2,H	D	1	
15	A1MT140100	Protection Part	保護材	A,A1,D1,D3,E,F2,G1, I,K,H,J	D	1	
16	56AA84520	Power Source Transformer	電源トランス	A,A1,H	C	1	
16	56AF84521	Power Source Transformer	電源トランス	D1,D3,E,F2,G1,I,K,J	C	1	
17	A00J136400	Mounting Plate	取付板		D	1	
18	A2X0101700	Mounting Plate	取付板 (LV 電源)		D	1	
19	A0P0N30000	Power source Cord /120V	電源コード / 120 V	B,G2	D	1	
19	A00JN30200	Power code	電源コード (台湾)	H	C	1	
20	A00J138900	Cover	蓋	C,D1,D3,E,F2,G1,I,K ,J	D	1	

IH POWER SUPPLY SECTION

P 83

改訂版 REVISED EDITION	日付 DATE
▲	DECEMBER 2014

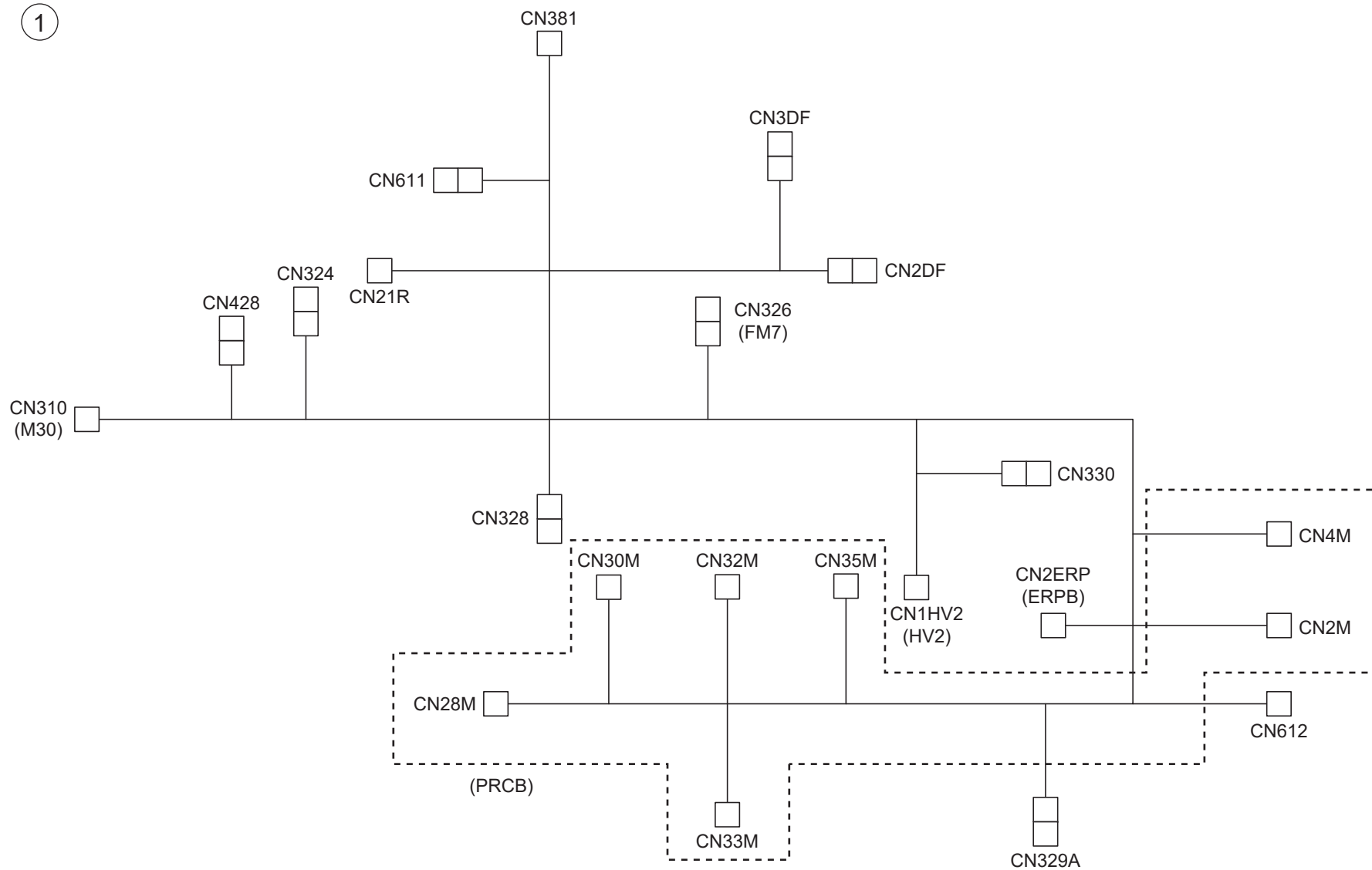


bizhub C654e/bizhub C754e

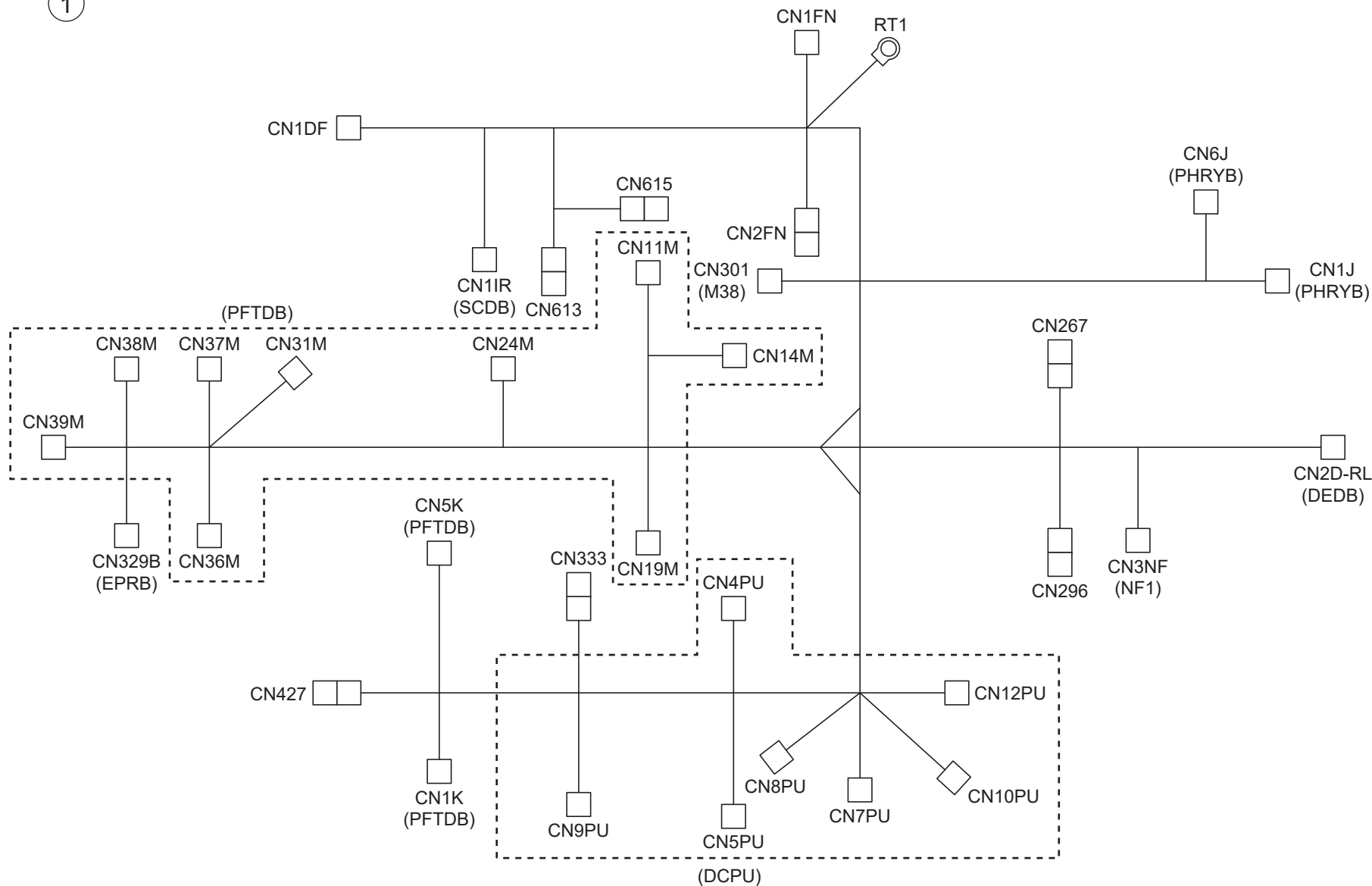
Key	Part No.	Description	Destinations	Class	QTY	Standard parts
1	A0P0134300	Cover Holder		D	1	a-V116030803 b-V126030603 c-V116030603 d-V116040803 e-V153040803
2	A2X0135700	Guide Cover		D	1	
3	A2X0145800	Mounting Plate		D	1	
4	A0P0149800	Protection Seal		D	1	
5	A0P0141300	Protection Cover		D	1	
6	A2X0145911	Cover		D	2	
7	A61DM40A00	Power source/100V	A,A1,B,G2,H	I	1	
7	A61DM40B00	Power source/230V	C,D1,D3,E,F2,G1,I,K ,J	I	1	
8	A2X0131300	Cover		D	1	
9	A0P0149000	Mounting Plate		D	1	
10	A2X0158901	Sheet		C	1	
11	V502010061	Spacer		D	4	
12	A2X0H00W02	PWB Assembly(PWB-CR ASSY)		C	1	
13	A2X0131500	Mounting Plate /ASSY		D	1	
14	A2X0N12D00	Fixing Wiring /2		D	1	
15	A2X0N10V01	AC Wiring /2		D	1	
16	A2X0195401	Reinforce Plate		D	1	
17	A2X0195102	Reinforce Plate		D	1	
18	A2X0195201	Spacer		D	1	
19	A5AY943000	Label	A,A1,B,G2,H	C	1	

bizhub C654e/bizhub C754e

①



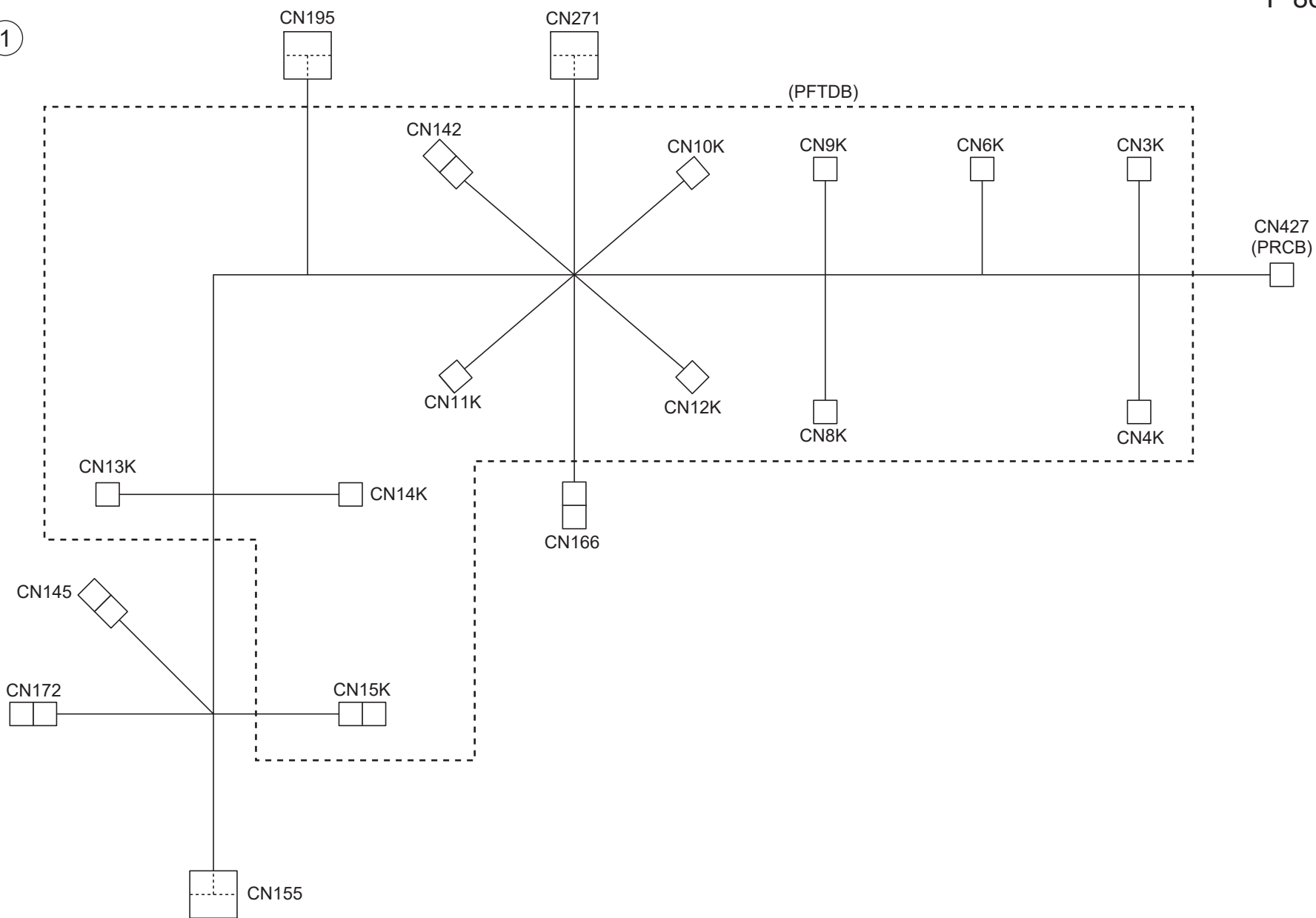
1



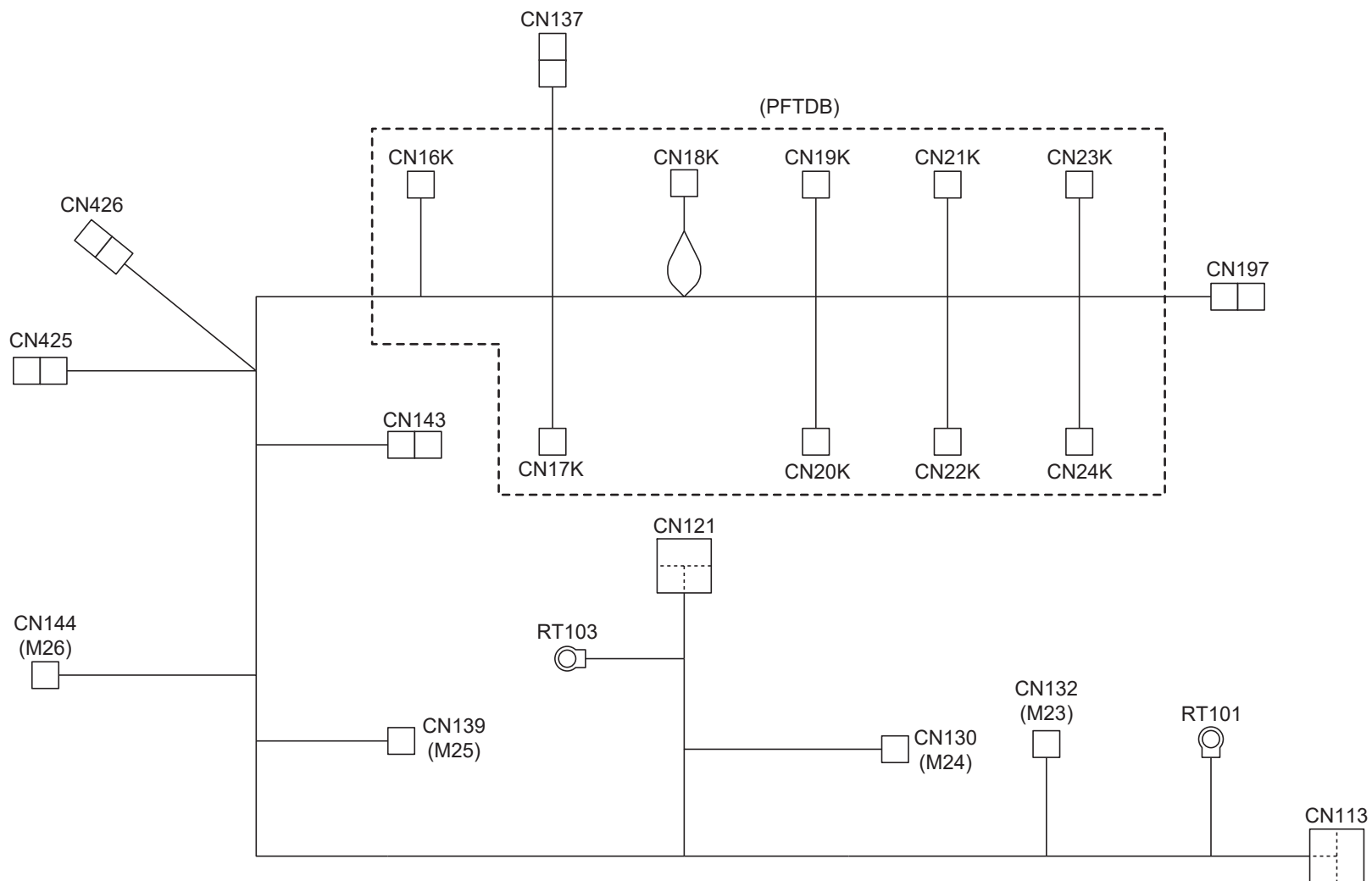
bizhub C654e/bizhub C754e

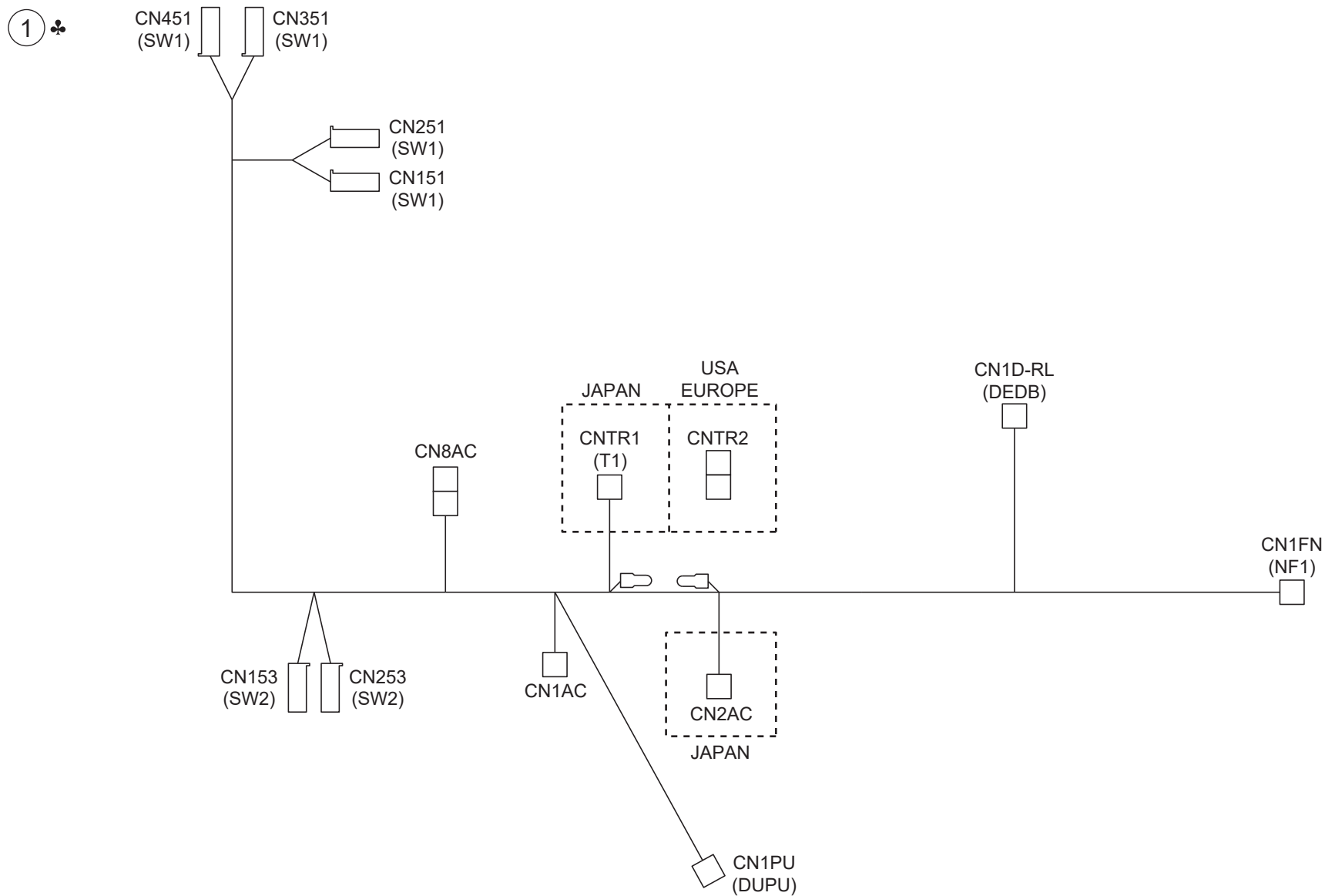
WIRING

1

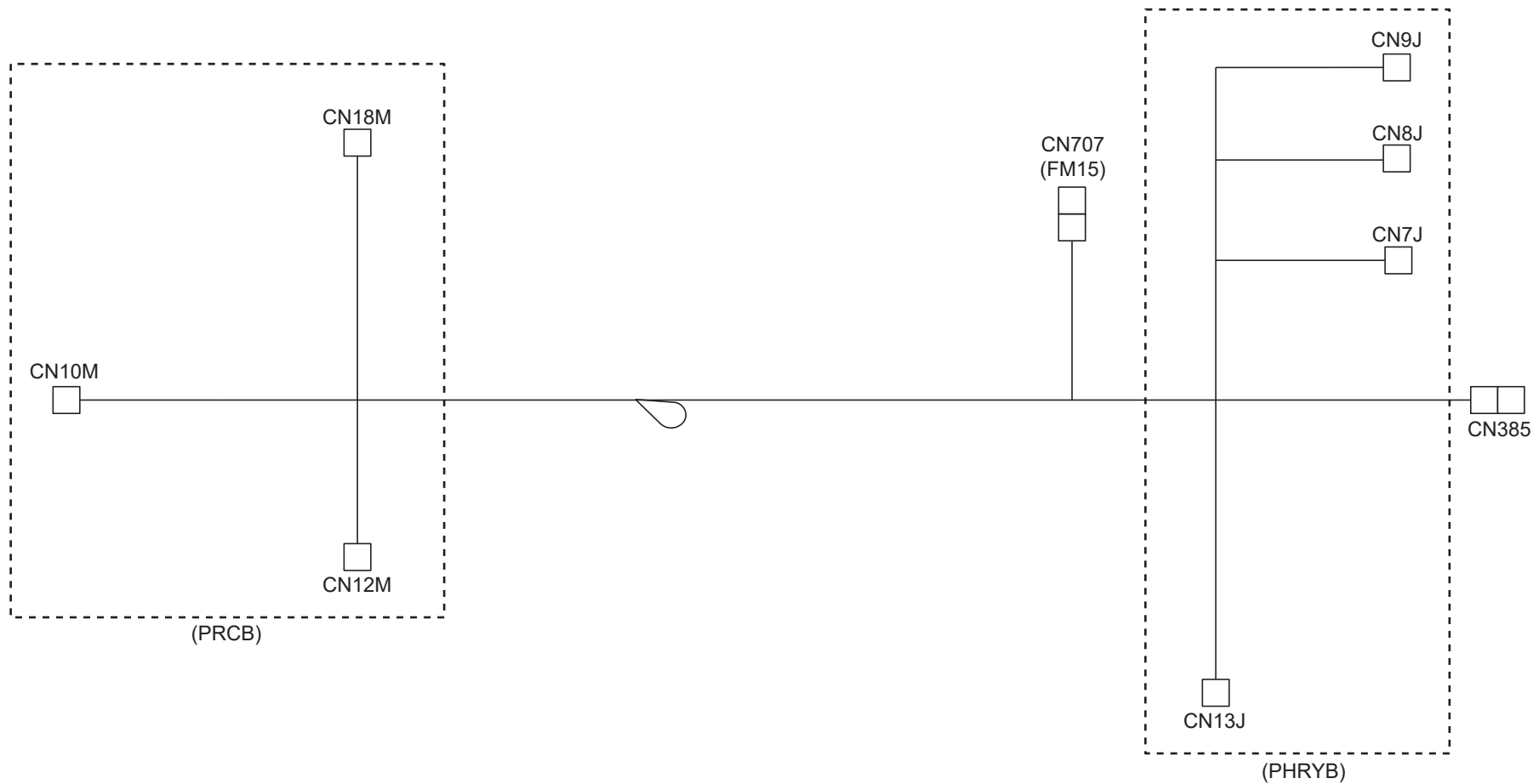


1



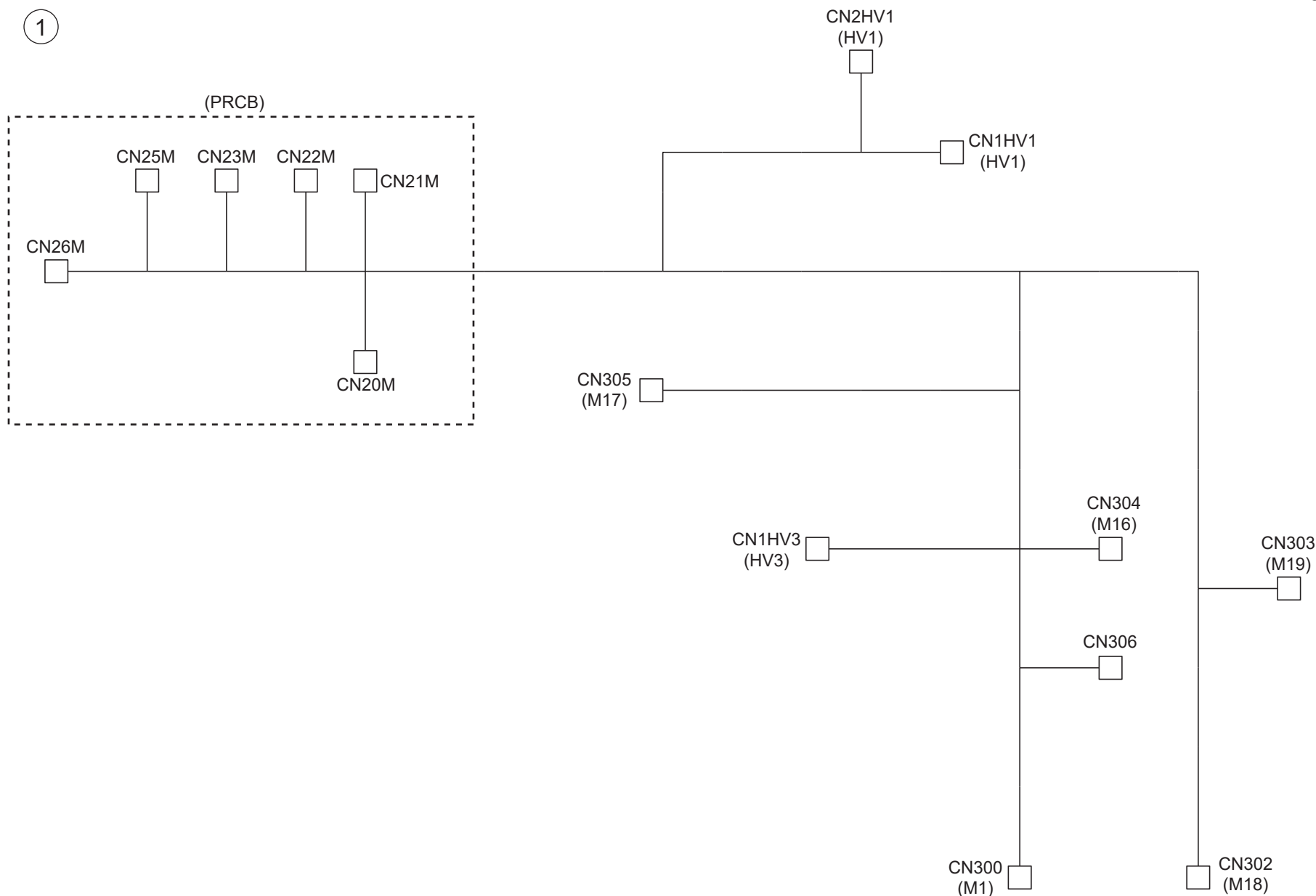


1



WIRING

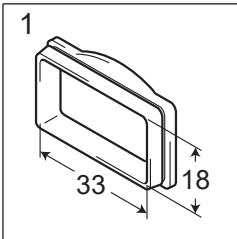
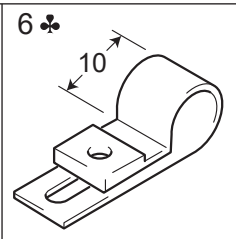
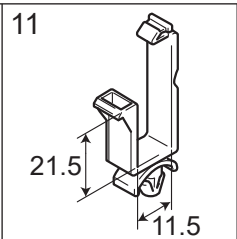
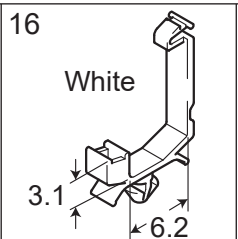
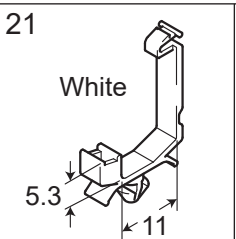
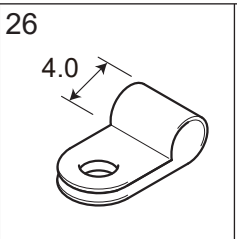
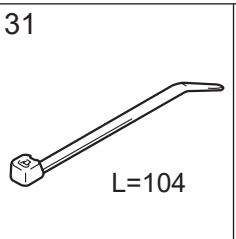
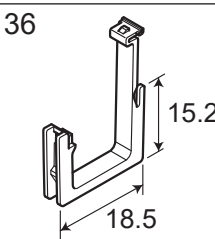
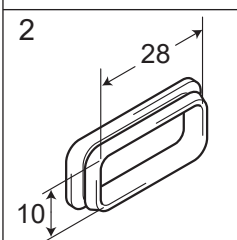
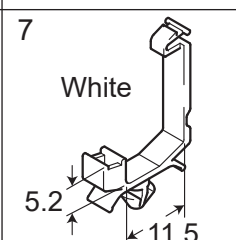
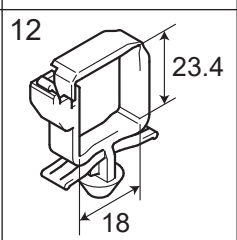
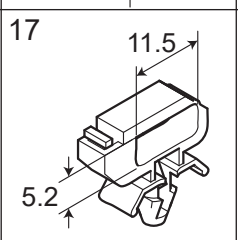
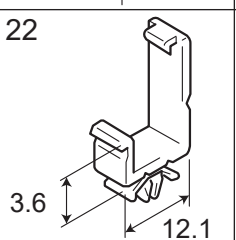
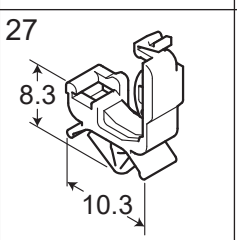
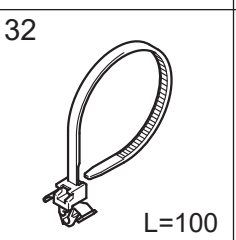
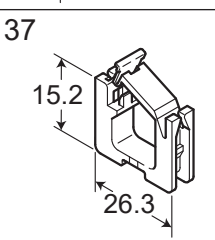
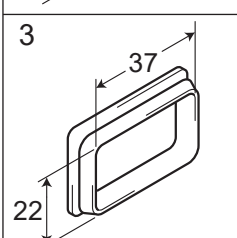
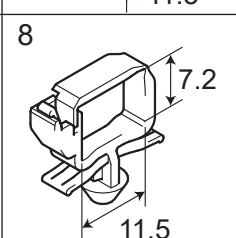
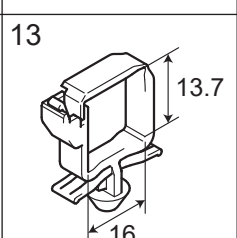
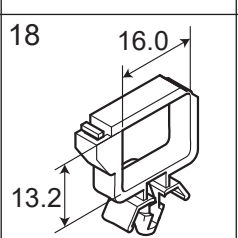
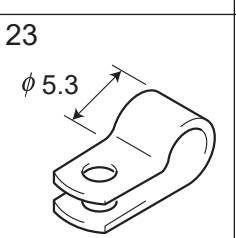
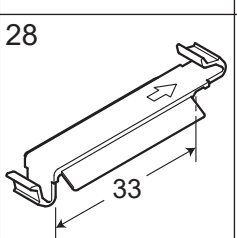
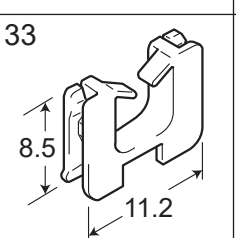
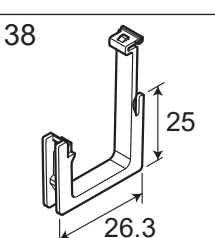
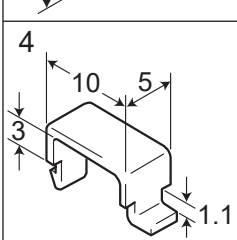
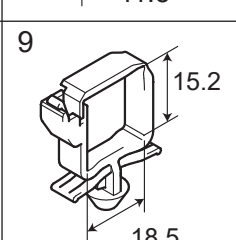
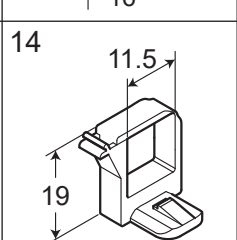
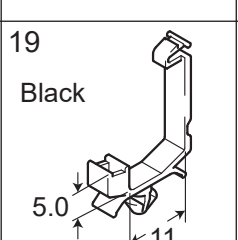
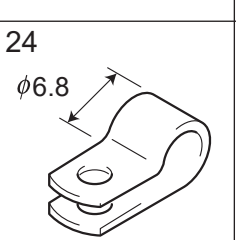
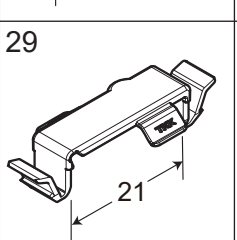
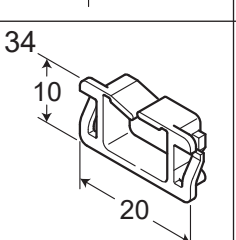
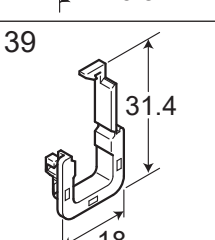
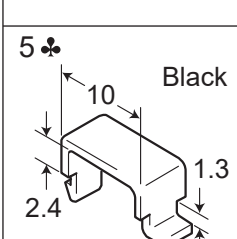
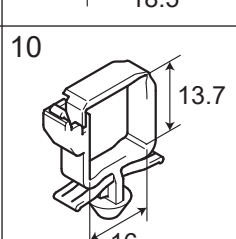
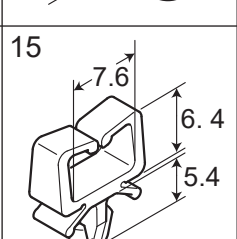
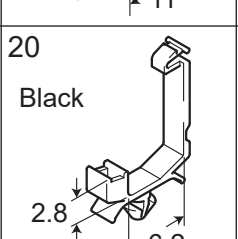
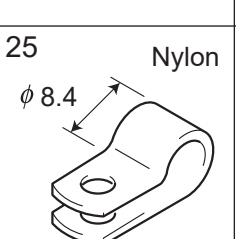
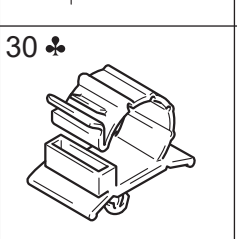
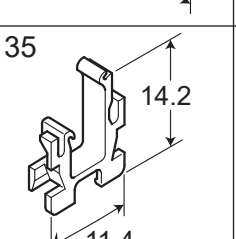
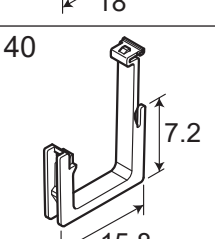
1



bizhub C654e/bizhub C754e

WIRING ACCESSORIES AND JIGS

P 91

1 	6 ♣ 	11 	16 White 	21 White 	26 	31 	36 
2 	7 White 	12 	17 	22 	27 	32 	37 
3 	8 	13 	18 	23 	28 	33 	38 
4 	9 	14 	19 Black 	24 	29 	34 	39 
5 ♣ Black 	10 	15 	20 Black 	25 Nylon 	30 ♣ 	35 	40 

bizhub C654e/bizhub C754e

Key	Part No.	Description	Destinations	Class	QTY	Standard parts
1	1038400601	INSULATING MEMBER		D		
2	1050480501	INSULATING MEMBER		D		
3	1052430102	Insulating Member		D		
4	1053481201	CORD CLAMP		D		
5	1065587202	CORD CLAMP	A,A1,D1,D3,E,F2,G1, I,K,H,J	D	1	
6	9384160011	P-CLIP 10D	コート ` オサエ	A,A1,B,G2	D	
7	V500010081	Locking Wire Saddle	ロッキングワイヤーサドル		D	
8	V500010082	Locking Wire Saddle	ロッキングワイヤーサドル		D	
9	V500010083	Locking Wire Saddle	ロッキングワイヤーサドル		D	
10	V500010084	Locking Wire Saddle	ロッキングワイヤーサドル		D	
11	V500010013	Locking Wire Saddle	ロッキングワイヤーサドル		D	
12	V500010085	Locking Wire Saddle	ロッキングワイヤーサドル		D	
13	V500020098	Mini Locking wire saddle	ミニロッキングワイヤーサドル		D	
14	V500010022	Locking Wire Saddle	ロッキングワイヤーサドル		D	
15	V500010023	clip	ミニクリップ		D	
16	V500020099	Mini Locking wire saddle	ミニロッキングワイヤーサドル		D	
17	V500010052	SADDLE	ロッキングワイヤーサドル		D	
18	V500010053	SADDLE	ロッキングワイヤーサドル		D	
19	V500010054	SADDLE	ロッキングワイヤーサドル		D	
20	V500010055	SADDLE	ロッキングワイヤーサドル		D	
21	V500020100	Mini Locking wire saddle	ミニロッキングワイヤーサドル		D	
22	V500020011	clip	コードクリップ (S)		D	
23	V500020037	clamp	ナイロンクランプ		D	
24	V500020038	clamp	ナイロンクランプ		D	
25	V500020039	clamp	ナイロンクランプ		D	
26	V500020069	Clamp	導電クランプ		D	
27	V500020077	wabe Clamp	小型ウェーブクランプ		D	
28	V500020082	Clamping for FFC	FFC 用クランプ		D	
29	V500020091	Clamp	リユースワイヤープレスクランプ		D	
30	V500020094	FG Clamp	FG クランプ	C,D1,D3,E,F2,G1,I,K	D	
31	V501010001	band	結束バンド		D	
32	V501010018	BAND	スナップバンド		D	
33	V570010021	Saddle	エッジサドル		D	
34	V570010023	Edge Saddle	エッジサドル		D	
35	V570010025	saddle	ロッキングエッジサドル		D	
36	V570010026	Locking Edge Saddle	ロッキングエッジサドル		D	
37	V570010027	saddle	ロッキングエッジサドル		D	
38	V570010028	saddle	ロッキングエッジサドル		D	
39	V570010031	holder	エッジホルダー		D	
40	V570010046	Locking Edge Holder	ロッキングエッジサドル		D	

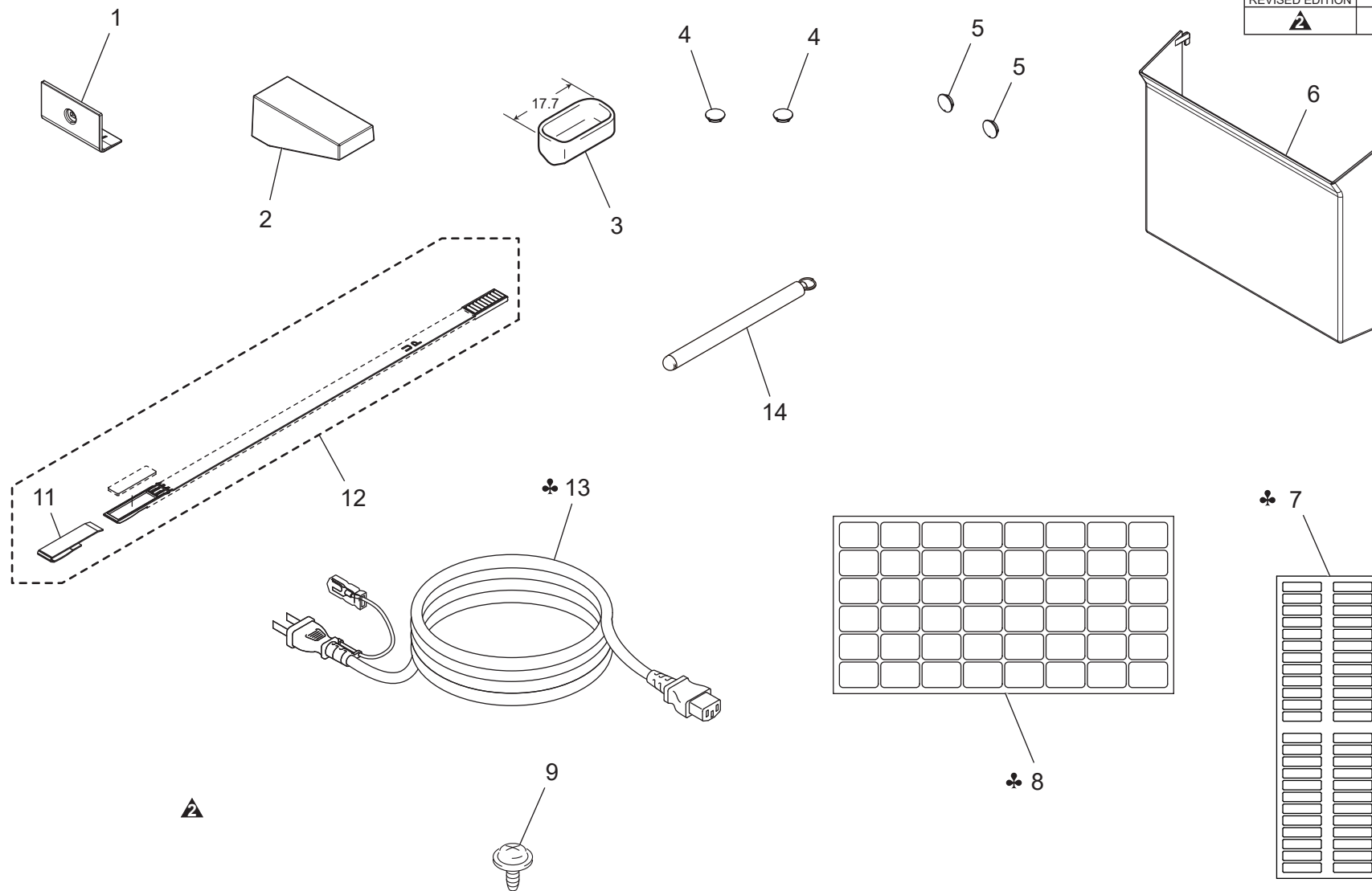
WIRING ACCESSORIES AND JIGS

<p>1</p> <p>White</p>	<p>6</p> <p>White</p>	<p>11</p>					
<p>2</p>	<p>7</p> <p>White</p>	<p>12</p>					
<p>3</p>	<p>8</p>	<p>13</p>					
<p>4</p>	<p>9</p>	<p>14</p>					
<p>5</p>	<p>10♣</p>						

ACCESSORY PARTS

P 93

改訂版 REVISED EDITION	日付 DATE
	OCTOBER 2014



MAINTENANCE LIST

● The items with no Page/Key numbers are not handled as spare parts.

No.	Section	PM Parts Description	Maintenance Cycle (K=1,000)		Parts No.	Destinations	Page/Key	Note
			QTY	Replace				
1	DF-702	Pick-up roller	2	200K *1	9J07330102		P3-6	*2
2		Feed roller	1	200K *1	A00J563600		P3-24	*2
3		Separation roller	1	200K *1	A108563900		P4-16	*2
4	Tray 1	Feed roller	1	300K *1	A00J563600		P35-3	*2 *5
5		Pick-up roller	1	300K *1	A5C1562200		P35-19	*2 *5
6		Separation roller assy + torque limiter	1	300K *1	A2X0R90100		P35-17	*2 *5
7	Tray 2	Feed roller	1	300K *1	A00J563600		P36-9	*2 *5
8		Pick-up roller	1	300K *1	A5C1562200		P36-26	*2 *5
9		Separation roller assy + torque limiter	1	300K *1	A2X0R90100		P36-23	*2 *5
10	Tray 3	Feed roller	1	300K *1	A00J563600		P46-20	*2
11		Separation roller	1	300K *1	A00J563600		P47-18	*2
12		Pick-up roller	1	300K *1	A5C1562200		P46-43	*2
13	Tray 4	Feed roller	1	300K *1	A00J563600		P41-16	*2
14		Separation roller	1	300K *1	A00J563600		P42-16	*2
15		Pick-up roller	1	300K *1	A5C1562200		P41-48	*2
16	Manual bypass tray	Feed roller	1	300K *1	A00J563600		P55-10	*2
17		Separation roller assy	1	300K *1	A0P0R74100		P56-23	*2
18		Pick-up roller	1	300K *1	A5C1562200		P55-31	*2
19	Conveyance section	Transfer roller unit	1	600K	A0P0R71911		P58-24	
20	Fusing section	Fusing unit	1	1200K	A2X0R71055		P62-1	
21	Image transfer section	Transfer belt unit	1	1200K	A2X0R70100		P31-4	
22		Waste toner box	1	48K	A0XPWY4	A,A1,D1,D3,E,F2,G1,	P34-4	*3 *4
23		Waste toner box	1	48K	A0XPWY3	B,C	P34-4	*3 *4
23	Processing section	Imaging unit/ Y,M,C	1	130K *6	-			*3
24		Drum unit/ K	1	300K *6	-			*7
25		Developing unit/ K	1	1200K *6	-			
26		Ozone filter	1	300K	A2X0R71E00		P28-21	
27		Toner cartridge/ Y,M,C	1	31.5K *6	-			*3
28		Toner cartridge/ K	1	47.2K *6	-			*3
29		Toner filter	1	300K *6	A0P0R70100		P75-1	

*1: Actual durable cycle (life counter value)

*2: Replace those three parts at the same time.

*3: The parts can be replaced either by user or service engineer.

*4: A waste toner full condition is detected with detecting the actual waste toner emissions.

*5: When replacing the separation roller for tray 1 or tray 2, replace the torque limiter at the same time. The described part no. is the number of the roller and torque limiter assy.

*6: Standard value

*7: The ozone filter and the toner filter are furnished with the drum unit/K so that all of them are replaced at same time.

メンテナンスリスト

● ページ / キーナンバーのないものは、アフターサービス部品ではありません。

No.	区分	PM 部品名称	サイクル (K=1,000)		部品番号	仕向地	頁 / キー	備考
			員数	交換				
1	DF-702	ピックアップローラー	2	200K *1	9J07330102		P3-6	*2
2		給紙ローラー	1	200K *1	A00J563600		P3-24	*2
3		分離ローラー	1	200K *1	A108563900		P4-16	*2
4	トレイ 1	給紙ローラー	1	300K *1	A00J563600		P35-3	*2 *5
5		ピックアップローラー	1	300K *1	A5C1562200		P35-19	*2 *5
6		分離ローラー+トルクリミッター	1	300K *1	A2X0R90100		P35-17	*2 *5
7	トレイ 2	給紙ローラー	1	300K *1	A00J563600		P36-9	*2 *5
8		ピックアップローラー	1	300K *1	A5C1562200		P36-26	*2 *5
9		分離ローラー+トルクリミッター	1	300K *1	A2X0R90100		P36-23	*2 *5
10	トレイ 3	給紙ローラー	1	300K *1	A00J563600		P46-20	*2
11		分離ローラー	1	300K *1	A00J563600		P47-18	*2
12		ピックアップローラー	1	300K *1	A5C1562200		P46-43	*2
13	トレイ 4	給紙ローラー	1	300K *1	A00J563600		P41-16	*2
14		分離ローラー	1	300K *1	A00J563600		P42-16	*2
15		ピックアップローラー	1	300K *1	A5C1562200		P41-48	*2
16	手差し	給紙ローラー	1	300K *1	A00J563600		P55-10	*2
17		分離ローラー Assy	1	300K *1	A0P0R74100		P56-23	*2
18		ピックアップローラー	1	300K *1	A5C1562200		P55-31	*2
19	搬送部	転写ローラーユニット	1	600K	A0P0R71911		P58-24	
20	定着部	定着ユニット	1	1200K	A2X0R71055		P62-1	
21	転写部	転写ベルトユニット	1	1200K	A2X0R70100		P31-4	
22		廃棄トナーボックス	1	48K	A0XPWY4	A,A1,D1,D3,E,F2,G1,G2,	P34-4	*3 *4
23		廃棄トナーボックス	1	48K	A0XPWY3	B,C	P34-4	*3 *4
23	プロセス部	イメージングユニット /Y,M,C	1	130K *6	-			*3
24		ドラムユニット /K	1	300K *6	-			*7
25		現像ユニット /K	1	1200K *6	-			
26		オゾンフィルター	1	300K	A2X0R71E00		P28-21	
27		トナーカートリッジ /Y,M,C	1	31.5K *6	-			*3
28		トナーカートリッジ /K	1	47.2K *6	-			*3
29		トナーフィルター	1	300K *6	A0P0R70100		P75-1	

*1: 実質交換サイクル値 (ライフカウンター値)

*2: 3点同時交換のこと

*3: ユーザー / サービス交換の選択が可能

*4: 廃棄トナーフル検知は、実際のトナー廃棄量を検知して行う

*5: トレイ 1、トレイ 2 の分離ローラーはトルクリミッターも同時交換のこと 記載の部品番号はローラーとトルクリミッターの Assy 品番である

*6: 標準モード

*7: 同梱されるオゾンフィルター、トナーフィルターも同時交換のこと

DESTINATION

Destination No.		Destinations		V	Hz	Model No.
A	A1	JAPAN		100	50/60	A2X0-007 A2X1-007
	A2	JAPAN				
B		USA, CANADA		120	60	A2X0-017 A2X1-017 A2X0-018 A2X1-018
C		EUROPEAN TYPE		220-240	50/60	A2X0-027 A2X1-027
D	D1	S.E ASIA TYPE	THAILAND, SRI LANKA, SINGAPORE, MALAYSIA, HONG KONG, PAKISTAN, INDIA, BANGLADESH, INDONESIA	220-240	50/60	A2X0-047 A2X1-047
	D3	OCEANIA TYPE	AUSTRALIA, NEW ZEALAND			
E		PHILIPPINES		220-240	50/60	A2X0-047 A2X1-047
F	F1	SAUDI ARABIA		220-240	50/60	A2X0-047 A2X1-047
	F2	SAUDI ARABIA				
G	G1	C.S AMERICA		220-240	50/60	A2X0-047 A2X1-047
	G2	C.S AMERICA				
H		TAIWAN		110	60	A2X0-077 A2X1-077

bizhub C654e/bizhub C754e

Destination No.	Destinations	V	Hz	Model No.
I	JORDAN, LEBANON, SYRIA, SOUTH AFRICA, IRAQ, IRAN, N.YEMEN, CAMER- OON, UAE, BAHRAIN, OMAN, QATAR, KUWAIT, KENYA, TUNISIA, IVORY COAST, MOROCCO	220-240	50/60	A2X0-047 A2X1-047
J	CHINA	220-240	50/60	A2X0-087 A2X1-087
K	KOREA	220-240	50/60	A2X0-047 A2X1-047