

KONICA MINOLTA

PARTS GUIDE MANUAL

JANUARY 2017

bizhub C658
A79J

INFORMATION FOR PARTS GUIDE MANUAL

To find correct Parts No., refer to the "HOW TO MAKE THE BEST USE OF THIS MANUAL" in the following page.

HOW TO MAKE THE BEST USE OF THIS MANUAL

- 1 When you order, please check the proper figures beforehand that are on Our Parts Guide Manual, and order with the appropriate figures.
- 2 For screws, Nuts, Washers, retaining rings and Pins which are used in this model, one letter is shown on the Standard parts column of Parts list and exploded diagrams.
- 3 In order to maintain safety of the product, some specific parts composed of this product are set up as "essential safety parts".
- 4 The assigned parts number for the "essential safety parts" is indicated as "SP00-****".
When replacing these parts, follow precautions for disassembling and installing which are listed in the Service Manual.
Do not use any parts that are not set up as
- 5 ♣ means that there are exclusive parts for each destination.
Please check the appropriate destination when you order.
- 6 Revision Mark
Marked as ▲ on the illustration shows that the revision has been made.
- 7 All rights reserved. (any reprints or quotations are prohibited.)
Use of this parts guide manual should be strictly supervised to avoid disclosure of confidential information.

パーツガイドマニュアルのご案内

サービス部品をご発注の際には、下記に示す“パーツガイドマニュアルの活用にあたって”をご参照の上、正しい部品番号にてお願い致します。

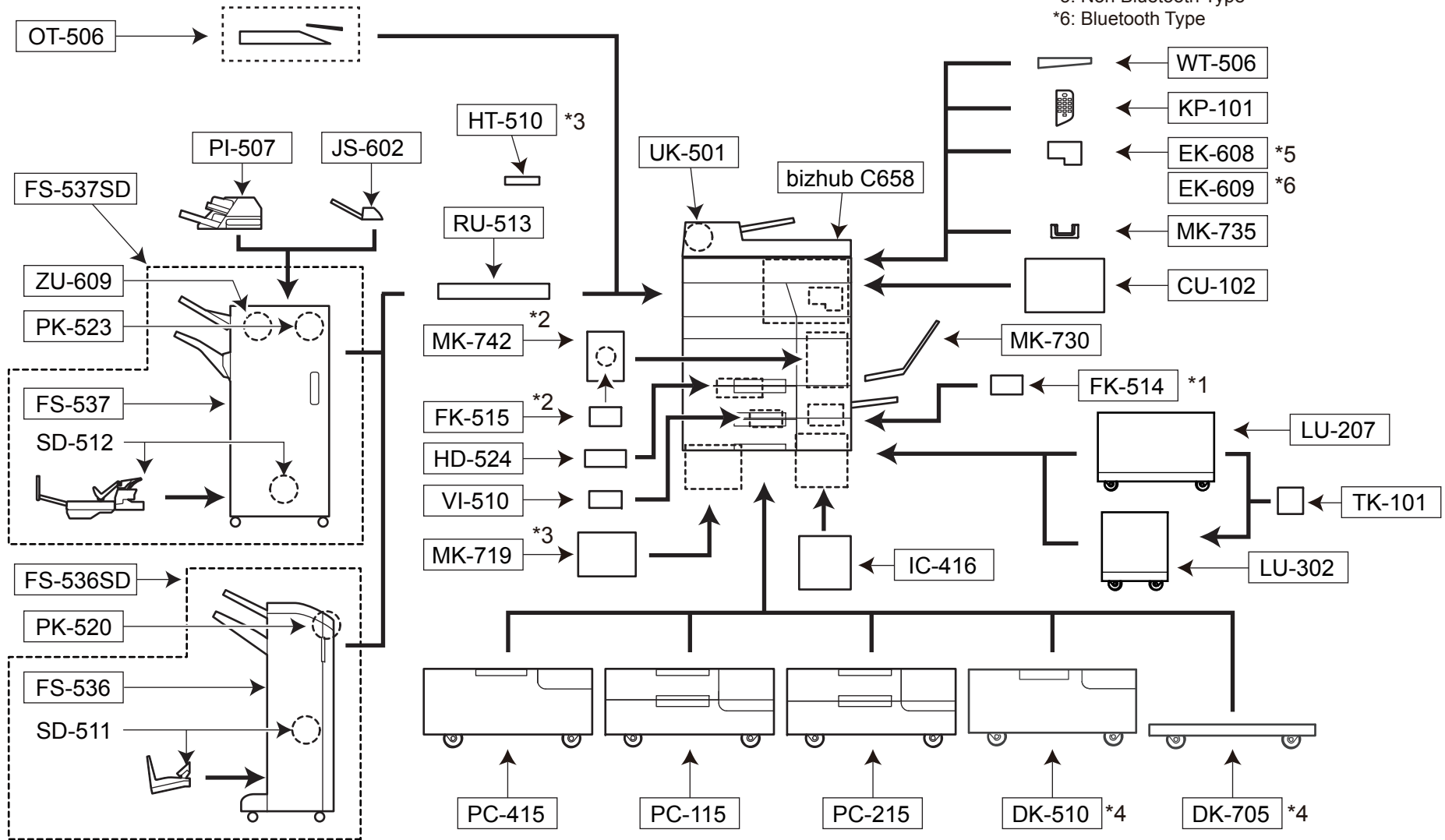
パーツガイドマニュアルの活用にあたって

- 1 部品発注の際には、掲載されている部品番号の桁数を確認し、掲載されている桁数で発注願います。
- 2 この製品に使用されているネジ、ナット、ワッシャー、止め輪、ピンなどは、リストの右側の Standard parts 欄に a,b,c,…… で表示し、イラストにも a,b,c,…… 表示してあります。
- 3 製品の安全性を維持する為に、製品に使用される特定の部品を「重要保安部品」として設定しています。
- 4 重要保安部品の部品番号は、“SP00-****”と記載されていますので、部品交換時は、サービスマニュアル記載の分解・組み立ての注意事項に従って作業をして下さい。
また、指定以外の部品は一切使用しないで下さい。
- 5 本文に ♣ が表示されている部品は、仕向け地毎に専用部品がある事を意味しています。
オーダーされる時は、仕向け地を確認して下さい。
- 6 改訂記号について
イラスト上に ▲ 印が表示されている部分は、改訂された事を表します。
- 7 著作権所有（無断転載及び無断引用の禁止）
本パーツガイドマニュアルについては、機密保持等その扱いには十分注意して下さい。万一取り扱いを誤った場合には、法律で処罰されることがあります。

05/20/2016

System Configuration

- *1: As use for 1st or 2nd FAX circuit line
- *2: As use for 3rd or 4th FAX circuit line (for Model No. A79J001, A79J011)
- *3: Japan only
- *4: Except Europe, South Africa
- *5: Non Bluetooth Type
- *6: Bluetooth Type



bizhub C658

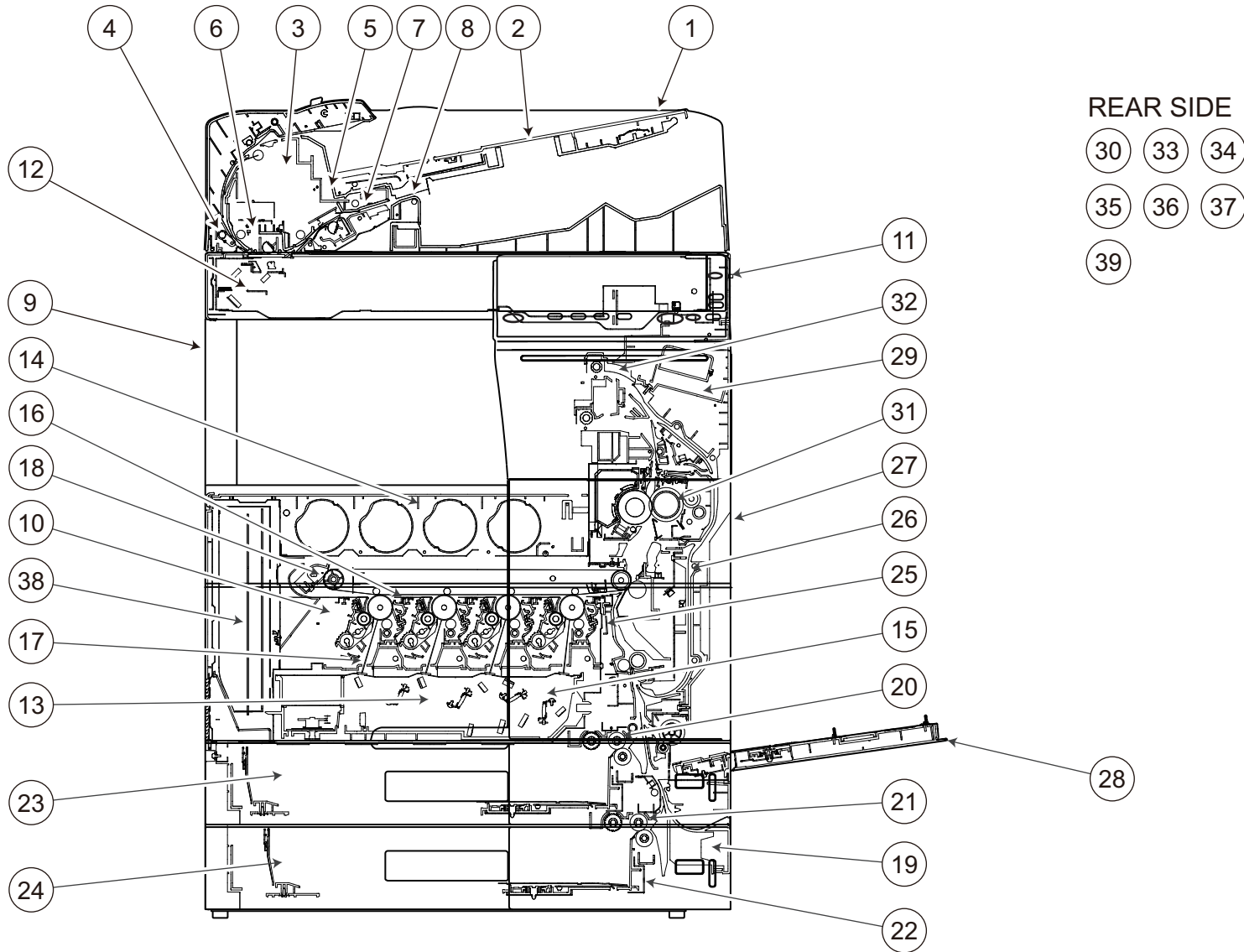
GENERAL CONTENTS

No.	Description	Model
1	Digital MFP Color	bizhub C658
2	Finisher/Sorter	FS-536
3	Finisher/Sorter	FS-536SD
4	Finisher/Sorter	FS-537
5	Finisher/Sorter	FS-537SD
6	Job Separator	JS-602
7	Punch Unit	PK-520
8	Punch Unit	PK-523
9	Folding Unit	ZU-609
10	Post Inserter	PI-507
11	Output Tray	OT-506
12	Paper Feeder	PC-115
13	Paper Feeder	PC-215
14	Paper Feeder	PC-415
15	Paper Feeder	LU-207
16	Paper Feeder	LU-302
17	Desk	DK-510
18	Desk	DK-705
19	Finisher/Sorter	RU-513
20	Other Option	MK-719
21	Mount Kit	MK-730
22	Mount Kit	MK-735

bizhub C658

No.	Description	Model
23	Mount Kit	MK-742
24	Heater	HT-510
25	Working Table	WT-506
26	Other Option	TK-101
27	Other Option	CU-102
28	Image Controller	IC-416
29	Other Option	UK-501
30	Fax Kit	FK-514
31	Fax Kit	FK-515
32	Local IF Kit	EK-608
33	Local IF Kit	EK-609
34	HDD	HD-524
35	Other Option	KP-101
36	Video IF Kit	VI-510

Section Configuration



CONTENTS

No.	DESCRIPTION	名称	PAGE No.
1	ADF (External Parts Section)	A D F (外装部)	P1 P2
2	ADF (Paper Feed Section)	A D F (給紙部)	P3 P4 P5
3	ADF (Registration Section)	A D F (レジスト部)	P6 P7 P8
4	ADF (Reading Section)	A D F (読取り部)	P9
5	ADF (CIS Section)	A D F (C I S 部)	P10
6	ADF (Original Glass Cleaning Section)	A D F (原稿ガラス清掃部)	P11
7	ADF (CIS Cleaning Section)	A D F (C I S 清掃部)	P12 P13
8	ADF (Paper Exit Section)	A D F (排出部)	P14
9	External Parts Section	外装部	P15 P16
10	Inner Cover Section	2次カバー部	P17
11	Operation Panel Section	操作部	P18
12	Scanner Section	スキャナー部	P19 P20 P21 P22
13	PH Section	P H 部	P23
14	Toner Supply Section	トナー補給部	P24 P25
15	Toner Collection Section	トナー回収部	P26
16	Photo Conductor Section	感光体部	P27
17	Developing Section	現像部	P28
18	1st Transfer Section	1次転写部	P29
19	Paper Feed Section	給紙部	P30
20	Tray 1 Paper Feed Section	トレイ 1 給紙部	P31 P32
21	Tray 2 Paper Feed Section	トレイ 2 給紙部	P33 P34
22	Tray Section	トレイ部	P35 P36
23	Tray 1 Section	トレイ 1 部	P37 P38
24	Tray 2 Section	トレイ 2 部	P39 P40
25	2nd Transfer Section/Registration Section	2次転写部 / レジスト部	P41

No.	DESCRIPTION	名称	PAGE No.
26	2nd Transfer Section/Vertical Conveyance Section	2次転写部 / 垂直搬送部	P42 P43
27	Vertical Conveyance Section	垂直搬送部	P44
28	Bypass Tray Section	手差しトレイ部	P45 P46 P47
29	Duplex Section	両面部	P48 P49 P50
30	The Paper Cooling Fan Section	用紙冷却ファン部	P51
31	Fusing Section	定着部	P52
32	Paper Exit /Reverse Section	排紙 / 反転部	P53 P54
33	Main Drive/ Paper Feed Drive Section	メイン駆動 / 給紙駆動部	P55 P56
34	Toner Supply Drive Section	トナー補給駆動部	P57
35	Fusing Drive Section	定着駆動部	P58 P59
36	Toner Suction Fan Section	トナー吸引ファン部	P60
37	High Voltage Section	高圧電源部	P61
38	Low Voltage Section	低圧電源部	P62
39	Electrical Components Section	電装部	P63 P64
40	Wiring	束線	P65 P66 P67 P68
41	Wiring Accessories And Jigs	配線部品・治具	P69
42	Accessory Parts	同梱部品	P70 P71

INDEX

Parts No.	Page No.
000V-18-1	69-24
0996305501	35-7
1164202801	54-10
4002311002	36-7
4004590301	54-4
4011585202	41-4
4025598401	54-7
4030301703	32-11
4030301703	34-12
4030320601	38-19
4030320601	40-19
4030322601	38-16
4030322601	40-16
4030340301	46-15
4030347501	46-19
4034352501	31-2
4036307501	20-6
4036534801	25-24
4038101401	17-26
4038101401	24-4
4038228702	17-18
4038258001	58-15
4038353901	41-37
4038541202	57-10
4038M60000	17-14
4040561000	32-2
4040561000	34-3
4131253701	6-35
4131253701	9-2
4131253701	14-1
4131300301	31-12
4131300301	33-17
4131353202	45-17
4139M10000	23-2
4139M10000	61-22
4139M10000	62-10
4163510201	25-7
4163529301	5-1
4163529301	13-17
4163529301	23-3

Parts No.	Page No.
4163529301	29-18
4163529301	36-12
4163529301	38-25
4163529301	40-25
4163529301	41-11
4163529301	42-2
4163529301	43-25
4163529301	48-15
4163529301	50-3
4163529301	62-11
4333501201	25-17
4470402401	17-23
4532341001	32-13
4532341001	34-15
4556M10000	3-1
4556M10000	52-3
4576536301	25-8
4581162501	20-8
4658015106	46-26
56AA40490	15-4
65AA-9920	69-26
9313100072	49-11
9313100072	51-6
9313100072	60-7
9313100072	71-9
9313130051	52-27
9321220032	48-35
9321240011	45-24
9335140071	7-13
9335140071	11-5
9381430031	70-12
9J06730101	63-22
9J06M10300	36-8
9J06M60100	17-17
9J06M60100	44-3
9J06PJG100	69-27
9J07160200	1-14
9J07210802	1-9
9J07300801	5-8
9J07330102	6-7

Parts No.	Page No.
9J07330801	6-6
9J07331901	6-14
9J07340901	8-4
9J07341102	5-13
A00F623201	45-10
A00F941100	48-38
A00J106202	15-24
A00J169100	16-8
A00J169100	18-17
A00J169100	70-2
A00J169300	19-5
A00J169300	53-14
A00J265300	20-7
A00J563600	6-11
A00J567211	1-26
A00J617900	33-12
A00J663200	31-28
A00J663200	33-16
A00J945201	16-7
A00J945500	15-14
A00JH00D00	15-7
A00JN30200	63-14
A00V240600	8-18
A00V240600	11-11
A00V240600	13-3
A011946200	18-24
A02E117300	60-6
A02E149900	16-6
A02E167700	19-7
A02E560800	31-24
A02E560800	33-28
A02E561100	31-16
A02E561100	33-20
A02E595100	45-21
A02E595400	45-16
A02E596100	45-20
A02E596300	45-9
A02E597600	46-25
A02E815200	43-10
A02E815200	48-11

Parts No.	Page No.
A02E815200	50-17
A02E940300	38-26
A02E940300	40-26
A02EM20100	45-22
A02EN12513	63-19
A034M20100	41-10
A03U812800	58-8
A03U812800	59-20
A03UM15300	71-7
A07H570500	6-10
A0ED103100	27-4
A0ED110900	29-16
A0ED111000	29-4
A0ED111400	29-29
A0ED111500	29-12
A0ED111700	29-17
A0ED112000	29-14
A0ED135700	63-7
A0ED135700	63-9
A0ED162401	17-6
A0ED163000	15-2
A0ED166200	70-1
A0ED257500	58-14
A0ED259700	58-11
A0ED271200	21-7
A0ED271300	21-6
A0ED273600	22-12
A0ED274200	22-23
A0ED274300	22-19
A0ED274400	22-8
A0ED276301	22-16
A0ED363001	26-4
A0ED363200	26-2
A0ED363312	26-5
A0ED363400	26-3
A0ED401000	25-25
A0ED550800	42-24
A0ED550900	42-17
A0ED551000	42-14
A0ED551100	42-15

Parts No.	Page No.
A0ED563900	32-5
A0ED563900	34-5
A0ED597800	45-23
A0ED620200	38-18
A0ED620200	40-18
A0ED620701	38-34
A0ED620701	40-34
A0ED700200	41-34
A0ED700300	41-45
A0ED700700	41-46
A0ED702400	43-28
A0ED702800	41-26
A0ED705800	41-25
A0ED712100	44-8
A0ED811700	43-1
A0ED811700	48-25
A0ED811900	43-4
A0ED815100	50-9
A0ED891100	54-1
A0ED897700	54-28
A0ED940600	24-6
A0ED940700	15-3
A0EDM10500	64-18
A0EDM50100	31-5
A0EDM50100	33-3
A0EDM50100	41-33
A0EDM60001	24-19
A0EDM60001	28-1
A0EDN30002	63-10
A0G6411200	15-9
A0G6M93100	64-31
A0HF952400	19-11
A0HT561202	8-5
A0HU250500	11-16
A0P0264800	64-29
A0P0742300	53-18
A0P0M50300	11-1
A0P0M50300	61-9
A0P0N30000	63-14
A108260700	6-27

Parts No.	Page No.	Parts No.	Page No.	Parts No.	Page No.	Parts No.	Page No.	Parts No.	Page No.
A108266300	13-15	A161121900	58-24	A161165300	17-5	A161262200	20-14	A161401500	25-3
A108561500	5-12	A161122002	58-22	A161165602	15-16	A161263000	20-11	A161402114	24-14
A108703100	7-30	A161122500	51-16	A161167000	18-23	A161268200	20-3	A161402403	24-8
A108703100	11-38	A161130101	27-1	A161167100	18-28	A161268300	20-1	A161402502	24-7
A108890500	5-9	A161130301	23-8	A161167300	18-27	A161270102	21-10	A161403000	25-18
A108891300	5-11	A161131401	63-1	A161167400	18-26	A161270600	21-12	A161403101	25-9
A108M50000	4-7	A161132801	61-5	A161190903	18-2	A161271000	21-9	A161403200	25-23
A108M50000	7-8	A161135100	17-15	A161210200	3-7	A161271000	22-14	A161403300	24-12
A161101600	35-15	A161135504	17-22	A161210200	4-13	A161271100	21-11	A161403403	24-13
A161101701	35-16	A161137100	44-4	A161210200	56-13	A161271100	22-17	A161403500	24-10
A161101900	35-4	A161137701	61-8	A161228100	59-11	A161273100	22-15	A161403600	24-11
A161102500	44-2	A161137802	23-10	A161228312	59-13	A161273113	22-15	A161403701	24-2
A161103700	35-12	A161137900	64-25	A161228601	59-21	A161273401	22-13	A161403800	24-9
A161103901	35-10	A161138500	27-6	A161228701	58-26	A161273500	22-18	A161403901	24-5
A161104101	42-22	A161140200	23-1	A161230600	59-8	A161273701	22-11	A161404001	24-16
A161104200	35-3	A161141500	60-8	A161230700	58-19	A161273800	22-20	A161404100	24-17
A161104300	35-1	A161141700	29-31	A161232200	58-6	A161274500	22-22	A161404200	25-14
A161105200	35-14	A161143400	62-8	A161232300	58-17	A161274600	22-21	A161404300	25-19
A161105400	23-5	A161143500	60-3	A161232300	59-3	A161275300	22-9	A161550700	42-12
A161105500	55-22	A161143601	62-3	A161232401	58-21	A161275400	22-10	A161551500	42-21
A161105600	27-3	A161144500	62-2	A161232501	58-16	A161275500	22-6	A161551600	42-20
A161107100	27-5	A161144801	29-33	A161240600	57-7	A161275600	22-5	A161560112	31-10
A161107400	27-9	A161144900	29-30	A161240700	57-11	A161276000	22-4	A161560302	33-10
A161110105	29-28	A161145000	62-1	A161240900	57-12	A161276500	22-7	A161560500	31-29
A161110202	29-10	A161146200	29-32	A161241000	57-14	A161278600	21-1	A161560500	33-14
A161110300	29-11	A161146400	23-16	A161241200	57-15	A161278900	21-3	A161560900	31-4
A161110400	29-7	A161146500	60-12	A161241400	57-16	A161280211	20-20	A161560900	33-7
A161110500	29-15	A161146600	60-11	A161254300	58-2	A161280300	20-17	A161561000	33-1
A161110601	29-3	A161146800	25-27	A161254500	58-5	A161281100	20-24	A161561100	30-1
A161112000	29-13	A161146900	60-1	A161254600	58-27	A161281300	20-22	A161561200	30-2
A161112101	29-27	A161147500	60-2	A161254700	58-4	A161281600	20-4	A161561600	31-7
A161112200	29-8	A161147600	60-13	A161256300	58-9	A161362000	26-11	A161561600	33-8
A161112300	29-20	A161151100	17-20	A161258501	59-18	A161400100	25-10	A161562000	31-19
A161112400	29-26	A161151200	44-5	A161258700	59-14	A161400401	25-11	A161562000	33-23
A161112500	29-5	A161151300	17-19	A161258800	58-13	A161400601	25-12	A161562101	31-21
A161112600	29-9	A161160300	15-8	A161259100	59-15	A161400701	25-20	A161562101	33-25
A161112700	29-25	A161162400	18-18	A161259200	59-16	A161400800	25-26	A161562300	31-17
A161116202	28-2	A161162803	16-20	A161259400	58-12	A161401000	25-6	A161562300	33-21
A161119500	28-3	A161162900	16-18	A161261902	20-15	A161401100	25-5	A161562400	31-13
A161121300	44-1	A161163900	16-16	A161262002	20-16	A161401300	25-2	A161562400	33-15

Parts No.	Page No.	Parts No.	Page No.	Parts No.	Page No.	Parts No.	Page No.	Parts No.	Page No.
A161562500	31-20	A161590600	45-19	A161620600	40-5	A161700700	41-13	A161811001	44-10
A161562500	33-24	A161590800	45-18	A161620701	38-6	A161700901	41-1	A161811100	44-12
A161562600	31-18	A161590901	46-29	A161620701	40-6	A161701100	41-15	A161811302	44-14
A161562600	33-22	A161591000	46-28	A161620904	38-1	A161701301	41-28	A161811500	44-9
A161562800	31-11	A161591100	46-27	A161620904	40-1	A161701703	41-17	A161813001	50-26
A161562800	33-13	A161591300	45-25	A161621100	38-3	A161701800	41-5	A161813100	50-27
A161563000	33-32	A161591400	45-13	A161621100	40-3	A161701900	41-24	A161813200	50-18
A161563300	32-12	A161591500	45-12	A161621411	38-24	A161702000	41-22	A161813300	48-21
A161563300	34-13	A161591600	46-12	A161621600	38-35	A161702101	41-16	A161813400	50-21
A161563901	32-14	A161591700	45-8	A161621600	40-35	A161702200	41-23	A161813600	50-8
A161563901	34-14	A161591800	46-22	A161622100	37-1	A161702200	59-12	A161814401	50-2
A161564001	32-10	A161592200	47-2	A161622100	39-1	A161706001	41-27	A161814500	50-16
A161564001	34-11	A161592300	47-10	A161623301	37-6	A161710103	42-11	A161814601	48-9
A161564200	32-16	A161592400	47-7	A161623400	35-13	A161710300	43-29	A161814700	48-12
A161564200	34-17	A161592501	47-8	A161623400	37-3	A161710405	43-24	A161815000	44-21
A161564300	32-18	A161592600	47-9	A161623400	39-3	A161710500	43-8	A161815100	48-7
A161564300	34-19	A161592800	45-1	A161624100	38-2	A161711200	42-26	A161815300	44-16
A161564400	32-15	A161592900	44-7	A161624100	40-2	A161711300	43-13	A161815400	44-19
A161564400	34-16	A161593300	45-14	A161625114	37-18	A161711600	43-17	A161815800	48-17
A161565102	30-4	A161593400	46-33	A161625900	37-16	A161711700	43-14	A161815900	44-17
A161565302	31-9	A161593600	46-31	A161625900	39-17	A161711901	43-31	A161816200	44-22
A161566000	31-1	A161593800	47-15	A161626000	37-12	A161712000	43-19	A161816300	43-26
A161567300	31-23	A161594100	45-6	A161626000	39-13	A161712100	43-23	A161816400	48-22
A161567300	33-27	A161594201	46-10	A161626100	37-13	A161712300	42-16	A161819200	50-32
A161567400	31-22	A161594300	47-18	A161626100	39-14	A161712401	42-4	A161819400	50-15
A161567400	33-26	A161594400	45-11	A161626200	37-2	A161712500	42-19	A161819500	50-13
A161568600	32-3	A161594500	46-1	A161626200	39-2	A161712600	43-6	A161825000	50-31
A161568700	34-9	A161594600	46-3	A161626502	37-9	A161712700	42-3	A161825102	50-14
A161568800	34-2	A161594700	45-7	A161626602	37-10	A161712800	43-21	A161825301	50-7
A161568901	33-34	A161594800	45-27	A161626602	39-11	A161712800	50-25	A161825400	50-19
A161571100	33-6	A161594900	45-28	A161626800	37-11	A161712900	43-5	A161825700	43-9
A161575101	30-6	A161595000	46-18	A161626800	39-12	A161713100	43-7	A161825700	50-10
A161576100	30-5	A161595100	46-14	A161626900	37-17	A161713500	43-20	A161825800	50-11
A161578100	33-2	A161595200	46-21	A161626900	39-18	A161714500	43-18	A161826001	50-33
A161578212	33-4	A161595300	46-16	A161631411	40-24	A161714600	43-22	A161890205	54-18
A161578700	33-33	A161595400	46-20	A161633202	39-6	A161719000	43-2	A161891000	54-21
A161579011	30-8	A161595600	46-17	A161635117	39-19	A161810305	44-20	A161892300	54-22
A161590101	46-13	A161620400	38-17	A161636502	39-10	A161810503	50-28	A161892400	54-5
A161590201	45-5	A161620400	40-17	A161700301	41-14	A161810600	50-6	A161893601	54-20
A161590304	46-11	A161620600	38-5	A161700401	41-12	A161810801	50-5	A161894000	53-15

Parts No.	Page No.	Parts No.	Page No.	Parts No.	Page No.	Parts No.	Page No.	Parts No.	Page No.
A161894000	54-11	A161M50A00	20-23	A2XK144201	23-17	A55V624700	37-5	A5C1565600	34-7
A161894100	53-16	A161N10F01	25-21	A2XK163401	15-11	A55V624700	39-5	A5C1590500	44-11
A161895502	54-12	A161N10H01	42-1	A2XK163701	15-20	A5AWP00100	69-25	A5C1591200	45-26
A161895600	54-13	A161N10J00	29-23	A2XK165000	15-18	A5AY131100	62-5	A5C1591900	45-3
A161900100	54-29	A161N10K00	15-5	A2XK165700	15-19	A5C1101101	35-8	A5C1624300	37-8
A161900201	54-9	A161N11200	29-24	A2XK228800	58-7	A5C1102800	27-10	A5C1624300	39-9
A161900300	54-19	A161N11300	61-12	A2XK254200	58-1	A5C1104400	35-11	A5C1625001	37-15
A161940400	15-23	A161N11C01	19-13	A2XK400001	24-20	A5C1104700	35-18	A5C1627101	36-9
A161941100	58-25	A161N11K00	61-13	A2XK400100	24-21	A5C1104800	35-6	A5C1627300	36-10
A161942000	17-13	A161N12200	45-4	A2XK709000	33-30	A5C1105500	27-11	A5C1627900	36-11
A161942200	17-11	A161N12701	33-5	A2XK710100	42-9	A5C1106000	35-19	A5C1628000	36-4
A161942300	17-10	A161N12801	25-15	A2XK754200	52-18	A5C1112101	29-22	A5C1628500	37-19
A161942400	17-8	A161N12H00	41-48	A2XKN10700	52-33	A5C1112800	29-6	A5C1628500	39-7
A161942500	17-7	A161N14000	21-5	A2XKN10B00	24-23	A5C1112900	29-19	A5C1635001	39-16
A161943000	17-3	A161N14100	20-5	A2XKN10C00	17-16	A5C1121202	44-6	A5C1700101	41-35
A161943000	38-14	A161N14201	20-12	A2XKN10H01	33-31	A5C1130800	63-5	A5C1700800	41-42
A161943000	40-14	A161N15J00	64-14	A2XKN10K00	61-23	A5C1134800	61-14	A5C1703200	41-43
A161943100	37-14	A161R70322	61-11	A3CK272001	9-7	A5C1137800	63-2	A5C1710200	43-12
A161943200	39-15	A161R72200	20-2	A3CK272200	9-11	A5C1142001	60-5	A5C1710900	42-8
A161943301	70-6	A161R72811	60-4	A3CK272600	9-6	A5C1160401	15-6	A5C1711000	42-6
A161943400	70-5	A1DMN13700	64-30	A3CK300102	12-15	A5C1192100	70-3	A5C1711500	43-16
A161943700	38-4	A1RF505400	59-19	A3CK300200	11-25	A5C1263300	20-10	A5C1711800	42-13
A161943700	40-4	A1RF517100	55-19	A3CK300200	12-10	A5C1263400	20-26	A5C1715100	42-5
A161946100	48-13	A1UD192400	35-9	A3CK565100	8-8	A5C1280100	20-18	A5C1811600	44-18
A161946200	43-15	A1UD947400	70-9	A3CK568300	8-11	A5C1404500	17-27	A5C1811803	50-20
A161946300	41-40	A1UDM50100	4-10	A3CK940000	13-16	A5C1404500	24-15	A5C1811901	50-23
A161946400	43-11	A1UDM50200	20-9	A3CKH00200	10-4	A5C1404600	25-28	A5C1814200	48-14
A161F56028	31-25	A2X0145911	61-24	A3CKM10300	14-4	A5C1551701	42-18	A5C1814300	48-28
A161F59002	45-15	A2X0901100	54-15	A3CKM20000	6-25	A5C1560600	31-3	A5C1815200	44-13
A161F89003	54-26	A2X0945701	16-4	A3EW944600	19-10	A5C1560600	33-11	A5C1815700	48-16
A161H00800	23-9	A2X0949100	17-25	A3EWM90300	1-25	A5C1563100	32-1	A5C1825000	50-30
A161H00U01	18-20	A2X0M10000	55-8	A3EWM90300	4-25	A5C1563100	34-1	A5C1825500	50-29
A161M10300	59-1	A2X0M10300	6-28	A3EWM90300	64-32	A5C1563400	32-9	A5C1890401	54-17
A161M20100	59-17	A2X0M10600	48-23	A3EWM90500	62-14	A5C1563400	34-10	A5C1F42000	25-13
A161M20300	55-14	A2X0M72C00	64-11	A3GNM71C00	61-34	A5C1563500	32-4	A5C1M10A00	22-2
A161M50000	41-2	A2XK130000	27-2	A49FM90100	21-16	A5C1563500	34-4	A5C1M50100	4-5
A161M50300	41-3	A2XK130601	52-1	A4EU138000	64-8	A5C1564101	32-17	A5C1M50100	5-10
A161M50400	47-14	A2XK130801	52-32	A4MG130900	64-3	A5C1564101	34-18	A5C1M50100	6-15
A161M50501	36-6	A2XK138100	52-15	A4NNWY1	26-9	A5C1565500	31-6	A5C1M50100	7-15
A161M50600	36-5	A2XK138200	52-14	A4NNWY3	26-9	A5C1565600	32-19	A5C1M50100	17-24

Parts No.	Page No.	Parts No.	Page No.	Parts No.	Page No.	Parts No.	Page No.	Parts No.	Page No.
A5C1M50100	20-13	A64J228000	59-10	A782101900	14-14	A782119300	1-20	A782260600	9-1
A5C1M50100	25-22	A64J230500	59-9	A782102900	11-7	A782125300	2-6	A782260700	9-3
A5C1M50100	31-8	A64J231801	59-5	A782103200	14-12	A782130001	1-2	A782262101	11-30
A5C1M50100	33-9	A64J231901	59-6	A782103600	13-24	A782130301	2-1	A782262200	11-21
A5C1M50100	36-13	A64J257800	55-12	A782104300	12-6	A782130500	3-15	A782262300	11-33
A5C1M50100	41-7	A64J363700	26-1	A782104500	14-17	A782130600	1-3	A782262500	11-26
A5C1M50100	42-10	A64J564101	31-14	A782104700	9-15	A782160001	1-1	A782262700	11-31
A5C1M50100	43-27	A64J564101	32-6	A782105001	2-4	A782160101	1-17	A782262800	2-11
A5C1M50100	45-2	A64J564101	33-18	A782105101	2-3	A782160200	1-16	A782262800	11-23
A5C1M50100	46-24	A64J564101	34-6	A782106200	1-10	A782160300	1-15	A782262900	11-15
A5C1M50100	47-6	A64J564201	31-15	A782110007	1-12	A782210200	14-3	A782263000	11-17
A5C1M50100	50-12	A64J564201	33-19	A782110600	1-19	A782210800	14-2	A782263201	12-13
A5C1M92000	18-32	A64J709100	43-3	A782111000	2-8	A782211300	6-32	A782263300	11-24
A5C1M92100	21-14	A64J719100	43-30	A782111100	2-9	A782211400	6-22	A782263700	11-34
A5C1M92100	62-15	A64J815500	44-15	A782111200	2-14	A782211500	6-21	A782263801	11-14
A5C1N10B00	18-29	A64J891100	54-6	A782112302	1-18	A782211600	6-26	A782264000	12-21
A5C1N10D00	18-30	A64J891200	54-14	A782113701	1-21	A782211700	6-30	A782264101	12-1
A5C1N14300	22-1	A64J891500	53-17	A782113801	1-11	A782211800	6-34	A782264201	12-3
A5C1R71600	15-15	A64JM20000	33-29	A782113901	1-5	A782211900	6-24	A782264300	11-28
A5C1R90000	6-20	A64JM20000	54-34	A782114001	1-7	A782212000	6-23	A782264300	12-12
A5C1R90000	9-24	A64JM20000	59-7	A782114100	1-27	A782212300	11-4	A782264400	12-5
A5C1R90000	11-22	A64JN10800	61-30	A782115600	13-5	A782212500	14-5	A782264501	11-27
A5C1R90000	12-4	A64JR70600	55-21	A782115700	8-25	A782212600	8-22	A782264600	12-16
A5C1R90000	13-7	A64JR71100	32-8	A782115700	11-3	A782212701	6-29	A782264700	12-18
A5C1R90000	14-13	A64JR71100	34-20	A782115700	13-4	A782213000	8-24	A782264800	12-9
A5C1R90000	20-27	A64JR71400	26-12	A782115800	14-8	A782213100	11-35	A782264900	2-12
A5C1R90000	29-21	A64JR7A000	55-5	A782116201	10-5	A782213300	11-32	A782265102	13-8
A61DM10000	55-6	A782100000	9-28	A782116301	10-3	A782213400	9-25	A782265201	12-7
A61DM10000	56-15	A782100101	9-20	A782116800	9-5	A782213500	13-2	A782265300	12-20
A61F940400	15-23	A782100200	9-19	A782117000	2-2	A782214300	6-33	A782265600	13-11
A61FM31100	21-8	A782100301	9-14	A782117100	2-5	A782214400	8-21	A782265700	13-10
A61FM90200	20-25	A782100400	9-13	A782117500	1-22	A782215100	8-27	A782265800	13-33
A61FM90200	21-15	A782100501	9-16	A782117600	1-23	A782215700	11-6	A782266000	13-12
A61FM90200	64-26	A782100600	9-17	A782117700	13-26	A782215800	6-31	A782266100	13-30
A64J130101	61-16	A782100701	9-18	A782117800	13-36	A782230700	11-36	A782266200	13-18
A64J130500	61-28	A782100801	9-21	A782117900	8-19	A782230900	13-1	A782266300	13-23
A64J170700	19-3	A782101000	6-18	A782117900	11-12	A782231000	11-10	A782266401	13-21
A64J222200	55-2	A782101500	2-6	A782117900	13-6	A782260200	9-26	A782266502	13-14
A64J222400	55-3	A782101600	6-17	A782118000	11-20	A782260400	9-22	A782266601	13-27
A64J222500	55-4	A782101700	2-10	A782118300	11-13	A782260501	9-23	A782266700	13-32

Parts No.	Page No.	Parts No.	Page No.	Parts No.	Page No.	Parts No.	Page No.	Parts No.	Page No.
A782266800	13-22	A782568500	4-16	A782701100	7-18	A782891500	14-11	A795273900	22-25
A782266900	13-13	A782568600	8-7	A782701200	7-17	A782891600	14-6	A795275700	22-3
A782267000	13-25	A782568701	8-9	A782701400	7-25	A782891700	14-7	A795565000	38-27
A782267100	13-28	A782568901	6-8	A782701501	7-29	A782891800	4-15	A795565000	40-27
A782267200	13-19	A782569000	6-3	A782702600	7-31	A782891901	4-14	A795565100	38-30
A782268001	13-31	A782569200	6-12	A782702700	7-22	A782940100	1-13	A795565100	40-30
A782268201	13-29	A782569300	6-19	A782702801	7-20	A782940300	13-20	A795565200	38-31
A782268300	12-14	A782569800	6-9	A782703000	7-23	A782940400	7-4	A795565200	40-31
A782268500	12-8	A782569900	6-13	A782703400	7-6	A782945000	70-8	A795565300	38-32
A782268900	11-19	A782570400	7-2	A782704001	7-5	A782H00104	1-6	A795565300	40-32
A782269200	11-29	A782570601	7-3	A782704100	7-33	A782M10000	8-23	A795565400	38-33
A782269200	12-11	A782570800	3-14	A782704101	7-33	A782M10000	11-39	A795565400	40-33
A782269200	12-24	A782570900	5-15	A782704200	7-21	A782M10100	3-2	A795565500	38-29
A782269300	12-19	A782571100	3-8	A782704200	8-14	A782M10200	11-8	A795565500	40-29
A782269500	12-17	A782571201	3-12	A782704301	6-37	A782M10400	12-2	A795565600	38-28
A782269800	11-18	A782571300	3-4	A782704400	7-28	A782N10000	1-4	A795565600	40-28
A782272200	9-9	A782571400	3-6	A782704501	7-9	A782N10100	68-1	A795565700	38-20
A782272301	9-12	A782571500	3-5	A782704700	7-27	A782N10200	6-38	A795565700	40-20
A782272401	9-8	A782571600	3-3	A782704800	7-12	A782N10300	4-21	A795565800	38-21
A782272800	9-27	A782571800	5-7	A782704900	7-24	A782N10400	4-23	A795565800	40-21
A782560402	4-2	A782571900	5-5	A782705600	7-35	A782N10501	11-37	A795565900	38-22
A782560502	4-1	A782572000	3-9	A782707201	6-36	A782N10700	13-35	A795565900	40-22
A782561000	4-22	A782572101	5-4	A782707300	7-1	A782N10801	6-16	A795566000	38-7
A782561103	4-12	A782572101	7-10	A782707400	6-4	A782N10900	10-2	A795566000	40-7
A782561703	4-3	A782572900	3-11	A782710000	8-16	A782N11100	7-16	A795620800	38-15
A782561801	5-14	A782573000	5-2	A782710100	8-17	A782N11200	1-8	A795620800	40-15
A782561900	5-6	A782573100	5-3	A782710201	8-15	A782N11800	2-13	A795621301	38-10
A782562001	4-8	A782573401	3-13	A782710804	8-13	A782N11800	13-34	A795621301	40-10
A782562101	6-2	A782573501	6-5	A782711000	8-20	A782N12001	10-6	A795621900	38-23
A782562101	12-23	A782573601	4-18	A782711800	8-3	A782N12100	9-10	A795621900	40-23
A782562400	4-17	A782573800	3-16	A782711901	8-2	A782N12200	10-7	A795622500	38-11
A782562400	7-32	A782576000	8-10	A782712300	8-12	A782N12300	11-2	A795622500	40-11
A782562600	4-11	A782576100	6-1	A782714100	8-26	A782N12400	12-22	A795622600	38-9
A782563800	13-9	A782600101	4-4	A782714200	8-1	A782N12600	11-41	A795622600	40-9
A782565000	5-16	A782600900	4-9	A782890000	14-10	A782N12700	8-28	A795622700	38-8
A782565300	7-14	A782601500	4-6	A782890100	14-16	A782R70044	1-24	A795622700	40-8
A782566000	3-10	A782700400	7-11	A782890200	14-18	A782R70100	9-4	A795942401	37-7
A782566800	4-19	A782700801	7-7	A782890600	14-15	A782R70200	10-1	A795942401	39-8
A782566900	4-20	A782700900	7-26	A782890700	14-9	A782R70311	4-24	A795M40B00	61-19
A782568200	8-6	A782701000	7-19	A782891001	2-7	A782R70411	7-34	A795M40J00	61-20

Parts No.	Page No.	Parts No.	Page No.	Parts No.	Page No.	Parts No.	Page No.	Parts No.	Page No.
A796H00W00	61-29	A79J138300	52-12	A79J148300	51-11	A79J220700	56-17	A79J401600	25-30
A796H01A00	20-21	A79J138400	61-7	A79J148500	71-1	A79J220800	56-20	A79J401700	25-31
A796M10500	55-11	A79J139000	63-13	A79J148600	71-2	A79J220900	56-1	A79J401800	25-32
A796M50000	52-13	A79J139600	63-20	A79J148700	71-11	A79J221200	56-14	A79J401900	25-33
A797M90200	19-17	A79J139700	63-21	A79J148800	71-25	A79J221400	55-10	A79J402600	25-4
A79J100600	62-12	A79J140100	52-4	A79J148900	71-26	A79J222500	56-19	A79J402700	25-1
A79J101800	23-7	A79J140200	52-2	A79J149000	71-4	A79J223100	56-9	A79J403100	24-24
A79J102700	52-9	A79J140501	51-12	A79J149100	16-21	A79J226200	56-6	A79J508400	29-2
A79J103201	52-5	A79J140801	62-6	A79J149200	16-23	A79J226301	56-7	A79J576400	31-26
A79J103301	52-6	A79J140900	62-9	A79J149200	16-24	A79J226400	56-8	A79J596000	46-35
A79J120700	51-18	A79J141501	51-13	A79J149300	16-21	A79J226500	56-11	A79J596200	47-21
A79J120801	51-19	A79J142600	51-14	A79J149400	71-3	A79J226600	56-5	A79J620100	38-36
A79J120900	58-29	A79J142701	51-4	A79J149500	71-5	A79J226700	56-12	A79J623100	37-4
A79J121600	18-11	A79J143001	51-9	A79J149600	71-6	A79J226800	56-16	A79J630100	40-36
A79J121701	24-1	A79J143200	51-10	A79J149700	71-15	A79J231001	58-10	A79J633100	39-4
A79J122400	58-23	A79J143401	51-3	A79J149800	71-16	A79J231100	58-28	A79J700100	41-47
A79J122701	24-1	A79J143600	51-8	A79J160700	15-21	A79J231300	58-18	A79J700300	41-39
A79J123102	52-23	A79J143800	51-7	A79J161501	18-4	A79J240100	57-4	A79J700400	41-41
A79J130200	61-25	A79J143800	71-10	A79J161701	18-25	A79J240300	57-6	A79J700500	41-31
A79J130900	64-10	A79J144102	52-28	A79J161900	18-16	A79J240400	57-8	A79J700800	41-32
A79J131101	64-15	A79J144201	52-30	A79J162100	16-2	A79J240500	57-5	A79J700900	41-36
A79J131600	64-21	A79J144301	52-31	A79J162200	16-19	A79J241500	57-13	A79J701000	41-38
A79J131700	61-26	A79J144400	52-26	A79J162600	18-3	A79J241601	57-1	A79J701200	41-18
A79J131901	64-2	A79J144500	52-25	A79J163100	15-17	A79J241700	57-9	A79J701300	41-19
A79J132001	16-12	A79J144600	52-29	A79J163201	15-10	A79J245000	26-7	A79J701600	45-31
A79J132300	16-11	A79J144700	52-24	A79J163301	15-12	A79J245100	26-6	A79J701700	45-32
A79J132311	16-11	A79J145000	51-5	A79J163500	16-3	A79J245400	26-8	A79J709000	41-21
A79J132500	61-1	A79J145100	51-1	A79J164100	18-14	A79J253000	56-18	A79J754000	52-17
A79J132600	61-4	A79J145200	51-2	A79J165001	17-4	A79J253300	56-3	A79J754100	52-16
A79J133001	61-3	A79J145500	71-29	A79J165700	17-1	A79J254000	55-13	A79J754200	52-20
A79J133100	63-8	A79J146300	23-13	A79J166303	16-9	A79J254200	55-7	A79J754300	52-21
A79J133200	63-15	A79J146400	60-10	A79J167800	18-22	A79J254400	58-3	A79J754400	52-10
A79J134200	64-6	A79J146500	23-14	A79J168400	16-17	A79J255600	59-4	A79J754500	52-11
A79J134500	64-1	A79J146700	70-4	A79J168501	16-10	A79J259800	56-2	A79J754600	52-8
A79J134701	55-18	A79J147201	16-22	A79J168600	71-24	A79J400200	24-22	A79J754700	52-7
A79J134900	61-33	A79J147401	23-15	A79J170100	19-9	A79J401101	24-3	A79J810100	48-6
A79J135001	51-17	A79J147501	23-12	A79J170300	19-12	A79J401201	24-3	A79J810900	50-24
A79J136000	63-12	A79J147701	71-12	A79J170601	19-4	A79J401301	24-3	A79J811200	48-24
A79J136100	61-6	A79J147800	71-13	A79J170800	19-8	A79J401400	25-29	A79J811700	50-1
A79J138101	18-8	A79J147900	71-8	A79J220000	56-10	A79J401501	24-3	A79J812201	48-8


Parts No.	Page No.	Parts No.	Page No.	Parts No.	Page No.	Parts No.	Page No.	Parts No.	Page No.
A79J812300	48-30	A79J893700	54-27	A79JM10400	55-16	A79JR70000	62-4	A7PU130400	64-19
A79J812401	48-29	A79J893800	54-38	A79JM11400	55-17	A79JR70100	62-4	A7PU130800	63-3
A79J812500	48-33	A79J894000	53-10	A79JM40600	61-15	A79JR70200	55-9	A7PU130811	63-3
A79J812600	48-31	A79J894500	54-32	A79JM40C00	52-19	A79JR70300	55-20	A7PU133200	63-4
A79J812800	48-32	A79J895200	54-3	A79JM40D00	52-19	A79JR70400	23-4	A7PU133211	63-4
A79J812900	48-34	A79J895400	54-8	A79JM40H00	61-20	A79JR70500	24-18	A7PU134700	64-12
A79J813700	48-10	A79J895602	54-2	A79JM70002	18-1	A79JR70600	24-18	A7PU134800	64-7
A79J813901	50-22	A79J895700	53-13	A79JM70102	18-1	A79JR70700	24-18	A7PU135402	18-15
A79J814901	48-36	A79J895800	53-7	A79JM70202	18-1	A79JR70800	30-7	A7PU138002	18-10
A79J816600	48-20	A79J896500	53-12	A79JM70300	18-1	A79JR70922	29-1	A7PU138200	18-7
A79J816600	52-34	A79J896600	53-11	A79JM70400	18-1	A79JR71000	52-22	A7PU138301	18-9
A79J816700	48-19	A79J897000	53-24	A79JM90000	19-14	A79JR71100	42-23	A7PU139800	64-23
A79J816800	48-37	A79J897100	53-22	A79JM90100	19-15	A79JR71200	17-2	A7PU140100	64-17
A79J819000	48-26	A79J897200	53-23	A79JM90200	63-18	A79JR71300	18-21	A7PU141800	60-9
A79J819800	48-27	A79J897300	56-4	A79JM90300	61-2	A79JR71400	26-10	A7PU160100	15-1
A79J821000	50-34	A79J897300	58-20	A79JM90600	64-27	A79JR71500	57-17	A7PU160800	15-22
A79J830001	49-14	A79J897401	53-3	A79JM90700	64-28	A79JR71600	58-30	A7PU160902	16-15
A79J830100	49-1	A79J897501	54-36	A79JM90900	21-13	A79JR71900	45-29	A7PU161400	18-19
A79J830200	49-7	A79J897600	53-1	A79JM90A00	23-18	A79JR72000	45-29	A7PU161805	16-13
A79J830300	49-4	A79J897611	53-1	A79JN10000	65-1	A79JR72100	37-20	A7PU166101	70-7
A79J830500	48-3	A79J897800	54-37	A79JN10100	66-1	A79JR72200	39-20	A7PU168500	18-5
A79J830600	48-1	A79J898200	54-35	A79JN10200	67-1	A79JR72300	42-25	A7PU168600	18-6
A79J831000	49-13	A79J898211	54-35	A79JN10400	53-2	A79JR72400	54-24	A7PU168702	16-14
A79J831100	48-4	A79J898300	53-20	A79JN10500	55-1	A79JR72533	53-19	A7PU168800	17-21
A79J831200	49-3	A79J898400	53-6	A79JN10600	41-9	A79JR72600	18-12	A7PU170200	19-1
A79J831300	49-2	A79J898500	53-25	A79JN10701	50-4	A79JR72700	21-4	A7PU170400	19-6
A79J831501	48-2	A79J940100	15-13	A79JN10800	31-27	A79JR72800	24-18	A7PU216100	55-15
A79J831600	48-5	A79J941200	37-22	A79JN10900	41-8	A79JR72900	62-4	A7PU567500	32-22
A79J832000	49-8	A79J941200	39-22	A79JN10A01	63-11	A7AH621000	38-12	A7PU567600	32-21
A79J832100	49-10	A79J941300	37-23	A79JN10C00	23-11	A7AH621000	40-12	A7PU567700	32-20
A79J832200	49-15	A79J941500	37-21	A79JN10H00	61-31	A7AH621200	38-13	A7PU568400	32-7
A79J832300	49-12	A79J942100	17-12	A79JN10K00	63-16	A7AH621200	40-13	A7PU569100	30-3
A79J832400	49-9	A79J942600	17-9	A79JN10M01	63-16	A7AHM50400	41-6	A7PU577500	34-23
A79J890201	54-33	A79J943500	39-23	A79JN10N00	63-17	A7AHM90300	21-17	A7PU577600	34-22
A79J890300	54-30	A79J943600	39-21	A79JN10P00	61-21	A7PU101500	62-13	A7PU577700	34-21
A79J890311	54-30	A79JF12100	51-20	A79JN10Q00	54-16	A7PU102201	35-2	A7PU578400	34-8
A79J891300	53-4	A79JH00500	61-27	A79JN10R00	71-27	A7PU102301	35-5	A7PU592000	47-13
A79J892000	54-25	A79JH02102	64-9	A79JN11000	65-1	A7PU104000	35-17	A7PU592100	47-3
A79J893200	53-9	A79JH02A01	64-4	A79JN15100	64-13	A7PU106100	36-14	A7PU593000	46-5
A79J893500	54-31	A79JM10300	59-2	A79JN15600	18-31	A7PU109000	29-34	A7PU593100	46-8

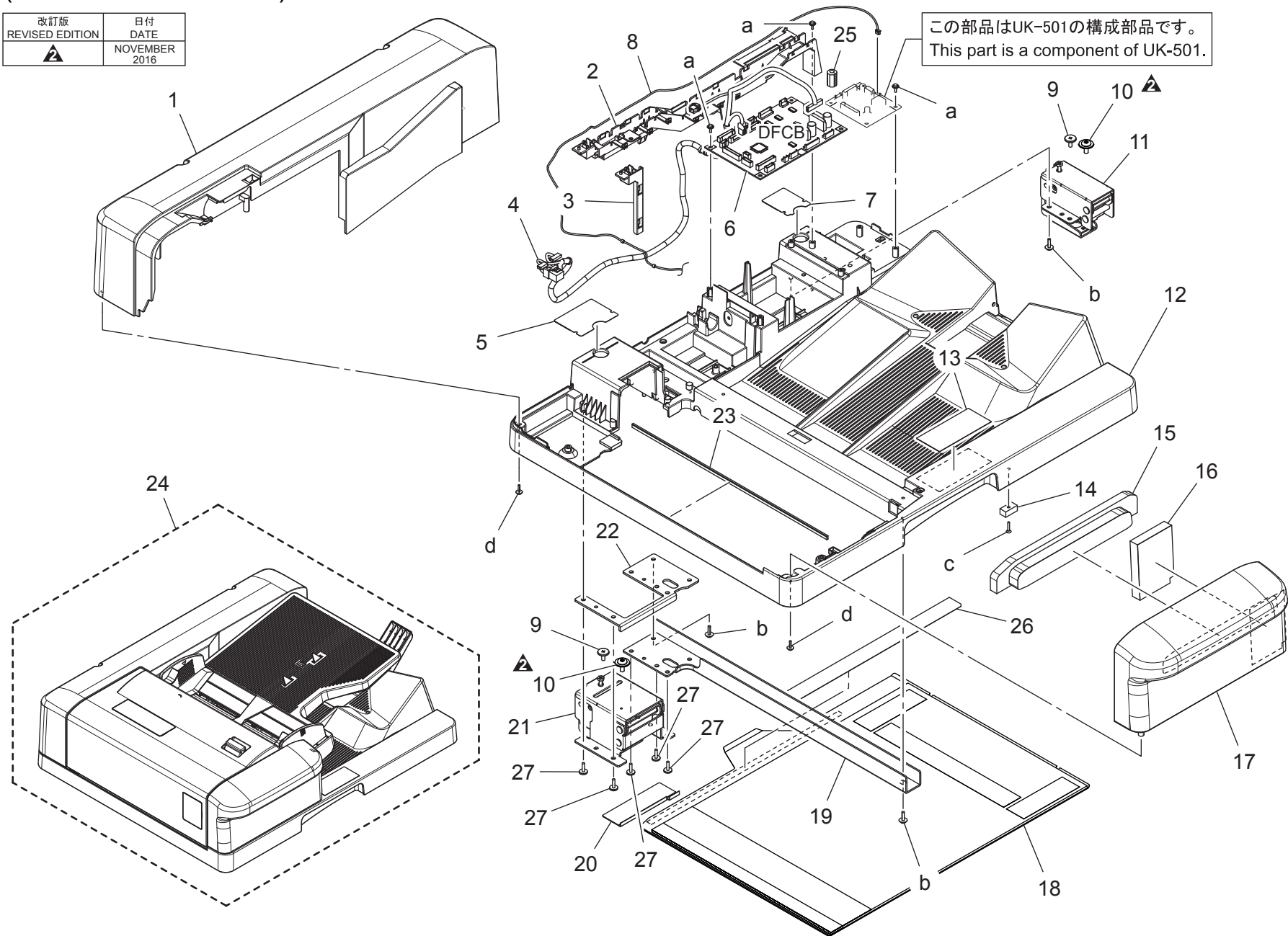
Parts No.	Page No.
A7PU593200	46-7
A7PU593500	47-12
A7PU593700	47-16
A7PU594000	46-34
A7PU595500	46-6
A7PU596000	46-32
A7PU596100	46-4
A7PU596200	46-2
A7PU596700	46-30
A7PU596900	45-30
A7PU599300	47-20
A7PU627500	36-3
A7PU701000	41-20
A7PU701100	41-29
A7PU701200	41-30
A7PU810200	48-18
A7PU890700	54-23
A7PU940600	19-2
A7PU941701	16-5
A7PU944100	47-5
A7PU944200	47-5
A7PU944301	47-4
A7PU944401	47-1
A7PU944900	46-9
A7PU947000	70-10
A7PU947100	70-10
A7PU947200	70-10
A7PU947301	70-10
A7PUF60000	47-11
A7PUH00500	23-6
A7PUM10400	53-8
A7PUM10600	57-2
A7PUM10700	25-16
A7PUM10700	57-3
A7PUN10302	16-1
A7PUN10401	36-1
A7PUN10501	36-2
A7PUN10700	64-20
A7PUN10800	64-16
A7PUN10900	47-17

Parts No.	Page No.
A7PUN10A00	46-23
A7PUN10B01	47-19
A7PUN14500	21-2
A7PUN15300	18-13
A7PUR70500	27-8
A7PUR70611	27-7
A7PUR71111	20-19
A7PUR71900	61-10
A87WH00100	71-14
A8KNM40A01	61-19
A8WC707100	69-28
A9DVN10000	64-33
A9HG830701	49-5
V116030804	70-11
V116041204	71-22
V153030803	71-19
V153030804	71-23
V153030804	71-28
V153031403	71-17
V153033503	71-21
V153040803	71-18
V153041603	71-20
V500010052	69-7
V500010061	69-21
V500010081	69-1
V500010082	69-2
V500010083	69-3
V500010084	69-4
V500010085	69-18
V500010087	69-17
V500020018	69-20
V500020052	69-9
V500020069	69-15
V500020080	69-30
V500020082	69-10
V500020098	69-5
V500020099	69-6
V500020100	69-8
V500020110	69-23
V502010036	61-18

Parts No.	Page No.
V502010046	61-17
V503010002	64-24
V570010021	69-11
V570010038	69-22
V570010050	69-16
V570010057	69-12
V570010058	69-19
V570010059	69-13
V570010060	69-14
V570010065	69-29
V651010002	62-7
V651010025	64-22
V651010034	11-40
V651010045	63-6
V800500300	41-44
V800500300	42-7
V864800107	64-5

ADF (External Parts Section)

改訂版 REVISED EDITION	日付 DATE
	NOVEMBER 2016

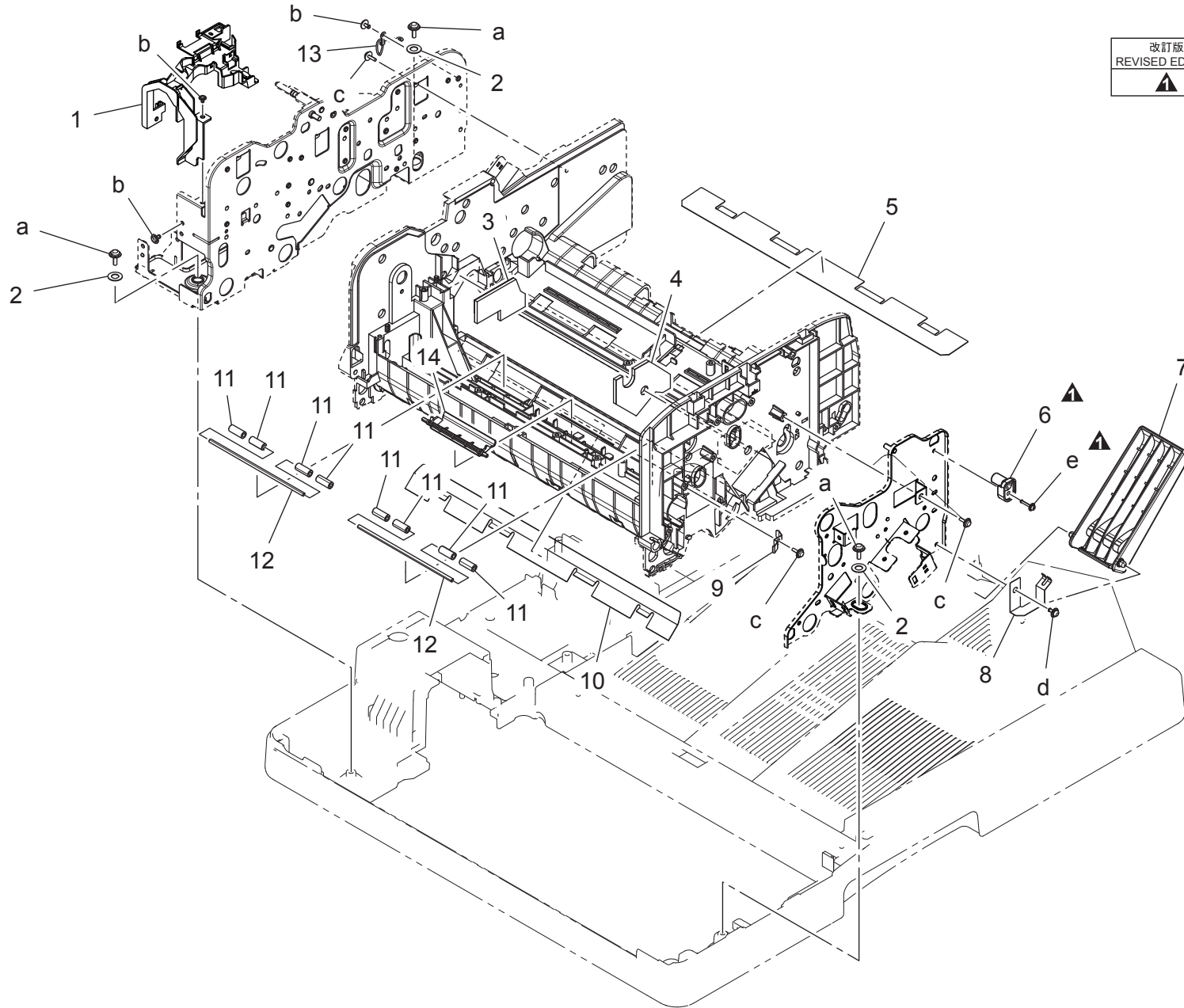


ADF (External Parts Section)

Key	Part No.	Description	Destinations	Class	QTY	Standard parts
1	A782160001	Protection Cover /Rear		C	1	a-V153030803 b-V153041203 c-V147031403 d-V153031004
2	A782130001	Wiring Guide /1		D	1	
3	A782130600	Wiring Guide /3		D	1	
4	A782N10000	ADF Wiring /1		D	1	
5	A782113901	Sheet /Left		C	1	
6	A782H00104	DFCB ASSY		I	1	
7	A782114001	Sheet /Right		C	1	
8	A782N11200	ADF Wiring /13		D	1	
9	9J07210802	Shoulder Screw		C	2	
10	A782106200	Fixing Screw		C	2	
11	A782113801	Hinge /Right		D	1	
12	A782110007	Base frame		D	1	
13	A782940100	Label /1		C	1	
14	9J07160200	MAGNET		D	1	
15	A782160300	Sound shield Cushion /2		C	1	
16	A782160200	Sound shield Cushion /1		C	1	
17	A782160101	Protection Cover /Front		C	1	
18	A782112302	Holding Mat /1		C	1	
19	A782110600	Reinforce Plate /1		D	1	
20	A782119300	Seal /Rear		C	1	
21	A782113701	Hinge /Left		D	1	
22	A782117500	Reinforce Plate /2		D	1	
23	A782117600	Cushion		C	1	
24	A782R70044	ADF ASSY		D	1	
25	A3EWM90300	Ferritecore		D	1	
26	A00J567211	Guide Part		C	1	
27	A782114100	Screw		C	5	

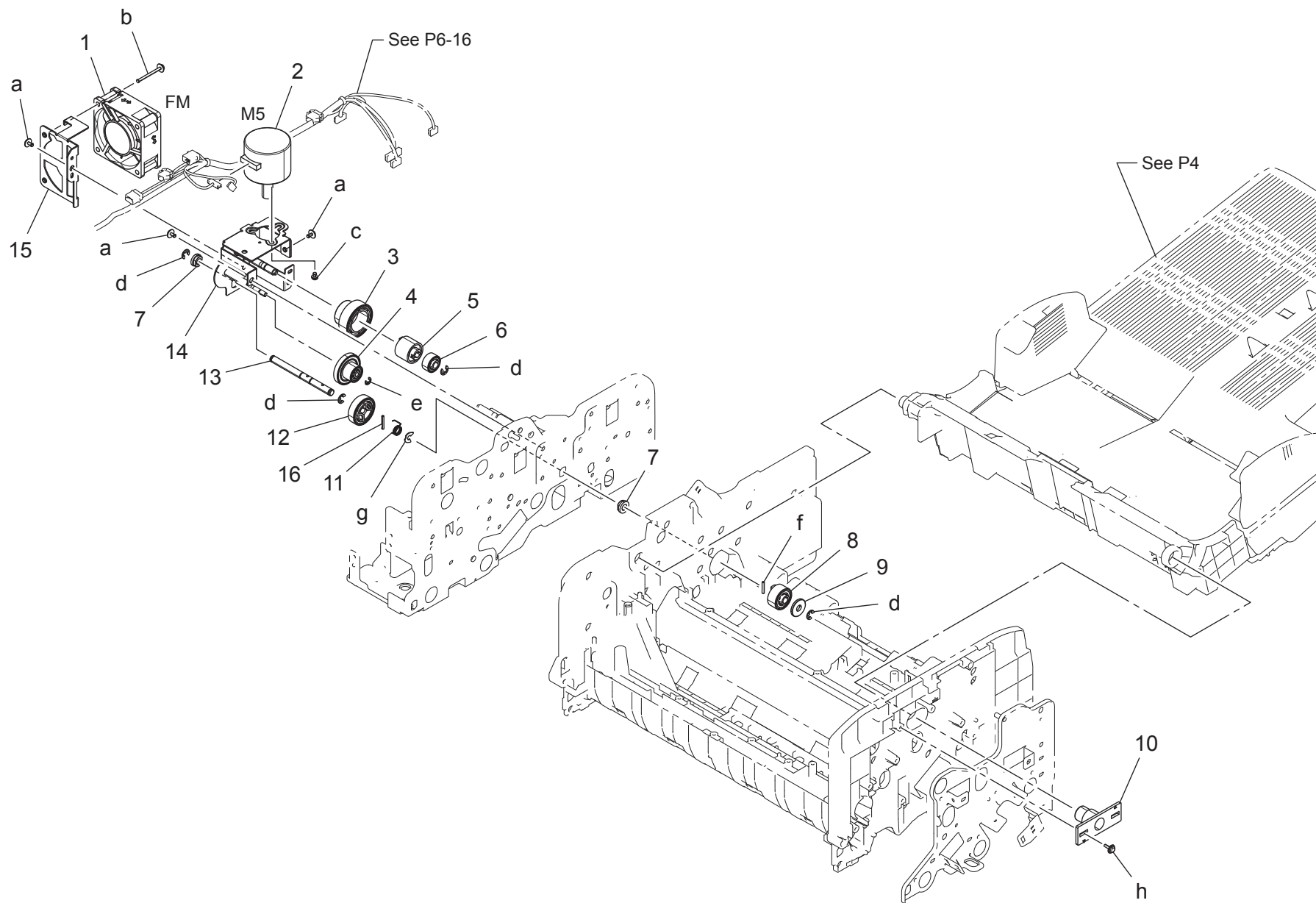
ADF (External Parts Section)

改訂版 REVISED EDITION	日付 DATE
▲	NOVEMBER 2016




Key	Part No.	Description	Destinations	Class	QTY	Standard parts
1	A782130301	Wiring Guide /2		D	1	a-V153041003 b-V144030603 c-V153030803 d-V116030803 e-V127031203
2	A782117000	Washer		C	3	
3	A782105101	Cushion		C	1	
4	A782105001	Cushion		C	1	
5	A782117100	Guide Film		C	1	
6	A782101500Old	Stopper Shaft		D	1	
6	A782125300	Stopper Shaft		D	1	
7	A782891001	Auxiliary Plate /1		C	1	
8	A782111000	Ground Plate spring /1		D	1	
9	A782111100	Ground Plate spring /2		D	1	
10	A782101700	Guide Sheet		D	1	
11	A782262800	Roll		C	8	
12	A782264900	Shaft		D	2	
13	A782N11800	ADF Wiring /19		D	1	
14	A782111200	Guide		D	1	

ADF (Paper Feed Section)

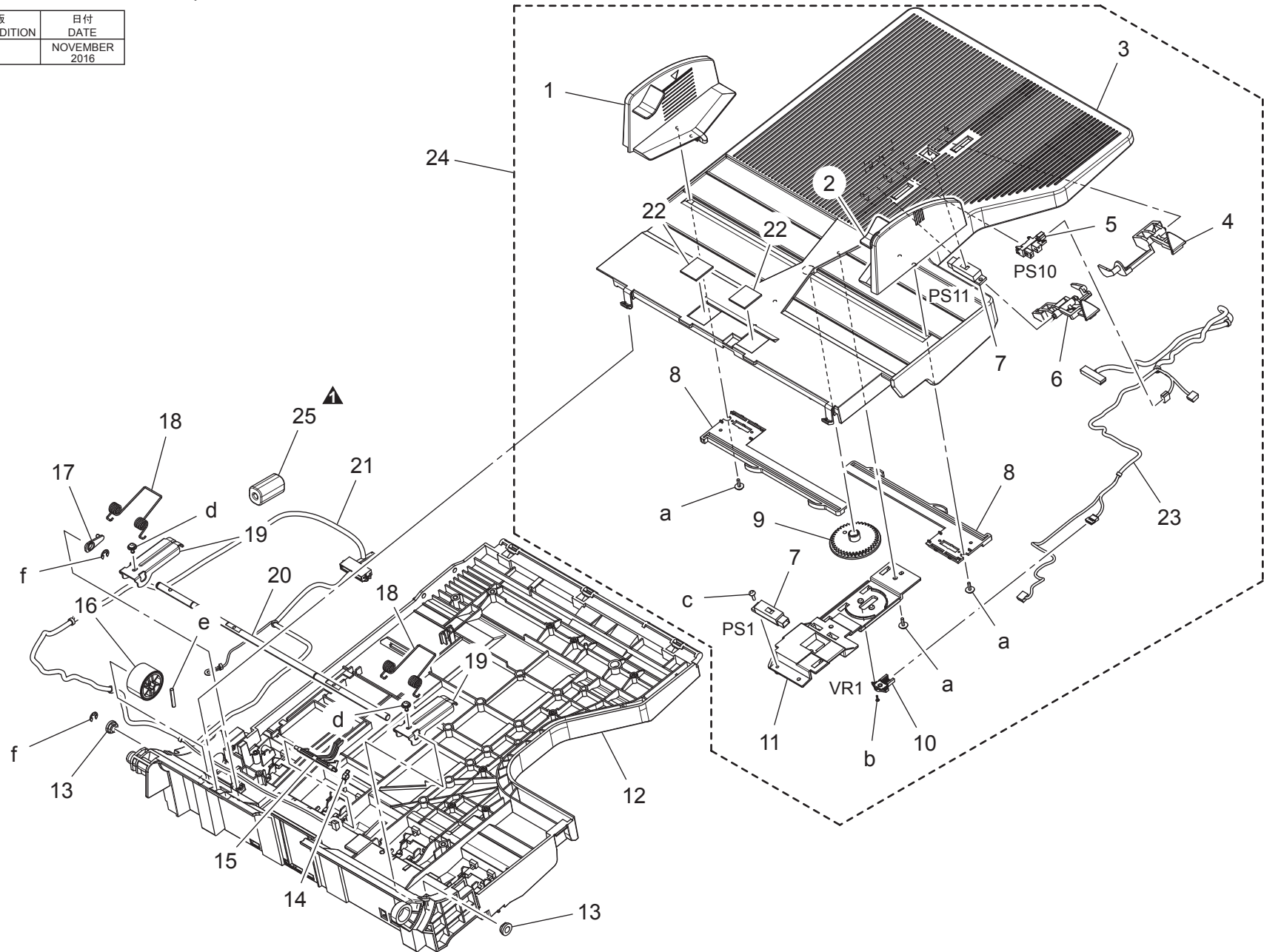


Key	Part No.	Description	Destinations	Class	QTY	Standard parts
1	4556M10000	Fan Motor		B	1	a-V144030603
2	A782M10100	Brushless motor		C	1	b-V116033003
3	A782571600	Gear /8 39T		C	1	c-V115030403
4	A782571300	Gear /3 47T/18T		C	1	d-V217040001
5	A782571500	Torque limiter		C	1	e-V217030001
6	A782571400	Gear /7 25T		C	1	f-V234201250
7	A161210200	Bushing		D	2	g-V218040086
8	A782571100	Gear /5 18T		C	1	h-V115030803
9	A782572000	Flange		C	1	
10	A782566000	Mounting Plate		D	1	
11	A782572900	Torsion Coil spring /5		C	1	
12	A782571201	Gear /4 32T		C	1	
13	A782573401	Shaft		D	1	
14	A782570800	Mounting Plate		D	1	
15	A782130500	Mounting Plate		D	1	
16	A782573800	Pin		D	1	

ADF (Paper Feed Section)

改訂版 REVISED EDITION	日付 DATE
	NOVEMBER 2016

P 4



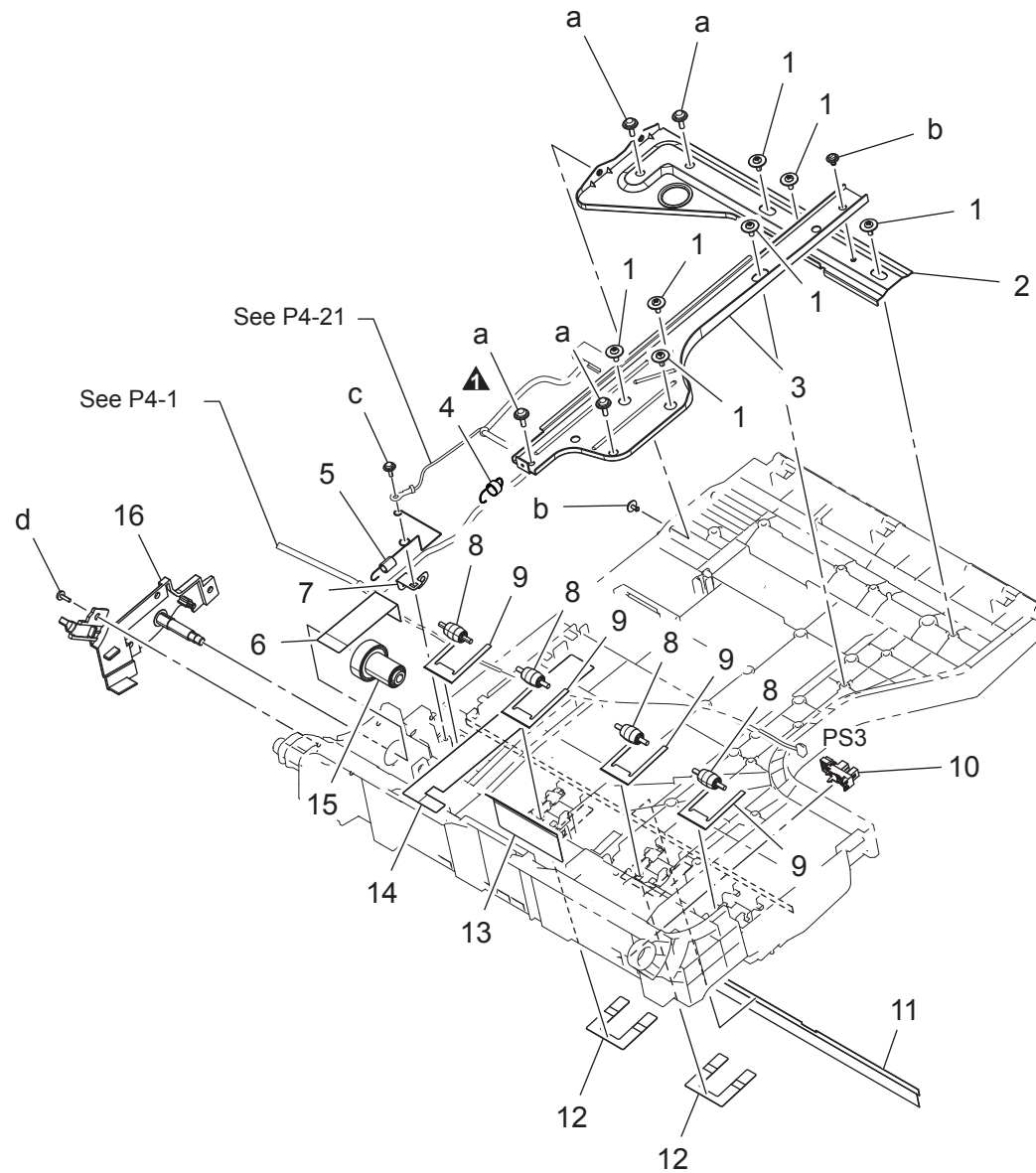
bizhub C658

Key	Part No.	Description	Destinations	Class	QTY	Standard parts
1	A782560502	Regulating Plate /Rear		C	1	a-V153030803
2	A782560402	Regulating Plate /Front		C	1	b-V166170504
3	A782561703	Lifting Plate		C	1	c-V145030803
4	A782600101	Arm /1		C	1	d-V116030803
5	A5C1M50100	Photointerrupter		B	1	e-V234302050
6	A782601500	Arm /2		C	1	f-V217040001
7	A108M50000	Photorelector		B	2	
8	A782562001	Rack		C	2	
9	A782600900	Gear 40T		C	1	
10	A1UDM50100	VR		D	1	
11	A782562600	Mounting Plate		D	1	
12	A782561103	Tray		D	1	
13	A161210200	Bushing		D	2	
14	A782891901	Paper exit Spring /6		C	1	
15	A782891800	Actuator		C	1	
16	A782568500	Gear /7 34T		C	1	
17	A782562400	Washer		C	1	
18	A782573601	Torsion Coil spring /A		C	2	
19	A782566800	Lever		D	2	
20	A782566900	Shaft		D	1	
21	A782N10300	ADF Wiring /4		C	1	
22	A782561000	Friction Plate		C	2	
23	A782N10400	ADF Wiring /5		C	1	
24	A782R70311	Lifting Plate ASSY		D	1	
25	A3EWM90300	Ferritecore		D	1	

ADF (Paper Feed Section)

P 5

改訂版 REVISED EDITION	日付 DATE
	NOVEMBER 2016

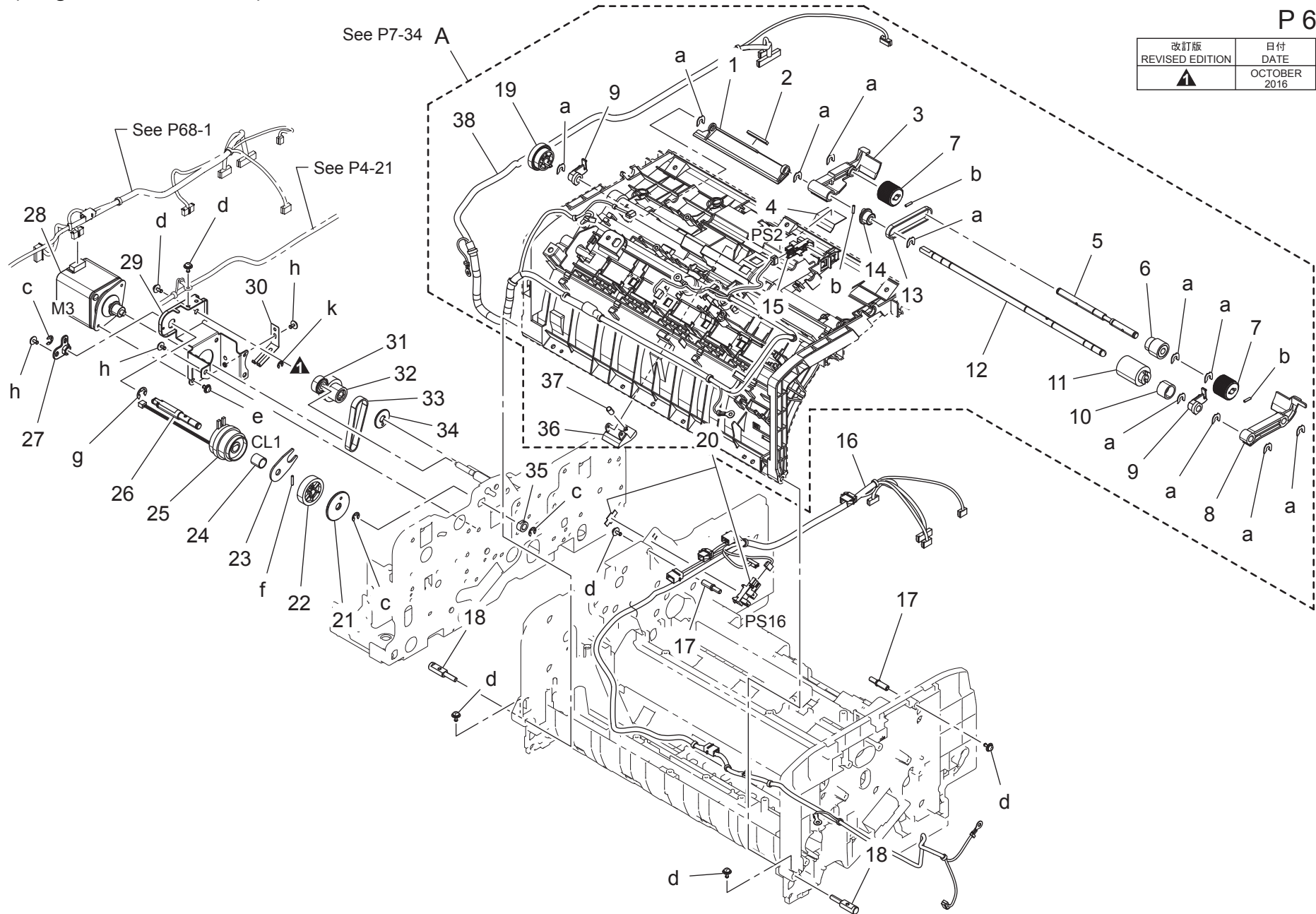


Key	Part No.	Description	Destinations	Class	QTY	Standard parts
1	4163529301	SCREW		C	7	a-V153041003 b-V144030603 c-V153030803 d-V149030803
2	A782573000	Reinforce Plate /2 補強板 / 2		D	1	
3	A782573100	Reinforce Plate /1 補強板 / 1		D	1	
4	A782572101	Pulling Coil spring 引張りコイルばね		C	1	
5	A782571900	Pulling Coil spring 引張りコイルばね		C	1	
6	A782561900	Protection Seal /2 保護シール / 2		D	1	
7	A782571800	Ground Plate アース板		C	1	
8	9J07300801	ROLL ころ		C	4	
9	A108890500	Plate spring 板ばね		D	4	
10	A5C1M50100	Photointerrupter 透過型センサ		B	1	
11	A108891300	Neutralizing Brush 除電ブラシ		C	1	
12	A108561500	Guide ガイド (排紙ころ)		D	2	
13	9J07341102	GUIDE ガイド (前さばき)		D	1	
14	A782561801	Protection Seal /1 保護シール / 1		D	1	
15	A782570900	Gear /6 23T ギア / 6 23 T		C	1	
16	A782565000	Cover カバー		D	1	

ADF (Registration Section)

P 6

改訂版 REVISED EDITION	日付 DATE
▲	OCTOBER 2016

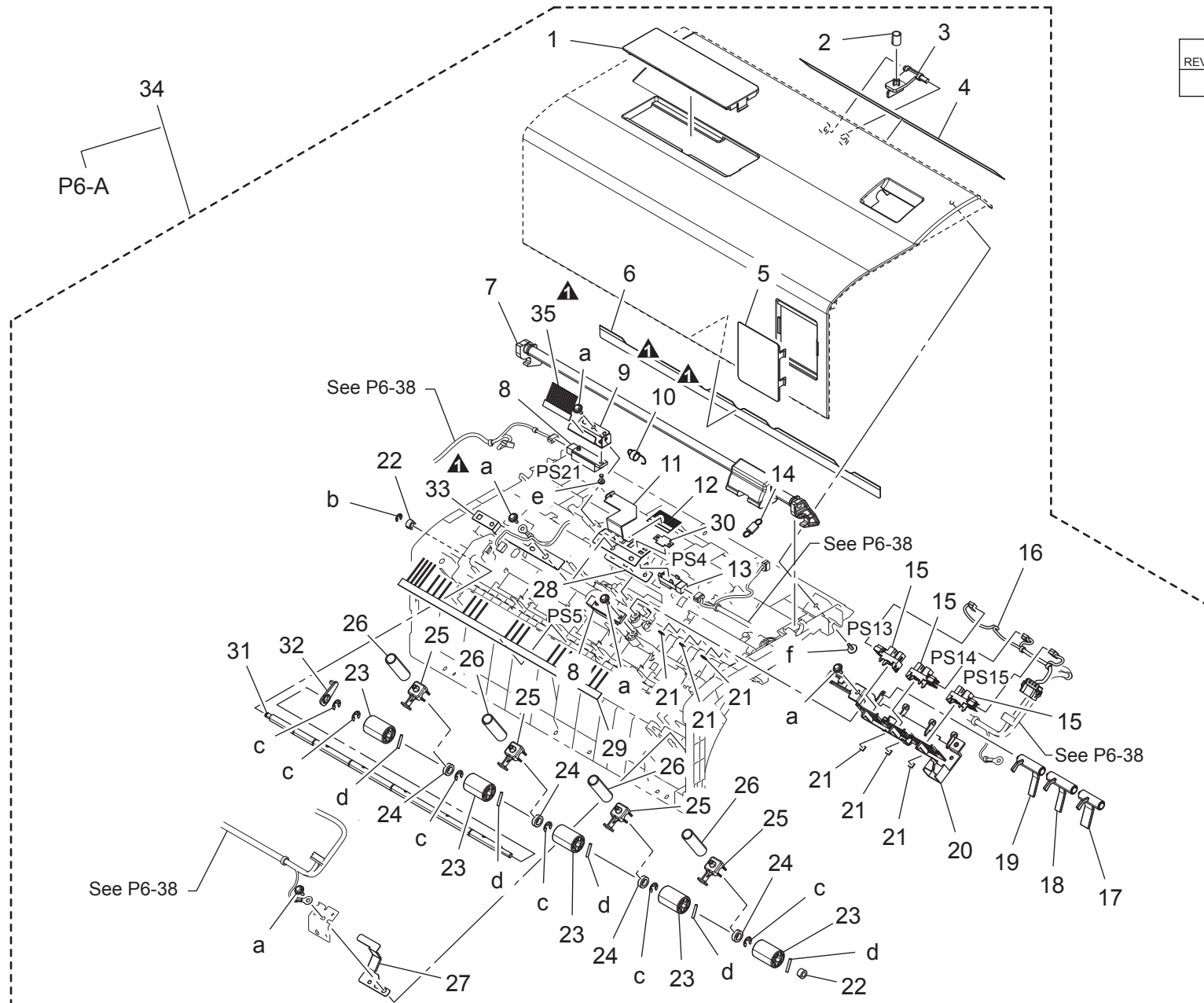


Key	Part No.	Description	Destinations	Class	QTY	Standard parts
1	A782576100	Guide Plate		D	1	a-V218040086
2	A782562101	Cushion		C	1	b-V234200850
3	A782569000	Arm /Front		C	1	c-V217040001
4	A782707400	Light blocking Part		D	1	d-V116030803
5	A782573501	Shaft		D	1	e-V116030603
6	9J07330801	Pulley 21T		C	1	f-V234201050
7	9J07330102	Roller		A	2	g-V217060001
8	A782568901	Arm /Front		C	1	h-V144030603
9	A782569800	Lever /2		C	2	k-V217030001
10	A07H570500	Clutch		C	1	
11	A00J563600	Roller		A	1	
12	A782569200	Paper feed Shaft		D	1	
13	A782569900	Timing belt 128L		C	1	
14	9J07331901	Pulley 19T		C	1	
15	A5C1M50100	Photointerrupter		B	1	
16	A782N10801	ADF Wiring /9		D	1	
17	A782101600	Positioning Shaft /1		C	2	
18	A782101000	Shaft		C	2	
19	A782569300	Gear /2 25T		C	1	
20	A5C1R90000	Photo Interrupter		B	1	
21	A782211500	Ring		D	1	
22	A782211400	Gear 27T		C	1	
23	A782212000	Holder		D	1	
24	A782211900	Compressing Spring		C	1	
25	A3CKM20000	Clutch		C	1	
26	A782211600	Shaft		D	1	
27	A108260700	Bushing		D	1	
28	A2X0M10300	Stepping motor		C	1	
29	A782212701	Mounting Plate		D	1	
30	A782211700	Ground Plate		C	1	
31	A782215800	Gear		D	1	
32	A782211300	Pulley 27T		C	1	
33	A782214300	Timing belt 124L		C	1	
34	A782211800	Flange		C	1	
35	4131253701	BUSHING		C	1	
36	A782707201	Guide /J		D	1	
37	A782704301	Spring		C	1	
38	A782N10200	ADF Wiring /3		D	1	

ADF (Registration Section)

P 7


改訂版 REVISED EDITION	日付 DATE
▲	NOVEMBER 2016

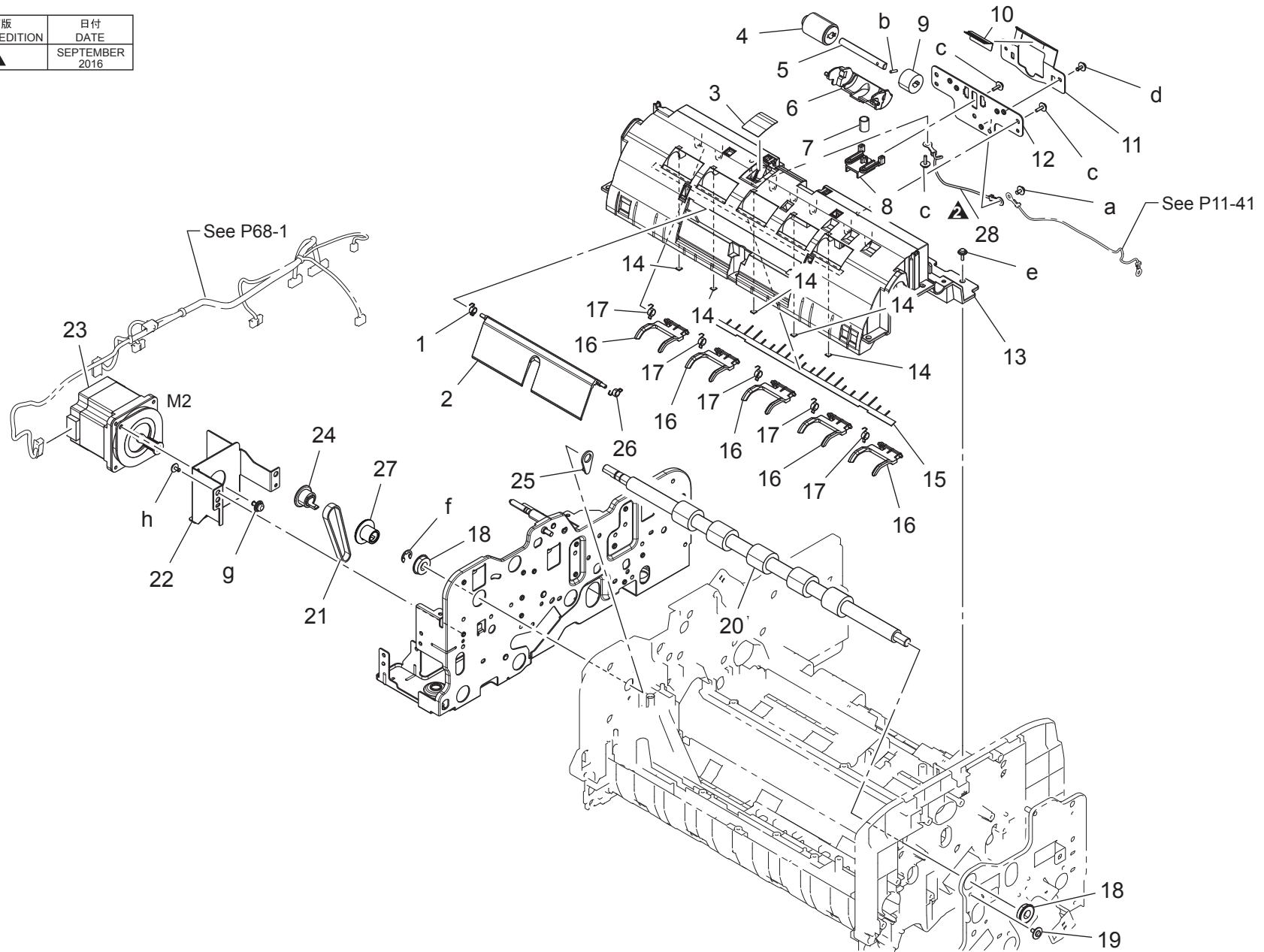


bizhub C658

Key	Part No.	Description	Destinations	Class	QTY	Standard parts
1	A782707300	Protection Cover /Upper		C	1	a-V153030803
2	A782570400	Spring		C	1	b-V217030001
3	A782570601	Lever /1		D	1	c-V217040001
4	A782940400	Label		C	1	d-V234201250
5	A782704001	Protection Cover /Lower		C	1	e-V135030603
6	A782703400	Sealing Rubber		C	1	f-V153030804
7	A782700801	Open/close Lever		D	1	
8	A108M50000	Photoreflector		B	2	
9	A782704501	Mounting Plate		D	1	
10	A782572101	Pulling Coil spring		C	1	
11	A782700400	Mounting Plate		D	1	
12	A782704800	Neutralizing Brush		C	1	
13	9335140071	Solid State Switch		B	1	
14	A782565300	Pulling Coil spring		C	1	
15	A5C1M50100	Photointerrupter		B	3	
16	A782N11100	ADF Wiring /12		D	1	
17	A782701200	Actuator /3		C	1	
18	A782701100	Actuator /2		C	1	
19	A782701000	Actuator /1		C	1	
20	A782702801	Mounting Plate		D	1	
21	A782704200	Adjusting Cushion		C	6	
22	A782702700	Bushing		C	2	
23	A782703000	Idler Roll		D	5	
24	A782704900	Ball bearing		C	4	
25	A782701400	Rotation Pedestal		D	4	
26	A782700900	Compressing Spring		C	4	
27	A782704700	Ground Plate /Lower		D	1	
28	A782704400	Scatteringprevention Plate		D	1	
29	A782701501	Neutralizing Brush		C	1	
30	A108703100	Stopper		D	1	
31	A782702600	Rotation Shaft		D	1	
32	A782562400	Washer		C	1	
33	A782704100Old	Ground Plate		C	1	
33	A782704101	Ground Plate		C	1	
34	A782R70411	TOP Cover ASSY		D	1	
35	A782705600	Neutralizing Brush /1		D	1	

ADF (Registration Section)

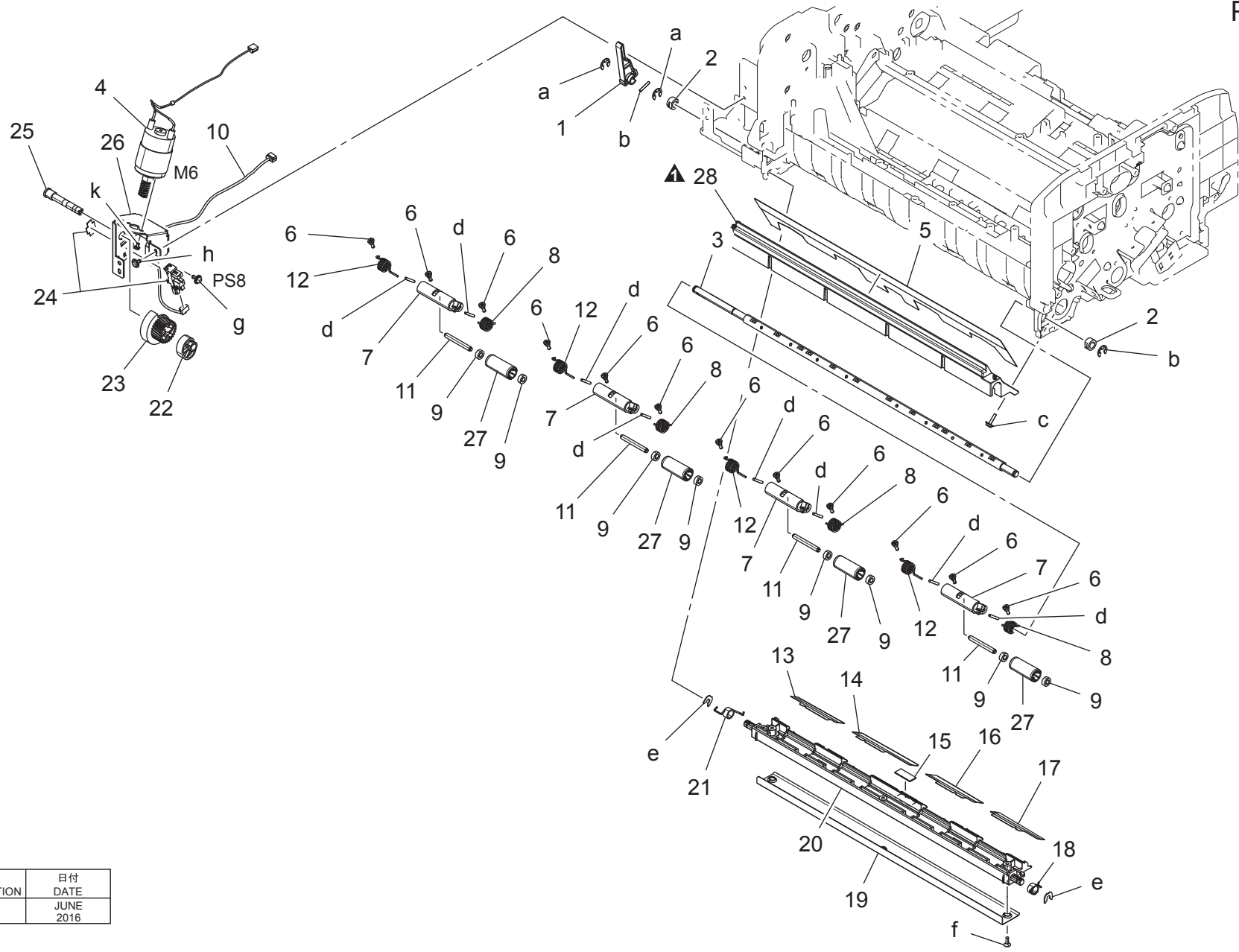
改訂版 REVISED EDITION	日付 DATE
	SEPTEMBER 2016



Key	Part No.	Description	Destinations	Class	QTY	Standard parts
1	A782714200	Spring /Lower		C	1	a-V116030603 b-V234200850 c-V153030803 d-V116030803 e-V153030804 f-V217060001 g-V116040803 h-V144030603
2	A782711901	Lever /1		C	1	
3	A782711800	Protection Seal		C	1	
4	9J07340901	ROLLER		A	1	
5	A0HT561202	Shaft		C	1	
6	A782568200	Holder		C	1	
7	A782568600	Spring		C	1	
8	A3CK565100	Holder		D	1	
9	A782568701	Torque limiter		A	1	
10	A782576000	Neutralizing Brush		C	1	
11	A3CK568300	Guide		D	1	
12	A782712300	Mounting Plate /2		D	1	
13	A782710804	Guide		D	1	
14	A782704200	Adjusting Cushion		C	5	
15	A782710201	Neutralizing Brush		C	1	
16	A782710000	Lever /Upper		C	5	
17	A782710100	Spring /1		C	5	
18	A00V240600	Ball Bearing		B	2	
19	A782117900	Shoulder screw		C	1	
20	A782711000	Conveyance Roller		C	1	
21	A782214400	Timing belt 150L		C	1	
22	A782212600	Mounting Plate /B		D	1	
23	A782M10000	Stepping motor		C	1	
24	A782213000	Gear 23T		C	1	
25	A782115700	Washer /1		C	1	
26	A782714100	Spring /Lower		C	1	
27	A782215100	Collar		C	1	
28	A782N12700	ADF Wiring /B		D	1	

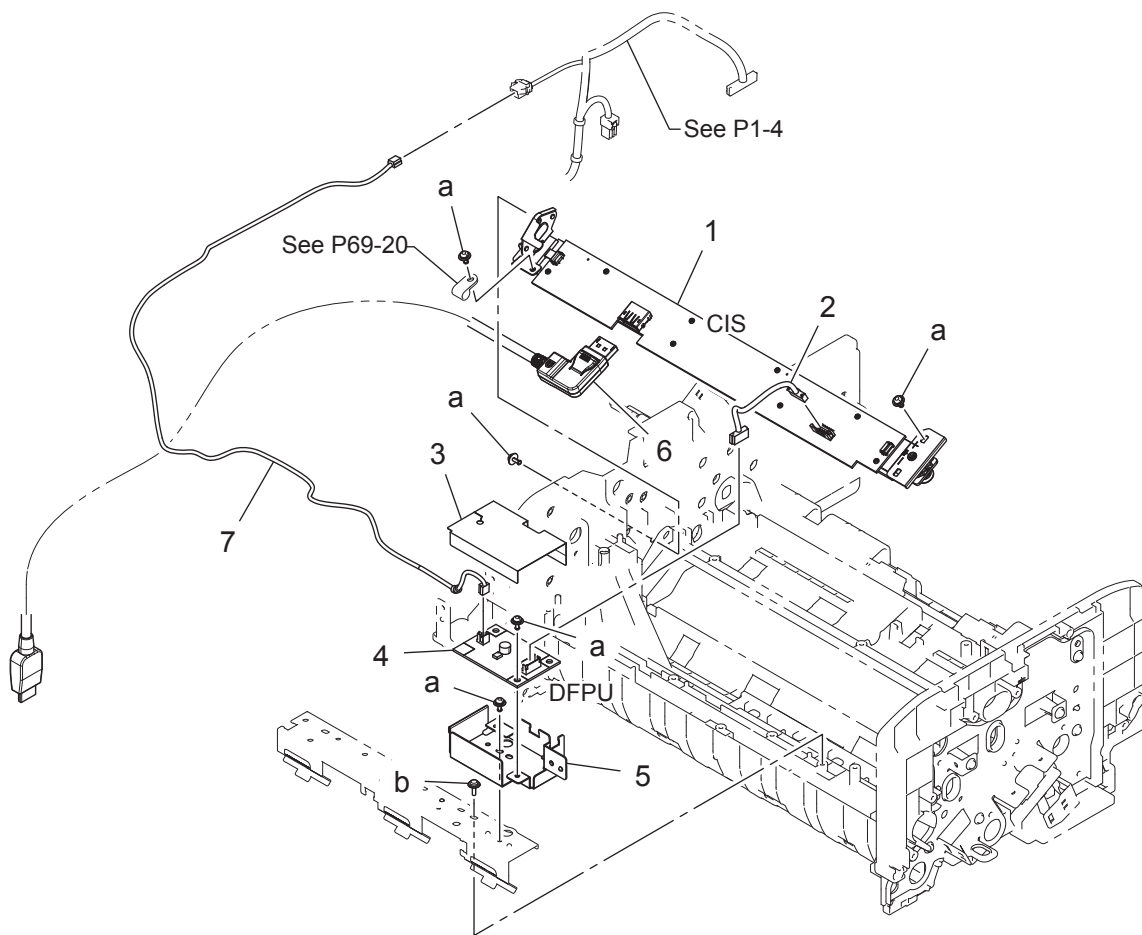


ADF (Reading Section)



改訂版 REVISED EDITION	日付 DATE
▲	JUNE 2016

Key	Part No.	Description	Destinations	Class	QTY	Standard parts
1	A782260600	Lever		C	1	a-V217050001
2	4131253701	BUSHING		C	2	b-V234201250
3	A782260700	Support Shaft		D	1	c-V153031003
4	A782R70100	Breakaway Motor ASSY		C	1	d-V234201450
5	A782116800	Guide		C	1	e-V218040086
6	A3CK272600	Shoulder screw		C	12	f-V147030803
7	A3CK272001	Lever		C	4	g-V116030803
8	A782272401	Torsion Coil spring /2		C	4	h-V144030603
9	A782272200	Ball bearing /1		C	8	k-V115260403
10	A782N12100	ADF Wiring /30		D	1	
11	A3CK272200	Shaft		D	4	
12	A782272301	Torsion Coil spring /1		C	4	
13	A782100400	Guide /2		C	1	
14	A782100301	Guide /1		C	1	
15	A782104700	Cushion		C	1	
16	A782100501	Guide /3		C	1	
17	A782100600	Guide /4		C	1	
18	A782100701	Torsion Coil spring		C	1	
19	A782100200	Reinforce Plate		D	1	
20	A782100101	Guide		C	1	
21	A782100801	Torsion Coil spring		C	1	
22	A782260400	Cam		C	1	
23	A782260501	Gear 26T		C	1	
24	A5C1R90000	Photo Interrupter		B	1	
25	A782213400	Shaft		D	1	
26	A782260200	Fixing Plate		D	1	
27	A782272800	Roll		C	4	
28	A782100000	Guide		D	1	

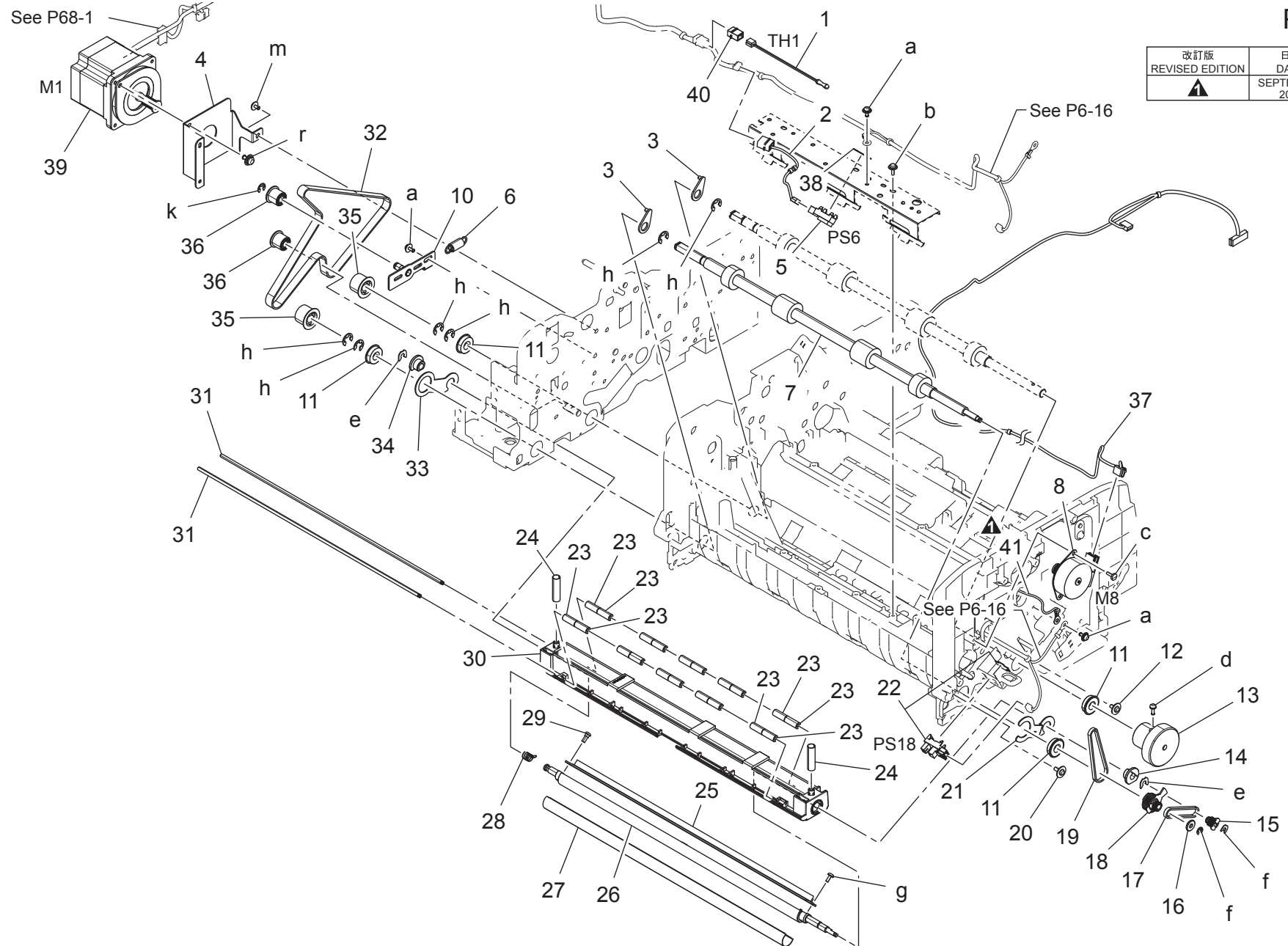


ADF (CIS Section)

Key	Part No.	Description	Destinations	Class	QTY	Standard parts
1	A782R70200	CIS Assy		I	1	a-V116030803 b-V153030803
2	A782N10900	ADF Wiring /10		D	1	
3	A782116301	Wiring Cover		C	1	
4	A3CKH00200	PWB Assembly(PWB-DC Assy)		I	1	
5	A782116201	Plate		D	1	
6	A782N12001	ADF Cable		D	1	
7	A782N12200	ADF Wiring /40		D	1	

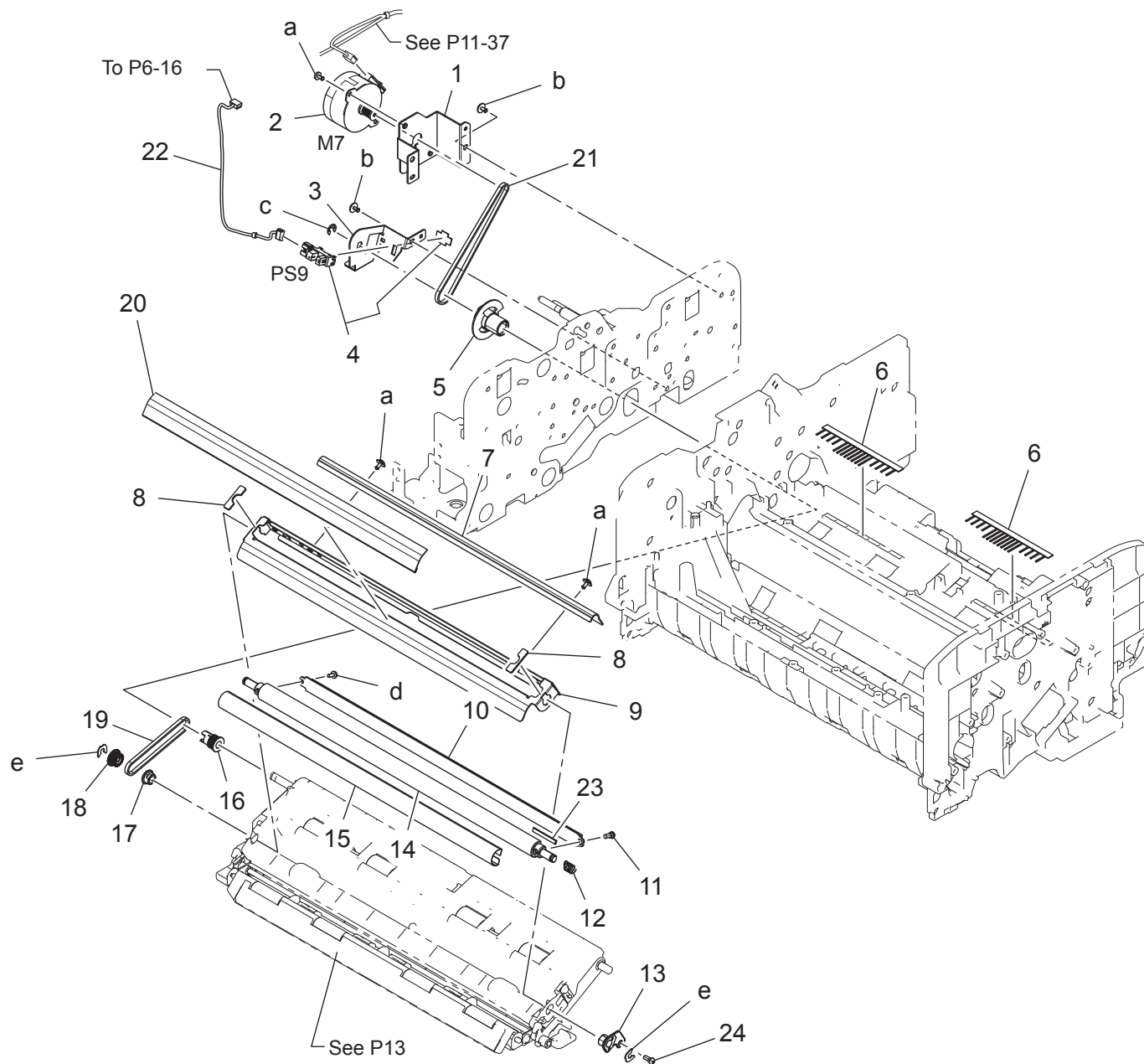
ADF (Original Glass Cleaning Section)

改訂版 REVISED EDITION	日付 DATE
▲	SEPTEMBER 2016



Key	Part No.	Description	Destinations	Class	QTY	Standard parts
1	A0P0M50300	Thermistor		C	1	a-V116030803
2	A782N12300	ADF Wiring /50		D	1	b-V153030803
3	A782115700	Washer /1		C	2	c-V149030803
4	A782212300	Mounting Plate		D	1	d-V115030803
5	9335140071	Solid State Switch		B	1	e-V218040086
6	A782215700	Pulling Coil spring		D	1	f-V218030086
7	A782102900	Roller		D	1	g-V145030603
8	A782M10200	Stepping motor		C	1	h-V217060001
10	A782231000	Tension Plate		D	1	k-V217040001
11	A00V240600	Ball Bearing		B	4	m-V144030603
12	A782117900	Shoulder screw		C	1	r-V116040803
13	A782118300	Weight		D	1	
14	A782263801	Bushing		C	1	
15	A782262900	Pulley 14T		C	1	
16	A0HU250500	Flange		D	1	
17	A782263000	Belt 100L		C	1	
18	A782269800	Pulley T25		C	1	
19	A782268900	Belt 140L		C	1	
20	A782118000	Shoulder screw		C	1	
21	A782262200	Arm		D	1	
22	A5C1R90000	Photo Interrupter		B	1	
23	A782262800	Roll		C	8	
24	A782263300	Compressing Coil spring		C	2	
25	A3CK300200	Brush		C	1	
26	A782262500	Shaft		D	1	
27	A782264501	Sheet		C	1	
28	A782264300	Spring		D	1	
29	A782269200	Shoulder screw		C	1	
30	A782262101	Guide		C	1	
31	A782262700	Shaft		D	2	
32	A782213300	Timing belt 468L		C	1	
33	A782262300	Arm		D	1	
34	A782263700	Bushing		C	1	
35	A782213100	Pulley /2 27T		C	2	
36	A782230700	Pulley		C	2	
37	A782N10501	ADF Wiring /6		D	1	
38	A108703100	Stopper		D	1	
39	A782M10000	Stepping motor		C	1	
40	V651010034	Connector		V	1	
41	A782N12600	ADF Wiring /A		D	1	

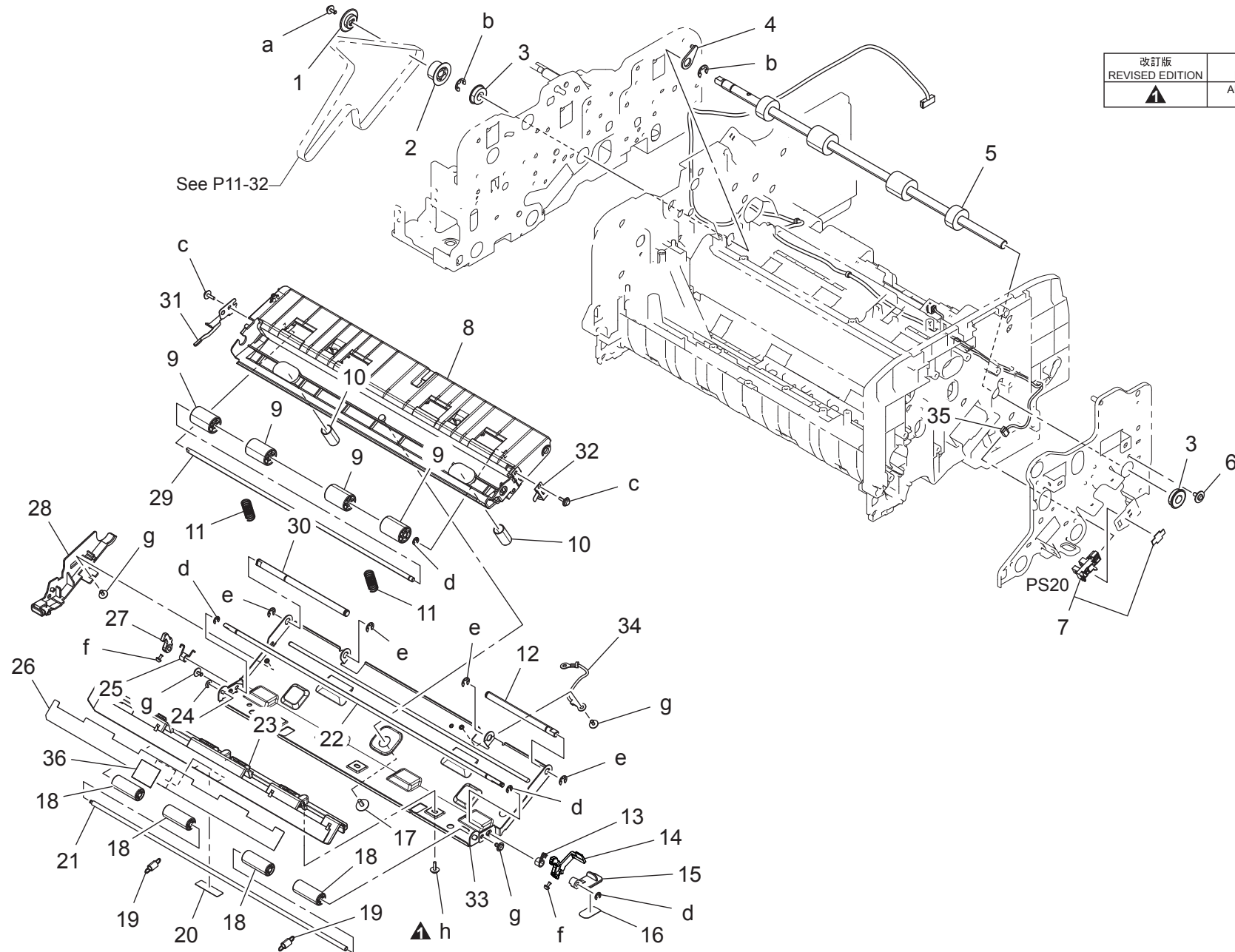
ADF (CIS Cleaning Section)



Key	Part No.	Description	Destinations	Class	QTY	Standard parts
1	A782264101	Mounting Plate	取付板	D	1	a-V143030603 a-V143030603 b-V144030603 c-V217040001 d-V145030603 e-V218040086
2	A782M10400	Stepping motor	ステッピングモータ	C	1	
3	A782264201	Mounting Plate	取付板	D	1	
4	A5C1R90000	Photo Interrupter	フォトインタラプタ	B	1	
5	A782264400	Pulley T25	プーリ T 2 5	C	1	
6	A782104300	Neutralizing Brush	除電ブラシ	D	2	
7	A782265201	Mounting Plate	取付板	D	1	
8	A782268500	Spacer	スペーサ	D	2	
9	A782264800	Housing	ハウジング	D	1	
10	A3CK300200	Brush	ブラシ (清掃)	C	1	
11	A782269200	Shoulder screw	段ねじ	C	1	
12	A782264300	Spring	ばね	D	1	
13	A782263201	Bushing	すべり軸受	C	1	
14	A782268300	Shaft	軸	D	1	
15	A3CK300102	Sheet	シート (清掃軸)	C	1	
16	A782264600	Pulley T18	プーリ T 1 8	C	1	
17	A782269500	Bushing	すべり軸受	C	1	
18	A782264700	Pulley /2 T18	プーリ / 2 T 1 8	C	1	
19	A782269300	Belt 154L	ベルト 1 5 4 L	C	1	
20	A782265300	Sheet /1	シート / 1	D	1	
21	A782264000	Belt 230L	ベルト 2 3 0 L	C	1	
22	A782N12400	ADF Wiring /60	A D F 束線 / 6 0	D	1	
23	A782562101	Cushion	クッション	C	1	
24	A782269200	Shoulder screw	段ねじ	C	1	

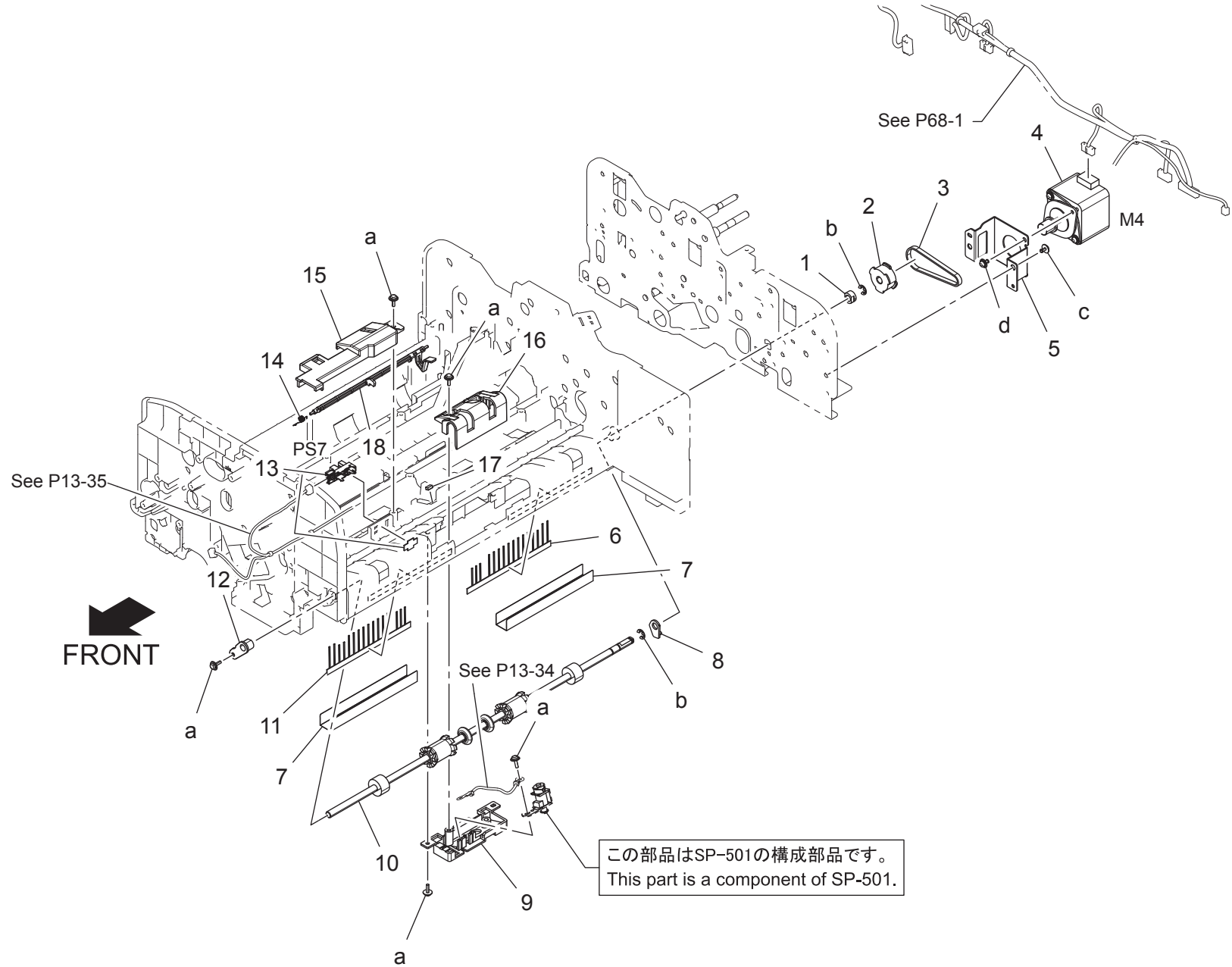
ADF (CIS Cleaning Section)

改訂版 REVISED EDITION	日付 DATE
	AUGUST 2016



Key	Part No.	Description	Destinations	Class	QTY	Standard parts
1	A782230900	Flange		C	1	a-V116030803
2	A782213500	Pulley 27T		C	1	b-V217060001
3	A00V240600	Ball Bearing		B	2	c-V153030803
4	A782115700	Washer /1		C	1	d-V217030001
5	A782115600	Roller		D	1	e-V217040001
6	A782117900	Shoulder screw		C	1	f-V115260503
7	A5C1R90000	Photo Interrupter		B	1	g-V144030603
8	A782265102	Conveyance Guide		D	1	h-V149030803
9	A782563800	Idling Roller		C	4	
10	A782265700	Compressing Coil spring		C	2	
11	A782265600	Compressing Coil		C	2	
12	A782266000	Open/close Shaft /Front		D	1	
13	A782266900	Open/close Spring /Left		D	1	
14	A782266502	Lock Part /Front		D	1	
15	A108266300	Lock Lever		C	1	
16	A3CK940000	Label		C	1	
17	4163529301	SCREW		C	1	
18	A782266200	Roll		C	4	
19	A782267200	Pulling Coil spring /3		C	2	
20	A782940300	Cover Film		C	1	
21	A782266401	Shaft		D	1	
22	A782266800	Open/close Shaft		D	1	
23	A782266300	Guide		D	1	
24	A782103600	Slide Stopper		C	1	
25	A782267000	Open/close Spring /Right		D	1	
26	A782117700	Conveyance Guide		D	1	
27	A782266601	Lock Part /Rear		D	1	
28	A782267100	Cover		D	1	
29	A782268201	Shaft		D	1	
30	A782266100	Shaft		D	1	
31	A782268001	Plate spring		D	1	
32	A782266700	Ground Plate spring		D	1	
33	A782265800	Cover /1		D	1	
34	A782N11800	ADF Wiring /19		D	1	
35	A782N10700	ADF Wiring /8		D	1	
36	A782117800	Guide /Middle		D	1	

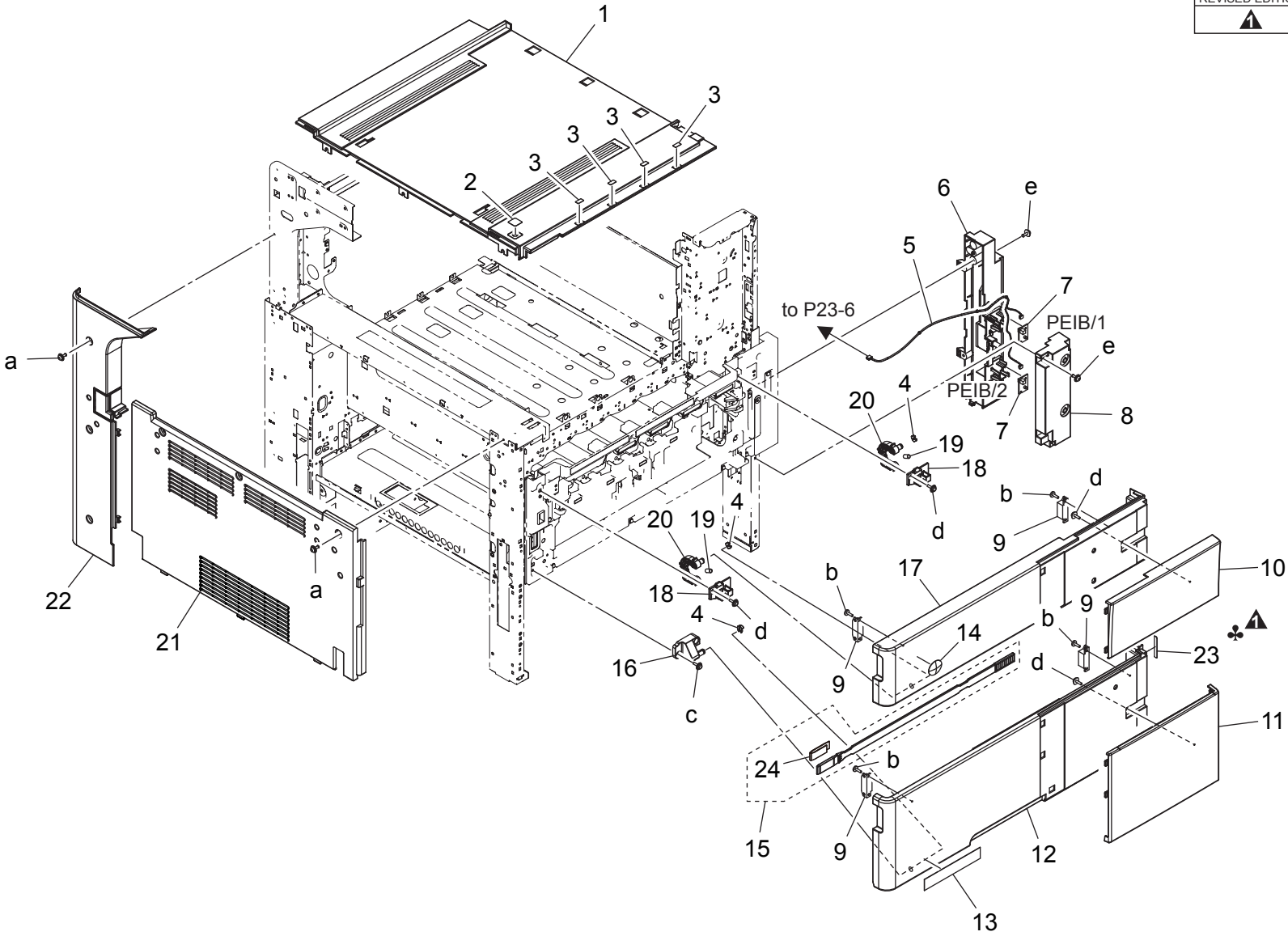
ADF (Paper Exit Section)



Key	Part No.	Description	Destinations	Class	QTY	Standard parts
1	4131253701	BUSHING		C	1	a-V153030803 b-V217040001 c-V144030603 d-V116030603
2	A782210800	Pulley 34T		C	1	
3	A782210200	Paper exit Timing belt 148L		C	1	
4	A3CKM10300	Stepping motor		C	1	
5	A782212500	Mounting Plate		D	1	
6	A782891600	Neutralizing Brush /2		C	1	
7	A782891700	Wiring Cover		D	2	
8	A782115800	Paper exit Washer		C	1	
9	A782890700	Mounting Pedestal		D	1	
10	A782890000	Paper exit Roller		C	1	
11	A782891500	Neutralizing Brush /1		C	1	
12	A782103200	Bushing		C	1	
13	A5C1R90000	Photo Interrupter		B	1	
14	A782101900	Paper exit Spring		C	1	
15	A782890600	Sensor Cover		D	1	
16	A782890100	Paper exit Cover		D	1	
17	A782104500	Cushion		C	1	
18	A782890200	Paper exit Actuator		C	1	

External Parts Section

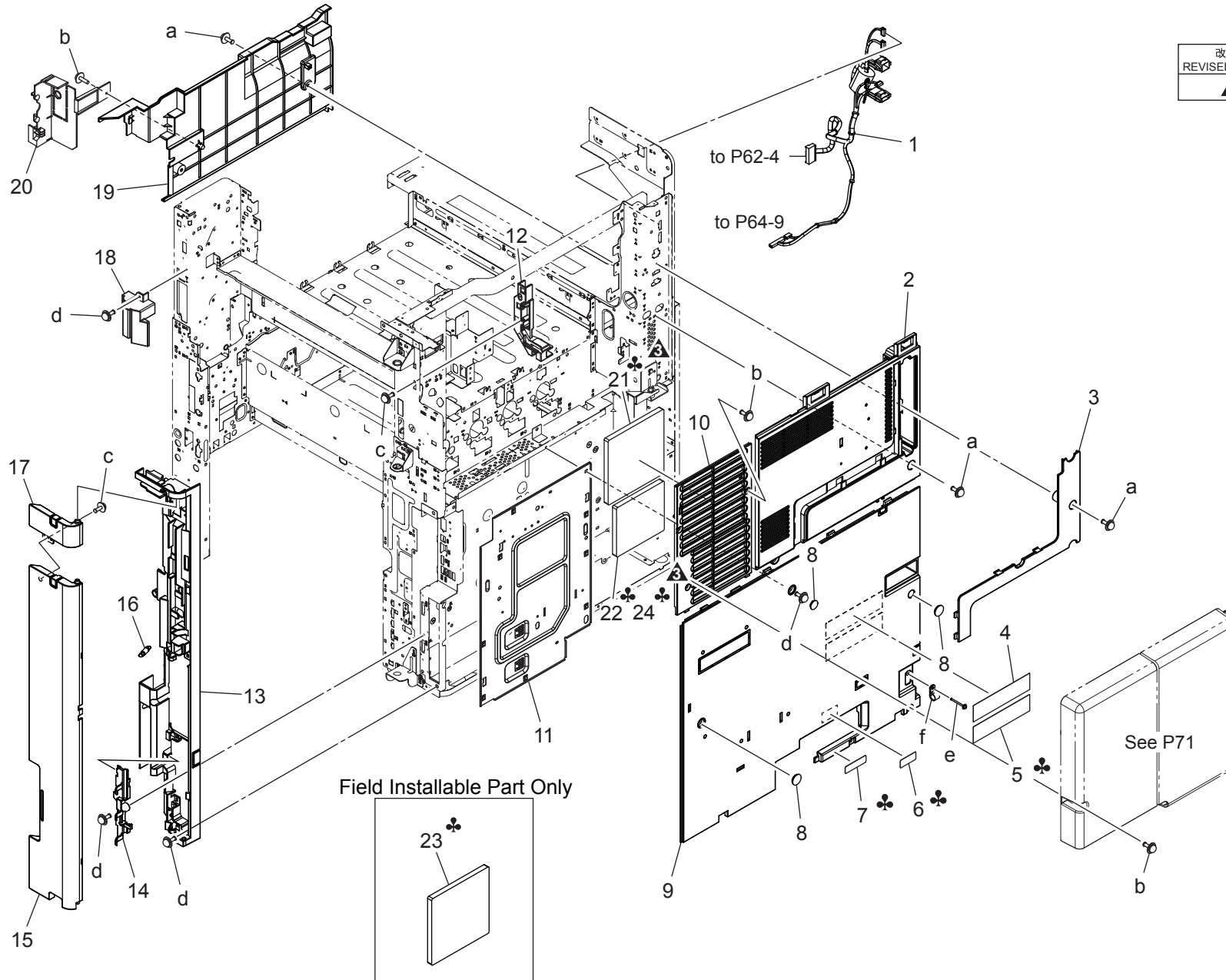
改訂版 REVISED EDITION	日付 DATE
▲	JANUARY 2017



Key	Part No.	Description	Destinations	Class	QTY	Standard parts
1	A7PU160100	Cover /Upper		C	1	a-V116030804 b-V149030803 c-V153030803 d-V153031004 e-V116030803
2	A0ED163000	Seal		C	1	
3	A0ED940700	Label Toner 2		D	4	
4	56AA40490	SHAFT STOPPER 4		C	3	
5	A161N10K00	Indicating Wiring		D	1	
6	A5C1160401	Cover		C	1	
7	A00JH00D00	PWB Assembly LED1		C	2	
8	A161160300	Cover		C	1	
9	A0G6411200	Magnet /X		D	4	
10	A79J163201	Open/close Cover /Front		C	1	
11	A2XK163401	Open/close Cover /Front		C	1	
12	A79J163301	Open/close Cover /Front		C	1	
13	A79J940100	Label (bizhub C658)		C	1	
14	A00J945500	Logo Mark		C	1	
15	A5C1R71600	Cleaning Material		C	1	
16	A161165602	Support Shaft		C	1	
17	A79J163100	Open/close Cover /Front		C	1	
18	A2XK165000	Open/close Shaft		C	2	
19	A2XK165700	Compressing Spring		C	2	
20	A2XK163701	Hinge		C	2	
21	A79J160700	Cover /Left		C	1	
22	A7PU160800	Cover /Left		C	1	
23	A161940400	Label	A, A1, B, C, D1, D3 , E, F2, G1, G2, H, I, K	C	1	
23	A61F940400	Label		C	1	
24	A00J106202	Cleaning Pad	J	C	1	

External Parts Section

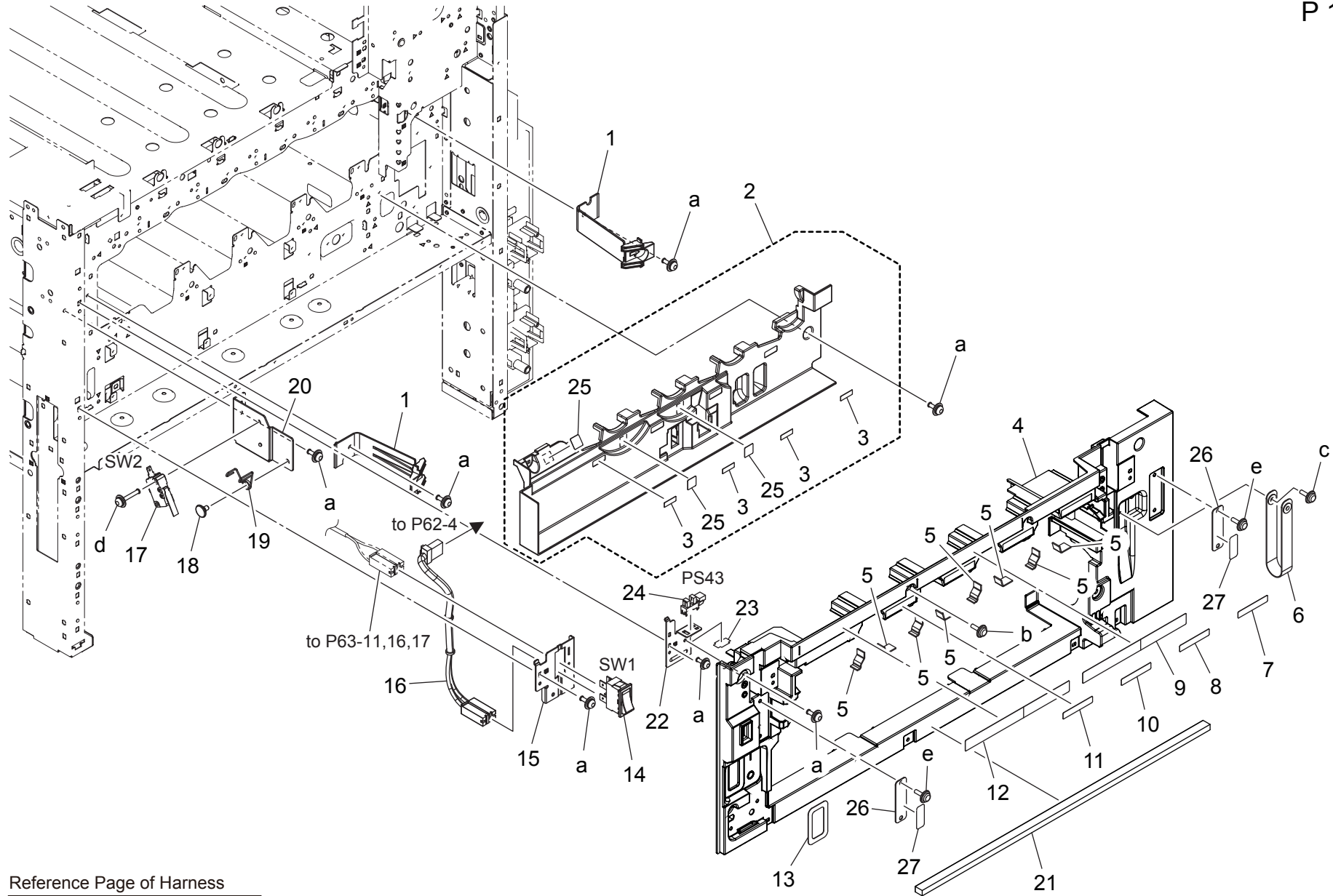
改訂版 REVISED EDITION	日付 DATE
	JANUARY 2017



ПЯТЫЙ ПАРТНЕР

Key	Part No.	Description	Destinations	Class	QTY	Standard parts
1	A7PUN10302	FNS Relay harness		D	1	a-V116030804 b-V153030804 c-V153030803 d-V116030803 e-V116033003 f-V500020040
2	A79J162100	Cover		C	1	
3	A79J163500	Cover		C	1	
4	A2X0945701	Label		C	1	
5	A7PU941701	Label Caution		C	1	
6	A02E149900	Label	C,D1,D3,E,F2,G1,I,K	C	1	
7	A00J945201	Label 220-240V 0.65A	A,A1 C,D1,D3,E,F2,G1,I,K ,J	C	1	
8	A00J169100	Cover		C	3	
9	A79J166303	Cover		C	1	
10	A79J168501	Cover		C	1	
11	A79J132300Old	Shield Plate		C	1	
11	A79J132311	Shield Plate		C	1	
12	A79J132001	Guide		D	1	
13	A7PU161805	Cover		C	1	
14	A7PU168702	Cover		D	1	
15	A7PU160902	Cover		C	1	
16	A161163900	Pulling Coil spring		C	1	
17	A79J168400	Cover /Right rear		C	1	
18	A161162900	Cover		D	1	
19	A79J162200	Cover		C	1	
20	A161162803	Cover		C	1	
21	A79J149300	Filter	A, A1, B, C, D1, D3 , E, F2, G1, G2, H, I, K	C	1	
21	A79J149100	Filter	J	C	1	
22	A79J147201	Ventilation Part /B	C,I(SOUTH AFRICA)	C	1	
23	A79J149200	Filter	A,A1,B,G2,C,I(South Africa)	C	1	
24	A79J149200	Filter	J	C	1	

Inner Cover Section



Reference Page of Harness

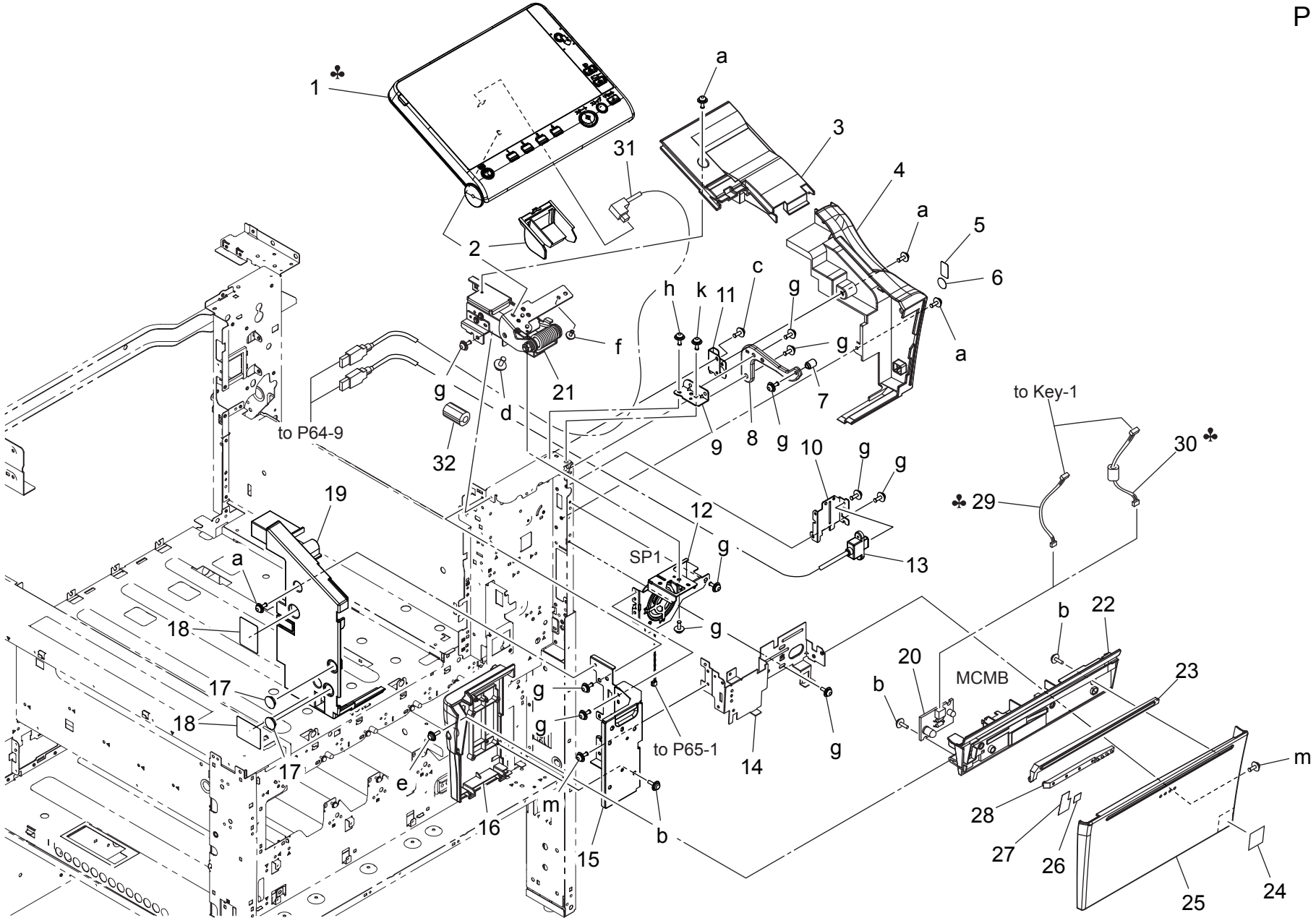
SW2,PS43 : P66

Inner Cover Section

Key	Part No.	Description	Destinations	Class	QTY	Standard parts
1	A79J165700	Fixing Claw		D	2	a-V116030803 b-V153030804 c-V153031003 d-V116031603 e-V153030803
2	A79JR71200	Front Cover Assy		C	1	
3	A161943000	Label		C	4	
4	A79J165001	Cover /Front		C	1	
5	A161165300	Protection Part		C	8	
6	A0ED162401	Band		D	1	
7	A161942500	Label DR/K		D	1	
8	A161942400	Label DR/C		D	1	
9	A79J942600	Label		C	1	
10	A161942300	Label DR/M		D	1	
11	A161942200	Label DR/Y		D	1	
12	A79J942100	Label		C	1	
13	A161942000	Label		D	1	
14	4038M60000	SEESAW-SWITCH		C	1	
15	A161135100	Mounting Plate		D	1	
16	A2XKN10C00	AC Wiring /B		D	1	
17	9J06M60100	MICRO SWITCH		C	1	
18	4038228702	SHOULDER SCREW		C	1	
19	A161151300	Torsion Coil spring		D	1	
20	A161151100	Mounting Plate		D	1	
21	A7PU168800	Seal		C	1	
22	A161135504	Mounting Plate		D	1	
23	4470402401	Stopper		D	1	
24	A5C1M50100	Photointerrupter		B	1	
25	A2X0949100	Label		C	3	
26	4038101401	SUCTION PLATE		D	2	
27	A5C1404500	Seal		C	2	



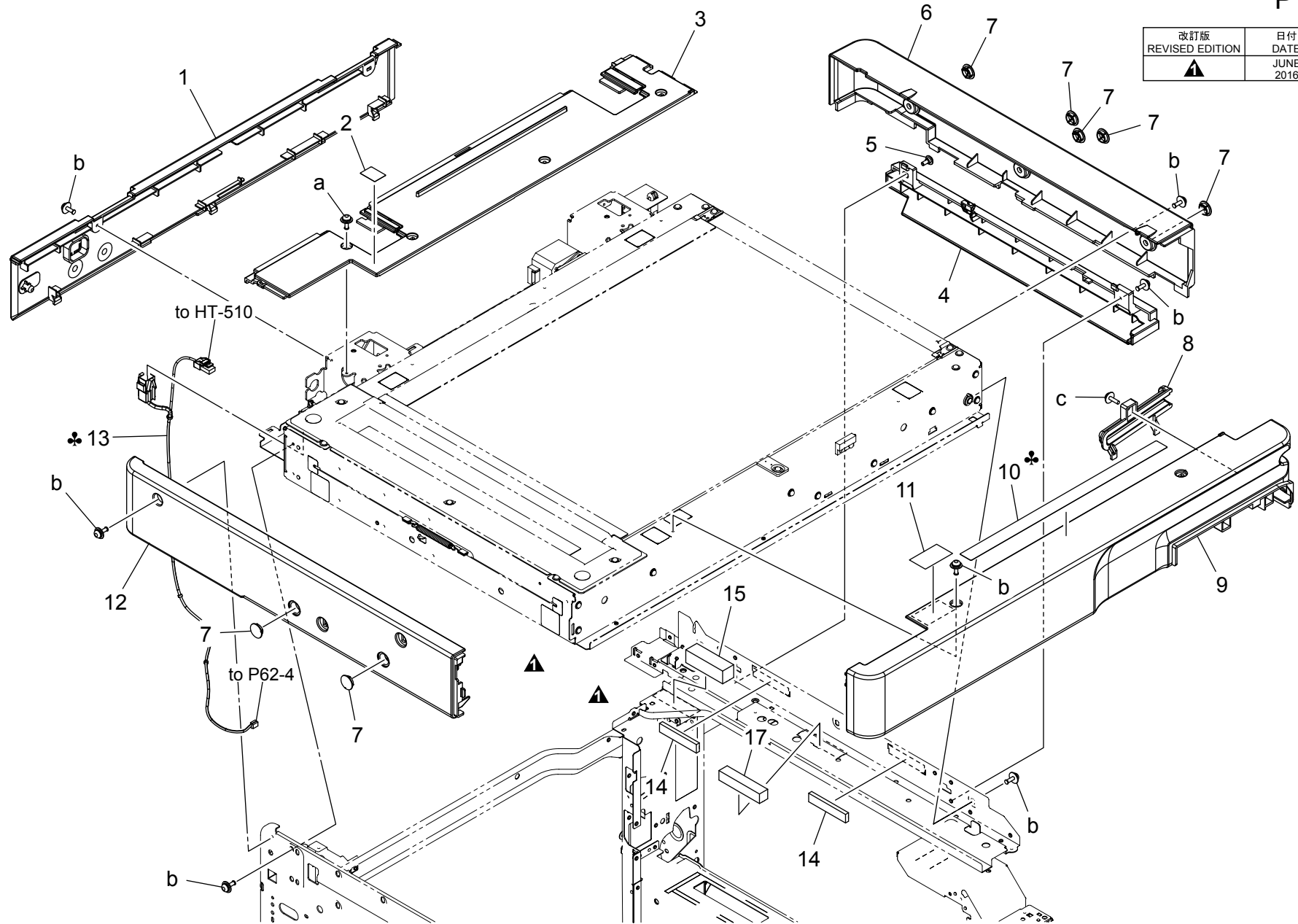
Operation Panel Section



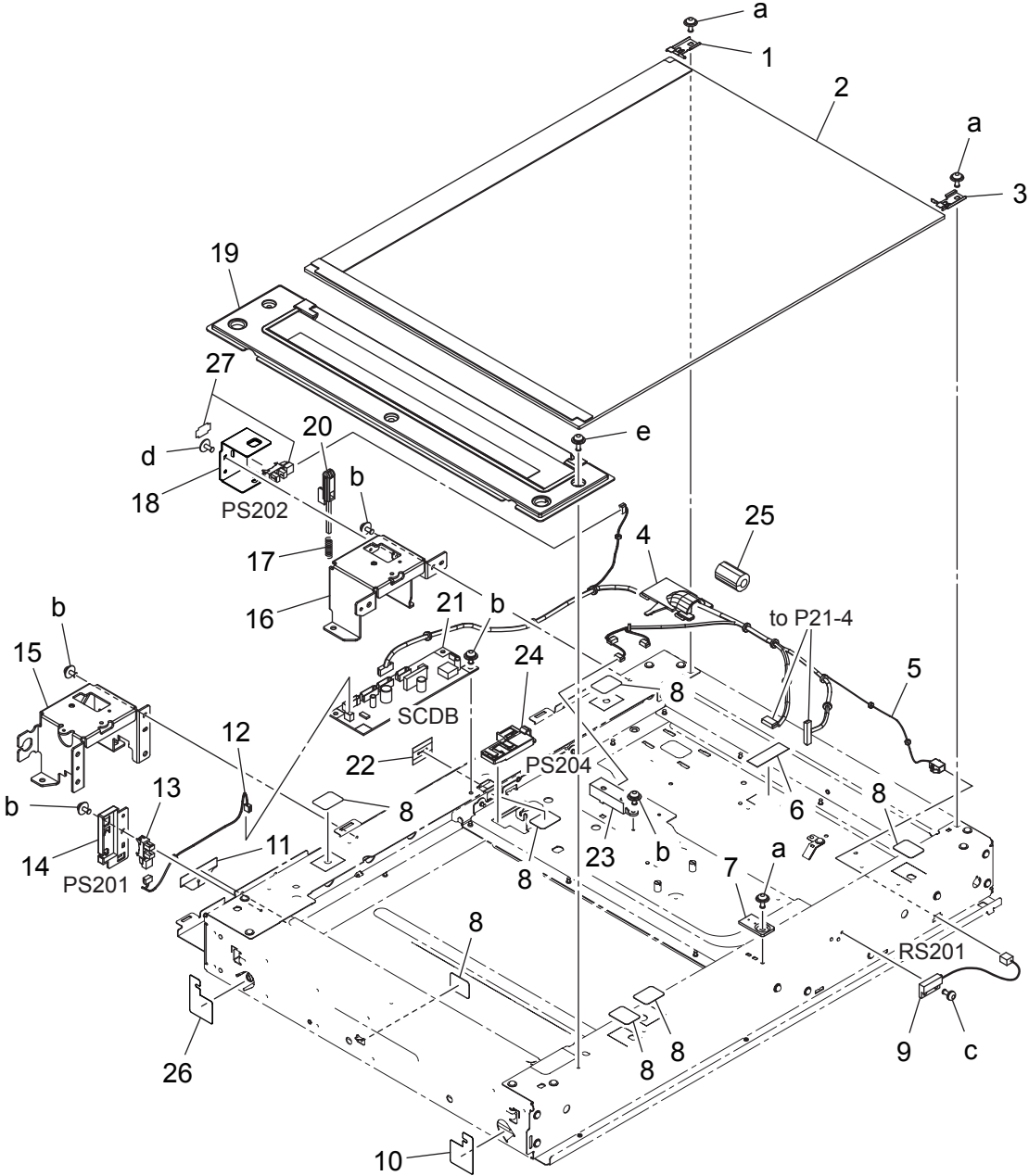
Key	Part No.	Description	Destinations	Class	QTY	Standard parts
1	A79JM70002	Panel assembly	A,A1	I	1	a-V116030804 b-V153030803 c-V127030604 d-V125041003 e-V153030804 f-V126030603 g-V116030803 h-V116030603 k-V137030803 m-V125030818
1	A79JM70102	Panel assembly	B,G2,D1,D3,E,F2,G1, I(Except South Africa),K	I	1	
1	A79JM70202	Panel assembly	C,I(SOUTH AFRICA)	I	1	
1	A79JM70400	Panel assembly	H	I	1	
1	A79JM70300	Panel assembly	J	I	1	
2	A161190903	Cover		C	1	
3	A79J162600	Cover		C	1	
4	A79J161501	Cover		C	1	
5	A7PU168500	Seal		C	1	
6	A7PU168600	Seal		C	1	
7	A7PU138200	Connecting Shaft		D	1	
8	A79J138101	Reinforce Plate		D	1	
9	A7PU138301	Reinforce Plate		D	1	
10	A7PU138002	Mounting Plate		D	1	
11	A79J121600	Mounting Plate		D	1	
12	A79JR72600	Speaker Assy		D	1	
13	A7PUN15300	Interface Cable		D	1	
14	A79J164100	Mounting Plate		D	1	
15	A7PU135402	Support Plate		D	1	
16	A79J161900	Cover		C	1	
17	A00J169100	Cover		C	2	
18	A161162400	Seal		C	2	
19	A7PU161400	Cover		C	1	
20	A161H00U01	PWB Assembly(PWB-LED ASSY)		C	1	
21	A79JR71300	Mounting Plate Panel Assy		C	1	
22	A79J167800	Light blocking Cover		C	1	
23	A161167000	Lens		D	1	
24	A011946200	Label Emperon		D	1	
25	A79J161701	Cover		C	1	
26	A161167400	Light blocking Sheet /2		D	1	
27	A161167300	Light blocking Sheet /1		D	1	
28	A161167100	Lens		D	1	
29	A5C1N10B00	Indicating Wiring/3		D	1	
30	A5C1N10D00	In Indicating Wiring/4		D	1	
31	A79JN15600	Interface Cable	A,A1,B,G2 C,D1,D3,E,F2,G1,I,K ,H,J	C	1	
32	A5C1M92000	Ferritecore		D	1	

Scanner Section

P 19

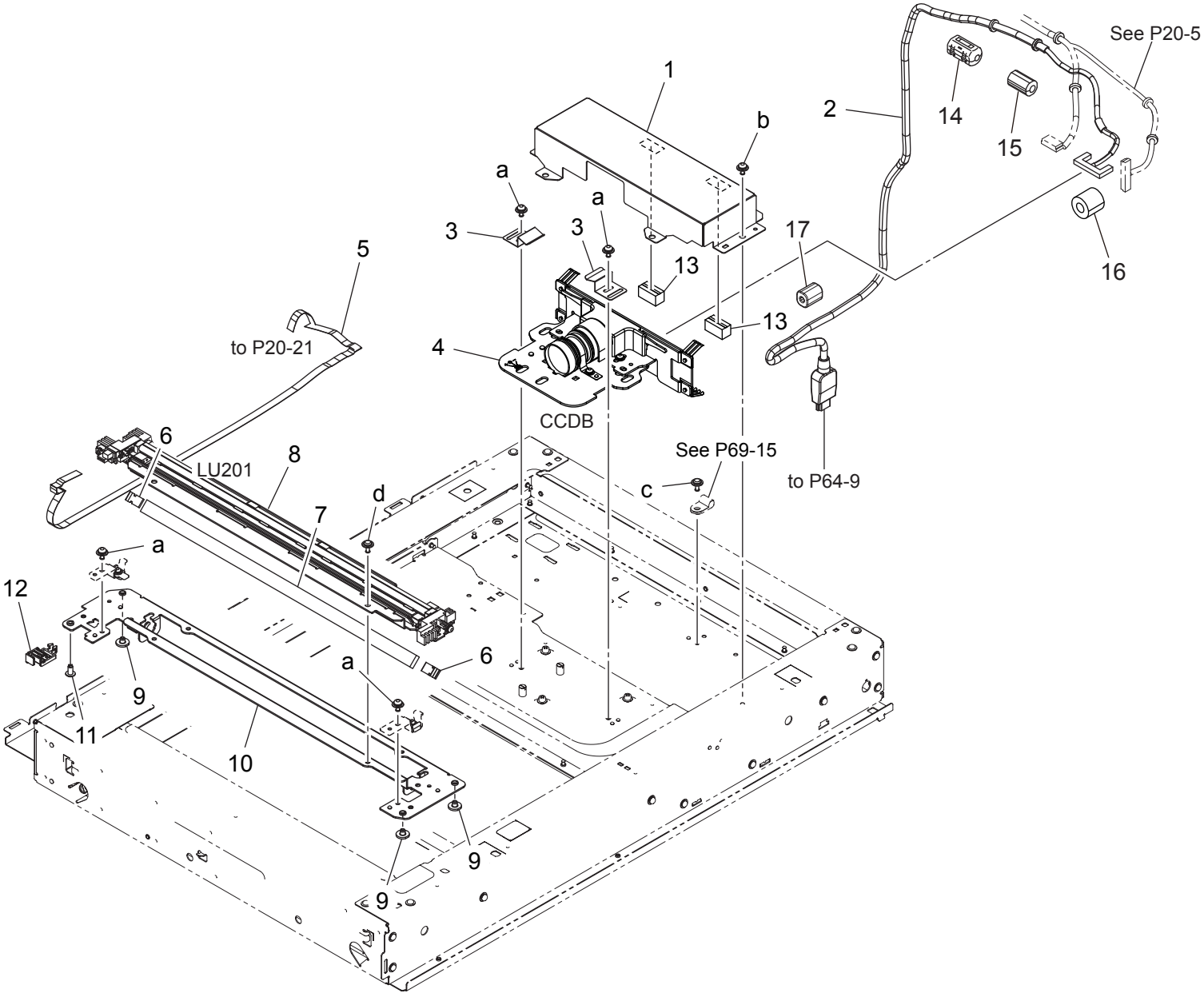


Key	Part No.	Description	Destinations	Class	QTY	Standard parts
1	A7PU170200	Read Cover /Rear		C	1	a-V116030804 b-V116030803 c-V153030803
2	A7PU940600	Label		D	1	
3	A64J170700	Read Cover		C	1	
4	A79J170601	Read Cover		C	1	
5	A00J169300	Shoulder screw		C	1	
6	A7PU170400	Read Cover /Right		C	1	
7	A02E167700	Cover		C	7	
8	A79J170800	Holder		D	1	
9	A79J170100	Read Cover /Front		C	1	
10	A3EW944600	Label	A,A1	C	1	
11	A0HF952400	Label		C	1	
12	A79J170300	Read Cover /Left		C	1	
13	A161N11C01	Scanner Relay harness /100V	A,A1	D	1	
14	A79JM90000	Cushion		C	2	
15	A79JM90100	Cushion		C	1	
17	A797M90200	Gasket /3		D	1	



Key	Part No.	Description	Destinations	Class	QTY	Standard parts
1	A161268300	Holding Plate		D	1	a-V121030604 b-V116030603 c-V115030603 d-V137030603 e-V116030804
2	A161R72200	Original Glass Assy		C	1	
3	A161268200	Holding Plate		D	1	
4	A161281600	Guide		D	1	
5	A161N14100	Scanner Wiring /1		D	1	
6	4036307501	Tape		D	1	
7	A00J265300	Regulating Plate		C	1	
8	4581162501	SEAL		C	7	
9	A1UDM50200	Lead Switch		C	1	
10	A5C1263300	Seal		C	1	
11	A161263000	Seal		D	1	
12	A161N14201	Scanner Wiring /2		D	1	
13	A5C1M50100	Photointerrupter		B	1	
14	A161262200	Cover		D	1	
15	A161261902	Frame		D	1	
16	A161262002	Frame		D	1	
17	A161280300	Compressing Coil spring		C	1	
18	A5C1280100	Mounting Plate		D	1	
19	A7PUR71111	Slit Glass Assy		C	1	
20	A161280211	Lever		D	1	
21	A796H01A00	Scanner drive board Assembly		I	1	
22	A161281300	Seal		D	1	
23	A161M50A00	APS Photoreflector		C	1	
24	A161281100	Guide		D	1	
25	A61FM90200	Ferritecore		D	1	
26	A5C1263400	Seal		C	1	
27	A5C1R90000	Photo Interrupter		B	1	

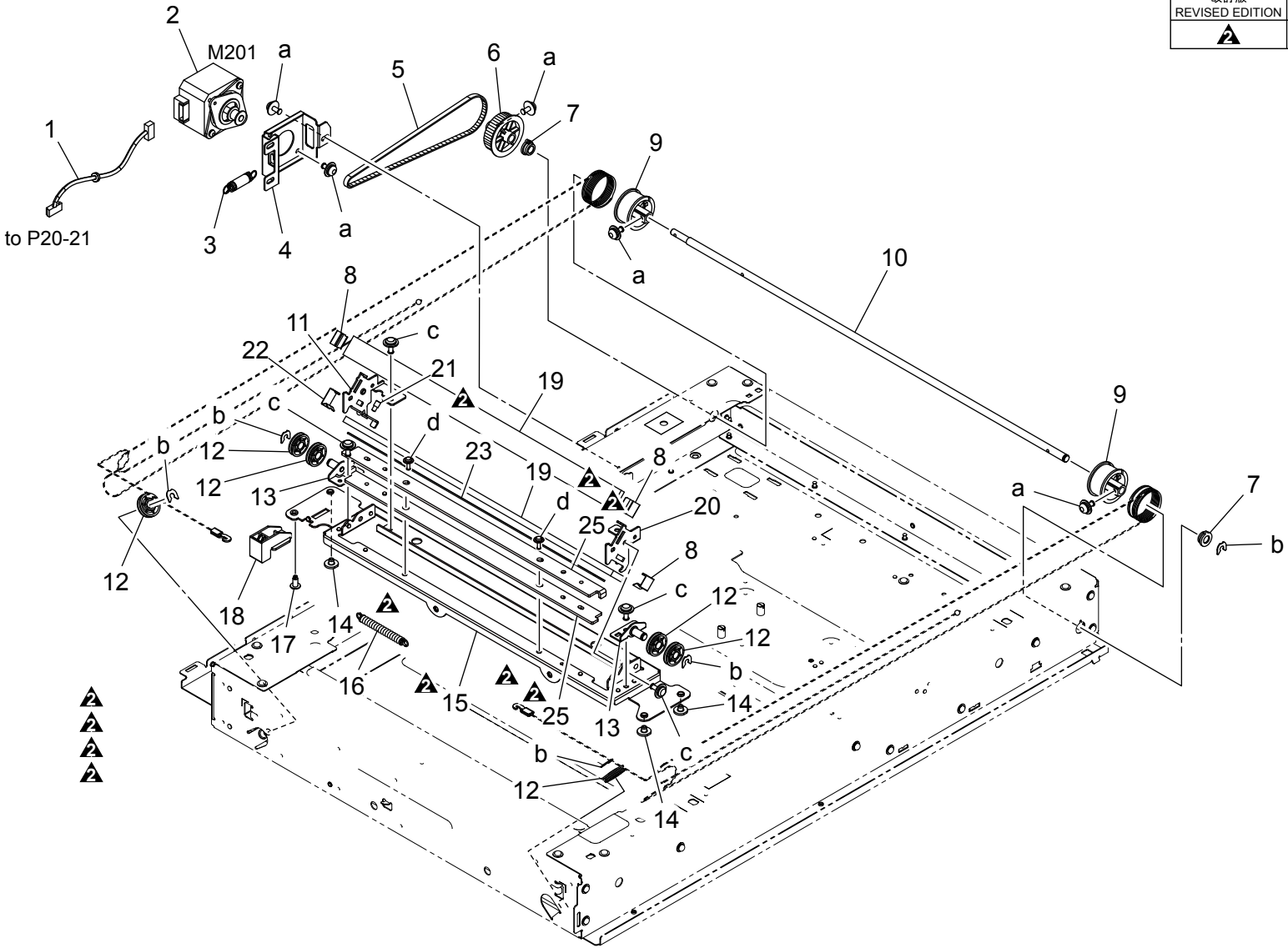
Scanner Section



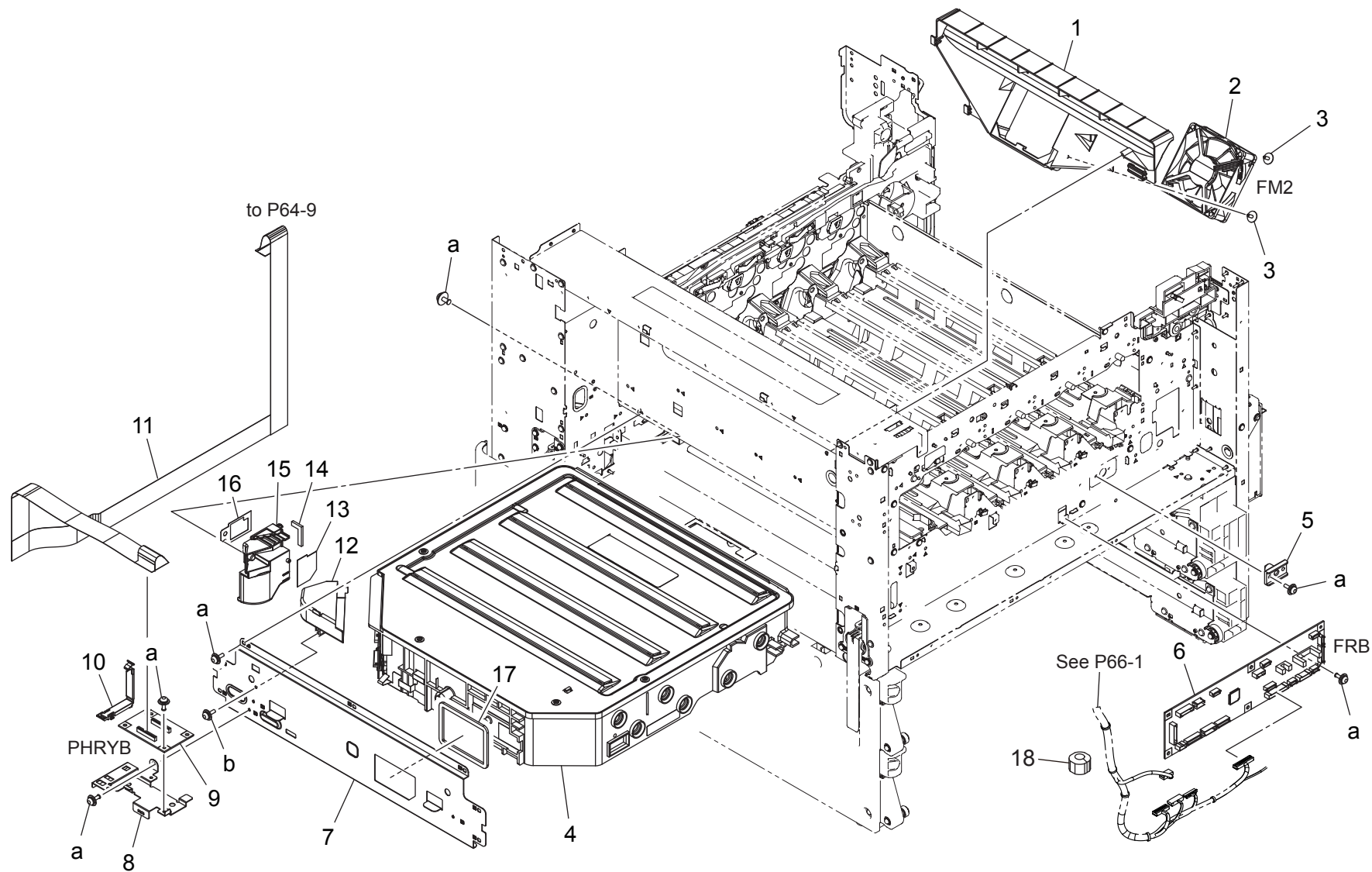
Key	Part No.	Description	Destinations	Class	QTY	Standard parts
1	A161278600	Cover		D	1	a-V116030603 b-V127030516 c-V137030804 d-V137030603
2	A7PUN14500	CCD Cable		D	1	
3	A161278900	Plate spring		D	2	
4	A79JR72700	CCD ASSY		I	1	
5	A161N14000	Scanner Wiring /4		D	1	
6	A0ED271300	Plate spring		D	2	
7	A0ED271200	Mirror		D	1	
8	A61FM31100	Lamp		D	1	
9	A161271000	Bushing		D	3	
10	A161270102	Frame		D	1	
11	A161271100	Bushing		D	1	
12	A161270600	Guide		D	1	
13	A79JM90900	Gasket		D	2	
14	A5C1M92100	Ferritecore		D	1	
15	A61FM90200	Ferritecore		D	1	
16	A49FM90100	Ferritecore		D	1	
17	A7AHM90300	Ferritecore		D	1	

Scanner Section

改訂版 REVISED EDITION	日付 DATE
	NOVEMBER 2016



Key	Part No.	Description	Destinations	Class	QTY	Standard parts
1	A5C1N14300	Scanner Wiring		D	1	a-V116030603 b-V218040086 c-V137030603 d-V137030803
2	A5C1M10A00	Stepping motor		C	1	
3	A795275700	Pulling Spring		D	1	
4	A161276000	Mounting Plate		D	1	
5	A161275600	Timing belt 335L		D	1	
6	A161275500	Pulley 103T		D	1	
7	A161276500	Bearing		D	2	
8	A0ED274400	Plate spring		D	3	
9	A161275300	Pulley		D	2	
10	A161275400	Shaft		D	1	
11	A161273701	Mounting Plate		D	1	
12	A0ED273600	Pulley		C	6	
13	A161273401	Mounting Plate		D	2	
14	A161271000	Bushing		D	3	
15	A161273100Old	Frame		D	1	
15	A161273113	Frame		D	1	
16	A0ED276301	Pulling Spring		D	1	
17	A161271100	Bushing		D	1	
18	A161273500	Guide Part		D	1	
19	A0ED274300	Mirror		D	2	
20	A161273800	Mounting Plate		D	1	
21	A161274600	Adjusting Screw		C	1	
22	A161274500	Plate spring /1		D	1	
23	A0ED274200	Vibrationproof Plate		D	1	
25	A795273900	Vibrationproof Plate		D	2	



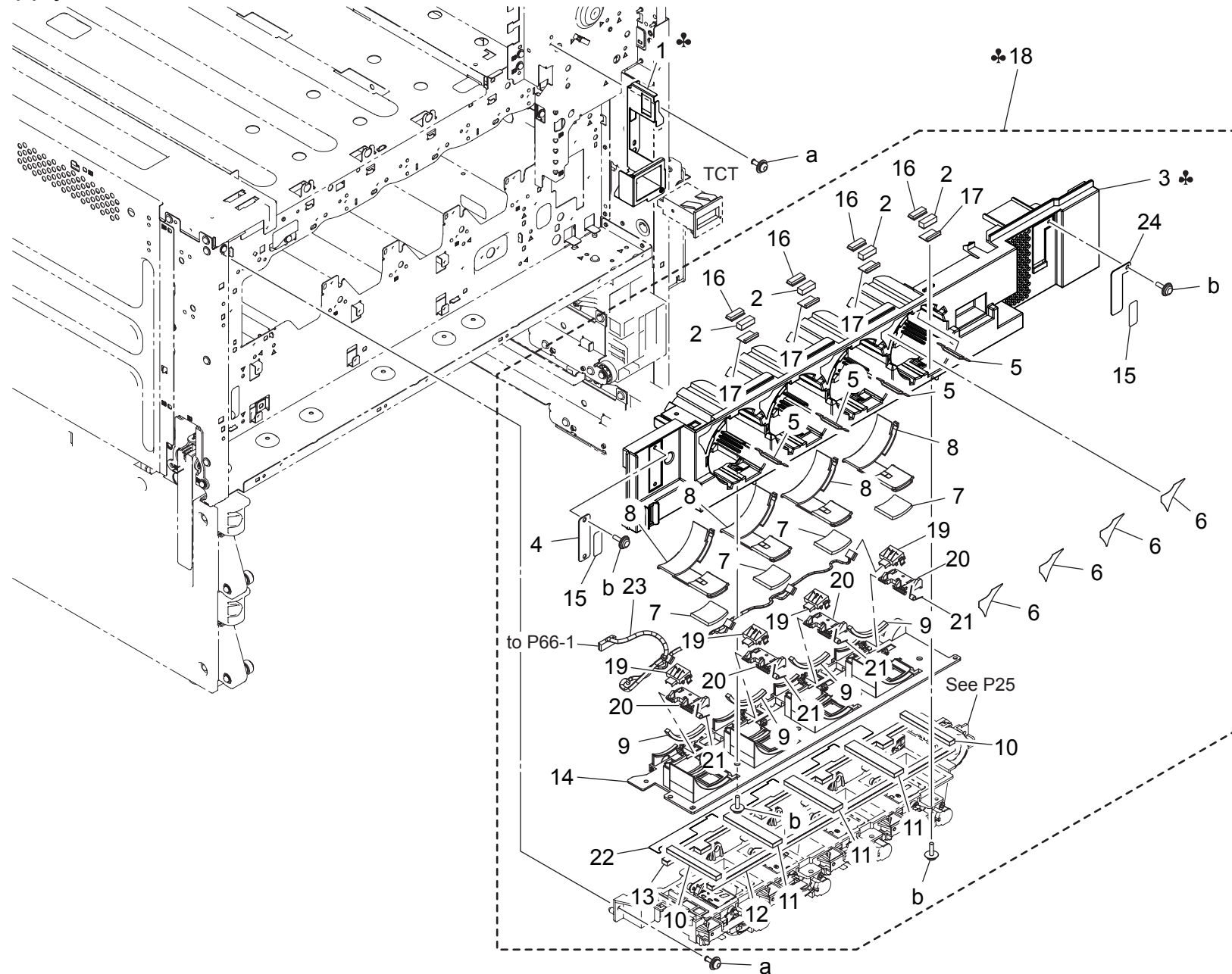
Reference Page of Harness

FM2: P66, FRB: P15,P41,P66

bizhub C658

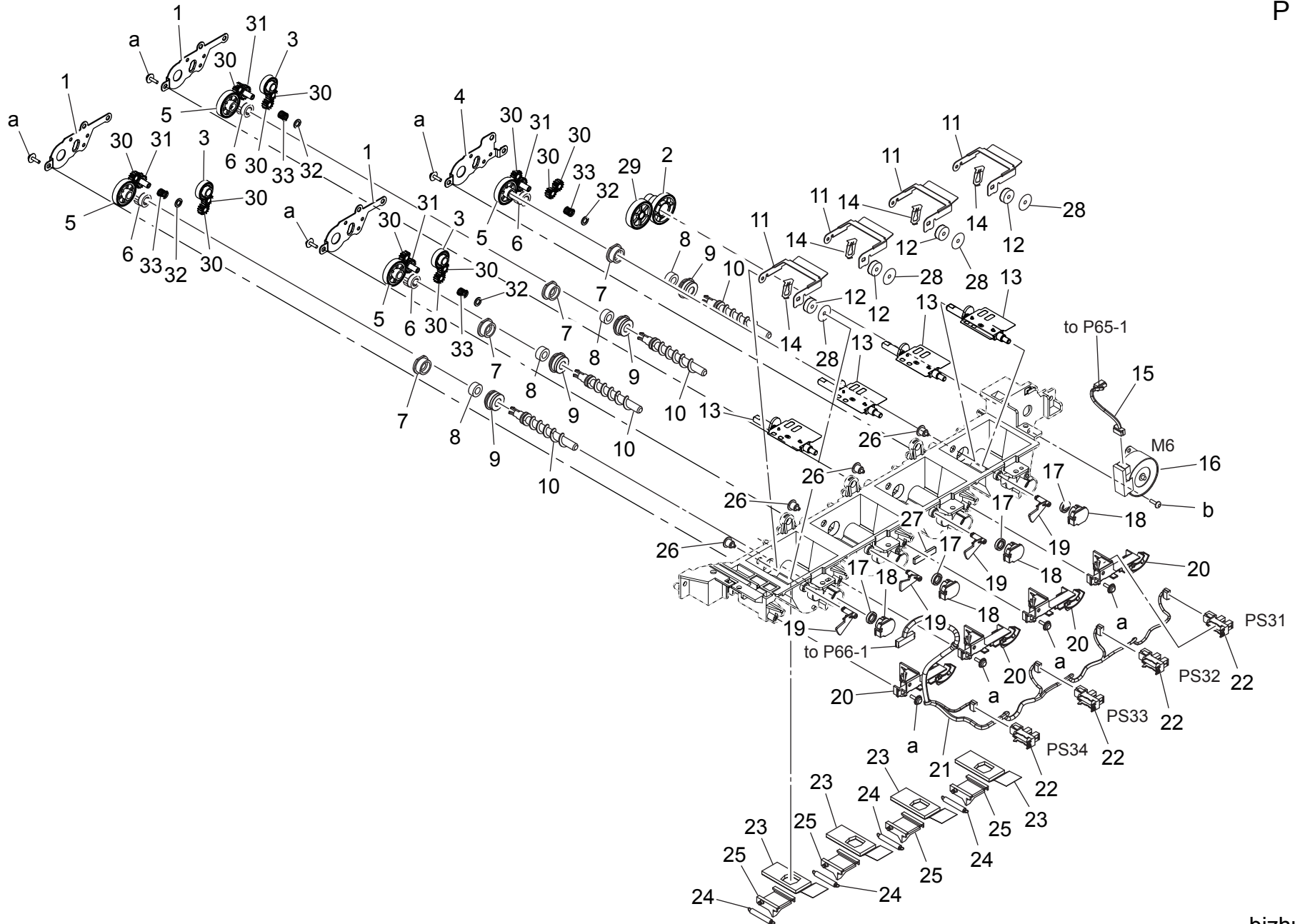
Key	Part No.	Description	Destinations	Class	QTY	Standard parts
1	A161140200	Duct	ダクト (転写 CL 冷却)	D	1	a-V116030803 b-V153030803
2	4139M10000	Fan motor	ファンモーター	B	1	
3	4163529301	SCREW	ねじ	C	2	
4	A79JR70400	Print Head Assy	PH Assy	I	1	
5	A161105400	Positioning Plate	位置決め板 (PH)	D	1	
6	A7PUH00500	PWB Assembly (FRB)	基板 ASSY	I	1	
7	A79J101800	Mounting Plate	取付板 (PH)	D	1	
8	A161130301	Mounting Plate	取付板 (PH 中継基板)	D	1	
9	A161H00800	PWB Assembly(PWB-VD2 ASSY)	基板 ASSY (PWB-VD2 ASSY)	C	1	
10	A161137802	Holder	ホルダ (FFC)	D	1	
11	A79JN10C00	I/F Flatcable /1	I / F フラットケーブル / 1	C	1	
12	A79J147501	Duct /3	ダクト / 3	D	1	
13	A79J146300	Seal	シール	C	1	
14	A79J146500	Cushion	クッション	C	1	
15	A79J147401	Duct /2	ダクト / 2	D	1	
16	A161146400	Seal	シール (トナー吸引)	D	1	
17	A2XK144201	Seal /2	シール / 2 (LV・PH)	D	1	
18	A79JM90A00	Ferritecore	フェライトコア	D	1	

Toner Supply Section



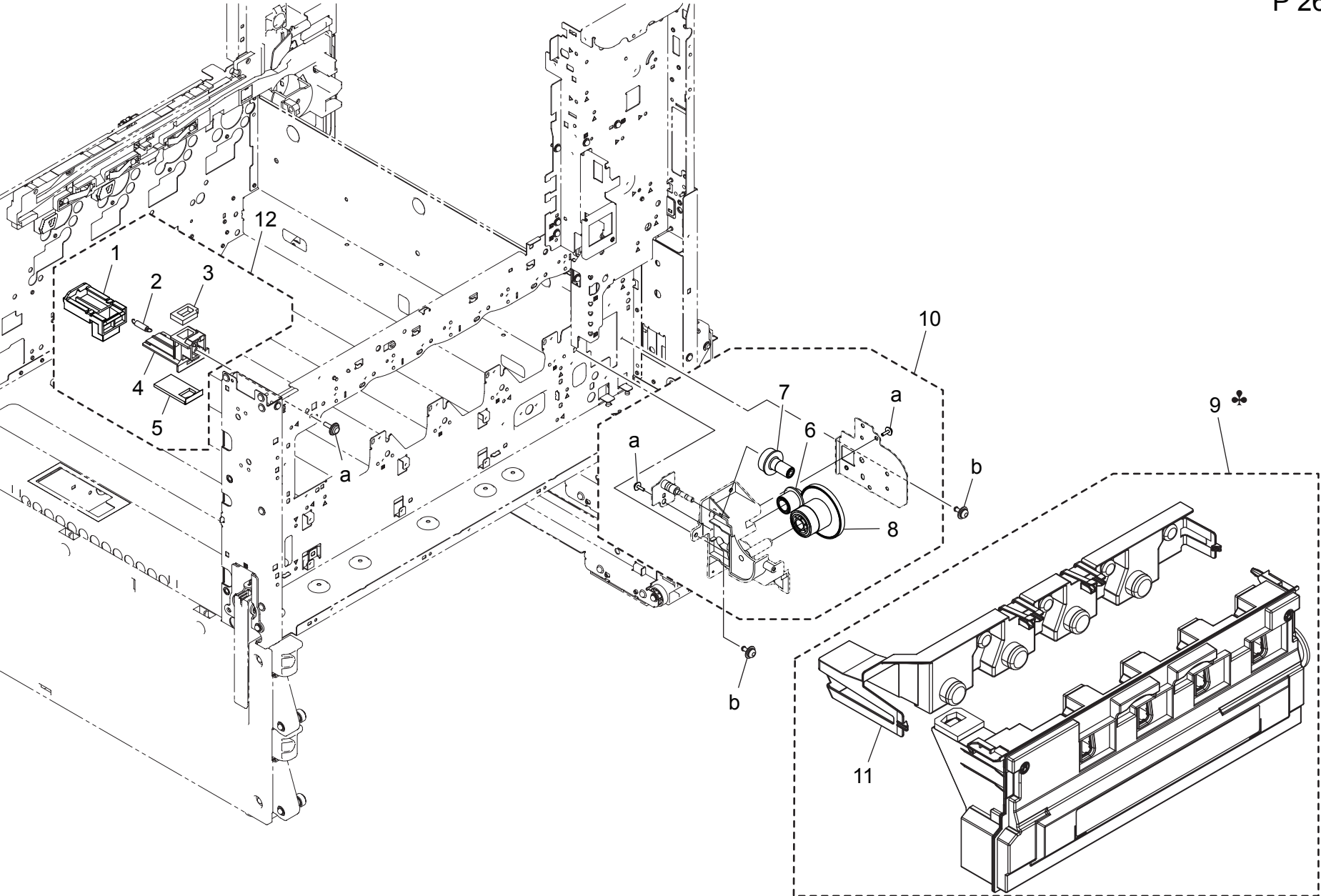
Key	Part No.	Description	Destinations	Class	QTY	Standard parts
1	A79J121701	Reinforce Plate	補強板	D	1	a-V116030803 b-V153030803
1	A79J122701	Reinforce Plate	補強板	D	1	
2	A161403701	Seal	シール (トナー拭き取り)	D	4	
3	A79J401101	Cover	カバー	D	1	
3	A79J401201	Cover	カバー	D	1	
3	A79J401301	Cover	カバー	D	1	
3	A79J401501	Cover	カバー (トナーボトル1 - A P)	D	1	
4	4038101401	SUCTION PLATE	吸着板	D	1	
5	A161403901	Spacer	スペーサ (調整部材)	D	4	
6	A0ED940600	Label Toner 1	ラベル (TN 操作1)	D	4	
7	A161402502	Seal	シール (補給口)	D	4	
8	A161402403	Shutter	シャッター (補給口)	D	4	
9	A161403800	Seal	シール (シャッター)	D	4	
10	A161403500	Seal	シール (補給口)	D	2	
11	A161403600	Seal	シール (補給口)	D	3	
12	A161403300	Seal	シール (補給口)	D	1	
13	A161403403	Seal	シール (補給口)	D	1	
14	A161402114	Cover	カバー (補給口)	D	1	
15	A5C1404500	Seal	シール (吸着板)	C	2	
16	A161404001	Seal /1	シール / 1 (トナー拭き取り)	D	4	
17	A161404100	Seal /2	シール / 2 (トナー拭き取り)	D	4	
18	A79JR70500	Sub Hopper Assy	サブホッパー A s s y	S	1	
18	A79JR70600	Sub Hopper Assy	サブホッパー A s s y	S	1	
18	A79JR70700	Sub Hopper Assy	サブホッパー A s s y	S	1	
18	A79JR72800	Sub Hopper Assy	サブホッパー A s s y	S	1	
19	A0EDM60001	Relay Connector	中継コネクタ (基板接点)	D	4	
20	A2XK400001	Holder	ホルダ (接点)	D	4	
21	A2XK400100	Torsion Coil spring	ねじりコイルばね	D	4	
22	A79J400200	Seal	シール	D	1	
23	A2XKN10B00	Toner Detection harness /2	トナー検知束線 / 2 (TB 新品検出)	D	1	
24	A79J403100	Suction Plate	吸着板	D	1	

Toner Supply Section



Key	Part No.	Description	Destinations	Class	QTY	Standard parts
1	A79J402700	Mounting Plate		D	3	a-V153030803 b-V145030803
2	A161401300	Gear 17/65T		C	1	
3	A161401500	Gear 25T		C	3	
4	A79J402600	Mounting Plate		D	1	
5	A161401100	Gear 36T		C	4	
6	A161401000	Gear 18T		C	4	
7	4163510201	BUSHING		C	4	
8	4576536301	SEAL		D	4	
9	A161403101	Holder		C	4	
10	A161400100	Screw		C	4	
11	A161400401	Detecting Plate		D	4	
12	A161400601	Detecting Seal		D	4	
13	A5C1F42000	Agitating Shaft		D	4	
14	A161404200	Fixing Plate		D	4	
15	A161N12801	Toner Drive harness /K		D	1	
16	A7PUM10700	Stepping motor		C	1	
17	4333501201	SEAL		D	4	
18	A161403000	Bushing		D	4	
19	A161404300	Detecting Actuator		D	4	
20	A161400701	Mounting Plate		D	4	
21	A161N10F01	Toner Detection harness /1		D	1	
22	A5C1M50100	Photointerrupter		B	4	
23	A161403200	Seal		D	4	
24	4036534801	TENSION SPRING		C	4	
25	A0ED401000	Shutter		D	4	
26	A161400800	Pin		D	4	
27	A161146800	Seal		D	1	
28	A5C1404600	Washer		D	4	
29	A79J401400	Gear 40T		C	1	
30	A79J401600	Gear 20T		C	12	
31	A79J401700	Gear 18T		C	4	
32	A79J401800	Washer		C	4	
33	A79J401900	Spring		C	4	

Toner Collection Section



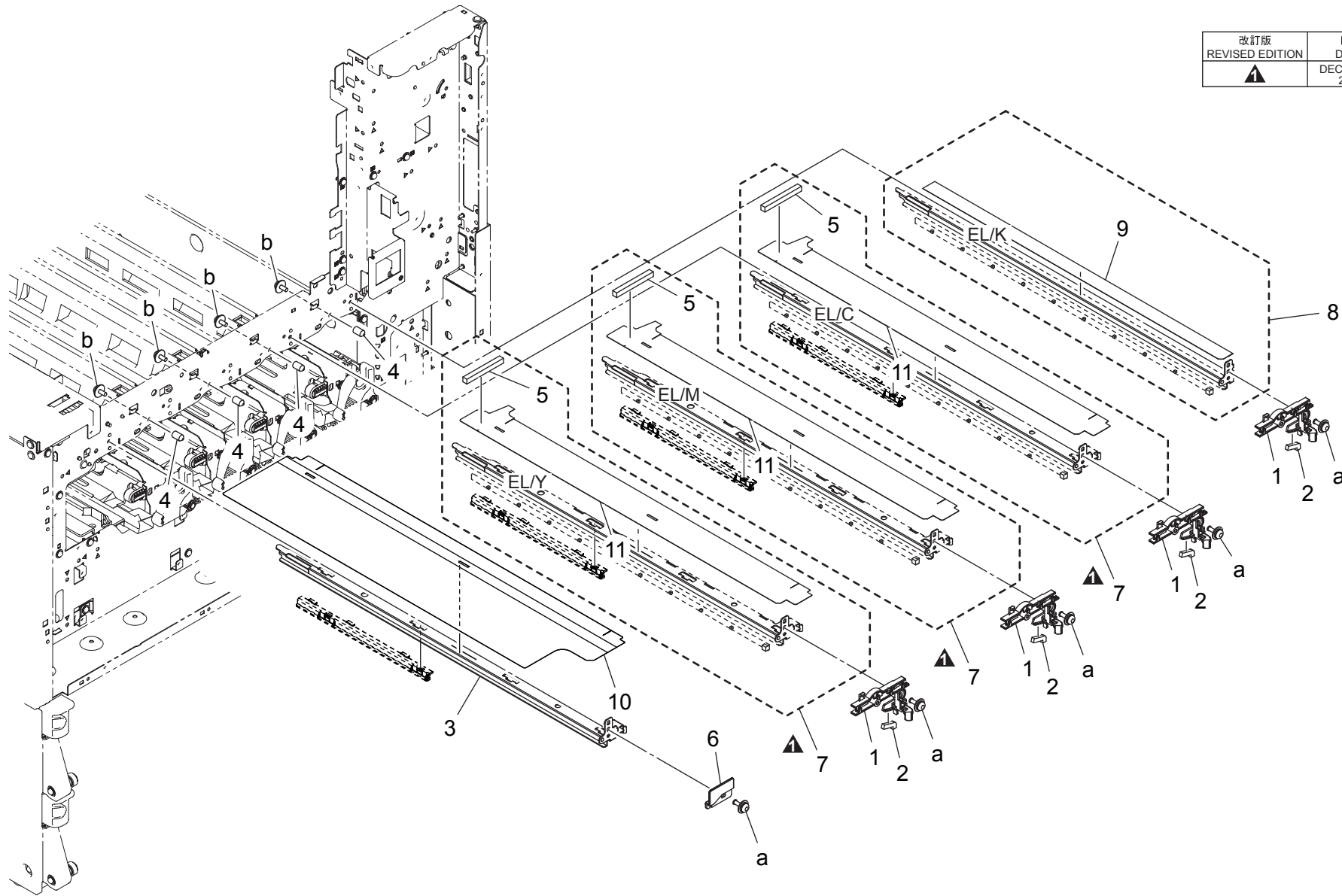
bizhub C658

Toner Collection Section

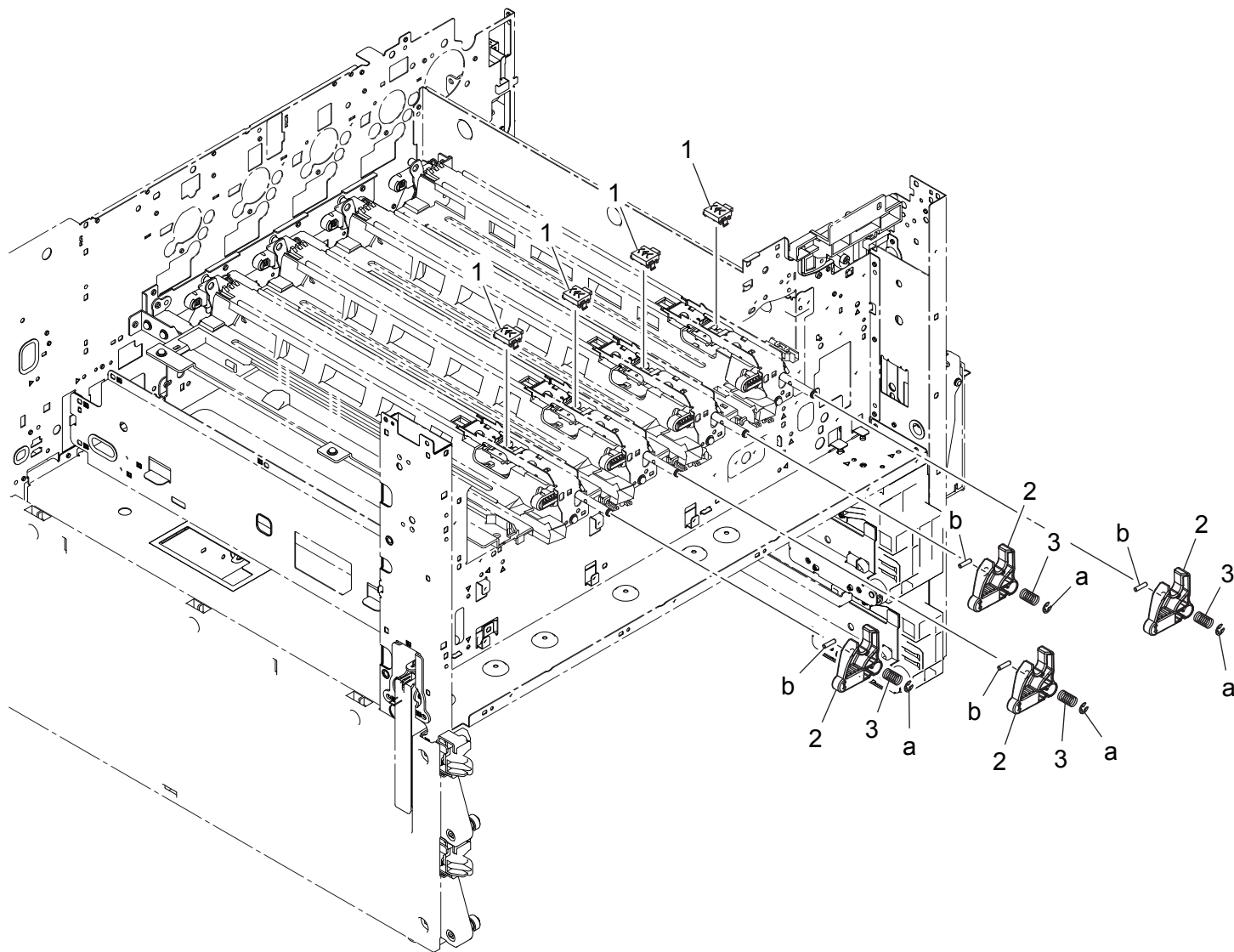
Key	Part No.	Description	Destinations	Class	QTY	Standard parts
1	A64J363700	Shutter		D	1	a-V153030803 b-V125030818
2	A0ED363200	Pulling Coil spring		D	1	
3	A0ED363400	Seal		D	1	
4	A0ED363001	Pipe		D	1	
5	A0ED363312	Seal		D	1	
6	A79J245100	Gear 14T/17T		C	1	
7	A79J245000	Gear 20T/8T		C	1	
8	A79J245400	Gear 62T/16T		C	1	
9	A4NNWY1	WASTE TONER BOX	廃棄トナーボックス	A	1	A,A1,D1,D3,E,F2,G1, I(Except South Afri ca),K,H,J B,G2,C,I(SOUTH AFRI CA)
9	A4NNWY3	WASTE TONER BOX	廃棄トナーボックス	A	1	
10	A79JR71400	Waste Toner Drive Assy	廃トナー駆動 ASSY	C	1	
11	A161362000	Cover	蓋	C	1	
12	A64JR71400	Waste Toner Pipe	廃トナーパイプ	C	1	

Photo Conductor Section

改訂版 REVISED EDITION	日付 DATE
	DECEMBER 2016

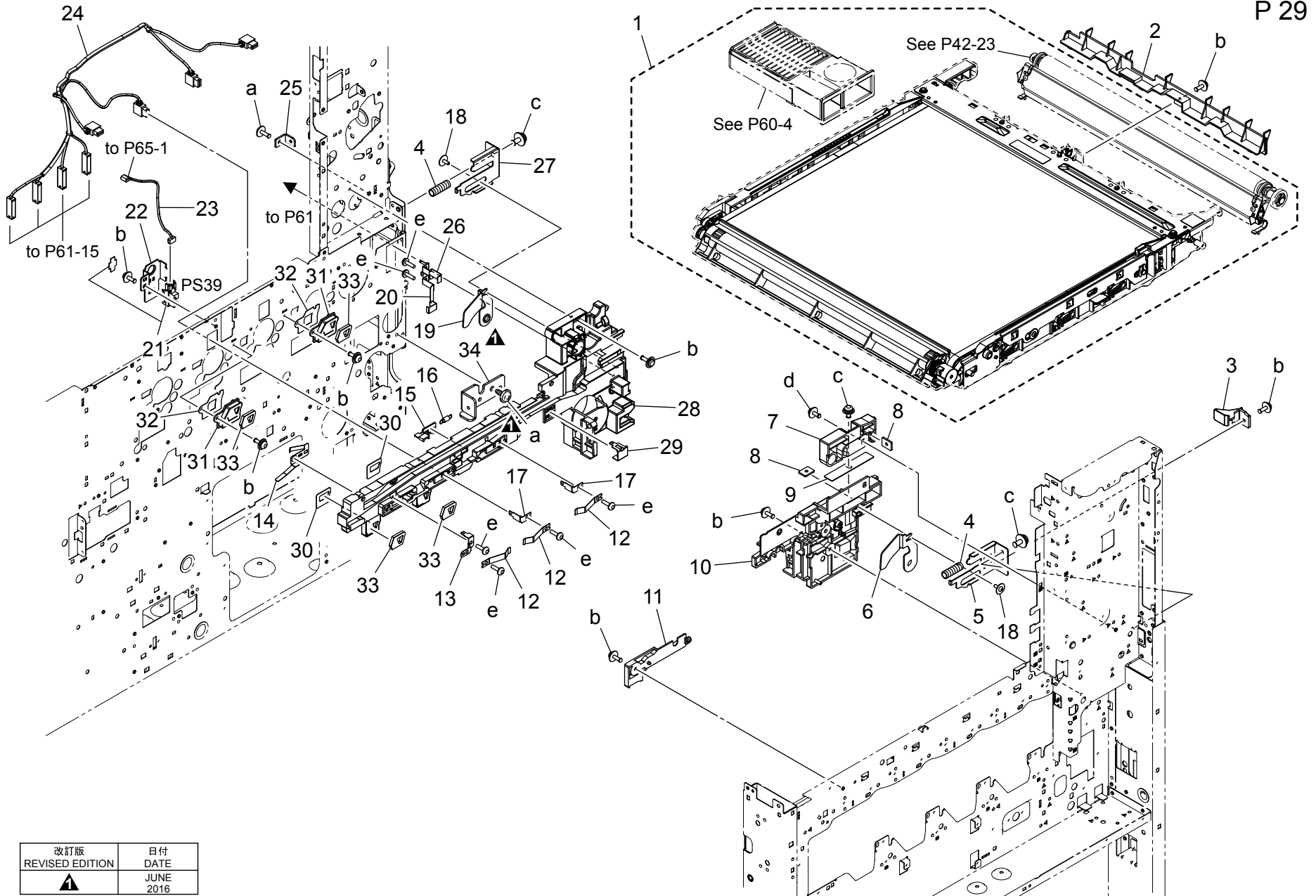


Key	Part No.	Description	Destinations	Class	QTY	Standard parts
1	A161130101	Holder		D	4	a-V116030803 b-V116030603
2	A2XK130000	Light blocking Seal		D	4	
3	A161105600	Rail		D	1	
4	A0ED103100	Pin		D	4	
5	A161107100	Seal		D	3	
6	A161138500	Guide		D	1	
7	A7PUR70611	Eraser (YMC) Assy		C	3	
8	A7PUR70500	Eraser (Black) Assy		C	1	
9	A161107400	Light blocking Part		C	1	
10	A5C1102800	Seal		D	1	
11	A5C1105500	Light blocking Part		D	3	



Key	Part No.	Description	Destinations	Class	QTY	Standard parts
1	A0EDM60001	Relay Connector		D	4	a-V217040001 b-V234301250
2	A161116202	Release Lever		D	4	
3	A161119500	Compressing Coil spring		D	4	

1st Transfer Section

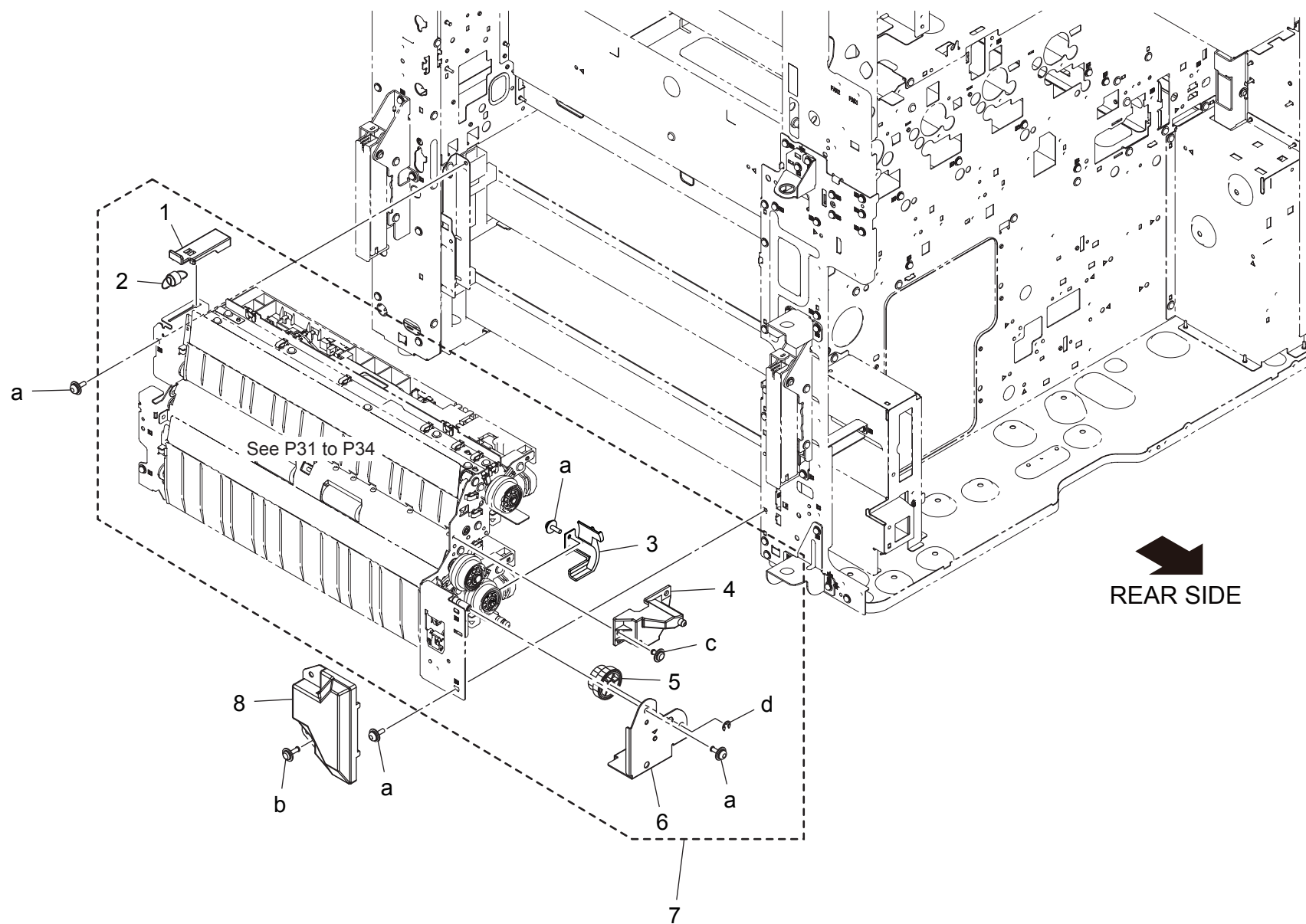


改訂版 REVISED EDITION	日付 DATE
▲	JUNE 2016

Key	Part No.	Description	Destinations	Class	QTY	Standard parts
1	A79JR70922	Intermediate Image Transfer Kit		A	1	a-V137030803 b-V116030803 c-V116040803 d-V125030818 e-V145030803
2	A79J508400	Guide		D	1	
3	A161110601	Lock Part		D	1	
4	A0ED111000	Compressing Coil spring		D	2	
5	A161112500	Lever /Front		D	1	
6	A5C1112800	Arm /Front		D	1	
7	A161110400	Fusing Rail /Front		D	1	
8	A161112200	Mounting Plate		D	2	
9	A161112600	Adjusting Plate		D	1	
10	A161110202	Rail		D	1	
11	A161110300	Rail		D	1	
12	A0ED111500	Contact /Color		D	3	
13	A161112000	Contact		D	1	
14	A0ED112000	Contact		D	1	
15	A161110500	Detecting Plate		D	1	
16	A0ED110900	Pulling Coil spring		C	1	
17	A0ED111700	Contact		D	2	
18	4163529301	SCREW		C	2	
19	A5C1112900	Arm /Rear		D	1	
20	A161112300	Contact		D	1	
21	A5C1R90000	Photo Interrupter		B	1	
22	A5C1112101	Mounting Plate		D	1	
23	A161N10J00	Connecting Detection harness		D	1	
24	A161N11200	Transfer Wiring /1		D	1	
25	A161112700	Mounting Plate		D	1	
26	A161112400	Contact		D	1	
27	A161112101	Lever /Rear		D	1	
28	A161110105	Rail		D	1	
29	A0ED111400	Contact /K		D	1	
30	A161144900	Seal		C	2	
31	A161141700	Duct		D	2	
32	A161146200	Seal		D	2	
33	A161144801	Seal		C	4	
34	A7PU109000	Reinforce Plate		D	1	

Paper Feed Section

P 30



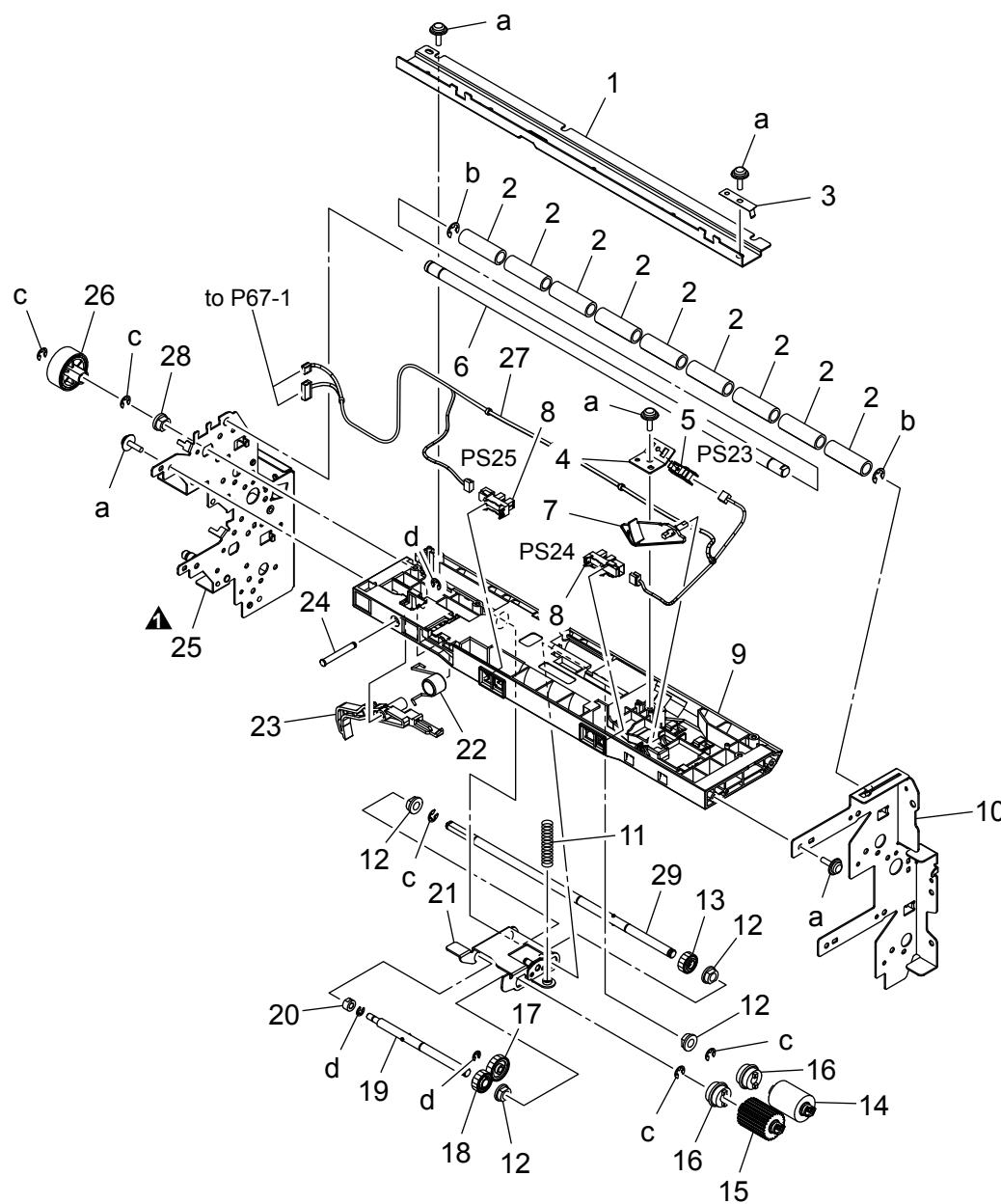
Paper Feed Section

Key	Part No.	Description	Destinations	Class	QTY	Standard parts
1	A161561100	Holder		D	1	a-V116030803 b-V137030803 c-V144030603 d-V217040001
2	A161561200	Pulling Coil spring		D	1	
3	A7PU569100	Cover		D	1	
4	A161565102	Mounting Plate		D	1	
5	A161576100	Gear 21/26T		C	1	
6	A161575101	Mounting Plate		D	1	
7	A79JR70800	Paper Feed Assy		S	1	
8	A161579011	Cover		D	1	

Tray 1 Paper Feed Section

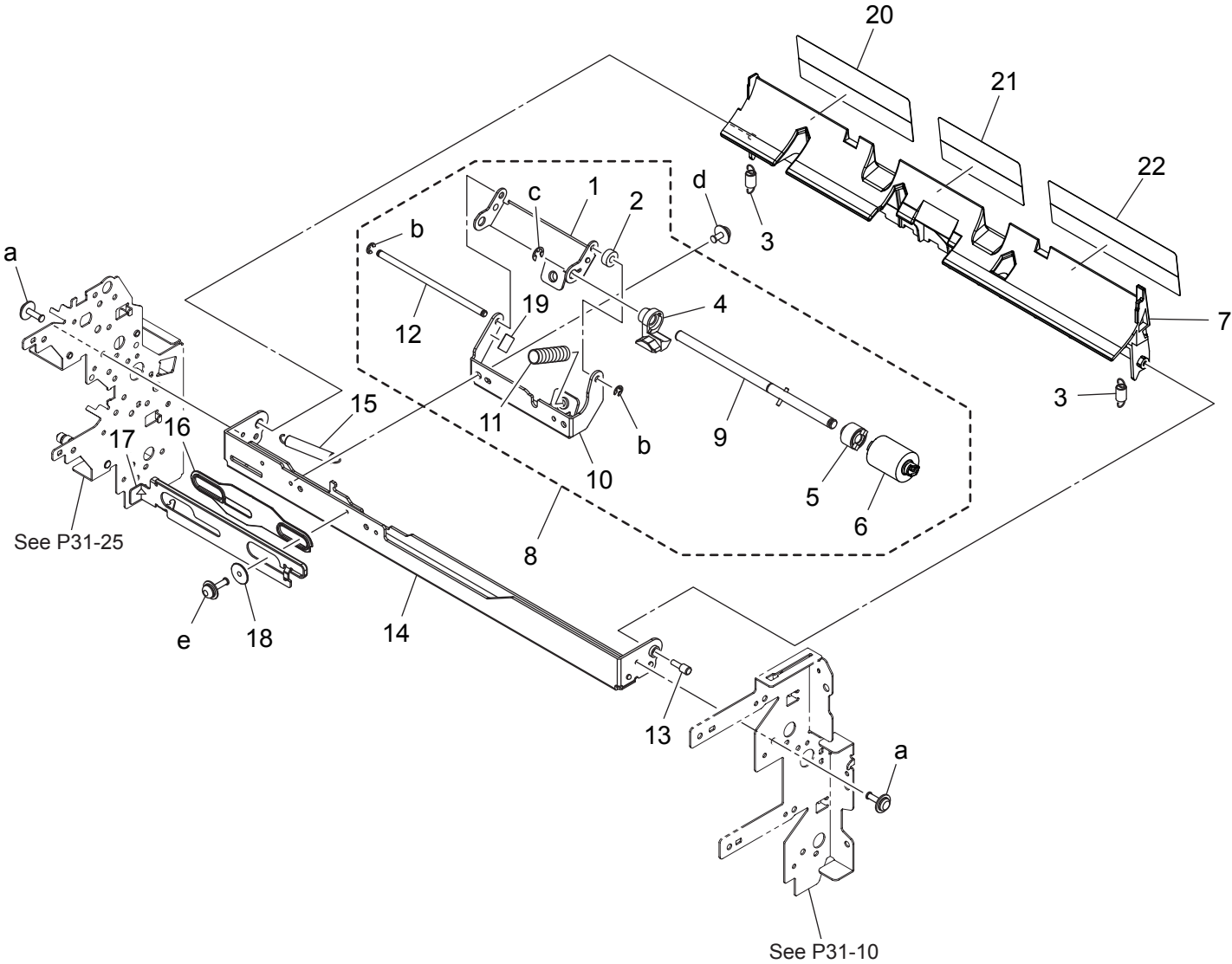
P 31

改訂版 REVISED EDITION	日付 DATE
▲	SEPTEMBER 2016



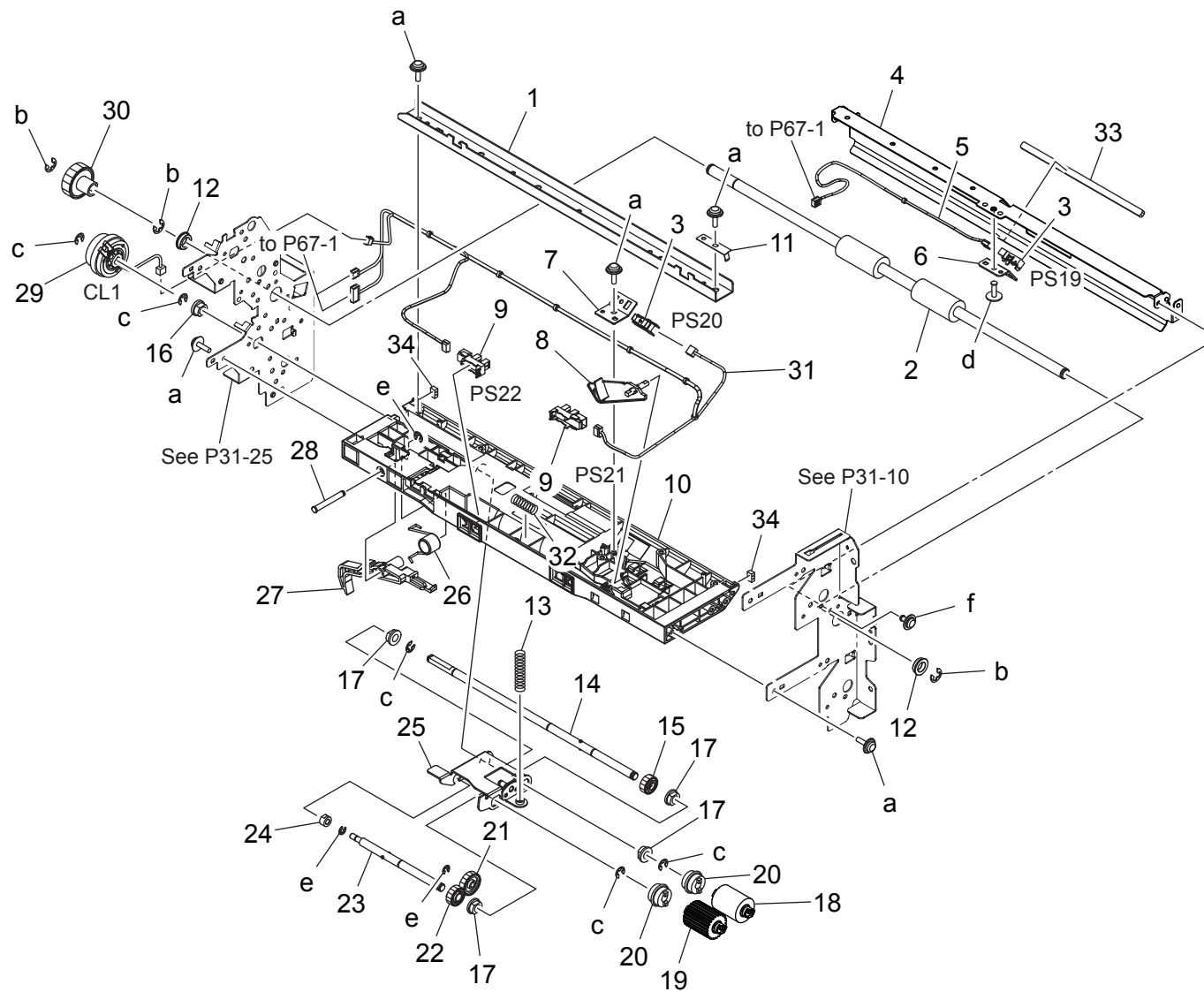
Key	Part No.	Description	Destinations	Class	QTY	Standard parts
1	A161566000	Reinforce Plate		D	1	a-V153030803 b-V217050001 c-V217040001 d-V217030001
2	4034352501	ROLLER		C	9	
3	A5C1560600	Ground Plate		D	1	
4	A161560900	Mounting Plate		D	1	
5	A0EDM50100	Photoreflector		I	1	
6	A5C1565500	Shaft		D	1	
7	A161561600	Actuator		C	1	
8	A5C1M50100	Photointerrupter		B	2	
9	A161565302	Paper feed Frame		D	1	
10	A161560112	Frame /Front		D	1	
11	A161562800	Compressing Coil spring		C	1	
12	4131300301	BUSHING		C	4	
13	A161562400	Gear 26T		C	1	
14	A64J564101	Paper feed Roller		A	1	
15	A64J564201	Paper feed Roller		A	1	
16	A02E561100	Clutch		C	2	
17	A161562300	Gear 34T		C	1	
18	A161562600	Gear 28T		C	1	
19	A161562000	Shaft		D	1	
20	A161562500	Bushing		C	1	
21	A161562101	Holder		D	1	
22	A161567400	Torsion Spring		C	1	
23	A161567300	Lever		C	1	
24	A02E560800	Shaft		D	1	
25	A161F56028	Caulking(Frame)		D	1	
26	A79J576400	Gear 24T		C	1	
27	A79JN10800	Paperfeed Relay harness		D	1	
28	A00J663200	Bushing		C	1	
29	A161560500	Shaft		D	1	

Tray 1 Paper Feed Section



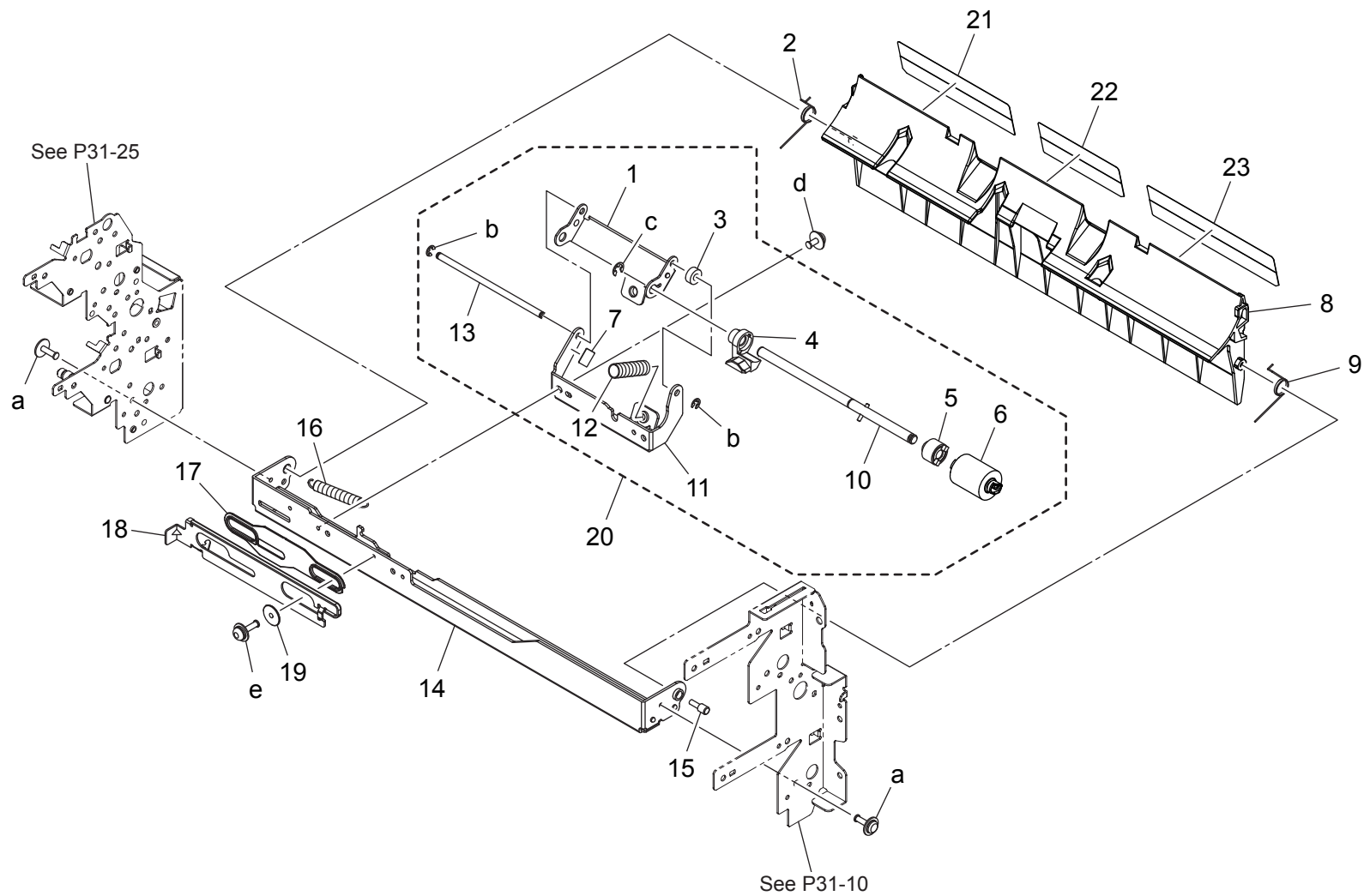
Key	Part No.	Description	Destinations	Class	QTY	Standard parts
1	A5C1563100	Holder		D	1	a-V137030803 b-V217030001 c-V217040001 d-V116030603 e-V116031003
2	4040561000	Spacer		D	1	
3	A161568600	Pulling Coil spring		C	2	
4	A5C1563500	Guide		D	1	
5	A0ED563900	Torque limiter		C	1	
6	A64J564101	Paper feed Roller		A	1	
7	A7PU568400	Guide Plate		C	1	
8	A64JR71100	Separation Roller Assy		C	1	
9	A5C1563400	Shaft		D	1	
10	A161564001	Mounting Plate		D	1	
11	4030301703	PRESSURE SPRING		C	1	
12	A161563300	Shaft		D	1	
13	4532341001	SHOULDER SCREW		D	1	
14	A161563901	Mounting Plate		D	1	
15	A161564400	Pulling Coil spring		C	1	
16	A161564200	Spacer		D	1	
17	A5C1564101	Lever		D	1	
18	A161564300	Spacer		D	1	
19	A5C1565600	Sheet		C	1	
20	A7PU567700	Guide		C	1	
21	A7PU567600	Guide		C	1	
22	A7PU567500	Guide		C	1	

Tray 2 Paper Feed Section



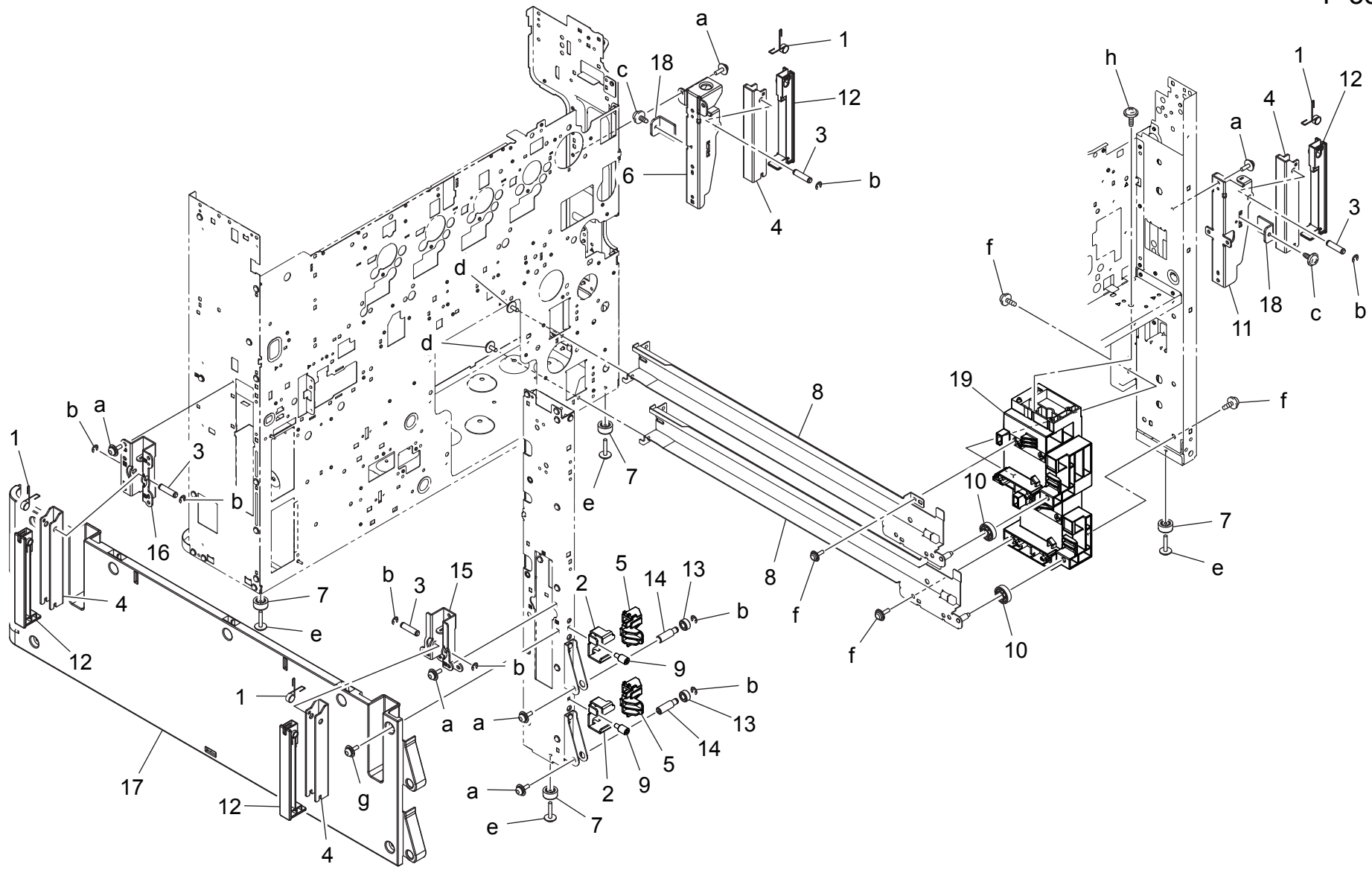
Key	Part No.	Description	Destinations	Class	QTY	Standard parts
1	A161561000	Reinforce Plate		D	1	a-V153030803 b-V217050001 c-V217040001 d-V137030803 e-V217030001 f-V144030603
2	A161578100	Drive Roller		C	1	
3	A0EDM50100	Photoreflector		I	2	
4	A161578212	Guide Plate		D	1	
5	A161N12701	Conveyance Detection harness		D	1	
6	A161571100	Mounting Plate		D	1	
7	A161560900	Mounting Plate		D	1	
8	A161561600	Actuator		C	1	
9	A5C1M50100	Photointerrupter		B	2	
10	A161560302	Paper feed Frame		D	1	
11	A5C1560600	Ground Plate		D	1	
12	A00J617900	Ball Bearing		B	2	
13	A161562800	Compressing Coil spring		C	1	
14	A161560500	Shaft		D	1	
15	A161562400	Gear 26T		C	1	
16	A00J663200	Bushing		C	1	
17	4131300301	BUSHING		C	4	
18	A64J564101	Paper feed Roller		A	1	
19	A64J564201	Paper feed Roller		A	1	
20	A02E561100	Clutch		C	2	
21	A161562300	Gear 34T		C	1	
22	A161562600	Gear 28T		C	1	
23	A161562000	Shaft		D	1	
24	A161562500	Bushing		C	1	
25	A161562101	Holder		D	1	
26	A161567400	Torsion Spring		C	1	
27	A161567300	Lever		C	1	
28	A02E560800	Shaft		D	1	
29	A64JM20000	Clutch		C	1	
30	A2XK709000	Gear 24T		C	1	
31	A2XKN10H01	Paperfeed Wiring /2		D	1	
32	A161563000	Compressing Coil spring		C	1	
33	A161578700	Cushion		C	1	
34	A161568901	Cushion		D	2	

Tray 2 Paper Feed Section



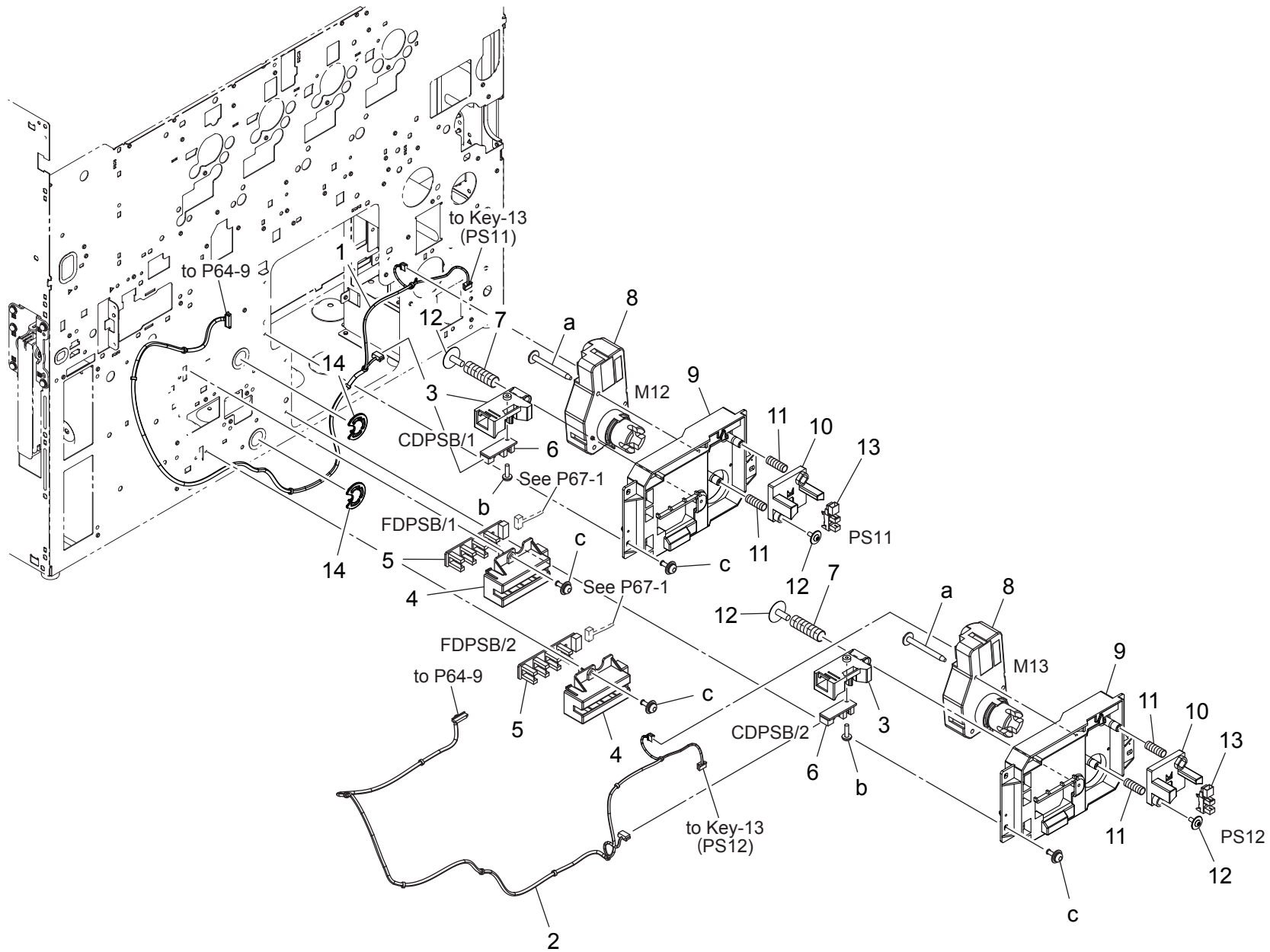
Key	Part No.	Description	Destinations	Class	QTY	Standard parts
1	A5C1563100	Holder		D	1	a-V137030803 b-V217030001 c-V217040001 d-V116030603 e-V116031003
2	A161568800	Torsion Coil spring		C	1	
3	4040561000	Spacer		D	1	
4	A5C1563500	Guide		D	1	
5	A0ED563900	Torque limiter		C	1	
6	A64J564101	Paper feed Roller		A	1	
7	A5C1565600	Sheet		C	1	
8	A7PU578400	Guide Plate		C	1	
9	A161568700	Torsion Coil spring		C	1	
10	A5C1563400	Shaft		D	1	
11	A161564001	Mounting Plate		D	1	
12	4030301703	PRESSURE SPRING		C	1	
13	A161563300	Shaft		D	1	
14	A161563901	Mounting Plate		D	1	
15	4532341001	SHOULDER SCREW		D	1	
16	A161564400	Pulling Coil spring		C	1	
17	A161564200	Spacer		D	1	
18	A5C1564101	Lever		D	1	
19	A161564300	Spacer		D	1	
20	A64JR71100	Separation Roller Assy		C	1	
21	A7PU577700	Guide		C	1	
22	A7PU577600	Guide		C	1	
23	A7PU577500	Guide		C	1	

Tray Section



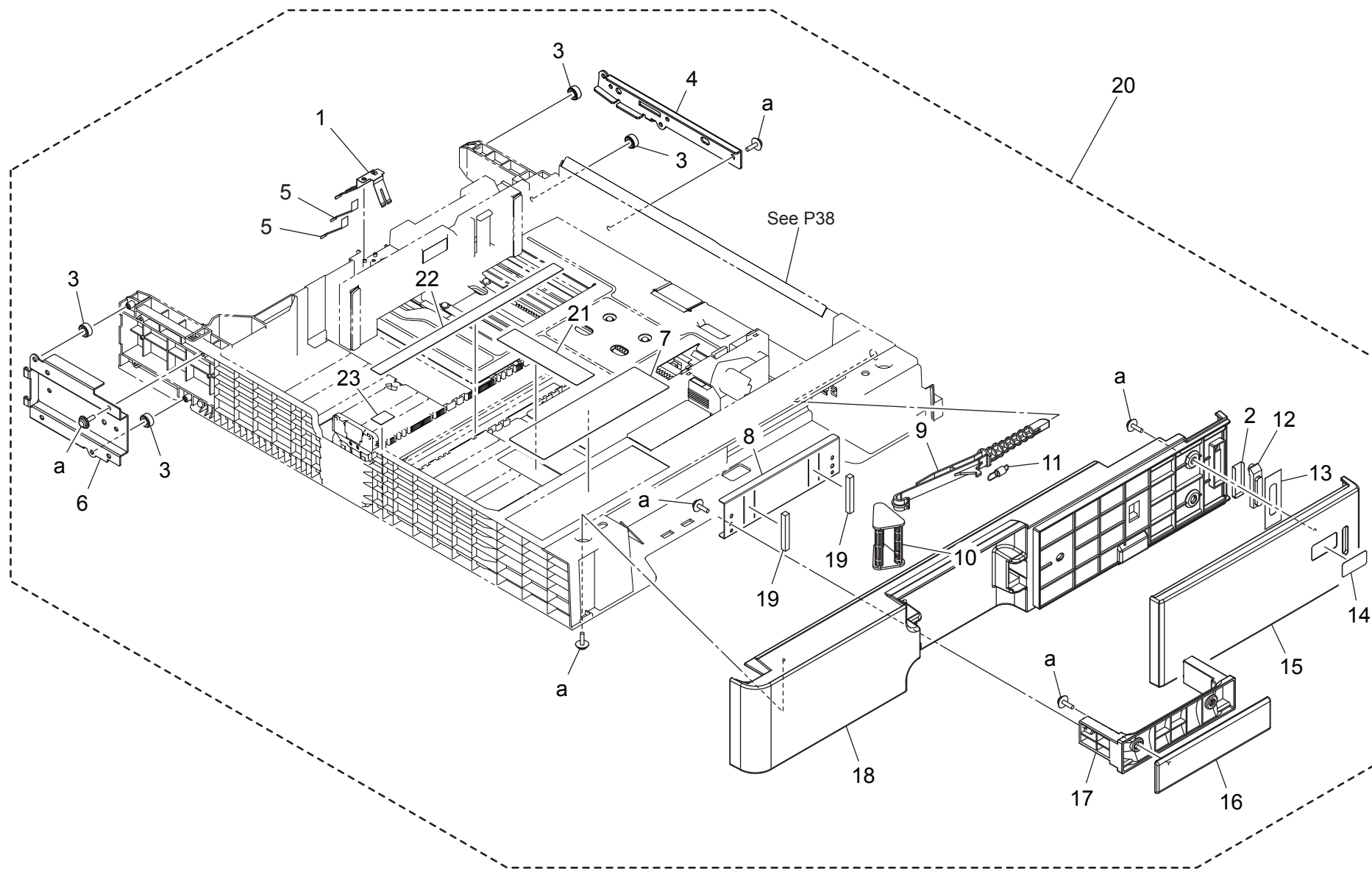
Key	Part No.	Description	Destinations	Class	QTY	Standard parts
1	A161104300	Torsion Coil spring		D	4	a-V116030803 b-V217040001 c-V137030803 d-V144030603 e-V137031203 f-V153030803 g-V116030804 h-V153031004
2	A7PU102201	Mounting Plate		D	2	
3	A161104200	Shaft		D	4	
4	A161101900	Lever		D	4	
5	A7PU102301	Stopper		D	2	
6	A5C1104800	Mounting Plate		D	1	
7	0996305501	RUBBER FOOT		C	4	
8	A5C1101101	Rail /ASSY		D	2	
9	A1UD192400	Shoulder screw /2		C	2	
10	A161103901	Roll		D	2	
11	A5C1104400	Mounting Plate		D	1	
12	A161103700	Cover		D	4	
13	A161623400	Roll		D	2	
14	A161105200	Shaft		D	2	
15	A161101600	Mounting Plate		D	1	
16	A161101701	Mounting Plate		D	1	
17	A7PU104000	Holder		D	1	
18	A5C1104700	Mounting Plate		D	2	
19	A5C1106000	Holder		D	1	

Tray Section



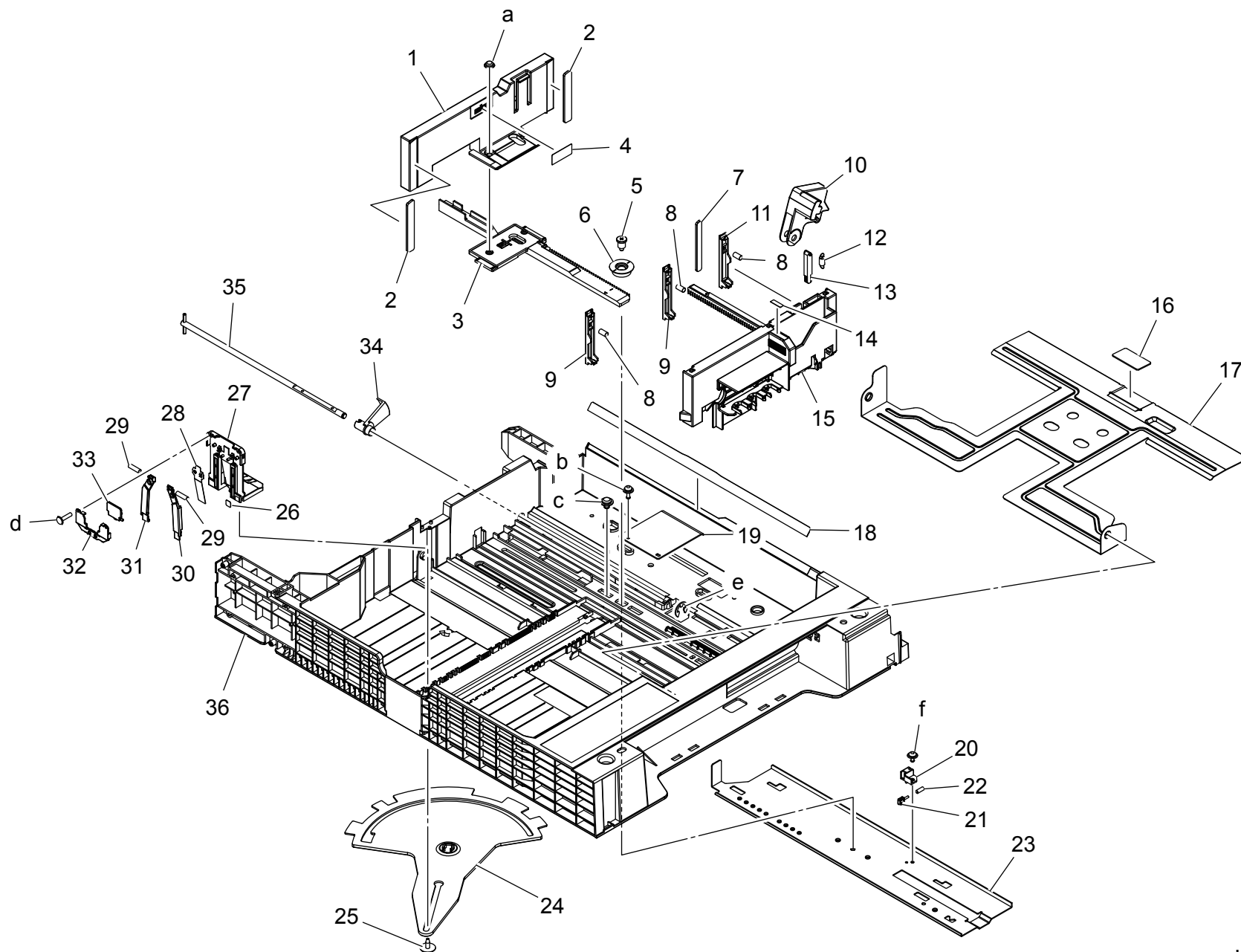
Key	Part No.	Description	Destinations	Class	QTY	Standard parts
1	A7PUN10401	Harness /Paperfeed		D	1	a-V153033003 b-V145030803 c-V116030803
2	A7PUN10501	Harness /Paperfeed		D	1	
3	A7PU627500	Holder		D	2	
4	A5C1628000	Holder		C	2	
5	A161M50600	Photointerrupter		C	2	
6	A161M50501	Photointerrupter		C	2	
7	4002311002	Pressure Spring		C	2	
8	9J06M10300	MOTOR		B	2	
9	A5C1627101	Holder		D	2	
10	A5C1627300	Holder		D	2	
11	A5C1627900	Compressing Coil spring		D	4	
12	4163529301	SCREW		C	4	
13	A5C1M50100	Photointerrupter		B	2	
14	A7PU106100	Cover		D	2	

Tray 1 Section



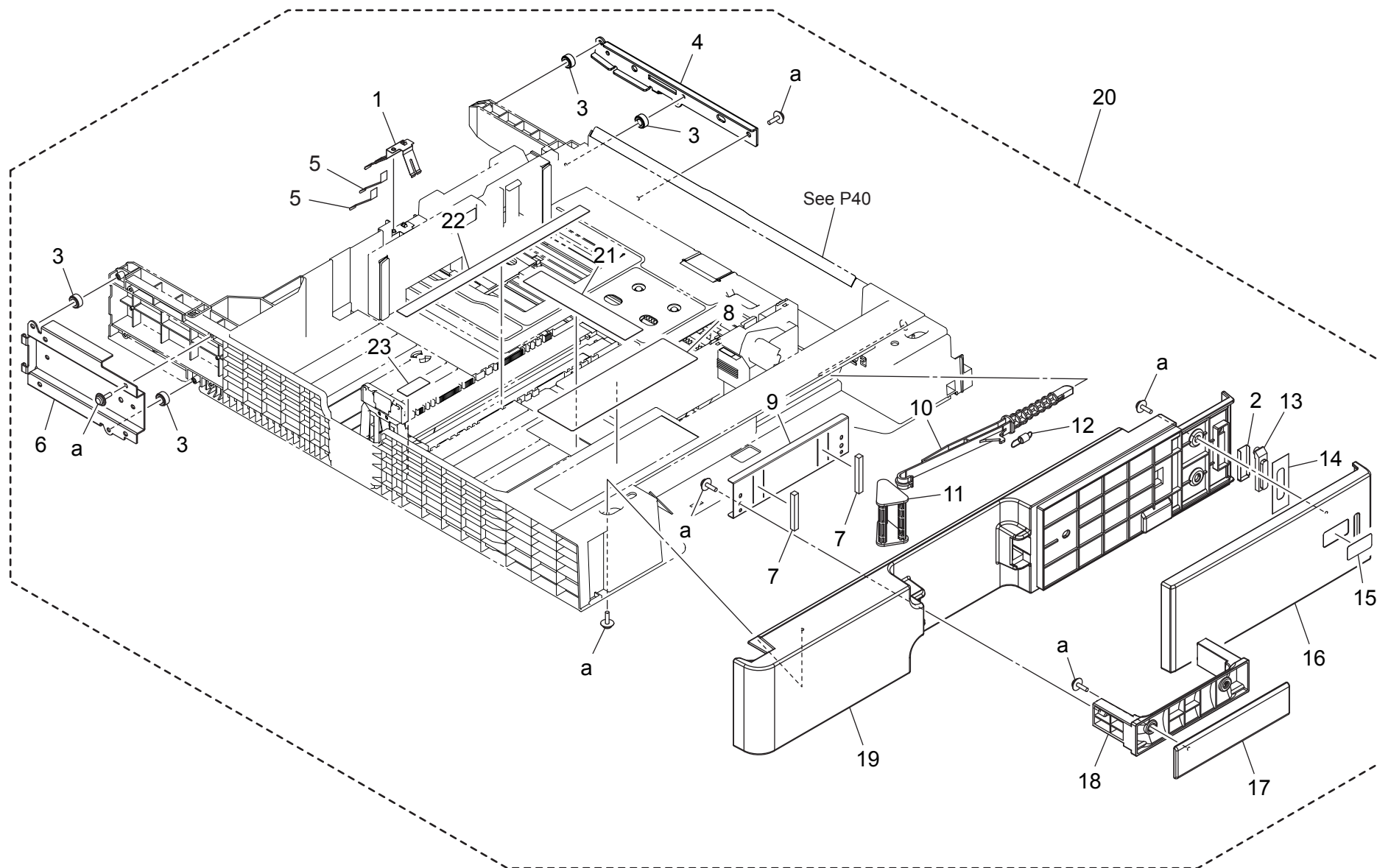
Key	Part No.	Description	Destinations	Class	QTY	Standard parts
1	A161622100	Ground Plate		D	1	a-V153030803
2	A161626200	Sheet		D	1	
3	A161623400	Roll		D	4	
4	A79J623100	Reinforce Plate /Right		D	1	
5	A55V624700	Protection Sheet		C	2	
6	A161623301	Reinforce Plate /Left		D	1	
7	A795942401	Label		C	1	
8	A5C1624300	Holder		D	1	
9	A161626502	Lever		C	1	
10	A161626602	Lever		C	1	
11	A161626800	Pulling Coil spring		C	1	
12	A161626000	Lens		D	1	
13	A161626100	Light blocking Sheet		D	1	
14	A161943100	Label 1		C	1	
15	A5C1625001	Cover		C	1	
16	A161625900	Cover		C	1	
17	A161626900	Handle		C	1	
18	A161625114	Cover		C	1	
19	A5C1628500	Cushion		D	2	
20	A79JR72100	1st Cassette Assy		S	1	
21	A79J941500	Label CD		C	1	
22	A79J941200	Label FD		C	1	
23	A79J941300	Label FD		C	1	

Tray 1 Section



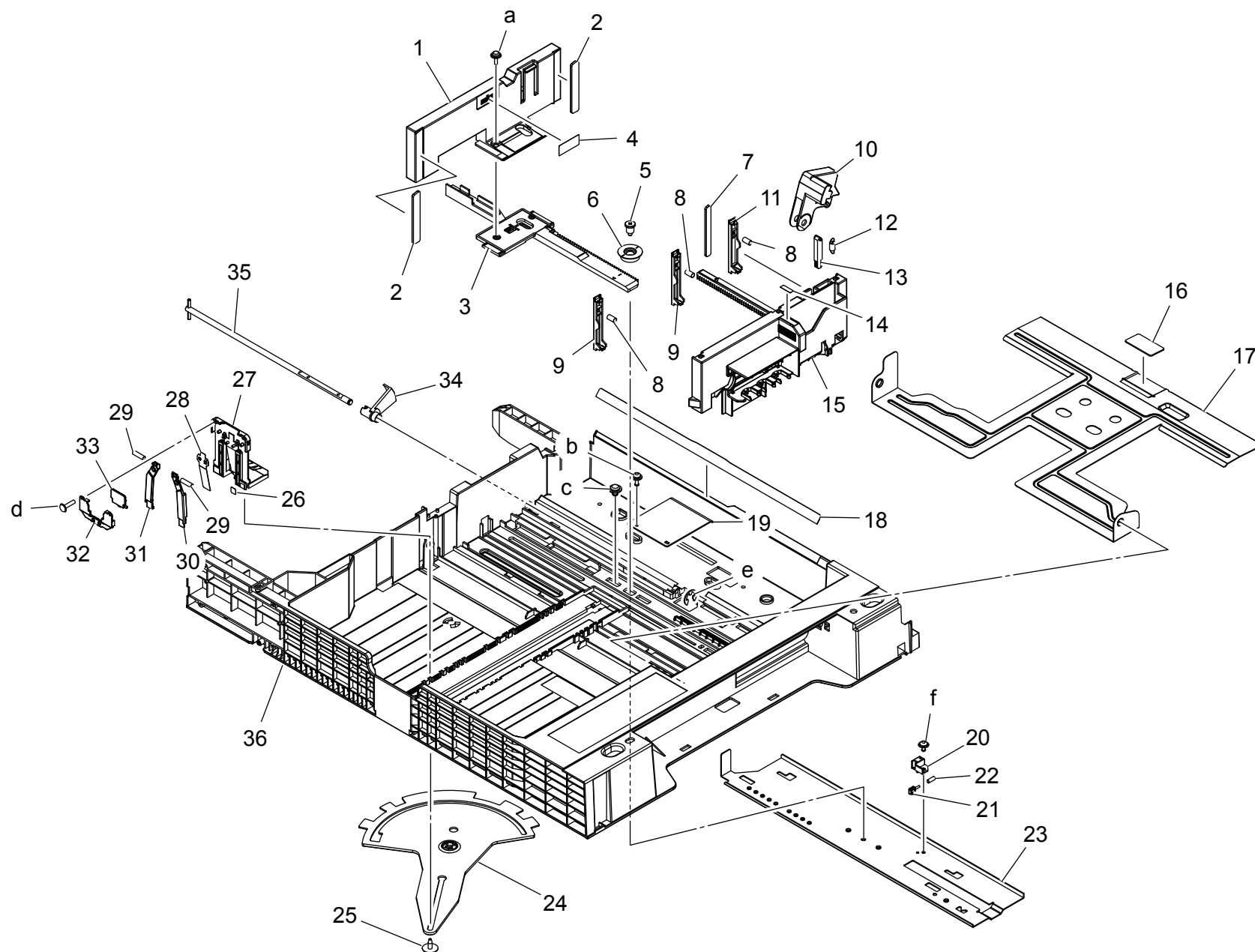
Key	Part No.	Description	Destinations	Class	QTY	Standard parts
1	A161620904	Regulating Plate /Rear		C	1	a-V153030803 b-V116030803 c-V144040603 d-V166170504 e-V217040001 f-V127030604
2	A161624100	Cushion		C	2	
3	A161621100	Rack		C	1	
4	A161943700	Label Max Level		C	1	
5	A161620600	Shoulder screw		D	1	
6	A161620701	Gear		D	1	
7	A795566000	Cushion		C	1	
8	A795622700	Compressing Spring		C	3	
9	A795622600	Auxiliary Guide /2		C	2	
10	A795621301	Operation Lever		C	1	
11	A795622500	Auxiliary Guide /1		C	1	
12	A7AH621000	Pulling Coil spring		C	1	
13	A7AH621200	Lock Lever		D	1	
14	A161943000	Label		C	1	
15	A795620800	Regulating Plate		C	1	
16	4030322601	FRICTION SHEET		C	1	
17	A161620400	Lifting Plate		D	1	
18	A0ED620200	Guide		C	1	
19	4030320601	LEVER		D	1	
20	A795565700	Holder		C	1	
21	A795565800	Lever		C	1	
22	A795565900	Compressing Spring		C	1	
23	A795621900	Mounting Plate		D	1	
24	A161621411	Lever		C	1	
25	4163529301	SCREW		C	1	
26	A02E940300	Label		C	1	
27	A795565000	Regulating Plate		D	1	
28	A795565600	Plate spring		C	1	
29	A795565500	Compressing Spring		C	2	
30	A795565100	Lock Lever		C	1	
31	A795565200	Lock Lever		C	1	
32	A795565300	Cover		C	1	
33	A795565400	Operation Lever		C	1	
34	A0ED620701	Actuator		C	1	
35	A161621600	Lifting Shaft		D	1	
36	A79J620100	Paper feed Cassette		D	1	

Tray 2 Section



Key	Part No.	Description	Destinations	Class	QTY	Standard parts
1	A161622100	Ground Plate		D	1	a-V153030803
2	A161626200	Sheet		D	1	
3	A161623400	Roll		D	4	
4	A79J633100	Reinforce Plate /Right		D	1	
5	A55V624700	Protection Sheet		C	2	
6	A161633202	Reinforce Plate /Left		D	1	
7	A5C1628500	Cushion		D	2	
8	A795942401	Label		C	1	
9	A5C1624300	Holder		D	1	
10	A161636502	Lever		C	1	
11	A161626602	Lever		C	1	
12	A161626800	Pulling Coil spring		C	1	
13	A161626000	Lens		D	1	
14	A161626100	Light blocking Sheet		D	1	
15	A161943200	Label 2		C	1	
16	A5C1635001	Cover		C	1	
17	A161625900	Cover		C	1	
18	A161626900	Handle		C	1	
19	A161635117	Cover		C	1	
20	A79JR72200	2nd Cassette Assy		S	1	
21	A79J943600	Label CD		C	1	
22	A79J941200	Label FD		C	1	
23	A79J943500	Label FD		C	1	

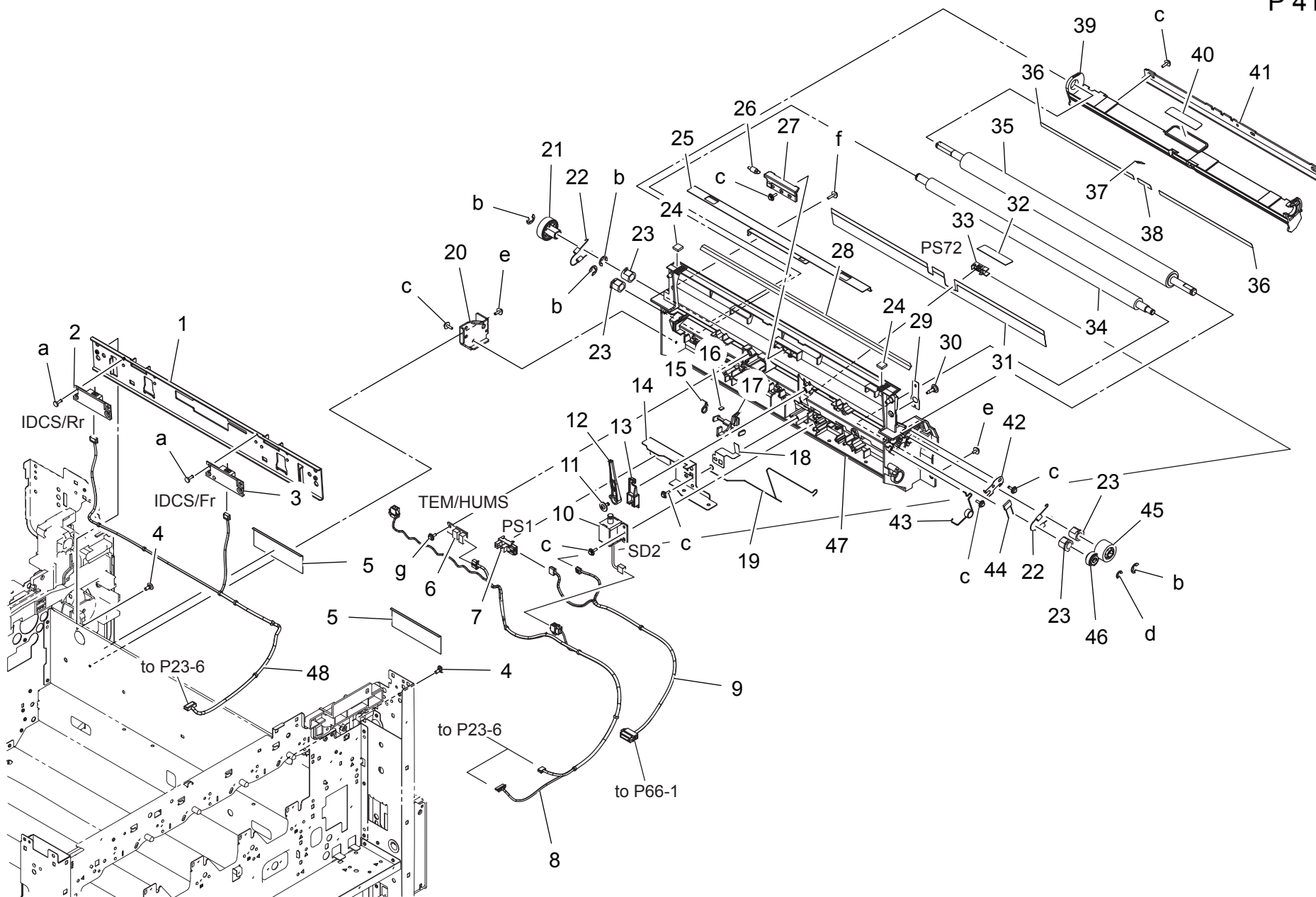
Tray 2 Section



Key	Part No.	Description	Destinations	Class	QTY	Standard parts
1	A161620904	Regulating Plate /Rear		C	1	a-V153030803 b-V116030803 c-V144040603 d-V166170504 e-V217040001 f-V127030604
2	A161624100	Cushion		C	2	
3	A161621100	Rack		C	1	
4	A161943700	Label Max Level		C	1	
5	A161620600	Shoulder screw		D	1	
6	A161620701	Gear		D	1	
7	A795566000	Cushion		C	1	
8	A795622700	Compressing Spring		C	3	
9	A795622600	Auxiliary Guide /2		C	2	
10	A795621301	Operation Lever		C	1	
11	A795622500	Auxiliary Guide /1		C	1	
12	A7AH621000	Pulling Coil spring		C	1	
13	A7AH621200	Lock Lever		D	1	
14	A161943000	Label		C	1	
15	A795620800	Regulating Plate		C	1	
16	4030322601	FRICTION SHEET		C	1	
17	A161620400	Lifting Plate		D	1	
18	A0ED620200	Guide		C	1	
19	4030320601	LEVER		D	1	
20	A795565700	Holder		C	1	
21	A795565800	Lever		C	1	
22	A795565900	Compressing Spring		C	1	
23	A795621900	Mounting Plate		D	1	
24	A161631411	Lever		C	1	
25	4163529301	SCREW		C	1	
26	A02E940300	Label		C	1	
27	A795565000	Regulating Plate		D	1	
28	A795565600	Plate spring		C	1	
29	A795565500	Compressing Spring		C	2	
30	A795565100	Lock Lever		C	1	
31	A795565200	Lock Lever		C	1	
32	A795565300	Cover		C	1	
33	A795565400	Operation Lever		C	1	
34	A0ED620701	Actuator		C	1	
35	A161621600	Lifting Shaft		D	1	
36	A79J630100	Paper feed Cassette		D	1	

2nd Transfer Section/Registration Section

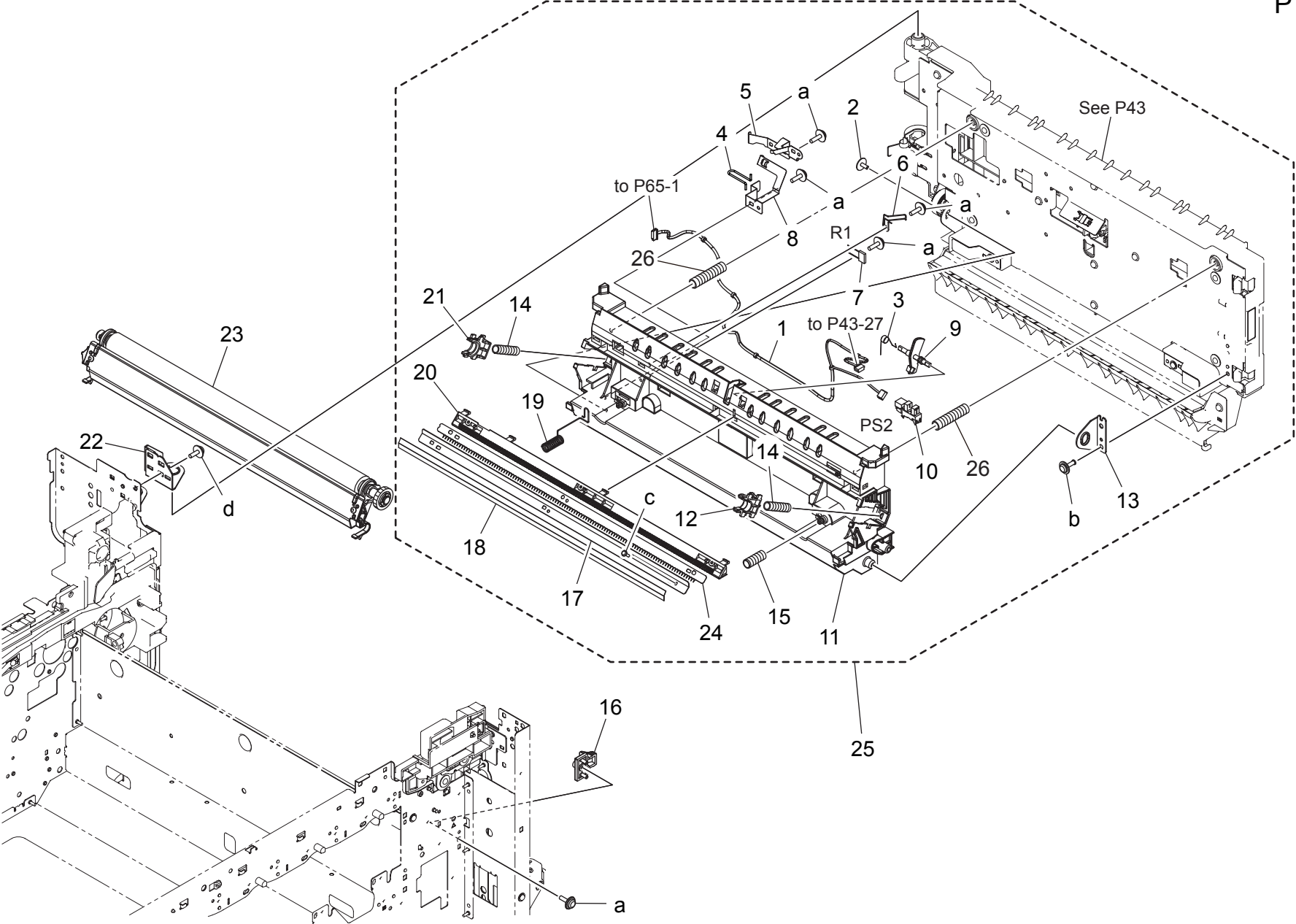
P 41



bizhub C658

Key	Part No.	Description	Destinations	Class	QTY	Standard parts
1	A161700901	Reinforce Plate		D	1	a-V118030803
2	A161M50000	Photo sensing		I	1	b-V217060001
3	A161M50300	Photo sensing		I	1	c-V153030803
4	4011585202	SHOULDER SCREW		C	2	d-V217040001
5	A161701800	Protection Sheet		D	2	e-V116030803
6	A7AHM50400	Humidity sensor		I	1	f-V153031003
7	A5C1M50100	Photointerrupter		B	1	g-V145030803
8	A79JN10900	Conveyance Wiring		D	1	
9	A79JN10600	Sensor Relay harness /1		D	1	
10	A034M20100	Conveyance Solenoid		C	1	
11	4163529301	SCREW		C	1	
12	A161700401	Arm /1		D	1	
13	A161700700	Arm /2		D	1	
14	A161700301	Mounting Plate /B		D	1	
15	A161701100	Spring /A		C	1	
16	A161702101	Cushion /C		C	1	
17	A161701703	Actuator /T		C	1	
18	A79J701200	Ground Plate		D	1	
19	A79J701300	Contact		C	1	
20	A7PU701000	Reinforce Plate		D	1	
21	A79J709000	Gear 22T		C	1	
22	A161702000	Conveyance Spring /A		C	2	
23	A161702200	Bushing		C	4	
24	A161701900	Seal /A		D	2	
25	A0ED705800	Cover		D	1	
26	A0ED702800	Pulling Spring		D	1	
27	A161706001	Holding Shutter		D	1	
28	A161701301	Guide Sheet /A		C	1	
29	A7PU701100	Plate spring		D	1	
30	A7PU701200	Shoulder screw		C	1	
31	A79J700500	Guide Sheet		C	1	
32	A79J700800	Guide Sheet		C	1	
33	A0EDM50100	Photoreflector		I	1	
34	A0ED700200	Roller		D	1	
35	A5C1700101	Roller		C	1	
36	A79J700900	Guide Sheet		C	2	
37	4038353901	GUIDE		C	1	
38	A79J701000	Guide Sheet		C	1	
39	A79J700300	Guide Plate /Middle		D	1	
40	A161946300	Label M2		D	1	
41	A79J700400	Reinforce Plate		D	1	
42	A5C1700800	Ground Plate /D		D	1	
43	A5C1703200	Torsion Coil spring		D	1	
44	V800500300	FIXED POWER RESISTORS		D	1	
45	A0ED700300	Gear 20T		D	1	
46	A0ED700700	Gear 14T		D	1	
47	A79J700100	Guide Plate /Inside		D	1	
48	A161N12H00	Sensor Wiring /3		D	1	

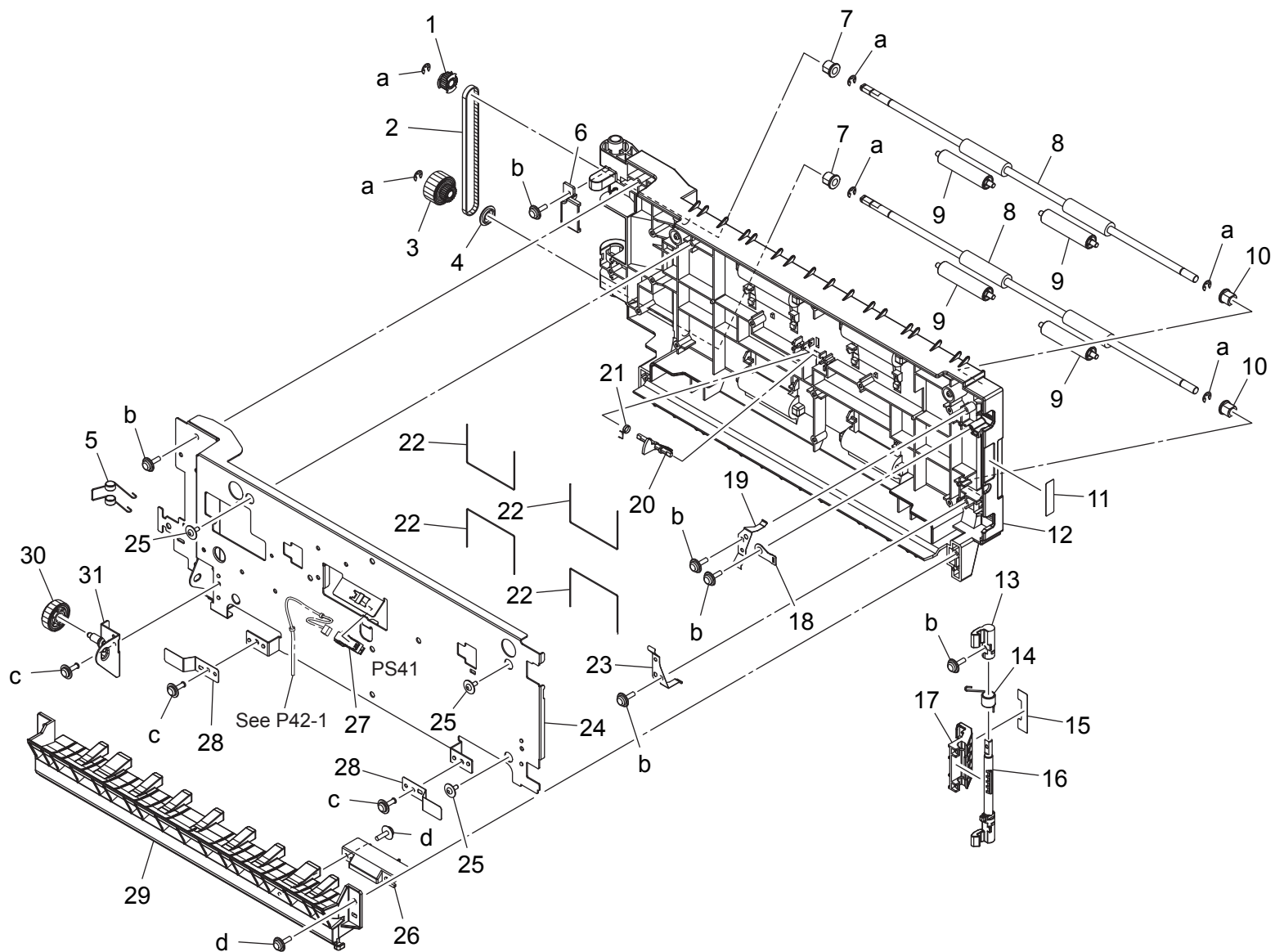
2nd Transfer Section/Vertical Conveyance Section



Key	Part No.	Description	Destinations	Class	QTY	Standard parts
1	A161N10H01	Conveyance Wiring		D	1	a-V153030803 b-V137030803 c-V162020504 d-V116030803
2	4163529301	SCREW		C	1	
3	A161712700	Spring /C		D	1	
4	A161712401	Ground Spring /A		D	1	
5	A5C1715100	Ground Plate /C		D	1	
6	A5C1711000	Ground Spring /B		D	1	
7	V800500300	FIXED POWER RESISTORS		D	1	
8	A5C1710900	Ground Plate /A		D	1	
9	A2XK710100	Actuator /A		D	1	
10	A5C1M50100	Photointerrupter		B	1	
11	A161710103	Holder /A		D	1	
12	A161550700	Transfer Holder /2		C	1	
13	A5C1711800	Support Plate /Front		D	1	
14	A0ED551000	Compressing Coil spring /2		C	2	
15	A0ED551100	Compressing Coil spring		D	1	
16	A161712300	Fixing Part /Lower		D	1	
17	A0ED550900	Mounting Plate		D	1	
18	A5C1551701	Guide Seal		D	1	
19	A161712500	Ground Spring /C		D	1	
20	A161551600	Mounting Plate		D	1	
21	A161551500	Transfer Holder /2		C	1	
22	A161104101	Adjusting Plate		D	1	
23	A79JR71100	2nd Image Transfer Roller Assy		C	1	
24	A0ED550800	Neutralizing Part		D	1	
25	A79JR72300	Vertical Transport Assy		S	1	
26	A161711200	Pressing Spring		D	2	



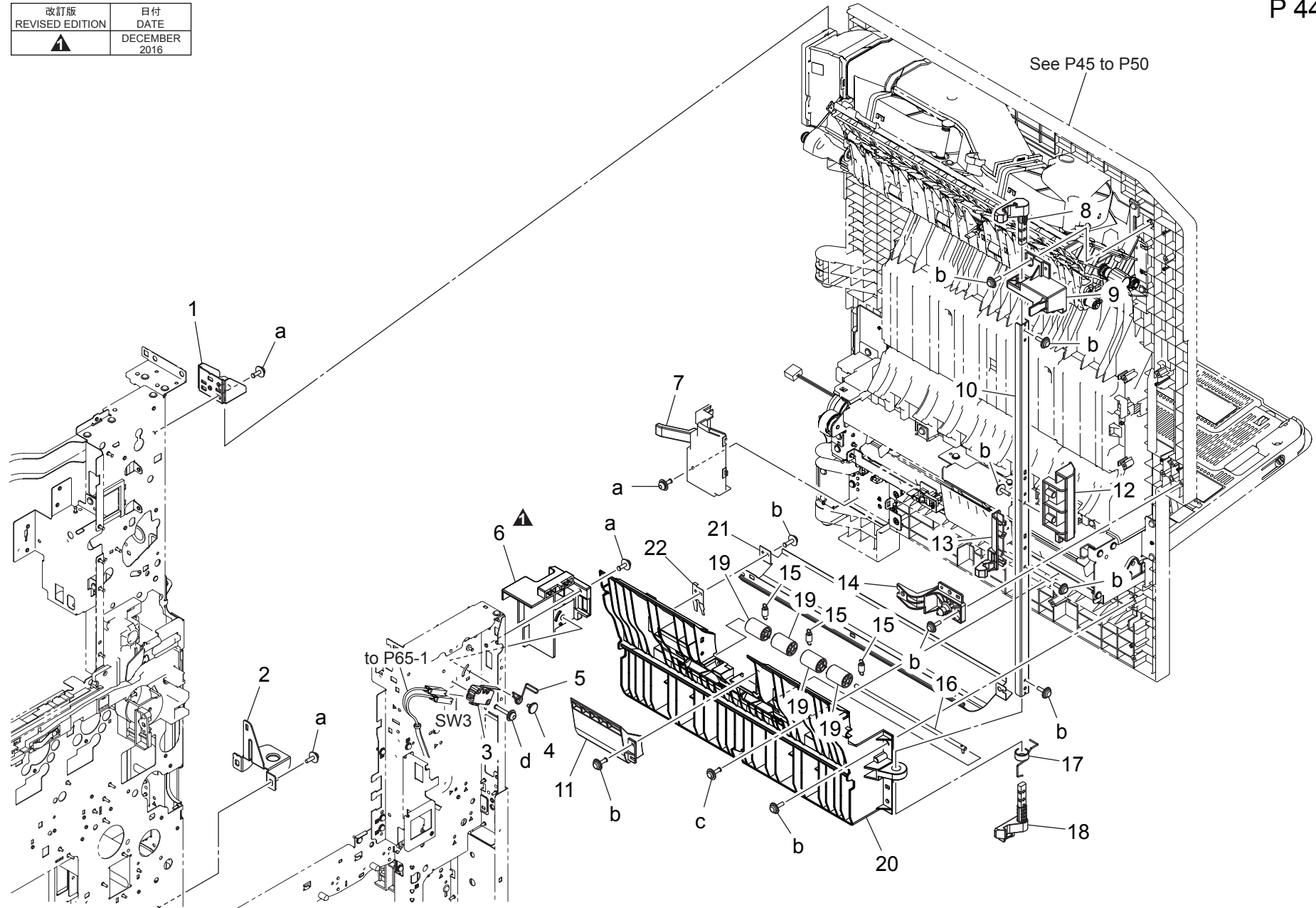
2nd Transfer Section/Vertical Conveyance Section



Key	Part No.	Description	Destinations	Class	QTY	Standard parts
1	A0ED811700	Pulley 22T	プーリ (ADU 第3) 22 T	C	1	a-V217040001 b-V153030803 c-V137030803 d-V153031003
2	A161719000	Drive Belt 266L	駆動ベルト 266 L	C	1	
3	A64J709100	Gear 22/23T	ギア 22/23 T	C	1	
4	A0ED811900	Collar	カラー (ADU 第2 R)	D	1	
5	A161712900	Ground Spring /D	アースばね / D	D	1	
6	A161712600	Cover /C	カバー / C	D	1	
7	A161713100	Bushing /1	すべり軸受 / 1	D	2	
8	A161710500	Roller /A	ローラ / A	D	2	
9	A161825700	Idler Roller /A	従動ローラ / A	D	4	
10	A02E815200	BUSHING	軸受	C	2	
11	A161946400	Label M6	ラベル M 6	D	1	
12	A5C1710200	Guide Plate /A	ガイド板 / A	D	1	
13	A161711300	Lock Shaft /A	ロック軸 / A	C	1	
14	A161711700	Spring /B	ばね / B	C	1	
15	A161946200	Label M1	ラベル M 1	D	1	
16	A5C1711500	Lock Shaft	ロック軸	C	1	
17	A161711600	Open/close Lever	開閉レバー	C	1	
18	A161714500	Fixing Part	固定部材	D	1	
19	A161712000	Ground Plate /D	アース板 / D	D	1	
20	A161713500	Actuator	アクチュエータ (ADU 下 JAM 検)	C	1	
21	A161712800	Spring /D	ばね / D	D	1	
22	A161714600	Conveyance Spring /B	搬送ばね / B	D	4	
23	A161712100	Ground Plate /E	アース板 / E	D	1	
24	A161710405	Mounting Plate	取付板	D	1	
25	4163529301	SCREW	ねじ	C	3	
26	A161816300	Lock Plate	ロックプレート	D	1	
27	A5C1M50100	Photointerrupter	透過型センサ	B	1	
28	A0ED702400	Plate spring	板ばね (タイミング前ガイド)	D	2	
29	A161710300	Guide Plate /B	ガイド板 / B	D	1	
30	A64J719100	Gear 23T	ギア 23 T	C	1	
31	A161711901	Support Plate /Rear	支点板 / 奥	D	1	

Vertical Conveyance Section

改訂版 REVISED EDITION	日付 DATE
	DECEMBER 2016

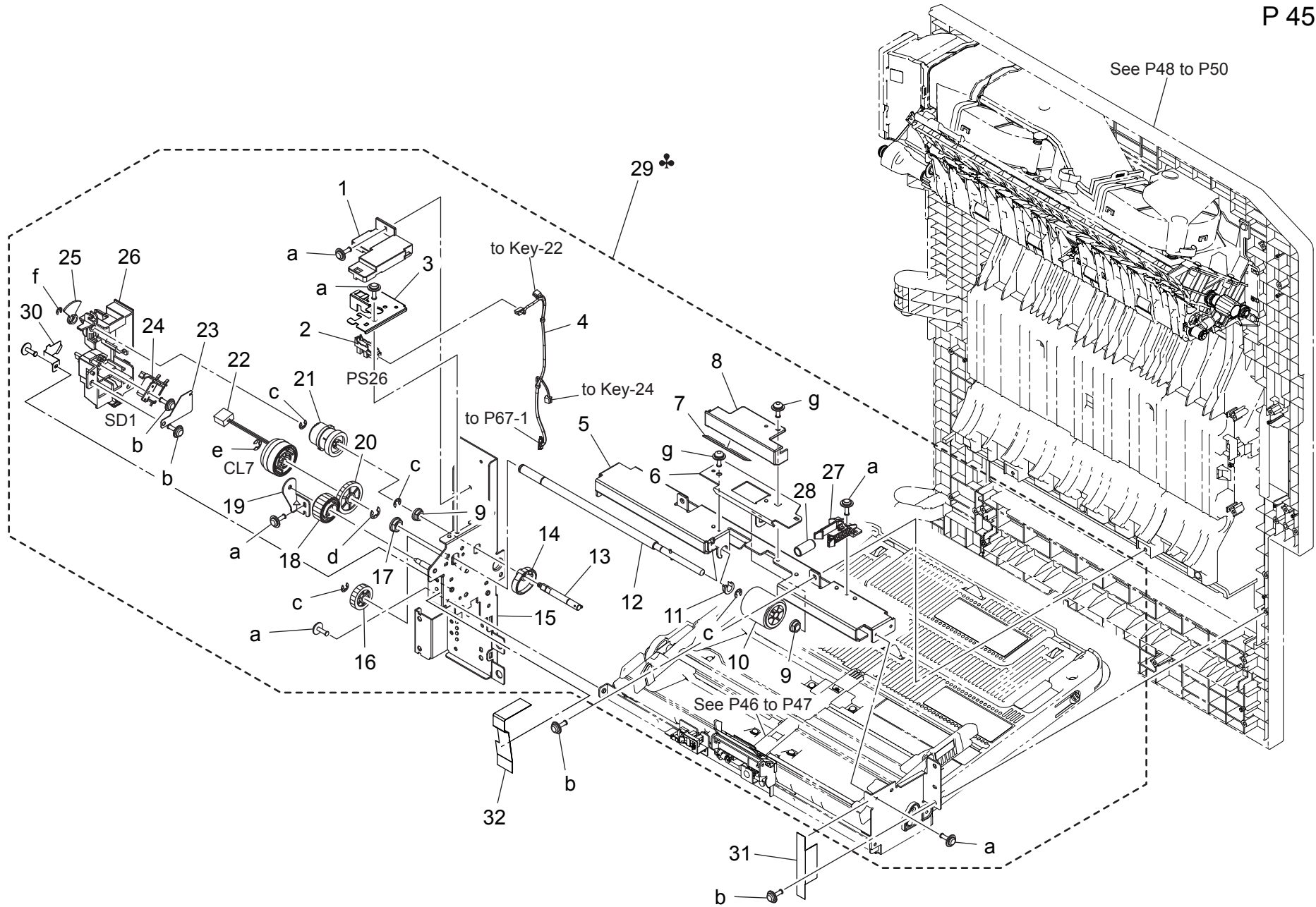


Vertical Conveyance Section

Key	Part No.	Description	Destinations	Class	QTY	Standard parts
1	A161121300	Adjusting Plate		D	1	a-V116030803 b-V153030803 c-V137030804 d-V116031603
2	A161102500	Adjusting Plate		D	1	
3	9J06M60100	MICRO SWITCH		C	1	
4	A161137100	Shoulder screw		D	1	
5	A161151200	Torsion Coil spring		D	1	
6	A5C1121202	Holder		D	1	
7	A161592900	Wiring Cover /B		D	1	
8	A0ED712100	Lock Claw		C	1	
9	A161811500	Support Part /Upper		D	1	
10	A161811001	Lock Plate		D	1	
11	A5C1590500	Paper feed Guide		D	1	
12	A161811100	Open/close Handle		C	1	
13	A5C1815200	Lock /Middle		C	1	
14	A161811302	Lock Part /Lower		D	1	
15	A64J815500	Pulling Spring		C	3	
16	A161815300	Shaft		D	1	
17	A161815900	Torsion Coil spring		C	1	
18	A5C1811600	Lock Claw /Lower		C	1	
19	A161815400	Roll		C	4	
20	A161810305	Guide Plate /2		D	1	
21	A161815000	Guide Door		D	1	
22	A161816200	Ground Guide		D	1	

Bypass Tray Section

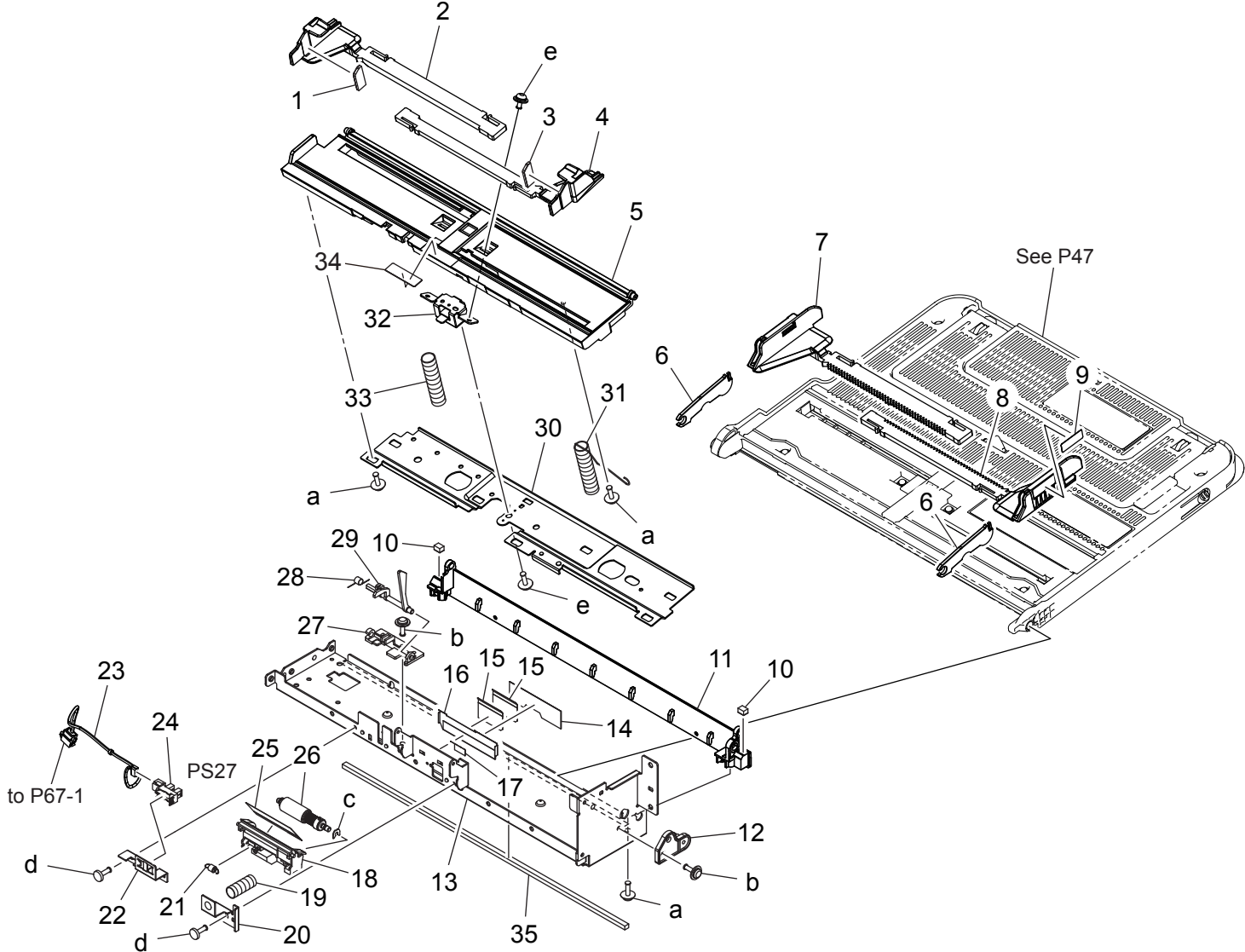
P 45



Bypass Tray Section

Key	Part No.	Description	Destinations	Class	QTY	Standard parts
1	A161592800	Wiring Cover /A		D	1	a-V137030803 b-V153030803 c-V217040001 d-V217060001 e-V217050001 f-V217030001 g-V116030803
2	A5C1M50100	Photointerrupter		B	1	
3	A5C1591900	Mounting Plate		D	1	
4	A161N12200	Paperfeed Drive harness /1		D	1	
5	A161590201	Paper feed Frame		D	1	
6	A161594100	Reinforce Plate		D	1	
7	A161594700	Guide Sheet		C	1	
8	A161591700	Auxiliary Guide		D	1	
9	A02E596300	Bushing		C	2	
10	A00F623201	Roller		B	1	
11	A161594400	Slide Stopper		C	1	
12	A161591500	Paper feed Shaft		D	1	
13	A161591400	Drive Shaft		D	1	
14	A161593300	Paper feed Cam		C	1	
15	A161F59002	Caulking(Mounting Plate Drive Frame)		D	1	
16	A02E595400	Gear 22T		C	1	
17	4131353202	BUSHING		C	1	
18	A161590800	Bypass Gear 24T		C	1	
19	A161590600	Reinforce Plate		D	1	
20	A02E596100	Gear 30T		C	1	
21	A02E595100	Clutch assy		C	1	
22	A02EM20100	Clutch		B	1	
23	A0ED597800	Cover		D	1	
24	9321240011	SOLENOID		C	1	
25	A161591300	Light blocking Plate		C	1	
26	A5C1591200	Drive Cover		D	1	
27	A161594800	Hold Claw		C	1	
28	A161594900	Coil spring		C	1	
29	A79JR71900	Bypass Tray Assy	A,A1,C,D1,D3,E,F2,G 1,I,K,H,J	S	1	
29	A79JR72000	Bypass Tray Assy	手差し A S S Y / インチ B,G2	S	1	
30	A7PU596900	Auxiliary Cover		D	1	
31	A79J701600	Sound shield Plate		C	1	
32	A79J701700	Sound shield Plate		C	1	

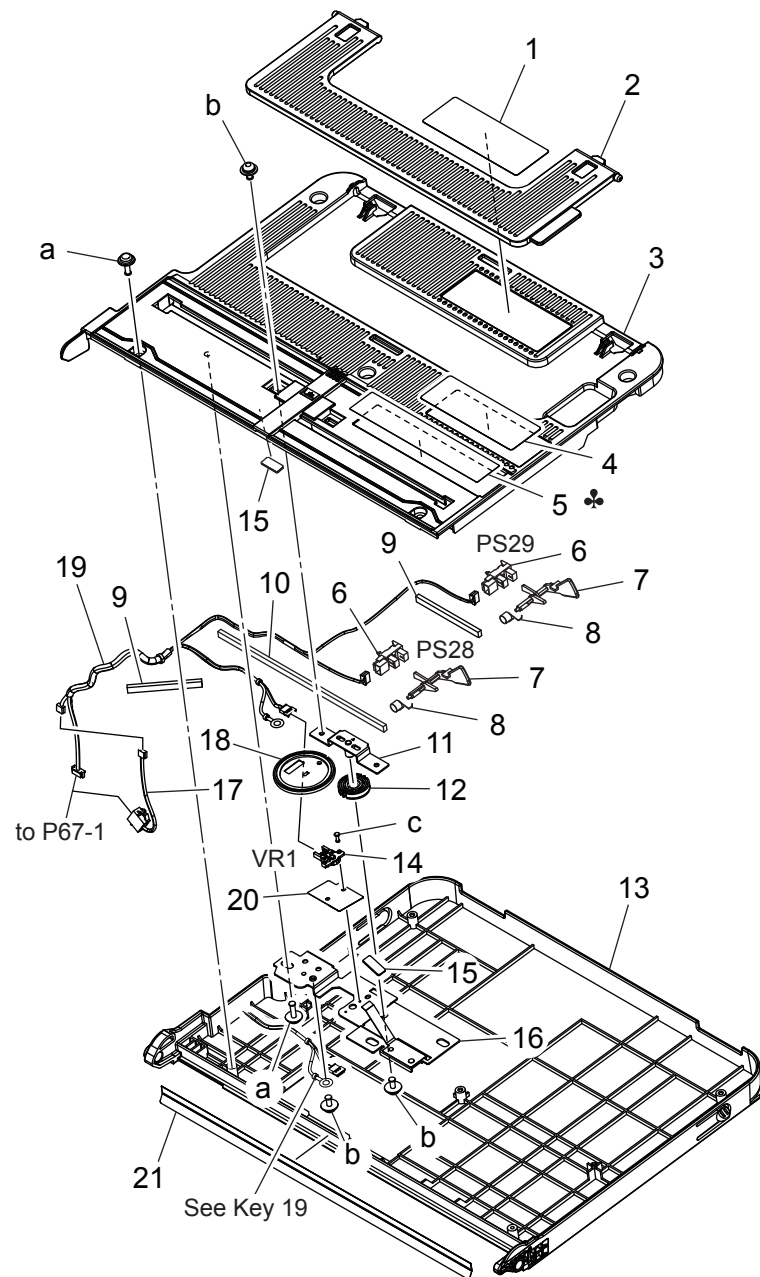
Bypass Tray Section



Key	Part No.	Description	Destinations	Class	QTY	Standard parts
1	A161594500	Brake Part		C	1	a-V153030803 b-V137030803 c-V218030086 d-V118030803 e-V116030604
2	A7PU596200	Regulating Plate /R		C	1	
3	A161594600	Brake Part /F		C	1	
4	A7PU596100	Regulating Plate /L		C	1	
5	A7PU593000	Lifting Plate		D	1	
6	A7PU595500	Lever		C	2	
7	A7PU593200	Regulating Plate /R		C	1	
8	A7PU593100	Regulating Plate /F		C	1	
9	A7PU944900	Label		C	1	
10	A161594201	Cushion		D	2	
11	A161590304	Support Holder		D	1	
12	A161591600	Hold Plate		C	1	
13	A161590101	Bypass Frame		D	1	
14	A161595100	Seal		C	1	
15	4030340301	GUIDE		C	2	
16	A161595300	Separating Plate		C	1	
17	A161595600	Slide Guide		C	1	
18	A161595000	Holder		D	1	
19	4030347501	PRESSURE SPRING		C	1	
20	A161595400	Hold Plate		D	1	
21	A161595200	Pulling Coil spring		C	1	
22	A161591800	Sensor Holder		D	1	
23	A7PUN10A00	Harness/ Sensor		D	1	
24	A5C1M50100	Photointerrupter		B	1	
25	A02E597600	Guide		C	1	
26	4658015106	Roller Assy		A	1	
27	A161591100	Sensor Holder		D	1	
28	A161591000	Torsion Spring		C	1	
29	A161590901	Actuator		C	1	
30	A7PU596700	Mounting Plate		D	1	
31	A161593600	Compressing Coil spring		C	1	
32	A7PU596000	Mounting Plate		D	1	
33	A161593400	Compressing Coil spring		C	1	
34	A7PU594000	Separating Sheet		C	1	
35	A79J596000	Sound shield Cushion		C	1	

Bypass Tray Section

P 47



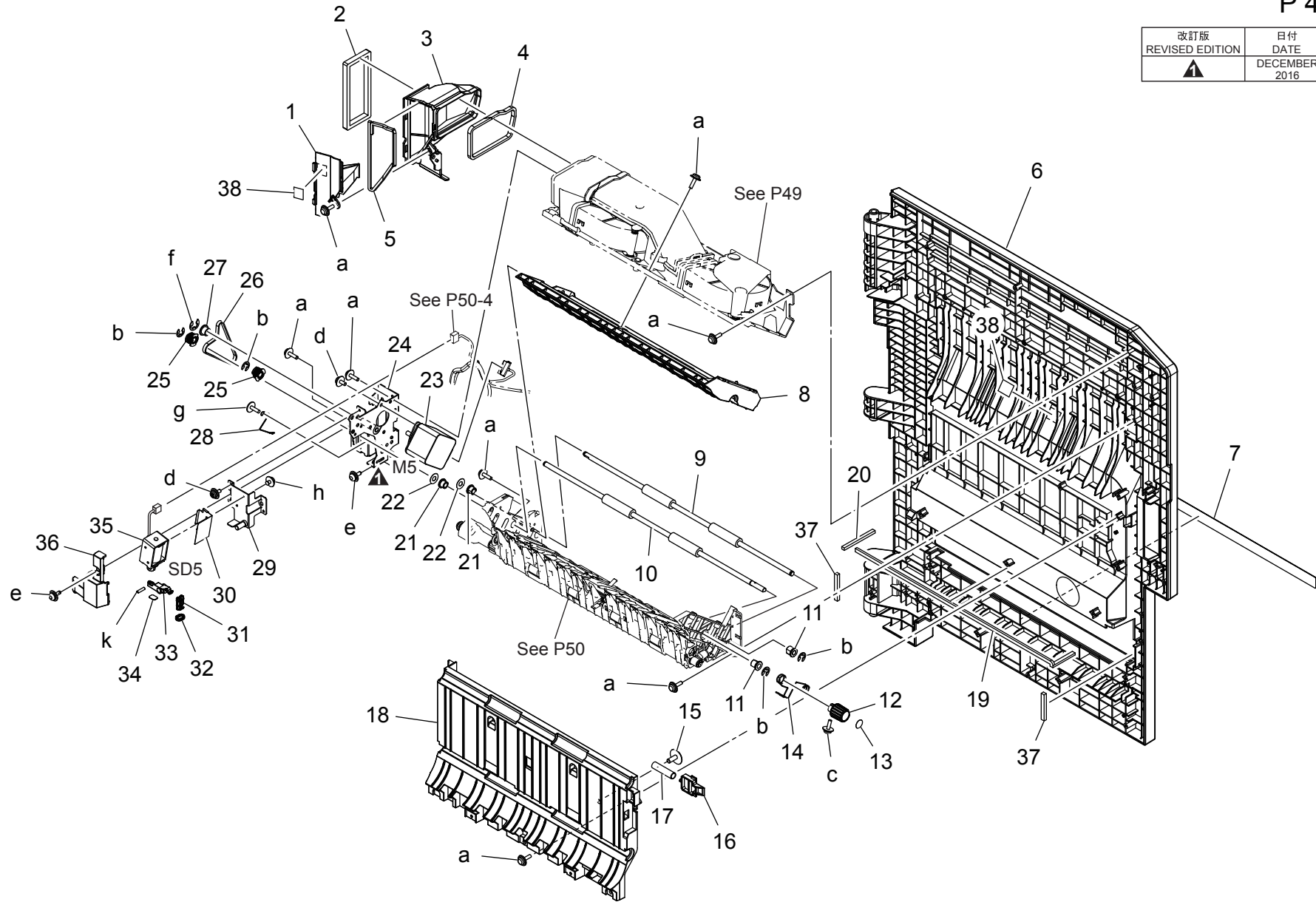
Bypass Tray Section

Key	Part No.	Description	Destinations	Class	QTY	Standard parts
1	A7PU944401	Label Paper supply		C	1	a-V153030803 b-V116030603 c-V111170403
2	A161592200	Auxiliary Tray		C	1	
3	A7PU592100	Bypass Tray /Upper		C	1	
4	A7PU944301	Label Paper supply		C	1	
5	A7PU944100	Label Metric	A,A1,C,D1,D3,E,F2,G 1,I,K,H,J	C	1	
5	A7PU944200	Label Inch	B,G2	C	1	
6	A5C1M50100	Photointerrupter		B	2	
7	A161592400	Actuator		C	2	
8	A161592501	Torsion Spring		C	2	
9	A161592600	Holding Cover /2		D	2	
10	A161592300	Holding Cover		D	1	
11	A7PUF60000	Mounting Plate		D	1	
12	A7PU593500	Gear		C	1	
13	A7PU592000	Bypass Tray		C	1	
14	A161M50400	VR		D	1	
15	A161593800	Friction Plate		C	2	
16	A7PU593700	Mounting Plate		D	1	
17	A7PUN10900	Harness/ Relay		D	1	
18	A161594300	Regulating Gear 41T		C	1	
19	A7PUN10B01	Harness/ Sensor		D	1	
20	A7PU599300	Insulating Sheet		D	1	
21	A79J596200	Sound shield Plate		C	1	

Duplex Section

P 48

改訂版 REVISED EDITION	日付 DATE
	DECEMBER 2016

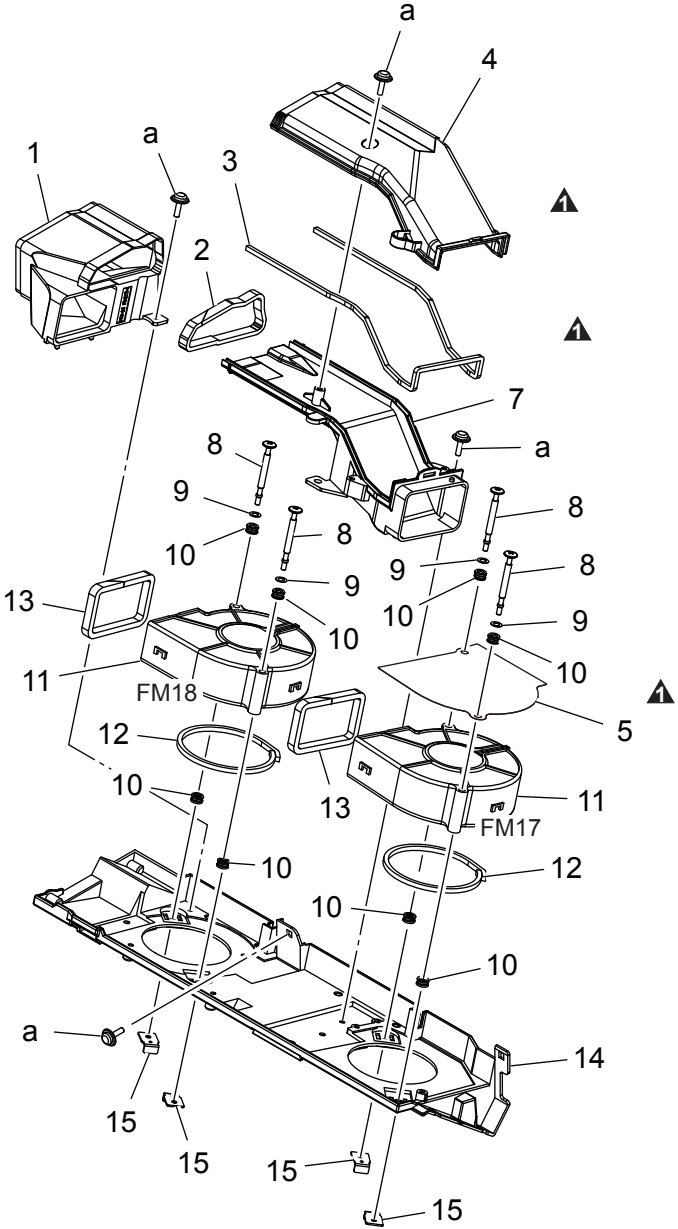


bizhub C658

Key	Part No.	Description	Destinations	Class	QTY	Standard parts
1	A79J830600	Duct	ダクト	D	1	a-V153030803
2	A79J831501	Seal	シール (ユニット側)	C	1	b-V217040001
3	A79J830500	Duct	ダクト	D	1	c-V116030803
4	A79J831100	Cushion	クッション	C	1	d-V116030603
5	A79J831600	Cushion	クッション	C	1	e-V116030803
6	A79J810100	Guide Door /Right	ガイド扉/右	C	1	f-V217050001
7	A161815100	Cover Door	カバー扉	C	1	g-V137030803
8	A79J812201	Guide Plate	ガイド板	D	1	h-V116030403
9	A161814601	Roller /C	ローラ / C	C	1	k-V232301209
10	A79J813700	Roller	ローラ	C	1	
11	A02E815200	BUSHING	軸受	C	2	
12	A161814700	Knob /A	ノブ / A	C	1	
13	A161946100	Label M5	ラベル M 5	C	1	
14	A5C1814200	Contact /A	接点 / A	D	1	
15	4163529301	SCREW	ねじ	C	1	
16	A5C1815700	Open/close Claw	開閉爪	C	1	
17	A161815800	Swing Spring	揺動ばね	C	1	
18	A7PU810200	Guide Plate /1	ガイド板	D	1	
19	A79J816700	Sound shield Seal /3	防音シール / 3	C	1	
20	A79J816600	Sound shield Seal /2	防音シール / 2	C	1	
21	A161813300	Bushing /A	ズベリ軸受 / A	C	2	
22	A161816400	Spacer /A	スペーサ / A	C	2	
23	A2X0M10600	Stepping motor	ステッピングモーター	C	1	
24	A79J811200	Frame /ASSY	フレーム / ASSY	D	1	
25	A0ED811700	Pulley 22T	プーリ (ADU 第3) 22 T	C	2	
26	A79J819000	Timing belt 200L	タイミングベルト 200 L	C	1	
27	A79J819800	Roll	ころ	C	1	
28	A5C1814300	Contact /B	接点 / B	D	1	
29	A79J812401	Mounting Plate /ASSY	取付板 / ASSY	D	1	
30	A79J812300	Cover	カバー	D	1	
31	A79J812600	Lever	レバー	C	1	
32	A79J812800	Bushing	ブッシュ	D	1	
33	A79J812500	Lever	レバー	C	1	
34	A79J812900	Seal	シール	C	1	
35	9321220032	SOLENOID	直流プランジャソレノイド	C	1	
36	A79J814901	Cover	カバー	D	1	
37	A79J816800	Sound shield Seal /4	防音シール / 4	C	2	
38	A00F941100	Label	ラベル (高温マーク)	D	2	

Duplex Section

改訂版 REVISED EDITION	日付 DATE
▲	DECEMBER 2016

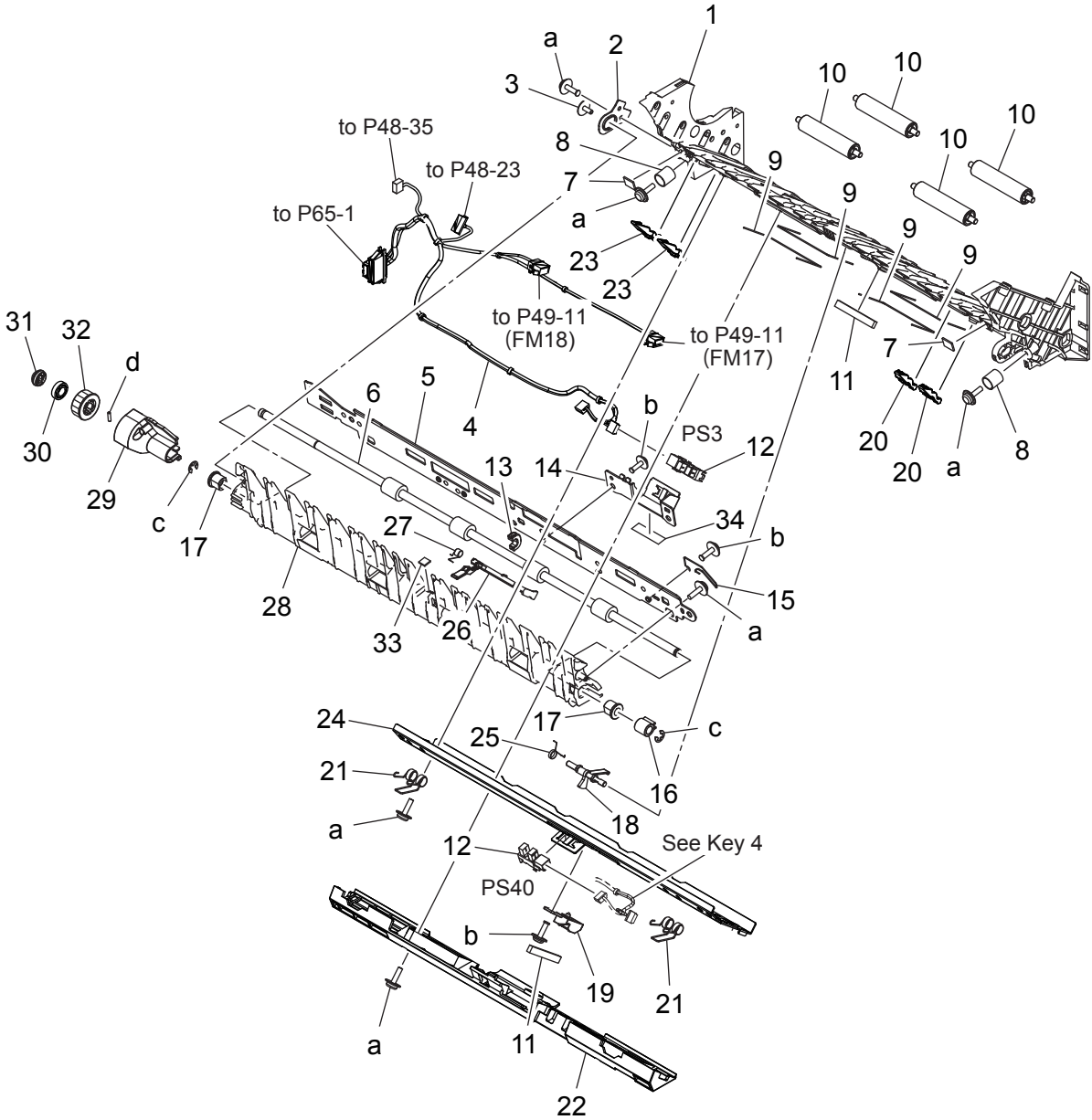


Reference Page of Harness

FM17,FM18 : P50

Key	Part No.	Description	Destinations	Class	QTY	Standard parts
1	A79J830100	Duct		D	1	a-V153030803
2	A79J831300	Cushion		C	1	
3	A79J831200	Cushion		C	1	
4	A79J830300	Duct		D	1	
5	A9HG830701	Cover		D	1	
7	A79J830200	Duct		D	1	
8	A79J832000	Shoulder screw		C	4	
9	A79J832400	Washer		C	4	
10	A79J832100	Support Rubber		D	8	
11	9313100072	FAN MOTOR		C	2	
12	A79J832300	Seal		C	2	
13	A79J831000	Cushion		C	2	
14	A79J830001	Holder		D	1	
15	A79J832200	Mounting Plate		D	4	

Duplex Section

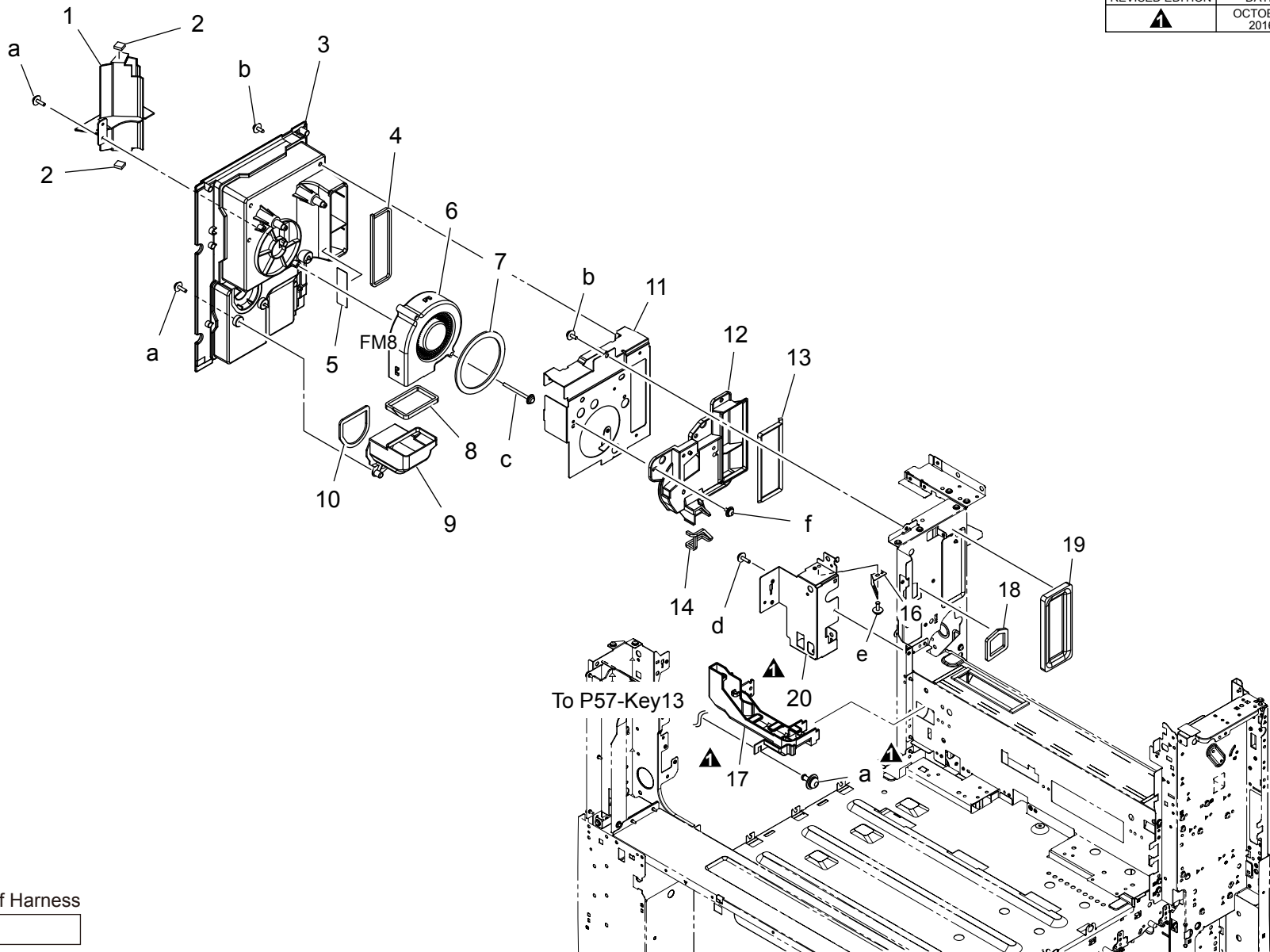


Key	Part No.	Description	Destinations	Class	QTY	Standard parts
1	A79J811700	Guide Plate		D	1	a-V153030803 b-V137030803 c-V217040001 d-V234200850
2	A161814401	Mounting Plate /3		D	1	
3	4163529301	SCREW		C	1	
4	A79JN10701	Conveyance Relay harness		D	1	
5	A161810801	Mounting Plate /2		D	1	
6	A161810600	Roller /1		C	1	
7	A161825301	Cushion /A		D	2	
8	A161813600	Pressing Spring /A		C	2	
9	A0ED815100	Holding Part		D	4	
10	A161825700	Idler Roller /A		D	4	
11	A161825800	Cushion /B		D	2	
12	A5C1M50100	Photointerrupter		B	2	
13	A161819500	Bushing /C		C	1	
14	A161825102	Mounting Plate /4		D	1	
15	A161819400	Contact /C		D	1	
16	A161814500	Bushing/B		C	1	
17	A02E815200	BUSHING		C	2	
18	A161813200	Actuator		C	1	
19	A161825400	Wiring Part		D	1	
20	A5C1811803	Guide Plate /Front		D	2	
21	A161813400	Torsion Coil spring		D	2	
22	A79J813901	Cover		D	1	
23	A5C1811901	Guide Plate /Rear		D	2	
24	A79J810900	Mounting Plate		D	1	
25	A161712800	Spring /D		D	1	
26	A161813001	Actuator		C	1	
27	A161813100	Torsion Coil spring		C	1	
28	A161810503	Guide Plate /4		D	1	
29	A5C1825500	Cover /D		D	1	
30	A5C1825000	Bushing		C	1	
31	A161825000	Bushing		C	1	
32	A161819200	Gear 18T		C	1	
33	A161826001	Cushion /B		D	1	
34	A79J821000	Protection Part		C	1	

The Paper Cooling Fan Section

P 51

改訂版 REVISED EDITION	日付 DATE
▲	OCTOBER 2016



Reference Page of Harness

FM8 : P65

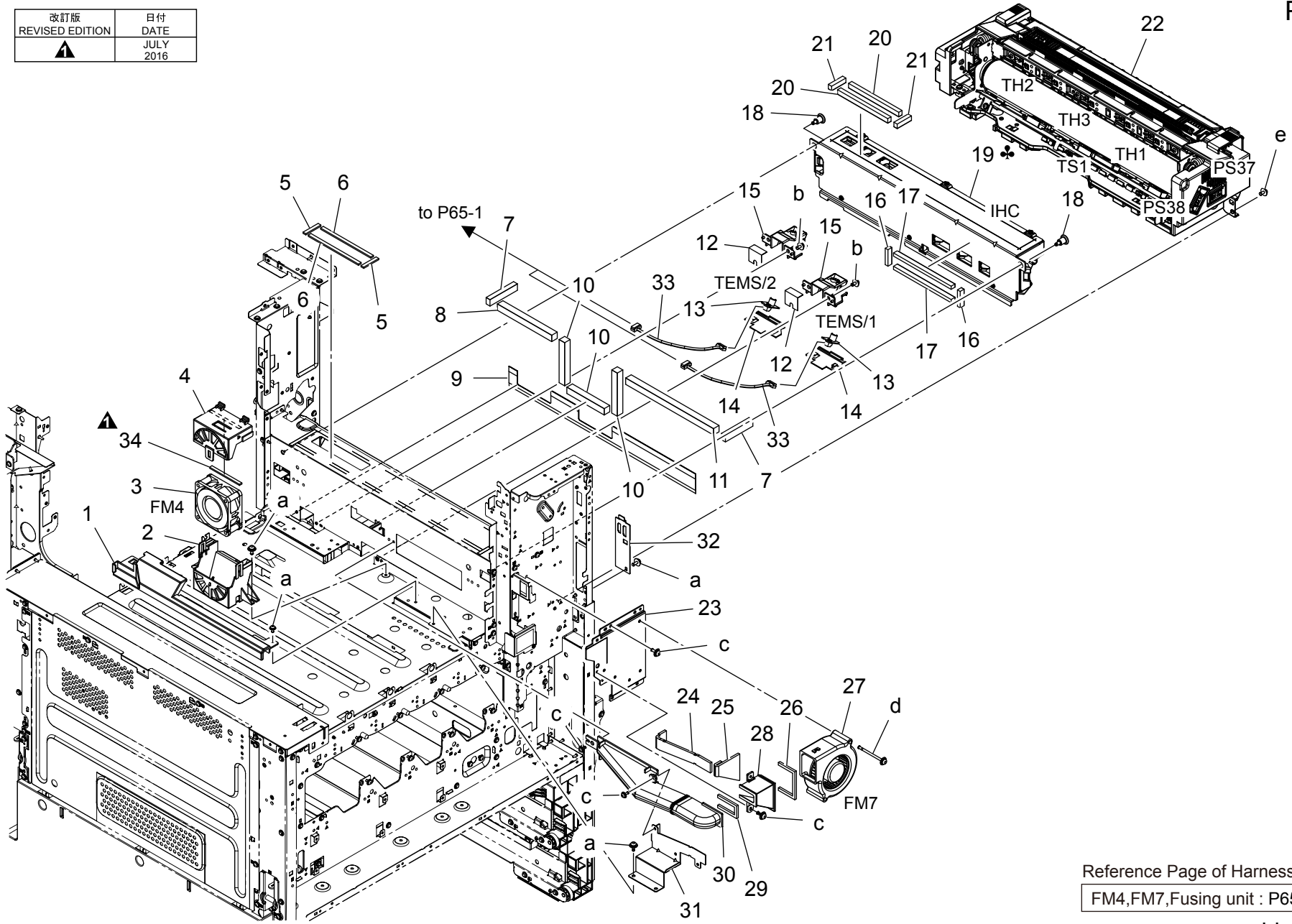
bizhub C658

Key	Part No.	Description	Destinations	Class	QTY	Standard parts
1	A79J145100	Guide Plate		D	1	a-V153030803 b-V116030803 c-V153033503 d-V137030803 e-V116030803 f-V116030603
2	A79J145200	Cushion		C	2	
3	A79J143401	Duct		D	1	
4	A79J142701	Cushion		C	1	
5	A79J145000	Seal		C	1	
6	9313100072	FAN MOTOR		C	1	
7	A79J143800	Cushion		C	1	
8	A79J143600	Cushion		C	1	
9	A79J143001	Duct		D	1	
10	A79J143200	Cushion		C	1	
11	A79J148300	Mounting Plate		D	1	
12	A79J140501	Duct		D	1	
13	A79J141501	Cushion		C	1	
14	A79J142600	Cushion		C	1	
16	A161122500	Ground Plate		D	1	
17	A79J135001	Guide		D	1	
18	A79J120700	Cushion		C	1	
19	A79J120801	Seal		C	1	
20	A79JF12100	Mounting Plate		D	1	

Fusing Section

改訂版 REVISED EDITION	日付 DATE
▲	JULY 2016

P 52



Reference Page of Harness

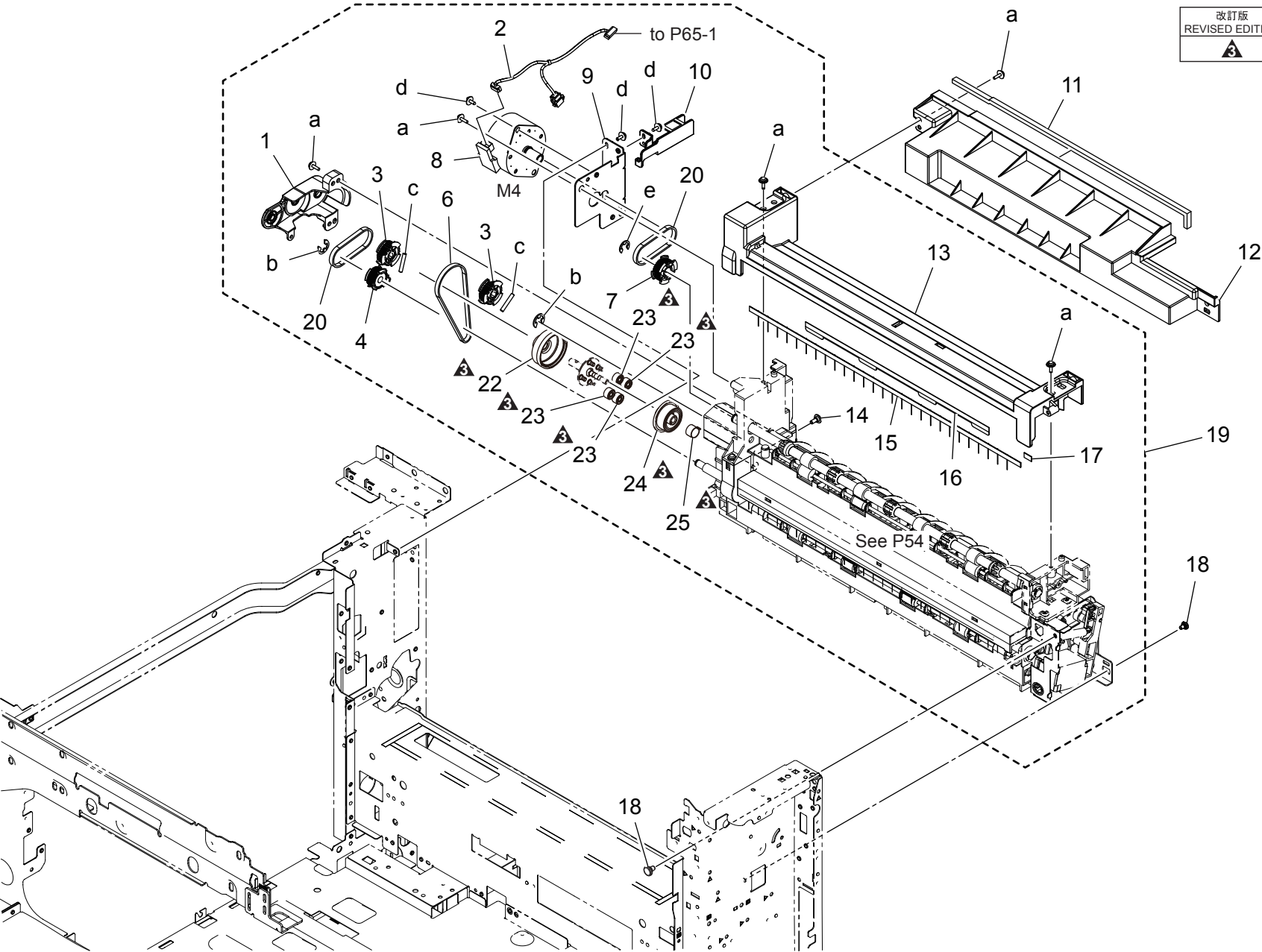
FM4, FM7, Fusing unit : P65

bizhub C658

Key	Part No.	Description	Destinations	Class	QTY	Standard parts
1	A2XK130601	Wiring Guide		D	1	a-V116030803 b-V116030603 c-V116030803 d-V116033503 e-V116041003
2	A79J140200	Duct		D	1	
3	4556M10000	Fan Motor		B	1	
4	A79J140100	Duct		D	1	
5	A79J103201	Cushion		C	2	
6	A79J103301	Cushion		C	2	
7	A79J754700	Cushion		C	2	
8	A79J754600	Cushion		C	1	
9	A79J102700	Seal		C	1	
10	A79J754400	Cushion		C	3	
11	A79J754500	Cushion		C	1	
12	A79J138300	Sheet		D	2	
13	A796M50000	Temp. transfer		I	2	
14	A2XK138200	Protection Plate		D	2	
15	A2XK138100	Holder		D	2	
16	A79J754100	Cushion		C	2	
17	A79J754000	Cushion		C	2	
18	A2XK754200	Shoulder screw		C	2	
19	A79JM40C00	Fixing Coil/100V-120V	A,A1,B,G2,H	I	1	
19	A79JM40D00	Fixing Coil/230V	C,D1,D3,E,F2,G1,I,K J	I	1	
20	A79J754200	Cushion		C	2	
21	A79J754300	Cushion		C	2	
22	A79JR71000	Fusing Unit		B	1	
23	A79J123102	Mounting Plate		D	1	
24	A79J144700	Cushion		C	1	
25	A79J144500	Cushion		C	1	
26	A79J144400	Cushion		C	1	
27	9313130051	FAN MOTOR		B	1	
28	A79J144102	Duct (IH 冷却)		D	1	
29	A79J144600	Cushion		C	1	
30	A79J144201	Duct		D	1	
31	A79J144301	Mounting Plate		D	1	
32	A2XK130801	Mounting Plate		D	1	
33	A2XKN10700	Temperature Relay harness		D	2	
34	A79J816600	Sound shield Seal /2		C	1	


Paper Exit /Reverse Section

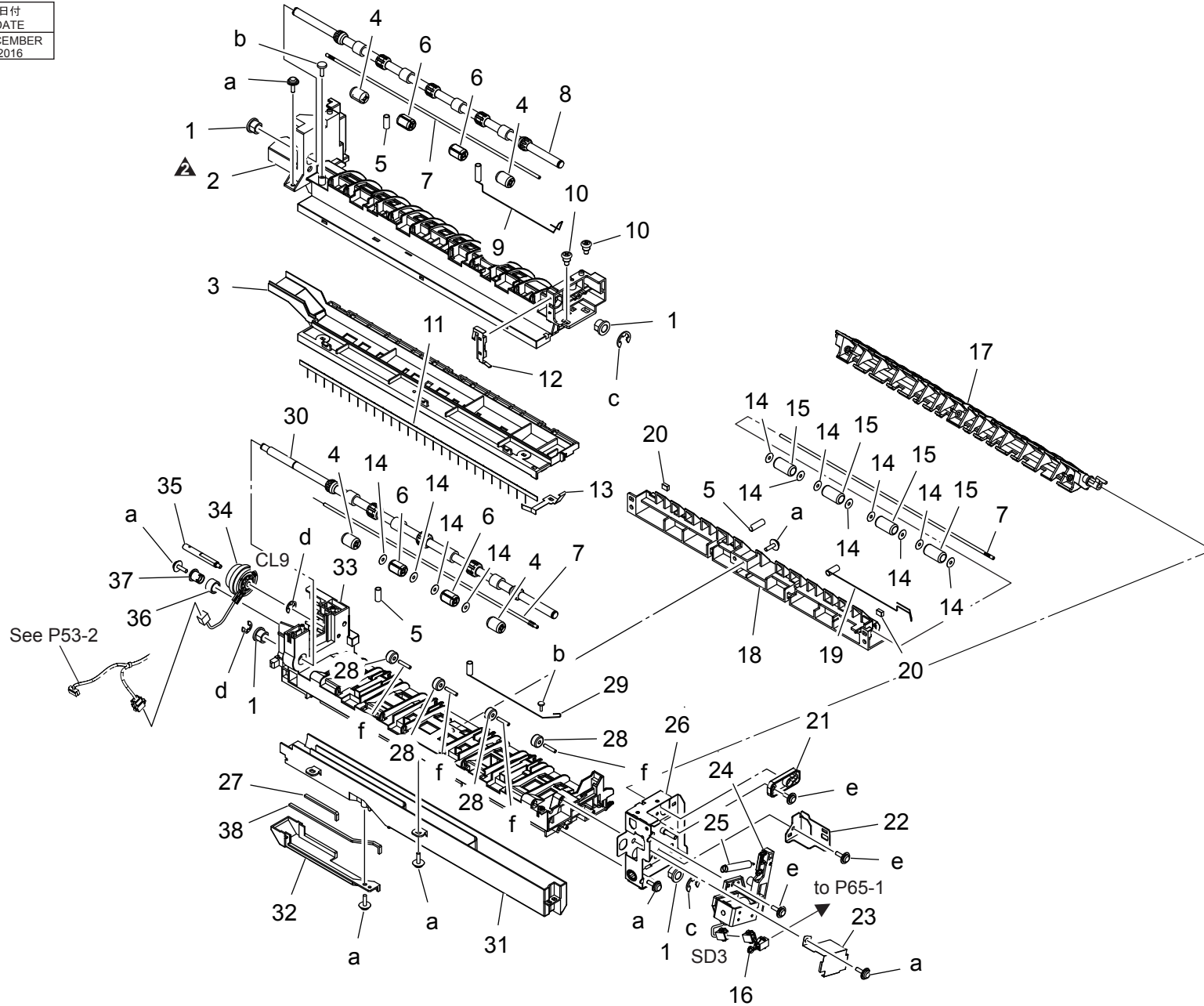
改訂版 REVISED EDITION	日付 DATE
	JANUARY 2017



Key	Part No.	Description	Destinations	Class	QTY	Standard parts
1	A79J897600Old	Holder	ホルダ	D	1	a-V153030803 b-V217040001 c-V234201250 d-V116030803 e-V217060001
1	A79J897611	Holder	ホルダ	D	1	
2	A79JN10400	Drive Relay harness /1	駆動中継束線 /1	D	1	
3	A79J897401	Pulley 28T	プーリ 28 T	C	2	
4	A79J891300	Pulley 28T	プーリ 28 T	C	1	
6	A79J898400	Timing Belt 216L	タイミングベルト 216 L	C	1	
7	A79J895800	Pulley 33T	プーリ 33 T	C	1	
8	A7PUM10400	Stepping motor	ステッピングモータ	C	1	
9	A79J893200	Mounting Plate	取付板	D	1	
10	A79J894000	Guide	ガイド	D	1	
11	A79J896600	Cushion	クッション	C	1	
12	A79J896500	Guide	ガイド	D	1	
13	A79J895700	Paper exit Cover	排紙カバー	D	1	
14	A00J169300	Shoulder screw	段ねじ	C	1	
15	A161894000	Neutralizing Brush	除電ブラシ	C	1	
16	A161894100	Sheet	シート (除電ブラシ)	D	1	
17	A64J891500	Sheet	シート	D	1	
18	A0P0742300	Shoulder screw	段ねじ	C	2	
19	A79JR72533	Paper Exit Assy	排紙 A s s y	S	1	
20	A79J898300	Timing belt 116L	タイミングベルト 116 L	C	2	
22	A79J897100	Gear 56T	ギア 56 T	C	1	
23	A79J897200	Gear 16T	ギア 16 T	C	4	
24	A79J897000	Gear 24T/20T	ギア 24 T / 20 T	C	1	
25	A79J898500	Spring	ばね	C	1	

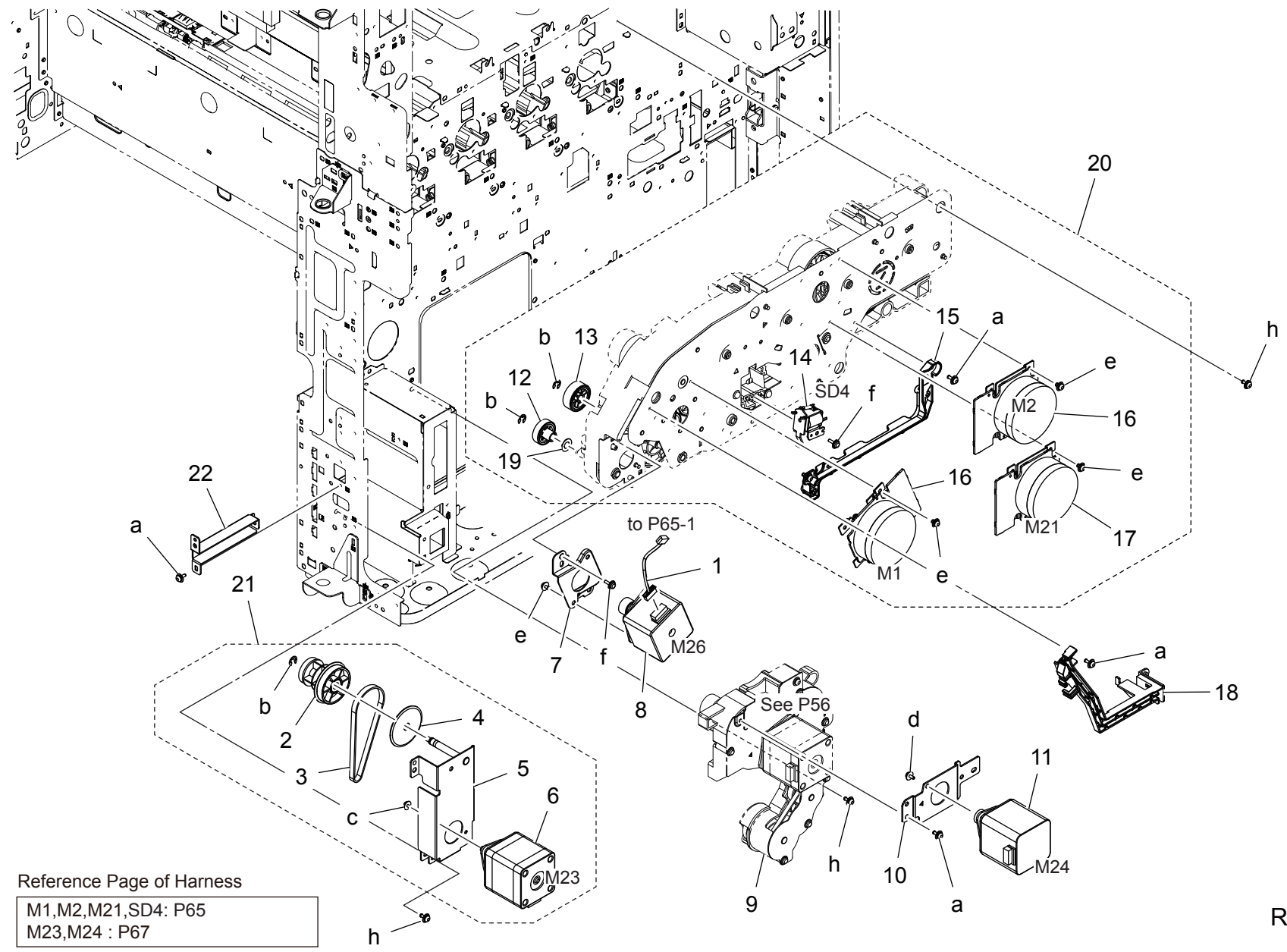
Paper Exit /Reverse Section

改訂版 REVISED EDITION	日付 DATE
	DECEMBER 2016



Key	Part No.	Description	Destinations	Class	QTY	Standard parts
1	A0ED891100	Bushing		D	4	a-V153030803 b-V149030803 c-V217060001 d-V217040001 e-V137030803 f-V234301650
2	A79J895602	Paper exit Guide /Upper		D	1	
3	A79J895200	Paper exit Guide /Lower		D	1	
4	4004590301	ROLL		C	4	
5	A161892400	Spring		C	3	
6	A64J891100	Roll		D	4	
7	4025598401	SHAFT		D	3	
8	A79J895400	Roller		C	1	
9	A161900201	Ground Spring		C	1	
10	1164202801	SHOULDER SCREW		D	2	
11	A161894000	Neutralizing Brush		C	1	
12	A161895502	Ground Contact /Upper		D	1	
13	A161895600	Ground Contact /Lower		D	1	
14	A64J891200	Washer		D	12	
15	A2X0901100	Roll		C	4	
16	A79JN10Q00	Relay Wiring /5		D	1	
17	A5C1890401	Guide Lever		D	1	
18	A161890205	Guide Part /Lower		D	1	
19	A161900300	Ground Spring		C	1	
20	A161893601	Cushion		D	2	
21	A161891000	Bushing		D	1	
22	A161892300	Mounting Plate		D	1	
23	A7PU890700	Cover		D	1	
24	A79JR72400	Solenoid Assy		C	1	
25	A79J892000	Pulling Coil spring		C	1	
26	A161F89003	Caulking(Mounting Plate)		D	1	
27	A79J893700	Cushion		C	1	
28	A0ED897700	Collar		C	4	
29	A161900100	Ground Spring		C	1	
30	A79J890300Old	Roller		C	1	
30	A79J890311	Roller		C	1	
31	A79J893500	Duct		D	1	
32	A79J894500	Duct		D	1	
33	A79J890201	Paper exit Main body		D	1	
34	A64JM20000	Clutch		C	1	
35	A79J898200Old	Shaft		D	1	
35	A79J898211	Shaft		D	1	
36	A79J897501	Roll		C	1	
37	A79J897800	Collar		C	1	
38	A79J893800	Cushion		C	1	

Main Drive/ Paper Feed Drive Section



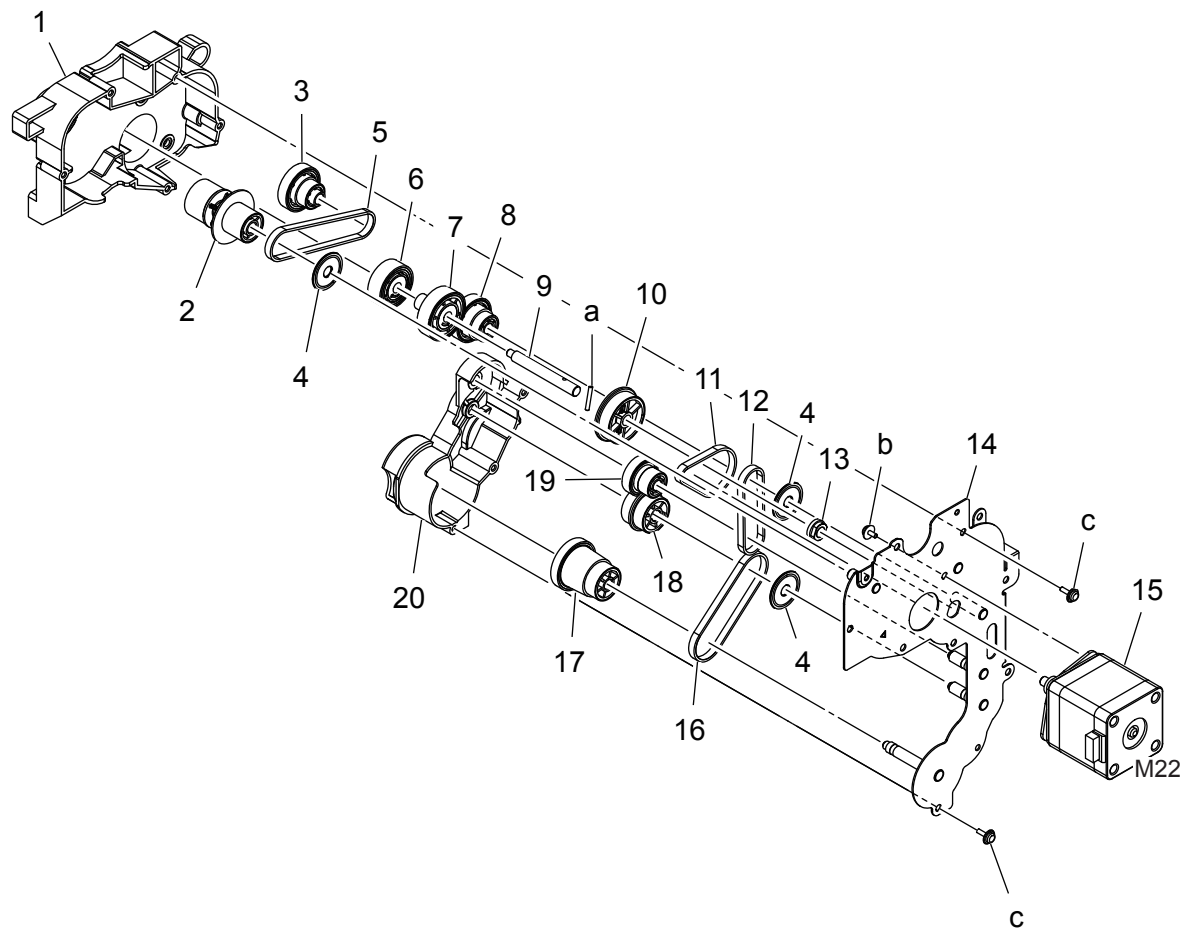
Reference Page of Harness

M1,M2,M21,SD4: P65
 M23,M24 : P67


 REAR SIDE

bizhub C658

Main Drive/ Paper Feed Drive Section



Reference Page of Harness

M22 : P67

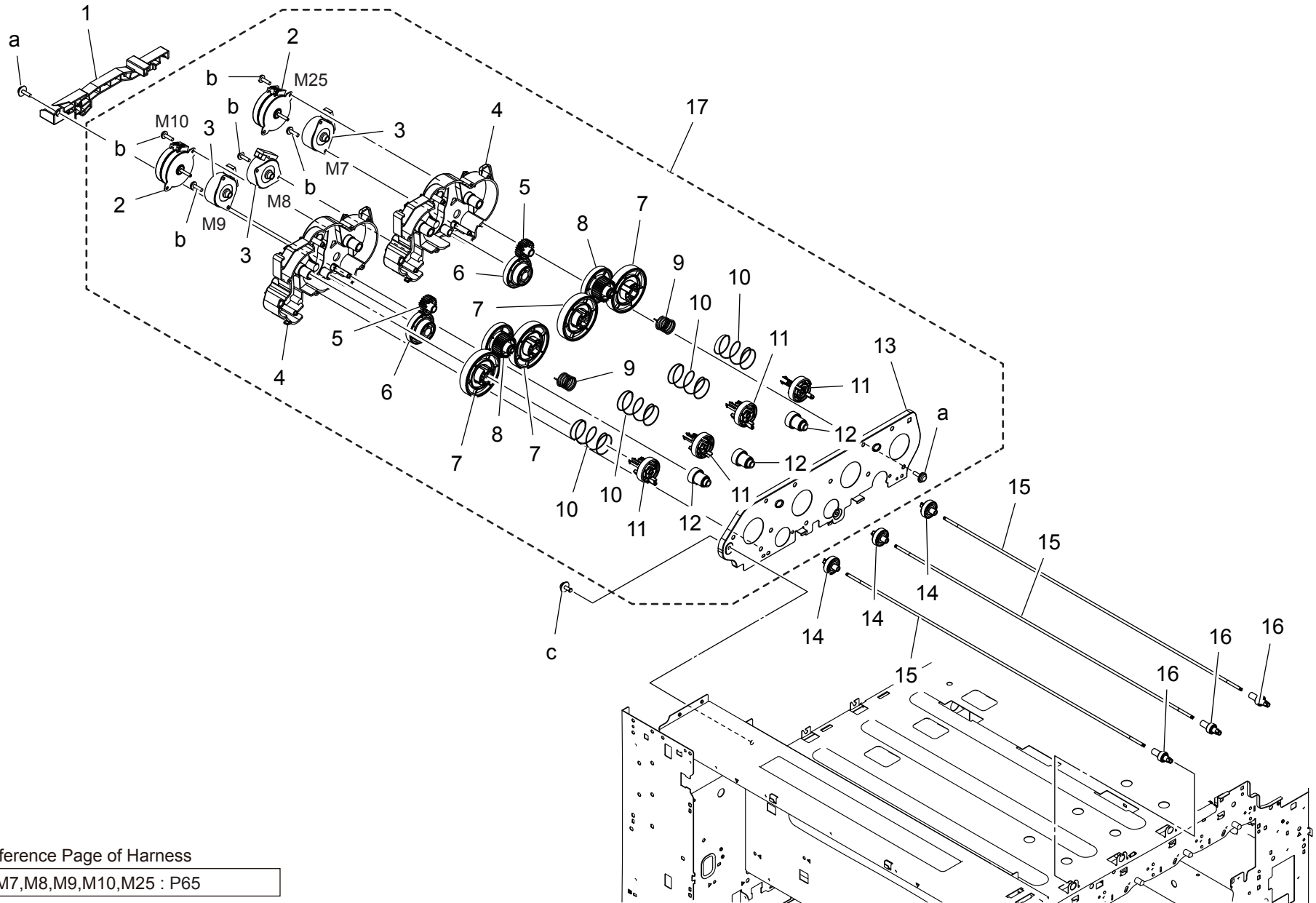

REAR SIDE

bizhub C658

Main Drive/ Paper Feed Drive Section

Key	Part No.	Description	Destinations	Class	QTY	Standard parts
1	A79J220900	Holder		C	1	a-V234201450 b-V127030604 c-V153031004
2	A79J259800	Gear 19T		C	1	
3	A79J253300	Gear 29T		C	1	
4	A79J897300	Collar		C	3	
5	A79J226600	Timing belt 180L		C	1	
6	A79J226200	Gear 23T		C	1	
7	A79J226301	Gear 32T		C	1	
8	A79J226400	Gear 30T		C	1	
9	A79J223100	Shaft		D	1	
10	A79J220000	Pulley 44T		C	1	
11	A79J226500	Timing belt 112L		C	1	
12	A79J226700	Timing belt 126L		C	1	
13	A161210200	Bushing		D	1	
14	A79J221200	Frame /ASSY		D	1	
15	A61DM10000	HB Stepping motor		C	1	
16	A79J226800	Timing belt 156L		C	1	
17	A79J220700	Gear 28T		C	1	
18	A79J253000	Pulley 24T		C	1	
19	A79J222500	Pulley 24T		C	1	
20	A79J220800	Holder		C	1	

Toner Supply Drive Section



Reference Page of Harness

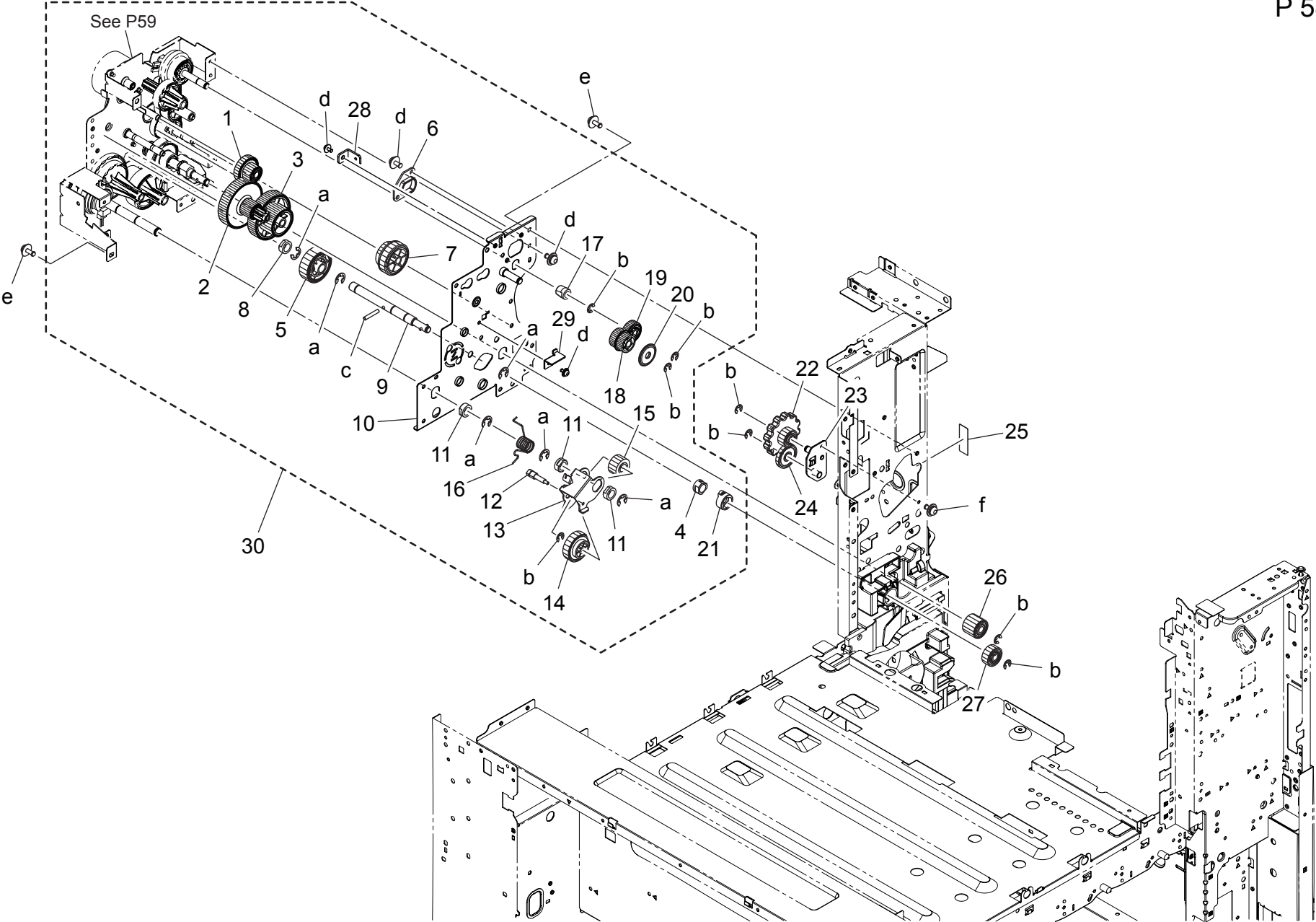
M7,M8,M9,M10,M25 : P65

bizhub C658

Key	Part No.	Description	Destinations	Class	QTY	Standard parts
1	A79J241601	Guide		D	1	a-V153030803 b-V145030803 c-V116030803
2	A7PUM10600	Stepping motor		C	2	
3	A7PUM10700	Stepping motor		C	3	
4	A79J240100	Holder		D	2	
5	A79J240500	Gear 25T		C	2	
6	A79J240300	Gear 91T/28T		C	2	
7	A161240600	Gear 65T		D	4	
8	A79J240400	Gear 52T/29T		C	2	
9	A79J241700	Spring		C	2	
10	4038541202	PRESSURE SPRING		C	4	
11	A161240700	Joint		C	4	
12	A161240900	Gear 20/42T		D	3	
13	A79J241500	Mounting Plate		D	1	
14	A161241000	Gear 31T		C	3	
15	A161241200	Shaft		D	3	
16	A161241400	Gear 17T		C	3	
17	A79JR71500	TB Drive Assy		S	1	



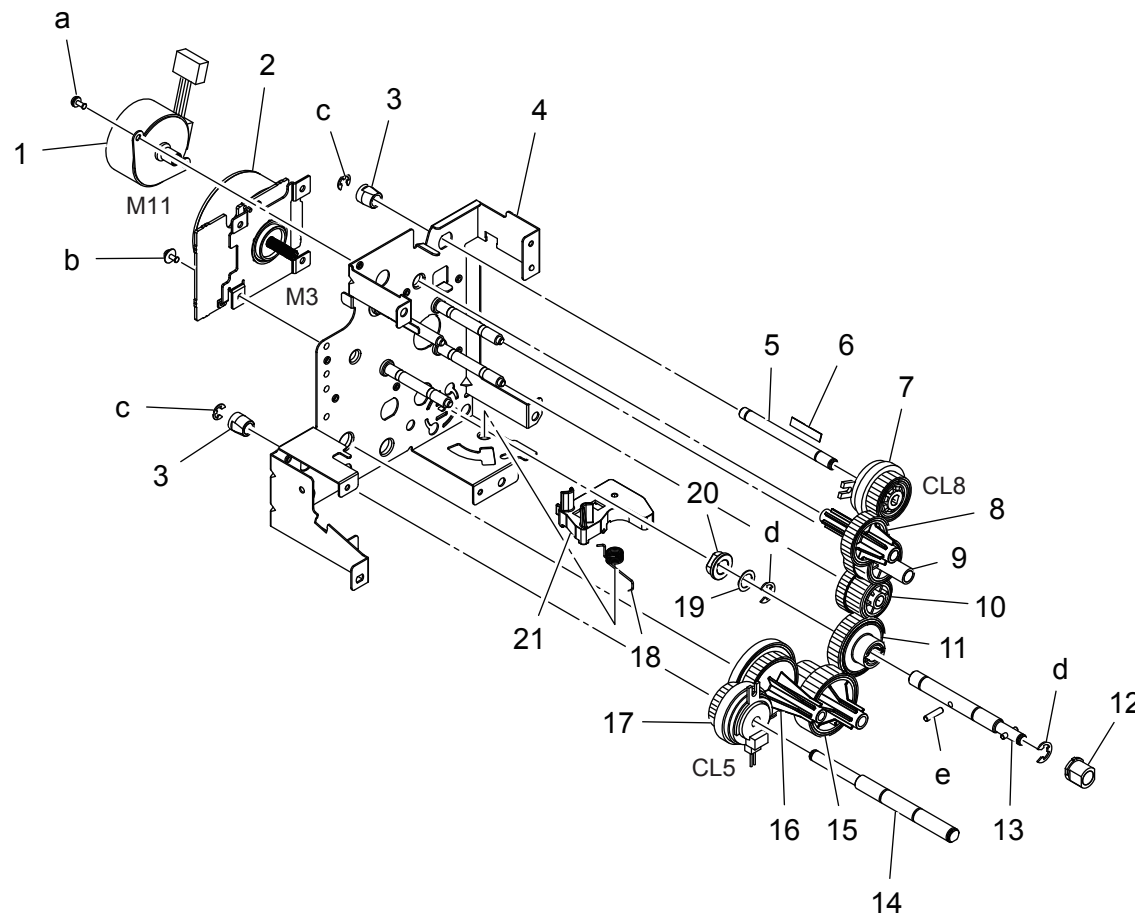
Fusing Drive Section



bizhub C658

Fusing Drive Section

Key	Part No.	Description	Destinations	Class	QTY	Standard parts	
1	A2XK254200	Gear 18/62T		D	1	a-V217060001 b-V217040001 c-V234301850 d-V116030603 e-V125030818 f-V116030803	
2	A161254300	Gear 18/57T		D	1		
3	A79J254400	Gear 55T/33T		C	1		
4	A161254700	Bushing		D	1		
5	A161254500	Gear 38T		D	1		
6	A161232200	Bushing		D	1		
7	A2XK228800	Gear 22/22T		D	1		
8	A03U812800	Slide Shaft Holder		B	1		
9	A161256300	Shaft		D	1		
10	A79J231001	Frame /ASSY		D	1		
11	A0ED259700	Bushing		C	3		
12	A161259400	Shaft		D	1		
13	A161258800	Mounting Plate		D	1		
14	A0ED257500	Gear 26T		C	1		
15	4038258001	GEAR 16T		C	1		
16	A161232501	Torsion Coil spring		D	1		
17	A161232300	Bushing		D	1		
18	A79J231300	Gear 16T		C	1		
19	A161230700	Gear 18T		C	1		
20	A79J897300	Collar		C	1		
21	A161232401	Collar		D	1		
22	A161122002	Gear 12T		D	1		
23	A79J122400	Mounting Plate		D	1		
24	A161121900	Gear 17T		D	1		
25	A161941100	Label M4		D	1		
26	A161228701	Gear 16T		C	1		
27	A161254600	Gear		C	1		
28	A79J231100	Mounting Plate		D	1		
29	A79J120900	Stopper		D	1		
30	A79JR71600	Fusing Drive Assy		S	1		

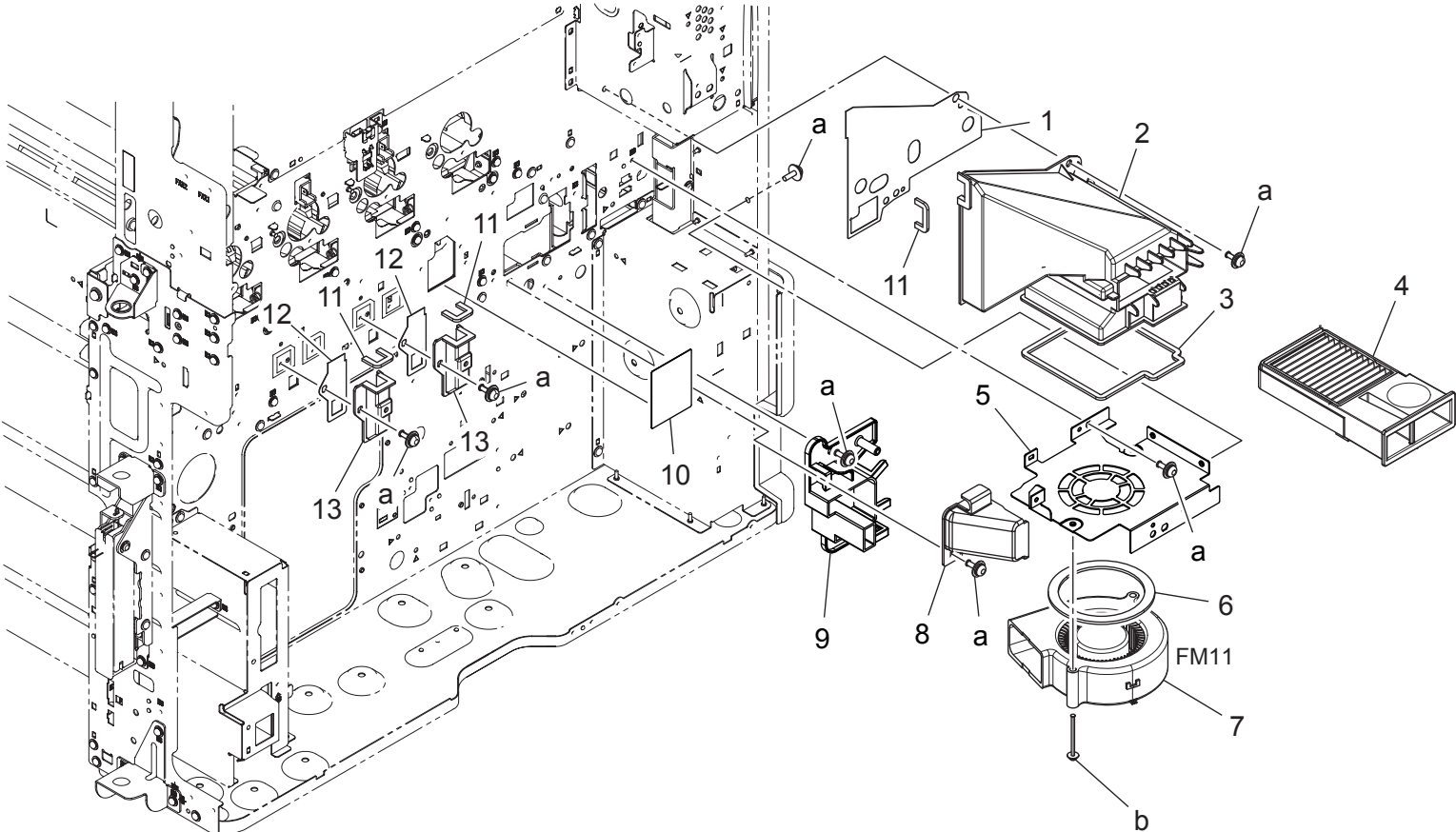


Reference Page of Harness

M3,M11,CL5,CL8 : P65

Key	Part No.	Description	Destinations	Class	QTY	Standard parts
1	A161M10300	Stepping motor		C	1	a-V115030603 b-V116030603 c-V217040001 d-V217060001 e-V234301250
2	A79JM10300	DC Brushless motor /30		I	1	
3	A161232300	Bushing		D	2	
4	A79J255600	Frame /ASSY		D	1	
5	A64J231801	Shaft		D	1	
6	A64J231901	Spacer		D	1	
7	A64JM20000	Clutch		C	1	
8	A161230600	Gear 27T		D	1	
9	A64J230500	Gear 24/52T		C	1	
10	A64J228000	Gear 22/50T		C	1	
11	A161228100	Gear 33T		D	1	
12	A161702200	Bushing		C	1	
13	A161228312	Shaft		D	1	
14	A161258700	Shaft		D	1	
15	A161259100	Gear 26/35T		D	1	
16	A161259200	Gear 35/45T		D	1	
17	A161M20100	Clutch		C	1	
18	A161258501	Torsion Coil spring		D	1	
19	A1RF505400	Slide Spacer		D	1	
20	A03U812800	Slide Shaft Holder		B	1	
21	A161228601	Lever		D	1	

Toner Suction Fan Section



Reference Page of Harness

FM11 : P67



REAR SIDE

bizhub C658

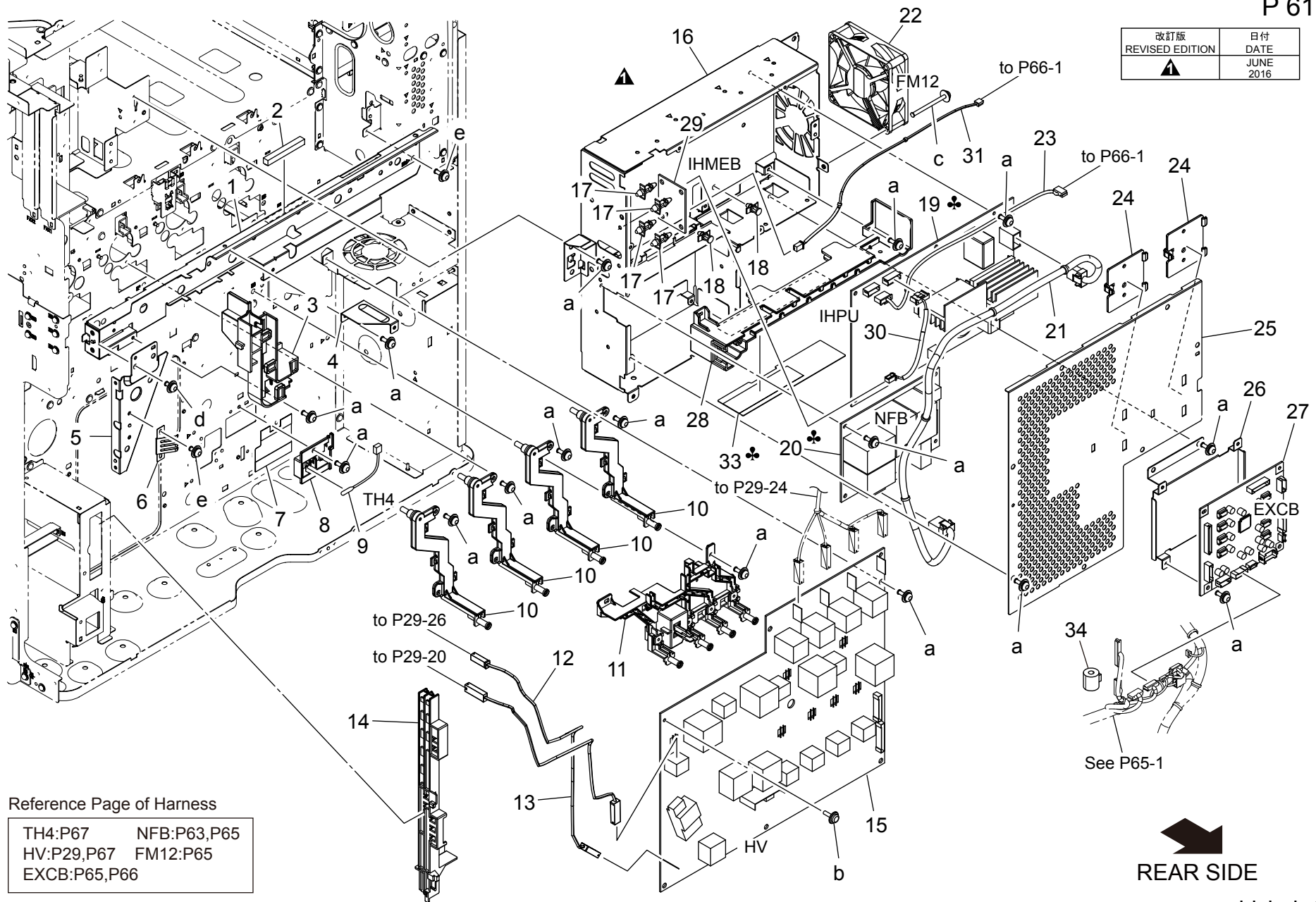
Toner Suction Fan Section

Key	Part No.	Description	Destinations	Class	QTY	Standard parts
1	A161146900	Seal /4		D	1	a-V116030803 b-V116033503
2	A161147500	Duct /1		D	1	
3	A161143500	Seal /1		D	1	
4	A161R72811	Toner Filter Assy		A	1	
5	A5C1142001	Mounting Plate		D	1	
6	A02E117300	Seal		C	1	
7	9313100072	FAN MOTOR		C	1	
8	A161141500	Duct /2		D	1	
9	A7PU141800	Holder		D	1	
10	A79J146400	Seal		C	1	
11	A161146600	Seal /3		D	3	
12	A161146500	Seal		D	2	
13	A161147600	Duct		D	2	

High Voltage Section

P 61

改訂版 REVISED EDITION	日付 DATE
▲	JUNE 2016



Reference Page of Harness

TH4:P67	NFB:P63,P65
HV:P29,P67	FM12:P65
EXCB:P65,P66	

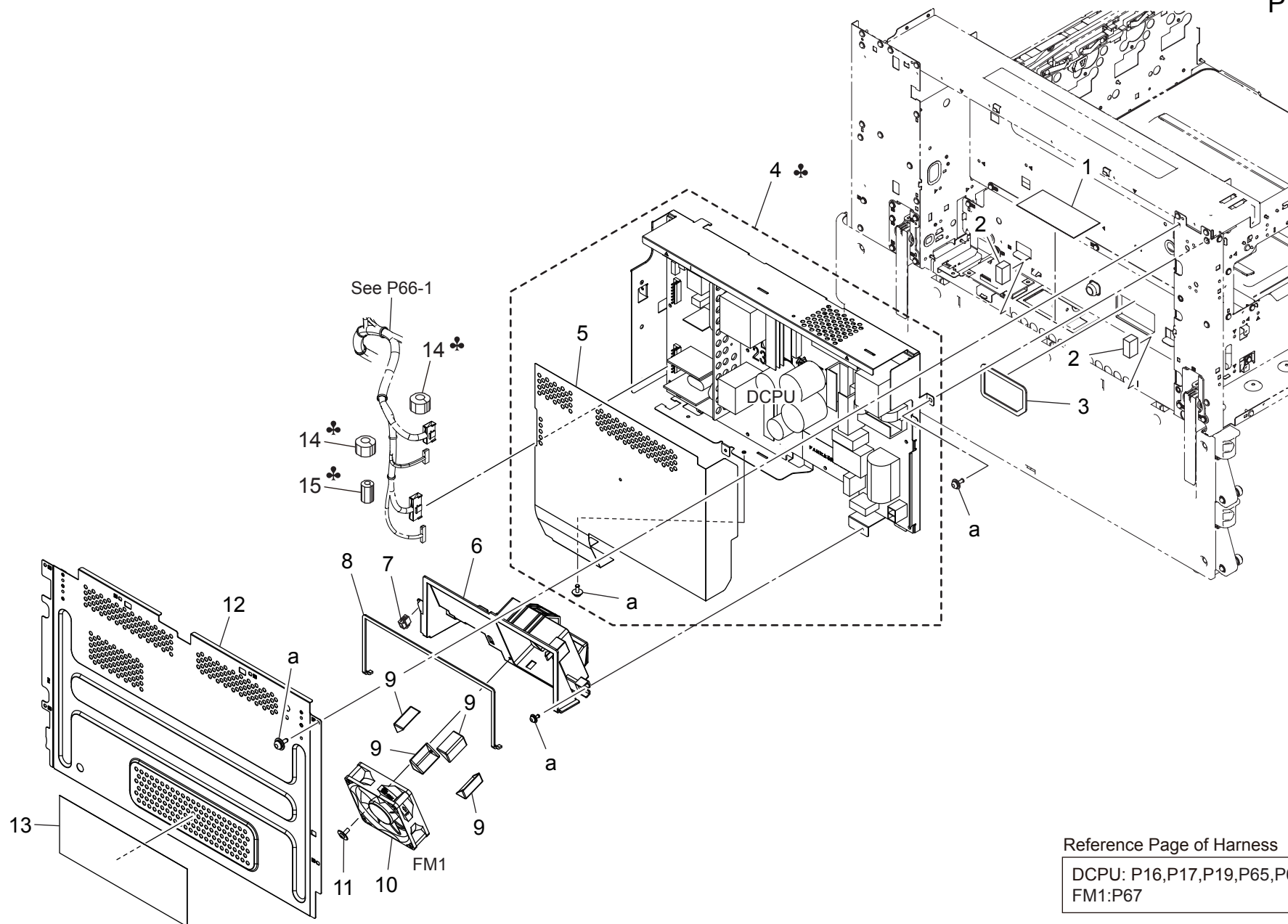
REAR SIDE

bizhub C658

Key	Part No.	Description	Destinations	Class	QTY	Standard parts
1	A79J132500	Mounting Plate		D	1	a-V116030803 b-V153030804 c-V116033003 d-V116030603 e-V125030818
2	A79JM90300	Cushion		C	1	
3	A79J133001	Guide		D	1	
4	A79J132600	Mounting Plate		D	1	
5	A161132801	Reinforce Plate		D	1	
6	A79J136100	Plate spring		D	1	
7	A79J138400	Sheet		C	1	
8	A161137701	Holder		D	1	
9	A0P0M50300	Thermistor		C	1	
10	A7PUR71900	HV Contact Assy		D	4	
11	A161R70322	DV Contact Assy		D	1	
12	A161N11300	Transfer Wiring /2		D	1	
13	A161N11K00	Neutralizing Wiring		D	1	
14	A5C1134800	Guide		D	1	
15	A79JM40600	High voltage unit		I	1	
16	A64J130101	Shield Case		D	1	
17	V502010046	PCB Support		D	4	
18	V502010036	spacer		D	2	
19	A795M40B00	Power source /230V	電源 / 230V (IH 電源)	I	1	
19	A8KNM40A01	Power source /100V	電源 / 100V (IH 電源)	I	1	
20	A795M40J00	Noise filter /100V	ノイズフィルタ / 100V	C	1	
20	A79JM40H00	Noise filter /230V	ノイズフィルタ / 230V	C	1	
21	A79JN10P00	Power source Wiring	電源束線	D	1	
22	4139M10000	Fan motor	ファンモーター	B	1	
23	A2XKN10K00	Fixing Relay harness	定着中継束線	D	1	
24	A2X0145911	Cover	カバー (IH Box)	D	2	
25	A79J130200	Shield Plate	シールド板	D	1	
26	A79J131700	Mounting Plate	取付板	D	1	
27	A79JH00500	PWB Assembly(EXCB ASSY)	基板 ASSY (EXCB ASSY)	I	1	
28	A64J130500	Guide	ガイド (IH 電源 中)	D	1	
29	A796H00W00	PWB Assembly(PWB-CR ASSY)	基板 ASSY (PWB-CR ASSY)	I	1	
30	A64JN10800	Fixing Control harness	定着制御束線	D	1	
31	A79JN10H00	Relay Wiring /4	中継束線 / 4	D	1	
33	A79J134900	Insulating Sheet	絶縁シート (IH)	C	1	
34	A3GNM71C00	Ferrite core	フェライトコア	D	1	

Low Voltage Section

P 62



Reference Page of Harness

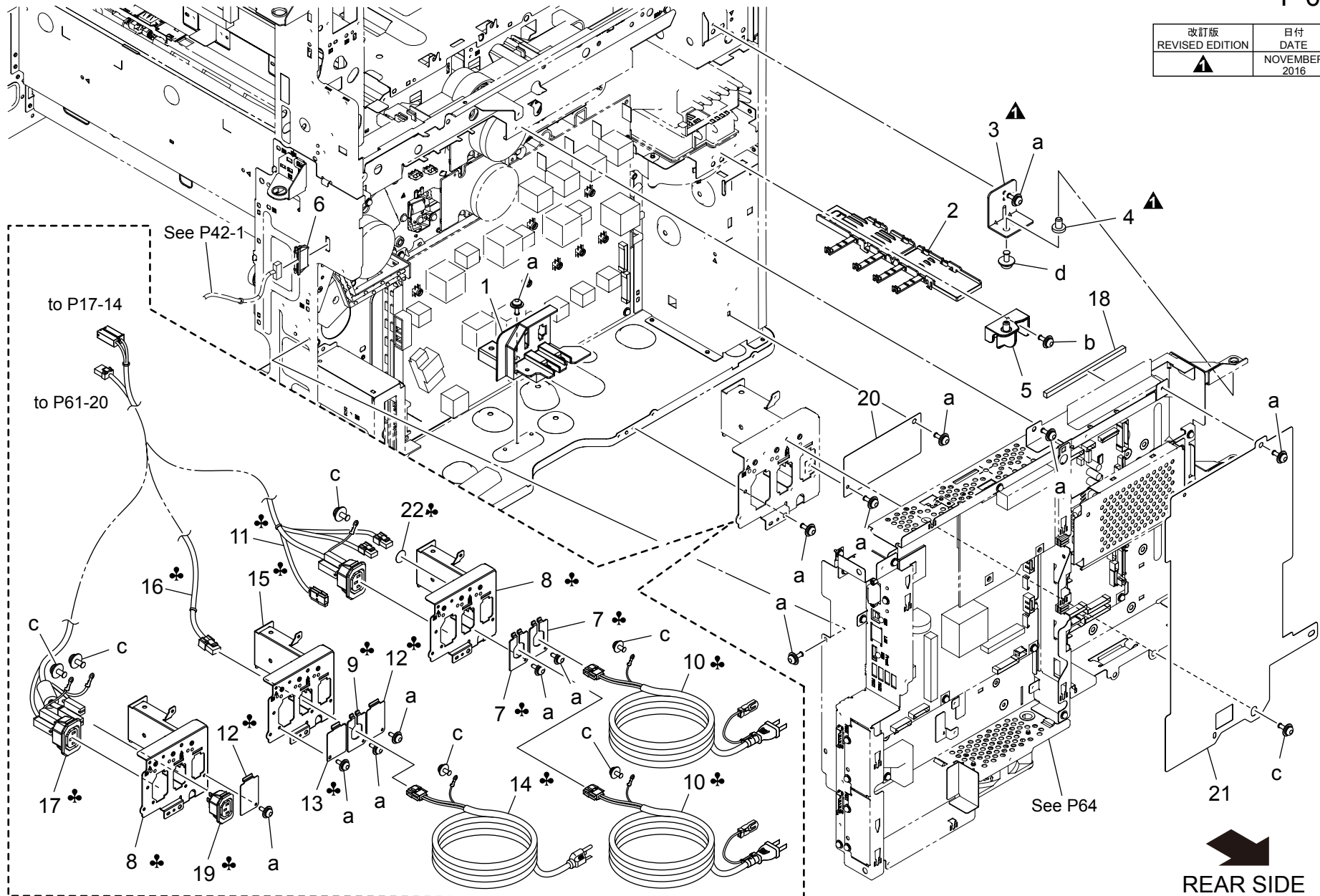
DCPU: P16,P17,P19,P65,P66
FM1:P67

bizhub C658

Key	Part No.	Description	Destinations	Class	QTY	Standard parts
1	A161145000	Filter		C	1	a-V116030803
2	A161144500	Seal /3		C	2	
3	A161143601	Seal /3		D	1	
4	A79JR70100	Power supply Assy /230V	低圧電源 A s s y / 2 3 0 V	I	1	
4	A79JR70000	Power supply Assy /100V	低圧電源 A s s y / 1 0 0 V	I	1	
4	A79JR72900	Power Supply Assy/110V	低圧電源 A s s y / 1 1 0 V	I	1	
5	A5AY131100	Sheet	シート	D	1	
6	A79J140801	Cooling Duct	冷却ダクト	D	1	
7	V651010002	connector	W t o W コネクタ	D	1	
8	A161143400	Seal /1	シール / 1 (L V ・ P H)	D	1	
9	A79J140900	Vibrationproof Rubber	防振ゴム	D	4	
10	4139M10000	Fan motor	ファンモーター	B	1	
11	4163529301	SCREW	ねじ	C	1	
12	A79J100600	Cover	カバー	D	1	
13	A7PU101500	Filter	フィルタ	C	1	
14	A3EWM90500	Ferritecore	フェライトコア	D	2	
15	A5C1M92100	Ferritecore	フェライトコア	D	1	

Electrical Components Section

改訂版 REVISED EDITION	日付 DATE
▲	NOVEMBER 2016



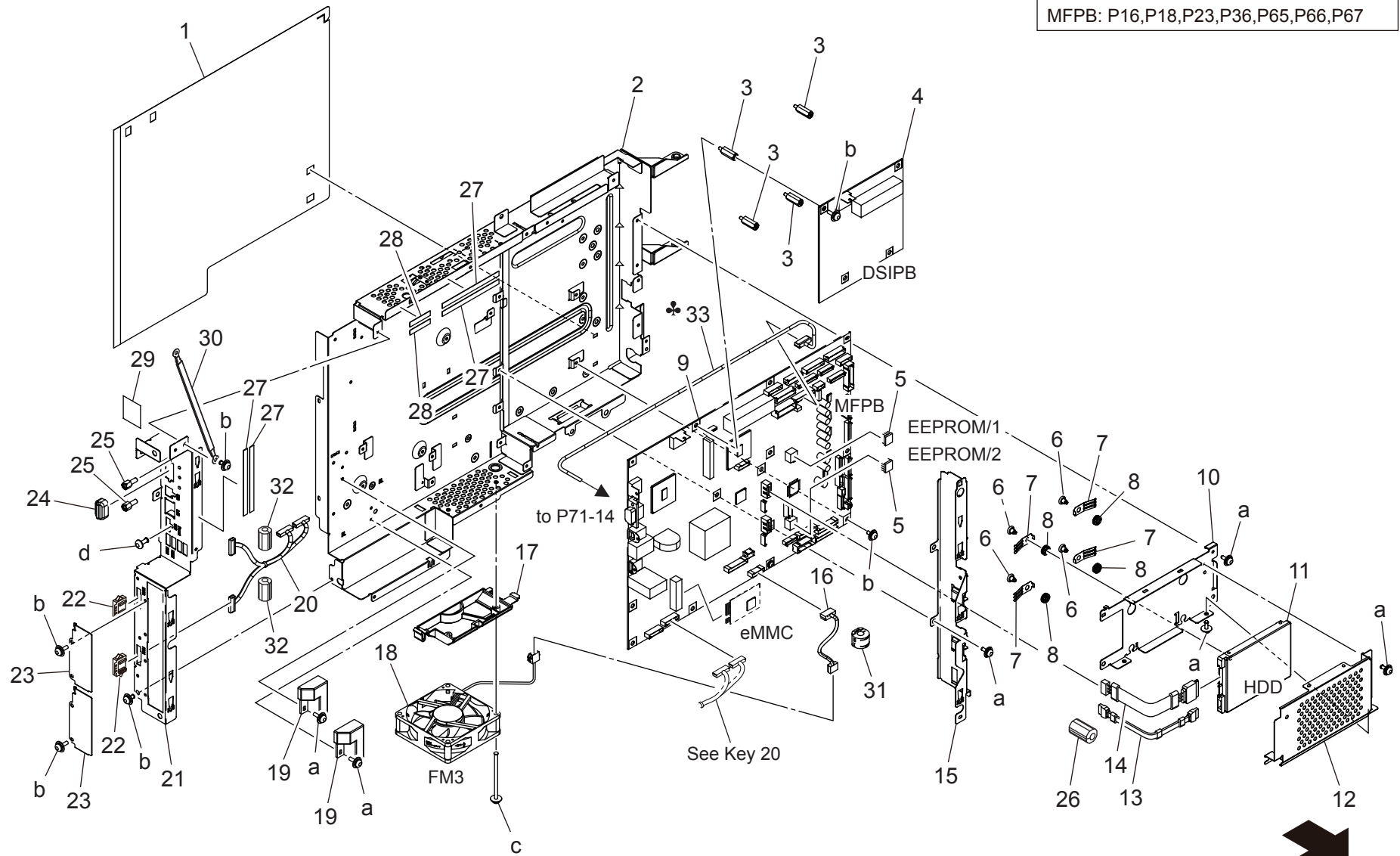

REAR SIDE
 bizhub C658

Key	Part No.	Description	Destinations	Class	QTY	Standard parts
1	A161131401	Holder		D	1	a-V116030803 b-V116030804 c-V116040803 d-V116040604
2	A5C1137800	Holder		D	1	
3	A7PU130800Old	Support Shaft		D	1	
3	A7PU130811	Support Shaft		D	1	
4	A7PU133200Old	Shaft		D	1	
4	A7PU133211	Shaft		D	1	
5	A5C1130800	Support Shaft		C	1	
6	V651010045	WtoW Connector		D	1	
7	A0ED135700	Mounting Plate	A,A1,H	D	2	
8	A79J133100	Mounting Plate	A,A1,C,D1,D3,E,F2,G 1,I,K,J	D	1	
9	A0ED135700	Mounting Plate	B,G2	D	1	
10	A0EDN30002	Power source Cord /100V	A,A1	D	2	
11	A79JN10A01	AC Wiring /100V	A,A1	D	1	
12	A79J136000	Mounting Plate	B,G2,C,D1,D3,E,F2,G 1,I,K,J	D	1	
13	A79J139000	Cover	B,G2,H	D	1	
14	A0P0N30000	Power source Cord /120V	B,G2	D	1	
14	A00JN30200	Power code	H	C	1	
15	A79J133200	Mounting Plate	B,G2,H	D	1	
16	A79JN10M01	AC Wiring /120V	B,G2	D	1	
16	A79JN10K00	AC Wiring	H	D	1	
17	A79JN10N00	AC Wiring /230V	A,C東線 / 230 V	D	1	
18	A79JM90200	Cushion	C,D1,D3,E,F2,G1,I,K ,J	C	1	
19	A02EN12513	Power supply Wiring	C,D1,D3,E,F2,G1,I,K ,J	D	1	
20	A79J139600	Sheet		C	1	
21	A79J139700	Sheet		D	1	
22	9J06730101	LABEL	ラベル	D	1	

Electrical Components Section

Reference Page of Harness

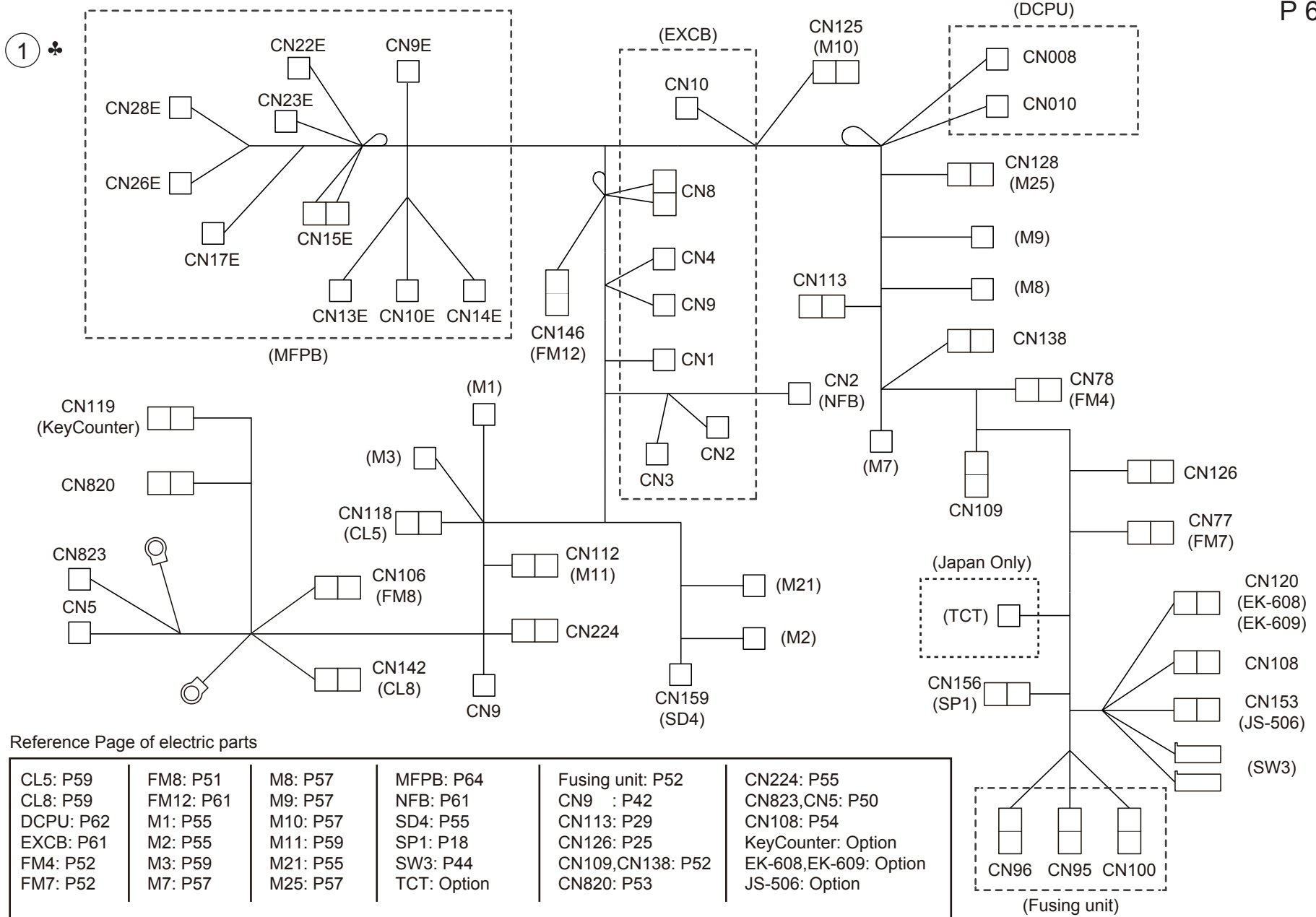
MFPB: P16,P18,P23,P36,P65,P66,P67



REAR SIDE

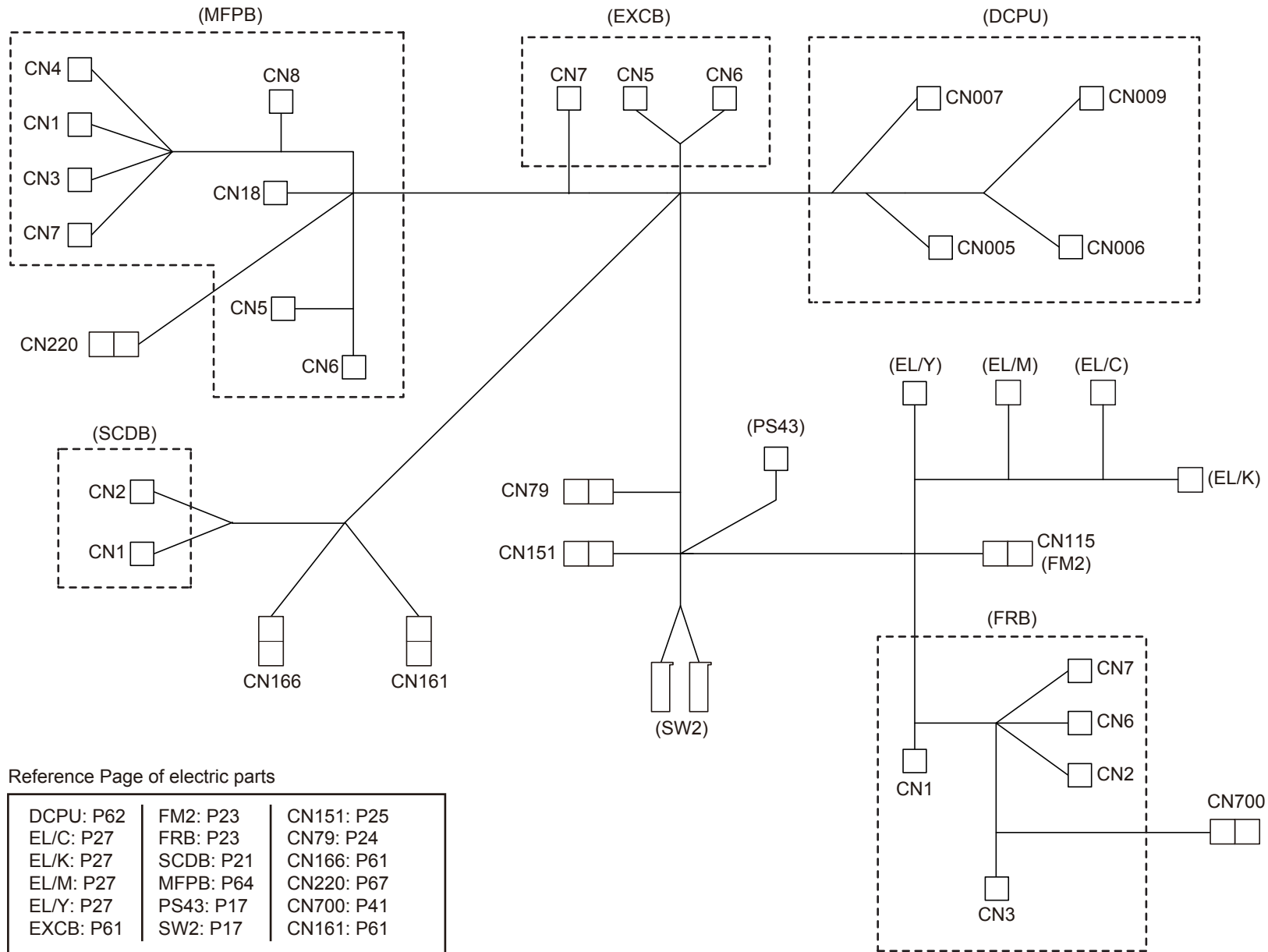
bizhub C658

Key	Part No.	Description	Destinations	Class	QTY	Standard parts
1	A79J134500	Sheet		D	1	a-V116030803 b-V116030603 c-V116034003 d-V111030603
2	A79J131901	Mounting Plate		D	1	
3	A4MG130900	Shoulder screw		D	4	
4	A79JH02A01	PWB Assembly(PWB-DS)		I	1	
5	V864800107	EEPROM (2 pieces)		D	2	
6	A79J134200	Shoulder screw		C	4	
7	A7PU134800	Ground Plate spring		D	4	
8	A4EU138000	Support Rubber		D	4	
9	A79JH02102	PWB Assembly (PWB-MFP)		I	1	
10	A79J130900	Mounting Plate		D	1	
11	A2X0M72C00	HDD		I	1	
12	A7PU134700	Cover		D	1	
13	A79JN15100	Interface Cable		C	1	
14	A161N15J00	Power source Cable		C	1	
15	A79J131101	Mounting Plate		D	1	
16	A7PUN10800	Harness /Relay		D	1	
17	A7PU140100	Duct		D	1	
18	A0EDM10500	Fan motor		C	1	
19	A7PU130400	Guide		D	2	
20	A7PUN10700	Harness /Fax relay		D	1	
21	A79J131600	Mounting Plate		D	1	
22	V651010025	connector		V	2	
23	A7PU139800	Cover		D	2	
24	V503010002	Connector Cover		D	1	
25	A161137900	Screw		C	2	
26	A61FM90200	Ferritecore		D	1	
27	A79JM90600	Gasket		C	4	
28	A79JM90700	Gasket		C	2	
29	A0P0264800	Tape		D	1	
30	A1DMN13700	Grounding Wire /3		D	1	
31	A0G6M93100	Ferritecore		D	1	
32	A3EWM90300	Ferritecore		D	2	
33	A9DVN10000	Drive Wiring /2	C,I(SOUTH AFRICA)	D	1	

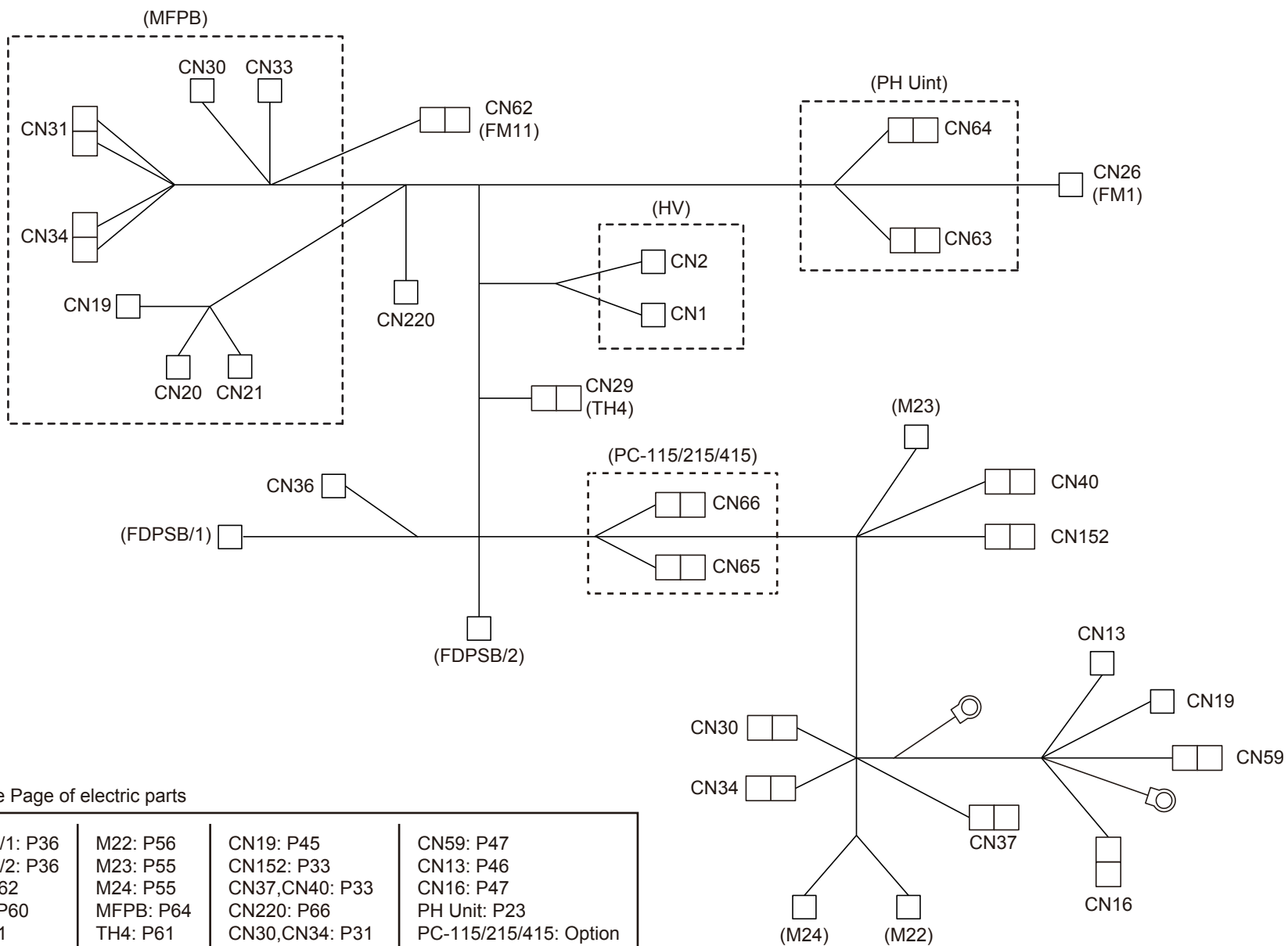


Key	Part No.	Description	Destinations	Class	QTY	Standard parts
1	A79JN10000	Main body Wiring	A,A1	D	1	
1	A79JN11000	Main body Wiring	B,G2,C,D1,D3,E,F2,G 1,I,K,H,J	D	1	

1

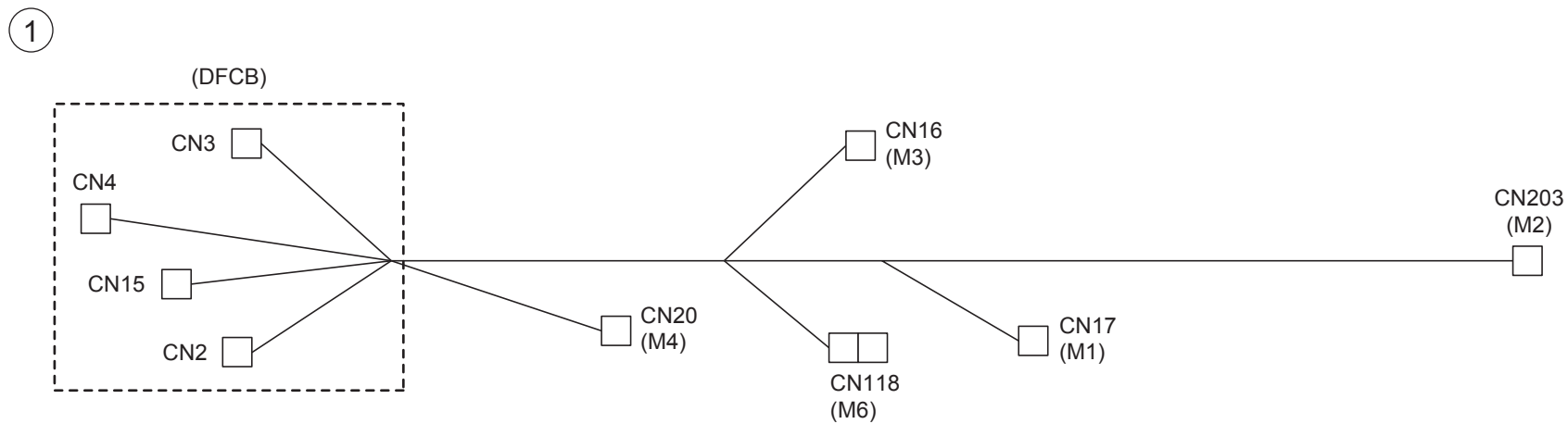


1



Reference Page of electric parts

FDPBS/1: P36	M22: P56	CN19: P45	CN59: P47
FDPBS/2: P36	M23: P55	CN152: P33	CN13: P46
FM1: P62	M24: P55	CN37,CN40: P33	CN16: P47
FM11: P60	MFPB: P64	CN220: P66	PH Unit: P23
HV: P61	TH4: P61	CN30,CN34: P31	PC-115/215/415: Option



Reference Page of electric parts

DFCB: P1	M3: P6
M1: P11	M4: P14
M2: P8	M6: P9

Key	Part No.	Description	Destinations	Class	QTY	Standard parts
1	A782N10100	ADF Wiring /2 ADF 束線 / 2		D	1	

Wiring Accessories And Jigs

P 69

1 White 5.2 11.5	6 White 3.1 6.2	11 8.5 11.2	16 14.2 11.4	21 16.5	26 	31	36
2 7.2 11.5	7 11.5 5.2	12 24.6 28.0	17 White 4.1 6.2	22 34.5 26	27 	32	37
3 15.2 18.5	8 White 5.3 11	13 28 15.9	18 31.8 18	23 7.0	28 	33	38
4 13.7 16	9 ♣ 10.7 19.8	14 20.1 15.9	19 28.0 26.2	24 	29 ♣ 12.6 8	34	39
5 5.8 7.9	10 33	15 4.0	20 φ 5.6	25 	30 φ 16.0	35	40

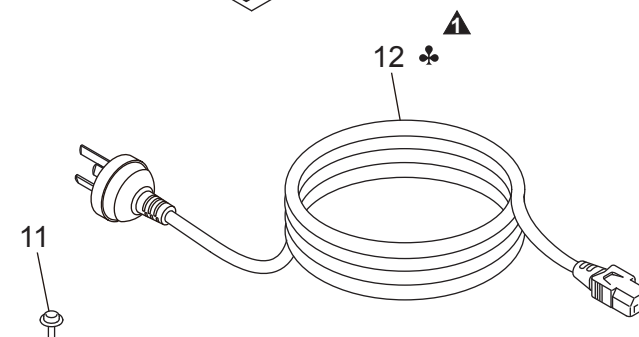
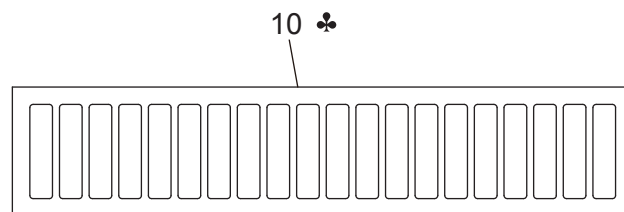
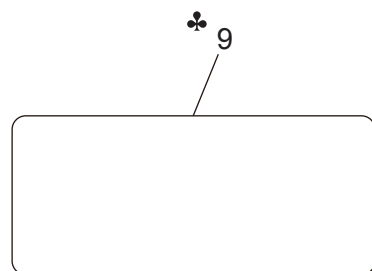
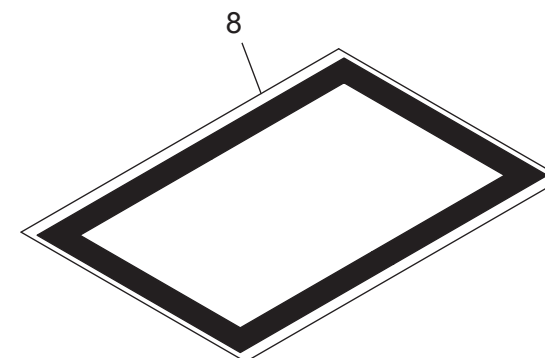
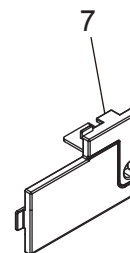
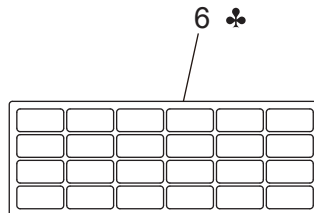
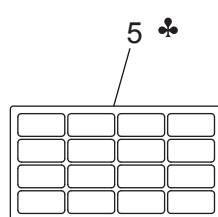
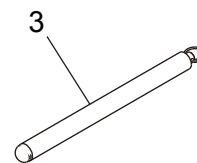
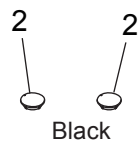
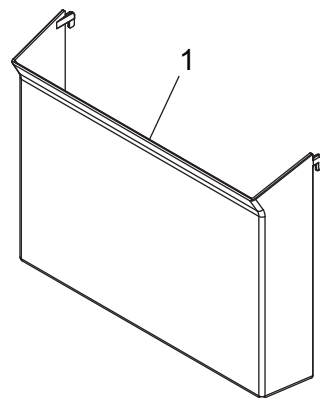
bizhub C658

Key	Part No.	Description	Destinations	Class	QTY	Standard parts
1	V500010081	Locking Wire Saddle		D		
2	V500010082	Locking Wire Saddle		D		
3	V500010083	Locking Wire Saddle		D		
4	V500010084	Locking Wire Saddle		D		
5	V500020098	Mini Locking wire saddle		D		
6	V500020099	Mini Locking wire saddle		D		
7	V500010052	SADDLE		D		
8	V500020100	Mini Locking wire saddle		D		
9	V500020052	bushing	A,A1,B,G2,D1,D3,E,F 2,G1,I(Except South Africa),K,H	D	1	
10	V500020082	Clamping for FFC		D		
11	V570010021	Saddle		D		
12	V570010057	Wing Edge Saddle		D		
13	V570010059	Wing Edge Saddle		D		
14	V570010060	Wing Edge Saddle		D		
15	V500020069	Clamp		D		
16	V570010050	Locking Edge Saddle		D		
17	V500010087	F Clamp		D		
18	V500010085	Locking Wire Saddle		D		
19	V570010058	Wing Edge Saddle		D		
20	V500020018	clamp		D		
21	V500010061	saddle		D		
22	V570010038	bushing		D		
23	V500020110	FG Clamp		D		
24	000V-18-1	Cleaning Pad (10 pcs)		A	1	
25	A5AWP00100	Cleaning Pad		S	1	
26	65AA-9920	HYDROWIPE		D	1	
27	9J06PJG100	JIG		S	1	
28	A8WC707100	Adjusting Sheet		S	1	
29	V570010065	Edge Saddle	C,I,(SOUTH AFRICA)	V		
30	V500020080	Nylon Clamp		D		

Accessory Parts

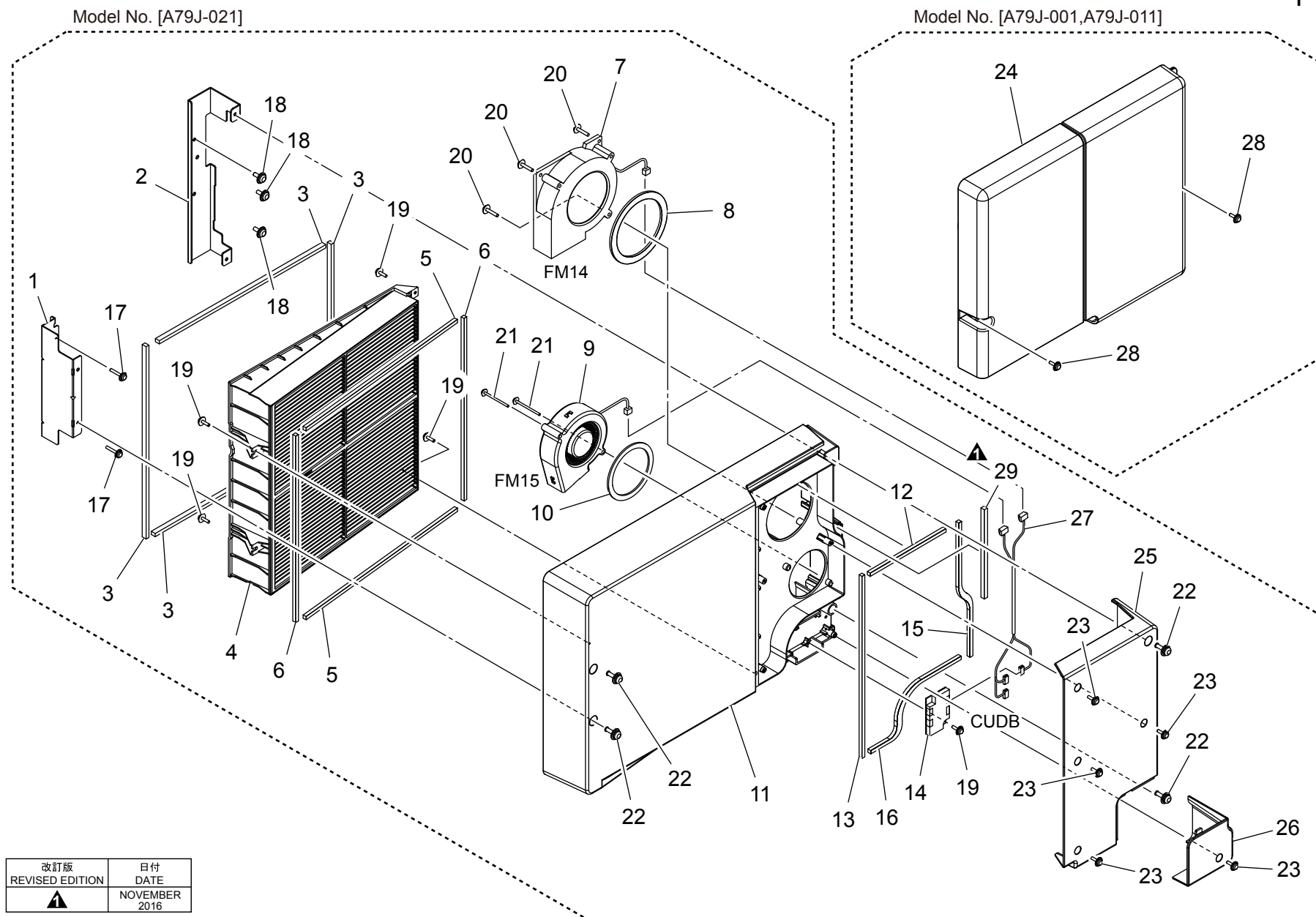
P 70

改訂版 REVISED EDITION	日付 DATE
	JANUARY 2017



Accessory Parts

P 71



改訂版 REVISED EDITION	日付 DATE
▲	NOVEMBER 2016

bizhub C658

MAINTENANCE LIST

● The items with no Page/Key numbers are not handled as spare parts.

No.	Section	PM Parts Description	Maintenance Cycle (K=1,000)		Parts No.	Destinations	Page/Key	Note	
			QTY	Replace					
1	ADF Section	Pick-up roller	2	200K	9J07330102		P6-7	*2, *4	
2		Feed roller	1	200K	A00J563600		P6-11	*2, *4	
3		Separation roller	1	200K	9J07340901		P8-4	*2, *4	
4	Paper feed section	Tray 1 pick-up roller	1	300k	A64J564201		P31-15	*2, *4	
5		Tray 1 feed roller	1	300k	A64J564101		P31-14	*2, *4	
6		Tray 1 separation roller	1	300k	A64J564101		P32-6	*2, *4	
7		Tray 2 pick-up roller	1	300k	A64J564201		P33-19	*2, *4	
8		Tray 2 feed roller	1	300k	A64J564101		P33-18	*2, *4	
9		Tray 2 separation roller	1	300k	A64J564101		P34-6	*2, *4	
10		Manual bypass tray feed roller	1	200k	A00F623201		P45-10	*2, *4	
11		Manual bypass tray separation roller assy	1	200k	4658015106		P46-26	*2, *4	
12	Processing section	Toner cartridge/Y,M,C *1	1	26k	-				
13		Toner cartridge/K *1	1	28k	-				
14		Drum unit/Y,M,C *1	1	105k	-			*3	
15		Drum unit/K *1	1	150k	-			*3	
16		Developing unit/Y,M,C,K	595k(JP)	1	595k(JP)	-			*3
17			590k(US)	1	590k(US)	-			*3
18			600k(EU)	1	600k(EU)	-			*3
19			Toner filter	1	300k	A161R72811		P60-4	*3, *5
20		Waste toner box *1	40k	1	A4NNWY1	A,A1	P26-9	*6	
21			40k	1	A4NNWY3	B,C,G2,I	P26-9	*6	
22	Image transfer section	Transfer belt unit	1	300k	A79JR70922		P29-1	*3	
23		Transfer roller unit	1	300k	A79JR71100		P42-23	*3, *5	
24	Fusing section	Fusing unit	1	1,185k(JP)	A79JR71000		P52-22	*3	
25			1	1,175k(US)	A79JR71000		P52-22	*3	
26			1	1,200k(EU)	A79JR71000		P52-22	*3	

*1: The parts can be replaced either by user or service engineer.

*2: Actual durable cycle (life counter value)

*3: Field standard yield

*4: Replace those three parts at the same time.

*5: The transfer roller unit is furnished with the transfer belt unit so that all of them are replaced at same time.

*6: A waste toner full condition is detected with detecting the actual waste toner emissions.

メンテナンスリスト

● ページ / キーナンバーのないものは、アフターサービス部品ではありません。

No.	区分	PM 部品名称	サイクル (K=1,000)		部品番号	仕向地	頁 / キー	備考
			員数	交換				
1	ADF 部	ピックアップローラー	2	200K	9J07330102		P6-7	*2, *4
2		給紙ローラー	1	200K	A00J563600		P6-11	*2, *4
3		分離ローラー Assy	1	200K	9J07340901		P8-4	*2, *4
4	給紙部	トレイ1ピックアップローラー	1	300k	A64J564201		P31-15	*2, *4
5		トレイ1給紙ローラー	1	300k	A64J564101		P31-14	*2, *4
6		トレイ1分離ローラー	1	300k	A64J564101		P32-6	*2, *4
7		トレイ2ピックアップローラー	1	300k	A64J564201		P33-19	*2, *4
8		トレイ2給紙ローラー	1	300k	A64J564101		P33-18	*2, *4
9		トレイ2分離ローラー	1	300k	A64J564101		P34-6	*2, *4
10		手差しトレイ給紙ローラー	1	200k	A00F623201		P45-10	*2, *4
11		手差しトレイ分離ローラー Assy	1	200k	4658015106		P46-26	*2, *4
12		プロセス部	トナーカートリッジ /Y,M,C *1	1	26k	-		
13	トナーカートリッジ /K *1		1	28k	-			
14	ドラムユニット /Y,M,C *1		1	105k	-			*3
15	ドラムユニット /K *1		1	150k	-			*3
16	現像ユニット /Y,M,C,K		1	595k(JP)	-			*3
17			1	590k(US)	-			*3
18			1	600k(EU)	-			*3
19	トナーフィルター		1	300k	A161R72811		P60-4	*3, *5
20	廃棄トナーボックス *1		1	40k	A4NNWY1	A,A1	P26-9	*6
21			1	40k	A4NNWY3	B,C,G2,I	P26-9	*6
22	転写部	転写ベルトユニット	1	300k	A79JR70922		P29-1	*3
23		転写ローラーユニット	1	300k	A79JR71100		P42-23	*3, *5
24	定着部	定着ユニット	1	1,185k(JP)	A79JR71000		P52-22	*3
25			1	1,175k(US)	A79JR71000		P52-22	*3
26			1	1,200k(EU)	A79JR71000		P52-22	*3

*1: ユーザー / サービス交換の選択が可能。

*2: ライフカウンター値

*3: 市場標準印刷枚数値

*4: 同時交換のこと

*5: 転写ベルトユニット (A79JR709) に同梱されており、同時交換する。

*6: 廃棄トナーフル検知は、実際の廃棄トナー充填量を検知して行う。

DESTINATION

Destination No.		Destinations		V	Hz	Model No.
A	A1	JAPAN		100	50/60	A79J001
	A2	JAPAN				
B		USA, CANADA		120	60	A79J011 A79J012
C		EUROPEAN TYPE		220-240	50/60	A79J021
D	D1	S.E ASIA TYPE	THAILAND, SRI LANKA, SINGAPORE, MALAYSIA, HONG KONG, PAKISTAN, INDIA, BANGLADESH, INDONESIA	220-240	50/60	A79J041
	D3	OCEANIA TYPE	AUSTRALIA, NEW ZEALAND	220-240	50/60	A79J041
E		PHILIPPINES		220-240	50/60	A79J041
F	F1	SAUDI ARABIA				
	F2	SAUDI ARABIA		220-240	50/60	A79J041
G	G1	C.S AMERICA		220-240	50/60	A79J041
	G2	C.S AMERICA		120	60	A79J011
H		TAIWAN		110	60	A79J071
I		JORDAN, LEBANON, SYRIA, SOUTH AFRICA, IRAQ, IRAN, N.YEMEN, CAMEROON, UAE, BAHRAIN, OMAN, QATAR, KUWAIT, KENYA, TUNISIA, IVORY COAST, MOROCCO		220-240	50/60	A79J021 A79J041
J		CHINA		220-240	50/60	A79J081
K		KOREA		220-240	50/60	A79J041

bizhub C658