

KONICA MINOLTA

# *PARTS GUIDE MANUAL*

---

*JUNE 2020*

*bizhub C659*  
*A9K6*

## INFORMATION FOR PARTS GUIDE MANUAL

To find correct Parts No., refer to the "HOW TO MAKE THE BEST USE OF THIS MANUAL" in the following page.

### HOW TO MAKE THE BEST USE OF THIS MANUAL

- 1 When you order, please check the proper figures beforehand that are on Our Parts Guide Manual, and order with the appropriate figures.
- 2 For screws, Nuts, Washers, retaining rings and Pins which are used in this model, one letter is shown on the Standard parts column of Parts list and exploded diagrams.
- 3 In order to maintain safety of the product, some specific parts composed of this product are set up as "essential safety parts".
- 4 The assigned parts number for the "essential safety parts" is indicated as "SP00-\*\*\*\*".  
When replacing these parts, follow precautions for disassembling and installing which are listed in the Service Manual.  
Do not use any parts that are not set up as
- 5 ♣ means that there are exclusive parts for each destination.  
Please check the appropriate destination when you order.
- 6 All rights reserved. (any reprints or quotations are prohibited.)  
Use of this parts guide manual should be strictly supervised to avoid disclosure of confidential information.

## パーツガイドマニュアルのご案内

サービス部品をご発注の際には、下記に示す“パーツガイドマニュアルの活用にあたって”をご参照の上、正しい部品番号にてお願い致します。

### パーツガイドマニュアルの活用にあたって

- 1 部品発注の際には、掲載されている部品番号の桁数を確認し、掲載されている桁数で発注願います。
- 2 この製品に使用されているネジ、ナット、ワッシャー、止め輪、ピンなどは、リストの右側の Standard parts 欄に a,b,c,…… で表示し、イラストにも a,b,c,…… 表示してあります。
- 3 製品の安全性を維持する為に、製品に使用される特定の部品を「重要保安部品」として設定しています。
- 4 重要保安部品の部品番号は、“SP00-\*\*\*\*”と記載されていますので、部品交換時は、サービスマニュアル記載の分解・組み立ての注意事項に従って作業をして下さい。  
また、指定以外の部品は一切使用しないで下さい。
- 5 本文に ♣ が表示されている部品は、仕向け地毎に専用部品がある事を意味しています。  
オーダーされる時は、仕向け地を確認して下さい。
- 6 著作権所有（無断転載及び無断引用の禁止）  
本パーツガイドマニュアルについては、機密保持等その扱いには十分注意して下さい。万一取り扱いを誤った場合には、法律で処罰される場合があります。

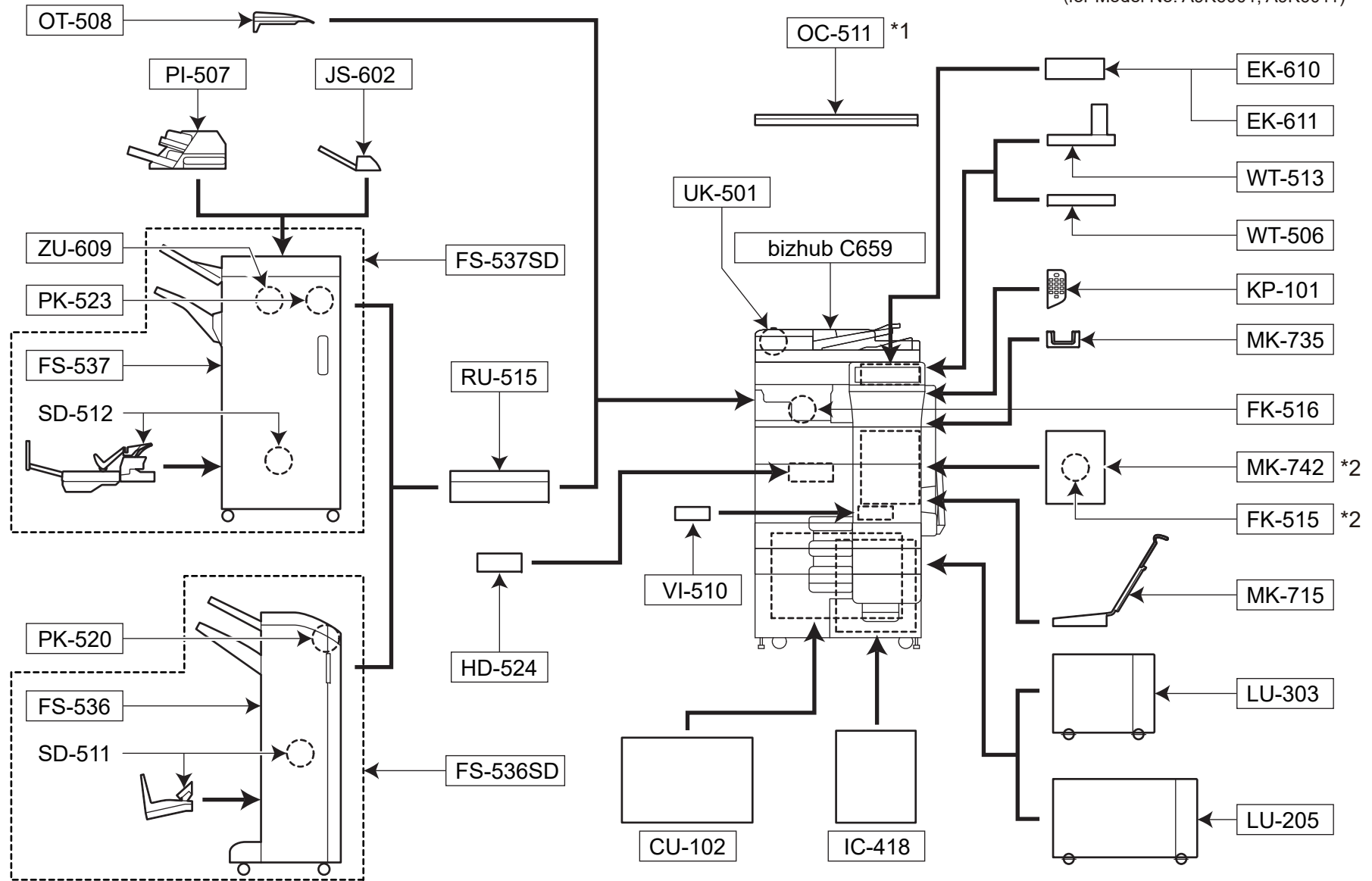
10/06/2017



# System Configuration

\*1: Japan only

\*2: As use for 3rd or 4th FAX circuit line  
(for Model No. A9K6001, A9K6011)



bizhub C659

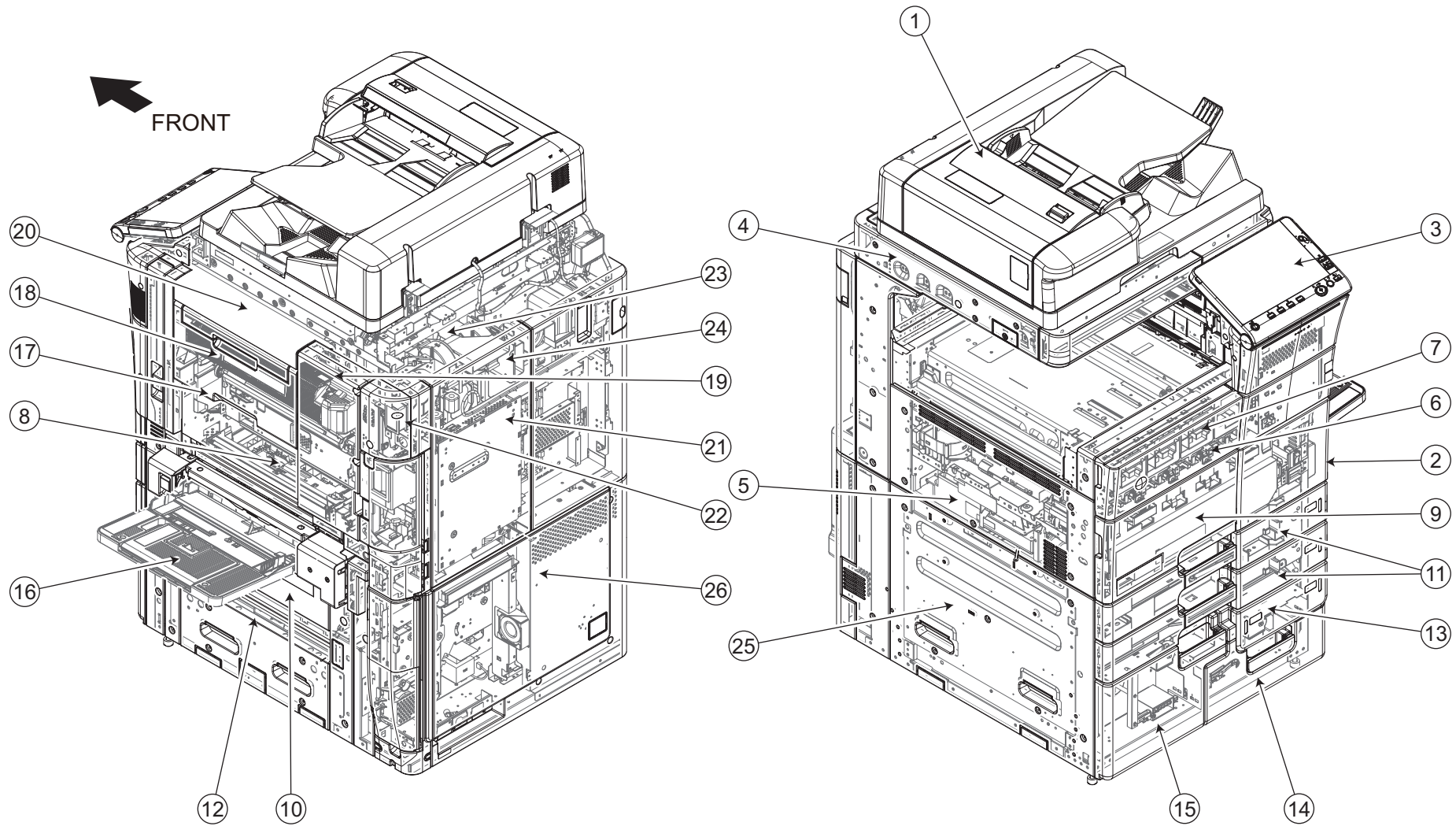
# GENERAL CONTENTS

No.	Description	Model
1	Digital MFP Color	bizhub C659
2	Local IF Kit	EK-610
3	Local IF Kit	EK-611
4	Working Table	WT-513
5	Working Table	WT-506
6	Other Option	KP-101
7	Mount Kit	MK-735
8	Fax Kit	FK-516
9	Mount Kit	MK-742
10	Fax Kit	FK-515
11	Mount Kit	MK-715
12	Paper Feeder	LU-303
13	Paper Feeder	LU-205
14	HDD	HD-524
15	Finisher/Sorter	FS-536SD
16	Finisher/Sorter	FS-536
17	Punch Unit	PK-520
18	Finisher/Sorter	FS-537
19	Punch Unit	PK-523
20	Folding Unit	ZU-609
21	Output Tray	OT-508
22	Post Inserter	PI-507

bizhub C659

No.	Description	Model
23	Job Separator	JS-602
24	Finisher/Sorter	FS-537SD
25	Finisher/Sorter	RU-515
26	Other Option	UK-501
27	Original Cover	OC-511
28	Image Controller	IC-418
29	Other Option	CU-102
30	Video IF Kit	VI-510

# Section Configuration



bizhub C659

# CONTENTS

No.	DESCRIPTION	名称	PAGE No.
1	Auto document feed Section	原稿送り部	P1 P2 P3 P4 P5 P6 P7 P8 P9 P10 P11 P12 P13 P14
2	External Parts Section	外装部	P15 P16 P17 P18
3	Operation Panel Section	操作部	P19
4	Scanner Section	スキャナ一部	P20 P21 P22 P23
5	Write Section (PH Section)	書き込み部 (PH 部)	P24
6	Developing Section/Photoconductor Section	イメージングユニット部 (IU 部)	P25 P26 P27 P28 P29
7	Toner supply Section	トナー補給部	P30 P31
8	Transfer Section	転写部	P32 P33
9	Toner collecting Section	トナー回収部	P34
10	Tray 1/2 paper feed Section	トレイ1/2 給紙部	P35 P36 P37 P38 P39
11	Tray 1/2 Section	トレイ1/2 部	P40 P41 P42 P43
12	Tray 4 paper feed Section	トレイ4 給紙部	P44 P45
13	Tray 3 paper feed Section	トレイ3 給紙部	P46 P47 P48 P49 P50 P51 P52
14	Tray 4 Section	トレイ4 部	P53 P54
15	Tray 3 Section	トレイ3 部	P55 P56
16	Manual bypass tray Section	手差し部	P57 P58 P59 P60
17	Registration Section	レジスト部	P61 P62 P63 P64 P65
18	Fusing Section	定着部	P66 P67
19	Duplex Section	両面部	P68 P69
20	Paper exit Section	排紙部	P70 P71 P72 P73
21	Mmain Drive Section	メイン駆動部	P74
22	Fusing Drive Section	定着駆動部	P75
23	Tonner Supply Drive Section	トナー補給駆動部	P76
24	Rear Cooling Section	背面冷却部	P77 P78
25	Frame Section	フレーム部	P79 P80 P81 P82
26	Electric Parts	電装部	P83 P84 P85 P86 P87 P88 P89
27	Wiring	束線	P90 P91 P92 P93 P94
28	Wiring Accessories And Jigs	配線部品・治具	P95
29	Accessory Parts	同梱部品	P96 P97

# INDEX

Parts No.	Page No.
0910362001	57-41
0910362001	68-18
1038400601	95-29
1050480501	95-30
1053481201	95-31
1065308601	59-17
1065587202	95-33
1067250101	68-6
1079221901	81-11
1134304101	49-2
1134304202	49-5
1134304202	57-3
1134304301	71-10
1134304301	72-11
1151330001	40-5
1164350901	61-30
1200164603	68-11
1200164603	72-20
1200164603	73-7
1500266013	46-43
15AG50280	44-38
15BY561200	1-25
15BY561200	18-24
15BY561200	19-10
26NA17280	67-6
26NA45440	53-20
26NA45440	55-19
4002311002	43-7
4002313101	43-6
4002504202	18-18
4002504202	63-1
4002504202	65-1
4002730601	41-2
4004182902	27-1
4004351202	79-2
4004471004	62-29
4004472301	62-23
4004533901	73-8
4004598701	70-18
4004685401	84-8

Parts No.	Page No.
4011533901	30-26
4011585202	70-29
4011585202	72-10
4025353401	61-5
4025356801	61-26
4025490701	62-14
4025491001	62-15
4025593901	72-19
4030104002	16-24
4030104002	17-6
4030300301	59-7
4030303901	60-17
4030308104	43-9
4030308301	43-12
4030309301	70-23
4030312201	37-3
4030312201	39-10
4030312201	48-14
4030312501	60-24
4030320601	41-15
4030322402	43-11
4030322602	41-30
4036141001	42-4
4036141001	60-8
4036231101	33-28
4036248501	78-17
4036307501	21-6
4036355701	65-28
4036359002	63-17
4036365901	57-34
4036491101	62-20
4036534713	30-9
4036534713	31-9
4036534801	30-8
4036534801	31-8
4036534914	30-7
4036534914	31-7
4036578501	57-26
4036591301	70-19
4036596601	48-11

Parts No.	Page No.
4036596601	52-3
4036596601	65-17
4036596601	70-4
4036596601	71-19
4037090101	34-10
4037223902	88-16
4037223902	88-16
4038101401	16-27
4038228104	16-3
4038229301	24-8
4038229401	24-3
4038229501	24-5
4038540701	76-9
4038541101	76-6
4038541202	76-10
4038541301	76-8
4040309701	59-15
40AA88031	31-31
4120101402	16-9
4120101402	17-5
4131253701	7-35
4131253701	9-2
4131253701	14-1
4131300301	36-21
4131300301	37-22
4131300301	38-22
4131300301	39-25
4131300301	59-2
4131300301	60-15
4131300301	68-13
4131300301	69-13
4131462304	57-36
4136675101	16-4
4136N30000	96-15
4139555903	79-13
4163529301	5-1
4163529301	13-17
4163529301	41-23
4425301301	59-13
4425301601	59-9

Parts No.	Page No.
4475260302	16-13
4475260302	17-29
4497310603	68-4
4532341001	37-16
4532341001	39-19
4537331701	41-3
4556M10000	3-1
4556M10000	78-4
4581162501	21-7
4581162501	24-14
4581162501	84-6
4643460501	65-16
4657371301	68-9
4657373401	69-18
4657373501	69-17
4657374301	69-6
4658351701	72-18
540047200	54-3
540047200	56-3
55VA15541	47-16
55VA40610	54-11
55VA40610	56-11
55VA40930	53-2
55VA40930	55-1
55VA42120	44-23
55VA42120	46-13
55VA42120	49-26
56AA17080	52-14
56AA17330	52-13
56AA40380	44-31
56AA40380	49-32
56AA40430	45-5
56AA40430	50-5
56AA40450	45-26
56AA40450	50-30
56AA40490	16-19
56AA40490	17-30
56AA40490	36-40
56AA40490	37-12
56AA40490	38-42

Parts No.	Page No.
56AA40490	39-17
56AA40490	44-10
56AA40490	45-15
56AA40490	48-5
56AA40490	49-10
56AA40490	50-17
56AA40490	59-6
56AA40490	60-16
56AA40540	45-20
56AA41711	48-28
56AA75050	45-27
56AA75050	50-26
56AA83061D	51-13
56AA84520	88-19
56AF84521	88-19
56QA15190	46-28
56QA57110	48-18
56QA57170	48-8
56QA57210	48-33
56QA57240	48-7
56QA58041D	53-14
56QA58041D	55-14
56QA58060D	54-4
56QA58070D	54-15
56QA58070D	56-15
56QA58110	53-4
56QA58120	53-27
56QA58150	54-14
56QA58420	54-9
56QA58420	56-9
56QA58450	54-2
56QA58450	56-2
56QA58470D	53-15
56QA58490D	54-1
56QA58490D	56-1
56QA59110	55-4
56QA59120	55-26
56QA59150D	56-14
57AA17010	54-10
57AA17010	56-10

Parts No.	Page No.	Parts No.	Page No.	Parts No.	Page No.	Parts No.	Page No.	Parts No.	Page No.
57AA97870	54-5	A00J105601	24-12	A00J137500	24-23	A00J362700	34-22	A00J406801	31-26
57AA97870	56-5	A00J106202	96-10	A00J137600	46-35	A00J362800	34-32	A00J406901	31-27
65AA32501	30-5	A00J106400	80-20	A00J138900	88-15	A00J363000	34-23	A00J407300	30-25
65AA32501	31-4	A00J106500	80-9	A00J139000	88-7	A00J365001	34-2	A00J407300	31-21
65AA32501	34-20	A00J107401	29-10	A00J139100	88-6	A00J365402	34-39	A00J407400	16-29
9313100072	63-20	A00J110800	26-5	A00J140401	88-11	A00J400113	31-6	A00J407500	16-6
9313100072	77-3	A00J110900	26-7	A00J142901	76-19	A00J400300	31-23	A00J520102	33-16
9313100072	78-18	A00J112200	26-6	A00J145000	29-4	A00J400401	30-32	A00J521601	33-12
9313110033	81-3	A00J112800	26-9	A00J145101	29-3	A00J400401	31-25	A00J521701	33-17
9314130021	76-12	A00J113401	28-21	A00J145200	29-2	A00J400500	30-16	A00J522600	33-10
9326282011	16-23	A00J115900	26-8	A00J152700	78-11	A00J400500	31-20	A00J522700	33-29
9335140071	6-13	A00J118000	26-12	A00J154600	78-16	A00J400611	31-2	A00J523201	33-5
9335140071	11-5	A00J118100	26-16	A00J154801	78-2	A00J400900	30-23	A00J523901	33-15
9381420021	96-15	A00J118400	26-13	A00J155300	81-6	A00J400900	31-29	A00J524402	33-27
9381430031	96-15	A00J118500	26-15	A00J160605	15-13	A00J401200	30-30	A00J561000	39-28
9384160011	95-32	A00J119500	28-20	A00J162902	18-14	A00J401200	31-24	A00J562200	35-10
9454407602	62-12	A00J119600	28-19	A00J164201	18-13	A00J401401	30-28	A00J562300	35-16
9454407602	65-26	A00J120100	27-8	A00J164501	17-11	A00J401401	31-22	A00J562400	35-15
9J03M10000	80-22	A00J120201	27-5	A00J164600	80-24	A00J401600	30-17	A00J562514	35-12
9J03M10000	89-9	A00J120300	27-6	A00J164701	16-7	A00J401600	31-19	A00J562800	35-11
9J06730101	88-10	A00J120500	27-12	A00J165103	16-28	A00J401700	30-12	A00J563403	36-2
9J06730101	88-22	A00J120600	27-14	A00J166101	96-2	A00J401700	31-12	A00J563500	44-47
9J06M10000	70-3	A00J120900	27-4	A00J166300	15-5	A00J401900	30-18	A00J563500	49-42
9J06M60100	77-19	A00J121000	27-2	A00J169100	18-5	A00J401900	31-17	A00J563600	7-11
9J06M60100	82-6	A00J121200	25-6	A00J169100	96-4	A00J402200	31-18	A00J563600	36-23
9J07160200	1-14	A00J121200	27-13	A00J215800	75-28	A00J402300	31-5	A00J563600	37-11
9J07210802	1-9	A00J121400	27-3	A00J230500	75-11	A00J402711	76-15	A00J563600	38-24
9J07300801	5-8	A00J121500	27-7	A00J232111	75-6	A00J402801	76-11	A00J563600	39-16
9J07330102	7-7	A00J121600	81-10	A00J265300	21-9	A00J402900	76-4	A00J563600	44-16
9J07330801	7-6	A00J121700	81-9	A00J307100	69-40	A00J403000	76-2	A00J563600	45-16
9J07331901	7-14	A00J132600	83-3	A00J360800	34-9	A00J403100	76-1	A00J563600	49-20
9J07340901	8-4	A00J134000	83-11	A00J361000	34-38	A00J403700	76-14	A00J563600	50-18
9J07341102	5-13	A00J134500	80-15	A00J361101	34-6	A00J403800	76-13	A00J563600	59-10
A00J101401	80-17	A00J134600	77-16	A00J361200	34-7	A00J404000	76-5	A00J564800	38-7
A00J101603	80-26	A00J134600	82-7	A00J361700	34-8	A00J404601	16-2	A00J565300	36-41
A00J102301	24-19	A00J135100	83-1	A00J361800	34-34	A00J404700	16-1	A00J565300	38-43
A00J102402	80-5	A00J135201	82-9	A00J361900	34-21	A00J405400	31-10	A00J566000	37-4
A00J102700	80-33	A00J135800	82-4	A00J362400	34-26	A00J405500	31-30	A00J566300	35-13
A00J104400	80-21	A00J136502	82-8	A00J362500	34-25	A00J405600	31-28	A00J566600	39-5
A00J105400	80-23	A00J137105	29-12	A00J362600	34-31	A00J406600	31-32	A00J566900	37-2

Parts No.	Page No.	Parts No.	Page No.	Parts No.	Page No.	Parts No.	Page No.	Parts No.	Page No.
A00J567211	37-7	A00J592600	59-25	A00J600315	44-6	A00J605700	50-2	A00J613103	54-8
A00J571715	39-7	A00J592800	59-28	A00J600401	44-33	A00J606100	48-17	A00J613103	56-8
A00J573601	39-12	A00J593000	59-29	A00J600401	49-33	A00J606500	48-13	A00J613200	53-22
A00J573712	39-6	A00J593101	60-27	A00J600500	44-36	A00J606600	48-15	A00J613200	55-22
A00J573801	39-2	A00J593300	60-28	A00J600500	49-35	A00J606900	48-20	A00J613301	53-16
A00J573900	39-4	A00J593411	60-3	A00J600600	44-12	A00J607100	47-5	A00J613301	55-15
A00J574100	39-8	A00J593500	58-3	A00J600600	49-14	A00J607301	48-23	A00J613401	51-4
A00J574400	36-3	A00J593600	57-19	A00J600701	44-39	A00J607401	47-4	A00J613700	53-9
A00J574400	38-2	A00J593700	57-20	A00J600900	45-29	A00J607500	47-3	A00J613700	55-9
A00J574500	39-9	A00J593800	57-21	A00J600900	50-31	A00J607700	48-31	A00J613900	54-6
A00J574611	39-3	A00J593900	58-4	A00J601000	50-3	A00J608100	51-7	A00J613900	56-6
A00J585100	58-29	A00J594037	57-22	A00J601202	44-2	A00J608200	51-10	A00J614002	48-1
A00J585300	57-5	A00J594114	57-35	A00J601503	45-9	A00J608300	51-11	A00J614101	48-32
A00J585401	58-13	A00J594615	57-30	A00J601503	50-24	A00J608400	51-5	A00J614200	48-10
A00J585500	58-12	A00J594626	57-30	A00J601600	45-21	A00J608500	51-9	A00J614300	48-4
A00J585601	58-14	A00J594800	58-8	A00J601600	50-23	A00J608600	51-6	A00J614400	48-35
A00J585800	60-26	A00J594900	58-11	A00J601700	45-11	A00J608700	52-8	A00J614501	48-2
A00J586000	59-21	A00J595100	57-32	A00J601700	50-13	A00J608800	52-9	A00J614600	48-34
A00J586100	59-20	A00J595200	80-4	A00J602100	45-10	A00J608900	52-15	A00J614700	48-3
A00J586300	60-37	A00J595600	59-30	A00J602700	44-18	A00J609001	52-18	A00J614800	48-9
A00J586800	80-34	A00J595800	59-24	A00J602700	49-22	A00J609100	52-6	A00J615101	53-6
A00J587000	59-19	A00J596000	59-11	A00J603201	44-8	A00J609201	52-23	A00J615500	53-26
A00J587200	57-38	A00J596602	58-15	A00J603300	44-7	A00J609300	52-19	A00J615500	55-25
A00J587300	60-14	A00J596700	59-23	A00J603400	45-28	A00J609800	52-21	A00J615800	49-7
A00J587600	60-7	A00J596900	57-16	A00J603716	49-13	A00J610200	46-15	A00J615901	44-40
A00J587702	60-12	A00J597000	57-33	A00J603801	49-1	A00J610300	46-21	A00J616200	46-10
A00J587901	60-29	A00J597100	57-15	A00J603900	49-9	A00J610600	46-17	A00J616300	46-11
A00J588200	58-17	A00J597511	60-22	A00J604301	44-15	A00J610812	46-20	A00J616400	46-37
A00J588300	58-16	A00J597800	57-9	A00J604401	44-41	A00J611100	46-34	A00J616500	46-38
A00J588800	58-7	A00J597911	57-6	A00J604701	45-2	A00J611200	46-30	A00J616800	46-40
A00J589100	60-11	A00J598611	60-32	A00J604701	50-9	A00J611300	46-2	A00J616911	46-3
A00J590300	59-14	A00J598701	37-21	A00J604800	45-6	A00J611500	46-18	A00J617000	52-24
A00J590400	59-16	A00J598800	58-22	A00J604800	50-11	A00J611711	46-24	A00J617700	46-7
A00J590700	59-18	A00J599000	57-10	A00J605001	44-9	A00J611900	46-29	A00J617800	44-5
A00J590901	60-21	A00J599100	57-4	A00J605100	45-3	A00J612000	46-42	A00J617800	47-8
A00J591014	60-19	A00J599300	57-31	A00J605100	50-10	A00J612100	46-5	A00J617800	49-12
A00J591700	59-27	A00J599501	58-21	A00J605200	45-4	A00J612200	46-22	A00J617800	62-31
A00J591800	60-5	A00J599701	58-24	A00J605200	50-12	A00J612500	46-14	A00J617900	36-5
A00J592201	59-26	A00J600117	49-23	A00J605411	44-25	A00J612600	46-19	A00J617900	38-5
A00J592502	57-28	A00J600205	44-19	A00J605600	45-12	A00J613000	46-41	A00J617900	44-27



Parts No.	Page No.	Parts No.	Page No.	Parts No.	Page No.	Parts No.	Page No.	Parts No.	Page No.
A00J617900	47-13	A00J660100	47-15	A00J704100	65-3	A00J893601	72-14	A00JR73700	29-1
A00J617900	49-28	A00J660200	48-22	A00J704200	61-20	A00J894500	73-19	A00JR74400	31-3
A00J617900	52-7	A00J660300	53-28	A00J704400	65-21	A00J894600	73-14	A00JR7A211	33-3
A00J618002	49-36	A00J660300	55-27	A00J704600	61-21	A00J895000	73-2	A00JR7A300	33-4
A00J618101	44-1	A00J660500	55-21	A00J704700	61-22	A00J895100	71-9	A00JR7A500	33-13
A00J618400	42-2	A00J660600	53-18	A00J705800	65-13	A00J895200	73-5	A00JR7A600	33-14
A00J618400	47-1	A00J660600	55-16	A00J706100	65-14	A00J895700	73-9	A00JR7AK22	50-4
A00J618400	51-3	A00J660700	36-4	A00J706400	63-19	A00J896100	70-37	A00JR7AN00	54-12
A00J618700	45-1	A00J660700	38-4	A00J706800	61-1	A00J896300	70-36	A00JR7AN00	56-12
A00J618800	50-8	A00J660700	44-26	A00J706900	61-32	A00J896500	71-14	A00JR7AQ11	59-22
A00J619011	53-13	A00J660700	47-14	A00J707200	65-15	A00J896801	71-8	A00JR7AR00	60-4
A00J619011	55-13	A00J660700	49-38	A00J707300	64-10	A00J896901	15-8	A00JR7AS22	60-38
A00J619101	49-3	A00J660700	52-20	A00J707801	61-19	A00J897100	70-27	A00JR7AV00	68-21
A00J619400	44-30	A00J660800	44-42	A00J708300	33-8	A00J897100	71-11	A00JR7AW00	69-21
A00J619400	49-31	A00J660800	47-9	A00J708900	33-11	A00J897401	72-2	A00JR7AX11	68-26
A00J619500	45-17	A00J660800	49-39	A00J709100	61-6	A00J898400	70-10	A00JR7AY00	68-8
A00J619500	50-19	A00J660800	67-23	A00J710400	62-2	A00J898900	70-2	A00JR7B500	71-17
A00J619611	45-13	A00J660900	44-44	A00J711101	65-2	A00J899200	72-12	A00JR90000	33-1
A00J619611	50-15	A00J663000	48-27	A00J810302	68-3	A00J899301	72-6	A00JR90100	61-11
A00J619700	45-19	A00J663200	36-37	A00J811200	68-14	A00J899400	73-12	A00V240600	8-18
A00J619700	49-44	A00J663200	38-38	A00J811600	68-10	A00J899500	72-3	A00V240600	11-11
A00J619700	50-21	A00J663200	44-11	A00J812100	68-17	A00J941800	47-7	A00V240600	13-3
A00J619800	45-30	A00J663200	45-8	A00J812200	68-24	A00J941900	48-29	A00V240600	46-8
A00J619800	50-32	A00J663200	49-11	A00J812300	68-23	A00J942202	40-20	A00V240600	61-15
A00J619901	51-12	A00J663200	50-6	A00J813200	69-19	A00J945401	18-29	A00V240600	75-10
A00J622600	48-25	A00J663200	53-8	A00J813600	68-16	A00J945500	16-17	A011946200	19-25
A00J623300	48-26	A00J663200	55-8	A00J813800	69-28	A00JH00D00	17-3	A02E167700	20-5
A00J623300	54-19	A00J663200	67-1	A00J813900	69-5	A00JM11000	74-19	A02E167700	96-5
A00J623300	56-17	A00J700301	61-31	A00J814101	68-29	A00JM11300	74-20	A02E560800	36-35
A00J623400	41-31	A00J700501	61-34	A00J814101	69-23	A00JM12100	30-21	A02E560800	38-36
A00J623400	53-3	A00J700900	46-12	A00J814411	68-31	A00JM12100	31-15	A02E561100	36-22
A00J623400	55-3	A00J700900	61-36	A00J814411	69-26	A00JM12100	34-29	A02E561100	38-23
A00J630102	42-8	A00J701800	61-4	A00J814500	68-30	A00JM30301	29-5	A02E622700	41-4
A00J630500	40-23	A00J702500	65-25	A00J814500	69-27	A00JM60300	88-8	A02E940300	41-26
A00J631100	40-22	A00J702600	65-9	A00J815101	68-7	A00JN11A00	55-23	A02EM10C01	74-17
A00J631204	42-3	A00J702700	61-17	A00J815200	68-19	A00JN11B01	53-23	A034M20100	65-18
A00J631204	47-2	A00J702901	65-4	A00J815801	68-2	A00JN11F01	48-36	A03U812800	44-21
A00J631700	40-2	A00J703600	65-5	A00J891100	71-5	A00JN11N01	54-16	A03U812800	49-24
A00J631800	42-7	A00J703700	65-20	A00J893100	63-9	A00JN12100	31-11	A03UM15300	97-6
A00J631900	40-24	A00J703800	65-27	A00J893201	72-7	A00JR73400	26-4	A07H570500	7-10

Parts No.	Page No.	Parts No.	Page No.	Parts No.	Page No.	Parts No.	Page No.	Parts No.	Page No.
A0DA701500	71-3	A0P0110501	25-11	A0P0364000	34-24	A0P0594200	57-1	A0P0900700	70-13
A0ED166200	96-6	A0P0115700	25-12	A0P0364100	34-13	A0P0594300	57-12	A0P0989900	95-37
A0ED271200	22-10	A0P0120801	27-10	A0P0364200	34-15	A0P0596501	60-9	A0P0A14002	27-15
A0ED271300	22-7	A0P0121300	27-11	A0P0364800	34-1	A0P0597400	60-10	A0P0A14102	27-16
A0ED273600	23-14	A0P0125000	25-4	A0P0364900	34-17	A0P0599601	57-29	A0P0M14200	77-14
A0ED274200	23-20	A0P0125211	81-8	A0P0366001	34-3	A0P0602100	50-22	A0P0M14200	78-20
A0ED274300	23-21	A0P0125311	25-9	A0P0366102	34-11	A0P0606200	48-16	A0P0M50300	11-1
A0ED274400	23-10	A0P0135400	80-13	A0P0366200	34-5	A0P0606400	48-12	A0P0M50300	80-25
A0ED276301	23-16	A0P0137402	24-25	A0P0366301	34-18	A0P0615200	55-6	A0P0M50400	65-19
A0ED620200	41-16	A0P0138200	80-7	A0P0366400	34-41	A0P0618900	53-10	A0P0N10G00	16-30
A0ED702800	65-24	A0P0138300	80-8	A0P0368100	34-37	A0P0618900	55-10	A0P0N11G00	52-16
A0ED897700	70-28	A0P0138602	43-1	A0P0368200	34-35	A0P0623700	41-37	A0P0N12P00	80-27
A0ED897700	71-12	A0P0144000	81-12	A0P0368400	34-33	A0P0662700	53-12	A0P0N15100	86-11
A0EDM10500	85-4	A0P0148300	85-1	A0P0368500	34-27	A0P0662700	55-12	A0P0N30000	88-20
A0EDM50100	36-12	A0P0148701	80-28	A0P0368600	34-36	A0P0663300	44-43	A0P0R70100	78-1
A0EDM50100	38-10	A0P0148801	84-2	A0P0382400	24-11	A0P0663400	48-24	A0P0R71500	26-3
A0EDM50100	52-2	A0P0149000	89-14	A0P0382700	25-3	A0P0663511	45-23	A0P0R71800	26-17
A0EDM50100	58-26	A0P0149700	85-2	A0P0400100	30-6	A0P0663800	53-11	A0P0R74100	60-23
A0HF952400	20-16	A0P0149800	89-4	A0P0400301	30-29	A0P0663800	55-11	A0P0R75000	65-6
A0HT561202	8-5	A0P0151100	15-1	A0P0400600	30-11	A0P0663900	53-5	A0P0R75200	60-2
A0HT811400	35-7	A0P0151100	77-4	A0P0400800	30-13	A0P0663900	55-5	A0P0R75400	62-18
A0HU250500	11-16	A0P0153300	78-3	A0P0401000	31-14	A0P0664000	44-46	A0P0R7A111	35-6
A0P0101213	24-1	A0P0159100	81-4	A0P0402200	30-24	A0P0664000	45-31	A0P0R7A200	46-27
A0P0101311	80-18	A0P0161300	18-12	A0P0402501	30-1	A0P0664000	49-41	A0P2N10X01	52-11
A0P0102000	80-11	A0P0162600	16-14	A0P0405400	30-10	A0P0664000	50-33	A0TJ602800	44-14
A0P0103300	61-42	A0P0162600	17-28	A0P0405500	30-34	A0P0664000	62-21	A0TJ602800	49-16
A0P0103401	61-41	A0P0165500	80-2	A0P0405600	30-33	A0P0666201	46-46	A0TJ602900	44-13
A0P0104600	80-19	A0P0169600	16-22	A0P0406700	31-1	A0P0666301	46-47	A0TJ602900	49-15
A0P0105100	80-1	A0P0228100	74-5	A0P0406800	30-31	A0P0666400	46-26	A0TJ603000	44-17
A0P0105201	80-3	A0P0228200	74-9	A0P0407701	30-3	A0P0708500	79-15	A0TJ603000	49-21
A0P0105300	80-6	A0P0228403	74-10	A0P0407800	30-14	A0P0709000	63-29	A0XPWY4	34-4
A0P0107601	24-9	A0P0228701	74-8	A0P0566101	37-5	A0P0709101	62-37	A0XPWY6	34-4
A0P0107700	24-4	A0P0228901	74-6	A0P0570400	35-8	A0P0742300	12-24	A108260700	7-27
A0P0108100	25-2	A0P0232500	75-3	A0P0571812	39-30	A0P0812800	68-15	A108266300	13-15
A0P0108401	25-7	A0P0267300	20-15	A0P0571911	39-11	A0P0812900	68-22	A108561500	5-12
A0P0108500	25-1	A0P0360700	34-19	A0P0573100	35-1	A0P0891000	71-4	A108703100	6-30
A0P0108623	25-8	A0P0361000	34-30	A0P0575500	39-1	A0P0897300	73-13	A108703100	11-38
A0P0108900	25-10	A0P0361100	34-43	A0P0587500	59-4	A0P0900001	73-17	A108890500	5-9
A0P0109001	80-10	A0P0361501	34-45	A0P0588700	60-33	A0P0900101	70-12	A108891300	5-11
A0P0109501	33-32	A0P0362900	34-12	A0P0590100	59-12	A0P0900201	70-35	A108M50000	4-7

Parts No.	Page No.	Parts No.	Page No.	Parts No.	Page No.	Parts No.	Page No.	Parts No.	Page No.
A108M50000	6-8	A161278900	22-2	A161626800	40-15	A1UDN30200	96-15	A2X0162100	17-27
A161121900	75-13	A161280211	21-20	A161626800	53-25	A2UPN30100	96-15	A2X0168300	20-7
A161122002	75-7	A161280300	21-22	A161626800	55-33	A2UPN30300	96-15	A2X0168500	17-2
A161137900	86-19	A161281100	21-27	A161626900	40-12	A2UPN30601	96-15	A2X0170600	19-14
A161167000	19-8	A161281300	21-11	A161627500	43-8	A2WU133900	87-3	A2X0170901	40-10
A161167100	19-9	A161281600	21-4	A161628013	43-14	A2WU156000	24-16	A2X0171001	17-15
A161190903	19-2	A161560302	38-20	A161702200	61-18	A2WU156400	80-31	A2X0171600	17-23
A161210200	3-7	A161560900	38-14	A161703100	20-17	A2WU156600	15-10	A2X0171702	17-20
A161210200	4-13	A161561601	36-16	A161739200	70-43	A2WU220000	74-2	A2X0171801	17-25
A161228100	75-27	A161561601	38-15	A161771000	67-6	A2WU362900	34-44	A2X0171901	17-22
A161228800	75-26	A161562000	36-27	A161819500	62-40	A2WU364100	34-28	A2X0172000	17-19
A161258501	75-20	A161562000	38-28	A161893601	70-26	A2WUR70411	34-16	A2X0172100	17-8
A161261902	21-18	A161562000	38-28	A161942000	16-11	A2X0101700	88-13	A2X0172200	17-32
A161262002	21-25	A161562300	36-29	A161943000	41-13	A2X0101800	88-2	A2X0172301	17-17
A161262200	21-15	A161562300	38-30	A161943500	40-18	A2X0104301	80-16	A2X0172400	17-10
A161263000	21-16	A161562400	36-20	A161943601	40-19	A2X0105700	24-13	A2X0172501	17-31
A161268200	21-3	A161562400	38-21	A161943601	40-19	A2X0110000	24-7	A2X0172600	17-16
A161268300	21-2	A161562500	36-28	A161H00U01	19-13	A2X0110200	78-10	A2X0195201	19-18
A161270102	22-9	A161562500	38-29	A161M50400	57-13	A2X0113500	28-17	A2X0228500	74-7
A161270600	22-12	A161562600	36-26	A161M50501	43-16	A2X0132402	84-4	A2X0235100	75-18
A161271000	22-8	A161562600	38-27	A161M50600	43-15	A2X0135901	24-26	A2X0235500	75-19
A161271000	23-15	A161562800	36-31	A161M50A00	21-10	A2X0143500	84-7	A2X0267901	20-14
A161271000	23-15	A161562800	38-32	A161M50A00	21-28	A2X0145800	82-2	A2X0401000	30-20
A161271100	22-11	A161563000	38-17	A161N14000	22-5	A2X0145911	89-6	A2X0401000	31-33
A161271100	23-18	A161567300	36-34	A161N14100	21-5	A2X0152600	78-6	A2X0401800	30-19
A161273113	23-17	A161567300	38-35	A161N14201	21-17	A2X0153101	78-14	A2X0401800	31-13
A161273401	23-13	A161567400	36-33	A161N15J00	86-12	A2X0154001	80-32	A2X0565400	36-42
A161273500	23-19	A161567400	38-34	A161R70400	96-11	A2X0154501	78-5	A2X0565500	36-6
A161273701	23-12	A161620400	41-24	A161R72200	21-1	A2X0154800	78-7	A2X0565500	38-3
A161273800	23-11	A161620600	41-7	A1DM403200	82-11	A2X0154900	78-15	A2X0565600	38-44
A161274500	23-23	A161620701	41-9	A1DM403300	82-3	A2X0155000	24-15	A2X0567401	37-1
A161274600	23-22	A161621100	41-38	A1DM403600	29-9	A2X0156300	24-18	A2X0568400	39-29
A161275113	23-25	A161622100	40-21	A1DM403900	29-21	A2X0156700	24-6	A2X0568600	37-9
A161275213	23-26	A161625900	40-11	A1DMN13700	86-3	A2X0156800	24-17	A2X0568600	39-14
A161275300	23-8	A161626000	17-12	A1MT140100	88-18	A2X0158800	84-3	A2X0575101	43-13
A161275400	23-9	A161626000	40-8	A1UD947400	96-14	A2X0160101	15-9	A2X0576100	36-38
A161275500	23-6	A161626100	17-13	A1UDM50100	4-10	A2X0160702	40-13	A2X0576100	38-40
A161275600	23-5	A161626100	40-9	A1UDM50200	21-8	A2X0160800	17-1	A2X0576200	36-8
A161276000	23-4	A161626200	17-14	A1UDM50200	30-27	A2X0160900	17-21	A2X0576200	38-46
A161276500	23-7	A161626200	40-7	A1UDM50200	82-5	A2X0161000	17-18	A2X0576300	37-18
A161278600	22-1	A161626602	40-14	A1UDM90600	30-2				

Parts No.	Page No.	Parts No.	Page No.	Parts No.	Page No.	Parts No.	Page No.	Parts No.	Page No.
A2X0576300	39-22	A2X0624600	41-35	A2X0945701	18-28	A3CK272001	9-7	A5C1M50100	21-14
A2X0576400	37-19	A2X0630800	42-1	A2X0948900	18-16	A3CK272200	9-11	A5C1M50100	21-24
A2X0576400	39-23	A2X0631000	40-25	A2X0949000	69-39	A3CK272600	9-6	A5C1M50100	34-14
A2X0577000	37-24	A2X0631300	40-4	A2X0949100	16-5	A3CK300102	12-15	A5C1M50100	36-17
A2X0577000	39-27	A2X0631400	40-3	A2X0949201	89-18	A3CK300200	11-25	A5C1M50100	38-16
A2X0577400	36-10	A2X0631600	42-5	A2X0949301	89-19	A3CK300200	12-10	A5C1M50100	44-3
A2X0577400	38-9	A2X0665103	51-2	A2X0F41001	30-22	A3CK565100	8-8	A5C1M50100	49-8
A2X0577500	38-18	A2X0665300	53-7	A2X0F41001	31-16	A3CK568300	8-11	A5C1M50100	57-46
A2X0577600	38-37	A2X0665300	55-31	A2X0H00X00	88-5	A3CK940000	13-16	A5C1M50100	58-23
A2X0584000	60-41	A2X0665401	55-30	A2X0M10000	60-35	A3CKH00200	10-4	A5C1M50100	61-8
A2X0584100	60-40	A2X0665500	55-35	A2X0M10100	35-9	A3CKM10300	14-4	A5C1M50100	62-3
A2X0584200	60-13	A2X0665600	55-34	A2X0M10200	46-1	A3CKM20000	7-25	A5C1M50100	69-8
A2X0584300	60-6	A2X0665811	55-7	A2X0M10300	7-28	A3EP820300	68-25	A5C1M72H00	86-10
A2X0584400	57-25	A2X0665900	55-32	A2X0M10300	35-5	A3EWM90300	4-25	A5C1M92000	82-12
A2X0586700	58-19	A2X0666001	53-24	A2X0M10500	61-43	A3GNM71C00	22-13	A5C1N10B00	19-16
A2X0586900	57-23	A2X0666500	53-19	A2X0M10600	69-38	A4EU138000	86-6	A5C1N14300	23-1
A2X0591100	60-20	A2X0666500	55-17	A2X0M10700	69-3	A4EU747600	67-13	A5C1R90000	7-20
A2X0592300	60-43	A2X0666603	51-1	A2X0M10800	71-1	A4MG130900	86-14	A5C1R90000	9-24
A2X0592400	60-42	A2X0666900	53-29	A2X0M10900	73-1	A55V110401	79-14	A5C1R90000	11-22
A2X0595001	59-1	A2X0666900	55-28	A2X0M12001	43-5	A55V170100	16-12	A5C1R90000	12-4
A2X0597200	57-14	A2X0667100	50-14	A2X0M12101	52-12	A55V624700	40-26	A5C1R90000	13-7
A2X0597700	57-8	A2X0667200	46-6	A2X0N10C00	17-9	A55VN11200	70-5	A5C1R90000	14-13
A2X0599900	60-39	A2X0667800	50-7	A2X0N10D00	17-4	A5AWM60200	80-14	A5C1R90000	21-24
A2X0603000	44-20	A2X0667900	50-20	A2X0N10K00	88-14	A5AWP00100	95-38	A5C1R90000	27-9
A2X0603000	49-18	A2X0668000	45-7	A2X0N10P00	76-20	A5C1134111	86-8	A5C1R90000	38-39
A2X0604200	44-34	A2X0668100	45-18	A2X0N11600	43-4	A5C1134200	86-4	A5C1R90000	43-10
A2X0604200	49-17	A2X0668200	49-6	A2X0N11700	43-3	A5C1192100	96-12	A5C1R90000	48-6
A2X0605800	44-24	A2X0713100	62-10	A2X0N12300	30-4	A5C1263300	21-12	A5C1R90000	49-29
A2X0605900	45-25	A2X0713200	62-11	A2X0N12M00	33-2	A5C1263400	21-13	A5C1R90000	52-17
A2X0605900	50-29	A2X0746300	67-22	A2X0N13000	26-11	A5C1280101	21-23	A5C1R90000	53-17
A2X0608000	51-8	A2X0746500	67-2	A2X0N13100	26-10	A5C1562200	36-25	A5C1R90000	55-18
A2X0620901	41-1	A2X0813300	69-34	A2X0N13200	26-1	A5C1562200	38-26	A5C1R90000	57-7
A2X0621411	41-22	A2X0890600	29-13	A2X0N13300	26-2	A5C1562200	44-48	A5C1R90000	70-11
A2X0621600	41-36	A2X0895400	15-7	A2X0N13C00	33-7	A5C1562200	49-43	A61DM10200	74-11
A2X0624001	40-17	A2X0900500	70-14	A2X0N13D00	33-6	A5C1562200	59-31	A61DM10301	74-22
A2X0624101	42-6	A2X0942600	57-24	A2X0R70200	52-10	A5C1M10A00	23-2	A61FM31100	22-6
A2X0624212	35-14	A2X0942800	57-40	A2X0R70P00	35-17	A5C1M50100	4-5	A782100001	9-28
A2X0624300	41-40	A2X0942900	57-40	A2X0R70S00	46-9	A5C1M50100	5-10	A782100102	9-20
A2X0624400	41-6	A2X0943000	96-8	A2X0R71433	30-15	A5C1M50100	6-15	A782100200	9-19
A2X0624500	41-17	A2X0943100	96-8	A2XKN10J00	66-6	A5C1M50100	7-15	A782100301	9-14

Parts No.	Page No.	Parts No.	Page No.	Parts No.	Page No.	Parts No.	Page No.	Parts No.	Page No.
A782100400	9-13	A782117500	1-22	A782214300	7-33	A782265600	13-11	A782562400	6-32
A782100501	9-16	A782117600	1-23	A782214400	8-21	A782265700	13-10	A782562600	4-11
A782100600	9-17	A782117700	13-26	A782215100	8-27	A782265800	13-33	A782563800	13-9
A782100701	9-18	A782117800	13-36	A782215700	11-6	A782266000	13-12	A782565011	5-16
A782100802	9-21	A782117900	8-19	A782215800	7-31	A782266100	13-30	A782565301	6-14
A782101000	7-18	A782117900	11-12	A782230700	11-36	A782266200	13-18	A782566000	3-10
A782101600	7-17	A782117900	13-6	A782230900	13-1	A782266300	13-23	A782566800	4-19
A782101700	2-10	A782118000	11-20	A782231000	11-10	A782266401	13-21	A782566900	4-20
A782101900	14-14	A782118300	11-13	A782260200	9-26	A782266502	13-14	A782568200	8-6
A782102900	11-7	A782119300	1-20	A782260400	9-22	A782266601	13-27	A782568500	4-16
A782103200	14-12	A782125400	2-15	A782260501	9-23	A782266700	13-32	A782568600	8-7
A782103600	13-24	A782125500	2-16	A782260600	9-1	A782266800	13-22	A782568701	8-9
A782104301	12-6	A782125600	2-6	A782260700	9-3	A782266900	13-13	A782568901	7-8
A782104500	14-17	A782130001	1-2	A782262101	11-30	A782267000	13-25	A782569000	7-3
A782104700	9-15	A782130301	2-1	A782262200	11-21	A782267100	13-28	A782569200	7-12
A782105001	2-4	A782130500	3-15	A782262300	11-33	A782267200	13-19	A782569300	7-19
A782105101	2-3	A782130600	1-3	A782262501	11-26	A782268001	13-31	A782569801	7-9
A782106200	1-10	A782160001	1-1	A782262700	11-31	A782268201	13-29	A782569900	7-13
A782110009	1-12	A782160101	1-17	A782262800	2-11	A782268301	12-14	A782570400	6-2
A782110100	1-26	A782160200	1-16	A782262800	11-23	A782268500	12-8	A782570602	6-3
A782110600	1-19	A782160300	1-15	A782262900	11-15	A782268900	11-19	A782570800	3-14
A782111000	2-8	A782210200	14-3	A782263000	11-17	A782269200	11-29	A782570900	5-15
A782111100	2-9	A782210800	14-2	A782263201	12-13	A782269200	12-11	A782571100	3-8
A782111200	2-14	A782211300	7-32	A782263300	11-24	A782269300	12-19	A782571201	3-12
A782112305	1-18	A782211400	7-22	A782263700	11-34	A782269500	12-17	A782571300	3-4
A782113702	1-21	A782211500	7-21	A782263801	11-14	A782269800	11-18	A782571400	3-6
A782113801	1-11	A782211600	7-26	A782264000	12-21	A782272200	9-9	A782571500	3-5
A782113901	1-5	A782211700	7-30	A782264101	12-1	A782272301	9-12	A782571600	3-3
A782114001	1-7	A782211800	7-34	A782264202	12-3	A782272401	9-8	A782571800	5-7
A782114100	1-27	A782211900	7-24	A782264300	11-28	A782272800	9-27	A782571900	5-5
A782115600	13-5	A782212000	7-23	A782264300	12-12	A782561000	4-22	A782572000	3-9
A782115700	8-25	A782212300	11-4	A782264400	12-5	A782561115	4-12	A782572101	5-4
A782115700	11-3	A782212500	14-5	A782264501	11-27	A782561126	4-12	A782572101	6-10
A782115700	13-4	A782212600	8-22	A782264600	12-16	A782561703	4-3	A782572900	3-11
A782115800	14-8	A782212702	7-29	A782264700	12-18	A782561801	5-14	A782573401	3-13
A782116201	10-5	A782213000	8-24	A782264800	12-9	A782561900	5-6	A782573501	7-5
A782116301	10-3	A782213100	11-35	A782264900	2-12	A782562001	4-8	A782573601	4-18
A782116801	9-5	A782213300	11-32	A782265102	13-8	A782562101	7-2	A782573612	4-18
A782117000	2-2	A782213400	9-25	A782265201	12-7	A782562101	12-23	A782573800	3-16
A782117100	2-5	A782213500	13-2	A782265300	12-20	A782562400	4-17	A782573901	5-17

Parts No.	Page No.	Parts No.	Page No.	Parts No.	Page No.	Parts No.	Page No.	Parts No.	Page No.
A782576000	8-10	A782712300	8-12	A782N12300	11-2	A795134700	88-9	A795160301	17-26
A782576100	7-1	A782714100	8-26	A782N12400	12-22	A795135200	77-18	A795160402	16-8
A782600101	4-4	A782714200	8-1	A782N12600	11-9	A795135701	89-2	A795160500	15-11
A782600900	4-9	A782890000	14-10	A782N12700	8-28	A795136502	77-17	A795161200	19-5
A782601500	4-6	A782890111	14-16	A782P18000	4-26	A795137700	80-12	A795161400	15-12
A782700400	6-11	A782890200	14-18	A782R70066	1-24	A795137800	83-10	A795161601	18-2
A782700801	6-7	A782890600	14-15	A782R70100	9-4	A795138500	66-2	A795161701	18-3
A782700900	6-26	A782890711	14-9	A782R70200	10-1	A795138700	89-11	A795162301	18-4
A782701000	6-19	A782891001	2-7	A782R70311	4-24	A795139100	24-28	A795162801	18-11
A782701100	6-18	A782891500	14-11	A782R70433	6-34	A795140900	83-5	A795163001	20-12
A782701200	6-17	A782891600	14-6	A782R70800	7-39	A795141000	83-4	A795163101	20-1
A782701400	6-25	A782891700	14-7	A782R71100	4-28	A795145500	87-1	A795163201	20-13
A782701501	6-29	A782891800	4-15	A782R71200	4-27	A795145701	66-4	A795163302	20-4
A782701900	6-36	A782891901	4-14	A795101501	80-30	A795146600	18-19	A795163401	15-3
A782702600	6-31	A782940100	1-13	A795102500	29-8	A795150100	77-1	A795163500	15-6
A782702700	6-22	A782940300	13-20	A795104700	79-11	A795150200	77-6	A795164400	18-22
A782702801	6-20	A782940400	6-4	A795105000	79-12	A795150300	77-7	A795165401	18-15
A782703001	6-23	A782945003	96-13	A795107000	29-6	A795150400	77-2	A795165600	18-21
A782703401	6-6	A782H0010A	1-6	A795107501	79-17	A795150502	77-15	A795165701	18-10
A782704003	6-5	A782M10000	8-23	A795116600	28-11	A795150600	77-5	A795165802	20-11
A782704101	6-33	A782M10000	11-39	A795116700	29-7	A795150701	19-22	A795165900	96-1
A782704200	6-21	A782M10100	3-2	A795122000	28-16	A795151201	19-23	A795166400	15-4
A782704200	8-14	A782M10200	11-8	A795122100	28-15	A795152100	78-12	A795166601	18-17
A782704301	7-37	A782M10400	12-2	A795122200	28-13	A795153000	15-2	A795167200	20-2
A782704400	6-28	A782N10000	1-4	A795122300	28-14	A795153701	78-9	A795167400	19-3
A782704501	6-9	A782N10100	8-29	A795122701	29-11	A795155101	81-5	A795167800	20-19
A782704700	6-27	A782N10200	7-38	A795130500	86-1	A795155200	81-2	A795168400	20-8
A782704800	6-12	A782N10300	4-21	A795131001	89-17	A795155401	81-1	A795168600	20-6
A782704901	6-24	A782N10400	4-23	A795131301	89-13	A795155501	33-23	A795168700	15-14
A782705600	6-35	A782N10501	11-37	A795131400	87-8	A795155700	24-27	A795168800	15-15
A782707201	7-36	A782N10700	13-35	A795131400	89-3	A795157300	77-9	A795168900	15-16
A782707300	6-1	A782N10801	7-16	A795131600	89-10	A795157400	77-8	A795169300	20-18
A782707400	7-4	A782N10900	10-2	A795132100	83-6	A795157500	77-10	A795170502	19-15
A782710000	8-16	A782N11100	6-16	A795132200	78-13	A795157600	77-11	A795172700	16-26
A782710100	8-17	A782N11200	1-8	A795132802	18-1	A795157700	77-12	A795172800	20-9
A782710201	8-15	A782N11800	2-13	A795133101	85-3	A795157901	77-13	A795172900	20-10
A782710806	8-13	A782N11800	13-34	A795133500	85-5	A795158000	79-18	A795220100	74-1
A782711000	8-20	A782N12001	10-6	A795133803	87-7	A795158100	79-19	A795220500	74-3
A782711800	8-3	A782N12100	9-10	A795133901	86-13	A795158300	29-14	A795225000	74-13
A782711901	8-2	A782N12200	10-7	A795134300	89-1	A795160202	16-16	A795225100	74-15

Parts No.	Page No.	Parts No.	Page No.	Parts No.	Page No.	Parts No.	Page No.	Parts No.	Page No.
A795230200	75-25	A795563300	39-21	A795578100	36-24	A795602700	44-51	A795668700	49-46
A795230600	75-24	A795563400	36-43	A795578100	38-25	A795602801	44-50	A795668901	45-22
A795230700	75-4	A795563500	36-1	A795578300	36-11	A795602801	49-47	A795668901	50-1
A795230800	75-9	A795563800	37-13	A795578400	38-12	A795602900	49-45	A795669000	56-4
A795231500	75-14	A795563800	39-15	A795586400	58-2	A795603400	50-25	A795669100	54-7
A795231800	75-5	A795563800	45-14	A795588100	60-31	A795603500	49-25	A795669100	56-7
A795232000	75-21	A795563800	50-16	A795588600	59-5	A795605500	44-4	A795670000	52-26
A795232600	75-23	A795564700	37-23	A795589300	57-43	A795606001	47-6	A795670100	52-25
A795235400	75-15	A795564700	39-26	A795589600	57-44	A795606700	48-21	A795700100	61-23
A795235700	75-8	A795565000	41-25	A795589901	57-42	A795606800	48-19	A795700200	61-24
A795235900	75-17	A795565100	41-29	A795590000	57-45	A795607000	47-10	A795700600	61-16
A795240401	74-18	A795565200	41-34	A795590200	58-28	A795607600	47-17	A795701000	61-14
A795265900	21-19	A795565300	41-32	A795590500	59-3	A795607800	47-18	A795701102	61-37
A795273900	23-24	A795565400	41-33	A795590600	59-8	A795608100	44-29	A795701200	61-28
A795275700	23-3	A795565500	41-28	A795590800	58-27	A795608100	49-50	A795701500	61-2
A795361600	34-46	A795565600	41-27	A795592000	60-18	A795609400	52-1	A795701601	61-27
A795402600	76-3	A795565700	41-18	A795594400	57-39	A795609500	52-4	A795701612	61-27
A795403401	82-1	A795565800	41-20	A795594501	57-37	A795611000	46-33	A795701900	61-25
A795403502	76-21	A795565900	41-19	A795594700	58-18	A795611600	46-16	A795702000	61-44
A795405001	76-22	A795566000	41-8	A795595400	58-5	A795611800	46-32	A795702101	65-29
A795405101	76-23	A795570100	36-19	A795595700	60-34	A795612800	46-25	A795702200	65-7
A795520211	33-19	A795570201	36-36	A795596300	60-36	A795613502	53-1	A795702400	61-7
A795520300	33-18	A795570601	36-14	A795597300	57-27	A795613502	55-2	A795702800	65-23
A795520800	33-20	A795570612	36-14	A795597311	57-27	A795615701	55-24	A795703001	61-33
A795520900	33-21	A795570701	36-9	A795598000	60-1	A795616600	46-39	A795704501	65-22
A795524100	33-26	A795570801	38-8	A795598101	58-1	A795617100	46-23	A795705200	64-2
A795524200	33-22	A795571200	37-6	A795598201	58-6	A795617200	47-11	A795705701	63-8
A795539000	32-2	A795571400	37-10	A795598301	60-25	A795617300	47-12	A795705900	64-3
A795560200	36-32	A795572000	38-19	A795598400	58-10	A795617700	44-49	A795706200	63-15
A795560200	38-33	A795572101	38-6	A795598500	58-9	A795617800	44-28	A795706500	63-16
A795560300	36-18	A795572200	52-5	A795598900	57-47	A795620800	41-14	A795706600	63-26
A795561600	37-20	A795572300	38-13	A795599000	60-44	A795621301	41-5	A795706700	63-27
A795561600	39-24	A795572600	38-1	A795599800	58-20	A795621901	41-21	A795707100	79-3
A795561701	37-15	A795574101	37-8	A795600000	58-25	A795622500	41-12	A795707600	79-1
A795561701	39-20	A795574401	39-13	A795600800	44-37	A795622600	41-39	A795708100	62-32
A795561900	36-13	A795576700	36-7	A795601100	49-4	A795622700	41-41	A795708200	62-6
A795561900	38-11	A795576700	38-45	A795602000	37-25	A795663500	50-28	A795708400	33-9
A795562100	36-30	A795577201	37-14	A795602401	49-19	A795667400	49-34	A795708701	62-36
A795562100	38-31	A795577201	39-18	A795602500	49-49	A795667500	44-35	A795708801	61-9
A795563300	37-17	A795577800	36-15	A795602600	49-48	A795668300	48-30	A795709301	64-6

Parts No.	Page No.
A795709700	63-33
A795710001	79-5
A795710200	62-9
A795710300	62-16
A795710501	62-38
A795710600	62-28
A795710700	62-5
A795710800	62-24
A795711601	65-12
A795711800	65-10
A795711900	63-12
A795712001	61-10
A795712101	62-7
A795712201	63-28
A795712401	61-3
A795712500	79-7
A795712600	79-6
A795712700	79-8
A795712800	79-10
A795712901	64-9
A795713001	62-13
A795713301	64-8
A795713400	62-8
A795713500	64-1
A795713601	61-13
A795713700	63-11
A795713800	63-22
A795714100	63-24
A795714200	63-21
A795714200	78-21
A795714300	63-25
A795714402	61-40
A795714602	61-38
A795714800	63-23
A795714900	62-39
A795715000	62-25
A795715100	62-22
A795715200	61-12
A795715300	61-39
A795715600	63-7

Parts No.	Page No.
A795715700	62-27
A795715802	63-3
A795715900	62-35
A795716300	61-46
A795716500	64-4
A795716600	79-9
A795717300	64-5
A795717401	62-30
A795717501	62-33
A795717601	62-26
A795717700	62-34
A795717801	63-4
A795717900	63-5
A795718000	64-7
A795718101	63-6
A795718300	62-4
A795718400	62-19
A795718600	62-17
A795721700	67-16
A795755001	66-7
A795810101	68-27
A795810200	69-15
A795810501	68-1
A795810603	69-1
A795810700	69-25
A795810800	68-12
A795810900	68-20
A795811000	68-28
A795811301	69-4
A795811700	69-7
A795811800	69-16
A795811900	69-29
A795812000	69-9
A795813400	69-2
A795815000	69-20
A795816300	69-14
A795816400	68-5
A795816500	69-37
A795816600	69-30
A795816701	69-12

Parts No.	Page No.
A795816800	69-11
A795816900	69-31
A795817000	69-33
A795817100	69-10
A795817200	69-32
A795817300	69-36
A795817400	69-35
A795890200	71-18
A795890401	72-16
A795891200	71-15
A795891801	70-1
A795892001	70-33
A795892100	70-6
A795892201	70-16
A795892300	70-20
A795892403	70-15
A795892700	70-25
A795892902	70-40
A795893301	72-15
A795893400	72-17
A795893501	72-1
A795893700	72-4
A795893900	72-5
A795894001	70-22
A795894200	70-42
A795894300	73-6
A795894800	73-18
A795894900	73-10
A795895300	73-16
A795895600	70-30
A795896000	73-3
A795896400	72-13
A795896600	71-7
A795897200	73-15
A795897500	70-31
A795897601	70-32
A795897700	73-11
A795897800	70-34
A795898200	71-16
A795898300	70-17

Parts No.	Page No.
A795899700	70-24
A795900900	63-35
A795901001	63-10
A795901200	70-21
A795901600	72-8
A795901700	70-41
A795901800	71-20
A795902200	18-23
A795902400	70-8
A795902500	61-47
A795902500	70-9
A795940401	17-33
A795940500	17-33
A795941500	20-23
A795942401	40-6
A795942501	57-11
A795942700	57-2
A795990100	69-24
A795F62008	40-1
A795H00200	87-6
A795M20200	36-39
A795M20200	38-41
A795M20300	44-22
A795M20300	49-27
A795M40201	66-5
A795M40B00	89-15
A795M40J00	88-3
A795N10T00	66-3
A795N10U00	79-4
A795R70100	74-4
A795R70500	75-16
A795R70700	75-2
A795R70900	75-12
A795R71000	22-4
A795R71211	34-40
A795R71911	46-45
A795R72000	46-36
A795R72133	57-17
A795R72400	61-35
A795R72600	62-42

Parts No.	Page No.
A795R72711	70-38
A795R72800	70-7
A795R73100	71-2
A795R73400	73-4
A795R73600	62-41
A795R73722	84-5
A795R73822	84-5
A795R73900	74-16
A795R74000	70-39
A795R74100	46-44
A795R74422	35-2
A795R74500	35-3
A796153200	20-20
A796153300	20-21
A796153400	20-22
A796153500	78-19
A796H00C00	86-2
A796H00W00	89-8
A796H01A00	21-26
A796M10002	46-31
A796M10002	74-14
A796M10200	75-1
A796M10B00	75-22
A796M20000	46-4
A796M40900	87-2
A796M50000	79-16
A796M92600	85-7
A796M92S00	86-22
A796N10301	87-11
A796N10400	92-2
A796N10700	88-14
A796N10901	76-16
A796N10F00	35-4
A796N11101	63-13
A796N11401	60-30
A796N11500	57-18
A796N11801	36-44
A796N11901	38-47
A796N11C00	52-22
A796N12D01	89-12



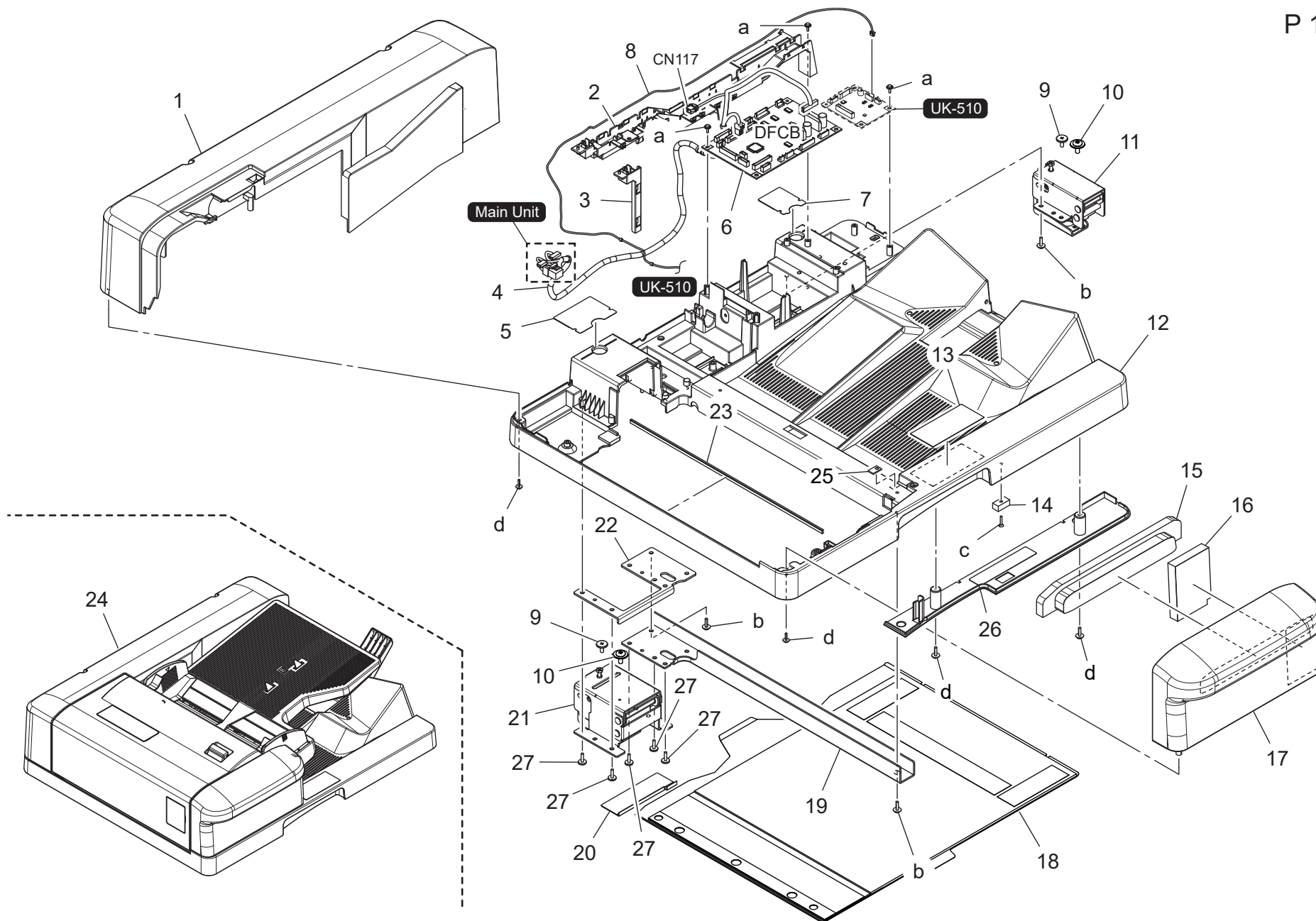
Parts No.	Page No.	Parts No.	Page No.	Parts No.	Page No.	Parts No.	Page No.	Parts No.	Page No.
A796N12E00	85-6	A7AH621000	41-10	A8JE131700	89-20	A8JE406500	29-20	A8JE719400	63-32
A796N12X01	86-16	A7AH621200	41-11	A8JE132300	83-8	A8JE520400	33-30	A8JE719500	63-43
A796N13500	91-2	A7AH624300	40-16	A8JE132400	24-2	A8JE520500	33-33	A8JE719600	63-42
A796N13800	19-12	A7AHH00C00	84-1	A8JE133000	86-18	A8JE520600	33-31	A8JE740300	67-10
A796N13E00	33-25	A7AHH02D02	86-23	A8JE133700	87-5	A8JE521000	33-34	A8JE740311	67-10
A796N13F00	33-24	A7AHM90200	85-8	A8JE134200	28-12	A8JE575200	43-17	A8JE741800	67-15
A796N13H00	83-16	A7AHM90300	22-14	A8JE135500	83-7	A8JE575300	43-2	A8JE743300	67-11
A79J145500	97-10	A7AHN30000	96-15	A8JE136400	88-12	A8JE578300	36-11	A8JE744300	67-12
A79J147701	97-8	A7PU134600	86-7	A8JE145300	87-10	A8JE603101	49-30	A8JE746200	67-17
A79J147800	97-18	A7PU134700	86-9	A8JE153600	77-20	A8JE603600	45-24	A8JE746300	67-18
A79J147900	97-7	A7PU134800	86-5	A8JE153700	77-21	A8JE604100	50-27	A8JE746400	67-19
A79J148501	97-1	A7PU307000	80-29	A8JE153800	28-3	A8JE615000	53-21	A8JE746502	67-13
A79J148601	97-2	A7PU940600	20-3	A8JE161801	18-6	A8JE615000	55-20	A8JE791500	18-27
A79J148700	97-19	A7PU941701	18-28	A8JE161900	18-7	A8JE618001	56-16	A8JE812400	63-39
A79J148800	97-12	A7PU944500	57-48	A8JE162001	18-9	A8JE618100	54-22	A8JE890700	71-13
A79J148900	97-13	A7PU947001	96-7	A8JE162100	18-26	A8JE618100	56-20	A8JE901500	72-9
A79J149001	97-20	A7PU947101	96-7	A8JE162200	18-25	A8JE618200	56-19	A8JE940400	16-32
A79J149400	97-3	A7PU947201	96-7	A8JE162700	18-20	A8JE618300	54-23	A8JE940500	16-31
A79J149500	97-4	A7PU947302	96-7	A8JE165300	18-8	A8JE618300	56-21	A8JE940600	16-25
A79J149600	97-5	A7PUM72100	19-24	A8JE167500	19-20	A8JE618400	54-18	A8JE940700	16-21
A79J149700	97-14	A7PUN14500	22-3	A8JE167900	19-1	A8JE618400	56-22	A8JE941800	56-13
A79J149800	97-17	A7PUP00100	19-27	A8JE168100	19-6	A8JE618500	54-20	A8JE941900	54-13
A79J740401	67-9	A7PUR71133	21-21	A8JE169100	16-10	A8JE618500	56-18	A8JE948300	29-19
A79J741711	67-20	A87WH00100	97-16	A8JE170400	19-11	A8JE618601	47-19	A8JE948400	29-17
A79J741911	67-21	A8JE101900	88-21	A8JE170700	16-15	A8JE618700	54-21	A8JE948500	29-15
A79J743703	67-3	A8JE108200	25-5	A8JE170801	17-7	A8JE619100	52-27	A8JE948600	16-18
A79J743802	67-5	A8JE114200	28-10	A8JE171100	19-7	A8JE619300	44-52	A8JE949200	80-35
A79J743901	67-8	A8JE114300	28-1	A8JE195100	19-17	A8JE619400	44-53	A8JE950900	96-16
A79J744000	67-4	A8JE114500	28-2	A8JE404100	76-7	A8JE619501	54-24	A8JEH00301	24-22
A79J744200	67-7	A8JE114600	28-4	A8JE404800	16-20	A8JE619600	52-28	A8JEH00400	87-9
A79J812600	63-40	A8JE114700	28-5	A8JE404900	29-16	A8JE619700	49-51	A8JEH02002	86-15
A79J812800	63-41	A8JE114800	28-6	A8JE405000	29-18	A8JE619800	54-17	A8JEH02A00	86-20
A79J812900	63-38	A8JE114900	28-7	A8JE405100	29-20	A8JE619900	52-29	A8JEM10000	74-21
A79JM70004	19-4	A8JE115000	28-8	A8JE405800	16-20	A8JE701100	61-29	A8JEM30200	28-18
A79JM70104	19-4	A8JE115100	28-9	A8JE405900	16-20	A8JE705100	63-2	A8JEM40400	66-5
A79JM70204	19-4	A8JE116200	97-15	A8JE406000	29-16	A8JE716400	63-14	A8JEM40700	83-9
A79JM70302	19-4	A8JE130100	88-16	A8JE406100	29-18	A8JE719000	63-34	A8JEM40800	83-2
A79JM70402	19-4	A8JE130100	88-16	A8JE406200	29-20	A8JE719100	63-36	A8JEM40H00	88-3
A79JN10R00	97-11	A8JE130400	86-17	A8JE406300	29-16	A8JE719200	63-31	A8JEM50200	65-8
A79JN15600	19-26	A8JE131500	89-5	A8JE406400	29-18	A8JE719300	63-30	A8JEM50600	74-23

Parts No.	Page No.
A8JEN10001	91-1
A8JEN10100	90-1
A8JEN10201	91-1
A8JEN10500	92-1
A8JEN10600	92-1
A8JEN10B00	82-10
A8JEN10E01	94-1
A8JEN10Q00	90-2
A8JEN10V00	89-16
A8JEN11001	62-1
A8JEN11301	69-22
A8JEN11D00	49-37
A8JEN11E00	44-32
A8JEN12200	65-11
A8JEN12701	81-7
A8JEN12G00	24-21
A8JEN12J00	89-21
A8JEN13J00	83-15
A8JEN13K00	83-14
A8JEN13M01	83-13
A8JEN30100	96-15
A8JEN30200	88-17
A8JEN30300	96-15
A8JER70111	32-1
A8JER70222	66-1
A8JER70222	66-1
A8JER70222	66-1
A8JER70300	24-20
A8JER70411	74-12
A8JER70500	76-18
A8JER70600	76-17
A8JER70700	26-14
A8JER70822	61-45
A8JER70911	63-18
A8JER71000	63-37
A8JER71100	71-6
A8JER71200	34-42
A8JER71300	19-19
A8JER71400	44-45
A8JER71500	49-40

Parts No.	Page No.
A8JER71600	53-30
A8JER71700	53-30
A8JER71800	55-29
A8JER71900	55-29
A8JER72000	67-14
A8KNM40A02	89-15
A8X4132701	18-30
A90GN15300	19-21
A9K6943300	17-24
A9K6N10A00	93-1
A9UVN14101	97-9
AA6RN30000	88-17
V121030803	96-9
V121030803	96-18
V500010053	95-1
V500010054	95-2
V500010055	95-3
V500010060	95-4
V500010061	95-5
V500010081	95-6
V500010082	95-7
V500010083	95-8
V500010084	95-9
V500010085	95-10
V500010091	95-39
V500020018	95-11
V500020037	95-12
V500020040	96-19
V500020052	95-34
V500020069	95-13
V500020073	95-40
V500020082	95-14
V500020098	95-16
V500020099	95-17
V500020100	95-18
V500020110	95-35
V501010001	95-36
V501010002	96-17
V501010018	95-19
V502010026	24-24

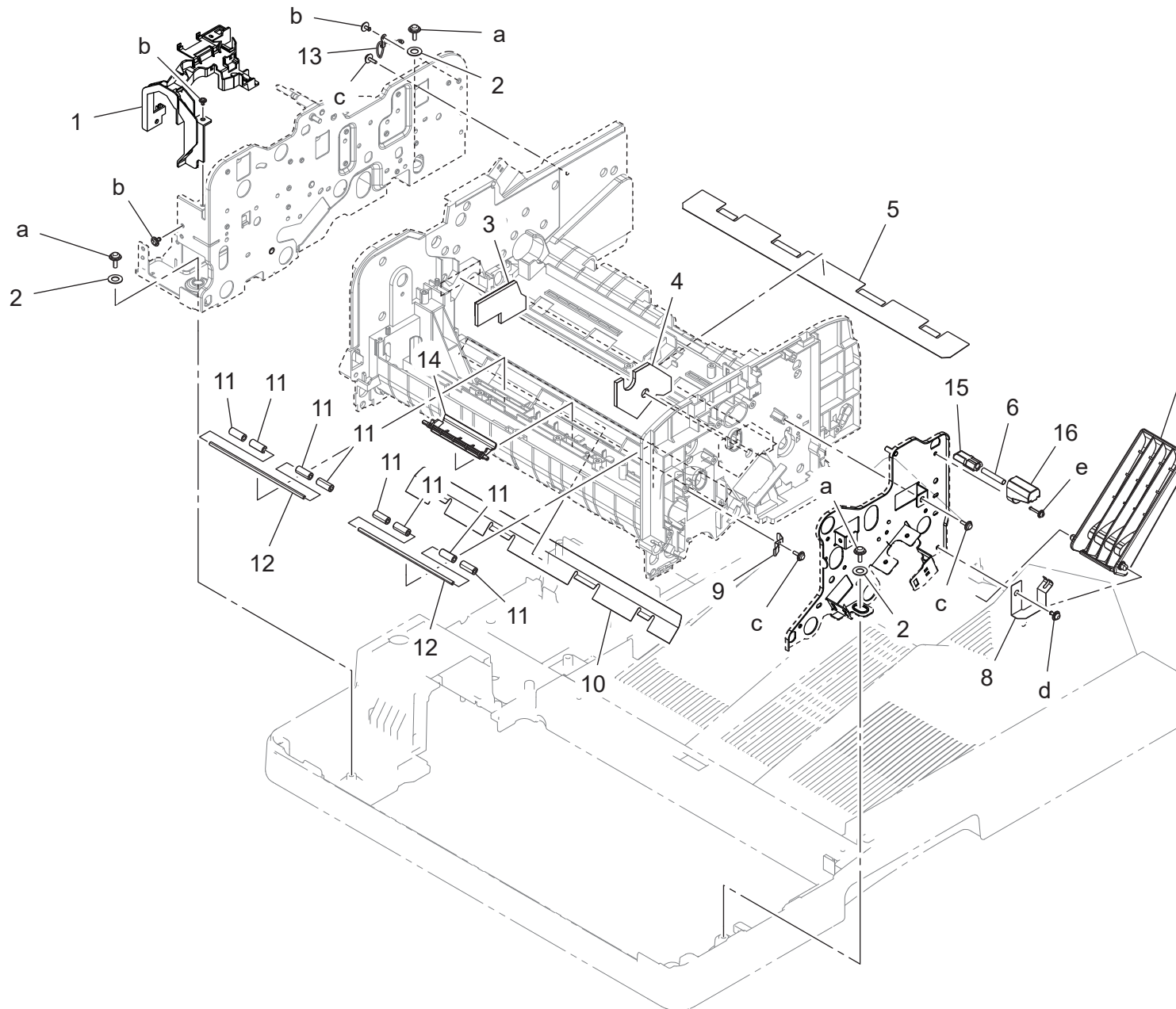
Parts No.	Page No.
V502010026	83-12
V502010026	86-21
V502010026	87-4
V502010033	88-4
V502010056	88-1
V502010061	89-7
V503010002	96-3
V570010021	95-20
V570010025	95-15
V570010026	95-21
V570010027	95-22
V570010028	95-23
V570010031	95-24
V570010046	95-25
V570010047	95-26
V570010057	95-27
V570010059	95-28
V651010003	78-8
V651010034	11-40
V651020004	24-10

# Auto document feed Section



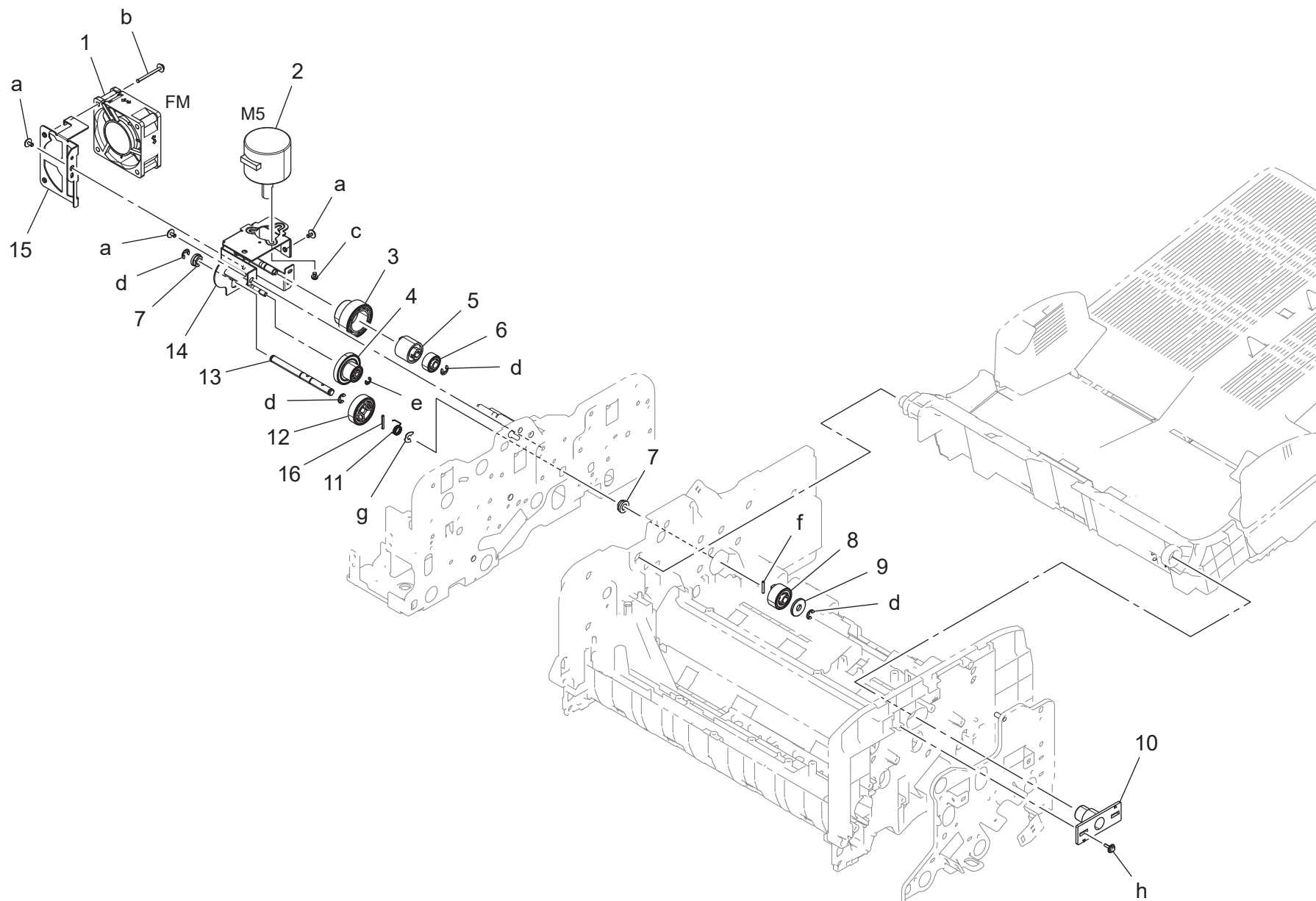


# Auto document feed Section





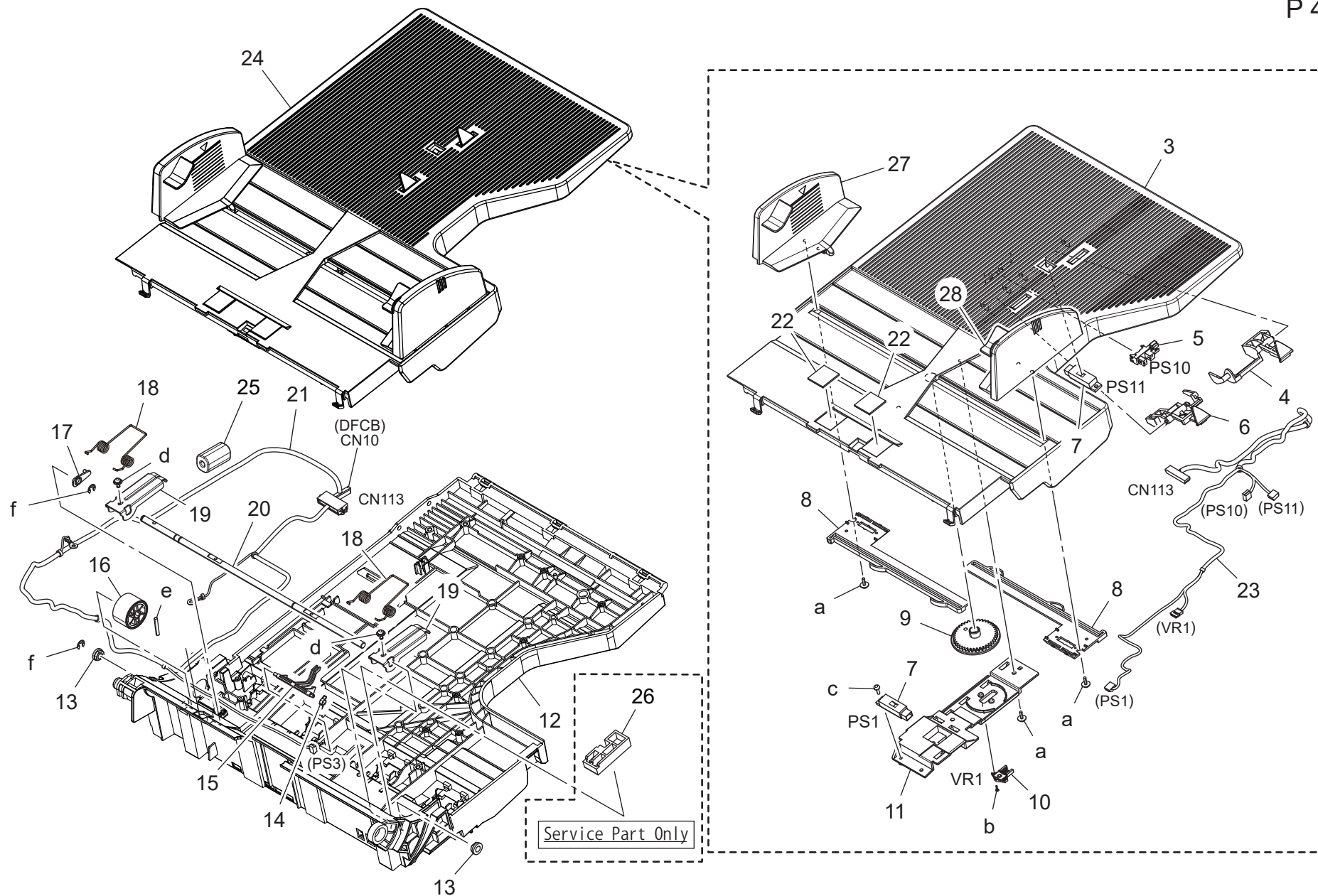
# Auto document feed Section



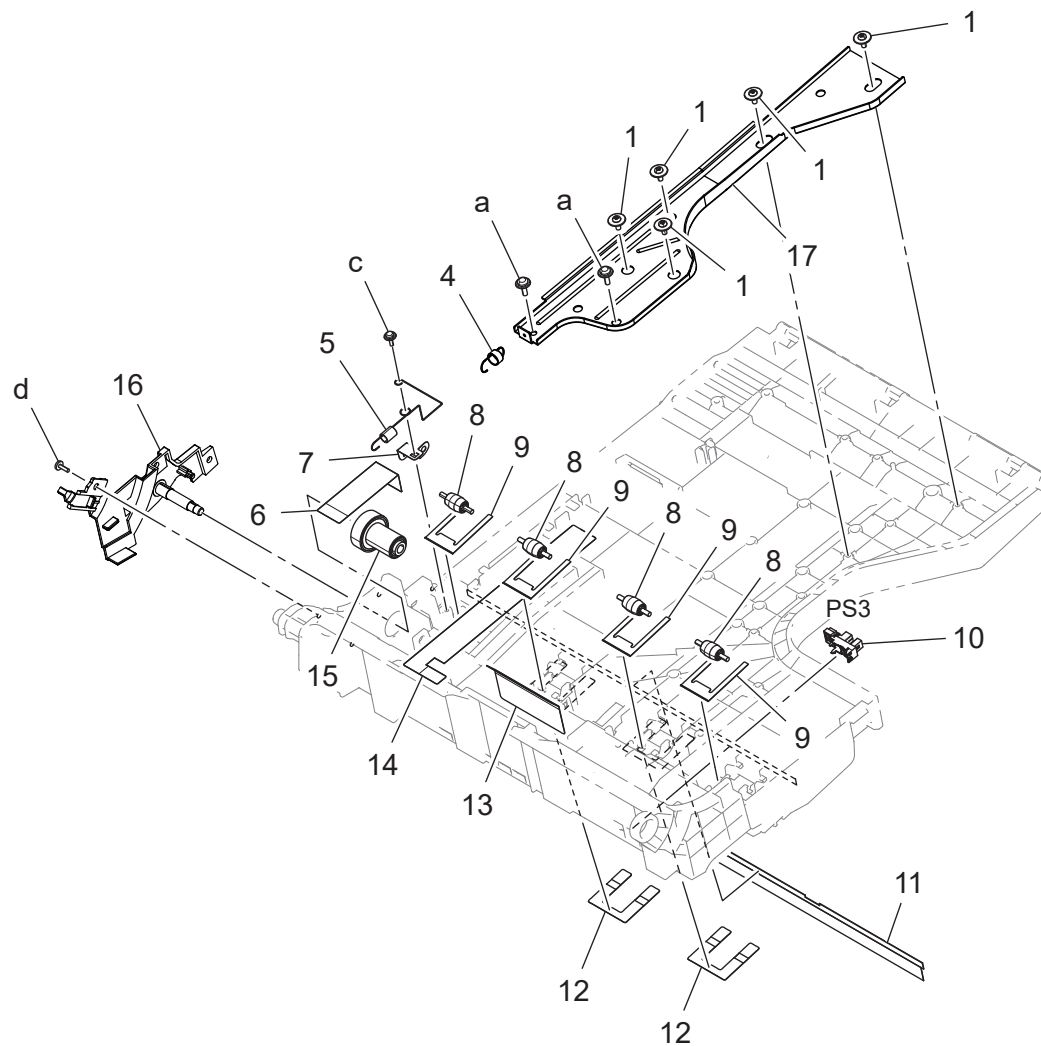




# Auto document feed Section

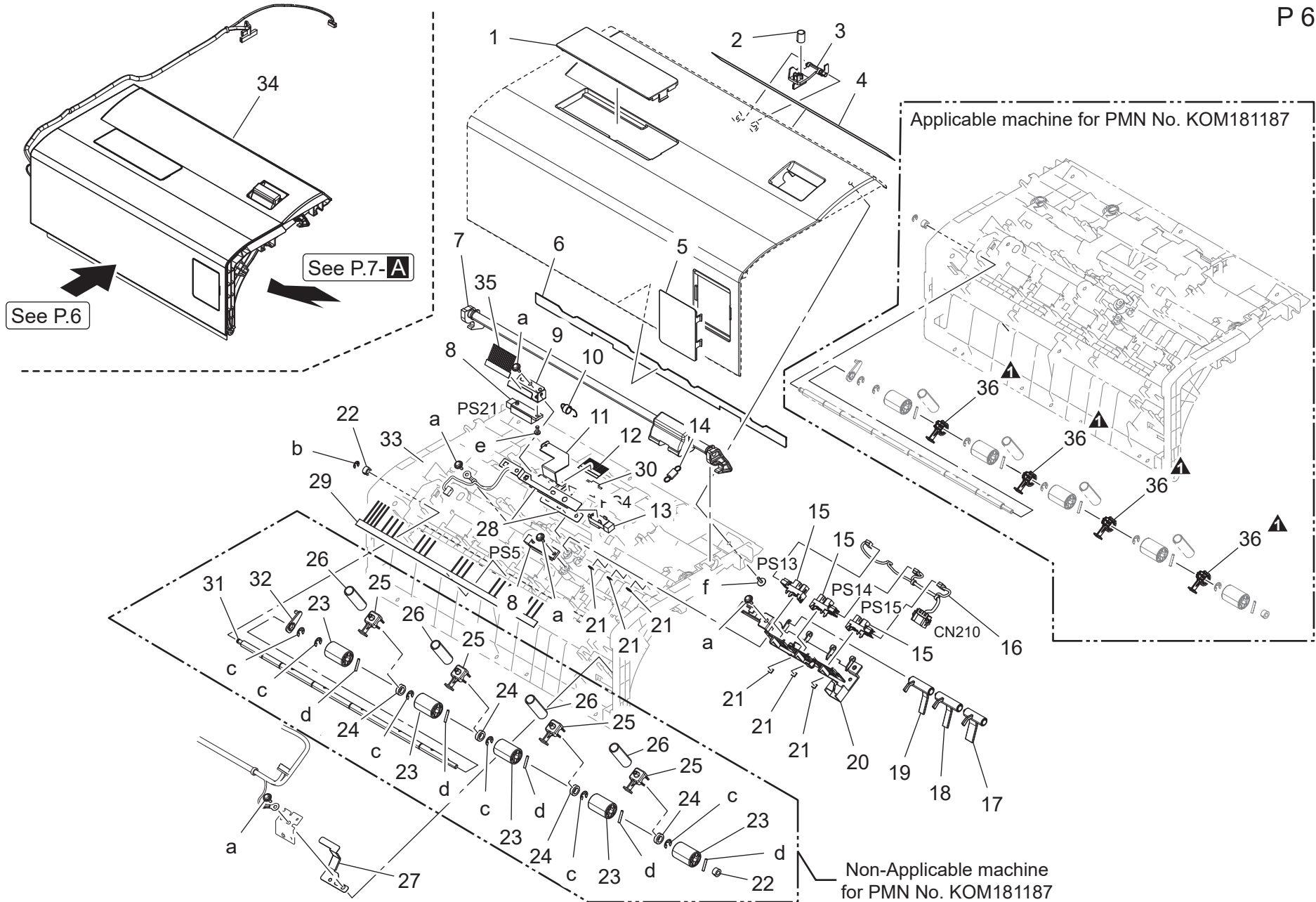








# Auto document feed Section



Applicable machine for PMN No. KOM181187

Non-Applicable machine for PMN No. KOM181187

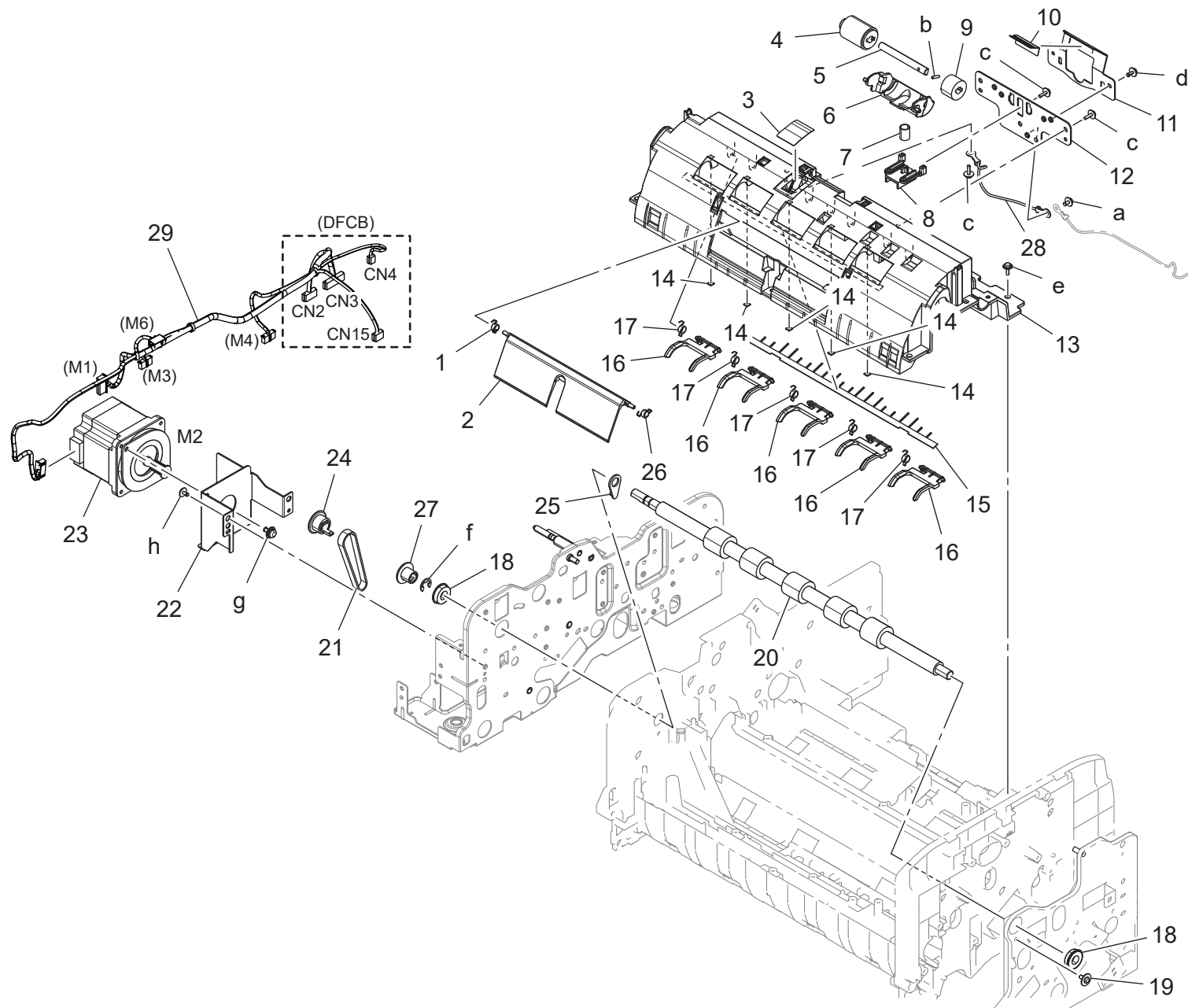
Key	Part No.	Description	Destinations	Class	QTY	Standard parts
1	A782707300	Protection Cover /Upper		C	1	a-V153030803
2	A782570400	Spring		C	1	b-V217030003
3	A782570602	Lever /1		D	1	c-V217040003
4	A782940400	Label		C	1	d-V234201250
5	A782704003	Protection Cover /Lower		C	1	e-V135030603
6	A782703401	Sealing Rubber		C	1	f-V153030804
7	A782700801	Open/close Lever		D	1	
8	A108M50000	Photoreflector		B	2	
9	A782704501	Mounting Plate		D	1	
10	A782572101	Pulling Coil spring		C	1	
11	A782700400	Mounting Plate		D	1	
12	A782704800	Neutralizing Brush		C	1	
13	9335140071	Solid State Switch		B	1	
14	A782565301	Pulling Coil spring		C	1	
15	A5C1M50100	Photointerrupter		B	3	
16	A782N11100	ADF Wiring /12		D	1	
17	A782701200	Actuator /3		C	1	
18	A782701100	Actuator /2		C	1	
19	A782701000	Actuator /1		C	1	
20	A782702801	Mounting Plate		D	1	
21	A782704200	Adjusting Cushion		C	6	
22	A782702700	Bushing		C	2	
23	A782703001	Idler Roll		D	5	
24	A782704901	Ball bearing		C	4	
25	A782701400	Rotation Pedestal		D	4	
26	A782700900	Compressing Spring		C	4	
27	A782704700	Ground Plate /Lower		D	1	
28	A782704400	Scatteringprevention Plate		D	1	
29	A782701501	Neutralizing Brush		C	1	
30	A108703100	Stopper		D	1	
31	A782702600	Rotation Shaft		D	1	
32	A782562400	Washer		C	1	
33	A782704101	Ground Plate		C	1	
34	A782R70433	TOP Cover ASSY		D	1	
35	A782705600	Neutralizing Brush /1		D	1	
36	A782701900	Bushing		C	4	



Key	Part No.	Description	Destinations	Class	QTY	Standard parts
1	A782576100	Guide Plate		D	1	a-V218040086
2	A782562101	Cushion		C	1	b-V234200850
3	A782569000	Arm /Front		C	1	c-V217040003
4	A782707400	Light blocking Part		D	1	d-V116030803
5	A782573501	Shaft		D	1	e-V116030603
6	9J07330801	Pulley 21T		C	1	f-V234201050
7	9J07330102	Roller		A	2	g-V217060003
8	A782568901	Arm /Front		C	1	h-V144030603
9	A782569801	Lever /2		C	2	k-V217030003
10	A07H570500	Clutch		C	1	
11	A00J563600	Roller		A	1	
12	A782569200	Paper feed Shaft		D	1	
13	A782569900	Timing belt 128L		C	1	
14	9J07331901	Pulley 19T		C	1	
15	A5C1M50100	Photointerrupter		B	1	
16	A782N10801	ADF Wiring /9		D	1	
17	A782101600	Positioning Shaft /1		C	2	
18	A782101000	Shaft		C	2	
19	A782569300	Gear /2 25T		C	1	
20	A5C1R90000	Photo Interrupter		B	1	
21	A782211500	Ring		D	1	
22	A782211400	Gear 27T		C	1	
23	A782212000	Holder		D	1	
24	A782211900	Compressing Spring		C	1	
25	A3CKM20000	Clutch		C	1	
26	A782211600	Shaft		D	1	
27	A108260700	Bushing		D	1	
28	A2X0M10300	Stepping motor		C	1	
29	A782212702	Mounting Plate		D	1	
30	A782211700	Ground Plate		C	1	
31	A782215800	Gear		D	1	
32	A782211300	Pulley 27T		C	1	
33	A782214300	Timing belt 124L		C	1	
34	A782211800	Flange		C	1	
35	4131253701	BUSHING		C	1	
36	A782707201	Guide /J		D	1	
37	A782704301	Spring		C	1	
38	A782N10200	ADF Wiring /3		D	1	
39	A782R70800	Pick Up ASSY		C	1	

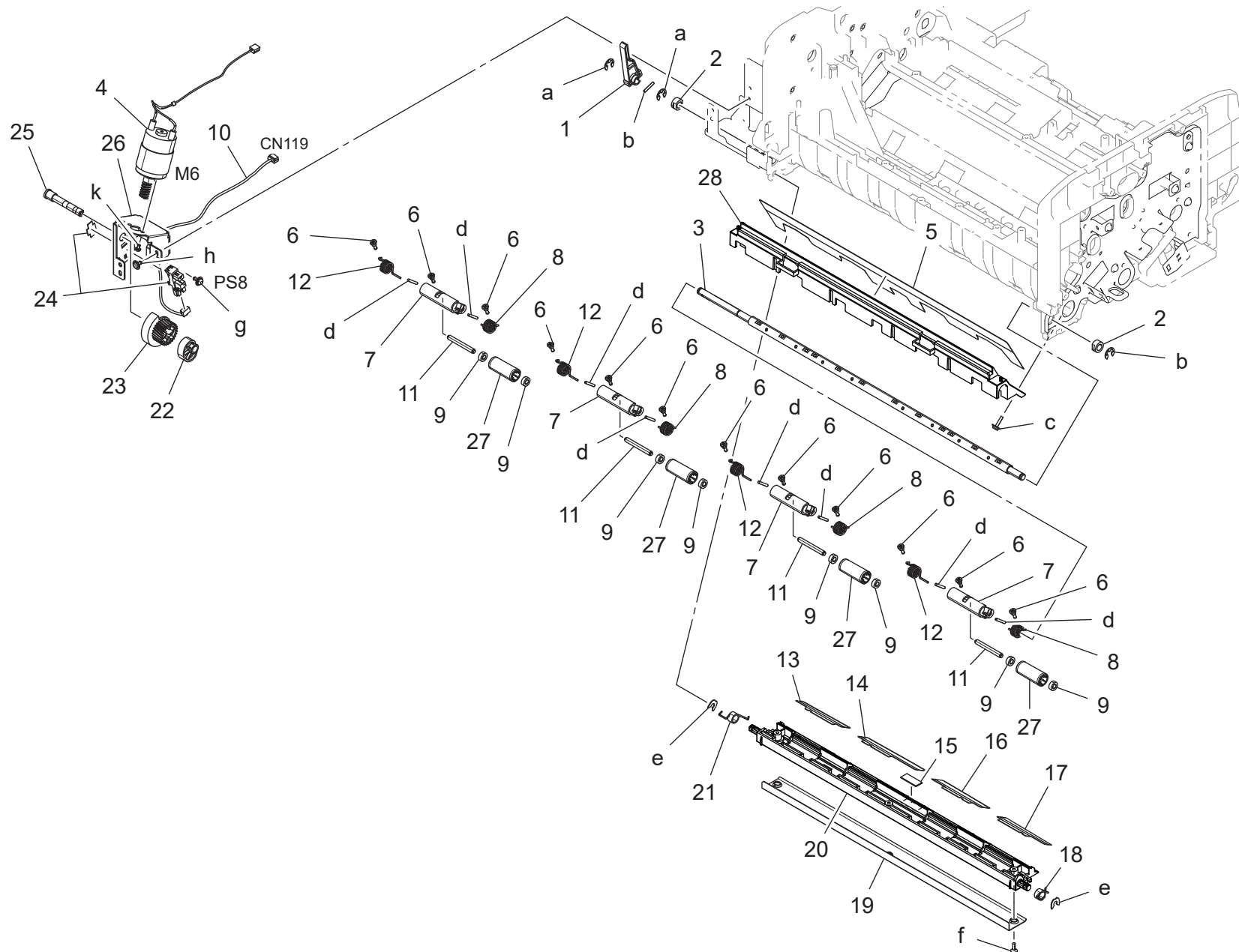


# Auto document feed Section





# Auto document feed Section

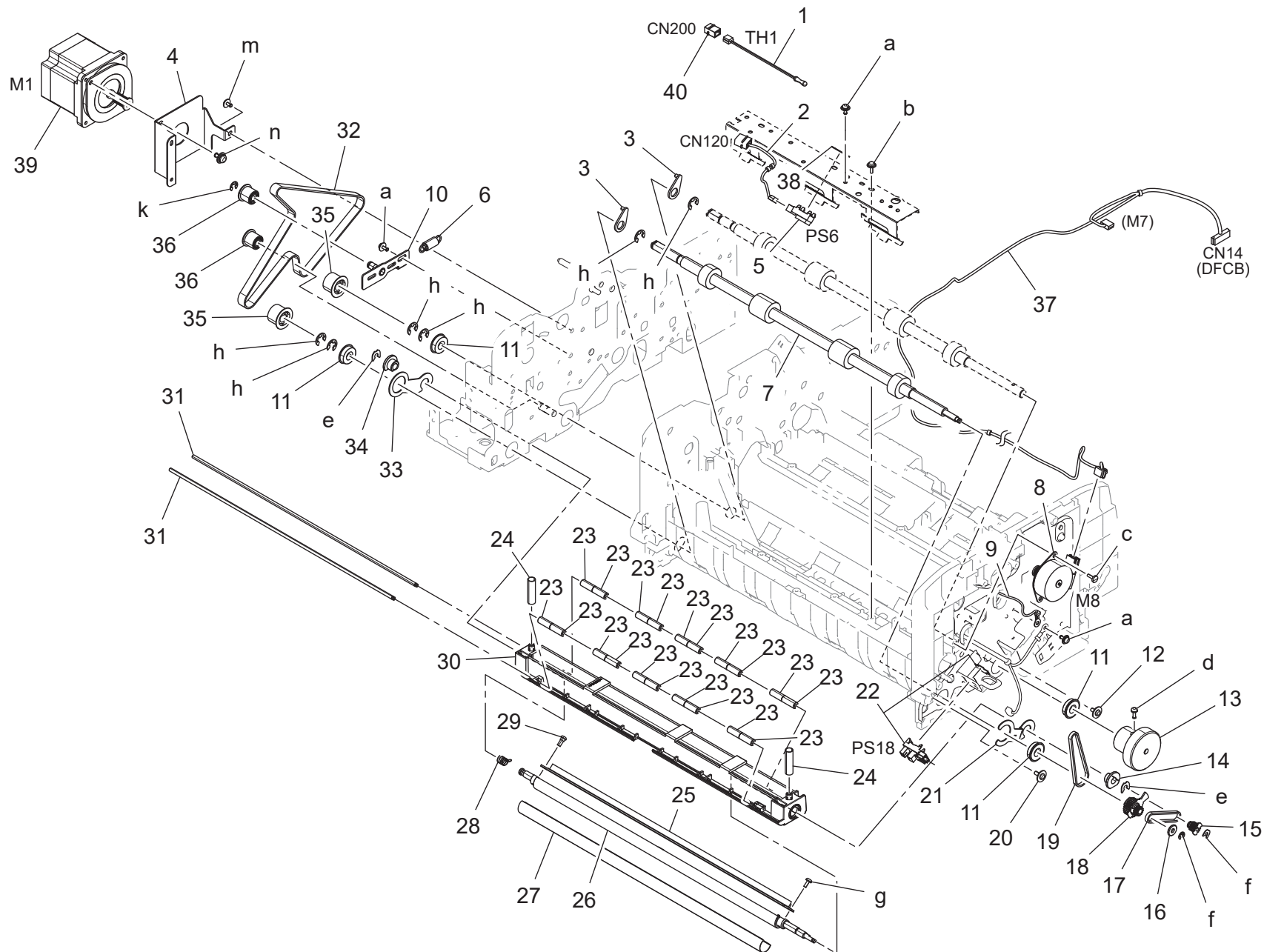






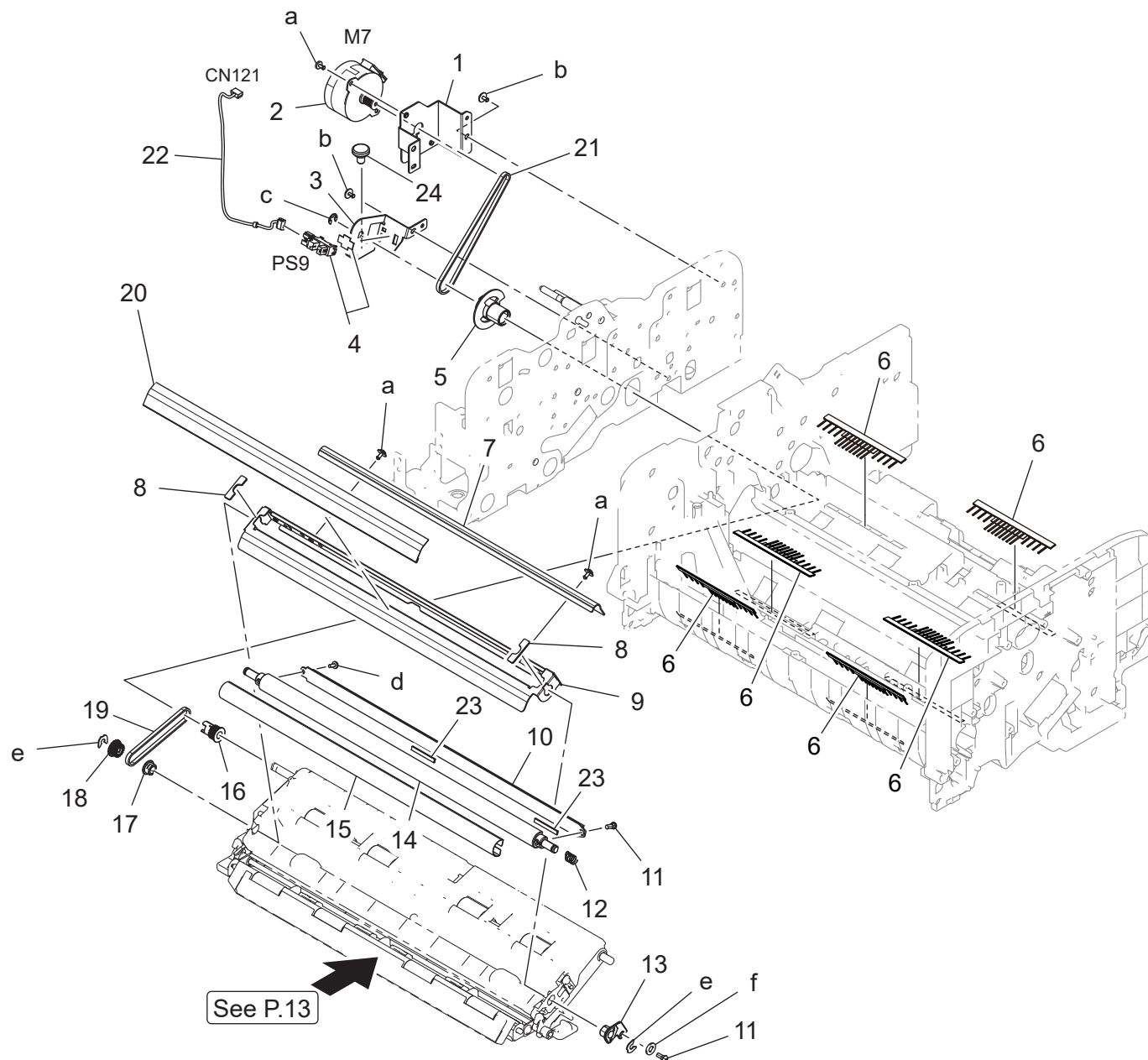


# Auto document feed Section



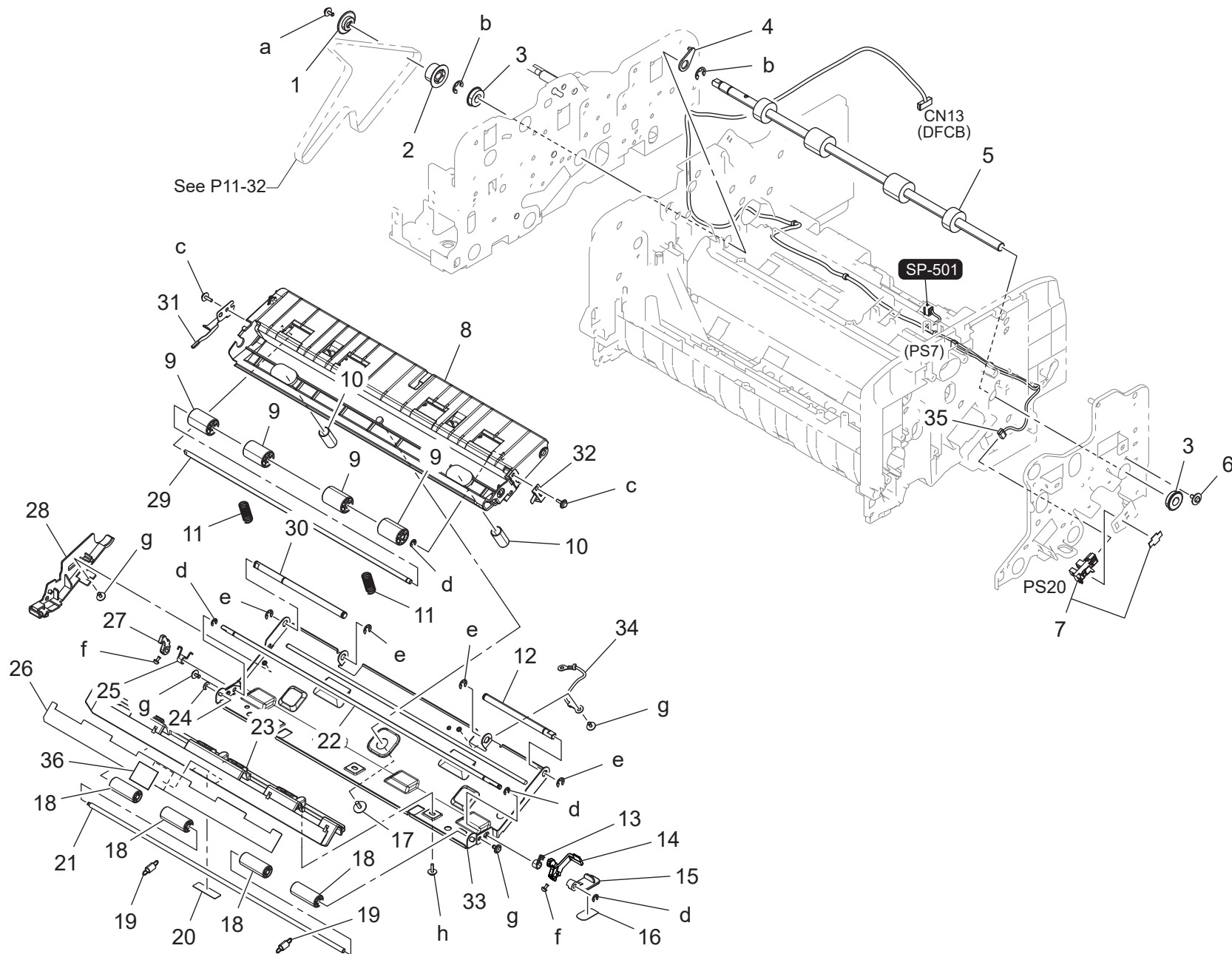
Key	Part No.	Description	Destinations	Class	QTY	Standard parts
1	A0P0M50300	Thermistor		C	1	a-V116030803
2	A782N12300	ADF Wiring /50		D	1	b-V153030803
3	A782115700	Washer /1		C	2	c-V149030803
4	A782212300	Mounting Plate		D	1	d-V115030803
5	9335140071	Solid State Switch		B	1	e-V218040086
6	A782215700	Pulling Coil spring		D	1	f-V218030086
7	A782102900	Roller		D	1	g-V145030603
8	A782M10200	Stepping motor		C	1	h-V217060003
9	A782N12600	ADF Wiring /A		D	1	k-V217040003
10	A782231000	Tension Plate		D	1	m-V144030603
11	A00V240600	Ball Bearing		B	4	n-V116040803
12	A782117900	Shoulder screw		C	1	
13	A782118300	Weight		D	1	
14	A782263801	Bushing		C	1	
15	A782262900	Pulley 14T		C	1	
16	A0HU250500	Flange		D	1	
17	A782263000	Belt 100L		C	1	
18	A782269800	Pulley T25		C	1	
19	A782268900	Belt 140L		C	1	
20	A782118000	Shoulder screw		C	1	
21	A782262200	Arm		D	1	
22	A5C1R90000	Photo Interrupter		B	1	
23	A782262800	Roll		C	20	
24	A782263300	Compressing Coil spring		C	2	
25	A3CK300200	Brush		C	1	
26	A782262501	Shaft		D	1	
27	A782264501	Sheet		C	1	
28	A782264300	Spring		D	1	
29	A782269200	Shoulder screw		C	1	
30	A782262101	Guide		C	1	
31	A782262700	Shaft		D	2	
32	A782213300	Timing belt 468L		C	1	
33	A782262300	Arm		D	1	
34	A782263700	Bushing		C	1	
35	A782213100	Pulley /2 27T		C	2	
36	A782230700	Pulley		C	2	
37	A782N10501	ADF Wiring /6		D	1	
38	A108703100	Stopper		D	1	
39	A782M10000	Stepping motor		C	1	
40	V651010034	Connector		V	1	



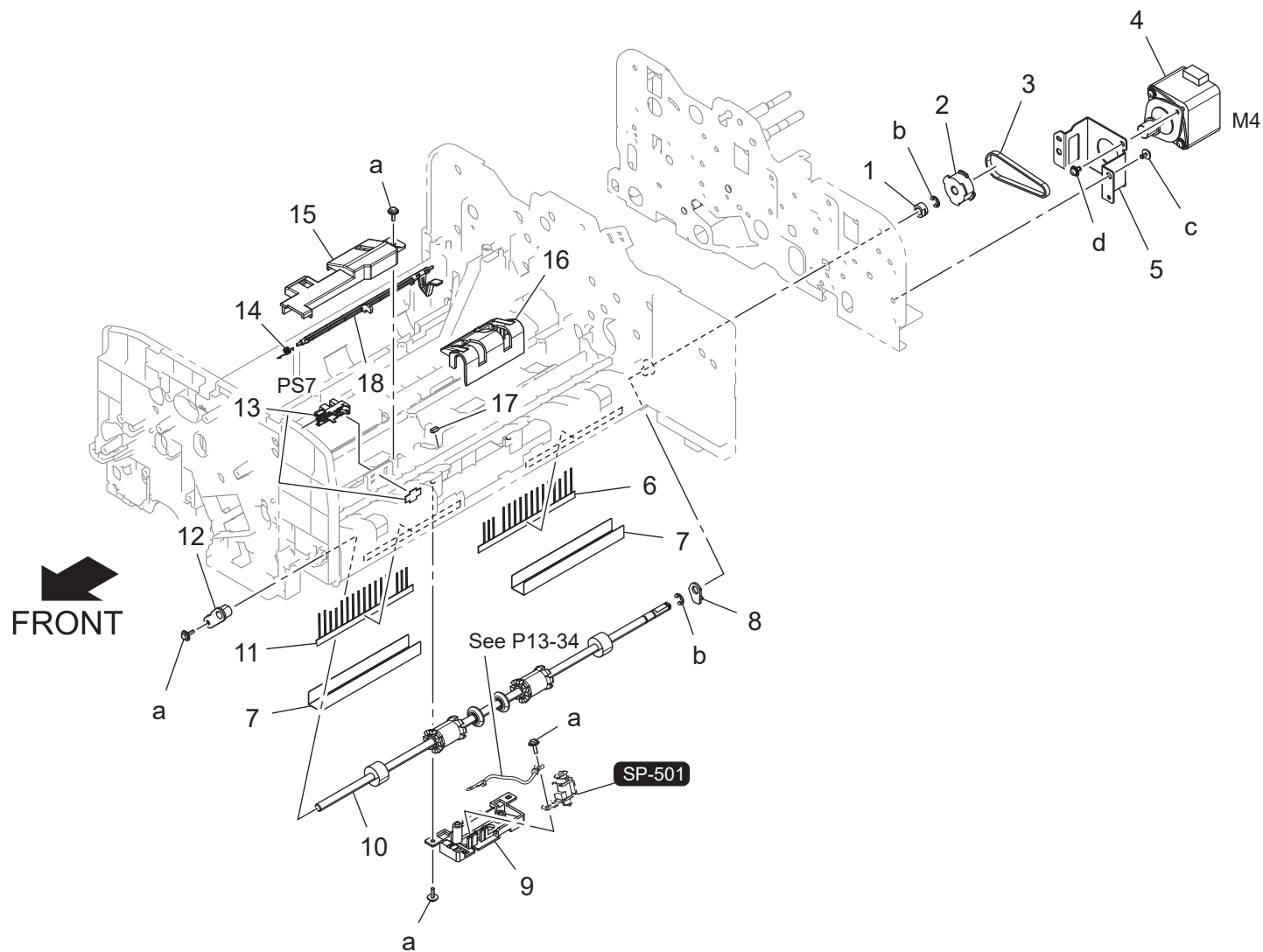




# Auto document feed Section

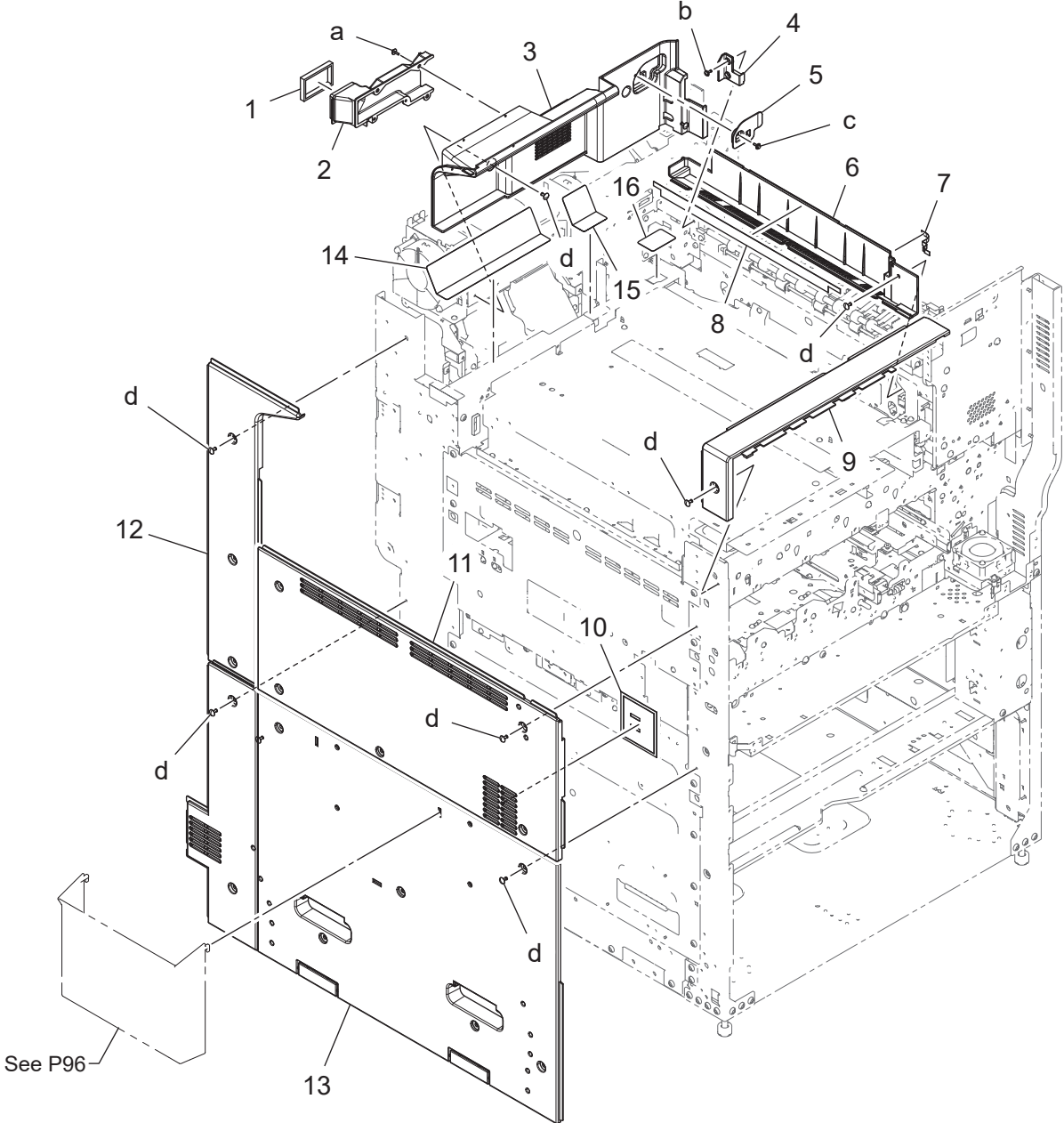


Key	Part No.	Description	Destinations	Class	QTY	Standard parts
1	A782230900	Flange		C	1	a-V116030803
2	A782213500	Pulley 27T		C	1	b-V217060003
3	A00V240600	Ball Bearing		B	2	c-V153030803
4	A782115700	Washer /1		C	1	d-V217030003
5	A782115600	Roller		D	1	e-V217040003
6	A782117900	Shoulder screw		C	1	f-V115260503
7	A5C1R90000	Photo Interrupter		B	1	g-V144030603
8	A782265102	Conveyance Guide		D	1	h-V149030803
9	A782563800	Idling Roller		C	4	
10	A782265700	Compressing Coil spring		C	2	
11	A782265600	Compressing Coil		C	2	
12	A782266000	Open/close Shaft /Front		D	1	
13	A782266900	Open/close Spring /Left		D	1	
14	A782266502	Lock Part /Front		D	1	
15	A108266300	Lock Lever		C	1	
16	A3CK940000	Label		C	1	
17	4163529301	SCREW		C	1	
18	A782266200	Roll		C	4	
19	A782267200	Pulling Coil spring /3		C	2	
20	A782940300	Cover Film		C	1	
21	A782266401	Shaft		D	1	
22	A782266800	Open/close Shaft		D	1	
23	A782266300	Guide		D	1	
24	A782103600	Slide Stopper		C	1	
25	A782267000	Open/close Spring /Right		D	1	
26	A782117700	Conveyance Guide		D	1	
27	A782266601	Lock Part /Rear		D	1	
28	A782267100	Cover		D	1	
29	A782268201	Shaft		D	1	
30	A782266100	Shaft		D	1	
31	A782268001	Plate spring		D	1	
32	A782266700	Ground Plate spring		D	1	
33	A782265800	Cover /1		D	1	
34	A782N11800	ADF Wiring /19		D	1	
35	A782N10700	ADF Wiring /8		D	1	
36	A782117800	Guide /Middle		D	1	





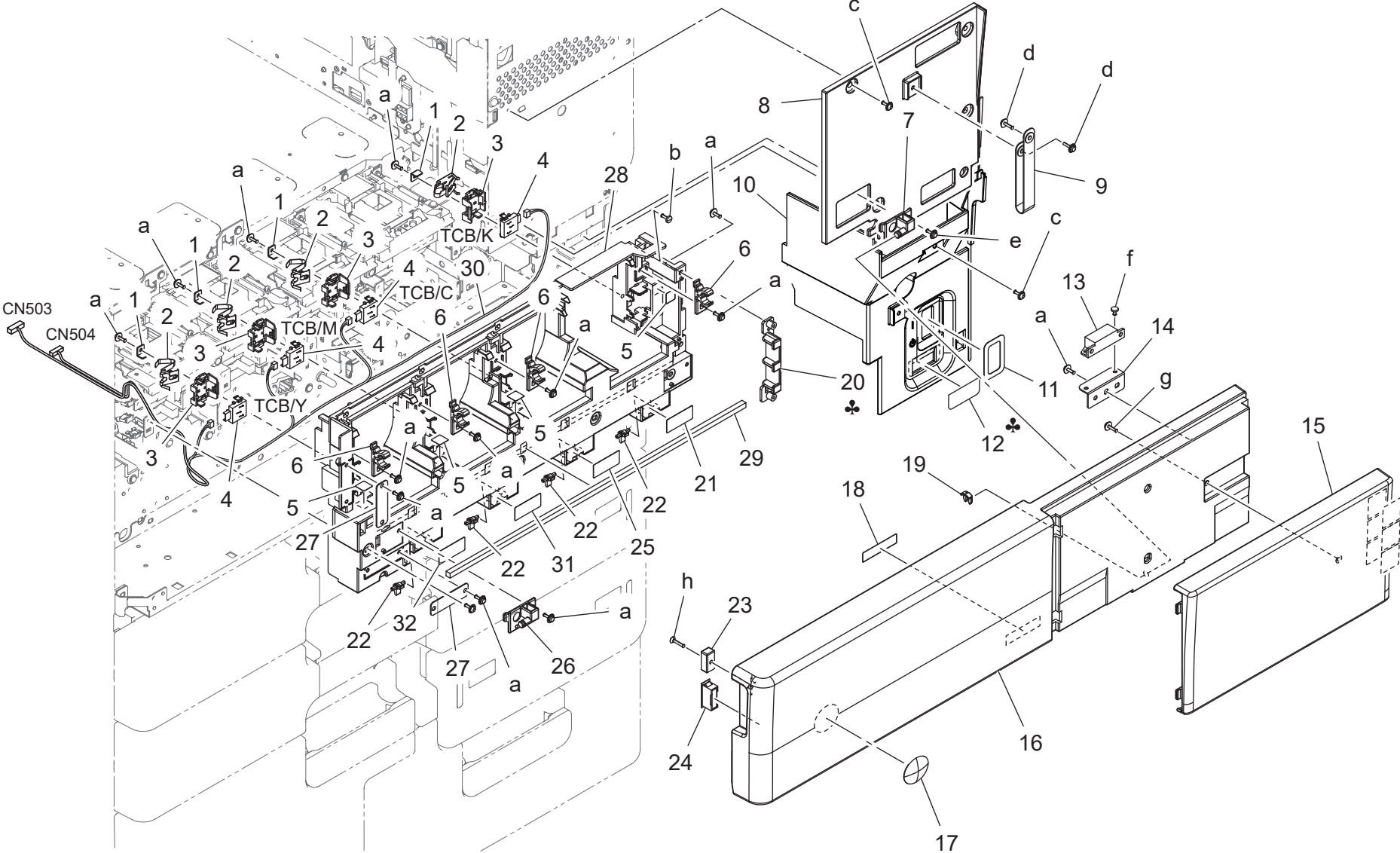
External Parts Section







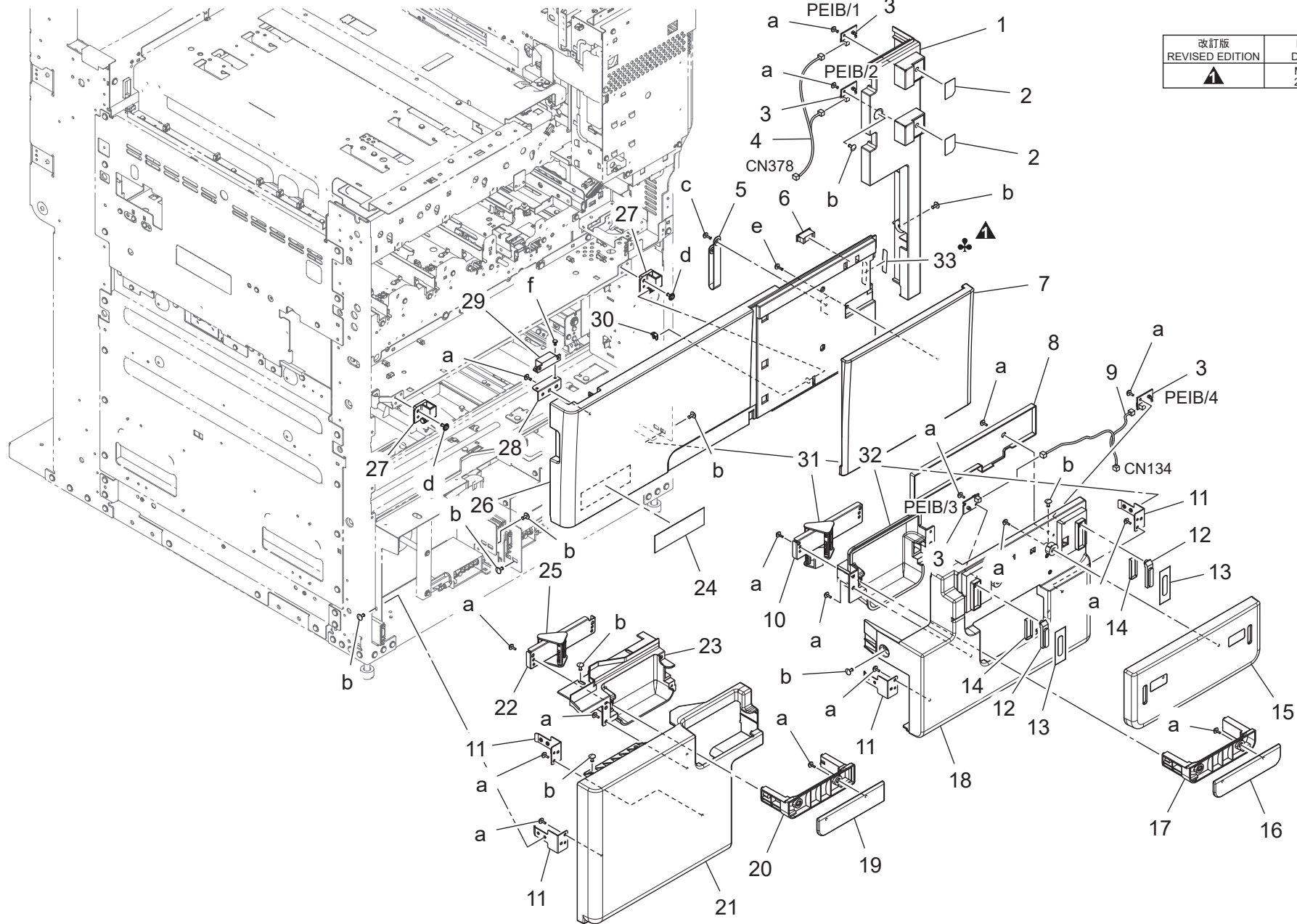
External Parts Section





# External Parts Section

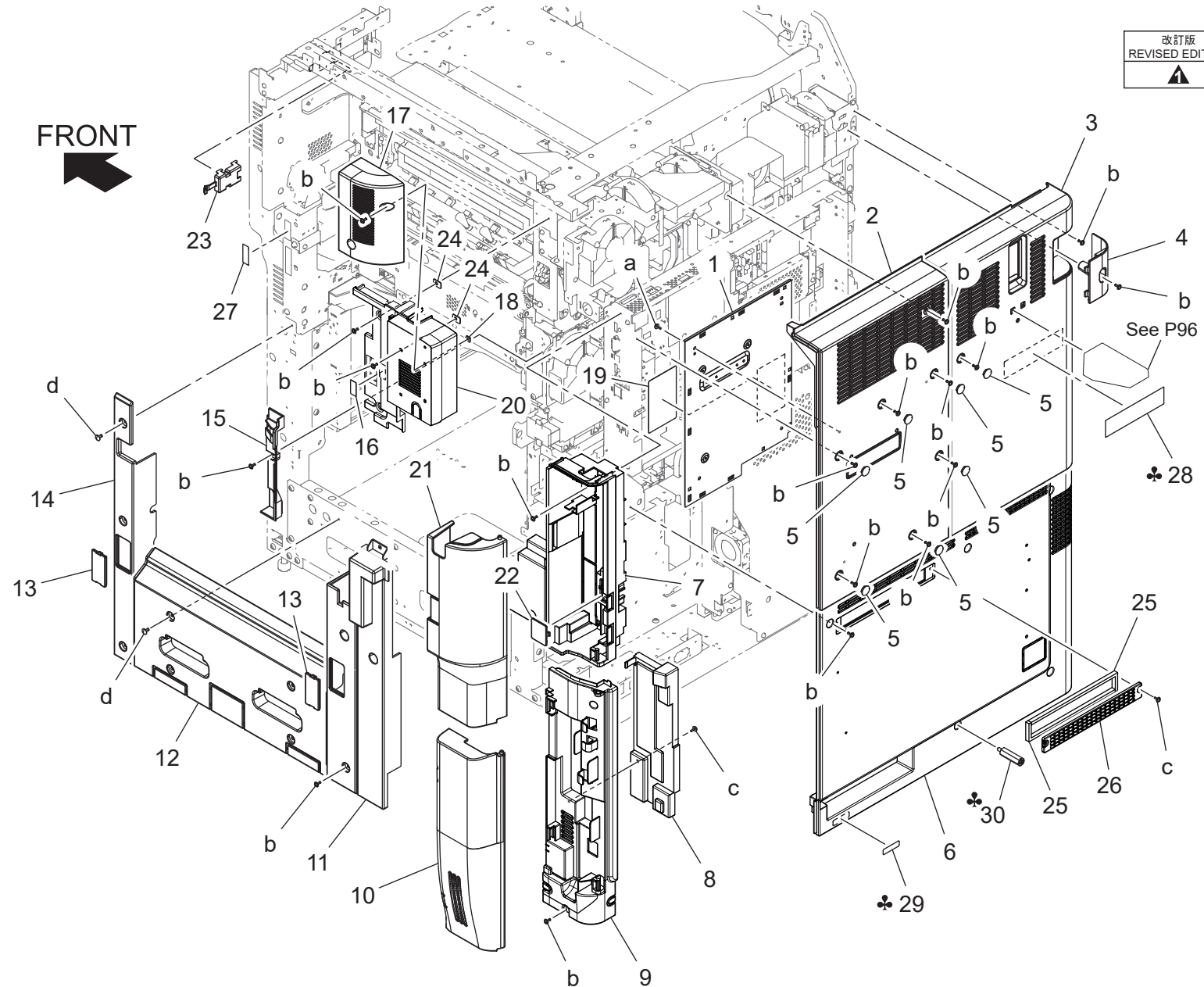
改訂版 REVISED EDITION	日付 DATE
	MAY 2018



Key	Part No.	Description	Destinations	Class	QTY	Standard parts
1	A2X0160800	Cover Cassette /Right		D	1	a-V153030803 b-V114040804 c-V153031003 d-V137040803 e-V153031004 f-V126030603
2	A2X0168500	Protection Sheet		D	2	
3	A00JH00D00	PWB Assembly LED1		C	4	
4	A2X0N10D00	Indicating Relay harness /1		D	1	
5	4120101402	BAND		C	1	
6	4030104002	CATCH		D	1	
7	A8JE170801	Open/close Cover /Front		D	1	
8	A2X0172100	Cover		D	1	
9	A2X0N10C00	Indicating Relay harness /2		D	1	
10	A2X0172400	Holder		D	1	
11	A00J164501	Mounting Plate		D	4	
12	A161626000	Lens		D	2	
13	A161626100	Light blocking Sheet		D	2	
14	A161626200	Sheet		D	2	
15	A2X0171001	Cover		C	1	
16	A2X0172600	Cover		C	1	
17	A2X0172301	Handle		C	1	
18	A2X0161000	Cover		C	1	
19	A2X0172000	Cover		C	1	
20	A2X0171702	Handle		C	1	
21	A2X0160900	Cover		C	1	
22	A2X0171901	Release Lever		D	1	
23	A2X0171600	Cover		C	1	
24	A9K6943300	Label bizhub C659		D	1	
25	A2X0171801	Holder		D	1	
26	A795160301	Open/close Cover /Front		C	1	
27	A2X0162100	Hinge		D	2	
28	A0P0162600	Mounting Plate /B		D	1	
29	4475260302	MAGNET CATCH		D	1	
30	56AA40490	SHAFT STOPPER 4		C	1	
31	A2X0172501	Release Lever		D	1	
32	A2X0172200	Cover		C	1	
33	A795940401	Label	A,A1,B,C,D1,D3,E,F2 .G1,G2,I,K,H	C	1	
33	A795940500	Label	J	C	1	

# External Parts Section

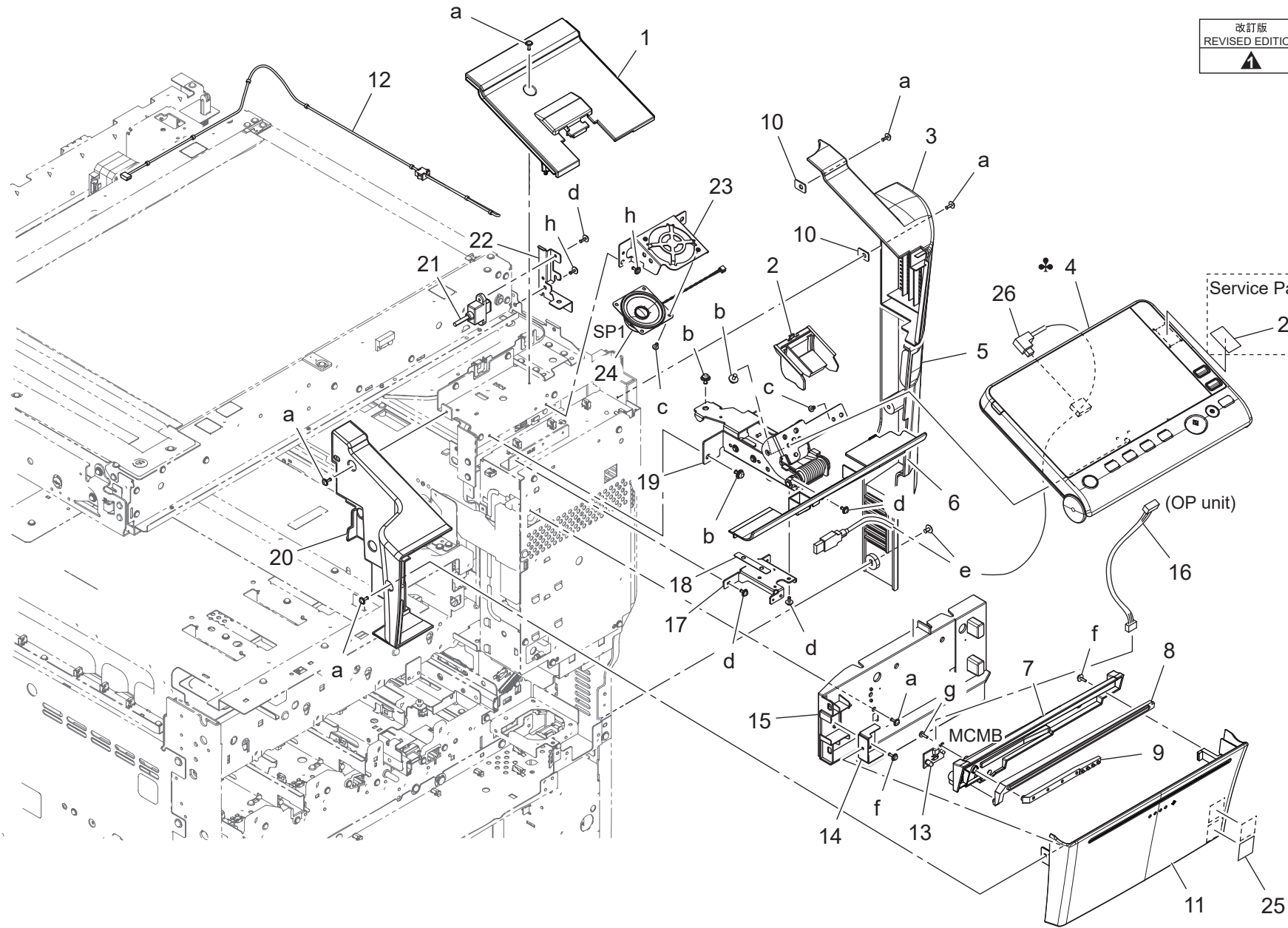
改訂版 REVISED EDITION	日付 DATE
▲	MAY 2019





# Operation Panel Section

改訂版 REVISED EDITION	日付 DATE
	OCTOBER 2018



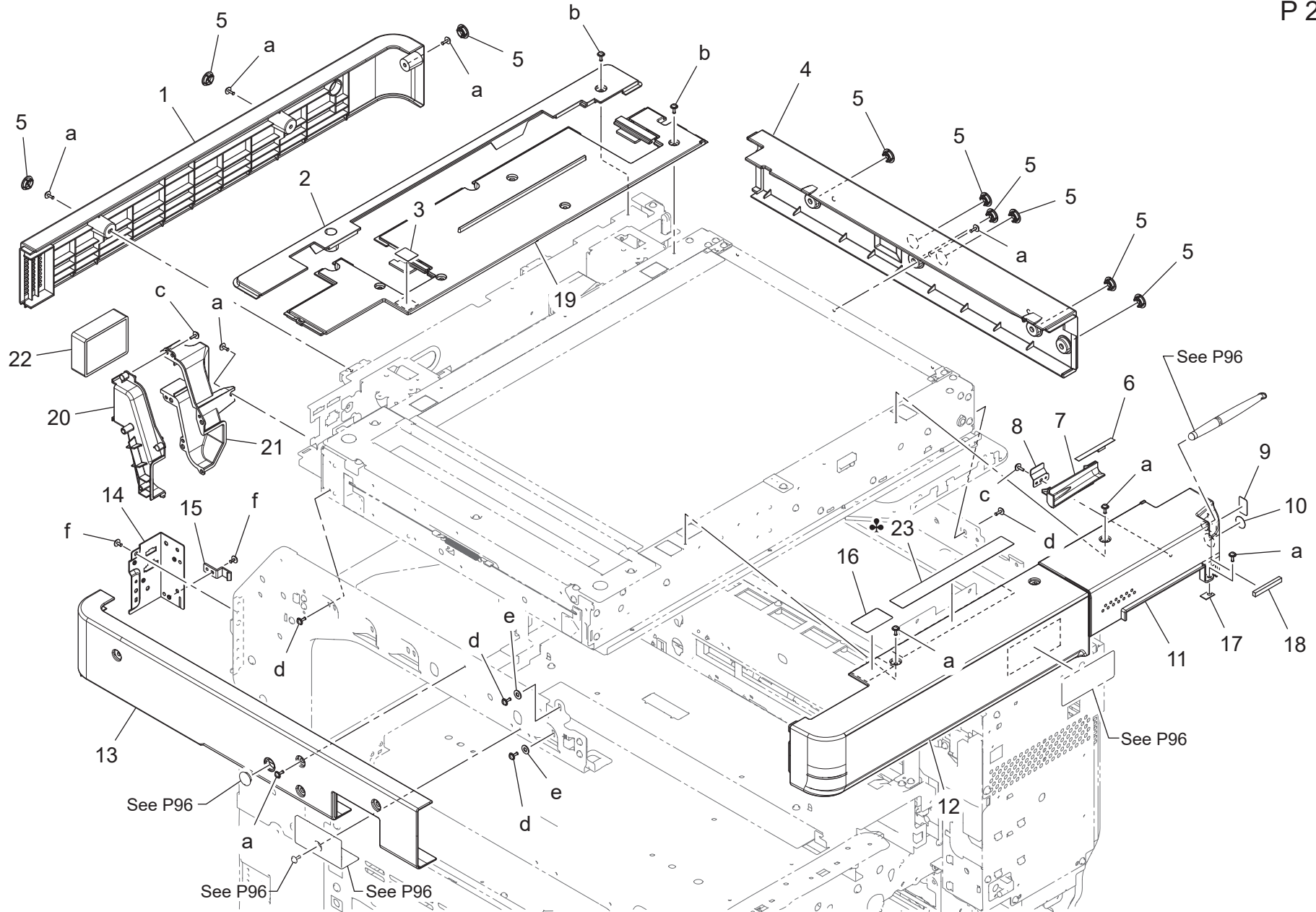
Service Part Only  
▲ 27





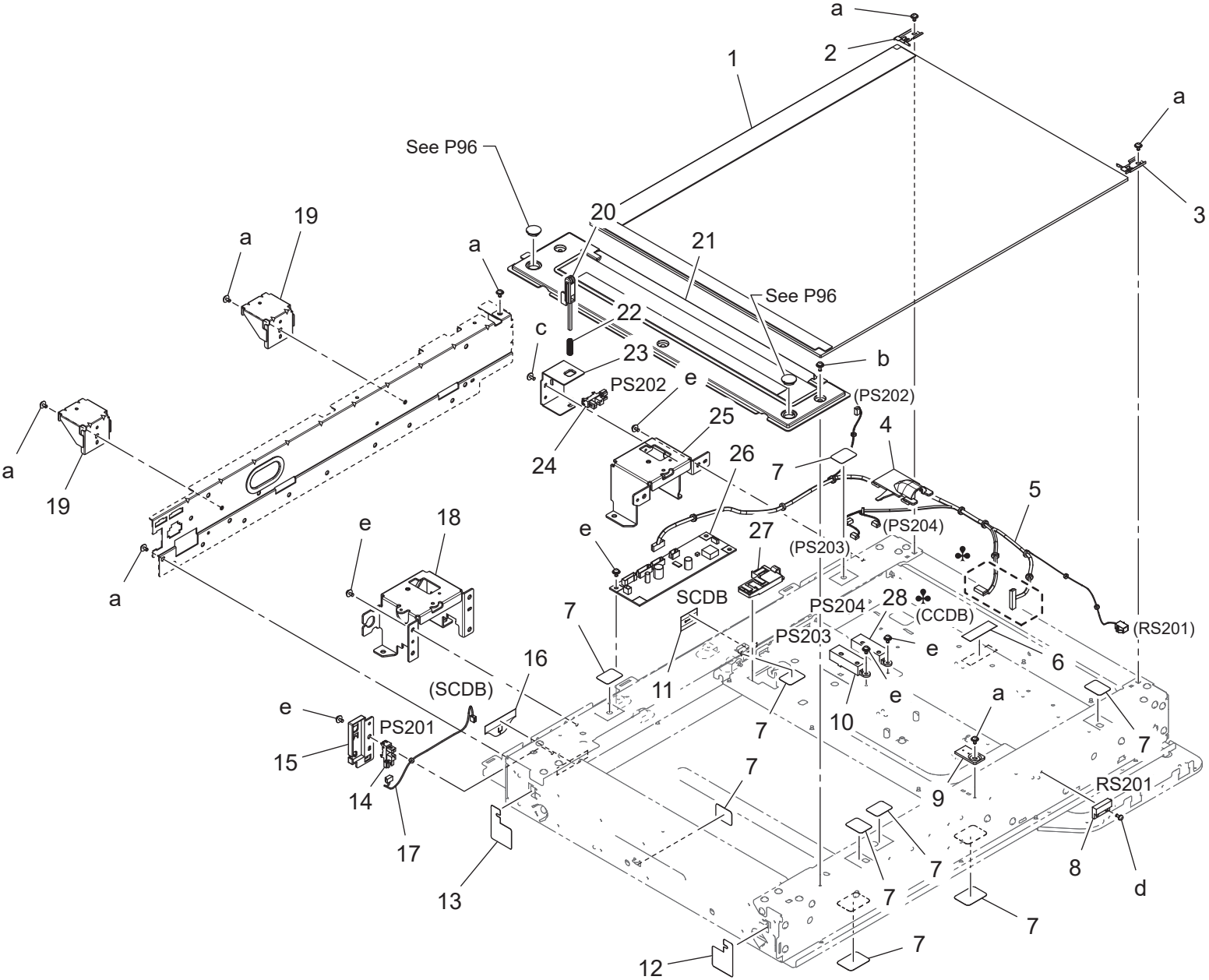
# Scanner Section

P 20



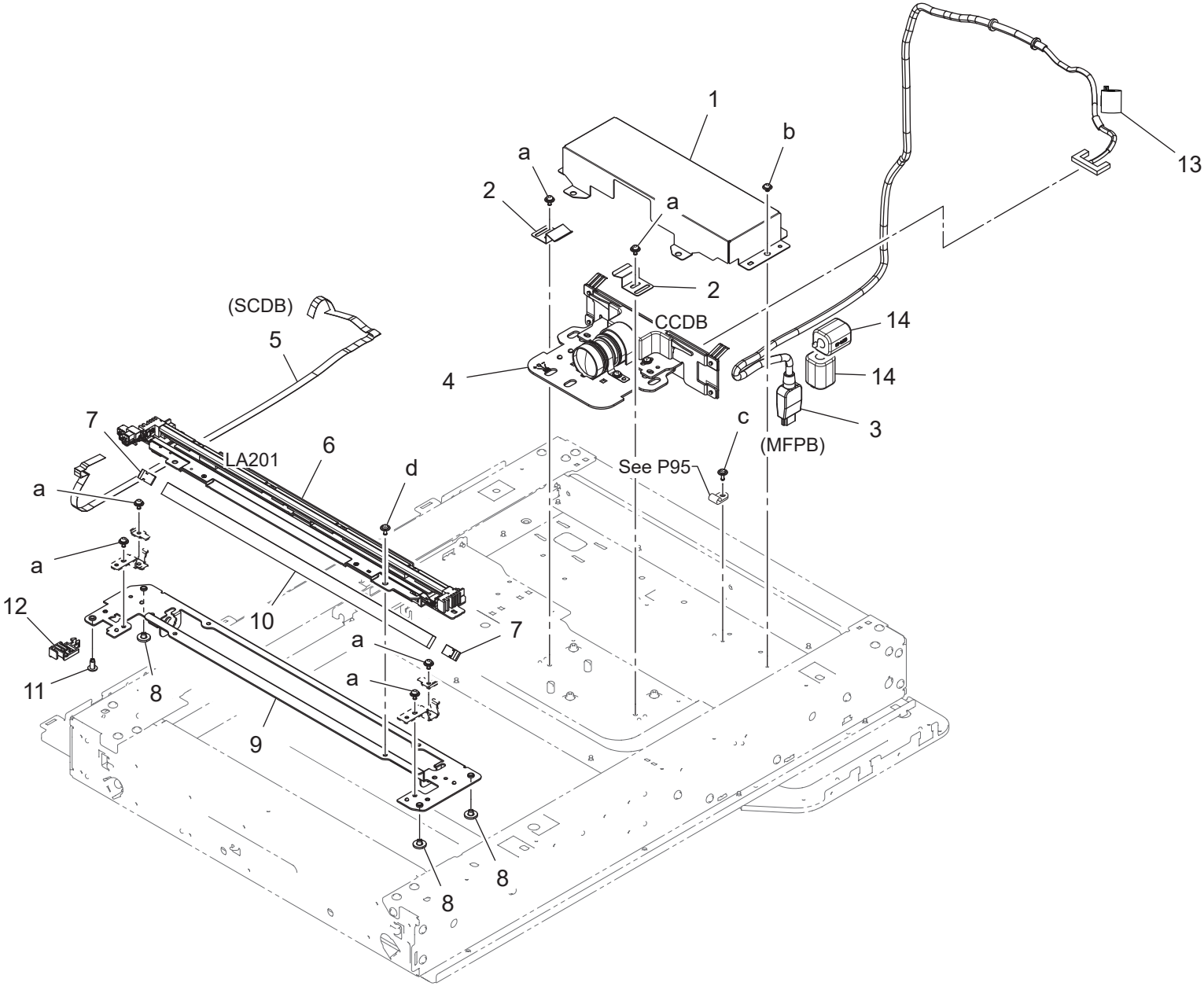


Scanner Section



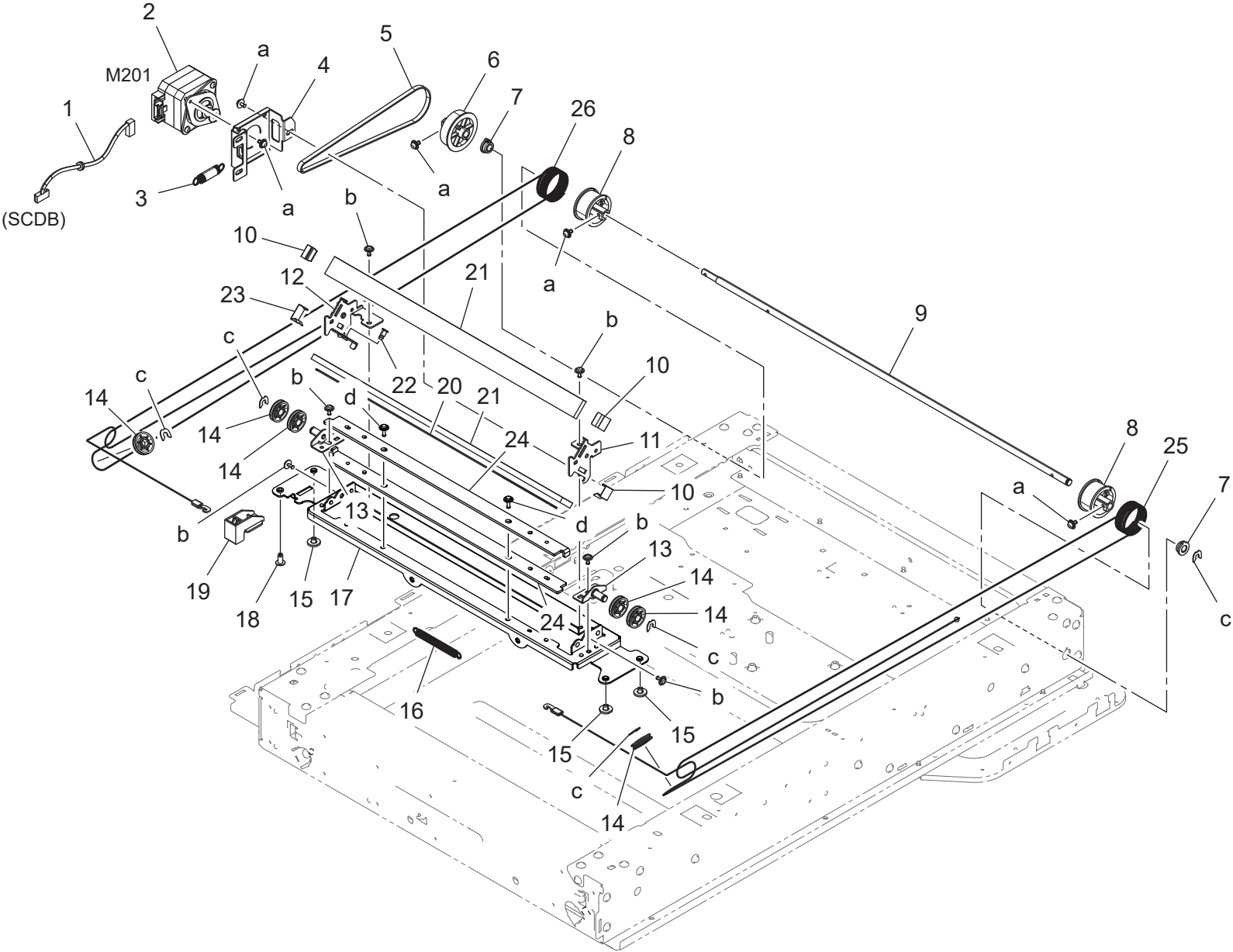
Key	Part No.	Description	Destinations	Class	QTY	Standard parts
1	A161R72200	Original Glass Assy		C	1	a-V127030604 b-V116030804 c-V137030603 d-V115030603 e-V116030603
2	A161268300	Holding Plate		D	1	
3	A161268200	Holding Plate		D	1	
4	A161281600	Guide		D	1	
5	A161N14100	Scanner Wiring /1		D	1	
6	4036307501	Tape		D	1	
7	4581162501	SEAL		C	9	
8	A1UDM50200	Lead Switch		C	1	
9	A00J265300	Regulating Plate		C	1	
10	A161M50A00	APS Photoreflector		C	1	
11	A161281300	Seal		D	1	
12	A5C1263300	Seal		C	1	
13	A5C1263400	Seal		C	1	
14	A5C1M50100	Photointerrupter		B	1	
15	A161262200	Cover		D	1	
16	A161263000	Seal		D	1	
17	A161N14201	Scanner Wiring /2		D	1	
18	A161261902	Frame		D	1	
19	A795265900	Mounting Plate		D	2	
20	A161280211	Lever		D	1	
21	A7PUR71133	Slit Glass Assy		C	1	
22	A161280300	Compressing Coil spring		C	1	
23	A5C1280101	Mounting Plate		D	1	
24	A5C1R90000Old	Photo Interrupter		B	1	
24	A5C1M50100	Photointerrupter		B	1	
25	A161262002	Frame		D	1	
26	A796H01A00	Scanner drive board Assembly		I	1	
27	A161281100	Guide		D	1	
28	A161M50A00	APS Photoreflector	D1,D3,E,F2,G1,I(Except South Africa),K	C	1	

Scanner Section



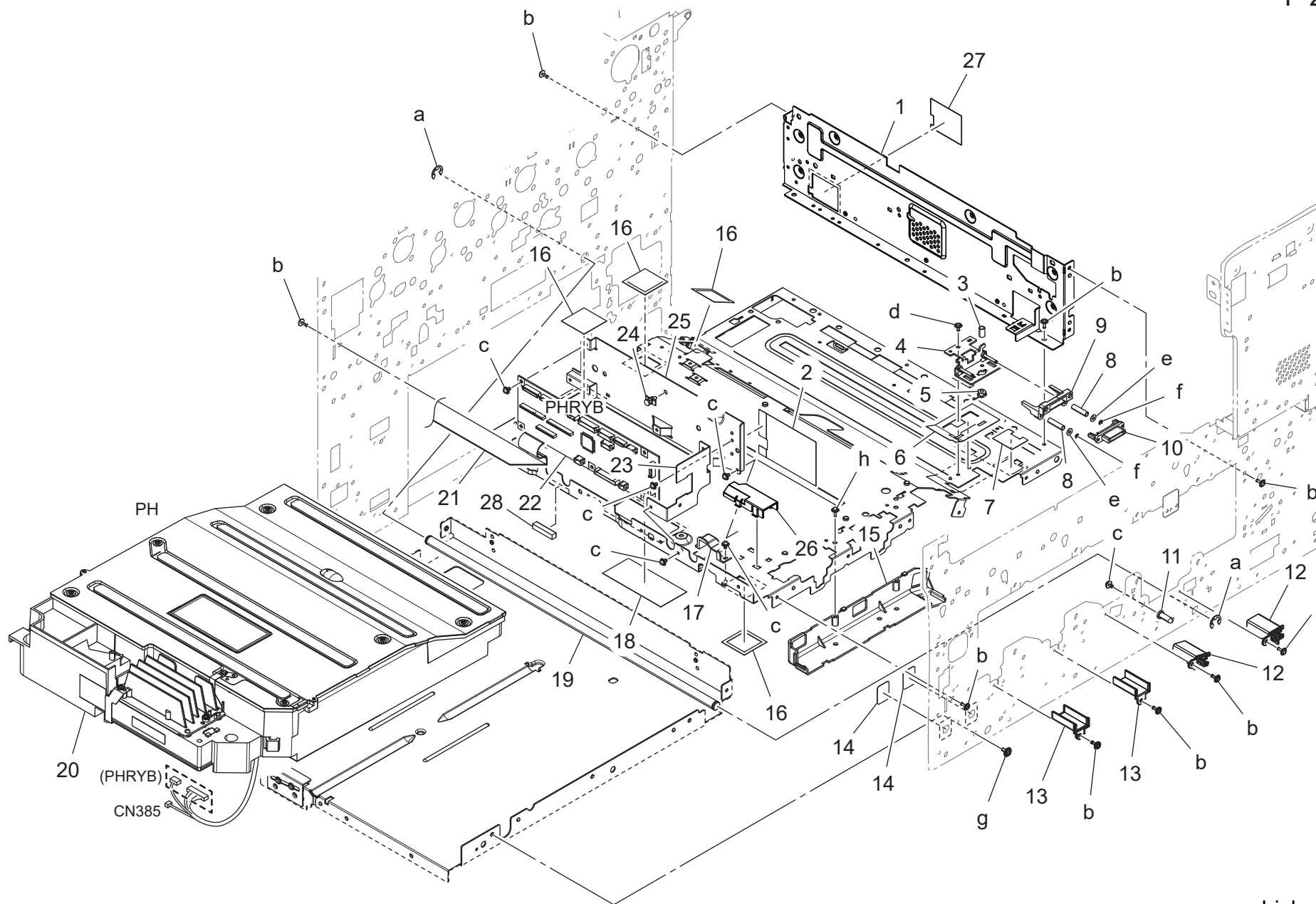


Scanner Section



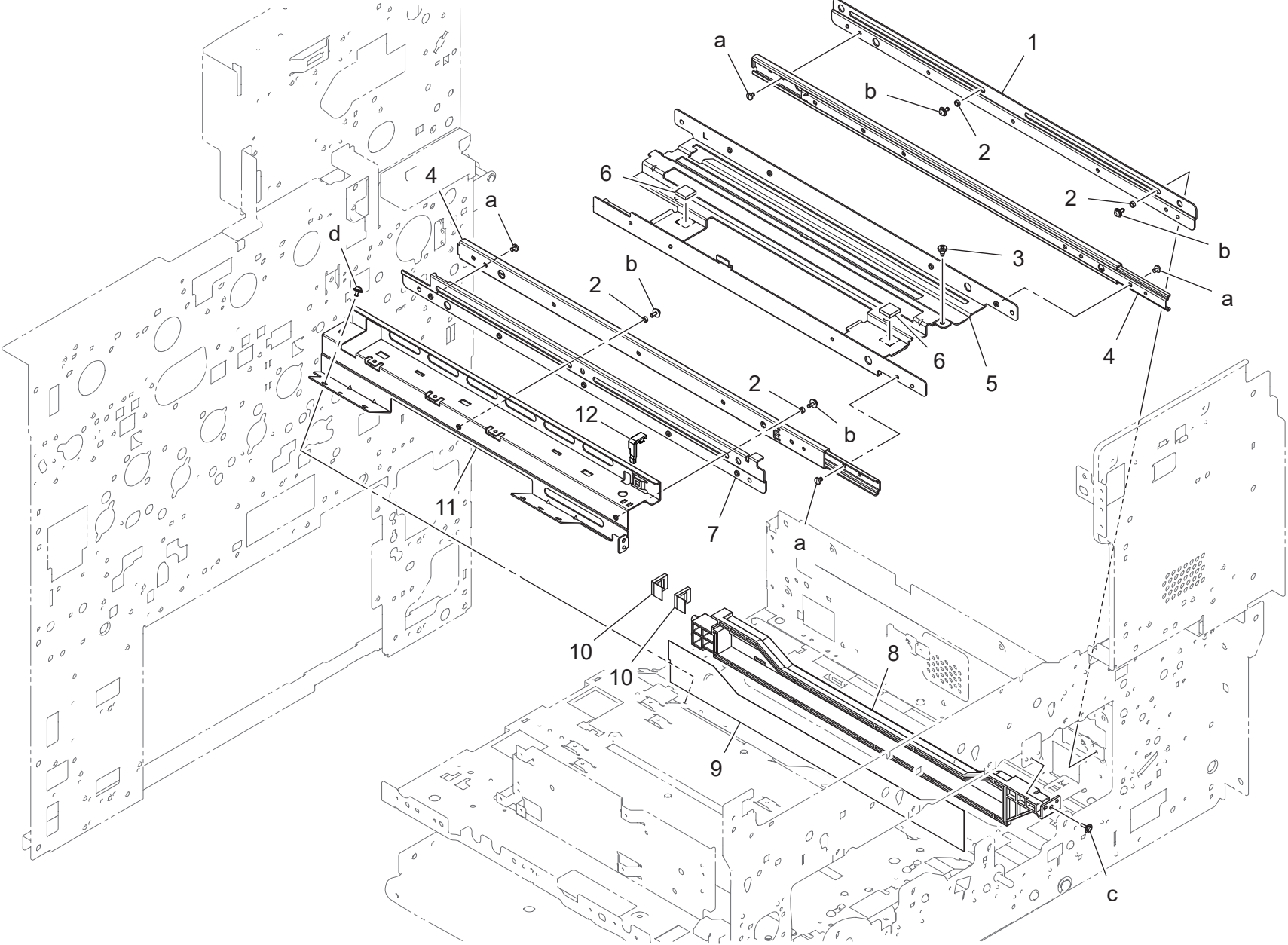
Key	Part No.	Description	Destinations	Class	QTY	Standard parts
1	A5C1N14300	Scanner Wiring		D	1	a-V116030603 b-V137030603 c-V218040086 d-V137030803
2	A5C1M10A00	Stepping motor		C	1	
3	A795275700	Pulling Spring		D	1	
4	A161276000	Mounting Plate		D	1	
5	A161275600	Timing belt 335L		D	1	
6	A161275500	Pulley 103T		D	1	
7	A161276500	Bearing		D	2	
8	A161275300	Pulley		D	2	
9	A161275400	Shaft		D	1	
10	A0ED274400	Plate spring		D	3	
11	A161273800	Mounting Plate		D	1	
12	A161273701	Mounting Plate		D	1	
13	A161273401	Mounting Plate		D	2	
14	A0ED273600	Pulley		C	6	
15	A161271000	Bushing		D	3	
16	A0ED276301	Pulling Spring		D	1	
17	A161273113	Frame		D	1	
18	A161271100	Bushing		D	1	
19	A161273500	Guide Part		D	1	
20	A0ED274200	Vibrationproof Plate		D	1	
21	A0ED274300	Mirror		D	2	
22	A161274600	Adjusting Screw		C	1	
23	A161274500	Plate spring /1		D	1	
24	A795273900	Vibrationproof Plate		D	2	
25	A161275113	Wire /Front		C	1	
26	A161275213	Wire /Rear		C	1	





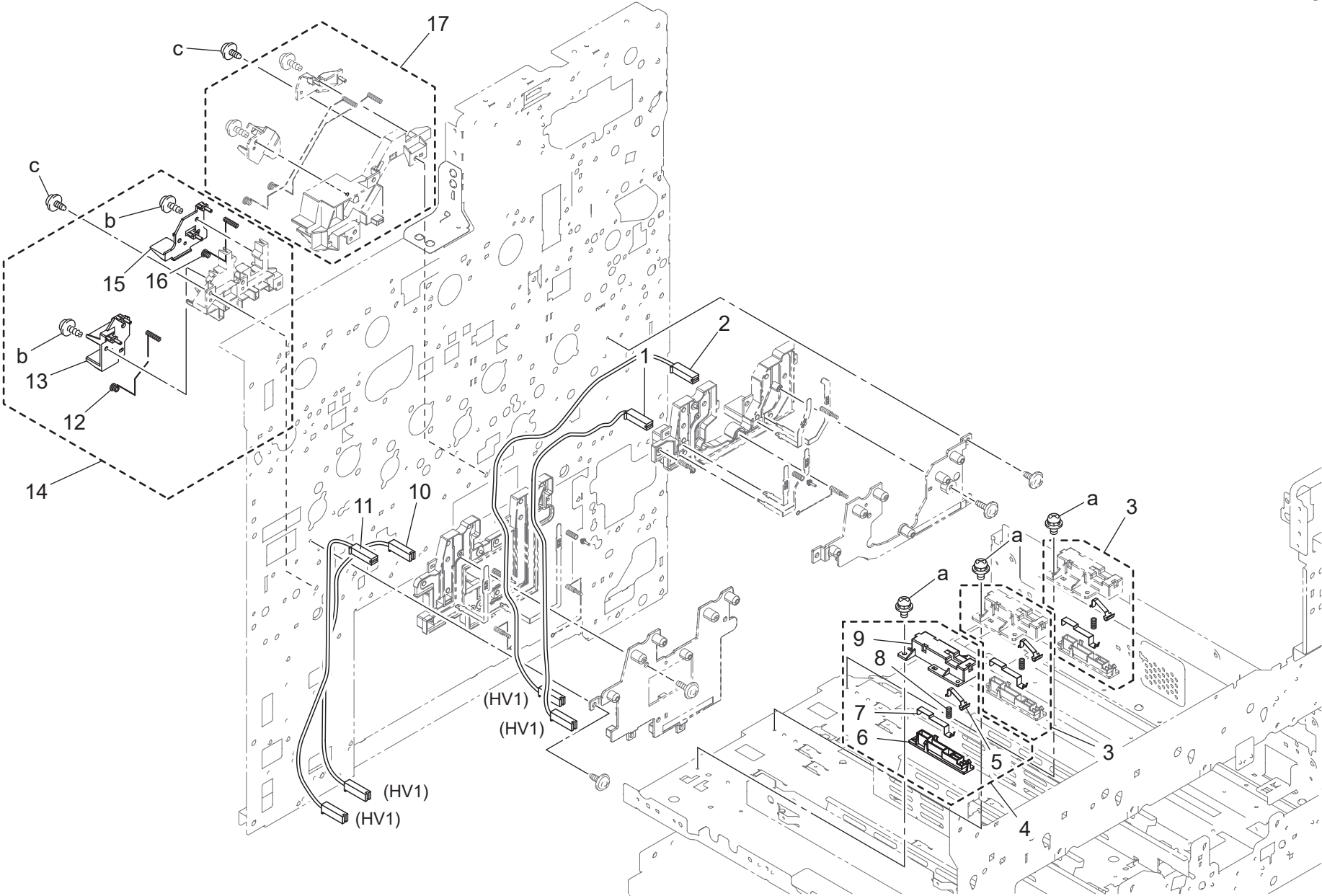


Developing Section/Photoconductor Section



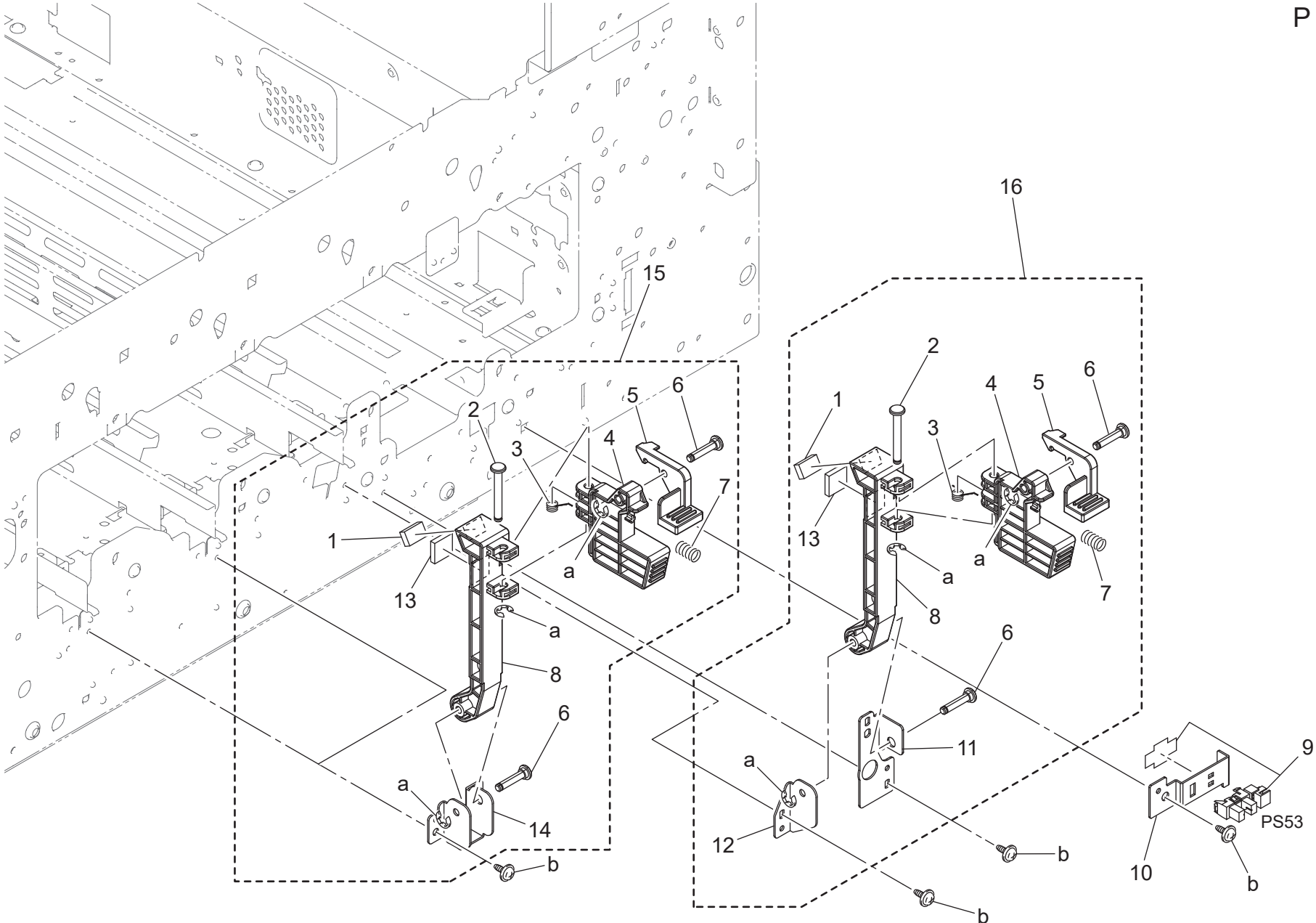


Developing Section/Photoconductor Section





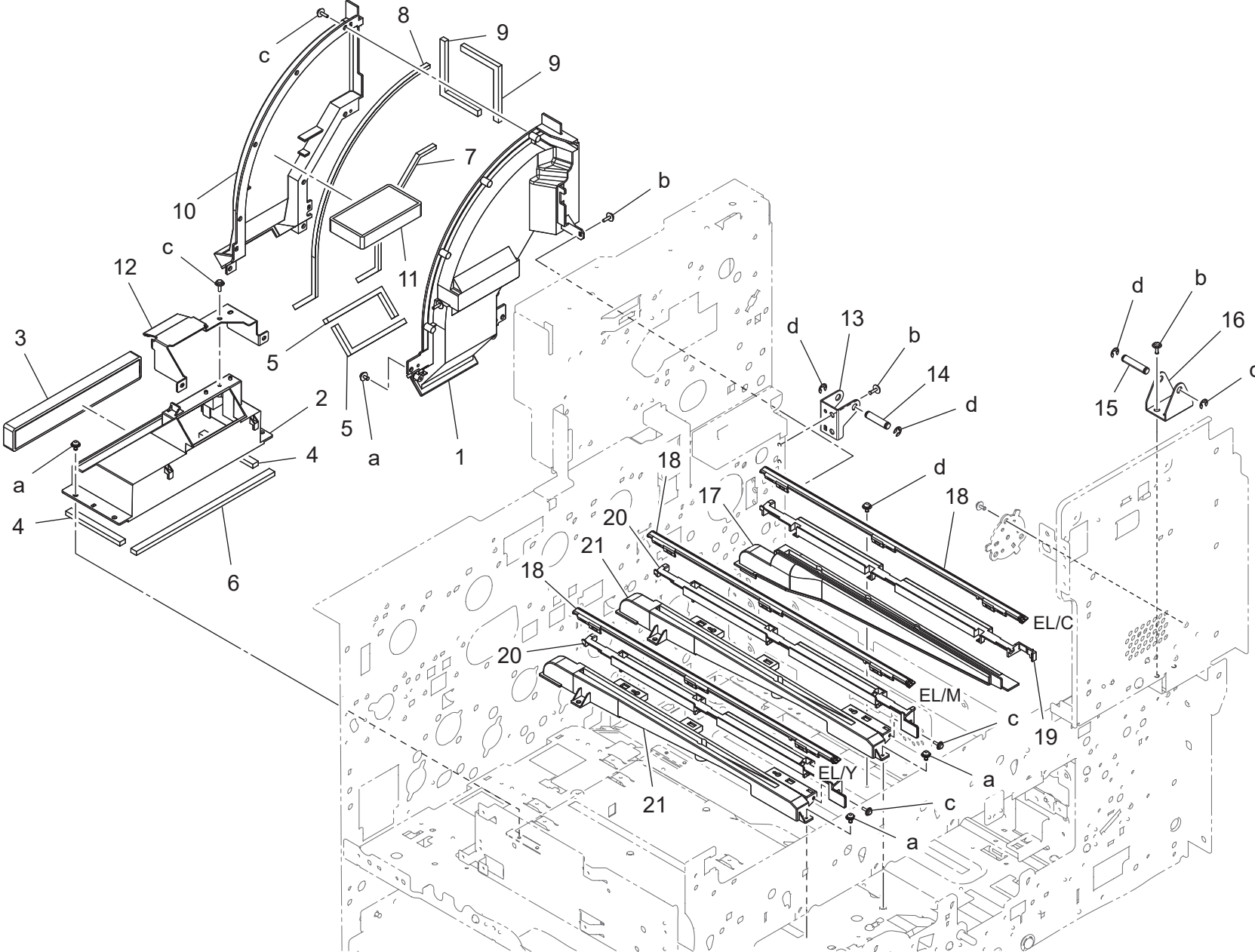
Developing Section/Photoconductor Section





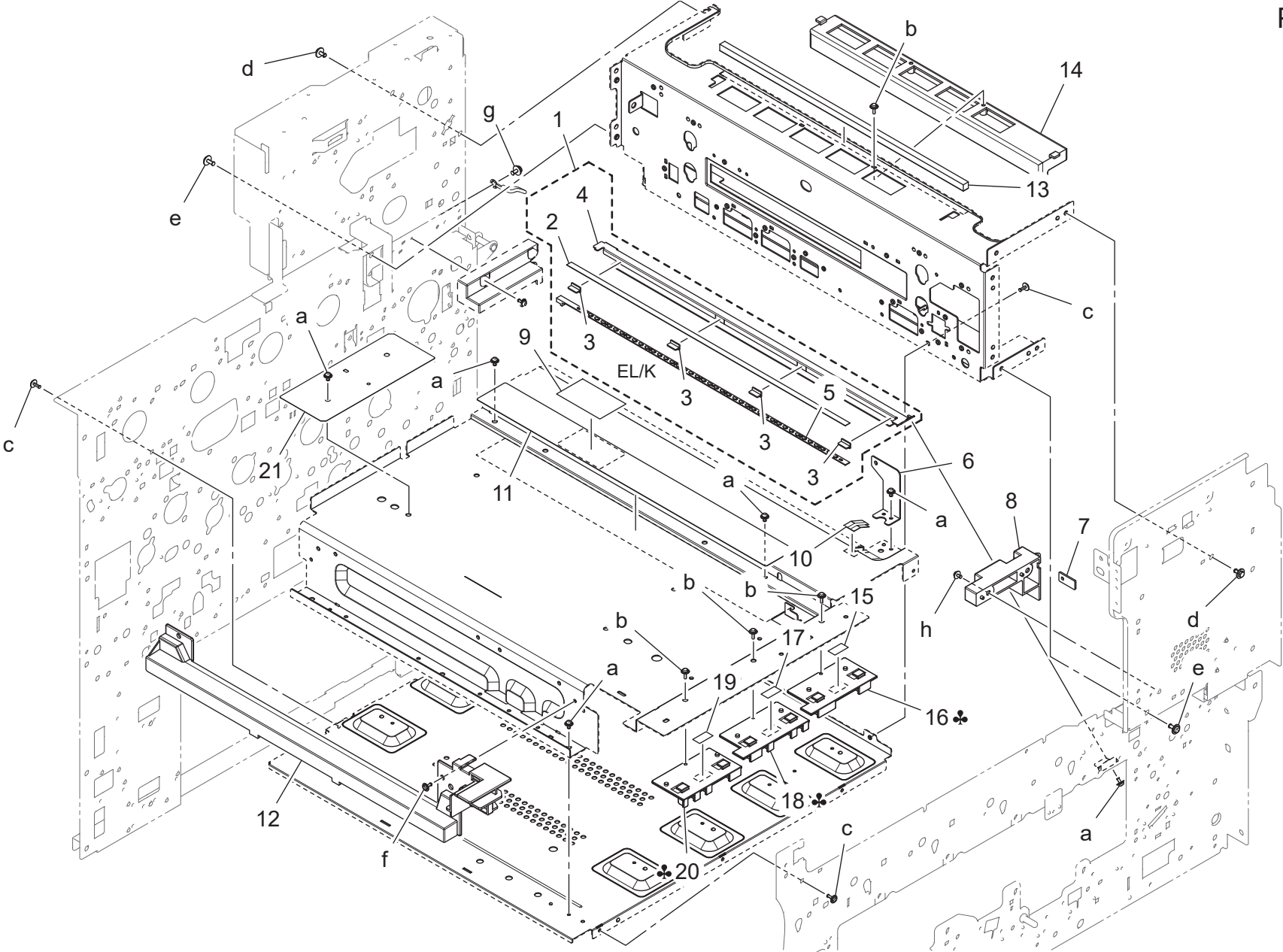


Developing Section/Photoconductor Section



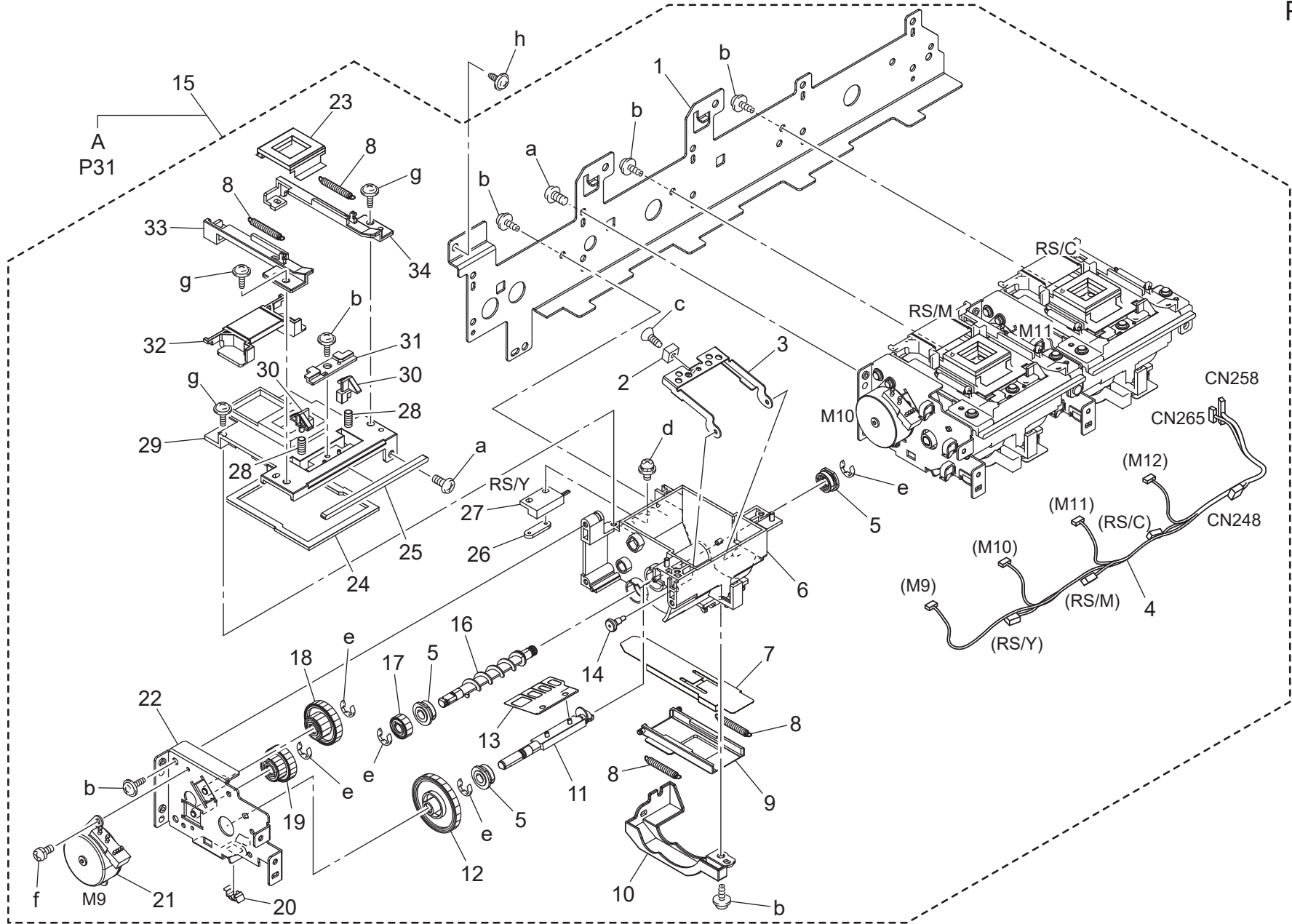


Developing Section/Photoconductor Section



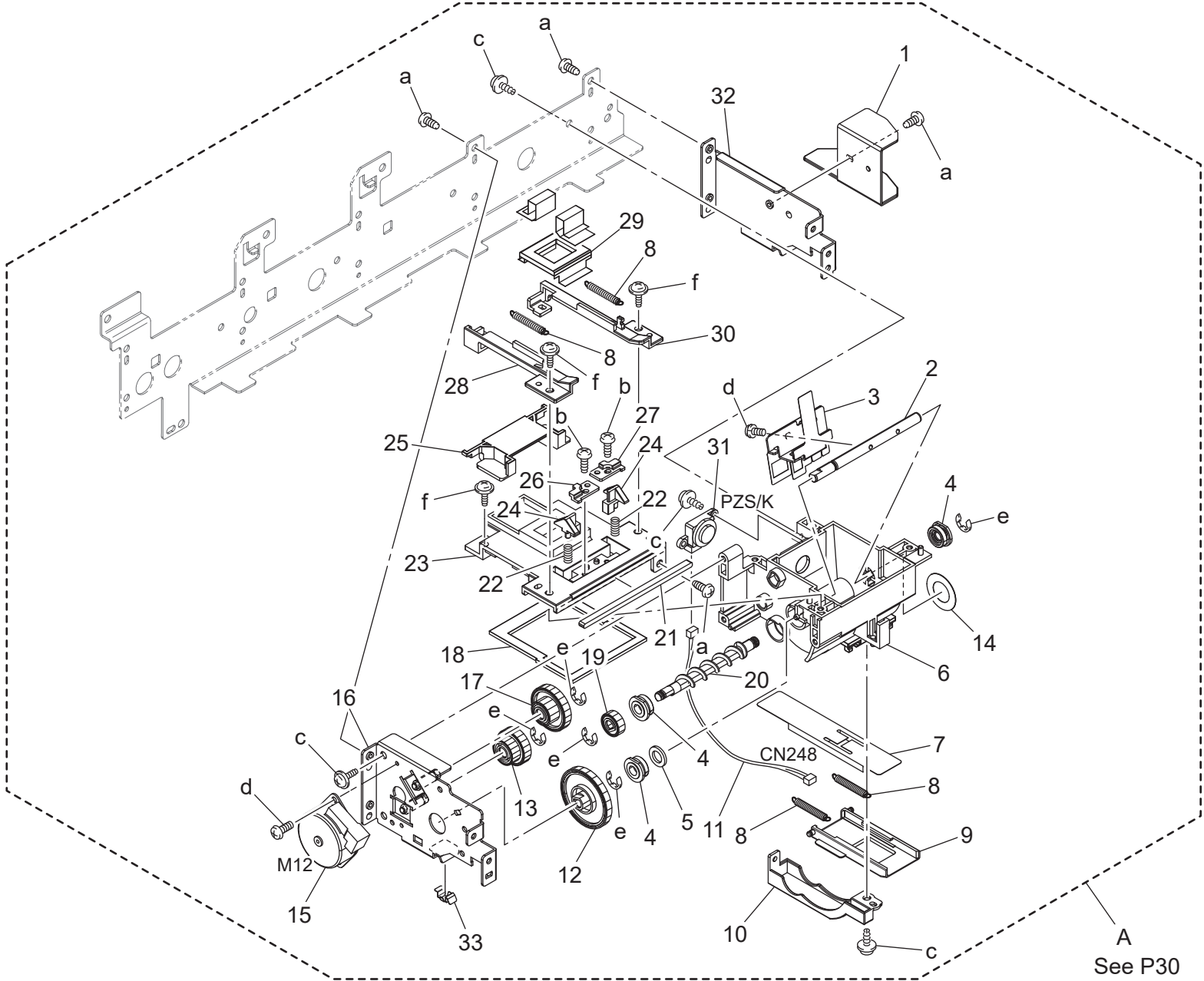
Key	Part No.	Description	Destinations	Class	QTY	Standard parts
1	A00JR73700	ERASER LAMP ASSY		C	1	a-V116030603
2	A00J145200	Light blocking Part		C	1	b-V153030803
3	A00J145101	Mounting Plate		C	4	c-V137030803
4	A00J145000	Mounting Plate		D	1	d-V146040804
5	A00JM30301	LED array		I	1	e-V137040803
6	A795107000	Mounting Plate		D	1	f-V144030803
7	A795116700	Mounting Plate		D	1	g-V116040803
8	A795102500	Guide Plate /Front		D	1	h-V116030803
9	A1DM403600	Seal		C	1	
10	A00J107401	Sheet		C	1	
11	A795122701	Sheet		D	1	
12	A00J137105	Cover		D	1	
13	A2X0890600	Sealing Part		C	1	
14	A795158300	Duct		D	1	
15	A8JE948500	Label TC/C		D	1	
16	A8JE404900	Regulating Block /Cyan	A,A1	D	1	
16	A8JE406000	Regulating Block /Cyan	B,G2	D	1	
16	A8JE406300	Regulating Block /Cyan	C,D1,D3,E,F2,G1,I,K J,H	D	1	
17	A8JE948400	Label TC/M		D	1	
18	A8JE405000	Regulating Block /Magenta	A,A1	D	1	
18	A8JE406100	Regulating Block /Magenta	B,G2	D	1	
18	A8JE406400	Regulating Block /Magenta	C,D1,D3,E,F2,G1,I,K J,H	D	1	
19	A8JE948300	Label TC/Y		D	1	
20	A8JE405100	Regulating Block /Yellow	A,A1	D	1	
20	A8JE406200	Regulating Block /Yellow	B,G2	D	1	
20	A8JE406500	Regulating Block /Yellow	C,D1,D3,E,F2,G1,I,K J,H	D	1	
21	A1DM403900	Protection Plate		D	1	

# Toner supply Section



Key	Part No.	Description	Destinations	Class	QTY	Standard parts
1	A0P0402501	Mounting Plate /T		D	1	a-V118030803 b-V153030803 c-V112030803 d-V116031003 e-V217040001 f-V115030803 g-V153031004 h-V137030603
2	A1UDM90600	Magnet		D	3	
3	A0P0407701	Detecting Plate		D	3	
4	A2X0N12300	Toner Drive harness		D	1	
5	65AA32501	BUSHING /B		C	9	
6	A0P0400100	Supply Casing		D	3	
7	4036534914	SEAL		C	3	
8	4036534801	TENSION SPRING		C	12	
9	4036534713	Shutter		C	3	
10	A0P0405400	Cover /Lower		D	3	
11	A0P0400600	Agitating Shaft		D	3	
12	A00J401700	Gear 45T		C	3	
13	A0P0400800	Toner supply Sheet		D	3	
14	A0P0407800	Pin		D	3	
15	A2X0R71433	Sub Hopper Assy		C	1	
16	A00J400500	Supply Roller		C	3	
17	A00J401600	Gear 22T		C	3	
18	A00J401900	Gear 17/44T		C	3	
19	A2X0401800	Gear 35/45T		C	3	
20	A2X0401000	Guide Plate		C	3	
21	A00JM12100	Stepping motor		C	3	
22	A2X0F41001	DrivePanel/H		D	3	
23	A00J400900	Seal /S		C	3	
24	A0P0402200	Seal /A		D	3	
25	A00J407300	SEAL		C	3	
26	4011533901	PLATE NUT		D	3	
27	A1UDM50200	Lead Switch		C	3	
28	A00J401401	Spring /A		C	6	
29	A0P0400301	Cover /Upper		D	3	
30	A00J401200	Regulating Claw		C	6	
31	A0P0406800	Receiving Block		D	3	
32	A00J400401	Shutter /H		C	3	
33	A0P0405600	Guide Cover /Left		D	3	
34	A0P0405500	Guide Cover /Right		D	3	

Toner supply Section

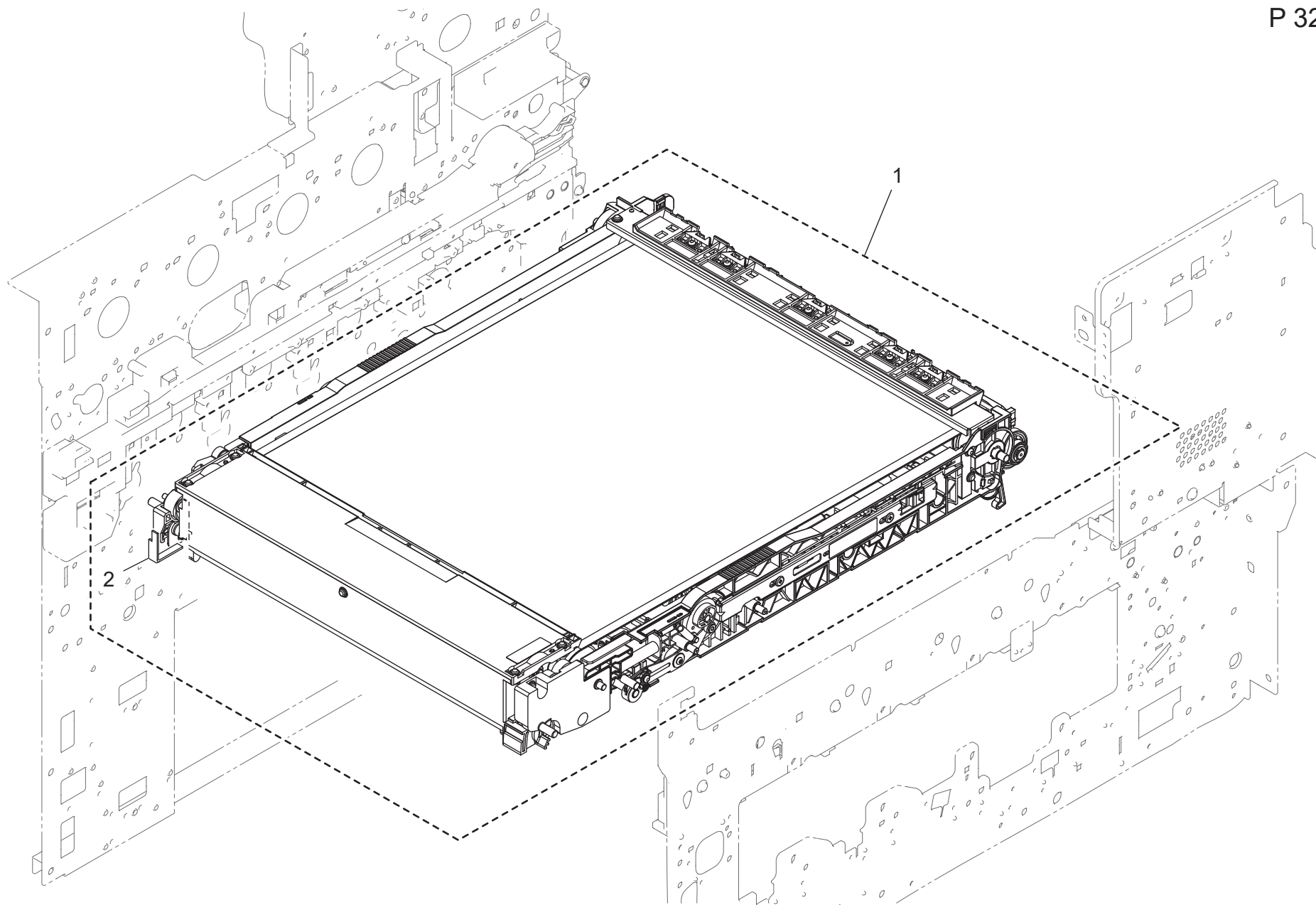


A  
See P30



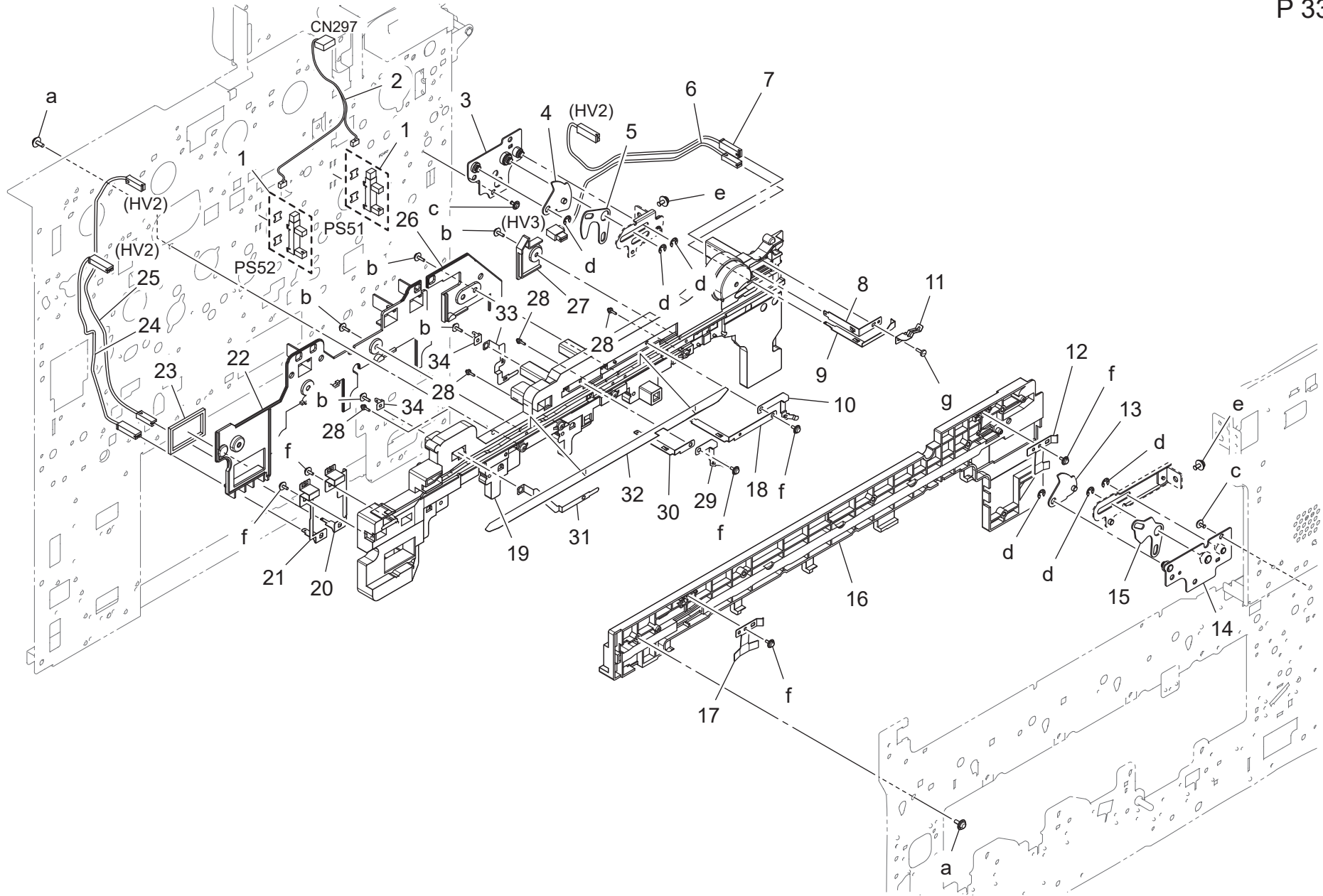


# Transfer Section



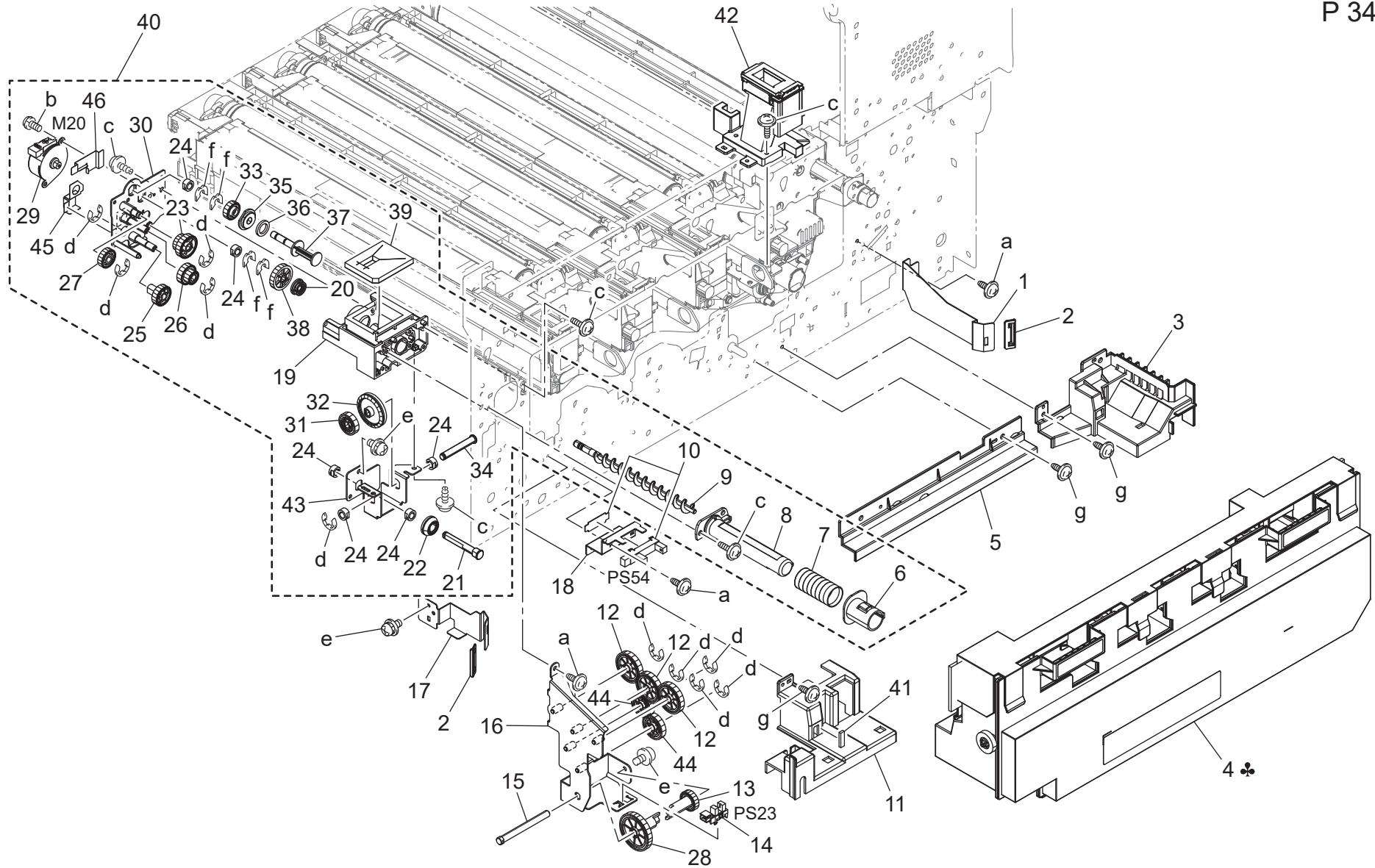
Key	Part No.	Description	Destinations	Class	QTY	Standard parts
1	A8JER70111	Transfer belt unit		A	1	
2	A795539000	Protection Seal		C	1	

# Transfer Section



Key	Part No.	Description	Destinations	Class	QTY	Standard parts
1	A00JR90000	PHOTO INTERRUPTER		B	2	a-V153040803
2	A2X0N12M00	Sensor Relay harness /4		D	1	b-V153030803
3	A00JR7A211	PLATE / REAR		D	1	c-V137030603
4	A00JR7A300	LOCK PLATE / REAR		D	1	d-V217040001
5	A00J523201	Connecting Plate		C	1	e-V116040803
6	A2X0N13D00	Separating Wiring /E		D	1	f-V153030603
7	A2X0N13C00	Transfer Wiring		D	1	g-V149030803
8	A00J708300	Contact		C	1	
9	A795708400	Separating Contact		C	1	
10	A00J522600	Contact /Black		C	1	
11	A00J708900	Contact		C	1	
12	A00J521601	Plate spring /1		D	1	
13	A00JR7A500	LOCK PLATE / FRONT		D	1	
14	A00JR7A600	PLATE / FRONT		D	1	
15	A00J523901	Connecting Plate		D	1	
16	A00J520102	Transfer Rail /Front		D	1	
17	A00J521701	Plate spring /2		D	1	
18	A795520300	Transfer Contact /Black		C	1	
19	A795520211	Transfer Rail /Rear		D	1	
20	A795520800	Contact		C	1	
21	A795520900	Contact		C	1	
22	A795524200	Cover /2		D	1	
23	A795155501	Cushion		C	1	
24	A796N13F00	Separating Wiring /2		D	1	
25	A796N13E00	Separating Wiring /1		D	1	
26	A795524100	Cover /1		D	1	
27	A00J524402	Cover /4		C	1	
28	4036231101	PIN		D	4	
29	A00J522700	Contact /Cyan		C	1	
30	A8JE520400	Transfer Contact /Cyan		D	1	
31	A8JE520600	Contact /Yellow		D	1	
32	A0P0109501	Guide Seal /2		D	1	
33	A8JE520500	Contact /Magenta		D	1	
34	A8JE521000	Contact		D	2	

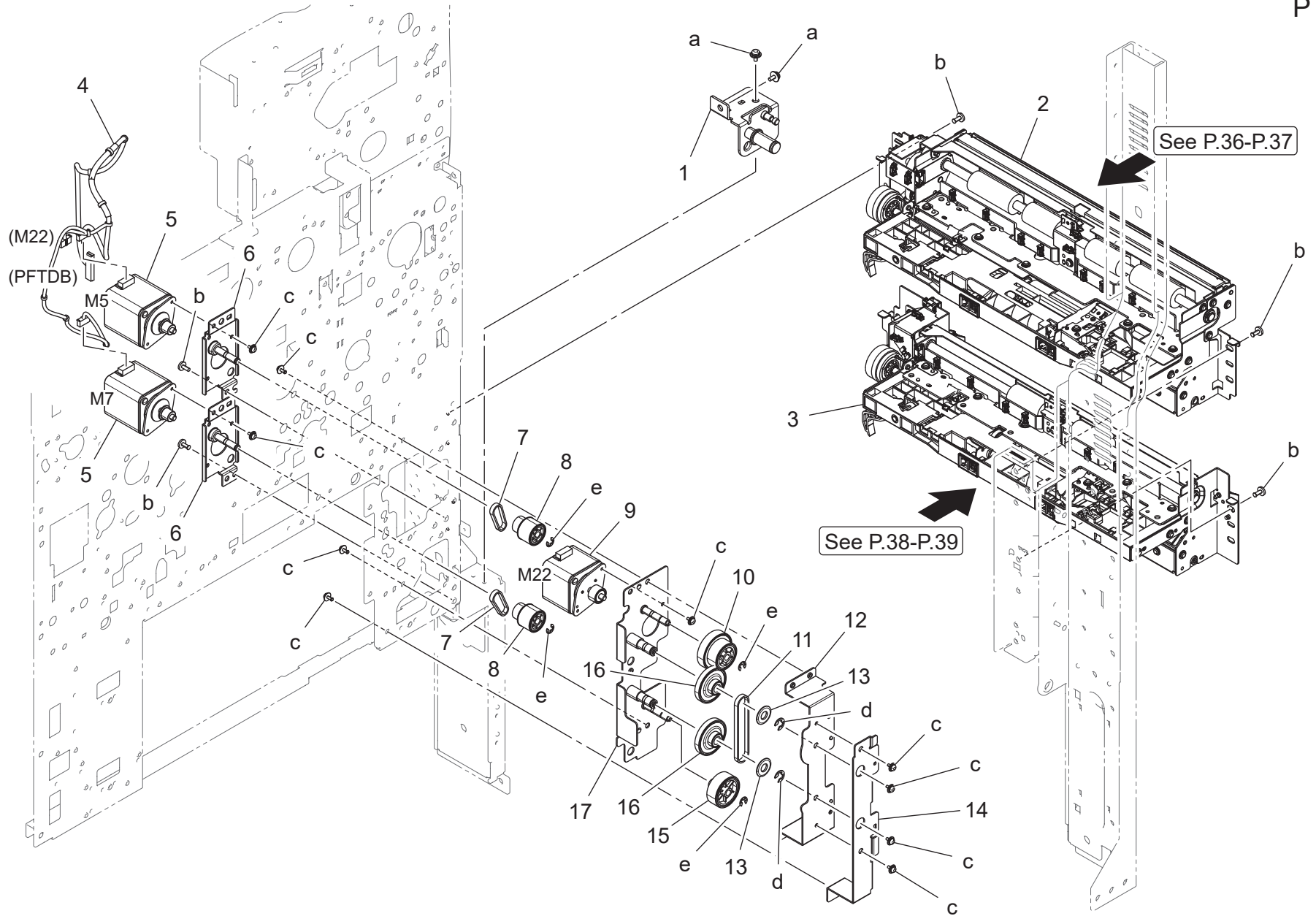
# Toner collecting Section



"Waste Toner Box" for Model No. A9K6021 is a part controlled by Konica Minolta Business Solutions Europe GmbH. Please contact Konica Minolta Business Solutions Europe GmbH, regarding to its part number.

Key	Part No.	Description	Destinations	Class	QTY	Standard parts
1	A0P0364800	Fixing Plate /Right		D	1	a-V137030603 b-V115030603 c-V153030803 d-V217040001 e-V116030603 f-V218040086 g-V137030803
2	A00J365001	Knob		C	2	
3	A0P0366001	Guide Part /Right		D	1	
4	A0XPWY4	Waste Toner Box	B(Except BUS),D1,D3 .E,F2,G1,G2,I(Except t South Africa),K,J ,H	A	1	
4	A0XPWY6	Waste Toner Box	A,A1,B(BUS Only)	A	1	
5	A0P0366200	Guide Part /Middle		D	1	
6	A00J361101	Collection Shutter		C	1	
7	A00J361200	Compressing Spring		C	1	
8	A00J361700	Collection Pipe		C	1	
9	A00J360800	Conveyance Screw		C	1	
10	4037090101	PHOTO INTERRUPTER		B	1	
11	A0P0366102	Guide Part /Left		D	1	
12	A0P0362900	Gear 27T		D	3	
13	A0P0364100	Drive Gear /10 17T		D	1	
14	A5C1M50100	Photointerrupter		B	1	
15	A0P0364200	Shaft		D	1	
16	A2WUR70411	Fixing Plate		D	1	
17	A0P0364900	Fixing Plate /Left		D	1	
18	A0P0366301	Mounting Plate		D	1	
19	A0P0360700	Collection Casing		D	1	
20	65AA32501	BUSHING /B		C	1	
21	A00J361900	Drive Shaft /2		D	1	
22	A00J362700	Gear 20T		C	1	
23	A00J363000	Gear 38/35T		C	1	
24	A0P0364000	Bushing		C	6	
25	A00J362500	Gear 30T		C	1	
26	A00J362400	Gear 30/20T		C	1	
27	A0P0368500	Gear 28T		C	1	
28	A2WU364100	Gear 34T		D	1	
29	A00JM12100	Stepping motor		C	1	
30	A0P0361000	Mounting Plate /ASSY		D	1	
31	A00J362600	Gear 18T		C	1	
32	A00J362800	Gear 40T		C	1	
33	A0P0368400	Gear26T		D	1	
34	A00J361800	Drive Shaft /1		D	1	
35	A0P0368200	Bushing		D	1	
36	A0P0368600	Seal		D	1	
37	A0P0368100	Agitating Paddle		D	1	
38	A00J361000	Gear 38T		C	1	
39	A00J365402	Sealing Shutter		C	1	
40	A795R71211	Toner Collection ASSY		C	1	
41	A0P0366400	Seal		C	1	
42	A8JER71200	Toner Supply Duct Assy		C	1	
43	A0P0361100	Mounting Plate /2		D	1	
44	A2WU362900	Gear 22T		D	2	
45	A0P0361501	Seal		C	1	
46	A795361600	Sheet		C	1	

# Tray 1/2 paper feed Section



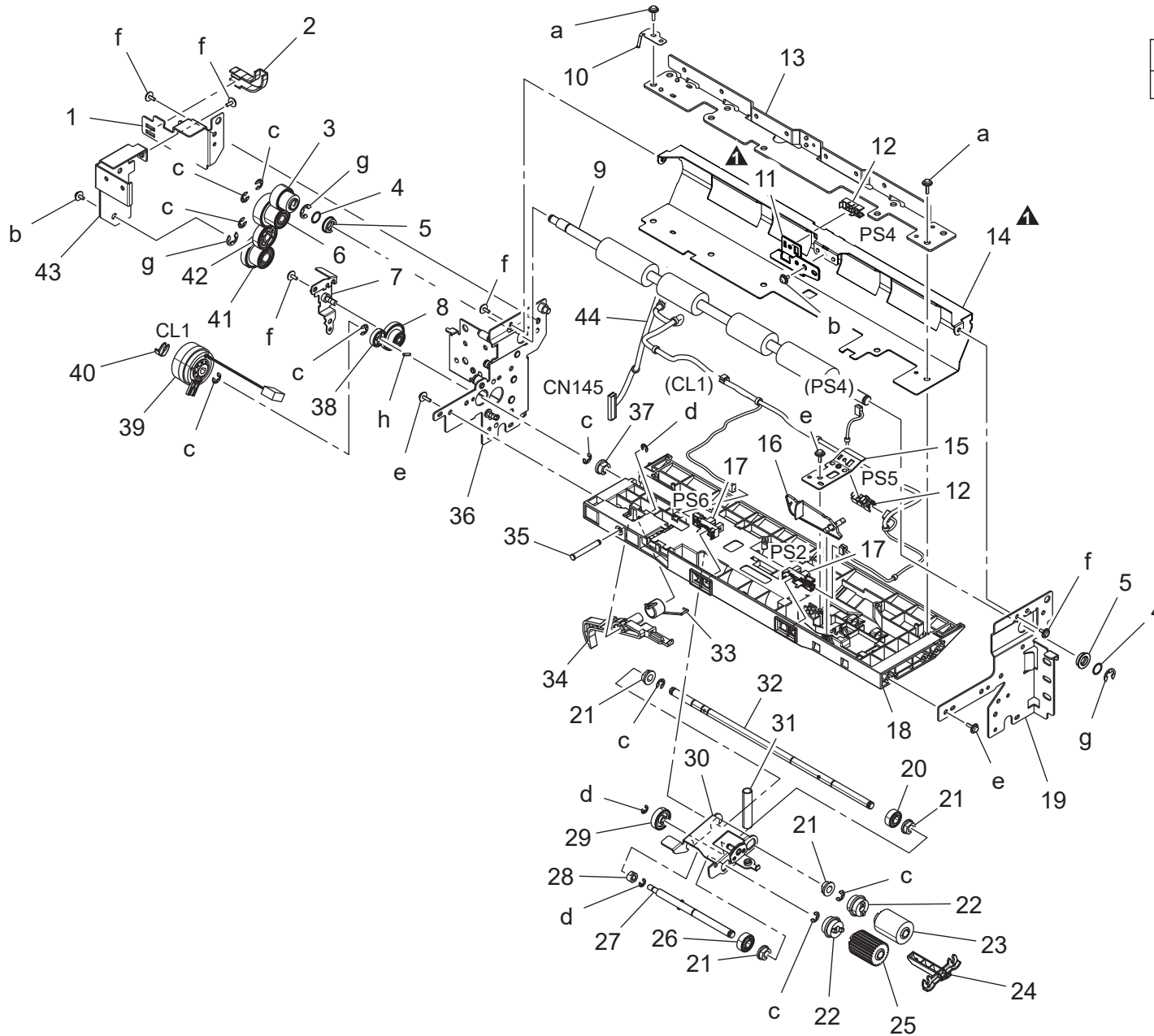
Key	Part No.	Description	Destinations	Class	QTY	Standard parts
1	A0P0573100	Mounting Plate		C	1	a-V116040803 b-V118040803 c-V116030603 d-V217060001 e-V217040001
2	A795R74422	Paper Feed 1 ASSY		C	1	
3	A795R74500	Paper Feed 2 ASSY		C	1	
4	A796N10F00	Paperfeed Drive harness		D	1	
5	A2X0M10300	Stepping motor		C	2	
6	A0P0R7A111	Frame/Drive Moter		D	2	
7	A0HT811400	Timing belt 76L		D	2	
8	A0P0570400	Gear 24T		C	2	
9	A2X0M10100	Stepping motor		C	1	
10	A00J562200	Gear 24/42T		C	1	
11	A00J562800	Timing belt 160L		C	1	
12	A00J562514	Mounting Plate /1		D	1	
13	A00J566300	Washer		C	2	
14	A2X0624212	Mounting Plate		D	1	
15	A00J562400	Gear 28T		C	1	
16	A00J562300	Gear 22/32T		C	2	
17	A2X0R70P00	Mounting Plate Assy		D	1	



# Tray 1/2 paper feed Section

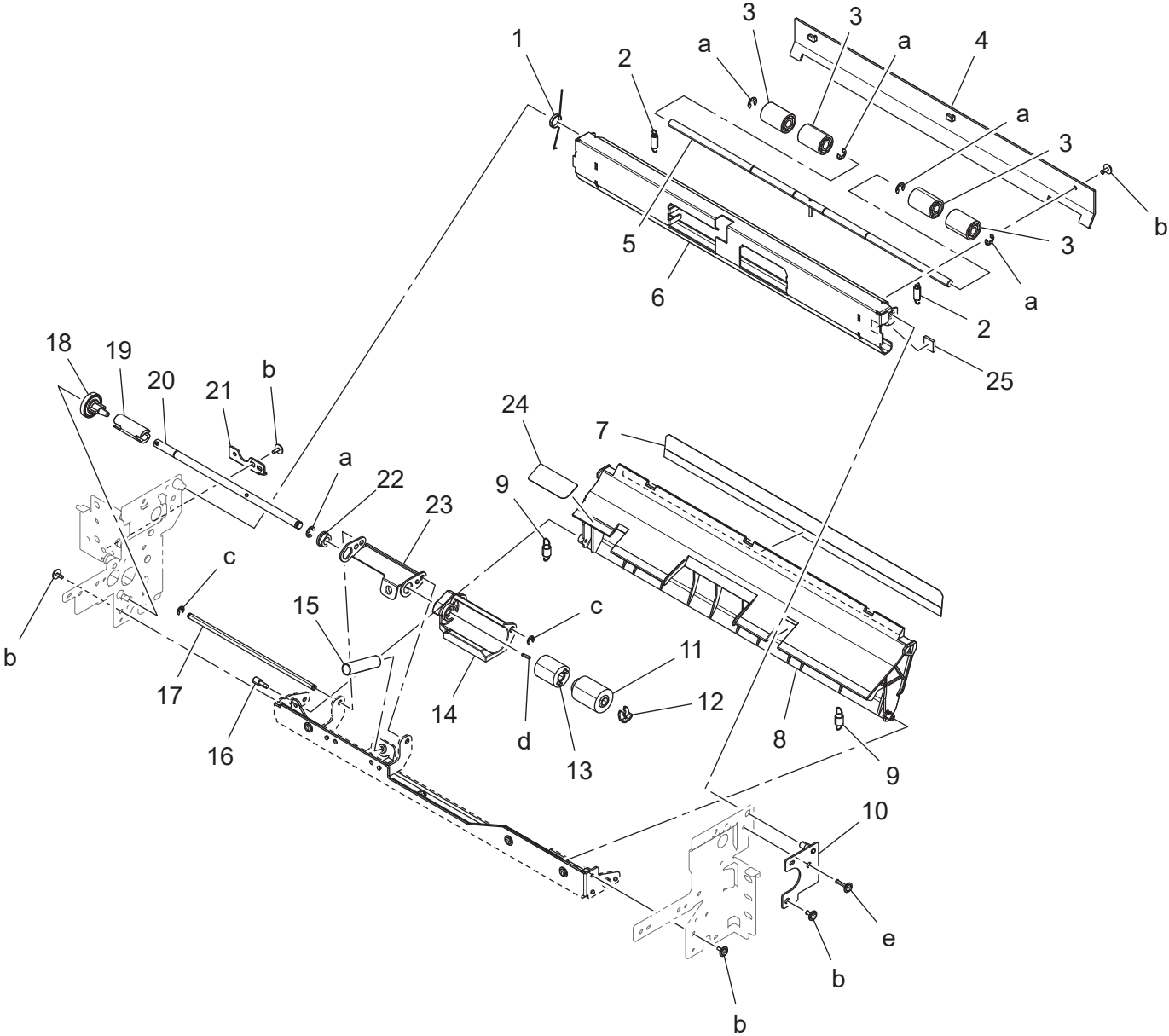
P 36

改訂版 REVISED EDITION	日付 DATE
▲	JULY 2018



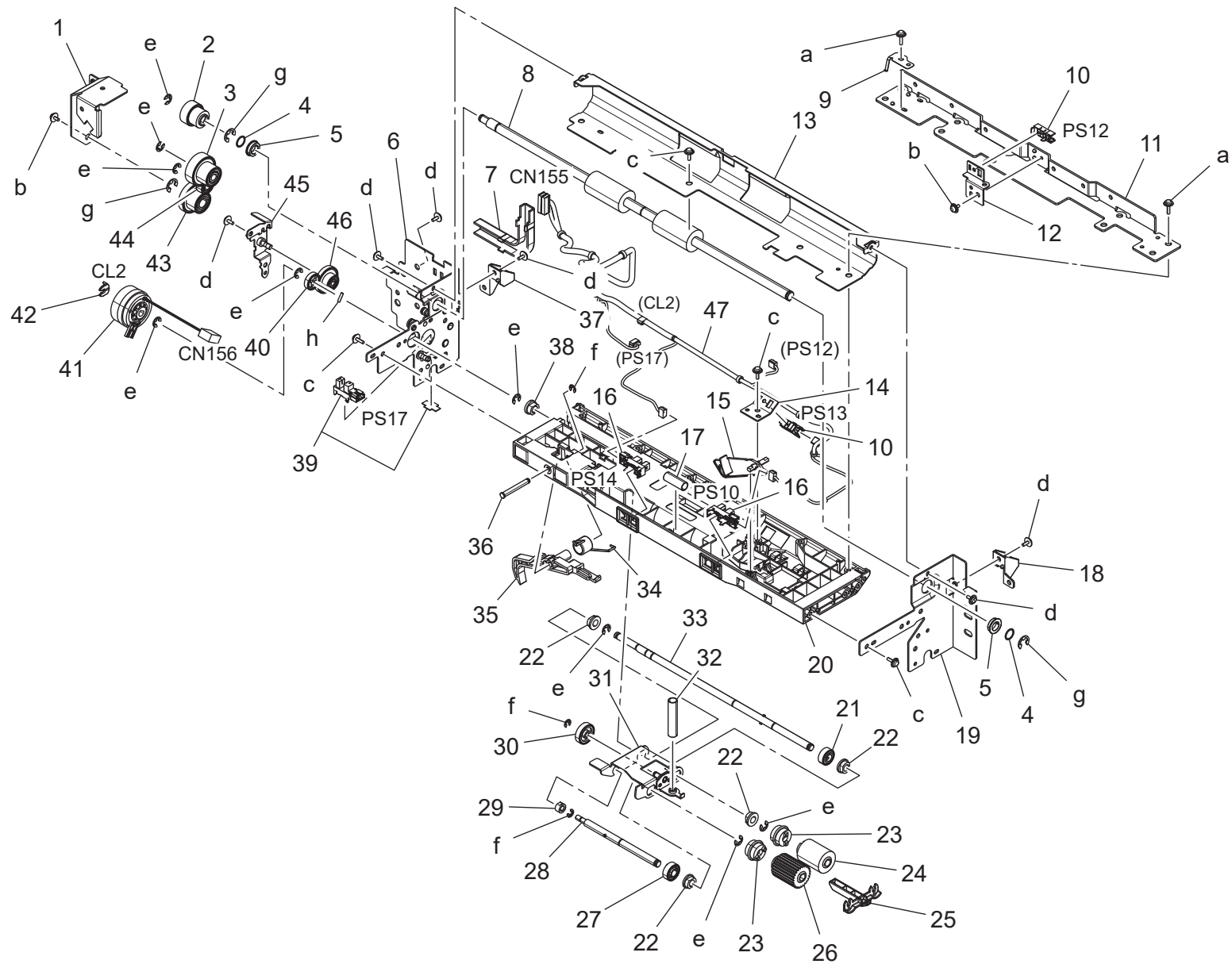
Key	Part No.	Description	Destinations	Class	QTY	Standard parts
1	A795563500	Mounting Plate /Rear		D	1	a-V153031003
2	A00J563403	Wiring Cover /1		D	1	b-V116030603
3	A00J574400	Gear 22T		C	1	c-V217040001
4	A00J660700	Washer		D	2	d-V217030001
5	A00J617900	Ball Bearing		B	2	e-V153030803
6	A2X0565500	Conveyance Gear /4		C	1	f-V137030603
7	A795576700	Drive Plate		D	1	g-V217060001
8	A2X0576200	Reverse Gear		C	1	h-V234200850
9	A795570701	Conveyance Roller		C	1	
10	A2X0577400	Ground Plate		D	1	
11	A795578300Old	Mounting Plate /1		D	1	
11	A8JE578300	Mounting Plate /1		D	1	
12	A0EDM50100	Photorelector		I	2	
13	A795561900	Mounting Frame		D	1	
14	A795570601Old	Guide Plate /1		D	1	
14	A795570612	Guide Plate /1		D	1	
15	A795577800	Mounting Plate		D	1	
16	A161561601	Actuator		C	1	
17	A5C1M50100	Photointerrupter		B	2	
18	A795560300	Paper feed Frame /1		D	1	
19	A795570100	Paper feed Frame /Front		D	1	
20	A161562400	Gear 26T		C	1	
21	4131300301	BUSHING		C	4	
22	A02E561100	Clutch		C	2	
23	A00J563600	Roller		A	1	
24	A795578100	Guide /A		C	1	
25	A5C1562200	Roller		A	1	
26	A161562600	Gear 28T		C	1	
27	A161562000	Shaft		D	1	
28	A161562500	Bushing		C	1	
29	A161562300	Gear 34T		C	1	
30	A795562100	Holder		D	1	
31	A161562800	Compressing Coil spring		C	1	
32	A795560200	Paper feed Shaft		D	1	
33	A161567400	Torsion Spring		C	1	
34	A161567300	Lever		C	1	
35	A02E560800	Shaft		D	1	
36	A795570201	Paper feed Frame /Rear		D	1	
37	A00J663200	Bushing		B	1	
38	A2X0576100	Reverse Gear		C	1	
39	A795M20200	Clutch		C	1	
40	56AA40490	SHAFT STOPPER 4		C	1	
41	A00J565300	Conveyance Gear /2 21/31T		C	1	
42	A2X0565400	Conveyance Gear /3		C	1	
43	A795563400	Drive Holder /1		D	1	
44	A796N11801	Paperfeed Relay harness /3		D	1	

Tray 1/2 paper feed Section



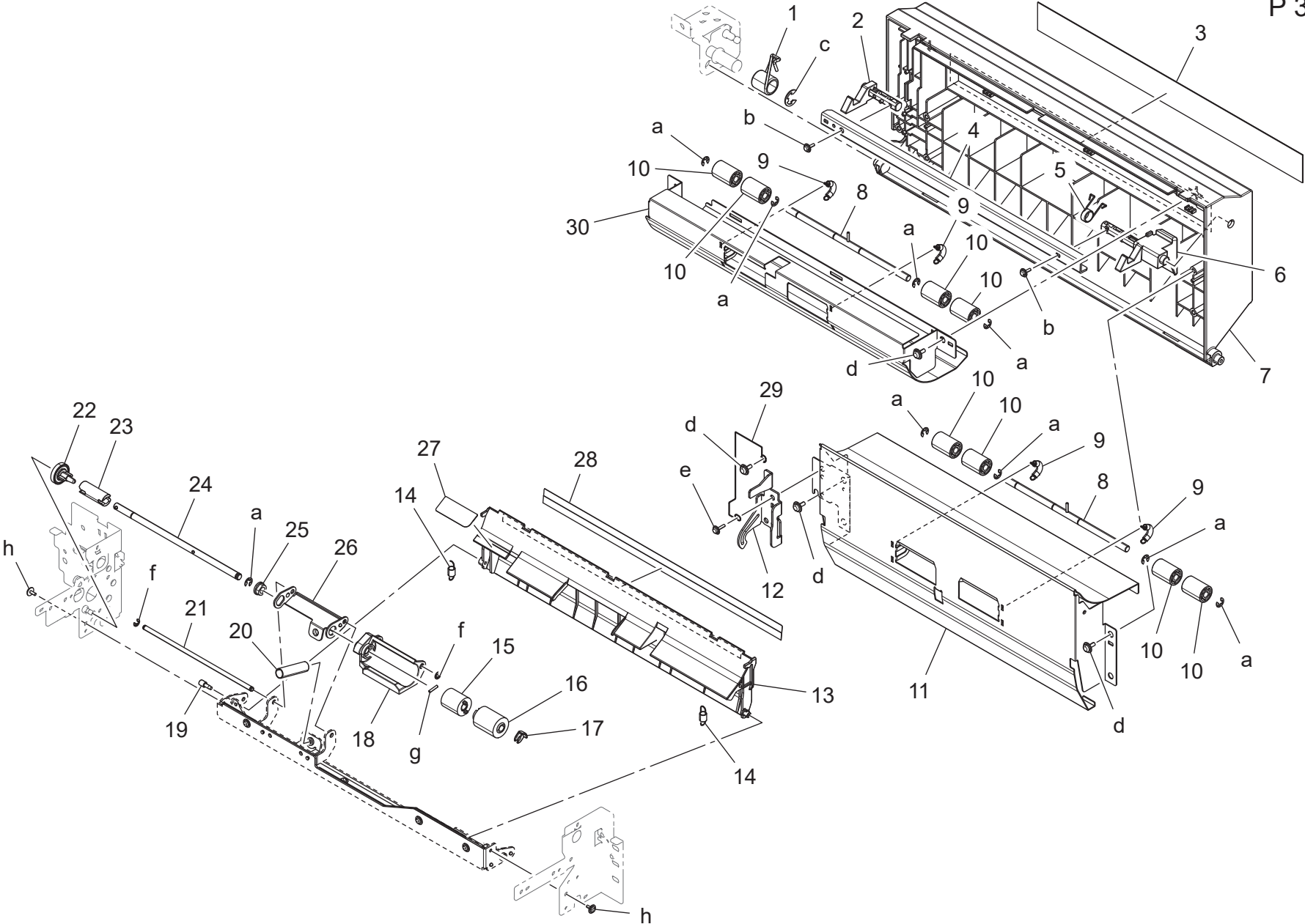


# Tray 1/2 paper feed Section



Key	Part No.	Description	Destinations	Class	QTY	Standard parts
1	A795572600	Drive Holder /2	駆動ホルダ / 2	D	1	a-V153031003
2	A00J574400	Gear 22T	ギア 22 T	C	1	b-V116030603
3	A2X0565500	Conveyance Gear /4	搬送ギア / 4	C	1	c-V153030803
4	A00J660700	Washer	ワッシャ	D	2	d-V137030603
5	A00J617900	Ball Bearing	ボールベアリング	B	2	e-V217040001
6	A795572101	Paper feed Frame /Rear	給紙フレーム / 奥	D	1	f-V217030001
7	A00J564800	Wiring Cover /2	配線カバー / 2	D	1	g-V217060001
8	A795570801	Conveyance Roller	搬送ローラ	D	1	h-V234200850
9	A2X0577400	Ground Plate	アース板	D	1	
10	A0EDM50100	Photoreflector	反射型センサ (アンブ内蔵)	I	2	
11	A795561900	Mounting Frame	取付フレーム	D	1	
12	A795578400	Mounting Plate /2	取付板 / 2	D	1	
13	A795572300	Guide Plate /2	ガイド板 / 2	D	1	
14	A161560900	Mounting Plate	取付板 (給紙用反射センサ)	D	1	
15	A161561601	Actuator	アクチュエータ (PE)	C	1	
16	A5C1M50100	Photointerrupter	透過型センサ	B	2	
17	A161563000	Compressing Coil spring	圧縮コイルばね	C	1	
18	A2X0577500	Lock Catch /1	ロックキャッチ / 1	D	1	
19	A795572000	Paper feed Frame /Front	給紙フレーム / 前	D	1	
20	A161560302	Paper feed Frame	給紙フレーム	D	1	
21	A161562400	Gear 26T	ギア 26 T	C	1	
22	4131300301	BUSHING	軸受	C	4	
23	A02E561100	Clutch	クラッチ	C	2	
24	A00J563600	Roller	ローラ	A	1	
25	A795578100	Guide /A	ガイド / A	C	1	
26	A5C1562200	Roller	ローラ (ピック)	A	1	
27	A161562600	Gear 28T	ギア 28 T	C	1	
28	A161562000	Shaft	軸 (ピック)	D	1	
29	A161562500	Bushing	すべり軸受	C	1	
30	A161562300	Gear 34T	ギア 34 T	C	1	
31	A795562100	Holder	ホルダ	D	1	
32	A161562800	Compressing Coil spring	圧縮コイルばね	C	1	
33	A795560200	Paper feed Shaft	給紙軸	D	1	
34	A161567400	Torsion Spring	ねじりばね (ピック解除)	C	1	
35	A161567300	Lever	レバー (ピック解除)	C	1	
36	A02E560800	Shaft	シャフト	D	1	
37	A2X0577600	Lock Catch /2	ロックキャッチ / 2	D	1	
38	A00J663200	Bushing	すべり軸受	B	1	
39	A5C1R90000	Photo Interrupter	フォトインタラプタ	B	1	
40	A2X0576100	Reverse Gear	逆転ギア	C	1	
41	A795M20200	Clutch	クラッチ	C	1	
42	56AA40490	SHAFT STOPPER 4	軸ストッパ 4	C	1	
43	A00J565300	Conveyance Gear /2 21/31T	搬送ギア / 2 21 / 31 T	C	1	
44	A2X0565600	Conveyance Gear /5	搬送ギア / 5	C	1	
45	A795576700	Drive Plate	駆動板	D	1	
46	A2X0576200	Reverse Gear	逆転ギア	C	1	
47	A796N11901	Paperfeed Relay harness /4	給紙中継束線 / 4	D	1	

Tray 1/2 paper feed Section

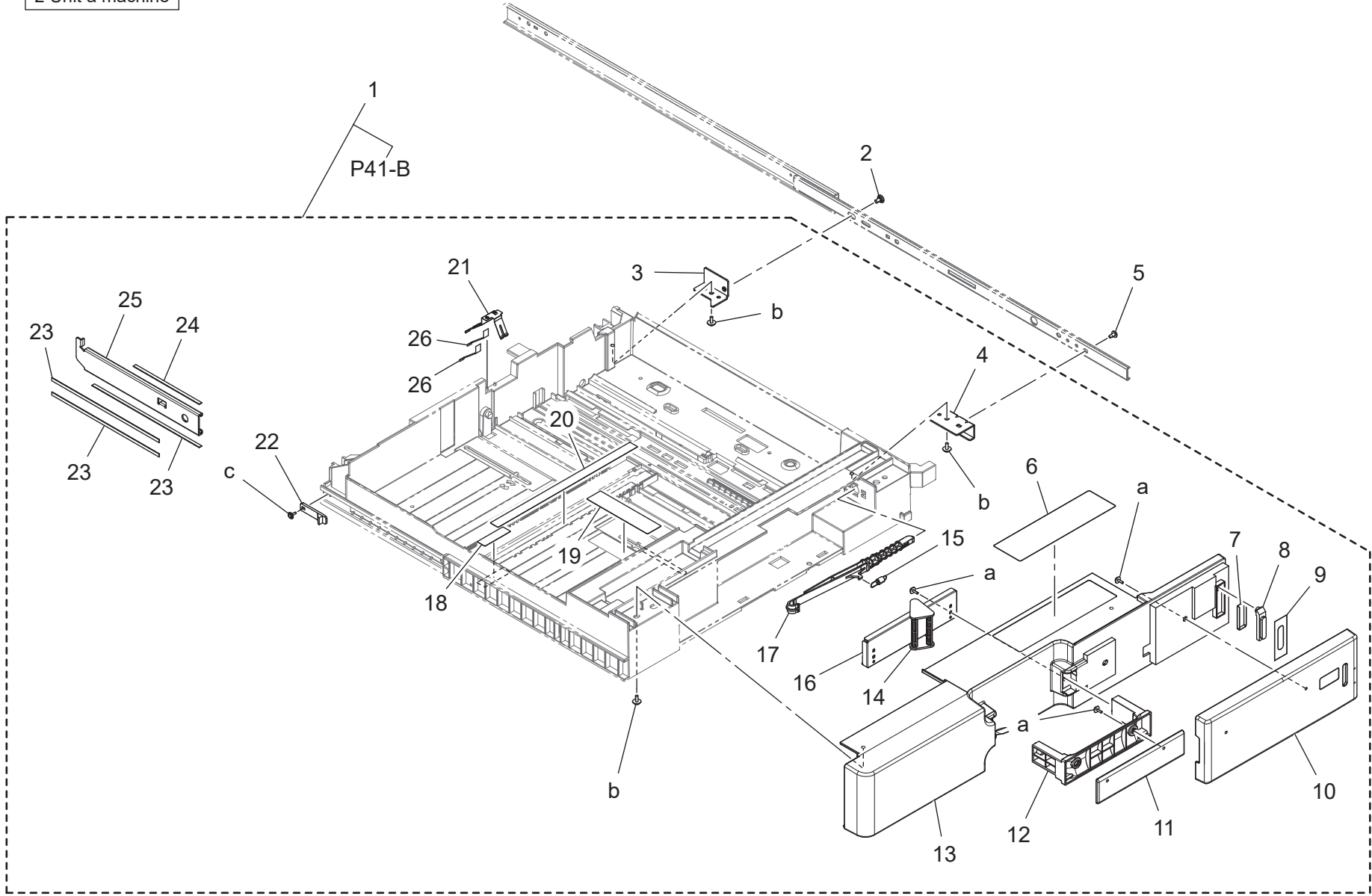






Tray 1/2 Section

2 Unit a machine



ПЯТЫЙ ПАРТНЕР

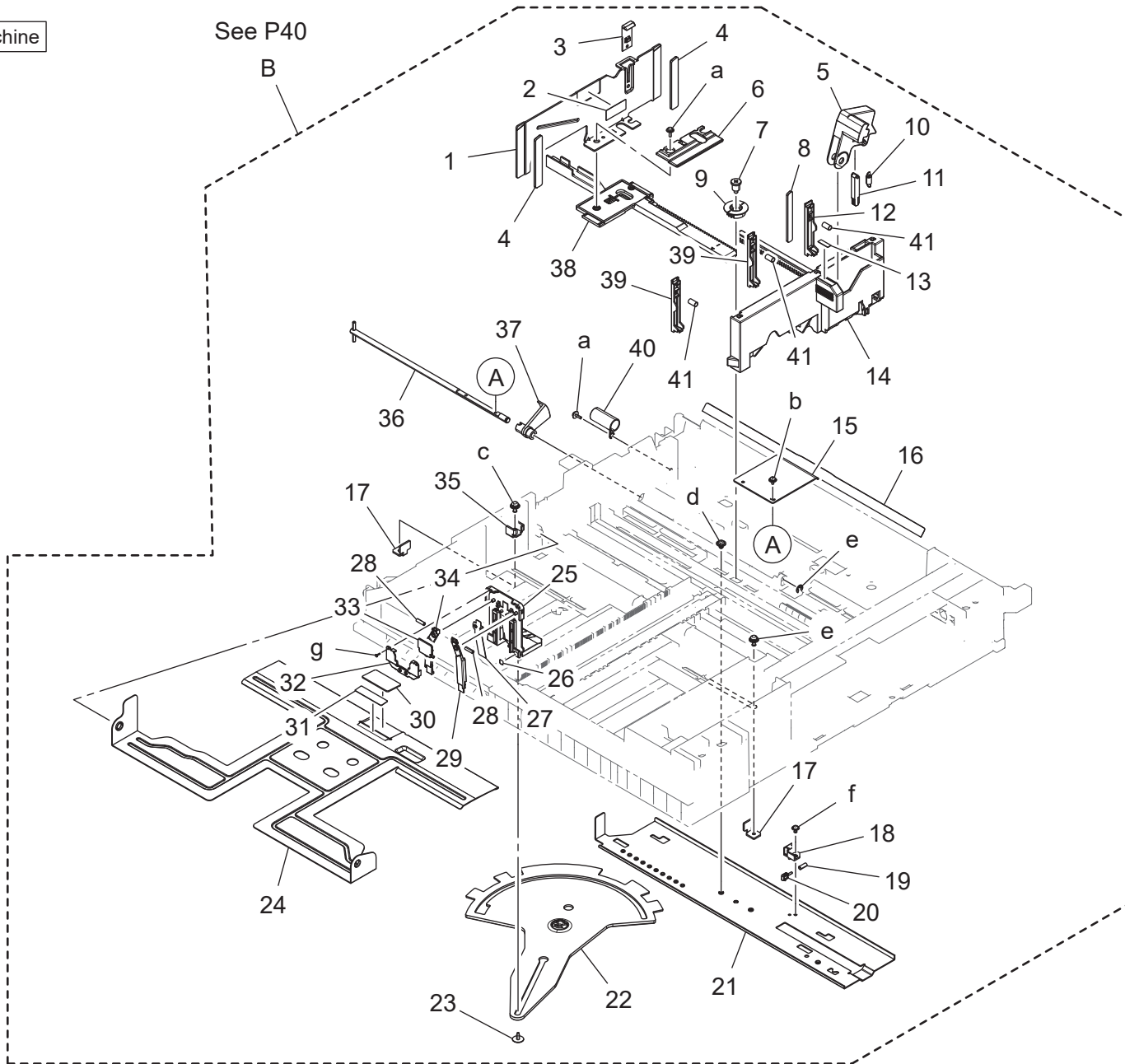


# Tray 1/2 Section

2 Unit a machine

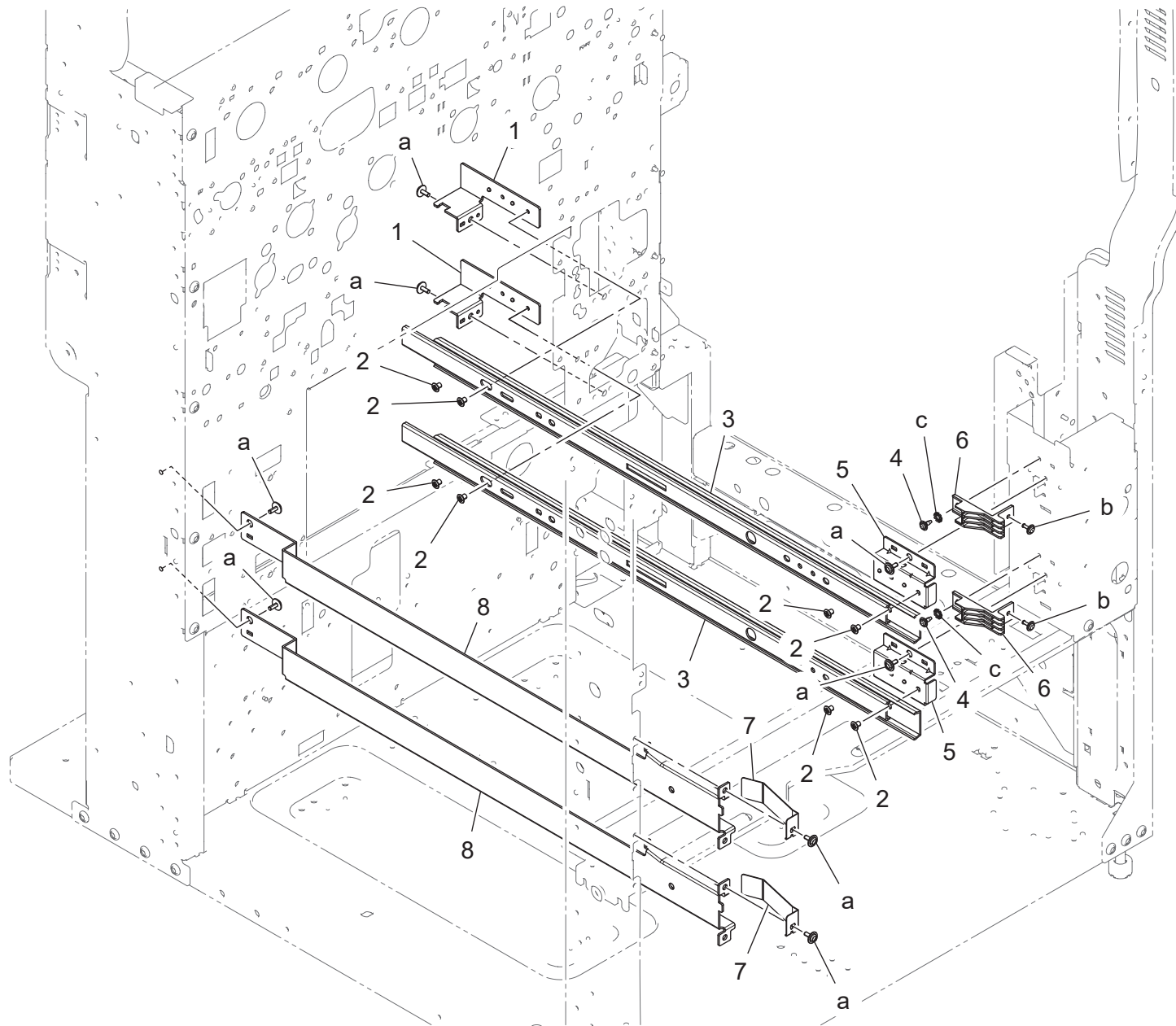
See P40

P 41



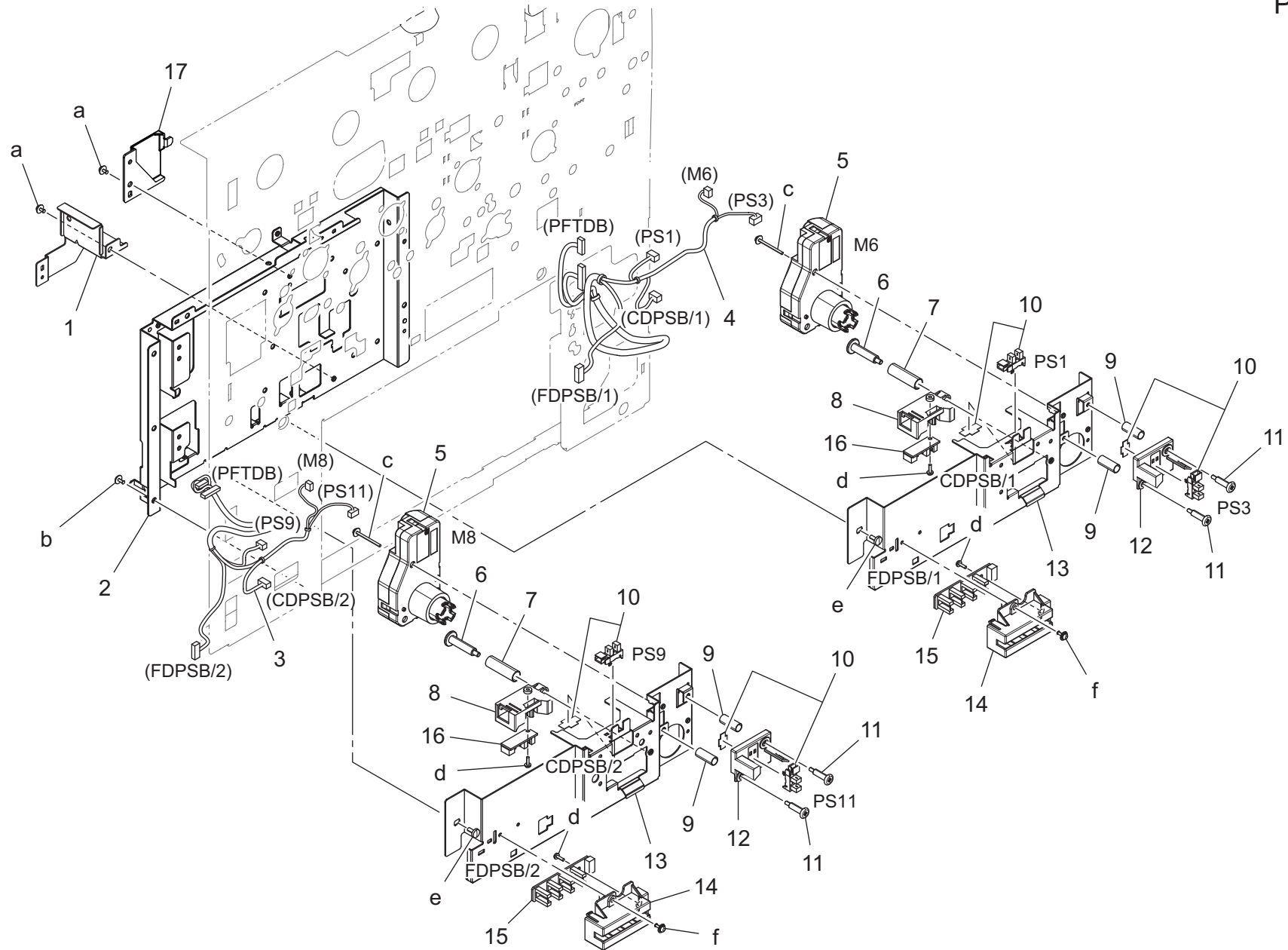
Key	Part No.	Description	Destinations	Class	QTY	Standard parts
1	A2X0620901	Regulating Plate /Rear		C	2	a-V153030803 b-V116030603 c-V125041003 d-V144040603 e-V217040001 f-V127030604 g-V166170504
2	4002730601	LABEL CARRYING CAPACITY		C	2	
3	4537331701	GUIDE		D	2	
4	A02E622700	Cushion		C	4	
5	A795621301	Operation Lever		C	2	
6	A2X0624400	Cover		C	2	
7	A161620600	Shoulder screw		D	2	
8	A795566000	Cushion		C	2	
9	A161620701	Gear		D	2	
10	A7AH621000	Pulling Coil spring		C	2	
11	A7AH621200	Lock Lever		D	2	
12	A795622500	Auxiliary Guide /1		C	2	
13	A161943000	Label		C	2	
14	A795620800	Regulating Plate		C	2	
15	4030320601	LEVER		D	2	
16	A0ED620200	Guide		C	2	
17	A2X0624500	Stopper		D	4	
18	A795565700	Holder		C	2	
19	A795565900	Compressing Spring		C	2	
20	A795565800	Lever		C	2	
21	A795621901	Mounting Plate		D	2	
22	A2X0621411	Lever		C	2	
23	4163529301	SCREW		C	2	
24	A161620400	Lifting Plate		D	2	
25	A795565000	Regulating Plate		D	2	
26	A02E940300	Label		C	2	
27	A795565600	Plate spring		C	2	
28	A795565500	Compressing Spring		C	4	
29	A795565100	Lock Lever		C	2	
30	4030322602	FRICITION SHEET		C	2	
31	A00J623400	FRICITION PLATE		C	2	
32	A795565300	Cover		C	2	
33	A795565400	Operation Lever		C	2	
34	A795565200	Lock Lever		C	2	
35	A2X0624600	Stopper /2		D	2	
36	A2X0621600	Lifting Shaft		D	2	
37	A0P0623700	Lever		C	2	
38	A161621100	Rack		C	2	
39	A795622600	Auxiliary Guide /2		C	4	
40	A2X0624300	Compressing Coil spring		C	2	
41	A795622700	Compressing Spring		C	6	

# Tray 1/2 Section





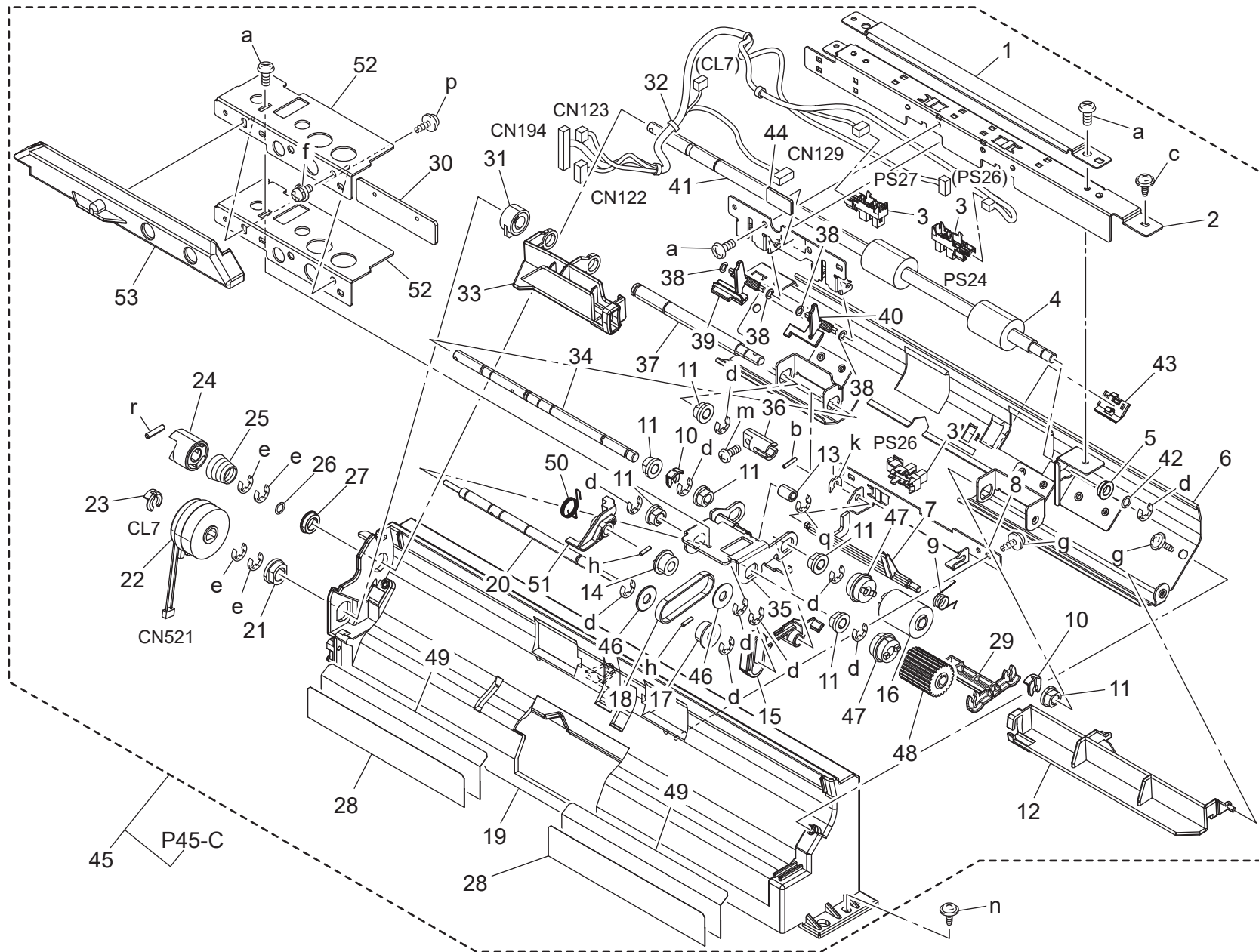
Tray 1/2 Section







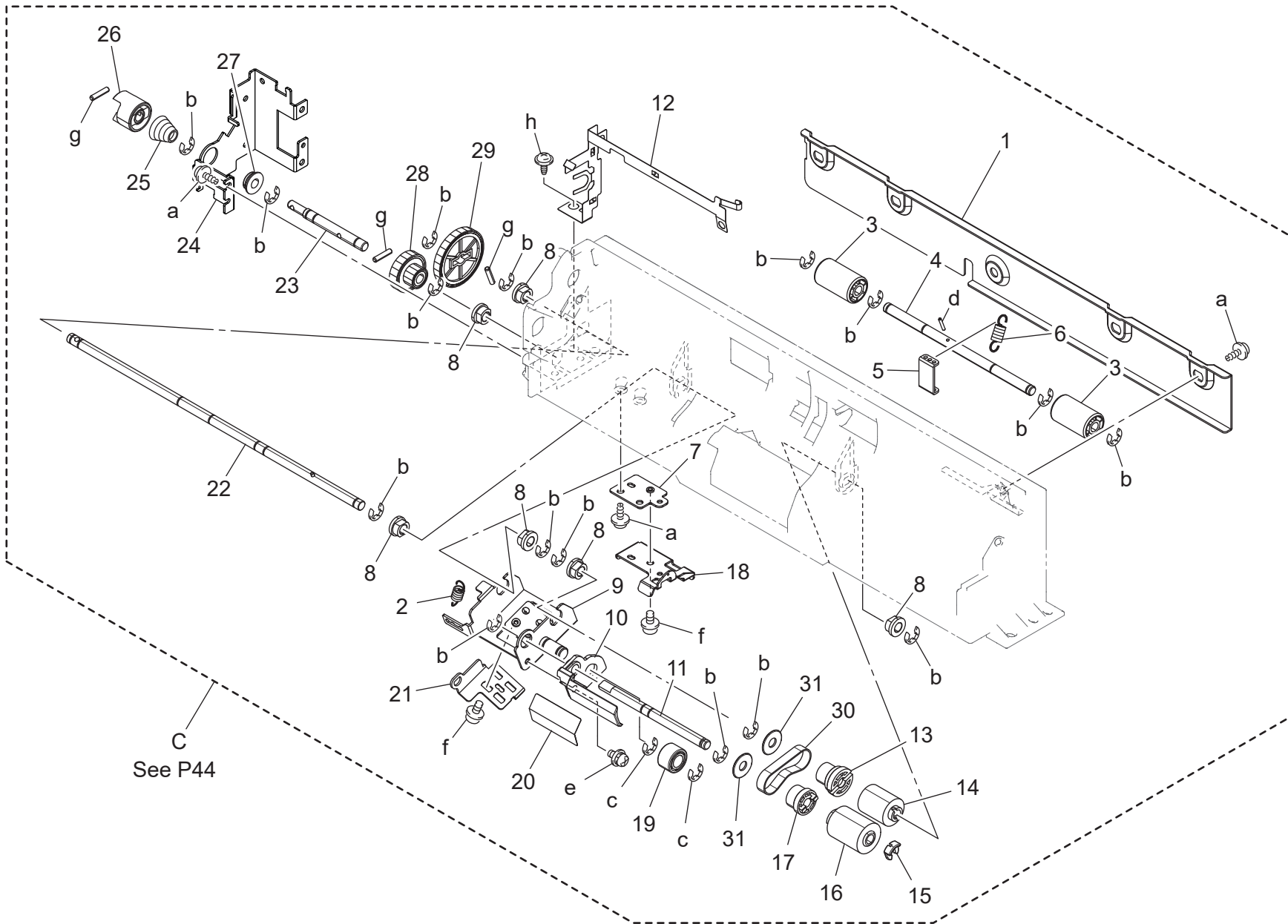
# Tray 4 paper feed Section



Key	Part No.	Description	Destinations	Class	QTY	Standard parts
1	A00J618101	Cover		D	1	a-V118030603
2	A00J601202	Paper feed Cover /1		D	1	b-V233201050
3	A5C1M50100	Photointerrupter		B	3	c-V127030603
4	A795605500	Conveyance Roller		C	1	d-V217040001
5	A00J617800	Ball Bearing		B	1	e-V217060001
6	A00J600315	Guide Assy draw /1		D	1	f-V116030803
7	A00J603300	Detection Actuator /2		C	1	g-V153030803
8	A00J603201	Mounting Plate		D	1	h-V234200850
9	A00J605001	Torsion Spring		C	1	k-V218030086
10	56AA40490	SHAFT STOPPER 4		C	2	m-V118030403
11	A00J663200	Bushing		B	7	n-V127030803
12	A00J600600	Regulating Plate /Front		C	1	p-V153031003
13	A0TJ602900	Pulley /3		D	1	q-V217030001
14	A0TJ602800	Pulley /2		D	1	r-V234301450
15	A00J604301	Actuator		C	1	
16	A00J563600	Roller		A	1	
17	A0TJ603000	Pulley /1		D	1	
18	A00J602700	Timing belt 102L		C	1	
19	A00J600205	Paper feed Base frame /2		D	1	
20	A2X0603000	Shaft		D	1	
21	A03U812800	Slide Shaft Holder		B	1	
22	A795M20300	Clutch		C	1	
23	55VA42120	Shaft Stopper		C	1	
24	A2X0605800	Paper feed Coupling		C	1	
25	A00J605411	Pressing Spring		C	1	
26	A00J660700	Washer		D	1	
27	A00J617900	Ball Bearing		B	1	
28	A795617800	Guide Sheet /2		C	2	
29	A795608100	Guide /B		D	1	
30	A00J619400	Auxiliary Part /2		C	1	
31	56AA40380	PAPER FEED REGULATING BLOCK		B	1	
32	A8JEN11E00	PFU Wiring /5		D	1	
33	A00J600401	Regulating Plate /Rear		C	1	
34	A2X0604200	Paper feed Shaft		D	1	
35	A795667500	Holder		D	1	
36	A00J600500	Coupling		C	1	
37	A795600800	Paper feed Shaft		D	1	
38	15AG50280	PUNCH SPACER		C	4	
39	A00J600701	Detection Actuator /1		C	1	
40	A00J615901	Detection Actuator /1		C	1	
41	A00J604401	Mounting Plate		D	1	
42	A00J660800	Washer		D	1	
43	A0P0663300	Holder		D	1	
44	A00J660900	Sealing Magnet		D	1	
45	A8JER71400	1000 Sheet Paper Feed Assy		S	1	
46	A0P0664000	Washer		D	2	
47	A00J563500	Clutch		C	2	
48	A5C1562200	Roller		A	1	
49	A795617700	Guide Sheet /1		C	2	
50	A795602801	Torsion Spring		C	1	
51	A795602700	Up/down Actuator		C	1	
52	A8JE619300	Auxiliary Part		D	2	
53	A8JE619400	Protection Cover		D	1	



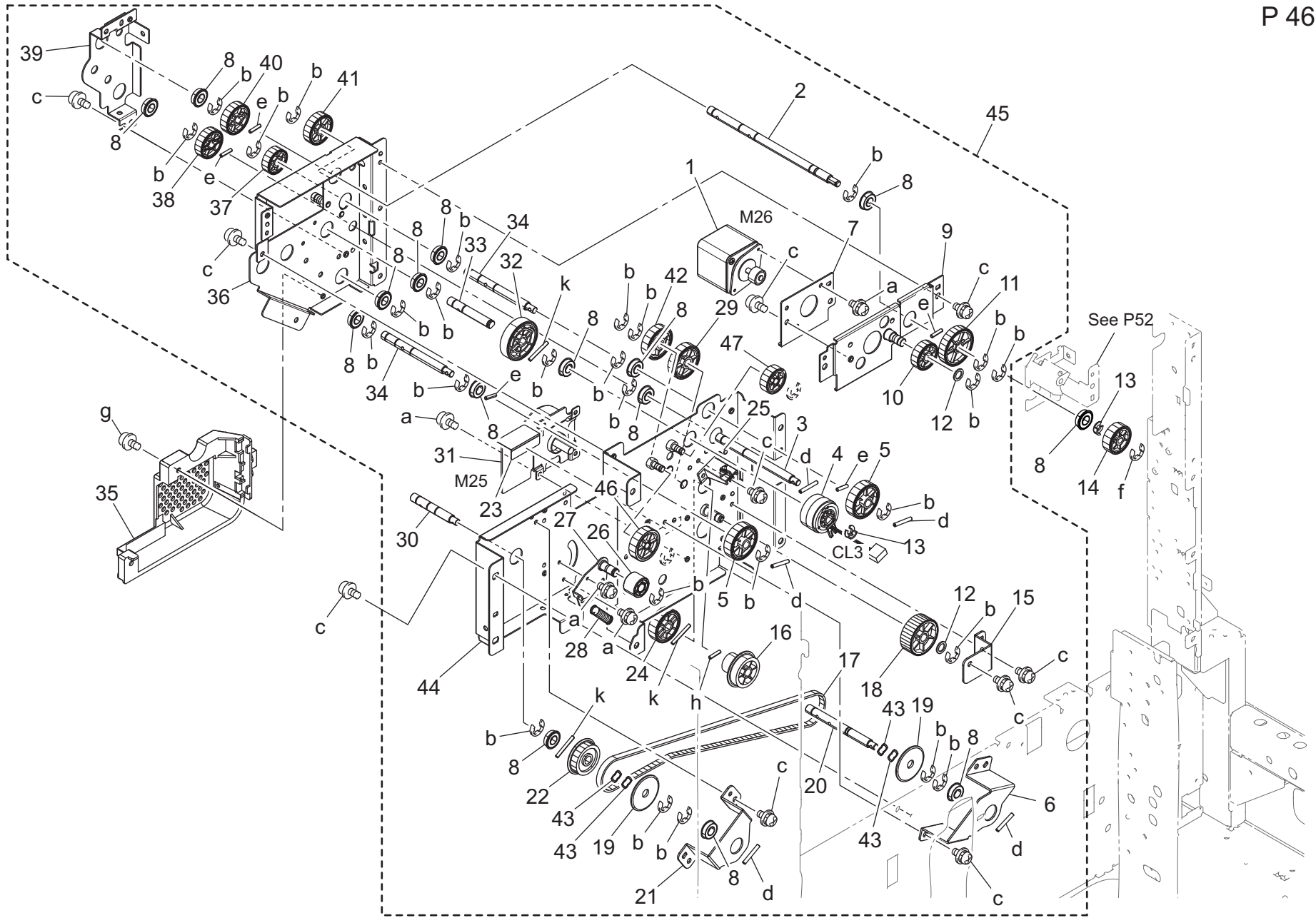
# Tray 4 paper feed Section



C  
See P44

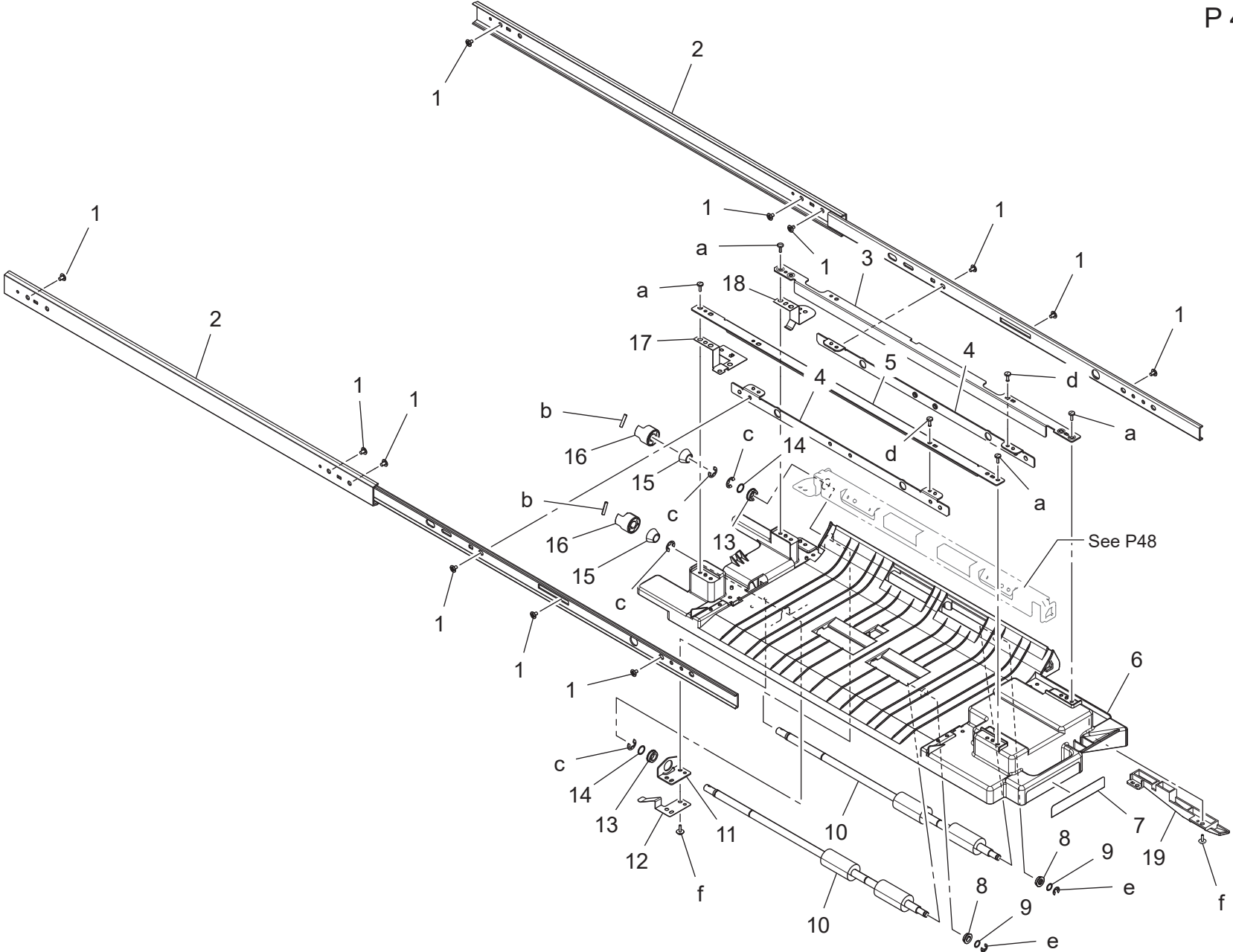
Key	Part No.	Description	Destinations	Class	QTY	Standard parts
1	A00J618700	Conveyance Cover		D	1	a-V153030803
2	A00J604701	Pulling Spring		C	1	b-V217040001
3	A00J605100	Idler Roll		C	2	c-V217060001
4	A00J605200	Idler Shaft		D	1	d-V233161050
5	56AA40430	SPRING MOUNTING PLATE 1		D	1	e-V116030803
6	A00J604800	Pulling Spring		C	1	f-V116030603
7	A2X0668000	Mounting Plate		D	1	g-V234301450
8	A00J663200	Bushing		B	6	h-V127030603
9	A00J601503	Mounting Plate /ASSY		D	1	
10	A00J602100	Guide Plate		C	1	
11	A00J601700	Shaft		D	1	
12	A00J605600	Ground Plate /1		D	1	
13	A00J619611	Pulley 14T		C	1	
14	A795563800	Torque limiter		C	1	
15	56AA40490	SHAFT STOPPER 4		C	1	
16	A00J563600	Roller		A	1	
17	A00J619500	Pulley 15T		C	1	
18	A2X0668100	Mounting Plate		D	1	
19	A00J619700	ROLL /1		C	1	
20	56AA40540	ENTRANCE GUIDE SHEET		C	1	
21	A00J601600	Multi-feed Adjusting Plate		D	1	
22	A795668901	Input Shaft		D	1	
23	A0P0663511	Input Shaft		D	1	
24	A8JE603600	Mounting Plate		D	1	
25	A2X0605900	Pressing Spring		C	1	
26	56AA40450	Paper Feed Coupling Part		C	1	
27	56AA75050	CLEANER SHAFT HOLDER		C	1	
28	A00J603400	Gear 22/14T		C	1	
29	A00J600900	Gear43T		C	1	
30	A00J619800	Timing Belt 96L		C	1	
31	A0P0664000	Washer		D	2	

# Tray 3 paper feed Section



Key	Part No.	Description	Destinations	Class	QTY	Standard parts
1	A2X0M10200	Stepping motor	ステッピングモーター	C	1	a-V116030603
2	A00J611300	Drive Shaft /5	駆動軸 / 5	D	1	b-V217060001
3	A00J616911	Drive Shaft /1	駆動軸 / 1	D	1	c-V116040803
4	A796M20000	Clutch	クラッチ	C	1	d-V232302209
5	A00J612100	Gear 32T	ギア 3 2 T	C	2	e-V234301450
6	A2X0667200	Fixing Plate	固定板	D	1	f-V217040001
7	A00J617700	Mounting Plate	取付板	D	1	g-V116030803
8	A00V240600	Ball Bearing	ボールベアリング	B	15	h-V234301250
9	A2X0R70S00	Mounting plate	取付板 / L C C 縦搬送かしめ	D	1	k-V234302550
10	A00J616200	Gear 31T	ギア 3 1 T	C	1	
11	A00J616300	Gear 44T	ギア 4 4 T	C	1	
12	A00J700900	Collar	カラー	C	2	
13	55VA42120	Shaft Stopper	軸ストッパー	C	2	
14	A00J612500	Gear 25T	ギア 2 5 T	C	1	
15	A00J610200	Fixing Plate /1	固定板 / 1	D	1	
16	A795611600	Drive Gear /2 34T	駆動ギア / 2 3 4 T	C	1	
17	A00J610600	Timing belt 633L	タイミングベルト 6 3 3 L	C	1	
18	A00J611500	Gear 67T	ギア 6 7 T	C	1	
19	A00J612600	Holding Part /1	押さえ材 / 1	C	2	
20	A00J610812	Drive Shaft /1	駆動軸 / 1	D	1	
21	A00J610300	Fixing Plate	固定板	D	1	
22	A00J612200	Pulley 33T	プーリ 3 3 T	C	1	
23	A795617100	Protection Sheet	保護シート	D	1	
24	A00J611711	Gear 29T	ギア 2 9 T	C	1	
25	A795612800	Regulating Part	規制部材	C	1	
26	A0P0666400	Tension Roll	テンションころ	D	1	
27	A0P0R7A200	Mounting plate /Belt tension	取付板 / ベルトテンションかしめ	D	1	
28	56QA15190	BELT TENSION SPRING	ベルトテンションバネ	C	1	
29	A00J611900	Gear 30T	ギア 3 0 T	C	1	
30	A00J611200	Drive Shaft /4	駆動軸 / 4	D	1	
31	A796M10002	DC Brushless motor	D C ブラシレスモータ	C	1	
32	A795611800	Gear 36T	ギア 3 6 T	C	1	
33	A795611000	Drive Shaft /2	駆動軸 / 2	D	1	
34	A00J611100	Drive Shaft /3	駆動軸 / 3	D	2	
35	A00J137600	Cover	カバー	D	1	
36	A795R72000	Mounting plate / LCC drive 2	取付板 / L C C 駆動 2 かしめ	D	1	
37	A00J616400	Gear 29T	ギア 2 9 T	C	1	
38	A00J616500	Gear 33T	ギア 3 3 T	C	1	
39	A795616600	Mounting Plate	取付板	D	1	
40	A00J616800	Gear 35T	ギア 3 5 T	C	1	
41	A00J613000	Gear 35T	ギア 3 5 T	C	1	
42	A00J612000	Gear 29T	ギア 2 9 T	C	1	
43	1500266013	WAVE WASHER	ナミワッシャー	C	4	
44	A795R74100	Mounting plate / LCC drive 1	取付板 / L C C 駆動 1 かしめ A s s y	D	1	
45	A795R71911	LCC Drive ASSY	L C C 駆動 A s s y	D	1	
46	A0P0666201	Idling Gear	アイドラギア (クラッチ)	C	1	
47	A0P0666301	Idling Gear 23T	アイドラギア 2 3 T	C	1	

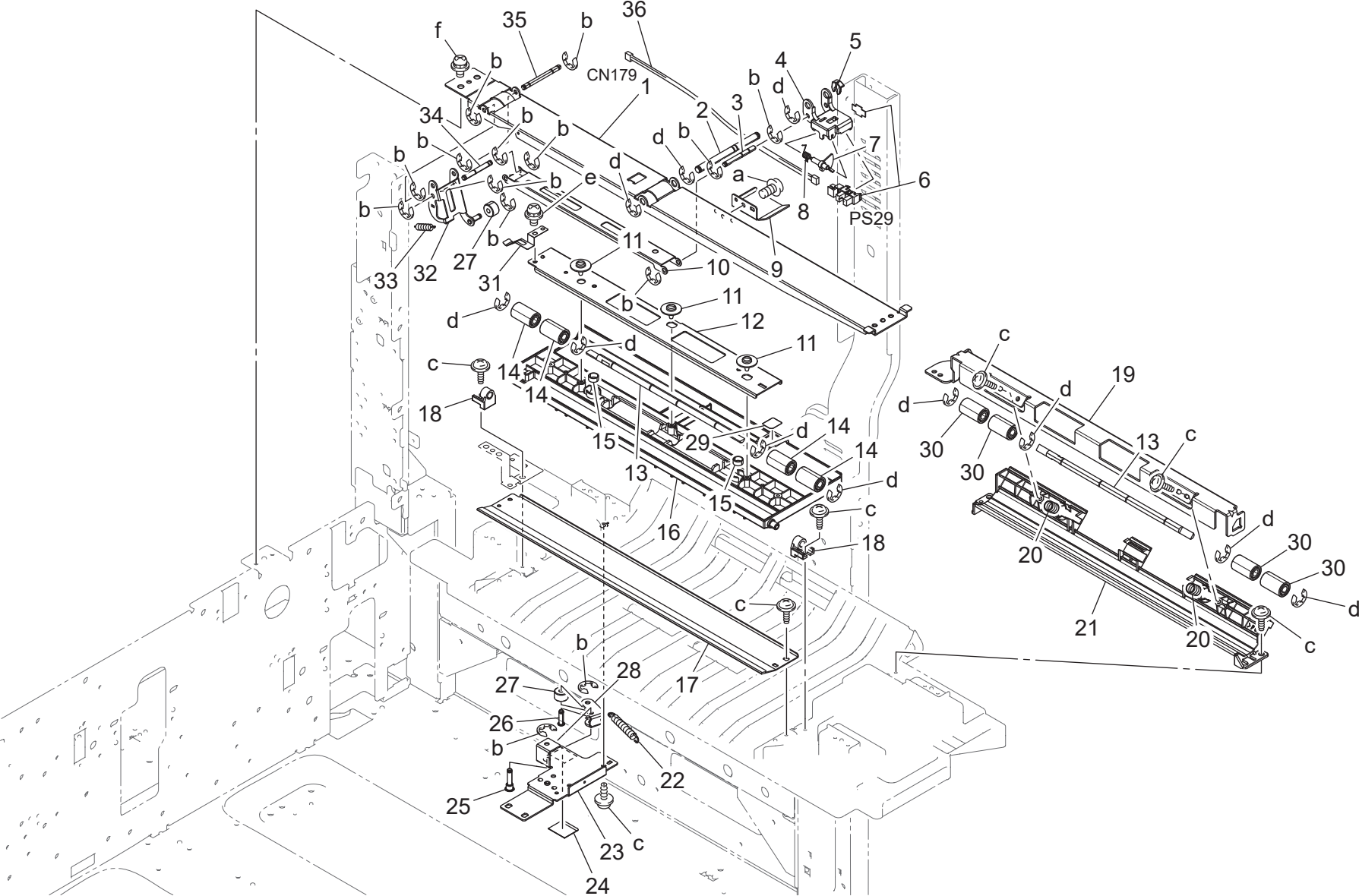
Tray 3 paper feed Section





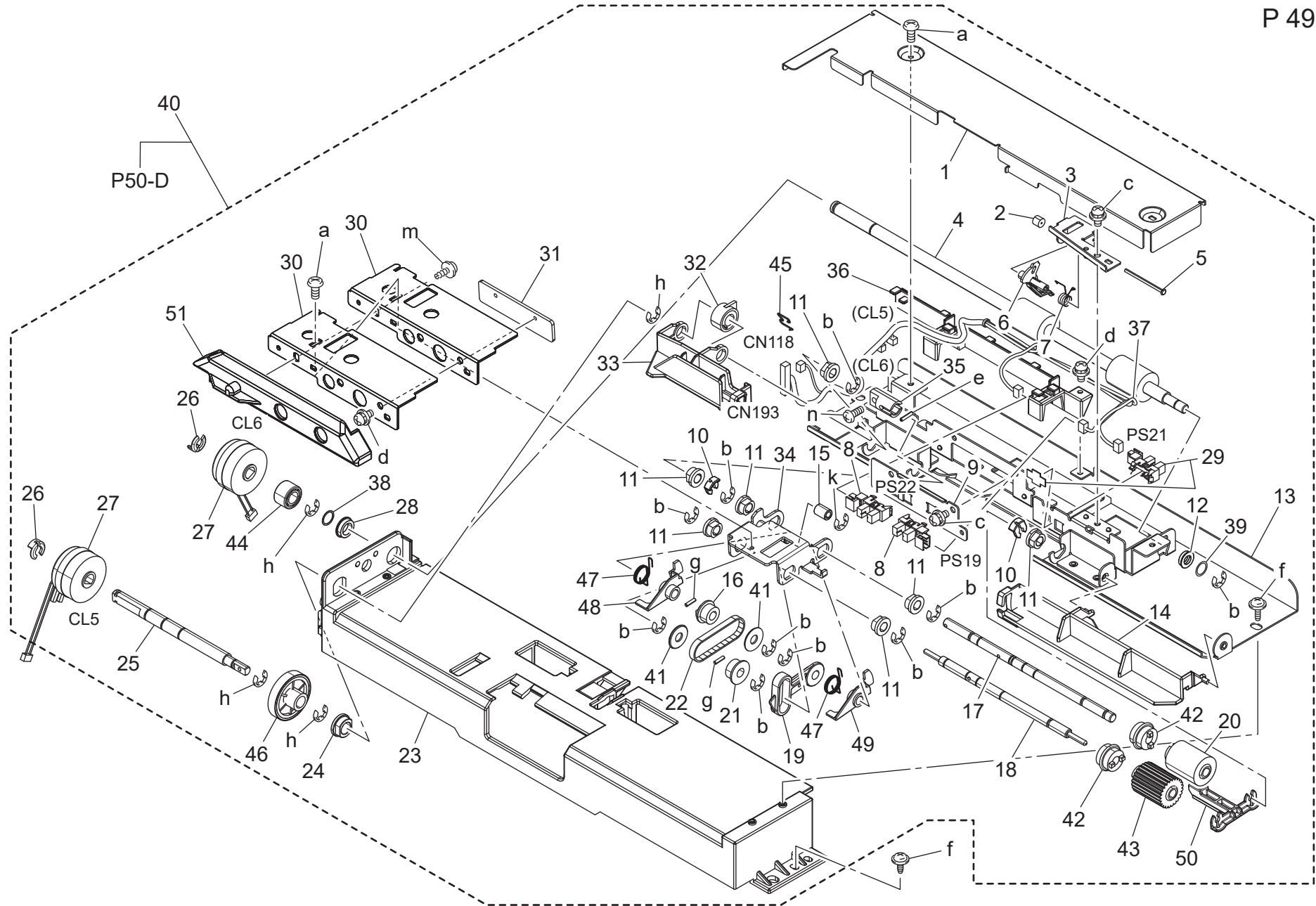


Tray 3 paper feed Section



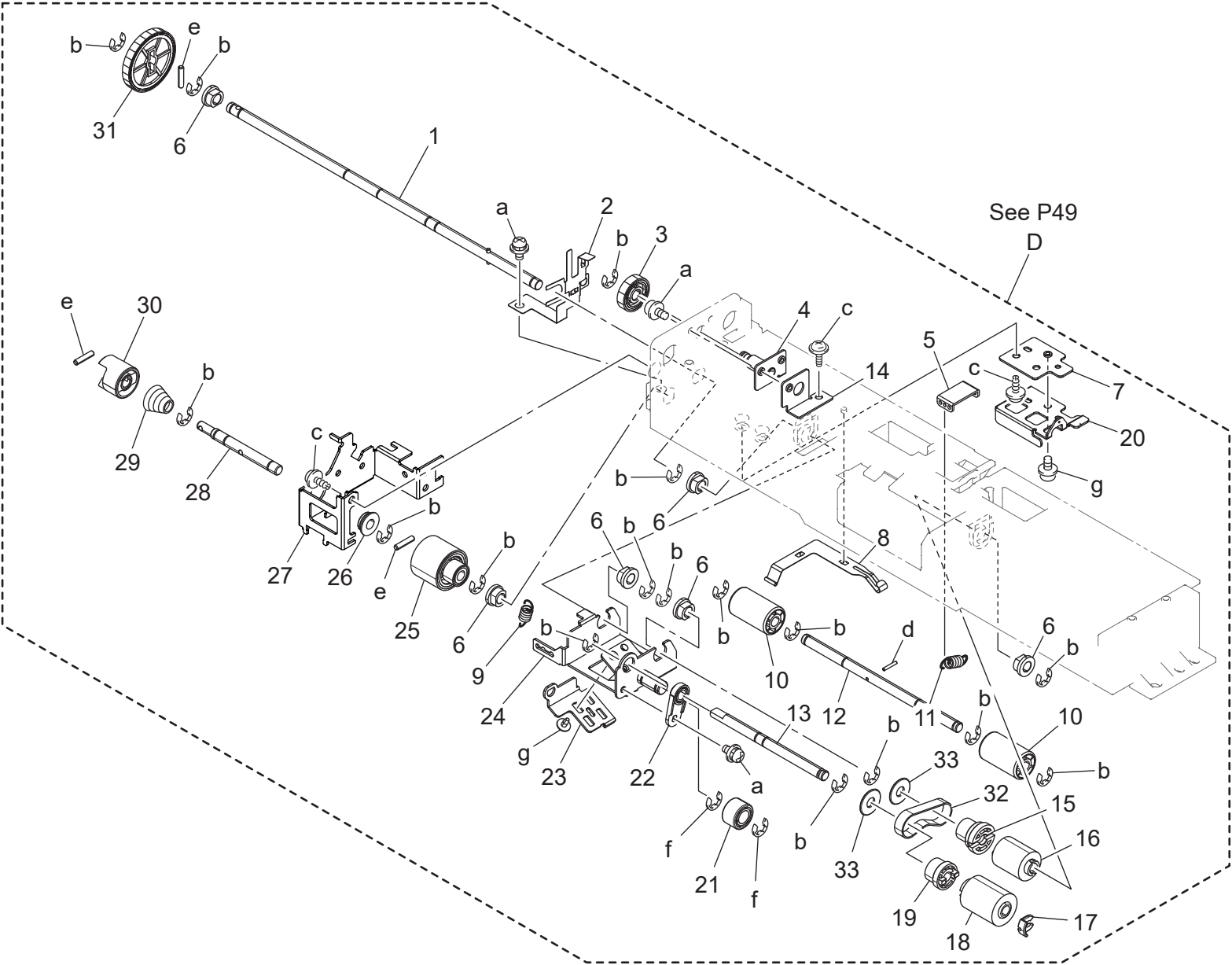
Key	Part No.	Description	Destinations	Class	QTY	Standard parts
1	A00J614002	Mounting Plate /A	取付板 / A	D	1	a-V118030603 b-V217030001 c-V153030803 d-V217040001 e-V116030603 f-V118040603
2	A00J614501	Support Shaft /B	支点軸 / B	D	1	
3	A00J614700	Swing Shaft /B	揺動軸 / B	D	1	
4	A00J614300	Sensor Block	センサブロック	D	1	
5	56AA40490	SHAFT STOPPER 4	軸ストッパ 4	C	1	
6	A5C1R90000	Photo Interrupter	フォトインタラプタ	B	1	
7	56QA57240	PAPER DETECTION ACTUATOR	紙検知アクチュエタ	C	1	
8	56QA57170	PRESSURE SPRING	センサ押圧ばね	C	1	
9	A00J614800	Mounting Plate	取付板	D	1	
10	A00J614200	Swing Panel /B	揺動パネル / B	D	1	
11	4036596601	SCREW	ねじ	C	3	
12	A0P0606400	Mounting Plate	取付板	D	1	
13	A00J606500	Idler Shaft	従動軸	D	2	
14	4030312201	ROLL	ころ	C	4	
15	A00J606600	Compressing Spring	圧縮ばね	C	2	
16	A0P0606200	Conveyance Cover	搬送カバー	C	1	
17	A00J606100	Guide Plate	ガイド板	D	1	
18	56QA57110	SUPPORT BLOCK	支点ブロック	D	2	
19	A795606800	Mounting Plate	取付板	D	1	
20	A00J606900	Compressing Spring	圧縮ばね	C	2	
21	A795606700	Guide Plate	ガイド板	D	1	
22	A00J660200	LOCK SPRING	ロックばね	C	1	
23	A00J607301	Mounting Plate /1	取付板 / 1	D	1	
24	A0P0663400	Light blocking Sheet	遮光シート	C	1	
25	A00J622600	Shaft /L	軸 / L	D	1	
26	A00J623300	Shaft	軸	D	1	
27	A00J663000	Roll	ころ (トレイロック)	C	2	
28	56AA41711	TRAY PRESSING PLATE	トレイ押圧板	D	1	
29	A00J941900	Label LC2	ラベル LC 2	C	1	
30	A795668300	Roll	ころ	C	4	
31	A00J607700	Ground Plate	アース板	C	1	
32	A00J614101	Swing Panel /ASSY	揺動パネル / ASSY	D	1	
33	56QA57210	SWING SPRING REAR	センサ揺動パネ 奥	C	1	
34	A00J614600	Swing Shaft /A	揺動軸 / A	D	1	
35	A00J614400	Support Shaft /A	支点軸 / A	D	1	
36	A00JN11F01	PFU Relay harness /6	PFU 中継束線 / 6	D	1	

# Tray 3 paper feed Section



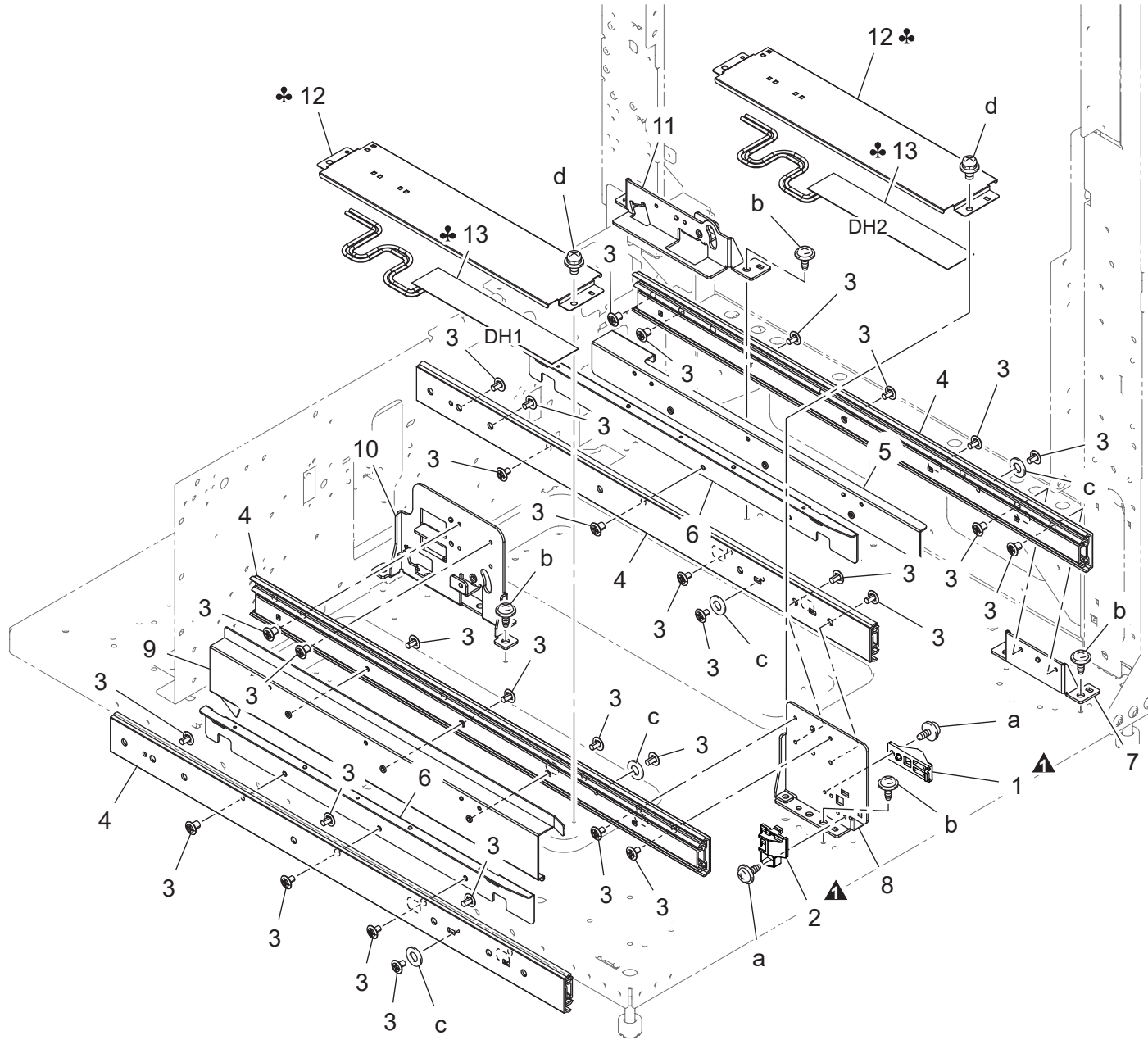
Key	Part No.	Description	Destinations	Class	QTY	Standard parts
1	A00J603801	Paper feed Cover	給紙カバー	D	1	a-V118030603
2	1134304101	COLLAR	カラー	D	1	b-V217040001
3	A00J619101	Mounting Plate	取付板	D	1	c-V116030603
4	A795601100	Conveyance Roller	搬送ローラ	C	1	d-V116030803
5	1134304202	SHAFT	シャフト	D	1	e-V233201050
6	A2X0668200	Actuator	アクチュエータ	C	1	f-V153030803
7	A00J615800	Torsion Spring	ねじりばね	C	1	g-V234200850
8	A5C1M50100	Photointerrupter	透過型センサ	B	2	h-V217060001
9	A00J603900	Mounting Plate	取付板	D	1	k-V217030001
10	56AA40490	SHAFT STOPPER 4	軸ストッパ 4	C	2	m-V153031003
11	A00J663200	Bushing	すべり軸受	B	7	n-V118030403
12	A00J617800	Ball Bearing	ボールベアリング	B	1	
13	A00J603716	Guide Assy draw /2	ガイド部組図 / 2	D	1	
14	A00J600600	Regulating Plate /Front	規制板 / 前	C	1	
15	A0TJ602900	Pulley /3	プーリ / 3	D	1	
16	A0TJ602800	Pulley /2	プーリ / 2	D	1	
17	A2X0604200	Paper feed Shaft	給紙軸 (給紙ローラ)	D	1	
18	A2X0603000	Shaft	軸	D	1	
19	A795602401	Level Actuator /X	残検アクチュエータ / X	C	1	
20	A00J563600	Roller	ローラ	A	1	
21	A0TJ603000	Pulley /1	プーリ / 1	D	1	
22	A00J602700	Timing belt 102L	給紙タイミングベルト 102 L	C	1	
23	A00J600117	Paper feed Base frame /1	給紙台板 / 1	D	1	
24	A03U812800	Slide Shaft Holder	すべり軸受	B	1	
25	A795603500	Paper feed Shaft	給紙軸	D	1	
26	55VA42120	Shaft Stopper	軸ストッパ	C	2	
27	A795M20300	Clutch	クラッチ	C	2	
28	A00J617900	Ball Bearing	ボールベアリング	B	1	
29	A5C1R90000	Photo Interrupter	フォトインタラプタ	B	1	
30	A8JE603101	Auxiliary Part	補助部材 ( 錘 )	D	2	
31	A00J619400	Auxiliary Part /2	補助部材 / 2	C	1	
32	56AA40380	PAPER FEED REGULATING BLOCK	給紙規制ブロック	B	1	
33	A00J600401	Regulating Plate /Rear	規制板 / 奥	C	1	
34	A795667400	Holder	ホルダ	D	1	
35	A00J600500	Coupling	カップリング	C	1	
36	A00J618002	Wiring Cover	配線カバー	D	1	
37	A8JEN11D00	PFU Wiring /4	PFU 東線 / 4 (トレイ3)	D	1	
38	A00J660700	Washer	ワッシャ	D	1	
39	A00J660800	Washer	ワッシャ	D	1	
40	A8JER71500	1500 Sheet Paper Feed Assy	1500枚給紙 Assy	S	1	
41	A0P0664000	Washer	ワッシャー	D	2	
42	A00J563500	Clutch	クラッチ	C	2	
43	A5C1562200	Roller	ローラ (ピック)	A	1	
44	A00J619700	ROLL /1	ころ / 1	C	1	
45	A795602900	Holding Spring	押さえばね	C	1	
46	A795668700	Gear 30T	ギア 30 T	C	1	
47	A795602801	Torsion Spring	ねじりばね	C	2	
48	A795602600	Up/down Actuator	昇降アクチュエータ	C	1	
49	A795602500	Level Actuator /Y	残検アクチュエータ / Y	C	1	
50	A795608100	Guide /B	ガイド / B	D	1	
51	A8JE619700	Protection Cover	保護カバー	D	1	

Tray 3 paper feed Section



Key	Part No.	Description	Destinations	Class	QTY	Standard parts
1	A795668901	Input Shaft	入力軸	D	1	a-V116030803 b-V217040001 c-V153030803 d-V233161050 e-V234301450 f-V217060001 g-V116030603
2	A00J605700	Ground Plate /2	アース板 / 2	D	1	
3	A00J601000	Gear 18T	アイドラギア 18 T	C	1	
4	A00JR7AK22	MOUNTING PLATE / LCC FEED DRIVE	取付板 / LCC 給紙駆動 かしめ	D	1	
5	56AA40430	SPRING MOUNTING PLATE 1	バネ取り付板 / 1	D	1	
6	A00J663200	Bushing	すべり軸受	B	6	
7	A2X0667800	Mounting Plate	取付板 (3rd)	D	1	
8	A00J618800	Ground Plate /Middle	アース板 / 中	C	1	
9	A00J604701	Pulling Spring	引張りばね	C	1	
10	A00J605100	Idler Roll	従動ころ	C	2	
11	A00J604800	Pulling Spring	引張りばね	C	1	
12	A00J605200	Idler Shaft	従動軸	D	1	
13	A00J601700	Shaft	軸	D	1	
14	A2X0667100	Mounting Plate	取付板 (給紙駆動)	D	1	
15	A00J619611	Pulley 14T	プーリ 14 T	C	1	
16	A795563800	Torque limiter	トルクリミッタ	C	1	
17	56AA40490	SHAFT STOPPER 4	軸ストッパ 4	C	1	
18	A00J563600	Roller	ローラ	A	1	
19	A00J619500	Pulley 15T	プーリ 15 T	C	1	
20	A2X0667900	Mounting Plate	取付板 (3rd 捌きバネ)	D	1	
21	A00J619700	ROLL /1	ころ / 1	C	1	
22	A0P0602100	Guide Washer	ガイドワッシャ	D	1	
23	A00J601600	Multi-feed Adjusting Plate	重送調整板	D	1	
24	A00J601503	Mounting Plate /ASSY	取付板 / ASSY	D	1	
25	A795603400	Gear 22T/14T	ギア 22 T / 14 T	C	1	
26	56AA75050	CLEANER SHAFT HOLDER	クリーナー軸受	C	1	
27	A8JE604100	Drive Plate	駆動板 (3rd)	D	1	
28	A795663500	Input Shaft	入力軸	C	1	
29	A2X0605900	Pressing Spring	押圧ばね	C	1	
30	56AA40450	Paper Feed Coupling Part	給紙カップリング部材	C	1	
31	A00J600900	Gear43T	ギア 43 T	C	1	
32	A00J619800	Timing Belt 96L	タイミングベルト 96 L	C	1	
33	A0P0664000	Washer	ワッシャー	D	2	

# Tray 3 paper feed Section




P 51

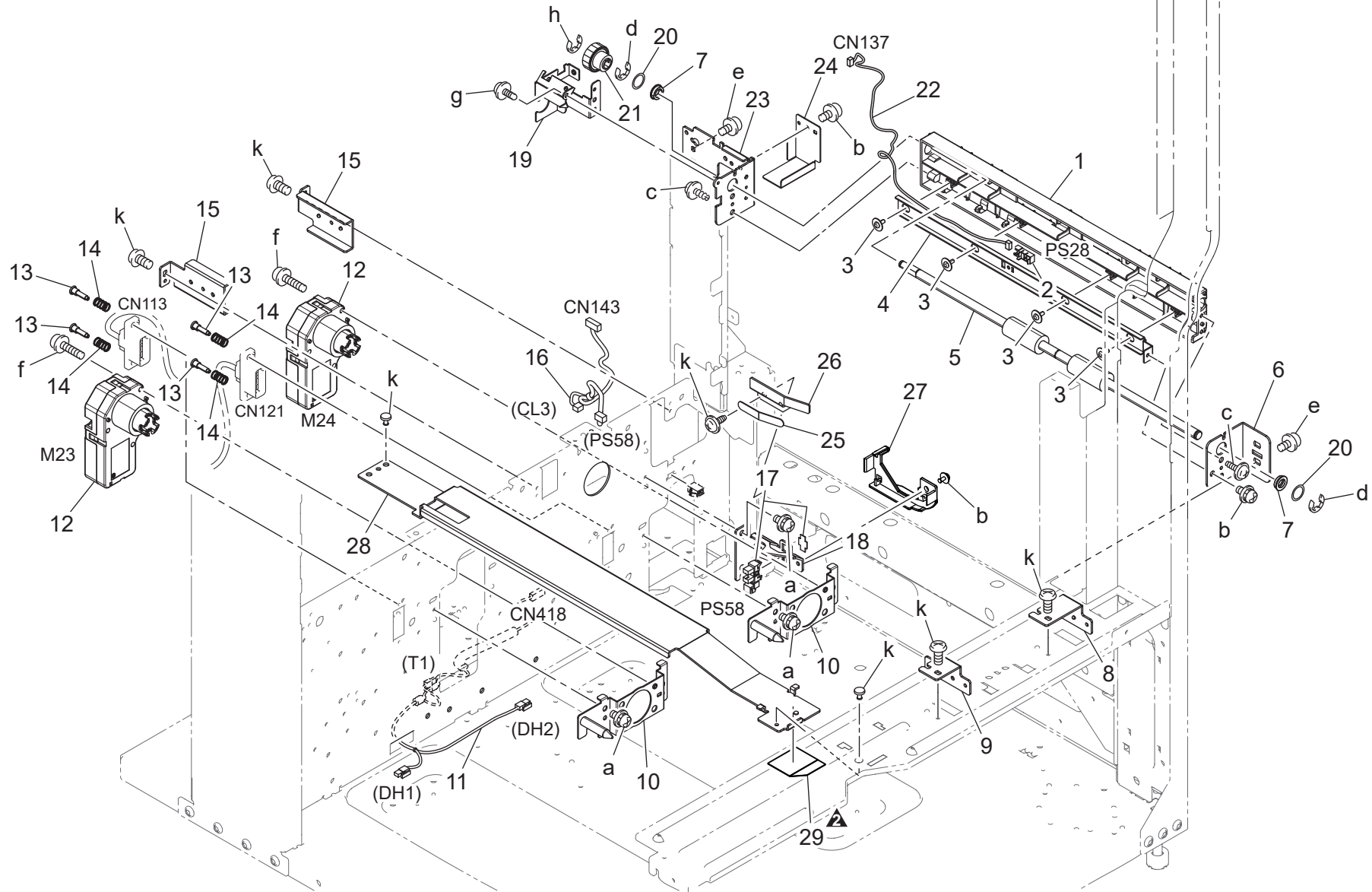
改訂版 REVISED EDITION	日付 DATE
▲	MAY 2018





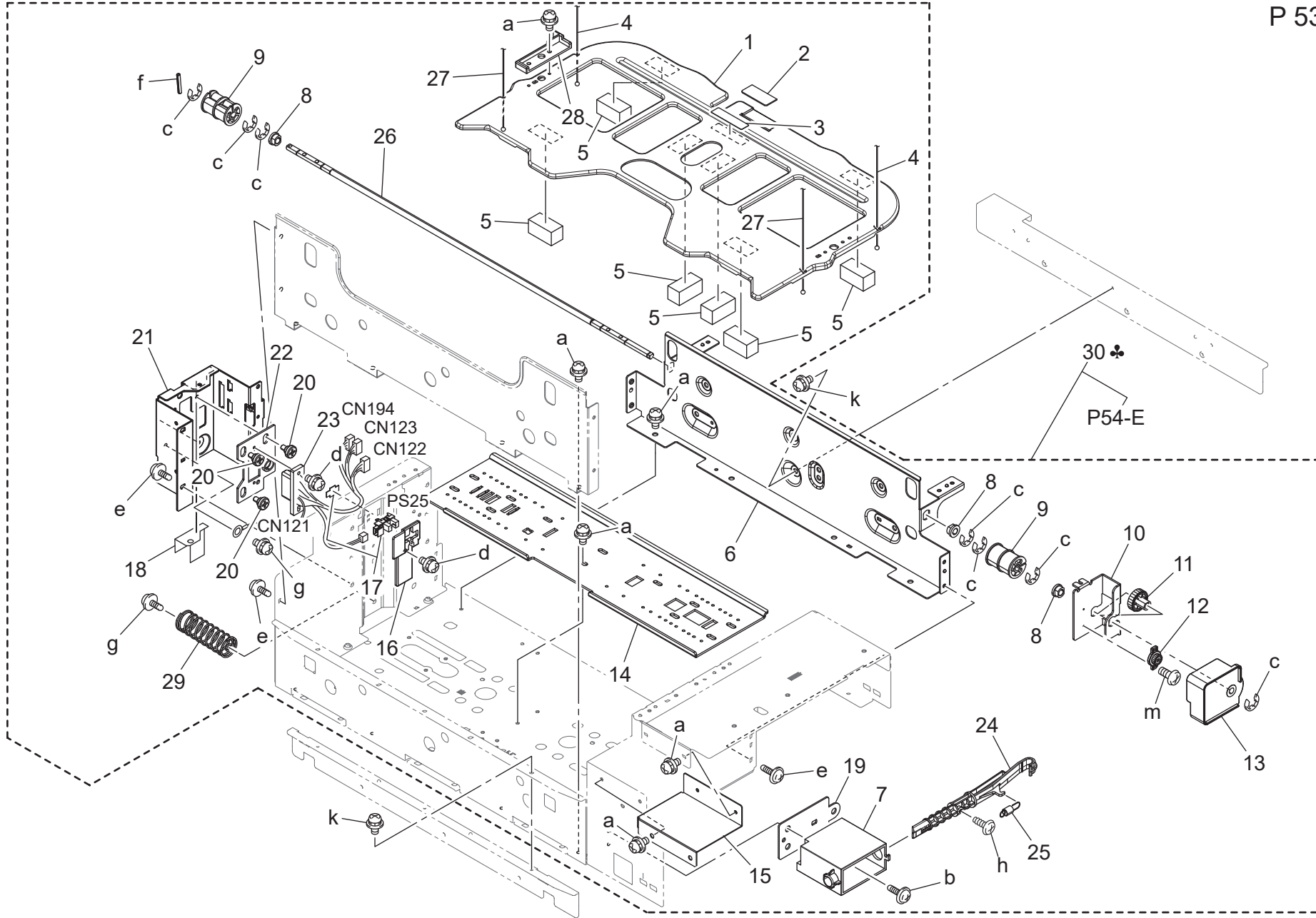
# Tray 3 paper feed Section

改訂版 REVISED EDITION	日付 DATE
	NOVEMBER 2018



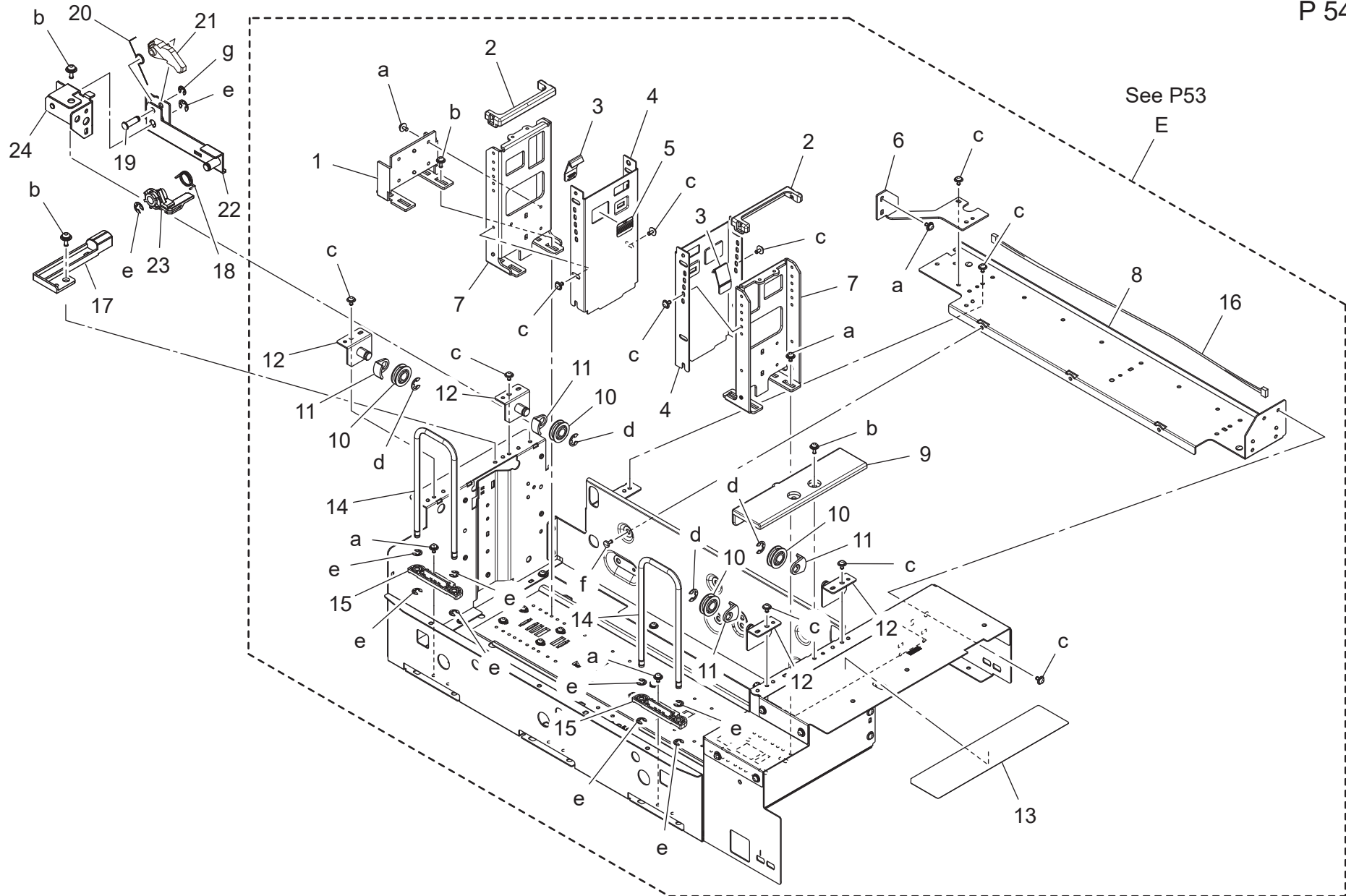
Key	Part No.	Description	Destinations	Class	QTY	Standard parts
1	A795609400	Guide Part		C	1	a-V116040803
2	A0EDM50100	Photorelector		I	1	b-V116030603
3	4036596601	SCREW		C	4	c-V153030803
4	A795609500	Mounting Plate /F		D	1	d-V217060001
5	A795572200	Conveyance Roller		C	1	e-V118040803
6	A00J609100	Mounting Plate		D	1	f-V116032003
7	A00J617900	Ball Bearing		B	2	g-V126030603
8	A00J608700	Mounting Plate		D	1	h-V217040001
9	A00J608800	Mounting Plate		D	1	k-V118040603
10	A2X0R70200	Mounting Plate/Updown Motor Assy		D	2	
11	A0P2N10X01	Heater Relay harness		D	1	
12	A2X0M12101	Brush motor		B	2	
13	56AA17330	Slide Shaft		C	4	
14	56AA17080	TERMINAL ROCKING SPRING		C	4	
15	A00J608900	Mounting Plate /Rear		D	2	
16	A0P0N11G00	PFU Relay harness		D	1	
17	A5C1R90000	Photo Interrupter		B	1	
18	A00J609001	Mounting Plate		D	1	
19	A00J609300	Mounting Plate		D	1	
20	A00J660700	Washer		D	2	
21	A00J609800	Clutch Assy		C	1	
22	A796N11C00	PFU Relay harness /3		D	1	
23	A00J609201	Mounting Plate		D	1	
24	A00J617000	Protection Cover /S		D	1	
25	A795670100	Slide Part		D	1	
26	A795670000	Mounting Plate		D	1	
27	A8JE619100	Protection Plate		D	1	
28	A8JE619600	Slide Plate		D	1	
29	A8JE619900	Seal		D	1	

# Tray 4 Section



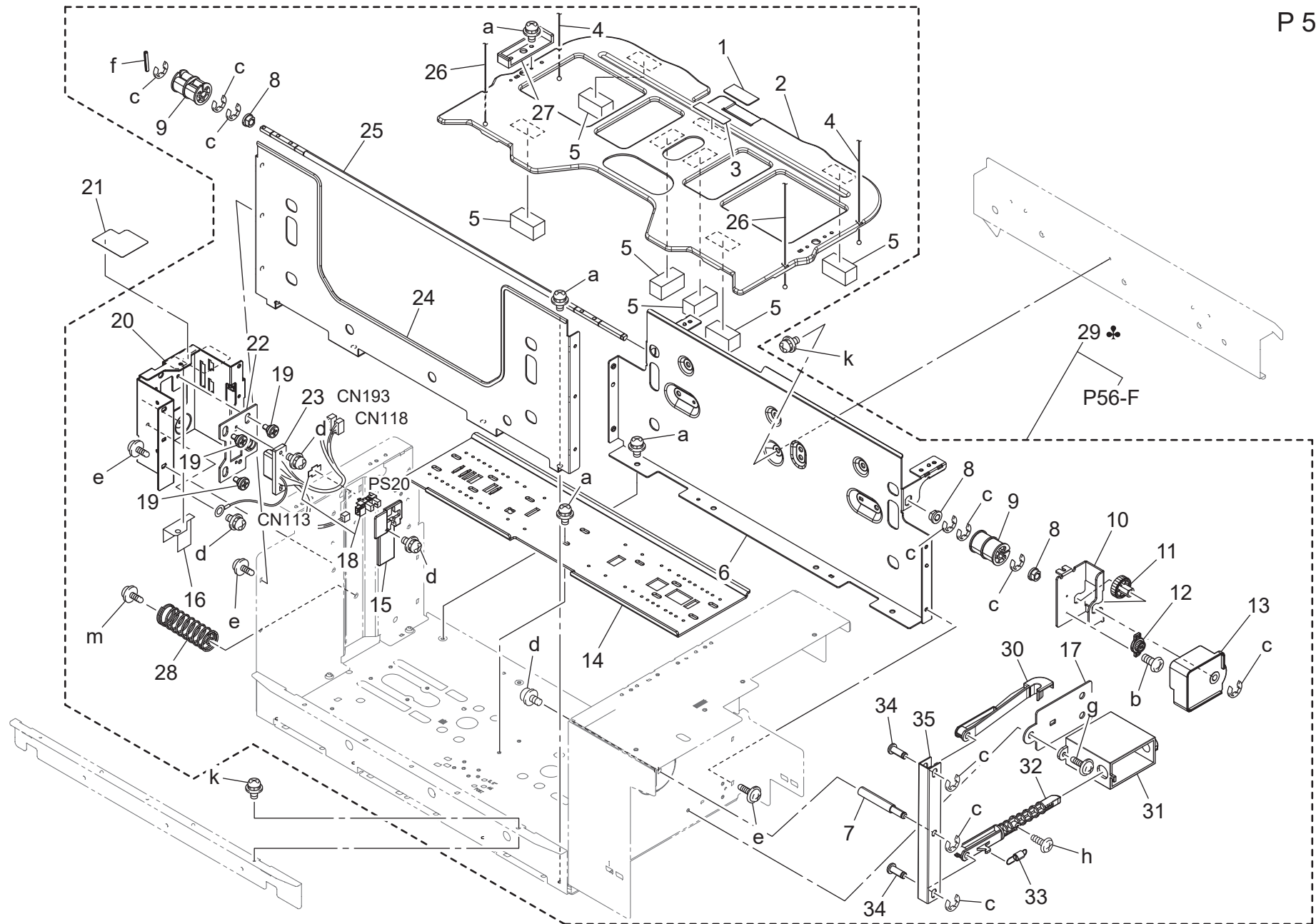
Key	Part No.	Description	Destinations	Class	QTY	Standard parts
1	A795613502	Up/down Plate		D	1	a-V116030603
2	55VA40930	DOUBLE FEED PREVENTIVE PLATE		C	1	b-V127030803
3	A00J623400	FRICITION PLATE		C	1	c-V217040001
4	56QA58110	LCT UP DOWN WIRE RIGHT FRONT		C	2	d-V116030803
5	A0P0663900	Pad		C	6	e-V127030603
6	A00J615101	Stopper Plate /1		D	1	f-V232302509
7	A2X0665300	Lock Guide		C	1	g-V125040803
8	A00J663200	Bushing		B	3	h-V149030803
9	A00J613700	Up/down Pulley		C	2	k-V116030504
10	A0P0618900	Regulating Plate /1		D	1	m-V118020603
11	A0P0663800	Gear /1		C	1	
12	A0P0662700	Dumper		C	1	
13	A00J619011	Protection Cover		D	1	
14	56QA58041D	LCT SLIDE BOARD		D	1	
15	56QA58470D	EXTERNAL PROTECTION PLATE		D	1	
16	A00J613301	Sensor Cover		C	1	
17	A5C1R90000	Photo Interrupter		B	1	
18	A00J660600	Protection Sheet		D	1	
19	A2X0666500	Auxiliary Plate /Front		D	1	
20	26NA45440	REGISTRATION UNIT FIXED SCREW		C	3	
21	A8JE615000	Connecting Plate		D	1	
22	A00J613200	Guide Plate		D	1	
23	A00JN11B01	PFU Relay harness /2		D	1	
24	A2X0666001	Lever		C	1	
25	A161626800	Pulling Coil spring		C	1	
26	A00J615500	Up/down Shaft		D	1	
27	56QA58120	LCT UP DOWN WIRE RIGHT REAR		C	2	
28	A00J660300	LIGHT BLOCKING PART		C	1	
29	A2X0666900	Pressure Spring		C	1	
30	A8JER71600	1000 Sheet Tray Assy	A,A1,C,D1,D3,E,F2,G 1,I,K,J,H	S	1	
30	A8JER71700	1000 Sheet Tray Assy	B,G2	S	1	

# Tray 4 Section





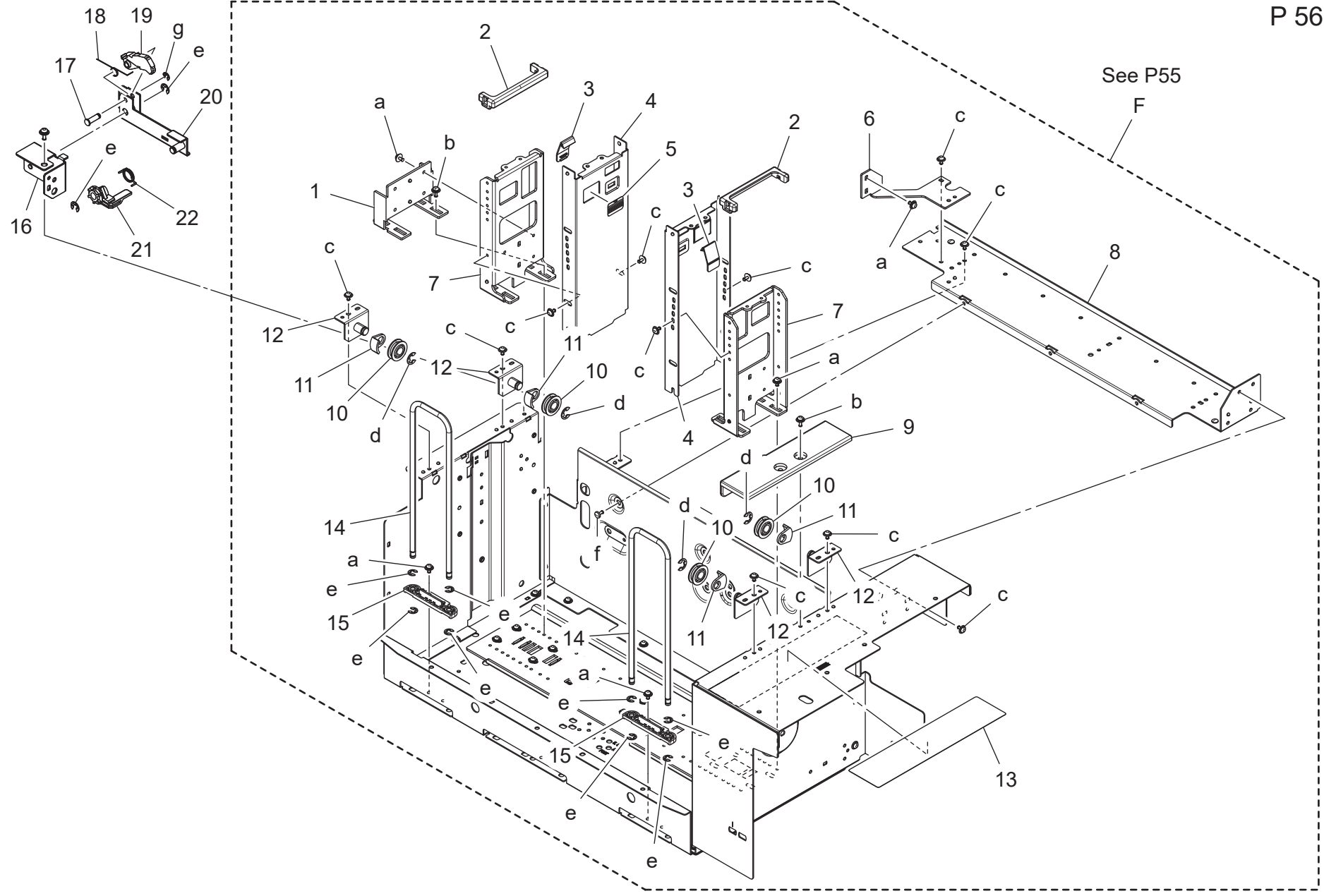
# Tray 3 Section



Key	Part No.	Description	Destinations	Class	QTY	Standard parts
1	55VA40930	DOUBLE FEED PREVENTIVE PLATE		C	1	a-V116030603
2	A795613502	Up/down Plate		D	1	b-V118020603
3	A00J623400	FRICITION PLATE		C	1	c-V217040001
4	56QA59110	LCT UP DOWN WIRE LEFT FRONT		C	2	d-V116030803
5	A0P0663900	Pad		C	6	e-V127030603
6	A0P0615200	Stopper Plate /2		C	1	f-V232302509
7	A2X0665811	Shaft		D	1	g-V127030803
8	A00J663200	Bushing		B	3	h-V149030803
9	A00J613700	Up/down Pulley		C	2	k-V116030504
10	A0P0618900	Regulating Plate /1		D	1	m-V125040803
11	A0P0663800	Gear /1		C	1	
12	A0P0662700	Dumper		C	1	
13	A00J619011	Protection Cover		D	1	
14	56QA58041D	LCT SLIDE BOARD		D	1	
15	A00J613301	Sensor Cover		C	1	
16	A00J660600	Protection Sheet		D	1	
17	A2X0666500	Auxiliary Plate /Front		D	1	
18	A5C1R90000	Photo Interrupter		B	1	
19	26NA45440	REGISTRATION UNIT FIXED SCREW		C	3	
20	A8JE615000	Connecting Plate		D	1	
21	A00J660500	Protection Sheet		C	1	
22	A00J613200	Guide Plate		D	1	
23	A00JN11A00	PFU RELAY HARNESS/1		D	1	
24	A795615701	Regulating Plate		D	1	
25	A00J615500	Up/down Shaft		D	1	
26	56QA59120	LCT UP DOWN WIRE LEFT REAR		C	2	
27	A00J660300	LIGHT BLOCKING PART		C	1	
28	A2X0666900	Pressure Spring		C	1	
29	A8JER71800	1500 Sheet Tray Assy	A,A1,C,D1,D3,E,F2,G 1,I,K,J,H	S	1	
29	A8JER71900	1500 Sheet Tray Assy	B,G2	S	1	
30	A2X0665401	Lever		C	1	
31	A2X0665300	Lock Guide		C	1	
32	A2X0665900	Lever		C	1	
33	A161626800	Pulling Coil spring		C	1	
34	A2X0665600	Connecting Shaft /1		D	2	
35	A2X0665500	Connecting Plate		D	1	



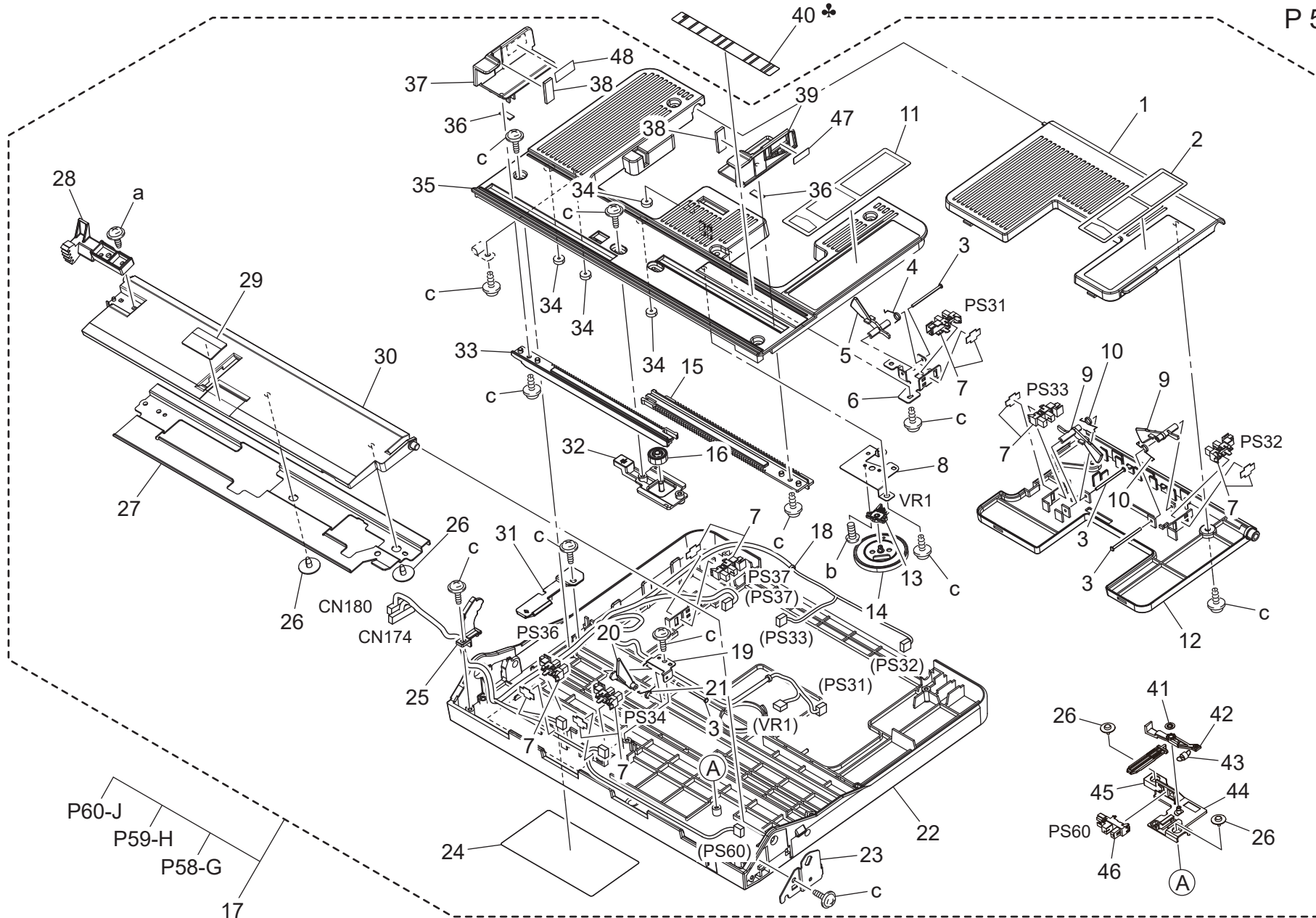
Tray 3 Section





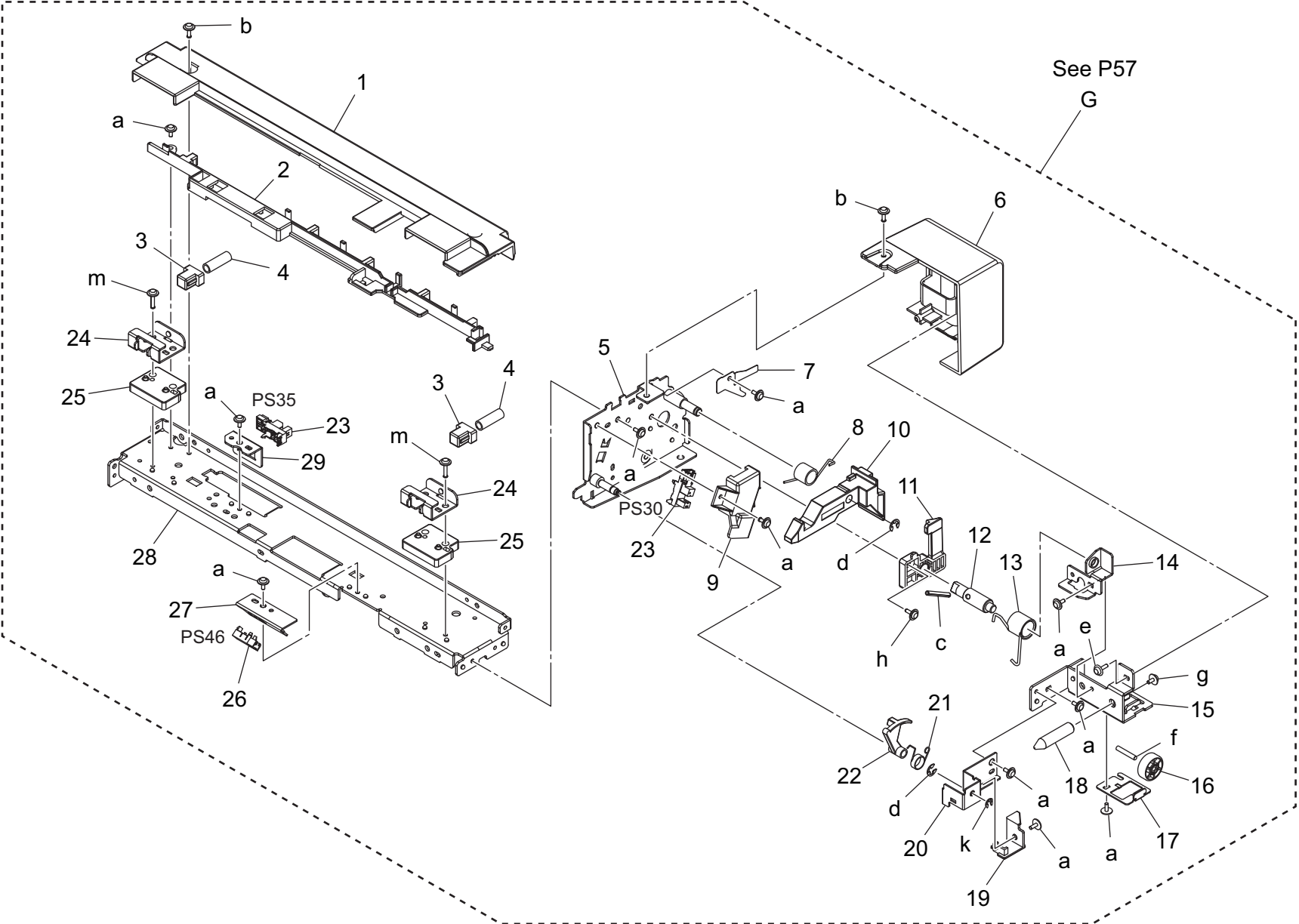
# Manual bypass tray Section

P 57



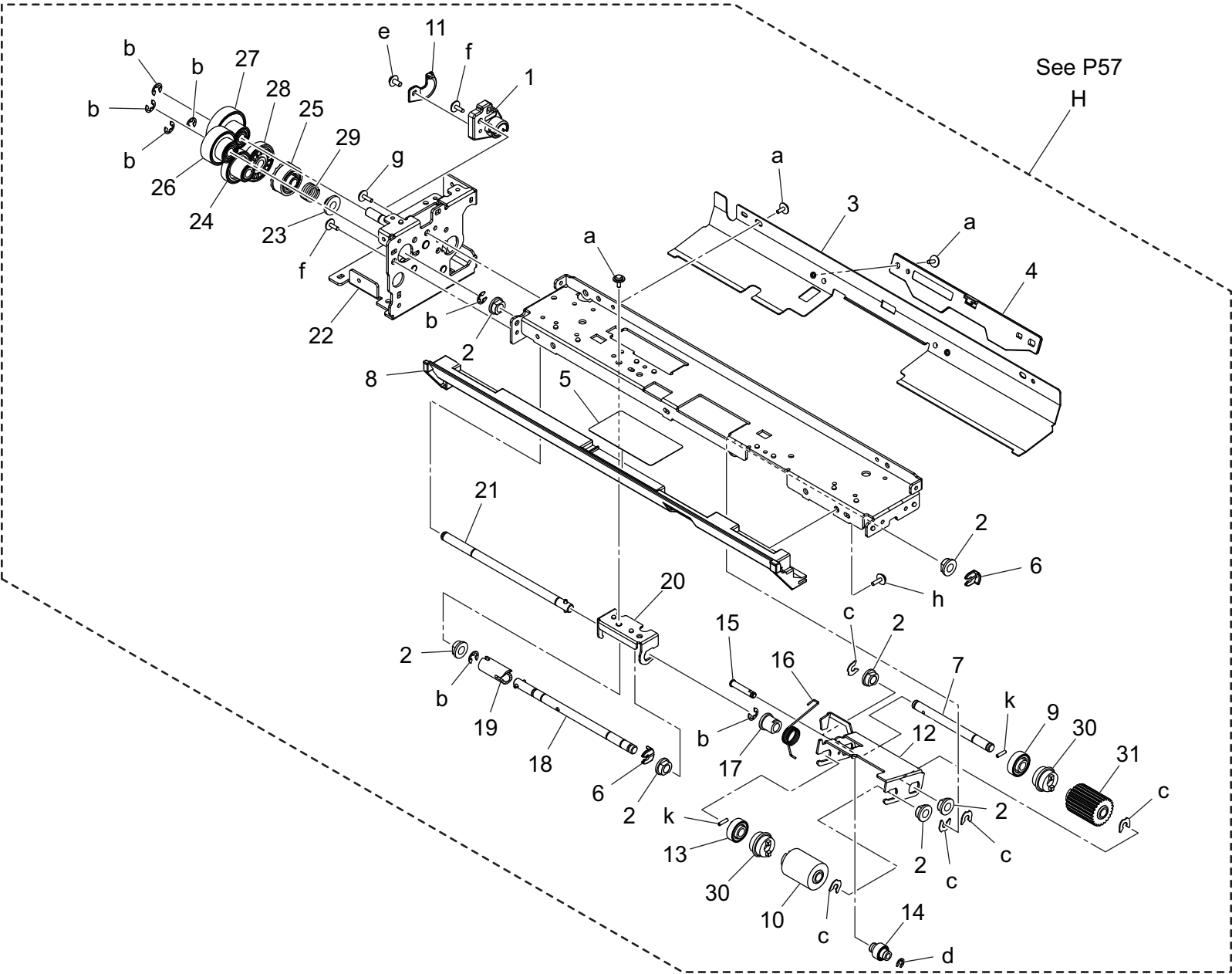
bizhub C659

Key	Part No.	Description	Destinations	Class	QTY	Standard parts
1	A0P0594200	Bypass Tray /3		C	1	a-V137030803 b-V111170403 c-V153030803
2	A795942700	Label	手差しトレイ / 3	C	1	
3	1134304202	SHAFT	ラベル	D	4	
4	A00J599100	Torsion Spring	シャフト	C	1	
5	A00J585300	Actuator	ねじりばね	C	1	
6	A00J597911	Mounting Plate	アクチュエータ	D	1	
7	A5C1R90000	Photo Interrupter	取付板	B	6	
8	A2X0597700	Mounting Plate	フォトインタラプタ	D	1	
9	A00J597800	Actuator	取付板	C	2	
10	A00J599000	Torsion Spring	アクチュエータ	C	2	
11	A795942501	Label	ねじりばね	C	1	
12	A0P0594300	Bypass Tray /4	ラベル	C	1	
13	A161M50400	VR	手差しトレイ / 4	D	1	
14	A2X0597200	Gear 43T	ボリューム	C	1	
15	A00J597100	Rack /L	ギア 43 T	C	1	
16	A00J596900	Gear 18T	ラック / L	C	1	
17	A795R72133	Bypass ASSY	ギア 18 T	C	1	
18	A796N11500	Paperfeed Relay harness /6	手差し Assy	S	1	
19	A00J593600	Sensor Plate	給紙中継束線 / 6	D	1	
20	A00J593700	Actuator /E	センサ板	D	1	
21	A00J593800	Torsion Spring /E	アクチュエータ / E	C	1	
22	A00J594037	Bypass Tray /1	ねじりばね / E	C	1	
23	A2X0586900	Mounting Plate	手差しトレイ / 1	D	1	
24	A2X0942600	Label	取付板	C	1	
25	A2X0584400	Holder	ラベル (手差し注意)	D	1	
26	4036578501	SCREW	ホルダ	D	4	
27	A795597300Old	Mounting Plate	ねじ	D	1	
27	A795597311	Mounting Plate	取付板	D	1	
28	A00J592502	Lifting Lever	取付板	D	1	
29	A0P0599601	Friction Plate	押し上げレバー	C	1	
30	A00J594615Old	Lifting Plate	摩擦板	C	1	
30	A00J594626	Lifting Plate	押し上げ板	C	1	
31	A00J599300	Holding Plate	押し上げ板	D	1	
32	A00J595100	Holder	押さえ板	C	1	
33	A00J597000	Rack /R	ホルダ	C	1	
34	4036365901	COLLAR	ラック / R	D	4	
35	A00J594114	Bypass Tray /2	カラー	C	1	
36	4131462304	CLEANING PAD	手差しトレイ / 2	C	2	
37	A795594501	Regulating Plate /R	クリーニングパッド	C	2	
38	A00J587200	Brake Part	規制板 / R	C	2	
39	A795594400	Regulating Plate /L	ブレーキ材	C	1	
40	A2X0942800	Scale	規制板 / L	C	1	
40	A2X0942900	Scale	スケール (手差し・メトリック)	A,A1,C,D1,D3,E,F2,G 1,I,K,J,H	1	
41	0910362001	STOP RING	スケール (手差し・インチ)	C	1	
42	A795589901	Actuator	止め輪	D	1	
43	A795589300	Pulling Spring	アクチュエータ	C	1	
44	A795589600	Mounting Holder	引張りばね	C	1	
45	A795590000	Lever	取付ホルダ	C	1	
46	A5C1M50100	Photointerrupter	レバー	C	1	
47	A795598900	Label	透過型センサ	B	1	
48	A7PU944500	Label	ラベル	C	1	
			ラベル (積載量)	C	1	





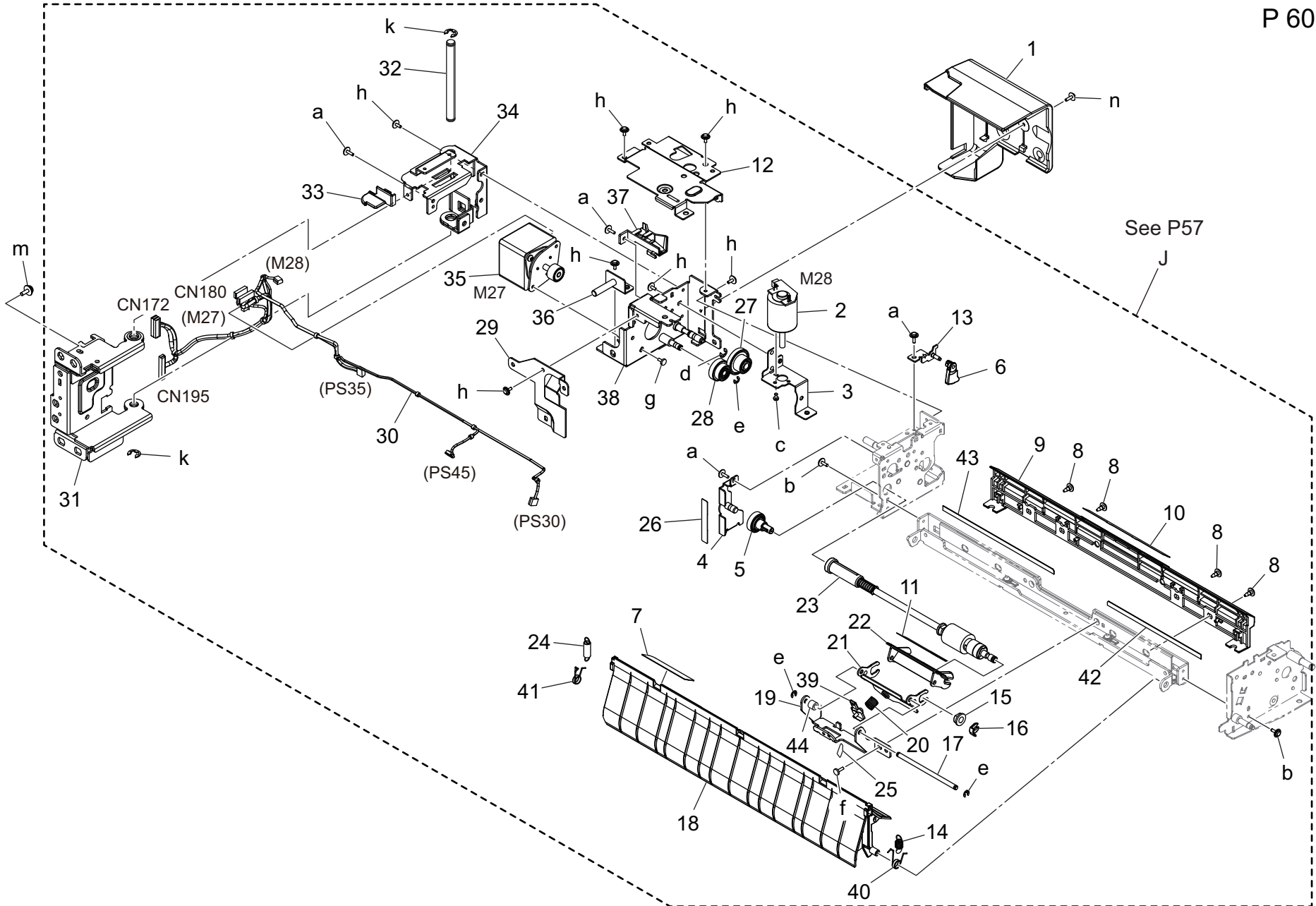
Manual bypass tray Section







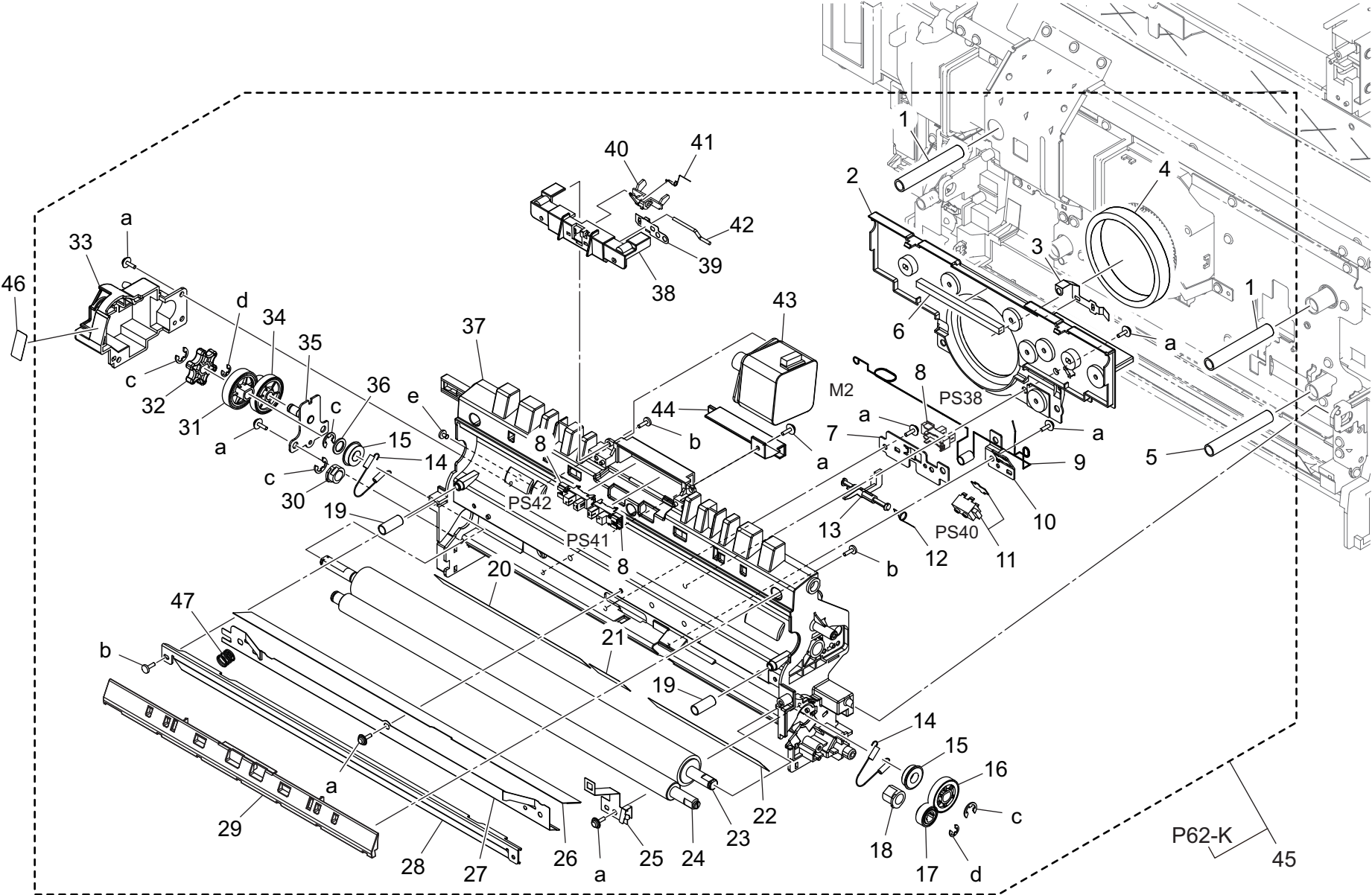
# Manual bypass tray Section



Key	Part No.	Description	Destinations	Class	QTY	Standard parts
1	A795598000	Bypass Cover /Rear		C	1	a-V137030803
2	A0P0R75200	MOTOR ASSY		B	1	b-V126030803
3	A00J593411	Mounting Plate		D	1	c-V115260503
4	A00JR7AR00	MOUNTING PLATE / BYPASS 1		D	1	d-V217040001
5	A00J591800	Gear 22T		C	1	e-V217030001
6	A2X0584300	Rotation Plate		D	1	f-V118030803
7	A00J587600	Guide Sheet		C	1	g-V118030603
8	4036141001	SHOULDER SCREW		C	4	h-V137030603
9	A0P0596501	Bypass Holder /Front		D	1	k-V217060001
10	A0P0597400	Guide Sheet		D	1	m-V116041003
11	A00J589100	Guide Sheet		C	1	n-V121030804
12	A00J587702	Reinforce Plate		D	1	
13	A2X0584200	Mounting Plate /ASSY		D	1	
14	A00J587300	Pulling Spring		C	1	
15	4131300301	BUSHING		C	1	
16	56AA40490	SHAFT STOPPER 4		C	1	
17	4030303901	SHAFT		D	1	
18	A795592000	Guide Plate		D	1	
19	A00J591014	Mounting Plate /S		D	1	
20	A2X0591100	Compressing Spring		C	1	
21	A00J590901	Holder /S		C	1	
22	A00J597511	Guide Part		C	1	
23	A0P0R74100	Fieldroller/1 assy		A	1	
24	4030312501	TENSION SPRING		C	1	
25	A795598301	Sheet		D	1	
26	A00J585800	Seal		C	1	
27	A00J593101	Gear 14/24T		C	1	
28	A00J593300	Gear 14/50T		C	1	
29	A00J587901	Mounting Plate /Rear		D	1	
30	A796N11401	Paperfeed Relay harness /5		D	1	
31	A795588100	Mounting Plate /ASSY		D	1	
32	A00J598611	Support Shaft		D	1	
33	A0P0588700	Cover		D	1	
34	A795595700	Mounting Plate /ASSY		D	1	
35	A2X0M10000	Stepping motor		C	1	
36	A795596300	Mounting Plate /ASSY		D	1	
37	A00J586300	Wiring Holder		D	1	
38	A00JR7AS22	MOUNTINGPLATE/BYPASS2		D	1	
39	A2X0599900	Holder		D	1	
40	A2X0584100	Torsion Coil spring		C	1	
41	A2X0584000	Torsion Coil spring		C	1	
42	A2X0592400	Spacer /1		D	1	
43	A2X0592300	Spacer /2		D	1	
44	A795599000	Spacer		D	1	

Registration Section

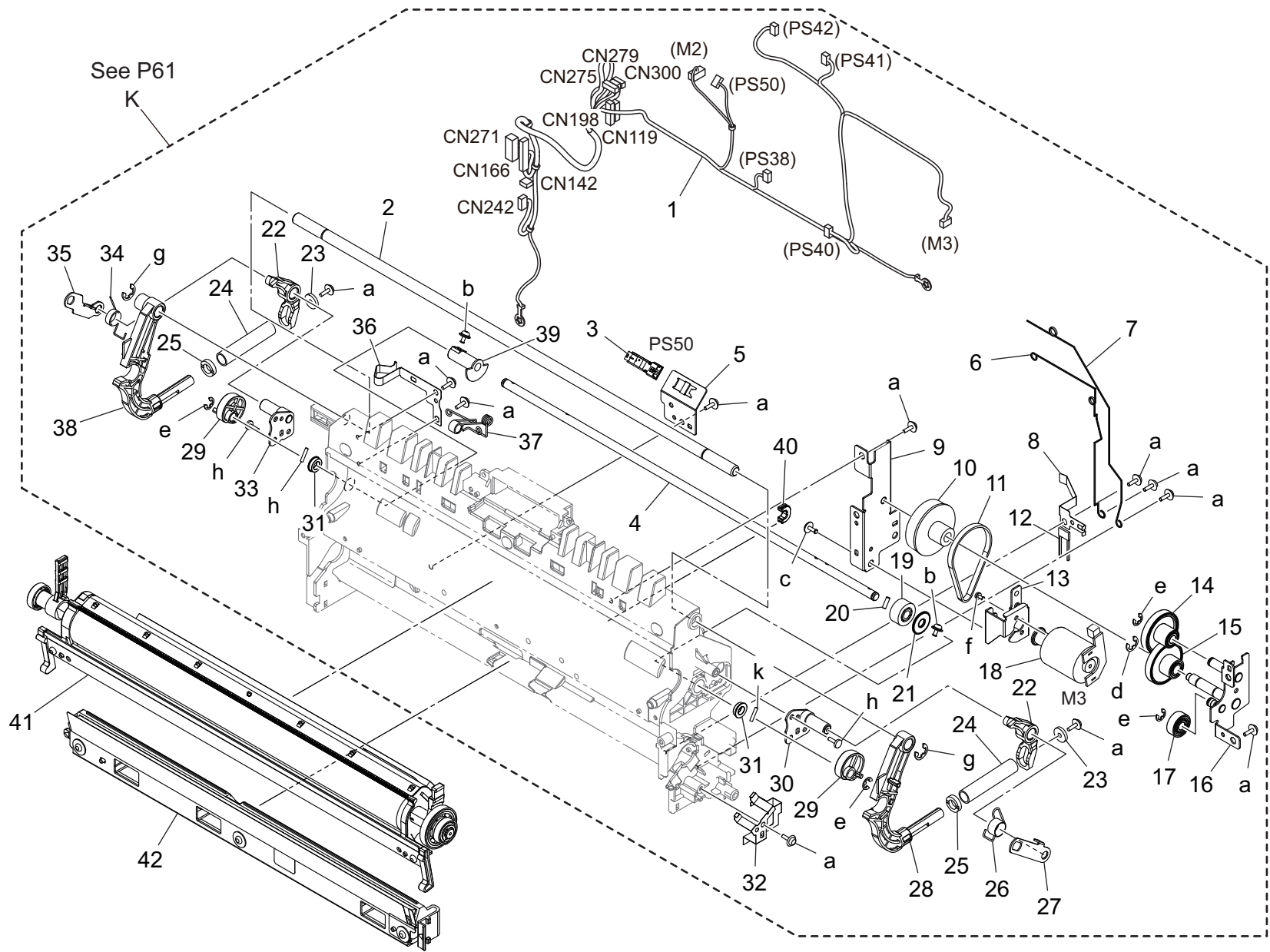
P 61



bizhub C659

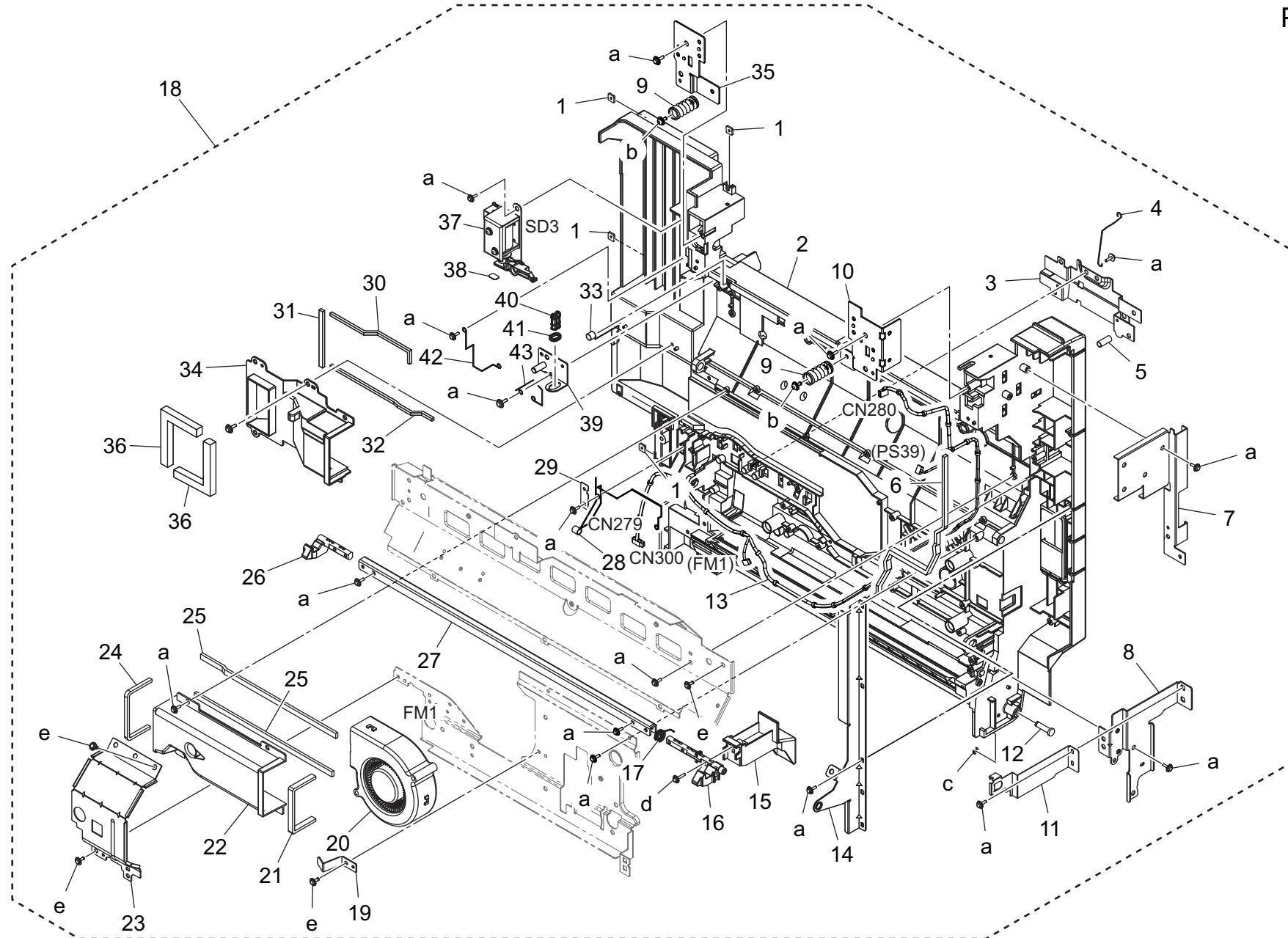
Key	Part No.	Description	Destinations	Class	QTY	Standard parts
1	A00J706800	Compressing Spring		C	2	a-V153030803 b-V149030803 c-V217060001 d-V217040001 e-V118030403
2	A795701500	Conveyance Duct		D	1	
3	A795712401	Ground Plate		C	1	
4	A00J701800	Suction Seal		C	1	
5	4025353401	PRESSURE SPRING		D	1	
6	A00J709100	Seal		C	1	
7	A795702400	Mounting Plate		D	1	
8	A5C1M50100	Photointerrupter		B	3	
9	A795708801	Contact		C	1	
10	A795712001	Mounting Plate		D	1	
11	A00JR90100	PHOTO INTERRUPTER		C	1	
12	A795715200	Torsion Spring		C	1	
13	A795713601	Actuator		C	1	
14	A795701000	Pulling Spring		C	2	
15	A00V240600	Ball Bearing		B	2	
16	A795700600	Guide Gear 24T		C	1	
17	A00J702700	Gear 14T		C	1	
18	A161702200	Bushing		C	1	
19	A00J707801	Compressing Spring		C	2	
20	A00J704200	Guide Film		C	1	
21	A00J704600	Guide Film		C	1	
22	A00J704700	Guide Film		C	1	
23	A795700100	Registration Roller		C	1	
24	A795700200	Roller		C	1	
25	A795701900	Ground Contact		D	1	
26	4025356801	NETURALIZING MEMBER		C	1	
27	A795701601Old	Neutralizing Holder		D	1	
27	A795701612	Neutralizing Holder		D	1	
28	A795701200	Guide Plate		D	1	
29	A8JE701100	Conveyance Holder		D	1	
30	1164350901	BUSHING		C	1	
31	A00J700301	Gear 26T		C	1	
32	A00J706900	Rotation Knob		C	1	
33	A795703001	Positioning Holder		C	1	
34	A00J700501	Gear 34/17T		C	1	
35	A795R72400	Mounting Plate/Roller Connecting Ca ulkin		D	1	
36	A00J700900	Collar		C	1	
37	A795701102	Conveyance Holder		C	1	
38	A795714602	Guide Plate		D	1	
39	A795715300	Ground Plate		C	1	
40	A795714402	Actuator		C	1	
41	A0P0103401	Torsion Spring		D	1	
42	A0P0103300	Shaft		D	1	
43	A2X0M10500	Stepping motor		C	1	
44	A795702000	Wiring Cover		D	1	
45	A8JER70822	Conveyance Holder Assy		S	1	
46	A795716300	Label		C	1	
47	A795902500	Pressing Spring		C	1	

# Registration Section



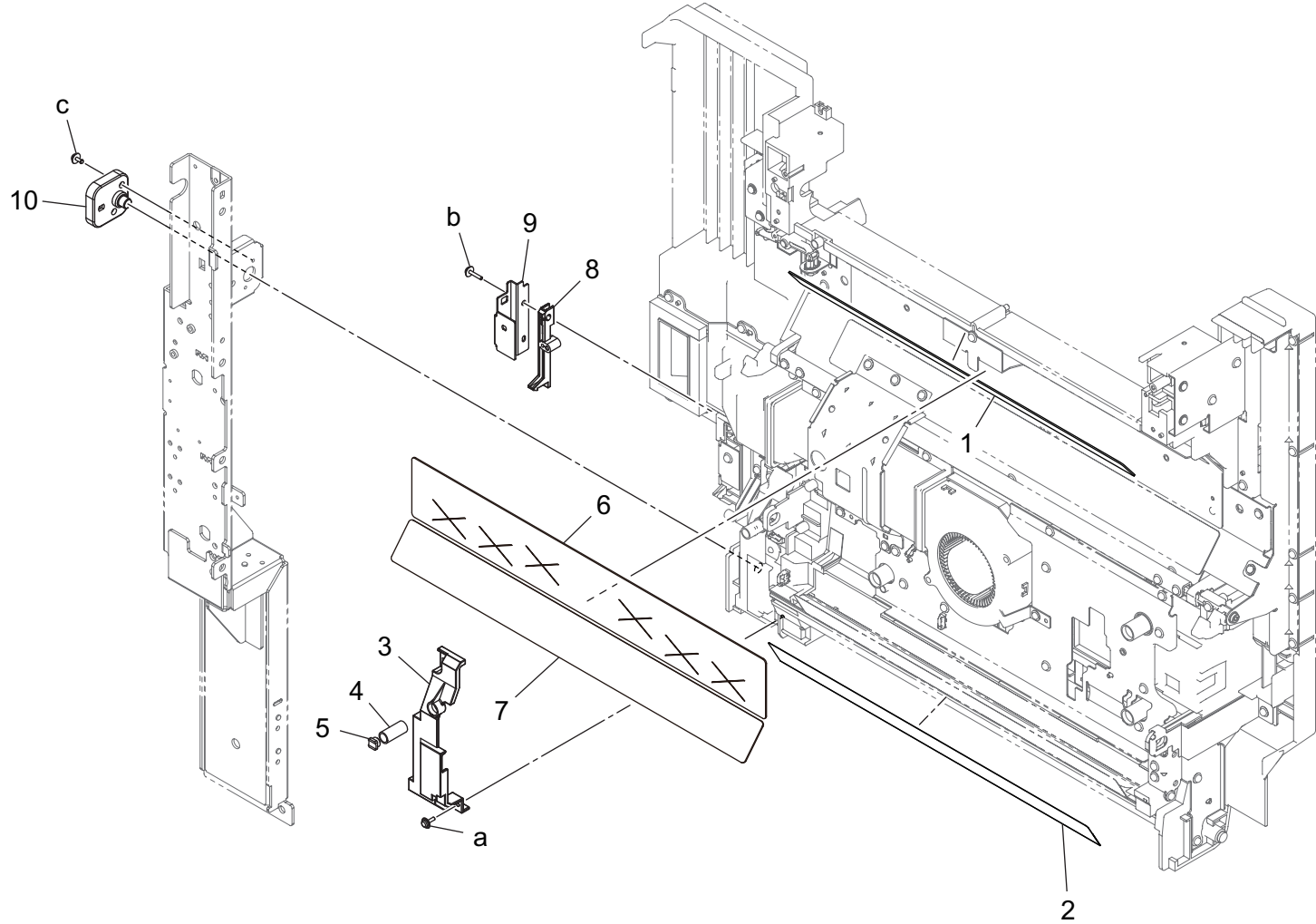
Key	Part No.	Description	Destinations	Class	QTY	Standard parts
1	A8JEN11001	Conveyance Wiring		D	1	a-V153030803
2	A00J710400	Support Shaft		D	1	b-V116030603
3	A5C1M50100	Photointerrupter		B	1	c-V137030603
4	A795718300	Shaft		C	1	d-V217050001
5	A795710700	Mounting Plate		D	1	e-V217040001
6	A795708200	Contact		C	1	f-V115260503
7	A795712101	Contact		C	1	g-V217060001
8	A795713400	Ground Plate		C	1	h-V149030803
9	A795710200	Mounting Plate		D	1	k-V234201050
10	A2X0713100	Pulley 16T		C	1	
11	A2X0713200	Timing Belt 152L		C	1	
12	9454407602	RESISTOR		D	1	
13	A795713001	Mounting Plate		D	1	
14	4025490701	GEAR 16/40T		C	1	
15	4025491001	GEAR 12/40T		C	1	
16	A795710300	Mounting Plate		D	1	
17	A795718600	GEAR 15T		C	1	
18	A0P0R75400	Motor Assy		C	1	
19	A795718400	GEAR 15T		C	1	
20	4036491101	PIN		D	1	
21	A0P0664000	Washer		D	1	
22	A795715100	Lever		C	2	
23	4004472301	WASHER		D	2	
24	A795710800	Compressing Spring /2		C	2	
25	A795715000	Ring /2		D	2	
26	A795717601	Torsion Coil spring /B		C	1	
27	A795715700	Reinforce Plate		D	1	
28	A795710600	Arm /Front		C	1	
29	4004471004	Cam		D	2	
30	A795717401	Stake /ASSY		D	1	
31	A00J617800	Ball Bearing		B	2	
32	A795708100	Ground Plate		C	1	
33	A795717501	Stake /ASSY		D	1	
34	A795717700	Torsion Coil spring /A		C	1	
35	A795715900	Reinforce Plate		D	1	
36	A795708701	Contact		C	1	
37	A0P0709101	Contact		C	1	
38	A795710501	Arm /Rear		C	1	
39	A795714900	Light blocking Plate		D	1	
40	A161819500	Bushing /C		C	1	
41	A795R73600	2nd Transfer Roller ASSY		A	1	
42	A795R72600	Neutralizing Stable Plate ASSY		C	1	

# Registration Section



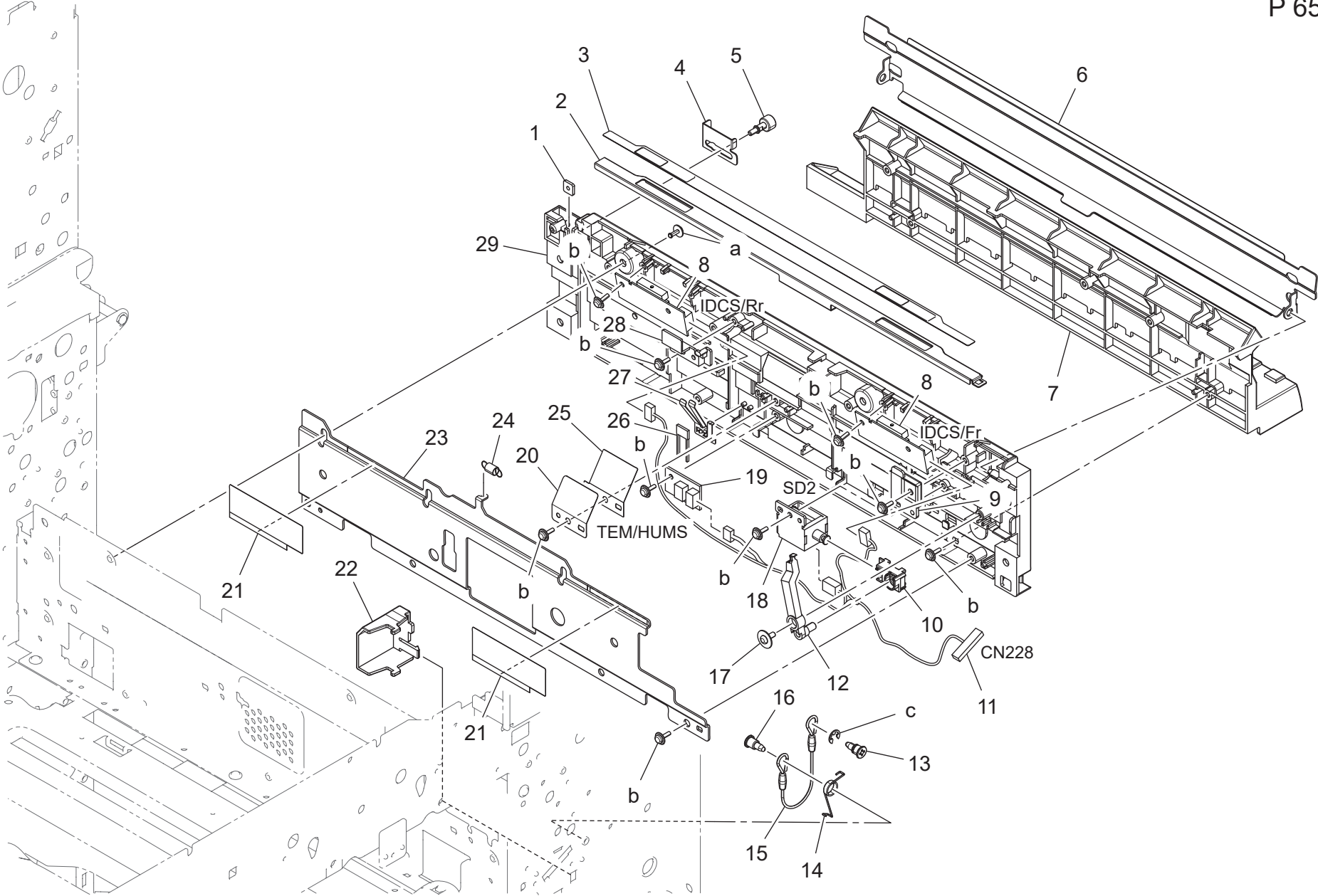
Key	Part No.	Description	Destinations	Class	QTY	Standard parts
1	4002504202	PLATE NUT		D	4	a-V153030803 b-V116030803 c-V217030001 d-V153031203 e-V144030803
2	A8JE705100	Conveyance Cover		D	1	
3	A795715802	Reinforce Plate		D	1	
4	A795717801	Contact		C	1	
5	A795717900	Contact		C	1	
6	A795718101	Cushion		C	1	
7	A795715600	Reinforce Plate /2		D	1	
8	A795705701	Reinforce Plate /Front		D	1	
9	A00J893100	Compressing Spring		D	2	
10	A795901001	Mounting Plate /Front		D	1	
11	A795713700	Regulating Plate		D	1	
12	A795711900	Shaft		D	1	
13	A796N11101	Conveyance Relay harness /1		D	1	
14	A8JE716400	Reinforce Plate		D	1	
15	A795706200	Open/close Lever /Right		C	1	
16	A795706500	Lock Lever /F		C	1	
17	4036359002	TORSION SPRING		D	1	
18	A8JER70911	Conveyance Door Assy		S	1	
19	A00J706400	Mounting Plate		D	1	
20	9313100072	FAN MOTOR		C	1	
21	A795714200	Cushion		C	1	
22	A795713800	Duct /Front		D	1	
23	A795714800	Mounting Plate		D	1	
24	A795714100	Cushion		C	1	
25	A795714300	Cushion		C	2	
26	A795706600	Lock Lever /R		C	1	
27	A795706700	Support Plate		D	1	
28	A795712201	Contact		C	1	
29	A0P0709000	Mounting Plate		D	1	
30	A8JE719300	Seal		D	1	
31	A8JE719200	Seal		D	1	
32	A8JE719400	Seal		D	1	
33	A795709700	Spring		C	1	
34	A8JE719000	Duct /Rear		D	1	
35	A795900900	Mounting Plate /Rear		D	1	
36	A8JE719100	Seal		D	2	
37	A8JER71000	Solenoid Assy		C	1	
38	A79J812900	Seal		C	1	
39	A8JE812400	Mounting Plate /ASSY		D	1	
40	A79J812600	Lever		C	1	
41	A79J812800	Bushing		D	1	
42	A8JE719600	Contact		D	1	
43	A8JE719500	Contact		D	1	



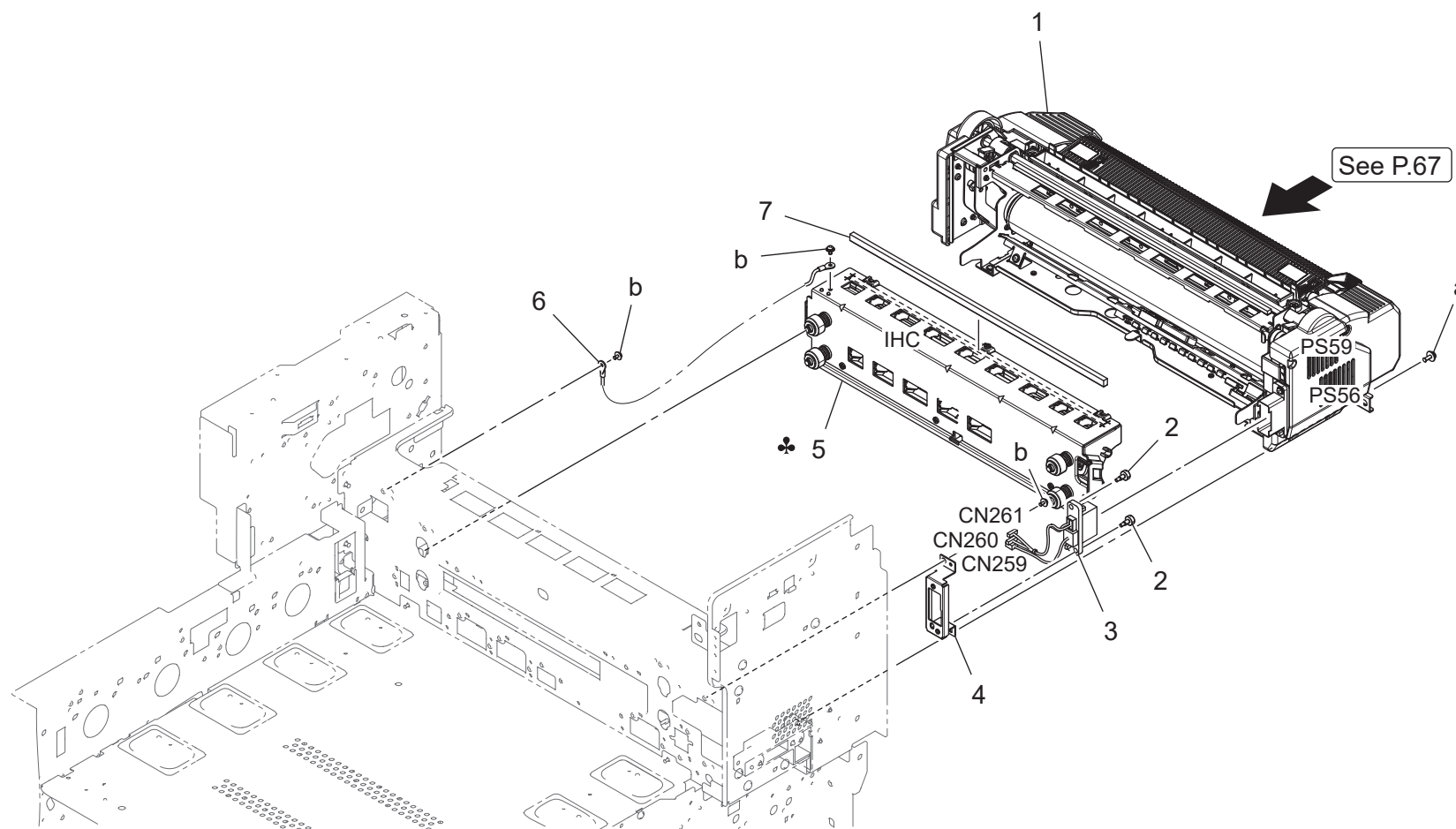




Registration Section

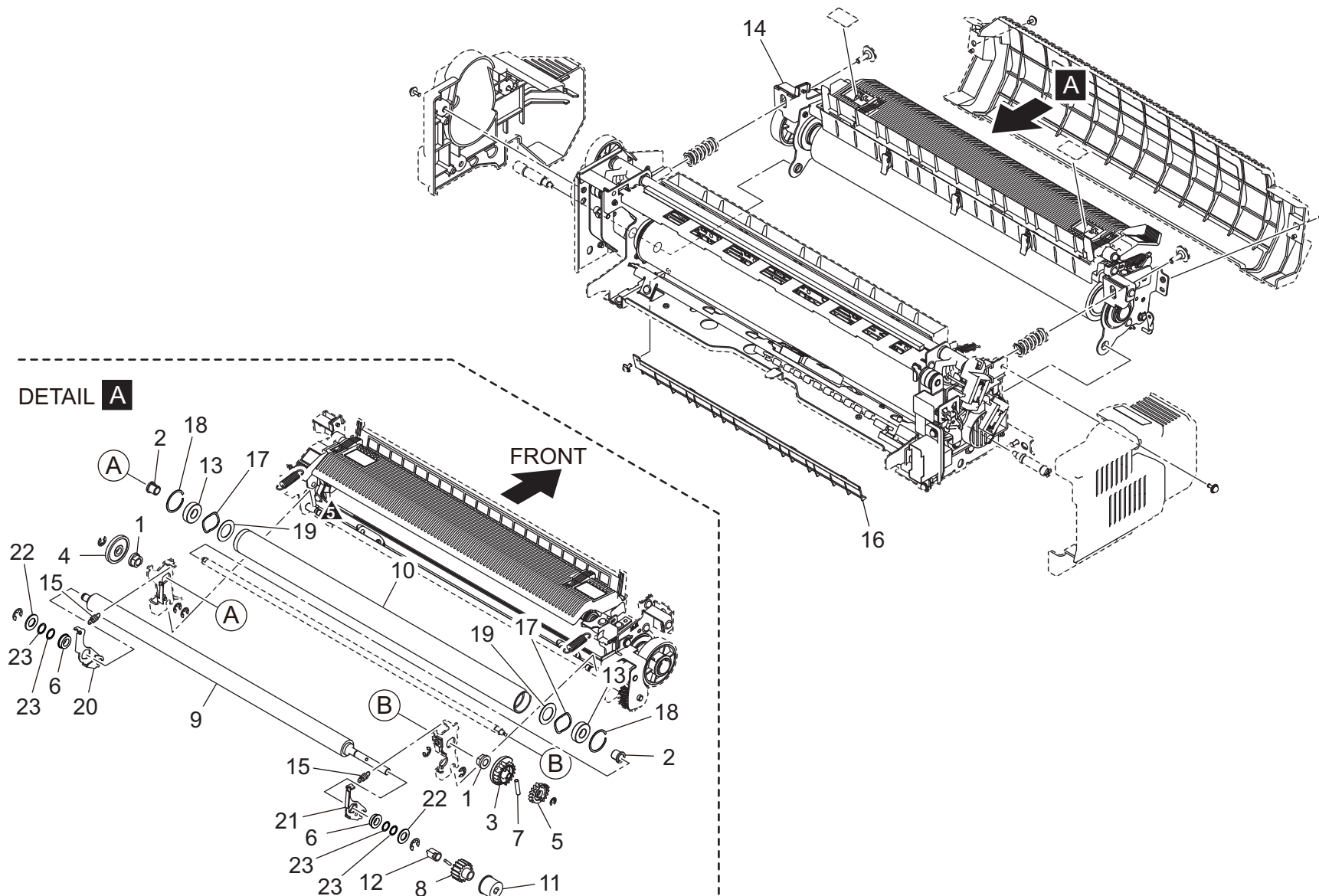


Key	Part No.	Description	Destinations	Class	QTY	Standard parts
1	4002504202	PLATE NUT		D	1	a-V144030803 b-V153030803 c-V217040001
2	A00J711101	Sensor Shutter		C	1	
3	A00J704100	Sensor Cover		C	1	
4	A00J702901	Guide Stopper		D	1	
5	A00J703600	Shoulder screw		C	1	
6	A0P0R75000	GUIDE ASSY		C	1	
7	A795702200	Guide Plate		D	1	
8	A8JEM50200	Photo sensing		C	2	
9	A00J702600	Guide Shutter		C	1	
10	A795711800	Arm /2		C	1	
11	A8JEN12200	Sensor Relay harness		D	1	
12	A795711601	Lever		C	1	
13	A00J705800	Shoulder screw		C	1	
14	A00J706100	Torsion Spring		C	1	
15	A00J707200	Hold Wire /Front		C	1	
16	4643460501	SHOULDER SCREW		C	1	
17	4036596601	SCREW		C	1	
18	A034M20100	Conveyance Solenoid		C	1	
19	A0P0M50400	Humidity sensor		C	1	
20	A00J703700	Plate spring /2		C	1	
21	A00J704400	Sensor Cover /2		C	2	
22	A795704501	Wiring Cover		D	1	
23	A795702800	Reinforce Plate		D	1	
24	A0ED702800	Pulling Spring		D	1	
25	A00J702500	Plate spring /1		C	1	
26	9454407602	RESISTOR		D	1	
27	A00J703800	Plate spring /3		C	1	
28	4036355701	STOPPER		D	1	
29	A795702101	Guide Holder /Left		C	1	





# Fusing Section

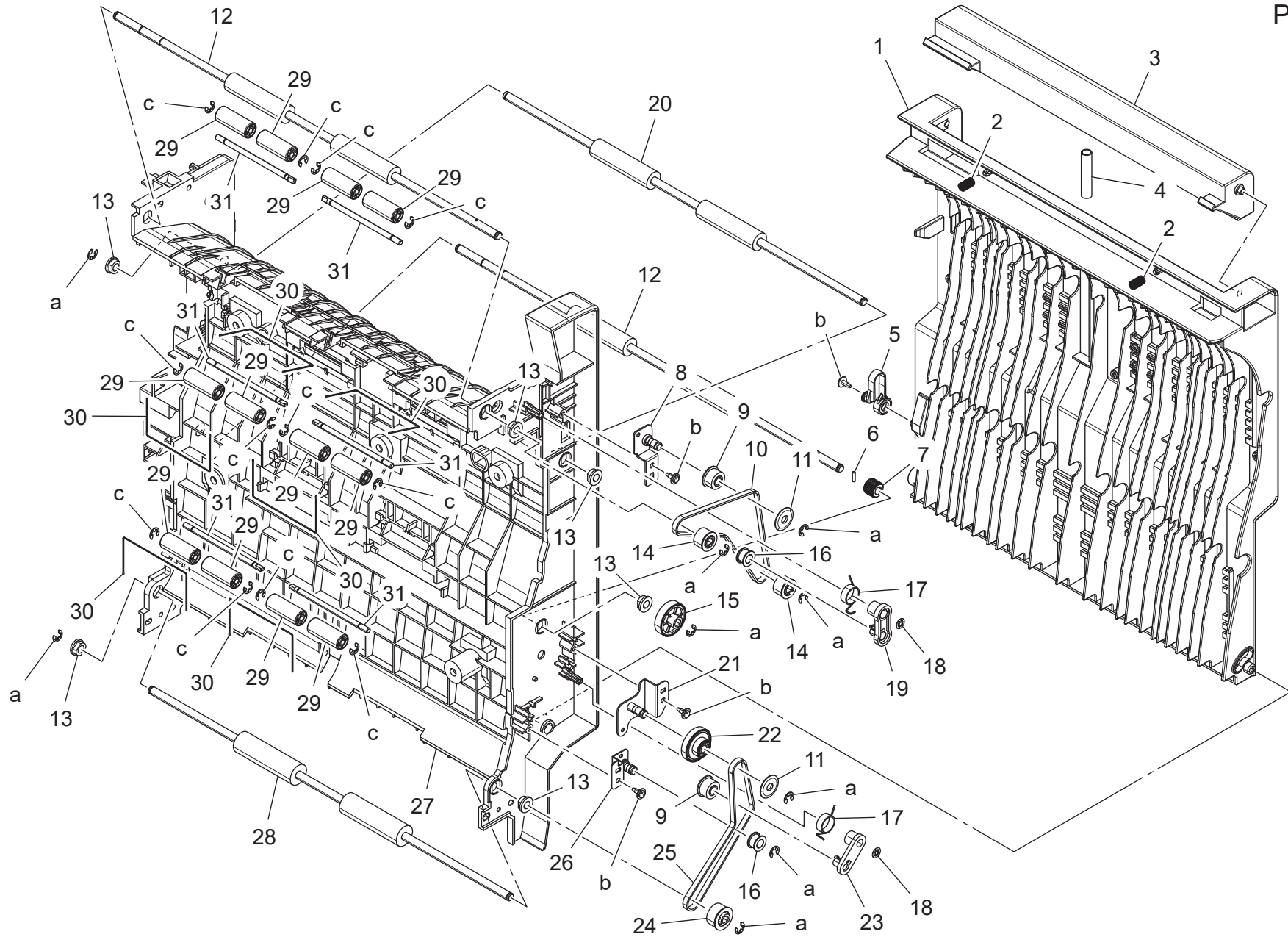






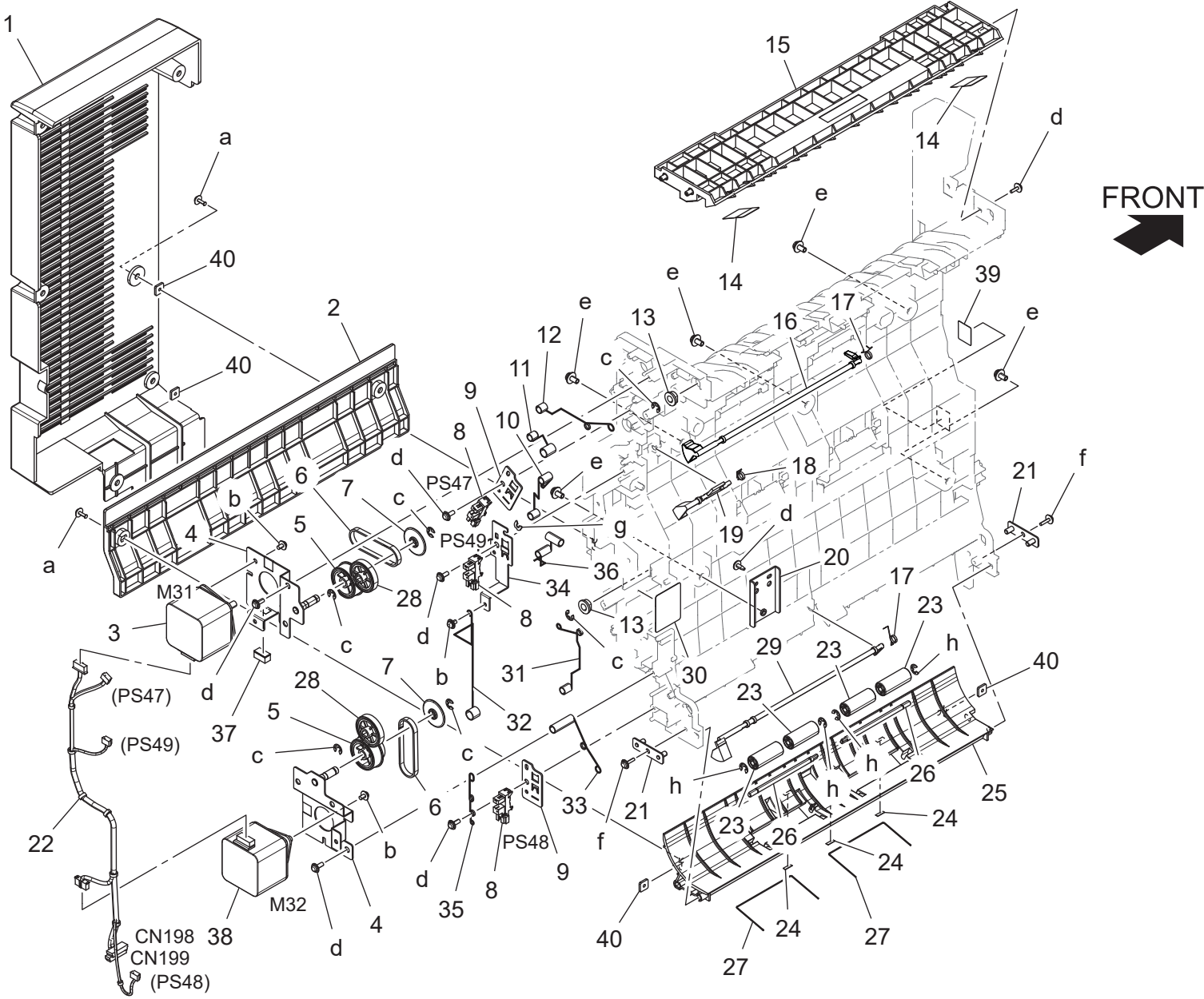
# Duplex Section

P 68



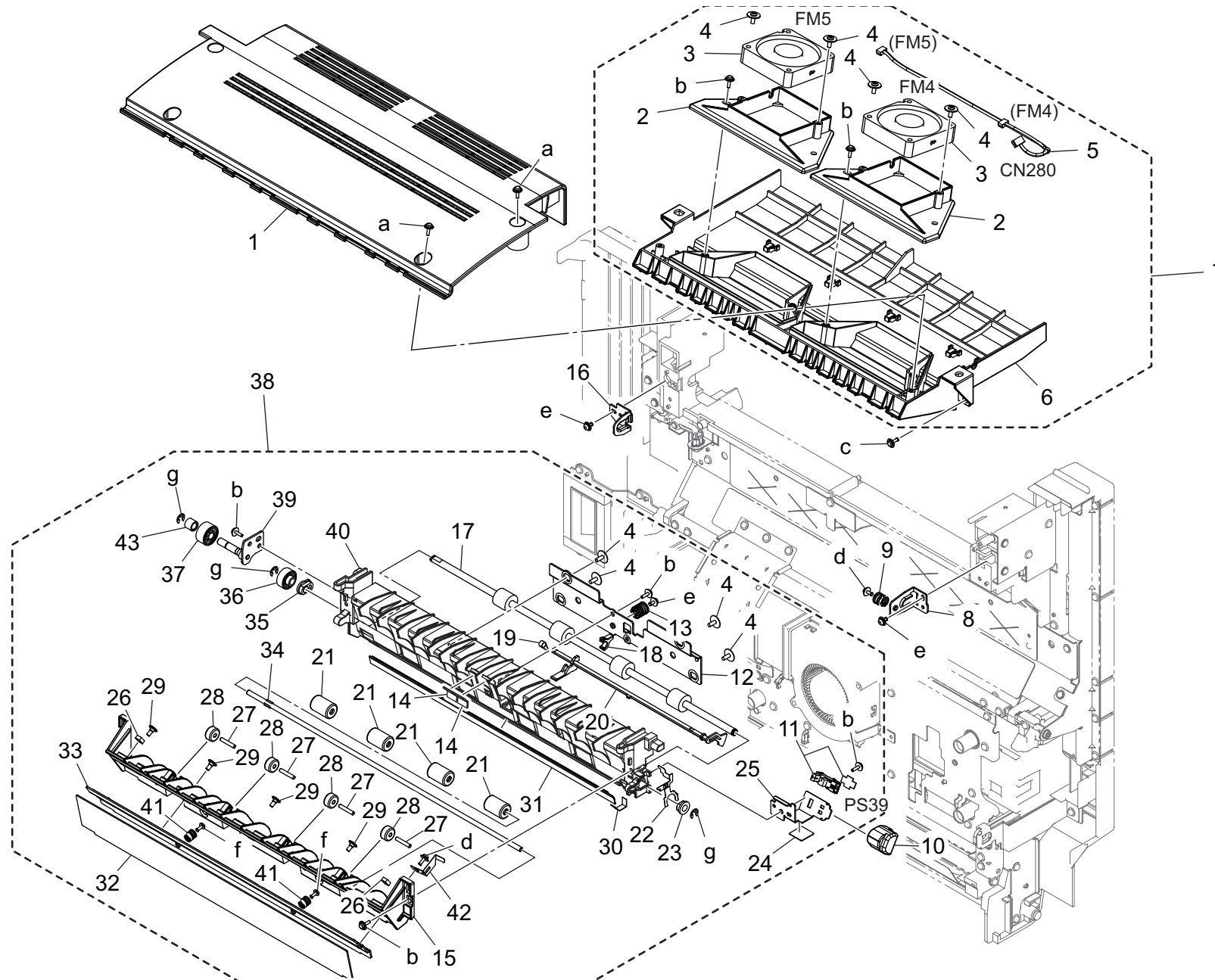
Key	Part No.	Description	Destinations	Class	QTY	Standard parts
1	A795810501	Open/close Cover	開閉カバー	C	1	a-V217040001 b-V153030803 c-V217030001
2	A00J815801	Compressing Spring	圧縮ばね	C	2	
3	A00J810302	Handle	取手	C	1	
4	4497310603	PRESSURE SPRING	圧縮コイルばね	C	1	
5	A795816400	Stopper	ストッパ	D	1	
6	1067250101	PIN	ピン	C	1	
7	A00J815101	Knob	つまみ	C	1	
8	A00JR7AY00	MOUNTING PLATE /A	取付板 / A かしめ	D	1	
9	4657371301	PULLEY 22T	プーリ 22 T	C	2	
10	A00J811600	Belt 306L	ベルト 306 L	C	1	
11	1200164603	WASHER	ワッシャー	D	2	
12	A795810800	Conveyance Roller	搬送ローラ	C	2	
13	4131300301	BUSHING	軸受	C	6	
14	A00J811200	Pulley 22T	プーリ 22 T	C	2	
15	A0P0812800	Gear 48T	ギア 48 T	C	1	
16	A00J813600	Roll	ころ	C	2	
17	A00J812100	Torsion Spring /Upper	ねじりばね / 上	D	2	
18	0910362001	STOP RING	止め輪	D	2	
19	A00J815200	Lever	レバー	C	1	
20	A795810900	Conveyance Roller	搬送ローラ	C	1	
21	A00JR7AV00	MOUNTING PLATE /B	取付板 / B かしめ	D	1	
22	A0P0812900	Gear 22/48T	ギア 22 / 48 T	C	1	
23	A00J812300	Lever	レバー	C	1	
24	A00J812200	Pulley 26T	プーリ 26 T	C	1	
25	A3EP820300	Belt/3 276L	ベルト / 3 276 L	C	1	
26	A00JR7AX11	MOUNTING PLATE /C	取付板 / C かしめ	D	1	
27	A795810101	Duplex Base frame	両面台板	C	1	
28	A795811000	Conveyance Roller	搬送ローラ	C	1	
29	A00J814101	Roll	ころ	C	12	
30	A00J814500	Spring	ばね	C	6	
31	A00J814411	Shaft	軸	C	6	

Duplex Section



Key	Part No.	Description	Destinations	Class	QTY	Standard parts
1	A795810603	Cover /Rear		C	1	a-V121030804
2	A795813400	Cover /Lower		C	1	b-V116030603
3	A2X0M10700	Stepping motor		C	1	c-V217040001
4	A795811301	Mounting Plate		D	2	d-V153030803
5	A00J813900	Pulley 33/25T		C	2	e-V125041003
6	4657374301	TIMING BELT 134L		C	2	f-V153031003
7	A795811700	Washer		C	2	g-V218030086
8	A5C1M50100	Photointerrupter		B	3	h-V217030001
9	A795812000	Sensor Plate /Lower		D	2	
10	A795817100	Ground Spring /3		D	1	
11	A795816800	Ground Spring /2		D	1	
12	A795816701	Ground Spring /1		D	1	
13	4131300301	BUSHING		C	2	
14	A795816300	Guide Film		C	2	
15	A795810200	Guide Plate /Upper		C	1	
16	A795811800	Actuator /Upper		C	1	
17	4657373501	TORSION SPRING		C	2	
18	4657373401	TORSION SPRING		C	1	
19	A00J813200	Actuator		C	1	
20	A795815000	Mounting Plate		D	1	
21	A00JR7AW00	MOUNTING PLATE /D		D	2	
22	A8JEN11301	ADU Wiring		D	1	
23	A00J814101	Roll		C	4	
24	A795990100	Spacer		D	3	
25	A795810700	Guide Plate /Lower		C	1	
26	A00J814411	Shaft		C	2	
27	A00J814500	Spring		C	2	
28	A00J813800	Gear 25T		C	2	
29	A795811900	Actuator /Lower		C	1	
30	A795816600	Protection Film		C	1	
31	A795816900	Ground Spring /6		D	1	
32	A795817200	Ground Spring /5		D	1	
33	A795817000	Ground Spring /8		D	1	
34	A2X0813300	Sensor Plate /Middle		D	1	
35	A795817400	Ground Spring /7		D	1	
36	A795817300	Ground Spring /4		D	1	
37	A795816500	Vibrationproof Cushion		C	1	
38	A2X0M10600	Stepping motor		C	1	
39	A2X0949000	Label		C	1	
40	A00J307100	Fixing Nut		D	4	

# Paper exit Section



Key	Part No.	Description	Destinations	Class	QTY	Standard parts
1	A795891801	Paper exit Cover		C	1	a-V153030804 b-V153030803 c-V137030803 d-V116030803 e-V116030603 f-V111030603 g-V217040001
2	A00J898900	Cover		D	2	
3	9J06M10000	Fan motor		C	2	
4	4036596601	SCREW		C	8	
5	A55VN11200	Conveyance Relay harness/2		D	1	
6	A795892100	Guide Plate		D	1	
7	A795R72800	Cooling Fan ASSY		C	1	
8	A795902400	Mounting Plate		D	1	
9	A795902500	Pressing Spring		C	1	
10	A00J898400	Cover		C	1	
11	A5C1R90000	Photo Interrupter		B	1	
12	A0P0900101	Mounting Plate		D	1	
13	A0P0900700	Compressing Coil spring		D	1	
14	A2X0900500	Cushion		D	2	
15	A795892403	Guide Plate /Left		D	1	
16	A795892201	Mounting Plate		D	1	
17	A795898300	Paper exit Roller		C	1	
18	4004598701	BUSHING		C	1	
19	4036591301	TORSION SPRING		D	1	
20	A795892300	Paper exit Actuator		C	1	
21	A795901200	Roll		C	4	
22	A795894001	Contact		C	1	
23	4030309301	BUSHING		C	1	
24	A795899700	Protection Part		C	1	
25	A795892700	Sensor Plate		D	1	
26	A161893601	Cushion		D	2	
27	A00J897100	Pin		C	4	
28	A0ED897700	Collar		C	4	
29	4011585202	SHOULDER SCREW		C	4	
30	A795895600	Ground Seal /1		C	1	
31	A795897500	Neutralizing Brush		C	1	
32	A795897601	Protection Part		C	1	
33	A795892001	Reinforce Plate		C	1	
34	A795897800	Idler Shaft		D	1	
35	A0P0900201	Bushing		D	1	
36	A00J896300	Gear 15T		C	1	
37	A00J896100	Gear 16T		C	1	
38	A795R72711	Mounting Plate/Paper Exit ASSY		C	1	
39	A795R74000	Mounting Plate/1st Paper Exit Caulking A		D	1	
40	A795892902	Guide Plate /Right		D	1	
41	A795901700	Pressing Spring		C	2	
42	A795894200	Contact		C	1	
43	A161739200	Collar		C	1	

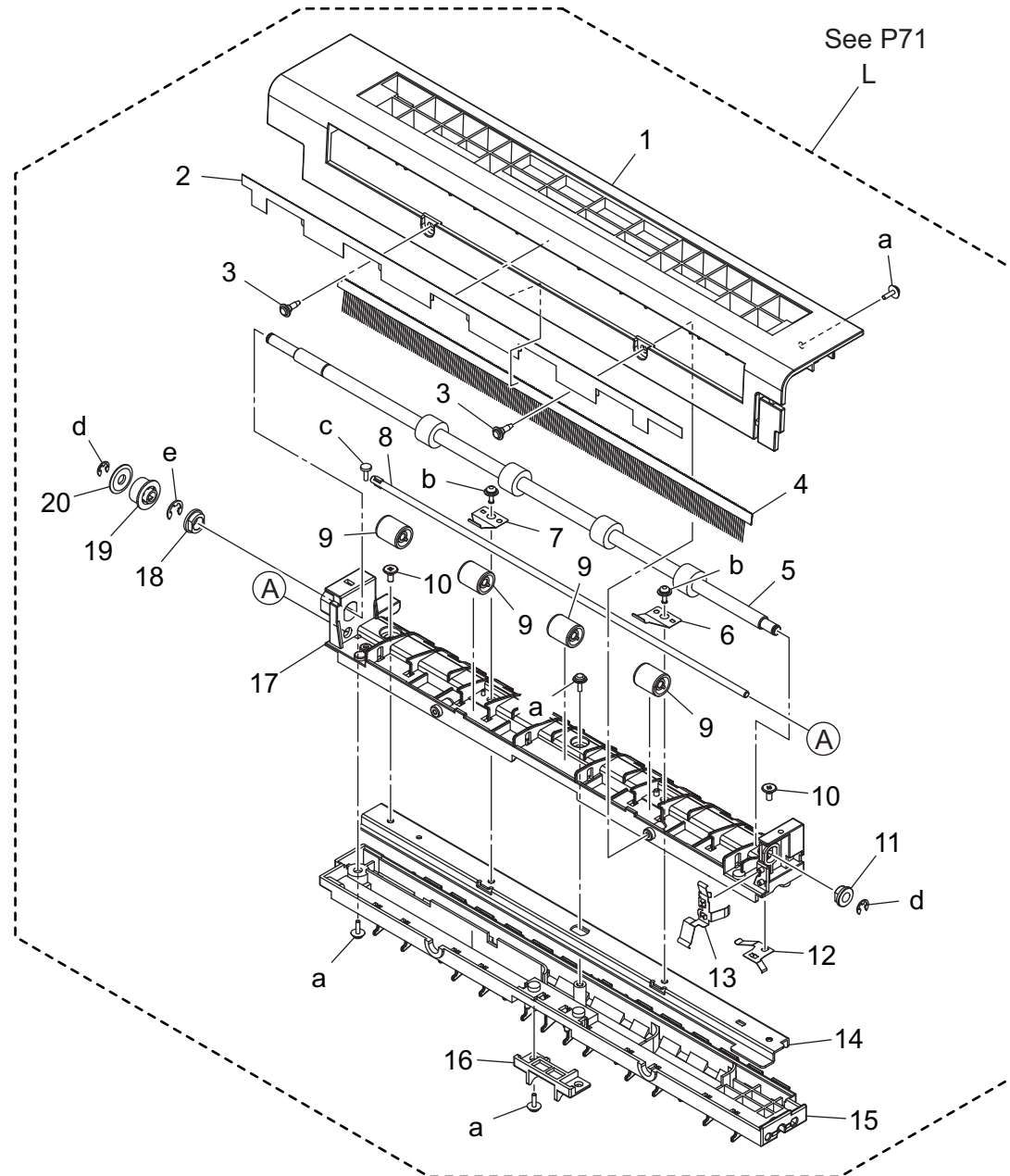






# Paper exit Section

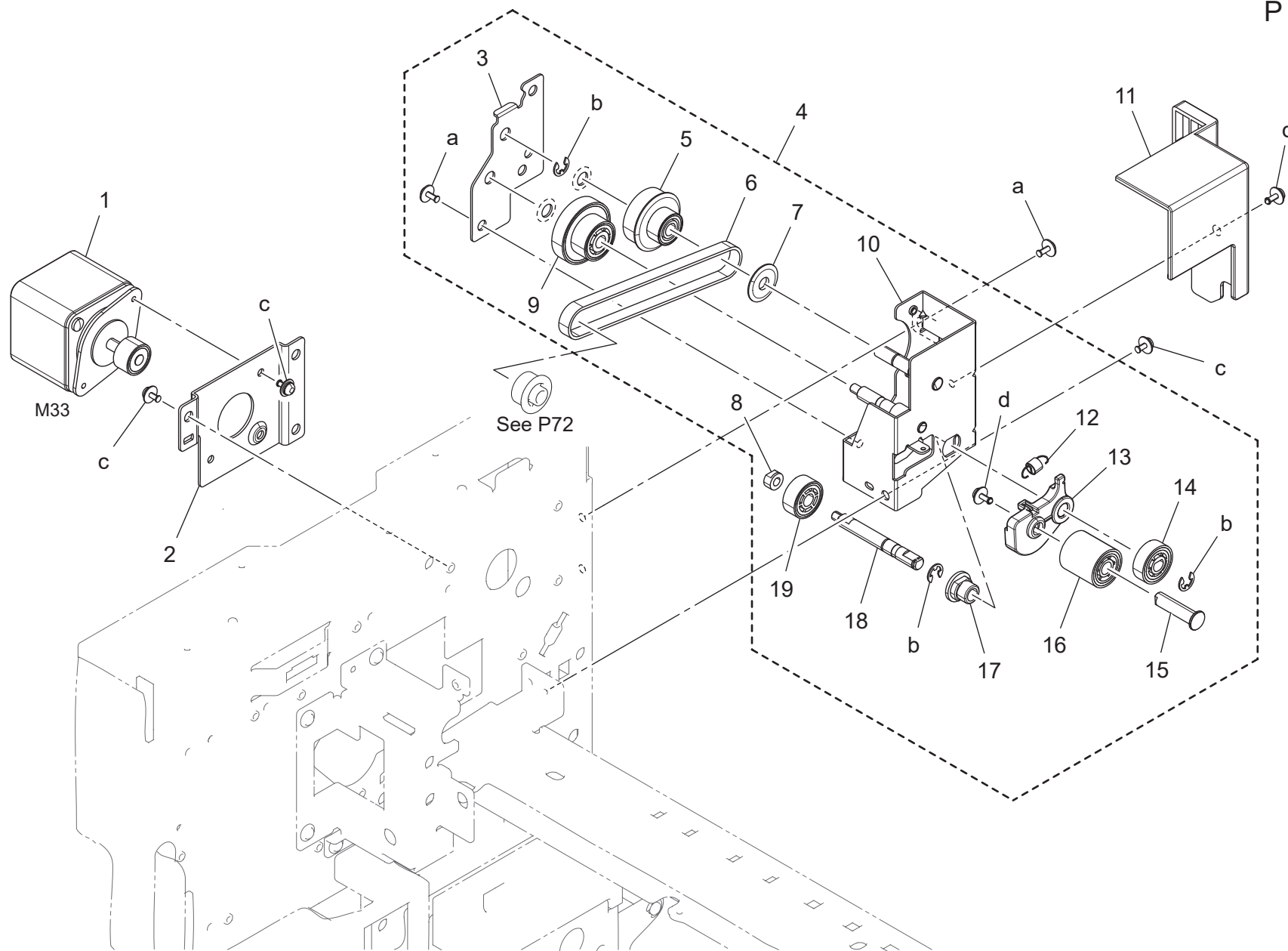
P 72





# Paper exit Section

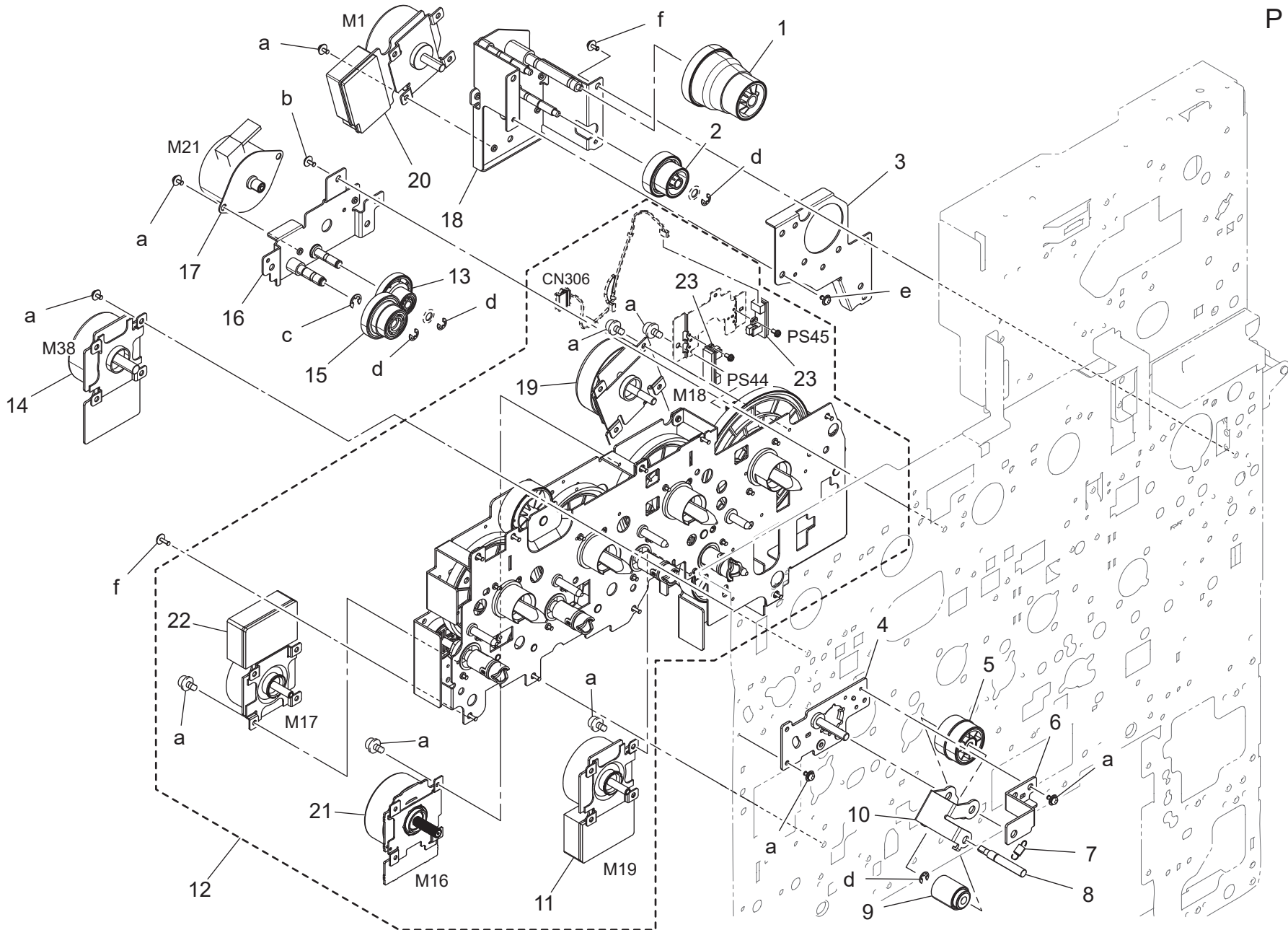
P 73





# Mmain Drive Section

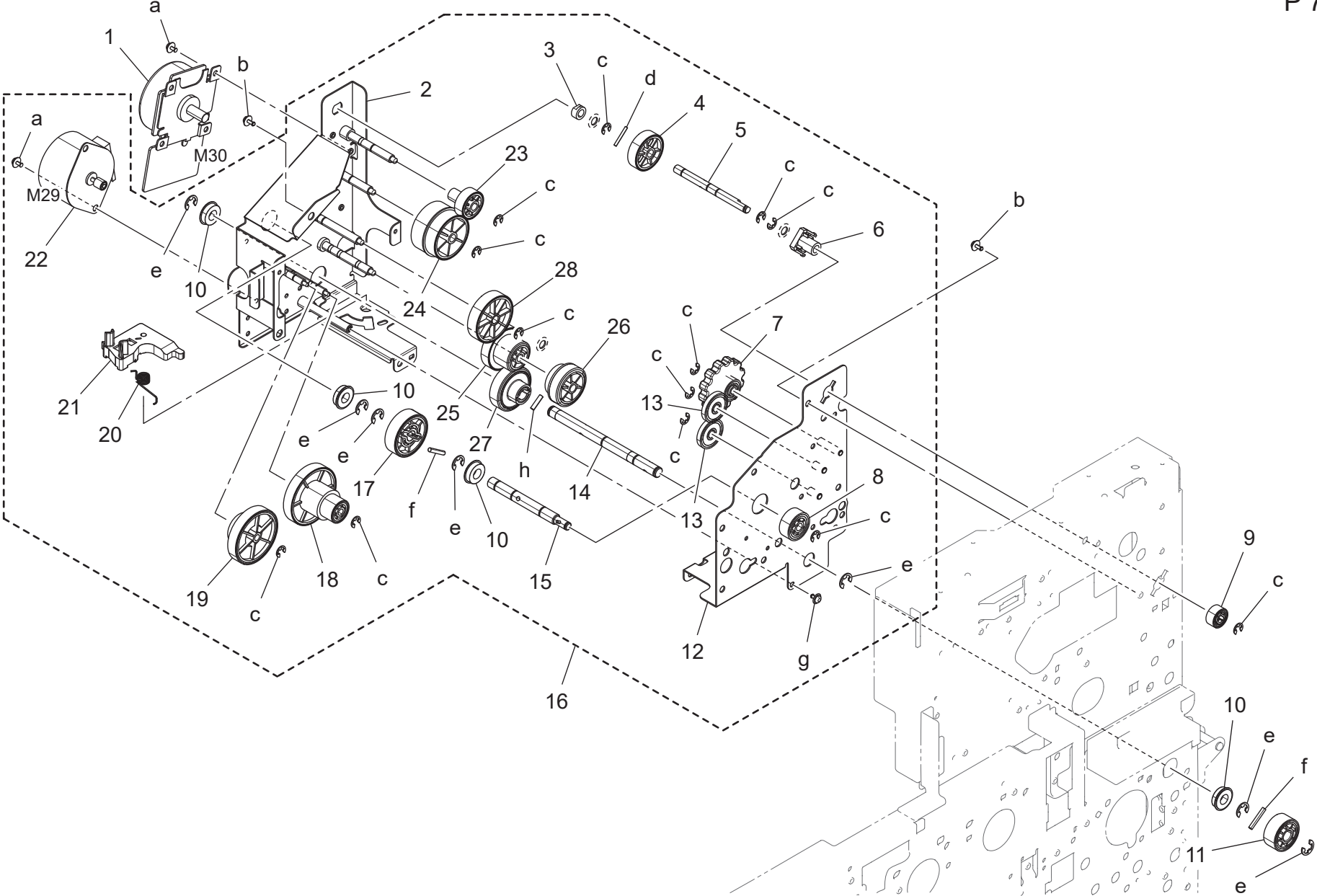
P 74



bizhub C659



# Fusing Drive Section

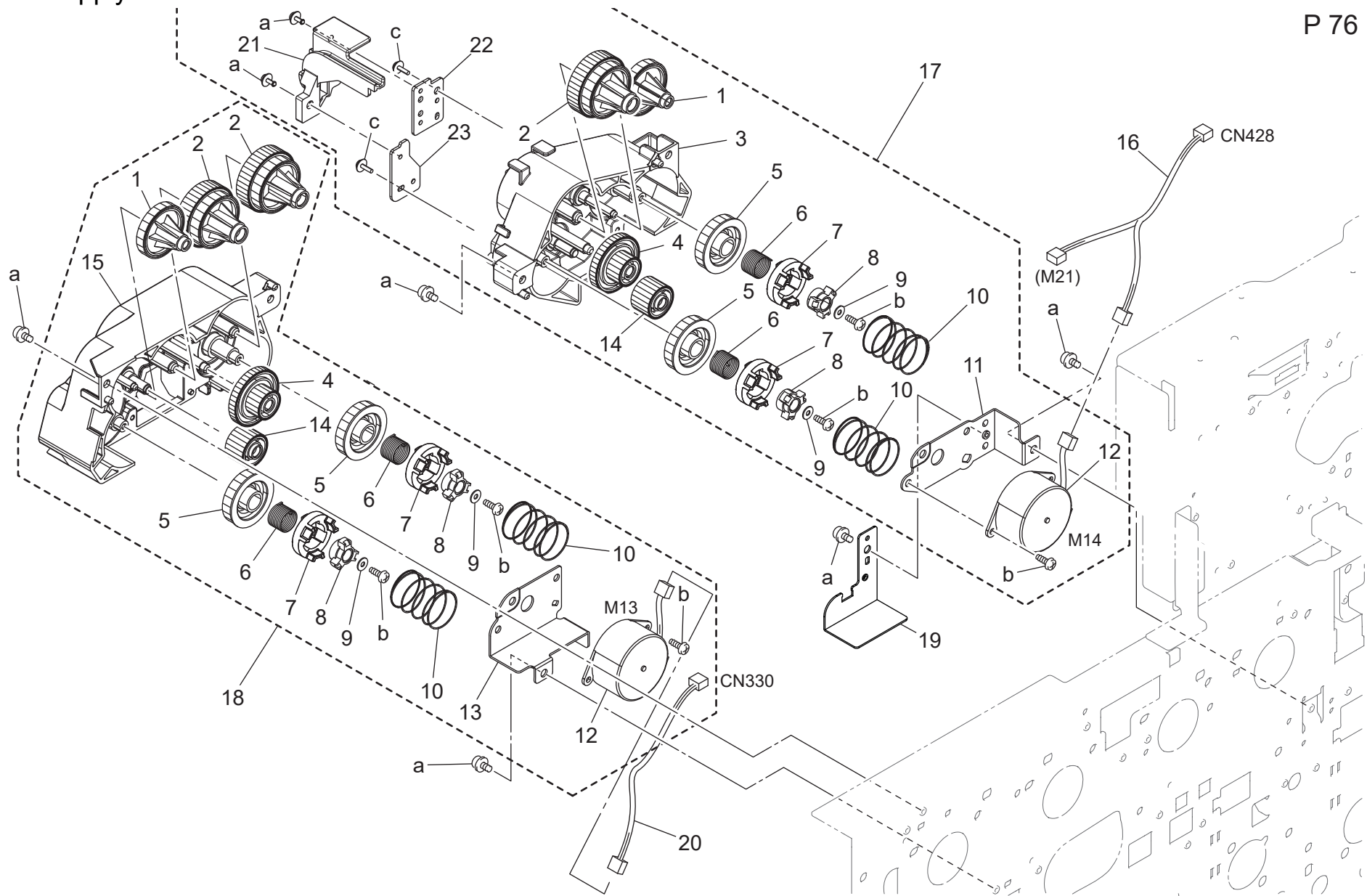


# Fusing Drive Section

Key	Part No.	Description	Destinations	Class	QTY	Standard parts
1	A796M10200	DC Brushless motor		C	1	a-V116030603
2	A795R70700	Fusing Drive Frame Caulking		D	1	b-V116030803
3	A0P0232500	Bushing		C	1	c-V217040001
4	A795230700	Paper exit Gear /2 53T		C	1	d-V234201650
5	A795231800	Paper exit Shaft /1		D	1	e-V217060001
6	A00J232111	Paper exit Bearing /1		C	1	f-V234301850
7	A161122002	Gear 12T		D	1	g-V127030604
8	A795235700	Gear 16T		C	1	h-V234301250
9	A795230800	Paper exit Gear /3 18T		C	1	
10	A00V240600	Ball Bearing		B	4	
11	A00J230500	Gear 23T		C	1	
12	A795R70900	Fusing Frame/2 Caulking		D	1	
13	A161121900	Gear 17T		D	2	
14	A795231500	Fusing Shaft /2		D	1	
15	A795235400	Pressure Shaft		D	1	
16	A795R70500	Fusing Drive ASSY		C	1	
17	A795235900	Pressure Gear /4 41T		C	1	
18	A2X0235100	Gear 21/115T		C	1	
19	A2X0235500	Gear 28/53T		C	1	
20	A161258501	Torsion Coil spring		D	1	
21	A795232000	Lever		C	1	
22	A796M10B00	PM Stepping motor		C	1	
23	A795232600	Paper exit Gear 40T		C	1	
24	A795230600	Paper exit Gear /1 70T/66T		C	1	
25	A795230200	Fusing Gear 63T/22T		C	1	
26	A161228800	Gear 22/23T		D	1	
27	A161228100	Gear 33T		D	1	
28	A00J215800	Developing Gear /4		C	1	

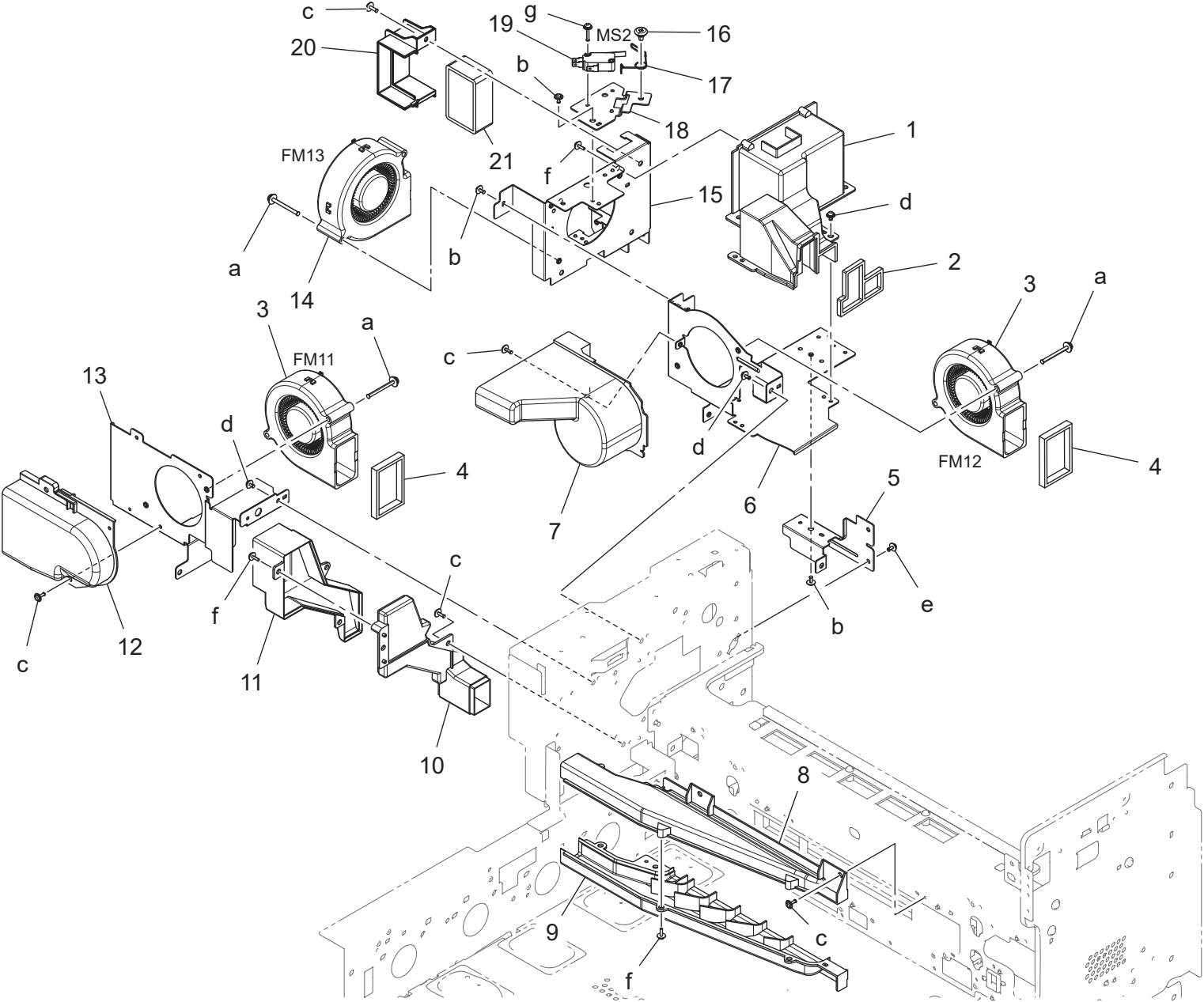


# Toner Supply Drive Section



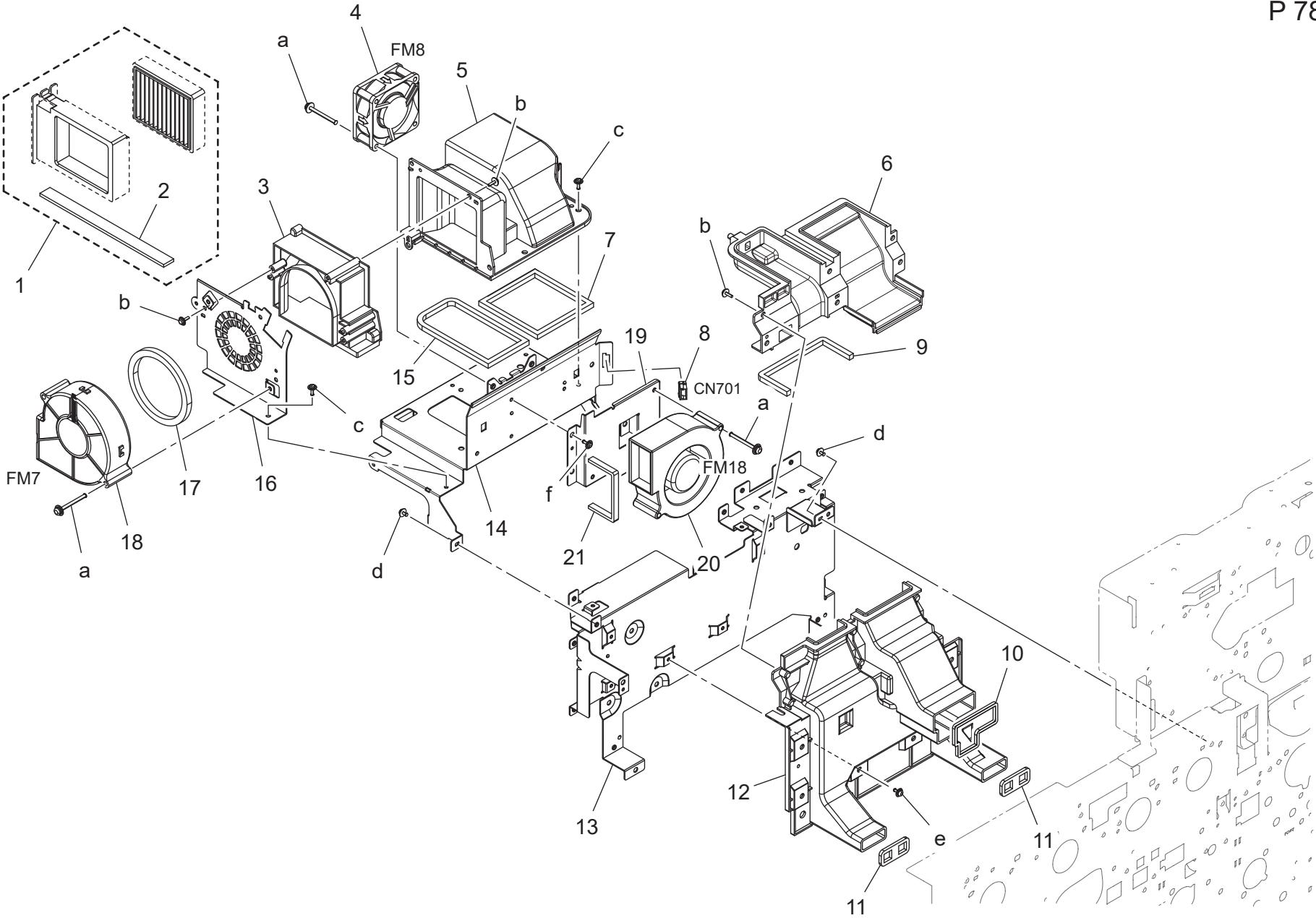


Rear Cooling Section



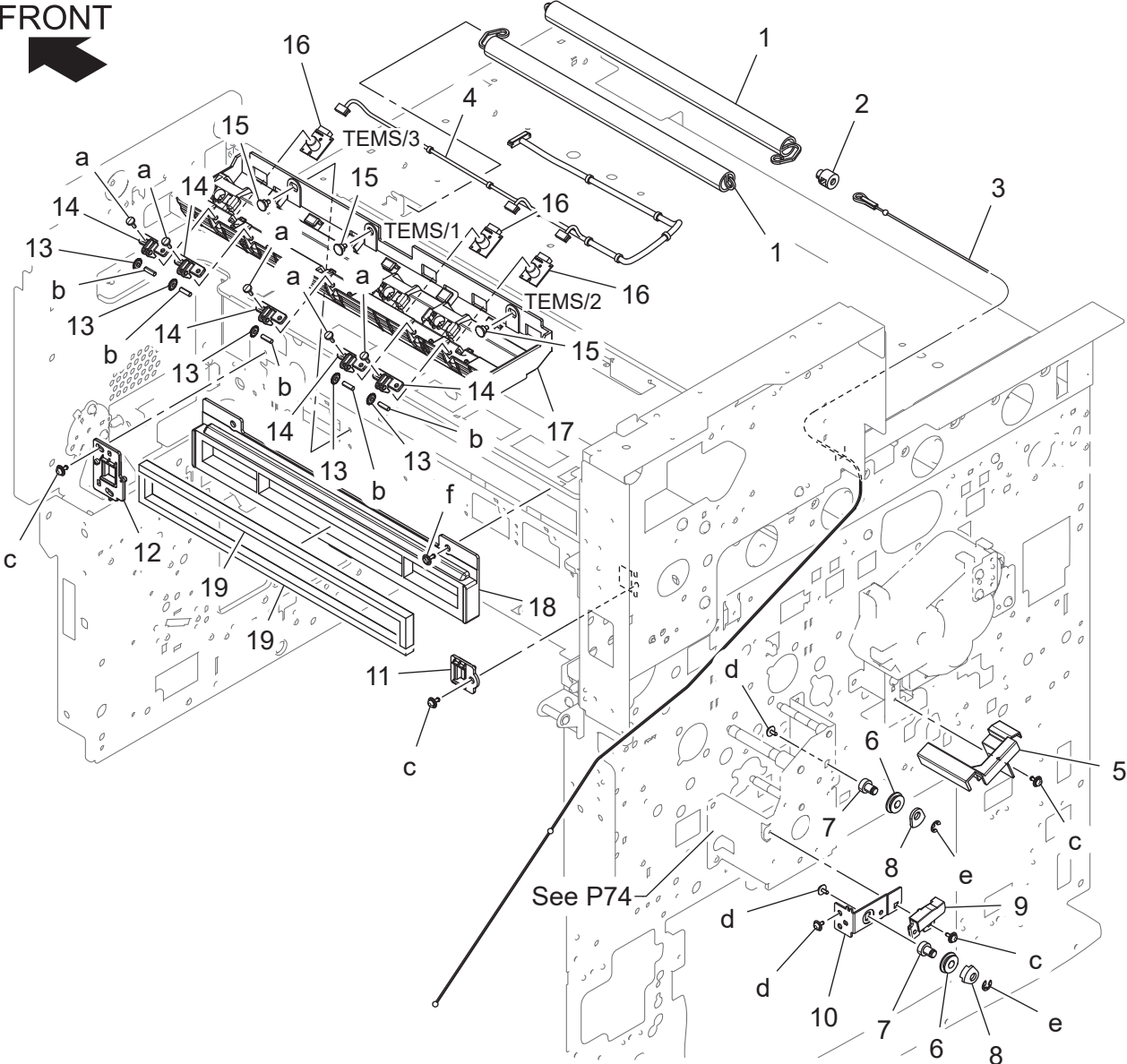


Rear Cooling Section





FRONT  
←

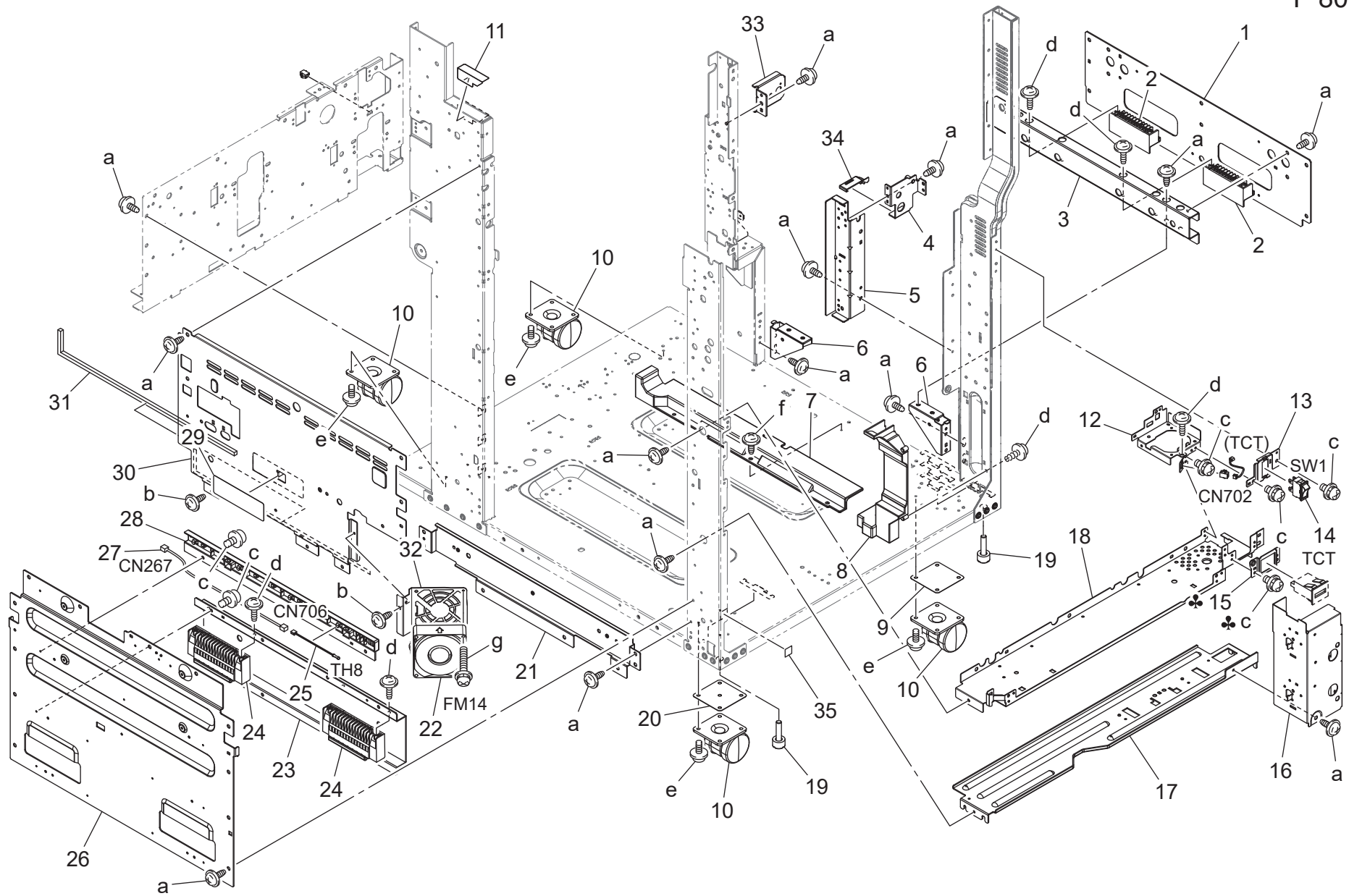






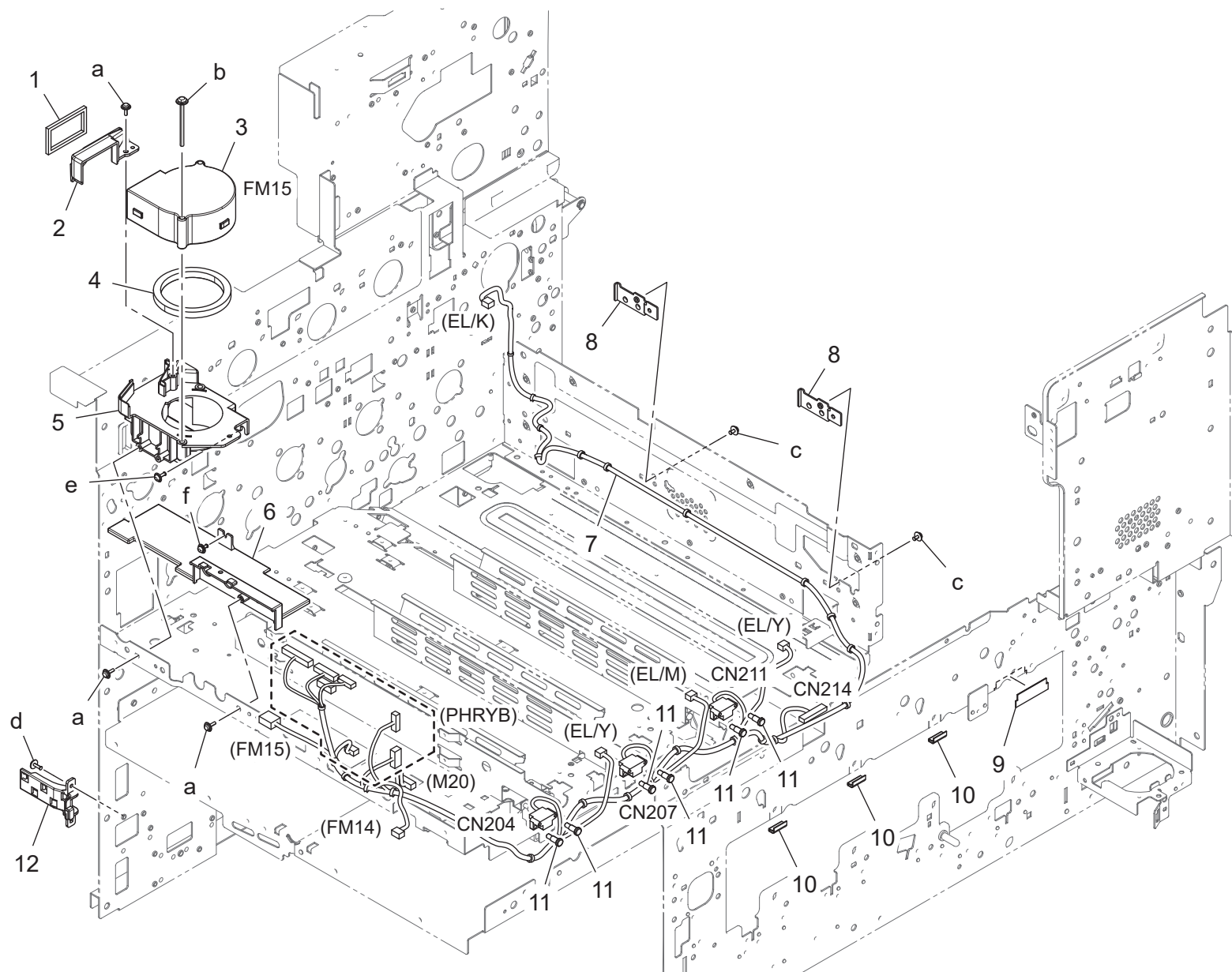
# Frame Section

P 80

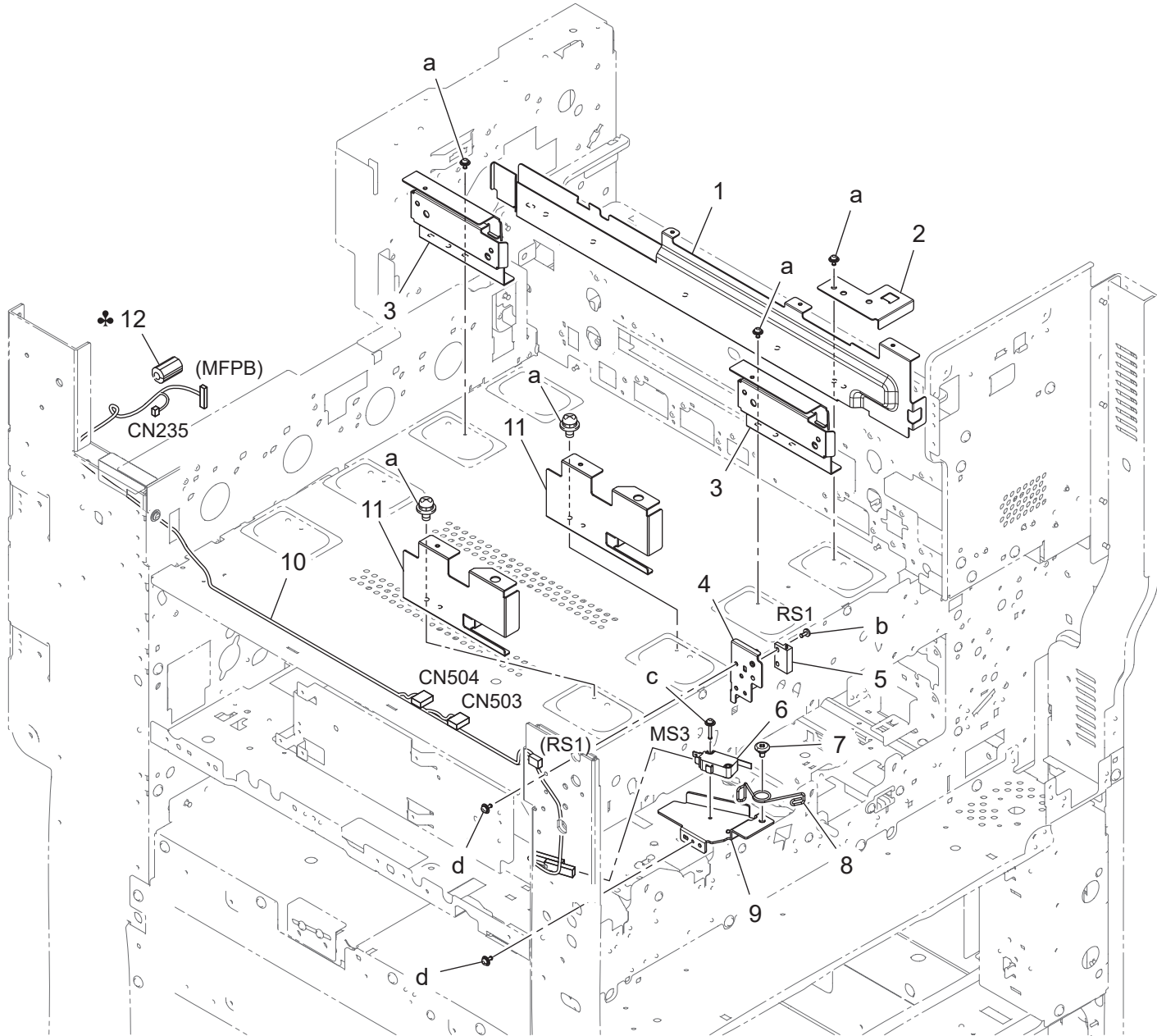


Key	Part No.	Description	Destinations	Class	QTY	Standard parts
1	A0P0105100	Hold Plate /1		D	1	a-V137040803 b-V137030603 c-V116030603 d-V153030803 e-V121040603 f-V137030803 g-V116033003
2	A0P0165500	Cover Handle		C	2	
3	A0P0105201	Hold Plate /2		D	1	
4	A00J595200	Mounting Plate /ASSY		D	1	
5	A00J102402	Mounting Plate		D	1	
6	A0P0105300	Mounting Plate		D	2	
7	A0P0138200	Cover		D	1	
8	A0P0138300	Cover		D	1	
9	A00J106500	Plate		D	1	
10	A0P0109001	Castor		C	4	
11	A0P0102000	Seal		C	1	
12	A795137700	Mounting Plate		D	1	
13	A0P0135400	Mounting Plate		D	1	
14	A5AWM60200	Power Source Switch		C	1	
15	A00J134500	Mounting Plate	A,A1	D	1	
16	A2X0104301	Mounting Plate		D	1	
17	A00J101401	Stay /Lower		D	1	
18	A0P0101311	Stay /Upper		D	1	
19	A0P0104600	Rubber foot		C	2	
20	A00J106400	Plate		D	1	
21	A00J104400	Mounting Plate		D	1	
22	9J03M10000	FAN MOTOR		B	1	
23	A00J105400	Mounting Plate		D	1	
24	A00J164600	Cover Handle		C	2	
25	A0P0M50300	Thermistor		C	1	
26	A00J101603	Side plate /Middle		D	1	
27	A0P0N12P00	Temperature Relay harness		D	1	
28	A0P0148701	Cover		D	1	
29	A7PU307000	Label		D	1	
30	A795101501	Side plate /Upper		D	1	
31	A2WU156400	Seal		D	1	
32	A2X0154001	Mounting Plate		D	1	
33	A00J102700	Mounting Plate		D	1	
34	A00J586800	Guide Holder		C	1	
35	A8JE949200	Label Caution		D	1	

# Frame Section

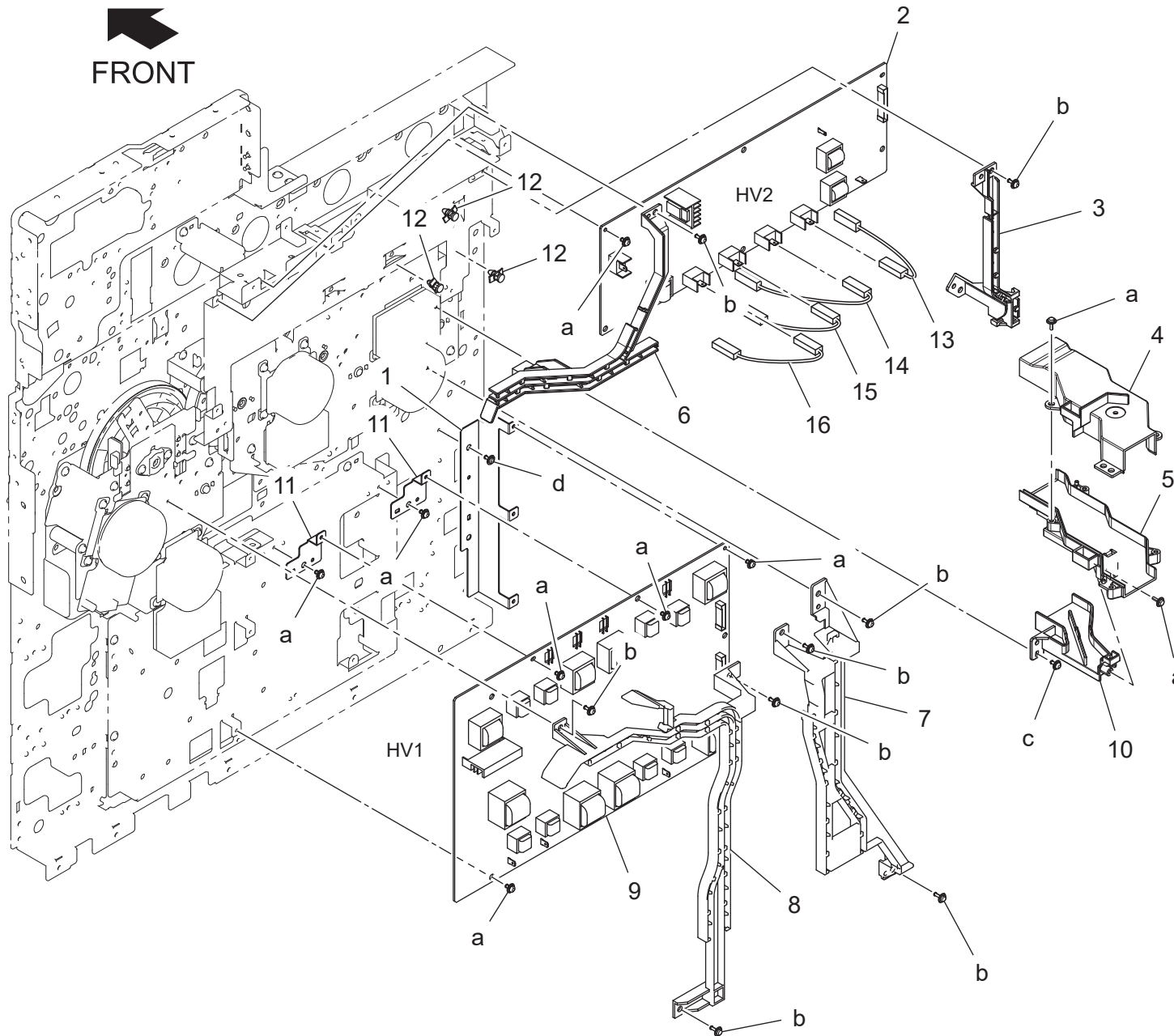






Key	Part No.	Description	Destinations	Class	QTY	Standard parts
1	A795403401	Guide Plate /C		D	1	a-V116030603 b-V118030603 c-V116031603 d-V116030803
2	A2X0145800	Mounting Plate		D	1	
3	A1DM403300	Guide Plate /B		D	2	
4	A00J135800	Mounting Plate /B		D	1	
5	A1UDM50200	Lead Switch		C	1	
6	9J06M60100	MICRO SWITCH		C	1	
7	A00J134600	Shoulder screw		C	1	
8	A00J136502	Torsion Coil		C	1	
9	A00J135201	Mounting Plate		D	1	
10	A8JEN10B00	Toner Relay harness		D	1	
11	A1DM403200	Guide Plate /A		D	2	
12	A5C1M92000	Ferritecore	C,I (South Africa)	D	1	

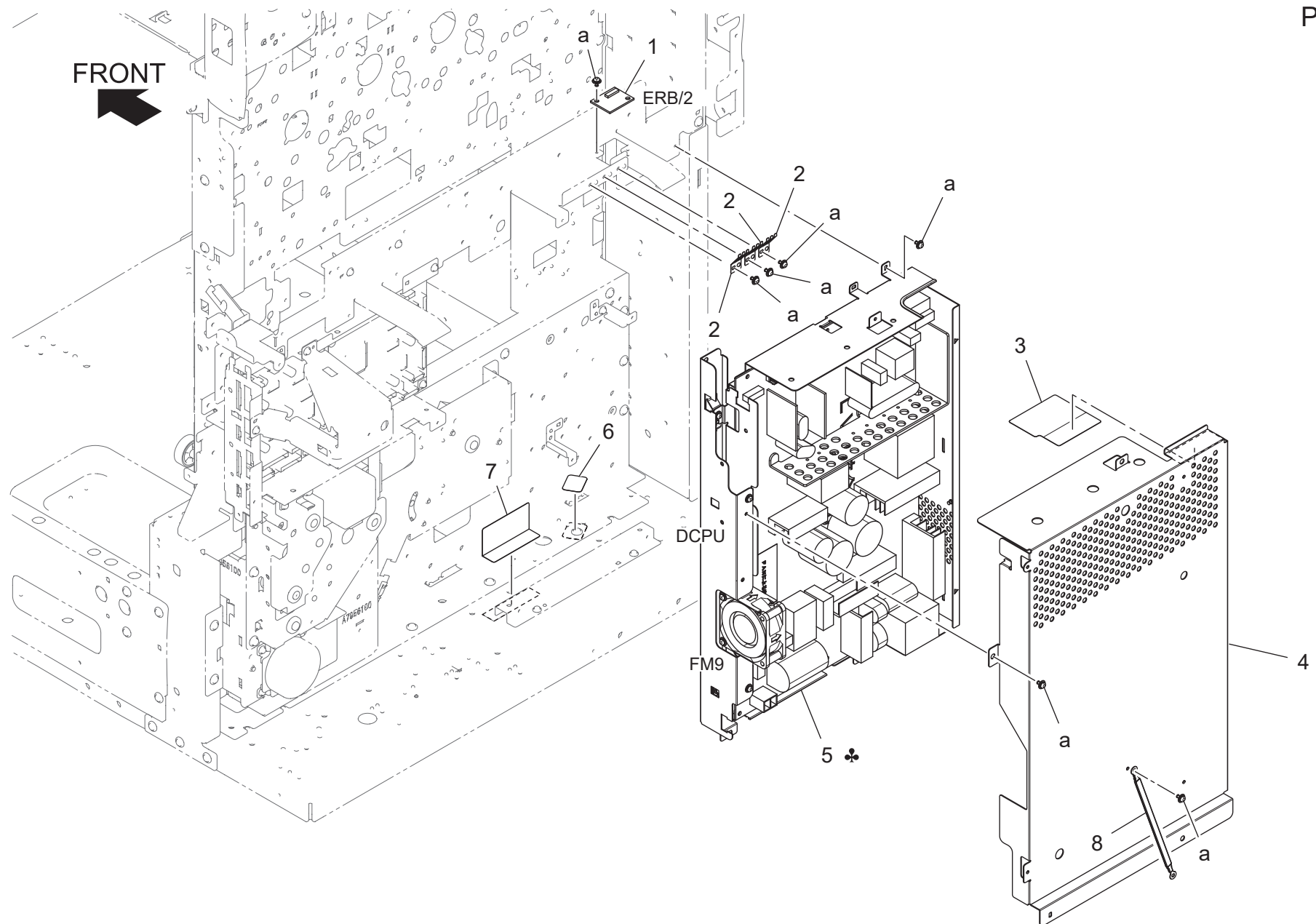
# Electric Parts



Key	Part No.	Description	Destinations	Class	QTY	Standard parts
1	A00J135100	Mounting Plate		D	1	a-V116030603 b-V116030803 c-V153030803 d-V137030603
2	A8JEM40800	High voltage unit /2		I	1	
3	A00J132600	Guide Rail		D	1	
4	A795141000	Cover		C	1	
5	A795140900	Cover		D	1	
6	A795132100	Guide Rail		D	1	
7	A8JE135500	Guide Rail		D	1	
8	A8JE132300	Guide Rail /Right		D	1	
9	A8JEM40700	High voltage unit /1		I	1	
10	A795137800	Guide Holder		D	1	
11	A00J134000	Mounting Plate		D	2	
12	V502010026	SUPPORT		D	3	
13	A8JEN13M01	Transfer Wiring /Y		D	1	
14	A8JEN13K00	Transfer Wiring /M		D	1	
15	A8JEN13J00	Transfer Wiring /C		D	1	
16	A796N13H00	Transfer Wiring /K		D	1	

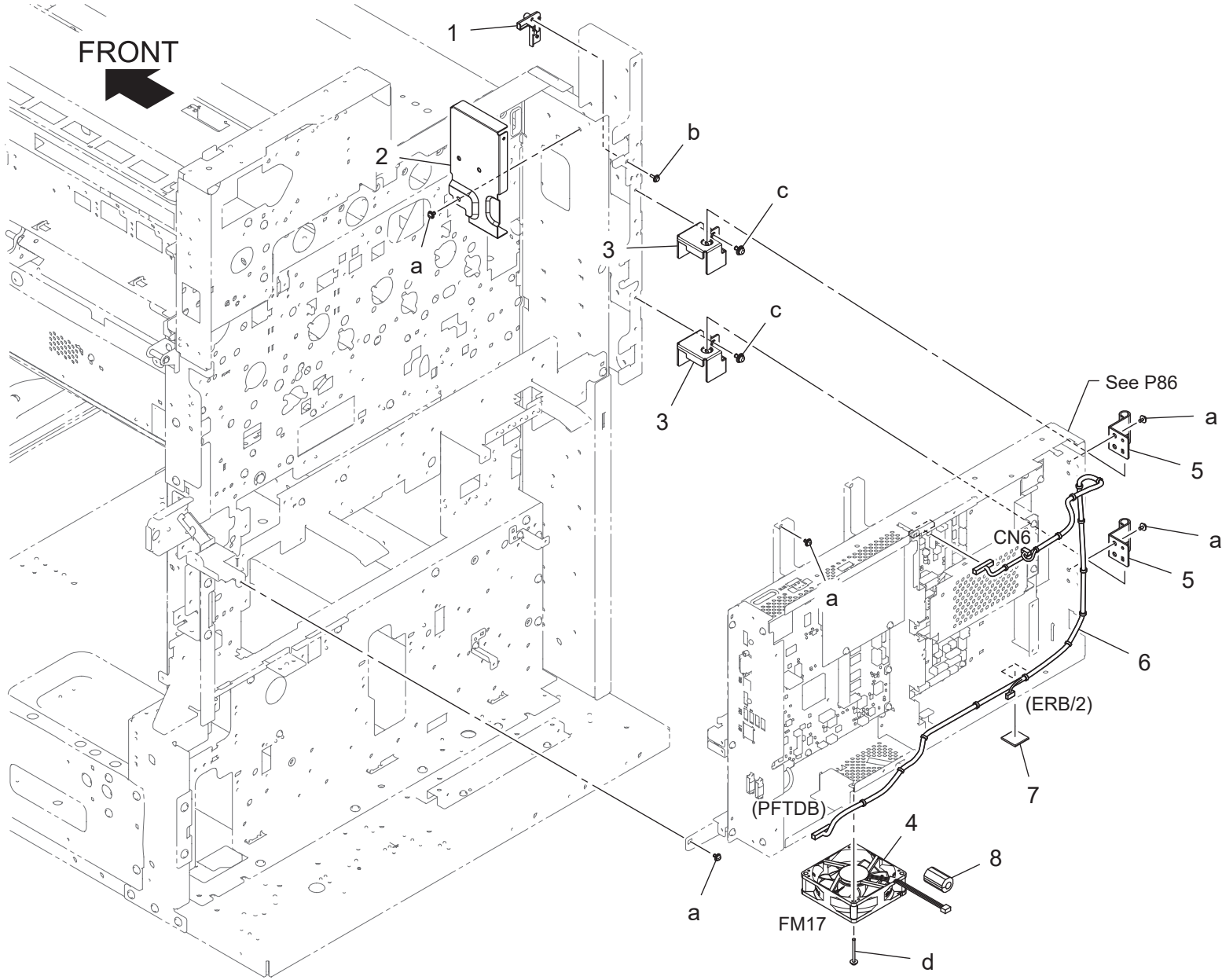


# Electric Parts





Electric Parts



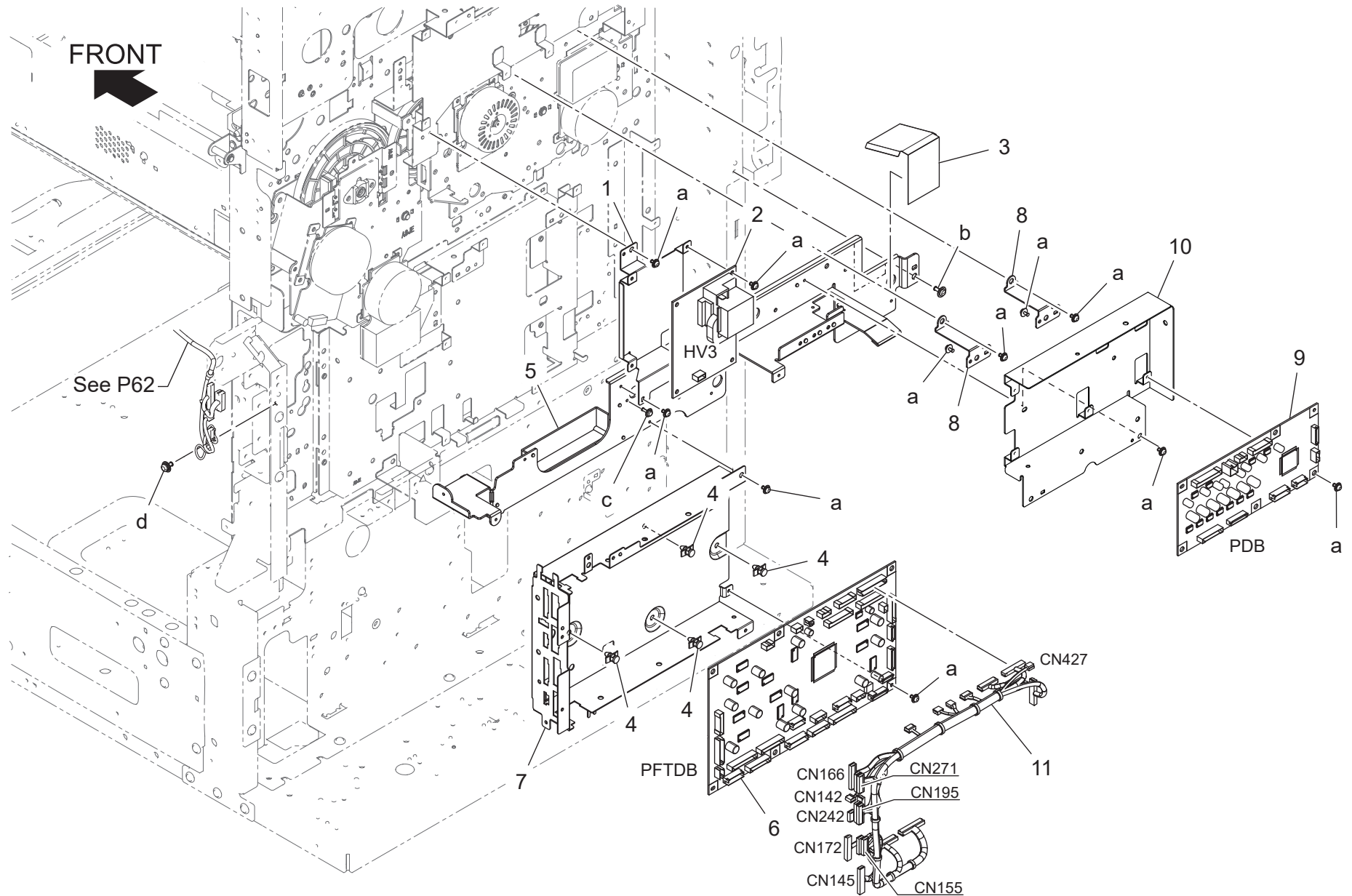






# Electric Parts

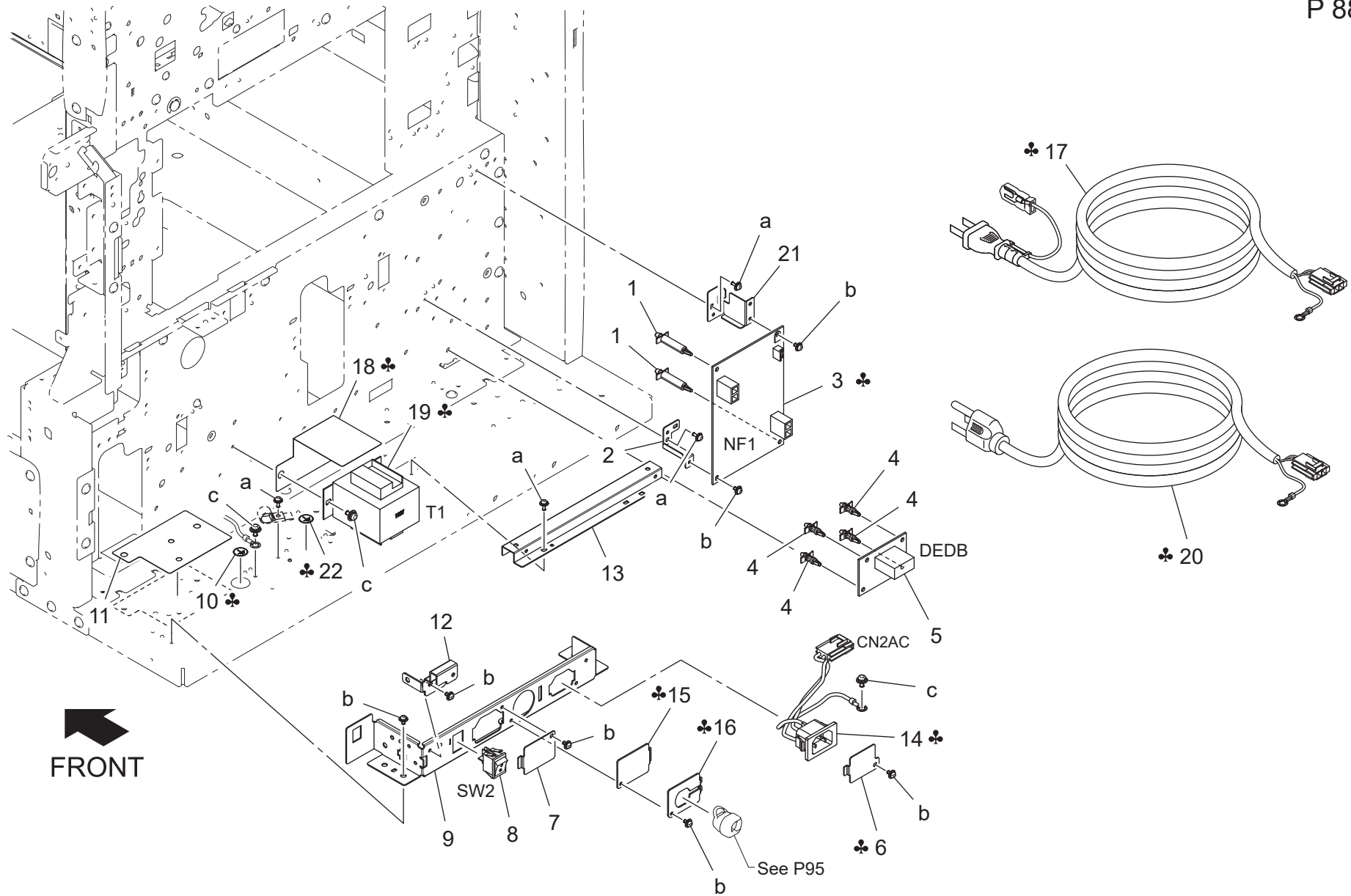
P 87







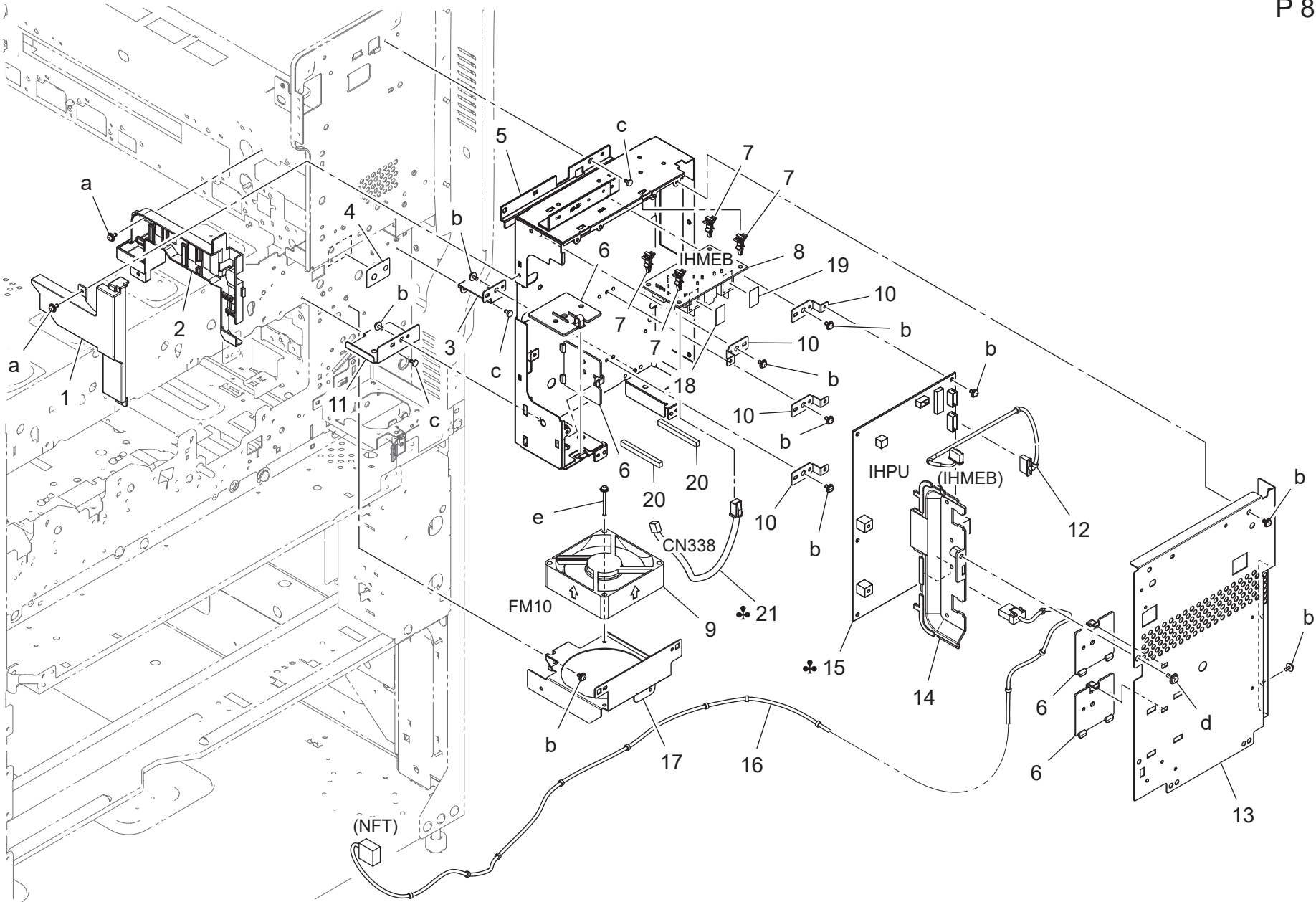
# Electric Parts



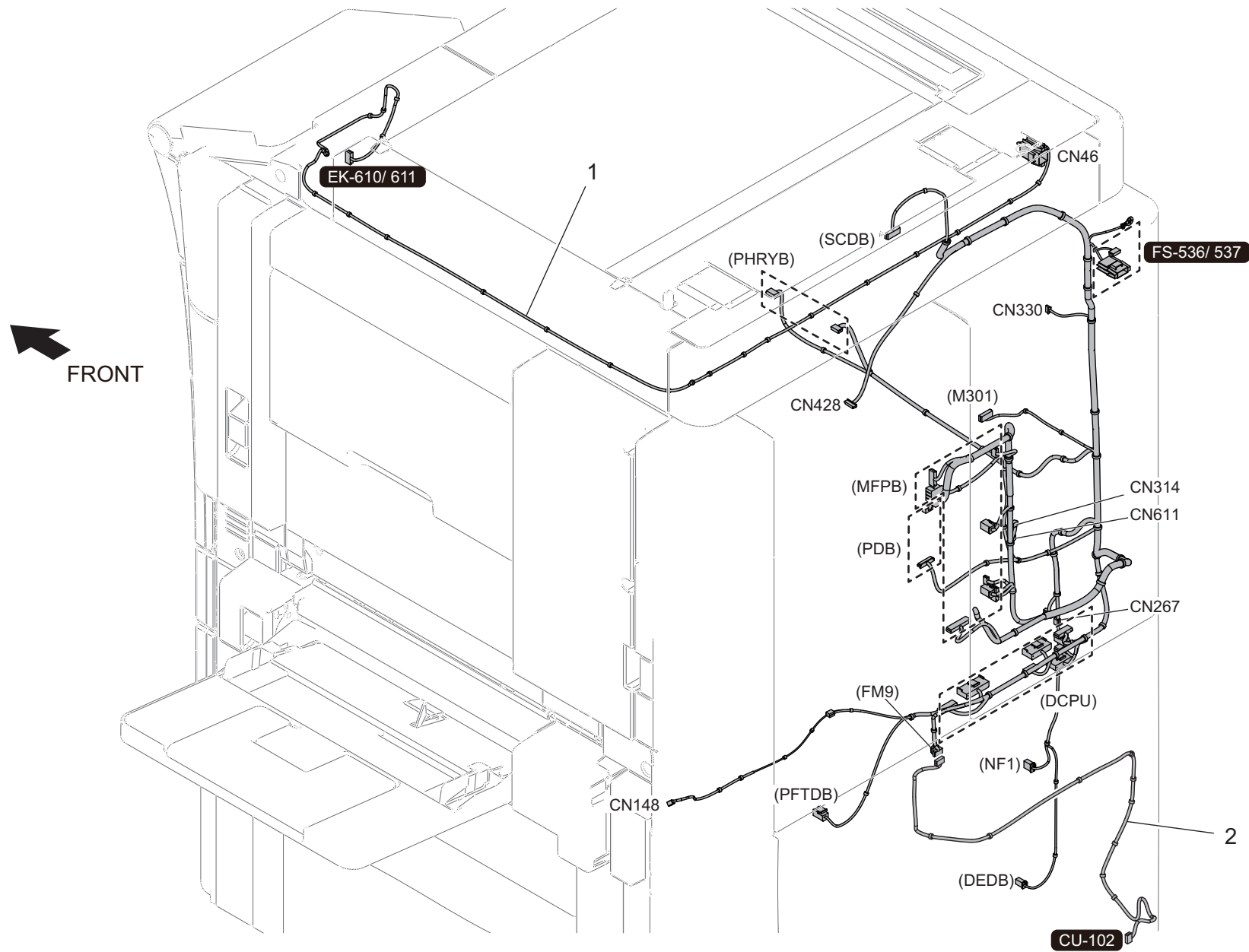
FRONT

Key	Part No.	Description	Destinations	Class	QTY	Standard parts
1	V502010056	Circuit Board Spacer		D	2	a-V116030803 b-V116030603 c-V116040803
2	A2X0101800	Mounting Plate		D	1	
3	A795M40J00	Noise filter /100V	A,A1,B,G2,H	C	1	
3	A8JEM40H00	Noise filter (230V)	C,D1,D3,E,F2,G1,I,K ,J	C	1	
4	V502010033	Circuit Board Spacer		D	4	
5	A2X0H00X00	PWB Assembly(PWB-DHR ASSY)		C	1	
6	A00J139100	Cover	B,G2	D	1	
7	A00J139000	Cover		D	1	
8	A00JM60300	Rocker switch		C	1	
9	A795134700	Mounting Plate		D	1	
10	9J06730101	LABEL	A,A1,B,G2	D	1	
11	A00J140401	Protection Part		C	1	
12	A8JE136400	Mounting Plate		D	1	
13	A2X0101700	Mounting Plate		D	1	
14	A2X0N10K00	AC Relay harness /5	AC 中継束線 / 5 (インレット中継)	D	1	
14	A796N10700	AC Relay harness	AC 中継束線	D	1	
15	A00J138900	Cover	C,D1,D3,E,F2,G1,I,K ,J	D	1	
16	4037223902	BRACKET	B,G2	D	1	
16	A8JE130100	Mounting Plate	H	D	1	
16	4037223902Old	BRACKET	A,A1	D	1	
16	A8JE130100	Mounting Plate	A,A1	D	1	
17	AA6RN30000	Power code (100V)	A,A1	D	1	
17	A8JEN30200	Power code	H	C	1	
18	A1MT140100	Protection Part	A,A1,D1,D3,E,F2,G1, I(Except South Africa),K,J,H	D	1	
19	56AA84520	Power Source Transformer	電源トランス	C	1	
19	56AF84521	Power Source Transformer	電源トランス	C	1	
20	A0P0N30000	Power source Cord /120V	電源コード / 120 V	D	1	
21	A8JE101900	Mounting Plate	取付板 (HV)	D	1	
22	9J06730101	LABEL	ラベル	D	1	

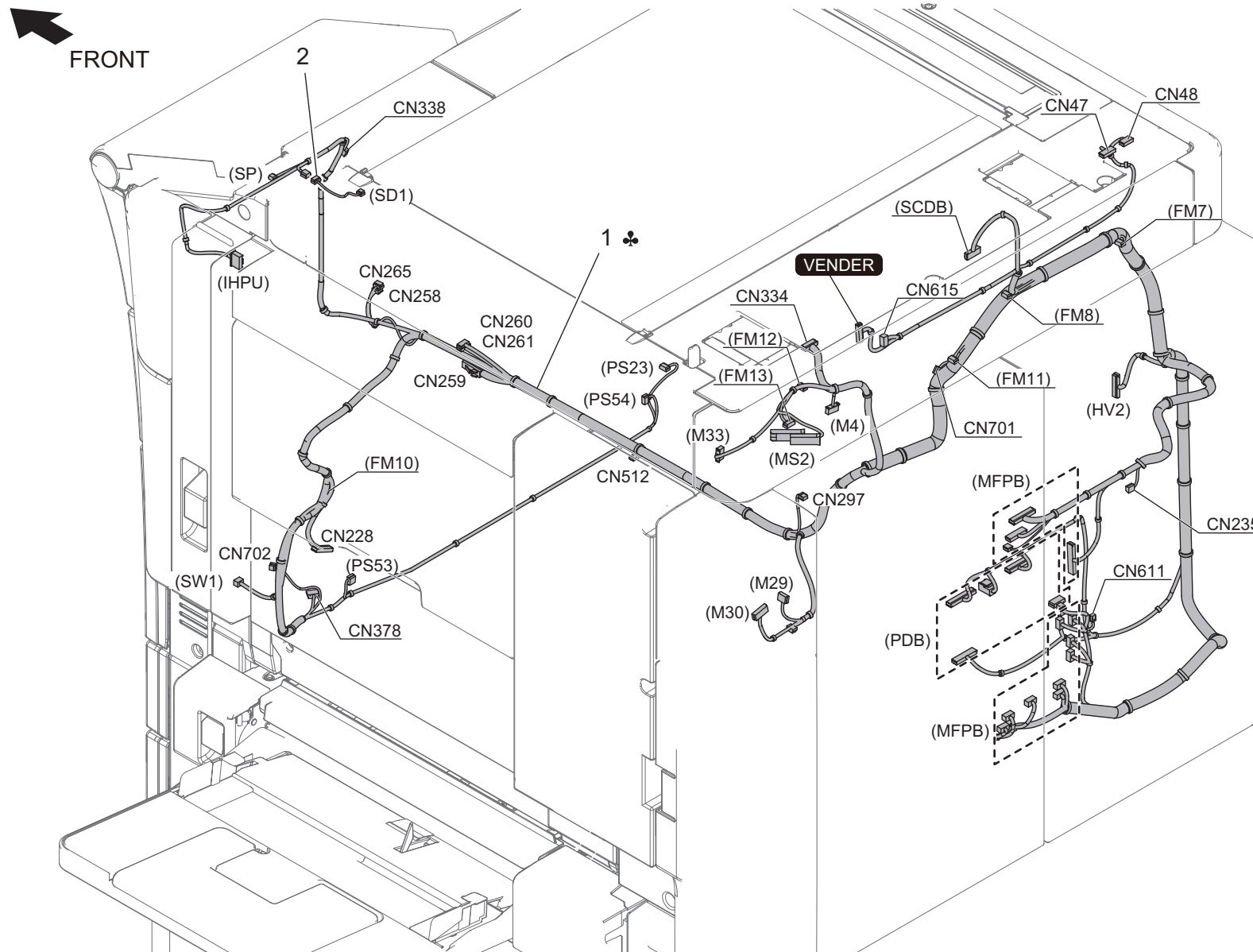








Key	Part No.	Description		Destinations	Class	QTY	Standard parts
1	A8JEN10100	DC Power source harness /1	D C 電源束線 / 1		D	1	
2	A8JEN10Q00	Relay harness	中継束線 (クリーンユニット中継 (本体用))	C,I(South Africa)	D	1	

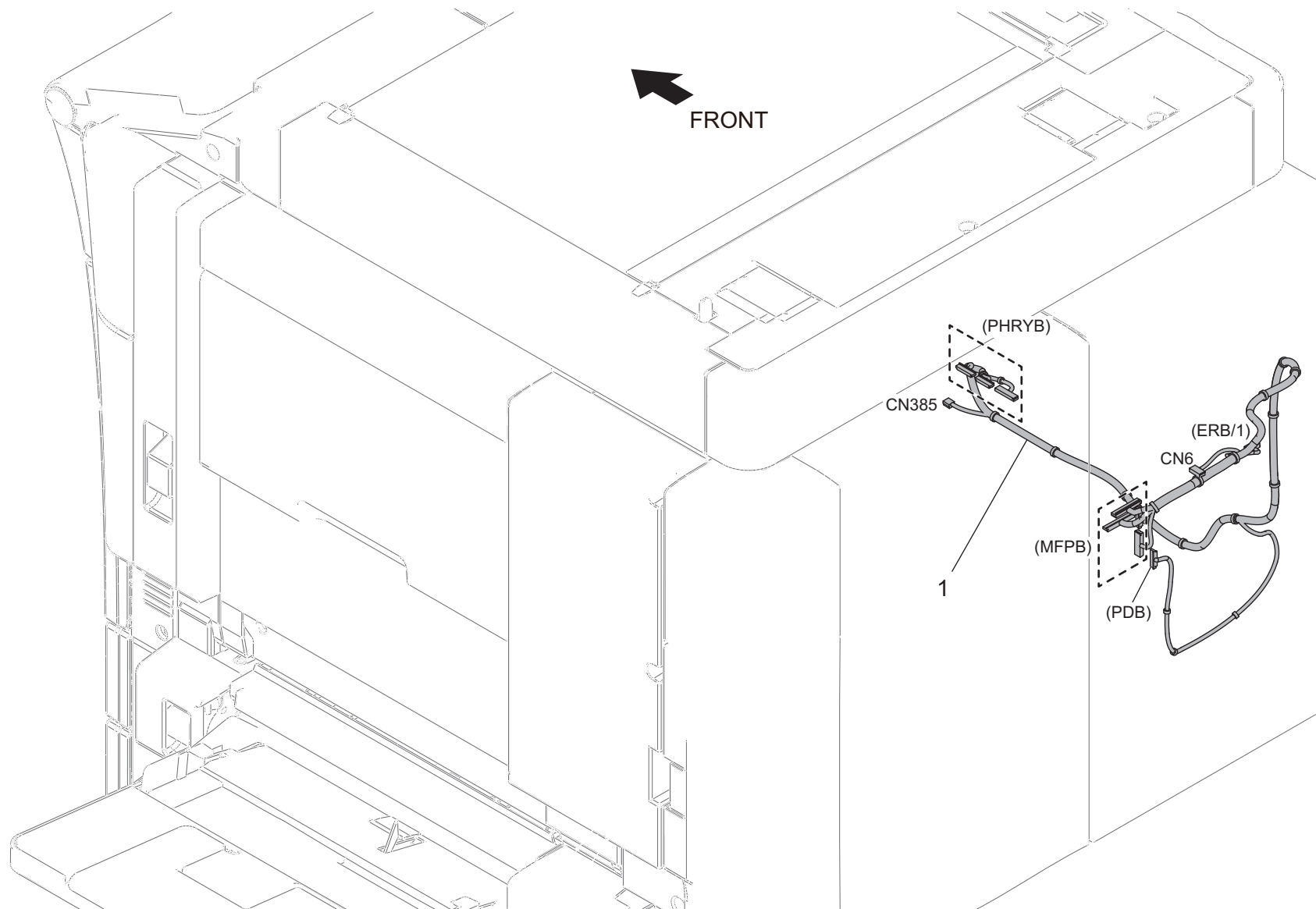




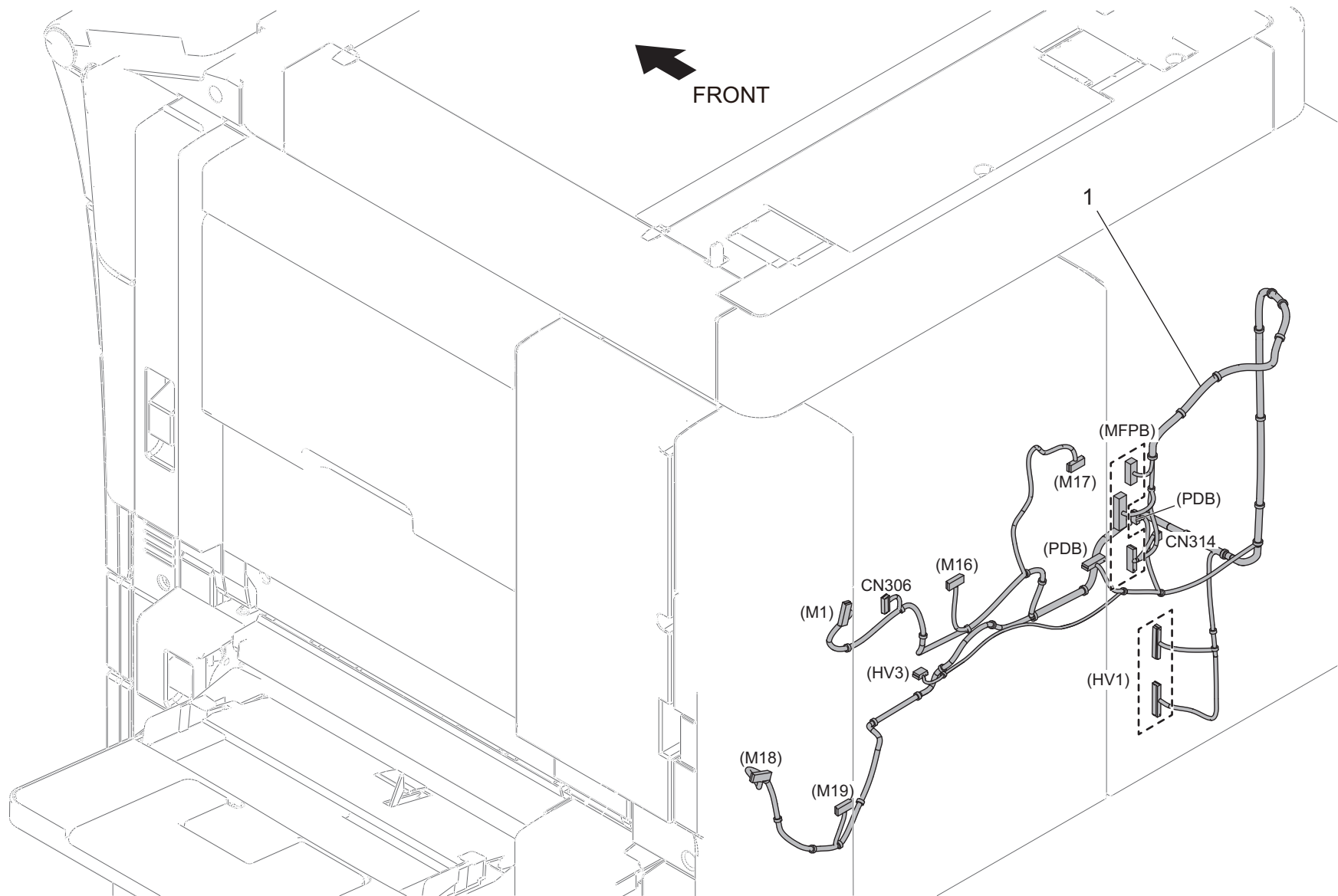




Key	Part No.	Description	Destinations	Class	QTY	Standard parts
1	A8JEN10500	AC Wiring /1	A,A1,H	D	1	
1	A8JEN10600	AC Wiring /1	B,C,D1,D3,E,F2,G1,G 2,I,K,J	D	1	
2	A796N10400	PFU Wiring	P F U 東線	D	1	









# Wiring Accessories And Jigs

P 95

1 	6 White 	11 $\phi$ 5.6 	16 	21 	26 	31 	36 L=104 
2 Black 	7 	12 $\phi$ 5.3 	17 White 	22 	27 	32 ♣ 	37 
3 Black 	8 	13 	18 White 	23 	28 	33 ♣ Black 	38 
4 	9 	14 	19 L=100 	24 	29 	34 ♣ 	39 
5 	10 	15 	20 	25 	30 	35 	40 ♣ 

bizhub C659

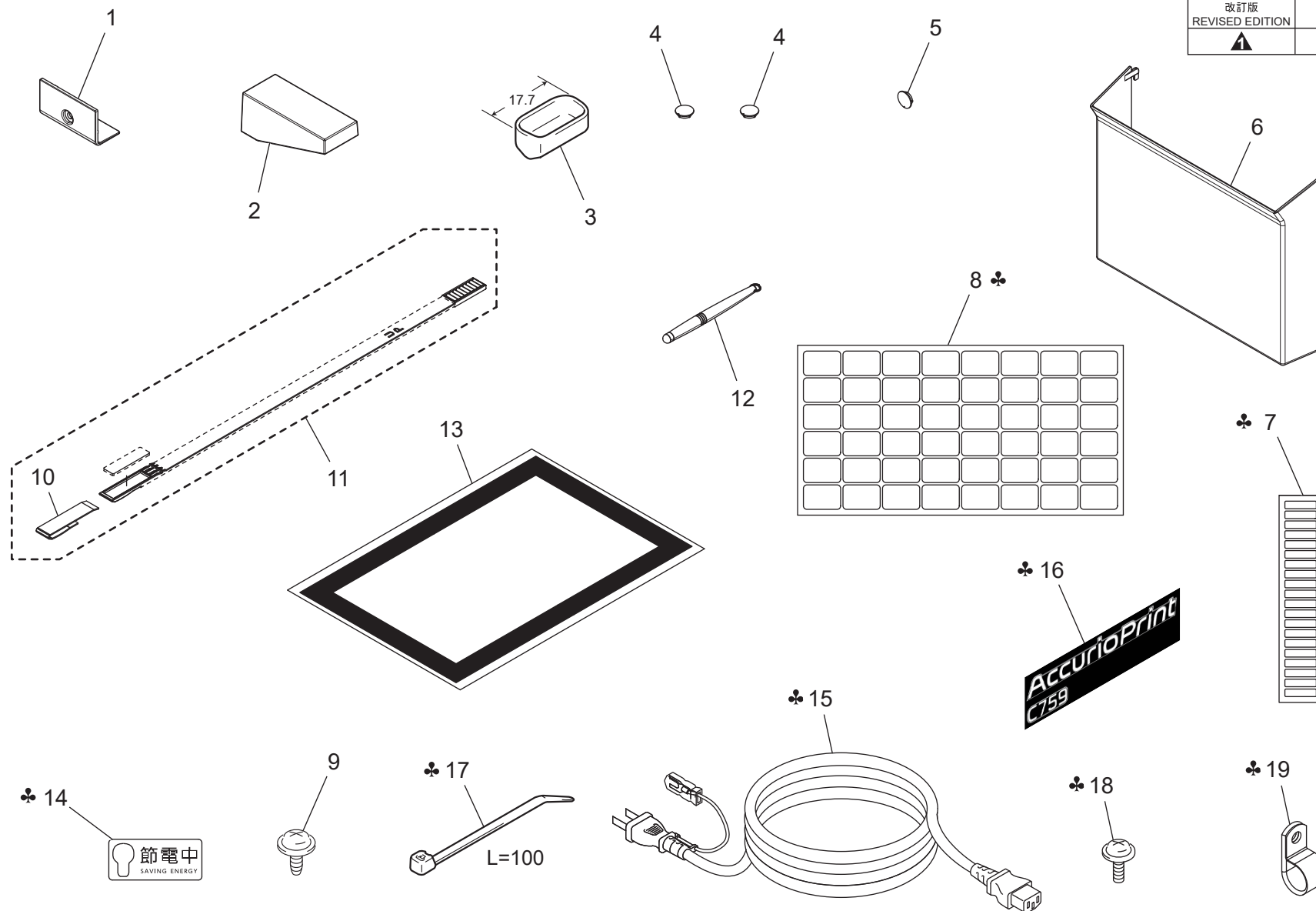
Key	Part No.	Description	Destinations	Class	QTY	Standard parts
1	V500010053	SADDLE	ロッキングワイヤーサドル	D		
2	V500010054	SADDLE	ロッキングワイヤーサドル	D		
3	V500010055	SADDLE	ロッキングワイヤーサドル	D		
4	V500010060	Mini Saddle	ミニサドル	V		
5	V500010061	saddle	ミニロッキングワイヤーサドル	D		
6	V500010081	Locking Wire Saddle	ロッキングワイヤーサドル	D		
7	V500010082	Locking Wire Saddle	ロッキングワイヤーサドル	D		
8	V500010083	Locking Wire Saddle	ロッキングワイヤーサドル	D		
9	V500010084	Locking Wire Saddle	ロッキングワイヤーサドル	D		
10	V500010085	Locking Wire Saddle	ロッキングワイヤーサドル	D		
11	V500020018	clamp	導電クランプ	D		
12	V500020037	clamp	ナイロンクランプ	D		
13	V500020069	Clamp	導電クランプ	D		
14	V500020082	Clamping for FFC	F F C 用クランプ	D		
15	V570010025	saddle	ロッキングエッジサドル	D		
16	V500020098	Mini Locking wire saddle	ミニロッキングワイヤーサドル	D		
17	V500020099	Mini Locking wire saddle	ミニロッキングワイヤーサドル	D		
18	V500020100	Mini Locking wire saddle	ミニロッキングワイヤーサドル	D		
19	V501010018	BAND	スナップバンド	D		
20	V570010021	Saddle	エッジサドル	D		
21	V570010026	Locking Edge Saddle	ロッキングエッジサドル	D		
22	V570010027	saddle	ロッキングエッジサドル	D		
23	V570010028	saddle	ロッキングエッジサドル	D		
24	V570010031	holder	エッジホルダー	D		
25	V570010046	Locking Edge Holder	ロッキングエッジサドル	D		
26	V570010047	Square Clamp	スクウェアクランプ	D		
27	V570010057	Wing Edge Saddle	ウィングエッジサドル	D		
28	V570010059	Wing Edge Saddle	ウィングエッジサドル	D		
29	1038400601	INSULATING MEMBER	絶縁材	D		
30	1050480501	INSULATING MEMBER	絶縁材	D		
31	1053481201	CORD CLAMP	コード ` オサエ	D		
32	9384160011	P-CLIP 10D	コード ` オサエ	D		
33	1065587202	CORD CLAMP	コード押え	D	1	A,A1,B,G2 A,A1,D1,D3,E,F2,G1, I(Except South Afri ca),K,J,H
34	V500020052	bushing	コードブッシュ	D		B,G2
35	V500020110	FG Clamp	F G クランプ	D		
36	V501010001	band	結束バンド	D		
37	A0P0989900	Packing Parts	治具スローブ	S	1	
38	A5AWP00100	Cleaning Pad	クリーニングパッド	S	1	
39	V500010091	Locking Wire Saddle	ロッキングワイヤーサドル	D		
40	V500020073	bushing	コードブッシュ	D		A,A1



# Accessory Parts

P 96

改訂版 REVISED EDITION	日付 DATE
▲	MAY 2019

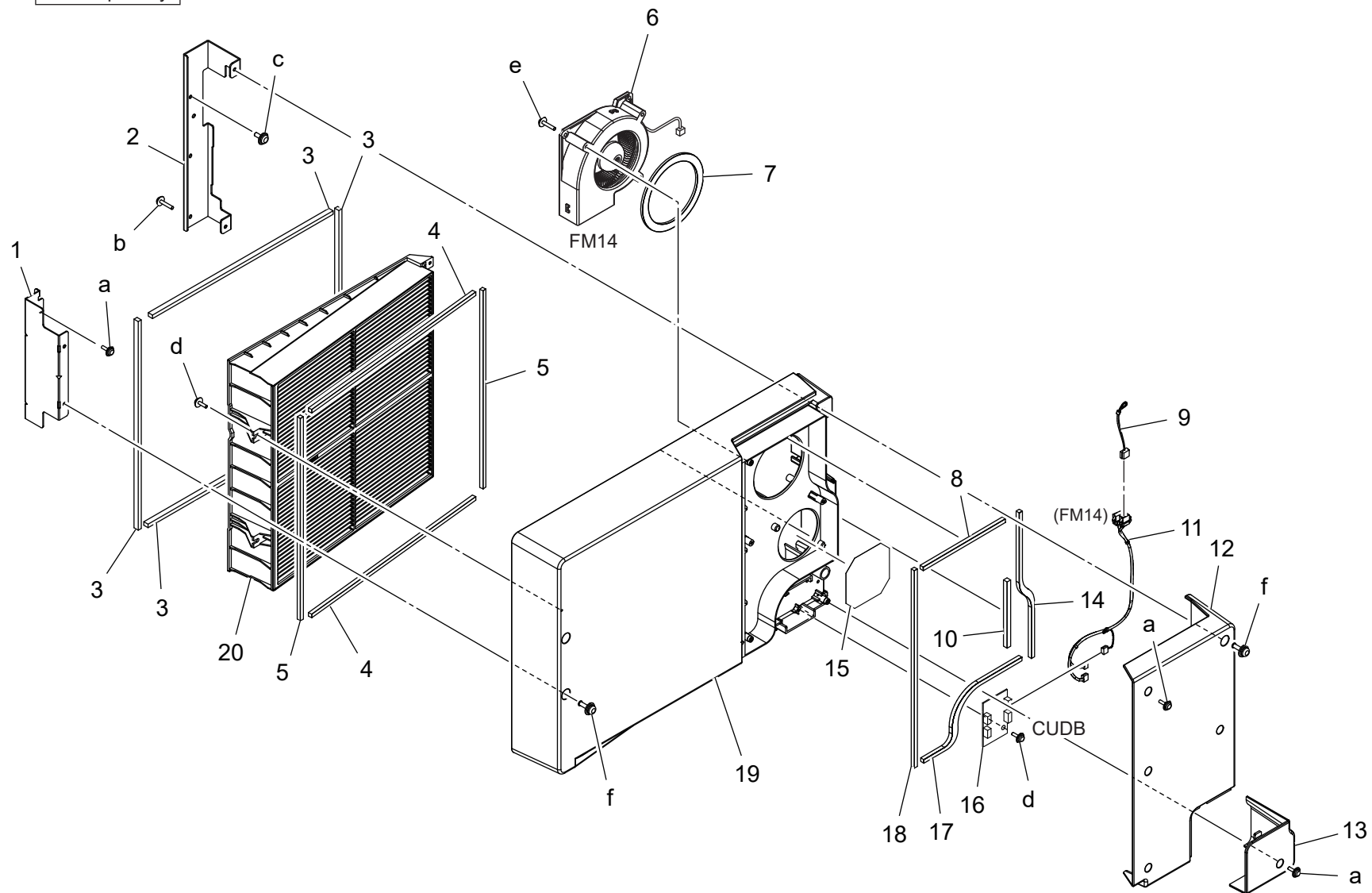


Key	Part No.	Description	Destinations	Class	QTY	Standard parts
1	A795165900	Read Cover /Left		C	1	
2	A00J166101	Installing Spacer		C	1	
3	V503010002	Connector Cover		D	1	
4	A00J169100	Cover		D	2	
5	A02E167700	Cover		C	1	
6	A0ED166200	Holder		C	1	
7	A7PU947001	Label Panel sheet	A,A1	C	1	
7	A7PU947101	Label Panel sheet	B,D1,D3,E,F2,G1,G2, I(Except South Africa),K	C	1	
7	A7PU947201	Label Panel sheet	J	C	1	
7	A7PU947302	Label Panel sheet	H	C	1	
8	A2X0943000	Label	A,A1,C,D1,D3,E,F2,G 1,I,K,J,H	C	1	
8	A2X0943100	Label	B,G2	C	1	
9	V121030803	Screw		V	1	
10	A00J106202	Cleaning Pad		C	1	
11	A161R70400	CLEANING MATERIAL		C	1	
12	A5C1192100	Pen		C	1	
13	A782945003	Adjusting Sheet		S	1	
14	A1UD947400	Label	A,A1	C	1	
15	4136N30000	POWER CODE	D1,G1,I,K(Pakistan, Latin America, Nepal, Maldives, Korea )	D	1	
15	9381420021	POWER CORD	D3(New Zealand)	D	1	
15	A1UDN30200	Power cord /230V	G1(Argentina)	C	1	
15	A2UPN30100	Power code (220-240V)	F2,I(Saudi Arabia, Kuwait, UAE, Bahrain, Qatar, Yemen, HongKong)	D	1	
15	A2UPN30300	Power code (220-240V)	G1(Peru)	D	1	
15	A2UPN30601	Power code (220-240V)	G2(Brazil)	D	1	
15	A7AHN30000	Power code /230V	D1(India)	D	1	
15	A8JEN30100	Power source Cord (100V)	A,A1	D	1	
15	9381430031	POWER CORD	J	D	1	
15	A8JEN30300	Power code /110V	H	C	1	
16	A8JE950900	Label Accurio Print C759	C,D1,D3,E,F2,G1,I,K	D	1	
17	V501010002	band	G2(Brazil)	D	1	
18	V121030803	Screw	A,C,D1,D3,E,F2,G1,I, J,K	V	1	
19	V500020040	clamp	A,C,D1,D3,E,F2,G1,I, J,K	D	1	

# Accessory Parts

P 97

♣ Europe only





# MAINTENANCE LIST

● The items with no Page/Key numbers are not handled as spare parts.

No.	Section	PM Parts Description	Maintenance Cycle (K=1,000)		Parts No.	Destinations	Page/Key	Note
			QTY	Replace				
1	Tray 1	Feed roller	1	300k	A00J563600		P36-23	*2,*3
2		Pick-up roller	1	300k	A5C1562200		P36-25	*2,*3
3		Separation roller	1	300k	A00J563600		P37-11	*2,*3,*7
4		Torque limiter	1	300k	A795563800		P37-13	*2,*3,*7
5	Tray 2	Feed roller	1	300k	A00J563600		P38-24	*2,*3
6		Pick-up roller	1	300k	A5C1562200		P38-26	*2,*3
7		Separation roller	1	300k	A00J563600		P39-16	*2,*3,*7
8		Torque limiter	1	300k	A795563800		P39-15	*2,*3,*7
9	Tray 3	Feed roller	1	300k	A00J563600		P49-20	*2,*3
10		Separation roller	1	300k	A00J563600		P50-18	*2,*3
11		Pick-up roller	1	300k	A5C1562200		P49-43	*2,*3
12	Tray 4	Feed roller	1	300k	A00J563600		P44-16	*2,*3
13		Separation roller	1	300k	A00J563600		P45-16	*2,*3
14		Pick-up roller	1	300k	A5C1562200		P44-48	*2,*3
15	Manual bypass tray	Feed roller	1	300k	A00J563600		P59-10	*2,*3
16		Separation roller assy	1	300k	A0P0R74100		P60-23	*2,*3
17		Pick-up roller	1	300k	A5C1562200		P59-31	*2,*3
18	Processing section	Imaging unit/ Y,M,C	1	190k	-			*4
19		Drum unit/ K	1	300k	-			*4
20		Developing unit/ K	1	1,200k	-			*4
21		Toner cartridge/ Y,M,C	1	33.2k	-			*1,*4
22		Toner cartridge/ K	1	48.9k	-			*1,*4
23		Toner filter	1	300k	A0P0R70100		P78-1	*4,*6
24	Conveyance section	Transfer roller unit	1	600k	A795R73600		P62-41	*4
25	Fusing section	Fusing unit	1	1,200k	A8JER70222		P66-1	*4
26	Image transfer section	Transfer belt unit	1	1,200k	A8JER70111		P32-1	*4
27		Waste toner box	1	48k	A0XPWY4	D,E,F2,G,I(Except C,I(South Africa))	P34-4	*1,*4,*5
28			1	48k	-			
30	Dual scan document feeder	Pick-up roller	2	200k	9J07330102		P7-7	*2,*3
31		Feed roller	1	200k	A00J563600		P7-11	*2,*3
32		Separation roller	1	200k	9J07340901		P8-4	*2,*3

\*1: The parts can be replaced either by user or service engineer.

\*2: Replace these parts at the same time.

\*3: Life counter value

\*4: Field standard yield

\*5: A waste toner full condition is detected with detecting the actual waste toner emissions.

\*6: The toner filter is furnished with the drum unit/K so that all of them are replaced at same time.

\*7: When replacing the separation roller for tray 1 or tray 2, replace the torque limiter at the same time.

\*: The part names used on this page follow the ones used in the Service Manual and they are occasionally different from those written in other pages.

# メンテナンスリスト

● ページ / キーナンバーのないものは、アフターサービス部品ではありません。

No.	区分	PM 部品名称	サイクル (K=1,000)		部品番号	仕向地	頁 / キー	備考
			員数	交換				
1	トレイ 1	給紙ローラー	1	300k	A00J563600		P36-23	*2,*3
2		ピックアップローラー	1	300k	A5C1562200		P36-25	*2,*3
3		分離ローラー	1	300k	A00J563600		P37-11	*2,*3,*7
4		トルクリミッター	1	300k	A795563800		P37-13	*2,*3,*7
5	トレイ 2	給紙ローラー	1	300k	A00J563600		P38-24	*2,*3
6		ピックアップローラー	1	300k	A5C1562200		P38-26	*2,*3
7		分離ローラー	1	300k	A00J563600		P39-16	*2,*3,*7
8		トルクリミッター	1	300k	A795563800		P39-15	*2,*3,*7
9	トレイ 3	給紙ローラー	1	300k	A00J563600		P49-20	*2,*3
10		分離ローラー	1	300k	A00J563600		P50-18	*2,*3
11		ピックアップローラー	1	300k	A5C1562200		P49-43	*2,*3
12	トレイ 4	給紙ローラー	1	300k	A00J563600		P44-16	*2,*3
13		分離ローラー	1	300k	A00J563600		P45-16	*2,*3
14		ピックアップローラー	1	300k	A5C1562200		P44-48	*2,*3
15	手差し	給紙ローラー	1	300k	A00J563600		P59-10	*2,*3
16		分離ローラー Assy	1	300k	A0P0R74100		P60-23	*2,*3
17		ピックアップローラー	1	300k	A5C1562200		P59-31	*2,*3
18	プロセス部	イメージングユニット /Y,M,C	1	190k	-			*4
19		ドラムユニット /K	1	300k	-			*4
20		現像ユニット /K	1	1,200k	-			*4
21		トナーカートリッジ /Y,M,C	1	33.2k	-			*1,*4
22		トナーカートリッジ /K	1	48.9k	-			*1,*4
23		トナーフィルター	1	300k	A0P0R70100		P78-1	*4, *6
24	搬送部	転写ローラーユニット	1	600k	A795R73600		P62-41	*4
25	定着部	定着ユニット	1	1,200k	A8JER70222		P66-1	*4
26	転写部	転写ベルトユニット	1	1,200k	A8JER70111		P32-1	*4
27		廃棄トナーボックス	1	48k	A0XPWY4	D,E,F2,G,I(Except South C,I(South Africa))	P34-4	*1,*4,*5
28			1	48k	-			*1,*4,*5
30	ADF 部	ピックアップローラー	2	200k	9J07330102		P7-7	*2,*3
31		給紙ローラー	1	200k	A00J563600		P7-11	*2,*3
32		分離ローラー	1	200k	9J07340901		P8-4	*2,*3

- \*1: ユーザー / サービス交換の選択が可能。
- \*2: 同時交換のこと。
- \*3: ライフカウンター値
- \*4: 市場標準印刷枚数値
- \*5: 廃棄トナーフル検知は、実際の廃棄トナー充填量を検知して行う。
- \*6: ドラムユニット /K に同梱されており、同時交換する。
- \*7: トレイ 1、トレイ 2 の分離ローラーはトルクリミッターも同時交換のこと。

\*: ここに記載されている部品名称はサービスマニュアルで使用されている部品名称であり、他のページに記載されている部品名称とは異なる場合があります。



## DESTINATION

Destination No.		Destinations		V	Hz	Model No.
A	A1	JAPAN		100	50/60	A9K6001
	A2	JAPAN				
B		USA, CANADA		120	60	A9K6011
C		EUROPEAN TYPE		220-240	50/60	A9K6021
D	D1	S.E ASIA TYPE	THAILAND, SRI LANKA, SINGAPORE, MALAYSIA, HONG KONG, PAKISTAN, INDIA, BANGLADESH, INDONESIA	220-240	50/60	A9K6041
	D3	OCEANIA TYPE	AUSTRALIA, NEW ZEALAND	220-240	50/60	A9K6041
E		PHILIPPINES		220-240	50/60	A9K6041
F	F1	SAUDI ARABIA				
	F2	SAUDI ARABIA		220-240	50/60	A9K6041
G	G1	C.S AMERICA		220-240	50/60	A9K6041
	G2	C.S AMERICA		120	60	A9K6011
H		TAIWAN		110	60	A9K6071
I		JORDAN, LEBANON, SYRIA, SOUTH AFRICA, IRAQ, IRAN, N.YEMEN, CAMEROON, UAE, BAHRAIN, OMAN, QATAR, KUWAIT, KENYA, TUNISIA, IVORY COAST, MOROCCO		220-240	50/60	A9K6021 A9K6041
J		CHINA		220-240	50/60	A9K6081
K		KOREA		220-240	50/60	A9K6041

bizhub C659