

KONICA MINOLTA

PARTS GUIDE MANUAL

NOVEMBER 2020

bizhub C750i
ACKN

INFORMATION FOR PARTS GUIDE MANUAL

To find correct Parts No., refer to the "HOW TO MAKE THE BEST USE OF THIS MANUAL" in the following page.

HOW TO MAKE THE BEST USE OF THIS MANUAL

- 1 When you order, please check the proper figures beforehand that are on Our Parts Guide Manual, and order with the appropriate figures.
- 2 For screws, Nuts, Washers, retaining rings and Pins which are used in this model, one letter is shown on the Standard parts column of Parts list and exploded diagrams.
- 3 In order to maintain safety of the product, some specific parts composed of this product are set up as "essential safety parts".
- 4 The assigned parts number for the "essential safety parts" is indicated as "SP00-****".
When replacing these parts, follow precautions for disassembling and installing which are listed in the Service Manual.
Do not use any parts that are not set up as
- 5 ♣ means that there are exclusive parts for each destination.
Please check the appropriate destination when you order.
- 6 All rights reserved. (any reprints or quotations are prohibited.)
Use of this parts guide manual should be strictly supervised to avoid disclosure of confidential information.

パーツガイドマニュアルのご案内

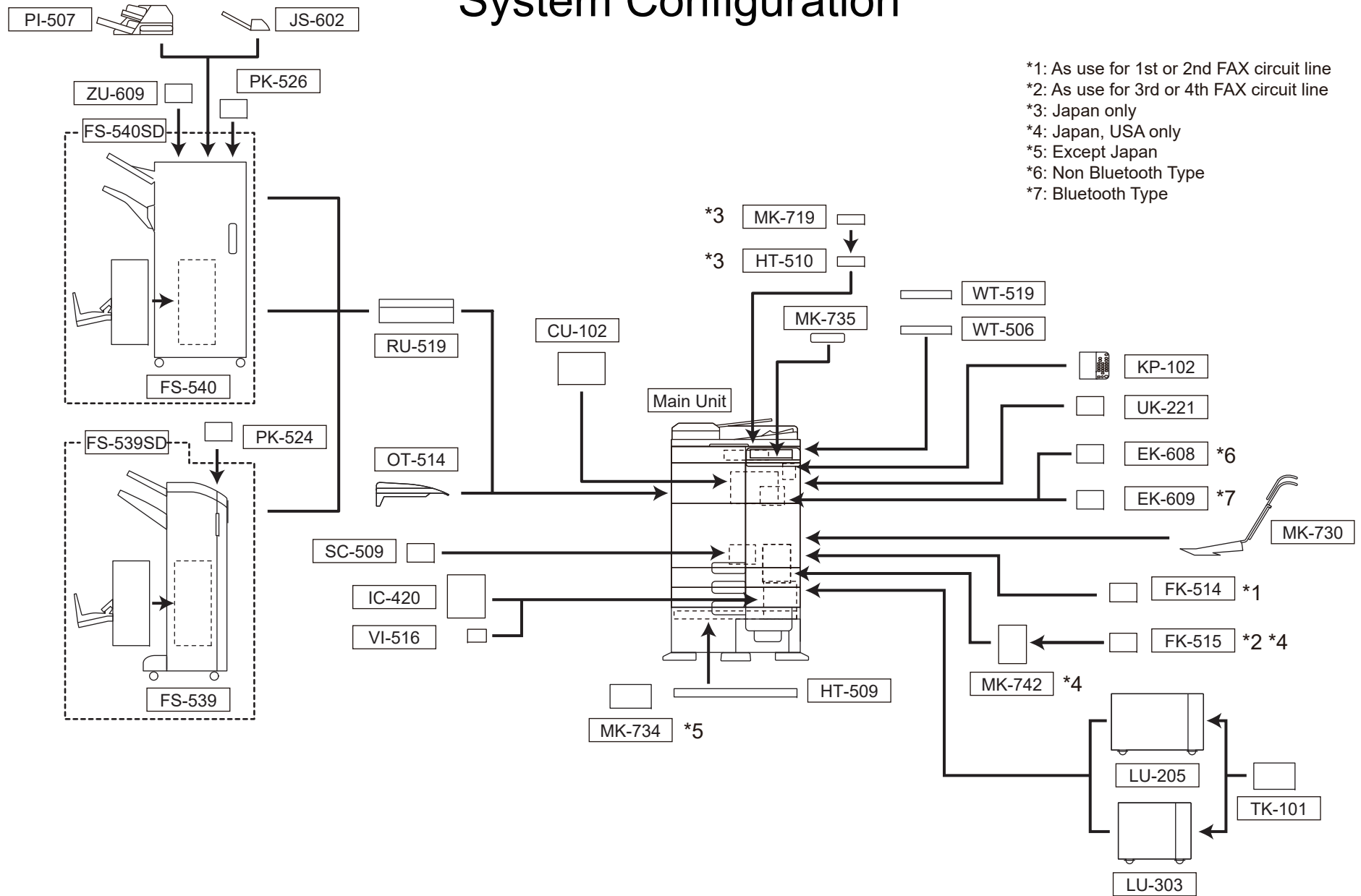
サービス部品をご発注の際には、下記に示す“パーツガイドマニュアルの活用にあたって”をご参照の上、正しい部品番号にてお願い致します。

パーツガイドマニュアルの活用にあたって

- 1 部品発注の際には、掲載されている部品番号の桁数を確認し、掲載されている桁数で発注願います。
- 2 この製品に使用されているネジ、ナット、ワッシャー、止め輪、ピンなどは、リストの右側の Standard parts 欄に a,b,c,…… で表示し、イラストにも a,b,c,…… 表示してあります。
- 3 製品の安全性を維持する為に、製品に使用される特定の部品を「重要保安部品」として設定しています。
- 4 重要保安部品の部品番号は、“SP00-****”と記載されていますので、部品交換時は、サービスマニュアル記載の分解・組み立ての注意事項に従って作業をして下さい。
また、指定以外の部品は一切使用しないで下さい。
- 5 本文に ♣ が表示されている部品は、仕向け地毎に専用部品がある事を意味しています。
オーダーされる時は、仕向け地を確認して下さい。
- 6 著作権所有（無断転載及び無断引用の禁止）
本パーツガイドマニュアルについては、機密保持等その扱いには十分注意して下さい。万一取り扱いを誤った場合には、法律で処罰される場合があります。

06/23/2020

System Configuration



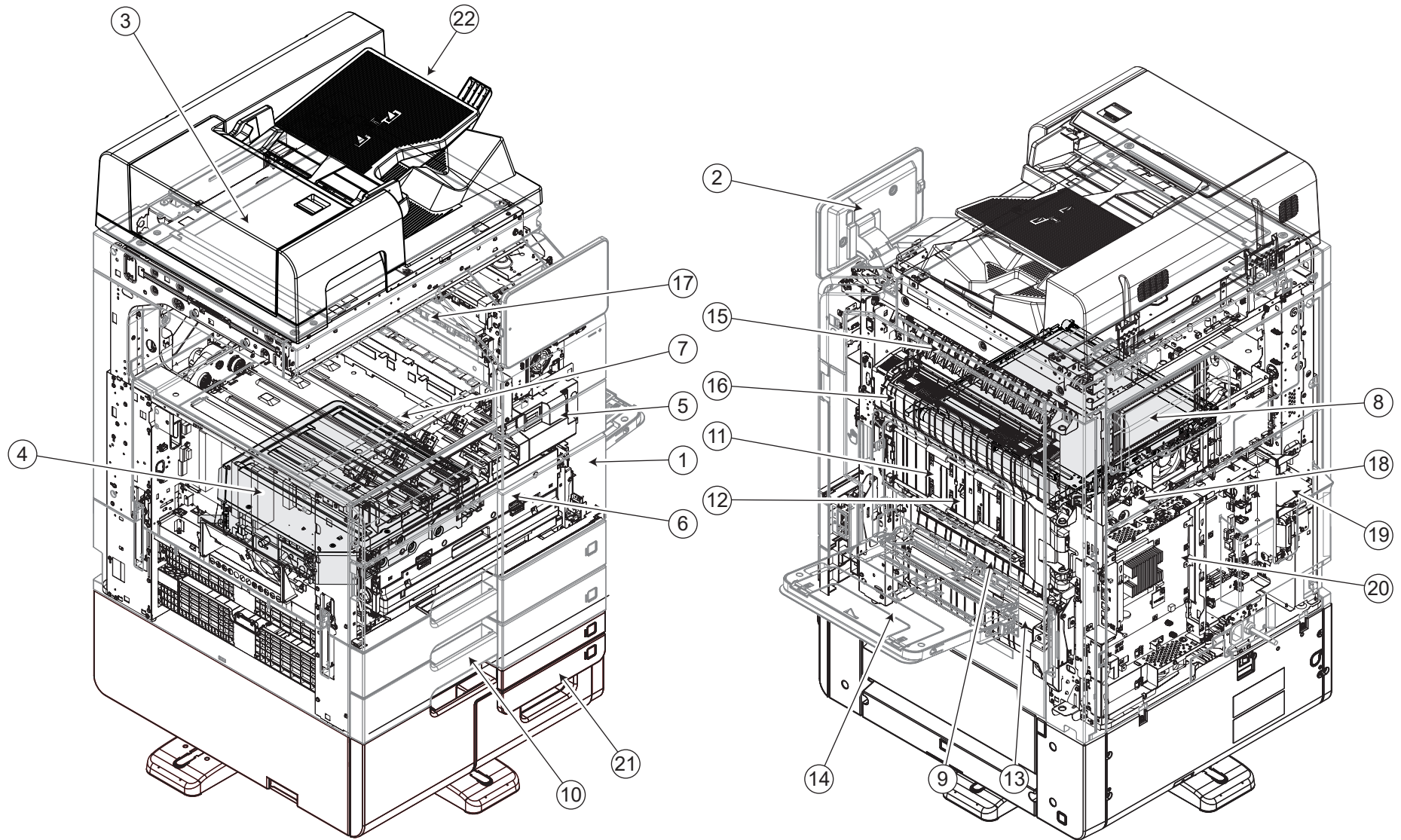
GENERAL CONTENTS

No.	Description	Model
1	Digital MFP Color	bizhub C750i
2	Finisher/Sorter	FS-539
3	Finisher/Sorter	FS-539 SD
4	Finisher/Sorter	FS-540
5	Finisher/Sorter	FS-540 SD
6	Punch Unit	PK-524
7	Punch Unit	PK-526
8	Output Tray	OT-514
9	Folding Unit	ZU-609
10	Post Inserter	PI-507
11	Paper Feeder	LU-205
12	Other Option	CU-102
13	Job Separator	JS-602
14	Paper Feeder	LU-303
15	Relay Unit	RU-519
16	Other Option	MK-719
17	Mount Kit	MK-730
18	Mount Kit	MK-734
19	Mount Kit	MK-735
20	Mount Kit	MK-742
21	Heater	HT-509
22	Heater	HT-510

bizhub C750i

No.	Description	Model
23	Working Table	WT-506
24	Working Table	WT-519
25	Image Controller	IC-420
26	Video IF Kit	VI-516
27	Fax Kit	FK-514
28	Fax Kit	FK-515
29	Local IF Kit	EK-608
30	Local IF Kit	EK-609
31	Other Option	SC-509
32	Other Option	UK-221
33	Other Option	TK-101
34	Other Option	KP-102

Section Configuration



bizhub C750i

CONTENTS

No.	DESCRIPTION	名称	PAGE No.
1	External Parts	外装部	P1 P2 P3
2	Operation Panel section	操作部	P4 P5
3	Scanner Section	スキャナー部	P6 P7 P8 P9
4	Write Section	書き込み部	P10
5	Toner Supply Section	トナー補給部	P11 P12 P13
6	Toner Collection Section	トナー回収部	P14
7	Photo Conductor/ Developing Section	感光体部 / 現像部	P15 P16
8	1st Transfer Section	1次転写部	P17
9	Paper Feed Section	給紙部	P18 P19 P20 P21 P22
10	Tray 1/2	トレイ1 / 2	P23 P24 P25 P26 P27 P28 P29
11	Registration Section	レジスト部	P30 P31 P32
12	2nd Transfer Section	2次転写部	P33 P34 P35
13	Vertical Conveyance Section	垂直搬送部	P36
14	Bypass Tray Section	手差しトレイ部	P37 P38 P39 P40
15	Reverse Section	反転部	P41 P42 P43 P44
16	Fusing Section	定着部	P45
17	Paper Exit Section	排紙部	P46 P47 P48
18	Drive Section	駆動部	P49 P50 P51 P52 P53 P54
19	Cooling Section	冷却部	P55 P56 P57
20	Electrical Parts	電装部	P58 P59 P60 P61
21	Tray 3/4	トレイ3 / 4	P62 P63 P64 P65 P66 P67 P68 P69 P70 P71 P72 P73 P74 P75 P76 P77 P78 P79
22	Dual scan document feeder (DF-713)	両面同時原稿送り装置 (DF-713)	P80 P81 P82 P83 P84 P85 P86 P87 P88 P89 P90 P91 P92 P93 P94
23	Wiring	束線	P95 P96 P97
24	Wiring Accessories	配線部品	P98
25	Service Tool	サービスツール	P99
26	Accessory Parts	同梱部品	P100 P101 P102

INDEX

1/10

Parts No.	Page No.
07BA12352	1-1
0996305501	23-8
1164202801	47-1
15BY561200	80-22
4002311002	24-10
4002504203	17-9
4004590301	47-2
4025598401	47-3
4025598401	48-23
4030301703	69-12
4030312201	67-15
4030312201	73-2
4030320601	27-17
4030320601	29-17
4030322602	27-9
4030322602	29-9
4036307501	7-10
4036534801	13-32
4038101401	3-1
4038101401	11-2
4038101401	12-1
4038258001	54-1
4040561000	69-13
4061101000	62-1
4109553001	72-1
4131253701	85-6
4131253701	89-2
4131253701	94-1
4163510201	13-10
4163529301	3-2
4163529301	10-3
4163529301	11-4
4163529301	12-2
4163529301	17-6
4163529301	24-11
4163529301	27-23
4163529301	29-23
4163529301	34-8
4163529301	35-30
4163529301	43-3

Parts No.	Page No.
4163529301	59-1
4163529301	63-1
4163529301	67-2
4163529301	84-1
4163529301	93-17
4470402401	85-4
4470402401	88-33
4470402401	91-38
4470402401	92-1
4470402401	93-7
4470402401	94-19
4532341001	20-3
4532341001	22-3
4576536301	13-12
4581162501	7-8
55VA15541	73-3
55VA40930	69-14
55VA40930	75-12
55VA40930	78-12
56AA40490	1-2
56AA40490	38-16
56AA40490	71-19
56QA58070D	76-1
56QA58070D	79-1
56QA58150	79-2
56QA58490D	76-3
56QA58490D	79-3
65AA-9920	99-2
9313130051	57-1
9321240011	38-31
9335140071	86-13
9381430031	100-17
9J06730101	60-1
9J06M10300	24-3
9J06M60100	3-3
9J06M60100	36-18
9J06PJP100	99-3
9J07160200	80-11
9J07210802	7-17
9J07300801	84-8

Parts No.	Page No.
9J07330102	87-7
9J07330801	87-6
9J07331901	87-14
9J07340901	88-4
9J07341102	84-13
A00F623201	38-18
A00F941100	41-3
A00F941100	42-3
A00J164501	74-1
A00J164501	77-1
A00J169100	2-1
A00J169100	5-19
A00J169100	6-3
A00J169100	100-3
A00J169200	6-10
A00J169300	19-27
A00J169300	21-30
A00J169300	46-1
A00J265300	7-6
A00J563600	87-11
A00J606500	67-16
A00J606500	73-4
A00J606600	67-17
A00J611900	66-3
A00J612000	66-4
A00J612200	66-5
A00J612600	66-6
A00J613401	64-1
A00J613700	75-1
A00J613700	78-1
A00J615500	75-20
A00J615500	78-20
A00J617900	21-7
A00J617900	71-3
A00J617900	73-6
A00J618400	64-2
A00J623400	75-13
A00J623400	78-13
A00J660100	73-7
A00J660700	71-4

Parts No.	Page No.
A00J660700	73-8
A00J663200	19-16
A00J663200	21-15
A00J663200	70-1
A00J663200	72-2
A00J663200	75-2
A00J663200	78-2
A00J945201	2-2
A00J945500	1-3
A00JH00D00	1-4
A00JH00D00	62-2
A00V240600	88-18
A00V240600	91-11
A00V240600	93-3
A02E117300	55-1
A02E149900	2-3
A02E561100	19-14
A02E561100	21-13
A02E561100	70-2
A02E561100	72-12
A02E595100	38-36
A02E595400	38-35
A02E596100	38-25
A02E596300	38-28
A02E597600	39-27
A02E815200	20-11
A02E815200	22-11
A02E815200	35-6
A02E815200	42-9
A02E815200	43-24
A02E815200	72-3
A02E940300	27-25
A02E940300	29-25
A02EM20100	38-29
A02EN12513	60-2
A034M20100	38-5
A03U812800	54-2
A03U812800	65-1
A03U812800	66-20
A03U812800	69-1

Parts No.	Page No.
A03U889900	65-2
A07H570500	87-10
A093940800	62-3
A093H00100	63-2
A093M60000	63-3
A0ED103100	15-11
A0ED110900	17-22
A0ED111000	17-1
A0ED111400	17-16
A0ED111500	17-15
A0ED111700	17-26
A0ED112000	17-20
A0ED135700	60-3
A0ED257500	54-3
A0ED259700	54-4
A0ED271200	8-6
A0ED271300	8-7
A0ED273600	9-10
A0ED274200	9-23
A0ED274300	9-12
A0ED274400	9-13
A0ED276301	9-11
A0ED363200	14-1
A0ED363400	14-2
A0ED401000	13-31
A0ED550800	34-20
A0ED550900	34-21
A0ED551100	34-17
A0ED563900	20-7
A0ED563900	22-7
A0ED563900	69-15
A0ED563900	71-20
A0ED597800	38-30
A0ED620200	29-16
A0ED620701	27-34
A0ED620701	29-34
A0ED700200	31-6
A0ED700300	31-18
A0ED700700	31-19
A0ED703800	34-12

Parts No.	Page No.	Parts No.	Page No.	Parts No.	Page No.	Parts No.	Page No.	Parts No.	Page No.
A0ED811700	35-1	A161104300	23-1	A161170800	6-4	A161278900	8-2	A161592900	36-21
A0ED811700	42-15	A161105200	23-15	A161210200	50-13	A161280211	7-23	A161593300	38-23
A0ED811900	35-4	A161105400	10-4	A161210200	54-5	A161280300	7-24	A161593400	39-6
A0ED815100	43-7	A161105500	49-12	A161210200	82-7	A161281100	7-26	A161593600	39-10
A0ED891100	47-4	A161105600	15-9	A161210200	83-13	A161281300	7-25	A161593800	40-10
A0ED897700	48-18	A161107100	15-5	A161230700	54-6	A161281600	7-11	A161594201	39-13
A0EDM10500	61-16	A161107100	19-32	A161232200	54-7	A161400601	13-21	A161594300	40-13
A0EDM50100	19-8	A161110300	17-7	A161232501	54-8	A161400800	13-24	A161594500	39-1
A0EDM50100	21-3	A161110500	17-21	A161240900	52-1	A161401000	13-9	A161594600	39-3
A0EDM50100	31-13	A161110601	17-4	A161241000	51-2	A161401300	13-15	A161594700	38-7
A0EDM50100	64-3	A161112000	17-34	A161241400	51-3	A161401500	13-6	A161595000	39-22
A0EDM50100	70-3	A161112101	17-2	A161254600	54-9	A161403000	13-26	A161595100	39-20
A0EDM50100	71-5	A161112200	17-10	A161258800	54-10	A161403200	13-30	A161595300	39-17
A0EDM50100	72-13	A161112300	17-27	A161259400	54-11	A161404200	13-19	A161595400	39-24
A0EDM60001	16-1	A161112400	17-25	A161261902	7-16	A161561100	18-2	A161620400	29-10
A0EDM60001	51-1	A161112500	17-5	A161262002	7-19	A161561200	18-3	A161620600	27-4
A0HT561202	88-5	A161112600	17-11	A161262200	7-15	A161563300	69-16	A161620600	29-4
A0HU250500	91-16	A161112700	17-30	A161263000	7-12	A161564300	69-2	A161620701	27-5
A0P0662700	75-21	A161116202	16-2	A161268200	7-4	A161564400	69-3	A161620701	29-5
A0P0662700	78-21	A161119500	16-3	A161268300	7-3	A161565102	18-4	A161621411	27-22
A0P0742300	46-2	A161121300	36-1	A161270102	8-8	A161571100	21-4	A161621600	27-32
A0P0742300	92-2	A161122500	45-1	A161270600	8-10	A161576100	18-7	A161621600	29-32
A0P0M50300	58-10	A161137100	36-19	A161271000	8-12	A161578214	21-1	A161623400	23-16
A0P0M50300	91-1	A161137600	61-14	A161271000	9-22	A161578700	21-2	A161623400	26-3
A0P0N30000	60-4	A161137701	58-11	A161271100	8-11	A161579011	18-5	A161623400	28-3
A0VDM50200	14-3	A161137900	61-25	A161271100	9-21	A161590304	39-12	A161623400	73-9
A0XW616000	67-5	A161138500	15-10	A161273113	9-19	A161590600	38-27	A161624100	27-3
A108260700	85-19	A161140200	10-1	A161273401	9-14	A161590901	39-7	A161624100	29-3
A108266300	93-15	A161141700	55-2	A161273500	9-20	A161591000	39-8	A161626502	26-7
A108703100	86-4	A161143400	59-2	A161273701	9-17	A161591100	39-9	A161626800	26-8
A108890500	84-9	A161143601	59-3	A161273800	9-15	A161591300	38-34	A161626800	28-7
A108891300	84-11	A161144500	59-4	A161274500	9-18	A161591400	38-22	A161626800	75-3
A108M50000	83-7	A161144801	17-17	A161274600	9-16	A161591600	39-14	A161626800	78-3
A108M50000	86-8	A161144801	55-3	A161275300	9-8	A161591800	39-25	A161631411	29-22
A161101600	23-20	A161144900	17-19	A161275400	9-9	A161592200	40-1	A161636502	28-6
A161101701	23-19	A161145000	59-5	A161275500	9-6	A161592300	40-17	A161701100	32-4
A161101900	23-4	A161146600	55-4	A161275600	9-5	A161592400	40-5	A161701301	31-5
A161103901	23-10	A161151200	36-20	A161276000	9-4	A161592501	40-6	A161701703	32-6
A161104101	33-1	A161162400	5-13	A161276500	9-7	A161592600	40-7	A161701900	31-4
A161104200	23-3	A161163900	2-4	A161278600	8-1	A161592800	38-39	A161702000	31-3

Parts No.	Page No.	Parts No.	Page No.	Parts No.	Page No.	Parts No.	Page No.	Parts No.	Page No.
A161702101	32-5	A161816200	36-12	A161N14000	8-9	A3EWM90200	45-2	A5C1825000	43-26
A161702200	31-2	A161816400	42-14	A161N14100	7-9	A49FM90000	66-22	A5C1M50100	3-5
A161710500	35-7	A161819200	43-25	A161N14201	7-14	A55D941100	6-9	A5C1M50100	7-13
A161711200	34-6	A161819500	43-31	A161R72811	55-5	A5AWP00100	99-1	A5C1M50100	13-28
A161711300	35-11	A161825000	43-27	A1RF824100	69-4	A5C1102800	15-8	A5C1M50100	14-4
A161711600	35-14	A161825301	39-28	A1UD192400	23-14	A5C1104400	23-7	A5C1M50100	17-29
A161711700	35-12	A161825301	43-5	A1UDM50100	83-10	A5C1104700	23-6	A5C1M50100	19-25
A161711901	34-31	A161825400	43-15	A1UDM50200	7-5	A5C1104800	23-5	A5C1M50100	21-26
A161712000	35-17	A161825700	35-8	A2X0666900	75-4	A5C1105500	15-6	A5C1M50100	24-7
A161712100	35-15	A161825700	43-8	A2X0666900	78-4	A5C1112102	17-28	A5C1M50100	32-8
A161712401	34-4	A161825800	5-1	A2X0M10000	49-5	A5C1112800	17-14	A5C1M50100	34-13
A161712700	34-11	A161825800	43-16	A2X0M10600	42-20	A5C1112900	17-24	A5C1M50100	35-24
A161712800	35-19	A161826001	43-28	A2X0M10800	85-14	A5C1134800	58-9	A5C1M50100	38-37
A161712800	43-10	A161891000	48-7	A2X0M10800	94-4	A5C1192104	100-5	A5C1M50100	39-26
A161713500	35-18	A161892300	48-8	A2X0M12101	63-4	A5C1263300	7-21	A5C1M50100	40-4
A161714500	35-16	A161892400	47-5	A2XK144201	10-11	A5C1263400	7-7	A5C1M50100	43-11
A161714600	35-9	A161892400	48-22	A2XK709000	21-29	A5C1280101	7-20	A5C1M50100	63-6
A161719000	35-2	A161893601	48-2	A2XM563401	67-9	A5C1404600	13-20	A5C1M50100	70-4
A161810305	36-16	A161894000	47-6	A2XM563600	67-10	A5C1551701	34-1	A5C1M50100	71-2
A161811001	36-5	A161894100	47-7	A2XM564000	67-11	A5C1562200	38-17	A5C1M50100	72-4
A161811302	36-10	A161895503	47-8	A2XM591002	71-6	A5C1563400	69-17	A5C1M50100	83-5
A161811500	36-4	A161895601	47-9	A2XM592602	71-7	A5C1565600	69-18	A5C1M50100	84-10
A161813001	43-29	A161900100	48-20	A2XM593500	68-7	A5C1591200	38-32	A5C1M50100	85-15
A161813100	43-30	A161900201	47-10	A2XM628200	76-4	A5C1591900	38-38	A5C1M50100	86-15
A161813200	43-9	A161943000	3-4	A2XM628200	79-4	A5C1627103	24-4	A5C1M50100	88-37
A161813300	42-13	A161943301	100-8	A2XM631900	65-4	A5C1627300	24-6	A5C1M50100	91-22
A161813400	43-14	A161943400	100-7	A2XM632000	65-5	A5C1627900	24-5	A5C1M50100	92-5
A161813600	43-4	A161F59002	38-43	A2XM942312	62-4	A5C1628000	24-12	A5C1M50100	93-37
A161814401	43-2	A161M10300	54-12	A2XMN10M00	63-5	A5C1628500	26-17	A5C1M50100	94-13
A161814601	42-8	A161M20300	49-6	A2XMR70011	62-5	A5C1628500	28-16	A5C1M92000	5-2
A161814700	42-10	A161M50300	32-2	A3CK272001	89-7	A5C1700101	31-7	A5C1N14300	9-1
A161815000	36-11	A161M50400	40-12	A3CK272600	89-6	A5C1700800	31-17	A61DM10000	49-16
A161815100	41-2	A161M50501	24-9	A3CK300102	92-3	A5C1703201	31-20	A61F100600	59-6
A161815300	36-15	A161M50600	24-13	A3CK300200	91-25	A5C1711500	35-13	A64J257800	49-11
A161815300	67-6	A161M50A00	7-22	A3CK300200	92-4	A5C1711801	34-16	A64J363700	14-5
A161815400	36-14	A161N11300	58-7	A3CK565100	88-8	A5C1811101	36-6	A64J564101	19-13
A161815400	67-7	A161N11C01	6-8	A3CK568300	88-11	A5C1811803	43-6	A64J564101	21-12
A161815500	67-8	A161N11K00	58-8	A3CK940000	93-16	A5C1811901	43-32	A64J564101	70-5
A161815800	41-7	A161N12701	21-5	A3CKH00200	90-4	A5C1814200	43-13	A64J564101	72-14
A161815900	36-7	A161N12801	13-23	A3CKM20000	85-3	A5C1814300	42-17	A64J564201	19-20

Parts No.	Page No.	Parts No.	Page No.	Parts No.	Page No.	Parts No.	Page No.	Parts No.	Page No.
A64J564201	21-18	A782116201	90-5	A782262900	91-15	A782269300	92-19	A782700400	86-11
A64J564201	70-6	A782116301	90-3	A782263000	91-17	A782269500	92-20	A782700900	87-26
A64J564201	72-15	A782116801	89-5	A782263212	92-7	A782561000	83-22	A782701000	86-19
A64J709100	35-3	A782117000	81-2	A782263300	91-24	A782561801	84-14	A782701100	86-18
A64J719100	34-30	A782117100	81-5	A782263700	91-34	A782561900	84-6	A782701200	86-17
A64J815500	36-13	A782117500	80-19	A782263801	91-14	A782562001	83-8	A782701501	86-27
A64J891100	47-11	A782117600	80-20	A782264000	92-8	A782562101	87-2	A782701900	87-25
A64JM20000	21-28	A782117700	93-26	A782264202	92-9	A782562101	92-21	A782702600	87-24
A64JM20000	54-13	A782117800	93-36	A782264300	91-28	A782562400	83-17	A782702700	87-22
A64JM20000	66-7	A782117900	88-19	A782264300	92-10	A782562400	87-21	A782702801	86-20
A64JM20000	70-7	A782117900	91-12	A782264501	91-27	A782562600	83-11	A782703001	87-23
A64JM20000	72-5	A782117900	93-6	A782264600	92-11	A782563800	93-9	A782703401	87-27
A782100001	89-4	A782118000	91-20	A782264700	92-12	A782565301	86-14	A782704101	86-2
A782100200	89-19	A782118300	91-13	A782264800	92-13	A782566000	82-10	A782704200	86-21
A782100301	89-14	A782119300	80-17	A782264900	81-12	A782566800	83-18	A782704200	88-14
A782100400	89-13	A782125500	81-6	A782265102	93-8	A782568200	88-6	A782704301	86-26
A782100501	89-16	A782130301	81-1	A782265201	92-14	A782568600	88-7	A782704400	86-3
A782100600	89-17	A782130500	82-5	A782265300	92-15	A782568701	88-9	A782704501	86-9
A782100701	89-18	A782130600	80-3	A782265600	93-11	A782568901	87-8	A782704800	86-12
A782101000	85-18	A782211300	85-9	A782265700	93-10	A782569000	87-3	A782705600	86-6
A782101600	85-17	A782211400	85-13	A782265800	93-33	A782569200	87-12	A782705600	88-35
A782101700	81-10	A782211500	85-20	A782266000	93-12	A782569300	87-4	A782705600	91-42
A782101900	94-14	A782211600	85-2	A782266100	93-30	A782569801	87-9	A782707201	86-25
A782103200	94-12	A782211700	85-11	A782266200	93-18	A782569900	87-13	A782707400	86-24
A782103600	93-24	A782211800	85-7	A782266300	93-23	A782569900	94-3	A782710000	88-16
A782104301	92-6	A782212000	85-5	A782266401	93-21	A782570602	87-16	A782710100	88-17
A782104500	94-17	A782212300	91-4	A782266502	93-14	A782571800	84-7	A782710201	88-15
A782105001	81-4	A782212702	85-12	A782266601	93-27	A782572000	82-9	A782710806	88-13
A782105101	81-3	A782214300	85-8	A782266700	93-32	A782572101	84-4	A782711901	88-2
A782106200	80-24	A782215100	88-31	A782266800	93-22	A782572101	86-10	A782712300	88-12
A782110600	80-16	A782215800	85-10	A782266900	93-13	A782572900	82-11	A782714100	88-26
A782111000	81-8	A782230700	91-36	A782267000	93-25	A782573401	82-12	A782714200	88-1
A782111100	81-9	A782231000	91-10	A782267100	93-28	A782573501	87-5	A782890111	94-16
A782111200	81-14	A782262101	91-30	A782267200	93-19	A782573800	82-6	A782890200	94-18
A782112305	80-15	A782262200	91-21	A782268001	93-31	A782573901	84-12	A782890711	94-9
A782114100	80-21	A782262300	91-33	A782268201	93-29	A782576000	88-10	A782891500	94-11
A782115700	88-25	A782262501	91-26	A782268301	92-16	A782576100	87-1	A782891600	94-6
A782115700	91-3	A782262700	91-31	A782268500	92-17	A782600101	83-4	A782891800	83-15
A782115700	93-4	A782262800	81-11	A782269200	91-29	A782600900	83-9	A782891901	83-14
A782115800	94-8	A782262800	91-23	A782269200	92-18	A782601500	83-6	A782940300	93-20

Parts No.	Page No.
A782945003	100-2
A782M10000	88-23
A782M10000	91-39
A782N10000	80-4
A782N10300	83-21
A782N10400	83-23
A782N10700	93-35
A782N10900	90-2
A782N11100	86-16
A782N11800	49-4
A782N11800	81-13
A782N11800	93-34
A782N12001	90-6
A782N12200	90-7
A782N12300	91-2
A782N12400	92-23
A782N12600	91-9
A782N12700	88-27
A782N20400	88-34
A782R70800	87-28
A795273900	9-24
A795275700	9-3
A795565500	27-30
A795565500	29-30
A795565700	27-18
A795565700	29-18
A795565800	27-20
A795565800	29-20
A795565900	27-19
A795565900	29-19
A795611800	66-8
A795621901	27-21
A795621901	29-21
A795622700	27-8
A795622700	29-8
A795669100	76-5
A795669100	79-5
A797102701	45-3
A797105400	15-7
A797564400	20-12

Parts No.	Page No.
A797564400	22-12
A79J101801	10-8
A79J120700	56-9
A79J120801	56-10
A79J122200	3-6
A79J122200	36-22
A79J134701	49-18
A79J136000	60-5
A79J136000	60-15
A79J139000	60-6
A79J140502	56-15
A79J140801	59-7
A79J140900	59-8
A79J141501	56-4
A79J142600	56-17
A79J142701	56-16
A79J143300	101-1
A79J143600	55-6
A79J143600	56-11
A79J143800	56-13
A79J145100	56-2
A79J145200	56-1
A79J147501	10-12
A79J148304	56-14
A79J149100	2-23
A79J149200	2-24
A79J149200	101-2
A79J149200	101-8
A79J149300	101-3
A79J149300	101-9
A79J162201	2-5
A79J168200	101-4
A79J220000	50-10
A79J220701	50-17
A79J220800	50-20
A79J220901	50-1
A79J222500	50-19
A79J223101	50-9
A79J226200	50-6
A79J226301	50-7

Parts No.	Page No.
A79J226400	50-8
A79J226500	50-11
A79J226600	50-5
A79J226700	50-12
A79J226800	50-16
A79J240400	52-2
A79J240500	52-3
A79J253000	50-18
A79J253300	50-3
A79J254200	49-10
A79J259800	50-2
A79J401400	13-14
A79J401600	13-4
A79J401700	13-5
A79J401800	13-8
A79J401900	13-7
A79J508400	17-3
A79J566000	27-6
A79J566000	29-6
A79J576400	19-28
A79J622500	27-7
A79J622500	29-7
A79J700800	31-8
A79J701000	31-12
A79J810902	43-12
A79J811200	42-16
A79J811700	43-1
A79J812202	42-7
A79J813700	42-12
A79J813903	43-17
A79J814901	41-9
A79J819000	42-18
A79J819800	42-19
A79J821000	43-19
A79J830001	44-13
A79J830100	44-3
A79J830600	42-2
A79J831000	44-8
A79J831100	42-6
A79J831200	44-2

Parts No.	Page No.
A79J831300	44-4
A79J831501	42-1
A79J831600	42-4
A79J832000	44-6
A79J832100	44-10
A79J832200	44-14
A79J832300	44-12
A79J832400	44-7
A79J891300	48-27
A79J892000	48-9
A79J893200	47-12
A79J893501	48-13
A79J893700	48-16
A79J893800	48-15
A79J894000	47-13
A79J894500	48-14
A79J895200	47-14
A79J895400	47-15
A79J895603	47-16
A79J895702	47-17
A79J895800	47-18
A79J897300	35-10
A79J897300	50-4
A79J897300	54-14
A79J898300	47-19
A79JM90900	43-34
A79JN10Q00	48-30
A79JPJG000	99-5
A79JPJP000	99-4
A7AH561300	71-21
A7AH561601	21-10
A7AH561601	70-8
A7AH561601	72-16
A7AH562100	19-19
A7AH562100	21-23
A7AH562100	72-17
A7AH562300	19-17
A7AH562300	21-16
A7AH562300	70-9
A7AH562300	72-18

Parts No.	Page No.
A7AH562400	19-15
A7AH562400	21-14
A7AH562400	70-10
A7AH562400	72-19
A7AH562600	19-21
A7AH562600	21-19
A7AH562600	70-11
A7AH562600	72-20
A7AH562801	70-12
A7AH562801	72-21
A7AH562900	19-18
A7AH562900	21-17
A7AH562900	72-22
A7AH563101	71-22
A7AH563400	19-22
A7AH563400	21-20
A7AH563400	70-13
A7AH563400	72-23
A7AH564112	72-6
A7AH564401	72-7
A7AH565000	20-8
A7AH565000	22-8
A7AH565000	71-23
A7AH565702	72-8
A7AH571100	72-24
A7AHM50400	32-3
A7PU101500	1-5
A7PU102201	23-13
A7PU102301	23-12
A7PU106100	24-14
A7PU109000	17-23
A7PU109100	2-6
A7PU130400	61-17
A7PU135700	60-7
A7PU139800	61-19
A7PU140100	61-15
A7PU141800	58-2
A7PU166101	2-7
A7PU168500	5-20
A7PU168600	5-21

Parts No.	Page No.	Parts No.	Page No.	Parts No.	Page No.	Parts No.	Page No.	Parts No.	Page No.
A7PU169900	100-1	A93EM10000	58-19	AA2J160703	1-9	AA2J193300	4-23	AA2J401100	13-3
A7PU170702	6-1	A93EM10000	59-9	AA2J160802	1-10	AA2J195000	4-21	AA2J402101	12-3
A7PU241200	51-4	A93EM10600	44-11	AA2J160902	2-10	AA2J228100	54-15	AA2J402401	12-4
A7PU593500	40-14	A93EM10600	55-7	AA2J161805	2-11	AA2J228200	54-16	AA2J402500	12-5
A7PU593700	40-9	A93EM10600	56-12	AA2J163200	3-10	AA2J229000	54-17	AA2J402600	12-6
A7PU594000	39-18	A93EM60000	1-6	AA2J163400	2-12	AA2J229100	54-18	AA2J402700	13-1
A7PU595500	40-18	A9HFR71200	102-1	AA2J164400	2-13	AA2J229202	54-19	AA2J402800	13-2
A7PU596800	39-11	A9HG830701	44-9	AA2J164603	3-11	AA2J229300	54-20	AA2J403100	13-11
A7PU596900	38-33	A9UVN14101	97-2	AA2J165100	1-11	AA2J229400	54-21	AA2J403300	13-16
A7PU599300	40-11	AA2J101100	23-11	AA2J165200	3-12	AA2J229500	54-22	AA2J404300	13-27
A7PU627500	24-8	AA2J104003	23-18	AA2J165300	3-13	AA2J229600	54-23	AA2J405500	13-17
A7PU701000	32-1	AA2J106000	23-9	AA2J165500	3-14	AA2J229711	54-24	AA2J550701	34-18
A7PU701100	30-2	AA2J107500	58-12	AA2J168700	2-14	AA2J232400	54-25	AA2J551000	34-3
A7PU810201	41-8	AA2J110100	17-18	AA2J169100	1-12	AA2J240101	52-7	AA2J551500	34-2
A7PU890700	48-10	AA2J110200	17-8	AA2J169201	1-13	AA2J240600	52-8	AA2J551600	34-19
A7PU941701	2-8	AA2J110202	17-8	AA2J170104	6-5	AA2J241502	52-9	AA2J560000	20-6
A7PU944900	40-19	AA2J121201	36-2	AA2J170403	6-2	AA2J241700	52-4	AA2J560000	22-6
A7PUF60001	40-15	AA2J130101	15-3	AA2J171800	5-7	AA2J242100	52-7	AA2J560000	69-19
A7PUM10600	14-6	AA2J130400	3-8	AA2J171900	5-8	AA2J242500	52-9	AA2J560000	71-24
A7PUM10600	52-5	AA2J130501	3-9	AA2J173300	5-9	AA2J245003	14-8	AA2J560500	19-11
A7PUM10700	13-25	AA2J130801	60-8	AA2J190102	4-4	AA2J245100	14-9	AA2J560500	21-21
A7PUM10700	35-36	AA2J131100	61-7	AA2J190201	4-5	AA2J245200	14-10	AA2J561301	20-9
A7PUM10700	52-6	AA2J131401	60-9	AA2J190212	4-5	AA2J245300	14-11	AA2J561301	22-9
A7PUM11100	66-9	AA2J131602	61-18	AA2J191000	4-6	AA2J254200	54-26	AA2J561600	19-10
A7PUM72100	4-2	AA2J131903	61-3	AA2J191100	4-7	AA2J254300	54-27	AA2J563103	20-10
A7PUN10700	61-11	AA2J132301	2-9	AA2J191201	4-8	AA2J254400	54-28	AA2J563103	22-10
A7PUN10800	61-10	AA2J133000	58-13	AA2J191300	4-9	AA2J255700	54-29	AA2J563801	20-5
A7PUN10B01	40-16	AA2J134100	10-15	AA2J191401	4-10	AA2J256300	54-30	AA2J563801	22-5
A7PUR70611	15-4	AA2J134201	10-6	AA2J191500	4-11	AA2J258500	54-31	AA2J564200	20-13
A85GM50000	91-5	AA2J134401	14-7	AA2J191512	4-11	AA2J258700	54-32	AA2J565300	19-9
A85Y375100	3-7	AA2J134601	4-3	AA2J191600	4-12	AA2J259100	54-33	AA2J565400	19-7
A860571900	62-6	AA2J135101	61-12	AA2J191800	4-13	AA2J363000	14-12	AA2J565700	19-6
A90GN15300	5-3	AA2J135301	60-10	AA2J192100	4-14	AA2J368001	14-13	AA2J565700	21-11
A92T940800	6-6	AA2J136100	1-7	AA2J192200	4-15	AA2J369101	14-14	AA2J566000	19-2
A93E944400	74-3	AA2J137600	61-2	AA2J192302	4-16	AA2J369301	14-16	AA2J567500	20-1
A93E944400	77-10	AA2J137902	58-23	AA2J192501	4-17	AA2J369600	14-15	AA2J568401	20-2
A93E944500	74-3	AA2J137902	61-22	AA2J192602	5-10	AA2J400001	13-33	AA2J568900	20-4
A93E944500	77-10	AA2J139800	61-23	AA2J192801	4-18	AA2J400100	13-13	AA2J569000	22-4
A93EM10000	10-2	AA2J140600	45-4	AA2J193000	5-11	AA2J400400	13-18	AA2J571100	19-5
A93EM10000	56-8	AA2J160511	1-8	AA2J193200	4-20	AA2J400700	13-29	AA2J571200	19-4

Parts No.	Page No.	Parts No.	Page No.	Parts No.	Page No.	Parts No.	Page No.	Parts No.	Page No.
AA2J574101	22-13	AA2J620200	27-16	AA2J628700	27-28	AA2J890201	48-5	AA2JM50P00	61-4
AA2J575202	21-9	AA2J620400	27-10	AA2J628700	29-28	AA2J890402	48-4	AA2JM70006	4-22
AA2J575300	21-8	AA2J620804	27-15	AA2J628800	27-33	AA2J891100	48-19	AA2JM70600	5-15
AA2J577500	22-1	AA2J620804	29-15	AA2J628800	29-33	AA2J891500	48-31	AA2JM72002	5-16
AA2J578100	21-6	AA2J620901	27-1	AA2J628901	27-27	AA2J900300	48-6	AA2JM72100	5-17
AA2J578401	22-2	AA2J620901	29-1	AA2J628901	29-27	AA2J901101	48-3	AA2JM72700	61-8
AA2J579603	19-23	AA2J621000	27-13	AA2J629000	27-29	AA2J941200	28-17	AA2JN10F00	16-4
AA2J579603	21-25	AA2J621000	29-13	AA2J629000	29-29	AA2J941300	26-19	AA2JN10G01	10-7
AA2J590100	39-16	AA2J621100	27-35	AA2J629200	27-26	AA2J941500	26-20	AA2JN10J00	1-15
AA2J590202	38-11	AA2J621100	29-35	AA2J629200	29-26	AA2J941600	26-18	AA2JN10S00	38-44
AA2J590300	38-2	AA2J621200	27-14	AA2J629600	26-6	AA2J942400	25-4	AA2JN10T00	24-2
AA2J590900	38-1	AA2J621200	29-14	AA2J630102	29-24	AA2J942500	25-4	AA2JN10X00	17-31
AA2J591000	38-41	AA2J621300	27-11	AA2J633101	28-2	AA2J943000	3-15	AA2JN11200	17-32
AA2J591500	38-40	AA2J621300	29-11	AA2J635001	28-11	AA2J943100	26-13	AA2JN14500	8-4
AA2J591600	38-3	AA2J621500	27-12	AA2J635101	28-8	AA2J943200	28-12	AA2JN15600	5-12
AA2J591900	38-13	AA2J621500	29-12	AA2J700300	32-7	AA2J943500	28-18	AA2JN15701	5-18
AA2J592000	38-15	AA2J621600	27-36	AA2J701200	30-3	AA2J943600	28-19	AA2JN15B00	61-26
AA2J592100	38-20	AA2J622101	26-5	AA2J710204	35-5	AA2J943701	27-2	AA2JR70800	1-14
AA2J592200	38-21	AA2J622101	28-5	AA2J710302	34-22	AA2J943701	29-2	AA2JR71011	14-18
AA2J592301	38-8	AA2J623101	26-2	AA2J710402	35-21	AA2J944100	37-2	AA2JR72200	24-1
AA2J592401	38-6	AA2J623300	26-4	AA2J710602	34-37	AA2J944200	37-2	AA2JR72422	25-1
AA2J592600	38-19	AA2J623300	28-4	AA2J710701	34-33	AA2J944300	41-4	AA2JR72511	25-2
AA2J592701	38-12	AA2J624300	26-1	AA2J710900	34-9	AA2J944400	41-4	AA2JR73200	7-1
AA2J592800	38-42	AA2J624300	28-1	AA2J711000	34-14	AA2J944500	40-3	AA2JR73300	7-2
AA2J592900	38-24	AA2J625000	26-12	AA2J712100	36-3	AA2J946100	42-11	AA2JR73400	13-22
AA2J593000	39-5	AA2J625101	26-9	AA2J712300	33-2	AA2J946400	34-28	AA2JR73600	14-17
AA2J593100	38-9	AA2J625201	26-15	AA2J712500	34-10	AA2J946500	34-29	AA2JR73700	17-33
AA2J593200	39-2	AA2J625201	28-14	AA2J715100	34-7	AA2J947100	25-3	AA6RM10500	49-8
AA2J593301	39-4	AA2J625300	26-10	AA2J716000	34-27	AA2J947100	41-5	AA6RN30000	60-11
AA2J593400	40-20	AA2J625300	28-9	AA2J716700	31-14	AA2J947200	25-3	AA7N101500	18-6
AA2J593500	40-21	AA2J626600	26-16	AA2J810102	41-1	AA2J947200	41-5	AA7N130100	58-20
AA2J593601	40-8	AA2J626600	28-15	AA2J810511	43-23	AA2J947400	25-5	AA7N130300	58-21
AA2J593700	38-4	AA2J626702	26-11	AA2J810611	43-21	AA2J947800	23-17	AA7N130400	58-17
AA2J593800	38-26	AA2J626702	28-10	AA2J810800	43-20	AA2J948600	5-22	AA7N131101	15-2
AA2J593900	40-2	AA2J626702	74-2	AA2J811600	36-8	AA2J948600	100-4	AA7N131702	58-14
AA2J594201	39-23	AA2J626702	77-2	AA2J812100	36-23	AA2JH00C00	61-5	AA7N131800	58-16
AA2J594301	38-10	AA2J626900	26-14	AA2J814500	43-22	AA2JH02A03	61-24	AA7N135502	3-16
AA2J594500	39-15	AA2J626900	28-13	AA2J815200	36-9	AA2JH02T00	61-6	AA7N140500	45-5
AA2J595000	38-14	AA2J628601	27-31	AA2J815700	41-6	AA2JM10400	47-20	AA7N143001	56-3
AA2J620102	27-24	AA2J628601	29-31	AA2J825100	43-18	AA2JM11000	49-3	AA7N143200	56-7

Parts No.	Page No.	Parts No.	Page No.	Parts No.	Page No.	Parts No.	Page No.	Parts No.	Page No.
AA7N143400	56-6	AA7N401501	12-7	AA7N718000	35-38	AA7NM40900	58-18	AA7NR72800	100-11
AA7N145200	55-8	AA7N401600	11-5	AA7N718100	35-39	AA7NN10001	60-12	AAAMP100100	89-1
AA7N145300	10-17	AA7N401600	12-8	AA7N718200	35-33	AA7NN10101	60-13	AAAMP100801	89-10
AA7N145401	10-13	AA7N401701	11-1	AA7N718300	35-22	AA7NN10201	60-14	AAAMP101200	81-16
AA7N145701	10-14	AA7N560101	19-3	AA7N718400	35-23	AA7NN10401	45-8	AAAMP102900	91-7
AA7N146300	10-5	AA7N560200	19-26	AA7N718500	35-26	AA7NN10500	56-5	AAAMP110001	80-10
AA7N146400	55-9	AA7N562800	19-12	AA7N718600	35-34	AA7NN10600	55-21	AAAMP110100	80-8
AA7N146500	55-10	AA7N562800	21-22	AA7N718700	35-37	AA7NN10700	58-22	AAAMP113701	80-18
AA7N146600	55-11	AA7N565201	19-1	AA7N718800	35-25	AA7NN10A01	95-1	AAAMP113800	80-9
AA7N146800	55-12	AA7N565300	19-29	AA7N718900	35-20	AA7NN10E00	47-21	AAAMP115600	93-5
AA7N146900	55-13	AA7N565400	19-30	AA7N719300	35-29	AA7NN10F00	49-19	AAAMP125400	81-15
AA7N147400	10-16	AA7N568900	19-31	AA7N719400	35-28	AA7NN10H00	32-11	AAAMP130000	80-2
AA7N147500	55-14	AA7N569200	21-27	AA7N719501	35-32	AA7NN10K01	35-35	AAAMP160000	80-1
AA7N147600	55-15	AA7N590500	36-17	AA7N719700	34-32	AA7NN10M00	42-21	AAAMP160100	80-14
AA7N147700	55-16	AA7N591100	39-21	AA7N830100	42-5	AA7NN10N00	43-33	AAAMP160200	80-26
AA7N147901	55-17	AA7N591200	39-29	AA7N830200	44-5	AA7NN10P00	19-24	AAAMP160400	80-13
AA7N148000	55-18	AA7N591300	39-30	AA7N830300	44-1	AA7NN10Q00	21-24	AAAMP160500	80-5
AA7N148200	55-19	AA7N595100	39-19	AA7N890102	48-17	AA7NN10U01	32-15	AAAMP160600	80-7
AA7N148300	45-6	AA7N700102	31-22	AA7N890300	48-24	AA7NN10V00	34-38	AAAMP160700	80-12
AA7N148500	55-20	AA7N700600	31-10	AA7N896500	46-3	AA7NN10W00	34-35	AAAMP210800	94-2
AA7N162000	1-16	AA7N700800	31-9	AA7N896600	46-4	AA7NN10X00	49-20	AAAMP211900	85-21
AA7N162101	2-15	AA7N700900	31-16	AA7N897400	48-29	AA7NN10Y00	2-19	AAAMP212500	94-5
AA7N163302	1-17	AA7N701100	31-23	AA7N897600	48-21	AA7NN11C00	10-9	AAAMP212601	88-22
AA7N163400	1-18	AA7N701200	31-24	AA7N898200	48-25	AA7NN11K01	35-31	AAAMP213000	88-24
AA7N164300	2-16	AA7N701400	31-25	AA7N898300	48-28	AA7NR70400	33-4	AAAMP213100	91-35
AA7N165001	3-17	AA7N701500	31-26	AA7N898400	48-26	AA7NR70600	15-1	AAAMP213300	91-32
AA7N166600	1-19	AA7N701600	31-15	AA7N898500	48-12	AA7NR70800	18-1	AAAMP213500	93-2
AA7N168501	2-17	AA7N701800	33-3	AA7N898601	48-1	AA7NR71000	58-4	AAAMP214400	88-21
AA7N216100	49-17	AA7N702400	32-9	AA7N945700	2-18	AA7NR71100	58-3	AAAMP215000	88-32
AA7N221200	50-14	AA7N702500	32-10	AA7NH00500	58-1	AA7NR71200	58-5	AAAMP215700	91-6
AA7N221400	49-7	AA7N702900	31-11	AA7NH00R00	34-25	AA7NR71300	49-1	AAAMP260700	89-3
AA7N221700	49-15	AA7N709001	31-1	AA7NH00S00	32-12	AA7NR71600	59-10	AAAMP264100	92-24
AA7N222200	49-13	AA7N710101	34-5	AA7NH00V00	34-34	AA7NR71711	59-10	AAAMP264400	92-25
AA7N222400	49-14	AA7N710801	34-39	AA7NH00W00	32-16	AA7NR72122	46-5	AAAMP268600	89-12
AA7N2228000	54-34	AA7N716100	34-26	AA7NH01A00	7-18	AA7NR72211	33-5	AAAMP268700	89-8
AA7N230500	54-35	AA7N716500	34-23	AA7NM10400	49-2	AA7NR72323	37-1	AAAMP268900	91-19
AA7N231300	54-36	AA7N716601	32-14	AA7NM10400	54-37	AA7NR72411	41-10	AAAMP269600	89-9
AA7N240300	52-10	AA7N716700	34-24	AA7NM10H00	35-27	AA7NR72500	8-3	AAAMP269800	91-18
AA7N401401	11-1	AA7N716801	32-17	AA7NM31200	8-5	AA7NR72600	48-11	AAAMP272900	89-11
AA7N401501	11-6	AA7N717000	34-36	AA7NM40800	58-18	AA7NR72700	30-1	AAAMP273000	92-27

Parts No.	Page No.	Parts No.	Page No.	Parts No.	Page No.	Parts No.	Page No.	Parts No.	Page No.
AAMP290100	91-41	AAMPN10801	85-16	AAV5212300	66-15	AAV5564500	70-20	AAV5604400	78-24
AAMP290200	93-1	AAMPN11201	80-25	AAV5212400	66-16	AAV5564500	72-27	AAV5604500	75-8
AAMP296700	89-15	AAMPN11301	88-30	AAV5212500	71-8	AAV5564500	75-14	AAV5604500	78-8
AAMP561101	83-12	AAMPN20501	88-36	AAV5212600	71-9	AAV5564500	78-14	AAV5604600	75-9
AAMP561701	83-3	AAMP70100	90-1	AAV5212700	66-2	AAV5564700	72-28	AAV5604600	78-9
AAMP565001	84-3	AAMP70200	83-2	AAV5212900	66-17	AAV5566300	64-10	AAV5604700	68-6
AAMP566901	83-20	AAMP70300	83-1	AAV5213000	65-10	AAV5600300	75-15	AAV5605100	73-10
AAMP568501	83-16	AAMP70400	83-19	AAV5560100	71-17	AAV5600300	78-15	AAV5605300	73-11
AAMP570400	87-15	AAMP70500	85-1	AAV5560200	71-10	AAV5600800	76-9	AAV5605400	73-12
AAMP570900	84-2	AAMP70600	92-22	AAV5560300	71-18	AAV5600900	76-2	AAV5605500	73-13
AAMP571100	82-8	AAMP70700	82-2	AAV5560500	71-11	AAV5601000	76-11	AAV5605600	73-14
AAMP571200	82-13	AAMP70811	80-23	AAV5560600	71-12	AAV5601100	76-6	AAV5605800	73-1
AAMP571300	82-4	AAV5101700	64-4	AAV5560800	70-14	AAV5601100	79-6	AAV5606000	73-15
AAMP571600	82-3	AAV5102300	63-7	AAV5561200	70-15	AAV5601300	75-16	AAV5606100	73-16
AAMP571900	84-5	AAV5102400	64-5	AAV5561300	69-20	AAV5601300	78-16	AAV5606200	73-17
AAMP700500	86-5	AAV5102900	64-6	AAV5561400	69-6	AAV5601600	74-12	AAV5606300	73-18
AAMP700800	86-7	AAV5103001	68-3	AAV5561500	69-21	AAV5601700	75-17	AAV5606400	73-19
AAMP710500	88-29	AAV5103300	64-7	AAV5561600	69-5	AAV5601700	78-17	AAV5606500	73-20
AAMP711000	88-20	AAV5103500	64-8	AAV5561700	69-7	AAV5601900	76-7	AAV5606800	73-21
AAMP719000	86-29	AAV5130200	63-8	AAV5561800	69-8	AAV5601900	79-7	AAV5607500	73-5
AAMP719301	87-20	AAV5130500	63-9	AAV5561900	69-9	AAV5602001	76-8	AAV5610101	74-4
AAMP719401	87-19	AAV5130700	64-9	AAV5562100	69-10	AAV5602001	79-8	AAV5610300	74-5
AAMP719501	87-18	AAV5160000	67-12	AAV5562200	72-25	AAV5602600	79-9	AAV5610400	74-6
AAMP719600	86-22	AAV5160201	62-7	AAV5562300	71-25	AAV5602700	78-5	AAV5610400	77-3
AAMP719800	86-28	AAV5160301	62-8	AAV5562400	71-13	AAV5602800	75-18	AAV5610500	74-7
AAMP890000	94-10	AAV5160400	62-9	AAV5562600	72-26	AAV5602800	78-18	AAV5610600	74-8
AAMP890600	94-15	AAV5160501	62-10	AAV5562700	70-16	AAV5603100	75-19	AAV5610700	74-9
AAMP891000	81-7	AAV5160600	62-11	AAV5562800	70-17	AAV5603200	75-6	AAV5610900	75-11
AAMP891700	94-7	AAV5160700	62-12	AAV5562901	68-4	AAV5603200	78-6	AAV5612101	77-4
AAMP940400	87-17	AAV5163000	62-13	AAV5563000	68-5	AAV5603300	75-22	AAV5612200	77-5
AAMPH00105	80-6	AAV5210300	65-3	AAV5563100	72-9	AAV5603300	78-22	AAV5612500	77-6
AAMPH10U00	32-13	AAV5210400	66-10	AAV5563200	71-26	AAV5603400	75-23	AAV5613400	77-7
AAMPH10U00	88-28	AAV5210500	66-1	AAV5563300	72-10	AAV5603400	78-23	AAV5613500	78-10
AAMPH10V02	86-1	AAV5210600	66-11	AAV5563600	69-11	AAV5603500	75-10	AAV5613600	77-8
AAMP10200	91-8	AAV5210800	63-10	AAV5563900	70-18	AAV5603600	79-10	AAV5613700	74-10
AAMP10300	92-26	AAV5211000	66-12	AAV5564000	71-27	AAV5603900	78-19	AAV5613700	77-9
AAMP10900	82-1	AAV5211100	66-13	AAV5564100	71-28	AAV5604000	79-11	AAV5613900	78-11
AAMP10101	88-3	AAV5211200	66-14	AAV5564200	71-1	AAV5604100	75-7	AAV5700000	67-13
AAMP10202	86-23	AAV5211900	66-19	AAV5564301	70-19	AAV5604200	75-5	AAV5700100	67-14
AAMP10502	91-37	AAV5212001	65-6	AAV5564400	71-14	AAV5604300	78-7	AAV5700202	67-4

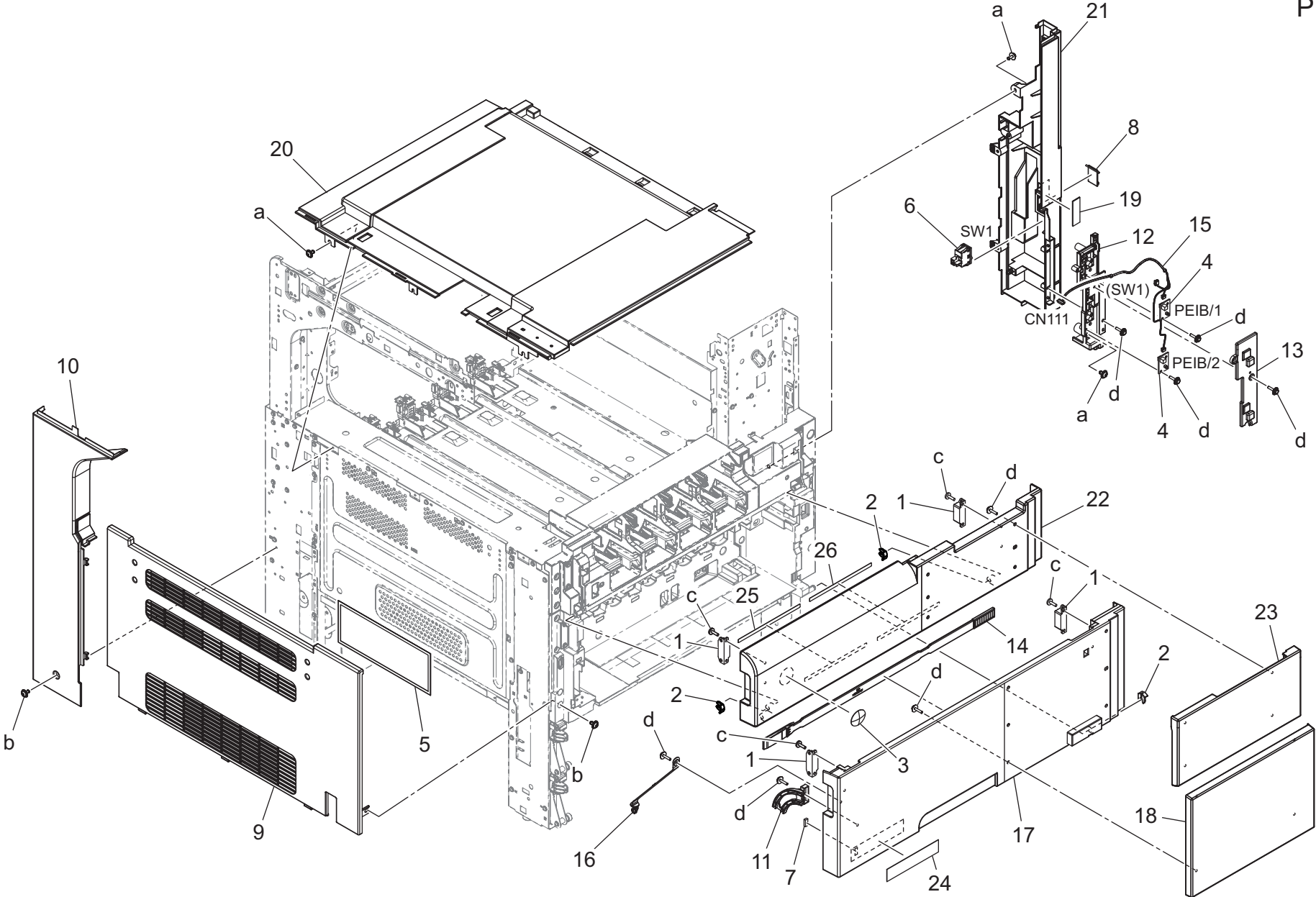
Parts No.	Page No.
AAV5700300	67-3
AAV5700400	67-1
AAV5700500	71-15
AAV5700600	71-16
AAV5940600	76-10
AAV5940600	79-12
AAV5942400	74-11
AAV5942400	77-11
AAV5942500	74-11
AAV5942500	77-11
AAV5942600	73-22
AAV5943300	74-14
AAV5943400	77-13
AAV5H01401	63-11
AAV5M11000	65-7
AAV5N10000	63-12
AAV5N10200	63-13
AAV5N10300	70-21
AAV5N10401	72-11
AAV5N10500	66-18
AAV5N10700	62-14
AAV5N10800	66-21
AAV5N10900	63-14
AAV5N10A00	65-9
AAV5N10D00	63-15
AAV5N10E00	63-16
AAV5N11000	63-17
AAV5R70611	68-1
AAV5R70700	68-2
AAV5R70800	74-13
AAV5R70900	77-12
AAV5R71000	65-8
AAV5R71100	74-13
AAV5R71200	77-12
AAVA0Y1	100-12
AAVAWY1	100-12
AC57M10A00	9-2
ACDF135201	61-13
ACKN100600	59-11
ACKN103700	23-2

Parts No.	Page No.
ACKN110401	17-12
ACKN112200	17-13
ACKN118001	51-5
ACKN118102	51-6
ACKN118200	51-7
ACKN118300	51-8
ACKN118700	33-6
ACKN130200	58-15
ACKN137200	45-9
ACKN140100	45-10
ACKN141501	55-22
ACKN142800	101-5
ACKN142900	101-6
ACKN144000	57-2
ACKN144100	57-3
ACKN144200	57-4
ACKN144300	57-5
ACKN144500	57-6
ACKN144800	57-7
ACKN144900	57-8
ACKN145000	57-9
ACKN145100	57-10
ACKN145200	57-11
ACKN160102	1-20
ACKN160400	1-21
ACKN161201	2-20
ACKN161401	5-4
ACKN161500	5-5
ACKN161703	5-6
ACKN161900	5-14
ACKN163101	1-22
ACKN163200	1-23
ACKN164000	62-15
ACKN164700	57-12
ACKN164800	2-21
ACKN166301	2-22
ACKN168600	101-10
ACKN168700	101-7
ACKN170300	6-7
ACKN170500	100-13

Parts No.	Page No.
ACKN210200	54-38
ACKN230600	54-39
ACKN231000	54-40
ACKN231800	54-41
ACKN240700	52-11
ACKN240800	52-12
ACKN240900	52-13
ACKN255600	54-42
ACKN401302	12-9
ACKN401701	12-9
ACKN401801	12-9
ACKN401900	12-9
ACKN940100	1-24
ACKN940300	100-14
ACKN942100	1-25
ACKN942600	1-26
ACKNH02101	61-1
ACKNH02P03	61-9
ACKNM10000	50-15
ACKNM40600	58-6
ACKNN10600	63-18
ACKNN10B01	96-1
ACKNN10C00	96-2
ACKNN10D00	97-1
ACKNN10E00	13-34
ACKNN11E01	51-10
ACKNN14100	97-3
ACKNR70100	10-10
ACKNR70200	49-9
ACKNR70300	53-1
ACKNR70400	51-9
ACKNR70500	11-3
ACKNR70600	11-3
ACKNR70700	11-3
ACKNR70800	45-7
ACKNR70900	45-7
ACKNR71000	45-7
ACKNR71100	11-3
V116033003	100-10
V127030804	100-6

Parts No.	Page No.
V153031004	100-16
V500010061	98-1
V500010081	98-2
V500010082	98-3
V500010083	98-4
V500010084	98-5
V500010085	98-6
V500020018	98-7
V500020040	100-9
V500020052	98-8
V500020069	98-9
V500020073	98-10
V500020080	100-15
V500020082	98-11
V500020094	98-12
V500020098	98-13
V500020099	98-14
V500020100	98-15
V502010033	63-19
V503010002	61-21
V570010021	98-16
V570010048	98-17
V570010050	98-18
V570010057	98-19
V570010059	98-20
V570010060	98-21
V651010001	70-22
V651010002	59-12
V651010025	61-20
V651010034	91-40
V800500300	31-21
V800500300	34-15

External Parts

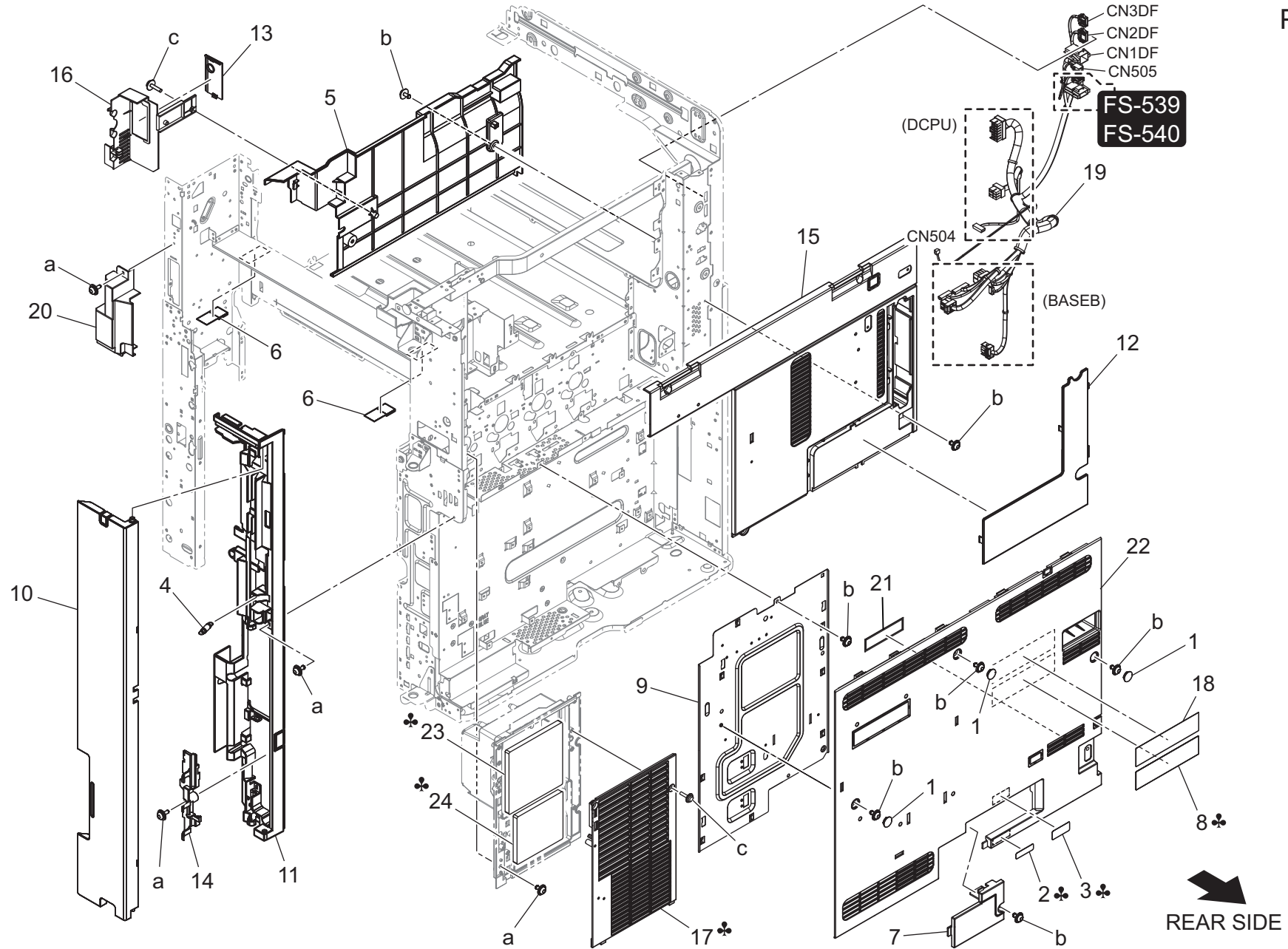


bizhub C750i

Key	Part No.	Description	Destinations	Class	QTY	Standard parts
1	07BA12352	Magnet Catch		C	4	a-V125030803 b-V127030604 c-V149030803 d-V153031004
2	56AA40490	SHAFT STOPPER 4		C	3	
3	A00J945500	Logo Mark		C	1	
4	A00JH00D00	PWB Assembly LED1		C	2	
5	A7PU101500	Filter		C	1	
6	A93EM60000	Rocker switch		C	1	
7	AA2J136100	Seal		D	1	
8	AA2J160511	Cover		D	1	
9	AA2J160703	Cover /Left front		D	1	
10	AA2J160802	Cover /Left rear		D	1	
11	AA2J165100	Open/close Cover /Front		D	1	
12	AA2J169100	Receiving Pedestal		D	1	
13	AA2J169201	Cover		D	1	
14	AA2JR70800	Cleaning Material		C	1	
15	AA2JN10J00	Indicating Wiring		D	1	
16	AA7N162000	Band		C	1	
17	AA7N163302	Open/close Cover /Front		D	1	
18	AA7N163400	Open/close Cover /Front		D	1	
19	AA7N166600	Seal		D	1	
20	ACKN160102	Cover /Upper		D	1	
21	ACKN160400	Cover /Right front		D	1	
22	ACKN163101	Open/close Cover /Front		D	1	
23	ACKN163200	Open/close Cover /Front		D	1	
24	ACKN940100	Label bizhub C750i		D	1	
25	ACKN942100	Label		D	1	
26	ACKN942600	Label		D	1	

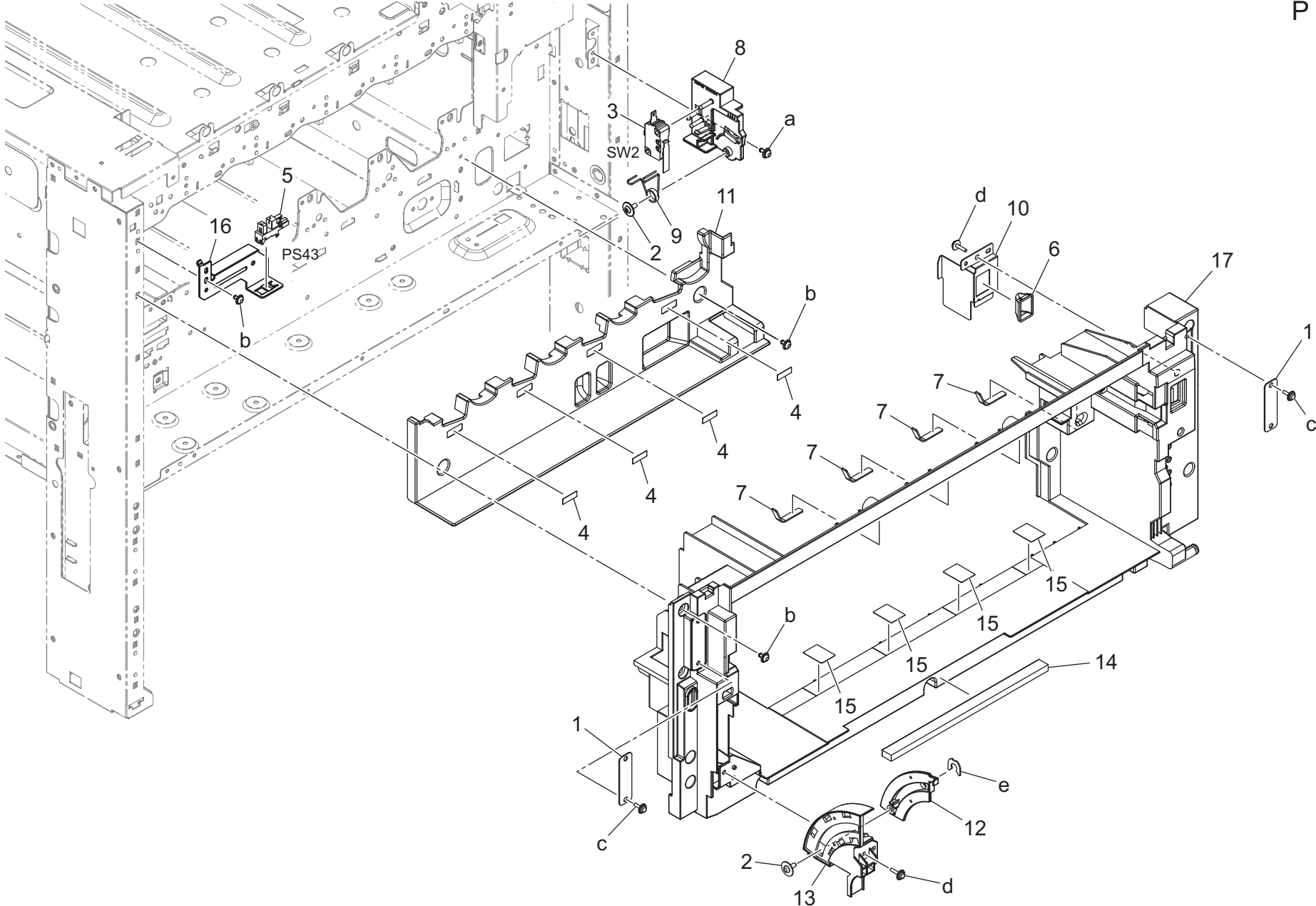
External Parts

P 2



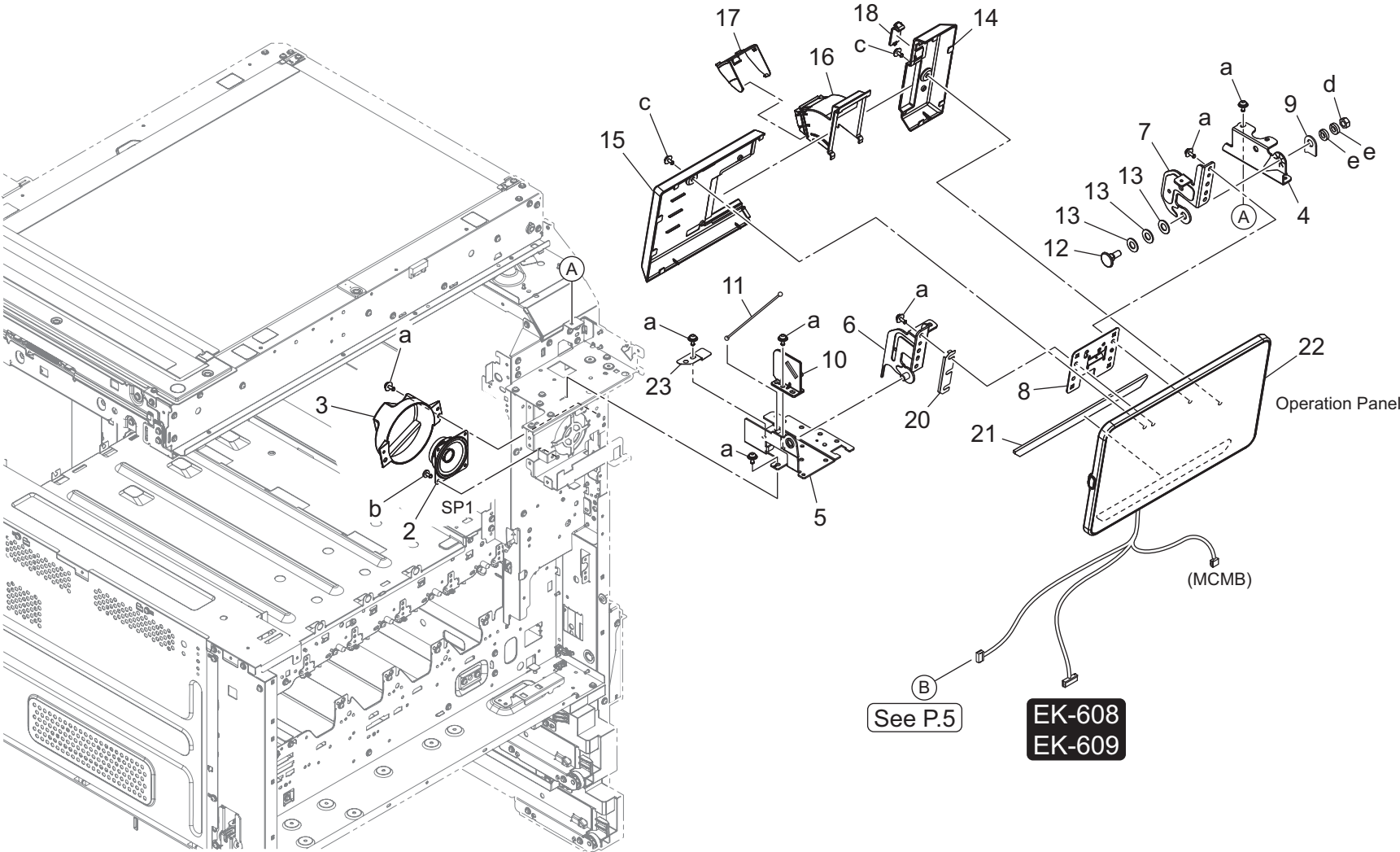
Key	Part No.	Description	Destinations	Class	QTY	Standard parts
1	A00J169100	Cover		D	3	a-V125030803 b-V127030604 c-V153031004
2	A00J945201	Label 220-240V 0.65A	C,D1,D3,E,F2,G1,I,K	C	1	
3	A02E149900	Label	J	C	1	
4	A161163900	Pulling Coil spring	A	C	1	
5	A79J162201	Cover		C	1	
6	A7PU109100	Cushion		C	2	
7	A7PU166101	Cover		C	1	
8	A7PU941701	Label Caution	C,G1,I	C	1	
9	AA2J132301	Shield Plate		D	1	
10	AA2J160902	Cover /Right rear		D	1	
11	AA2J161805	Cover /Right rear		D	1	
12	AA2J163400	Cover /Rear		D	1	
13	AA2J164400	Cover		D	1	
14	AA2J168700	Cover		D	1	
15	AA7N162101	Cover /Rear		D	1	
16	AA7N164300	Cover		D	1	
17	AA7N168501	Cover	B,D1,D3,E,F2,G1,G2,I,K,J	D	1	
18	AA7N945700	Label		D	1	
19	AA7NN10Y00	Power source Harness		D	1	
20	ACKN161201	Cover /Right front		D	1	
21	ACKN164800	Filter		C	1	
22	ACKN166301	Cover /Rear		D	1	
23	A79J149100	Filter	J	C	1	
24	A79J149200	Filter	J	C	1	

External Parts

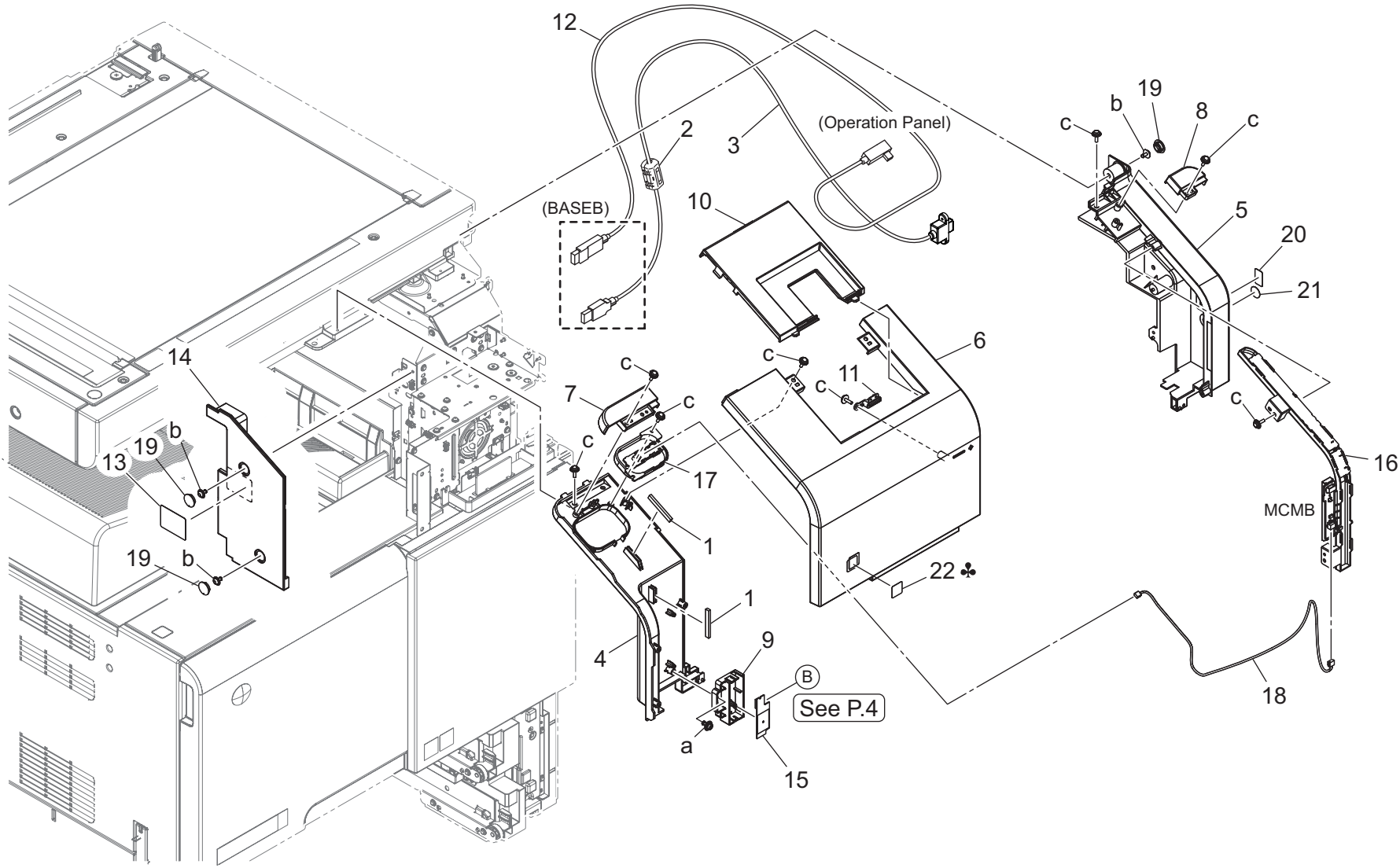


Key	Part No.	Description	Destinations	Class	QTY	Standard parts
1	4038101401	SUCTION PLATE		D	2	a-V125030803 b-V127030604 c-V153030803 d-V153031004 e-V218060086
2	4163529301	SCREW		C	2	
3	9J06M60100	MICRO SWITCH		C	1	
4	A161943000	Label		C	4	
5	A5C1M50100	Photointerrupter		B	1	
6	A79J122200	Collar		D	1	
7	A85Y375100	Protection Part		D	4	
8	AA2J130400	Holder		D	1	
9	AA2J130501	Torsion Coil spring		C	1	
10	AA2J163200	Mounting Plate		D	1	
11	AA2J164603	Cover /Front		D	1	
12	AA2J165200	Arm		D	1	
13	AA2J165300	Arm /2		D	1	
14	AA2J165500	Seal		D	1	
15	AA2J943000	Label		D	4	
16	AA7N135502	Mounting Plate		D	1	
17	AA7N165001	Cover /Front		D	1	

Operation Panel section

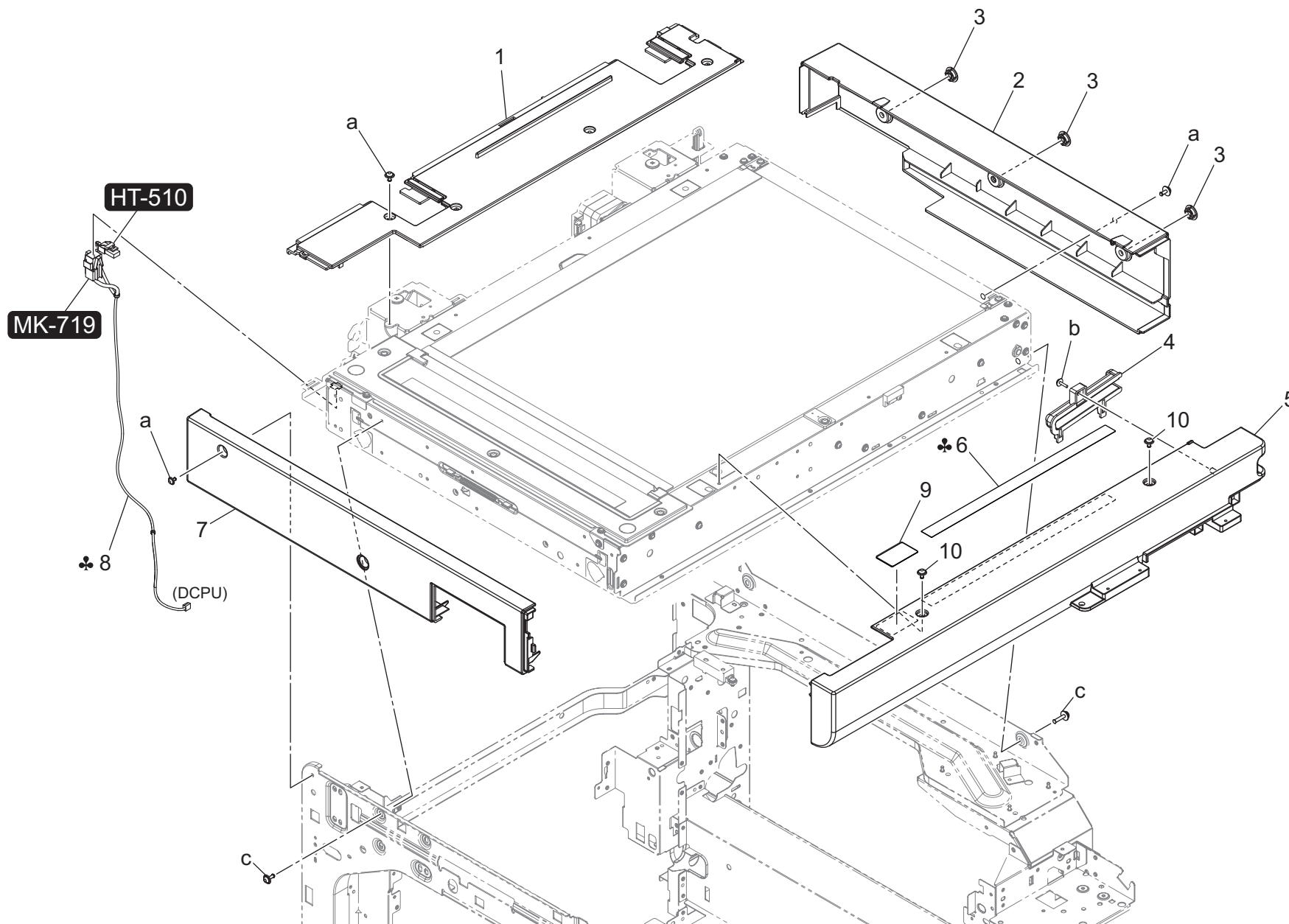


Key	Part No.	Description	Destinations	Class	QTY	Standard parts
2	A7PUM72100	Speaker		D	1	a-V125030803 b-V126030603 c-V127030604 d-V195060003 e-V205060003
3	AA2J134601	Mounting Cover		D	1	
4	AA2J190102	Mounting Plate /Right		D	1	
5	AA2J190201Old	Mounting Plate		D	1	
5	AA2J190212	Mounting Plate		D	1	
6	AA2J191000	Hinge /ASSY		D	1	
7	AA2J191100	Hinge		D	1	
8	AA2J191201	Mounting Plate		D	1	
9	AA2J191300	Spacer		D	1	
10	AA2J191401	Guide		D	1	
11	AA2J191500Old	Wire		D	1	
11	AA2J191512	Wire		D	1	
12	AA2J191600	Shaft		D	1	
13	AA2J191800	Slide Spacer		D	3	
14	AA2J192100	Cover /Right rear		D	1	
15	AA2J192200	Cover /Left rear		D	1	
16	AA2J192302	Cover		D	1	
17	AA2J192501	Cover		D	1	
18	AA2J192801	Cover		D	1	
20	AA2J193200	Spacer		D	1	
21	AA2J195000	Cushion		D	1	
22	AA2JM70006	Panel assembly		I	1	
23	AA2J193300	Plate spring		C	1	



Key	Part No.	Description	Destinations	Class	QTY	Standard parts
1	A161825800	Cushion /B		D	2	a-V125030803 b-V127030604 c-V153030803
2	A5C1M92000	Ferritecore		D	1	
3	A90GN15300	Interface Cable		D	1	
4	ACKN161401	Cover		D	1	
5	ACKN161500	Cover		D	1	
6	ACKN161703	Cover		D	1	
7	AA2J171800	Cover		D	1	
8	AA2J171900	Cover		D	1	
9	AA2J173300	Holder		D	1	
10	AA2J192602	Cover		D	1	
11	AA2J193000	Indicating Part		D	1	
12	AA2JN15600	Interface Cable		D	1	
13	A161162400	Seal		C	1	
14	ACKN161900	Cover		D	1	
15	AA2JM70600	Interface Unit		C	1	
16	AA2JM72002	Indicating Unit		C	1	
17	AA2JM72100	Indicating Unit		C	1	
18	AA2JN15701	Wiring		D	1	
19	A00J169100	Cover		D	3	
20	A7PU168500	Seal		C	1	
21	A7PU168600	Seal		C	1	
22	AA2J948600	Label	A	D	1	

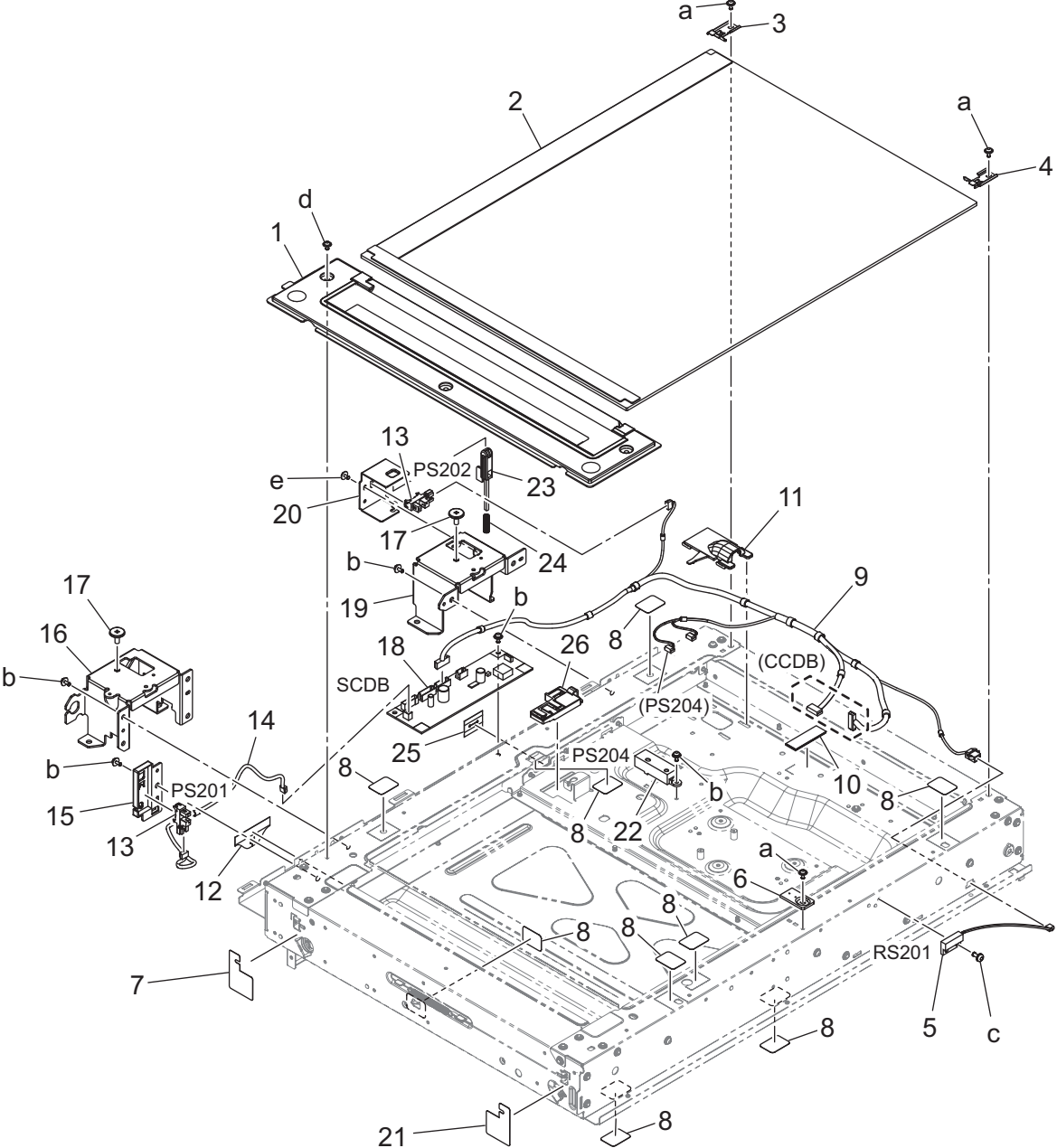
Scanner Section



Scanner Section

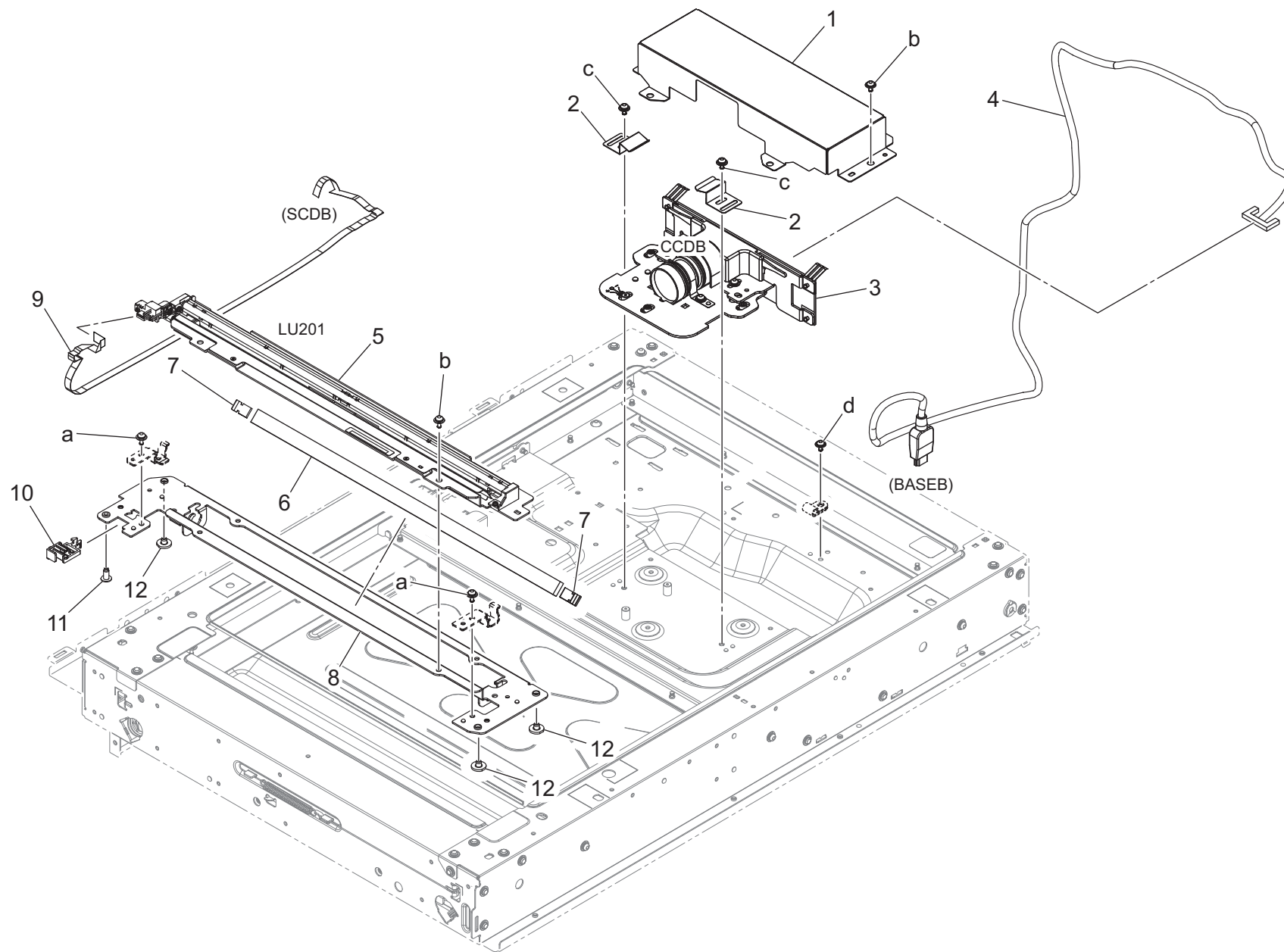
Key	Part No.	Description	Destinations	Class	QTY	Standard parts
1	A7PU170702	Read Cover		C	1	a-V127030604 b-V153031004 c-V125030803
2	AA2J170403	Read Cover /Right		D	1	
3	A00J169100	Cover		D	3	
4	A161170800	Holder		D	1	
5	AA2J170104	Read Cover /Front		D	1	
6	A92T940800	Label	A	D	1	
7	ACKN170300	Read Cover /Left		D	1	
8	A161N11C01	Scanner Relay harness /100V	A	D	1	
9	A55D941100	Caution Label		D	1	
10	A00J169200	Shoulder screw		C	2	

Scanner Section



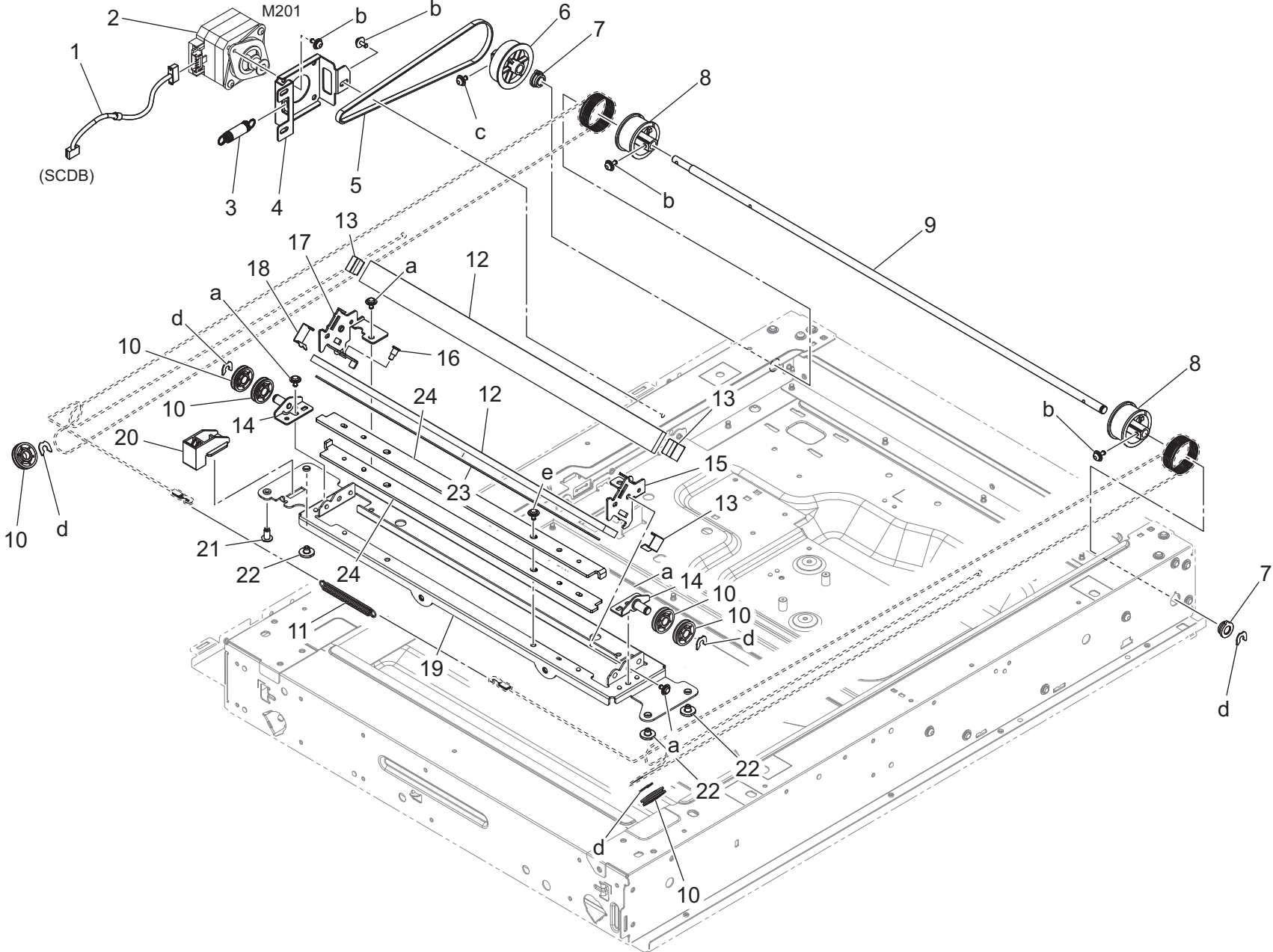
Key	Part No.	Description	Destinations	Class	QTY	Standard parts
1	AA2JR73200	Slit Glass ASSY	スリットガラス A s s y	C	1	a-V121030604 b-V125030803 c-V115030603 d-V116030804 e-V144030603
2	AA2JR73300	Original Glass ASSY	原稿ガラス A s s y	C	1	
3	A161268300	Holding Plate	押さえ板 (ガラス・後)	D	1	
4	A161268200	Holding Plate	押さえ板 (ガラス・前)	D	1	
5	A1UDM50200	Lead Switch	リードスイッチ	C	1	
6	A00J265300	Regulating Plate	規制板	C	1	
7	A5C1263400	Seal	シール (左)	C	1	
8	4581162501	SEAL	シール	C	9	
9	A161N14100	Scanner Wiring /1	スキャナー束線/1 (CCD 電源部)	D	1	
10	4036307501	Tape	テープ	D	1	
11	A161281600	Guide	ガイド (CCD ハーネス)	D	1	
12	A161263000	Seal	シール (防湿ヒーター)	D	1	
13	A5C1M50100	Photointerrupter	透過型センサ	B	2	
14	A161N14201	Scanner Wiring /2	スキャナー束線/2 (HOME センサ部)	D	1	
15	A161262200	Cover	カバー (HS)	D	1	
16	A161261902	Frame	フレーム (ADF・左)	D	1	
17	9J07210802	Shoulder Screw	段ねじ	C	2	
18	AA7NH01A00	Scana Drive Board Assy	スキャナ駆動基板 ASSY	C	1	
19	A161262002	Frame	フレーム (ADF・右)	D	1	
20	A5C1280101	Mounting Plate	取付板 (20 deg)	D	1	
21	A5C1263300	Seal	シール (右)	C	1	
22	A161M50A00	APS Photorelector	APS 反射型センサ (原稿サイズ検知)	C	1	
23	A161280211	Lever	レバー (20 deg)	D	1	
24	A161280300	Compressing Coil spring	圧縮コイルばね	C	1	
25	A161281300	Seal	シール (close センサ)	D	1	
26	A161281100	Guide	ガイド (LED ハーネス)	D	1	

Scanner Section



Key	Part No.	Description	Destinations	Class	QTY	Standard parts
1	A161278600	Cover		D	1	a-V125030803 b-V127030604 c-V116030603 d-V144030803
2	A161278900	Plate spring		D	2	
3	AA7NR72500	CCD Assy		I	1	
4	AA2JN14500	CCD Cable		D	1	
5	AA7NM31200	Lamp		I	1	
6	A0ED271200	Mirror		D	1	
7	A0ED271300	Plate spring		D	2	
8	A161270102	Frame		D	1	
9	A161N14000	Scanner Wiring /4		D	1	
10	A161270600	Guide		D	1	
11	A161271100	Bushing		D	1	
12	A161271000	Bushing		D	3	

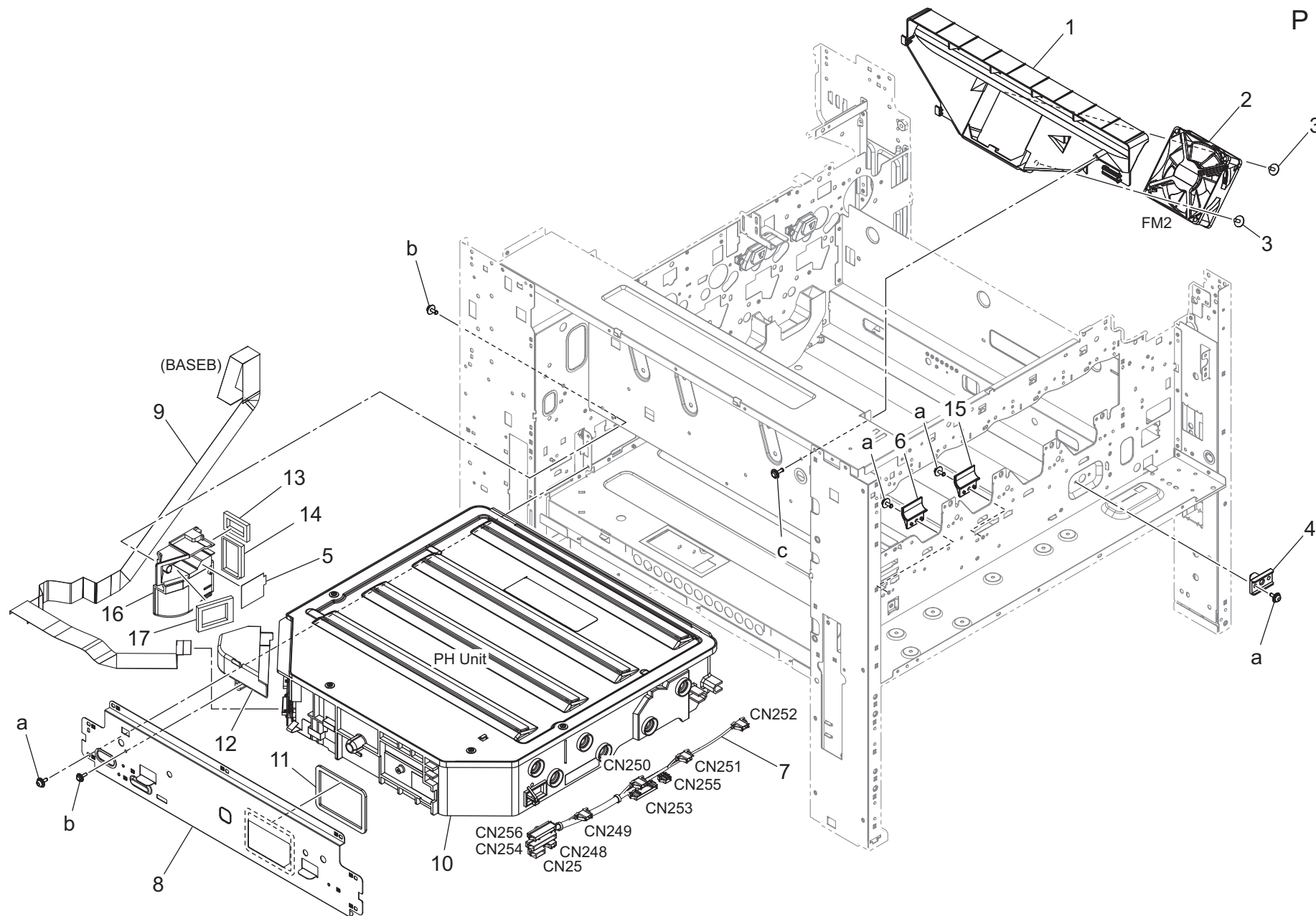
Scanner Section



Key	Part No.	Description	Destinations	Class	QTY	Standard parts
1	A5C1N14300	Scanner Wiring	スキャナー束線	D	1	a-V137030803 b-V125030803 c-V116030603 d-V218040086 e-V144030603
2	AC57M10A00	Stepping Motor	ステッピングモーター ((□42HB))	C	1	
3	A795275700	Pulling Spring	引張りばね	D	1	
4	A161276000	Mounting Plate	取付板 (モータ)	D	1	
5	A161275600	Timing belt 335L	タイミングベルト 335L	D	1	
6	A161275500	Pulley 103T	プーリー 103T	D	1	
7	A161276500	Bearing	軸受 (駆動)	D	2	
8	A161275300	Pulley	プーリー (駆動)	D	2	
9	A161275400	Shaft	軸 (駆動)	D	1	
10	A0ED273600	Pulley	プーリー (2nd)	C	6	
11	A0ED276301	Pulling Spring	引張りばね (ワイヤ)	D	1	
12	A0ED274300	Mirror	ミラー (2ND)	D	2	
13	A0ED274400	Plate spring	板ばね (2ND)	D	3	
14	A161273401	Mounting Plate	取付板 (プーリー・2nd)	D	2	
15	A161273800	Mounting Plate	取付板 (前)	D	1	
16	A161274600	Adjusting Screw	調整ねじ	C	1	
17	A161273701	Mounting Plate	取付板 (後)	D	1	
18	A161274500	Plate spring /1	板ばね /1	D	1	
19	A161273113	Frame	フレーム (2nd)	D	1	
20	A161273500	Guide Part	ガイド部材 (ランプハーネス・2nd)	D	1	
21	A161271100	Bushing	ブッシュ (ねじ付)	D	1	
22	A161271000	Bushing	ブッシュ (スライダー)	D	3	
23	A0ED274200	Vibrationproof Plate	防振板	D	1	
24	A795273900	Vibrationproof Plate	防振板	D	2	

Write Section

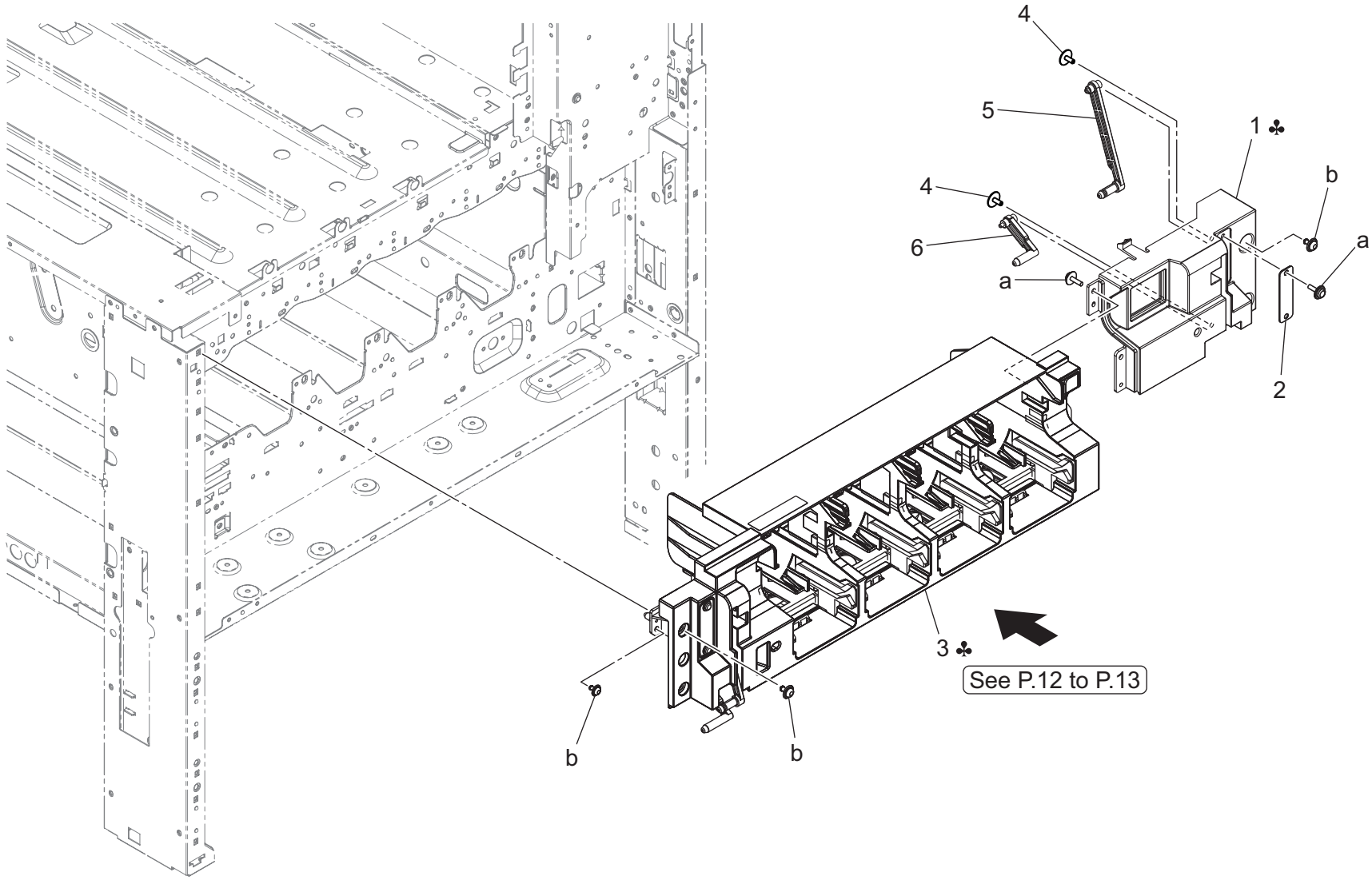
P 10



bizhub C750i

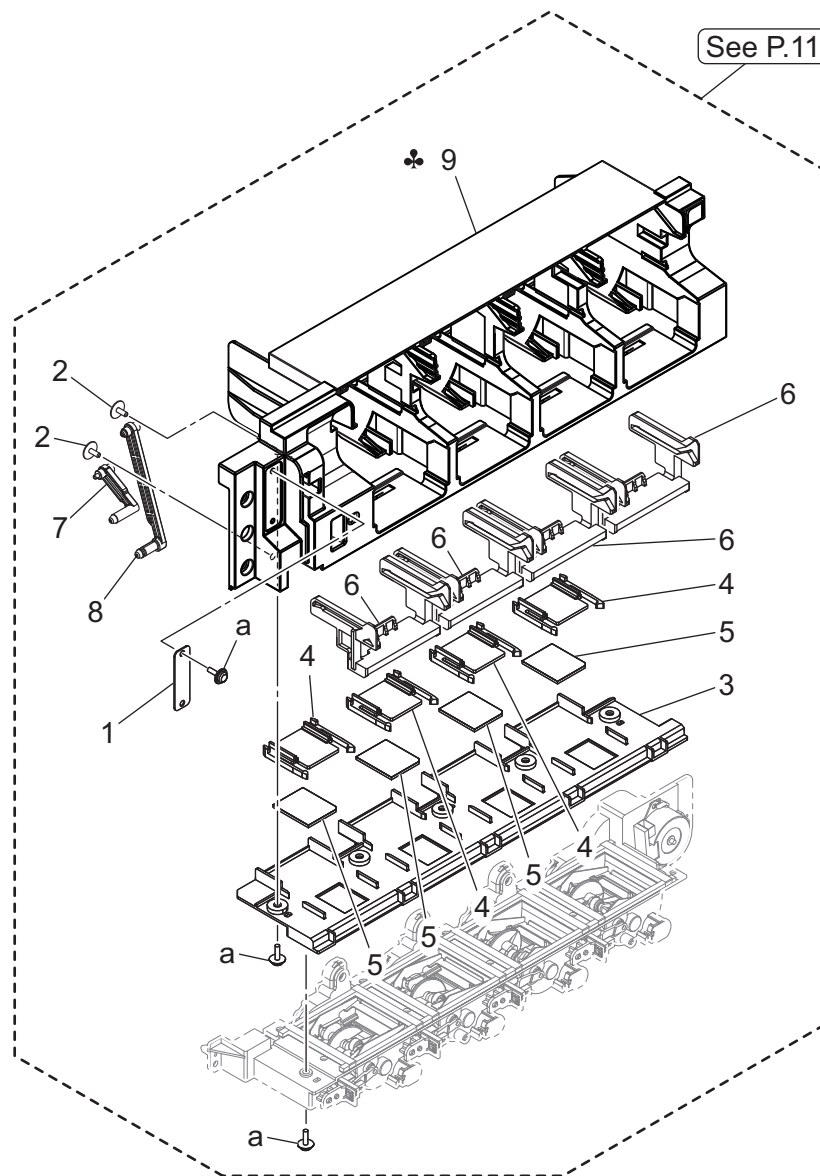
Key	Part No.	Description	Destinations	Class	QTY	Standard parts
1	A161140200	Duct		D	1	a-V125030803 b-V153030803 c-V153031004
2	A93EM10000	Fan motor		C	1	
3	4163529301	SCREW		C	2	
4	A161105400	Positioning Plate		D	1	
5	AA7N146300	Seal /2		D	1	
6	AA2J134201	Guide		D	1	
7	AA2JN10G01	Relay Wiring /Front		D	1	
8	A79J101801	Mounting Plate		D	1	
9	AA7NN11C00	I/F Flat Cable /W		D	1	
10	ACKNR70100	Print Head Assy		I	1	
11	A2XK144201	Seal /2		D	1	
12	A79J147501	Duct /3		D	1	
13	AA7N145401	Seal		D	1	
14	AA7N145701	Seal		D	1	
15	AA2J134100	Guide		D	1	
16	AA7N147400	Duct /2		D	1	
17	AA7N145300	Seal		D	1	

Toner Supply Section



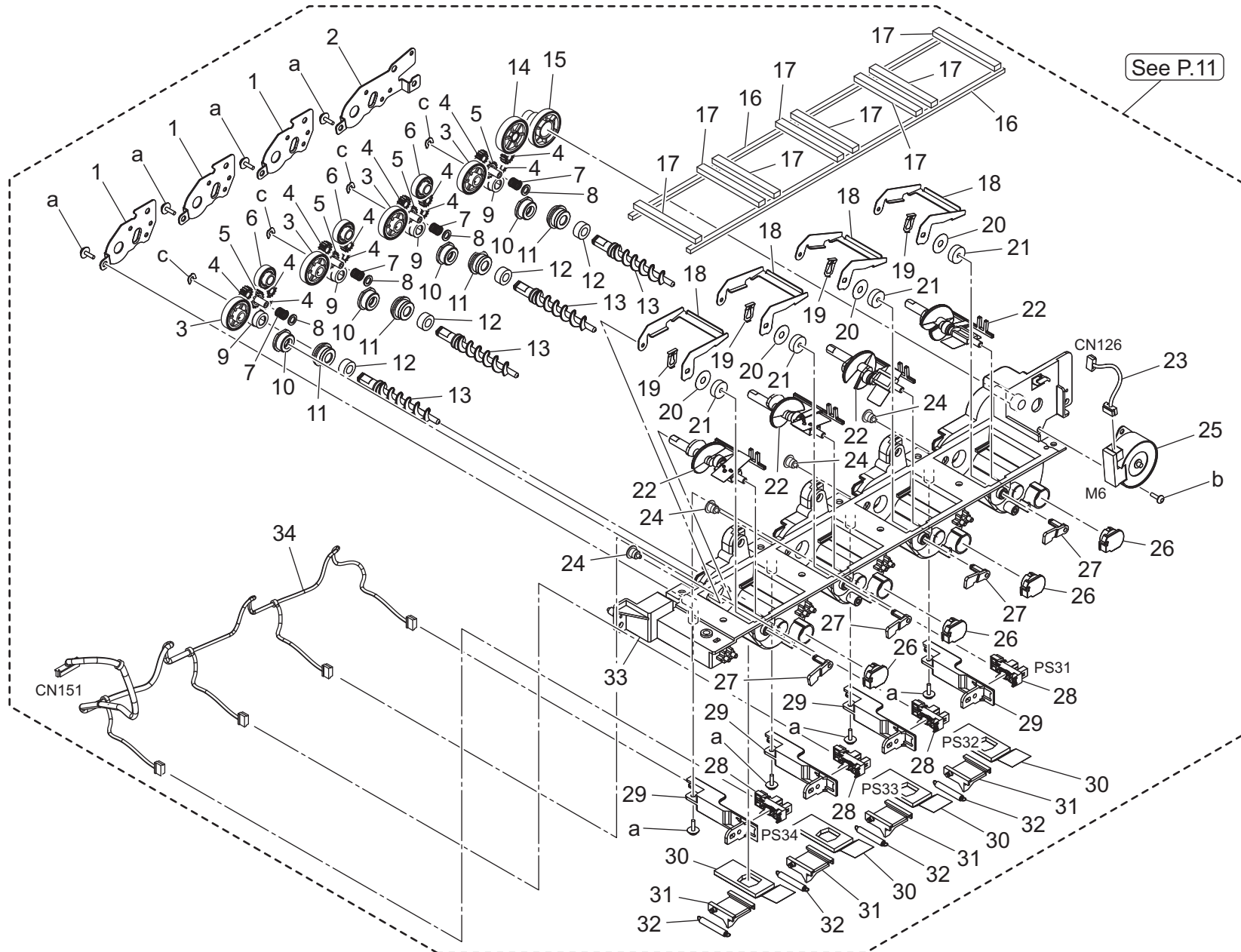
See P.12 to P.13

Key	Part No.	Description	Destinations	Class	QTY	Standard parts
1	AA7N401401	Cover /Right	A	D	1	a-V153030803 b-V127030604
1	AA7N401701	Cover /Right	B,C,D1,D3,E,F2,G1,G 2,I,K,J	D	1	
2	4038101401	SUCTION PLATE		D	1	
3	ACKNR70500	Sub Hopper Assy	A	S	1	
3	ACKNR70600	Sub Hopper Assy	B,G2	S	1	
3	ACKNR70700	Sub Hopper Assy	C,G1,I(South Africa)	S	1	
3	ACKNR71100	Sub Hopper Assy	D1,D3,E,F2,G1,I(Exc ept South Africa),K ,J	S	1	
4	4163529301	SCREW		C	2	
5	AA7N401600	Arm		C	1	
6	AA7N401501	Arm		C	1	



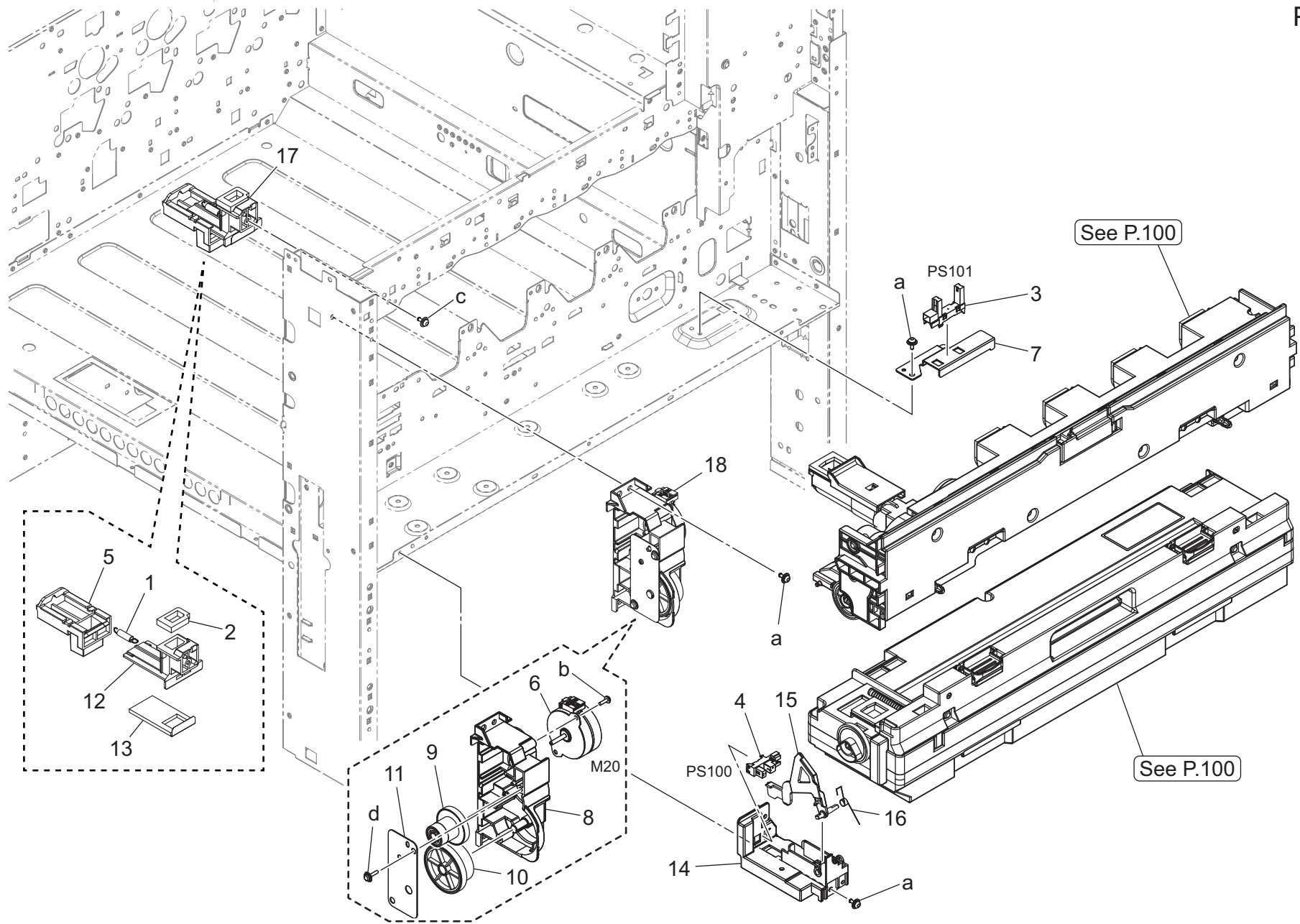
Key	Part No.	Description	Destinations	Class	QTY	Standard parts	
1	4038101401	SUCTION PLATE		D	1	a-V153030803	
2	4163529301	SCREW		C	2		
3	AA2J402101	Cover		D	1		
4	AA2J402401	Shutter		D	4		
5	AA2J402500	Seal		D	4		
6	AA2J402600	Guide		D	4		
7	AA7N401501	Arm		C	1		
8	AA7N401600	Arm		C	1		
9	ACKN401302	Cover	B,G2	D	1		
9	ACKN401701	Cover	C,G1,I(South Africa)	D	1		
9	ACKN401801	Cover	A	D	1		
9	ACKN401900	Cover	D1,D3,E,F2,G1,I(Except South Africa),K,J	D	1		

Toner Supply Section



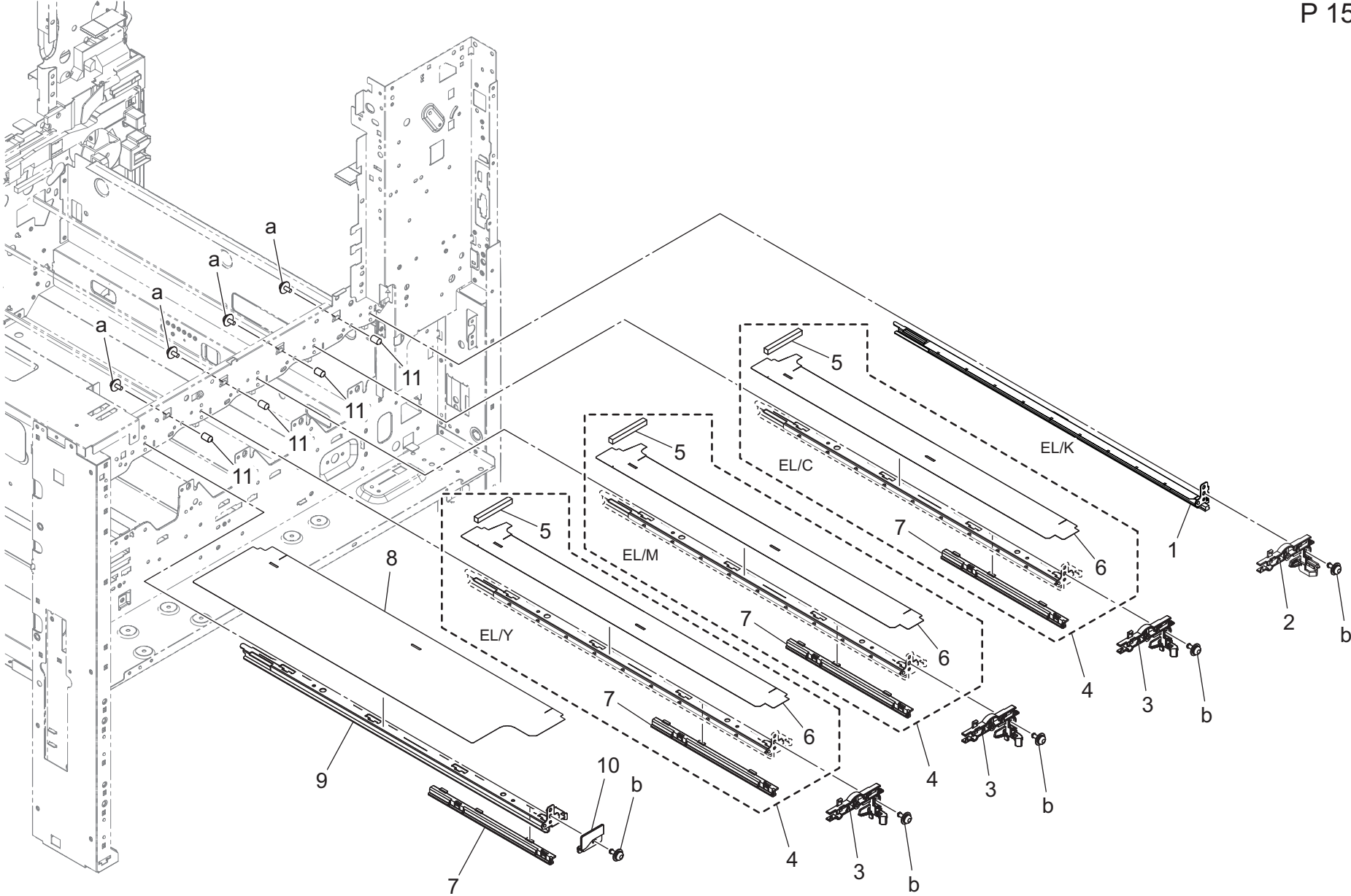
Key	Part No.	Description	Destinations	Class	QTY	Standard parts
1	AA2J402700	Mounting Plate	取付板 (カラー)	D	3	a-V153030803 b-V145030803 c-V218030086
2	AA2J402800	Mounting Plate	取付板 (Bk)	D	1	
3	AA2J401100	Gear 36T	ギア 36 T	C	4	
4	A79J401600	Gear 20T	ギア 20 T	C	12	
5	A79J401700	Gear 18T	ギア 18 T	C	4	
6	A161401500	Gear 25T	ギア 25 T	C	3	
7	A79J401900	Spring	ばね	C	4	
8	A79J401800	Washer	ワッシャ	C	4	
9	A161401000	Gear 18T	ギア 18 T	C	4	
10	4163510201	BUSHING	軸受	C	4	
11	AA2J403100	Holder	ホルダ	D	4	
12	4576536301	SEAL	シール	D	4	
13	AA2J400100	Screw	スクリュー	D	4	
14	A79J401400	Gear 40T	ギア 40 T	C	1	
15	A161401300	Gear 17/65T	ギア 17 / 65 T	C	1	
16	AA2J403300	Seal	シール (補給カバー)	D	2	
17	AA2J405500	Seal	シール (補給カバー縦)	D	8	
18	AA2J400400	Detecting Plate	検出板	D	4	
19	A161404200	Fixing Plate	固定板	D	4	
20	A5C1404600	Washer	ワッシャ	D	4	
21	A161400601	Detecting Seal	検出シール	D	4	
22	AA2JR73400	Agitating Shaft Assy	攪拌軸 A s s y	D	4	
23	A161N12801	Toner Drive harness /K	トナー駆動束線 / K	D	1	
24	A161400800	Pin	ピン	D	4	
25	A7PUM10700	Stepping motor	ステッピングモータ	C	1	
26	A161403000	Bushing	すべり軸受	D	4	
27	AA2J404300	Detecting Actuator	検出アクチュエータ	D	4	
28	A5C1M50100	Photointerrupter	透過型センサ	B	4	
29	AA2J400700	Mounting Plate	取付板 (TE センサ)	D	4	
30	A161403200	Seal	シール (DV シャッター)	D	4	
31	A0ED401000	Shutter	シャッター	D	4	
32	4036534801	TENSION SPRING	引張コイルばね	C	4	
33	AA2J400001	Casing	ケーシング	D	1	
34	ACKNN10E00	Toner Detection Harness /1	トナー検知束線 / 1 (エンブティ)	D	1	

Toner Collection Section



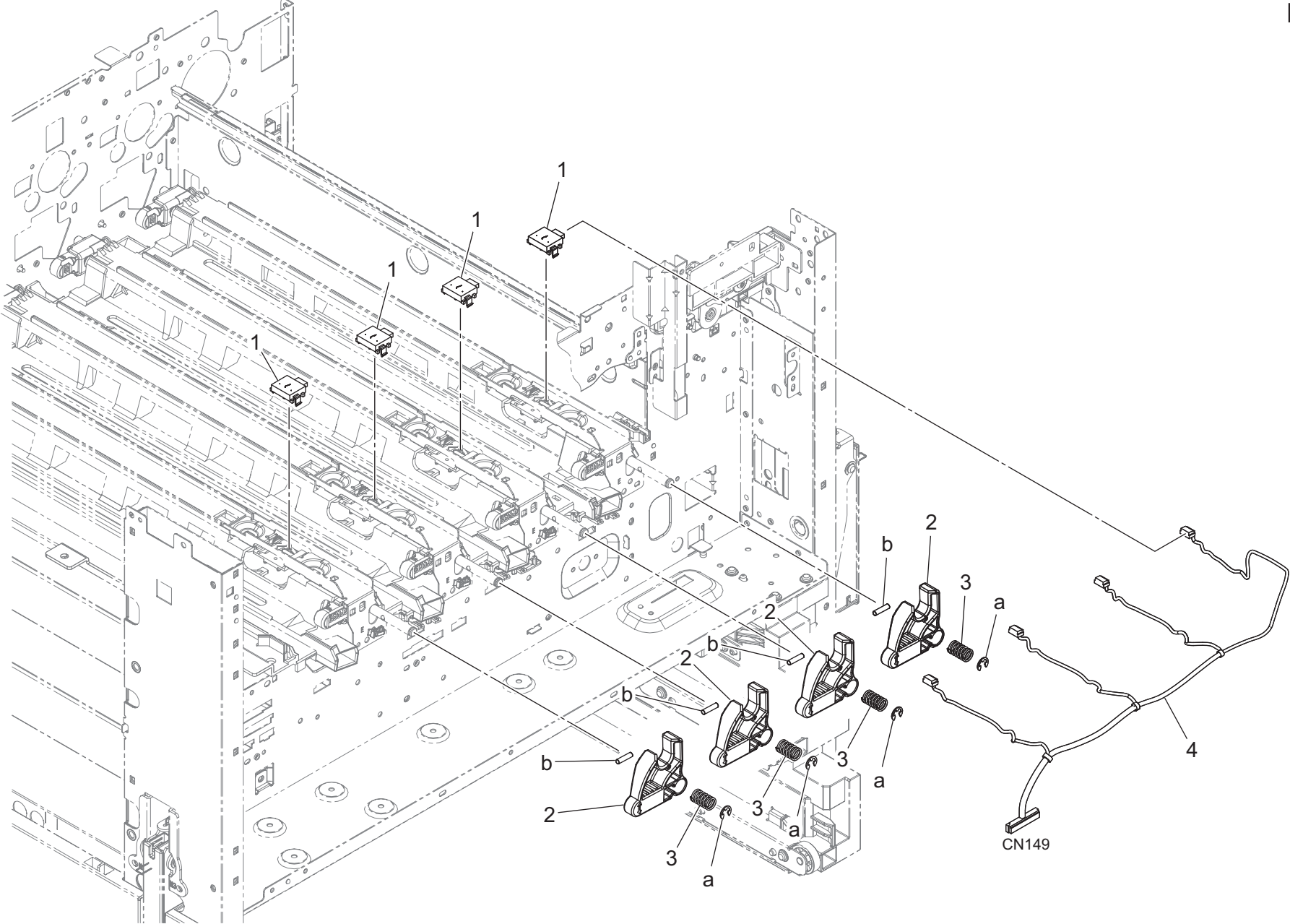
Key	Part No.	Description	Destinations	Class	QTY	Standard parts
1	A0ED363200	Pulling Coil spring		D	1	a-V125030803 b-V145030803 c-V153030803 d-V153031004
2	A0ED363400	Seal		D	1	
3	A0VDM50200	Photointerrupter		I	1	
4	A5C1M50100	Photointerrupter		B	1	
5	A64J363700	Shutter		D	1	
6	A7PUM10600	Stepping motor		C	1	
7	AA2J134401	Mounting Plate		D	1	
8	AA2J245003	Drive Holder		D	1	
9	AA2J245100	Gear 20/76T		C	1	
10	AA2J245200	Gear 20/50T		C	1	
11	AA2J245300	Mounting Plate		D	1	
12	AA2J363000	Pipe		D	1	
13	AA2J368001	Seal		D	1	
14	AA2J369101	Holder		D	1	
15	AA2J369600	Lever		C	1	
16	AA2J369301	Torsion Coil spring		C	1	
17	AA2JR73600	Waste Toner Pipe Assy		C	1	
18	AA2JR71011	Waste Toner Driva		S	1	

Photo Conductor/ Developing Section



Key	Part No.	Description	Destinations	Class	QTY	Standard parts
1	AA7NR70600	Eraser Assy (Black)		C	1	a-V116030603 b-V125030803
2	AA7N131101	Holder		D	1	
3	AA2J130101	Holder		D	3	
4	A7PUR70611	Eraser (YMC) Assy		C	3	
5	A161107100	Seal		D	3	
6	A5C1105500	Light blocking Part		D	3	
7	A797105400	Rail		D	4	
8	A5C1102800	Seal		D	1	
9	A161105600	Rail		D	1	
10	A161138500	Guide		D	1	
11	A0ED103100	Pin		D	4	

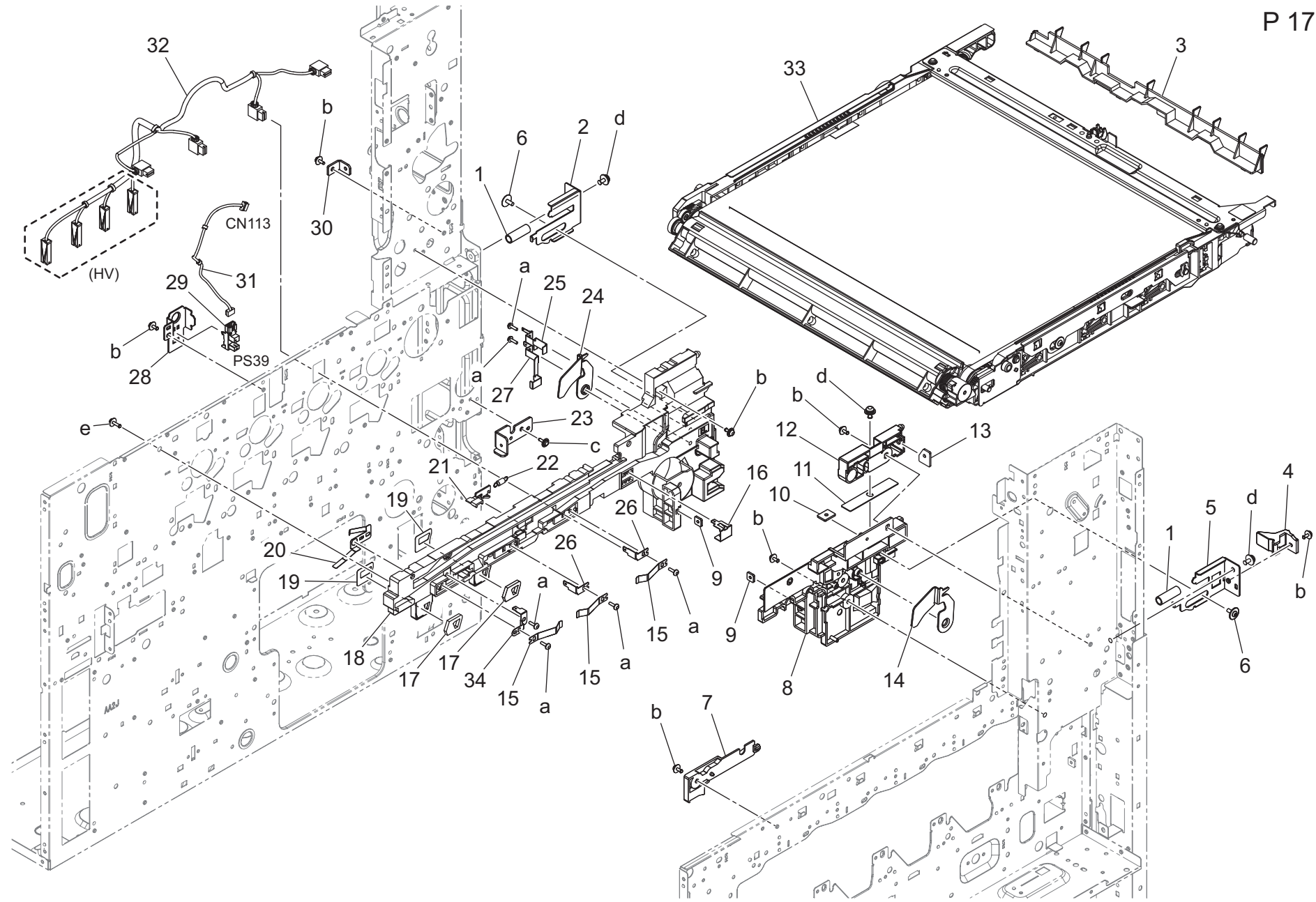
Photo Conductor/ Developing Section



Key	Part No.	Description	Destinations	Class	QTY	Standard parts
1	A0EDM60001	Relay Connector		D	4	a-V217040003 b-V234301250
2	A161116202	Release Lever		D	4	
3	A161119500	Compressing Coil spring		D	4	
4	AA2JN10F00	Photoconductor Wiring		D	1	

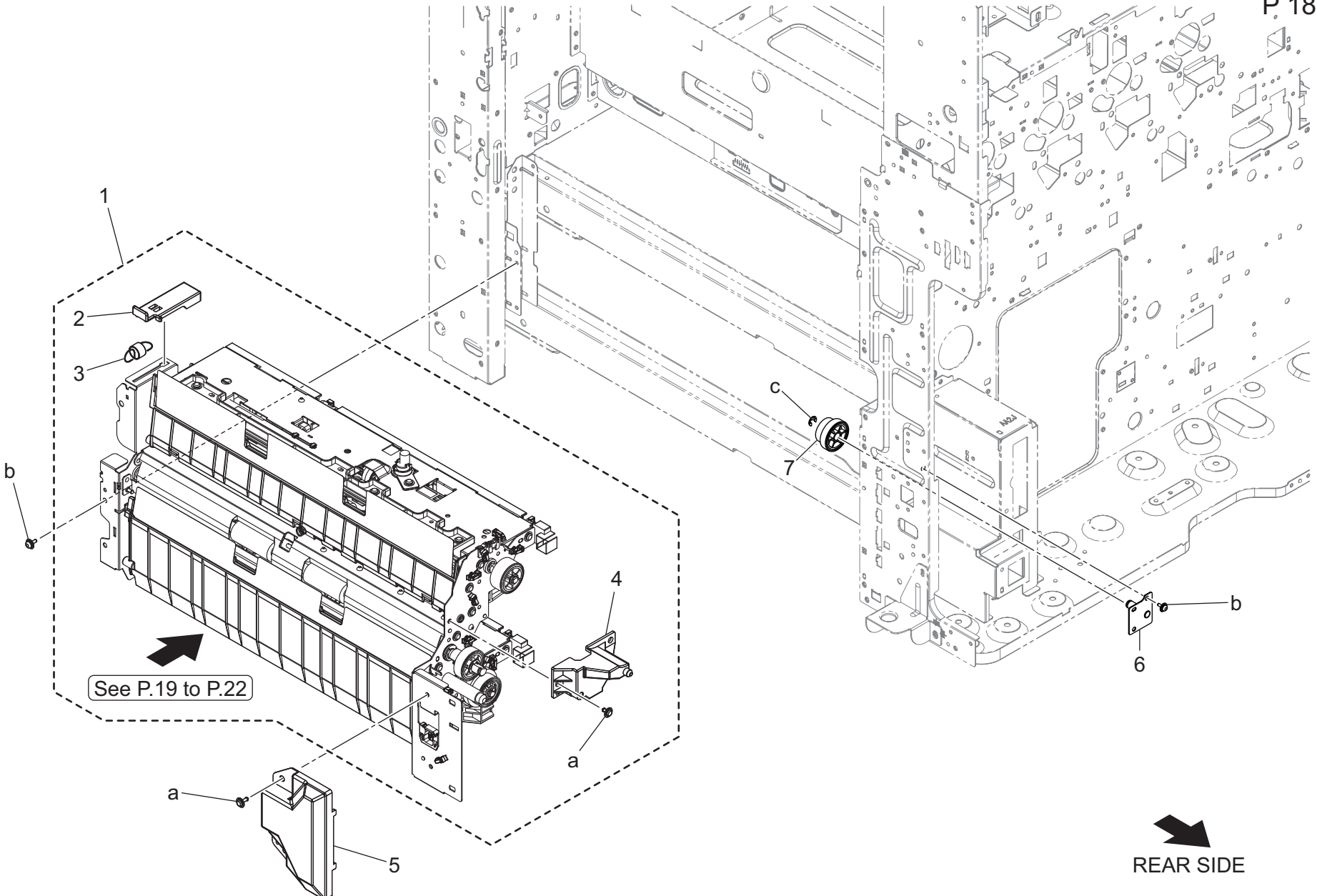
1st Transfer Section

P 17



Key	Part No.	Description	Destinations	Class	QTY	Standard parts
1	A0ED111000	Compressing Coil spring		D	2	a-V145030803 b-V125030803 c-V144030803 d-V116040803 e-V153031003
2	A161112101	Lever /Rear		D	1	
3	A79J508400	Guide		D	1	
4	A161110601	Lock Part		D	1	
5	A161112500	Lever /Front		D	1	
6	4163529301	SCREW		C	2	
7	A161110300	Rail		D	1	
8	AA2J110200Old	Rail		D	1	
8	AA2J110202	Rail		D	1	
9	4002504203	PLATE NUT		D	2	
10	A161112200	Mounting Plate		D	1	
11	A161112600	Adjusting Plate		D	1	
12	ACKN110401	Fusing Rail /Front		D	1	
13	ACKN112200	Mounting Plate		D	1	
14	A5C1112800	Arm /Front		D	1	
15	A0ED111500	Contact /Color		D	3	
16	A0ED111400	Contact /K		D	1	
17	A161144801	Seal		C	2	
18	AA2J110100	Rail		D	1	
19	A161144900	Seal		C	2	
20	A0ED112000	Contact		D	1	
21	A161110500	Detecting Plate		D	1	
22	A0ED110900	Pulling Coil spring		C	1	
23	A7PU109000	Reinforce Plate		D	1	
24	A5C1112900	Arm /Rear		D	1	
25	A161112400	Contact		D	1	
26	A0ED111700	Contact		D	2	
27	A161112300	Contact		D	1	
28	A5C1112102	Mounting Plate		D	1	
29	A5C1M50100	Photointerrupter		B	1	
30	A161112700	Mounting Plate		D	1	
31	AA2JN10X00	Connecting Detection harness		D	1	
32	AA2JN11200	Transfer Wiring /1		D	1	
33	AA2JR73700	Intermediate Image Transfer Unit		A	1	
34	A161112000	Contact		D	1	

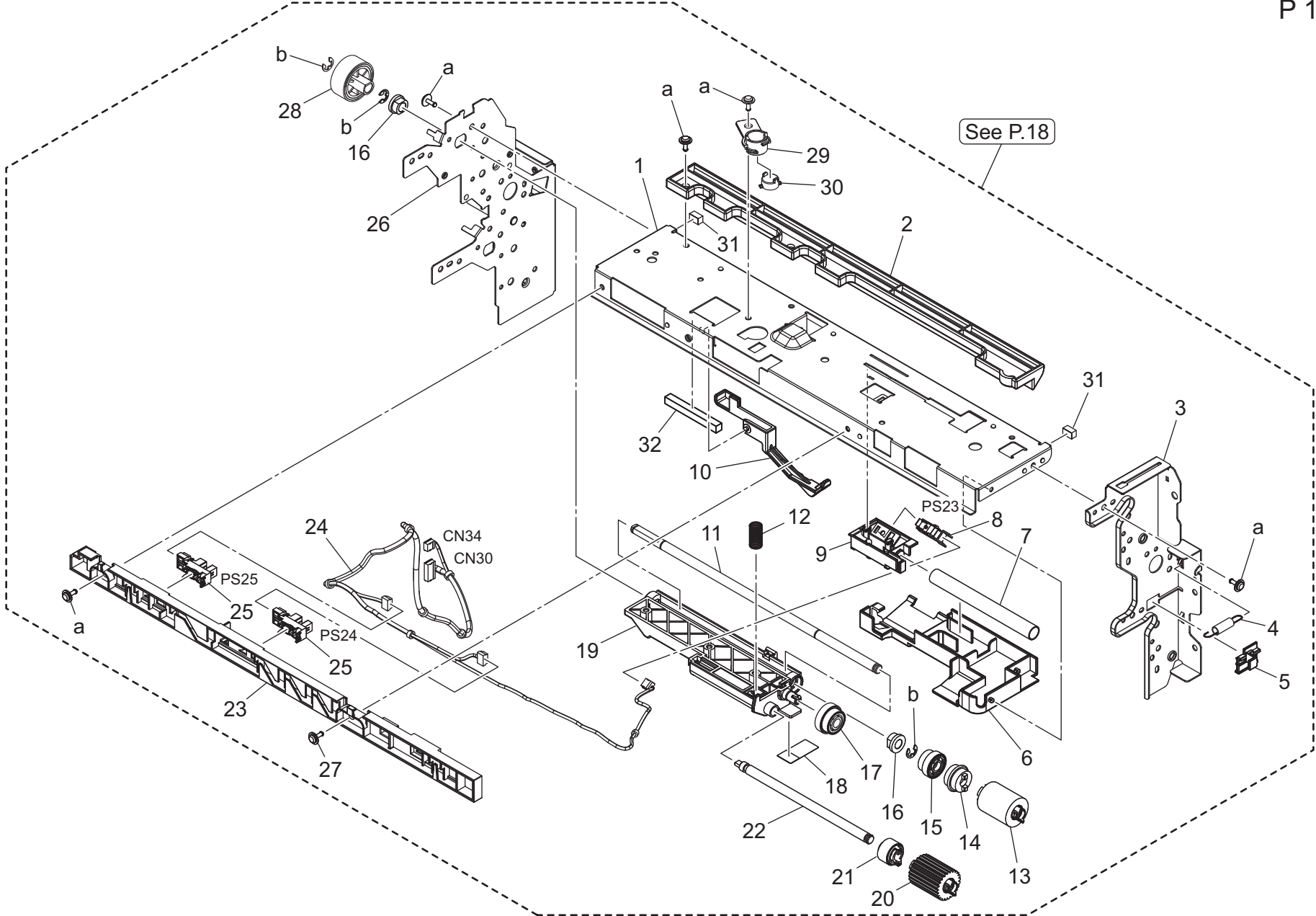
Paper Feed Section



Paper Feed Section

Key	Part No.	Description	Destinations	Class	QTY	Standard parts
1	AA7NR70800	Paper Feed Assy		S	1	a-V144030803 b-V125030803 c-V217040003
2	A161561100	Holder		D	1	
3	A161561200	Pulling Coil spring		D	1	
4	A161565102	Mounting Plate		D	1	
5	A161579011	Cover		D	1	
6	AA7N101500	Mounting Plate /ASSY		D	1	
7	A161576100	Gear 21/26T		C	1	

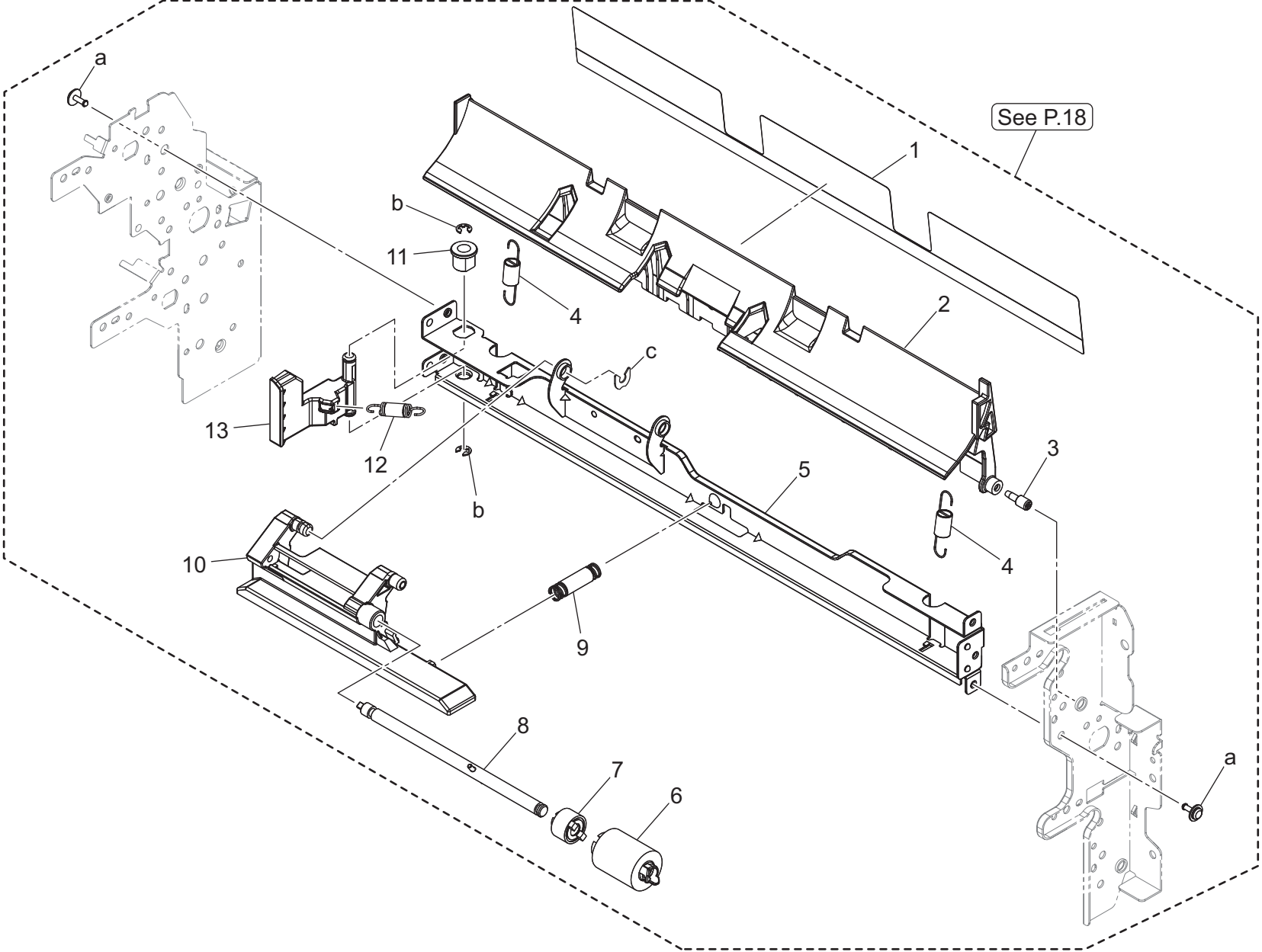
Paper Feed Section



Paper Feed Section

Key	Part No.	Description	Destinations	Class	QTY	Standard parts
1	AA7N565201	Paper feed Frame	給紙フレーム (1 s t)	D	1	a-V144030803 b-V217040003
2	AA2J566000	Paper feed Guide	給紙ガイド (上)	D	1	
3	AA7N560101	Frame /Front	フレーム/前	D	1	
4	AA2J571200	Pulling Coil spring	引張りコイルばね	C	1	
5	AA2J571100	Holder	ホルダ	D	1	
6	AA2J565700	Conveyance Guide /3	搬送ガイド/3	D	1	
7	AA2J565400	Compressing Coil spring	圧縮コイルばね (給紙センサ)	C	1	
8	A0EDM50100	Photoreflector	反射型センサ (アンプ内蔵)	I	1	
9	AA2J565300	Holder	ホルダ (給紙センサ)	D	1	
10	AA2J561600	Detecting Lever	検出レバー (エンブティ)	C	1	
11	AA2J560500	Paper feed Shaft	給紙軸 (1 s t)	D	1	
12	AA7N562800	Compressing Coil spring	圧縮コイルばね (ピック圧)	C	1	
13	A64J564101	Paper feed Roller	給紙ローラ	A	1	
14	A02E561100	Clutch	クラッチ	C	1	
15	A7AH562400	Paper feed Gear	給紙ギア	C	1	
16	A00J663200	Bushing	すべり軸受	B	2	
17	A7AH562300	Idling Gear	アイドルギア	C	1	
18	A7AH562900	Protection Sheet	保護シート	C	1	
19	A7AH562100	Conveyance Guide /4	搬送ガイド/4	D	1	
20	A64J564201	Paper feed Roller	給紙ローラ (ピックアップ)	A	1	
21	A7AH562600	Conveyance Gear 28T	搬送ギア 28 T	C	1	
22	A7AH563400	Support Shaft	支点軸	D	1	
23	AA2J579603	Guide	ガイド (ハーネス)	D	1	
24	AA7NN10P00	Paper Feed Harness /1	給紙束線/1	D	1	
25	A5C1M50100	Photointerrupter	透過型センサ	B	2	
26	AA7N560200	Frame /ASSY	フレーム/ASSY (後)	D	1	
27	A00J169300	Shoulder screw	段ねじ	C	1	
28	A79J576400	Gear 24T	ギア 24 T	C	1	
29	AA7N565300	Holder	ホルダ	D	1	
30	AA7N565400	Lever	レバー	D	1	
31	AA7N568900	Cushion	クッション	D	2	
32	A161107100	Seal	シール (飛散防止4)	D	1	

Paper Feed Section

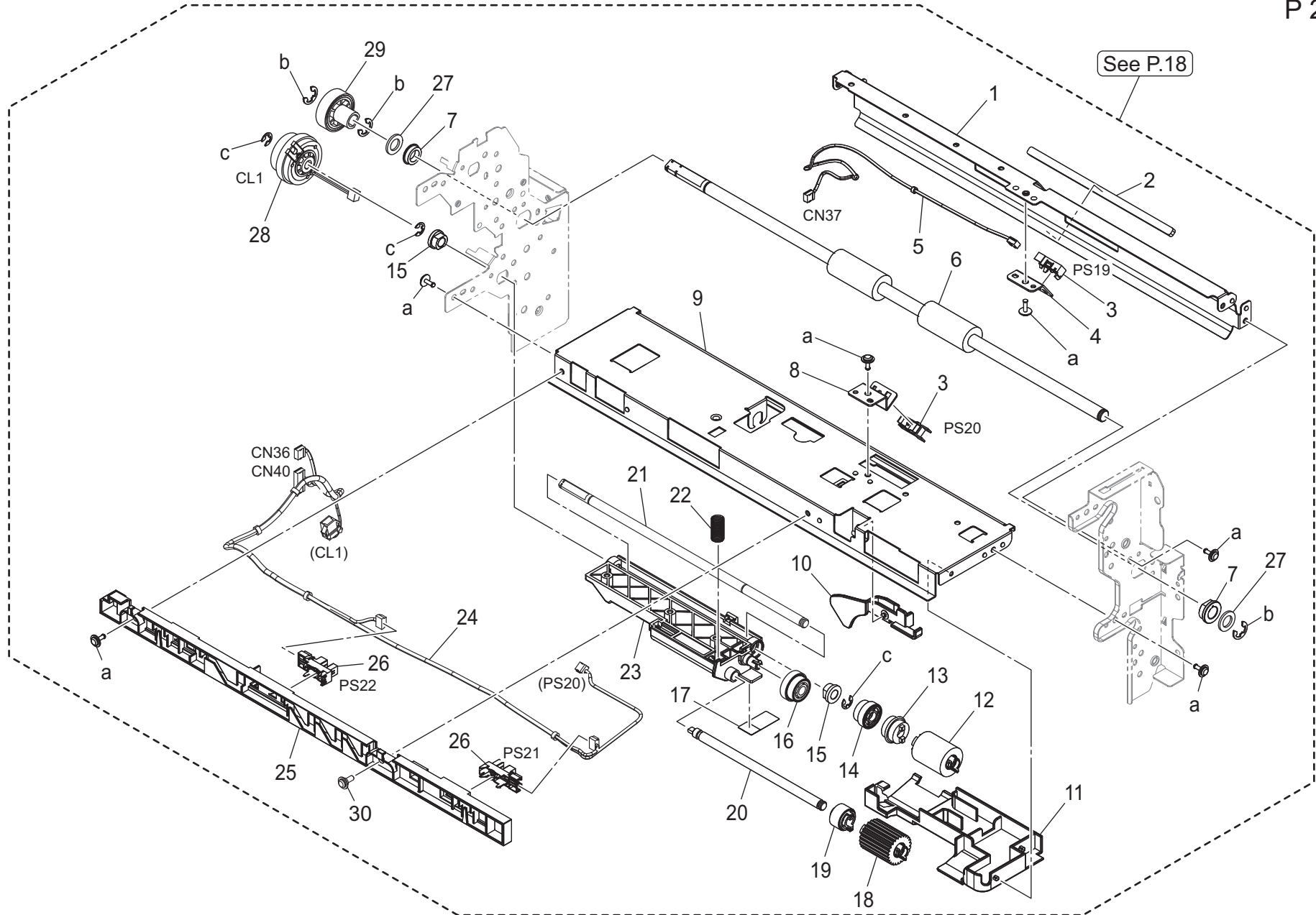


See P.18

Key	Part No.	Description	Destinations	Class	QTY	Standard parts
1	AA2J567500	Guide		C	1	a-V144030803 b-V217040003 c-V218040086
2	AA2J568401	Guide Plate		C	1	
3	4532341001	SHOULDER SCREW		D	1	
4	AA2J568900	Pulling Coil spring		C	2	
5	AA2J563801	Frame		D	1	
6	AA2J560000	Paper feed Roller		A	1	
7	A0ED563900	Torque limiter		C	1	
8	A7AH565000	Support Shaft		D	1	
9	AA2J561301	Compressing Coil spring		C	1	
10	AA2J563103	Holder		D	1	
11	A02E815200	BUSHING		C	1	
12	A797564400	Pulling Coil spring		C	1	
13	AA2J564200	Release Lever		D	1	

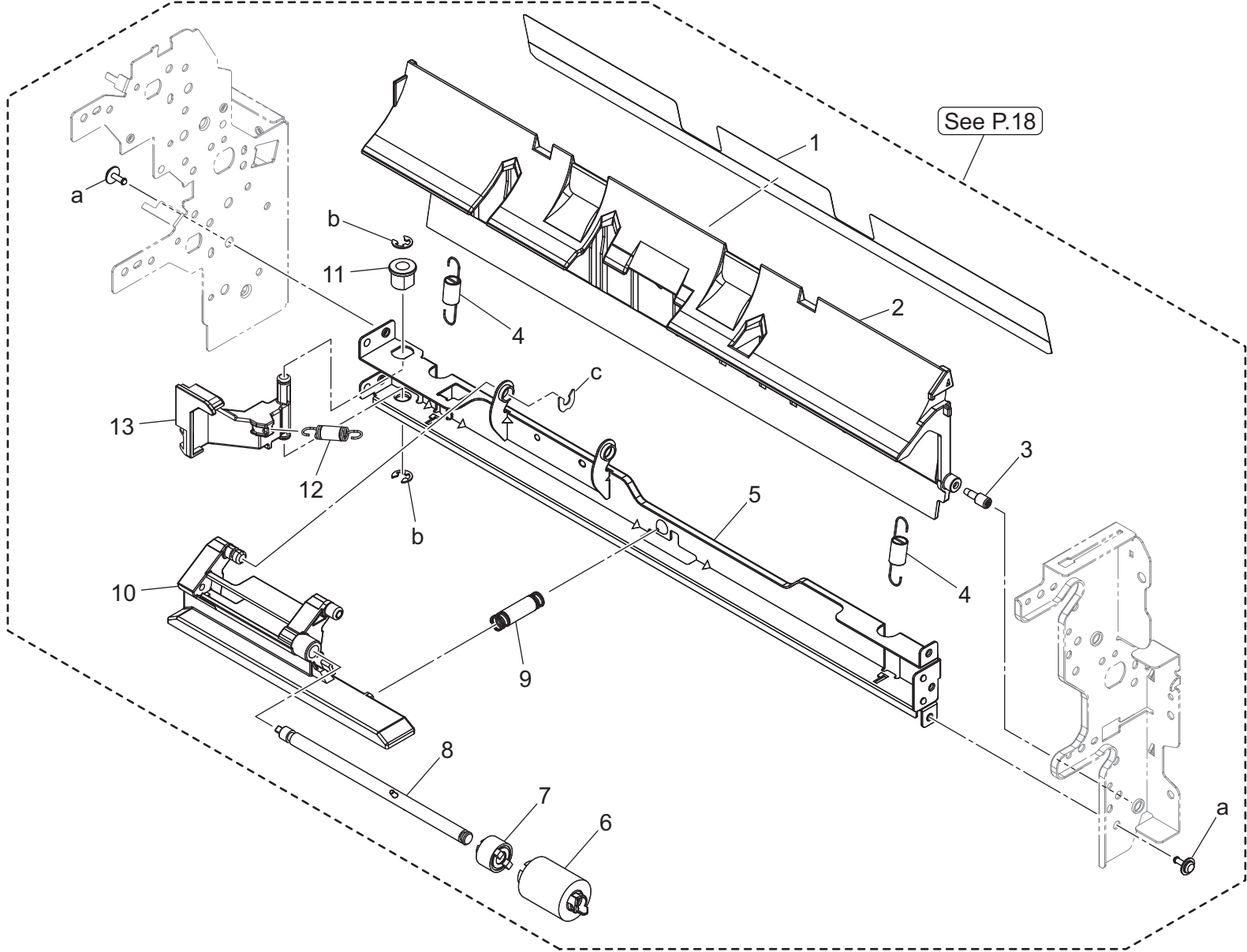
Paper Feed Section

P 21



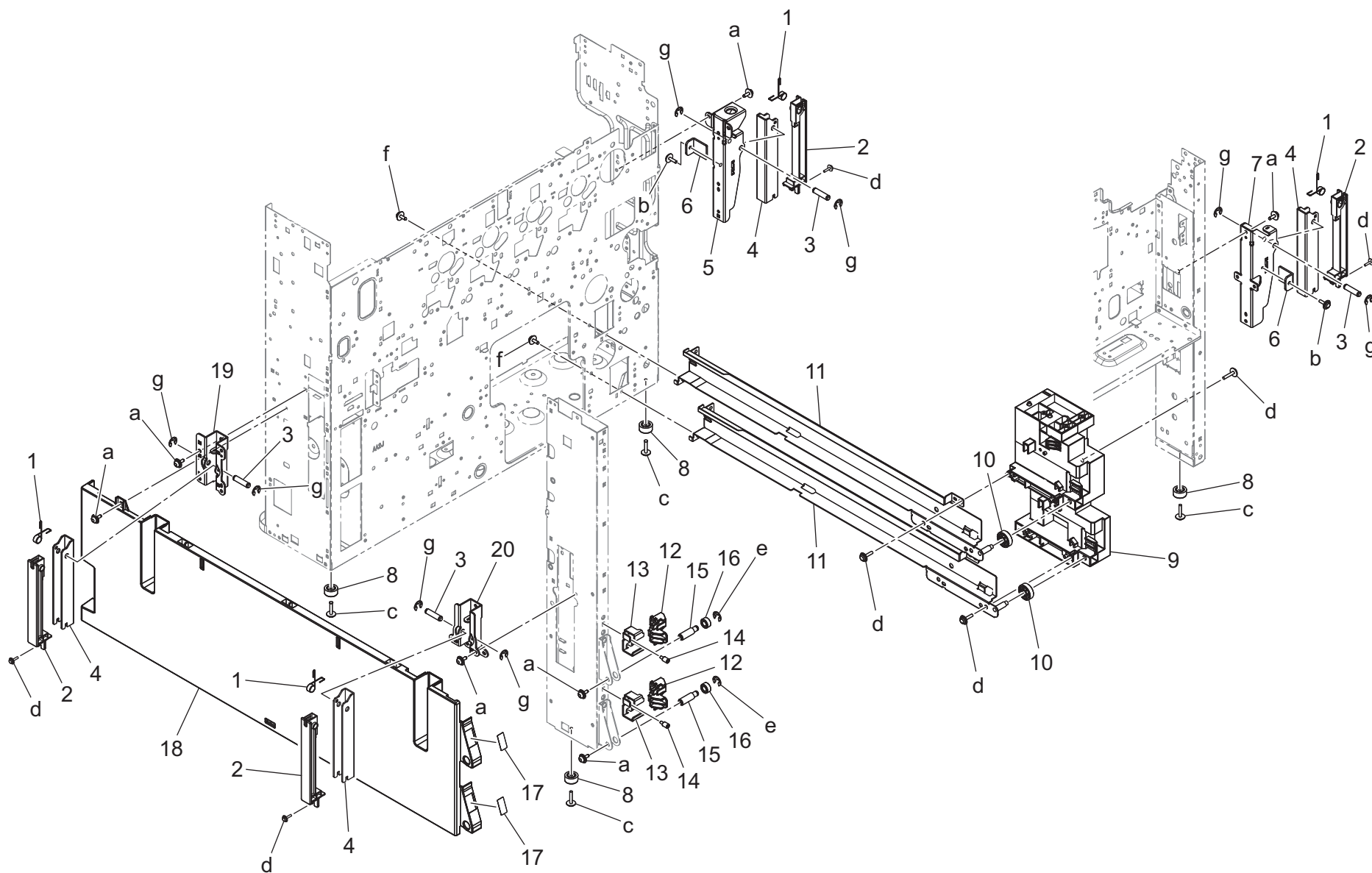
bizhub C750i

Key	Part No.	Description	Destinations	Class	QTY	Standard parts
1	A161578214	Guide Plate		D	1	a-V144030803 b-V217060003 c-V217040003
2	A161578700	Cushion		C	1	
3	A0EDM50100	Photoreflector		I	2	
4	A161571100	Mounting Plate		D	1	
5	A161N12701	Conveyance Detection harness		D	1	
6	AA2J578100	Drive Roller		C	1	
7	A00J617900	Ball Bearing		B	2	
8	AA2J575300	Mounting Plate		D	1	
9	AA2J575202	Paper feed Frame		D	1	
10	A7AH561601	Detecting Lever		C	1	
11	AA2J565700	Conveyance Guide /3		D	1	
12	A64J564101	Paper feed Roller		A	1	
13	A02E561100	Clutch		C	1	
14	A7AH562400	Paper feed Gear		C	1	
15	A00J663200	Bushing		B	2	
16	A7AH562300	Idling Gear		C	1	
17	A7AH562900	Protection Sheet		C	1	
18	A64J564201	Paper feed Roller		A	1	
19	A7AH562600	Conveyance Gear 28T		C	1	
20	A7AH563400	Support Shaft		D	1	
21	AA2J560500	Paper feed Shaft		D	1	
22	AA7N562800	Compressing Coil spring		C	1	
23	A7AH562100	Conveyance Guide /4		D	1	
24	AA7NN10Q00	Paper Feed Harness /2		D	1	
25	AA2J579603	Guide		D	1	
26	A5C1M50100	Photointerrupter		B	2	
27	AA7N569200	Spacer		D	2	
28	A64JM20000	Clutch		C	1	
29	A2XK709000	Gear 24T		C	1	
30	A00J169300	Shoulder screw		C	1	

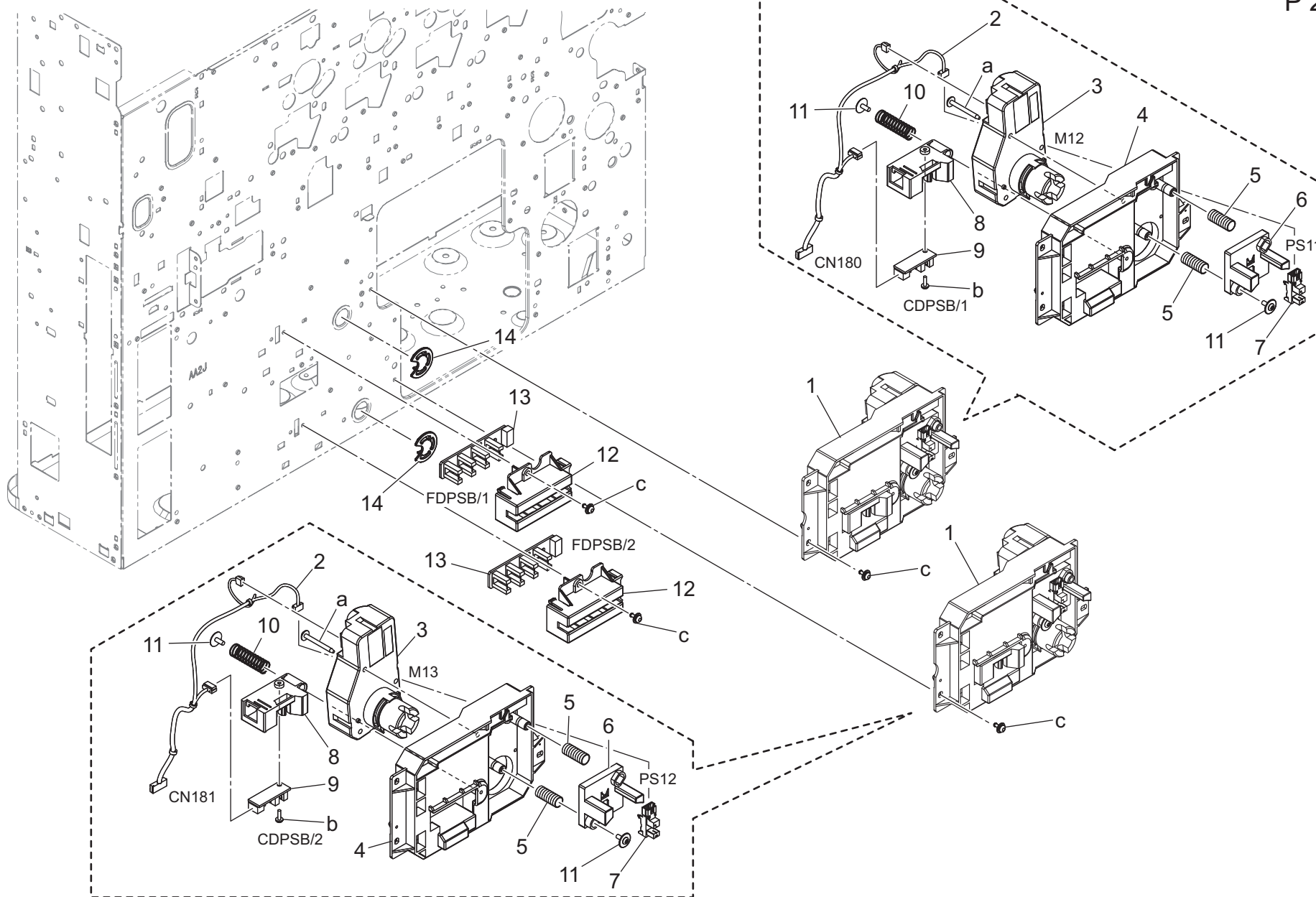


See P.18

Key	Part No.	Description	Destinations	Class	QTY	Standard parts
1	AA2J577500	Guide		C	1	a-V144030803 b-V217040003 c-V218040086
2	AA2J578401	Guide Plate		C	1	
3	4532341001	SHOULDER SCREW		D	1	
4	AA2J569000	Pulling Coil spring		C	2	
5	AA2J563801	Frame		D	1	
6	AA2J560000	Paper feed Roller		A	1	
7	A0ED563900	Torque limiter		C	1	
8	A7AH565000	Support Shaft		D	1	
9	AA2J561301	Compressing Coil spring		C	1	
10	AA2J563103	Holder		D	1	
11	A02E815200	BUSHING		C	1	
12	A797564400	Pulling Coil spring		C	1	
13	AA2J574101	Release Lever		D	1	

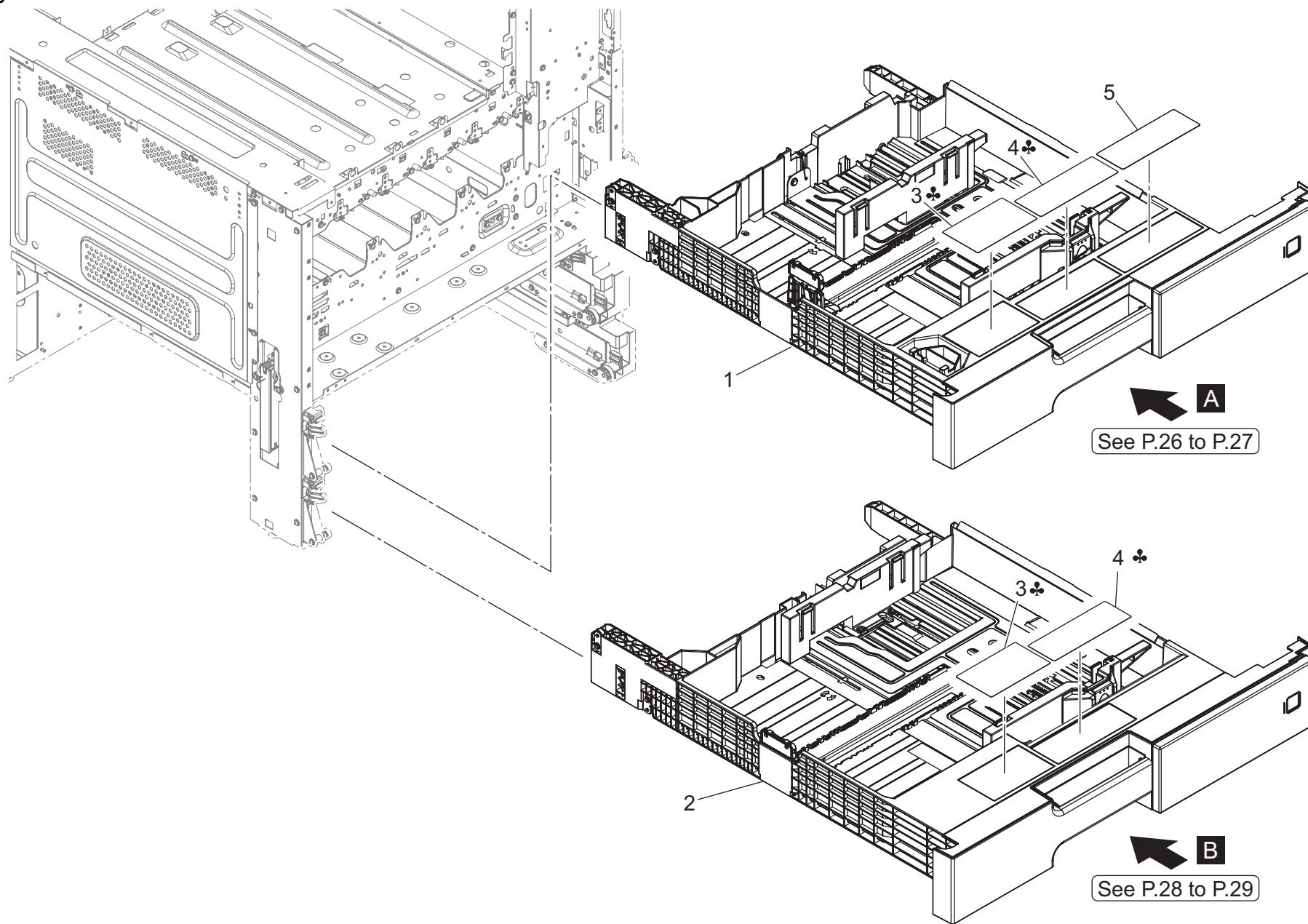


Key	Part No.	Description	Destinations	Class	QTY	Standard parts
1	A161104300	Torsion Coil spring		D	4	a-V125030803 b-V137030803 c-V137031203 d-V153031004 e-V217040003 f-V144030603 g-V217040001
2	ACKN103700	Cover		D	4	
3	A161104200	Shaft		D	4	
4	A161101900	Lever		D	4	
5	A5C1104800	Mounting Plate		D	1	
6	A5C1104700	Mounting Plate		D	2	
7	A5C1104400	Mounting Plate		D	1	
8	0996305501	RUBBER FOOT		C	4	
9	AA2J106000	Holder		D	1	
10	A161103901	Roll		D	2	
11	AA2J101100	Rail /ASSY		D	2	
12	A7PU102301	Stopper		D	2	
13	A7PU102201	Mounting Plate		D	2	
14	A1UD192400	Shoulder screw /2		C	2	
15	A161105200	Shaft		D	2	
16	A161623400	Roll		D	2	
17	AA2J947800	Label		D	2	
18	AA2J104003	Holder		D	1	
19	A161101701	Mounting Plate		D	1	
20	A161101600	Mounting Plate		D	1	

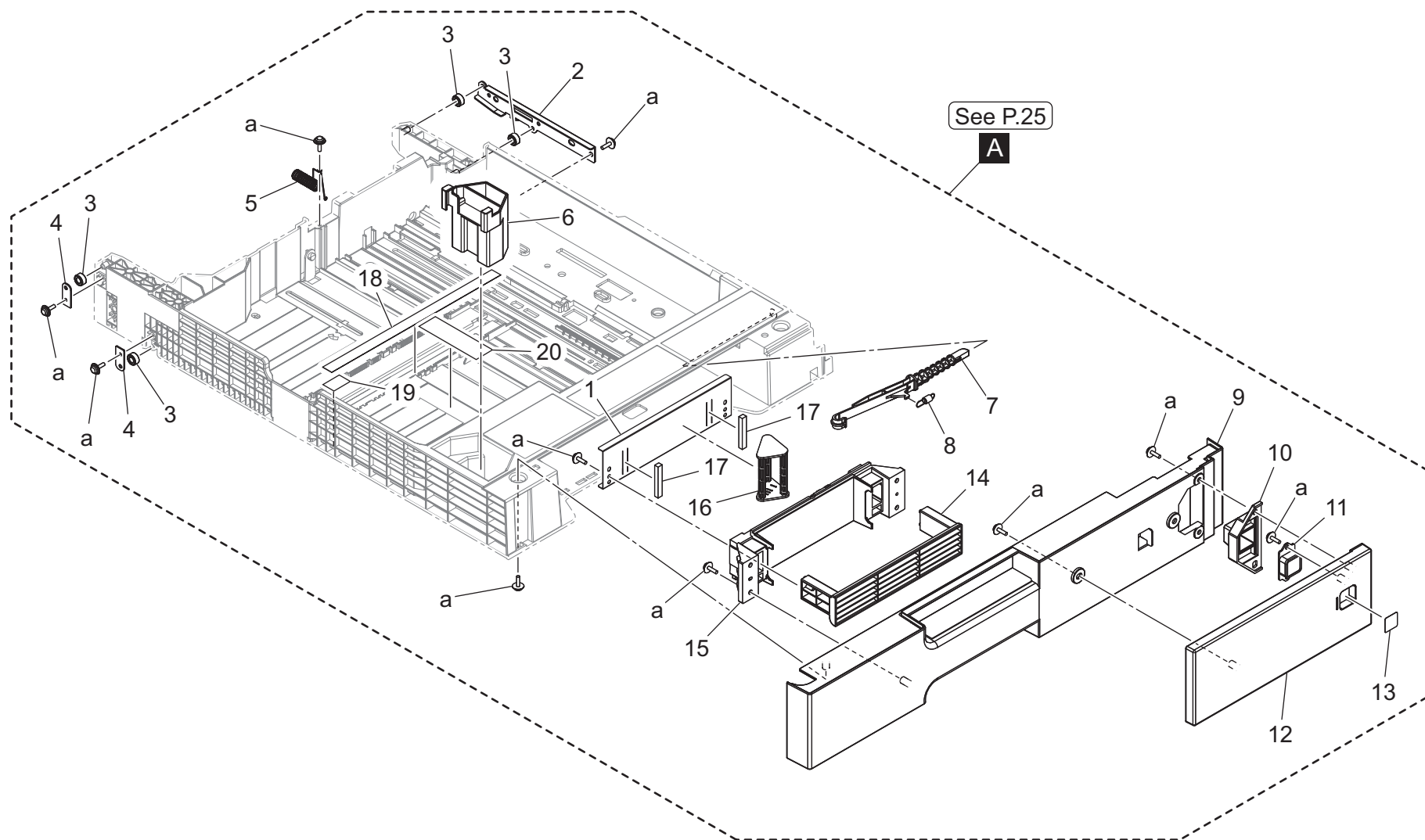


Key	Part No.	Description	Destinations	Class	QTY	Standard parts
1	AA2JR72200	Paper Size Detection Assy/ Upper		S	2	a-V153033003 b-V145030803 c-V125030803
2	AA2JN10T00	Paperfeed Wiring /K		D	2	
3	9J06M10300	MOTOR		B	2	
4	A5C1627103	Holder		D	2	
5	A5C1627900	Compressing Coil spring		D	4	
6	A5C1627300	Holder		D	2	
7	A5C1M50100	Photointerrupter		B	2	
8	A7PU627500	Holder		D	2	
9	A161M50501	Photointerrupter		C	2	
10	4002311002	Pressure Spring		C	2	
11	4163529301	SCREW		C	4	
12	A5C1628000	Holder		C	2	
13	A161M50600	Photointerrupter		C	2	
14	A7PU106100	Cover		D	2	

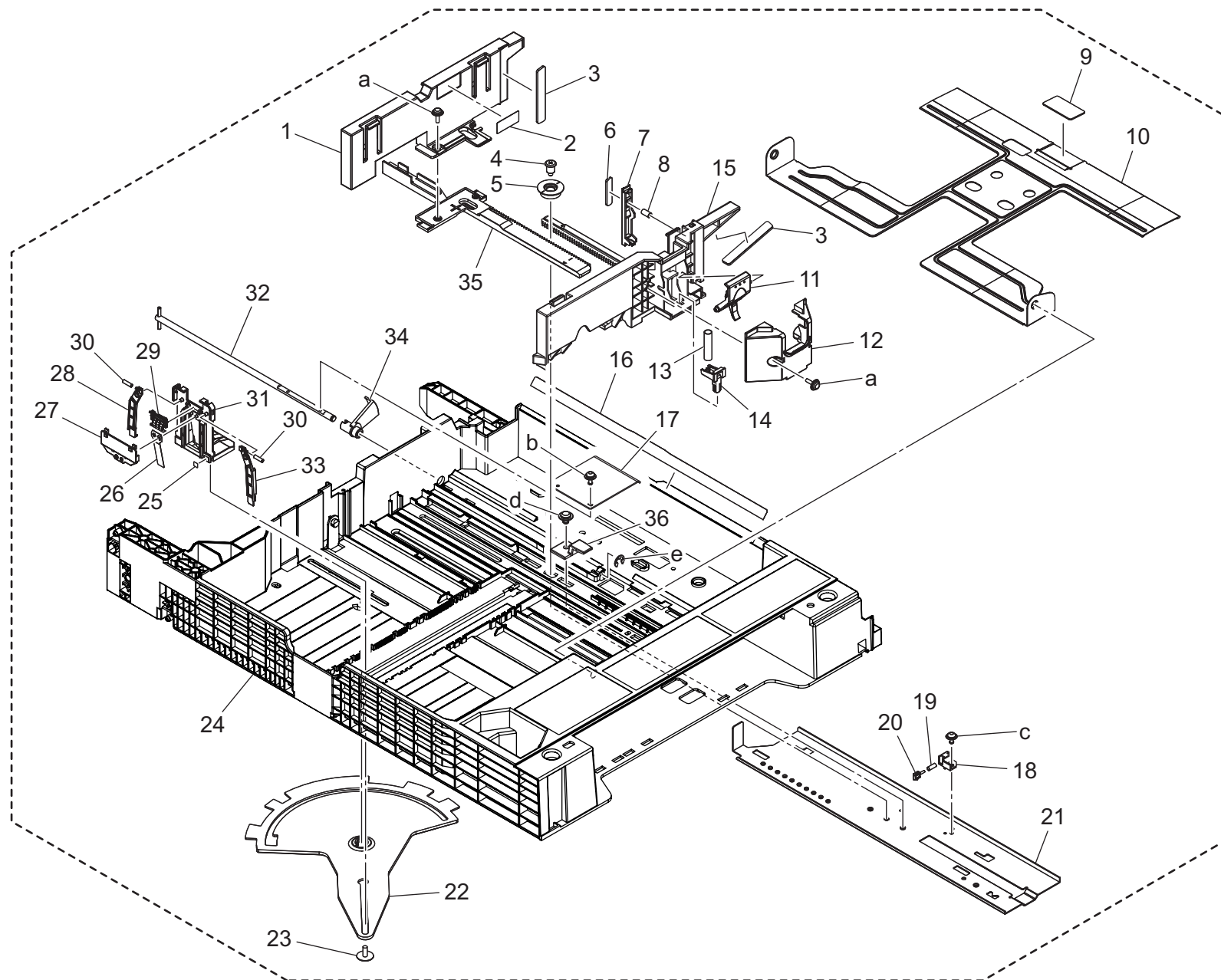
Tray 1/2



Key	Part No.	Description	Destinations	Class	QTY	Standard parts
1	AA2JR72422	Cassette Assy /1st		S	1	
2	AA2JR72511	Cassette Assy /2nd		S	1	
3	AA2J947100	Label	A	D	2	
3	AA2J947200	Label	B,C,D1,D3,E,F2,G1,G 2,I,K,J	D	2	
4	AA2J942400	Label	A	D	2	
4	AA2J942500	Label	B,C,D1,D3,E,F2,G1,G 2,I,K,J	D	2	
5	AA2J947400	Label		D	1	



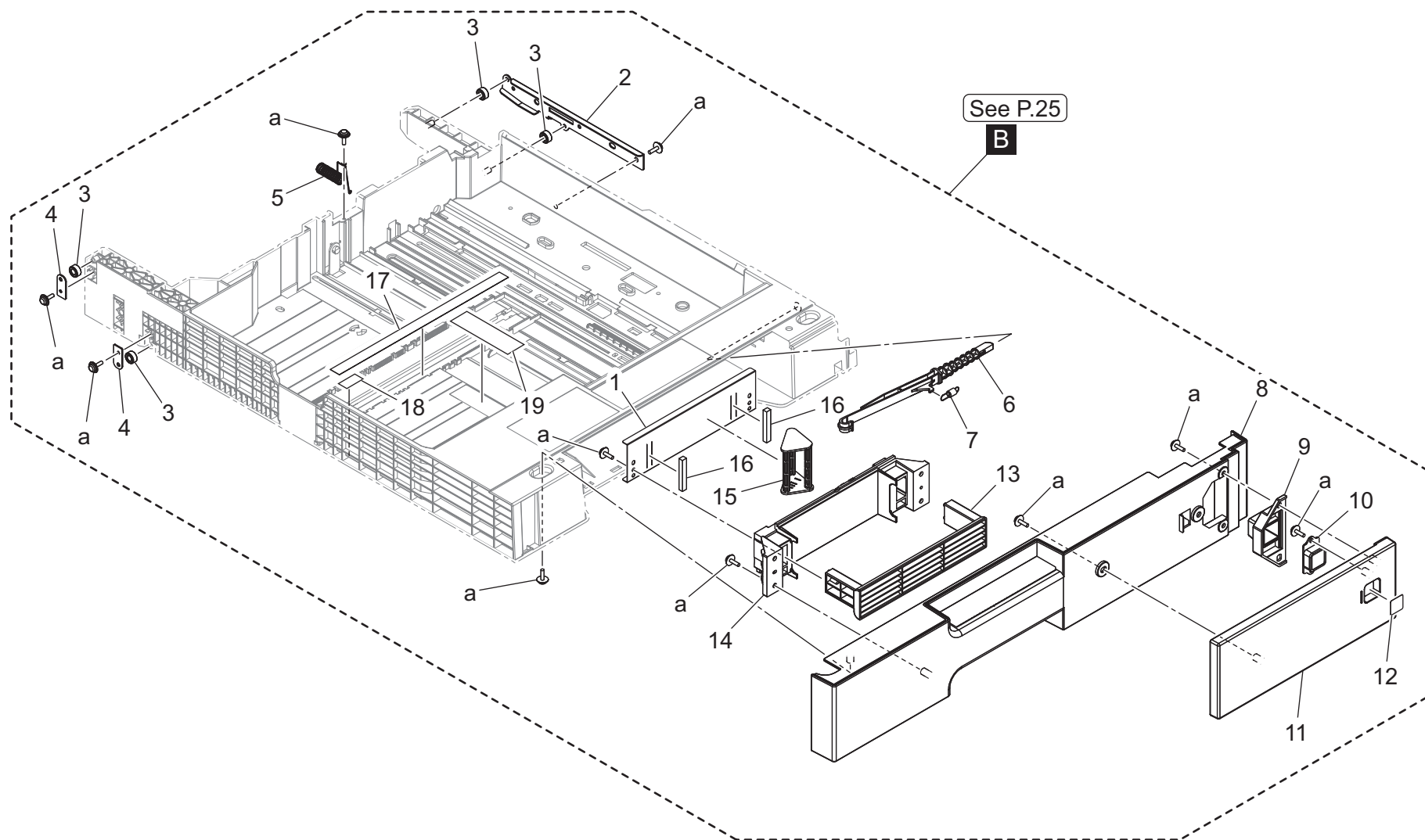
Key	Part No.	Description	Destinations	Class	QTY	Standard parts
1	AA2J624300	Holder		D	1	a-V153030803
2	AA2J623101	Reinforce Plate /Right		D	1	
3	A161623400	Roll		D	4	
4	AA2J623300	Reinforce Plate /Left		D	2	
5	AA2J622101	Ground Spring		C	1	
6	AA2J629600	Regulating Part		D	1	
7	A161626502	Lever		C	1	
8	A161626800	Pulling Coil spring		C	1	
9	AA2J625101	Cover		D	1	
10	AA2J625300	Cover		D	1	
11	AA2J626702	Cover		D	1	
12	AA2J625000	Cover		D	1	
13	AA2J943100	Label		D	1	
14	AA2J626900	Handle		D	1	
15	AA2J625201	Cover		D	1	
16	AA2J626600	Lever		C	1	
17	A5C1628500	Cushion		D	2	
18	AA2J941600	Label		D	1	
19	AA2J941300	Label		D	1	
20	AA2J941500	Label		D	1	



See P.25

A

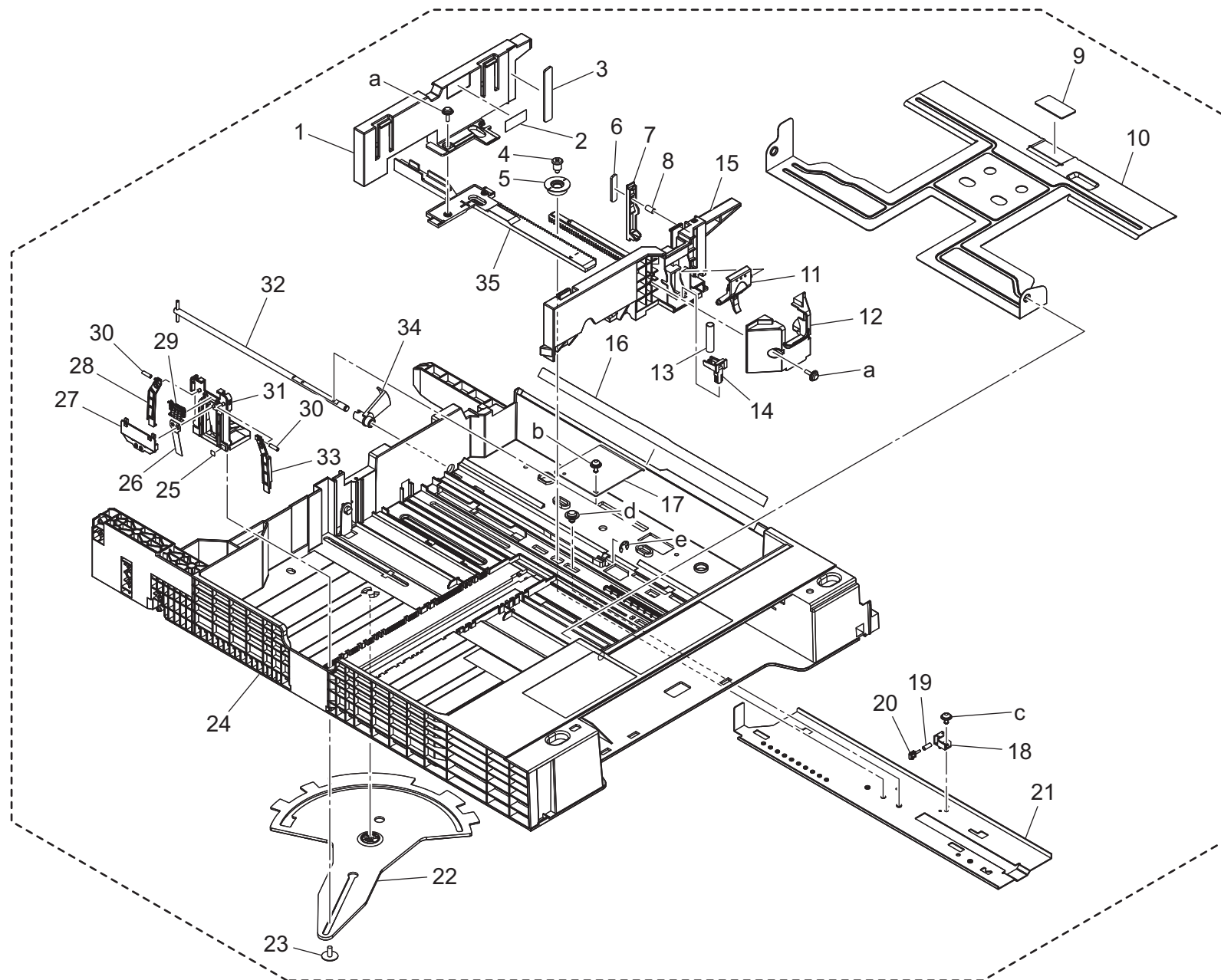
Key	Part No.	Description	Destinations	Class	QTY	Standard parts
1	AA2J620901	Regulating Plate /Rear		C	1	a-V153030803 b-V125030803 c-V127030603 d-V146040804 e-V217040003
2	AA2J943701	Label		D	1	
3	A161624100	Cushion		C	2	
4	A161620600	Shoulder screw		D	1	
5	A161620701	Gear		D	1	
6	A79J566000	Cushion		C	1	
7	A79J622500	Auxiliary Guide /1		C	1	
8	A795622700	Compressing Spring		C	1	
9	4030322602	FRICITION SHEET		C	1	
10	AA2J620400	Lifting Plate		D	1	
11	AA2J621300	Lock Lever		C	1	
12	AA2J621500	Holder		D	1	
13	AA2J621000	Compressing Spring		C	1	
14	AA2J621200	Lock Lever /2		D	1	
15	AA2J620804	Regulating Plate		C	1	
16	AA2J620200	Guide		C	1	
17	4030320601	LEVER		D	1	
18	A795565700	Holder		C	1	
19	A795565900	Compressing Spring		C	1	
20	A795565800	Lever		C	1	
21	A795621901	Mounting Plate		D	1	
22	A161621411	Lever		C	1	
23	4163529301	SCREW		C	1	
24	AA2J620102	Paper feed Cassette		D	1	
25	A02E940300	Label		C	1	
26	AA2J629200	Plate spring		D	1	
27	AA2J628901	Cover		D	1	
28	AA2J628700	Lock Lever		C	1	
29	AA2J629000	Operation Lever		D	1	
30	A795565500	Compressing Spring		C	2	
31	AA2J628601	Regulating Plate		C	1	
32	A161621600	Lifting Shaft		D	1	
33	AA2J628800	Lock Lever		C	1	
34	A0ED620701	Actuator		C	1	
35	AA2J621100	Rack		D	1	
36	AA2J621600	Stopper /1		D	1	



Key	Part No.	Description	Destinations	Class	QTY	Standard parts
1	AA2J624300	Holder		D	1	a-V153030803
2	AA2J633101	Reinforce Plate /Right		D	1	
3	A161623400	Roll		D	4	
4	AA2J623300	Reinforce Plate /Left		D	2	
5	AA2J622101	Ground Spring		C	1	
6	A161636502	Lever		C	1	
7	A161626800	Pulling Coil spring		C	1	
8	AA2J635101	Cover		D	1	
9	AA2J625300	Cover		D	1	
10	AA2J626702	Cover		D	1	
11	AA2J635001	Cover		D	1	
12	AA2J943200	Label		D	1	
13	AA2J626900	Handle		D	1	
14	AA2J625201	Cover		D	1	
15	AA2J626600	Lever		C	1	
16	A5C1628500	Cushion		D	2	
17	AA2J941200	Label		D	1	
18	AA2J943500	Label		D	1	
19	AA2J943600	Label		D	1	

Tray 1/2

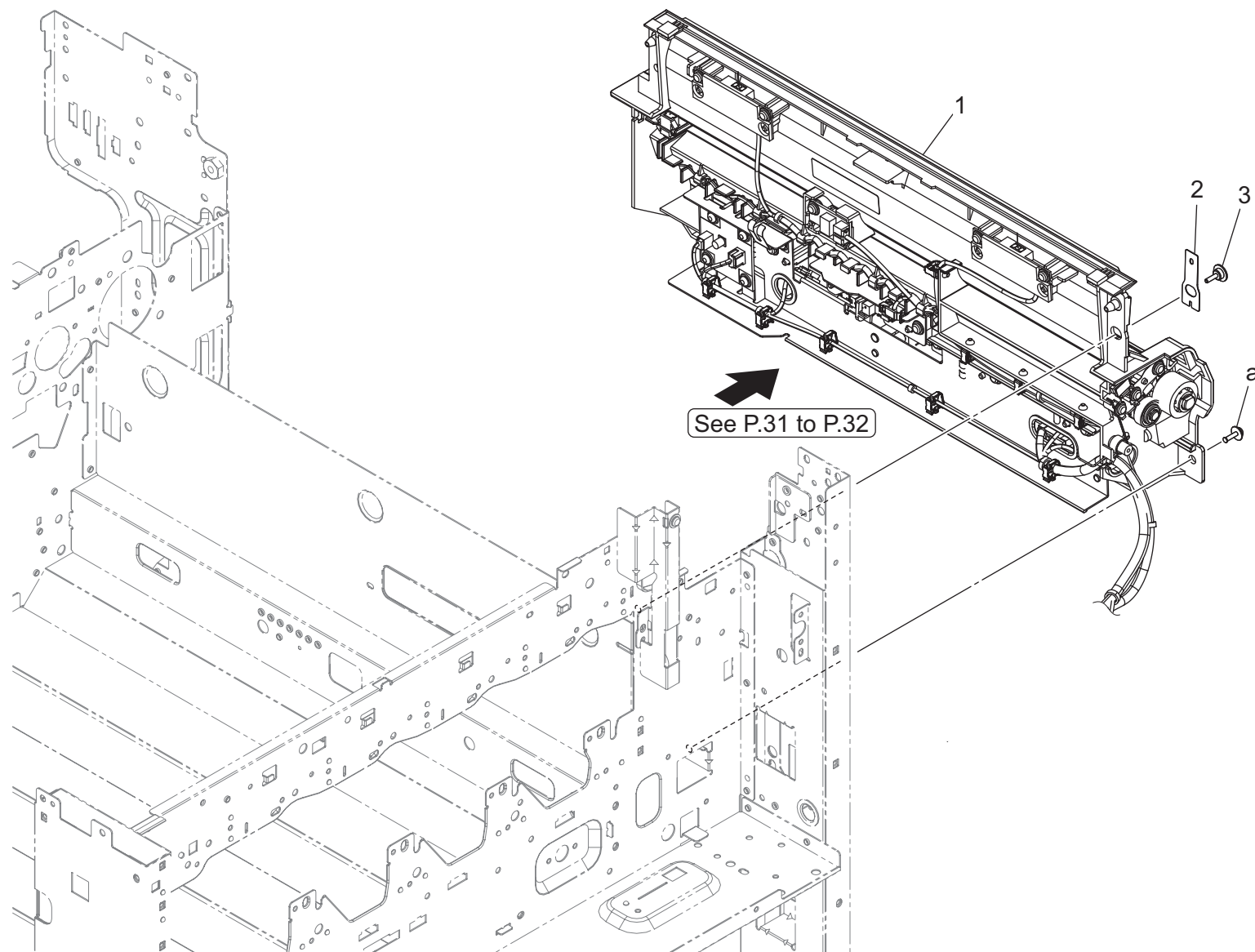
P 29

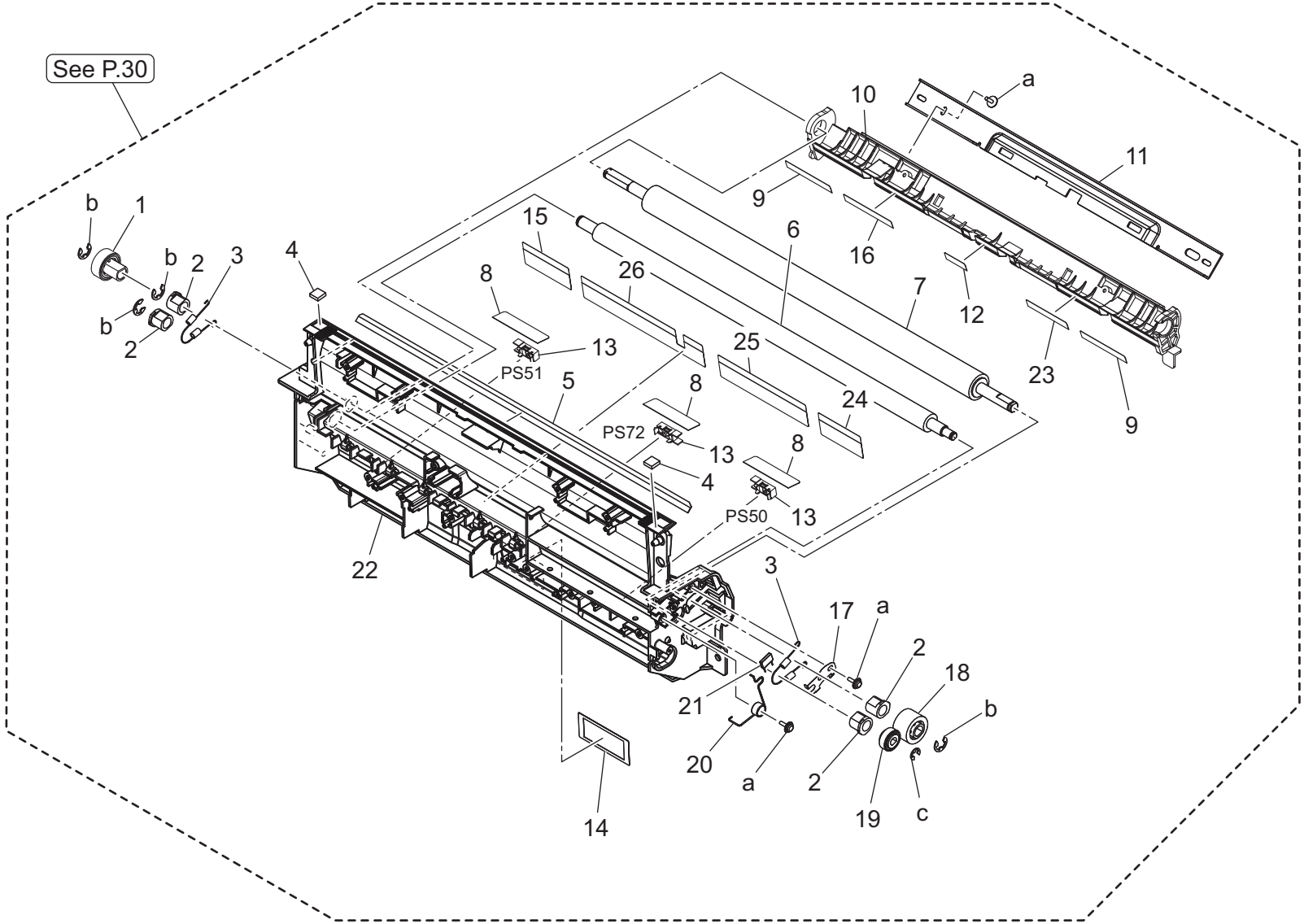


See P.25

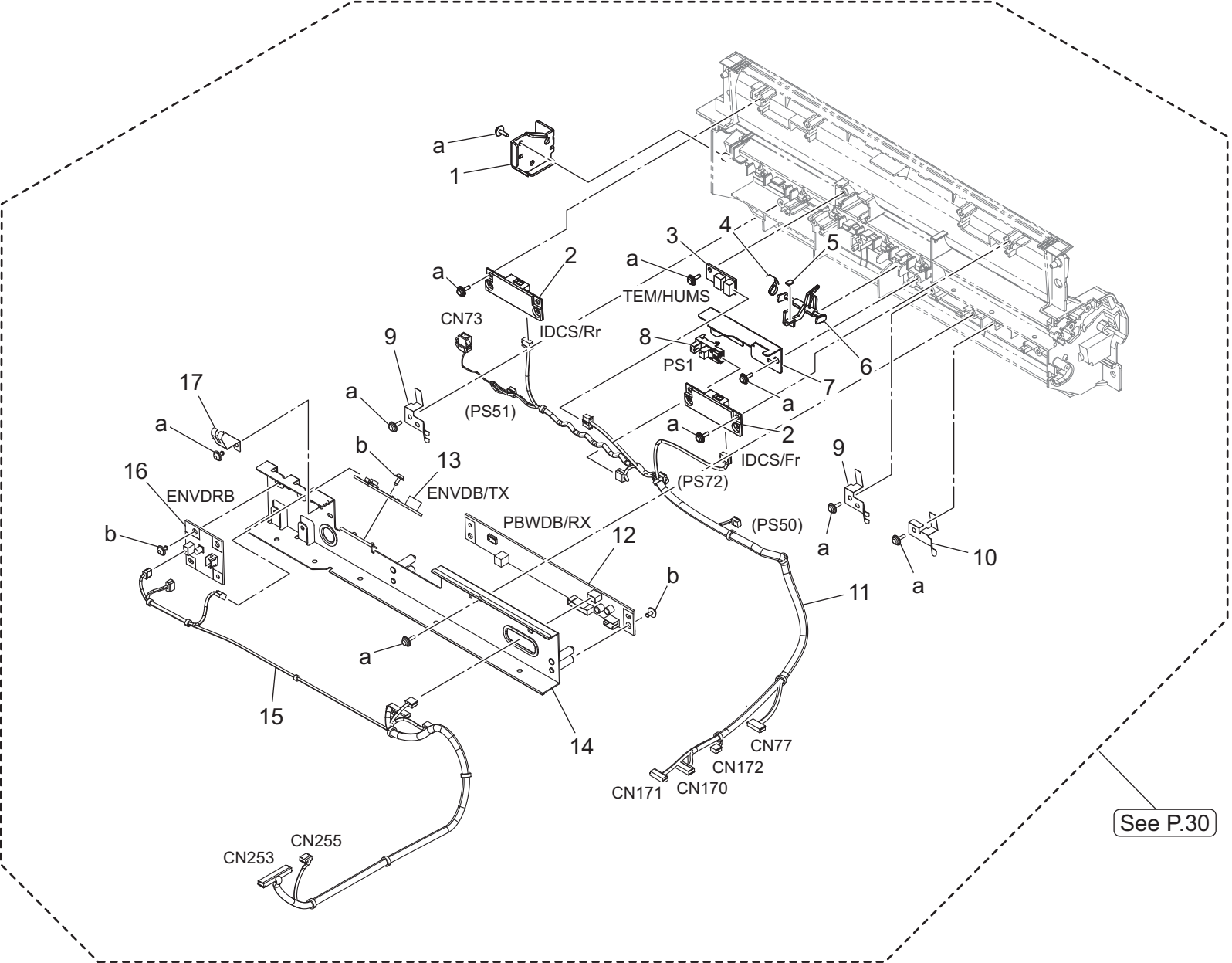
B

Key	Part No.	Description	Destinations	Class	QTY	Standard parts
1	AA2J620901	Regulating Plate /Rear		C	1	a-V153030803 b-V125030803 c-V127030603 d-V144040603 e-V217040003
2	AA2J943701	Label		D	1	
3	A161624100	Cushion		C	1	
4	A161620600	Shoulder screw		D	1	
5	A161620701	Gear		D	1	
6	A79J566000	Cushion		C	1	
7	A79J622500	Auxiliary Guide /1		C	1	
8	A795622700	Compressing Spring		C	1	
9	4030322602	FRICITION SHEET		C	1	
10	A161620400	Lifting Plate		D	1	
11	AA2J621300	Lock Lever		C	1	
12	AA2J621500	Holder		D	1	
13	AA2J621000	Compressing Spring		C	1	
14	AA2J621200	Lock Lever /2		D	1	
15	AA2J620804	Regulating Plate		C	1	
16	A0ED620200	Guide		C	1	
17	4030320601	LEVER		D	1	
18	A795565700	Holder		C	1	
19	A795565900	Compressing Spring		C	1	
20	A795565800	Lever		C	1	
21	A795621901	Mounting Plate		D	1	
22	A161631411	Lever		C	1	
23	4163529301	SCREW		C	1	
24	AA2J630102	Paper feed Cassette		D	1	
25	A02E940300	Label		C	1	
26	AA2J629200	Plate spring		D	1	
27	AA2J628901	Cover		D	1	
28	AA2J628700	Lock Lever		C	1	
29	AA2J629000	Operation Lever		D	1	
30	A795565500	Compressing Spring		C	2	
31	AA2J628601	Regulating Plate		C	1	
32	A161621600	Lifting Shaft		D	1	
33	AA2J628800	Lock Lever		C	1	
34	A0ED620701	Actuator		C	1	
35	AA2J621100	Rack		D	1	



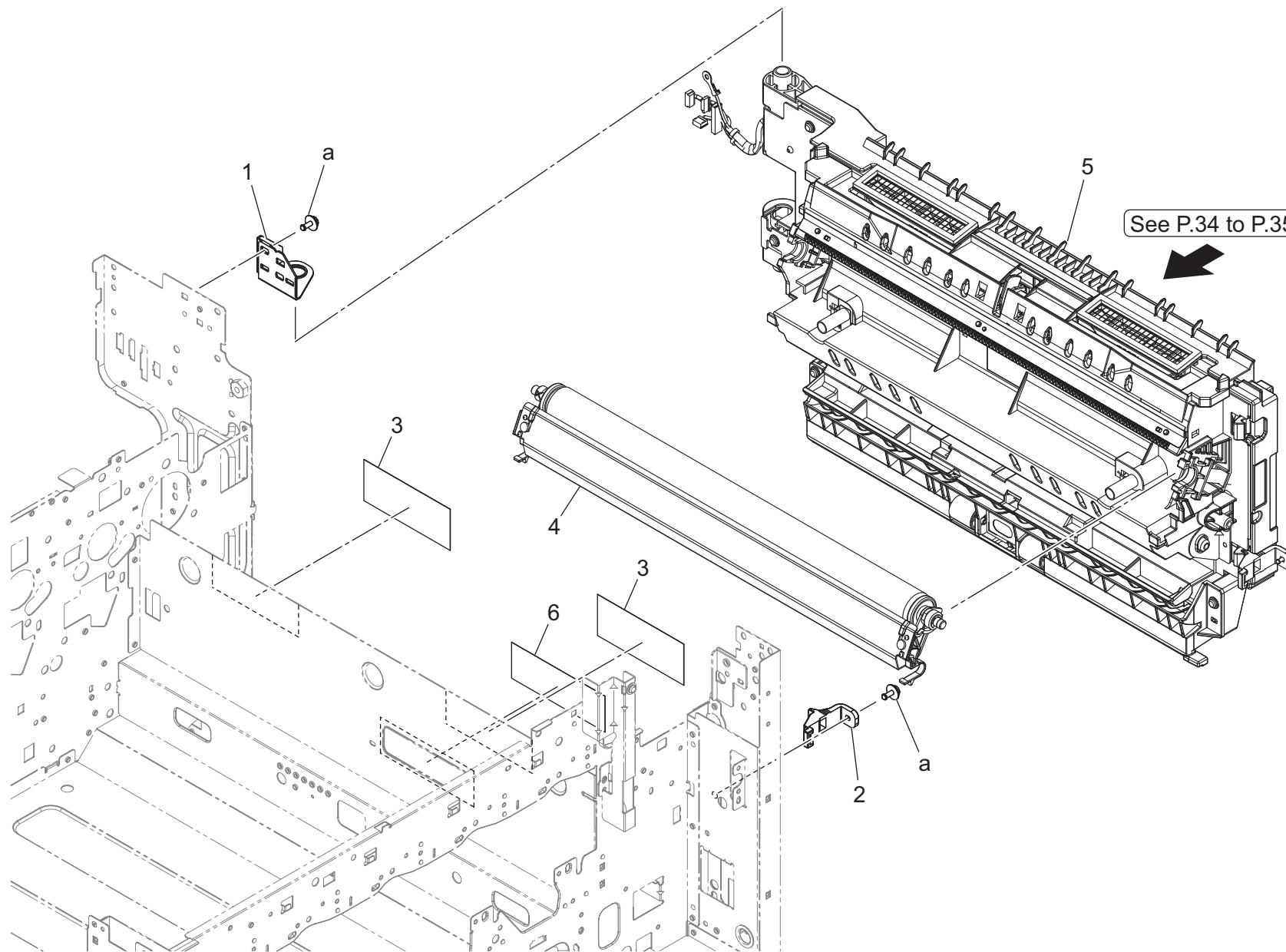


Key	Part No.	Description	Destinations	Class	QTY	Standard parts
1	AA7N709001	Gear 18T		C	1	a-V153030803 b-V217060003 c-V217040003
2	A161702200	Bushing		C	4	
3	A161702000	Conveyance Spring /A		C	2	
4	A161701900	Seal /A		D	2	
5	A161701301	Guide Sheet /A		C	1	
6	A0ED700200	Roller		D	1	
7	A5C1700101	Roller		C	1	
8	A79J700800	Guide Sheet		C	3	
9	AA7N700800	Guide Film /5		C	2	
10	AA7N700600	Conveyance Guide		D	1	
11	AA7N702900	Reinforce Plate		D	1	
12	A79J701000	Guide Sheet		C	1	
13	A0EDM50100	Photoreflector		I	3	
14	AA2J716700	Guide		D	1	
15	AA7N701600	Guide Sheet /E		C	1	
16	AA7N700900	Guide Film /7		C	1	
17	A5C1700800	Ground Plate /D		D	1	
18	A0ED700300	Gear 20T		D	1	
19	A0ED700700	Gear 14T		D	1	
20	A5C1703201	Torsion Coil spring		D	1	
21	V800500300	FIXED POWER RESISTORS		D	1	
22	AA7N700102	Guide Plate /Inside		D	1	
23	AA7N701100	Guide Film /8		C	1	
24	AA7N701200	Guide Sheet /B		C	1	
25	AA7N701400	Guide Sheet /C		C	1	
26	AA7N701500	Guide Sheet /D		C	1	

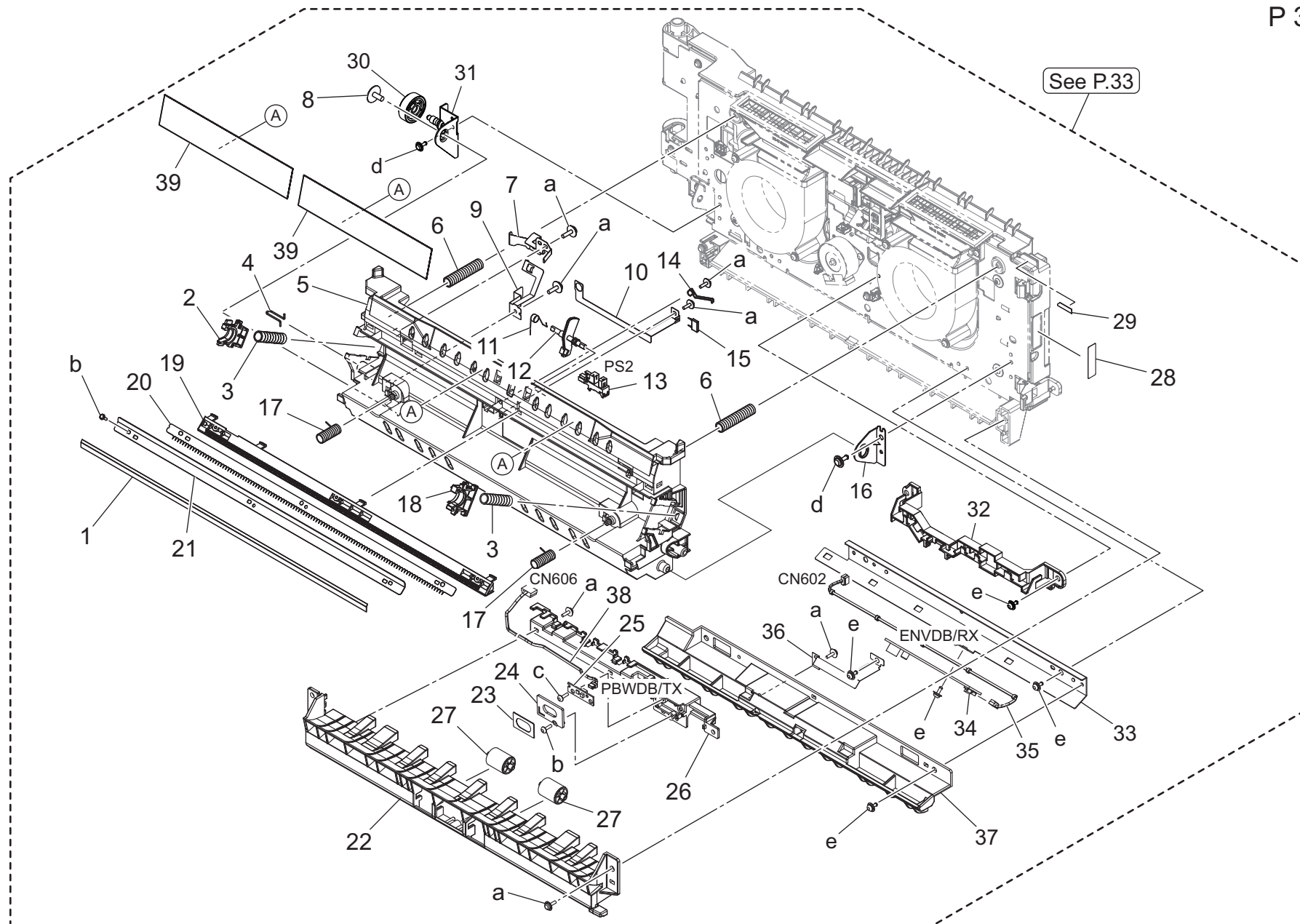


See P.30

2nd Transfer Section

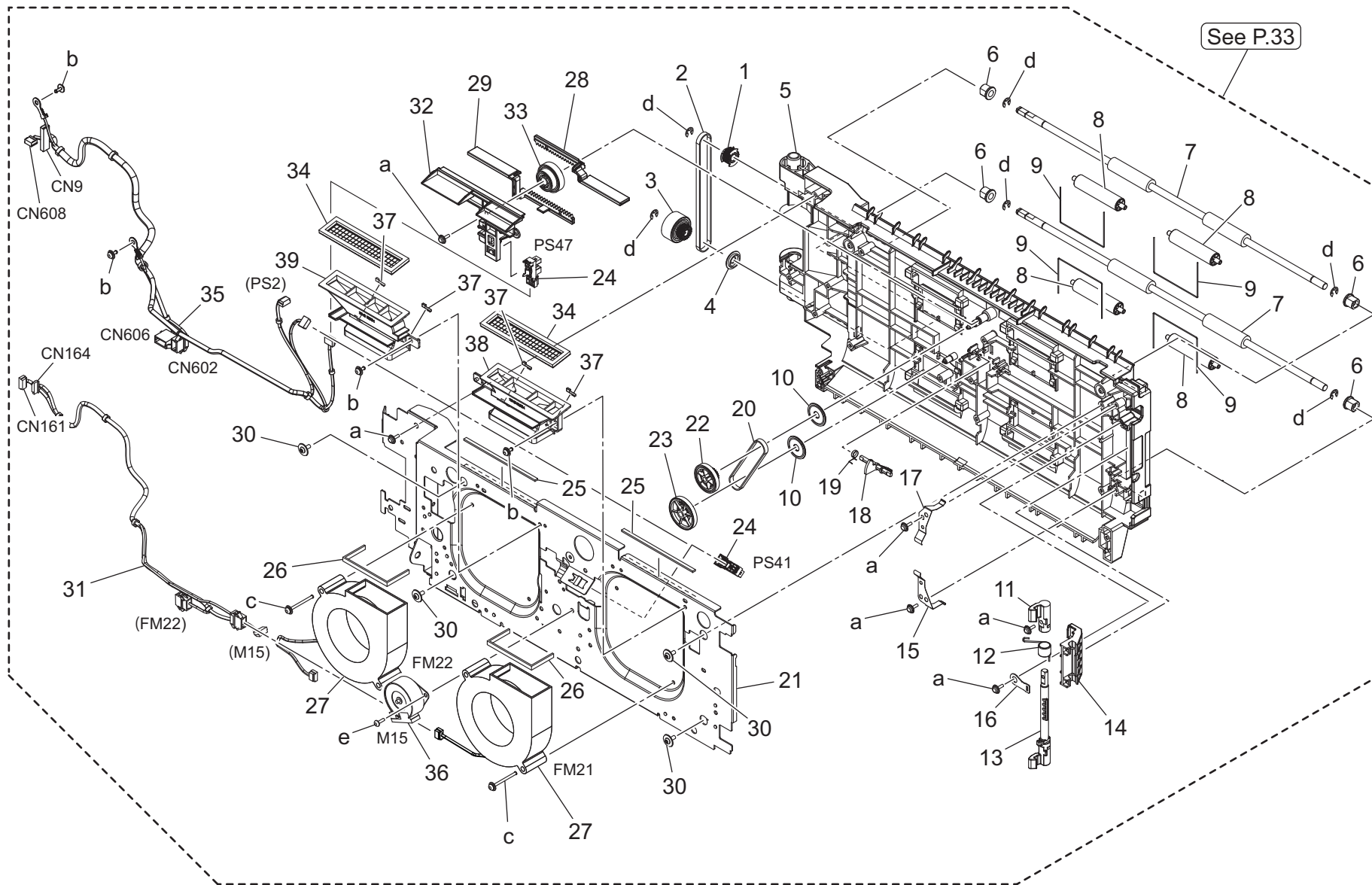


2nd Transfer Section



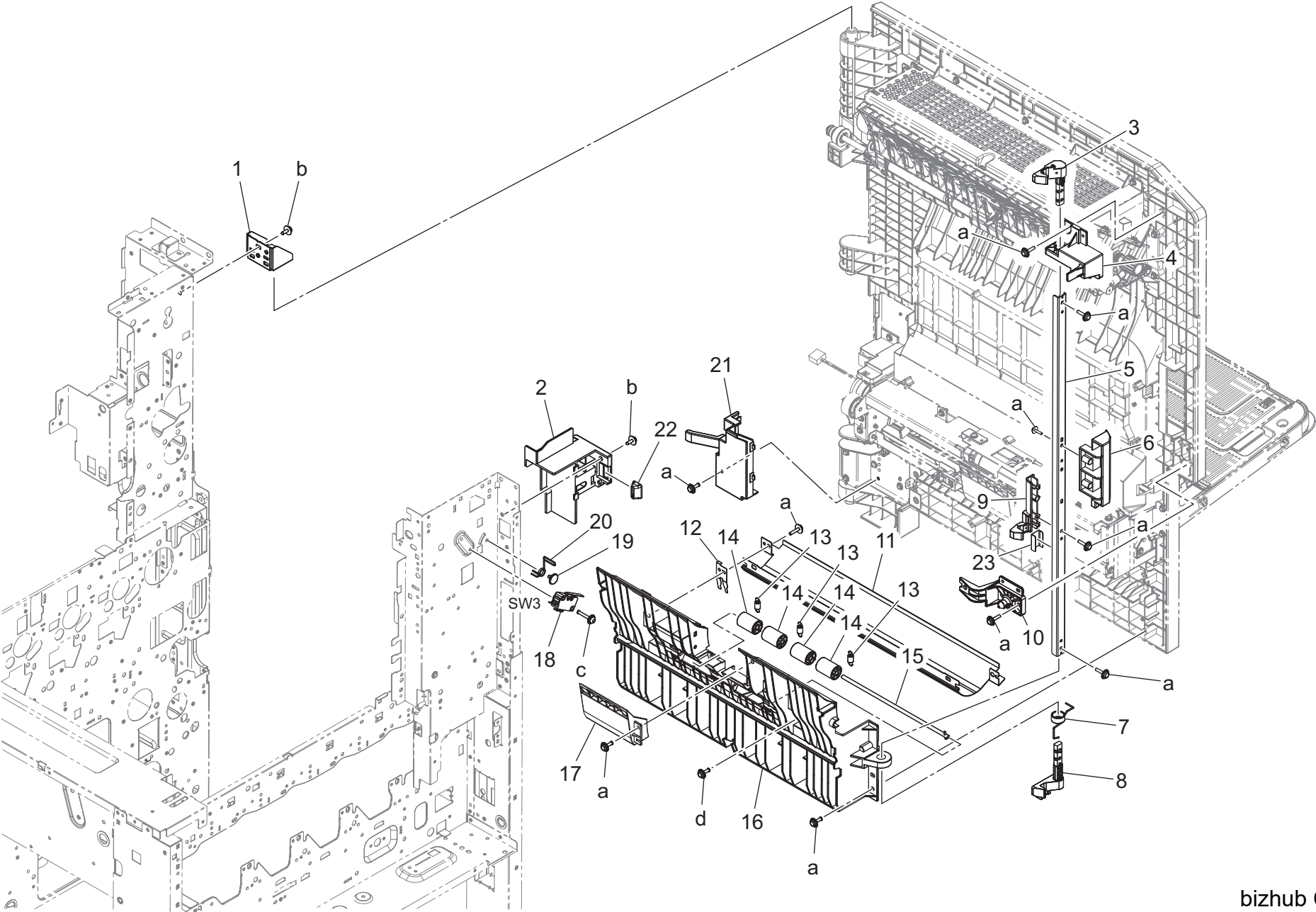
Key	Part No.	Description	Destinations	Class	QTY	Standard parts
1	A5C1551701	Guide Seal		D	1	a-V153030803 b-V162020504 c-V145030804 d-V144030803 e-V125030803
2	AA2J551500	Transfer Holder /2	転写ホルダ / 2 (後 / Rear)	D	1	
3	AA2J551000	Compressing Coil spring /2	圧縮コイルばね / 2	C	2	
4	A161712401	Ground Spring /A	アースばね / A	D	1	
5	AA7N710101	Holder /A	ホルダ / A	D	1	
6	A161711200	Pressing Spring	押圧ばね	D	2	
7	AA2J715100	Ground Plate /C	アース板 / C	D	1	
8	4163529301	SCREW	ねじ	C	1	
9	AA2J710900	Ground Plate /A	アース板 / A (2次接点)	D	1	
10	AA2J712500	Plate spring	板ばね (転前アース)	D	1	
11	A161712700	Spring /C	ばね / C	D	1	
12	A0ED703800	Actuator	アクチュエータ (ループセンサ)	D	1	
13	A5C1M50100	Photointerrupter	透過型センサ	B	1	
14	AA2J711000	Ground Spring /B	アースばね / B	D	1	
15	V800500300	FIXED POWER RESISTORS	固定抵抗器	D	1	
16	A5C1711801	Support Plate /Front	支点板 / 前	D	1	
17	A0ED551100	Compressing Coil spring	圧縮コイルばね (転前)	D	2	
18	AA2J550701	Transfer Holder /2	転写ホルダ / 2 (前 / Front)	D	1	
19	AA2J551600	Mounting Plate	取付板 (除電下)	D	1	
20	A0ED550800	Neutralizing Part	除電部材	D	1	
21	A0ED550900	Mounting Plate	取付板 (除電上)	D	1	
22	AA2J710302	Guide Plate /B	ガイド板 / B	D	1	
23	AA7N716500	Reflecting Plate	反射板 (基準)	C	1	
24	AA7N716700	Mounting Plate	取付板 (光学センサ・絞り)	D	1	
25	AA7NH00R00	PWB Assembly(BWLEB)	基板 ASSY (BWLEB)	C	1	
26	AA7N716100	Holder	ホルダ (光学センサ・発光)	D	1	
27	AA2J716000	Roll	ころ	C	2	
28	AA2J946400	Label	ラベル (M3)	C	1	
29	AA2J946500	Label	ラベル	D	1	
30	A64J719100	Gear 23T	ギア 23T	C	1	
31	A161711901	Support Plate /Rear	支点板 / 奥	D	1	
32	AA7N719700	Holder	ホルダ (ハーネス)	D	1	
33	AA2J710701	Mounting Plate /C	取付板 / C	D	1	
34	AA7NH00V00	PWB-Assembly(MFDTB/R)	基板 ASSY (MFDTB / R)	C	1	
35	AA7NN10W00	Conveyance Detection Harness /3	搬送検知束線 / 3 (超音波)	D	1	
36	AA7N717000	Ground Plate	アース板 (受信側)	D	1	
37	AA2J710602	Guide Plate /C	ガイド板 / C	D	1	
38	AA7NN10V00	Conveyance Detection Harness /2	搬送検知束線 / 2 (LED)	D	1	
39	AA7N710801	Guide Sheet	ガイドシート (t=0.1)	D	2	

2nd Transfer Section



Key	Part No.	Description	Destinations	Class	QTY	Standard parts
1	A0ED811700	Pulley 22T	プーリ (ADU 第3) 22 T	C	1	a-V153030803 b-V125030803 c-V116033003 d-V217040003 e-V145030803
2	A161719000	Drive Belt 266L	駆動ベルト 266 L	C	1	
3	A64J709100	Gear 22/23T	ギア 22/23 T	C	1	
4	A0ED811900	Collar	カラー (ADU 第2 R)	D	1	
5	AA2J710204	Guide Plate /A	ガイド板 / A	D	1	
6	A02E815200	BUSHING	軸受	C	4	
7	A161710500	Roller /A	ローラ / A	D	2	
8	A161825700	Idler Roller /A	従動ローラ / A	D	4	
9	A161714600	Conveyance Spring /B	搬送ばね / B	D	4	
10	A79J897300	Collar	カラー	C	2	
11	A161711300	Lock Shaft /A	ロック軸 / A	C	1	
12	A161711700	Spring /B	ばね / B	C	1	
13	A5C1711500	Lock Shaft	ロック軸	C	1	
14	A161711600	Open/close Lever	開閉レバー	C	1	
15	A161712100	Ground Plate /E	アース板 / E	D	1	
16	A161714500	Fixing Part	固定部材	D	1	
17	A161712000	Ground Plate /D	アース板 / D	D	1	
18	A161713500	Actuator	アクチュエータ (ADU 下 JAM 検)	C	1	
19	A161712800	Spring /D	ばね / D	D	1	
20	AA7N718900	Drive Belt 164L	駆動ベルト 164 L	C	1	
21	AA2J710402	Mounting Plate	取付板	D	1	
22	AA7N718300	Gear /Middle 22/25T	ギア / 中 22/25 T	C	1	
23	AA7N718400	Gear /Lower 22/75T	ギア / 下 22/75 T	C	1	
24	A5C1M50100	Photointerrupter	透過型センサ	B	2	
25	AA7N718800	Seal /Middle	シール / 中	C	2	
26	AA7N718500	Seal /Lower	シール / 下	C	2	
27	AA7NM10H00	Fan Motor	ファンモーター (DC 12 V シロッコ)	C	2	
28	AA7N719400	Rack /F	ラック / F	C	1	
29	AA7N719300	Rack /R	ラック / R	C	1	
30	4163529301	SCREW	ねじ	C	4	
31	AA7NN11K01	Drive Relay Harness /3	駆動中継束線 / 3	D	1	
32	AA7N719501	Holder	ホルダ (端部冷却)	D	1	
33	AA7N718200	Gear /Upper 18/25T	ギア / 上 18/25 T	C	1	
34	AA7N718600	Seal /Upper	シール / 上	C	2	
35	AA7NN10K01	Conveyance Harness /2	搬送束線 / 2 (ループ)	D	1	
36	A7PUM10700	Stepping motor	ステッピングモータ	C	1	
37	AA7N718700	Seal /Inside	シール / 内	C	4	
38	AA7N718000	Duct /F	ダクト / F	D	1	
39	AA7N718100	Duct /R	ダクト / R	D	1	

Vertical Conveyance Section

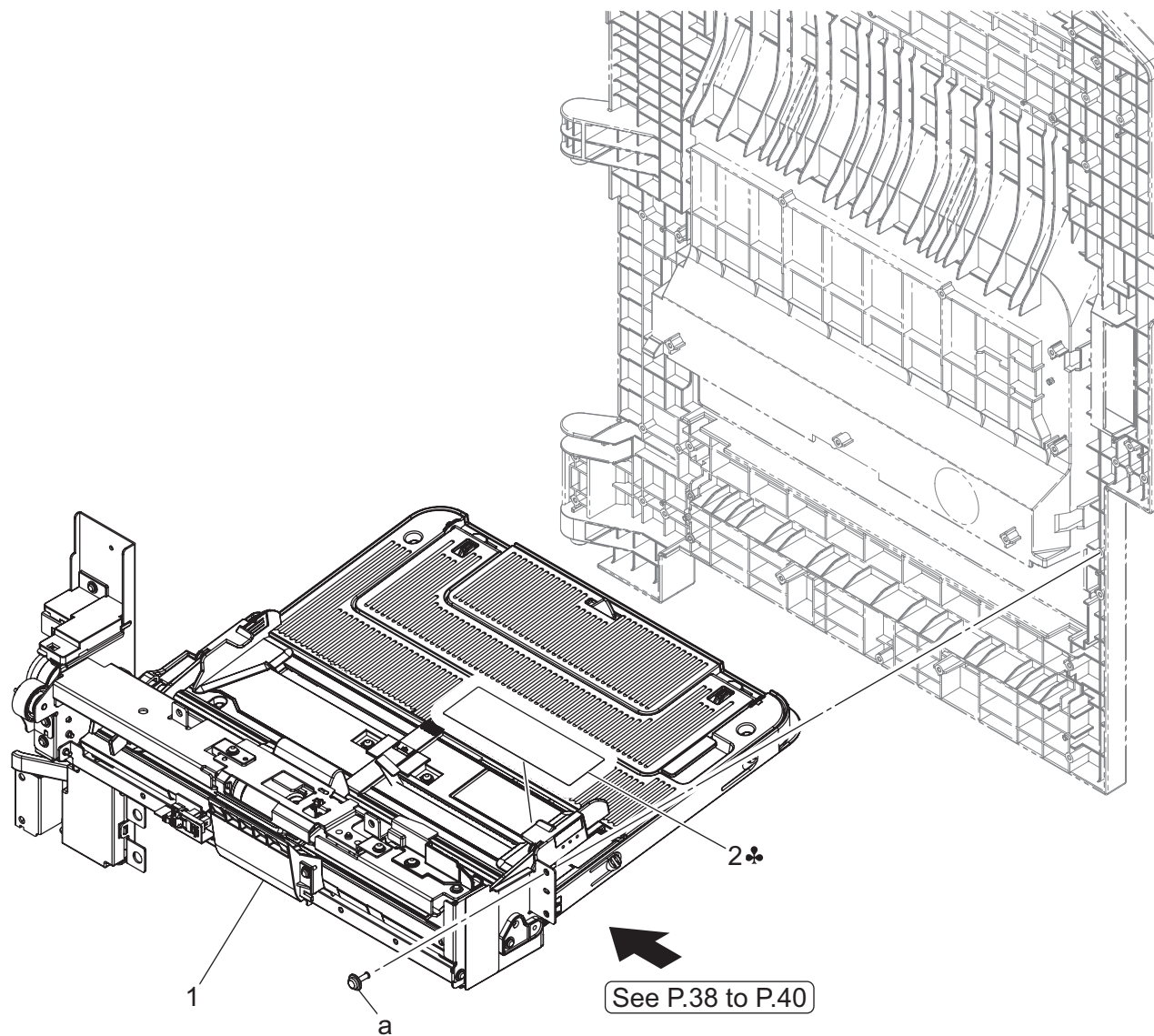


Vertical Conveyance Section

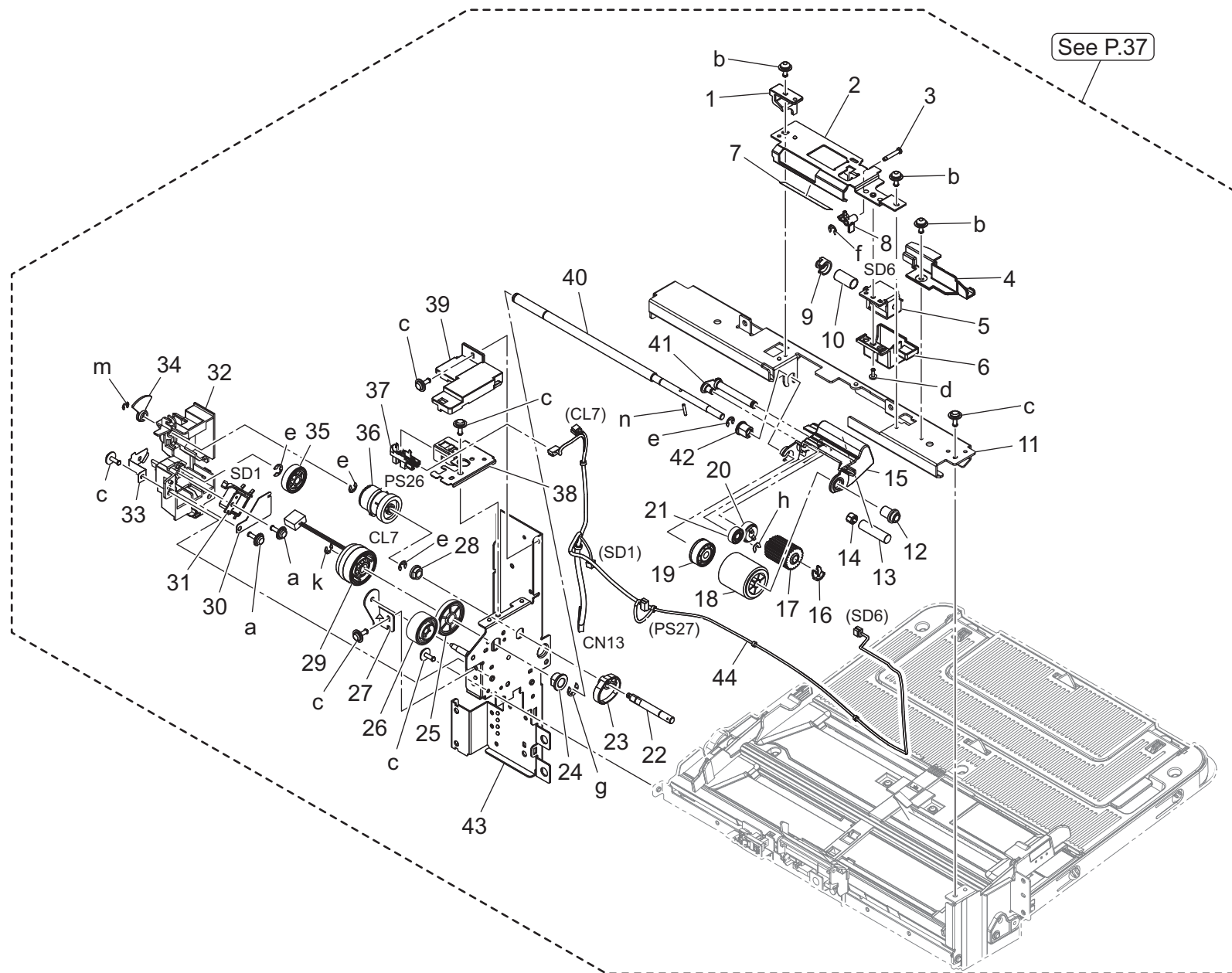
Key	Part No.	Description	Destinations	Class	QTY	Standard parts
1	A161121300	Adjusting Plate		D	1	a-V153030803 b-V125030803 c-V116031603 d-V144030803
2	AA2J121201	Holder		D	1	
3	AA2J712100	Lock Claw /Upper		C	1	
4	A161811500	Support Part /Upper		D	1	
5	A161811001	Lock Plate		D	1	
6	A5C1811101	Open/close Handle		C	1	
7	A161815900	Torsion Coil spring		C	1	
8	AA2J811600	Lock Claw /Lower		C	1	
9	AA2J815200	Lock /Middle		C	1	
10	A161811302	Lock Part /Lower		D	1	
11	A161815000	Guide Door		D	1	
12	A161816200	Ground Guide		D	1	
13	A64J815500	Pulling Spring		C	3	
14	A161815400	Roll		C	4	
15	A161815300	Shaft		D	1	
16	A161810305	Guide Plate /2		D	1	
17	AA7N590500	Paper feed Guide		D	1	
18	9J06M60100	MICRO SWITCH		C	1	
19	A161137100	Shoulder screw		D	1	
20	A161151200	Torsion Coil spring		D	1	
21	A161592900	Wiring Cover /B		D	1	
22	A79J122200	Collar		D	1	
23	AA2J812100	Protection Sheet		D	1	

Bypass Tray Section

P 37

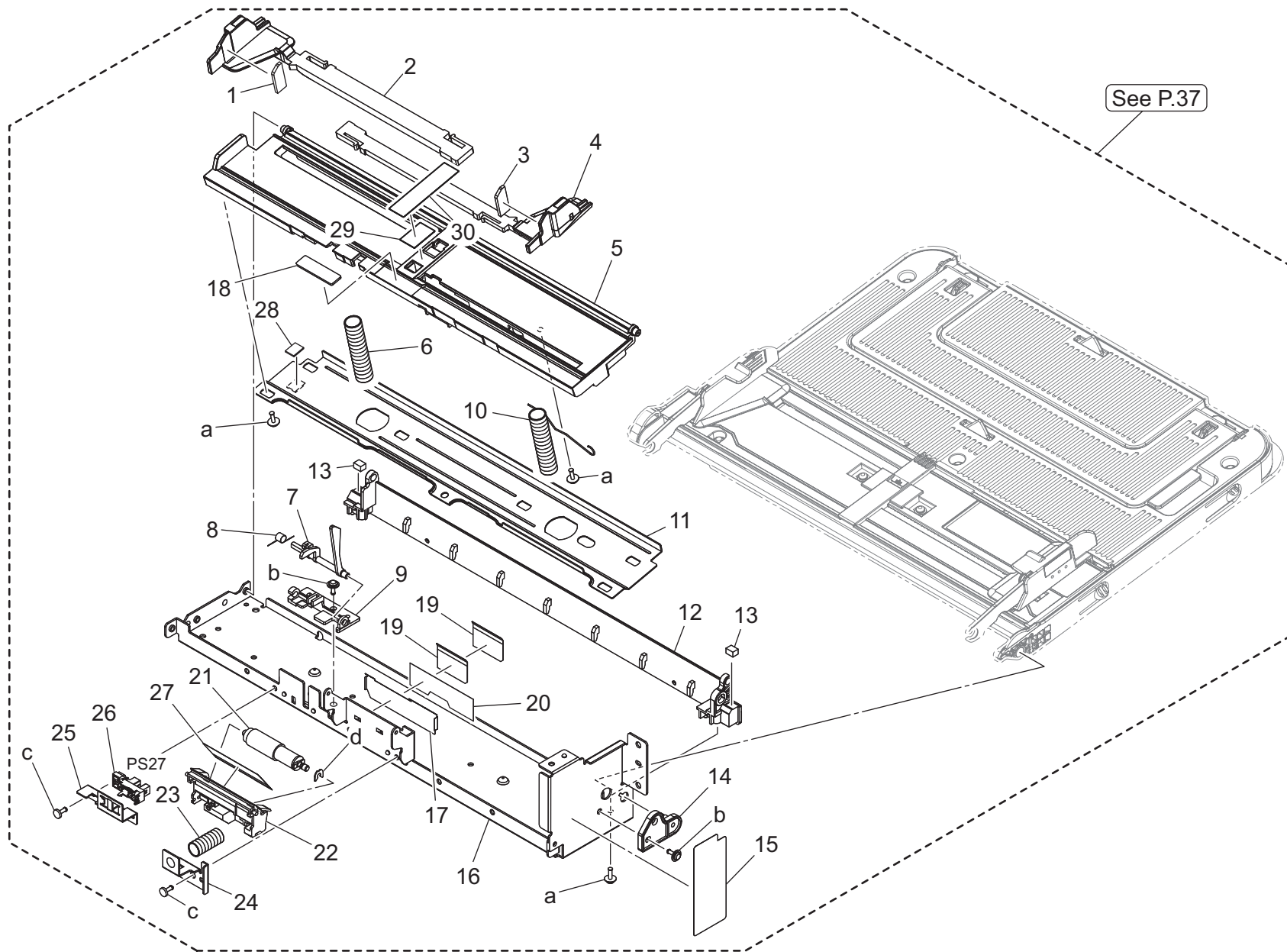


Key	Part No.	Description	Destinations	Class	QTY	Standard parts
1	AA7NR72323	Manual Feed Tray Assy		S	1	a-V153030803
2	AA2J944100	Label ラベル (手差し・メトリック)	A,C,D1,D3,E,F2,G1,I ,K,J	D	1	
2	AA2J944200	Label ラベル (手差し・インチ)	B,G2	D	1	



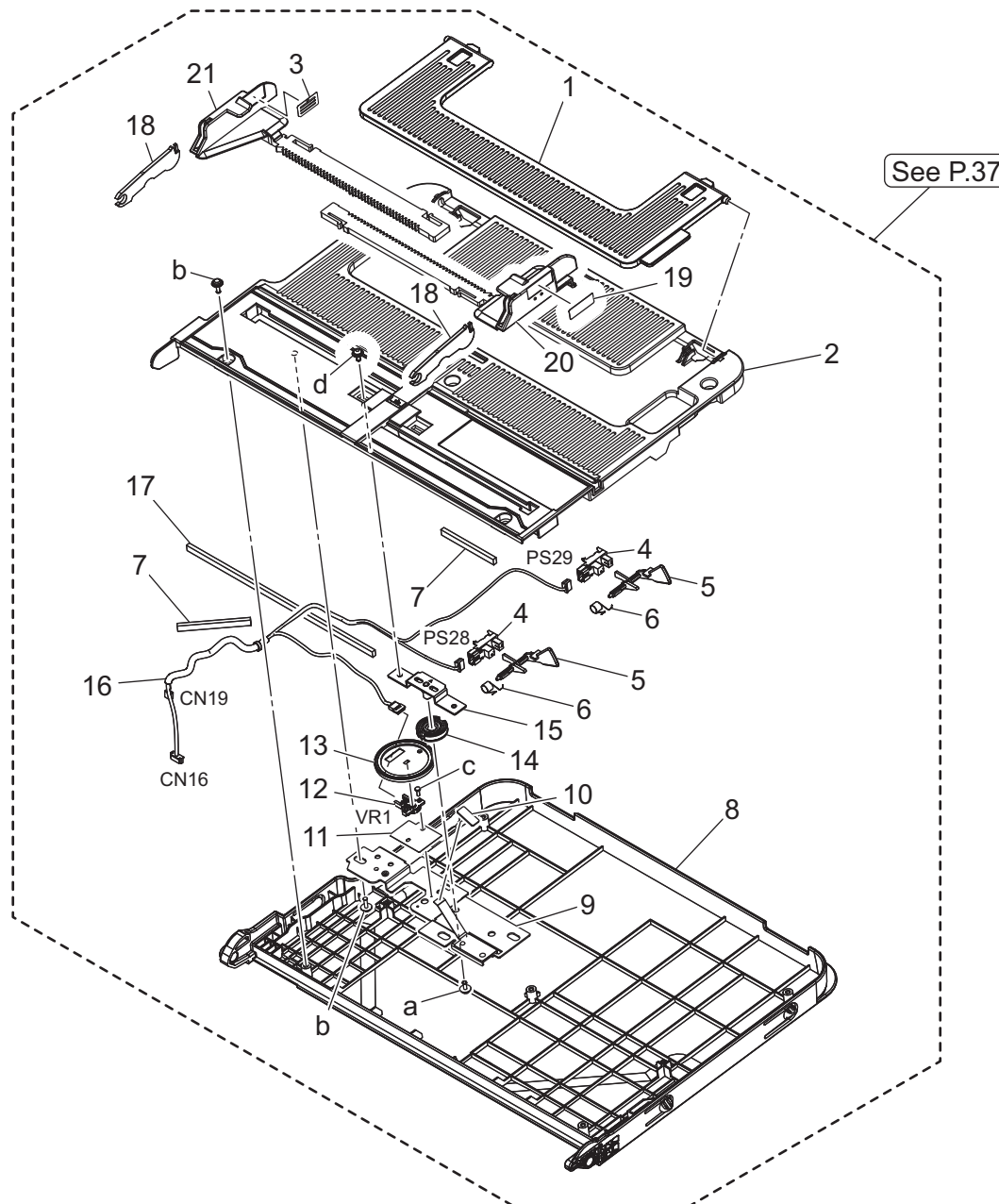
Key	Part No.	Description	Destinations	Class	QTY	Standard parts
1	AA2J590900	Holding Plate		D	1	a-V153030803
2	AA2J590300	Reinforce Plate		D	1	b-V125030803
3	AA2J591600	Shaft		D	1	c-V144030803
4	AA2J593700	Wiring Cover /Front		D	1	d-V126030803
5	A034M20100	Conveyance Solenoid		C	1	e-V217040003
6	AA2J592401	Cover		D	1	f-V217020003
7	A161594700	Guide Sheet		C	1	g-V217060003
8	AA2J592301	Lifting Lever		D	1	h-V218030086
9	AA2J593100	Pressing Holder		D	1	k-V217050003
10	AA2J594301	Compressing Coil spring		C	1	m-V217030003
11	AA2J590202	Paper feed Frame		D	1	n-V234201250
12	AA2J592701	Bushing		D	1	
13	AA2J591900	Weight		D	1	
14	AA2J595000	Cover		D	1	
15	AA2J592000	Paper feed Holder		D	1	
16	56AA40490	SHAFT STOPPER 4		C	1	
17	A5C1562200	Roller		A	1	
18	A00F623201	Roller		B	1	
19	AA2J592600	Gear 42T		C	1	
20	AA2J592100	Gear 32T		C	1	
21	AA2J592200	Idling Gear 26T		C	1	
22	A161591400	Drive Shaft		D	1	
23	A161593300	Paper feed Cam		C	1	
24	AA2J592900	Slide Bearing		D	1	
25	A02E596100	Gear 30T		C	1	
26	AA2J593800	Bypass Gear 24T		C	1	
27	A161590600	Reinforce Plate		D	1	
28	A02E596300	Bushing		C	1	
29	A02EM20100	Clutch		B	1	
30	A0ED597800	Cover		D	1	
31	9321240011	SOLENOID		C	1	
32	A5C1591200	Drive Cover		D	1	
33	A7PU596900	Auxiliary Cover		D	1	
34	A161591300	Light blocking Plate		C	1	
35	A02E595400	Gear 22T		C	1	
36	A02E595100	Clutch assy		C	1	
37	A5C1M50100	Photointerrupter		B	1	
38	A5C1591900	Mounting Plate		D	1	
39	A161592800	Wiring Cover /A		D	1	
40	AA2J591500	Paper feed Shaft		D	1	
41	AA2J591000	Mounting Plate /ASSY		D	1	
42	AA2J592800	Bushing		D	1	
43	A161F59002	Caulking(Mounting Plate Drive Frame)		D	1	
44	AA2JN10S00	Paperfeed Wiring /4		D	1	

Bypass Tray Section

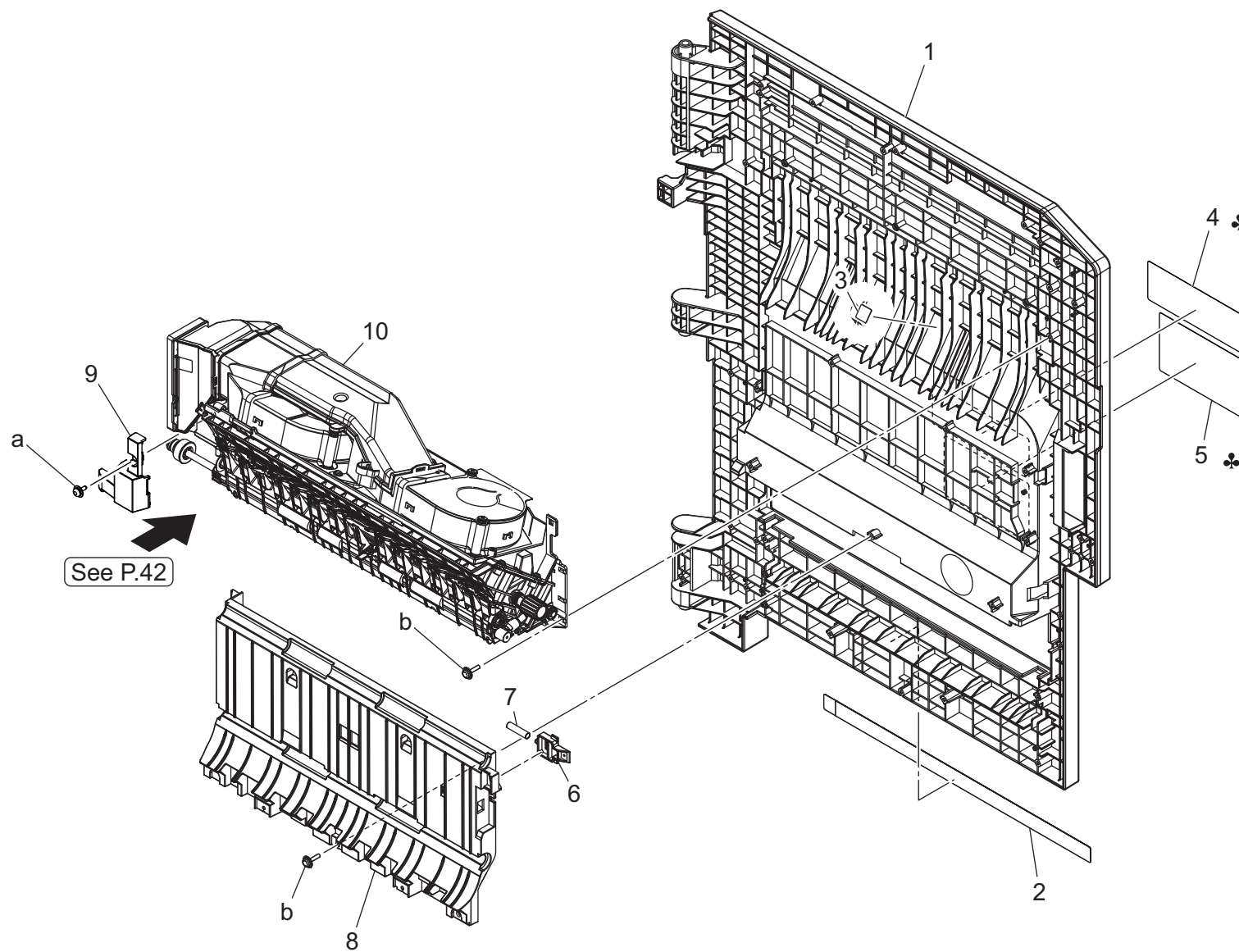


Key	Part No.	Description	Destinations	Class	QTY	Standard parts
1	A161594500	Brake Part		C	1	a-V153030803 b-V144030803 c-V126030803 d-V218030086
2	AA2J593200	Regulating Plate /R		C	1	
3	A161594600	Brake Part /F		C	1	
4	AA2J593301	Regulating Plate /L		C	1	
5	AA2J593000	Lifting Plate		D	1	
6	A161593400	Compressing Coil spring		C	1	
7	A161590901	Actuator		C	1	
8	A161591000	Torsion Spring		C	1	
9	A161591100	Sensor Holder		D	1	
10	A161593600	Compressing Coil spring		C	1	
11	A7PU596800	Mounting Plate		D	1	
12	A161590304	Support Holder		D	1	
13	A161594201	Cushion		D	2	
14	A161591600	Hold Plate		C	1	
15	AA2J594500	Protection Seal /Front		D	1	
16	AA2J590100	Bypass Frame		D	1	
17	A161595300	Separating Plate		C	1	
18	A7PU594000	Separating Sheet		C	1	
19	AA7N595100	Guide		C	2	
20	A161595100	Seal		C	1	
21	AA7N591100	Roller /ASSY		A	1	
22	A161595000	Holder		D	1	
23	AA2J594201	Compressing Coil spring		C	1	
24	A161595400	Hold Plate		D	1	
25	A161591800	Sensor Holder		D	1	
26	A5C1M50100	Photointerrupter		B	1	
27	A02E597600	Guide		C	1	
28	A161825301	Cushion /A		D	1	
29	AA7N591200	Sheet /1		D	1	
30	AA7N591300	Sheet /2		D	1	

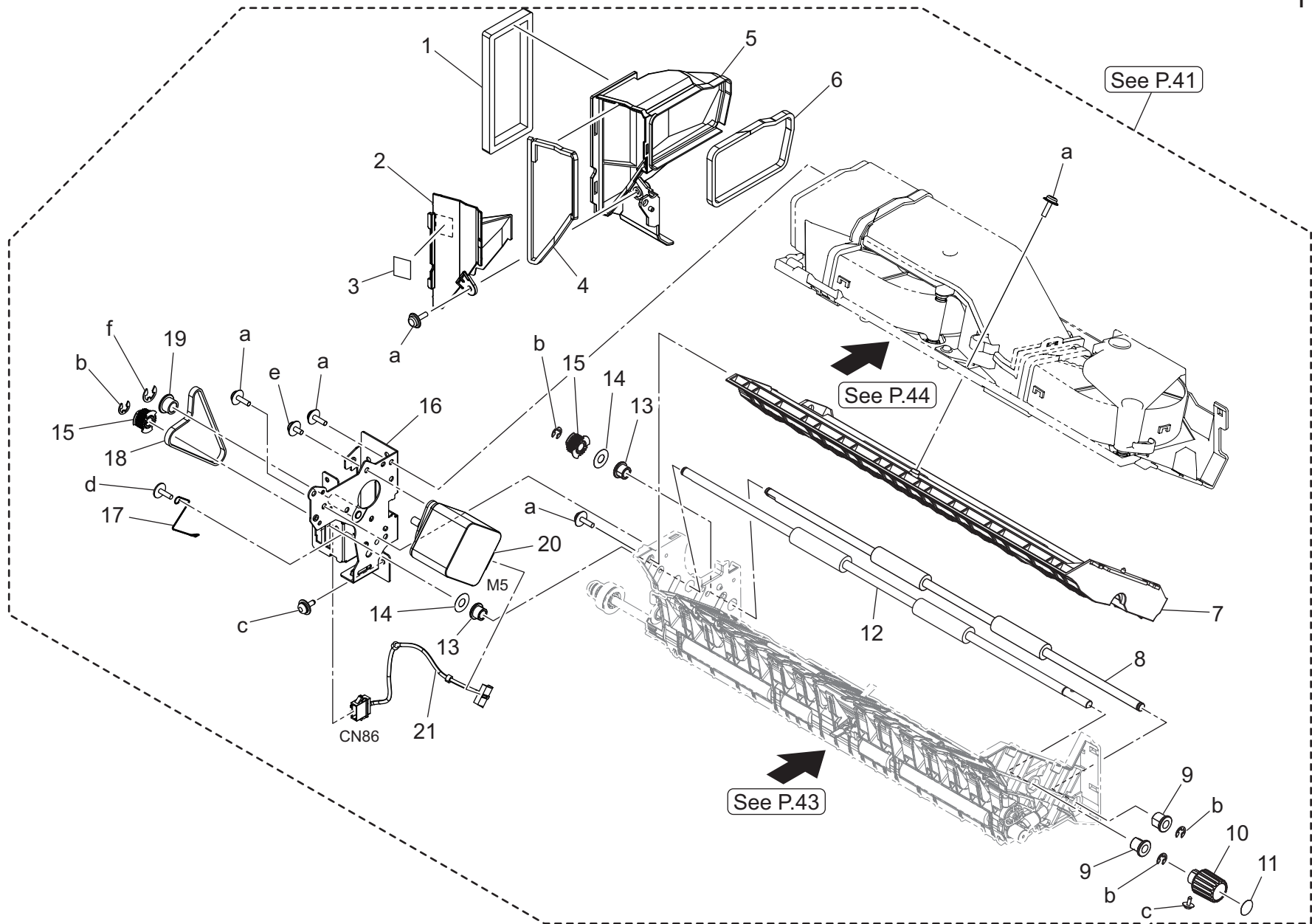
Bypass Tray Section



Key	Part No.	Description	Destinations	Class	QTY	Standard parts
1	A161592200	Auxiliary Tray		C	1	a-V125030803 b-V153030803 c-V111170403 d-V116030603
2	AA2J593900	Bypass Tray /Upper		D	1	
3	AA2J944500	Label		C	1	
4	A5C1M50100	Photointerrupter		B	2	
5	A161592400	Actuator		C	2	
6	A161592501	Torsion Spring		C	2	
7	A161592600	Holding Cover /2		D	2	
8	AA2J593601	Bypass Tray		D	1	
9	A7PU593700	Mounting Plate		D	1	
10	A161593800	Friction Plate		C	1	
11	A7PU599300	Insulating Sheet		D	1	
12	A161M50400	VR		D	1	
13	A161594300	Regulating Gear 41T		C	1	
14	A7PU593500	Gear		C	1	
15	A7PUF60001	Mounting Plate		D	1	
16	A7PUN10B01	Harness/ Sensor		D	1	
17	A161592300	Holding Cover		D	1	
18	A7PU595500	Lever		C	2	
19	A7PU944900	Label		C	1	
20	AA2J593400	Regulating Plate /F		C	1	
21	AA2J593500	Regulating Plate /R		C	1	

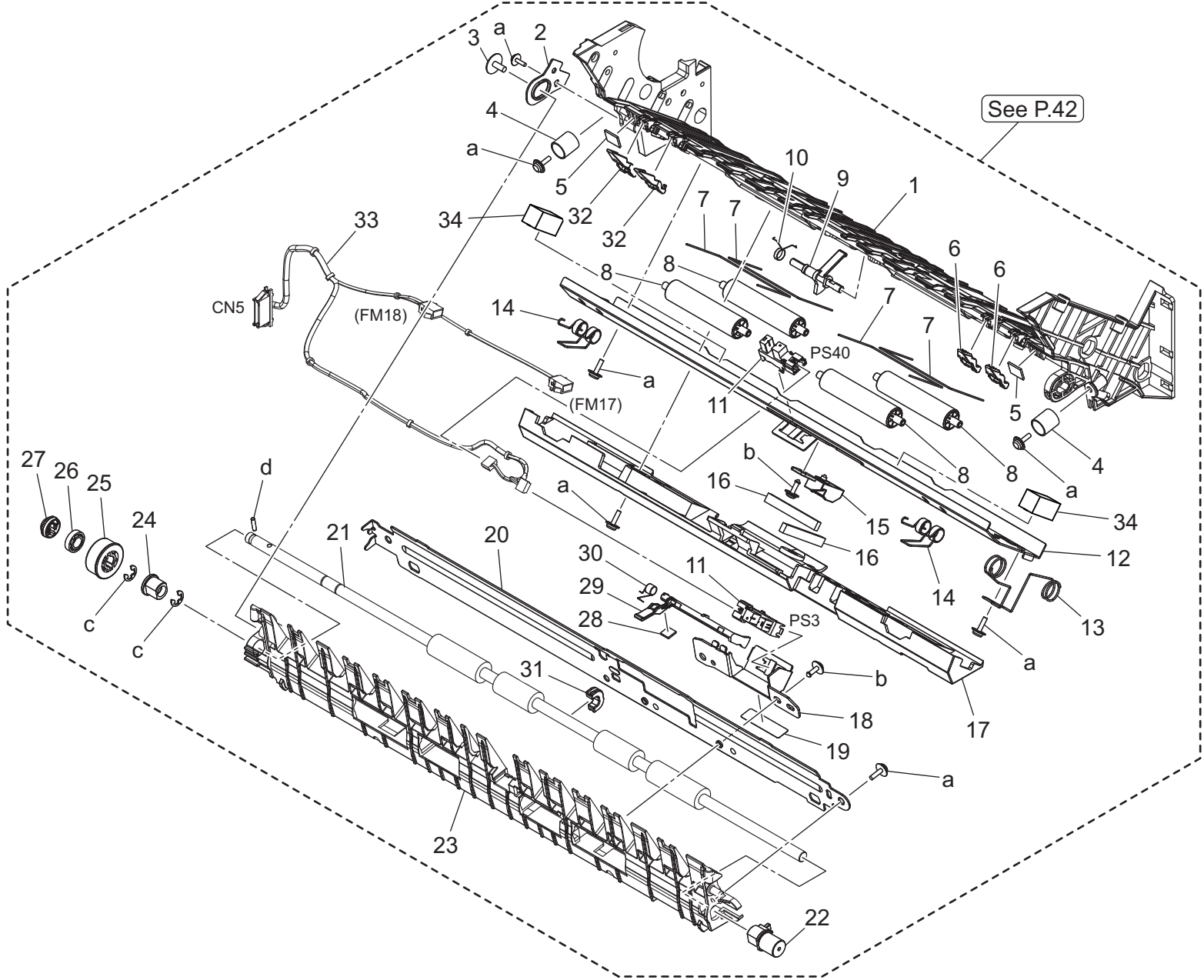


Key	Part No.	Description	Destinations	Class	QTY	Standard parts
1	AA2J810102	Guide Door /Right		D	1	a-V125030803 b-V153031004
2	A161815100	Cover Door		C	1	
3	A00F941100	Label		D	1	
4	AA2J944300	Label		D	1	
4	AA2J944400	Label	B,C,D1,D3,E,F2,G1,G 2,I,K,J	D	1	
5	AA2J947100	Label	A	D	1	
5	AA2J947200	Label	B,C,D1,D3,E,F2,G1,G 2,I,K,J	D	1	
6	AA2J815700	Open/close Claw		D	1	
7	A161815800	Swing Spring		C	1	
8	A7PU810201	Guide Plate /1		D	1	
9	A79J814901	Cover		D	1	
10	AA7NR72411	Reverse Assy		S	1	



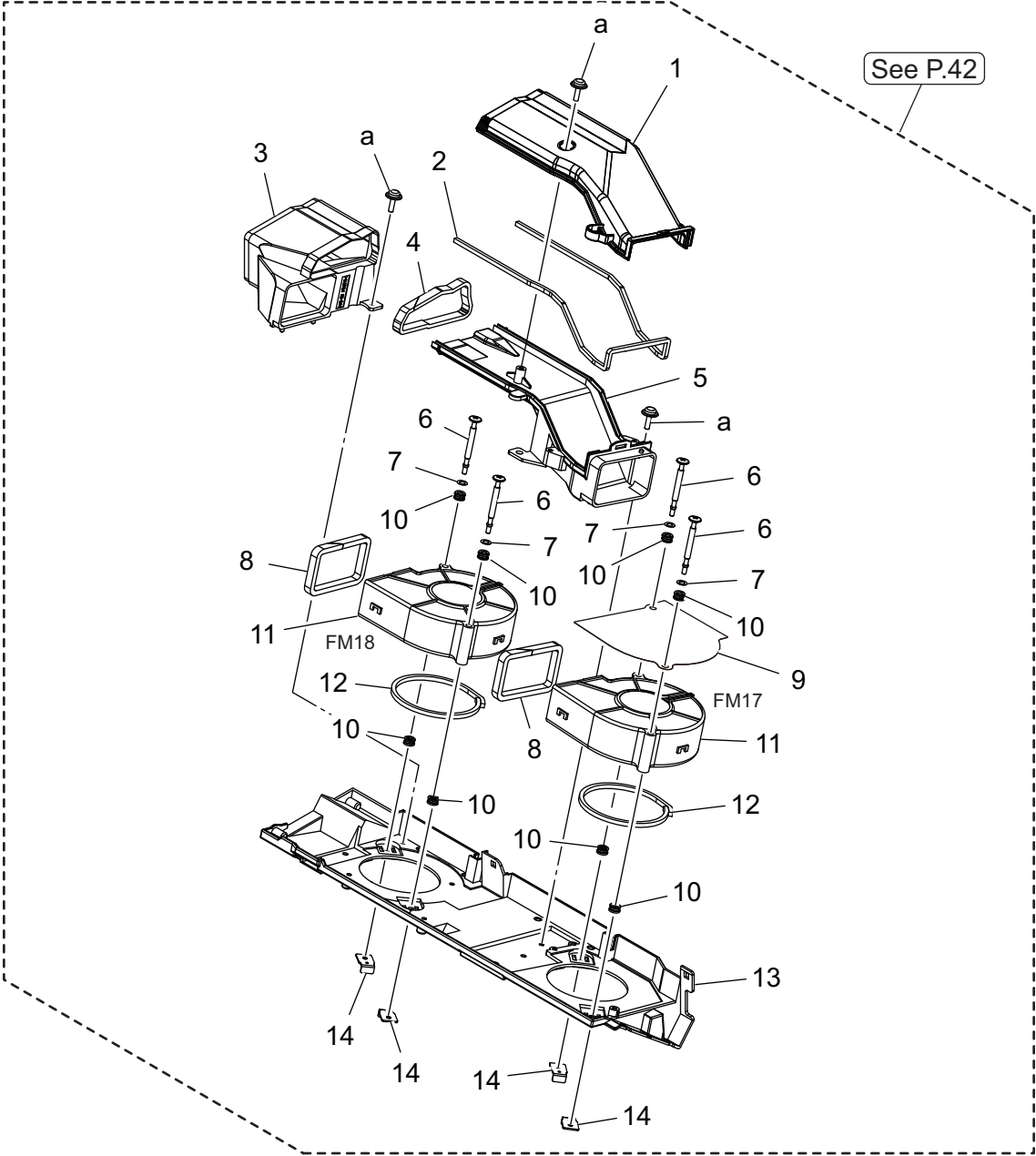
Key	Part No.	Description	Destinations	Class	QTY	Standard parts
1	A79J831501	Seal		C	1	a-V153030803 b-V217040003 c-V125030803 d-V144030803 e-V116030603 f-V217050001
2	A79J830600	Duct		D	1	
3	A00F941100	Label		D	1	
4	A79J831600	Cushion		C	1	
5	AA7N830100	Duct		D	1	
6	A79J831100	Cushion		C	1	
7	A79J812202	Guide Plate		D	1	
8	A161814601	Roller /C		C	1	
9	A02E815200	BUSHING		C	2	
10	A161814700	Knob /A		C	1	
11	AA2J946100	Label		D	1	
12	A79J813700	Roller		C	1	
13	A161813300	Bushing /A		C	2	
14	A161816400	Spacer /A		C	2	
15	A0ED811700	Pulley 22T		C	2	
16	A79J811200	Frame /ASSY		D	1	
17	A5C1814300	Contact /B		D	1	
18	A79J819000	Timing belt 200L		C	1	
19	A79J819800	Roll		C	1	
20	A2X0M10600	Stepping motor		C	1	
21	AA7NN10M00	ADU Drive Harness		D	1	

Reverse Section



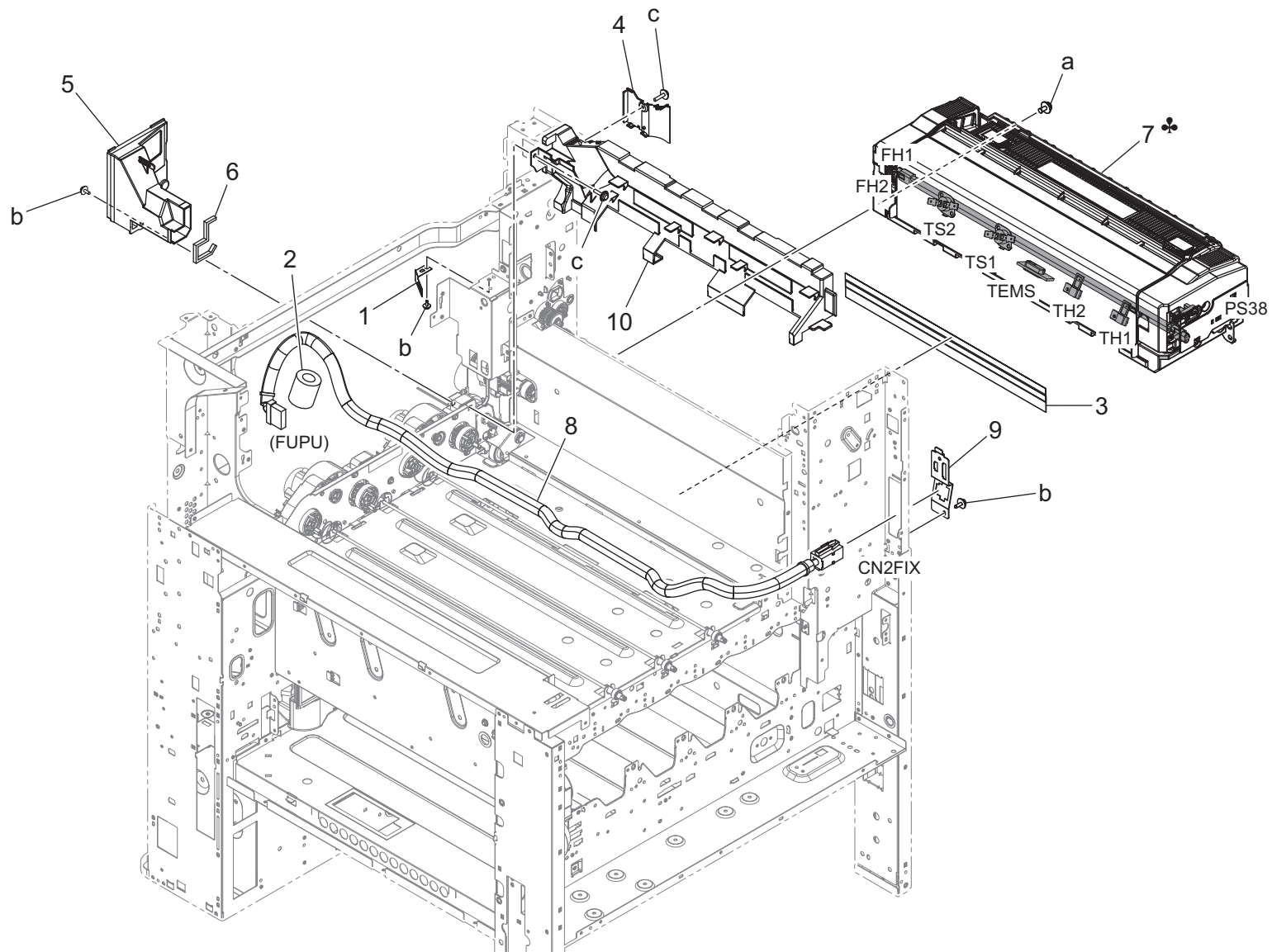
Key	Part No.	Description	Destinations	Class	QTY	Standard parts
1	A79J811700	Guide Plate	ガイド板	D	1	a-V153030803 b-V144030803 c-V217040003 d-V234200850
2	A161814401	Mounting Plate /3	取付板 / 3	D	1	
3	4163529301	SCREW	ねじ	C	1	
4	A161813600	Pressing Spring /A	押圧ばね / A	C	2	
5	A161825301	Cushion /A	クッション / A	D	2	
6	A5C1811803	Guide Plate /Front	ガイド板 / 前	D	2	
7	A0ED815100	Holding Part	押さえ材 (ADU 第 1 R)	D	4	
8	A161825700	Idler Roller /A	従動ローラ / A	D	4	
9	A161813200	Actuator	アクチュエータ (ADU 上 JAM 検)	C	1	
10	A161712800	Spring /D	ばね / D	D	1	
11	A5C1M50100	Photointerrupter	透過型センサ	B	2	
12	A79J810902	Mounting Plate	取付板	D	1	
13	A5C1814200	Contact /A	接点 / A	D	1	
14	A161813400	Torsion Coil spring	ねじりコイルばね (ガイド押さえ)	D	2	
15	A161825400	Wiring Part	配線部材	D	1	
16	A161825800	Cushion /B	クッション / B	D	2	
17	A79J813903	Cover	カバー	D	1	
18	AA2J825100	Mounting Plate /4	取付板 / 4	D	1	
19	A79J821000	Protection Part	保護部材	C	1	
20	AA2J810800	Mounting Plate /2	取付板 / 2	D	1	
21	AA2J810611	Roller /1	ローラ / 1	C	1	
22	AA2J814500	Bushing	すべり軸受 (排紙前)	D	1	
23	AA2J810511	Guide Plate /4	ガイド板 / 4 (排紙前)	D	1	
24	A02E815200	BUSHING	軸受	C	1	
25	A161819200	Gear 18T	ギア 18 T	C	1	
26	A5C1825000	Bushing	すべり軸受	C	1	
27	A161825000	Bushing	すべり軸受 (排紙ドッキング丸 2)	C	1	
28	A161826001	Cushion /B	クッション / B	D	1	
29	A161813001	Actuator	アクチュエータ (排紙 JAM 検)	C	1	
30	A161813100	Torsion Coil spring	ねじりコイルばね (排紙 JAM 検)	C	1	
31	A161819500	Bushing /C	すべり軸受 / C	C	1	
32	A5C1811901	Guide Plate /Rear	ガイド板 / 奥	D	2	
33	AA7NN10N00	Conveyance Harness /3	搬送束線 / 3 (TOP)	D	1	
34	A79JM90900	Gasket	ガスケット	D	2	

Reverse Section



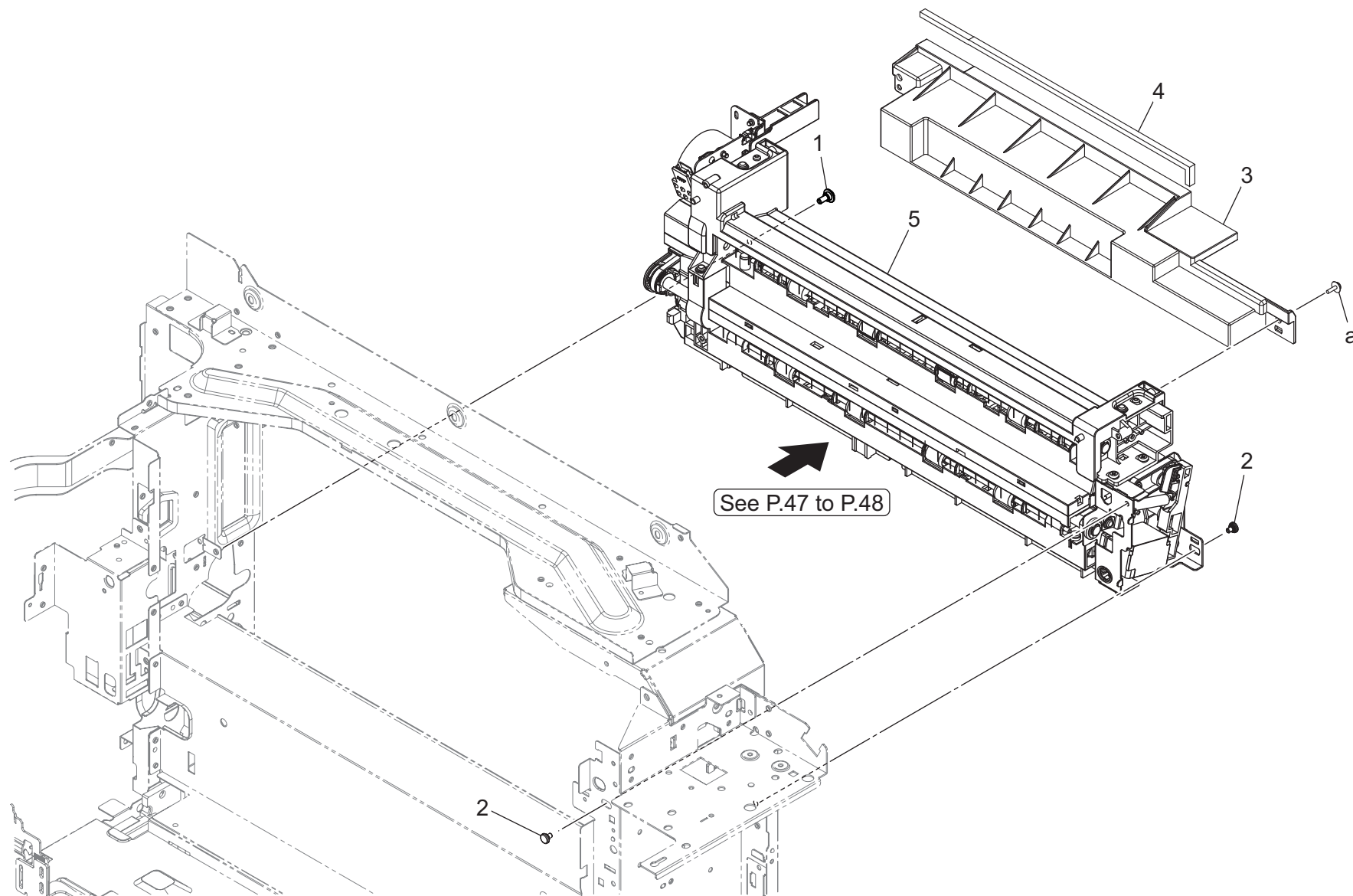
Key	Part No.	Description	Destinations	Class	QTY	Standard parts
1	AA7N830300	Duct	ダクト (前下)	D	1	a-V153030803
2	A79J831200	Cushion	クッション	C	1	
3	A79J830100	Duct	ダクト	D	1	
4	A79J831300	Cushion	クッション	C	1	
5	AA7N830200	Duct	ダクト (前下)	D	1	
6	A79J832000	Shoulder screw	段ねじ	C	4	
7	A79J832400	Washer	ワッシャ	C	4	
8	A79J831000	Cushion	クッション	C	2	
9	A9HG830701	Cover	カバー (ハーネス)	D	1	
10	A79J832100	Support Rubber	支持ゴム	D	8	
11	A93EM10600	Fan motor	ファンモータ	C	2	
12	A79J832300	Seal	シール	C	2	
13	A79J830001	Holder	ホルダ	D	1	
14	A79J832200	Mounting Plate	取付板	D	4	

Fusing Section

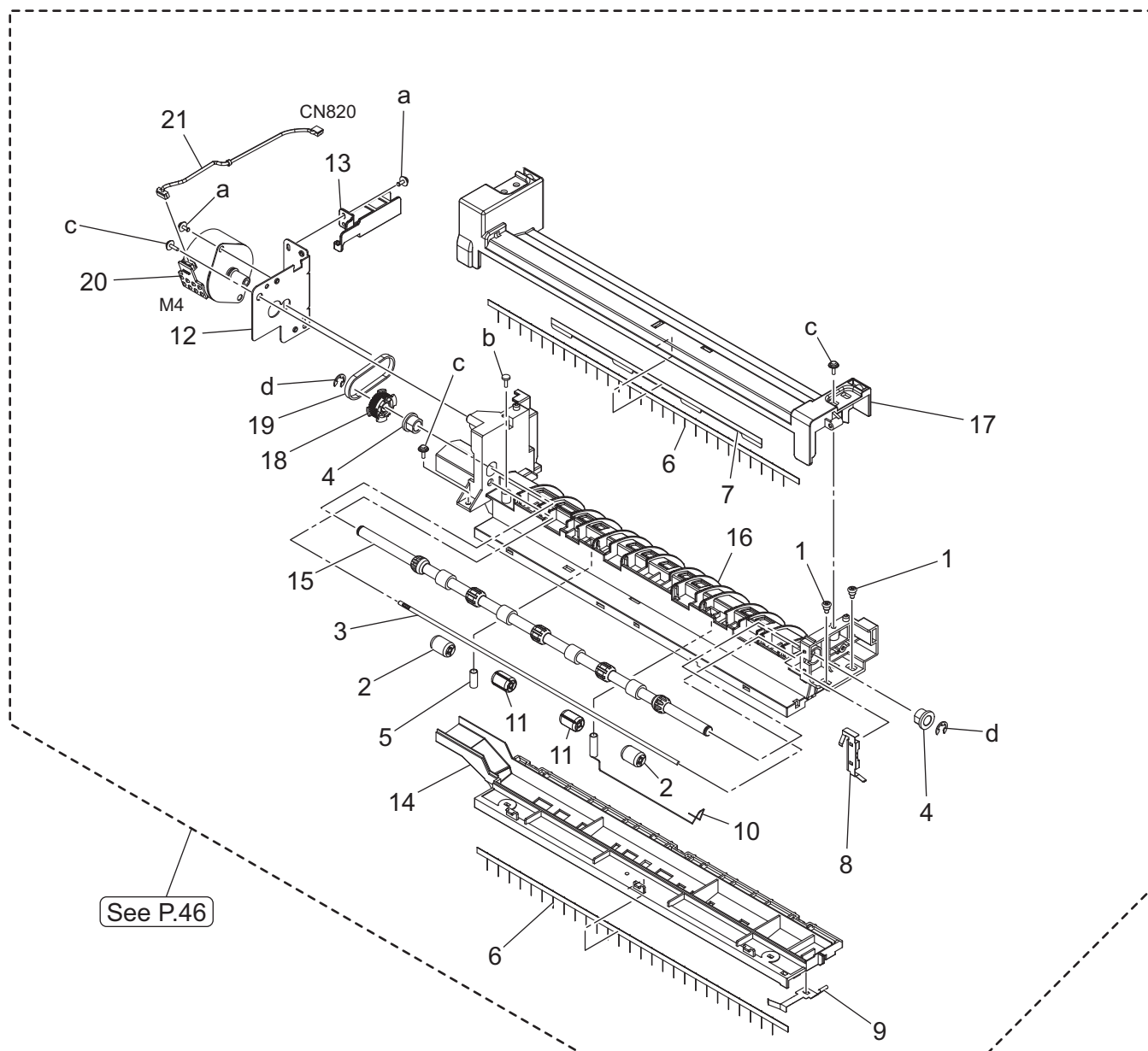


Paper Exit Section

P 46

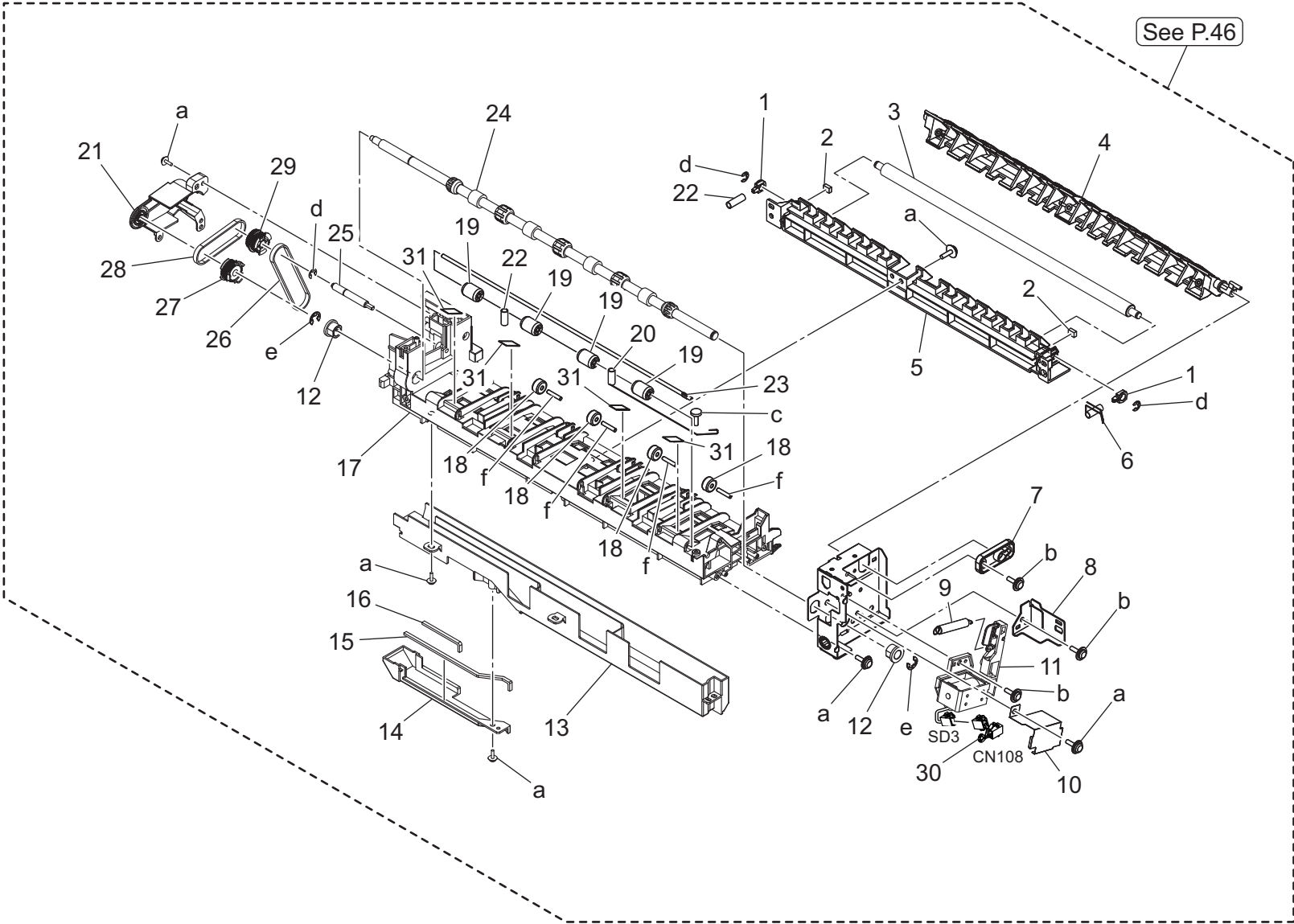


bizhub C750i

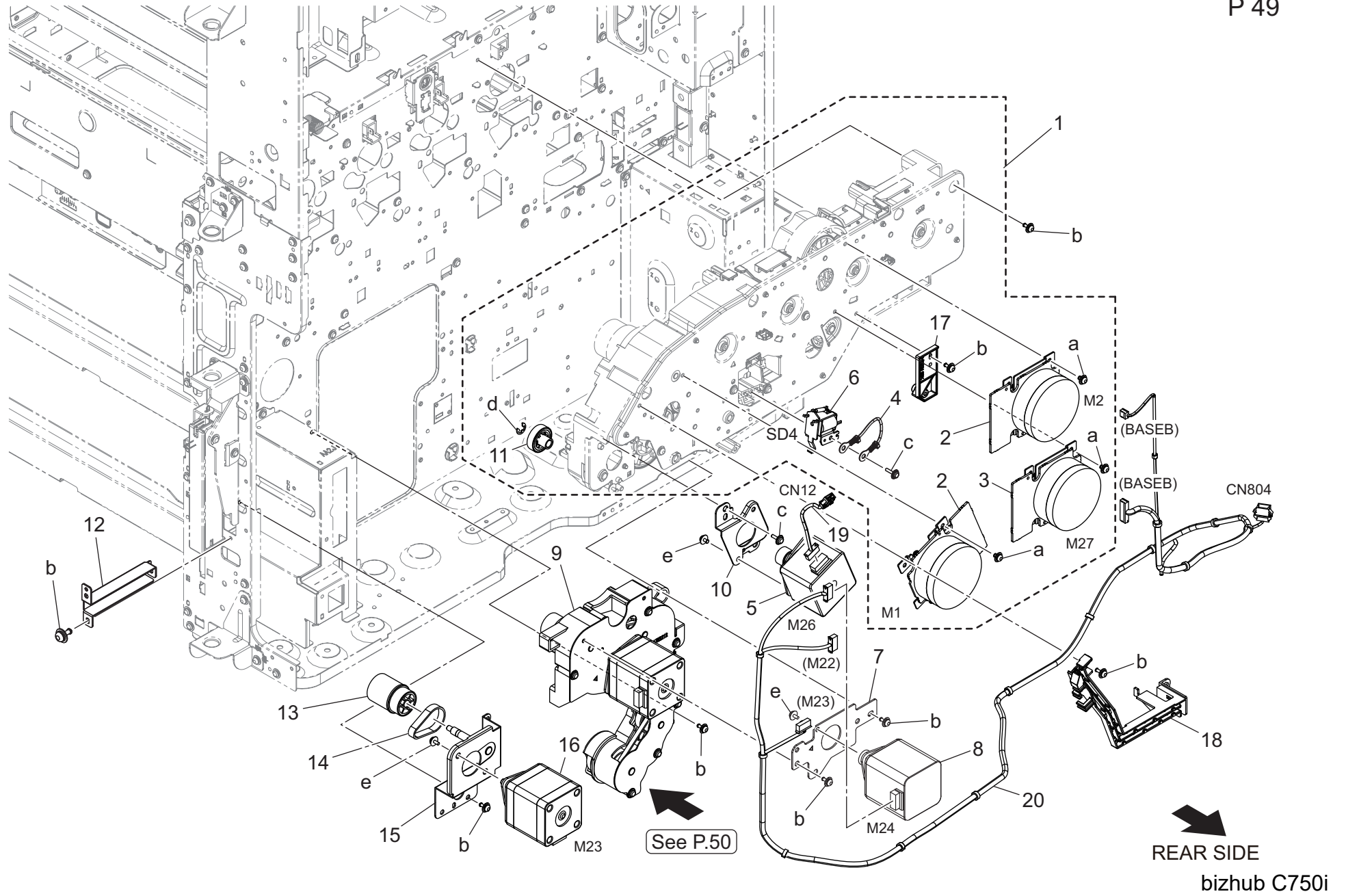


Key	Part No.	Description	Destinations	Class	QTY	Standard parts
1	1164202801	SHOULDER SCREW		D	2	a-V125030803 b-V149030803 c-V153030803 d-V217060003
2	4004590301	ROLL		C	2	
3	4025598401	SHAFT		D	1	
4	A0ED891100	Bushing		D	2	
5	A161892400	Spring		C	1	
6	A161894000	Neutralizing Brush		C	2	
7	A161894100	Sheet		D	1	
8	A161895503	Ground Contact /Upper		D	1	
9	A161895601	Ground Contact /Lower		D	1	
10	A161900201	Ground Spring		C	1	
11	A64J891100	Roll		D	2	
12	A79J893200	Mounting Plate		D	1	
13	A79J894000	Guide		D	1	
14	A79J895200	Paper exit Guide /Lower		D	1	
15	A79J895400	Roller		C	1	
16	A79J895603	Paper exit Guide /Upper		D	1	
17	A79J895702	Paper exit Cover		D	1	
18	A79J895800	Pulley 33T		C	1	
19	A79J898300	Timing belt 116L		C	1	
20	AA2JM10400	Stepping motor		C	1	
21	AA7NN10E00	Drive Relay Harness /1		D	1	

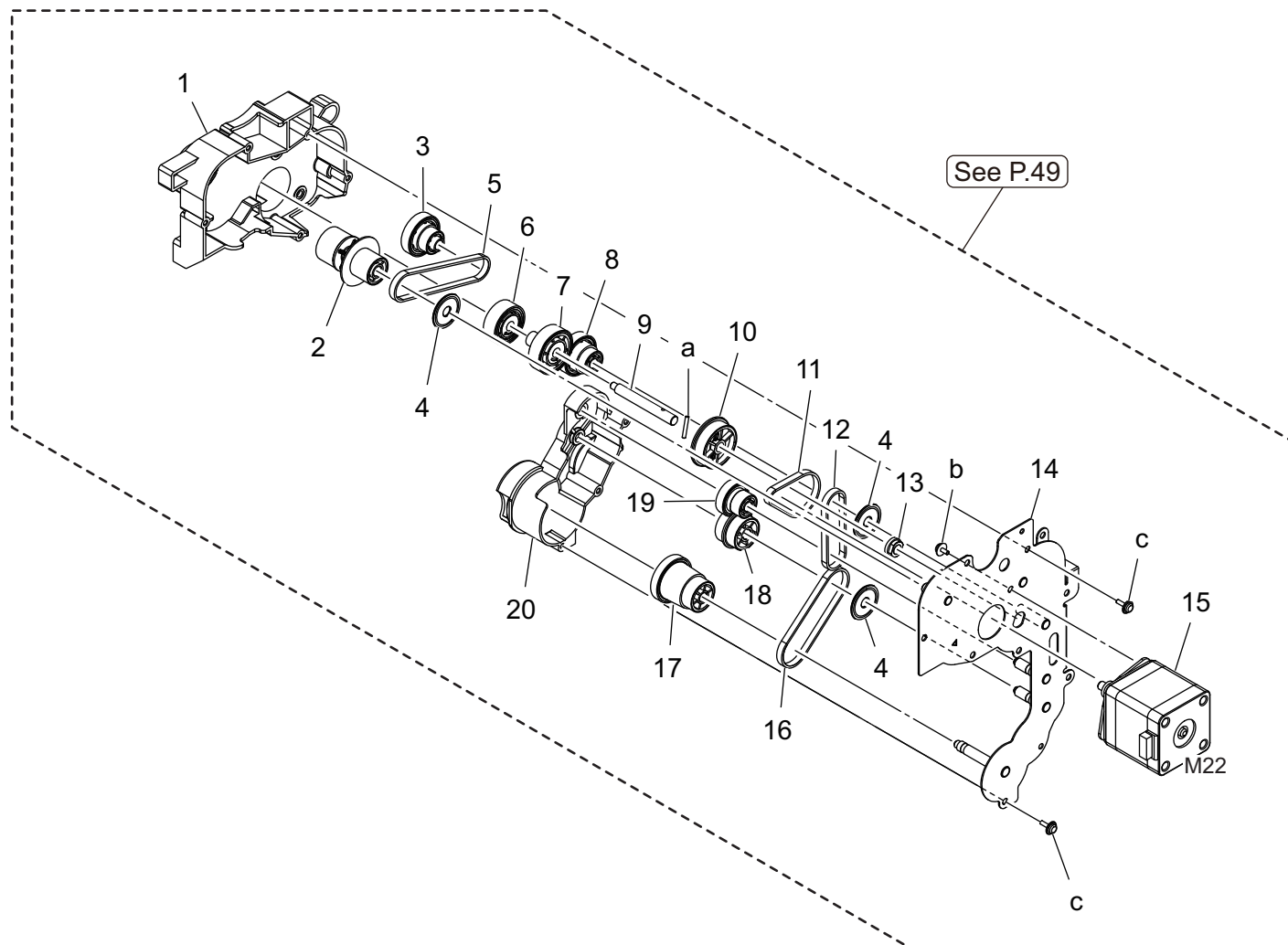
Paper Exit Section



Drive Section



Key	Part No.	Description	Destinations	Class	QTY	Standard parts
1	AA7NR71300	Main Drive Assy		C	1	a-V116030504 b-V125030803 c-V153031004 d-V217040003 e-V127030604
2	AA7NM10400	Brushless Motor /40		C	2	
3	AA2JM11000	Brushless motor /30		C	1	
4	A782N11800	ADF Wiring /19		D	1	
5	A2X0M10000	Stepping motor		C	1	
6	A161M20300	Flapper solenoid		C	1	
7	AA7N221400	Mounting Plate		D	1	
8	AA6RM10500	Stepping motor		C	1	
9	ACKNR70200	Paper Feed Drive Assy		S	1	
10	A79J254200	Mounting Plate		D	1	
11	A64J257800	Gear 20T		C	1	
12	A161105500	Reinforce Plate		D	1	
13	AA7N222200	Gear 22/35T		C	1	
14	AA7N222400	Belt 92L		C	1	
15	AA7N221700	Mounting Plate		D	1	
16	A61DM10000	HB Stepping motor		C	1	
17	AA7N216100	Guide		D	1	
18	A79J134701	Guide		D	1	
19	AA7NN10F00	Drive Relay Harness /2		D	1	
20	AA7NN10X00	Drive Harness /2		D	1	

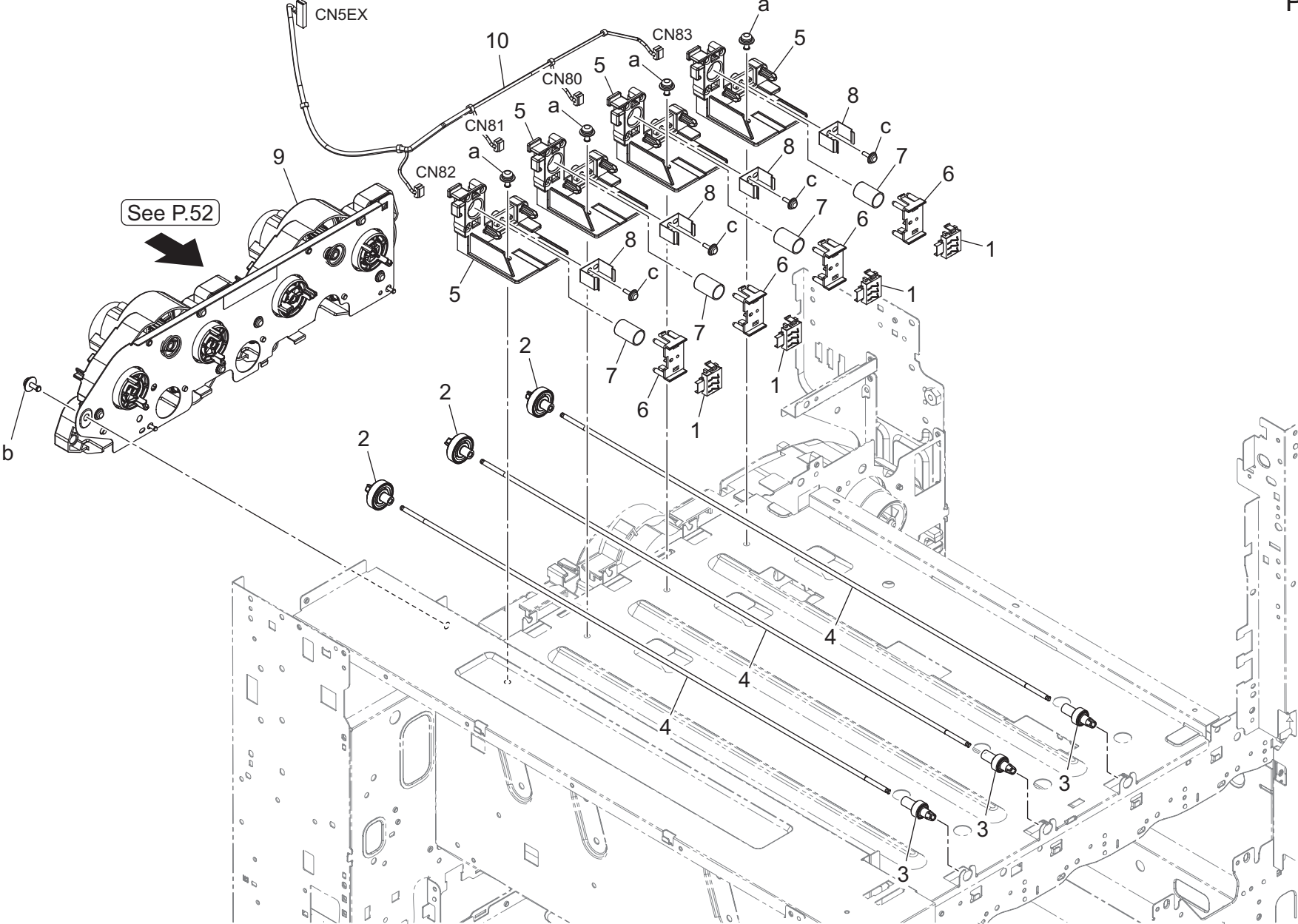


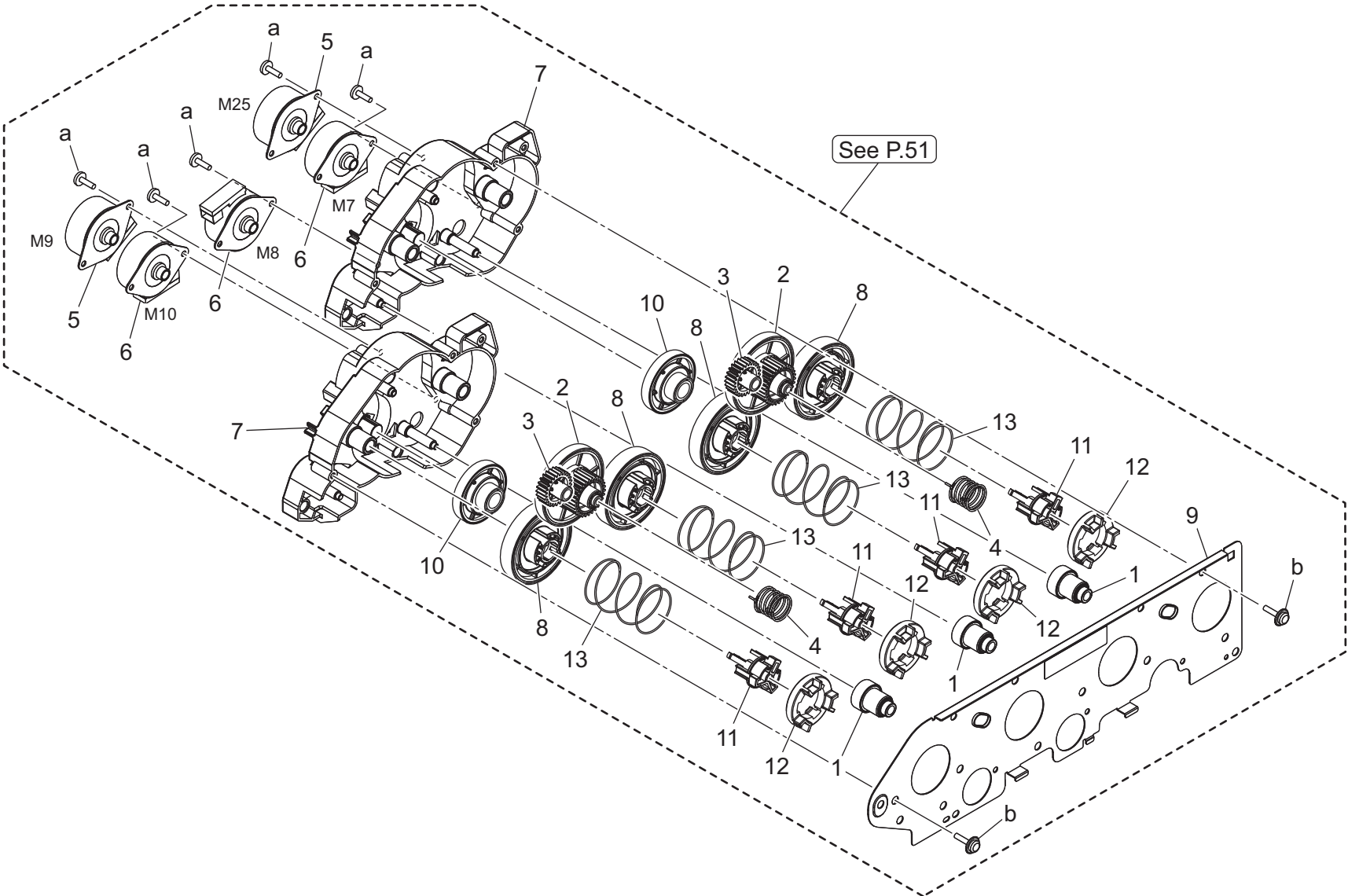
REAR SIDE

bizhub C750i

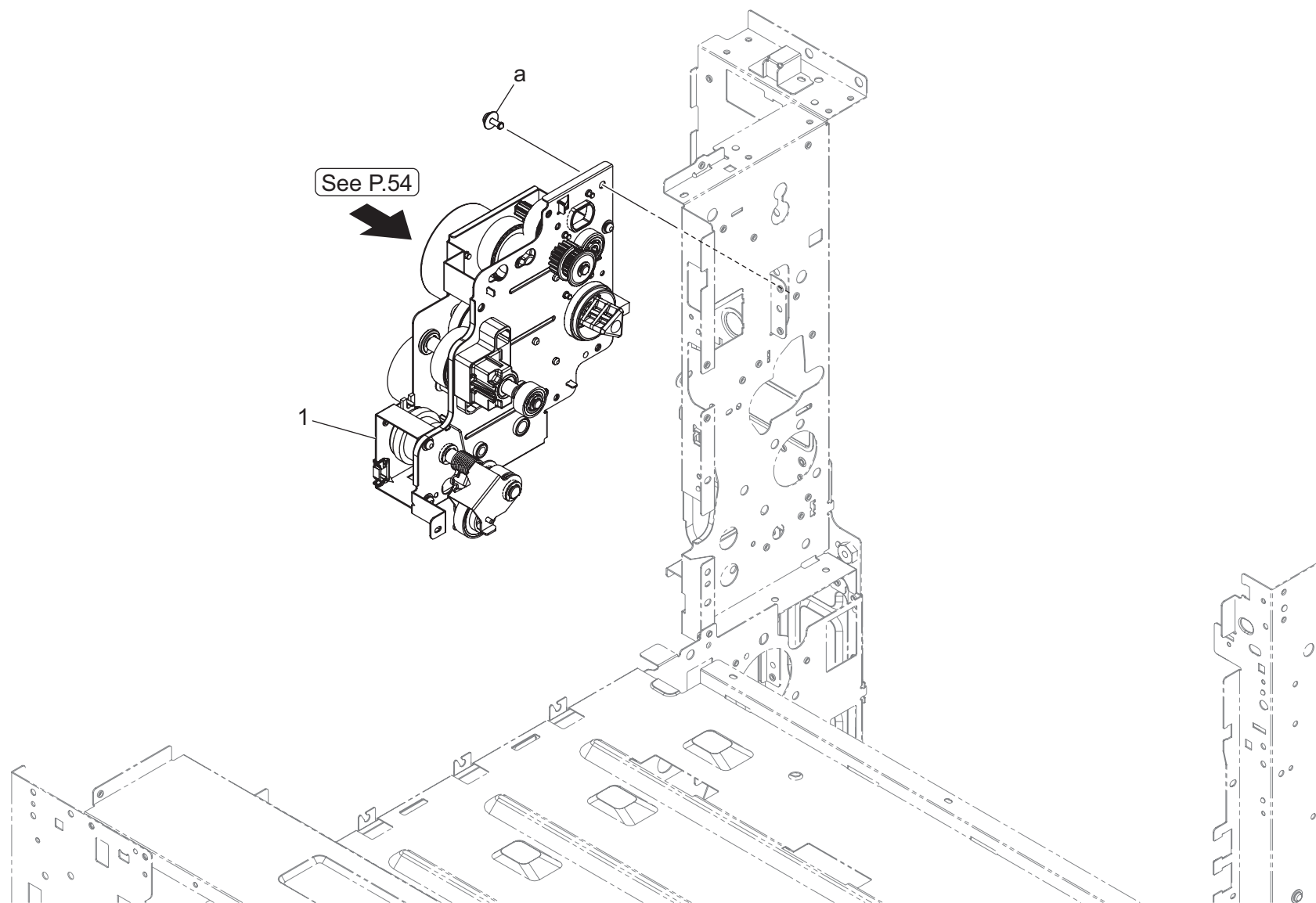
Key	Part No.	Description	Destinations	Class	QTY	Standard parts
1	A79J220901	Holder		C	1	a-V234201450 b-V127030604 c-V153031004
2	A79J259800	Gear 19T		C	1	
3	A79J253300	Gear 29T		C	1	
4	A79J897300	Collar		C	3	
5	A79J226600	Timing belt 180L		C	1	
6	A79J226200	Gear 23T		C	1	
7	A79J226301	Gear 32T		C	1	
8	A79J226400	Gear 30T		C	1	
9	A79J223101	Shaft (1st ドッキング)		D	1	
10	A79J220000	Pulley 44T		C	1	
11	A79J226500	Timing belt 112L		C	1	
12	A79J226700	Timing belt 126L		C	1	
13	A161210200	Bushing		D	1	
14	AA7N221200	Frame /ASSY		D	1	
15	ACKNM10000	Stepping Motor		C	1	
16	A79J226800	Timing belt 156L		C	1	
17	A79J220701	Gear 28T		C	1	
18	A79J253000	Pulley 24T		C	1	
19	A79J222500	Pulley 24T		C	1	
20	A79J220800	Holder		C	1	

Drive Section

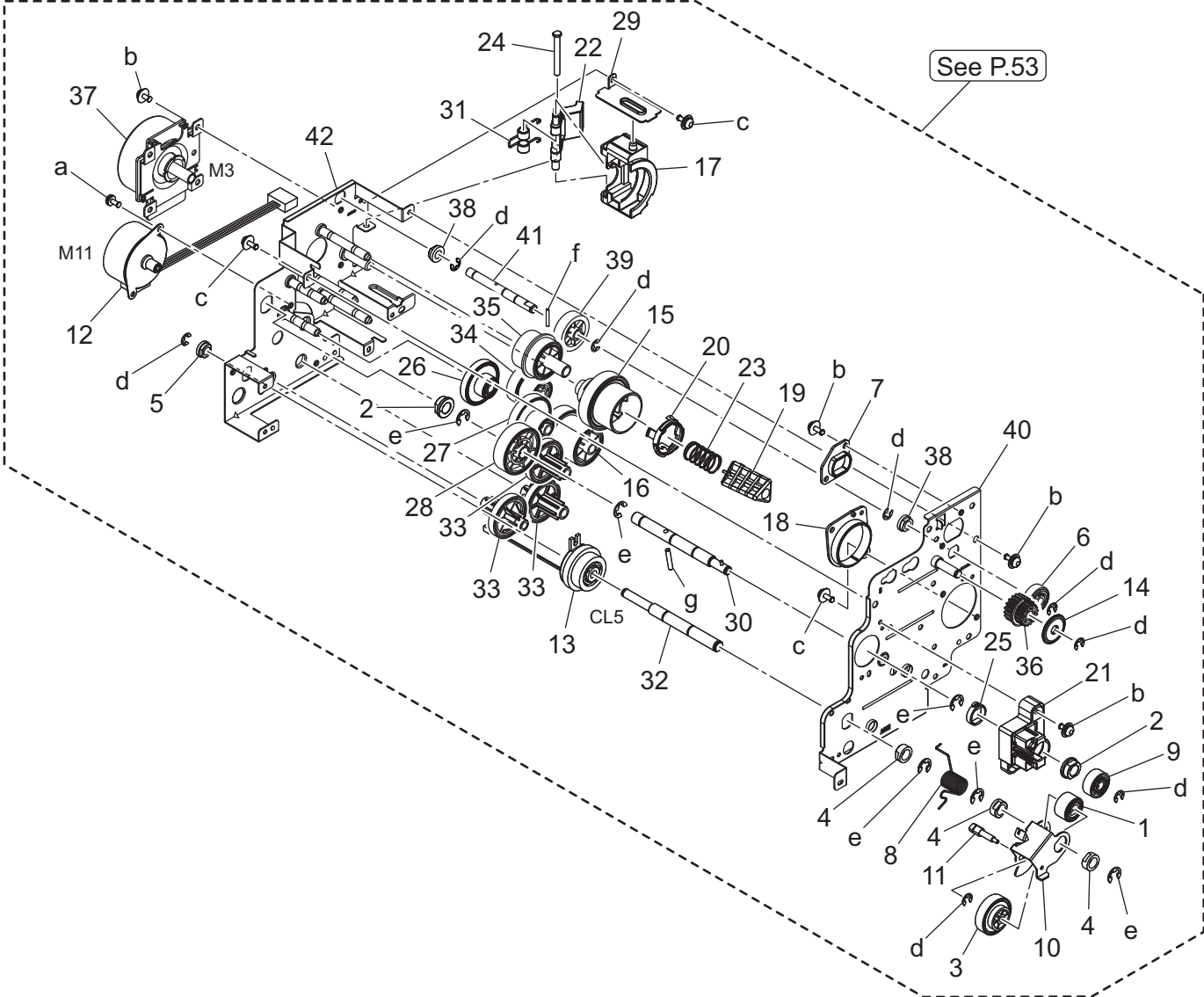




Key	Part No.	Description	Destinations	Class	QTY	Standard parts
1	A161240900	Gear 20/42T		D	3	a-V149030803 b-V153031004
2	A79J240400	Gear 52T/29T		C	2	
3	A79J240500	Gear 25T		C	2	
4	AA2J241700	Spring		C	2	
5	A7PUM10600	Stepping motor		C	2	
6	A7PUM10700	Stepping motor		C	3	
7	AA2J240101Old	Holder		D	2	
7	AA2J242100	Holder		D	2	
8	AA2J240600	Gear 58T		C	4	
9	AA2J241502Old	Mounting Plate		D	1	
9	AA2J242500	Mounting Plate		D	1	
10	AA7N240300	Gear 25/91T		C	2	
11	ACKN240700	Joint		C	4	
12	ACKN240800	Joint		C	4	
13	ACKN240900	Compressing Coil spring		C	4	

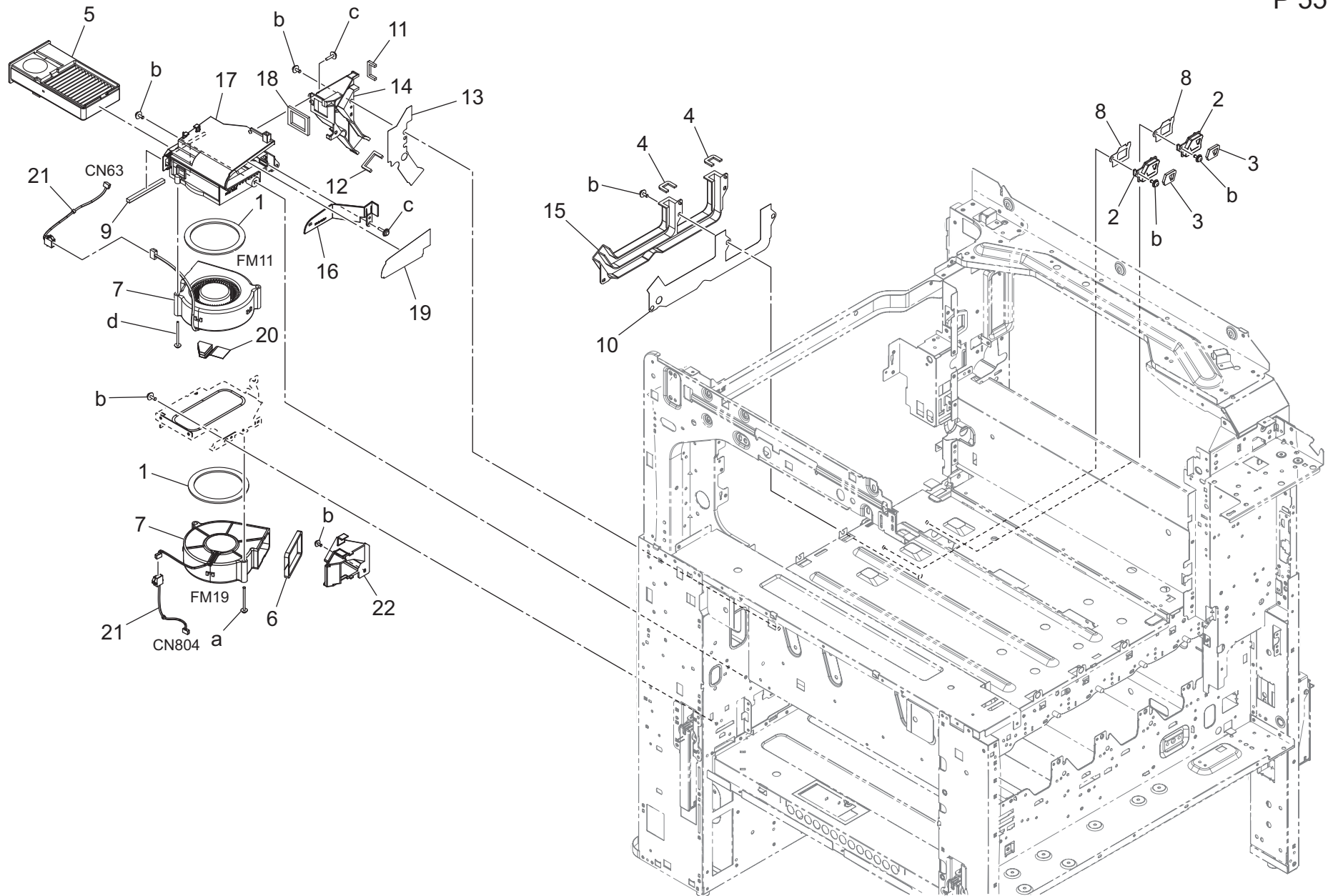


bizhub C750i



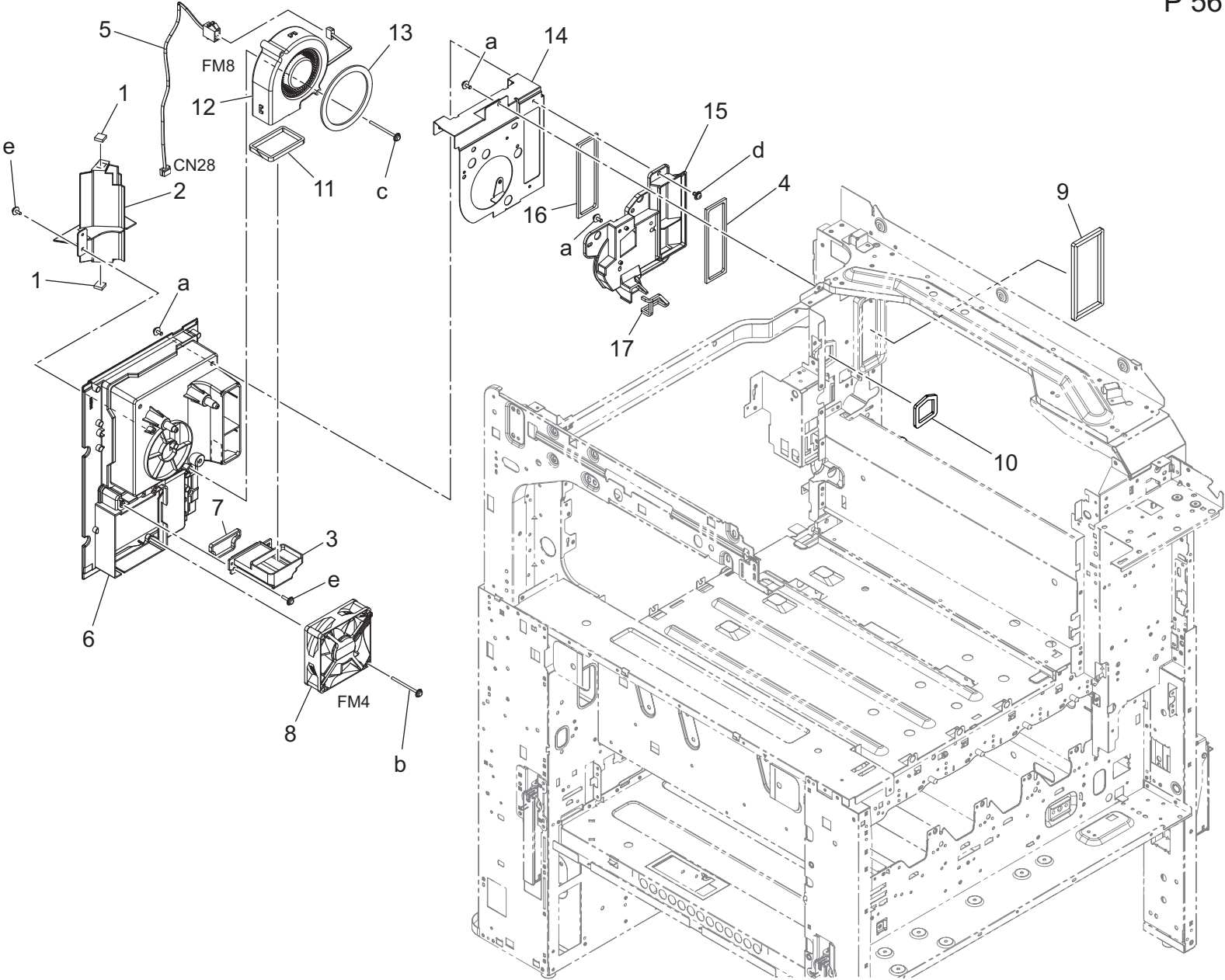
Key	Part No.	Description	Destinations	Class	QTY	Standard parts
1	4038258001	GEAR 16T	ギヤ 16 T	C	1	a-V115030603
2	A03U812800	Slide Shaft Holder	すべり軸受	B	2	b-V116030603
3	A0ED257500	Gear 26T	ギヤ (一次離間アイドル) 26 T	C	1	c-V125030803
4	A0ED259700	Bushing	すべり軸受 (Φ 8小判)	C	3	d-V217040003
5	A161210200	Bushing	すべり軸受	D	1	e-V217060003
6	A161230700	Gear 18T	ギヤ 18 T	C	1	f-V234201450
7	A161232200	Bushing	すべり軸受 (排紙ドッキング)	D	1	
8	A161232501	Torsion Coil spring	ねじりコイルばね (一次離間)	D	1	
9	A161254600	Gear	ギヤ (定着離間5)	C	1	
10	A161258800	Mounting Plate	取付板 (一次離間)	D	1	
11	A161259400	Shaft	軸 (一次離間2)	D	1	
12	A161M10300	Stepping motor	ステッピングモータ (φ 42 PM)	C	1	
13	A64JM20000	Clutch	クラッチ	C	1	
14	A79J897300	Collar	カラー	C	1	
15	AA2J228100	Gear 39T	ギヤ 39 T	C	1	
16	AA2J228200	Gear 27/40T	ギヤ 27/40 T	C	1	
17	AA2J229000	Holder	ホルダ (定着)	D	1	
18	AA2J229100	Bushing	すべり軸受 (定着)	D	1	
19	AA2J229202	Joint	ジョイント	C	1	
20	AA2J229300	Ring	リング	D	1	
21	AA2J229400	Holder	ホルダ (圧離)	D	1	
22	AA2J229500	Lever	レバー (定着)	C	1	
23	AA2J229600	Compressing Coil spring	圧縮コイルばね (定着揺動)	C	1	
24	AA2J229711	Shaft	軸 (定着揺動)	D	1	
25	AA2J232400	Collar	カラー (ガイド)	D	1	
26	AA2J254200	Gear 18/80T	ギヤ 18/80 T	C	1	
27	AA2J254300	Gear 18/43T	ギヤ 18/43 T	C	1	
28	AA2J254400	Gear 42T	ギヤ 42 T	C	1	
29	AA2J255700	Reinforce Plate	補強板 (定着3)	D	1	
30	AA2J256300	Shaft	軸 (定着離間)	D	1	
31	AA2J258500	Spring	ばね (定着)	C	1	
32	AA2J258700	Shaft	軸 (一次離間1)	D	1	
33	AA2J259100	Gear 30T	ギヤ 30 T	C	3	
34	AA7N228000	Gear 23/50T	ギヤ 23/50 T	C	1	
35	AA7N230500	Gear 27/50T	ギヤ 27/50 T	C	1	
36	AA7N231300	Gear 18/28T	ギヤ 18/28 T	C	1	
37	AA7NM10400	Brushless Motor /40	ブラシレスモーター/40 (13歯)	C	1	
38	ACKN210200	Bushing	すべり軸受	D	2	
39	ACKN230600	Gear	ギヤ (排紙2/H)	C	1	
40	ACKN231000	Frame /ASSY	フレーム/ASSY (定着/H2)	D	1	
41	ACKN231800	Shaft	軸 (排紙/H)	D	1	
42	ACKN255600	Frame /ASSY	フレーム/ASSY (定着/H1)	D	1	

Cooling Section



Key	Part No.	Description	Destinations	Class	QTY	Standard parts
1	A02E117300	Seal		C	2	a-V116033503 b-V125030803 c-V153031004 d-V153033503
2	A161141700	Duct		D	2	
3	A161144801	Seal		C	2	
4	A161146600	Seal /3		D	2	
5	A161R72811	Toner Filter Assy		A	1	
6	A79J143600	Cushion		C	1	
7	A93EM10600	Fan motor		C	2	
8	AA7N145200	Seal		D	2	
9	AA7N146400	Seal		C	1	
10	AA7N146500	Seal		D	1	
11	AA7N146600	Seal		C	1	
12	AA7N146800	Seal		C	1	
13	AA7N146900	Seal /4		D	1	
14	AA7N147500	Duct		D	1	
15	AA7N147600	Duct		D	1	
16	AA7N147700	Duct		D	1	
17	AA7N147901	Duct /B		D	1	
18	AA7N148000	Seal		C	1	
19	AA7N148200	Seal /4		C	1	
20	AA7N148500	Cushion		D	1	
21	AA7NN10600	Relay Harness /2		D	2	
22	ACKN141501	Duct /2		D	1	

Cooling Section

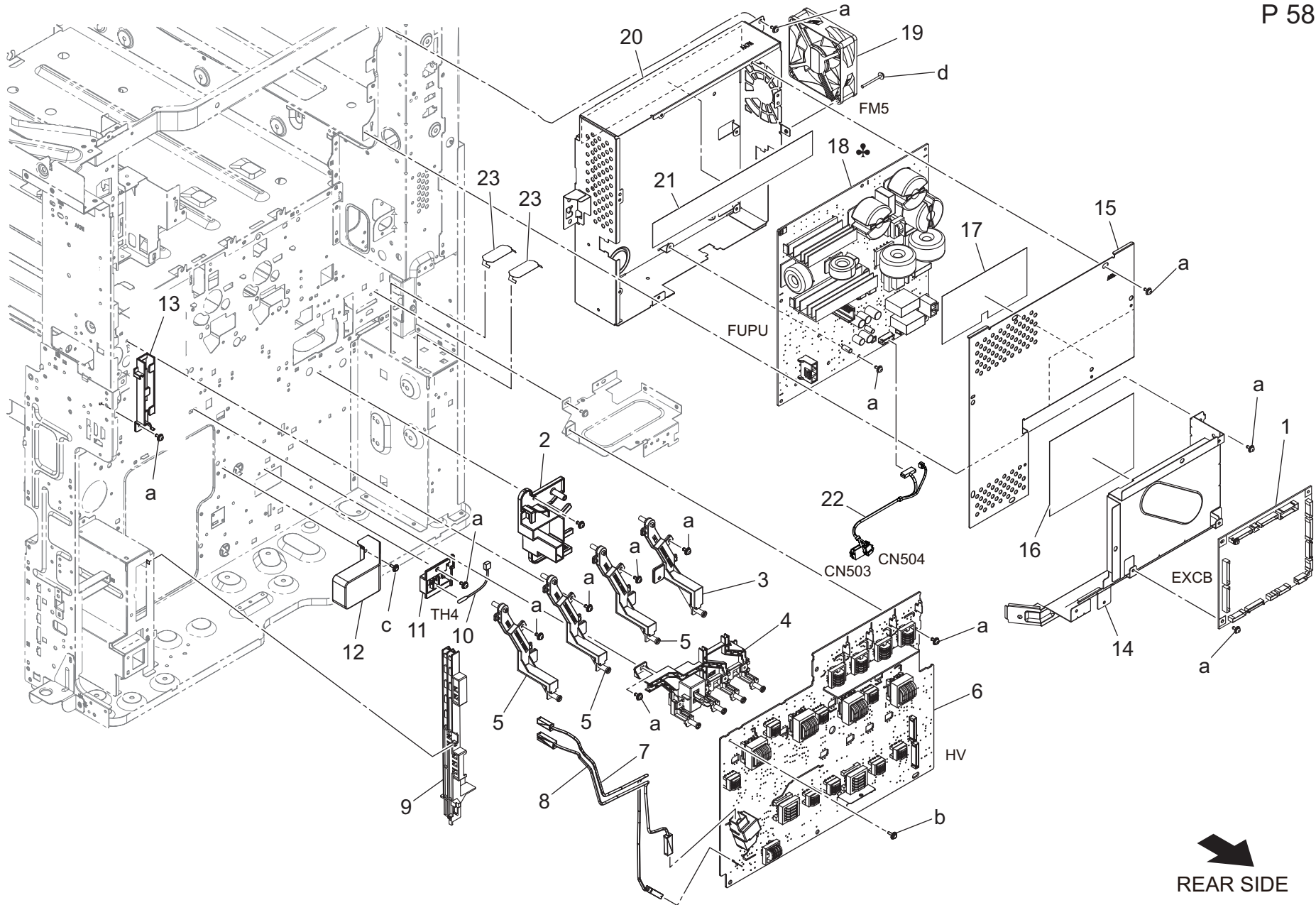


Key	Part No.	Description	Destinations	Class	QTY	Standard parts
1	A79J145200	Cushion		C	2	a-V125030803 b-V153033003 c-V153033503 d-V116030603 e-V153031004
2	A79J145100	Guide Plate		D	1	
3	AA7N143001	Duct /2		D	1	
4	A79J141501	Cushion		C	1	
5	AA7NN10500	Relay Harness /1		D	1	
6	AA7N143400	Duct		D	1	
7	AA7N143200	Seal		C	1	
8	A93EM10000	Fan motor		C	1	
9	A79J120700	Cushion		C	1	
10	A79J120801	Seal		C	1	
11	A79J143600	Cushion		C	1	
12	A93EM10600	Fan motor		C	1	
13	A79J143800	Cushion		C	1	
14	A79J148304	Mounting Plate		D	1	
15	A79J140502	Duct		D	1	
16	A79J142701	Cushion		C	1	
17	A79J142600	Cushion		C	1	

Cooling Section

Key	Part No.	Description	Destinations	Class	QTY	Standard parts
1	9313130051	FAN MOTOR		B	1	a-V116033503 b-V125030803 c-V153030803
2	ACKN144000	Duct /A	ダクト / A (プロセス冷却 2)	D	1	
3	ACKN144100	Seal /A	シール / A (プロセス冷却 2)	D	1	
4	ACKN144200	Seal /E	シール / E (プロセス冷却 2)	D	2	
5	ACKN144300	Seal /B	シール / B (プロセス冷却 2)	D	1	
6	ACKN144500	Duct /B	ダクト / B (プロセス冷却 2)	D	1	
7	ACKN144800	Seal /F	シール / F (プロセス冷却 2)	D	1	
8	ACKN144900	Seal /G	シール / G (プロセス冷却 2)	D	1	
9	ACKN145000	Seal /D	シール / D (プロセス冷却 2)	D	1	
10	ACKN145100	Seal /F	シール / F (プロセス冷却 2)	D	1	
11	ACKN145200	Seal /I	シール / I (プロセス冷却 2)	D	1	
12	ACKN164700	Filter	フィルタ (右前)	D	1	

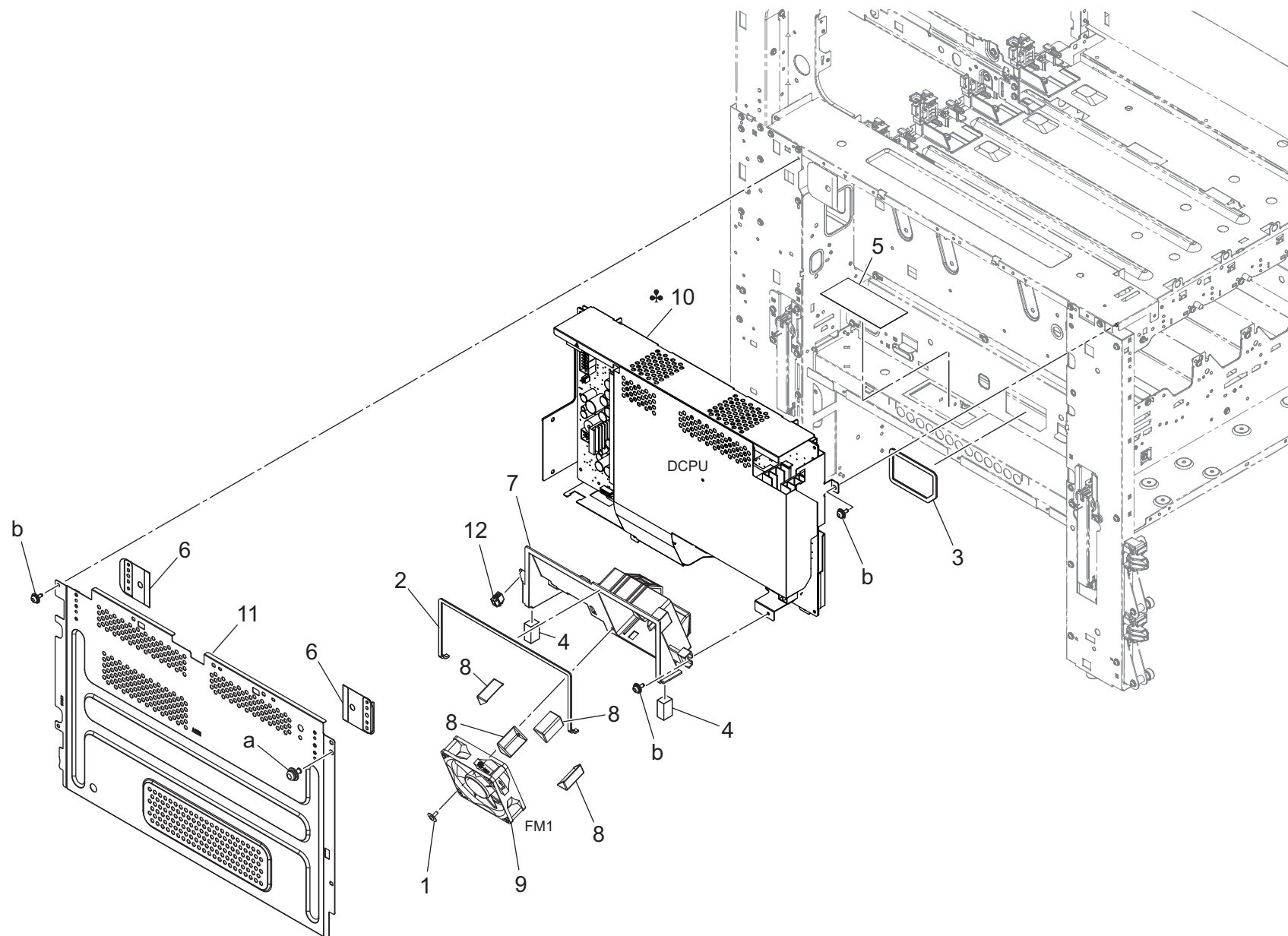
Electrical Parts



REAR SIDE

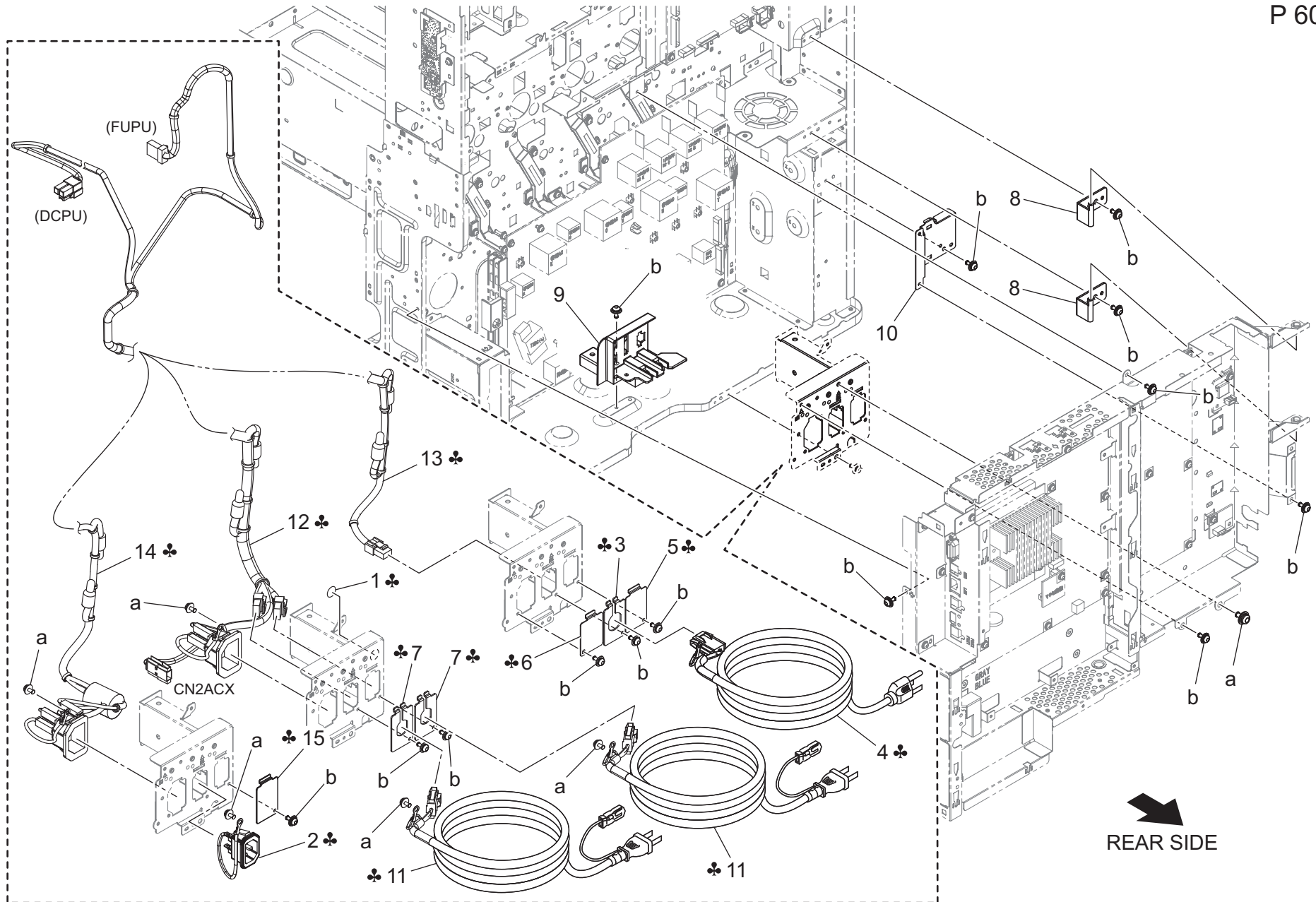
bizhub C750i

Key	Part No.	Description	Destinations	Class	QTY	Standard parts
1	AA7NH00500	PWB Assembly(EXCB)	基板 A S S Y (E X C B)	I	1	a-V125030803 b-V153030804 c-V144030603 d-V116033003
2	A7PU141800	Holder	ホルダ	D	1	
3	AA7NR71100	HV Contact Assy	H V 接点 A s s y / Y	D	1	
4	AA7NR71000	Holder Assy	ホルダ A s s y (現像接点)	D	1	
5	AA7NR71200	HV Contact Assy	H V 接点 A s s y / M C K	D	3	
6	ACKNM40600	HV Board Assembly	高圧基板 A S S Y	I	1	
7	A161N11300	Transfer Wiring /2	転写束線 / 2	D	1	
8	A161N11K00	Neutralizing Wiring	除電束線	D	1	
9	A5C1134800	Guide	ガイド	D	1	
10	A0P0M50300	Thermistor	サーミスタ (用紙温度センサ)	C	1	
11	A161137701	Holder	ホルダ (温度検出)	D	1	
12	AA2J107500	Cover	カバー	D	1	
13	AA2J133000	Guide	ガイド (パネルハーネス)	D	1	
14	AA7N131702	Mounting Plate	取付板 (中継基板)	D	1	
15	ACKN130200	Shield Plate	シールド板 (定着電源)	D	1	
16	AA7N131800	Insulating Sheet	絶縁シート	D	1	
17	AA7N130400	Insulating Sheet	絶縁シート	D	1	
18	AA7NM40800	Fusing Power Source(100V)	定着電源 (1 0 0 V)	I	1	
18	AA7NM40900	Fusing Power Source(230V)	定着電源 (2 3 0 V)	I	1	
19	A93EM10000	Fan motor	ファンモータ	C	1	
20	AA7N130100	Shield Case	シールドケース (定着電源)	D	1	
21	AA7N130300	Insulating Sheet	絶縁シート	C	1	
22	AA7NN10700	Relay Harness /3	中継束線 / 3 (H a C S)	D	1	
23	AA2J137902	Fixing Plate	固定板 (F F C)	D	2	



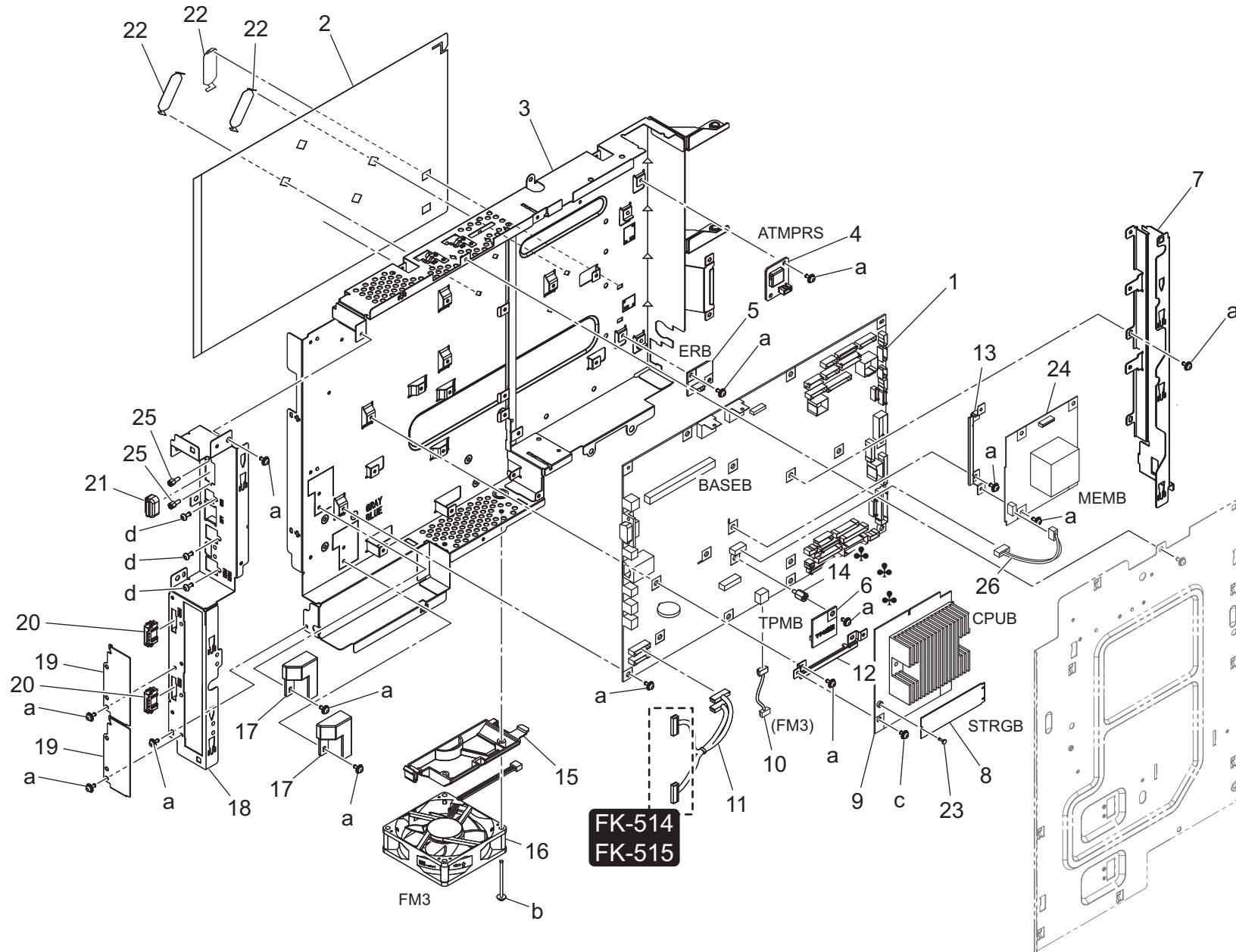
Electrical Parts

P 60



Key	Part No.	Description	Destinations	Class	QTY	Standard parts
1	9J06730101	LABEL	ラベル	A	1	a-V116040803 b-V125030803
2	A02EN12513	Power supply Wiring	給電束線	C,D1,D3,E,F2,G1,I,K ,J	1	
3	A0ED135700	Mounting Plate	取付板 (電源コード)	B,G2	1	
4	A0P0N30000	Power source Cord /120V	電源コード / 120 V	B,G2	1	
5	A79J136000	Mounting Plate	取付板	B,D1,D3,E,F2,G1,G2, I,K,J	1	
6	A79J139000	Cover	カバー	B,G2	1	
7	A7PU135700	Mounting Plate	取付板 (電源コード)	A	2	
8	AA2J130801	Hinge	ヒンジ (コントボックス)		2	
9	AA2J131401	Holder	ホルダ (CABコネクタ)		1	
10	AA2J135301	Fixing Plate	固定板 (FFC)		1	
11	AA6RN30000	Power code (100V)	電源コード (100V)	A	2	
12	AA7NN10001	AC Harness(100V)	AC 束線 (100V / ZX)	A	1	
13	AA7NN10101	AC Harness(120V)	AC Harness (120V)	B,G2	1	
14	AA7NN10201	AC Harness(230V)	AC 束線 (230V / ZX)	C,D1,D3,E,F2,G1,I,K ,J	1	
15	A79J136000	Mounting Plate	取付板	C,G1,I	1	

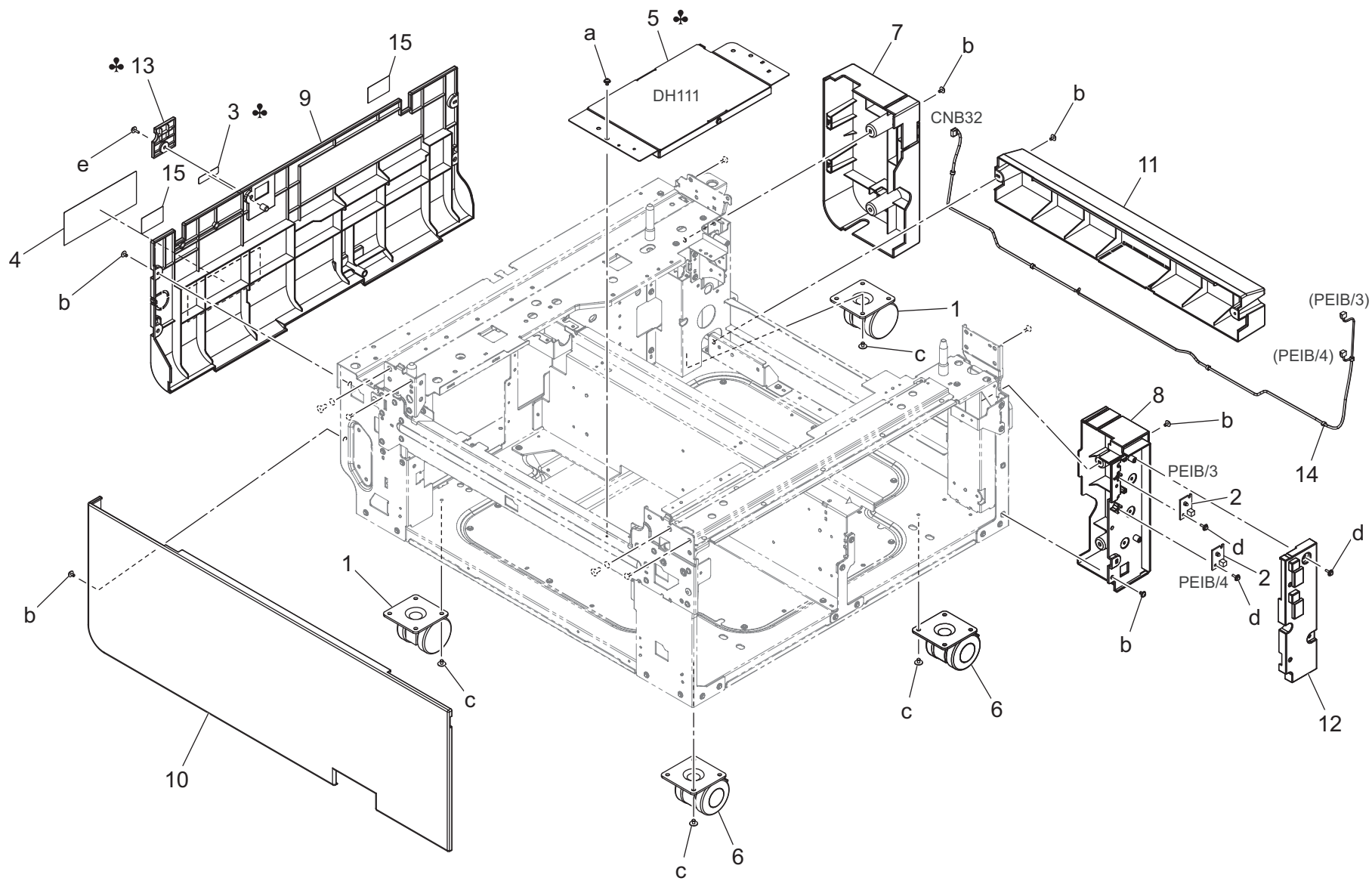
Electrical Parts



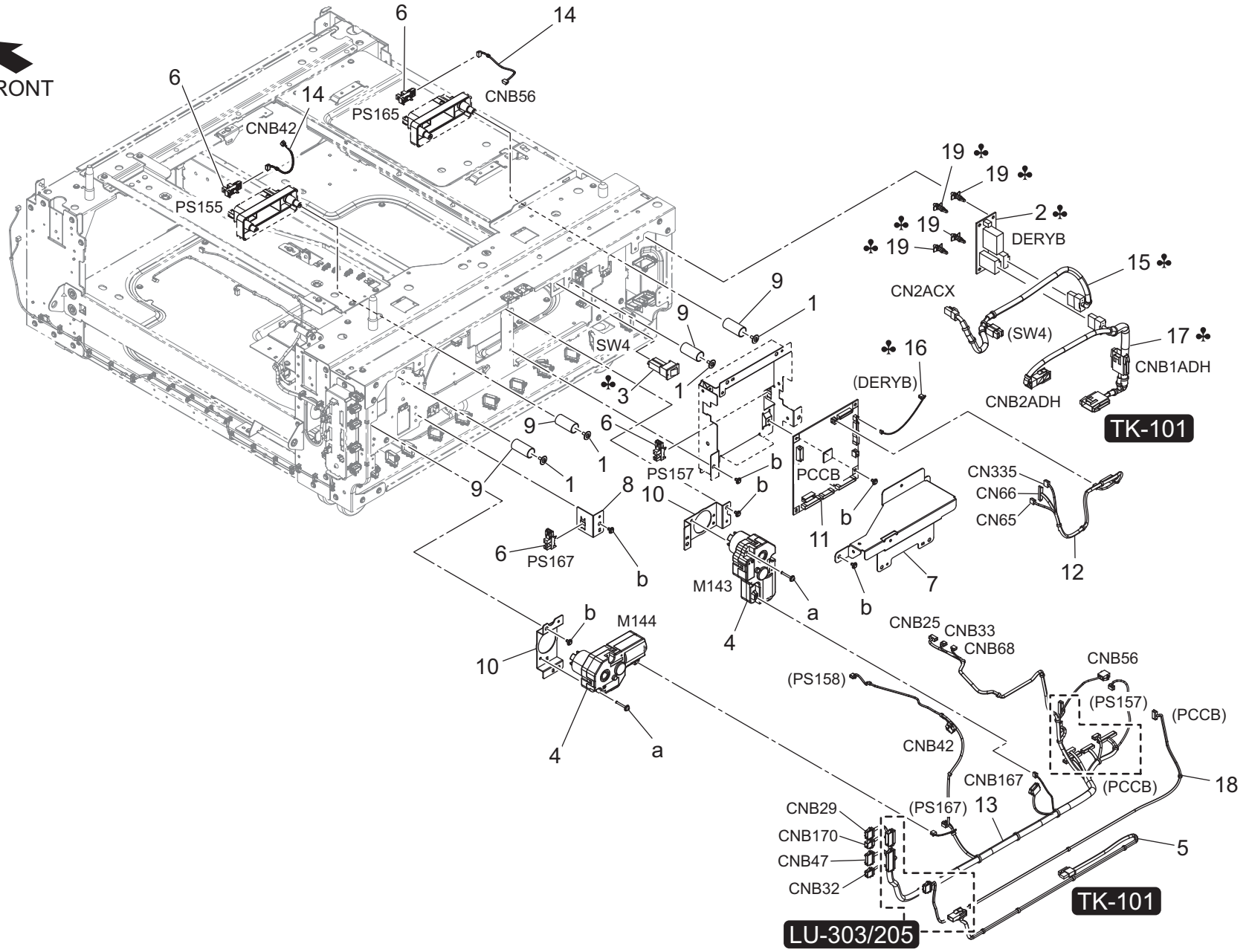
FK-514
FK-515

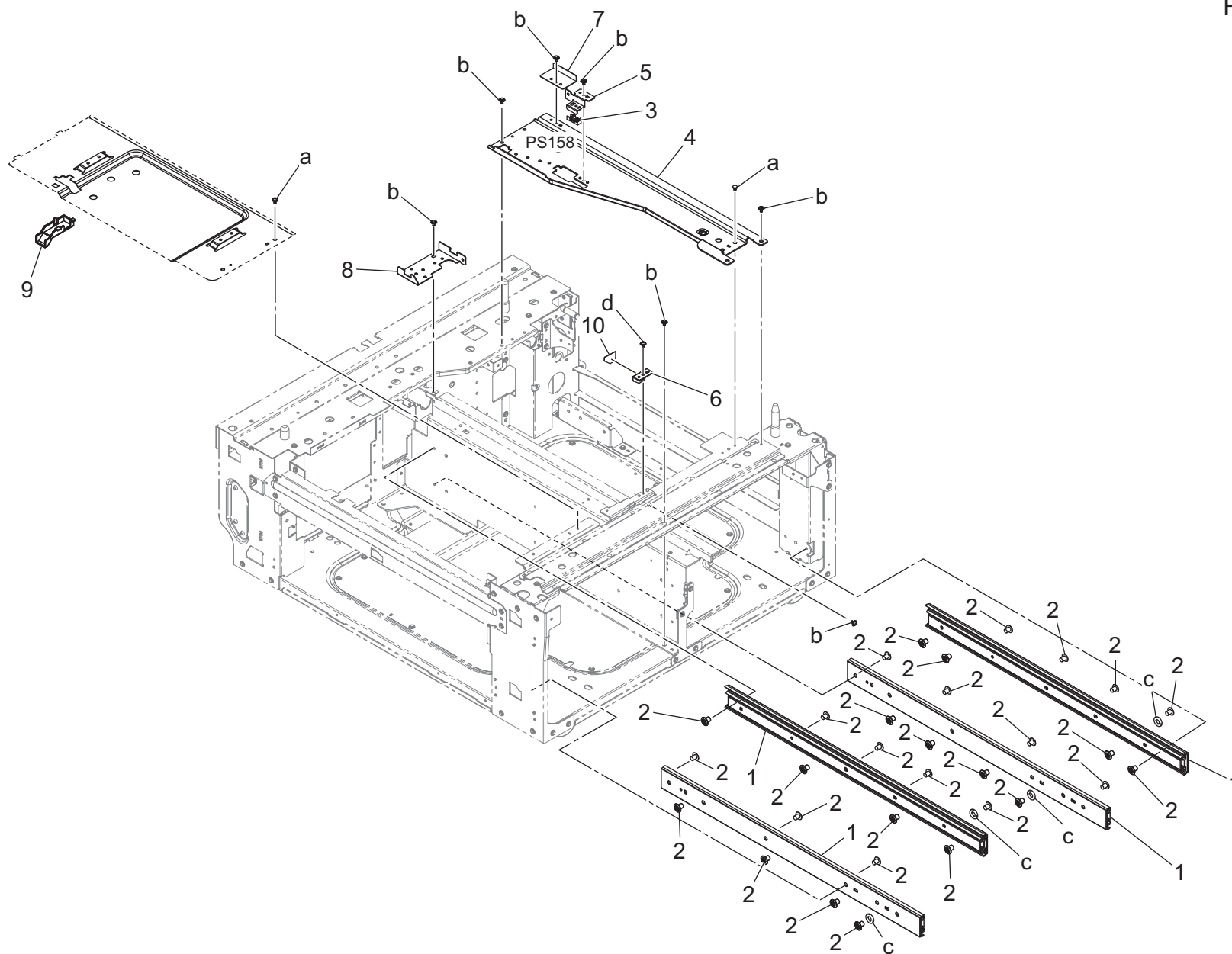
REAR SIDE
bizhub C750i

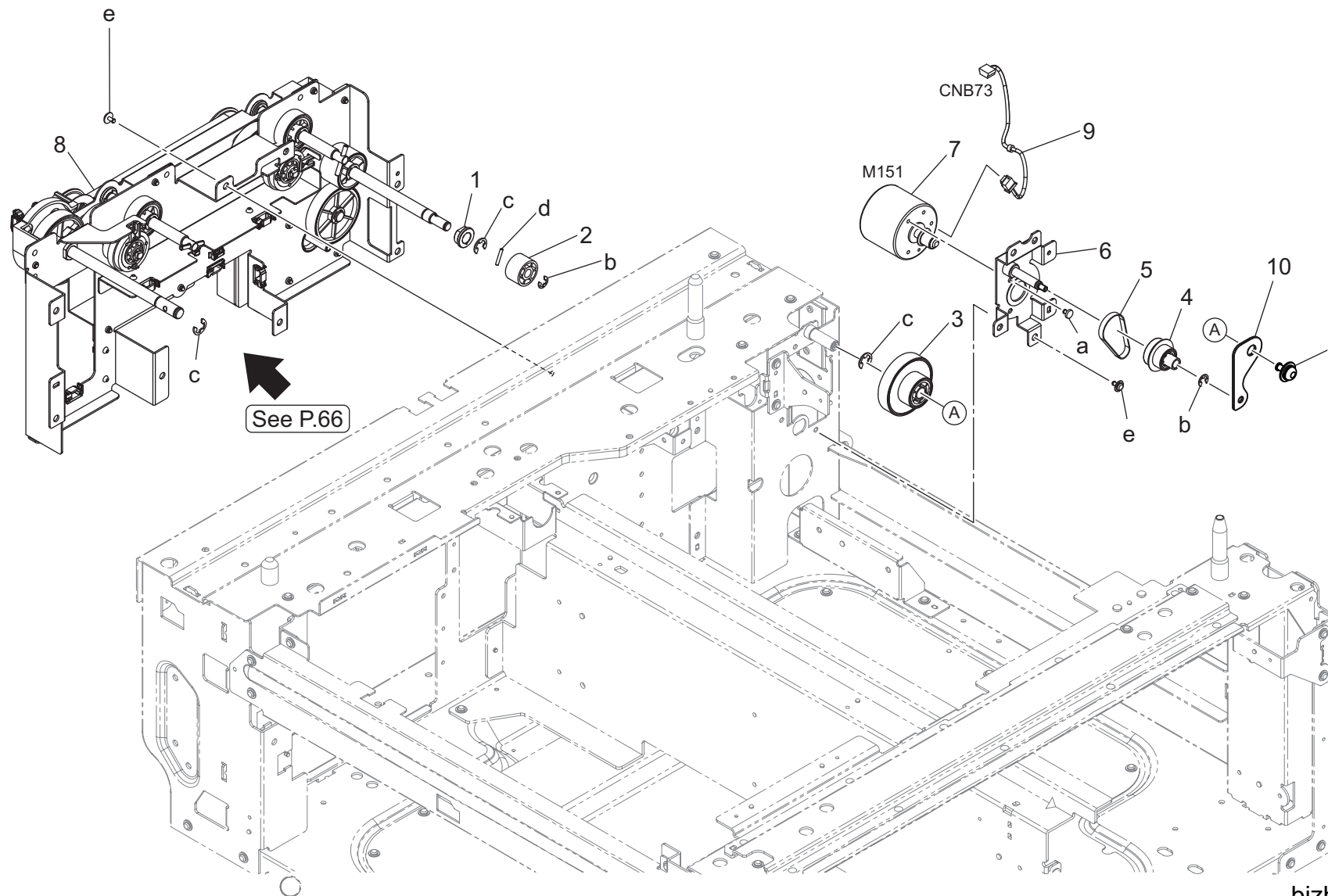
Key	Part No.	Description	Destinations	Class	QTY	Standard parts
1	ACKNH02101	Base Board Assembly		I	1	a-V125030803 b-V116034003 c-V116030604 d-V111030603
2	AA2J137600	Sheet		D	1	
3	AA2J131903	Mounting Plate		D	1	
4	AA2JM50P00	Sensor Board		C	1	
5	AA2JH00C00	ERB ASSY		C	1	
6	AA2JH02T00	PWB Assembly(PWB-TPM)	基板 ASSY (PWB-TPM)	C	1	
7	AA2J131100	Mounting Plate		D	1	
8	AA2JM72700	Storage Board		C	1	
9	ACKNH02P03	CPU Board Assembly		I	1	
10	A7PUN10800	Harness /Relay		D	1	
11	A7PUN10700	Harness /Fax relay		D	1	
12	AA2J135101	Mounting Plate		D	1	
13	ACDF135201	Mounting Plate		D	1	
14	A161137600	Shoulder screw		D	1	
15	A7PU140100	Duct		D	1	
16	A0EDM10500	Fan motor		C	1	
17	A7PU130400	Guide		D	2	
18	AA2J131602	Mounting Plate		D	1	
19	A7PU139800	Cover		D	2	
20	V651010025	connector		V	2	
21	V503010002	Connector Cover		D	1	
22	AA2J137902	Fixing Plate		D	3	
23	AA2J139800	Screw		D	1	
24	AA2JH02A03	PWB Assembly(A800)		I	1	
25	A161137900	Screw		C	2	
26	AA2JN15B00	Power source harness		D	1	

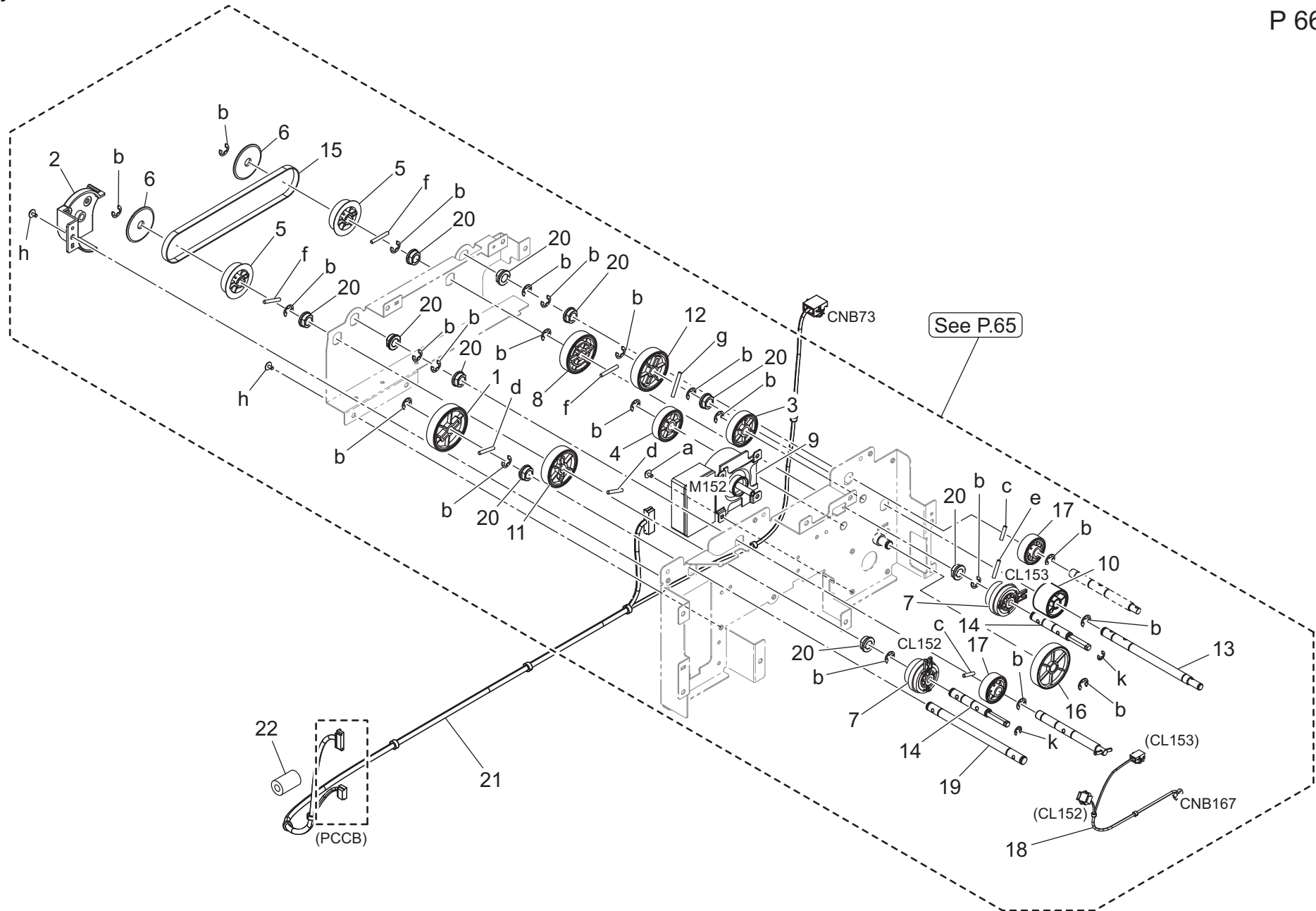


Key	Part No.	Description	Destinations	Class	QTY	Standard parts
1	4061101000	Castor		C	2	a-V116030603 b-V127030604 c-V144040603 d-V153030803 e-V153030804
2	A00JH00D00	PWB Assembly LED1		C	2	
3	A093940800	Label	A	C	1	
4	A2XM942312	Label		C	1	
5	A2XMR70011	Heater Assy	A	D	1	
6	A860571900	Castor		C	2	
7	AAV5160201	Cover /Right rear		D	1	
8	AAV5160301	Cover /Right front		D	1	
9	AAV5160400	Cover /Rear		D	1	
10	AAV5160501	Cover /Left		D	1	
11	AAV5160600	Cover /Right		D	1	
12	AAV5160700	Cover /Right front		D	1	
13	AAV5163000	Cover	B,C,D1,D3,E,F2,G1,G 2,I,K,J	D	1	
14	AAV5N10700	Indicating Harness /4		D	1	
15	ACKN164000	Seal		D	2	



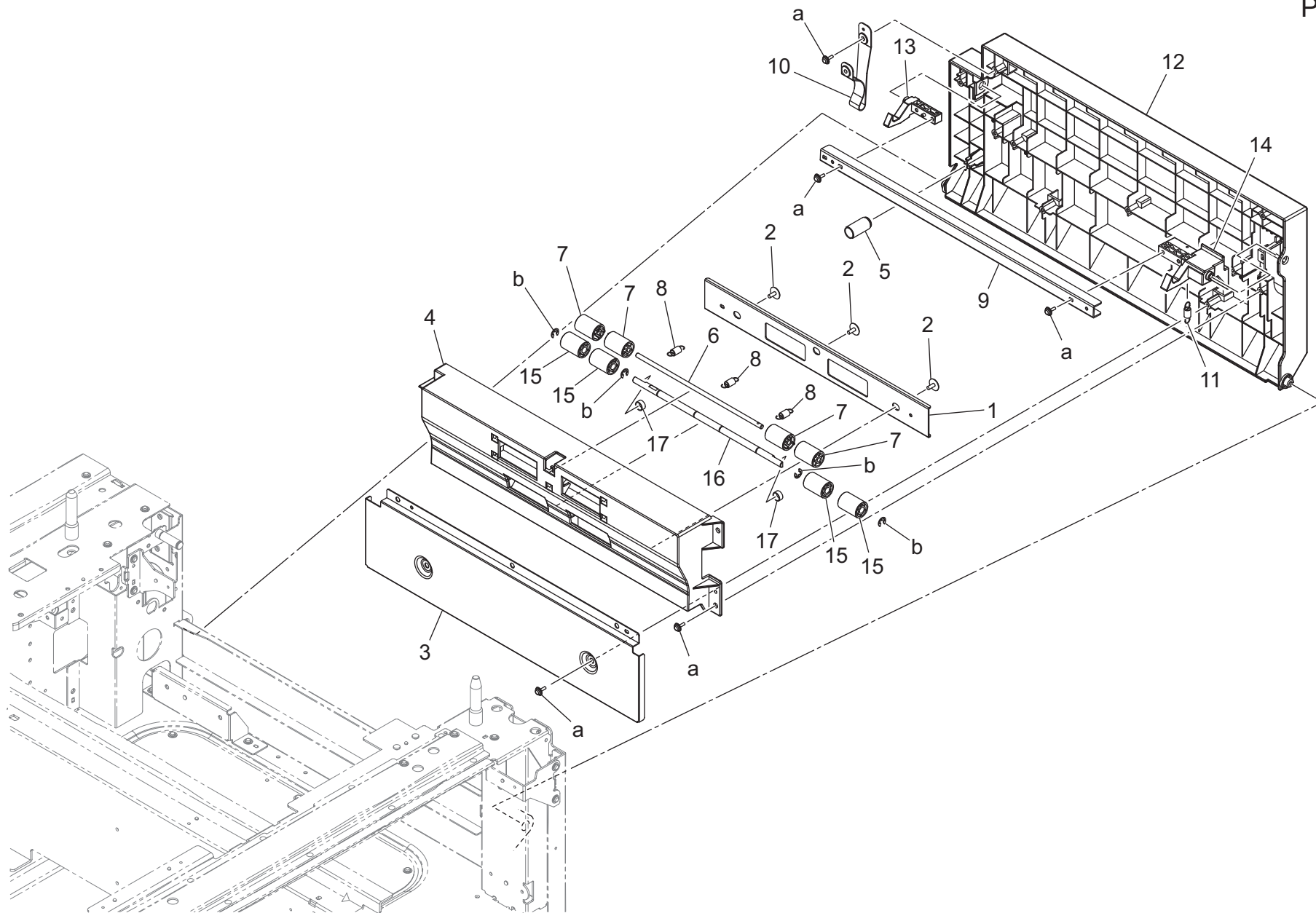


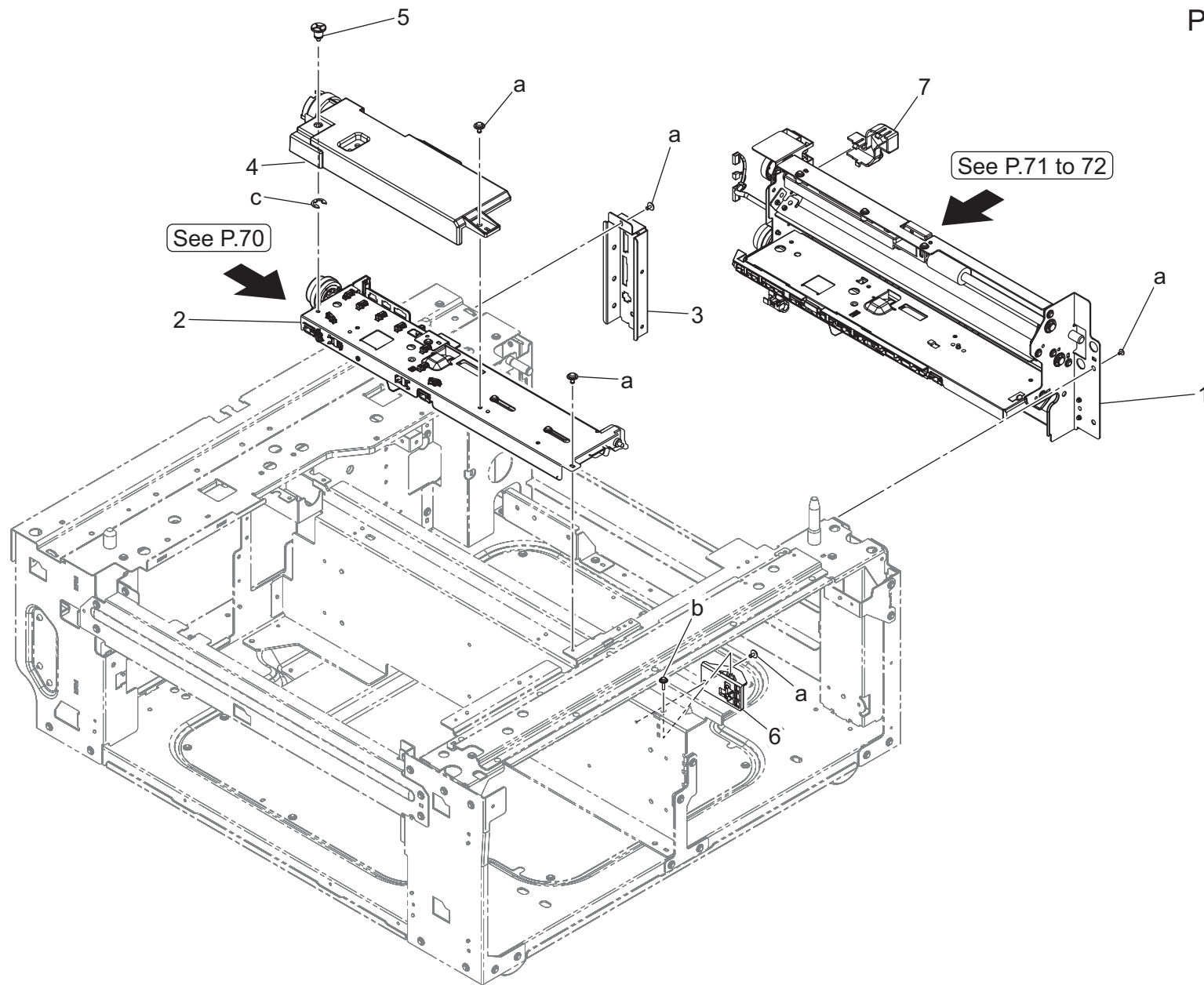




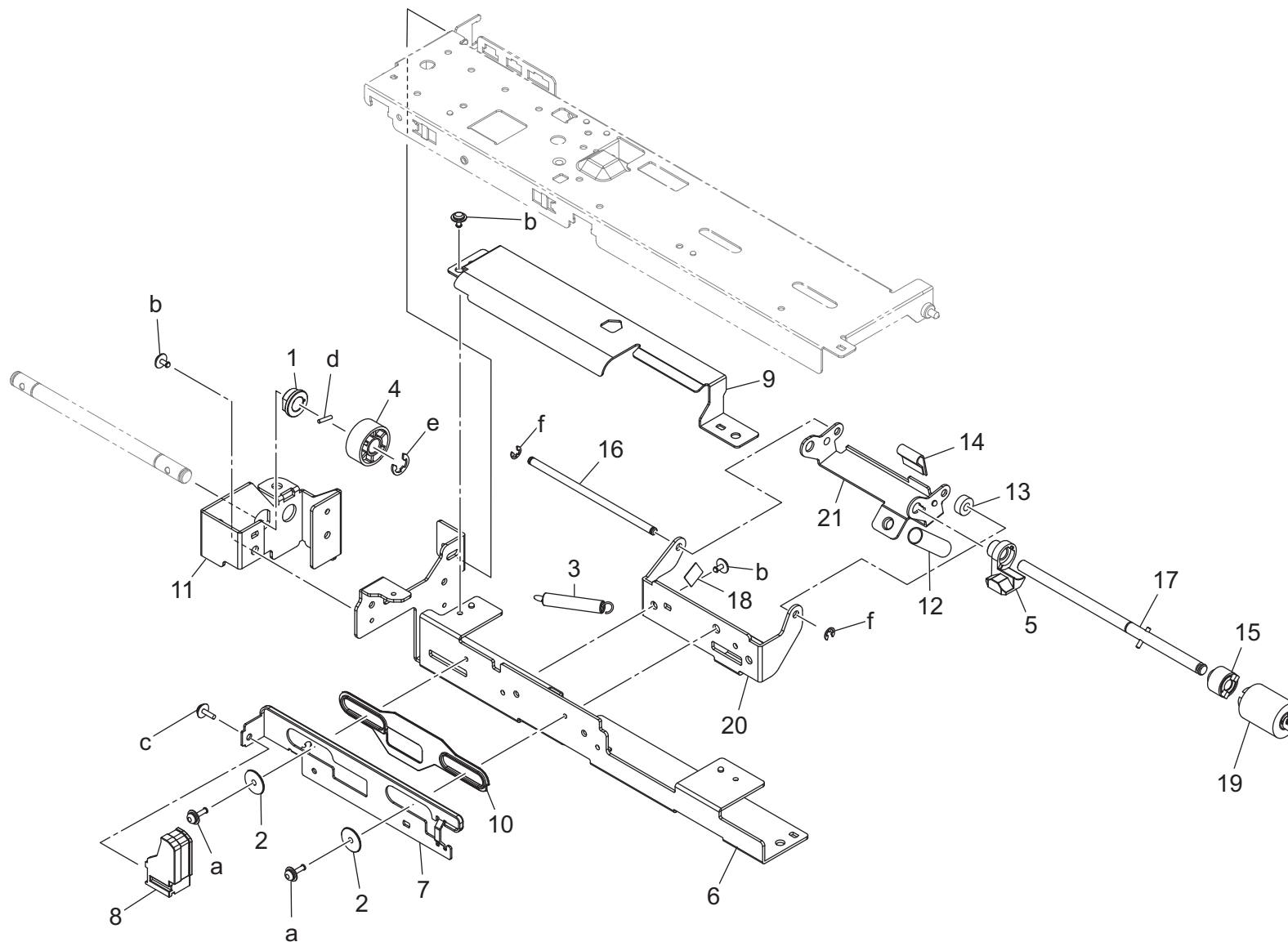
Tray 3/4

P 67

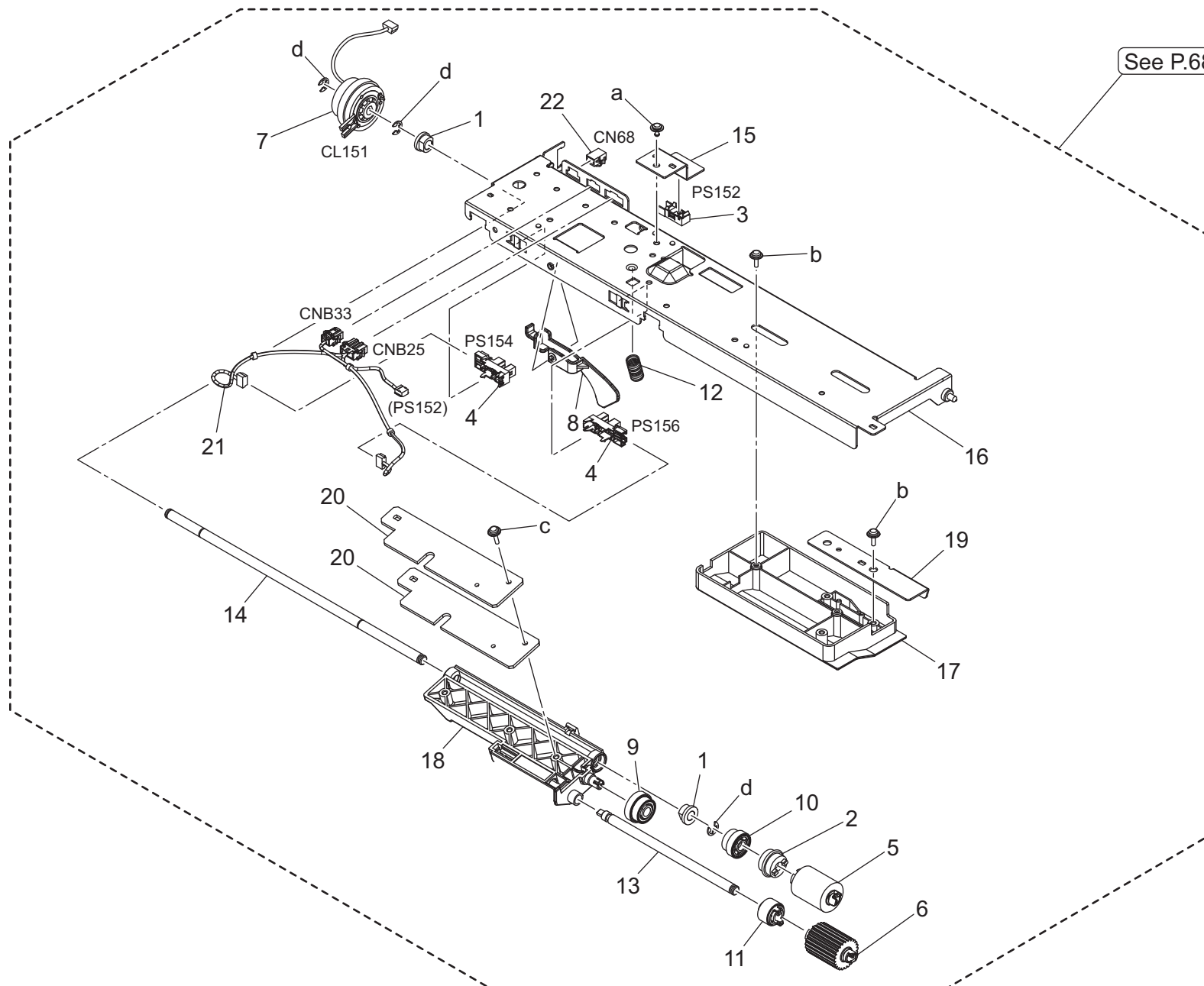


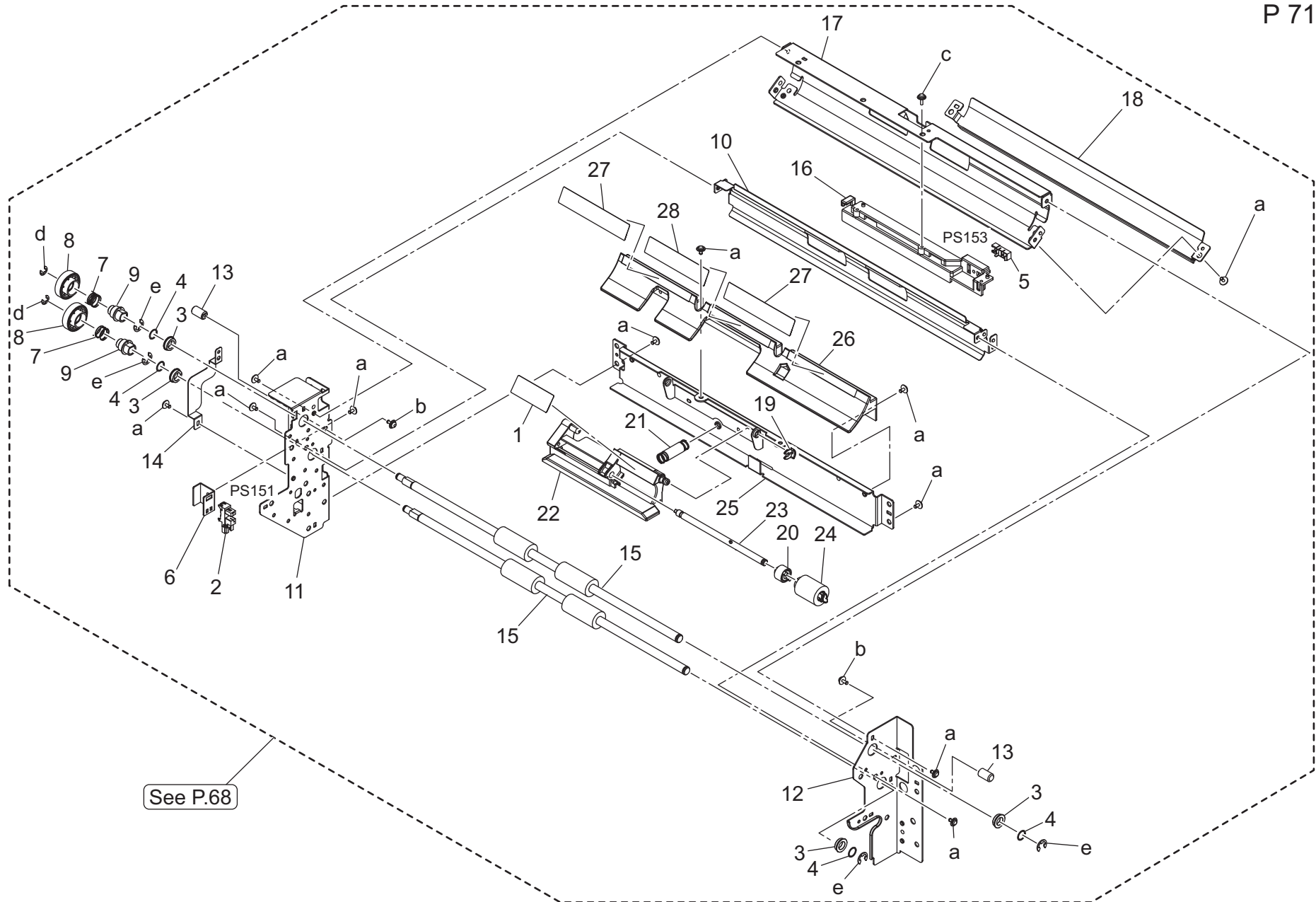


Key	Part No.	Description	Destinations	Class	QTY	Standard parts
1	AAV5R70611	Paper Feed Assy /4th		S	1	a-V144030603 b-V153031004 c-V217060003
2	AAV5R70700	Paper Feed Assy /3rd		S	1	
3	AAV5103001	Mounting Plate		D	1	
4	AAV5562901	Cover		D	1	
5	AAV5563000	Fixing Screw		C	1	
6	AAV5604700	Lock Holder		D	1	
7	A2XM593500	Cover		D	1	



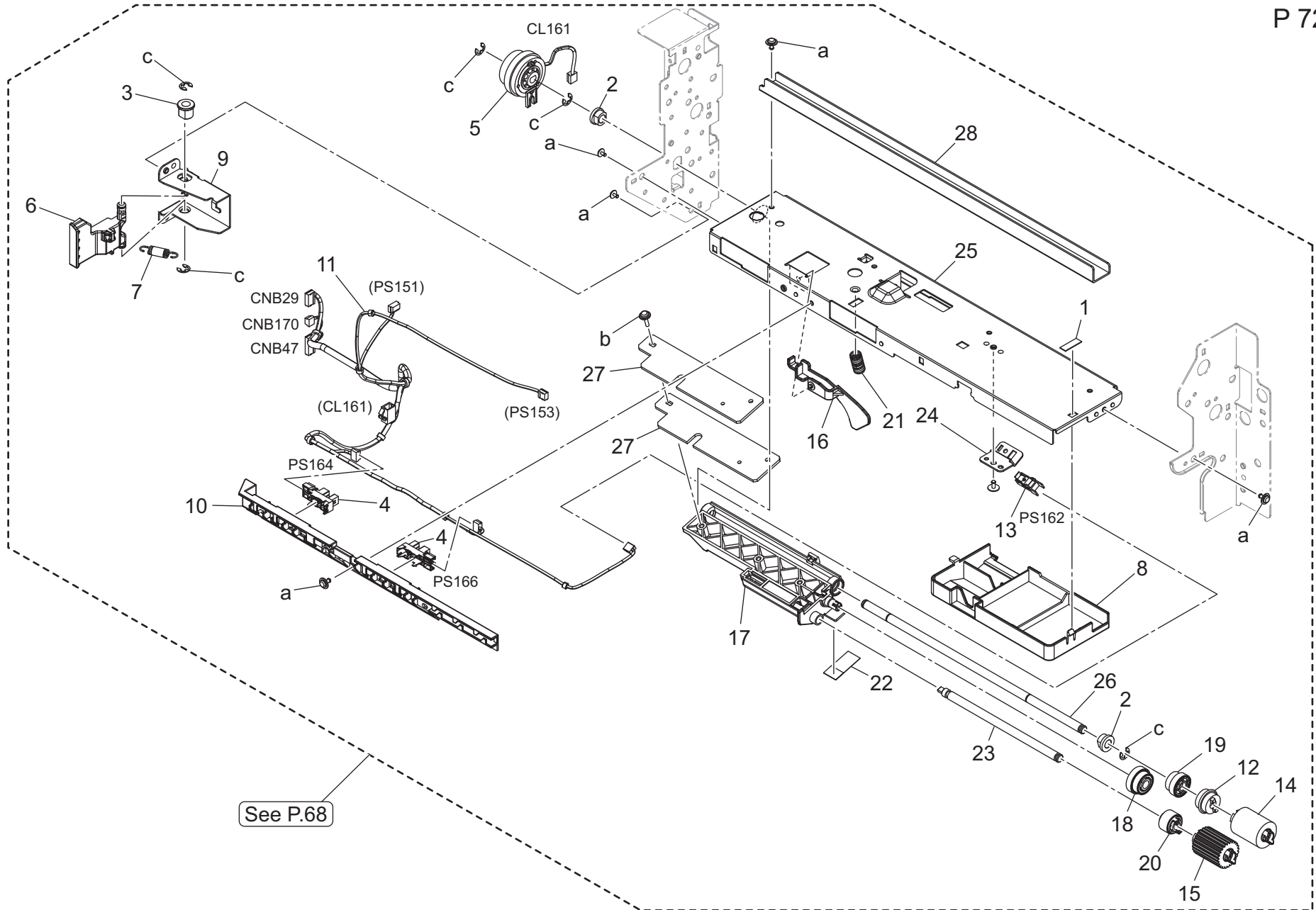
Key	Part No.	Description	Destinations	Class	QTY	Standard parts
1	A03U812800	Slide Shaft Holder		B	1	a-V116031003 b-V144030603 c-V153030803 d-V234301650 e-V217060003 f-V217030003
2	A161564300	Spacer		D	2	
3	A161564400	Pulling Coil spring		C	1	
4	A1RF824100	Gear /2 25T		C	1	
5	AAV5561600	Guide		D	1	
6	AAV5561400	Mounting Pedestal		D	1	
7	AAV5561700	Lever		D	1	
8	AAV5561800	Lever		D	1	
9	AAV5561900	Guide Plate		D	1	
10	AAV5562100	Slide Spacer		D	1	
11	AAV5563600	Mounting Plate		D	1	
12	4030301703	PRESSURE SPRING		C	1	
13	4040561000	Spacer		D	1	
14	55VA40930	DOUBLE FEED PREVENTIVE PLATE		C	1	
15	A0ED563900	Torque limiter		C	1	
16	A161563300	Shaft		D	1	
17	A5C1563400	Shaft		D	1	
18	A5C1565600	Sheet		C	1	
19	AA2J560000	Paper feed Roller		A	1	
20	AAV5561300	Mounting Plate		D	1	
21	AAV5561500	Holder		D	1	

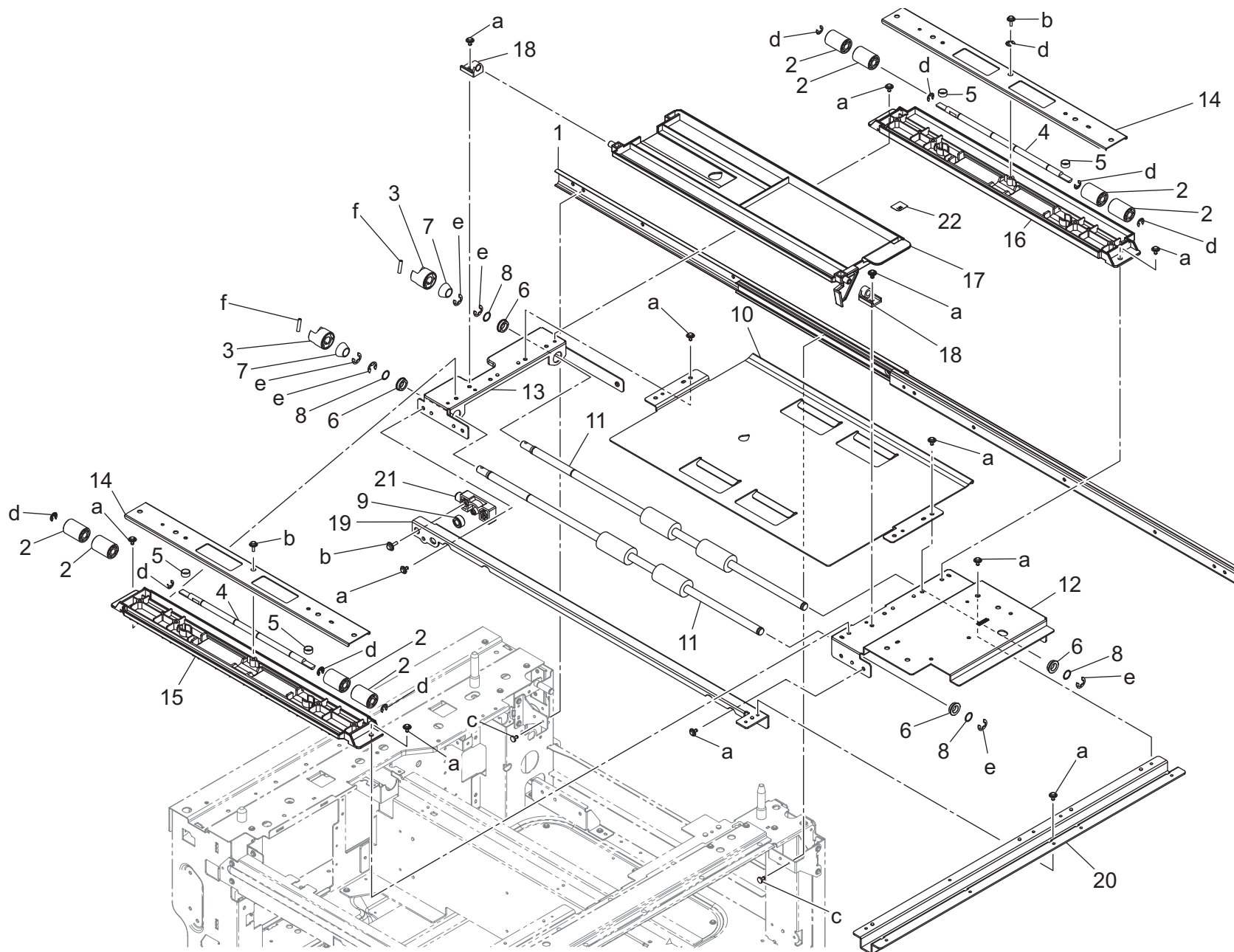


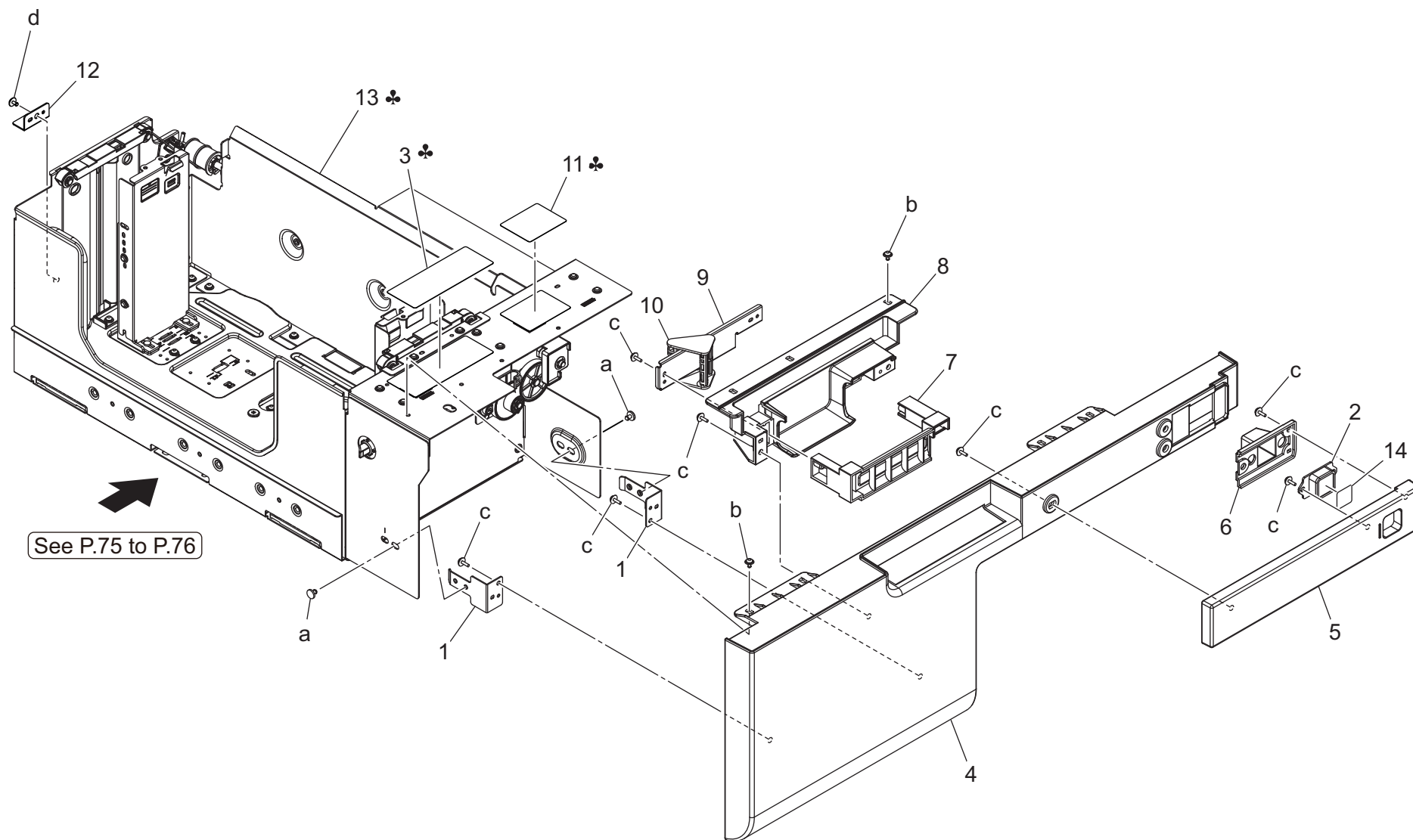


See P.68

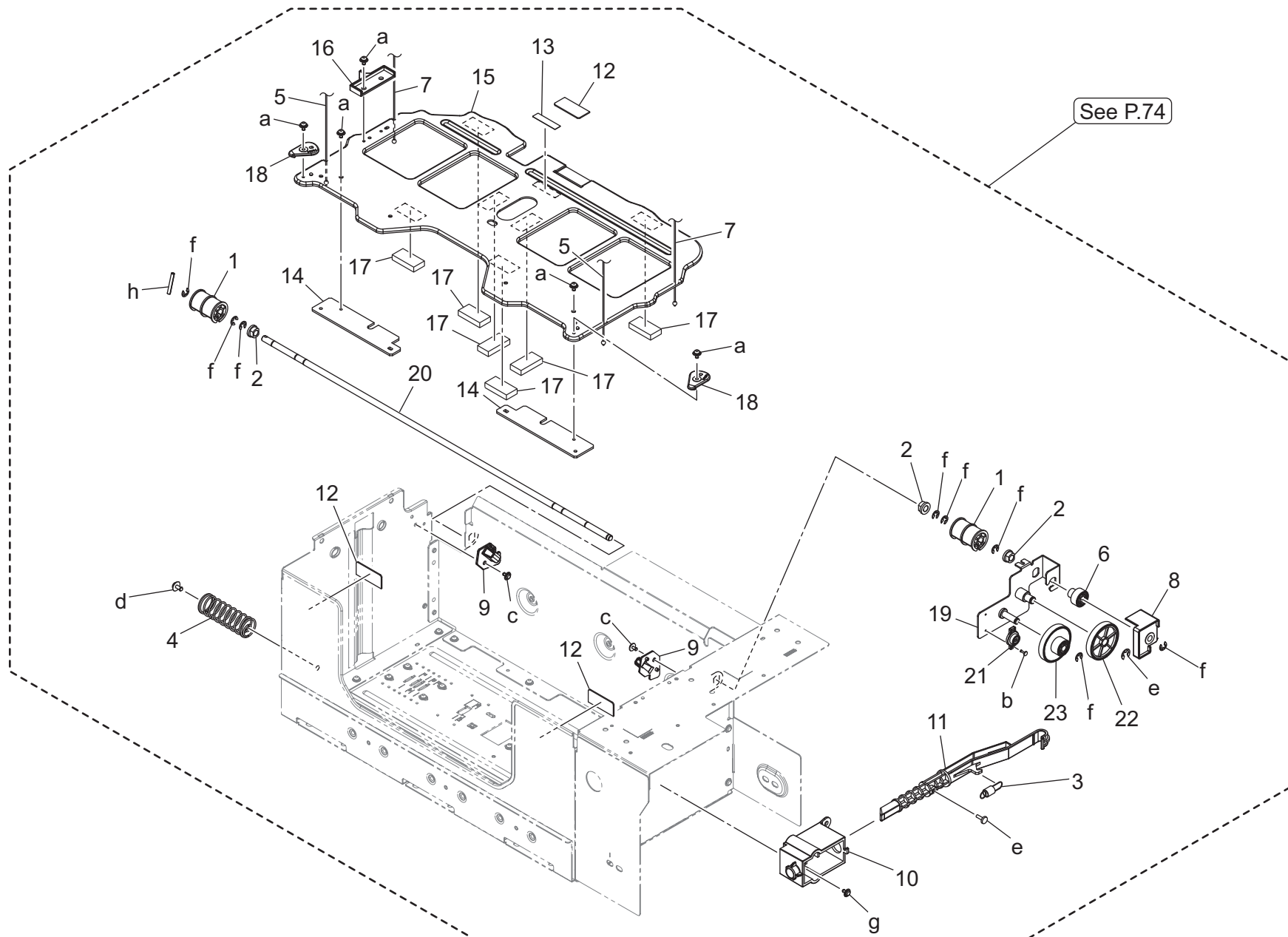
Key	Part No.	Description	Destinations	Class	QTY	Standard parts
1	AAV5564200	Sheet /C		C	1	a-V144030603 b-V125030803 c-V153030803 d-V217040003 e-V217060003
2	A5C1M50100	Photointerrupter		B	1	
3	A00J617900	Ball Bearing		B	4	
4	A00J660700	Washer		D	4	
5	A0EDM50100	Photorelector		I	1	
6	A2XM591002	Mounting Plate	取付板 (CAB センサ)	D	1	
7	A2XM592602	Spring	ばね (CAB 搬送駆動)	C	2	
8	AAV5212500	Gear 30T	ギア 30 T	C	2	
9	AAV5212600	Guide	ガイド (CAB 搬送駆動)	D	2	
10	AAV5560200	Guide Plate	ガイド板	D	1	
11	AAV5560500	Side plate	側板	D	1	
12	AAV5560600	Side plate	側板	D	1	
13	AAV5562400	Shaft	軸	D	2	
14	AAV5564400	Cover Plate	カバー板	D	1	
15	AAV5700500	Roller	ローラ	C	2	
16	AAV5700600	Mounting Guide	取付ガイド (センサ)	D	1	
17	AAV5560100	Conveyance Guide	搬送ガイド	D	1	
18	AAV5560300	Guide Plate	ガイド板	D	1	
19	56AA40490	SHAFT STOPPER 4	軸ストッパ 4	C	1	
20	A0ED563900	Torque limiter	トルクリミッタ	C	1	
21	A7AH561300	Compressing Coil spring	圧縮コイルばね	C	1	
22	A7AH563101	Holder	ホルダ	D	1	
23	A7AH565000	Support Shaft	支点軸 (サバキ)	D	1	
24	AA2J560000	Paper feed Roller	給紙ローラ	A	1	
25	AAV5562300	Frame	フレーム (サバキ)	D	1	
26	AAV5563200	Conveyance Guide	搬送ガイド	D	1	
27	AAV5564000	Sheet /A	シート / A	C	2	
28	AAV5564100	Sheet /B	シート / B	C	1	







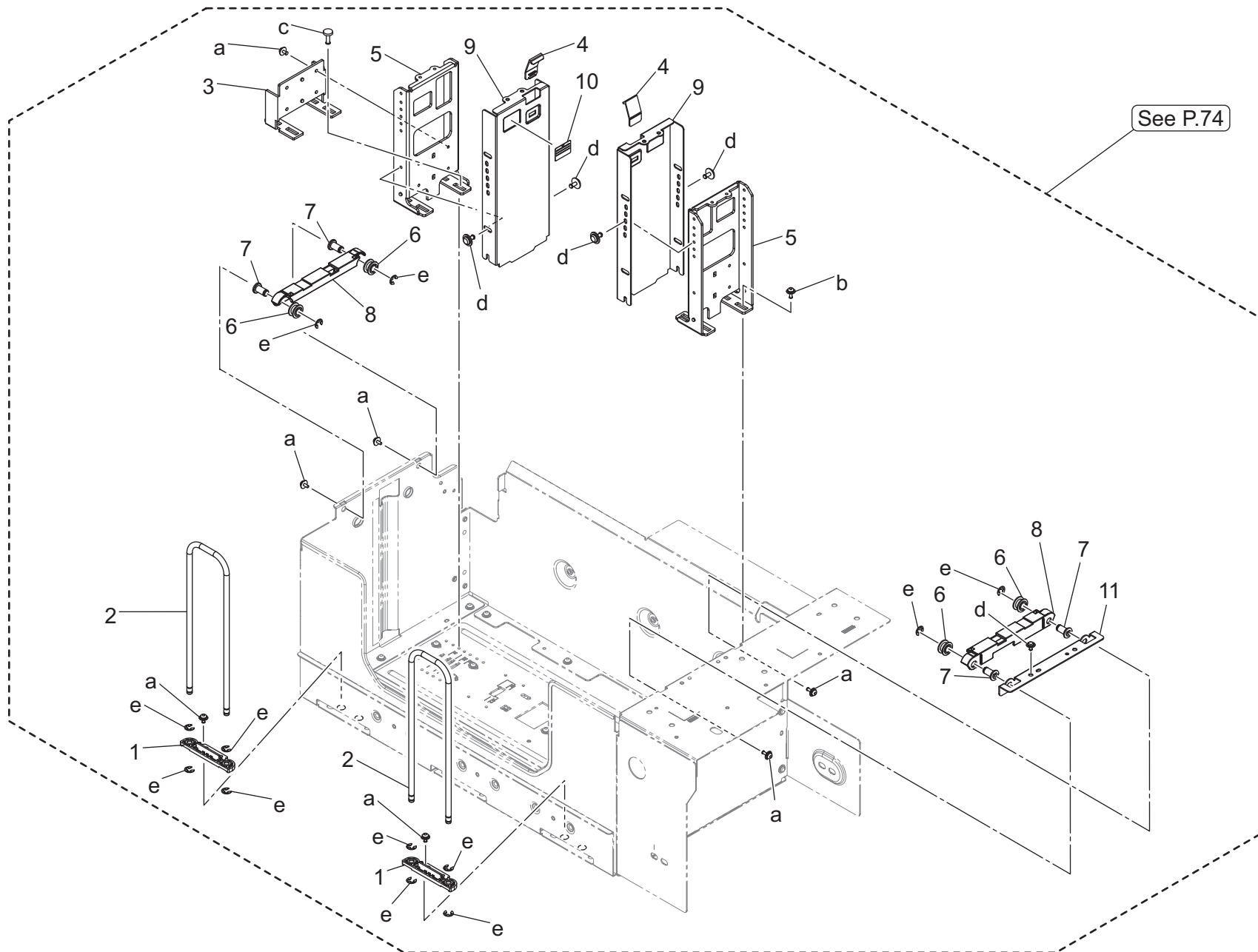
See P.75 to P.76



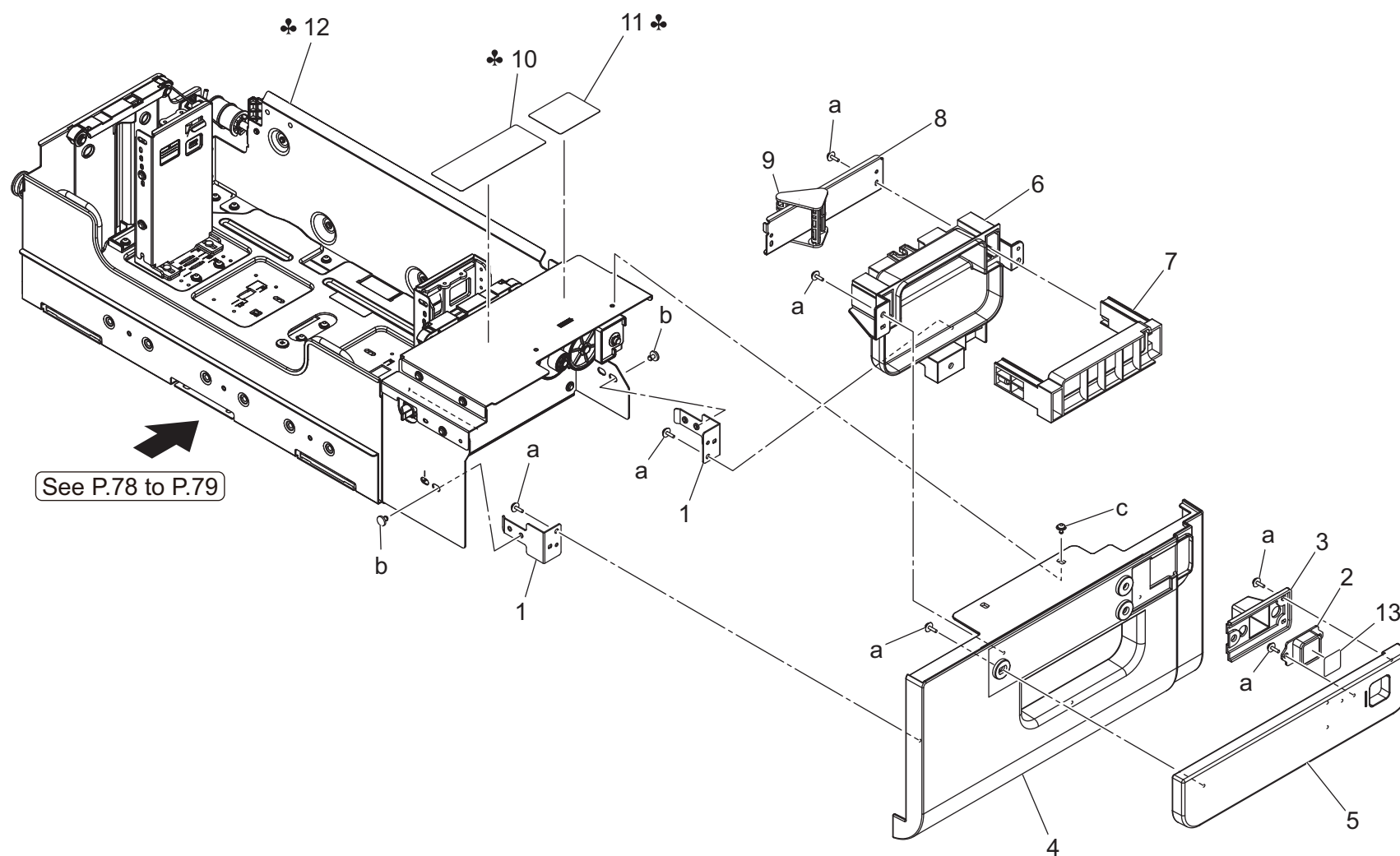
Key	Part No.	Description	Destinations	Class	QTY	Standard parts
1	A00J613700	Up/down Pulley		C	2	a-V116030603 b-V118020603 c-V144030603 d-V144040603 e-V149030803 f-V217040003 g-V217050003 h-V232302209
2	A00J663200	Bushing		B	3	
3	A161626800	Pulling Coil spring		C	1	
4	A2X0666900	Pressure Spring		C	1	
5	AAV5604200	Wire /2		C	2	
6	AAV5603200	Gear 19T		C	1	
7	AAV5604100	Wire /1		C	2	
8	AAV5604500	Protection Cover		D	1	
9	AAV5604600	Guide		D	2	
10	AAV5603500	Lock Guide		D	1	
11	AAV5610900	Lock Lever		C	1	
12	55VA40930	DOUBLE FEED PREVENTIVE PLATE		C	3	
13	A00J623400	FRICTION PLATE		C	1	
14	AAV5564500	Vibrationproof Plate		D	2	
15	AAV5600300	Up/down Plate		D	1	
16	AAV5601300	Light blocking Part		D	1	
17	AAV5601700	Cushion		D	6	
18	AAV5602800	Slide Part		D	2	
19	AAV5603100	Mounting Plate		D	1	
20	A00J615500	Up/down Shaft		D	1	
21	A0P0662700	Dumper		C	1	
22	AAV5603300	Gear 46T		C	1	
23	AAV5603400	Gear 19/46T		C	1	

Tray 3/4

P 76

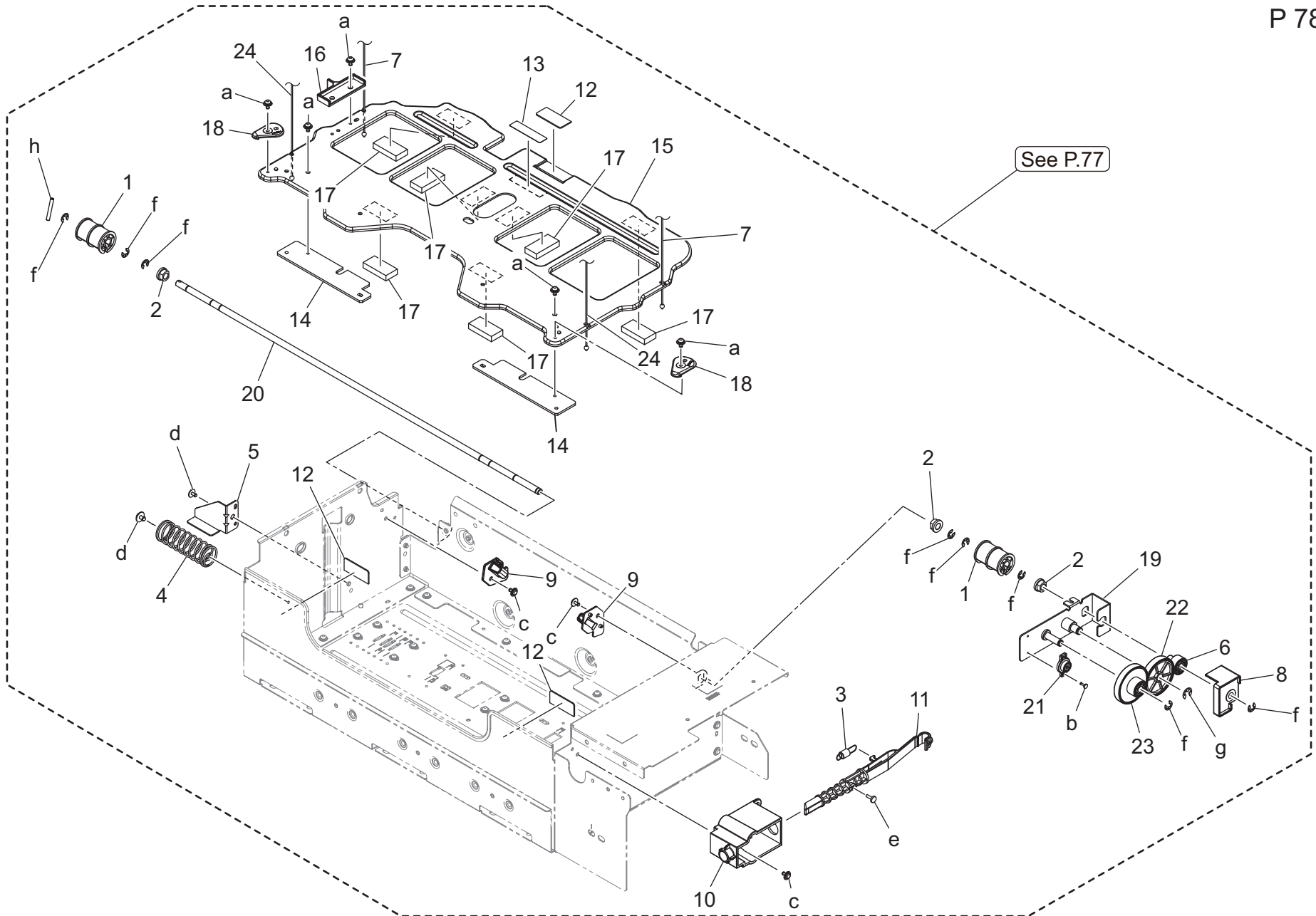


Key	Part No.	Description	Destinations	Class	QTY	Standard parts
1	56QA58070D	SHAFT HOLDING PART		D	2	a-V116030603 b-V116030803 c-V118030804 d-V144030603 e-V217040003
2	AAV5600900	Guide Shaft		D	2	
3	56QA58490D	REAR REINFORCE PLATE		D	1	
4	A2XM628200	Regulating Claw		C	2	
5	A795669100	Adjusting Side plate		D	2	
6	AAV5601100	Pulley		C	4	
7	AAV5601900	Rotation Shaft		D	4	
8	AAV5602001	Hold Cover		D	2	
9	AAV5600800	Guide Plate		D	2	
10	AAV5940600	Label		D	1	
11	AAV5601000	Support Plate		D	1	

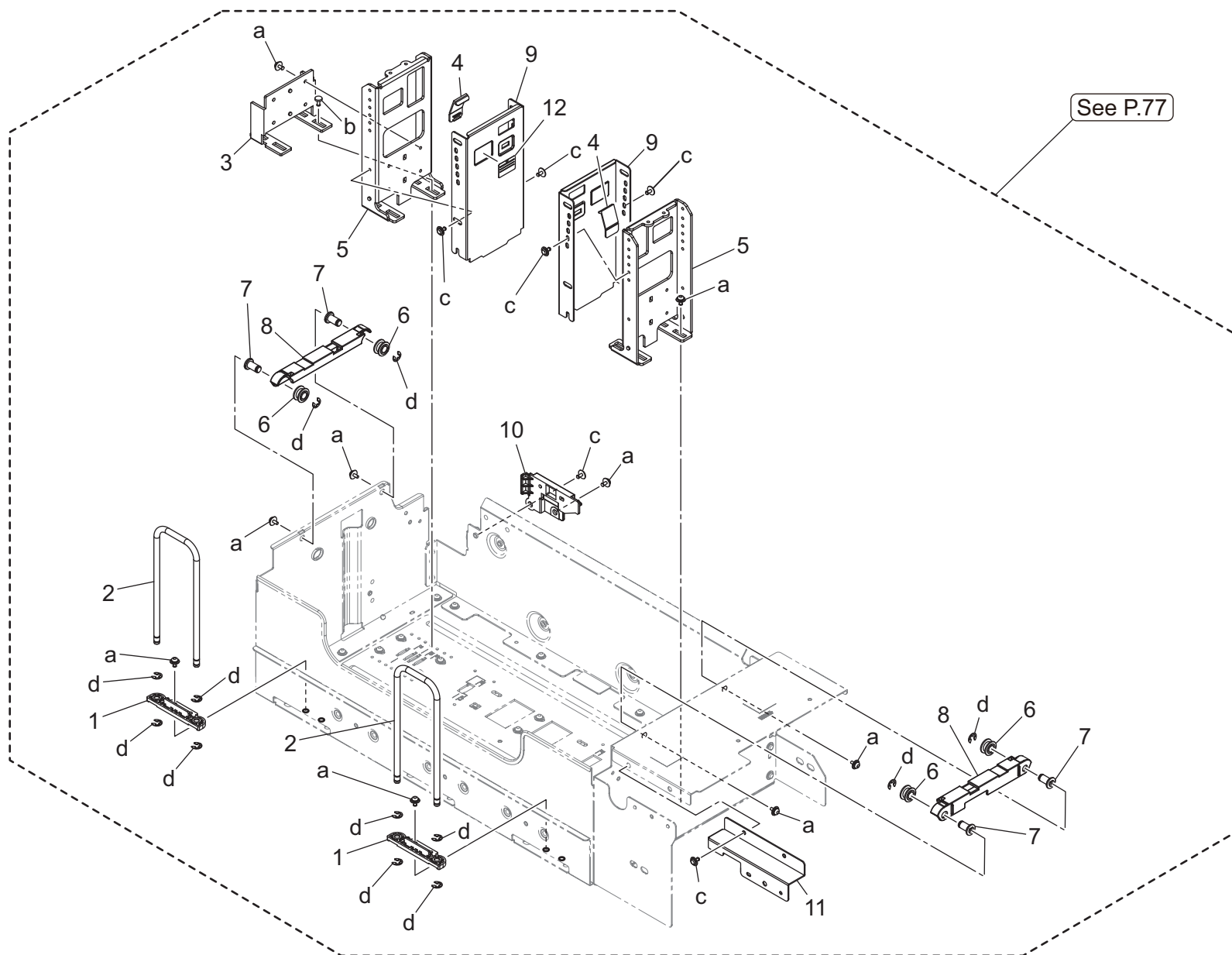


Key	Part No.	Description	Destinations	Class	QTY	Standard parts
1	A00J164501	Mounting Plate		D	2	a-V153030803 b-V126030603 c-V127030604
2	AA2J626702	Cover		D	1	
3	AAV5610400	Cover		D	1	
4	AAV5612101	Cover		D	1	
5	AAV5612200	Cover		D	1	
6	AAV5612500	Cover		D	1	
7	AAV5613400	Handle		D	1	
8	AAV5613600	Holder		D	1	
9	AAV5613700	Release Lever		C	1	
10	A93E944400	Label	A	D	1	
10	A93E944500	Label	B,C,D1,D3,E,F2,G1,G 2,I,K,J	D	1	
11	AAV5942400	Label	A	D	1	
11	AAV5942500	Label	B,C,D1,D3,E,F2,G1,G 2,I,K,J	D	1	
12	AAV5R70900	Tray Assy /4th	A,C,D1,D3,E,F2,G1,I ,K,J	S	1	
12	AAV5R71200	Tray Assy /4th (Inch)	B,G2	S	1	
13	AAV5943400	Label		D	1	

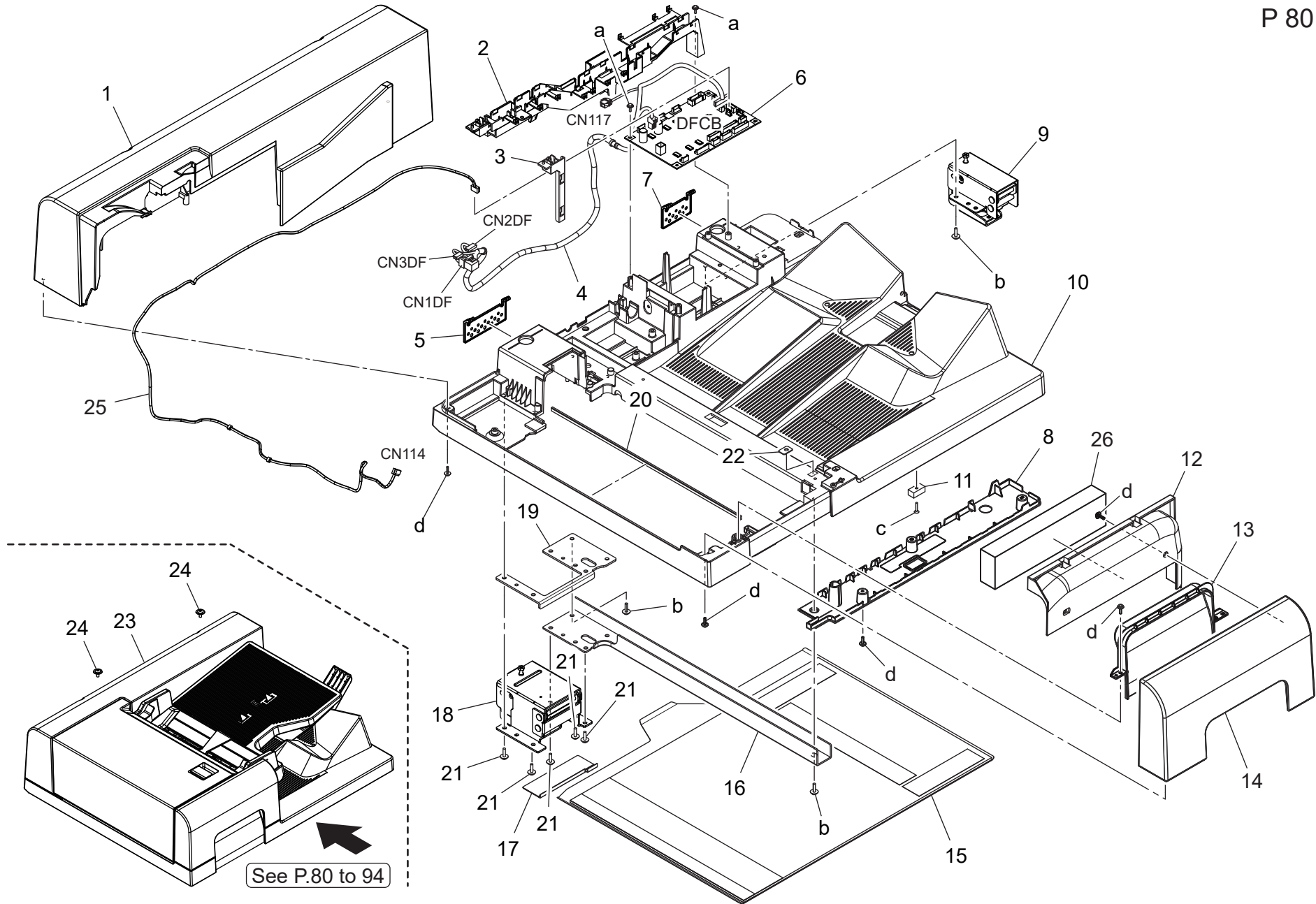




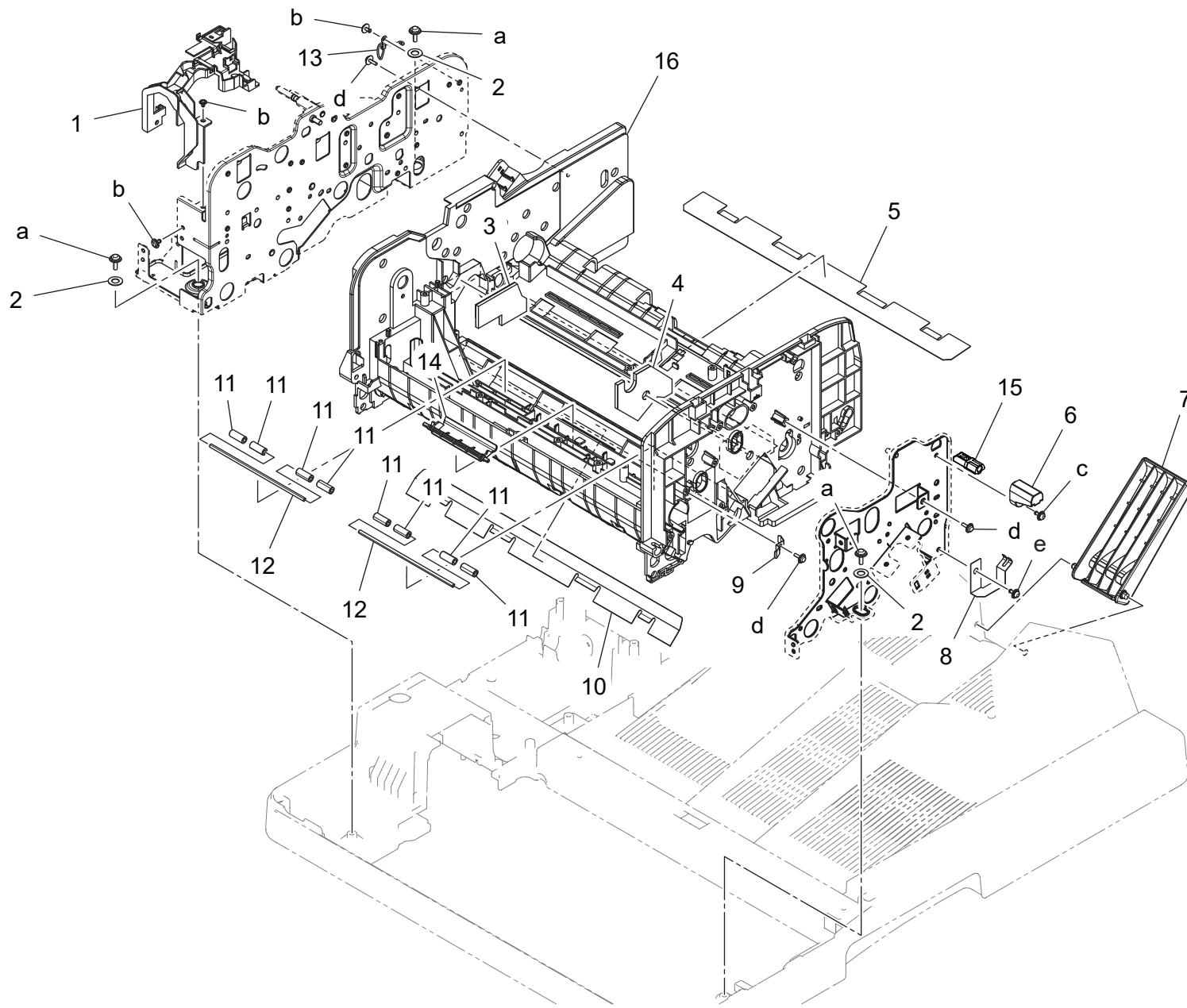
Key	Part No.	Description	Destinations	Class	QTY	Standard parts
1	A00J613700	Up/down Pulley		C	2	a-V116030603
2	A00J663200	Bushing		B	3	b-V118020603
3	A161626800	Pulling Coil spring		C	1	c-V144030603
4	A2X0666900	Pressure Spring		C	1	d-V144040603
5	AAV5602700	Light blocking Part		D	1	e-V149030803
6	AAV5603200	Gear 19T		C	1	f-V217040003
7	AAV5604300	Wire /1		C	2	g-V217050003
8	AAV5604500	Protection Cover		D	1	h-V232302209
9	AAV5604600	Guide		D	2	
10	AAV5613500	Lock Guide		D	1	
11	AAV5613900	Lock Lever		C	1	
12	55VA40930	DOUBLE FEED PREVENTIVE PLATE		C	3	
13	A00J623400	FRICTION PLATE		C	1	
14	AAV5564500	Vibrationproof Plate		D	2	
15	AAV5600300	Up/down Plate		D	1	
16	AAV5601300	Light blocking Part		D	1	
17	AAV5601700	Cushion		D	6	
18	AAV5602800	Slide Part		D	2	
19	AAV5603900	Mounting Plate		D	1	
20	A00J615500	Up/down Shaft		D	1	
21	A0P0662700	Dumper		C	1	
22	AAV5603300	Gear 46T		C	1	
23	AAV5603400	Gear 19/46T		C	1	
24	AAV5604400	Wire /2		C	2	



Dual scan document feeder (DF-713)

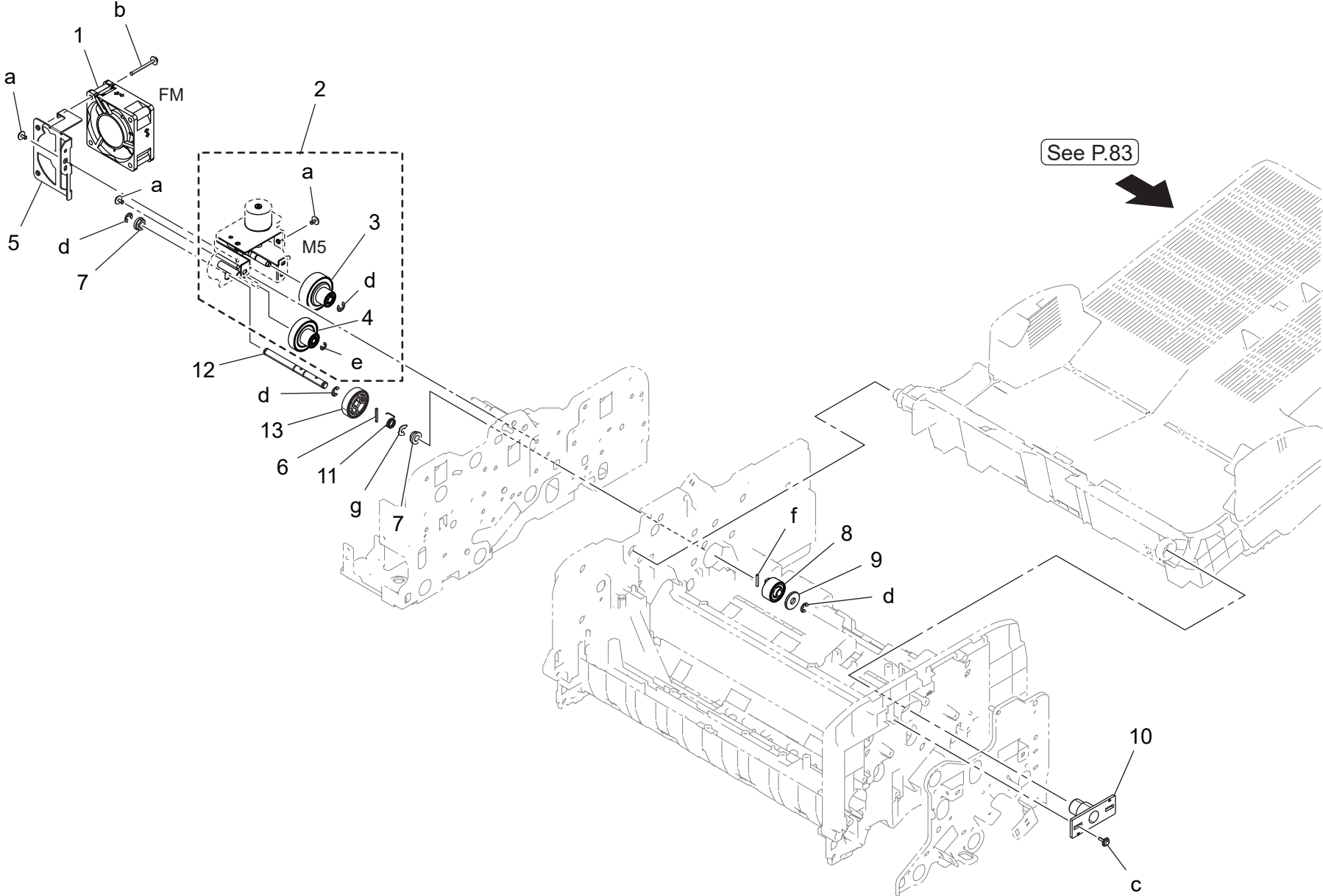


Dual scan document feeder (DF-713)

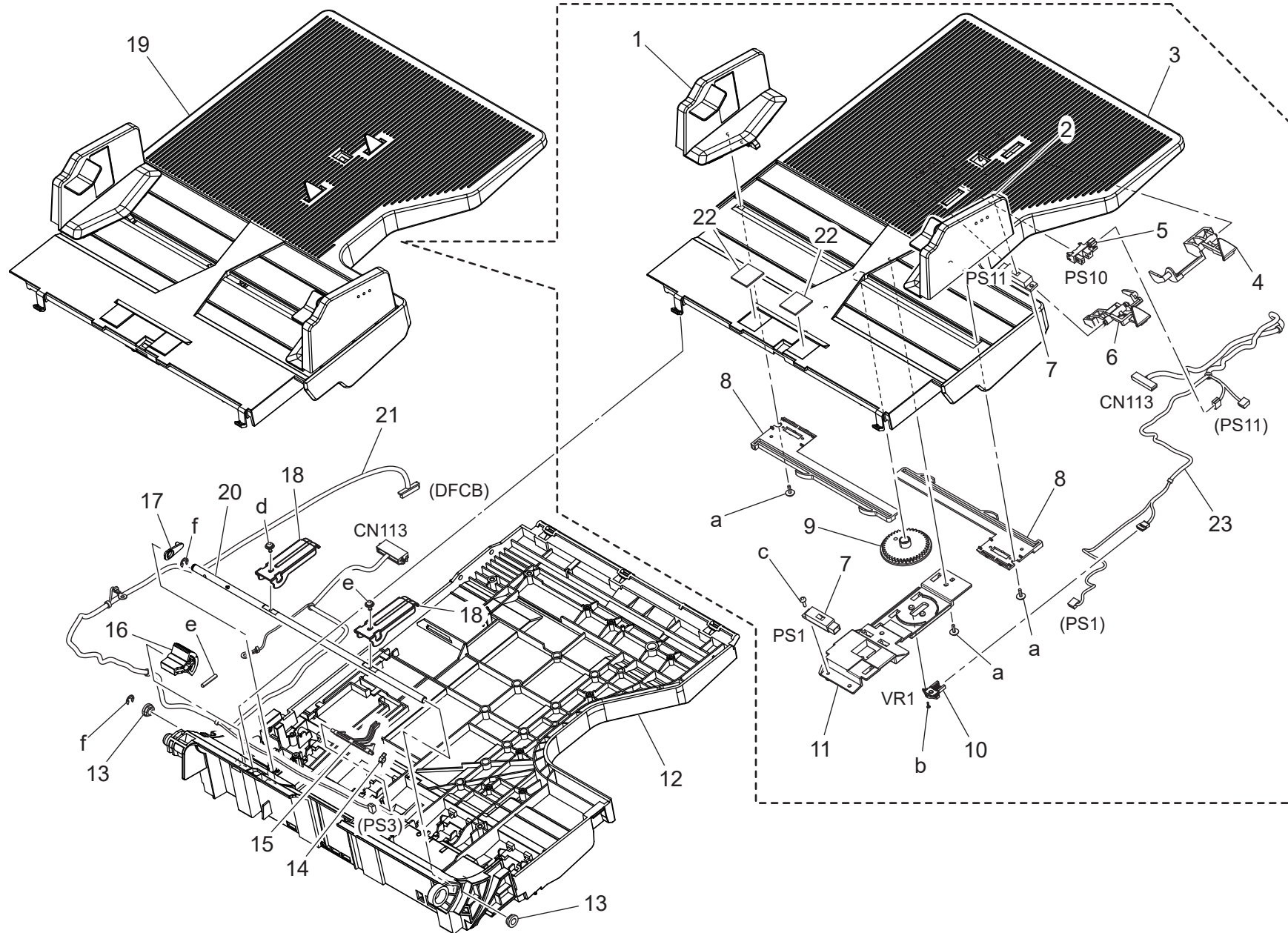


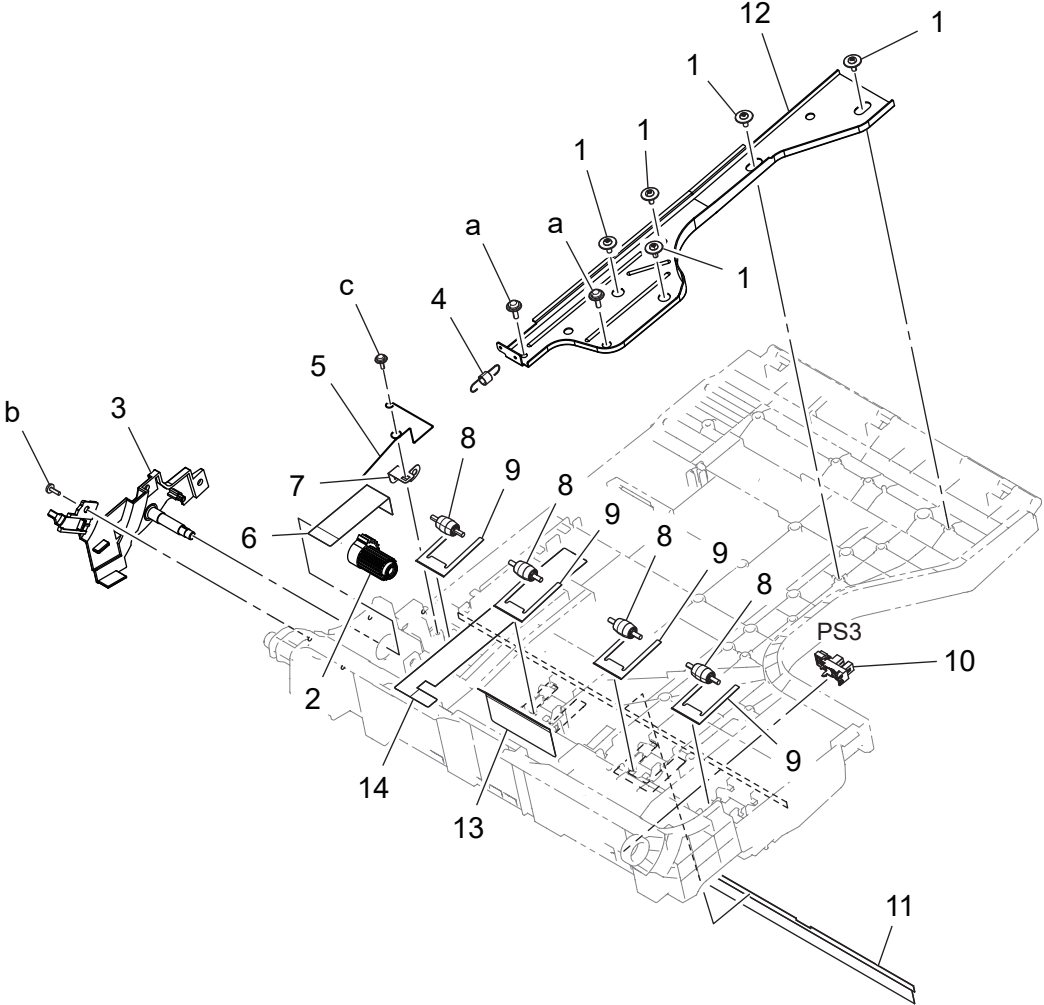
Key	Part No.	Description	Destinations	Class	QTY	Standard parts
1	A782130301	Wiring Guide /2		D	1	a-V153041003 b-V144030603 c-V127031203 d-V153030803 e-V116030803
2	A782117000	Washer		C	3	
3	A782105101	Cushion		C	1	
4	A782105001	Cushion		C	1	
5	A782117100	Guide Film		C	1	
6	A782125500	Holder		D	1	
7	AAMP891000	Auxiliary Plate /1		D	1	
8	A782111000	Ground Plate spring /1		D	1	
9	A782111100	Ground Plate spring /2		D	1	
10	A782101700	Guide Sheet		D	1	
11	A782262800	Roll		C	8	
12	A782264900	Shaft		D	2	
13	A782N11800	ADF Wiring /19		D	1	
14	A782111200	Guide		D	1	
15	AAMP125400	Stopper Shaft		D	1	
16	AAMP101200	Frame		D	1	

Dual scan document feeder (DF-713)

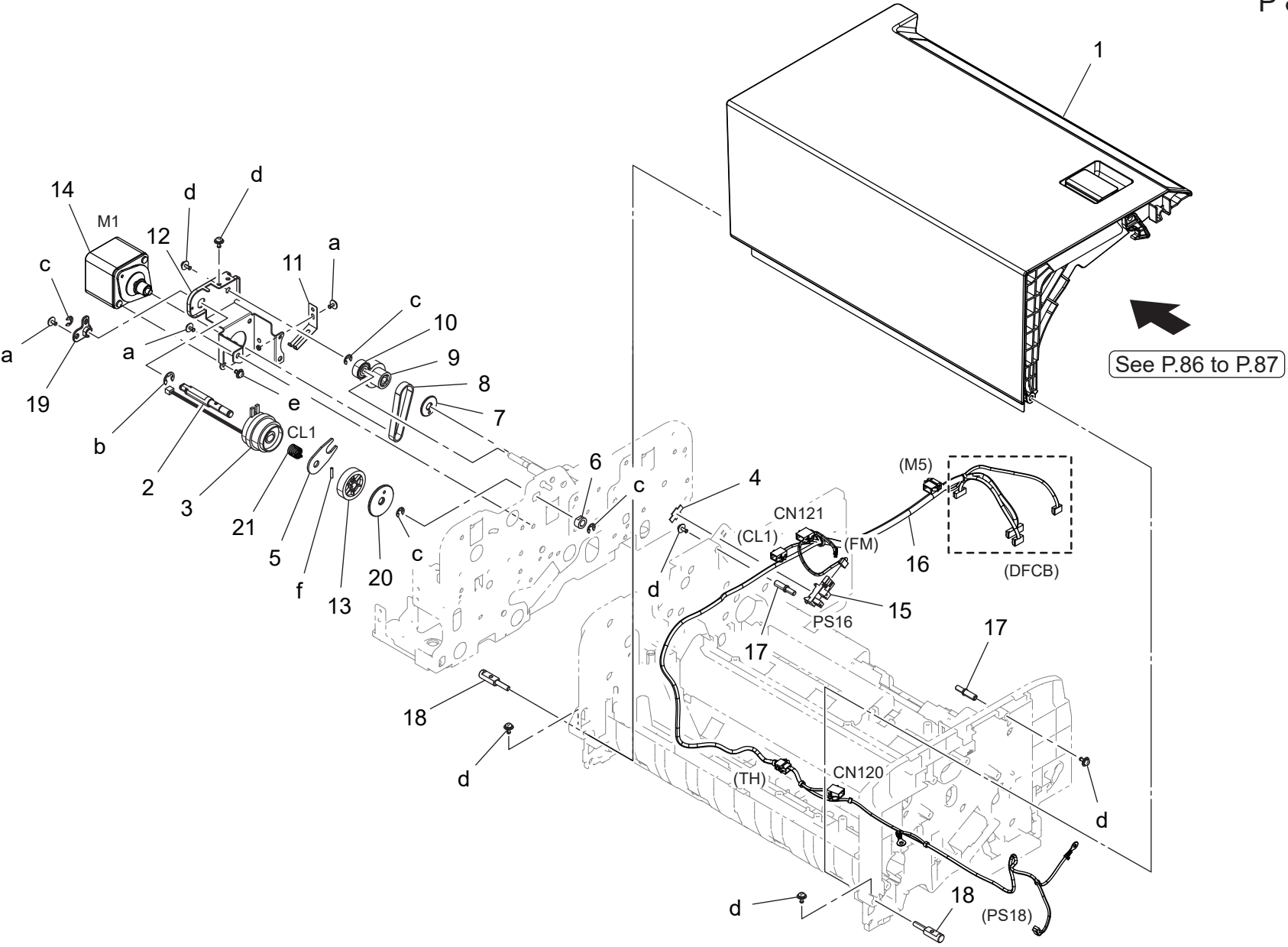


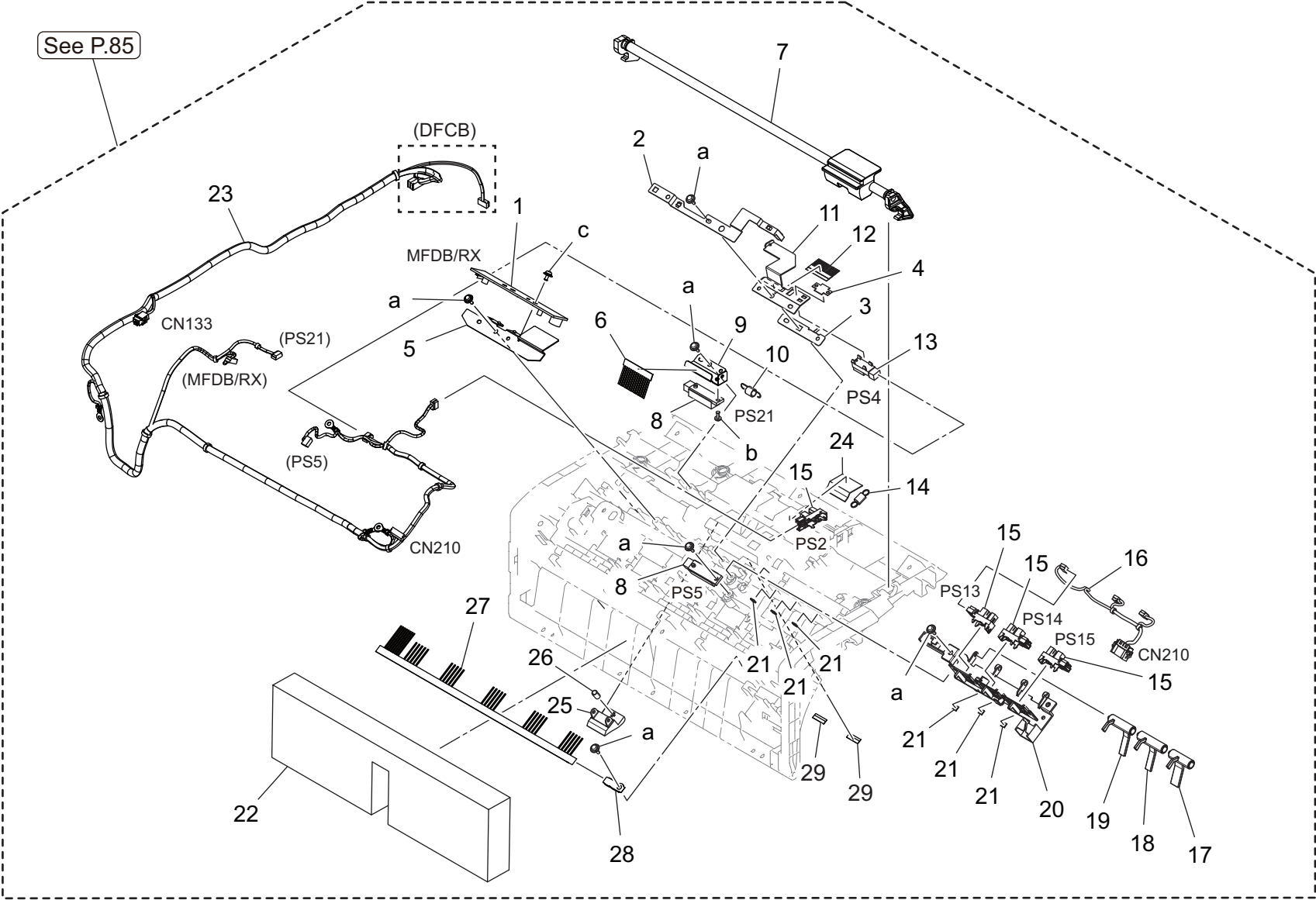
Dual scan document feeder (DF-713)



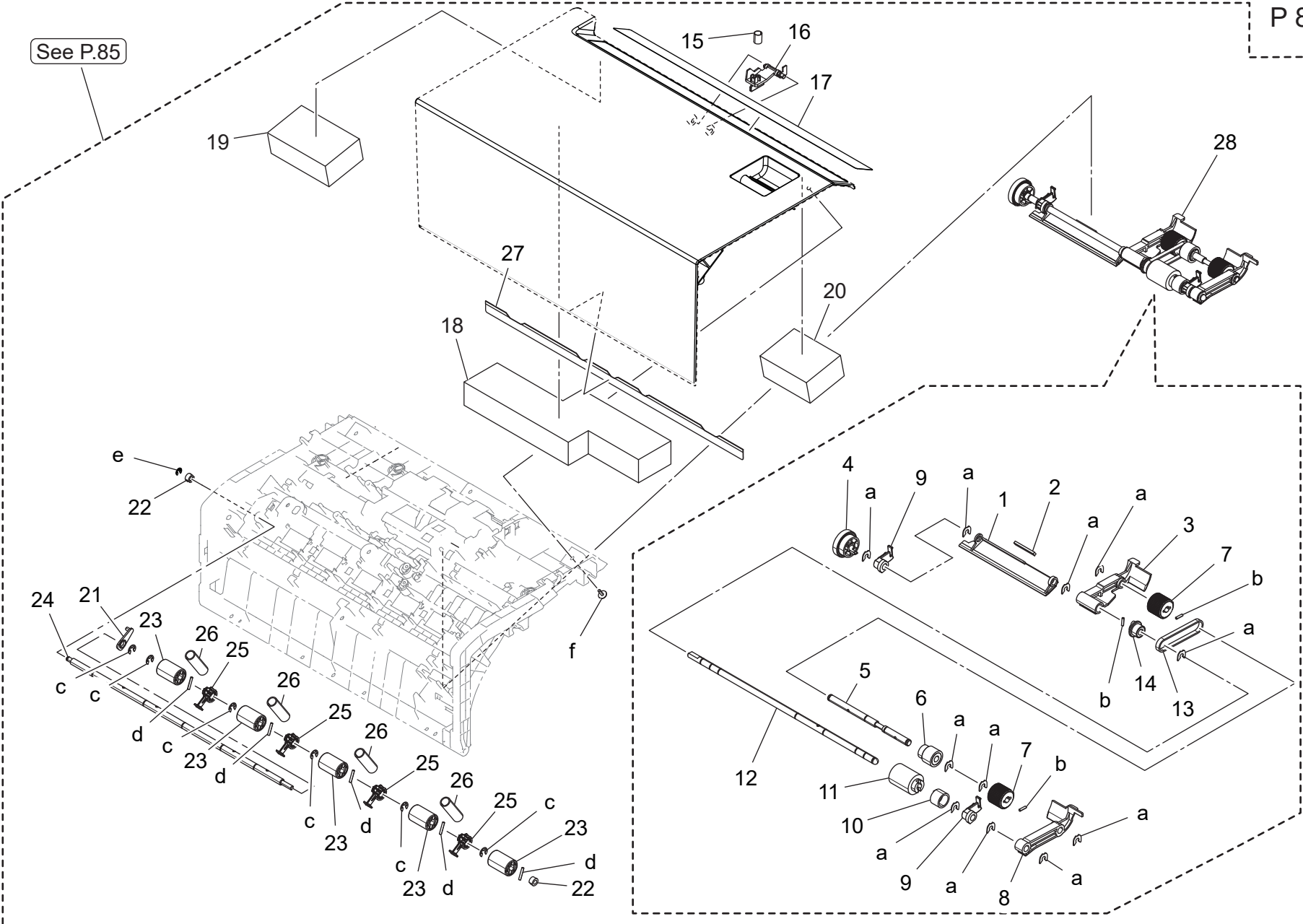


Dual scan document feeder (DF-713)



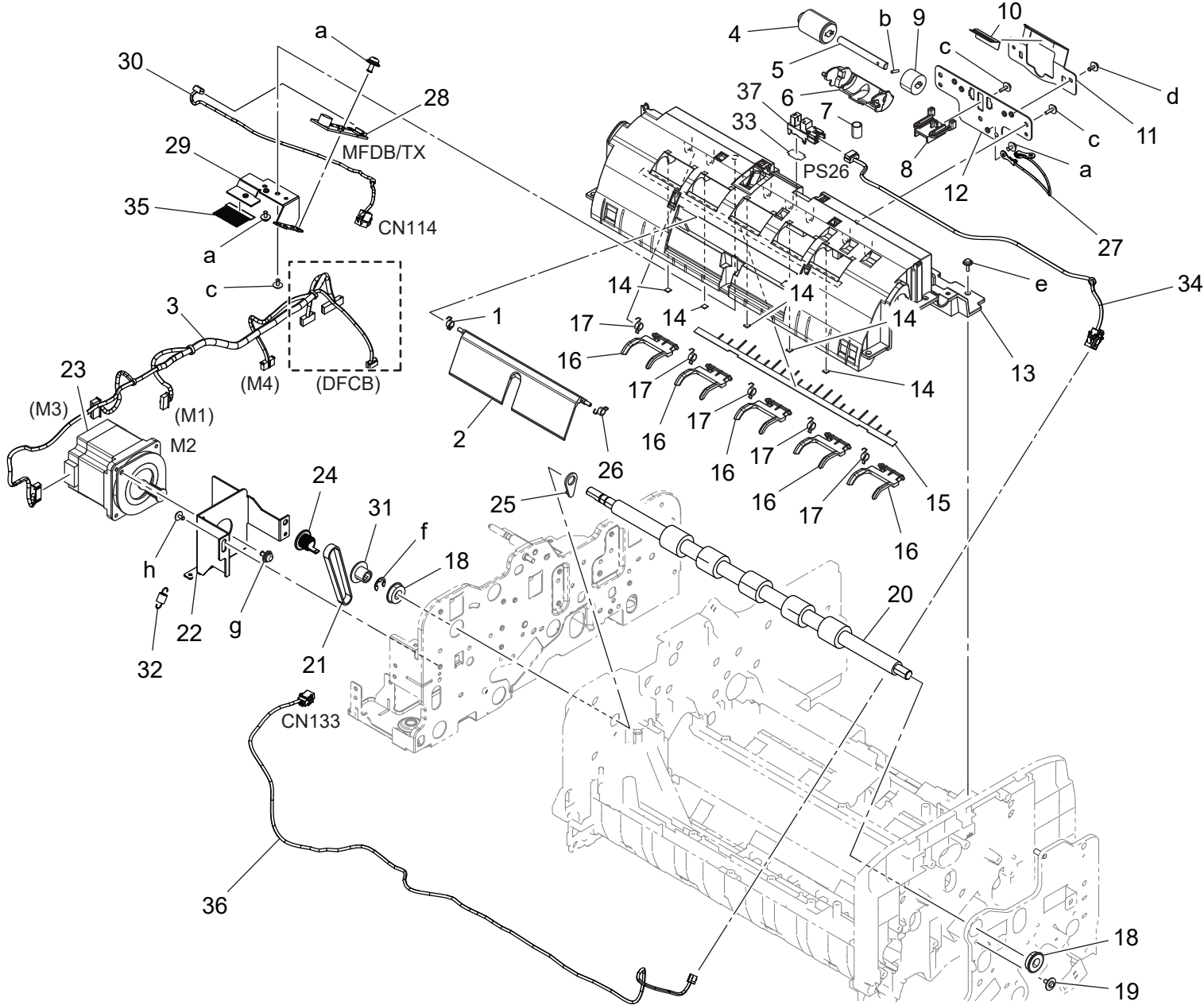


Dual scan document feeder (DF-713)



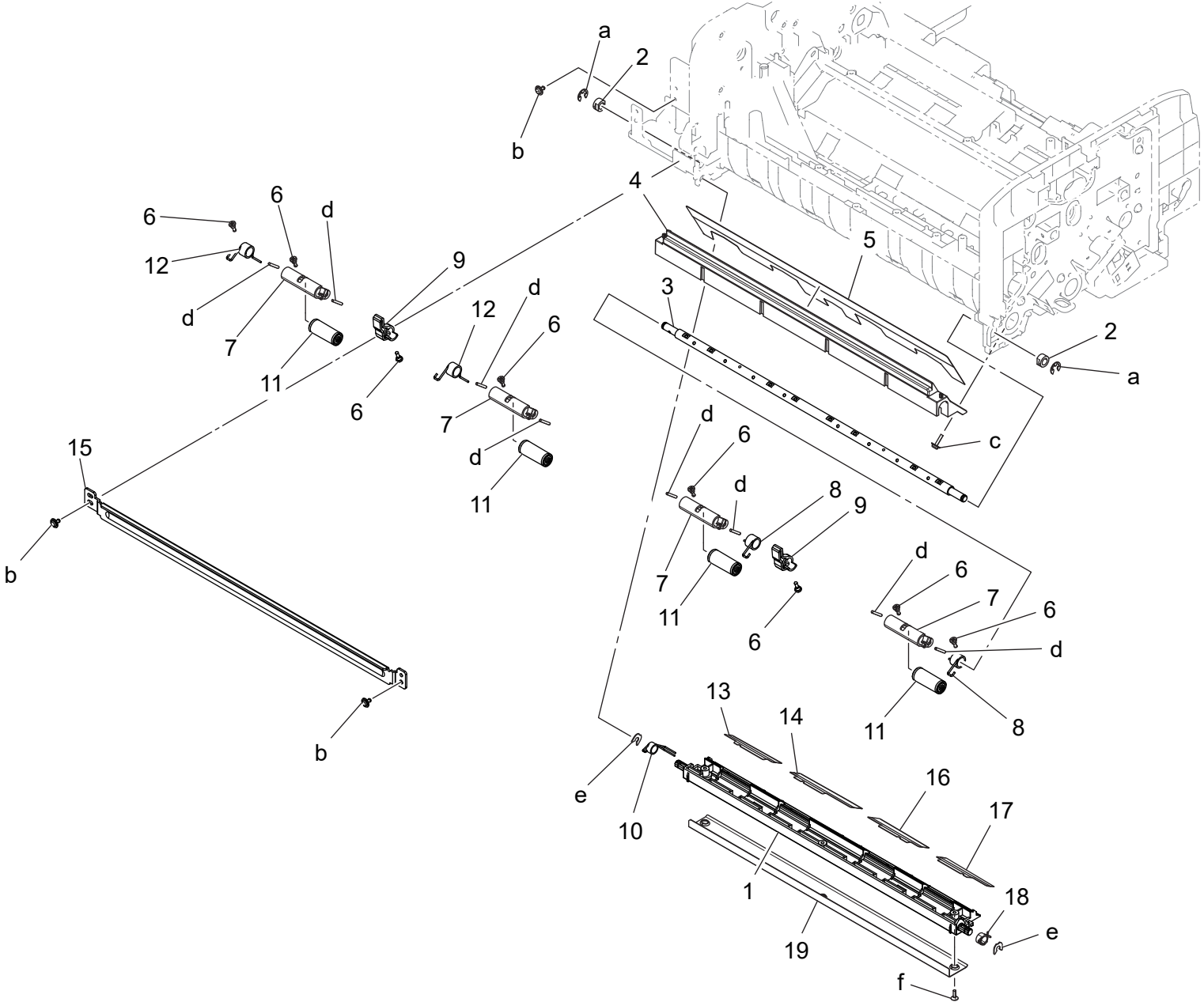
Key	Part No.	Description	Destinations	Class	QTY	Standard parts
1	A782576100	Guide Plate		D	1	a-V218040086 b-V234200850 c-V217040003 d-V234201250 e-V217030003 f-V153030804
2	A782562101	Cushion		C	1	
3	A782569000	Arm /Front		C	1	
4	A782569300	Gear /2 25T		C	1	
5	A782573501	Shaft		D	1	
6	9J07330801	Pulley 21T		C	1	
7	9J07330102	Roller		A	2	
8	A782568901	Arm /Front		C	1	
9	A782569801	Lever /2		C	2	
10	A07H570500	Clutch		C	1	
11	A00J563600	Roller		A	1	
12	A782569200	Paper feed Shaft		D	1	
13	A782569900	Timing belt 128L		C	1	
14	9J07331901	Pulley 19T		C	1	
15	AAMP570400	Spring		C	1	
16	A782570602	Lever /1		D	1	
17	AAMP940400	Label		D	1	
18	AAMP719501	Sound shield Cushion /8		D	1	
19	AAMP719401	Sound shield Cushion /7		D	1	
20	AAMP719301	Sound shield Cushion /6		D	1	
21	A782562400	Washer		C	1	
22	A782702700	Bushing		C	2	
23	A782703001	Idler Roll		D	5	
24	A782702600	Rotation Shaft		D	1	
25	A782701900	Bushing		C	4	
26	A782700900	Compressing Spring		C	4	
27	A782703401	Sealing Rubber		C	1	
28	A782R70800	Pick Up ASSY		C	1	

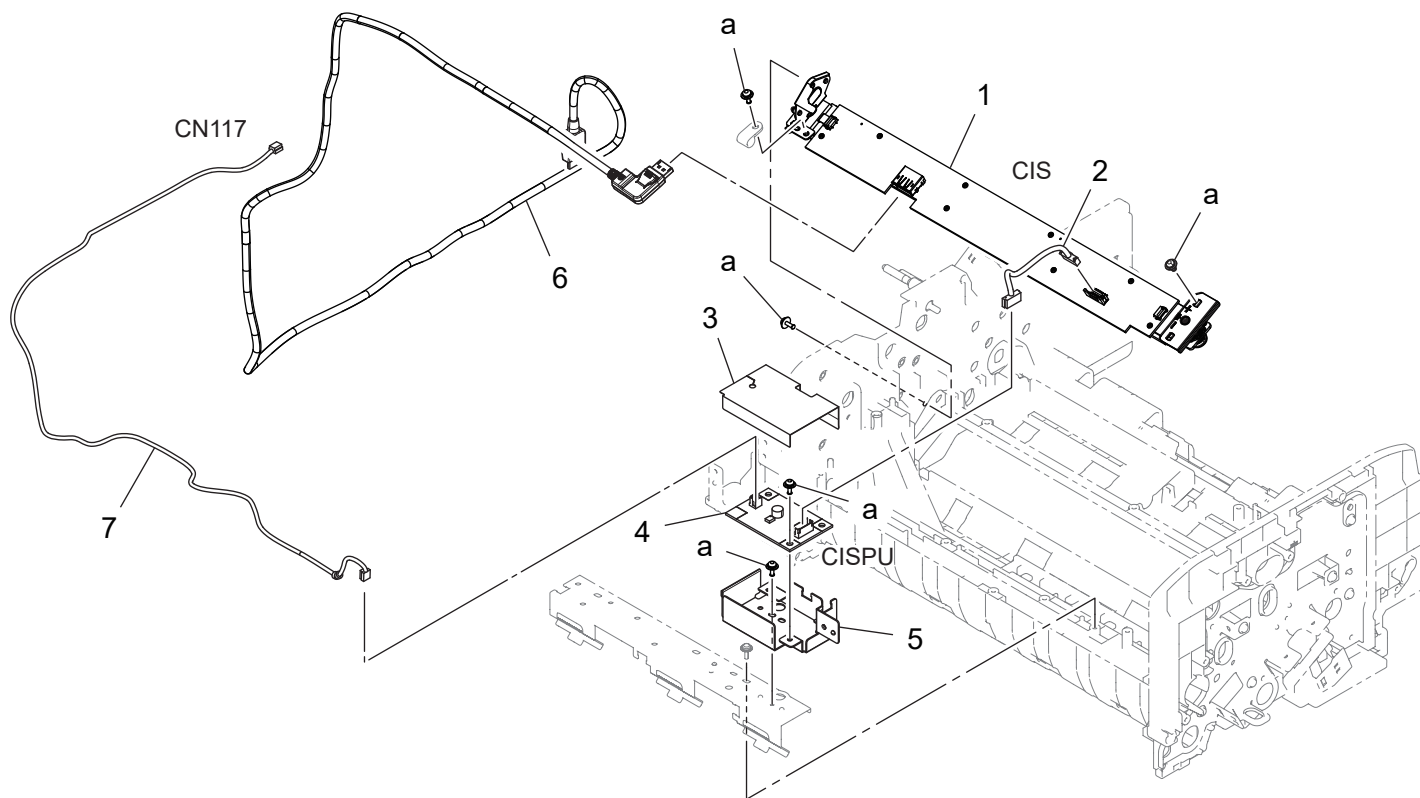
Dual scan document feeder (DF-713)



Key	Part No.	Description	Destinations	Class	QTY	Standard parts
1	A782714200	Spring /Lower		C	1	a-V116030603
2	A782711901	Lever /1		C	1	b-V234200850
3	AAMPN10101	ADF Harness /2		D	1	c-V153030803
4	9J07340901	ROLLER		A	1	d-V116030803
5	A0HT561202	Shaft		C	1	e-V153031004
6	A782568200	Holder		C	1	f-V217060003
7	A782568600	Spring		C	1	g-V116040803
8	A3CK565100	Holder		D	1	h-V144030603
9	A782568701	Torque limiter		A	1	
10	A782576000	Neutralizing Brush		C	1	
11	A3CK568300	Guide		D	1	
12	A782712300	Mounting Plate /2		D	1	
13	A782710806	Guide		D	1	
14	A782704200	Adjusting Cushion		C	5	
15	A782710201	Neutralizing Brush		C	1	
16	A782710000	Lever /Upper		C	5	
17	A782710100	Spring /1		C	5	
18	A00V240600	Ball Bearing		B	2	
19	A782117900	Shoulder screw		C	1	
20	AAMP711000	Conveyance Roller		C	1	
21	AAMP214400	Timing belt 146L		C	1	
22	AAMP212601	Mounting Plate /B		D	1	
23	A782M10000	Stepping motor		C	1	
24	AAMP213000	Gear 19T		C	1	
25	A782115700	Washer /1		C	1	
26	A782714100	Spring /Lower		C	1	
27	A782N12700	ADF Wiring /B		D	1	
28	AAMPH10U00	DF Send Board		C	1	
29	AAMP710500	Mounting Plate /Lower		D	1	
30	AAMPN11301	ADF Harness /B		D	1	
31	A782215100	Collar		C	1	
32	AAMP215000	Pulling Spring		C	1	
33	4470402401	Stopper		D	1	
34	A782N20400	ADF Wiring		D	1	
35	A782705600	Neutralizing Brush /1		D	1	
36	AAMPN20501	ADF Harness		D	1	
37	A5C1M50100	Photointerrupter		B	1	

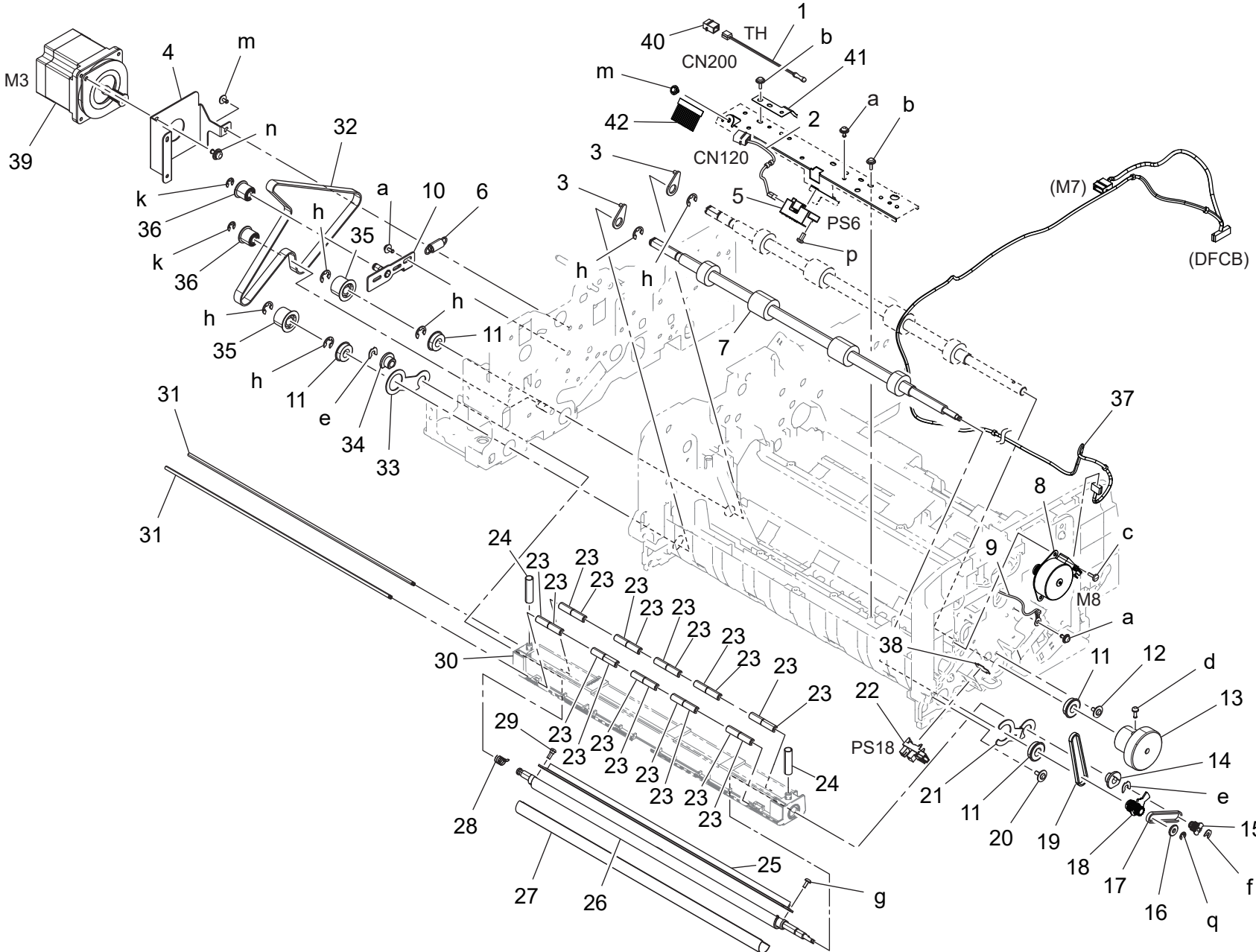
Dual scan document feeder (DF-713)





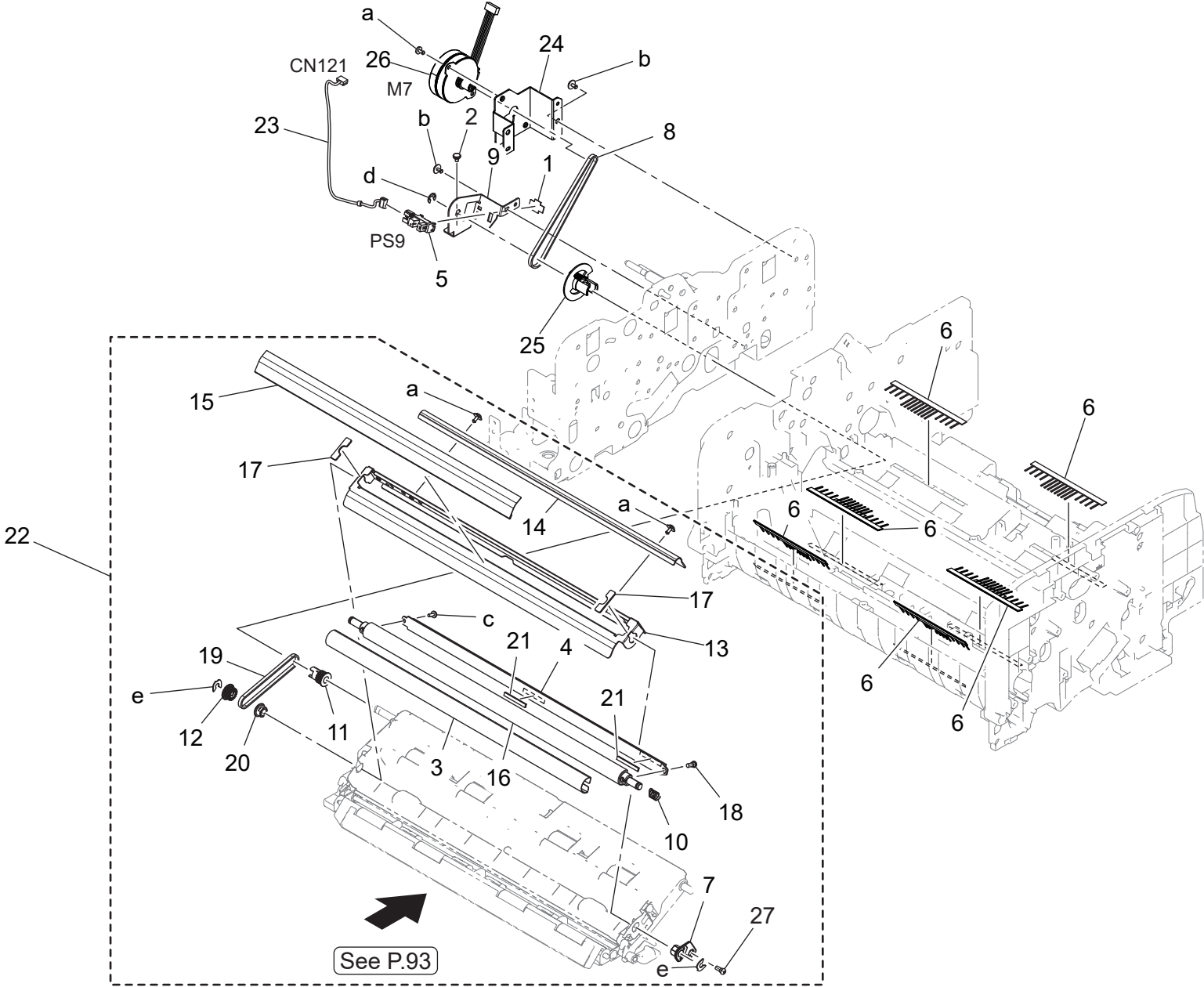
Key	Part No.	Description	Destinations	Class	QTY	Standard parts
1	AAMP70100	CIS ASSY		I	1	a-V116030803
2	A782N10900	ADF Wiring /10		D	1	
3	A782116301	Wiring Cover		C	1	
4	A3CKH00200	PWB Assembly(PWB-DC Assy)		I	1	
5	A782116201	Plate		D	1	
6	A782N12001	ADF Cable		D	1	
7	A782N12200	ADF Wiring /40		D	1	

Dual scan document feeder (DF-713)

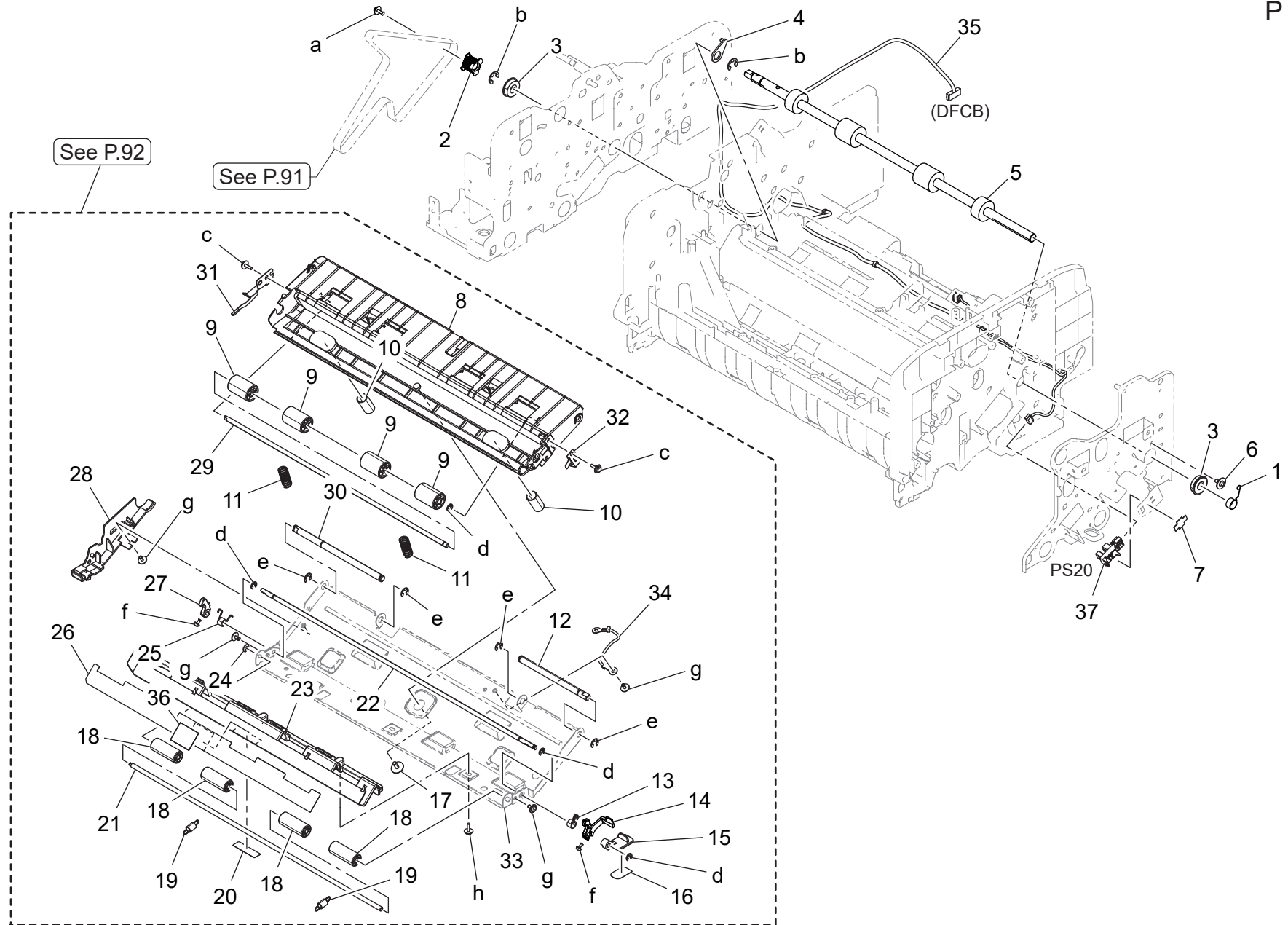


Key	Part No.	Description	Destinations	Class	QTY	Standard parts
1	A0P0M50300	Thermistor		C	1	a-V116030803
2	A782N12300	ADF Wiring /50		D	1	b-V153030803
3	A782115700	Washer /1		C	2	c-V149030803
4	A782212300	Mounting Plate		D	1	d-V115030803
5	A85GM50000	Photorelector		C	1	e-V218040086
6	AAMP215700	Pulling Coil spring		C	1	f-V218030086
7	AAMP102900	Roller		C	1	g-V145030603
8	AAMP10200	Stepping Motor		C	1	h-V217060003
9	A782N12600	ADF Wiring /A		D	1	k-V217040003
10	A782231000	Tension Plate		D	1	m-V144030603
11	A00V240600	Ball Bearing		B	4	n-V116040803
12	A782117900	Shoulder screw		C	1	p-V126030803
13	A782118300	Weight		D	1	q-V217030003
14	A782263801	Bushing		C	1	
15	A782262900	Pulley 14T		C	1	
16	A0HU250500	Flange		D	1	
17	A782263000	Belt 100L		C	1	
18	AAMP269800	Pulley 14/17T		C	1	
19	AAMP268900	Timing belt 132L		C	1	
20	A782118000	Shoulder screw		C	1	
21	A782262200	Arm		D	1	
22	A5C1M50100	Photointerrupter		B	1	
23	A782262800	Roll		C	20	
24	A782263300	Compressing Coil spring		C	2	
25	A3CK300200	Brush		C	1	
26	A782262501	Shaft		D	1	
27	A782264501	Sheet		C	1	
28	A782264300	Spring		D	1	
29	A782269200	Shoulder screw		C	1	
30	A782262101	Guide		C	1	
31	A782262700	Shaft		D	2	
32	AAMP213300	Timing belt 456L		C	1	
33	A782262300	Arm		D	1	
34	A782263700	Bushing		C	1	
35	AAMP213100	Pulley 21T		C	2	
36	A782230700	Pulley		C	2	
37	AAMPN10502	ADF Harness /6		D	1	
38	4470402401	Stopper		D	1	
39	A782M10000	Stepping motor		C	1	
40	V651010034	Connector		V	1	
41	AAMP290100	Ground Plate spring		D	1	
42	A782705600	Neutralizing Brush /1		D	1	

Dual scan document feeder (DF-713)

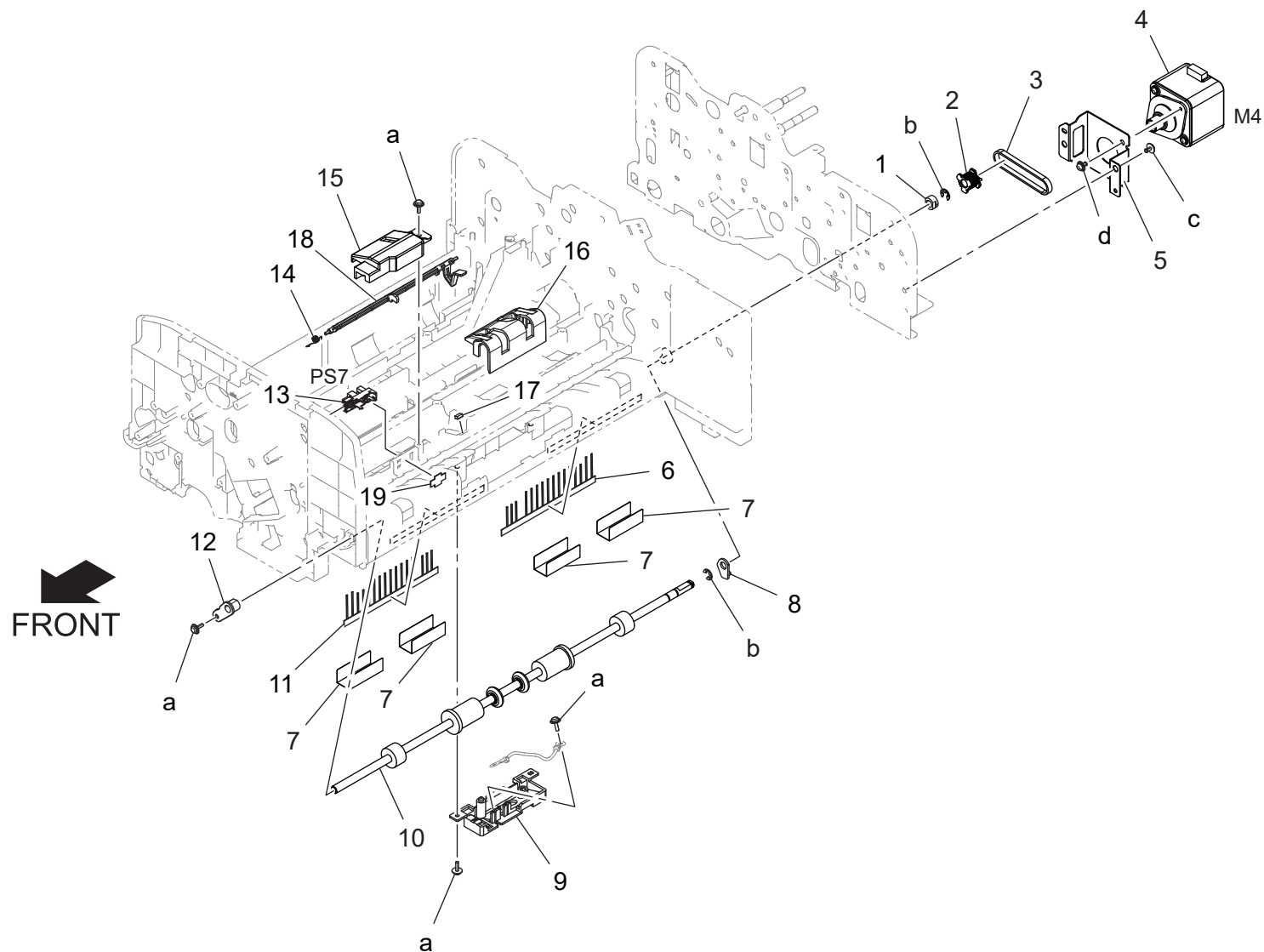


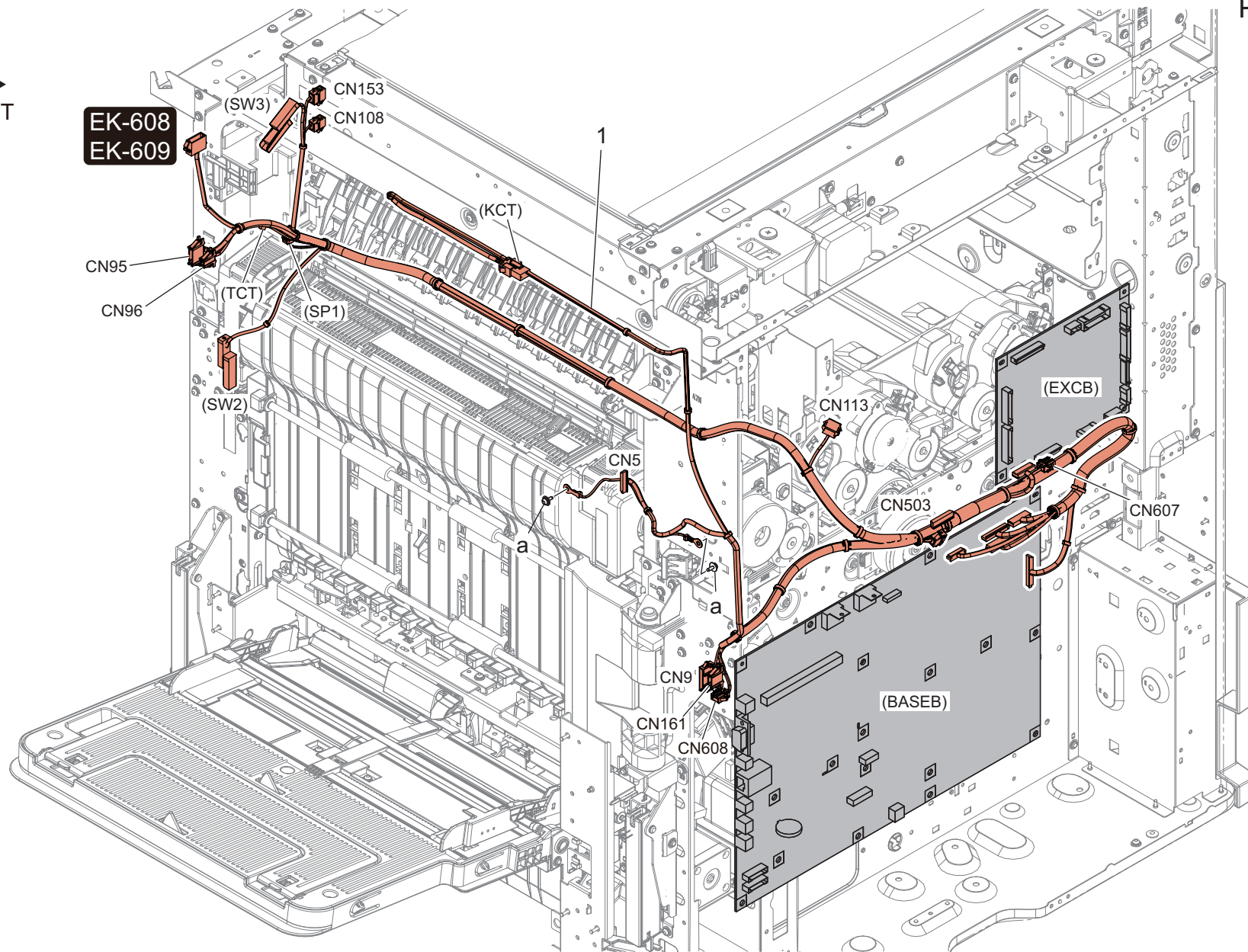
Dual scan document feeder (DF-713)



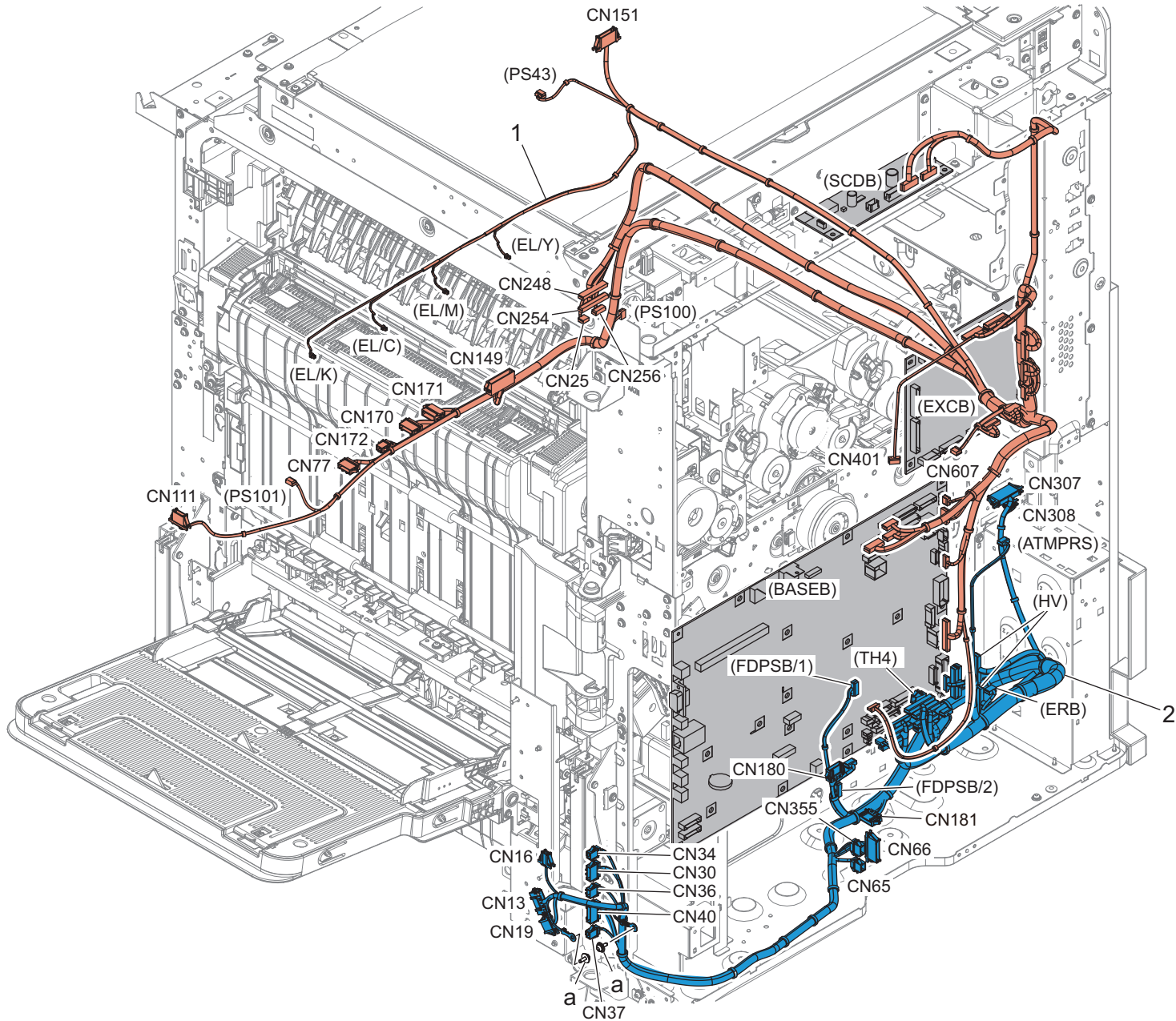
Key	Part No.	Description	Destinations	Class	QTY	Standard parts
1	AAMP290200	Discharge Spring		C	1	a-V116030803
2	AAMP213500	Pulley 21T		C	1	b-V217060003
3	A00V240600	Ball Bearing		B	2	c-V153030803
4	A782115700	Washer /1		C	1	d-V217030003
5	AAMP115600	Roller		C	1	e-V217040003
6	A782117900	Shoulder screw		C	1	f-V115260503
7	4470402401	Stopper		D	1	g-V144030603
8	A782265102	Conveyance Guide		D	1	h-V149030803
9	A782563800	Idling Roller		C	4	
10	A782265700	Compressing Coil spring		C	2	
11	A782265600	Compressing Coil		C	2	
12	A782266000	Open/close Shaft /Front		D	1	
13	A782266900	Open/close Spring /Left		D	1	
14	A782266502	Lock Part /Front		D	1	
15	A108266300	Lock Lever		C	1	
16	A3CK940000	Label		C	1	
17	4163529301	SCREW		C	1	
18	A782266200	Roll		C	4	
19	A782267200	Pulling Coil spring /3		C	2	
20	A782940300	Cover Film		C	1	
21	A782266401	Shaft		D	1	
22	A782266800	Open/close Shaft		D	1	
23	A782266300	Guide		D	1	
24	A782103600	Slide Stopper		C	1	
25	A782267000	Open/close Spring /Right		D	1	
26	A782117700	Conveyance Guide		D	1	
27	A782266601	Lock Part /Rear		D	1	
28	A782267100	Cover		D	1	
29	A782268201	Shaft		D	1	
30	A782266100	Shaft		D	1	
31	A782268001	Plate spring		D	1	
32	A782266700	Ground Plate spring		D	1	
33	A782265800	Cover /1		D	1	
34	A782N11800	ADF Wiring /19		D	1	
35	A782N10700	ADF Wiring /8		D	1	
36	A782117800	Guide /Middle		D	1	
37	A5C1M50100	Photointerrupter		B	1	

Dual scan document feeder (DF-713)



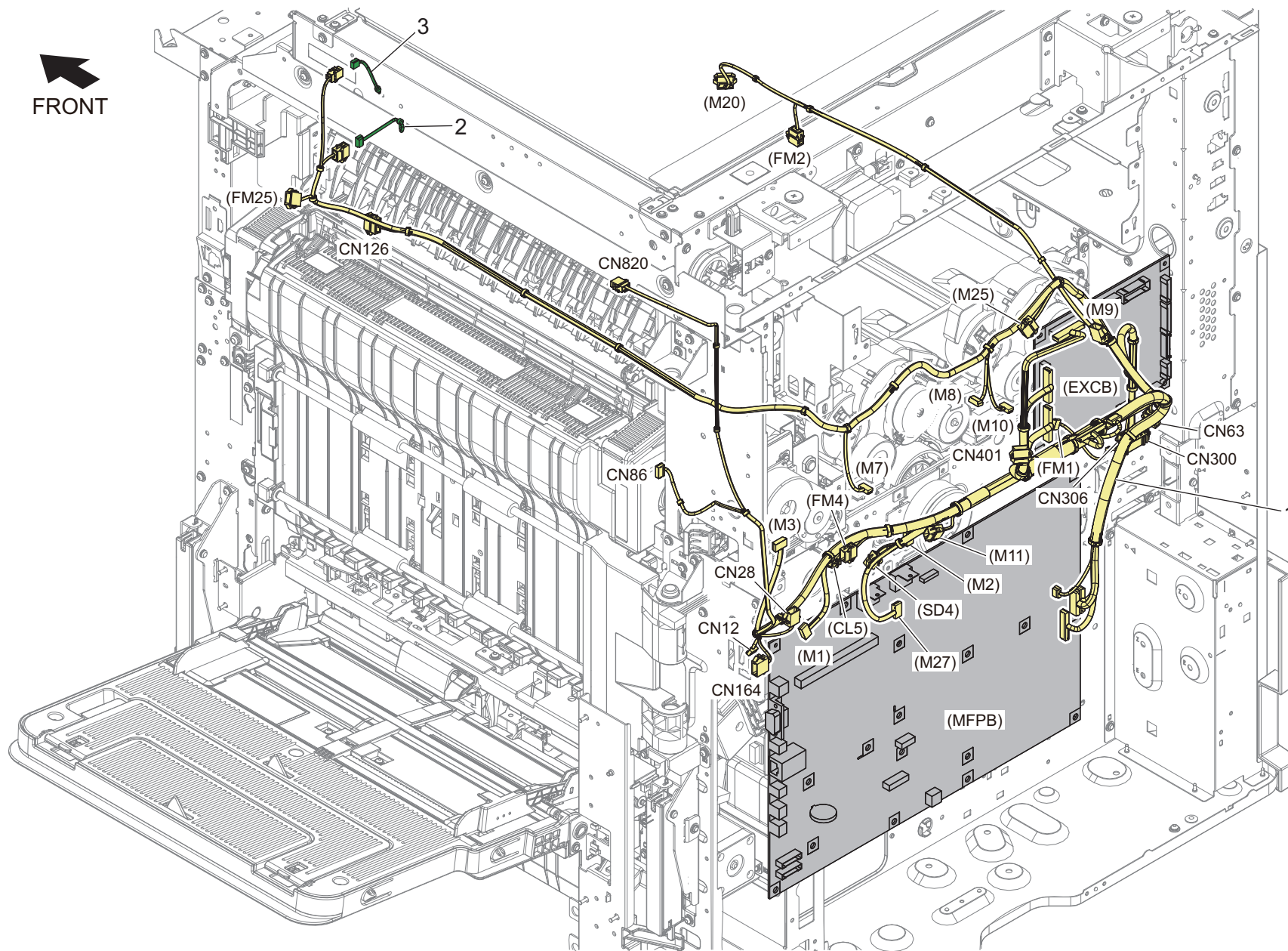


Wiring



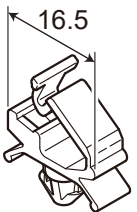
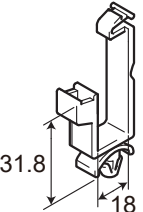
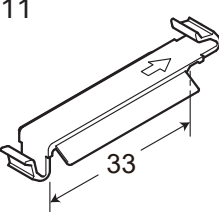
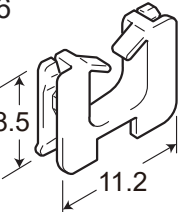
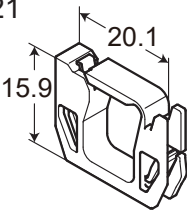
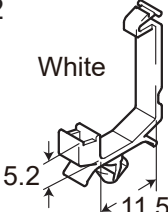
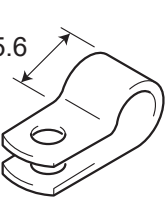
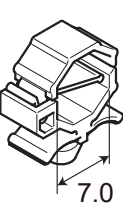

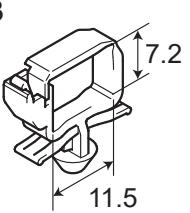
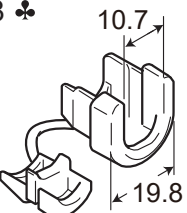
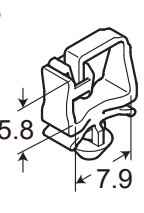
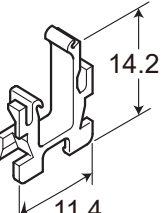
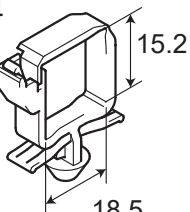
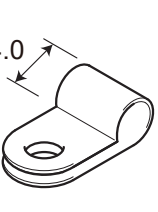
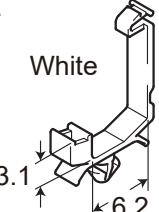
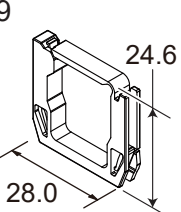
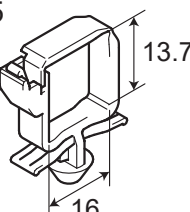
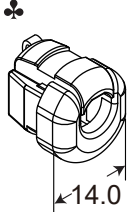
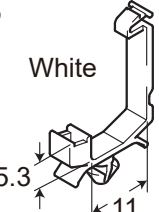
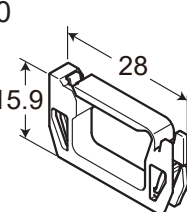
Wiring

FRONT

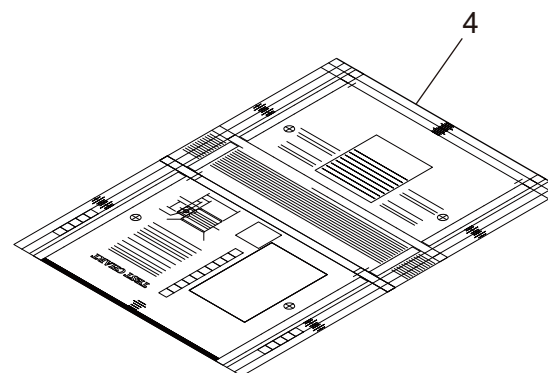
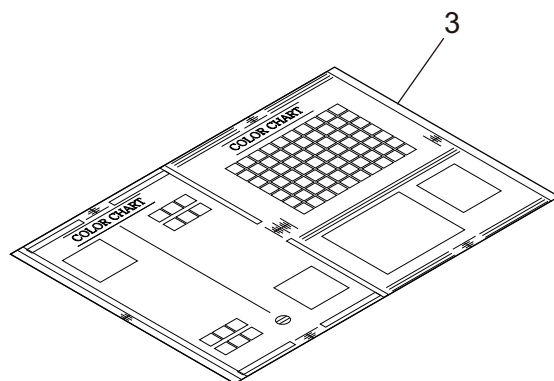
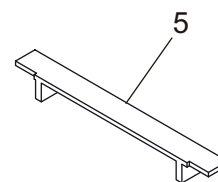
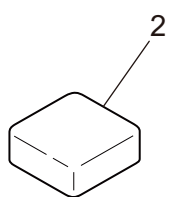
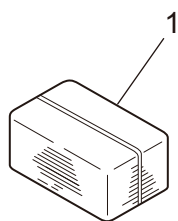


Wiring Accessories

P 98

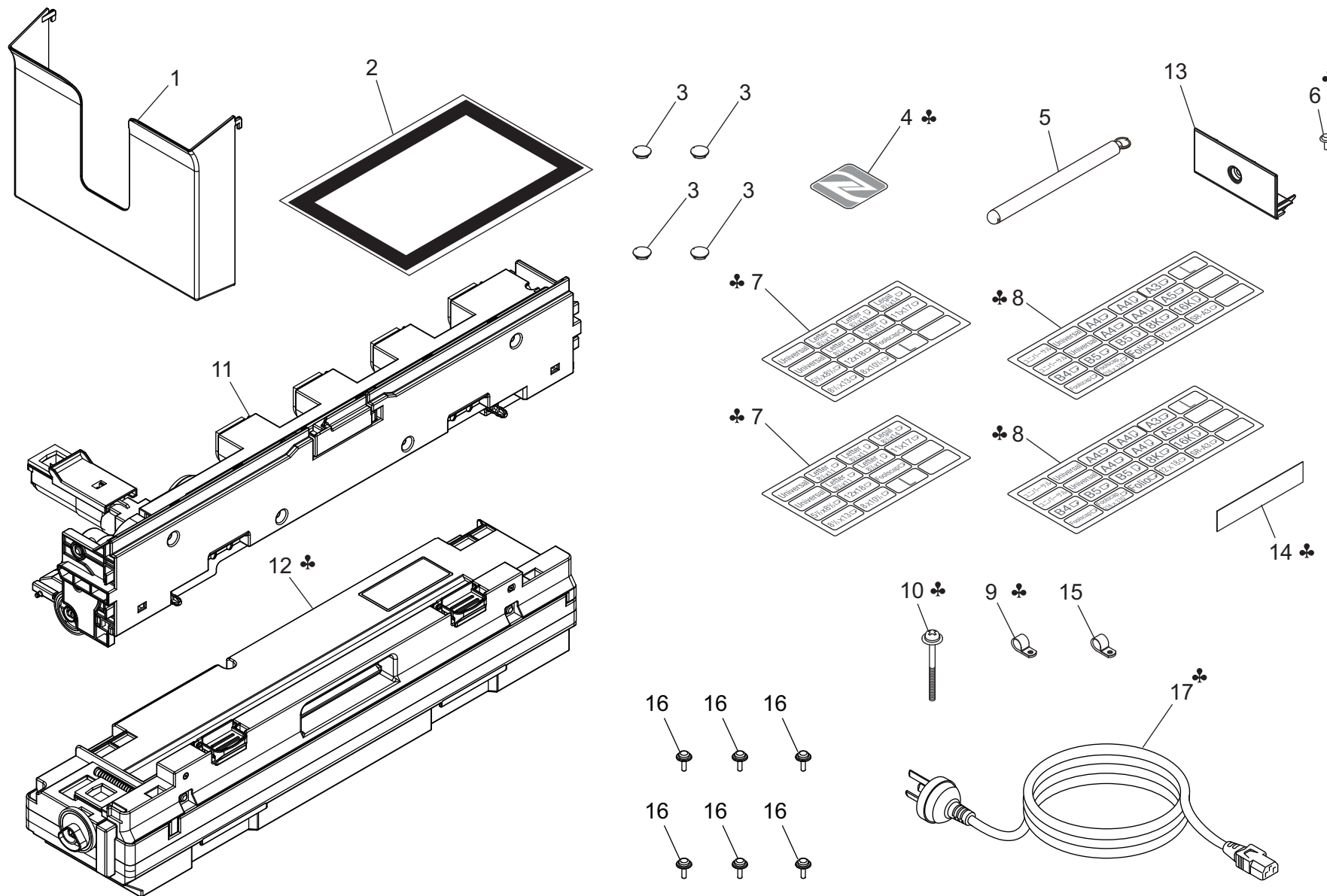
1 	6 	11 	16 	21 	26	31	36
2 White 	7 ϕ 5.6 	12 	17 	22	27	32	37
3 	8 ♣ 	13 	18 	23	28	33	38
4 	9 	14 White 	19 	24	29	34	39
5 	10 ♣ 	15 White 	20 	25	30	35	40

bizhub C750i



Accessory Parts

P 100



bizhub C750i

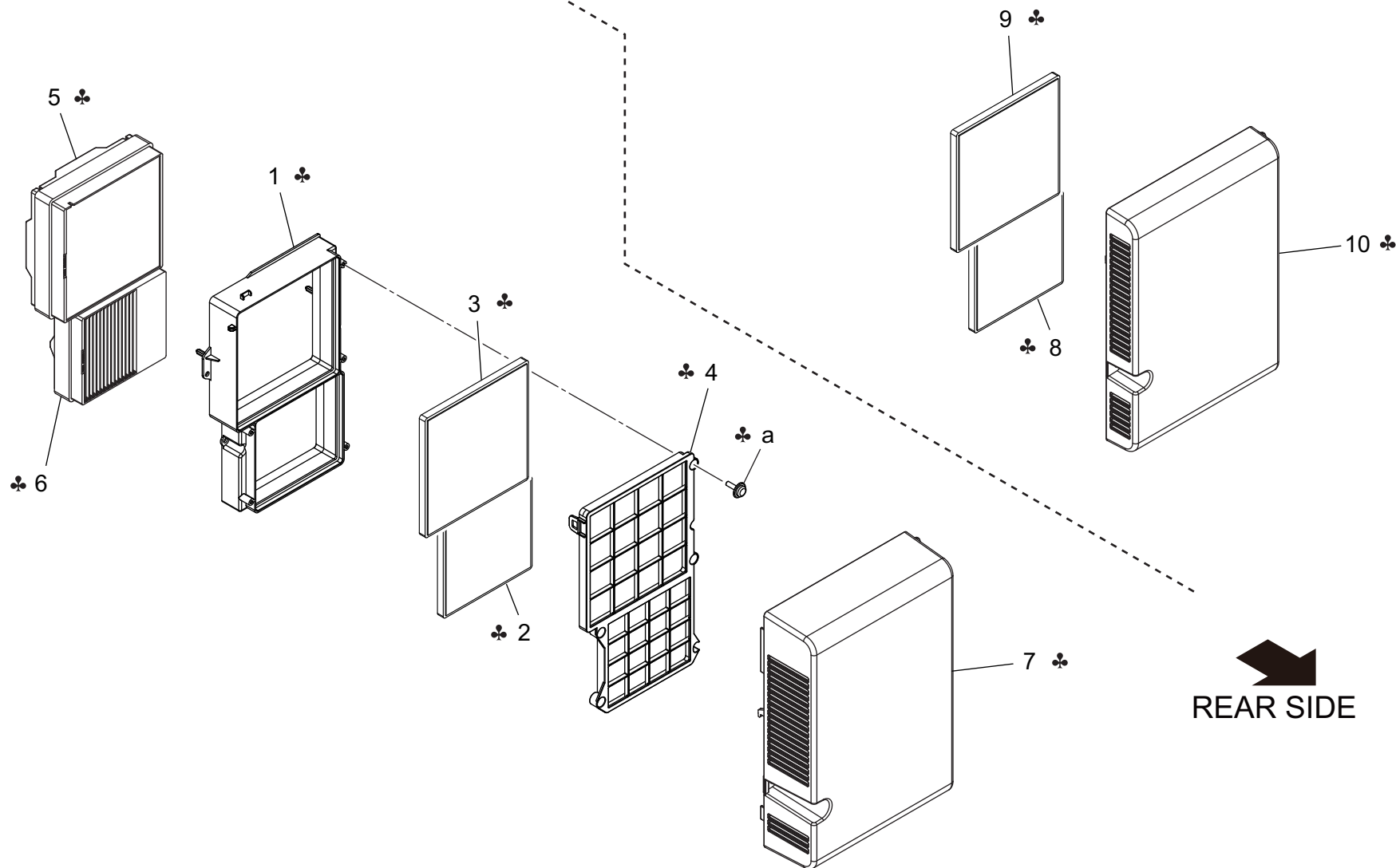
Key	Part No.	Description	Destinations	Class	QTY	Standard parts
1	A7PU169900	Holder		C	1	
2	A782945003	Adjusting Sheet		S	1	
3	A00J169100	Cover		D	4	
4	AA2J948600	Label	ラベル (NFC)	D	1	
5	A5C1192104	Pen	ペン	C	1	
6	V127030804	Screw	T P ねじ・座付なべ小ねじ・先端丸形	V	1	
7	A161943400	Label Paper Size/Inch	ラベル 集合ラベル I	C	2	
8	A161943301	Label Paper Size/Metric	ラベル 集合ラベル M	C	2	
9	V500020040	clamp	ナイロンクランプ	D	1	
10	V116033003	Screw	なべ小ねじ・セムス2	V	1	
11	AA7NR72800	Waste Toner Conveyance ASSY	廃棄トナー搬送 Assy	C	1	
12	AAVA0Y1	WASTE TONER BOX	廃棄トナーボックス	A	1	
12	AAVAWY1	WASTE TONER BOX	廃棄トナーボックス	A	1	
13	ACKN170500	Read Cover /Left	読取カバー／左 (小蓋)	D	1	
14	ACKN940300	Label AccurioPrint C750i	ラベル (AccurioPrint C7)	D	1	
15	V500020080	Nylon Clamp	ナイロンクランプ	D	1	
16	V153031004	screw	カップ頭タッピンねじ B タイト	V	6	
17	9381430031	POWER CORD	プラグ付電源コード	D	1	

Accessory Parts

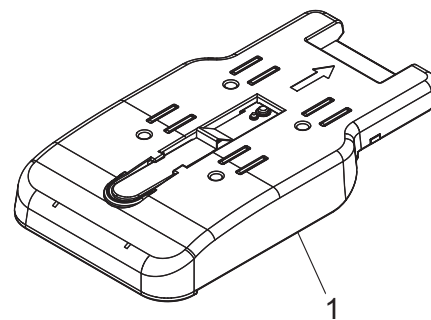
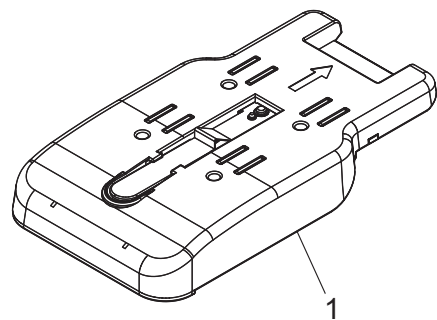
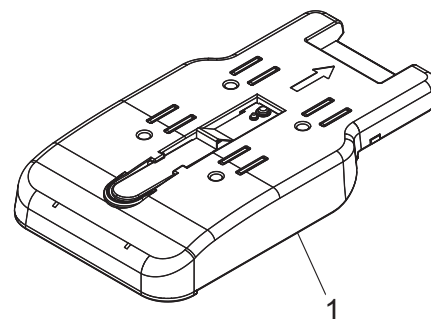
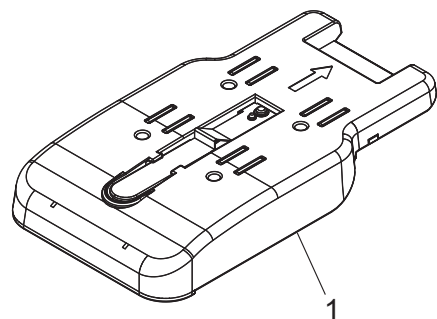
P 101

Area Europe/Japan

Area except Europe/Japan



Key	Part No.	Description	Destinations	Class	QTY	Standard parts
1	A79J143300	Duct ダクト	A,C,G1,I(South Africa)	D	1	a-V153030803
2	A79J149200	Filter フィルタ (活性炭 B)	A,C,G1,I(South Africa)	C	1	
3	A79J149300	Filter フィルタ (活性炭 P)	A,C,G1,I(South Africa)	C	1	
4	A79J168200	Cover カバー	A,C,G1,I(South Africa)	D	1	
5	ACKN142800	Filter フィルタ (U F P _ _ S u b)	A,C,G1,I(South Africa)	C	1	
6	ACKN142900	Filter フィルタ (U F P)	A,C,G1,I(South Africa)	C	1	
7	ACKN168700	Cover カバー	A,C,G1,I(South Africa)	D	1	
8	A79J149200	Filter フィルタ (活性炭 B)	B,D1,D3,E,F2,G1,G2,I,K	C	1	
9	A79J149300	Filter フィルタ (活性炭 P)	B,D1,D3,E,F2,G1,G2,I,K	C	1	
10	ACKN168600	Cover カバー	B,D1,D3,E,F2,G1,G2,I,K,J	D	1	



MAINTENANCE LIST

● The items with no Page/Key numbers are not handled as spare parts.

No.	Section	PM Parts Description	Maintenance Cycle (K=1,000)		Parts No.	Destinations	Page/Key	Note
			QTY	Replace				
1	Tray 1	Tray 1 pick-up roller	1	300K	A64J564201		P19-20	*1, *2
2		Tray 1 feed roller	1	300K	A64J564101		P19-13	*1, *2
3		Tray 1 separation roller	1	300K	AA2J560000		P20-6	*1, *2
4	Tray 2	Tray 2 pick-up roller	1	300K	A64J564201		P21-18	*1, *2
5		Tray 2 feed roller	1	300K	A64J564101		P21-12	*1, *2
6		Tray 2 separation roller	1	300K	AA2J560000		P22-6	*1, *2
7	Tray 3	Tray 3 pick-up roller	1	300K	A64J564201		P70-6	*1, *2
8		Tray 3 feed roller	1	300K	A64J564101		P70-5	*1, *2
9		Tray 3 separation roller	1	300K	AA2J560000		P69-19	*1, *2
10	Tray 4	Tray 4 pick-up roller	1	300K	A64J564201		P72-15	*1, *2
11		Tray 4 feed roller	1	300K	A64J564101		P72-14	*1, *2
12		Tray 4 separation roller	1	300K	AA2J560000		P71-24	*1, *2
13	Manual bypass tray	Bypass pick-up roller	1	200K	A5C1562200		P38-17	*1, *2
14		Manual bypass tray feed roller	1	200K	A00F623201		P38-18	*1, *2
15		Manual bypass tray separation roller assy	1	200K	AA7N591100		P39-21	*1, *2
16	Processing section	Toner cartridge/Y, /M, /C, /K	1	45K	-		-	*3
17		Drum unit/Y, /M, /C	1	165K	-		-	*3, *4
18		Drum unit/K	1	240K	-		-	*3, *4
19		Developing unit/Y, /M, /C, /K	1	1,000K	-		-	*4
20		Toner filter/Y, /M, /C	1	165K	A161R72811		P55-5	*4
21		Toner filter/K	1	330K	A161R72811		P55-5	*4
22		Waste toner box	1	44K	AAVA0Y1	A,B,G2	P100-12	*3, *4
23	Waste toner box	1	44K	AAVAWY1	C,G1,I	P100-12	*3, *4	
24	Image transfer section	Transfer belt unit	1	330K	AA2JR73700		P17-33	*4
25		Transfer roller unit	1	1,000K	AA7NR70400		P33-4	*4
26	Fusing section	Fusing unit	1	520K	ACKNR70800	A	P45-7	*4
27		Fusing unit	1	520K	ACKNR70900	B,G2	P45-7	*4
28		Fusing unit	1	520K	ACKNR71000	C,G1,I	P45-7	*4
29	Dual scan document feeder	Pick-up roller	2	200K	9J07330102		P87-7	*1, *2
30		Feed roller	1	200K	A00J563600		P87-11	*1, *2
31		Separation roller	1	200K	9J07340901		P88-4	*1, *2

*1: Life counter value

*2: Replace these parts at the same time.

*3: The parts can be replaced either by user or service engineer.

*4: Field standard yield

* The part names used on this page follow the ones used in the Service Manual and they are occasionally different from those written in other pages.

メンテナンスリスト

● ページ / キーナンバーのないものは、アフターサービス部品ではありません。

No.	区分	PM 部品名称	サイクル (K=1,000)		部品番号	仕向地	頁 / キー	備考
			員数	交換				
1	トレイ 1	トレイ 1 ピックアップローラー	1	300K	A64J564201		P19-20	*1, *2
2		トレイ 1 給紙ローラー	1	300K	A64J564101		P19-13	*1, *2
3		トレイ 1 分離ローラー	1	300K	AA2J560000		P20-6	*1, *2
4	トレイ 2	トレイ 2 ピックアップローラー	1	300K	A64J564201		P21-18	*1, *2
5		トレイ 2 給紙ローラー	1	300K	A64J564101		P21-12	*1, *2
6		トレイ 2 分離ローラー	1	300K	AA2J560000		P22-6	*1, *2
7	トレイ 3	トレイ 3 ピックアップローラー	1	300K	A64J564201		P70-6	*1, *2
8		トレイ 3 給紙ローラー	1	300K	A64J564101		P70-5	*1, *2
9		トレイ 3 分離ローラー	1	300K	AA2J560000		P69-19	*1, *2
10	トレイ 4	トレイ 4 ピックアップローラー	1	300K	A64J564201		P72-15	*1, *2
11		トレイ 4 給紙ローラー	1	300K	A64J564101		P72-14	*1, *2
12		トレイ 4 分離ローラー	1	300K	AA2J560000		P71-24	*1, *2
13	手差し	手差しピックアップローラー	1	200K	A5C1562200		P38-17	*1, *2
14		手差し給紙ローラー	1	200K	A00F623201		P38-18	*1, *2
15		手差し分離ローラー Assy	1	200K	AA7N591100		P39-21	*1, *2
16	プロセス部	トナーカートリッジ /Y./M./C./K	1	45K	-		-	*3
17		ドラムユニット /Y./M./C	1	165K	-		-	*3, *4
18		ドラムユニット /K	1	240K	-		-	*3, *4
19		現像ユニット /Y./M./C./K	1	1,000K	-		-	*4
20		トナーフィルター /Y./M./C	1	165K	A161R72811		P55-5	*4
21		トナーフィルター /K	1	330K	A161R72811		P55-5	*4
22		廃棄トナーボックス	1	44K	AAVA0Y1	A,B,G2	P100-12	*3, *4
23	廃棄トナーボックス	1	44K	AAVAWY1	C,G1,I	P100-12	*3, *4	
24	転写部	転写ベルトユニット	1	330K	AA2JR73700		P17-33	*4
25		転写ローラーユニット	1	1,000K	AA7NR70400		P33-4	*4
26	定着部	定着ユニット	1	520K	ACKNR70800	A	P45-7	*4
27		定着ユニット	1	520K	ACKNR70900	B,G2	P45-7	*4
28		定着ユニット	1	520K	ACKNR71000	C,G1,I	P45-7	*4
29	両面同時原稿送り装置	ピックアップローラー	2	200K	9J07330102		P87-7	*1, *2
30		給紙ローラー	1	200K	A00J563600		P87-11	*1, *2
31		分離ローラー	1	200K	9J07340901		P88-4	*1, *2

*1: ライフカウンター値

*2: 同時交換のこと

*3: ユーザー / サービス交換の選択が可能。

*4: 市場標準印刷枚数値

* ここに記載されている部品名称はサービスマニュアルで使用されている部品名称であり、他のページに記載されている部品名称とは異なる場合があります。

DESTINATION

Destination No.		Destinations		V	Hz	Model No.
A	A1	JAPAN		100	50/60	ACKN001
	A2	JAPAN				
B		USA, CANADA		120	60	ACKN011
C		EUROPEAN TYPE		220-240	50/60	ACKN021
D	D1	S.E ASIA TYPE	THAILAND, SRI LANKA, SINGAPORE, MALAYSIA, HONG KONG, PAKISTAN, INDIA, BANGLADESH, INDONESIA	220-240	50/60	ACKN041
	D3	OCEANIA TYPE	AUSTRALIA, NEW ZEALAND	220-240	50/60	ACKN041
E		PHILIPPINES		220-240	50/60	ACKN041
F	F1	SAUDI ARABIA				
	F2	SAUDI ARABIA		220-240	50/60	ACKN041
G	G1	C.S AMERICA		220-240	50/60	ACKN021,A CKN041
	G2	C.S AMERICA		120-127	60	ACKN011
H		TAIWAN				
I		JORDAN, LEBANON, SYRIA, SOUTH AFRICA, IRAQ, IRAN, N.YEMEN, CAMEROON, UAE, BAHRAIN, OMAN, QATAR, KUWAIT, KENYA, TUNISIA, IVORY COAST, MOROCCO		220-240	50/60	ACKN021,A CKN041
J		CHINA		220-240	50/60	ACKN081
K		KOREA		220-240	50/60	ACKN041

bizhub C750i