

KONICA MINOLTA

PARTS GUIDE MANUAL

JUNE 2018

bizhub PRESS 1052 A4EV

INFORMATION FOR PARTS GUIDE MANUAL

To find correct Parts No., refer to the "HOW TO MAKE THE BEST USE OF THIS MANUAL" in the following page.

HOW TO MAKE THE BEST USE OF THIS MANUAL

- 1 When you order, please check the proper figures beforehand that are on Our Parts Guide Manual, and order with the appropriate figures.
- 2 For screws, Nuts, Washers, retaining rings and Pins which are used in this model, one letter is shown on the Standard parts column of Parts list and exploded diagrams.
- 3 In order to maintain safety of the product, some specific parts composed of this product are set up as "essential safety parts".
- 4 The assigned parts number for the "essential safety parts" is indicated as "SP00-****".
When replacing these parts, follow precautions for disassembling and installing which are listed in the Service Manual.
Do not use any parts that are not set up as
- 5 ♣ means that there are exclusive parts for each destination.
Please check the appropriate destination when you order.
- 6 Revision Mark
Marked as ▲ on the illustration shows that the revision has been made.
- 7 All rights reserved. (any reprints or quotations are prohibited.)
Use of this parts guide manual should be strictly supervised to avoid disclosure of confidential information.

パーツガイド マニュアルのご案内

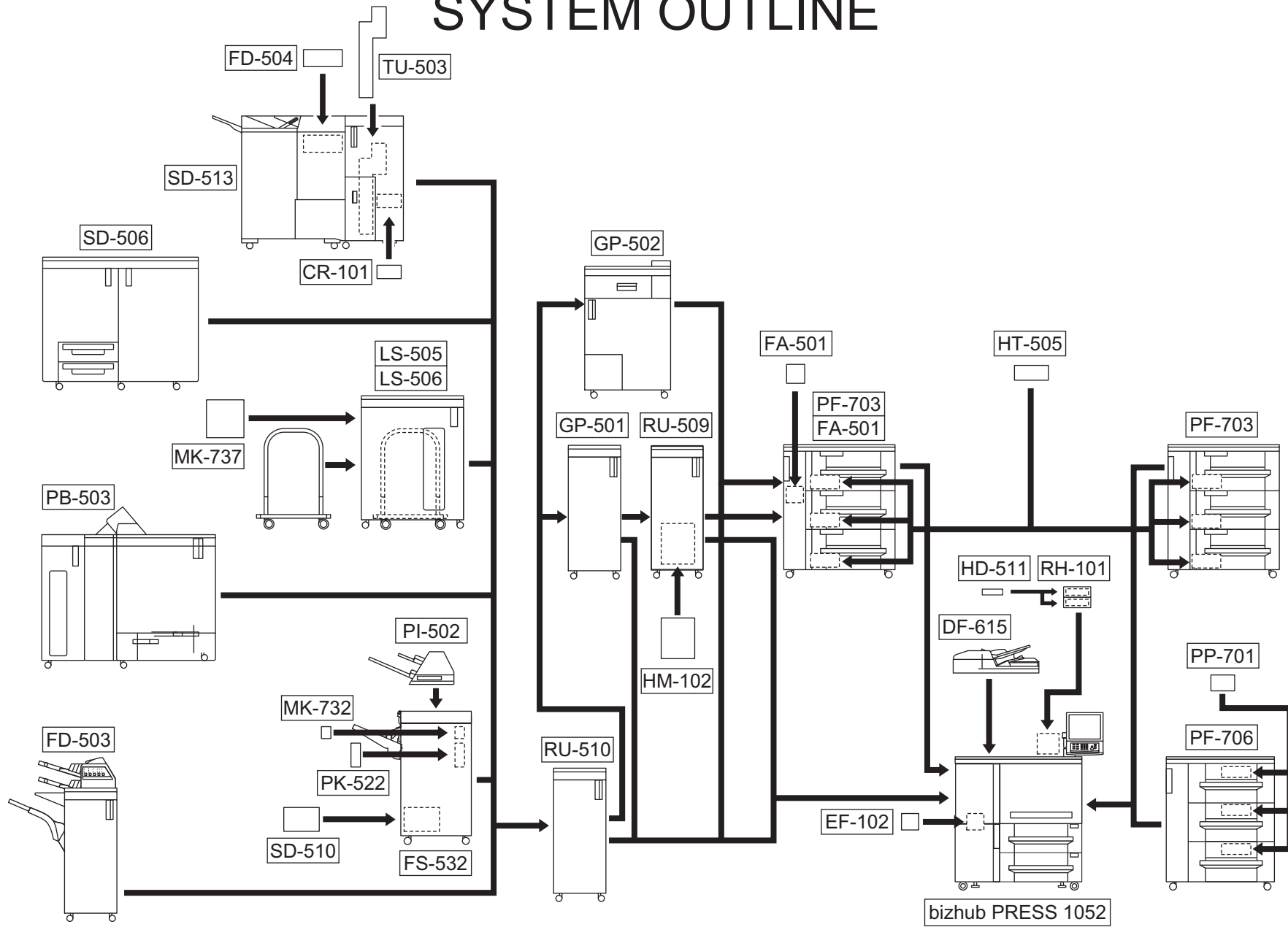
サービス部品をご発注の際には、下記に示す“パーツガイド マニュアルの活用にあたって”をご参照の上、正しい部品番号にてお願い致します。

パーツガイド マニュアルの活用にあたって

- 1 部品発注の際には、掲載されている部品番号の桁数を確認し、掲載されている桁数で発注願います。
- 2 この製品に使用されているネジ、ナット、ワッシャー、止め輪、ピンなどは、リストの右側の Standard parts 欄に a,b,c,…… で表示し、イラストにも a,b,c,…… 表示してあります。
- 3 製品の安全性を維持する為に、製品に使用される特定の部品を「重要保安部品」として設定しています。
- 4 重要保安部品の部品番号は、“SP00-****”と記載されていますので、部品交換時は、サービスマニュアル記載の分解・組み立ての注意事項に従って作業をして下さい。
また、指定以外の部品は一切使用しないで下さい。
- 5 本文に ♣ が表示されている部品は、仕向け地毎に専用部品がある事を意味しています。
オーダーされる時は、仕向け地を確認して下さい。
- 6 改訂記号について
イラスト上に ▲ 印が表示されている部分は、改訂された事を表します。
- 7 著作権所有（無断転載及び無断引用の禁止）
本パーツガイド マニュアルについては、機密保持等その扱いには十分注意して下さい。万一取り扱いを誤った場合には、法律で処罰されることがあります。

05/31/2012

SYSTEM OUTLINE



bizhub PRESS 1052

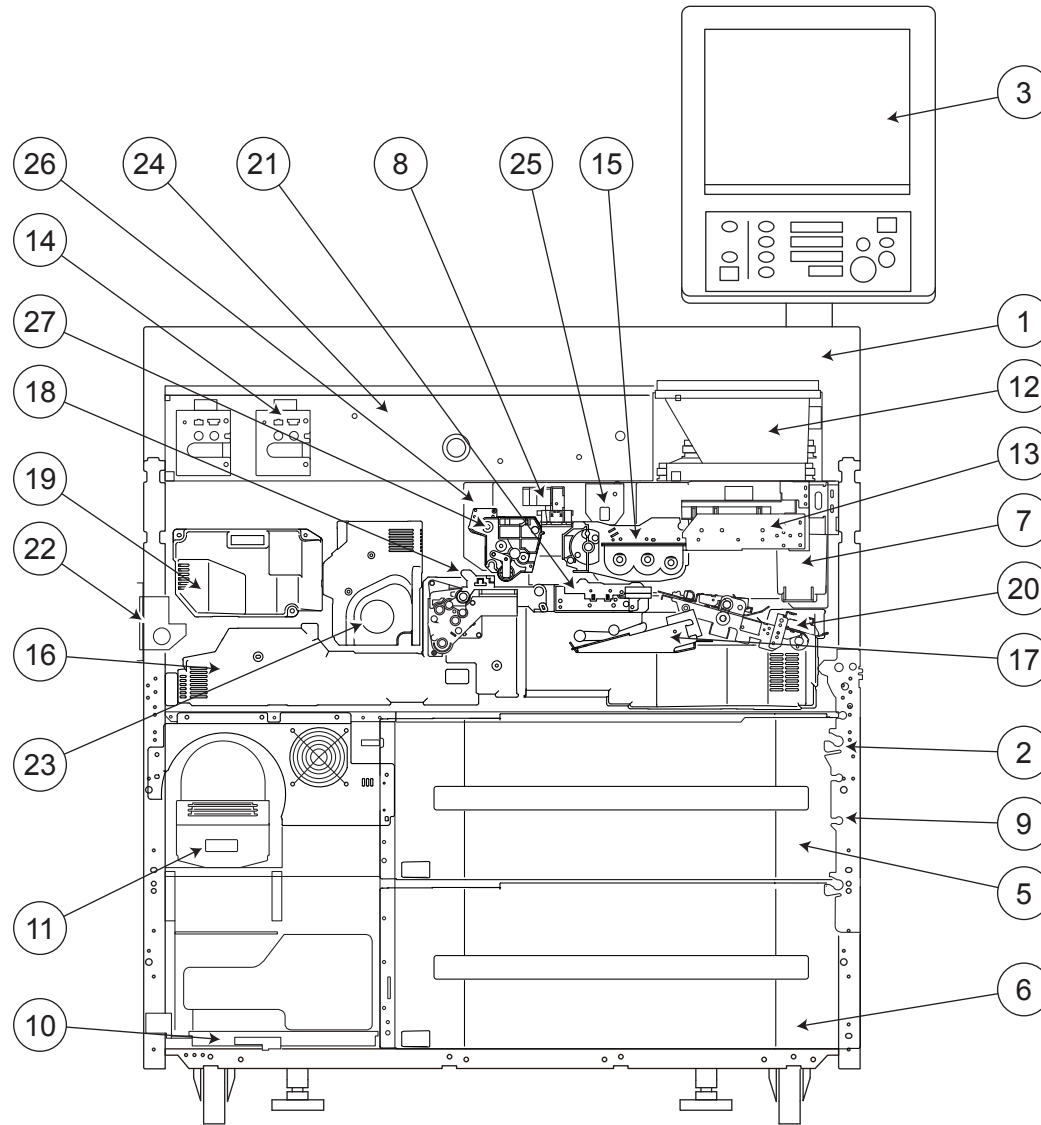
GENERAL CONTENTS

No.	Description	Model
1	Digital MFP B/W	bizhub PRESS 1250
2	Digital MFP B/W	bizhub PRESS 1052
3	Document Feeder	DF-615
4	Finisher/Sorter	FS-532/FS-532 PK/SD
5	Saddle Unit	SD-506
6	Saddle Unit	SD-510
7	Large Capacity Stacker	LS-505
8	Folding Unit	FD-503
9	Punch Unit	PK-522
10	Perfect Binder	PB-503
11	Post Inserter	PI-502
12	Punch Unit	GP-501
13	Paper Feeder	PF-703
14	Paper Feeder	PF-706
15	Relay Unit	RU-509
16	Relay Unit	RU-510
17	Mount Kit	MK-732
18	Heater	HT-505
19	Paper Feeder	PP-701
20	Post Inserter	FA-501
21	Humidifier	HM-102
22	HDD	HD-511

bizhub PRESS 1052

No.	Description	Model
23	HDD	RH-101
24	Ring Binder	GP-502
25	Envelop Fusing Unit	EF-102
26	Large Capacity Stacker	LS-506
27	Other Option	MK-737
28	Saddle Unit	SD-513
29	Saddle Unit	FD-504
30	Saddle Unit	TU-503
31	Saddle Unit	CR-101

DIAGRAMS OF MAIN PARTS SECTION



bizhub PRESS 1052

CONTENTS

No.	DESCRIPTION	名称	PAGE No.
1	EXTERNAL PARTS	外装	P1 P2 P3
2	MAIN FRAME	骨格	P4 P5 P6 P7 P8 P9 P10 P11
3	OPERATION UNIT	操作部	P12 P13 P14
4	DRIVING SECTION	駆動部	P15 P16 P17 P18 P19 P20
5	TRAY 1	トレイ1	P21 P22 P23 P24 P25 P26 P27 P28 P29
6	TRAY 2	トレイ2	P30 P31 P32 P33 P34 P35 P36 P37 P38
7	DEVELOPING SUCTION	現像サククション部	P39
8	CHARGE UNIT	帯電極ユニット	P40 P41
9	VERTICAL CONVEYANCE UNIT	垂直搬送ユニット	P42 P43 P44 P45
10	SWING TRAY UNIT	揺動トレイユニット	P46 P47
11	TONER SUPPLY PROTECTION UNIT	トナー補給ユニット	P48 P49 P50 P51
12	TONER SUPPLY MAIN BODY UPPER UNIT	トナー補給本体上ユニット	P52 P53
13	TONER CONVEYANCE MAIN BODY UNIT	トナー搬送本体ユニット	P54 P55
14	TONER PUMP UNIT	トナーポンプ部組	P56 P57
15	DEVELOPING UNIT	現像部	P58 P59
16	ADU	ADU	P60 P61 P62 P63 P64 P65 P66 P67 P68 P69 P70 P71
17	ADU TRANSFER PRESSURE UNIT	ADU 転写圧着ユニット	P72 P73
18	ADU BELT CLEANER UNIT	ADU ベルトクリーナーユニット	P74 P75
19	ADU DECURLER UNIT	ADU デカーラユニット	P76 P77 P78 P79
20	ADU REGIST UNIT	ADU レジストユニット	P80 P81
21	TRANSFER BELT UNIT	転写ベルトユニット	P82 P83
22	MAIN BODY PAPER EXIT UNIT	本体排紙ユニット	P84
23	FUSER UNIT	定着部	P85 P86 P87 P88 P89 P90 P91
24	OPTICS UNIT	光学部	P92 P93 P94 P95
25	SUPPORT STAY UNIT	支持ステー	P96
26	DRUM CARTRIDGE UNIT	ドラムカートリッジ部	P97 P98 P99 P100 P101 P102
27	DRUM CLEANING UNIT	ドラムクリーニングユニット	P103 P104 P105 P106
28	ELECTRIC PARTS	電装	P107 P108 P109 P110 P111 P112 P113
29	JIGS	治具	P114
30	ACCESSORY PARTS	同梱部品	P115 P116

INDEX

Parts No.	Page No.	Parts No.	Page No.	Parts No.	Page No.	Parts No.	Page No.	Parts No.	Page No.
000V-19-0	114-9	12QV40650	78-3	14GE45470	80-31	25SA-6201	92-6	392014041	61-8
00VC-2-00	114-2	12QV40650	83-4	15AA80050	18-12	25SA10200	6-10	392015650	59-21
00VD-1000	114-10	12VG40640	47-9	15AG57620	78-8	25SA15270	18-11	396040681	75-8
029420640	58-16	13GL46720	90-25	15AG77020	17-8	25SA15280	18-10	396040681	104-16
048610110	5-14	13GQ77550	68-25	15BA10310	116-4	25SA20150	18-2	396040681	105-33
059076510	29-10	13GQ80032	55-17	15SF75010	87-15	25SA43310	67-15	396076050	43-21
059076510	38-10	13NT80511	4-12	173030270	4-20	25SA43310	71-8	4025228301	111-6
066079020	8-10	13NT80511	6-6	173030270	28-28	25SA43310	80-4	4036252401	72-2
066079020	18-35	13NT80511	48-2	173030270	37-28	25SA61420	94-7	4040M10000	62-2
066079020	73-5	13QA10330	11-43	190040922E	81-28	25SA61460	94-24	4040M10000	113-18
066079020	112-5	13QA10330	21-13	25AA10090	7-20	25SA61470	94-25	4040PJP100	114-6
07BA12352	76-10	13QA10330	30-13	25AA20321	41-18	25SA61540	94-19	4040PJP200	114-7
07BA15871	100-28	13QA10330	80-20	25AA20321	102-24	25SA61550	94-20	40AA32290	78-5
08AA76060	69-9	13QA17730	77-27	25AA29770	102-14	25SA61650	92-9	40AA32290	99-19
08AA76060	90-6	13QA17730	78-12	25AA40120	28-4	25SA61700	92-3	40AA32290	100-12
090020510	98-17	13QA40610	15-7	25AA40120	37-4	25SA61710	92-7	40AA53151	90-7
090020510	104-11	13QA40610	17-6	25AA40460	29-20	25SA61861	93-8	40AA88031	49-6
090020510	106-24	13QA40610	18-23	25AA40460	38-20	25SA61881	93-10	40AA88031	54-1
090076040	46-12	13QA40610	19-9	25AA40870	25-23	25SA62070	94-23	40BA75520	21-17
090076040	105-1	13QA40610	20-9	25AA40870	34-23	25SA62080	94-9	40BA75520	30-17
113620270	102-7	13QA40610	104-25	25AA44180	64-7	25SA62160	94-18	40LA73840	109-2
129X48350	23-14	13QA85511	25-13	25AA44180	71-15	25SA66420	7-2	40LA73840	111-2
129X48350	24-10	13QA85511	27-20	25AA47500	68-17	25SA66840D	2-4	4120550302	87-10
129X48350	32-14	13QA85511	34-13	25AA47551	23-5	25SA66840D	46-5	4139M10000	4-5
129X48350	33-10	13QA85511	36-20	25AA47551	32-5	25SA77180	52-5	4470402401	3-16
129X48360	23-16	13QA85511	44-14	25AA47810	68-18	25SA77180	55-7	4470402401	11-47
129X48360	24-11	13QA85511	45-1	25AA50080	71-36	25SA88461	107-13	4470402401	25-17
129X48360	32-16	13QA85511	65-7	25AA53290	91-21	25SF88461	107-13	4470402401	26-24
129X48360	33-11	13QA85511	66-3	25AA53441	8-12	26AA53150	88-19	4470402401	34-17
12AJ45850	45-26	13QA85511	67-2	25AA53600	8-15	26MA74100	47-31	4470402401	35-24
12AJ45850	64-26	13QA85511	70-4	25AA55151	89-14	26MA74100	75-20	4470402401	47-32
12AJ45850	70-8	13QA85511	76-20	25AA55360	103-3	26NA73570	109-3	4470402401	53-19
12AJ45850	80-16	13QA85511	79-20	25AA55390	103-5	26TA30770	106-6	4470402401	62-15
12QV40650	28-23	13QA85511	80-7	25AA55420	103-4	27LA73990	111-5	4470402401	73-15
12QV40650	37-23	13QA85511	81-13	25AA55720	105-8	27LA80511	64-12	4470402401	103-28
12QV40650	42-16	13QA85511	84-7	25AA77890	49-23	27LA80511	71-4	450053391	86-14
12QV40650	43-2	13RJ10390	116-17	25AA85020	107-12	392010231	6-8	45AA20400	40-7
12QV40650	44-8	13RN73120	109-1	25AE89081	112-17	392010231	43-20	45AA20400	41-6
12QV40650	72-34	13RN73120	111-1	25BA32251	54-14	392010231	112-18	45AA20400	82-17
12QV40650	77-2	14GE45470	68-26	25HA15210	104-18	392010231	116-14	45AA20400	102-9

Parts No.	Page No.	Parts No.	Page No.	Parts No.	Page No.	Parts No.	Page No.	Parts No.	Page No.
462076010	68-15	55VA15190	87-18	55VA32530	99-20	55VA46451	42-22	55VA53770	91-3
466076020	11-22	55VA15541	17-32	55VA40130	29-7	55VA46451	45-27	55VA53970	89-8
466076020	43-15	55VA15541	19-19	55VA40130	38-7	55VA46451	71-27	55VA55130	105-30
466076020	45-18	55VA15570	15-18	55VA40260	29-16	55VA46451	79-10	55VA55351	103-9
466076020	71-21	55VA15570	18-25	55VA40260	38-16	55VA46451	81-7	55VA55361	103-11
466076020	106-18	55VA15570	73-6	55VA40380	25-26	55VA46490	67-12	55VA55400	104-21
496041890	8-14	55VA15580	18-1	55VA40380	34-26	55VA46490	80-6	55VA55440	53-16
496041930	8-21	55VA15610	45-10	55VA40460	25-24	55VA47360	71-25	55VA55442E	53-16
496041950	8-19	55VA20290	98-19	55VA40460	34-24	55VA47371	71-10	55VA55490	103-2
496041960	8-16	55VA20310	9-14	55VA40610	27-10	55VA47390	71-31	55VA55641	106-7
496076210	8-23	55VA20520	72-29	55VA40610	36-10	55VA47450	64-8	55VA55670	105-28
4960R70100	8-20	55VA20520	98-18	55VA40910	22-15	55VA47450	65-14	55VA55680	104-15
504097340	116-3	55VA20520	100-4	55VA40910	31-15	55VA47450	66-25	55VA55680	105-31
50BA40220	28-7	55VA20590	102-3	55VA40920D	22-17	55VA47701	71-32	55VA61931	93-11
50BA40220	37-7	55VA20630D	99-18	55VA40920D	31-17	55VA47710	71-19	55VA62020	92-22
538088261	107-9	55VA20680	102-15	55VA42111	25-16	55VA47762E	71-18	55VA70110D	3-5
540015162	18-32	55VA20830	101-4	55VA42111	34-16	55VA47770	71-16	55VA73310	112-14
540076090	49-19	55VA20850D	101-6	55VA42120	28-30	55VA47801E	71-11	55VA73400	112-16
554010550	17-20	55VA25100	41-12	55VA42120	29-25	55VA47830	63-22	55VA76521E	68-23
554010550	18-29	55VA25110	41-11	55VA42120	37-30	55VA47830	68-20	55VA76530E	44-10
55FA61130	94-12	55VA25140	40-15	55VA42120	38-25	55VA47840	69-8	55VA76700	92-21
55FA61140	94-21	55VA25200	41-17	55VA42120	43-27	55VA47850	44-7	55VA76710	92-25
55FU20140	18-3	55VA25240	41-5	55VA42120	44-21	55VA47850	69-6	55VA77040	18-21
55GA32220	54-13	55VA25270	41-22	55VA42120	80-12	55VA47891	67-19	55VA77300E	59-17
55GA97250	111-4	55VA25270	97-10	55VA42220	25-15	55VA47910	71-6	55VA77570	102-6
55TA61110	94-2	55VA29040	102-25	55VA42220	34-15	55VA47970	71-35	55VA77652	27-15
55TA61120	94-8	55VA29050	102-26	55VA42330D	22-11	55VA47980	71-29	55VA77652	36-15
55TA61130	94-1	55VA29140	102-27	55VA42330D	31-11	55VA47990	67-18	55VA77850	86-9
55TA61151	93-13	55VA29150	102-17	55VA42340	22-10	55VA49050E	63-12	55VA77890	53-7
55TA61161	93-23	55VA30270D	55-6	55VA42340	31-10	55VA49080	68-12	55VA77940	52-10
55TA61320	93-24	55VA30390D	59-5	55VA42390	26-23	55VA49131	68-14	55VA77960	52-13
55TA61341	94-22	55VA30970	59-10	55VA42390	35-23	55VA49240	67-21	55VA77960	53-13
55TA75020	17-25	55VA30981	58-12	55VA42400	26-4	55VA49260	67-20	55VA77960	54-24
55TA75020	18-9	55VA32080	50-3	55VA42400	35-4	55VA49440	66-16	55VA78110	92-24
55TA75020	100-19	55VA32150	50-9	55VA42420	25-5	55VA53290	89-11	55VA79030	28-19
55TA84561	107-8	55VA32160	54-15	55VA42420	34-5	55VA53300	89-6	55VA79030	37-19
55VA12460	2-22	55VA32171	54-17	55VA44120	43-22	55VA53360	88-6	55VA79050	28-14
55VA15080	17-2	55VA32330D	54-16	55VA44150	45-20	55VA53450	88-10	55VA79050	37-14
55VA15080	19-10	55VA32430	50-22	55VA44171F	45-16	55VA53721E	89-15	55VA79140	28-6
55VA15190	15-15	55VA32530	4-19	55VA44171F	71-23	55VA53742	89-13	55VA79140	37-6

Parts No.	Page No.	Parts No.	Page No.	Parts No.	Page No.	Parts No.	Page No.	Parts No.	Page No.
55VA79210	43-25	56AA17760	29-12	56AA80551	93-6	56UA12131E	9-12	56UA20730	98-7
55VA80122	92-20	56AA17760	38-12	56AA85531	93-12	56UA12150	1-9	56UA20740	98-6
55VA88041	89-10	56AA25150	40-5	56AA97140	107-6	56UA12160	1-4	56UA20750	98-5
55VA88061	88-18	56AA32440	51-17	56AE43090	25-9	56UA12170	1-11	56UA25040	41-21
55VA90380	53-14	56AA32450	51-13	56AE43090	34-9	56UA12200	3-7	56UA25050	41-20
55VAJG021	114-16	56AA32521	51-5	56GA-9092E	92-18	56UA12210E	3-8	56UA25090	41-16
55VAJG031	114-3	56AA32620	51-4	56GA30290	49-27	56UA12240	2-32	56UA25110	40-4
55VAJG041	114-4	56AA32630	51-15	56GA76600E	17-19	56UA12280	1-16	56UA25120	40-3
55VB83042	88-13	56AA32640	51-14	56GA76600E	18-28	56UA12290	1-17	56UA25280	40-14
55VE32080	50-3	56AA32650	49-12	56GA90890	62-11	56UA12310	1-27	56UA29230	102-11
55WA61150	94-26	56AA32650	52-3	56HA12980	26-16	56UA12370	3-4	56UA30251	59-16
564A116100	113-1	56AA32650	54-2	56HA12980	35-16	56UA12401	95-7	56UA31030	39-2
564A116200	113-26	56AA32710	51-8	56NE32510	51-2	56UA12460	1-7	56UA31060	39-7
564A116300	113-4	56AA32751	51-10	56QA46060	81-2	56UA12460	116-12	56UA32010E	54-12
56AA-6261	94-15	56AA32761	51-9	56QA61130	92-10	56UA12530	29-3	56UA32200	54-21
56AA-6271	94-17	56AA40490	28-9	56QA61140	92-12	56UA12530	38-3	56UA32210	52-15
56AA12400	2-33	56AA40490	29-5	56QA61281	93-17	56UA12560	26-17	56UA32260	54-6
56AA15460	112-11	56AA40490	37-9	56QA61670	94-13	56UA12560	35-17	56UA32270	54-5
56AA15471	112-9	56AA40490	38-5	56QA61680	94-14	56UA12570	26-21	56UA32300	55-19
56AA15521	112-10	56AA41340	22-33	56QA61690	92-4	56UA12570	35-21	56UA32310	55-18
56AA17080	112-20	56AA41340	25-8	56QA80570	63-27	56UA12640	95-6	56UA32320	55-1
56AA17090	15-3	56AA41340	31-33	56UA-1770	15-16	56UA12700	95-2	56UA32330	56-3
56AA17090	17-3	56AA41340	34-8	56UA-1930	5-13	56UA12710E	2-3	56UA32330	57-3
56AA17090	19-20	56AA41351E	25-7	56UA-4080	25-29	56UA12720	2-1	56UA32380	52-20
56AA17090	20-13	56AA41351E	34-7	56UA-4080	34-29	56UA12730	92-8	56UA32380	54-3
56AA17090	70-17	56AA42690	66-8	56UA-4321E	21-3	56UA12770	115-1	56UA32520	52-1
56AA17090	77-25	56AA51810	15-19	56UA-4321E	30-3	56UA15220	15-14	56UA32580	52-19
56AA17140	41-15	56AA52700	80-26	56UA-4640	43-8	56UA15230	16-8	56UA32590	52-7
56AA17140	97-11	56AA54220	89-27	56UA-4681E	42-25	56UA15320	20-1	56UA32620	52-25
56AA17300	16-4	56AA61111	92-11	56UA-7660	48-14	56UA15420	15-10	56UA32650	53-11
56AA17300	45-21	56AA61151	93-5	56UA-7680F	48-23	56UA15510	20-14	56UA32690	49-11
56AA17330	112-21	56AA61180	94-6	56UA10260	113-30	56UA15510	70-18	56UA32690	52-4
56AA17350	68-16	56AA61290	92-1	56UA10290	6-7	56UA15510	77-23	56UA32700	52-23
56AA17361	71-37	56AA61290	94-16	56UA10300	6-19	56UA15540	5-11	56UA32740	52-14
56AA17510	29-11	56AA61330	93-2	56UA10320	6-13	56UA15610E	15-2	56UA32800	52-8
56AA17510	38-11	56AA61481	92-23	56UA10370E	7-17	56UA20160	9-15	56UA32830	52-2
56AA17510	103-19	56AA61561	92-27	56UA10420E	9-10	56UA20200	9-2	56UA32840	54-4
56AA17700	16-9	56AA61570	92-5	56UA10520	7-12	56UA20200	10-6	56UA32850	54-7
56AA17700	17-11	56AA61580	93-7	56UA11220	11-35	56UA20380	98-11	56UA33100	56-9
56AA17700	19-18	56AA61720	93-16	56UA12080	95-5	56UA20720	98-8	56UA33100	57-9

Parts No.	Page No.	Parts No.	Page No.	Parts No.	Page No.	Parts No.	Page No.	Parts No.	Page No.
56UA33230	56-7	56UA40160	35-8	56UA40490	38-32	56UA41040	24-4	56UA41400	27-7
56UA33230	57-7	56UA40170	29-22	56UA40500	29-18	56UA41040	33-4	56UA41400	36-7
56UA33280	56-4	56UA40170	38-22	56UA40500	38-18	56UA41060	24-12	56UA41470	22-25
56UA33280	57-4	56UA40210	29-28	56UA40511E	22-18	56UA41060	33-12	56UA41470	31-25
56UA34020	48-22	56UA40210	38-28	56UA40511E	31-18	56UA41070	23-15	56UA41490	23-11
56UA34060	50-8	56UA40240	25-25	56UA40520	29-24	56UA41070	32-15	56UA41490	24-2
56UA34071	51-16	56UA40240	34-25	56UA40520	38-24	56UA41090	23-19	56UA41490	32-11
56UA34100	49-25	56UA40250	29-29	56UA40530	29-23	56UA41090	32-19	56UA41490	33-2
56UA34121E	50-15	56UA40250	38-29	56UA40530	38-23	56UA41110	22-9	56UA41500	22-22
56UA34160	49-17	56UA40260	26-13	56UA40540	29-19	56UA41110	31-9	56UA41500	31-22
56UA34180	49-5	56UA40260	35-13	56UA40540	38-19	56UA41120E	22-8	56UA41520	22-29
56UA34190	49-2	56UA40270	26-14	56UA40570	27-8	56UA41120E	31-8	56UA41520	31-29
56UA34220	49-4	56UA40270	35-14	56UA40570	36-8	56UA41130	27-24	56UA41530	22-26
56UA34230	51-6	56UA40280	29-6	56UA40580E	26-12	56UA41130	36-24	56UA41530	31-26
56UA34240	51-18	56UA40280	38-6	56UA40580E	35-12	56UA41140	27-23	56UA41540	23-6
56UA34290	49-9	56UA40310	6-16	56UA40600	29-13	56UA41140	36-23	56UA41540	32-6
56UA34300	49-3	56UA40320	6-23	56UA40600	38-13	56UA41150	27-12	56UA41550	24-5
56UA34390	49-8	56UA40330	6-22	56UA40610	28-11	56UA41150	36-12	56UA41550	33-5
56UA34452	50-12	56UA40340	29-17	56UA40610	37-11	56UA41160	27-11	56UA41580	23-22
56UA34460	50-11	56UA40340	38-17	56UA40620	28-15	56UA41160	36-11	56UA41580	24-19
56UA34610	50-10	56UA40351	21-21	56UA40620	37-15	56UA41220	22-19	56UA41580	32-22
56UA34710	49-18	56UA40351	30-21	56UA40660	29-21	56UA41220	31-19	56UA41580	33-19
56UA34730	49-16	56UA40360	21-20	56UA40660	38-21	56UA41240	23-12	56UA41620	23-25
56UA34800	49-24	56UA40360	30-20	56UA40670	25-6	56UA41240	32-12	56UA41620	24-20
56UA375200	59-3	56UA40371	22-27	56UA40670	34-6	56UA41250	24-14	56UA41620	32-25
56UA40011E	22-30	56UA40371	31-27	56UA40680	23-3	56UA41250	33-14	56UA41620	33-20
56UA40011E	31-30	56UA40400	29-9	56UA40680	32-3	56UA41260	22-34	56UA41640	27-5
56UA40020E	26-5	56UA40400	38-9	56UA40690	29-2	56UA41260	31-34	56UA41640	36-5
56UA40020E	35-5	56UA40420	22-31	56UA40690	38-2	56UA41270	27-21	56UA41661	23-1
56UA40051G	25-21	56UA40420	31-31	56UA40700	116-1	56UA41270	36-21	56UA41661	24-9
56UA40051G	34-21	56UA40450E	6-17	56UA40760	22-28	56UA41281E	27-2	56UA41661	32-1
56UA40070	25-4	56UA40460	27-19	56UA40760	31-28	56UA41281E	36-2	56UA41661	33-9
56UA40070	34-4	56UA40460	36-19	56UA408100	54-19	56UA41300	23-8	56UA41670	23-7
56UA40130E	28-29	56UA40470	25-12	56UA408200	53-9	56UA41300	32-8	56UA41670	32-7
56UA40130E	37-29	56UA40470	34-12	56UA41011E	27-4	56UA41310	23-23	56UA41690	22-16
56UA40140	26-11	56UA40480	25-27	56UA41011E	36-4	56UA41310	24-18	56UA41690	31-16
56UA40140	35-11	56UA40480	34-27	56UA41020	24-6	56UA41310	32-23	56UA41710	24-16
56UA40150	26-9	56UA40490	28-16	56UA41020	33-6	56UA41310	33-18	56UA41710	33-16
56UA40150	35-9	56UA40490	29-32	56UA41030	23-18	56UA41340	27-13	56UA41750	24-15
56UA40160	26-8	56UA40490	37-16	56UA41030	32-18	56UA41340	36-13	56UA41750	33-15

Parts No.	Page No.	Parts No.	Page No.	Parts No.	Page No.	Parts No.	Page No.	Parts No.	Page No.
56UA41810	23-21	56UA45880	107-16	56UA47600	76-14	56UA70740	12-2	56UA77040E	15-4
56UA41810	24-21	56UA45910	63-14	56UA47670	65-2	56UA70750	13-17	56UA77061E	16-21
56UA41810	32-21	56UA45960	84-4	56UA47750	65-1	56UA70760	12-7	56UA77061E	84-14
56UA41810	33-21	56UA45960	102-18	56UA47890	67-13	56UA70760	13-16	56UA77070F	19-1
56UA42570	21-11	56UA45970	71-34	56UA47920	70-2	56UA70790G	13-11	56UA77070F	43-24
56UA42570	30-11	56UA46030F	80-25	56UA53070	88-20	56UA70800	13-8	56UA77160	43-23
56UA44030	45-4	56UA46100E	80-23	56UA53320	88-23	56UA70820	12-3	56UA77170E	43-1
56UA44040F	42-21	56UA46110E	81-32	56UA53530	85-17	56UA70820	116-10	56UA77180E	43-6
56UA44050E	42-9	56UA46140	64-16	56UA53750	89-31	56UA73040E	112-4	56UA77270	19-15
56UA44070	42-18	56UA46140	79-18	56UA54160E	88-27	56UA73071	112-12	56UA77290	102-21
56UA44080	42-19	56UA46170	80-13	56UA54430	85-9	56UA73090	108-9	56UA77400	10-7
56UA44100	44-13	56UA46190	81-27	56UA54530	91-16	56UA73120	112-19	56UA77400	11-25
56UA44150	45-6	56UA46310	80-2	56UA54540	91-15	56UA73130	5-4	56UA77420	55-10
56UA44250	43-14	56UA46320	80-9	56UA54550F	91-11	56UA73160	8-13	56UA77430	52-12
56UA44260	44-5	56UA46430D	61-12	56UA54570	91-6	56UA73170	8-18	56UA77430	54-23
56UA44280	45-17	56UA46480	65-16	56UA54580	91-8	56UA73180E	113-5	56UA77440	53-17
56UA44301F	44-3	56UA46480	66-27	56UA54590	91-7	56UA73260	7-14	56UA77450	53-3
56UA44310	42-23	56UA46480	67-11	56UA54600	91-9	56UA73270	109-7	56UA77460	55-11
56UA44320	45-15	56UA46480	71-5	56UA54610	91-12	56UA73280	7-15	56UA77470	55-9
56UA44330	45-2	56UA46570	63-19	56UA55550	106-8	56UA73300	5-1	56UA77480	21-19
56UA44340	45-13	56UA46610E	70-14	56UA558300	105-13	56UA73320	112-23	56UA77480	30-19
56UA44410E	42-1	56UA46631F	65-17	56UA61030	93-21	56UA73340	112-8	56UA77530	22-20
56UA44500	42-5	56UA46740	63-9	56UA61040	92-16	56UA73370	113-23	56UA77530	31-20
56UA44500	45-7	56UA46770E	65-4	56UA61070	94-4	56UA73400	113-19	56UA77600	27-26
56UA44660	42-7	56UA46921	60-7	56UA61440	94-3	56UA73490	11-14	56UA77600	36-26
56UA44660	45-8	56UA47031G	71-17	56UA61450	92-13	56UA73500	113-24	56UA77620	27-17
56UA44680	42-3	56UA47040F	64-9	56UA61460	92-2	56UA73550	113-13	56UA77620	36-17
56UA44680	45-5	56UA47121	67-8	56UA61470	92-15	56UA73570	1-23	56UA77640F	21-16
56UA44680	81-9	56UA47190	70-6	56UA70330	14-21	56UA73570	5-5	56UA77640F	30-16
56UA44700	44-11	56UA47240	71-30	56UA70540	5-7	56UA75020	5-15	56UA77650E	21-15
56UA44740E	45-23	56UA47250E	71-24	56UA70560	13-7	56UA75030	29-27	56UA77650E	30-15
56UA45500	84-15	56UA47260	71-22	56UA70570	13-4	56UA75030	38-27	56UA77660	21-10
56UA45510	84-8	56UA47270	71-28	56UA70590	13-6	56UA75050	63-36	56UA77660	30-10
56UA45520	84-11	56UA47310	67-5	56UA70600	13-5	56UA75050	68-35	56UA77700	48-21
56UA45540	84-16	56UA47320	67-7	56UA70610E	13-18	56UA75050	69-21	56UA77700	50-14
56UA45550	84-12	56UA47330	67-6	56UA70620E	13-13	56UA75070	88-14	56UA77710	48-17
56UA45571E	84-9	56UA47350	64-21	56UA70650	13-9	56UA76030	43-7	56UA77720	48-20
56UA45600	84-3	56UA47380E	68-31	56UA70670	13-14	56UA76060	49-7	56UA77730	48-18
56UA45820	65-15	56UA47390	64-24	56UA70720	13-10	56UA760900	85-8	56UA77740	48-16
56UA45820	71-26	56UA47390	68-28	56UA70730	12-6	56UA760900	86-4	56UA77750	49-20

Parts No.	Page No.	Parts No.	Page No.	Parts No.	Page No.	Parts No.	Page No.	Parts No.	Page No.
56UA77760	48-15	56UA90890	84-6	65AA26890	75-12	A00J663200	53-8	A0G6110500	110-13
56UA77760	49-21	56UA97321G	2-11	65AA53991	82-21	A00V240600	15-9	A0G6110600	109-19
56UA77770	48-19	56UAPJG000	114-11	65AA53991	91-4	A00V240600	17-5	A0G6110700	109-16
56UA77800	87-4	56UAR70500	6-4	65AA88080	4-8	A00V240600	18-19	A0G6110800	8-30
56UA77860	86-5	56UAR77100	53-4	65AA88080	48-6	A00V240600	19-4	A0G6111401	11-5
56UA77930	19-23	56UAR79500	25-30	65AA99500	114-8	A00V240600	20-16	A0G6112400	7-16
56UA78030	15-12	56UAR79500	26-3	7050K0020	114-1	A00V240600	28-33	A0G6112600	109-15
56UA78060	64-25	56UAR79500	34-30	9313100072	23-2	A00V240600	37-33	A0G6112901	6-12
56UA78080	63-24	56UAR79500	35-3	9313100072	24-7	A00V240600	59-7	A0G6113500	4-15
56UA78090	44-12	56UAR79600	26-7	9313100072	32-2	A00V240600	63-10	A0G6114301	11-1
56UA85010	3-9	56UAR79600	35-7	9313100072	33-7	A00V240600	68-3	A0G6114900	113-29
56UA85010	42-20	56UAR79700	25-28	9313100072	63-1	A00V240600	69-12	A0G6115500	9-16
56UA886100	71-12	56UAR79700	34-28	9313100072	64-2	A00V240600	70-3	A0G6115600	9-17
56UA886200	71-14	56UAR7A100	45-3	9313100072	113-2	A00V240600	77-26	A0G6115700	6-14
56UA90160	3-6	56UAR7A200	45-9	9313110033	6-3	A00V240600	80-21	A0G6115900	109-17
56UA90250E	45-11	56VA70550	12-4	9313110033	76-1	A00V240600	84-13	A0G6116200	7-11
56UA90340	27-22	57AA30260	1-29	9335140051	47-15	A03U168500	1-33	A0G6116300	7-10
56UA90340	36-22	57AA30260	26-19	9335150021	26-15	A03U263601	6-11	A0G6117000	109-18
56UA90350	25-14	57AA30260	35-19	9335150021	35-15	A03U729500	87-3	A0G6117200	109-20
56UA90350	34-14	57AA30260	59-1	9335150021	62-8	A03U734500	85-15	A0G6117300	109-14
56UA90360	23-20	57AA97211E	80-32	A00J617800	9-1	A03U734500	88-22	A0G6117600	8-25
56UA90360	32-20	57AA97221E	81-1	A00J617800	10-5	A03U734500	89-7	A0G6117700	8-26
56UA90370	24-17	57AE88010	89-4	A00J617800	11-28	A03U812800	29-30	A0G6117800	8-28
56UA90370	33-17	57GA44300	42-11	A00J617800	21-4	A03U812800	38-30	A0G6119000	4-25
56UA90390	56-6	57GA47640	83-6	A00J617800	30-4	A03UM11100	69-10	A0G6130203	113-27
56UA90390	57-6	57GA61560	4-23	A00J617800	43-4	A03UM15201	108-3	A0G6130600	112-7
56UA90460	93-9	57GA61560	64-29	A00J617800	44-2	A03UM15802	7-13	A0G6130711	8-11
56UA90620	80-1	57GA61560	73-10	A00J617800	80-19	A03UM15802	11-36	A0G6131002	107-1
56UA90650	65-8	57GA61560	110-14	A00J617800	103-29	A03UM15802	110-5	A0G6131300	12-23
56UA90650	66-4	57GA79430	42-12	A00J617900	16-15	A03UM50500	69-22	A0G6131500	5-3
56UA90650	67-3	57GA79440	44-16	A00J617900	28-22	A03X565611	28-20	A0G6131900	5-2
56UA90700	63-20	57GA82010	28-31	A00J617900	37-22	A03X565611	37-20	A0G6132300	113-21
56UA90700	68-32	57GA82010	29-26	A00J617900	42-17	A04J709800	78-7	A0G6132400	113-22
56UA90710	64-19	57GA82010	37-31	A00J617900	43-3	A04J719200	78-1	A0G6133201	12-20
56UA90780	93-15	57GA82010	38-26	A00J617900	44-9	A04J719800	78-2	A0G6134400	56-13
56UA90830	44-15	57GA82010	43-29	A00J617900	77-1	A0E7946700	111-28	A0G6135202	108-6
56UA90840	44-20	57GA82010	44-22	A00J617900	78-4	A0G6101701	5-8	A0G6136400	13-21
56UA90850	16-18	65AA-9920	114-12	A00J617900	80-24	A0G6102500	7-19	A0G6137000	111-26
56UA90880	65-9	65AA11300	4-9	A00J663200	29-4	A0G6106000	4-11	A0G6137100	110-1
56UA90880	81-31	65AA11300	48-5	A00J663200	38-4	A0G6110400	8-27	A0G6137200	110-2

Parts No.	Page No.	Parts No.	Page No.	Parts No.	Page No.	Parts No.	Page No.	Parts No.	Page No.
A0G6137300	110-12	A0G6192700	14-3	A0G6243500	19-22	A0G6333100	101-1	A0G6346600	101-5
A0G6137400	110-3	A0G6192900	14-2	A0G6247100	19-8	A0G6333500	98-20	A0G6346901	100-25
A0G6139200	109-10	A0G6193100	14-23	A0G6247200	19-7	A0G6333600	98-15	A0G6347100	100-23
A0G6160400	3-1	A0G6193200	14-22	A0G6247300	19-24	A0G6333700	97-3	A0G6350400	47-20
A0G6160412	3-1	A0G6193400	14-24	A0G6247400	19-17	A0G6333901	98-12	A0G6350700	47-8
A0G6160602	1-8	A0G6193500	14-17	A0G6247500	19-5	A0G6334100	99-1	A0G6350800	47-14
A0G6160900	1-15	A0G6193700	14-18	A0G6250500	16-10	A0G6334201	101-15	A0G6351400	47-16
A0G6161403	12-13	A0G6193800	14-20	A0G6250601	16-6	A0G6336900	9-8	A0G6351700	46-13
A0G6161502	12-8	A0G6193900	14-26	A0G6250700	16-13	A0G6338113	102-28	A0G6351800	46-8
A0G6161600	12-9	A0G6194000	14-25	A0G6250800	16-12	A0G6338201	102-29	A0G6351900	46-7
A0G6162000	1-19	A0G6195000	14-11	A0G6250900	16-5	A0G6338411	102-16	A0G6352100	46-6
A0G6162100	1-18	A0G6197101	13-1	A0G6251200	16-7	A0G6338612	102-30	A0G6352300	9-18
A0G6162200	1-30	A0G6205000	14-11	A0G6251301	16-16	A0G6338911	102-31	A0G6352500	47-13
A0G6162400	1-22	A0G6205100	14-11	A0G6251400	16-14	A0G6339000	102-8	A0G6352700	46-1
A0G6162700	1-31	A0G6205200	14-11	A0G6260200	92-19	A0G6339400	102-5	A0G6353700	47-21
A0G6163100	2-26	A0G6205300	14-11	A0G6301001	96-2	A0G6339500	102-19	A0G6353800	11-4
A0G6163201	1-25	A0G6210400	17-26	A0G6301100	96-3	A0G6339600	102-20	A0G6354000	46-9
A0G6163602	2-24	A0G6215200	18-6	A0G6301800	96-1	A0G6339812	102-13	A0G6354100	46-11
A0G6163700	2-27	A0G6215300	18-5	A0G6302500	99-9	A0G6342200	99-15	A0G6354800	46-10
A0G6163813	3-2	A0G6215400	18-7	A0G6302500	100-9	A0G6343000	100-13	A0G6355100	11-13
A0G6163814	3-2	A0G6215500	17-27	A0G6302600	96-4	A0G6343200	98-10	A0G6356001	2-28
A0G6163911	3-3	A0G6217100	17-10	A0G6302700	99-10	A0G6343300	98-9	A0G6356101	47-1
A0G6164101	2-31	A0G6217200	17-28	A0G6302700	100-8	A0G6343401	98-1	A0G6357100	47-6
A0G6164800	1-2	A0G6217400	17-23	A0G6302800	99-11	A0G6343900	99-6	A0G6357500	9-4
A0G6165200	26-2	A0G6217500	11-27	A0G6302800	100-11	A0G6344200	98-2	A0G6358200	47-17
A0G6165200	35-2	A0G6217500	17-12	A0G6302900	100-5	A0G6344300	98-4	A0G6358301	47-19
A0G6165400	26-22	A0G6217600	17-13	A0G6330401	101-11	A0G6344501	97-2	A0G6358401	47-10
A0G6165400	35-22	A0G6217700	17-16	A0G6330700	100-17	A0G6344601	99-2	A0G6358500	46-2
A0G6165900	116-5	A0G6220500	18-22	A0G6330900	97-4	A0G6344801	101-10	A0G6358700	46-3
A0G6168000	12-11	A0G6220600	18-30	A0G6331101	101-3	A0G6345111	102-32	A0G6358800	47-5
A0G6168101	12-10	A0G6221100	18-31	A0G6331204	100-14	A0G6345200	102-33	A0G6358901	47-11
A0G6168500	2-12	A0G6227300	18-26	A0G6331301	100-15	A0G6345311	102-34	A0G6361100	11-16
A0G6168600	1-24	A0G6227400	18-8	A0G6331500	99-8	A0G6345411	102-10	A0G6361200	11-15
A0G6168700	2-5	A0G6237100	15-6	A0G6331601	99-7	A0G6345600	102-12	A0G6362900	11-18
A0G6190101	14-1	A0G6237201	20-5	A0G6331700	99-5	A0G6345700	102-1	A0G6363000	11-26
A0G6190200	14-12	A0G6237300	20-10	A0G6331903	102-23	A0G6345800	102-2	A0G6363301	9-19
A0G6190301	14-27	A0G6240300	19-3	A0G6332000	102-22	A0G6346101	100-21	A0G6363500	9-20
A0G6191600	14-19	A0G6240800	19-6	A0G6332100	98-22	A0G6346300	100-22	A0G6363600	9-21
A0G6192400	14-5	A0G6240900	19-14	A0G6332600	98-3	A0G6346400	100-26	A0G6365000	11-29
A0G6192500	14-6	A0G6243301	19-21	A0G6333000	100-2	A0G6346500	100-27	A0G6365300	47-27

Parts No.	Page No.	Parts No.	Page No.	Parts No.	Page No.	Parts No.	Page No.	Parts No.	Page No.
A0G6365400	47-22	A0G6403000	55-3	A0G6501100	82-20	A0G6507700	72-17	A0G6521202	66-7
A0G6365700	47-26	A0G6403100	55-2	A0G6501200	82-24	A0G6507800	72-21	A0G6521400	74-18
A0G6365800	47-24	A0G6405102	55-5	A0G6501300	83-13	A0G6507900	72-13	A0G6521500	66-12
A0G6365900	47-25	A0G6405400	53-10	A0G6501400	83-12	A0G6508101	72-24	A0G6521600	66-9
A0G6366000	47-30	A0G6407100	55-15	A0G6501500	83-14	A0G6508201	73-7	A0G6521900	74-6
A0G6367000	11-30	A0G6407200	54-8	A0G6501600	83-10	A0G6508500	72-22	A0G6521900	75-5
A0G6367300	10-9	A0G6407300	54-11	A0G6501700	82-8	A0G6508600	68-11	A0G6523103	66-10
A0G6367400	10-3	A0G6407400	54-10	A0G6501800	82-7	A0G6509001	73-4	A0G6523300	75-14
A0G6367400	11-21	A0G6407500	52-21	A0G6501900	82-5	A0G6509101	73-14	A0G6525200	100-29
A0G6367500	11-24	A0G6407600	52-18	A0G6502200	83-18	A0G6509201	73-12	A0G6525600	41-29
A0G6367900	11-17	A0G6410511	48-1	A0G6502300	83-8	A0G6509301	73-13	A0G6525600	74-5
A0G6369500	17-17	A0G6410611	50-20	A0G6502600	83-19	A0G6509400	72-10	A0G6525600	103-30
A0G6369500	47-7	A0G6410700	50-17	A0G6502702	82-19	A0G6509500	72-5	A0G6530300	106-9
A0G6369700	46-4	A0G6410800	50-18	A0G6502802	82-13	A0G6509600	73-9	A0G6530500	104-20
A0G6369901	47-28	A0G6411000	48-4	A0G6503100	82-12	A0G6509800	72-6	A0G6530701	104-12
A0G6373000	59-15	A0G6411200	3-10	A0G6503200	82-10	A0G6510700	75-16	A0G6531300	103-13
A0G6373200	59-14	A0G6411200	48-7	A0G6503300	82-15	A0G6511312	75-10	A0G6531401	106-16
A0G6373500	59-20	A0G6414000	50-21	A0G6503401	83-15	A0G6511401	74-15	A0G6531500	104-14
A0G6374900	58-7	A0G6415000	50-19	A0G6503500	82-14	A0G6511901	74-33	A0G6531500	105-32
A0G6375211	59-3	A0G6416100	51-3	A0G6503600	82-18	A0G6512012	74-28	A0G6531800	106-20
A0G6375400	58-6	A0G6460101	41-24	A0G6503900	82-2	A0G6512200	74-22	A0G6531900	103-12
A0G6375900	58-4	A0G6460201	41-13	A0G6504000	63-7	A0G6512300	74-8	A0G6532101	103-14
A0G6376000	76-27	A0G6460600	41-23	A0G6504100	63-6	A0G6512400	74-9	A0G6532201	104-1
A0G6376300	58-3	A0G6460700	40-9	A0G6504200	63-8	A0G6512800	74-23	A0G6532202	104-1
A0G6376400	58-10	A0G6461301	40-6	A0G6504300	63-5	A0G6513211	75-1	A0G6532300	104-4
A0G6377300	59-13	A0G6461700	41-19	A0G6504700	73-3	A0G6513300	74-10	A0G6532700	104-17
A0G6377400	59-2	A0G6462101	40-11	A0G6504900	73-2	A0G6513701	75-17	A0G6532800	106-13
A0G6378100	59-12	A0G6462300	41-7	A0G6505300	72-27	A0G6513801	74-7	A0G6532900	104-22
A0G6378700	58-5	A0G6462901	41-10	A0G6505800	72-8	A0G6514000	74-12	A0G6533000	103-17
A0G6378800	58-11	A0G6463200	40-12	A0G6506000	72-4	A0G6514100	74-11	A0G6533100	103-7
A0G6379400	59-4	A0G6463400	40-10	A0G6506102	72-11	A0G6514200	61-13	A0G6534200	106-5
A0G6379700	58-13	A0G6463500	41-4	A0G6506300	73-8	A0G6514800	66-5	A0G6535900	104-9
A0G6379900	58-2	A0G6463800	40-8	A0G6506500	72-32	A0G6514900	74-21	A0G6561000	28-13
A0G6394400	39-5	A0G6470800	97-8	A0G6506600	72-23	A0G6515100	74-14	A0G6561000	29-31
A0G6400202	54-9	A0G6500113	83-1	A0G6506700	72-12	A0G6515900	74-19	A0G6561000	37-13
A0G6400300	55-14	A0G6500211	82-4	A0G6507000	73-1	A0G6518600	74-24	A0G6561000	38-31
A0G6400502	4-18	A0G6500300	83-3	A0G6507100	72-20	A0G6520500	66-11	A0G6561200	25-20
A0G6400600	55-16	A0G6500801	83-16	A0G6507400	72-19	A0G6520900	75-18	A0G6561200	34-20
A0G6401800	55-13	A0G6500901	83-9	A0G6507512	72-7	A0G6521000	75-6	A0G6561300	25-18
A0G6402300	52-16	A0G6501000	82-23	A0G6507600	72-30	A0G6521100	75-21	A0G6561300	34-18

Parts No.	Page No.	Parts No.	Page No.	Parts No.	Page No.	Parts No.	Page No.	Parts No.	Page No.
A0G6570101	25-3	A0G6602300	28-25	A0G6725501	91-1	A0G6739111	89-33	A0G6749100	90-8
A0G6570101	34-3	A0G6602300	37-25	A0G6725600	86-18	A0G6739300	20-22	A0G6749200	90-10
A0G6570200	28-1	A0G6606500	21-18	A0G6725900	86-1	A0G6739600	86-13	A0G6749300	90-9
A0G6570200	37-1	A0G6606500	30-18	A0G6726000	87-5	A0G6739800	86-17	A0G6749400	89-29
A0G6570500	28-2	A0G6615100	22-12	A0G6727201	88-28	A0G6739900	89-3	A0G6749500	89-30
A0G6570500	37-2	A0G6615100	31-12	A0G6727301	88-12	A0G6741012	88-3	A0G6749600	91-19
A0G6570600	25-1	A0G6615200	22-13	A0G6727401	88-17	A0G6741112	89-28	A0G6749700	91-20
A0G6570600	34-1	A0G6615200	31-13	A0G6727500	88-25	A0G6741200	88-2	A0G6749800	86-2
A0G6570700	25-2	A0G6620300	27-1	A0G6727600	88-15	A0G6741300	88-4	A0G6749900	85-1
A0G6570700	34-2	A0G6620300	36-1	A0G6727700	89-17	A0G6741411	89-24	A0G6751800	88-31
A0G6570800	28-34	A0G6620400	27-3	A0G6727801	89-23	A0G6742001	89-9	A0G6751901	88-24
A0G6570800	37-34	A0G6620400	36-3	A0G6728000	91-22	A0G6742200	86-8	A0G6810500	66-29
A0G6571600	28-32	A0G6620500	24-1	A0G6730311	88-16	A0G6743100	85-10	A0G6810600	66-24
A0G6571600	37-32	A0G6620500	33-1	A0G6730411	87-1	A0G6743600	86-20	A0G6810800	67-17
A0G6571900	28-10	A0G6620600	23-9	A0G6731000	86-16	A0G6743800	89-18	A0G6811501	62-14
A0G6571900	37-10	A0G6620600	32-9	A0G6731102	85-24	A0G6744300	87-19	A0G6811600	65-3
A0G6572000	28-17	A0G6690300	6-21	A0G6731300	85-4	A0G6744600	90-13	A0G6811700	65-6
A0G6572000	37-17	A0G6700100	43-19	A0G6731301	85-4	A0G6744700	90-22	A0G6811800	67-1
A0G6572100	28-18	A0G6700200	44-17	A0G6731400	85-16	A0G6744900	90-18	A0G6812100	64-3
A0G6572100	37-18	A0G6700300	44-18	A0G6731900	86-6	A0G6745000	87-17	A0G6812200	9-13
A0G6600700	22-6	A0G6700700	42-14	A0G6732000	89-26	A0G6745100	87-16	A0G6812300	62-1
A0G6600700	31-6	A0G6710201	81-19	A0G6732100	85-21	A0G6745202	91-2	A0G6812400	63-26
A0G6600800	22-5	A0G6710502	81-25	A0G6732200	85-22	A0G6745300	90-3	A0G6812700	66-18
A0G6600800	31-5	A0G6711500	81-29	A0G6732400	85-23	A0G6745500	91-23	A0G6812800	64-13
A0G6600900	22-2	A0G6712100	80-15	A0G6732701	85-6	A0G6745700	90-14	A0G6812900	65-5
A0G6600900	31-2	A0G6712200	81-11	A0G6733000	89-12	A0G6745800	88-32	A0G6813100	69-3
A0G6601000	22-7	A0G6712301	81-16	A0G6734100	85-5	A0G6745901	87-8	A0G6813200	69-5
A0G6601000	31-7	A0G6712400	81-20	A0G6734200	86-3	A0G6746000	87-7	A0G6813300	69-7
A0G6601300	22-23	A0G6712701	81-18	A0G6734300	85-11	A0G6746200	91-24	A0G6813600	68-30
A0G6601300	31-23	A0G6712800	80-18	A0G6734500	85-7	A0G6746300	91-25	A0G6813700	63-29
A0G6601500	22-3	A0G6712900	80-17	A0G6736300	90-4	A0G6746901	85-2	A0G6813900	62-4
A0G6601500	31-3	A0G6713200	80-14	A0G6736800	86-12	A0G6747001	87-11	A0G6814000	63-16
A0G6601600	22-1	A0G6713600	81-3	A0G6736900	86-25	A0G6747903	85-25	A0G6814200	69-19
A0G6601600	31-1	A0G6714100	80-34	A0G6737200	86-22	A0G6748100	87-9	A0G6814300	67-23
A0G6601700	22-24	A0G6714200	81-21	A0G6737900	86-24	A0G6748311	89-21	A0G6814400	67-22
A0G6601700	31-24	A0G6714300	80-28	A0G6738000	86-23	A0G6748500	88-30	A0G6815600	70-16
A0G6601900	21-23	A0G6714600	81-26	A0G6738500	89-16	A0G6748600	88-9	A0G6815900	68-5
A0G6601900	30-23	A0G6714700	81-30	A0G6738611	89-19	A0G6748711	88-29	A0G6816100	8-8
A0G6602100	28-26	A0G6717100	81-14	A0G6738711	89-25	A0G6748811	88-11	A0G6816200	8-1
A0G6602100	37-26	A0G6725001	88-5	A0G6738800	89-32	A0G6748900	88-8	A0G6816400	61-10

Parts No.	Page No.	Parts No.	Page No.	Parts No.	Page No.	Parts No.	Page No.	Parts No.	Page No.
A0G6816500	61-11	A0G6841800	79-23	A0G6846800	76-8	A0G6H32000	12-24	A0G6N18400	14-14
A0G6816600	66-22	A0G6841901	79-15	A0G6848400	61-3	A0G6J34000	101-12	A0G6N19200	66-19
A0G6816701	66-23	A0G6842200	76-6	A0G6848500	78-11	A0G6M10100	15-21	A0G6N19300	66-21
A0G6816900	63-13	A0G6842323	79-17	A0G6848600	78-18	A0G6M10100	20-7	A0G6N19400	66-20
A0G6817301	71-3	A0G6842500	76-12	A0G6848700	78-17	A0G6M33000	87-6	A0G6N19900	70-19
A0G6818200	63-23	A0G6842600	76-25	A0G6849100	77-14	A0G6M40101	113-28	A0G6N20500	62-9
A0G6818200	68-21	A0G6842700	79-25	A0G6849200	77-13	A0G6M40200	66-17	A0G6N20600	72-31
A0G6818300	62-5	A0G6842800	76-15	A0G6942500	76-7	A0G6M40400	110-11	A0G6N21400	63-31
A0G6818300	63-25	A0G6842900	79-9	A0G6942600	66-15	A0G6M45400	107-3	A0G6N21500	63-35
A0G6818300	64-23	A0G6843000	79-8	A0G6942901	2-20	A0G6M50801	58-9	A0G6N22202	68-34
A0G6818300	68-29	A0G6843101	76-2	A0G6943101	107-11	A0G6M60200	107-14	A0G6N22500	98-13
A0G6818600	70-9	A0G6843200	76-22	A0G6944500	116-11	A0G6M60300	3-12	A0G6N22600	111-25
A0G6818800	63-17	A0G6843301	79-6	A0G6945100	80-10	A0G6M75501	14-4	A0GY738300	84-1
A0G6818900	69-18	A0G6843401	79-1	A0G6945400	60-8	A0G6M92600	12-16	A0HR223700	11-9
A0G6819000	69-24	A0G6843501	79-4	A0G6945500	82-22	A0G6M93100	13-15	A0P0144300	7-1
A0G6819100	69-23	A0G6843601	79-19	A0G6945601	88-34	A0G6M93200	109-12	A0P0M73100	14-10
A0G6819200	69-13	A0G6843800	77-20	A0G6945700	79-16	A0G6N10500	112-6	A0PNM10200	16-1
A0G6819300	69-15	A0G6843800	79-13	A0G6945800	61-1	A0G6N10603	89-20	A0PNM10200	17-14
A0G6819400	62-6	A0G6843901	79-21	A0G6945900	91-5	A0G6N10801	89-1	A0PNM10200	18-17
A0G6819500	8-5	A0G6844101	76-5	A0G6946000	71-33	A0G6N10903	89-2	A0PNM10200	19-11
A0G6819600	8-7	A0G6844200	77-21	A0G6946100	68-27	A0G6N11200	112-3	A0PNM10200	48-10
A0G6819700	8-4	A0G6844300	76-11	A0G6946200	64-15	A0G6N12000	107-15	A0PNM10200	78-15
A0G6819800	8-3	A0G6844413	76-4	A0G6947300	60-6	A0G6N13300	26-10	A0R5M10300	17-29
A0G6819900	8-6	A0G6844500	76-3	A0G6947411	2-23	A0G6N13300	35-10	A0R5M10300	66-14
A0G6830101	60-1	A0G6844611	76-9	A0G6947501	48-11	A0G6N13801	48-8	A0TK397501	72-1
A0G6830200	61-2	A0G6844700	79-26	A0G6947803	26-1	A0G6N13A00	50-16	A0U0945401	21-1
A0G6830301	60-5	A0G6844800	79-14	A0G6947803	35-1	A0G6N13E00	50-16	A0U0945501	30-1
A0G6835100	63-4	A0G6844900	76-13	A0G6950501	12-19	A0G6N14500	47-12	A0WJM10000	11-7
A0G6835200	63-3	A0G6845100	77-7	A0G6950501	55-4	A0G6N15003	112-2	A0WJM10000	47-2
A0G6835300	60-2	A0G6845200	77-8	A0G6950501	97-6	A0G6N15101	96-9	A0Y5134500	113-14
A0G6835500	60-3	A0G6845500	76-26	A0G6950501	104-2	A0G6N15201	12-14	A0Y5134700	111-22
A0G6835500	100-10	A0G6845600	79-3	A0G6950601	98-21	A0G6N15303	96-11	A0Y5134700	113-15
A0G6836102	63-32	A0G6845700	77-4	A0G6950701	39-11	A0G6N15404	12-25	A0Y5162000	1-28
A0G6836200	63-34	A0G6845700	79-24	A0G6950701	98-16	A0G6N15500	112-1	A0Y5162000	2-35
A0G6836400	60-4	A0G6845900	76-24	A0G6950801	96-6	A0G6N15600	93-19	A0Y5176301	95-4
A0G6840900	79-11	A0G6845900	77-5	A0G6950801	99-13	A0G6N15700	113-8	A0Y5196300	13-12
A0G6841300	77-18	A0G6846100	78-10	A0G6950801	100-7	A0G6N15800	113-7	A0Y5196400	13-2
A0G6841401	76-18	A0G6846300	77-3	A0G6951001	82-9	A0G6N17200	62-10	A0Y5227500	18-34
A0G6841501	76-17	A0G6846500	76-23	A0G6951101	41-14	A0G6N18201	13-20	A0Y5227500	20-15
A0G6841700	77-10	A0G6846600	77-22	A0G6H06000	14-9	A0G6N18300	13-19	A0Y5227600	18-33

Parts No.	Page No.	Parts No.	Page No.	Parts No.	Page No.	Parts No.	Page No.	Parts No.	Page No.
A0Y5265000	93-3	A4EU104000	6-15	A4EU130500	111-15	A4EU166100	2-8	A4EU334300	101-17
A0Y5344900	99-16	A4EU105100	7-18	A4EU130801	112-15	A4EU190413	14-8	A4EU334400	101-18
A0Y5344900	100-3	A4EU106000	6-1	A4EU130900	8-9	A4EU194100	14-16	A4EU334500	101-19
A0Y5351500	102-35	A4EU107000	4-22	A4EU131100	111-19	A4EU194200	14-28	A4EU341000	100-30
A0Y5373601	59-3	A4EU109600	11-32	A4EU131100	113-12	A4EU210900	17-15	A4EU341100	98-23
A0Y5378600	59-11	A4EU109700	11-33	A4EU131201	3-14	A4EU211000	17-4	A4EU346800	99-14
A0Y5406400	50-13	A4EU109800	11-3	A4EU131400	113-17	A4EU211300	17-21	A4EU349100	99-3
A0Y5601600	28-3	A4EU109900	11-31	A4EU132201	109-4	A4EU215101	18-4	A4EU349200	99-21
A0Y5601600	37-3	A4EU110100	110-9	A4EU133400	111-14	A4EU218000	17-18	A4EU349300	99-17
A0Y5713100	80-36	A4EU110200	108-4	A4EU133500	111-8	A4EU218100	17-22	A4EU352000	47-18
A0Y5942100	1-5	A4EU110301	110-8	A4EU133601	111-16	A4EU222000	18-16	A4EU358600	47-29
A0Y5A26212	93-18	A4EU111900	108-1	A4EU133700	111-9	A4EU230800	20-20	A4EU362200	10-10
A0Y5M10400	53-5	A4EU112000	108-2	A4EU133800	111-13	A4EU230900	20-19	A4EU365000	11-29
A0Y5M15101	4-14	A4EU112300	115-2	A4EU134800	110-16	A4EU231000	20-21	A4EU375100	59-3
A0Y5M15101	8-29	A4EU112501	11-48	A4EU135601	5-18	A4EU233600	15-22	A4EU375200	59-3
A0Y5M15101	11-6	A4EU112800	110-6	A4EU136000	111-7	A4EU235000	20-11	A4EU377000	59-22
A0Y5M30800	41-8	A4EU114000	7-21	A4EU136100	56-14	A4EU235200	20-17	A4EU377100	59-24
A0Y5M55100	81-17	A4EU114111	7-22	A4EU138000	111-21	A4EU235400	20-18	A4EU377200	59-25
A0Y5M60100	12-12	A4EU114211	7-23	A4EU138000	113-11	A4EU235500	20-3	A4EU378200	59-26
A0Y5M90101	53-18	A4EU116000	7-8	A4EU160100	1-35	A4EU235700	20-24	A4EU380300	59-8
A0Y5N13500	12-21	A4EU116100	7-5	A4EU160201	2-25	A4EU238100	20-25	A4EU390100	39-8
A0Y5N19600	111-17	A4EU117002	11-34	A4EU160300	2-13	A4EU238200	20-4	A4EU390800	39-10
A1DUPJG100	114-14	A4EU117101	11-2	A4EU160500	1-3	A4EU239000	15-11	A4EU391311	39-3
A1RF529100	74-16	A4EU117200	11-46	A4EU160700	2-15	A4EU239100	15-20	A4EU392600	39-6
A1RF529100	75-7	A4EU117900	5-16	A4EU161000	2-17	A4EU239200	15-8	A4EU394600	39-4
A1RF529300	83-5	A4EU118200	7-6	A4EU161101	1-1	A4EU247600	19-13	A4EU394700	39-9
A1RF710900	17-24	A4EU118300	7-7	A4EU161201	2-6	A4EU251000	16-11	A4EU400800	51-7
A1RF723901	9-5	A4EU118300	110-7	A4EU161212	2-6	A4EU252000	16-3	A4EU401900	101-14
A1RFM15100	111-12	A4EU118501	4-6	A4EU161301	1-6	A4EU258200	11-11	A4EU411100	51-11
A1RFM51000	89-34	A4EU118900	5-17	A4EU161400	2-36	A4EU258300	11-10	A4EU413300	49-13
A1RFM51000	90-24	A4EU119100	7-9	A4EU161800	2-19	A4EU258500	11-42	A4EU413900	49-26
A1RFM51000	91-26	A4EU119200	5-6	A4EU162800	1-37	A4EU258600	11-41	A4EU414700	50-7
A1RFN28300	14-29	A4EU119400	7-4	A4EU162900	1-38	A4EU263100	92-28	A4EU415100	49-28
A1TT211400	69-11	A4EU119500	11-37	A4EU163500	2-34	A4EU265000	27-14	A4EU430700	56-8
A1TT214301	20-2	A4EU119600	7-3	A4EU164000	45-12	A4EU265000	36-14	A4EU430700	57-8
A1TVM10100	16-19	A4EU119700	11-38	A4EU164300	2-2	A4EU265000	68-4	A4EU462800	41-9
A1UDM50100	22-32	A4EU119800	11-39	A4EU164500	2-9	A4EU265000	92-26	A4EU463000	40-13
A1UDM50100	25-10	A4EU119900	11-40	A4EU165100	26-20	A4EU332200	101-16	A4EU464000	40-18
A1UDM50100	31-32	A4EU120100	6-9	A4EU165100	35-20	A4EU332900	100-18	A4EU464200	40-2
A1UDM50100	34-10	A4EU130400	111-20	A4EU166000	2-16	A4EU333803	97-5	A4EU464700	41-1

Parts No.	Page No.	Parts No.	Page No.	Parts No.	Page No.	Parts No.	Page No.	Parts No.	Page No.
A4EU465000	41-26	A4EU602300	33-13	A4EU705700	45-25	A4EU748401	90-15	A4EU824100	68-13
A4EU500400	83-2	A4EU603100	21-9	A4EU710100	80-37	A4EU755600	91-10	A4EU835600	63-21
A4EU500600	82-3	A4EU603100	30-9	A4EU710400	81-15	A4EU810300	64-17	A4EU835700	71-38
A4EU503800	82-6	A4EU603200	21-8	A4EU710600	81-24	A4EU810400	64-27	A4EU840400	77-12
A4EU505100	72-35	A4EU603200	30-8	A4EU710800	80-3	A4EU810701	67-4	A4EU840500	77-11
A4EU505500	72-9	A4EU603300	21-12	A4EU713400	81-8	A4EU810900	70-7	A4EU840700	77-9
A4EU505600	72-16	A4EU603300	30-12	A4EU713500	80-8	A4EU811000	66-1	A4EU840800	77-6
A4EU506800	72-3	A4EU603400	21-2	A4EU713700	81-4	A4EU811300	70-1	A4EU842100	76-16
A4EU508800	72-26	A4EU603400	30-2	A4EU713800	81-5	A4EU811900	67-9	A4EU843700	76-19
A4EU508900	72-15	A4EU603500	21-5	A4EU714400	80-30	A4EU812000	66-2	A4EU846100	78-19
A4EU509700	73-18	A4EU603500	30-5	A4EU715000	61-6	A4EU812200	65-10	A4EU847000	77-15
A4EU510600	75-3	A4EU603600	21-14	A4EU715400	81-23	A4EU812500	65-12	A4EU847200	77-28
A4EU510900	74-20	A4EU603600	30-14	A4EU715500	42-27	A4EU813000	64-4	A4EU848600	78-20
A4EU512100	74-2	A4EU606100	21-7	A4EU715500	77-19	A4EU813400	65-13	A4EU848800	78-16
A4EU515200	74-32	A4EU606100	30-7	A4EU715500	79-12	A4EU813801	65-18	A4EU848900	78-13
A4EU519200	73-11	A4EU620100	23-24	A4EU715500	84-2	A4EU814600	65-19	A4EU849300	79-5
A4EU519300	72-36	A4EU620100	24-22	A4EU716100	61-5	A4EU814701	62-7	A4EU896100	84-5
A4EU525500	66-13	A4EU620100	32-24	A4EU718100	80-27	A4EU814800	64-28	A4EU942800	48-12
A4EU530300	106-9	A4EU620100	33-22	A4EU718200	80-22	A4EU814900	64-30	A4EU943000	22-14
A4EU531000	103-18	A4EU620200	27-9	A4EU725400	90-17	A4EU815100	70-10	A4EU943000	31-14
A4EU537000	103-15	A4EU620200	36-9	A4EU725700	85-3	A4EU817100	68-7	A4EU943200	24-3
A4EU537400	104-6	A4EU621100	27-6	A4EU725800	86-10	A4EU817200	68-8	A4EU943200	33-3
A4EU537700	103-26	A4EU621100	36-6	A4EU727900	88-33	A4EU817400	68-6	A4EU943300	49-15
A4EU537800	103-24	A4EU700600	43-17	A4EU731200	90-2	A4EU817500	69-17	A4EU943300	56-10
A4EU537900	103-25	A4EU700900	44-4	A4EU731500	85-14	A4EU817600	68-9	A4EU943300	96-5
A4EU538000	103-20	A4EU701200	43-12	A4EU732300	85-27	A4EU817700	63-11	A4EU943400	53-1
A4EU538200	103-21	A4EU701300	43-16	A4EU732602	85-28	A4EU817700	69-16	A4EU943400	56-11
A4EU538300	103-22	A4EU701500	43-13	A4EU735012	86-15	A4EU817800	71-9	A4EU943400	96-8
A4EU538400	103-23	A4EU701600	42-6	A4EU739412	86-21	A4EU817900	67-14	A4EU943500	53-2
A4EU538600	104-3	A4EU701600	45-14	A4EU742800	86-7	A4EU818000	64-6	A4EU943500	57-10
A4EU538700	103-27	A4EU701900	42-15	A4EU746124	91-17	A4EU818000	66-26	A4EU943600	49-10
A4EU560000	5-10	A4EU702000	43-5	A4EU746401	90-26	A4EU818000	71-13	A4EU943600	57-11
A4EU560200	5-12	A4EU702300	43-26	A4EU746501	90-23	A4EU818000	80-5	A4EU944200	1-34
A4EU565600	29-15	A4EU702700	45-22	A4EU747100	87-14	A4EU820400	64-5	A4EU947001	80-11
A4EU565600	38-15	A4EU703700	43-28	A4EU747200	90-12	A4EU821100	64-18	A4EU947600	51-1
A4EU602100	27-18	A4EU703800	45-19	A4EU747300	90-21	A4EU821200	64-14	A4EU947900	50-23
A4EU602100	36-18	A4EU704200	42-4	A4EU747400	91-27	A4EU821400	69-20	A4EU992600	41-27
A4EU602300	23-13	A4EU704300	42-2	A4EU747500	91-14	A4EU822100	68-24	A4EUF33301	99-12
A4EU602300	24-13	A4EU704400	42-8	A4EU747600	87-13	A4EU823100	42-26	A4EUF33900	100-6
A4EU602300	32-13	A4EU705400	45-24	A4EU747700	86-11	A4EU823100	64-22	A4EUF60701	26-18

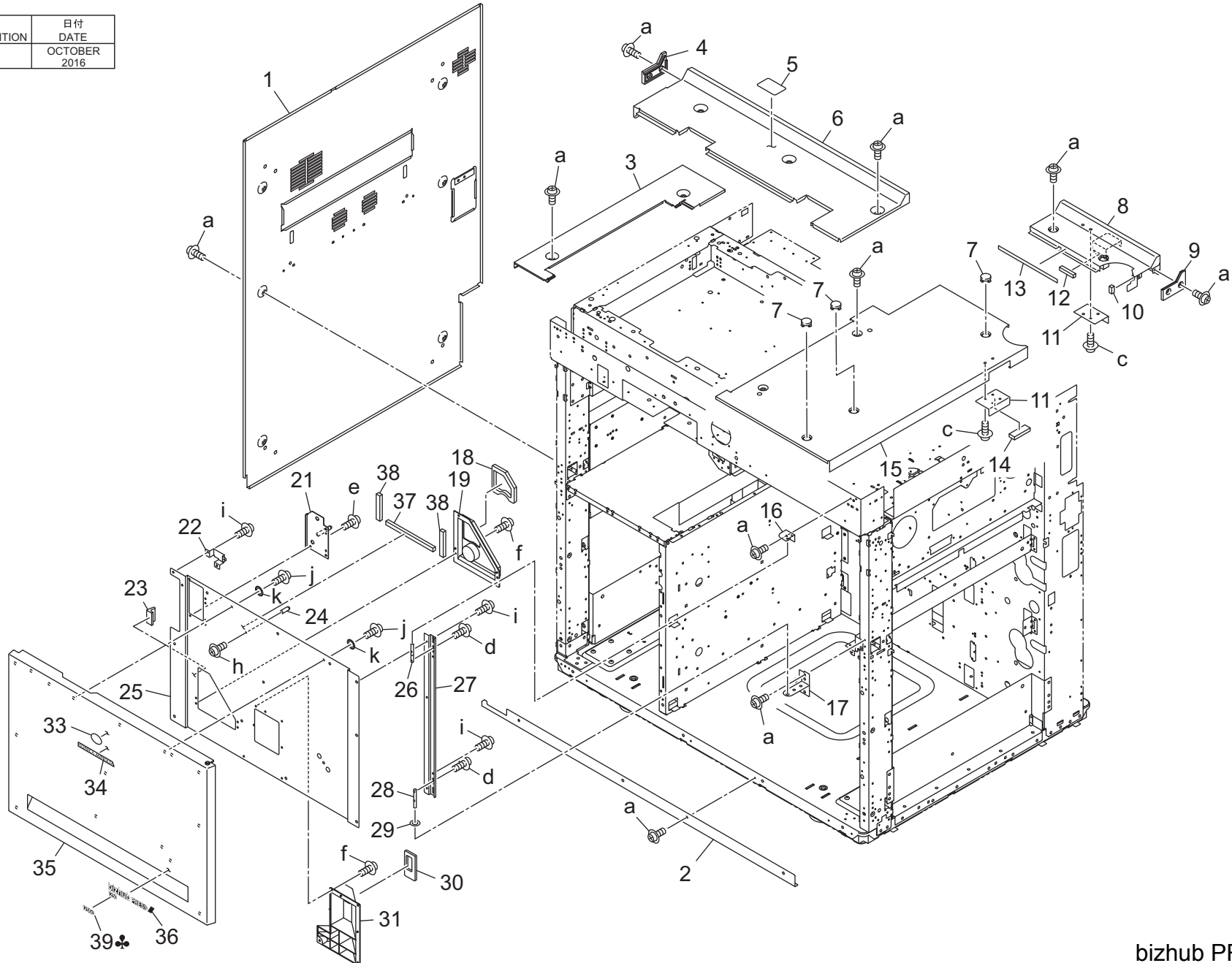
Parts No.	Page No.	Parts No.	Page No.	Parts No.	Page No.	Parts No.	Page No.	Parts No.	Page No.
A4EUF60701	35-18	A4EUM96000	109-21	A4EUN17100	111-23	A4EUR70D44	61-9	A4EUR71K00	4-3
A4EUH01003	113-16	A4EUM96200	4-1	A4EUN17600	18-13	A4EUR70F00	104-13	A4EUR71M00	4-24
A4EUH02001	109-11	A4EUM96600	113-3	A4EUN18100	14-13	A4EUR70G00	105-29	A4EUR71N00	112-13
A4EUH03004	109-5	A4EUM96700	2-14	A4EUN18500	19-12	A4EUR70H00	105-23	A4EUR71Q00	17-31
A4EUH04001	14-15	A4EUN10101	107-7	A4EUN18600	19-26	A4EUR70J00	103-10	A4EUR71R00	18-18
A4EUH07000	62-12	A4EUN10200	108-11	A4EUN18800	65-11	A4EUR70K00	105-26	A4EUR71S00	18-24
A4EUH08001	70-12	A4EUN10300	8-17	A4EUN18900	13-22	A4EUR70N00	43-9	A4EUR71T11	20-28
A4EUH11000	111-18	A4EUN10401	107-17	A4EUN19700	63-15	A4EUR70P00	87-12	A4EUR71U00	20-12
A4EUH31001	12-18	A4EUN10700	107-2	A4EUN19800	61-16	A4EUR70Q11	85-26	A4EUR71V00	20-23
A4EUH51000	108-10	A4EUN11001	108-8	A4EUN20000	16-17	A4EUR70T00	85-13	A4EUR71W00	19-27
A4EUH88000	80-39	A4EUN11100	112-24	A4EUN20100	68-2	A4EUR70U00	88-7	A4EUR71X00	19-28
A4EUH89000	80-40	A4EUN11112	112-24	A4EUN20700	79-28	A4EUR70V00	88-1	A4EUR71Y00	19-25
A4EUM10100	20-26	A4EUN11400	8-24	A4EUN20800	64-1	A4EUR70W00	50-1	A4EUR72000	16-2
A4EUM30101	94-11	A4EUN11501	109-13	A4EUN20900	79-22	A4EUR70X00	50-2	A4EUR72100	47-4
A4EUM40100	94-5	A4EUN11600	56-15	A4EUN21000	76-21	A4EUR70Y00	56-5	A4EUR72200	54-20
A4EUM45101	108-12	A4EUN11600	110-17	A4EUN21600	71-7	A4EUR71000	57-5	A4EUR72311	52-26
A4EUM45200	110-10	A4EUN11801	12-22	A4EUN21700	70-5	A4EUR71100	104-23	A4EUR72400	52-17
A4EUM50100	92-14	A4EUN11900	8-22	A4EUN22100	4-7	A4EUR71200	104-24	A4EUR72500	52-22
A4EUM60000	3-13	A4EUN12101	8-2	A4EUN22300	48-3	A4EUR71300	106-12	A4EUR72600	52-24
A4EUM60401	107-10	A4EUN12200	108-7	A4EUN25101	109-22	A4EUR71411	28-12	A4EUR72700	52-9
A4EUM75400	14-7	A4EUN12301	3-15	A4EUN25200	44-6	A4EUR71411	29-14	A4EUR72800	82-16
A4EUM75800	14-30	A4EUN12400	17-9	A4EUN25300	104-5	A4EUR71411	37-12	A4EUR72900	82-1
A4EUM77000	111-10	A4EUN12600	6-2	A4EUN25500	104-7	A4EUR71411	38-14	A4EUR72A00	6-5
A4EUM91300	1-12	A4EUN12800	4-16	A4EUN25600	110-15	A4EUR71511	29-8	A4EUR72B00	111-24
A4EUM91400	1-10	A4EUN12900	4-17	A4EUN25702	80-38	A4EUR71511	38-8	A4EUR72C00	15-13
A4EUM91500	1-14	A4EUN13001	89-22	A4EUN28500	14-31	A4EUR71600	44-23	A4EUR72D00	50-4
A4EUM91700	2-7	A4EUN13100	6-26	A4EUPP0000	114-15	A4EUR71700	4-10	A4EUR72E00	49-14
A4EUM91800	12-17	A4EUN14100	100-1	A4EUR70000	74-1	A4EUR71800	4-13	A4EUR72F00	49-1
A4EUM92000	2-18	A4EUN14200	101-8	A4EUR70100	68-1	A4EUR71900	6-24	A4EUR72G00	51-12
A4EUM92100	1-13	A4EUN14304	41-3	A4EUR70200	101-13	A4EUR71A00	6-20	A4EUR72H11	28-5
A4EUM92100	113-10	A4EUN14400	47-3	A4EUR70322	58-14	A4EUR71A11	6-20	A4EUR72H11	37-5
A4EUM92400	4-2	A4EUN14700	55-12	A4EUR70411	39-1	A4EUR71B00	6-25	A4EUR72J11	28-8
A4EUM92500	4-4	A4EUN14800	101-2	A4EUR70500	54-25	A4EUR71C00	11-8	A4EUR72J11	37-8
A4EUM92500	98-14	A4EUN14900	55-8	A4EUR70600	54-18	A4EUR71D00	9-9	A4EUR72K11	28-27
A4EUM92700	113-6	A4EUN16002	64-10	A4EUR70722	40-1	A4EUR71E00	10-1	A4EUR72K11	37-27
A4EUM92800	12-5	A4EUN16100	67-16	A4EUR70800	40-16	A4EUR71E11	10-1	A4EUR72M11	26-6
A4EUM92800	93-20	A4EUN16300	81-12	A4EUR70900	40-17	A4EUR71F00	10-2	A4EUR72M11	35-6
A4EUM92900	111-29	A4EUN16400	73-16	A4EUR70A11	61-4	A4EUR71G00	9-22	A4EUR72N11	25-22
A4EUM94000	93-22	A4EUN16800	66-28	A4EUR70B00	83-17	A4EUR71H00	9-3	A4EUR72N11	34-22
A4EUM96000	9-11	A4EUN16900	63-30	A4EUR70C00	82-11	A4EUR71J00	4-21	A4EUR72P11	29-1

Parts No.	Page No.	Parts No.	Page No.	Parts No.	Page No.	Parts No.	Page No.	Parts No.	Page No.
A4EUR72P11	38-1	A4EUR73Q00	64-20	A4EUR75100	2-21	A4EUR76H00	11-45	A799117800	6-18
A4EUR72Q11	21-22	A4EUR73Q00	65-20	A4EUR75200	2-29	A4EUR76J00	96-12	A799166800	1-26
A4EUR72Q11	30-22	A4EUR73Q00	68-33	A4EUR75300	96-10	A4EUR76K00	111-27	A799463500	41-28
A4EUR72R11	24-8	A4EUR73R11	68-19	A4EUR75400	96-7	A4EUR76M00	111-27	A799732500	85-19
A4EUR72R11	33-8	A4EUR73S11	69-2	A4EUR75611	97-7	A4EUR76N00	107-5	A799741500	90-19
A4EUR72S11	23-10	A4EUR73T00	69-1	A4EUR75700	99-4	A4EUR76P00	102-36	A799840600	77-17
A4EUR72S11	32-10	A4EUR73U00	61-7	A4EUR75800	101-9	A4EUR76R00	12-1	A799846400	78-9
A4EUR72T11	25-11	A4EUR73V00	67-10	A4EUR75911	100-16	A4EUR76W00	113-9	A85CM55500	103-16
A4EUR72T11	34-11	A4EUR73W00	63-28	A4EUR75C00	100-20	A4EUR76X00	12-26	A85CM55600	53-15
A4EUR72U11	22-4	A4EUR73X00	63-18	A4EUR75D00	100-24	A4EUR76Y00	12-26	A9JT167000	2-27
A4EUR72U11	31-4	A4EUR74011	61-15	A4EUR75E00	101-7	A4EUR77000	12-26	A9JT532700	104-26
A4EUR72V11	22-21	A4EUR74100	71-2	A4EUR75F00	58-8	A4EUR77100	12-26	A9JT533000	103-17
A4EUR72V11	31-21	A4EUR74300	66-6	A4EUR75G00	59-23	A4EUR77211	91-28	A9JT533100	103-7
A4EUR72W11	23-4	A4EUR74400	71-1	A4EUR75H00	58-1	A4EUR77300	72-38	A9JT534800	106-25
A4EUR72W11	32-4	A4EUR74500	81-10	A4EUR75J00	41-25	A4EUR90000	5-9	A9JT534900	106-13
A4EUR72X11	23-17	A4EUR74600	81-33	A4EUR75K00	97-9	A4EURA1E00	111-11	A9JT535300	106-21
A4EUR72X11	32-17	A4EUR74700	80-33	A4EUR75P00	104-19	A4EURA2E00	111-3	A9JT536500	104-21
A4EUR72Y00	42-10	A4EUR74800	81-6	A4EUR75Q00	105-18	A4EV944100	1-36	A9JT536600	106-22
A4EUR73000	44-1	A4EUR74900	79-2	A4EUR75R00	104-10	A4EV944300	1-39	A9JT539700	105-13
A4EUR73100	42-24	A4EUR74A00	79-7	A4EUR75S00	106-10	A4EVN11300	112-22	A9JTR71500	105-34
A4EUR73200	91-13	A4EUR74B11	78-14	A4EUR75U11	97-1	A4EW845900	79-27	A9JTR71611	103-1
A4EUR73300	85-12	A4EUR74C00	113-20	A4EUR75V22	48-13	A4F3905000	21-6	A9JTR71611	103-1
A4EUR73400	85-20	A4EUR74D00	12-15	A4EUR75V22	48-13	A4F3905000	30-6	A9JTR71T00	104-27
A4EUR73500	85-18	A4EUR74E00	1-21	A4EUR75W00	115-3	A50UM55500	3-11	A9JTR72800	106-23
A4EUR73600	88-21	A4EUR74F11	12-1	A4EUR75X00	116-16	A50UM55500	11-12	A9JTR73300	105-29
A4EUR73700	86-19	A4EUR74H11	12-1	A4EUR75Y00	107-5	A50UM55500	25-19	A9JTR73400	105-23
A4EUR73800	90-1	A4EUR74J00	13-3	A4EUR76000	107-5	A50UM55500	34-19	A9JTR73500	104-23
A4EUR73900	90-5	A4EUR74K00	17-30	A4EUR76100	107-5	A50UM55500	41-2	SP00-0022	89-5
A4EUR73A00	61-14	A4EUR74M00	94-10	A4EUR76200	15-17	A50UM55500	47-23	SP00-0043	88-26
A4EUR73B00	72-28	A4EUR74N00	93-1	A4EUR76300	48-9	A50UM55500	53-15	V114040604	116-9
A4EUR73C00	72-18	A4EUR74P00	93-14	A4EUR76400	48-9	A50UM55500	56-12	V118040804	116-7
A4EUR73D00	74-3	A4EUR74R00	79-29	A4EUR76600	48-9	A50UM55500	57-12	V121030603	116-6
A4EUR73E00	74-4	A4EUR74S00	93-4	A4EUR76A00	42-13	A50UM55500	73-17	V121030803	116-2
A4EUR73F00	74-13	A4EUR74T00	95-3	A4EUR76B00	87-21	A50UM55500	103-16	V121040603	116-8
A4EUR73G00	75-2	A4EUR74U00	95-1	A4EUR76C00	87-20	A5AW745200	87-2	V127030604	116-15
A4EUR73H00	75-4	A4EUR74V00	56-1	A4EUR76D00	90-11	A5AW947200	108-13	V234201850	18-15
A4EUR73J00	75-13	A4EUR74W00	57-2	A4EUR76E00	90-20	A5AWP00100	114-13	V502010007	70-13
A4EUR73K00	75-11	A4EUR74X00	56-2	A4EUR76F00	84-17	A5AWP00100	114-13	V502010009	109-6
A4EUR73M00	75-19	A4EUR74Y00	57-1	A4EUR76G00	11-44	A5AY943100	108-14	V502010016	92-17
A4EUR73Q00	62-3	A4EUR75000	2-30	A4EUR76G11	11-44	A5AY943100	110-18	V502010021	62-13

Parts No.	Page No.
V502010029	109-8
V502010032	18-14
V502010032	109-9
V502010032	110-4
V502010033	107-4
V502010033	108-5
V502010033	113-25

EXTERNAL PARTS

改訂版 REVISED EDITION	日付 DATE
	OCTOBER 2016




bizhub PRESS 1052

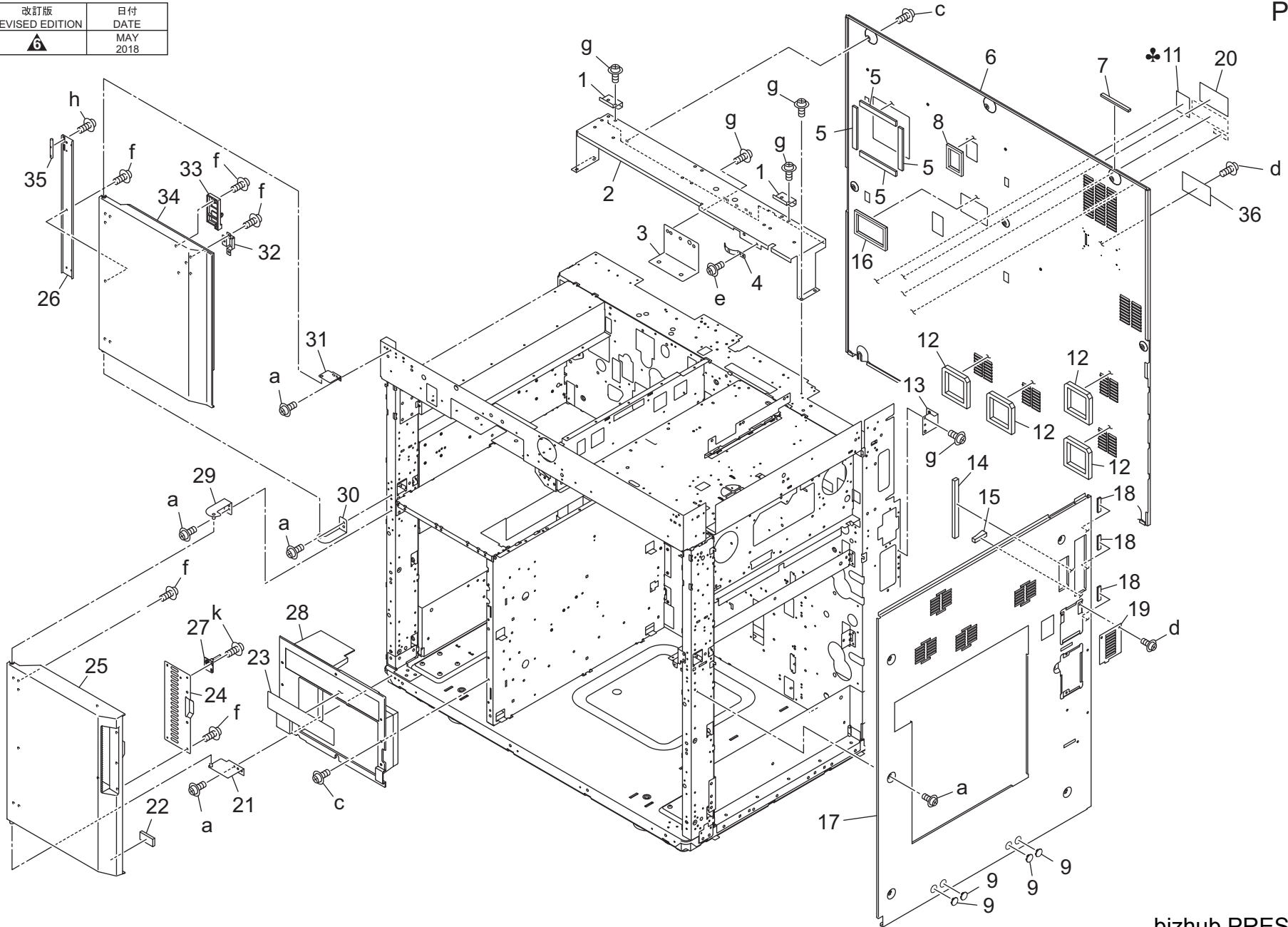
EXTERNAL PARTS

Key	Part No.	Description	Destinations	Class	QTY	Standard parts
1	A4EU161101	Cover /Left		C	1	a-V114040604
2	A0G6164800	Cover /Lower		D	1	c-V118030403
3	A4EU160500	Read Cover /Left		D	1	d-V118030604
4	56UA12160	Side Protection Cover /Left		C	1	e-V121030404
5	A0Y5942100	Caution Label /Upper		C	1	f-V127030604
6	A4EU161301	Read Cover /Rear		D	1	h-V121030603
7	56UA12460	Screw Cover		C	3	i-V151030804
8	A0G6160602	Ope. unit Cover /Rear		C	1	j-V151040804
9	56UA12150	Side Protection Cover /Right		C	1	k-V209040050
10	A4EUM91400	Gasket		D	1	
11	56UA12170	Wiring Cover		D	2	
12	A4EUM91300	Gasket		D	1	
13	A4EUM92100	Gasket		D	1	
14	A4EUM91500	Gasket		D	1	
15	A0G6160900	Read Cover /Right		C	1	
16	56UA12280	FRONT DOOR HINGE 2		D	1	
17	56UA12290	FRONT DOOR HINGE 3		D	1	
18	A0G6162100	Sealing Cushion /Left		C	1	
19	A0G6162000	Duct /Left Front		D	1	
21	A4EUR74E00	Ground Plate Caulking		D	1	
22	A0G6162400	Suction Plate		D	1	
23	56UA73570	Earth Cushion /B		C	1	
24	A0G6168600	Ground Shaft		D	1	
25	A0G6163201	Reinforce Door /Right		D	1	
26	A799166800	Rotation Shaft		D	1	
27	56UA12310	Hinge Mounting Plate /2		D	1	
28	A0Y5162000	Support Shaft		D	1	
29	57AA30260	Developing Agitating Spacer		C	1	
30	A0G6162200	Sealing Cushion /Right		C	1	
31	A0G6162700	Duct /Right Front		D	1	
33	A03U168500	Indicating Plate		C	1	
34	A4EU944200	Label /K KONICA MINOLTA		D	1	
35	A4EU160100	Door /Right		D	1	
36	A4EV944100	Label /H (PRESS 1052)		D	1	
37	A4EU162800	Sealing Part /A		D	1	
38	A4EU162900	Sealing Part /B		D	2	
39	A4EV944300	Label /I (1052e)		C	1	

EXTERNAL PARTS

改訂版 REVISED EDITION	日付 DATE
	MAY 2018

P 2



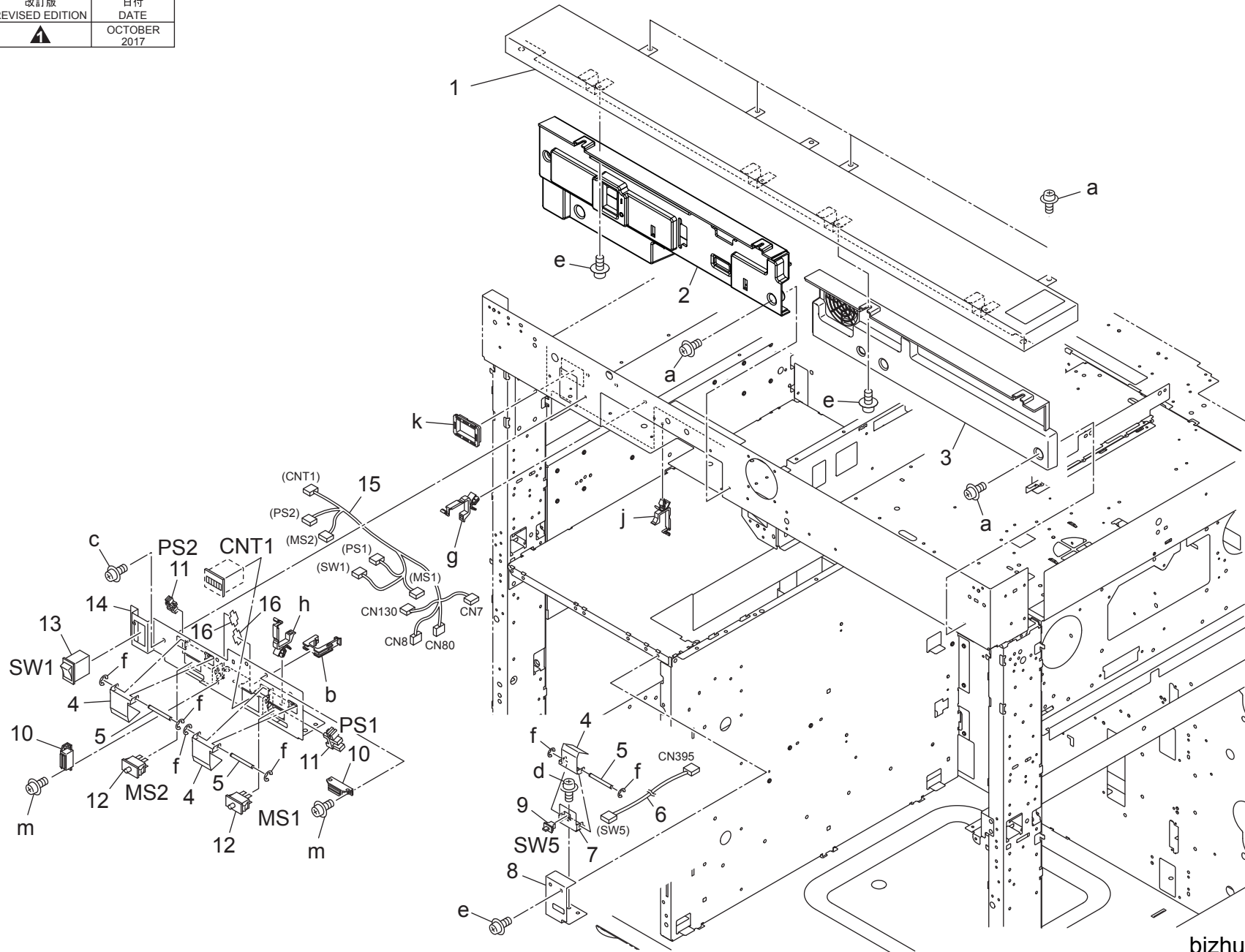
bizhub PRESS 1052

EXTERNAL PARTS

Key	Part No.	Description	Destinations	Class	QTY	Standard parts
1	56UA12720	External Reinforce Plate /3		D	2	a-V114040604
2	A4EU164300	Mounting Plate /3		D	1	c-V121040604
3	56UA12710E	EXTERNAL REINFORCE PLATE /2		D	1	d-V127030604
4	25SA66840D	Write Cover Spring		C	1	e-V121030603
5	A0G6168700	Seal /12		C	4	f-V151030804
6	A4EU161201Old	Cover /Rear		D	1	g-V121040603
6	A4EU161212	Cover /Rear		D	1	h-V118030604
7	A4EUM91700	Gasket		D	1	k-V125030803
8	A4EU166100	Heat blocking Seal /2		D	1	
9	A4EU164500	Auxiliary Cover /2		D	4	
11	56UA97321G	Caution Label /A	C	D	1	
12	A0G6168500	Seal /6		C	4	
13	A4EU160300	Mounting Plate /2		D	1	
14	A4EUM96700	Gasket		D	1	
15	A4EU160700	Protection Cushion /1		D	1	
16	A4EU166000	Heat blocking Seal /1		D	1	
17	A4EU161000	Cover /Right		D	1	
18	A4EUM92000	Gasket		D	3	
19	A4EU161800	Protection Plate		D	1	
20	A0G6942901	Caution Label /E		C	1	
21	A4EUR75100	Front Door Hinge Caulking/2		D	1	
22	55VA12460	Front Door Stopper Rubber		D	1	
23	A0G6947411	Operation Label /B		C	1	
24	A0G6163602	Auxiliary Cover		D	1	
25	A4EU160201	Toner supply Door		D	1	
26	A0G6163100	Reinforce Plate /Left		D	1	
27	A0G6163700Old	Open/Close Actuator		C	1	
27	A9JT167000	Adjusting Plate /Left		C	1	
28	A0G6356001	Protection Cover /1		C	1	
29	A4EUR75200	Front Door Hinge Caulking/3		D	1	
30	A4EUR75000	Front Door Hinge Caulking/1		D	1	
31	A0G6164101	Holding Hinge /Upper		C	1	
32	56UA12240	Magnet Stopper Plate		D	1	
33	56AA12400	EXTERNAL LOCKING COVER B		C	1	
34	A4EU163500	Door /Left		D	1	
35	A0Y5162000	Support Shaft		D	1	
36	A4EU161400	Cover		D	1	

EXTERNAL PARTS

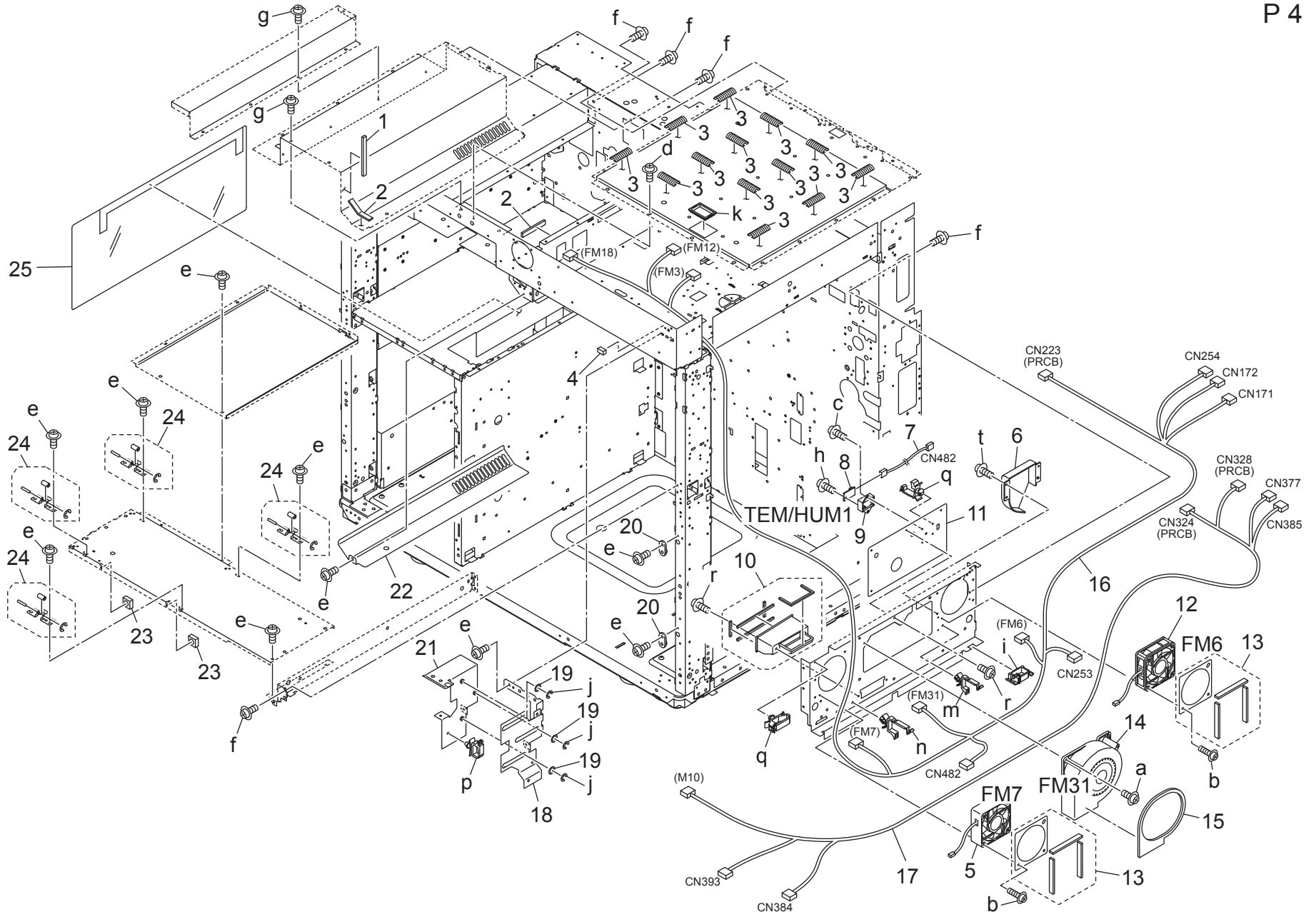
改訂版 REVISED EDITION	日付 DATE
▲	OCTOBER 2017



bizhub PRESS 1052

Key	Part No.	Description	Destinations	Class	QTY	Standard parts
1	A0G6160400Old	Front Cover		C	1	a-V114040604
1	A0G6160412	Front Cover		C	1	b-V570010028
2	A0G6163813Old	Cover /Left		C	1	c-V121040403
2	A0G6163814	Cover /Left		C	1	d-V121040603
3	A0G6163911	Cover /Right		C	1	e-V121040604
4	56UA12370	Door Detection Actuator		D	3	f-V217030001
5	55VA70110D	Door Detection Shaft		D	3	g-V500010003
6	56UA90160	DOOR DETECTION WIRING 2		D	1	h-V500010005
7	56UA12200	SWITCH FIXING PLATE		D	1	j-V500020100
8	56UA12210E	Switch Mounting Plate /2		D	1	k-V570010039
9	56UA85010	Switch		C	1	m-V118030603
10	A0G6411200	Magnet /X		D	2	
11	A50UM55500	Photo Sensor		I	2	
12	A0G6M60300	Interlock Switch		C	2	
13	A4EUM60000	Power source Switch		C	1	
14	A4EU131201	Wiring Plate /Front		D	1	
15	A4EUN12301	Interlock Detection harness		D	1	
16	4470402401	Stopper		D	2	

MAIN FRAME



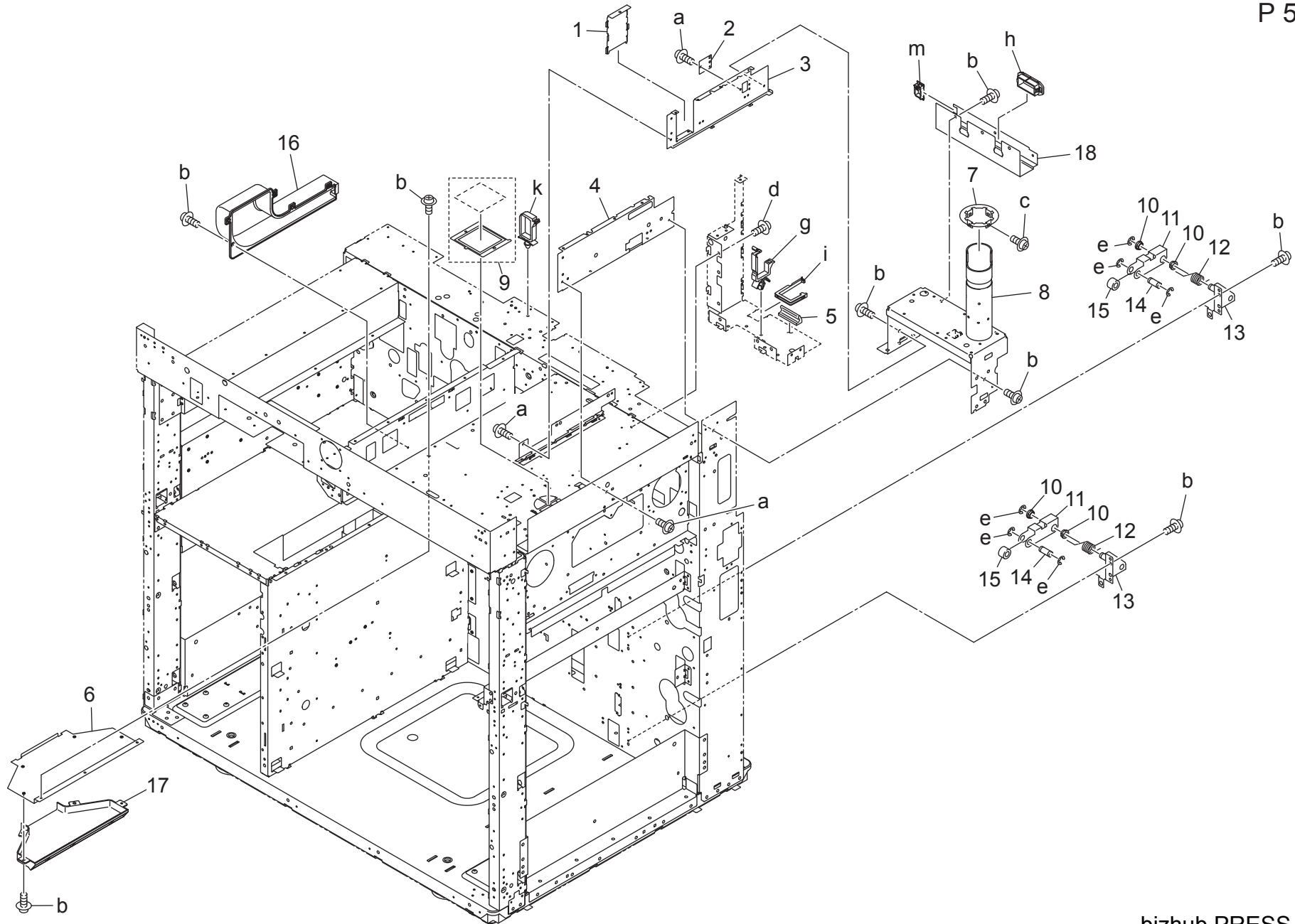
bizhub PRESS 1052

MAIN FRAME

Key	Part No.	Description	Destinations	Class	QTY	Standard parts
1	A4EUM96200	Gasket		D	1	a-V118040803
2	A4EUM92400	Gasket		D	2	b-V118043003
3	A4EUR71K00	Earth Spring Assy		D	13	c-V121030603
4	A4EUM92500	Gasket		D	1	d-V121040403
5	4139M10000	Fan motor		D	1	e-V121040603
6	A4EU118501	Cooling Duct /Right rear		B	1	f-V140040803
7	A4EUN22100	Temperature Detection harness		D	1	g-V141040803
8	65AA88080	Process Sensor		D	1	h-V149030803
9	65AA11300	SUPPORT PART		C	1	i-V570010063
10	A4EUR71700	Cooling Duct Assy		D	1	j-V217060001
11	A0G6106000	Cover Plate /Right		D	1	k-V570010039
12	13NT80511	Fan Motor /1		m-V500010003	1	n-V500010007
13	A4EUR71800	Fan Sealing Part/2 Assy		C	1	p-V500010005
14	A0Y5M15101	Suction Fan motor		C	2	q-V500020100
15	A0G6113500	Cooling Seal /Middle		C	1	r-V127040603
16	A4EUN12800	Cooling Wiring /1		C	1	t-V127030604
17	A4EUN12900	Toner Relay harness /1		D	1	
18	A0G6400502	Fixing Hinge		D	1	
19	55VA32530	SPACER		C	1	
20	173030270	Pin Holder A		C	3	
21	A4EUR71J00	Slide Hinge Caulking		C	2	
22	A4EU107000	Suction Cover		D	1	
23	57GA61560	SCREW PROTECTION CUSHION/1		D	1	
24	A4EUR71M00	Bottom Plate Lifting Part Assy		C	2	
25	A0G6119000	Scattering prevention Sheet		D	4	
				C	1	

MAIN FRAME

P 5

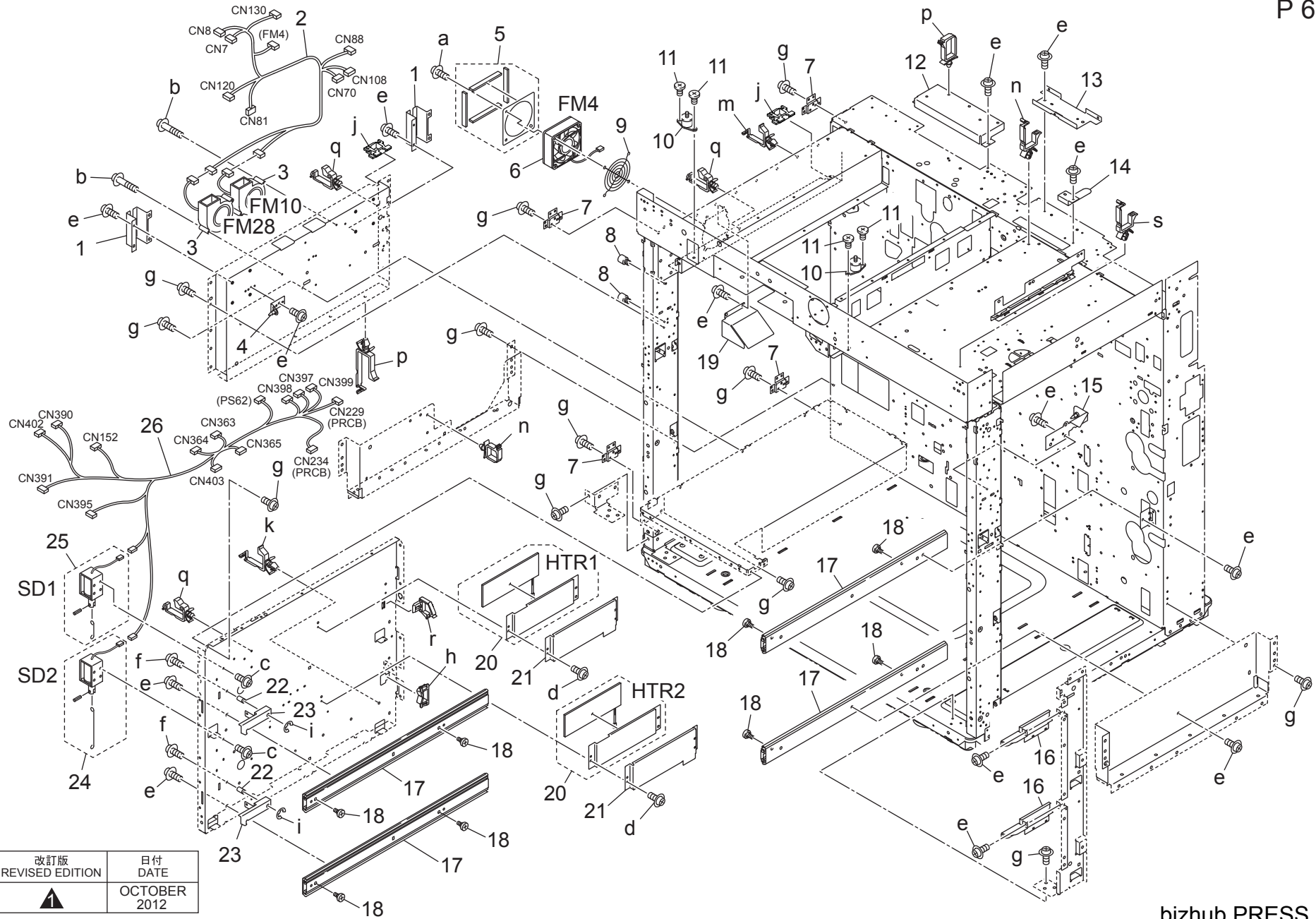


bizhub PRESS 1052


Key	Part No.	Description	Destinations	Class	QTY	Standard parts
1	56UA73300	Board Protection Cover		D	1	a-V121040403
2	A0G6131900	Shield Plate		D	1	b-V121040603
3	A0G6131500	Support Rail /G		D	1	c-V127040603
4	56UA73130	IMAGE PROCESSING RAIL /LEFT		D	1	d-V140040803
5	56UA73570	Earth Cushion /B		C	1	e-V217060001
6	A4EU119200	Ozone Base frame /1		D	1	g-V500010007
7	56UA70540	Ope Unit Positioning Plate /L		D	1	h-V570010037
8	A0G6101701	Mounting Pedestal		D	1	i-V570010048
9	A4EUR90000	Charging Filter Kit		B	1	k-V500010013
10	A4EU560000	Drive Bushing		C	4	m-V570010063
11	56UA15540	Lock Plate		D	2	
12	A4EU560200	Lock Spring		D	2	
13	56UA-1930	Paper Feed Lock Panel Assy		D	2	
14	048610110	Lock Shaft /A		D	2	
15	56UA75020	TRAY LOCK BUSHING		C	2	
16	A4EU117900	Ozone Duct /1		D	1	
17	A4EU118900	Ozone Duct /2		D	1	
18	A4EU135601	Protection Cover /Rear		C	1	

MAIN FRAME

P 6



改訂版 REVISED EDITION	日付 DATE
▲	OCTOBER 2012


 Order here
 8 (495) 646-0426
 ПЯТЫЙ ПАРТНЕР www.km-shop.ru

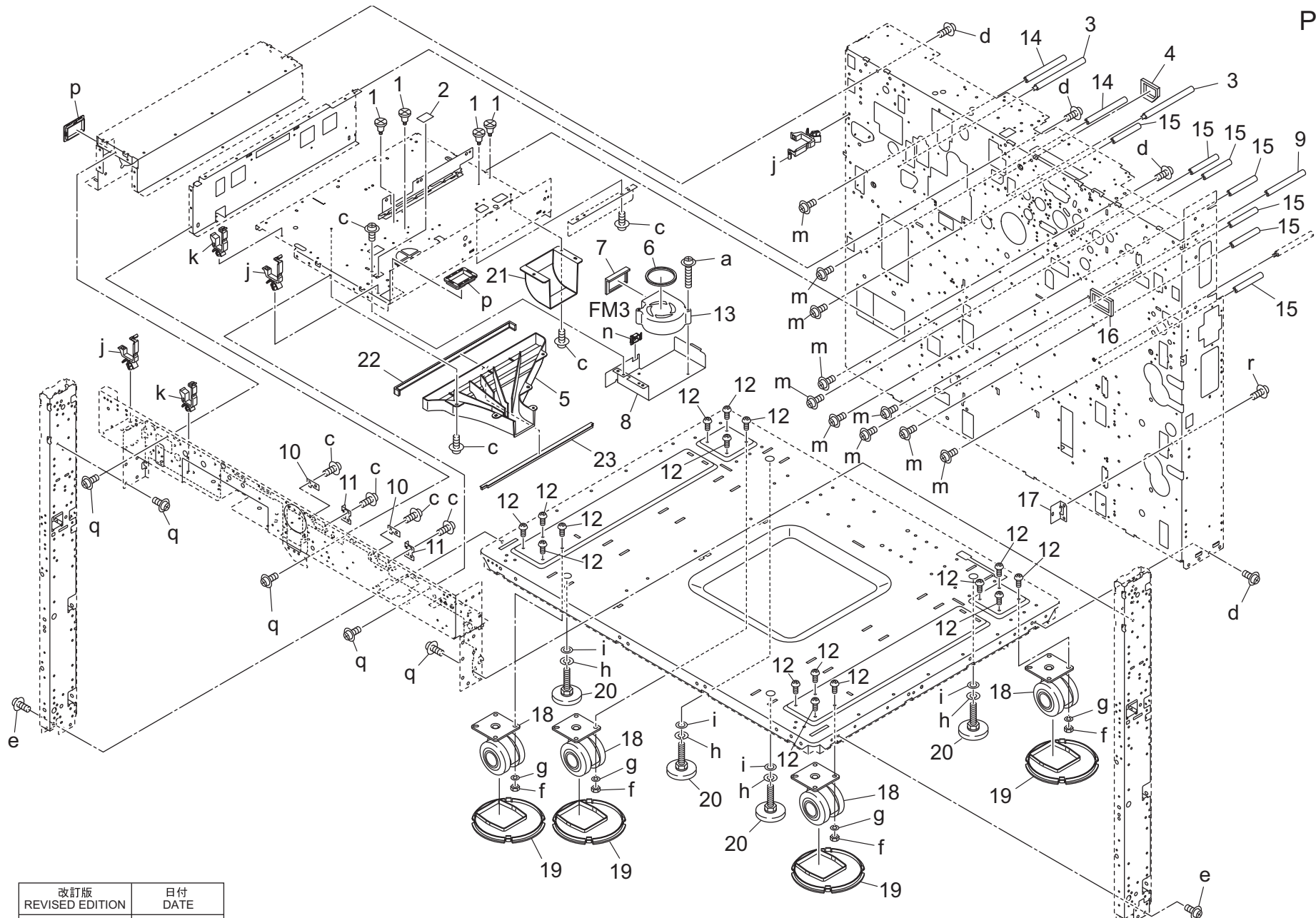
bizhub PRESS 1052


MAIN FRAME

Key	Part No.	Description	Destinations	Class	QTY	Standard parts
1	A4EU106000	Paper exit Base frame	排紙台板	D	2	a-V118043003
2	A4EUN12600	Cooling Wiring /2	冷却束線 / 2	D	1	b-V118043503
3	9313110033	FAN MOTOR	ファンモータ	C	2	c-V121030403
4	56UAR70500	ADU POSITIONING PLATE LEFT	A D U 位置決め板 左カシメ	D	1	d-V127030604
5	A4EUR72A00	Fan Sealing Part/1 Assy	ファンシール部材 / 1 部組	D	1	e-V121040603
6	13NT80511	Fan Motor /1	ファンモータ / 1	C	1	f-V116030603
7	56UA10290	EXTERNAL AUXILIARY SPACER RIGHT	外装補助スペーサー 右	D	4	g-V140040803
8	392010231	STOPPER PIN	ストッパピン	C	2	h-V570010063
9	A4EU120100	Protection Cover	保護カバー	D	1	i-V217040001
10	25SA10200	Read Support Rubber	読み取り支持ゴム	D	2	j-V570010050
11	A03U263601	Optical Screw	光学ねじ	C	4	k-V500010003
12	A0G6112901	Lifting Pedestal	持ち上げ台	D	1	m-V500010081
13	56UA10320	Power Source Mounting Plate Upper	電源取り付け板 / 上	D	1	n-V500010007
14	A0G6115700	Hold Plate /S	保持板 / S	D	1	p-V500010013
15	A4EU104000	ADU Positioning Plate /Right	A D U 位置決め板 / 右	D	1	q-V500010020
16	56UA40310	Release Plate	解除板	D	2	r-V500010021
17	56UA40450E	Tray Slide Rail	トレイスライドレール	D	4	
18	A799117800	Positioning Screw	位置決めねじ	D	8	
19	56UA10300	Paper Exit Cooling Part	排紙冷却部材	D	1	
20	A4EUR71A00Old	Heater Mounting Plate Assy	ヒータ取付板部組	D	2	
20	A4EUR71A11	Heater Mounting Plate Assy	ヒータ取付板部組	D	2	
21	A0G6690300	Heater Cover	ヒータカバー	D	2	
22	56UA40330	Support Shaft /L	支点軸 / L	D	2	
23	56UA40320	TRAY LOCK PLATE	トレイ ロック イタ	D	2	
24	A4EUR71900	Tray Connecting Solenoid	トレイ連結ソレノイドピン打ち	C	1	
25	A4EUR71B00	Tray Connecting Solenoid/2 Assy	トレイ連結ソレノイド / 2 部組	C	1	
26	A4EUN13100	Toner Relay harness /2	トナー中継束線 / 2	D	1	

MAIN FRAME

P 7



改訂版 REVISED EDITION	日付 DATE
	OCTOBER 2017

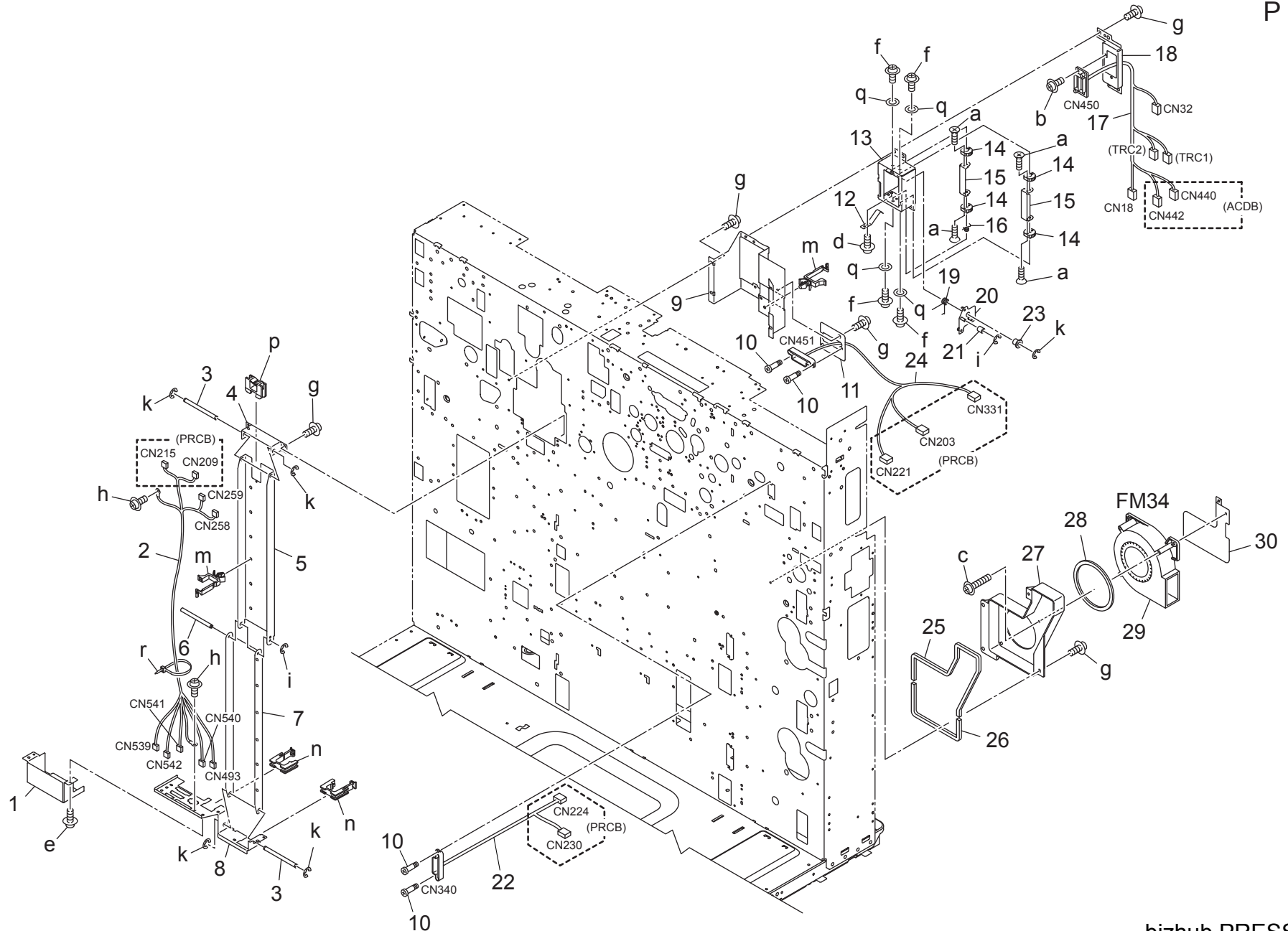
bizhub PRESS 1052

Order here
8 (495) 646-0426
ПЯТЫЙ ПАРТНЕР www.km-shop.ru

Key	Part No.	Description	Destinations	Class	QTY	Standard parts
1	A0P0144300	Shoulder screw		D	4	a-V118044003
2	25SA66420	WRITE LIGHT SHIELD SHEET		C	1	c-V121040603
3	A4EU119600	Hold Leg /Rear		D	2	d-V141040803
4	A4EU119400	Charging Seal /6		C	1	e-V140041403
5	A4EU116100	Cooling Duct /2		D	1	f-V195060003
6	A4EU118200	Charging Seal /2		C	1	g-V205060003
7	A4EU118300	Charging Seal /3		C	1	h-V205120003
8	A4EU116000	Fixing Plate /1		D	1	i-V207120003
9	A4EU119100	Hold Leg		D	1	j-V500010003
10	A0G6116300	Lock Plate /Left		D	2	k-V500010020
11	A0G6116200	Lock Plate /Right		D	2	m-V116040803
12	56UA10520	ROLLER MOUNTING SCREW		C	16	n-V570010063
13	A03UM15802	Main body Cooling Fan		C	1	p-V570010039
14	56UA73260	Board Support Leg /A		D	2	q-V140040803
15	56UA73280	Board Support Leg /B		D	7	r-V146040804
16	A0G6112400	Suction Seal /1		C	1	
17	56UA10370E	Main body Auxiliary Plate /A		D	1	
18	A4EU105100	Castor		D	4	
19	A0G6102500	Protection Cover		D	4	
20	25AA10090	Mainbody Fixing Stopper		C	4	
21	A4EU114000	Cooling Duct /3		D	1	
22	A4EU114111	Charging Seal /3		D	1	
23	A4EU114211	Charging Seal /4		D	1	

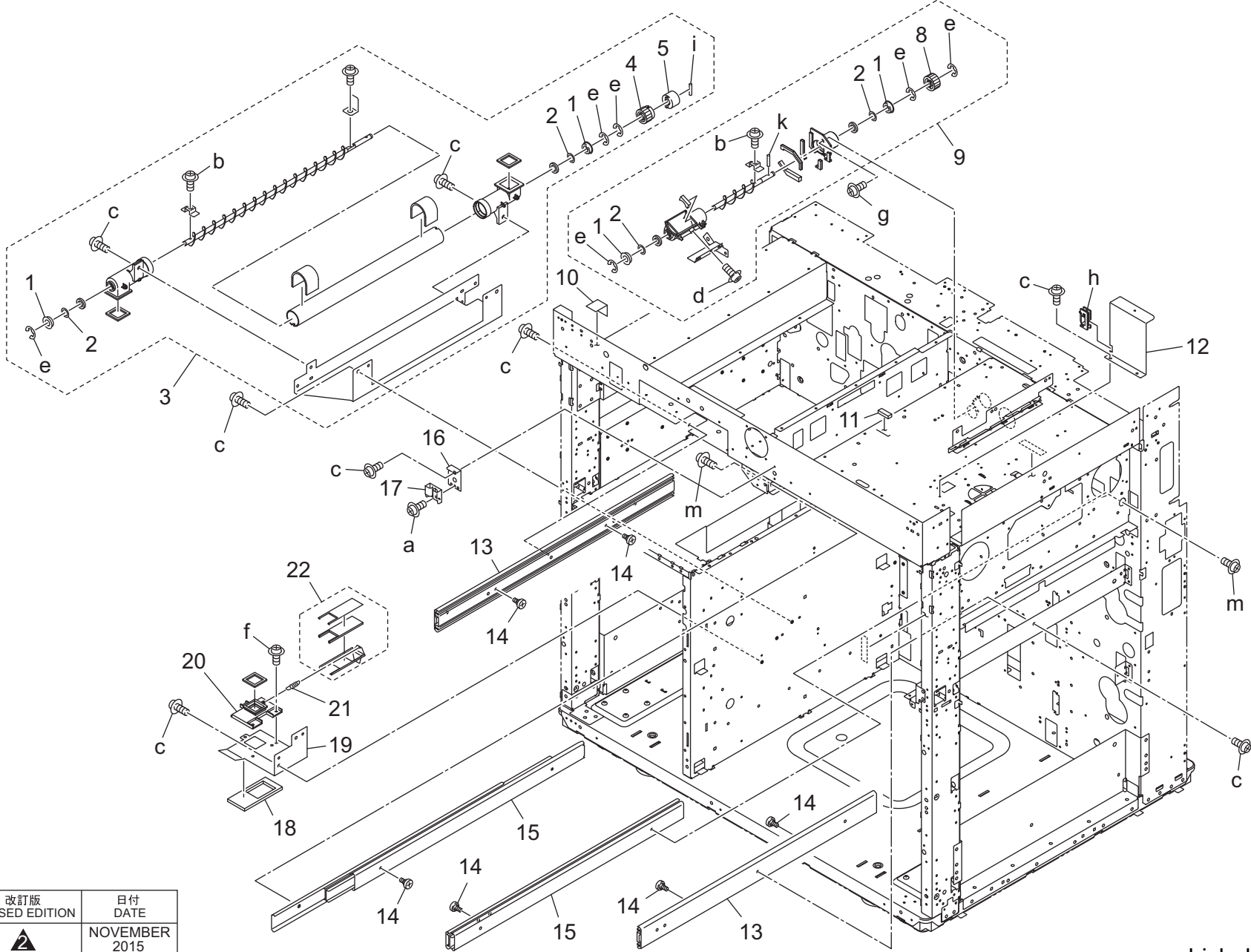
MAIN FRAME

P 8



Key	Part No.	Description	Destinations	Class	QTY	Standard parts
1	A0G6816200	Power Supply Cover		D	1	a-V112020603
2	A4EUN12101	ADU Relay Harness /5		D	1	b-V118041003
3	A0G6819800	Support Shaft /1		D	2	c-V118044503
4	A0G6819700	Power Supply Stay /M		D	1	d-V116030603
5	A0G6819500	Power Supply Arm /M		D	1	e-V121030603
6	A0G6819900	Support Shaft /2		D	1	f-V121031003
7	A0G6819600	Power Supply Arm /A		D	1	g-V121040603
8	A0G6816100	Power Supply Stay /A		D	1	h-V116040603
9	A4EU130900	Power supply Plate /Lower		D	1	i-V217030001
10	066079020	DRAWER SCREW M3X10		C	4	k-V217040001
11	A0G6130711	Power Supply Plate /T		D	1	m-V500010007
12	25AA53441	EARTH SPRING		C	1	n-V570010028
13	56UA73160	CORD MOUNTING PLATE B		C	1	p-V570010012
14	496041890	Connector Gear /11T		C	4	q-V207030003
15	25AA53600	CORD COVER		D	2	r-V501010002
16	496041960	CONNECTOR COVER SPRING B		C	1	
17	A4EUN10300	Fixing Power Source Harness		D	1	
18	56UA73170	Cord Mounting Plate /C		D	1	
19	496041950	CONNECTOR COVER SPRING A		C	1	
20	4960R70100	CONNECTOR ARM		D	1	
21	496041930	CONNECTOR COLLAR A		C	1	
22	A4EUN11900	Photoconductor Relay harness /2		D	1	
23	496076210	SLIDE SHAFT HOLDER D6		C	1	
24	A4EUN11400	Fixing Control harness		D	1	
25	A0G6117600	Suction Seal /A		C	1	
26	A0G6117700	Suction Seal /B		C	1	
27	A0G6110400	Suction Duct /1		D	1	
28	A0G6117800	Suction Seal /C		C	1	
29	A0Y5M15101	Suction Fan motor		C	1	
30	A0G6110800	Suction Plate /B		D	1	

MAIN FRAME



改訂版 REVISED EDITION	日付 DATE
	NOVEMBER 2015

Order here
8 (495) 646-0426
ПЯТЫЙ ПАРТНЕР www.km-shop.ru

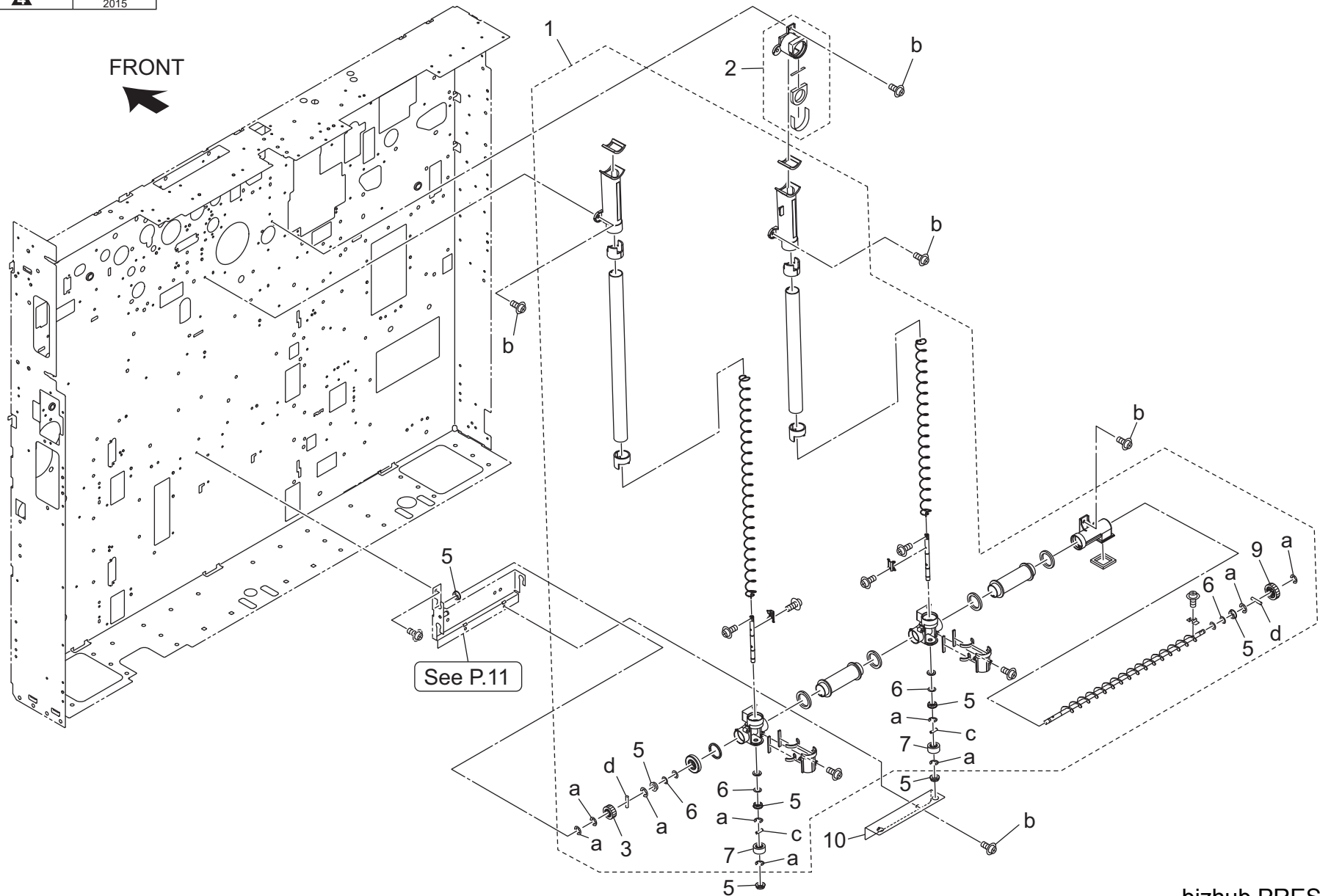
bizhub PRESS 1052

MAIN FRAME

Key	Part No.	Description	Destinations	Class	QTY	Standard parts
1	A00J617800	Ball Bearing		B	4	a-V121030403
2	56UA20200	Spacer /1		C	4	b-V121030603
3	A4EUR71H00	Horizontal Conveyance/2 Assy		D	1	c-V121040603
4	A0G6357500	Connecting Gear 15T		C	1	d-V151030603
5	A1RF723901	Torque limiter		B	1	e-V217040001
8	A0G6336900	Cleaning Gear /2 20T		C	1	f-V127030604
9	A4EUR71D00	Connecting Pipe/5 Assy		D	1	g-V118040603
10	56UA10420E	WIRING PROTECTION SHEET /1		C	1	h-V570010046
11	A4EUM96000	Gasket		D	1	i-V234200850
12	56UA12131E	EXTERNAL REINFORCE PLATE		D	1	k-V234301250
13	A0G6812200	Slide Rail /A		C	2	m-V121040503
14	55VA20310	POSITIONING SCREW		C	6	
15	56UA20160	CARRIAGE RAIL RIGHT		D	2	
16	A0G6115500	Ground Plate /1		D	1	
17	A0G6115600	Ground Plate /2		D	1	
18	A0G6352300	Slide Seal		C	1	
19	A0G6363301	Slide Board		D	1	
20	A0G6363500	Slide Joint		D	1	
21	A0G6363600	Slide Spring		C	1	
22	A4EUR71G00	Shutter Assy		D	1	

MAIN FRAME

改訂版 REVISED EDITION	日付 DATE
A	FEBRUARY 2015

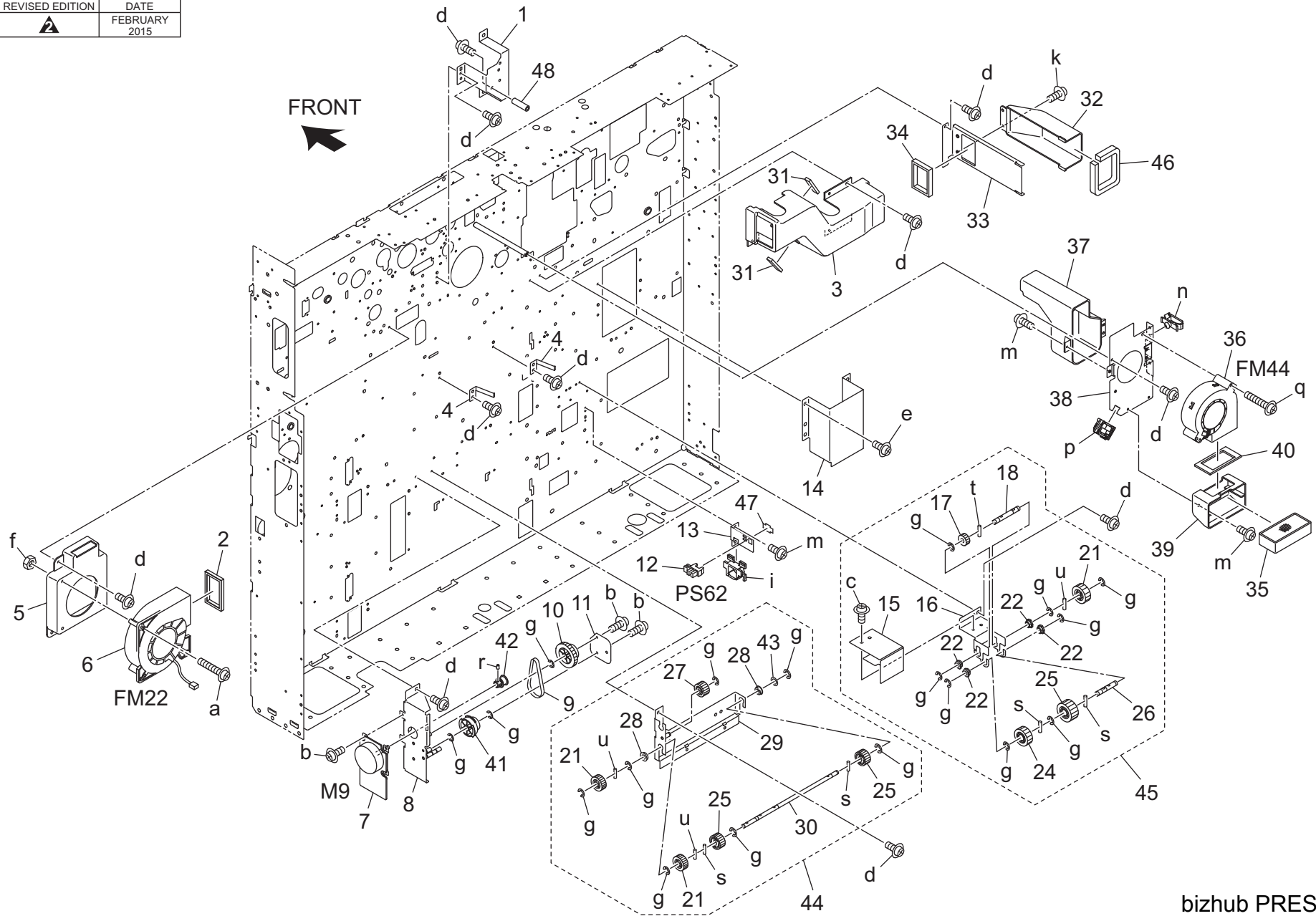


MAIN FRAME

Key	Part No.	Description	Destinations	Class	QTY	Standard parts
1	A4EUR71E00Old	Vertical Conveyance/1 Assy		D	1	a-V217040001 b-V121040603 c-V234301050 d-V234301250
1	A4EUR71E11	Vertical Conveyance/1 Assy		D	1	
2	A4EUR71F00	Connecting Block/C Assy		D	1	
3	A0G6367400	Drive Gear /4 19T		C	1	
5	A0QJ617800	Ball Bearing		B	7	
6	56UA20200	Spacer /1		C	4	
7	56UA77400	Toner Conveyance Gear /C 15T		C	2	
9	A0G6367300	Drive Gear /3 24T		C	1	
10	A4EU362200	Positioning Base Frame		D	1	

MAIN FRAME

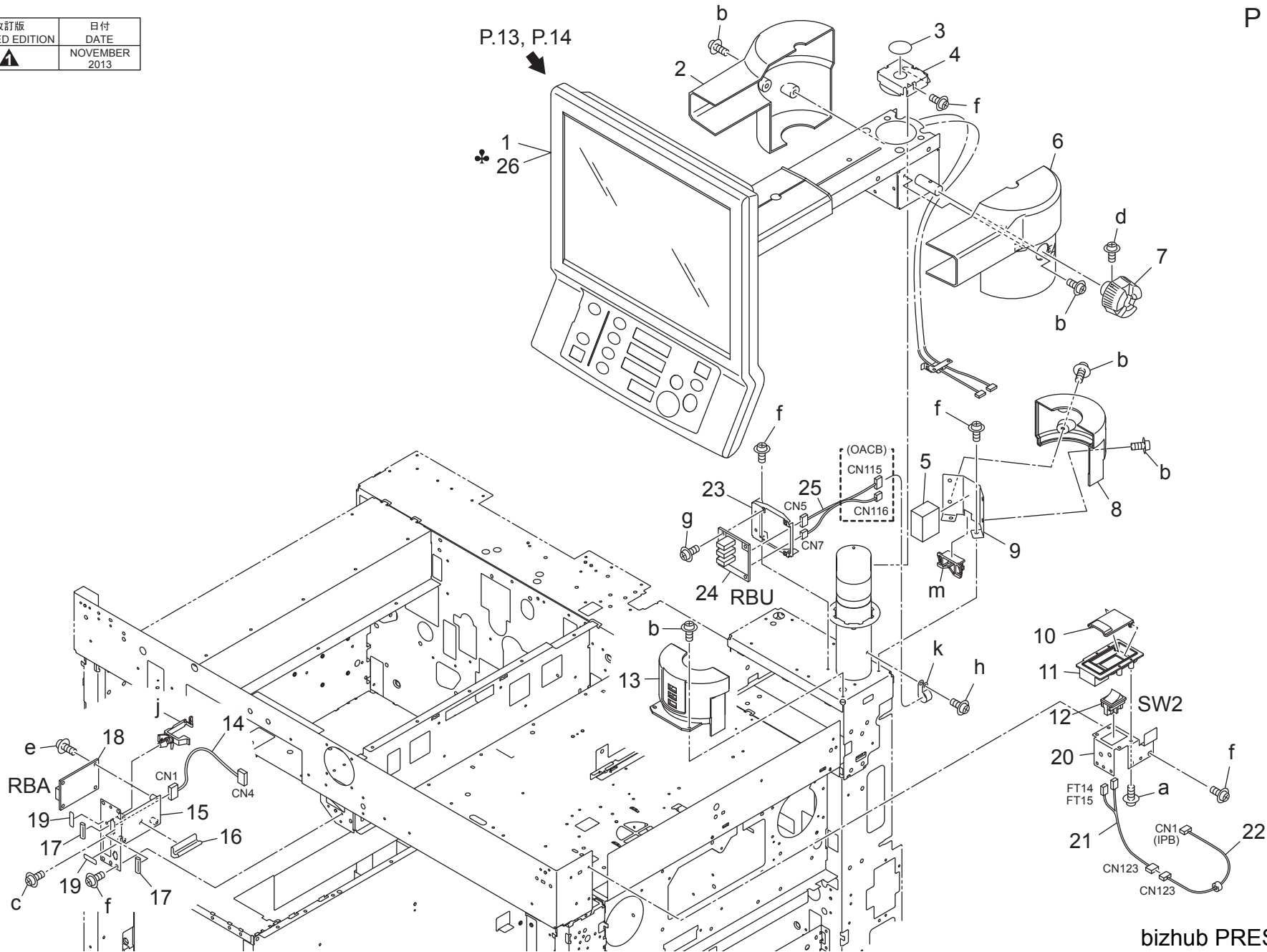
改訂版 REVISED EDITION	日付 DATE
	FEBRUARY 2015



Key	Part No.	Description	Destinations	Class	QTY	Standard parts
1	A0G6114301	Lifting Plate /Middle		D	1	a-V118044503
2	A4EU117101	Collection Seal /2		C	1	b-V121030403
3	A4EU109800	Collection Duct /Left		D	1	c-V121030603
4	A0G6353800	Ground Plate /P		D	2	d-V121040603
5	A0G6111401	Cooling Duct /A		D	1	e-V140040803
6	A0Y5M15101	Suction Fan motor		C	1	f-V195040003
7	A0WJM10000	Brushless motor		B	1	g-V217040001
8	A4EUR71C00	Toner Collection Panel Caulking		D	1	i-V570010050
9	A0HR223700	Timing belt 168L		C	1	k-V121040403
10	A4EU258300	Collection Gear 23/40T		C	1	m-V127030604
11	A4EU258200	Receiving Plate		D	1	n-V500020100
12	A50UM55500	Photo Sensor		I	1	p-V570010063
13	A0G6355100	Board /4		D	1	q-V118044003
14	56UA73490	Motor Cover /Rear		D	1	r-V193030304
15	A0G6361200	Drive Cover		D	1	s-V234301050
16	A0G6361100	Drive Plate /1		D	1	t-V234200850
17	A0G6367900	Drive Gear /9 16 T		C	1	u-V234301250
18	A0G6362900	Drive Shaft /1		D	1	
21	A0G6367400	Drive Gear /4 19 T		C	3	
22	466076020	Paper Feed Feeding Bearing		B	4	
24	A0G6367500	Drive Gear /5 18 T		C	1	
25	56UA77400	Toner Conveyance Gear /C 15 T		C	3	
26	A0G6363000	Drive Shaft /2		D	1	
27	A0G6217500	Drive Gear /7 20 T		C	1	
28	A00J617800	Ball Bearing		B	2	
29	A0G6365000Old	Drive Board /1		D	1	
29	A4EU365000	Drive Board /1		D	1	
30	A0G6367000	Drive Shaft /3		D	1	
31	A4EU109900	Collection Seal /Rear		D	2	
32	A4EU109600	Collection Duct /Right		D	1	
33	A4EU109700	Collection Duct /Middle		D	1	
34	A4EU117002	Collection Seal /1		D	1	
35	56UA11220	Developing Suction Filter		B	1	
36	A03UM15802	Main body Cooling Fan		C	1	
37	A4EU119500	Ozone Duct /3		D	1	
38	A4EU119700	Ozone Base frame /2		D	1	
39	A4EU119800	Ozone Duct /4		D	1	
40	A4EU119900	Charging Seal /7		D	1	
41	A4EU258600	Collection Pulley		C	1	
42	A4EU258500	Drive Pulley		C	1	
43	13QA10330	SHAFT SPACER		C	1	
44	A4EUR76G00Old	Drive Board/1 Assy		D	1	
44	A4EUR76G11	Drive Board/1 Assy		D	1	
45	A4EUR76H00	Drive Plate/1 Assy		D	1	
46	A4EU117200	Collection Seal /3		D	1	
47	4470402401	Stopper		D	1	
48	A4EU112501	Reinforce Stake		D	1	

OPERATION UNIT

改訂版 REVISED EDITION	日付 DATE
▲	NOVEMBER 2013



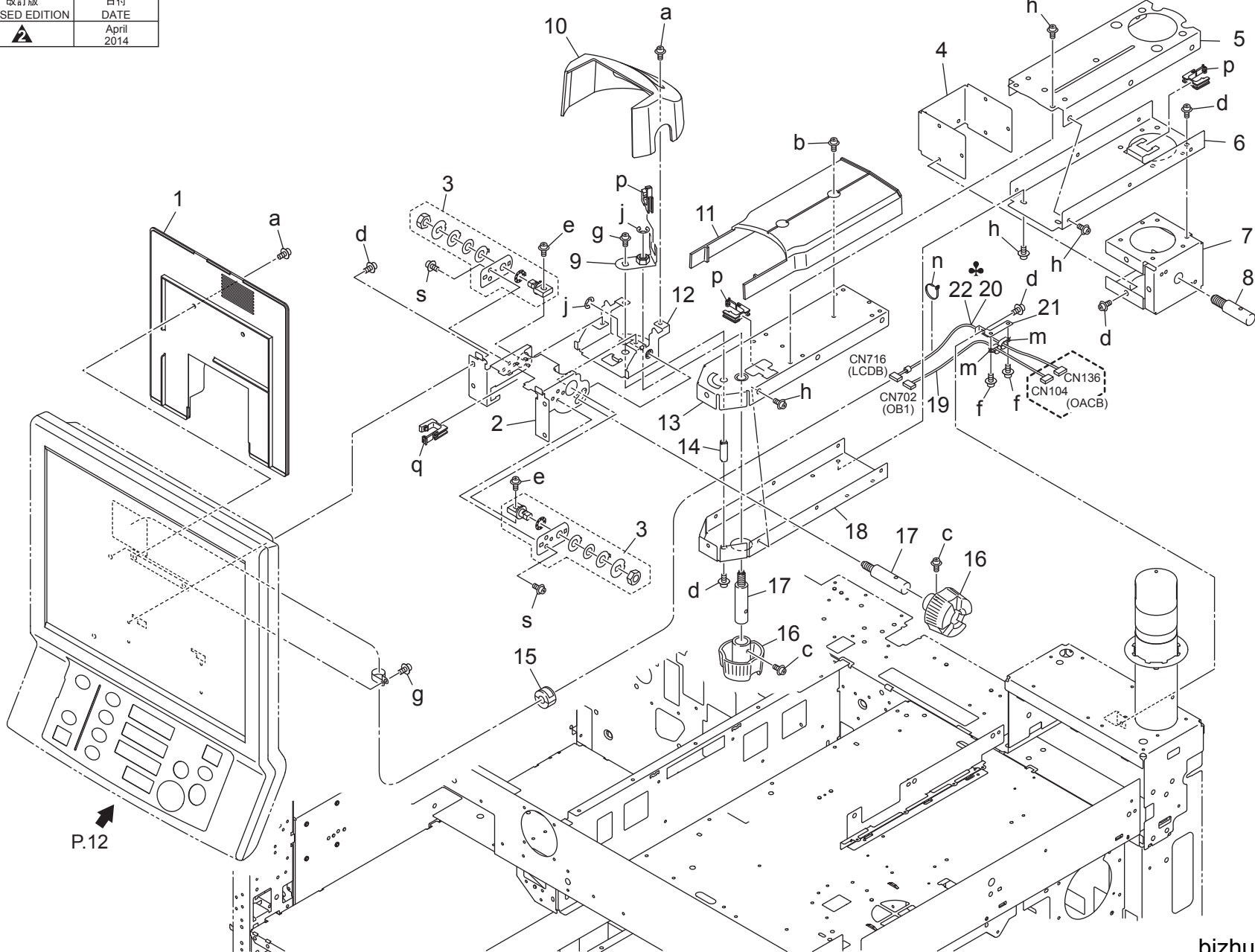
bizhub PRESS 1052

OPERATION UNIT

Key	Part No.	Description	Destinations	Class	QTY	Standard parts
1	A4EUR74F11	Operation Unit(Japan)	A	I	1	a-V151030803
1	A4EUR74H11	Operation Unit(EU)	C,D1,E,F2,G1,H,I,K	I	1	b-V114040604
1	A4EUR76R00	Operation Unit (CHINA)	J	I	1	c-V111250803
2	56UA70740	Operation Unit Support Cover / Left		C	1	d-V118040804
3	56UA70820	OPERATION UNIT SEAL		C	1	e-V121030403
4	56VA70550	OPE UNIT POSITIONING PLATE /U		D	1	f-V121040603
5	A4EUM92800	Gasket		D	1	g-V118030603
6	56UA70730	Operation Unit Support Cover Right		C	1	h-V127040603
7	56UA70760	Operation Unit Fixing Knob		C	1	j-V500020099
8	A0G6161502	Cover /Rear		C	1	k-V500020020
9	A0G6161600	Fixing Plate		D	1	m-V570010063
10	A0G6168101	Protection Cover		C	1	
11	A0G6168000	Operation Casing		C	1	
12	A0Y5M60100	Power Source Switch		C	1	
13	A0G6161403	Cover /Front		C	1	
14	A0G6N15201	Power Source Relay Harness /L		D	1	
15	A4EUR74D00	Power Supply Panel Caulking		D	1	
16	A0G6M92600	Gasket /P		D	1	
17	A4EUM91800	Gasket		D	2	
18	A4EUH31001	Relay Board /A ASSY		C	1	
19	A0G6950501	Set Label /5		D	2	
20	A0G6133201	Operation Plate		D	1	
21	A0Y5N13500	Power source Wiring		D	1	
22	A4EUN11801	Power source Detection Harness		D	1	
23	A0G6131300	Mounting Plate /U		D	1	
24	A0G6H32000	Relay Board /U ASSY		C	1	
25	A0G6N15404	Relay harness /U		D	1	
26	A4EUR76X00	Operation Unit	A (New Type)	I	1	
26	A4EUR76Y00	Operation Unit	B,D3,G2 (New Type)	I	1	
26	A4EUR77000	Operation Unit	C,D1,E,F2,G1,H,I,K (New Type)	I	1	
26	A4EUR77100	Operation Unit	J (New Type)	I	1	

OPERATION UNIT

改訂版 REVISED EDITION	日付 DATE
	April 2014



P.12

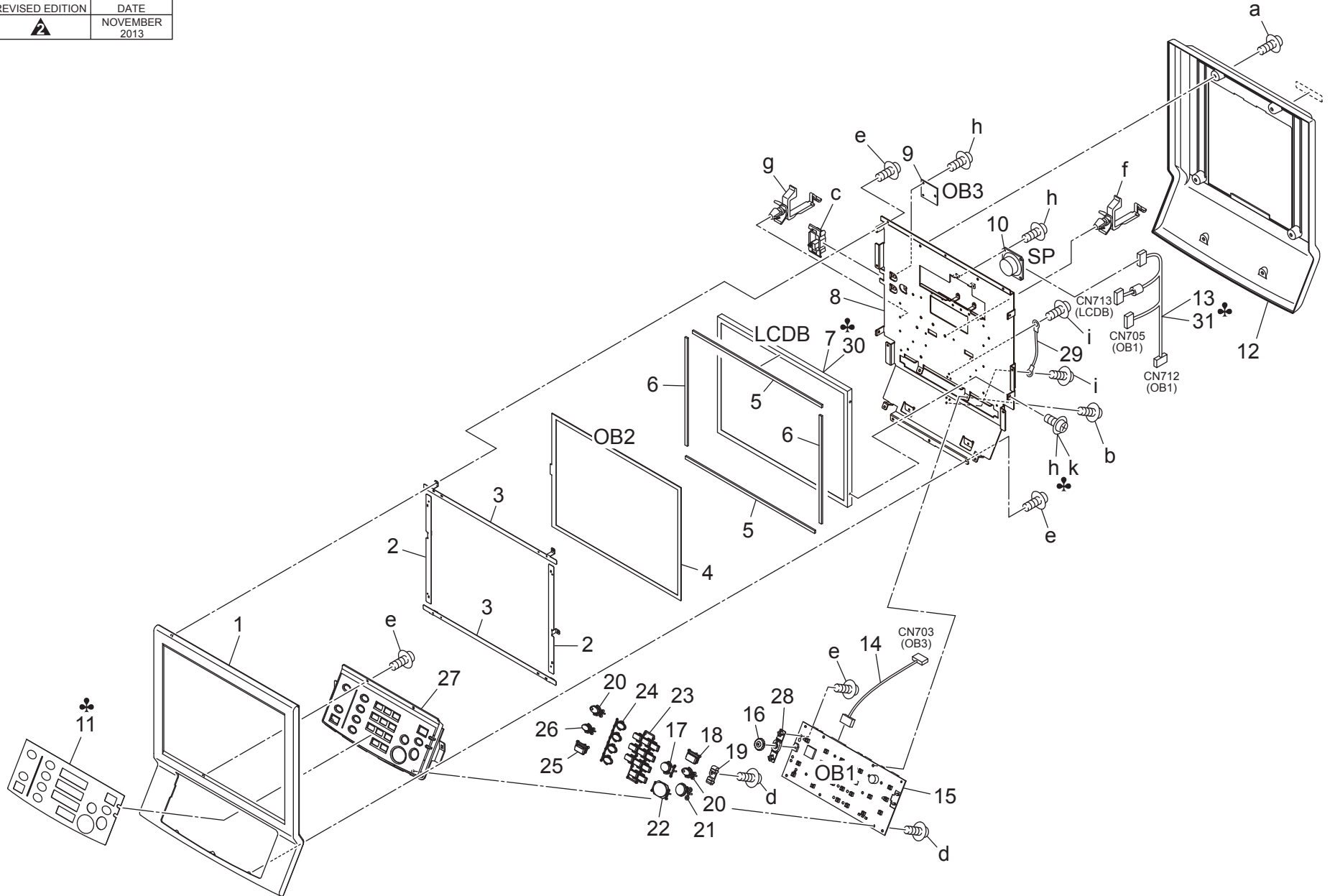
OPERATION UNIT

Key	Part No.	Description	Destinations	Class	QTY	Standard parts
1	A0G6197101	Swing Cover		C	1	a-V114040604
2	A0Y5196400	Fixing Stay /1		D	1	b-V114040804
3	A4EUR74J00	Vertical Rotary Torque Hinge		D	2	c-V118040804
4	56UA70570	Ope Unit Rotation Plate /2		D	1	d-V121040603
5	56UA70600	Ope Unit Support Arm /Upper		D	1	e-V121041003
6	56UA70590	Ope Unit Support Arm /Lower		D	1	f-V116030603
7	56UA70560	OPE UNIT ROTATION PLATE /1		D	1	g-V116040803
8	56UA70800	OPERATION UNIT FIXING SCREW 2		D	1	h-V127040603
9	56UA70650	Operation Unit Fixing Plate		D	1	j-V217040001
10	56UA70720	Operation Unit Rotation Cover		C	1	m-V500020069
11	56UA70790G	Cover /A		C	1	n-V501010002
12	A0Y5196300	Operation Stay /Lower		D	1	p-V570010026
13	56UA70620E	Ope. unit Slide Arm /Upper		D	1	q-V570010027
14	56UA70670	Ope Unit Rotation Shaft		D	1	s-V118040603
15	A0G6M93100	Ferritecore		D	1	
16	56UA70760	Operation Unit Fixing Knob		C	2	
17	56UA70750	OPERATION UNIT FIXING SCREW		D	2	
18	56UA70610E	Ope. unit Slide Arm /Lower		D	1	
19	A0G6N18300	Ope.Unit Control Harness /2		D	1	
20	A0G6N18201	Ope.Unit Control Harness /1		D	1	
21	A0G6136400	Ope.Unit Ground Plate		D	1	
22	A4EUN18900	Ope.unit Control Harness /3	(New Type)	D	1	

OPERATION UNIT

改訂版 REVISED EDITION	日付 DATE
	NOVEMBER 2013

P 14



bizhub PRESS 1052

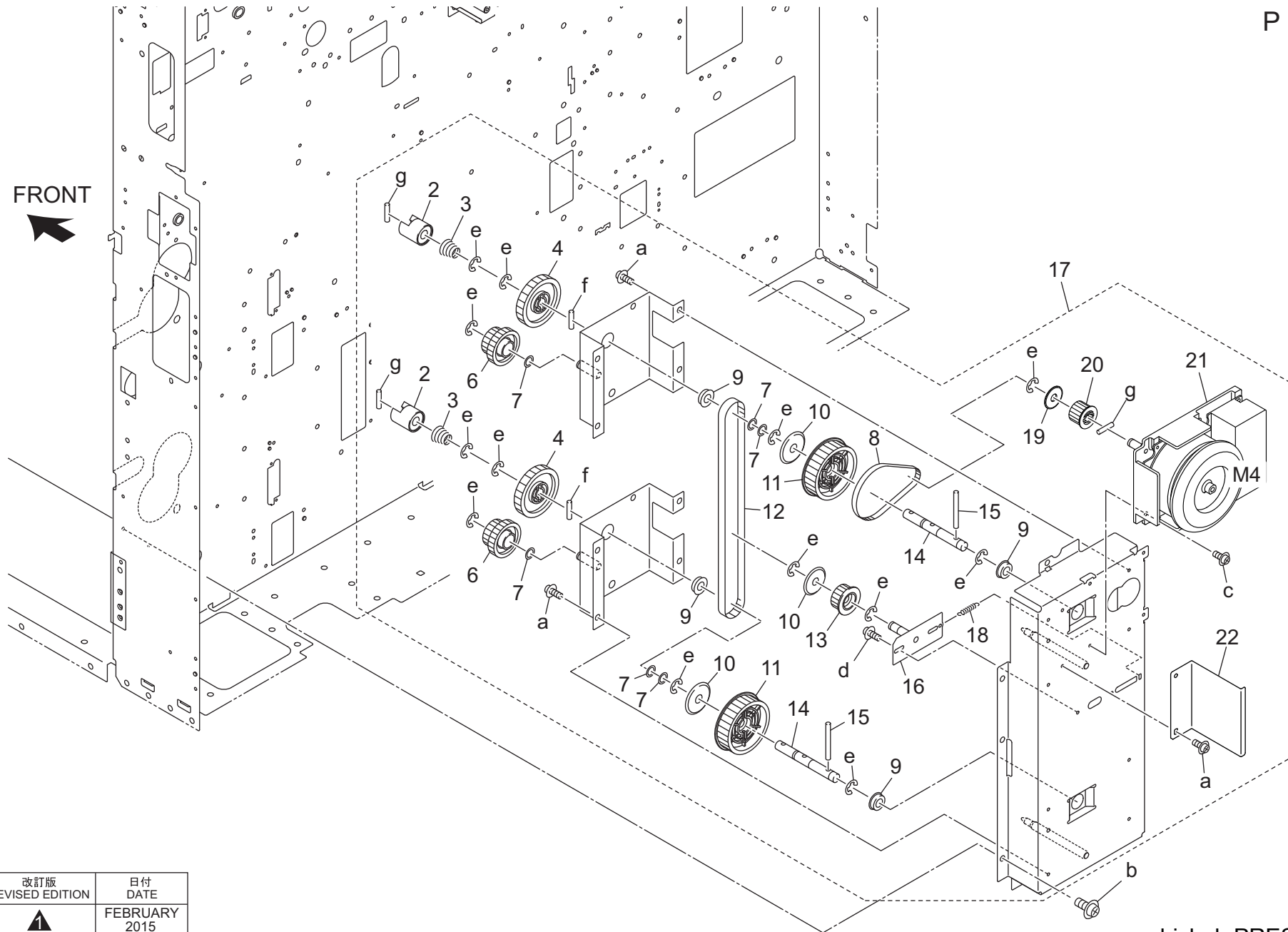
OPERATION UNIT

Key	Part No.	Description	Destinations	Class	QTY	Standard parts
1	A0G6190101	Operation Cover /Front		C	1	a-V114040604
2	A0G6192900	Ground Plate /2		D	2	b-V151031003
3	A0G6192700	Ground Plate /1		D	2	c-V570010063
4	A0G6M75501	Ope.Unit Touch Panel		C	1	d-V151030603
5	A0G6192400	Holding Cushion /Upper		C	2	e-V151030803
6	A0G6192500	Holding Cushion /Right		C	2	f-V500010005
7	A4EUM75400	Ope.unit LCD		C	1	g-V500020099
8	A4EU190413	Operation Plate		D	1	h-V118030603
9	A0G6H06000	Operation Board /3 Assy		C	1	i-V116040603
10	A0P0M73100	Speaker		D	1	k-V118030404
11	A0G6195000	Operation Sheet	A	C	1	
11	A0G6205000	Operation Sheet	B,D1,D3,E,F2,G1,G2, I	C	1	
11	A0G6205100	Operation Sheet	J	C	1	
11	A0G6205300	Operation Sheet	K	C	1	
11	A0G6205200	Operation Sheet	H	C	1	
12	A0G6190200	Operation Cover /Rear		C	1	
13	A4EUN18100	Ope.unit Wiring /3		D	1	
14	A0G6N18400	Ope.Unit Control Harness /3		D	1	
15	A4EUH04001	Operation Board /1 Assy		I	1	
16	A4EU194100	Operation Knob /1		D	1	
17	A0G6193500	Operation Button /5		C	1	
18	A0G6193700	Operation Button /7		C	1	
19	A0G6191600	Indicating Part /1		D	1	
20	A0G6193800	Operation Button /10		C	2	
21	56UA70330	OPERATION UNIT BUTTON S		C	1	
22	A0G6193200	Operation Button /2		C	1	
23	A0G6193100	Operation Button /1		C	1	
24	A0G6193400	Operation Button /4		C	1	
25	A0G6194000	Operation Button /9		C	1	
26	A0G6193900	Operation Button /8		C	1	
27	A0G6190301	Operation Casing /1		C	1	
28	A4EU194200	Fixing Holder		D	1	
29	A1RFN28300	Ope.unit Wiring /1		D	1	
30	A4EUM75800	Ope.unit LCD	(New Type)	C	1	
31	A4EUN28500	Ope.unit Wiring /4	(New Type)	D	1	

DRIVING SECTION

P 15

FRONT



改訂版 REVISED EDITION	日付 DATE
	FEBRUARY 2015

Order here
8 (495) 646-0426
ПЯТЫЙ ПАРТНЕР www.km-shop.ru

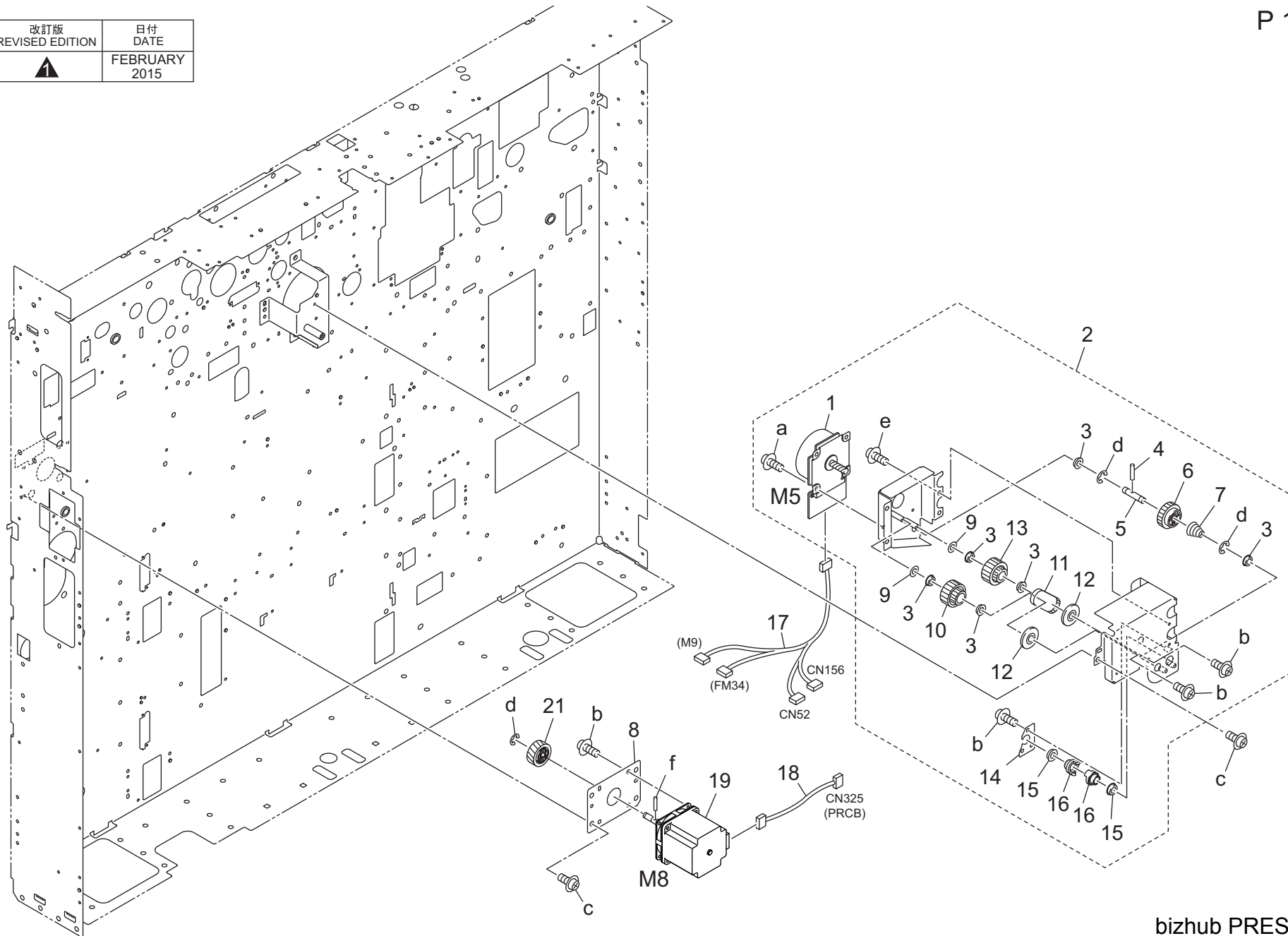
bizhub PRESS 1052

DRIVING SECTION

Key	Part No.	Description	Destinations	Class	QTY	Standard parts	
2	56UA15610E	PAPER FEED DRIVE COUPLING		C	2	a-V121040403 b-V121040603 c-V121040803 d-V116040803 e-V217060001 f-V234301650 g-V234301450	
3	56AA17090	Pressing Spring		C	2		
4	56UA77040E	Paper feed Input Gear 40T		C	2		
6	A0G6237100	Paper Feed Idling Gear 25/32T		C	2		
7	13QA40610	Gear Spacer		C	6		
8	A4EU239200	Drive Belt 228L		C	1		
9	A00V240600	Ball Bearing		B	4		
10	56UA15420	Belt Collar		C	3		
11	A4EU239000	Paper feed Pulley		C	2		
12	56UA78030	PAPER FEED DRIVE BELT 534L		C	1		
13	A4EUR72C00	Paper Feed Tension Pulley Assy		C	1		
14	56UA15220	Paper Feed Drive Shaft		D	2		
15	55VA15190	FIXING DRIVE PIN		B	2		
16	56UA-1770	PAPER FEED TENSION PLATE ASSY		D	1		
17	A4EUR76200	Paper Feed Driving Assy		I	1		
18	55VA15570	PAPER EXIT TENSION SPRING		B	1		
19	56AA51810	BELT HOLDING COLLAR		C	1		
20	A4EU239100	Drive Pulley		B	1		
21	A0G6M10100	DC Brushless motor /60		B	1		
22	A4EU233600	Protection Plate		D	1		

DRIVING SECTION

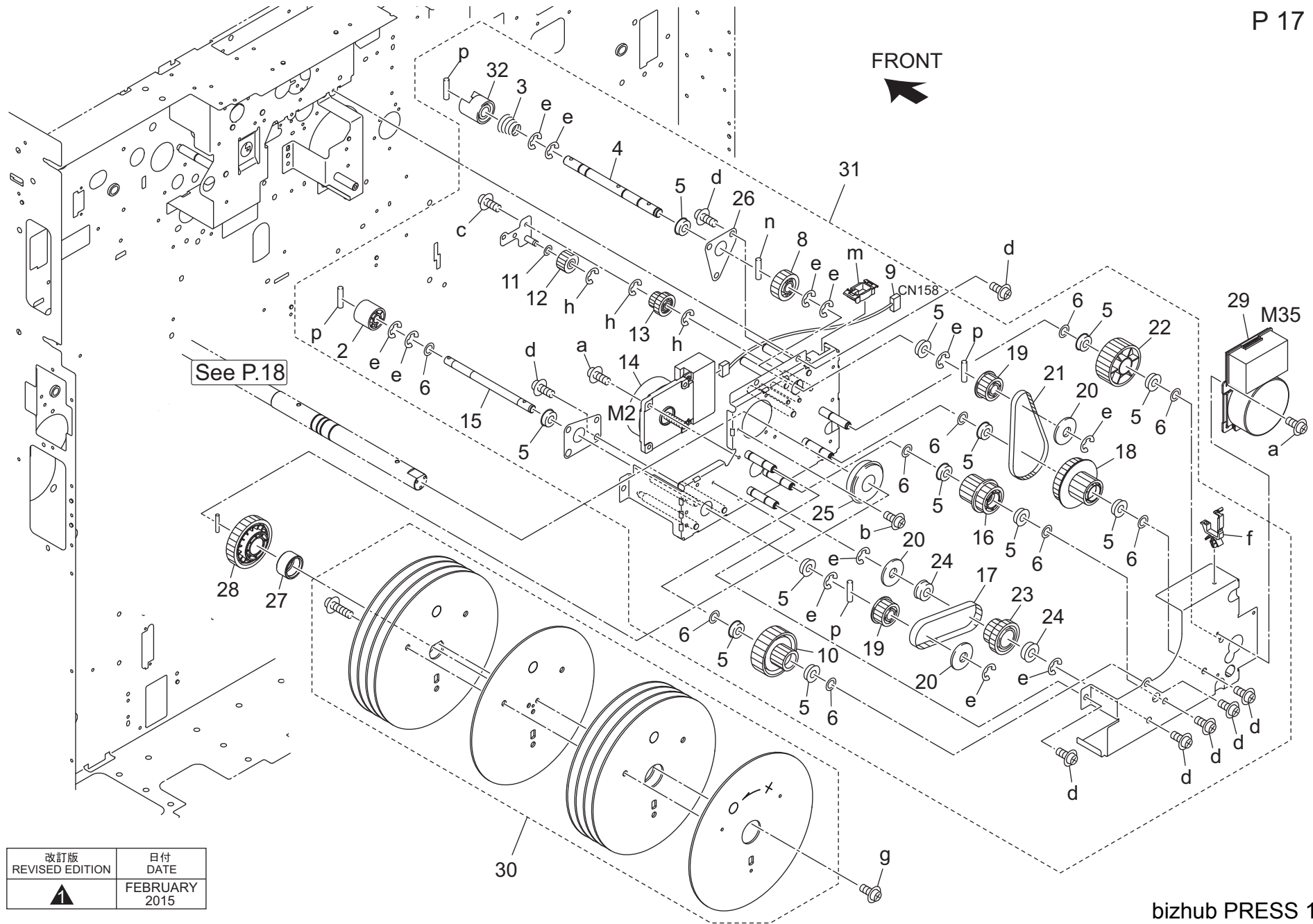
改訂版 REVISED EDITION	日付 DATE
	FEBRUARY 2015



DRIVING SECTION

Key	Part No.	Description	Destinations	Class	QTY	Standard parts
1	A0PNM10200	DC Brushless motor /20	DC ブラシレスモータ /20	B	1	a-V118040603 b-V121030403 c-V121040603 d-V217040001 e-V121040403 f-V234301850
2	A4EUR72000	Belt Cleaning Driving Assy	ベルト CL 駆動ユニット	D	1	
3	A4EU252000	Drive Ball bearing /6	駆動ボールベアリング /6	B	6	
4	56AA17300	PIN	ピン	C	1	
5	A0G6250900	Input Shaft	入力軸	D	1	
6	A0G6250601	Slide Gear 24T	スライドギア 24 T	B	1	
7	A0G6251200	Pressing Spring	押圧ばね	C	1	
8	56UA15230	EXIT DRIVE PANEL	出口駆動パネル	D	1	
9	56AA17700	Spacer /B	スペーサー / B	C	2	
10	A0G6250500	Idling Pulley /1	アイドラプーリ /1	C	1	
11	A4EU251000	Cleaning Belt /1 120L	クリーニングベルト /1 120 L	C	1	
12	A0G6250800	Collar	カラー	C	2	
13	A0G6250700	Idling Pulley /2	アイドラプーリ /2	C	1	
14	A0G6251400	Positioning Plate	位置決め板	D	1	
15	A00J617900	Ball Bearing	ボールベアリング	B	2	
16	A0G6251301	Rotation Part	回転部材	C	2	
17	A4EUN20000	Drive Relay harness /1	駆動中継束線 /1	D	1	
18	56UA90850	CONVEYANCE DRIVE WIRING M	搬送駆動束線 M	D	1	
19	A1TVM10100	Stepping motor /50	ステッピングモータ /50	B	1	
21	56UA77061E	Paper Exit Drive Gear 25T	排紙駆動歯車 25 T	B	1	

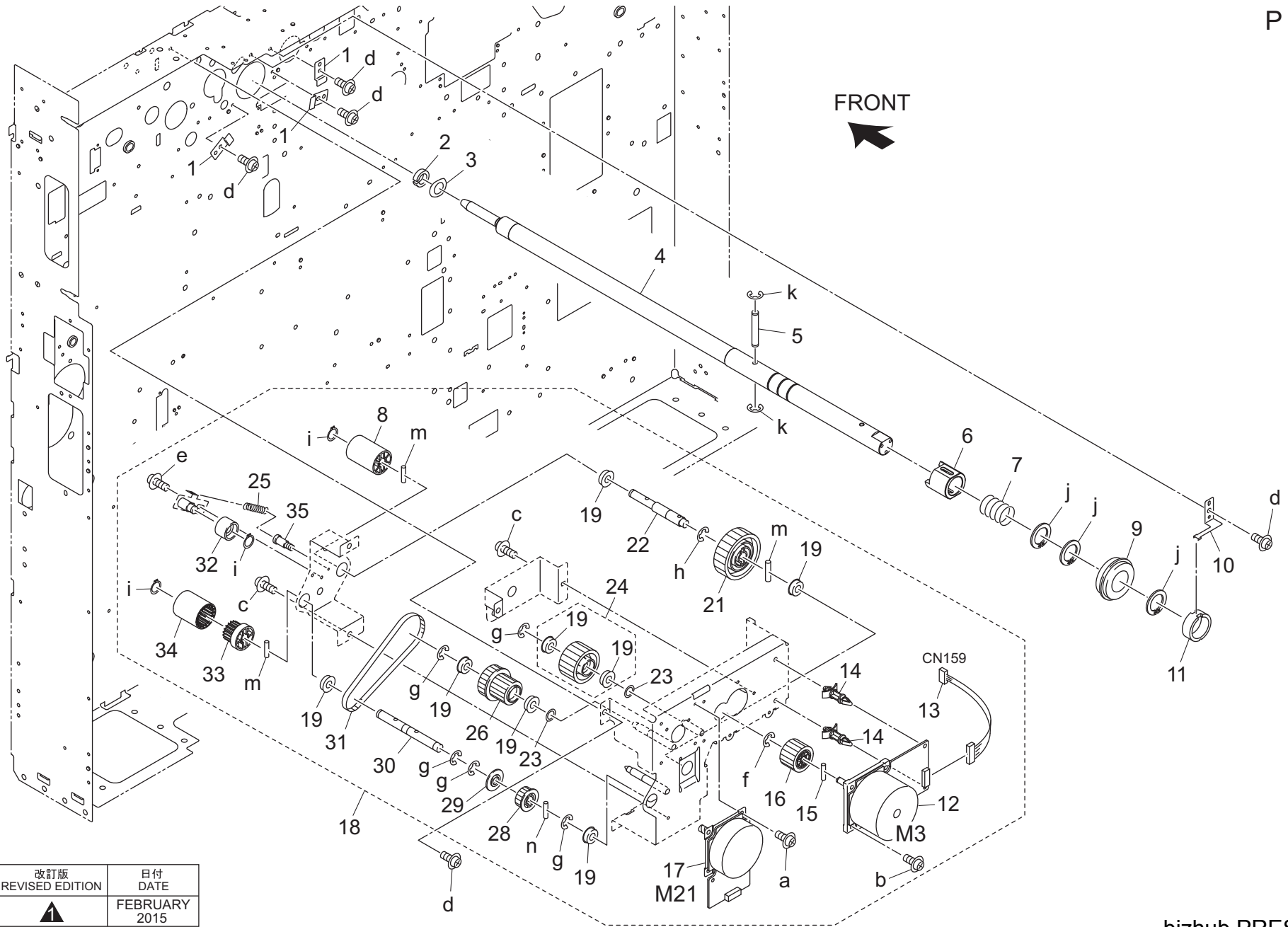
DRIVING SECTION



改訂版 REVISED EDITION	日付 DATE
	FEBRUARY 2015

Key	Part No.	Description	Destinations	Class	QTY	Standard parts
2	55VA15080	Developing Coupling Part		C	1	a-V118040403
3	56AA17090	Pressing Spring		C	1	b-V118040603
4	A4EU211000	Drive Shaft /1		D	1	c-V121030603
5	A00V240600	Ball Bearing		B	12	d-V121040603
6	13QA40610	Gear Spacer		C	9	e-V217060001
8	15AG77020	Drive Connecting Gear/ 1 22T	駆動連結ギア/1 22 T	C	1	f-V500020099
9	A4EUN12400	Photoconductor Drive harness	感光体駆動束線	D	1	g-V185041003
10	A0G6217100	Idling Gear 24/89T	アイドル歯車 24 / 89 T	C	1	h-V217040001
11	56AA17700	Spacer /B	スペーサー / B	C	1	m-V570010063
12	A0G6217500	Drive Gear /7 20T	駆動ギア / 7 20 T	C	1	n-V234301650
13	A0G6217600	Drive Gear /8 15/22T	駆動ギア / 8 15 / 22 T	C	1	p-V234301450
14	A0PNM10200	DC Brushless motor /20	DC ブラシレスモータ / 20	B	1	
15	A4EU210900	Drive Shaft /2	駆動軸 / 2	C	1	
16	A0G6217700	Idling Pulley /1	アイドルプーリ / 1	C	1	
17	A0G6369500	Swing Belt 186L	揺動ベルト 186 L	C	1	
18	A4EU218000	Idling Pulley /1	アイドルプーリ / 1	C	1	
19	56GA76600E	Cleaner Driving Pulley 21T	クリーナー駆動プーリ 21 T	C	2	
20	554010550	Collar	カラー	C	3	
21	A4EU211300	Drive Belt /A 255L	駆動ベルト / A 255 L	C	1	
22	A4EU218100	Idling Gear 83T	アイドルギア 83 T	C	1	
23	A0G6217400	Idling Pulley /2	アイドルプーリ / 2	C	1	
24	A1RF710900	Ball bearing /1	ボールベアリング / 1	C	2	
25	55TA75020	Bearing	ドラム回転軸受	B	1	
26	A0G6210400	Support Plate	支持板	D	1	
27	A0G6215500	Stopper Part	突当て部材	D	1	
28	A0G6217200	Drive Gear 67T	駆動ギア 67 T	C	1	
29	A0R5M10300	DC Brushless motor /30	DC ブラシレスモータ / 30	B	1	
30	A4EUR74K00	Flywheel Assy	フライホイール部組	D	1	
31	A4EUR71Q00	Drum Driving Assy	ドラム駆動ユニット	D	1	
32	55VA15541	CLEANER COUPLING PART	クリーナーカップリング部材	C	1	

DRIVING SECTION




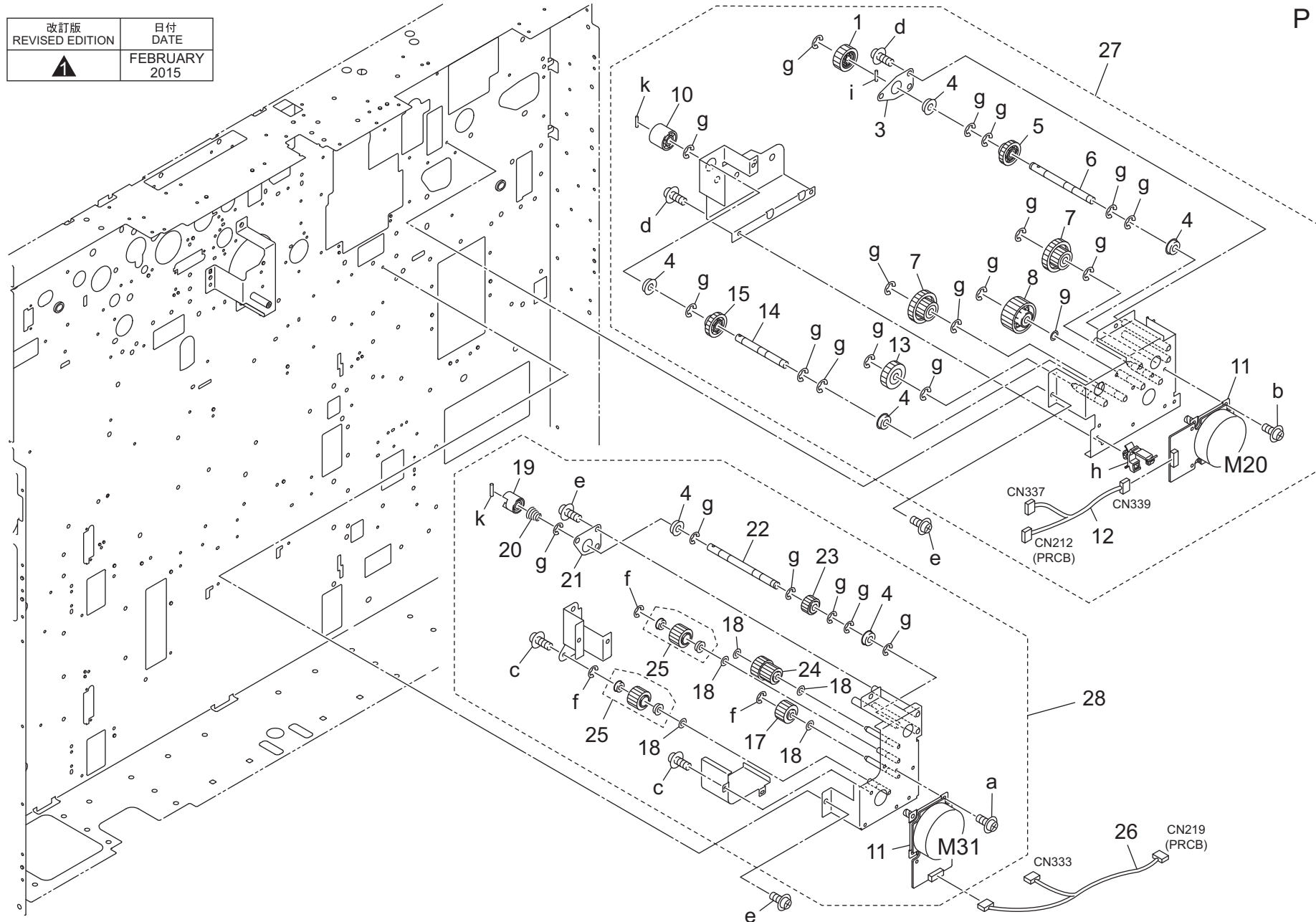
改訂版 REVISED EDITION	日付 DATE
▲	FEBRUARY 2015

Order here
8 (495) 646-0426
ПЯТЫЙ ПАРТНЕР www.km-shop.ru

Key	Part No.	Description	Destinations	Class	QTY	Standard parts
1	55VA15580	Shaft Holder Holding Plate		D	3	a-V118040403
2	25SA20150	SPRING POSITION COLLAR		A	1	b-V118040803
3	55FU20140	DRUM FIXED SPRING		A	1	c-V121040403
4	A4EU215101	Rotation Shaft /D		D	1	d-V121040603
5	A0G6215300	Coupling Pin		C	1	e-V116040603
6	A0G6215200	Coupling Part		C	1	f-V217040001
7	A0G6215400	Compressing Spring		C	1	g-V217060001
8	A0G6227400	Coupling Part /1		D	1	h-V217080001
9	55TA75020	Bearing		B	1	i-V223080050
10	25SA15280	DRUM EARTH SPRING		C	1	j-V223200004
11	25SA15270	EARTH SHAFT HOLDER		C	1	k-V217030001
12	15AA80050	DC Brushless Motor /40		B	1	m-V234302050
13	A4EUN17600	Developing Drive harness /1		D	1	n-V234301450
14	V502010032	Circuit Board Spacer		D	2	
15	V234201850	Pin		V	1	
16	A4EU222000	Drive Gear /12 26T		C	1	
17	A0PNM10200	DC Brushless motor /20		B	1	
18	A4EUR71R00	Developing Driving Assy		D	1	
19	A00V240600	Ball Bearing		B	8	
21	55VA77040	Developing Drive Gear /B 46T		C	1	
22	A0G6220500	Drive Shaft /3		D	1	
23	13QA40610	Gear Spacer		C	2	
24	A4EUR71S00	Developing Idling Gear Assy		C	1	
25	55VA15570	PAPER EXIT TENSION SPRING		B	1	
26	A0G6227300	Idling Pulley /3		C	1	
28	56GA76600E	Cleaner Driving Pulley 21T		C	1	
29	554010550	Collar		C	1	
30	A0G6220600	Drive Shaft /4		D	1	
31	A0G6221100	Drive Belt 210L		C	1	
32	540015162	BELT TENSION ROLLER		B	1	
33	A0Y5227600	Input Coupling		D	1	
34	A0Y5227500	Coupling Part		D	1	
35	066079020	DRAWER SCREW M3X10		C	1	

DRIVING SECTION

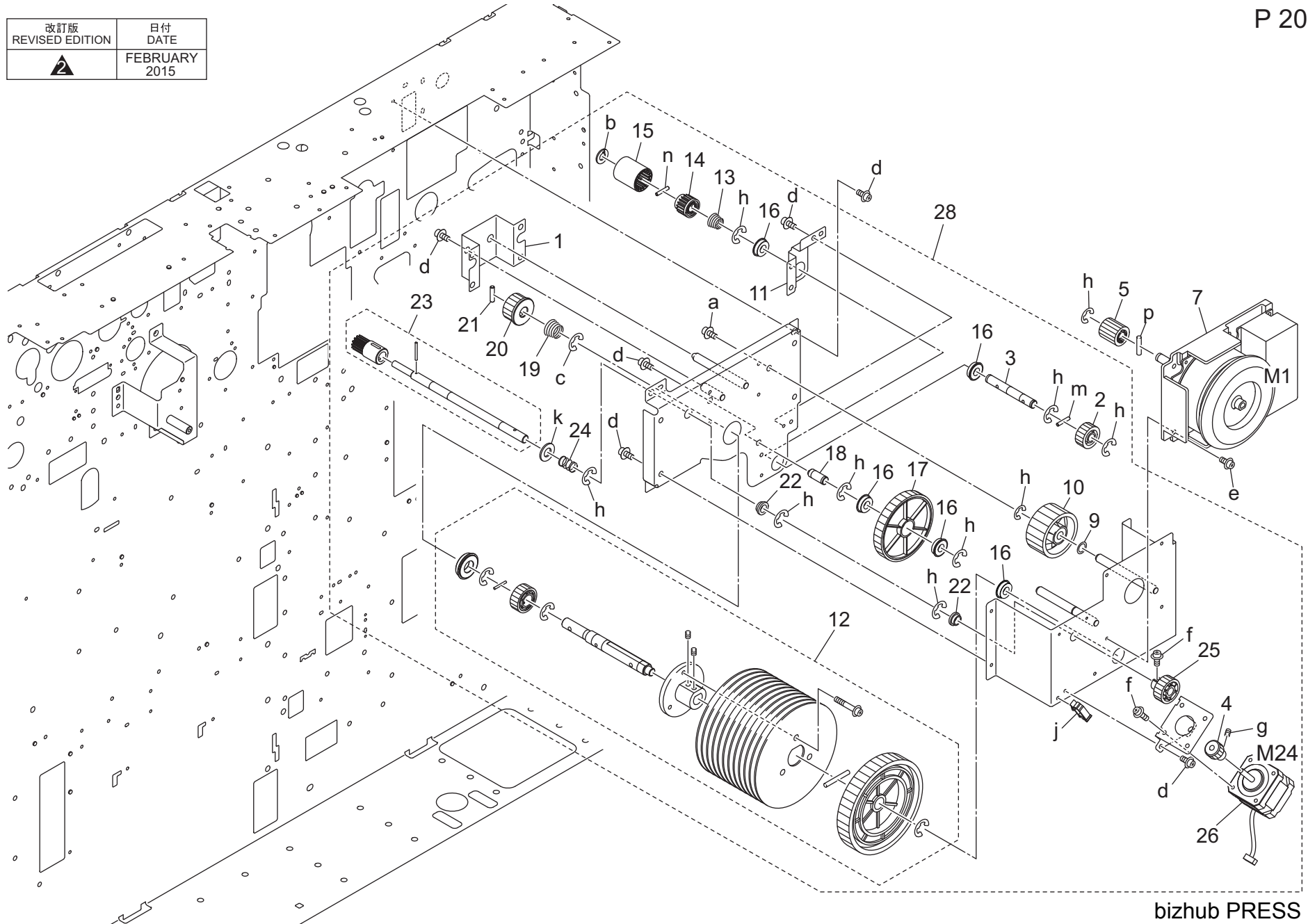
改訂版 REVISED EDITION	日付 DATE
	FEBRUARY 2015



Key	Part No.	Description	Destinations	Class	QTY	Standard parts	
1	56UA77070F	Paper Exit Input Gear 25T		B	1	a-V118030403 b-V118040403 c-V121030403 d-V121040403 e-V121040603 f-V217040001 g-V217060001 h-V500020100 i-V234301650 k-V234301450	
3	A0G6240300	Support Plate		D	1		
4	A00V240600	Ball Bearing		B	6		
5	A0G6247500	Paper Exit Gear /C 25T		C	1		
6	A0G6240800	Paper Exit Shaft		D	1		
7	A0G6247200	Idling Gear /2 34/40T		C	2		
8	A0G6247100	Idling Gear /1 68T		C	1		
9	13QA40610	Gear Spacer		C	1		
10	55VA15080	Developing Coupling Part		C	1		
11	A0PNM10200	DC Brushless motor /20		B	2		
12	A4EUN18500	Conveyance Drive harness /1		D	1		
13	A4EU247600	Idling Gear /2 27T		C	1		
14	A0G6240900	Conveyance Shaft		D	1		
15	56UA77270	PAPER EXIT DRIVE GEAR C 25T		C	1		
17	A0G6247400	Idling Gear /2 40T		C	1		
18	56AA17700	Spacer /B		C	5		
19	55VA15541	CLEANER COUPLING PART		C	1		
20	56AA17090	Pressing Spring		C	1		
21	A0G6243301	Support Plate		D	1		
22	A0G6243500	Input Shaft		D	1		
23	56UA77930	ADU Drive Gear 36T		C	1		
24	A0G6247300	Idling Gear 36/45T		C	1		
25	A4EUR71Y00	Adu Idling Gear /1 Assy		C	2		
26	A4EUN18600	Conveyance Drive harness /2		D	1		
27	A4EUR71W00	Paper Exit Driving Assy		D	1		
28	A4EUR71X00	Adu Driving Assy		D	1		

DRIVING SECTION

改訂版 REVISED EDITION	日付 DATE
	FEBRUARY 2015



bizhub PRESS 1052

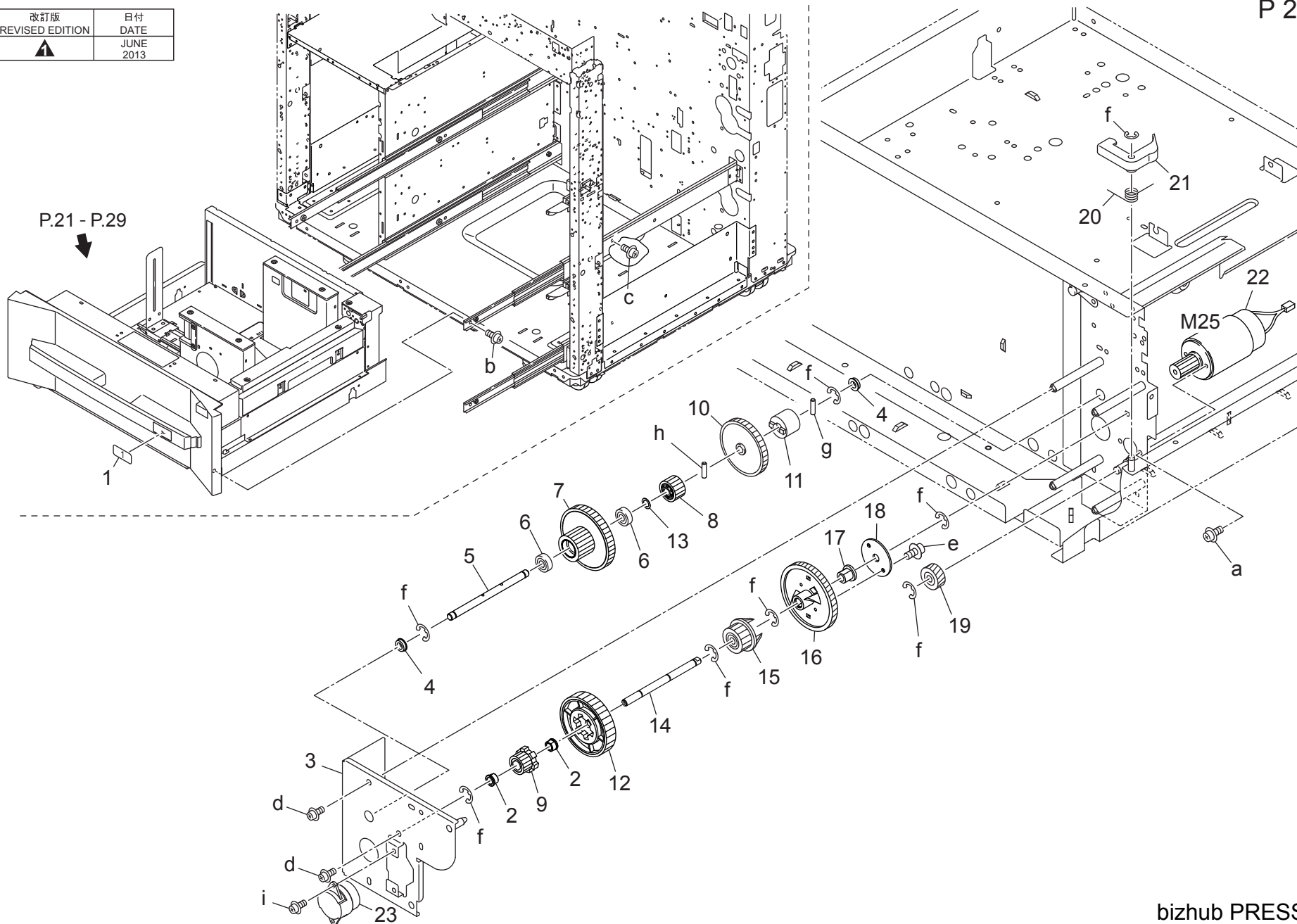
DRIVING SECTION

Key	Part No.	Description	Destinations	Class	QTY	Standard parts	
1	56UA15320	Fixing Reinforce Plate		D	1	a-V118040603 b-V223080050 c-V217080001 d-V121040603 e-V121040803 f-V121030603 g-V193030304 h-V217060001 j-V500020100 k-V207080003 m-V234301650 n-V234301250 p-V234301450	
2	A1TT214301	Drive Gear /30 21T		C	1		
3	A4EU235500	Drive Shaft /3		D	1		
4	A4EU238200	Drive Worm /1		C	1		
5	A0G6237201	Gear 17T		B	1		
7	A0G6M10100	DC Brushless motor /60		B	1		
9	13QA40610	Gear Spacer		C	1		
10	A0G6237300	Idling Gear 42T		C	1		
11	A4EU235000	Drive Side plate /2		D	1		
12	A4EUR71U00	Fixing Drive Shaft Assy		D	1		
13	56AA17090	Pressing Spring		C	1		
14	56UA15510	Conveyance Coupling Part		B	1		
15	A0Y5227500	Coupling Part		D	1		
16	A00V240600	Ball Bearing		B	5		
17	A4EU235200	Fusing Gear /3 68T		C	1		
18	A4EU235400	Drive Shaft /2		D	1		
19	A4EU230900	Pressing Spring		D	1		
20	A4EU230800	Fusing Gear /1 24T		C	1		
21	A4EU231000	Pin /A		D	1		
22	A0G6739300	Operation Bushing /Front		C	2		
23	A4EUR71V00	Fixing Drive Idol Shaft Assy		D	1		
24	A4EU235700	Compressing Spring		D	1		
25	A4EU238100	Drive Gear /2 40T		C	1		
26	A4EUM10100	HB Motor /40		B	1		
28	A4EUR71T11	Fixing Driving Assy		D	1		

TRAY 1

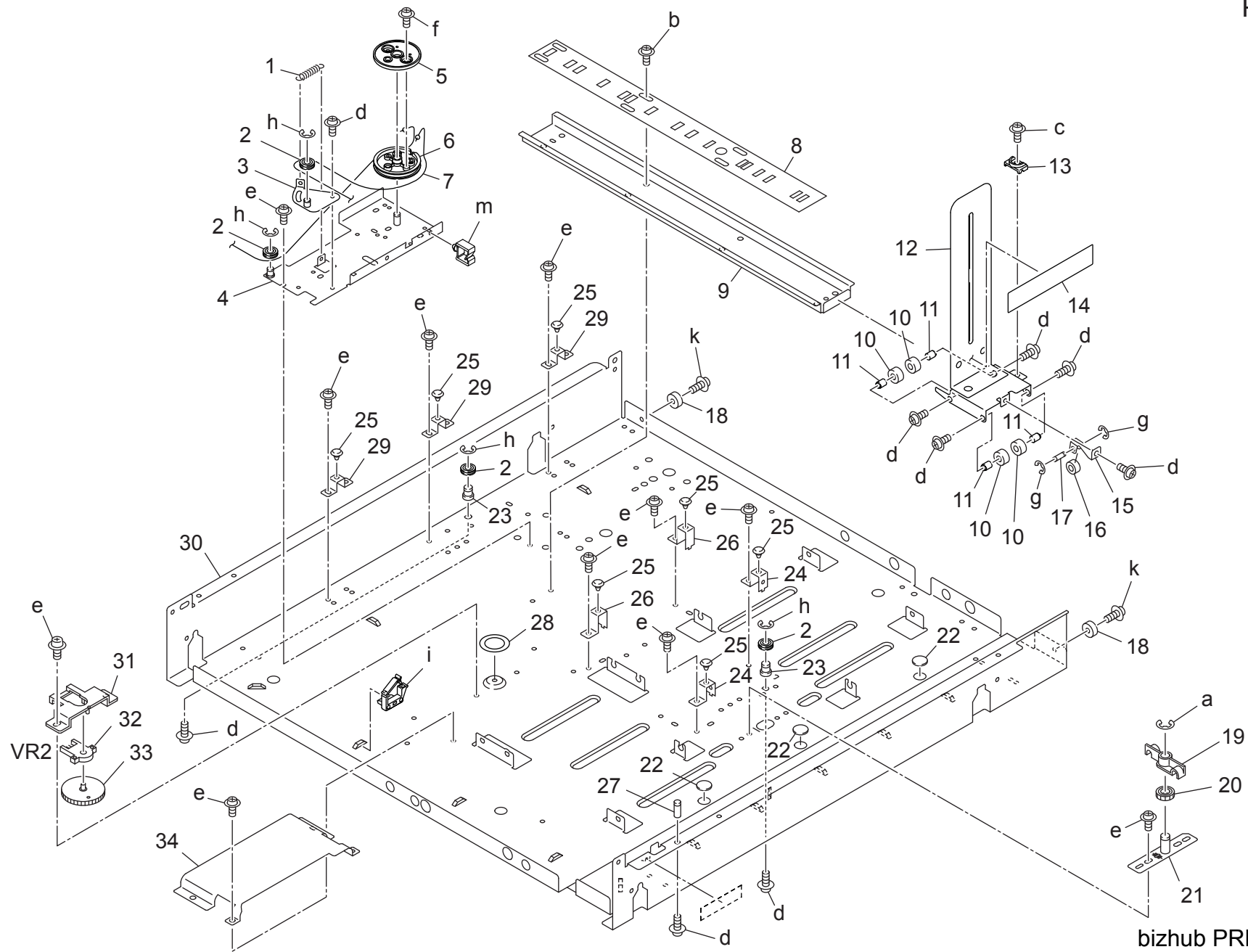
改訂版 REVISED EDITION	日付 DATE
	JUNE 2013

P 21



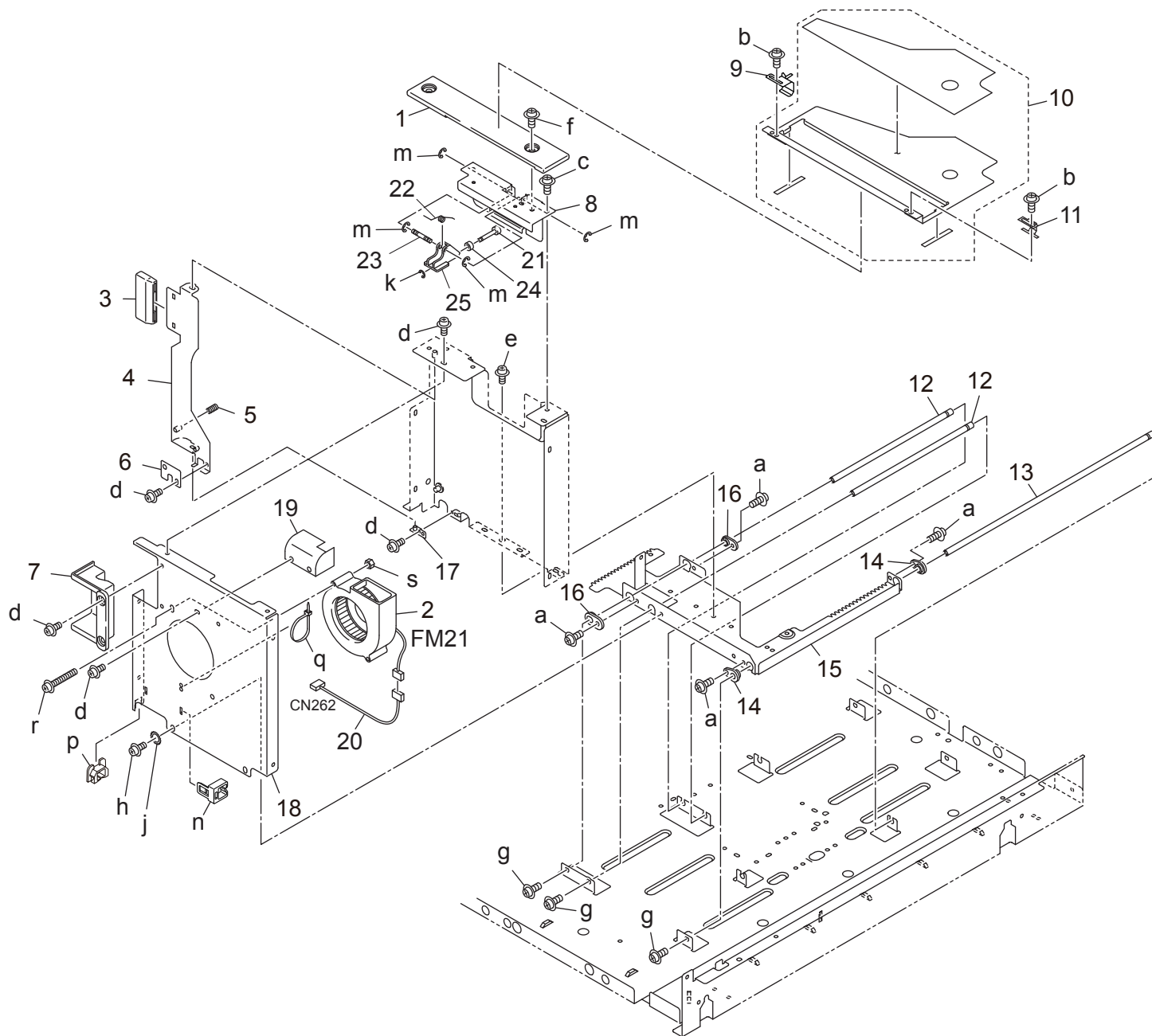
bizhub PRESS 1052

Key	Part No.	Description	Destinations	Class	QTY	Standard parts
1	A0U0945401	Indicating Label /1		C	1	a-V118030403
2	A4EU603400	Bushing		C	2	b-V118040603
3	56UA-4321E	DRIVE UP/DOWN BOARD		D	1	c-V118040803
4	A00J617800	Ball Bearing		B	2	d-V127030516
5	A4EU603500	Idling Shaft /A		D	1	e-V147030603
6	A4F3905000	Ball Bearing		D	2	f-V217040001
7	A4EU606100	Up/down Gear /B 14/55T		C	1	g-V234200850
8	A4EU603200	Gear 17T		C	1	h-V234201250
9	A4EU603100	Gear 15T		C	1	i-V121030403
10	56UA77660	Drive Regulating Gear /A 49T		C	1	
11	56UA42570	TORQUE LIMITER B		C	1	
12	A4EU603300	Gear 53T		C	1	
13	13QA10330	SHAFT SPACER		C	1	
14	A4EU603600	Idling Shaft /B		D	1	
15	56UA77650E	Control Gear 21T		C	1	
16	56UA77640F	Drive Connecting Gear/A 70T		C	1	
17	40BA75520	Paper Exit Bearing		C	1	
18	A0G6606500	Holding Part		C	1	
19	56UA77480	Lock Idler		C	1	
20	56UA40360	Lever Spring /1		C	1	
21	56UA40351	GUIDE LEVER		D	1	
22	A4EUR72Q11	Updown Motor		C	1	
23	A0G6601900	Up/Down Dumper		C	1	



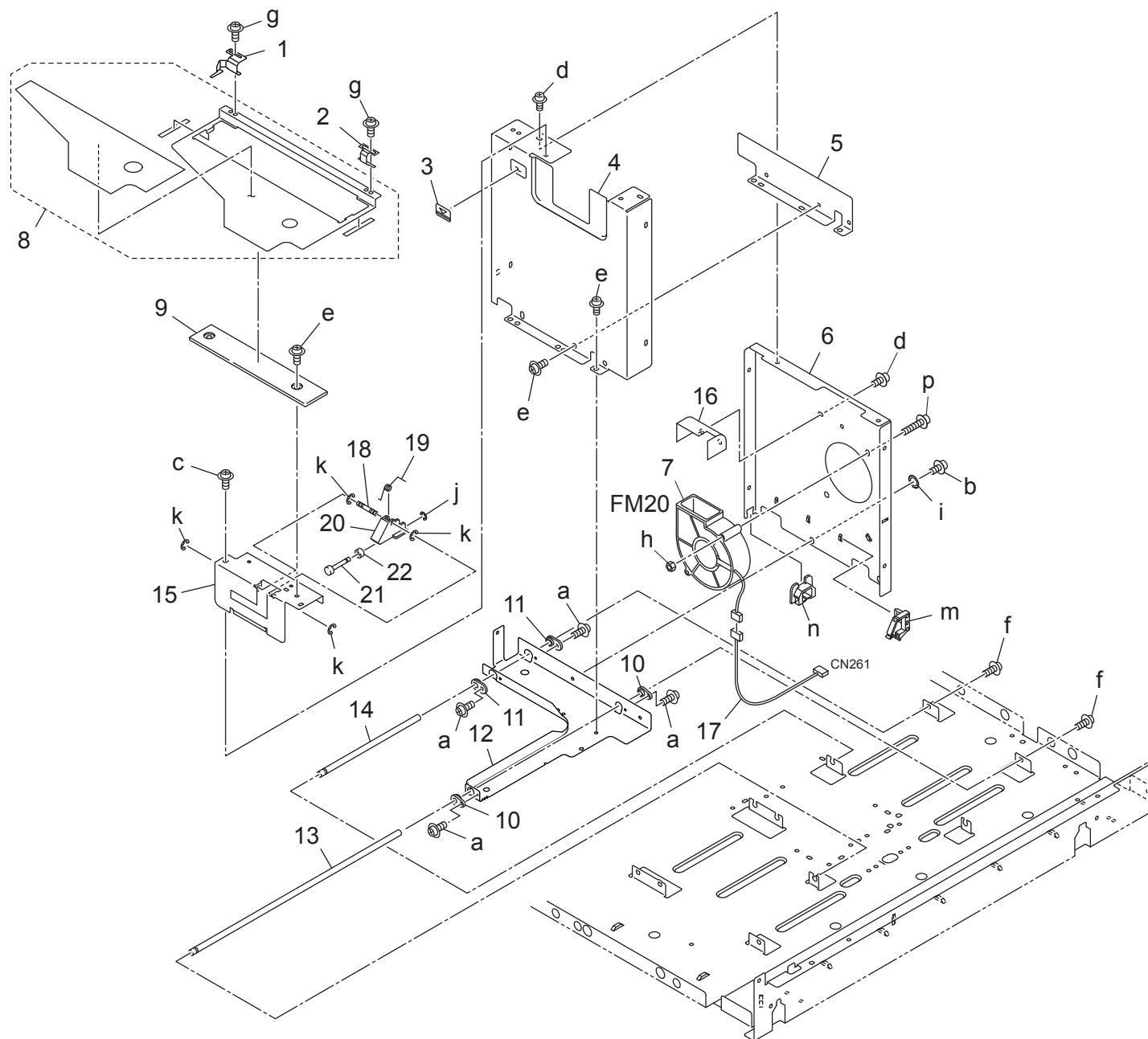
bizhub PRESS 1052

Key	Part No.	Description	Destinations	Class	QTY	Standard parts
1	A0G6601600	Tension Spring		C	1	a-V217060001
2	A0G6600900	Idling Pulley /A		C	4	b-V127030604
3	A0G6601500	Tension Arm		D	1	c-V116040803
4	A4EUR72U11	Detecting Board Caulking		D	1	d-V116030603
5	A0G6600800	Detecting Gear 90T		C	1	e-V127030516
6	A0G6600700	Pulley		C	1	f-V151030603
7	A0G6601000	Detection Wire		C	1	g-V217030001
8	56UA41120E	Guide Stopper		D	1	h-V217040001
9	56UA41110	GUIDE RAIL		D	1	i-V500010021
10	55VA42340	Guide Roller		C	4	k-V118030603
11	55VA42330D	GUIDE SHAFT /E		D	4	m-V500010028
12	A0G6615100	Guide Part /Rear		D	1	
13	A0G6615200	Holding Part		D	1	
14	A4EU943000	Operation Label /H		D	1	
15	55VA40910	PRESSURE PLATE A		D	1	
16	56UA41690	Tray Lock Roller		C	1	
17	55VA40920D	Support Shaft		D	1	
18	56UA40511E	Stopper Rubber /C		C	2	
19	56UA41220	SHAFT POSITIONING PART		D	1	
20	56UA77530	CASSETTE PINION		C	1	
21	A4EUR72V11	Adjusting Plate Caulking		D	1	
22	56UA41500	Stopper Rubber /B		C	3	
23	A0G6601300	Idling Shaft /2		D	2	
24	A0G6601700	Support Pedestal		D	2	
25	56UA41470	Stopper Rubber		C	7	
26	56UA41530	Paper Feed Tray Support Pedestal /B		D	2	
27	56UA40371	Lever Support Shaft /A		D	1	
28	56UA40760	Gear Spacer		C	1	
29	56UA41520	Paper Feed Tray Support Pedestal /A		D	3	
30	56UA40011E	Tray Bottom Plate		D	1	
31	56UA40420	DETECTION BOARD		D	1	
32	A1UDM50100	VR		D	1	
33	56AA41340	Detecting Gear 35T		C	1	
34	56UA41260	BOARD PROTECTION COVER		D	1	



Key	Part No.	Description	Destinations	Class	QTY	Standard parts
1	56UA41661	PAPER GUIDE COVER		D	1	a-V116030603
2	9313100072	FAN MOTOR		C	1	b-V127030516
3	56UA40680	Lever Cover		C	1	c-V118030403
4	A4EUR72W11	Locking Lever Caulking		D	1	d-V121030403
5	25AA47551	LIFT UP SPRING REAR		C	1	e-V121040404
6	56UA41540	Lock Plate		C	1	f-V121040603
7	56UA41670	Lever Protection Cover		D	1	g-V127030604
8	56UA41300	FAN AUXILIARY PLATE FRONT		C	1	h-V116040803
9	A0G6620600	Holding Plate Spring /B		D	1	j-V209040003
10	A4EUR72S11	Paper Feed Tray Cover /B Unit		D	1	k-V217020001
11	56UA41490	PAPER FEED TRAY HOLDING COVER B		C	1	m-V217030001
12	56UA41240	GUIDE SHAFT M		C	2	n-V500010027
13	A4EU602300	Guide Shaft /L		D	1	p-V570010021
14	129X48350	Guide Bearing /A		C	2	q-V501010002
15	56UA41070	Paper Guide Rack /Front		D	1	r-V117043503
16	129X48360	Guide Bearing /B		C	2	s-V195040003
17	A4EUR72X11	Rocking Board Caulking		D	1	
18	56UA41030	Paper Guide Board /Front		D	1	
19	56UA41090	Paper Feed Guide Duct /Front		D	1	
20	56UA90360	PAPER FEED SUCTION WIRING FRONT		D	1	
21	56UA41810	Lever Shaft		D	1	
22	56UA41580	PAPER HOLDING SPRING		C	1	
23	56UA41310	Lever Support Shaft		D	1	
24	A4EU620100	Bushing /A		C	1	
25	56UA41620	PAPER HOLDING LEVER		C	1	

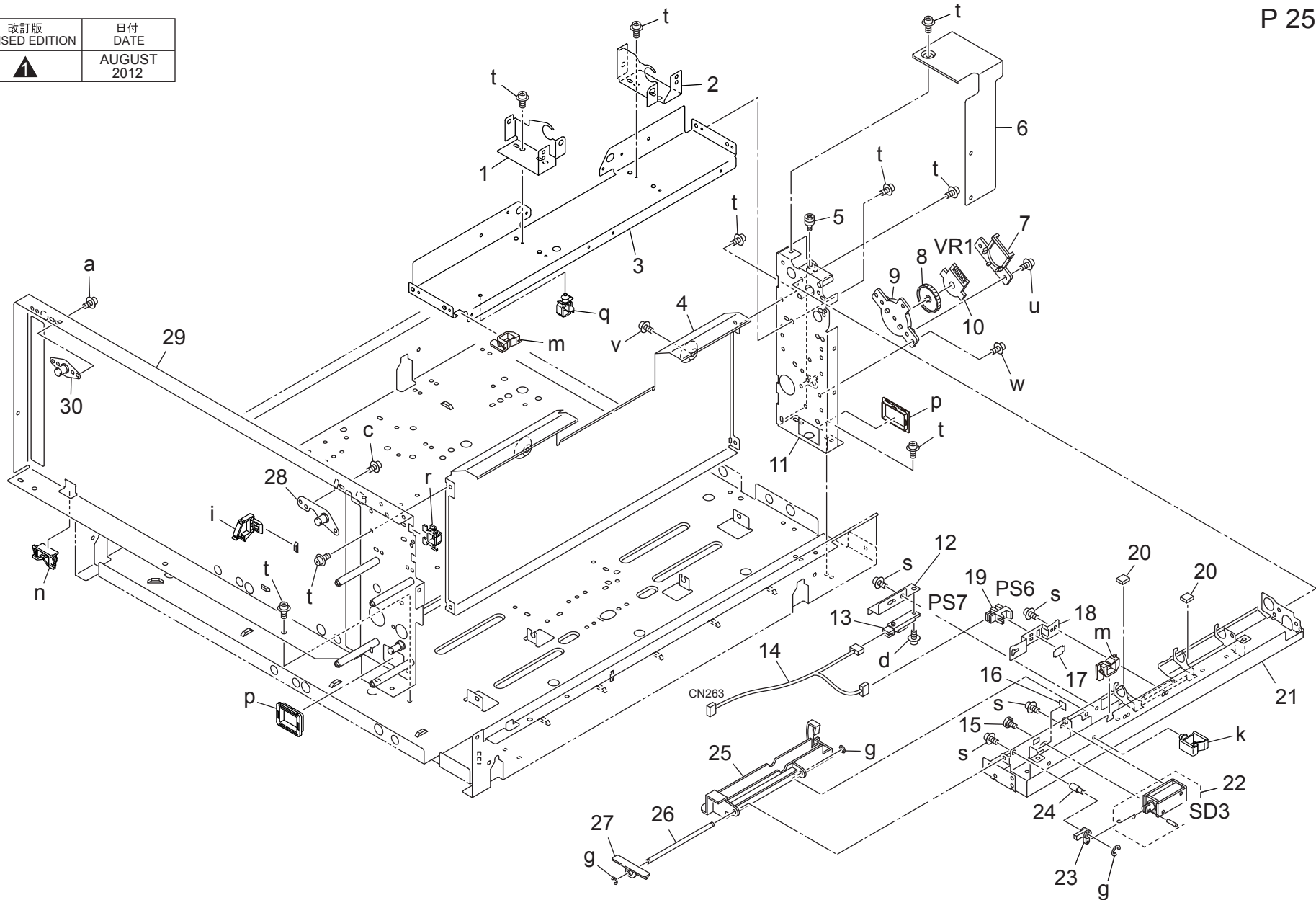
TRAY 1



Key	Part No.	Description	Destinations	Class	QTY	Standard parts
1	A0G6620500	Holding Plate Spring /A		D	1	a-V116030603
2	56UA41490	PAPER FEED TRAY HOLDING COVER B		C	1	b-V116040803
3	A4EU943200	Guide Label		D	1	c-V118030403
4	56UA41040	Paper Guide Side Plate /Rear		D	1	d-V121030403
5	56UA41550	REINFORCE PLATE /B		D	1	e-V121040603
6	56UA41020	PAPER GUIDE BOARD /REAR		D	1	f-V127030604
7	9313100072	FAN MOTOR		C	1	g-V127030516
8	A4EUR72R11	Paper Feed Tray Cover /A Unit		D	1	h-V195040003
9	56UA41661	PAPER GUIDE COVER		D	1	i-V209040003
10	129X48350	Guide Bearing /A		C	2	j-V217020001
11	129X48360	Guide Bearing /B		C	2	k-V217030001
12	56UA41060	Paper Guide Rack /Rear		D	1	m-V500010027
13	A4EU602300	Guide Shaft /L		D	1	n-V570010021
14	56UA41250	Guide Shaft /S		D	1	p-V117043503
15	56UA41750	Fan Auxiliary Plate /R		D	1	
16	56UA41710	Paper Feed Guide Duct /Rear		D	1	
17	56UA90370	PAPER FEED SUCTION WIRING REAR		D	1	
18	56UA41310	Lever Support Shaft		D	1	
19	56UA41580	PAPER HOLDING SPRING		C	1	
20	56UA41620	PAPER HOLDING LEVER		C	1	
21	56UA41810	Lever Shaft		D	1	
22	A4EU620100	Bushing /A		C	1	

TRAY 1

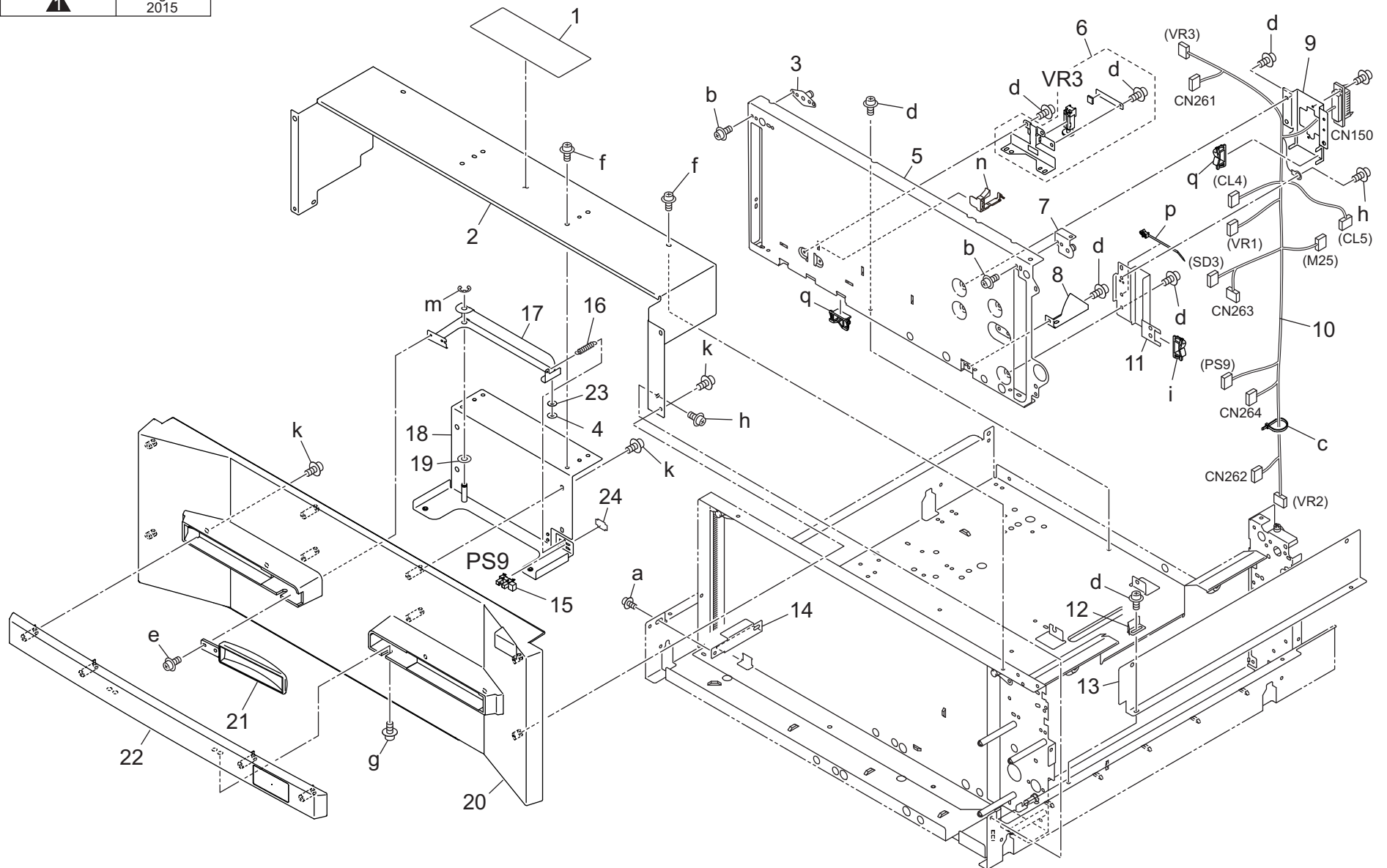
改訂版 REVISED EDITION	日付 DATE
	AUGUST 2012



Key	Part No.	Description	Destinations	Class	QTY	Standard parts
1	A0G6570600	Support Plate /A		D	1	a-V121030403
2	A0G6570700	Support Plate /B		D	1	c-V116030603
3	A0G6570101	Paper feed Stay		D	1	d-V126030603
4	56UA40070	PAPER STOPPER PLATE		D	1	g-V217030001
5	55VA42420	Lever Support Screw		C	1	i-V500010021
6	56UA40670	CLUTCH COVER		D	1	k-V500010029
7	56AA41351E	Detection Board		C	1	m-V570010021
8	56AA41340	Detecting Gear 35T		C	1	n-V570010023
9	56AE43090	Board Mounting Part		C	1	p-V570010038
10	A1UDM50100	VR		D	1	q-V500010020
11	A4EUR72T11	Tray Driveside Guide Caulking		D	1	r-V570010050
12	56UA40470	Mounting Plate /S		D	1	s-V116030503
13	13QA85511	Sensor 1		B	1	t-V127030516
14	56UA90350	PAPER FEED CONTROL WIRING UPPER		D	1	u-V151030803
15	55VA42220	POSITIONING SCREW		C	1	v-V127040603
16	55VA42111	SOLENOID STOPPER SHEET		C	1	w-V127030604
17	4470402401	Stopper		D	1	
18	A0G6561300	Adjusting Plate		D	1	
19	A50UM55500	Photo Sensor		I	1	
20	A0G6561200	Stopper Rubber		C	2	
21	56UA40051G	Paper Feed Guide Plate /Upper		D	1	
22	A4EUR72N11	Pick Up Solenoid Pin Assy		C	1	
23	25AA40870	SWITCH LEVER 1		C	1	
24	55VA40460	FULCRUM SHAFT C		D	1	
25	56UA40240	Entrance Guide Plate /Front		C	1	
26	55VA40380	SUPPORT SHAFT A		D	1	
27	56UA40480	PAPER FEED LIFTING LEVER		D	1	
28	56UAR79700	WIRE SUPPORT PLATE C		C	1	
29	56UA-4080	SIDE GUIDE/FRONT		D	1	
30	56UAR79500	WIRE SUPPORT PLATE A		D	1	

TRAY 1

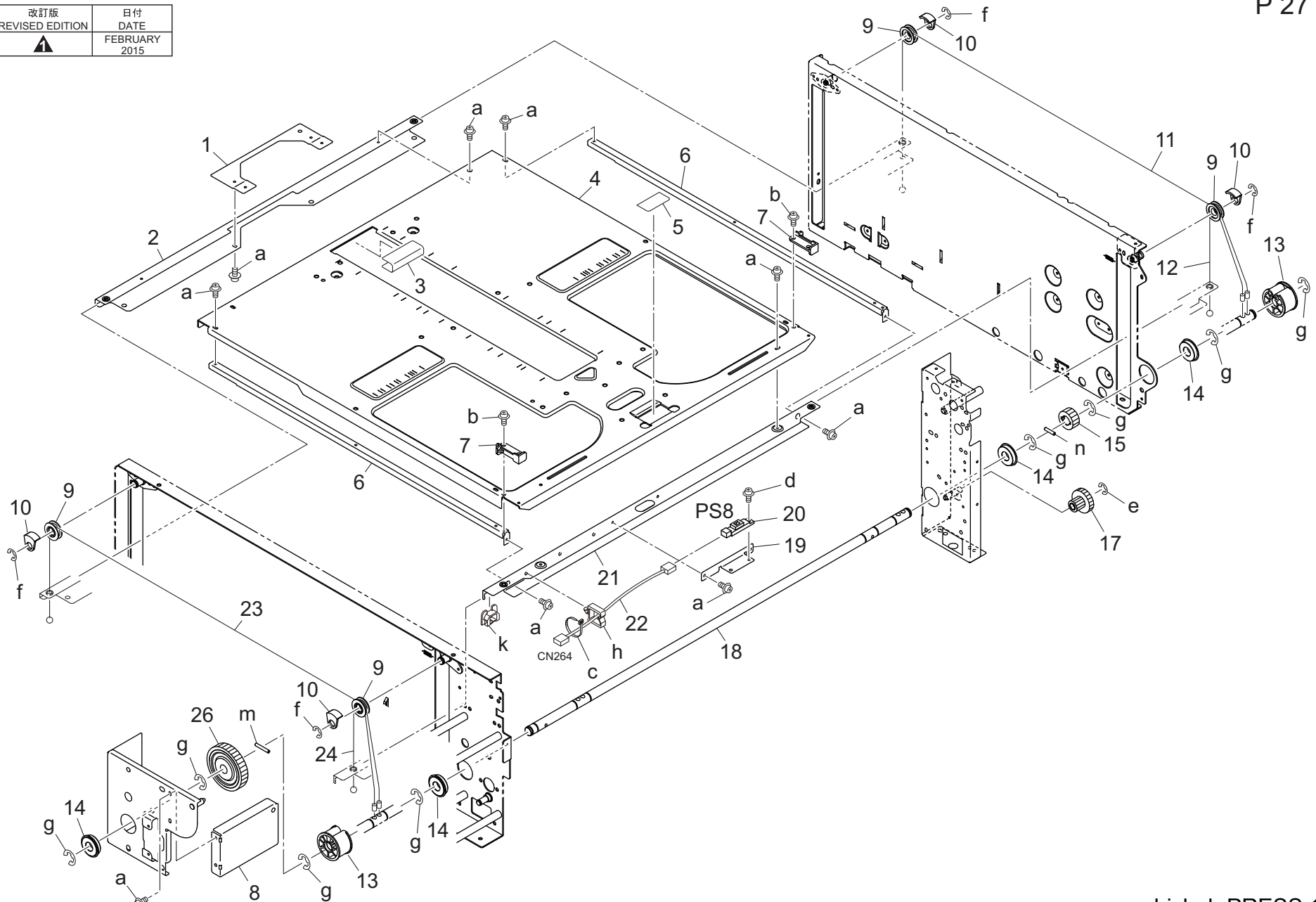
改訂版 REVISED EDITION	日付 DATE
	August 2015



Key	Part No.	Description	Destinations	Class	QTY	Standard parts
1	A0G6947803	Operation Label /E		D	1	a-V116030603
2	A0G6165200	Auxiliary Cover		D	1	b-V121030403
3	56UAR79500	WIRE SUPPORT PLATE A		D	1	c-V501010002
4	55VA42400	Cam Spacer		D	1	d-V127030516
5	56UA40020E	Side plate /Rear		D	1	e-V127030604
6	A4EUR72M11	Sensor Board		C	1	f-V127040603
7	56UAR79600	WIRE SUPPORT PLATE B		C	1	g-V127040803
8	56UA40160	Main Body Lock Plate /A		D	1	h-V116040603
9	56UA40150	WIRING MOUNTING PLATE		D	1	i-V570010063
10	A0G6N13300	Paperfeed Wiring /2		D	1	k-V151041003
11	56UA40140	Wiring Guide Plate		D	1	m-V217040001
12	56UA40580E	LEVER HOLDING PART		D	1	n-V500010021
13	56UA40260	TRAY COVER RIGHT		D	1	p-V501010003
14	56UA40270	TRAY POSITIONING PLATE /LEFT		D	1	q-V570010023
15	9335150021	SOLID STATE SWITCH		B	1	
16	56HA12980	Lever Spring		C	1	
17	56UA12560	Tray Lever		C	1	
18	A4EUF60701	LEVER MOUNTING PLATE CAULKING		D	1	
19	57AA30260	Developing Agitating Spacer		C	1	
20	A4EU165100	Paper feed Cover		D	1	
21	56UA12570	Lever Handle		C	1	
22	A0G6165400	Paper Feed Handle		C	1	
23	55VA42390	Attaching Sheet		C	1	
24	4470402401	Stopper		D	1	

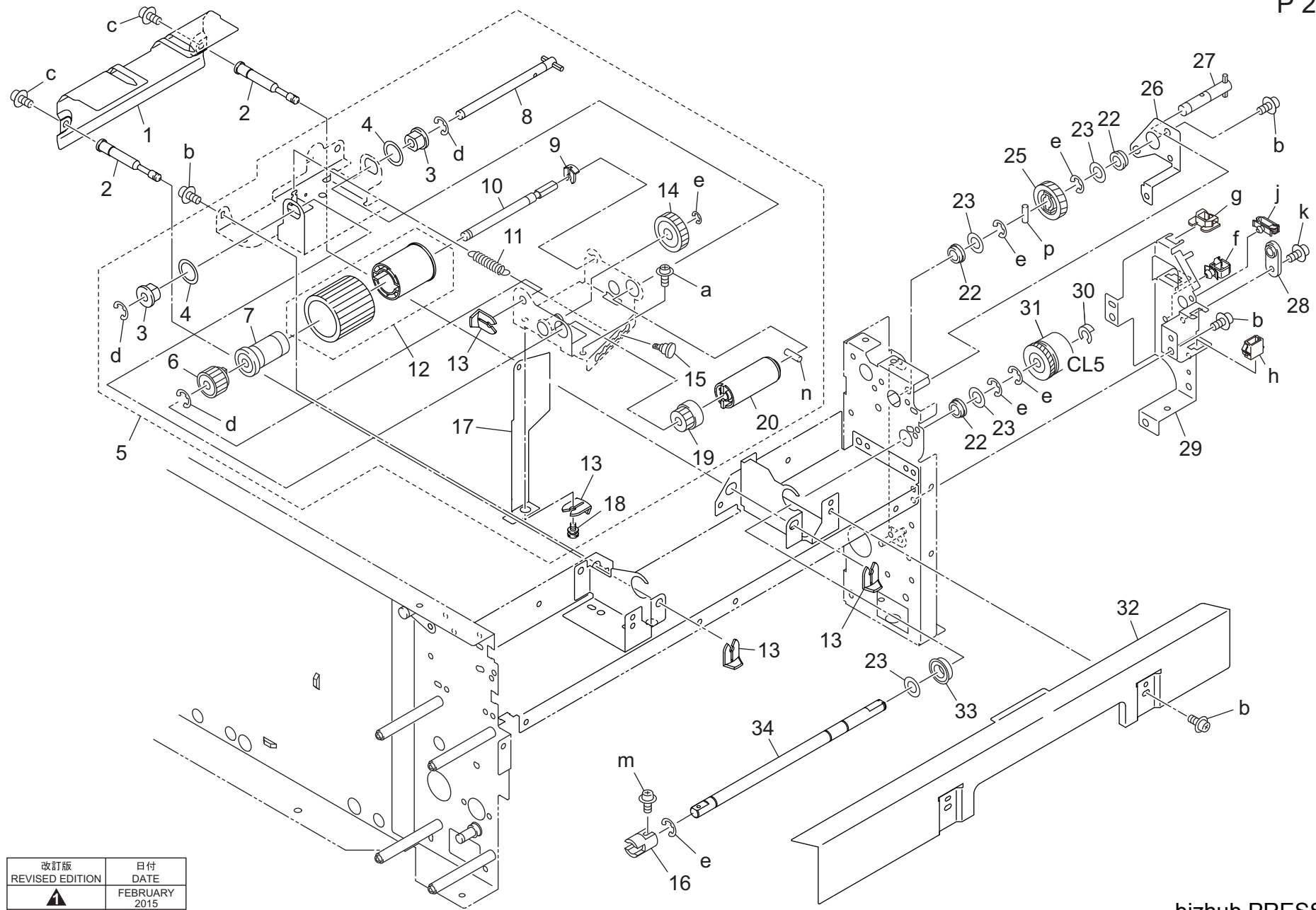
TRAY 1

改訂版 REVISED EDITION	日付 DATE
	FEBRUARY 2015



Key	Part No.	Description	Destinations	Class	QTY	Standard parts
1	A0G6620300	Reinforce Plate /C		D	1	a-V127030516
2	56UA41281E	Up/down Stay /B	昇降ステー / B	D	1	b-V127030604
3	A0G6620400	Protection Sheet	保護シート	C	1	c-V501010002
4	56UA41011E	Paper feed Up/down Plate /M	給紙昇降板 / M	D	1	d-V126030603
5	56UA41640	Multi Feed Preventing Plate	重送防止板	C	1	e-V217040001
6	A4EU621100	Reinforce Shaft /L	補強軸 / L	D	2	f-V217060001
7	56UA41400	PAPER FEED TRAY SLIDE PART	給紙皿スライド 部材	D	2	g-V217080001
8	56UA40570	DRIVE UP DOWN COVER RIGHT	駆動昇降カバー 右	D	1	h-V500010029
9	A4EU620200	Roller Pulley Ball bearing Assy	ころがりプーリ / ボールベアリング A s s y	C	4	k-V570010021
10	55VA40610	Wire Holder /A	ワイヤー 押さえ / A	C	4	m-V234302050
11	56UA41160	Up Down Wire /D	昇降ワイヤー / D	C	1	n-V234301450
12	56UA41150	Up Down Wire /C	昇降ワイヤー / C	C	1	
13	56UA41340	DRIVE UP DOWN PULLEY	駆動昇降プーリ	C	2	
14	A4EU265000	Ball bearing	ボールベアリング (読取駆動)	B	4	
15	55VA77652	ADU CONVEYANCE GEAR 2 19T	A D U 搬送歯車 2 1 9 T	B	1	
17	56UA77620	TRAY UP DOWN IDLER	トレイ昇降アイドル	C	1	
18	A4EU602100	Drive Shaft	駆動軸	D	1	
19	56UA40460	Mounting Plate /O	センサ取付け板 / O	D	1	
20	13QA85511	Sensor 1	センサ 1	B	1	
21	56UA41270	Up/Down Stay/A	昇降ステー / A	D	1	
22	56UA90340	PAPER FEED DETECTION WIRING	給紙検知束線	D	1	
23	56UA41140	Up Down Wire /B	昇降ワイヤー / B	C	1	
24	56UA41130	Up Down Wire /A	昇降ワイヤー / A	C	1	
26	56UA77600	Up Down Gear /A 32T	昇降歯車 / A 3 2 T	C	1	

TRAY 1



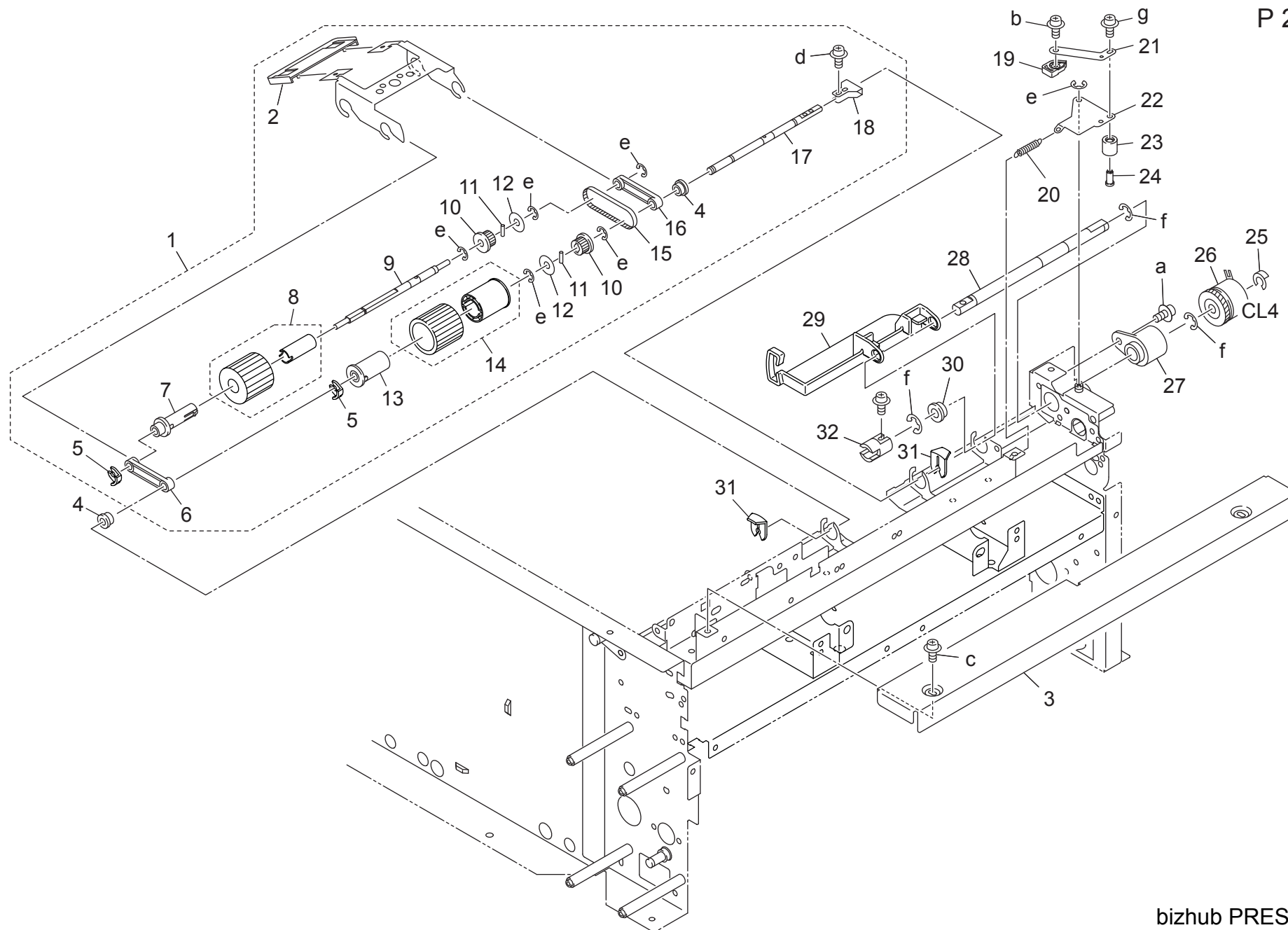
改訂版 REVISED EDITION	日付 DATE
	FEBRUARY 2015

Order here
8 (495) 646-0426
ПЯТЫЙ ПАРТНЕР www.km-shop.ru

Key	Part No.	Description	Destinations	Class	QTY	Standard parts
1	A0G6570200	Guide Plate		C	1	a-V116030603
2	A0G6570500	Positioning Shaft /B		D	2	b-V127030516
3	A0Y5601600	Bushing/6		C	2	c-V127030604
4	25AA40120	SPACER		C	2	d-V217040001
5	A4EUR72H11	Separating Unit		C	1	e-V217060001
6	55VA79140	Paper Feed Reversal Gear /D 19T		B	1	f-V500010020
7	50BA40220	REVERSE ROLLER		C	1	g-V570010021
8	A4EUR72J11	Revers Shaft/B		D	1	h-V651010001
9	56AA40490	SHAFT STOPPER 4		C	1	j-V500020100
10	A0G6571900	Reverse Shaft /2		D	1	k-V127040603
11	56UA40610	REVERSE SPRING B		C	1	m-V118030603
12	A4EUR71411	Feeding Roller Unit/B		A	1	n-V234200850
13	A0G6561000	Stopper /E		C	4	p-V234301450
14	55VA79050	Idler Gear /B 24T		C	1	
15	56UA40620	SPRING ADJUSTMENT LEVER		D	1	
16	56UA40490	COUPLING F		C	1	
17	A0G6572000	Protection Cover		B	1	
18	A0G6572100	Guide Screw		C	1	
19	55VA79030	Paper Feed Reversal Gear /C 14T		B	1	
20	A03X565611	Torque Limiter /A		B	1	
22	A00J617900	Ball Bearing		B	3	
23	12QV40650	Spacer		B	4	
25	A0G6602300	Input Gear 25T		B	1	
26	A0G6602100	Idling Panel		D	1	
27	A4EUR72K11	Paper Feed Input Shaft		B	1	
28	173030270	Pin Holder A		C	1	
29	56UA40130E	Positioning Plate /Rear		D	1	
30	55VA42120	Shaft Stopper		C	1	
31	57GA82010	Clutch /1		B	1	
32	A0G6571600	Guide Plate /Lower		C	1	
33	A00V240600	Ball Bearing		B	1	
34	A0G6570800	Reverse Shaft		B	1	

TRAY 1

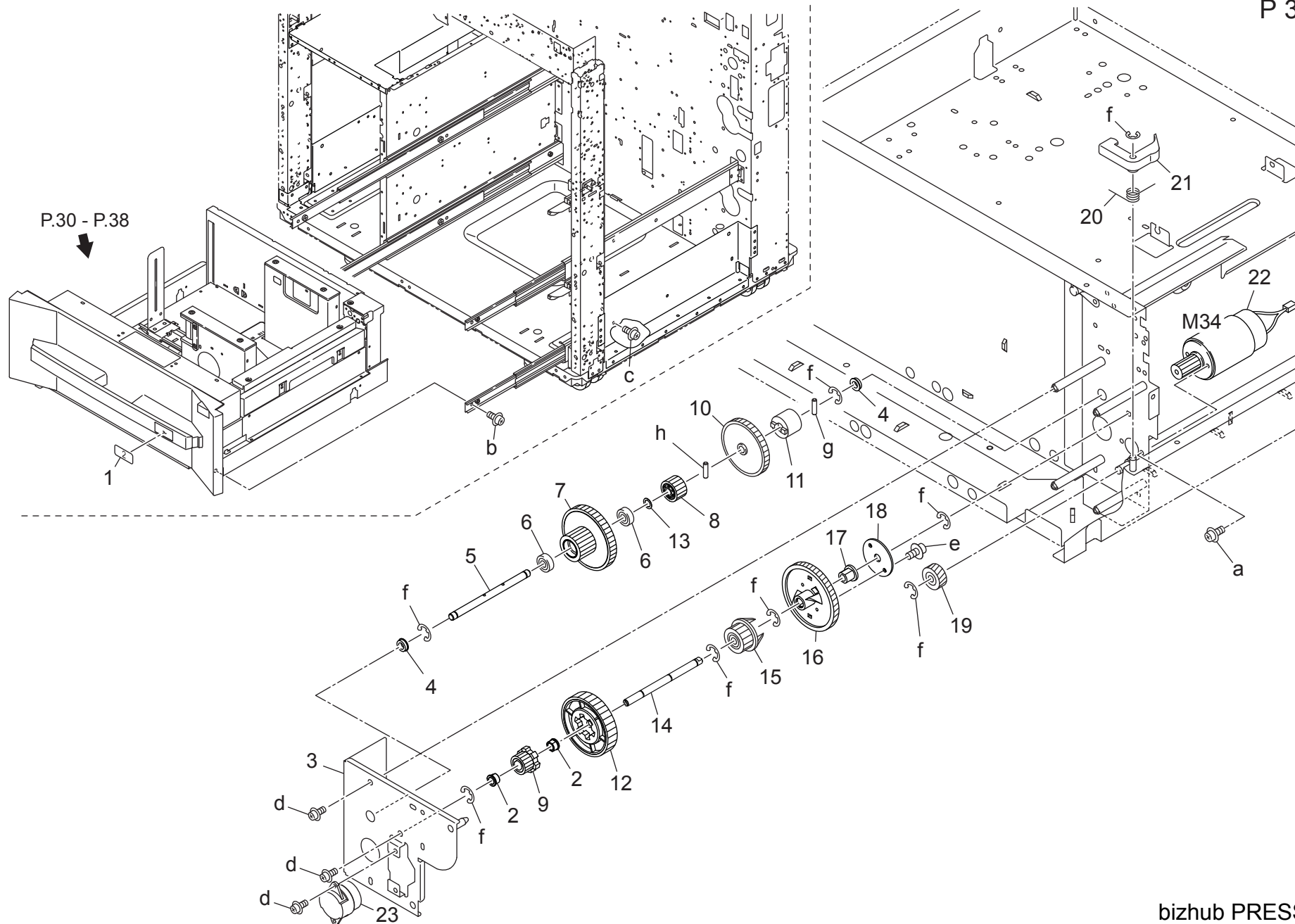
P 29



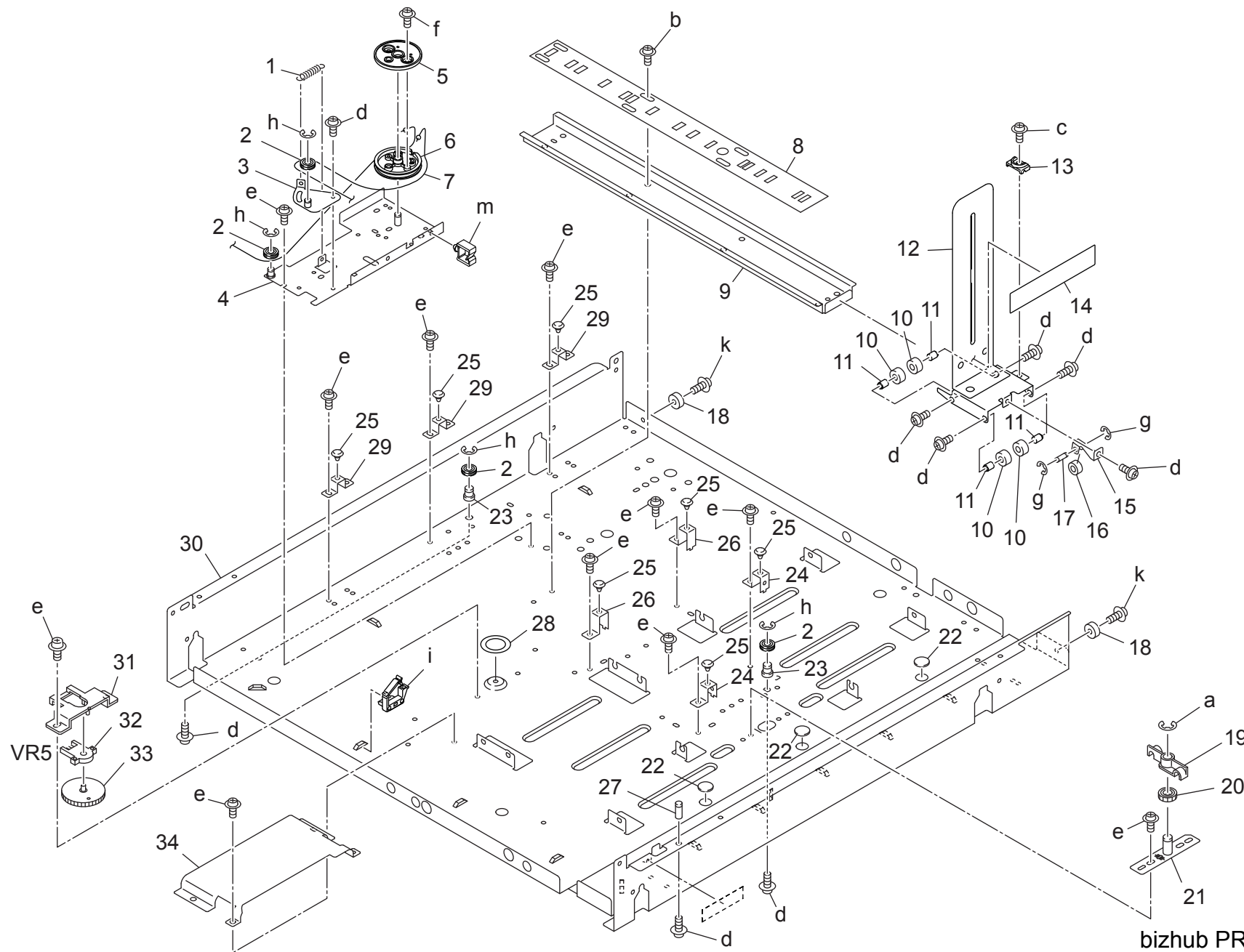
Key	Part No.	Description	Destinations	Class	QTY	Standard parts
1	A4EUR72P11	Pickup Unit		S	1	a-V116030603
2	56UA40690	Side Protection Cover /B		D	1	b-V151040603
3	56UA12530	FEEDING COVER		D	1	c-V118030403
4	A00J663200	Bushing		C	2	d-V127030604
5	56AA40490	SHAFT STOPPER 4		C	2	e-V217040001
6	56UA40280	Paper Feed Feeding Bushing		C	1	f-V217060001
7	55VA40130	Feeding Roller /A		C	1	g-V127030516
8	A4EUR71511	Feeding Roller Unit/A		A	1	
9	56UA40400	PAPER FEED SHAFT X		D	1	
10	059076510	PULLEY 1 15T		C	2	
11	56AA17510	Pin /B		C	2	
12	56AA17760	COLLAR		C	2	
13	56UA40600	Multi-Feed Feeding Roller		C	1	
14	A4EUR71411	Feeding Roller Unit/B		A	1	
15	A4EU565600	Drive Belt 126L		C	1	
16	55VA40260	Paper Feeding Shaft Holder		C	1	
17	56UA40340	FEEDING SHAFT X		D	1	
18	56UA40500	COUPLING LEVER F		D	1	
19	56UA40540	Lever Auxiliary Part		D	1	
20	25AA40460	LOCK SPRING 2		C	1	
21	56UA40660	LEVER AUXILIARY SPRING		D	1	
22	56UA40170	Lock Lever /A		D	1	
23	56UA40530	Release Roller		C	1	
24	56UA40520	Lock Shaft /B		D	1	
25	55VA42120	Shaft Stopper		C	1	
26	57GA82010	Clutch /1		B	1	
27	56UA75030	Lock Bushing /A		C	1	
28	56UA40210	Papaer Feed Drive Shaft		D	1	
29	56UA40250	ENTRANCE GUIDE PLATE REAR		C	1	
30	A03U812800	Slide Shaft Holder		B	1	
31	A0G6561000	Stopper /E		C	2	
32	56UA40490	COUPLING F		C	1	

TRAY 2

P 30

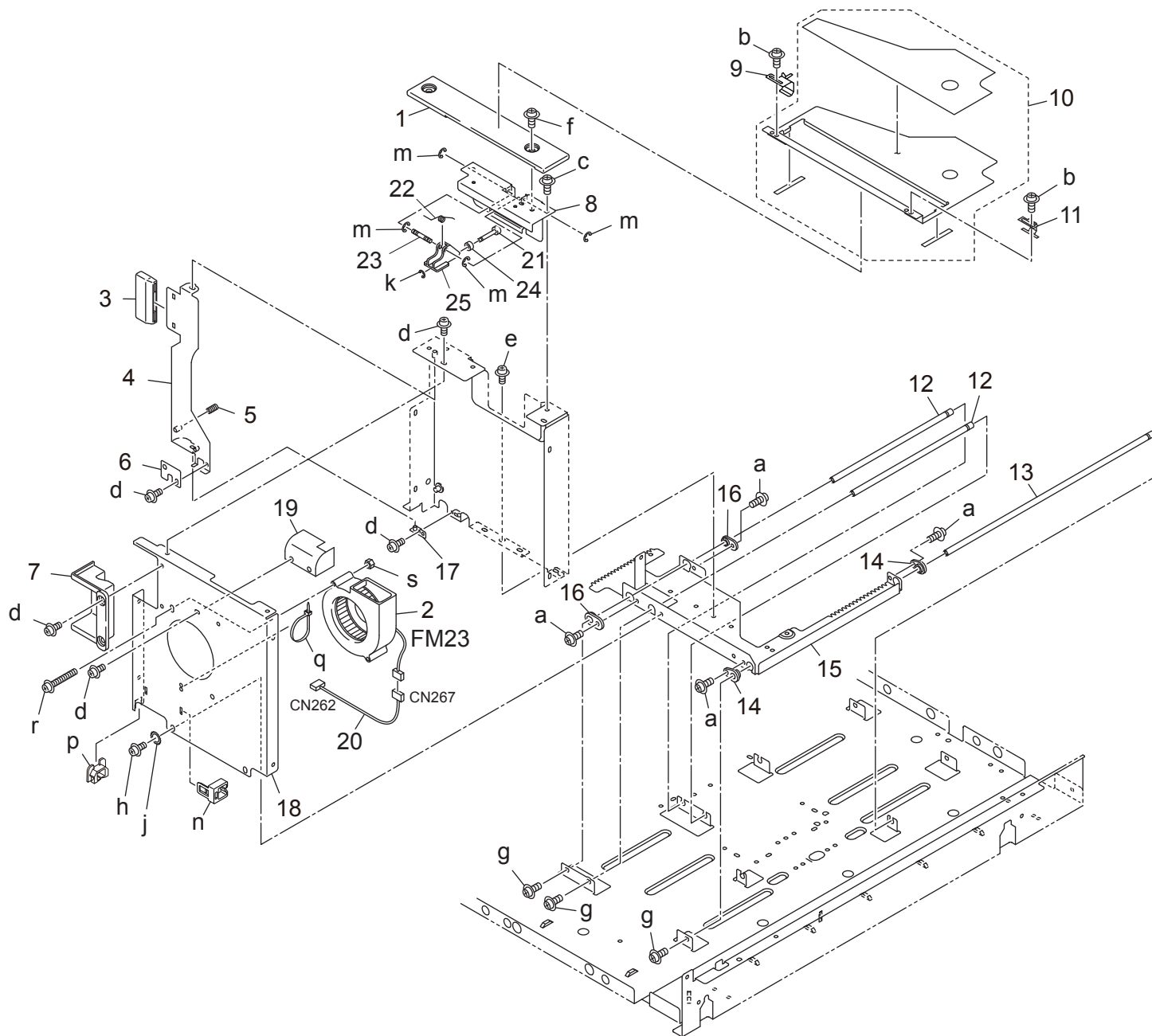


Key	Part No.	Description	Destinations	Class	QTY	Standard parts
1	A0U0945501	Indicating Label /2		C	1	a-V118030403
2	A4EU603400	Bushing		C	2	b-V118040603
3	56UA-4321E	DRIVE UP/DOWN BOARD		D	1	c-V118040803
4	A00J617800	Ball Bearing		B	2	d-V127030516
5	A4EU603500	Idling Shaft /A		D	1	e-V147030603
6	A4F3905000	Ball Bearing		D	2	f-V217040001
7	A4EU606100	Up/down Gear /B 14/55T		C	1	g-V234200850
8	A4EU603200	Gear 17T		C	1	h-V234201250
9	A4EU603100	Gear 15T		C	1	
10	56UA77660	Drive Regulating Gear /A 49T		C	1	
11	56UA42570	TORQUE LIMITER B		C	1	
12	A4EU603300	Gear 53T		C	1	
13	13QA10330	SHAFT SPACER		C	1	
14	A4EU603600	Idling Shaft /B		D	1	
15	56UA77650E	Control Gear 21T		C	1	
16	56UA77640F	Drive Connecting Gear/A 70T		C	1	
17	40BA75520	Paper Exit Bearing		C	1	
18	A0G6606500	Holding Part		C	1	
19	56UA77480	Lock Idler		C	1	
20	56UA40360	Lever Spring /1		C	1	
21	56UA40351	GUIDE LEVER		D	1	
22	A4EUR72Q11	Updown Motor		C	1	
23	A0G6601900	Up/Down Dumper		C	1	

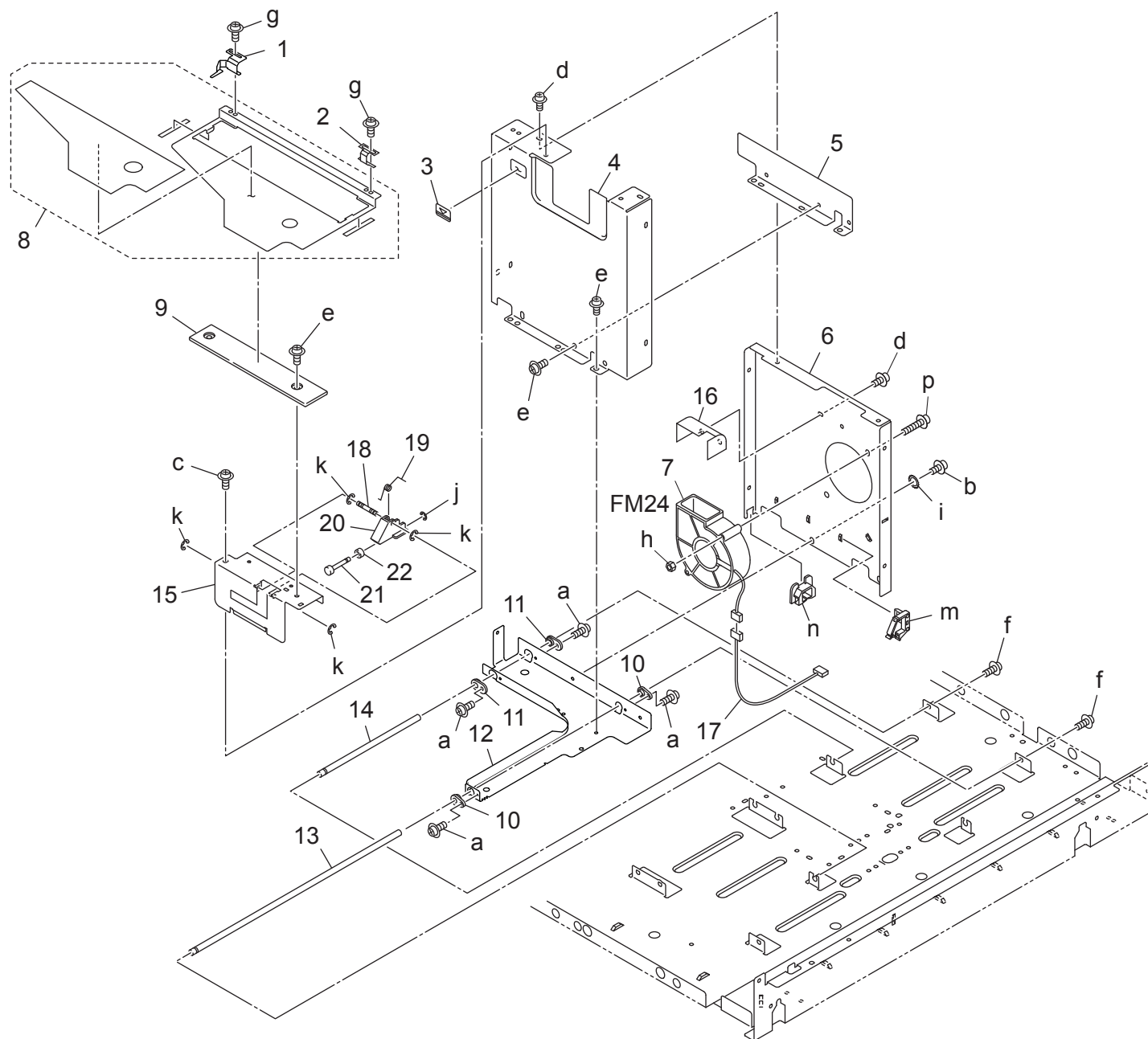


bizhub PRESS 1052

Key	Part No.	Description	Destinations	Class	QTY	Standard parts
1	A0G6601600	Tension Spring		C	1	a-V217060001
2	A0G6600900	Idling Pulley /A		C	4	b-V127030604
3	A0G6601500	Tension Arm		D	1	c-V116040803
4	A4EUR72U11	Detecting Board Caulking		D	1	d-V116030603
5	A0G6600800	Detecting Gear 90T		C	1	e-V127030516
6	A0G6600700	Pulley		C	1	f-V151030603
7	A0G6601000	Detection Wire		C	1	g-V217030001
8	56UA41120E	Guide Stopper		D	1	h-V217040001
9	56UA41110	GUIDE RAIL		D	1	i-V500010021
10	55VA42340	Guide Roller		C	4	k-V118030603
11	55VA42330D	GUIDE SHAFT /E		D	4	m-V500010028
12	A0G6615100	Guide Part /Rear		D	1	
13	A0G6615200	Holding Part		D	1	
14	A4EU943000	Operation Label /H		D	1	
15	55VA40910	PRESSURE PLATE A		D	1	
16	56UA41690	Tray Lock Roller		C	1	
17	55VA40920D	Support Shaft		D	1	
18	56UA40511E	Stopper Rubber /C		C	2	
19	56UA41220	SHAFT POSITIONING PART		D	1	
20	56UA77530	CASSETTE PINION		C	1	
21	A4EUR72V11	Adjusting Plate Caulking		D	1	
22	56UA41500	Stopper Rubber /B		C	3	
23	A0G6601300	Idling Shaft /2		D	2	
24	A0G6601700	Support Pedestal		D	2	
25	56UA41470	Stopper Rubber		C	7	
26	56UA41530	Paper Feed Tray Support Pedestal /B		D	2	
27	56UA40371	Lever Support Shaft /A		D	1	
28	56UA40760	Gear Spacer		C	1	
29	56UA41520	Paper Feed Tray Support Pedestal /A		D	3	
30	56UA40011E	Tray Bottom Plate		D	1	
31	56UA40420	DETECTION BOARD		D	1	
32	A1UDM50100	VR		D	1	
33	56AA41340	Detecting Gear 35T		C	1	
34	56UA41260	BOARD PROTECTION COVER		D	1	



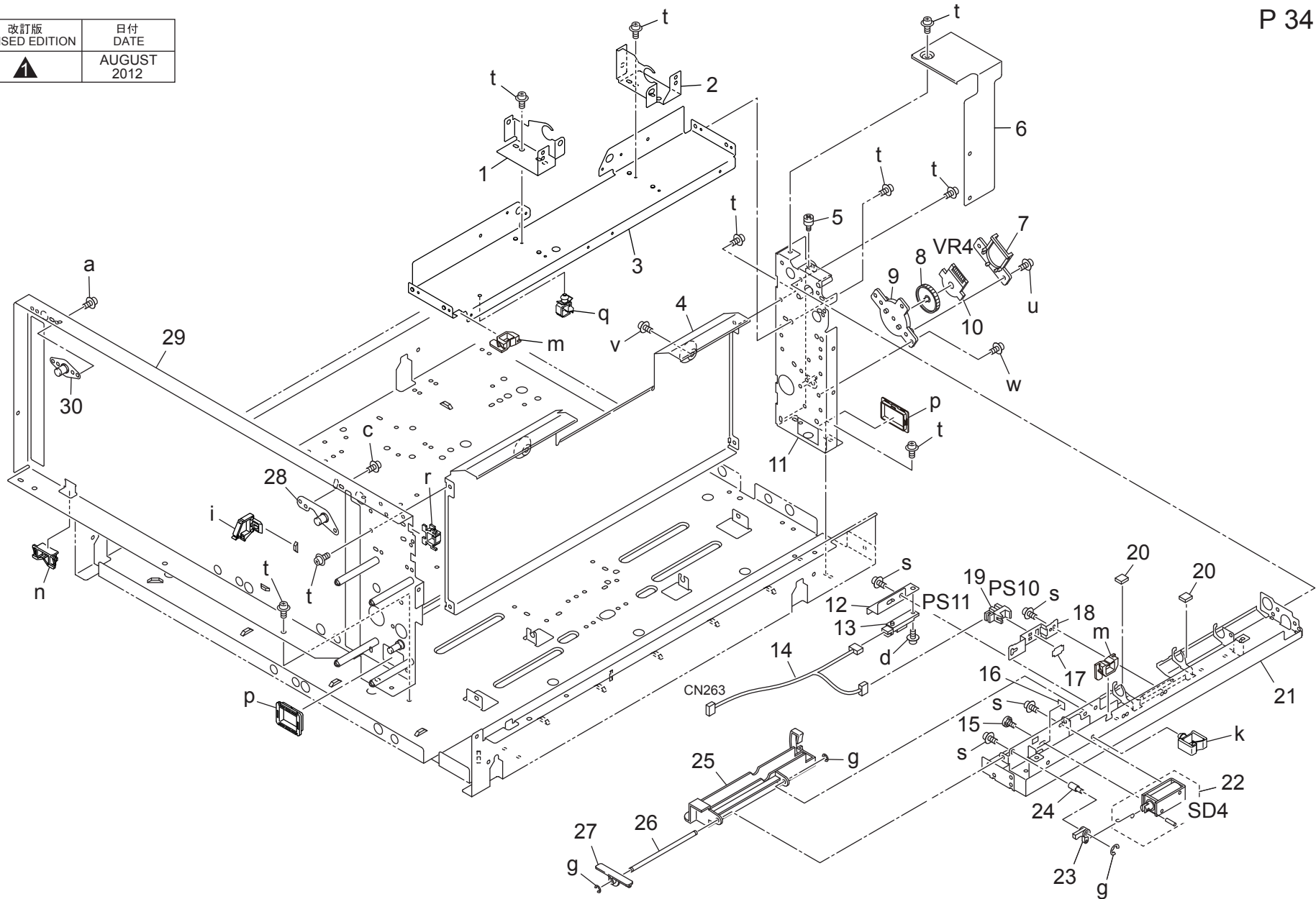
Key	Part No.	Description	Destinations	Class	QTY	Standard parts
1	56UA41661	PAPER GUIDE COVER		D	1	a-V116030603
2	9313100072	FAN MOTOR		C	1	b-V127030516
3	56UA40680	Lever Cover		C	1	c-V118030403
4	A4EUR72W11	Locking Lever Caulking		D	1	d-V121030403
5	25AA47551	LIFT UP SPRING REAR		C	1	e-V121040404
6	56UA41540	Lock Plate		C	1	f-V121040603
7	56UA41670	Lever Protection Cover		D	1	g-V127030604
8	56UA41300	FAN AUXILIARY PLATE FRONT		C	1	h-V116040803
9	A0G6620600	Holding Plate Spring /B		D	1	j-V209040003
10	A4EUR72S11	Paper Feed Tray Cover /B Unit		D	1	k-V217020001
11	56UA41490	PAPER FEED TRAY HOLDING COVER B		C	1	m-V217030001
12	56UA41240	GUIDE SHAFT M		C	2	n-V500010027
13	A4EU602300	Guide Shaft /L		D	1	p-V570010021
14	129X48350	Guide Bearing /A		C	2	q-V501010002
15	56UA41070	Paper Guide Rack /Front		D	1	r-V117043503
16	129X48360	Guide Bearing /B		C	2	s-V195040003
17	A4EUR72X11	Rocking Board Caulking		D	1	
18	56UA41030	Paper Guide Board /Front		D	1	
19	56UA41090	Paper Feed Guide Duct /Front		D	1	
20	56UA90360	PAPER FEED SUCTION WIRING FRONT		D	1	
21	56UA41810	Lever Shaft		D	1	
22	56UA41580	PAPER HOLDING SPRING		C	1	
23	56UA41310	Lever Support Shaft		D	1	
24	A4EU620100	Bushing /A		C	1	
25	56UA41620	PAPER HOLDING LEVER		C	1	



Key	Part No.	Description	Destinations	Class	QTY	Standard parts
1	A0G6620500	Holding Plate Spring /A		D	1	a-V116030603
2	56UA41490	PAPER FEED TRAY HOLDING COVER B		C	1	b-V116040803
3	A4EU943200	Guide Label		D	1	c-V118030403
4	56UA41040	Paper Guide Side Plate /Rear		D	1	d-V121030403
5	56UA41550	REINFORCE PLATE /B		D	1	e-V121040603
6	56UA41020	PAPER GUIDE BOARD /REAR		D	1	f-V127030604
7	9313100072	FAN MOTOR		C	1	g-V127030516
8	A4EUR72R11	Paper Feed Tray Cover /A Unit		D	1	h-V195040003
9	56UA41661	PAPER GUIDE COVER		D	1	i-V209040003
10	129X48350	Guide Bearing /A		C	2	j-V217020001
11	129X48360	Guide Bearing /B		C	2	k-V217030001
12	56UA41060	Paper Guide Rack /Rear		D	1	m-V500010027
13	A4EU602300	Guide Shaft /L		D	1	n-V570010021
14	56UA41250	Guide Shaft /S		D	1	p-V117043503
15	56UA41750	Fan Auxiliary Plate /R		D	1	
16	56UA41710	Paper Feed Guide Duct /Rear		D	1	
17	56UA90370	PAPER FEED SUCTION WIRING REAR		D	1	
18	56UA41310	Lever Support Shaft		D	1	
19	56UA41580	PAPER HOLDING SPRING		C	1	
20	56UA41620	PAPER HOLDING LEVER		C	1	
21	56UA41810	Lever Shaft		D	1	
22	A4EU620100	Bushing /A		C	1	

TRAY 2

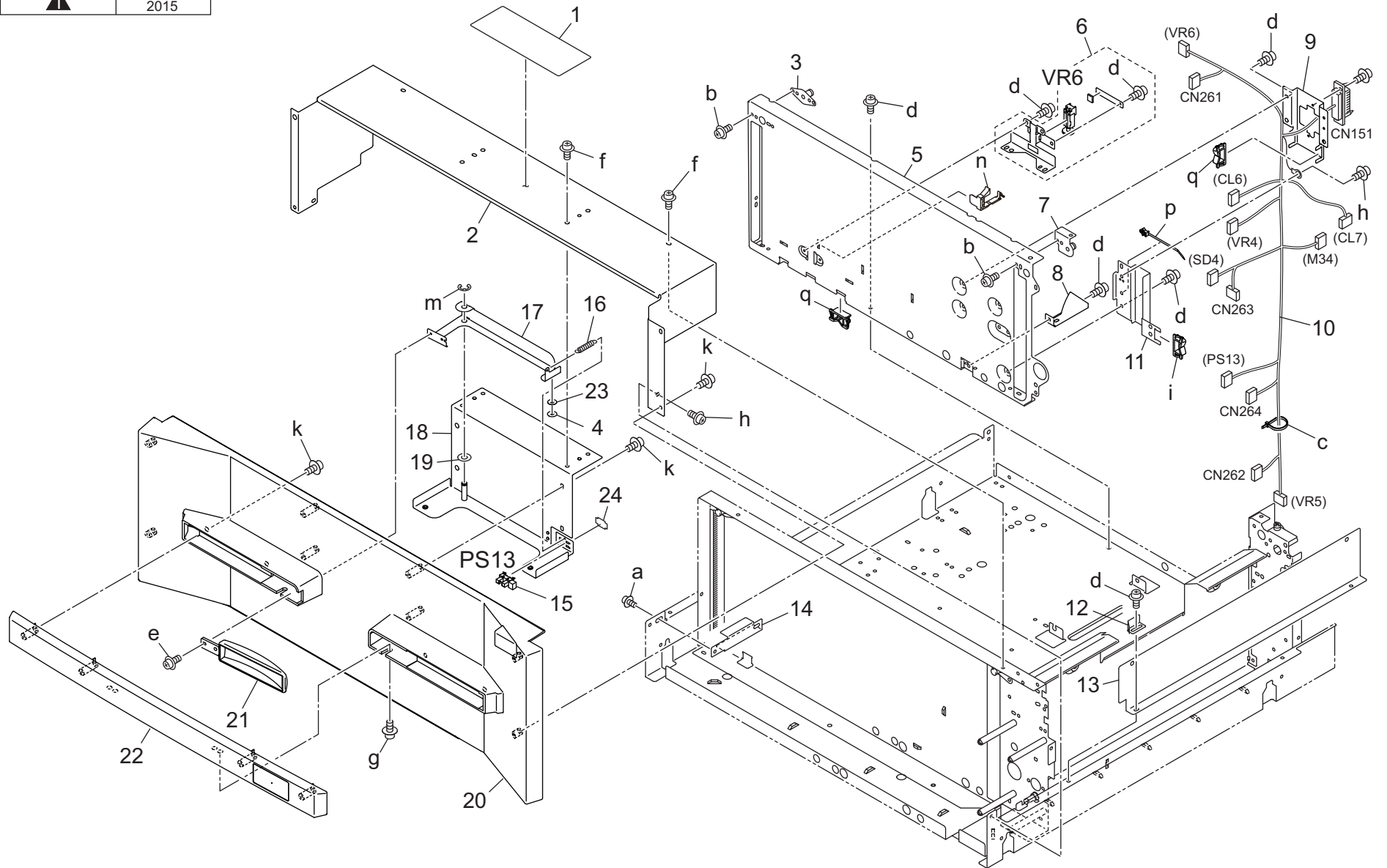
改訂版 REVISED EDITION	日付 DATE
	AUGUST 2012



Key	Part No.	Description	Destinations	Class	QTY	Standard parts
1	A0G6570600	Support Plate /A	支持板 / A	D	1	a-V121030403
2	A0G6570700	Support Plate /B	支持板 / B	D	1	c-V116030603
3	A0G6570101	Paper feed Stay	給紙ステー	D	1	d-V126030603
4	56UA40070	PAPER STOPPER PLATE	紙突き当て板	D	1	g-V217030001
5	55VA42420	Lever Support Screw	レバー支点ネジ	C	1	i-V500010021
6	56UA40670	CLUTCH COVER	クラッチカバー	D	1	k-V500010029
7	56AA41351E	Detection Board	検知基板	C	1	m-V570010021
8	56AA41340	Detecting Gear 35T	検知ギア 35 T	C	1	n-V570010023
9	56AE43090	Board Mounting Part	基板取り付け部材	C	1	p-V570010038
10	A1UDM50100	VR	ボリューム	D	1	q-V500010020
11	A4EUR72T11	Tray Driveside Guide Caulking	トレイ駆動側板カシメ	D	1	r-V570010050
12	56UA40470	Mounting Plate /S	センサ取付け板 / S	D	1	s-V116030503
13	13QA85511	Sensor 1	センサ 1	B	1	t-V127030516
14	56UA90350	PAPER FEED CONTROL WIRING UPPER	給紙制御束線 上	D	1	u-V151030803
15	55VA42220	POSITIONING SCREW	位置決めネジ	C	1	v-V127040603
16	55VA42111	SOLENOID STOPPER SHEET	ソレノイドストップシート	C	1	w-V127030604
17	4470402401	Stopper	ストッパー	D	1	
18	A0G6561300	Adjusting Plate	調整板	D	1	
19	A50UM55500	Photo Sensor	フォトセンサ(透過型)	I	1	
20	A0G6561200	Stopper Rubber	ストップゴム	C	2	
21	56UA40051G	Paper Feed Guide Plate /Upper	給紙ガイド板 /上	D	1	
22	A4EUR72N11	Pick Up Solenoid Pin Assy	ピックアップソレノイドピン打ち	C	1	
23	25AA40870	SWITCH LEVER 1	スイッチレバー 1	C	1	
24	55VA40460	FULCRUM SHAFT C	支点軸 C	D	1	
25	56UA40240	Entrance Guide Plate /Front	入口ガイド板 /前	C	1	
26	55VA40380	SUPPORT SHAFT A	支点軸 A	D	1	
27	56UA40480	PAPER FEED LIFTING LEVER	給紙持ち上げレバー	D	1	
28	56UAR79700	WIRE SUPPORT PLATE C	ワイヤー支点板 C カシメ	C	1	
29	56UA-4080	SIDE GUIDE/FRONT	側板 /前カシメ	D	1	
30	56UAR79500	WIRE SUPPORT PLATE A	ワイヤー支点板 A カシメ	D	1	

TRAY 2

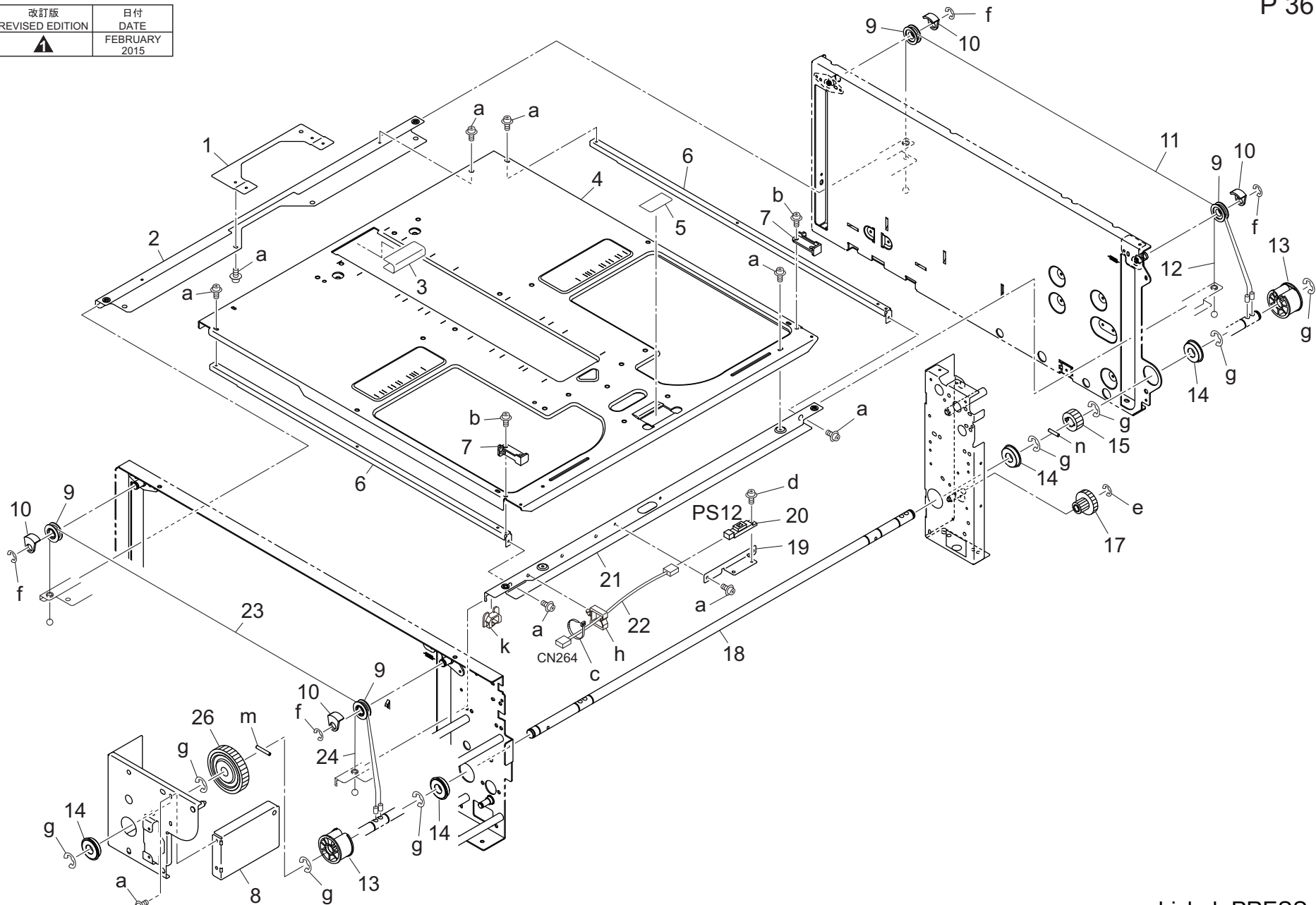
改訂版 REVISED EDITION	日付 DATE
	August 2015



Key	Part No.	Description	Destinations	Class	QTY	Standard parts
1	A0G6947803	Operation Label /E		D	1	a-V116030603
2	A0G6165200	Auxiliary Cover		D	1	b-V121030403
3	56UAR79500	WIRE SUPPORT PLATE A		D	1	c-V501010002
4	55VA42400	Cam Spacer		D	1	d-V127030516
5	56UA40020E	Side plate /Rear		D	1	e-V127030604
6	A4EUR72M11	Sensor Board		C	1	f-V127040603
7	56UAR79600	WIRE SUPPORT PLATE B		C	1	g-V127040803
8	56UA40160	Main Body Lock Plate /A		D	1	h-V116040603
9	56UA40150	WIRING MOUNTING PLATE		D	1	i-V570010063
10	A0G6N13300	Paperfeed Wiring /2		D	1	k-V151041003
11	56UA40140	Wiring Guide Plate		D	1	m-V217040001
12	56UA40580E	LEVER HOLDING PART		D	1	n-V500010021
13	56UA40260	TRAY COVER RIGHT		D	1	p-V501010003
14	56UA40270	TRAY POSITIONING PLATE /LEFT		D	1	q-V570010023
15	9335150021	SOLID STATE SWITCH		B	1	
16	56HA12980	Lever Spring		C	1	
17	56UA12560	Tray Lever		C	1	
18	A4EUF60701	LEVER MOUNTING PLATE CAULKING		D	1	
19	57AA30260	Developing Agitating Spacer		C	1	
20	A4EU165100	Paper feed Cover		D	1	
21	56UA12570	Lever Handle		C	1	
22	A0G6165400	Paper Feed Handle		C	1	
23	55VA42390	Attaching Sheet		C	1	
24	4470402401	Stopper		D	1	

TRAY 2

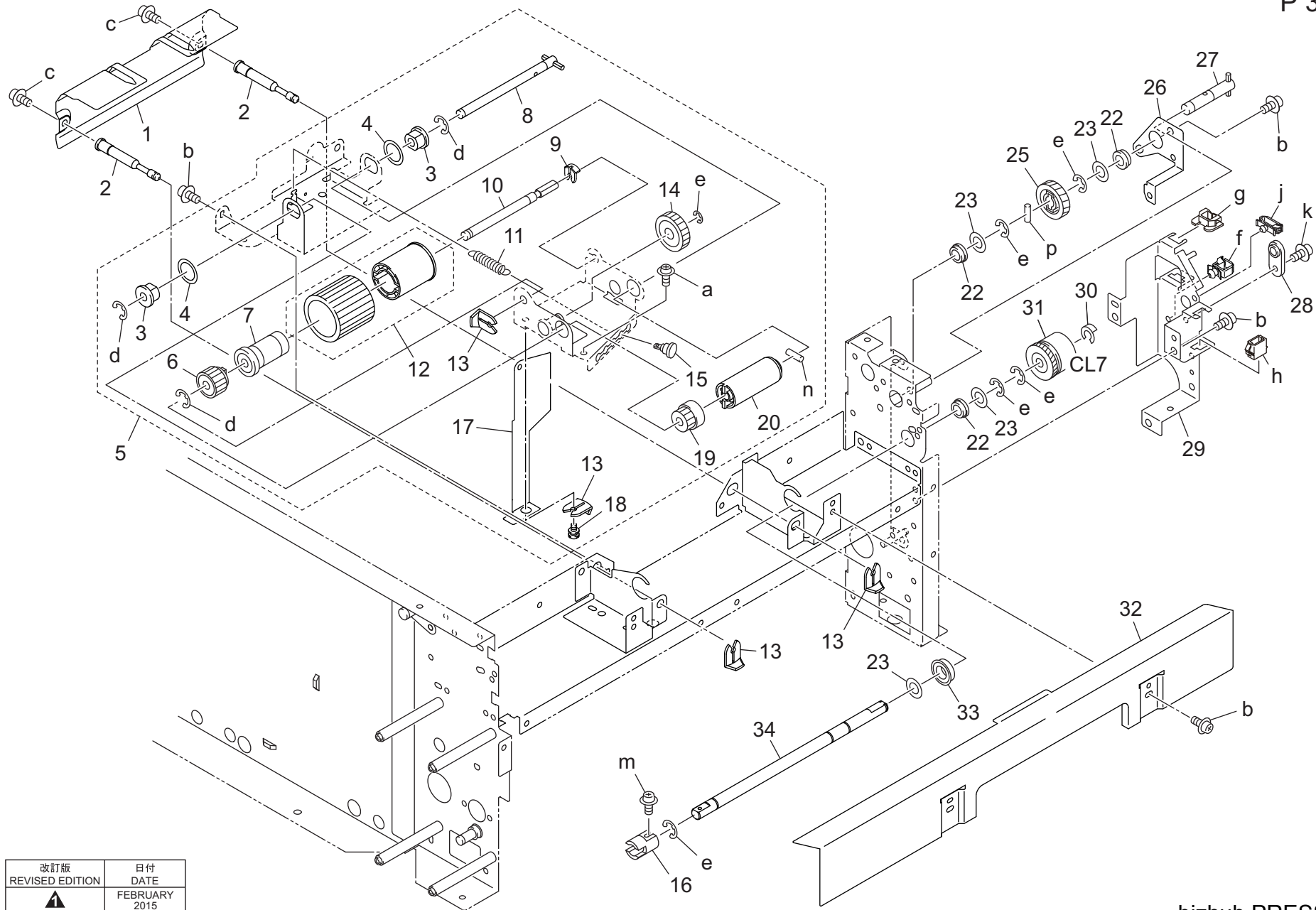
改訂版 REVISED EDITION	日付 DATE
	FEBRUARY 2015




Key	Part No.	Description	Destinations	Class	QTY	Standard parts	
1	A0G6620300	Reinforce Plate /C		D	1	a-V127030516 b-V127030604 c-V501010002 d-V126030603 e-V217040001 f-V217060001 g-V217080001 h-V500010029 k-V570010021 m-V234302050 n-V234301450	
2	56UA41281E	Up/down Stay /B	昇降ステー / B	D	1		
3	A0G6620400	Protection Sheet	保護シート	C	1		
4	56UA41011E	Paper feed Up/down Plate /M	給紙昇降板 / M	D	1		
5	56UA41640	Multi Feed Preventing Plate	重送防止板	C	1		
6	A4EU621100	Reinforce Shaft /L	補強軸 / L	D	2		
7	56UA41400	PAPER FEED TRAY SLIDE PART	給紙皿スライド 部材	D	2		
8	56UA40570	DRIVE UP DOWN COVER RIGHT	駆動昇降カバー 右	D	1		
9	A4EU620200	Roller Pulley Ball bearing Assy	ころがりプーリ / ボールベアリング A s s y	C	4		
10	55VA40610	Wire Holder /A	ワイヤー 押さえ / A	C	4		
11	56UA41160	Up Down Wire /D	昇降ワイヤー / D	C	1		
12	56UA41150	Up Down Wire /C	昇降ワイヤー / C	C	1		
13	56UA41340	DRIVE UP DOWN PULLEY	駆動昇降プーリ	C	2		
14	A4EU265000	Ball bearing	ボールベアリング (読取駆動)	B	4		
15	55VA77652	ADU CONVEYANCE GEAR 2 19T	A D U 搬送歯車 2 1 9 T	B	1		
17	56UA77620	TRAY UP DOWN IDLER	トレイ昇降アイドル	C	1		
18	A4EU602100	Drive Shaft	駆動軸	D	1		
19	56UA40460	Mounting Plate /O	センサ取付け板 / O	D	1		
20	13QA85511	Sensor 1	センサ 1	B	1		
21	56UA41270	Up/Down Stay/A	昇降ステー / A	D	1		
22	56UA90340	PAPER FEED DETECTION WIRING	給紙検知束線	D	1		
23	56UA41140	Up Down Wire /B	昇降ワイヤー / B	C	1		
24	56UA41130	Up Down Wire /A	昇降ワイヤー / A	C	1		
26	56UA77600	Up Down Gear /A 32T	昇降歯車 / A 3 2 T	C	1		

TRAY 2

P 37



改訂版 REVISED EDITION	日付 DATE
	FEBRUARY 2015

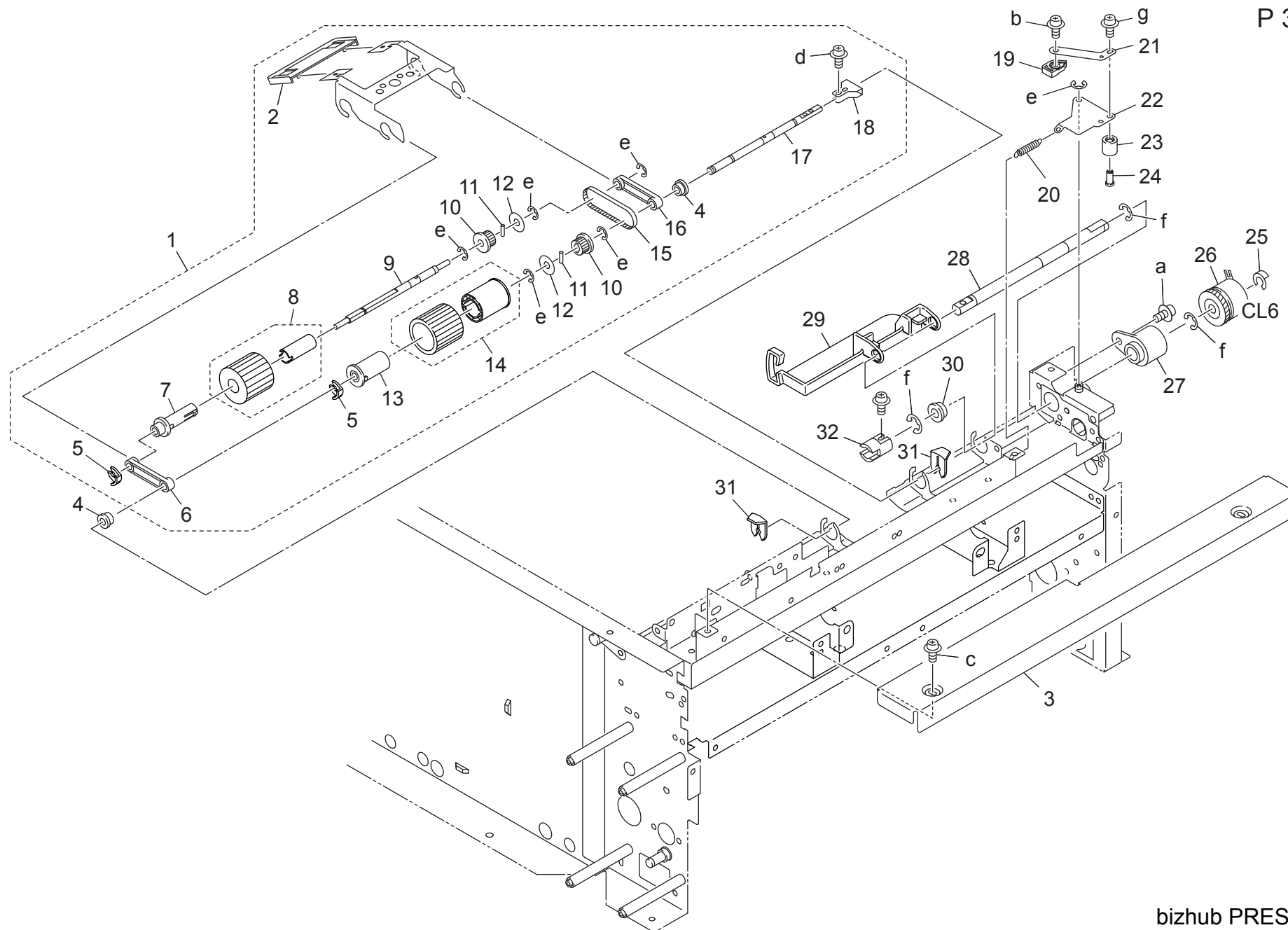
Order here
8 (495) 646-0426
ПЯТЫЙ ПАРТНЕР www.km-shop.ru

bizhub PRESS 1052

Key	Part No.	Description	Destinations	Class	QTY	Standard parts
1	A0G6570200	Guide Plate		C	1	a-V116030603
2	A0G6570500	Positioning Shaft /B		D	2	b-V127030516
3	A0Y5601600	Bushing/6		C	2	c-V127030604
4	25AA40120	SPACER		C	2	d-V217040001
5	A4EUR72H11	Separating Unit		C	1	e-V217060001
6	55VA79140	Paper Feed Reversal Gear /D 19T		B	1	f-V500010020
7	50BA40220	REVERSE ROLLER		C	1	g-V570010021
8	A4EUR72J11	Revers Shaft/B		D	1	h-V651010001
9	56AA40490	SHAFT STOPPER 4		C	1	j-V500020100
10	A0G6571900	Reverse Shaft /2		D	1	k-V127040603
11	56UA40610	REVERSE SPRING B		C	1	m-V118030603
12	A4EUR71411	Feeding Roller Unit/B		A	1	n-V234200850
13	A0G6561000	Stopper /E		C	4	p-V234301450
14	55VA79050	Idler Gear /B 24T		C	1	
15	56UA40620	SPRING ADJUSTMENT LEVER		D	1	
16	56UA40490	COUPLING F		C	1	
17	A0G6572000	Protection Cover		B	1	
18	A0G6572100	Guide Screw		C	1	
19	55VA79030	Paper Feed Reversal Gear /C 14T		B	1	
20	A03X565611	Torque Limiter /A		B	1	
22	A00J617900	Ball Bearing		B	3	
23	12QV40650	Spacer		B	4	
25	A0G6602300	Input Gear 25T		B	1	
26	A0G6602100	Idling Panel		D	1	
27	A4EUR72K11	Paper Feed Input Shaft		B	1	
28	173030270	Pin Holder A		C	1	
29	56UA40130E	Positioning Plate /Rear		D	1	
30	55VA42120	Shaft Stopper		C	1	
31	57GA82010	Clutch /1		B	1	
32	A0G6571600	Guide Plate /Lower		C	1	
33	A00V240600	Ball Bearing		B	1	
34	A0G6570800	Reverse Shaft		B	1	

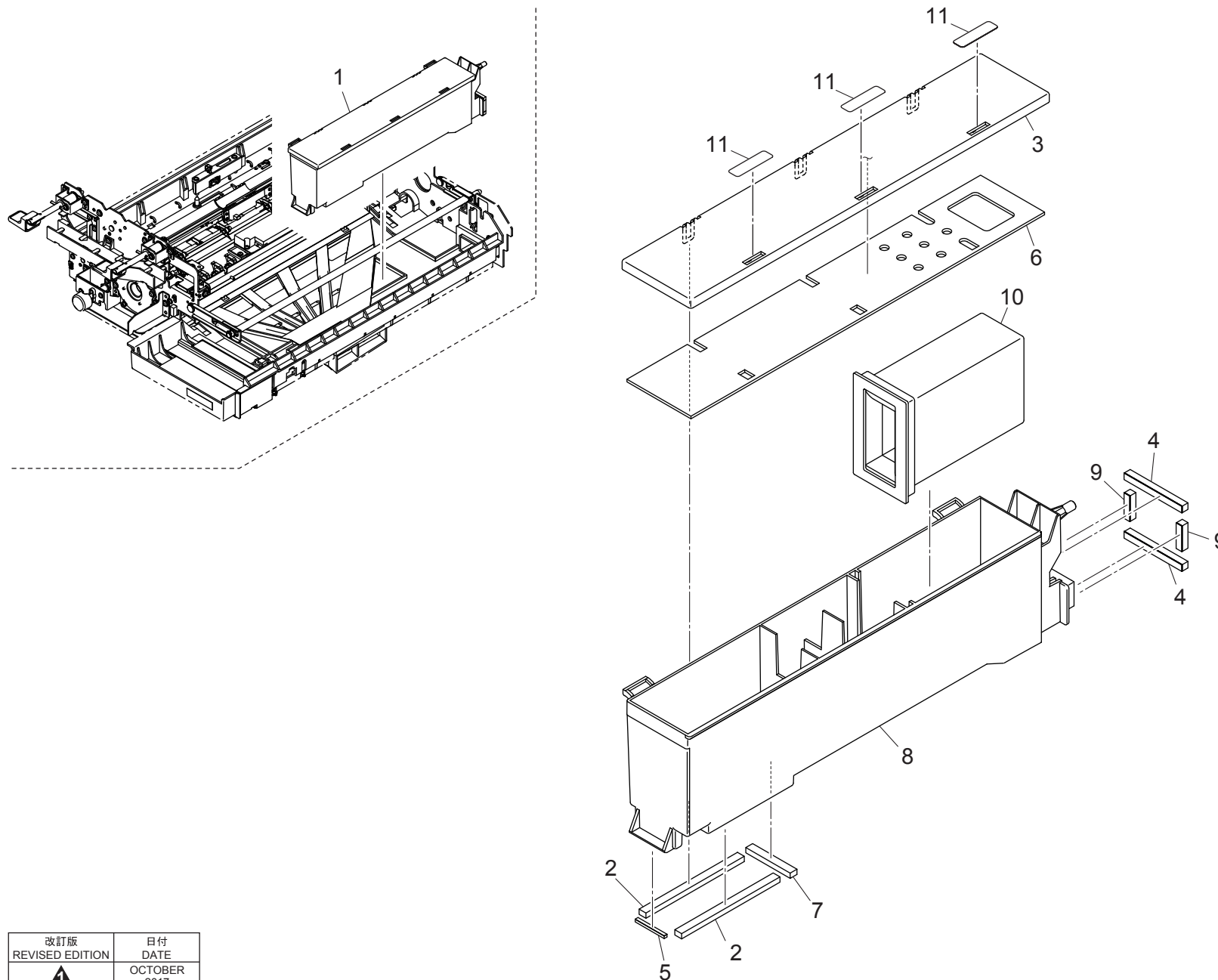
TRAY 2

P 38



Key	Part No.	Description	Destinations	Class	QTY	Standard parts
1	A4EUR72P11	Pickup Unit		S	1	a-V116030603
2	56UA40690	Side Protection Cover /B		D	1	b-V151040603
3	56UA12530	FEEDING COVER		D	1	c-V118030403
4	A00J663200	Bushing		C	2	d-V127030604
5	56AA40490	SHAFT STOPPER 4		C	2	e-V217040001
6	56UA40280	Paper Feed Feeding Bushing		C	1	f-V217060001
7	55VA40130	Feeding Roller /A		C	1	g-V127030516
8	A4EUR71511	Feeding Roller Unit/A		A	1	
9	56UA40400	PAPER FEED SHAFT X		D	1	
10	059076510	PULLEY 1 15T		C	2	
11	56AA17510	Pin /B		C	2	
12	56AA17760	COLLAR		C	2	
13	56UA40600	Multi-Feed Feeding Roller		C	1	
14	A4EUR71411	Feeding Roller Unit/B		A	1	
15	A4EU565600	Drive Belt 126L		C	1	
16	55VA40260	Paper Feeding Shaft Holder		C	1	
17	56UA40340	FEEDING SHAFT X		D	1	
18	56UA40500	COUPLING LEVER F		D	1	
19	56UA40540	Lever Auxiliary Part		D	1	
20	25AA40460	LOCK SPRING 2		C	1	
21	56UA40660	LEVER AUXILIARY SPRING		D	1	
22	56UA40170	Lock Lever /A		D	1	
23	56UA40530	Release Roller		C	1	
24	56UA40520	Lock Shaft /B		D	1	
25	55VA42120	Shaft Stopper		C	1	
26	57GA82010	Clutch /1		B	1	
27	56UA75030	Lock Bushing /A		C	1	
28	56UA40210	Papaer Feed Drive Shaft		D	1	
29	56UA40250	ENTRANCE GUIDE PLATE REAR		C	1	
30	A03U812800	Slide Shaft Holder		B	1	
31	A0G6561000	Stopper /E		C	2	
32	56UA40490	COUPLING F		C	1	

DEVELOPING SUCTION



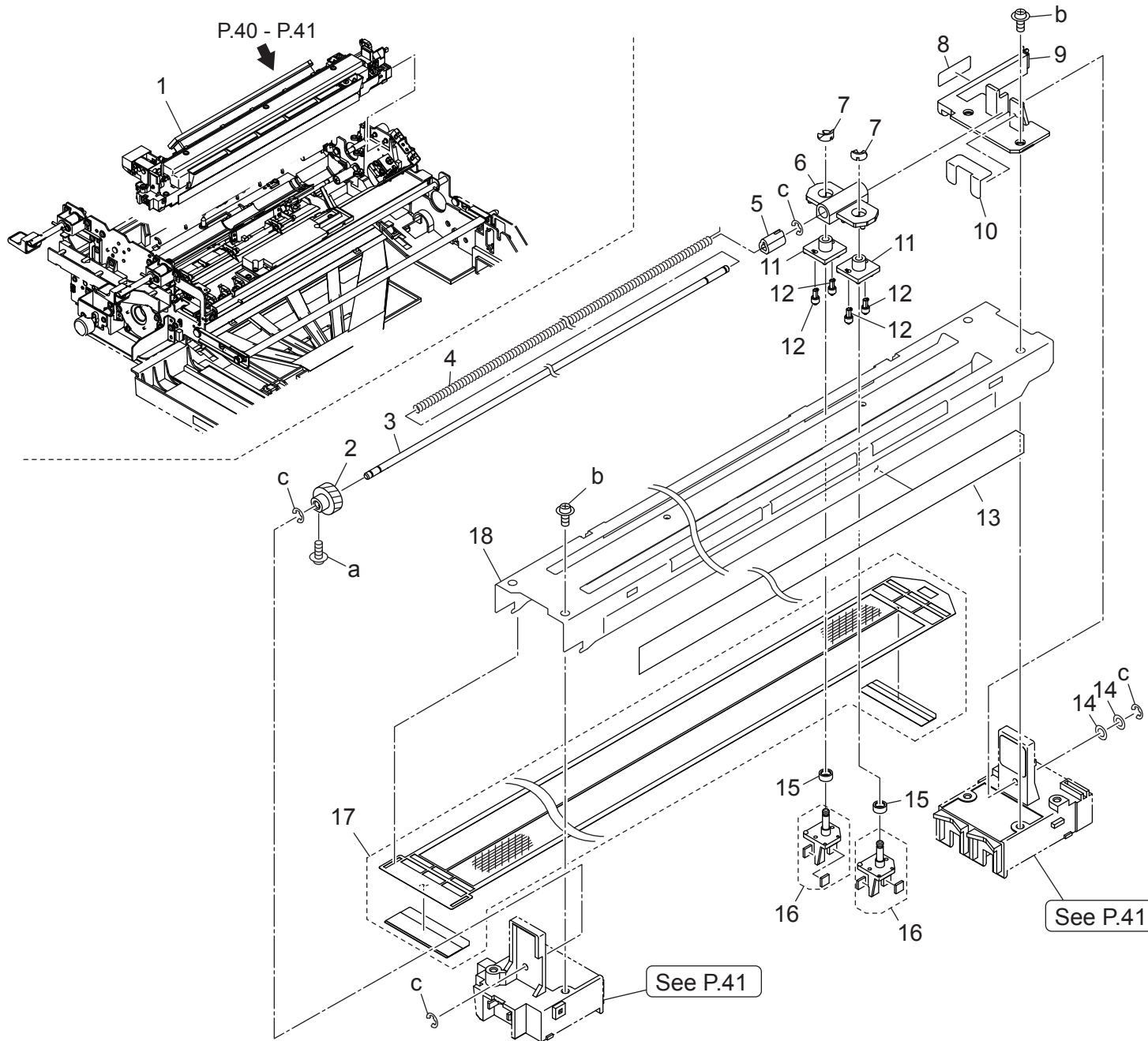
改訂版 REVISED EDITION	日付 DATE
▲	OCTOBER 2017

DEVELOPING SUCTION

Key	Part No.	Description	Destinations	Class	QTY	Standard parts
1	A4EUR70411	Developing Suction Assy		B	1	
2	56UA31030	Developing Suction Seal /2		B	2	
3	A4EU391311	Suction Cover /1		D	1	
4	A4EU394600	Stopper Pad /1		B	2	
5	A0G6394400	Suction Pad /H		B	1	
6	A4EU392600	Suction Pad		D	1	
7	56UA31060	Developing Suction Seal /5		B	1	
8	A4EU390100	Suction Box		D	1	
9	A4EU394700	Stopper Pad /2		B	2	
10	A4EU390800	Suction Filter		A	1	
11	A0G6950701	Set Label /7		D	3	

CHARGE UNIT

P 40

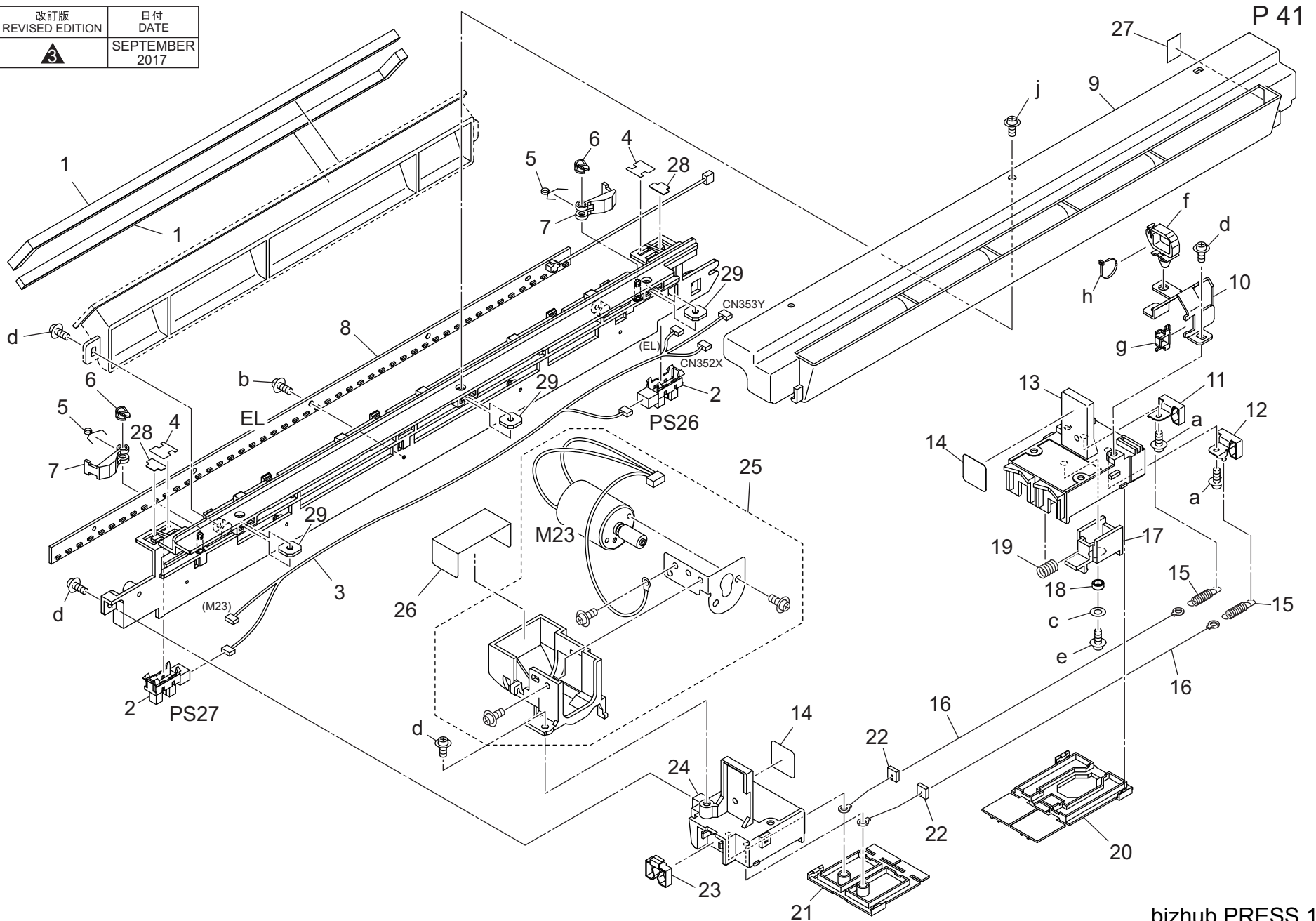


CHARGE UNIT

Key	Part No.	Description	Destinations	Class	QTY	Standard parts
1	A4EUR70722	Charge Assy		B	1	a-V145020403 b-V151030803 c-V217020001
2	A4EU464200	Charging Gear 33T		C	1	
3	56UA25120	Charging Cleaning Shaft		D	1	
4	56UA25110	Charging Cleaning Spring		C	1	
5	56AA25150	ELECTRODE CLEANING JOINT		C	1	
6	A0G6461301	Slide Part		D	1	
7	45AA20400	STOPPER PART		A	2	
8	A0G6463800	Protection Sheet /3		C	1	
9	A0G6460700	Power Supply Part /T		D	1	
10	A0G6463400	Holding Sheet		C	1	
11	A0G6462101	Friction Board		C	2	
12	A0G6463200	Guide Roll		C	4	
13	A4EU463000	Scatteringprevention Sheet /T		D	1	
14	56UA25280	Charge Cleaning Spacer		C	2	
15	55VA25140	CHARGING SLIDE COLLAR		C	2	
16	A4EUR70800	Charge Cleaner Assy		A	2	
17	A4EUR70900	Charge Plate Assy		A	1	
18	A4EU464000	Discharge Plate		D	1	

CHARGE UNIT

改訂版 REVISED EDITION	日付 DATE
3	SEPTEMBER 2017



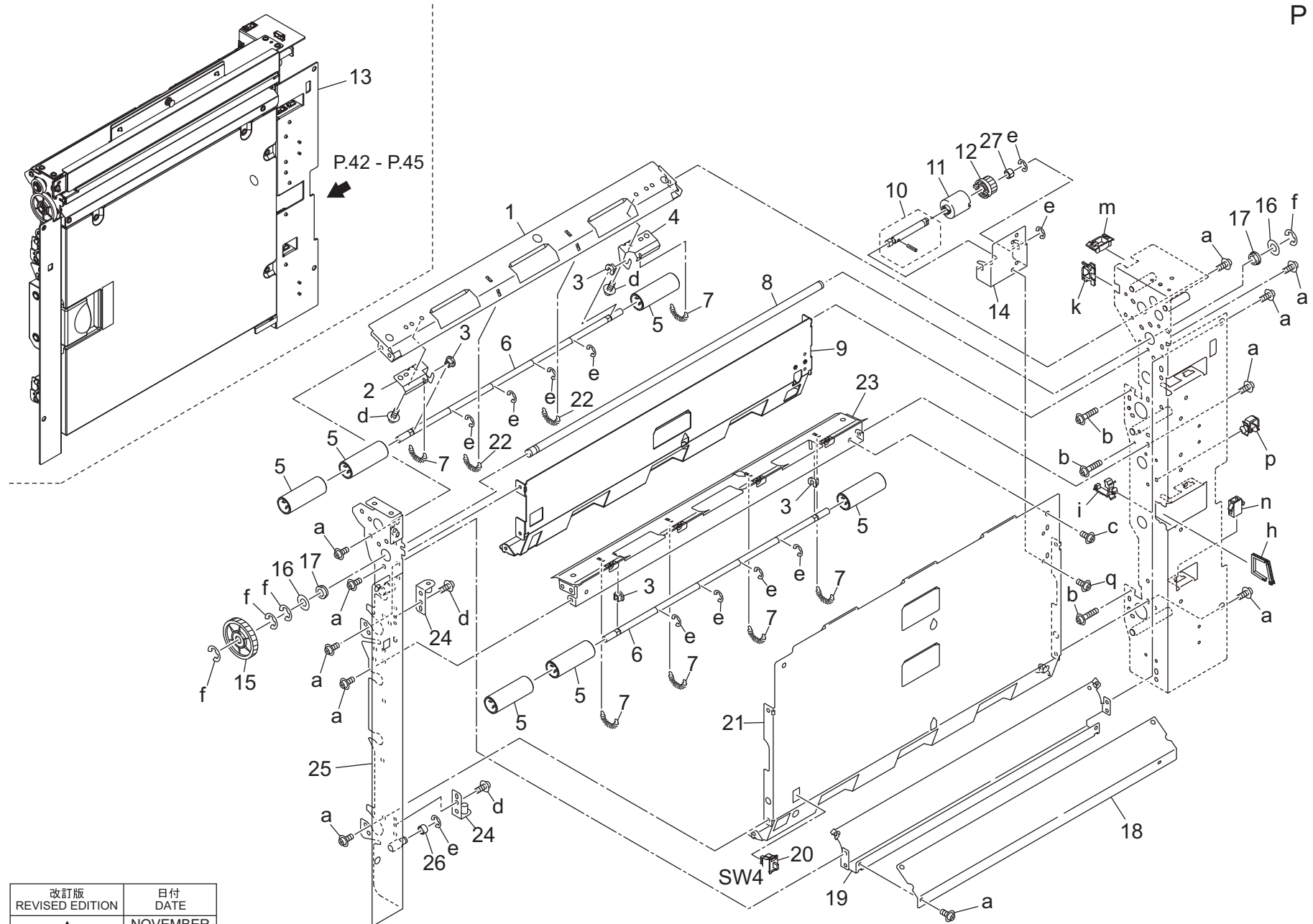
bizhub PRESS 1052

CHARGE UNIT

Key	Part No.	Description	Destinations	Class	QTY	Standard parts
1	A4EU464700	Charging Seal /4		D	2	a-V145020403
2	A50UM55500	Photo Sensor		I	2	b-V145020603
3	A4EUN14304	Chaging Relay harness		D	1	c-V207040003
4	A0G6463500	Fixing Sheet		C	2	d-V151030803
5	55VA25240	CHARGING DETECT SPRING		B	2	e-V151041003
6	45AA20400	STOPPER PART		A	2	f-V500010067
7	A0G6462300	Charging Actuator		C	2	g-V570010050
8	A0Y5M30800	PCL		C	1	h-V501010002
9	A4EU462800	Charging Cover		D	1	j-V127030803
10	A0G6462901	Charging Holder		D	1	
11	55VA25110	CHARGING FIXED SPRING LEFT		C	1	
12	55VA25100	CHARGING FIXED SPRING RIGHT		C	1	
13	A0G6460201	Charging Block /Rear		C	1	
14	A0G6951101	Set Label /11		C	2	
15	56AA17140	WIRE TENSION SPRING		C	2	
16	56UA25090	CHARGING WIRE		A	2	
17	55VA25200	CHARGING TENSION KNOB		C	1	
18	25AA20321	PTL SUPPORT SPACER		C	1	
19	A0G6461700	Tension Spring		C	1	
20	56UA25050	Spark Preventing Plate /Rear		C	1	
21	56UA25040	SPARK PREVENTING PLATE FRONT		C	1	
22	55VA25270	Electrode Vibrating Rubber		A	2	
23	A0G6460600	Fixing Spring /Front		D	1	
24	A0G6460101	Charging Block /Front		C	1	
25	A4EUR75J00	Charge Clener Motor Assy		C	1	
26	A4EU465000	Drive Sheet		D	1	
27	A4EU992600	Preventing Sheet		D	1	
28	A799463500	Fixing Sheet		D	2	
29	A0G6525600	Mounting Plate		D	3	

VERTICAL CONVEYANCE UNIT

P 42



改訂版 REVISED EDITION	日付 DATE
	NOVEMBER 2017

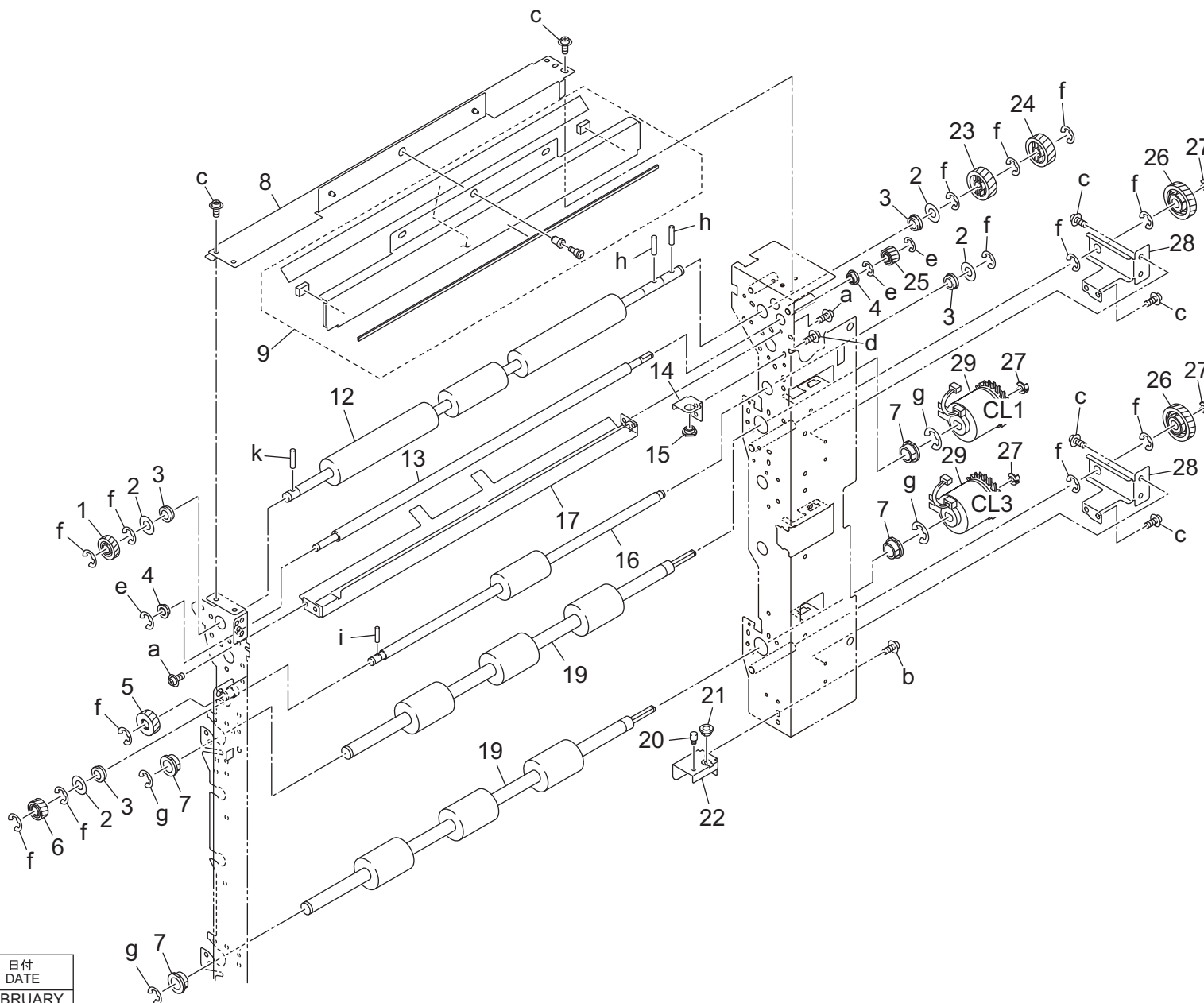
Order here
8 (495) 646-0426
ПЯТЫЙ ПАРТНЕР www.km-shop.ru

bizhub PRESS 1052

VERTICAL CONVEYANCE UNIT

Key	Part No.	Description	Destinations	Class	QTY	Standard parts
1	56UA44410E	EXIT GUIDE PLATE /LOWER	出口ガイド板/下	D	1	a-V121030403
2	A4EU704300	Support Plate /Front	支持板/前	D	1	b-V121031803
3	56UA44680	Idler Bushing	従動軸受	C	4	c-V133030603
4	A4EU704200	Support Plate /Rear	支持板/奥	D	1	d-V138030603
5	56UA44500	Conveyance Idler Roller	搬送従動ローラ	C	6	e-V217040001
6	A4EU701600	Idler Shaft /L	従動軸/L	D	2	f-V217060001
7	56UA44660	Registration Pressing Spring	レジスト 押圧バネ	C	6	h-V570010013
8	A4EU704400	Guide Shaft	ガイド軸 (出口)	D	1	i-V500020100
9	56UA44050E	PAPER FEED CONVEYANCE PLATE UPPER	給紙搬送板 上	D	1	k-V570010050
10	A4EUR72Y00	Brake Shaft	ブレーキ軸ピン打ち	D	1	m-V570010063
11	57GA44300	Torque Limiter	トルクリミッタ	B	1	n-V651010001
12	57GA79430	Torque Gear /1 18T	トルク ギア/1 18 T	C	1	p-V500010020
13	A4EUR76A00	Verticalconveyanceunit	垂直搬送ユニット	I	1	q-V118030604
14	A0G6700700	Brake Plate	ブレーキ板	D	1	
15	A4EU701900	Idling Gear /A 50T	アイドルギア/A 50 T	C	1	
16	12QV40650	Spacer	スペーサー	B	2	
17	A00J617900	Ball Bearing	ボールベアリング	B	2	
18	56UA44070	PFU Guide Plate /Lower	P F U ガイド板/下	D	1	
19	56UA44080	Side Guide Plate /Upper	側面ガイド板/上	D	1	
20	56UA85010	Switch	スイッチ	C	1	
21	56UA44040F	Paper feed Conveyance Plate /Lower	給紙搬送板/下	D	1	
22	55VA46451	REGISTRATION FEEDING SPRING	レジスト 送り出しバネ	B	2	
23	56UA44310	ROLLER MOUNTING PLATE UPPER	ローラ取付け板 上	D	1	
24	A4EUR73100	Door Stopper Caulking	ドアストッパーカシメ	D	2	
25	56UA-4681E	SIDE PLATE /FRONT	側板/前カシメ	D	1	
26	A4EU823100	Positioning Roll	位置決めころ	D	1	
27	A4EU715500	Bushing /No.1	すべり軸受/1号	C	1	

VERTICAL CONVEYANCE UNIT



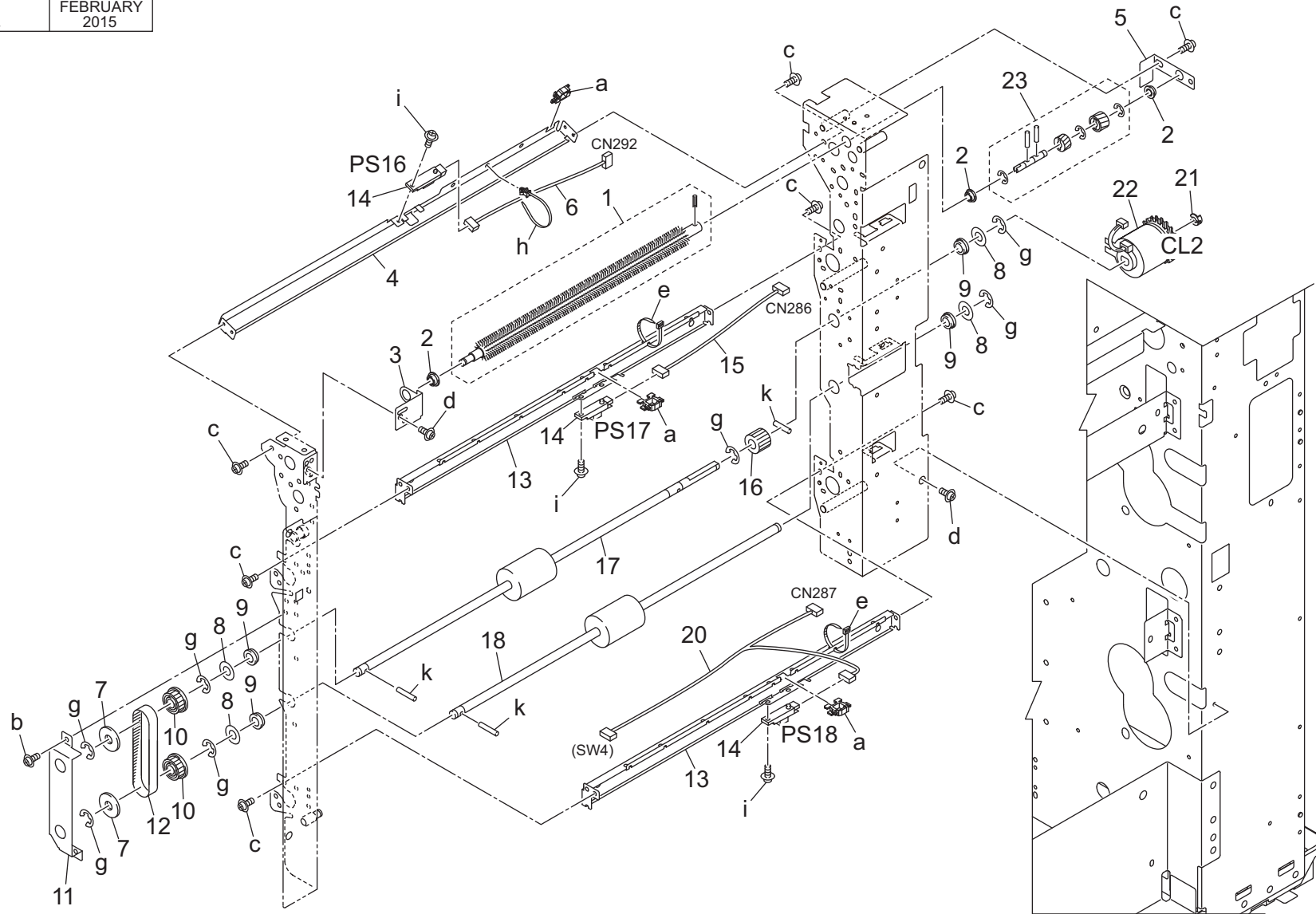
改訂版 REVISED EDITION	日付 DATE
	FEBRUARY 2015

VERTICAL CONVEYANCE UNIT

Key	Part No.	Description	Destinations	Class	QTY	Standard parts
1	56UA77170E	Conveyance Drive Gear/A 24T	搬送駆動歯車/A 24 T	B	1	a-V121030403
2	12QV40650	Spacer	スペーサー	B	4	b-V121040403
3	A00J617900	Ball Bearing	ボールベアリング	B	4	c-V138030603
4	A00J617800	Ball Bearing	ボールベアリング	B	2	d-V138040603
5	A4EU702000	Idling Gear /B 25T	アイドルギア/B 25 T	C	1	e-V217040001
6	56UA77180E	Conveyance Drive Gear/B 20T	搬送駆動歯車/B 20 T	B	1	f-V217060001
7	56UA76030	Registration Bushing /B	レジスト 軸受/B	B	4	g-V217100050
8	56UA-4640	PAPER CLEANING BOARD	紙清掃基板カシメ	D	1	h-V234301650
9	A4EUR70N00	Cleaning Cause Assy	清掃ケース部組	B	1	i-V234301250
12	A4EU701200	Conveyance Roller /Upper	搬送ローラ/上	B	1	k-V234301450
13	A4EU701500	Scraper Shaft	スクレーパー軸	B	1	
14	56UA44250	HINGE SUPPORT PLATE UPPER	ヒンジ支持板 上	D	1	
15	466076020	Paper Feed Feeding Bearing	給紙送り出し軸受	B	1	
16	A4EU701300	Conveyance Roller /Middle	搬送ローラ/中 (φ20)	B	1	
17	A4EU700600	Guide Plate /Upper	ガイド板/上	D	1	
19	A0G6700100	Regist Conveyance Roller	レジスト 搬送ローラ	B	2	
20	392010231	STOPPER PIN	ストッパーピン	C	1	
21	396076050	PAPER FEED SHAFT HOLDER	給紙軸受	B	1	
22	55VA44120	Hinge Support Plate /Lower	ヒンジ 支持板/下	D	1	
23	56UA77160	Paper Feed Cleaning Gear/B 26T	給紙清掃歯車/B 26 T	B	1	
24	56UA77070F	Paper Exit Input Gear 25T	排紙入力歯車 25 T	B	1	
25	55VA79210	Cleaner Driving Gear /B 18T	クリーナー駆動ギア/B 18 T	B	1	
26	A4EU702300	Drive Gear /F 32T	駆動ギア/F 32 T	C	2	
27	55VA42120	Shaft Stopper	軸ストッパー	C	4	
28	A4EU703700	Reinforce Plate	補強板	D	2	
29	57GA82010	Clutch /1	クラッチ/1	B	2	

VERTICAL CONVEYANCE UNIT

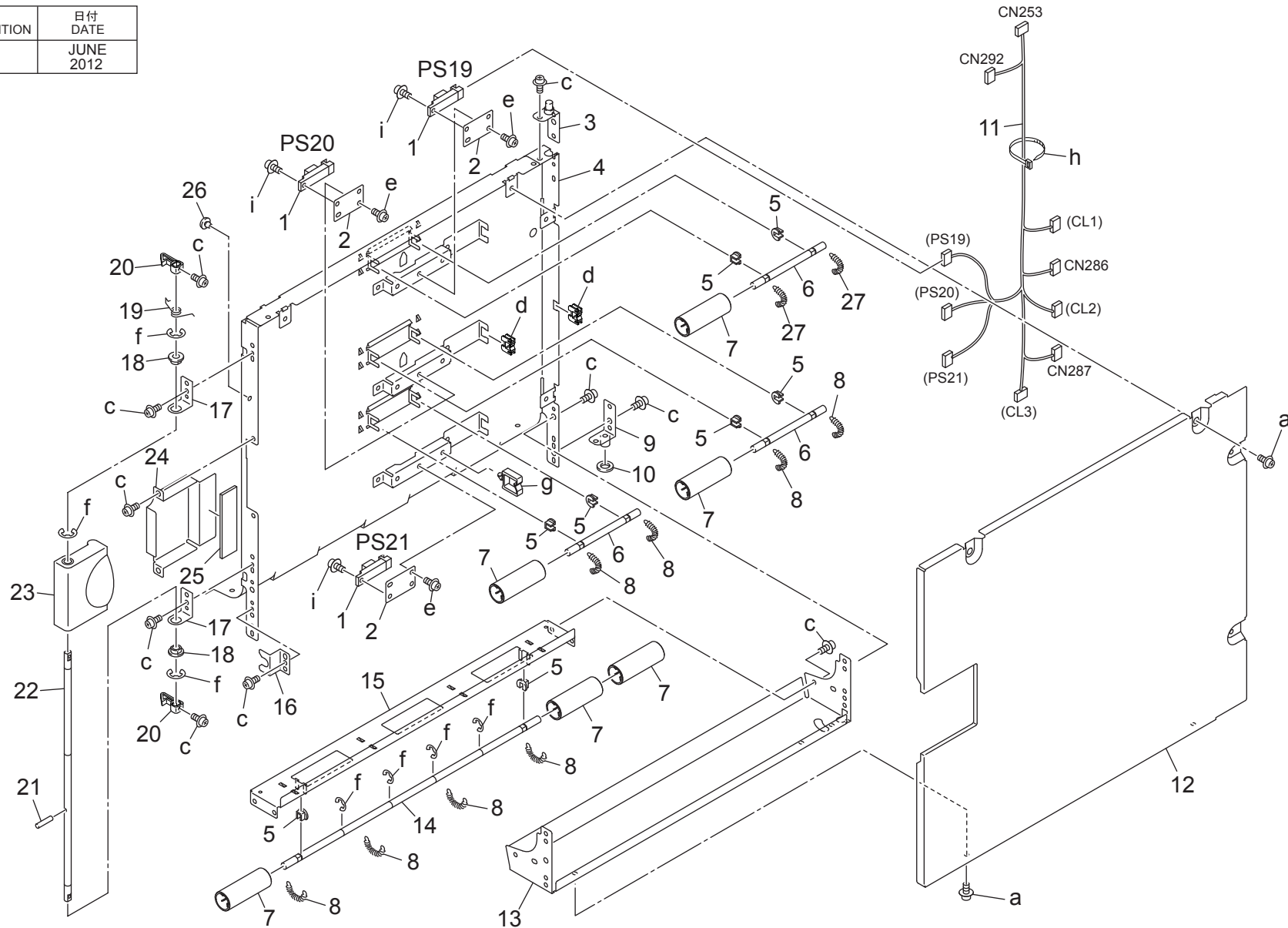
改訂版 REVISED EDITION	日付 DATE
	FEBRUARY 2015



Key	Part No.	Description	Destinations	Class	QTY	Standard parts
1	A4EUR73000	Toner Guide Brush		A	1	a-V570010050
2	A00J617800	Ball Bearing		B	3	b-V138030603
3	56UA44301F	CLEANER SUPPORT PLATE /FRONT		D	1	c-V121030403
4	A4EU700900	Guide Plate /Upper		D	1	d-V121040603
5	56UA44260	Shaft Support Plate		D	1	e-V501010002
6	A4EUN25200	Conveyance Relay harness /3		D	1	g-V217060001
7	55VA47850	Belt Holding Part /2		D	2	h-V501010010
8	12QV40650	Spacer		B	4	i-V118030603
9	A00J617900	Ball Bearing		B	4	k-V234301250
10	55VA76530E	ADU Conveyance Pulley /3 19T		B	2	
11	56UA44700	PULLEY COVER		D	1	
12	56UA78090	CONVEYANCE BELT/A 192L		B	1	
13	56UA44100	ENTRANCE GUIDE STAY		D	2	
14	13QA85511	Sensor 1		B	3	
15	56UA90830	CONVEYANCE RELAY WIRING 1		D	1	
16	57GA79440	TORQUE GEAR/2 17T		C	1	
17	A0G6700200	Conveyance Roller /Lower		B	1	
18	A0G6700300	Conveyance Roller /A		B	1	
20	56UA90840	CONVEYANCE RELAY WIRING 2		D	1	
21	55VA42120	Shaft Stopper		C	1	
22	57GA82010	Clutch /1		B	1	
23	A4EUR71600	Cleaner Drive Assy		B	1	

VERTICAL CONVEYANCE UNIT

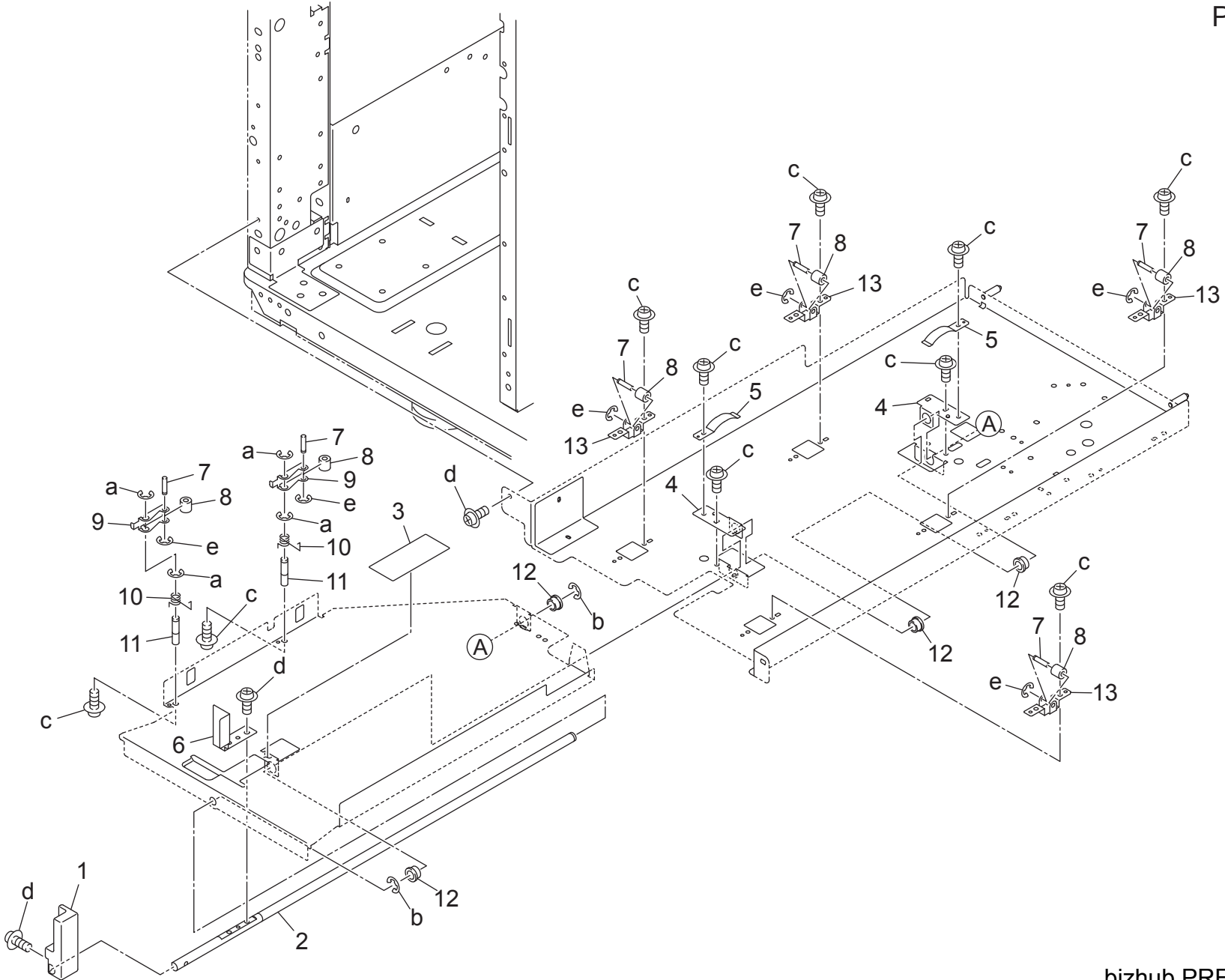
改訂版 REVISED EDITION	日付 DATE
	JUNE 2012



VERTICAL CONVEYANCE UNIT

Key	Part No.	Description	Destinations	Class	QTY	Standard parts
1	13QA85511	Sensor 1		B	3	a-V127030604 c-V121030603 d-V570010050 e-V138030603 f-V217040001 g-V500010024 h-V501010002 i-V118030603
2	56UA44330	Mounting Plate	センサ取付け板	D	3	
3	56UAR7A100	HINGE UPPER	ヒンジ上カシメ	D	1	
4	56UA44030	PAPER FEED CONVEYANCE DOOR	給紙搬送扉	D	1	
5	56UA44680	Idler Bushing	従動軸受	C	8	
6	56UA44150	Conveyance Idler Shaft /S	搬送従動軸 / S	D	3	
7	56UA44500	Conveyance Idler Roller	搬送従動ローラ	C	6	
8	56UA44660	Registration Pressing Spring	レジスト 押圧バネ	C	8	
9	56UAR7A200	HINGE LOWER	ヒンジ下カシメ	D	1	
10	55VA15610	Driving Spacer	駆動スペーサー	C	1	
11	56UA90250E	Conveyance Wiring	搬送束線	D	1	
12	A4EU164000	Open/close Cover	開閉カバー (搬送)	D	1	
13	56UA44340	DOOR BOTTOM PLATE	ドアー 底板	D	1	
14	A4EU701600	Idler Shaft /L	従動軸 / L	D	1	
15	56UA44320	Roller Mounting Plate /Lower	ローラ 取付け板 /下	D	1	
16	55VA44171F	DOOR POSITIONING PLATE	ドアー位置決め板	D	1	
17	56UA44280	Shaft Holder Support Plate	軸受支持板	D	2	
18	466076020	Paper Feed Feeding Bearing	給紙送り出し軸受	B	2	
19	A4EU703800	Lock Spring /Upper	ロックばね /上	D	1	
20	55VA44150	Door Lock Claw	ドアーロック爪	C	2	
21	56AA17300	PIN	ピン	C	1	
22	A4EU702700	Lock Shaft	ロック軸	D	1	
23	56UA44740E	Door Open/Close Lever	ドアー開閉レバー	C	1	
24	A4EU705400	Conveyance Cover	搬送蓋	C	1	
25	A4EU705700	Vibrationproof Seal /2	防振シール /2	D	1	
26	12AJ45850	Stopper Rubber	ストッパーゴム	C	1	
27	55VA46451	REGISTRATION FEEDING SPRING	レジスト 送り出しバネ	B	2	

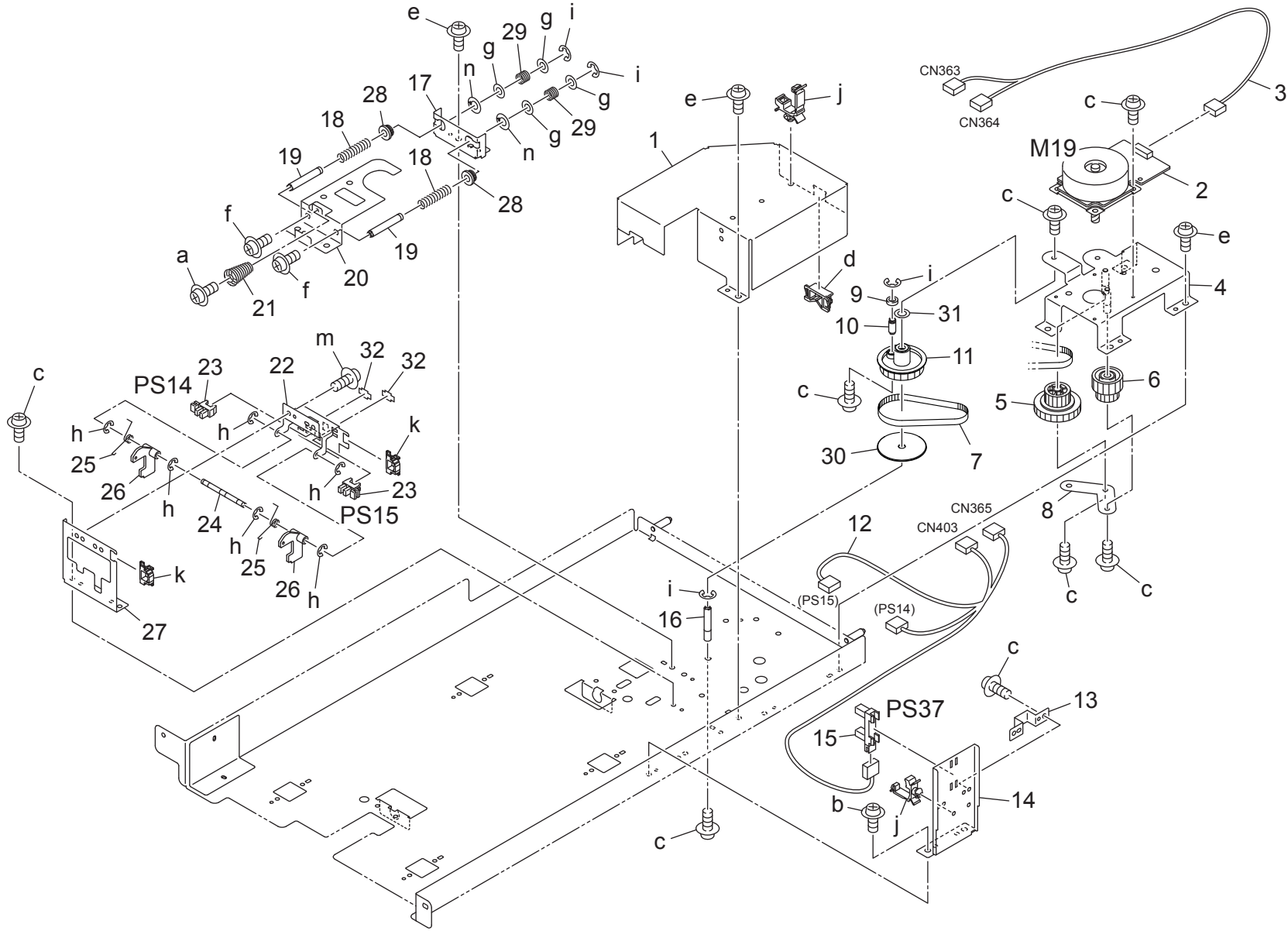
SWING TRAY UNIT



SWING TRAY UNIT

Key	Part No.	Description	Destinations	Class	QTY	Standard parts
1	A0G6352700	Lock Handle		C	1	a-V217040001 b-V217060001 c-V121030603 d-V121040603 e-V217030001
2	A0G6358500	Lock Shaft		D	1	
3	A0G6358700	Regulating Sheet /1		C	1	
4	A0G6369700	Holding Plate		D	2	
5	25SA66840D	Write Cover Spring		C	2	
6	A0G6352100	Lock Plate		D	1	
7	A0G6351900	Hold Shaft		D	6	
8	A0G6351800	Guide Roll		C	6	
9	A0G6354000	Guide Plate		D	2	
10	A0G6354800	Guide Spring		C	2	
11	A0G6354100	Guide Shaft		D	2	
12	090076040	SHAFT HOLDER		C	4	
13	A0G6351700	Hold Plate		D	4	

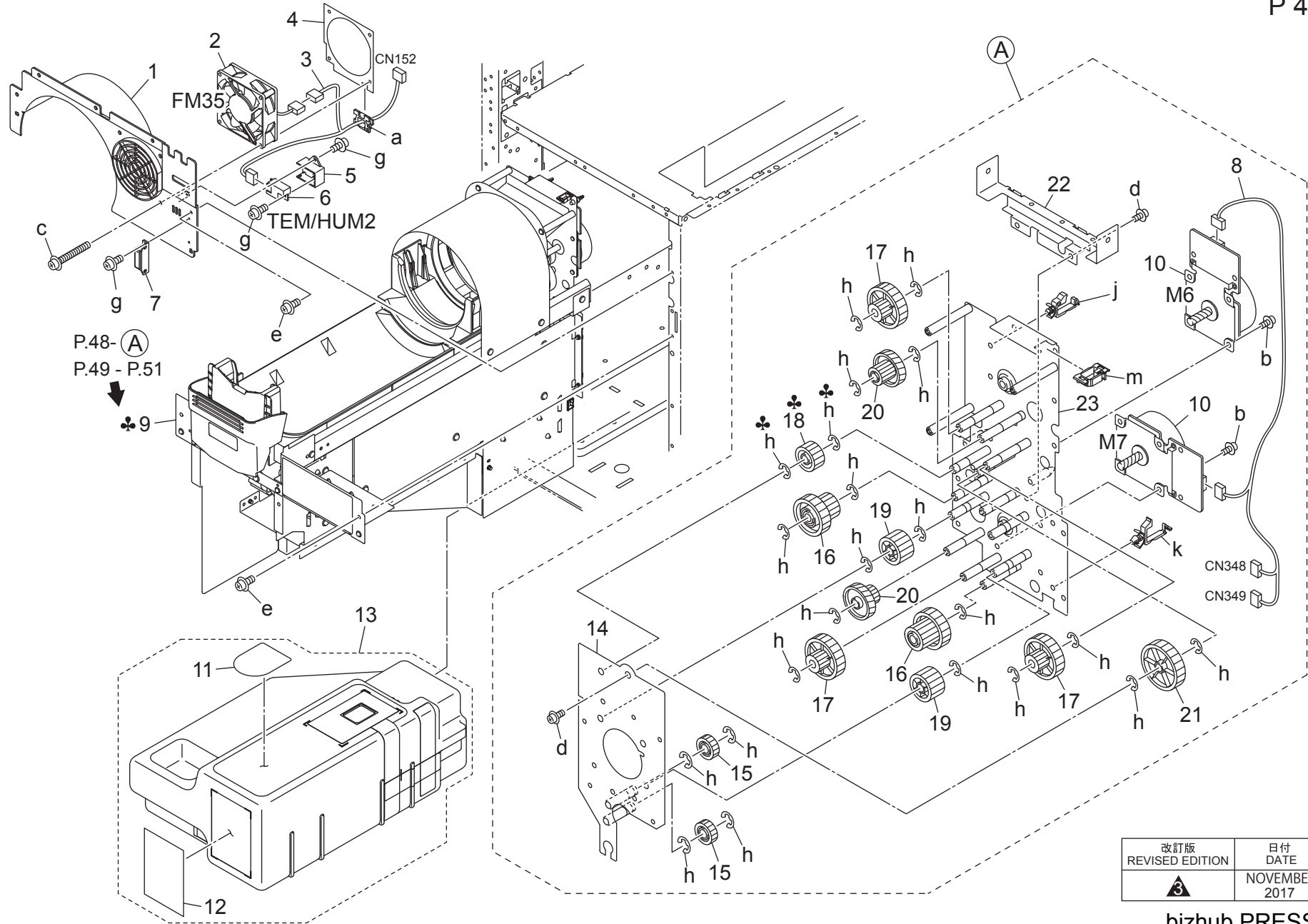
SWING TRAY UNIT



SWING TRAY UNIT

Key	Part No.	Description	Destinations	Class	QTY	Standard parts
1	A0G6356101	Protection Cover /2		D	1	a-V111030603
2	A0WJM10000	Brushless motor		B	1	b-V118040604
3	A4EUN14400	Toner Relay harness /3		D	1	c-V121030603
4	A4EUR72100	Drive Board /2 Caulking		D	1	d-V570010063
5	A0G6358800	Swing Pulley /2 38 /24T		C	1	e-V121040603
6	A0G6357100	Swing Gear /1 18/48T		C	1	f-V116030803
7	A0G6369500	Swing Belt 186L		C	1	g-V207060003
8	A0G6350700	Reinforce Plate /4		D	1	h-V217020001
9	12VG40640	BEARING		D	1	i-V217040001
10	A0G6358401	Swing Pin		C	1	j-V500020100
11	A0G6358901	Swing Pulley 40T		D	1	k-V570010050
12	A0G6N14500	Toner Relay Harness		D	1	m-V127030604
13	A0G6352500	Electrostatic Proof Cover /1		D	1	n-V223080050
14	A0G6350800	Board /3		D	1	
15	9335140051	SOLID STATE SWITCH		B	1	
16	A0G6351400	Swing Shaft /1		D	1	
17	A0G6358200	Base Plate /1		D	1	
18	A4EU352000	Swing Spring		C	2	
19	A0G6358301	Guide Shaft /2		D	2	
20	A0G6350400	Swing Board /2		D	1	
21	A0G6353700	Fixing Spring		C	1	
22	A0G6365400	Board /2		D	1	
23	A50UM55500	Photo Sensor		I	2	
24	A0G6365800	Support Shaft		D	1	
25	A0G6365900	Set Spring		C	2	
26	A0G6365700	Set Actuator		C	2	
27	A0G6365300	Board /1		D	1	
28	A0G6369901	Swing Bushing		C	2	
29	A4EU358600	Stopper Spring		C	2	
30	A0G6366000	Swing Collar		C	1	
31	26MA74100	SPECIAL WASHER		C	1	
32	4470402401	Stopper		D	2	

TONER SUPPLY PROTECTION UNIT



改訂版 REVISED EDITION	日付 DATE
	NOVEMBER 2017

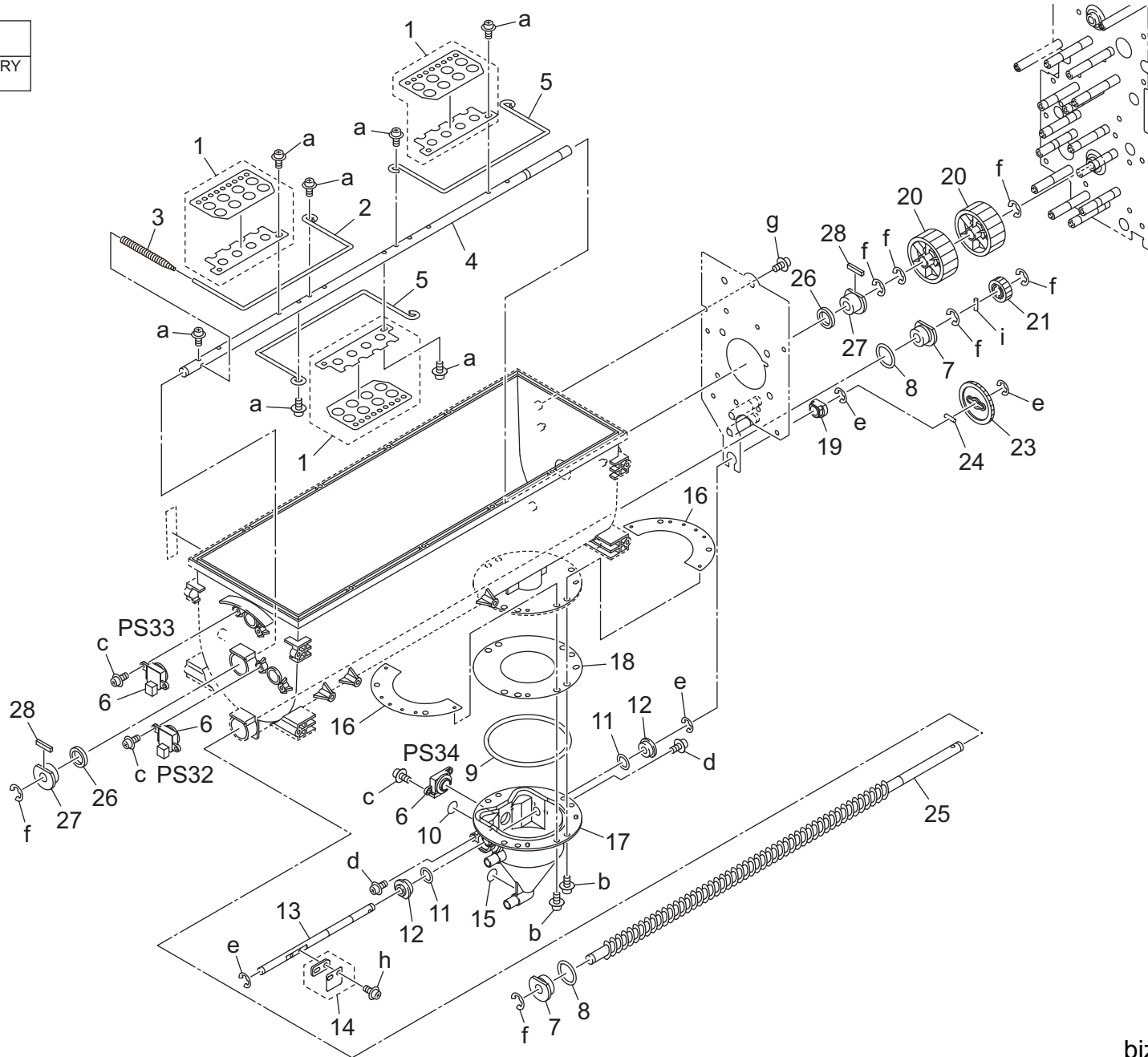
bizhub PRESS 1052

TONER SUPPLY PROTECTION UNIT

Key	Part No.	Description	Destinations	Class	QTY	Standard parts
1	A0G6410511	Toner Supply Cover /Upper		D	1	a-V570010050
2	13NT80511	Fan Motor /1		C	1	b-V118040403
3	A4EUN22300	Temperature Detection harness /2		D	1	c-V118043503
4	A0G6411000	Fixing Plate /F		D	1	d-V121040603
5	65AA11300	SUPPORT PART		D	1	e-V121040604
6	65AA88080	Process Sensor		C	1	g-V149030803
7	A0G6411200	Magnet /X		D	1	h-V217060001
8	A0G6N13801	Toner Wiring /3		D	1	j-V500010020
9	A4EUR76300	Toner Supply Assy(JAPAN)	A	I	1	k-V500010005
9	A4EUR76400	Toner Supply Assy(USA)	B,G2	I	1	m-V570010063
9	A4EUR76600	Toner Supply Assy(EU)	C,D1,D3,E,F2,G1,H,I J,K	I	1	
10	A0PNM10200	DC Brushless motor /20		B	2	
11	A0G6947501	Operation Label /C		C	1	
12	A4EU942800	Caution Label /D		D	1	
13	A4EUR75V22	Collection Box Assy	B,C,D1,D3,E,F2,G1,G 2,H,I,J,K	A	1	
13	A4EUR75V22	Collection Box Assy	A	A	1	
14	56UA-7660	DRIVE PLATE/C ASSY		D	1	
15	56UA77760	Toner Supply Drive Gear /G 18T		C	2	
16	56UA77740	Toner Supply Drive Gear /E 22/36T		C	2	
17	56UA77710	TONER SUPPLY DRIVE GEAR /B 16/40T		C	3	
18	56UA77730	Toner Supply Drive Gear /D 23T		C	1	
19	56UA77770	Toner Supply Drive Gear /H 26T	A	C	2	
20	56UA77720	TONER SUPPLY DRIVE GEAR /C 16/62T		C	2	
21	56UA77700	Toner Supply Drive Gear /A 45T		C	1	
22	56UA34020	Toner Supply Fixing Panel /Rear		D	1	
23	56UA-7680F	DRIVE PLATE/B ASSY		D	1	

TONER SUPPLY PROTECTION UNIT

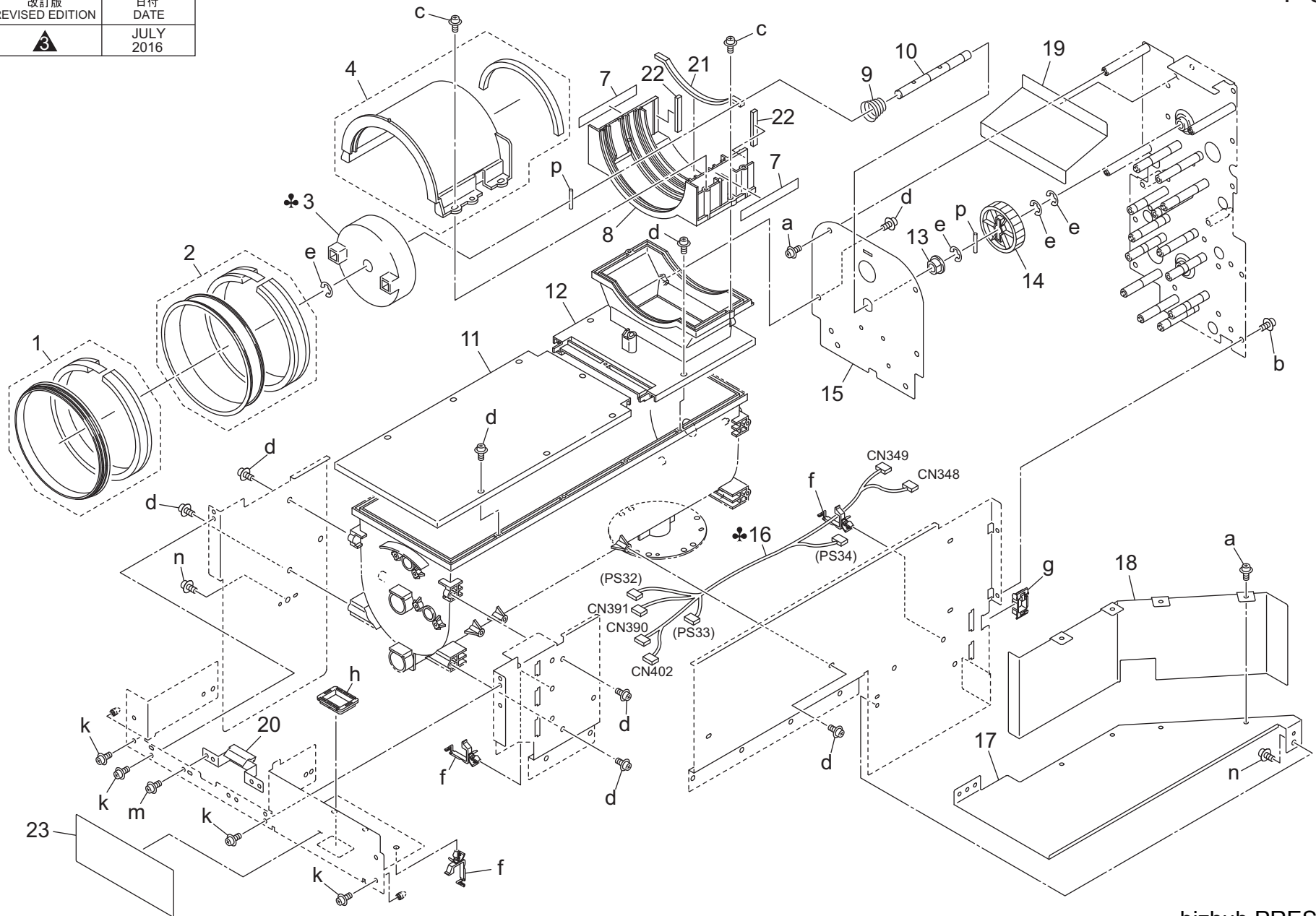
改訂版 REVISED EDITION	日付 DATE
	FEBRUARY 2015



Key	Part No.	Description	Destinations	Class	QTY	Standard parts
1	A4EUR72F00	Agitating Assy		C	3	a-V111030603 b-V121030803 c-V145030803 d-V151030603 e-V217040001 f-V217060001 g-V151040803 h-V118030603 i-V234301250
2	56UA34190	Toner Agitating Arm	トナー攪拌アーム	D	1	
3	56UA34300	Auxiliary Spring	センサ補助バネ	C	1	
4	56UA34220	Toner Agitating Shaft	トナー攪拌軸	D	1	
5	56UA34180	Toner Agitating Arm /2	トナー攪拌アーム/2	C	2	
6	40AA88031	Level Detection Sensor	残量検知センサ	C	3	
7	56UA76060	Bushing	軸受	C	2	
8	56UA34390	Toner Preventing Rubber	トナー防止ゴム	D	2	
9	56UA34290	Scatter Preventing Rubber	飛散防止ゴム	C	1	
10	A4EU943600	Toner supply Label /4	トナー補給ラベル/4	D	1	
11	56UA32690	Toner Supply Sealing Rubber/B	トナー補給シールゴム/B	C	2	
12	56AA32650	TONER CONVEYING SHAFT HOLDER	トナー搬送軸受	C	2	
13	A4EU413300	Agitating Shaft /Lower	攪拌軸/下 (トナー)	D	1	
14	A4EUR72E00	Agitating/Lower Assy	攪拌/下部組	D	1	
15	A4EU943300	Toner supply Label /1	トナー補給ラベル/1	D	1	
16	56UA34730	Toner Supply Fixing Plate	トナー補給固定板	D	2	
17	56UA34160	Toner Feeding Case	トナー送り出しケース	D	1	
18	56UA34710	TONER SEAL	トナーシール	D	1	
19	540076090	FIXING CLEANER SHAFT HOLDER C	定着清掃軸受 C	B	1	
20	56UA77750	Toner Supply Drive Gear /F 40T	トナー補給駆動歯車/F 40 T	C	2	
21	56UA77760	Toner Supply Drive Gear /G 18T	トナー補給駆動歯車/G 18 T	C	1	
23	25AA77890	REGULATION GEAR 36T	規制歯車 36 T	C	1	
24	56UA34800	Pin	ピン	D	1	
25	56UA34100	Toner Conveyance Screw	トナー搬送スクリュー	D	1	
26	A4EU413900	Seal	シール	D	2	
27	56GA30290	Developing Shaft Holder /B	現像軸受 /B	C	2	
28	A4EU415100	Toner supply Seal /Upper	トナー補給シール/上	D	2	

TONER SUPPLY PROTECTION UNIT

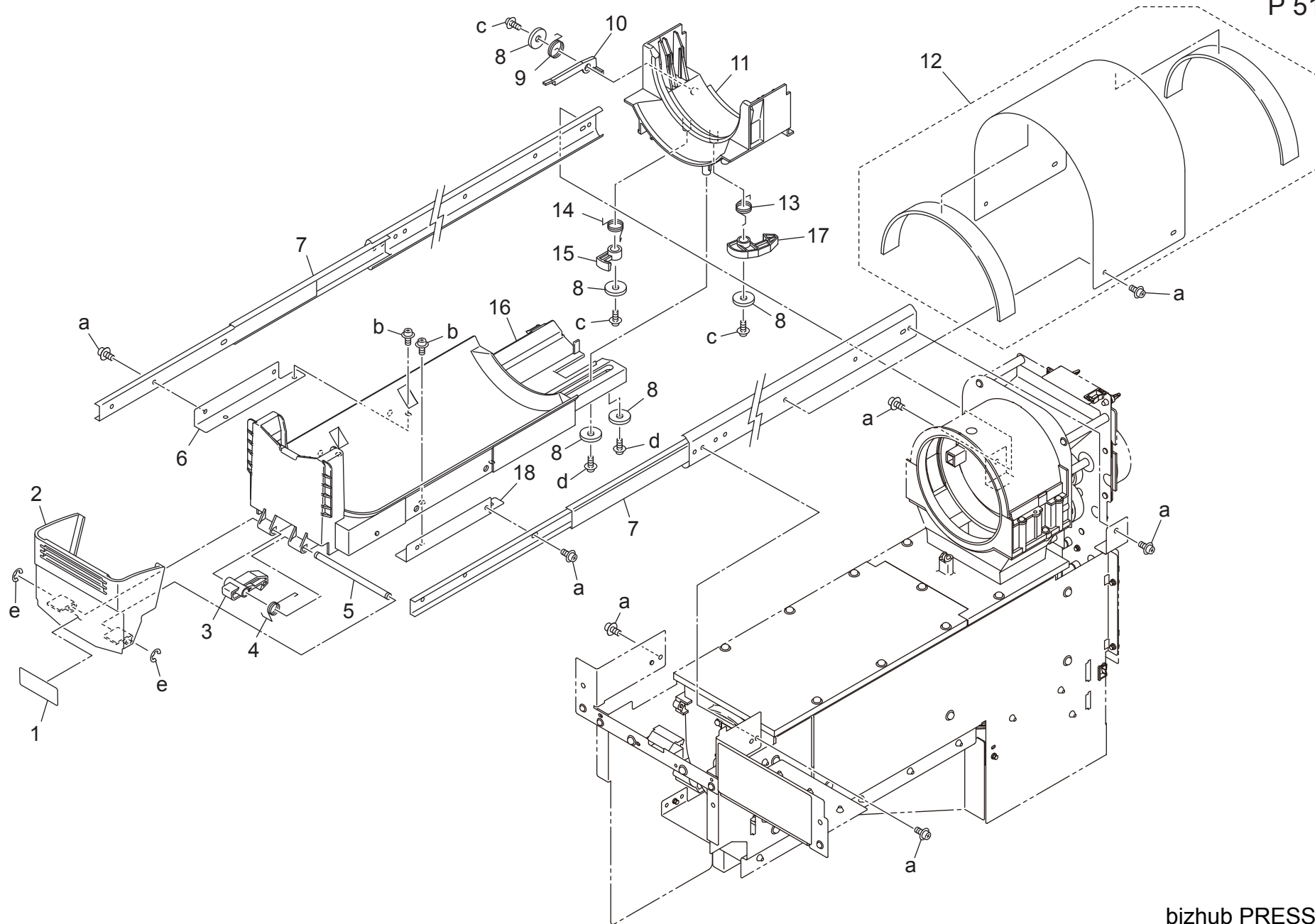
改訂版 REVISED EDITION	日付 DATE
	JULY 2016



Key	Part No.	Description	Destinations	Class	QTY	Standard parts
1	A4EUR70W00	Sleeve/1		B	1	a-V121030603
2	A4EUR70X00	Sleeve/2		B	1	b-V121040603
3	55VE32080	CARTRIDGE DRIVING PART	A,C,D1,D3,E,F2,G1,H	C	1	c-V151030803
3	55VA32080	Cartridge Driving Part	,I,J,K	C	1	d-V151040803
4	A4EUR72D00	Cover /Upper Assy	B,G2	D	1	e-V217060001
7	A4EU414700	Seal		D	2	f-V500010005
8	56UA34060	Toner Supply Cover /B		C	1	g-V570010063
9	55VA32150	Driving Release Spring		B	1	h-V570010038
10	56UA34610	Cartridge Drive Shaft		D	1	k-V121030504
11	56UA34460	Toner Supply Cover /2		D	1	m-V121040604
12	56UA34452	Toner Supply Cover /1		D	1	n-V127040603
13	A0Y5406400	Slide Bushing/8		C	1	p-V234302250
14	56UA77700	Toner Supply Drive Gear /A 45T		C	1	
15	56UA34121E	Cartridge Drive Plate /A		D	1	
16	A0G6N13E00	Toner Wiring /1	A	D	1	
16	A0G6N13A00	Toner Wiring /1	B,C,D1,D3,E,F2,G1,G	D	1	
17	A0G6410700	Toner Supply Cover /1	2,H,I,J,K	D	1	
18	A0G6410800	Toner Supply Cover /2		D	1	
19	A0G6415000	Toner supply Sheet		D	1	
20	A0G6410611	Toner Supply Lock		D	1	
21	A0G6414000	Sealing Part /R		D	1	
22	55VA32430	Toner Sealing Part/3		D	2	
23	A4EU947900	Operation Label /F		D	1	

TONER SUPPLY PROTECTION UNIT

P 51

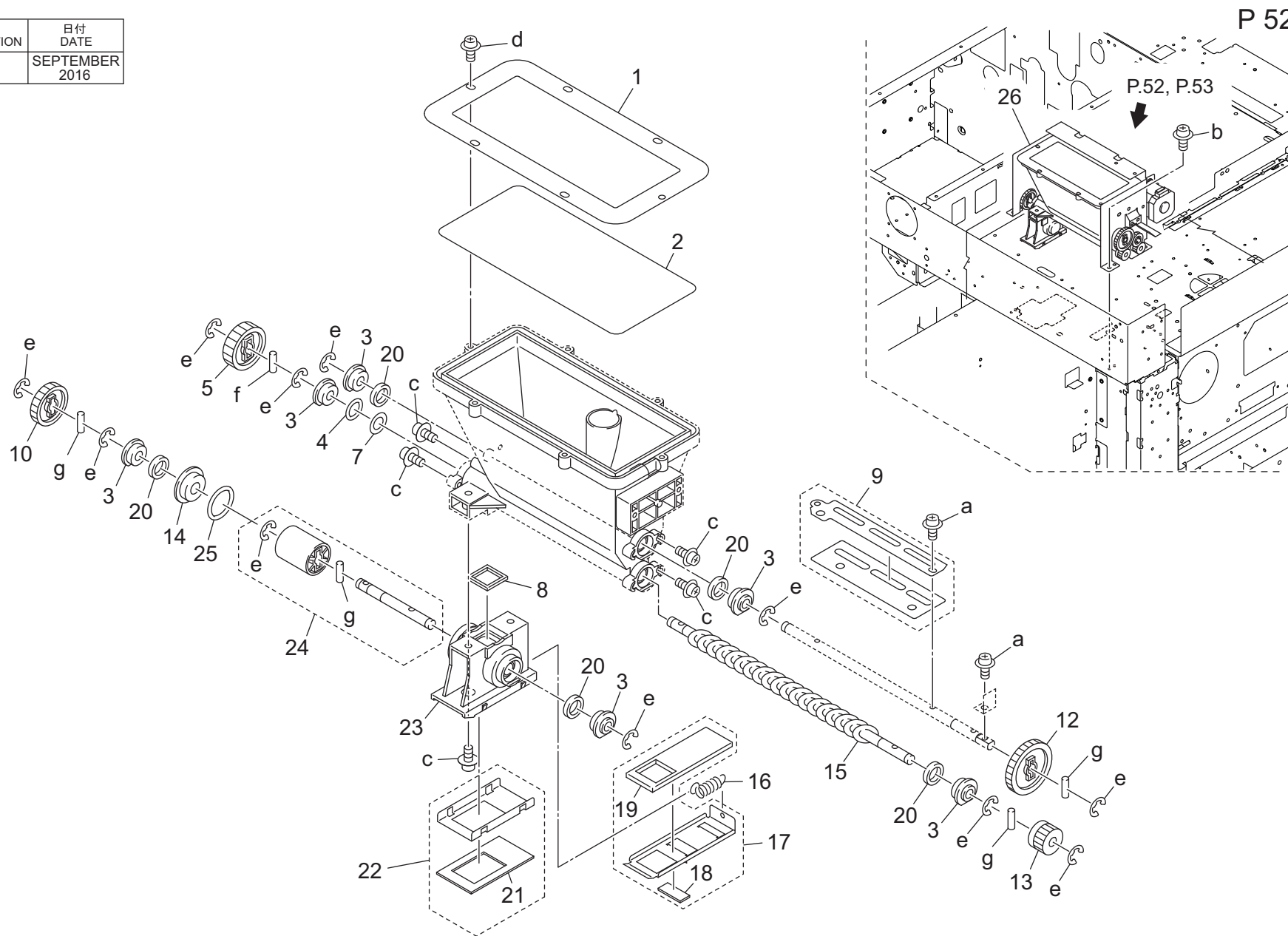


TONER SUPPLY PROTECTION UNIT

Key	Part No.	Description	Destinations	Class	QTY	Standard parts
1	A4EU947600	Toner supply Label		D	1	a-V118040403 b-V127040603 c-V145030803 d-V151030803 e-V217040001
2	56NE32510	Lever	トナー補給ラベル (T N O 1 4)	C	1	
3	A0G6416100	Toner Supply Part	レバー	C	1	
4	56AA32620	TONER SUPPLY LOCKING SPRING	トナー補給部材	C	1	
5	56AA32521	LEVER SHAFT	トナー補給ロックバネ	C	1	
6	56UA34230	Cartridge Support Plate /Left	レバー軸	D	1	
7	A4EU400800	Slide Rail	カートリッジ支持プレート /左	D	1	
8	56AA32710	GUIDE SPACER	スライドレール (トナー補給)	D	2	
9	56AA32761	LOCKING SPRING C	ガイドスペーサー	C	5	
10	56AA32751	LOCKING PART C	ロックバネ C	C	1	
11	A4EU411100	Toner supply Cover /A	ロック部材 C	C	1	
12	A4EUR72G00	Toner Supply Plate Assy	トナー補給カバー / A	D	1	
13	56AA32450	LOCKING SPRING A	トナー補給板部組	D	1	
14	56AA32640	LOCKING SPRING B	ロックバネ A	C	1	
15	56AA32630	Locking Part /B	ロックバネ B	C	1	
16	56UA34071	Cartridge Pressing Part	ロック部材 / B	C	1	
17	56AA32440	LOCKING PART A	カートリッジ押圧部材	D	1	
18	56UA34240	Cartridge Support Plate /Right	ロック部材 A	C	1	
			カートリッジ支持プレート /右	D	1	

TONER SUPPLY MAIN BODY UPPER UNIT

改訂版 REVISED EDITION	日付 DATE
	SEPTEMBER 2016



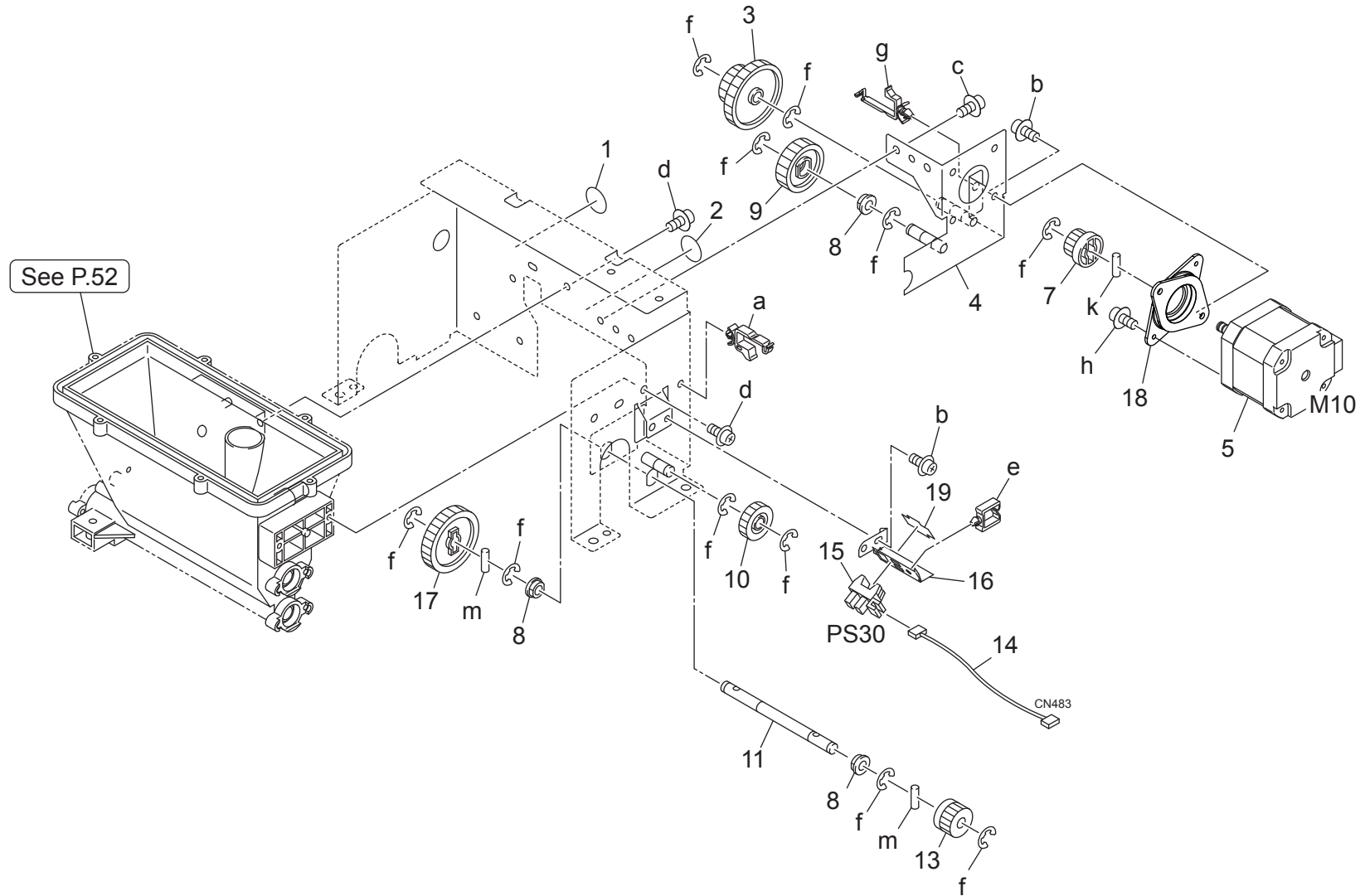
bizhub PRESS 1052

TONER SUPPLY MAIN BODY UPPER UNIT

Key	Part No.	Description	Destinations	Class	QTY	Standard parts
1	56UA32520	Toner Supply Cover /Upper	トナー補給 蓋/上	D	1	a-V121030603
2	56UA32830	TONER SEPARATING SEAL D	トナー分離シール D	C	1	b-V121040403
3	56AA32650	TONER CONVEYING SHAFT HOLDER	トナー搬送軸受	C	6	c-V151030803
4	56UA32690	Toner Supply Sealing Rubber/B	トナー補給シールゴム/B	C	1	d-V151030804
5	25SA77180	TONER CONVEYANCE GEAR B 26T	トナー搬送歯車 B 26 T	C	1	e-V217040001
7	56UA32590	Toner Sealing Plate	トナーシールプレート	C	1	f-V234301050
8	56UA32800	Toner Separating Seal /C	トナー分離シール/C	C	1	g-V234301250
9	A4EUR72700	Agitating Plate /A 3 Assy	攪拌板/A 3 部組	D	1	
10	55VA77940	AGITATE GEAR A 23T	攪拌歯車 A 23 T	B	1	
12	56UA77430	Toner Agitating Gear 32T	トナー攪拌歯車 32 T	C	1	
13	55VA77960	SCREW GEAR 14T	スクリュー歯車 14 T	B	1	
14	56UA32740	Toner Supply Control Side Plate	トナー補給制御側板	C	1	
15	56UA32210	TONER CONVEYANCE SCREW /UPPER	トナー搬送スクリュー/上	D	1	
16	A0G6402300	Toner Supply Spring /Upper	トナー補給ばね/上	C	1	
17	A4EUR72400	Toner Supply Open/Close Plate	トナー補給開閉板部組	D	1	
18	A0G6407600	Toner Supply Seal /B	トナー補給シール/B	C	1	
19	56UA32580	Toner Supply Open /Close Sheet	トナー補給開閉シート	C	1	
20	56UA32380	Toner Agitating Seal	トナー攪拌シール	C	5	
21	A0G6407500	Toner Supply Seal /A	トナー補給シール/A	C	1	
22	A4EUR72500	Toner Supply Open/Close Cover Assy	トナー補給開閉カバー部組	D	1	
23	56UA32700	Toner Supply Control Main Body /Upper	トナー補給制御本体/上	D	1	
24	A4EUR72600	Toner Control Shaft Assy	トナー制御軸部組	D	1	
25	56UA32620	Toner Supply Sealing Rubber /A	トナー補給シールゴム/A	C	1	
26	A4EUR72311	Toner Supply Main Body /Upper	トナー補給 本体/上ユニット	D	1	

TONER SUPPLY MAIN BODY UPPER UNIT

改訂版 REVISED EDITION	日付 DATE
	DECEMBER 2015



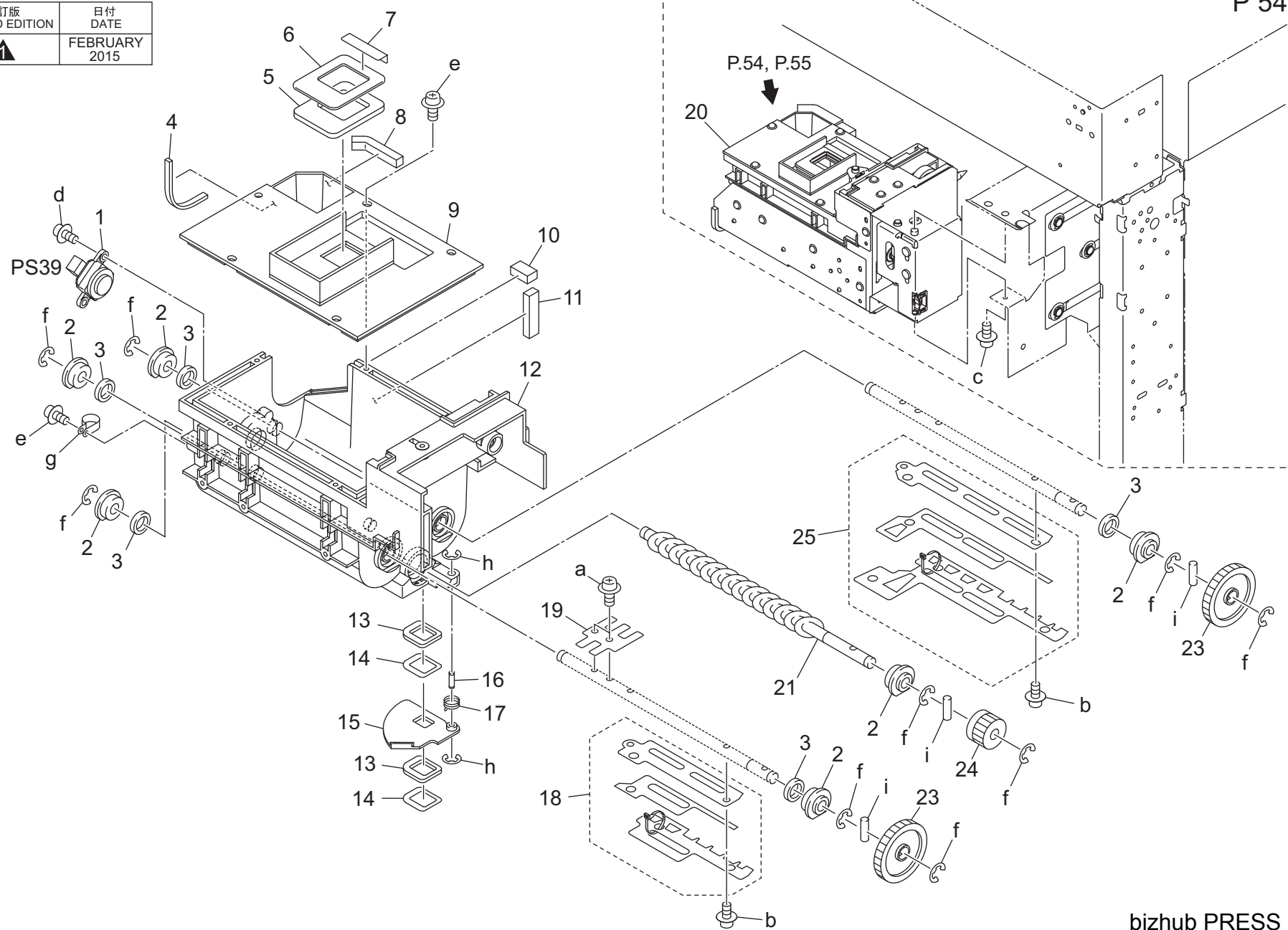
TONER SUPPLY MAIN BODY UPPER UNIT

Key	Part No.	Description	Destinations	Class	QTY	Standard parts
1	A4EU943400	Toner supply Label /2		D	1	a-V500010020 b-V121030603 c-V121040603 d-V151030803 e-V500010026 f-V217040001 g-V500010007 h-V111030603 k-V234201250 m-V234301250
2	A4EU943500	Toner supply Label /3		D	1	
3	56UA77450	Idling Gear /B 20T /61T		C	1	
4	56UAR77100	MOTOR MOUNTING PLATE UPPER		D	1	
5	A0Y5M10400	HB Motor /40		B	1	
7	55VA77890	Motor Gear 20T		B	1	
8	A00J663200	Bushing		C	3	
9	56UA408200	Idling Gear /A 26T		C	1	
10	A0G6405400	Toner Supply Gear /1 20T		C	1	
11	56UA32650	Idling Shaft /E		D	1	
13	55VA77960	SCREW GEAR 14T		B	1	
14	55VA90380	TONER SIGNAL WIRING		D	1	
15	A50UM55500Old	Photo Sensor		I	1	
15	A85CM55600	Photo Sensor		C	1	
16	55VA55440Old	Mounting Plate /B		D	1	
16	55VA55442E	Mounting Plate /B		D	1	
17	56UA77440	Toner Conveyance Gear 34T		C	1	
18	A0Y5M90101	HB Damper /40		D	1	
19	4470402401	Stopper		D	1	



TONER CONVEYANCE MAIN BODY UNIT

改訂版 REVISED EDITION	日付 DATE
	FEBRUARY 2015

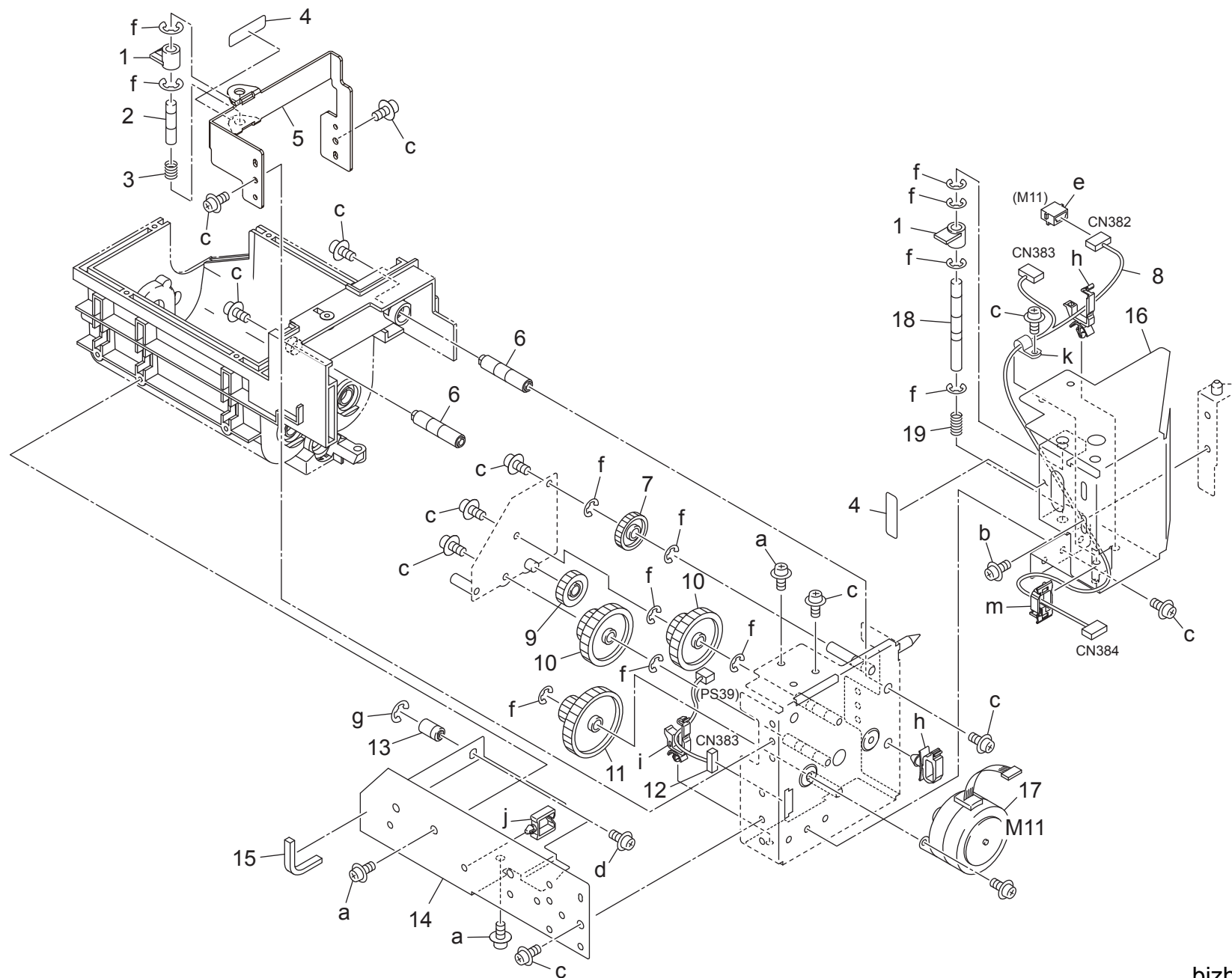


bizhub PRESS 1052

TONER CONVEYANCE MAIN BODY UNIT

Key	Part No.	Description	Destinations	Class	QTY	Standard parts
1	40AA88031	Level Detection Sensor		C	1	a-V116030803
2	56AA32650	TONER CONVEYING SHAFT HOLDER		C	6	b-V121030603
3	56UA32380	Toner Agitating Seal		C	5	c-V121040603
4	56UA32840	Toner Separating Seal /E		C	1	d-V145030803
5	56UA32270	Open/Close Cushion		C	1	e-V158030803
6	56UA32260	Cover Seal		C	1	f-V217040001
7	56UA32850	Toner Separating Seal /F		C	1	g-V500020036
8	A0G6407200	Toner Supply Seal /1		C	1	h-V217030001
9	A0G6400202	Toner supply Cover /Middle		D	1	i-V234301250
10	A0G6407400	Toner Supply Seal /3		C	1	
11	A0G6407300	Toner Supply Seal /2		C	1	
12	56UA32010E	Toner Conveyance Main Body		D	1	
13	55GA32220	OPEN CLOSE CUSHION		C	2	
14	25BA32251	COVER SEAL		C	2	
15	55VA32160	Slide Cover		C	1	
16	55VA32330D	Open/close Shaft		D	1	
17	55VA32171	Open Close Spring		C	1	
18	A4EUR70600	Agitating Plate /A 2 Assy		A	1	
19	56UA408100	AGITATING PLATE /1		C	1	
20	A4EUR72200	Toner Conveyance Main Body Assy		D	1	
21	56UA32200	TONER CONVEYANCE SCREW /LOWER		D	1	
23	56UA77430	Toner Agitating Gear 32T		C	2	
24	55VA77960	SCREW GEAR 14T		B	1	
25	A4EUR70500	Agitating Plate /A 1 Assy		A	1	

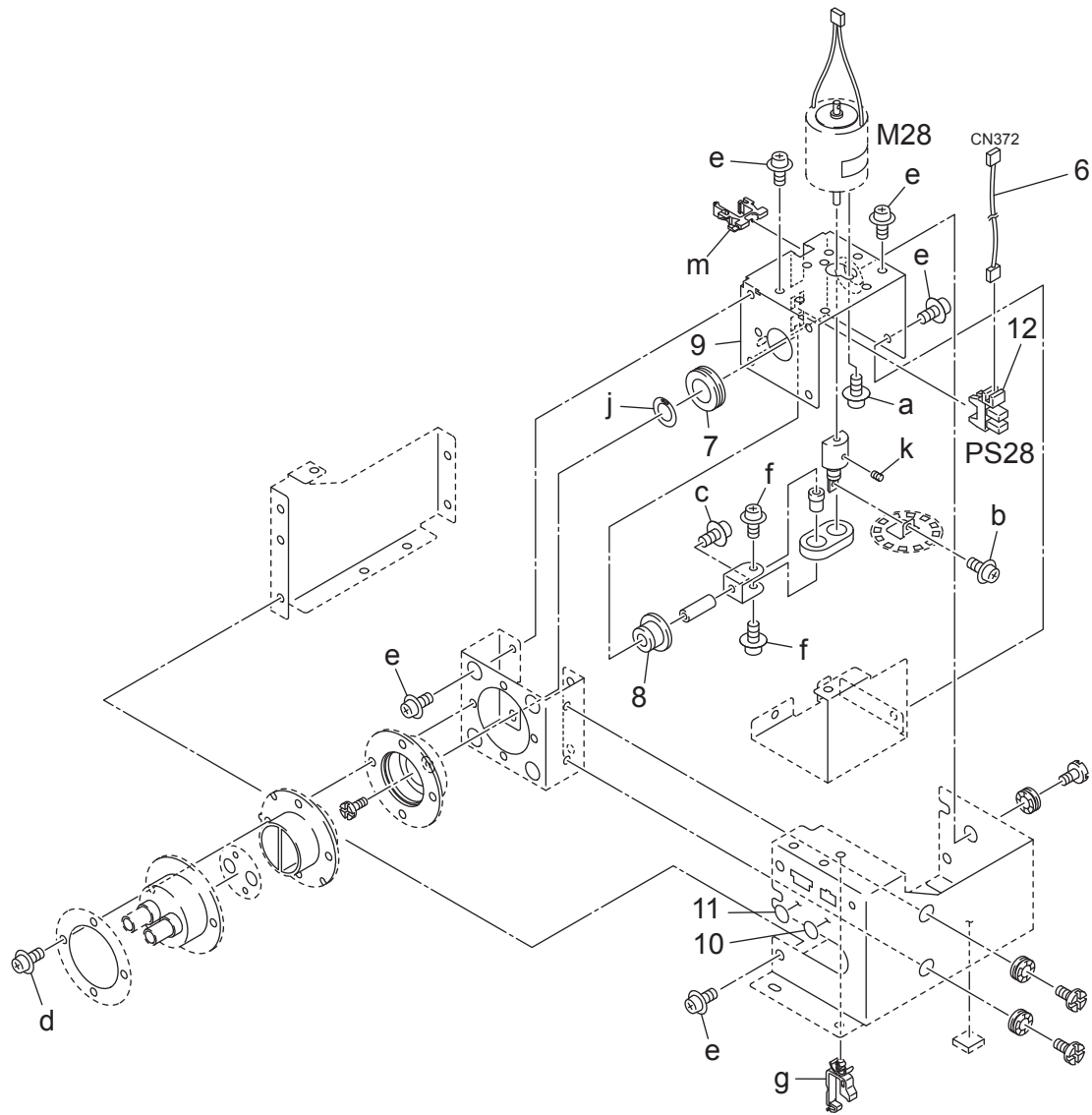
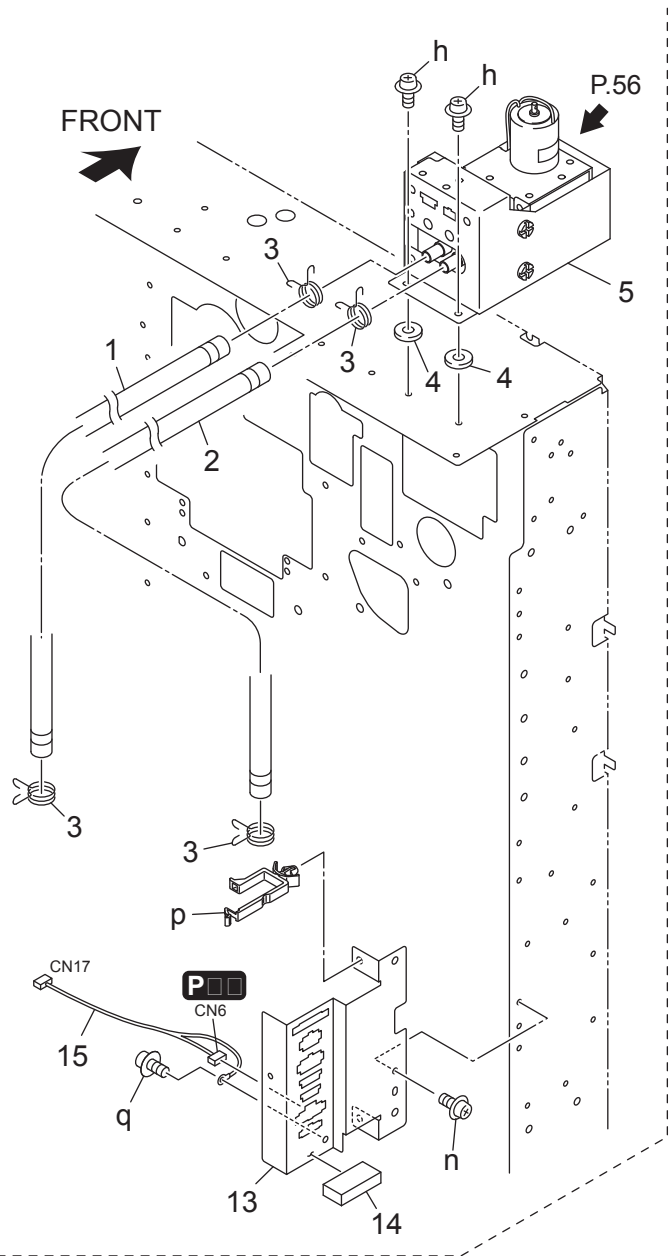
TONER CONVEYANCE MAIN BODY UNIT



TONER CONVEYANCE MAIN BODY UNIT

Key	Part No.	Description	Destinations	Class	QTY	Standard parts
1	56UA32320	Toner Supply Regulating Stopper		D	2	a-V151030603
2	A0G6403100	Regulating Shaft /Middle		D	1	b-V118040603
3	A0G6403000	Positioning Spring /Middle		C	1	c-V121030603
4	A0G6950501	Set Label /5		D	2	d-V116030603
5	A0G6405102	Positioning Plate /Middle		D	1	e-V651010038
6	55VA30270D	Developing Idling Shaft /2		D	2	f-V217040001
7	25SA77180	TONER CONVEYANCE GEAR B 26T		C	1	g-V217060001
8	A4EUN14900	Toner Wiring /2		D	1	h-V500010003
9	56UA77470	Idling Gear /D 18T		D	1	i-V500010020
10	56UA77420	Idling Gear /A 18T /34T		C	1	j-V500010026
11	56UA77460	IDLING GEAR C 14T 80T		C	2	k-V500020038
12	A4EUN14700	Toner Control harness /2		C	1	m-V570010063
13	A0G6401800	Positioning Shaft /Middle		D	1	
14	A0G6400300	Protection Panel /Middle		D	1	
15	A0G6407100	Protection Part		C	1	
16	A0G6400600	Rotation Hinge		C	1	
17	13GQ80032	FNS Motor /1		B	1	
18	56UA32310	Toner Supply Regulating Shaft		D	1	
19	56UA32300	Toner Supply Rotation Spring		C	1	

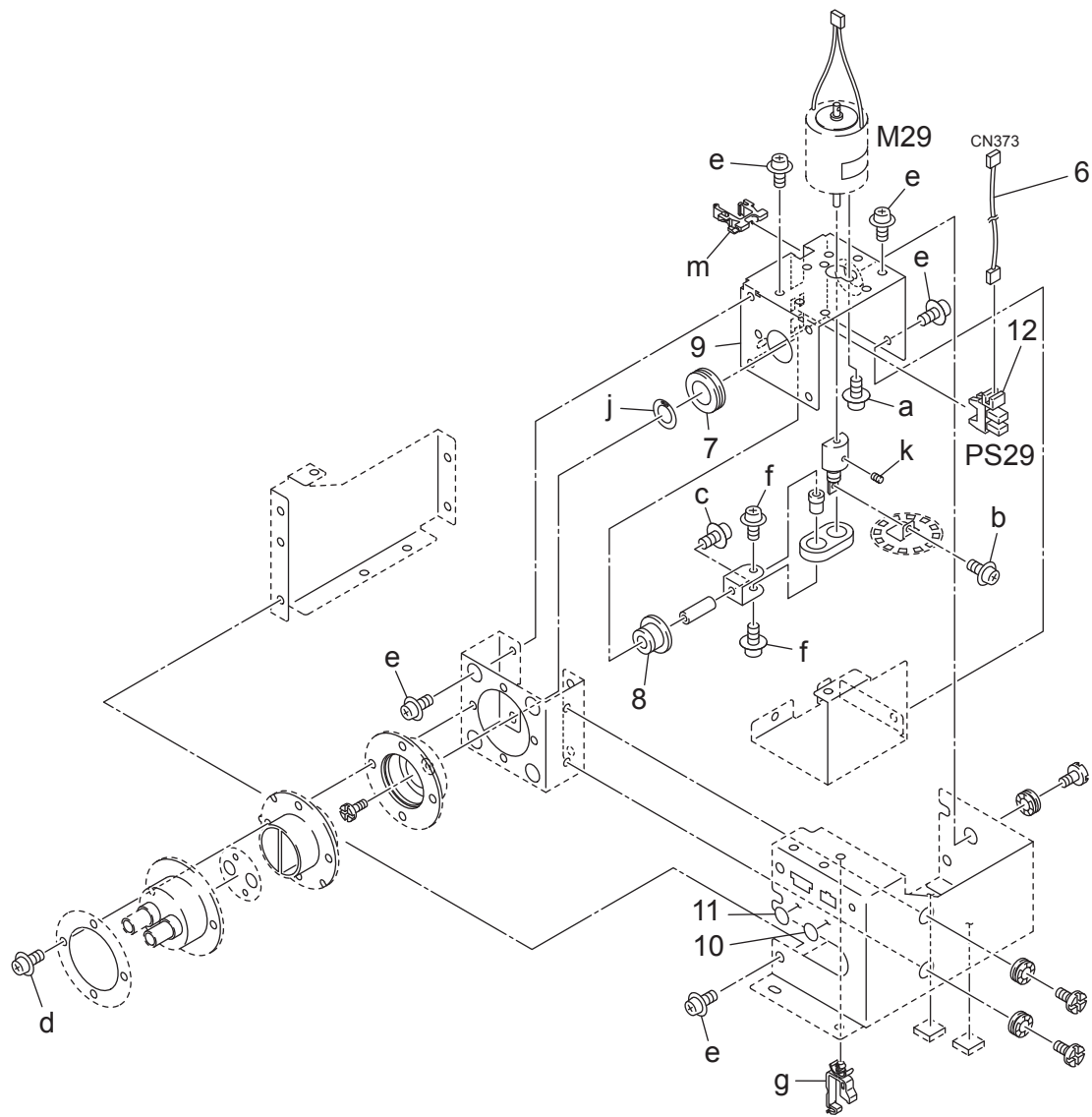
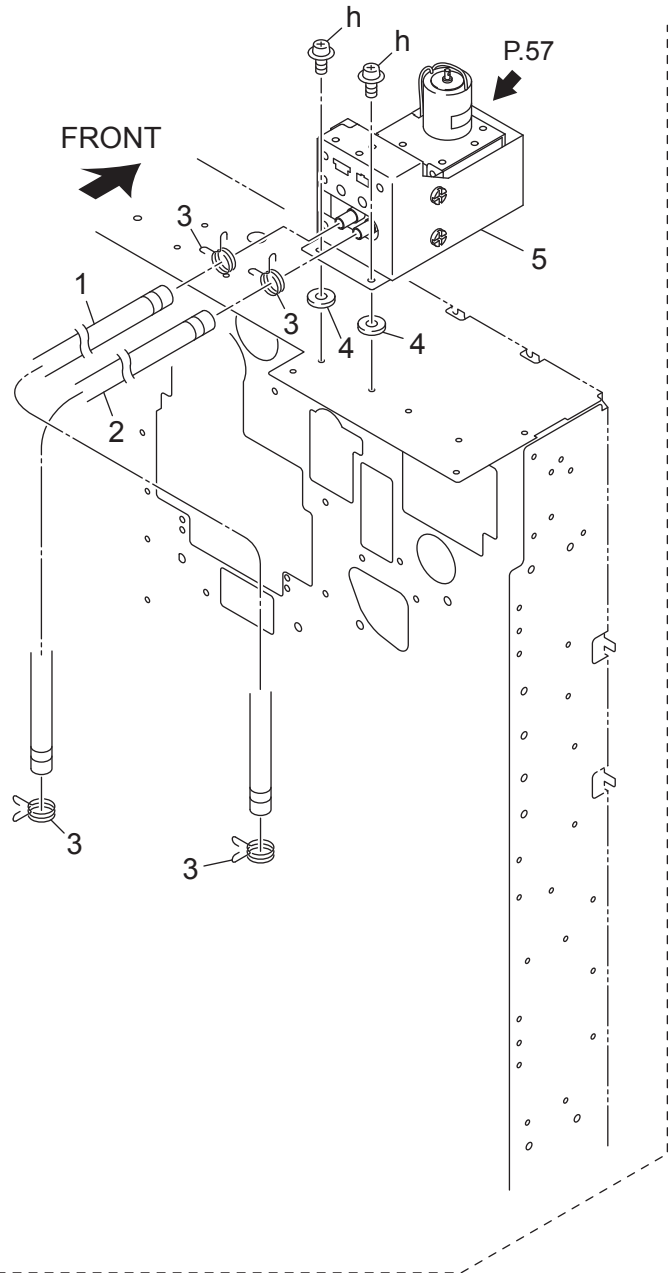
TONER PUMP UNIT



Key	Part No.	Description	Destinations	Class	QTY	Standard parts
1	A4EUR74V00	Toner Pipe Assy/2		D	1	a-V118260403
2	A4EUR74X00	Toner Pipe Assy/1		D	1	b-V118030403
3	56UA32330	Toner Supply Dust Proof Spring		C	4	c-V118030803
4	56UA33280	TONER SUPPLY HOLDING PLATE		D	2	d-V118031003
5	A4EUR70Y00	Toner Pump Assy		B	1	e-V121030403
6	56UA90390	TONER DETECTION WIRING		D	1	f-V121030603
7	56UA33230	TONER SUPPLY RUBBER		D	1	g-V500010020
8	A4EU430700	Conveyance Bushing		D	1	h-V121040803
9	56UA33100	CAM PROTECTION COVER		C	1	j-V223120004
10	A4EU943300	Toner supply Label /1		D	1	k-V193030304
11	A4EU943400	Toner supply Label /2		D	1	m-V570010050
12	A50UM55500	Photo Sensor		I	1	n-V121040603
13	A0G6134400	Mounting Plate /4		D	1	p-V500010013
14	A4EU136100	Protection Cushion /3		D	1	q-V116040603
15	A4EUN11600	AC Relay harness		D	1	

TONER PUMP UNIT

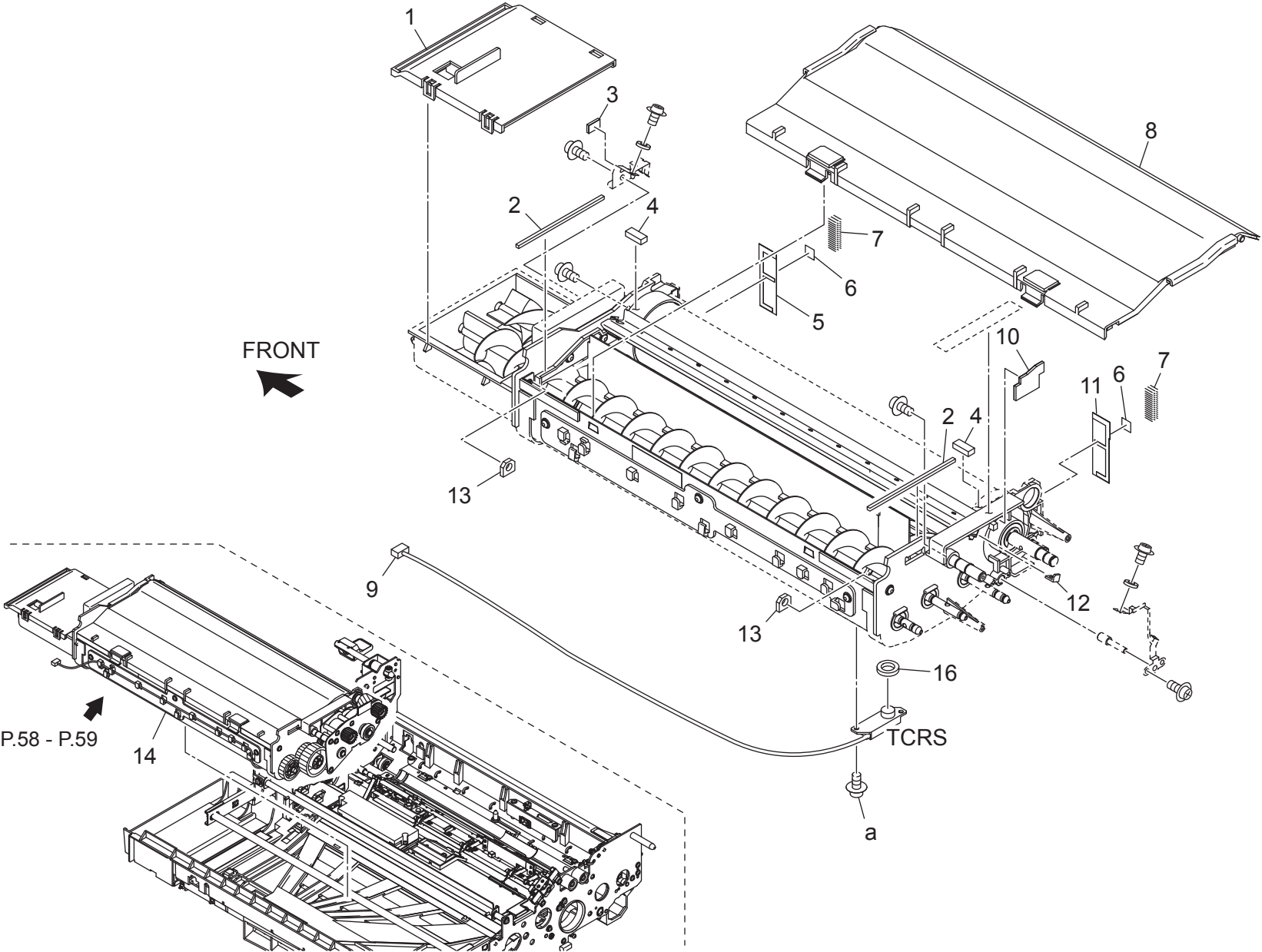
P 57



TONER PUMP UNIT

Key	Part No.	Description	Destinations	Class	QTY	Standard parts
1	A4EUR74Y00	Toner Pipe Assy/4		D	1	a-V118260403
2	A4EUR74W00	Toner Pipe Assy/3		D	1	b-V118030403
3	56UA32330	Toner Supply Dust Proof Spring		C	4	c-V118030803
4	56UA33280	TONER SUPPLY HOLDING PLATE		D	2	d-V118031003
5	A4EUR71000	Toner Pump Assy/2		B	1	e-V121030403
6	56UA90390	TONER DETECTION WIRING		D	1	f-V121030603
7	56UA33230	TONER SUPPLY RUBBER		D	1	g-V500010020
8	A4EU430700	Conveyance Bushing		C	1	h-V121040803
9	56UA33100	CAM PROTECTION COVER		D	1	j-V223120004
10	A4EU943500	Toner supply Label /3		D	1	k-V193030304
11	A4EU943600	Toner supply Label /4		D	1	m-V570010050
12	A50UM55500	Photo Sensor		I	1	



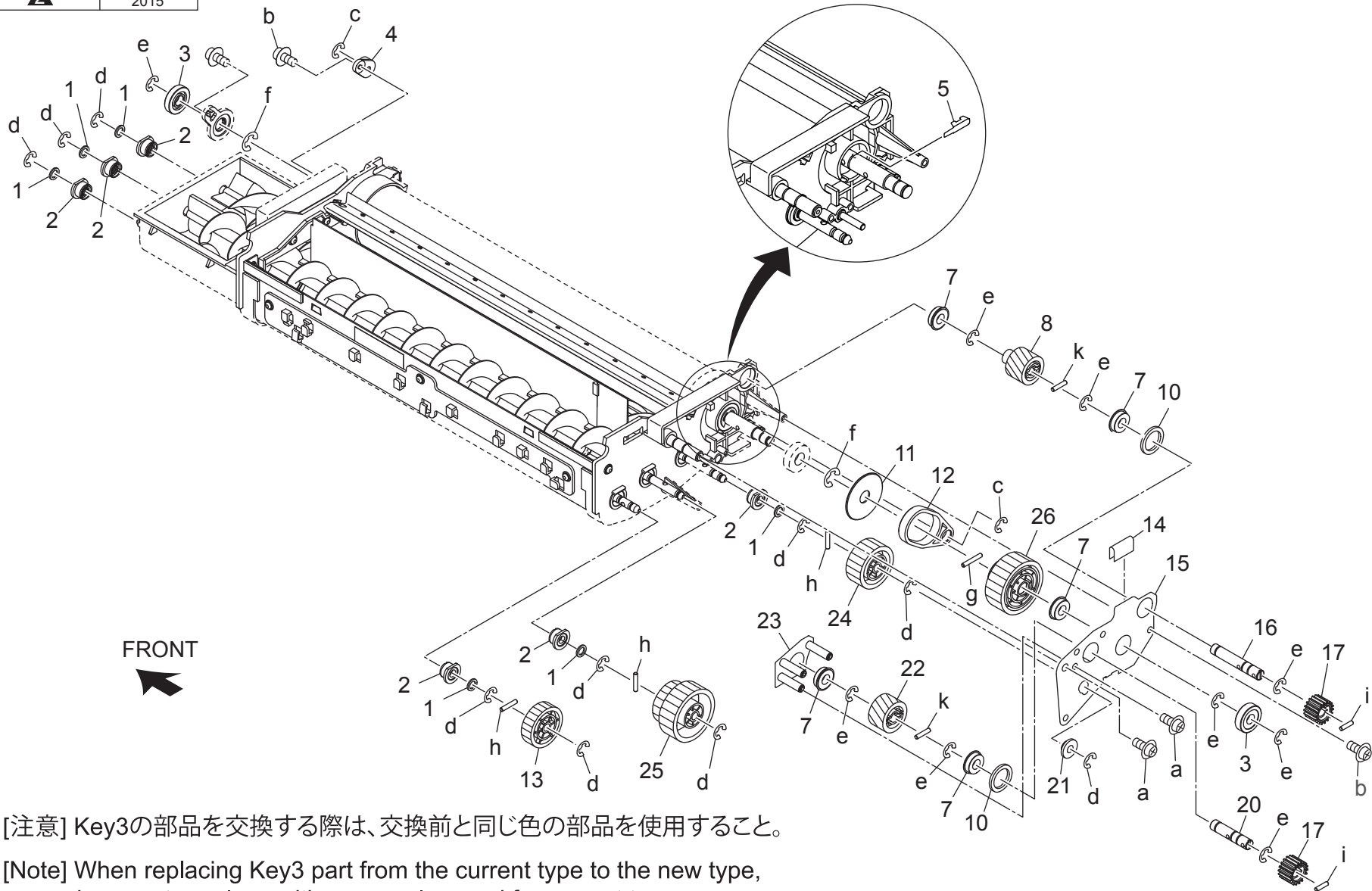


DEVELOPING UNIT

Key	Part No.	Description	Destinations	Class	QTY	Standard parts
1	A4EUR75H00	Developing Cover Assy		D	1	a-V145030603
2	A0G6379900	Scatteringprevention Seal /Upper		C	2	
3	A0G6376300	Scatteringprevention Pad /8		C	1	
4	A0G6375900	Scatteringprevention Pad /4		C	2	
5	A0G6378700	Scatteringprevention Sheet /Front		C	1	
6	A0G6375400	Stopper Spacer		C	2	
7	A0G6374900	Dust-Proof Packing /E		C	2	
8	A4EUR75F00	Developing Cover Assy		D	1	
9	A0G6M50801	Toner Sensor		C	1	
10	A0G6376400	Scatteringprevention Pad /9		C	1	
11	A0G6378800	Scatteringprevention Sheet /Rear		C	1	
12	55VA30981	Toner Brush Connecting Plate		D	1	
13	A0G6379700	Developing Cushion		C	2	
14	A4EUR70322	Developing Assy		B	1	
16	029420640	L DETECTING SEAL		C	1	

DEVELOPING UNIT

改訂版 REVISED EDITION	日付 DATE
	FEBRUARY 2015



[注意] Key3の部品を交換する際は、交換前と同じ色の部品を使用すること。

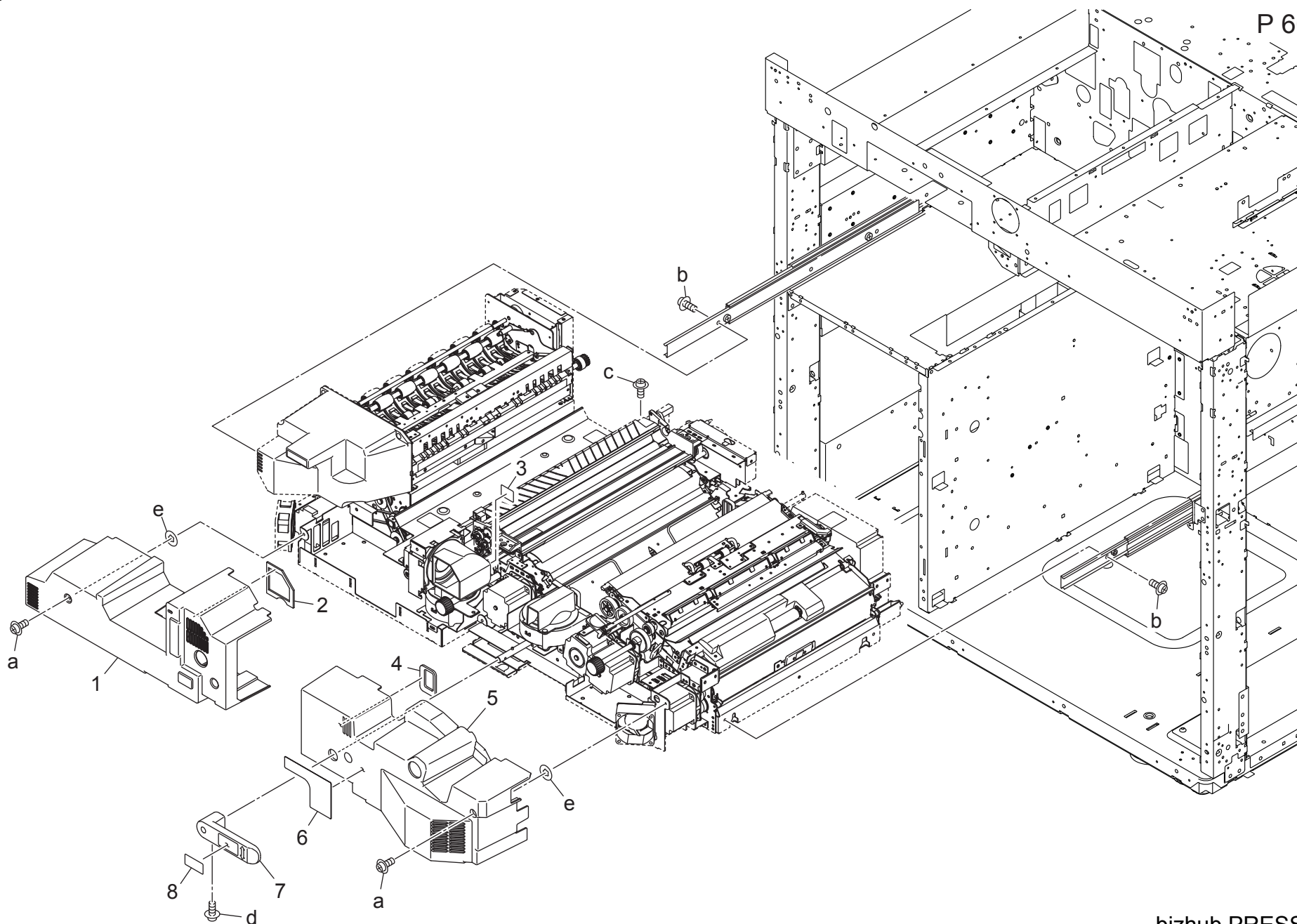
[Note] When replacing Key3 part from the current type to the new type, be sure to replace with same color used for current type.

bizhub PRESS 1052

Key	Part No.	Description	Destinations	Class	QTY	Standard parts
1	57AA30260	Developing Agitating Spacer		C	6	a-V121030603
2	A0G6377400	Sealing Ball Bearing		C	6	b-V151030803
3	A0Y5373601	Stopper Roll /Rear		C	2	c-V217030001
3	A4EU375100	Stopper Roll	(D22.06mm Yellow)	C	2	d-V217040001
3	A0G6375211	Stopper Roll /Rear	(D22.02mm White)	C	2	e-V217060001
3	A4EU375200	Stopper Roll	(D21.98mm Green)	C	2	f-V217080001
3	56UA375200	Stopper Roll /Rear	(D21.94mm Blue)	C	2	g-V234302050
4	A0G6379400	Swing Holder /2	(D21.90mm Black)	C	2	h-V234301650
5	55VA30390D	Bias Pin /A		C	1	i-V234301250
7	A00V240600	Ball Bearing		D	1	k-V234301450
8	A4EU380300	Input Gear /2 33T		B	5	
10	55VA30970	Collar /A		C	1	
11	A0Y5378600	Rotation Collar		C	2	
12	A0G6378100	Swing Holder		C	1	
13	A0G6377300	Agitating Gear 30T		C	1	
14	A0G6373200	Slide Sheet		C	1	
15	A0G6373000	Drive Plate /1		D	1	
16	56UA30251	Developing Input Shaft		D	1	
17	55VA77300E	Developing Input Coupling		D	1	
20	A0G6373500	Input Shaft /2		B	2	
21	392015650	SLIDE BUSHING/C		D	1	
22	A4EU377000	Input Gear /2 22T		C	1	
23	A4EUR75G00	Drive Plate /2 Caulking		C	1	
24	A4EU377100	Conveyance Gear /1 31T		D	1	
25	A4EU377200	Conveyance Gear /2 30T/39T		C	1	
26	A4EU378200	Drive Gear /No.2 67T		C	1	

ADU

P 60



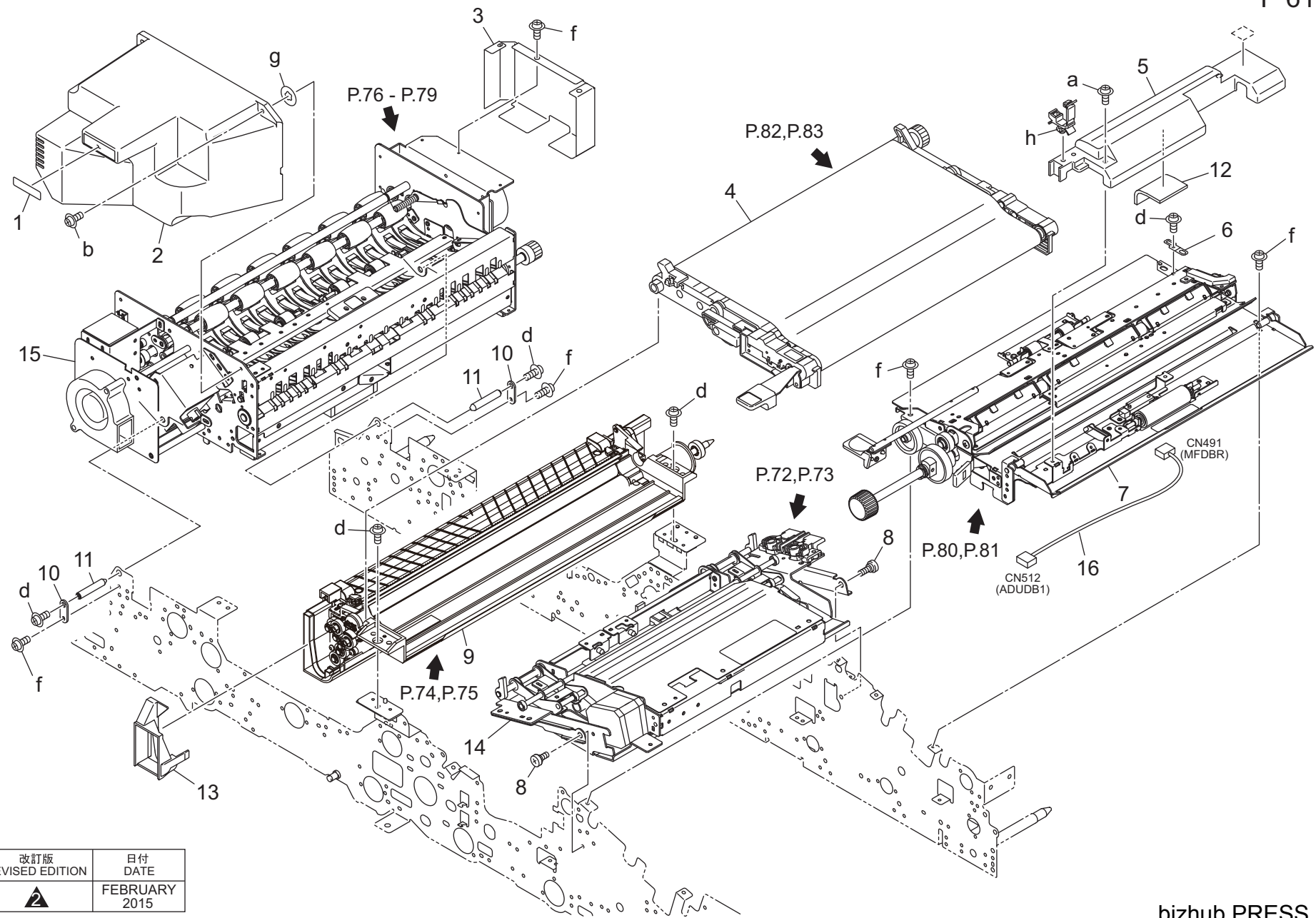
bizhub PRESS 1052

Key	Part No.	Description	Destinations	Class	QTY	Standard parts
1	A0G6830101	Duplex Cover /Left		C	1	a-V114041004 b-V118040603 c-V121030603 d-V121041203 e-V211040080
2	A0G6835300	Pad /W		C	1	
3	A0G6835500	Seal /W		C	1	
4	A0G6836400	Pad /S		C	1	
5	A0G6830301	Duplex Cover /Right		C	1	
6	A0G6947300	Operation Label /A		C	1	
7	56UA46921	CARRIGE PULLING LEVER		C	1	
8	A0G6945400	Label /4		C	1	


bizhub PRESS 1052

ADU

P 61



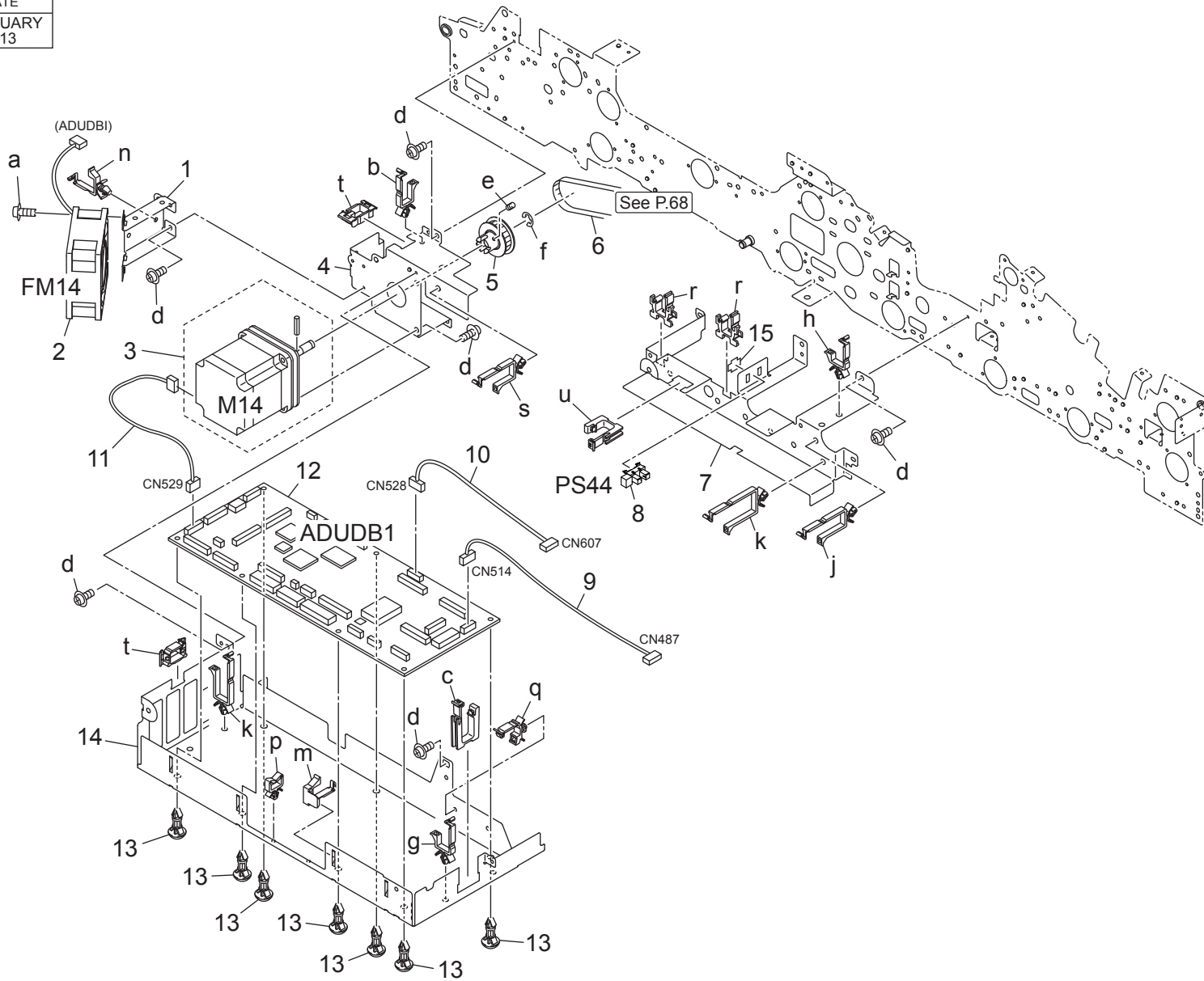
改訂版 REVISED EDITION	日付 DATE
	FEBRUARY 2015

 Order here
8 (495) 646-0426
ПЯТЫЙ ПАРТНЕР www.km-shop.ru


bizhub PRESS 1052

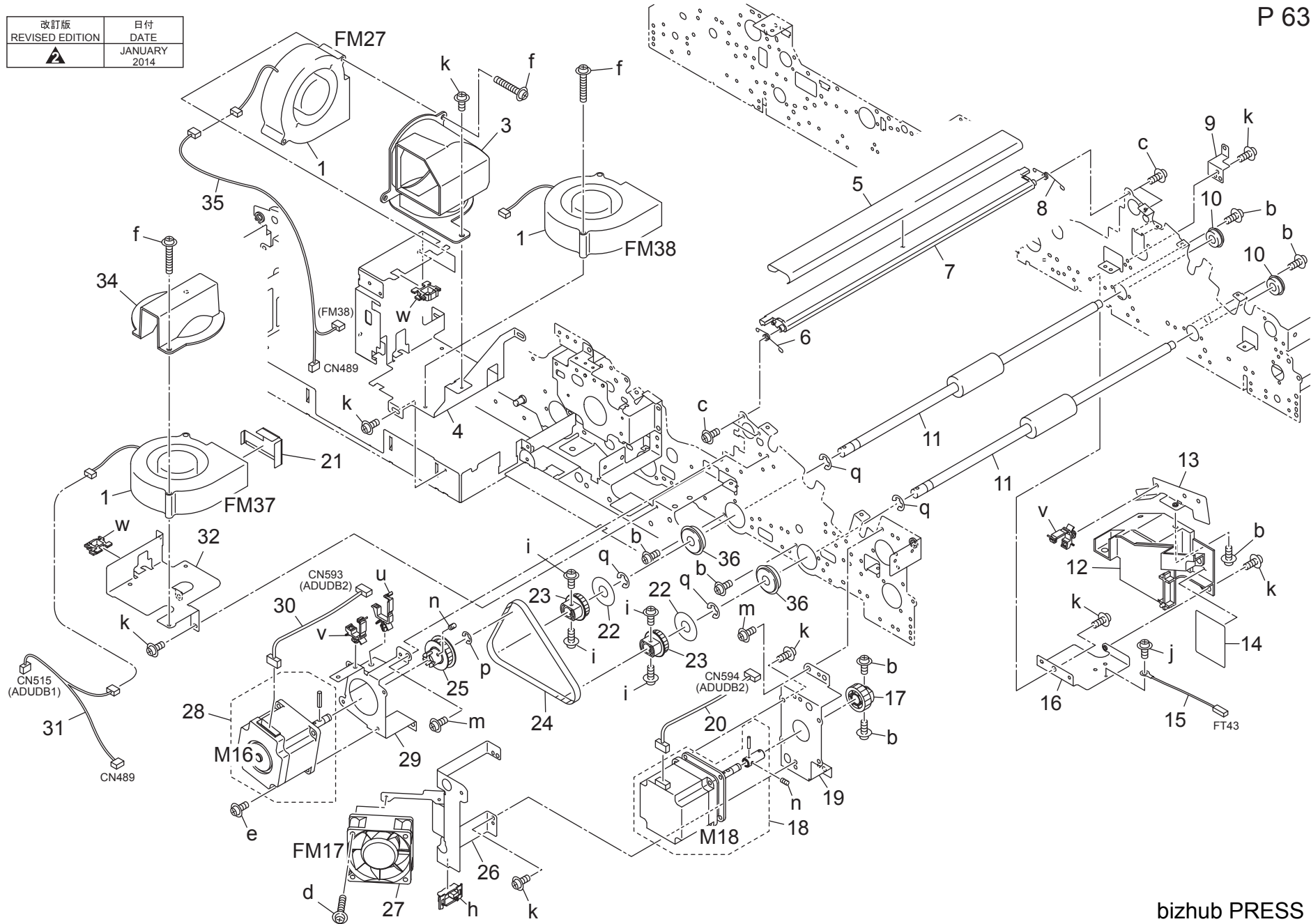
Key	Part No.	Description	Destinations	Class	QTY	Standard parts
1	A0G6945800	Label /8		C	1	a-V114040604 b-V114041004 c-V116030603 f-V127030604 g-V211040080 h-V500020100
2	A0G6830200	Reverse/Exit Cover		C	1	
3	A0G6848400	Cover /M		D	1	
4	A4EUR70A11	Transfer Belt Assy		S	1	
5	A4EU716100	Registration Cover /Upper		D	1	
6	A4EU715000	Positioning Spacer /R		D	1	
7	A4EUR73U00	Regist Assy		I	1	
8	392014041	PLATEN COVER MOUNT SCREW		C	2	
9	A4EUR70D44	Belt Cleaner Assy		B	1	
10	A0G6816400	Support Plate		D	2	
11	A0G6816500	Support Shaft		D	2	
12	56UA46430D	Multi-Feed Cover Seal		D	1	
13	A0G6514200	Cooling Duct /Middle		D	1	
14	A4EUR73A00	Transfer Pressure Assy		D	1	
15	A4EUR74011	Decurler Assy		S	1	
16	A4EUN19800	Paperfeed Detection harness		D	1	

改訂版 REVISED EDITION	日付 DATE
	FEBRUARY 2013

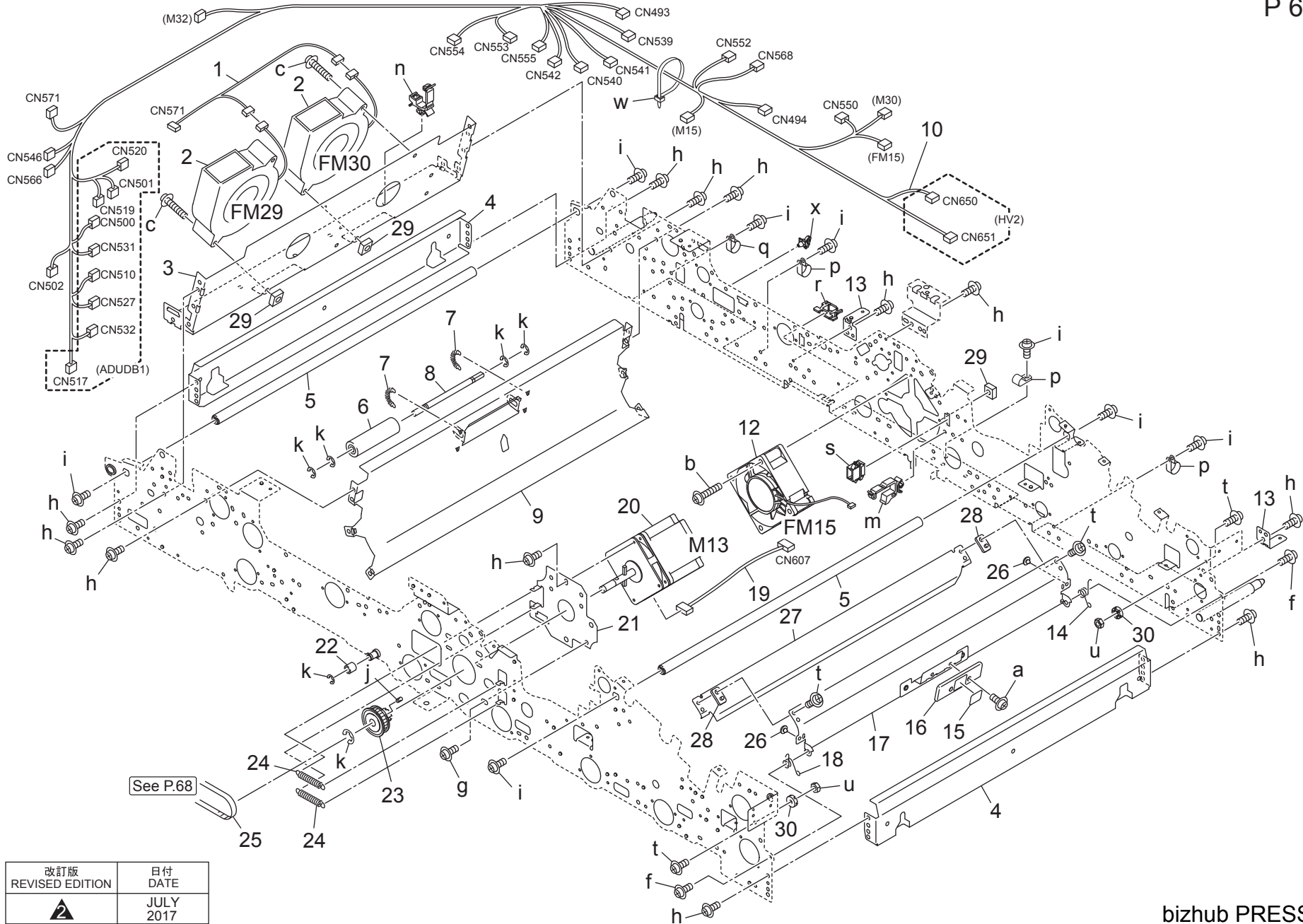


Key	Part No.	Description	Destinations	Class	QTY	Standard parts
1	A0G6812300	Cooling Plate /Left		D	1	a-V118033003
2	4040M10000	FAN MOTOR		C	1	b-V500010020
3	A4EUR73Q00	Motor /1 Pin Assy		B	1	c-V570010028
4	A0G6813900	Mounting Plate /6		D	1	d-V127030604
5	A0G6818300	Drive Pulley		C	1	e-V193030404
6	A0G6819400	Belt/A 324L		B	1	f-V217040001
7	A4EU814701	Wiring Plate		D	1	g-V500010007
8	9335150021	SOLID STATE SWITCH		D	1	h-V500010005
9	A0G6N20500	ADU Drive Harness /5		B	1	j-V500010013
10	A0G6N17200	ADU Drive Wiring /4		D	1	k-V500010015
11	56GA90890	PAPER EXIT RELAY WIRING 2		D	1	m-V500010022
12	A4EUH07000	ADU Drive Board Assy		D	1	n-V500020099
13	V502010021	spacer		C	1	p-V500010050
14	A0G6811501	Installing Pedestal /1		D	7	q-V500020100
15	4470402401	Stopper		D	1	r-V570010050
						s-V500010008
						t-V570010063
						u-V570010026

改訂版 REVISED EDITION	日付 DATE
	JANUARY 2014



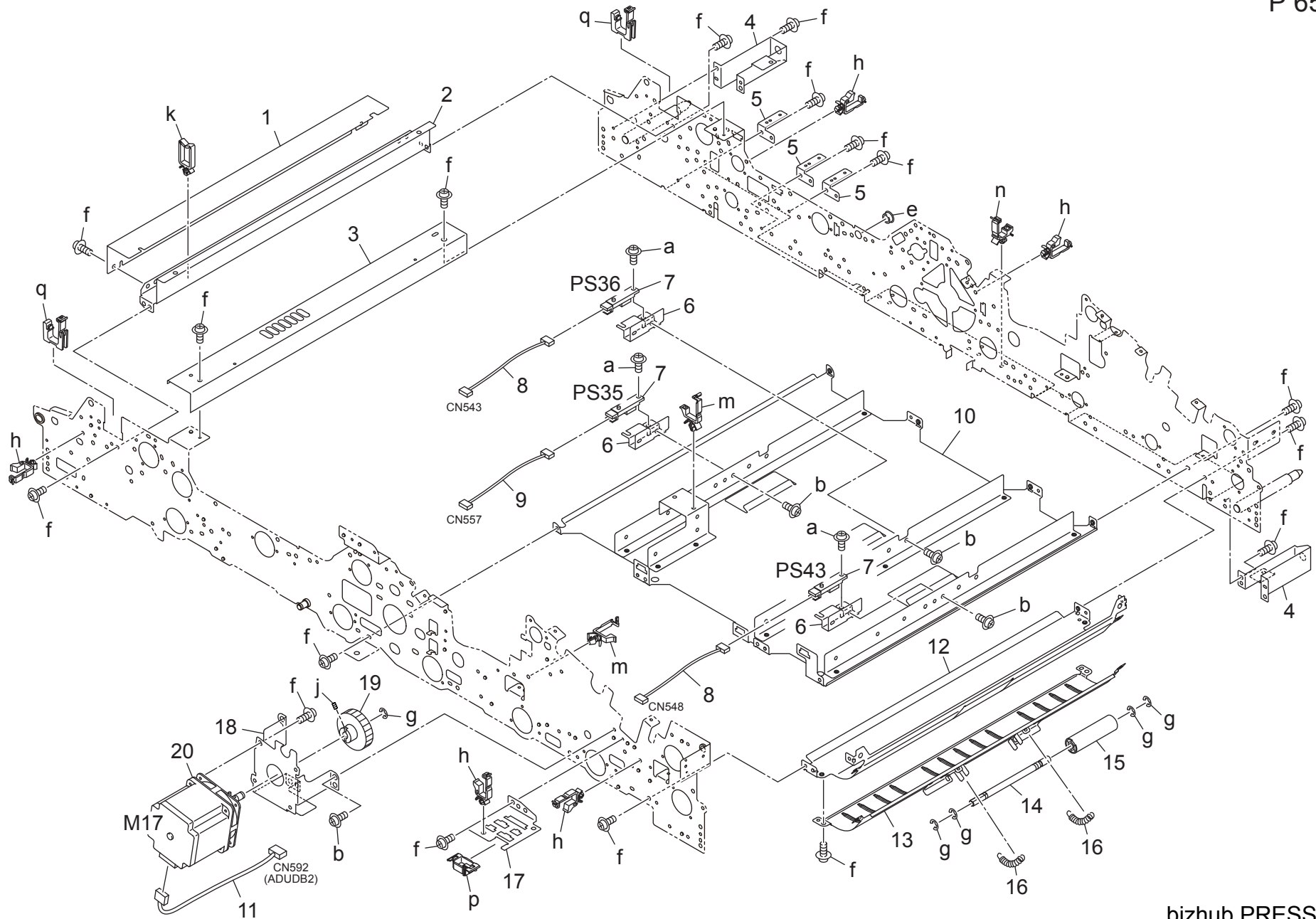
Key	Part No.	Description	Destinations	Class	QTY	Standard parts
1	9313100072	FAN MOTOR		C	3	b-V118030603
3	A0G6835200	Duct /W		D	1	c-V118030803
4	A0G6835100	Cooling Plate /W		D	1	d-V118033003
5	A0G6504300	Suction Sheet		C	1	e-V118040803
6	A0G6504100	Rotation Spring /Front		C	1	f-V118043503
7	A0G6504000	Entrance Plate		C	1	h-V570010063
8	A0G6504200	Rotation Spring /Rear		C	1	i-V116030603
9	56UA46740	Wiring Protection Plate		D	1	j-V116040603
10	A00V240600	Ball Bearing		B	2	k-V127030604
11	A4EU817700	Conveyance Roller /7		B	2	m-V127040603
12	55VA49050E	Wiring Protection Cover		D	1	n-V193030404
13	A0G6816900	Wiring Plate /Rear		D	1	p-V217040001
14	56UA45910	Wiring Protection Sheet		C	1	q-V217080001
15	A4EUN19700	Grounding Wire /T		D	1	u-V500010003
16	A0G6814000	Mounting Plate /D		D	1	v-V500020100
17	A0G6818800	Drive Gear /L 23T		C	1	w-V570010050
18	A4EUR73X00	Motor /2 Pin Assy		B	1	
19	56UA46570	Motor Mounting Plate /L		D	1	
20	56UA90700	REGISTRATION DRIVE WIRING 2		D	1	
21	A4EU835600	Cover Film /S		D	1	
22	55VA47830	Belt Hold Part		B	2	
23	A0G6818200	Conveyance Pulley		B	2	
24	56UA78080	ADU DRIVE BELT/C 318L		B	1	
25	A0G6818300	Drive Pulley		C	1	
26	A0G6812400	Cooling Plate /Right		D	1	
27	56QA80570	Internal Cooling Fan		C	1	
28	A4EUR73W00	Motor /4 Pin Assy		B	1	
29	A0G6813700	Mounting Plate /4		D	1	
30	A4EUN16900	ADU Drive harness /R		D	1	
31	A0G6N21400	ADU Drive Harness /8		D	1	
32	A0G6836102	Cooling Plate /S		D	1	
34	A0G6836200	Duct /S		D	1	
35	A0G6N21500	ADU Drive Harness /9		D	1	
36	56UA75050	ADU Roller Bearing		C	2	




改訂版 REVISED EDITION	日付 DATE
	JULY 2017

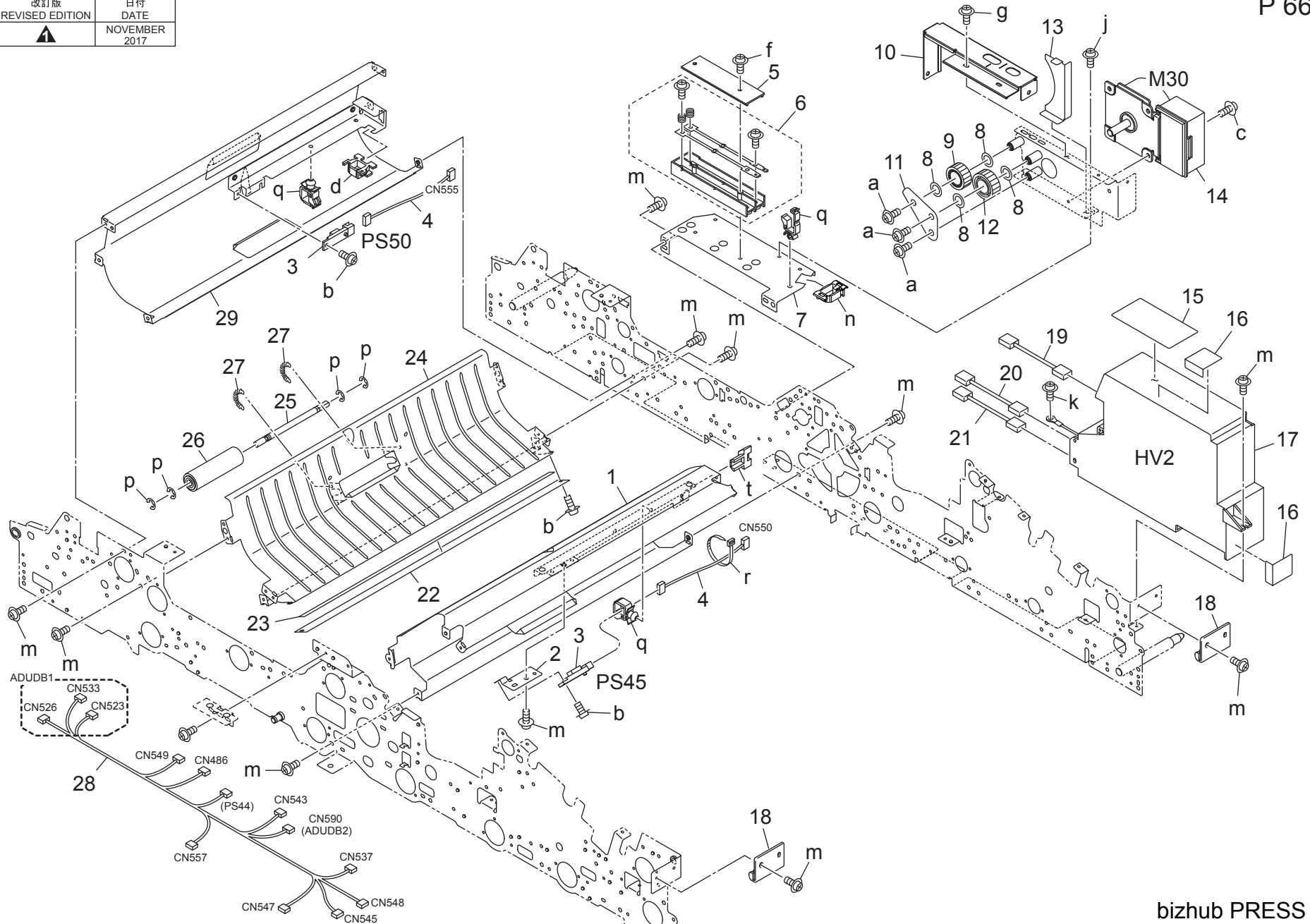
Order here
8 (495) 646-0426
ПЯТЫЙ ПАРТНЕР www.km-shop.ru

Key	Part No.	Description	Destinations	Class	QTY	Standard parts
1	A4EUN20800	ADU Drive harness /7	A D U 駆動束線 /7	D	1	a-V118030403
2	9313100072	FAN MOTOR	ファンモータ	C	2	b-V118033003
3	A0G6812100	Cooling Stay	冷却ステー	D	1	c-V118043503
4	A4EU813000	Fixing Stay /A	固定ステー / A	D	2	f-V146041804
5	A4EU820400	Lifting Stay /A	持ち上げステー / A	D	2	g-V116040803
6	A4EU818000	Idler Rubber /U	従動ゴム / U	B	1	h-V127030604
7	25AA44180	CONVEYANCE PRESSURE SPRING	搬送圧着バネ	C	2	i-V127040603
8	55VA47450	ADU DRIVEN SHAFT /S	A D U 従動軸 / S	D	1	j-V193030404
9	56UA47040F	ADU Fixing Plate /1	A D U 固定板 /1	D	1	k-V217040001
10	A4EUN16002	ADU Control Harness	A D U 制御束線	D	1	m-V500010020
12	27LA80511	Main Body Fan Motor	本体 ファンモータ	A	1	n-V500020100
13	A0G6812800	Mounting Plate /H	取付板 / H	D	2	p-V500020005
14	A4EU821200	Open/close Spring /Rear	開閉ばね /奥	D	1	q-V500020007
15	A0G6946200	Label /12	ラベル /12 (J A M ラベル /12)	C	1	r-V570010050
16	56UA46140	TRANSFER FEEDING HANDLE	転写送り出し 把手	C	1	s-V651010002
17	A4EU810300	Open/close Guide Outside	開閉ガイド /外	D	1	t-V127030803
18	A4EU821100	Open/close Spring /Front	開閉ばね /前	D	1	u-V195030003
19	56UA90710	ADU DRIVE WIRING 3	A D U 駆動束線 3	D	1	w-V501010002
20	A4EUR73Q00	Motor /1 Pin Assy	モータ部組 /1 ピン打ち	B	1	x-V501010009
21	56UA47350	Motor Mounting Plate /2	モータ取り付け板 /2	D	1	
22	A4EU823100	Positioning Roll	位置決めころ	D	1	
23	A0G6818300	Drive Pulley	駆動プーリ	C	1	
24	56UA47390	Motor Slide Spring	モータスライドバネ	C	2	
25	56UA78060	ADU CONVEYANCE BELT/2 417L	A D U 搬送ベルト /2 417 L	B	1	
26	12AJ45850	Stopper Rubber	ストッパーゴム	C	2	
27	A4EU810400	Open/close Guide /Inside	開閉ガイド /内	D	1	
28	A4EU814800	Guide Spacer /8	ガイドスペーサ /8	D	2	
29	57GA61560	SCREW PROTECTION CUSHION/1	ネジ保護クッション /1	C	3	
30	A4EU814900	Guide Stopper /8	ガイドストッパ /8	D	2	

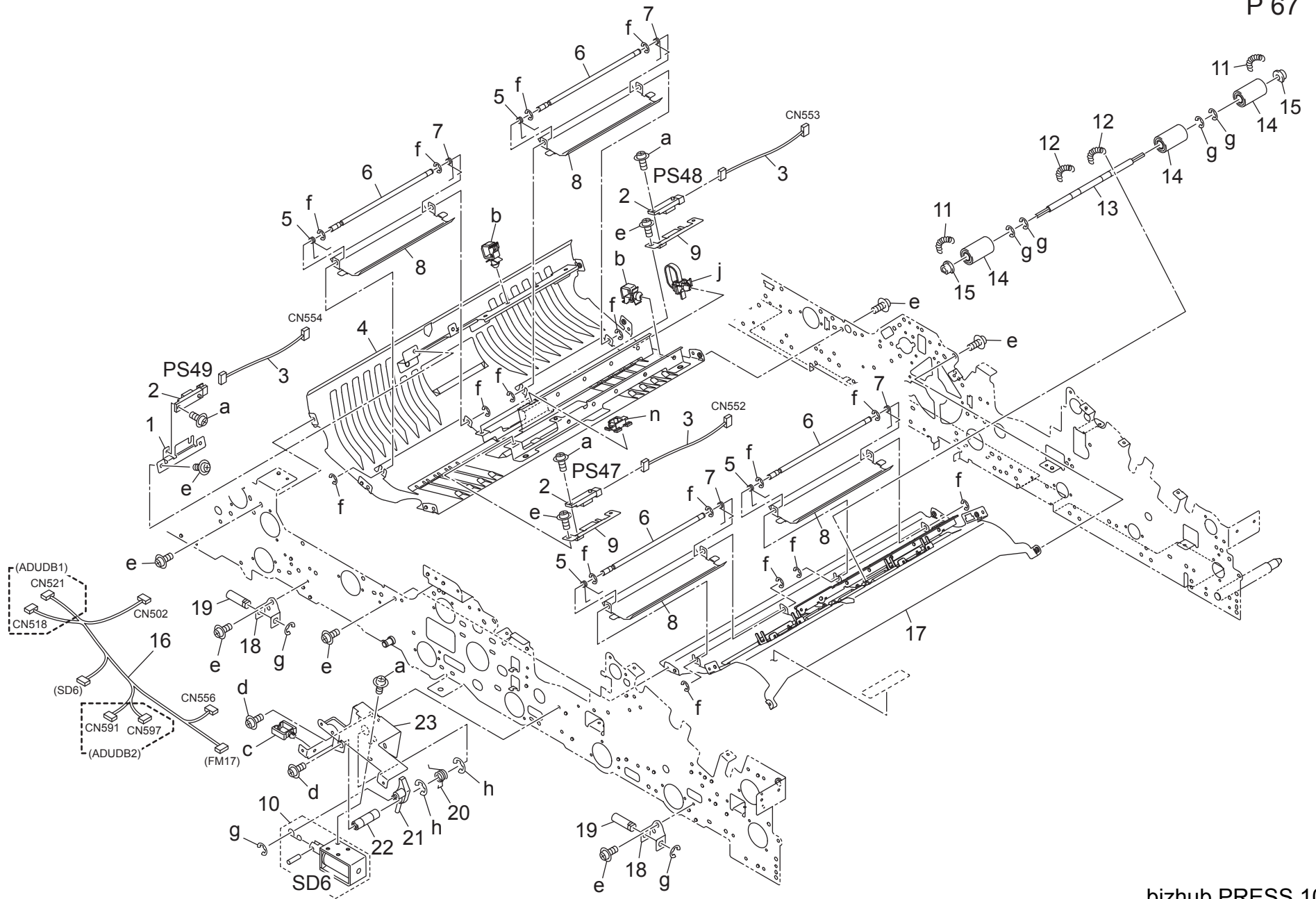


Key	Part No.	Description	Destinations	Class	QTY	Standard parts
1	56UA47750	WIRING COVER PLATE		D	1	a-V118030403
2	56UA47670	Wiring Guide Stay		D	1	b-V127040603
3	A0G6811600	Protection Plate /S		D	1	e-V570010055
4	56UA46770E	ADU Positioning Plate /Rear		D	2	f-V127030604
5	A0G6812900	Mounting Plate /A		D	3	g-V217040001
6	A0G6811700	Plate		D	3	h-V500010020
7	13QA85511	Sensor 1		B	3	j-V193030404
8	56UA90650	RELAY WIRING		D	2	k-V500010042
9	56UA90880	RELAY WIRING 3		D	1	m-V500020099
10	A4EU812200	Conveyance Plate /A		D	1	n-V500020100
11	A4EUN18800	ADU Relay harness /2		D	1	p-V570010063
12	A4EU812500	Fixing Plate /8		D	1	q-V570010028
13	A4EU813400	Fixing Plate /9		D	1	
14	55VA47450	ADU DRIVEN SHAFT /S		D	1	
15	56UA45820	ADU IDLER ROLLER S		C	1	
16	56UA46480	REGIST PRESSING SPRING		C	2	
17	56UA46631F	Wiring Connecting Plate		D	1	
18	A4EU813801	Mounting Plate /5		D	1	
19	A4EU814600	Registration Gear /A 35T		B	1	
20	A4EUR73Q00	Motor /1 Pin Assy		B	1	

改訂版 REVISED EDITION	日付 DATE
	NOVEMBER 2017

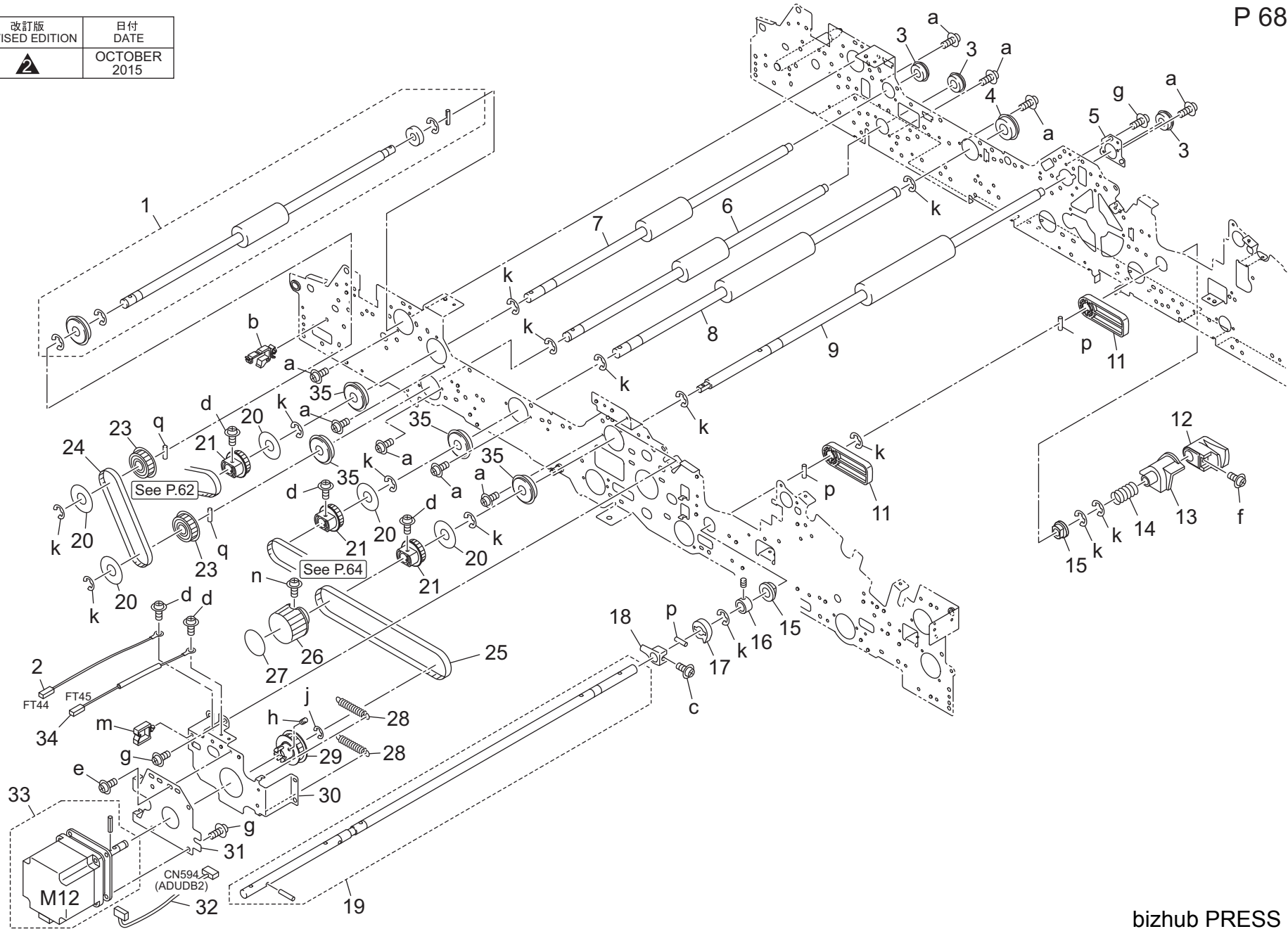


Key	Part No.	Description	Destinations	Class	QTY	Standard parts
1	A4EU811000	Fixing Plate /7		D	1	a-V127040603
2	A4EU812000	Plate /7		D	1	b-V118030403
3	13QA85511	Sensor 1		B	2	c-V121030404
4	56UA90650	RELAY WIRING		D	2	d-V570010050
5	A0G6514800	Power Supply Cover /Lower		D	1	f-V118031603
6	A4EUR74300	Power Block Assy		D	1	g-V127030516
7	A0G6521202	Drive Base frame		D	1	j-V116030603
8	56AA42690	BY-PASS SPACER		C	4	k-V116040603
9	A0G6521600	Idling Gear /2 42T		C	1	m-V127030604
10	A0G6523103	Protection Cover /Rear		D	1	n-V570010063
11	A0G6520500	Drive Holder		D	1	p-V217040001
12	A0G6521500	Idling Gear /1 48T		C	1	q-V500010020
13	A4EU525500	Protection Film /Rear		D	1	r-V501010002
14	A0R5M10300	DC Brushless motor /30		B	1	t-V500020068
15	A0G6942600	Caution Label /B		D	1	
16	55VA49440	Power Source Cover Sheet		D	2	
17	A0G6M40200	HV Power Source /2		I	1	
18	A0G6812700	Lifting Handle		C	2	
19	A0G6N19200	HV Wire /T		D	1	
20	A0G6N19400	HV Wire /B		D	1	
21	A0G6N19300	HV Wire /A		D	1	
22	A0G6816600	Guide Plate /H		C	1	
23	A0G6816701	Riverse/Exit Tape /H		C	1	
24	A0G6810600	Fixing Plate /3		D	1	
25	55VA47450	ADU DRIVEN SHAFT /S		D	1	
26	A4EU818000	Idler Rubber /U		B	1	
27	56UA46480	REGIST PRESSING SPRING		C	2	
28	A4EUN16800	ADU Relay harness /6		D	1	
29	A0G6810500	Fixing Plate /2		D	1	



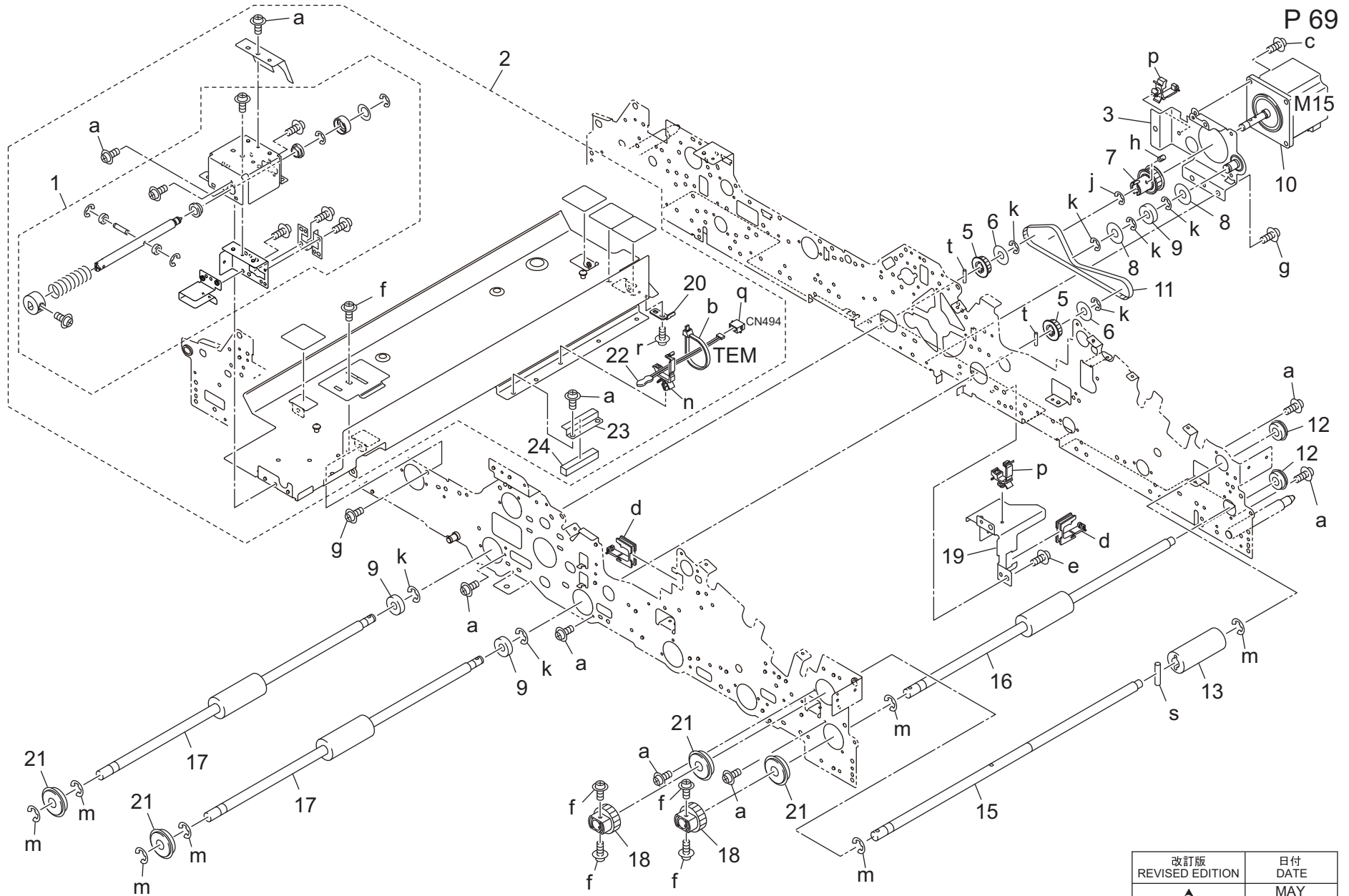
Key	Part No.	Description	Destinations	Class	QTY	Standard parts
1	A0G6811800	Plate /2		D	1	a-V118030403
2	13QA85511	Sensor 1		B	3	b-V500010020
3	56UA90650	RELAY WIRING		D	3	c-V500010026
4	A4EU810701	Fixing Plate /4		D	1	d-V127040603
5	56UA47310	Swing Spring /Front		C	4	e-V127030604
6	56UA47330	Swing Shaft		D	4	f-V217030001
7	56UA47320	Swing Spring /Rear		C	4	g-V217040001
8	56UA47121	ADU Regulating Plate		C	4	h-V217080001
9	A4EU811900	Plate /4		D	2	j-V501010009
10	A4EUR73V00	Lever Locking Solenoid Pin Assy		C	1	n-V570010050
11	56UA46480	REGIST PRESSING SPRING		C	2	
12	55VA46490	Registration Pressure Spring		B	2	
13	56UA47890	ADU Idler Shaft /L		D	1	
14	A4EU817900	Idler Rubber /S		D	3	
15	25SA43310	DRIVEN SHAFT HOLDER		B	2	
16	A4EUN16100	ADU Drive harness		D	1	
17	A0G6810800	Fixing Plate /5		D	1	
18	55VA47990	Bottom Plate Locking Plate		D	2	
19	55VA47891	Bottom Plate Locking Shaft		D	2	
20	55VA49260	SOLENOID RELEASE SPRING		B	1	
21	55VA49240	Lever Lock Claw		C	1	
22	A0G6814400	Guide Shaft /S		D	1	
23	A0G6814300	Guide Plate /S		D	1	

改訂版 REVISED EDITION	日付 DATE
	OCTOBER 2015



Key	Part No.	Description	Destinations	Class	QTY	Standard parts
1	A4EUR70100	Conveyance Roller /3 Assy	搬送ローラ / 3 部組	B	1	a-V118030403
2	A4EUN20100	Grounding Wire /C	アース線 / C	D	1	b-V500010020
3	A00V240600	Ball Bearing	ボールベアリング	B	3	c-V127040603
4	A4EU265000	Ball bearing	ボールベアリング (読取駆動)	B	1	d-V116030603
5	A0G6815900	Adjusting Plate	調整板	D	1	e-V116040803
6	A4EU817400	Conveyance Roller /4	搬送ローラ / 4	B	1	f-V116041803
7	A4EU817100	Conveyance Roller /1	搬送ローラ / 1	B	1	g-V127030604
8	A4EU817200	Conveyance Roller /2	搬送ローラ / 2	B	1	h-V193030404
9	A4EU817600	Conveyance Roller /6	搬送ローラ / 6	B	1	j-V217040001
11	A0G6508600	Pressing Cam	押圧カム	C	2	k-V217080001
12	55VA49080	Positioning Cam	位置決めカム	C	1	m-V500010026
13	A4EU824100	Holding Part /A	押さえ部材 / A	C	1	n-V118030603
14	55VA49131	Positioning Spring	位置決めバネ	B	1	p-V234301650
15	462076010	Driving Slide Shaft Holder A	駆動滑り軸受 A	C	2	q-V234301850
16	56AA17350	SHAFT POSITIONING PART	軸位置決め部材	C	1	
17	25AA47500	Carriage Lock Claw B	架台ロック爪 B	C	1	
18	25AA47810	ACTUATOR	アクチュエータ	D	1	
19	A4EUR73R11	Caurrige Shaft Pin Assy	架台引張り軸部組ピン打ち	D	1	
20	55VA47830	Belt Hold Part	ベルト押さえ部材	B	5	
21	A0G6818200	Conveyance Pulley	搬送プーリ	B	3	
23	55VA76521E	ADU Conveying Pulley /2 25T	ADU 搬送プーリ / 2 25 T	C	2	
24	A4EU822100	Conveyance Belt /No.1 210L	搬送ベルト / 1 号 210 L	B	1	
25	13GQ77550	Drive Belt /E 195L	駆動ベルト / E 195 L	B	1	
26	14GE45470	Rotation Knob	回転ノブ	C	1	
27	A0G6946100	Label /11	ラベル / 11 (J A M ラベル / 11)	C	1	
28	56UA47390	Motor Slide Spring	モータスライドバネ	C	2	
29	A0G6818300	Drive Pulley	駆動プーリ	C	1	
30	A0G6813600	Mounting Plate /3	取付板 / 3	D	1	
31	56UA47380E	Motor Slide Plate	モータスライド板	D	1	
32	56UA90700	REGISTRATION DRIVE WIRING 2	レジスト 駆動束線 2	D	1	
33	A4EUR73Q00	Motor /1 Pin Assy	モータ部組 / 1 ピン打ち	B	1	
34	A0G6N22202	Grounding High-Volt. Resistor	アース高圧抵抗	D	1	
35	56UA75050	ADU Roller Bearing	ADU 転がり軸受	C	4	

ADU



P 69

M15


TEM

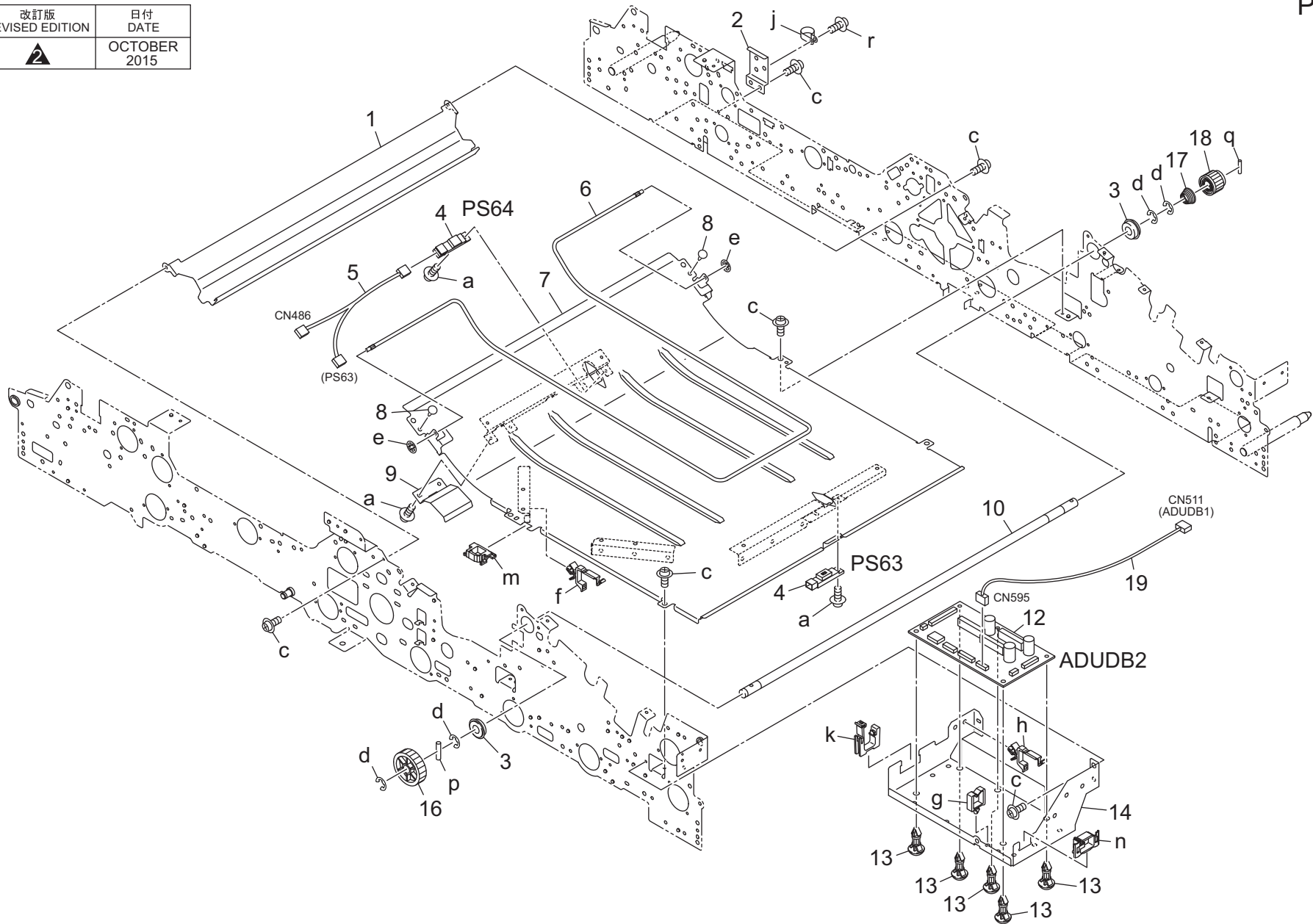
CN494

改訂版 REVISED EDITION	日付 DATE
	MAY 2018

bizhub PRESS 1052

Key	Part No.	Description	Destinations	Class	QTY	Standard parts
1	A4EUR73T00	Pressure Set Assy		D	1	a-V118030403
2	A4EUR73S11	Fixing Guide Rail Assy		D	1	b-V501010002
3	A0G6813100	Mounting Plate /2		D	1	c-V118040803
5	A0G6813200	Conveyance Pulley /2		C	2	d-V570010026
6	55VA47850	Belt Holding Part /2		D	2	e-V127040603
7	A0G6813300	Drive Pulley /2		C	1	f-V116030603
8	55VA47840	Belt Hold Part /3		D	2	g-V127030604
9	08AA76060	Fixing Bearing /Lower		B	3	h-V193030404
10	A03UM11100	HB Motor /50		B	1	j-V217040001
11	A1TT211400	Drive Belt /1 309L		B	1	k-V217060001
12	A00V240600	Ball Bearing		B	2	m-V217080001
13	A0G6819200	Feeding Roller /L		C	1	n-V500020099
15	A0G6819300	Feeding Shaft /L		D	1	p-V500020100
16	A4EU817700	Conveyance Roller /7		B	1	q-V651010034
17	A4EU817500	Conveyance Roller /5		B	2	r-V121030303
18	A0G6818900	Conveyance Gear /L 23T		C	2	s-V234301650
19	A0G6814200	Holding Plate /C		D	1	t-V234301250
20	A4EU821400	Positioning Spacer /12		D	1	
21	56UA75050	ADU Roller Bearing		C	4	
22	A03UM50500	Temperature Sensor /5		C	1	
23	A0G6819100	Holding Part		C	1	
24	A0G6819000	Holding Plate		D	1	

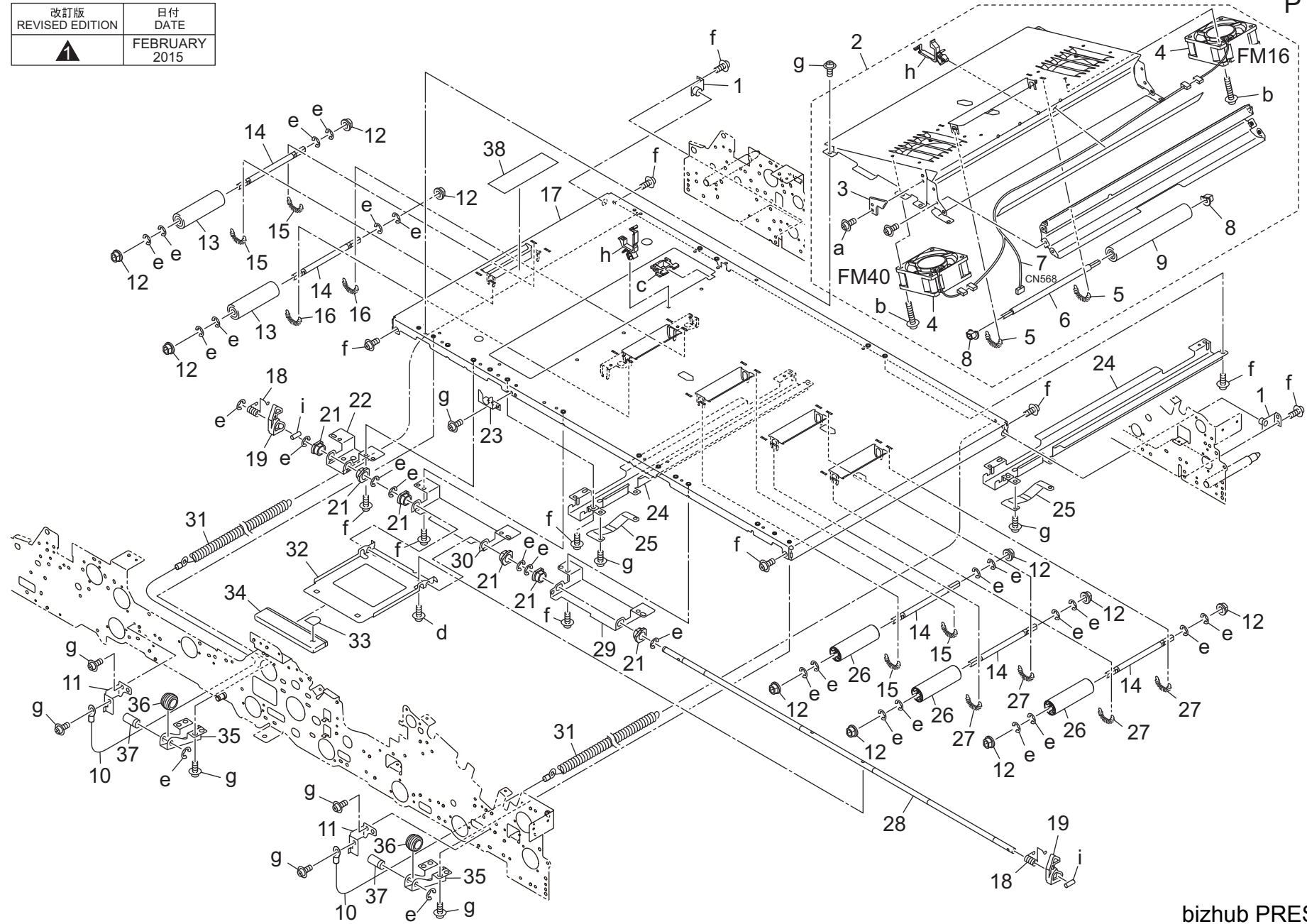
改訂版 REVISED EDITION	日付 DATE
	OCTOBER 2015



Key	Part No.	Description	Destinations	Class	QTY	Standard parts
1	A4EU811300	Open/close Plate /2		D	1	a-V118030403
2	56UA47920	Wiring Guide Plate		D	1	c-V127030604
3	A00V240600	Ball Bearing		B	2	d-V217060001
4	13QA85511	Sensor 1		B	2	e-V226030050
5	A4EUN21700	Relay harness /7		D	1	f-V500010020
6	56UA47190	Paper Guide Shaft		D	1	g-V500010031
7	A4EU810900	Fixing Plate /6		D	1	h-V500020099
8	12AJ45850	Stopper Rubber		D	1	j-V500020037
9	A0G6818600	Holding Plate		C	2	k-V570010027
10	A4EU815100	Connecting Shaft /T		D	1	m-V570010050
12	A4EUH08001	ADU Drive Board/2 Assy		C	1	n-V570010063
13	V502010007	spacer		C	1	p-V234301650
14	56UA46610E	Board Mounting Plate /R		D	1	q-V234301250
16	A0G6815600	Connecting Gear /T 31T		D	1	r-V121040503
17	56AA17090	Pressing Spring		C	1	
18	56UA15510	Conveyance Coupling Part		B	1	
19	A0G6N19900	Paper Feed Detection Wiring /2		D	1	



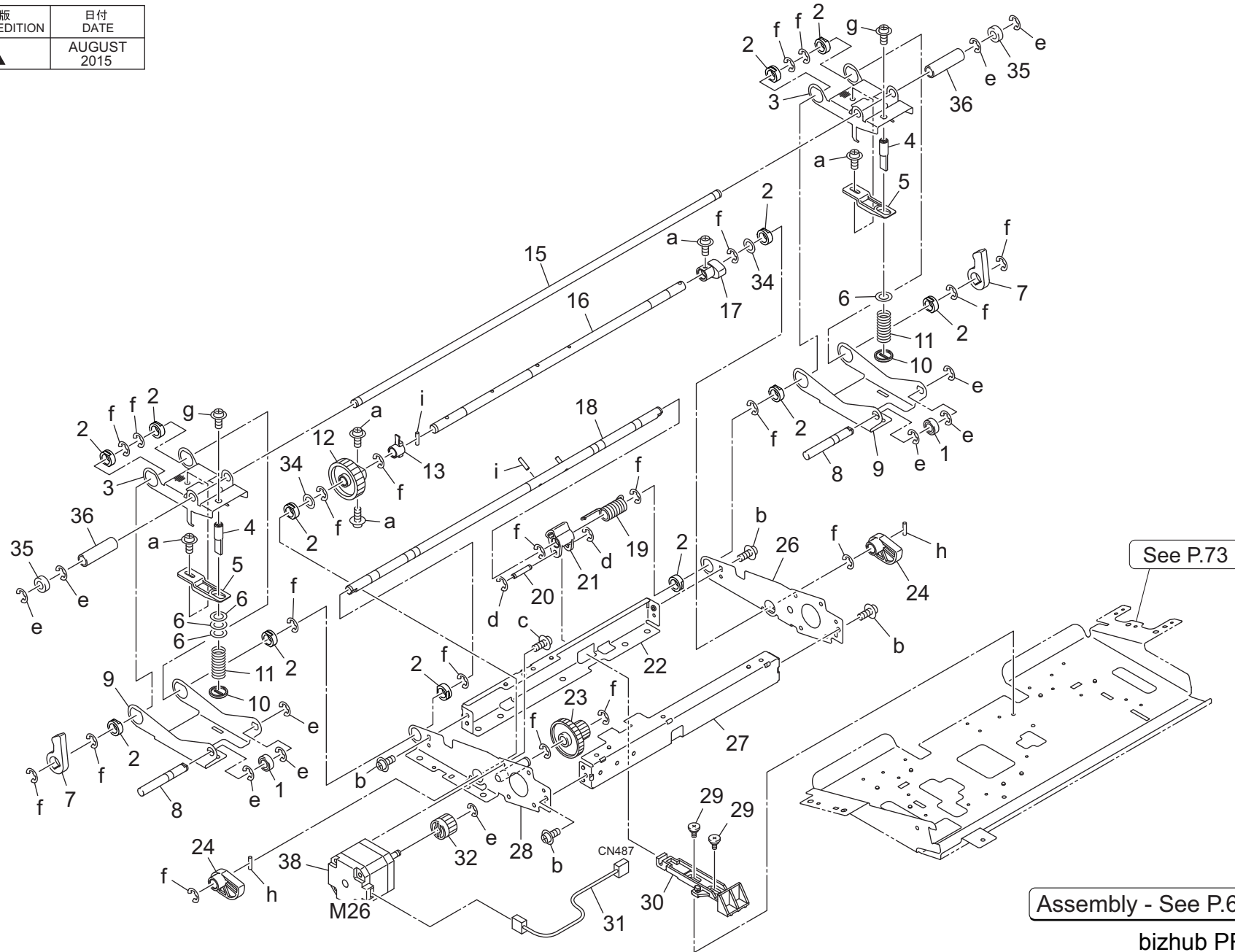
改訂版 REVISED EDITION	日付 DATE
	FEBRUARY 2015



Key	Part No.	Description	Destinations	Class	QTY	Standard parts
1	A4EUR74400	Support Panel Caulking		D	2	a-V118030403
2	A4EUR74100	Bottom Plate Guide Plate Assy		D	1	b-V118033003
3	A0G6817301	Conveyance Cover		D	1	c-V570010050
4	27LA80511	Main Body Fan Motor		A	2	d-V121030803
5	56UA46480	REGIST PRESSING SPRING		C	2	e-V217040001
6	55VA47910	ADU DRIVEN SHAFT /L	A D U 従動軸 / L	D	1	f-V127040603
7	A4EUN21600	ADU Drive harness /10	A D U 駆動束線 / 1 0	D	1	g-V127030604
8	25SA43310	DRIVEN SHAFT HOLDER	従動軸受	B	2	h-V500020099
9	A4EU817800	Idler Rubber /L	従動ゴム / L	D	1	i-V234301250
10	55VA47371	BOTTOM PLATE LIFT UP WIRE	底板持ち上げワイヤー	C	2	
11	55VA47801E	Wire Mounting Plate /Left	ワイヤー取付板 / 左	D	2	
12	56UA886100	Idler Bushing /2	従動軸受 / 2	C	10	
13	A4EU818000	Idler Rubber /U	従動ゴム / U	B	2	
14	56UA886200	Idler Shaft /2	従動軸 / 2	D	5	
15	25AA44180	CONVEYANCE PRESSURE SPRING	搬送圧着バネ	C	4	
16	55VA47770	ADU PRESSURE SPRING	A D U 押圧バネ	C	2	
17	56UA47031G	ADU Open/close Plate /1	A D U 開閉板 / 1	D	1	
18	55VA47762E	Bottom plate Open/close Spring	底板開閉ばね	B	2	
19	55VA47710	Bottom Plate Locking Claw	底板ロック爪	C	2	
21	466076020	Paper Feed Feeding Bearing	給紙送り出し軸受	B	6	
22	56UA47260	BOTTOM PLATE OPEN CLOSE PART LEFT	底板開閉部材 左	D	1	
23	55VA44171F	DOOR POSITIONING PLATE	ドア位置決め板	D	1	
24	56UA47250E	Bottom plate Lifting Stay	底板持ち上げステー	D	2	
25	55VA47360	BOTTOM PLATE LOCK SPRING	底板ロックバネ	C	2	
26	56UA45820	ADU IDLER ROLLER S	A D U 従動ローラ S	C	3	
27	55VA46451	REGISTRATION FEEDING SPRING	レジスト送り出しバネ	B	4	
28	56UA47270	Bottom Plate Open/Close Shaft	底板開閉軸	D	1	
29	55VA47980	BOTTOM OPEN CLOSE PART RIGHT	底板開閉部材 右	D	1	
30	56UA47240	Bottom Plate Open Close Part /Middle	底板開閉部材 / 中	D	1	
31	55VA47390	BOTTOM PLATE LIFT UP SPRING	底板持ち上げバネ	B	2	
32	55VA47701	Bottom Plate Open Shut Handle	底板開閉把手	D	1	
33	A0G6946000	Label /10	ラベル / 1 0 (J A M ラベル / 1 0)	C	1	
34	56UA45970	Lever Cover	レバーカバー	C	1	
35	55VA47970	WIRE FULCRUM PLATE	ワイヤー支点板	D	2	
36	25AA50080	WIRE PULLEY	ワイヤープーリ	C	2	
37	56AA17361	WIRE ROTARY SHAFT	ワイヤー回転軸	C	2	
38	A4EU835700	Guide Sheet /1	ガイドシート / 1	D	1	

ADU TRANSFER PRESSURE UNIT

改訂版 REVISED EDITION	日付 DATE
	AUGUST 2015

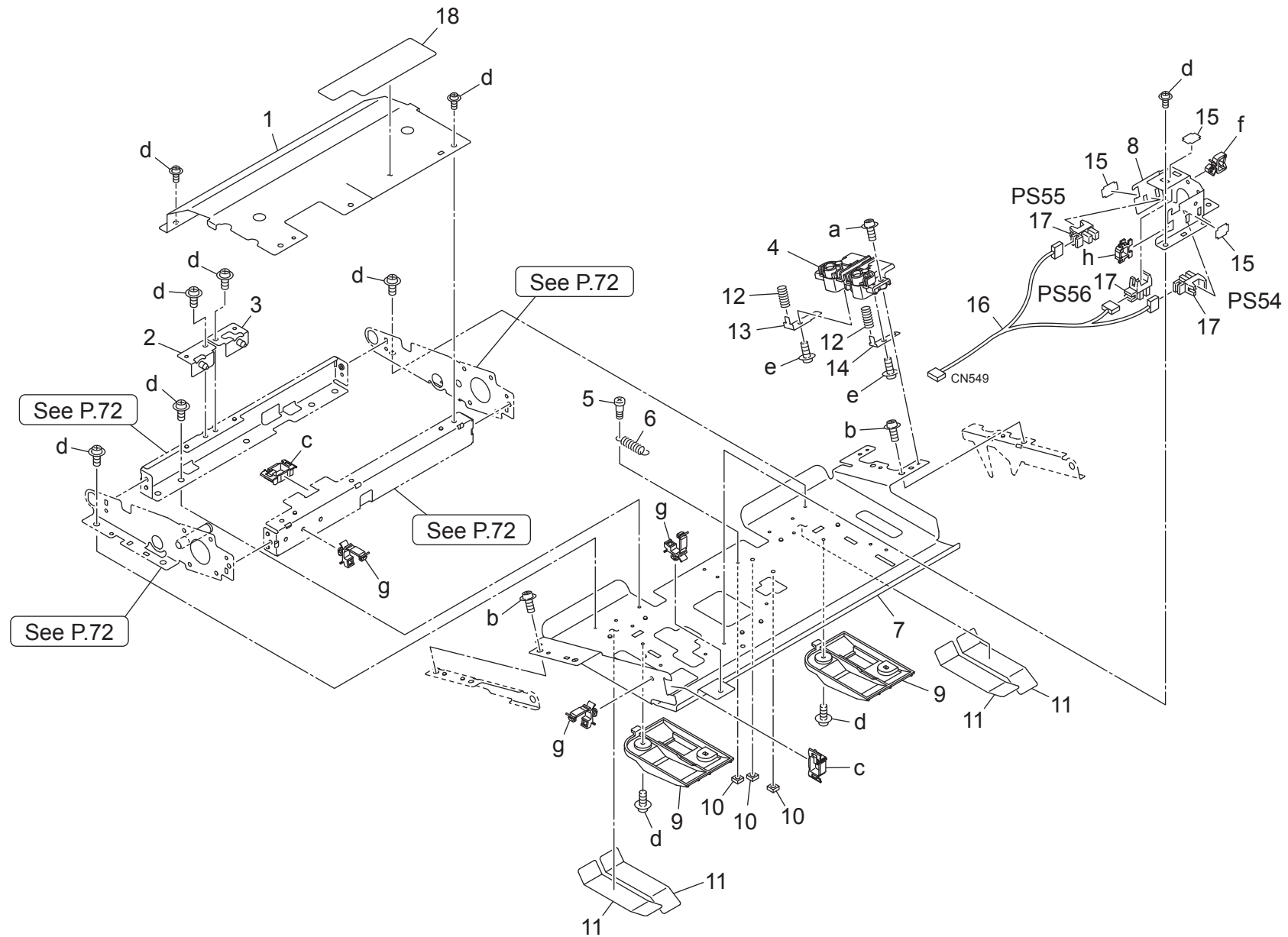


Assembly - See P.61-14

Key	Part No.	Description	Destinations	Class	QTY	Standard parts
1	A0TK397501	Ball bearing		C	2	a-V116030603 b-V127030516 c-V121030603 d-V217030001 e-V217040001 f-V217060001 g-V127030604 h-V234301650 i-V234301250
2	4036252401	BUSHING		C	12	
3	A4EU506800	Pressing Plate		D	2	
4	A0G6506000	Guide Shaft		D	2	
5	A0G6509500	Adjusting Part		D	2	
6	A0G6509800	Spacer /A		C	4	
7	A0G6507512	Release Lever		C	2	
8	A0G6505800	Pressure Shaft /2		D	2	
9	A4EU505500	Lifting Plate		D	2	
10	A0G6509400	Slide Part		D	2	
11	A0G6506102	Compressing Spring		C	2	
12	A0G6506700	Pressure Gear 45T		C	1	
13	A0G6507900	Part		D	1	
15	A4EU508900	Pressure Shaft		D	1	
16	A4EU505600	Pressure Shaft		D	1	
17	A0G6507700	Slide Cam		C	1	
18	A4EUR73C00	Support Shaft Assy /P		D	1	
19	A0G6507400	Spring		C	1	
20	A0G6507100	Support Pin		C	1	
21	A0G6507800	Connecting Part		D	1	
22	A0G6508500	Support Stay /2		D	1	
23	A0G6506600	Idling Gear 19/73T		C	1	
24	A0G6508101	Pressure Cam		C	2	
26	A4EU508800	Pressure Side plate /Rear		D	1	
27	A0G6505300	Support Stay		D	1	
28	A4EUR73B00	Driving Panel Caulking		D	1	
29	55VA20520	Cleaner Locking Screw		C	2	
30	A0G6507600	Slide Part		D	1	
31	A0G6N20600	ADU Drive Harness /6		D	1	
32	A0G6506500	Drive Gear 29T		C	1	
34	12QV40650	Spacer		B	2	
35	A4EU505100	Bushing		C	2	
36	A4EU519300	Sleeve		D	2	
38	A4EUR77300	Transfer Belt Pressure Release Motor		B	1	

ADU TRANSFER PRESSURE UNIT

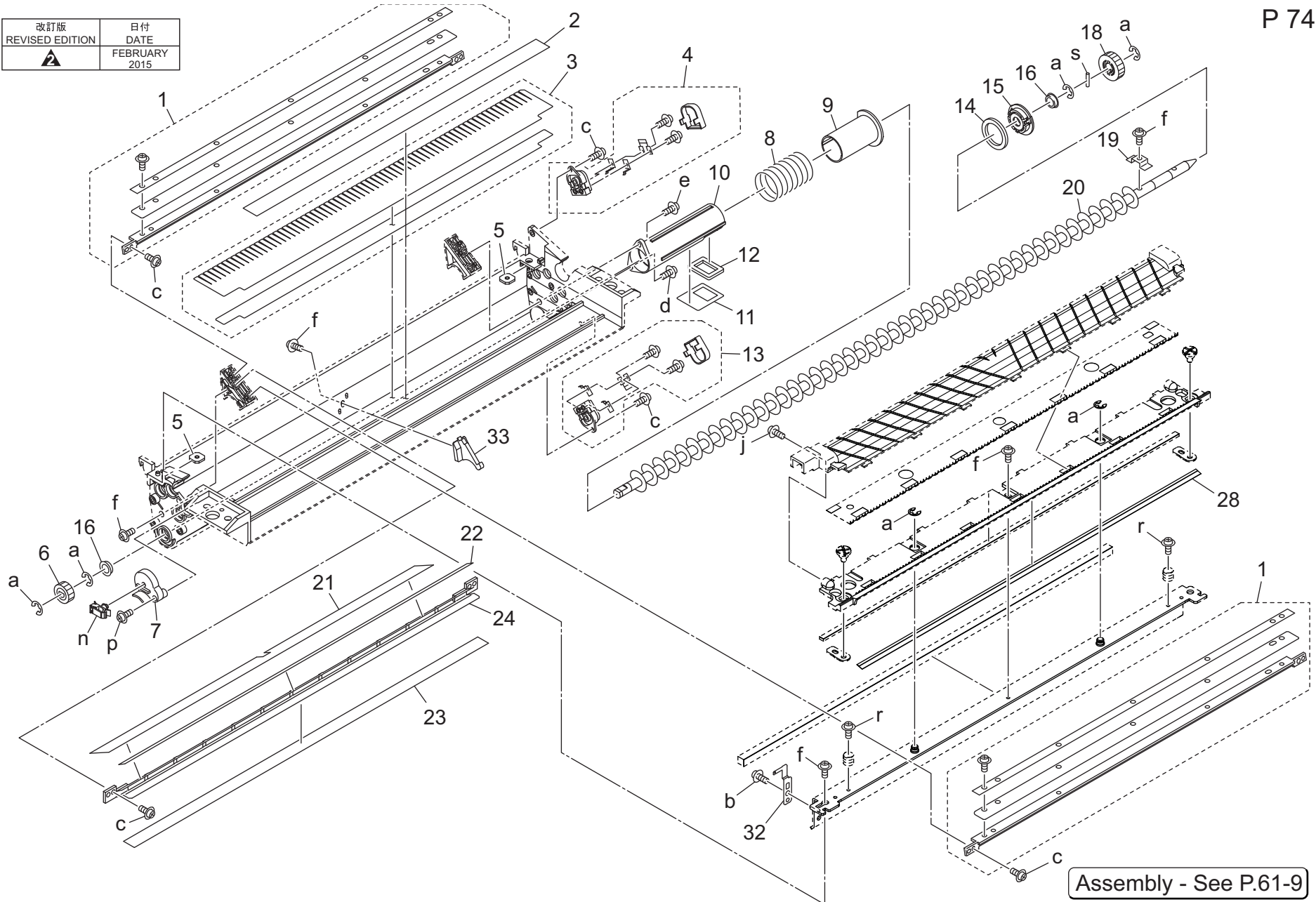
P 73



Key	Part No.	Description	Destinations	Class	QTY	Standard parts
1	A0G6507000	Cover Plate		D	1	a-V121031003 b-V121040603 c-V570010063 d-V127030516 e-V151030603 f-V500010050 g-V500020100 h-V570010050
2	A0G6504900	Positioning Jig /Front		D	1	
3	A0G6504700	Positioning Jig /Rear		D	1	
4	A0G6509001	Power supply Part		D	1	
5	066079020	DRAWER SCREW M3X10		C	1	
6	55VA15570	PAPER EXIT TENSION SPRING		B	1	
7	A0G6508201	Pressure Bottom plate		D	1	
8	A0G6506300	Mounting Plate		D	1	
9	A0G6509600	Guide Part		C	2	
10	57GA61560	SCREW PROTECTION CUSHION/1		C	3	
11	A4EU519200	Protection Film /Lower		D	4	
12	A0G6509201	Power Supply Spring		C	2	
13	A0G6509301	Power supply Terminal		D	1	
14	A0G6509101	Power supply Terminal		D	1	
15	4470402401	Stopper		D	3	
16	A4EUN16400	Transfer Drive harness		D	1	
17	A50UM55500	Photo Sensor		I	3	
18	A4EU509700	Light blocking Sheet		D	1	

ADU BELT CLEANER UNIT

改訂版 REVISED EDITION	日付 DATE
	FEBRUARY 2015



Assembly - See P.61-9

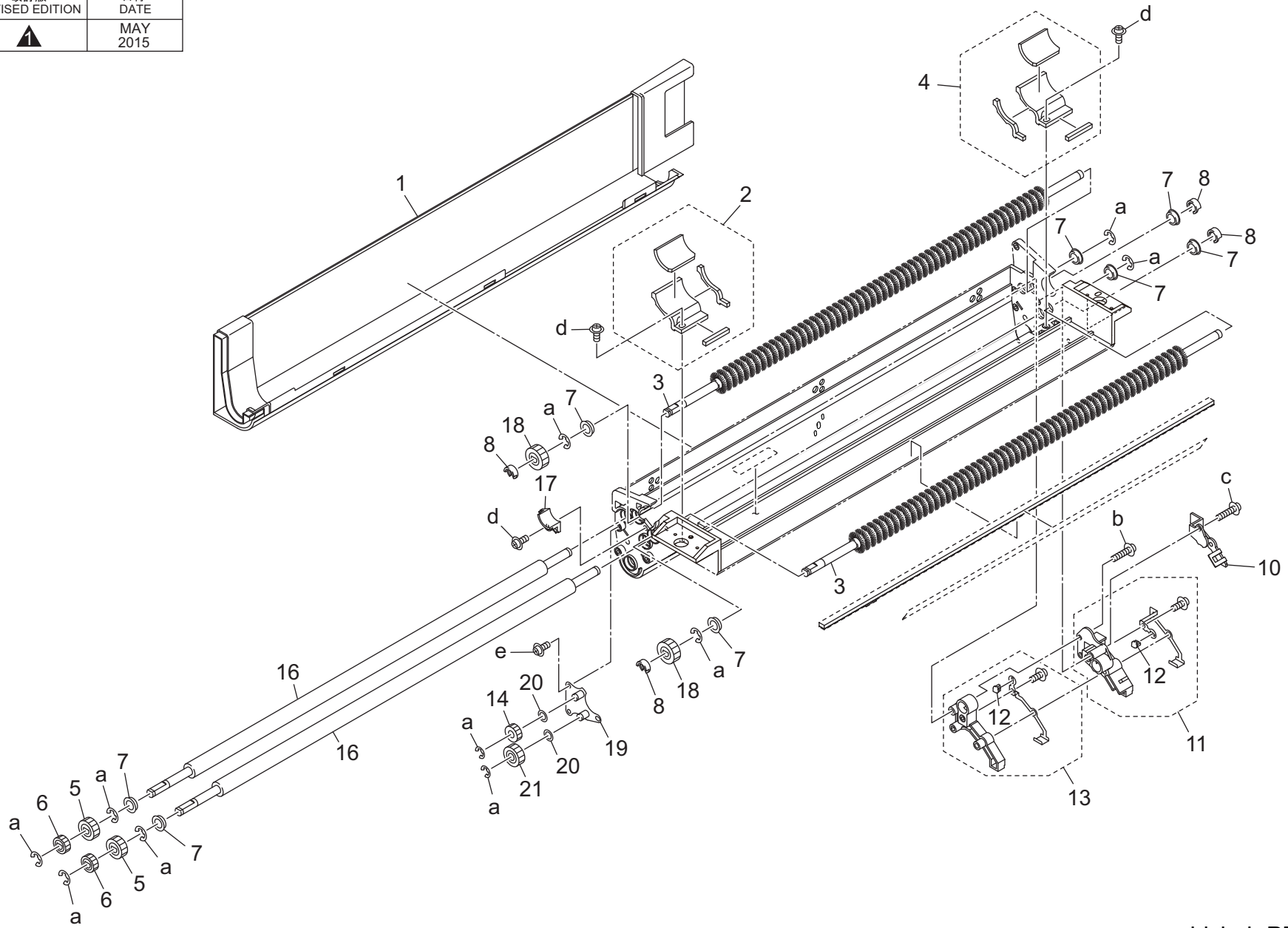
bizhub PRESS 1052

Key	Part No.	Description	Destinations	Class	QTY	Standard parts	
1	A4EUR70000	Regurating Plate Assy		A	2	a-V217040001 b-V121030303 c-V111030604 d-V118030604 e-V118031003 f-V121030603 j-V151030803 n-V500020099 p-V121031203 r-V122030403 s-V234201050	
2	A4EU512100	Scatteringprevention Sheet Outsid e	規制板部組 飛散防止シート /外	D	1		
3	A4EUR73D00	Cleaning Seet Assy	清掃シート 部組	D	1		
4	A4EUR73E00	Power Bridge /Upper Assy	給電ブリッジ /上部組	D	1		
5	A0G6525600	Mounting Plate	取付板	D	2		
6	A0G6521900	Drive Gear 28T	駆動ギア 28 T	C	1		
7	A0G6513801	Fixing Cover	固定カバー	D	1		
8	A0G6512300	Compressing Spring	圧縮ばね	C	1		
9	A0G6512400	Slide Cover	スライドカバー	D	1		
10	A0G6513300	Cleaning Duct	クリーニングダクト	D	1		
11	A0G6514100	Entrance Sheet	入りロシート	C	1		
12	A0G6514000	Entrance Seal	入りロシール	C	1		
13	A4EUR73F00	Power Bridge /Lower Assy	給電ブリッジ /下部組	D	1		
14	A0G6515100	Toner Guide Seal	トナーガイドシール	C	1		
15	A0G6511401	Cleaning Bushing	クリーニングすべり軸受	C	1		
16	A1RF529100	Drive Ball bearing	駆動ボールベアリング	C	2		
18	A0G6521400	Collection Gear /A 16T	回収ギア /A 16 T	C	1		
19	A0G6515900	Toner Agitating Plate	トナー攪拌プレート	D	1		
20	A4EU510900	Recycle Screw	リサイクルスクリュー	D	1		
21	A0G6514900	Cleaning Sheet /Lower	清掃シート /下	C	1		
22	A0G6512200	Scatteringprevention Sheet /1	飛散防止シート /1	C	1		
23	A0G6512800	Scatteringprevention Sheet /2	飛散防止シート /2	C	1		
24	A0G6518600	Scatteringprevention Plate	飛散防止板	C	1		
28	A0G6512012	Scatteringprevention Sheet /Upper	飛散防止シート /上	C	1		
32	A4EU515200	Ground Plate /Front	アース板 /前	D	1		
33	A0G6511901	Reinforce Block	補強ブロック	D	1		

ADU BELT CLEANER UNIT

P 75

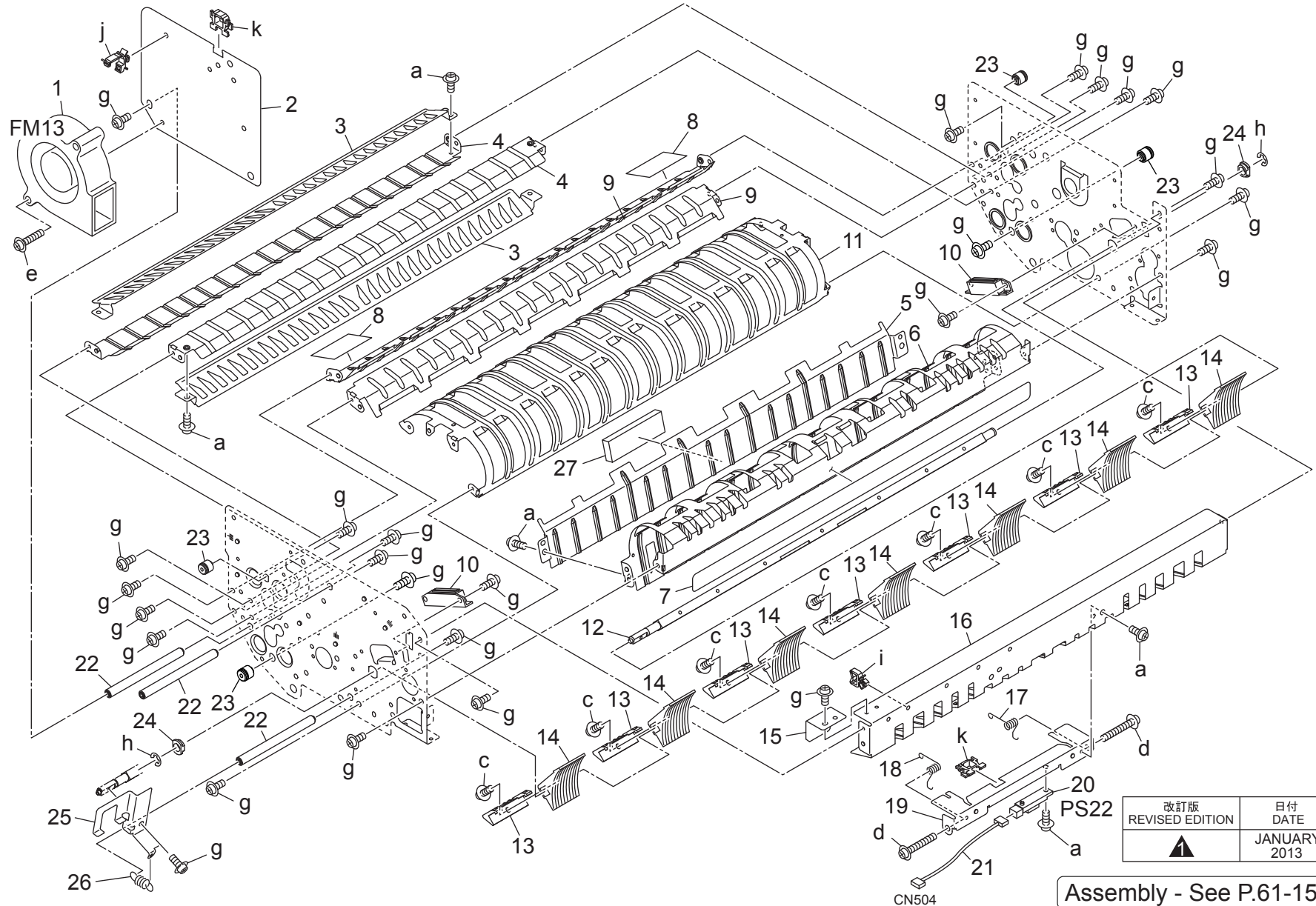
改訂版 REVISED EDITION	日付 DATE
	MAY 2015



ADU BELT CLEANER UNIT

Key	Part No.	Description	Destinations	Class	QTY	Standard parts	
1	A0G6513211	Cooling Duct /Middle	冷却ダクト /中	D	1	a-V217040001 b-V111031603 c-V118031803 d-V118030604 e-V111030404	
2	A4EUR73G00	Scattering Prevention Block /Rear Assy	飛散防止ブロック /奥部組	C	1		
3	A4EU510600	Cleaning Brush	クリーニングブラシ	B	2		
4	A4EUR73H00	Scattering Prevention Block /Front Assy	飛散防止ブロック /前部組	C	1		
5	A0G6521900	Drive Gear 28T	駆動ギア 28 T	C	2		
6	A0G6521000	Drive Gear /B 18T	駆動ギア / B 18 T	C	2		
7	A1RF529100	Drive Ball bearing	駆動ボールベアリング	C	8		
8	396040681	STOPPER RING	止め輪	B	4		
10	A0G6511312	Power Supply Cover	給電カバー	D	1		
11	A4EUR73K00	Power Block /Upper Assy	給電ブロック /上部組	B	1		
12	65AA26890	POWERING PART	給電部材	B	2		
13	A4EUR73J00	Power Block /Lower Assy	給電ブロック /下部組	D	1		
14	A0G6523300	Idling Gear /S 20T	アイドルギア / S 20 T	C	1		
16	A0G6510700	Cleaning Shaft	クリーニング軸	B	2		
17	A0G6513701	Fixing Part	固定部材	D	1		
18	A0G6520900	Drive Gear /A 30T	駆動ギア / A 30 T	C	2		
19	A4EUR73M00	Reinforce Plate Caulking	補強板 /前カシメ	D	1		
20	26MA74100	SPECIAL WASHER	特殊ワッシャ	C	2		
21	A0G6521100	Idling Gear /L 30T	アイドルギア / L 30 T	C	1		

ADU DECURLER UNIT



改訂版 REVISED EDITION	日付 DATE
	JANUARY 2013


Assembly - See P.61-15

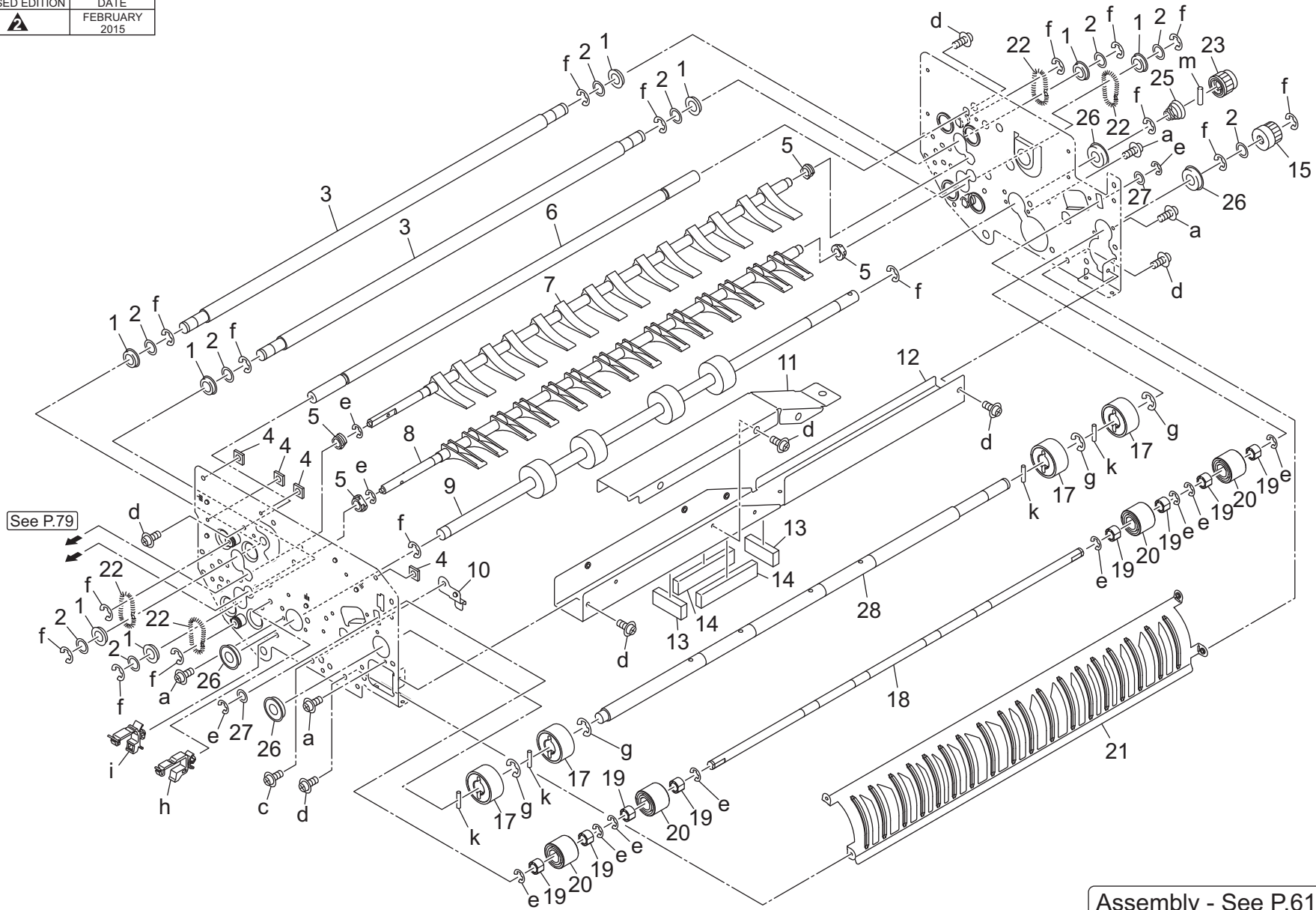
bizhub PRESS 1052

Key	Part No.	Description	Destinations	Class	QTY	Standard parts
1	9313110033	FAN MOTOR		C	1	a-V118030403
2	A0G6843101	Mounting Plate /F		D	1	c-V118030803
3	A0G6844500	Guide Plate /I		C	2	d-V118043003
4	A0G6844413	Guide Plate /H		C	2	e-V118043503
5	A0G6844101	Guide Plate /E		C	1	g-V127030604
6	A0G6842200	Guide Plate /B		C	1	h-V217040001
7	A0G6942500	Caution Label /A		D	1	i-V500010050
8	A0G6846800	Holding Sheet		C	2	j-V500010020
9	A0G6844611	Guide Plate /J		C	2	k-V570010050
10	07BA12352	Magnet Catch		C	2	
11	A0G6844300	Guide Plate /G		C	1	
12	A0G6842500	Guide Shaft		D	1	
13	A0G6844900	Guide Part /2		C	7	
14	56UA47600	Paper Guide Part		B	7	
15	A0G6842800	Protection Plate /D		D	1	
16	A4EU842100	Guide Plate /A		D	1	
17	A0G6841501	Paper Exit Spring /Rear		C	1	
18	A0G6841401	Paper Exit Spring /Front		C	1	
19	A4EU843700	Plate /F		D	1	
20	13QA85511	Sensor 1		B	1	
21	A4EUN21000	Relay harness /5		D	1	
22	A0G6843200	Mounting Shaft /F		D	3	
23	A0G6846500	Mounting Shaft		D	4	
24	A0G6845900	Bushing /G		C	2	
25	A0G6842600	Guide Plate		D	1	
26	A0G6845500	Guide Spring /G		C	1	
27	A0G6376000	Scatteringprevention Pad /5		D	1	

ADU DECURLER UNIT

P 77

改訂版 REVISED EDITION	日付 DATE
	FEBRUARY 2015



Assembly - See P.61-15

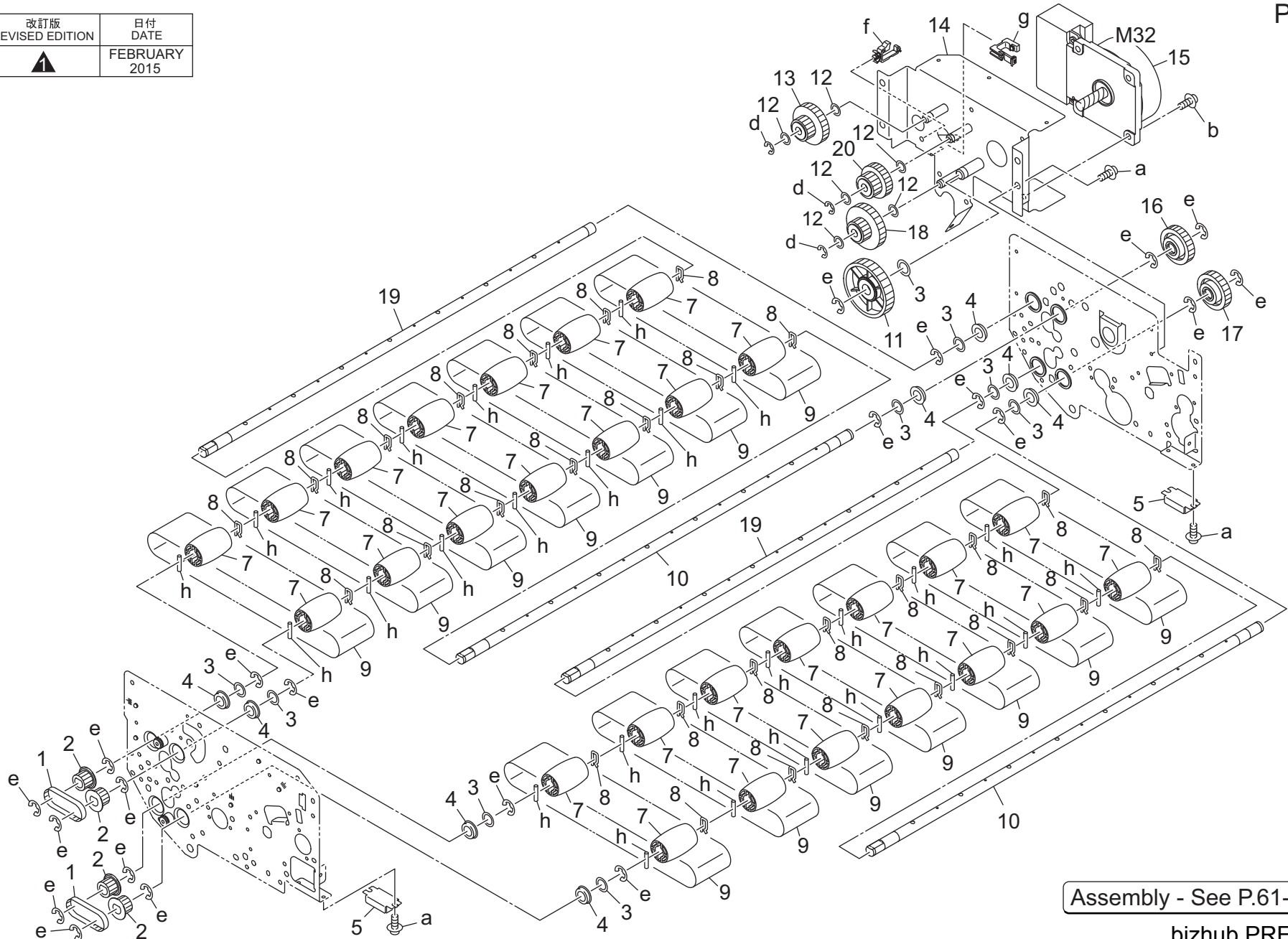
bizhub PRESS 1052

Key	Part No.	Description	Destinations	Class	QTY	Standard parts
1	A00J617900	Ball Bearing		B	8	a-V118030403
2	12QV40650	Spacer		B	9	c-V127040603
3	A0G6846300	Regulating Shaft		D	2	d-V127030604
4	A0G6845700	Protection Pad /2		C	4	e-V217040001
5	A0G6845900	Bushing /G		C	4	f-V217060001
6	A4EU840800	Support Stay /D		D	1	g-V217080001
7	A0G6845100	Guide Part /Upper		B	1	h-V500010020
8	A0G6845200	Guide Part /Lower		B	1	i-V500020100
9	A4EU840700	Entrance Roller /D		B	1	k-V234301650
10	A0G6841700	Stopper Plate		D	1	m-V234301250
11	A4EU840500	Reverse/Exit Duct /Upper		D	1	
12	A4EU840400	Reverse/Exit Duct /Lower		D	1	
13	A0G6849200	Sealing Part /2		C	2	
14	A0G6849100	Sealing Part /1		C	2	
15	A4EU847000	Coupling Part		B	1	
17	A799840600	Paper exit Roller /1		B	4	
18	A0G6841300	Idler Shaft /F		D	1	
19	A4EU715500	Bushing /No.1		C	8	
20	A0G6843800	Idler Roll /D		C	4	
21	A0G6844200	Guide Plate /F		C	1	
22	A0G6846600	Pressing Spring /H		C	4	
23	56UA15510	Conveyance Coupling Part		B	1	
25	56AA17090	Pressing Spring		C	1	
26	A00V240600	Ball Bearing		B	4	
27	13QA17730	COLLAR 6		C	2	
28	A4EU847200	Drive Shaft /F		D	1	

ADU DECURLER UNIT

P 78

改訂版 REVISED EDITION	日付 DATE
	FEBRUARY 2015



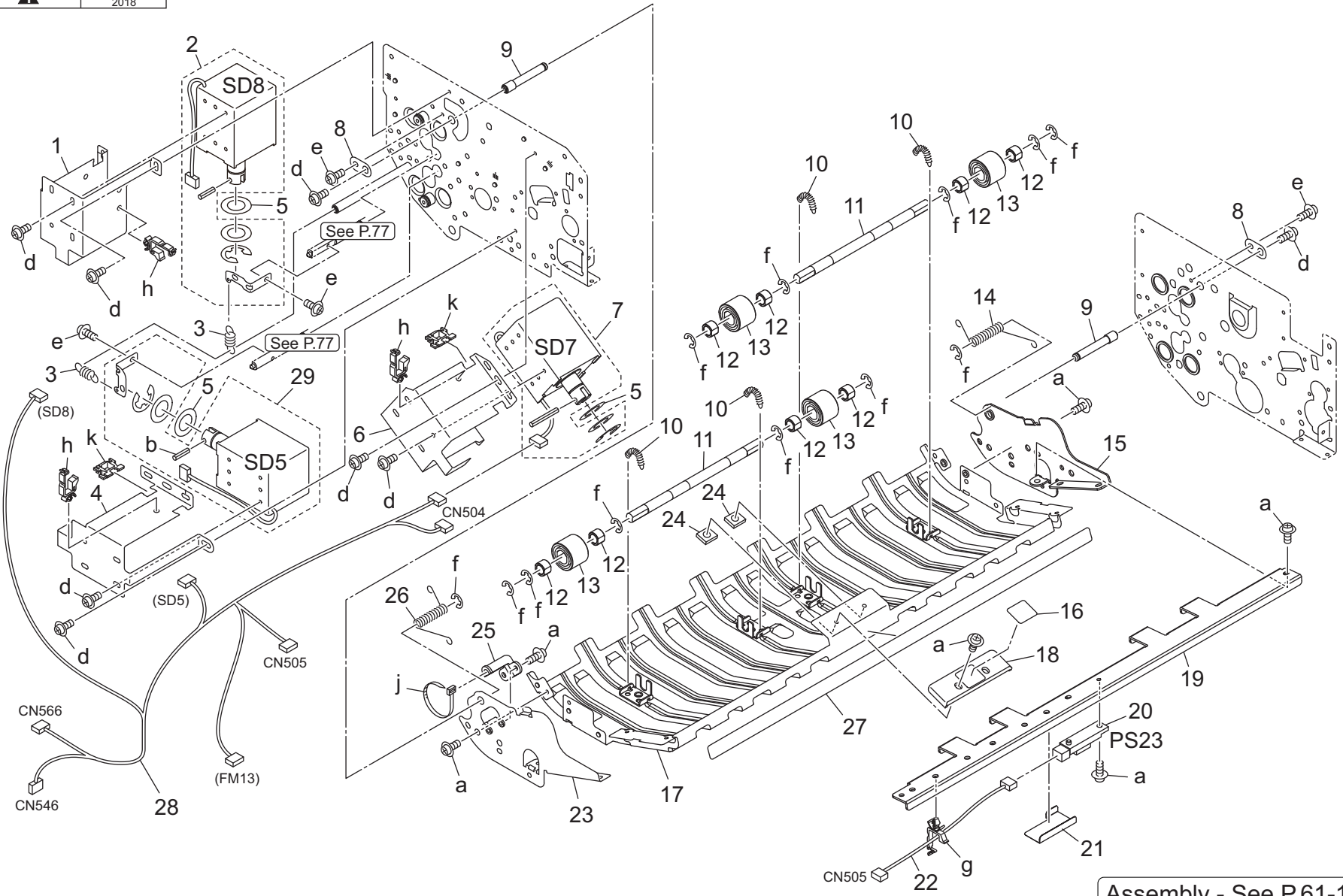
Assembly - See P.61-15

bizhub PRESS 1052

Key	Part No.	Description	Destinations	Class	QTY	Standard parts
1	A04J719200	BELT /6 91L		C	2	a-V118030403 b-V127040603 d-V217040001 e-V217060001 f-V500010020 g-V570010046 h-V234301450
2	A04J719800	DRIVE PULLEY /B 20T		C	4	
3	12QV40650	Spacer		B	9	
4	A00J617900	Ball Bearing		B	8	
5	40AA32290	MAGNET CATCH		C	2	
7	A04J709800	Regulating Roll		C	28	
8	15AG57620	FIXING PART		C	28	
9	A799846400	Regulating Belt /D 115L		B	14	
10	A0G6846100	Drive Shaft /B		D	2	
11	A0G6848500	Idling Gear /1 78T		C	1	
12	13QA17730	COLLAR 6		C	6	
13	A4EU848900	Idling Gear /4 32T		C	1	
14	A4EUR74B11	Mounting Plate /M Caulking		D	1	
15	A0PNM10200	DC Brushless motor /20		B	1	
16	A4EU848800	Drive Gear /W 26T		C	1	
17	A0G6848700	Drive Gear /B 26T		C	1	
18	A0G6848600	Idling Gear /2 30/30T		C	1	
19	A4EU846100	Drive Shaft /C		D	2	
20	A4EU848600	Idling Gear /2 26/26T		C	1	

ADU DECURLER UNIT

改訂版 REVISED EDITION	日付 DATE
	FEBRUARY 2018



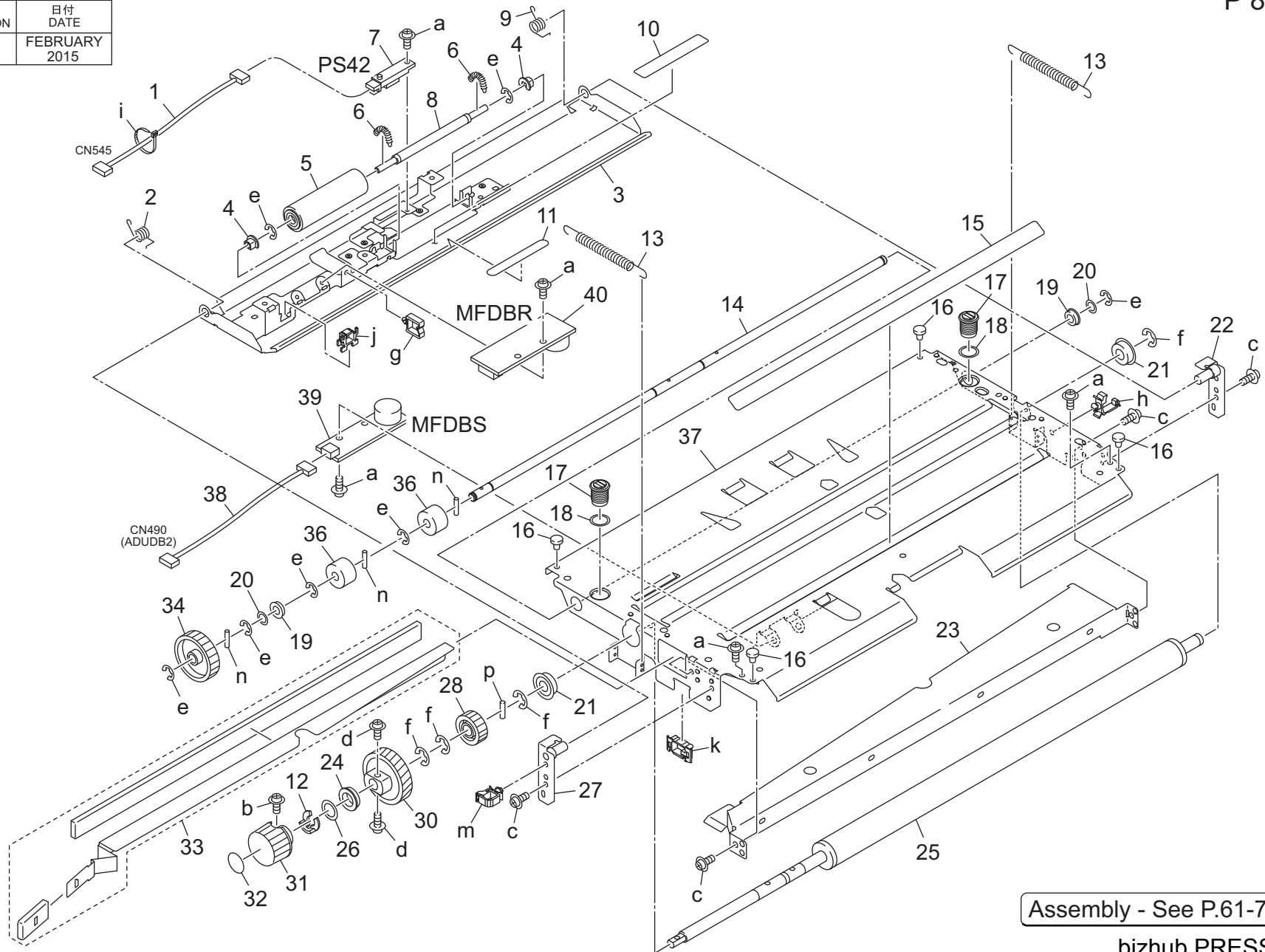
Assembly - See P.61-15

bizhub PRESS 1052

Key	Part No.	Description	Destinations	Class	QTY	Standard parts
1	A0G6843401	Mounting Plate /Upper	取付板 / 上	D	1	a-V118030403
2	A4EUR74900	Solenoid /Upper Pin Assy	ソレノイド / 上ピン打ち	B	1	b-V233301250
3	A0G6845600	Guide Spring /Middle	案内ばね / 中	C	2	d-V116030603
4	A0G6843501	Mounting Plate /Lower	取付板 / 下	D	1	e-V127030604
5	A4EU849300	Spacer /12	スペーサ / 1 2	D	3	f-V217040001
6	A0G6843301	Mounting Plate /G	取付板 / G	D	1	g-V500020099
7	A4EUR74A00	Solenoid /G Pin Assy	ソレノイド / G ピン打ち	B	1	h-V500010020
8	A0G6843000	Fixing Plate	固定板	D	2	j-V501010002
9	A0G6842900	Guide Shaft	ガイド軸	D	2	k-V570010050
10	55VA46451	REGISTRATION FEEDING SPRING	レジスト 送り出しバネ	B	4	
11	A0G6840900	Idler Shaft /D	従動軸 / D	D	2	
12	A4EU715500	Bushing /No.1	すべり軸受 / 1 号	C	8	
13	A0G6843800	Idler Roll /D	従動ころ / D	C	4	
14	A0G6844800	Open/Close Spring /Rear	開閉ばね / 奥	C	1	
15	A0G6841901	Guide Side Plate /Rear	ガイド側板 / 奥	D	1	
16	A0G6945700	Label /7	ラベル / 7 (J A M ラベル / 7)	C	1	
17	A0G6842323	Guide Plate /C	ガイド板 / C	C	1	
18	56UA46140	TRANSFER FEEDING HANDLE	転写送り出し 把手	C	1	
19	A0G6843601	Plate /D	センサ板 / D	D	1	
20	13QA85511	Sensor 1	センサ 1	B	1	
21	A0G6843901	Protection Sheet	保護シート	C	1	
22	A4EUN20900	Relay harness /6	センサ中継束線 / 6	D	1	
23	A0G6841800	Guide Side Plate /Front	ガイド側板 / 前	D	1	
24	A0G6845700	Protection Pad /2	保護パッド / 2	C	2	
25	A0G6842700	Wiring Part	配線部材	D	1	
26	A0G6844700	Open/Close Spring /Front	開閉ばね / 前	C	1	
27	A4EW845900	Suction Sheet /D	吸着シート / D	D	1	
28	A4EUN20700	ADU Relay harness /4	A D U 中継束線 / 4	D	1	
29	A4EUR74R00	Solenoid /Lower Pin Assy	ソレノイド / 下ピン打ち	B	1	

ADU REGIST UNIT

改訂版 REVISED EDITION	日付 DATE
	FEBRUARY 2015



Assembly - See P.61-7

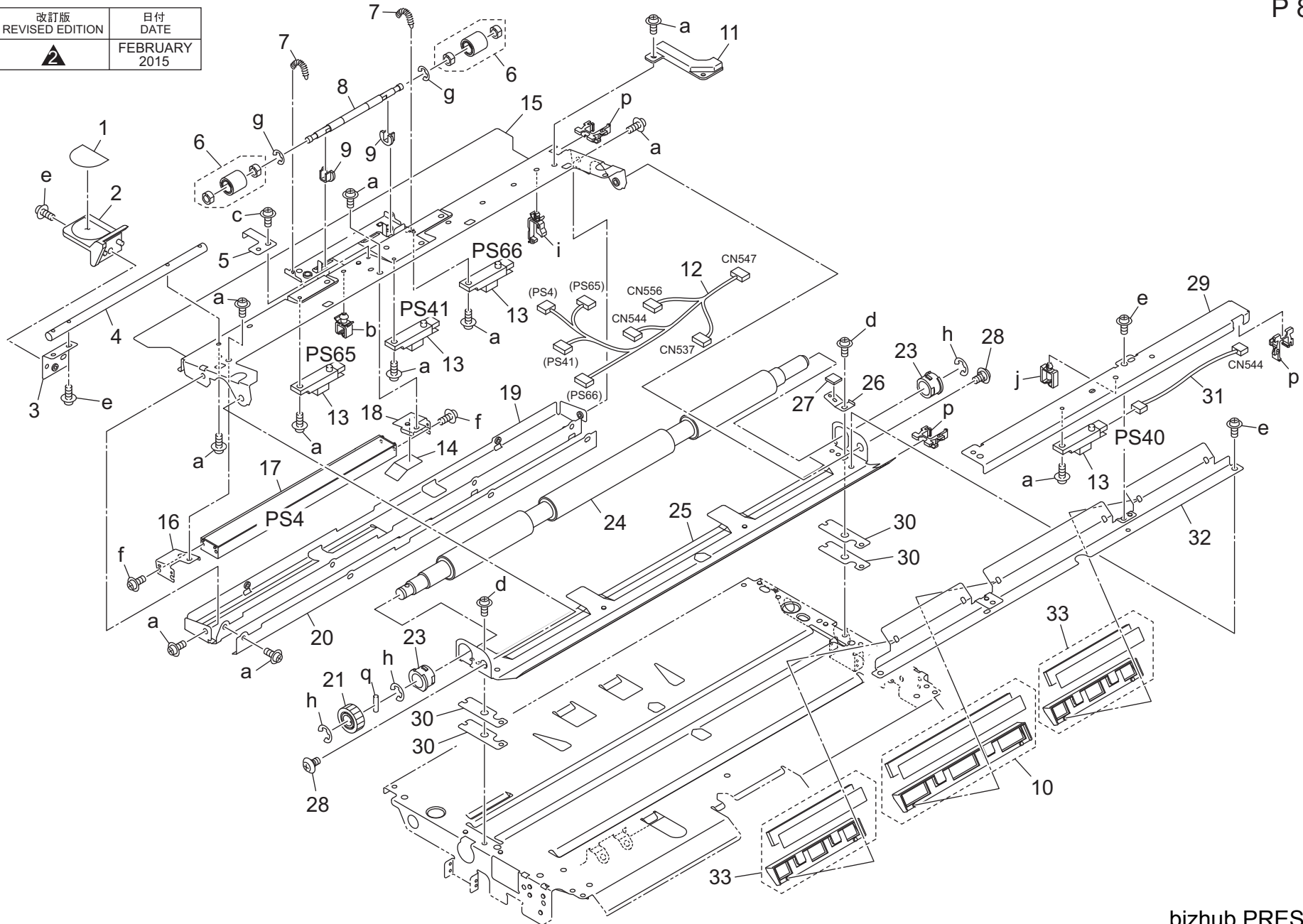
bizhub PRESS 1052



Key	Part No.	Description	Destinations	Class	QTY	Standard parts
1	56UA90620	REGISTRATION WIRING 2	レジスト 束線 2	D	1	a-V118030403
2	56UA46310	Entrance Open Close Spring /Front	入口開閉バネ/前	C	1	b-V118030603
3	A4EU710800	Open/close Plate	開閉板	D	1	c-V127030604
4	25SA43310	DRIVEN SHAFT HOLDER	従動軸受	B	2	d-V116030603
5	A4EU818000	Idler Rubber /U	従動ゴム/U	B	1	e-V217040001
6	55VA46490	Registration Pressure Spring	レジスト 押圧バネ	B	2	f-V217060001
7	13QA85511	Sensor 1	センサ 1	B	1	g-V500010024
8	A4EU713500	Idler Shaft /L	従動軸/L	D	1	h-V500020100
9	56UA46320	Entrance Open Close Spring /Rear	入口開閉バネ/奥	C	1	i-V501010002
10	A0G6945100	Label /1	ラベル/1 (J A M ラベル/1)	C	1	j-V570010050
11	A4EU947001	Release Label /F	解除ラベル/F	D	1	k-V570010063
12	55VA42120	Shaft Stopper	軸ストッパー	C	1	m-V500010020
13	56UA46170	Registration Pressing Spring	レジスト 押圧バネ	C	2	n-V234201450
14	A0G6713200	Drive Shaft /T	駆動軸/T	D	1	
15	A0G6712100	Lifting Sheet	持ち上げシート	B	1	
16	12AJ45850	Stopper Rubber	ストッパーゴム	C	4	
17	A0G6712900	Suction Catch /Black	吸着キャッチ/黒	C	2	
18	A0G6712800	Suction Spacer	吸着スペーサ	C	2	
19	A00J617800	Ball Bearing	ボールベアリング	B	2	
20	13QA10330	SHAFT SPACER	軸スペーサー	C	2	
21	A00V240600	Ball Bearing	ボールベアリング	B	2	
22	A4EU718200	Positioning Plate /Rear	位置決め板/奥	D	1	
23	56UA46100E	Roller Cleaning Rail	ローラ 清掃レール	D	1	
24	A00J617900	Ball Bearing	ボールベアリング	B	1	
25	56UA46030F	Registration Roller /Lower	レジスト ローラ/下	B	1	
26	56AA52700	ADU COUPLING SPACER	ADU カップリングスペーサー	C	1	
27	A4EU718100	Positioning Plate /Front	位置決め板/前	D	1	
28	A0G6714300	Registration Gear/Lower 20T	レジスト ギア/下 20 T	B	1	
30	A4EU714400	Registration Gear /R 35T	レジスト ギア/R 35 T	B	1	
31	14GE45470	Rotation Knob	回転ノブ	C	1	
32	57AA97211E	Jam Release Label /2	ジャム解除ラベル/2	C	1	
33	A4EUR74700	Regist Clener Assy/Lower	レジスト 清掃部組/下	D	1	
34	A0G6714100	Drive Gear /T 31T	駆動ギア/T 31 T	C	1	
36	A0Y5713100	Drive Roller /T	駆動ローラ/T	C	2	
37	A4EU710100	Registration Main body	レジスト 本体	D	1	
38	A4EUN25702	Paperfeed Detection harness /3	給紙検知束線/3	D	1	
39	A4EUH88000	Paperfeed Detection Board/S Assy	給紙検知基板/S ASSY	I	1	
40	A4EUH89000	Paperfeed Detection Board/R Assy	給紙検知基板/R ASSY	I	1	

ADU REGIST UNIT

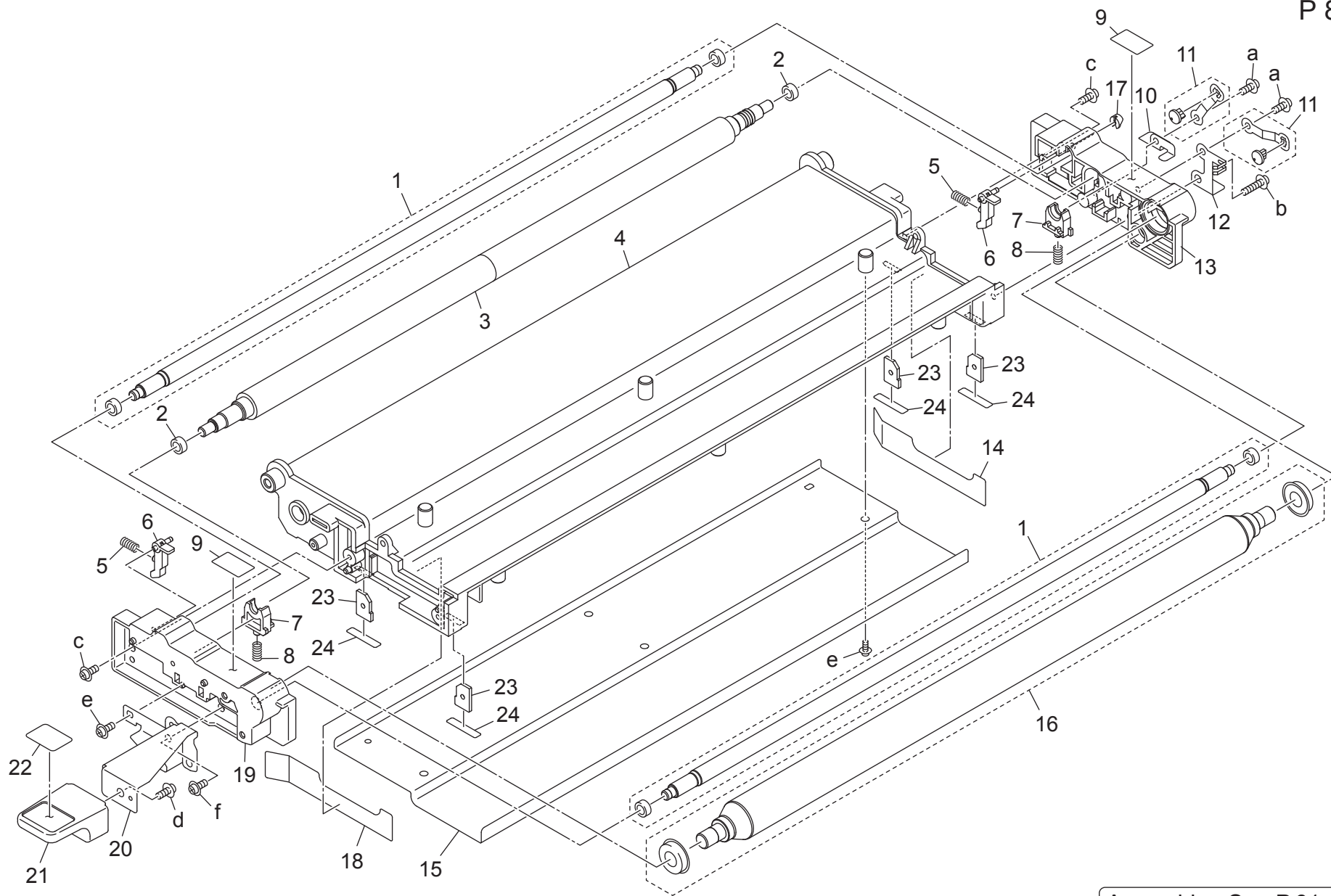
改訂版 REVISED EDITION	日付 DATE
	FEBRUARY 2015



Key	Part No.	Description	Destinations	Class	QTY	Standard parts
1	57AA97221E	Jam Release Label /3		C	1	a-V118030403
2	56QA46060	Transfer Guide Handle		C	1	b-V500010050
3	A0G6713600	Open/Close Plate /Front		D	1	c-V127030516
4	A4EU713700	Open/close Shaft /Front		D	1	d-V127030604
5	A4EU713800	Holding Plate /T		D	1	e-V127030604
6	A4EUR74800	Idler Roller /T Assy		B	2	f-V145260503
7	55VA46451	REGISTRATION FEEDING SPRING		B	2	g-V217040001
8	A4EU713400	Idler Shaft /T		D	1	h-V217060001
9	56UA44680	Idler Bushing		D	1	i-V500010020
10	A4EUR74500	Cleaning Brush /1 Assy		C	1	j-V500010024
11	A0G6712200	Holding Holder		C	1	p-V570010050
12	A4EUN16300	Relay harness /4		D	1	q-V234301250
13	13QA85511	Sensor 1		B	4	
14	A0G6717100	Protection Seal /Upper		D	1	
15	A4EU710400	Registration Plate /T		D	1	
16	A0G6712301	Plate /Front		D	1	
17	A0Y5M55100	Compensating Sensor		C	1	
18	A0G6712701	Plate /Rear		D	1	
19	A0G6710201	Guide Casing		D	1	
20	A0G6712400	Guide Plate /R		C	1	
21	A0G6714200	Registration Gear/Upper 18T		B	1	
23	A4EU715400	Registration Bushing /Upper		B	2	
24	A4EU710600	Registration Roller /Upper		B	1	
25	A0G6710502	Registration Plate /Upper		D	1	
26	A0G6714600	Ground Plate Spring /R		C	1	
27	56UA46190	Roller Conductive Pad		C	1	
28	190040922E	Fixing Screw		C	2	
29	A0G6711500	Holding Part /R		D	1	
30	A0G6714700	Registration Spacer		D	4	
31	56UA90880	RELAY WIRING 3		D	1	
32	56UA46110E	Guide Part		D	1	
33	A4EUR74600	Cleaning Brush /2 Assy		C	2	

TRANSFER BELT UNIT

P 82



Assembly - See P.61-4

bizhub PRESS 1052

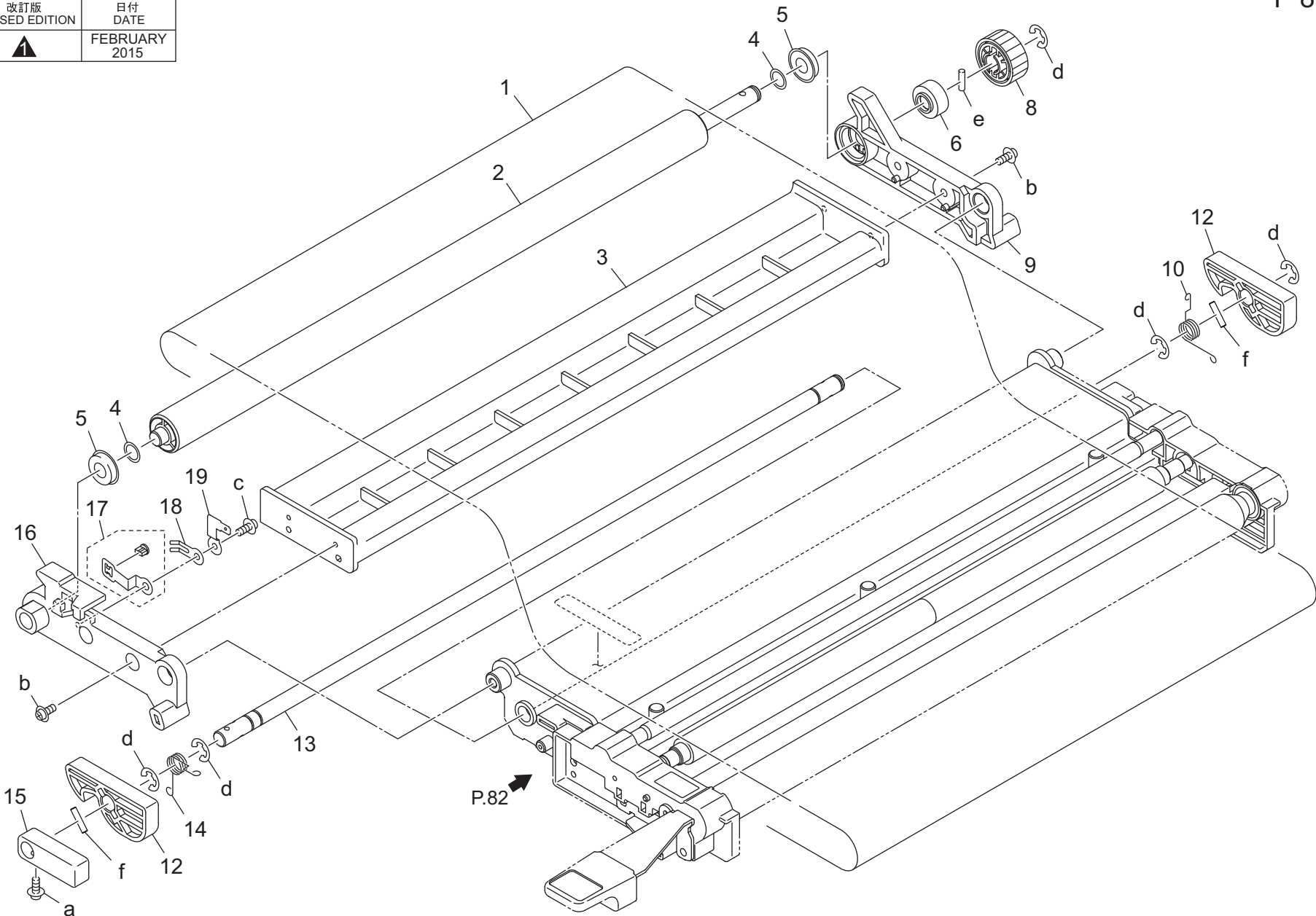
TRANSFER BELT UNIT

Key	Part No.	Description	Destinations	Class	QTY	Standard parts
1	A4EUR72900	Nip Roller Assy	ニップローラ部組	B	2	a-V121030403 b-V116031603 c-V121031203 d-V151040803 e-V151030803 f-V121031603
2	A0G6503900	Power supply Ball bearing	給電ボールベアリング	B	2	
3	A4EU500600	Transfer Roller	転写ローラ	B	1	
4	A0G6500211	Transfer Bottom Plate /1	転写底板 /1	D	1	
5	A0G6501900	Pressure Spring	圧着ばね	C	2	
6	A4EU503800	Release Part	解除部材	D	2	
7	A0G6501800	Receiving Part	受け部材	D	2	
8	A0G6501700	Pressure Spring	圧着ばね	C	2	
9	A0G6951001	Set Label /10	セットラベル /10	D	2	
10	A0G6503200	Power Supply Plate	給電板	D	1	
11	A4EUR70C00	Transfer Electrode Assy	転写電極部組	B	2	
12	A0G6503100	Ground Plate	アース板	D	1	
13	A0G6502802	Fixing Part /Rear	固定部材 /奥	D	1	
14	A0G6503500	Protection Sheet /Rear	保護シート /奥	C	1	
15	A0G6503300	Reinforce Plate /Lower	補強板 /下	D	1	
16	A4EUR72800	Idler Roller Assy	従動ローラ部組	C	1	
17	45AA20400	STOPPER PART	ストッパ部材	A	1	
18	A0G6503600	Protection Sheet /Front	保護シート /前	C	1	
19	A0G6502702	Fixing Part /Front	固定部材 /前	D	1	
20	A0G6501100	Open/Close Lever	開閉レバー	C	1	
21	65AA53991	Fixing Papaer Exit Lever	定着排紙レバー	C	1	
22	A0G6945500	Label /5	ラベル /5 (J A M ラベル /5)	C	1	
23	A0G6501000	Receiving Plate /1	受け板 /1	D	4	
24	A0G6501200	Holding Film	押さえフィルム	D	4	

TRANSFER BELT UNIT

P 83

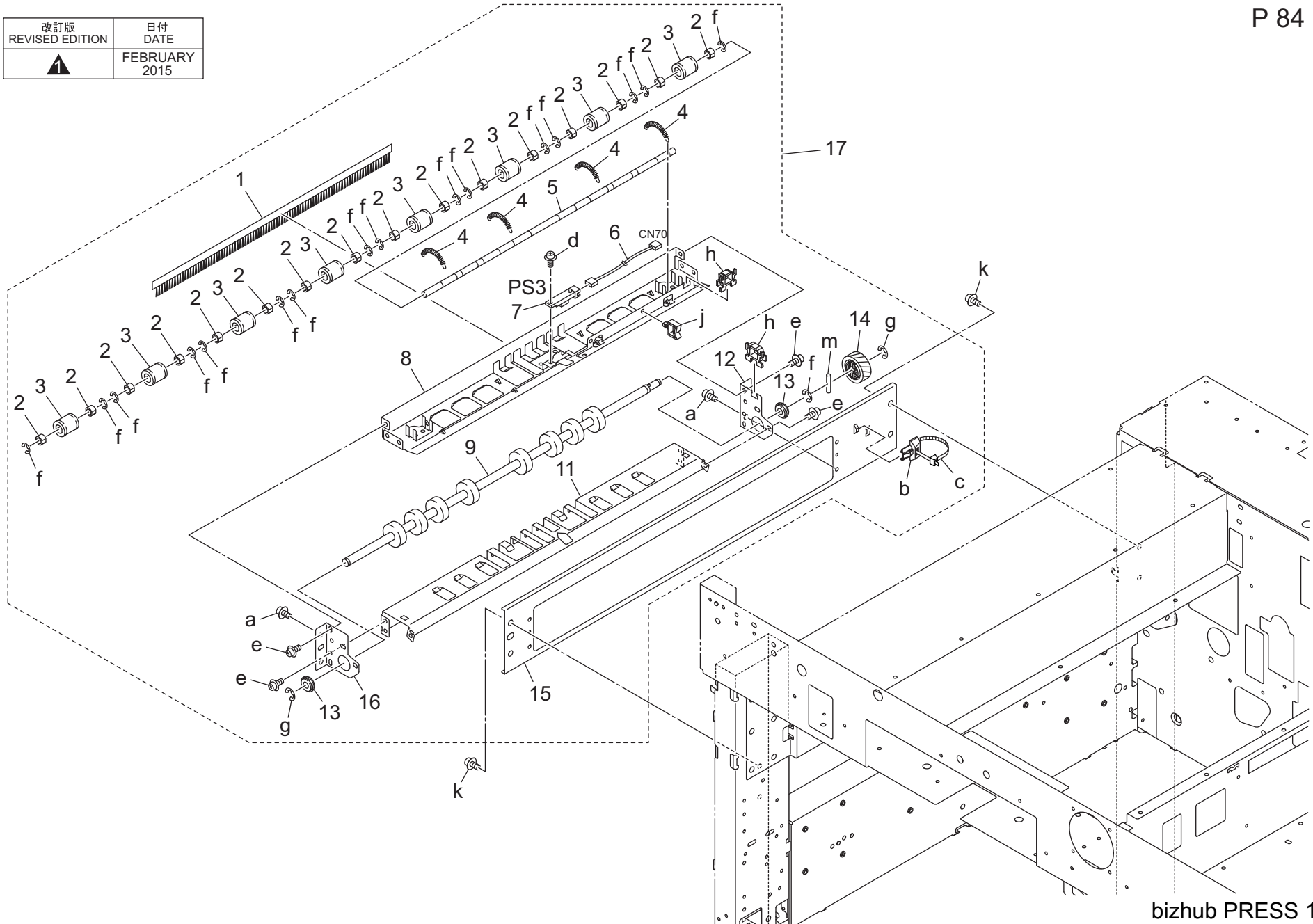
改訂版 REVISED EDITION	日付 DATE
	FEBRUARY 2015



bizhub PRESS 1052

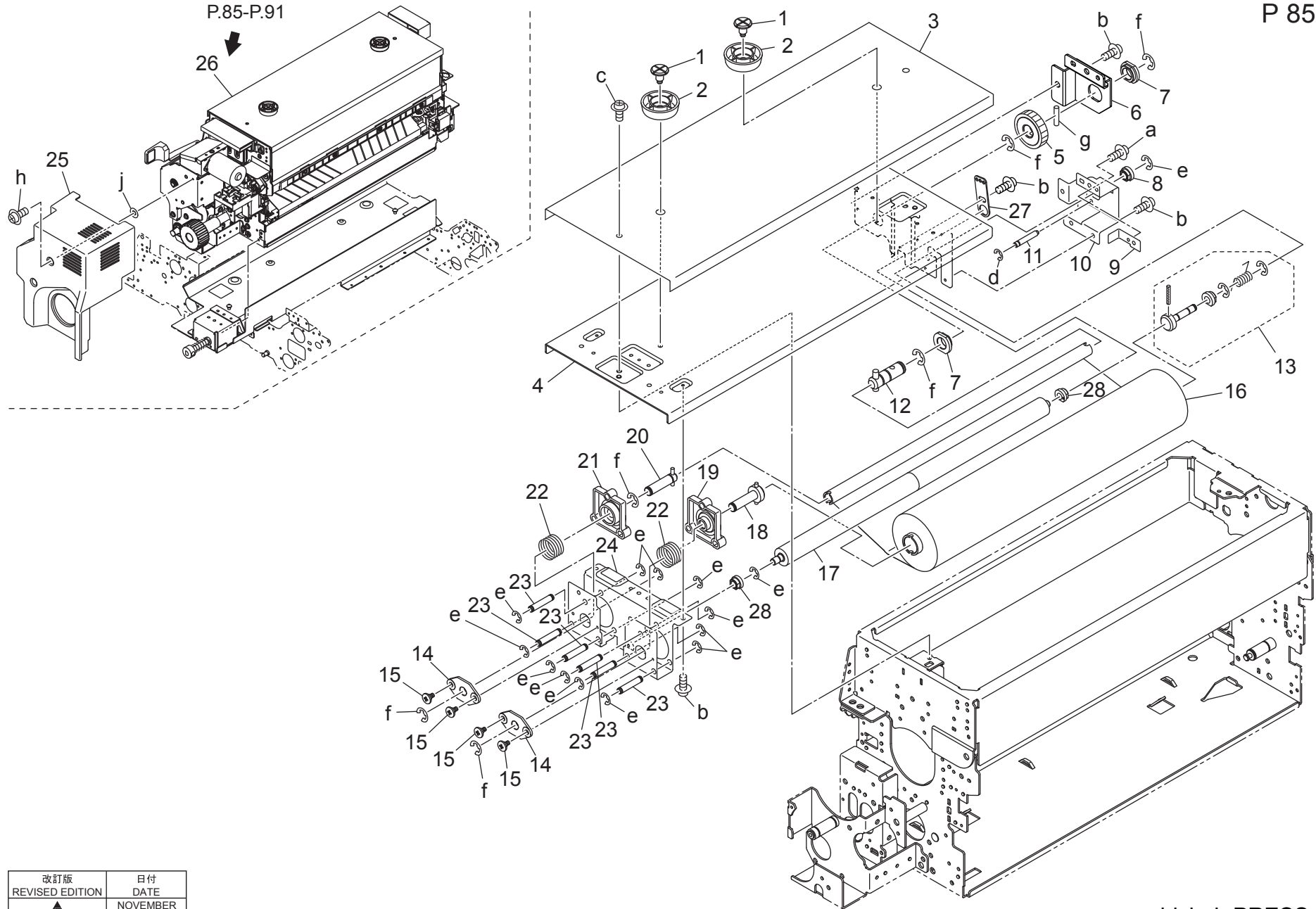
MAIN BODY PAPER EXIT UNIT

改訂版 REVISED EDITION	日付 DATE
	FEBRUARY 2015



FUSER UNIT

P 85



改訂版 REVISED EDITION	日付 DATE
▲	NOVEMBER 2017

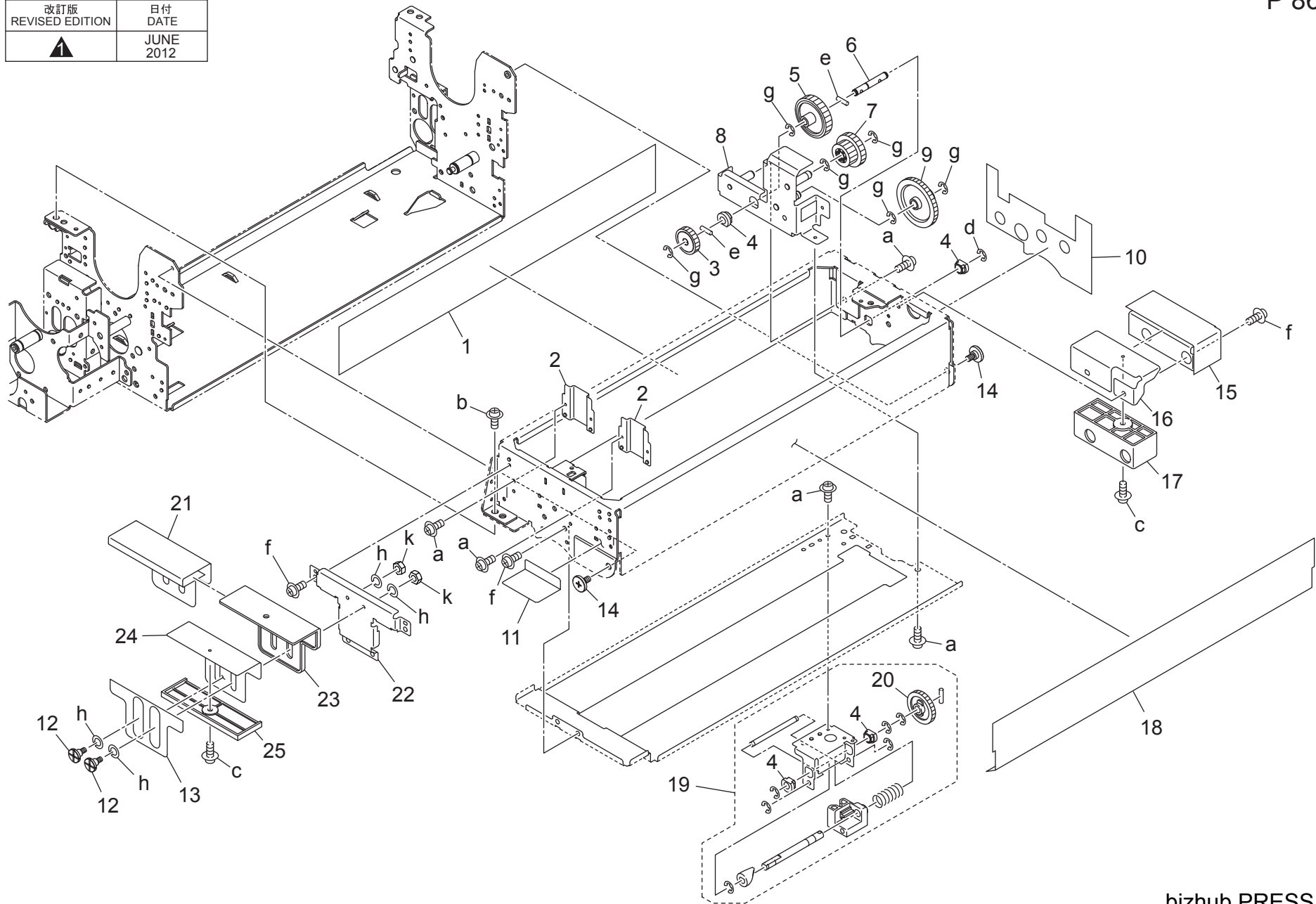
Order here
8 (495) 646-0426
ПЯТЫЙ ПАРТНЕР www.km-shop.ru

bizhub PRESS 1052

Key	Part No.	Description	Destinations	Class	QTY	Standard parts
1	A0G6749900	Click Screw		C	2	a-V116030603
2	A0G6746901	Lifting Part /1		D	2	b-V127030516
3	A4EU725700	Insulating Cover /F		D	1	c-V182040603
4	A0G6731300Old	Fusing Plate /3		D	1	d-V217030001
4	A0G6731301	Fusing Plate /3		D	1	e-V217040001
5	A0G6734100	Cleaning Gear /1 22T		C	1	f-V217060001
6	A0G6732701	Cleaning Plate /1		D	1	g-V234301450
7	A0G6734500	Cleaning Bushing /5		C	2	h-V114040804
8	56UA760900	Fixing Cleaning Bushing /C		B	1	j-V211040080
9	56UA54430	ADJUSTMENT PLATE REAR		D	1	
10	A0G6743100	Drive Plate /3		D	1	
11	A0G6734300	Drive Stopper /1		C	1	
12	A4EUR73300	Cleaning Drive Assy		D	1	
13	A4EUR70T00	Regulating Part Assy		B	1	
14	A4EU731500	Stopper Bushing /5		C	2	
15	A03U734500	Support Screw /A		C	4	
16	A0G6731400	Web		A	1	
17	56UA53530	FIXING CLEANING ROLLER		B	1	
18	A4EUR73500	Holding Shaft / Right Assy		D	1	
19	A799732500	Holding Part /Right		D	1	
20	A4EUR73400	Holding Shaft / Left Assy		D	1	
21	A0G6732100	Holding Part /Left		D	1	
22	A0G6732200	Pressing Spring /Front		C	2	
23	A0G6732400	Guide Shaft /Front		D	6	
24	A0G6731102	Stopper Plate /9		D	1	
25	A0G6747903	Fusing Cover		C	1	
26	A4EUR70Q11	Fixing Unit		I	1	
27	A4EU732300	Adjusting Plate		D	1	
28	A4EU732602	Bushing		B	2	

FUSER UNIT

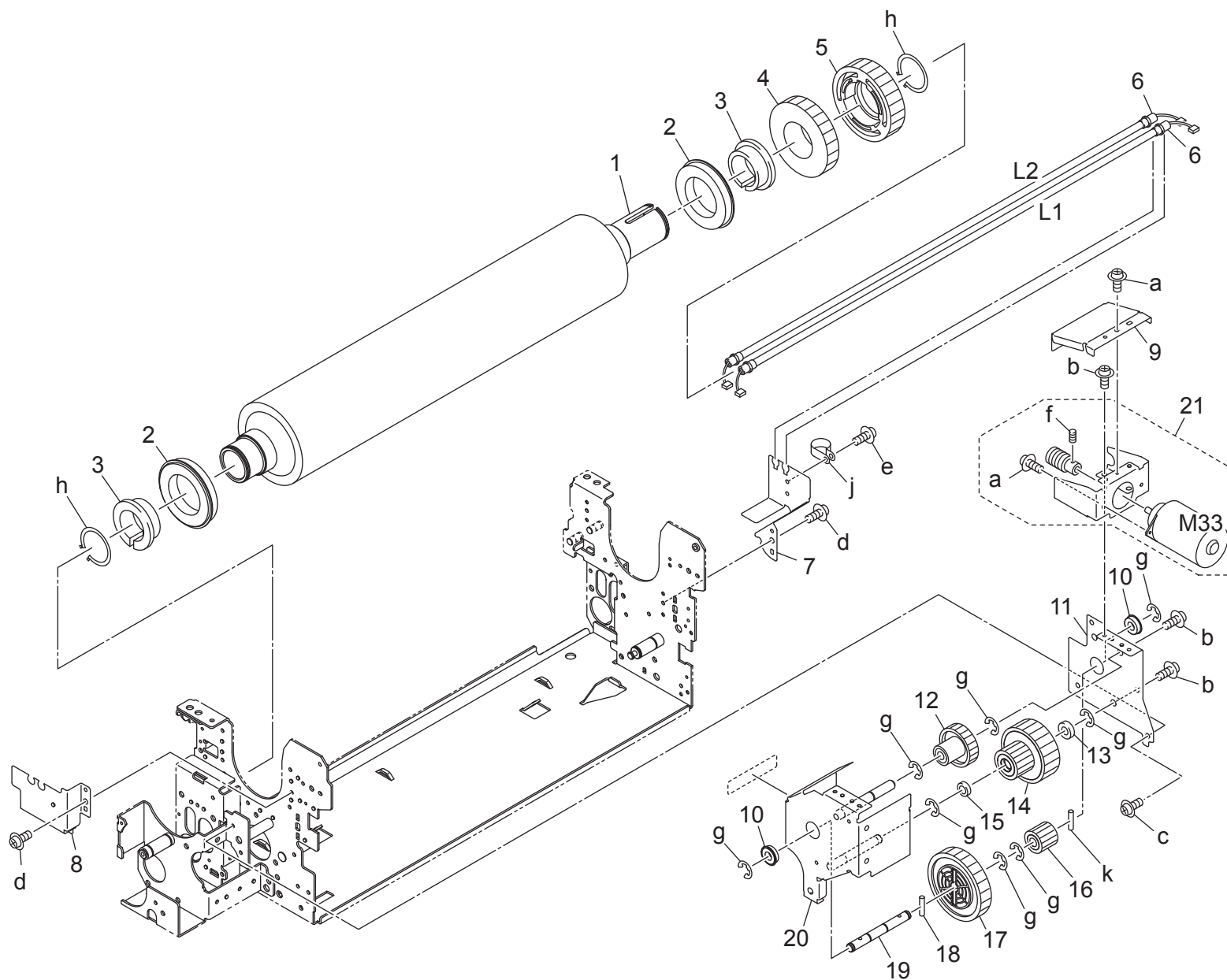
改訂版 REVISED EDITION	日付 DATE
▲	JUNE 2012



Key	Part No.	Description	Destinations	Class	QTY	Standard parts
1	A0G6725900	Insulating Cover /H	断熱カバー／H	C	1	a-V127030516
2	A0G6749800	Reinforce Plate /A	補強板／A	D	2	b-V118041003
3	A0G6734200	Cleaning Gear /2 23T	クリーニングギア／2 23 T	C	1	c-V121030403
4	56UA760900	Fixing Cleaning Bushing /C	定着清掃軸受／C	B	4	d-V217040001
5	56UA77860	Fixing Cleaning Gear /3 39T	定着清掃歯車／3 39 T	B	1	e-V234301450
6	A0G6731900	Drive Shaft /4	駆動軸／4	D	1	f-V127040603
7	A4EU742800	Cleaning Gear Outside 18/26T	クリーニングギア／外 18 /26 T	C	1	g-V217040001
8	A0G6742200	Drive Plate	駆動板	D	1	h-V205040003
9	55VA77850	Fixing Cleaner Gear /2 38T/13T	定着清掃歯車／2 38 T /13 T	B	1	k-V195040003
10	A4EU725800	Insulating Cover /Rear	断熱カバー／奥	D	1	
11	A4EU747700	Preventing Cover	防止カバー	D	1	
12	A0G6736800	Lifting Screw /1	持ち上げねじ／1	C	2	
13	A0G6739600	Insulating Cover /6	断熱カバー／6	C	1	
14	450053391	EXIT GUIDEPLATE MOUNTING SCREW	出口ガイド板 取付けネジ	C	2	
15	A4EU735012	Insulating Cover /D	断熱カバー／D	D	1	
16	A0G6731000	Fusing Handle /Rear	定着取手／奥	D	1	
17	A0G6739800	Fusing Handle /B	定着取手／B	C	1	
18	A0G6725600	Insulating Cover /A	断熱カバー／A	C	1	
19	A4EUR73700	Swing Caum Assy	揺動カム部組	B	1	
20	A0G6743600	Swing Gear 31T	揺動ギア 31 T	C	1	
21	A4EU739412	Insulating Cover /4	断熱カバー／4	D	1	
22	A0G6737200	Fusing Handle /5	定着取手／5	D	1	
23	A0G6738000	Fusing Handle /2	定着取手／2	C	1	
24	A0G6737900	Fusing Handle /1	定着取手／1	D	1	
25	A0G6736900	Fusing Handle /4	定着取手／4	C	1	

FUSER UNIT

P 87

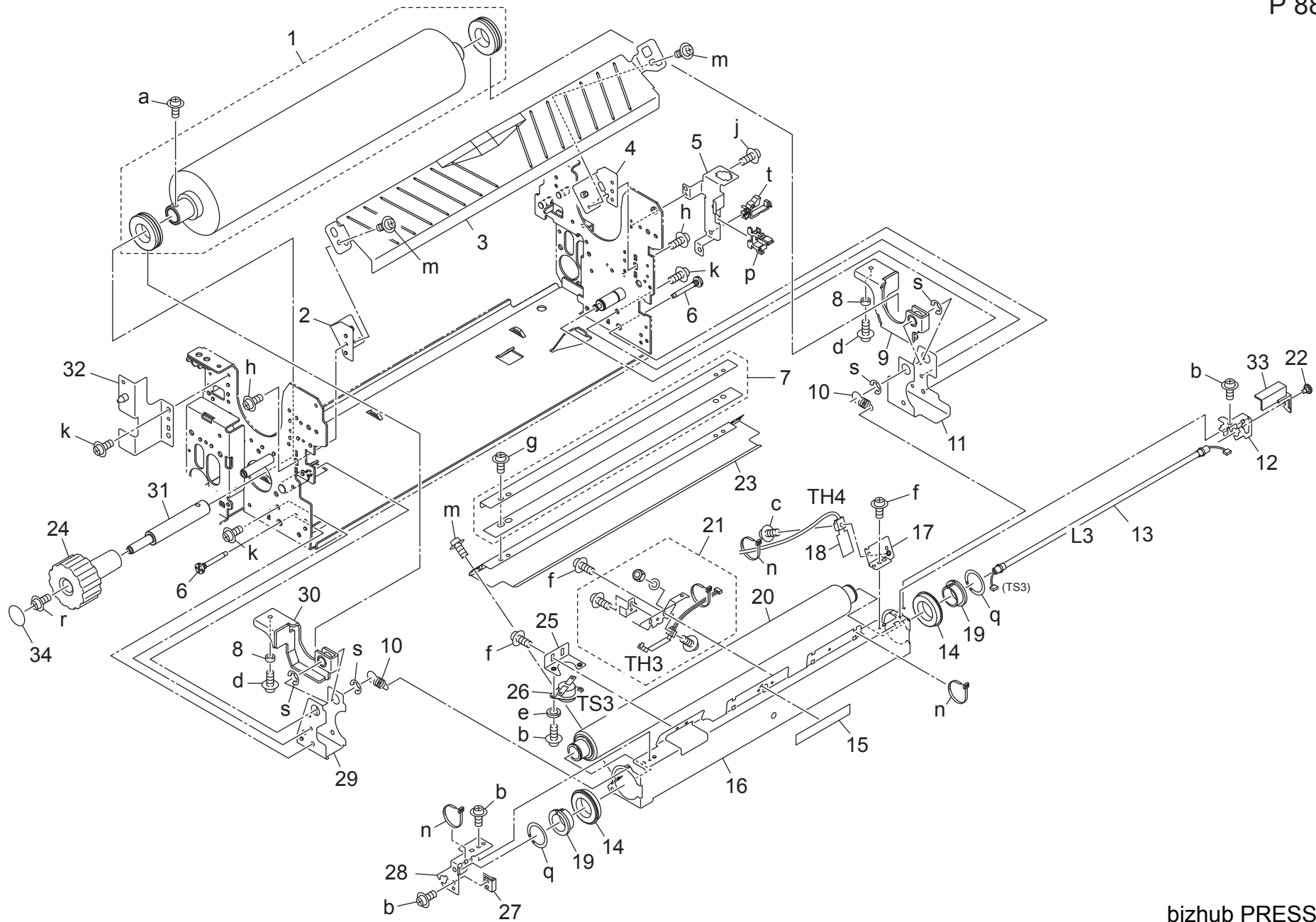


FUSER UNIT

Key	Part No.	Description	Destinations	Class	QTY	Standard parts
1	A0G6730411	Fusing Roller /Upper		A	1	a-V121030603
2	A5AW745200	Fusing Bearing/2		B	2	b-V121040603
3	A03U729500	INSULATING SLEEVE /UPPER		B	2	c-V116040603
4	56UA77800	FIXING DRIVING GEAR 60T		B	1	d-V127040603
5	A0G6726000	Fusing Gear/2 60T		B	1	e-V182040603
6	A0G6M33000	Fixing Heater		B	2	f-V193040404
7	A0G6746000	Heater Stay /Rear		D	1	g-V217060001
8	A0G6745901	Heater Stay /Front		D	1	h-V223300004
9	A0G6748100	Pressure Cover /Upper		D	1	j-V500020030
10	4120550302	BALL BEARING		A	2	k-V234301250
11	A0G6747001	Pressure Panel /4		D	1	
12	A4EUR70P00	Pressure Wheel Assy		B	1	
13	A4EU747600	Ball bearing		B	1	
14	A4EU747100	Release Gear /A 17T/ 52T		C	1	
15	15SF75010	BEARING/ A		C	1	
16	A0G6745100	Pressure Gear 19T		C	1	
17	A0G6745000	Gear 60T		C	1	
18	55VA15190	FIXING DRIVE PIN		B	1	
19	A0G6744300	Pressure Shaft /B		D	1	
20	A4EUR76C00	Pressure Panel / 5 Caulking		D	1	
21	A4EUR76B00	Pressure Worm Assy		B	1	

FUSER UNIT

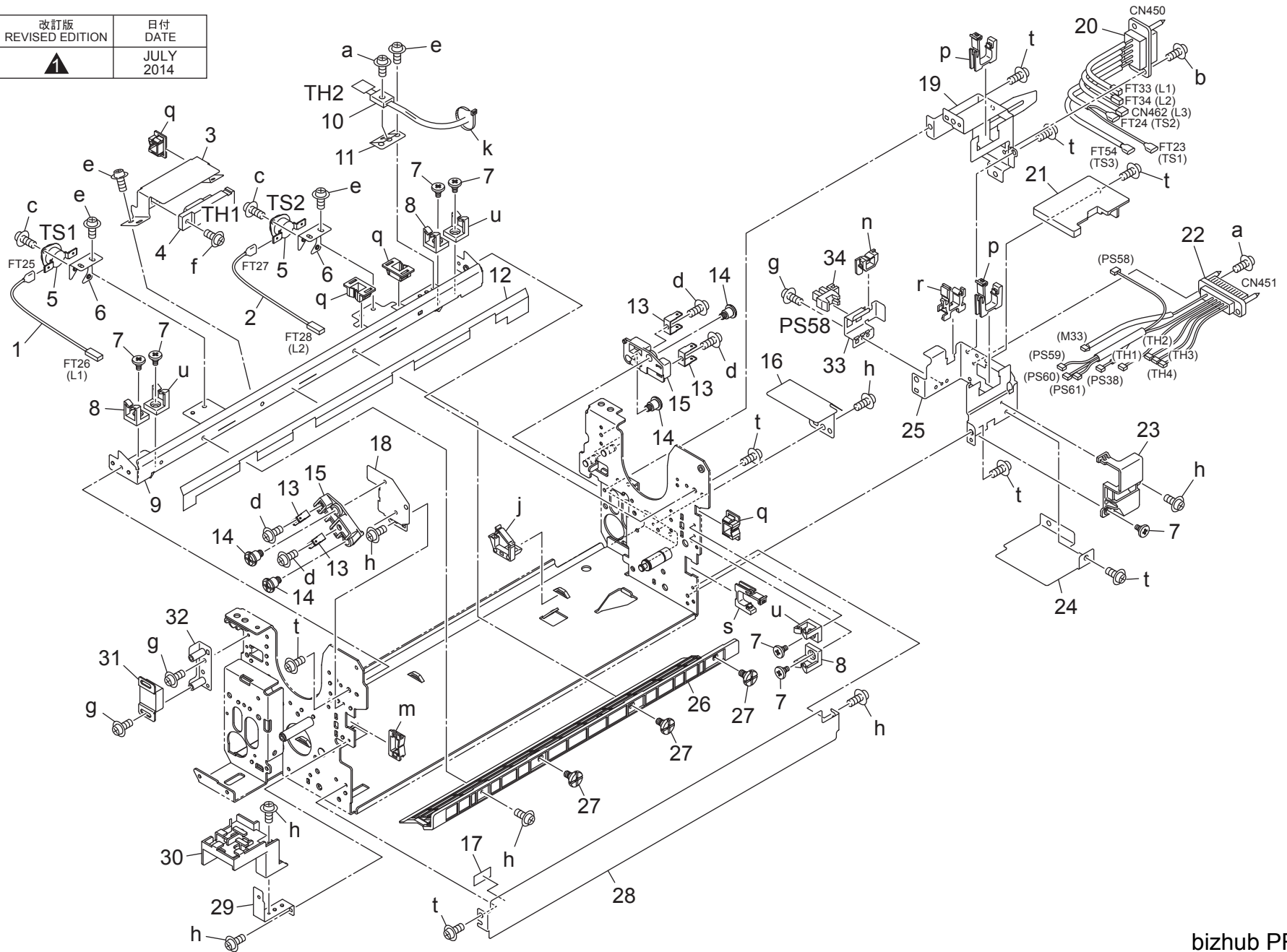
P 88



Key	Part No.	Description	Destinations	Class	QTY	Standard parts
1	A4EUR70V00	Lower Roller Assy		A	1	a-V116041203
2	A0G6741200	Entrance Bin /Front	下ローラ 部組 入りロビン／前	C	1	b-V118030403
3	A0G6741012	Guide Plate /Lower	ガイド板／下	C	1	c-V118030803
4	A0G6741300	Entrance Pin /Rear	入りロビン／奥	C	1	d-V121040603
5	A0G6725001	Fusing Plate /Rear	定着板／奥	D	1	e-V205030003
6	55VA53360	Fulcrum Screw	支点ネジ	C	2	f-V116030403
7	A4EUR70U00	Fixing Cleaning Sheet Assy	定着清掃シート 部組	A	1	g-V116030603
8	A0G6748900	Stable Roll	安定ころ	C	2	h-V116040803
9	A0G6748600	Pressure Lever /Rear	圧着レバー／奥	C	1	j-V127030516
10	55VA53450	PRESSURE SPRING	押圧バネ	B	2	k-V127040603
11	A0G6748811	Support Plate /Rear	支点板／奥	D	1	m-V182030603
12	A0G6727301	Heater Side Plate /Rear	ヒータ側板／奥	D	1	n-V501010014
13	55VB83042	Fixing Heater /3	定着 ヒーター／3	A	1	p-V570010050
14	56UA75070	FIXING BEARING	定着軸受	A	2	q-V223170004
15	A0G6727600	Protection Sheet /Lower	保護シート／下	C	1	r-V116040803
16	A0G6730311	Auxiliary Stay /1	補助ステー／1	D	1	s-V217080001
17	A0G6727401	Mounting Plate /Rear	取付板／奥	D	1	t-V500010020
18	55VA88061	Temperature Sensor /4	温度センサ／4	B	1	
19	26AA53150	HEAT INSULATING SLEEVE FRONT	断熱スリーブ 前	B	2	
20	56UA53070	FIXING AUXILIARY ROLLER	定着補助ローラ	B	1	
21	A4EUR73600	Roller Temperature Control Sensor Assy	補助ローラ温度制御センサ部組	C	1	
22	A03U734500	Support Screw /A	支持ネジ／A	C	1	
23	56UA53320	FIXING CLEANING PLATE /1	定着清掃板／1	D	1	
24	A0G6751901	Operation Knob	操作ノブ	D	1	
25	A0G6727500	Mounting Plate /Front	取付板／前	D	1	
26	SP00-0043	THERMOSTAT 3	サーモスタット 3	A	1	
27	56UA54160E	Neutralizing Brush /B	除電ブラシ／B	B	1	
28	A0G6727201	Heater Side Plate /Front	ヒータ側板／前	D	1	
29	A0G6748711	Support Plate /Front	支点板／前	D	1	
30	A0G6748500	Pressure Lever /Front	圧着レバー／前	C	1	
31	A0G6751800	Operation Shaft	操作軸	D	1	
32	A0G6745800	Pressure Part	圧着部材	D	1	
33	A4EU727900	Protection Cover /1	保護カバー／1	D	1	
34	A0G6945601	Label /6	ラベル／6 (J A M ラベル／6)	D	1	

FUSER UNIT

改訂版 REVISED EDITION	日付 DATE
	JULY 2014

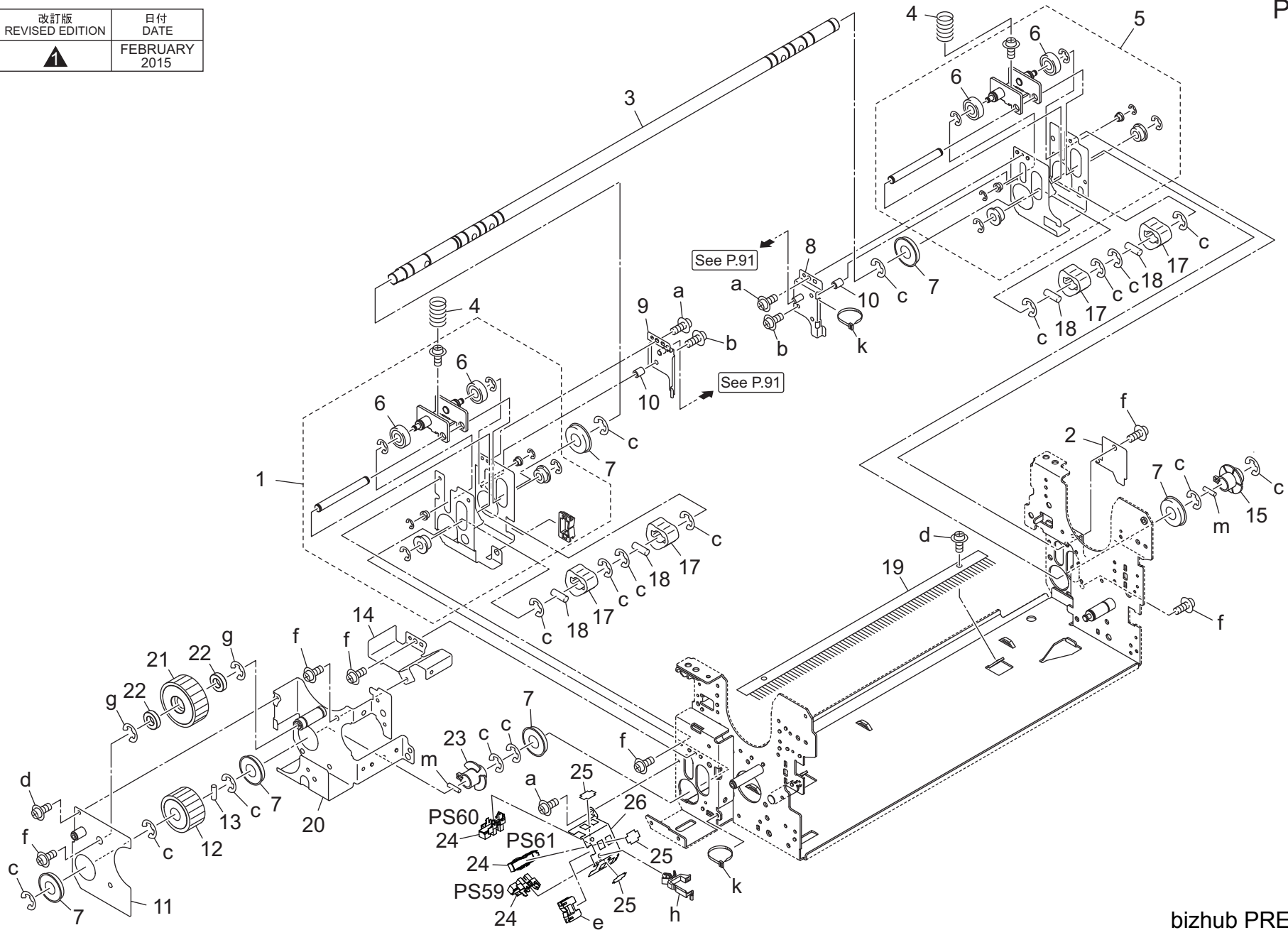


Key	Part No.	Description	Destinations	Class	QTY	Standard parts
1	A0G6N10801	Fixing Wiring /3		D	1	a-V118030803
2	A0G6N10903	Fixing Wiring /4		D	1	b-V118040803
3	A0G6739900	Plate /N		D	1	c-V118030403
4	57AE88010	TEMPERATURE SENSOR C		B	1	d-V115030603
5	SP00-0022	THERMOSTAT		A	2	e-V116030603
6	55VA53300	FUSE MOUNT PLATE UPPER		D	2	f-V116030803
7	A03U734500	Support Screw /A		C	7	g-V127030516
8	55VA53970	Wiring Holder Part		D	3	h-V127030604
9	A0G6742001	Guide Plate /C		C	1	j-V500010021
10	55VA88041	Temperature Sensor /2		B	1	k-V501010014
11	55VA53290	Mounting Plate /2		D	1	m-V570010064
12	A0G6733000	Insulating Cover /C		C	1	n-V570010021
13	55VA53742	TERMINAL PLATE 2		C	4	p-V570010027
14	25AA55151	BLADE POSITIONING SCREW		C	4	q-V570010065
15	55VA53721E	Terminal Pedestal		C	2	r-V570010050
16	A0G6738500	Power Supply Inner Partition /Rear		D	1	s-V570010053
17	A0G6727700	Protection Sheet /Rear		D	1	t-V127040603
18	A0G6743800	Power Supply Plate /3		D	1	u-V500010086
19	A0G6738611	Power Supply Plate /1		D	1	
20	A0G6N10603	Fixing Wiring /1		D	1	
21	A0G6748311	Scatteringprevention Plate /Rear		C	1	
22	A4EUN13001	Fixing Wiring /2		D	1	
23	A0G6727801	Protection Plate /Rear		D	1	
24	A0G6741411	Power Supply Bottom Plate /1		D	1	
25	A0G6738711	Power Supply Plate /2		D	1	
26	A0G6732000	Guide Plate Outside		C	1	
27	56AA54220	FIXING SCREW 2		C	3	
28	A0G6741112	Fusing Stay /1		D	1	
29	A0G6749400	Slide Stay /Front		D	1	
30	A0G6749500	Insulating Plate /Front		D	1	
31	56UA53750	MAGNET CATCH		D	1	
32	A0G6738800	Suction Plate /1		D	1	
33	A0G6739111	Power Supply /Middle		D	1	
34	A1RFM51000	Photointerrupter /H		C	1	

FUSER UNIT

P 90

改訂版 REVISED EDITION	日付 DATE
	FEBRUARY 2015



Order here
8 (495) 646-0426
ПЯТЫЙ ПАРТНЕР www.km-shop.ru

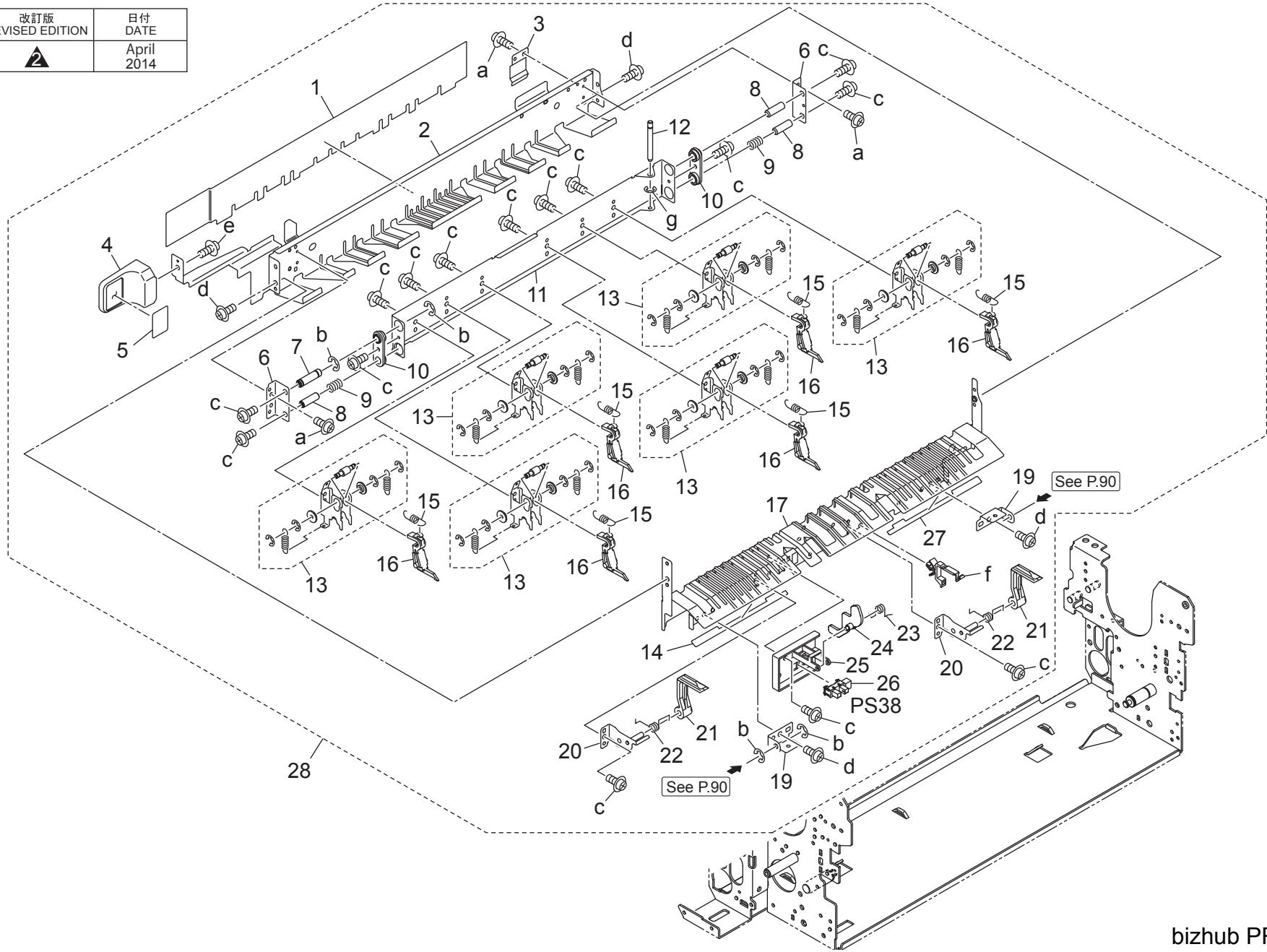
bizhub PRESS 1052

FUSER UNIT

Key	Part No.	Description	Destinations	Class	QTY	Standard parts
1	A4EUR73800	Stable Holder / Front Assy		D	1	a-V118030403
2	A4EU731200	Protection Cover		D	1	b-V118031003
3	A0G6745300	Pressure Shaft /A		D	1	c-V217100050
4	A0G6736300	Pressure Spring		C	2	d-V127030604
5	A4EUR73900	Stable Holder / Rear Assy		D	1	e-V570010021
6	08AA76060	Fixing Bearing /Lower		B	4	f-V127040603
7	40AA53151	Fixing Roller Bearing /Lower		B	6	g-V217080001
8	A0G6749100	Paper Exit Stopper /Rear		D	1	h-V500020099
9	A0G6749300	Paper Exit Stopper /Front		D	1	k-V501010014
10	A0G6749200	Support Shaft /Lower		D	2	m-V234201050
11	A4EUR76D00	Pressure Panel / 3 Caulking		D	1	
12	A4EU747200	Release Gear /B 22T		C	1	
13	A0G6744600	Drive Pin /A		C	1	
14	A0G6745700	Support Plate /S		D	1	
15	A4EU748401	Pressure Actuator /Rear		C	1	
17	A4EU725400	Pressure Cam		D	4	
18	A0G6744900	Rotation Pin /1		C	4	
19	A799741500	Neutralizing Brush		C	1	
20	A4EUR76E00	Pressure Panel Caulking		D	1	
21	A4EU747300	Release Gear /C 32T		C	1	
22	A0G6744700	Drive Ball Bearing /H		C	2	
23	A4EU746501	Pressure Actuator /Front		C	1	
24	A1RFM51000	Photointerrupter /H		C	3	
25	13GL46720	Fixing Plate		C	3	
26	A4EU746401	Plate /1		D	1	

FUSER UNIT

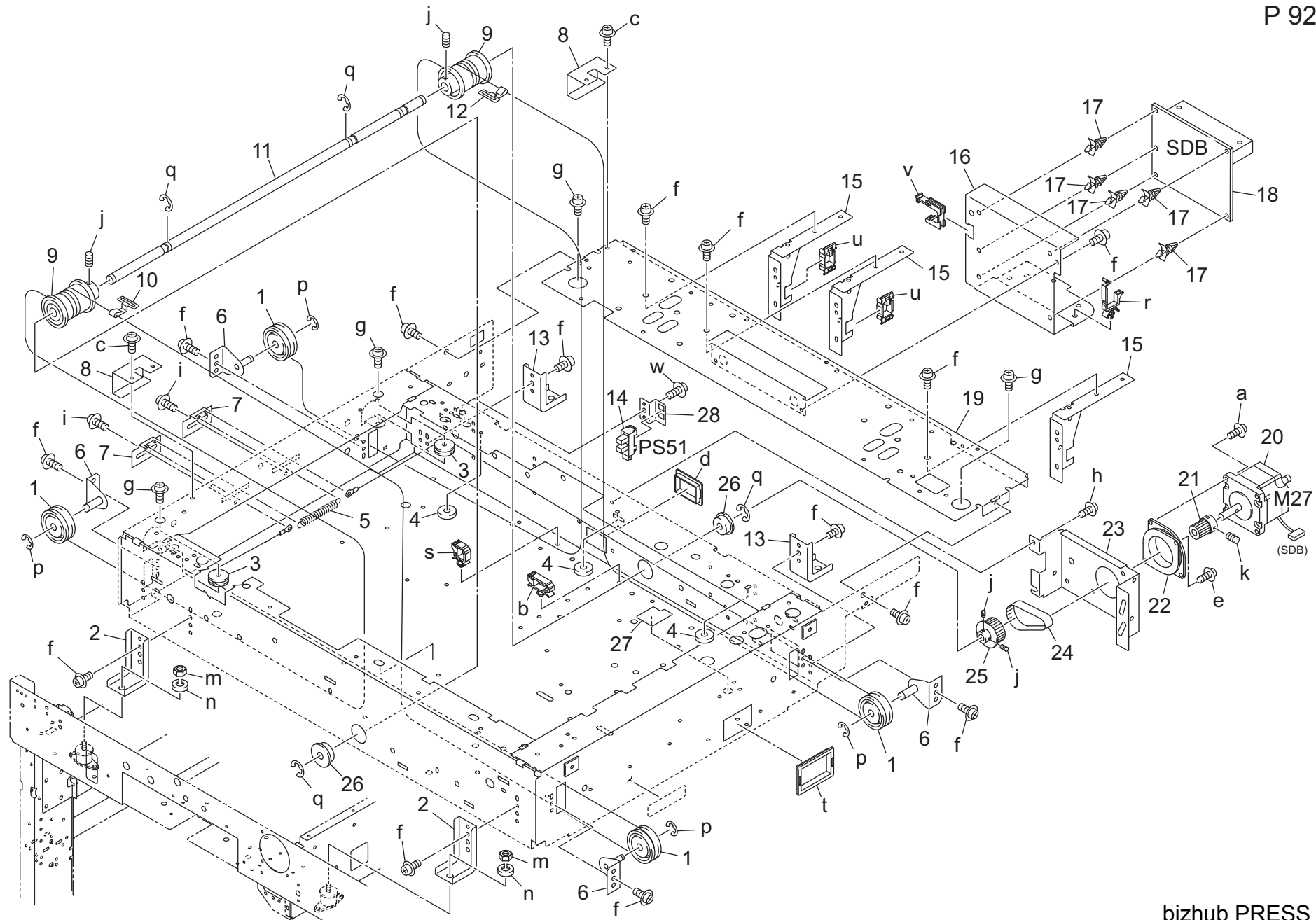
改訂版 REVISED EDITION	日付 DATE
	April 2014



Key	Part No.	Description	Destinations	Class	QTY	Standard parts
1	A0G6725501	Insulating Cover /B		C	1	a-V118030403 b-V217040001 c-V127030604 d-V127040603 e-V151040803 f-V500020099 g-V217030001
2	A0G6745202	Guide Plate /Upper		C	1	
3	55VA53770	PAPER EXIT PRESSURE PLATE		C	1	
4	65AA53991	Fixing Paper Exit Lever		C	1	
5	A0G6945900	Label /9		C	1	
6	56UA54570	Swing Stopper		D	2	
7	56UA54590	SWING SHAFT/6		D	1	
8	56UA54580	SWING SHAFT/3		D	3	
9	56UA54600	SWING SPRING 1		C	2	
10	A4EU755600	Swing Bushing		C	2	
11	56UA54550F	Swing Plate		D	1	
12	56UA54610	SWING SHAFT/4		D	1	
13	A4EUR73200	Exit Plate Assy		B	6	
14	A4EU747500	Separating Guide /F		D	1	
15	56UA54540	HOLDING SPRING		C	6	
16	56UA54530	FIXING CLAW UPPER		A	6	
17	A4EU746124	Guide Plate /Lower		D	1	
19	A0G6749600	Positioning Plate		D	2	
20	A0G6749700	Separating Holder /Lower		D	2	
21	25AA53290	FIXING CLAW LOWER		A	2	
22	A0G6728000	Spring		C	2	
23	A0G6745500	Holding Spring		C	1	
24	A0G6746200	Paper Exit Actuator		C	1	
25	A0G6746300	Plate /Middle		D	1	
26	A1RFM51000	Photointerrupter /H		C	1	
27	A4EU747400	Separating Guide /R		D	1	
28	A4EUR77211	Exit Guide Assy		D	1	

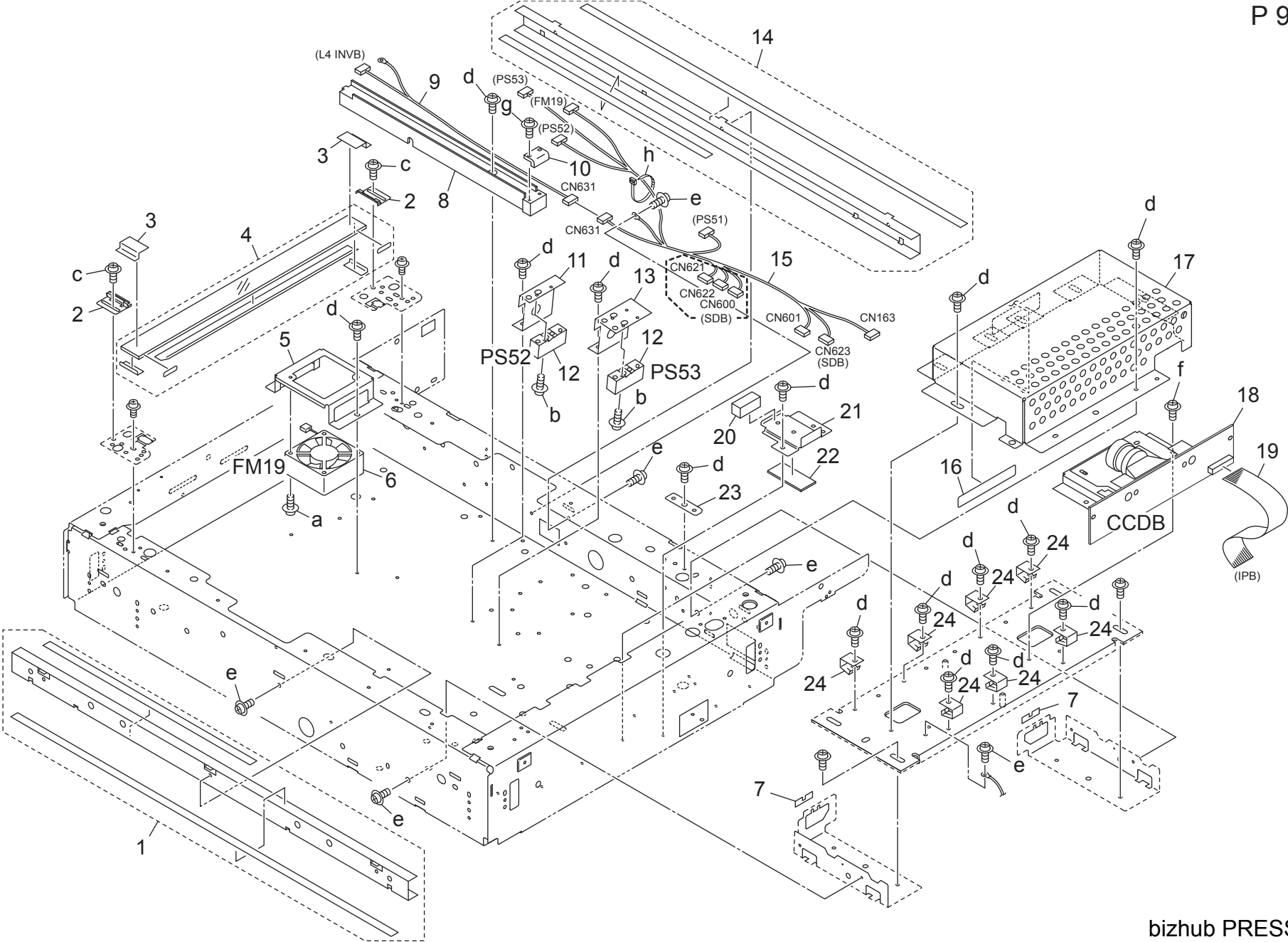
OPTICS UNIT

P 92



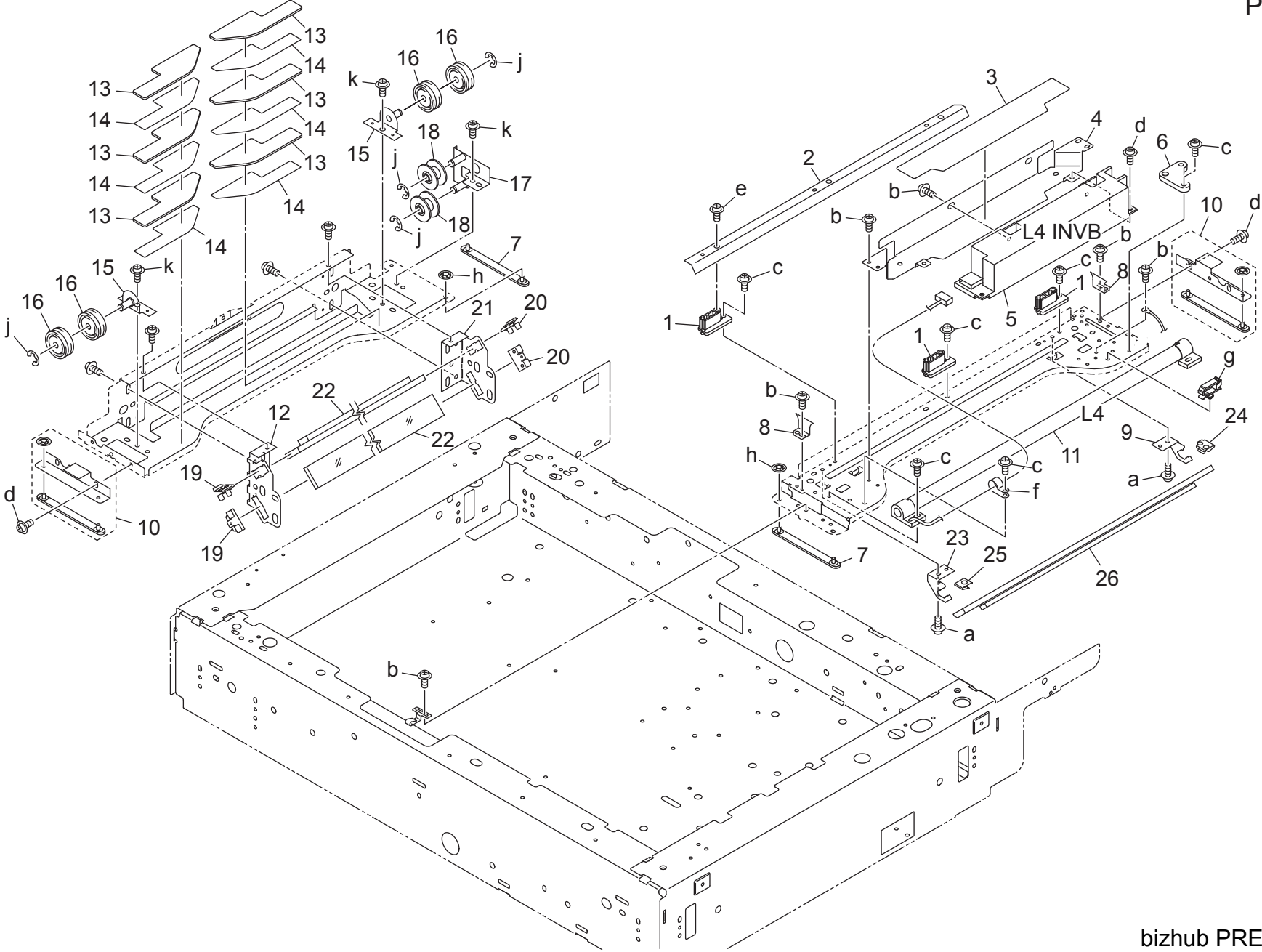
Key	Part No.	Description	Destinations	Class	QTY	Standard parts
1	56AA61290	BUSHING	光学アイドラプリー	C	4	a-V118041003
2	56UA61460	READ SUPPORT PART /2	読取支持部材/2	D	2	b-V500020100
3	25SA61700	WIRE GUIDE ROLLER	ワイヤーガイドコロ	C	2	c-V121030603
4	56QA61690	CORD PROTECTION SHEET /UPPER	コード保護シート/上	D	3	d-V570010038
5	56AA61570	WIRE TENSION SPRING	ワイヤーテンションバネ	C	1	e-V121040503
6	25SA-6201	Pulley MT Plate /F Unit	プリー取付板/前部組	D	4	f-V121040603
7	25SA61710	SPRING FIXING PLATE	バネ固定板	D	2	g-V121040803
8	56UA12730	External Reinforce Plate /4	外装補強板/4	D	2	h-V116040603
9	25SA61650	DRIVE PULLEY	駆動プリー	C	2	i-V116040803
10	56QA61130	Read Drive Wire/ Front	読取駆動ワイヤー/前	C	1	j-V193040604
11	56AA61111	READ DRIVE SHAFT	読取駆動軸	D	1	k-V193040804
12	56QA61140	Read Drive Wire /Rear	読取駆動ワイヤー/奥	C	1	m-V195060003
13	56UA61450	READ SUPPORT PART /1	読取支持部材/1	D	2	n-V205060003
14	A4EUM50100	Photo Sensor	フォトセンサ	C	1	p-V217040001
15	56UA61470	Read Reinforce Plate	読取補強板	D	3	q-V217090050
16	56UA61040	Board Mounting Plate	基板取り付け板	D	1	r-V500010007
17	V502010016	support	ロッキングサーキットボードサポート	D	5	s-V500010020
18	56GA-9092E	SCANNER DRIVING BASE PLATE ASS	スキャナ駆動基板部組	B	1	t-V570010039
19	A0G6260200	Mounting Plate /Rear	取付板/奥	D	1	u-V570010063
20	55VA80122	Optical Drive Motor	光学駆動モータ	B	1	v-V570010026
21	55VA76700	Read Drive Pulley /1 38T	読取駆動プリー/1 38 T	C	1	w-V121040403
22	55VA62020	MOTOR FIXING PART	モータ固定部材	C	1	
23	56AA61481	MOTOR SUPPORT PLATE	モータ支持板	D	1	
24	55VA78110	READING DRIVE BELT 174L	読取駆動ベルト 174 L	C	1	
25	55VA76710	Read Drive Pulley /2 76T	読取駆動プリー/2 76 T	B	1	
26	A4EU265000	Ball bearing	ボールベアリング (読取駆動)	B	2	
27	56AA61561	READ DUST-PROOF SHEET /LOWER	読取防塵シート/下	C	1	
28	A4EU263100	Fixing Plate /1	固定板/1	D	1	

OPTICS UNIT



Key	Part No.	Description	Destinations	Class	QTY	Standard parts
1	A4EUR74N00	Guide Rail /F Assy		D	1	a-V118031603
2	56AA61330	GLASS HOLDER		C	2	b-V118031803
3	A0Y5265000	Cover Sheet		C	2	c-V121030403
4	A4EUR74S00	Original Glass /1 Assy		C	1	d-V121040403
5	56AA61151	FAN SUPPORT PLATE		D	1	e-V121040603
6	56AA80551	Fan Motor /2		B	1	f-V116040803
7	56AA61580	WIRE REGURATION SHEET		C	2	g-V151031003
8	25SA61861	CORD GUIDE PART		D	1	h-V501010002
9	56UA90460	LAMP RELAY WIRING		D	1	
10	25SA61881	CORD HOLDER		D	1	
11	55VA61931	Mounting Plate		D	1	
12	56AA85531	APS Sensor /2		B	2	
13	55TA61151	Mounting Plate		D	1	
14	A4EUR74P00	Guide Rail /R Assy		D	1	
15	56UA90780	APS WIRING		D	1	
16	56AA61720	Lens Light Blocking Sheet		D	1	
17	56QA61281	Lens Light Blocking Cover /1		D	1	
18	A0Y5A26212	CCD UNIT		I	1	
19	A0G6N15600	A/D Wiring		C	1	
20	A4EUM92800	Gasket		D	1	
21	56UA61030	WIRING HOLDING PLATE		D	1	
22	A4EUM94000	Gasket		D	1	
23	55TA61161	READ POSITIONING PLATE		D	1	
24	55TA61320	LENS EARTH SPRING		C	7	

OPTICS UNIT

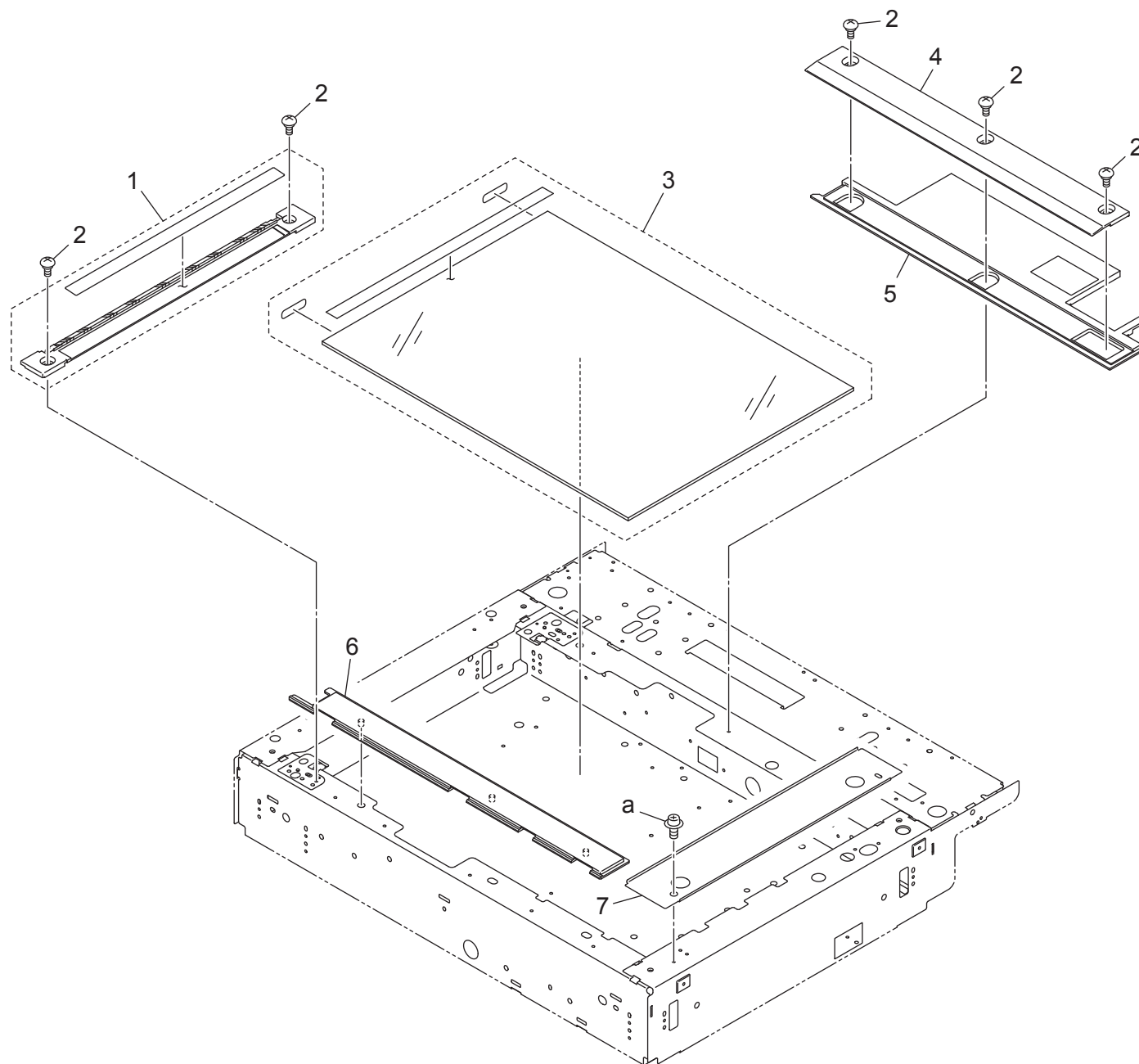


OPTICS UNIT

Key	Part No.	Description	Destinations	Class	QTY	Standard parts
1	55TA61130	MIRROR SUPPORT PART		D	3	a-V121030303
2	55TA61110	REFLECT MIRROR 1		D	1	b-V121030403
3	56UA61440	Power Source Protection Sheet		C	1	c-V121030603
4	56UA61070	POWER SOURCE MOUNTING PLATE		D	1	d-V116030603
5	A4EUM40100	Scanner Inverter unit		I	1	e-V151031004
6	56AA61180	CORD HOLDER PART B		C	1	f-V500020002
7	25SA61420	OPTICS SLIDE PART		C	2	g-V500020100
8	55TA61120	REFLECT MIRROR 2		D	2	h-V201030004
9	25SA62080	MIRROR POSITIONING PLATE 4		D	1	j-V217040001
10	A4EUR74M00	Side Guide Plate Assy		D	2	k-V121040403
11	A4EUM30101	Scanner Xenon lamp		I	1	
12	55FA61130	MIRROR POSITION PLATE		D	1	
13	56QA61670	OPTICAL REINFORCE PLATE /V		D	6	
14	56QA61680	OPTICAL REINFORCE SEAL /V		D	6	
15	56AA-6261	Pulley Support Plate /A Caulking		D	2	
16	56AA61290	BUSHING		C	4	
17	56AA-6271	Pulley Support Plate /B Caulking		D	1	
18	25SA62160	CORD GUIDE PULLEY 2		C	2	
19	25SA61540	MIRROR HOLDER 3		C	2	
20	25SA61550	MIRROR HOLDER 4		C	2	
21	55FA61140	MIRROR POSITION PLATE 2		D	1	
22	55TA61341	READING MIRROR 2		C	2	
23	25SA62070	MIRROR POSITIONING PLATE 3		D	1	
24	25SA61460	MIRROR HOLDER 1		D	1	
25	25SA61470	MIRROR HOLDER 2		C	1	
26	55WA61150	READ MIRROR 1		C	1	

OPTICS UNIT

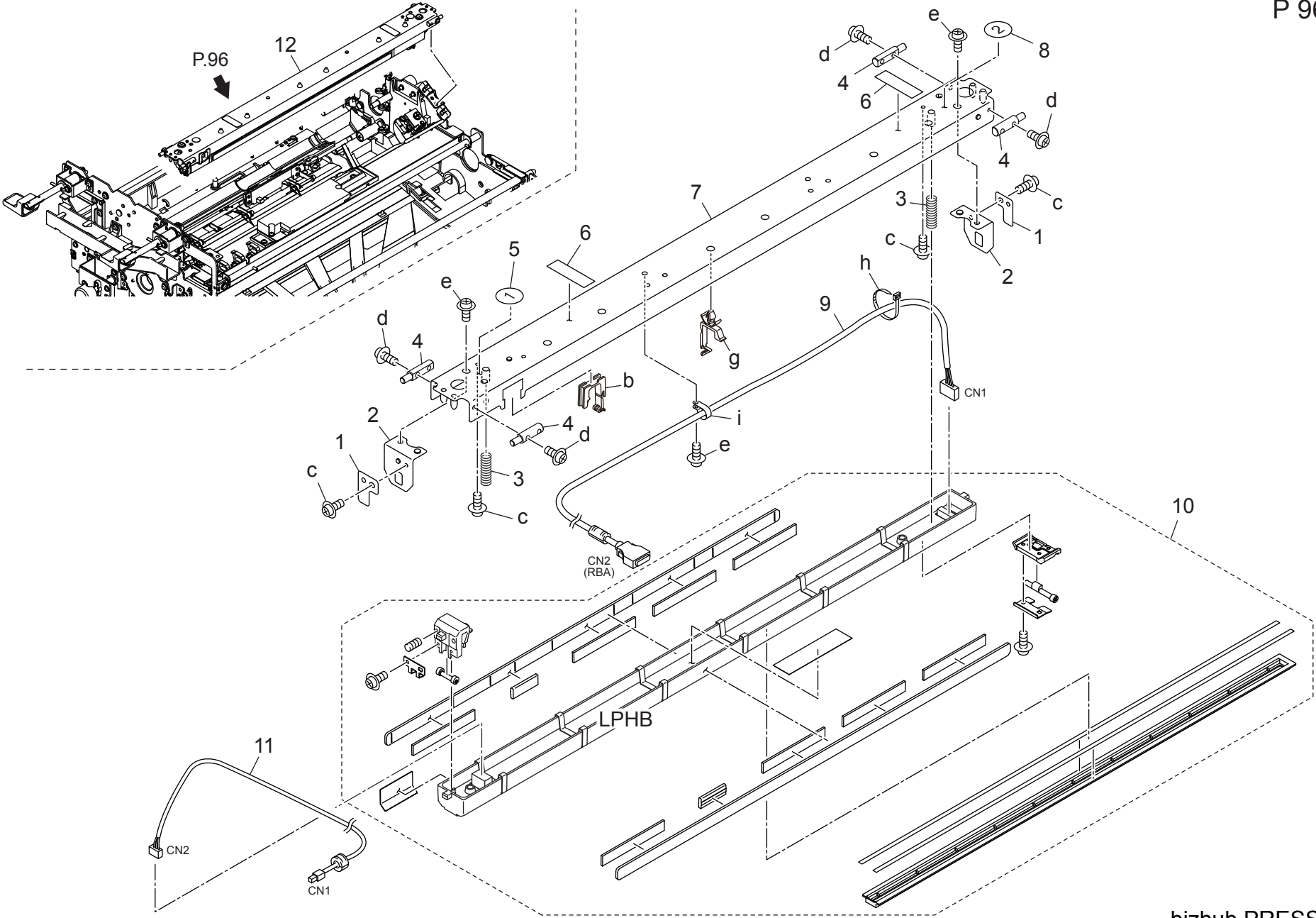
P 95



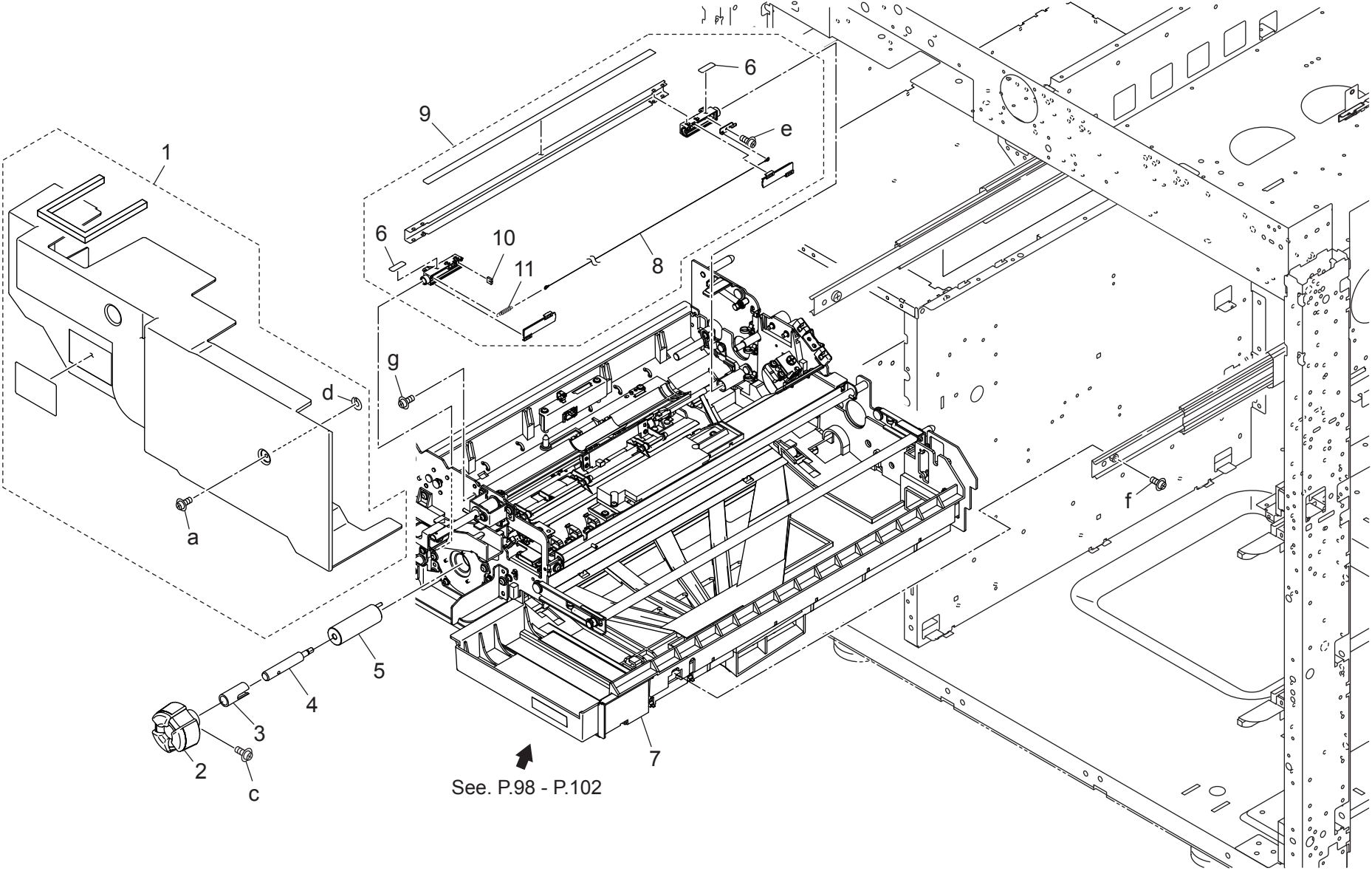
OPTICS UNIT

Key	Part No.	Description	Destinations	Class	QTY	Standard parts
1	A4EUR74U00	Original Stopper Plate /Left A		C	1	a-V114040604
2	56UA12700	Fixing Screw		C	5	
3	A4EUR74T00	Original Glass Assy		C	1	
4	A0Y5176301	Index Plate /Rear		C	1	
5	56UA12080	Read Cover /Middle		D	1	
6	56UA12640	Read Cover /Front		C	1	
7	56UA12401	GLASS STOPPER PLATE RIGHT		D	1	

SUPPORT STAY UNIT



DRUM CARTRIDGE UNIT



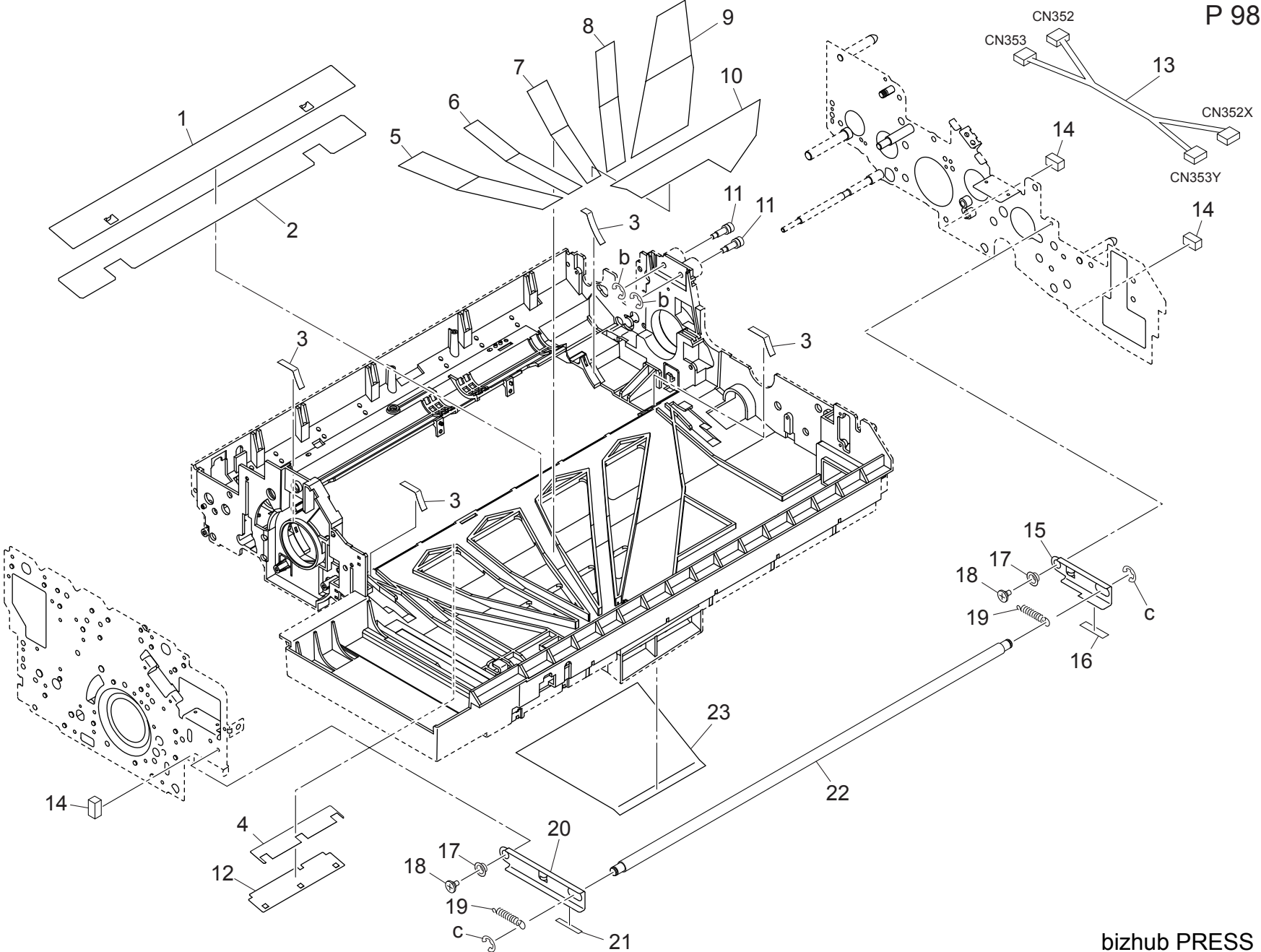
See. P.98 - P.102

DRUM CARTRIDGE UNIT

Key	Part No.	Description	Destinations	Class	QTY	Standard parts
1	A4EUR75U11	Drum Protect Cover Assy		D	1	a-V114041204 c-V121040803 d-V221040050 e-V151020503 f-V118030803 g-V121040603
2	A0G6344501	Fixing Knob		C	1	
3	A0G6333700	Regulating Collar		C	1	
4	A0G6330900	Fixing Shaft		D	1	
5	A4EU333803	Fixing Coupling		D	1	
6	A0G6950501	Set Label /5		D	2	
7	A4EUR75611	Drum Caurrige Assy		D	1	
8	A0G6470800	Discharge Wire		A	1	
9	A4EUR75K00	PCC Assy		B	1	
10	55VA25270	Electrode Vibrating Rubber		A	1	
11	56AA17140	WIRE TENSION SPRING		C	1	

DRUM CARTRIDGE UNIT

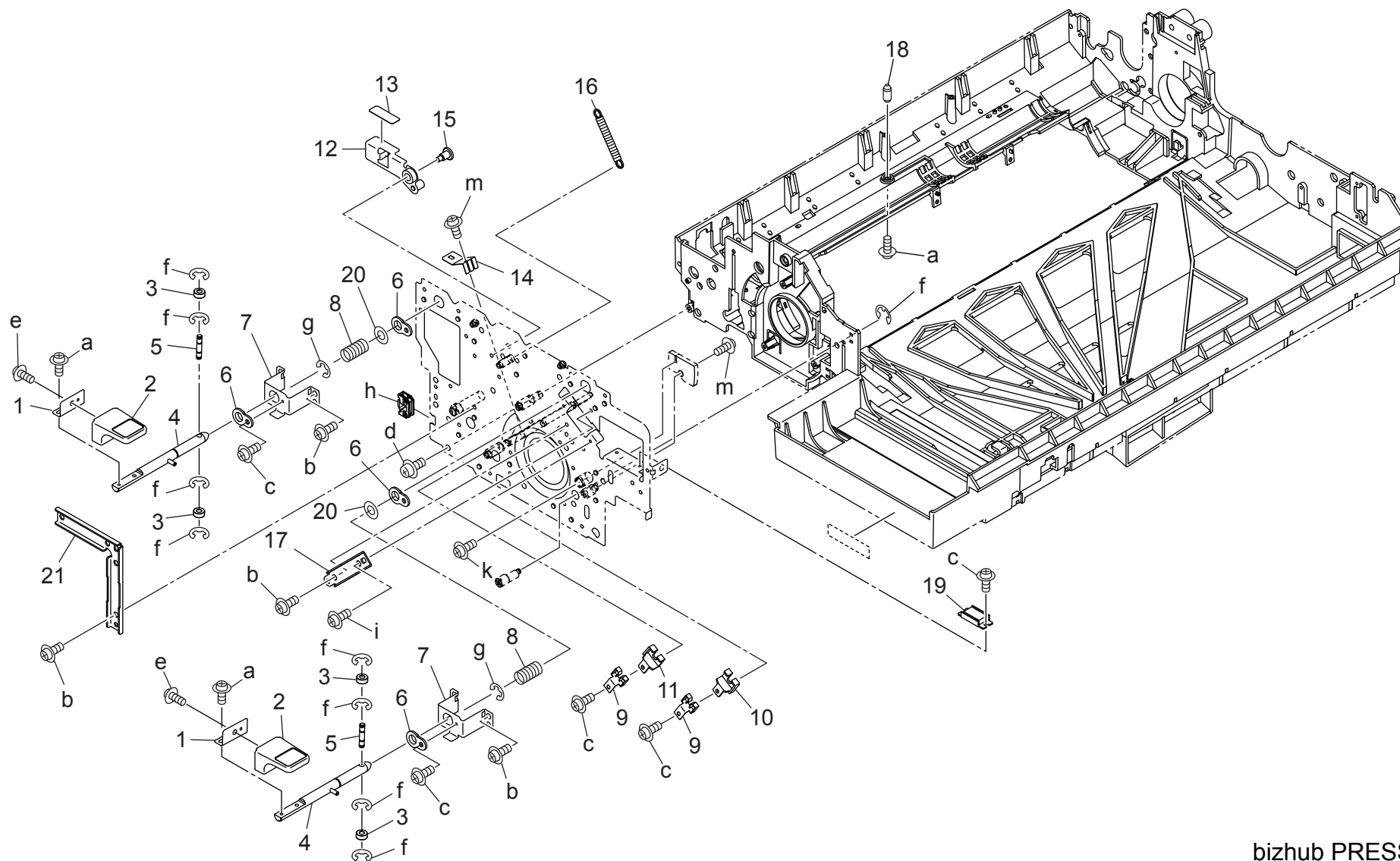
P 98



DRUM CARTRIDGE UNIT

Key	Part No.	Description	Destinations	Class	QTY	Standard parts
1	A0G6343401	Suction Plate		D	1	b-V217030001 c-V217060001
2	A0G6344200	Sealing Part /G	シール部材 / G	C	1	
3	A0G6332600	Protection Seal /2	保護シール / 2	C	4	
4	A0G6344300	Sealing Part /J	シール部材 / J	C	1	
5	56UA20750	Developing Suction Cover /6	現像サクシ ョン蓋 / 6	C	1	
6	56UA20740	Developing Suction Cover /5	現像サクシ ョン蓋 / 5	D	1	
7	56UA20730	Developing Suction Cover /4	現像サクシ ョン蓋 / 4	D	1	
8	56UA20720	Developing Suction Cover /3	現像サクシ ョン蓋 / 3	D	1	
9	A0G6343300	Suction Cover /2	サクシ ョン蓋 / 2	C	1	
10	A0G6343200	Suction Cover	サクシ ョン蓋	C	1	
11	56UA20380	CHARGING SUPPORT SHAFT REAR	帯電支持軸 奥	D	2	
12	A0G6333901	Cover Plate	カバープレート	D	1	
13	A0G6N22500	Photoconductor Relay Harness /4	感光体中継束線 / 4	D	1	
14	A4EUM92500	Gasket	ガスケット (/ 2 5)	D	3	
15	A0G6333600	Developing Lever /Rear	現像レバー / 奥	C	1	
16	A0G6950701	Set Label /7	セツトラベル / 7	D	1	
17	090020510	CLEANER MOUNT LEVER COLLAR	クリーニング取り 付けレバーカラー	C	2	
18	55VA20520	Cleaner Locking Screw	クリーナーロックネジ	C	2	
19	55VA20290	DEVELOPING PRESSURE SPRING	現像押圧バネ	B	2	
20	A0G6333500	Developing Lever /Front	現像レバー / 前	C	1	
21	A0G6950601	Set Label /6	セツトラベル / 6	D	1	
22	A0G6332100	Release Shaft	解除軸	D	1	
23	A4EU341100	Suction Cover /7	サクシ ョン蓋 / 7	D	1	

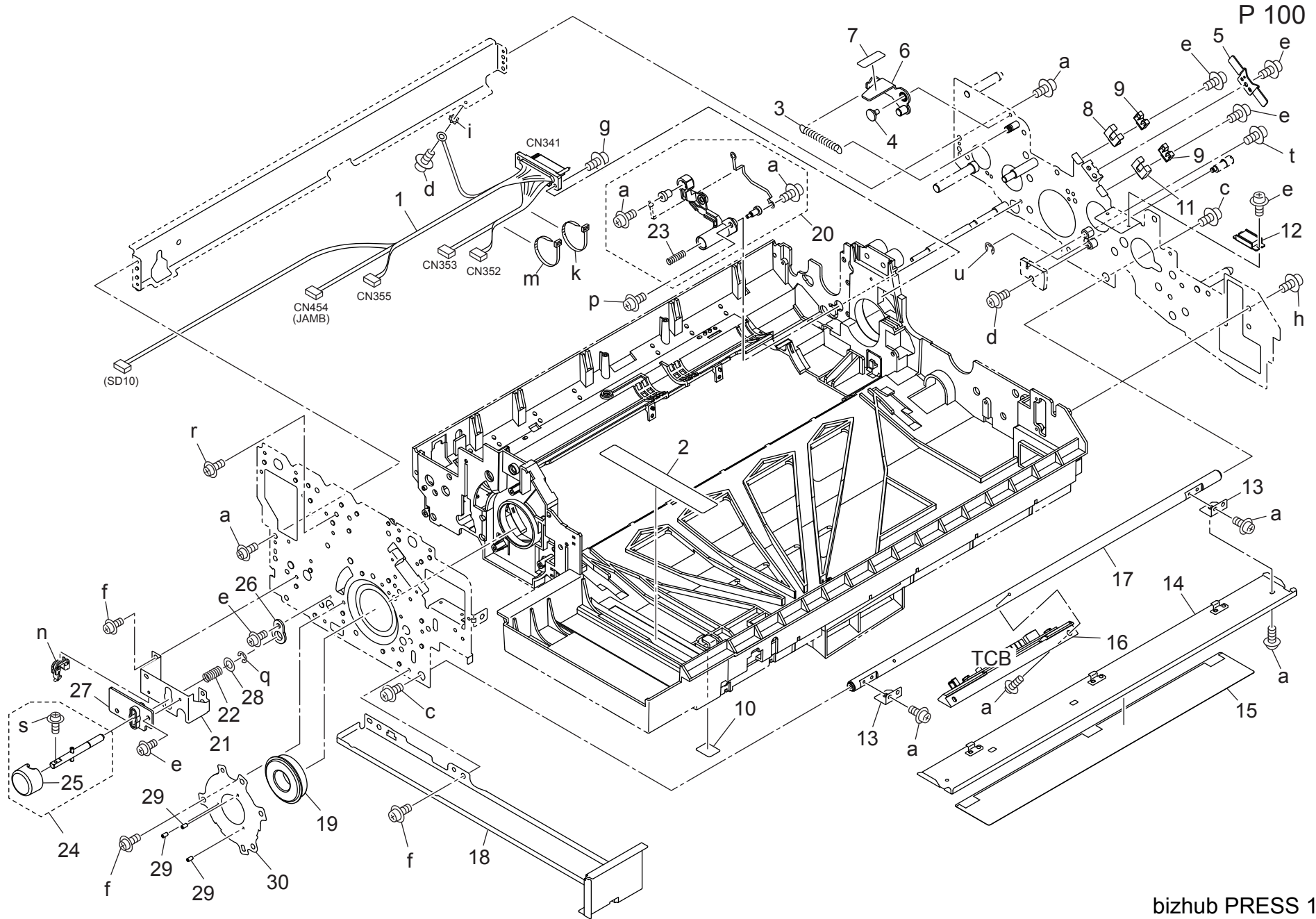
DRUM CARTRIDGE UNIT



DRUM CARTRIDGE UNIT

Key	Part No.	Description	Destinations	Class	QTY	Standard parts
1	A0G6334100	Support Plate /T		D	2	a-V121030603 b-V127040603 c-V127030604 d-V151030803 e-V151040803 f-V217030001 g-V217060001 h-V570010056 i-V121040403 k-V116032003 m-V116030603
2	A0G6344601	Paper Exit Lever		C	2	
3	A4EU349100	Bushing		C	4	
4	A4EUR75700	Pulling Shaft Assy		D	2	
5	A0G6331700	Rotation Shaft /R		D	2	
6	A0G6343900	Slide Collar		C	4	
7	A0G6331601	Support Plate /R		D	2	
8	A0G6331500	Pulling Spring		C	2	
9	A0G6302500	Fixing Plate Spring		C	2	
10	A0G6302700	Guide Cover /Right		D	1	
11	A0G6302800	Guide Cover /Left		D	1	
12	A4EUF33301	CLENER LEVER/F CAULKING		D	1	
13	A0G6950801	Set Label /8		D	1	
14	A4EU346800	Contact		D	1	
15	A0G6342200	Lock Screw		C	1	
16	A0Y5344900	Lock Spring		C	1	
17	A4EU349300	Reinforce Plate /2		D	1	
18	55VA20630D	Cleaner Base Shaft		D	1	
19	40AA32290	MAGNET CATCH		C	1	
20	55VA32530	SPACER		C	2	
21	A4EU349200	Reinforce Plate /1		D	1	

DRUM CARTRIDGE UNIT



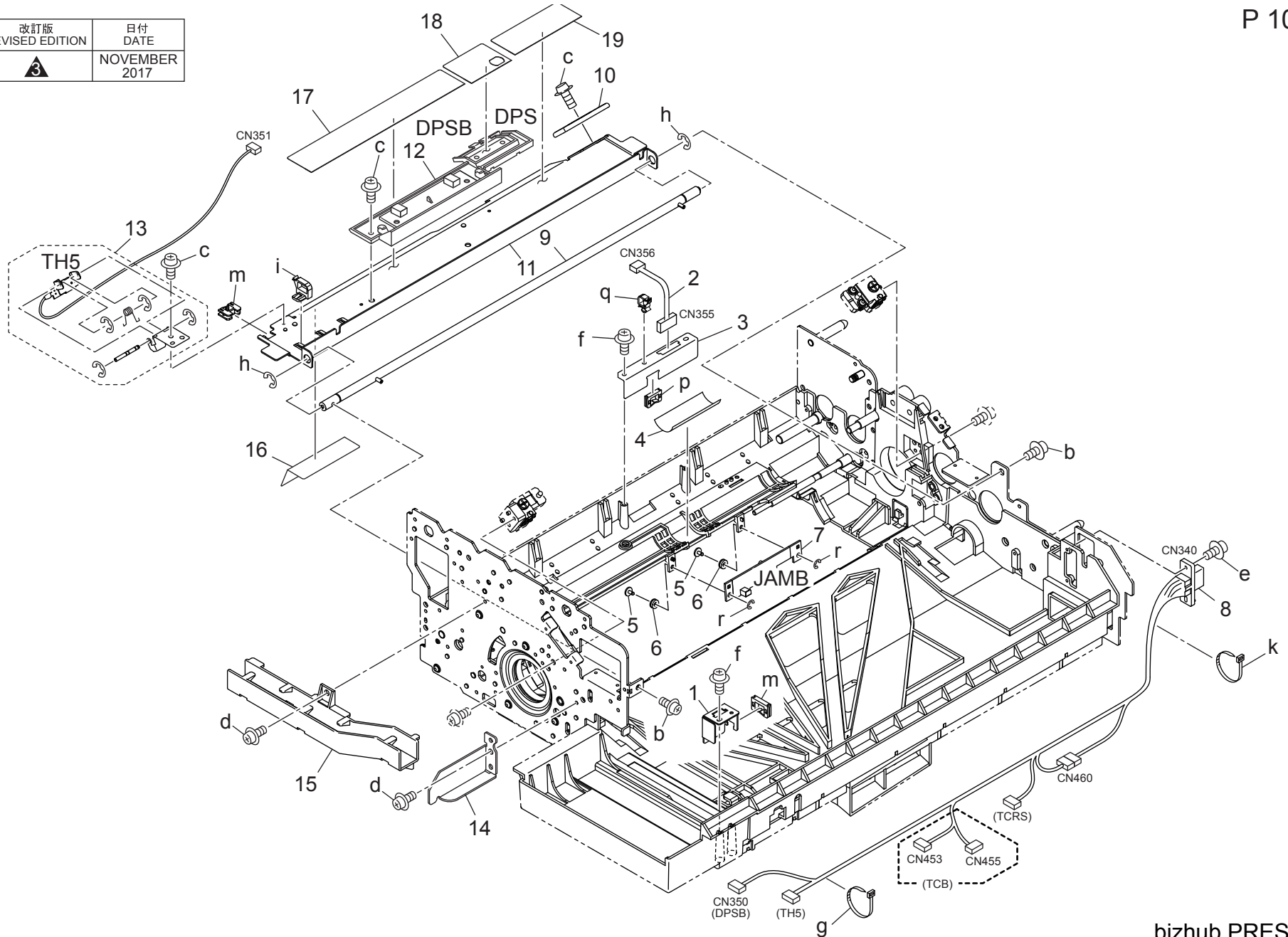
bizhub PRESS 1052

DRUM CARTRIDGE UNIT

Key	Part No.	Description	Destinations	Class	QTY	Standard parts
1	A4EUN14100	Photoconductor Wiring /1		D	1	a-V121030603
2	A0G6333000	Protection Cover		C	1	c-V121040803
3	A0Y5344900	Lock Spring		C	1	d-V116030603
4	55VA20520	Cleaner Locking Screw		C	1	e-V127030604
5	A0G6302900	Holding Plate		D	1	f-V127040603
6	A4EUF33900	Cleener Rock Lever/R Caulking		D	1	g-V145031003
7	A0G6950801	Set Label /8		D	1	h-V151030803
8	A0G6302700	Guide Cover /Right		D	1	i-V209030003
9	A0G6302500	Fixing Plate Spring		C	2	k-V501010002
10	A0G6835500	Seal /W		C	1	m-V501010003
11	A0G6302800	Guide Cover /Left		D	1	n-V570010056
12	40AA32290	MAGNET CATCH		C	1	p-V118040603
13	A0G6343000	Support Part /T		D	2	q-V217040001
14	A0G6331204	Guide Part /T		D	1	r-V126041003
15	A0G6331301	Guide Sheet		C	1	s-V118030603
16	A4EUR75911	Toner Control Board Assy		D	1	t-V116031403
17	A0G6330700	Developing Stay		D	1	u-V217030001
18	A4EU332900	Reinforce Stay /Front		D	1	
19	55TA75020	Bearing		B	1	
20	A4EUR75C00	Power Block Assy		D	1	
21	A0G6346101	Lock Plate		D	1	
22	A0G6346300	Lock Spring		C	1	
23	A0G6347100	Power Supply Spring		C	1	
24	A4EUR75D00	Lock Shaft Assy		D	1	
25	A0G6346901	Rotation Knob		D	1	
26	A0G6346400	Slide Collar		C	1	
27	A0G6346500	Guide Block /2		D	1	
28	07BA15871	SPACER A		C	1	
29	A0G6525200	Adjusting Screw		D	3	
30	A4EU341000	Fixing Plate		D	1	

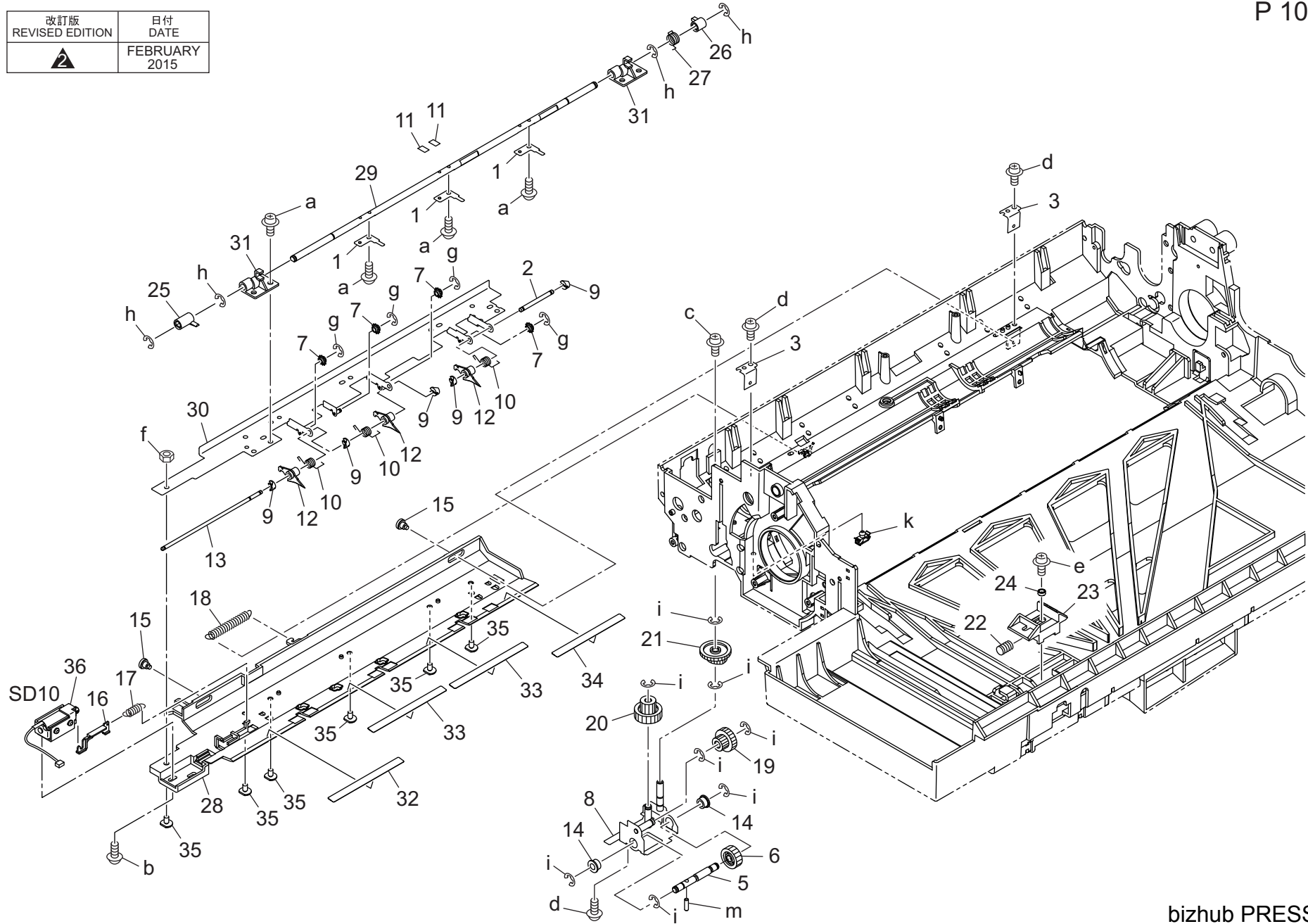
DRUM CARTRIDGE UNIT

改訂版 REVISED EDITION	日付 DATE
	NOVEMBER 2017



DRUM CARTRIDGE UNIT

改訂版 REVISED EDITION	日付 DATE
	FEBRUARY 2015

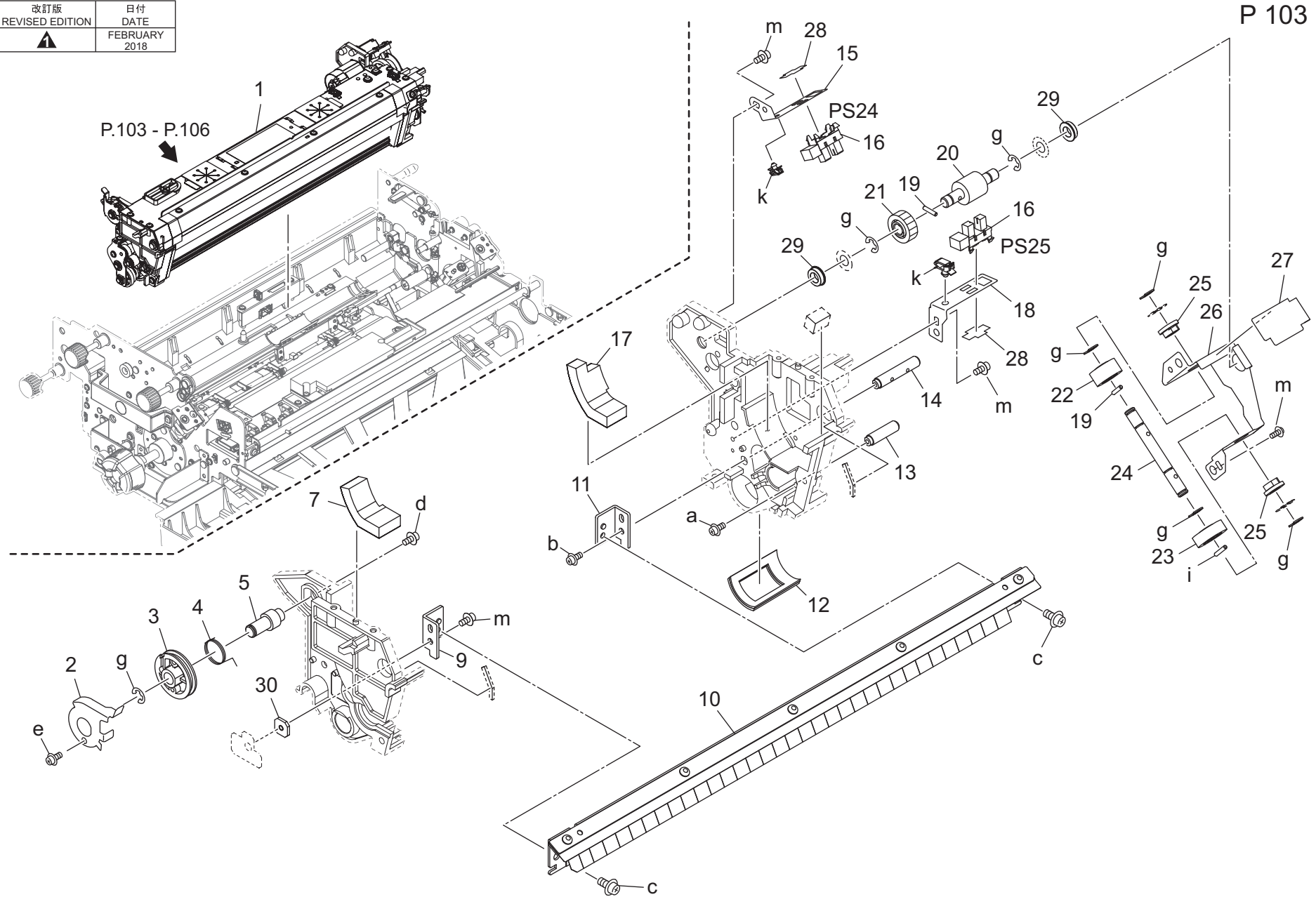


DRUM CARTRIDGE UNIT

Key	Part No.	Description	Destinations	Class	QTY	Standard parts
1	A0G6345700	Release Plate		D	3	a-V118030403
2	A0G6345800	Separating Shaft /2		D	1	b-V121030403
3	55VA20590	SEPARATION FIXING PLATE		D	2	c-V121030603
5	A0G6339400	Swing Shaft /W		D	1	d-V151030803
6	55VA77570	SEPARATE ROCKING GEAR B 32T		C	1	e-V151041003
7	113620270	CLAW WHEEL		C	4	f-V195030003
8	A0G6339000	Swing Board		D	1	g-V217020001
9	45AA20400	STOPPER PART		A	5	h-V217030001
10	A0G6345411	Separating Spring		C	3	i-V217040001
11	56UA29230	Separation Auxiliary Sheet		C	2	k-V500020099
12	A0G6345600	Separating Claw /D		A	3	m-V234301050
13	A0G6339812	Separating Shaft		D	1	
14	25AA29770	SEPARATE FULCRUM SHAFT HOLDER		C	2	
15	55VA20680	SEPARATION POSITIONING SCREW		C	2	
16	A0G6338411	Release Part /A		D	1	
17	55VA29150	RELEASE SPRING		B	1	
18	56UA45960	Paper Exit Pressing Spring		C	1	
19	A0G6339500	Swing Gear /A 20/35T		C	1	
20	A0G6339600	Swing Gear /B 18/33T		C	1	
21	56UA77290	SEPARATION SWING GEAR 40T		C	1	
22	A0G6332000	Tension Spring		C	1	
23	A0G6331903	Slide Stopper		C	1	
24	25AA20321	PTL SUPPORT SPACER		C	1	
25	55VA29040	Separating Release Part /B		C	1	
26	55VA29050	Separating Release Part /C		C	1	
27	55VA29140	SOLENOID RELEASE SPRING		B	1	
28	A0G6338113	Separating Guide		D	1	
29	A0G6338201	Release Shaft		D	1	
30	A0G6338612	Separating Plate		D	1	
31	A0G6338911	Support Block		D	2	
32	A0G6345111	Cover Sheet /F		C	1	
33	A0G6345200	Cover Sheet /C		C	2	
34	A0G6345311	Cover Sheet /R		C	1	
35	A0Y5351500	Fixing Screw		C	6	
36	A4EUR76P00	Claw Separating Solenoid Assy		D	1	

DRUM CLEANING UNIT

改訂版 REVISED EDITION	日付 DATE
	FEBRUARY 2018

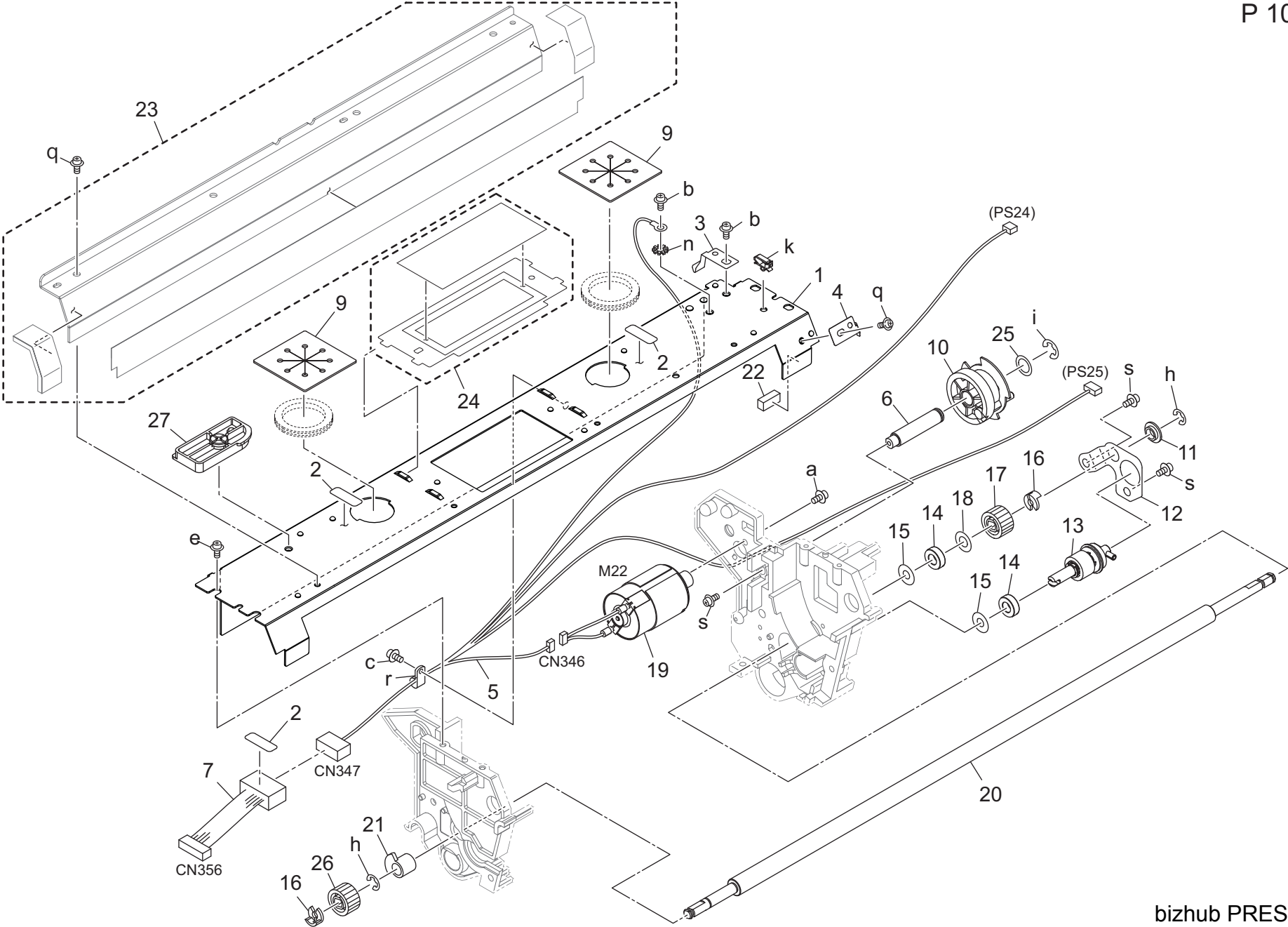


bizhub PRESS 1052

DRUM CLEANING UNIT

Key	Part No.	Description	Destinations	Class	QTY	Standard parts
1	A9JTR71611	Drum Cleaning Unit	ドラムクリーニングユニット	D1,D3,E,F2,G1,G2,H, I,J,K	1	a-V121030603
1	A9JTR71611	Drum Cleaning Unit	ドラムクリーニングユニット	A,B,C	1	b-V121030803
2	55VA55490	BLADE CHANGE LEVER	ブレード 交換レバー		1	c-V121040403
3	25AA55360	Blade Pulley /C	ブレード プーリー / C		1	d-V121040603
4	25AA55420	WIRE TENSION SPRING	ワイヤーテンションバネ		1	e-V145030603
5	25AA55390	Wire Rotary Shaft	ワイヤー回転軸		1	g-V217040001
7	A0G6533100Old	Cleaning Seal /4	クリーニングシール / 4		1	i-V234201250
7	A9JT533100	Scatteringprevention Part /Front	飛散防止部材 / 前		1	k-V500020099
9	55VA55351	Mouting Plate /F	取り付け板 / F		1	m-V151030803
10	A4EUR70J00	Guide Plate Assy	ガイドプレート 部組		1	
11	55VA55361	Mouting Plate /R	取り付け板 / R		1	
12	A0G6531900	Cleaning Seal /1	クリーニングシール / 1		1	
13	A0G6531300	Positioning Shaft /R	位置決め軸 / R		1	
14	A0G6532101	Idling Shaft /2	アイドル軸 / 2		1	
15	A4EU537000	Mounting Plate /A	取付板 / A		1	
16	A50UM55500Old	Photo Sensor	フォトセンサ(透過型)		2	
16	A85CM55500	Photo Sensor	フォトセンサ		2	
17	A0G6533000Old	Cleaning Seal /3	クリーニングシール / 3		1	
17	A9JT533000	Scatteringprevention Part /Rear	飛散防止部材 / 奥		1	
18	A4EU531000	Mounting Plate /B	取付板 / B		1	
19	56AA17510	Pin /B	ピン / B		2	
20	A4EU538000	Swing Shaft	揺動軸		1	
21	A4EU538200	Release Gear /2 26T	解除ギア / 2 26 T		1	
22	A4EU538300	Release Gear /3 18T	解除ギア / 3 18 T		1	
23	A4EU538400	Release Gear /4 15T	解除ギア / 4 15 T		1	
24	A4EU537800	Drive Shaft	駆動軸		1	
25	A4EU537900	Bushing	すべり軸受		2	
26	A4EU537700	Drive Plate	駆動板		1	
27	A4EU538700	Scatteringprevention Filter	飛散防止フィルタ		1	
28	4470402401	Stopper	ストッパー		2	
29	A00J617800	Ball Bearing	ボールベアリング		2	
30	A0G6525600	Mounting Plate	取付板		1	

DRUM CLEANING UNIT

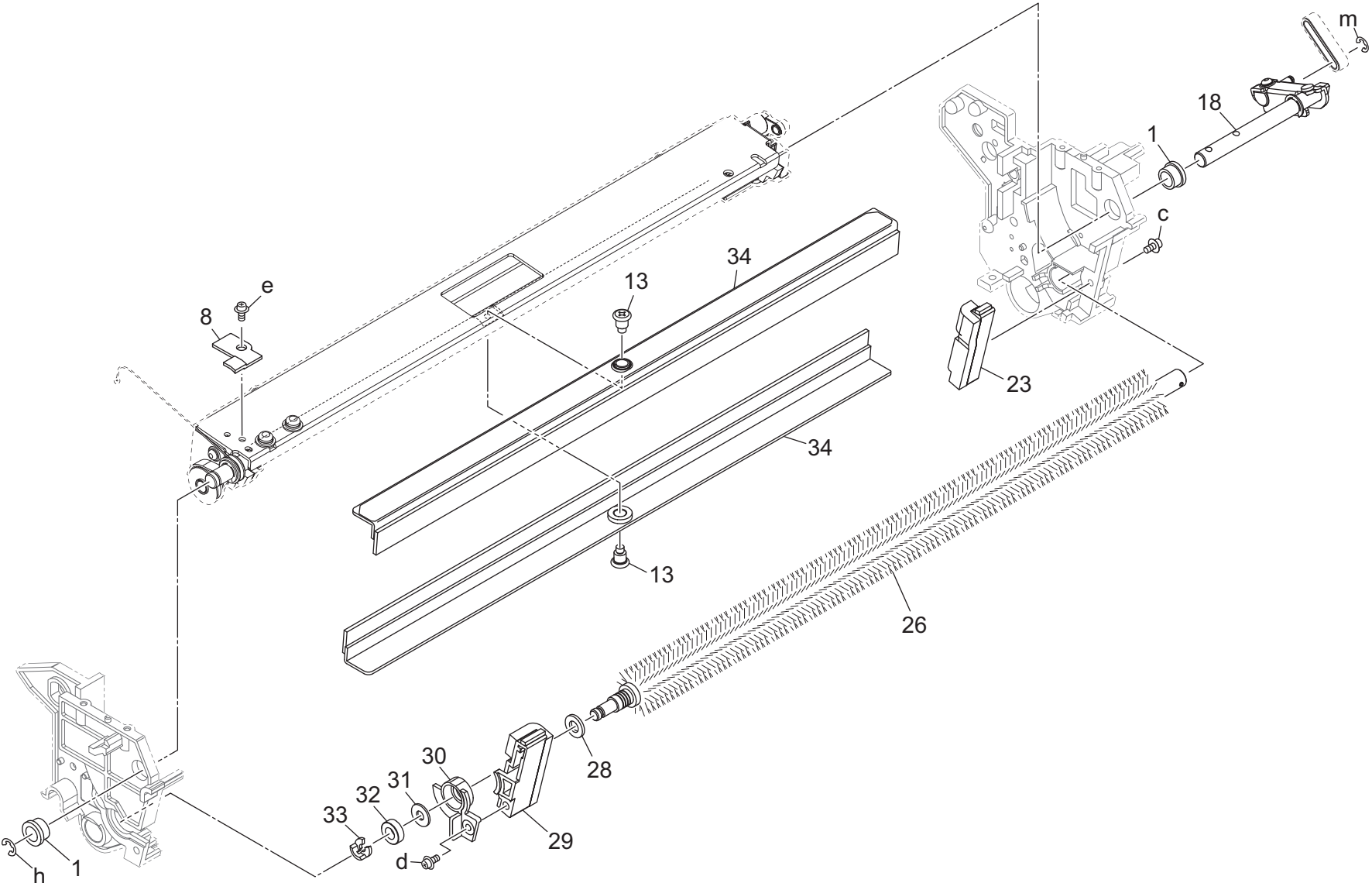


DRUM CLEANING UNIT

Key	Part No.	Description	Destinations	Class	QTY	Standard parts
1	A0G6532201Old	Cleaning Cover		D	1	a-V118260601 b-V121040403 c-V121040603 e-V151030803 h-V217040001 i-V217060001 k-V500020100 n-V209040050 q-V121030403 r-V500020038 s-V121030603
1	A0G6532202	Cleaning Cover	クリーニングカバー	D	1	
2	A0G6950501	Set Label /5	クリーニングカバー セットラベル/5	D	3	
3	A4EU538600	Ground Plate /B	アースプレート / B	D	1	
4	A0G6532300	Ground Plate /A	アースプレート / A	D	1	
5	A4EUN25300	Relay harness /B	中継束線 / B	D	1	
6	A4EU537400	Mounting Shaft	取付軸	D	1	
7	A4EUN25500	Wiring /B	束線 / B	D	1	
9	A0G6535900	Cover Rubber	カバーゴム	C	2	
10	A4EUR75R00	Caum Gear Assy	カムギア部組	D	1	
11	090020510	CLEANER MOUNT LEVER COLLAR	クリーニング取り付けレバーカラー	C	1	
12	A0G6530701	Reinforce Plate /R	補強板 / R	D	1	
13	A4EUR70F00	Cleaning Gear/2 Assy	クリーニングギア/2 部組	B	1	
14	A0G6531500	Cleaning Bearing	クリーニング軸受	C	2	
15	55VA55680	SPEWING PREVENTIVE FELT	飛散防止フェルト	A	2	
16	396040681	STOPPER RING	止め輪	B	2	
17	A0G6532700	Cleaning Gear/3 29T	クリーニングギア/3 29 T	B	1	
18	25HA15210	SPACER E	スペーサー E	C	1	
19	A4EUR75P00	Blade Motor Assy	ブレードモータ部組	C	1	
20	A0G6530500	Guide Shaft	ガイド軸	B	1	
21	55VA55400Old	Cleaner Shaft Holder	クリーナー軸受	C	1	
21	A9JT536500	Cleaning Bushing	クリーニングすべり軸受	C	1	
22	A0G6532900	Cleaning Seal /2	クリーニングシール/2	C	1	
23	A4EUR71100Old	Drum Scraper Assy	ドラムスクレーパ部組	A	1	
23	A9JTR73500	Photoconductor Seal Assy	感光体シール A s s y	A	1	
24	A4EUR71200	Scatteringprevention Filter Assy	飛散防止フィルタ部組	A	1	
25	13QA40610	Gear Spacer	ギアスペーサー	C	1	
26	A9JT532700	Drive Gear /F 24T	駆動ギア / F 24 T	C	1	
27	A9JTR71T00	Release Jig Assy	解除治具 A s s y	D	1	

DRUM CLEANING UNIT

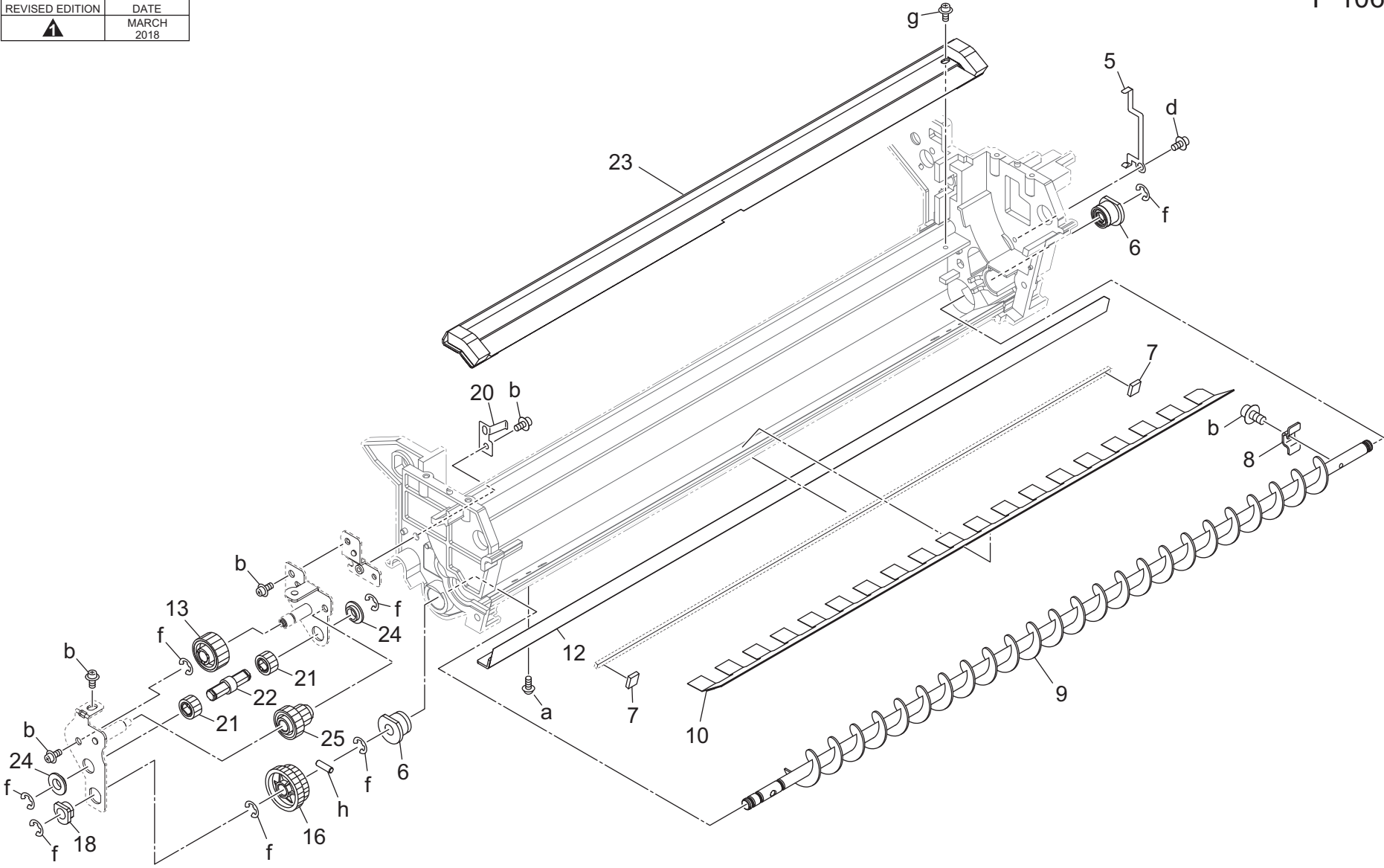
改訂版 REVISED EDITION	日付 DATE
▲	FEBRUARY 2018



Key	Part No.	Description	Destinations	Class	QTY	Standard parts
1	090076040	SHAFT HOLDER		C	2	c-V121031203 d-V121031803 e-V121040403 h-V217060001 m-V217030001
8	25AA55720	Wire Cover /Upper		C	1	
13	56UA558300Old	POSITIONING SCREW		C	2	
13	A9JT539700	Support Shoulder Screw		D	2	
18	A4EUR75Q00	Blade Release Arm Assy		D	1	
23	A4EUR70H00Old	Sealing Plate/R Assy		A	1	
23	A9JTR73400	Sealing Plate/R Assy		B	1	
26	A4EUR70K00	Toner Guide Brushe Assy		A	1	
28	55VA55670	Toner Preventive Collar		C	1	
29	A4EUR70G00Old	Sealing Plate/F Assy		A	1	
29	A9JTR73300	Sealing Plate/F Assy		B	1	
30	55VA55130	Shaft Holder Fixed Part		C	1	
31	55VA55680	SPEWING PREVENTIVE FELT		A	1	
32	A0G6531500	Cleaning Bearing		C	1	
33	396040681	STOPPER RING		B	1	
34	A9JTR71500	Drum Cleaning Blade		A	2	

DRUM CLEANING UNIT

改訂版 REVISED EDITION	日付 DATE
▲	MARCH 2018

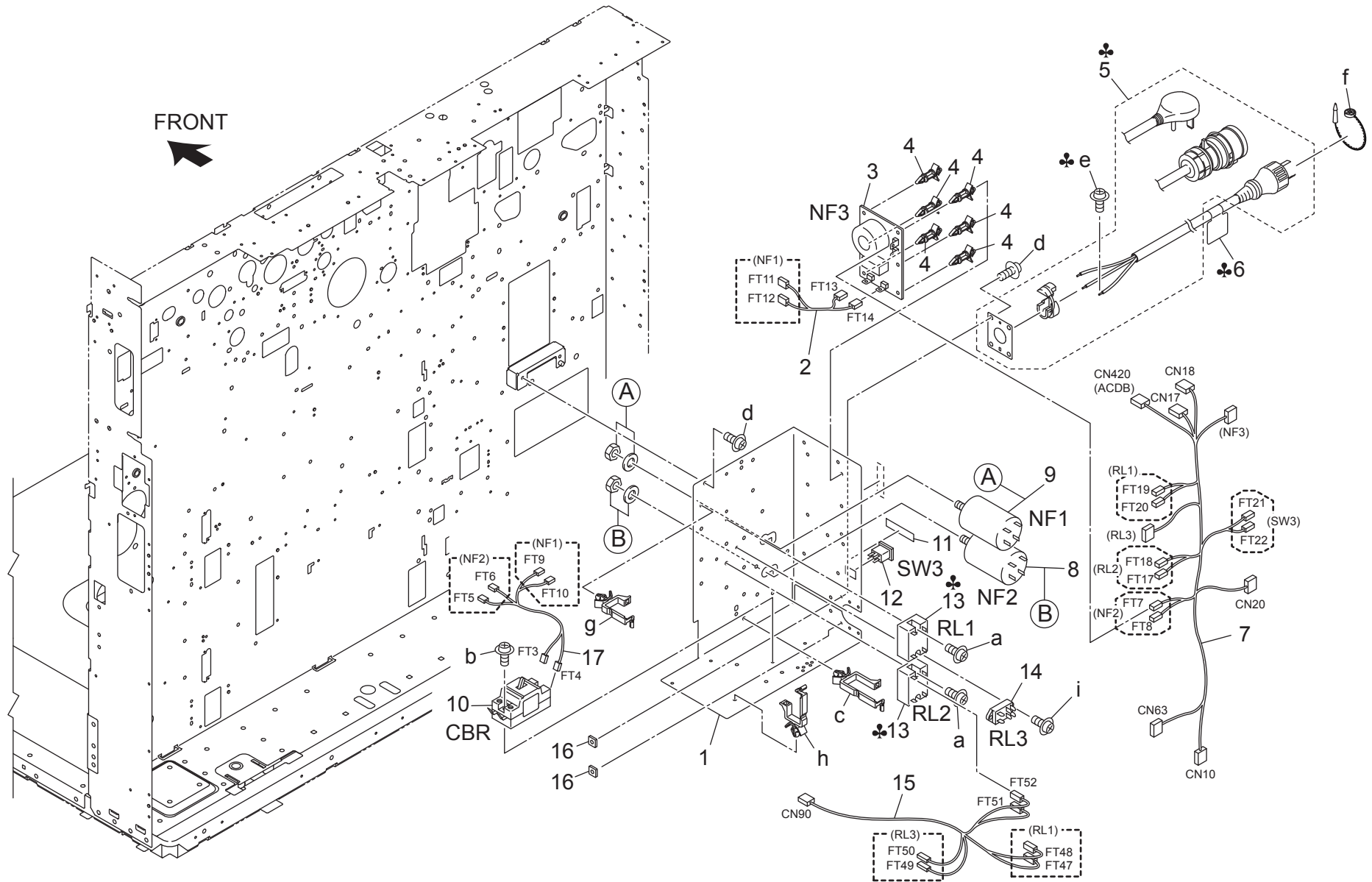


DRUM CLEANING UNIT

Key	Part No.	Description	Destinations	Class	QTY	Standard parts	
5	A0G6534200	Ground Plate /B	アースプレート / B	D	1	a-V118030403 b-V121030603 c-V145030603 f-V217040001 g-V121030403 h-V234301050	
6	26TA30770	DEVELOPING SHAFT HOLDER A	現像軸受 A	C	2		
7	55VA55641	SEALING PART/1	シール部材 /1	C	2		
8	56UA55550	Toner Agitating Plate	トナー攪拌プレート	D	1		
9	A4EU530300Old	Cleaning Screw	クリーニングスクルー	D	1		
9	A0G6530300	Cleaning Screw	クリーニングスクルー	C	1		
10	A4EUR75S00	Sealing Assy	振動シート 部組	D	1		
12	A4EUR71300	Toner Sealing Plate Assy	トナーシール基板部組	B	1		
13	A0G6532800Old	Cleaning Gear /4 33T	クリーニングギア /4 33 T	C	1		
13	A9JT534900	Drive Gear /3 35T	駆動ギア /3 35 T	C	1		
16	A0G6531401	Cleaning Gear /1 41/47T	クリーニングギア /1 41 /47 T	C	1		
18	466076020	Paper Feed Feeding Bearing	給紙送り出し軸受	B	1		
20	A0G6531800	Ground Plate	アースプレート	D	1		
21	A9JT535300	Drive Gear /4 20T	駆動ギア /4 20 T	C	2		
22	A9JT536600	Drive Shaft /4	駆動軸 /4	D	1		
23	A9JTR72800	Blade Seal /A Assy	ブレードシール / A A s s y	D	1		
24	090020510	CLEANER MOUNT LEVER COLLAR	クリーニング取り付けレバーカラー	C	2		
25	A9JT534800	Drive Gear /2 20/31T	駆動ギア /2 20 /31 T	C	1		

ELECTRIC PARTS

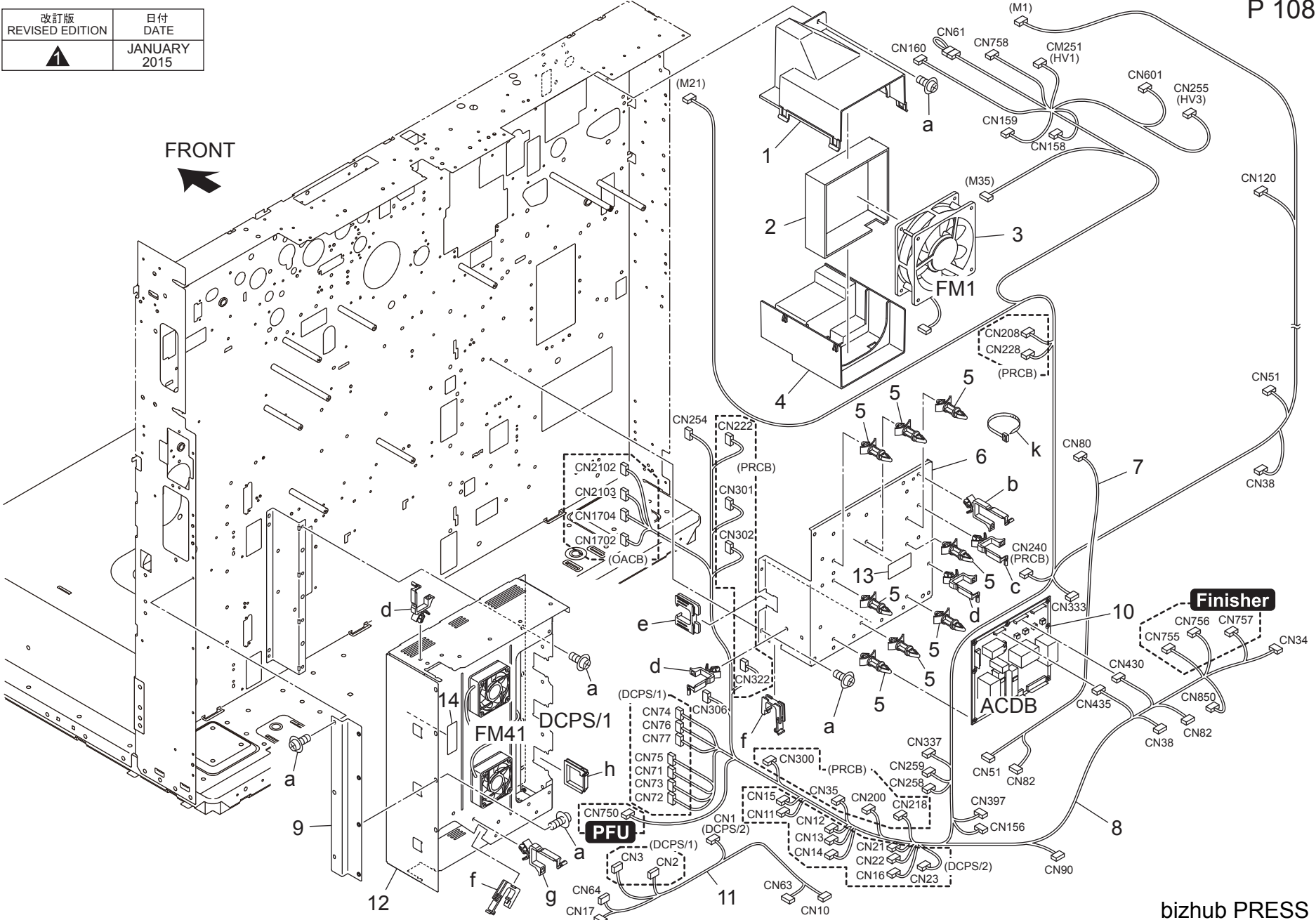
P 107



bizhub PRESS 1052

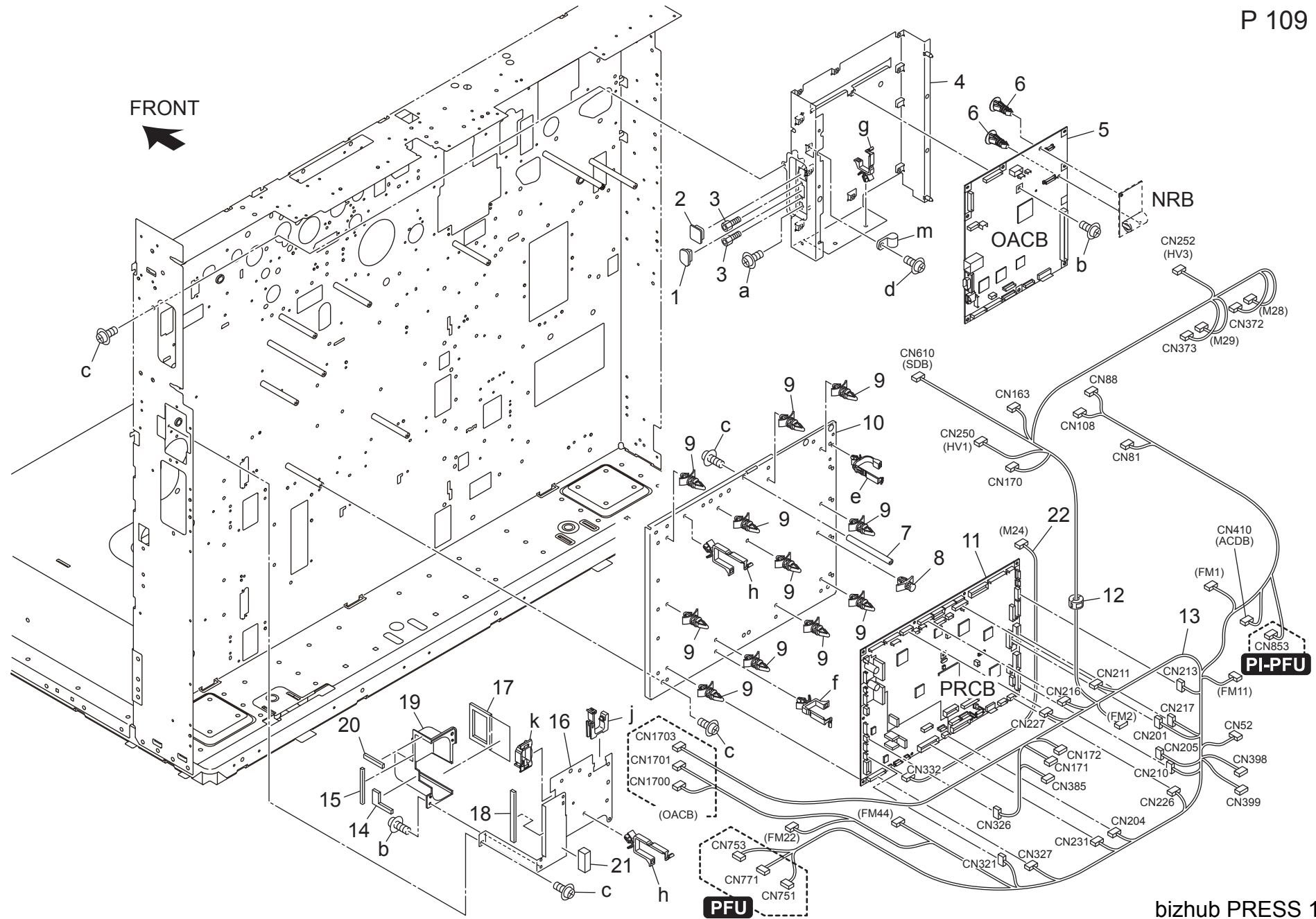
ELECTRIC PARTS

改訂版 REVISED EDITION	日付 DATE
	JANUARY 2015



ELECTRIC PARTS

P 109



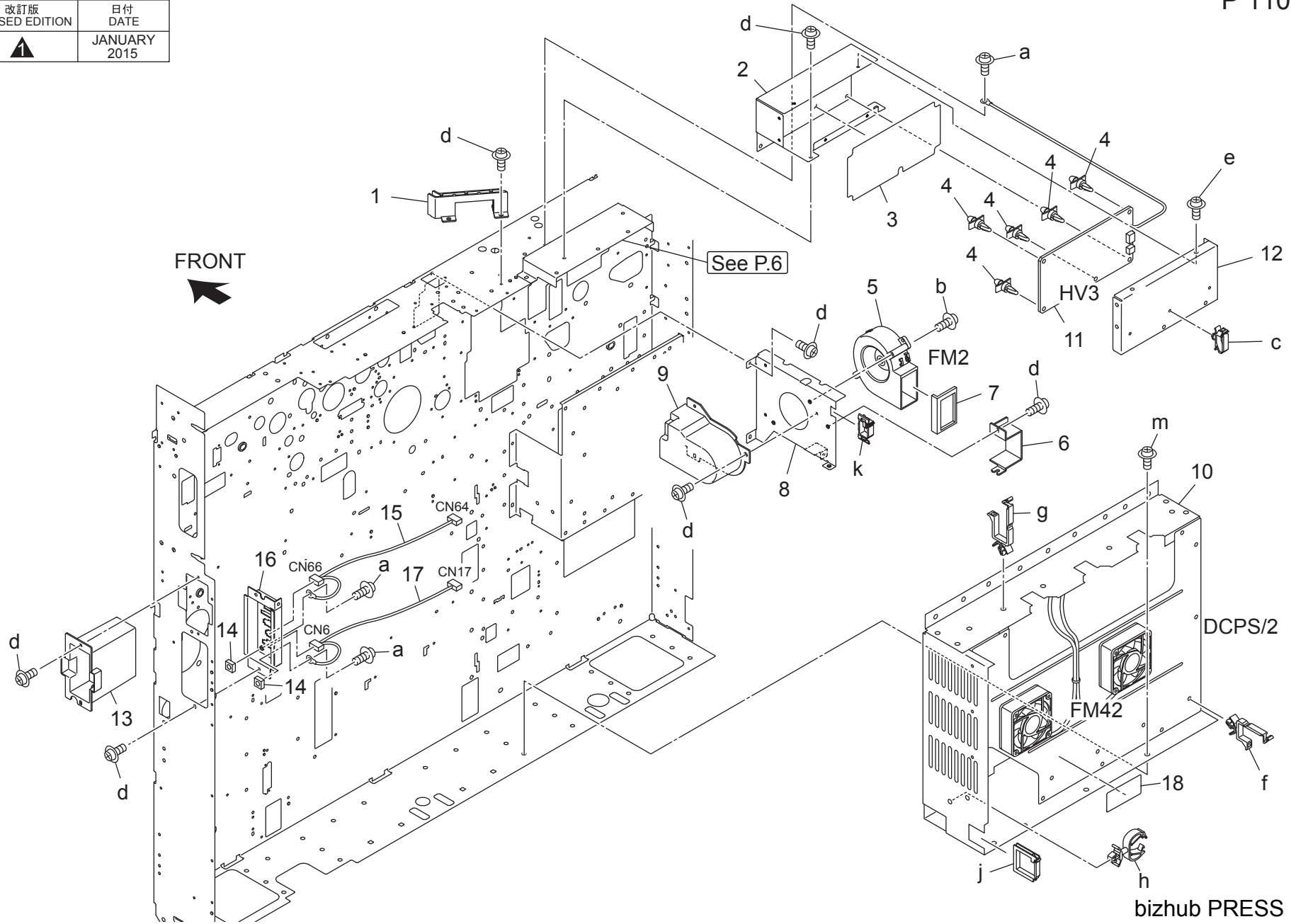
 Order here
8 (495) 646-0426
ПЯТЫЙ ПАРТНЕР www.km-shop.ru

bizhub PRESS 1052

ELECTRIC PARTS

P 110

改訂版 REVISED EDITION	日付 DATE
	JANUARY 2015



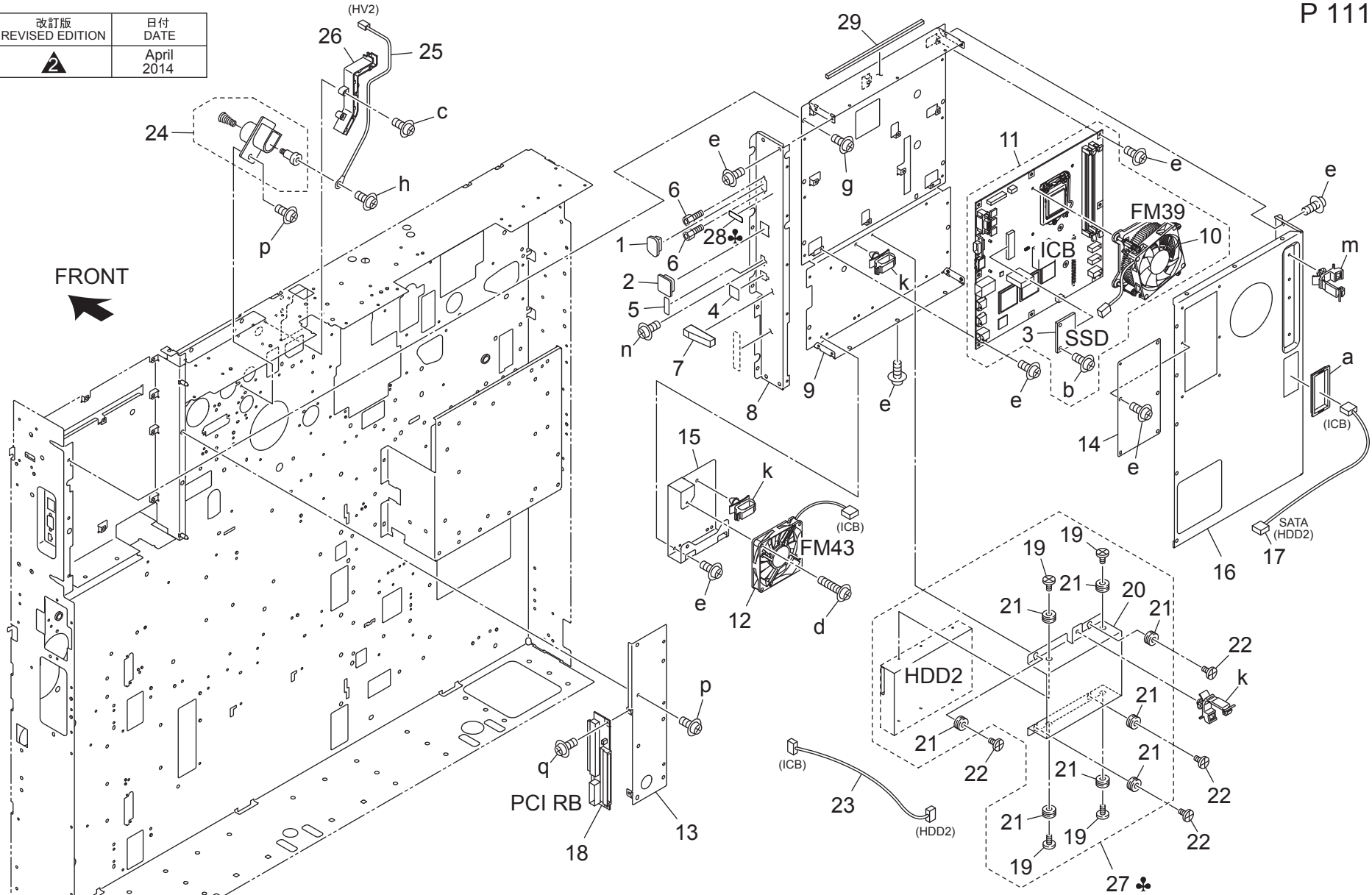
bizhub PRESS 1052



ELECTRIC PARTS

P 111

改訂版 REVISED EDITION	日付 DATE
	April 2014

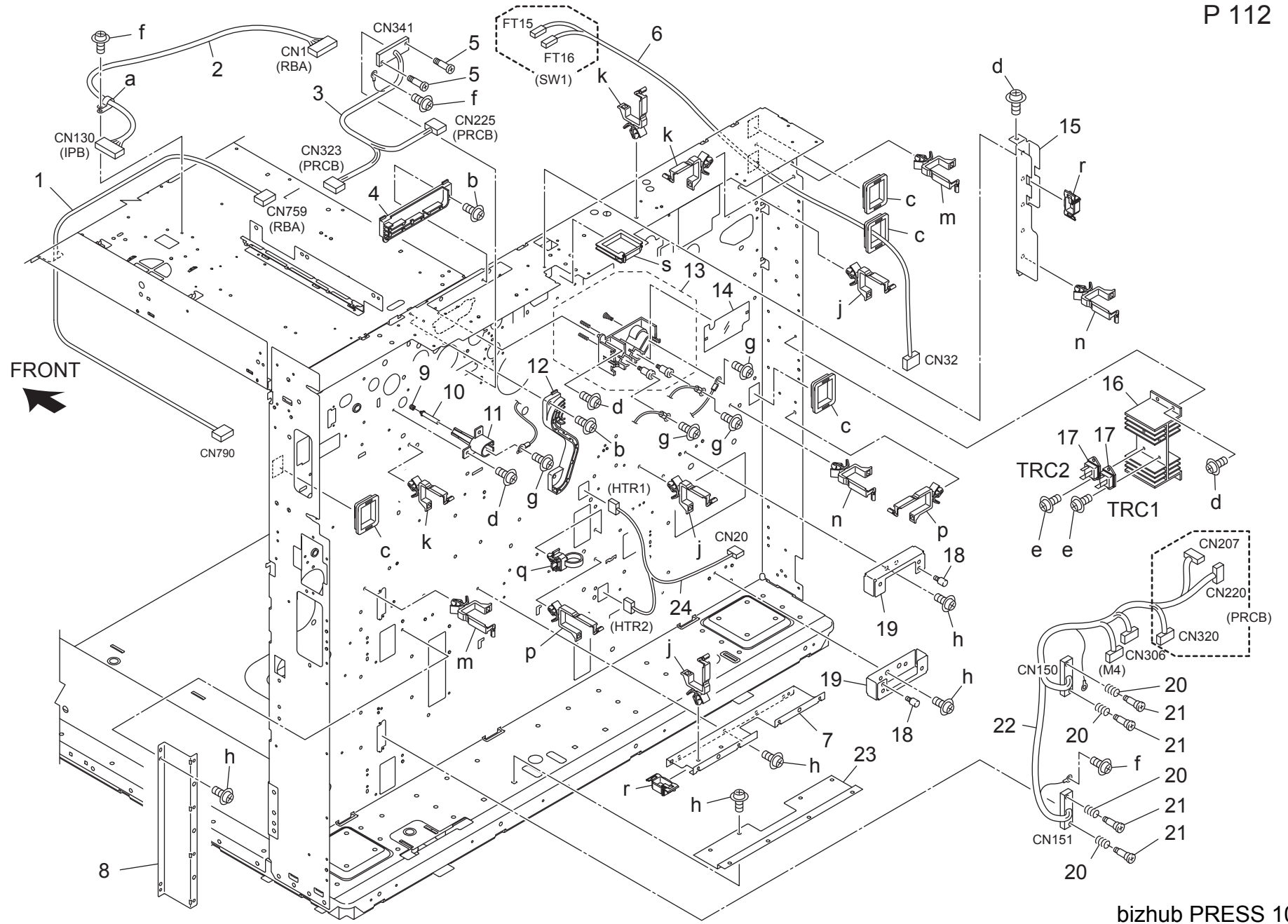


bizhub PRESS 1052

Key	Part No.	Description	Destinations	Class	QTY	Standard parts
1	13RN73120	Terminal Protection Cover /1		D	1	a-V570010040
2	40LA73840	Contact Protection Cover		D	1	b-V111140403
3	A4EURA2E00	HDD /S (SSD)		I	1	c-V118041003
4	55GA97250	CONTACT PROTECT SEAL		D	1	d-V121031803
5	27LA73990	CONTACT PROTECTION SEAL		C	1	e-V121030403
6	4025228301	SCREW		D	2	g-V121040403
7	A4EU136000	Protection Cushion /2		D	1	h-V116030603
8	A4EU133500	Cover /B		D	1	k-V500010003
9	A4EU133700	Mounting Plate		D	1	m-V500020100
10	A4EUM77000	Radiator /1		D	1	n-V111030621
11	A4EURA1E00	Control Board /S Assy		I	1	p-V121040603
12	A1RFM15100	Fan motor /1		C	1	q-V121030603
13	A4EU133800	Mounting Plate		D	1	
14	A4EU133400	Shield Plate		D	1	
15	A4EU130500	Mounting Plate		D	1	
16	A4EU133601	Cover /A		D	1	
17	A0Y5N19600	Interface Cable /2		D	1	
18	A4EUH11000	PCI Relay Board ASSY		C	1	
19	A4EU131100	Fixing Screw		D	4	
20	A4EU130400	Mounting Plate		D	1	
21	A4EU138000	Support Rubber		D	8	
22	A0Y5134700	Board Fixing Screw		C	4	
23	A4EUN17100	Power source Cable		D	1	
24	A4EUR72B00	Chageg Powering Block		D	1	
25	A0G6N22600	HV Wire /C		D	1	
26	A0G6137000	Power Supply Rail /Rear		D	1	
27	A4EUR76M00	IP-HDD Panel Assy(J)		I	1	A
27	A4EUR76K00	IP-HDD Panel Assy(E)		I	1	B,C,D1,D3,E,F2,G1,G 2,H,I,J,K
28	A0E7946700	Caution Label		C	1	H
29	A4EUM92900	Gasket		D	1	

ELECTRIC PARTS

P 112



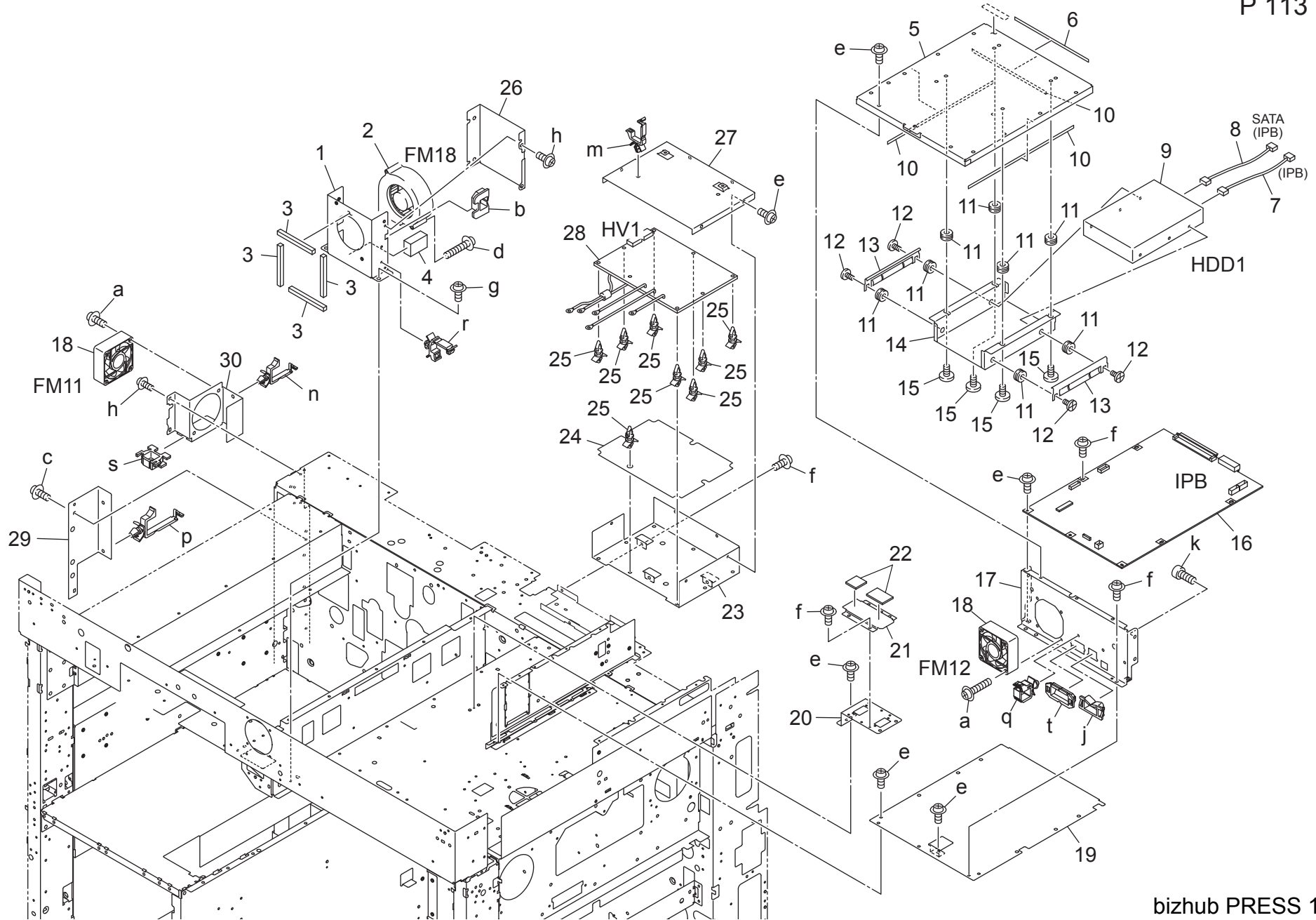
bizhub PRESS 1052

ELECTRIC PARTS

Key	Part No.	Description	Destinations	Class	QTY	Standard parts
1	A0G6N15500	Power Source Relay Harness /A	電源中継束線 / A	D	1	a-V500020069
2	A0G6N15003	Relay Wiring /A	中継束線 / A	D	1	b-V118041203
3	A0G6N11200	Photoconductor Relay Harness /1	感光体中継束線 /1	D	1	c-V570010038
4	56UA73040E	HV Guide Rail /Right	高圧ガイドレール /右	D	1	d-V121040603
5	066079020	DRAWER SCREW M3X10	ドロワーネジ M 3 X 1 0	C	2	e-V115040803
6	A0G6N10500	Ac Wiring /4	A C 束線 /4	D	1	f-V116040603
7	A0G6130600	Mounting Plate /I	取付板 / I	D	1	g-V116030603
8	56UA73340	POWER SOURCE MOUNTING PLATE /1	電源取り付板 /1	D	1	h-V140040803
9	56AA15471	CONTACT SPRING	接点バネ	D	1	j-V500010003
10	56AA15521	CONTACT SHAFT	接点軸	D	1	k-V500010005
11	56AA15460	HIGH VOLTAGE GUIDE PART	高圧ガイド部材	C	1	m-V500010007
12	56UA73071	HV GUIDE RAIL LEFT	高圧ガイドレール 左	D	1	n-V500010008
13	A4EUR71N00	Chageg Powering Block	帯電給電ブロック	D	1	p-V500010013
14	55VA73310	Terminal Protect Cover	端子保護カバー	D	1	q-V501010018
15	A4EU130801	Wiring Stay /Middle	配線ステー /中	D	1	r-V570010063
16	55VA73400	Cooling Plate /1	冷却板 /1	D	1	s-V570010048
17	25AE89081	AC Switch	A C スイッチ	C	2	
18	392010231	STOPPER PIN	ストッパーピン	C	2	
19	56UA73120	TERMINAL MOUNTING PLATE	端子取付板	D	2	
20	56AA17080	TERMINAL ROCKING SPRING	端子揺動バネ	C	4	
21	56AA17330	Slide Shaft	スライド軸	C	4	
22	A4EVN11300	Paperfeed Wiring /1	給紙束線 /1 (S 2 用)	D	1	
23	56UA73320	Power Source Fixing Plate	電源固定板	D	1	
24	A4EUN11100Old	Heater Relay harness	ヒーター中継束線	D	1	
24	A4EUN11112	Heater Relay Harness	ヒーター中継束線	D	1	

ELECTRIC PARTS


P 113

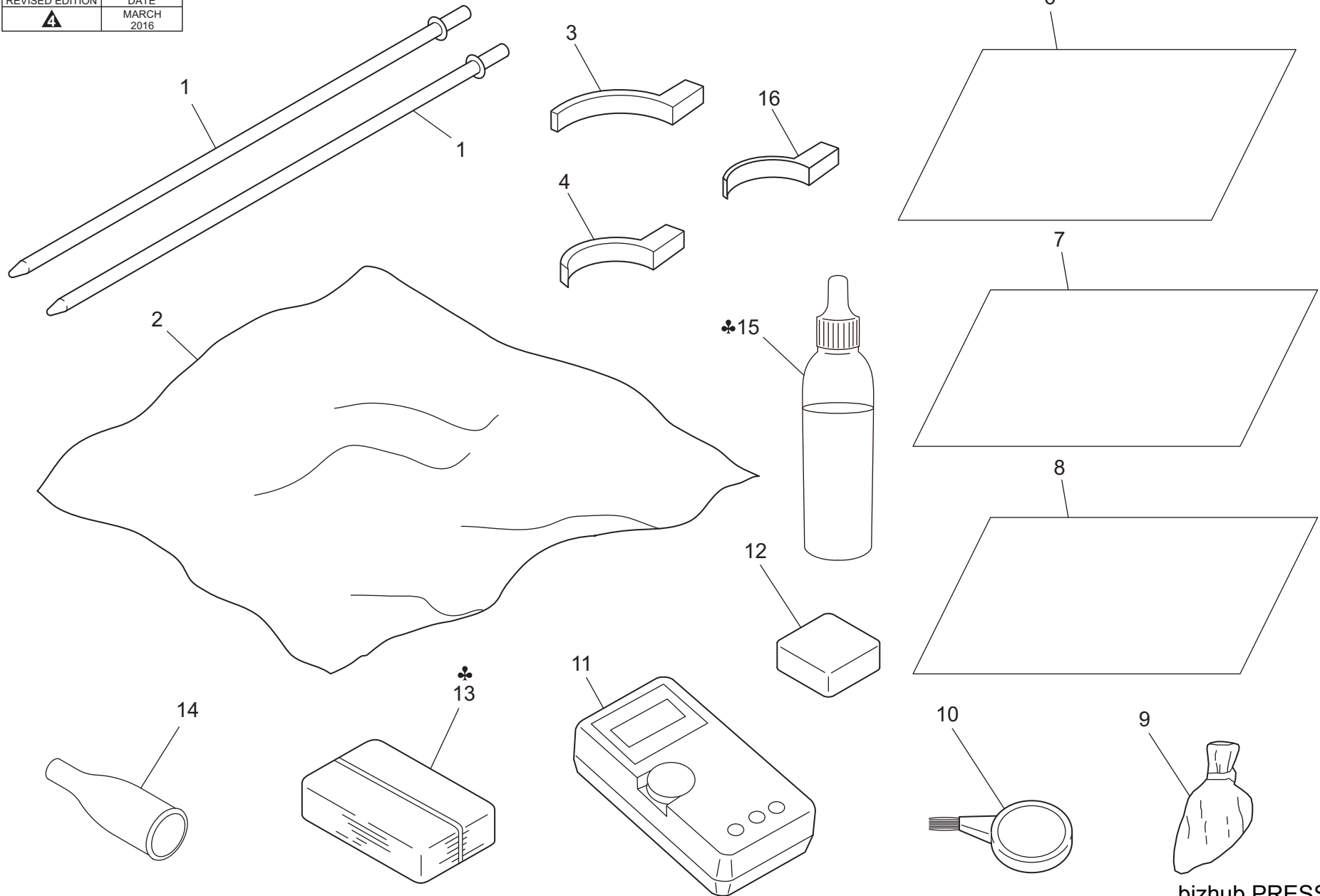


Key	Part No.	Description	Destinations	Class	QTY	Standard parts
1	564A116100	FIXING PLATE		D	1	a-V118033003
2	9313100072	FAN MOTOR		C	1	b-V570010021
3	A4EUM96600	Gasket		D	4	c-V127040603
4	564A116300	SEALING PART /1		C	1	d-V118043503
5	56UA73180E	Board Cover		D	1	e-V121030403
6	A4EUM92700	Gasket		D	1	f-V121030603
7	A0G6N15800	Power Source Relay Harness /S		D	1	g-V121040403
8	A0G6N15700	I/F Wiring /S		D	1	h-V121040603
9	A4EUR76W00	HDD Date Assy		D	1	j-V570010023
10	A4EUM92100	Gasket		I	1	k-V188040404
11	A4EU138000	Support Rubber		D	3	m-V500010003
12	A4EU131100	Fixing Screw		D	8	n-V500010007
13	56UA73550	Earth Plate		D	4	p-V500010013
14	A0Y5134500	Hold Plate		D	4	q-V500010020
15	A0Y5134700	Board Fixing Screw		D	2	r-V500020100
16	A4EUH01003	Image Processing Board ASSY		C	1	s-V570010050
17	A4EU131400	Mounting Plate /G		D	4	t-V570010037
18	4040M10000	FAN MOTOR		D	1	
19	56UA73400	Board Bottom Plate		C	2	
20	A4EUR74C00	Guide Bridge Assy		D	1	
21	A0G6132300	Cover Plate /F		D	1	
22	A0G6132400	Cover Pad /F		D	1	
23	56UA73370	Board Protection Box		C	1	
24	56UA73500	HV Protection Sheet		D	1	
25	V502010033	Circuit Board Spacer		C	1	
26	564A116200	FIXING PLATE /2		D	8	
27	A0G6130203	Protection Cover		D	1	
28	A0G6M40101	HV Power Source /1		D	1	
29	A0G6114900	Mounting Plate /Left Rear		I	1	
30	56UA10260	Rear Cooling Duct /A		D	1	

JIGS

P 114

改訂版 REVISED EDITION	日付 DATE
	MARCH 2016

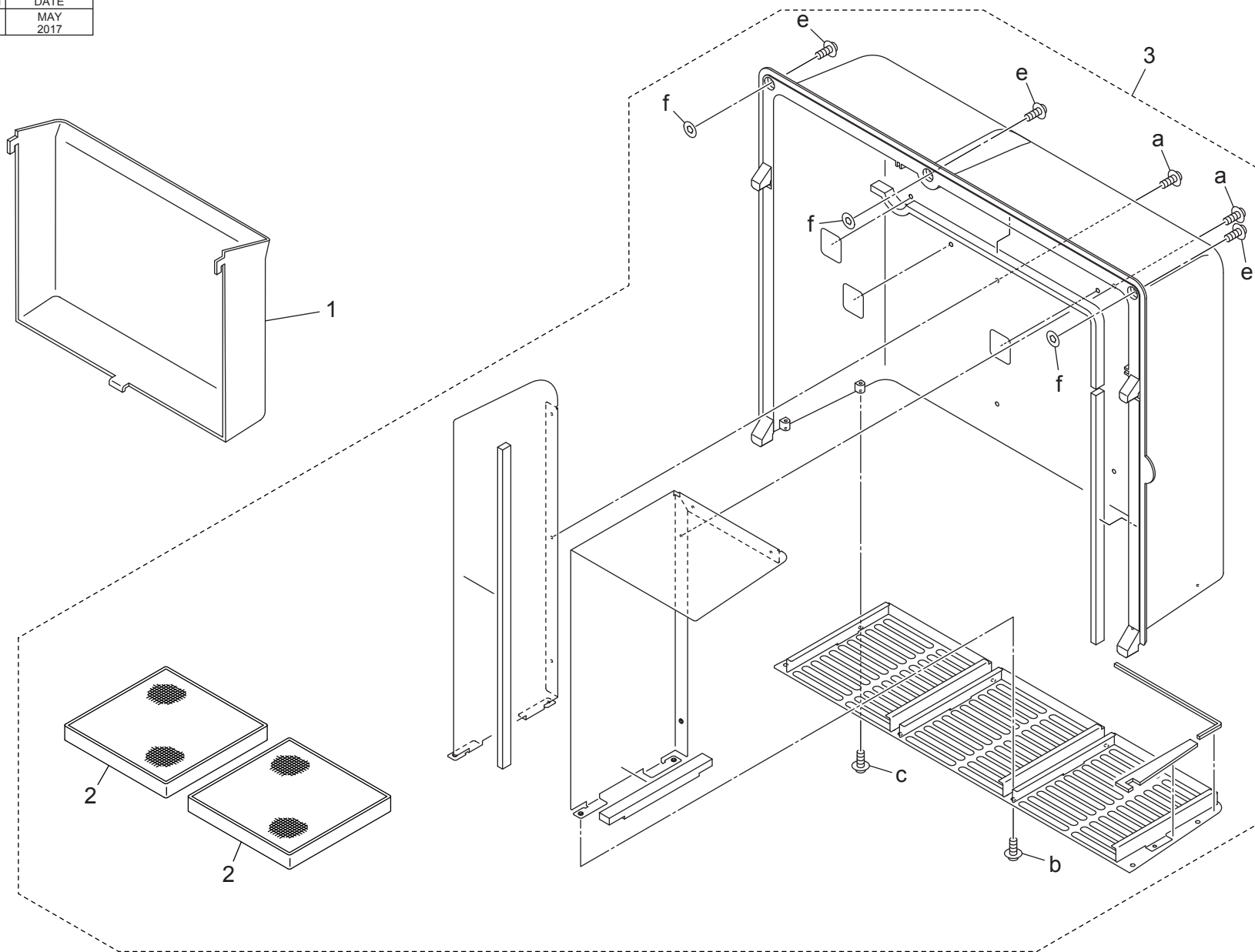


Key	Part No.	Description	Destinations	Class	QTY	Standard parts
1	7050K0020	OPTICS PS GAUGE		S	2	
2	00VC-2-00	Drum Cover		S	1	
3	55VAJG031	Thermostat positioning jig/A		S	1	
4	55VAJG041	Thermostat positioning jig/B		S	1	
6	4040PJP100	Test chart/A3 size		S	1	
7	4040PJP200	Test chart/11x17 size		S	1	
8	65AA99500	AJUST PAPER FOR FIXING UNIT(16SHEET S)		S	1	
9	000V-19-0	Setting Powder		S	1	
10	00VD-1000	Blower Brush		S	1	
11	56UAPJG000	Tester		S	1	
12	65AA-9920	HYDROWIPE		S	1	
13	A5AWP00100	Cleaning Pad		S	1	
13	A5AWP00100	Cleaning Pad	C,D1,D3,E,F2,G1,G2, H,I,J,K	S	1	
14	A1DUPJG100	Cleaning Jig	A	S	1	
15	A4EUPP0000	MHSURF FT-240	MHSURF FT-240 A,C,D1,D3(only NEW ZEALAND),F2,G1,G2,H ,I,J	S	1	
16	55VAJG021	Temperature sensor positioning jig/ B		S	1	

ACCESSORY PARTS

改訂版 REVISED EDITION	日付 DATE
▲	MAY 2017

P 115



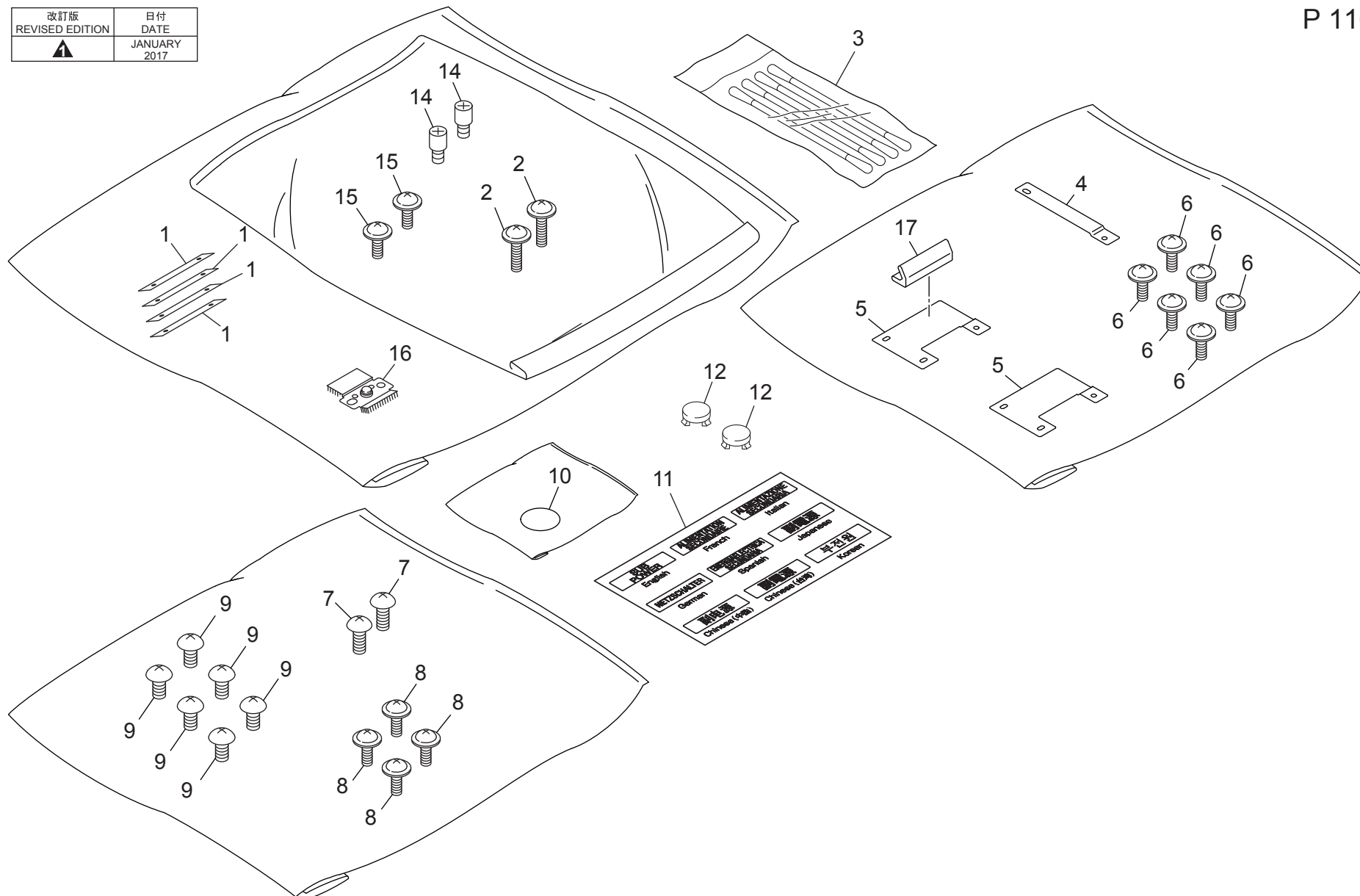
ACCESSORY PARTS

Key	Part No.	Description	Destinations	Class	QTY	Standard parts
1	56UA12770	ACCESSORIES HOLDING PANEL		C	1	a-V127030804 b-V121030603 c-V151030803 e-V114041004 f-V211040080
2	A4EU112300	Ozone Filter /12		B	2	
3	A4EUR75W00	Wind Exit Cover Assy		D	1	

ACCESSORY PARTS

P 116

改訂版 REVISED EDITION	日付 DATE
	JANUARY 2017



ACCESSORY PARTS

Key	Part No.	Description	Destinations	Class	QTY	Standard parts
1	56UA40700	ADJUSTMENT PLATE P		C	4	
2	V121030803	Screw		V	2	
3	504097340	CLEANING MATERIAL		D	1	
4	15BA10310	Earth Plate		D	1	
5	A0G6165900	Ground Plate /B		D	2	
6	V121030603	Screw		V	6	
7	V118040804	screw		D	2	
8	V121040603	Screw		V	4	
9	V114040604	Screw		V	6	
10	56UA70820	OPERATION UNIT SEAL		C	1	
11	A0G6944500	Indicating Label /2		C	1	
12	56UA12460	Screw Cover		C	2	
14	392010231	STOPPER PIN		C	2	
15	V127030604	Screw		V	2	
16	A4EUR75X00	Paper Feed Brush		C	1	
17	13RJ10390	EXTERNAL EARTH CUSHON		D	1	

MAINTENANCE LIST

● The items with no Page/Key numbers are not handled as spare parts.

No.	Section	PM Parts Description	Maintenance Cycle (K=1,000)		Parts No.	Destinations	Page/Key	Note
			QTY	Replace				
1	Main body	Filter plate	1	4,000K	A4EUR90000		P5-9	
2		Charging filter	1	4,000K	A4EUR90000		P5-9	
3		Ozone filter /12	2	6,000K	A4EU112300		P115-2	
4		Charging exhaust filter	1	6,000K	56UA11220		P11-35	
5		Web motor (M24)	1	6,000K	A4EUM10100		P20-26	
6	Photo conductor section	Drum positioning collar	1	1,000K	25SA20150		P18-2	
7		Drum fixing spring	1	1,000K	55FU20140		P18-3	
8		Drum claw	3	1,000K	A0G6345600		P102-12	
9		Drum temperature sensor (TH5)	1	4,000K	A4EUR70200		P101-13	
10		Drum	1					
11	Transfer/Separation section	Regulation plate assy	2	2,000K	A4EUR70000		P74-1	
12		Power supply parts	2	4,000K	65AA26890		P75-12	
13		Bearing /H	2	4,000K	A0G6503900		P82-2	
14		Cleaning brush	2	4,000K	A4EU510600		P75-3	
15		Transfer belt	1	4,000K	A0G6500113		P83-1	
16		Transfer roller	1	4,000K	A4EU500600		P82-3	
17		Transfer contact /Fr	1	4,000K	A4EUR70B00		P83-17	
18		Transfer contact /Rr	2	4,000K	A4EUR70C00		P82-11	
19		Cleaning shaft	2	8,000K	A0G6510700		P75-16	
20		Belt cleaning unit	1	16,000K	A4EUR70D44		P61-9	
21	Charging corona	C-clip	2	1,000K	45AA20400		P102-9	
22		Charging wire	2	1,000K	56UA25090		P41-16	
23		Charger control plate	1	1,000K	A4EUR70900		P40-17	
24		Charging cleaning unit	2	1,000K	A4EUR70800		P40-16	
25		Charger rubber vibration isolator	2	1,000K	55VA25270		P41-22	
26		Charging corona	1	8,000K	A4EUR70722		P40-1	
27	Developing section	Developer	1					
28		Suction filter	1	2,000K	A4EU390800		P39-10	
29		Suction pad /H	1	8,000K	A0G6394400		P39-5	
30		Developing suction seal/2	2	8,000K	56UA31030		P39-2	
31		Developing suction seal/5	1	8,000K	56UA31060		P39-7	
32		Developing unit	1	8,000K	A4EUR70322		P58-14	
33		Stopper pad /1	1	8,000K	A4EU394600		P39-4	
34		Stopper pad /2	2	8,000K	A4EU394700		P39-9	
36		Drum scraper assy	1	1,000K	A9JTR73500		P104-23	
37		Waste toner box	1	1,000K	A4EUR75V22		P48-13	
38		Scatter preventive filter assy	1	1,000K	A4EUR71200		P104-24	
39		Discharge wire	1	1,000K	A0G6470800		P97-8	
40		Guide plate assy	1	2,000K	A4EUR70J00		P103-10	
41		Seal plate /Fr	1	2,000K	A9JTR73300		P105-29	
42		Seal plate /Rr	1	2,000K	A9JTR73400		P105-23	
43		Toner guide brush assembly	1	2,000K	A4EUR70K00		P105-26	
44		Scattering prevention felt	1	2,000K	55VA55680		P105-31	
45		Toner seal board	1	4,000K	A4EUR71300		P106-12	
46		PCC unit	1	8,000K	A4EUR75K00		P97-9	
47		Guide shaft	1	8,000K	A0G6530500		P104-20	
48		Cleaning gear /2 assembly	1	8,000K	A4EUR70F00		P104-13	
49		Cleaning gear /3	2	32,000K	A0G6532700		P104-17	

No.	Section	PM Parts Description	Maintenance Cycle (K=1,000)		Parts No.	Destinations	Page/Key	Note
			QTY	Replace				
50	Toner supply section	Agitator plate assembly /1	1	2,000K	A4EUR70500		P54-25	
51		Agitator plate assembly /2	1	2,000K	A4EUR70600		P54-18	
52		Toner supply sleeve /1	1	4,000K	A4EUR70W00		P50-1	
53		Toner supply sleeve /2	1	4,000K	A4EUR70X00		P50-2	
54		Pump unit /Lt	1	10,000K	A4EUR71000		P57-5	
55		Pump unit /Rt	1	10,000K	A4EUR70Y00		P56-5	
56		Air separation motor (M10)	1	40,000K	A0Y5M10400		P53-5	
57		Toner hopper motor (M7)	1	40,000K	A0PNM10200		P48-10	
58		Toner bottle motor (M6)	1	40,000K	A0PNM10200		P48-10	
59		Intermediate hopper motor (M11)	1	40,000K	13GQ80032		P55-17	
60	Waste toner box swing motor (M19)	1	40,000K	A0WJM10000		P47-2		
61	Paper feed section	Pick-up roller	2	500K	A4EUR71511		P29-8/P38-8	
62		Paper feed roller	2	500K	A4EUR71411		P28-12/P37-12	
63		Separation roller	2	500K	A4EUR71411		P29-14/P38-14	
64		Paper feed clutch /1 (CL4)	1	3,000K	57GA82010		P29-26	
65		Paper feed clutch /2 (CL6)	1	3,000K	57GA82010		P38-26	
66		Forced separation clutch /1 (CL5)	1	3,000K	57GA82010		P43-29	
67		Forced separation clutch /2 (CL7)	1	3,000K	57GA82010		P44-22	
68		Cover	2	6,000K	A0G6572000		P28-17/P37-17	
69		Torque limiter /A	2	6,000K	A03X565611		P28-20/P37-20	
70		Input gear	2	6,000K	A0G6602300		P28-25/P37-25	
71		Reverse rotation shaft	2	24,000K	A0G6570800		P28-34/P37-34	
72		Paper feed input shaft	2	24,000K	A4EUR72K11		P28-27/P37-27	
73		Bearing /C	2	24,000K	A00V240600		P28-33/P37-33	
74		Bearing /D	3	24,000K	A00J617900		P28-22	
75		Bearing /D	3	24,000K	A00J617900		P37-22	
76	Vertical conveyance section	Pre-registration clutch /1 (CL1)	1	3,000K	57GA82010		P43-29	
77		Pre-registration clutch /2 (CL3)	1	3,000K	57GA82010		P43-29	
78		Vertical conveyance clutch (CL2)	1	3,000K	57GA82010		P44-22	
79		Paper fur brush	1	4,000K	A4EUR73000		P44-1	
80		Torque limiter	1	6,000K	57GA44300		P42-11	
81		Pre-registration roller /1 and /2	2	6,000K	A0G6700100		P43-19	
82		Pre-registration bearing	4	6,000K	56UA76030		P43-7	
83		Conveyance roller /2	1	6,000K	A0G6700300		P44-18	
84		Conveyance roller /3	1	6,000K	A0G6700200		P44-17	
85		Paper dust removing brush shaft	1	12,000K	A4EUR71600		P44-23	
86		Conveyance roller /1	1	12,000K	A4EU701300		P43-16	
87		Conveyance exit roller	1	12,000K	A4EU701200		P43-12	
88		Cleaning gear /B	1	24,000K	55VA79210		P43-25	
89		Scraper shaft	1	24,000K	A4EU701500		P43-13	
90		Paper dust guide holder	1	24,000K	A4EUR70N00		P43-9	
91	Bearing /E	5	24,000K	A00J617800		P43-4/P44-2		
92	Conveyance pulley	2	24,000K	55VA76530E		P44-10		
93	Conveyance belt /A	1	24,000K	56UA78090		P44-12		
94	Paper feed gear /A	1	40,000K	56UA77170E		P43-1		
95	Paper feed gear /B	1	40,000K	56UA77180E		P43-6		
96	Paper feed cleaning gear /B	1	40,000K	56UA77160		P43-23		
97	Paper exit input gear	1	40,000K	56UA77070F		P43-24		
98	Registration section	Registration gear /Lw	1	8,000K	A0G6714300		P80-28	
99		Registration gear /Up	1	8,000K	A0G6714200		P81-21	
100		Registration roller /Up	1	8,000K	A4EU710600		P81-24	
101		Registration bearing	2	8,000K	A4EU715400		P81-23	
102		Loop driven roller	1	24,000K	A4EU818000		P80-5	
103		Paper lift sheet	1	24,000K	A0G6712100		P80-15	
104		Pre-transfer driven roller assy	2	24,000K	A4EUR74800		P81-6	
105		Roller gear /Rt	1	40,000K	A4EU714400		P80-30	

bizhub PRESS 1052

No.	Section	PM Parts Description	Maintenance Cycle (K=1,000)		Parts No.	Destinations	Page/Key	Note
			QTY	Replace				
106	DUPLEX SECTION	ADU accelerator roller	1	12,000K	A4EU817100		P68-7	
107		ADU exit roller	1	12,000K	A4EU817700		P69-16	
108		ADU reversal roller	1	12,000K	A4EU817600		P68-9	
109		ADU conveyance roller /1	1	12,000K	A4EU817500		P69-17	
110		ADU conveyance roller /2	1	12,000K	A4EU817500		P69-17	
111		ADU conveyance roller /3	1	12,000K	A4EU817700		P63-11	
112		ADU conveyance roller /4	1	12,000K	A4EU817700		P63-11	
113		Output convey roller /1	1	12,000K	A4EU817400		P68-6	
114		Output convey roller /2 assy	1	12,000K	A4EUR70100		P68-1	
115		Reversal output roller	1	12,000K	A4EU817200		P68-8	
116		ADU accelerate motor (M14)	1	40,000K	A4EUR73Q00		P62-3	
117		ADU accelerate motor belt	1	40,000K	A0G6819400		P62-6	
118		ADU paper exit roller belt	1	40,000K	A4EU822100		P68-24	
119		ADU reverse motor (M12)	1	40,000K	A4EUR73Q00		P68-33	
120		ADU reverse motor belt	1	40,000K	13GQ77550		P68-25	
121		ADU conveyance motor /1 (M15)	1	40,000K	A03UM11100		P69-10	
122		ADU conveyance motor /1 belt	1	40,000K	A1TT211400		P69-11	
123		ADU conveyance motor /2 (M16)	1	40,000K	A4EUR73W00		P63-28	
124		ADU conveyance motor belt /2	1	40,000K	56UA78080		P63-24	
125		Motor gear /Rt	1	40,000K	A4EU814600		P65-19	
126		Loop motor (M18)	1	40,000K	A4EUR73X00		P63-18	
127		Registration motor (M17)	1	40,000K	A4EUR73Q00		P65-20	
128		Transfer belt motor (M30)	1	40,000K	A0R5M10300		P66-14	
129	Transfer belt pressure release motor(M26)	1	40,000K	A4EUR77300		P72-38		
130	Reverse/exit motor (M13)	1	40,000K	A4EUR73Q00		P64-20		
131	reverse/exit motor belt	1	40,000K	56UA78060		P64-25		
132	Fusing section	Fixing cleaning web	1	1,000K	A0G6731400		P85-16	
133		Heat insulating sleeve	2	2,000K	A03U729500		P87-3	
134		Fusing roller /Lw assy	1	2,000K	A4EUR70V00		P88-1	
135		Fusing roller /Up	1	2,000K	A0G6730411		P87-1	
136		Fusing bearing /Up	2	2,000K	A5AW745200		P87-2	
137		Fusing cleaning sheet assy	1	2,000K	A4EUR70U00		P88-7	
138		Fusing claw /Lw	2	2,000K	25AA53290		P91-21	
139		Fusing claw /Up	6	2,000K	56UA54530		P91-16	
140		Heat roller bearing	2	4,000K	56UA75070		P88-14	
141		Heat insulating sleeve /Lw	2	4,000K	26AA53150		P88-19	
142		Fusing heater lamp /1 (L1)	1	4,000K	A0G6M33000		P87-6	
143		Fusing heater lamp /2 (L2)	1	4,000K	A0G6M33000		P87-6	
144		Fusing heater lamp /3 (L3)	1	4,000K	55VB83042		P88-13	
145		Fusing temperature sensor /2 (TH2)	1	4,000K	55VA88041		P89-10	
146		Fusing temperature sensor /4 (TH4)	1	4,000K	55VA88061		P88-18	
147		Fusing heating roller	1	4,000K	56UA53070		P88-20	
148		Fusing gear	1	8,000K	A0G6726000		P87-5	
149		Bearing /G	2	14,000K	56UA760900		P86-4	
150		Fusing cleaning roller	1	14,000K	56UA53530		P85-17	
151		Web prevention part	1	24,000K	A4EUR70T00		P85-13	
152		Bearing /G	1	24,000K	56UA760900		P85-8	
153		Fusing claws installation assy	6	24,000K	A4EUR73200		P91-13	
154	Fusing oscillation cam assy	1	24,000K	A4EUR73700		P86-19		
155	Pressure worm assy	1	30,000K	A4EUR76B00		P87-21		
156	Pressure wheel assy	1	30,000K	A4EUR70P00		P87-12		

No.	Section	PM Parts Description	Maintenance Cycle (K=1,000)		Parts No.	Destinations	Page/Key	Note
			QTY	Replace				
157	De-curler section	De-curler belt /Lw	7	6,000K	A799846400		P78-9	
158		De-curler belt /Up	7	6,000K	A799846400		P78-9	
159		Guide member /Lw	1	8,000K	A0G6845200		P77-8	
160		Guide member /Up	1	8,000K	A0G6845100		P77-7	
161		Fixing exit roller	4	8,000K	A799840600		P77-17	
162		Decurler entrance roller	1	12,000K	A4EU840700		P77-9	
163		Reverse gate	7	12,000K	56UA47600		P76-14	
164		Coupling unit	1	16,000K	A4EU847000		P77-15	
165		De-curler solenoid /Lw (SD5)	1	40,000K	A4EUR74R00		P79-29	
166		De-curler solenoid /Up (SD8)	1	40,000K	A4EUR74900		P79-2	
167	De-curler motor (M32)	1	40,000K	A0PNM10200		P78-15		
168	Reverse/exit solenoid (SD7)	1	40,000K	A4EUR74A00		P79-7		
169	Paper exit section	Output roller	1	12,000K	56UA45571E		P84-9	
170	Main body rear side	Drum cleaner motor (M35)	1	40,000K	A0R5M10300		P17-29	
171		Drum motor (M2)	1	40,000K	A0PNM10200		P17-14	
172		Belt cleaning gear	1	40,000K	A0G6250601		P16-6	
173		Paper feed gear	1	40,000K	A4EU239100		P15-20	
174		Paper feed motor (M4)	1	40,000K	A0G6M10100		P15-21	
175		Developing screw motor (M21)	1	40,000K	A0PNM10200		P18-17	
176		developing motor (M3)	1	40,000K	15AA80050		P18-12	
177		Vertical conveyance motor (M8)	1	40,000K	A1TVM10100		P16-19	
178		Fusing gear	1	40,000K	A0G6237201		P20-5	
179		Fusing motor (M1)	1	40,000K	A0G6M10100		P20-7	
180		Transfer belt cleaning motor (M5)	1	40,000K	A0PNM10200		P16-1	
181		Waste toner motor (M9)	1	40,000K	A0WJM10000		P11-7	
182		Paper exit motor (M20)	1	40,000K	A0PNM10200		P19-11	
183		Paper exit conveyance motor (M31)	1	40,000K	A0PNM10200		P19-11	
184		Conveyance gear	1	40,000K	56UA77061E		P16-21	

メンテナンスリスト

● ページ / キーナンバーのないものは、アフターサービス部品ではありません。

No.	区分	P M 部品名称	サイクル (K=1,000)		部品番号	仕向地	頁 / キー	備考
			員数	交換				
1	本体	フィルタープレート	1	4,000K	A4EUR90000		P5-9	
2		帯電フィルター	1	4,000K	A4EUR90000		P5-9	
3		オゾンフィルター /12	2	6,000K	A4EU112300		P115-2	
4		帯電排気フィルター	1	6,000K	56UA11220		P11-35	
5		ウェブモーター (M24)	1	6,000K	A4EUM10100		P20-26	
6	感光体部	ドラム位置決めカラー	1	1,000K	25SA20150		P18-2	
7		ドラム固定スプリング	1	1,000K	55FU20140		P18-3	
8		ドラム爪	3	1,000K	A0G6345600		P102-12	
9		ドラム温度センサー (TH5)	1	4,000K	A4EUR70200		P101-13	
10		ドラム	1					
11	転写 / 分離部	規制板 Assy	2	2,000K	A4EUR70000		P74-1	
12		給電部材	2	4,000K	65AA26890		P75-12	
13		軸受 /H	2	4,000K	A0G6503900		P82-2	
14		清掃ブラシ	2	4,000K	A4EU510600		P75-3	
15		転写ベルト	1	4,000K	A0G6500113		P83-1	
16		転写ローラー	1	4,000K	A4EU500600		P82-3	
17		転写接点 /Fr	1	4,000K	A4EUR70B00		P83-17	
18		転写接点 /Rr	2	4,000K	A4EUR70C00		P82-11	
19		クリーニング軸	2	8,000K	A0G6510700		P75-16	
20		ベルトクリーニングユニット	1	16,000K	A4EUR70D44		P61-9	
21	帯電極	Cクリップ	2	1,000K	45AA20400		P102-9	
22		帯電ワイヤー	2	1,000K	56UA25090		P41-16	
23		帯電制御プレート	1	1,000K	A4EUR70900		P40-17	
24		帯電清掃ユニット	2	1,000K	A4EUR70800		P40-16	
25		帯電防振ゴム	2	1,000K	55VA25270		P41-22	
26		帯電極	1	8,000K	A4EUR70722		P40-1	
27	現像部	現像剤	1					
28		サクシオンフィルター	1	2,000K	A4EU390800		P39-10	
29		サクシオンパッド /H	1	8,000K	A0G6394400		P39-5	
30		現像サクシオンシール /2	2	8,000K	56UA31030		P39-2	
31		現像サクシオンシール /5	1	8,000K	56UA31060		P39-7	
32		現像ユニット	1	8,000K	A4EUR70322		P58-14	
33		突き当てパッド /1	1	8,000K	A4EU394600		P39-4	
34		突き当てパッド /2	2	8,000K	A4EU394700		P39-9	
36		ドラムスクレーパー Assy	1	1,000K	A9JTR73500		P104-23	
37		廃棄トナーボックス	1	1,000K	A4EUR75V22		P48-13	
38		飛散防止フィルター Assy	1	1,000K	A4EUR71200		P104-24	
39		放電ワイヤー	1	1,000K	A0G6470800		P97-8	
40		ガイドブレード Assy	1	2,000K	A4EUR70J00		P103-10	
41		シールプレート /Fr	1	2,000K	A9JTR73300		P105-29	
42		シールプレート /Rr	1	2,000K	A9JTR73400		P105-23	
43		トナーガイドブラシ Assy	1	2,000K	A4EUR70K00		P105-26	
44		飛散防止フェルト	1	2,000K	55VA55680		P105-31	
45		トナーシール基板	1	4,000K	A4EUR71300		P106-12	
46		PCC ユニット	1	8,000K	A4EUR75K00		P97-9	
47		ガイド軸	1	8,000K	A0G6530500		P104-20	
48		クリーニングギア /2 Assy	1	8,000K	A4EUR70F00		P104-13	
49		クリーニングギア /3	2	32,000K	A0G6532700		P104-17	

No.	区分	P M 部品名称	サイクル (K=1,000)		部品番号	仕向地	頁 / キー	備考
			員数	交換				
50	トナー補給部	攪拌板 /1 Assy	1	2,000K	A4EUR70500		P54-25	
51		攪拌板 /2 Assy	1	2,000K	A4EUR70600		P54-18	
52		トナー補給スリーブ /1	1	4,000K	A4EUR70W00		P50-1	
53		トナー補給スリーブ /2	1	4,000K	A4EUR70X00		P50-2	
54		ポンプユニット /Lt	1	10,000K	A4EUR71000		P57-5	
55		ポンプユニット /Rt	1	10,000K	A4EUR70Y00		P56-5	
56		エアー分離モーター (M10)	1	40,000K	A0Y5M10400		P53-5	
57		トナーホッパーモーター (M7)	1	40,000K	A0PNM10200		P48-10	
58		トナーボトルモーター (M6)	1	40,000K	A0PNM10200		P48-10	
59		中間ホッパーモーター (M11)	1	40,000K	13GQ80032		P55-17	
60	廃トナー BOX 揺動モーター (M19)	1	40,000K	A0WJM10000		P47-2		
61	給紙部	ピックアップローラー	2	500K	A4EUR71511		P29-8/P38-8	
62		給紙ローラー	2	500K	A4EUR71411		P28-12/P37-12	
63		分離ローラー	2	500K	A4EUR71411		P29-14/P38-14	
64		給紙クラッチ /1 (CL4)	1	3,000K	57GA82010		P29-26	
65		給紙クラッチ /2 (CL6)	1	3,000K	57GA82010		P38-26	
66		分離クラッチ /1 (CL5)	1	3,000K	57GA82010		P43-29	
67		分離クラッチ /2 (CL7)	1	3,000K	57GA82010		P44-22	
68		カバー	2	6,000K	A0G6572000		P28-17/P37-17	
69		トルクリミッター /A	2	6,000K	A03X565611		P28-20/P37-20	
70		入力ギア	2	6,000K	A0G6602300		P28-25/P37-25	
71		逆転軸	2	24,000K	A0G6570800		P28-34/P37-34	
72		給紙入力軸	2	24,000K	A4EUR72K11		P28-27/P37-27	
73		軸受 /C	2	24,000K	A00V240600		P28-33/P37-33	
74		軸受 /D	3	24,000K	A00J617900		P28-22	
75		軸受 /D	3	24,000K	A00J617900		P37-22	
76	垂直搬送部	プレレジストクラッチ /1 (CL1)	1	3,000K	57GA82010		P43-29	
77		プレレジストクラッチ /2 (CL3)	1	3,000K	57GA82010		P43-29	
78		垂直搬送クラッチ (CL2)	1	3,000K	57GA82010		P44-22	
79		紙粉取りブラシ	1	4,000K	A4EUR73000		P44-1	
80		トルクリミッター	1	6,000K	57GA44300		P42-11	
81		プレレジストローラー /1、/2	2	6,000K	A0G6700100		P43-19	
82		プレレジスト軸受	4	6,000K	56UA76030		P43-7	
83		搬送ローラー /2	1	6,000K	A0G6700300		P44-18	
84		搬送ローラー /3	1	6,000K	A0G6700200		P44-17	
85		紙粉取りブラシ軸	1	12,000K	A4EUR71600		P44-23	
86		搬送ローラー /1	1	12,000K	A4EU701300		P43-16	
87		搬送出口ローラー	1	12,000K	A4EU701200		P43-12	
88		クリーニングギア /B	1	24,000K	55VA79210		P43-25	
89		スクレーパー軸	1	24,000K	A4EU701500		P43-13	
90		紙粉ガイドホルダー	1	24,000K	A4EUR70N00		P43-9	
91		軸受 /E	5	24,000K	A00J617800		P43-4/P44-2	
92		搬送プーリー	2	24,000K	55VA76530E		P44-10	
93	搬送ベルト /A	1	24,000K	56UA78090		P44-12		
94	給紙ギア /A	1	40,000K	56UA77170E		P43-1		
95	給紙ギア /B	1	40,000K	56UA77180E		P43-6		
96	給紙清掃ギア /B	1	40,000K	56UA77160		P43-23		
97	排紙入力ギア	1	40,000K	56UA77070F		P43-24		
98	レジスト部	レジストギア /Lw	1	8,000K	A0G6714300		P80-28	
99		レジストギア /Up	1	8,000K	A0G6714200		P81-21	
100		レジストローラー /Up	1	8,000K	A4EU710600		P81-24	
101		レジスト軸受	2	8,000K	A4EU715400		P81-23	
102		ループ従動ローラー	1	24,000K	A4EU818000		P80-5	
103		紙持ち上げシート	1	24,000K	A0G6712100		P80-15	
104		転写前従動ローラー Assy	2	24,000K	A4EUR74800		P81-6	
105		ローラーギア /Rt	1	40,000K	A4EU714400		P80-30	

No.	区分	P M 部品名称	サイクル (K=1,000)		部品番号	仕向地	頁 / キー	備考
			員数	交換				
106	両面部	ADU 加速ローラー	1	12,000K	A4EU817100		P68-7	
107		ADU 出口ローラー	1	12,000K	A4EU817700		P69-16	
108		ADU 反転ローラー	1	12,000K	A4EU817600		P68-9	
109		ADU 搬送ローラー /1	1	12,000K	A4EU817500		P69-17	
110		ADU 搬送ローラー /2	1	12,000K	A4EU817500		P69-17	
111		ADU 搬送ローラー /3	1	12,000K	A4EU817700		P63-11	
112		ADU 搬送ローラー /4	1	12,000K	A4EU817700		P63-11	
113		排紙搬送ローラー /1	1	12,000K	A4EU817400		P68-6	
114		排紙搬送ローラー /2 Assy	1	12,000K	A4EUR70100		P68-1	
115		反転排紙ローラー	1	12,000K	A4EU817200		P68-8	
116		ADU 加速モーター (M14)	1	40,000K	A4EUR73Q00		P62-3	
117		ADU 加速モーターベルト	1	40,000K	A0G6819400		P62-6	
118		ADU 排紙ローラーベルト	1	40,000K	A4EU822100		P68-24	
119		ADU 反転モーター (M12)	1	40,000K	A4EUR73Q00		P68-33	
120		ADU 反転モーターベルト	1	40,000K	13GQ77550		P68-25	
121		ADU 搬送モーター /1(M15)	1	40,000K	A03UM11100		P69-10	
122		ADU 搬送モーター /1 ベルト	1	40,000K	A1TT211400		P69-11	
123		ADU 搬送モーター /2(M16)	1	40,000K	A4EUR73W00		P63-28	
124		ADU 搬送モーターベルト /2	1	40,000K	56UA78080		P63-24	
125		モーターギア /Rt	1	40,000K	A4EU814600		P65-19	
126		ループモーター (M18)	1	40,000K	A4EUR73X00		P63-18	
127		レジストモーター (M17)	1	40,000K	A4EUR73Q00		P65-20	
128		転写ベルトモーター (M30)	1	40,000K	A0R5M10300		P66-14	
129		転写ベルト圧着解除モーター (M26)	1	40,000K	A4EUR77300		P72-38	
130	反転排紙モーター (M13)	1	40,000K	A4EUR73Q00		P64-20		
131	反転排紙モーターベルト	1	40,000K	56UA78060		P64-25		
132	定着部	定着クリーニングウェブ	1	1,000K	A0G6731400		P85-16	
133		断熱スリーブ	2	2,000K	A03U729500		P87-3	
134		定着ローラー /Lw Assy	1	2,000K	A4EUR70V00		P88-1	
135		定着ローラー /Up	1	2,000K	A0G6730411		P87-1	
136		定着軸受 /Up	2	2,000K	A5AW745200		P87-2	
137		定着清掃シート Assy	1	2,000K	A4EUR70U00		P88-7	
138		定着爪 /Lw	2	2,000K	25AA53290		P91-21	
139		定着爪 /Up	6	2,000K	56UA54530		P91-16	
140		加熱ローラー軸受	2	4,000K	56UA75070		P88-14	
141		断熱スリーブ /Lw	2	4,000K	26AA53150		P88-19	
142		定着ヒーターランプ /1 (L1)	1	4,000K	A0G6M33000		P87-6	
143		定着ヒーターランプ /2 (L2)	1	4,000K	A0G6M33000		P87-6	
144		定着ヒーターランプ /3 (L3)	1	4,000K	55VB83042		P88-13	
145		定着温度センサー /2 (TH2)	1	4,000K	55VA88041		P89-10	
146		定着温度センサー /4 (TH4)	1	4,000K	55VA88061		P88-18	
147		定着加熱ローラー	1	4,000K	56UA53070		P88-20	
148		定着ギア	1	8,000K	A0G6726000		P87-5	
149		軸受 /G	2	14,000K	56UA760900		P86-4	
150		定着清掃ローラー	1	14,000K	56UA53530		P85-17	
151		ウェブ規制部材 Assy	1	24,000K	A4EUR70T00		P85-13	
152		軸受 /G	1	24,000K	56UA760900		P85-8	
153		定着爪取り付け Assy	6	24,000K	A4EUR73200		P91-13	
154		定着揺動カム Assy	1	24,000K	A4EUR73700		P86-19	
155		圧着ウォーム Assy	1	30,000K	A4EUR76B00		P87-21	
156	圧着ホイール Assy	1	30,000K	A4EUR70P00		P87-12		

No.	区分	P M 部品名称	サイクル (K=1,000)		部品番号	仕向地	頁 / キー	備考
			員数	交換				
157	デカーラー部	デカーラーベルト /Lw	7	6,000K	A799846400		P78-9	
158		デカーラーベルト /Up	7	6,000K	A799846400		P78-9	
159		ガイド部材 /Lw	1	8,000K	A0G6845200		P77-8	
160		ガイド部材 /Up	1	8,000K	A0G6845100		P77-7	
161		定着出口ローラー	4	8,000K	A799840600		P77-17	
162		デカーラー入口ローラー	1	12,000K	A4EU840700		P77-9	
163		反転ゲート	7	12,000K	56UA47600		P76-14	
164		カップリング部材	1	16,000K	A4EU847000		P77-15	
165		デカーラーソレノイド /Lw (SD5)	1	40,000K	A4EUR74R00		P79-29	
166		デカーラーソレノイド /Up (SD8)	1	40,000K	A4EUR74900		P79-2	
167		デカーラーモーター (M32)	1	40,000K	A0PNM10200		P78-15	
168	反転排紙ソレノイド (SD7)	1	40,000K	A4EUR74A00		P79-7		
169	排紙部	本体排紙ローラー	1	12,000K	56UA45571E		P84-9	
170	本体背面	ドラムクリーナーモーター (M35)	1	40,000K	A0R5M10300		P17-29	
171		ドラムモーター (M2)	1	40,000K	A0PNM10200		P17-14	
172		ベルトクリーニングギア	1	40,000K	A0G6250601		P16-6	
173		給紙ギア	1	40,000K	A4EU239100		P15-20	
174		給紙モーター (M4)	1	40,000K	A0G6M10100		P15-21	
175		現像スクリーモーター (M21)	1	40,000K	A0PNM10200		P18-17	
176		現像モーター (M3)	1	40,000K	15AA80050		P18-12	
177		垂直搬送モーター (M8)	1	40,000K	A1TVM10100		P16-19	
178		定着ギア	1	40,000K	A0G6237201		P20-5	
179		定着モーター (M1)	1	40,000K	A0G6M10100		P20-7	
180		転写ベルト 清掃モーター (M5)	1	40,000K	A0PNM10200		P16-1	
181		廃トナーモーター (M9)	1	40,000K	A0WJM10000		P11-7	
182		排紙モーター (M20)	1	40,000K	A0PNM10200		P19-11	
183		排紙搬送モーター (M31)	1	40,000K	A0PNM10200		P19-11	
184		搬送ギア	1	40,000K	56UA77061E		P16-21	

DESTINATION

Destination No.		Destinations		V	Hz	Model No.
A	A1	JAPAN		200	50/60	A4EV001
	A2	JAPAN		200	50/60	A4EV001
B		USA, CANADA		208-240	60	A4EV011/ A4EV012
C		EUROPEAN TYPE		220-240	50/60	A4EV021
D	D1	S.E ASIA TYPE	THAILAND, SRI LANKA, SINGAPORE, MALAYSIA, HONG KONG, PAKISTAN, INDIA, BANGLADESH, INDONESIA	220-240	50/60	A4EV041
	D3	OCEANIA TYPE	AUSTRALIA, NEW ZEALAND	220-240	50/60	A4EV051
E		PHILIPPINES		220-240	50/60	A4EV041
F	F1	SAUDI ARABIA				
	F2	SAUDI ARABIA		220-240	50/60	A4EV041
G	G1	C.S AMERICA		220-240	50/60	A4EV041
	G2	C.S AMERICA		208-240	60	A4EV011
H		TAIWAN		220-240	50/60	A4EV041
I		JORDAN, LEBANON, SYRIA, SOUTH AFRICA, IRAQ, IRAN, N.YEMEN, CAMEROON, UAE, BAHRAIN, OMAN, QATAR, KUWAIT, KENYA, TUNISIA, IVORY COAST, MOROCCO		220-240	50/60	A4EV041
J		CHINA		220-240	60	A4EV081
K		KOREA		220-240	50/60	A4EV041

bizhub PRESS 1052