

KONICA MINOLTA

PARTS GUIDE MANUAL

NOVEMBER 2013

bizhub PRESS C1070
A50U

INFORMATION FOR PARTS GUIDE MANUAL

To find correct Parts No., refer to the "HOW TO MAKE THE BEST USE OF THIS MANUAL" in the following page.

HOW TO MAKE THE BEST USE OF THIS MANUAL

- 1 When you order, please check the proper figures beforehand that are on Our Parts Guide Manual, and order with the appropriate figures.
- 2 For screws, Nuts, Washers, retaining rings and Pins which are used in this model, one letter is shown on the Standard parts column of Parts list and exploded diagrams.
- 3 In order to maintain safety of the product, some specific parts composed of this product are set up as "essential safety parts".
- 4 The assigned parts number for the "essential safety parts" is indicated as "SP00-****".
When replacing these parts, follow precautions for disassembling and installing which are listed in the Service Manual.
Do not use any parts that are not set up as
- 5 ♣ means that there are exclusive parts for each destination.
Please check the appropriate destination when you order.
- 6 Revision Mark
Marked as ▲ on the illustration shows that the revision has been made.
- 7 All rights reserved. (any reprints or quotations are prohibited.)
Use of this parts guide manual should be strictly supervised to avoid disclosure of confidential information.

パーツガイドマニュアルのご案内

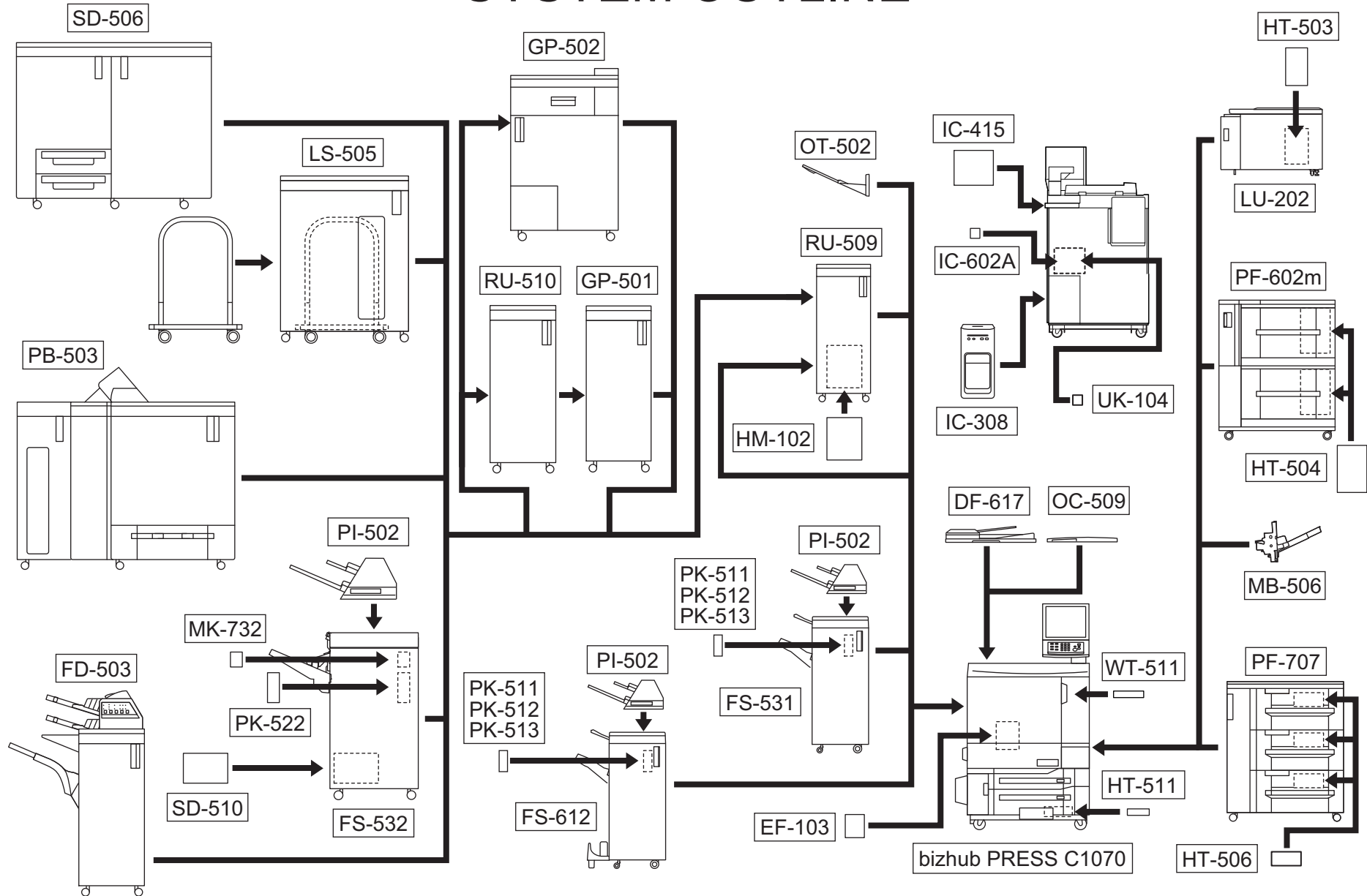
サービス部品をご発注の際には、下記に示す“パーツガイドマニュアルの活用にあたって”をご参照の上、正しい部品番号にてお願い致します。

パーツガイドマニュアルの活用にあたって

- 1 部品発注の際には、掲載されている部品番号の桁数を確認し、掲載されている桁数で発注願います。
- 2 この製品に使用されているネジ、ナット、ワッシャー、止め輪、ピンなどは、リストの右側の Standard parts 欄に a,b,c,……で表示し、イラストにも a,b,c,……表示してあります。
- 3 製品の安全性を維持する為に、製品に使用される特定の部品を「重要保安部品」として設定しています。
- 4 重要保安部品の部品番号は、“SP00-****”と記載されていますので、部品交換時は、サービスマニュアル記載の分解・組み立ての注意事項に従って作業をして下さい。
また、指定以外の部品は一切使用しないで下さい。
- 5 本文に ♣ が表示されている部品は、仕向け地毎に専用部品がある事を意味しています。
オーダーされる時は、仕向け地を確認して下さい。
- 6 改訂記号について
イラスト上に ▲ 印が表示されている部分は、改訂された事を表します。
- 7 著作権所有（無断転載及び無断引用の禁止）
本パーツガイドマニュアルについては、機密保持等その扱いには十分注意して下さい。万一取り扱いを誤った場合には、法律で処罰されることがあります。

11/18/2013

SYSTEM OUTLINE



bizhub PRESS C1070

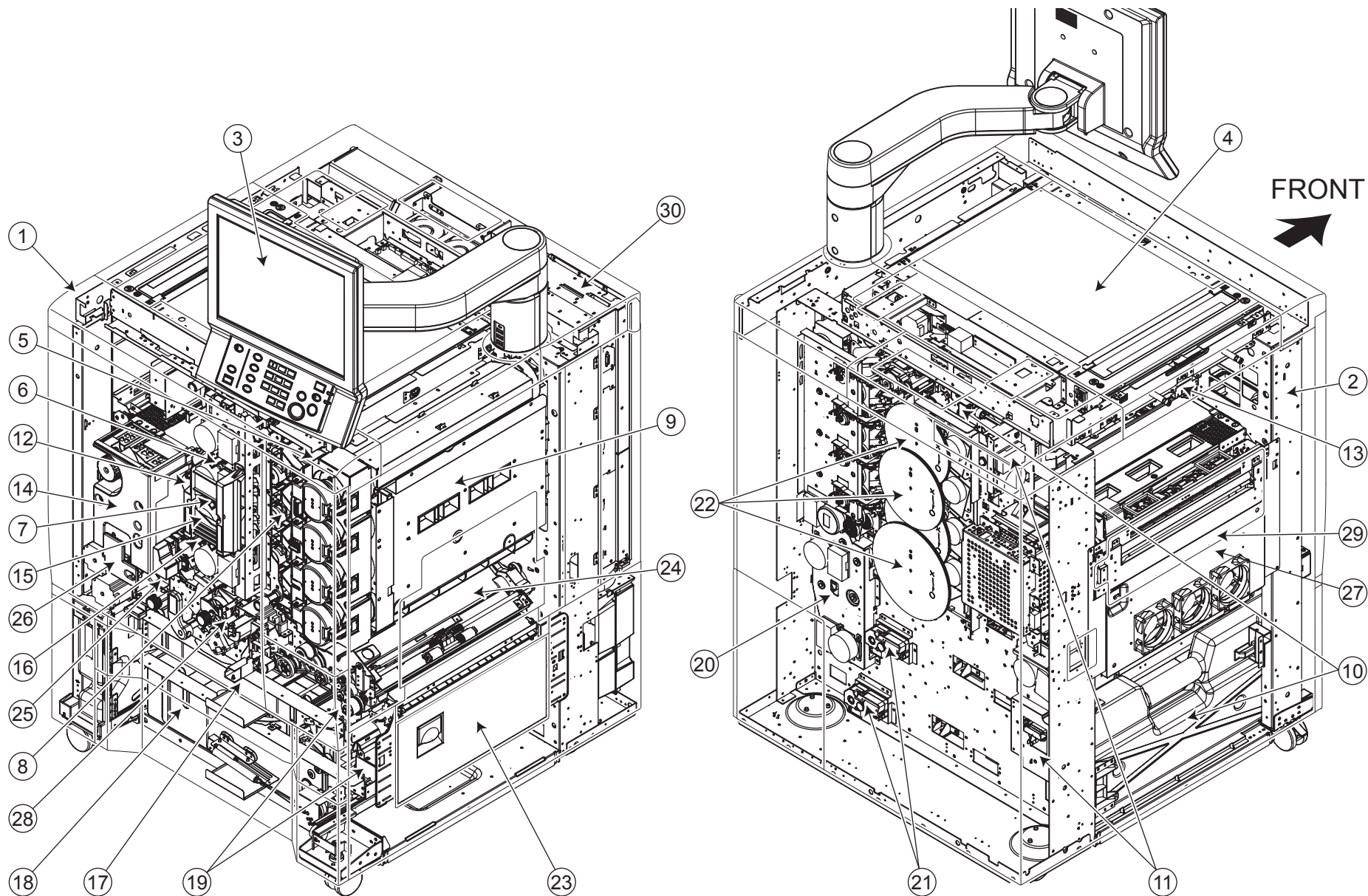
GENERAL CONTENTS

No.	Description	Model
1	Digital MFP Color	bizhub PRESS C1070
2	Document Feeder	DF-617
3	Original Cover	OC-509
4	Finisher/Sorter	FS-531
5	Finisher/Sorter	FS-532
6	Finisher/Sorter	FS-612
7	Saddle Unit	SD-506
8	Saddle Unit	SD-510
9	Large Capacity Stacker	LS-505
10	Folding Unit	FD-503
11	Punch Unit	PK-522
12	Perfect Binder	PB-503
13	Punch Unit	PK-511
14	Punch Unit	PK-512
15	Punch Unit	PK-513
16	Post Inserter	PI-502
17	Output Tray	OT-502
18	Punch Unit	GP-501
19	Ring Binder	GP-502
20	Paper Feeder	PF-602
21	Paper Feeder	PF-707
22	Paper Feeder	LU-202

bizhub PRESS C1070

No.	Description	Model
23	Bypass Tray	MB-506
24	Relay Unit	RU-509
25	Relay Unit	RU-510
26	Mount Kit	MK-732
27	Heater	HT-504
28	Heater	HT-506
29	Heater	HT-511
30	Working Table	WT-511
31	Humidifier	HM-102
32	Envelop Fusing Unit	EF-103
33	Image Controller	IC-308
34	Image Controller	IC-415
35	Image Controller	IC-602A
36	Other Option	UK-104

DIAGRAMS OF MAIN PARTS SECTION



bizhub PRESS C1070

CONTENTS

No.	DESCRIPTION	名称	PAGE No.
1	External Parts	外装	P1 P2 P3 P4
2	Main Frame	骨格	P5 P6 P7 P8 P9 P10 P11 P12 P13
3	Operation Panel Section	操作部	P14 P15 P16
4	Scanner Section	スキャナ一部	P17 P18 P19 P20
5	Write Section	書き込み部	P21
6	Charging Section	帯電部	P22
7	Photo Conductor Section	感光体部	P23
8	Developing Section	現像部	P24 P25 P26 P27
9	Toner Supply Section	トナー補給部	P28 P29 P30 P31 P32
10	Toner Collection Section	トナー回収部	P33 P34
11	Toner Collection Driving Section	トナー回収駆動部	P35
12	Intermediate Transfer Section	中間転写部	P36 P37 P38 P39 P40 P41
13	Color Resist Section	画像補正ユニット部	P42
14	Fusing Section	定着部	P43 P44 P45 P46 P47 P48 P49 P50 P51
15	Process Carriage Section	プロセス架台部	P52 P53 P54 P55 P56 P57 P58
16	Secondary Transfer Section	2次転写部	P59
17	Tray 1	トレイ1	P60 P61 P62 P63
18	Tray 2	トレイ2	P64 P65 P66 P67
19	Paper Feed Section	給紙部	P68 P69 P70 P71 P72 P73
20	Paper Feed Driving Section	給紙駆動部	P74
21	Tray Driving Section	トレイ駆動部	P75
22	Drum Driving Section	ドラム駆動部	P76 P77 P78 P79
23	Vertical Conveyance Section	垂直搬送部	P80 P81
24	ADU Carriage	ADU 架台	P82 P83
25	ADU Duplex Section	ADU 両面部	P84 P85 P86 P87 P88 P89 P90 P91 P92 P93 P94 P95
26	ADU Swing Section	ADU 揺動部	P96 P97
27	ADU Reverse And Exit Section	ADU 反転／排紙部	P98 P99 P100
28	ADU Resist Section	ADU レジスト部	P101 P102 P103
29	Reverse And Exit Section	反転／排紙部	P104 P105
30	Rear Electrical Section	背面電気部	P106 P107 P108 P109 P110 P111
31	Wiring	束線	P112 P113 P114 P115
32	Jigs	治具・サービス資材	P116
33	Accessory Parts	同梱部品	P117

INDEX

Parts No.	Page No.	Parts No.	Page No.	Parts No.	Page No.	Parts No.	Page No.	Parts No.	Page No.
000V-18-1	116-2	12QV40650	77-11	26NA47070	66-34	4131253701	95-1	55GA75031	50-3
000V-18-2	116-2	12QV40650	78-11	26NA53712	46-20	4131253701	103-2	55GA77050	35-5
000V-19-0	116-4	12QV40650	79-5	26NA53712	49-31	4131353202	84-3	55TA84561	106-2
00VC-2-00	116-10	12QV40650	84-1	26NA54230	83-1	4131353202	101-2	55VA15541	85-25
00VD-1000	116-11	12QV40650	86-39	26NA82513	7-7	4139M10000	97-4	55VA20680	81-1
059076510	70-9	12QV40650	101-1	26TA32960	29-2	4470402401	8-20	55VA32480	110-1
059076510	73-9	13KK73060	110-21	26TA32970	29-3	4470402401	20-17	55VA32530	61-1
067642581	75-3	13NG45200	9-5	26TA32990	29-4	4470402401	28-4	55VA32530	65-1
07BA12352	29-1	13QA40610	35-2	304078070	47-5	4470402401	34-3	55VA40600	62-5
07BA12352	44-1	13QA40610	52-5	318040550	48-27	4470402401	37-14	55VA40930	61-11
07BA15871	37-3	13QA40610	98-1	4004457301	34-13	4470402401	44-3	55VA40930	65-16
07BA15871	39-1	13QA40610	105-1	4036172002	18-6	4470402401	46-13	55VA42120	38-2
08AA45230	41-8	13QA85511	100-5	4036307501	18-10	4470402401	54-9	55VA42120	69-10
08AA85512	37-13	13QA85511	102-8	4038254001	35-3	4470402401	61-21	55VA42120	70-16
08AA85512	44-2	13RN73120	111-12	4038351102	7-12	4470402401	63-19	55VA42120	72-10
08AA85512	54-8	14GE45470	83-10	4040078001	117-5	4470402401	65-13	55VA42120	73-16
08AA85512	61-20	14GE45470	98-32	4040M40100	14-10	4470402401	76-6	55VA42120	81-2
08AA85512	63-18	14GE45470	101-23	4040PJP100	116-15	4470402401	77-6	55VA42120	86-2
08AA85512	65-12	192141710	98-2	4040PJP200	116-16	4470402401	78-6	55VA47840	34-4
08AA85512	69-26	20AL48470G	43-2	40AA30270	2-1	4470402401	81-14	55VA48500	49-14
08AA85512	72-26	20ER73110E	110-22	40AA30270	99-1	4470402401	84-23	55VA48500	74-4
08AA85512	76-5	25AA40100	70-5	40AA32320	7-8	4470402401	87-32	55VA75540	69-12
08AA85512	77-5	25AA40100	73-5	40AA32320	33-6	4470402401	88-5	55VA75540	72-12
08AA85512	78-5	25AA47500	86-29	40AA32320	35-21	4470402401	90-25	55VA79030	68-16
08AA85512	81-13	25AA50080	89-8	40AA32320	39-2	4470402401	92-21	55VA79030	71-16
08AA85512	84-22	25AA77730	81-22	40AA32320	41-9	4470402401	94-7	55VA90840	2-2
08AA85512	87-31	25BA77171	31-1	40AA32320	53-4	4470402401	95-17	55WA10300	10-21
08AA85512	88-4	25SA40960	68-22	40AA32320	62-4	4470402401	96-4	55WA10300	13-5
08AA85512	90-2	25SA40960	70-4	40AA32320	66-3	4470402401	98-29	55WA10310	10-7
08AA85512	92-20	25SA40960	71-22	40AA32320	74-3	4470402401	99-21	56AA10300	8-7
08AA85512	96-3	25SA40960	73-4	40AA46261	99-2	4470402401	105-27	56AA10300	9-11
08AA85512	98-28	26NA17580	33-3	40AA77550	84-2	4581157901	17-14	56AA12140	28-6
08AA85512	99-20	26NA32660	32-1	40AA77550	99-3	4581162501	20-2	56AA12150	28-7
08AA85512	105-26	26NA32870	29-13	40AA85011	28-3	462076010	86-1	56AA12160	28-8
1154467001	89-22	26NA42061	68-17	40LA73840	111-16	466076020	31-2	56AA12241	2-20
12QR86011	28-11	26NA42061	71-17	4109553001	69-25	466076020	35-4	56AA12270	34-11
12QV40650	38-1	26NA42560	68-3	4109553001	72-25	466076020	95-2	56AA17090	85-26
12QV40650	40-10	26NA42560	71-3	4131253701	89-1	50GA250100	33-4	56AA17121	69-8
12QV40650	74-2	26NA42560	80-4	4131253701	90-9	55FA40320	70-22	56AA17121	72-8
12QV40650	76-12	26NA47070	62-22	4131253701	91-11	55FA40320	73-22	56AA17310	105-31

Parts No.	Page No.	Parts No.	Page No.	Parts No.	Page No.	Parts No.	Page No.	Parts No.	Page No.
56AA17321	38-29	56AA17510	70-8	56AA40190	72-28	56AA40540	71-19	56QA80570	94-2
56AA17321	50-4	56AA17510	71-14	56AA40230	69-6	56AA42690	43-6	56QA80570	109-6
56AA17321	87-10	56AA17510	73-8	56AA40230	72-6	56AA42690	44-20	56UA70330	14-21
56AA17321	90-10	56AA17520	53-6	56AA40300	70-13	56AA42690	83-2	56UA73600	8-39
56AA17321	91-6	56AA17531	33-7	56AA40300	73-13	56AA42690	85-3	56UA77280	35-18
56AA17321	92-22	56AA17531	35-6	56AA40310	69-29	56AA42690	86-5	56UA77710	35-7
56AA17321	99-4	56AA17531	51-12	56AA40310	72-29	56AA42690	87-18	56UA97300	52-14
56AA17321	103-14	56AA17531	85-2	56AA40360	68-21	56AA42690	91-7	56UA97310	4-6
56AA17321	105-2	56AA17551	2-3	56AA40360	71-21	56AA42690	92-1	56UA97320	4-7
56AA17461	32-2	56AA17551	66-4	56AA40370	69-31	56AA42690	94-1	57AA15600	9-19
56AA17461	43-5	56AA17551	86-4	56AA40370	72-31	56AA42690	98-4	57AA15600	108-3
56AA17461	53-5	56AA17551	87-17	56AA40380	70-20	56AA50670	86-6	57AA40420	68-9
56AA17461	84-4	56AA17551	88-11	56AA40380	73-20	56AA50800	86-7	57AA40420	71-9
56AA17461	86-30	56AA17551	92-24	56AA40390	69-9	56AA73560	109-1	57GA12100	109-7
56AA17461	87-1	56AA17551	98-3	56AA40390	72-9	56AA77330	31-11	57GA73510	6-20
56AA17461	88-7	56AA17551	99-5	56AA40430	68-6	56AA77530	86-8	65AA-9091E	79-12
56AA17461	101-3	56AA17551	104-13	56AA40430	71-6	56AA77590	70-14	65AA-9920	116-8
56AA17471	35-17	56AA17551	105-32	56AA40440	68-8	56AA77590	73-14	65AA10190	11-11
56AA17471	53-1	56AA17620	10-8	56AA40440	71-8	56AA77720E	69-24	65AA10470	9-8
56AA17471	69-33	56AA17630	10-9	56AA40460	69-4	56AA77720E	72-24	65AA11300	5-3
56AA17471	72-33	56AA17640	10-10	56AA40460	72-4	56AA77730	69-20	65AA11300	37-10
56AA17471	86-3	56AA17700	105-3	56AA40470	69-17	56AA77730	72-20	65AA11430	5-17
56AA17471	95-3	56AA17760	69-21	56AA40470	72-17	56AA80551	88-1	65AA15210	76-1
56AA17480	43-20	56AA17760	70-7	56AA40481	68-5	56AA82012	69-11	65AA15210	77-1
56AA17480	44-19	56AA17760	72-21	56AA40481	71-5	56AA82012	70-17	65AA15210	78-1
56AA17480	53-9	56AA17760	73-7	56AA40490	32-4	56AA82012	72-11	65AA15210	79-1
56AA17480	69-18	56AA20940D	41-1	56AA40490	41-2	56AA82012	73-17	65AA20060	41-10
56AA17480	72-18	56AA40010	68-7	56AA40490	70-1	56AA82012	81-3	65AA20300	41-11
56AA17480	85-1	56AA40010	71-7	56AA40490	73-1	56AA82012	86-9	65AA26380	39-15
56AA17480	87-11	56AA40032E	69-3	56AA40490	82-13	56AA97140	106-12	65AA26600	39-24
56AA17480	96-9	56AA40032E	72-3	56AA40490	84-37	56GA76010	85-4	65AA26690D	39-19
56AA17490	76-13	56AA40070	70-12	56AA40490	89-2	56QA40080	68-12	65AA26840	41-12
56AA17490	77-12	56AA40070	73-12	56AA40490	103-3	56QA40080	71-12	65AA26870	38-27
56AA17490	78-12	56AA40100G	69-1	56AA40500	69-23	56QA40250	68-13	65AA26900D	39-22
56AA17490	79-6	56AA40100G	72-1	56AA40500	72-23	56QA40250	71-13	65AA27090D	41-3
56AA17490	91-28	56AA40120	69-13	56AA40520	69-5	56QA40270	68-20	65AA27240	38-4
56AA17490	92-23	56AA40120	72-13	56AA40520	72-5	56QA40270	71-20	65AA27240	40-17
56AA17500	31-3	56AA40171	69-27	56AA40530	68-18	56QA40550	68-10	65AA27320	41-15
56AA17500	32-3	56AA40171	72-27	56AA40530	71-18	56QA40550	71-10	65AA33310F	52-9
56AA17510	68-14	56AA40190	69-28	56AA40540	68-19	56QA80570	10-26	65AA40010	69-2

Parts No.	Page No.	Parts No.	Page No.	Parts No.	Page No.	Parts No.	Page No.	Parts No.	Page No.
65AA40010	72-2	65AA50400	9-6	9335140081	18-15	A00V240600	43-7	A03U193500	15-21
65AA40080E	70-10	65AA50430	8-3	9381410131	117-5	A00V240600	44-21	A03U193600	15-16
65AA40080E	73-10	65AA51510	89-9	9J03M10000	8-25	A00V240600	49-2	A03U193700	15-13
65AA42370	98-34	65AA51730	87-8	9J03M10000	10-25	A00V240600	74-5	A03U193800	15-9
65AA44200	81-19	65AA53560	50-39	9J03M10000	104-10	A00V240600	85-6	A03U193900	16-14
65AA44350	81-23	65AA53991	50-44	9J06M10000	107-3	A00V240600	86-11	A03U194002	15-1
65AA44440	81-4	65AA75010E	16-6	9J06N30000	117-5	A00V240600	94-3	A03U194102	15-18
65AA45230	84-5	65AA77390	32-5	9J06PJP100	116-13	A00V240600	96-10	A03U195302	16-3
65AA47120D	65-18	65AA77410	35-8	9J06PJP200	116-14	A00V240600	101-14	A03U195400	16-2
65AA47130	62-6	65AA77540	85-5	9J07500201	31-4	A02E270800	19-6	A03U195500	16-4
65AA47310E	61-22	65AA80021	44-29	A00FM20000	32-6	A02EM10A00	19-18	A03U259600	76-14
65AA47310E	65-19	65AA80112	87-19	A00J169200	3-8	A034M50000	5-4	A03U259600	77-13
65AA47320	61-23	65AA80112	94-14	A00J169200	17-20	A034M50000	37-11	A03U259600	78-13
65AA47320	65-20	65AA80112	101-19	A00J191900	97-2	A03N621800	66-8	A03U259600	79-7
65AA47360	75-4	65AA88010	48-14	A00J265300	17-15	A03U118300	11-1	A03U259900	76-15
65AA47370	75-5	65AA91100	28-12	A00J276300	19-12	A03U162500	4-3	A03U259900	77-14
65AA47390	75-6	65AA97440	55-1	A00J280200	18-7	A03U168500	2-36	A03U259900	78-14
65AA47550	63-2	65AA97450	56-1	A00J617800	39-3	A03U169900	2-4	A03U259900	79-9
65AA47550	67-2	65AA97460	57-1	A00J617800	44-7	A03U190500	16-18	A03U512300	38-7
65AA47600E	62-28	65AA97470	58-1	A00J617800	53-7	A03U190600	16-19	A03U515100	37-12
65AA47600E	66-28	65AA99500	116-9	A00J617800	89-19	A03U190700	16-16	A03U523900	59-6
65AA47630	63-3	65AAR73200	55-8	A00J617800	99-6	A03U190802	16-5	A03U555400	41-4
65AA47630	67-3	65AAR73200	56-8	A00J617800	105-4	A03U190900	15-8	A03U560200	70-6
65AA47700D	62-7	65AAR73200	57-8	A00J617900	38-5	A03U191100	16-7	A03U560200	73-6
65AA47700D	66-5	65AAR73200	58-8	A00J617900	83-3	A03U191201	16-8	A03U560300	70-19
65AA47710	75-7	65GE97400	70-11	A00J617900	86-10	A03U191300	16-9	A03U560300	73-19
65AA47740E	62-8	65GE97400	73-11	A00J617900	91-8	A03U191400	15-11	A03U560500	70-21
65AA47740E	63-4	65GE97490	62-9	A00J617900	92-2	A03U191500	15-20	A03U560500	73-21
65AA47740E	66-6	65GE97490	66-7	A00J617900	98-6	A03U191600	15-5	A03U621200	63-5
65AA47740E	67-4	65LA48530	104-17	A00J663200	68-11	A03U191700	15-4	A03U621200	67-5
65AA47820	61-2	65LA48570	8-24	A00J663200	69-22	A03U191800	15-3	A03U700202	80-5
65AA47820	65-2	9313100072	5-8	A00J663200	70-3	A03U191900	15-6	A03U723301	50-45
65AA47860	61-12	9313110033	109-16	A00J663200	71-11	A03U192000	15-2	A03U724200	44-13
65AA47860	65-17	9334261012	18-11	A00J663200	72-22	A03U192100	15-7	A03U728000	50-16
65AA47900E	63-20	9335140051	34-14	A00J663200	73-3	A03U192200	15-12	A03U734311	50-1
65AA47970	75-8	9335140061	18-8	A00J945400	4-2	A03U192300	16-10	A03U734411	50-2
65AA48360	105-22	9335140061	20-9	A00JM60300	106-3	A03U193100	16-20	A03U734500	44-14
65AA48460	105-18	9335140071	90-26	A00TM10000	97-9	A03U193200	16-17	A03U734500	46-1
65AA49270	98-5	9335140071	94-8	A00V240600	38-6	A03U193300	15-10	A03U734500	47-6
65AA49410	99-29	9335140071	95-18	A00V240600	40-11	A03U193400	15-19	A03U734500	48-15

Parts No.	Page No.	Parts No.	Page No.	Parts No.	Page No.	Parts No.	Page No.	Parts No.	Page No.
A03U734500	51-1	A03U845601	100-8	A07TM60100	106-4	A0ED274400	18-4	A0G6193400	14-24
A03U734800	50-17	A03U845700	94-17	A0ED261900	20-12	A0ED275123	19-25	A0G6193500	14-29
A03U734900	50-18	A03U845901	94-19	A0ED262000	20-15	A0ED275222	19-27	A0G6193700	14-30
A03U807700	96-5	A03U848100	93-1	A0ED262111	20-11	A0ED275302	19-3	A0G6193800	14-20
A03U808400	44-8	A03U849701	89-11	A0ED262200	20-10	A0ED275400	19-1	A0G6193900	14-26
A03U809500	49-15	A03U850101	68-2	A0ED262300	20-5	A0ED275501	19-21	A0G6194000	14-25
A03U811600	89-6	A03U850101	71-2	A0ED262400	20-4	A0ED275600	19-20	A0G6195000	14-11
A03U811800	89-3	A03U850101	80-6	A0ED262500	20-1	A0ED275700	19-23	A0G6205000	14-11
A03U812800	62-10	A03U850101	90-27	A0ED262600	20-13	A0ED276000	19-22	A0G6411200	5-9
A03U812800	66-9	A03U850101	103-15	A0ED262700	20-7	A0ED276200	19-24	A0G6H06000	14-9
A03U812800	69-32	A03U859400	94-15	A0ED263000	20-14	A0ED276301	19-13	A0G6M75501	14-4
A03U812800	70-18	A03U859500	94-4	A0ED263200	20-3	A0ED276500	19-4	A0G6N18400	14-14
A03U812800	72-32	A03U892300	104-7	A0ED263300	20-18	A0ED278600	17-7	A0P0144300	90-11
A03U812800	73-18	A03U892400	104-8	A0ED267300	17-4	A0ED280100	18-9	A0P0276700	19-19
A03U812800	81-5	A03U892701	105-33	A0ED268100	17-10	A0ED281100	18-20	A0P0742300	45-6
A03U812800	85-7	A03U892800	105-34	A0ED268200	17-6	A0ED281200	18-17	A0TK341300	87-12
A03U812800	86-12	A03U893000	105-5	A0ED268300	17-5	A0ED281600	18-5	A0TKH00200	24-2
A03U812800	87-2	A03U893101	105-6	A0ED268400	17-2	A0ED281700	17-8	A0TKH00200	25-2
A03U812800	92-25	A03U893200	105-7	A0ED268500	17-3	A0EDH01A01	18-26	A0TKH00200	26-2
A03U812800	101-4	A03U893301	104-2	A0ED268700	17-11	A0EDM10500	109-15	A0TKH00200	27-2
A03U812800	103-4	A03U893400	104-3	A0ED268800	17-16	A0EDM31000	19-17	A0U0945401	60-2
A03U813601	89-10	A03U893502	105-35	A0ED270400	19-7	A0EDM41000	18-25	A0U0945501	64-2
A03U814100	89-20	A03U909502	105-8	A0ED270500	19-5	A0EDN14100	18-22	A0VDM50500	102-2
A03U814200	89-21	A03U909900	104-14	A0ED270600	19-16	A0EDN14200	20-8	A0XV370300	97-17
A03U814300	89-15	A03UF19100	16-11	A0ED270700	19-15	A0EDN14400	18-16	A0Y5M15100	11-12
A03U815700	85-8	A03UF84300	95-7	A0ED270800	19-9	A0EDN14600	18-24	A11P902200	20-6
A03U838900	86-13	A03UM15800	5-18	A0ED270900	19-8	A0EDN14800	17-18	A11PM10200	38-23
A03U839000	85-9	A03UM15800	8-26	A0ED271000	18-12	A0EDR72500	17-17	A11PM10200	43-8
A03U842600	93-5	A03UM20100	86-14	A0ED271000	19-11	A0EDR72700	17-1	A161626800	60-3
A03U842700	94-10	A03UN23200	45-5	A0ED271200	19-14	A0EDR72800	19-26	A161626800	64-3
A03U842800	94-18	A03UN23200	48-3	A0ED271300	19-10	A0G6190101	14-1	A161M10200	35-9
A03U843500	89-7	A03UR73800	5-5	A0ED273300	18-3	A0G6190200	14-12	A1DU111100	7-29
A03U844200	95-4	A03X565001	86-15	A0ED273400	18-21	A0G6190301	14-27	A1DU162300	4-4
A03U844300	95-5	A03X565611	68-15	A0ED273600	18-13	A0G6191600	14-19	A1DU163402	3-4
A03U844700	95-6	A03X565611	71-15	A0ED273600	19-2	A0G6192400	14-5	A1DU166500	4-8
A03U844802	95-24	A03X622000	102-1	A0ED273700	18-14	A0G6192500	14-6	A1DU190100	16-12
A03U844901	95-25	A03X622101	67-18	A0ED273900	18-18	A0G6192700	14-3	A1DU194200	16-15
A03U845100	93-9	A03X622201	67-19	A0ED274000	18-19	A0G6192900	14-2	A1DU194300	16-1
A03U845301	93-10	A03X656203	61-3	A0ED274200	18-1	A0G6193100	14-23	A1DU197100	15-15
A03U845601	94-11	A03X656203	65-3	A0ED274300	18-2	A0G6193200	14-22	A1DU736200	43-26

Parts No.	Page No.	Parts No.	Page No.	Parts No.	Page No.	Parts No.	Page No.	Parts No.	Page No.
A1DU764000	7-13	A1RF368500	35-11	A1RJ825100	96-11	A50U104800	108-4	A50U120800	109-9
A1DU942900	102-15	A1RF372300	35-25	A1RJ825800	96-18	A50U104901	7-1	A50U120900	11-5
A1DU943701	52-10	A1RF441500	29-14	A1TVM10100	88-8	A50U105000	13-3	A50U121003	5-20
A1DU943701	54-1	A1RF501700	38-9	A1TVM10100	104-15	A50U105100	8-22	A50U121300	5-11
A1DU945900	1-9	A1RF508000	40-8	A1UD210500	35-12	A50U105200	8-8	A50U121500	21-1
A1DU946300	117-1	A1RF508100	40-1	A1UD723500	49-32	A50U105600	8-1	A50U121601	5-21
A1DU949000	50-5	A1RF508200	40-9	A1UDM50100	62-29	A50U105800	9-3	A50U121800	11-6
A1DU949900	5-19	A1RF517300	38-10	A1UDM50100	66-29	A50U106300	10-12	A50U121900	11-13
A1DU949900	52-15	A1RF517300	105-9	A2X0M12101	75-1	A50U106300	13-6	A50U122000	10-1
A1DUF62100	63-6	A1RF529300	53-11	A2XKM10300	31-5	A50U106502	11-9	A50U122102	5-12
A1DUF62100	67-6	A1RF620301	68-23	A2XKM10300	52-7	A50U106600	11-20	A50U122701	12-14
A1DUH11000	16-13	A1RF620301	71-23	A2XKM10300	74-6	A50U106700	11-10	A50U122800	10-2
A1DUM70001	107-5	A1RF701700	80-7	A4EU190412	14-8	A50U106800	7-5	A50U122900	11-21
A1DUM70101	107-6	A1RF758100	47-7	A4EU194100	14-16	A50U107000	9-9	A50U123200	6-9
A1DUPJG100	116-12	A1RF808600	47-8	A4EU194200	14-28	A50U107101	9-4	A50U123300	6-5
A1DUR71200	52-1	A1RF809400	43-9	A4EU265000	47-1	A50U107501	8-29	A50U123400	6-10
A1DUR71600	42-3	A1RF815702	8-4	A4EUH04001	14-15	A50U107600	8-30	A50U123500	6-15
A1DUR71900	39-25	A1RF820000	91-24	A4EUM60000	5-1	A50U107800	8-31	A50U123600	6-6
A1DUR71C00	41-5	A1RF820000	92-10	A4EUM60400	106-5	A50U107900	11-2	A50U123700	5-22
A1DUR71D00	41-6	A1RF820000	98-7	A4EUM75600	14-7	A50U108001	11-3	A50U123800	5-23
A1DUR71J00	70-2	A1RF847400	93-11	A4EUN28500	14-13	A50U108100	107-1	A50U123900	6-11
A1DUR71J00	73-2	A1RF863800	99-7	A4EUPP0000	116-3	A50U108200	11-4	A50U124000	6-16
A1DUR71K00	68-4	A1RF877100	100-6	A50U101600	9-17	A50U108900	7-28	A50U124100	5-24
A1DUR71K00	71-4	A1RF942900	2-37	A50U101901	8-27	A50U109100	6-1	A50U124900	5-13
A1DUR73500	38-8	A1RF943100	82-19	A50U102702	9-13	A50U109200	75-10	A50U125000	11-22
A1DUR73E00	94-12	A1RF944100	83-11	A50U102800	7-4	A50U109200	109-3	A50U125101	11-23
A1DUR73K00	85-10	A1RF945100	52-6	A50U102900	5-6	A50U109300	75-9	A50U125200	5-25
A1DUR73P00	94-20	A1RF945100	53-12	A50U103200	8-10	A50U109400	8-5	A50U125500	11-19
A1DUR75200	70-15	A1RF945100	54-16	A50U103301	10-17	A50U109600	8-14	A50U125600	11-15
A1DUR75200	73-15	A1RF945501	117-4	A50U103402	8-13	A50U109700	8-15	A50U125800	11-14
A1RF168800	3-7	A1RF946000	65-21	A50U103500	8-28	A50U109800	8-16	A50U125900	5-26
A1RF214100	76-16	A1RFM15100	110-13	A50U103600	7-2	A50U109900	8-23	A50U126200	6-12
A1RF214100	77-15	A1RFM51000	46-14	A50U103700	10-11	A50U110000	10-5	A50U126300	11-28
A1RF214100	78-15	A1RFN28300	14-18	A50U103800	10-3	A50U112900	75-11	A50U126400	11-16
A1RF214100	79-10	A1RG569900	33-11	A50U104000	12-10	A50U112900	109-4	A50U126500	5-14
A1RF301400	12-2	A1RG569900	35-26	A50U104300	13-1	A50U120100	106-15	A50U126600	5-15
A1RF362400	33-8	A1RG681400	86-16	A50U104401	10-4	A50U120200	106-16	A50U126800	6-13
A1RF362400	35-10	A1RHM91100	17-13	A50U104500	13-2	A50U120300	8-17	A50U127000	12-15
A1RF363500	34-5	A1RJ732100	40-2	A50U104600	9-20	A50U120600	5-10	A50U127200	6-7
A1RF363801	34-6	A1RJ818800	99-8	A50U104700	8-21	A50U120700	109-8	A50U127300	6-8

Parts No.	Page No.	Parts No.	Page No.	Parts No.	Page No.	Parts No.	Page No.	Parts No.	Page No.
A50U127400	5-2	A50U133200	7-6	A50U162301	1-1	A50U170700	3-16	A50U269000	117-6
A50U127500	6-17	A50U133301	110-17	A50U162400	3-6	A50U175001	3-3	A50U269100	17-12
A50U127800	6-14	A50U133400	111-10	A50U162503	1-8	A50U179000	28-5	A50U308100	12-4
A50U127901	5-35	A50U133500	110-23	A50U162600	3-19	A50U179500	5-7	A50U308200	12-5
A50U128000	6-18	A50U133600	110-24	A50U162701	1-2	A50U210600	76-2	A50U308300	12-6
A50U128700	6-19	A50U133700	106-13	A50U162803	1-3	A50U210600	77-2	A50U308400	12-7
A50U128800	11-24	A50U133800	106-14	A50U162900	1-4	A50U210600	78-2	A50U308500	12-8
A50U128900	11-25	A50U133901	111-2	A50U163001	4-5	A50U210600	79-2	A50U314300	12-13
A50U129100	11-17	A50U134700	111-3	A50U163504	4-9	A50U212100	76-10	A50U314800	9-2
A50U129200	8-18	A50U134800	111-17	A50U163602	4-10	A50U212100	77-10	A50U318101	21-3
A50U129300	11-26	A50U136000	107-7	A50U163700	4-1	A50U212100	78-10	A50U318201	21-7
A50U129401	11-29	A50U136000	107-7	A50U163800	4-11	A50U212100	79-4	A50U318300	21-4
A50U129801	11-30	A50U136101	107-8	A50U163903	3-1	A50U212600	76-3	A50U318500	12-1
A50U130103	111-5	A50U136200	111-11	A50U164000	5-29	A50U212600	77-3	A50U318601	12-3
A50U130202	111-6	A50U136302	111-4	A50U164100	2-22	A50U212600	78-3	A50U318700	21-5
A50U130300	107-12	A50U136402	107-14	A50U164200	2-23	A50U212600	79-3	A50U318700	28-15
A50U130300	111-7	A50U136501	9-1	A50U164801	2-24	A50U220501	52-8	A50U318800	12-9
A50U130400	107-13	A50U136600	111-19	A50U164901	2-25	A50U220600	53-10	A50U318900	21-6
A50U130500	110-14	A50U160101	2-5	A50U165300	3-14	A50U220700	53-2	A50U319301	21-2
A50U130600	111-1	A50U160200	2-6	A50U165400	3-15	A50U221500	52-2	A50U333500	23-1
A50U130700	111-18	A50U160303	2-21	A50U165500	2-14	A50U221701	52-11	A50U333600	23-2
A50U130902	111-9	A50U160401	82-21	A50U165600	2-15	A50U221800	53-8	A50U335600	54-20
A50U131002	108-7	A50U160500	2-7	A50U166100	2-16	A50U222000	53-3	A50U335600	55-2
A50U131100	109-10	A50U160600	2-27	A50U166200	2-17	A50U252100	74-13	A50U335600	56-2
A50U131200	109-11	A50U160701	60-4	A50U166800	28-9	A50U252300	74-7	A50U335600	57-2
A50U131300	109-12	A50U160801	64-4	A50U167201	2-18	A50U252400	74-8	A50U335600	58-2
A50U131400	108-8	A50U160900	2-8	A50U167300	3-2	A50U252500	74-9	A50U337101	53-13
A50U131501	106-6	A50U161001	3-5	A50U167500	2-28	A50U252600	74-10	A50U337200	54-17
A50U131600	106-7	A50U161101	3-11	A50U167601	2-29	A50U252700	74-12	A50U337300	54-18
A50U131700	106-11	A50U161202	3-12	A50U167801	4-12	A50U252800	74-11	A50U337400	53-14
A50U131800	106-8	A50U161302	3-18	A50U167900	5-30	A50U260200	8-33	A50U340301	55-3
A50U131900	108-9	A50U161401	3-13	A50U168001	117-2	A50U260300	8-37	A50U340301	56-3
A50U132100	109-17	A50U161501	2-9	A50U168800	5-31	A50U260500	8-34	A50U340301	57-3
A50U132300	107-4	A50U161601	2-10	A50U168900	5-32	A50U260900	8-38	A50U340301	58-3
A50U132400	106-1	A50U161700	2-11	A50U169002	52-16	A50U261000	9-21	A50U340500	54-19
A50U132600	109-2	A50U161800	2-12	A50U169300	5-33	A50U261100	8-35	A50U340700	8-2
A50U132701	11-7	A50U161900	2-13	A50U169500	5-34	A50U261200	8-36	A50U340900	54-10
A50U132800	11-8	A50U162005	1-5	A50U169602	52-17	A50U261300	20-16	A50U341000	52-3
A50U133001	108-5	A50U162101	1-6	A50U169900	2-19	A50U269000	3-10	A50U341200	58-22
A50U133101	108-2	A50U162200	1-7	A50U170600	3-9	A50U269000	17-9	A50U341300	54-12

Parts No.	Page No.	Parts No.	Page No.	Parts No.	Page No.	Parts No.	Page No.	Parts No.	Page No.
A50U341400	54-27	A50U363400	34-1	A50U440301	29-17	A50U463100	56-7	A50U505700	39-12
A50U341600	54-15	A50U363701	34-12	A50U440601	29-18	A50U463100	57-7	A50U505800	39-13
A50U341800	6-2	A50U363900	9-18	A50U442100	28-13	A50U463100	58-7	A50U505901	38-18
A50U341900	55-4	A50U365400	33-9	A50U462101	55-9	A50U500101	38-11	A50U506101	38-19
A50U341900	56-4	A50U365600	35-15	A50U462101	56-9	A50U500301	40-12	A50U506200	37-6
A50U341900	57-4	A50U365800	35-14	A50U462101	57-9	A50U500401	38-12	A50U506300	37-8
A50U341900	58-4	A50U366601	9-14	A50U462101	58-9	A50U500700	40-18	A50U506400	40-14
A50U342000	55-5	A50U366800	34-15	A50U462201	55-12	A50U500800	37-1	A50U506500	54-7
A50U342000	56-5	A50U367001	35-16	A50U462201	56-12	A50U501201	39-4	A50U506701	38-28
A50U342000	57-5	A50U367100	34-8	A50U462201	57-12	A50U501401	40-3	A50U506900	39-7
A50U342000	58-5	A50U367400	34-16	A50U462201	58-12	A50U501600	40-19	A50U507000	38-20
A50U342200	6-3	A50U368000	9-15	A50U462400	55-17	A50U501702	40-4	A50U507600	39-21
A50U342300	55-14	A50U368400	34-9	A50U462400	56-17	A50U501900	39-5	A50U507801	39-16
A50U342300	56-14	A50U369800	35-19	A50U462400	57-17	A50U502100	40-24	A50U507900	39-14
A50U342300	57-14	A50U369900	34-2	A50U462400	58-17	A50U502201	40-13	A50U508001	39-10
A50U342300	58-14	A50U400201	29-5	A50U462501	55-18	A50U502400	40-20	A50U508102	39-11
A50U342400	6-4	A50U400501	32-7	A50U462501	56-18	A50U502500	38-30	A50U508200	40-15
A50U342501	54-25	A50U400600	28-16	A50U462501	57-18	A50U502600	38-31	A50U508300	7-9
A50U342600	54-26	A50U400900	28-17	A50U462501	58-18	A50U502700	40-5	A50U508600	37-2
A50U342900	8-9	A50U401200	32-8	A50U462600	55-13	A50U502800	54-6	A50U508700	40-16
A50U343000	54-13	A50U401301	32-9	A50U462600	56-13	A50U502900	40-6	A50U508800	37-7
A50U343100	58-19	A50U401401	28-18	A50U462600	57-13	A50U503001	40-7	A50U509100	38-21
A50U343301	58-20	A50U404000	31-6	A50U462600	58-13	A50U503200	39-6	A50U509200	40-22
A50U343400	54-21	A50U404200	31-13	A50U462700	55-15	A50U503300	40-21	A50U509300	7-10
A50U343500	54-22	A50U404600	31-12	A50U462700	56-15	A50U503500	40-25	A50U509800	38-22
A50U343600	54-2	A50U406400	31-7	A50U462700	57-15	A50U503600	37-4	A50U510100	39-17
A50U343700	58-21	A50U407300	13-4	A50U462700	58-15	A50U503700	37-5	A50U510200	39-18
A50U343800	54-11	A50U407600	32-10	A50U462801	55-16	A50U503900	38-24	A50U515200	42-4
A50U343900	54-3	A50U408100	28-2	A50U462801	56-16	A50U504000	38-13	A50U515500	42-8
A50U344100	54-23	A50U408501	29-15	A50U462801	57-16	A50U504400	38-25	A50U516800	42-10
A50U344200	54-14	A50U408600	29-6	A50U462801	58-16	A50U504500	38-14	A50U516900	42-9
A50U344300	54-4	A50U408700	29-7	A50U462900	55-10	A50U504600	38-15	A50U517000	42-2
A50U344500	54-5	A50U408900	29-8	A50U462900	56-10	A50U504700	38-16	A50U517100	42-5
A50U360700	35-22	A50U410200	29-16	A50U462900	57-10	A50U505000	38-17	A50U520001	59-2
A50U361200	35-23	A50U420300	31-8	A50U462900	58-10	A50U505100	38-32	A50U520401	84-32
A50U361401	35-24	A50U420400	32-11	A50U463000	55-6	A50U505200	37-9	A50U520601	84-6
A50U362200	35-13	A50U420800	32-12	A50U463000	56-6	A50U505300	38-3	A50U520700	84-7
A50U362300	33-1	A50U420900	31-9	A50U463000	57-6	A50U505400	39-8	A50U520900	84-33
A50U363200	34-7	A50U421000	31-10	A50U463000	58-6	A50U505500	39-9	A50U521101	84-8
A50U363300	33-13	A50U421000	32-13	A50U463100	55-7	A50U505601	39-20	A50U521200	84-9

Parts No.	Page No.	Parts No.	Page No.	Parts No.	Page No.	Parts No.	Page No.	Parts No.	Page No.
A50U521301	84-10	A50U621400	62-33	A50U625701	65-7	A50U630601	66-40	A50U640100	67-20
A50U521500	84-11	A50U621400	66-33	A50U626000	66-13	A50U630701	63-16	A50U640200	10-18
A50U521900	84-12	A50U621501	62-12	A50U626100	62-17	A50U630901	66-37	A50U640400	10-19
A50U522001	84-34	A50U621501	66-11	A50U626100	66-14	A50U631000	66-16	A50U640700	66-24
A50U522400	84-13	A50U621800	62-13	A50U626502	61-13	A50U631100	66-17	A50U640800	62-19
A50U522500	84-14	A50U621900	62-30	A50U626502	65-22	A50U631200	65-15	A50U641500	61-18
A50U522900	84-26	A50U621900	66-30	A50U626601	61-14	A50U631300	65-11	A50U641500	65-27
A50U523001	84-27	A50U622001	62-14	A50U626601	65-23	A50U631500	66-18	A50U641600	10-20
A50U523100	84-28	A50U622001	66-12	A50U626702	61-15	A50U631600	65-14	A50U642000	62-20
A50U523200	84-29	A50U622101	62-31	A50U626702	65-24	A50U631700	66-19	A50U642000	66-25
A50U523400	84-30	A50U622101	66-31	A50U627002	64-5	A50U631800	66-20	A50U700101	80-8
A50U524100	84-35	A50U622300	62-26	A50U627200	64-6	A50U631900	66-21	A50U700200	81-24
A50U524500	84-15	A50U622400	62-24	A50U627501	62-18	A50U632300	66-39	A50U700300	81-6
A50U524600	84-16	A50U622400	66-35	A50U627501	66-15	A50U633002	60-5	A50U700400	81-25
A50U524700	84-31	A50U622600	61-5	A50U627601	61-8	A50U633002	64-7	A50U700500	81-7
A50U525900	59-3	A50U622600	65-5	A50U627601	65-8	A50U633100	60-6	A50U700600	81-8
A50U531400	41-13	A50U622801	61-6	A50U627701	61-9	A50U633100	64-8	A50U700901	80-2
A50U531500	41-14	A50U622801	65-6	A50U627701	65-9	A50U633200	60-7	A50U701000	81-9
A50U531601	41-7	A50U623201	62-27	A50U628001	10-14	A50U633200	64-9	A50U701102	80-3
A50U560900	69-16	A50U623201	66-38	A50U628100	60-1	A50U633301	60-8	A50U701303	80-9
A50U560900	72-16	A50U623300	62-25	A50U628100	62-3	A50U633400	60-9	A50U704400	81-10
A50U561200	69-30	A50U623300	66-36	A50U628100	64-1	A50U633400	64-10	A50U704700	81-15
A50U561200	72-30	A50U623600	62-1	A50U628200	61-10	A50U633601	64-11	A50U704801	81-11
A50U562400	69-19	A50U623701	62-2	A50U628200	63-11	A50U633702	60-10	A50U704900	81-26
A50U562400	72-19	A50U623900	66-1	A50U628200	65-10	A50U633702	64-12	A50U705000	81-20
A50U564500	69-14	A50U624000	9-16	A50U628200	67-12	A50U633800	60-11	A50U705100	80-10
A50U564500	72-14	A50U624102	10-13	A50U628300	63-1	A50U633800	64-13	A50U705200	80-11
A50U565100	69-15	A50U624201	66-2	A50U628300	67-1	A50U633900	60-12	A50U705400	81-28
A50U565100	72-15	A50U624502	9-12	A50U629001	65-25	A50U633900	64-14	A50U705500	81-16
A50U620601	62-34	A50U624600	63-8	A50U629100	75-2	A50U634200	10-15	A50U705600	81-17
A50U620701	67-7	A50U624600	67-9	A50U629202	65-26	A50U634300	60-13	A50U705700	80-12
A50U620801	62-11	A50U624700	63-9	A50U629300	61-16	A50U634300	64-15	A50U706000	80-13
A50U620801	66-10	A50U624700	67-10	A50U629401	67-13	A50U634400	60-14	A50U706800	81-27
A50U620901	62-23	A50U624902	9-10	A50U629502	63-12	A50U634400	64-16	A50U706900	80-14
A50U621000	61-4	A50U625000	61-17	A50U629502	67-14	A50U635400	66-22	A50U707001	81-29
A50U621000	65-4	A50U625100	63-10	A50U629701	63-13	A50U635500	66-23	A50U707300	81-12
A50U621200	63-7	A50U625100	67-11	A50U629701	67-15	A50U637002	60-15	A50U707400	81-18
A50U621200	67-8	A50U625400	62-15	A50U629801	63-14	A50U637600	63-21	A50U707600	80-15
A50U621301	62-32	A50U625500	62-16	A50U629801	67-16	A50U637700	63-22	A50U710101	101-15
A50U621301	66-32	A50U625701	61-7	A50U629901	63-15	A50U639800	10-16	A50U710300	103-5

Parts No.	Page No.	Parts No.	Page No.	Parts No.	Page No.	Parts No.	Page No.	Parts No.	Page No.
A50U710900	103-6	A50U715600	103-30	A50U725001	49-23	A50U732300	43-31	A50U742901	43-13
A50U711000	103-7	A50U715700	103-12	A50U725100	48-4	A50U732400	43-32	A50U743000	43-14
A50U711101	101-5	A50U715800	90-1	A50U725200	48-5	A50U732500	43-33	A50U743100	43-15
A50U711200	103-8	A50U715800	103-1	A50U725401	49-5	A50U733000	49-1	A50U743200	43-16
A50U711300	103-9	A50U715900	101-17	A50U725501	49-6	A50U733100	49-12	A50U743301	44-23
A50U711400	101-6	A50U716200	101-10	A50U726001	49-24	A50U733401	48-25	A50U743500	49-16
A50U711602	103-16	A50U716301	103-23	A50U726101	48-24	A50U733500	48-18	A50U743600	44-24
A50U712001	102-3	A50U716400	103-24	A50U726300	49-7	A50U733700	49-26	A50U743700	44-25
A50U712200	90-28	A50U716500	59-4	A50U726400	49-8	A50U733901	50-38	A50U743800	44-26
A50U712200	103-17	A50U716500	84-36	A50U726600	48-17	A50U734000	49-27	A50U743900	44-27
A50U712300	90-29	A50U716500	90-43	A50U726800	49-9	A50U734100	110-2	A50U744000	49-17
A50U712300	103-18	A50U716500	103-31	A50U727000	50-31	A50U737201	7-18	A50U744100	49-13
A50U712400	90-30	A50U717000	102-4	A50U727100	50-32	A50U737301	110-3	A50U744300	44-28
A50U712400	103-19	A50U717100	102-5	A50U727300	50-33	A50U737401	110-4	A50U744400	49-18
A50U712700	103-10	A50U717200	102-6	A50U727400	50-34	A50U737601	110-5	A50U744601	44-4
A50U713000	101-7	A50U717901	101-11	A50U727500	50-35	A50U737700	110-6	A50U744700	47-2
A50U713100	103-11	A50U718200	102-9	A50U727600	51-5	A50U737800	7-16	A50U744901	44-15
A50U713200	101-8	A50U718300	102-10	A50U727700	50-36	A50U738001	7-24	A50U745000	47-3
A50U713300	87-28	A50U718400	90-13	A50U727900	50-37	A50U738100	7-25	A50U745100	45-2
A50U713401	87-33	A50U718400	103-25	A50U728101	49-10	A50U738201	51-8	A50U745302	43-27
A50U713500	87-29	A50U718500	90-14	A50U728300	49-11	A50U738300	51-13	A50U745500	44-9
A50U713600	101-9	A50U718500	103-26	A50U728400	48-6	A50U738400	51-14	A50U745600	43-21
A50U713700	87-20	A50U719200	101-18	A50U728500	48-7	A50U738500	51-15	A50U745700	43-22
A50U713800	87-21	A50U719800	101-21	A50U728602	51-20	A50U738600	51-9	A50U745802	45-7
A50U713900	87-3	A50U720100	49-20	A50U728700	51-21	A50U738700	51-10	A50U746200	45-11
A50U714200	103-20	A50U720501	49-29	A50U728800	48-8	A50U738801	51-16	A50U746400	44-10
A50U714300	101-20	A50U721200	51-18	A50U729000	51-22	A50U738900	7-19	A50U746500	50-6
A50U714400	101-16	A50U721501	51-2	A50U730100	49-33	A50U739000	7-17	A50U746700	47-11
A50U714500	103-21	A50U721601	49-3	A50U730500	49-35	A50U739200	51-17	A50U746800	46-4
A50U714600	90-12	A50U722100	48-1	A50U730600	49-25	A50U739400	7-20	A50U747000	47-16
A50U714600	103-22	A50U722202	48-2	A50U730700	49-34	A50U739500	51-11	A50U747100	47-4
A50U714800	87-13	A50U722300	51-19	A50U730900	48-9	A50U740101	46-21	A50U747200	44-16
A50U714900	87-14	A50U722700	51-3	A50U731000	48-10	A50U741700	46-2	A50U747300	44-17
A50U715001	87-22	A50U722800	51-4	A50U731100	48-11	A50U741800	46-3	A50U747402	46-5
A50U715100	87-15	A50U723100	49-21	A50U731501	51-6	A50U741900	47-9	A50U747500	45-3
A50U715200	87-16	A50U723600	49-4	A50U731700	7-14	A50U742000	47-10	A50U747600	45-4
A50U715300	90-41	A50U723801	48-16	A50U731900	7-15	A50U742300	43-10	A50U747700	46-15
A50U715300	103-29	A50U723900	48-20	A50U732000	51-7	A50U742400	44-22	A50U747803	46-16
A50U715400	92-33	A50U724101	49-30	A50U732100	44-32	A50U742501	43-11	A50U747900	46-17
A50U715600	90-42	A50U724200	49-22	A50U732200	43-30	A50U742800	43-12	A50U748000	47-17

Parts No.	Page No.	Parts No.	Page No.	Parts No.	Page No.	Parts No.	Page No.	Parts No.	Page No.
A50U748101	47-12	A50U755900	43-38	A50U802800	97-20	A50U818000	85-12	A50U834600	90-20
A50U748200	46-6	A50U756000	43-18	A50U802900	97-6	A50U818100	85-13	A50U834700	90-35
A50U748402	43-34	A50U756300	46-23	A50U803101	97-21	A50U818201	90-38	A50U834802	84-17
A50U748503	44-33	A50U756300	49-28	A50U803300	97-13	A50U818400	90-39	A50U835001	82-7
A50U748601	46-18	A50U756500	43-19	A50U803400	97-14	A50U818501	86-19	A50U835301	85-34
A50U748700	50-40	A50U760100	50-7	A50U803500	97-22	A50U818601	90-16	A50U835400	85-14
A50U748800	47-18	A50U760200	50-8	A50U803600	97-19	A50U818700	82-1	A50U835601	87-4
A50U748901	46-7	A50U760300	50-9	A50U803700	97-3	A50U818800	82-2	A50U835900	85-29
A50U749000	46-8	A50U760400	50-10	A50U803800	97-7	A50U818900	82-3	A50U836000	85-30
A50U749101	46-9	A50U760502	50-19	A50U804200	96-8	A50U819201	82-4	A50U836100	87-5
A50U749200	44-5	A50U760600	50-20	A50U804300	97-8	A50U819302	82-5	A50U836200	90-32
A50U749300	44-6	A50U760701	50-21	A50U804701	97-1	A50U819500	83-4	A50U836300	88-14
A50U749401	110-7	A50U760800	50-41	A50U804900	96-1	A50U819600	98-9	A50U836400	85-15
A50U749502	110-8	A50U760900	50-22	A50U805000	96-2	A50U819700	87-34	A50U836500	85-16
A50U749600	110-9	A50U761000	50-11	A50U805200	97-16	A50U819800	88-6	A50U836800	92-17
A50U749700	110-10	A50U761100	50-12	A50U810300	89-16	A50U819900	88-13	A50U837001	82-14
A50U749801	110-11	A50U761200	50-13	A50U810502	85-28	A50U830200	86-20	A50U837101	82-15
A50U750500	43-28	A50U761300	50-14	A50U811300	13-7	A50U830300	86-21	A50U837300	82-22
A50U750600	43-29	A50U761400	50-15	A50U811500	13-8	A50U830400	86-22	A50U837700	88-15
A50U751001	43-35	A50U761500	50-23	A50U812100	85-27	A50U830500	86-31	A50U838500	88-3
A50U751101	43-36	A50U761601	50-24	A50U812202	86-17	A50U830600	86-32	A50U838700	88-16
A50U751200	43-17	A50U761700	50-25	A50U813700	13-9	A50U830700	86-33	A50U838800	98-11
A50U751301	43-37	A50U761800	50-26	A50U814400	88-2	A50U830800	86-34	A50U839100	85-17
A50U752200	44-11	A50U761900	50-27	A50U814500	88-12	A50U831000	86-35	A50U839200	85-18
A50U752300	44-12	A50U762000	50-28	A50U815101	88-9	A50U831100	86-36	A50U839200	86-24
A50U752401	43-23	A50U762100	50-42	A50U815800	89-17	A50U831200	86-37	A50U839900	83-5
A50U752501	43-24	A50U762200	50-29	A50U816103	85-11	A50U831300	88-10	A50U840101	87-9
A50U752600	43-25	A50U762300	50-30	A50U816301	90-15	A50U831400	89-12	A50U840303	91-12
A50U752700	46-22	A50U800100	97-10	A50U816400	92-3	A50U831900	86-23	A50U840400	95-8
A50U752900	47-13	A50U800300	96-12	A50U816700	90-3	A50U832100	8-11	A50U840702	93-14
A50U753100	110-16	A50U800400	96-13	A50U816800	90-4	A50U832201	10-6	A50U840801	91-1
A50U754700	44-30	A50U800700	96-14	A50U816900	90-8	A50U832600	89-13	A50U841100	94-21
A50U754800	47-19	A50U800800	96-16	A50U817001	84-21	A50U832700	89-14	A50U841301	95-19
A50U754900	47-14	A50U801400	96-17	A50U817300	86-18	A50U832901	82-6	A50U841401	91-21
A50U755000	45-8	A50U801500	96-15	A50U817300	98-8	A50U833000	8-6	A50U841501	93-12
A50U755100	46-10	A50U801602	96-6	A50U817400	85-23	A50U833400	90-17	A50U841600	93-2
A50U755200	45-1	A50U802100	97-18	A50U817500	13-10	A50U833500	90-18	A50U841700	95-9
A50U755301	46-11	A50U802200	96-7	A50U817600	90-31	A50U834200	89-18	A50U841800	95-10
A50U755600	47-15	A50U802600	97-5	A50U817700	13-11	A50U834302	98-10	A50U841900	93-6
A50U755800	46-12	A50U802700	97-12	A50U817800	90-34	A50U834500	90-19	A50U842000	94-5

Parts No.	Page No.	Parts No.	Page No.	Parts No.	Page No.	Parts No.	Page No.	Parts No.	Page No.
A50U842300	94-23	A50U853200	92-29	A50U864200	99-12	A50U881300	91-19	A50U891200	104-11
A50U842900	83-6	A50U853400	95-23	A50U864300	99-13	A50U881400	91-20	A50U891301	105-12
A50U842900	95-21	A50U853700	91-16	A50U865000	100-11	A50U881500	8-12	A50U891500	105-20
A50U843601	95-11	A50U854100	95-15	A50U865100	99-28	A50U881600	90-21	A50U891600	105-21
A50U843801	95-12	A50U854200	91-2	A50U865200	100-2	A50U881700	90-22	A50U891900	105-25
A50U843900	89-4	A50U854301	91-5	A50U865300	98-14	A50U882100	90-5	A50U892001	105-37
A50U844100	89-5	A50U854400	91-3	A50U865400	99-14	A50U882100	92-34	A50U892101	105-13
A50U844400	95-26	A50U854600	66-26	A50U865601	99-30	A50U882300	87-6	A50U892200	104-19
A50U844501	95-13	A50U854600	92-30	A50U865702	98-15	A50U882401	101-12	A50U892502	104-9
A50U844601	95-14	A50U854800	91-4	A50U865900	98-16	A50U882600	87-23	A50U892800	105-28
A50U844800	93-7	A50U854800	93-8	A50U866000	98-17	A50U882701	83-7	A50U892900	105-29
A50U845400	94-13	A50U855200	9-7	A50U866900	98-18	A50U882801	83-8	A50U893201	105-14
A50U846000	95-22	A50U855601	93-13	A50U867100	99-15	A50U882900	92-4	A50U893300	104-5
A50U847200	94-9	A50U855702	82-20	A50U867200	98-19	A50U883001	92-39	A50U894000	105-38
A50U848000	93-3	A50U855800	84-24	A50U867301	98-30	A50U883101	92-40	A50U895000	104-6
A50U848302	93-4	A50U855900	85-19	A50U867400	98-20	A50U883200	92-5	A50U895101	104-16
A50U849100	86-25	A50U856201	91-22	A50U867500	98-21	A50U883300	87-24	A50U899700	105-15
A50U849200	86-26	A50U856501	95-16	A50U867600	98-22	A50U883400	92-35	A50U899801	105-16
A50U850201	94-22	A50U858101	84-18	A50U867700	99-16	A50U883501	87-7	A50U941500	3-20
A50U850201	95-20	A50U858200	82-16	A50U867800	98-23	A50U883600	90-6	A50U943200	90-37
A50U850700	92-8	A50U858300	82-8	A50U868000	99-23	A50U883600	92-36	A50U943300	103-28
A50U851400	91-25	A50U858400	82-9	A50U868200	100-3	A50U883701	92-37	A50U943400	101-24
A50U851500	91-26	A50U858500	82-10	A50U868301	100-4	A50U884000	92-6	A50U943500	43-3
A50U851500	92-11	A50U858600	85-20	A50U868401	99-17	A50U884202	83-9	A50U943600	99-31
A50U851700	91-31	A50U858701	92-18	A50U868500	100-9	A50U884300	92-7	A50U943700	50-46
A50U851800	91-13	A50U859000	86-27	A50U868600	100-10	A50U884600	84-19	A50U943800	98-33
A50U851800	92-9	A50U859400	86-28	A50U868702	99-24	A50U884700	84-20	A50U943900	95-27
A50U851901	92-14	A50U859500	91-17	A50U869200	100-12	A50U885100	85-22	A50U944000	93-16
A50U852000	91-27	A50U859800	91-10	A50U869300	99-25	A50U886300	90-23	A50U944200	82-24
A50U852101	92-15	A50U859900	94-6	A50U869400	98-24	A50U886400	90-24	A50U944301	5-27
A50U852200	92-13	A50U860104	98-26	A50U869501	98-25	A50U890101	105-24	A50U944500	29-9
A50U852300	92-26	A50U860202	99-22	A50U869601	99-26	A50U890200	105-30	A50U944600	29-10
A50U852400	92-27	A50U860501	98-27	A50U869700	99-18	A50U890300	105-23	A50U944700	29-11
A50U852500	91-29	A50U860600	99-9	A50U869800	99-27	A50U890400	105-19	A50U944800	29-12
A50U852500	92-28	A50U861001	98-12	A50U880102	91-18	A50U890500	104-4	A50U944900	2-26
A50U852700	91-30	A50U861200	99-10	A50U880200	93-15	A50U890600	105-36	A50U945300	62-35
A50U852902	91-14	A50U861600	99-11	A50U880701	85-21	A50U890700	105-17	A50U945300	66-41
A50U853000	91-15	A50U861800	98-13	A50U880800	90-36	A50U890800	105-10	A50U945700	60-17
A50U853100	92-12	A50U861900	100-7	A50U880900	90-33	A50U890900	105-11	A50U945700	64-18
A50U853200	91-9	A50U862600	100-1	A50U880900	103-27	A50U891000	104-18	A50U945800	3-17

Parts No.	Page No.	Parts No.	Page No.	Parts No.	Page No.	Parts No.	Page No.	Parts No.	Page No.
A50U946000	61-19	A50UM10201	76-7	A50UN11801	34-17	A50UN17200	85-32	A50UN26302	21-11
A50U946300	62-21	A50UM10201	77-7	A50UN11E02	109-18	A50UN17400	108-12	A50UN26403	21-12
A50U946300	66-27	A50UM10201	78-7	A50UN12000	34-18	A50UN17502	100-13	A50UN27002	12-12
A50U946400	63-17	A50UM15200	7-26	A50UN12101	28-1	A50UN17601	99-32	A50UN27400	110-15
A50U946400	67-17	A50UM15300	7-3	A50UN12203	32-14	A50UN17700	97-11	A50UN29012	15-17
A50U946501	2-30	A50UM15300	104-12	A50UN12401	52-13	A50UN17900	90-40	A50UN29101	15-14
A50U947000	82-25	A50UM15400	11-27	A50UN12500	54-24	A50UN18100	92-32	A50UN29201	111-8
A50U947600	110-18	A50UM30101	55-11	A50UN12602	5-28	A50UN18201	87-37	A50UN29801	110-26
A50U947700	110-19	A50UM30101	56-11	A50UN12702	114-2	A50UN18401	99-33	A50UN29900	110-27
A50U947800	110-20	A50UM30101	57-11	A50UN12800	7-27	A50UN18700	82-12	A50UPJG100	116-6
A50U948000	52-12	A50UM30101	58-11	A50UN12900	108-11	A50UN18801	85-36	A50UPJG200	116-7
A50UF12000	5-16	A50UM31A00	49-36	A50UN12E01	107-10	A50UN18900	87-35	A50UPJG300	116-5
A50UF16000	2-31	A50UM31E00	49-36	A50UN13201	39-23	A50UN19003	76-17	A50UPP0100	116-1
A50UF16101	2-32	A50UM31F00	49-36	A50UN13600	10-27	A50UN19101	79-15	A50UR70100	34-19
A50UF16201	2-33	A50UM32A00	46-24	A50UN13E01	107-11	A50UN20001	42-7	A50UR70222	24-1
A50UF16301	2-34	A50UM32E00	46-24	A50UN14001	67-21	A50UN23200	108-13	A50UR70222	25-1
A50UF16400	2-35	A50UM32F00	46-24	A50UN14100	63-23	A50UN23300	108-14	A50UR70222	26-1
A50UF21100	76-9	A50UM40100	108-10	A50UN14201	69-7	A50UN23400	108-15	A50UR70222	27-1
A50UF21100	77-9	A50UM40201	109-13	A50UN14201	72-7	A50UN23500	108-16	A50UR70300	22-1
A50UF21100	78-9	A50UM45200	107-2	A50UN14400	81-30	A50UN23600	108-17	A50UR70500	59-1
A50UF36500	33-12	A50UM50100	42-6	A50UN15001	85-24	A50UN23700	108-18	A50UR70622	36-1
A50UF41500	28-14	A50UM50200	42-11	A50UN15101	109-5	A50UN23800	108-19	A50UR70700	43-1
A50UF50700	7-11	A50UM50600	48-22	A50UN15201	105-39	A50UN23900	108-20	A50UR70800	43-1
A50UF70800	80-18	A50UM51000	8-19	A50UN15301	104-20	A50UN24100	108-21	A50UR70900	43-1
A50UF70900	80-16	A50UM51000	28-10	A50UN15400	8-32	A50UN24200	108-22	A50UR70A01	11-18
A50UF80404	97-24	A50UM51000	34-10	A50UN15500	82-11	A50UN24300	108-1	A50UR70B00	59-9
A50UF80500	96-19	A50UM51000	81-21	A50UN15601	85-35	A50UN24400	109-19	A50UR70D01	103-13
A50UF81401	87-27	A50UM55100	102-11	A50UN15800	101-22	A50UN24501	38-33	A50UR70E00	45-9
A50UF82200	85-33	A50UN10101	112-1	A50UN15900	92-31	A50UN24600	109-20	A50UR70F00	48-19
A50UF83702	83-12	A50UN10202	113-1	A50UN16000	88-17	A50UN24701	38-34	A50UR70G01	82-23
A50UF84100	93-17	A50UN10302	114-1	A50UN16101	88-18	A50UN24800	109-21	A50UR70H00	12-11
A50UF84800	94-16	A50UN10401	113-2	A50UN16300	94-24	A50UN24901	38-35	A50UR70K00	41-16
A50UH01105	111-13	A50UN10502	115-1	A50UN16400	94-25	A50UN25000	109-22	A50UR70M00	109-14
A50UH02004	111-15	A50UN10602	48-26	A50UN16500	87-36	A50UN25200	109-23	A50UR70N00	76-11
A50UH03006	108-6	A50UN10702	44-18	A50UN16600	102-12	A50UN25300	109-24	A50UR70Q00	79-16
A50UH05002	85-31	A50UN10A01	110-12	A50UN16700	102-13	A50UN25400	85-37	A50UR70R00	52-4
A50UH06001	79-14	A50UN10E02	110-12	A50UN16800	102-7	A50UN25500	109-25	A50UR70S00	74-1
A50UH10001	111-20	A50UN11000	48-23	A50UN16900	88-19	A50UN25600	85-38	A50UR70T00	21-8
A50UM10100	79-13	A50UN11501	108-23	A50UN17001	43-4	A50UN26102	21-9	A50UR70V00	33-2
A50UM10201	40-23	A50UN11701	106-10	A50UN17100	96-22	A50UN26202	21-10	A50UR70W00	33-5

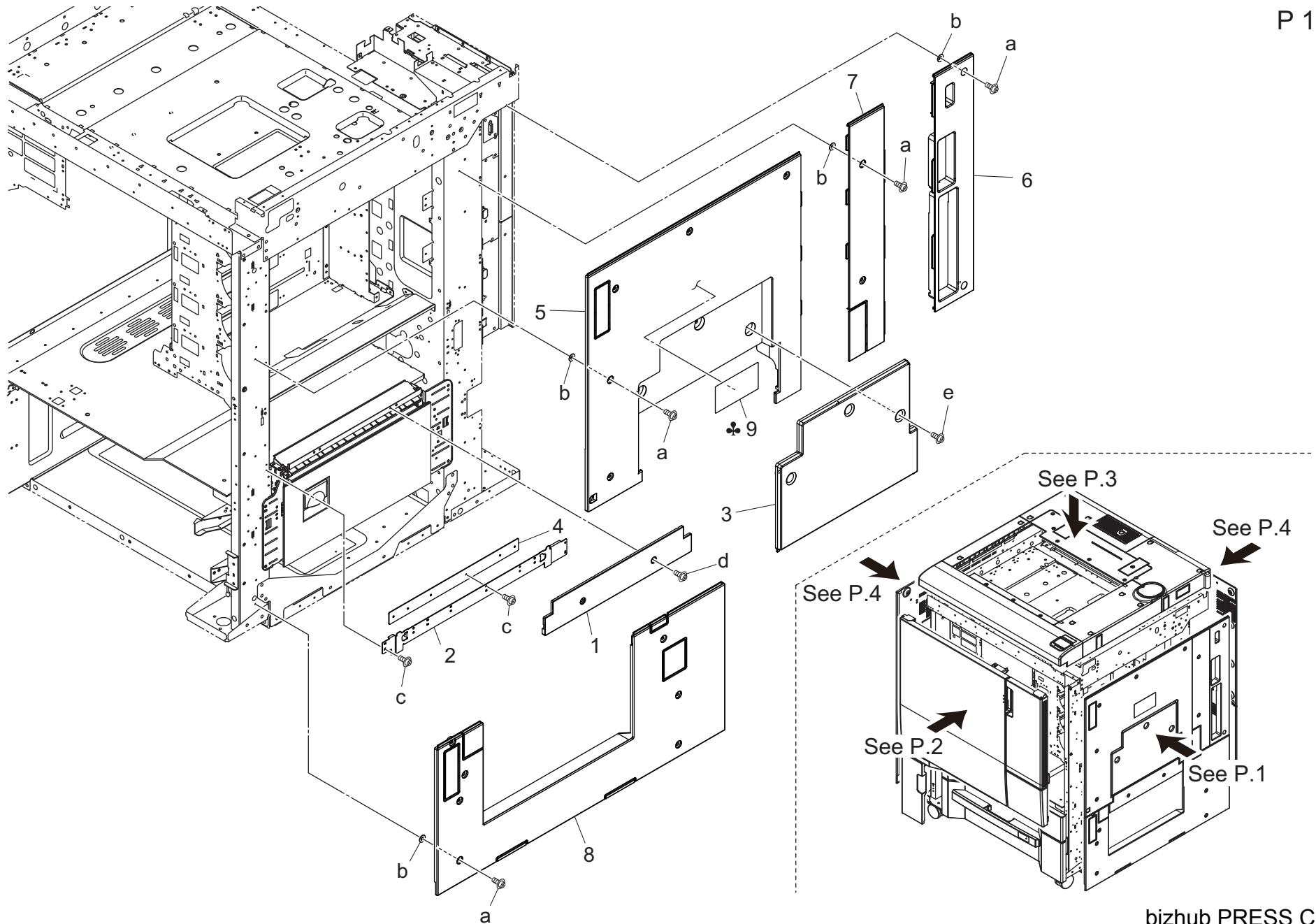
Parts No.	Page No.
A50UR70Y00	35-1
A50UR71100	33-10
A50UR71200	35-20
A50UR71300	30-2
A50UR71400	30-2
A50UR71500	30-2
A50UR71700	42-1
A50UR71800	68-1
A50UR71800	71-1
A50UR71900	64-17
A50UR71A00	60-16
A50UR71B00	80-1
A50UR71C00	101-13
A50UR71D00	82-17
A50UR71F00	104-1
A50UR71G00	106-9
A50UR71H00	106-9
A50UR71J00	106-9
A50UR71K00	76-4
A50UR71K00	77-4
A50UR71K00	78-4
A50UR71M00	79-11
A50UR71N11	36-2
A50UR71P11	36-4
A50UR71Q00	59-5
A50UR71R00	59-7
A50UR71S00	59-8
A50UR71T00	17-19
A50UR71U01	13-12
A50UR71V01	13-13
A50UR71W01	13-14
A50UR71X00	7-21
A50UR71Y00	7-22
A50UR72100	38-26
A50UR72200	97-15
A50UR72300	97-23
A50UR72400	92-16
A50UR72500	92-19
A50UR72600	90-7
A50UR72600	92-38

Parts No.	Page No.
A50UR72700	99-19
A50UR72800	98-31
A50UR72900	45-14
A50UR72A00	48-12
A50UR72B00	48-13
A50UR72C00	84-25
A50UR72E00	86-38
A50UR72F00	87-25
A50UR72G00	87-26
A50UR72H00	87-30
A50UR72J00	7-23
A50UR72K00	54-28
A50UR72Q00	96-20
A50UR72R00	96-21
A50UR72S00	82-18
A50UR72T00	45-13
A50UR72U00	50-43
A50UR72V00	30-1
A50UR72W00	36-3
A50UR72X01	76-8
A50UR72X01	77-8
A50UR72X01	78-8
A50UR72X01	79-8
A50UR72Y00	45-10
A50UR73100	80-19
A50UR73200	91-23
A50UR73300	49-19
A50UR73411	14-17
A50UR73511	14-17
A50UR73611	14-17
A50UR90133	111-14
A50UR90300	110-25
A55C712000	80-17
SP00-0210	48-21
SP00-0220	45-12
V121030604	117-3
V500020096	46-19
V502010033	18-23
V502010033	44-31
V502010033	107-9

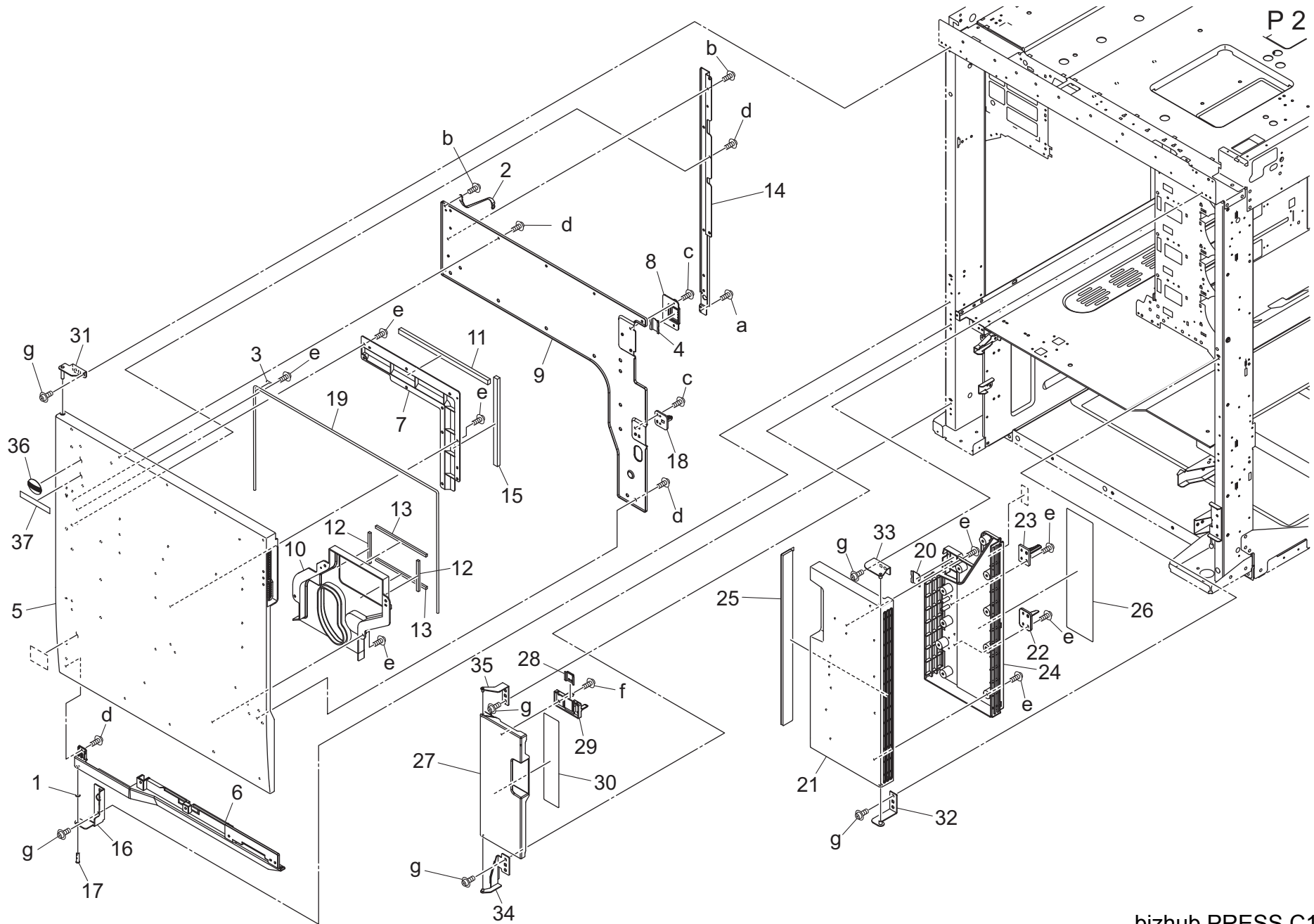
Parts No.	Page No.
V590040002	117-7

External Parts

P 1

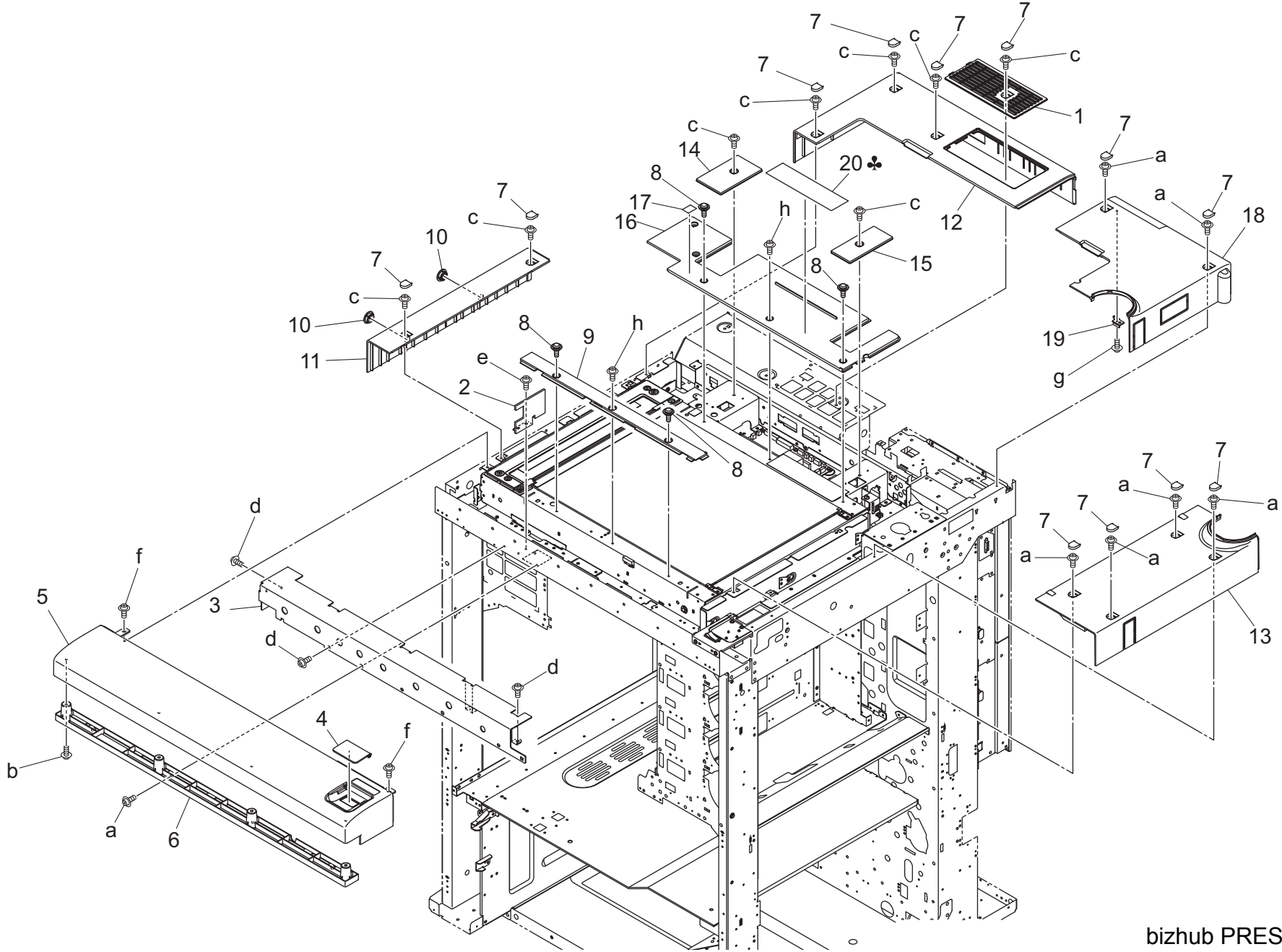


External Parts



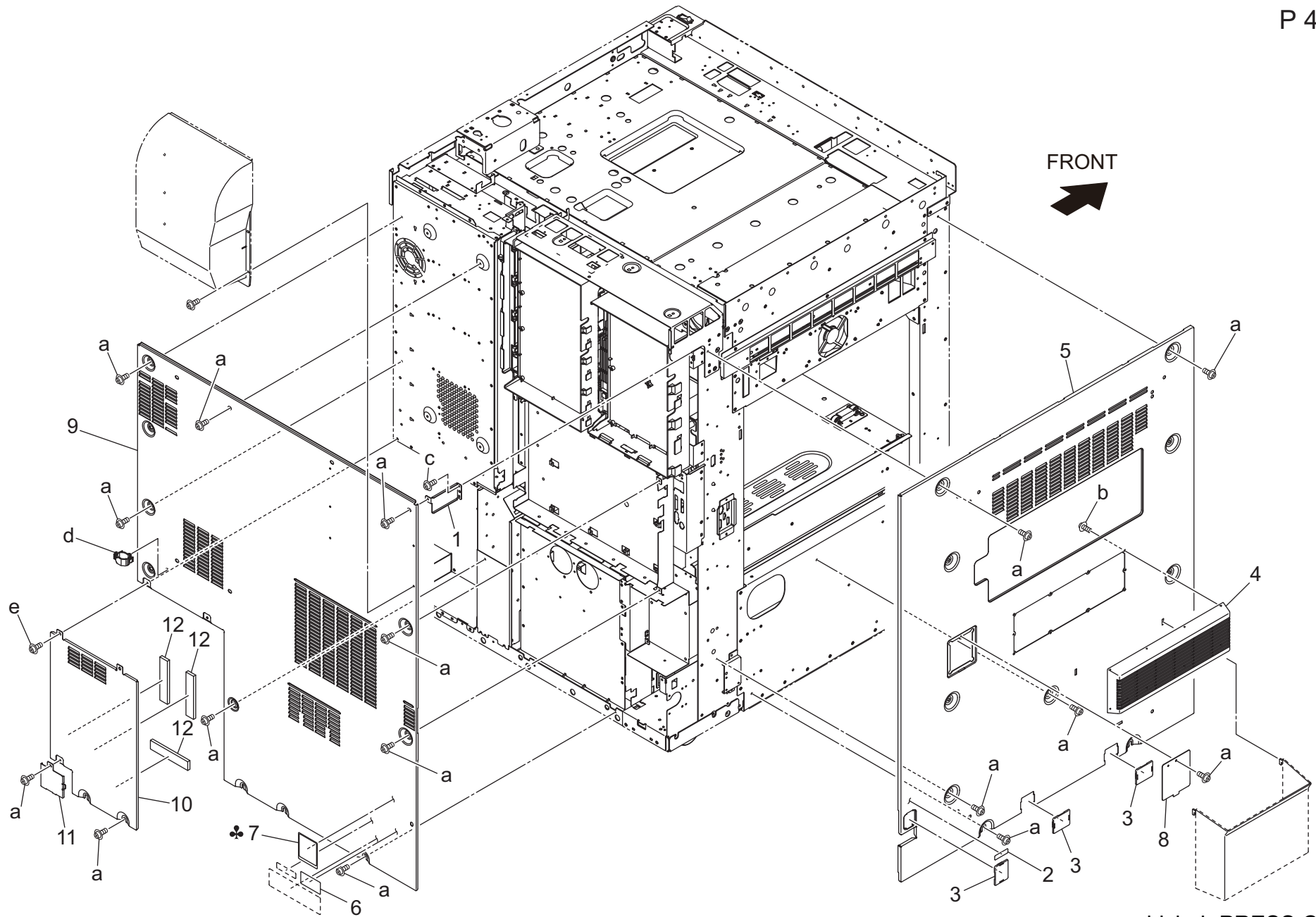
Key	Part No.	Description	Destinations	Class	QTY	Standard parts
1	40AA30270	DEVELOPING SPACER		C	1	a-V126030603
2	55VA90840	MAIN EARTH WIRE		D	1	b-V127030603
3	56AA17551	PIN A		C	1	c-V127030604
4	A03U169900	LOCK PLATE		D	1	d-V158030803
5	A50U160101	Door /Front		D	1	e-V158030804
6	A50U160200	Door /Lower		D	1	f-V158031003
7	A50U160500	Fixing Plate		D	1	g-V127040603
8	A50U160900	Holding Part		D	1	
9	A50U161501	Reinforce Door /Right		D	1	
10	A50U161601	Cover Duct /Front		D	1	
11	A50U161700	Sealing Cushion /1		D	1	
12	A50U161800	Sealing Cushion /Right		D	2	
13	A50U161900	Sealing Cushion /Left		D	2	
14	A50U165500	Reinforce Hinge		D	1	
15	A50U165600	Sealing Cushion /2		D	1	
16	A50U166100	Hinge /Lower		D	1	
17	A50U166200	Support Shaft /Lower		D	1	
18	A50U167201	Lock Cover		D	1	
19	A50U169900	Reinforce Wire		D	1	
20	56AA12241	EXTERNAL LOCK PLATE		D	1	
21	A50U160303	Toner supply Door		D	1	
22	A50U164100	Detecting Actuator		D	1	
23	A50U164200	Detecting Part		D	1	
24	A50U164801	Toner supply Duct		D	1	
25	A50U164901	Suction Dust-proof Filter		B	1	
26	A50U944900	Toner supply Label		D	1	
27	A50U160600	Collection Door		D	1	
28	A50U167500	Lock Plate		D	1	
29	A50U167601	Detecting Part		D	1	
30	A50U946501	Operation Label /A		D	1	
31	A50UF16000	Left Door Support Plate / Upper Caulking		D	1	
32	A50UF16101	Right Door Support Plate / Lower Caulkin		D	1	
33	A50UF16201	Right Door Support Plate / Upper Caulkin		D	1	
34	A50UF16301	Collection Box Door Support Plate / L		D	1	
35	A50UF16400	Collection Box Door Support Plate / Upper		D	1	
36	A03U168500	Indicating Plate		C	1	
37	A1RF942900	Indicating Plate		D	1	

External Parts



External Parts

P 4

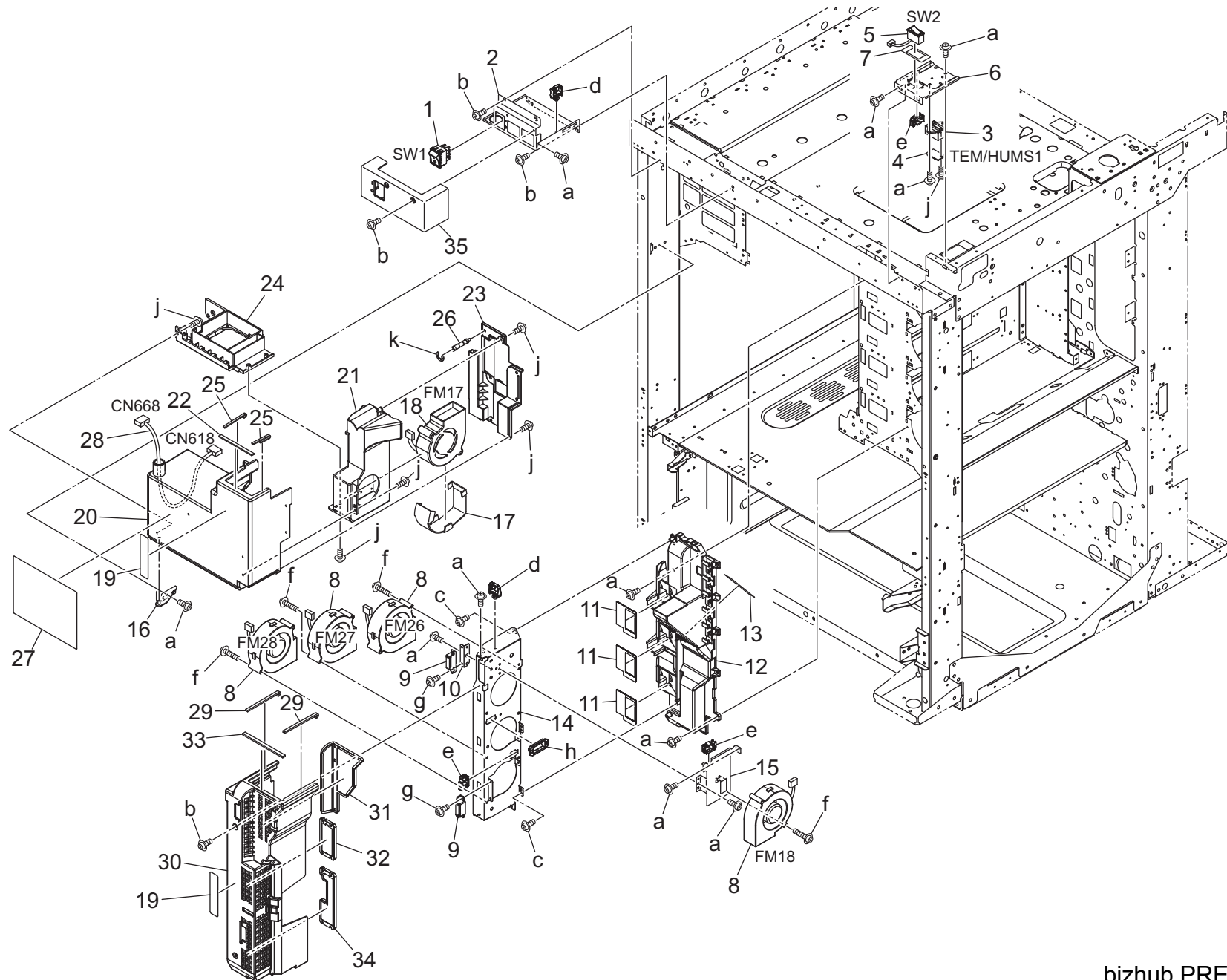


bizhub PRESS C1070

Key	Part No.	Description	Destinations	Class	QTY	Standard parts
1	A50U163700	Mounting Plate /Upper		D	1	a-V114040604 b-V158030804 c-V127030603 d-V500010075 e-V127030604
2	A00J945400	Label Dehumidifier SW.		C	1	
3	A03U162500	Cover /A		C	3	
4	A1DU162300	Paper exit Cover /2		D	1	
5	A50U163001	Paper exit Cover /Left		D	1	
6	56UA97310	LASER INDICATING LABEL		D	1	
7	56UA97320	CAUTION LABEL/A	C	D	1	
8	A1DU166500	Protection Cover /Left		D	1	
9	A50U163504	Protection Cover /1		D	1	
10	A50U163602	Cover /Rear		D	1	
11	A50U163800	Entrance Plate		D	1	
12	A50U167801	Holding Part		D	3	

Main Frame

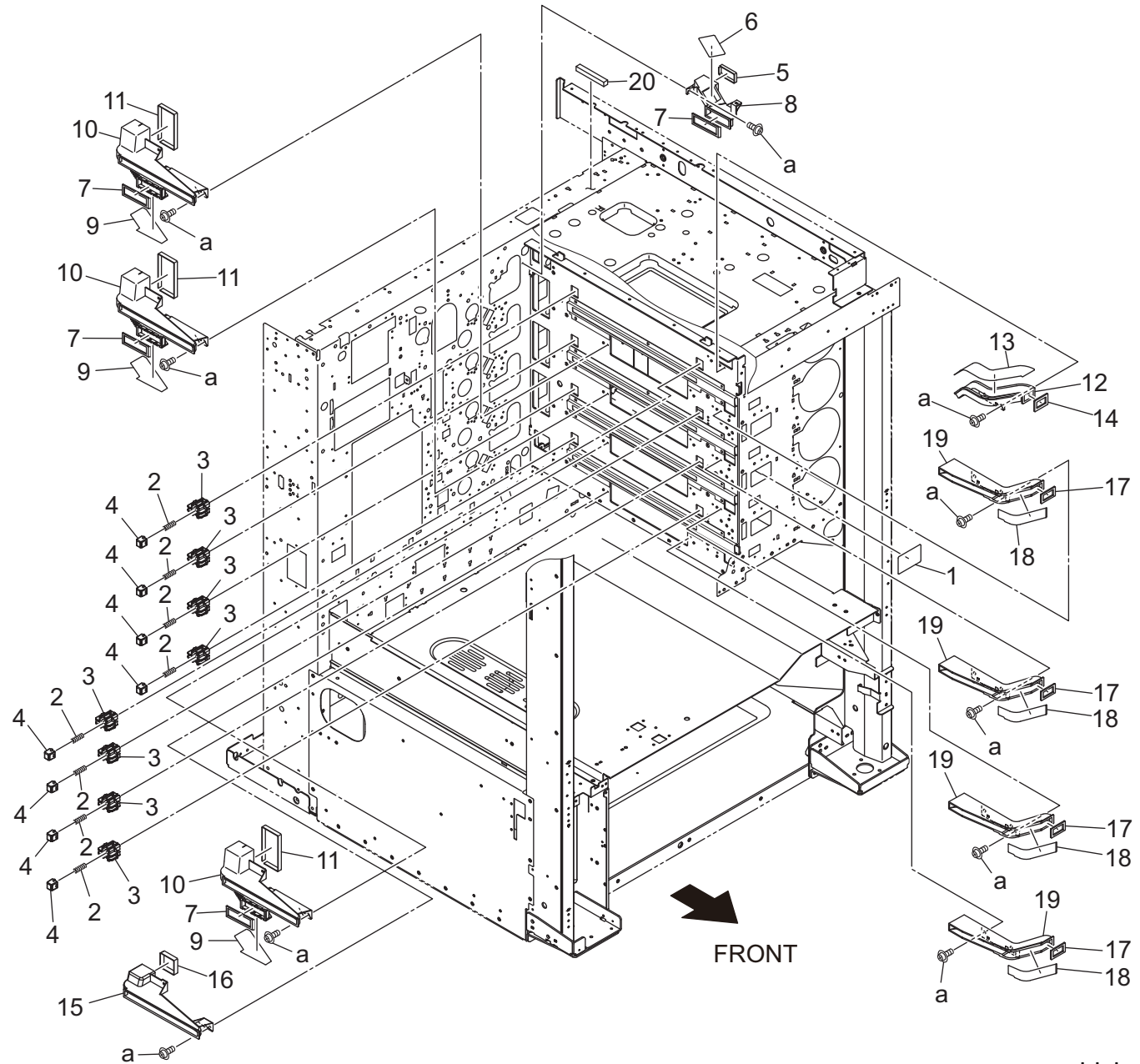
P 5



Key	Part No.	Description	Destinations	Class	QTY	Standard parts
1	A4EUM60000	Power source Switch		C	1	a-V127030603
2	A50U127400	Mounting Plate		D	1	b-V127030604
3	65AA11300	SUPPORT PART		D	1	c-V151030803
4	A034M50000	Humidity sensor		C	1	d-V500020098
5	A03UR73800	SWITCH S ASSY		C	1	e-V570010056
6	A50U102900	Mounting Plate		D	1	f-V118033503
7	A50U179500	Protection Sheet		D	1	g-V126030603
8	9313100072	FAN MOTOR		C	4	h-V570010037
9	A0G6411200	Magnet /X		D	2	j-V158030803
10	A50U120600	Fixing Plate		D	1	k-V217060050
11	A50U121300	Cooling Seal /Front		D	3	
12	A50U122102	Cooling Duct		D	1	
13	A50U124900	Cover Sheet		D	1	
14	A50U126500	Mounting Plate		D	1	
15	A50U126600	Mounting Plate		D	1	
16	A50UF12000	Fusing Front Cooling Duct Support Shaft		D	1	
17	65AA11430	FAN SEALING PART 3		C	1	
18	A03UM15800	Main body Cooling Fan		C	1	
19	A1DU949900	Operation Label /1		D	2	
20	A50U121003	Duct		D	1	
21	A50U121601	Duct		D	1	
22	A50U123700	Cooling Seal /B		D	1	
23	A50U123800	Cover		D	1	
24	A50U124100	Duct		D	1	
25	A50U125200	Cooling Seal /A		D	2	
26	A50U125900	Fixing Screw		D	1	
27	A50U944301	Processing Label /2		D	1	
28	A50UN12602	Cooling Relay harness /1		D	1	
29	A50U164000	Cooling Seal /1		D	2	
30	A50U167900	Cooling Cover		D	1	
31	A50U168800	PH Dust-proof Filter		B	1	
32	A50U168900	Deve. Dust-proof Filter/1		B	1	
33	A50U169300	Cooling Seal /2		D	1	
34	A50U169500	Deve. Dust-proof Filter/2		B	1	
35	A50U127901	Cover		D	1	

Main Frame

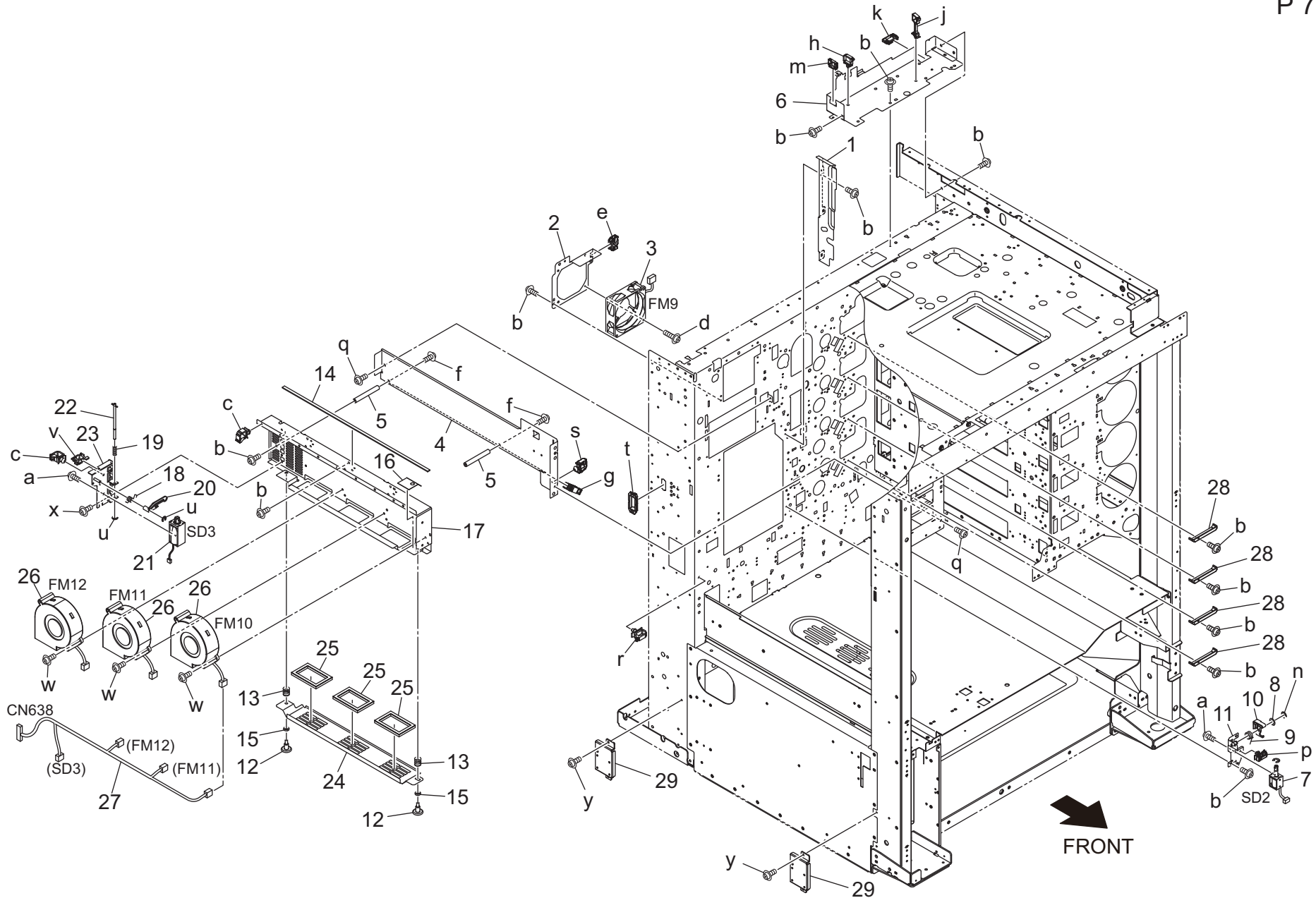
P 6



Key	Part No.	Description	Destinations	Class	QTY	Standard parts
1	A50U109100	Writing Cover		D	1	a-V127030603
2	A50U341800	Pressing Spring /D		D	8	
3	A50U342200	Pressing Pedestal		D	8	
4	A50U342400	Charge Pressing Block		D	8	
5	A50U123300	Suction Seal		D	1	
6	A50U123600	Suction Cover		D	1	
7	A50U127200	Suction Seal /Rear		D	4	
8	A50U127300	Suction Duct		D	1	
9	A50U123200	Ozone Cover		D	3	
10	A50U123400	Duct /Cyan		D	3	
11	A50U123900	Suction Seal		D	3	
12	A50U126200	Duct		D	1	
13	A50U126800	Sheet /1		D	1	
14	A50U127800	Seal		D	1	
15	A50U123500	Duct		D	1	
16	A50U124000	Suction Seal		D	1	
17	A50U127500	Seal		D	4	
18	A50U128000	Sheet /2		D	4	
19	A50U128700	Duct /1		D	4	
20	57GA73510	EARTH CUSHION 1		D	1	

Main Frame

P 7

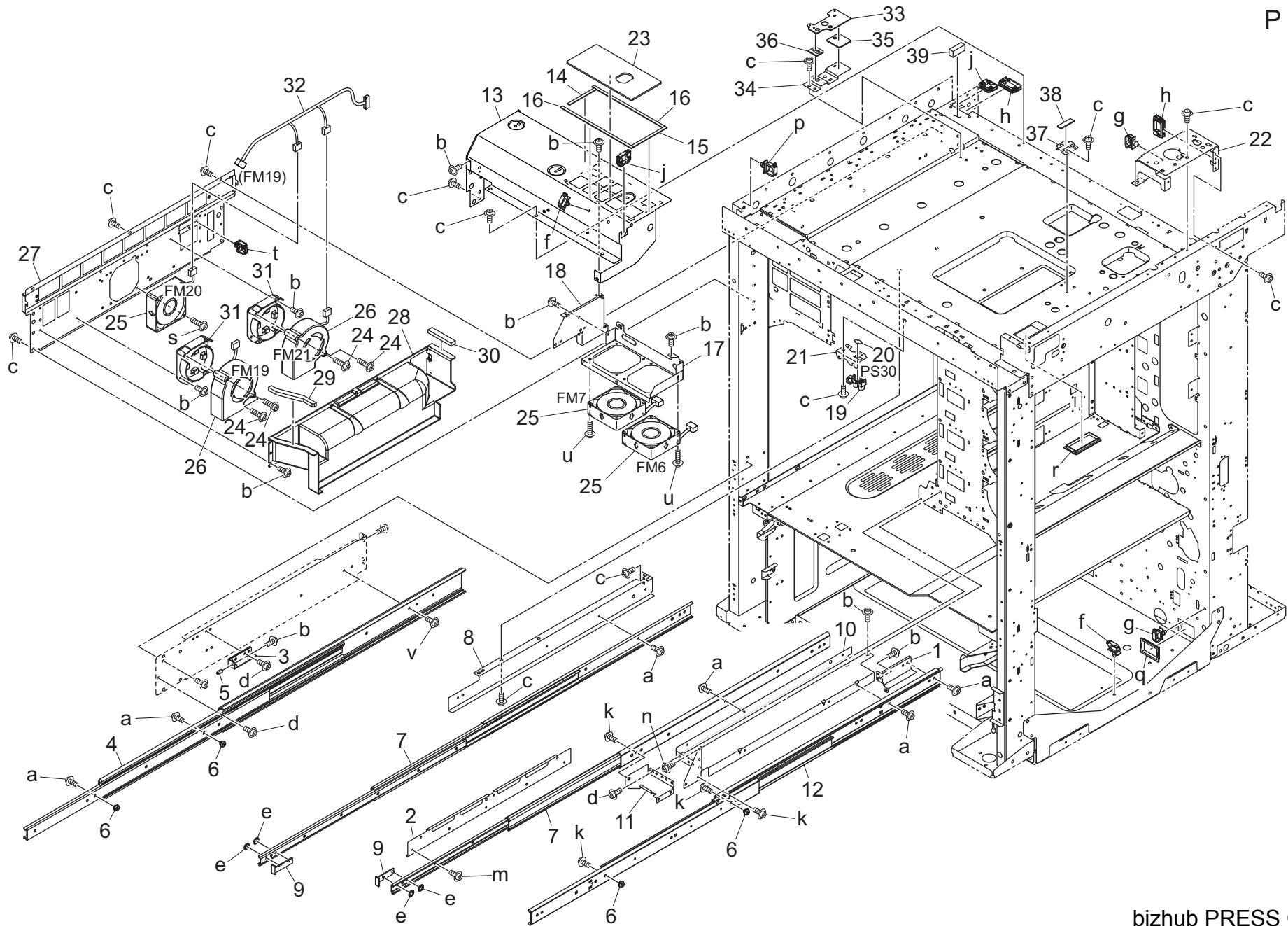


bizhub PRESS C1070

Key	Part No.	Description	Destinations	Class	QTY	Standard parts
1	A50U104901	Inner partition		D	1	a-V118030303
2	A50U103600	Mounting Plate /Rear		D	1	b-V127030603
3	A50UM15300	Fan motor /2		C	1	c-V500010074
4	A50U102800	Mounting Stay /Middle		D	1	d-V118033003
5	A50U106800	Mounting Shaft /Inside		D	2	e-V570010056
6	A50U133200	Mounting Plate /Upper		D	1	f-V116030803
7	26NA82513	Paper Feed Solenoid		B	1	g-V570010057
8	40AA32320	TONER SUPPLY SPACER		C	1	h-V500010008
9	A50U508300	Solenoid Release Spring		D	1	j-V500020085
10	A50U509300	Separating Cam		D	1	k-V570010059
11	A50UF50700	Mounting Stay Caulking		D	1	m-V570010060
12	4038351102	SHOULDER SCREW		C	2	n-V217040050
13	A1DU764000	Spring		D	2	p-V500020099
14	A50U731700	Insulating Seal /1		D	1	q-V146040804
15	A50U731900	Lifting Spacer /1		D	2	r-V500010005
16	A50U737800	Protection Sheet /1		D	1	s-V500020098
17	A50U739000	Mounting Plate		D	1	t-V570010037
18	A50U737201	Holding Spring /A		D	1	u-V217030050
19	A50U738900	Holding Spring /B		D	1	v-V570010025
20	A50U739400	Open/close Arm /1		D	1	w-V116031003
21	A50UR71X00	Shutter Solenoid Pin Insert		C	1	x-V127030403
22	A50UR71Y00	Support Shaft / B Pin Insert		D	1	y-V127040603
23	A50UR72J00	Support Shaft Caulking		D	1	
24	A50U738001	Shutter		D	1	
25	A50U738100	Cushion		D	3	
26	A50UM15200	Fan motor		C	3	
27	A50UN12800	Fixing Relay harness /1		D	1	
28	A50U108900	Receiving Part /1		D	4	
29	A1DU111100	Connecting Plate /F		D	2	

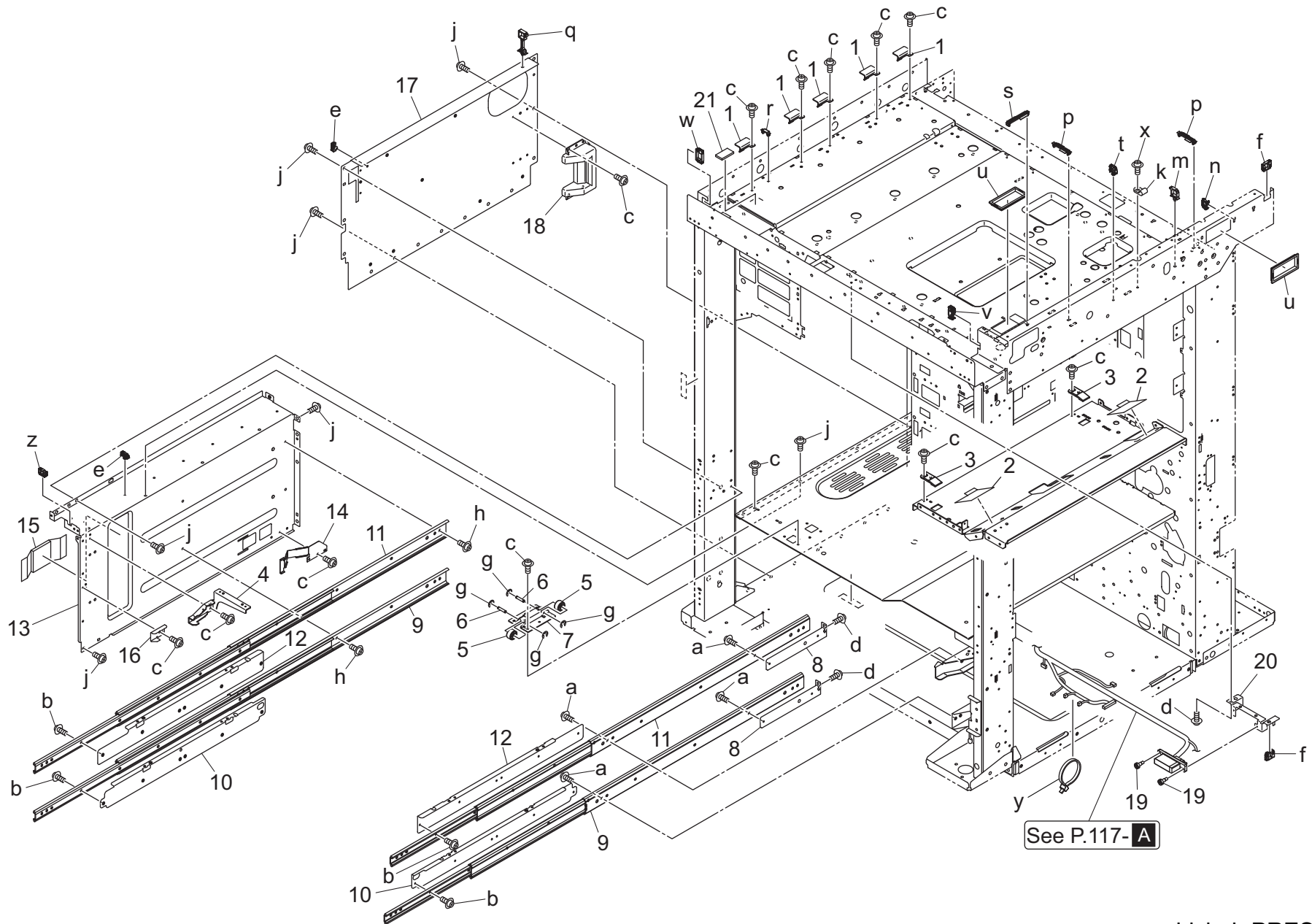
Main Frame

P 8

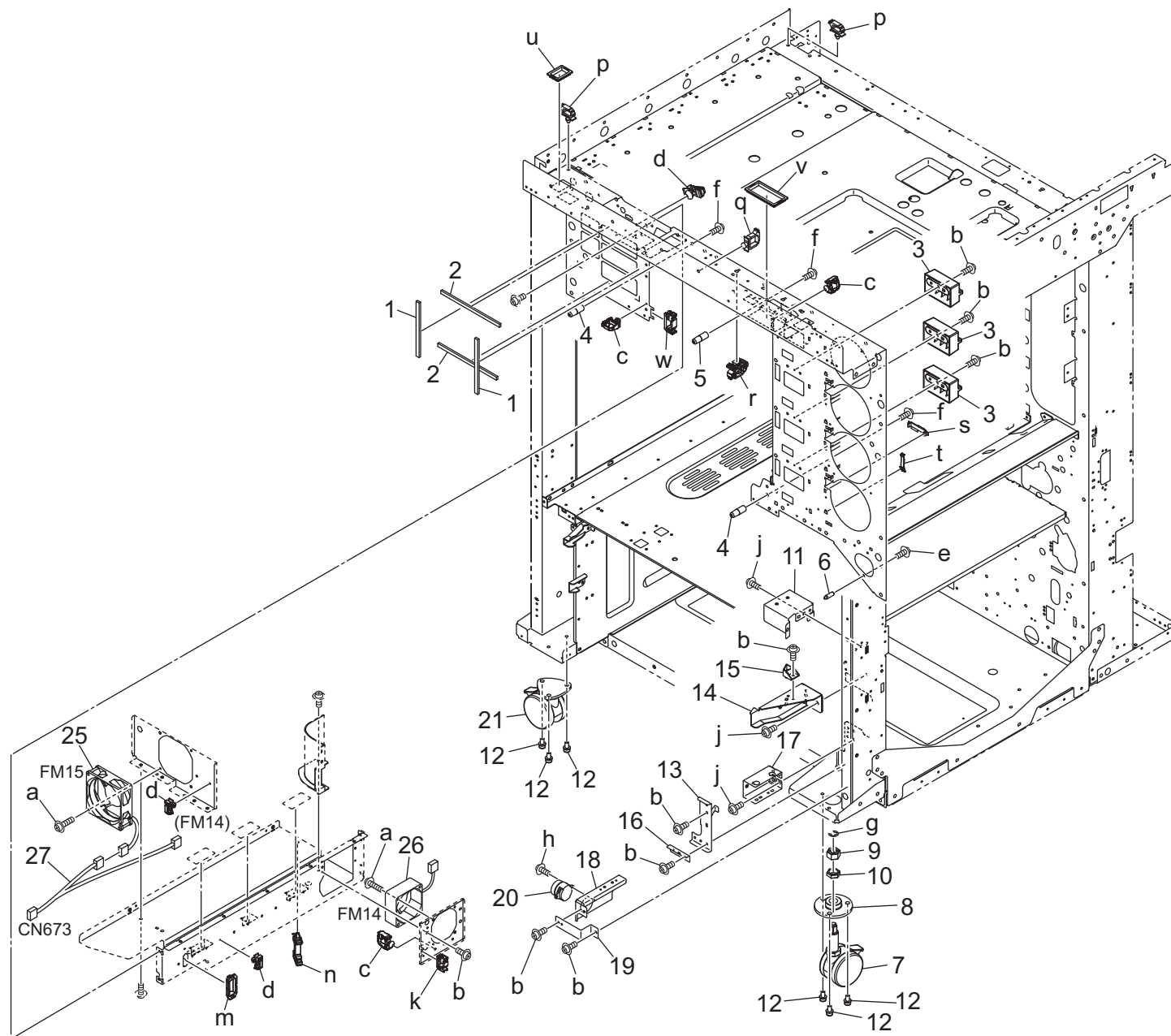


Key	Part No.	Description	Destinations	Class	QTY	Standard parts
1	A50U105600	Rail /Rear	レール/奥	D	1	a-V118040604
2	A50U340700	Mounting Rail	取付レール	D	1	b-V127030603
3	65AA50430	SHAFT MOUNTING PLATE LEFT	軸取り付け板/左	D	1	c-V127040603
4	A1RF815702	Slide Rail /Left	スライドレール/左	D	1	d-V127040803
5	A50U109400	Guide Pin /Left	ガイドピン/左	D	1	e-V226040050
6	A50U833000	Mounting Collar /1	取付カラー/1	D	4	f-V500010003
7	56AA10300	Slide Rail /A	スライドレール/ A	C	2	g-V500010005
8	A50U105200	Support Rail /Front	支持レール/前	D	1	h-V570010059
9	A50U342900	Protection Cover	保護カバー	D	2	j-V570010060
10	A50U103200	Reinforce Rail	補強レール	D	1	k-V118040804
11	A50U832100	Reinforce Rail /A	補強レール/ A	D	1	m-V121030403
12	A50U881500	Slide Rail	スライドレール	D	1	n-V146040804
13	A50U103402	Fixing Plate /Left rear	固定板/左後	D	1	p-V500010007
14	A50U109600	Cooling Seal /2	冷却シール/2	D	1	q-V570010039
15	A50U109700	Cooling Seal /3	冷却シール/3	D	1	r-V570010040
16	A50U109800	Cooling Seal /4	冷却シール/4	D	2	s-V118043003
17	A50U120300	Fixing Plate	固定板	D	1	t-V500020098
18	A50U129200	Fixing Plate	固定板 (DU 駆動冷却)	D	1	u-V118033003
19	A50UM51000	Photointerrupter	透過型センサ	C	1	v-V126040603
20	4470402401	STOPPER	ストッパ	D	1	
21	A50U104700	Mounting Plate	取付板	D	1	
22	A50U105100	Support Plate /A	支持板/ A	D	1	
23	A50U109900	Electric Comp. Cooling Filter	電装冷却フィルター	B	1	
24	65LA48570	MOUNTING SCREW	取り付けネジ	D	4	
25	9J03M10000	FAN MOTOR	ファンモータ	B	3	
26	A03UM15800	Main body Cooling Fan	本体冷却ファン	C	2	
27	A50U101901	Cooling Stay	冷却ステー	D	1	
28	A50U103500	Separating Duct	分離ダクト	D	1	
29	A50U107501	Sealing Part /Front	シール材/前	D	1	
30	A50U107600	Sealing Part /Rear	シール材/奥	D	1	
31	A50U107800	Fan duct	ファンダクト	D	2	
32	A50UN15400	Drive harness /F	駆動束線/ F	D	1	
33	A50U260200	Receiving Pedestal /1	受け台/1	D	1	
34	A50U260500	Receiving Pedestal /3	受け台/3	D	1	
35	A50U261100	Vibrationproof Rubber /3	防振ゴム/3 (後端)	D	1	
36	A50U261200	Vibrationproof Rubber /4	防振ゴム/4 (後端)	D	1	
37	A50U260300	Receiving Pedestal /2	受け台/2	D	1	
38	A50U260900	Vibrationproof Rubber /1	防振ゴム/1 (中央)	D	1	
39	56UA73600	Earth Cushion /D	アースクッション/ D	C	1	

Main Frame

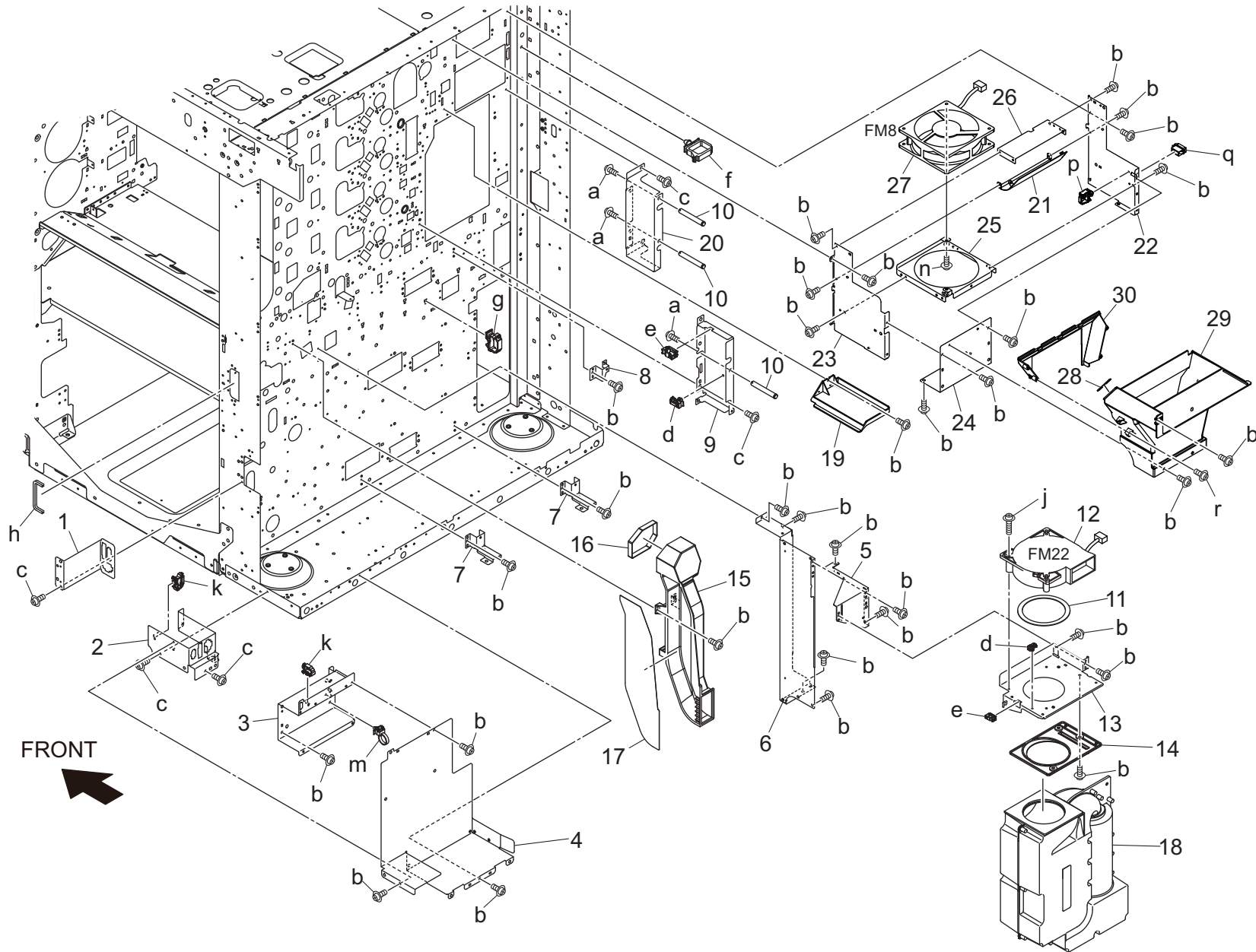


Main Frame



Key	Part No.	Description	Destinations	Class	QTY	Standard parts
1	A50U122000	Cooling Seal		D	2	a-V118033003
2	A50U122800	Cooling Seal		D	2	b-V127030603
3	A50U103800	Guide Part /Front		D	3	c-V500020098
4	A50U104401	Positioning Shaft /Front		D	2	d-V500020099
5	A50U110000	Positioning Shaft /Upper		D	1	e-V116030803
6	A50U832201	Guide Pin /Right front		D	1	f-V116040803
7	55WA10310	MAIN BODY SUPPORT ROLLER Y		C	1	g-V217080050
8	56AA17620	CARRIAGE ADJUSTING PART		C	1	h-V126030603
9	56AA17630	ADJUSTING PART		C	1	j-V146040804
10	56AA17640	ADJUSTING PART 2		C	1	k-V570010056
11	A50U103700	Support Part /Middle		D	1	m-V570010037
12	A50U106300	Lock Screw		D	6	n-V500020101
13	A50U624102	Lock Part		D	1	p-V500010003
14	A50U628001	Lock Claw		D	1	q-V500010007
15	A50U634200	Lock Part		D	1	r-V500010071
16	A50U639800	Reinforce Plate		D	1	s-V500020066
17	A50U103301	Support Part /Middle		D	1	t-V500020102
18	A50U640200	Mounting Plate		D	1	u-V570010038
19	A50U640400	Reinforce Part		D	1	v-V570010040
20	A50U641600	Slide Dumper /A		D	1	w-V570010057
21	55WA10300	MAIN BODY SUPPORT ROLLER X		C	1	
25	9J03M10000	FAN MOTOR		B	1	
26	56QA80570	INTERNAL COOLING FAN		C	1	
27	A50UN13600	Cooling Relay harness /3		D	1	

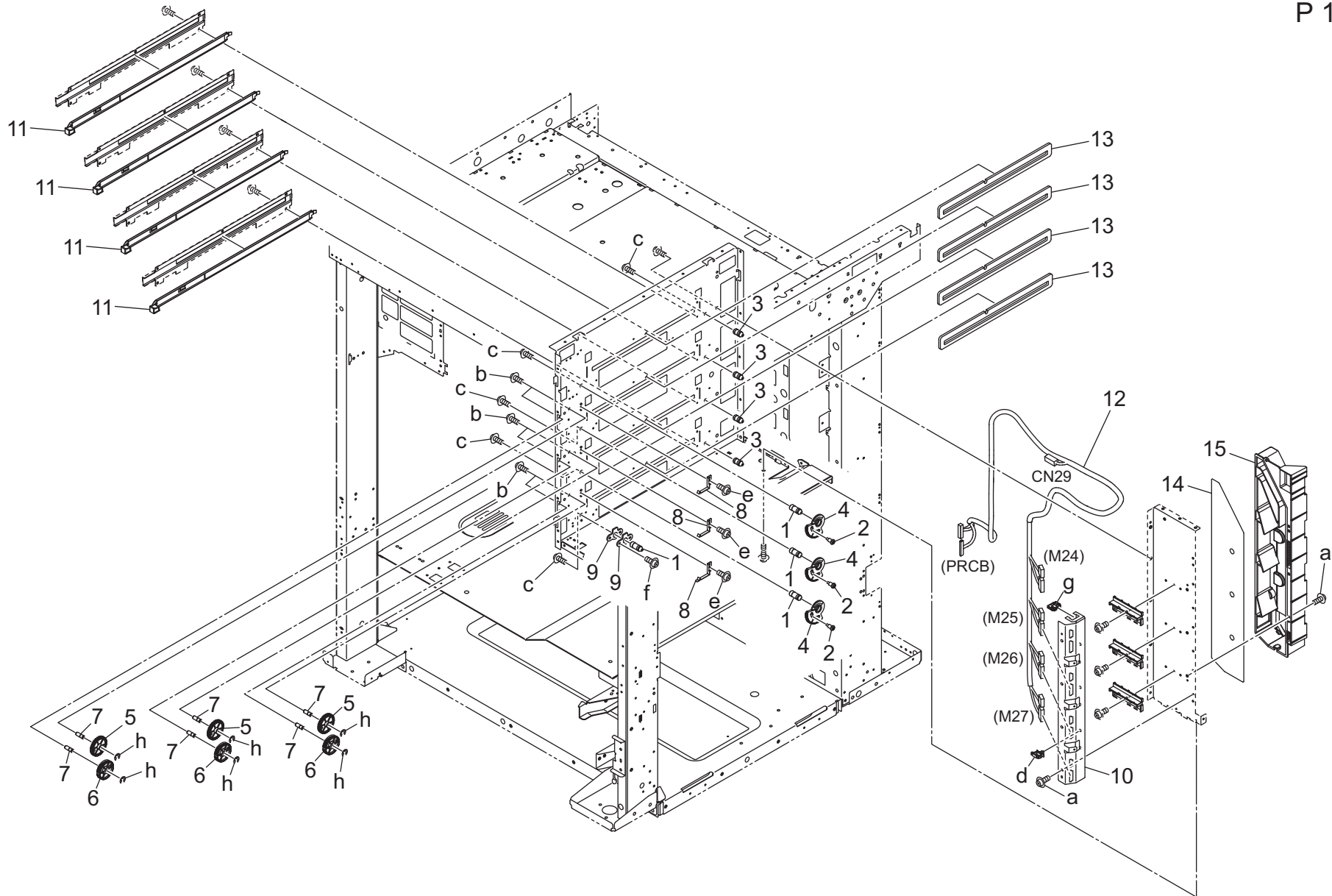
Main Frame

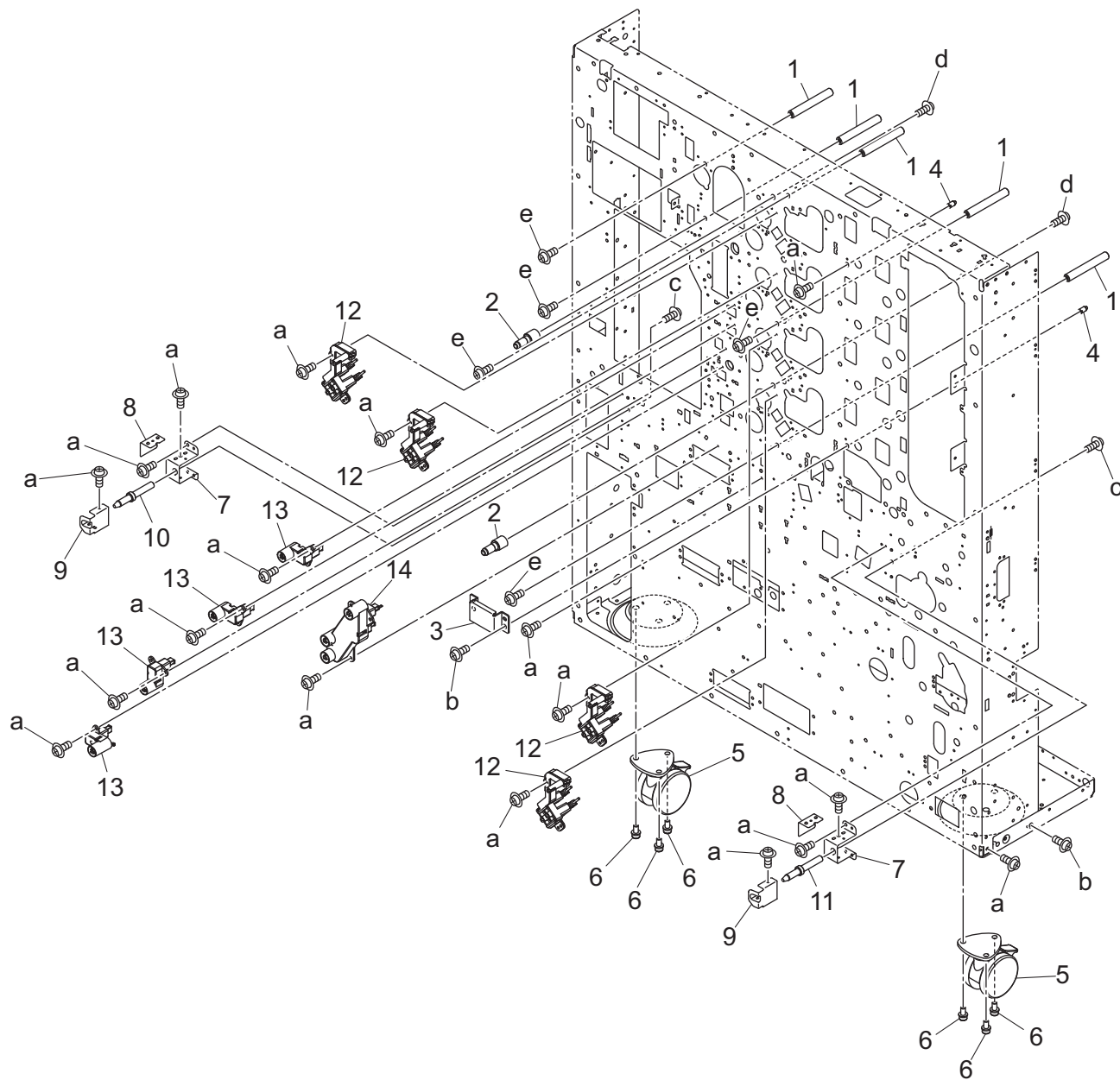


Key	Part No.	Description	Destinations	Class	QTY	Standard parts
1	A03U118300	PFU Power supply Panel	PFU 給電パネル	D	1	a-V116040803
2	A50U107900	Mounting Plate /P	取付板 / P	D	1	b-V127030603
3	A50U108001	Protection Plate /P	保護板 / P	D	1	c-V127040603
4	A50U108200	Guide Part /Rear	ガイド部材 / 奥	D	1	d-V500020099
5	A50U120900	Mounting Frame /2	取付フレーム / 2 (PH 冷却ファン)	D	1	e-V570010056
6	A50U121800	Mounting Frame /Right Rear	取付フレーム / 右後	D	1	f-V500010008
7	A50U132701	Mounting Plate /Lower	取付板 / 下	D	2	g-V500010071
8	A50U132800	Mounting Plate /Right	取付板 / 右	D	1	h-V500030001
9	A50U106502	Fusing Plate	定着板	D	1	j-V118033503
10	A50U106700	Swing Shaft	揺動軸	D	3	k-V500010072
11	65AA10190	FAN SEALING PART 1	ファンシール材 1	C	1	m-V501010018
12	A0Y5M15100	Suction Fan motor	サクシヨンファンモータ	C	1	n-V127031203
13	A50U121900	Fixing Plate /1	固定板 / 1	D	1	p-V500020098
14	A50U125800	Connecting Duct	連結ダクト (サイクロンダクト)	D	1	q-V651010003
15	A50U125600	Suction Duct /Lower	サクシヨンダクト / 下 (本体)	D	1	r-V151030803
16	A50U126400	Suction Seal	サクシヨンシール (本体)	D	1	
17	A50U129100	Suction Cover /Lower	サクシヨン蓋 / 下 (本体)	D	1	
18	A50UR70A01	Filter Box	フィルターボックス	B	1	
19	A50U125500	Heat blocking Plate	遮熱板	D	1	
20	A50U106600	Fusing Plate /B	定着板 / B	D	1	
21	A50U122900	Fusing Duct /4	定着ダクト / 4	D	1	
22	A50U125000	Fusing Duct /2	定着ダクト / 2	D	1	
23	A50U125101	Fusing Duct /1	定着ダクト / 1	D	1	
24	A50U128800	Fusing Duct /3	定着ダクト / 3	D	1	
25	A50U128900	Fusing Duct /5	定着ダクト / 5 (ファン固定)	D	1	
26	A50U129300	Fusing Duct /6	定着ダクト / 6	D	1	
27	A50UM15400	Fan motor /3	ファンモータ / 3	C	1	
28	A50U126300	Cooling Seal	冷却シール (定着排気ダクト)	D	1	
29	A50U129401	Fusing Duct	定着ダクト	D	1	
30	A50U129801	Fusing Duct /7	定着ダクト / 7	D	1	

Main Frame

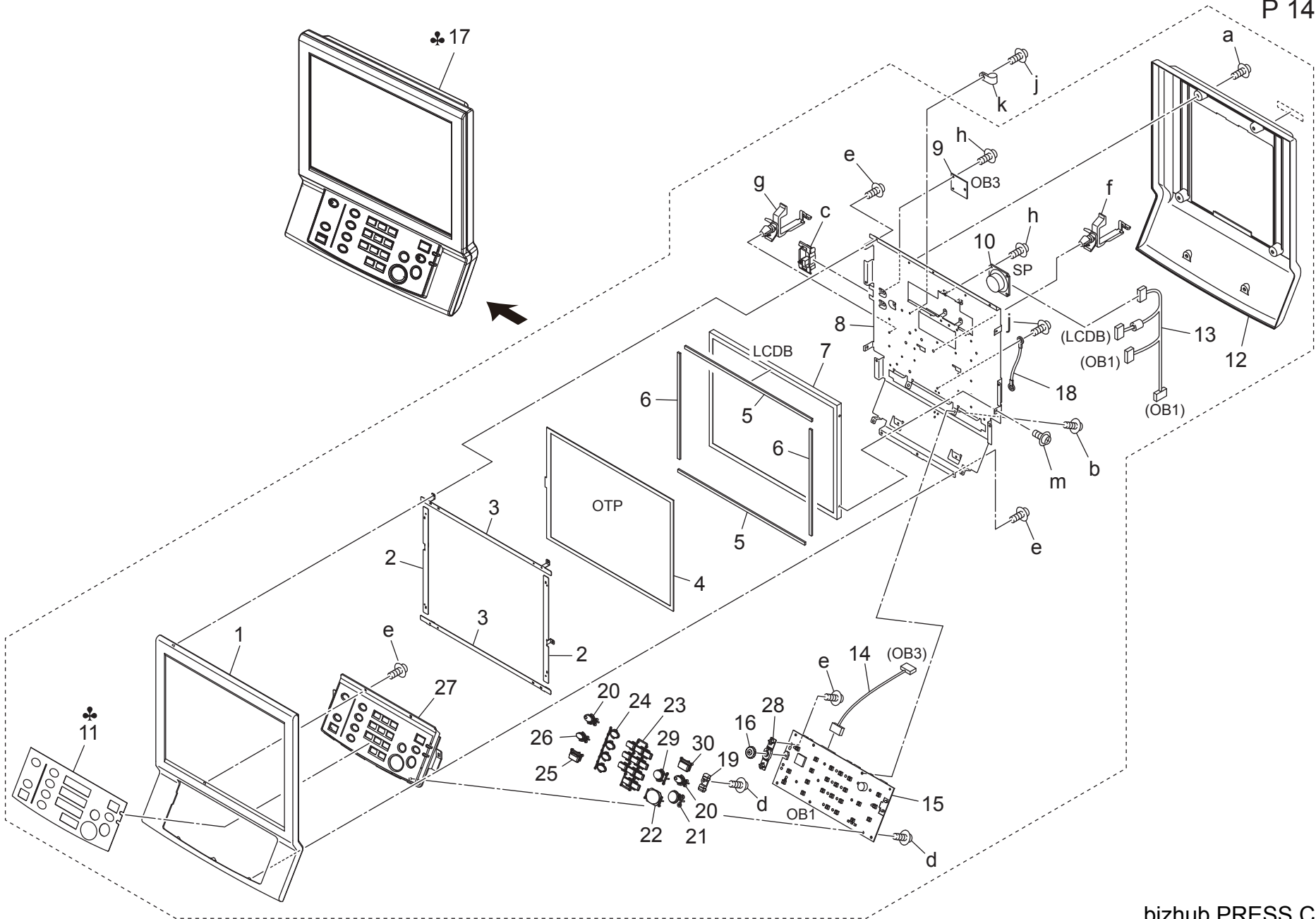
P 12





Operation Panel Section

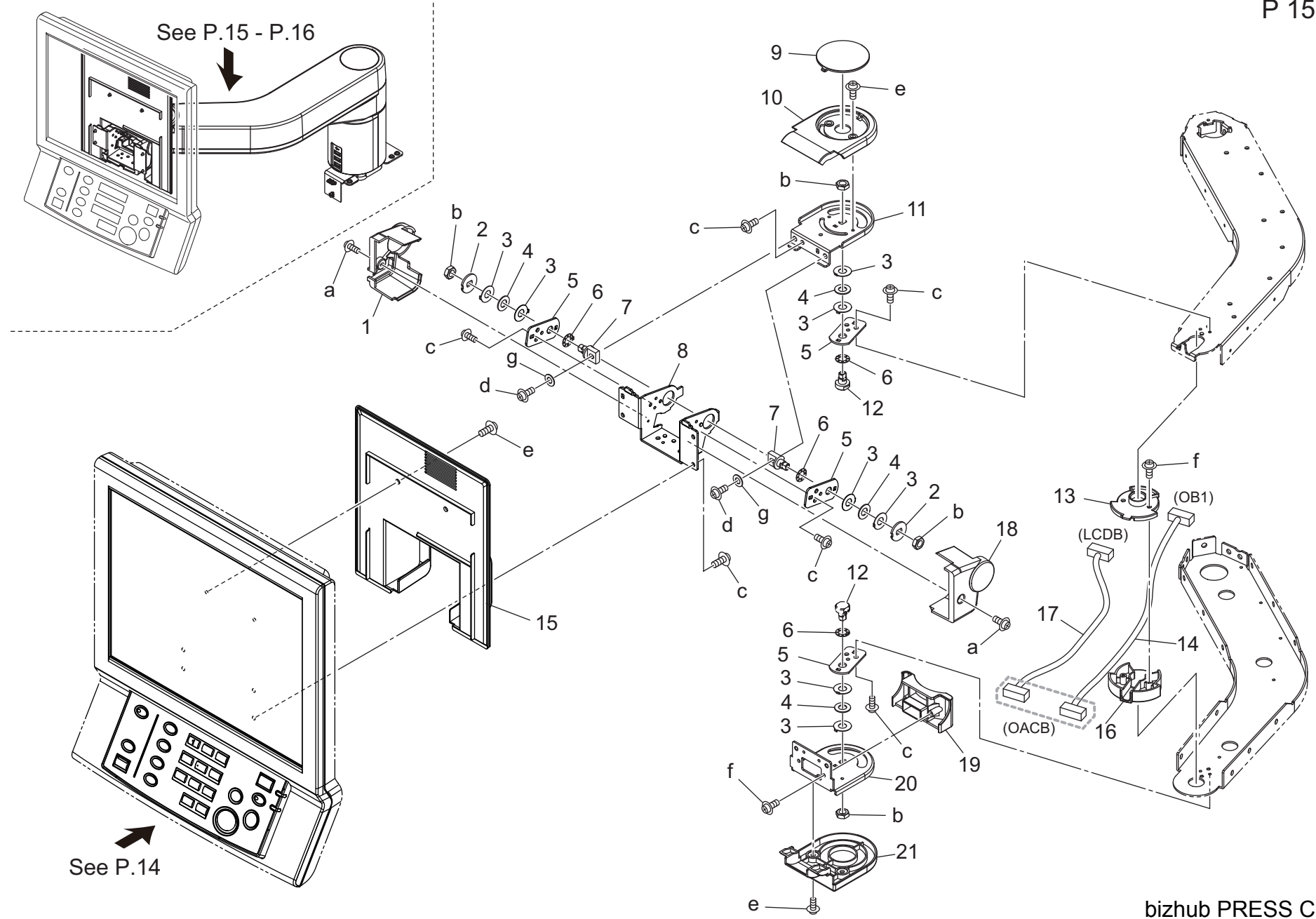
P 14



bizhub PRESS C1070

Key	Part No.	Description	Destinations	Class	QTY	Standard parts
1	A0G6190101	Operation Cover /Front		C	1	a-V114040604 b-V151031003 c-V570010063 d-V151030603 e-V151030803 f-V500010005 g-V500020099 h-V118030603 j-V116040603 k-V500020069 m-V118030404
2	A0G6192900	Ground Plate /2		D	2	
3	A0G6192700	Ground Plate /1		D	2	
4	A0G6M75501	Ope.Unit Touch Panel		C	1	
5	A0G6192400	Holding Cushion /Upper		C	2	
6	A0G6192500	Holding Cushion /Right		C	2	
7	A4EUM75600	Ope.unit LCD		C	1	
8	A4EU190412	Operation Plate		D	1	
9	A0G6H06000	Operation Board /3 Assy		C	1	
10	4040M40100	LOUDSPEAKER		D	1	
11	A0G6195000	Operation Sheet	A	C	1	
11	A0G6205000	Operation Sheet	B,G2	C	1	
12	A0G6190200	Operation Cover /Rear		C	1	
13	A4EUN28500	Ope.unit Wiring /4		D	1	
14	A0G6N18400	Ope.Unit Control Harness /3		D	1	
15	A4EUH04001	Operation Board /1 Assy		I	1	
16	A4EU194100	Operation Knob /1		D	1	
17	A50UR73411	Operation Unit	A	I	1	
17	A50UR73511	Operation Unit	B,G2	I	1	
17	A50UR73611	Operation Unit	C	I	1	
18	A1RFN28300	Ope.unit Wiring /1		D	1	
19	A0G6191600	Indicating Part /1		D	1	
20	A0G6193800	Operation Button /10		C	2	
21	56UA70330	OPERATION UNIT BUTTON S		C	1	
22	A0G6193200	Operation Button /2		C	1	
23	A0G6193100	Operation Button /1		C	1	
24	A0G6193400	Operation Button /4		C	1	
25	A0G6194000	Operation Button /9		C	1	
26	A0G6193900	Operation Button /8		C	1	
27	A0G6190301	Operation Casing /1		C	1	
28	A4EU194200	Fixing Holder		D	1	
29	A0G6193500	Operation Button /5		C	1	
30	A0G6193700	Operation Button /7		C	1	

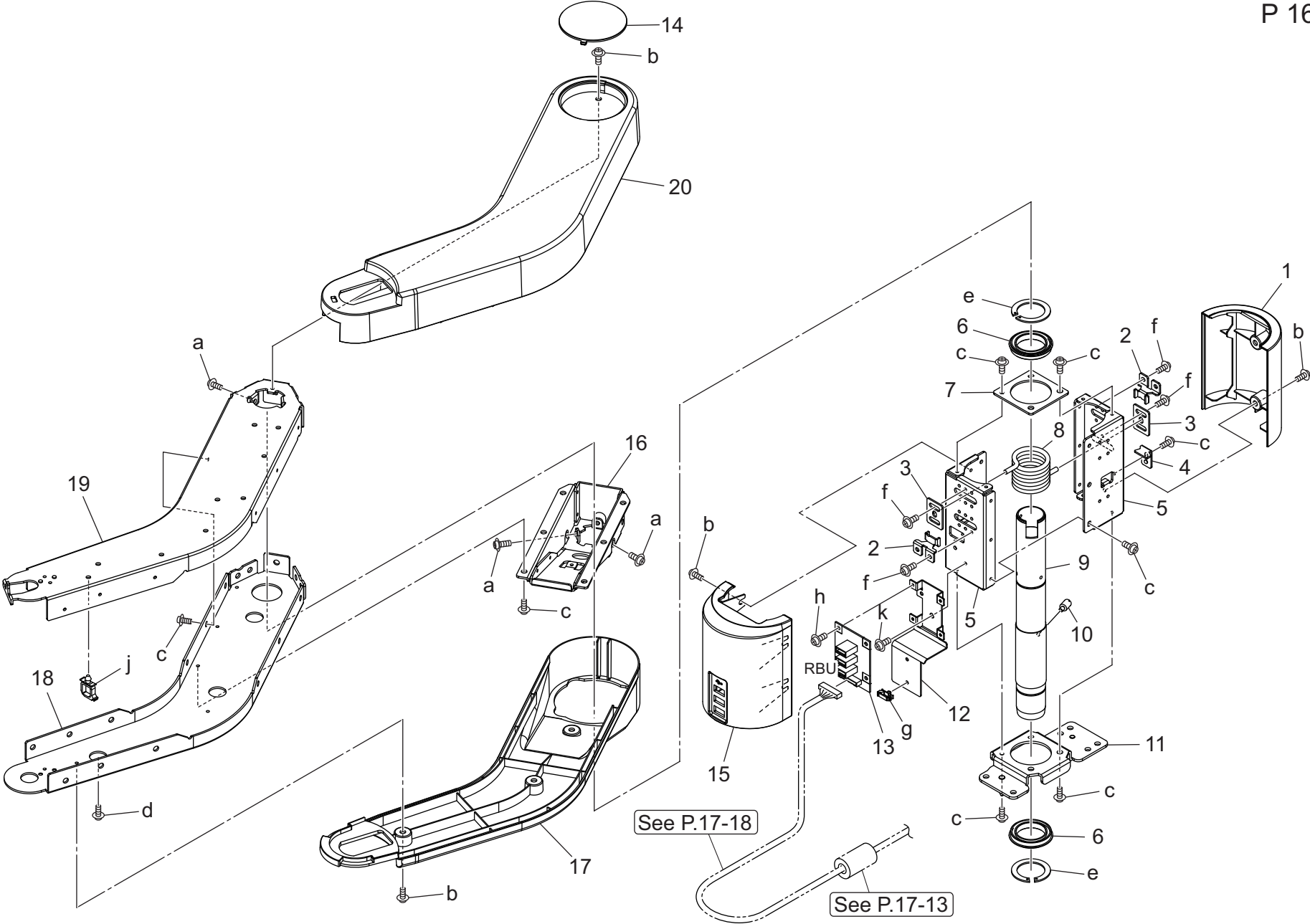
Operation Panel Section



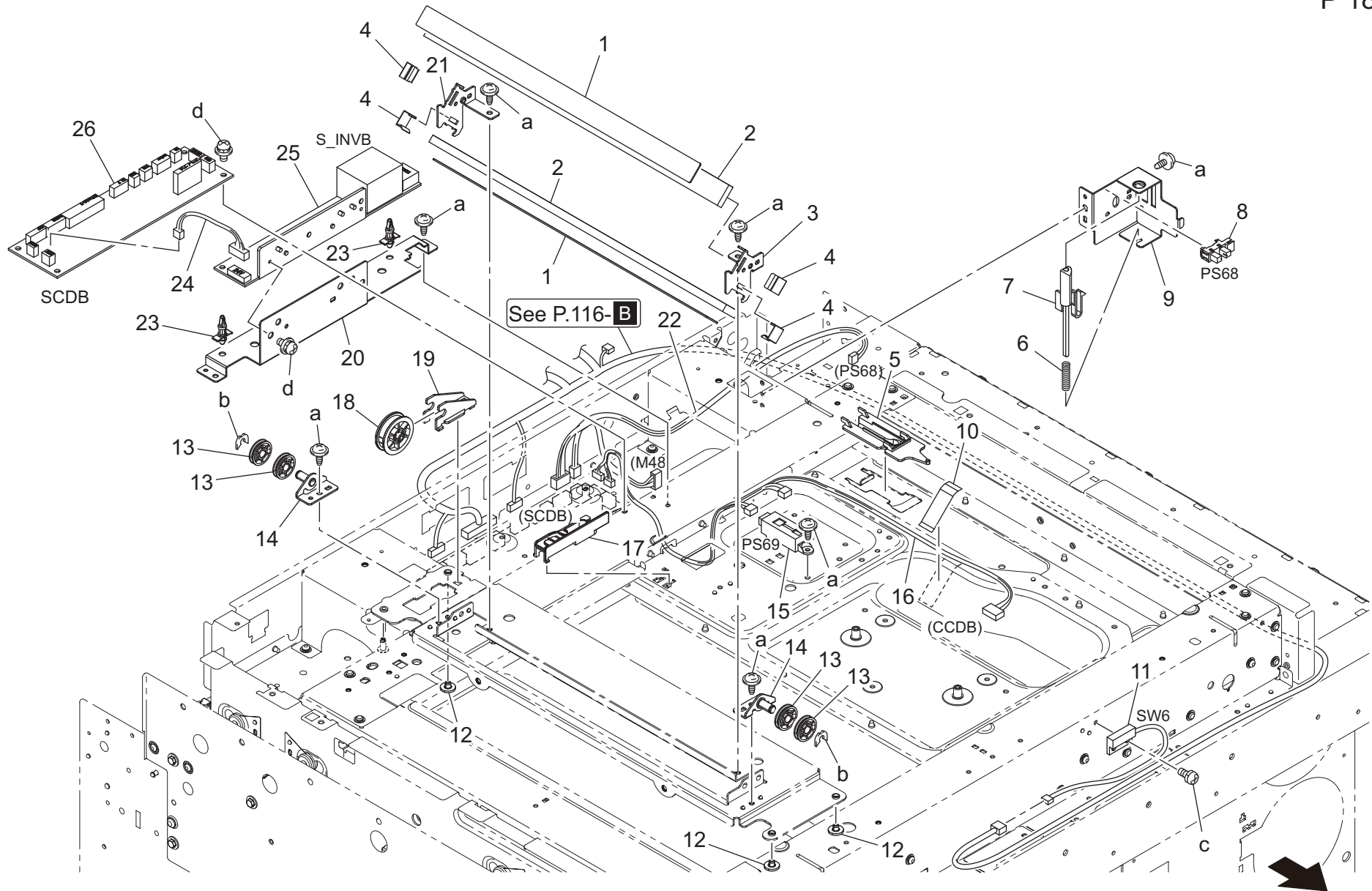
See P.14

See P.15 - P.16

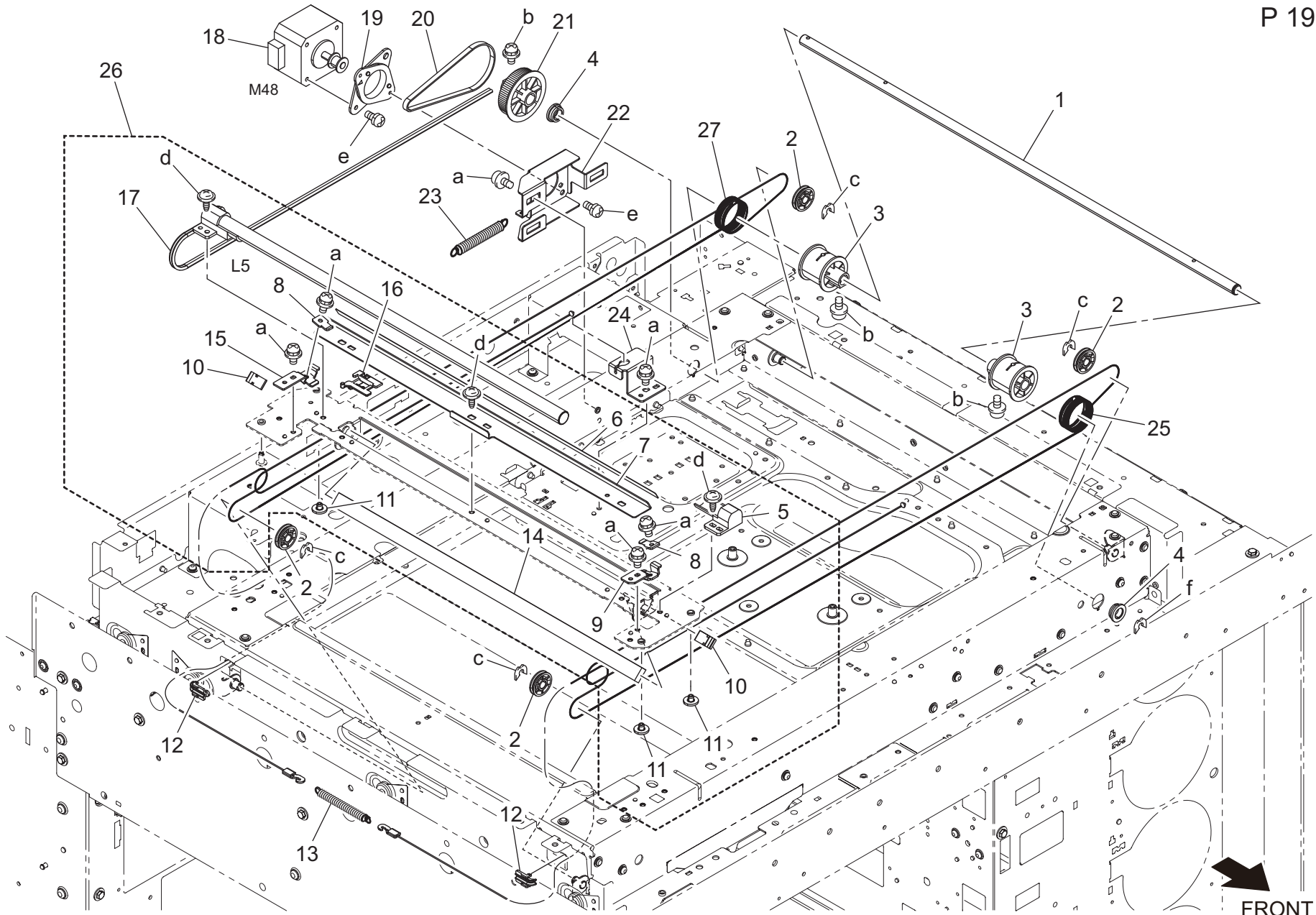
Key	Part No.	Description	Destinations	Class	QTY	Standard parts
1	A03U194002	Operation Cover /F		C	1	a-V121030603 b-V196080003 c-V121040603 d-V188051604 e-V114040604 f-V158030803 g-V207050003
2	A03U192000	Fixing Part /T		D	2	
3	A03U191800	Rotation Spacer /1		D	8	
4	A03U191700	Rotation Spring /T		D	4	
5	A03U191600	Mounting Plate /T		D	4	
6	A03U191900	Rotation Spacer /2		D	4	
7	A03U192100	Fixing Shaft /U		D	2	
8	A03U190900	Ope. unit Mounting Stay /1		D	1	
9	A03U193800	Operation Cover /I		C	1	
10	A03U193300	Operation Cover /C		C	1	
11	A03U191400	Support Plate /Upper		D	1	
12	A03U192200	Rotation Shaft /T		D	2	
13	A03U193700	Swing Cover /Upper		C	1	
14	A50UN29101	Ope.unit Control harness /2		D	1	
15	A1DU197100	Operation Cover /R		D	1	
16	A03U193600	Swing Cover /Lower		C	1	
17	A50UN29012	Ope.unit Control harness /1		D	1	
18	A03U194102	Operation Cover /G		C	1	
19	A03U193400	Operation Cover /E		C	1	
20	A03U191500	Support Plate /Lower		D	1	
21	A03U193500	Operation Cover /D		C	1	



Key	Part No.	Description	Destinations	Class	QTY	Standard parts
1	A1DU194300	Operation Cover /B		D	1	a-V185041203
2	A03U195400	Regulating Part		D	2	b-V114040604
3	A03U195302	REGULATING PLATE		D	2	c-V121040603
4	A03U195500	Rotation Stopper		D	1	d-V158030803
5	A03U190802	Support Plate /2		D	2	e-V223300004
6	65AA75010E	DRUM SUPPORT BEARING		D	2	f-V116040803
7	A03U191100	Support Plate /3		D	1	g-V500020100
8	A03U191201	Support Spring		C	1	h-V127030603
9	A03U191300	Ope. unit Support Pipe		D	1	j-V500010007
10	A03U192300	Stopper Screw /A		C	1	k-V127040603
11	A03UF19100	Main Body Attachment Caulking		D	1	
12	A1DU190100	Installing Plate		D	1	
13	A1DUH11000	Relay Board/U ASSY		C	1	
14	A03U193900	Operation Cover /J		C	1	
15	A1DU194200	Operation Cover /A		D	1	
16	A03U190700	Support Plate /1		D	1	
17	A03U193200	Operation Cover /Lower		C	1	
18	A03U190500	Ope. unit Mounting Arm /Lower		D	1	
19	A03U190600	Ope. unit Mounting Arm /Upper		D	1	
20	A03U193100	Operation Cover /Upper		C	1	

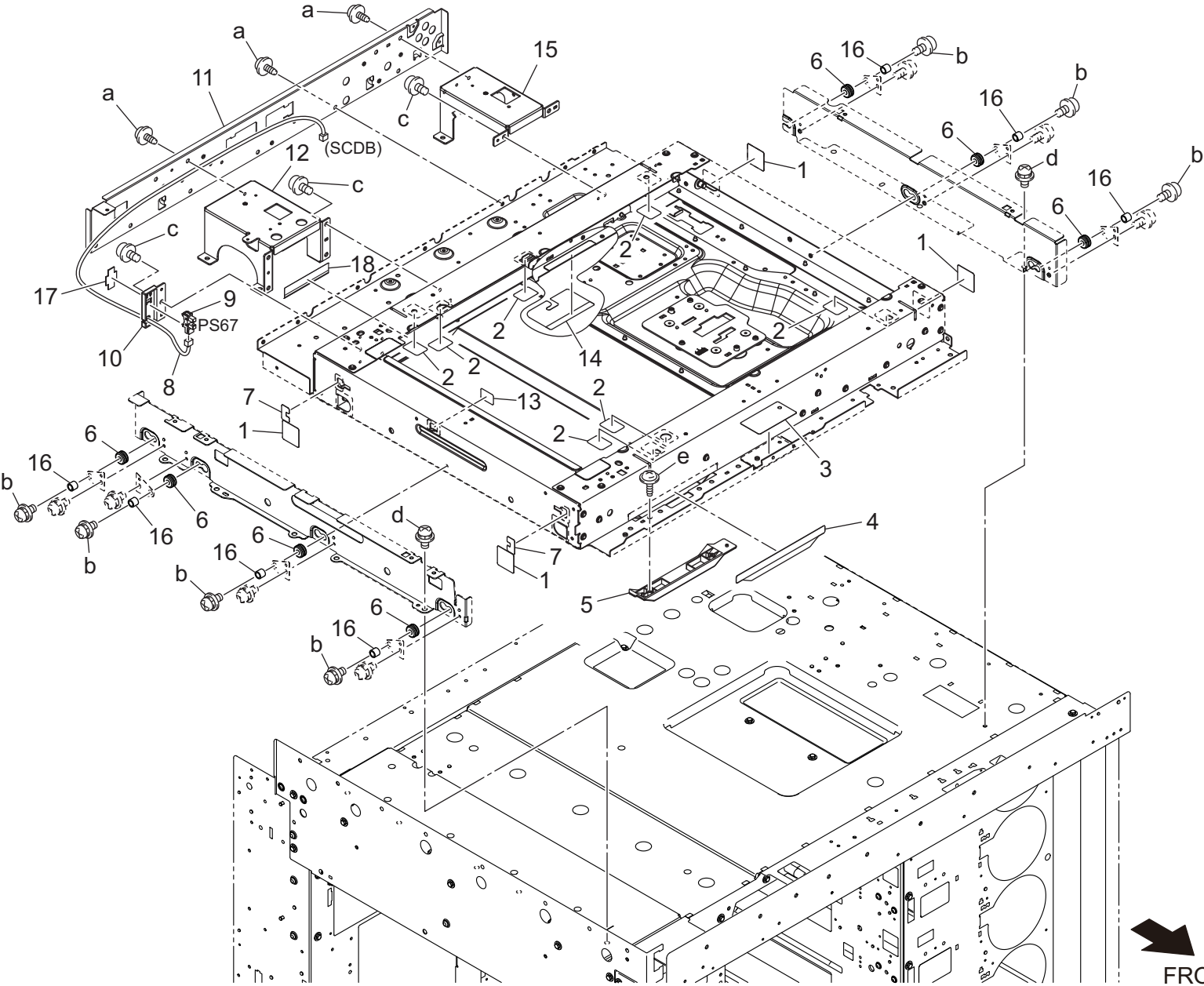


Scanner Section



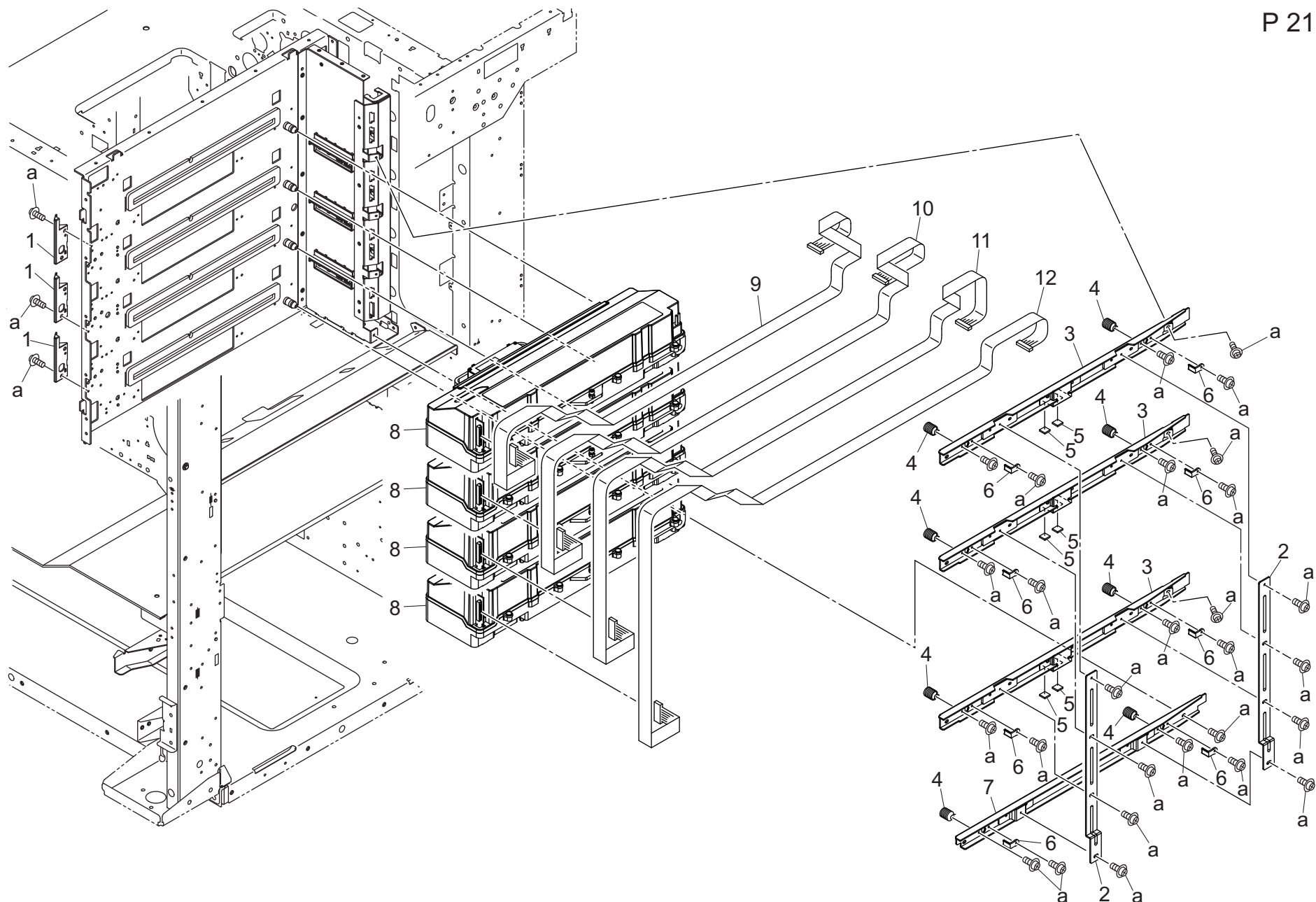
FRONT
bizhub PRESS C1070

Scanner Section



FRONT
bizhub PRESS C1070

Key	Part No.	Description	Destinations	Class	QTY	Standard parts
1	A0ED262500	Seal		D	4	a-V137030603 b-V127030803 c-V116030603 d-V127040803 e-V153030803
2	4581162501	SEAL		C	7	
3	A0ED263200	Seal		D	1	
4	A0ED262400	Seal		D	1	
5	A0ED262300	Cover		D	1	
6	A11P902200	Vibrationproof Rubber		C	7	
7	A0ED262700	Seal		D	2	
8	A0EDN14200	Scanner Wiring /2		D	1	
9	9335140061	SOLID STATE SWITCH		B	1	
10	A0ED262200	Cover		D	1	
11	A0ED262111	Frame		D	1	
12	A0ED261900	Frame		C	1	
13	A0ED262600	Seal		D	1	
14	A0ED263000	Seal		D	1	
15	A0ED262000	Frame		C	1	
16	A50U261300	Sleeve		D	7	
17	4470402401	STOPPER		D	1	
18	A0ED263300	Seal		C	1	



Charging Section

YELLOW
MAGENTA
CYAN
BLACK

P 22

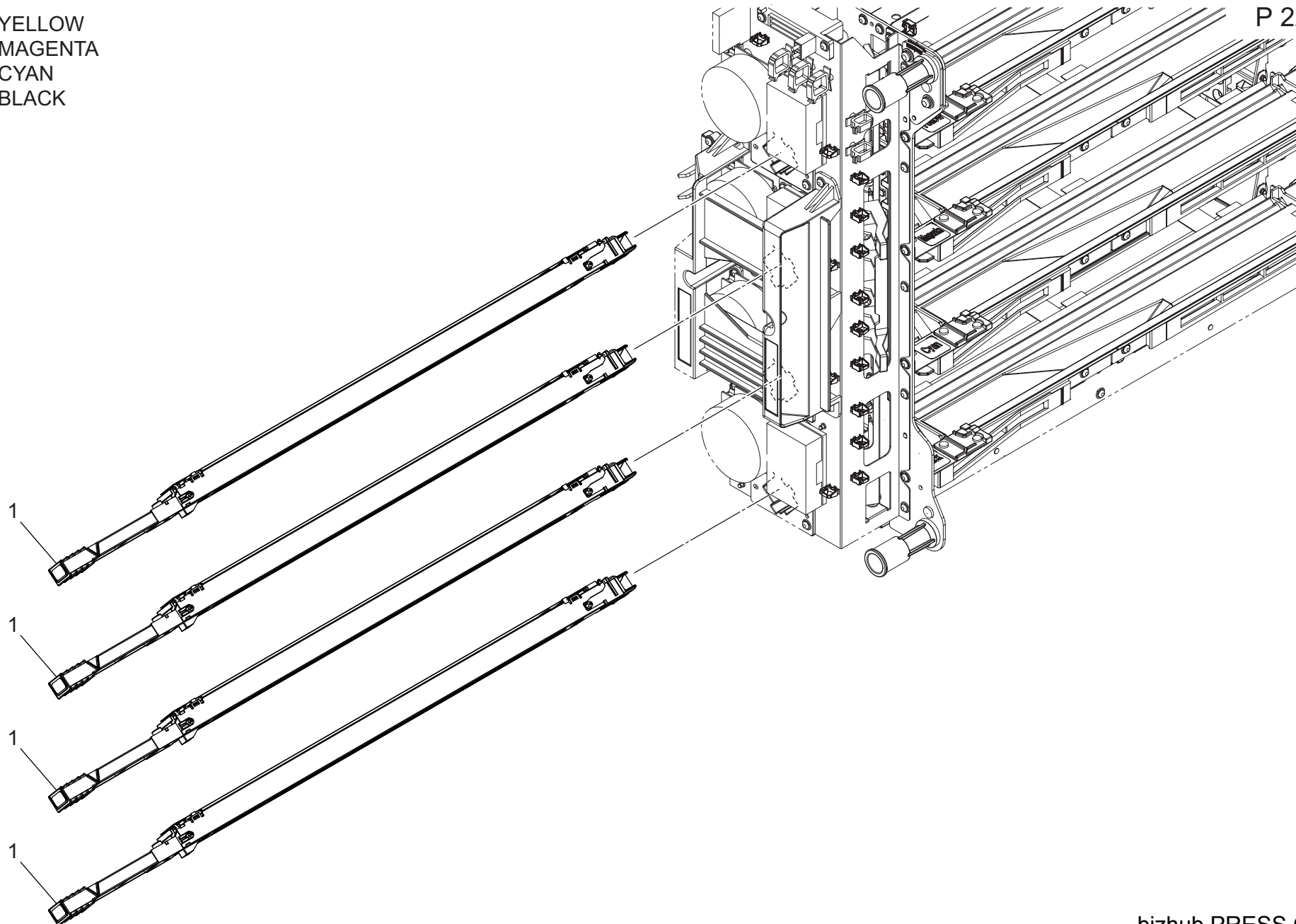
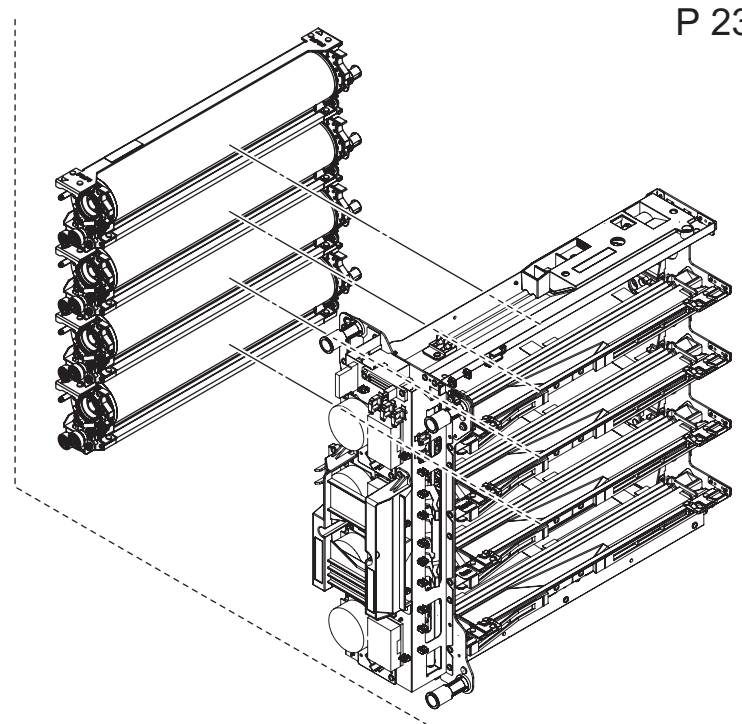
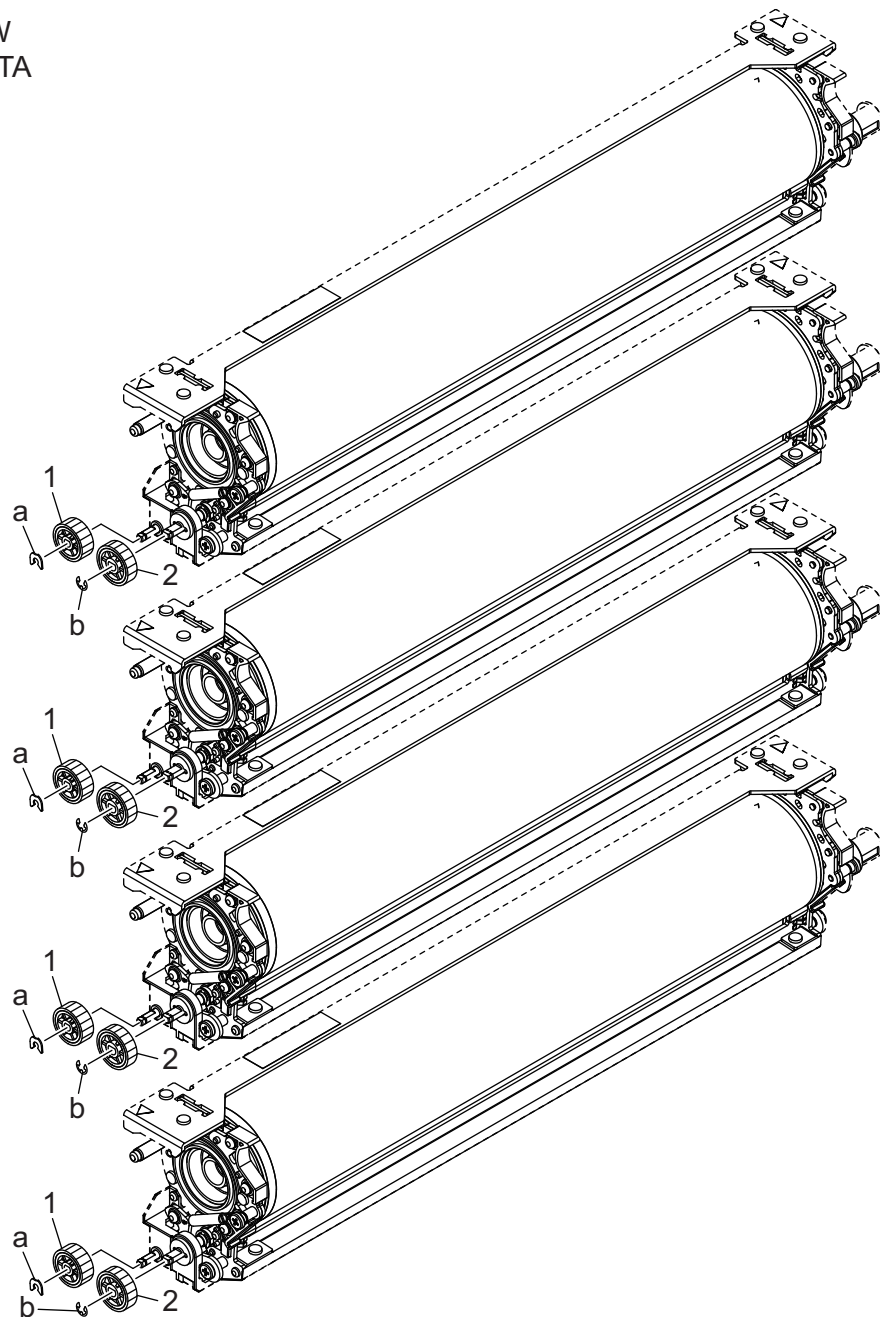


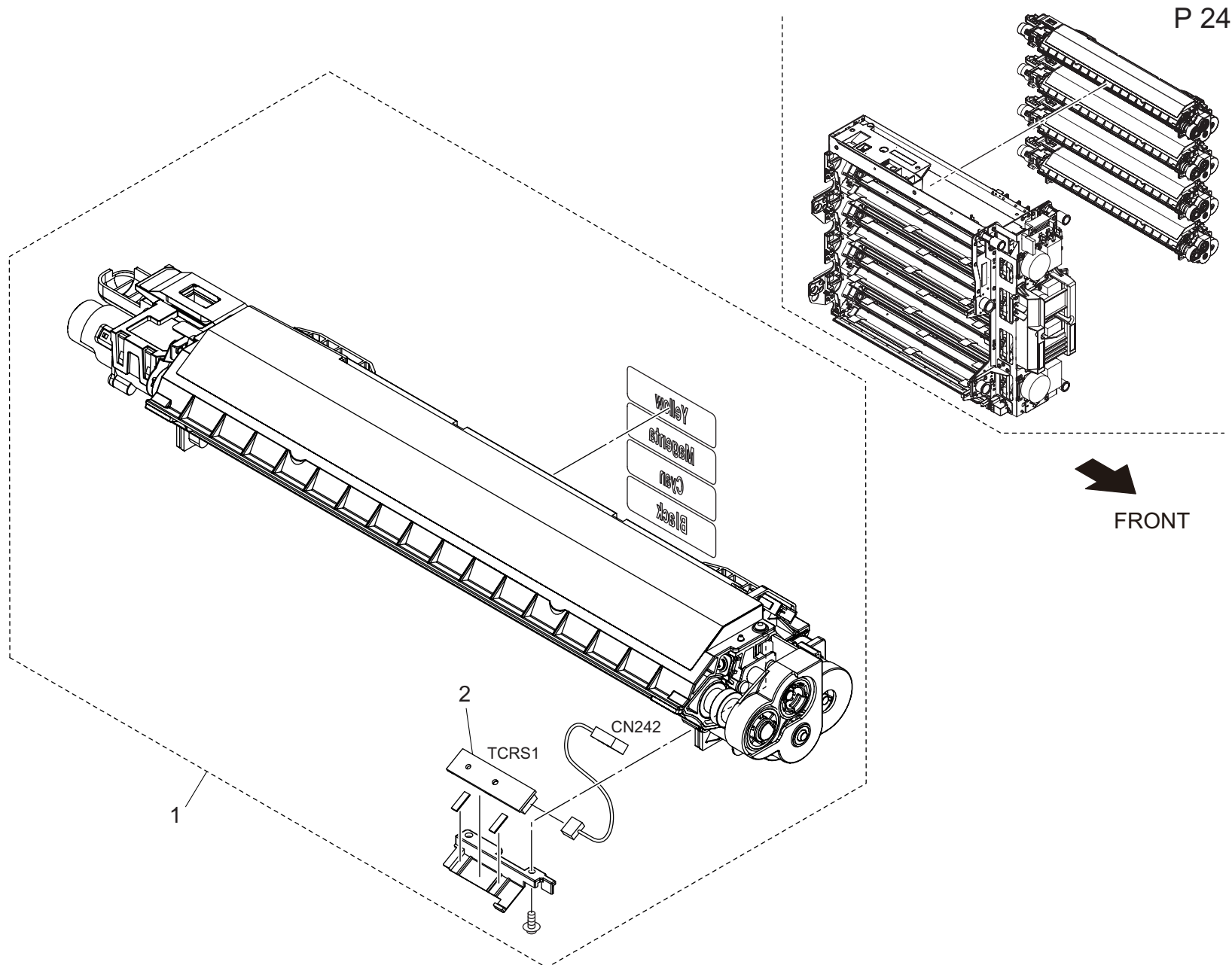
Photo Conductor Section

YELLOW
MAGENTA
CYAN
BLACK



P 23

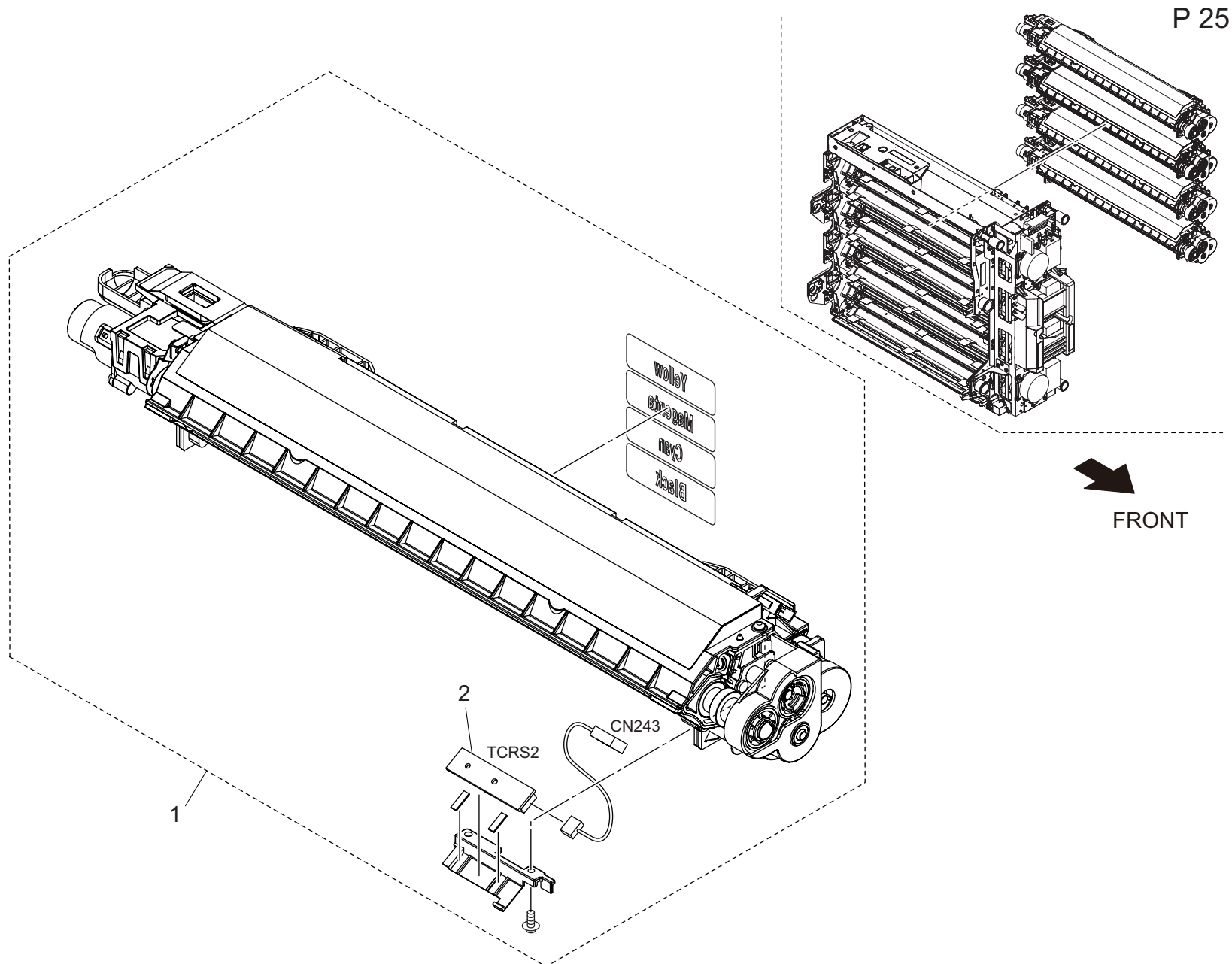
Developing Section



YELLOW

Key	Part No.	Description		Destinations	Class	QTY	Standard parts
1	A50UR70222	Developing Unit	現像ユニット		B	1	
2	A0TKH00200	PWB Assembly(PWB-TCR ASSY)	基板 ASSY (PWB-TCR ASSY)		I	1	

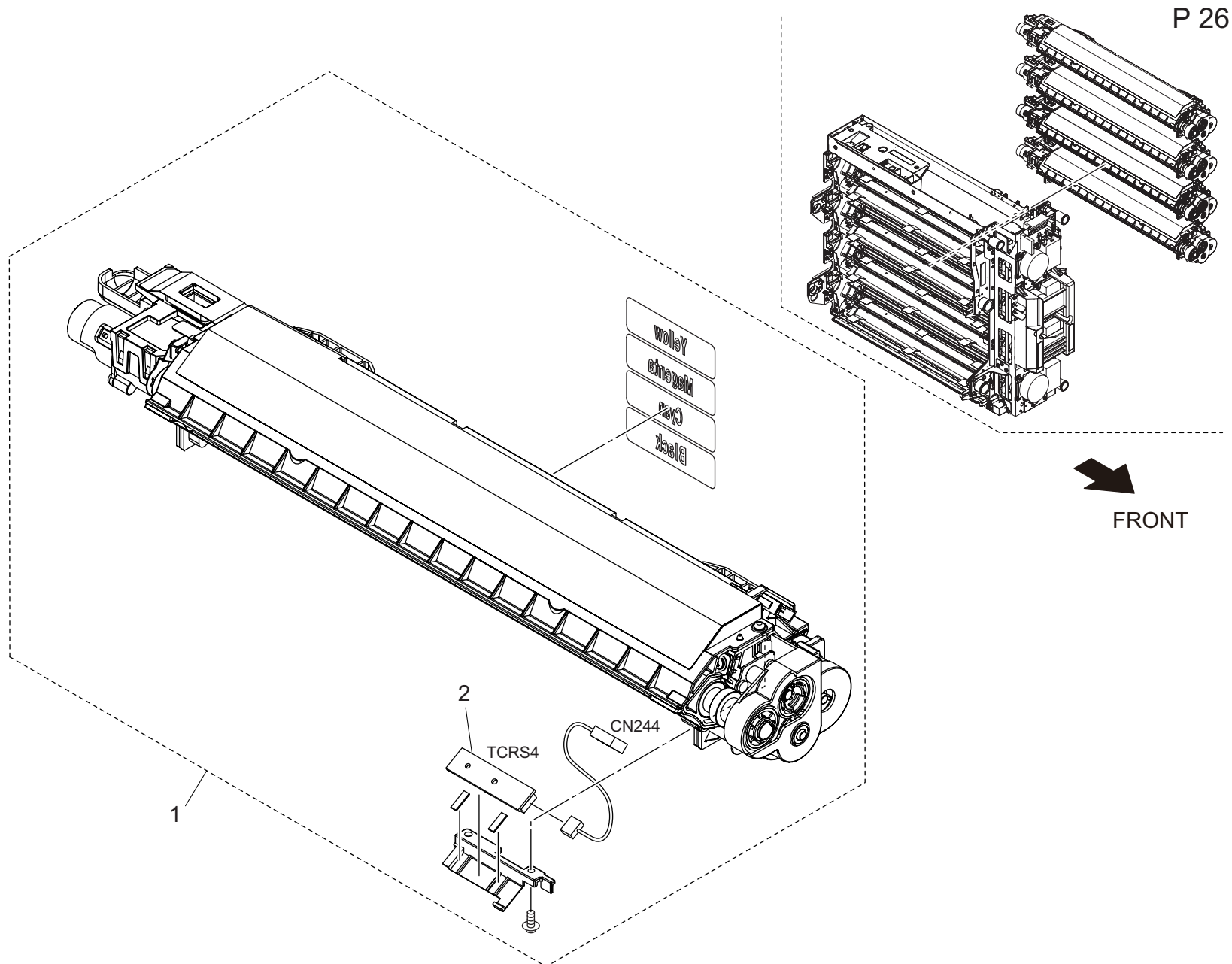
Developing Section



MAGENTA

Key	Part No.	Description		Destinations	Class	QTY	Standard parts
1	A50UR70222	Developing Unit	現像ユニット		B	1	
2	A0TKH00200	PWB Assembly(PWB-TCR ASSY)	基板 ASSY (PWB-TCR ASSY)		I	1	

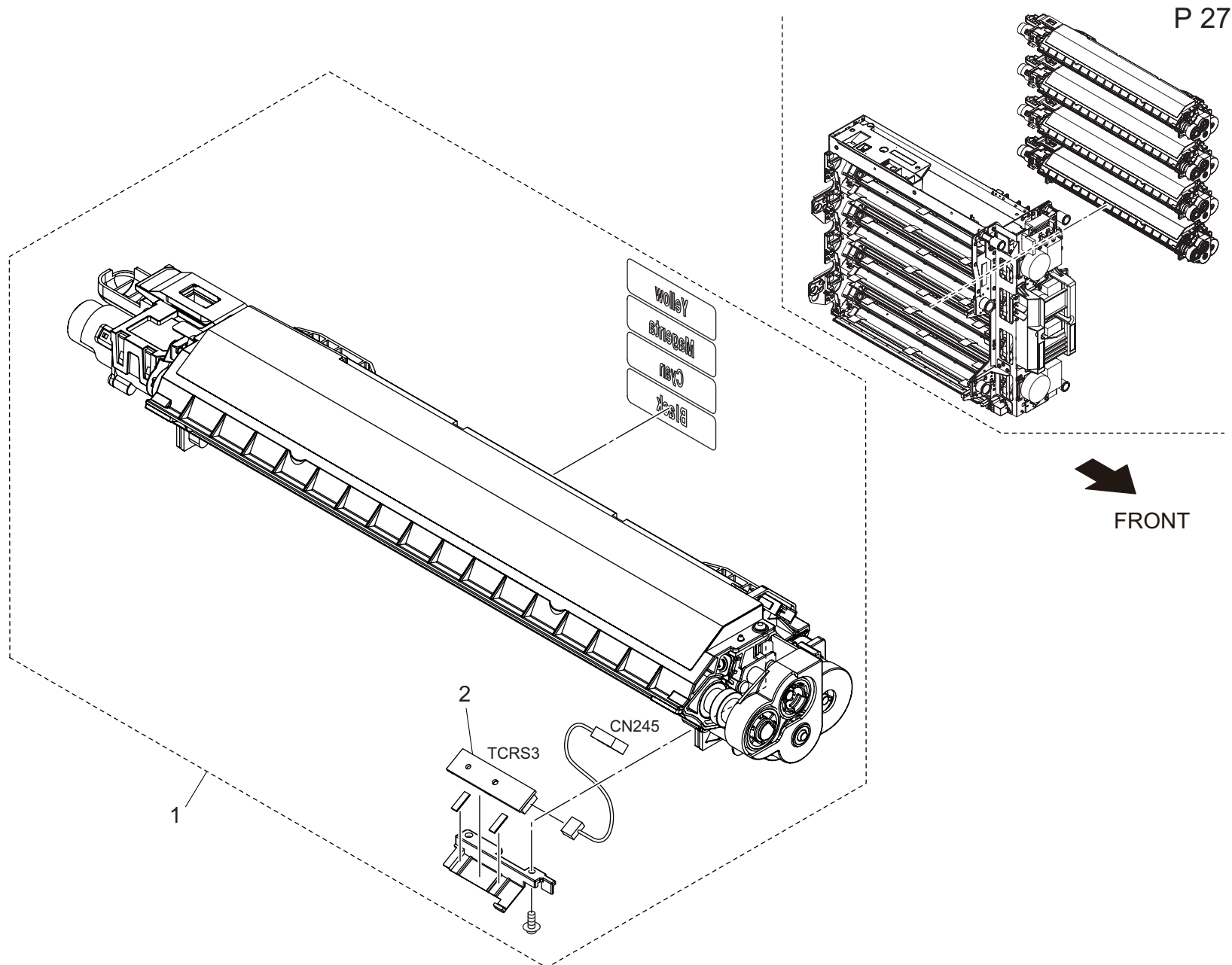
Developing Section



CYAN

Key	Part No.	Description		Destinations	Class	QTY	Standard parts
1	A50UR70222	Developing Unit	現像ユニット		B	1	
2	A0TKH00200	PWB Assembly(PWB-TCR ASSY)	基板 ASSY (PWB-TCR ASSY)		I	1	

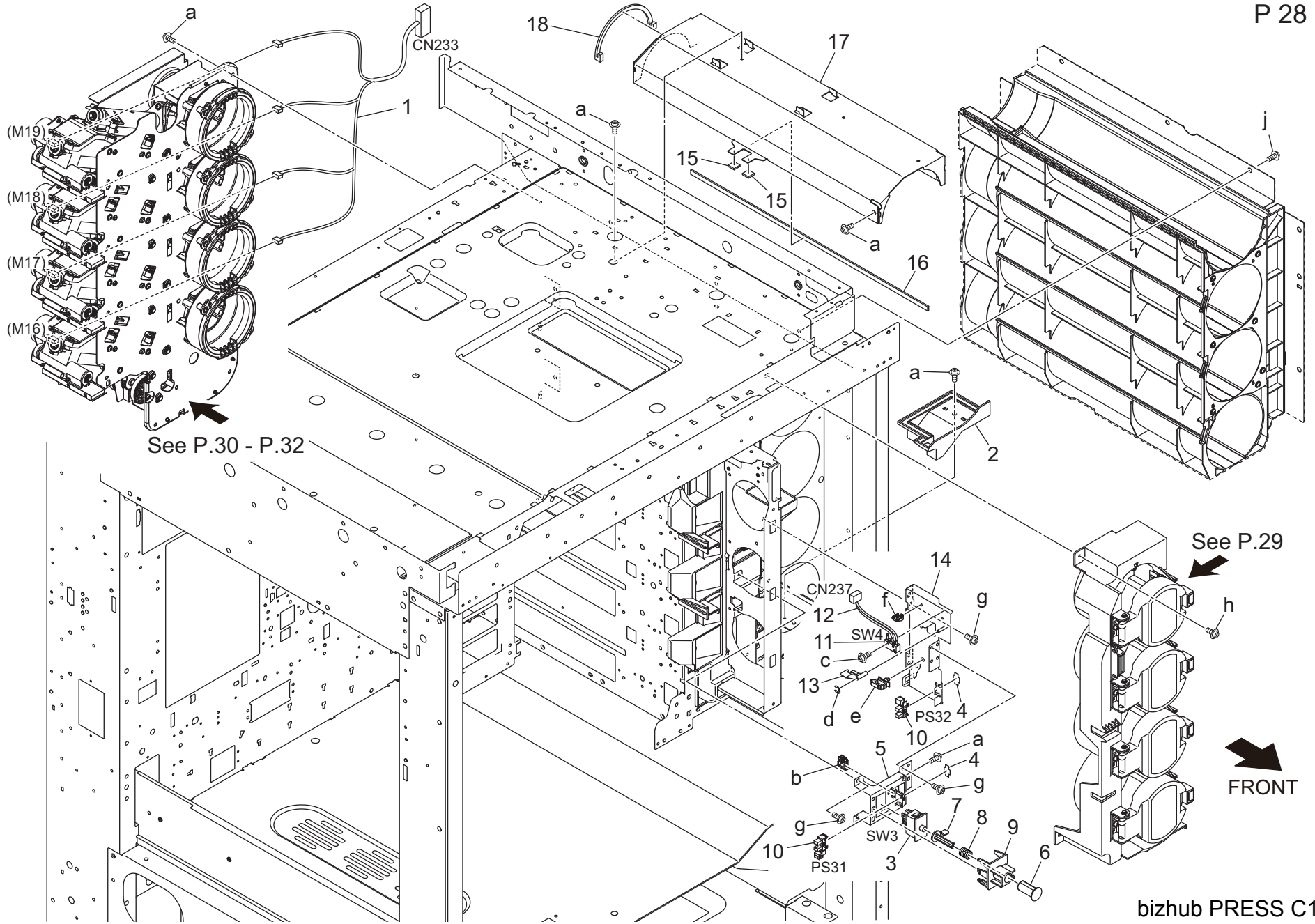
Developing Section



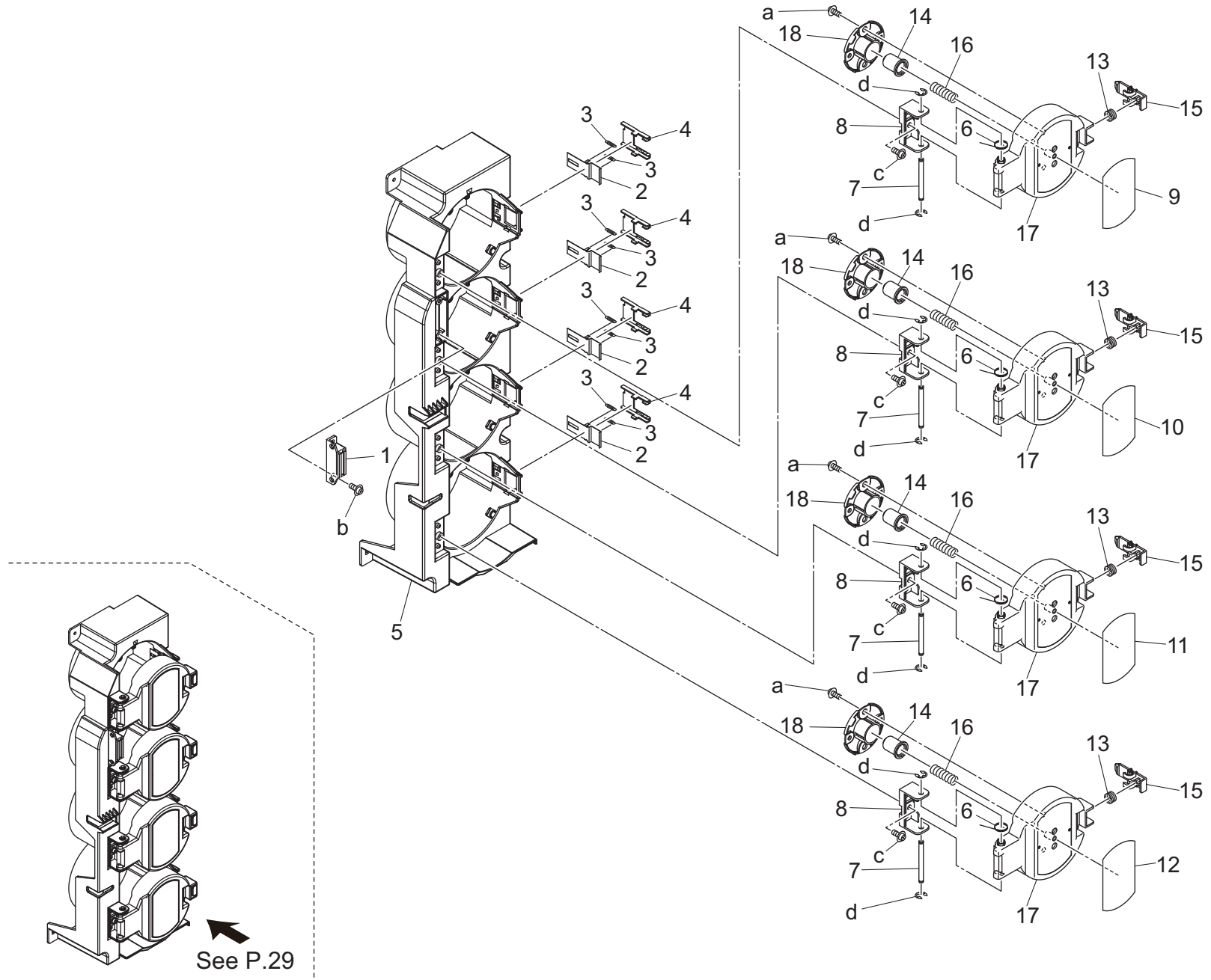
BLACK

Key	Part No.	Description		Destinations	Class	QTY	Standard parts
1	A50UR70222	Developing Unit	現像ユニット		B	1	
2	A0TKH00200	PWB Assembly(PWB-TCR ASSY)	基板 ASSY (PWB-TCR ASSY)		I	1	

Toner Supply Section



Toner Supply Section

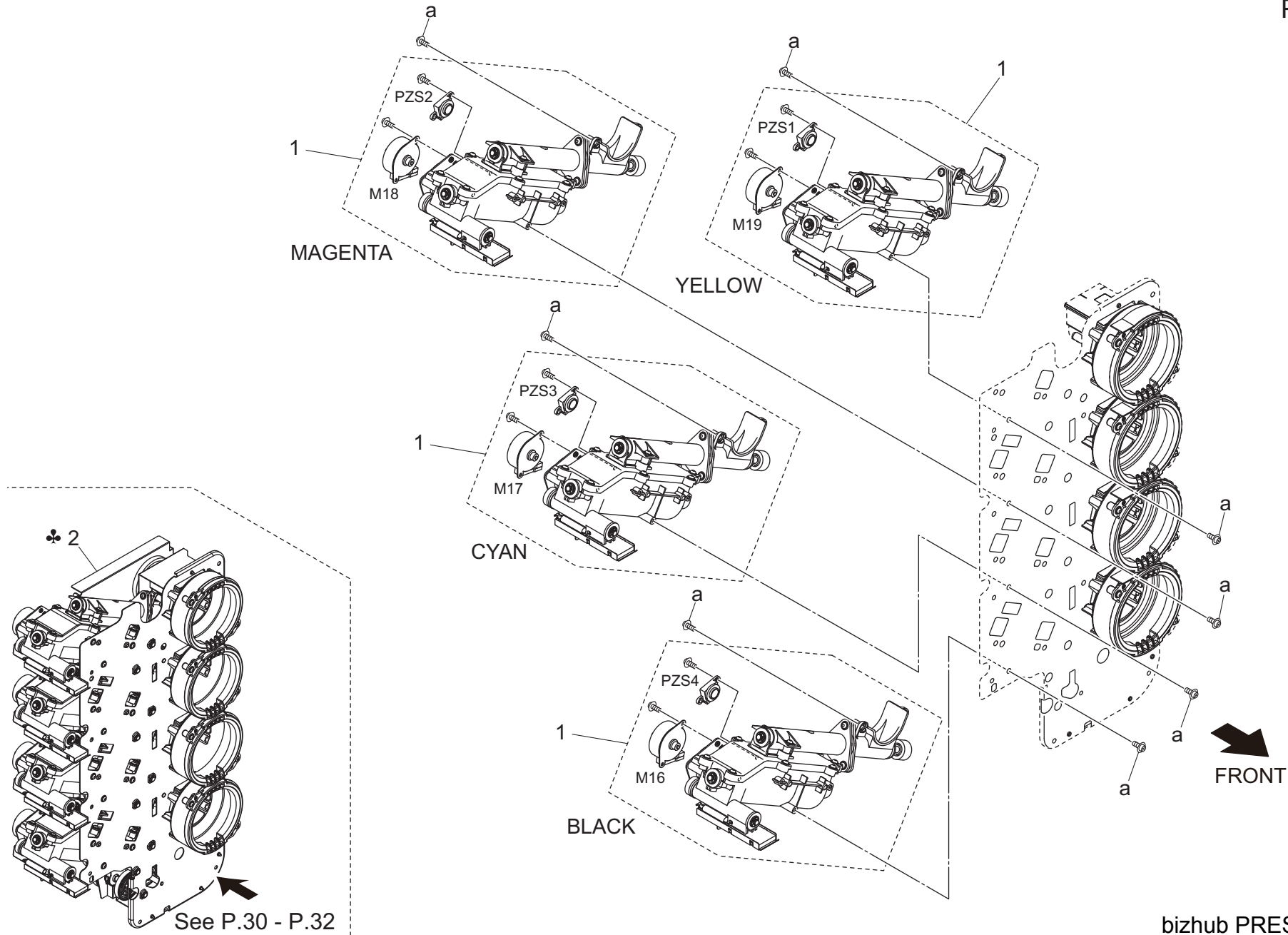


See P.29

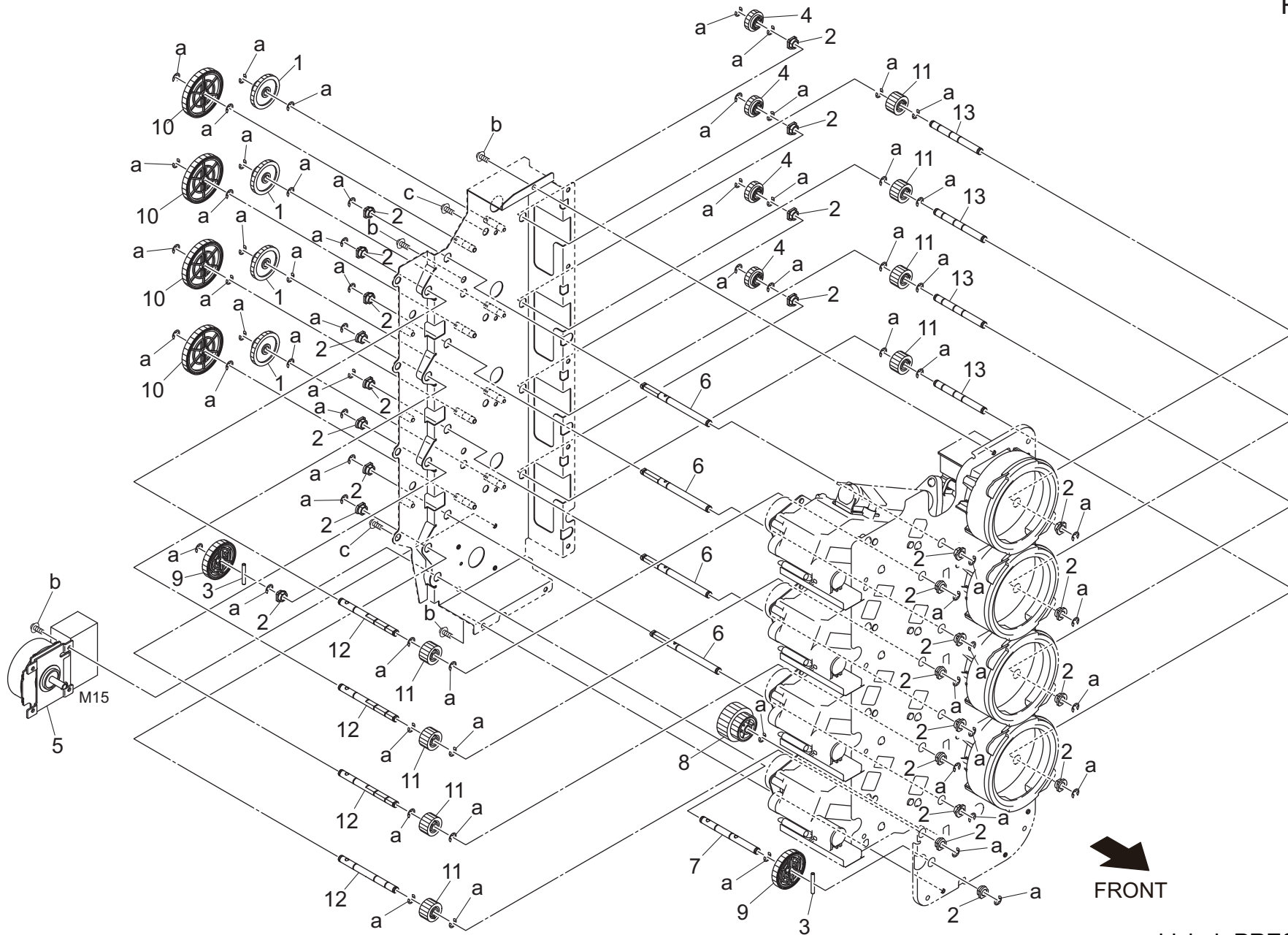
FRONT

Key	Part No.	Description	Destinations	Class	QTY	Standard parts
1	07BA12352	Magnet Catch		C	1	a-V151041003 b-V149030803 c-V158030803 d-V217030050
2	26TA32960	CARTRIDGE REGULATING PLATE		C	4	
3	26TA32970	CARTRIDGE REGULATING SPRING		C	8	
4	26TA32990	COVER PART		C	4	
5	A50U400201	Guide Part		D	1	
6	A50U408600	Toner supply Open/close Spring /A		D	4	
7	A50U408700	Support Shaft		D	4	
8	A50U408900	Support Part		D	4	
9	A50U944500	Toner supply Label /Y		D	1	
10	A50U944600	Toner supply Label /M		D	1	
11	A50U944700	Toner supply Label /C		D	1	
12	A50U944800	Toner supply Label /K		D	1	
13	26NA32870	CARTRIDGE PRESSING SPRING 2		C	4	
14	A1RF441500	Pressing Part /Front		D	4	
15	A50U408501	Pressing Handle		D	4	
16	A50U410200	Lock Spring		D	4	
17	A50U440301	Pressing Pedestal /Front		D	4	
18	A50U440601	Pressing Part /Rear		D	4	

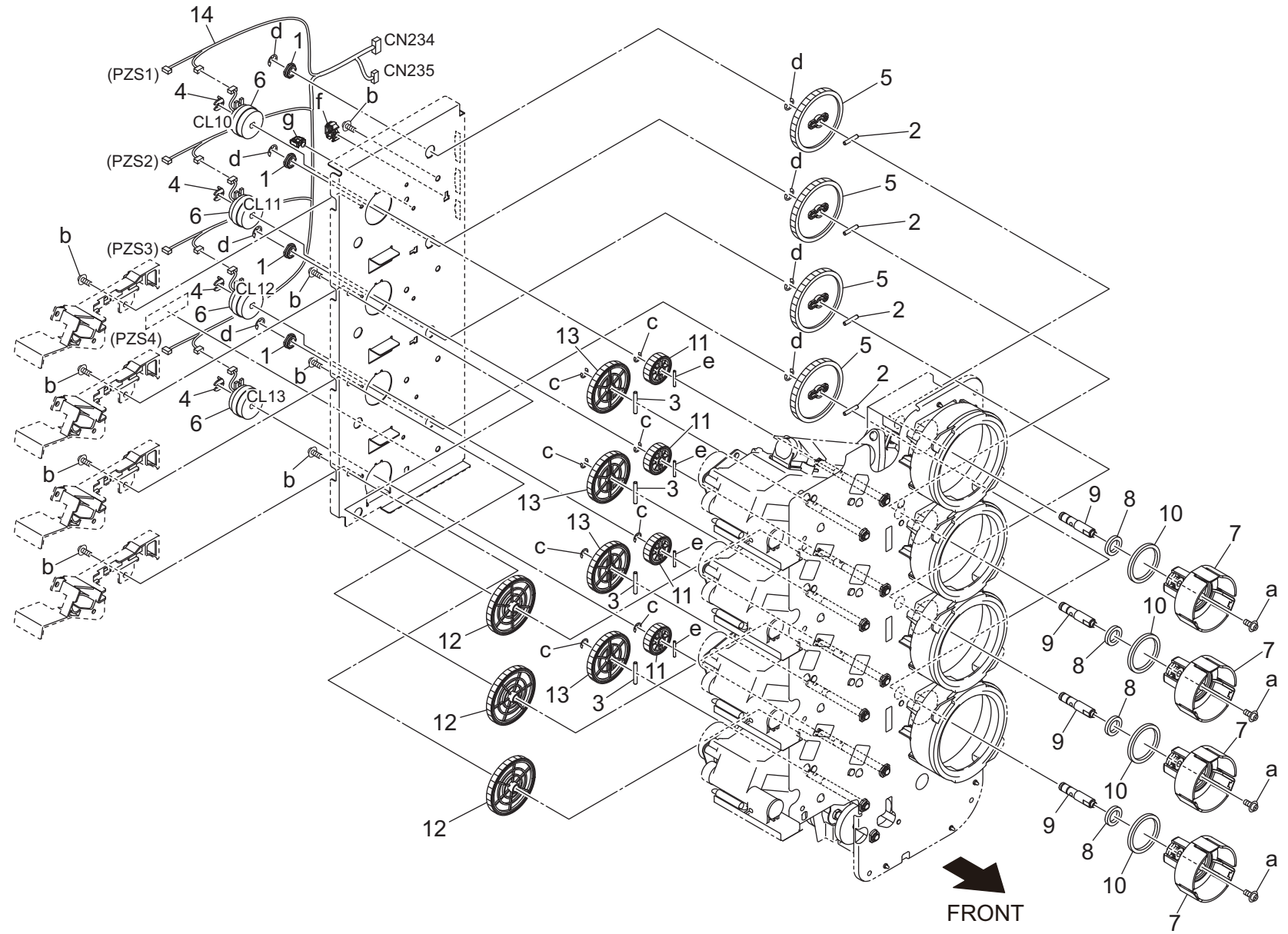
Toner Supply Section



Toner Supply Section



Toner Supply Section

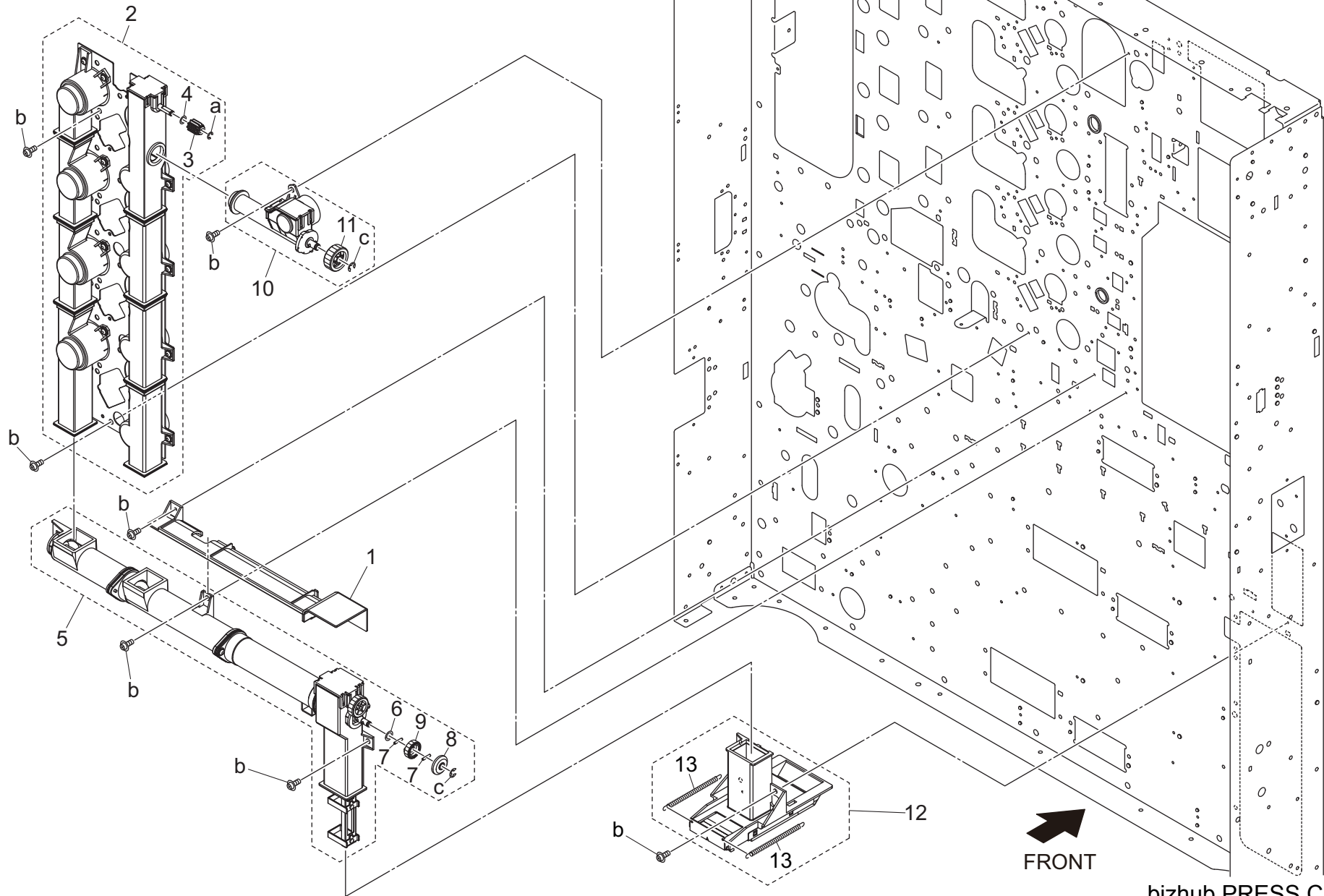


FRONT

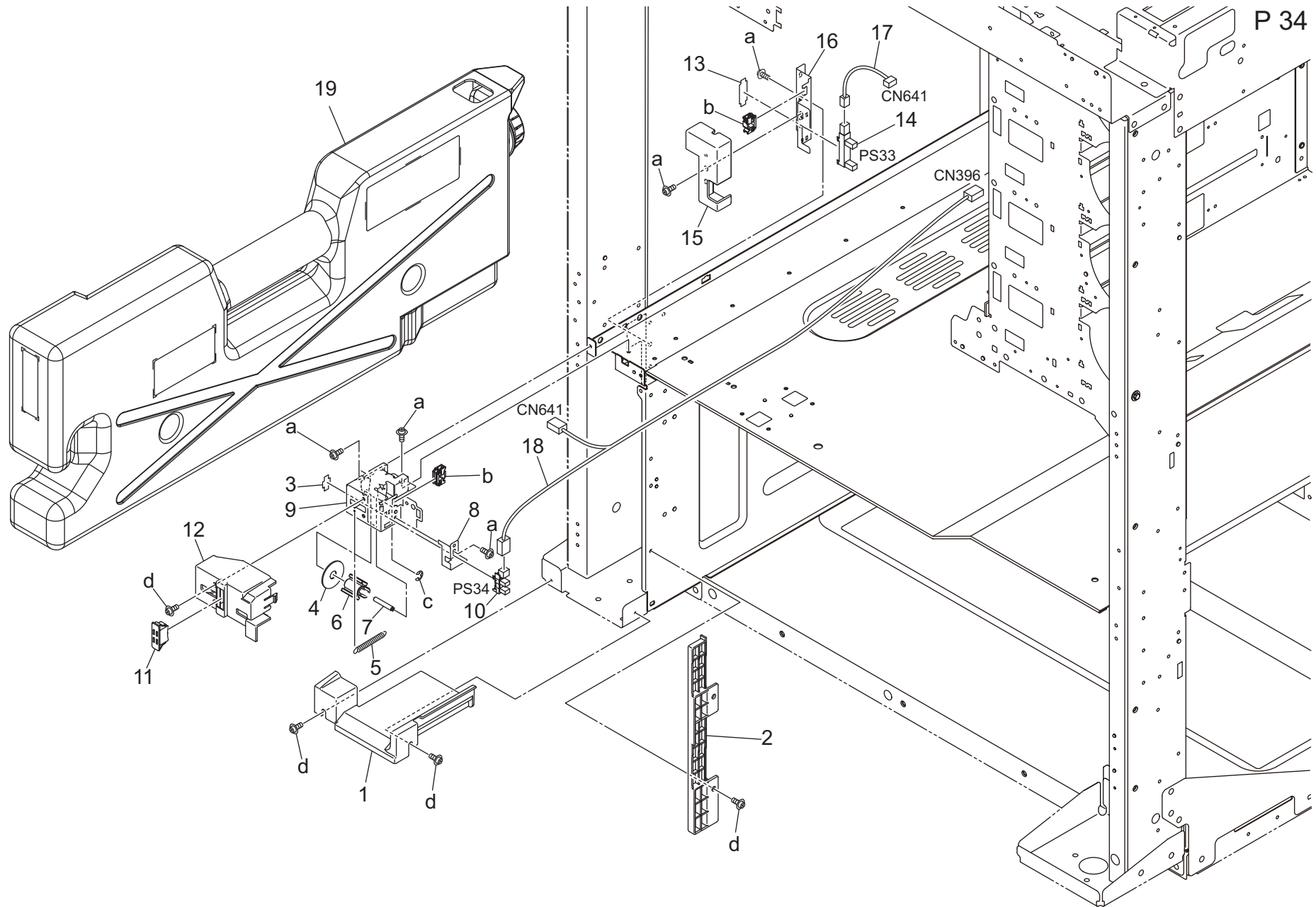
bizhub PRESS C1070

Key	Part No.	Description	Destinations	Class	QTY	Standard parts
1	26NA32660	TONER SUPPLY SHAFT HOLDER		C	4	a-V116030803 b-V127030603 c-V217040050 d-V217050050 e-V231201650 f-V500010072 g-V500020098
2	56AA17461	PIN A		B	4	
3	56AA17500	PIN		C	4	
4	56AA40490	SHAFT STOPPER 4		C	4	
5	65AA77390	Toner Supply Gear /B 56T		C	4	
6	A00FM20000	Clutch		C	4	
7	A50U400501	Toner supply Coupling		D	4	
8	A50U401200	Holding Seal /A		D	4	
9	A50U401301	Connecting Shaft		D	4	
10	A50U407600	Toner supply Holding Seal /A		D	4	
11	A50U420400	Toner supply Gear /4 25T		C	4	
12	A50U420800	Toner supply Gear /8 52T		C	3	
13	A50U421000	Toner supply Gear /10 45T		C	4	
14	A50UN12203	Toner Wiring /2		D	1	

Toner Collection Section



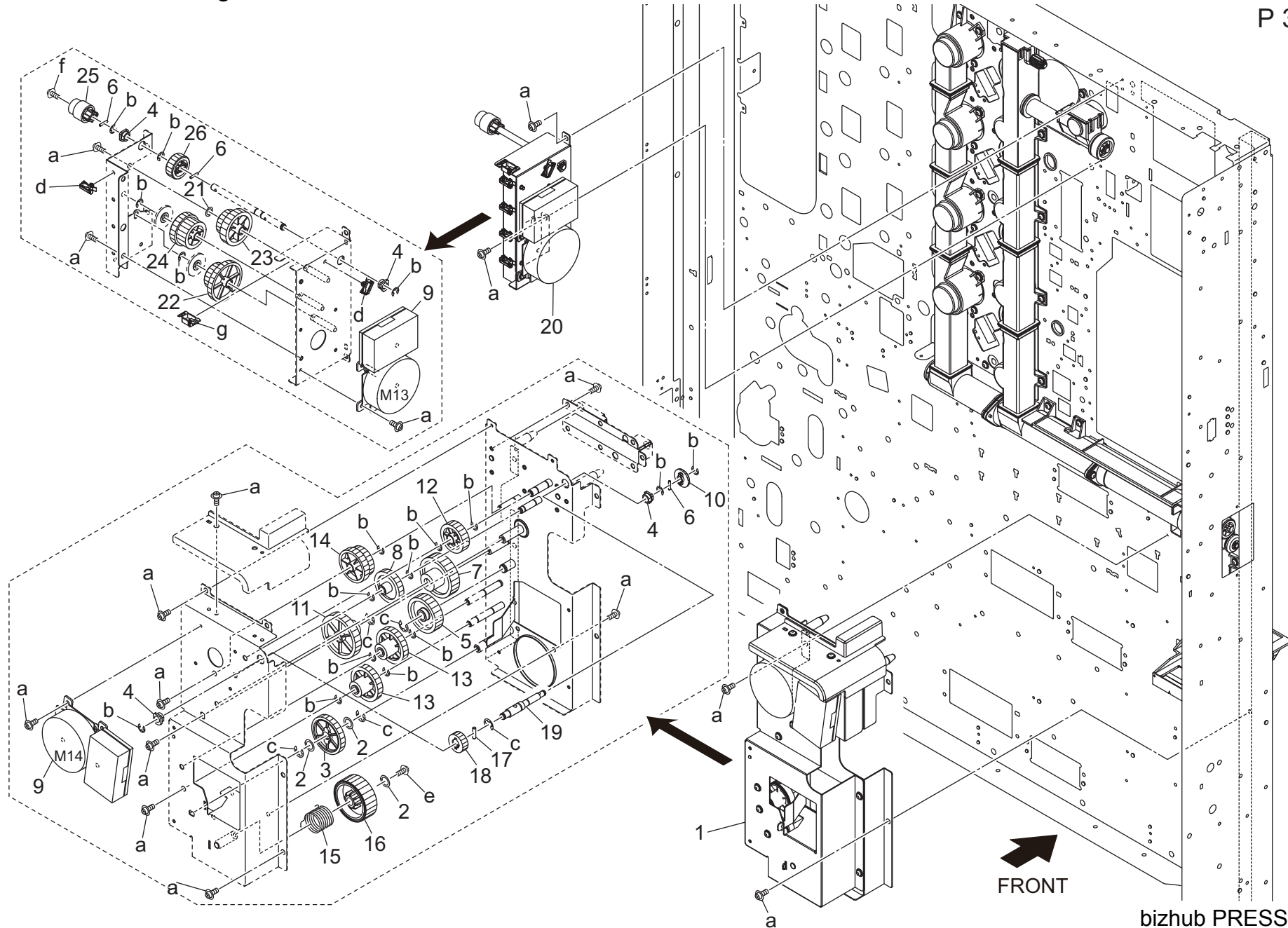
Toner Collection Section



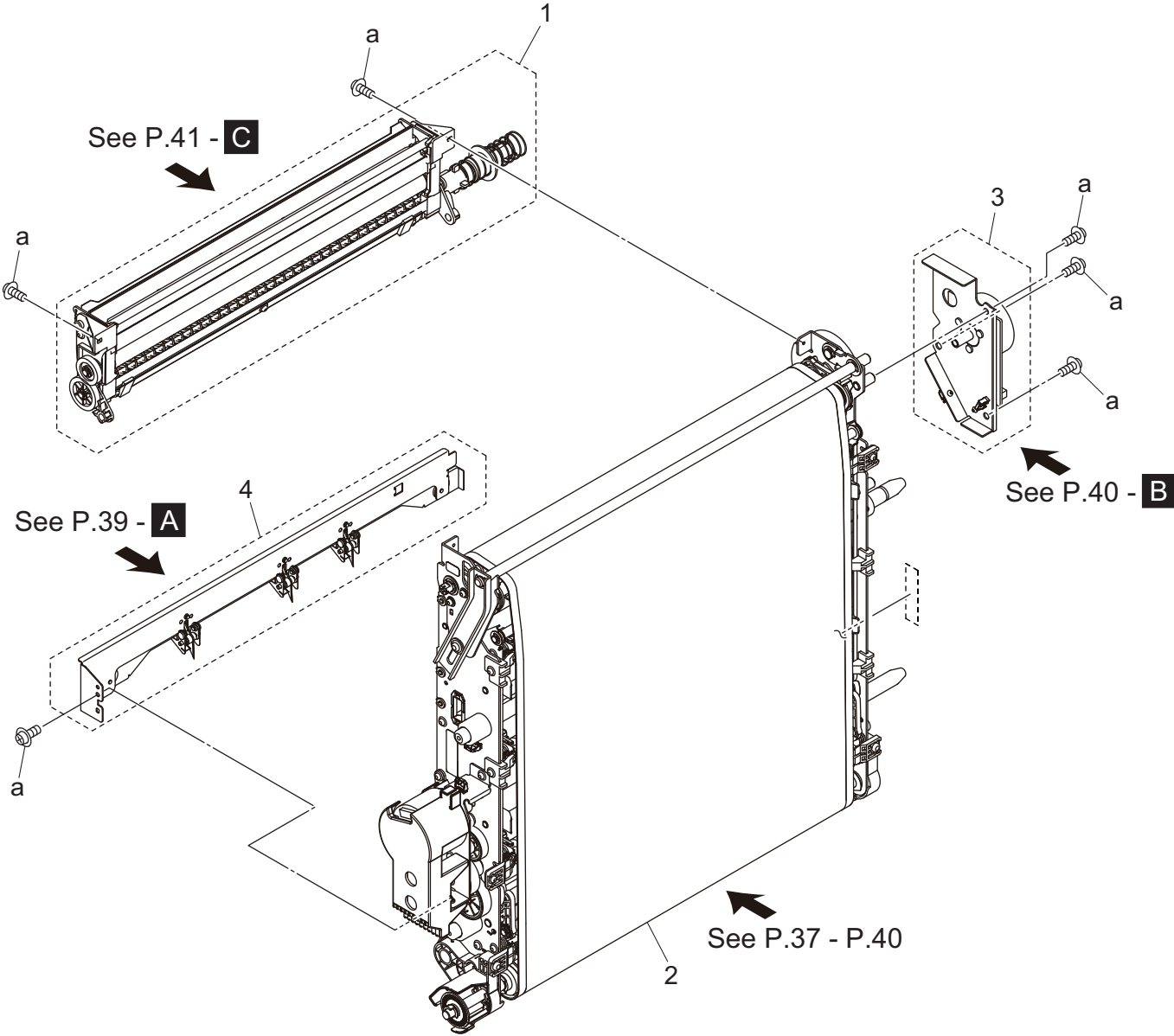
Toner Collection Section

Key	Part No.	Description	Destinations	Class	QTY	Standard parts
1	A50U363400	Protection Cover /Lower		D	1	a-V127030603 b-V570010056 c-V217020050 d-V127030604
2	A50U369900	Cover /Front		D	1	
3	4470402401	STOPPER		D	1	
4	55VA47840	Belt Hold Part /3		D	1	
5	A1RF363500	Control Spring		C	1	
6	A1RF363801	Detecting Part /2		D	1	
7	A50U363200	Collection Shaft		D	1	
8	A50U367100	Card		D	1	
9	A50U368400	Cover		D	1	
10	A50UM51000	Photointerrupter		C	1	
11	56AA12270	EXTERNAL LOCKING PART		C	1	
12	A50U363701	Cover Outside		D	1	
13	4004457301	Stopper		D	1	
14	9335140051	SOLID STATE SWITCH		B	1	
15	A50U366800	Cover /2		D	1	
16	A50U367400	Cover		D	1	
17	A50UN11801	Detection Relay harness /3		D	1	
18	A50UN12000	Detection Relay harness /1		D	1	
19	A50UR70100	Waste Toner Box		A	1	

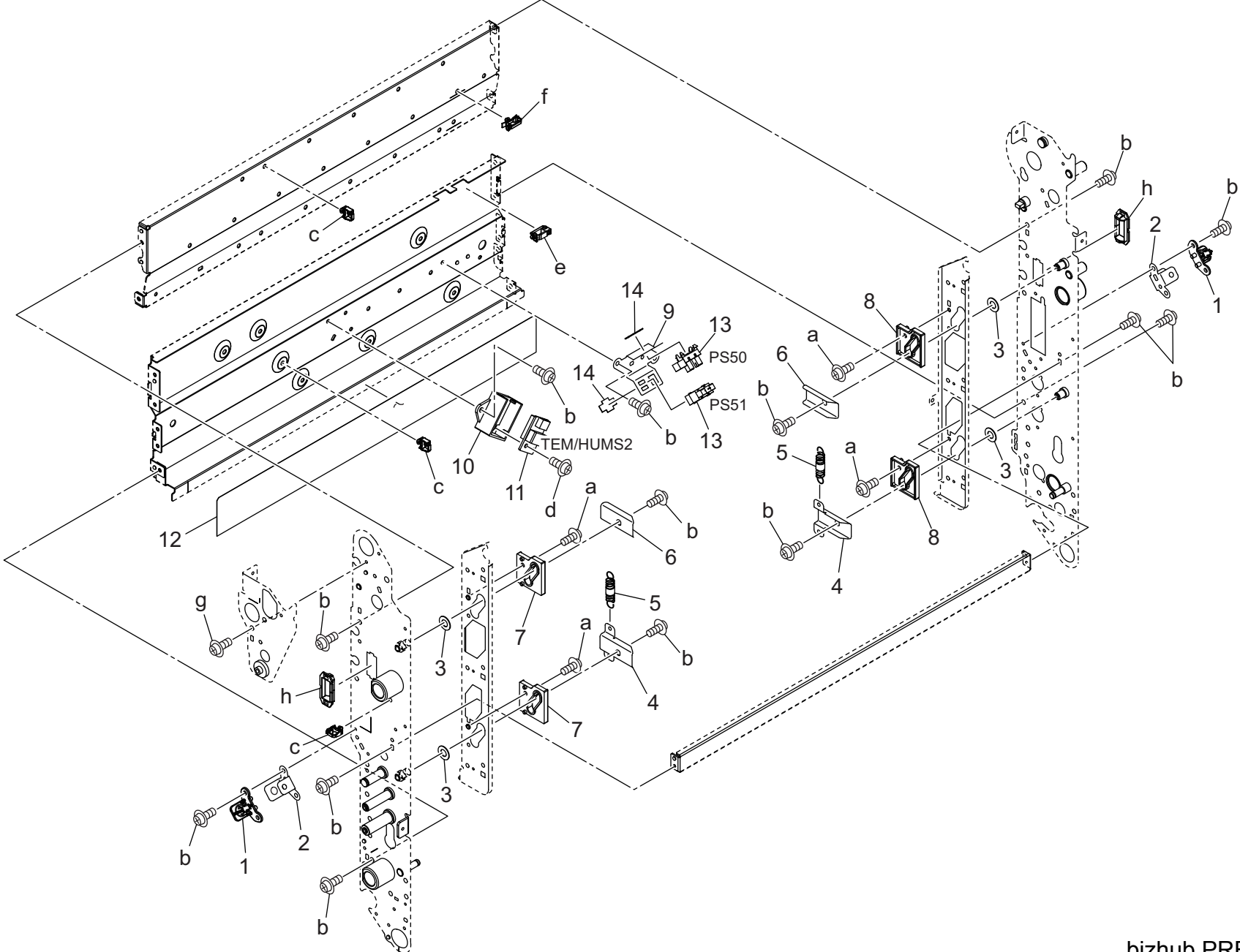
Toner Collection Driving Section



Intermediate Transfer Section



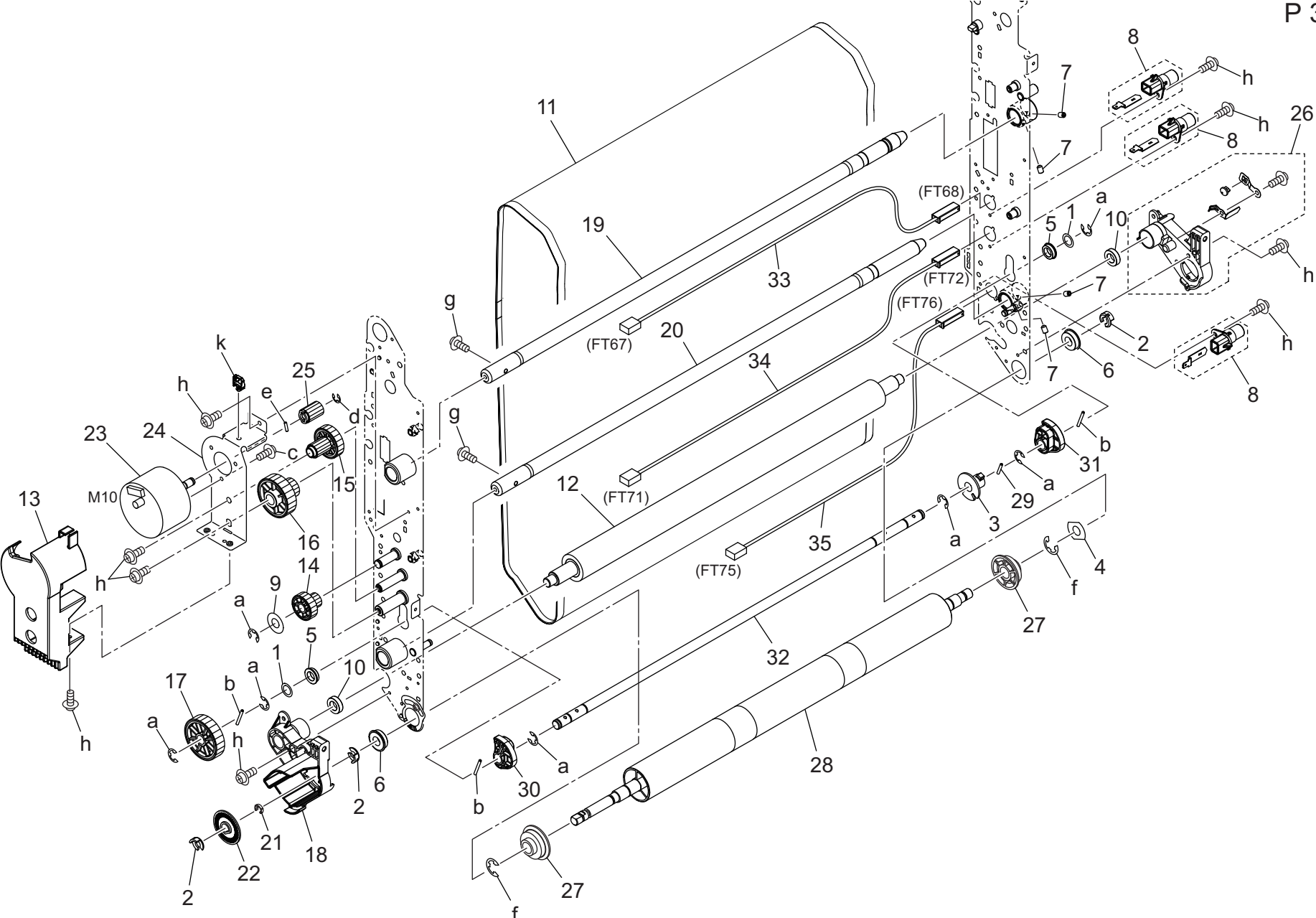
Intermediate Transfer Section



Intermediate Transfer Section

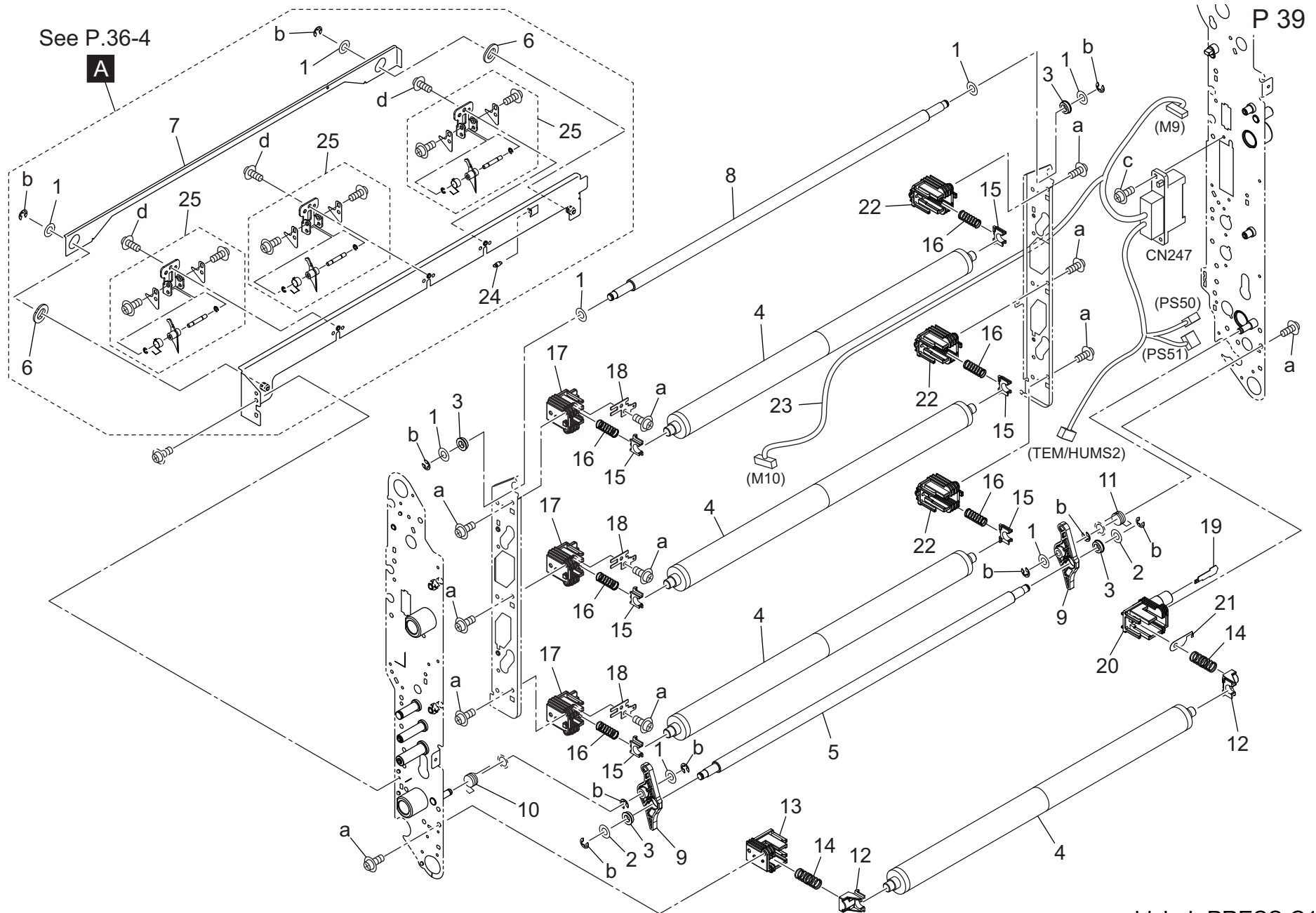
Key	Part No.	Description	Destinations	Class	QTY	Standard parts
1	A50U500800	Hold Part		D	2	a-V121030403 b-V127030603 c-V500020098 d-V158030803 e-V570010057 f-V500020100 g-V116030503 h-V570010037
2	A50U508600	Transfer Support Plate		D	2	
3	07BA15871	SPACER A		C	4	
4	A50U503600	Stopper Plate		D	2	
5	A50U503700	Spring		D	2	
6	A50U506200	Stopper Plate		D	2	
7	A50U508800	Transfer Bushing /Front		D	2	
8	A50U506300	Transfer Bushing /Rear		D	2	
9	A50U505200	Plate		D	1	
10	65AA11300	SUPPORT PART		D	1	
11	A034M50000	Humidity sensor		C	1	
12	A03U515100	Insulating Sheet		D	1	
13	08AA85512	Photo Sensor		B	2	
14	4470402401	STOPPER		D	2	

Intermediate Transfer Section



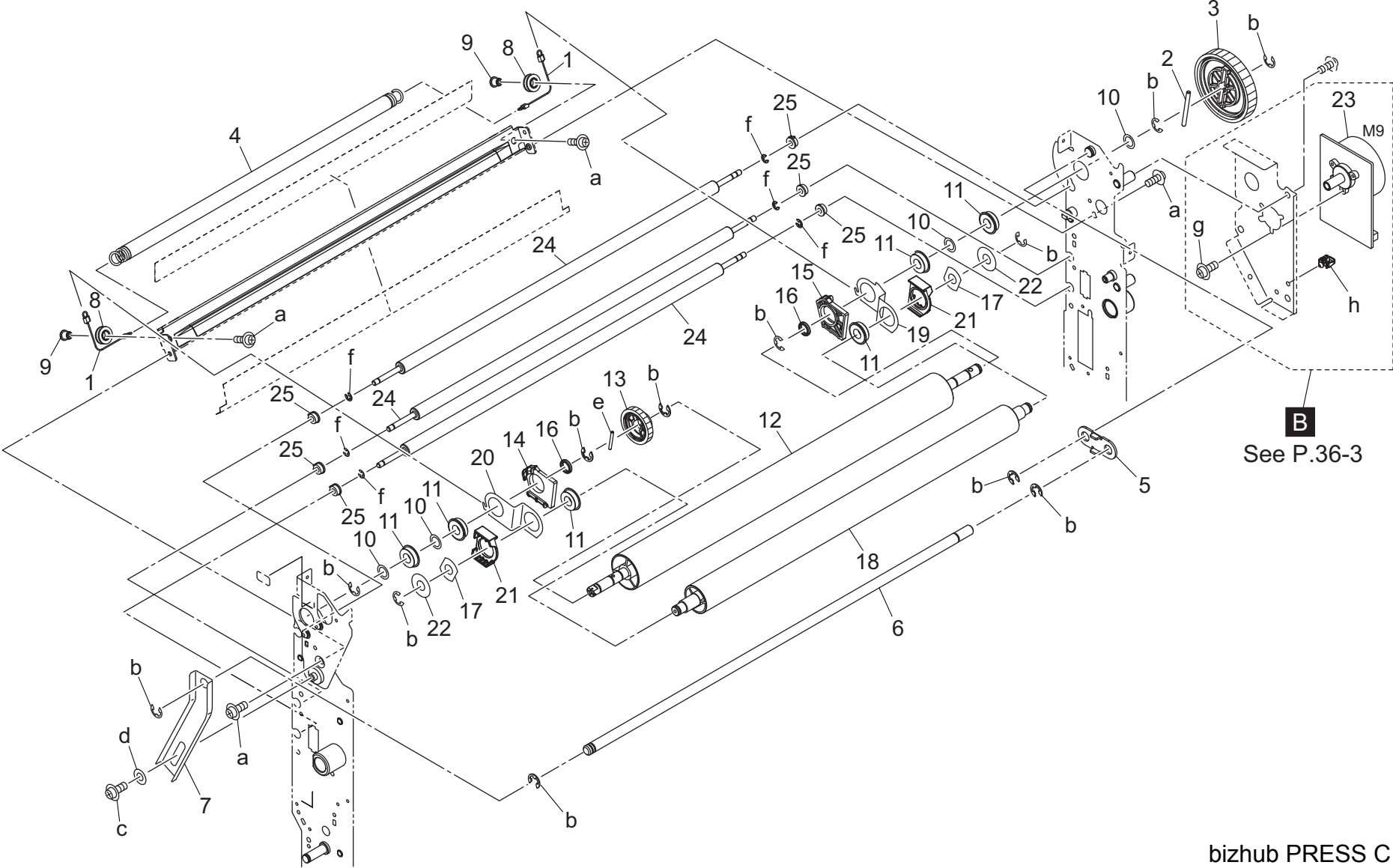
Key	Part No.	Description	Destinations	Class	QTY	Standard parts
1	12QV40650	SPACER		B	2	a-V217060050
2	55VA42120	SHAFT STOPPER		C	3	b-V237201850
3	A50U505300	Light blocking Plate		D	1	c-V121030403
4	65AA27240	SPACER A		C	1	d-V217040050
5	A00J617900	Ball Bearing		B	2	e-V237200850
6	A00V240600	BALL BEARING		C	2	f-V217080050
7	A03U512300	Fixing Screw		C	4	g-V127040803
8	A1DUR73500	Power Supply Block / A Assy		D	3	h-V127030603
9	A1RF501700	Slide Spacer /A		D	1	k-V500020098
10	A1RF517300	bearing		C	2	
11	A50U500101	Transfer Belt 862L	転写ベルト 862 L	A	1	
12	A50U500401	2nd Transfer Roller/Up	2次転写ローラー/Up	A	1	
13	A50U504000	Cover	カバー	D	1	
14	A50U504500	Compressing Gear /1 35/18T	圧縮ギア/1 35/18 T	C	1	
15	A50U504600	Pressure Gear /2 43/18T	圧着ギア/2 43/18 T	C	1	
16	A50U504700	Pressure Gear /3 56/18T	圧着ギア/3 56/18 T	C	1	
17	A50U505000	Pressure Gear /4 44T	圧着ギア/4 44 T	C	1	
18	A50U505901	Insulating Holder /Front	絶縁ホルダ/前	D	1	
19	A50U506101	Positioning Shaft /Upper	位置決め軸/上	D	1	
20	A50U507000	Positioning Shaft /Lower	位置決め軸/下	D	1	
21	A50U509100	Lifting Collar /8	押上げカラー/8	D	1	
22	A50U509800	Control Plate	制御プレート	D	1	
23	A11PM10200	DC Brushless motor /12	DC ブラシレスモーター/12	C	1	
24	A50U503900	Drive Plate /2	駆動板/2	D	1	
25	A50U504400	Pressure Gear /M 18T	圧着ギア/M 18 T	C	1	
26	A50UR72100	Insulating Holder / Rear Assy	絶縁ホルダ/奥 Assy	D	1	
27	65AA26870	REGULATING COLLAR	規制カラー	C	2	
28	A50U506701	Idler Roller	従動ローラ	C	1	
29	56AA17321	PIN A D2X12	ピン A D 2 X 12	B	1	
30	A50U502500	Transfer Release Cam /C	転写解除カム/C	D	1	
31	A50U502600	Transfer Release Cam /C	転写解除カム/C	D	1	
32	A50U505100	Pressure Shaft	圧着軸	D	1	
33	A50UN24501	HV Relay harness /1	高圧中継束線/1	D	1	
34	A50UN24701	HV Relay harness /2	高圧中継束線/2	D	1	
35	A50UN24901	HV Relay harness /3	高圧中継束線/3	D	1	

Intermediate Transfer Section



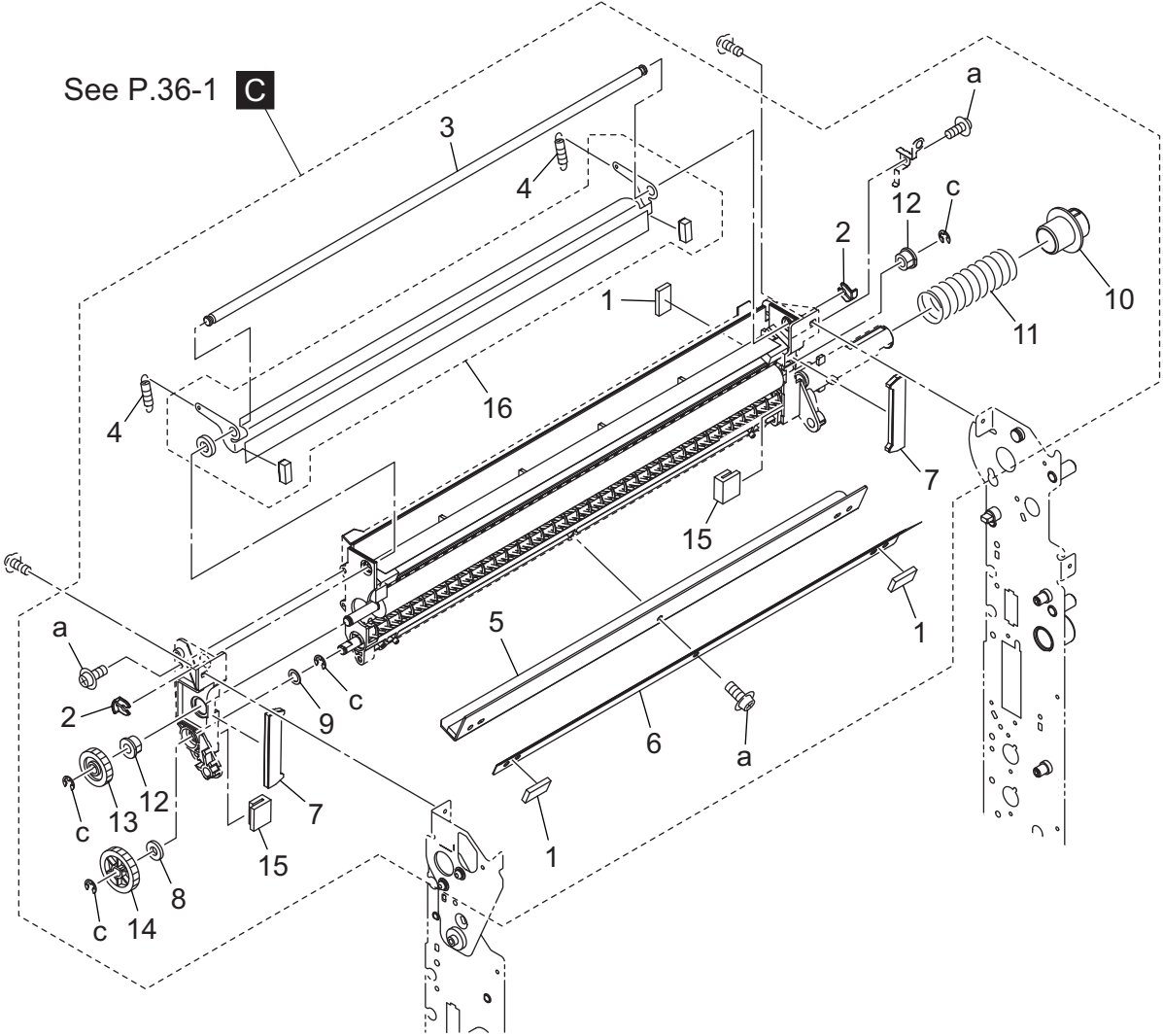
Key	Part No.	Description	Destinations	Class	QTY	Standard parts
1	07BA15871	SPACER A		C	8	a-V158030803 b-V217040050 c-V127030803 d-V121030403
2	40AA32320	TONER SUPPLY SPACER		C	2	
3	A00J617800	BALL BEARING		C	4	
4	A50U501201	1st Transfer Roller		A	4	
5	A50U501900	Transfer Pressure Roller /K		C	1	
6	A50U503200	Bushing		D	2	
7	A50U506900	Release Plate		D	1	
8	A50U505400	Transfer Pressure Roller /Y		C	1	
9	A50U505500	Release Arm		D	2	
10	A50U508001	Pressing Spring /Front		D	1	
11	A50U508102	Pressing Spring /Rear		D	1	
12	A50U505700	Transfer Roller Bearing /K		B	2	
13	A50U505800	High voltage Powering Block /B		D	1	
14	A50U507900	Pressure Spring /Black		D	2	
15	65AA26380	Transfer Powering Bushing		B	6	
16	A50U507801	Pressure Spring /C		D	6	
17	A50U510100	High voltage Powering Block /C		D	3	
18	A50U510200	Transfer Powering Plate /Front		D	3	
19	65AA26690D	Transfer Powering Plate /K		D	1	
20	A50U505601	Power supply Block /D		D	1	
21	A50U507600	Transfer Powering Plate /L		D	1	
22	65AA26900D	High voltage Powering Block /C		D	3	
23	A50UN13201	Transfer Drive harness /1		D	1	
24	65AA26600	SLIDE SPRING		C	1	
25	A1DUR71900	Separation Claw Assy		B	3	

Intermediate Transfer Section

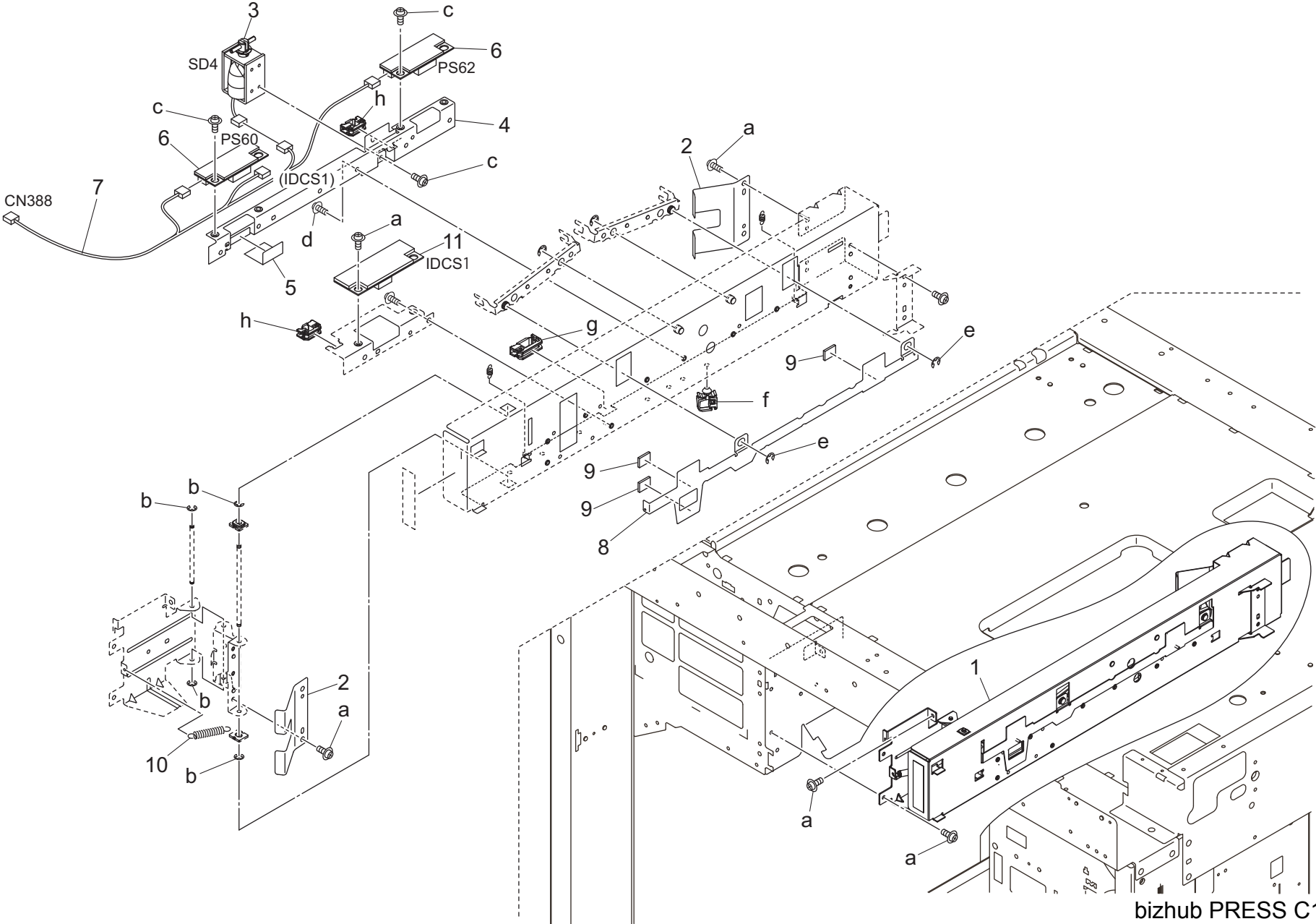


B
See P.36-3

Intermediate Transfer Section

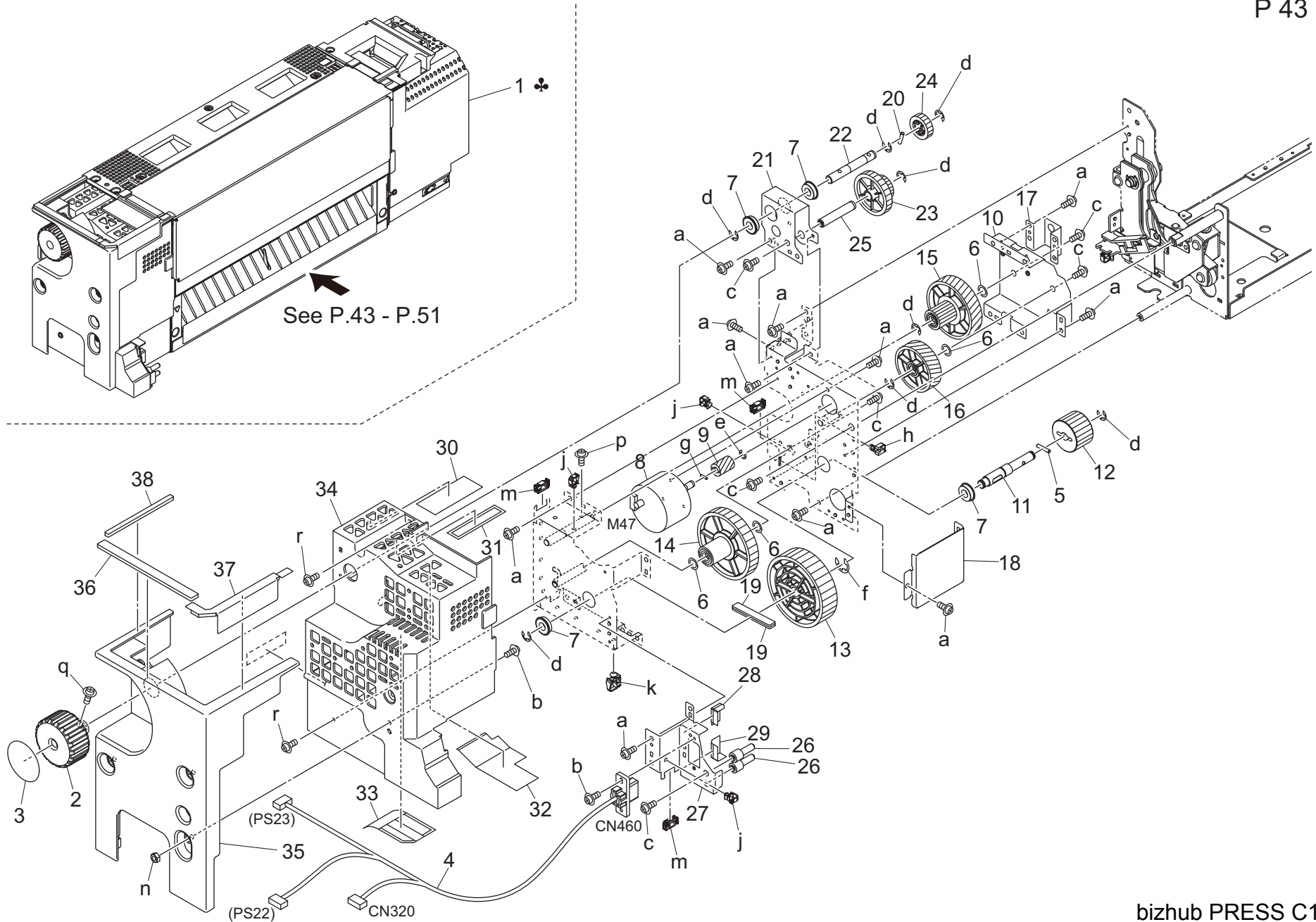


Color Resist Section



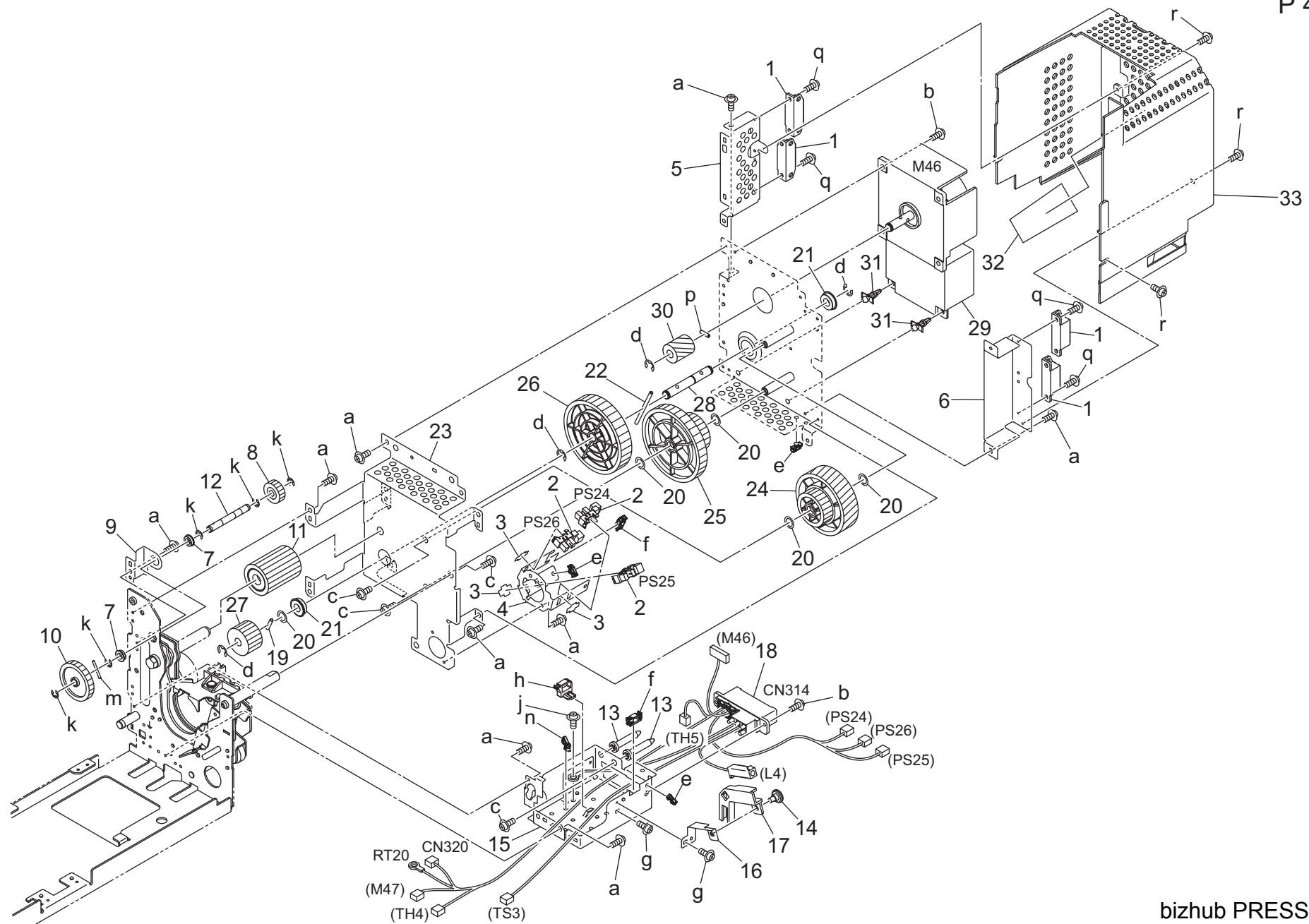
bizhub PRESS C1070

Fusing Section

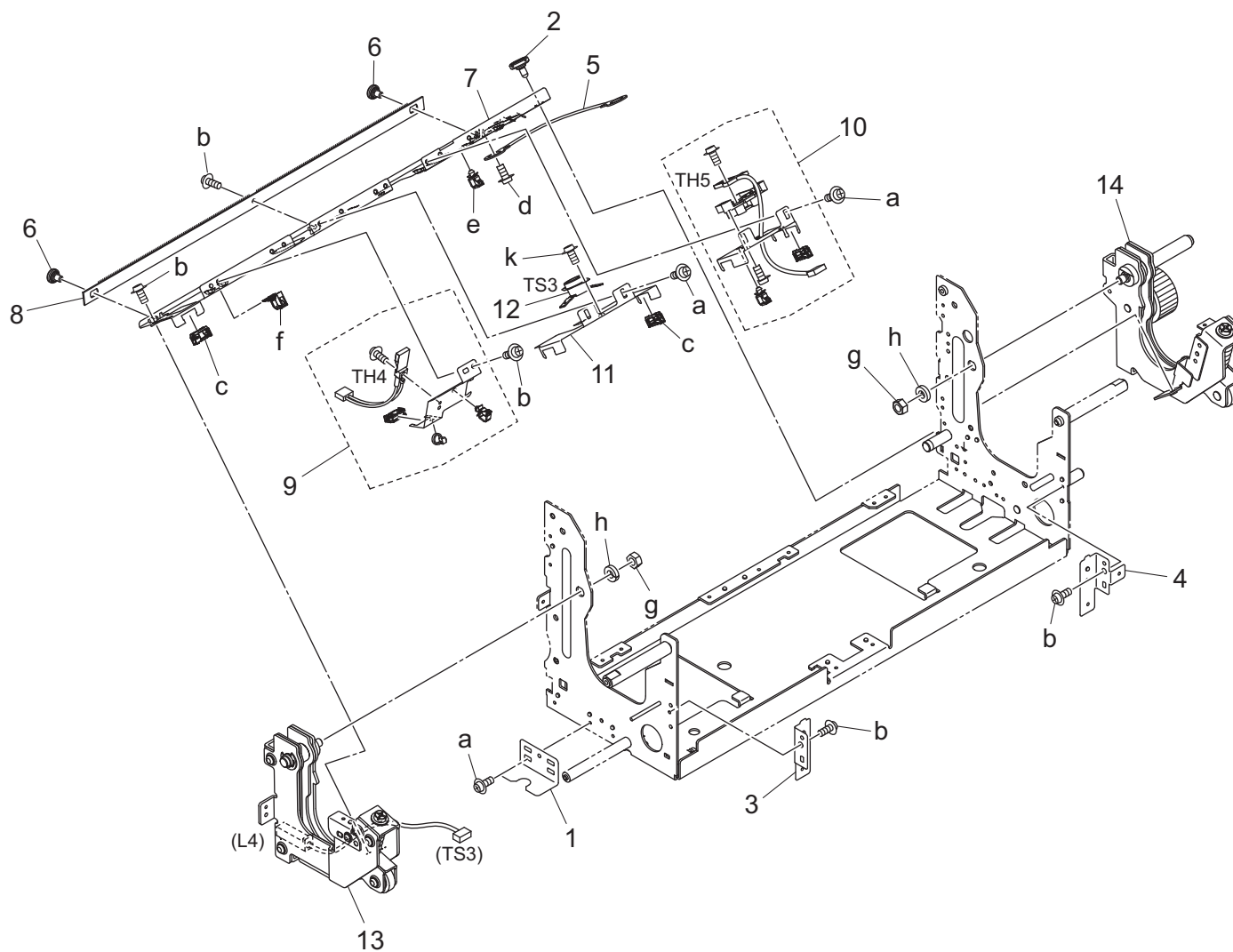


Key	Part No.	Description	Destinations	Class	QTY	Standard parts
1	A50UR70700	Fusing Unit (200V)	A	I	1	a-V121030403
1	A50UR70800	Fusing Unit (208V)	B,G2	I	1	b-V127030803
1	A50UR70900	Fusing Unit (220V)	C	I	1	c-V127040603
2	20AL48470G	Jam Release Knob		C	1	d-V217060050
3	A50U943500	Release Label /5		D	1	e-V217040050
4	A50UN17001	Fixing Wiring /3		D	1	f-V217080050
5	56AA17461	PIN A		B	1	g-V237200850
6	56AA42690	BY PASS FEED SPACER		C	4	h-V500010057
7	A00V240600	BALL BEARING		C	4	j-V500010074
8	A11PM10200	DC Brushless motor /12		C	1	k-V500020098
9	A1RF809400	Pressure Gear /1 22T		C	1	m-V570010057
10	A50U742300	Drive Plate /3		D	1	n-V195030003
11	A50U742501	Pressure Shaft /1		D	1	p-V116030603
12	A50U742800	Pressure Gear /1 31T		C	1	q-V121041003
13	A50U742901	Pressure Gear /2 90T		C	1	r-V127030604
14	A50U743000	Pressure Gear /3 23/85T		C	1	
15	A50U743100	Pressure Gear /4 23/110T		C	1	
16	A50U743200	Pressure Gear /5 87T		C	1	
17	A50U751200	Positioning Plate /A		D	1	
18	A50U756000	Auxiliary Side plate		D	1	
19	A50U756500	Part /1		D	2	
20	56AA17480	PIN B		C	1	
21	A50U745600	Fixing Plate /1		D	1	
22	A50U745700	Processing Shaft /A		D	1	
23	A50U752401	Connecting Gear /A 41/22T		C	1	
24	A50U752501	Idling Gear /A 22T		C	1	
25	A50U752600	Processing Shaft		D	1	
26	A1DU736200	Positioning Shaft		D	2	
27	A50U745302	Fixing Plate /5		D	1	
28	A50U750500	Sheet /5		D	1	
29	A50U750600	Sheet /6		D	1	
30	A50U732200	Protection Seal /2		D	1	
31	A50U732300	Protection Seal /3		D	1	
32	A50U732400	Protection Seal /4		D	1	
33	A50U732500	Protection Seal /5		D	1	
34	A50U748402	Fusing Cover /Front		D	1	
35	A50U751001	Fusing Cover /1		D	1	
36	A50U751101	Spacer /1		D	1	
37	A50U751301	Spacer /2		D	1	
38	A50U755900	Spacer /3		D	1	

Fusing Section

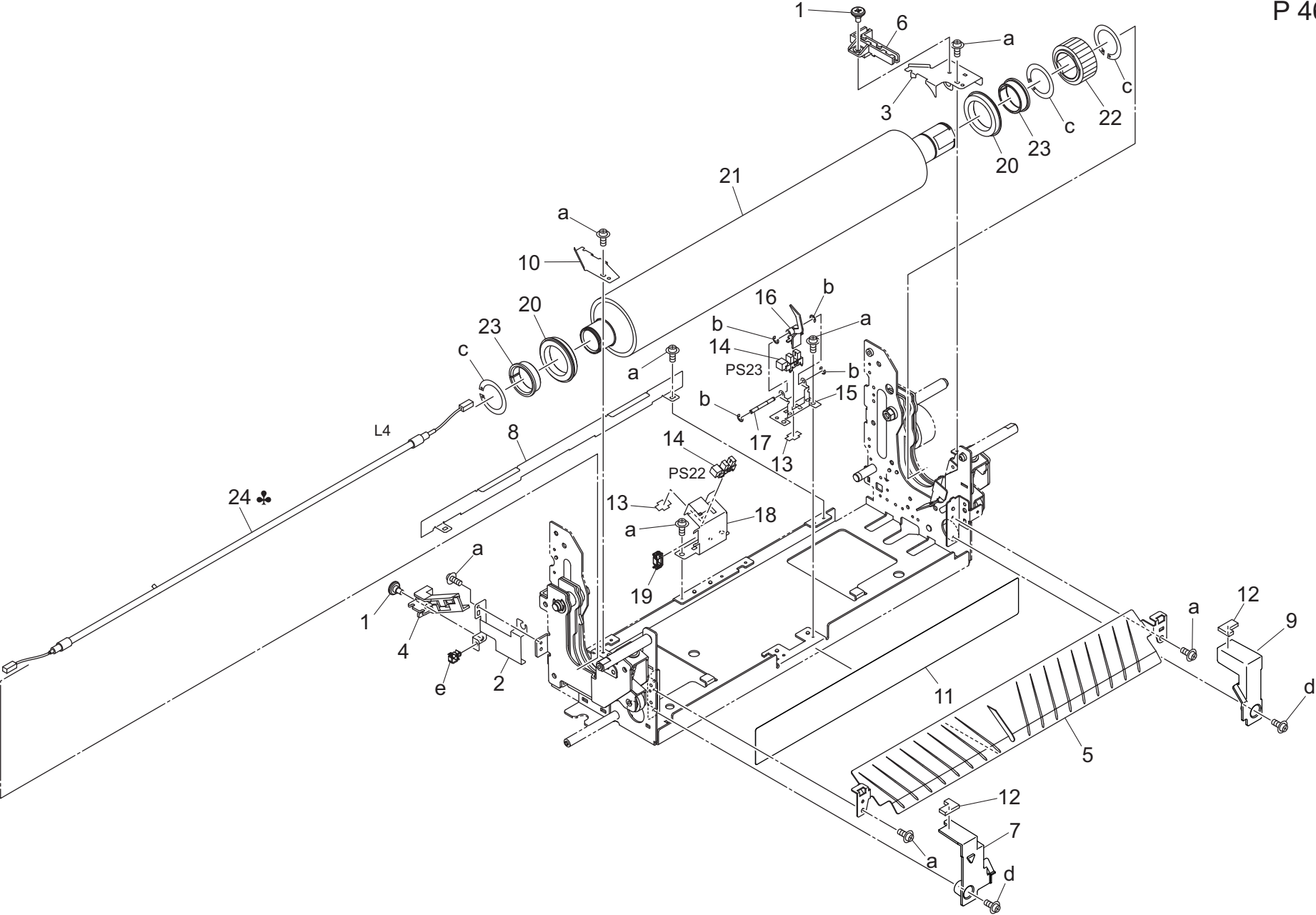


Key	Part No.	Description	Destinations	Class	QTY	Standard parts
1	07BA12352	Magnet Catch		C	4	a-V121030403
2	08AA85512	Photo Sensor		B	3	b-V127030803
3	4470402401	STOPPER		D	3	c-V127040603
4	A50U744601	Plate		D	1	d-V217060050
5	A50U749200	Mounting Plate /1		D	1	e-V500020099
6	A50U749300	Mounting Plate /2		D	1	f-V570010057
7	A00J617800	BALL BEARING		C	2	g-V127030516
8	A03U808400	FIXING DRIVE GEAR /D 19T		B	1	h-V500010021
9	A50U745500	Paper exit Plate /1		D	1	j-V116040603
10	A50U746400	Paper exit Gear /A 37T		C	1	k-V217040050
11	A50U752200	Fusing Gear/3 30T		B	1	m-V237201850
12	A50U752300	Paper exit Shaft /A		D	1	n-V500020100
13	A03U724200	Positioning Shaft		D	2	p-V237301150
14	A03U734500	Support Screw /A		C	1	q-V118030603
15	A50U744901	Mounting Plate /4		D	1	r-V127030604
16	A50U747200	Hold Plate /2		D	1	
17	A50U747300	Wiring Part /5		D	1	
18	A50UN10702	Fixing Wiring /2		D	1	
19	56AA17480	PIN B		C	1	
20	56AA42690	BY PASS FEED SPACER		C	5	
21	A00V240600	BALL BEARING		C	2	
22	A50U742400	Pin /4		D	1	
23	A50U743301	Drive Plate /4		D	1	
24	A50U743600	Drive Gear /2 33/58T		C	1	
25	A50U743700	Drive Gear /3 36/74T		C	1	
26	A50U743800	Drive Gear /4 74T		C	1	
27	A50U743900	Drive Gear /5 26T		C	1	
28	A50U744300	Drive Shaft /2		D	1	
29	65AA80021	DC Brushless Motor /50		B	1	
30	A50U754700	Fusing Gear /6 16T		C	1	
31	V502010033	spacer		D	2	
32	A50U732100	Protection Seal /1		D	1	
33	A50U748503	Fusing Cover /Rear		D	1	



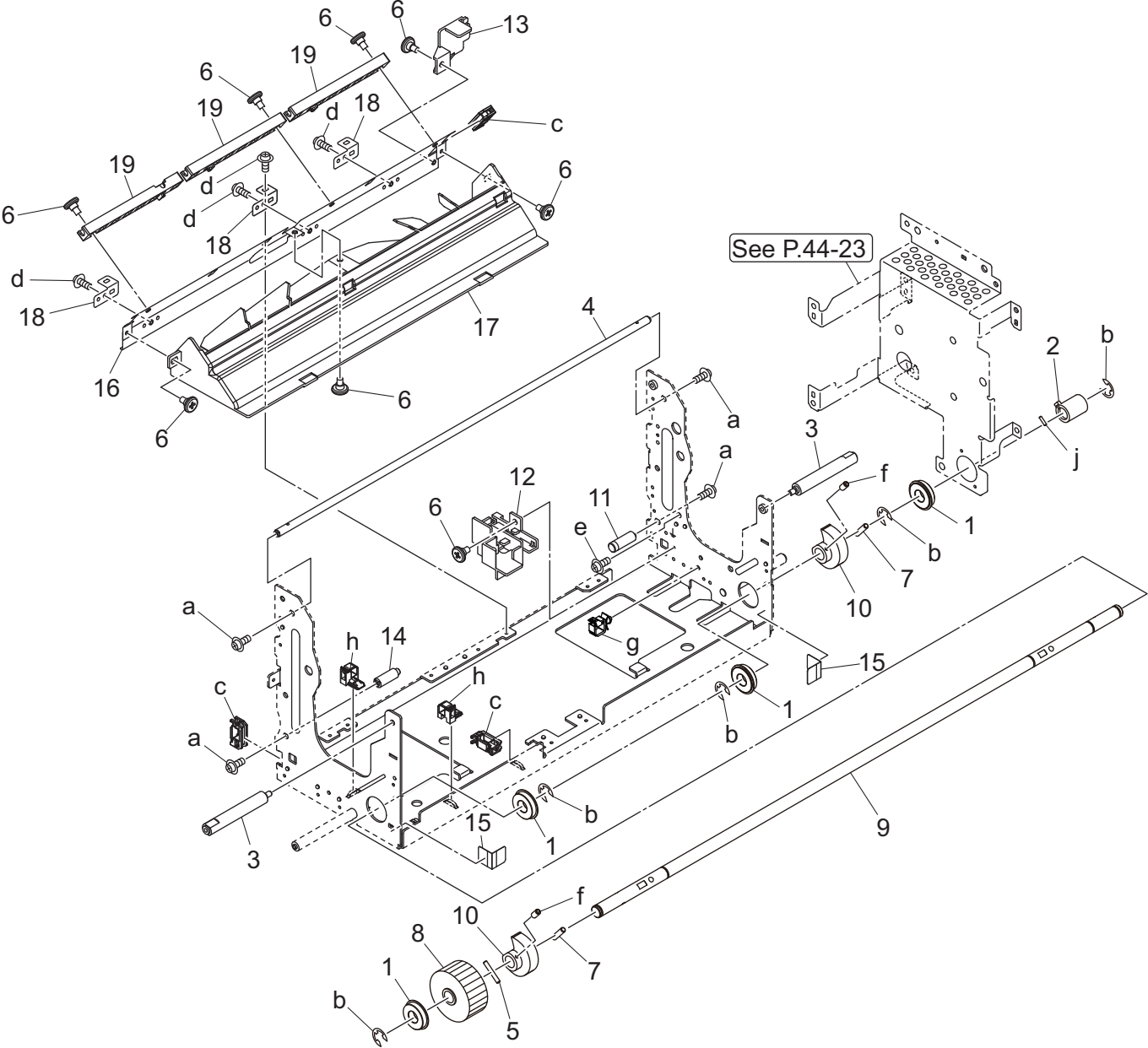
Key	Part No.	Description	Destinations	Class	QTY	Standard parts
1	A50U755200	Positioning Plate /Front		D	1	a-V116030603 b-V121030403 c-V500020096 d-V116040603 e-V500010074 f-V500020097 g-V195060003 h-V205060003 k-V118030403
2	A50U745100	Guide Screw		D	1	
3	A50U747500	Hold Arm /Front		D	1	
4	A50U747600	Hold Arm /Rear		D	1	
5	A03UN23200	Grounding Wiring /F		D	1	
6	A0P0742300	Shoulder screw		C	2	
7	A50U745802	Stay /4		D	1	
8	A50U755000	Neutralizing Brush		D	1	
9	A50UR70E00	Fusing Temperature Sensor/4		B	1	
10	A50UR72Y00	Fusing Temperature Sensor/5		C	1	
11	A50U746200	Stay /2		D	1	
12	SP00-0220	Thermostat /Lower		I	1	
13	A50UR72T00	Pressure Arm / Front Assy		D	1	
14	A50UR72900	Pressure Arm / Rear Assy		D	1	

Fusing Section

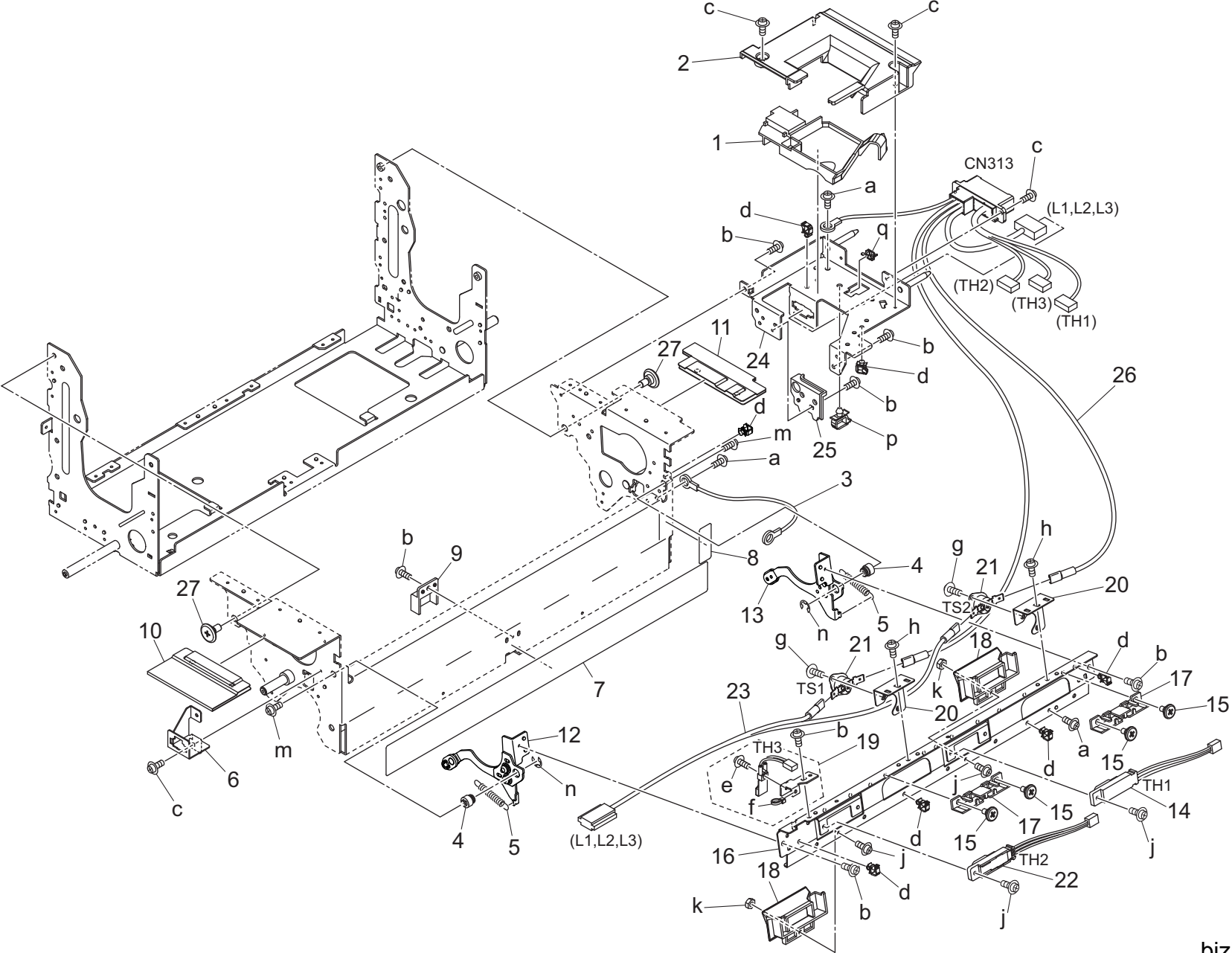


Key	Part No.	Description	Destinations	Class	QTY	Standard parts
1	A03U734500	Support Screw /A		C	2	a-V121030403 b-V217020050 c-V223260004 d-V127030603 e-V500010074
2	A50U741700	Hold Plate /1		D	1	
3	A50U741800	Hold Plate /2		D	1	
4	A50U746800	Wiring Part /3		D	1	
5	A50U747402	Guide Plate /Lower		D	1	
6	A50U748200	Wiring Part /1		D	1	
7	A50U748901	Insulating Plate /Front		D	1	
8	A50U749000	Insulating Plate /1		D	1	
9	A50U749101	Insulating Plate /Rear		D	1	
10	A50U755100	Holding Part /F		D	1	
11	A50U755301	Sheet /L		D	1	
12	A50U755800	Sealing Part /2		D	2	
13	4470402401	STOPPER		D	2	
14	A1RFM51000	Photointerrupter /H		C	2	
15	A50U747700	Plate /Front		D	1	
16	A50U747803	Actuator /A		D	1	
17	A50U747900	Shaft /1		D	1	
18	A50U748601	Plate /Rear		D	1	
19	V500020096	FClamp		V	1	
20	26NA53712	BALL BEARING		A	2	
21	A50U740101	Fusing Roller/Lw		B	1	
22	A50U752700	Fusing Gear/1 38T		B	1	
23	A50U756300	Insulating Sleeve /Lower		B	2	
24	A50UM32A00	Fusing Heater Lamp/4 (200V)	A	I	1	
24	A50UM32E00	Fusing Heater Lamp/4 (208V)	B,G2	I	1	
24	A50UM32F00	Fusing Heater Lamp/4 (220V)	C	I	1	

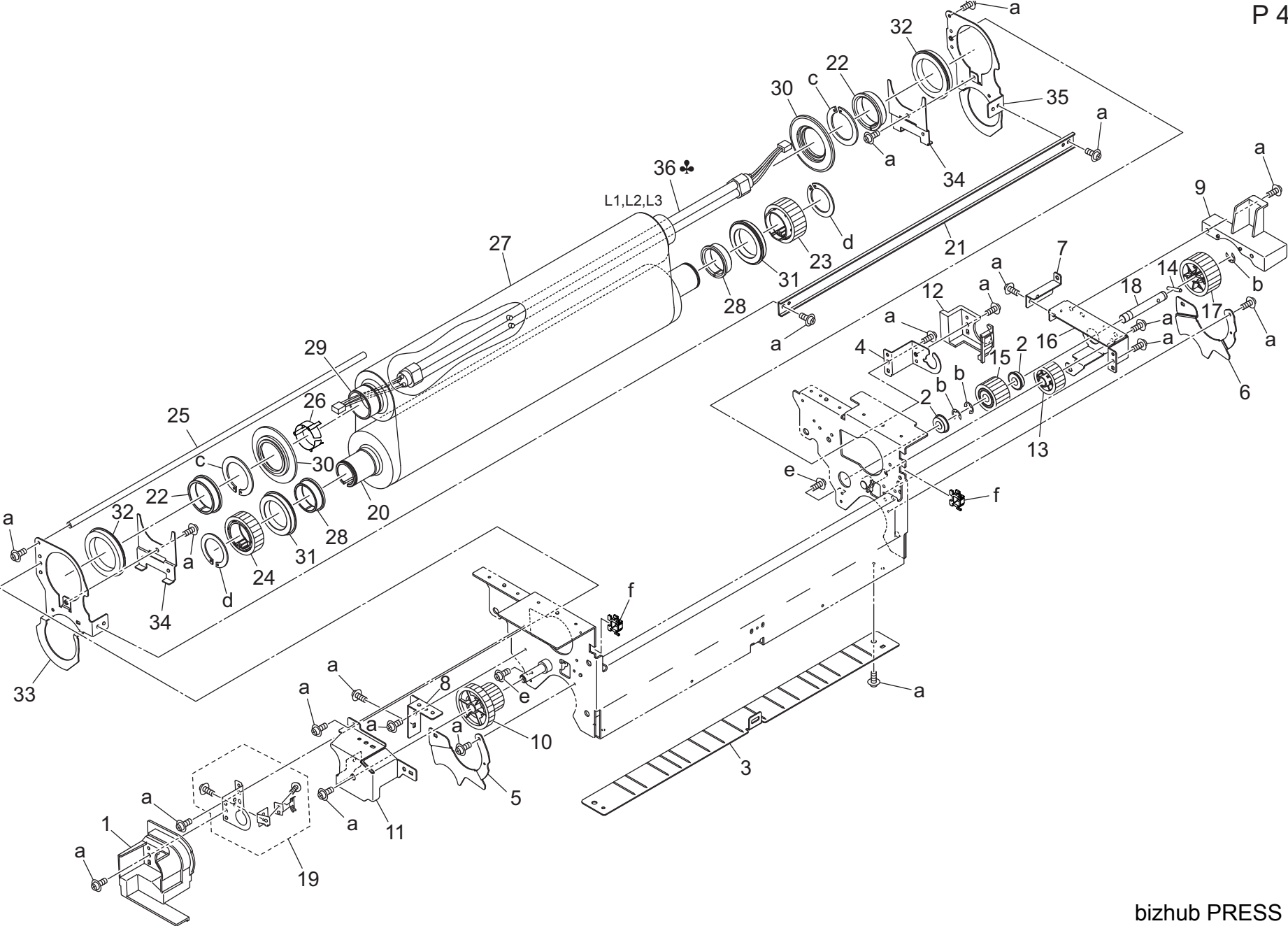
Fusing Section



Fusing Section



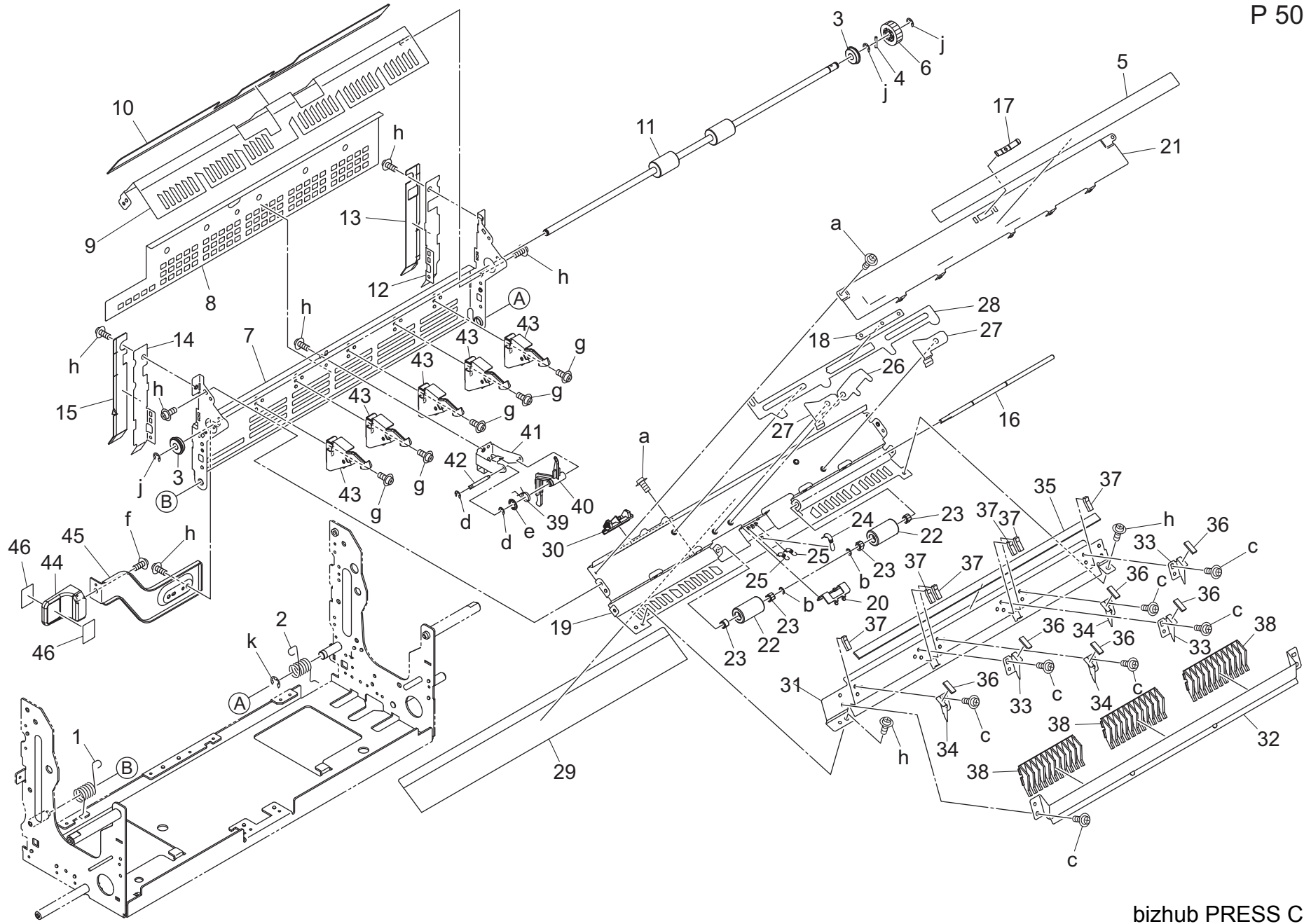
Fusing Section



Key	Part No.	Description	Destinations	Class	QTY	Standard parts
1	A50U733000	Cover /Front	カバー／前	D	1	a-V121030403 b-V217060050 c-V223300004 d-V223260004 e-V127030603 f-V570010025
2	A00V240600	BALL BEARING	ボールベアリング	C	2	
3	A50U721601	Guide Plate /Upper	ガイド板／上	D	1	
4	A50U723600	Support Plate /2	支持板／2	D	1	
5	A50U725401	Stopper Stopper /A	突当てストッパ／A	D	1	
6	A50U725501	Stopper Stopper /B	突当てストッパ／B	D	1	
7	A50U726300	Support Plate /3	支持板／3	D	1	
8	A50U726400	Support Plate /4	支持板／4	D	1	
9	A50U726800	Guide Part /3	ガイド部材／3	D	1	
10	A50U728101	Connecting Gear /A 42/25T	連結ギア／A 42／25 T	C	1	
11	A50U728300	Support Plate /11	支持板／11	D	1	
12	A50U733100	Cover /Rear	カバー／奥	D	1	
13	A50U744100	Drive Gear /7 27 T	駆動ギア／7 27 T	C	1	
14	55VA48500	PARALLEL PIN D3X18	平行ピン D 3 X 18	D	1	
15	A03U809500	FIXING DRIVE GEAR /O 26T	定着駆動ギア／O 26 T	A	1	
16	A50U743500	Drive Plate /6	駆動板／6	D	1	
17	A50U744000	Drive Gear /6 36T	駆動ギア／6 36 T	C	1	
18	A50U744400	Drive Shaft /3	駆動軸／3	D	1	
19	A50UR73300	Neutralizing Spring Assy	除電ばね A s s y	B	1	
20	A50U720100	Fusing Roller/1	定着ローラー／1	B	1	
21	A50U723100	Fusing Stay /1	定着ステー／1	D	1	
22	A50U724200	Heat Insulating Sleeve/Up	断熱スリーブ／Up	B	2	
23	A50U725001	Drive Gear /Upper 38T	駆動ギア／上 38 T	C	1	
24	A50U726001	Drive Gear /Front 38T	駆動ギア／前 38 T	C	1	
25	A50U730600	Fusing Stay /F	定着ステー／F	D	1	
26	A50U733700	Neutralizing Ring /1	除電リング／1	B	1	
27	A50U734000	Fusing Belt 320L	定着ベルト 320 L	B	1	
28	A50U756300	Insulating Sleeve /Lower	断熱スリーブ／下	B	2	
29	A50U720501	Fusing Roller/2	定着ローラー／2	B	1	
30	A50U724101	Belt Regulating Sleeve	ベルト規制スリーブ	B	2	
31	26NA53712	BALL BEARING	定着 軸受 上	A	2	
32	A1UD723500	Fusing Bearing /Upper	ボールベアリング (HR)	A	2	
33	A50U730100	Fusing Stay /A	定着ステー／A	D	1	
34	A50U730700	Holding Plate /1	押さえ板／1	D	2	
35	A50U730500	Fusing Stay /E	定着ステー／E	D	1	
36	A50UM31A00	Fusing Heater Lamp Assy/Up (200V)	定着ヒーターランプ A s s y / U p (2 0 0	A	1	
36	A50UM31E00	Fusing Heater Lamp Assy/Up (208V)	定着ヒーターランプ A s s y / U p (2 0 8	B,G2	1	
36	A50UM31F00	Fusing Heater Lamp Assy/Up (220V)	定着ヒーターランプ A s s y / U p (2 2 0	C	1	

Fusing Section

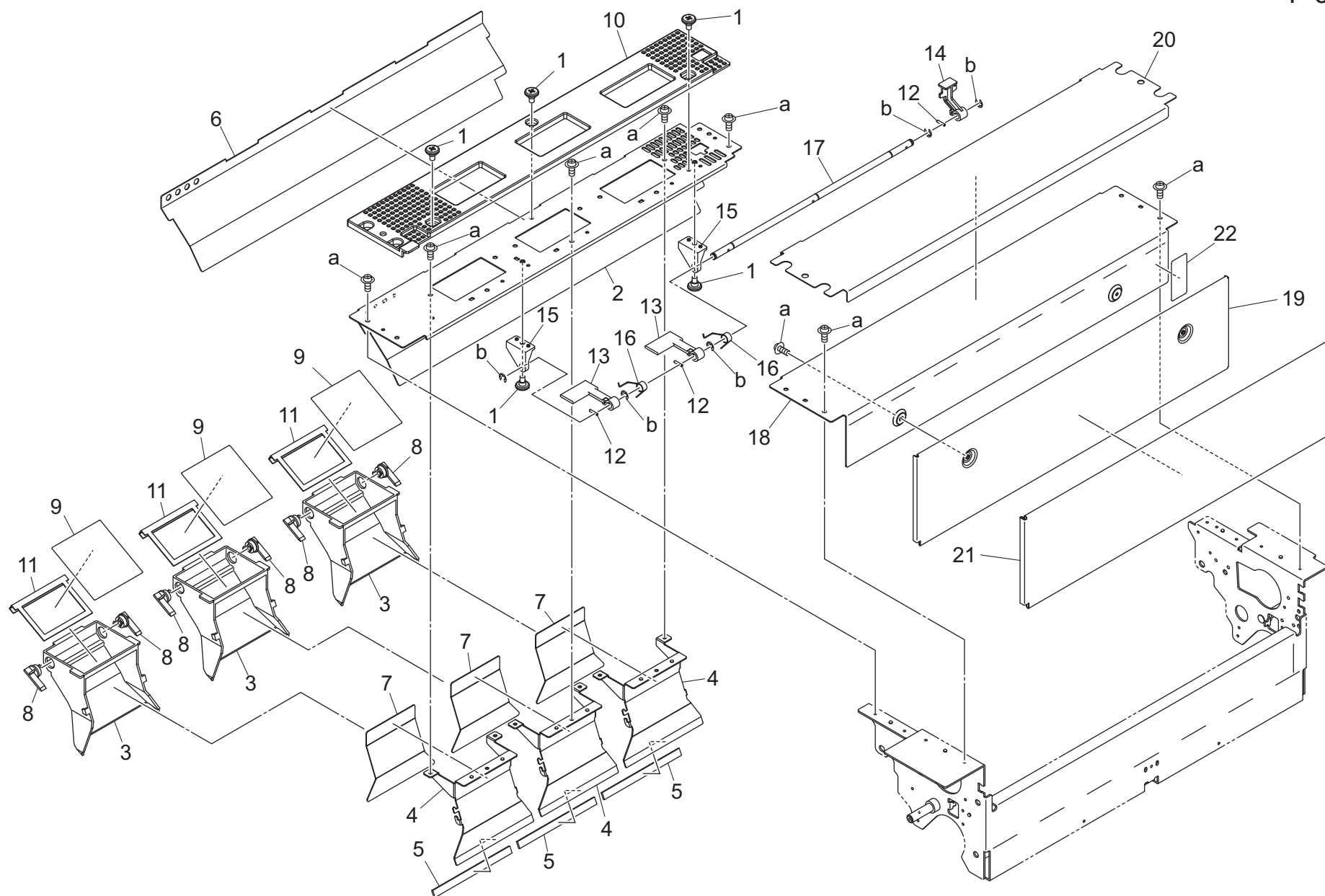
P 50



Key	Part No.	Description	Destinations	Class	QTY	Standard parts
1	A03U734311	Paper Exit Open/ Shut Spring /A	排紙開閉バネ / A	C	1	a-V118020403
2	A03U734411	Paper Exit Open /Shut Spring /B	排紙開閉バネ / B	C	1	b-V217030050
3	55GA75031	BALL BEARING	軸受	A	2	c-V121030403
4	56AA17321	PIN A D2X12	ピン A D 2 X 1 2	B	1	d-V217020050
5	A1DU949000	Caution Label	注意ラベル	D	1	e-V226060050
6	A50U746500	Paper exit Gear /B 20T	排紙ギア / B 2 0 T	C	1	f-V151040803
7	A50U760100	Fixing Paper exit Stay	定着排紙ステー	D	1	g-V127030516
8	A50U760200	Insulating Sheet	断熱シート	D	1	h-V127030603
9	A50U760300	Paper exit Plate /Lower	排紙板 / 下	D	1	j-V217040050
10	A50U760400	Insulating Sheet	断熱シート	D	1	k-V217060050
11	A50U761000	Fixing Paper exit Roller	定着排紙ローラ	C	1	
12	A50U761100	Heat blocking Plate /Rear	遮熱板 / 奥	D	1	
13	A50U761200	Insulating Sheet /Rear	断熱シート / 後	D	1	
14	A50U761300	Heat blocking Plate /Front	遮熱板 / 前	D	1	
15	A50U761400	Insulating Sheet /Front	断熱シート / 前	D	1	
16	A03U728000	PAPER EXIT SHAFT	排紙軸	D	1	
17	A03U734800	Positioning Plate spring /1	位置決め板ばね / 1	C	1	
18	A03U734900	Positioning Plate	位置決め板	D	1	
19	A50U760502	Paper exit Plate /Upper	排紙板 / 上	D	1	
20	A50U760600	Pressing Cam /1	押圧カム / 1	D	1	
21	A50U760701	Holding Plate	押さえ板	D	1	
22	A50U760900	Fusing Paper Exit Roller/Up	定着排紙ローラー / U p	B	2	
23	A50U761500	Fixing Paper exit Bearing	定着排紙軸受	C	4	
24	A50U761601	Paper exit Spring /1	排紙ばね / 1	D	1	
25	A50U761700	Paper exit Spring /2	排紙ばね / 2	D	2	
26	A50U761800	Pressing Cam /2	押圧カム / 2	D	1	
27	A50U761900	Release Lever	解除レバー	D	2	
28	A50U762000	Slide Plate	スライド板	D	1	
29	A50U762200	Protection Film	保護フィルム	D	1	
30	A50U762300	Slide Knob	スライドつまみ	D	1	
31	A50U727000	Guide Plate /A	ガイド板 / A	D	1	
32	A50U727100	Guide Plate /B	ガイド板 / B	D	1	
33	A50U727300	Guide Plate /D	ガイド板 / D	D	3	
34	A50U727400	Guide Plate /E	ガイド板 / E	D	3	
35	A50U727500	Guide Seal /A	ガイドシール / A	D	1	
36	A50U727700	Guide Seal /C	ガイドシール / C	D	6	
37	A50U727900	Guide Seal /E	ガイドシール / E	D	6	
38	A50U733901	Guide Part /C	ガイド部材 / C	D	3	
39	65AA53560	PAPER EXIT DETECTING SPRING	排紙検知バネ	C	1	
40	A50U748700	Paper exit Actuator	排紙アクチュエータ	D	1	
41	A50U760800	Support Plate	支持板	D	1	
42	A50U762100	Paper exit Detecting Shaft	排紙検知軸	D	1	
43	A50UR72U00	Fusing Separating Claw Assy	定着分離爪 A s s y	B	5	
44	65AA53991	Fixing Paper Exit Lever	定着排紙レバー	C	1	
45	A03U723301	Open/close Lever	開閉レバー	C	1	
46	A50U943700	Release Label /7	解除ラベル / 7	D	2	

Fusing Section

P 51

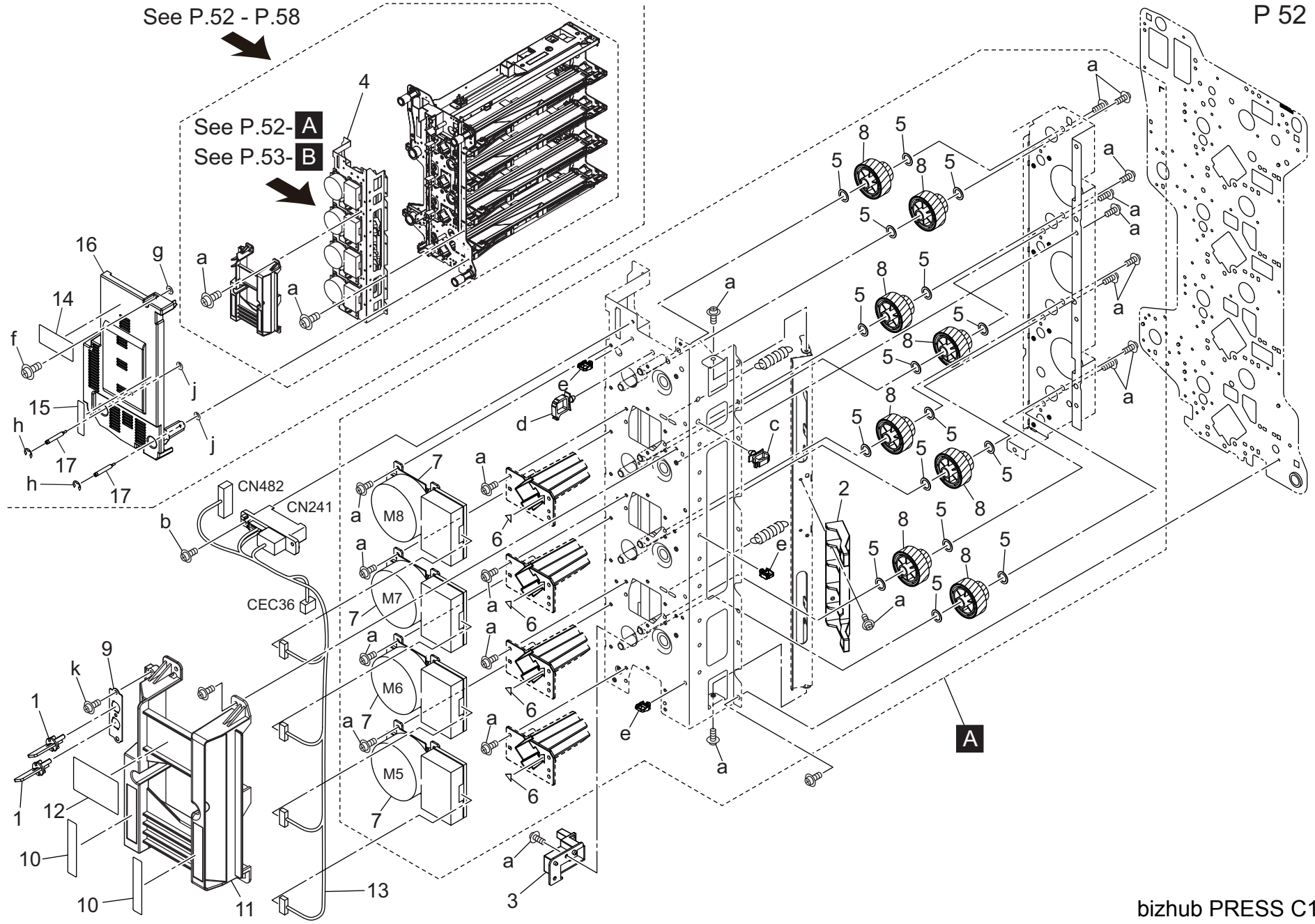


Key	Part No.	Description	Destinations	Class	QTY	Standard parts
1	A03U734500	Support Screw /A		C	5	a-V121030403 b-V217040050
2	A50U721501	Fusing Frame /Upper		D	1	
3	A50U722700	Fusing Duct /3		D	3	
4	A50U722800	Fusing Duct /4		D	3	
5	A50U727600	Guide Seal /B		D	3	
6	A50U731501	Insulating Sheet /L		D	1	
7	A50U732000	Insulating Sheet /N		D	3	
8	A50U738201	Support Part /1		D	6	
9	A50U738600	Holding Sheet /A		D	3	
10	A50U738700	Cover Part /A		D	1	
11	A50U739500	Support Plate /A		D	3	
12	56AA17531	PIN A D2X10		C	3	
13	A50U738300	Lifting Arm /1		D	2	
14	A50U738400	Lifting Arm /2		D	1	
15	A50U738500	Support Part /A		D	2	
16	A50U738801	Lifting Spring /A		D	2	
17	A50U739200	Support Shaft /1		D	1	
18	A50U721200	Fusing Stay /Upper		D	1	
19	A50U722300	Fusing Cover /3		D	1	
20	A50U728602	Insulating Sheet /B		D	1	
21	A50U728700	Insulating Sheet /C		D	1	
22	A50U729000	Insulating Sheet /F		D	1	

Process Carriage Section

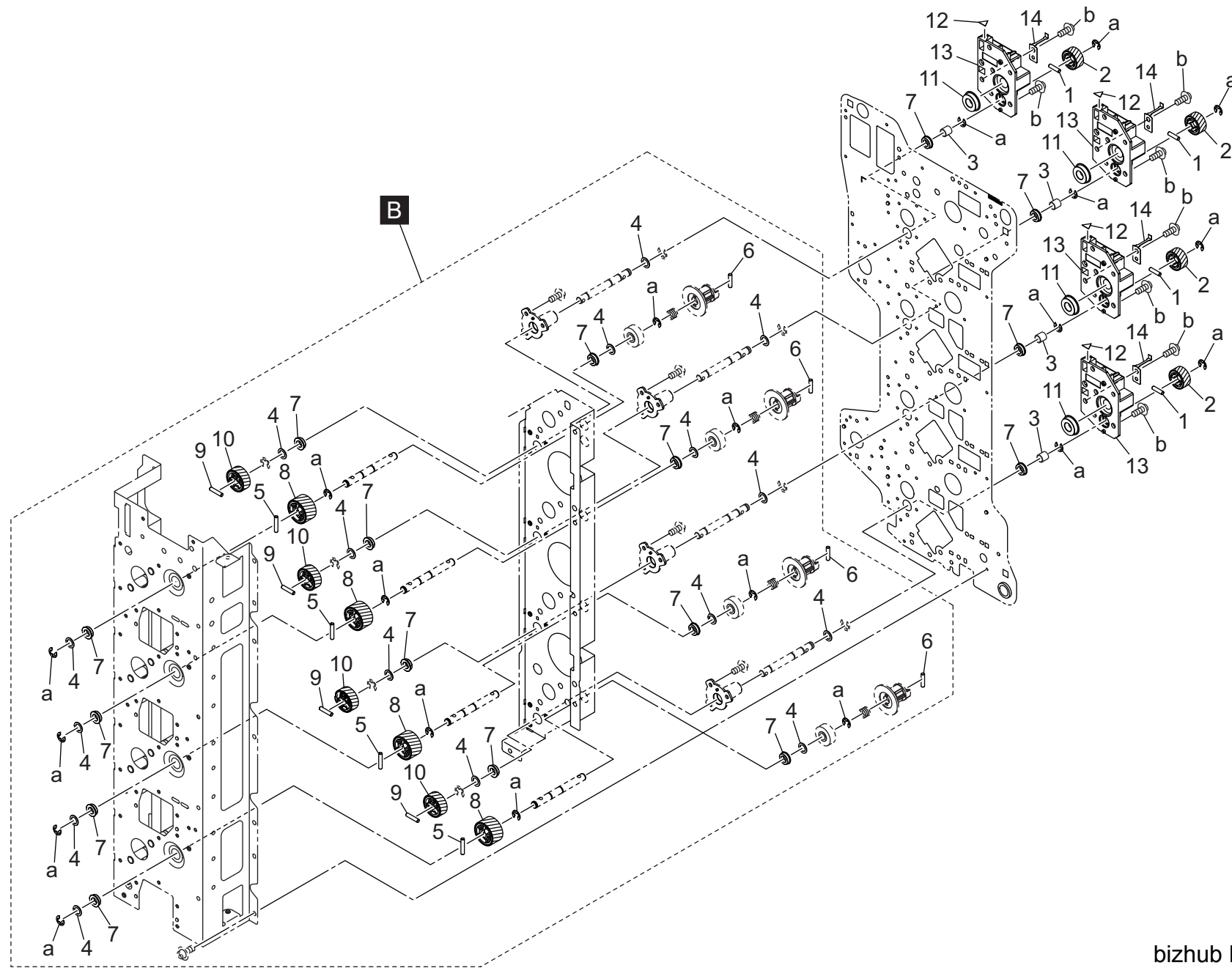
See P.52 - P.58

P 52



bizhub PRESS C1070

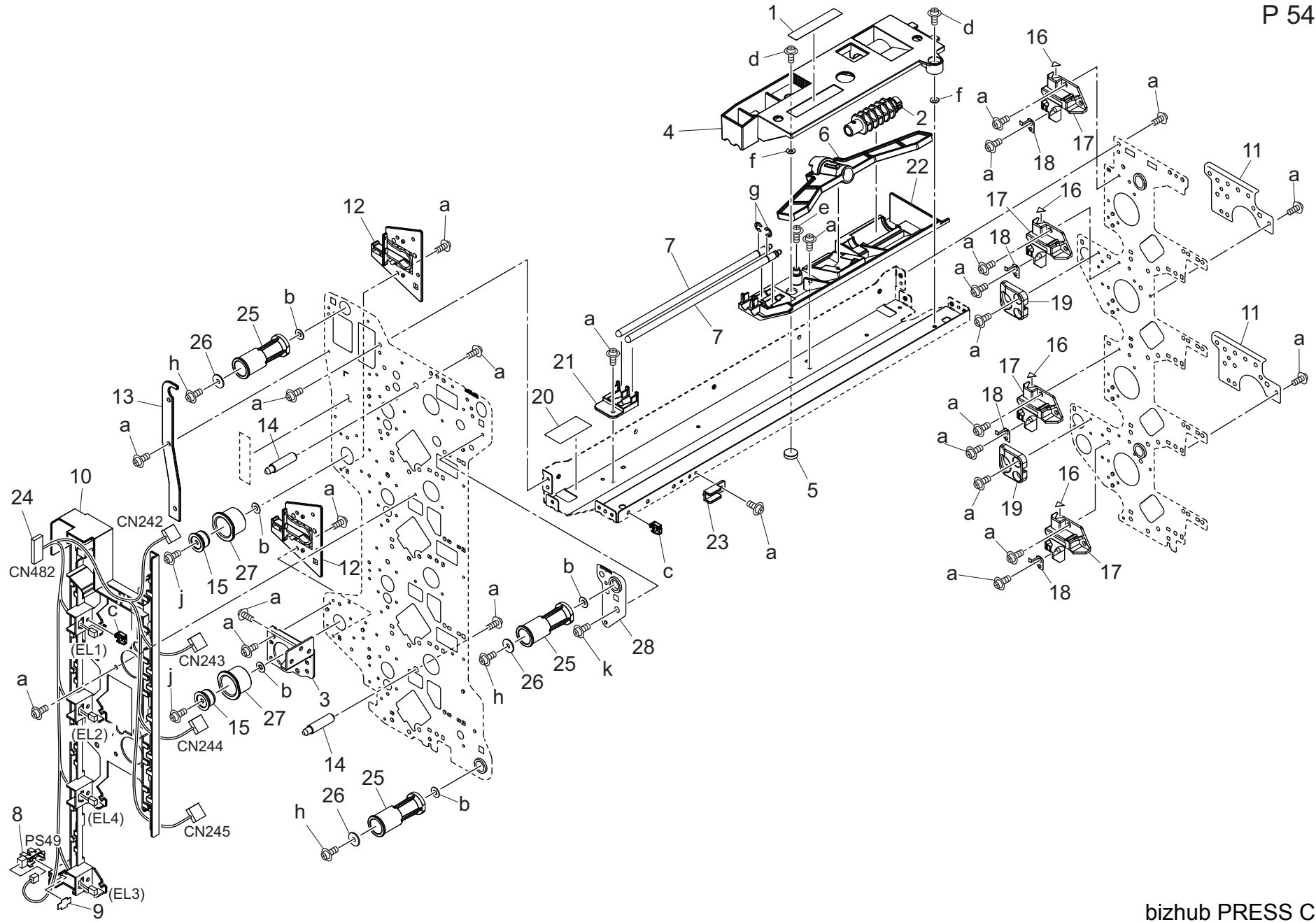
Process Carriage Section



Process Carriage Section

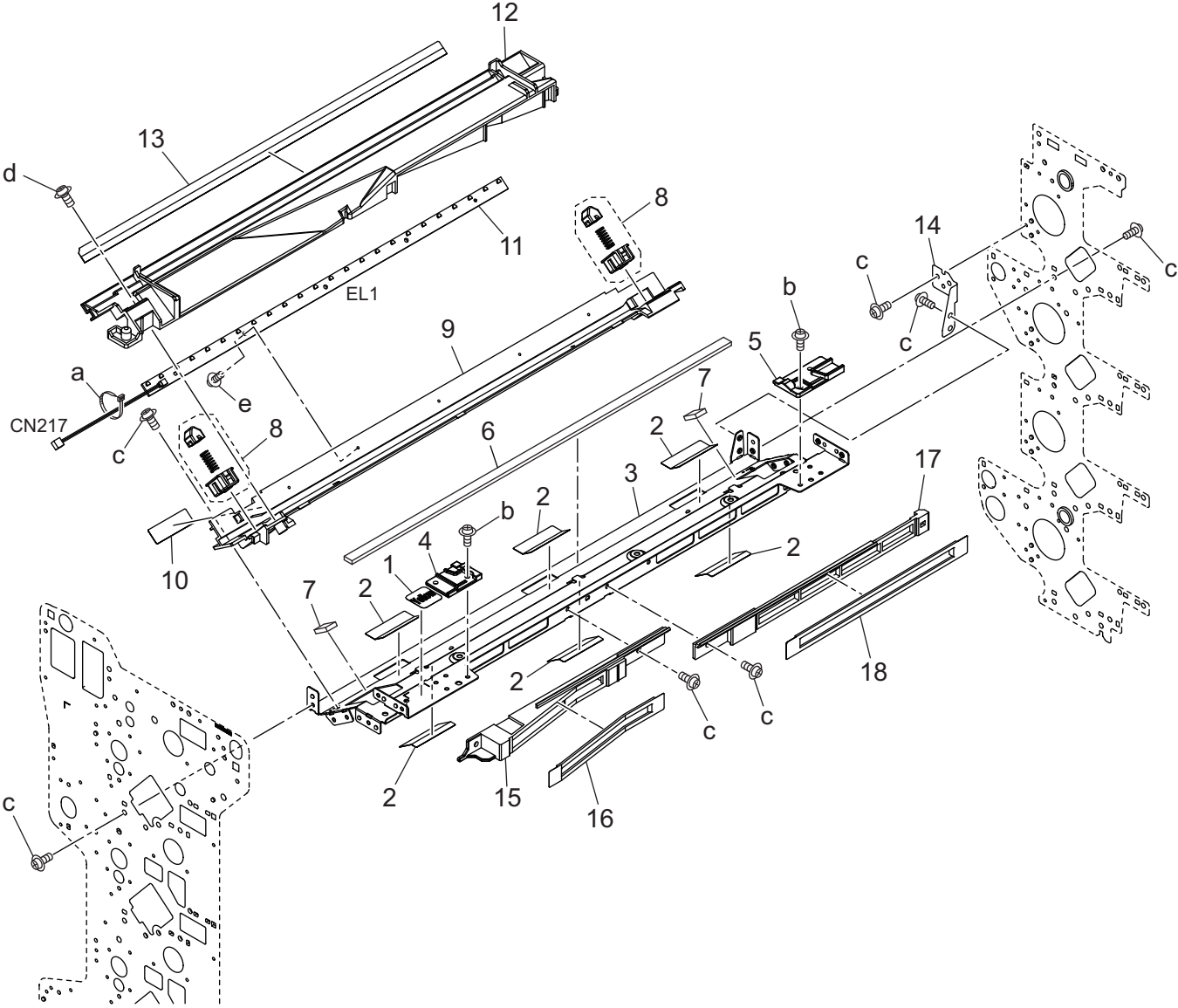
Key	Part No.	Description	Destinations	Class	QTY	Standard parts
1	56AA17471	PIN B 3X12		C	4	a-V217040050 b-V127030603
2	A50U220700	Coupling Gear /C 28T		C	4	
3	A50U222000	Collar		D	4	
4	40AA32320	TONER SUPPLY SPACER		C	16	
5	56AA17461	PIN A		B	4	
6	56AA17520	PIN A D3X10		C	4	
7	A00J617800	BALL BEARING		C	16	
8	A50U221800	Drive Gear /D 40T		C	4	
9	56AA17480	PIN B		C	4	
10	A50U220600	Drive Gear /C 37T		C	4	
11	A1RF529300	Ball bearing		C	4	
12	A1RF945100	Replacement Label /1		D	4	
13	A50U337101	Positioning Rail /1		D	4	
14	A50U337400	Ground Plate spring /Front		D	4	

Process Carriage Section



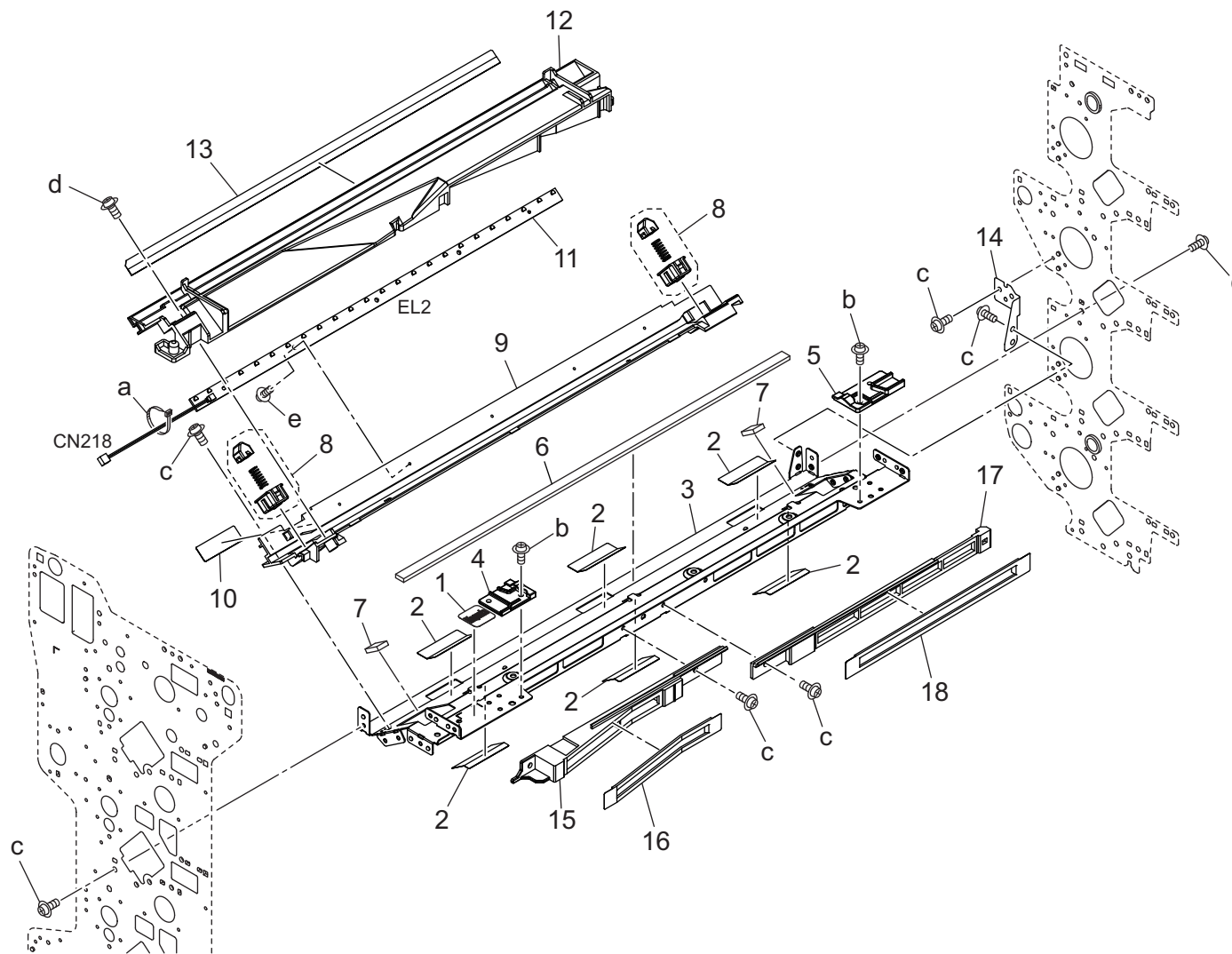
Key	Part No.	Description	Destinations	Class	QTY	Standard parts
1	A1DU943701	Replacement Label	交換ラベル (ORU)	D	1	a-V127030603 b-V211040080 c-V500020098 d-V127030803 e-V127031203 f-V211030080 g-V217040050 h-V121041403 j-V121041003 k-V116040803
2	A50U343600	Coupling /D	カップリング / D	D	1	
3	A50U343900	Transfer Plate /2	転写プレート / 2	D	1	
4	A50U344300	Holding Cover	押さえカバー	D	1	
5	A50U344500	Preventing Seal	防止シール	D	1	
6	A50U502800	Hold Guide	保持ガイド	D	1	
7	A50U506500	Support Shaft	支持軸	D	2	
8	08AA85512	Photo Sensor	フォトセンサ	B	1	
9	4470402401	STOPPER	ストッパ	D	1	
10	A50U340900	Protection Cover /1	保護カバー / 1	D	1	
11	A50U343800	Transfer Plate	転写プレート	D	2	
12	A50U341300	Positioning Block /1	位置決めブロック / 1	D	2	
13	A50U343000	Operation Cover	操作カバー	D	1	
14	A50U344200	Positioning Shaft	位置決め軸	D	2	
15	A50U341600	Transfer Shaft	転写軸	D	2	
16	A1RF945100	Replacement Label /1	交換ラベル / 1 (ORU)	D	4	
17	A50U337200	Positioning Rail /2	位置決めレール / 2	D	4	
18	A50U337300	Ground Plate spring /Rear	アース板ばね / 奥	D	4	
19	A50U340500	Transfer Hinge	転写ヒンジ	D	2	
20	A50U335600	Cleaning Seal /A	クリーニングシール / A	D	1	
21	A50U343400	Tray /Front	トレイ / 前	D	1	
22	A50U343500	Tray /Rear	トレイ / 奥	D	1	
23	A50U344100	Developing Collar /Y	現像カラー / Y	D	1	
24	A50UN12500	Developing Wiring /2	現像束線 / 2	D	1	
25	A50U342501	Set Collar	セットカラー	D	3	
26	A50U342600	Collar	カラー	D	3	
27	A50U341400	Positioning Collar /1	位置決めカラー / 1	D	2	
28	A50UR72K00	Adjusting Plate Caulking Assy	調整板カシメ A s s y	D	1	

Process Carriage Section



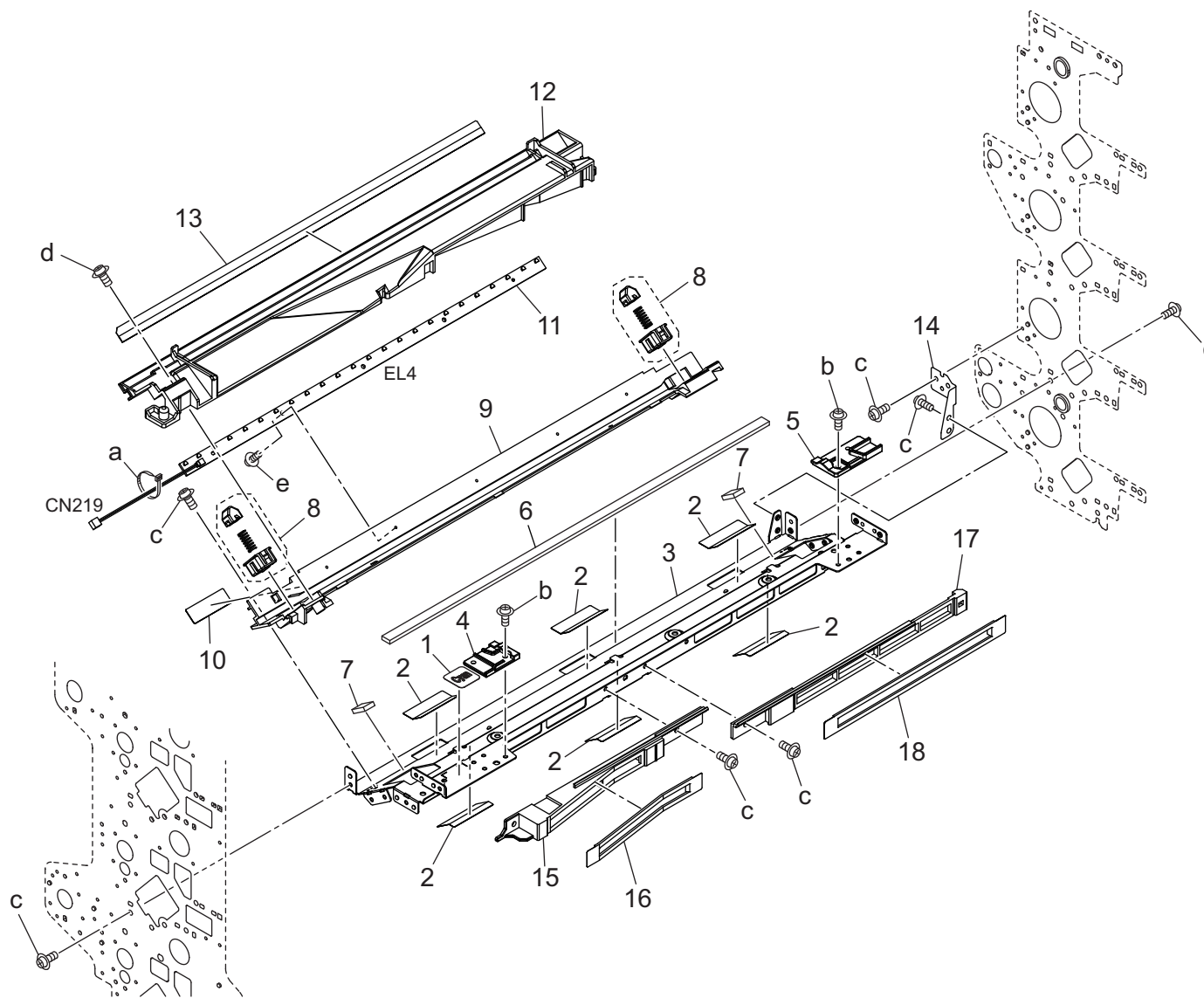
Key	Part No.	Description	Destinations	Class	QTY	Standard parts
1	65AA97440	Developing Exchanging Label /Y		D	1	a-V501010002 b-V118030403 c-V127030603 d-V151030803 e-V151020603
2	A50U335600	Cleaning Seal /A		D	6	
3	A50U340301	Fixing Stay /1		D	1	
4	A50U341900	Developing Rail /Front		D	1	
5	A50U342000	Developing Rail /Rear		D	1	
6	A50U463000	Charging Seal /2		D	1	
7	A50U463100	Charging Seal /3		D	2	
8	65AAR73200	CHARGE PRESSING ASSY		C	2	
9	A50U462101	Charging Rail		D	1	
10	A50U462900	Auxiliary Seal /A		D	1	
11	A50UM30101	LED array		D	1	
12	A50U462201	Charging Rail /2		D	1	
13	A50U462600	Charging Seal		D	1	
14	A50U342300	Reinforce Plate		D	1	
15	A50U462700	Charging Duct		D	1	
16	A50U462801	Charging Seal		D	1	
17	A50U462400	Charging Duct /3		D	1	
18	A50U462501	Charging Seal /1		D	1	

Process Carriage Section



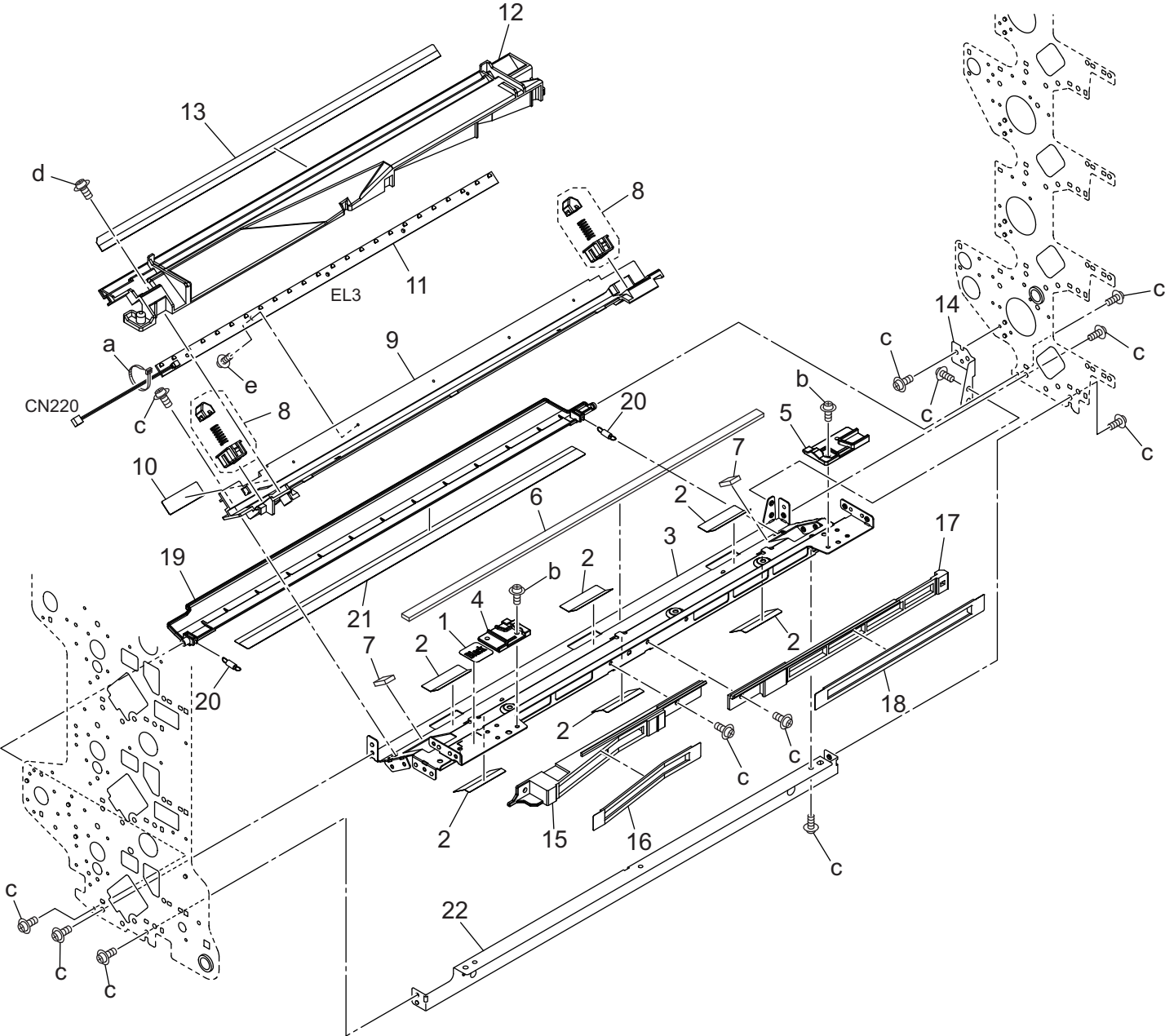
Key	Part No.	Description	Destinations	Class	QTY	Standard parts
1	65AA97450	Developing Exchanging Label /M		D	1	a-V501010002 b-V118030403 c-V127030603 d-V151030803 e-V151020603
2	A50U335600	Cleaning Seal /A		D	6	
3	A50U340301	Fixing Stay /1		D	1	
4	A50U341900	Developing Rail /Front		D	1	
5	A50U342000	Developing Rail /Rear		D	1	
6	A50U463000	Charging Seal /2		D	1	
7	A50U463100	Charging Seal /3		D	2	
8	65AAR73200	CHARGE PRESSING ASSY		C	2	
9	A50U462101	Charging Rail		D	1	
10	A50U462900	Auxiliary Seal /A		D	1	
11	A50UM30101	LED array		D	1	
12	A50U462201	Charging Rail /2		D	1	
13	A50U462600	Charging Seal		D	1	
14	A50U342300	Reinforce Plate		D	1	
15	A50U462700	Charging Duct		D	1	
16	A50U462801	Charging Seal		D	1	
17	A50U462400	Charging Duct /3		D	1	
18	A50U462501	Charging Seal /1		D	1	

Process Carriage Section



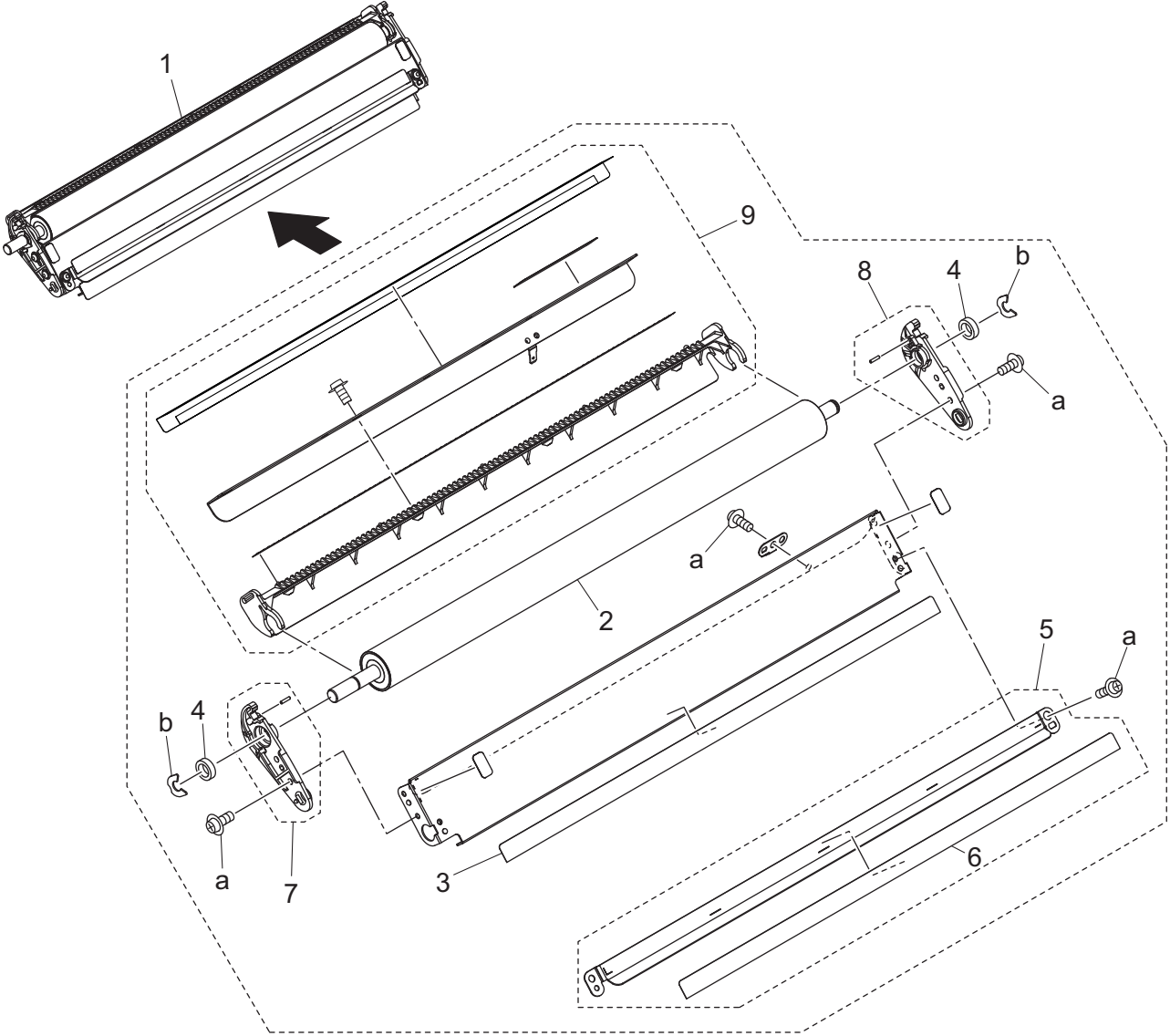
Key	Part No.	Description	Destinations	Class	QTY	Standard parts
1	65AA97460	Developing Exchanging Label /C		D	1	a-V501010002 b-V118030403 c-V127030603 d-V151030803 e-V151020603
2	A50U335600	Cleaning Seal /A		D	6	
3	A50U340301	Fixing Stay /1		D	1	
4	A50U341900	Developing Rail /Front		D	1	
5	A50U342000	Developing Rail /Rear		D	1	
6	A50U463000	Charging Seal /2		D	1	
7	A50U463100	Charging Seal /3		D	2	
8	65AAR73200	CHARGE PRESSING ASSY		C	2	
9	A50U462101	Charging Rail		D	1	
10	A50U462900	Auxiliary Seal /A		D	1	
11	A50UM30101	LED array		D	1	
12	A50U462201	Charging Rail /2		D	1	
13	A50U462600	Charging Seal		D	1	
14	A50U342300	Reinforce Plate		D	1	
15	A50U462700	Charging Duct		D	1	
16	A50U462801	Charging Seal		D	1	
17	A50U462400	Charging Duct /3		D	1	
18	A50U462501	Charging Seal /1		D	1	

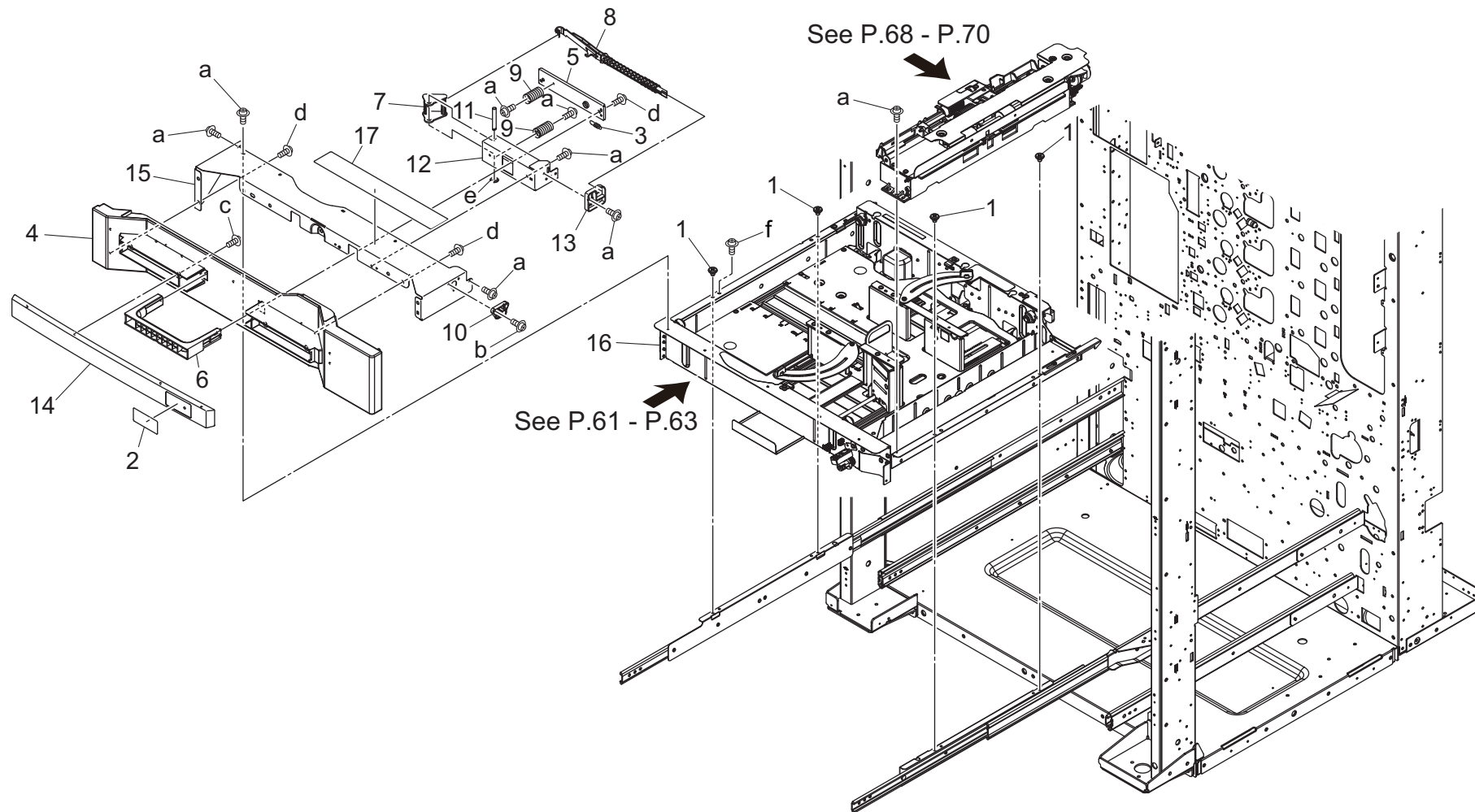
Process Carriage Section



Key	Part No.	Description	Destinations	Class	QTY	Standard parts
1	65AA97470	Developing Exchanging Label /K		D	1	a-V501010002 b-V118030403 c-V127030603 d-V151030803 e-V151020603
2	A50U335600	Cleaning Seal /A		D	6	
3	A50U340301	Fixing Stay /1		D	1	
4	A50U341900	Developing Rail /Front		D	1	
5	A50U342000	Developing Rail /Rear		D	1	
6	A50U463000	Charging Seal /2		D	1	
7	A50U463100	Charging Seal /3		D	2	
8	65AAR73200	CHARGE PRESSING ASSY		C	2	
9	A50U462101	Charging Rail		D	1	
10	A50U462900	Auxiliary Seal /A		D	1	
11	A50UM30101	LED array		D	1	
12	A50U462201	Charging Rail /2		D	1	
13	A50U462600	Charging Seal		D	1	
14	A50U342300	Reinforce Plate		D	1	
15	A50U462700	Charging Duct		D	1	
16	A50U462801	Charging Seal		D	1	
17	A50U462400	Charging Duct /3		D	1	
18	A50U462501	Charging Seal /1		D	1	
19	A50U343100	Cleaning Catch		D	1	
20	A50U343301	Receiving Spring		D	2	
21	A50U343700	Receiving Sheet		D	1	
22	A50U341200	Fixing Stay /3		D	1	

Secondary Transfer Section

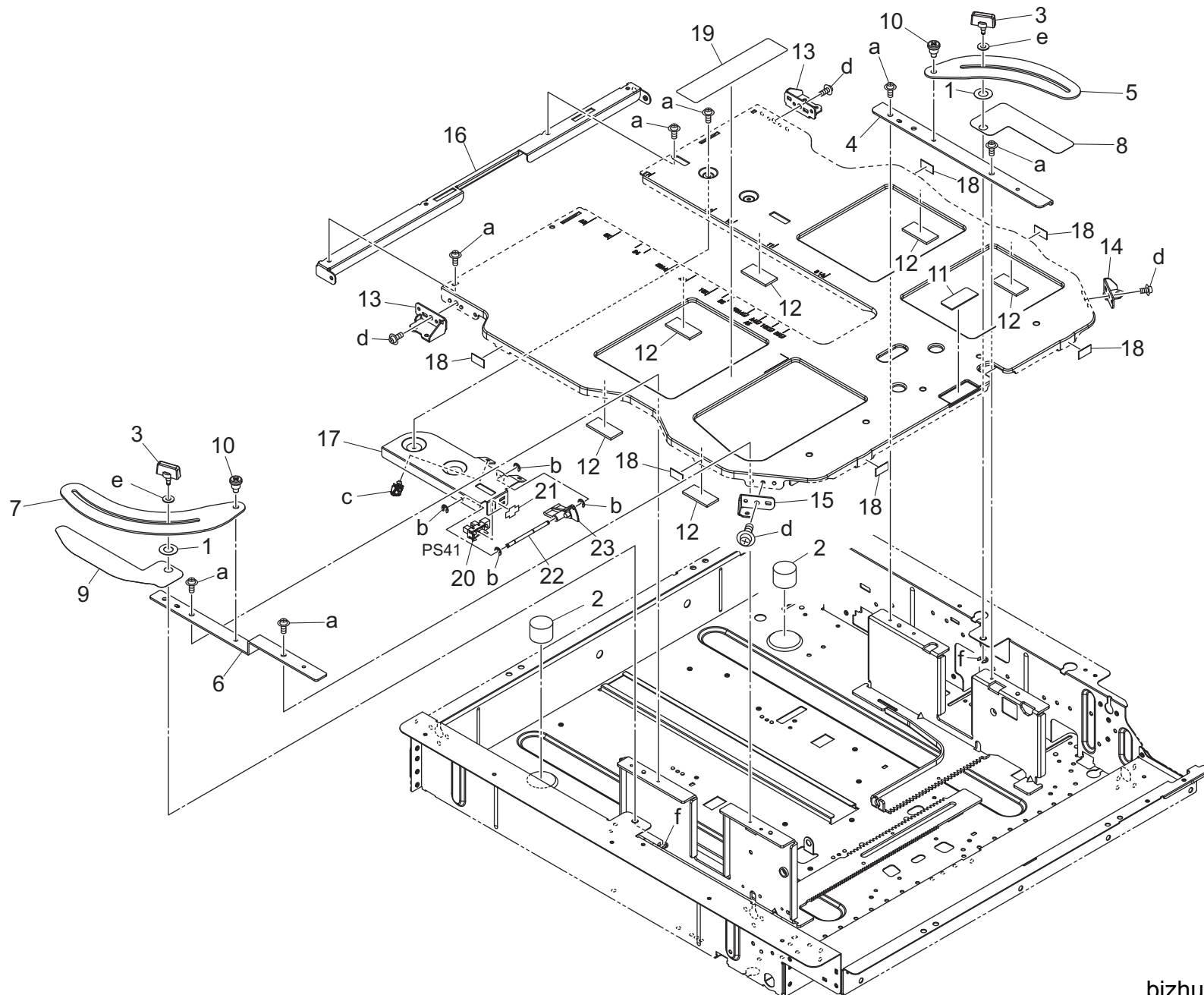


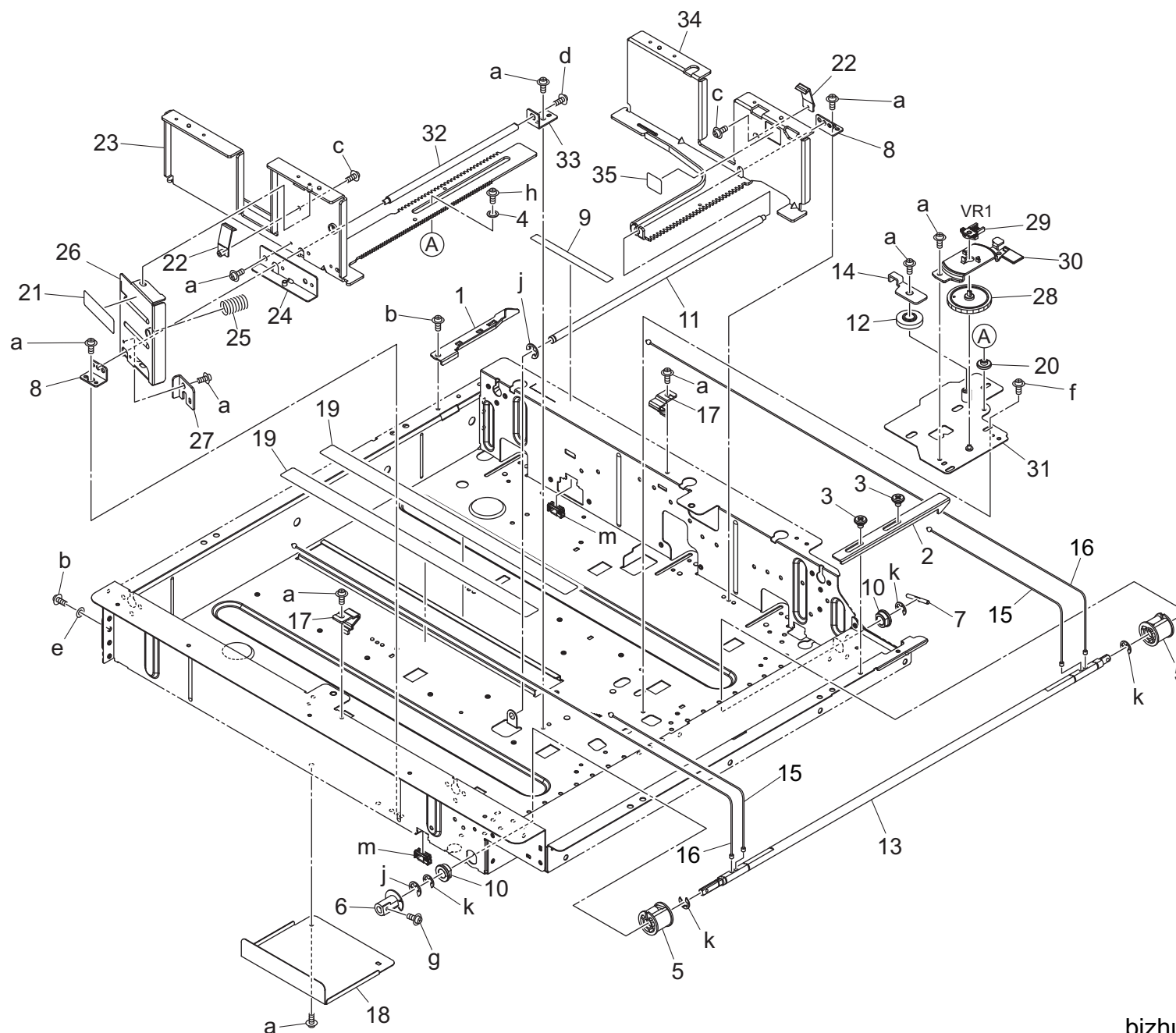


Key	Part No.	Description	Destinations	Class	QTY	Standard parts
1	A50U628100	Shoulder Screw		D	4	a-V127030603 b-V126030603 c-V151041003 d-V158030803 e-V217040050 f-V118030403
2	A0U0945401	Indicating Label /1		C	1	
3	A161626800	Pulling Coil spring		C	1	
4	A50U160701	Cover Tray /1		D	1	
5	A50U633002	Holding Handle		D	1	
6	A50U633100	Handle /B		D	1	
7	A50U633200	Release Lever		D	1	
8	A50U633301	Lock Lever		D	1	
9	A50U633400	Stable Spring		D	2	
10	A50U633702	Receiving Guide /1		D	1	
11	A50U633800	Release Shaft /1		D	1	
12	A50U633900	Fixing Plate		D	1	
13	A50U634300	Receiving Guide /2		D	1	
14	A50U634400	Paper feed Handle		D	1	
15	A50U637002	Fixing Plate /1		D	1	
16	A50UR71A00	500 Paper Cassette Assy		S	1	
17	A50U945700	Operation Label /1		D	1	

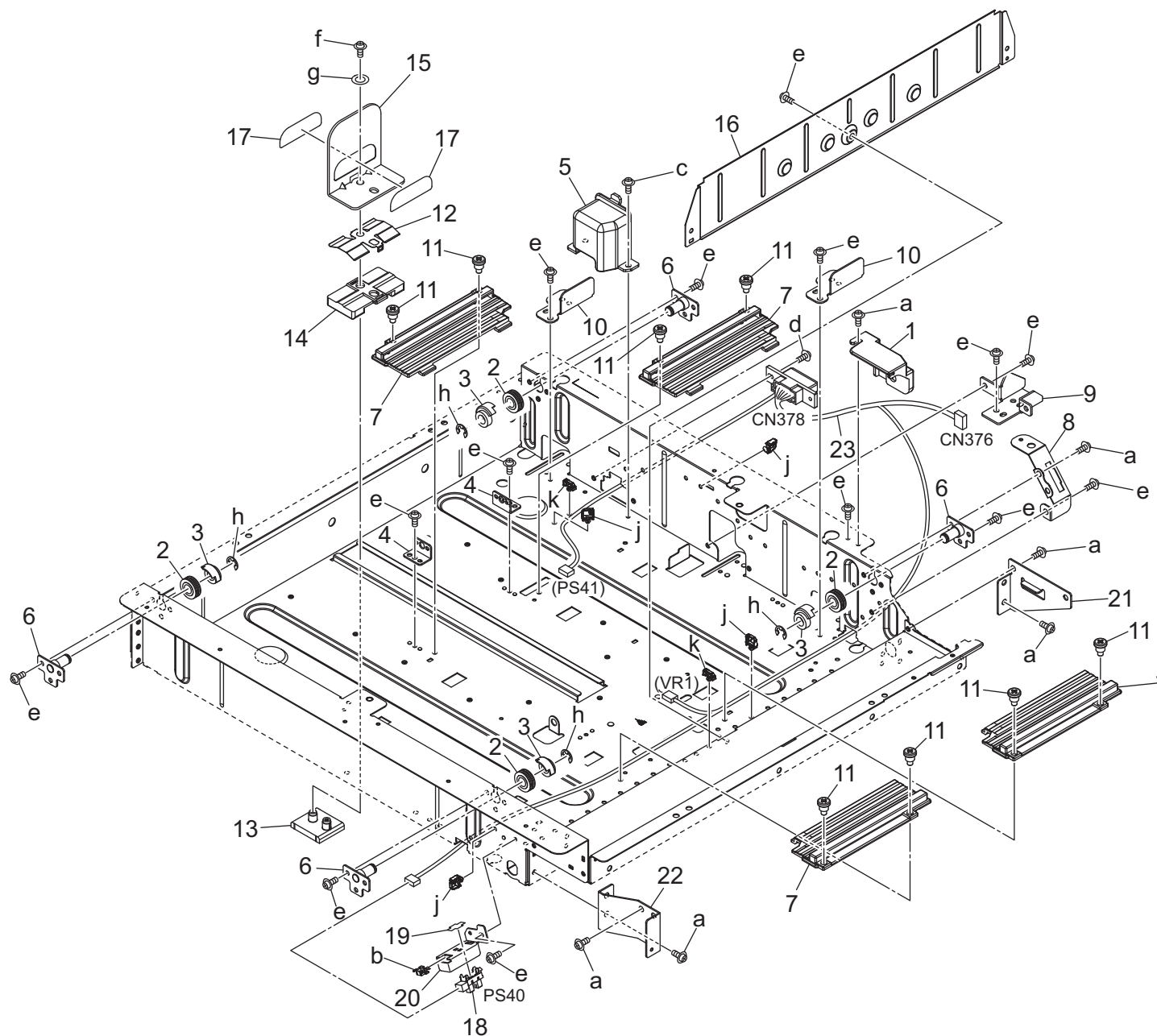
Tray 1

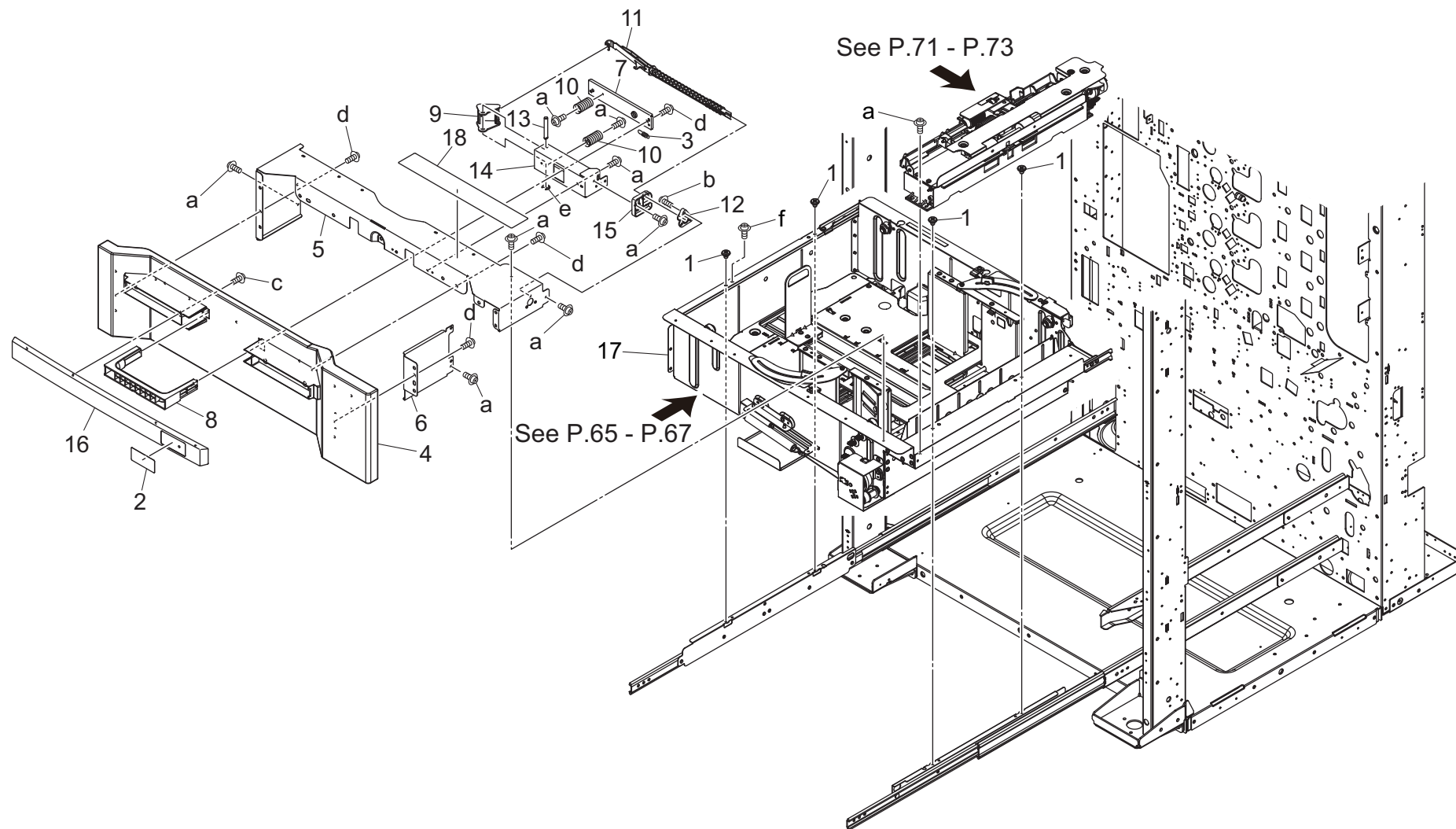
P 61

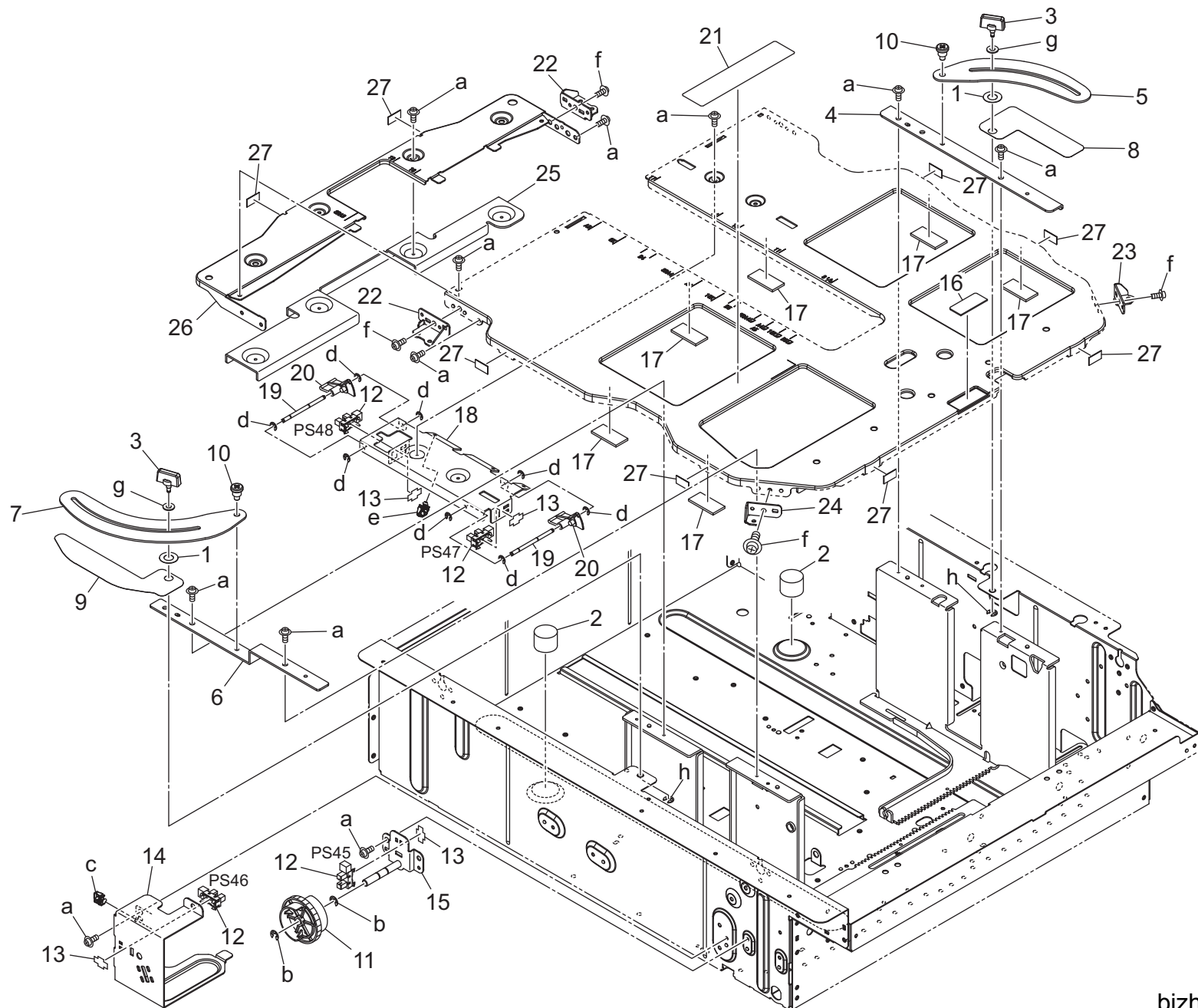




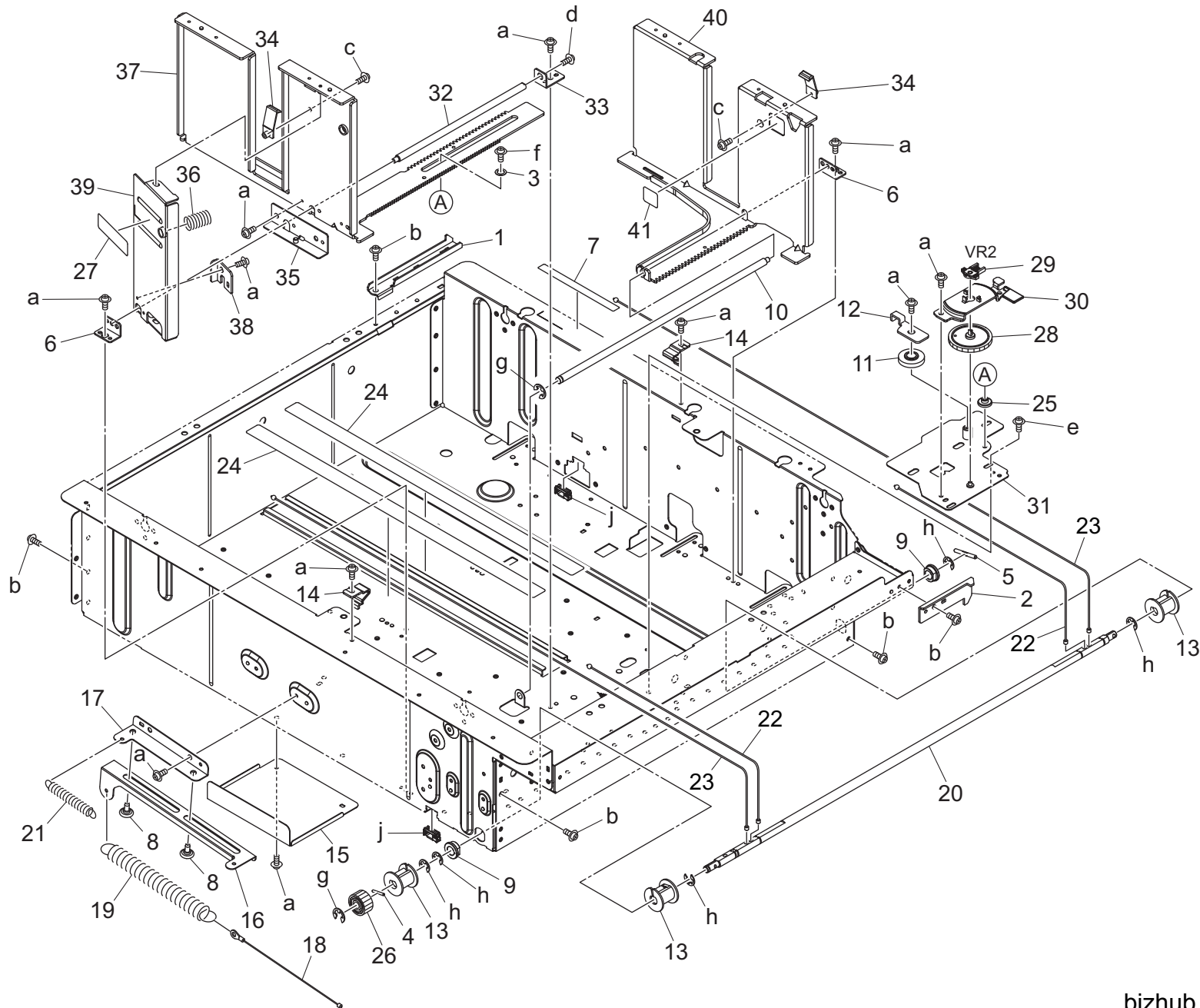
Key	Part No.	Description	Destinations	Class	QTY	Standard parts
1	A50U623600	Lock Claw		D	1	a-V127030516
2	A50U623701	Lock Claw		D	1	b-V127030603
3	A50U628100	Shoulder Screw		D	2	c-V147030803
4	40AA32320	TONER SUPPLY SPACER		C	1	d-V116030603
5	55VA40600	Driving Up /Down Pulley		B	2	e-V207030003
6	65AA47130	PAPER DETECTING ACTUATOR		C	1	f-V116030503
7	65AA47700D	Up/down Pin		D	1	g-V121030603
8	65AA47740E	Shaft Mounting Plate		D	2	h-V127030803
9	65GE97490	CASSETTE GUIDE LABEL		D	1	j-V217040050
10	A03U812800	Slide Shaft Holder		B	2	k-V217060050
11	A50U620801	Regulating Shaft		D	1	m-V570010057
12	A50U621501	Pinion		D	1	
13	A50U621800	Lifting Shaft		D	1	
14	A50U622001	Stopper Plate		D	1	
15	A50U625400	Up/down Wire /1		D	2	
16	A50U625500	Up/down Wire /2		D	2	
17	A50U626100	Protection Plate		D	2	
18	A50U627501	Reinforce Stay		D	1	
19	A50U640800	Sheet		D	2	
20	A50U642000	Guide Spacer		D	1	
21	A50U946300	Lock Label /2		D	1	
22	26NA47070	PAPER REGULATING CLAW		C	2	
23	A50U620901	Guide Rack /Front		D	1	
24	A50U622400	Support Plate		D	1	
25	A50U623300	Slide Spring /1		D	1	
26	A50U622300	Brake Knob		D	1	
27	A50U623201	Lock Claw		D	1	
28	65AA47600E	Detecting Gear 45T		C	1	
29	A1UDM50100	VR		D	1	
30	A50U621900	Mounting Plate		D	1	
31	A50U622101	Positioning Plate		D	1	
32	A50U621301	Stopper Shaft		D	1	
33	A50U621400	Mounting Plate		D	1	
34	A50U620601	Guide Rack /Rear		D	1	
35	A50U945300	Regulating Label		D	1	







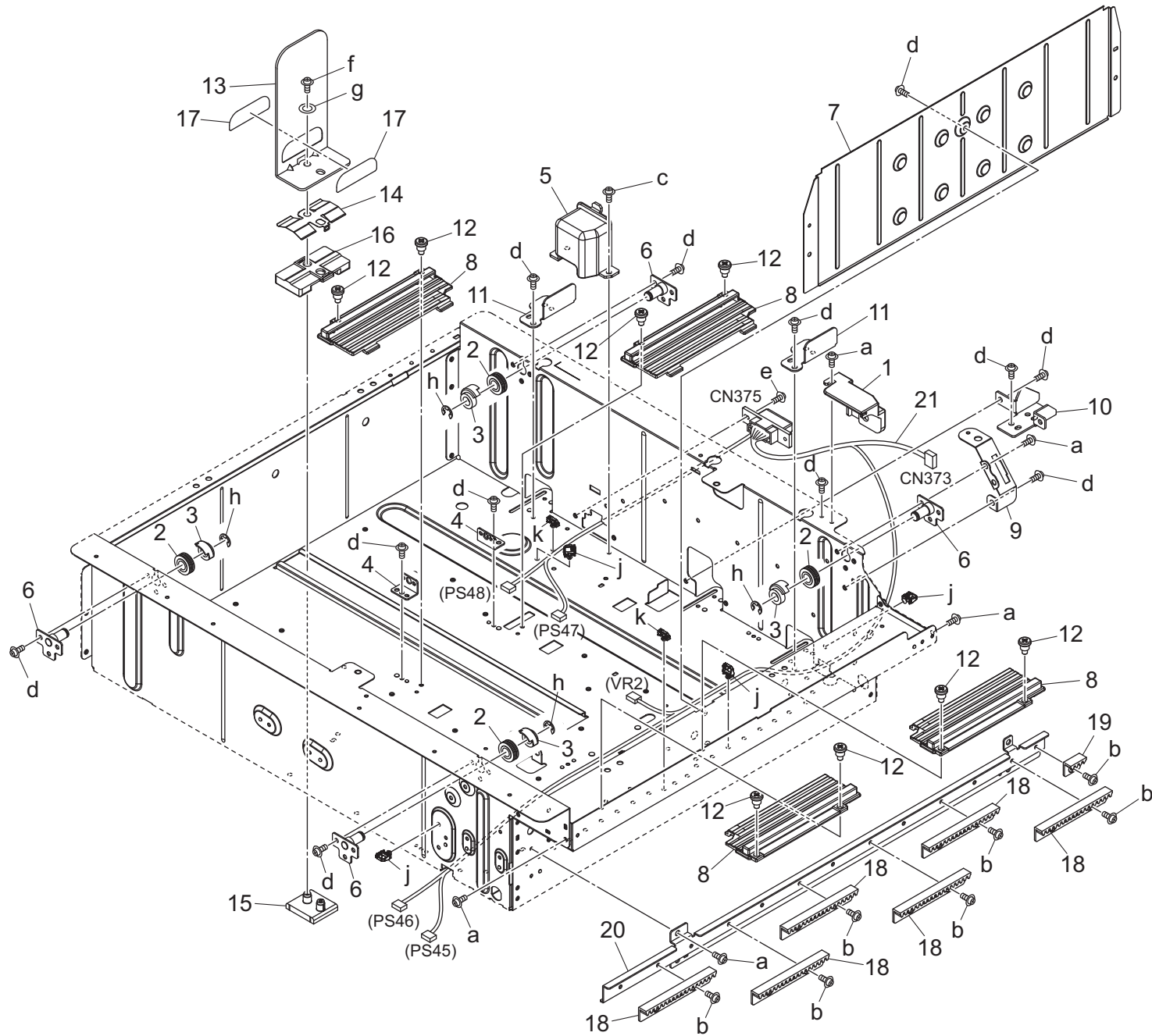
Tray 2



Key	Part No.	Description	Destinations	Class	QTY	Standard parts
1	A50U623900	Lock Claw		D	1	a-V127030516
2	A50U624201	Lock Part	ロック爪 (1000カセット_左)	D	1	b-V127030603
3	40AA32320	TONER SUPPLY SPACER	ロック材 (給紙ユニット固定)	C	1	c-V147030803
4	56AA17551	PIN A	トナー補給スペーサー	C	1	d-V116030603
5	65AA47700D	Up/down Pin	ピン A	C	1	e-V116030503
6	65AA47740E	Shaft Mounting Plate	昇降ピン	D	1	f-V127030803
7	65GE97490	CASSETTE GUIDE LABEL	軸取り付け板	D	2	g-V217040050
8	A03N621800	Slide Shoulder screw	カセット案内ラベル	D	1	h-V217060050
9	A03U812800	Slide Shaft Holder	スライド段ねじ	C	2	j-V570010057
10	A50U620801	Regulating Shaft	すべり軸受	B	2	
11	A50U621501	Pinion	規制軸	D	1	
12	A50U622001	Stopper Plate	ピニオン	D	1	
13	A50U626000	Pulley	ストッパ板	D	1	
14	A50U626100	Protection Plate	プーリ (ワイヤー吊上げ)	C	3	
15	A50U627501	Reinforce Stay	保護プレート	D	2	
16	A50U631000	Slide Plate	補強ステー	D	1	
17	A50U631100	Mounting Plate	スライド板	D	1	
18	A50U631500	Auxiliary Wire	取付板	D	1	
19	A50U631700	Slide Spring /1	補助ワイヤ	D	1	
20	A50U631800	Up/down Shaft	スライドばね / 1	D	1	
21	A50U631900	Slide Spring /1	昇降軸	D	1	
22	A50U635400	Up/down Wire /1	スライドばね / 1	D	1	
23	A50U635500	Up/down Wire /2	昇降ワイヤ / 1	D	2	
24	A50U640700	Sheet	昇降ワイヤ / 2	D	2	
25	A50U642000	Guide Spacer	シート (1000枚トレイ)	D	2	
26	A50U854600	Release Gear /1 24T	ガイドスペーサー	D	1	
27	A50U946300	Lock Label /2	解除ギア / 1 24 T	C	1	
28	65AA47600E	Detecting Gear 45T	ロックラベル / 2	D	1	
29	A1UDM50100	VR	検知ギア 45 T	C	1	
30	A50U621900	Mounting Plate	ボリューム	D	1	
31	A50U622101	Positioning Plate	センサ取り付け板	D	1	
32	A50U621301	Stopper Shaft	位置決め板	D	1	
33	A50U621400	Mounting Plate	ストッパ軸	D	1	
34	26NA47070	PAPER REGULATING CLAW	取付板	D	1	
35	A50U622400	Support Plate	紙規制爪	C	2	
36	A50U623300	Slide Spring /1	支持板 (A s s y)	D	1	
37	A50U630901	Guide Rack /Front	スライドばね / 1	D	1	
38	A50U623201	Lock Claw	ガイドラック / 前 (A s s y)	D	1	
39	A50U632300	Brake Knob	ロック爪	D	1	
40	A50U630601	Guide Rack /Rear	ブレーキつまみ	D	1	
41	A50U945300	Regulating Label	ガイドラック / 奥	D	1	
			規制ラベル	D	1	

Tray 2

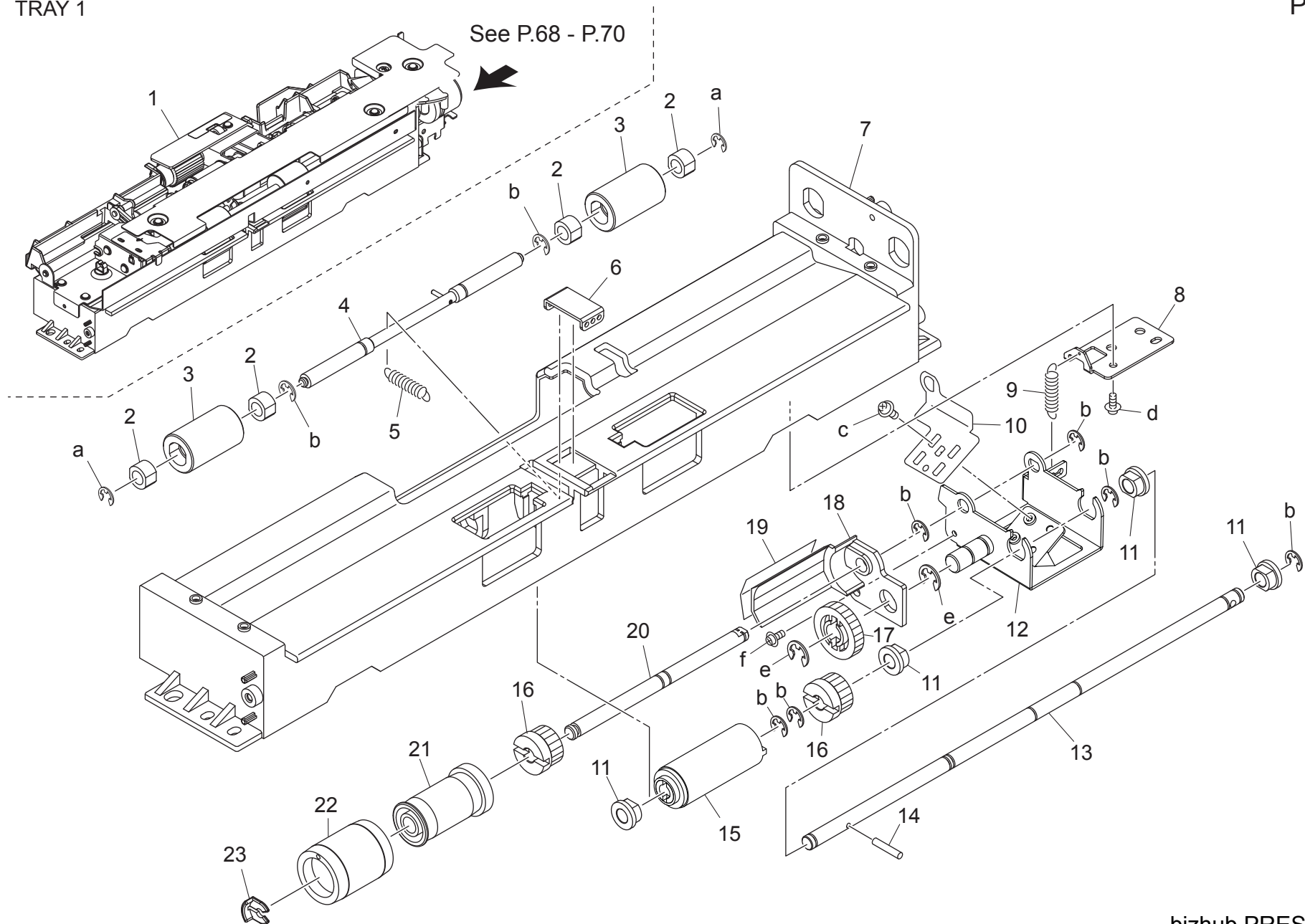
P 67



Paper Feed Section

TRAY 1

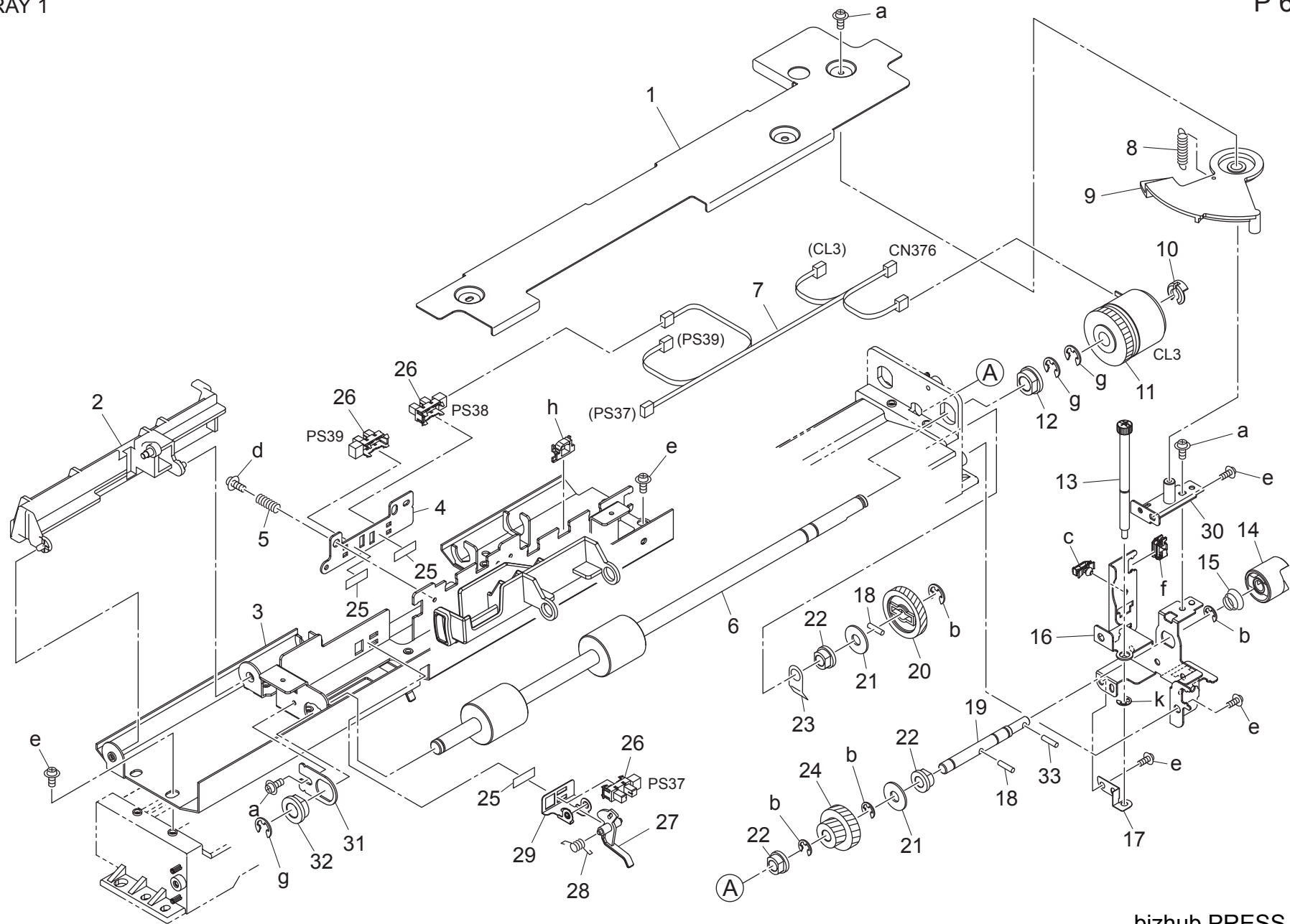
P 68



Paper Feed Section

TRAY 1

P 69

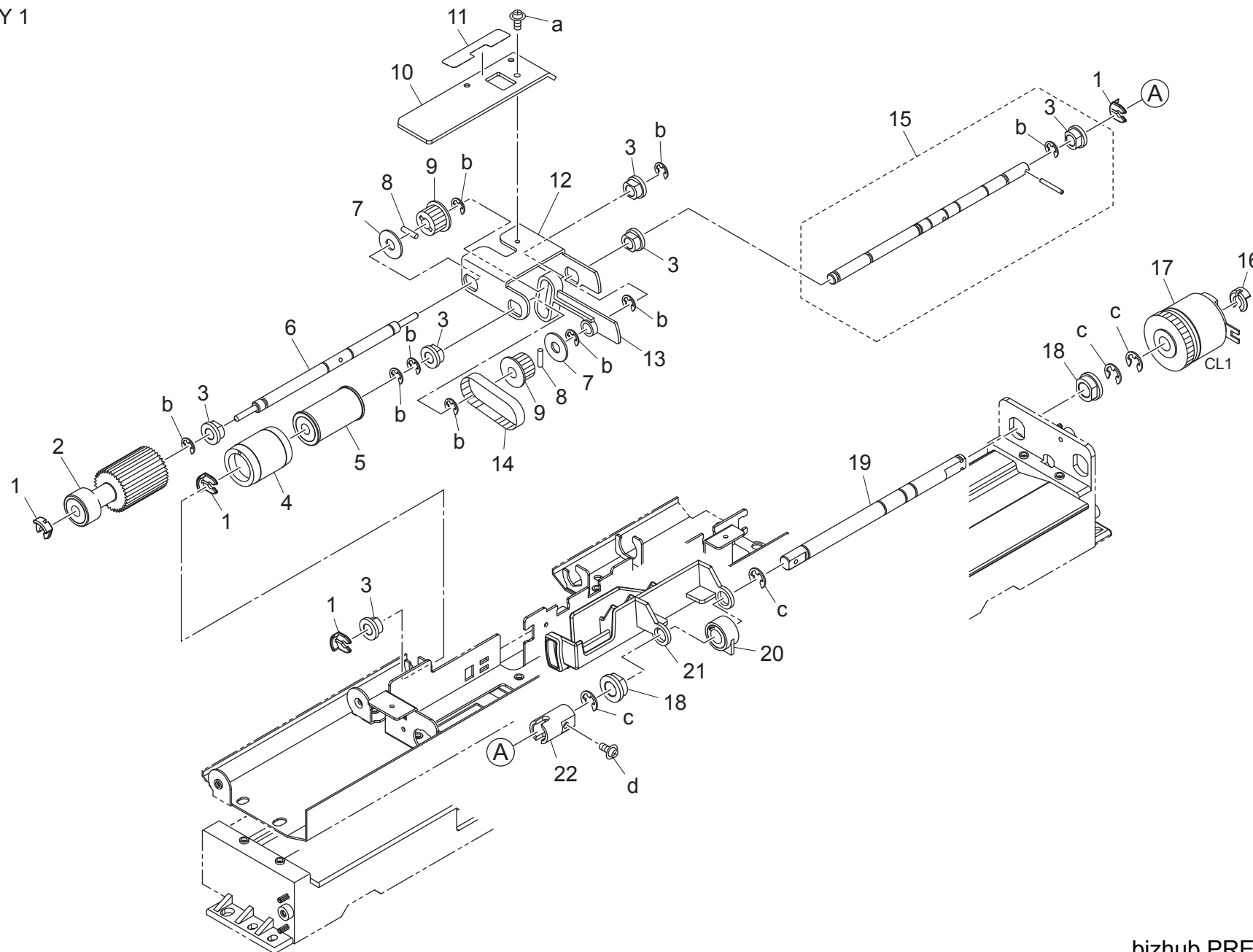


Key	Part No.	Description	Destinations	Class	QTY	Standard parts
1	56AA40100G	Wiring Protection Cover		D	1	a-V121030603
2	65AA40010	Regulating Plate		D	1	b-V217040050
3	56AA40032E	Paper Feed Guide Plate /Upper		C	1	c-V500020099
4	56AA40460	ADJUSTMENT PLATE		D	1	d-V127030603
5	56AA40520	EARTH SPRING		C	1	e-V151030803
6	56AA40230	PAPER FEED REGISTRATION ROLLER		C	1	f-V570010056
7	A50UN14201	Paperfeed Wiring /1		D	1	g-V217060050
8	56AA17121	SEPARATE SPRING UPPER		C	1	h-V570010050
9	56AA40390	CAM PLATE		C	1	k-V217030050
10	55VA42120	SHAFT STOPPER		C	1	
11	56AA82012	PAPER FEED DRIVING CLUTCH		B	1	
12	55VA75540	PAPER FEED SHAFT HOLDER B		B	1	
13	56AA40120	PAPER FEED HOLDING SCREW		C	1	
14	A50U564500	Paper feed Coupling		D	1	
15	A50U565100	Pressing Spring		D	1	
16	A50U560900	Drive Side plate /1		D	1	
17	56AA40470	SCREW EARTH PLATE		C	1	
18	56AA17480	PIN B		C	2	
19	A50U562400	Input Shaft		D	1	
20	56AA77730	PAPER FEED REVERSING GEAR 2 33T		C	1	
21	56AA17760	COLLAR		C	2	
22	A00J663200	Bushing		C	3	
23	56AA40500	SHAFT HOLDER EARTH PLATE		C	1	
24	56AA77720E	Paper Feed Reverse Gear /1 16/22T		C	1	
25	4109553001	STOPPER		C	3	
26	08AA85512	Photo Sensor		B	3	
27	56AA40171	PAPER FEED DETECTING ACTUATOR		C	1	
28	56AA40190	PRESSING SPRING		C	1	
29	56AA40310	MOUNTING PLATE		D	1	
30	A50U561200	Drive Side plate /Assy		D	1	
31	56AA40370	ADJUSTING PLATE		D	1	
32	A03U812800	Slide Shaft Holder		B	1	
33	56AA17471	PIN B 3X12		C	1	

Paper Feed Section

TRAY 1

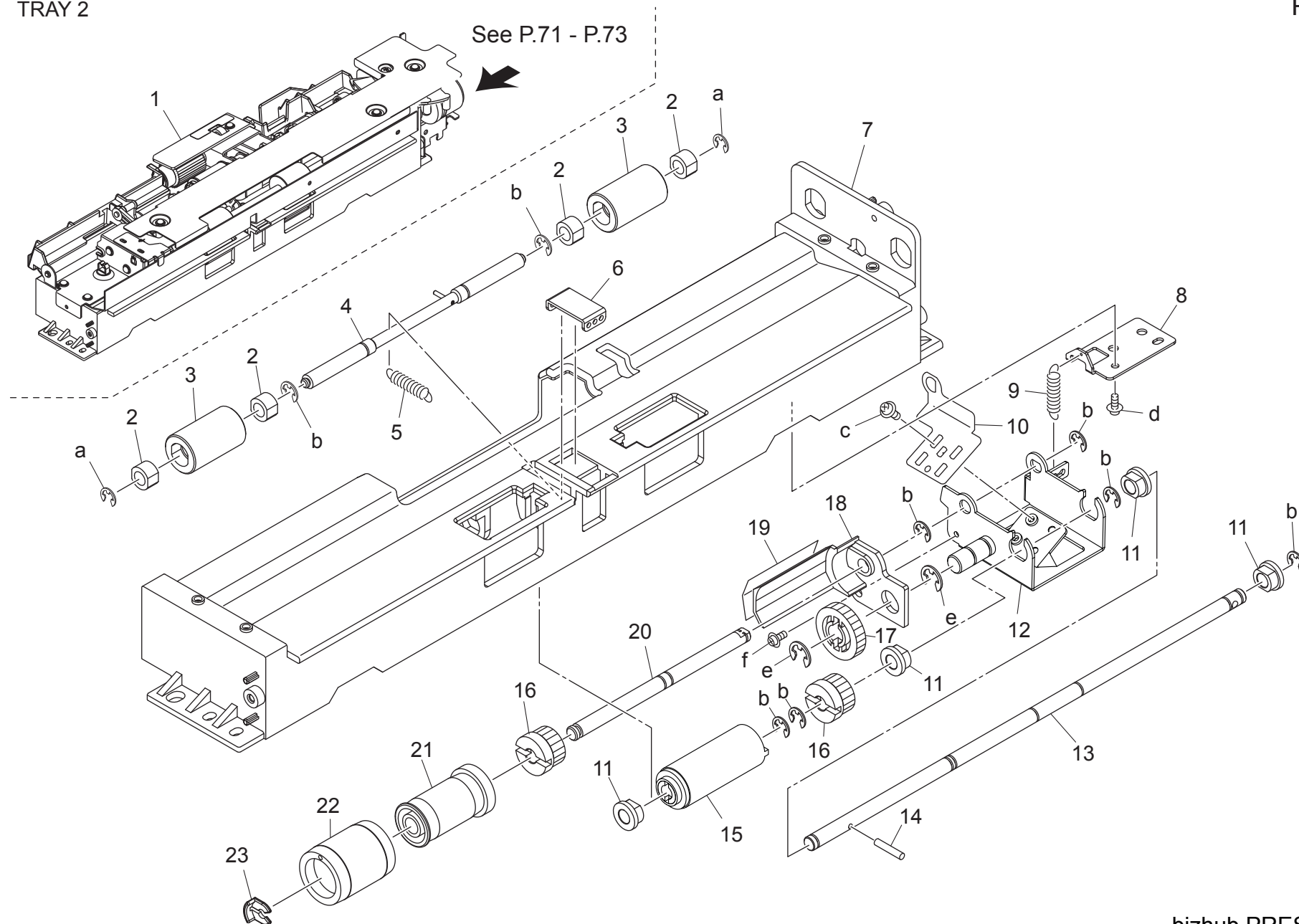
P 70



Paper Feed Section

TRAY 2

P 71

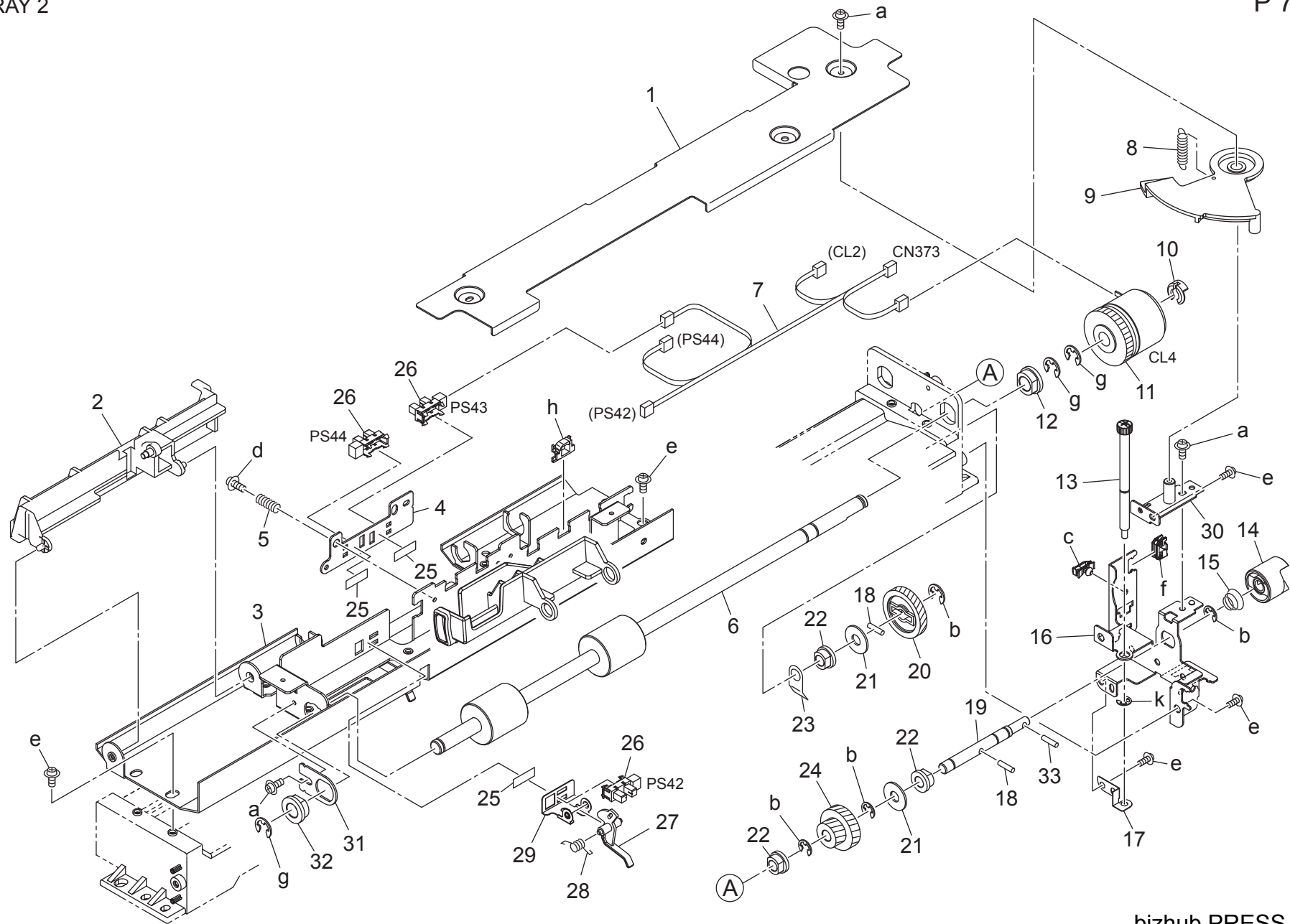


bizhub PRESS C1070

Paper Feed Section

TRAY 2

P 72

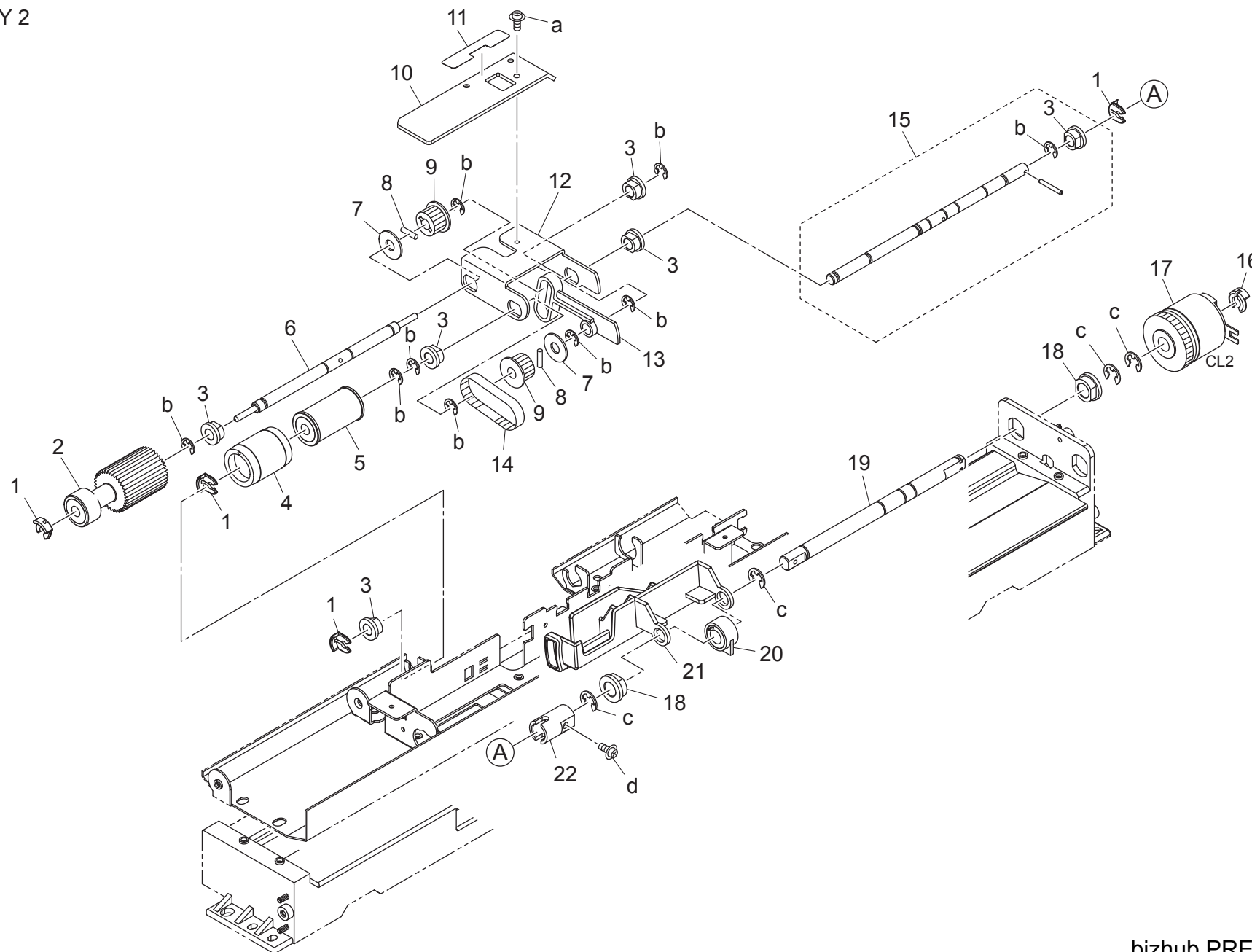


Key	Part No.	Description	Destinations	Class	QTY	Standard parts
1	56AA40100G	Wiring Protection Cover		D	1	a-V121030603
2	65AA40010	Regulating Plate		D	1	b-V217040050
3	56AA40032E	Paper Feed Guide Plate /Upper		C	1	c-V500020099
4	56AA40460	ADJUSTMENT PLATE		D	1	d-V127030603
5	56AA40520	EARTH SPRING		C	1	e-V151030803
6	56AA40230	PAPER FEED REGISTRATION ROLLER		C	1	f-V570010056
7	A50UN14201	Paperfeed Wiring /1		D	1	g-V217060050
8	56AA17121	SEPARATE SPRING UPPER		C	1	h-V570010050
9	56AA40390	CAM PLATE		C	1	k-V217030050
10	55VA42120	SHAFT STOPPER		C	1	
11	56AA82012	PAPER FEED DRIVING CLUTCH		B	1	
12	55VA75540	PAPER FEED SHAFT HOLDER B		B	1	
13	56AA40120	PAPER FEED HOLDING SCREW		C	1	
14	A50U564500	Paper feed Coupling		D	1	
15	A50U565100	Pressing Spring		D	1	
16	A50U560900	Drive Side plate /1		D	1	
17	56AA40470	SCREW EARTH PLATE		C	1	
18	56AA17480	PIN B		C	2	
19	A50U562400	Input Shaft		D	1	
20	56AA77730	PAPER FEED REVERSING GEAR 2 33T		C	1	
21	56AA17760	COLLAR		C	2	
22	A00J663200	Bushing		C	3	
23	56AA40500	SHAFT HOLDER EARTH PLATE		C	1	
24	56AA77720E	Paper Feed Reverse Gear /1 16/22T		C	1	
25	4109553001	STOPPER		C	3	
26	08AA85512	Photo Sensor		B	3	
27	56AA40171	PAPER FEED DETECTING ACTUATOR		C	1	
28	56AA40190	PRESSING SPRING		C	1	
29	56AA40310	MOUNTING PLATE		D	1	
30	A50U561200	Drive Side plate /Assy		D	1	
31	56AA40370	ADJUSTING PLATE		D	1	
32	A03U812800	Slide Shaft Holder		B	1	
33	56AA17471	PIN B 3X12		C	1	

Paper Feed Section

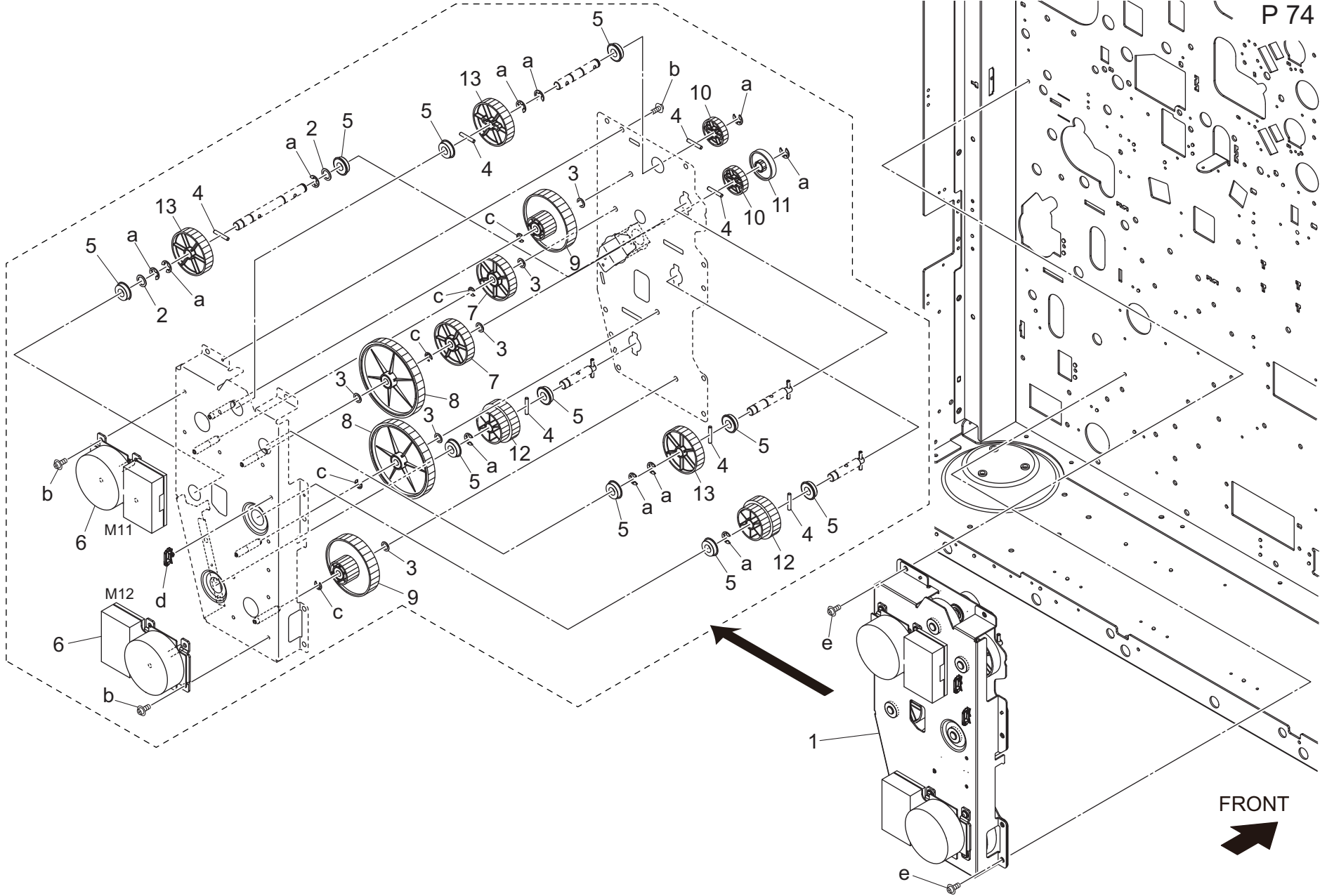
TRAY 2

P 73



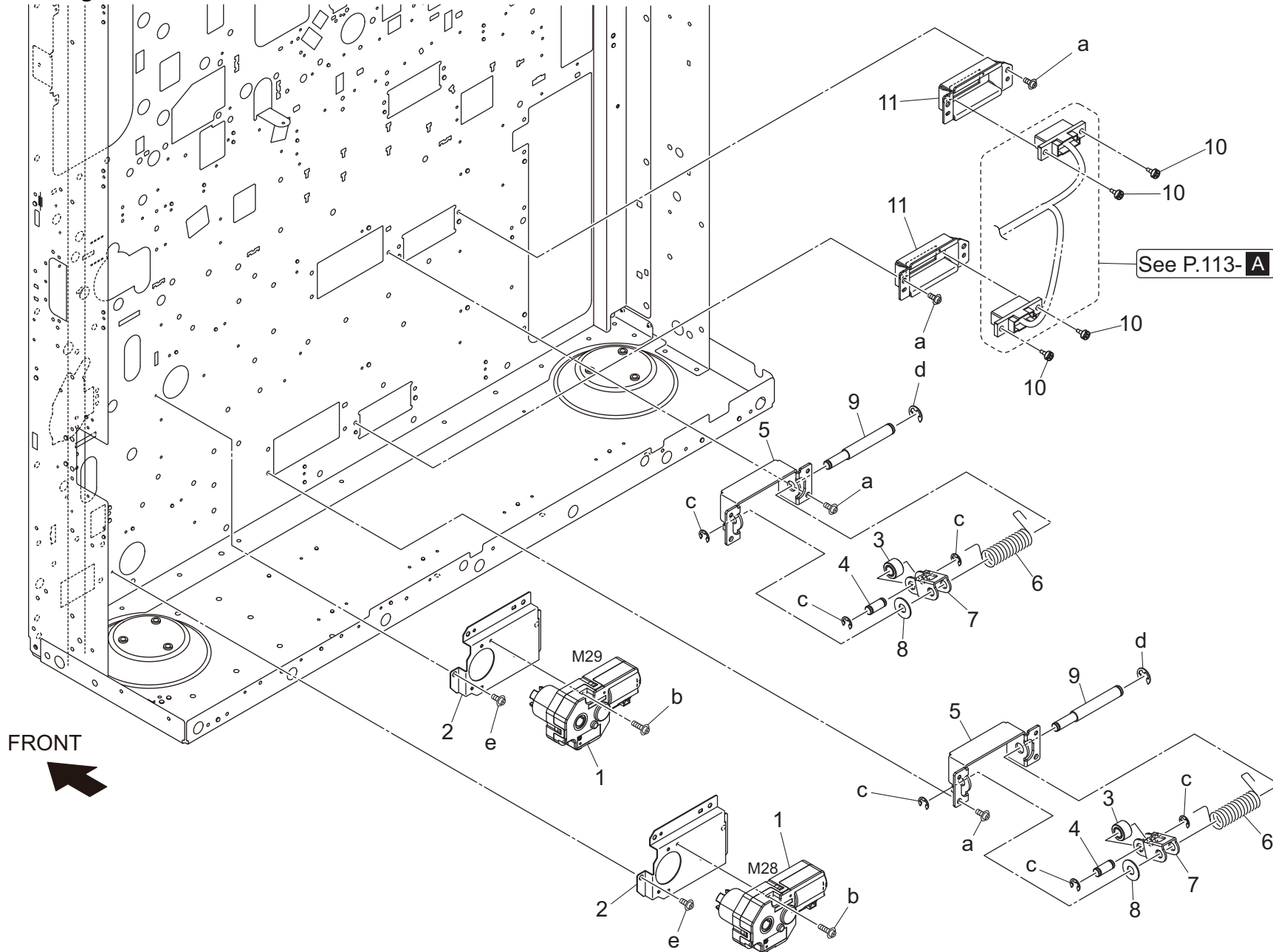
Paper Feed Driving Section

P 74



bizhub PRESS C1070

Tray Driving Section

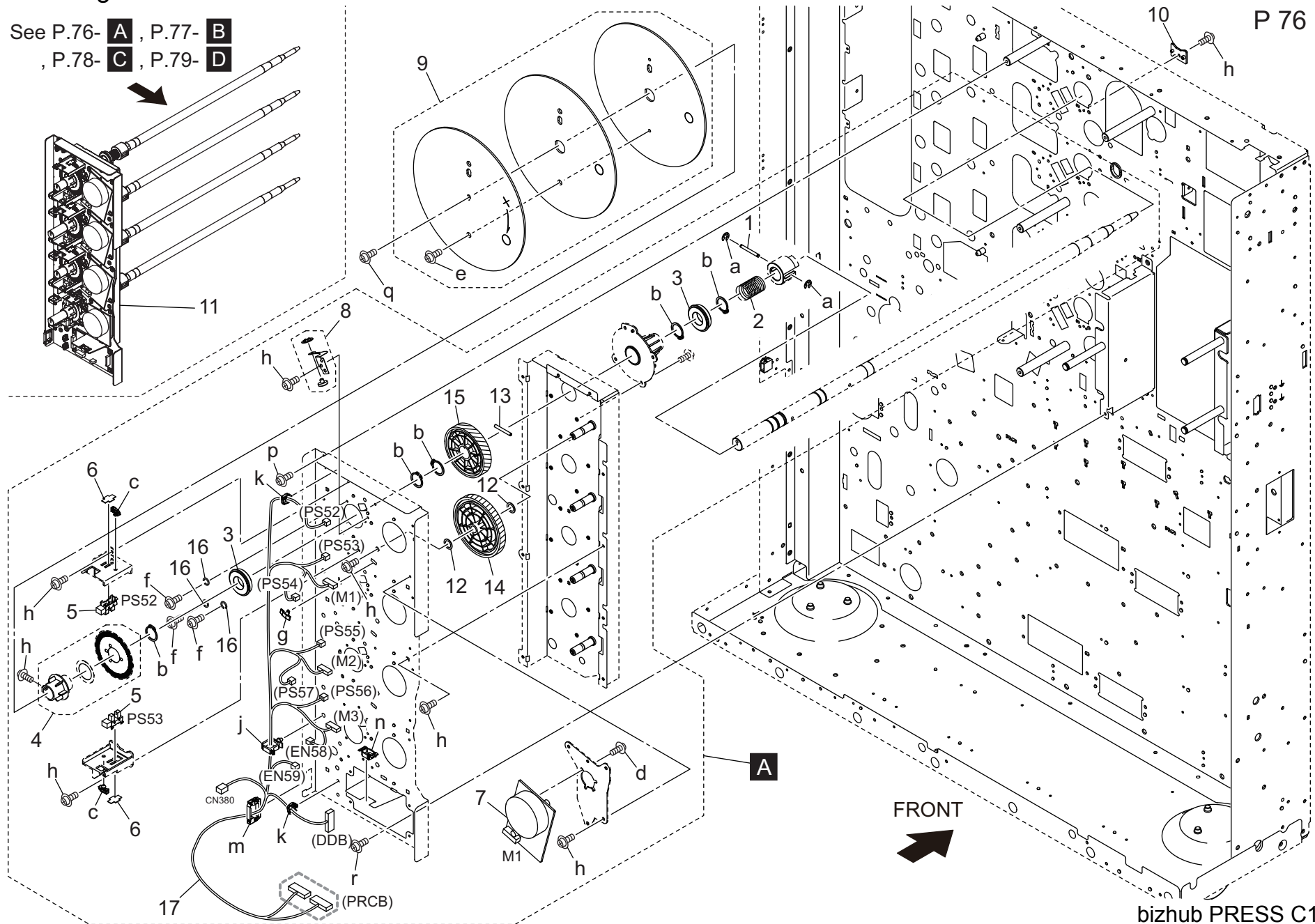


Tray Driving Section

Key	Part No.	Description	Destinations	Class	QTY	Standard parts
1	A2X0M12101	Brush motor		C	2	a-V146040804 b-V118032003 c-V217060050 d-V217080050 e-V127030603
2	A50U629100	Mounting Plate		D	2	
3	067642581	TRAY LOCK PULLEY		C	2	
4	65AA47360	CASSETTE LOCKING SHAFT		D	2	
5	65AA47370	FULCRUM PLATE		D	2	
6	65AA47390	GUIDE SPRING		C	2	
7	65AA47710	LOCKING PLATE		D	2	
8	65AA47970	SPACER		C	2	
9	A50U109300	Support Shaft		D	2	
10	A50U109200	Mounting Screw		D	4	
11	A50U112900	Mounting Tray		D	2	

Drum Driving Section

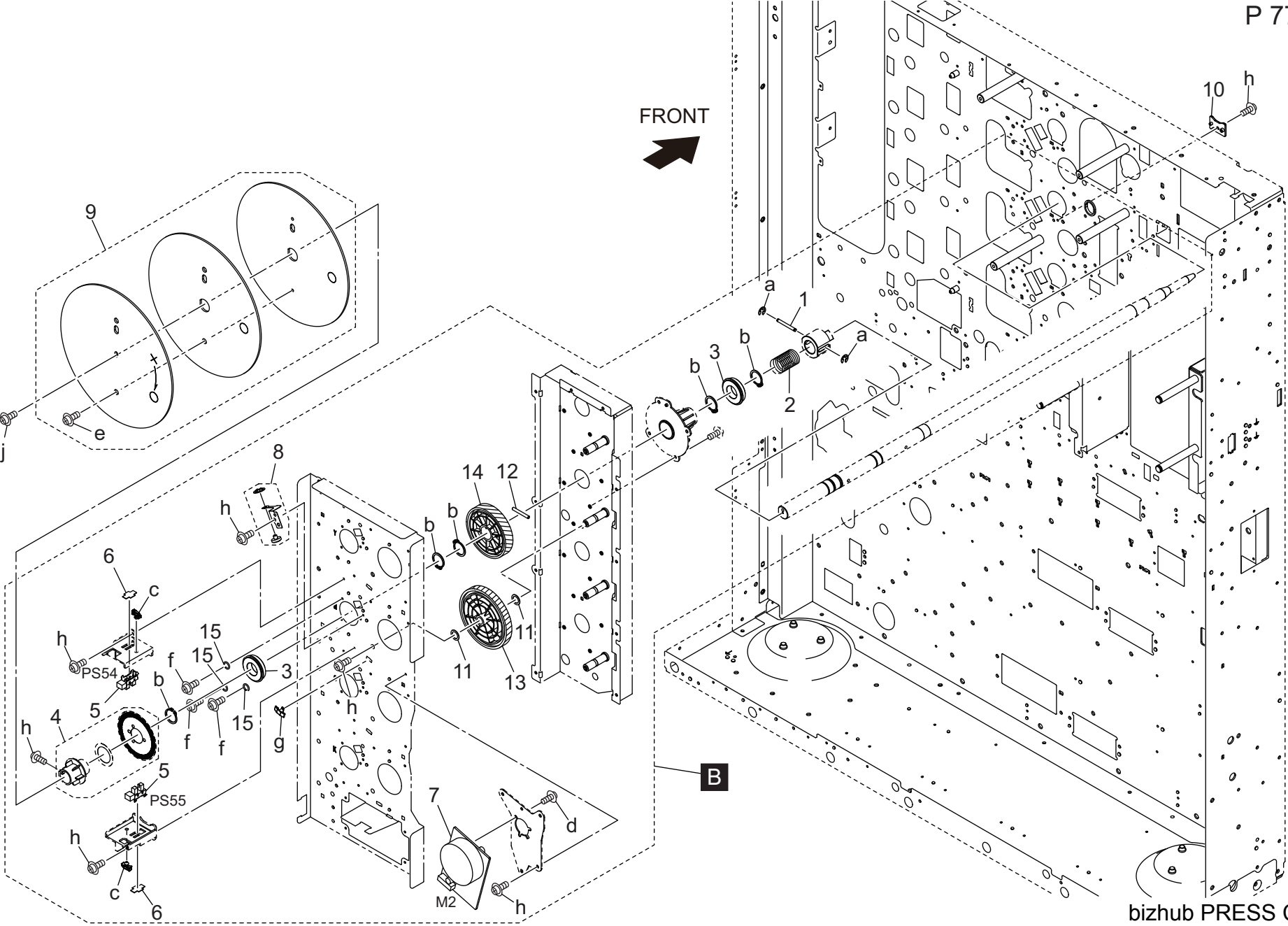
See P.76- **A** , P.77- **B**
 , P.78- **C** , P.79- **D**



bizhub PRESS C1070

Drum Driving Section

P 77

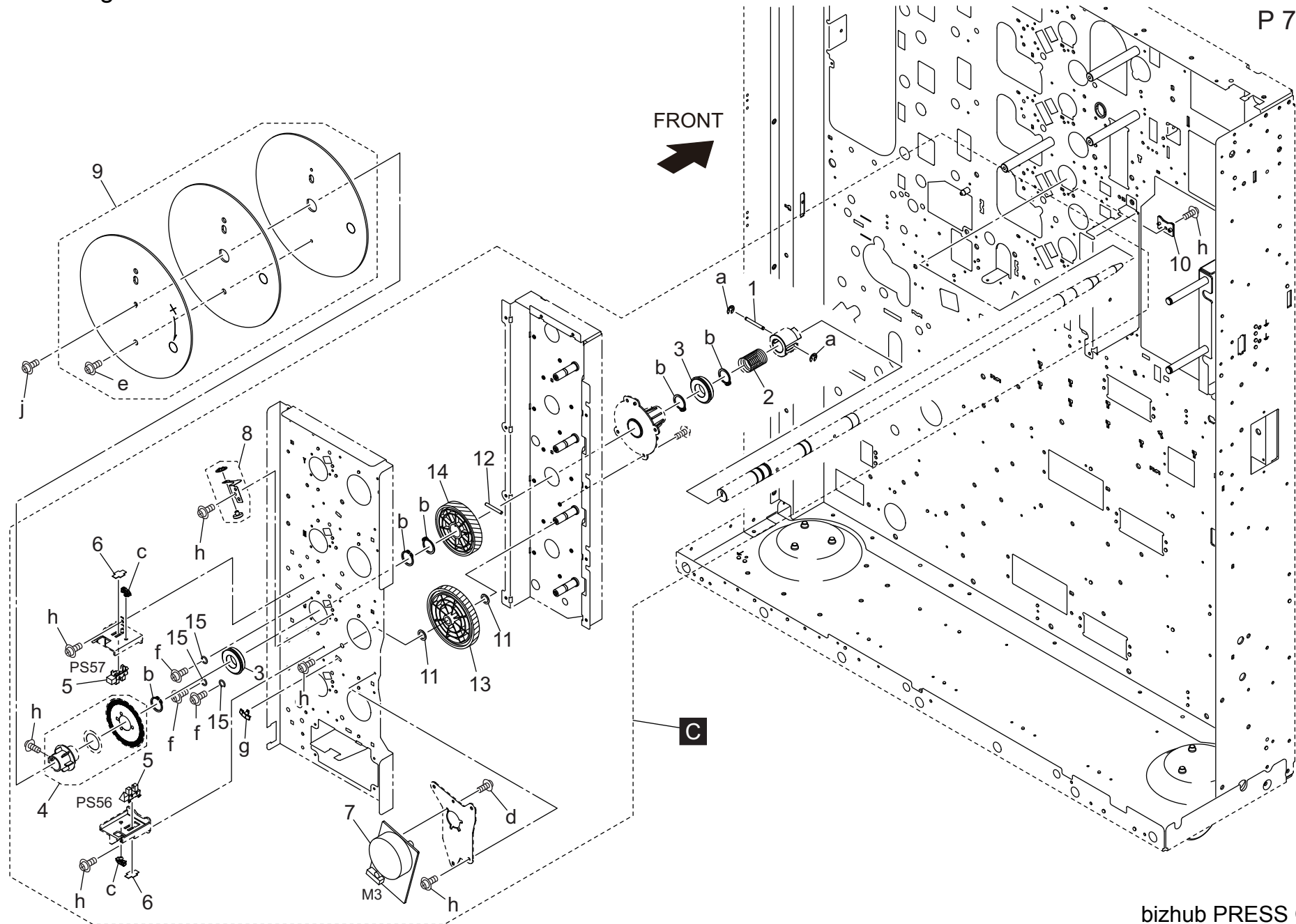


bizhub PRESS C1070

Drum Driving Section

P 78

FRONT

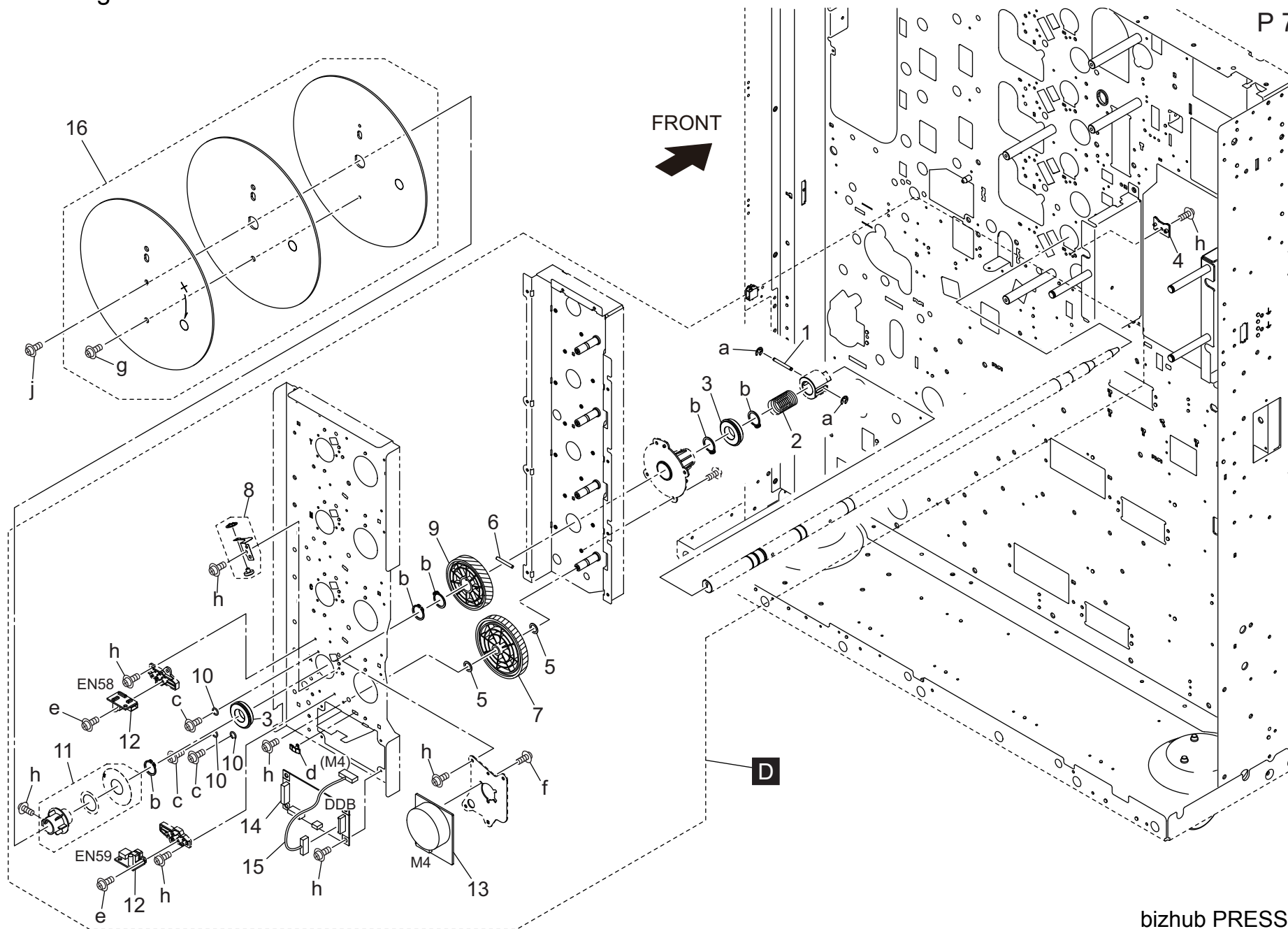


bizhub PRESS C1070

Drum Driving Section

P 79

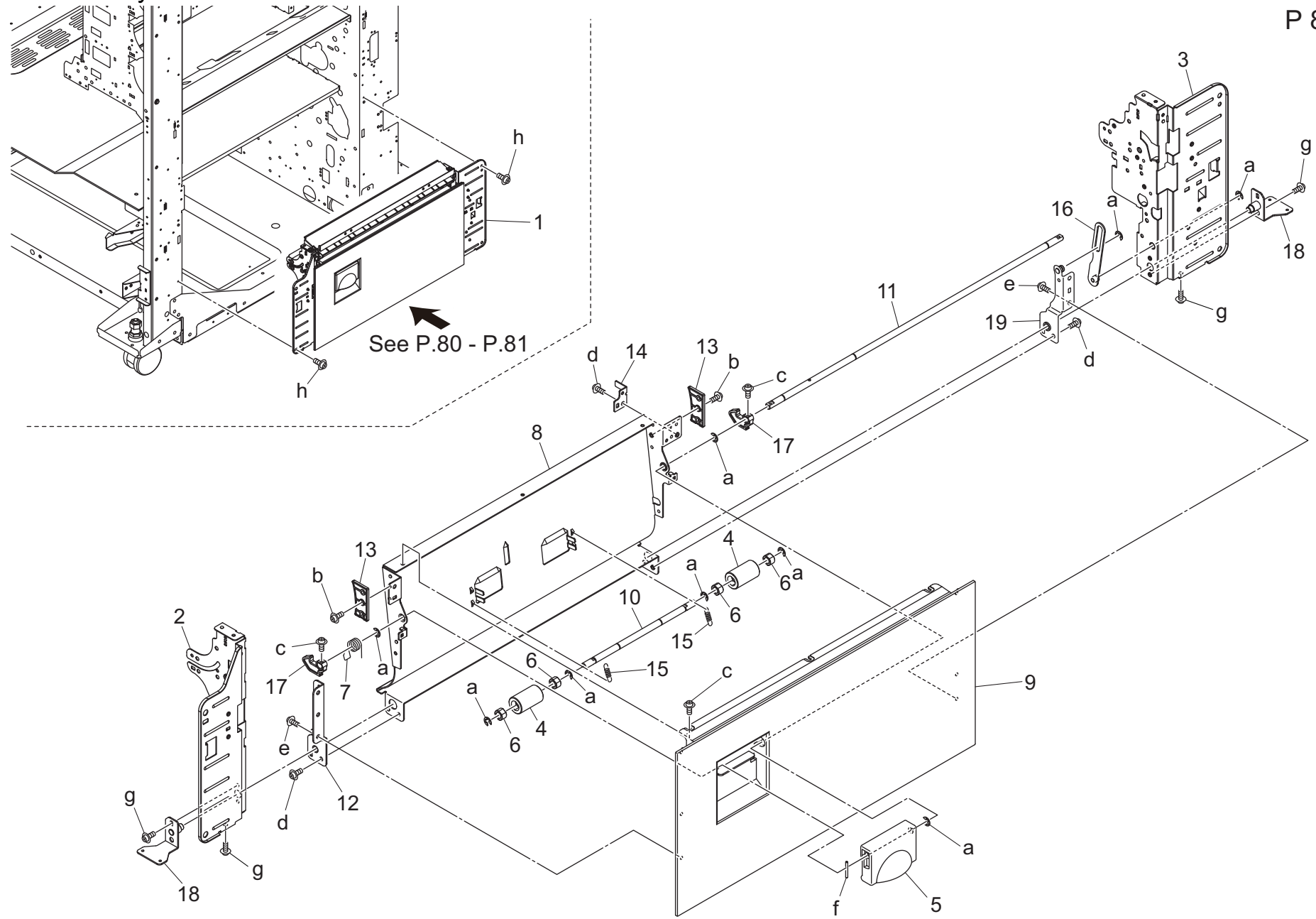
FRONT



bizhub PRESS C1070

Vertical Conveyance Section

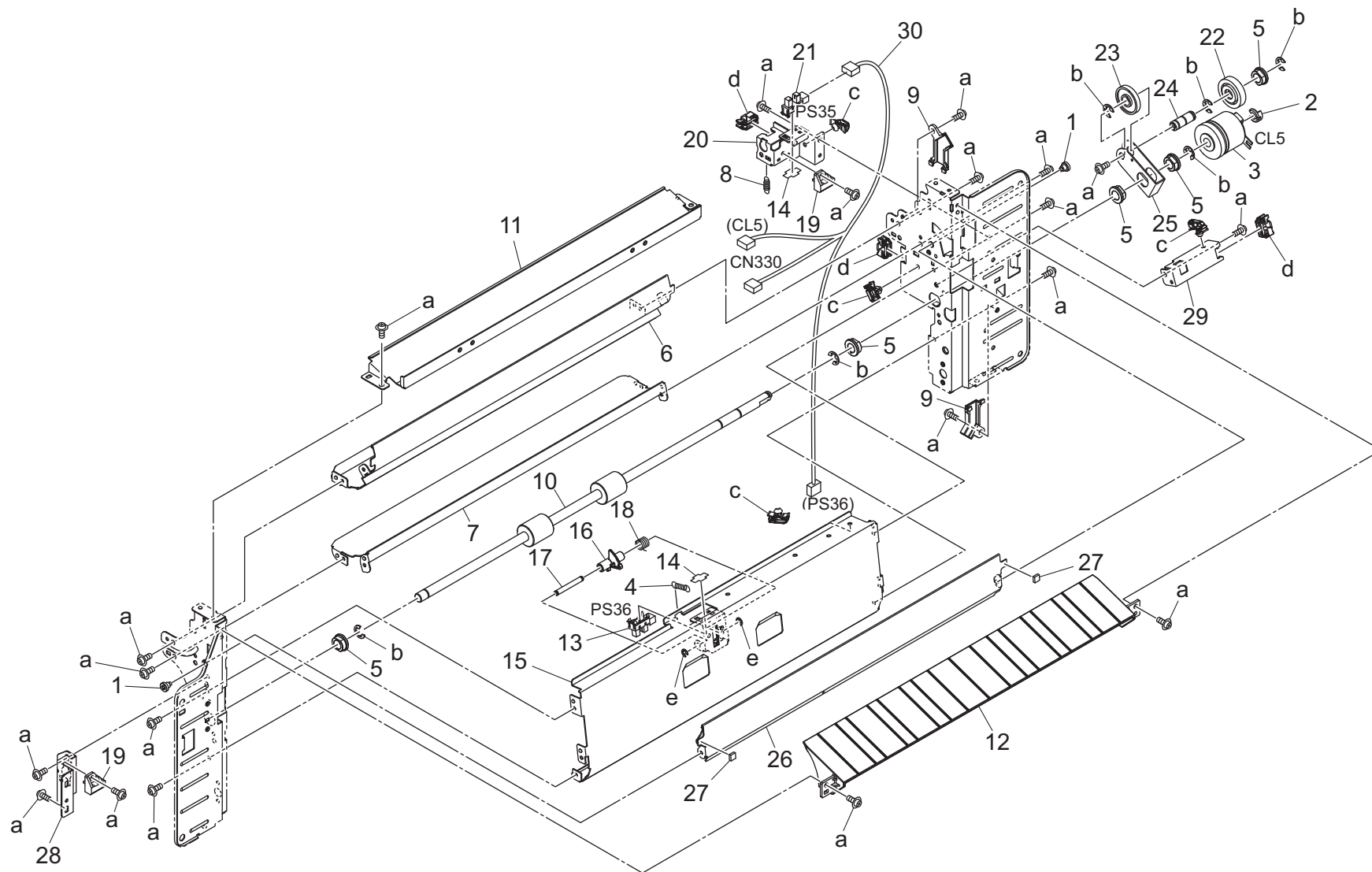
P 80



See P.80 - P.81

Vertical Conveyance Section

P 81



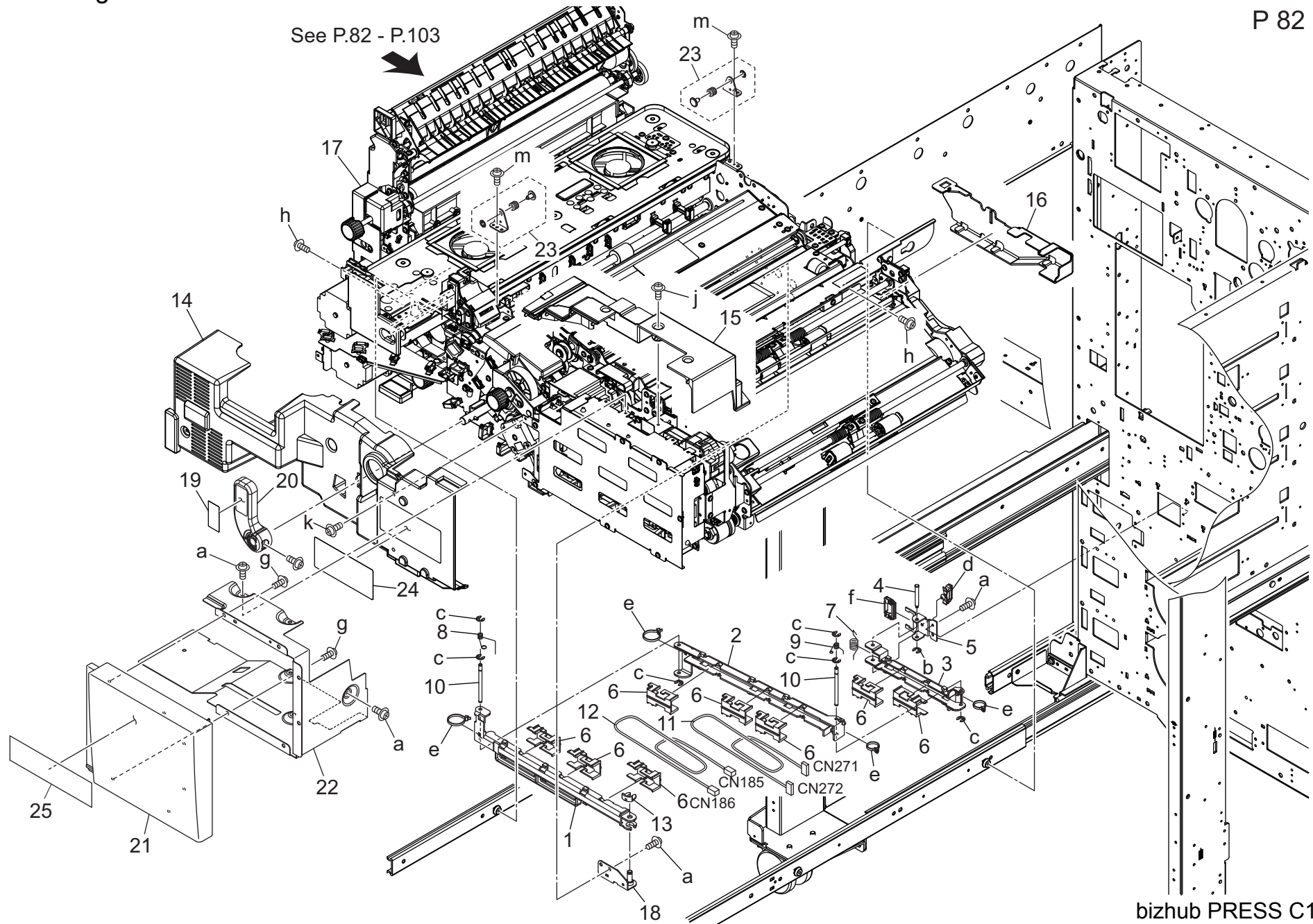
Vertical Conveyance Section

Key	Part No.	Description	Destinations	Class	QTY	Standard parts
1	55VA20680	SEPARATION POSITIONING SCREW		C	2	a-V127030603 b-V217060050 c-V500020099 d-V570010056 e-V217030050
2	55VA42120	SHAFT STOPPER		C	1	
3	56AA82012	PAPER FEED DRIVING CLUTCH		B	1	
4	65AA44440	OPEN SHUT SPRING		C	1	
5	A03U812800	Slide Shaft Holder		B	5	
6	A50U700300	Guide Plate /Upper		D	1	
7	A50U700500	Guide Plate /Inside		D	1	
8	A50U700600	Positioning Spring		D	1	
9	A50U701000	Support Plate		D	2	
10	A50U704400	Conveyance Roller /1		C	1	
11	A50U704801	Guide Plate /2		D	1	
12	A50U707300	Guide Plate		D	1	
13	08AA85512	Photo Sensor		B	1	
14	4470402401	STOPPER		D	2	
15	A50U704700	Guide Plate /Middle		D	1	
16	A50U705500	Detection Actuator		D	1	
17	A50U705600	Support Shaft		D	1	
18	A50U707400	Pressing Spring /1		D	1	
19	65AA44200	LOCKING PLATE		C	2	
20	A50U705000	Mounting Plate /Rear		D	1	
21	A50UM51000	Photointerrupter		C	1	
22	25AA77730	CONVEYANCE IDLER RIGHT 24T		C	1	
23	65AA44350	STOPPER ROLLER		C	1	
24	A50U700200	Idling Shaft		D	1	
25	A50U700400	Rotation Plate		D	1	
26	A50U704900	Open/shut Plate		D	1	
27	A50U706800	Cushion		D	2	
28	A50U705400	Fixing Plate /1		D	1	
29	A50U707001	Lock Plate		D	1	
30	A50UN14400	Conveyance Wiring /1		D	1	

ADU Carriage

See P.82 - P.103

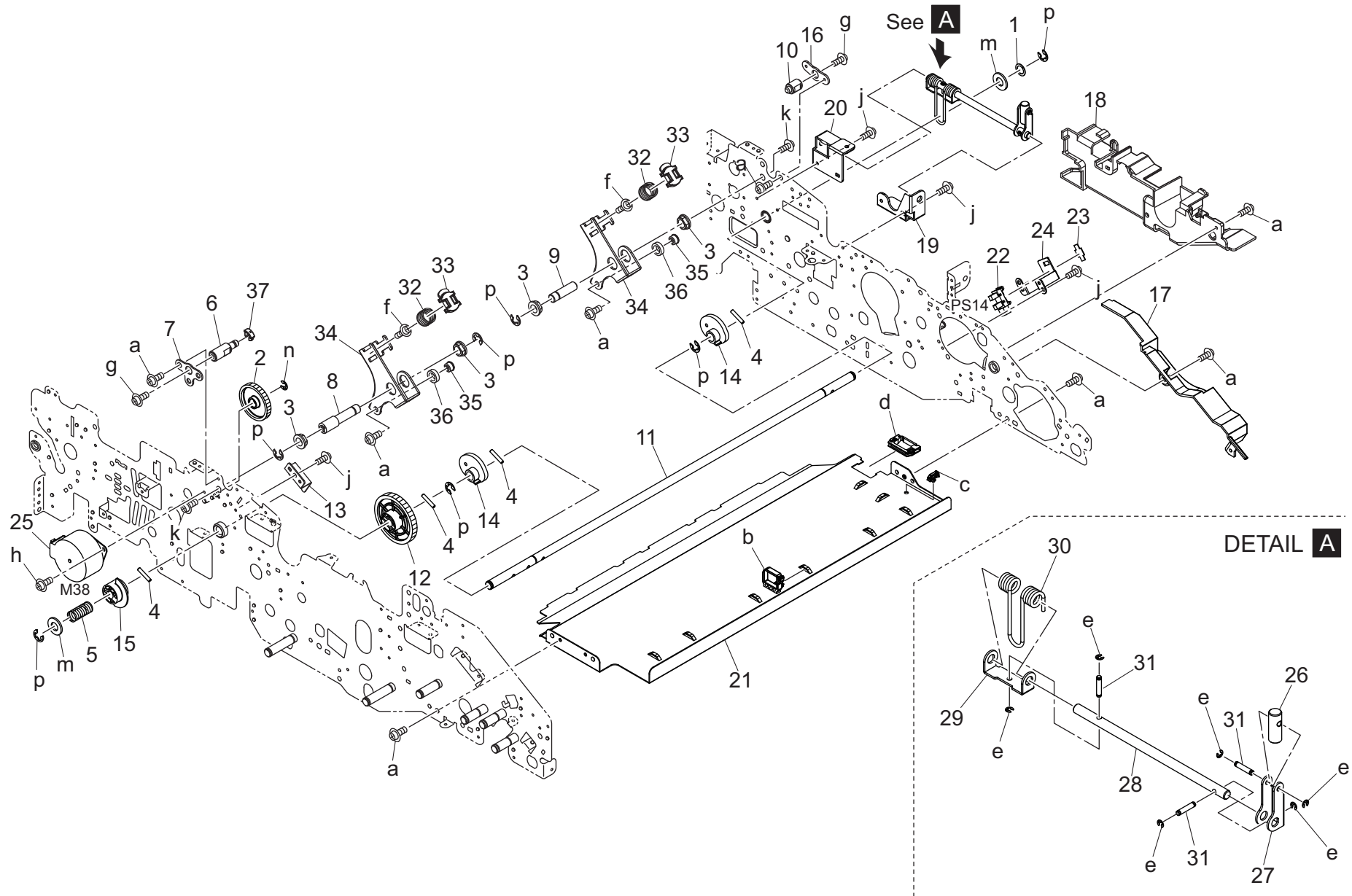
P 82



bizhub PRESS C1070

Key	Part No.	Description	Destinations	Class	QTY	Standard parts
1	A50U818700	Wiring Guide /Front		D	1	a-V127030603
2	A50U818800	Wiring Guide /Middle		D	1	b-V217020050
3	A50U818900	Wiring Guide /Rear		D	1	c-V217030050
4	A50U819201	Support Shaft /Rear		D	1	d-V500020100
5	A50U819302	Support Plate /Rear		D	1	e-V501010002
6	A50U832901	Wiring Cover		D	8	f-V570010059
7	A50U835001	Torsion Coil spring		D	1	g-V151030803
8	A50U858300	Ground Spring /2		D	1	h-V118040603
9	A50U858400	Ground Spring /1		D	1	j-V127030604
10	A50U858500	Support Shaft /Middle		D	2	k-V127030804
11	A50UN15500	ADU Relay harness /3	ADU 中継束線 / 3	D	1	m-V121030403
12	A50UN18700	ADU Relay harness /6	ADU 中継束線 / 6	D	1	
13	56AA40490	SHAFT STOPPER 4	軸ストッパ 4	C	1	
14	A50U837001	Cover Part /1	カバー材 / 1	D	1	
15	A50U837101	Cover Part /2	カバー材 / 2	D	1	
16	A50U858200	Cover Cover	カバー蓋	D	1	
17	A50UR71D00	ADU Carriage	ADU 架台	G	1	
18	A50UR72S00	Support Plate / Front Caulking	支点板 / 前カシメ	D	1	
19	A1RF943100	Release Label /1	解除ラベル / 1	D	1	
20	A50U855702	Pulling Lever	引張りレバー (ADU 架台)	D	1	
21	A50U160401	Duplex Cover	両面カバー	D	1	
22	A50U837300	Cover Part /3	カバー材 / 3	D	1	
23	A50UR70G01	2nd Transfer Earth Plate Assy	2次転写アース板 Assy	B	2	
24	A50U944200	Processing Label /1	処理ラベル / 1	D	1	
25	A50U947000	Indicating Label (PRESS C1070)	表示ラベル (PRESS C1070)	D	1	

Key	Part No.	Description	Destinations	Class	QTY	Standard parts
1	26NA54230	TERMINAL FIXING SCREW		C	4	a-V118030603 b-V121030403 c-V127030603 d-V217060050
2	56AA42690	BY PASS FEED SPACER		C	1	
3	A00J617900	Ball Bearing		B	1	
4	A50U819500	Connecting Plate		D	1	
5	A50U839900	Connecting Plate		D	1	
6	A50U842900	Conveyance Spring /5		D	1	
7	A50U882701	Reverse/Exit Joint /Rear		D	1	
8	A50U882801	Reverse/Exit Joint /Front		D	1	
9	A50U884202	Registration Base frame /2		D	1	
10	14GE45470	Rotation Knob		C	1	
11	A1RF944100	Release Label /11		D	1	
12	A50UF83702	Registration Base Frame / 1 Caulking		D	1	

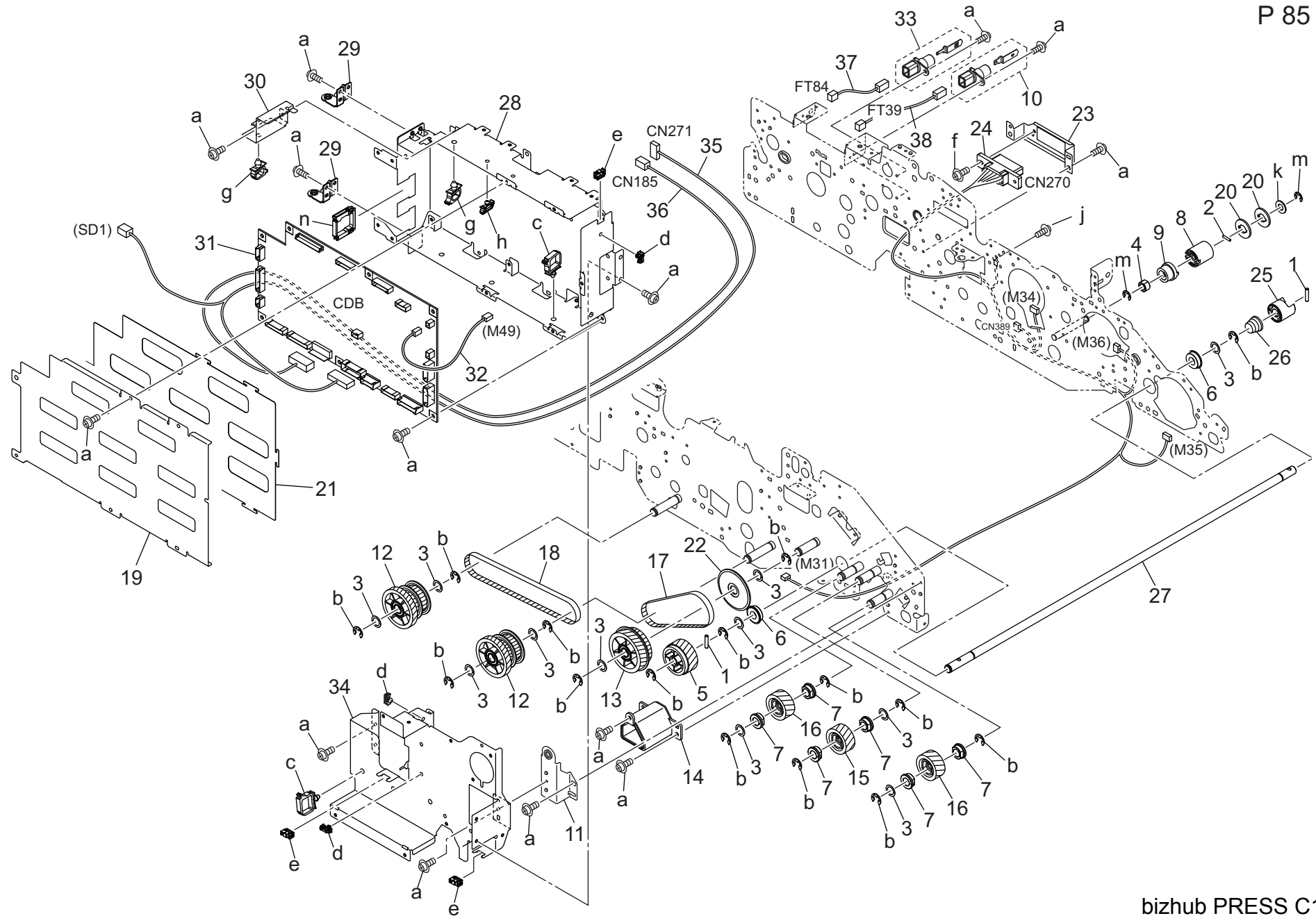


bizhub PRESS C1070

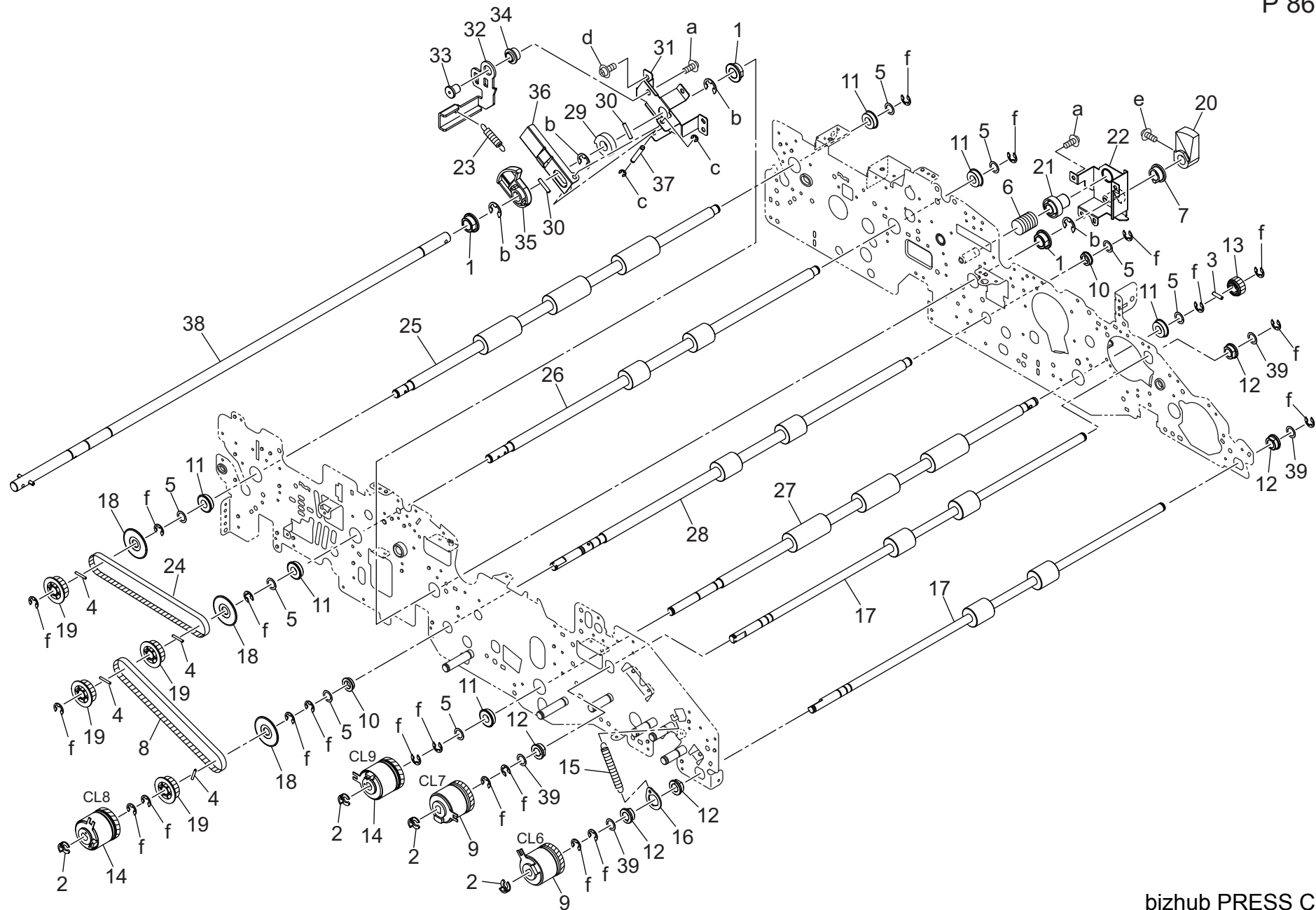
Key	Part No.	Description	Destinations	Class	QTY	Standard parts
1	12QV40650	SPACER		B	1	a-V127030603
2	40AA77550	Mirror Drive Gear /2 14/70T		C	1	b-V500010079
3	4131353202	BUSHING		C	4	c-V500020099
4	56AA17461	PIN A		B	4	d-V570010059
5	65AA45230	CAM PULLING SPRING		C	1	e-V217020050
6	A50U520601	Support Shaft /Front		D	1	f-V121040403
7	A50U520700	Adjusting Plate /Front		D	1	g-V116050803
8	A50U521101	Pressing Shaft /Front		D	1	h-V118030403
9	A50U521200	Pressing Shaft /Rear		D	1	j-V121030403
10	A50U521301	Support Shaft /Rear		D	1	k-V127040803
11	A50U521500	Drive Shaft		D	1	m-V207080003
12	A50U521900	Pressure Gear /3 47T		C	1	n-V217040050
13	A50U522400	Holding Plate		D	1	p-V217060050
14	A50U522500	Transfer Cam		D	2	
15	A50U524500	Transfer Actuator		D	1	
16	A50U524600	Adjusting Plate /Rear		D	1	
17	A50U834802	Cover Side plate /Right rear		D	1	
18	A50U858101	Cover Box		D	1	
19	A50U884600	Support Plate /1		D	1	
20	A50U884700	Support Plate /2		D	1	
21	A50U817001	Reinforce Stay /Lower		D	1	
22	08AA85512	Photo Sensor		B	1	
23	4470402401	STOPPER		D	1	
24	A50U855800	Drive Side plate /2		D	1	
25	A50UR72C00	Drive Motor / 1 Assy		C	1	
26	A50U522900	Rotation Shaft		D	1	
27	A50U523001	Release Arm		D	1	
28	A50U523100	Support Shaft		D	1	
29	A50U523200	Rotation Cover		D	1	
30	A50U523400	Torsion Coil spring		D	1	
31	A50U524700	Support Shaft		D	3	
32	A50U520401	Pressing Spring		D	2	
33	A50U520900	Pressing Cover		D	2	
34	A50U522001	Rotation Arm		D	2	
35	A50U524100	Receiving Shaft		D	2	
36	A50U716500	Ball Bearing		C	2	
37	56AA40490	SHAFT STOPPER 4		C	1	

ADU Duplex Section

P 85



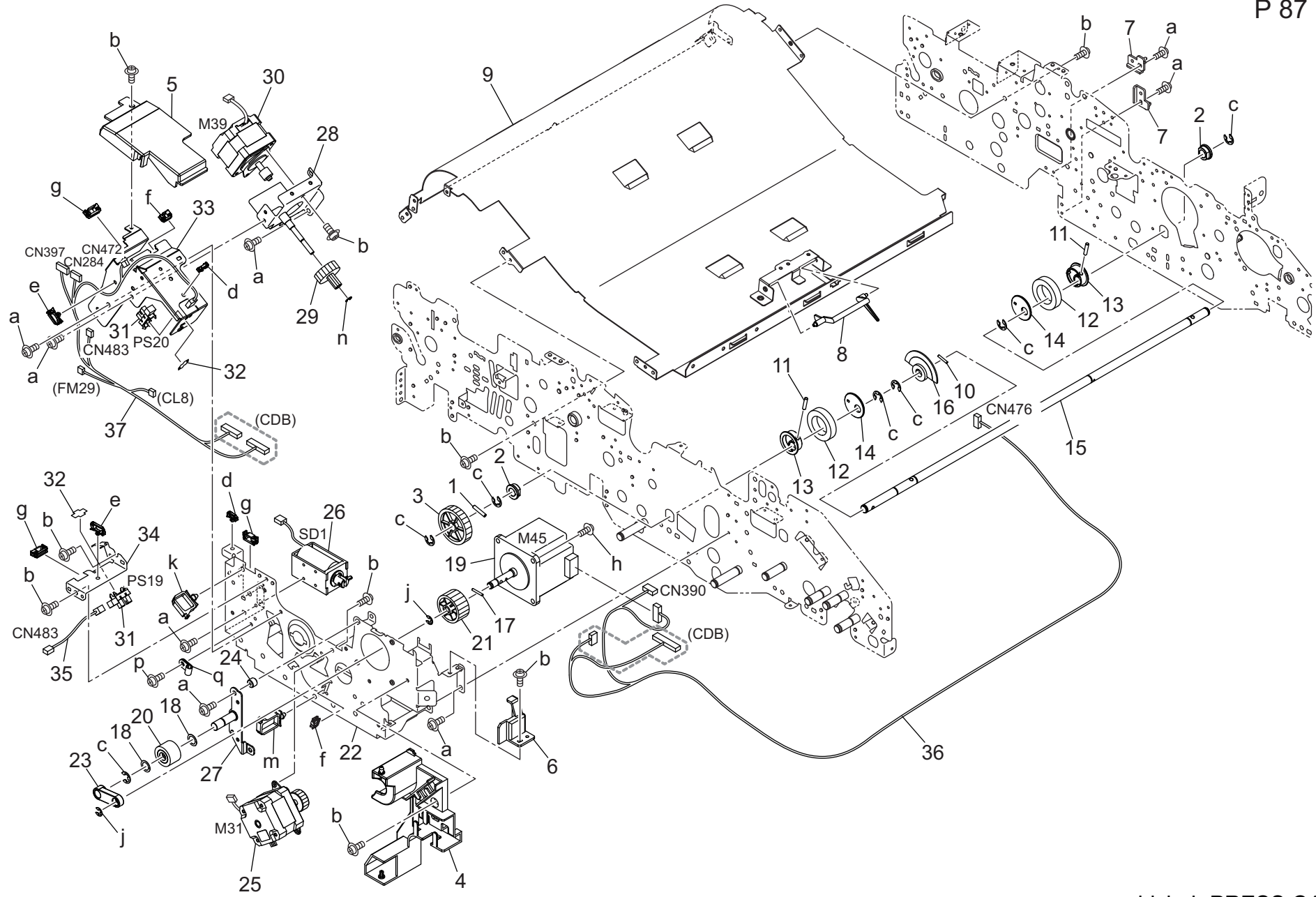
Key	Part No.	Description	Destinations	Class	QTY	Standard parts
1	56AA17480	PIN B	ピン B	C	2	a-V127030603
2	56AA17531	PIN A D2X10	ピン A D 2 X 1 0	C	1	b-V217060050
3	56AA42690	BY PASS FEED SPACER	手差しスペーサー	C	11	c-V500010008
4	56GA76010	SLIDE SHAFT HOLDER 2	滑り軸受 2	C	1	d-V500020099
5	65AA77540	PAPER FEED GEAR 2 29T	給紙歯車 2 2 9 T	C	1	e-V570010056
6	A00V240600	BALL BEARING	ボールベアリング	C	2	f-V127030803
7	A03U812800	Slide Shaft Holder	すべり軸受	B	6	g-V500010005
8	A03U815700	TORQUE LIMITER	トルクリミッタ	B	1	h-V500020100
9	A03U839000	BRAKE GEAR /1 21T	ブレーキギア / 1 2 1 T	C	1	j-V116030603
10	A1DUR73K00	Powering Block A Assy	給電ブロック / A 部組	C	1	k-V207060003
11	A50U816103	Positioning Side plate /Right	位置決め側板 / 右	D	1	m-V217050050
12	A50U818000	Drive Gear /1 38/29/29T	駆動ギア / 1 3 8 / 2 9 / 2 9 T	C	2	n-V570010058
13	A50U818100	Drive Gear /1 39T	駆動ギア / 1 3 9 T	C	1	
14	A50U835400	Guide Part /Front	ガイド部材 / 前	D	1	
15	A50U836400	Conveyance Idler /Right	搬送アイドラ / 右	D	1	
16	A50U836500	Conveyance Idler /Right	搬送アイドラ / 右	D	2	
17	A50U839100	Belt /4 243L	ベルト / 4 2 4 3 L	C	1	
18	A50U839200	Belt /3 342L	ベルト / 3 3 4 2 L	C	1	
19	A50U855900	Cover Board /Left Front	カバー基板 / 左前 (基板)	D	1	
20	A50U858600	Stopper Plate	ストッパ板	D	2	
21	A50U880701	Packing Board /Front	包装基板 / 前	D	1	
22	A50U885100	Drive Spacer	駆動スペーサ	D	1	
23	A50U817400	Mounting Side plate /1	取付側板 / 1	D	1	
24	A50UN15001	ADU Drive harness /1	A D U 駆動束線 / 1	D	1	
25	55VA15541	CLEANER COUPLING PART	クリーナーカップリング部材	C	1	
26	56AA17090	PRESSURE SPRING	押圧バネ	C	1	
27	A50U812100	Drive Input Shaft	駆動入力軸	D	1	
28	A50U810502	Mounting Board /1	取付基板 / 1	D	1	
29	A50U835900	Support Plate	支点板 (基板)	D	2	
30	A50U836000	Cover	カバー (基板)	D	1	
31	A50UH05002	Conveyance Drive board ASSY	搬送駆動基板 A S S Y	I	1	
32	A50UN17200	ADU Drive harness /7	A D U 駆動束線 / 7	D	1	
33	A50UF82200	Power Supply Block / B ASSY	給電ブロック / B A S S Y	D	1	
34	A50U835301	Mounting Board /2	取付基板 / 2	D	1	
35	A50UN15601	ADU Control harness /1	A D U 制御束線 / 1	D	1	
36	A50UN18801	ADU Control harness /2	A D U 制御束線 / 2	D	1	
37	A50UN25400	HV Relay harness /5	高圧中継束線 / 5	D	1	
38	A50UN25600	HV Relay harness /6	高圧中継束線 / 6	D	1	



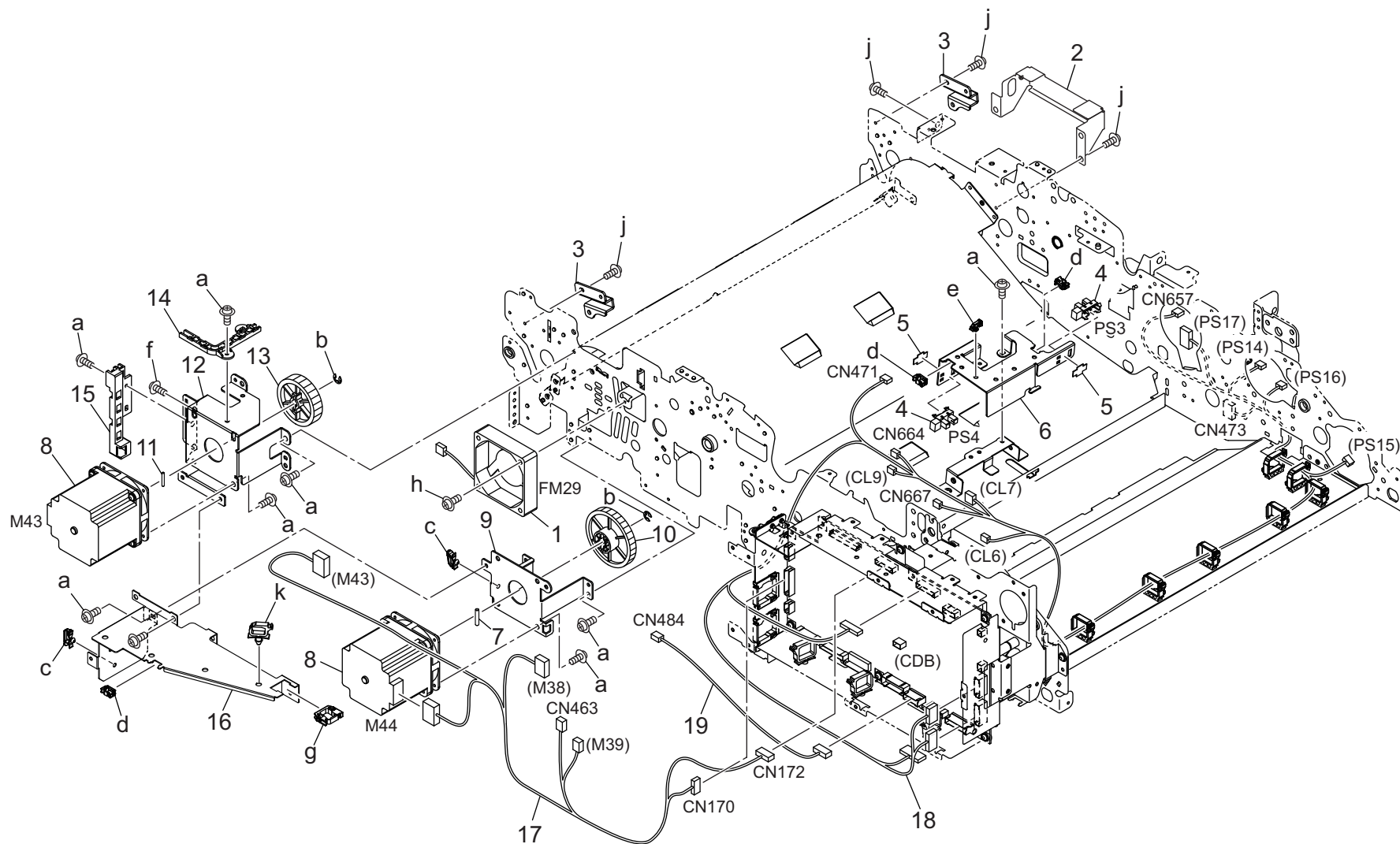
Key	Part No.	Description	Destinations	Class	QTY	Standard parts
1	462076010	DRIVING SLIDE SHAFT HOLDER A	駆動滑り軸受 A	C	3	a-V127030603
2	55VA42120	SHAFT STOPPER	軸ストッパー	C	4	b-V217080050
3	56AA17471	PIN B 3X12	ピン B 3 X 1 2	C	1	c-V217030050
4	56AA17551	PIN A	ピン A	C	4	d-V121030403
5	56AA42690	BY PASS FEED SPACER	手差しスペーサー	C	8	e-V121041203
6	56AA50670	CAM STOPPER SPRING	カムストッパーバネ	C	1	f-V217060050
7	56AA50800	LEVER SUPPORT SHAFT HOLDER	レバー支持軸受	C	1	
8	56AA77530	Paper Feed Drive Belt /1 336L	給紙駆動ベルト / 1 3 3 6 L	C	1	
9	56AA82012	PAPER FEED DRIVING CLUTCH	給紙駆動クラッチ	B	2	
10	A00J617900	Ball Bearing	ボールベアリング	B	2	
11	A00V240600	BALL BEARING	ボールベアリング	C	6	
12	A03U812800	Slide Shaft Holder	すべり軸受	B	5	
13	A03U838900	BRAKE GEAR /2 24T	ブレーキギア / 2 2 4 T	C	1	
14	A03UM20100	Clutch /1	クラッチ / 1	B	2	
15	A03X565001	Swing Spring	首振りばね	C	1	
16	A1RG681400	Brake Plate /8	ブレーキ板 / 8	D	1	
17	A50U812202	ADU Conveying Roller /Right	A D U 搬送ローラ / 右	C	2	
18	A50U817300	Holding Collar	押さえカラ	D	3	
19	A50U818501	Pulley /2	プーリ / 2	D	4	
20	A50U830200	Positioning Part /Rear	位置決め部材 / 奥	D	1	
21	A50U830300	Regulating Part /Rear	規制部材 / 奥	D	1	
22	A50U830400	Hold Plate /Assy	保持板 / A s s y	D	1	
23	A50U831900	Pulling Spring	引張りばね (ロックレバー)	D	1	
24	A50U839200	Belt /3 342L	ベルト / 3 3 4 2 L	C	1	
25	A50U849100	Roller /1	ローラ / 1	C	1	
26	A50U849200	Roller /2	ローラ / 2	C	1	
27	A50U859000	Roller	ローラ	C	1	
28	A50U859400	Roller /3	ローラ / 3	C	1	
29	25AA47500	CARRIAGE LOCK CLAW B	架台ロック爪 B	C	1	
30	56AA17461	PIN A	ピン A	B	2	
31	A50U830500	Reinforce Plate /1	補強板 / 1	D	1	
32	A50U830600	Lock Plate	ロック板	D	1	
33	A50U830700	Support Shaft	支持軸	D	1	
34	A50U830800	Lock Bushing	ロックすべり軸受	D	1	
35	A50U831000	Release Cam	解除カム	D	1	
36	A50U831100	Release Plate	解除板	D	1	
37	A50U831200	Release Shaft /1	解除軸 / 1	D	1	
38	A50UR72E00	Release Shaft Pin Assy	解除軸ピン A s s y	D	1	
39	12QV40650	SPACER	スペーサー	B	4	

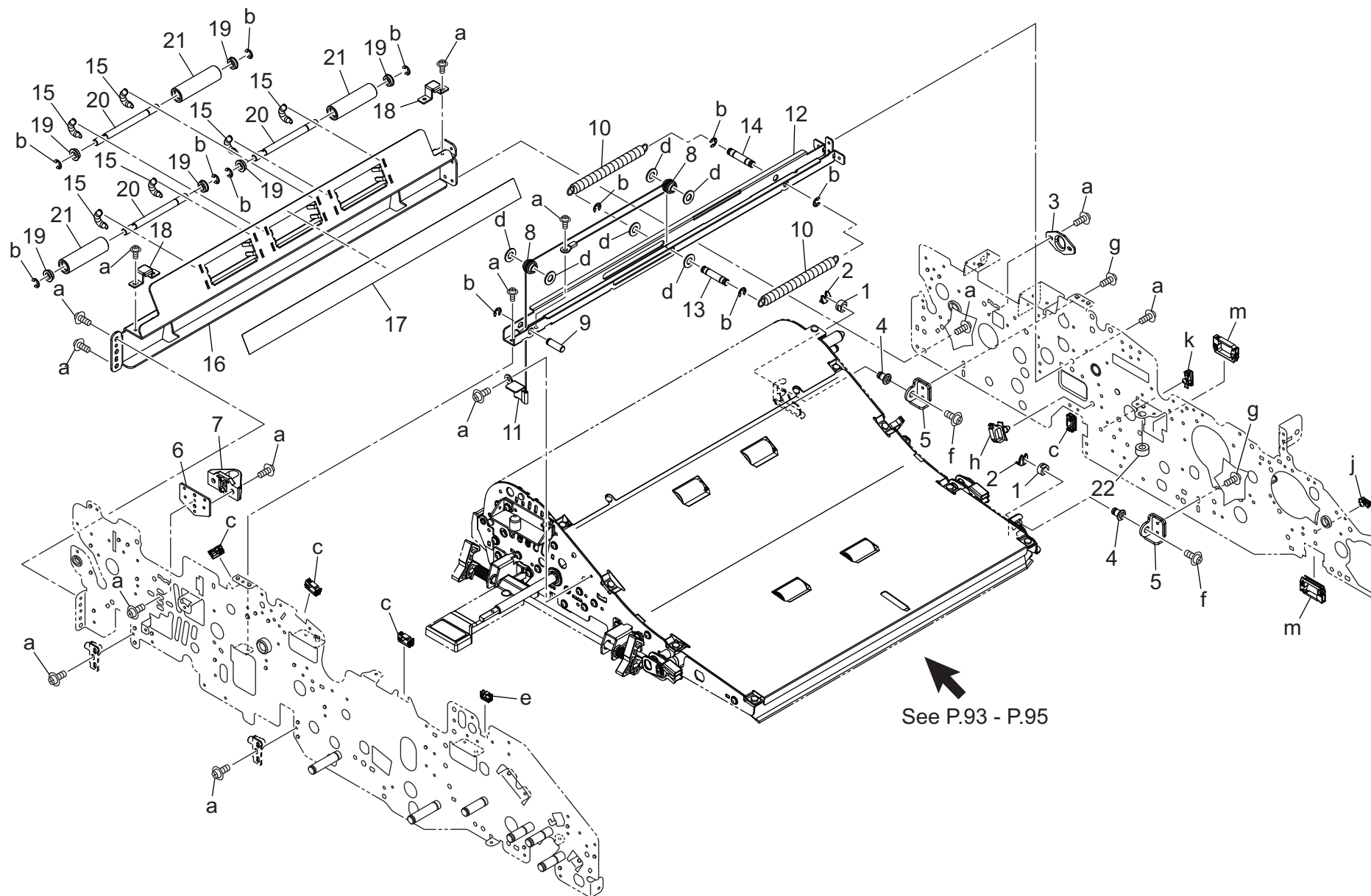
ADU Duplex Section

P 87



Key	Part No.	Description	Destinations	Class	QTY	Standard parts
1	56AA17461	PIN A	ピン A	B	1	a-V121030403
2	A03U812800	Slide Shaft Holder	すべり軸受	B	2	b-V127030603
3	A50U713900	Registration Gear /2 48T	レジストギア/2 48 T	C	1	c-V217060050
4	A50U835601	Drive Cover	駆動カバー	D	1	d-V500020099
5	A50U836100	Cover	カバー (ハーネス)	D	1	e-V500020100
6	A50U882300	Protection Cover	保護カバー	D	1	f-V570010056
7	A50U883501	Protection Plate	保護プレート	D	2	g-V570010057
8	65AA51730	ADU 2	A D U センサ 2	C	1	h-V127030803
9	A50U840101	Guide Plate /1	ガイド板/1	D	1	j-V217040050
10	56AA17321	PIN A D2X12	ピン A D 2 X 1 2	B	1	k-V500010008
11	56AA17480	PIN B	ピン B	C	2	m-V500010013
12	A0TK341300	Ball Bearing /Rear	ボールベアリング/奥	C	2	n-V217030050
13	A50U714800	Pressure Cam	圧着カム	D	2	p-V116030603
14	A50U714900	Spacer	スペーサ	D	2	q-V500020069
15	A50U715100	Pressure Shaft /2	圧着軸/2	D	1	
16	A50U715200	Pressure Actuator	圧着アクチュエータ	D	1	
17	56AA17551	PIN A	ピン A	C	1	
18	56AA42690	BY PASS FEED SPACER	手差しスペーサー	C	2	
19	65AA80112	HB Motor /50	HB モータ/50	B	1	
20	A50U713700	Registration Idler /1	レジストアイドル/1	D	1	
21	A50U713800	Registration Gear /1 56T	レジストギア/1 56 T	C	1	
22	A50U715001	Mounting Lever /1	取付レバー/1	D	1	
23	A50U882600	Registration ring /Front	レジストリング/前	D	1	
24	A50U883300	Idling Shaft /1	アイドル軸/1	D	1	
25	A50UR72F00	Motor Assy	モータ A s s y	C	1	
26	A50UR72G00	ADU Connecting Solenoid Pin Assy	A D U 連結ソレノイドピン A s s y	C	1	
27	A50UF81401	Adjusting Plate Caulking	調整板カンメ	D	1	
28	A50U713300	Swing Side plate /Assy	揺動側板/ A s s y	D	1	
29	A50U713500	Swing Gear /1 18/51T	揺動ギア/1 18/51 T	C	1	
30	A50UR72H00	Stepping Motor /3 Assy	ステッピングモータ/3 A s s y	C	1	
31	08AA85512	Photo Sensor	フォトセンサ	B	2	
32	4470402401	STOPPER	ストッパ	D	2	
33	A50U713401	Swing Side plate /2	揺動側板/2	D	1	
34	A50U819700	Cover	センサ蓋	D	1	
35	A50UN18900	ADU Detection harness /14	A D U 検知束線/14	D	1	
36	A50UN16500	ADU Drive harness /6	A D U 駆動束線/6	D	1	
37	A50UN18201	ADU Drive harness /12	A D U 駆動束線/12	D	1	

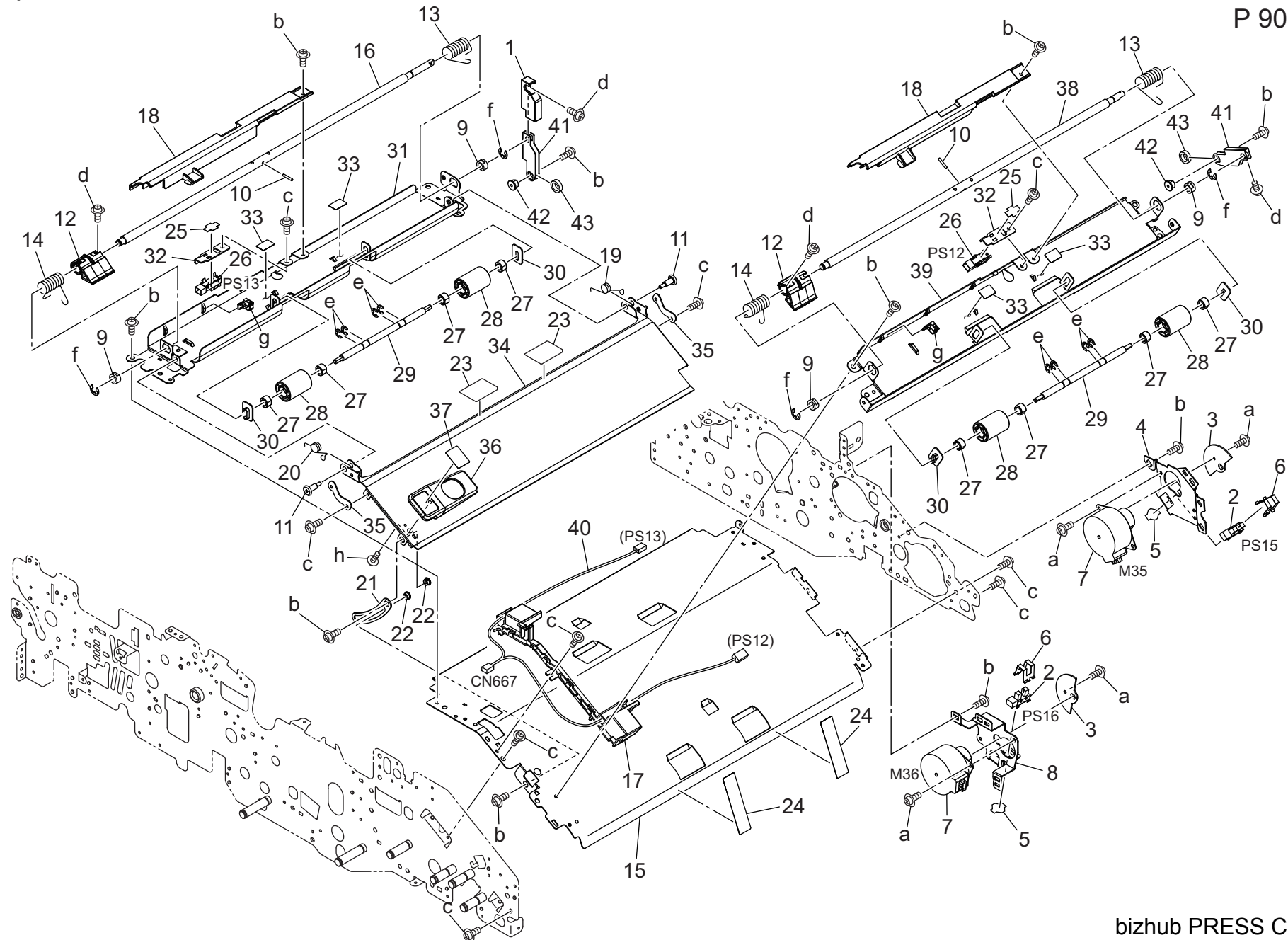




See P.93 - P.95

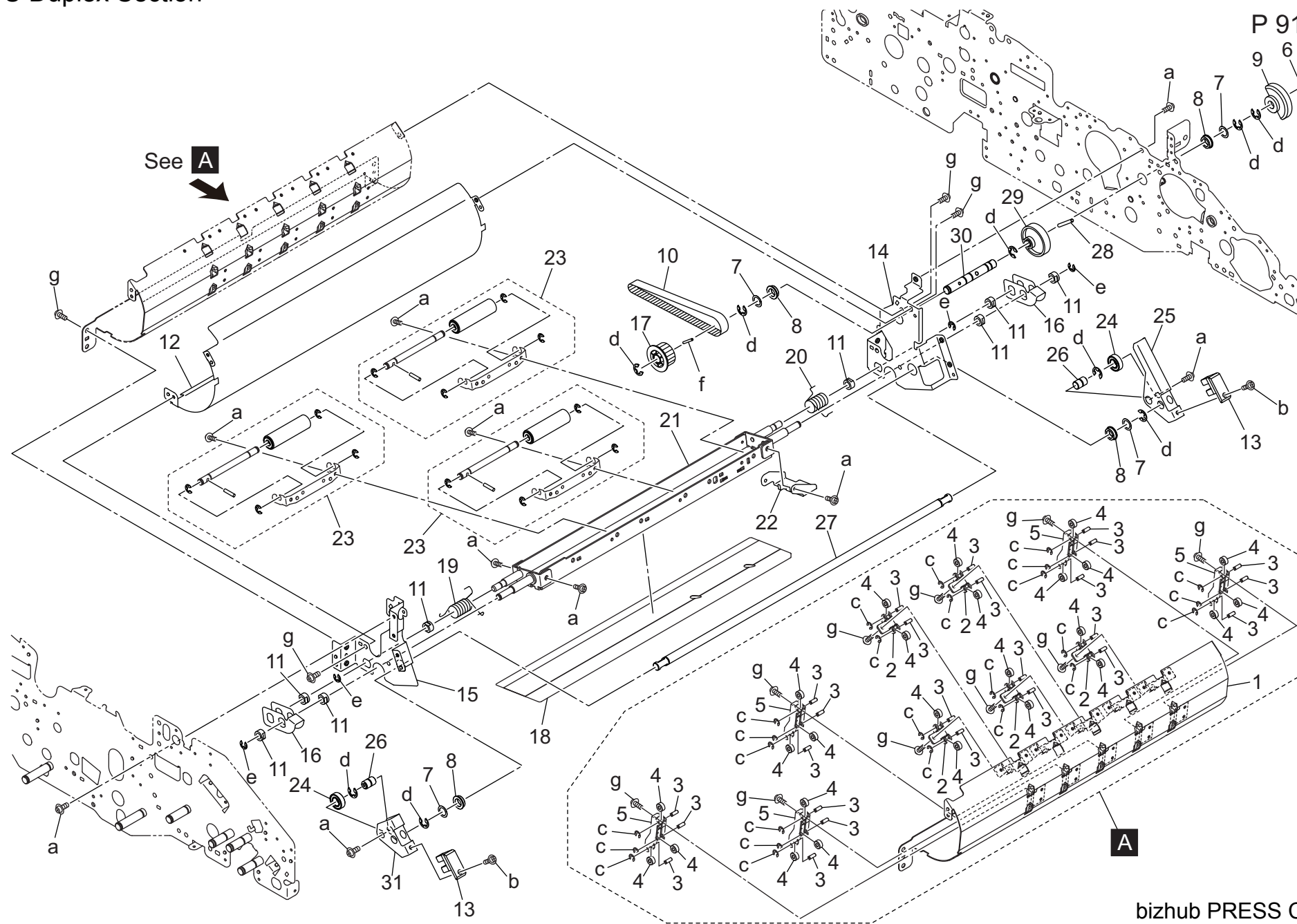
ADU Duplex Section

P 90



Key	Part No.	Description	Destinations	Class	QTY	Standard parts
1	A50U715800	Protection Cover		D	1	a-V118030403
2	08AA85512	Photo Sensor		B	2	b-V121030403
3	A50U816700	Light blocking Plate /1		D	2	c-V127030603
4	A50U816800	Drive Side plate /1		D	1	d-V127030803
5	A50U882100	Stopper Plate		D	2	e-V217040050
6	A50U883600	Guide /1		D	2	f-V217050050
7	A50UR72600	Drive Motor / 1 Assy		C	2	g-V500010057
8	A50U816900	Drive Side plate /2		D	1	h-V151040803
9	4131253701	BUSHING		C	4	
10	56AA17321	PIN A D2X12		B	2	
11	A0P0144300	Shoulder screw		D	2	
12	A50U714600	Lever		D	2	
13	A50U718400	Pressing Spring /Rear		D	2	
14	A50U718500	Pressing Spring /Front		D	2	
15	A50U816301	Conveyance Guide /Lower		D	1	
16	A50U818601	Release Shaft /2		D	1	
17	A50U833400	Protection Cover /1		D	1	
18	A50U833500	Protection Cover /2		D	2	
19	A50U834500	Pressing Spring /Left		D	1	
20	A50U834600	Pressing Spring /Right		D	1	
21	A50U881600	Processing Guide /1		D	1	
22	A50U881700	Support Screw /A		D	2	
23	A50U886300	Sheet		D	2	
24	A50U886400	Conveyance Guide /3		D	2	
25	4470402401	STOPPER		D	2	
26	9335140071	SOLID STATE SWITCH		B	2	
27	A03U850101	Slide Bushing		C	8	
28	A50U712200	Idler Roll /1		D	4	
29	A50U712300	Idler Shaft /1		D	2	
30	A50U712400	Receiving Shaft /1		D	4	
31	A50U817600	Guide Plate		D	1	
32	A50U836200	Plate /23		D	2	
33	A50U880900	Guide Sheet /Side		D	4	
34	A50U817800	Guide Plate /Middle		D	1	
35	A50U834700	Reinforce Plate /A		D	2	
36	A50U880800	Processing Lever		D	1	
37	A50U943200	Release Label /2		D	1	
38	A50U818201	Release Shaft /1		D	1	
39	A50U818400	Guide Plate /Right		D	1	
40	A50UN17900	ADU Detection harness /13		D	1	
41	A50U715300	Pressure Lever /25		D	2	
42	A50U715600	Support Shaft /2		D	2	
43	A50U716500	Ball Bearing		C	2	

ADU Duplex Section

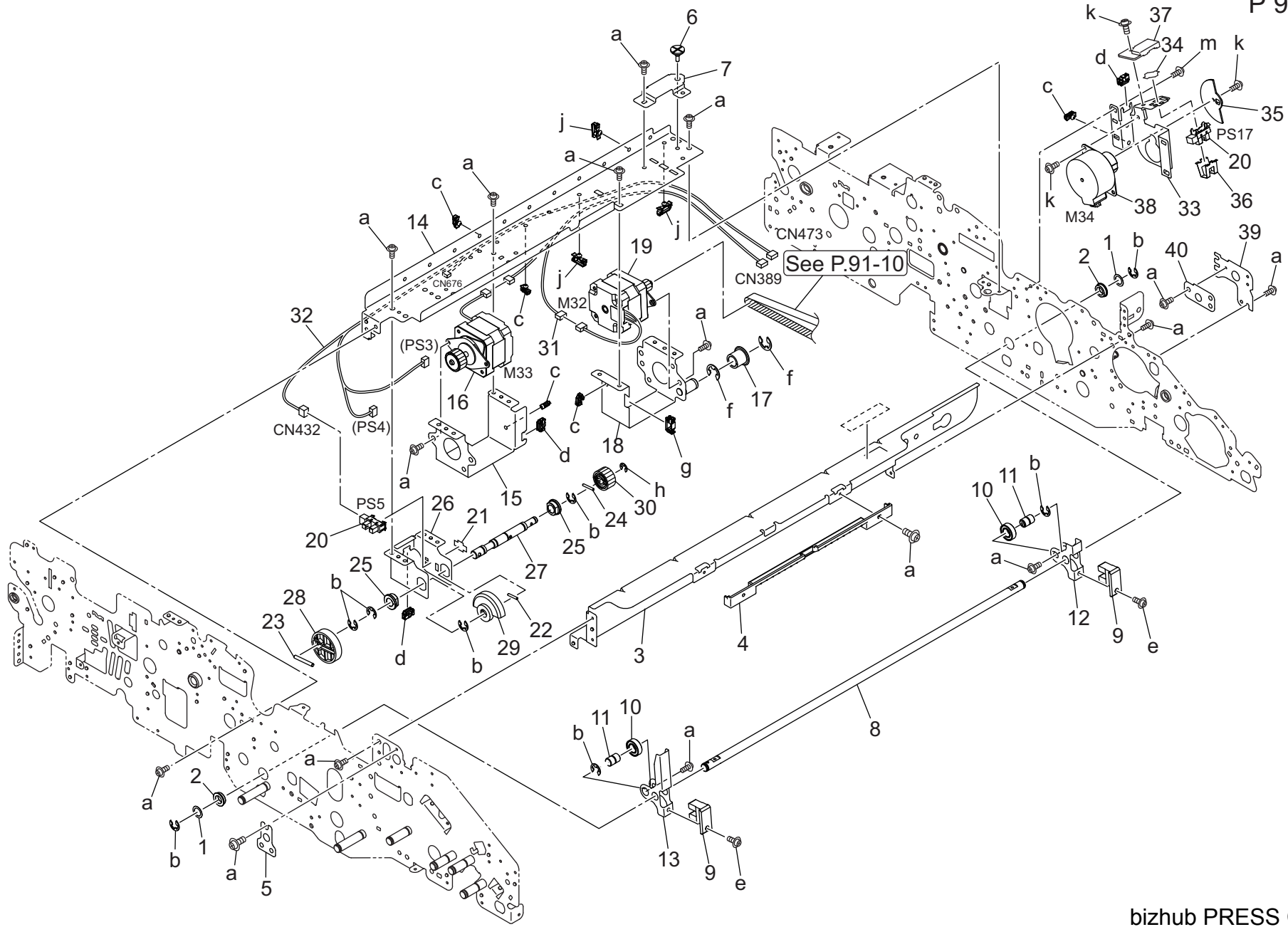


bizhub PRESS C1070

Key	Part No.	Description	Destinations	Class	QTY	Standard parts
1	A50U840801	Guide Plate /2		D	1	a-V127030603 b-V127030803 c-V217020050 d-V217060050 e-V217040050 f-V231201650 g-V121030403
2	A50U854200	Roller Base frame /2		D	5	
3	A50U854400	Fixing Shaft		D	25	
4	A50U854800	Conveyance Roll		D	25	
5	A50U854301	Roller Base frame /1		D	5	
6	56AA17321	PIN A D2X12		B	1	
7	56AA42690	BY PASS FEED SPACER		C	4	
8	A00J617900	Ball Bearing		B	4	
9	A50U853200	Pressure Actuator		D	1	
10	A50U859800	Belt /1 280L		C	1	
11	4131253701	BUSHING		C	8	
12	A50U840303	Guide Plate /3		D	1	
13	A50U851800	Reinforce Block		D	2	
14	A50U852902	Release Plate /4		D	1	
15	A50U853000	Release Plate /5		D	1	
16	A50U853700	Release Plate /7		D	2	
17	A50U859500	Pulley /2		D	1	
18	A50U880102	Conveyance Guide /1		D	1	
19	A50U881300	Torsion Coil spring		D	1	
20	A50U881400	Torsion Coil spring		D	1	
21	A50U841401	Release Plate /10		D	1	
22	A50U856201	Support Plate		D	1	
23	A50UR73200	Idler Shaft /F Assy		D	3	
24	A1RF820000	Ball Bearing		C	2	
25	A50U851400	Release Plate /Rear		D	1	
26	A50U851500	Shaft		D	2	
27	A50U852000	Release Shaft /4		D	1	
28	56AA17490	PIN		C	1	
29	A50U852500	Cam		D	1	
30	A50U852700	Release Shaft /3		D	1	
31	A50U851700	Release Plate		D	1	

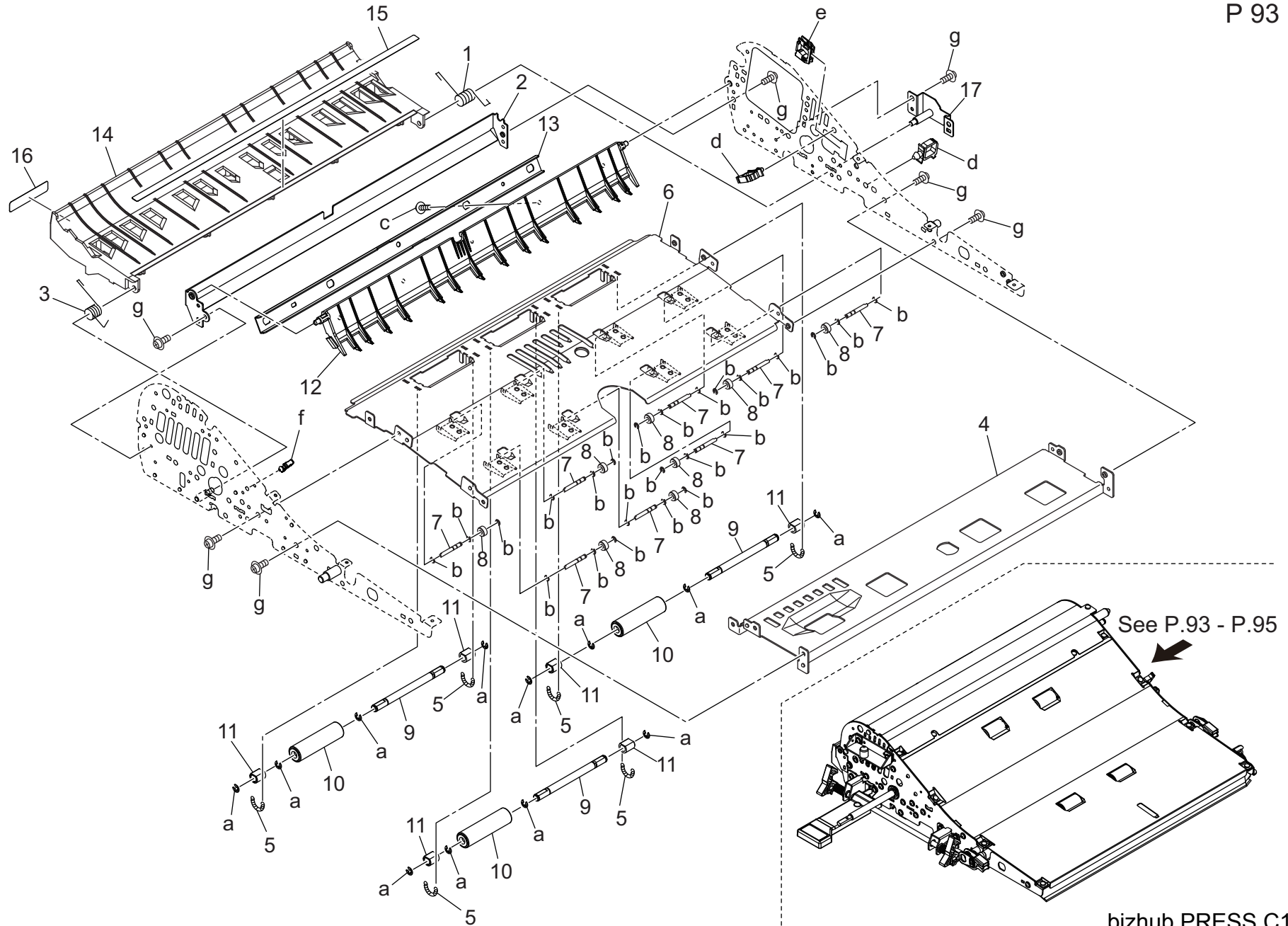
ADU Duplex Section

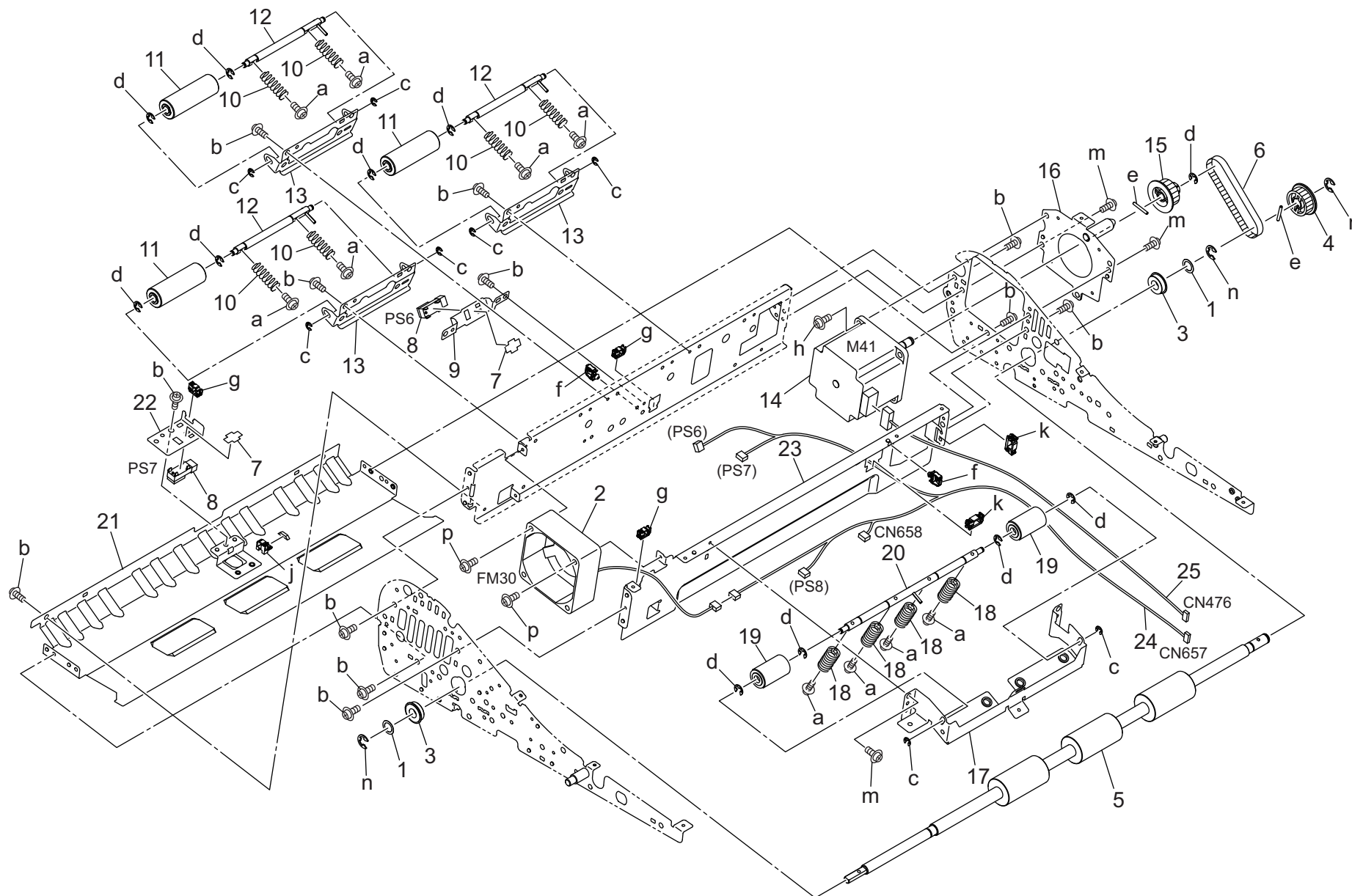
P 92

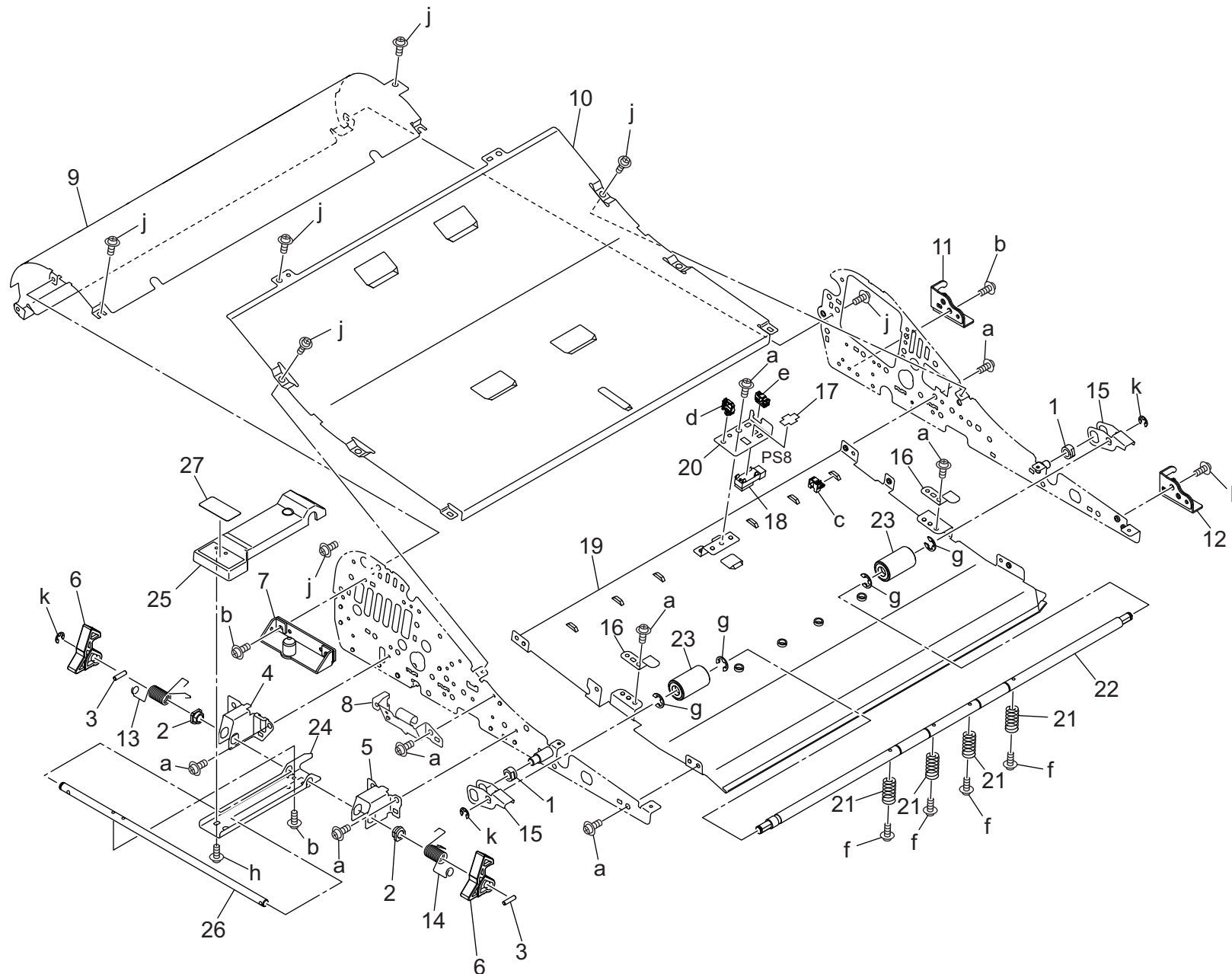


Key	Part No.	Description	Destinations	Class	QTY	Standard parts
1	56AA42690	BY PASS FEED SPACER		C	2	a-V127030603
2	A00J617900	Ball Bearing		B	2	b-V217060050
3	A50U816400	Hold Stay /Right		D	1	c-V500020099
4	A50U882900	Handle		D	1	d-V570010056
5	A50U883200	Positioning Plate /Front		D	1	e-V127030803
6	A50U884000	Registration Screw		D	1	f-V217080050
7	A50U884300	Registration Plate		D	1	g-V570010057
8	A50U850700	Release Shaft /2		D	1	h-V217040050
9	A50U851800	Reinforce Block		D	2	j-V500020100
10	A1RF820000	Ball Bearing		C	2	k-V118030403
11	A50U851500	Shaft		D	2	m-V121030403
12	A50U853100	Release Plate /6		D	1	
13	A50U852200	Release Plate /3		D	1	
14	A50U851901	Mounting Plate /1		D	1	
15	A50U852101	Mounting Plate /2		D	1	
16	A50UR72400	Stepping Motor / 2 Assy		C	1	
17	A50U836800	Tension Pulley /B		D	1	
18	A50U858701	Mounting Plate /3		D	1	
19	A50UR72500	Stepping Motor / 1 Assy		C	1	
20	08AA85512	Photo Sensor		B	2	
21	4470402401	STOPPER		D	1	
22	56AA17321	PIN A D2X12		B	1	
23	56AA17490	PIN		C	1	
24	56AA17551	PIN A		C	1	
25	A03U812800	Slide Shaft Holder		B	2	
26	A50U852300	Mounting Plate /3		D	1	
27	A50U852400	Release Shaft /1		D	1	
28	A50U852500	Cam		D	1	
29	A50U853200	Pressure Actuator		D	1	
30	A50U854600	Release Gear /1 24 T		C	1	
31	A50UN15900	ADU Drive harness /3		D	1	
32	A50UN18100	ADU Detection harness /10		D	1	
33	A50U715400	Pressure Side plate /1		D	1	
34	A50U882100	Stopper Plate		D	1	
35	A50U883400	Light blocking Plate		D	1	
36	A50U883600	Guide /1		D	1	
37	A50U883701	Protection Cover /1		D	1	
38	A50UR72600	Drive Motor / 1 Assy		C	1	
39	A50U883001	Positioning Side plate /Rear		D	1	
40	A50U883101	Positioning Plate /Rear		D	1	

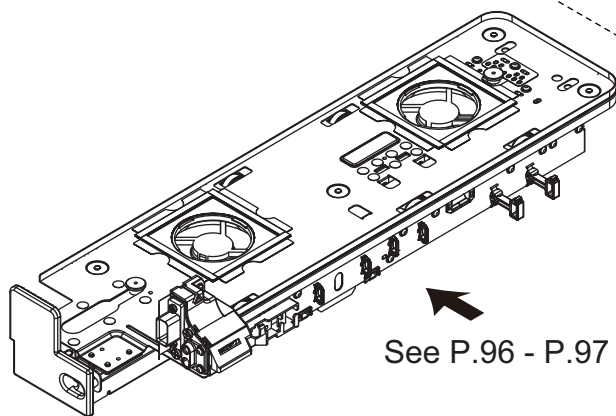
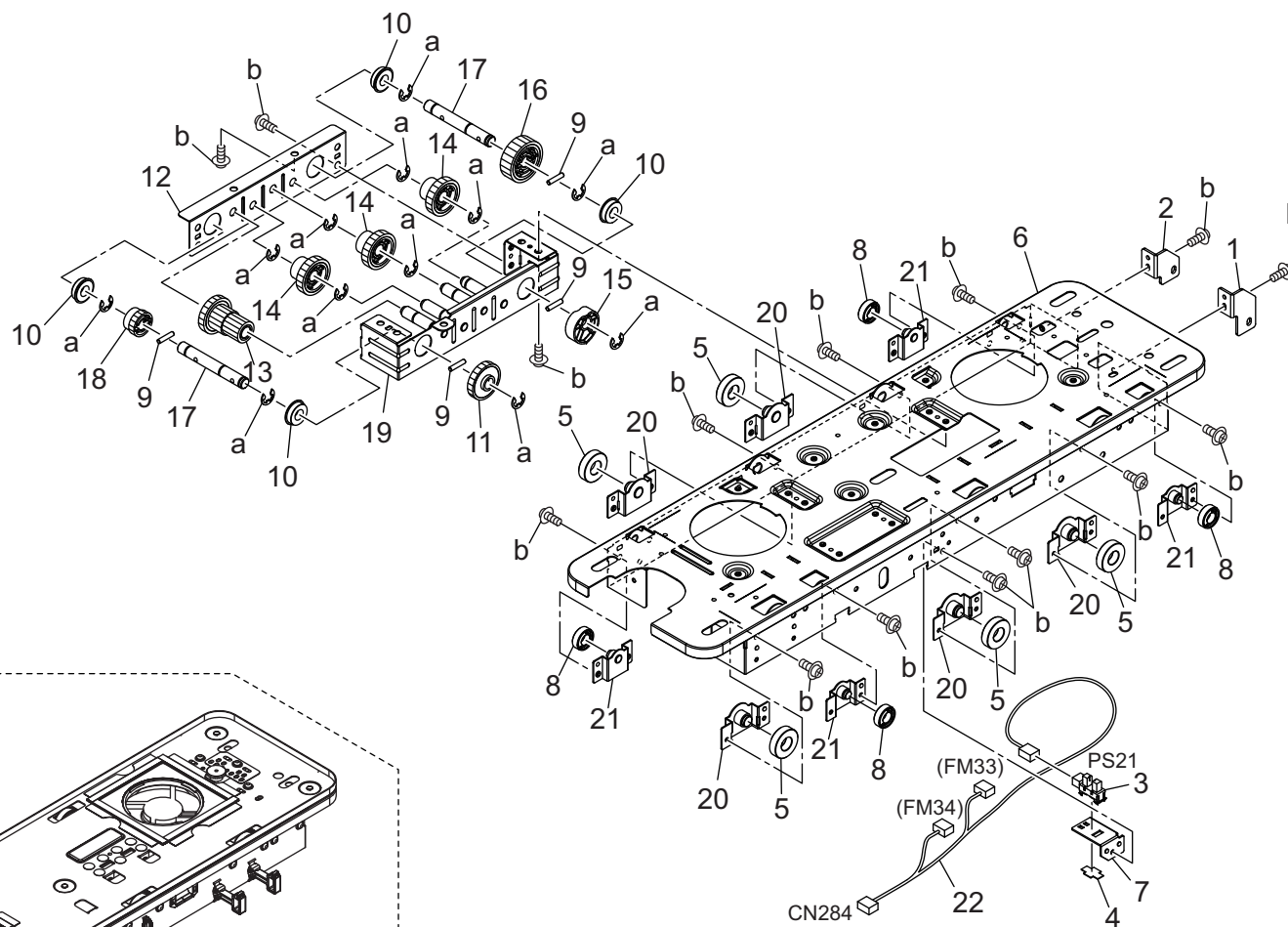
ADU Duplex Section

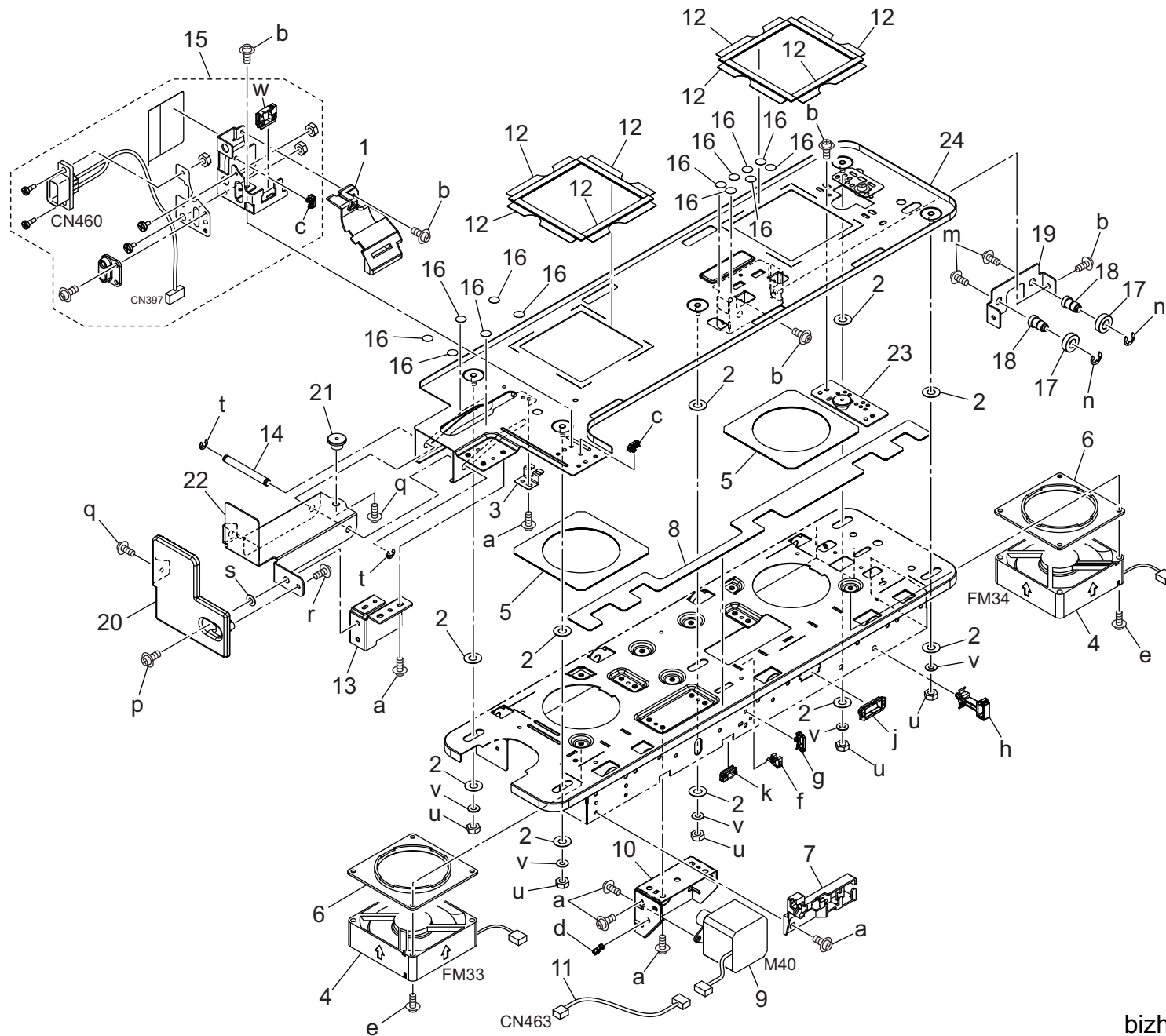






Key	Part No.	Description	Destinations	Class	QTY	Standard parts
1	4131253701	BUSHING		C	2	a-V121030403
2	466076020	PAPER FEED SHAFT HOLDER		B	2	b-V127030603
3	56AA17471	PIN B 3X12		C	2	c-V500010057
4	A03U844200	Mounting Plate /Left		D	1	d-V500020098
5	A03U844300	Mounting Plate /Right		D	1	e-V570010056
6	A03U844700	Lock Claw		C	2	f-V118030603
7	A03UF84300	Mounting Plate /1 Caulking		D	1	g-V217060050
8	A50U840400	Mounting Plate		D	1	h-V151030803
9	A50U841700	Guide Plate /L		D	1	j-V118030403
10	A50U841800	Guide Plate /M		D	1	k-V217040050
11	A50U843601	Support Plate		D	1	
12	A50U843801	Support Plate /Right rear		D	1	
13	A50U844501	Open/close Spring /1		D	1	
14	A50U844601	Open/close Spring /2		D	1	
15	A50U854100	Release Plate /8		D	2	
16	A50U856501	Hold Plate		D	2	
17	4470402401	STOPPER		D	1	
18	9335140071	SOLID STATE SWITCH		B	1	
19	A50U841301	Guide Plate /G		D	1	
20	A50U850201	Mounting Plate /F		D	1	
21	A50U842900	Conveyance Spring /5		D	4	
22	A50U846000	Idler Shaft /E		D	1	
23	A50U853400	Pressure Roller		C	2	
24	A03U844802	Open/close Plate		D	1	
25	A03U844901	Open/close Lever		C	1	
26	A50U844400	Lock Shaft		D	1	
27	A50U943900	Release Label /9		D	1	

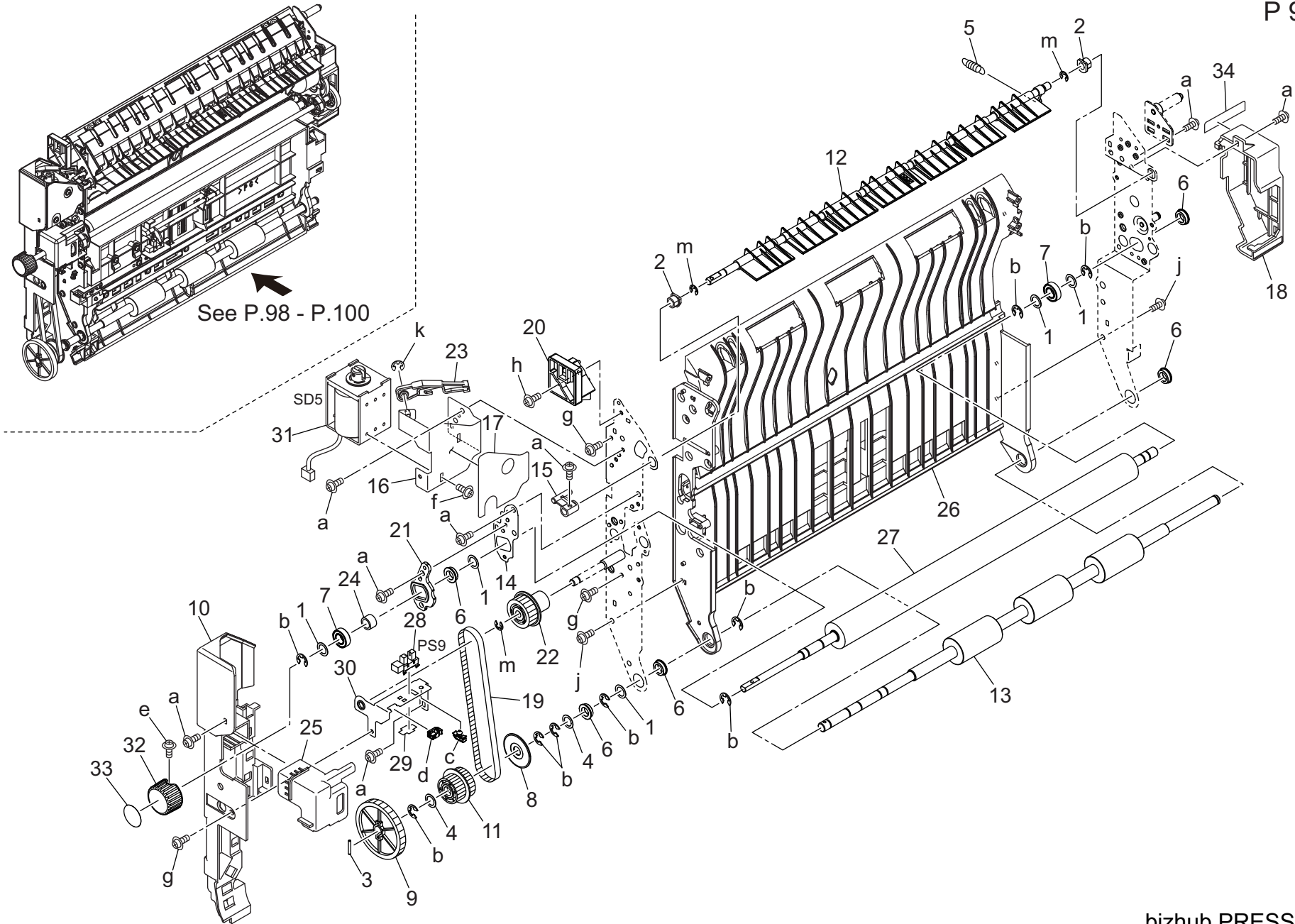




Key	Part No.	Description	Destinations	Class	QTY	Standard parts
1	A50U804701	Wiring Cover		D	1	a-V121030403
2	A00J191900	Washer		C	10	b-V127030603
3	A50U803700	Ground Plate		D	1	c-V500020098
4	4139M10000	FAN MOTOR		B	2	d-V500020099
5	A50U802600	Heat blocking Part /A		D	2	e-V118033003
6	A50U802900	Spacer		D	2	f-V500010057
7	A50U803800	Guide Part		D	1	g-V500020100
8	A50U804300	Heat blocking Part /C		D	1	h-V500020101
9	A00TM10000	Stepping motor		D	1	j-V570010037
10	A50U800100	Support Plate		B	1	k-V570010057
11	A50UN17700	ADU Drive harness /9		D	1	m-V127040803
12	A50U802700	Heat blocking Part /B		D	1	n-V217060050
13	A50U803300	Fusing Rail /A		D	8	p-V121041203
14	A50U803400	Positioning Shaft /1		D	1	q-V127030803
15	A50UR72200	Power Supply Guide Assy		D	1	r-V151030803
16	A50U805200	Protection Seal		D	1	s-V211040080
17	A0XV370300	Ball Bearing		D	1	t-V217040050
18	A50U802100	Positioning Shaft /B		D	13	u-V195040003
19	A50U803600	Holding Plate		C	2	v-V207040003
20	A50U802800	Handle		D	1	w-V570010060
21	A50U803101	Guide Pin /Front		D	2	
22	A50U803500	Positioning Plate /Front		D	1	
23	A50UR72300	Positioning Plate /2 Assy		D	1	
24	A50UF80404	Swing Plate Caulking		C	1	
				D	1	

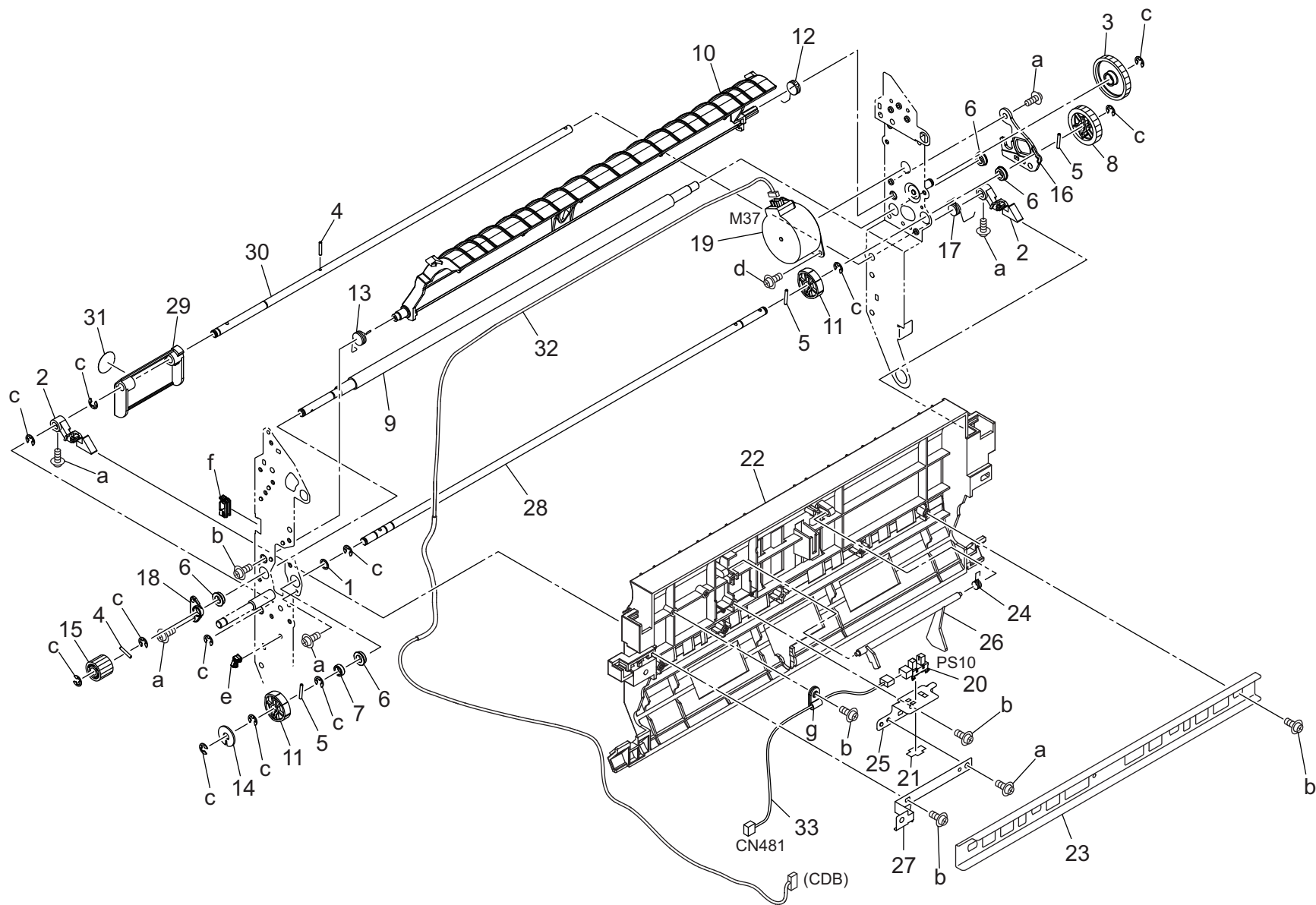
ADU Reverse And Exit Section

P 98



Key	Part No.	Description	Destinations	Class	QTY	Standard parts
1	13QA40610	Gear Spacer		C	5	a-V127030603
2	192141710	PAPER LIFT UP LEVER BUSHING		B	2	b-V217060050
3	56AA17551	PIN A		C	1	c-V500020099
4	56AA42690	BY PASS FEED SPACER		C	2	d-V570010056
5	65AA49270	PAPER EXIT OPEN SHUT SPRING 2		C	1	e-V118030603
6	A00J617900	Ball Bearing		B	5	f-V121030403
7	A1RF820000	Ball Bearing		C	2	g-V127030604
8	A50U817300	Holding Collar		D	1	h-V127031203
9	A50U819600	Reverse/Exit Gear /2 50 T		C	1	j-V151030803
10	A50U834302	Cover Part /2		D	1	k-V217030050
11	A50U838800	Drive Idler /1		D	1	m-V217040050
12	A50U861001	Swing Part		D	1	
13	A50U861800	Reverse/exit Roller /Lower		C	1	
14	A50U865300	Holding Plate		D	1	
15	A50U865702	Swing Arm		D	1	
16	A50U865900	Support Plate		D	1	
17	A50U866000	Insulating Sheet /1		D	1	
18	A50U866900	Drive Cover /1		D	1	
19	A50U867200	Belt /A 324L		C	1	
20	A50U867400	Positioning Part		D	1	
21	A50U867500	Fixing Plate /1		D	1	
22	A50U867600	Reverse/Exit Gear /1 20T		C	1	
23	A50U867800	Positioning Plate /1		D	1	
24	A50U869400	Collar		D	1	
25	A50U869501	Cover		D	1	
26	A50U860104	Guide Plate /A		D	1	
27	A50U860501	Paper exit Roller /Middle		C	1	
28	08AA85512	Photo Sensor		B	1	
29	4470402401	STOPPER		D	1	
30	A50U867301	Fixing Plate /1		D	1	
31	A50UR72800	ADU Solenoid Pin Assy		C	1	
32	14GE45470	Rotation Knob		C	1	
33	A50U943800	Release Label /8		D	1	
34	65AA42370	SLIDE PART 1		D	1	

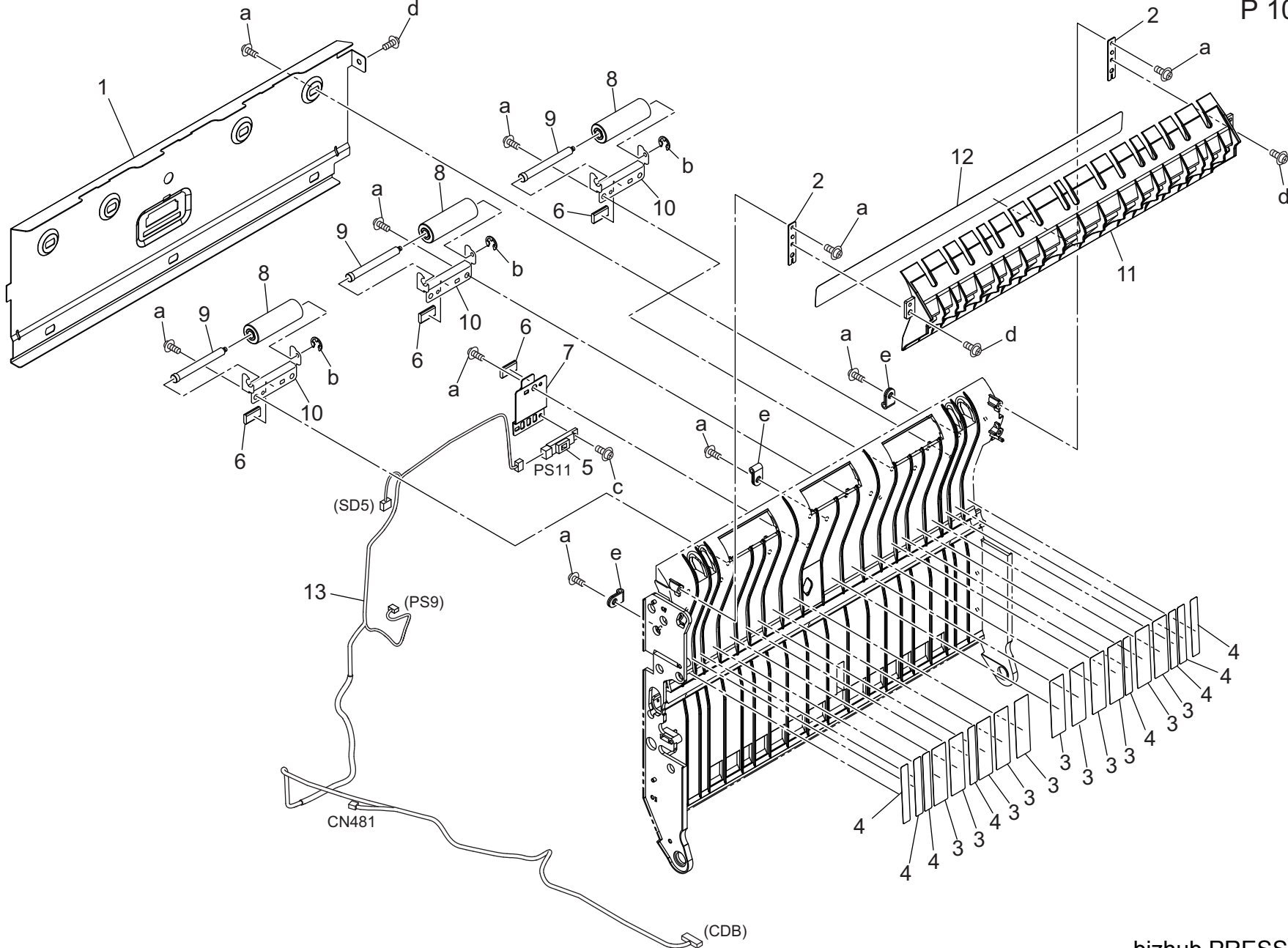
ADU Reverse And Exit Section



Key	Part No.	Description	Destinations	Class	QTY	Standard parts
1	40AA30270	DEVELOPING SPACER		C	1	a-V127030603
2	40AA46261	LOCK CLAW F		B	2	b-V151030803
3	40AA77550	Mirror Drive Gear /2 14/70T		C	1	c-V217040050
4	56AA17321	PIN A D2X12		B	2	d-V118030403
5	56AA17551	PIN A		C	3	e-V500020099
6	A00J617800	BALL BEARING		C	4	f-V570010057
7	A1RF863800	Collar		D	1	g-V500020002
8	A1RJ818800	Drive Gear /8 29T		C	1	
9	A50U860600	Reverse/exit Shaft		D	1	
10	A50U861200	Guide Plate /4		D	1	
11	A50U861600	Positioning Cam		D	2	
12	A50U864200	Reverse/Exit Spring /Rear		D	1	
13	A50U864300	Reverse/Exit Spring /Front		D	1	
14	A50U865400	Positioning		D	1	
15	A50U867100	Reverse/Exit Gear /A 20T		C	1	
16	A50U867700	Fixing Plate /2		D	1	
17	A50U868401	Open/close Spring /1		D	1	
18	A50U869700	Fixing Collar /1		D	1	
19	A50UR72700	Drive Motor / 1 Assy		C	1	
20	08AA85512	Photo Sensor		B	1	
21	4470402401	STOPPER		D	1	
22	A50U860202	Guide Plate /B		D	1	
23	A50U868000	Reinforce Plate /A		D	1	
24	A50U868702	Spring /1		D	1	
25	A50U869300	Mounting Stay		D	1	
26	A50U869601	Arm /1		D	1	
27	A50U869800	Ground Plate /1		D	1	
28	A50U865100	Pressing Shaft		D	1	
29	65AA49410	PAPER EXIT HANDLE		C	1	
30	A50U865601	Lock Shaft /A		D	1	
31	A50U943600	Release Label /6		D	1	
32	A50UN17601	ADU Drive harness /8		D	1	
33	A50UN18401	ADU Detection harness /12		D	1	

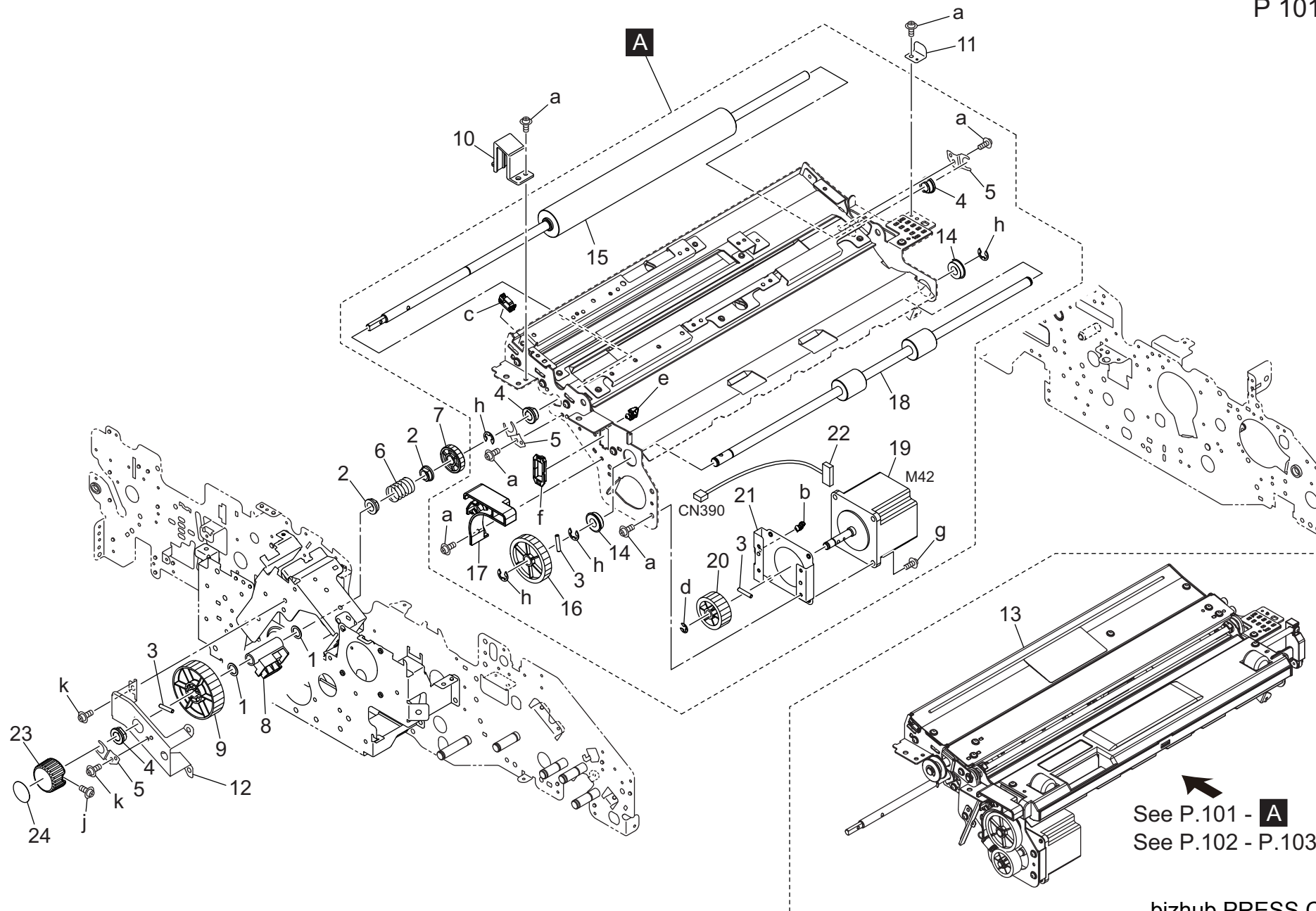
ADU Reverse And Exit Section

P 100



ADU Reverse And Exit Section

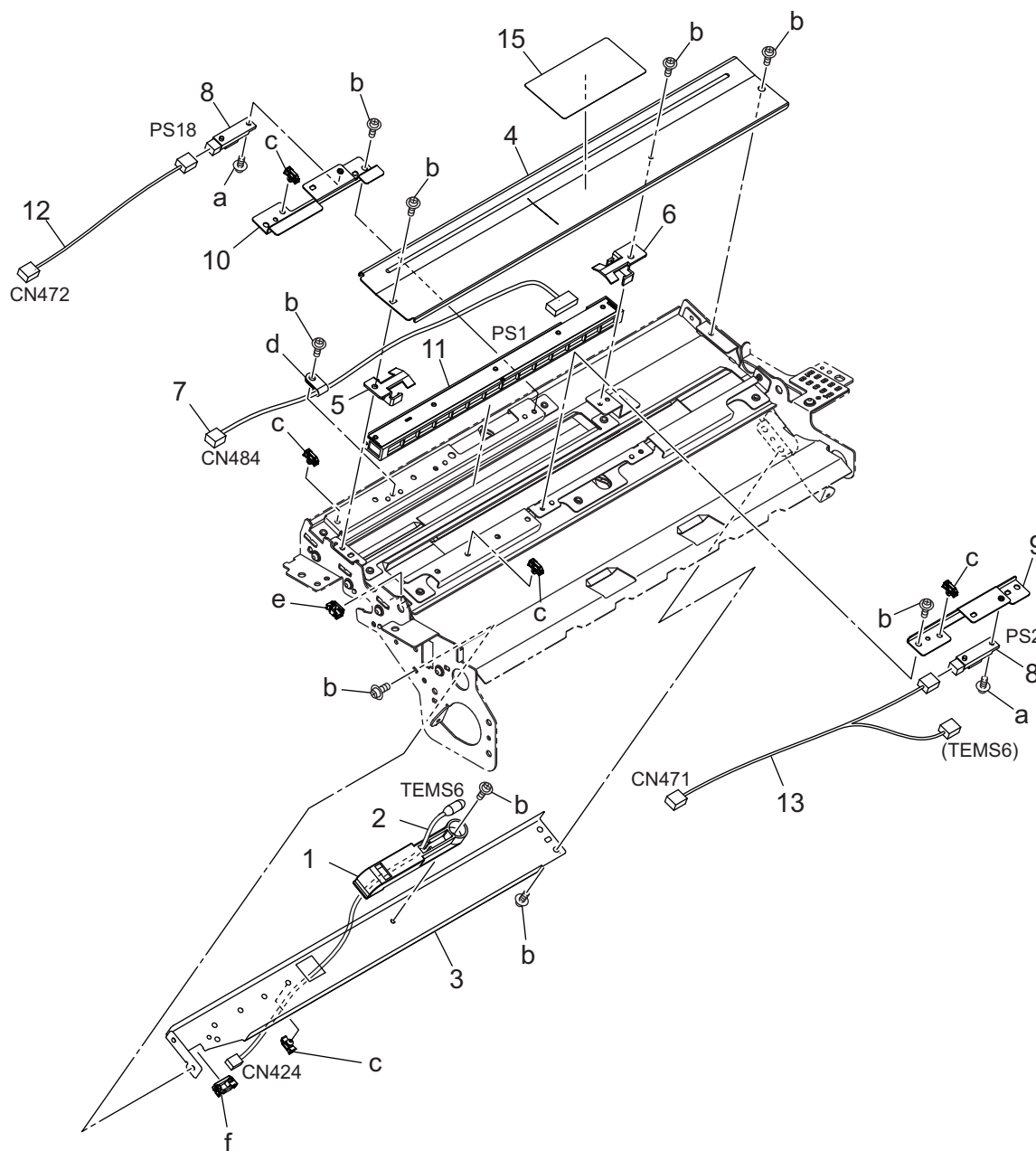
Key	Part No.	Description	Destinations	Class	QTY	Standard parts
1	A50U862600	Reinforce Plate /3		D	1	a-V151030803 b-V217020050 c-V118030403 d-V127030603 e-V500020002
2	A50U865200	Positioning Plate /1		D	2	
3	A50U868200	Guide Sheet /1		D	11	
4	A50U868301	Guide Sheet /2		D	8	
5	13QA85511	Sensor 1		B	1	
6	A1RF877100	Ground Part		D	4	
7	A50U861900	Fixing Plate		D	1	
8	A03U845601	Idler Roller /2		C	3	
9	A50U868500	Idler Shaft		D	3	
10	A50U868600	Support Plate		D	3	
11	A50U865000	Paper exit Guide Plate /5		D	1	
12	A50U869200	Separating Guide /1		D	1	
13	A50UN17502	ADU Detection harness /8		D	1	



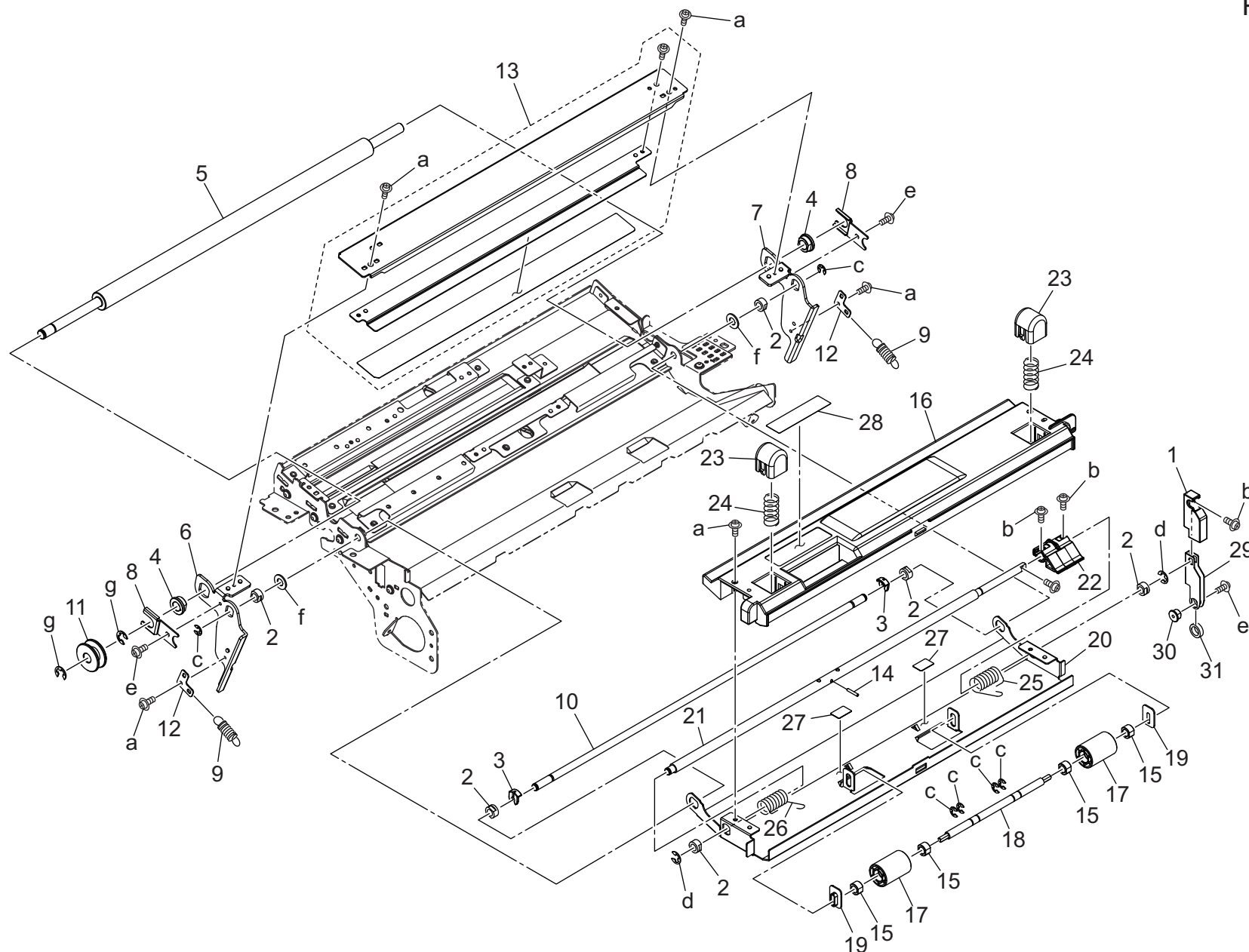
See P.101 - **A**
See P.102 - P.103

bizhub PRESS C1070

Key	Part No.	Description	Destinations	Class	QTY	Standard parts
1	12QV40650	SPACER		B	2	a-V127030603
2	4131353202	BUSHING		C	2	b-V500020099
3	56AA17461	PIN A		B	3	c-V570010057
4	A03U812800	Slide Shaft Holder		B	3	d-V217040050
5	A50U711101	Holding Plate /1		D	3	e-V500020098
6	A50U711400	Swing Spring		D	1	f-V570010037
7	A50U713000	Roll /1		D	1	g-V127030803
8	A50U713200	Light blocking Rack		D	1	h-V217060050
9	A50U713600	Swing Gear /2 104T		C	1	j-V118030603
10	A50U716200	Wiring Cover /2		D	1	k-V121030403
11	A50U717901	Adjusting Jig /ASSY		D	1	
12	A50U882401	Registration Side plate /Front		D	1	
13	A50UR71C00	Registration Assy		S	1	
14	A00V240600	BALL BEARING		C	2	
15	A50U710101	Registration Roller		B	1	
16	A50U714400	Conveyance Gear /1 40T		C	1	
17	A50U715900	Wiring Cover /1		D	1	
18	A50U719200	Roller		C	1	
19	65AA80112	HB Motor /50		B	1	
20	A50U714300	Drive Gear /1 28T		C	1	
21	A50U719800	Drive Side plate		D	1	
22	A50UN15800	ADU Drive harness /2		D	1	
23	14GE45470	Rotation Knob		C	1	
24	A50U943400	Release Label /4		D	1	

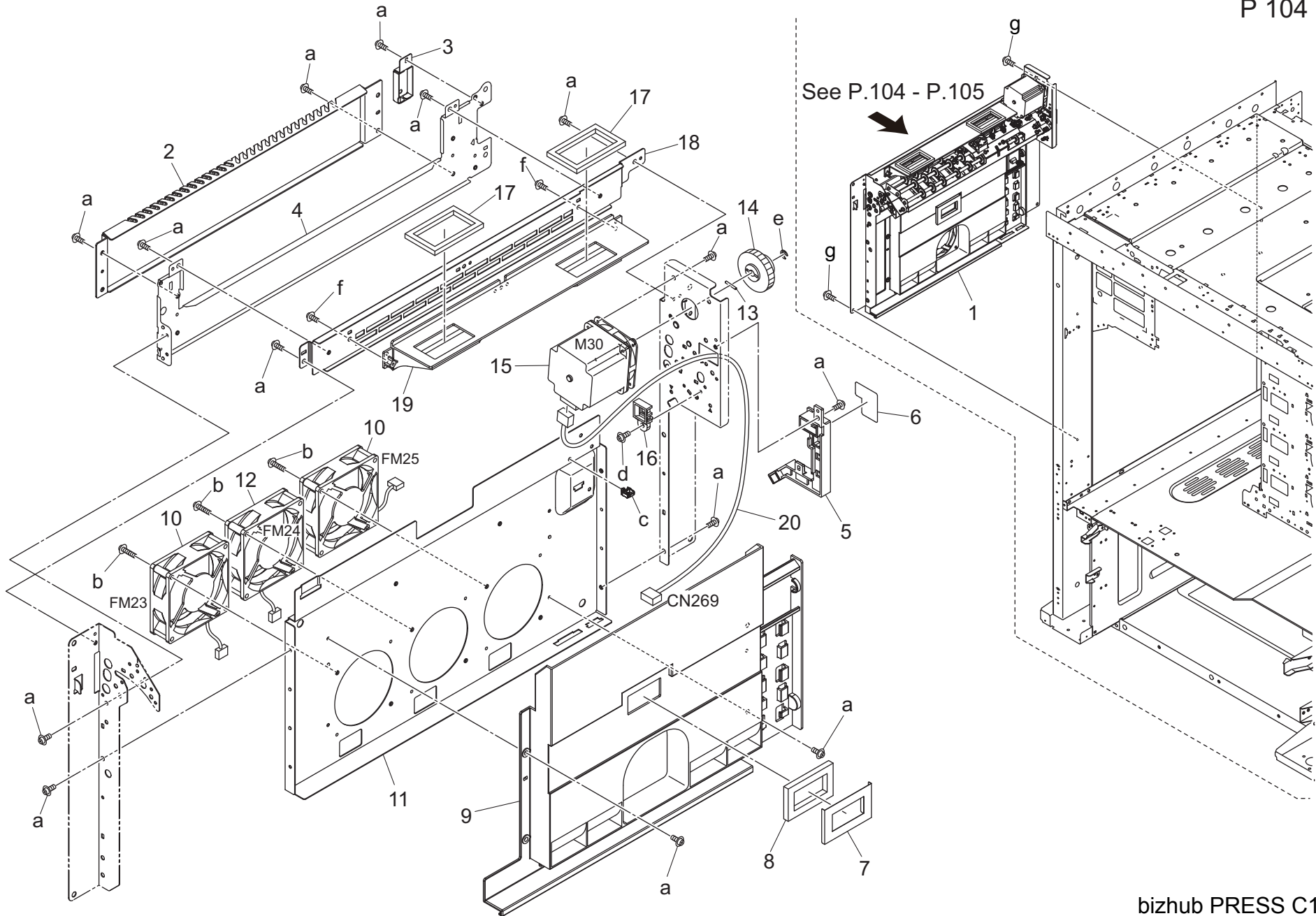


Key	Part No.	Description	Destinations	Class	QTY	Standard parts
1	A03X622000	Detecting Cover		C	1	a-V118030403 b-V127030603 c-V500020099 d-V500020069 e-V570010056 f-V570010057
2	A0VDM50500	Thermistor /1		I	1	
3	A50U712001	Mounting Stay /Lower		D	1	
4	A50U717000	Cover		D	1	
5	A50U717100	Stopper /1		D	1	
6	A50U717200	Stopper /2		D	1	
7	A50UN16800	ADU Detection harness /5		D	1	
8	13QA85511	Sensor 1		B	2	
9	A50U718200	Plate /1		D	1	
10	A50U718300	Plate /2		D	1	
11	A50UM55100	Compensating Sensor		C	1	
12	A50UN16600	ADU Detection harness /3		D	1	
13	A50UN16700	ADU Detection harness /4		D	1	
15	A1DU942900	Caution Label /5		D	1	



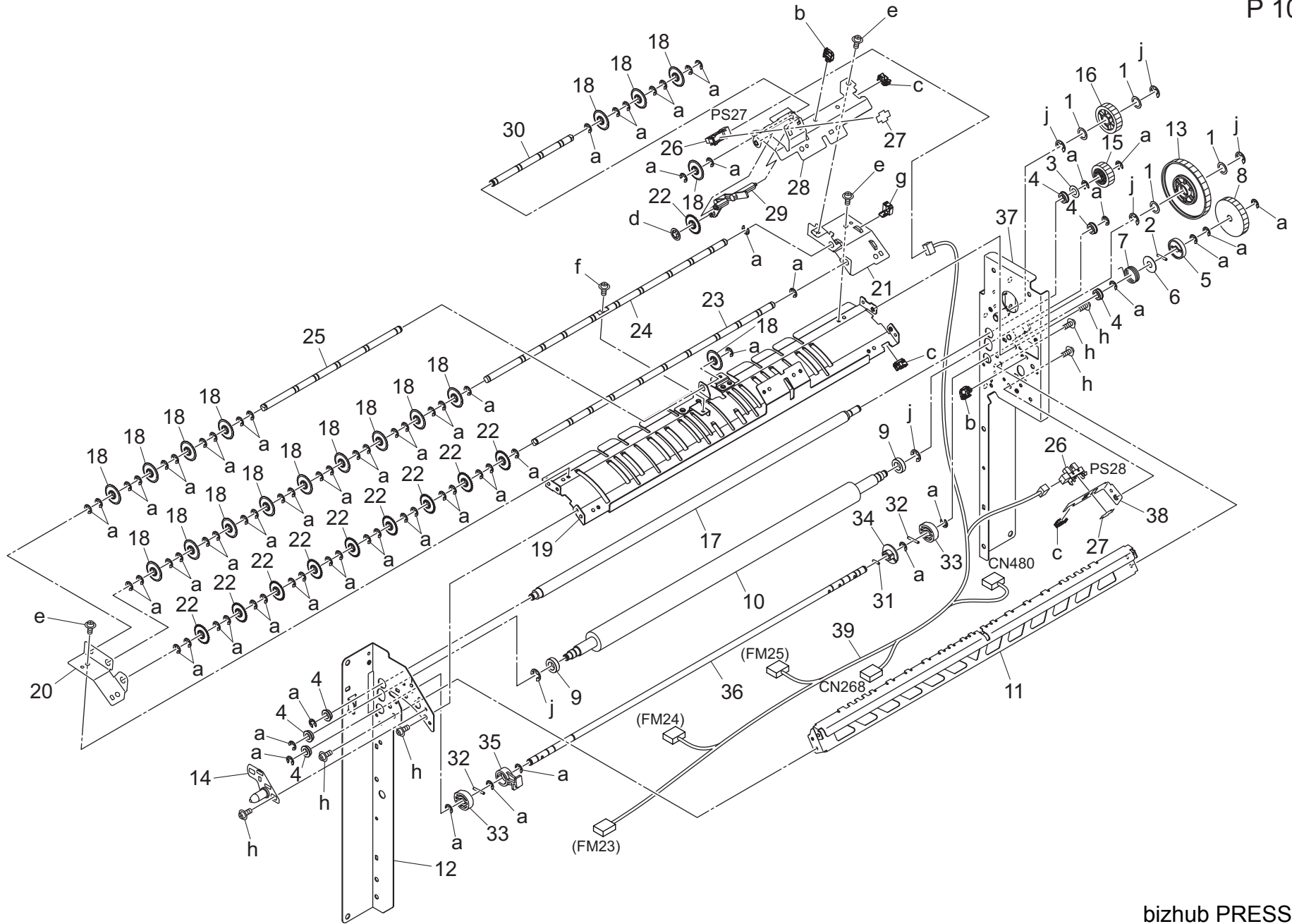
Reverse And Exit Section

P 104



Reverse And Exit Section

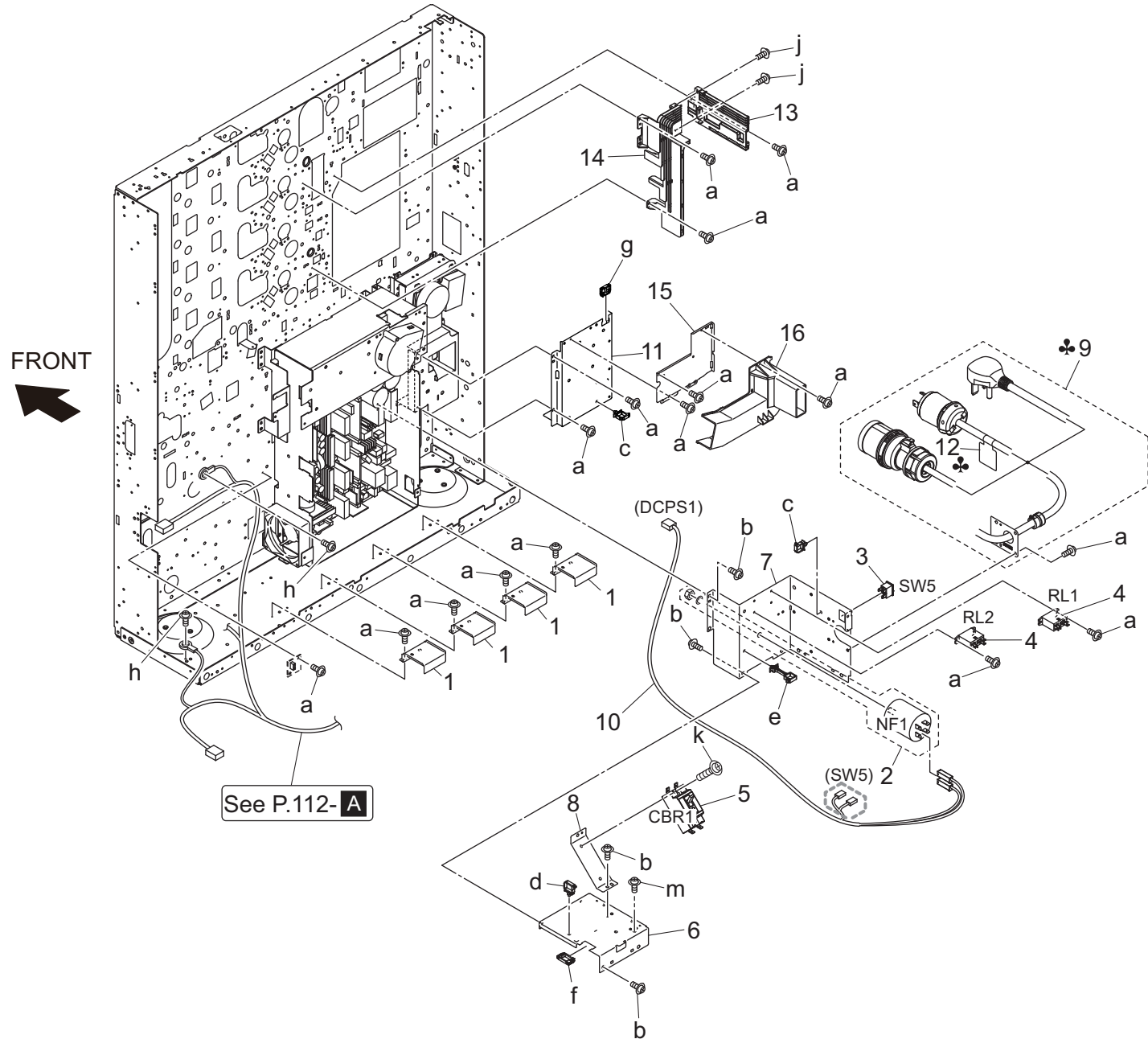
P 105



Reverse And Exit Section

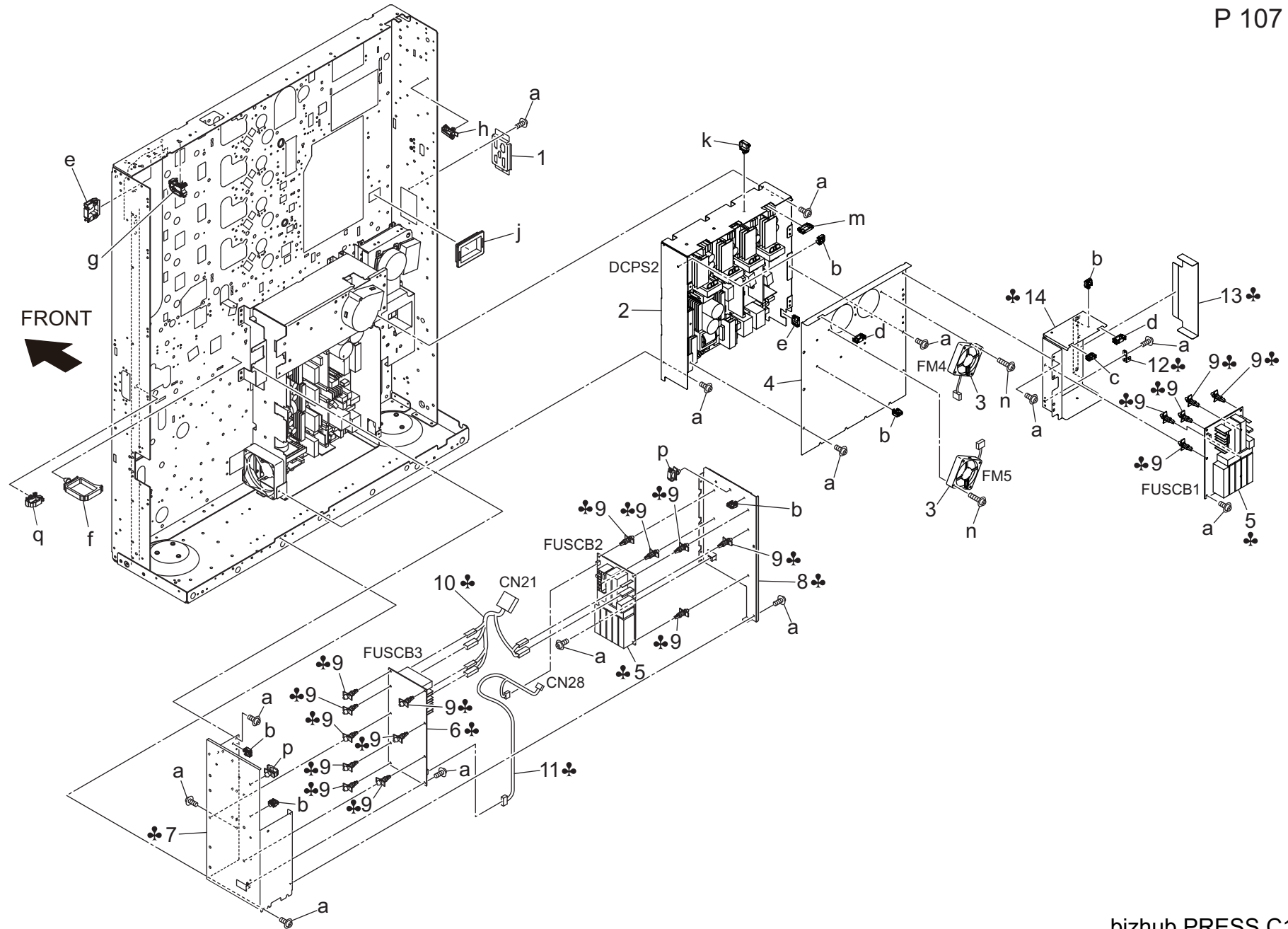
Key	Part No.	Description	Destinations	Class	QTY	Standard parts
1	13QA40610	Gear Spacer		C	4	a-V217040050
2	56AA17321	PIN A D2X12		B	1	b-V500020098
3	56AA17700	SPACER B		C	1	c-V570010056
4	A00J617800	BALL BEARING		C	6	d-V226030050
5	A03U893000	Slide Plate		C	1	e-V121030403
6	A03U893101	Spacer /Rear		C	1	f-V127030803
7	A03U893200	Stopper Spring		C	1	g-V500010057
8	A03U909502	PAPER EXIT GEAR /5 40 T		C	1	h-V127030603
9	A1RF517300	bearing		C	2	j-V217060050
10	A50U890800	Paper exit Roller /B		C	1	
11	A50U890900	Guide Plate /Lower		D	1	
12	A50U891301	Paper exit Plate /Front		D	1	
13	A50U892101	Idling Gear /1 68T		C	1	
14	A50U893201	Adjusting Plate /1		D	1	
15	A50U899700	Paper exit Gear /3 23T		C	1	
16	A50U899801	Paper exit Gear /2 29T		C	1	
17	A50U890700	Paper exit Shaft		D	1	
18	65AA48460	PAPER HOLDING PART 2		C	18	
19	A50U890400	Guide Plate /Upper		D	1	
20	A50U891500	Support Side plate /Front		D	1	
21	A50U891600	Support Side plate /Rear		D	1	
22	65AA48360	Paper Holding Part /1		C	10	
23	A50U890300	Fixing Shaft /1		D	1	
24	A50U890101	Fixing Shaft /2		D	1	
25	A50U891900	Fixing Shaft /5		D	1	
26	08AA85512	Photo Sensor		B	2	
27	4470402401	STOPPER		D	2	
28	A50U892800	Support Plate /A		D	1	
29	A50U892900	Paper exit /3		D	1	
30	A50U890200	Fixing Shaft /6		D	1	
31	56AA17310	PIN		C	1	
32	56AA17551	PIN A		C	2	
33	A03U892701	Positioning Cam		C	2	
34	A03U892800	Positioning Roll		C	1	
35	A03U893502	Regulating Cam		C	1	
36	A50U890600	Regulating Shaft		D	1	
37	A50U892001	Paper exit Plate /Rear		D	1	
38	A50U894000	Plate /Rear		D	1	
39	A50UN15201	Drive harness /3		D	1	

Rear Electrical Section



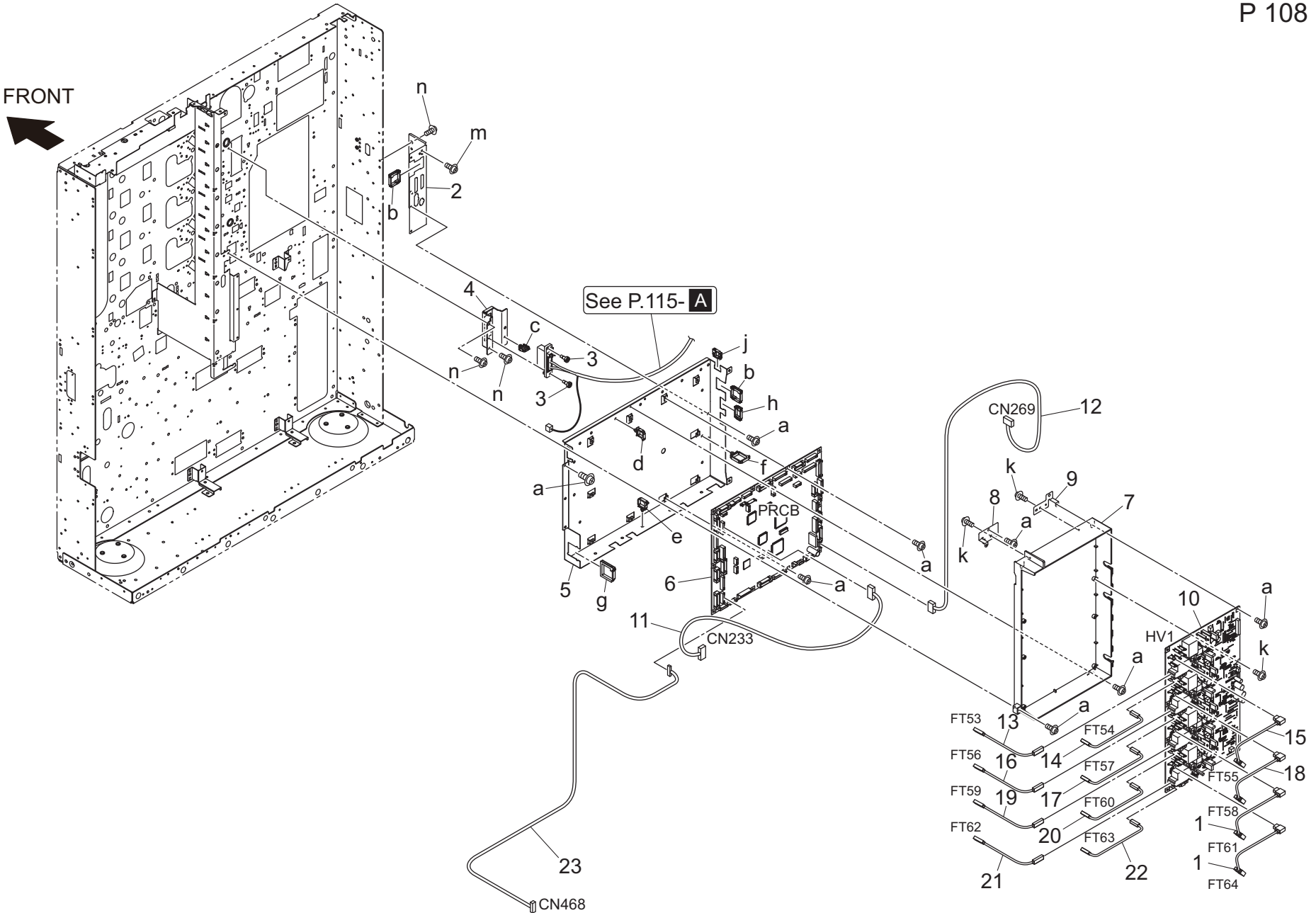
Rear Electrical Section

P 107



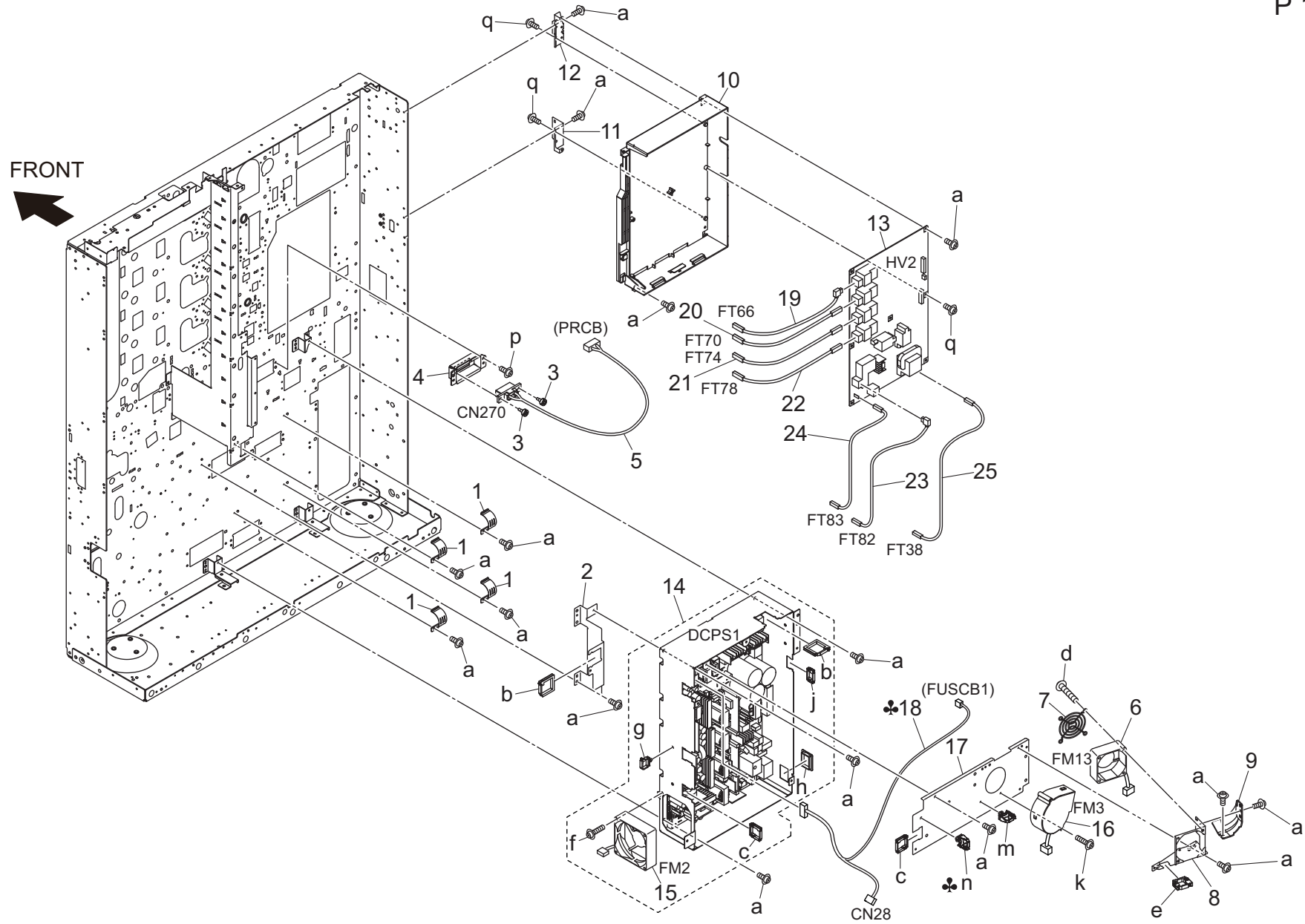
Rear Electrical Section

FRONT



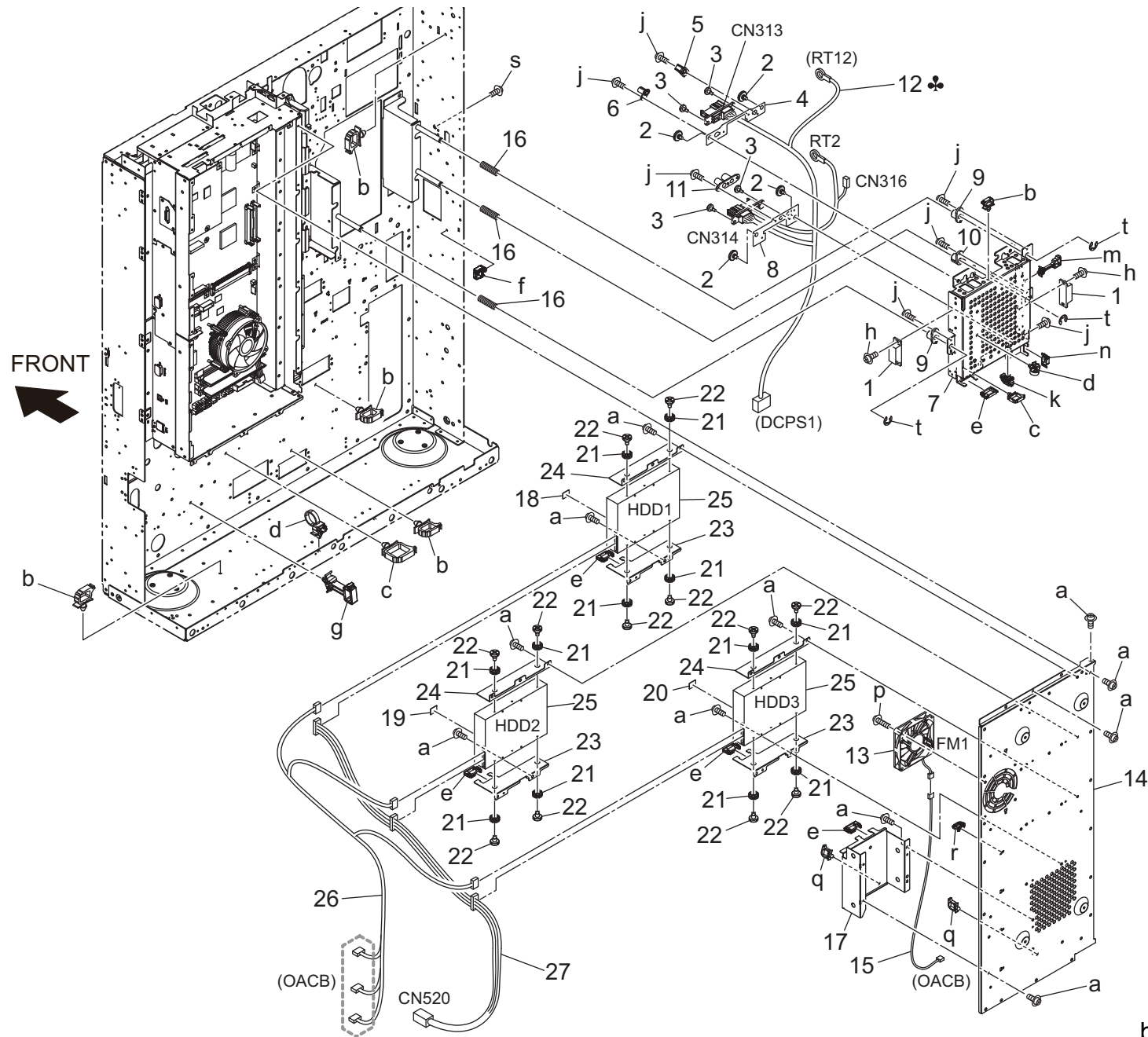
bizhub PRESS C1070

Rear Electrical Section



Rear Electrical Section

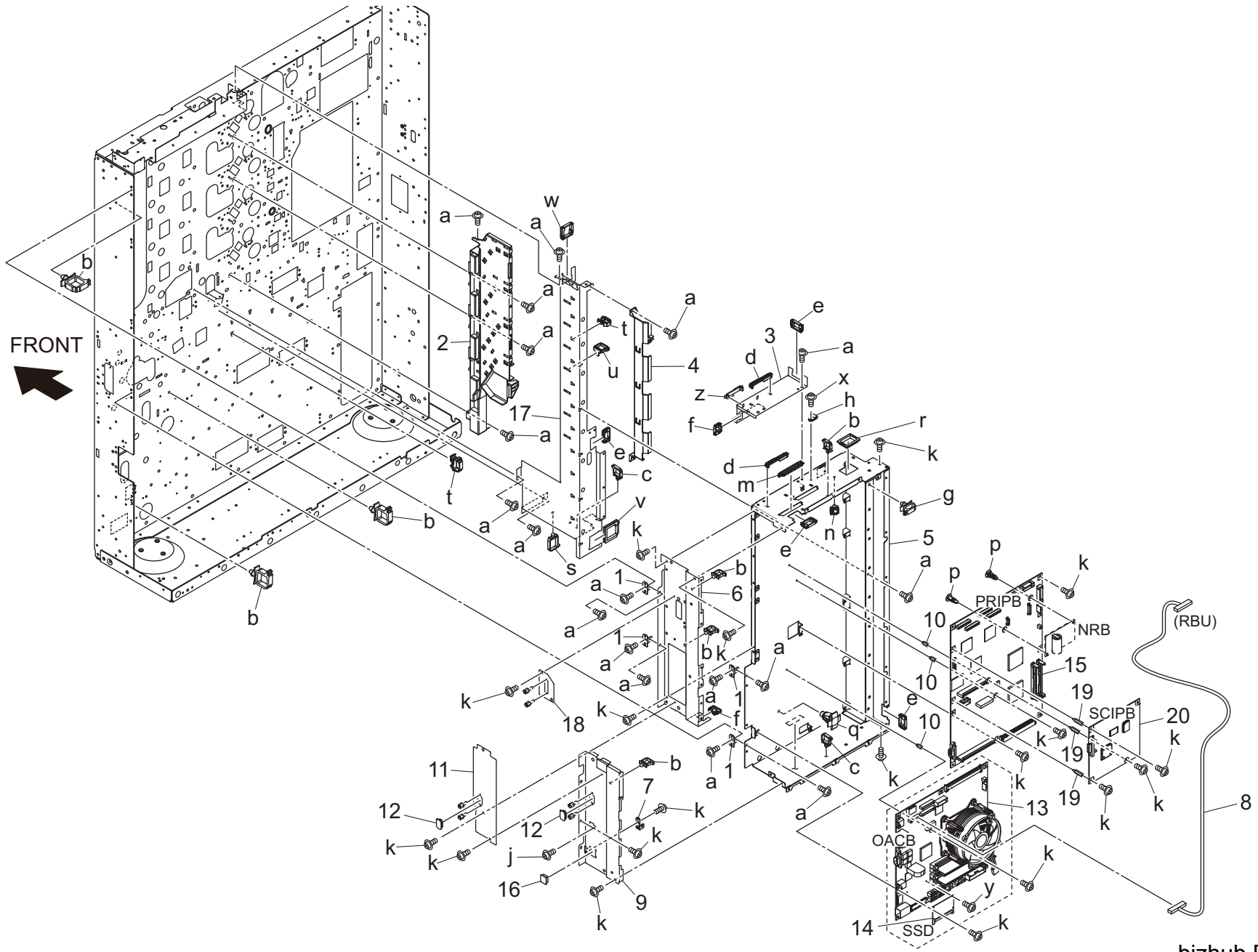
P 110



Key	Part No.	Description	Destinations	Class	QTY	Standard parts
1	55VA32480	MAGNET CATCH		C	2	a-V127030516
2	A50U734100	Guide Screw		D	4	b-V500010005
3	A50U737301	Fixing Screw /1		D	4	c-V500010008
4	A50U737401	Mounting Stay /2		D	1	d-V501010018
5	A50U737601	Guide Part /11		D	1	e-V570010059
6	A50U737700	Guide Part /12		D	1	f-V500020098
7	A50U749401	Mounting Stay /Rear		D	1	g-V500020101
8	A50U749502	Mounting Stay /1		D	1	h-V126030603
9	A50U749600	Idler Sleeve /1		D	1	j-V127030603
10	A50U749700	Idler Sleeve /2		D	2	k-V500010072
11	A50U749801	Positioning Sleeve /3		D	1	m-V500020085
12	A50UN10A01	Fixing Relay harness /A	A,B,G2	D	1	n-V570010063
12	A50UN10E02	Fixing Relay harness /E	C	D	1	p-V118031803
13	A1RFM15100	Fan motor /1		C	1	q-V500010007
14	A50U130500	Processing Cover /Lower		D	1	r-V500010071
15	A50UN27400	ImageProcessing Relay harness /1		D	1	s-V116040603
16	A50U753100	Pressing Spring		D	1	t-V217060050
17	A50U133301	Mounting Plate /C		D	3	
18	A50U947600	Label /1		D	1	
19	A50U947700	Label /2		D	1	
20	A50U947800	Label /3		D	1	
21	13KK73060	Base Plate Support Rubber		C	12	
22	20ER73110E	Board Fixing Screw		D	12	
23	A50U133500	Mounting Plate /B		D	3	
24	A50U133600	Mounting Plate /A		D	3	
25	A50UR90300	HDD set (3 pcs)		I	3	
26	A50UN29801	Signal Cable /H		D	1	
27	A50UN29900	Power source Cable /H		D	1	

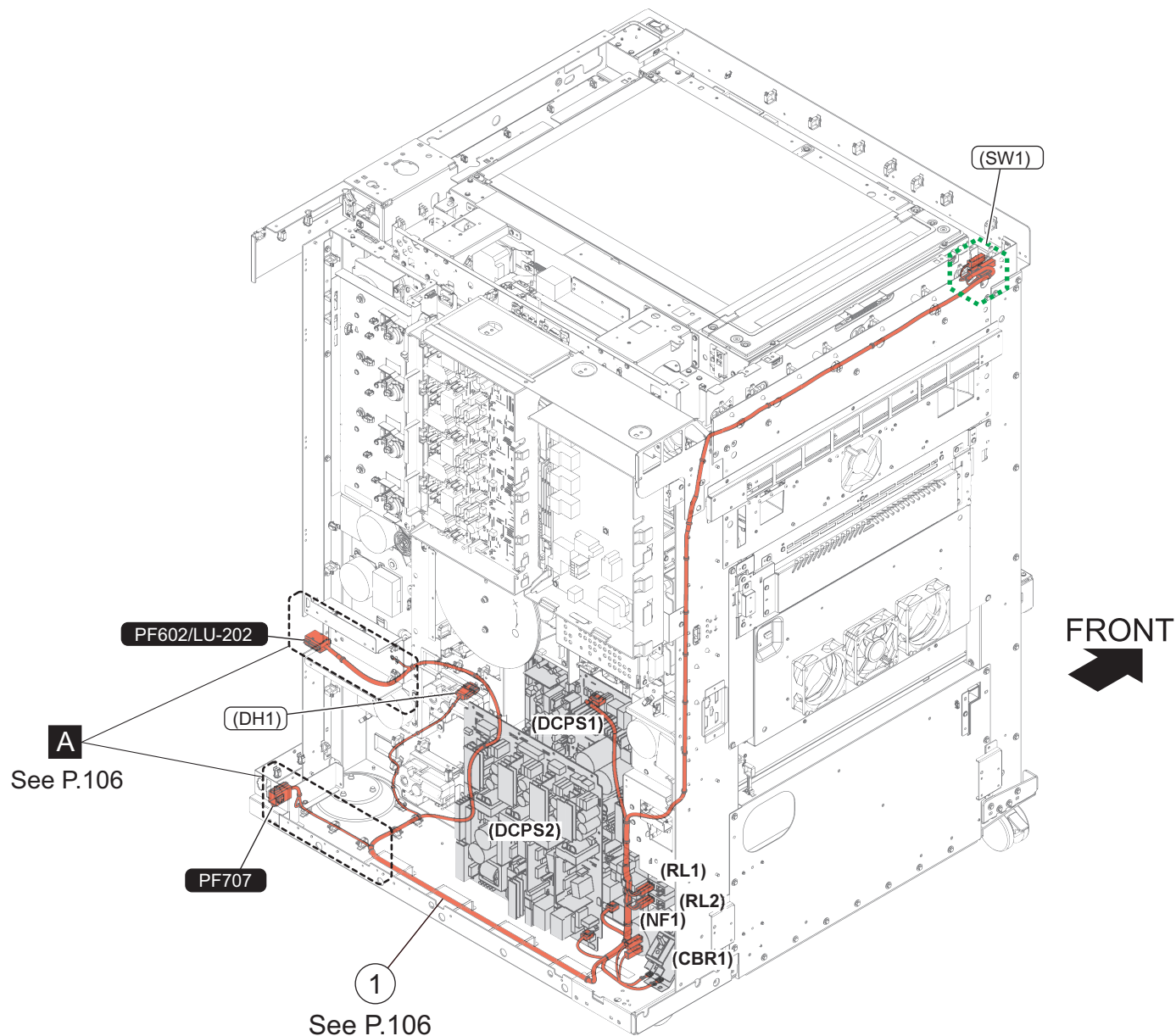
Rear Electrical Section

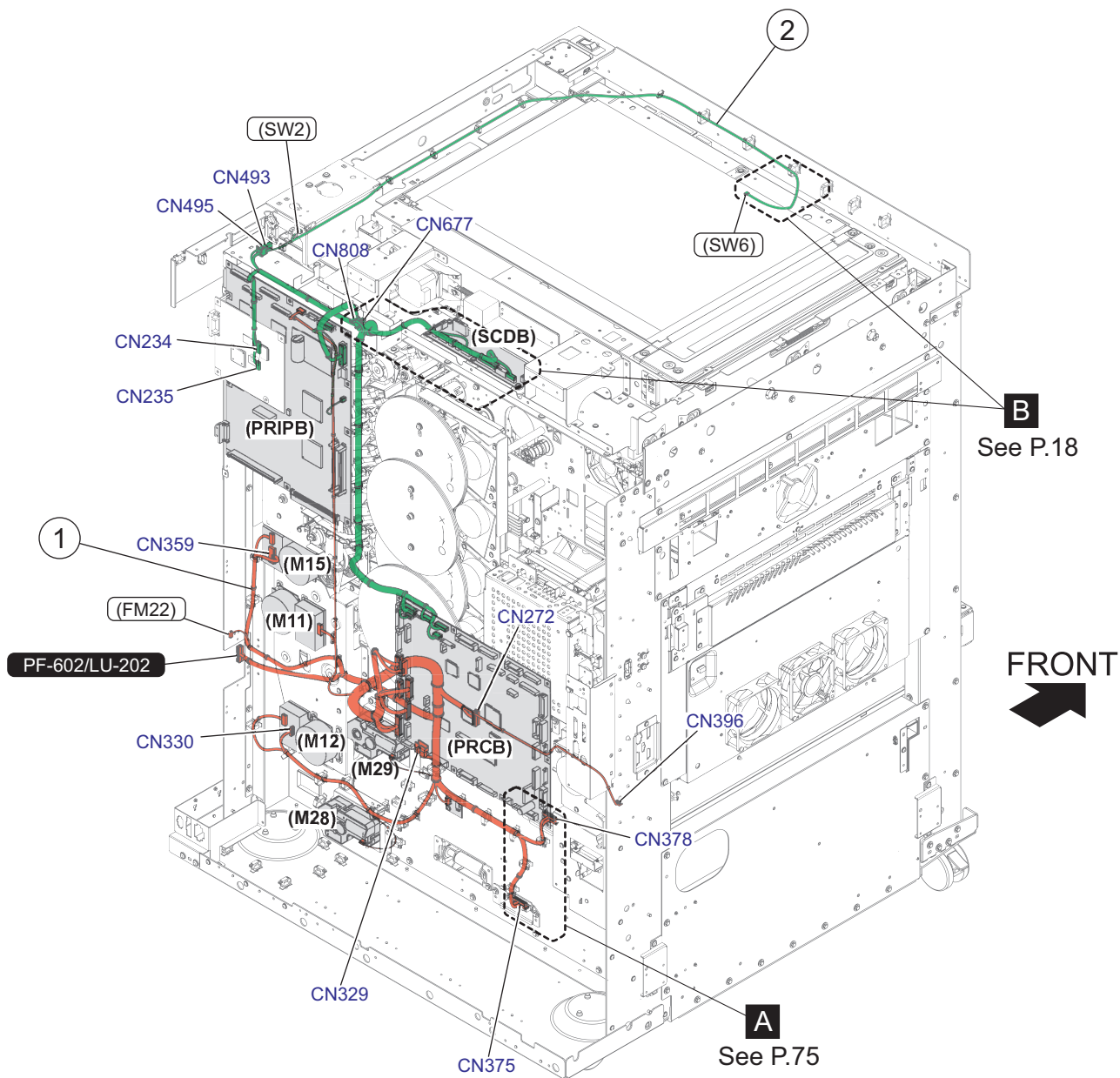
P 111



bizhub PRESS C1070

Key	Part No.	Description	Destinations	Class	QTY	Standard parts
1	A50U130600	Mounting Plate Outside		D	4	a-V127030603
2	A50U133901	Wiring Guide /Right Rear		D	1	b-V500010007
3	A50U134700	Wiring Guide /P		D	1	c-V500010008
4	A50U136302	Wiring Guide /2		D	1	d-V500020093
5	A50U130103	Processing Plate		D	1	e-V570010059
6	A50U130202	Processing Plate /Side		D	1	f-V570010060
7	A50U130300	Mounting Plate Outside		D	1	g-V500010003
8	A50UN29201	Relay Wiring /U		D	1	h-V500020069
9	A50U130902	Cover /3		D	1	j-V111030603
10	A50U133400	Mounting Screw /B		D	3	k-V127030516
11	A50U136200	Cover /2		D	1	m-V500010080
12	13RN73120	Terminal Protection Cover /1		D	2	n-V500020098
13	A50UH01105	Main Body Control Board assy		I	1	p-V502010009
14	A50UR90133	SSD		I	1	q-V502010062
15	A50UH02004	Image Processing Board Assy		I	1	r-V570010038
16	40LA73840	Contact Protection Cover		D	1	s-V500010015
17	A50U134800	Cover Plate /1		D	1	t-V500010071
18	A50U130700	Cover /1		D	1	u-V500010079
19	A50U136600	Fixing Screw /V		D	3	v-V570010048
20	A50UH10001	ImageProcessing Board /S ASSY		I	1	w-V570010058
						x-V116030803
						y-V111140403
						z-V500020066

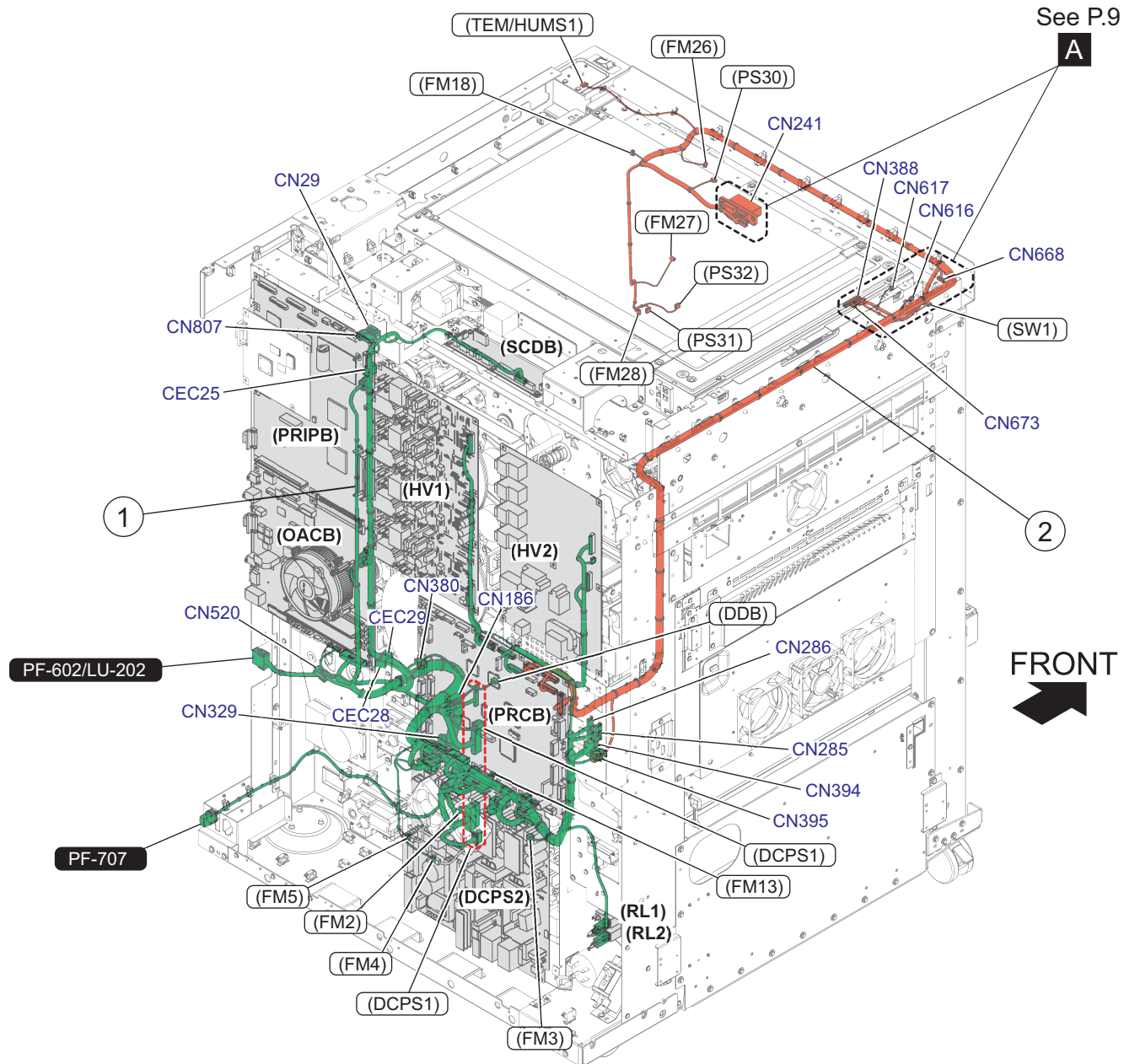




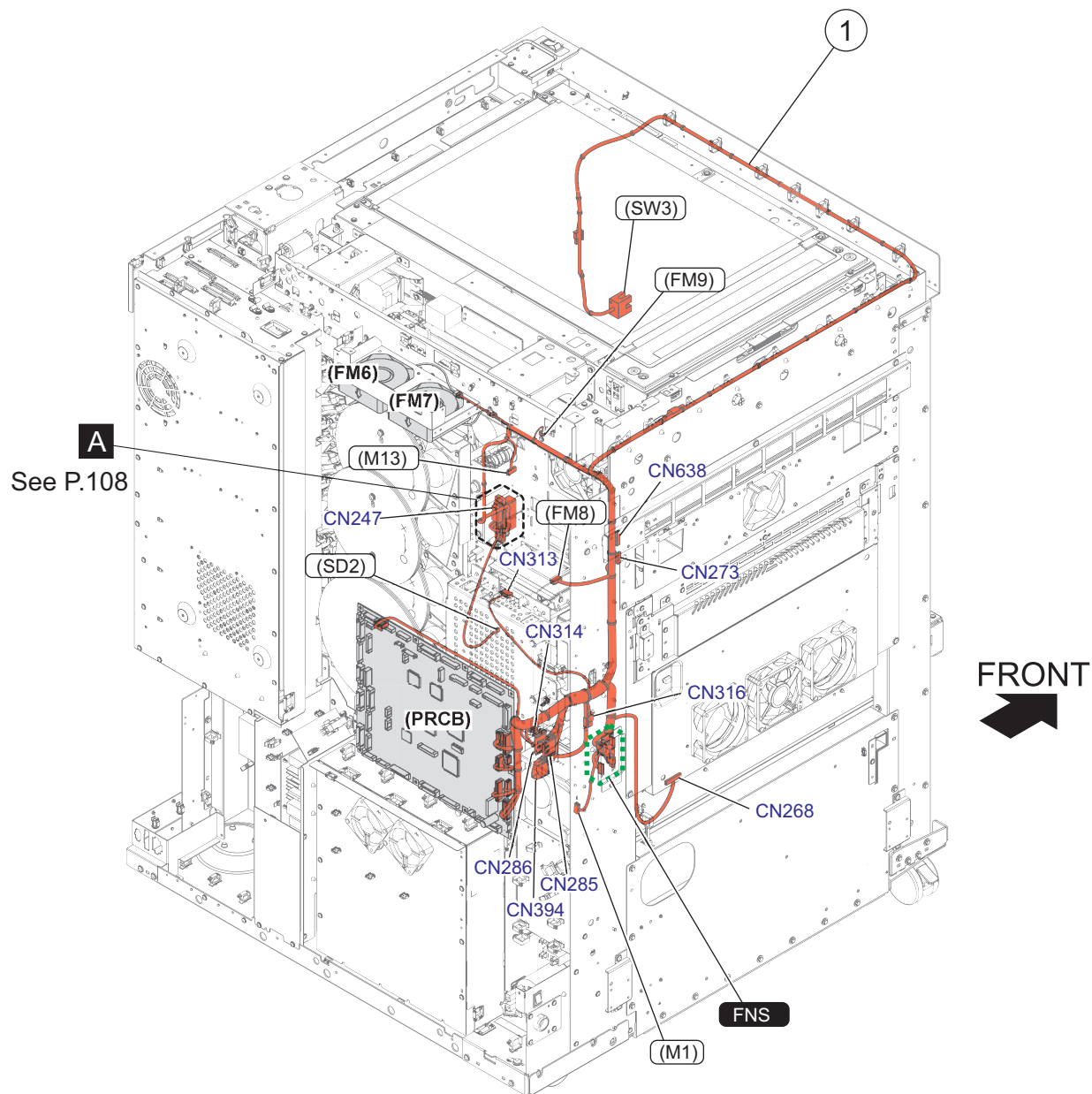
B
See P.18

A
See P.75

FRONT
↓

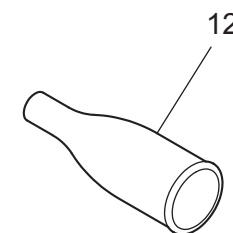
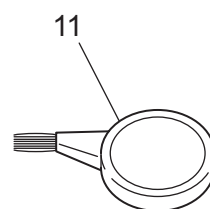
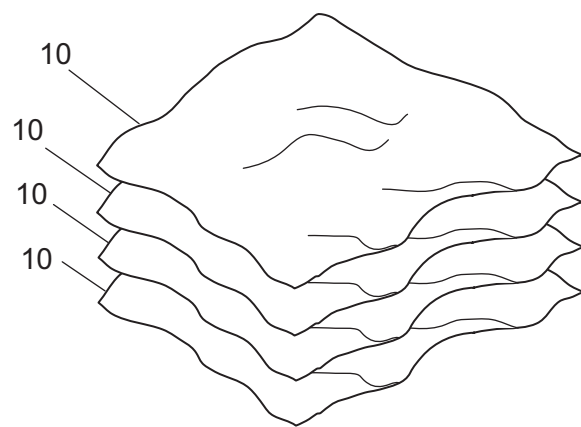
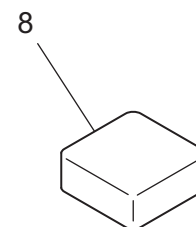
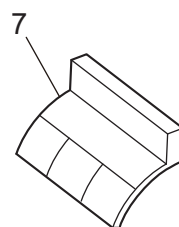
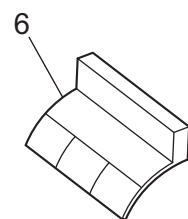
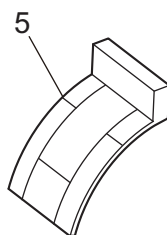
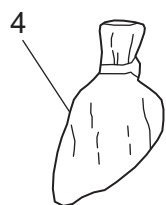
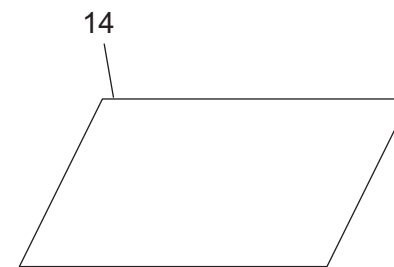
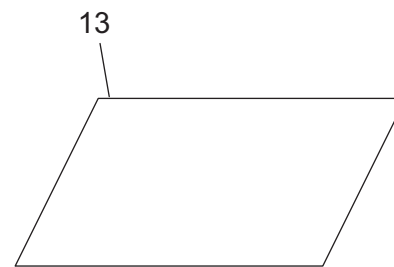
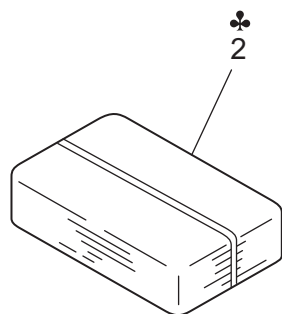
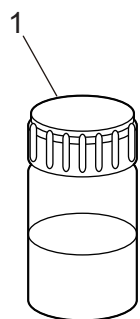


FRONT



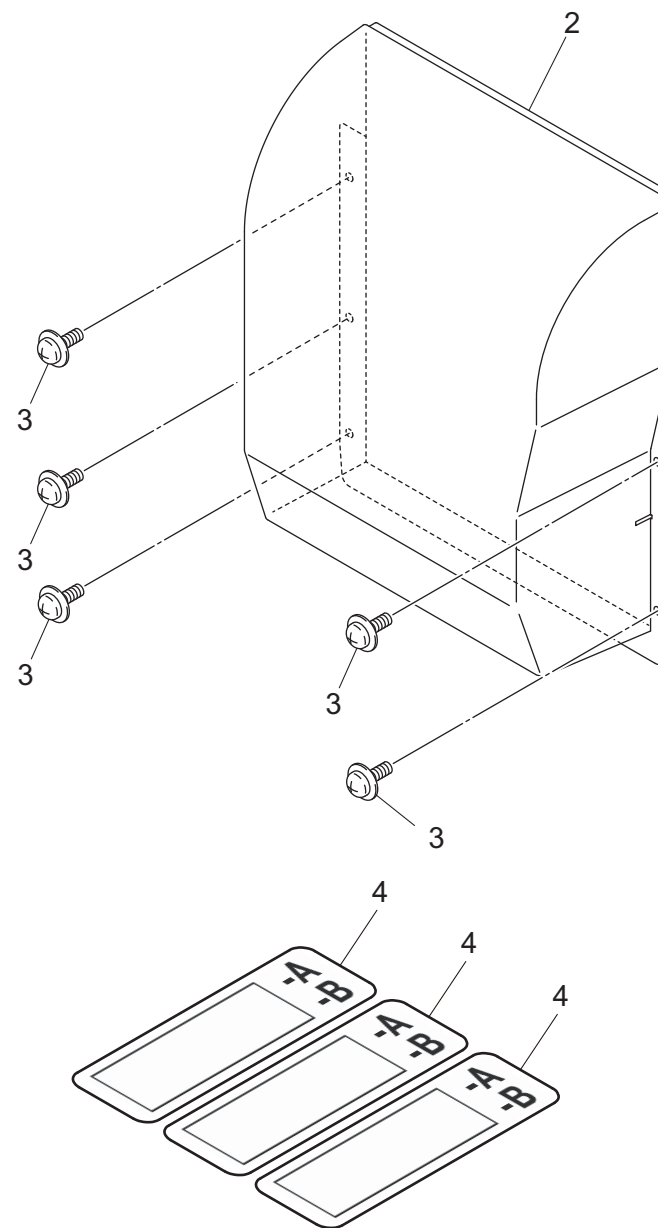
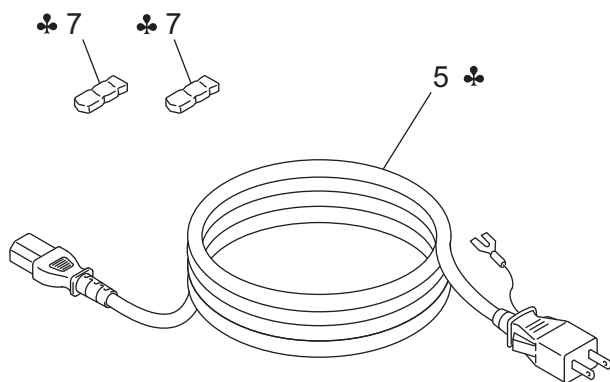
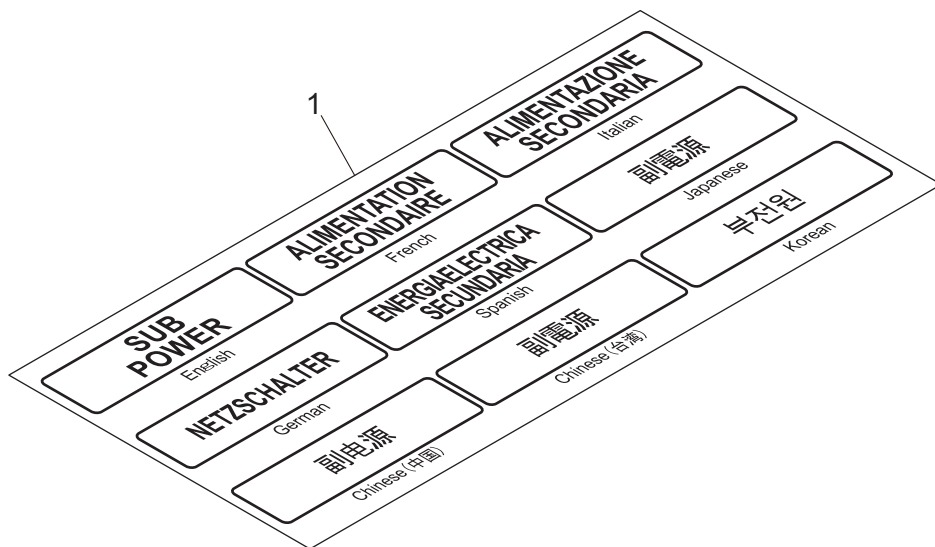
Jigs

P 116



Accessory Parts

P 117



No.	Section	PM Parts Description	Maintenance Cycle (K=1,000)		Parts No.	Destinations	Page/Key	Note
			QTY	Replace				
47	Fusing section	Fusing belt	1	600K	A50U734000		P49-27	
48		Heat insulating sleeve/Lw1, heat insulating sleeve/	4	600K	A50U756300		P46-23	
49		Fusing gear/1	1	600K	A50U752700		P46-22	
50		Fusing gear/3	1	600K	A50U752200		P44-11	
51		Fusing Roller/1	1	1,200K	A50U720100		P49-20	
52		Fusing roller/Lw	1	1,200K	A50U740101		P46-21	
53		Belt regulating sleeve	2	1,200K	A50U724101		P49-30	
54		Fusing paper exit roller/Up	2	1,200K	A50U760900		P50-22	
55		Heat insulating sleeve/Up	2	1,200K	A50U724200		P49-22	
56		Fusing bearing/Lw1, fusing bearing/Lw2	4	1,200K	26NA53712		P46-20	
57		Fusing Roller/2	1	1,200K	A50U720501		P49-29	
58		Fusing bearing/Up	2	1,200K	A1UD723500		P49-32	
59		Fusing gear/2	1	1,200K	A03U809500		P49-15	
60		Fusing separating claw assy	5	1,200K	A50UR72U00		P50-43	
61		Neutralizing ring	1	1,200K	A50U733700		P49-26	
62		Neutralizing flat spring assy	1	1,200K	A50UR73300		P49-19	
63	Fusing heater lamp assy/Up (Japan)	1	3,000K	A50UM31A00		P49-36	A	
63	Fusing heater lamp assy/Up (North America)	1	3,000K	A50UM31E00		P49-36	B, G2	
63	Fusing heater lamp assy/Up (Europe)	1	3,000K	A50UM31F00		P49-36	C	
64	Fusing temperature sensor/3 (TH3)	1	3,000K	A50UR70F00		P48-19		
65	Fusing temperature sensor/4 (TH4)	1	3,000K	A50UR70E00		P45-9		
66	Duplex section	Intermediate conveyance clutch/2 (CL6)	1	2,000K	56AA82012		P86-9	
67		Intermediate conveyance clutch/3 (CL7)	1	2,000K	56AA82012		P86-9	
68	Reverse exit section	Reverse de-curler roller	1	400K	A50U860501		P98-27	
69		Paper exit de-curler roller	1	1,000K	A50U890800		P105-10	
70		Paper exit drive gear	1	1,000K	A03U909502		P105-8	

*1: F.4 Life value 4

The parts which the actual replacement cycles are displayed on special parts counter in percentage of its end of life.

No.	区分	PM 部品名称	サイクル (K=1,000)		部品番号	仕向地	頁/キー	備考
			員数	交換				
47	定着部	定着ベルト	1	600K	A50U734000		P49-27	
48		断熱スリーブ / Lw 1、 / LW 2	4	600K	A50U756300		P46-23	
49		定着ギア / 1	1	600K	A50U752700		P46-22	
50		定着ギア / 3	1	600K	A50U752200		P44-11	
51		定着ローラ / 1	1	1,200K	A50U720100		P49-20	
52		定着ローラ / Lw	1	1,200K	A50U740101		P46-21	
53		ベルト規制スリーブ	2	1,200K	A50U724101		P49-30	
54		定着排紙ローラ / Up	4	1,200K	A50U760900		P50-22	
55		断熱スリーブ / Up	2	1,200K	A50U724200		P49-22	
56		定着軸受 / Lw 1、 / Lw 2	4	1,200K	26NA53712		P46-20	
57		定着ローラ / 2	1	1,200K	A50U720501		P49-29	
58		定着軸受 / Up	2	1,200K	A1UD723500		P49-32	
59		定着ギア / 2	1	1,200K	A03U809500		P49-15	
60		定着分離爪 Assy	5	1,200K	A50UR72U00		P50-43	
61		除電リング	1	1,200K	A50U733700		P49-26	
62	除電板バネ Assy	1	1,200K	A50UR73300		P49-19		
63	定着ヒーターランプ Assy / Up	1	3,000K	A50UM31A00		P49-36	A	
63	定着ヒーターランプ Assy / Up	1	3,000K	A50UM31E00		P49-36	B,G2	
63	定着ヒーターランプ Assy / Up	1	3,000K	A50UM31F00		P49-36	C	
64	定着温度センサ / 3 (TH 3)	1	3,000K	A50UR70F00		P48-19		
65	定着温度センサ / 4 (TH 4)	1	3,000K	A50UR70E00		P45-9		
66	両面部	中間搬送クラッチ / 2 (CL 6)	1	2,000K	56AA82012		P86-9	
67		中間搬送クラッチ / 3 (CL 7)	1	2,000K	56AA82012		P86-9	
68	反転 / 排紙部	反転デカーラーローラ	1	400K	A50U860501		P98-27	
69		排紙デカーラーローラ	1	1,000K	A50U890800		P105-10	
70		排紙駆動ギア	1	1,000K	A03U909502		P105-8	

*1: F.4 ライフ値の考え方

固定パーツカウンターで、実質交換サイクルがライフエンドに対する%で表示される部品

DESTINATION

Destination No.		Destinations		V	Hz	Model No.
A	A1	JAPAN		200	50/60	A50U001
	A2	JAPAN		200	50/60	A50U001
B		USA, CANADA		208-240	60	A50U011
C		EUROPEAN TYPE		220-240	50/60	A50U021
D	D1	S.E ASIA TYPE	THAILAND, SRI LANKA, SINGAPORE, MALAYSIA, HONG KONG, PAKISTAN, INDIA, BANGLADESH, INDONESIA			
	D3	OCEANIA TYPE	AUSTRALIA, NEW ZEALAND			
E		PHILIPPINES				
F	F1	SAUDI ARABIA				
	F2	SAUDI ARABIA				
G	G1	C.S AMERICA				
	G2	C.S AMERICA		208-240	60	A50U011
H		TAIWAN				
I		JORDAN, LEBANON, SYRIA, SOUTH AFRICA, IRAQ, IRAN, N.YEMEN, CAMEROON, UAE, BAHRAIN, OMAN, QATAR, KUWAIT, KENYA, TUNISIA, IVORY COAST, MOROCCO				
J		CHINA				
K		KOREA				

bizhub PRESS C1070