

KONICA MINOLTA

# *PARTS GUIDE MANUAL*

---

NOVEMBER 2013

*bizhub PRESS C1070P*  
*A57P*

## INFORMATION FOR PARTS GUIDE MANUAL

To find correct Parts No., refer to the "HOW TO MAKE THE BEST USE OF THIS MANUAL" in the following page.

### HOW TO MAKE THE BEST USE OF THIS MANUAL

- 1 When you order, please check the proper figures beforehand that are on Our Parts Guide Manual, and order with the appropriate figures.
- 2 For screws, Nuts, Washers, retaining rings and Pins which are used in this model, one letter is shown on the Standard parts column of Parts list and exploded diagrams.
- 3 In order to maintain safety of the product, some specific parts composed of this product are set up as "essential safety parts".
- 4 The assigned parts number for the "essential safety parts" is indicated as "SP00-\*\*\*\*".  
When replacing these parts, follow precautions for disassembling and installing which are listed in the Service Manual.  
Do not use any parts that are not set up as
- 5 ♣ means that there are exclusive parts for each destination.  
Please check the appropriate destination when you order.
- 6 Revision Mark  
Marked as ▲ on the illustration shows that the revision has been made.
- 7 All rights reserved. (any reprints or quotations are prohibited.)  
Use of this parts guide manual should be strictly supervised to avoid disclosure of confidential information.

## パーツガイドマニュアルのご案内

サービス部品をご発注の際には、下記に示す“パーツガイドマニュアルの活用にあたって”をご参照の上、正しい部品番号にてお願い致します。

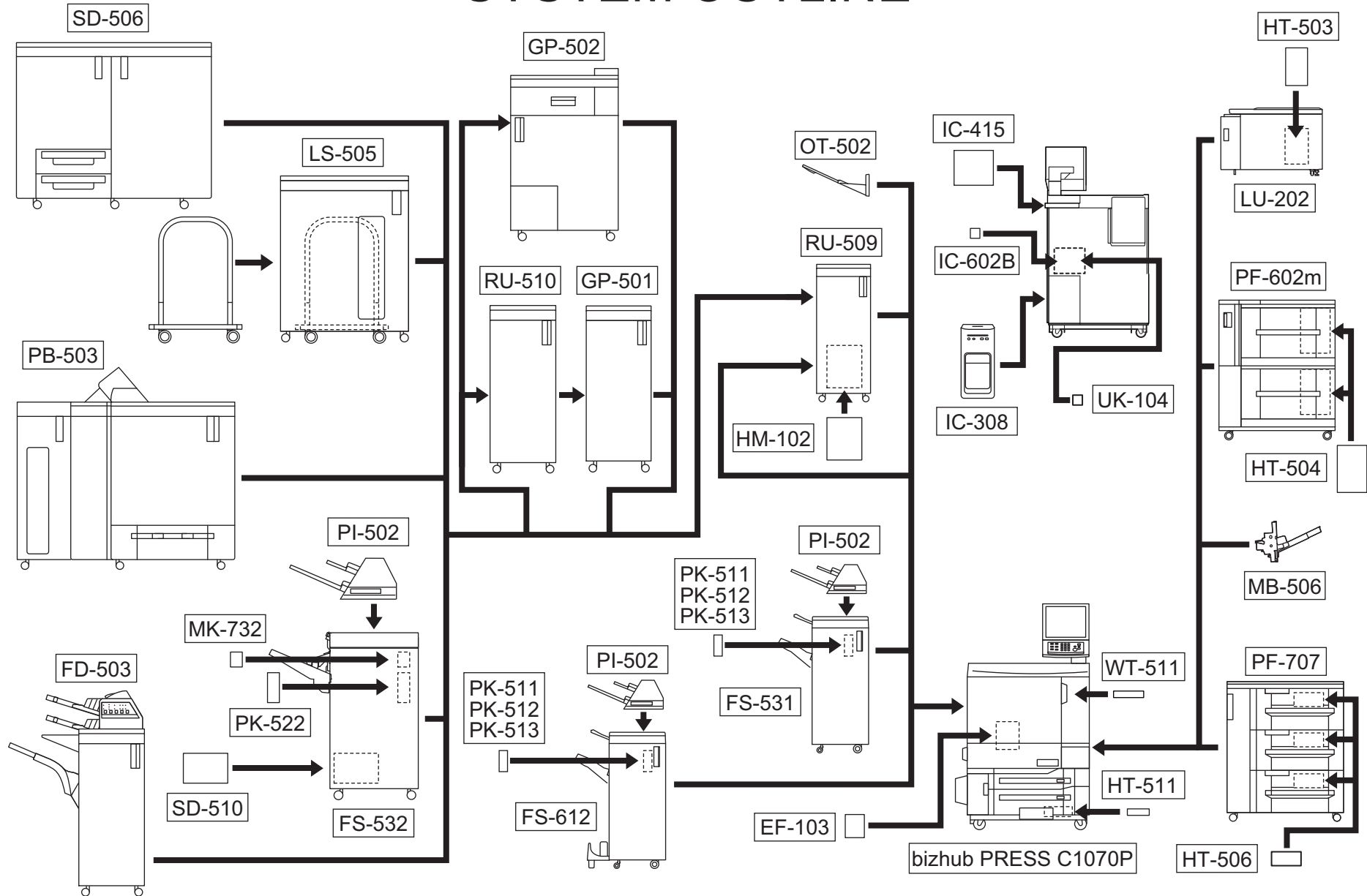
### パーツガイドマニュアルの活用にあたって

- 1 部品発注の際には、掲載されている部品番号の桁数を確認し、掲載されている桁数で発注願います。
- 2 この製品に使用されているネジ、ナット、ワッシャー、止め輪、ピンなどは、リストの右側の Standard parts 欄に a,b,c,……で表示し、イラストにも a,b,c,……表示してあります。
- 3 製品の安全性を維持する為に、製品に使用される特定の部品を「重要保安部品」として設定しています。
- 4 重要保安部品の部品番号は、“SP00-\*\*\*\*”と記載されていますので、部品交換時は、サービスマニュアル記載の分解・組み立ての注意事項に従って作業をして下さい。  
また、指定以外の部品は一切使用しないで下さい。
- 5 本文に ♣ が表示されている部品は、仕向け地毎に専用部品がある事を意味しています。  
オーダーされる時は、仕向け地を確認して下さい。
- 6 改訂記号について  
イラスト上に ▲ 印が表示されている部分は、改訂された事を表します。
- 7 著作権所有（無断転載及び無断引用の禁止）  
本パーツガイドマニュアルについては、機密保持等その扱いには十分注意して下さい。万一取り扱いを誤った場合には、法律で処罰されることがあります。

11/18/2013



# SYSTEM OUTLINE



bizhub PRESS C1070P

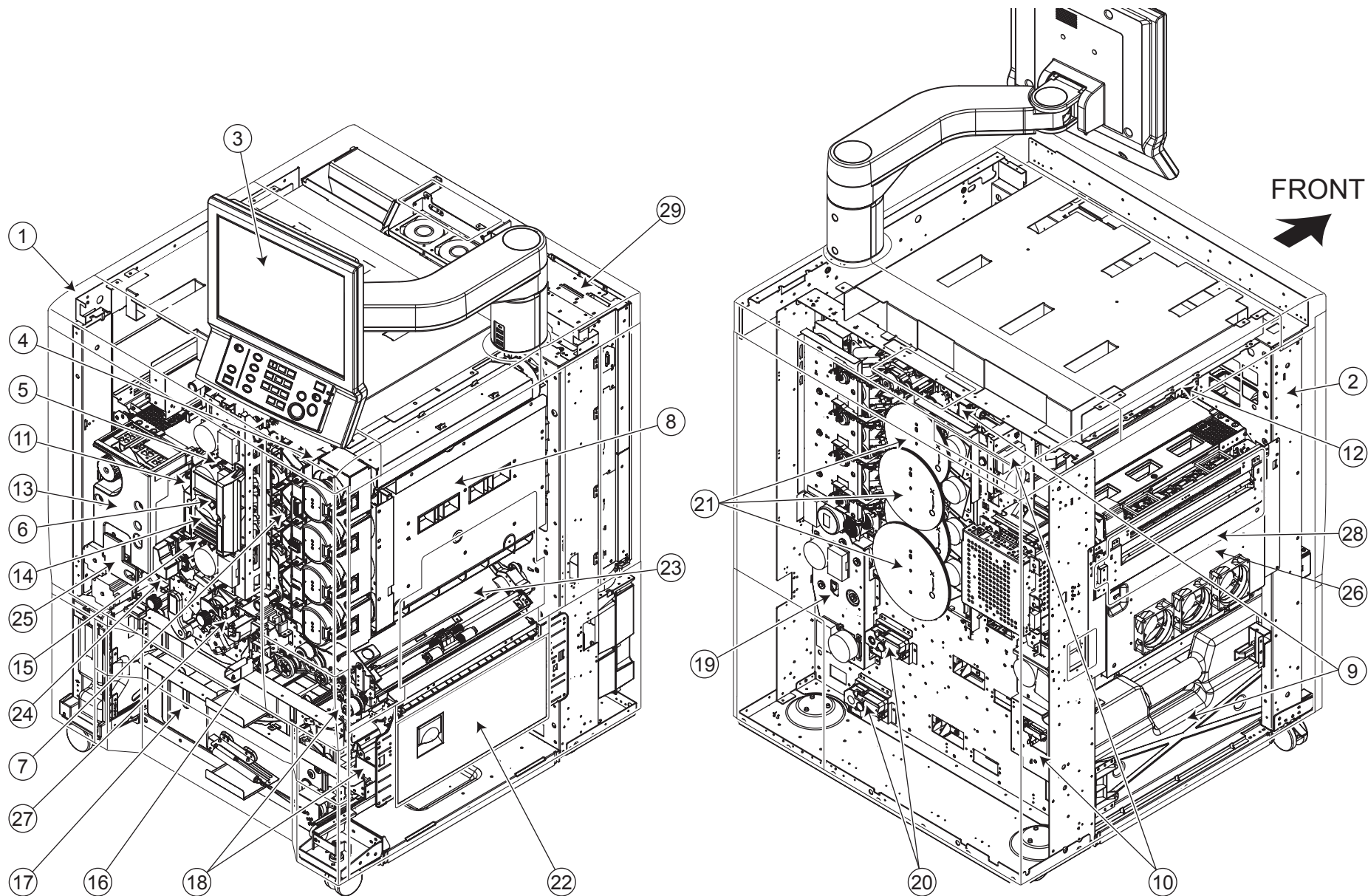
# GENERAL CONTENTS

No.	Description	Model
1	Digital MFP Color	bizhub PRESS C1070P
2	Finisher/Sorter	FS-531
3	Finisher/Sorter	FS-532
4	Finisher/Sorter	FS-612
5	Saddle Unit	SD-506
6	Saddle Unit	SD-510
7	Large Capacity Stacker	LS-505
8	Folding Unit	FD-503
9	Punch Unit	PK-522
10	Perfect Binder	PB-503
11	Punch Unit	PK-511
12	Punch Unit	PK-512
13	Punch Unit	PK-513
14	Post Inserter	PI-502
15	Output Tray	OT-502
16	Punch Unit	GP-501
17	Ring Binder	GP-502
18	Paper Feeder	PF-602
19	Paper Feeder	PF-707
20	Paper Feeder	LU-202
21	Bypass Tray	MB-506
22	Relay Unit	RU-509

bizhub PRESS C1070P

No.	Description	Model
23	Relay Unit	RU-510
24	Mount Kit	MK-732
25	Heater	HT-504
26	Heater	HT-506
27	Heater	HT-511
28	Working Table	WT-511
29	Humidifier	HM-102
30		EF-103
31	Image Controller	IC-308
32	Image Controller	IC-415
33	Image Controller	IC-602B
34	Other Option	UK-104

# DIAGRAMS OF MAIN PARTS SECTION



bizhub PRESS C1070P

# CONTENTS

No.	DESCRIPTION	名称	PAGE No.
1	External Parts	外装	P1 P2 P3 P4
2	Main Frame	骨格	P5 P6 P7 P8 P9 P10 P11 P12 P13
3	Operation Panel Section	操作部	P14 P15 P16
4	Write Section	書き込み部	P17
5	Charging Section	帯電部	P18
6	Photo Conductor Section	感光体部	P19
7	Developing Section	現像部	P20 P21 P22 P23
8	Toner Supply Section	トナー補給部	P24 P25 P26 P27 P28
9	Toner Collection Section	トナー回収部	P29 P30
10	Toner Collection Driving Section	トナー回収駆動部	P31
11	Intermediate Transfer Section	中間転写部	P32 P33 P34 P35 P36 P37
12	Color Resist Section	画像補正ユニット部	P38
13	Fusing Section	定着部	P39 P40 P41 P42 P43 P44 P45 P46 P47
14	Process Carriage Section	プロセス架台部	P48 P49 P50 P51 P52 P53 P54
15	Secondary Transfer Section	2次転写部	P55
16	Tray 1	トレイ1	P56 P57 P58 P59
17	Tray 2	トレイ2	P60 P61 P62 P63
18	Paper Feed Section	給紙部	P64 P65 P66 P67 P68 P69
19	Paper Feed Driving Section	給紙駆動部	P70
20	Tray Driving Section	トレイ駆動部	P71
21	Drum Driving Section	ドラム駆動部	P72 P73 P74 P75
22	Vertical Conveyance Section	垂直搬送部	P76 P77
23	ADU Carriage	ADU 架台	P78 P79
24	ADU Duplex Section	ADU 両面部	P80 P81 P82 P83 P84 P85 P86 P87 P88 P89 P90 P91
25	ADU Swing Section	ADU 揺動部	P92 P93
26	ADU Reverse And Exit Section	ADU 反転／排紙部	P94 P95 P96
27	ADU Resist Section	ADU レジスト部	P97 P98 P99
28	Reverse And Exit Section	反転／排紙部	P100 P101
29	Rear Electrical Section	背面電気部	P102 P103 P104 P105 P106 P107
30	Wiring	束線	P108 P109 P110 P111
31	Jigs	治具・サービス資材	P112
32	Accessory Parts	同梱部品	P113

# INDEX

Parts No.	Page No.	Parts No.	Page No.	Parts No.	Page No.	Parts No.	Page No.	Parts No.	Page No.
000V-18-1	112-2	12QV40650	73-11	26NA53712	45-31	4470402401	24-4	55VA40930	57-11
000V-18-2	112-2	12QV40650	74-11	26NA54230	79-1	4470402401	30-3	55VA40930	61-16
000V-19-0	112-4	12QV40650	75-5	26NA82513	7-7	4470402401	33-14	55VA42120	34-2
00VC-2-00	112-10	12QV40650	80-1	26TA32960	25-2	4470402401	40-3	55VA42120	65-10
00VD-1000	112-11	12QV40650	82-39	26TA32970	25-3	4470402401	42-13	55VA42120	66-16
059076510	66-9	12QV40650	97-1	26TA32990	25-4	4470402401	50-9	55VA42120	68-10
059076510	69-9	13NG45200	9-5	304078070	43-5	4470402401	57-21	55VA42120	69-16
067642581	71-3	13QA40610	31-2	318040550	44-27	4470402401	59-19	55VA42120	77-2
07BA12352	25-1	13QA40610	48-5	4004457301	30-13	4470402401	61-13	55VA42120	82-2
07BA12352	40-1	13QA40610	94-1	4038254001	31-3	4470402401	72-6	55VA47840	30-4
07BA15871	33-3	13QA40610	101-1	4038351102	7-12	4470402401	73-6	55VA48500	45-14
07BA15871	35-1	13QA85511	96-5	4040078001	113-5	4470402401	74-6	55VA48500	70-4
08AA45230	37-8	13QA85511	98-8	4040M40100	14-10	4470402401	77-14	55VA75540	65-12
08AA85512	33-13	13RN73120	107-12	40AA30270	2-1	4470402401	80-23	55VA75540	68-12
08AA85512	40-2	14GE45470	79-10	40AA30270	95-1	4470402401	83-32	55VA79030	64-16
08AA85512	50-8	14GE45470	94-32	40AA32320	7-8	4470402401	84-5	55VA79030	67-16
08AA85512	57-20	14GE45470	97-23	40AA32320	29-6	4470402401	86-25	55VA90840	2-2
08AA85512	59-18	192141710	94-2	40AA32320	31-21	4470402401	88-21	55WA10300	10-21
08AA85512	61-12	20AL48470G	39-2	40AA32320	35-2	4470402401	90-7	55WA10300	13-5
08AA85512	65-26	25AA40100	66-5	40AA32320	37-9	4470402401	91-17	55WA10310	10-7
08AA85512	68-26	25AA40100	69-5	40AA32320	49-4	4470402401	92-4	56AA10300	8-7
08AA85512	72-5	25AA47500	82-29	40AA32320	58-4	4470402401	94-29	56AA10300	9-11
08AA85512	73-5	25AA50080	85-8	40AA32320	62-3	4470402401	95-21	56AA12140	24-6
08AA85512	74-5	25AA77730	77-22	40AA32320	70-3	4470402401	101-27	56AA12150	24-7
08AA85512	77-13	25BA77171	27-1	40AA46261	95-2	462076010	82-1	56AA12160	24-8
08AA85512	80-22	25SA40960	64-22	40AA77550	80-2	466076020	27-2	56AA12241	2-20
08AA85512	83-31	25SA40960	66-4	40AA77550	95-3	466076020	31-4	56AA12270	30-11
08AA85512	84-4	25SA40960	67-22	40AA85011	24-3	466076020	91-2	56AA17090	81-26
08AA85512	86-2	25SA40960	69-4	40LA73840	107-16	50GA250100	29-4	56AA17121	65-8
08AA85512	88-20	26NA17580	29-3	4109553001	65-25	55FA40320	66-22	56AA17121	68-8
08AA85512	92-3	26NA32660	28-1	4109553001	68-25	55FA40320	69-22	56AA17310	101-31
08AA85512	94-28	26NA32870	25-13	4131253701	85-1	55GA75031	46-3	56AA17321	34-29
08AA85512	95-20	26NA42061	64-17	4131253701	86-9	55GA77050	31-5	56AA17321	46-4
08AA85512	101-26	26NA42061	67-17	4131253701	87-11	55TA84561	102-2	56AA17321	83-10
1154467001	85-22	26NA42560	64-3	4131253701	91-1	55VA15541	81-25	56AA17321	86-10
12QR86011	24-11	26NA42560	67-3	4131253701	99-2	55VA20680	77-1	56AA17321	87-6
12QV40650	34-1	26NA42560	76-4	4131353202	80-3	55VA32480	106-1	56AA17321	88-22
12QV40650	36-10	26NA47070	58-22	4131353202	97-2	55VA32530	57-1	56AA17321	95-4
12QV40650	70-2	26NA47070	62-34	4139M10000	93-4	55VA32530	61-1	56AA17321	99-14
12QV40650	72-12	26NA53712	42-20	4470402401	8-20	55VA40600	58-5	56AA17321	101-2

Parts No.	Page No.	Parts No.	Page No.	Parts No.	Page No.	Parts No.	Page No.	Parts No.	Page No.
56AA17461	28-2	56AA17551	62-4	56AA40370	65-31	56AA42690	90-1	57AA15600	104-3
56AA17461	39-5	56AA17551	82-4	56AA40370	68-31	56AA42690	94-4	57AA40420	64-9
56AA17461	49-5	56AA17551	83-17	56AA40380	66-20	56AA50670	82-6	57AA40420	67-9
56AA17461	80-4	56AA17551	84-11	56AA40380	69-20	56AA50800	82-7	57GA12100	105-7
56AA17461	82-30	56AA17551	88-24	56AA40390	65-9	56AA73560	105-1	65AA-9091E	75-12
56AA17461	83-1	56AA17551	94-3	56AA40390	68-9	56AA77330	27-11	65AA-9920	112-8
56AA17461	84-7	56AA17551	95-5	56AA40430	64-6	56AA77530	82-8	65AA10190	11-11
56AA17461	97-3	56AA17551	100-13	56AA40430	67-6	56AA77590	66-14	65AA10470	9-8
56AA17471	31-17	56AA17551	101-32	56AA40440	64-8	56AA77590	69-14	65AA11300	5-3
56AA17471	49-1	56AA17620	10-8	56AA40440	67-8	56AA77720E	65-24	65AA11300	33-10
56AA17471	65-33	56AA17630	10-9	56AA40460	65-4	56AA77720E	68-24	65AA11430	5-17
56AA17471	68-33	56AA17640	10-10	56AA40460	68-4	56AA77730	65-20	65AA15210	72-1
56AA17471	82-3	56AA17700	101-3	56AA40470	65-17	56AA77730	68-20	65AA15210	73-1
56AA17471	91-3	56AA17760	65-21	56AA40470	68-17	56AA80551	84-1	65AA15210	74-1
56AA17480	39-20	56AA17760	66-7	56AA40481	64-5	56AA82012	65-11	65AA15210	75-1
56AA17480	40-19	56AA17760	68-21	56AA40481	67-5	56AA82012	66-17	65AA20060	37-10
56AA17480	49-9	56AA17760	69-7	56AA40490	28-4	56AA82012	68-11	65AA20300	37-11
56AA17480	65-18	56AA20940D	37-1	56AA40490	37-2	56AA82012	69-17	65AA26380	35-15
56AA17480	68-18	56AA40010	64-7	56AA40490	66-1	56AA82012	77-3	65AA26600	35-24
56AA17480	81-1	56AA40010	67-7	56AA40490	69-1	56AA82012	82-9	65AA26690D	35-19
56AA17480	83-11	56AA40032E	65-3	56AA40490	78-13	56AA97140	102-12	65AA26840	37-12
56AA17480	92-9	56AA40032E	68-3	56AA40490	80-37	56GA76010	81-4	65AA26870	34-27
56AA17490	72-13	56AA40070	66-12	56AA40490	85-2	56QA40080	64-12	65AA26900D	35-22
56AA17490	73-12	56AA40070	69-12	56AA40490	99-3	56QA40080	67-12	65AA27090D	37-3
56AA17490	74-12	56AA40100G	65-1	56AA40500	65-23	56QA40250	64-13	65AA27240	34-4
56AA17490	75-6	56AA40100G	68-1	56AA40500	68-23	56QA40250	67-13	65AA27240	36-17
56AA17490	87-28	56AA40120	65-13	56AA40520	65-5	56QA40270	64-20	65AA27320	37-15
56AA17490	88-23	56AA40120	68-13	56AA40520	68-5	56QA40270	67-20	65AA33310F	48-9
56AA17500	27-3	56AA40171	65-27	56AA40530	64-18	56QA40550	64-10	65AA40010	65-2
56AA17500	28-3	56AA40171	68-27	56AA40530	67-18	56QA40550	67-10	65AA40010	68-2
56AA17510	64-14	56AA40190	65-28	56AA40540	64-19	56QA80570	10-26	65AA40080E	66-10
56AA17510	66-8	56AA40190	68-28	56AA40540	67-19	56QA80570	90-2	65AA40080E	69-10
56AA17510	67-14	56AA40230	65-6	56AA42690	39-6	56QA80570	105-6	65AA42370	94-34
56AA17510	69-8	56AA40230	68-6	56AA42690	40-20	56UA70330	14-21	65AA44200	77-19
56AA17520	49-6	56AA40300	66-13	56AA42690	79-2	56UA77280	31-18	65AA44350	77-23
56AA17531	29-7	56AA40300	69-13	56AA42690	81-3	56UA77710	31-7	65AA44440	77-4
56AA17531	31-6	56AA40310	65-29	56AA42690	82-5	56UA97300	48-14	65AA45230	80-5
56AA17531	47-12	56AA40310	68-29	56AA42690	83-18	56UA97310	4-6	65AA47120D	61-18
56AA17531	81-2	56AA40360	64-21	56AA42690	87-7	56UA97320	4-7	65AA47130	58-6
56AA17551	2-3	56AA40360	67-21	56AA42690	88-1	57AA15600	9-19	65AA47310E	57-22

Parts No.	Page No.	Parts No.	Page No.	Parts No.	Page No.	Parts No.	Page No.	Parts No.	Page No.
65AA47310E	61-19	65AA80112	83-19	A00J617800	101-4	A03U191201	16-8	A03U560300	66-19
65AA47320	57-23	65AA80112	90-14	A00J617900	34-5	A03U191300	16-9	A03U560300	69-19
65AA47320	61-20	65AA80112	97-19	A00J617900	79-3	A03U191400	15-11	A03U560500	66-21
65AA47360	71-4	65AA88010	44-14	A00J617900	82-10	A03U191500	15-20	A03U560500	69-21
65AA47370	71-5	65AA91100	24-12	A00J617900	87-8	A03U191600	15-5	A03U621200	59-5
65AA47390	71-6	65AA97440	51-1	A00J617900	88-2	A03U191700	15-4	A03U621200	63-5
65AA47550	59-2	65AA97450	52-1	A00J617900	94-6	A03U191800	15-3	A03U700202	76-5
65AA47550	63-2	65AA97460	53-1	A00J663200	64-11	A03U191900	15-6	A03U723301	46-45
65AA47600E	58-28	65AA97470	54-1	A00J663200	65-22	A03U192000	15-2	A03U724200	40-13
65AA47600E	62-28	65AA99500	112-9	A00J663200	66-3	A03U192100	15-7	A03U728000	46-16
65AA47630	59-3	65AAR73200	51-8	A00J663200	67-11	A03U192200	15-12	A03U734311	46-1
65AA47630	63-3	65AAR73200	52-8	A00J663200	68-22	A03U192300	16-10	A03U734411	46-2
65AA47700D	58-7	65AAR73200	53-8	A00J663200	69-3	A03U193100	16-20	A03U734500	40-14
65AA47700D	62-5	65AAR73200	54-8	A00J945400	4-2	A03U193200	16-17	A03U734500	42-1
65AA47710	71-7	65GE97400	66-11	A00JM60300	102-3	A03U193300	15-10	A03U734500	43-6
65AA47740E	58-8	65GE97400	69-11	A00TM10000	93-9	A03U193400	15-19	A03U734500	44-15
65AA47740E	59-4	65GE97490	58-9	A00V240600	34-6	A03U193500	15-21	A03U734500	47-1
65AA47740E	62-6	65GE97490	62-7	A00V240600	36-11	A03U193600	15-16	A03U734800	46-17
65AA47740E	63-4	65LA48530	100-17	A00V240600	39-7	A03U193700	15-13	A03U734900	46-18
65AA47820	57-2	65LA48570	8-24	A00V240600	40-21	A03U193800	15-9	A03U807700	92-5
65AA47820	61-2	9313100072	5-8	A00V240600	45-2	A03U193900	16-14	A03U808400	40-8
65AA47860	57-12	9313110033	105-16	A00V240600	70-5	A03U194002	15-1	A03U809500	45-15
65AA47860	61-17	9335140051	30-14	A00V240600	81-6	A03U194102	15-18	A03U811600	85-6
65AA47900E	59-20	9335140071	86-26	A00V240600	82-11	A03U195302	16-3	A03U811800	85-3
65AA47970	71-8	9335140071	90-8	A00V240600	90-3	A03U195400	16-2	A03U812800	58-10
65AA48360	101-22	9335140071	91-18	A00V240600	92-10	A03U195500	16-4	A03U812800	62-9
65AA48460	101-18	9381410131	113-5	A00V240600	97-14	A03U259600	72-14	A03U812800	65-32
65AA49270	94-5	9J03M10000	8-25	A034M50000	5-4	A03U259600	73-13	A03U812800	66-18
65AA49410	95-29	9J03M10000	10-25	A034M50000	33-11	A03U259600	74-13	A03U812800	68-32
65AA50400	9-6	9J03M10000	100-10	A03N621800	62-8	A03U259600	75-7	A03U812800	69-18
65AA50430	8-3	9J06M10000	103-3	A03U118300	11-1	A03U259900	72-15	A03U812800	77-5
65AA51510	85-9	9J06N30000	113-5	A03U162500	4-3	A03U259900	73-14	A03U812800	81-7
65AA51730	83-8	9J07500201	27-4	A03U168500	2-36	A03U259900	74-14	A03U812800	82-12
65AA53560	46-39	A00FM20000	28-6	A03U169900	2-4	A03U259900	75-9	A03U812800	83-2
65AA53991	46-44	A00J191900	93-2	A03U190500	16-18	A03U512300	34-7	A03U812800	88-25
65AA75010E	16-6	A00J617800	35-3	A03U190600	16-19	A03U515100	33-12	A03U812800	97-4
65AA77390	28-5	A00J617800	40-7	A03U190700	16-16	A03U523900	55-6	A03U812800	99-4
65AA77410	31-8	A00J617800	49-7	A03U190802	16-5	A03U555400	37-4	A03U813601	85-10
65AA77540	81-5	A00J617800	85-19	A03U190900	15-8	A03U560200	66-6	A03U814100	85-20
65AA80021	40-29	A00J617800	95-6	A03U191100	16-7	A03U560200	69-6	A03U814200	85-21



Parts No.	Page No.	Parts No.	Page No.	Parts No.	Page No.	Parts No.	Page No.	Parts No.	Page No.
A03U814300	85-15	A03UF19100	16-11	A0TK341300	83-12	A1DUR71600	38-3	A1RF815702	8-4
A03U815700	81-8	A03UF84300	91-7	A0TKH00200	20-2	A1DUR71900	35-25	A1RF820000	87-24
A03U838900	82-13	A03UM15800	5-18	A0TKH00200	21-2	A1DUR71C00	37-5	A1RF820000	88-10
A03U839000	81-9	A03UM15800	8-26	A0TKH00200	22-2	A1DUR71D00	37-6	A1RF820000	94-7
A03U842600	89-5	A03UM20100	82-14	A0TKH00200	23-2	A1DUR71J00	66-2	A1RF847400	89-11
A03U842700	90-10	A03UN23200	41-5	A0U0945401	56-2	A1DUR71J00	69-2	A1RF863800	95-7
A03U842800	90-18	A03UN23200	44-3	A0U0945501	60-2	A1DUR71K00	64-4	A1RF877100	96-6
A03U843500	85-7	A03UR73800	5-5	A0VDM50500	98-2	A1DUR71K00	67-4	A1RF942900	2-37
A03U844200	91-4	A03X565001	82-15	A0XV370300	93-17	A1DUR73500	34-8	A1RF943100	78-19
A03U844300	91-5	A03X565611	64-15	A0Y5M15100	11-12	A1DUR73E00	90-12	A1RF944100	79-11
A03U844700	91-6	A03X565611	67-15	A11PM10200	34-23	A1DUR73K00	81-10	A1RF945100	48-6
A03U844802	91-24	A03X622000	98-1	A11PM10200	39-8	A1DUR73P00	90-20	A1RF945100	49-12
A03U844901	91-25	A03X622101	63-18	A161626800	56-3	A1DUR75200	66-15	A1RF945100	50-16
A03U845100	89-9	A03X622201	63-19	A161626800	60-3	A1DUR75200	69-15	A1RF945501	113-4
A03U845301	89-10	A03X656203	57-3	A161M10200	31-9	A1RF168800	3-7	A1RF946000	61-21
A03U845601	90-11	A03X656203	61-3	A1DU111100	7-29	A1RF214100	72-16	A1RFM15100	106-13
A03U845601	96-8	A07TM60100	102-4	A1DU162300	4-4	A1RF214100	73-15	A1RFM51000	42-14
A03U845700	90-17	A0EDM10500	105-15	A1DU163402	3-4	A1RF214100	74-15	A1RFN28300	14-18
A03U845901	90-19	A0G6190101	14-1	A1DU166500	4-8	A1RF214100	75-10	A1RG569900	29-11
A03U848100	89-1	A0G6190200	14-12	A1DU190100	16-12	A1RF301400	12-2	A1RG569900	31-26
A03U849701	85-11	A0G6191600	14-19	A1DU194200	16-15	A1RF362400	29-8	A1RG681400	82-16
A03U850101	64-2	A0G6192400	14-5	A1DU194300	16-1	A1RF362400	31-10	A1RJ732100	36-2
A03U850101	67-2	A0G6192500	14-6	A1DU197100	15-15	A1RF363500	30-5	A1RJ818800	95-8
A03U850101	76-6	A0G6192700	14-3	A1DU736200	39-26	A1RF363801	30-6	A1RJ825100	92-11
A03U850101	86-27	A0G6192900	14-2	A1DU764000	7-13	A1RF368500	31-11	A1RJ825800	92-18
A03U850101	99-15	A0G6193100	14-23	A1DU942900	98-15	A1RF372300	31-25	A1TVM10100	84-8
A03U859400	90-15	A0G6193200	14-22	A1DU943701	48-10	A1RF441500	25-14	A1TVM10100	100-15
A03U859500	90-4	A0G6193400	14-24	A1DU943701	50-1	A1RF501700	34-9	A1UD210500	31-12
A03U892300	100-7	A0G6193800	14-20	A1DU945900	1-9	A1RF508000	36-8	A1UD723500	45-32
A03U892400	100-8	A0G6193900	14-26	A1DU946300	113-1	A1RF508100	36-1	A1UDM50100	58-29
A03U892701	101-33	A0G6194000	14-25	A1DU949000	46-5	A1RF508200	36-9	A1UDM50100	62-29
A03U892800	101-34	A0G6411200	5-9	A1DU949900	5-19	A1RF517300	34-10	A2X0M12101	71-1
A03U893000	101-5	A0G6H06000	14-9	A1DU949900	48-15	A1RF517300	101-9	A2XKM10300	27-5
A03U893101	101-6	A0G6M75501	14-4	A1DUF62100	59-6	A1RF529300	49-11	A2XKM10300	48-7
A03U893200	101-7	A0G6N18400	14-14	A1DUF62100	63-6	A1RF620301	64-23	A2XKM10300	70-6
A03U893301	100-2	A0GA190301	14-27	A1DUH11000	16-13	A1RF620301	67-23	A4EU190412	14-8
A03U893400	100-3	A0GA195000	14-11	A1DUM70001	103-5	A1RF701700	76-7	A4EU194100	14-16
A03U893502	101-35	A0GA205000	14-11	A1DUM70101	103-6	A1RF758100	43-7	A4EU194200	14-28
A03U909502	101-8	A0P0144300	86-11	A1DUPJG100	112-12	A1RF808600	43-8	A4EU265000	43-1
A03U909900	100-14	A0P0742300	41-6	A1DUR71200	48-1	A1RF809400	39-9	A4EUH04001	14-15

Parts No.	Page No.	Parts No.	Page No.	Parts No.	Page No.	Parts No.	Page No.	Parts No.	Page No.
A4EUM60000	5-1	A50U107800	8-31	A50U123600	6-6	A50U130400	103-13	A50U160500	2-7
A4EUM60400	102-5	A50U107900	11-2	A50U123700	5-22	A50U130500	106-14	A50U160600	2-27
A4EUM75600	14-7	A50U108001	11-3	A50U123800	5-23	A50U130600	107-1	A50U160701	56-4
A4EUN28500	14-13	A50U108100	103-1	A50U123900	6-11	A50U130902	107-9	A50U160801	60-4
A4EUPP0000	112-3	A50U108200	11-4	A50U124000	6-16	A50U131002	104-7	A50U160900	2-8
A50U101600	9-17	A50U108900	7-28	A50U124100	5-24	A50U131100	105-10	A50U161001	3-5
A50U101901	8-27	A50U109100	6-1	A50U124900	5-13	A50U131200	105-11	A50U161501	2-9
A50U102702	9-13	A50U109200	71-10	A50U125000	11-22	A50U131300	105-12	A50U161601	2-10
A50U102800	7-4	A50U109200	105-3	A50U125101	11-23	A50U131400	104-8	A50U161700	2-11
A50U102900	5-6	A50U109300	71-9	A50U125200	5-25	A50U131501	102-6	A50U161800	2-12
A50U103200	8-10	A50U109400	8-5	A50U125500	11-19	A50U131600	102-7	A50U161900	2-13
A50U103301	10-17	A50U109600	8-14	A50U125600	11-15	A50U131700	102-11	A50U162005	1-5
A50U103402	8-13	A50U109700	8-15	A50U125800	11-14	A50U131800	102-8	A50U162101	1-6
A50U103500	8-28	A50U109800	8-16	A50U125900	5-26	A50U131900	104-9	A50U162200	1-7
A50U103600	7-2	A50U109900	8-23	A50U126200	6-12	A50U132100	105-17	A50U162301	1-1
A50U103700	10-11	A50U110000	10-5	A50U126300	11-28	A50U132300	103-4	A50U162400	3-6
A50U103800	10-3	A50U112900	71-11	A50U126400	11-16	A50U132400	102-1	A50U162503	1-8
A50U104000	12-10	A50U112900	105-4	A50U126500	5-14	A50U132600	105-2	A50U162701	1-2
A50U104300	13-1	A50U120100	102-15	A50U126600	5-15	A50U132701	11-7	A50U162803	1-3
A50U104401	10-4	A50U120200	102-16	A50U126800	6-13	A50U132800	11-8	A50U162900	1-4
A50U104500	13-2	A50U120300	8-17	A50U127000	12-15	A50U133001	104-5	A50U163001	4-5
A50U104600	9-20	A50U120600	5-10	A50U127200	6-7	A50U133101	104-2	A50U163504	4-9
A50U104700	8-21	A50U120700	105-8	A50U127300	6-8	A50U133200	7-6	A50U163602	4-10
A50U104800	104-4	A50U120800	105-9	A50U127400	5-2	A50U133400	107-10	A50U163700	4-1
A50U104901	7-1	A50U120900	11-5	A50U127500	6-17	A50U133700	102-13	A50U163800	4-11
A50U105000	13-3	A50U121003	5-20	A50U127800	6-14	A50U133800	102-14	A50U163903	3-1
A50U105100	8-22	A50U121300	5-11	A50U127901	5-35	A50U133901	107-2	A50U164000	5-29
A50U105200	8-8	A50U121500	17-1	A50U128000	6-18	A50U134700	107-3	A50U164100	2-22
A50U105600	8-1	A50U121601	5-21	A50U128700	6-19	A50U134800	107-17	A50U164200	2-23
A50U105800	9-3	A50U121800	11-6	A50U128800	11-24	A50U136000	103-7	A50U164801	2-24
A50U106300	10-12	A50U121900	11-13	A50U128900	11-25	A50U136000	103-7	A50U164901	2-25
A50U106300	13-6	A50U122000	10-1	A50U129100	11-17	A50U136101	103-8	A50U165500	2-14
A50U106502	11-9	A50U122102	5-12	A50U129200	8-18	A50U136200	107-11	A50U165600	2-15
A50U106600	11-20	A50U122701	12-14	A50U129300	11-26	A50U136302	107-4	A50U166100	2-16
A50U106700	11-10	A50U122800	10-2	A50U129401	11-29	A50U136402	103-14	A50U166200	2-17
A50U106800	7-5	A50U122900	11-21	A50U129801	11-30	A50U136501	9-1	A50U166800	24-9
A50U107000	9-9	A50U123200	6-9	A50U130103	107-5	A50U160101	2-5	A50U167201	2-18
A50U107101	9-4	A50U123300	6-5	A50U130202	107-6	A50U160200	2-6	A50U167300	3-2
A50U107501	8-29	A50U123400	6-10	A50U130300	103-12	A50U160303	2-21	A50U167500	2-28
A50U107600	8-30	A50U123500	6-15	A50U130300	107-7	A50U160401	78-21	A50U167601	2-29

Parts No.	Page No.	Parts No.	Page No.	Parts No.	Page No.	Parts No.	Page No.	Parts No.	Page No.
A50U167801	4-12	A50U308100	12-4	A50U341800	6-2	A50U363900	9-18	A50U442100	24-13
A50U167900	5-30	A50U308200	12-5	A50U341900	51-4	A50U365400	29-9	A50U462101	51-9
A50U168001	113-2	A50U308300	12-6	A50U341900	52-4	A50U365600	31-15	A50U462101	52-9
A50U168800	5-31	A50U308400	12-7	A50U341900	53-4	A50U365800	31-14	A50U462101	53-9
A50U168900	5-32	A50U308500	12-8	A50U341900	54-4	A50U366601	9-14	A50U462101	54-9
A50U169002	48-16	A50U314300	12-13	A50U342000	51-5	A50U366800	30-15	A50U462201	51-12
A50U169300	5-33	A50U314800	9-2	A50U342000	52-5	A50U367001	31-16	A50U462201	52-12
A50U169500	5-34	A50U318101	17-3	A50U342000	53-5	A50U367100	30-8	A50U462201	53-12
A50U169602	48-17	A50U318201	17-7	A50U342000	54-5	A50U367400	30-16	A50U462201	54-12
A50U169900	2-19	A50U318300	17-4	A50U342200	6-3	A50U368000	9-15	A50U462400	51-17
A50U175001	3-3	A50U318500	12-1	A50U342300	51-14	A50U368400	30-9	A50U462400	52-17
A50U179000	24-5	A50U318601	12-3	A50U342300	52-14	A50U369800	31-19	A50U462400	53-17
A50U179500	5-7	A50U318700	17-5	A50U342300	53-14	A50U369900	30-2	A50U462400	54-17
A50U210600	72-2	A50U318700	24-15	A50U342300	54-14	A50U400201	25-5	A50U462501	51-18
A50U210600	73-2	A50U318800	12-9	A50U342400	6-4	A50U400501	28-7	A50U462501	52-18
A50U210600	74-2	A50U318900	17-6	A50U342501	50-25	A50U400600	24-16	A50U462501	53-18
A50U210600	75-2	A50U319301	17-2	A50U342600	50-26	A50U400900	24-17	A50U462501	54-18
A50U212100	72-10	A50U333500	19-1	A50U342900	8-9	A50U401200	28-8	A50U462600	51-13
A50U212100	73-10	A50U333600	19-2	A50U343000	50-13	A50U401301	28-9	A50U462600	52-13
A50U212100	74-10	A50U335600	50-20	A50U343100	54-19	A50U401401	24-18	A50U462600	53-13
A50U212100	75-4	A50U335600	51-2	A50U343301	54-20	A50U404000	27-6	A50U462600	54-13
A50U212600	72-3	A50U335600	52-2	A50U343400	50-21	A50U404200	27-13	A50U462700	51-15
A50U212600	73-3	A50U335600	53-2	A50U343500	50-22	A50U404600	27-12	A50U462700	52-15
A50U212600	74-3	A50U335600	54-2	A50U343600	50-2	A50U406400	27-7	A50U462700	53-15
A50U212600	75-3	A50U337101	49-13	A50U343700	54-21	A50U407300	13-4	A50U462700	54-15
A50U220501	48-8	A50U337200	50-17	A50U343800	50-11	A50U407600	28-10	A50U462801	51-16
A50U220600	49-10	A50U337300	50-18	A50U343900	50-3	A50U408100	24-2	A50U462801	52-16
A50U220700	49-2	A50U337400	49-14	A50U344100	50-23	A50U408501	25-15	A50U462801	53-16
A50U221500	48-2	A50U340301	51-3	A50U344200	50-14	A50U408600	25-6	A50U462801	54-16
A50U221701	48-11	A50U340301	52-3	A50U344300	50-4	A50U408700	25-7	A50U462900	51-10
A50U221800	49-8	A50U340301	53-3	A50U344500	50-5	A50U408900	25-8	A50U462900	52-10
A50U222000	49-3	A50U340301	54-3	A50U360700	31-22	A50U410200	25-16	A50U462900	53-10
A50U252100	70-13	A50U340500	50-19	A50U361200	31-23	A50U420300	27-8	A50U462900	54-10
A50U252300	70-7	A50U340700	8-2	A50U361401	31-24	A50U420400	28-11	A50U463000	51-6
A50U252400	70-8	A50U340900	50-10	A50U362200	31-13	A50U420800	28-12	A50U463000	52-6
A50U252500	70-9	A50U341000	48-3	A50U362300	29-1	A50U420900	27-9	A50U463000	53-6
A50U252600	70-10	A50U341200	54-22	A50U363200	30-7	A50U421000	27-10	A50U463000	54-6
A50U252700	70-12	A50U341300	50-12	A50U363300	29-13	A50U421000	28-13	A50U463100	51-7
A50U252800	70-11	A50U341400	50-27	A50U363400	30-1	A50U440301	25-17	A50U463100	52-7
A50U269000	113-6	A50U341600	50-15	A50U363701	30-12	A50U440601	25-18	A50U463100	53-7

Parts No.	Page No.	Parts No.	Page No.	Parts No.	Page No.	Parts No.	Page No.	Parts No.	Page No.
A50U463100	54-7	A50U505901	34-18	A50U521900	80-12	A50U621501	58-12	A50U626100	58-17
A50U500101	34-11	A50U506101	34-19	A50U522001	80-34	A50U621501	62-11	A50U626100	62-14
A50U500301	36-12	A50U506200	33-6	A50U522400	80-13	A50U621800	58-13	A50U626502	57-13
A50U500401	34-12	A50U506300	33-8	A50U522500	80-14	A50U621900	58-30	A50U626502	61-22
A50U500700	36-18	A50U506400	36-14	A50U522900	80-26	A50U621900	62-30	A50U626601	57-14
A50U500800	33-1	A50U506500	50-7	A50U523001	80-27	A50U622001	58-14	A50U626601	61-23
A50U501201	35-4	A50U506701	34-28	A50U523100	80-28	A50U622001	62-12	A50U626702	57-15
A50U501401	36-3	A50U506900	35-7	A50U523200	80-29	A50U622101	58-31	A50U626702	61-24
A50U501600	36-19	A50U507000	34-20	A50U523400	80-30	A50U622101	62-31	A50U627002	60-5
A50U501702	36-4	A50U507600	35-21	A50U524100	80-35	A50U622300	58-26	A50U627200	60-6
A50U501900	35-5	A50U507801	35-16	A50U524500	80-15	A50U622400	58-24	A50U627501	58-18
A50U502100	36-24	A50U507900	35-14	A50U524600	80-16	A50U622400	62-35	A50U627501	62-15
A50U502201	36-13	A50U508001	35-10	A50U524700	80-31	A50U622600	57-5	A50U627601	57-8
A50U502400	36-20	A50U508102	35-11	A50U525900	55-3	A50U622600	61-5	A50U627601	61-8
A50U502500	34-30	A50U508200	36-15	A50U531400	37-13	A50U622801	57-6	A50U627701	57-9
A50U502600	34-31	A50U508300	7-9	A50U531500	37-14	A50U622801	61-6	A50U627701	61-9
A50U502700	36-5	A50U508600	33-2	A50U531601	37-7	A50U623201	58-27	A50U628001	10-14
A50U502800	50-6	A50U508700	36-16	A50U560900	65-16	A50U623201	62-38	A50U628100	56-1
A50U502900	36-6	A50U508800	33-7	A50U560900	68-16	A50U623300	58-25	A50U628100	58-3
A50U503001	36-7	A50U509100	34-21	A50U561200	65-30	A50U623300	62-36	A50U628100	60-1
A50U503200	35-6	A50U509200	36-22	A50U561200	68-30	A50U623600	58-1	A50U628200	57-10
A50U503300	36-21	A50U509300	7-10	A50U562400	65-19	A50U623701	58-2	A50U628200	59-11
A50U503500	36-25	A50U509800	34-22	A50U562400	68-19	A50U623900	62-1	A50U628200	61-10
A50U503600	33-4	A50U510100	35-17	A50U564500	65-14	A50U624000	9-16	A50U628200	63-12
A50U503700	33-5	A50U510200	35-18	A50U564500	68-14	A50U624102	10-13	A50U628300	59-1
A50U503900	34-24	A50U515200	38-4	A50U565100	65-15	A50U624201	62-2	A50U628300	63-1
A50U504000	34-13	A50U515500	38-8	A50U565100	68-15	A50U624502	9-12	A50U629001	61-25
A50U504400	34-25	A50U516800	38-10	A50U620601	58-34	A50U624600	59-8	A50U629100	71-2
A50U504500	34-14	A50U516900	38-9	A50U620701	63-7	A50U624600	63-9	A50U629202	61-26
A50U504600	34-15	A50U517000	38-2	A50U620801	58-11	A50U624700	59-9	A50U629300	57-16
A50U504700	34-16	A50U517100	38-5	A50U620801	62-10	A50U624700	63-10	A50U629401	63-13
A50U505000	34-17	A50U520001	55-2	A50U620901	58-23	A50U624902	9-10	A50U629502	59-12
A50U505100	34-32	A50U520401	80-32	A50U621000	57-4	A50U625000	57-17	A50U629502	63-14
A50U505200	33-9	A50U520601	80-6	A50U621000	61-4	A50U625100	59-10	A50U629701	59-13
A50U505300	34-3	A50U520700	80-7	A50U621200	59-7	A50U625100	63-11	A50U629701	63-15
A50U505400	35-8	A50U520900	80-33	A50U621200	63-8	A50U625400	58-15	A50U629801	59-14
A50U505500	35-9	A50U521101	80-8	A50U621301	58-32	A50U625500	58-16	A50U629801	63-16
A50U505601	35-20	A50U521200	80-9	A50U621301	62-32	A50U625701	57-7	A50U629901	59-15
A50U505700	35-12	A50U521301	80-10	A50U621400	58-33	A50U625701	61-7	A50U630601	62-40
A50U505800	35-13	A50U521500	80-11	A50U621400	62-33	A50U626000	62-13	A50U630701	59-16

Parts No.	Page No.	Parts No.	Page No.	Parts No.	Page No.	Parts No.	Page No.	Parts No.	Page No.
A50U630901	62-37	A50U640400	10-19	A50U711101	97-5	A50U715800	86-1	A50U725200	44-5
A50U631000	62-16	A50U640700	62-24	A50U711200	99-8	A50U715800	99-1	A50U725401	45-5
A50U631100	62-17	A50U640800	58-19	A50U711300	99-9	A50U715900	97-17	A50U725501	45-6
A50U631200	61-15	A50U641500	57-18	A50U711400	97-6	A50U716200	97-10	A50U726001	45-24
A50U631300	61-11	A50U641500	61-27	A50U711602	99-16	A50U716301	99-23	A50U726101	44-24
A50U631500	62-18	A50U641600	10-20	A50U712001	98-3	A50U716400	99-24	A50U726300	45-7
A50U631600	61-14	A50U642000	58-20	A50U712200	86-28	A50U716500	55-4	A50U726400	45-8
A50U631700	62-19	A50U642000	62-25	A50U712200	99-17	A50U716500	80-36	A50U726600	44-17
A50U631800	62-20	A50U700101	76-8	A50U712300	86-29	A50U716500	86-43	A50U726800	45-9
A50U631900	62-21	A50U700200	77-24	A50U712300	99-18	A50U716500	99-31	A50U727000	46-31
A50U632300	62-39	A50U700300	77-6	A50U712400	86-30	A50U717000	98-4	A50U727100	46-32
A50U633002	56-5	A50U700400	77-25	A50U712400	99-19	A50U717100	98-5	A50U727300	46-33
A50U633002	60-7	A50U700500	77-7	A50U712700	99-10	A50U717200	98-6	A50U727400	46-34
A50U633100	56-6	A50U700600	77-8	A50U713000	97-7	A50U717901	97-11	A50U727500	46-35
A50U633100	60-8	A50U700901	76-2	A50U713100	99-11	A50U718200	98-9	A50U727600	47-5
A50U633200	56-7	A50U701000	77-9	A50U713200	97-8	A50U718300	98-10	A50U727700	46-36
A50U633200	60-9	A50U701102	76-3	A50U713300	83-28	A50U718400	86-13	A50U727900	46-37
A50U633301	56-8	A50U701303	76-9	A50U713401	83-33	A50U718400	99-25	A50U728101	45-10
A50U633400	56-9	A50U704400	77-10	A50U713500	83-29	A50U718500	86-14	A50U728300	45-11
A50U633400	60-10	A50U704700	77-15	A50U713600	97-9	A50U718500	99-26	A50U728400	44-6
A50U633601	60-11	A50U704801	77-11	A50U713700	83-20	A50U719200	97-18	A50U728500	44-7
A50U633702	56-10	A50U704900	77-26	A50U713800	83-21	A50U719800	97-21	A50U728602	47-20
A50U633702	60-12	A50U705000	77-20	A50U713900	83-3	A50U720100	45-20	A50U728700	47-21
A50U633800	56-11	A50U705100	76-10	A50U714200	99-20	A50U720501	45-29	A50U728800	44-8
A50U633800	60-13	A50U705200	76-11	A50U714300	97-20	A50U721200	47-18	A50U729000	47-22
A50U633900	56-12	A50U705400	77-28	A50U714400	97-16	A50U721501	47-2	A50U730100	45-33
A50U633900	60-14	A50U705500	77-16	A50U714500	99-21	A50U721601	45-3	A50U730500	45-35
A50U634200	10-15	A50U705600	77-17	A50U714600	86-12	A50U722100	44-1	A50U730600	45-25
A50U634300	56-13	A50U705700	76-12	A50U714600	99-22	A50U722202	44-2	A50U730700	45-34
A50U634300	60-15	A50U706000	76-13	A50U714800	83-13	A50U722300	47-19	A50U730900	44-9
A50U634400	56-14	A50U706800	77-27	A50U714900	83-14	A50U722700	47-3	A50U731000	44-10
A50U634400	60-16	A50U706900	76-14	A50U715001	83-22	A50U722800	47-4	A50U731100	44-11
A50U635400	62-22	A50U707001	77-29	A50U715100	83-15	A50U723100	45-21	A50U731501	47-6
A50U635500	62-23	A50U707300	77-12	A50U715200	83-16	A50U723600	45-4	A50U731700	7-14
A50U637002	56-15	A50U707400	77-18	A50U715300	86-41	A50U723801	44-16	A50U731900	7-15
A50U637600	59-21	A50U707600	76-15	A50U715300	99-29	A50U723900	44-20	A50U732000	47-7
A50U637700	59-22	A50U710101	97-15	A50U715400	88-33	A50U724101	45-30	A50U732100	40-32
A50U639800	10-16	A50U710300	99-5	A50U715600	86-42	A50U724200	45-22	A50U732200	39-30
A50U640100	63-20	A50U710900	99-6	A50U715600	99-30	A50U725001	45-23	A50U732300	39-31
A50U640200	10-18	A50U711000	99-7	A50U715700	99-12	A50U725100	44-4	A50U732400	39-32

Parts No.	Page No.	Parts No.	Page No.	Parts No.	Page No.	Parts No.	Page No.	Parts No.	Page No.
A50U732500	39-33	A50U743100	39-15	A50U748402	39-34	A50U756300	42-23	A50U803101	93-21
A50U733000	45-1	A50U743200	39-16	A50U748503	40-33	A50U756300	45-28	A50U803300	93-13
A50U733100	45-12	A50U743301	40-23	A50U748601	42-18	A50U756500	39-19	A50U803400	93-14
A50U733401	44-25	A50U743500	45-16	A50U748700	46-40	A50U760100	46-7	A50U803500	93-22
A50U733500	44-18	A50U743600	40-24	A50U748800	43-18	A50U760200	46-8	A50U803600	93-19
A50U733700	45-26	A50U743700	40-25	A50U748901	42-7	A50U760300	46-9	A50U803700	93-3
A50U733901	46-38	A50U743800	40-26	A50U749000	42-8	A50U760400	46-10	A50U803800	93-7
A50U734000	45-27	A50U743900	40-27	A50U749101	42-9	A50U760502	46-19	A50U804200	92-8
A50U734100	106-2	A50U744000	45-17	A50U749200	40-5	A50U760600	46-20	A50U804300	93-8
A50U737201	7-18	A50U744100	45-13	A50U749300	40-6	A50U760701	46-21	A50U804701	93-1
A50U737301	106-3	A50U744300	40-28	A50U749401	106-7	A50U760800	46-41	A50U804900	92-1
A50U737401	106-4	A50U744400	45-18	A50U749502	106-8	A50U760900	46-22	A50U805000	92-2
A50U737601	106-5	A50U744601	40-4	A50U749600	106-9	A50U761000	46-11	A50U805200	93-16
A50U737700	106-6	A50U744700	43-2	A50U749700	106-10	A50U761100	46-12	A50U810300	85-16
A50U737800	7-16	A50U744901	40-15	A50U749801	106-11	A50U761200	46-13	A50U810502	81-28
A50U738001	7-24	A50U745000	43-3	A50U750500	39-28	A50U761300	46-14	A50U811300	13-7
A50U738100	7-25	A50U745100	41-2	A50U750600	39-29	A50U761400	46-15	A50U811500	13-8
A50U738201	47-8	A50U745302	39-27	A50U751001	39-35	A50U761500	46-23	A50U812100	81-27
A50U738300	47-13	A50U745500	40-9	A50U751101	39-36	A50U761601	46-24	A50U812202	82-17
A50U738400	47-14	A50U745600	39-21	A50U751200	39-17	A50U761700	46-25	A50U813700	13-9
A50U738500	47-15	A50U745700	39-22	A50U751301	39-37	A50U761800	46-26	A50U814400	84-2
A50U738600	47-9	A50U745802	41-7	A50U752200	40-11	A50U761900	46-27	A50U814500	84-12
A50U738700	47-10	A50U746200	41-11	A50U752300	40-12	A50U762000	46-28	A50U815101	84-9
A50U738801	47-16	A50U746400	40-10	A50U752401	39-23	A50U762100	46-42	A50U815800	85-17
A50U738900	7-19	A50U746500	46-6	A50U752501	39-24	A50U762200	46-29	A50U816103	81-11
A50U739000	7-17	A50U746700	43-11	A50U752600	39-25	A50U762300	46-30	A50U816301	86-15
A50U739200	47-17	A50U746800	42-4	A50U752700	42-22	A50U800100	93-10	A50U816400	88-3
A50U739400	7-20	A50U747000	43-16	A50U752900	43-13	A50U800300	92-12	A50U816700	86-3
A50U739500	47-11	A50U747100	43-4	A50U753100	106-16	A50U800400	92-13	A50U816800	86-4
A50U740101	42-21	A50U747200	40-16	A50U754700	40-30	A50U800700	92-14	A50U816900	86-8
A50U741700	42-2	A50U747300	40-17	A50U754800	43-19	A50U800800	92-16	A50U817001	80-21
A50U741800	42-3	A50U747402	42-5	A50U754900	43-14	A50U801400	92-17	A50U817300	82-18
A50U741900	43-9	A50U747500	41-3	A50U755000	41-8	A50U801500	92-15	A50U817300	94-8
A50U742000	43-10	A50U747600	41-4	A50U755100	42-10	A50U801602	92-6	A50U817400	81-23
A50U742300	39-10	A50U747700	42-15	A50U755200	41-1	A50U802100	93-18	A50U817500	13-10
A50U742400	40-22	A50U747803	42-16	A50U755301	42-11	A50U802200	92-7	A50U817600	86-31
A50U742501	39-11	A50U747900	42-17	A50U755600	43-15	A50U802600	93-5	A50U817700	13-11
A50U742800	39-12	A50U748000	43-17	A50U755800	42-12	A50U802700	93-12	A50U817800	86-34
A50U742901	39-13	A50U748101	43-12	A50U755900	39-38	A50U802800	93-20	A50U818000	81-12
A50U743000	39-14	A50U748200	42-6	A50U756000	39-18	A50U802900	93-6	A50U818100	81-13

Parts No.	Page No.	Parts No.	Page No.	Parts No.	Page No.	Parts No.	Page No.	Parts No.	Page No.
A50U818201	86-38	A50U834802	80-17	A50U842900	91-21	A50U853700	87-16	A50U865000	96-11
A50U818400	86-39	A50U835001	78-7	A50U843601	91-11	A50U854100	91-15	A50U865100	95-28
A50U818501	82-19	A50U835301	81-34	A50U843801	91-12	A50U854200	87-2	A50U865200	96-2
A50U818601	86-16	A50U835400	81-14	A50U843900	85-4	A50U854301	87-5	A50U865300	94-14
A50U818700	78-1	A50U835601	83-4	A50U844100	85-5	A50U854400	87-3	A50U865400	95-14
A50U818800	78-2	A50U835900	81-29	A50U844400	91-26	A50U854600	62-26	A50U865601	95-30
A50U818900	78-3	A50U836000	81-30	A50U844501	91-13	A50U854600	88-30	A50U865702	94-15
A50U819201	78-4	A50U836100	83-5	A50U844601	91-14	A50U854800	87-4	A50U865900	94-16
A50U819302	78-5	A50U836200	86-32	A50U844800	89-7	A50U854800	89-8	A50U866000	94-17
A50U819500	79-4	A50U836300	84-14	A50U845400	90-13	A50U855200	9-7	A50U866900	94-18
A50U819600	94-9	A50U836400	81-15	A50U846000	91-22	A50U855601	89-13	A50U867100	95-15
A50U819700	83-34	A50U836500	81-16	A50U847200	90-9	A50U855702	78-20	A50U867200	94-19
A50U819800	84-6	A50U836800	88-17	A50U848000	89-3	A50U855800	80-24	A50U867301	94-30
A50U819900	84-13	A50U837001	78-14	A50U848302	89-4	A50U855900	81-19	A50U867400	94-20
A50U830200	82-20	A50U837101	78-15	A50U849100	82-25	A50U856201	87-22	A50U867500	94-21
A50U830300	82-21	A50U837300	78-22	A50U849200	82-26	A50U856501	91-16	A50U867600	94-22
A50U830400	82-22	A50U837700	84-15	A50U850201	90-22	A50U858101	80-18	A50U867700	95-16
A50U830500	82-31	A50U838500	84-3	A50U850201	91-20	A50U858200	78-16	A50U867800	94-23
A50U830600	82-32	A50U838700	84-16	A50U850700	88-8	A50U858300	78-8	A50U868000	95-23
A50U830700	82-33	A50U838800	94-11	A50U851400	87-25	A50U858400	78-9	A50U868200	96-3
A50U830800	82-34	A50U839100	81-17	A50U851500	87-26	A50U858500	78-10	A50U868301	96-4
A50U831000	82-35	A50U839200	81-18	A50U851500	88-11	A50U858600	81-20	A50U868401	95-17
A50U831100	82-36	A50U839200	82-24	A50U851700	87-31	A50U858701	88-18	A50U868500	96-9
A50U831200	82-37	A50U839900	79-5	A50U851800	87-13	A50U859000	82-27	A50U868600	96-10
A50U831300	84-10	A50U840101	83-9	A50U851800	88-9	A50U859400	82-28	A50U868702	95-24
A50U831400	85-12	A50U840303	87-12	A50U851901	88-14	A50U859500	87-17	A50U869200	96-12
A50U831900	82-23	A50U840400	91-8	A50U852000	87-27	A50U859800	87-10	A50U869300	95-25
A50U832100	8-11	A50U840702	89-14	A50U852101	88-15	A50U859900	90-6	A50U869400	94-24
A50U832201	10-6	A50U840801	87-1	A50U852200	88-13	A50U860104	94-26	A50U869501	94-25
A50U832600	85-13	A50U841100	90-21	A50U852300	88-26	A50U860202	95-22	A50U869601	95-26
A50U832700	85-14	A50U841301	91-19	A50U852400	88-27	A50U860501	94-27	A50U869700	95-18
A50U832901	78-6	A50U841401	87-21	A50U852500	87-29	A50U860600	95-9	A50U869800	95-27
A50U833000	8-6	A50U841501	89-12	A50U852500	88-28	A50U861001	94-12	A50U880102	87-18
A50U833400	86-17	A50U841600	89-2	A50U852700	87-30	A50U861200	95-10	A50U880200	89-15
A50U833500	86-18	A50U841700	91-9	A50U852902	87-14	A50U861600	95-11	A50U880701	81-21
A50U834200	85-18	A50U841800	91-10	A50U853000	87-15	A50U861800	94-13	A50U880800	86-36
A50U834302	94-10	A50U841900	89-6	A50U853100	88-12	A50U861900	96-7	A50U880900	86-33
A50U834500	86-19	A50U842000	90-5	A50U853200	87-9	A50U862600	96-1	A50U880900	99-27
A50U834600	86-20	A50U842300	90-23	A50U853200	88-29	A50U864200	95-12	A50U881300	87-19
A50U834700	86-35	A50U842900	79-6	A50U853400	91-23	A50U864300	95-13	A50U881400	87-20

Parts No.	Page No.	Parts No.	Page No.	Parts No.	Page No.	Parts No.	Page No.	Parts No.	Page No.
A50U881500	8-12	A50U891500	101-20	A50U946400	63-17	A50UM30101	54-11	A50UN12900	104-11
A50U881600	86-21	A50U891600	101-21	A50U946501	2-30	A50UM31A00	45-36	A50UN12E01	103-10
A50U881700	86-22	A50U891900	101-25	A50U948000	48-12	A50UM31E00	45-36	A50UN13201	35-23
A50U882100	86-5	A50U892001	101-37	A50UF12000	5-16	A50UM31F00	45-36	A50UN13600	10-27
A50U882100	88-34	A50U892101	101-13	A50UF16000	2-31	A50UM32A00	42-24	A50UN13E01	103-11
A50U882300	83-6	A50U892200	100-19	A50UF16101	2-32	A50UM32E00	42-24	A50UN14001	63-21
A50U882401	97-12	A50U892502	100-9	A50UF16201	2-33	A50UM32F00	42-24	A50UN14100	59-23
A50U882600	83-23	A50U892800	101-28	A50UF16301	2-34	A50UM40100	104-10	A50UN14201	65-7
A50U882701	79-7	A50U892900	101-29	A50UF16400	2-35	A50UM40201	105-13	A50UN14201	68-7
A50U882801	79-8	A50U893201	101-14	A50UF21100	72-9	A50UM45200	103-2	A50UN14400	77-30
A50U882900	88-4	A50U893300	100-5	A50UF21100	73-9	A50UM50100	38-6	A50UN15001	81-24
A50U883001	88-39	A50U894000	101-38	A50UF21100	74-9	A50UM50200	38-11	A50UN15101	105-5
A50U883101	88-40	A50U895000	100-6	A50UF36500	29-12	A50UM50600	44-22	A50UN15201	101-39
A50U883200	88-5	A50U895101	100-16	A50UF41500	24-14	A50UM51000	8-19	A50UN15301	100-20
A50U883300	83-24	A50U899700	101-15	A50UF50700	7-11	A50UM51000	24-10	A50UN15400	8-32
A50U883400	88-35	A50U899801	101-16	A50UF70800	76-18	A50UM51000	30-10	A50UN15500	78-11
A50U883501	83-7	A50U943200	86-37	A50UF70900	76-16	A50UM51000	77-21	A50UN15601	81-35
A50U883600	86-6	A50U943300	99-28	A50UF80404	93-24	A50UM55100	98-11	A50UN15800	97-22
A50U883600	88-36	A50U943400	97-24	A50UF80500	92-19	A50UM10101	108-1	A50UN15900	88-31
A50U883701	88-37	A50U943500	39-3	A50UF81401	83-27	A50UN10202	109-1	A50UN16000	84-17
A50U884000	88-6	A50U943600	95-31	A50UF82200	81-33	A50UN10302	110-1	A50UN16101	84-18
A50U884202	79-9	A50U943700	46-46	A50UF83702	79-12	A50UN10401	109-2	A50UN16300	90-24
A50U884300	88-7	A50U943800	94-33	A50UF84100	89-17	A50UN10502	111-1	A50UN16400	90-25
A50U884600	80-19	A50U943900	91-27	A50UF84800	90-16	A50UN10602	44-26	A50UN16500	83-36
A50U884700	80-20	A50U944000	89-16	A50UH02004	107-15	A50UN10702	40-18	A50UN16600	98-12
A50U885100	81-22	A50U944200	78-24	A50UH03006	104-6	A50UN10A01	106-12	A50UN16700	98-13
A50U886300	86-23	A50U944301	5-27	A50UH05002	81-31	A50UN10E02	106-12	A50UN16800	98-7
A50U886400	86-24	A50U944500	25-9	A50UH06001	75-14	A50UN11000	44-23	A50UN16900	84-19
A50U890101	101-24	A50U944600	25-10	A50UM10100	75-13	A50UN11501	104-23	A50UN17001	39-4
A50U890200	101-30	A50U944700	25-11	A50UM10201	36-23	A50UN11701	102-10	A50UN17100	92-22
A50U890300	101-23	A50U944800	25-12	A50UM10201	72-7	A50UN11801	30-17	A50UN17200	81-32
A50U890400	101-19	A50U944900	2-26	A50UM10201	73-7	A50UN11E02	105-18	A50UN17400	104-12
A50U890500	100-4	A50U945300	58-35	A50UM10201	74-7	A50UN12000	30-18	A50UN17502	96-13
A50U890600	101-36	A50U945300	62-41	A50UM15200	7-26	A50UN12101	24-1	A50UN17601	95-32
A50U890700	101-17	A50U945700	56-17	A50UM15300	7-3	A50UN12203	28-14	A50UN17700	93-11
A50U890800	101-10	A50U945700	60-18	A50UM15300	100-12	A50UN12401	48-13	A50UN17900	86-40
A50U890900	101-11	A50U946000	57-19	A50UM15400	11-27	A50UN12500	50-24	A50UN18100	88-32
A50U891000	100-18	A50U946300	58-21	A50UM30101	51-11	A50UN12602	5-28	A50UN18201	83-37
A50U891200	100-11	A50U946300	62-27	A50UM30101	52-11	A50UN12702	110-2	A50UN18401	95-33
A50U891301	101-12	A50U946400	59-17	A50UM30101	53-11	A50UN12800	7-27	A50UN18700	78-12



Parts No.	Page No.
A50UN18801	81-36
A50UN18900	83-35
A50UN19003	72-17
A50UN19101	75-15
A50UN20001	38-7
A50UN23200	104-13
A50UN23300	104-14
A50UN23400	104-15
A50UN23500	104-16
A50UN23600	104-17
A50UN23700	104-18
A50UN23800	104-19
A50UN23900	104-20
A50UN24100	104-21
A50UN24200	104-22
A50UN24300	104-1
A50UN24400	105-19
A50UN24501	34-33
A50UN24600	105-20
A50UN24701	34-34
A50UN24800	105-21
A50UN24901	34-35
A50UN25000	105-22
A50UN25200	105-23
A50UN25300	105-24
A50UN25400	81-37
A50UN25500	105-25
A50UN25600	81-38
A50UN26102	17-9
A50UN26202	17-10
A50UN26302	17-11
A50UN26403	17-12
A50UN27002	12-12
A50UN27400	106-15
A50UN29012	15-17
A50UN29101	15-14
A50UN29201	107-8
A50UPJG100	112-6
A50UPJG200	112-7
A50UPJG300	112-5

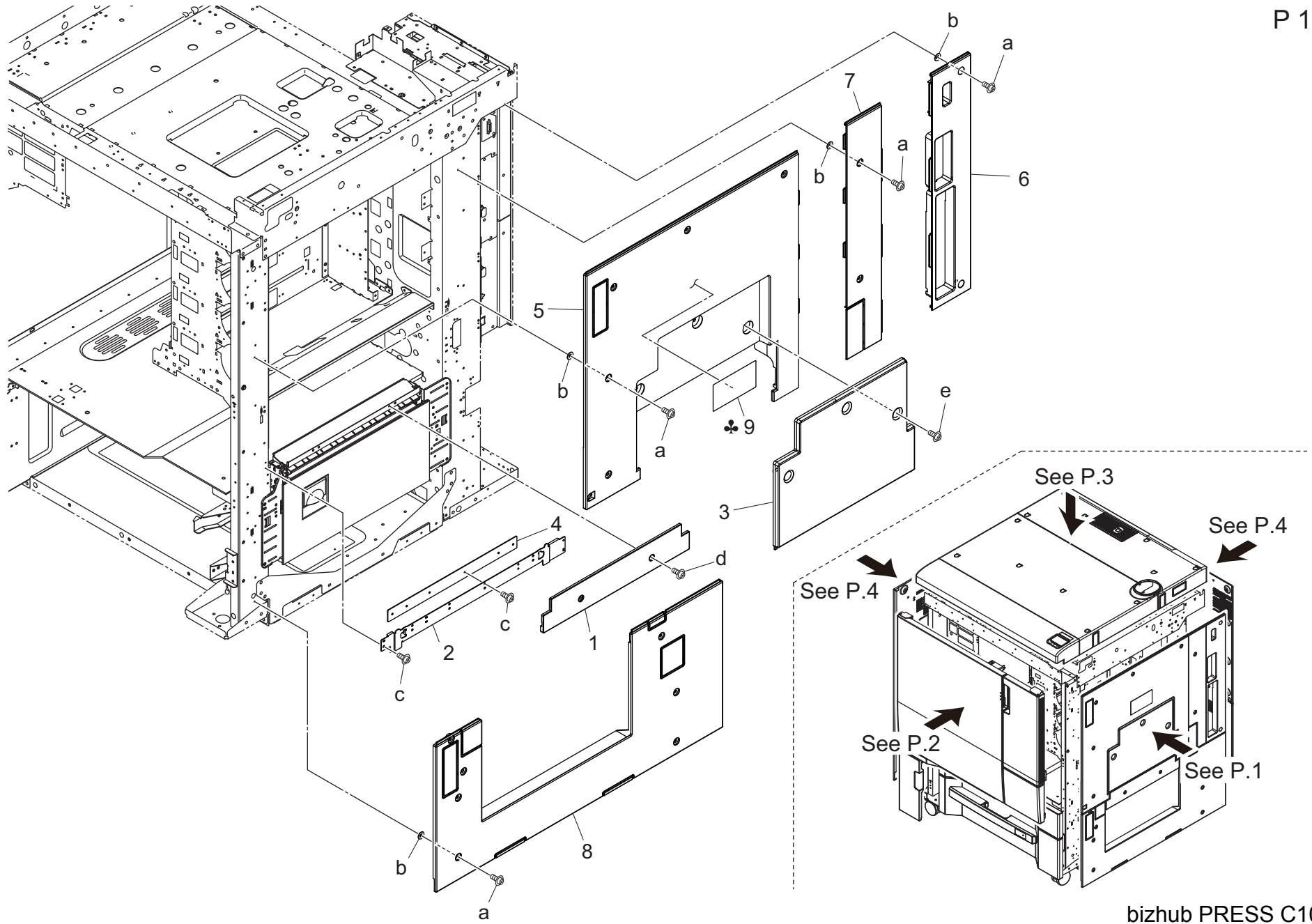
Parts No.	Page No.
A50UPP0100	112-1
A50UR70100	30-19
A50UR70222	20-1
A50UR70222	21-1
A50UR70222	22-1
A50UR70222	23-1
A50UR70300	18-1
A50UR70500	55-1
A50UR70622	32-1
A50UR70700	39-1
A50UR70800	39-1
A50UR70900	39-1
A50UR70A01	11-18
A50UR70B00	55-9
A50UR70D01	99-13
A50UR70E00	41-9
A50UR70F00	44-19
A50UR70G01	78-23
A50UR70H00	12-11
A50UR70K00	37-16
A50UR70M00	105-14
A50UR70N00	72-11
A50UR70Q00	75-16
A50UR70R00	48-4
A50UR70S00	70-1
A50UR70T00	17-8
A50UR70V00	29-2
A50UR70W00	29-5
A50UR70Y00	31-1
A50UR71100	29-10
A50UR71200	31-20
A50UR71300	26-2
A50UR71400	26-2
A50UR71500	26-2
A50UR71700	38-1
A50UR71800	64-1
A50UR71800	67-1
A50UR71900	60-17
A50UR71A00	56-16
A50UR71B00	76-1

Parts No.	Page No.
A50UR71C00	97-13
A50UR71D00	78-17
A50UR71F00	100-1
A50UR71G00	102-9
A50UR71H00	102-9
A50UR71J00	102-9
A50UR71K00	72-4
A50UR71K00	73-4
A50UR71K00	74-4
A50UR71M00	75-11
A50UR71N11	32-2
A50UR71P11	32-4
A50UR71Q00	55-5
A50UR71R00	55-7
A50UR71S00	55-8
A50UR71U01	13-12
A50UR71V01	13-13
A50UR71W01	13-14
A50UR71X00	7-21
A50UR71Y00	7-22
A50UR72100	34-26
A50UR72200	93-15
A50UR72300	93-23
A50UR72400	88-16
A50UR72500	88-19
A50UR72600	86-7
A50UR72600	88-38
A50UR72700	95-19
A50UR72800	94-31
A50UR72900	41-14
A50UR72A00	44-12
A50UR72B00	44-13
A50UR72C00	80-25
A50UR72E00	82-38
A50UR72F00	83-25
A50UR72G00	83-26
A50UR72H00	83-30
A50UR72J00	7-23
A50UR72K00	50-28
A50UR72Q00	92-20

Parts No.	Page No.
A50UR72R00	92-21
A50UR72S00	78-18
A50UR72T00	41-13
A50UR72U00	46-43
A50UR72V00	26-1
A50UR72W00	32-3
A50UR72X01	72-8
A50UR72X01	73-8
A50UR72X01	74-8
A50UR72X01	75-8
A50UR72Y00	41-10
A50UR73100	76-19
A50UR73200	87-23
A50UR73300	45-19
A50UR90133	107-14
A55C712000	76-17
A57P160100	3-8
A57P160200	3-9
A57P160301	6-20
A57P947000	78-25
A57PH01105	107-13
A57PR70111	14-17
A57PR70211	14-17
A57PR70311	14-17
SP00-0210	44-21
SP00-0220	41-12
V121030604	113-3
V500020096	42-19
V502010033	40-31
V502010033	103-9
V590040002	113-7

# External Parts

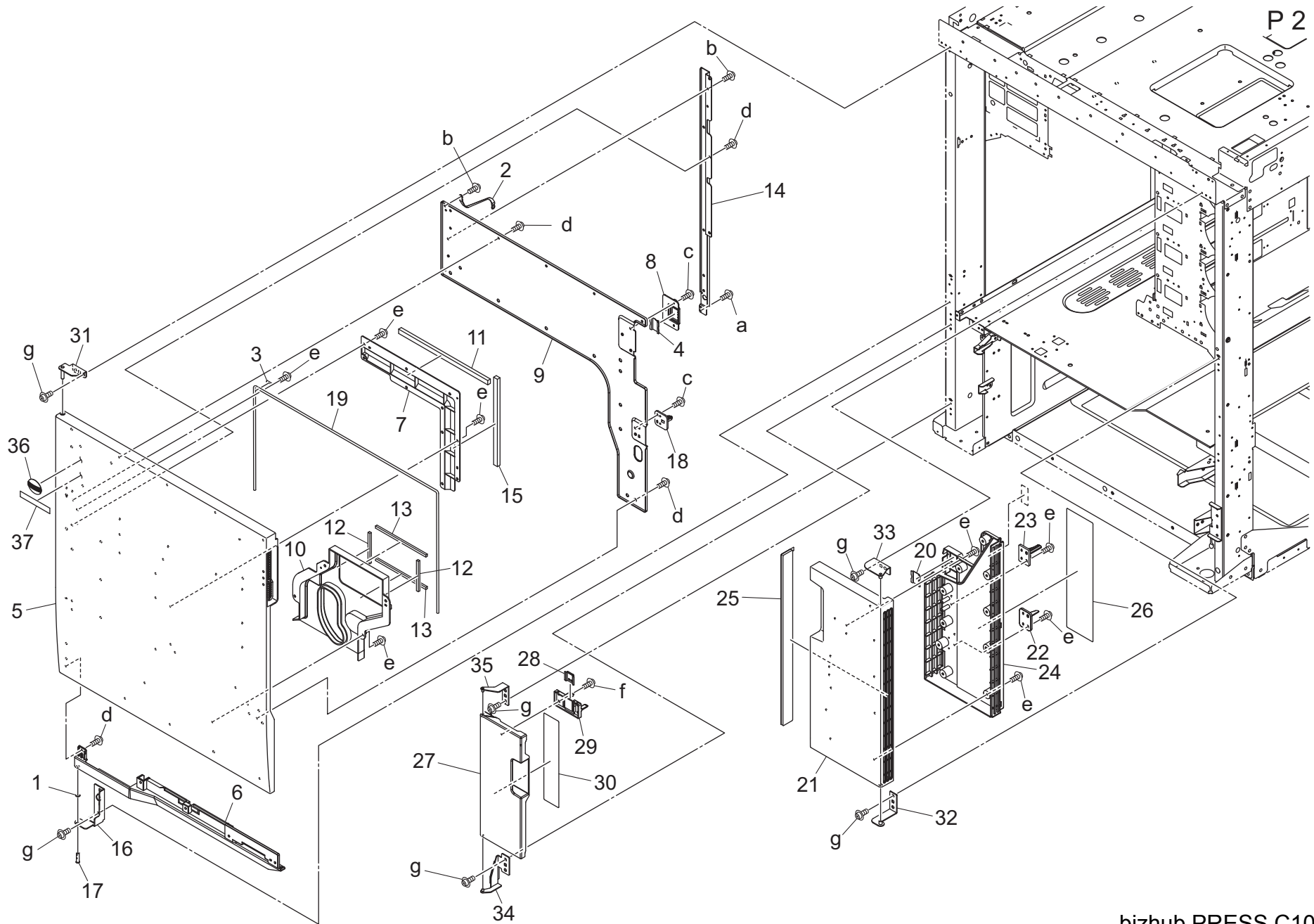
P 1



# External Parts

Key	Part No.	Description	Destinations	Class	QTY	Standard parts
1	A50U162301	Protection Cover		D	1	a-V114041004 b-V211040080 c-V121030403 d-V114040604 e-V121031004
2	A50U162701	Reinforce Plate		D	1	
3	A50U162803	Bypass Cover		D	1	
4	A50U162900	Reinforce Plate /2		D	1	
5	A50U162005	Cover /Right		D	1	
6	A50U162101	Protection Cover /1		D	1	
7	A50U162200	Protection Cover /2		D	1	
8	A50U162503	Protection Cover /Lower		D	1	
9	A1DU945900	Paper feed Label /3	B,G2	D	1	

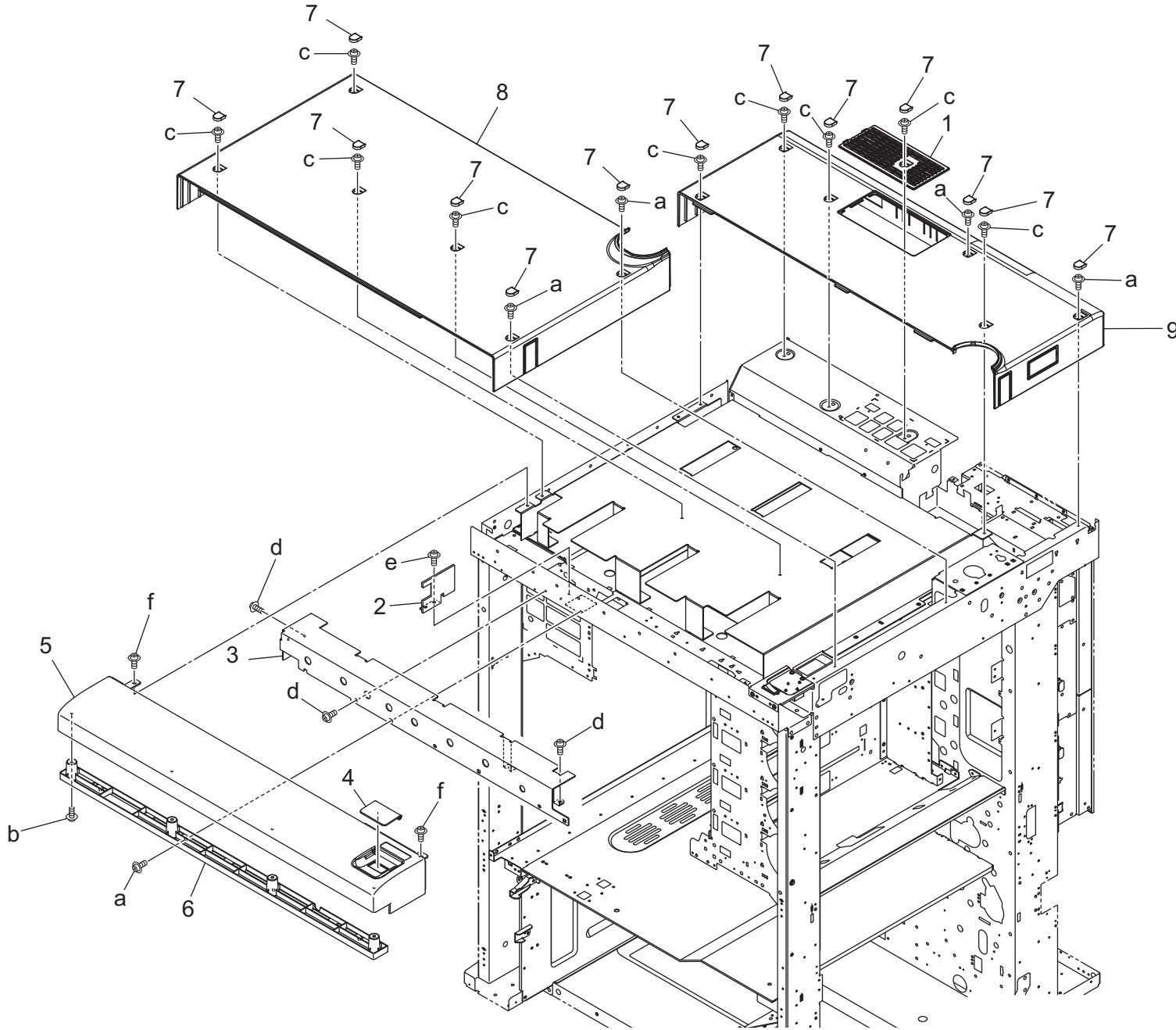
# External Parts



bizhub PRESS C1070P

Key	Part No.	Description	Destinations	Class	QTY	Standard parts
1	40AA30270	DEVELOPING SPACER		C	1	a-V126030603 b-V127030603 c-V127030604 d-V158030803 e-V158030804 f-V158031003 g-V127040603
2	55VA90840	MAIN EARTH WIRE		D	1	
3	56AA17551	PIN A		C	1	
4	A03U169900	LOCK PLATE		D	1	
5	A50U160101	Door /Front		D	1	
6	A50U160200	Door /Lower		D	1	
7	A50U160500	Fixing Plate		D	1	
8	A50U160900	Holding Part		D	1	
9	A50U161501	Reinforce Door /Right		D	1	
10	A50U161601	Cover Duct /Front		D	1	
11	A50U161700	Sealing Cushion /1		D	1	
12	A50U161800	Sealing Cushion /Right		D	2	
13	A50U161900	Sealing Cushion /Left		D	2	
14	A50U165500	Reinforce Hinge		D	1	
15	A50U165600	Sealing Cushion /2		D	1	
16	A50U166100	Hinge /Lower		D	1	
17	A50U166200	Support Shaft /Lower		D	1	
18	A50U167201	Lock Cover		D	1	
19	A50U169900	Reinforce Wire		D	1	
20	56AA12241	EXTERNAL LOCK PLATE		D	1	
21	A50U160303	Toner supply Door		D	1	
22	A50U164100	Detecting Actuator		D	1	
23	A50U164200	Detecting Part		D	1	
24	A50U164801	Toner supply Duct		D	1	
25	A50U164901	Suction Dust-proof Filter		B	1	
26	A50U944900	Toner supply Label		D	1	
27	A50U160600	Collection Door		D	1	
28	A50U167500	Lock Plate		D	1	
29	A50U167601	Detecting Part		D	1	
30	A50U946501	Operation Label /A		D	1	
31	A50UF16000	Left Door Support Plate / Upper Caulking		D	1	
32	A50UF16101	Right Door Support Plate / Lower Caulkin		D	1	
33	A50UF16201	Right Door Support Plate / Upper Caulkin		D	1	
34	A50UF16301	Collection Box Door Support Plate / L		D	1	
35	A50UF16400	Collection Box Door Support Plate / Upper		D	1	
36	A03U168500	Indicating Plate		C	1	
37	A1RF942900	Indicating Plate		D	1	

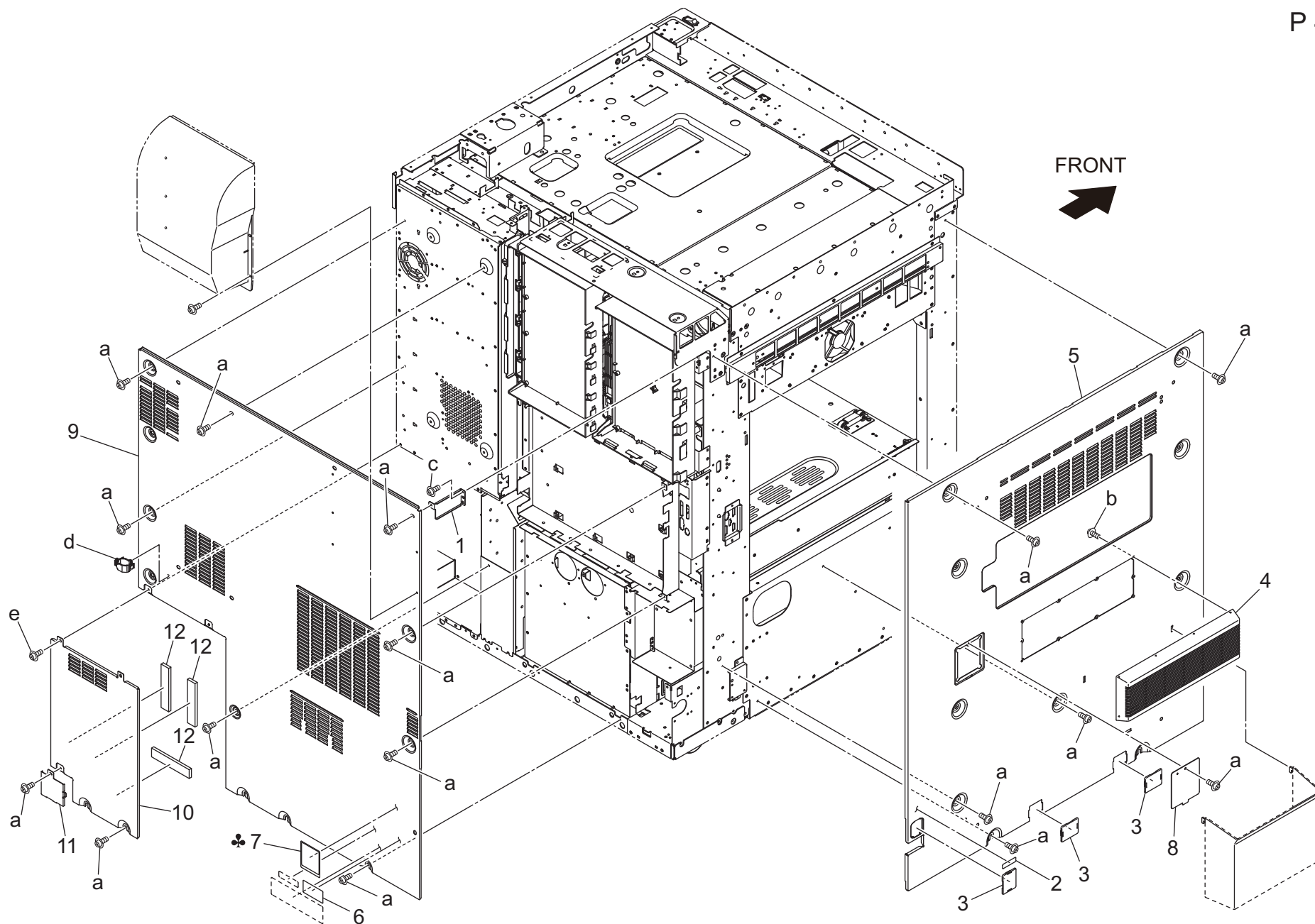
External Parts



Key	Part No.	Description	Destinations	Class	QTY	Standard parts
1	A50U163903	Replacement Cover		D	1	a-V114041004 b-V158030803 c-V114040604 d-V121040604 e-V127030603 f-V127040603
2	A50U167300	Insulating Part		D	1	
3	A50U175001	Reinforce Plate		D	1	
4	A1DU163402	Protection Cover		D	1	
5	A50U161001	Cover Part		D	1	
6	A50U162400	Cover Part /Inside		D	1	
7	A1RF168800	Click Cover		D	13	
8	A57P160100	Read Cover /Middle		D	1	
9	A57P160200	Read Cover /Rear		D	1	

# External Parts

P 4

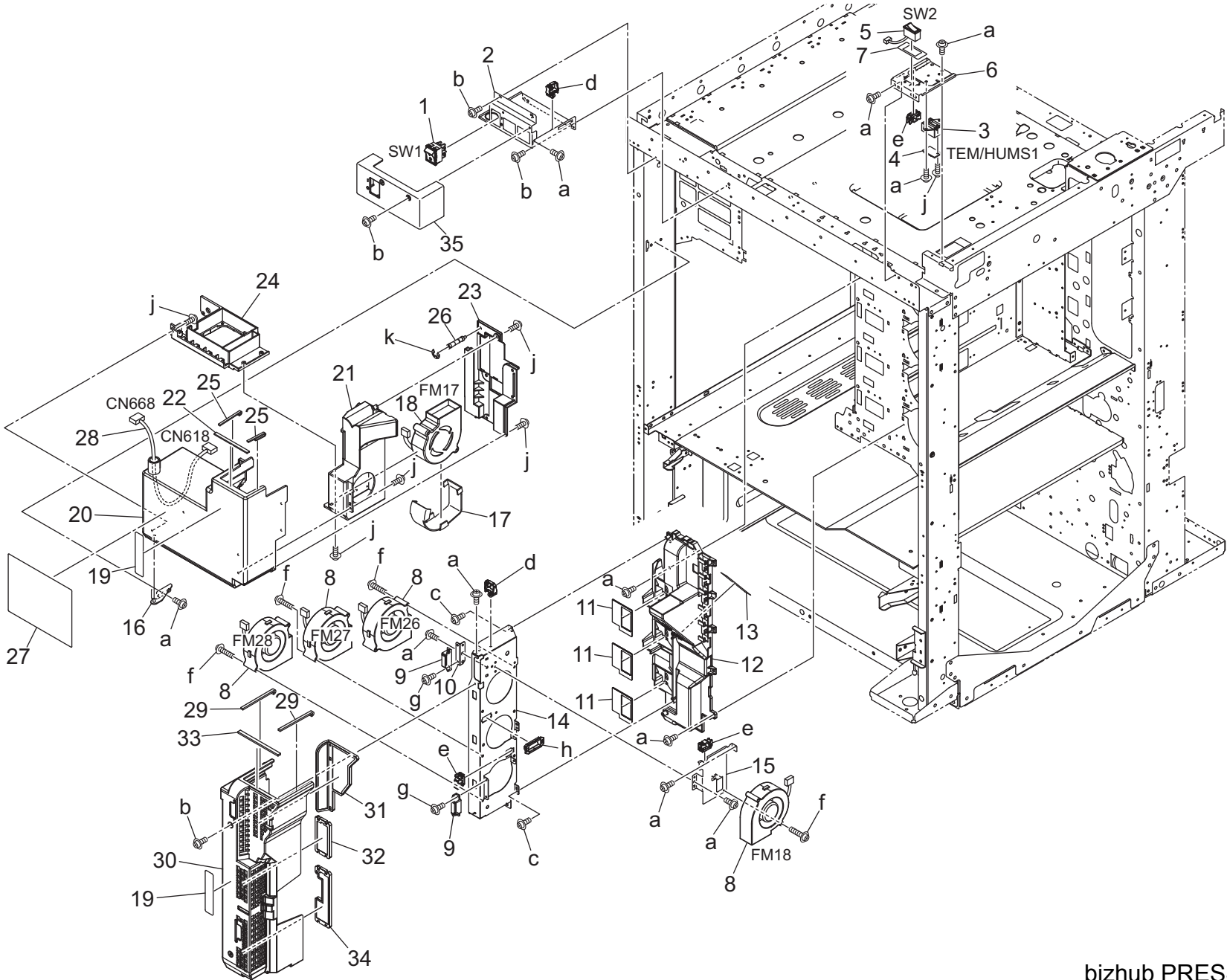


bizhub PRESS C1070P



Key	Part No.	Description	Destinations	Class	QTY	Standard parts
1	A50U163700	Mounting Plate /Upper		D	1	a-V114040604 b-V158030804 c-V127030603 d-V500010075 e-V127030604
2	A00J945400	Label Dehumidifier SW.		C	1	
3	A03U162500	Cover /A		C	3	
4	A1DU162300	Paper exit Cover /2		D	1	
5	A50U163001	Paper exit Cover /Left		D	1	
6	56UA97310	LASER INDICATING LABEL		D	1	
7	56UA97320	CAUTION LABEL/A	C	D	1	
8	A1DU166500	Protection Cover /Left		D	1	
9	A50U163504	Protection Cover /1		D	1	
10	A50U163602	Cover /Rear		D	1	
11	A50U163800	Entrance Plate		D	1	
12	A50U167801	Holding Part		D	3	

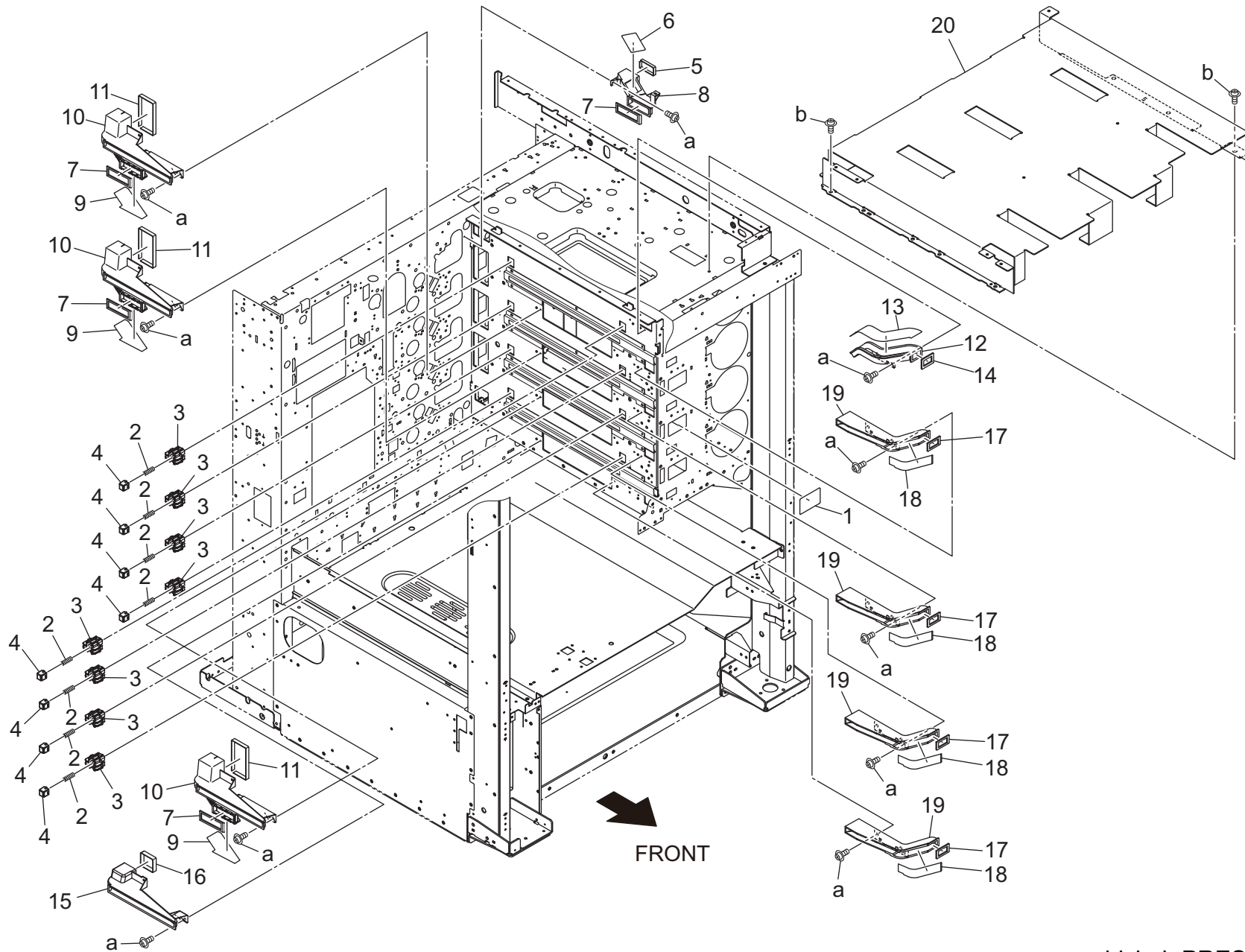
Main Frame



Key	Part No.	Description	Destinations	Class	QTY	Standard parts
1	A4EUM60000	Power source Switch		C	1	a-V127030603
2	A50U127400	Mounting Plate		D	1	b-V127030604
3	65AA11300	SUPPORT PART		D	1	c-V151030803
4	A034M50000	Humidity sensor		C	1	d-V500020098
5	A03UR73800	SWITCH S ASSY		C	1	e-V570010056
6	A50U102900	Mounting Plate		D	1	f-V118033503
7	A50U179500	Protection Sheet		D	1	g-V126030603
8	9313100072	FAN MOTOR		C	4	h-V570010037
9	A0G6411200	Magnet /X		D	2	j-V158030803
10	A50U120600	Fixing Plate		D	1	k-V217060050
11	A50U121300	Cooling Seal /Front		D	3	
12	A50U122102	Cooling Duct		D	1	
13	A50U124900	Cover Sheet		D	1	
14	A50U126500	Mounting Plate		D	1	
15	A50U126600	Mounting Plate		D	1	
16	A50UF12000	Fusing Front Cooling Duct Support Shaft		D	1	
17	65AA11430	FAN SEALING PART 3		C	1	
18	A03UM15800	Main body Cooling Fan		C	1	
19	A1DU949900	Operation Label /1		D	2	
20	A50U121003	Duct		D	1	
21	A50U121601	Duct		D	1	
22	A50U123700	Cooling Seal /B		D	1	
23	A50U123800	Cover		D	1	
24	A50U124100	Duct		D	1	
25	A50U125200	Cooling Seal /A		D	2	
26	A50U125900	Fixing Screw		D	1	
27	A50U944301	Processing Label /2		D	1	
28	A50UN12602	Cooling Relay harness /1		D	1	
29	A50U164000	Cooling Seal /1		D	2	
30	A50U167900	Cooling Cover		D	1	
31	A50U168800	PH Dust-proof Filter		B	1	
32	A50U168900	Deve. Dust-proof Filter/1		B	1	
33	A50U169300	Cooling Seal /2		D	1	
34	A50U169500	Deve. Dust-proof Filter/2		B	1	
35	A50U127901	Cover		D	1	

# Main Frame

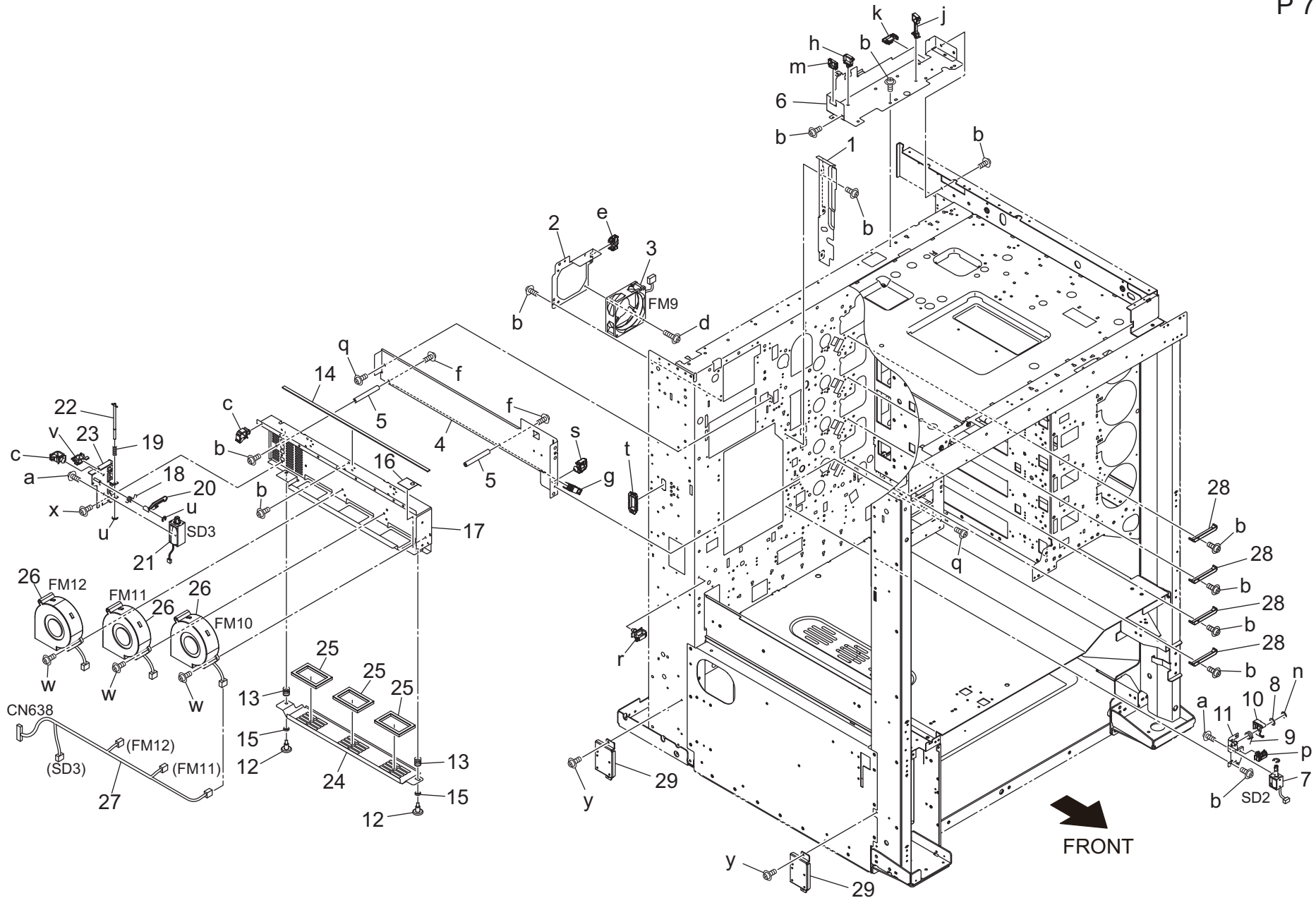
P 6



Key	Part No.	Description	Destinations	Class	QTY	Standard parts
1	A50U109100	Writing Cover		D	1	a-V127030603 b-V127040803
2	A50U341800	Pressing Spring /D		D	8	
3	A50U342200	Pressing Pedestal		D	8	
4	A50U342400	Charge Pressing Block		D	8	
5	A50U123300	Suction Seal		D	1	
6	A50U123600	Suction Cover		D	1	
7	A50U127200	Suction Seal /Rear		D	4	
8	A50U127300	Suction Duct		D	1	
9	A50U123200	Ozone Cover		D	3	
10	A50U123400	Duct /Cyan		D	3	
11	A50U123900	Suction Seal		D	3	
12	A50U126200	Duct		D	1	
13	A50U126800	Sheet /1		D	1	
14	A50U127800	Seal		D	1	
15	A50U123500	Duct		D	1	
16	A50U124000	Suction Seal		D	1	
17	A50U127500	Seal		D	4	
18	A50U128000	Sheet /2		D	4	
19	A50U128700	Duct /1		D	4	
20	A57P160301	Reinforce Plate		D	1	

# Main Frame

P 7

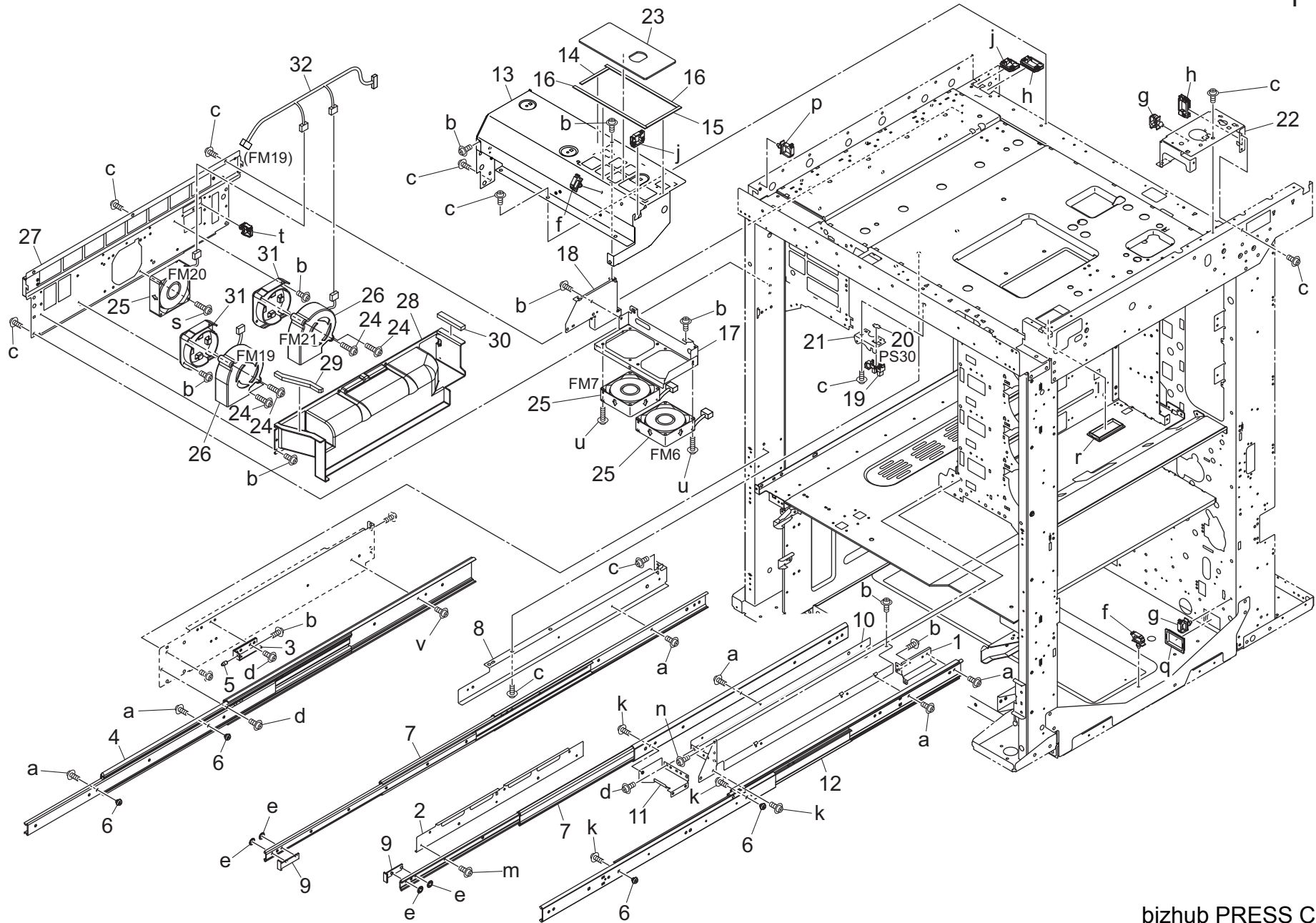


bizhub PRESS C1070P

Key	Part No.	Description	Destinations	Class	QTY	Standard parts
1	A50U104901	Inner partition		D	1	a-V118030303
2	A50U103600	Mounting Plate /Rear		D	1	b-V127030603
3	A50UM15300	Fan motor /2		C	1	c-V500010074
4	A50U102800	Mounting Stay /Middle		D	1	d-V118033003
5	A50U106800	Mounting Shaft /Inside		D	2	e-V570010056
6	A50U133200	Mounting Plate /Upper		D	1	f-V116030803
7	26NA82513	Paper Feed Solenoid		B	1	g-V570010057
8	40AA32320	TONER SUPPLY SPACER		C	1	h-V500010008
9	A50U508300	Solenoid Release Spring		D	1	j-V500020085
10	A50U509300	Separating Cam		D	1	k-V570010059
11	A50UF50700	Mounting Stay Caulking		D	1	m-V570010060
12	4038351102	SHOULDER SCREW		C	2	n-V217040050
13	A1DU764000	Spring		D	2	p-V500020099
14	A50U731700	Insulating Seal /1		D	1	q-V146040804
15	A50U731900	Lifting Spacer /1		D	2	r-V500010005
16	A50U737800	Protection Sheet /1		D	1	s-V500020098
17	A50U739000	Mounting Plate		D	1	t-V570010037
18	A50U737201	Holding Spring /A		D	1	u-V217030050
19	A50U738900	Holding Spring /B		D	1	v-V570010025
20	A50U739400	Open/close Arm /1		D	1	w-V116031003
21	A50UR71X00	Shutter Solenoid Pin Insert		C	1	x-V121030403
22	A50UR71Y00	Support Shaft / B Pin Insert		D	1	y-V127040603
23	A50UR72J00	Support Shaft Caulking		D	1	
24	A50U738001	Shutter		D	1	
25	A50U738100	Cushion		D	3	
26	A50UM15200	Fan motor		C	3	
27	A50UN12800	Fixing Relay harness /1		D	1	
28	A50U108900	Receiving Part /1		D	4	
29	A1DU111100	Connecting Plate /F		D	2	

# Main Frame

P 8



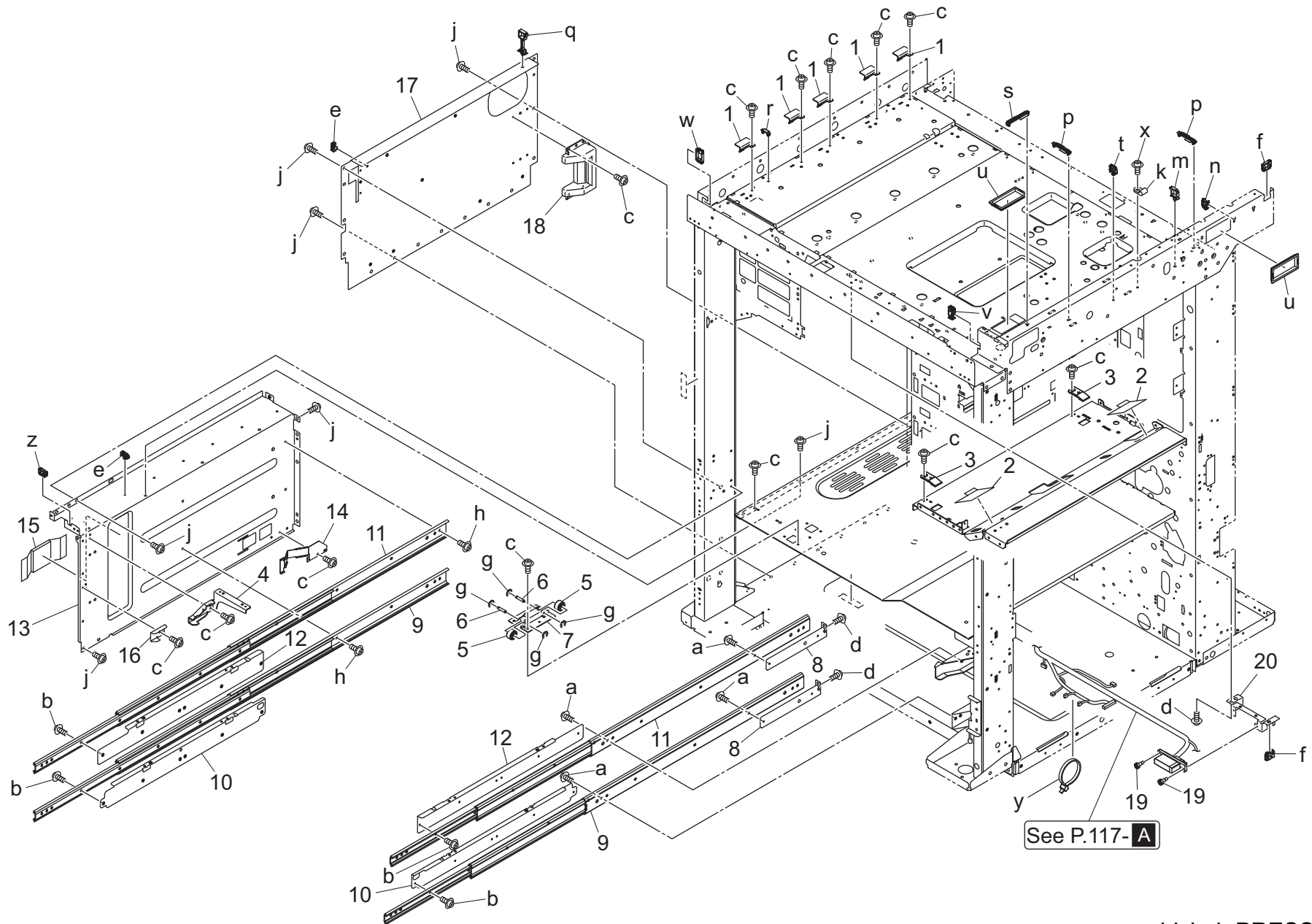
bizhub PRESS C1070P



Key	Part No.	Description	Destinations	Class	QTY	Standard parts
1	A50U105600	Rail /Rear		D	1	a-V118040604
2	A50U340700	Mounting Rail		D	1	b-V127030603
3	65AA50430	SHAFT MOUNTING PLATE LEFT		D	1	c-V127040603
4	A1RF815702	Slide Rail /Left		D	1	d-V127040803
5	A50U109400	Guide Pin /Left		D	1	e-V226040050
6	A50U833000	Mounting Collar /1		D	4	f-V500010003
7	56AA10300	Slide Rail /A		C	2	g-V500010005
8	A50U105200	Support Rail /Front		D	1	h-V570010059
9	A50U342900	Protection Cover		D	2	j-V570010060
10	A50U103200	Reinforce Rail		D	1	k-V118040804
11	A50U832100	Reinforce Rail /A		D	1	m-V121030403
12	A50U881500	Slide Rail		D	1	n-V146040804
13	A50U103402	Fixing Plate /Left rear		D	1	p-V500010007
14	A50U109600	Cooling Seal /2		D	1	q-V570010039
15	A50U109700	Cooling Seal /3		D	1	r-V570010040
16	A50U109800	Cooling Seal /4		D	2	s-V118043003
17	A50U120300	Fixing Plate		D	1	t-V500020098
18	A50U129200	Fixing Plate		D	1	u-V118033003
19	A50UM51000	Photointerrupter		C	1	v-V126040603
20	4470402401	STOPPER		D	1	
21	A50U104700	Mounting Plate		D	1	
22	A50U105100	Support Plate /A		D	1	
23	A50U109900	Electric Comp. Cooling Filter		B	1	
24	65LA48570	MOUNTING SCREW		D	4	
25	9J03M10000	FAN MOTOR		B	3	
26	A03UM15800	Main body Cooling Fan		C	2	
27	A50U101901	Cooling Stay		D	1	
28	A50U103500	Separating Duct		D	1	
29	A50U107501	Sealing Part /Front		D	1	
30	A50U107600	Sealing Part /Rear		D	1	
31	A50U107800	Fan duct		D	2	
32	A50UN15400	Drive harness /F		D	1	

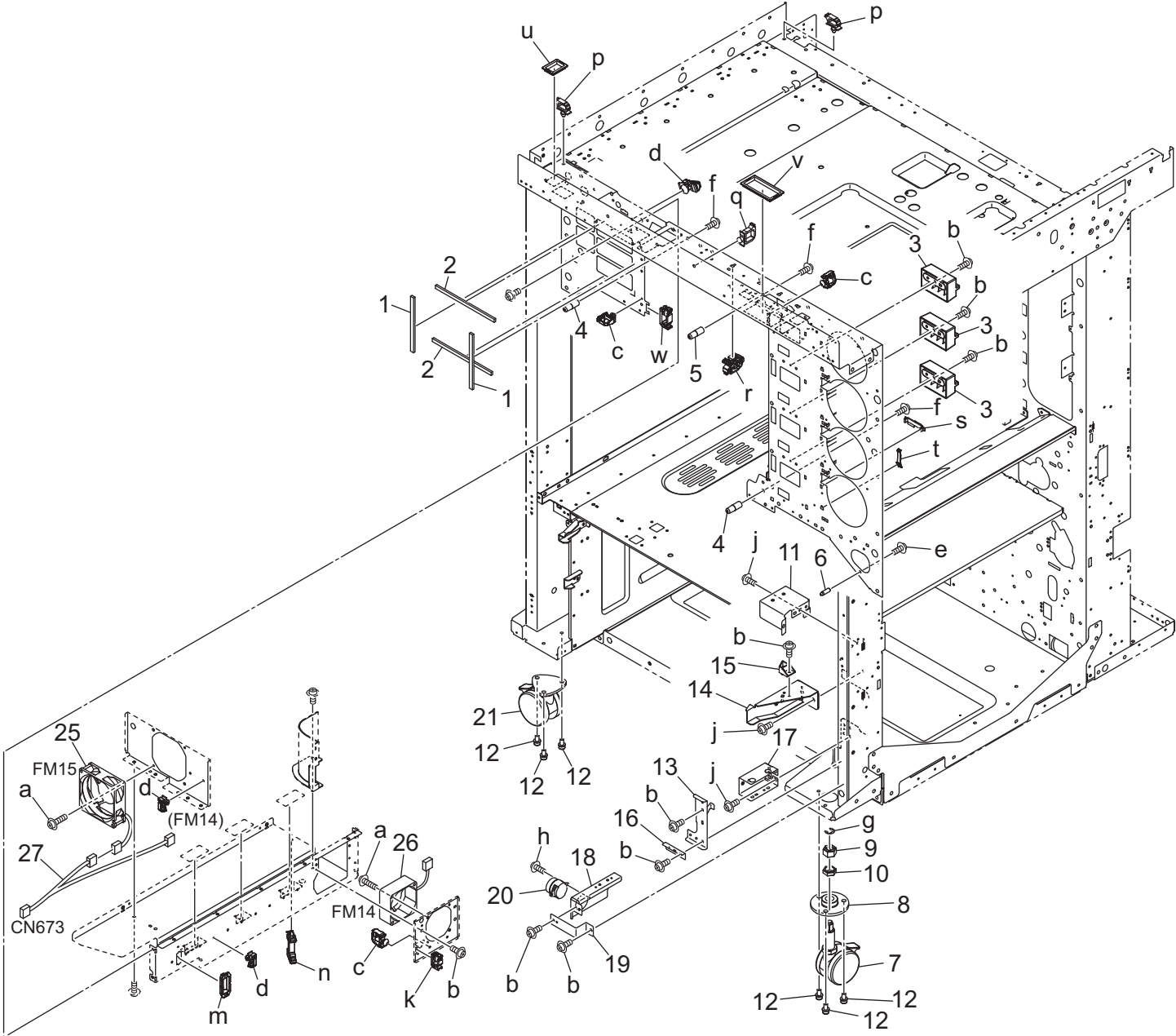


# Main Frame



Key	Part No.	Description	Destinations	Class	QTY	Standard parts
1	A50U136501	Cover		D	5	a-V118040603
2	A50U314800	Receiving Sheet		D	2	b-V118040604
3	A50U105800	Writing Guide /Front		D	2	c-V127030603
4	A50U107101	Hold Plate /Front		D	1	d-V127040603
5	13NG45200	CONVEYANCE DRIVEN ROLLER		C	2	e-V500020099
6	65AA50400	GUIDE SHAFT		D	2	f-V570010060
7	A50U855200	Lifting Base frame		D	1	g-V217030050
8	65AA10470	Mounting Plate /4		D	2	h-V126040603
9	A50U107000	Slide Rail /A		D	2	j-V146040804
10	A50U624902	Support Stay /2		D	2	k-V500020069
11	56AA10300	Slide Rail /A		C	2	m-V500010007
12	A50U624502	Support Stay /2		D	2	n-V500010071
13	A50U102702	Protection Plate		D	1	p-V500020066
14	A50U366601	Regulating Plate		D	1	q-V500020085
15	A50U368000	Collection Seal /2		D	1	r-V500020092
16	A50U624000	Lock Claw		D	1	s-V500020093
17	A50U101600	Auxiliary Plate /Left		D	1	t-V500020098
18	A50U363900	Collection Guide		D	1	u-V570010040
19	57AA15600	ELECTRIC MOUNTING SCREW		C	2	v-V570010057
20	A50U104600	Mounting Plate /Front		D	1	w-V570010059
						x-V116030803
						y-V501010002
						z-V570010056

Main Frame

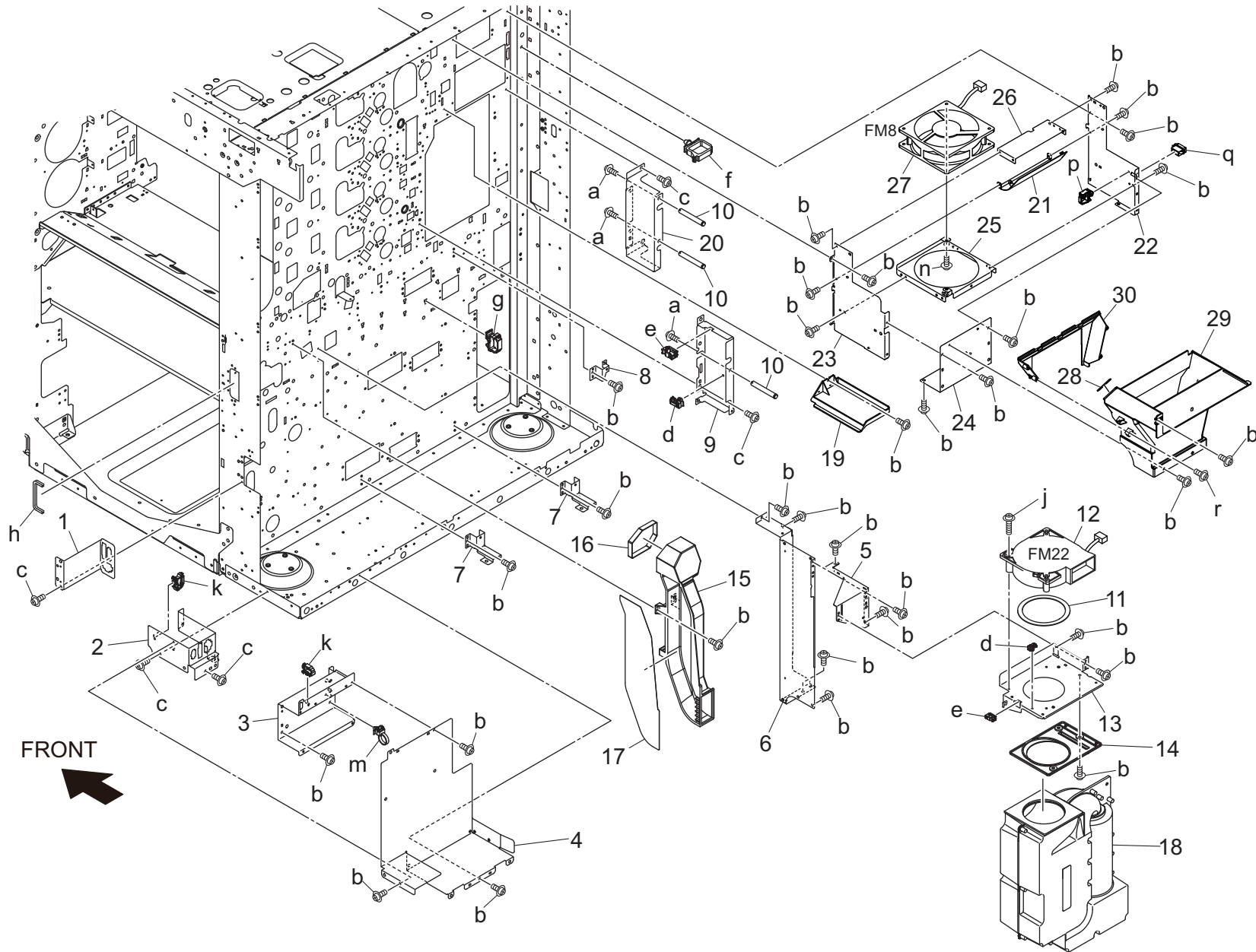


bizhub PRESS C1070P



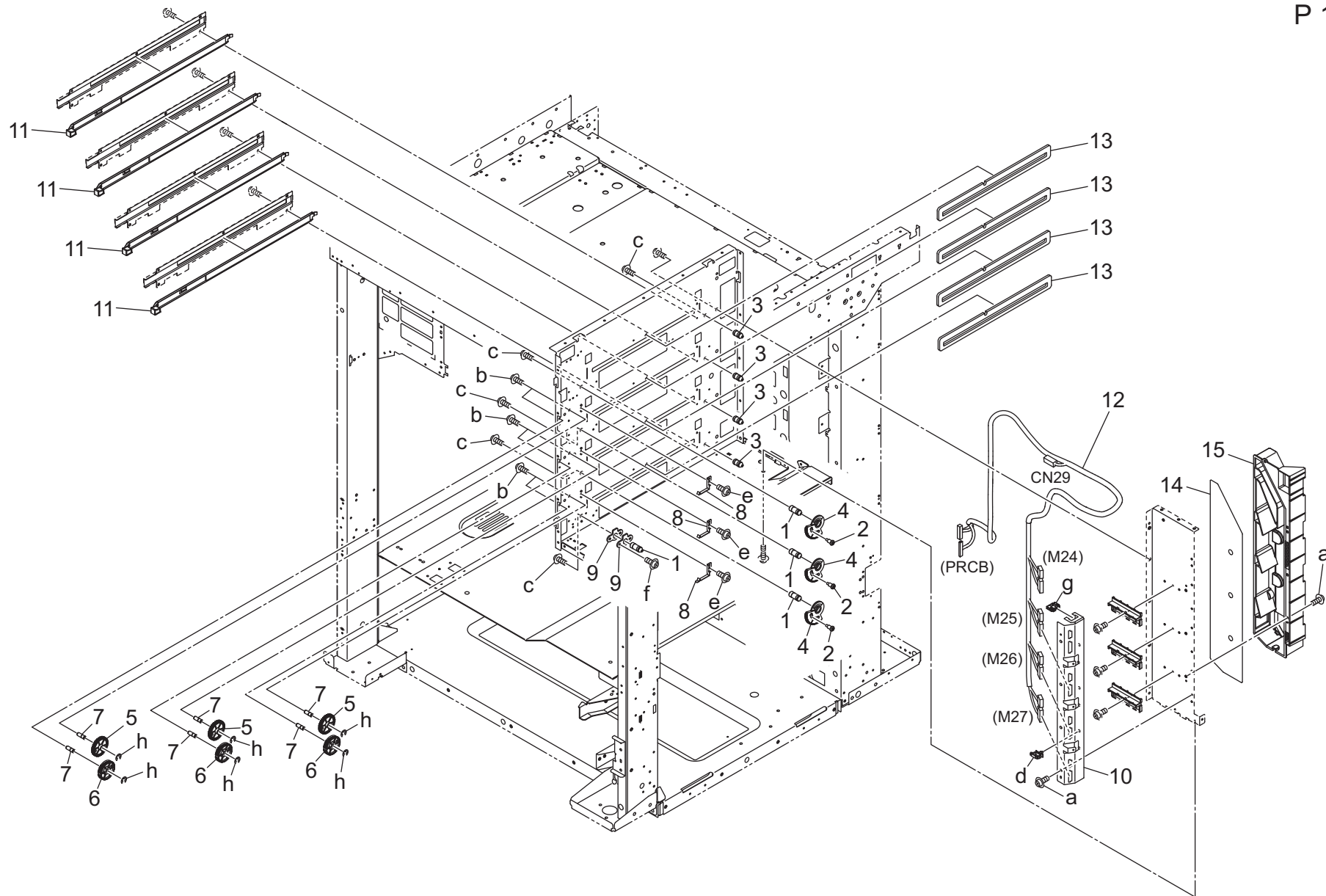
Key	Part No.	Description	Destinations	Class	QTY	Standard parts
1	A50U122000	Cooling Seal		D	2	a-V118033003
2	A50U122800	Cooling Seal		D	2	b-V127030603
3	A50U103800	Guide Part /Front		D	3	c-V500020098
4	A50U104401	Positioning Shaft /Front		D	2	d-V500020099
5	A50U110000	Positioning Shaft /Upper		D	1	e-V116030803
6	A50U832201	Guide Pin /Right front		D	1	f-V116040803
7	55WA10310	MAIN BODY SUPPORT ROLLER Y		C	1	g-V217080050
8	56AA17620	CARRIAGE ADJUSTING PART		C	1	h-V126030603
9	56AA17630	ADJUSTING PART		C	1	j-V146040804
10	56AA17640	ADJUSTING PART 2		C	1	k-V570010056
11	A50U103700	Support Part /Middle		D	1	m-V570010037
12	A50U106300	Lock Screw		D	6	n-V500020101
13	A50U624102	Lock Part		D	1	p-V500010003
14	A50U628001	Lock Claw		D	1	q-V500010007
15	A50U634200	Lock Part		D	1	r-V500010071
16	A50U639800	Reinforce Plate		D	1	s-V500020066
17	A50U103301	Support Part /Middle		D	1	t-V500020102
18	A50U640200	Mounting Plate		D	1	u-V570010038
19	A50U640400	Reinforce Part		D	1	v-V570010040
20	A50U641600	Slide Dumper /A		D	1	w-V570010057
21	55WA10300	MAIN BODY SUPPORT ROLLER X		C	1	
25	9J03M10000	FAN MOTOR		B	1	
26	56QA80570	INTERNAL COOLING FAN		C	1	
27	A50UN13600	Cooling Relay harness /3		D	1	

# Main Frame



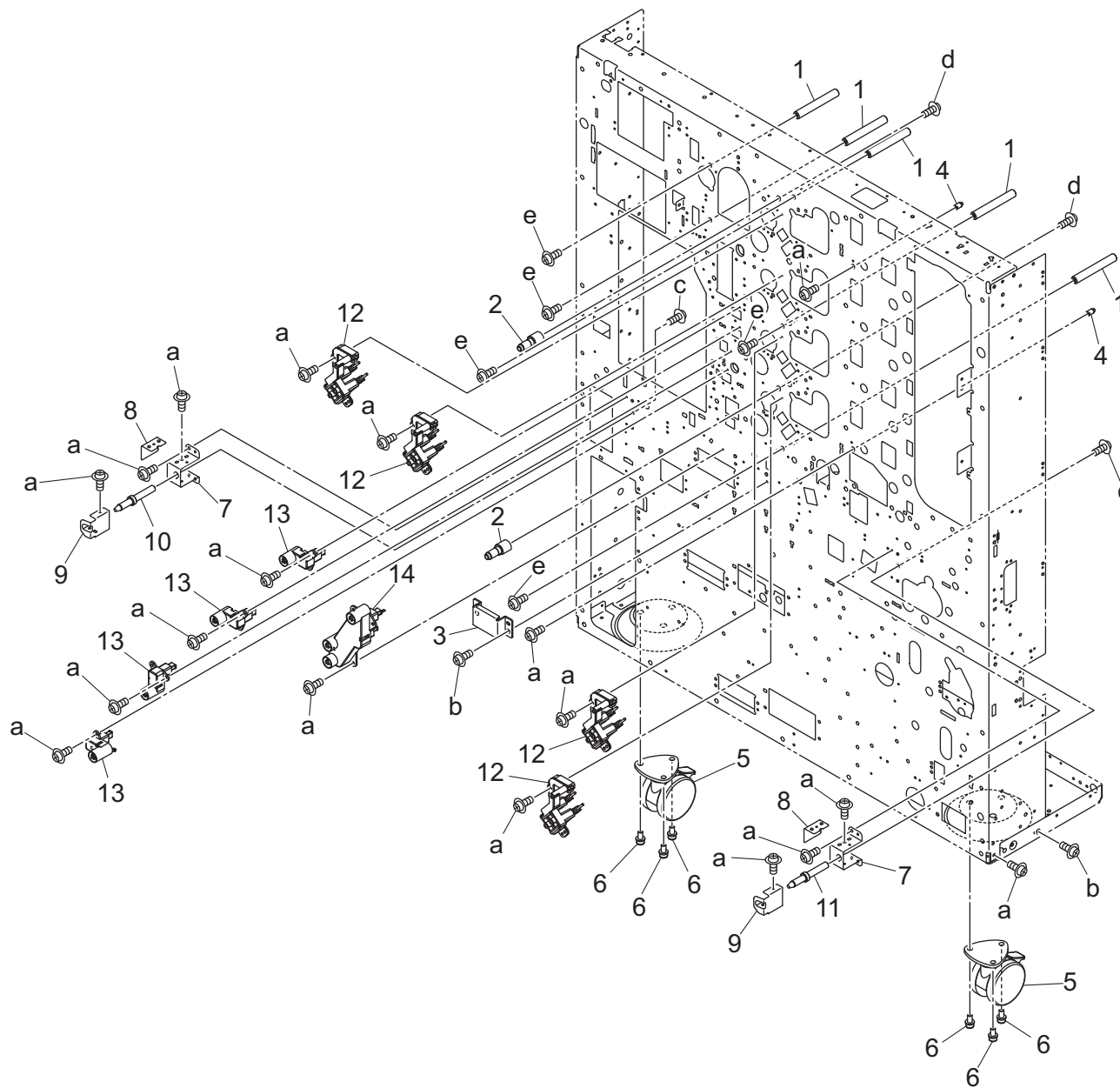
Key	Part No.	Description	Destinations	Class	QTY	Standard parts
1	A03U118300	PFU Power supply Panel	PFU 給電パネル	D	1	a-V116040803
2	A50U107900	Mounting Plate /P	取付板 / P	D	1	b-V127030603
3	A50U108001	Protection Plate /P	保護板 / P	D	1	c-V127040603
4	A50U108200	Guide Part /Rear	ガイド部材 / 奥	D	1	d-V500020099
5	A50U120900	Mounting Frame /2	取付フレーム / 2 (PH 冷却ファン)	D	1	e-V570010056
6	A50U121800	Mounting Frame /Right Rear	取付フレーム / 右後	D	1	f-V500010008
7	A50U132701	Mounting Plate /Lower	取付板 / 下	D	2	g-V500010071
8	A50U132800	Mounting Plate /Right	取付板 / 右	D	1	h-V500030001
9	A50U106502	Fusing Plate	定着板	D	1	j-V118033503
10	A50U106700	Swing Shaft	揺動軸	D	3	k-V500010072
11	65AA10190	FAN SEALING PART 1	ファンシール材 1	C	1	m-V501010018
12	A0Y5M15100	Suction Fan motor	サクシオンファンモータ	C	1	n-V127031203
13	A50U121900	Fixing Plate /1	固定板 / 1	D	1	p-V500020098
14	A50U125800	Connecting Duct	連結ダクト (サイクロンダクト)	D	1	q-V651010003
15	A50U125600	Suction Duct /Lower	サクシオンダクト / 下 (本体)	D	1	r-V151030803
16	A50U126400	Suction Seal	サクシオンシール (本体)	D	1	
17	A50U129100	Suction Cover /Lower	サクシオン蓋 / 下 (本体)	D	1	
18	A50UR70A01	Filter Box	フィルターボックス	B	1	
19	A50U125500	Heat blocking Plate	遮熱板	D	1	
20	A50U106600	Fusing Plate /B	定着板 / B	D	1	
21	A50U122900	Fusing Duct /4	定着ダクト / 4	D	1	
22	A50U125000	Fusing Duct /2	定着ダクト / 2	D	1	
23	A50U125101	Fusing Duct /1	定着ダクト / 1	D	1	
24	A50U128800	Fusing Duct /3	定着ダクト / 3	D	1	
25	A50U128900	Fusing Duct /5	定着ダクト / 5 (ファン固定)	D	1	
26	A50U129300	Fusing Duct /6	定着ダクト / 6	D	1	
27	A50UM15400	Fan motor /3	ファンモータ / 3	C	1	
28	A50U126300	Cooling Seal	冷却シール (定着排気ダクト)	D	1	
29	A50U129401	Fusing Duct	定着ダクト	D	1	
30	A50U129801	Fusing Duct /7	定着ダクト / 7	D	1	

# Main Frame





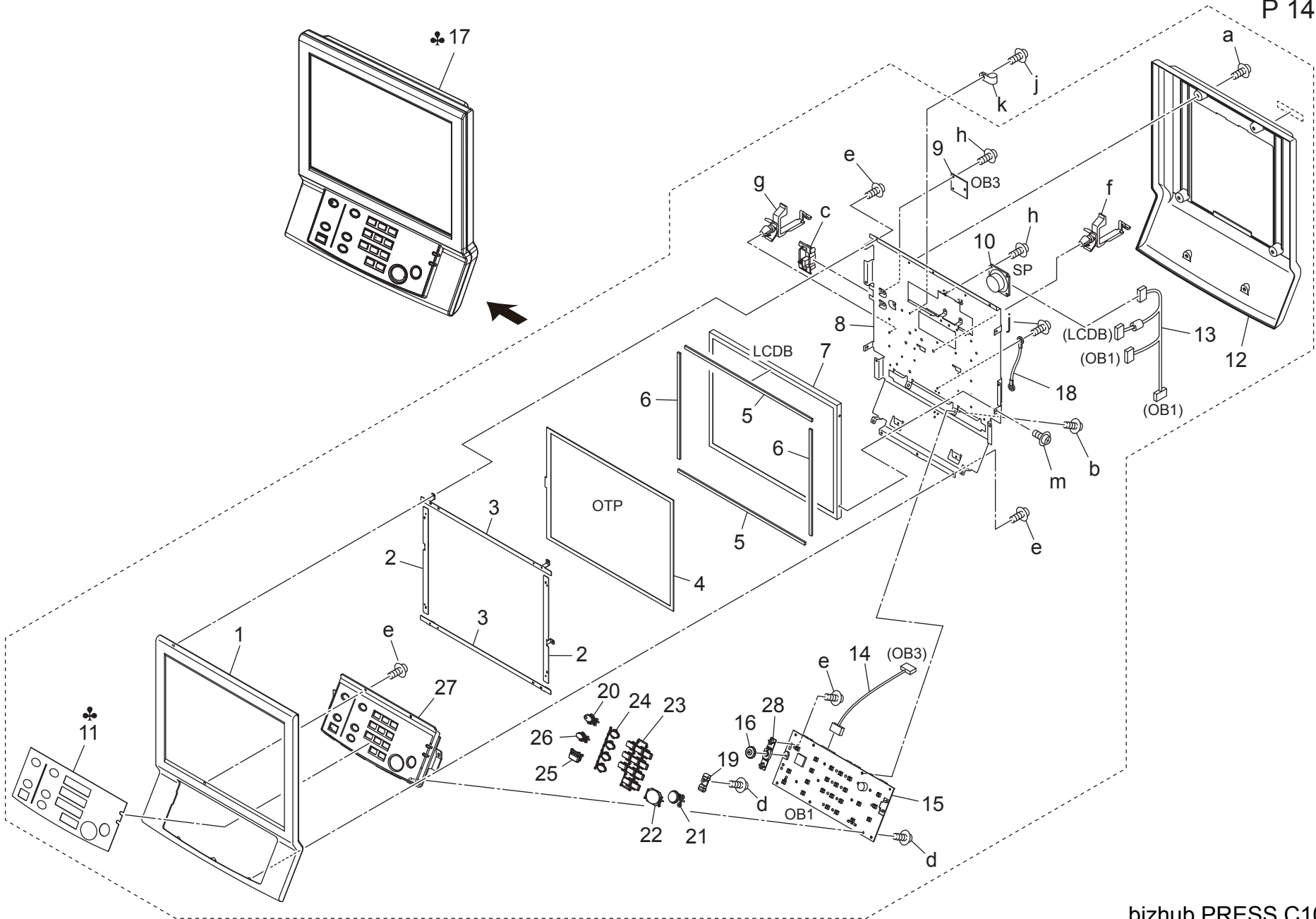




Key	Part No.	Description	Destinations	Class	QTY	Standard parts
1	A50U104300	Drive Shaft		D	5	a-V127030603 b-V146040804 c-V116030803 d-V116040803 e-V127040803
2	A50U104500	Positioning Shaft /Rear		D	2	
3	A50U105000	Lock Plate		D	1	
4	A50U407300	Positioning Shaft /Rear		D	2	
5	55WA10300	MAIN BODY SUPPORT ROLLER X		C	2	
6	A50U106300	Lock Screw		D	6	
7	A50U811300	Guide Holder /Rear		D	2	
8	A50U811500	Guide Holder /1		D	2	
9	A50U813700	Ground Plate		D	2	
10	A50U817500	Guide Pin /Rear		D	1	
11	A50U817700	Guide Pin /Right rear		D	1	
12	A50UR71U01	HV Power Supply / 1 Assy		I	4	
13	A50UR71V01	HV Power Supply / 2 Assy		I	4	
14	A50UR71W01	HV Power Supply / 3 Assy		I	1	

# Operation Panel Section

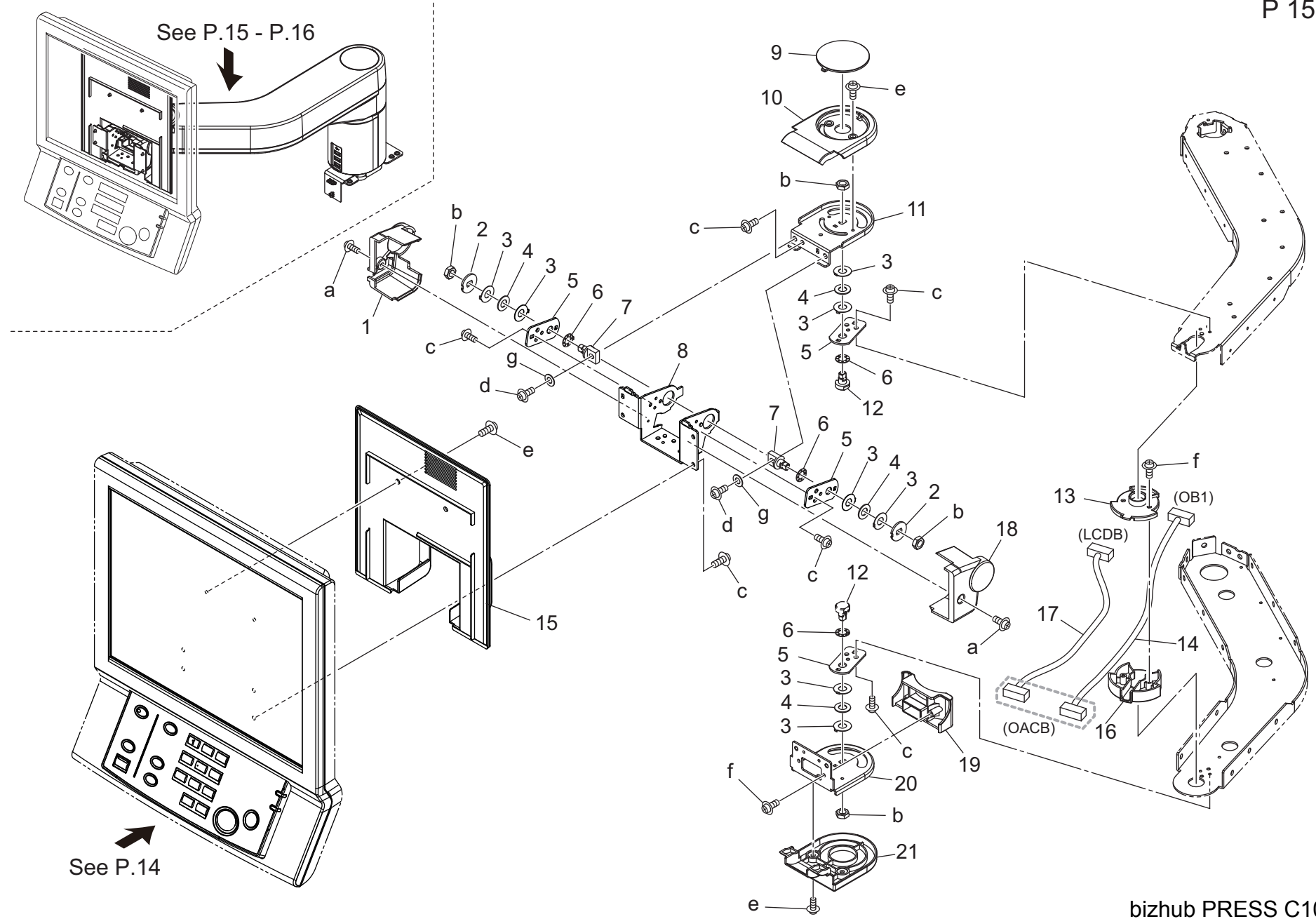
P 14



bizhub PRESS C1070P

Key	Part No.	Description	Destinations	Class	QTY	Standard parts
1	A0G6190101	Operation Cover /Front		C	1	a-V114040604
2	A0G6192900	Ground Plate /2		D	2	b-V151031003
3	A0G6192700	Ground Plate /1		D	2	c-V570010063
4	A0G6M75501	Ope.Unit Touch Panel		C	1	d-V151030603
5	A0G6192400	Holding Cushion /Upper		C	2	e-V151030803
6	A0G6192500	Holding Cushion /Right		C	2	f-V500010005
7	A4EUM75600	Ope.unit LCD		C	1	g-V500020099
8	A4EU190412	Operation Plate		D	1	h-V118030603
9	A0G6H06000	Operation Board /3 Assy		D	1	j-V116040603
10	4040M40100	LOUDSPEAKER		D	1	k-V500020069
11	A0GA195000	Operation Sheet	A	C	1	m-V118030404
11	A0GA205000	Operation Sheet	B,G2	C	1	
12	A0G6190200	Operation Cover /Rear		C	1	
13	A4EUN28500	Ope.unit Wiring /4		D	1	
14	A0G6N18400	Ope.Unit Control Harness /3		D	1	
15	A4EUH04001	Operation Board /1 Assy		I	1	
16	A4EU194100	Operation Knob /1		D	1	
17	A57PR70111	Operation Unit	A	I	1	
17	A57PR70211	Operation Unit	B,G2	I	1	
17	A57PR70311	Operation Unit	C	I	1	
18	A1RFN28300	Ope.unit Wiring /1		D	1	
19	A0G6191600	Indicating Part /1		D	1	
20	A0G6193800	Operation Button /10		C	1	
21	56UA70330	OPERATION UNIT BUTTON S		C	1	
22	A0G6193200	Operation Button /2		C	1	
23	A0G6193100	Operation Button /1		C	1	
24	A0G6193400	Operation Button /4		C	1	
25	A0G6194000	Operation Button /9		C	1	
26	A0G6193900	Operation Button /8		C	1	
27	A0GA190301	Operation Casing /1		C	1	
28	A4EU194200	Fixing Holder		D	1	

# Operation Panel Section



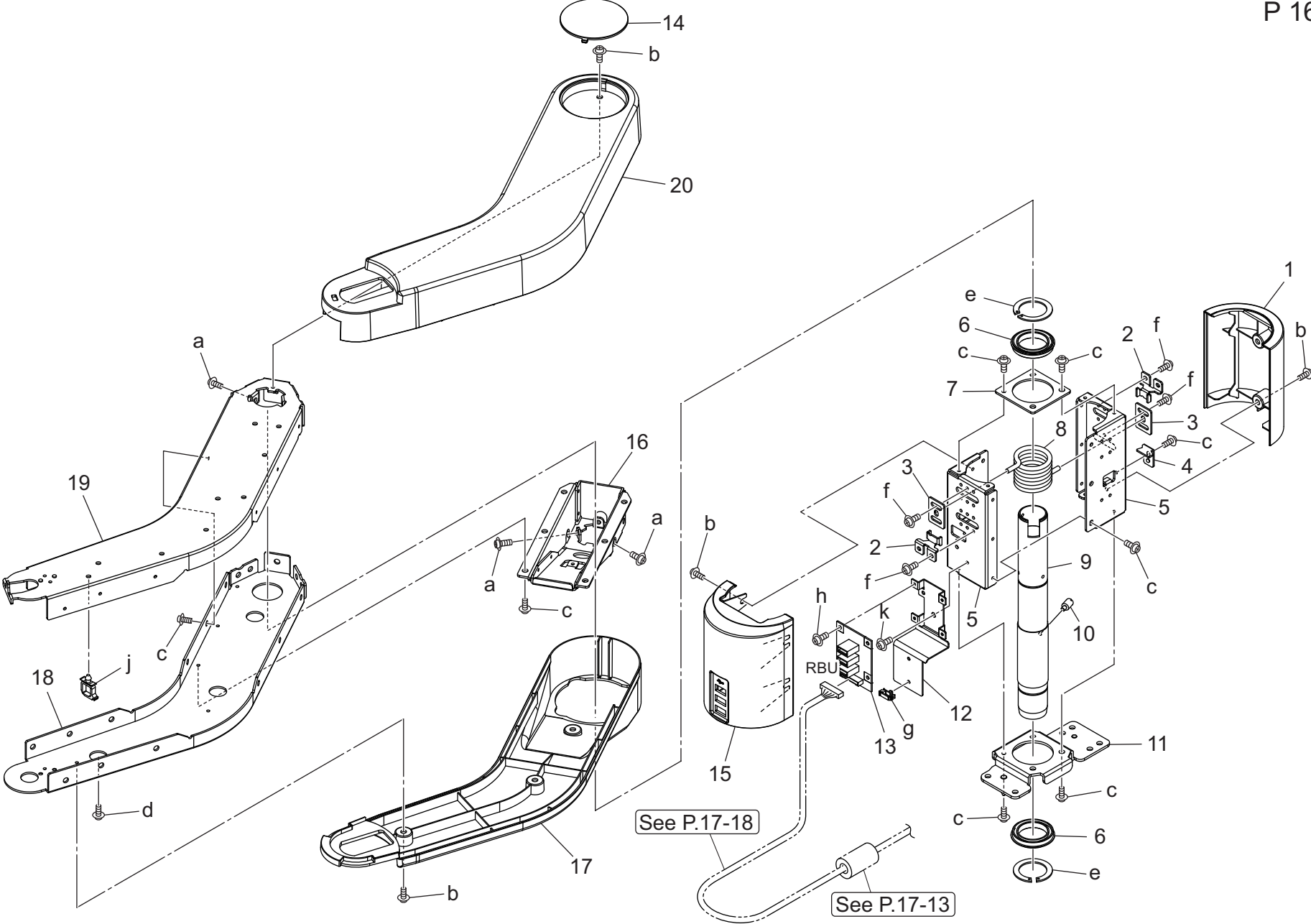
See P.15 - P.16

See P.14

bizhub PRESS C1070P

Key	Part No.	Description	Destinations	Class	QTY	Standard parts
1	A03U194002	Operation Cover /F		C	1	a-V121030603 b-V196080003 c-V121040603 d-V188051604 e-V114040604 f-V158030803 g-V207050003
2	A03U192000	Fixing Part /T		D	2	
3	A03U191800	Rotation Spacer /1		D	8	
4	A03U191700	Rotation Spring /T		D	4	
5	A03U191600	Mounting Plate /T		D	4	
6	A03U191900	Rotation Spacer /2		D	4	
7	A03U192100	Fixing Shaft /U		D	2	
8	A03U190900	Ope. unit Mounting Stay /1		D	1	
9	A03U193800	Operation Cover /I		C	1	
10	A03U193300	Operation Cover /C		C	1	
11	A03U191400	Support Plate /Upper		D	1	
12	A03U192200	Rotation Shaft /T		D	2	
13	A03U193700	Swing Cover /Upper		C	1	
14	A50UN29101	Ope.unit Control harness /2		D	1	
15	A1DU197100	Operation Cover /R		D	1	
16	A03U193600	Swing Cover /Lower		C	1	
17	A50UN29012	Ope.unit Control harness /1		D	1	
18	A03U194102	Operation Cover /G		C	1	
19	A03U193400	Operation Cover /E		C	1	
20	A03U191500	Support Plate /Lower		D	1	
21	A03U193500	Operation Cover /D		C	1	

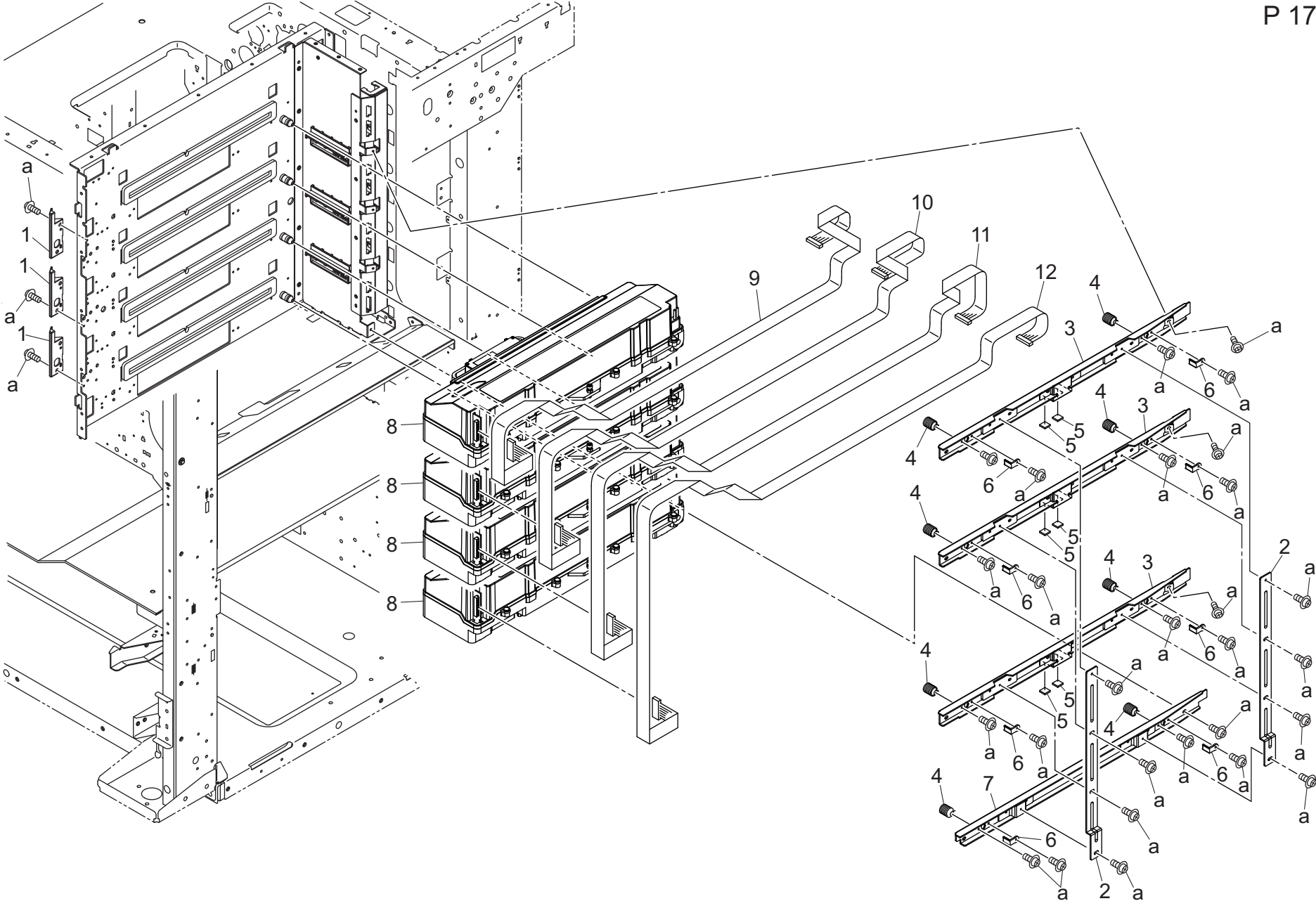
Operation Panel Section



bizhub PRESS C1070P



Key	Part No.	Description	Destinations	Class	QTY	Standard parts
1	A1DU194300	Operation Cover /B		D	1	a-V185041203 b-V114040604 c-V121040603 d-V158030803 e-V223300004 f-V116040803 g-V500020100 h-V127030603 j-V500010007 k-V127040603
2	A03U195400	Regulating Part		D	2	
3	A03U195302	REGULATING PLATE		D	2	
4	A03U195500	Rotation Stopper		D	1	
5	A03U190802	Support Plate /2		D	2	
6	65AA75010E	DRUM SUPPORT BEARING		D	2	
7	A03U191100	Support Plate /3		D	1	
8	A03U191201	Support Spring		C	1	
9	A03U191300	Ope. unit Support Pipe		D	1	
10	A03U192300	Stopper Screw /A		C	1	
11	A03UF19100	Main Body Attachment Caulking		D	1	
12	A1DU190100	Installing Plate		D	1	
13	A1DUH11000	Relay Board/U ASSY		C	1	
14	A03U193900	Operation Cover /J		C	1	
15	A1DU194200	Operation Cover /A		D	1	
16	A03U190700	Support Plate /1		D	1	
17	A03U193200	Operation Cover /Lower		C	1	
18	A03U190500	Ope. unit Mounting Arm /Lower		D	1	
19	A03U190600	Ope. unit Mounting Arm /Upper		D	1	
20	A03U193100	Operation Cover /Upper		C	1	

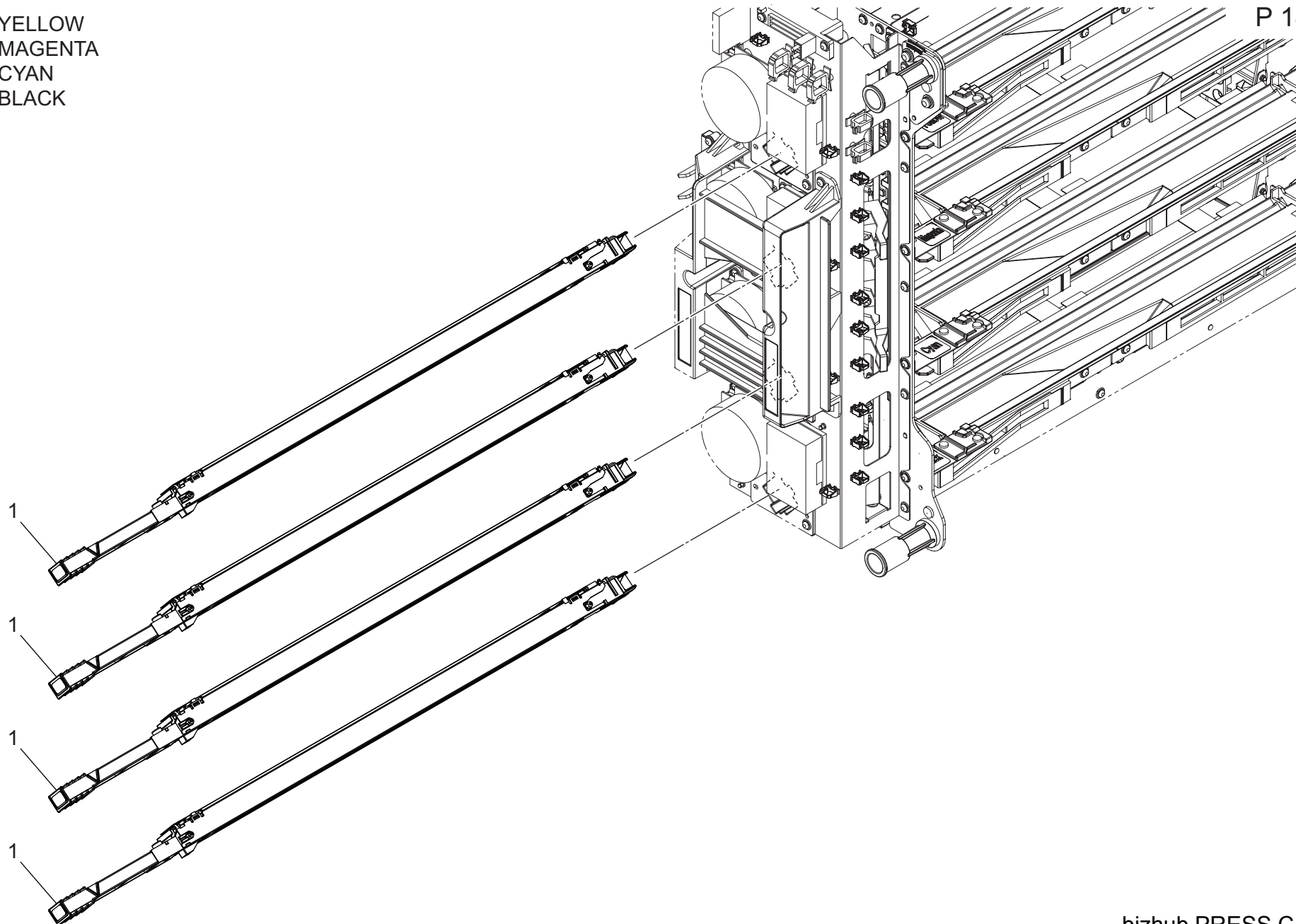


Key	Part No.	Description	Destinations	Class	QTY	Standard parts
1	A50U121500	Cooling Guide /Front		D	3	a-V127030603
2	A50U319301	Connecting Plate /1		D	2	
3	A50U318101	Pressing Stay /Color		D	3	
4	A50U318300	Pressing Spring /R		D	8	
5	A50U318700	Auxiliary Pad		D	6	
6	A50U318900	Pressing Guide		D	8	
7	A50U318201	Pressing Stay /Black		D	1	
8	A50UR70T00	PH Unit		S	4	
9	A50UN26102	LD Wiring /1		D	1	
10	A50UN26202	LD Wiring /2		D	1	
11	A50UN26302	LD Wiring /3		D	1	
12	A50UN26403	LD Wiring /4		D	1	

# Charging Section

YELLOW  
MAGENTA  
CYAN  
BLACK

P 18

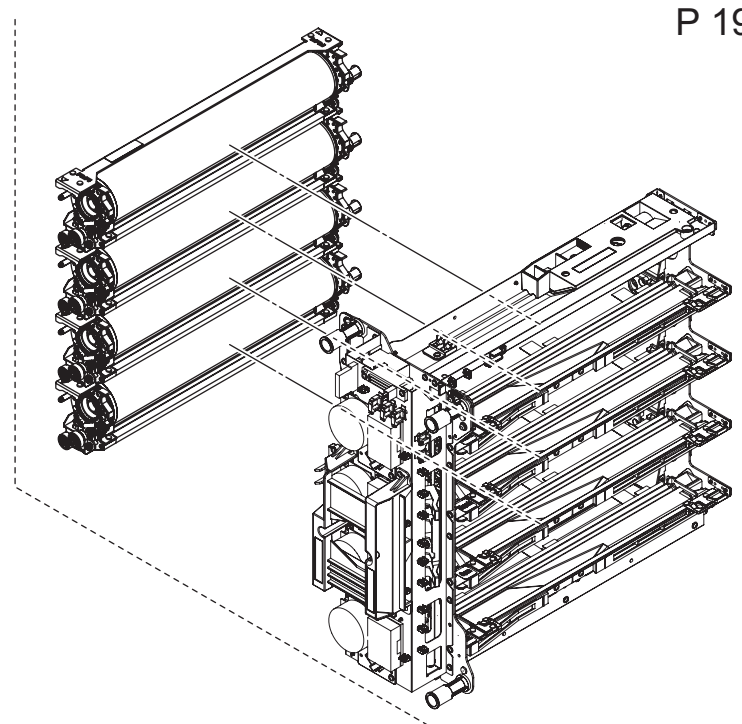
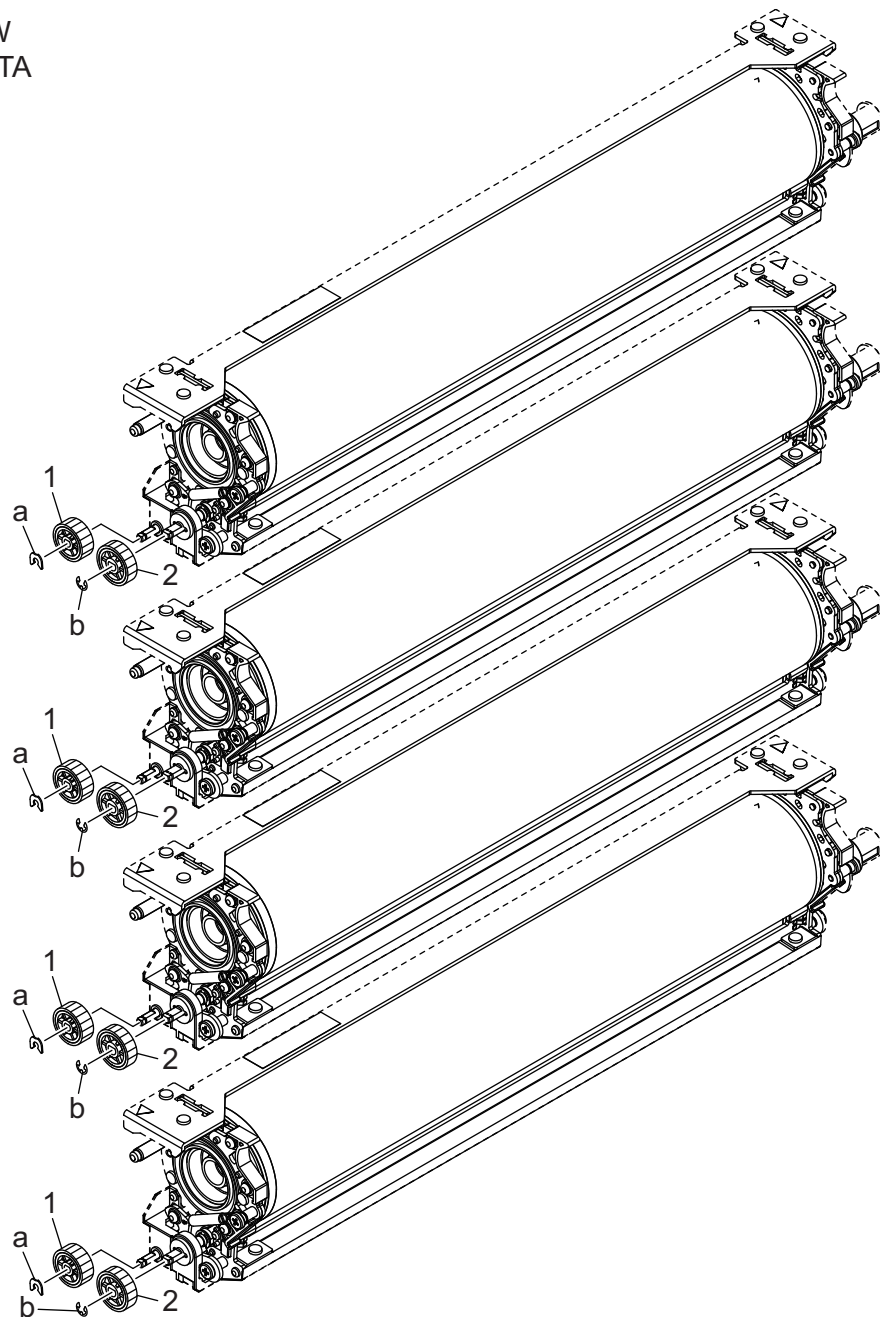


Key	Part No.	Description		Destinations	Class	QTY	Standard parts
1	A50UR70300	Charging Corona Unit	帯電極ユニット		A	4	

bizhub PRESS C1070P

# Photo Conductor Section

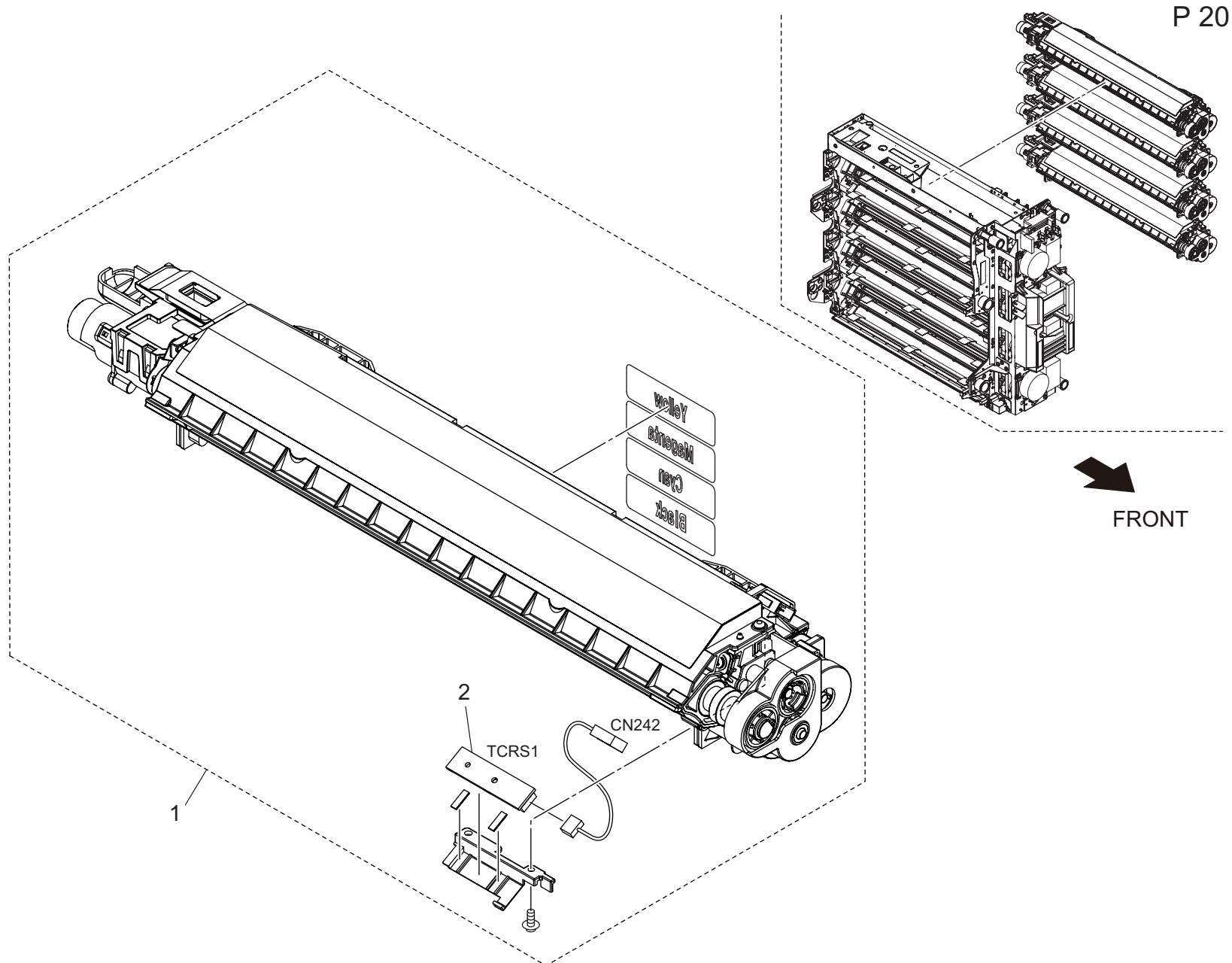
YELLOW  
MAGENTA  
CYAN  
BLACK



P 19

Key	Part No.	Description	Destinations	Class	QTY	Standard parts
1	A50U333500	Cleaning Gear /1 28T		C	4	a-V218030086
2	A50U333600	Cleaning Gear /2 30T		C	4	b-V217030050

# Developing Section

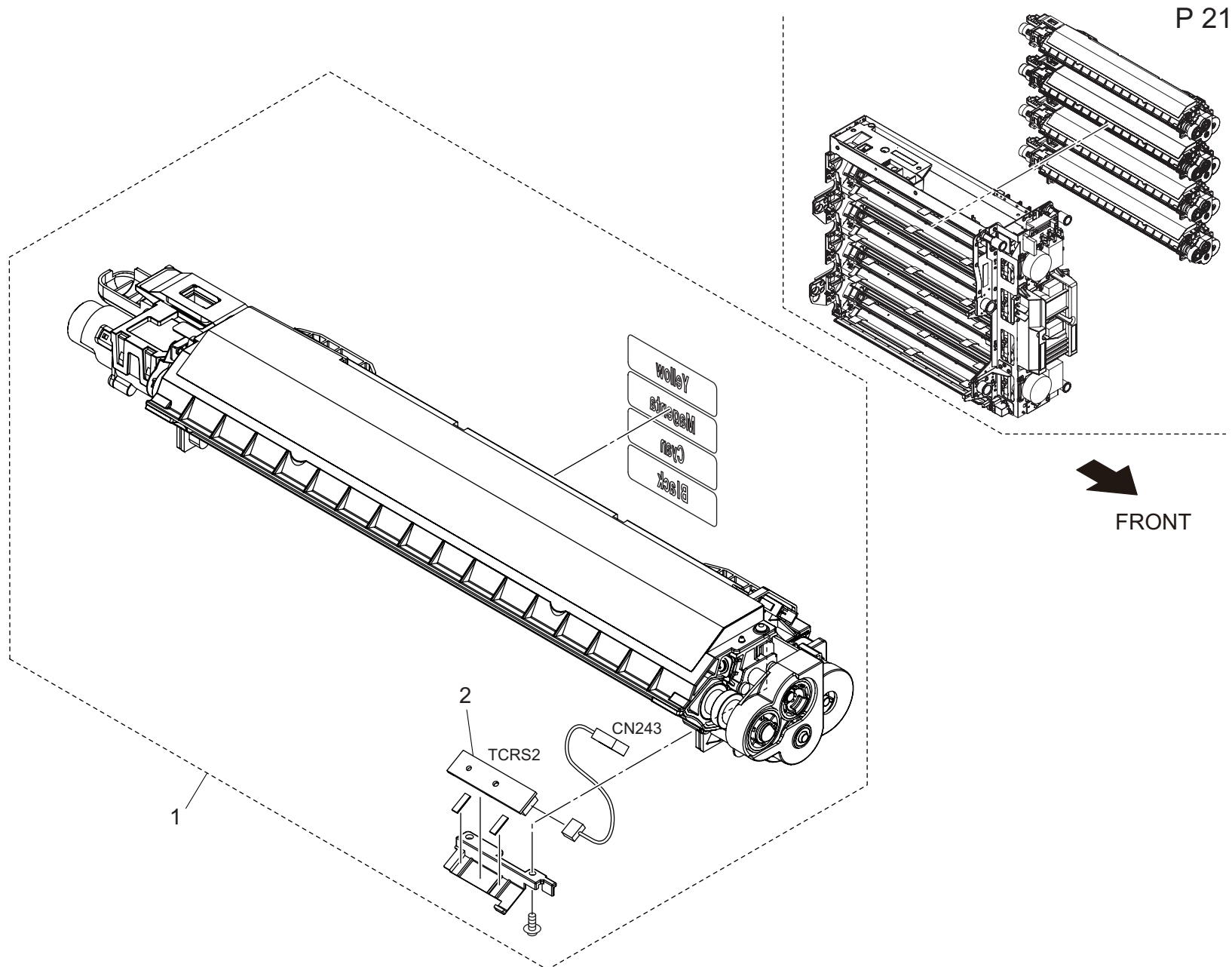


YELLOW



Key	Part No.	Description		Destinations	Class	QTY	Standard parts
1	A50UR70222	Developing Unit	現像ユニット		B	1	
2	A0TKH00200	PWB Assembly(PWB-TCR ASSY)	基板 ASSY (PWB-TCR ASSY)		I	1	

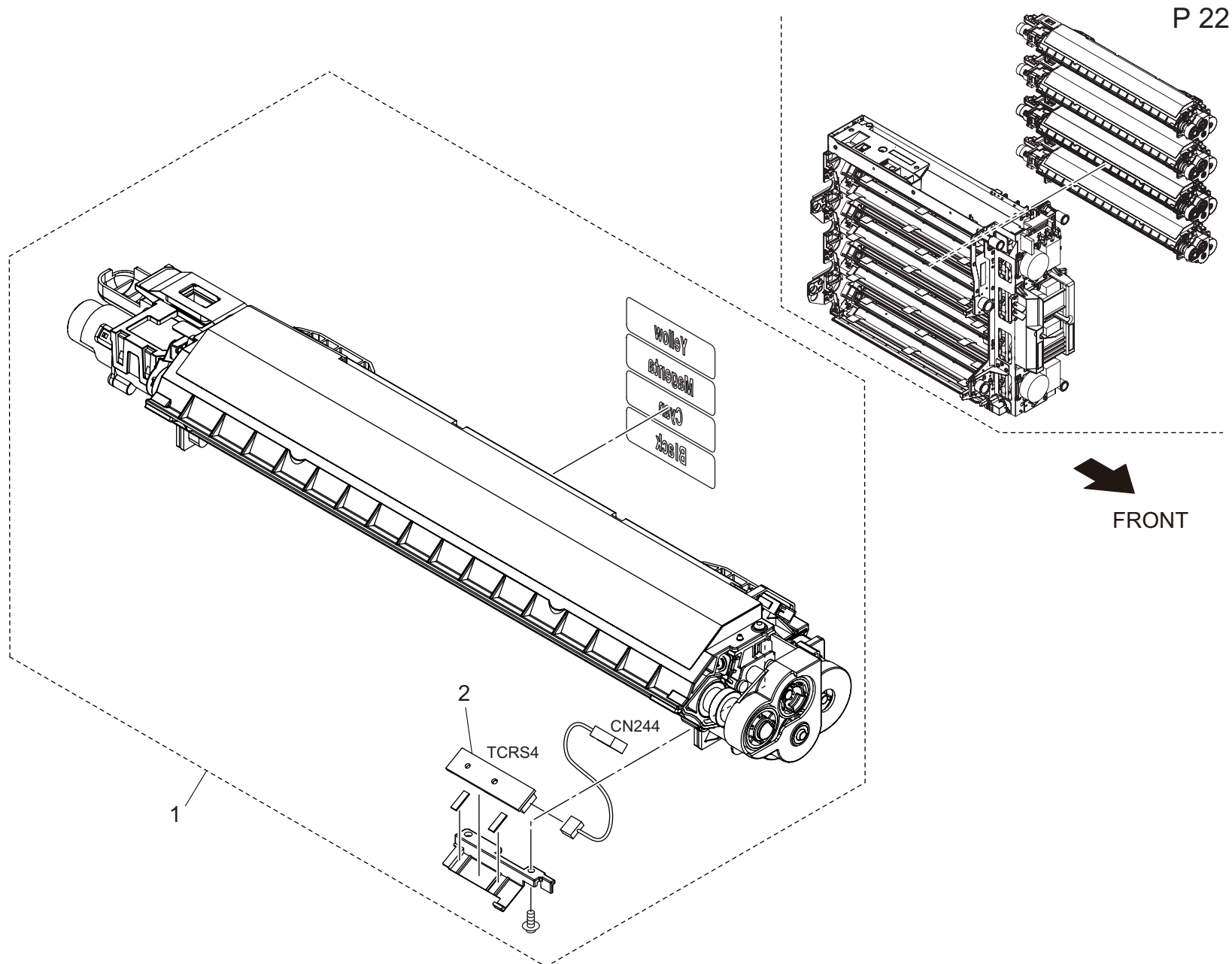
# Developing Section



MAGENTA

Key	Part No.	Description		Destinations	Class	QTY	Standard parts
1	A50UR70222	Developing Unit	現像ユニット		B	1	
2	A0TKH00200	PWB Assembly(PWB-TCR ASSY)	基板 ASSY (PWB-TCR ASSY)		I	1	

# Developing Section



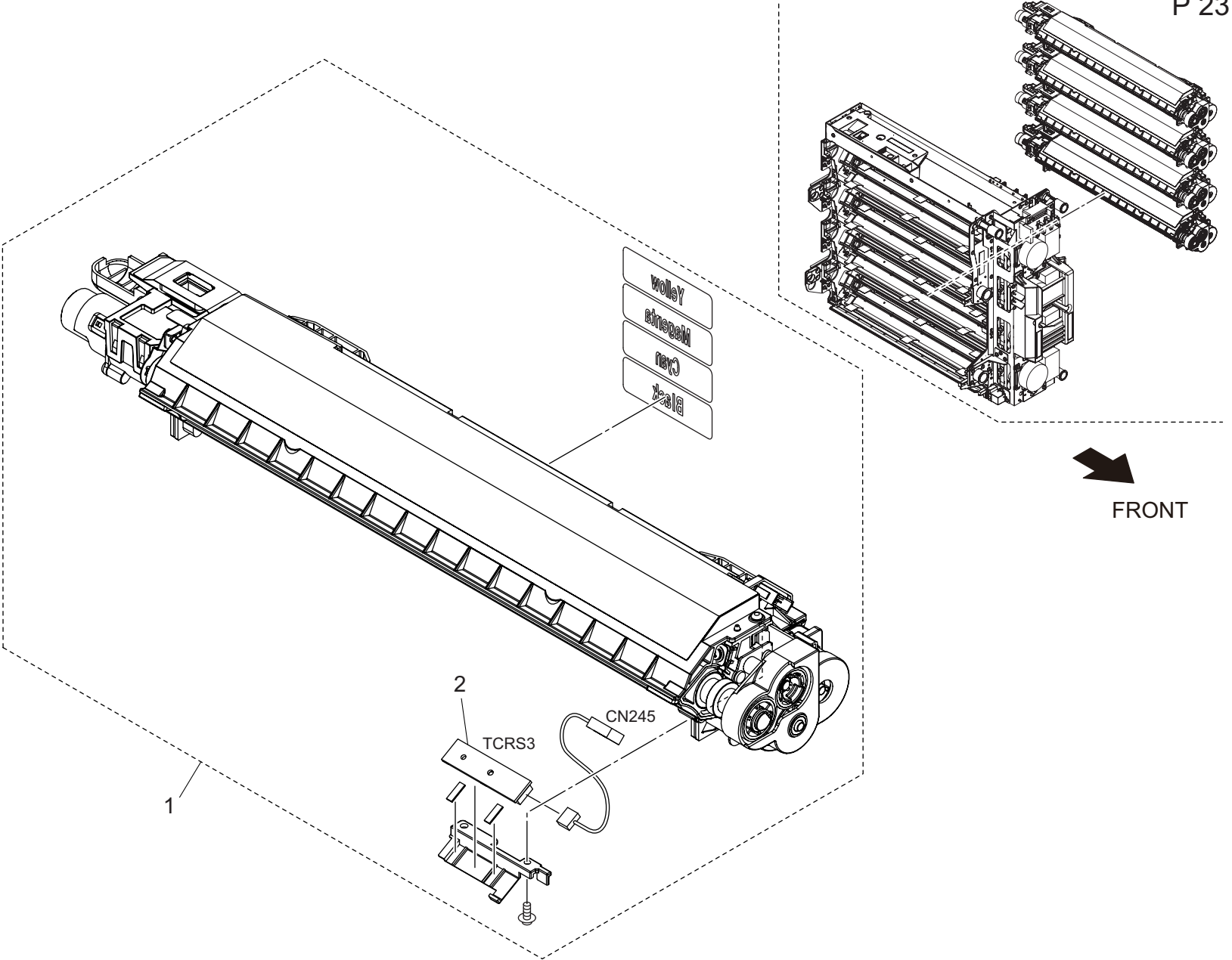
CYAN

Order here  
8 (495) 646-0426  
ПЯТЫЙ ПАРТНЕР www.km-shop.ru

bizhub PRESS C1070P

Key	Part No.	Description		Destinations	Class	QTY	Standard parts
1	A50UR70222	Developing Unit	現像ユニット		B	1	
2	A0TKH00200	PWB Assembly(PWB-TCR ASSY)	基板 ASSY (PWB-TCR ASSY)		I	1	

Developing Section

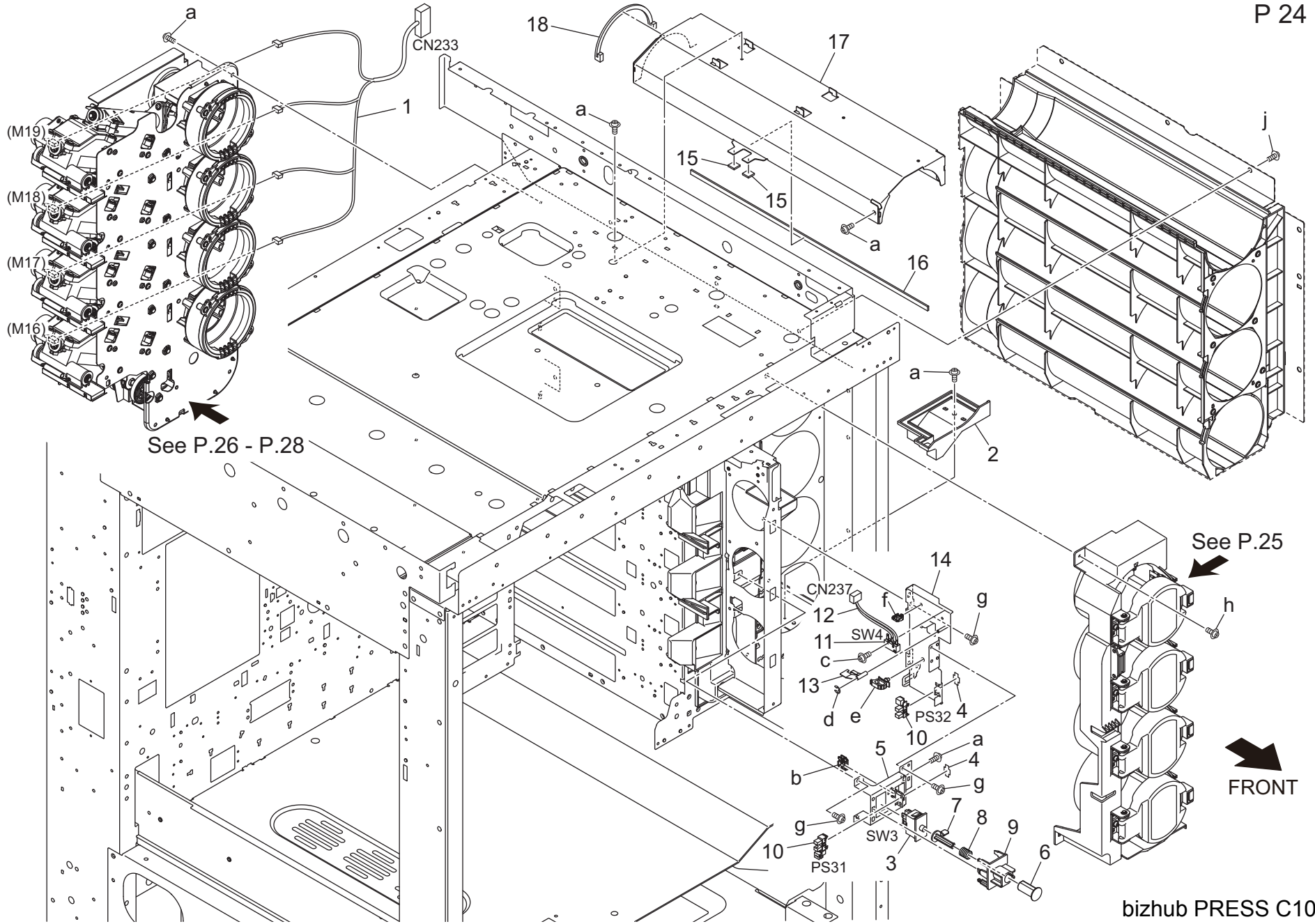


BLACK

bizhub PRESS C1070P

Key	Part No.	Description		Destinations	Class	QTY	Standard parts
1	A50UR70222	Developing Unit	現像ユニット		B	1	
2	A0TKH00200	PWB Assembly(PWB-TCR ASSY)	基板 ASSY (PWB-TCR ASSY)		I	1	

# Toner Supply Section



See P.26 - P.28

See P.25

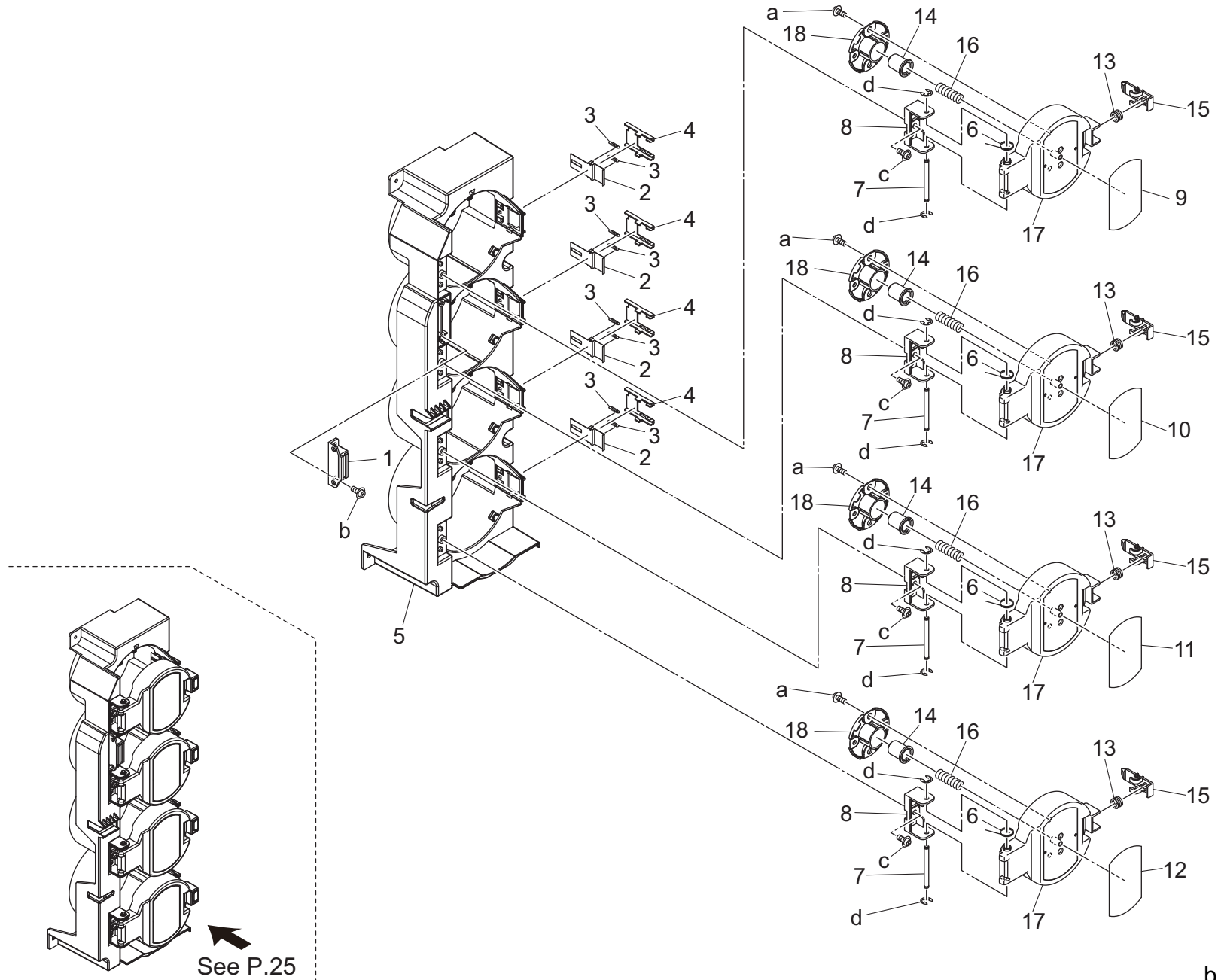
FRONT

bizhub PRESS C1070P



Key	Part No.	Description	Destinations	Class	QTY	Standard parts
1	A50UN12101	Toner Wiring /1		D	1	a-V127030603 b-V570010056 c-V111020803 d-V217020050 e-V500010003 f-V500020098 g-V127030516 h-V127030604 j-V127040603
2	A50U408100	Receiving Lower tray		D	1	
3	40AA85011	Door Switch		B	1	
4	4470402401	STOPPER		D	2	
5	A50U179000	Plate		D	1	
6	56AA12140	SWITCH CONNECTING ACTUATOR		C	1	
7	56AA12150	SWITCH PRESSING ACTUATOR		C	1	
8	56AA12160	CONTACT PRESSING SPRING 1		C	1	
9	A50U166800	Guide Part		D	1	
10	A50UM51000	Photointerrupter		C	2	
11	12QR86011	Interlock Switch		B	1	
12	65AA91100	INTER LOCK WIRING		D	1	
13	A50U442100	Switch Plate		D	1	
14	A50UF41500	Toner Supply Support Shaft Caulking ASSY		D	1	
15	A50U318700	Auxiliary Pad		D	2	
16	A50U400600	Toner supply Seal /Upper		D	1	
17	A50U400900	Toner supply Frame /Upper		D	1	
18	A50U401401	Seal /Rear		D	1	

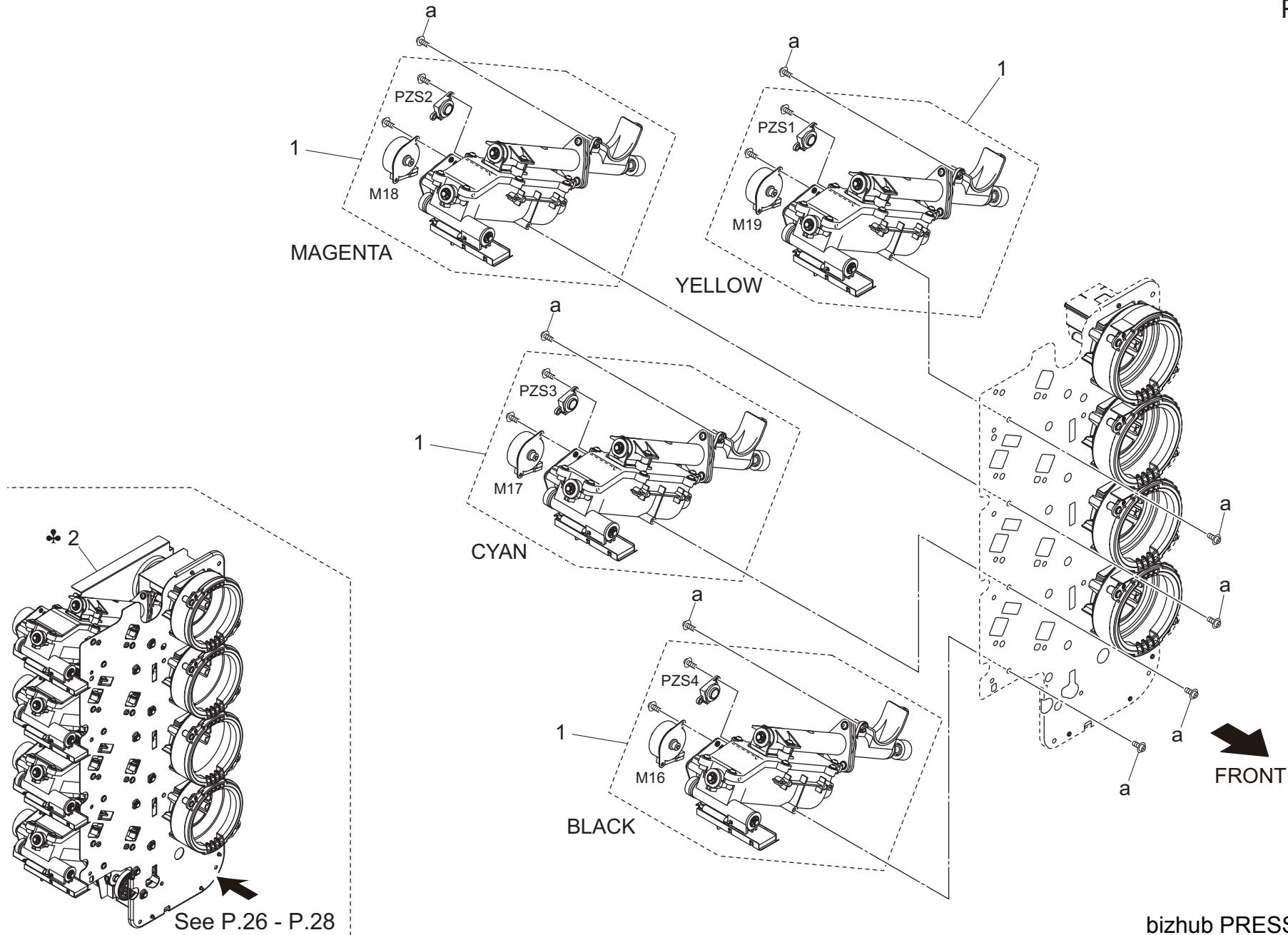
# Toner Supply Section



See P.25

Key	Part No.	Description	Destinations	Class	QTY	Standard parts
1	07BA12352	Magnet Catch		C	1	a-V151041003 b-V149030803 c-V158030803 d-V217030050
2	26TA32960	CARTRIDGE REGULATING PLATE		C	4	
3	26TA32970	CARTRIDGE REGULATING SPRING		C	8	
4	26TA32990	COVER PART		C	4	
5	A50U400201	Guide Part		D	1	
6	A50U408600	Toner supply Open/close Spring /A		D	4	
7	A50U408700	Support Shaft		D	4	
8	A50U408900	Support Part		D	4	
9	A50U944500	Toner supply Label /Y		D	1	
10	A50U944600	Toner supply Label /M		D	1	
11	A50U944700	Toner supply Label /C		D	1	
12	A50U944800	Toner supply Label /K		D	1	
13	26NA32870	CARTRIDGE PRESSING SPRING 2		C	4	
14	A1RF441500	Pressing Part /Front		D	4	
15	A50U408501	Pressing Handle		D	4	
16	A50U410200	Lock Spring		D	4	
17	A50U440301	Pressing Pedestal /Front		D	4	
18	A50U440601	Pressing Part /Rear		D	4	

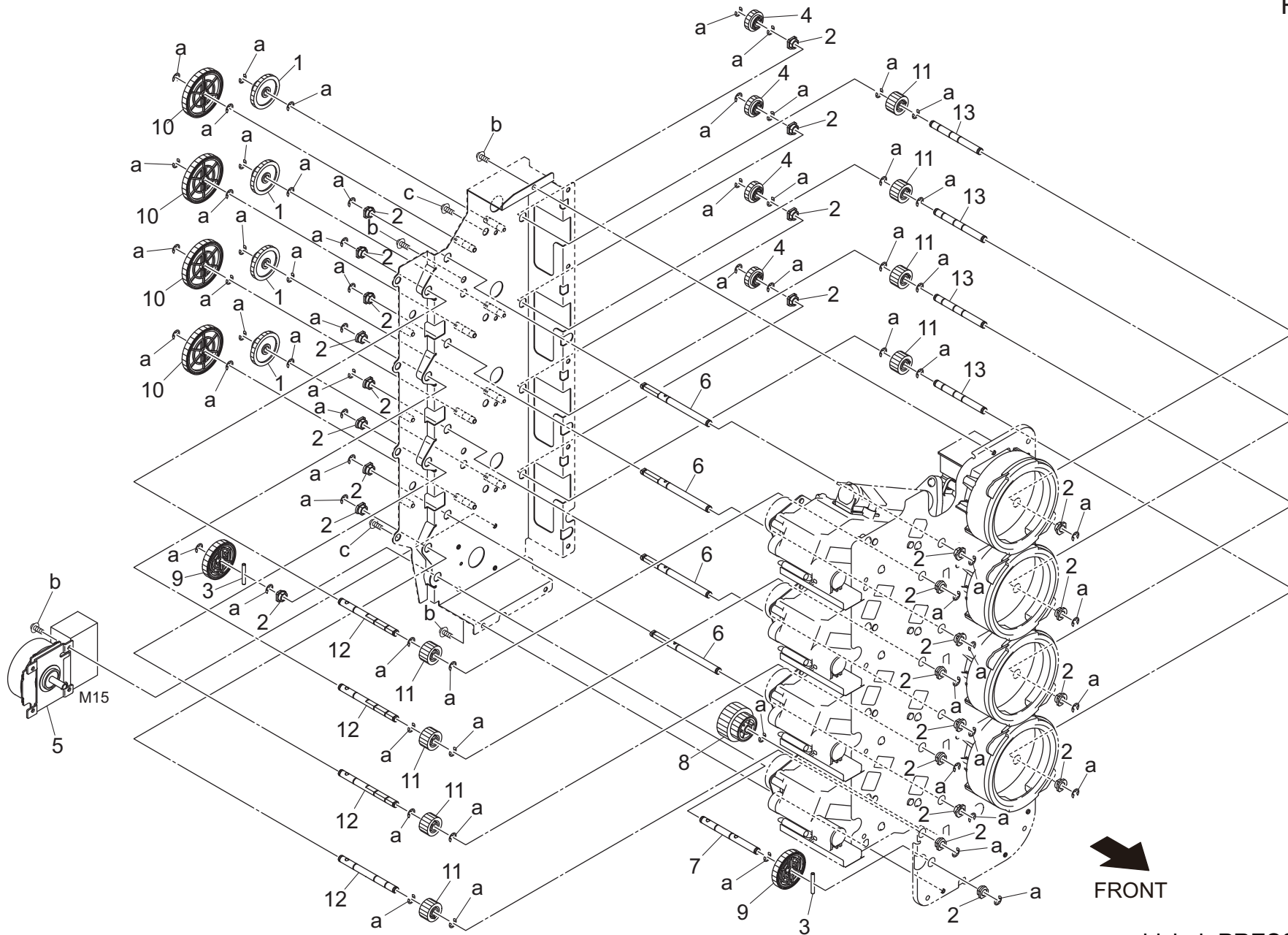
# Toner Supply Section



# Toner Supply Section

Key	Part No.	Description	Destinations	Class	QTY	Standard parts
1	A50UR72V00	Toner Conveyance Assy		D	4	a-V151030803
2	A50UR71300	Toner Supply Unit Assy(JP)		S	1	
2	A50UR71400	Toner Supply Unit Assy(US)	A B,G2	S	1	
2	A50UR71500	Toner Supply Unit Assy(EU)	C	S	1	

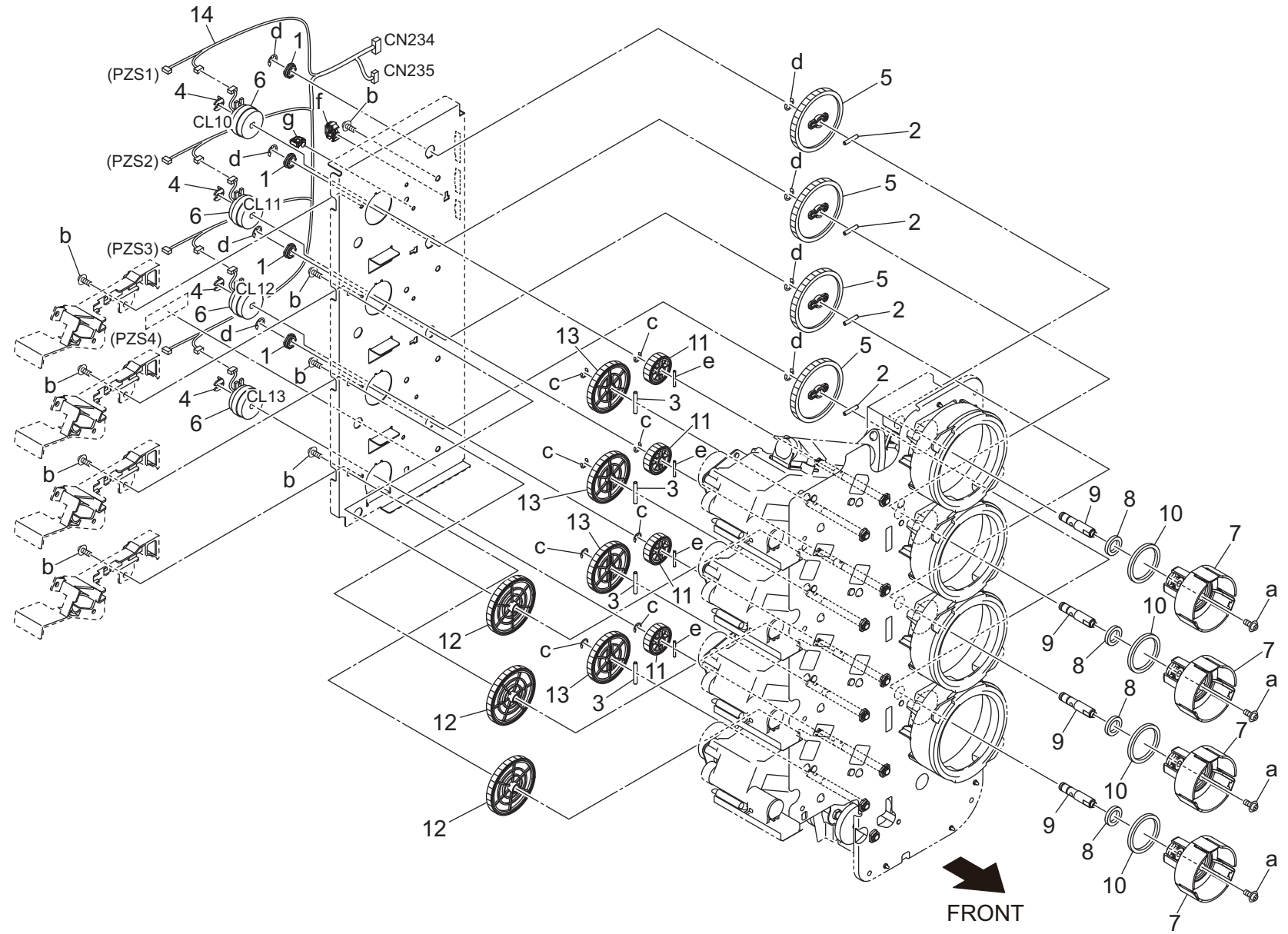
# Toner Supply Section



bizhub PRESS C1070P

Key	Part No.	Description	Destinations	Class	QTY	Standard parts
1	25BA77171	Toner Supply Gear /2 13/31T		C	4	a-V217040050 b-V127030603 c-V151030803
2	466076020	PAPER FEED SHAFT HOLDER	トナー補給歯車 / 2 13 / 31 T	B	26	
3	56AA17500	PIN	給紙送り出し軸受	C	2	
4	9J07500201	GEAR 17T	ピン	C	4	
5	A2XKM10300	Brushless motor	ギヤ 17 T	I	1	
6	A50U404000	Drive Shaft /A	ブラシレスモータ (30 W)	D	4	
7	A50U406400	Drive Shaft /D	駆動軸 / A	D	1	
8	A50U420300	Toner supply Gear /3 25/65T	駆動軸 / D	C	1	
9	A50U420900	Toner supply Gear /9 35T	トナー補給ギア / 3 25 / 65 T	C	2	
10	A50U421000	Toner supply Gear /10 45T	トナー補給ギア / 9 35 T	C	4	
11	56AA77330	SCREW GEAR 15T	トナー補給ギア / 10 45 T	C	8	
12	A50U404600	Drive Shaft /B	スクリュー歯車 15 T	D	4	
13	A50U404200	Drive Shaft /C	駆動軸 / B	D	4	

# Toner Supply Section



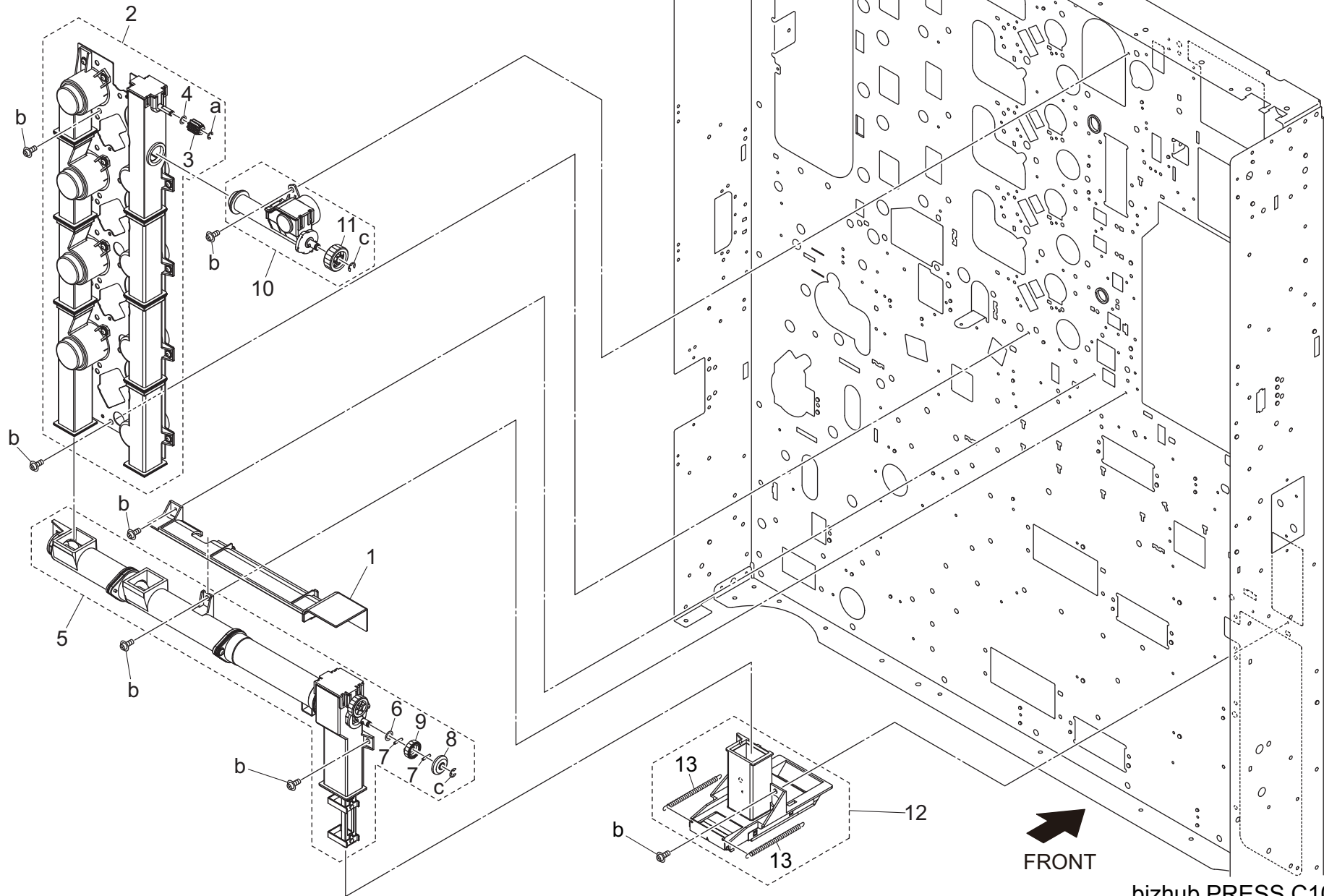
bizhub PRESS C1070P



# Toner Supply Section

Key	Part No.	Description	Destinations	Class	QTY	Standard parts
1	26NA32660	TONER SUPPLY SHAFT HOLDER		C	4	a-V116030803 b-V127030603 c-V217040050 d-V217050050 e-V231201650 f-V500010072 g-V500020098
2	56AA17461	PIN A	トナー補給軸受	B	4	
3	56AA17500	PIN	ピン A	C	4	
4	56AA40490	SHAFT STOPPER 4	ピン	C	4	
5	65AA77390	Toner Supply Gear /B 56T	軸ストップ 4	C	4	
6	A00FM20000	Clutch	トナー補給 ギア / B 56T	C	4	
7	A50U400501	Toner supply Coupling	クラッチ (2.5 kg)	D	4	
8	A50U401200	Holding Seal /A	トナー補給カップリング	D	4	
9	A50U401301	Connecting Shaft	ホルダシール / A	D	4	
10	A50U407600	Toner supply Holding Seal /A	連結軸	D	4	
11	A50U420400	Toner supply Gear /4 25T	トナー補給ホルダーシール / A	C	4	
12	A50U420800	Toner supply Gear /8 52T	トナー補給ギア / 4 25 T	C	3	
13	A50U421000	Toner supply Gear /10 45T	トナー補給ギア / 8 52 T	C	4	
14	A50UN12203	Toner Wiring /2	トナー補給ギア / 10 45 T	D	1	
			トナー束線 / 2			

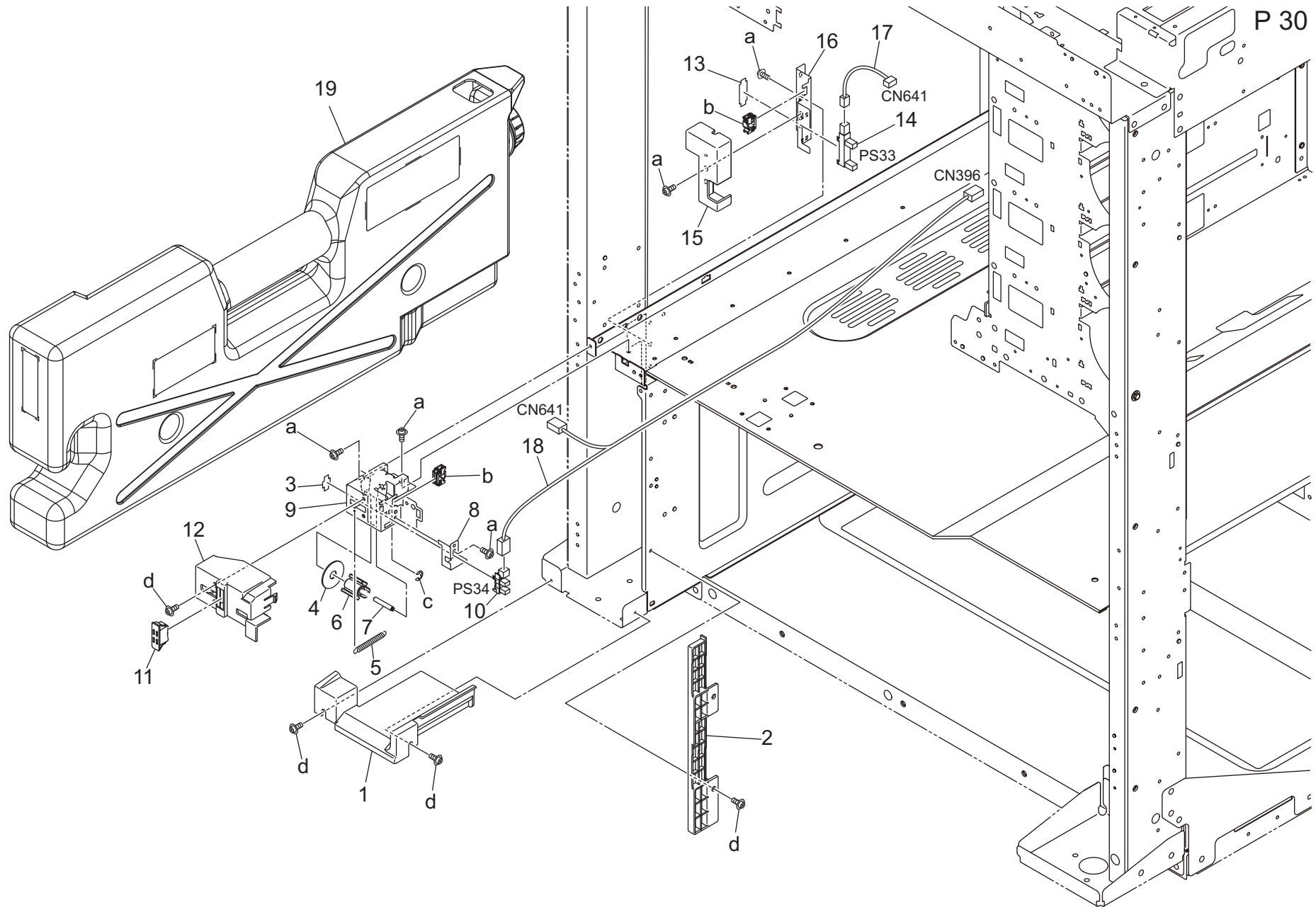
# Toner Collection Section



# Toner Collection Section

Key	Part No.	Description	Destinations	Class	QTY	Standard parts
1	A50U362300	Insulating Cover		D	1	a-V217030050 b-V127030603 c-V217040050
2	A50UR70V00	Collection Pipe Assy		S	1	
3	26NA17580	AGITATING COUPLING B		C	1	
4	50GA250100	SPACER		C	1	
5	A50UR70W00	Toner Collection Conveyance Assy		S	1	
6	40AA32320	TONER SUPPLY SPACER		C	1	
7	56AA17531	PIN A D2X10		C	2	
8	A1RF362400	Collection Gear /2 14T		C	1	
9	A50U365400	Collection Gear 19T		C	1	
10	A50UR71100	Collection Pipe / 1 Assy		D	1	
11	A1RG569900	Suction Gear /2 21T		C	1	
12	A50UF36500	Toner Collection Gate ASSY		D	1	
13	A50U363300	Open/close Spring		D	2	

# Toner Collection Section

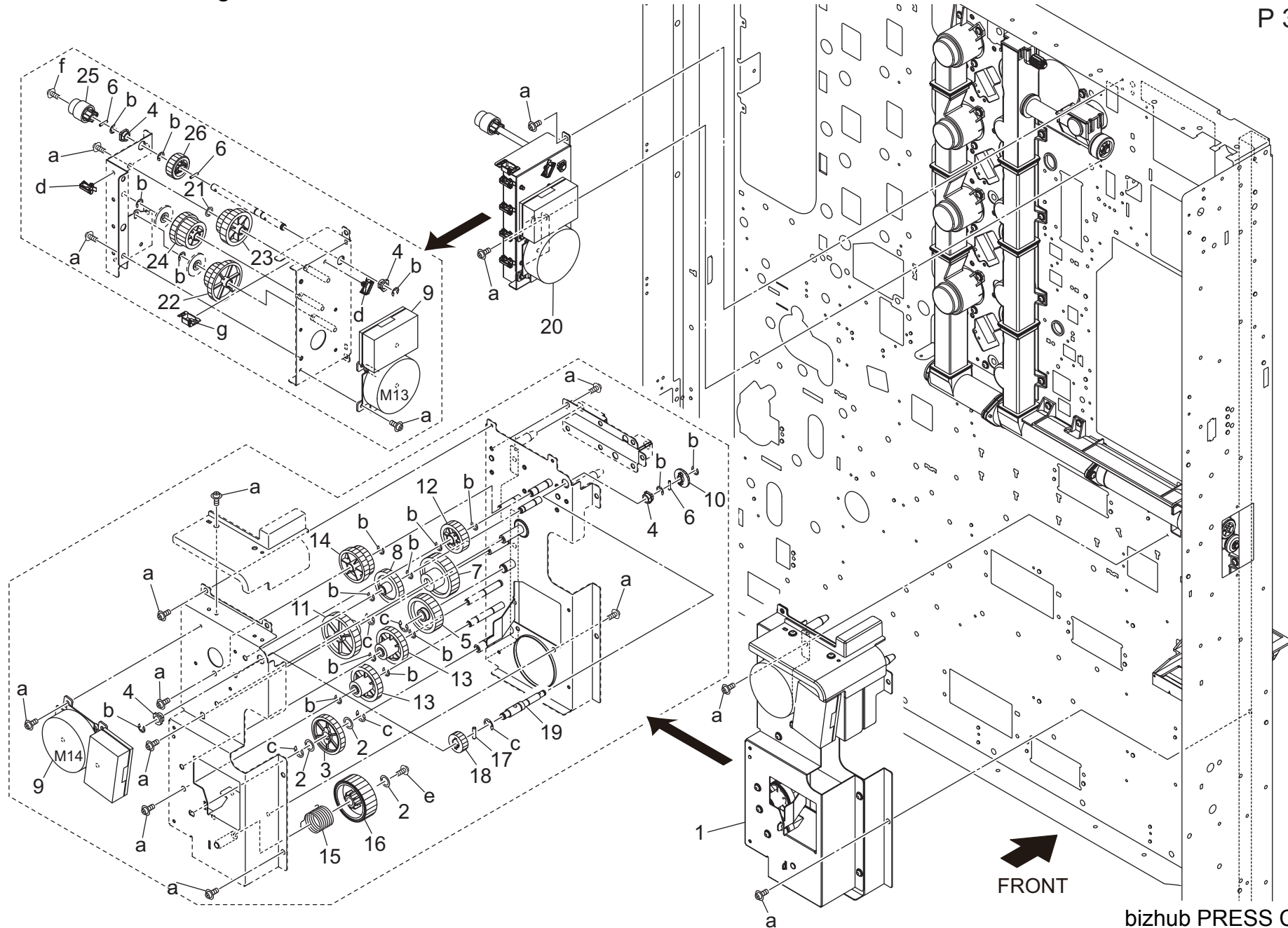


P 30

bizhub PRESS C1070P

Key	Part No.	Description	Destinations	Class	QTY	Standard parts
1	A50U363400	Protection Cover /Lower		D	1	a-V127030603 b-V570010056 c-V217020050 d-V127030604
2	A50U369900	Cover /Front		D	1	
3	4470402401	STOPPER		D	1	
4	55VA47840	Belt Hold Part /3		D	1	
5	A1RF363500	Control Spring		C	1	
6	A1RF363801	Detecting Part /2		D	1	
7	A50U363200	Collection Shaft		D	1	
8	A50U367100	Card		D	1	
9	A50U368400	Cover		D	1	
10	A50UM51000	Photointerrupter		C	1	
11	56AA12270	EXTERNAL LOCKING PART		C	1	
12	A50U363701	Cover Outside		D	1	
13	4004457301	Stopper		D	1	
14	9335140051	SOLID STATE SWITCH		B	1	
15	A50U366800	Cover /2		D	1	
16	A50U367400	Cover		D	1	
17	A50UN11801	Detection Relay harness /3		D	1	
18	A50UN12000	Detection Relay harness /1		D	1	
19	A50UR70100	Waste Toner Box		A	1	

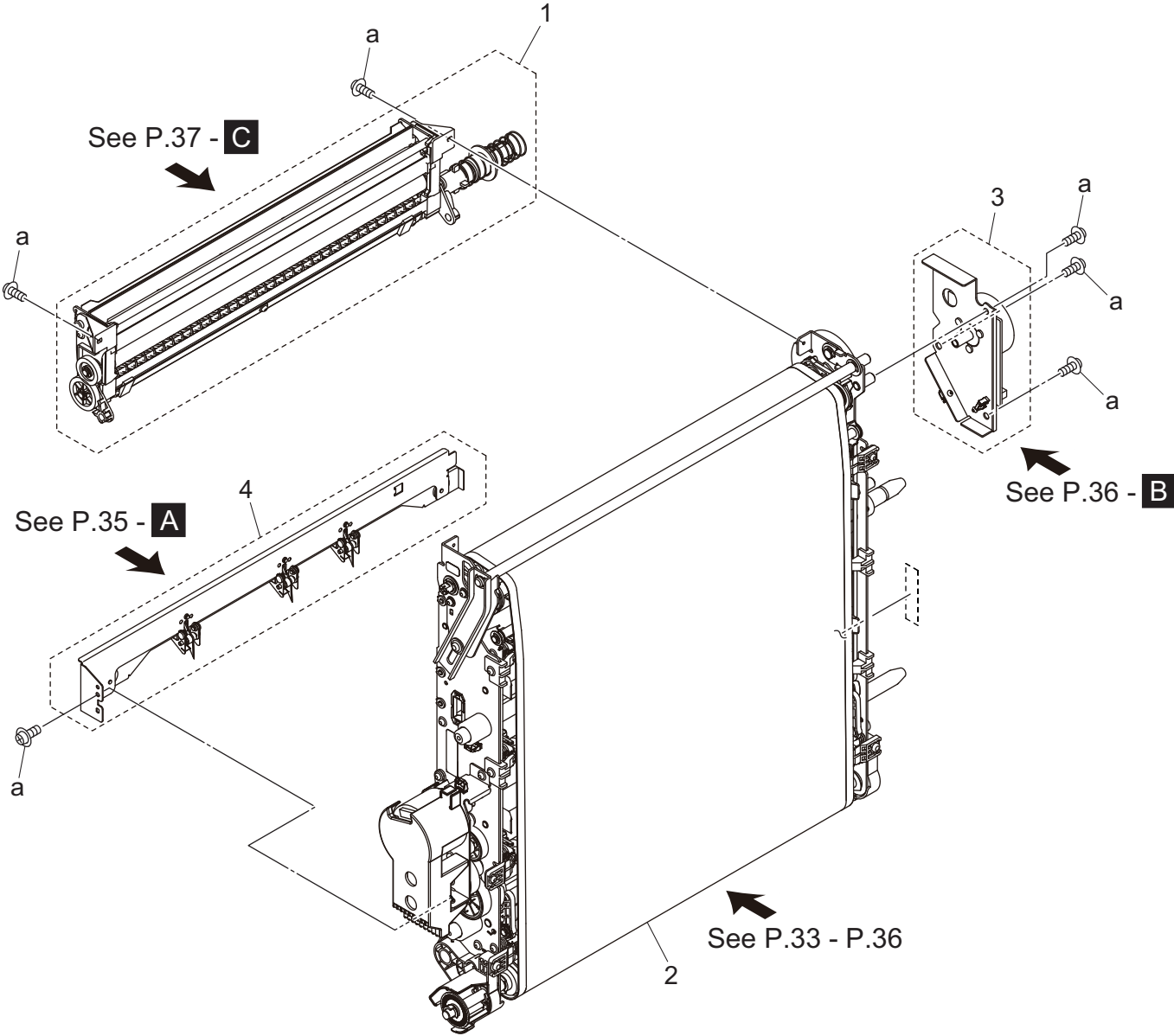
# Toner Collection Driving Section



bizhub PRESS C1070P

Key	Part No.	Description	Destinations	Class	QTY	Standard parts
1	A50UR70Y00	Toner Collection Drive Assy		S	1	a-V127030603 b-V217040050 c-V217060050 d-V500020100 e-V127040603 f-V121030403 g-V570010063
2	13QA40610	Gear Spacer		C	3	
3	4038254001	GEAR 37T		C	1	
4	466076020	PAPER FEED SHAFT HOLDER		B	4	
5	55GA77050	Conveyance Drive Gear /2 35T		B	1	
6	56AA17531	PIN A D2X10		C	3	
7	56UA77710	TONER SUPPLY DRIVE GEAR /B 16/40T		C	1	
8	65AA77410	TONER SUPPLY GEAR D 31T		C	1	
9	A161M10200	brushless Motor /20		I	2	
10	A1RF362400	Collection Gear /2 14T		C	1	
11	A1RF368500	Collection Gear 14/43T		C	1	
12	A1UD210500	Gear 28T		C	1	
13	A50U362200	Gear /1 34/14T		C	2	
14	A50U365800	Collection Gear /1 62/28T		C	1	
15	A50U365600	Collection Spring		D	1	
16	A50U367001	Collection Coupling		D	1	
17	56AA17471	PIN B 3X12		C	1	
18	56UA77280	ADU CONVEYANCE GEAR 17T		C	1	
19	A50U369800	Collection Shaft /A		D	1	
20	A50UR71200	Collection Drive Assy		S	1	
21	40AA32320	TONER SUPPLY SPACER		C	1	
22	A50U360700	Collection Gear /1 75/23T		C	1	
23	A50U361200	Collection Gear /3 32/22T		C	1	
24	A50U361401	Collection Gear /2 29/25T		C	1	
25	A1RF372300	Agitating Coupling /1		D	1	
26	A1RG569900	Suction Gear /2 21T		C	1	

Intermediate Transfer Section

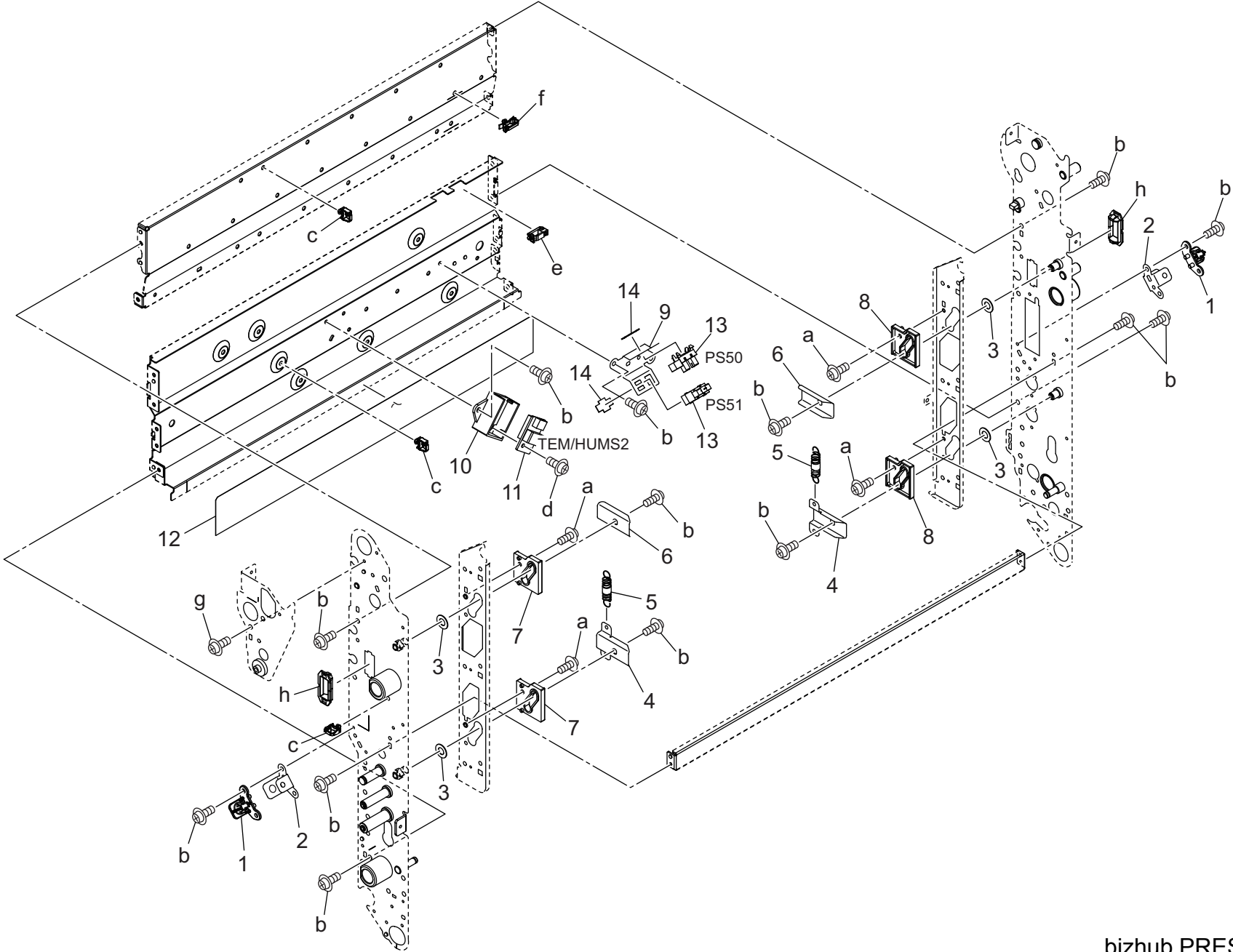




# Intermediate Transfer Section

Key	Part No.	Description		Destinations	Class	QTY	Standard parts
1	A50UR70622	Transfer Belt Cleaning Unit	転写ベルトクリーニングユニット		B	1	a-V127030603
2	A50UR71N11	Middle Transfer Assy	中間転写 A s s y		I	1	
3	A50UR72W00	Drive Plate Assy	駆動板 A s s y		I	1	
4	A50UR71P11	Separating Claw Unit	分離爪ユニット		I	1	

Intermediate Transfer Section

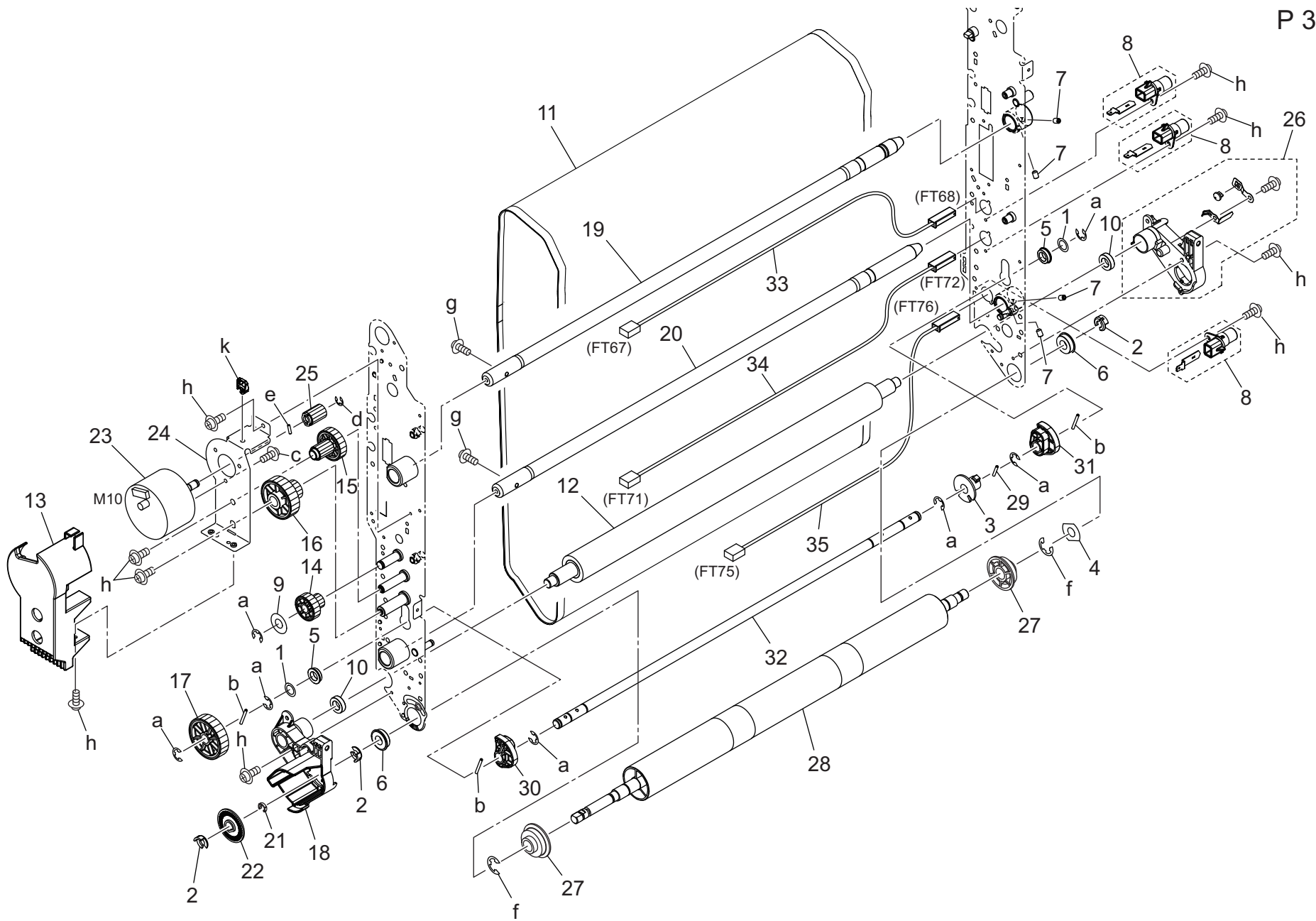


Intermediate Transfer Section

Key	Part No.	Description	Destinations	Class	QTY	Standard parts
1	A50U500800	Hold Part		D	2	a-V121030403 b-V127030603 c-V500020098 d-V158030803 e-V570010057 f-V500020100 g-V116030503 h-V570010037
2	A50U508600	Transfer Support Plate		D	2	
3	07BA15871	SPACER A		C	4	
4	A50U503600	Stopper Plate		D	2	
5	A50U503700	Spring		D	2	
6	A50U506200	Stopper Plate		D	2	
7	A50U508800	Transfer Bushing /Front		D	2	
8	A50U506300	Transfer Bushing /Rear		D	2	
9	A50U505200	Plate		D	1	
10	65AA11300	SUPPORT PART		D	1	
11	A034M50000	Humidity sensor		C	1	
12	A03U515100	Insulating Sheet		D	1	
13	08AA85512	Photo Sensor		B	2	
14	4470402401	STOPPER		D	2	

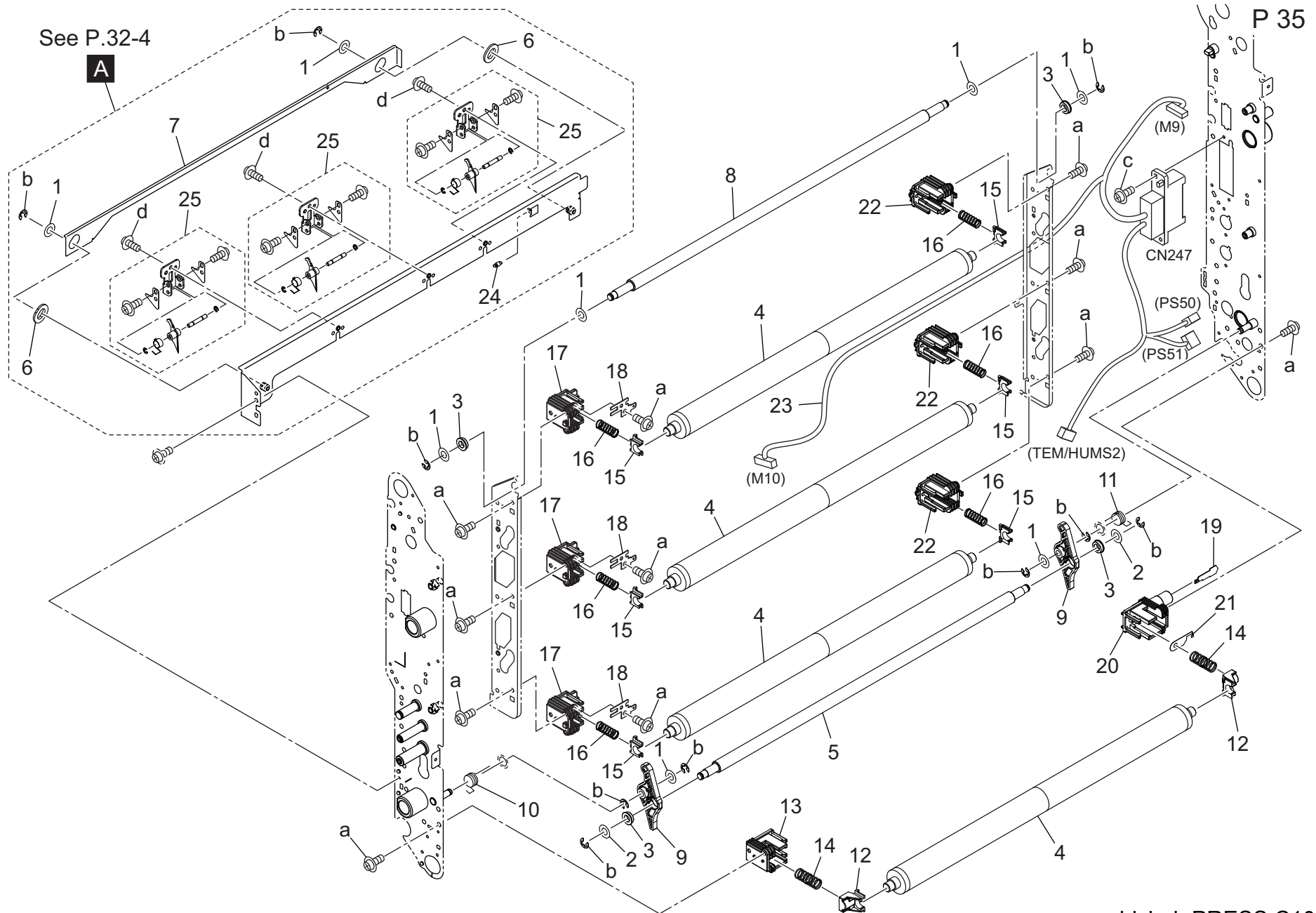
# Intermediate Transfer Section

P 34



Key	Part No.	Description	Destinations	Class	QTY	Standard parts
1	12QV40650	SPACER		B	2	a-V217060050
2	55VA42120	SHAFT STOPPER		C	3	b-V237201850
3	A50U505300	Light blocking Plate		D	1	c-V121030403
4	65AA27240	SPACER A		C	1	d-V217040050
5	A00J617900	Ball Bearing		B	2	e-V237200850
6	A00V240600	BALL BEARING		C	2	f-V217080050
7	A03U512300	Fixing Screw		C	4	g-V127040803
8	A1DUR73500	Power Supply Block / A Assy		D	3	h-V127030603
9	A1RF501700	Slide Spacer /A		D	1	k-V500020098
10	A1RF517300	bearing		C	2	
11	A50U500101	Transfer Belt 862L	転写ベルト 862 L	A	1	
12	A50U500401	2nd Transfer Roller/Up	2次転写ローラー/Up	A	1	
13	A50U504000	Cover	カバー	D	1	
14	A50U504500	Compressing Gear /1 35/18T	圧縮ギア/1 35/18 T	C	1	
15	A50U504600	Pressure Gear /2 43/18T	圧着ギア/2 43/18 T	C	1	
16	A50U504700	Pressure Gear /3 56/18T	圧着ギア/3 56/18 T	C	1	
17	A50U505000	Pressure Gear /4 44T	圧着ギア/4 44 T	C	1	
18	A50U505901	Insulating Holder /Front	絶縁ホルダ/前	D	1	
19	A50U506101	Positioning Shaft /Upper	位置決め軸/上	D	1	
20	A50U507000	Positioning Shaft /Lower	位置決め軸/下	D	1	
21	A50U509100	Lifting Collar /8	押上げカラー/8	D	1	
22	A50U509800	Control Plate	制御プレート	D	1	
23	A11PM10200	DC Brushless motor /12	DC ブラシレスモーター/12	C	1	
24	A50U503900	Drive Plate /2	駆動板/2	D	1	
25	A50U504400	Pressure Gear /M 18T	圧着ギア/M 18 T	C	1	
26	A50UR72100	Insulating Holder / Rear Assy	絶縁ホルダ/奥 Assy	D	1	
27	65AA26870	REGULATING COLLAR	規制カラー	C	2	
28	A50U506701	Idler Roller	従動ローラ	C	1	
29	56AA17321	PIN A D2X12	ピン A D 2 X 12	B	1	
30	A50U502500	Transfer Release Cam /C	転写解除カム/C	D	1	
31	A50U502600	Transfer Release Cam /C	転写解除カム/C	D	1	
32	A50U505100	Pressure Shaft	圧着軸	D	1	
33	A50UN24501	HV Relay harness /1	高圧中継束線/1	D	1	
34	A50UN24701	HV Relay harness /2	高圧中継束線/2	D	1	
35	A50UN24901	HV Relay harness /3	高圧中継束線/3	D	1	

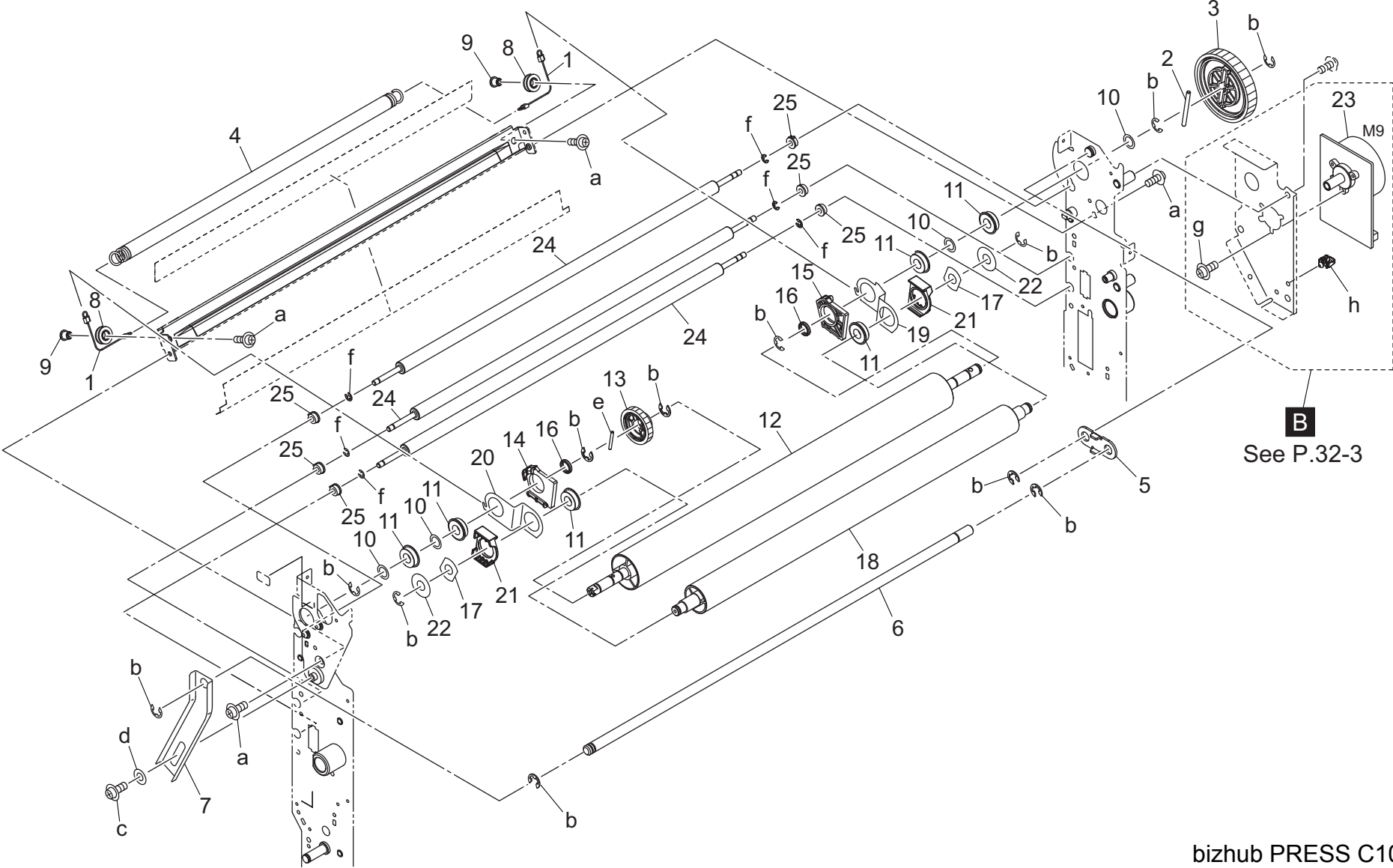
# Intermediate Transfer Section



## Intermediate Transfer Section

Key	Part No.	Description	Destinations	Class	QTY	Standard parts
1	07BA15871	SPACER A		C	8	a-V158030803 b-V217040050 c-V127030803 d-V121030403
2	40AA32320	TONER SUPPLY SPACER		C	2	
3	A00J617800	BALL BEARING		C	4	
4	A50U501201	1st Transfer Roller		A	4	
5	A50U501900	Transfer Pressure Roller /K		C	1	
6	A50U503200	Bushing		D	2	
7	A50U506900	Release Plate		D	1	
8	A50U505400	Transfer Pressure Roller /Y		C	1	
9	A50U505500	Release Arm		D	2	
10	A50U508001	Pressing Spring /Front		D	1	
11	A50U508102	Pressing Spring /Rear		D	1	
12	A50U505700	Transfer Roller Bearing /K		B	2	
13	A50U505800	High voltage Powering Block /B		D	1	
14	A50U507900	Pressure Spring /Black		D	2	
15	65AA26380	Transfer Powering Bushing		B	6	
16	A50U507801	Pressure Spring /C		D	6	
17	A50U510100	High voltage Powering Block /C		D	3	
18	A50U510200	Transfer Powering Plate /Front		D	3	
19	65AA26690D	Transfer Powering Plate /K		D	1	
20	A50U505601	Power supply Block /D		D	1	
21	A50U507600	Transfer Powering Plate /L		D	1	
22	65AA26900D	High voltage Powering Block /C		D	3	
23	A50UN13201	Transfer Drive harness /1		D	1	
24	65AA26600	SLIDE SPRING		C	1	
25	A1DUR71900	Separation Claw Assy		B	3	

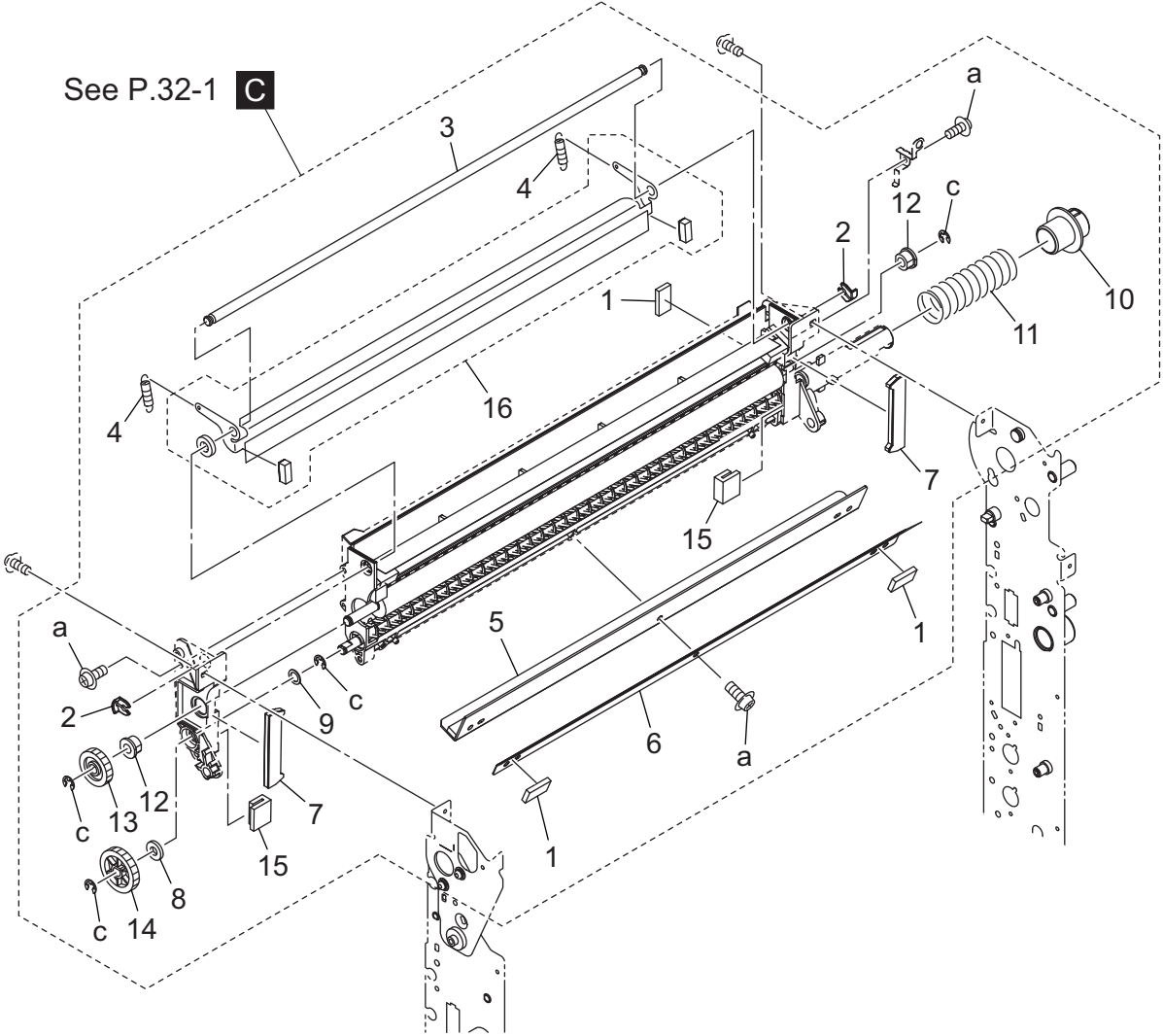
Intermediate Transfer Section





Key	Part No.	Description	Destinations	Class	QTY	Standard parts
1	A1RF508100	Pulling Wire		D	2	a-V127030603 b-V217060050 c-V127040603 d-V207060003 e-V237201850 f-V217030050 g-V118030403 h-V500020098
2	A1RJ732100	Pin /2		C	1	
3	A50U501401	Drive Gear 108T		C	1	
4	A50U501702	Tension Spring		D	1	
5	A50U502700	Handle /Rear		D	1	
6	A50U502900	Handle		D	1	
7	A50U503001	Mounting Plate		D	1	
8	A1RF508000	Tension Pulley		D	2	
9	A1RF508200	Tension Shaft		D	2	
10	12QV40650	SPACER		B	4	
11	A00V240600	BALL BEARING		C	6	
12	A50U500301	Drive Roller		C	1	
13	A50U502201	Collection Gear /Upper 28T		C	1	
14	A50U506400	Stopper /Front		D	1	
15	A50U508200	Stopper /Rear		D	1	
16	A50U508700	Spacer		D	2	
17	65AA27240	SPACER A		C	2	
18	A50U500700	Tension Roller		C	1	
19	A50U501600	Tension Plate /Rear		D	1	
20	A50U502400	Tension Plate /Front		D	1	
21	A50U503300	Cover		D	2	
22	A50U509200	Washer		D	2	
23	A50UM10201	DC Brushless motor /20		C	1	
24	A50U502100	Auxiliary Roller /1		C	3	
25	A50U503500	Bushing		D	6	

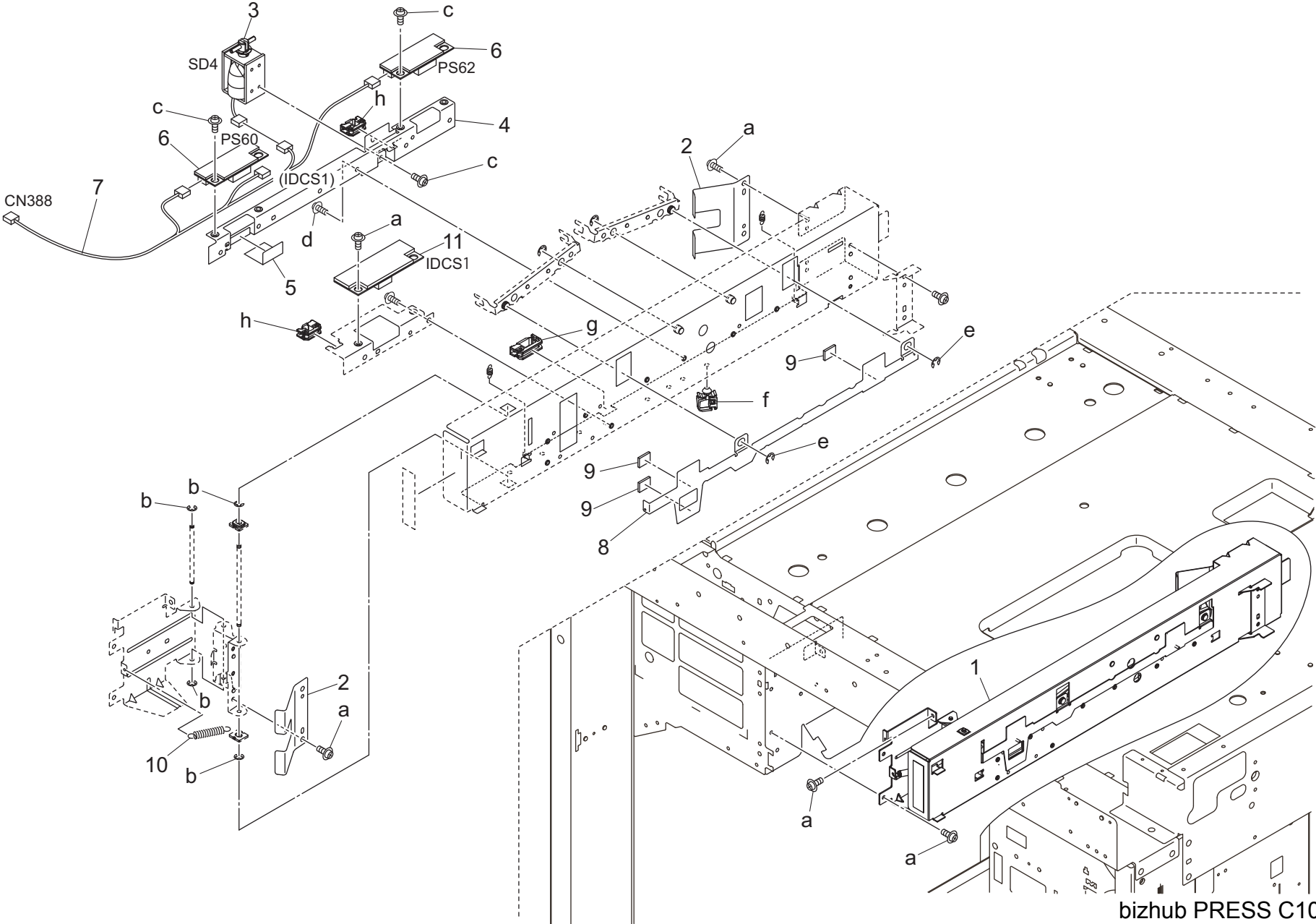
Intermediate Transfer Section



Intermediate Transfer Section

Key	Part No.	Description	Destinations	Class	QTY	Standard parts
1	56AA20940D	Toner Dust-proof Seal /D		D	3	a-V158030803 c-V217040050
2	56AA40490	SHAFT STOPPER 4		C	2	
3	65AA27090D	Blade Fulcrum Shaft		D	1	
4	A03U555400	Cleaning Spring		C	2	
5	A1DUR71C00	Sheet /1 Assy		A	1	
6	A1DUR71D00	Sheet /2 Assy		C	1	
7	A50U531601	Seal /F		A	2	
8	08AA45230	COLLECTING SEAL		C	1	
9	40AA32320	TONER SUPPLY SPACER		C	1	
10	65AA20060	COLLECTING COVER		C	1	
11	65AA20300	TONER COLLECTING SPRING		C	1	
12	65AA26840	Cleaner Bushing /Front		C	2	
13	A50U531400	Cleaning Gear /1 21T		C	1	
14	A50U531500	Cleaning Gear /2 26T		C	1	
15	65AA27320	SCATTER PREVENTING PAD 4		C	2	
16	A50UR70K00	Belt Cleaning Blade		A	1	

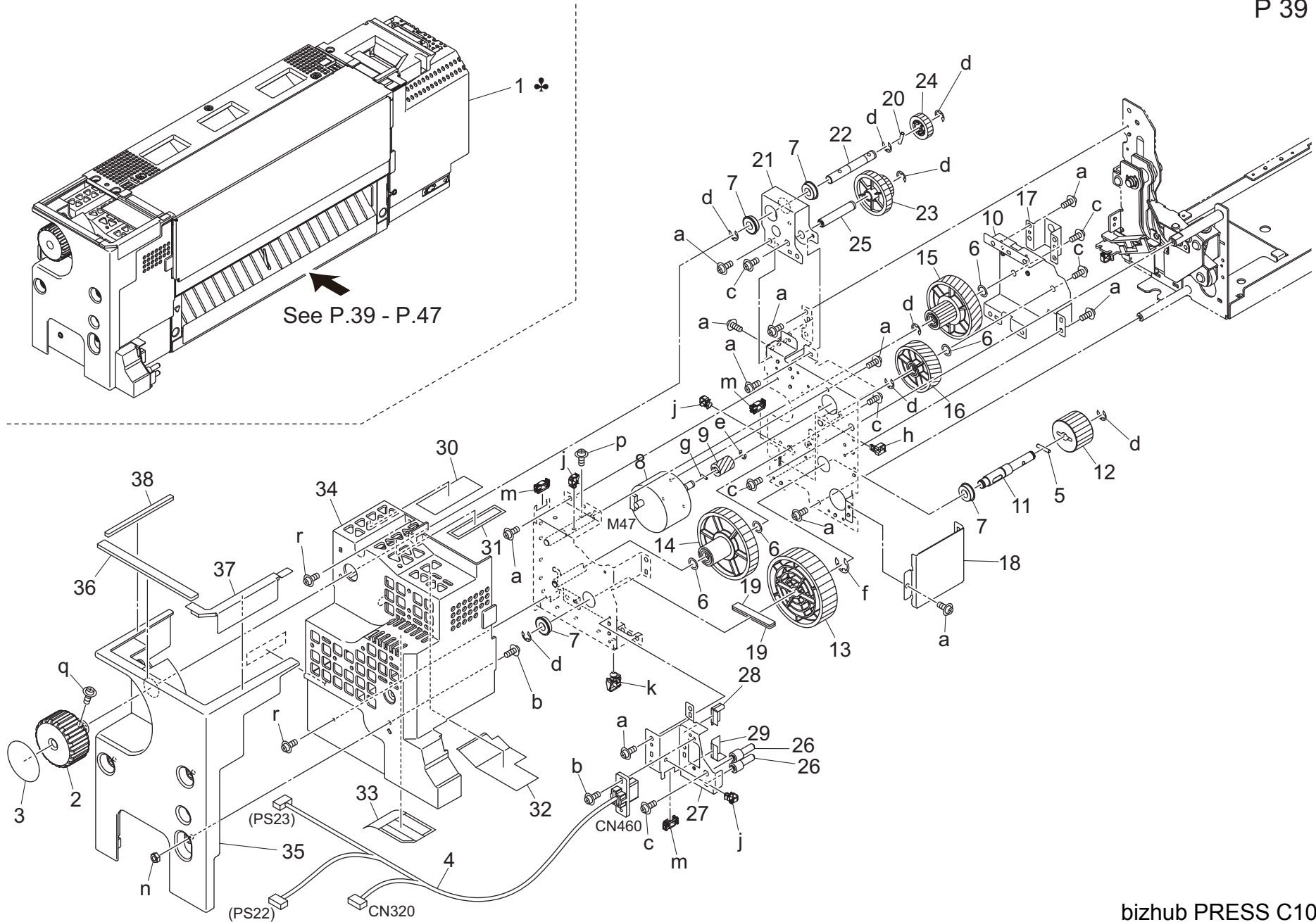
Color Resist Section



bizhub PRESS C1070P

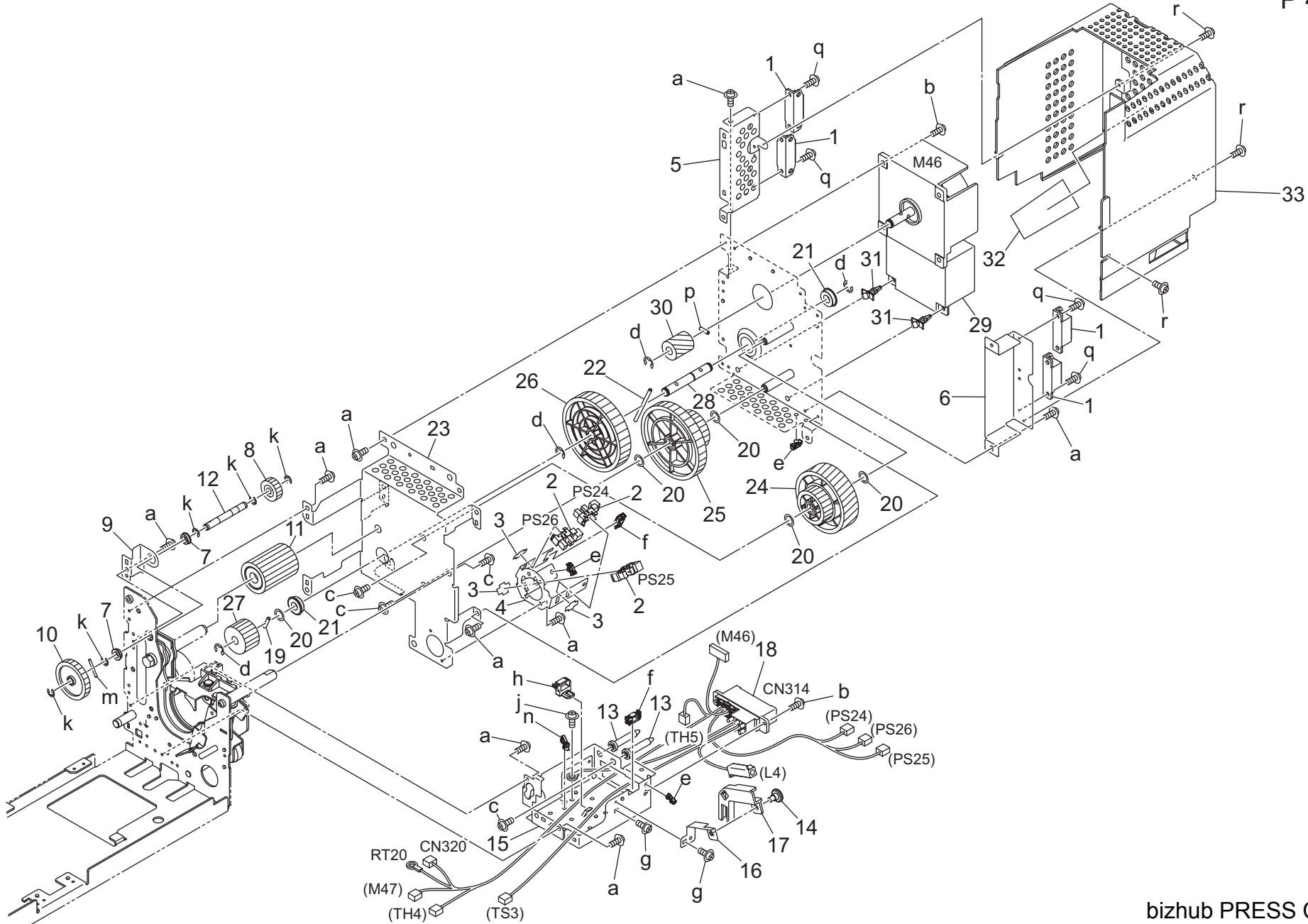
Key	Part No.	Description	Destinations	Class	QTY	Standard parts
1	A50UR71700	Color Registration Unit		S	1	a-V127030603 b-V217020050 c-V121030403 d-V116030503 e-V217040050 f-V500020098 g-V570010057 h-V570010056
2	A50U517000	Pressing Spring		D	2	
3	A1DUR71600	Solenoid Assy		C	1	
4	A50U515200	Fixing Plate		D	1	
5	A50U517100	Cover Sheet		D	1	
6	A50UM50100	Photo sensing		I	2	
7	A50UN20001	Wiring /1		D	1	
8	A50U515500	Open/close Shutter		D	1	
9	A50U516900	Scatteringprevention Pad		D	3	
10	A50U516800	Spring		D	1	
11	A50UM50200	Photo sensing		I	1	


# Fusing Section



Key	Part No.	Description	Destinations	Class	QTY	Standard parts
1	A50UR70700	Fusing Unit (200V)	A	I	1	a-V121030403
1	A50UR70800	Fusing Unit (208V)	B,G2	I	1	b-V127030803
1	A50UR70900	Fusing Unit (220V)	C	I	1	c-V127040603
2	20AL48470G	Jam Release Knob		C	1	d-V217060050
3	A50U943500	Release Label /5		D	1	e-V217040050
4	A50UN17001	Fixing Wiring /3		D	1	f-V217080050
5	56AA17461	PIN A		B	1	g-V237200850
6	56AA42690	BY PASS FEED SPACER		C	4	h-V500010057
7	A00V240600	BALL BEARING		C	4	j-V500010074
8	A11PM10200	DC Brushless motor /12		C	1	k-V500020098
9	A1RF809400	Pressure Gear /1 22T		C	1	m-V570010057
10	A50U742300	Drive Plate /3		D	1	n-V195030003
11	A50U742501	Pressure Shaft /1		D	1	p-V116030603
12	A50U742800	Pressure Gear /1 31T		C	1	q-V121041003
13	A50U742901	Pressure Gear /2 90T		C	1	r-V127030604
14	A50U743000	Pressure Gear /3 23/85T		C	1	
15	A50U743100	Pressure Gear /4 23/110T		C	1	
16	A50U743200	Pressure Gear /5 87T		C	1	
17	A50U751200	Positioning Plate /A		D	1	
18	A50U756000	Auxiliary Side plate		D	1	
19	A50U756500	Part /1		D	2	
20	56AA17480	PIN B		C	1	
21	A50U745600	Fixing Plate /1		D	1	
22	A50U745700	Processing Shaft /A		D	1	
23	A50U752401	Connecting Gear /A 41/22T		C	1	
24	A50U752501	Idling Gear /A 22T		C	1	
25	A50U752600	Processing Shaft		D	1	
26	A1DU736200	Positioning Shaft		D	2	
27	A50U745302	Fixing Plate /5		D	1	
28	A50U750500	Sheet /5		D	1	
29	A50U750600	Sheet /6		D	1	
30	A50U732200	Protection Seal /2		D	1	
31	A50U732300	Protection Seal /3		D	1	
32	A50U732400	Protection Seal /4		D	1	
33	A50U732500	Protection Seal /5		D	1	
34	A50U748402	Fusing Cover /Front		D	1	
35	A50U751001	Fusing Cover /1		D	1	
36	A50U751101	Spacer /1		D	1	
37	A50U751301	Spacer /2		D	1	
38	A50U755900	Spacer /3		D	1	

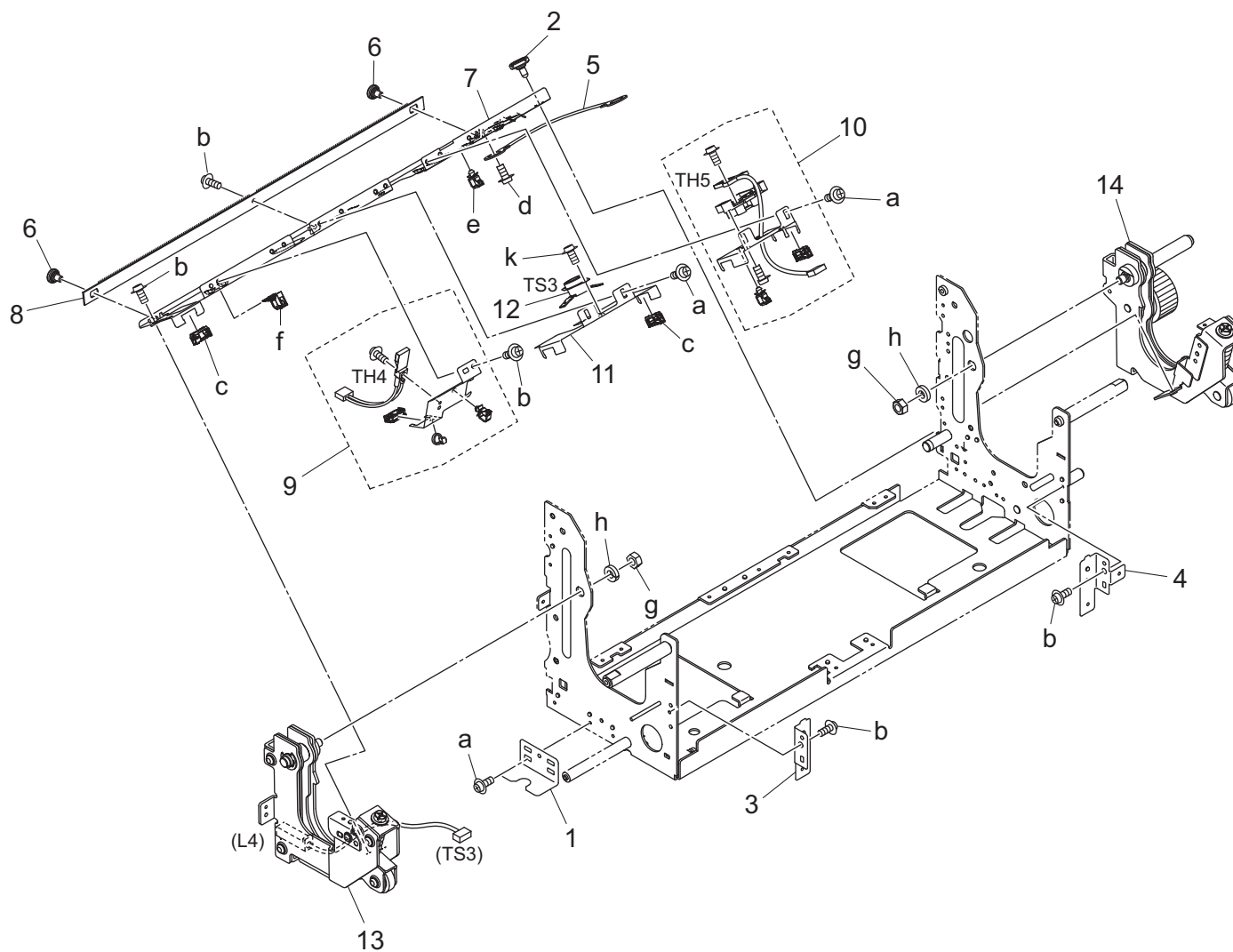
# Fusing Section




 Order here  
 8 (495) 646-0426  
 ПЯТЫЙ ПАРТНЕР www.km-shop.ru

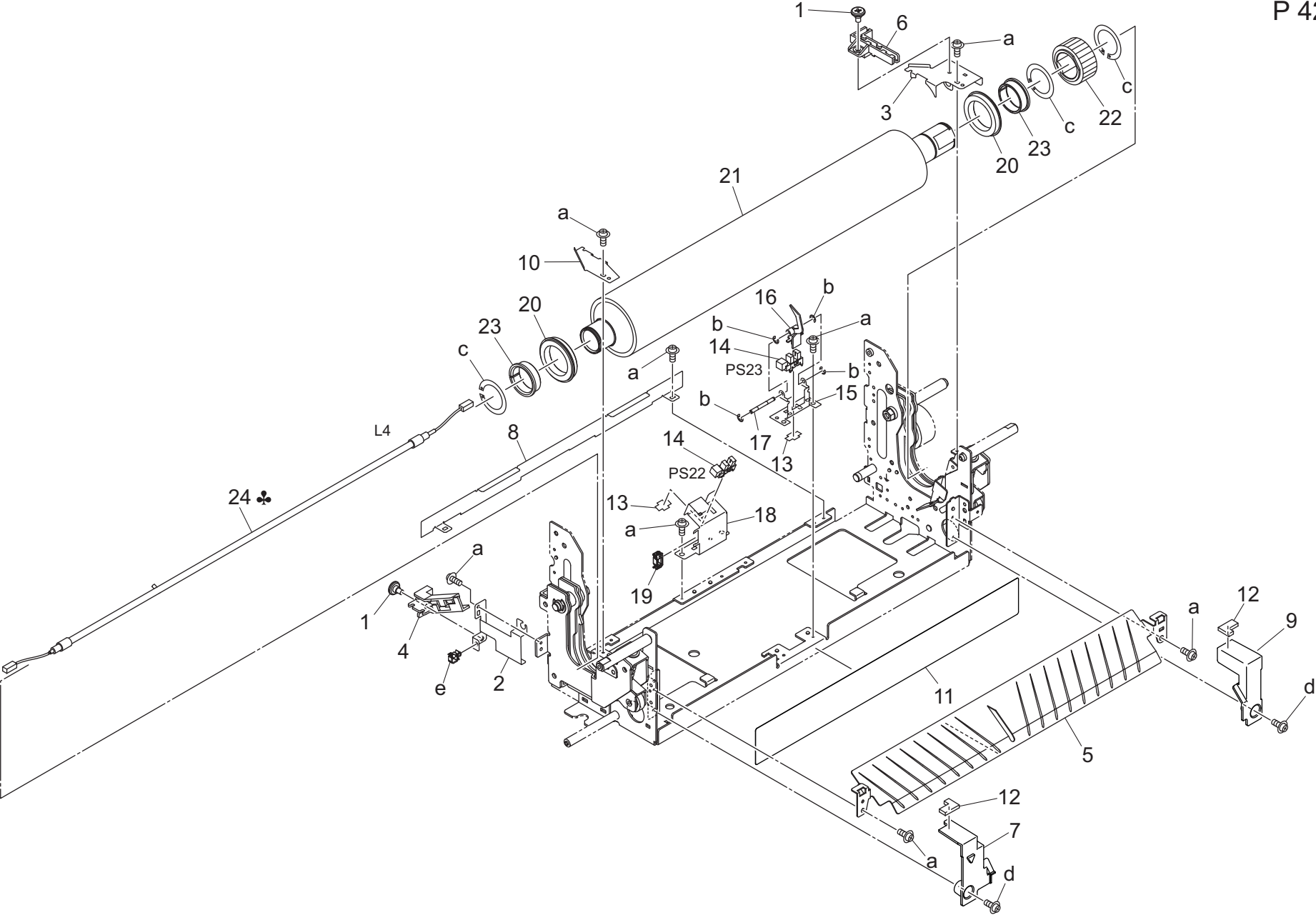


Key	Part No.	Description	Destinations	Class	QTY	Standard parts
1	07BA12352	Magnet Catch		C	4	a-V121030403
2	08AA85512	Photo Sensor		B	3	b-V127030803
3	4470402401	STOPPER		D	3	c-V127040603
4	A50U744601	Plate		D	1	d-V217060050
5	A50U749200	Mounting Plate /1		D	1	e-V500020099
6	A50U749300	Mounting Plate /2		D	1	f-V570010057
7	A00J617800	BALL BEARING		C	2	g-V127030516
8	A03U808400	FIXING DRIVE GEAR /D 19T		B	1	h-V500010021
9	A50U745500	Paper exit Plate /1		D	1	j-V116040603
10	A50U746400	Paper exit Gear /A 37T		C	1	k-V217040050
11	A50U752200	Fusing Gear/3 30T		B	1	m-V237201850
12	A50U752300	Paper exit Shaft /A		D	1	n-V500020100
13	A03U724200	Positioning Shaft		D	2	p-V237301150
14	A03U734500	Support Screw /A		C	1	q-V118030603
15	A50U744901	Mounting Plate /4		D	1	r-V127030604
16	A50U747200	Hold Plate /2		D	1	
17	A50U747300	Wiring Part /5		D	1	
18	A50UN10702	Fixing Wiring /2		D	1	
19	56AA17480	PIN B		C	1	
20	56AA42690	BY PASS FEED SPACER		C	5	
21	A00V240600	BALL BEARING		C	2	
22	A50U742400	Pin /4		D	1	
23	A50U743301	Drive Plate /4		D	1	
24	A50U743600	Drive Gear /2 33/58T		C	1	
25	A50U743700	Drive Gear /3 36/74T		C	1	
26	A50U743800	Drive Gear /4 74T		C	1	
27	A50U743900	Drive Gear /5 26T		C	1	
28	A50U744300	Drive Shaft /2		D	1	
29	65AA80021	DC Brushless Motor /50		B	1	
30	A50U754700	Fusing Gear /6 16T		C	1	
31	V502010033	spacer		D	2	
32	A50U732100	Protection Seal /1		D	1	
33	A50U748503	Fusing Cover /Rear		D	1	



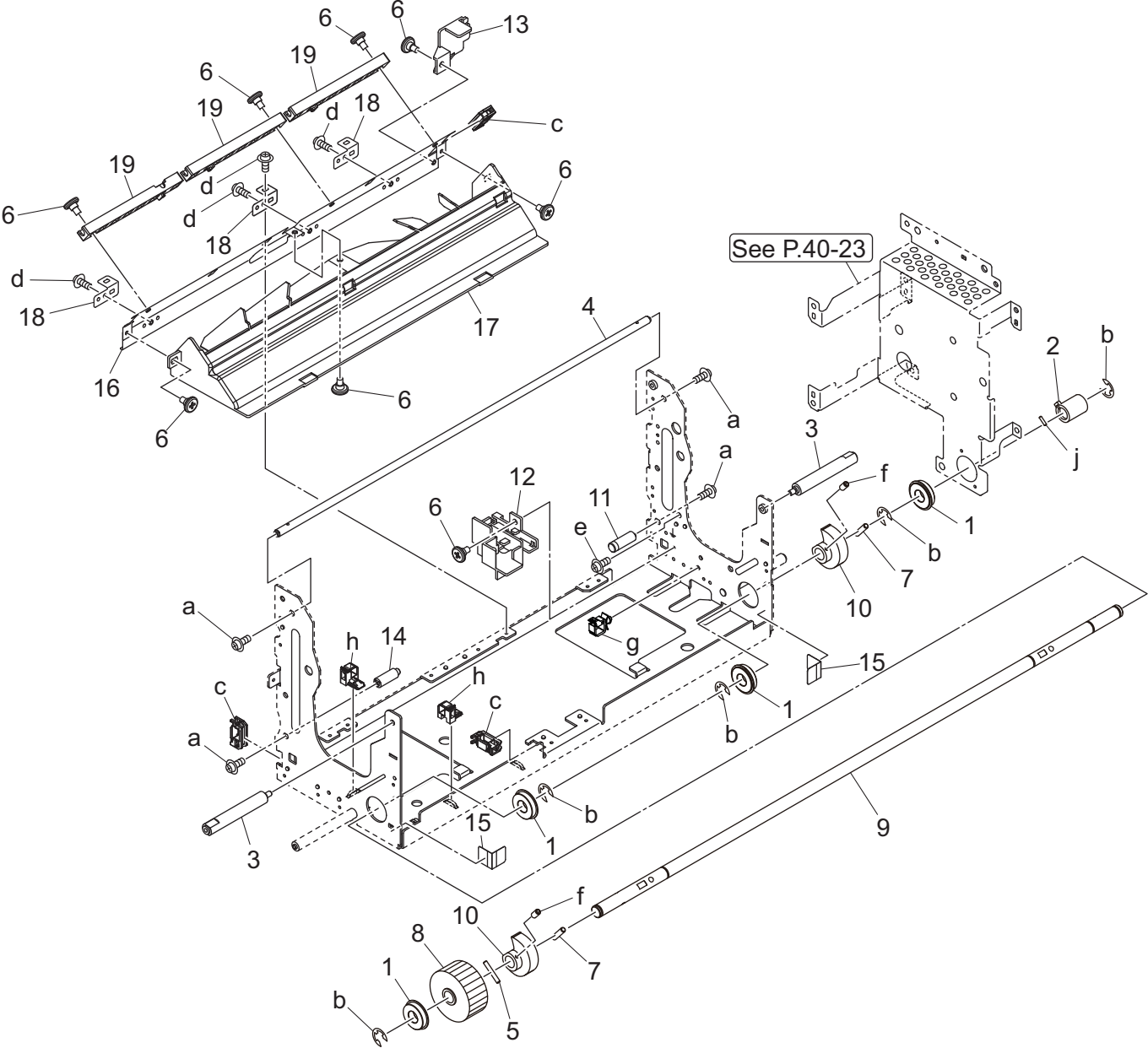
Key	Part No.	Description	Destinations	Class	QTY	Standard parts
1	A50U755200	Positioning Plate /Front		D	1	a-V116030603 b-V121030403 c-V500020096 d-V116040603 e-V500010074 f-V500020097 g-V195060003 h-V205060003 k-V118030403
2	A50U745100	Guide Screw		D	1	
3	A50U747500	Hold Arm /Front		D	1	
4	A50U747600	Hold Arm /Rear		D	1	
5	A03UN23200	Grounding Wiring /F		D	1	
6	A0P0742300	Shoulder screw		C	2	
7	A50U745802	Stay /4		D	1	
8	A50U755000	Neutralizing Brush		D	1	
9	A50UR70E00	Fusing Temperature Sensor/4		B	1	
10	A50UR72Y00	Fusing Temperature Sensor/5		C	1	
11	A50U746200	Stay /2		D	1	
12	SP00-0220	Thermostat /Lower		I	1	
13	A50UR72T00	Pressure Arm / Front Assy		D	1	
14	A50UR72900	Pressure Arm / Rear Assy		D	1	

Fusing Section



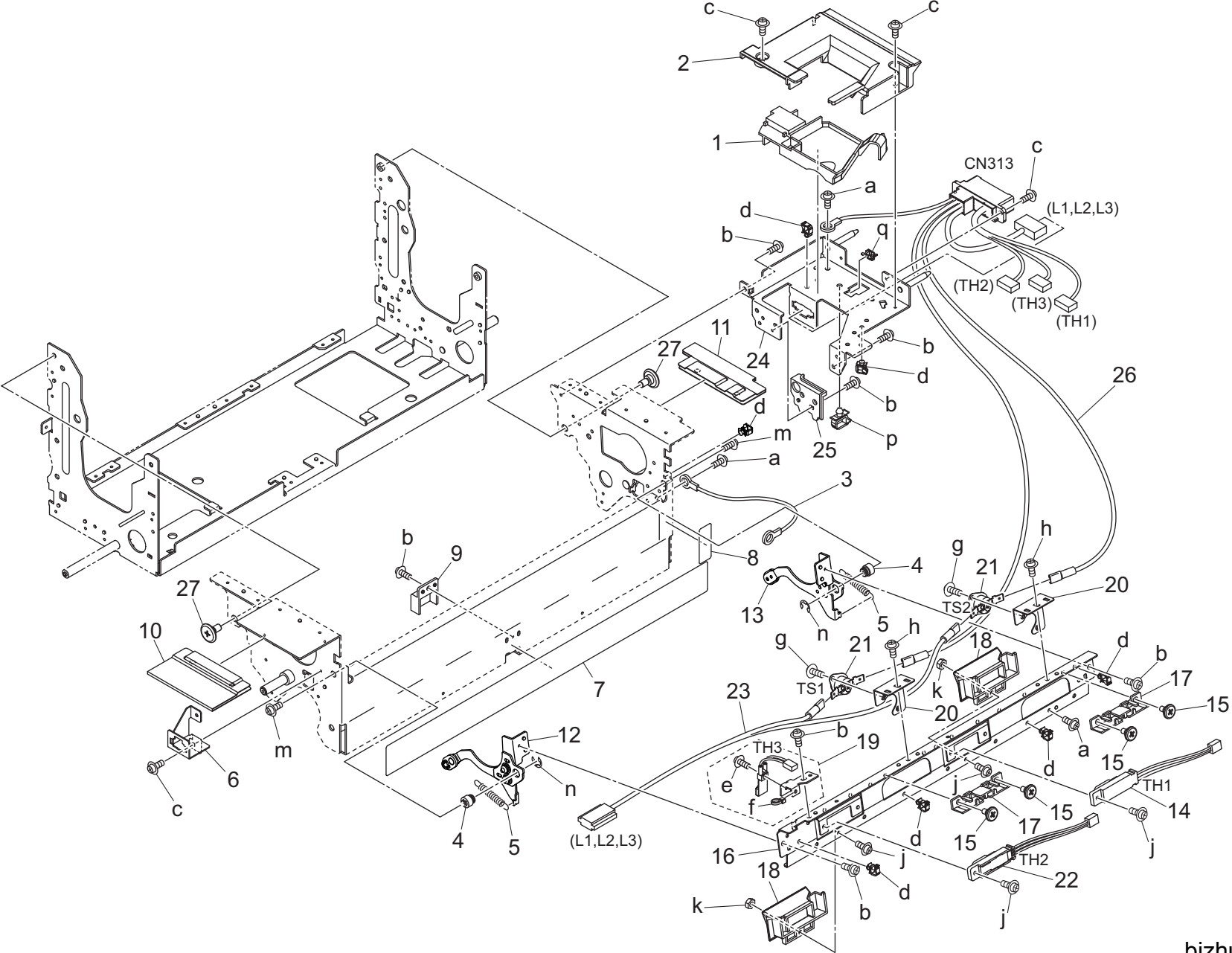
Key	Part No.	Description	Destinations	Class	QTY	Standard parts
1	A03U734500	Support Screw /A		C	2	a-V121030403 b-V217020050 c-V223260004 d-V127030603 e-V500010074
2	A50U741700	Hold Plate /1		D	1	
3	A50U741800	Hold Plate /2		D	1	
4	A50U746800	Wiring Part /3		D	1	
5	A50U747402	Guide Plate /Lower		D	1	
6	A50U748200	Wiring Part /1		D	1	
7	A50U748901	Insulating Plate /Front		D	1	
8	A50U749000	Insulating Plate /1		D	1	
9	A50U749101	Insulating Plate /Rear		D	1	
10	A50U755100	Holding Part /F		D	1	
11	A50U755301	Sheet /L		D	1	
12	A50U755800	Sealing Part /2		D	2	
13	4470402401	STOPPER		D	2	
14	A1RFM51000	Photointerrupter /H		C	2	
15	A50U747700	Plate /Front		D	1	
16	A50U747803	Actuator /A		D	1	
17	A50U747900	Shaft /1		D	1	
18	A50U748601	Plate /Rear		D	1	
19	V500020096	FClamp		V	1	
20	26NA53712	BALL BEARING		A	2	
21	A50U740101	Fusing Roller/Lw		B	1	
22	A50U752700	Fusing Gear/1 38T		B	1	
23	A50U756300	Insulating Sleeve /Lower		B	2	
24	A50UM32A00	Fusing Heater Lamp/4 (200V)	A	I	1	
24	A50UM32E00	Fusing Heater Lamp/4 (208V)	B,G2	I	1	
24	A50UM32F00	Fusing Heater Lamp/4 (220V)	C	I	1	

Fusing Section



Key	Part No.	Description	Destinations	Class	QTY	Standard parts
1	A4EU265000	Ball bearing		B	4	a-V116030603
2	A50U744700	Pressure Actuator /1		D	1	b-V217080050
3	A50U745000	Rotation Shaft /2		D	2	c-V500020096
4	A50U747100	Stopper Shaft /1		D	1	d-V121030403
5	304078070	PIN C		C	1	e-V116040603
6	A03U734500	Support Screw /A		C	8	f-V193030404
7	A1RF758100	Pin /B		D	2	g-V500010074
8	A1RF808600	Pressure Gear /5 4 2 T		C	1	h-V500020097
9	A50U741900	Pressure Shaft /2		D	1	j-V237200850
10	A50U742000	Pressure Cam /1		D	2	
11	A50U746700	Paper exit Fulcrum Shaft		D	1	
12	A50U748101	Wiring Part /2		D	1	
13	A50U752900	Wiring Part /D		D	1	
14	A50U754900	Paper exit Fulcrum Shaft		D	1	
15	A50U755600	Seal /S		D	2	
16	A50U747000	Cover Plate		D	1	
17	A50U748000	Cooling Duct		D	1	
18	A50U748800	Mounting Plate		D	3	
19	A50U754800	Wiring Part		D	3	

Fusing Section

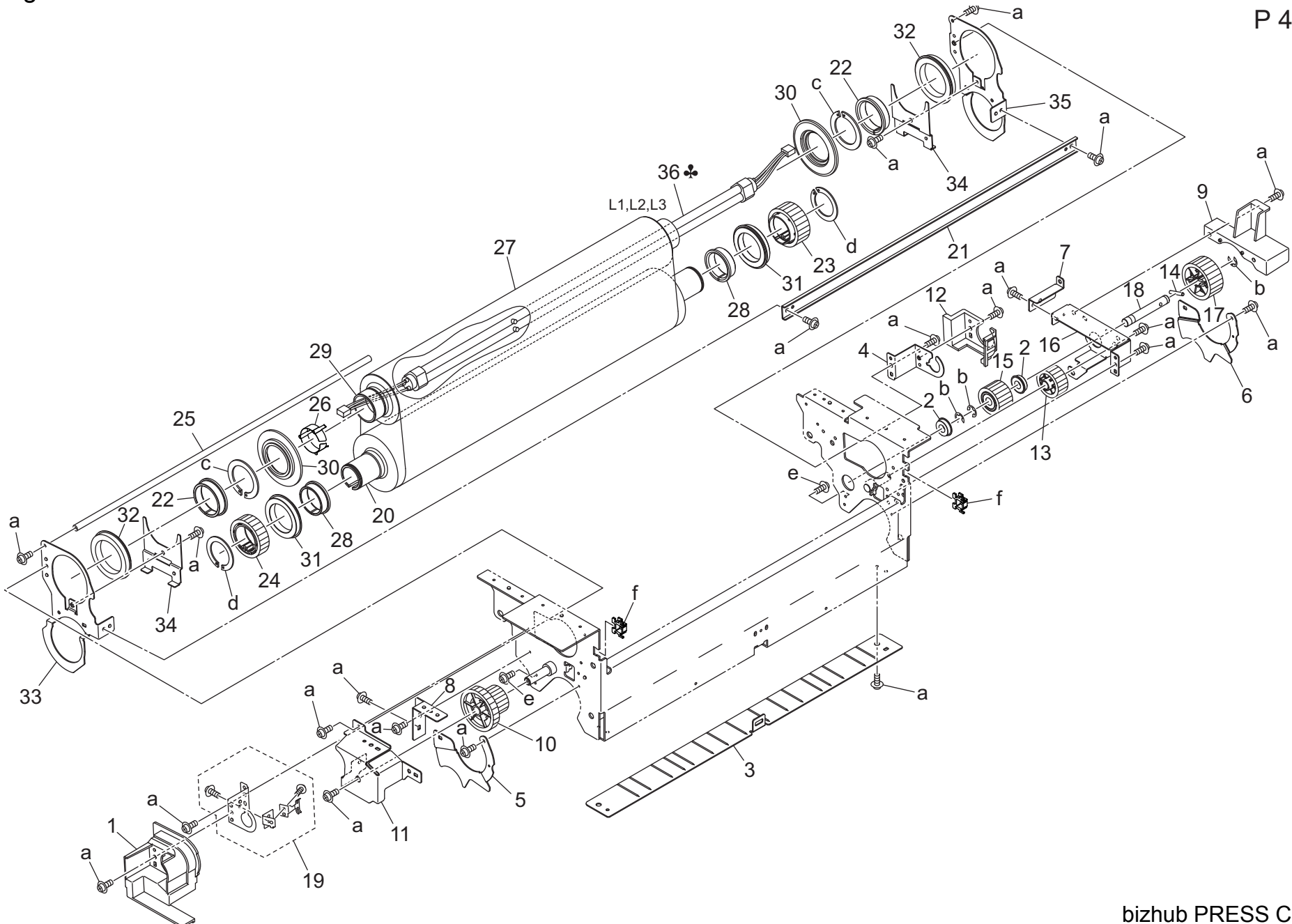




Key	Part No.	Description	Destinations	Class	QTY	Standard parts
1	A50U722100	Fusing Cover /1		D	1	a-V116040603
2	A50U722202	Fusing Cover /2		D	1	b-V121030403
3	A03UN23200	Grounding Wiring /F		D	1	c-V127030603
4	A50U725100	Support Shaft /1		D	2	d-V500010074
5	A50U725200	Tension Spring /1		D	2	e-V116031003
6	A50U728400	Mounting Plate /B		D	1	f-V501010014
7	A50U728500	Insulating Sheet /A		D	1	g-V118030303
8	A50U728800	Insulating Sheet /D		D	1	h-V116030603
9	A50U730900	Cover Part /1		D	1	j-V116030803
10	A50U731000	Insulating Sheet /F		D	1	k-V195030003
11	A50U731100	Insulating Sheet /G		D	1	m-V127040603
12	A50UR72A00	Support Arm / Front Assy		D	1	n-V217060050
13	A50UR72B00	Support Arm / Rear Assy		D	1	p-V500010073
14	65AA88010	TEMPERATURE SENSOR 1		B	1	q-V570010025
15	A03U734500	Support Screw /A		C	4	
16	A50U723801	Stay /1		D	1	
17	A50U726600	Guide Part /2		D	2	
18	A50U733500	Protection Part /1		D	2	
19	A50UR70F00	Fusing Temperature Sensor/3		B	1	
20	A50U723900	Stay /2		D	2	
21	SP00-0210	Thermostat /Upper		I	2	
22	A50UM50600	Fusing Temperature Sensor/2		C	1	
23	A50UN11000	Fixing Relay harness /1		D	1	
24	A50U726101	Fusing Stay /2		D	1	
25	A50U733401	Protection Cover /A		D	1	
26	A50UN10602	Fixing Wiring /1		D	1	
27	318040550	RAIL FULLCRUM SCREW		D	2	

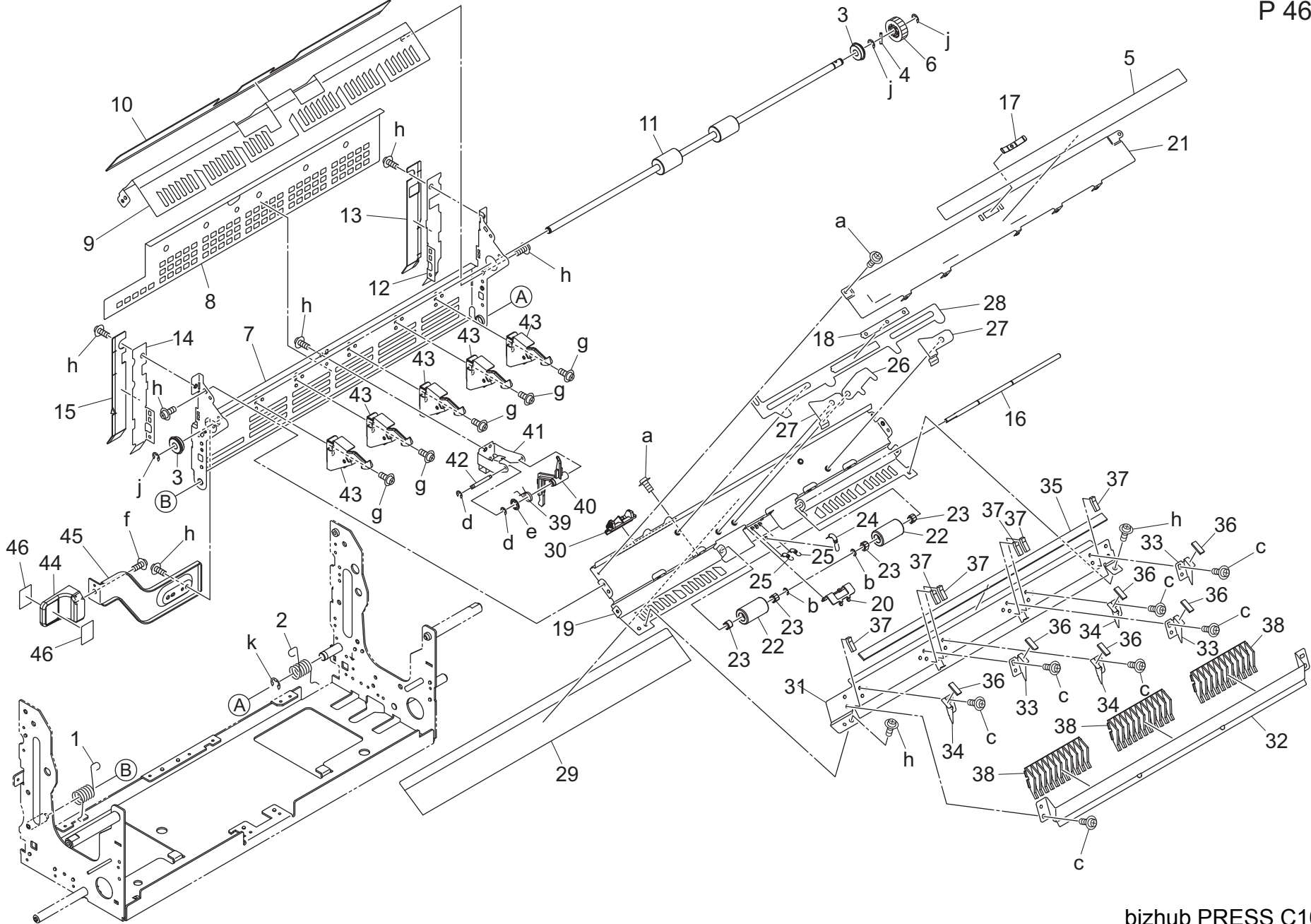
Fusing Section

P 45



Key	Part No.	Description	Destinations	Class	QTY	Standard parts
1	A50U733000	Cover /Front	カバー／前	D	1	a-V121030403 b-V217060050 c-V223300004 d-V223260004 e-V127030603 f-V570010025
2	A00V240600	BALL BEARING	ボールベアリング	C	2	
3	A50U721601	Guide Plate /Upper	ガイド板／上	D	1	
4	A50U723600	Support Plate /2	支持板／2	D	1	
5	A50U725401	Stopper Stopper /A	突当てストッパ／A	D	1	
6	A50U725501	Stopper Stopper /B	突当てストッパ／B	D	1	
7	A50U726300	Support Plate /3	支持板／3	D	1	
8	A50U726400	Support Plate /4	支持板／4	D	1	
9	A50U726800	Guide Part /3	ガイド部材／3	D	1	
10	A50U728101	Connecting Gear /A 42/25T	連結ギア／A 42／25 T	C	1	
11	A50U728300	Support Plate /11	支持板／11	D	1	
12	A50U733100	Cover /Rear	カバー／奥	D	1	
13	A50U744100	Drive Gear /7 27 T	駆動ギア／7 27 T	C	1	
14	55VA48500	PARALLEL PIN D3X18	平行ピン D 3 X 18	D	1	
15	A03U809500	FIXING DRIVE GEAR /O 26T	定着駆動ギア／O 26 T	A	1	
16	A50U743500	Drive Plate /6	駆動板／6	D	1	
17	A50U744000	Drive Gear /6 36T	駆動ギア／6 36 T	C	1	
18	A50U744400	Drive Shaft /3	駆動軸／3	D	1	
19	A50UR73300	Neutralizing Spring Assy	除電ばね A s s y	B	1	
20	A50U720100	Fusing Roller/1	定着ローラー／1	B	1	
21	A50U723100	Fusing Stay /1	定着ステー／1	D	1	
22	A50U724200	Heat Insulating Sleeve/Up	断熱スリーブ／Up	B	2	
23	A50U725001	Drive Gear /Upper 38T	駆動ギア／上 38 T	C	1	
24	A50U726001	Drive Gear /Front 38T	駆動ギア／前 38 T	C	1	
25	A50U730600	Fusing Stay /F	定着ステー／F	D	1	
26	A50U733700	Neutralizing Ring /1	除電リング／1	B	1	
27	A50U734000	Fusing Belt 320L	定着ベルト 320 L	B	1	
28	A50U756300	Insulating Sleeve /Lower	断熱スリーブ／下	B	2	
29	A50U720501	Fusing Roller/2	定着ローラー／2	B	1	
30	A50U724101	Belt Regulating Sleeve	ベルト規制スリーブ	B	2	
31	26NA53712	BALL BEARING	定着 軸受 上	A	2	
32	A1UD723500	Fusing Bearing /Upper	ボールベアリング (HR)	A	2	
33	A50U730100	Fusing Stay /A	定着ステー／A	D	1	
34	A50U730700	Holding Plate /1	押さえ板／1	D	2	
35	A50U730500	Fusing Stay /E	定着ステー／E	D	1	
36	A50UM31A00	Fusing Heater Lamp Assy/Up (200V)	定着ヒーターランプ A s s y / U p ( 2 0 0	A	1	
36	A50UM31E00	Fusing Heater Lamp Assy/Up (208V)	定着ヒーターランプ A s s y / U p ( 2 0 8	B,G2	1	
36	A50UM31F00	Fusing Heater Lamp Assy/Up (220V)	定着ヒーターランプ A s s y / U p ( 2 2 0	C	1	

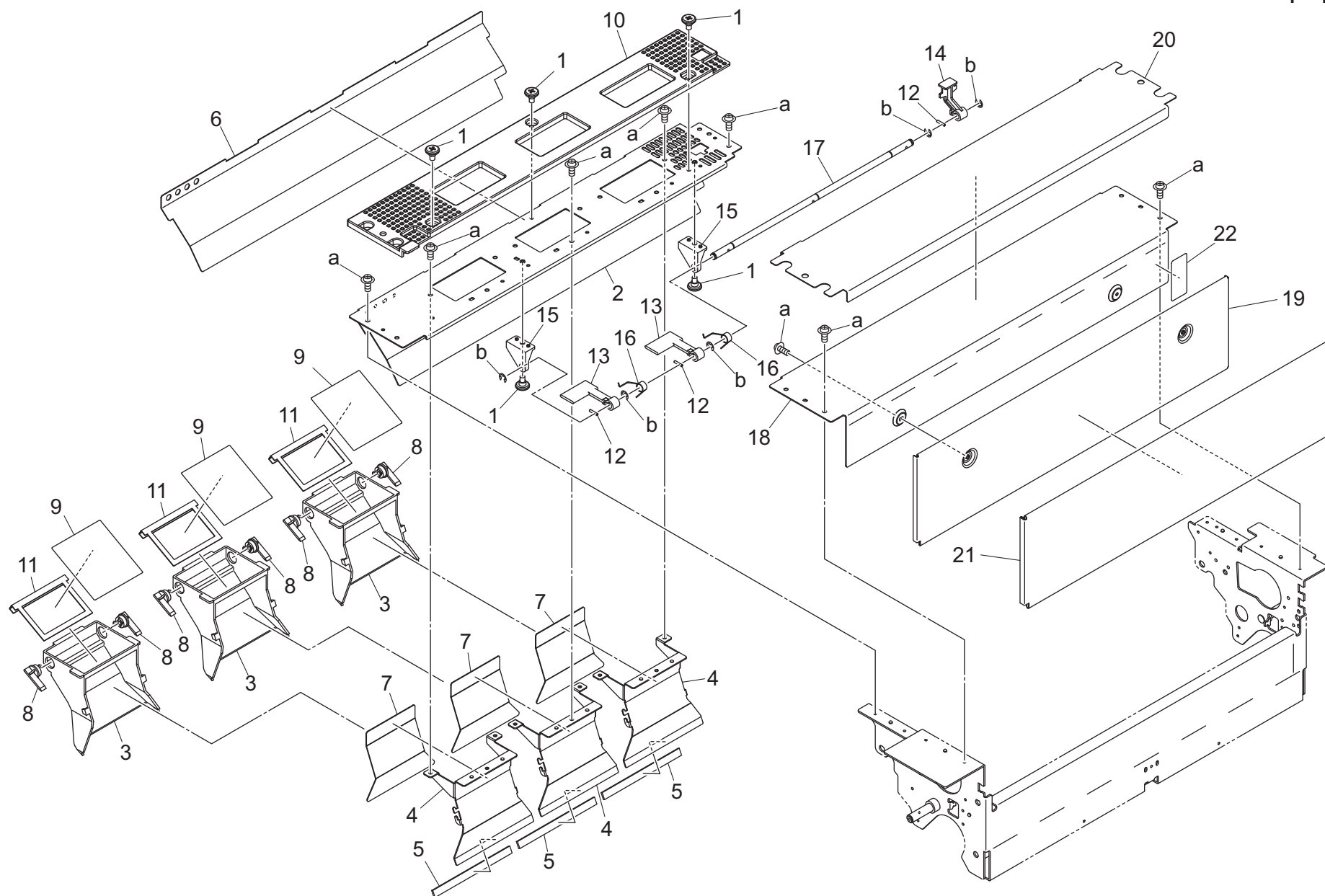
Fusing Section



Key	Part No.	Description	Destinations	Class	QTY	Standard parts
1	A03U734311	Paper Exit Open/ Shut Spring /A	排紙開閉バネ / A	C	1	a-V118020403
2	A03U734411	Paper Exit Open /Shut Spring /B	排紙開閉バネ / B	C	1	b-V217030050
3	55GA75031	BALL BEARING	軸受	A	2	c-V121030403
4	56AA17321	PIN A D2X12	ピン A D 2 X 1 2	B	1	d-V217020050
5	A1DU949000	Caution Label	注意ラベル	D	1	e-V226060050
6	A50U746500	Paper exit Gear /B 20T	排紙ギア / B 2 0 T	C	1	f-V151040803
7	A50U760100	Fixing Paper exit Stay	定着排紙ステー	D	1	g-V127030516
8	A50U760200	Insulating Sheet	断熱シート	D	1	h-V127030603
9	A50U760300	Paper exit Plate /Lower	排紙板 / 下	D	1	j-V217040050
10	A50U760400	Insulating Sheet	断熱シート	D	1	k-V217060050
11	A50U761000	Fixing Paper exit Roller	定着排紙ローラ	C	1	
12	A50U761100	Heat blocking Plate /Rear	遮熱板 / 奥	D	1	
13	A50U761200	Insulating Sheet /Rear	断熱シート / 後	D	1	
14	A50U761300	Heat blocking Plate /Front	遮熱板 / 前	D	1	
15	A50U761400	Insulating Sheet /Front	断熱シート / 前	D	1	
16	A03U728000	PAPER EXIT SHAFT	排紙軸	D	1	
17	A03U734800	Positioning Plate spring /1	位置決め板ばね / 1	C	1	
18	A03U734900	Positioning Plate	位置決め板	D	1	
19	A50U760502	Paper exit Plate /Upper	排紙板 / 上	D	1	
20	A50U760600	Pressing Cam /1	押圧カム / 1	D	1	
21	A50U760701	Holding Plate	押さえ板	D	1	
22	A50U760900	Fusing Paper Exit Roller/Up	定着排紙ローラー / U p	B	2	
23	A50U761500	Fixing Paper exit Bearing	定着排紙軸受	C	4	
24	A50U761601	Paper exit Spring /1	排紙ばね / 1	D	1	
25	A50U761700	Paper exit Spring /2	排紙ばね / 2	D	2	
26	A50U761800	Pressing Cam /2	押圧カム / 2	D	1	
27	A50U761900	Release Lever	解除レバー	D	2	
28	A50U762000	Slide Plate	スライド板	D	1	
29	A50U762200	Protection Film	保護フィルム	D	1	
30	A50U762300	Slide Knob	スライドつまみ	D	1	
31	A50U727000	Guide Plate /A	ガイド板 / A	D	1	
32	A50U727100	Guide Plate /B	ガイド板 / B	D	1	
33	A50U727300	Guide Plate /D	ガイド板 / D	D	3	
34	A50U727400	Guide Plate /E	ガイド板 / E	D	3	
35	A50U727500	Guide Seal /A	ガイドシール / A	D	1	
36	A50U727700	Guide Seal /C	ガイドシール / C	D	6	
37	A50U727900	Guide Seal /E	ガイドシール / E	D	6	
38	A50U733901	Guide Part /C	ガイド部材 / C	D	3	
39	65AA53560	PAPER EXIT DETECTING SPRING	排紙検知バネ	C	1	
40	A50U748700	Paper exit Actuator	排紙アクチュエータ	D	1	
41	A50U760800	Support Plate	支持板	D	1	
42	A50U762100	Paper exit Detecting Shaft	排紙検知軸	D	1	
43	A50UR72U00	Fusing Separating Claw Assy	定着分離爪 A s s y	B	5	
44	65AA53991	Fixing Paper Exit Lever	定着排紙レバー	C	1	
45	A03U723301	Open/close Lever	開閉レバー	C	1	
46	A50U943700	Release Label /7	解除ラベル / 7	D	2	

# Fusing Section

P 47



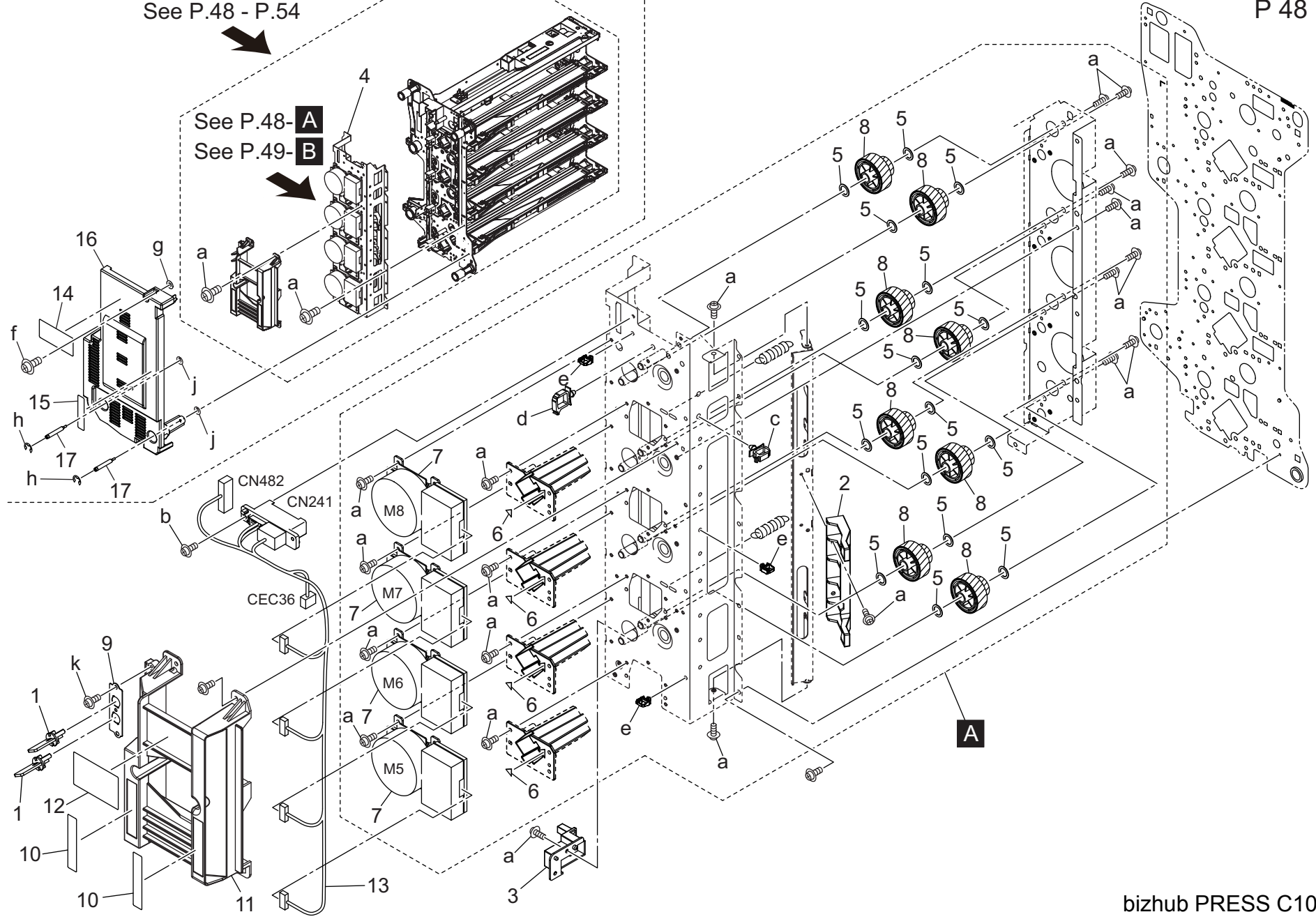
# Fusing Section

Key	Part No.	Description	Destinations	Class	QTY	Standard parts
1	A03U734500	Support Screw /A		C	5	a-V121030403 b-V217040050
2	A50U721501	Fusing Frame /Upper		D	1	
3	A50U722700	Fusing Duct /3		D	3	
4	A50U722800	Fusing Duct /4		D	3	
5	A50U727600	Guide Seal /B		D	3	
6	A50U731501	Insulating Sheet /L		D	1	
7	A50U732000	Insulating Sheet /N		D	3	
8	A50U738201	Support Part /1		D	6	
9	A50U738600	Holding Sheet /A		D	3	
10	A50U738700	Cover Part /A		D	1	
11	A50U739500	Support Plate /A		D	3	
12	56AA17531	PIN A D2X10		C	3	
13	A50U738300	Lifting Arm /1		D	2	
14	A50U738400	Lifting Arm /2		D	1	
15	A50U738500	Support Part /A		D	2	
16	A50U738801	Lifting Spring /A		D	2	
17	A50U739200	Support Shaft /1		D	1	
18	A50U721200	Fusing Stay /Upper		D	1	
19	A50U722300	Fusing Cover /3		D	1	
20	A50U728602	Insulating Sheet /B		D	1	
21	A50U728700	Insulating Sheet /C		D	1	
22	A50U729000	Insulating Sheet /F		D	1	

# Process Carriage Section

See P.48 - P.54

P 48

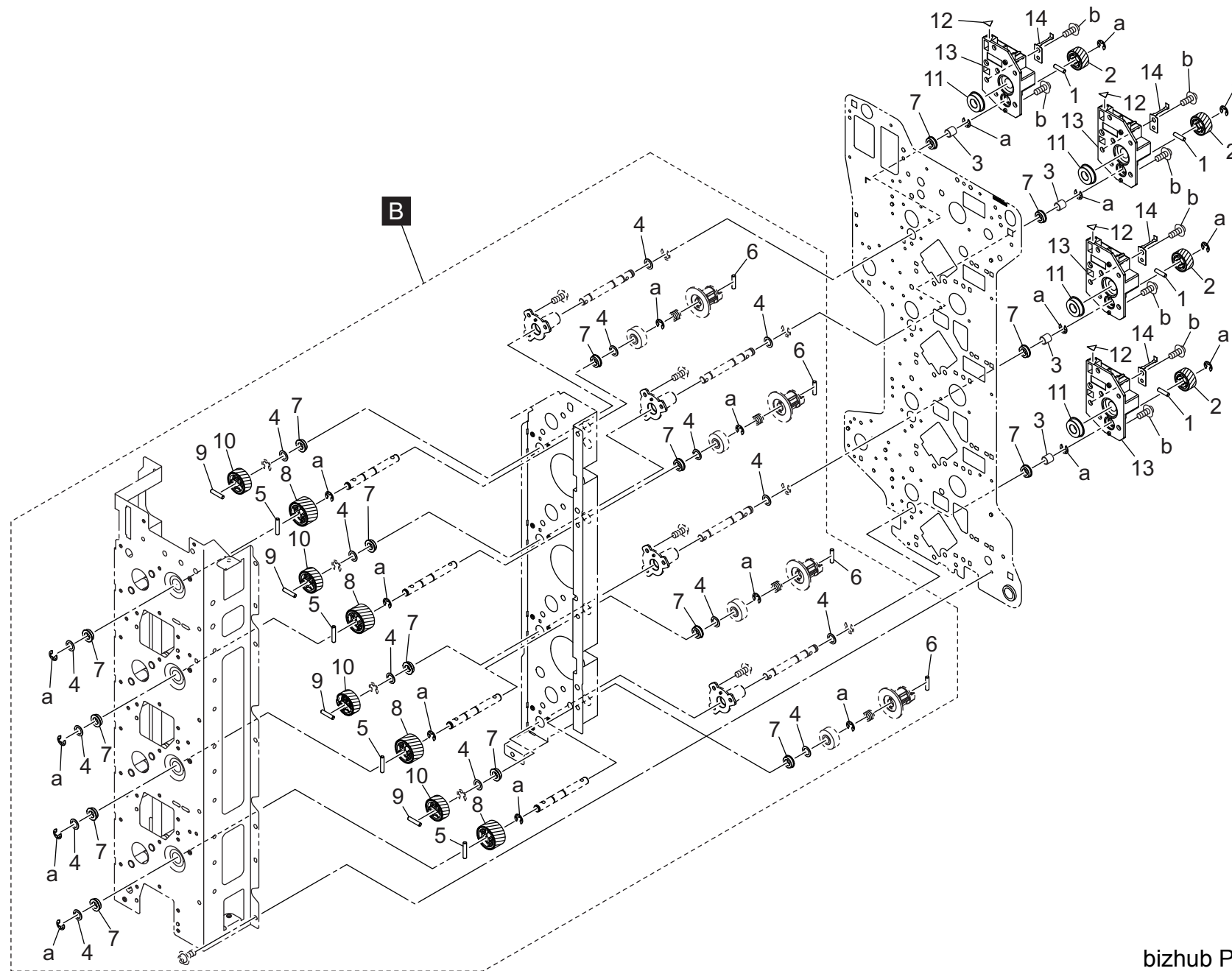


bizhub PRESS C1070P



Key	Part No.	Description	Destinations	Class	QTY	Standard parts
1	A1DUR71200	Chaging Cleaning Part Assy		B	2	a-V127030603
2	A50U221500	Release Lever		D	1	b-V127030803
3	A50U341000	Protection Cover /2		D	1	c-V500010005
4	A50UR70R00	Developing Drive Assy		S	1	d-V500010007
5	13QA40610	Gear Spacer		C	16	e-V500020098
6	A1RF945100	Replacement Label /1		D	4	f-V114041004
7	A2XKM10300	Brushless motor		I	4	g-V211040080
8	A50U220501	Idling Gear /C 63/34T		C	8	h-V217060050
9	65AA33310F	Mounting Plate /2		D	1	j-V221040050
10	A1DU943701	Replacement Label		D	2	k-V151030803
11	A50U221701	Guide Handle		D	1	
12	A50U948000	Caution Label		D	1	
13	A50UN12401	Developing Wiring /1		D	1	
14	56UA97300	Laser Caution Label /1		C	1	
15	A1DU949900	Operation Label /1		D	1	
16	A50U169002	Cover Duct /B		D	1	
17	A50U169602	Mounting Screw		D	2	

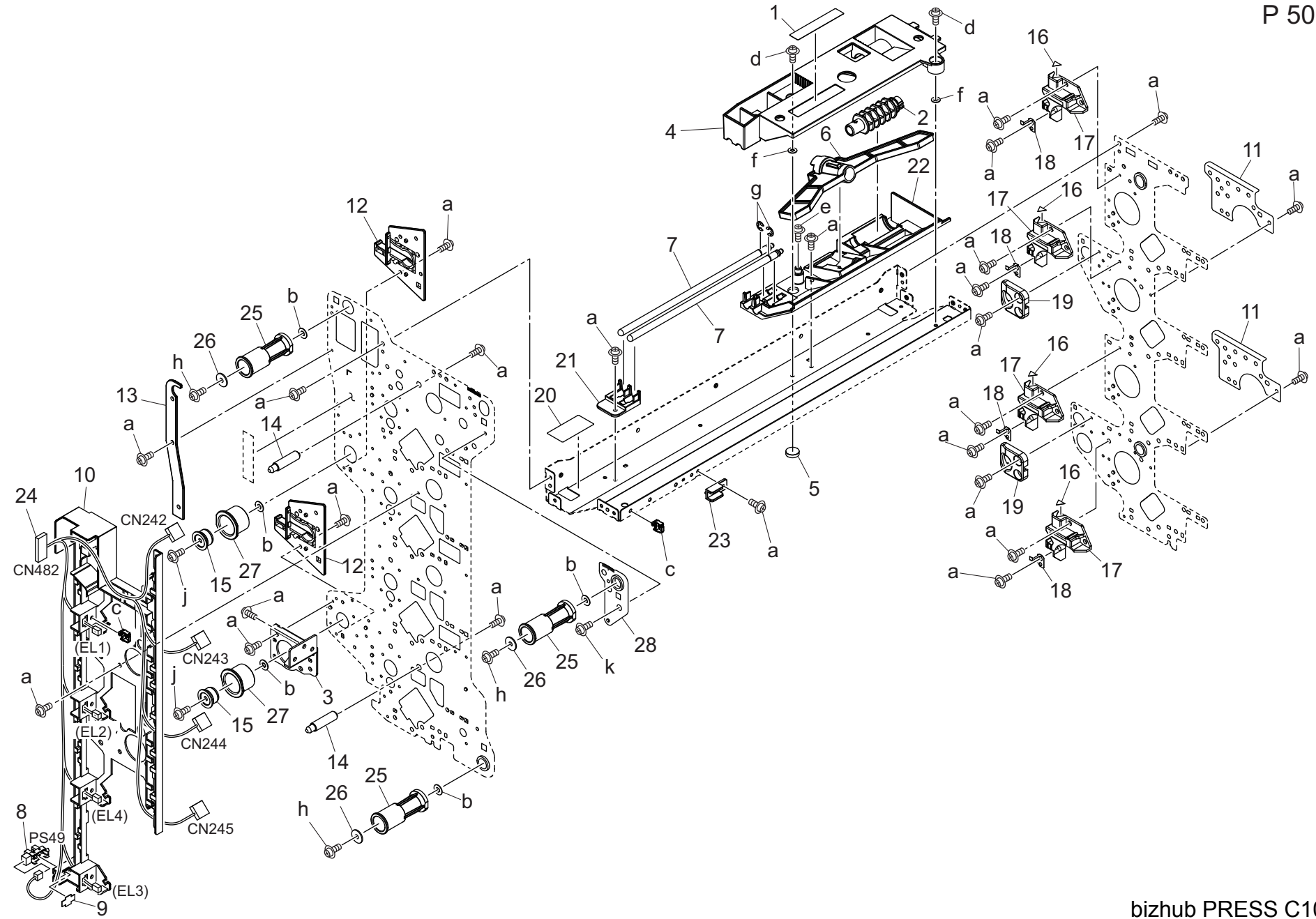
# Process Carriage Section



# Process Carriage Section

Key	Part No.	Description	Destinations	Class	QTY	Standard parts
1	56AA17471	PIN B 3X12		C	4	a-V217040050 b-V127030603
2	A50U220700	Coupling Gear /C 28T		C	4	
3	A50U222000	Collar		D	4	
4	40AA32320	TONER SUPPLY SPACER		C	16	
5	56AA17461	PIN A		B	4	
6	56AA17520	PIN A D3X10		C	4	
7	A00J617800	BALL BEARING		C	16	
8	A50U221800	Drive Gear /D 40T		C	4	
9	56AA17480	PIN B		C	4	
10	A50U220600	Drive Gear /C 37T		C	4	
11	A1RF529300	Ball bearing		C	4	
12	A1RF945100	Replacement Label /1		D	4	
13	A50U337101	Positioning Rail /1		D	4	
14	A50U337400	Ground Plate spring /Front		D	4	

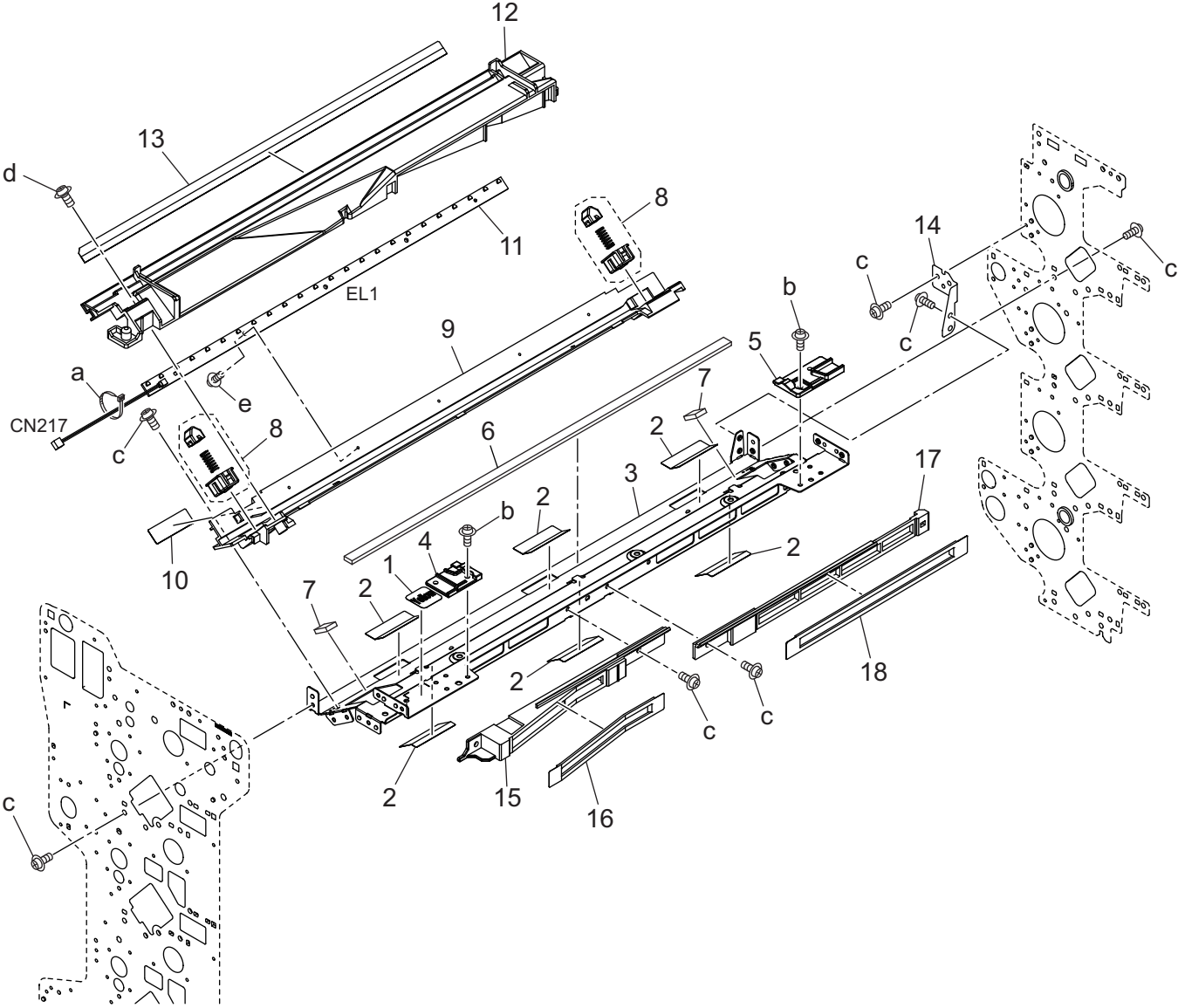
# Process Carriage Section



Process Carriage Section

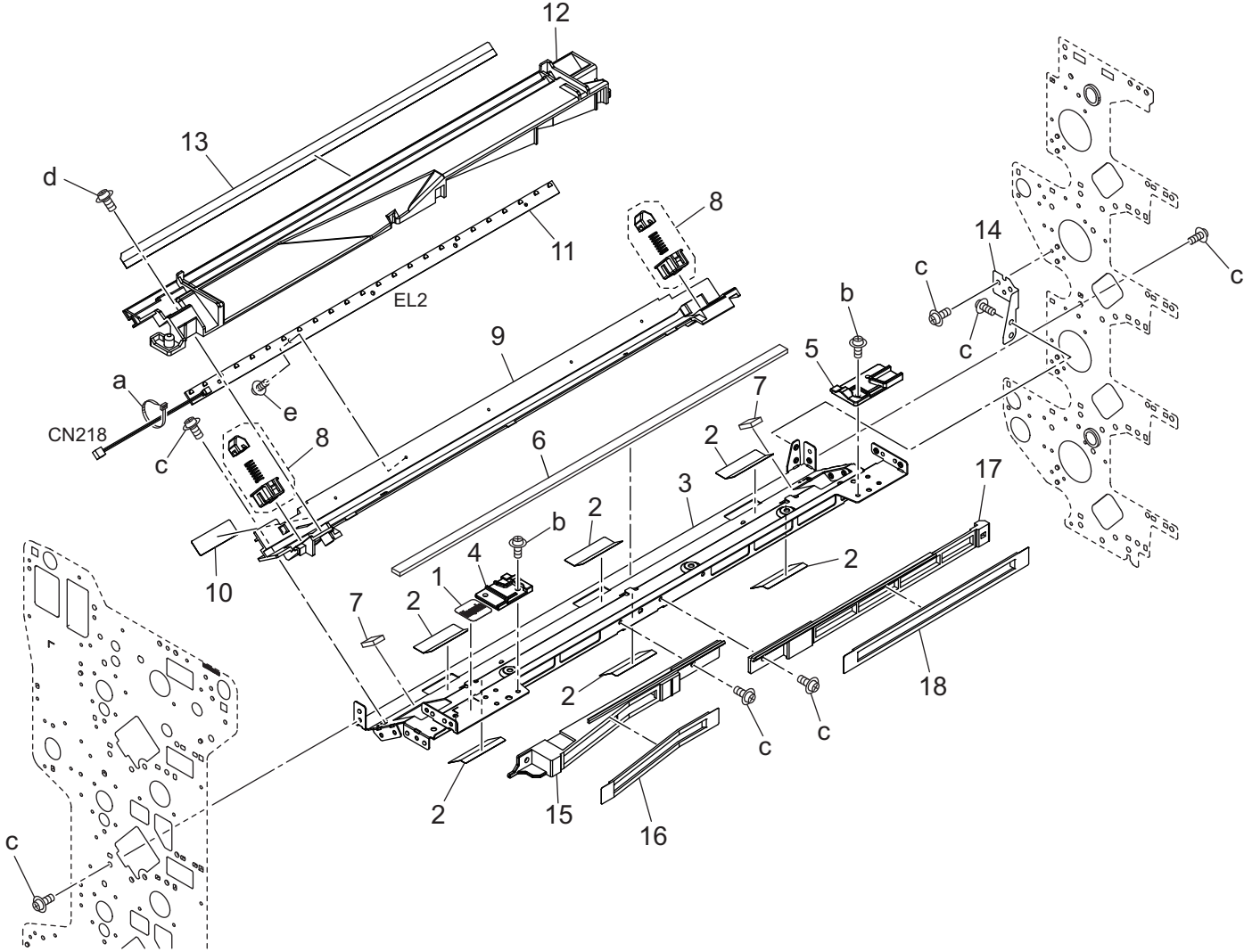
Key	Part No.	Description	Destinations	Class	QTY	Standard parts
1	A1DU943701	Replacement Label	交換ラベル (ORU)	D	1	a-V127030603 b-V211040080 c-V500020098 d-V127030803 e-V127031203 f-V211030080 g-V217040050 h-V121041403 j-V121041003 k-V116040803
2	A50U343600	Coupling /D	カップリング / D	D	1	
3	A50U343900	Transfer Plate /2	転写プレート / 2	D	1	
4	A50U344300	Holding Cover	押さえカバー	D	1	
5	A50U344500	Preventing Seal	防止シール	D	1	
6	A50U502800	Hold Guide	保持ガイド	D	1	
7	A50U506500	Support Shaft	支持軸	D	2	
8	08AA85512	Photo Sensor	フォトセンサ	B	1	
9	4470402401	STOPPER	ストッパ	D	1	
10	A50U340900	Protection Cover /1	保護カバー / 1	D	1	
11	A50U343800	Transfer Plate	転写プレート	D	2	
12	A50U341300	Positioning Block /1	位置決めブロック / 1	D	2	
13	A50U343000	Operation Cover	操作カバー	D	1	
14	A50U344200	Positioning Shaft	位置決め軸	D	2	
15	A50U341600	Transfer Shaft	転写軸	D	2	
16	A1RF945100	Replacement Label /1	交換ラベル / 1 (ORU)	D	4	
17	A50U337200	Positioning Rail /2	位置決めレール / 2	D	4	
18	A50U337300	Ground Plate spring /Rear	アース板ばね / 奥	D	4	
19	A50U340500	Transfer Hinge	転写ヒンジ	D	2	
20	A50U335600	Cleaning Seal /A	クリーニングシール / A	D	1	
21	A50U343400	Tray /Front	トレイ / 前	D	1	
22	A50U343500	Tray /Rear	トレイ / 奥	D	1	
23	A50U344100	Developing Collar /Y	現像カラー / Y	D	1	
24	A50UN12500	Developing Wiring /2	現像束線 / 2	D	1	
25	A50U342501	Set Collar	セットカラー	D	3	
26	A50U342600	Collar	カラー	D	3	
27	A50U341400	Positioning Collar /1	位置決めカラー / 1	D	2	
28	A50UR72K00	Adjusting Plate Caulking Assy	調整板カシメ A s s y	D	1	

Process Carriage Section



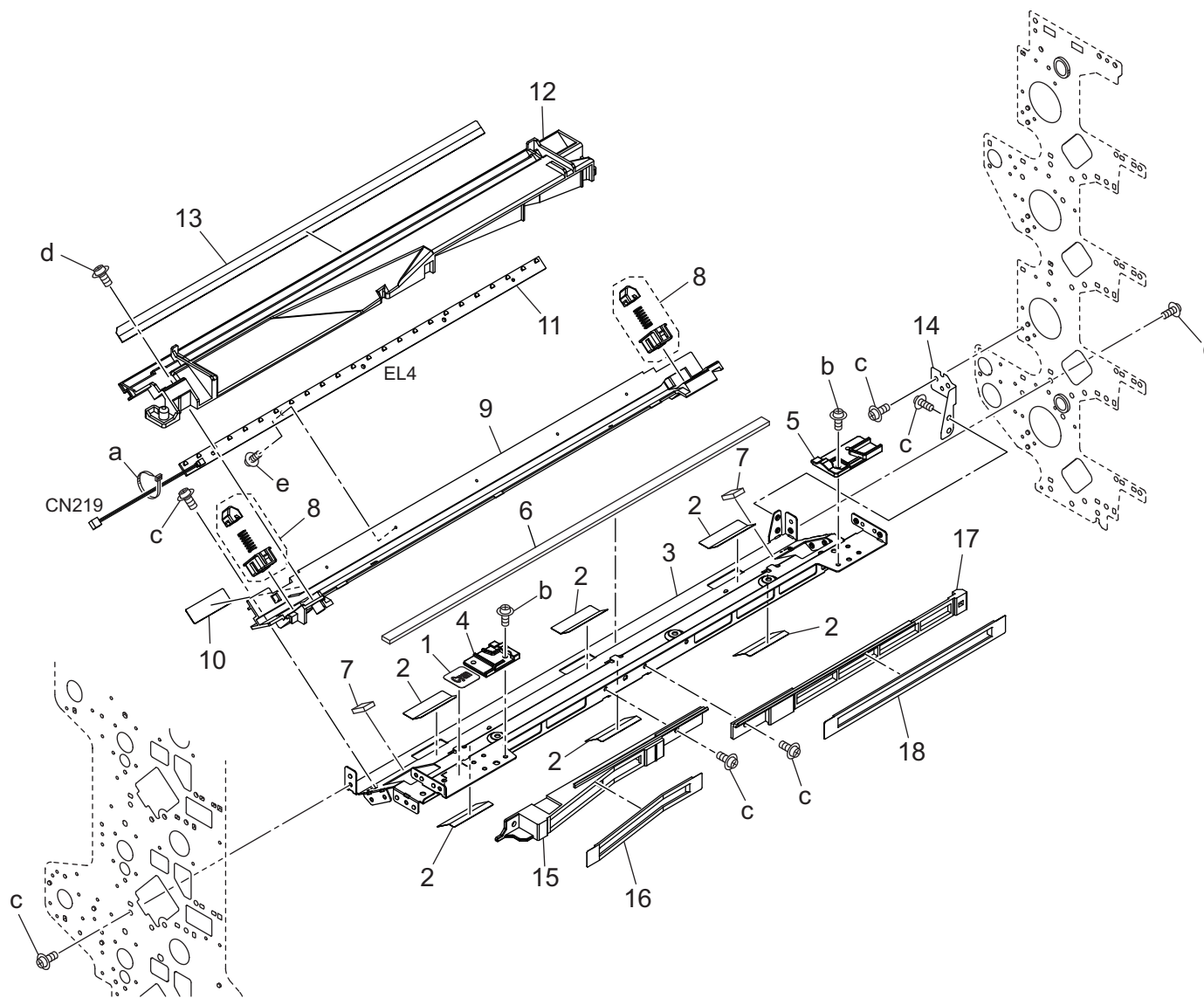
Key	Part No.	Description	Destinations	Class	QTY	Standard parts
1	65AA97440	Developing Exchanging Label /Y		D	1	a-V501010002 b-V118030403 c-V127030603 d-V151030803 e-V151020603
2	A50U335600	Cleaning Seal /A		D	6	
3	A50U340301	Fixing Stay /1		D	1	
4	A50U341900	Developing Rail /Front		D	1	
5	A50U342000	Developing Rail /Rear		D	1	
6	A50U463000	Charging Seal /2		D	1	
7	A50U463100	Charging Seal /3		D	2	
8	65AAR73200	CHARGE PRESSING ASSY		C	2	
9	A50U462101	Charging Rail		D	1	
10	A50U462900	Auxiliary Seal /A		D	1	
11	A50UM30101	LED array		D	1	
12	A50U462201	Charging Rail /2		D	1	
13	A50U462600	Charging Seal		D	1	
14	A50U342300	Reinforce Plate		D	1	
15	A50U462700	Charging Duct		D	1	
16	A50U462801	Charging Seal		D	1	
17	A50U462400	Charging Duct /3		D	1	
18	A50U462501	Charging Seal /1		D	1	

Process Carriage Section



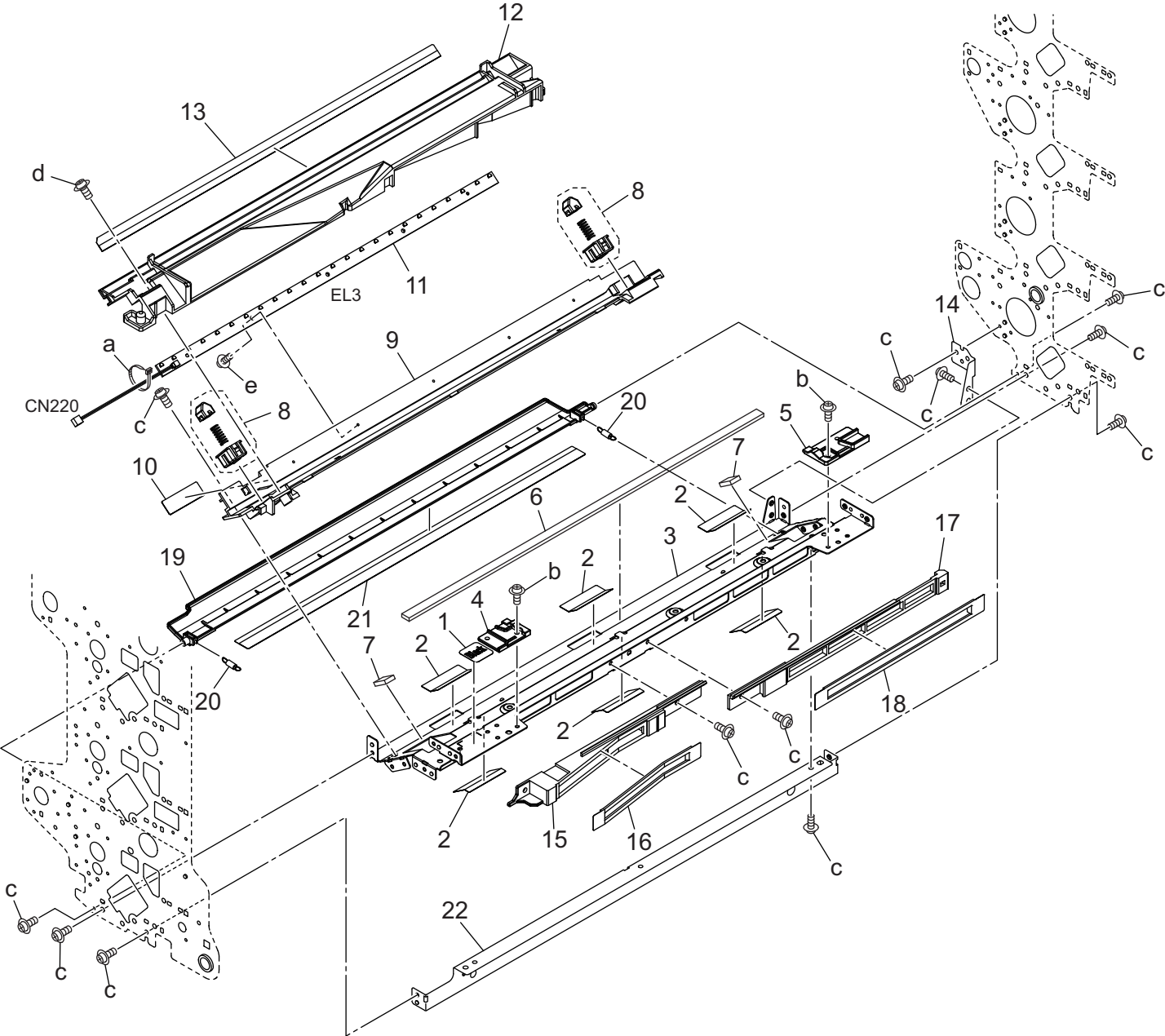


Key	Part No.	Description	Destinations	Class	QTY	Standard parts
1	65AA97450	Developing Exchanging Label /M		D	1	a-V501010002 b-V118030403 c-V127030603 d-V151030803 e-V151020603
2	A50U335600	Cleaning Seal /A		D	6	
3	A50U340301	Fixing Stay /1		D	1	
4	A50U341900	Developing Rail /Front		D	1	
5	A50U342000	Developing Rail /Rear		D	1	
6	A50U463000	Charging Seal /2		D	1	
7	A50U463100	Charging Seal /3		D	2	
8	65AAR73200	CHARGE PRESSING ASSY		C	2	
9	A50U462101	Charging Rail		D	1	
10	A50U462900	Auxiliary Seal /A		D	1	
11	A50UM30101	LED array		D	1	
12	A50U462201	Charging Rail /2		D	1	
13	A50U462600	Charging Seal		D	1	
14	A50U342300	Reinforce Plate		D	1	
15	A50U462700	Charging Duct		D	1	
16	A50U462801	Charging Seal		D	1	
17	A50U462400	Charging Duct /3		D	1	
18	A50U462501	Charging Seal /1		D	1	



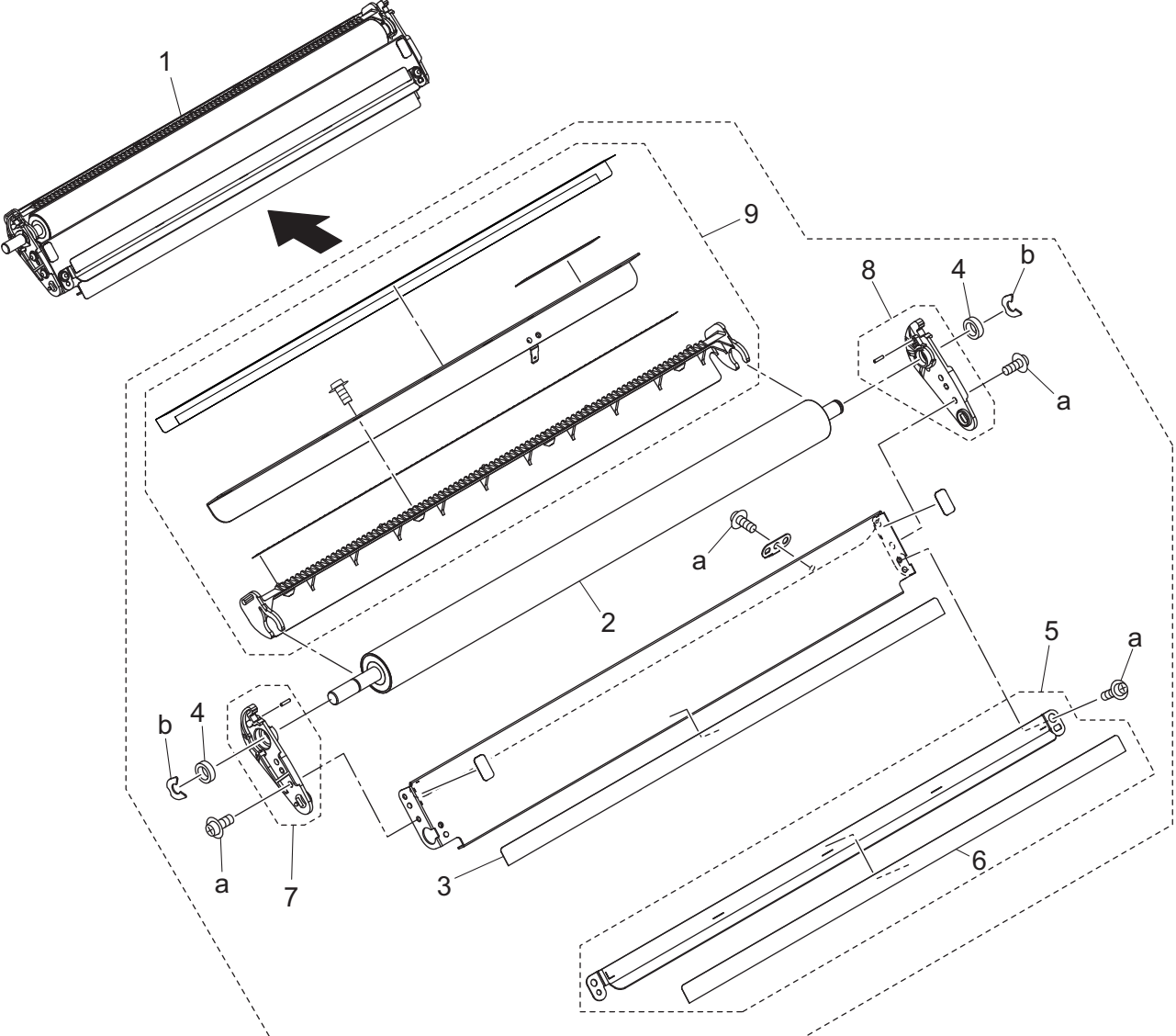
Key	Part No.	Description	Destinations	Class	QTY	Standard parts
1	65AA97460	Developing Exchanging Label /C		D	1	a-V501010002 b-V118030403 c-V127030603 d-V151030803 e-V151020603
2	A50U335600	Cleaning Seal /A		D	6	
3	A50U340301	Fixing Stay /1		D	1	
4	A50U341900	Developing Rail /Front		D	1	
5	A50U342000	Developing Rail /Rear		D	1	
6	A50U463000	Charging Seal /2		D	1	
7	A50U463100	Charging Seal /3		D	2	
8	65AAR73200	CHARGE PRESSING ASSY		C	2	
9	A50U462101	Charging Rail		D	1	
10	A50U462900	Auxiliary Seal /A		D	1	
11	A50UM30101	LED array		D	1	
12	A50U462201	Charging Rail /2		D	1	
13	A50U462600	Charging Seal		D	1	
14	A50U342300	Reinforce Plate		D	1	
15	A50U462700	Charging Duct		D	1	
16	A50U462801	Charging Seal		D	1	
17	A50U462400	Charging Duct /3		D	1	
18	A50U462501	Charging Seal /1		D	1	

Process Carriage Section



Key	Part No.	Description	Destinations	Class	QTY	Standard parts
1	65AA97470	Developing Exchanging Label /K		D	1	a-V501010002 b-V118030403 c-V127030603 d-V151030803 e-V151020603
2	A50U335600	Cleaning Seal /A		D	6	
3	A50U340301	Fixing Stay /1		D	1	
4	A50U341900	Developing Rail /Front		D	1	
5	A50U342000	Developing Rail /Rear		D	1	
6	A50U463000	Charging Seal /2		D	1	
7	A50U463100	Charging Seal /3		D	2	
8	65AAR73200	CHARGE PRESSING ASSY		C	2	
9	A50U462101	Charging Rail		D	1	
10	A50U462900	Auxiliary Seal /A		D	1	
11	A50UM30101	LED array		D	1	
12	A50U462201	Charging Rail /2		D	1	
13	A50U462600	Charging Seal		D	1	
14	A50U342300	Reinforce Plate		D	1	
15	A50U462700	Charging Duct		D	1	
16	A50U462801	Charging Seal		D	1	
17	A50U462400	Charging Duct /3		D	1	
18	A50U462501	Charging Seal /1		D	1	
19	A50U343100	Cleaning Catch		D	1	
20	A50U343301	Receiving Spring		D	2	
21	A50U343700	Receiving Sheet		D	1	
22	A50U341200	Fixing Stay /3		D	1	

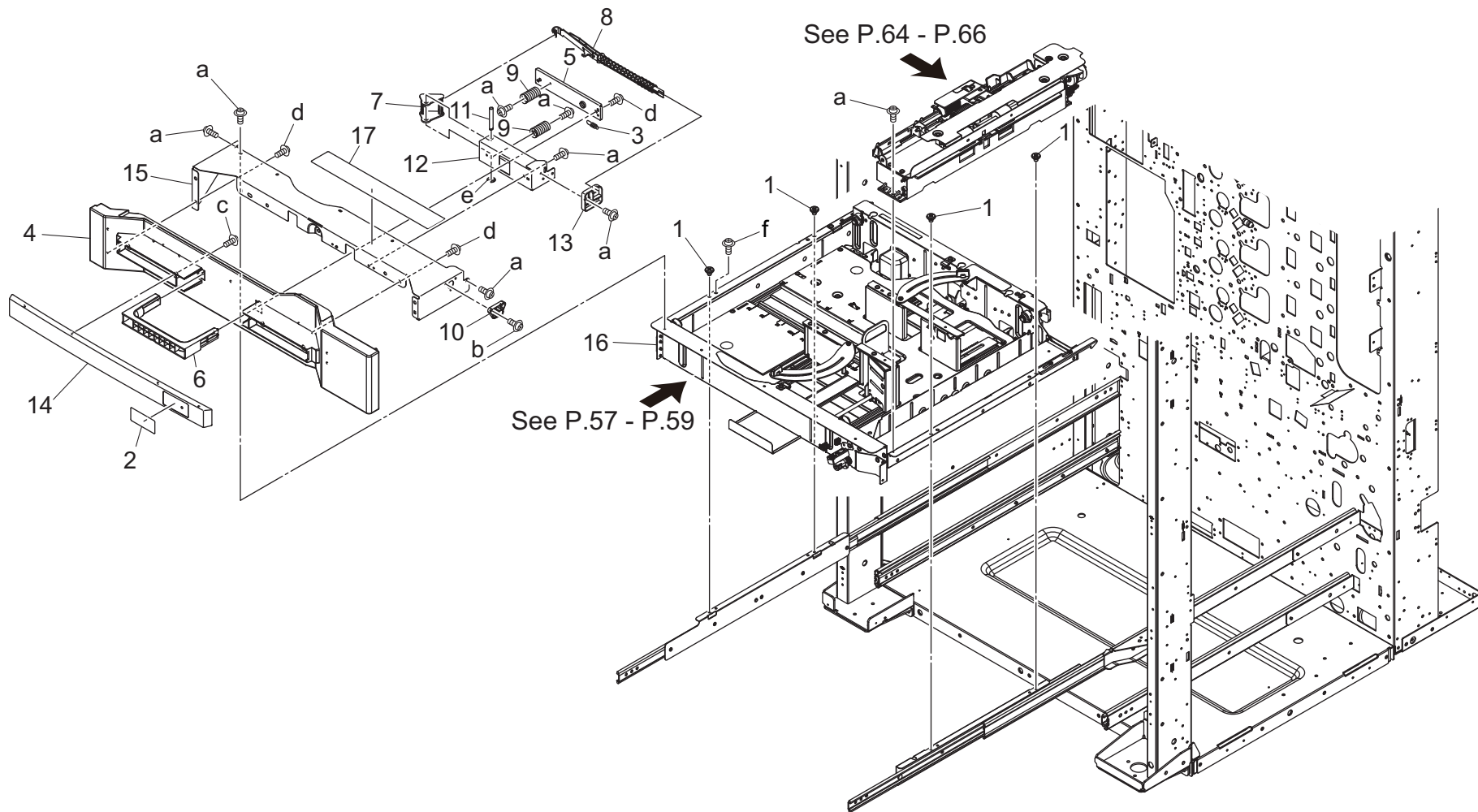
Secondary Transfer Section



# Secondary Transfer Section

Key	Part No.	Description	Destinations	Class	QTY	Standard parts
1	A50UR70500	2nd Transfer Unit		I	1	a-V127030603 b-V218060086
2	A50U520001	2nd Transfer Roller/L		A	1	
3	A50U525900	Entrance Sheet		D	1	
4	A50U716500	Ball Bearing		C	2	
5	A50UR71Q00	Transfer Guide / Upper Assy		D	1	
6	A03U523900	HOLDING SHEET		C	1	
7	A50UR71R00	Transfer Side Plate / Front Assy		D	1	
8	A50UR71S00	Transfer Side Plate / Rear Assy		D	1	
9	A50UR70B00	Separation Discharging Unit		A	1	



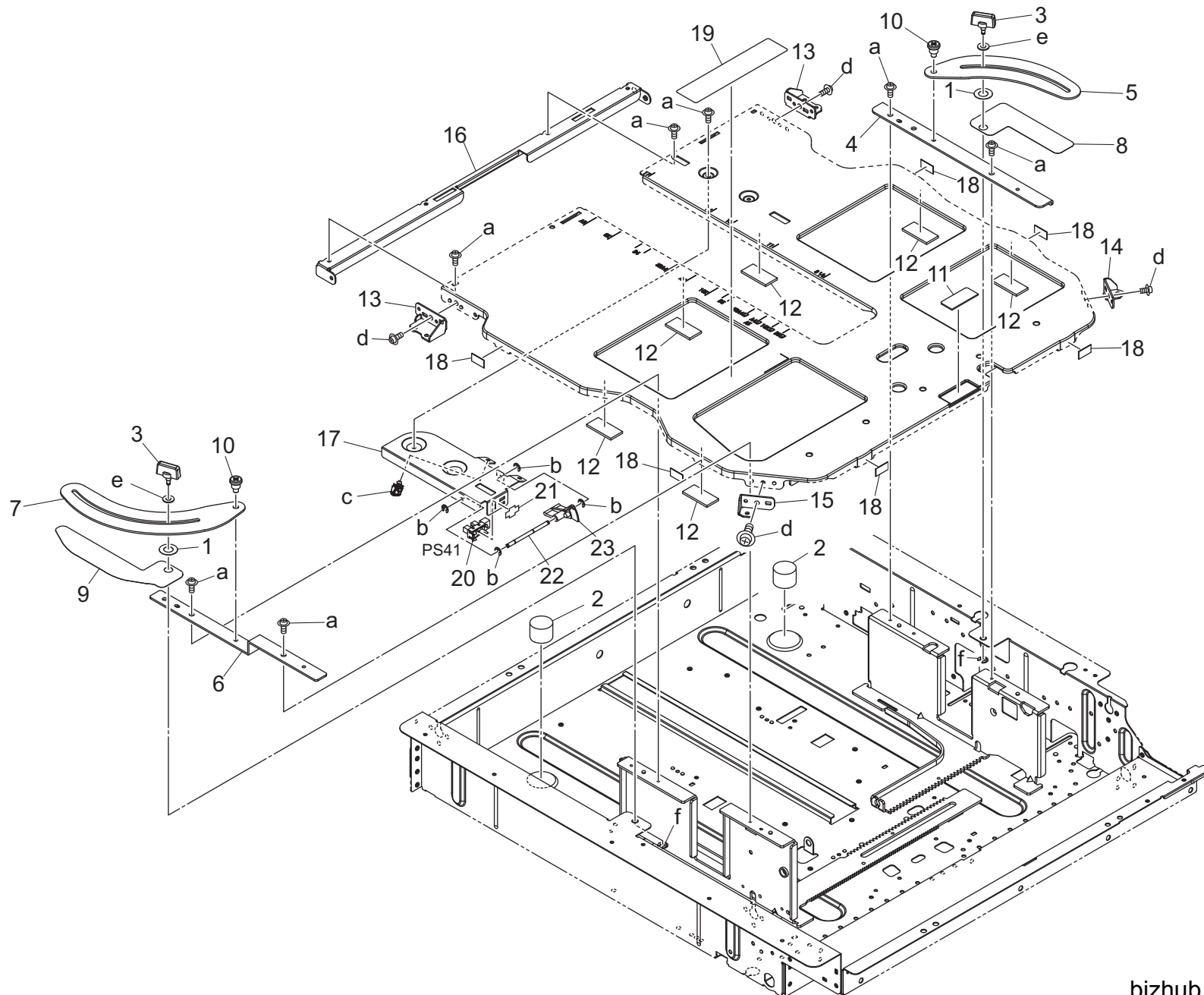




Key	Part No.	Description	Destinations	Class	QTY	Standard parts
1	A50U628100	Shoulder Screw		D	4	a-V127030603 b-V126030603 c-V151041003 d-V158030803 e-V217040050 f-V118030403
2	A0U0945401	Indicating Label /1		C	1	
3	A161626800	Pulling Coil spring		C	1	
4	A50U160701	Cover Tray /1		D	1	
5	A50U633002	Holding Handle		D	1	
6	A50U633100	Handle /B		D	1	
7	A50U633200	Release Lever		D	1	
8	A50U633301	Lock Lever		D	1	
9	A50U633400	Stable Spring		D	2	
10	A50U633702	Receiving Guide /1		D	1	
11	A50U633800	Release Shaft /1		D	1	
12	A50U633900	Fixing Plate		D	1	
13	A50U634300	Receiving Guide /2		D	1	
14	A50U634400	Paper feed Handle		D	1	
15	A50U637002	Fixing Plate /1		D	1	
16	A50UR71A00	500 Paper Cassette Assy		S	1	
17	A50U945700	Operation Label /1		D	1	

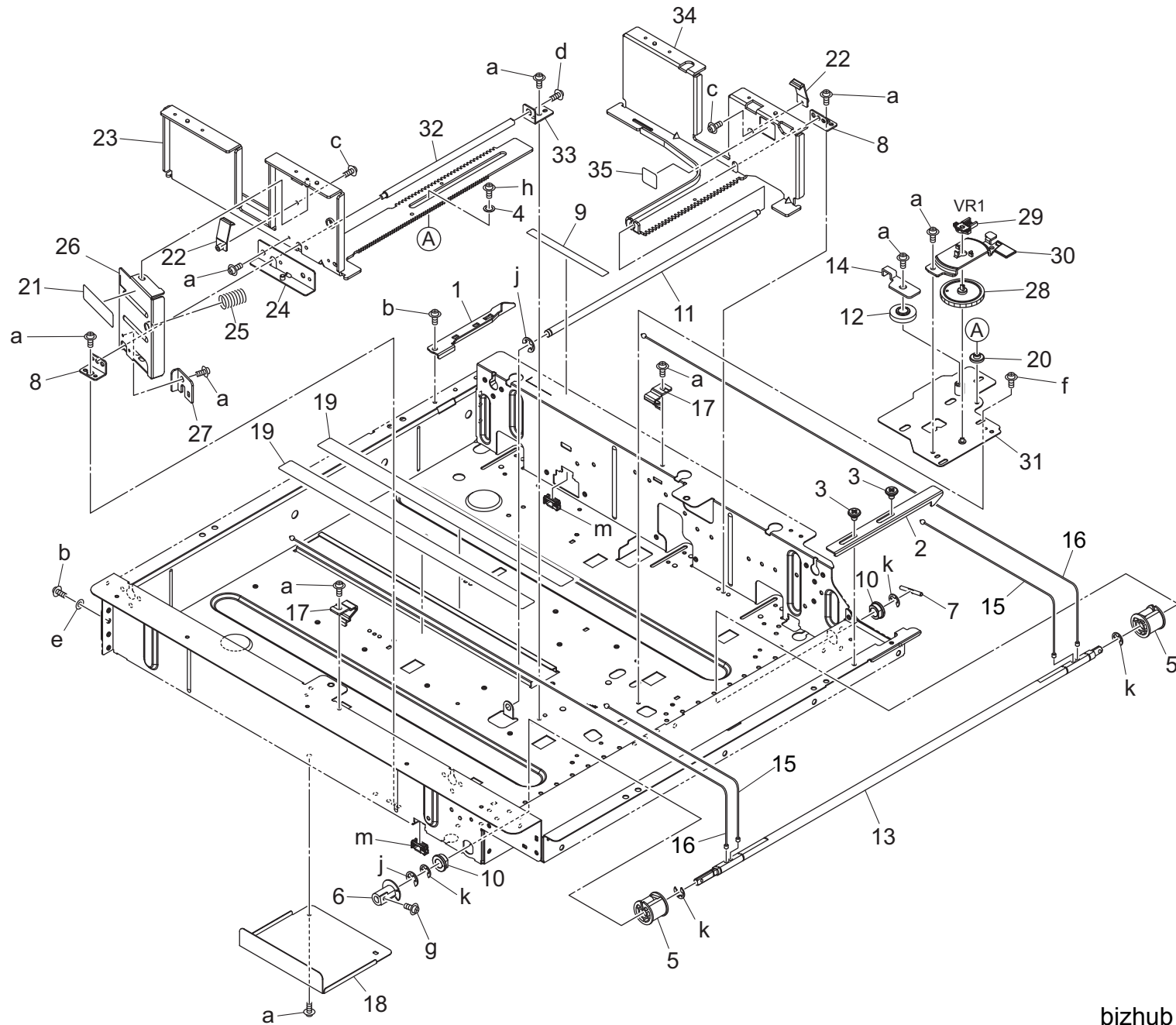
# Tray 1

P 57

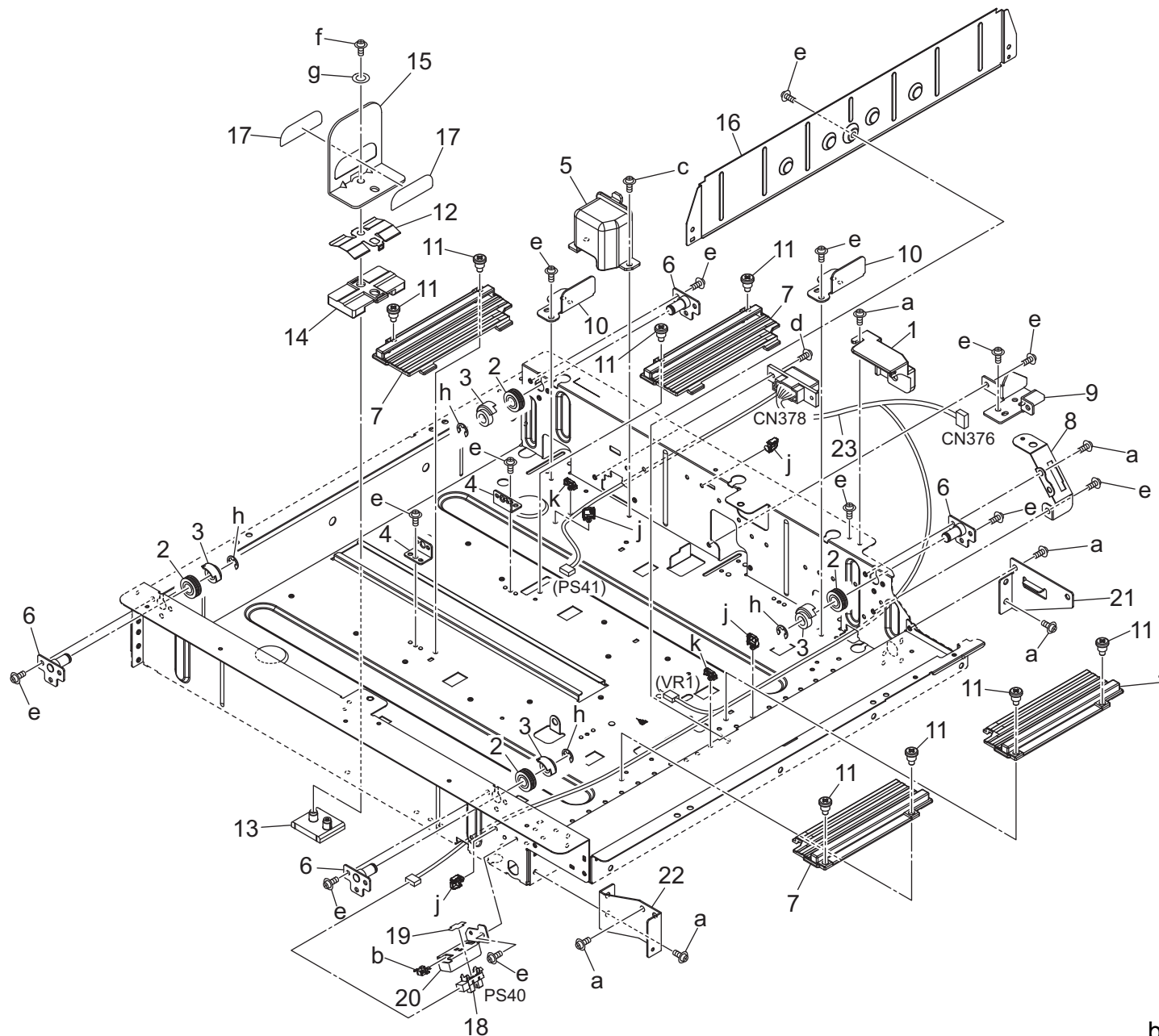


Key	Part No.	Description	Destinations	Class	QTY	Standard parts
1	55VA32530	SPACER		C	2	a-V127030516 b-V217020050 c-V500020098 d-V127030603 e-V207040003 f-V217025050
2	65AA47820	REGULATING PART		C	2	
3	A03X656203	Lock Screw		C	2	
4	A50U621000	Reinforce Plate /Rear		D	1	
5	A50U622600	Regulating Plate /Rear		D	1	
6	A50U622801	Reinforce Plate /Front		D	1	
7	A50U625701	Regulating Plate /Front		D	1	
8	A50U627601	Sheet		D	1	
9	A50U627701	Sheet		D	1	
10	A50U628200	Shoulder Screw		D	2	
11	55VA40930	DOUBLE FEED PREVENTIVE PLATE		C	1	
12	65AA47860	AUXILIARY SHEET		C	6	
13	A50U626502	Support Plate /1		D	2	
14	A50U626601	Support Plate /2		D	1	
15	A50U626702	Support Plate /3		D	1	
16	A50U629300	Guide Base frame		D	1	
17	A50U625000	Mounting Plate /2		D	1	
18	A50U641500	Slide Sheet		D	6	
19	A50U946000	Paper feed Label		D	1	
20	08AA85512	Photo Sensor		B	1	
21	4470402401	STOPPER		D	1	
22	65AA47310E	PAPER DETECTING SHAFT		D	1	
23	65AA47320	Paper Detecting Actuator		C	1	

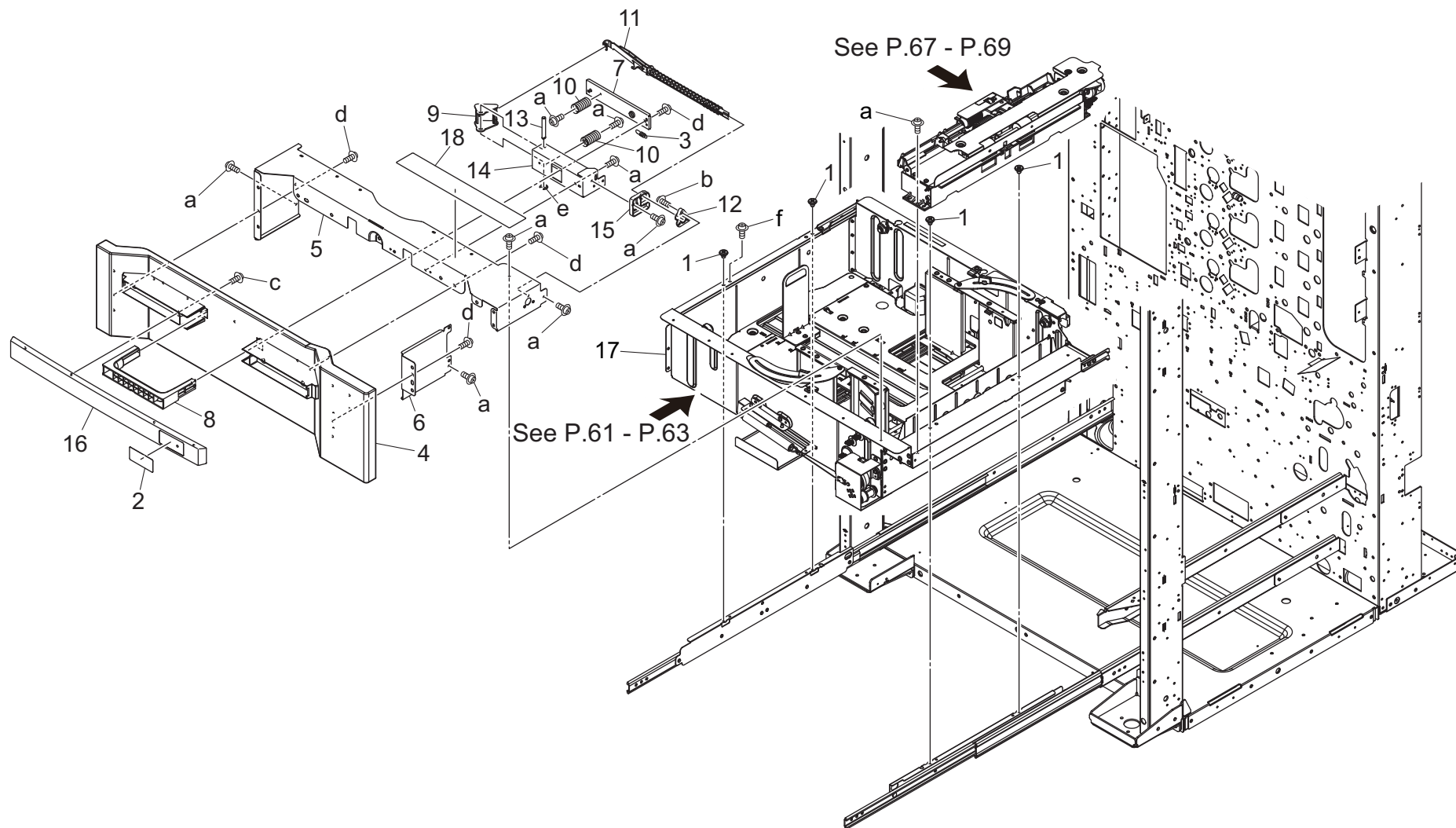




Key	Part No.	Description	Destinations	Class	QTY	Standard parts
1	A50U623600	Lock Claw		D	1	a-V127030516
2	A50U623701	Lock Claw	ロック爪 (500カセット_左)	D	1	b-V127030603
3	A50U628100	Shoulder Screw	ロック爪 (500カセット_右)	D	1	c-V147030803
4	40AA32320	TONER SUPPLY SPACER	段ねじ	D	2	d-V116030603
5	55VA40600	Driving Up/Down Pulley	トナー補給スペーサー	C	1	e-V207030003
6	65AA47130	PAPER DETECTING ACTUATOR	駆動昇降プーリ	B	2	f-V116030503
7	65AA47700D	Up/down Pin	紙検知アクチュエタ	C	1	g-V121030603
8	65AA47740E	Shaft Mounting Plate	昇降ピン	D	1	h-V127030803
9	65GE97490	CASSETTE GUIDE LABEL	軸取り付け板	D	2	j-V217040050
10	A03U812800	Slide Shaft Holder	カセット案内ラベル	D	1	k-V217060050
11	A50U620801	Regulating Shaft	すべり軸受	B	2	m-V570010057
12	A50U621501	Pinion	規制軸	D	1	
13	A50U621800	Lifting Shaft	ピニオン	D	1	
14	A50U622001	Stopper Plate	持ち上げ軸	D	1	
15	A50U625400	Up/down Wire /1	ストッパ板	D	1	
16	A50U625500	Up/down Wire /2	昇降ワイヤ/1	D	2	
17	A50U626100	Protection Plate	昇降ワイヤ/2	D	2	
18	A50U627501	Reinforce Stay	保護プレート	D	2	
19	A50U640800	Sheet	補強ステー	D	1	
20	A50U642000	Guide Spacer	シート (500枚トレイ)	D	2	
21	A50U946300	Lock Label /2	ガイドスペーサ	D	1	
22	26NA47070	PAPER REGULATING CLAW	ロックラベル/2	D	1	
23	A50U620901	Guide Rack /Front	紙規制爪	C	2	
24	A50U622400	Support Plate	ガイドラック/前 (Assy)	D	1	
25	A50U623300	Slide Spring /1	支持板 (Assy)	D	1	
26	A50U622300	Brake Knob	スライドばね/1	D	1	
27	A50U623201	Lock Claw	ブレーキつまみ	D	1	
28	65AA47600E	Detecting Gear 45T	ロック爪	D	1	
29	A1UDM50100	VR	検知ギア 45 T	C	1	
30	A50U621900	Mounting Plate	ボリューム	D	1	
31	A50U622101	Positioning Plate	センサ取り付け板	D	1	
32	A50U621301	Stopper Shaft	位置決め板	D	1	
33	A50U621400	Mounting Plate	ストッパ軸	D	1	
34	A50U620601	Guide Rack /Rear	取付板	D	1	
35	A50U945300	Regulating Label	ガイドラック/奥	D	1	
			規制ラベル	D	1	



Key	Part No.	Description	Destinations	Class	QTY	Standard parts
1	A50U628300	Cover		D	1	a-V127030603
2	65AA47550	WIRE ROLLER		C	4	b-V570010050
3	65AA47630	WIRE GUIDE PART		C	4	c-V116030503
4	65AA47740E	Shaft Mounting Plate		D	2	d-V121030603
5	A03U621200	GUIDE COVER		C	1	e-V127030516
6	A1DUF62100	PULLEY FULCRUM PLATE CAULKING		D	4	f-V158031003
7	A50U621200	Slide Guide		D	4	g-V207030003
8	A50U624600	Mounting Plate		D	1	h-V217060050
9	A50U624700	Fixing Cam		D	1	j-V500020098
10	A50U625100	Positioning Plate		D	2	k-V500020099
11	A50U628200	Shoulder Screw		D	8	
12	A50U629502	Plate spring		D	1	
13	A50U629701	Brake Part /Lower		D	1	
14	A50U629801	Brake Part		D	1	
15	A50U629901	Regulating Plate /Rear		D	1	
16	A50U630701	Regulating Plate /Right		D	1	
17	A50U946400	Lock Label /1		D	2	
18	08AA85512	Photo Sensor		B	1	
19	4470402401	STOPPER		D	1	
20	65AA47900E	Mounting Plate /2		D	1	
21	A50U637600	Reinforce Plate /1		D	1	
22	A50U637700	Reinforce Plate /2		D	1	
23	A50UN14100	Paperfeed Wiring /3		D	1	

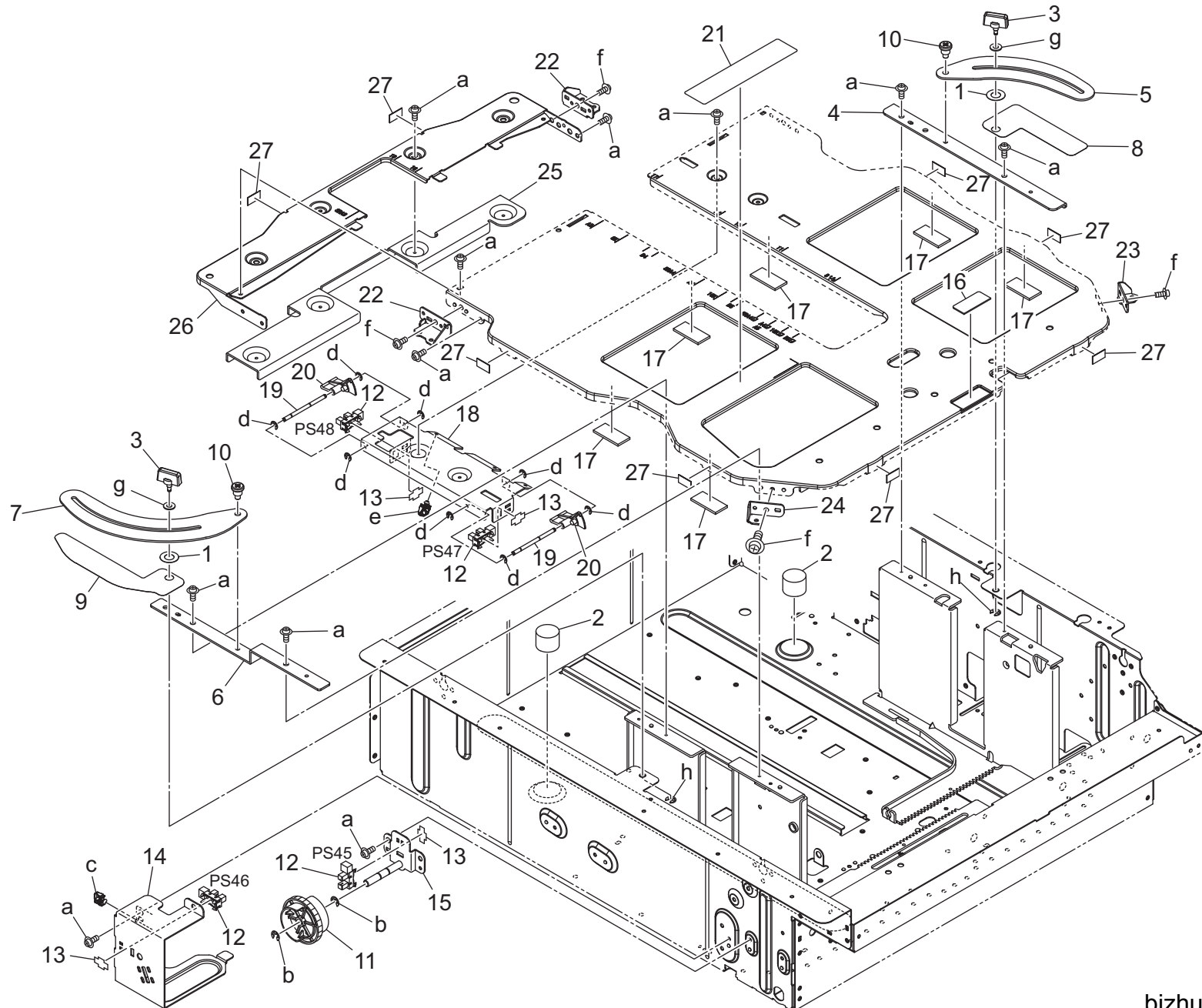




Key	Part No.	Description	Destinations	Class	QTY	Standard parts
1	A50U628100	Shoulder Screw		D	4	a-V127030603 b-V126030603 c-V151041003 d-V158030803 e-V217040050 f-V118030403
2	A0U0945501	Indicating Label /2		C	1	
3	A161626800	Pulling Coil spring		C	1	
4	A50U160801	Cover Tray /2		D	1	
5	A50U627002	Fixing Plate /2		D	1	
6	A50U627200	Fixing Plate /3		D	1	
7	A50U633002	Holding Handle		D	1	
8	A50U633100	Handle /B		D	1	
9	A50U633200	Release Lever		D	1	
10	A50U633400	Stable Spring		D	2	
11	A50U633601	Lock Lever		D	1	
12	A50U633702	Receiving Guide /1		D	1	
13	A50U633800	Release Shaft /1		D	1	
14	A50U633900	Fixing Plate		D	1	
15	A50U634300	Receiving Guide /2		D	1	
16	A50U634400	Paper feed Handle		D	1	
17	A50UR71900	1000 Paper Cassette Assy		S	1	
18	A50U945700	Operation Label /1		D	1	

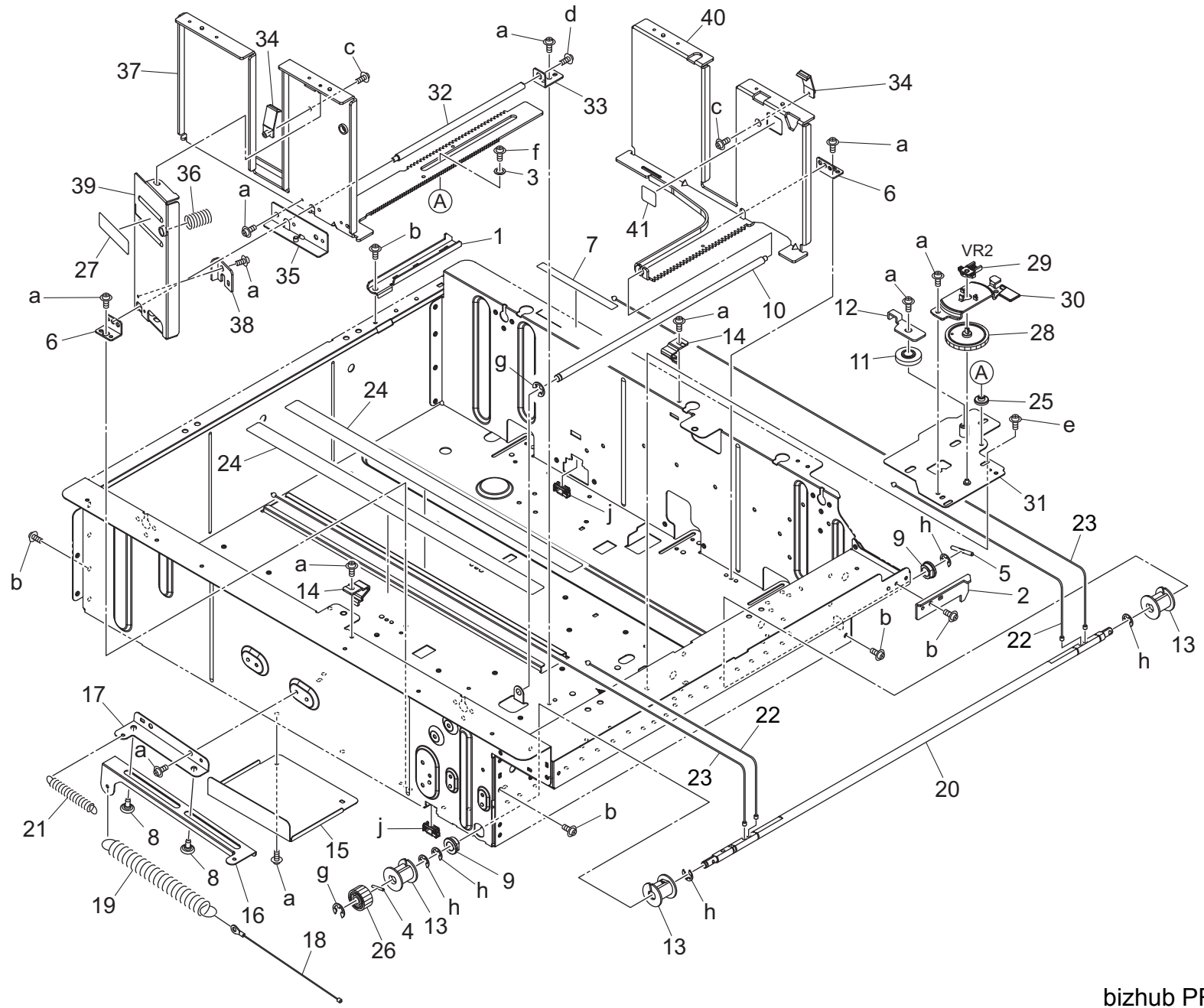
# Tray 2

P 61

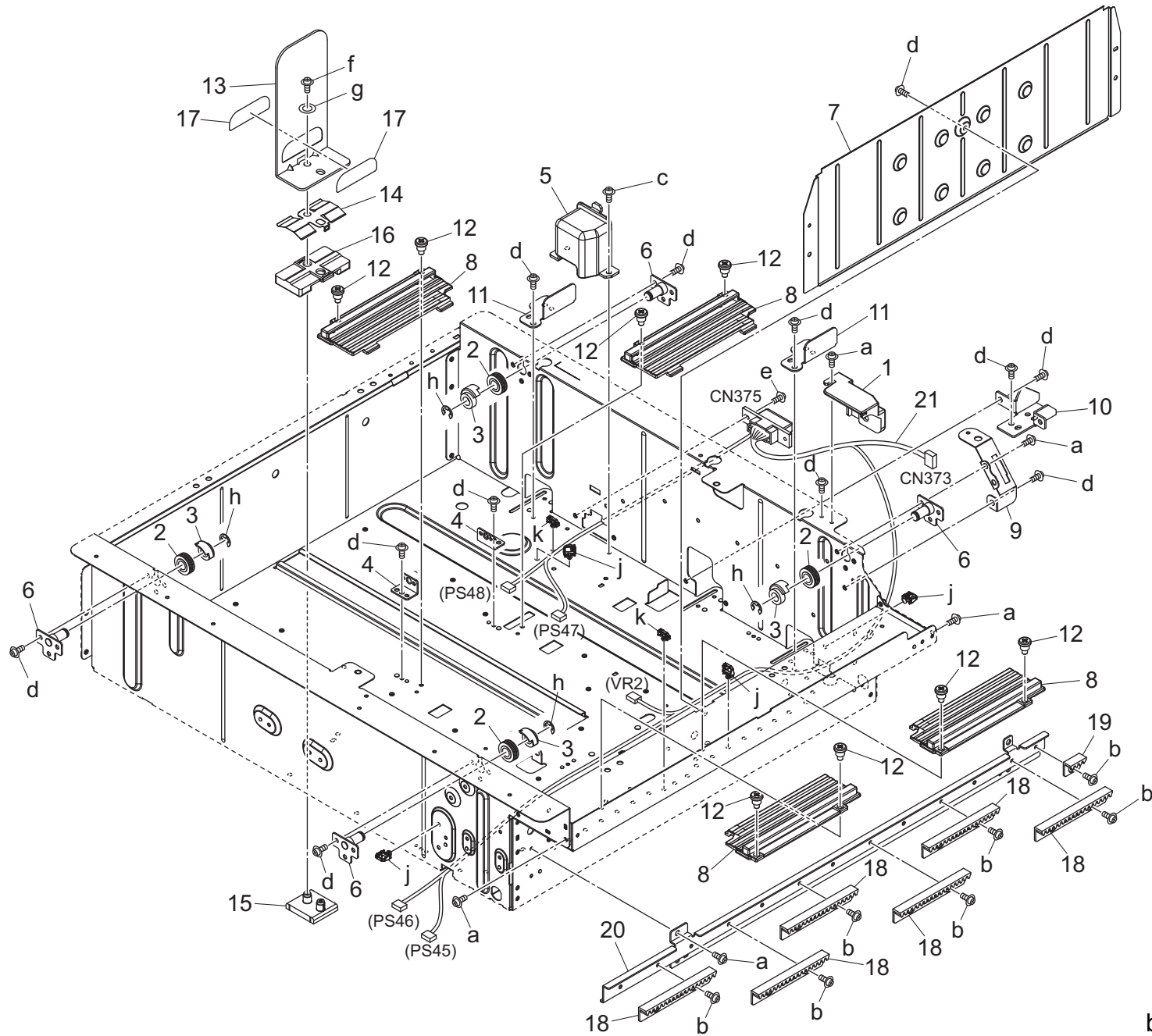


Key	Part No.	Description	Destinations	Class	QTY	Standard parts
1	55VA32530	SPACER		C	2	a-V127030516
2	65AA47820	REGULATING PART		C	2	b-V217040050
3	A03X656203	Lock Screw		C	2	c-V500020098
4	A50U621000	Reinforce Plate /Rear		D	1	d-V217020050
5	A50U622600	Regulating Plate /Rear		D	1	e-V500010051
6	A50U622801	Reinforce Plate /Front		D	1	f-V127030603
7	A50U625701	Regulating Plate /Front		D	1	g-V207040003
8	A50U627601	Sheet		D	1	h-V217025050
9	A50U627701	Sheet		D	1	
10	A50U628200	Shoulder Screw		D	2	
11	A50U631300	Up/down Gear 60T		C	1	
12	08AA85512	Photo Sensor		B	4	
13	4470402401	STOPPER		D	4	
14	A50U631600	Mounting Plate		D	1	
15	A50U631200	Mounting Plate /Assy		D	1	
16	55VA40930	DOUBLE FEED PREVENTIVE PLATE		C	1	
17	65AA47860	AUXILIARY SHEET		C	6	
18	65AA47120D	Mounting Plate		D	1	
19	65AA47310E	PAPER DETECTING SHAFT		D	2	
20	65AA47320	Paper Detecting Actuator		C	2	
21	A1RF946000	Paper feed Label /1		D	1	
22	A50U626502	Support Plate /1		D	2	
23	A50U626601	Support Plate /2		D	1	
24	A50U626702	Support Plate /3		D	1	
25	A50U629001	Reinforce Stay		D	1	
26	A50U629202	Up/down Plate /Rear		D	1	
27	A50U641500	Slide Sheet		D	8	





Key	Part No.	Description	Destinations	Class	QTY	Standard parts
1	A50U623900	Lock Claw		D	1	a-V127030516
2	A50U624201	Lock Part	ロック爪 (1000カセット_左)	D	1	b-V127030603
3	40AA32320	TONER SUPPLY SPACER	ロック材 (給紙ユニット固定)	C	1	c-V147030803
4	56AA17551	PIN A	トナー補給スペーサー	C	1	d-V116030603
5	65AA47700D	Up/down Pin	ピン A	C	1	e-V116030503
6	65AA47740E	Shaft Mounting Plate	昇降ピン	D	1	f-V127030803
7	65GE97490	CASSETTE GUIDE LABEL	軸取り付け板	D	2	g-V217040050
8	A03N621800	Slide Shoulder screw	カセット案内ラベル	D	1	h-V217060050
9	A03U812800	Slide Shaft Holder	スライド段ねじ	C	2	j-V570010057
10	A50U620801	Regulating Shaft	すべり軸受	B	2	
11	A50U621501	Pinion	規制軸	D	1	
12	A50U622001	Stopper Plate	ピニオン	D	1	
13	A50U626000	Pulley	ストッパ板	D	1	
14	A50U626100	Protection Plate	プーリ (ワイヤー吊上げ)	C	3	
15	A50U627501	Reinforce Stay	保護プレート	D	2	
16	A50U631000	Slide Plate	補強ステー	D	1	
17	A50U631100	Mounting Plate	スライド板	D	1	
18	A50U631500	Auxiliary Wire	取付板	D	1	
19	A50U631700	Slide Spring /1	補助ワイヤ	D	1	
20	A50U631800	Up/down Shaft	スライドばね / 1	D	1	
21	A50U631900	Slide Spring /1	昇降軸	D	1	
22	A50U635400	Up/down Wire /1	スライドばね / 1	D	1	
23	A50U635500	Up/down Wire /2	昇降ワイヤ / 1	D	2	
24	A50U640700	Sheet	昇降ワイヤ / 2	D	2	
25	A50U642000	Guide Spacer	シート (1000枚トレイ)	D	2	
26	A50U854600	Release Gear /1 24T	ガイドスペーサー	D	1	
27	A50U946300	Lock Label /2	解除ギア / 1 24 T	C	1	
28	65AA47600E	Detecting Gear 45T	ロックラベル / 2	D	1	
29	A1UDM50100	VR	検知ギア 45 T	C	1	
30	A50U621900	Mounting Plate	ボリューム	D	1	
31	A50U622101	Positioning Plate	センサ取り付け板	D	1	
32	A50U621301	Stopper Shaft	位置決め板	D	1	
33	A50U621400	Mounting Plate	ストッパ軸	D	1	
34	26NA47070	PAPER REGULATING CLAW	取付板	D	1	
35	A50U622400	Support Plate	PAPER REGULATING CLAW	C	2	
36	A50U623300	Slide Spring /1	紙規制爪	D	1	
37	A50U630901	Guide Rack /Front	支持板 (Assy)	D	1	
38	A50U623201	Lock Claw	スライドばね / 1	D	1	
39	A50U632300	Brake Knob	ガイドラック / 前 (Assy)	D	1	
40	A50U630601	Guide Rack /Rear	ロック爪	D	1	
41	A50U945300	Regulating Label	ブレーキつまみ	D	1	
			ガイドラック / 奥	D	1	
			規制ラベル	D	1	

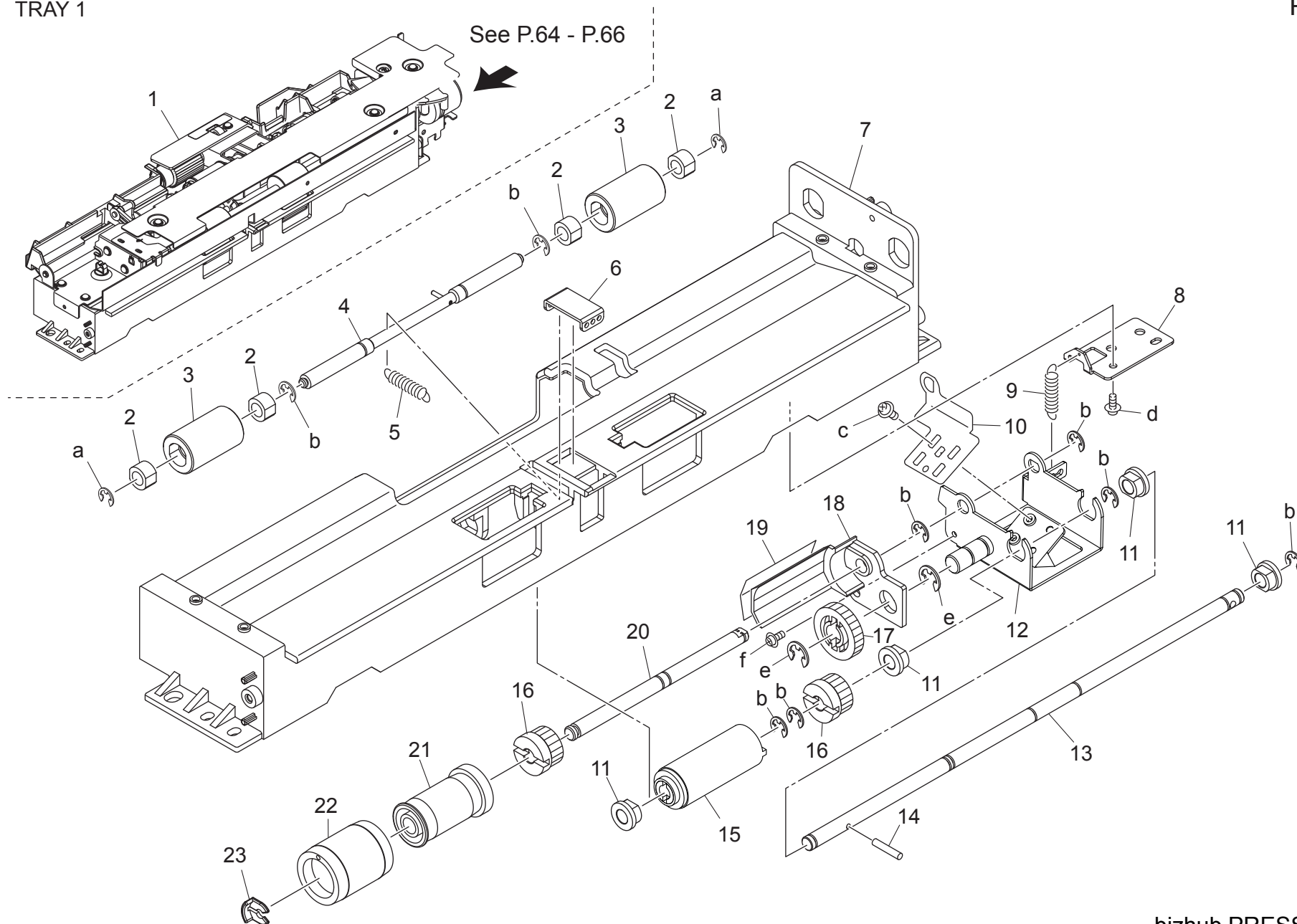


Key	Part No.	Description	Destinations	Class	QTY	Standard parts
1	A50U628300	Cover		D	1	a-V127030603
2	65AA47550	WIRE ROLLER		C	4	b-V118030403
3	65AA47630	WIRE GUIDE PART		C	4	c-V116030503
4	65AA47740E	Shaft Mounting Plate		D	2	d-V127030516
5	A03U621200	GUIDE COVER		C	1	e-V121030603
6	A1DUF62100	PULLEY FULCRUM PLATE CAULKING		D	4	f-V158031003
7	A50U620701	Regulating Plate /Right		D	1	g-V207030003
8	A50U621200	Slide Guide		D	4	h-V217060050
9	A50U624600	Mounting Plate		D	1	j-V500020098
10	A50U624700	Fixing Cam		D	1	k-V500020099
11	A50U625100	Positioning Plate		D	2	
12	A50U628200	Shoulder Screw		D	8	
13	A50U629401	Regulating Plate /Rear		D	1	
14	A50U629502	Plate spring		D	1	
15	A50U629701	Brake Part /Lower		D	1	
16	A50U629801	Brake Part		D	1	
17	A50U946400	Lock Label /1		D	2	
18	A03X622101	REGULATING RACK /1		D	6	
19	A03X622201	REGULATING RACK /2		D	1	
20	A50U640100	Guide Rail		D	1	
21	A50UN14001	Paperfeed Wiring /2		D	1	

# Paper Feed Section

TRAY 1

P 64



bizhub PRESS C1070P

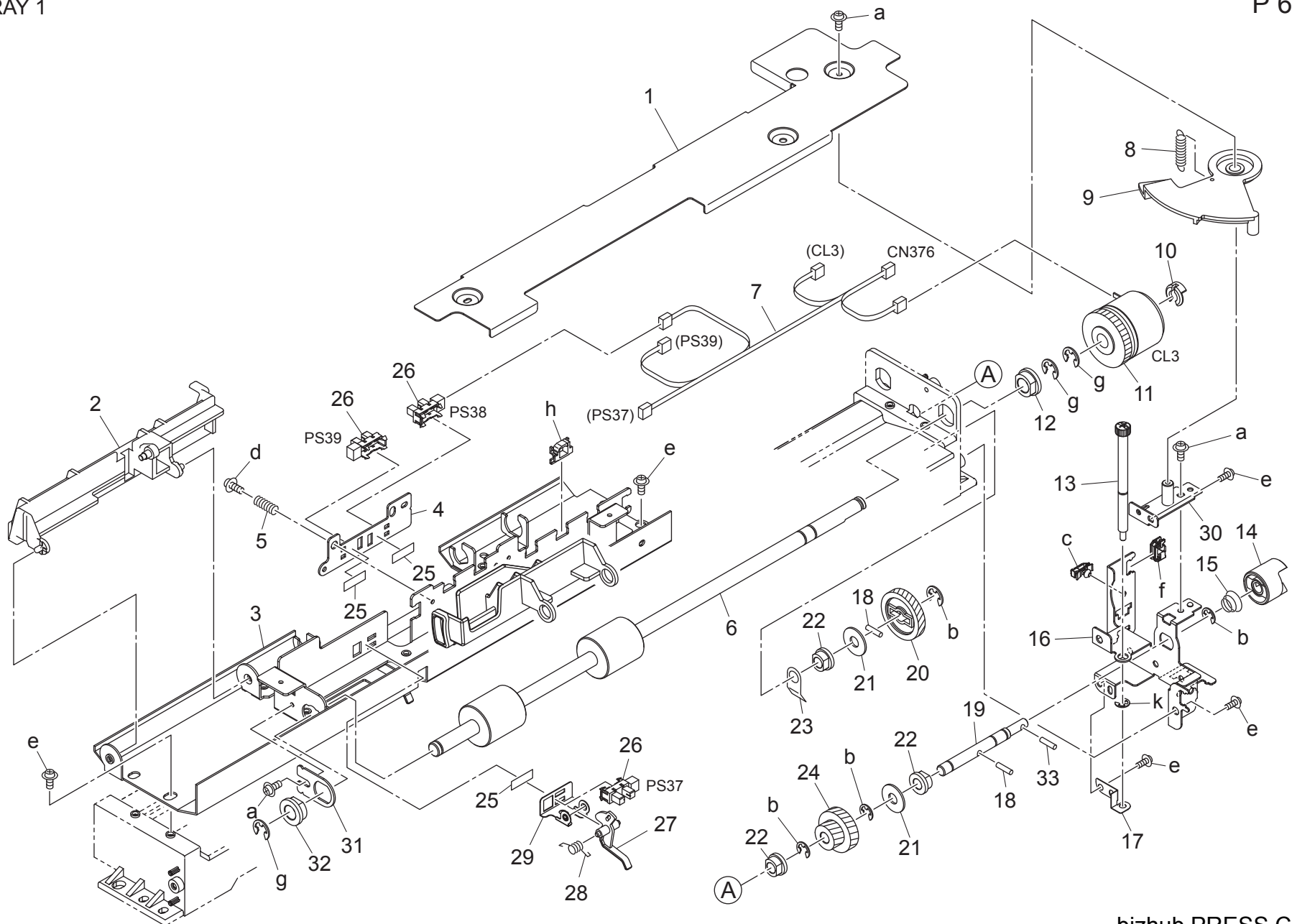


Key	Part No.	Description	Destinations	Class	QTY	Standard parts
1	A50UR71800	Paper Feed Assy	給紙 A s s y	S	1	a-V217030050
2	A03U850101	Slide Bushing	すべり軸受	C	4	b-V217040050
3	26NA42560	BY PASS FEED DRIVEN ROLLER	手差し従動ローラ	C	2	c-V116030603
4	A1DUR71K00	Paper Feed Driven Shaft Assy	給紙従動軸組	D	1	d-V153030803
5	56AA40481	PAPERFEEDPRESSINGSRING	給紙押圧バネ	C	1	e-V217060050
6	56AA40430	SPRING MOUNTING PLATE 1	バネ取り付け板 / 1	D	1	f-V121030603
7	56AA40010	Paper Feed Main Body	給紙本体	C	1	
8	56AA40440	SPRING MOUNTING PLATE 2	バネ取り付け板 / 2	D	1	
9	57AA40420	MULTI FEED PREVENTING SPRING	重送防止バネ	C	1	
10	56QA40550	MULTI FEED ADJUSTMENT PLATE	重送調整板	D	1	
11	A00J663200	Bushing	すべり軸受	C	4	
12	56QA40080	Multi-feed Preventing Plate	重送防止板	C	1	
13	56QA40250	MULTI FEED SUPPORT SHAFT	重送支点軸	D	1	
14	56AA17510	PIN B	ピン B	C	1	
15	A03X565611	Torque Limiter /A	トルクリミッタ / A	B	1	
16	55VA79030	Paper Feed Reversal Gear /C 14T	給紙逆転歯車 / C 14 T	B	2	
17	26NA42061	BY PASS FEED CONVEYING GEAR 21T	手差し搬送ギア 21 T	B	1	
18	56AA40530	ENTRANCE GUIDE PART	入口ガイド部材	D	1	
19	56AA40540	ENTRANCE GUIDE SHEET	入口ガイドシート	C	1	
20	56QA40270	MULTI FEED REVERSE SHAFT	重送逆転軸	D	1	
21	56AA40360	Reverse Roller	逆転ローラー	C	1	
22	25SA40960	DOUBLE FEED PREVENTION RUBBER	重送防止ゴム	A	1	
23	A1RF620301	Stopper Collar	ストッパカラー	D	1	

# Paper Feed Section

TRAY 1

P 65



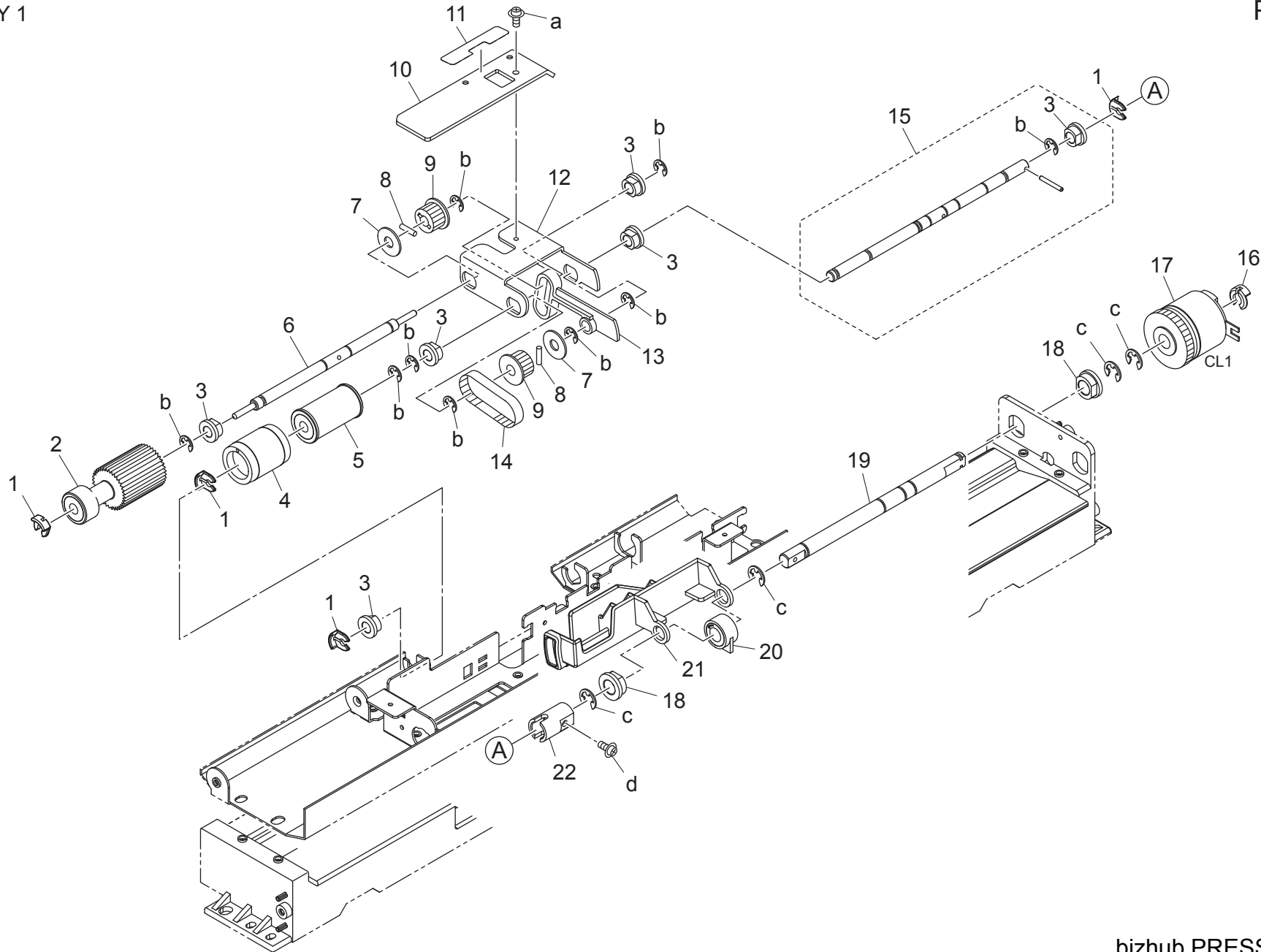
bizhub PRESS C1070P

Key	Part No.	Description	Destinations	Class	QTY	Standard parts
1	56AA40100G	Wiring Protection Cover		D	1	a-V121030603
2	65AA40010	Regulating Plate		D	1	b-V217040050
3	56AA40032E	Paper Feed Guide Plate /Upper		C	1	c-V500020099
4	56AA40460	ADJUSTMENT PLATE		D	1	d-V127030603
5	56AA40520	EARTH SPRING		C	1	e-V151030803
6	56AA40230	PAPER FEED REGISTRATION ROLLER		C	1	f-V570010056
7	A50UN14201	Paperfeed Wiring /1		D	1	g-V217060050
8	56AA17121	SEPARATE SPRING UPPER		C	1	h-V570010050
9	56AA40390	CAM PLATE		C	1	k-V217030050
10	55VA42120	SHAFT STOPPER		C	1	
11	56AA82012	PAPER FEED DRIVING CLUTCH		B	1	
12	55VA75540	PAPER FEED SHAFT HOLDER B		B	1	
13	56AA40120	PAPER FEED HOLDING SCREW		C	1	
14	A50U564500	Paper feed Coupling		D	1	
15	A50U565100	Pressing Spring		D	1	
16	A50U560900	Drive Side plate /1		D	1	
17	56AA40470	SCREW EARTH PLATE		C	1	
18	56AA17480	PIN B		C	2	
19	A50U562400	Input Shaft		D	1	
20	56AA77730	PAPER FEED REVERSING GEAR 2 33T		C	1	
21	56AA17760	COLLAR		C	2	
22	A00J663200	Bushing		C	3	
23	56AA40500	SHAFT HOLDER EARTH PLATE		C	1	
24	56AA77720E	Paper Feed Reverse Gear /1 16/22T		C	1	
25	4109553001	STOPPER		C	3	
26	08AA85512	Photo Sensor		B	3	
27	56AA40171	PAPER FEED DETECTING ACTUATOR		C	1	
28	56AA40190	PRESSING SPRING		C	1	
29	56AA40310	MOUNTING PLATE		D	1	
30	A50U561200	Drive Side plate /Assy		D	1	
31	56AA40370	ADJUSTING PLATE		D	1	
32	A03U812800	Slide Shaft Holder		B	1	
33	56AA17471	PIN B 3X12		C	1	

# Paper Feed Section

TRAY 1

P 66

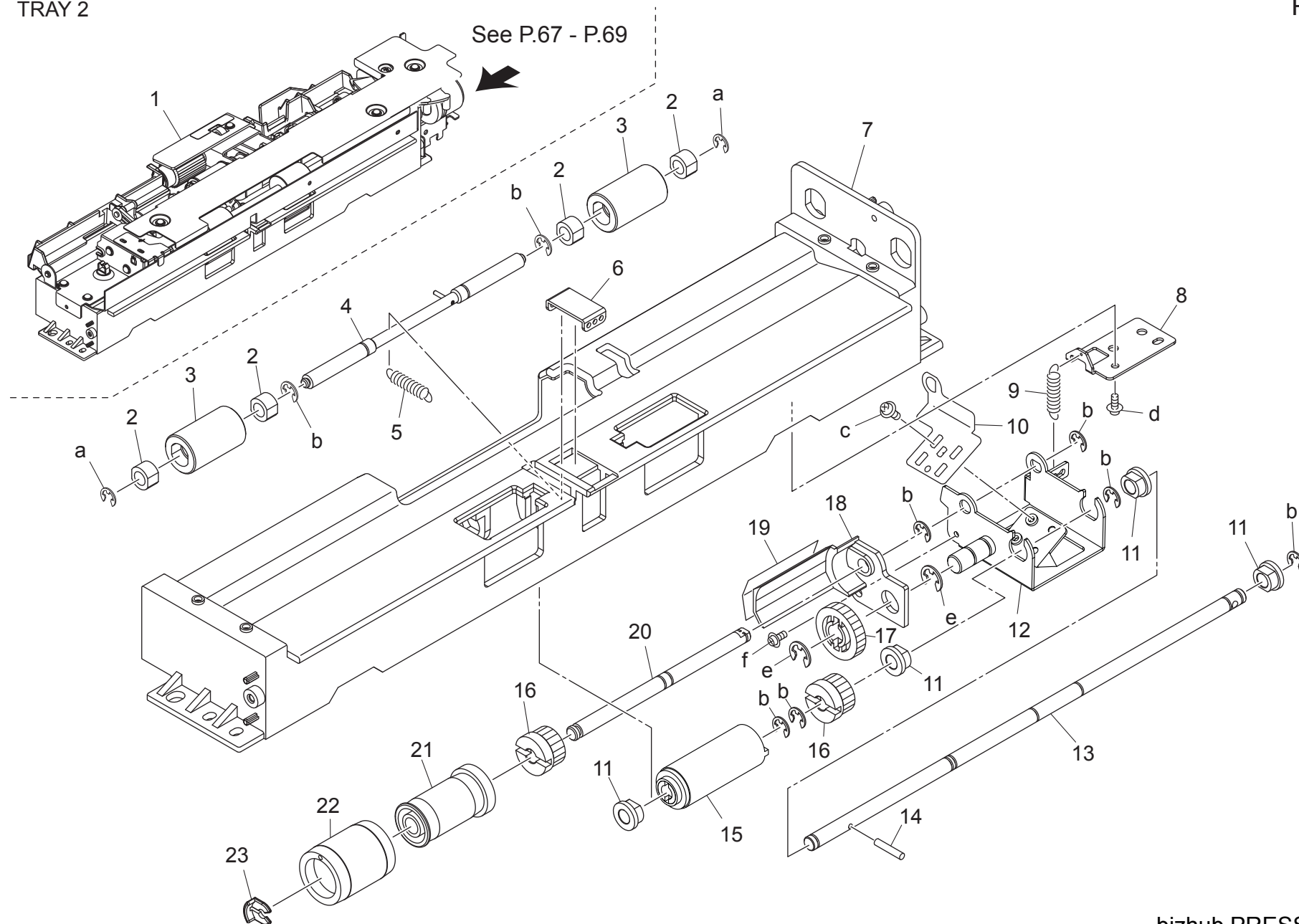


Key	Part No.	Description	Destinations	Class	QTY	Standard parts
1	56AA40490	SHAFT STOPPER 4		C	4	a-V121030603 b-V217040050 c-V217060050 d-V118030603
2	A1DUR71J00	Paper Feed Oscillate Roller		B	1	
3	A00J663200	Bushing		C	6	
4	25SA40960	DOUBLE FEED PREVENTION RUBBER		A	1	
5	25AA40100	Feeding Roller /B		B	1	
6	A03U560200	Swing Shaft		D	1	
7	56AA17760	COLLAR		C	2	
8	56AA17510	PIN B		C	2	
9	059076510	PULLEY 1 15T		C	2	
10	65AA40080E	Paper feed Auxiliary Plate		D	1	
11	65GE97400	GUIDE LABEL /1		C	1	
12	56AA40070	Paper feed Swing Plate		D	1	
13	56AA40300	PAPER QUANTITY ACTUATOR		C	1	
14	56AA77590	PAPER FEED ROCKING BELT 111L		C	1	
15	A1DUR75200	Paper Feed Feeding Shaft Assy		D	1	
16	55VA42120	SHAFT STOPPER		C	1	
17	56AA82012	PAPER FEED DRIVING CLUTCH		B	1	
18	A03U812800	Slide Shaft Holder		B	2	
19	A03U560300	DRIVE SHAFT		D	1	
20	56AA40380	PAPER FEED REGULATING BLOCK		C	1	
21	A03U560500	Regulating Plate /Rear		C	1	
22	55FA40320	COUPLING		C	1	

# Paper Feed Section

TRAY 2

P 67



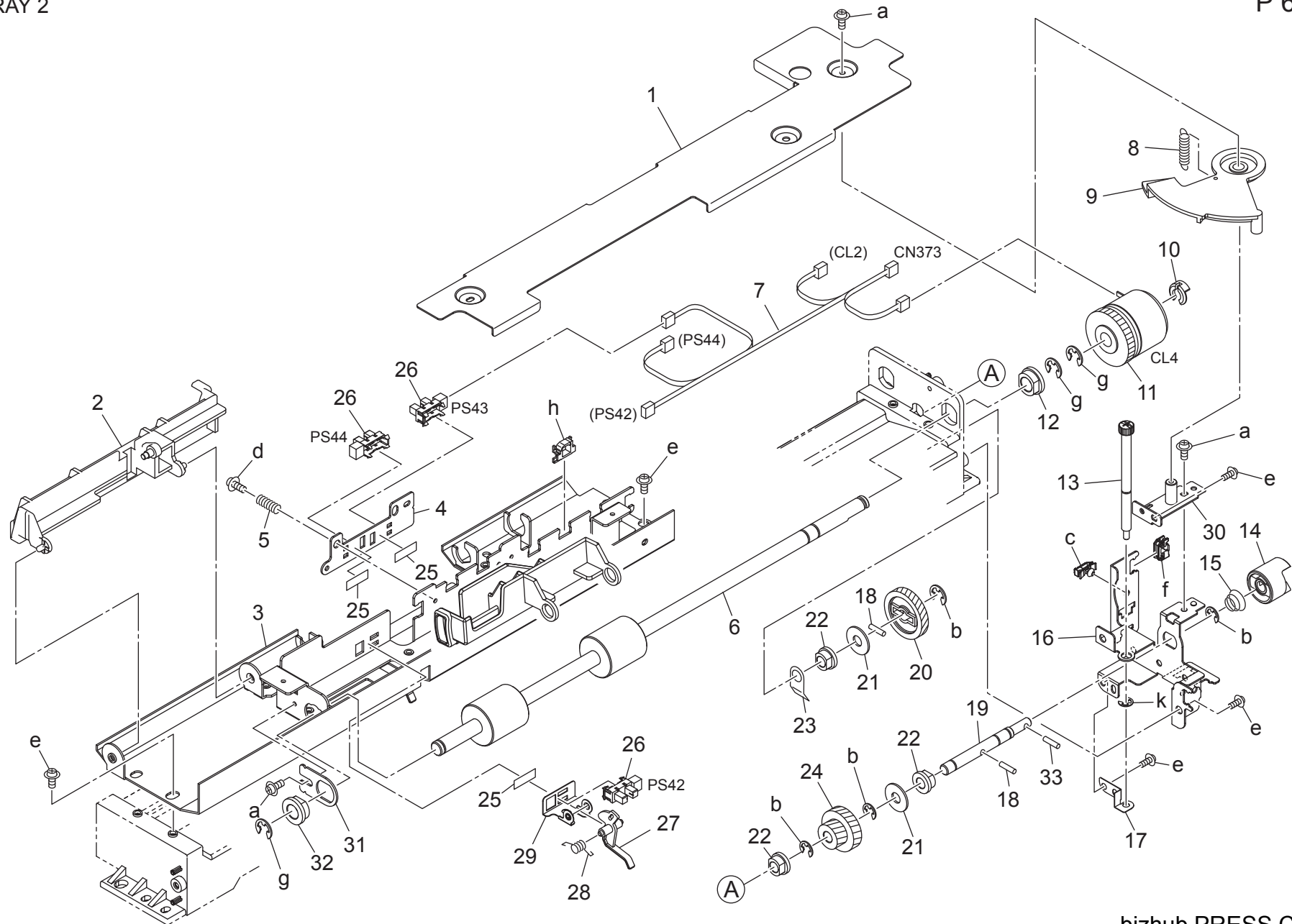
bizhub PRESS C1070P

Key	Part No.	Description	Destinations	Class	QTY	Standard parts
1	A50UR71800	Paper Feed Assy	給紙 A s s y	S	1	a-V217030050
2	A03U850101	Slide Bushing	すべり軸受	C	4	b-V217040050
3	26NA42560	BY PASS FEED DRIVEN ROLLER	手差し従動ローラ	C	2	c-V116030603
4	A1DUR71K00	Paper Feed Driven Shaft Assy	給紙従動軸組	D	1	d-V153030803
5	56AA40481	PAPERFEEDPRESSINGSRING	給紙押圧バネ	C	1	e-V217060050
6	56AA40430	SPRING MOUNTING PLATE 1	バネ取り付け板 / 1	D	1	f-V121030603
7	56AA40010	Paper Feed Main Body	給紙本体	C	1	
8	56AA40440	SPRING MOUNTING PLATE 2	バネ取り付け板 / 2	D	1	
9	57AA40420	MULTI FEED PREVENTING SPRING	重送防止バネ	C	1	
10	56QA40550	MULTI FEED ADJUSTMENT PLATE	重送調整板	D	1	
11	A00J663200	Bushing	すべり軸受	C	4	
12	56QA40080	Multi-feed Preventing Plate	重送防止板	C	1	
13	56QA40250	MULTI FEED SUPPORT SHAFT	重送支点軸	D	1	
14	56AA17510	PIN B	ピン B	C	1	
15	A03X565611	Torque Limiter /A	トルクリミッタ / A	B	1	
16	55VA79030	Paper Feed Reversal Gear /C 14T	給紙逆転歯車 / C 14 T	B	2	
17	26NA42061	BY PASS FEED CONVEYING GEAR 21T	手差し搬送ギア 21 T	B	1	
18	56AA40530	ENTRANCE GUIDE PART	入口ガイド部材	D	1	
19	56AA40540	ENTRANCE GUIDE SHEET	入口ガイドシート	C	1	
20	56QA40270	MULTI FEED REVERSE SHAFT	重送逆転軸	D	1	
21	56AA40360	Reverse Roller	逆転ローラー	C	1	
22	25SA40960	DOUBLE FEED PREVENTION RUBBER	重送防止ゴム	A	1	
23	A1RF620301	Stopper Collar	ストッパカラー	D	1	

# Paper Feed Section

## TRAY 2

P 68



bizhub PRESS C1070P

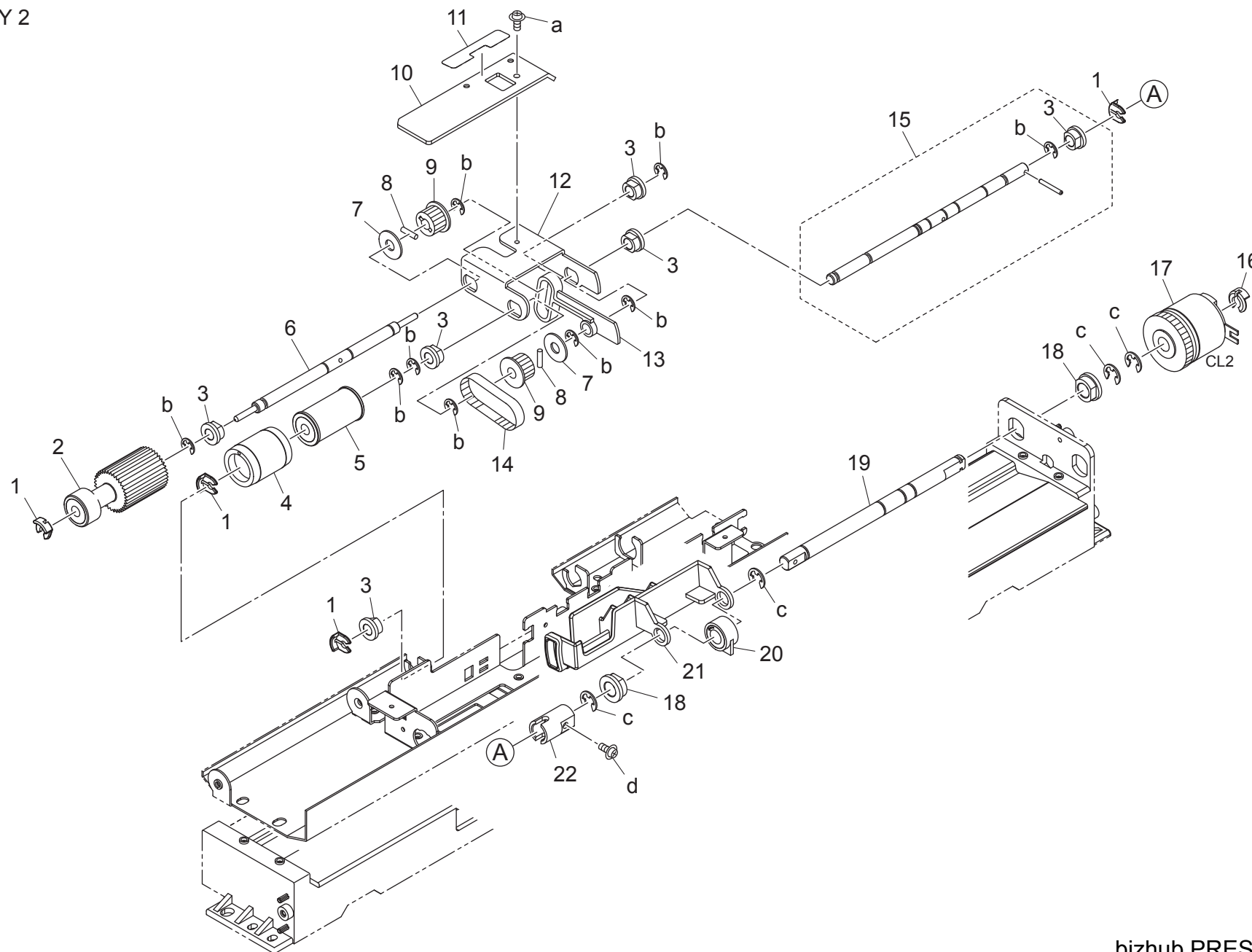


Key	Part No.	Description	Destinations	Class	QTY	Standard parts
1	56AA40100G	Wiring Protection Cover		D	1	a-V121030603
2	65AA40010	Regulating Plate		D	1	b-V217040050
3	56AA40032E	Paper Feed Guide Plate /Upper		C	1	c-V500020099
4	56AA40460	ADJUSTMENT PLATE		D	1	d-V127030603
5	56AA40520	EARTH SPRING		C	1	e-V151030803
6	56AA40230	PAPER FEED REGISTRATION ROLLER		C	1	f-V570010056
7	A50UN14201	Paperfeed Wiring /1		D	1	g-V217060050
8	56AA17121	SEPARATE SPRING UPPER		C	1	h-V570010050
9	56AA40390	CAM PLATE		C	1	k-V217030050
10	55VA42120	SHAFT STOPPER		C	1	
11	56AA82012	PAPER FEED DRIVING CLUTCH		B	1	
12	55VA75540	PAPER FEED SHAFT HOLDER B		B	1	
13	56AA40120	PAPER FEED HOLDING SCREW		C	1	
14	A50U564500	Paper feed Coupling		D	1	
15	A50U565100	Pressing Spring		D	1	
16	A50U560900	Drive Side plate /1		D	1	
17	56AA40470	SCREW EARTH PLATE		C	1	
18	56AA17480	PIN B		C	2	
19	A50U562400	Input Shaft		D	1	
20	56AA77730	PAPER FEED REVERSING GEAR 2 33T		C	1	
21	56AA17760	COLLAR		C	2	
22	A00J663200	Bushing		C	3	
23	56AA40500	SHAFT HOLDER EARTH PLATE		C	1	
24	56AA77720E	Paper Feed Reverse Gear /1 16/22T		C	1	
25	4109553001	STOPPER		C	3	
26	08AA85512	Photo Sensor		B	3	
27	56AA40171	PAPER FEED DETECTING ACTUATOR		C	1	
28	56AA40190	PRESSING SPRING		C	1	
29	56AA40310	MOUNTING PLATE		D	1	
30	A50U561200	Drive Side plate /Assy		D	1	
31	56AA40370	ADJUSTING PLATE		D	1	
32	A03U812800	Slide Shaft Holder		B	1	
33	56AA17471	PIN B 3X12		C	1	

# Paper Feed Section

TRAY 2

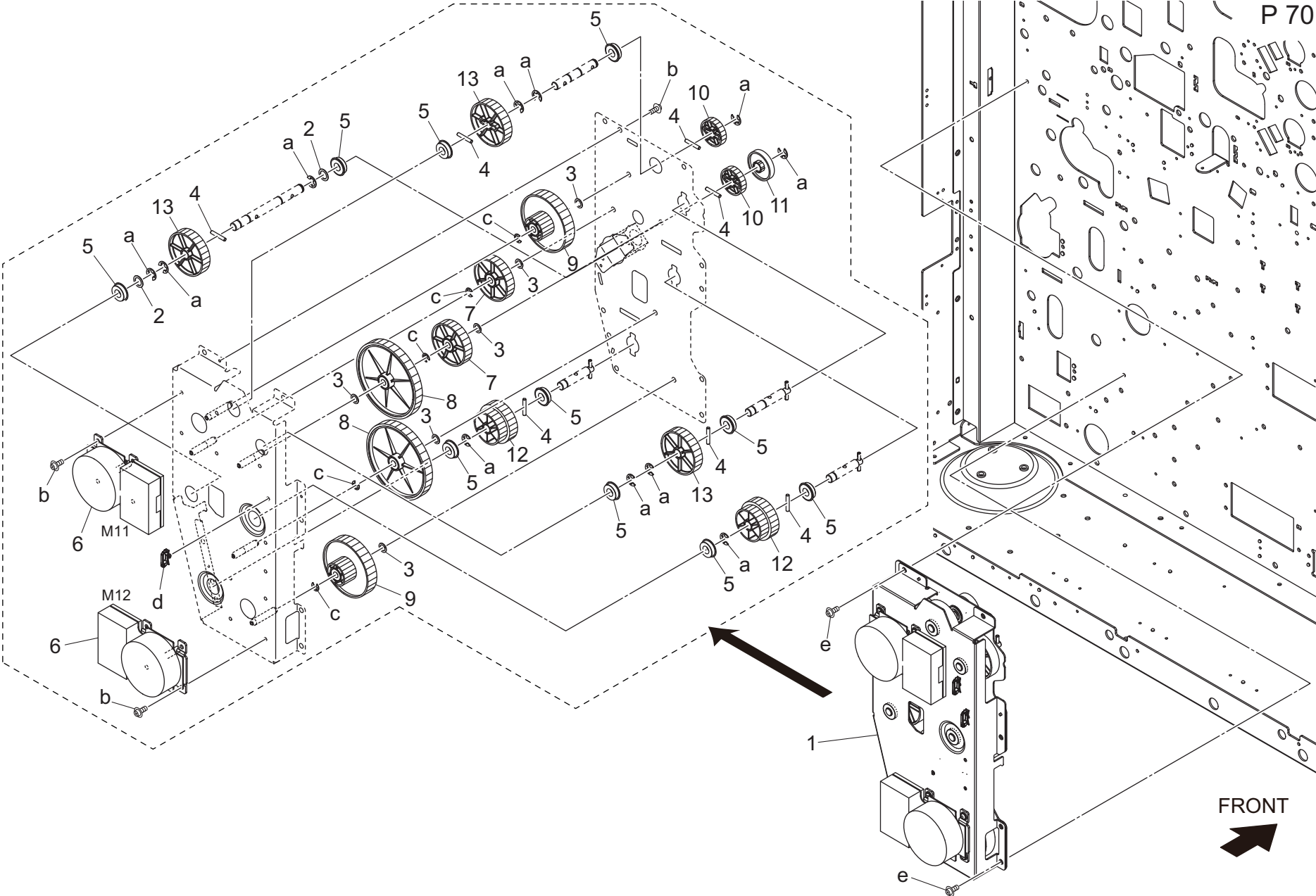
P 69



Key	Part No.	Description	Destinations	Class	QTY	Standard parts
1	56AA40490	SHAFT STOPPER 4		C	4	a-V121030603 b-V217040050 c-V217060050 d-V118030603
2	A1DUR71J00	Paper Feed Oscillate Roller		B	1	
3	A00J663200	Bushing		C	6	
4	25SA40960	DOUBLE FEED PREVENTION RUBBER		A	1	
5	25AA40100	Feeding Roller /B		B	1	
6	A03U560200	Swing Shaft		D	1	
7	56AA17760	COLLAR		C	2	
8	56AA17510	PIN B		C	2	
9	059076510	PULLEY 1 15T		C	2	
10	65AA40080E	Paper feed Auxiliary Plate		D	1	
11	65GE97400	GUIDE LABEL /1		C	1	
12	56AA40070	Paper feed Swing Plate		D	1	
13	56AA40300	PAPER QUANTITY ACTUATOR		C	1	
14	56AA77590	PAPER FEED ROCKING BELT 111L		C	1	
15	A1DUR75200	Paper Feed Feeding Shaft Assy		D	1	
16	55VA42120	SHAFT STOPPER		C	1	
17	56AA82012	PAPER FEED DRIVING CLUTCH		B	1	
18	A03U812800	Slide Shaft Holder		B	2	
19	A03U560300	DRIVE SHAFT		D	1	
20	56AA40380	PAPER FEED REGULATING BLOCK		C	1	
21	A03U560500	Regulating Plate /Rear		C	1	
22	55FA40320	COUPLING		C	1	

# Paper Feed Driving Section

P 70

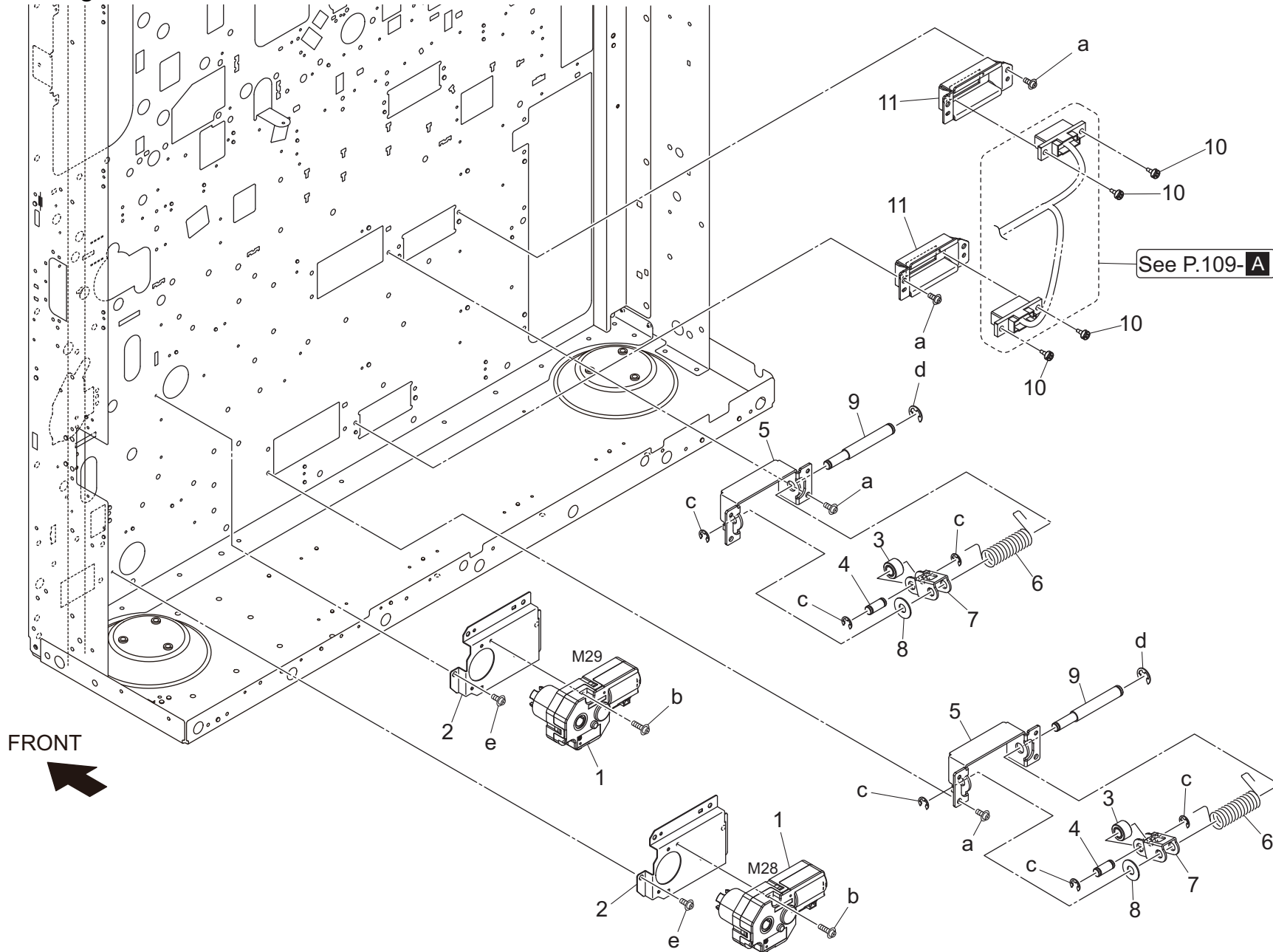


# Paper Feed Driving Section

Key	Part No.	Description	Destinations	Class	QTY	Standard parts
1	A50UR70S00	Paper Feed Drive Assy		S	1	a-V217060050 b-V121030403 c-V217040050 d-V500020100 e-V127030603
2	12QV40650	SPACER		B	2	
3	40AA32320	TONER SUPPLY SPACER		C	6	
4	55VA48500	PARALLEL PIN D3X18		D	7	
5	A00V240600	BALL BEARING		C	10	
6	A2XKM10300	Brushless motor		I	2	
7	A50U252300	Paper feed Gear /3 45T		C	2	
8	A50U252400	Paper feed Gear /4 74T		C	2	
9	A50U252500	Paper feed Gear /5 47/60T		C	2	
10	A50U252600	Paper feed Gear /6 29T		C	2	
11	A50U252800	Stopper Roll		D	1	
12	A50U252700	Paper feed Gear /2 35/41T		C	2	
13	A50U252100	Paper feed Gear /1 46T		C	3	

# Tray Driving Section

P 71



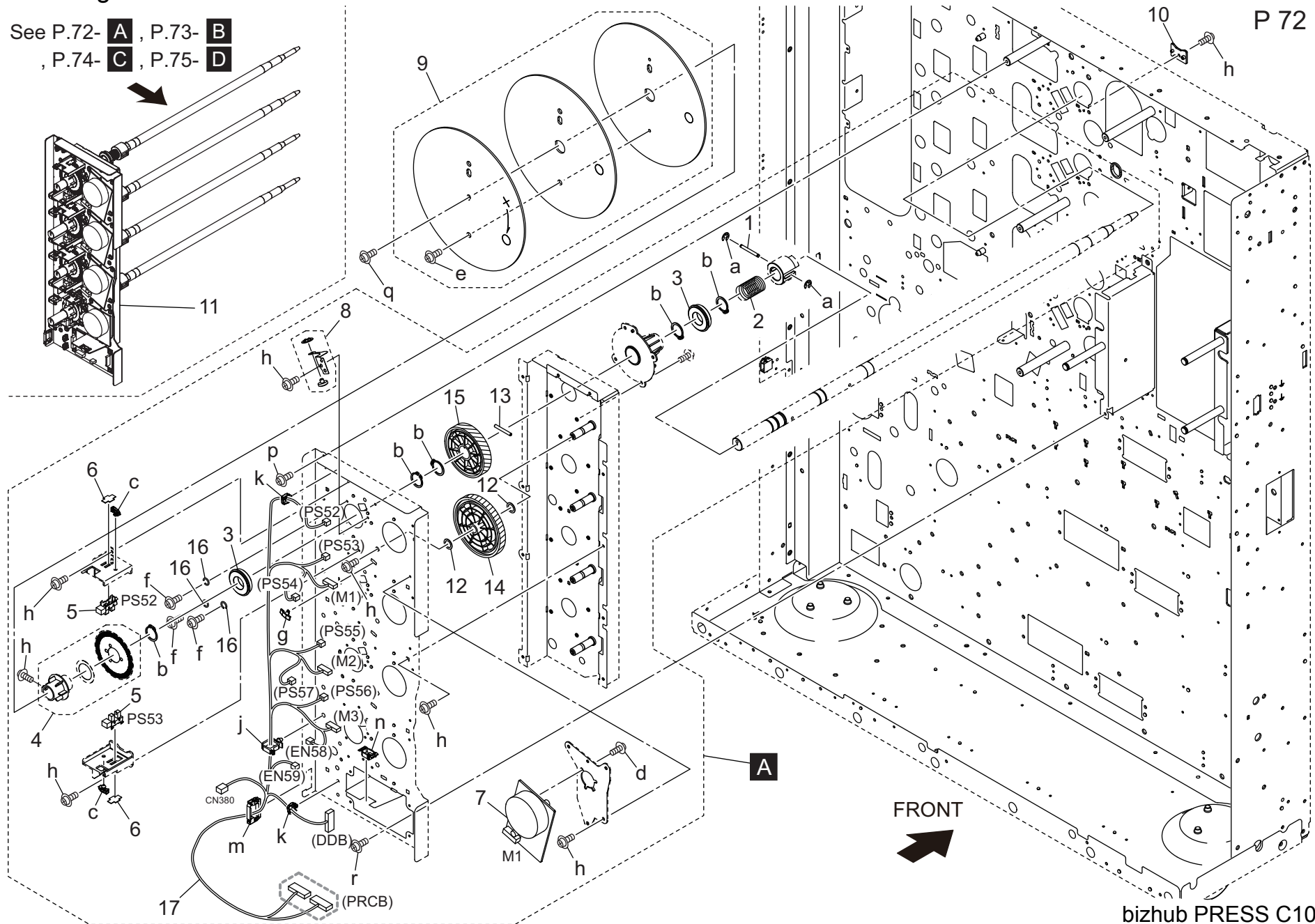
bizhub PRESS C1070P

# Tray Driving Section

Key	Part No.	Description	Destinations	Class	QTY	Standard parts
1	A2X0M12101	Brush motor		C	2	a-V146040804 b-V118032003 c-V217060050 d-V217080050 e-V127030603
2	A50U629100	Mounting Plate		D	2	
3	067642581	TRAY LOCK PULLEY		C	2	
4	65AA47360	CASSETTE LOCKING SHAFT		D	2	
5	65AA47370	FULCRUM PLATE		D	2	
6	65AA47390	GUIDE SPRING		C	2	
7	65AA47710	LOCKING PLATE		D	2	
8	65AA47970	SPACER		C	2	
9	A50U109300	Support Shaft		D	2	
10	A50U109200	Mounting Screw		D	4	
11	A50U112900	Mounting Tray		D	2	

# Drum Driving Section

See P.72- **A** , P.73- **B**  
 , P.74- **C** , P.75- **D**



P 72

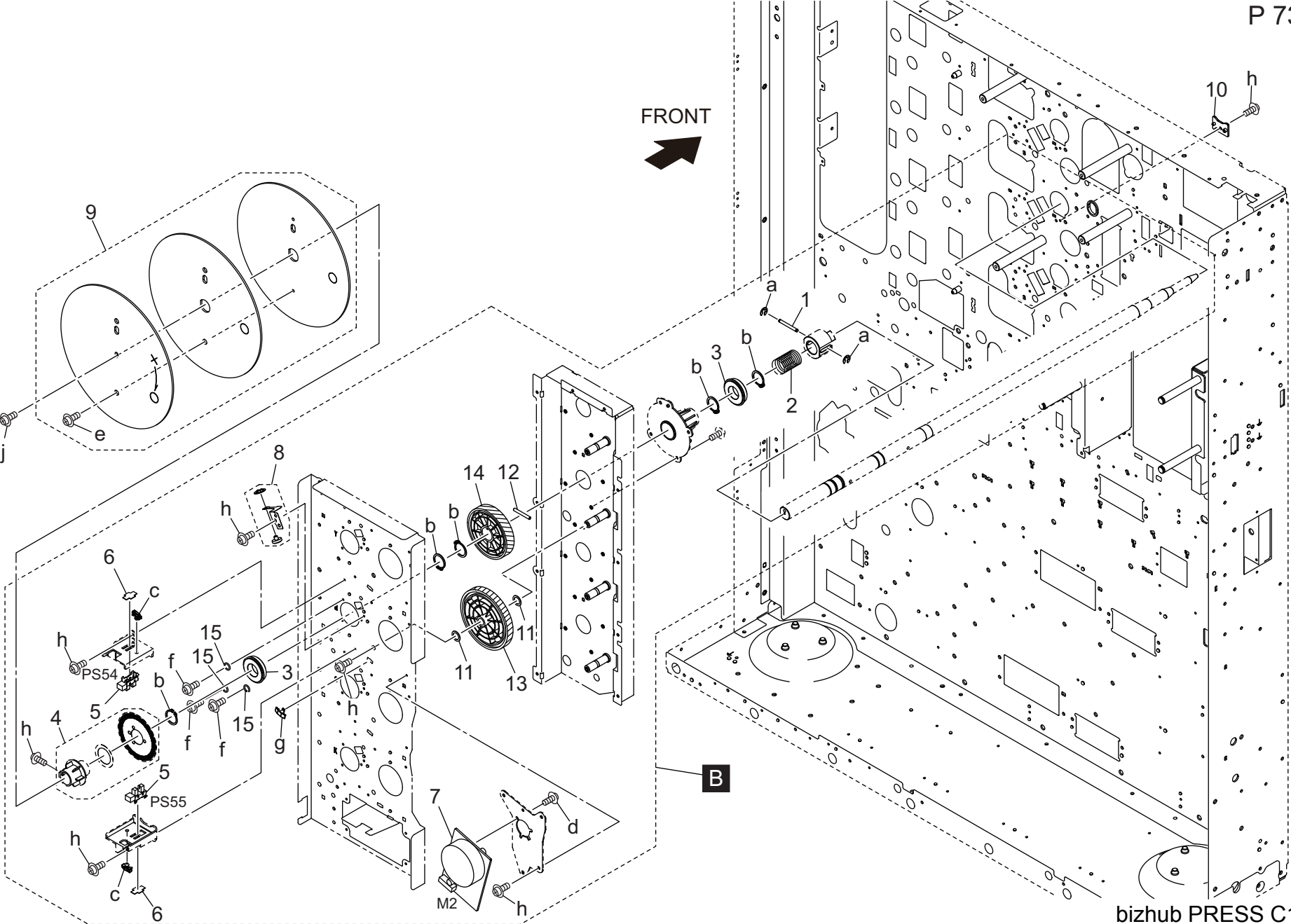
FRONT

bizhub PRESS C1070P



Key	Part No.	Description	Destinations	Class	QTY	Standard parts
1	65AA15210	COUPLING PIN		D	1	a-V217020050
2	A50U210600	Pressing Spring		D	1	b-V223150050
3	A50U212600	Ball Bearing /15		C	2	c-V500020099
4	A50UR71K00	Encoder / YMC		D	1	d-V118030403
5	08AA85512	Photo Sensor		B	2	e-V116040803
6	4470402401	STOPPER		D	2	f-V118030603
7	A50UM10201	DC Brushless motor /20		C	1	g-V500020103
8	A50UR72X01	Drum Ground Assy		D	1	h-V127030603
9	A50UF21100	Drum Drive Fly Wheel / Y M C		D	1	j-V500010007
10	A50U212100	Slide Part		D	1	k-V500020098
11	A50UR70N00	Drum Drive		S	1	m-V570010059
12	12QV40650	SPACER		B	2	n-V570010063
13	56AA17490	PIN		C	1	p-V127040603
14	A03U259600	Idling Gear 46/132T		C	1	q-V185041003
15	A03U259900	DRIVE GEAR 92T		C	1	r-V127040803
16	A1RF214100	Set Washer /1		D	3	
17	A50UN19003	Drive harness /1		D	1	

# Drum Driving Section



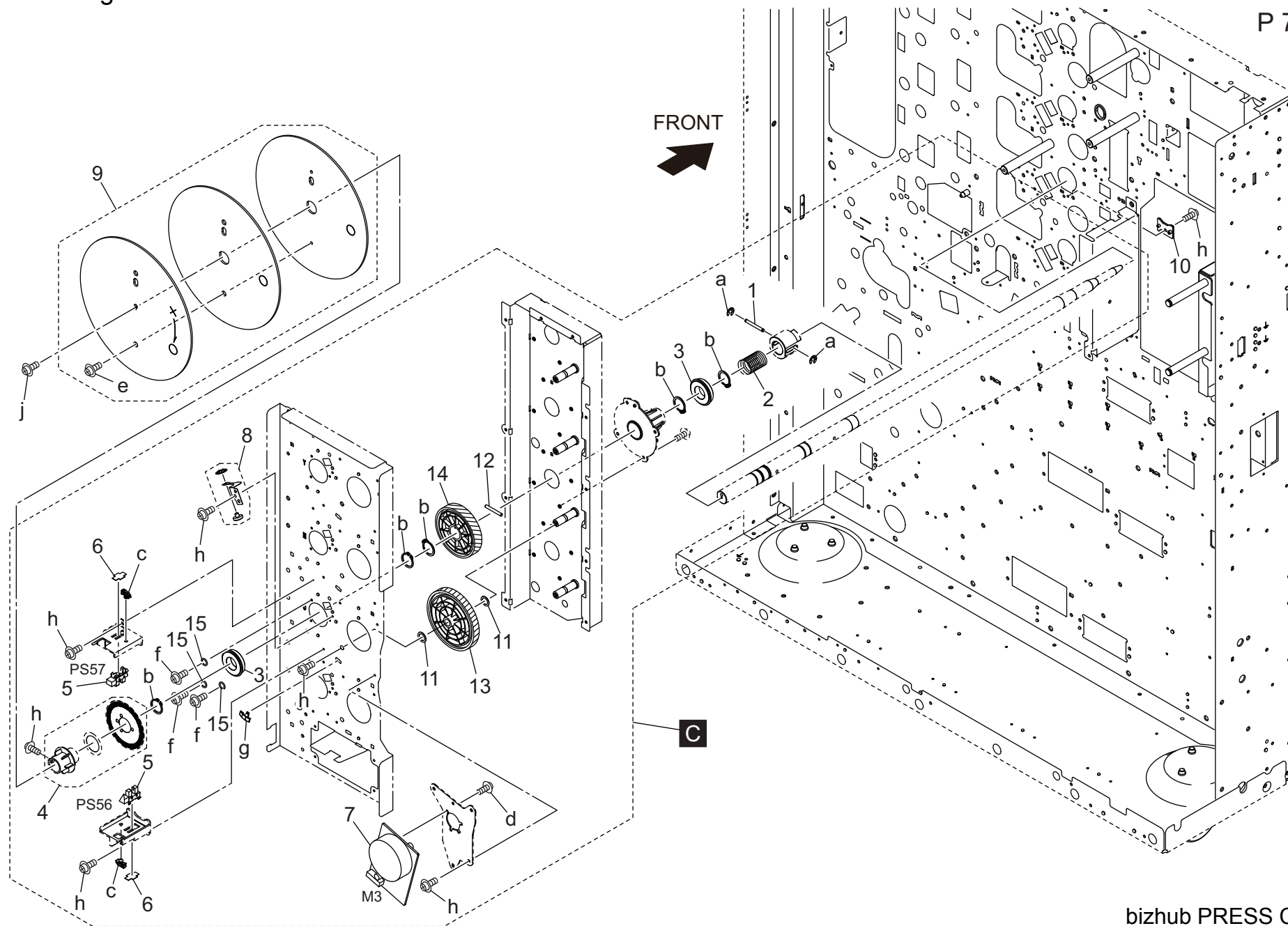
bizhub PRESS C1070P

# Drum Driving Section

Key	Part No.	Description	Destinations	Class	QTY	Standard parts
1	65AA15210	COUPLING PIN		D	1	a-V217020050
2	A50U210600	Pressing Spring		D	1	b-V223150050
3	A50U212600	Ball Bearing /15		C	2	c-V500020099
4	A50UR71K00	Encoder / YMC		D	1	d-V118030403
5	08AA85512	Photo Sensor		B	2	e-V116040803
6	4470402401	STOPPER		D	2	f-V118030603
7	A50UM10201	DC Brushless motor /20		C	1	g-V500020103
8	A50UR72X01	Drum Ground Assy		D	1	h-V127030603
9	A50UF21100	Drum Drive Fly Wheel / Y M C		D	1	j-V185041003
10	A50U212100	Slide Part		D	1	
11	12QV40650	SPACER		B	2	
12	56AA17490	PIN		C	1	
13	A03U259600	Idling Gear 46/132T		C	1	
14	A03U259900	DRIVE GEAR 92T		C	1	
15	A1RF214100	Set Washer /1		D	3	

# Drum Driving Section

P 74



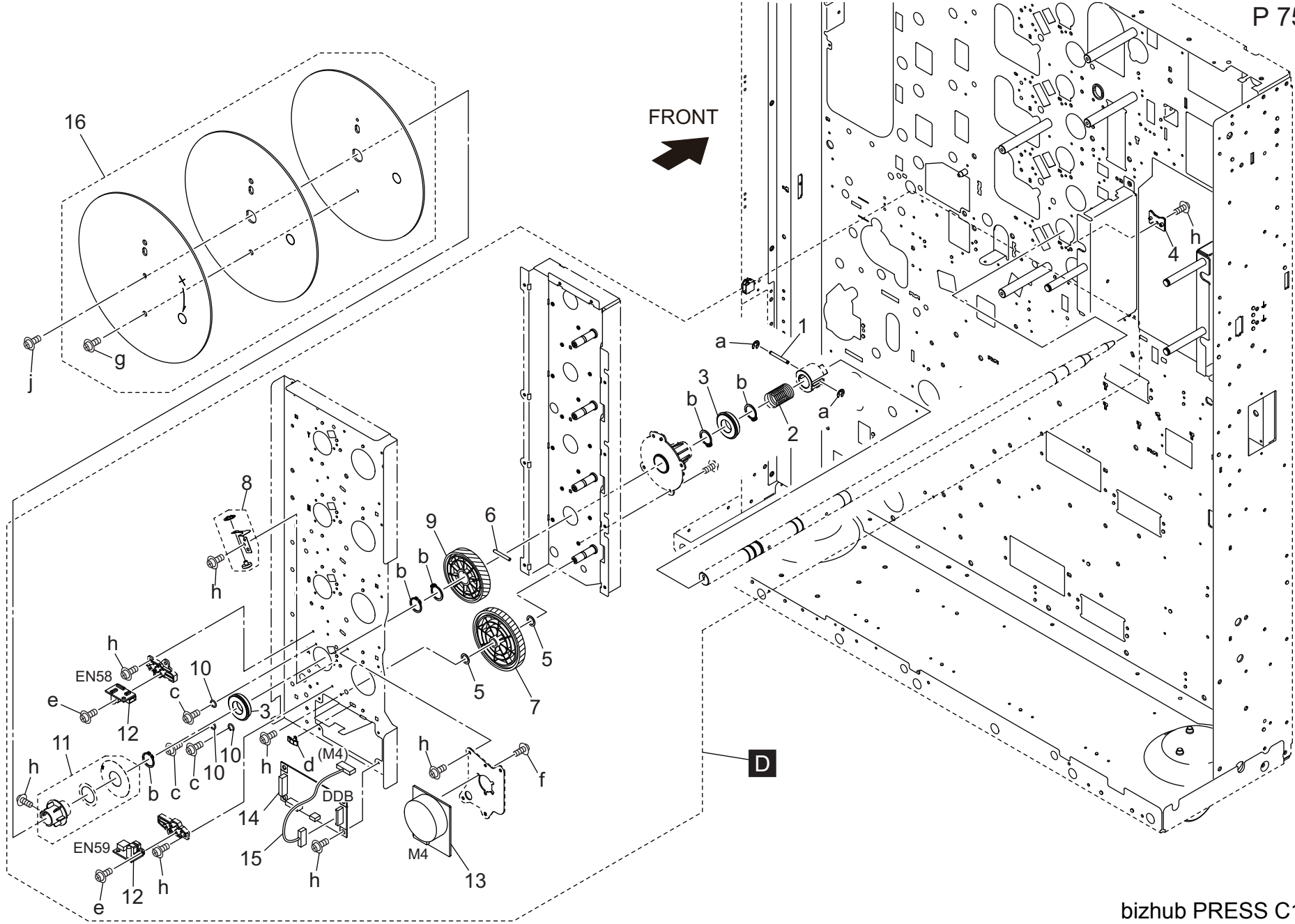
bizhub PRESS C1070P

## Drum Driving Section

Key	Part No.	Description	Destinations	Class	QTY	Standard parts
1	65AA15210	COUPLING PIN		D	1	a-V217020050
2	A50U210600	Pressing Spring		D	1	b-V223150050
3	A50U212600	Ball Bearing /15		C	2	c-V500020099
4	A50UR71K00	Encoder / YMC		D	1	d-V118030403
5	08AA85512	Photo Sensor		B	2	e-V116040803
6	4470402401	STOPPER		D	2	f-V118030603
7	A50UM10201	DC Brushless motor /20		C	1	g-V500020103
8	A50UR72X01	Drum Ground Assy		D	1	h-V127030603
9	A50UF21100	Drum Drive Fly Wheel / Y M C		D	1	j-V185041003
10	A50U212100	Slide Part		D	1	
11	12QV40650	SPACER		B	2	
12	56AA17490	PIN		C	1	
13	A03U259600	Idling Gear 46/132T		C	1	
14	A03U259900	DRIVE GEAR 92T		C	1	
15	A1RF214100	Set Washer /1		D	3	

# Drum Driving Section

P 75



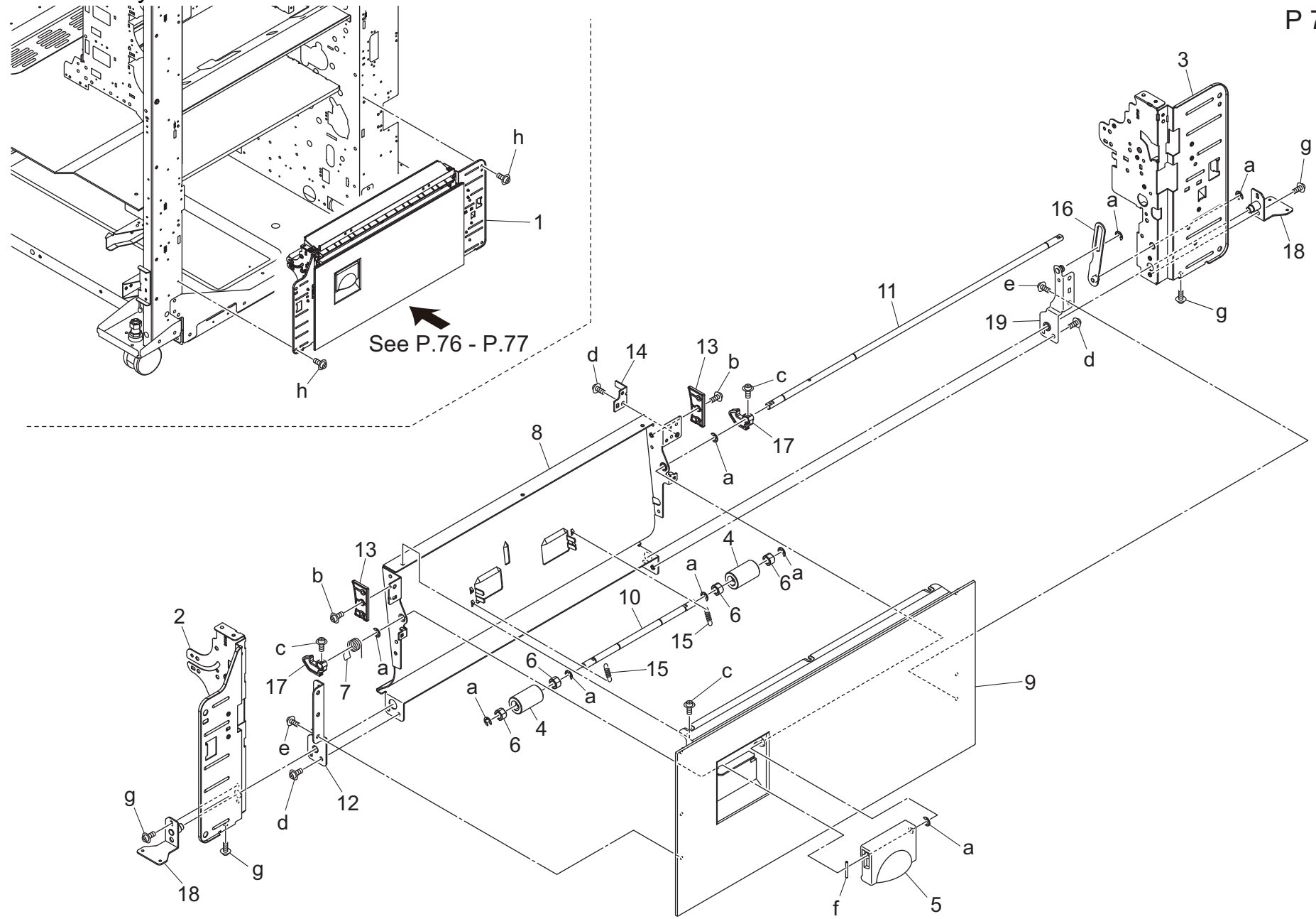
bizhub PRESS C1070P

# Drum Driving Section

Key	Part No.	Description	Destinations	Class	QTY	Standard parts
1	65AA15210	COUPLING PIN		D	1	a-V217020050 b-V223150050 c-V118030603 d-V500020103 e-V149020603 f-V118030403 g-V116040803 h-V127030603 j-V185041003
2	A50U210600	Pressing Spring		D	1	
3	A50U212600	Ball Bearing /15		C	2	
4	A50U212100	Slide Part		D	1	
5	12QV40650	SPACER		B	2	
6	56AA17490	PIN		C	1	
7	A03U259600	Idling Gear 46/132T		C	1	
8	A50UR72X01	Drum Ground Assy		D	1	
9	A03U259900	DRIVE GEAR 92T		C	1	
10	A1RF214100	Set Washer /1		D	3	
11	A50UR71M00	Encoder / K		D	1	
12	65AA-9091E	Sensor Board Assy		B	2	
13	A50UM10100	DC Brushless motor		C	1	
14	A50UH06001	Drum Drive Board Assy		I	1	
15	A50UN19101	Drive harness /K		D	1	
16	A50UR70Q00	Drum Drive Fly Wheel / K		D	1	

# Vertical Conveyance Section

P 76



See P.76 - P.77

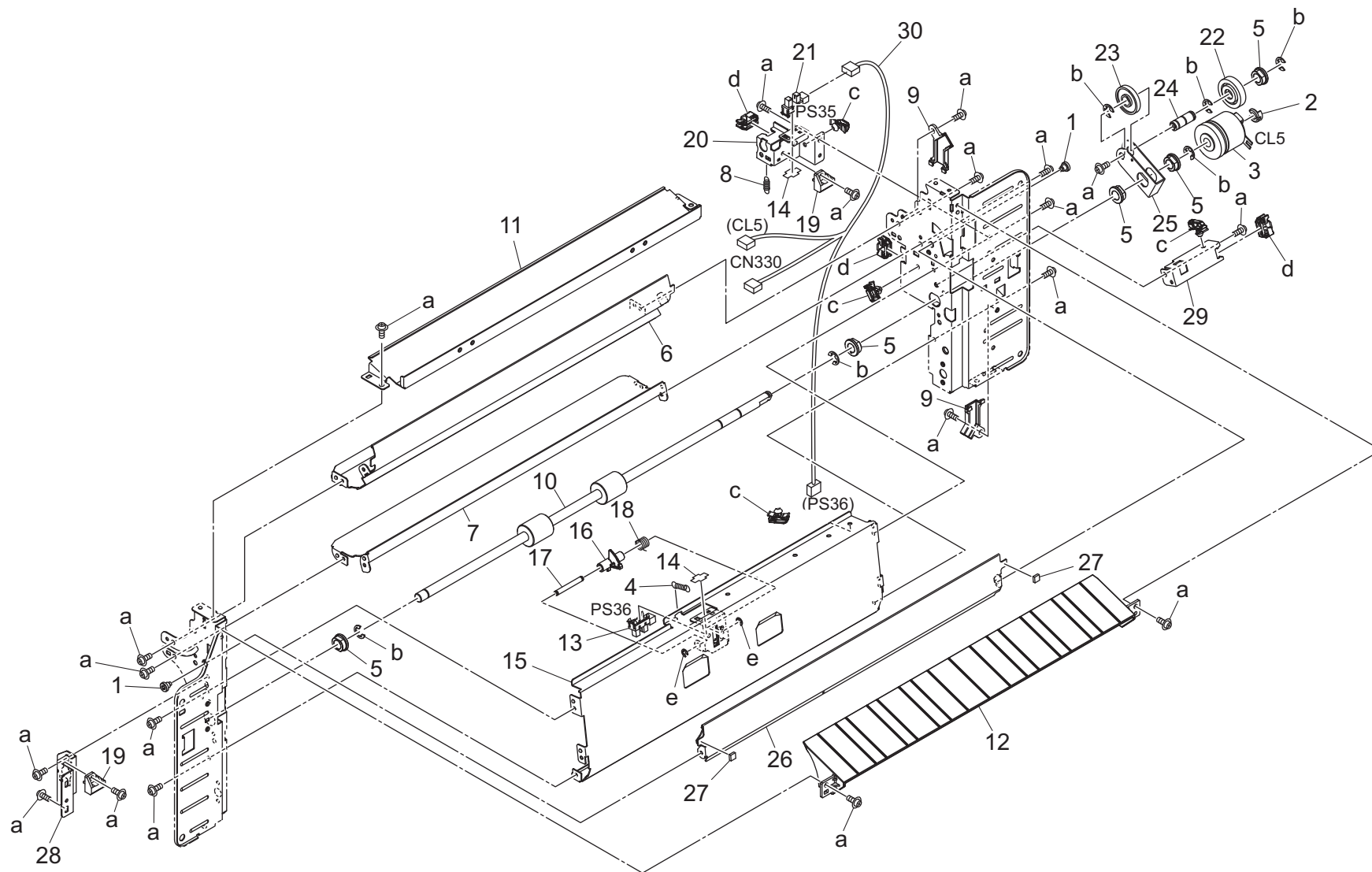


Vertical Conveyance Section

Key	Part No.	Description	Destinations	Class	QTY	Standard parts
1	A50UR71B00	Vertical Conveyance Assy		S	1	a-V217040050
2	A50U700901	Side plate /1		D	1	b-V112030603
3	A50U701102	Side plate /2		D	1	c-V118030603
4	26NA42560	BY PASS FEED DRIVEN ROLLER		C	2	d-V127030603
5	A03U700202	Conveyance Handle		C	1	e-V158030803
6	A03U850101	Slide Bushing		C	4	f-V237201850
7	A1RF701700	Lock Spring /Front		D	1	g-V121030403
8	A50U700101	Guide Plate Outside		D	1	h-V127040603
9	A50U701303	Cover Door		D	1	
10	A50U705100	Idler Shaft		D	1	
11	A50U705200	Open/close Shaft		D	1	
12	A50U705700	Support Plate /3		D	1	
13	A50U706000	Regulating Plate /Front		D	2	
14	A50U706900	Detecting Plate		D	1	
15	A50U707600	Idler Spring		D	2	
16	A50UF70900	Connecting Plate Caulking		D	1	
17	A55C712000	Lock Claw		D	2	
18	A50UF70800	Support Plate / 1 Caulking		D	2	
19	A50UR73100	Support Plate /2 Caulking		D	1	

# Vertical Conveyance Section

P 77

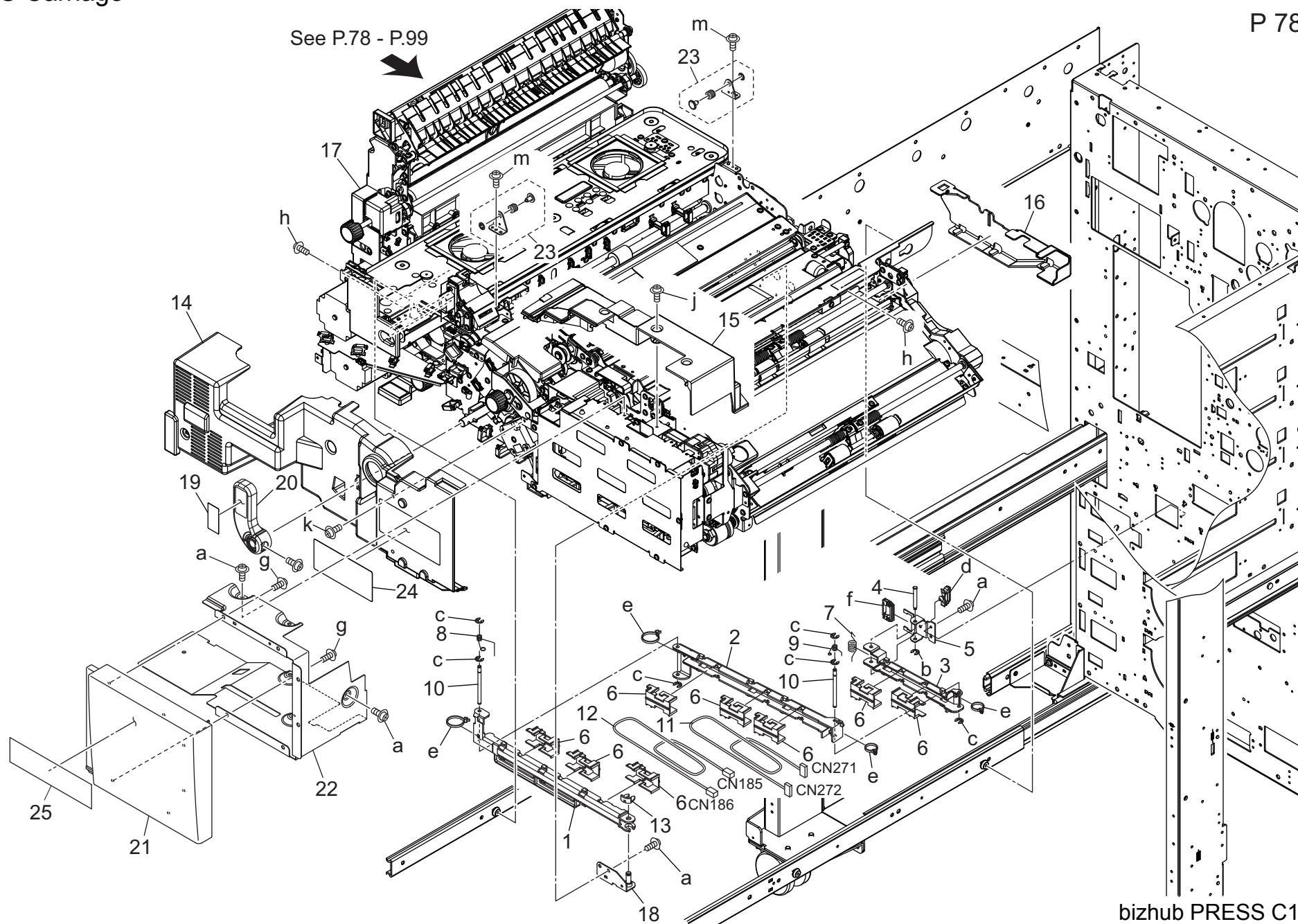


Key	Part No.	Description	Destinations	Class	QTY	Standard parts
1	55VA20680	SEPARATION POSITIONING SCREW	分離位置決めネジ	C	2	a-V127030603 b-V217060050 c-V500020099 d-V570010056 e-V217030050
2	55VA42120	SHAFT STOPPER	軸ストッパー	C	1	
3	56AA82012	PAPER FEED DRIVING CLUTCH	給紙駆動クラッチ	B	1	
4	65AA44440	OPEN SHUT SPRING	開閉バネ	C	1	
5	A03U812800	Slide Shaft Holder	すべり軸受	B	5	
6	A50U700300	Guide Plate /Upper	ガイド板／上	D	1	
7	A50U700500	Guide Plate /Inside	ガイド板／内	D	1	
8	A50U700600	Positioning Spring	位置決めばね	D	1	
9	A50U701000	Support Plate	支持板	D	2	
10	A50U704400	Conveyance Roller /1	搬送ローラ／1	C	1	
11	A50U704801	Guide Plate /2	ガイド板／2	D	1	
12	A50U707300	Guide Plate	ガイド板	D	1	
13	08AA85512	Photo Sensor	フォトセンサ	B	1	
14	4470402401	STOPPER	ストッパ	D	2	
15	A50U704700	Guide Plate /Middle	ガイド板／中	D	1	
16	A50U705500	Detection Actuator	検知アクチュエータ	D	1	
17	A50U705600	Support Shaft	支点軸	D	1	
18	A50U707400	Pressing Spring /1	押圧ばね／1	D	1	
19	65AA44200	LOCKING PLATE	ロック板	C	2	
20	A50U705000	Mounting Plate /Rear	取付板／奥	D	1	
21	A50UM51000	Photointerrupter	透過型センサ	C	1	
22	25AA77730	CONVEYANCE IDLER RIGHT 24T	搬送アイドル 右 24 T	C	1	
23	65AA44350	STOPPER ROLLER	突き当てコロ	C	1	
24	A50U700200	Idling Shaft	アイドル軸	D	1	
25	A50U700400	Rotation Plate	回転板	D	1	
26	A50U704900	Open/shut Plate	開閉板	D	1	
27	A50U706800	Cushion	クッション	D	2	
28	A50U705400	Fixing Plate /1	固定板／1	D	1	
29	A50U707001	Lock Plate	ロック板	D	1	
30	A50UN14400	Conveyance Wiring /1	搬送束線／1	D	1	

# ADU Carriage

See P.78 - P.99

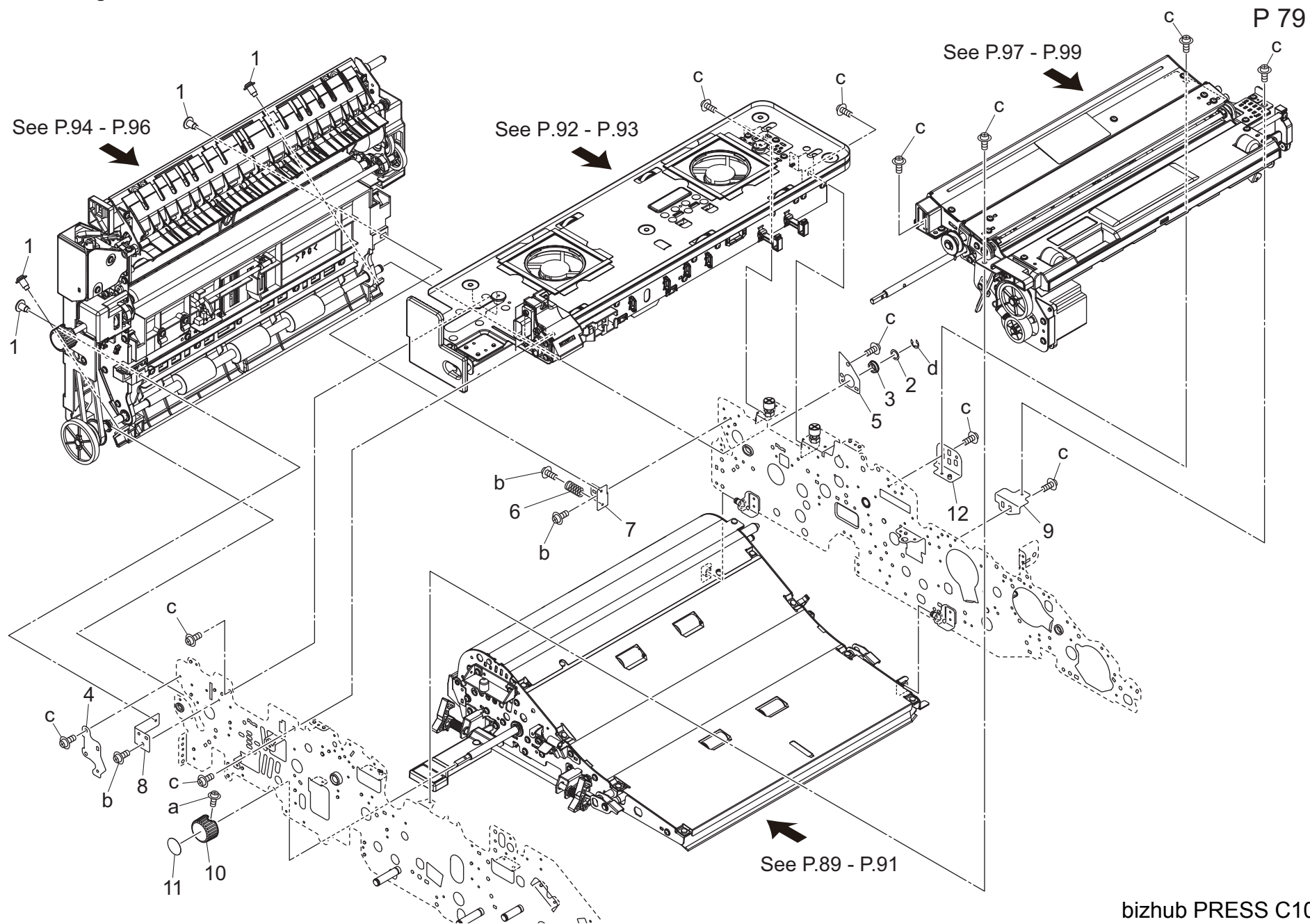
P 78



bizhub PRESS C1070P

Key	Part No.	Description	Destinations	Class	QTY	Standard parts
1	A50U818700	Wiring Guide /Front		D	1	a-V127030603
2	A50U818800	Wiring Guide /Middle		D	1	b-V217020050
3	A50U818900	Wiring Guide /Rear		D	1	c-V217030050
4	A50U819201	Support Shaft /Rear		D	1	d-V500020100
5	A50U819302	Support Plate /Rear		D	1	e-V501010002
6	A50U832901	Wiring Cover		D	8	f-V570010059
7	A50U835001	Torsion Coil spring		D	1	g-V151030803
8	A50U858300	Ground Spring /2		D	1	h-V118040603
9	A50U858400	Ground Spring /1		D	1	j-V127030604
10	A50U858500	Support Shaft /Middle		D	2	k-V127030804
11	A50UN15500	ADU Relay harness /3	ADU 中継束線 / 3	D	1	m-V121030403
12	A50UN18700	ADU Relay harness /6	ADU 中継束線 / 6	D	1	
13	56AA40490	SHAFT STOPPER 4	軸ストッパ 4	C	1	
14	A50U837001	Cover Part /1	カバー材 / 1	D	1	
15	A50U837101	Cover Part /2	カバー材 / 2	D	1	
16	A50U858200	Cover Cover	カバー蓋	D	1	
17	A50UR71D00	ADU Carriage	ADU 架台	G	1	
18	A50UR72S00	Support Plate / Front Caulking	支点板 / 前カシメ	D	1	
19	A1RF943100	Release Label /1	解除ラベル / 1	D	1	
20	A50U855702	Pulling Lever	引張りレバー (ADU 架台)	D	1	
21	A50U160401	Duplex Cover	両面カバー	D	1	
22	A50U837300	Cover Part /3	カバー材 / 3	D	1	
23	A50UR70G01	2nd Transfer Earth Plate Assy	2次転写アース板 Assy	B	2	
24	A50U944200	Processing Label /1	処理ラベル / 1	D	1	
25	A57P947000	Indicating Label (PRESS C1070P)	表示ラベル (PRESS C1070P)	D	1	

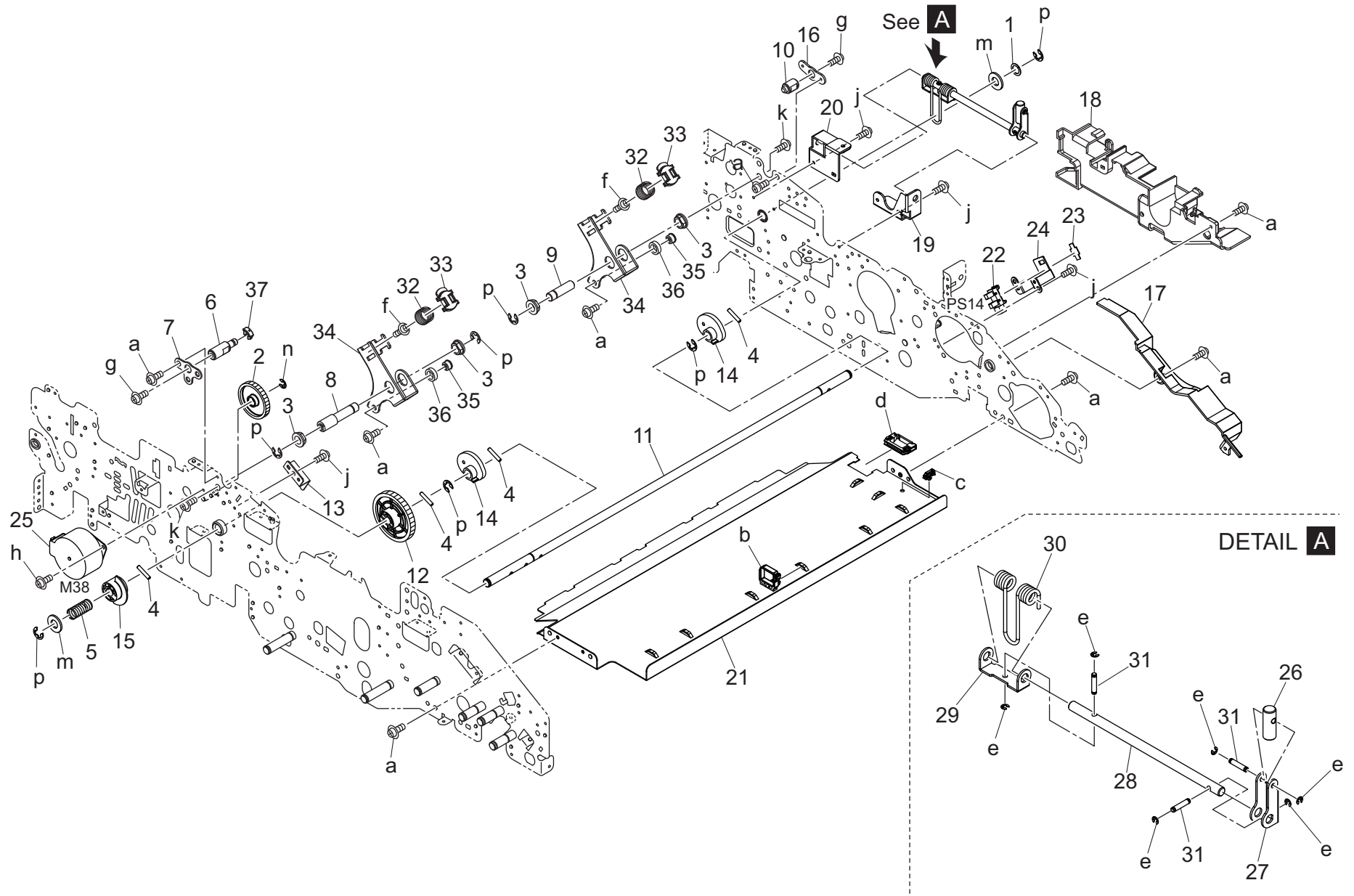
# ADU Carriage



P 79

bizhub PRESS C1070P

Key	Part No.	Description	Destinations	Class	QTY	Standard parts
1	26NA54230	TERMINAL FIXING SCREW		C	4	a-V118030603 b-V121030403 c-V127030603 d-V217060050
2	56AA42690	BY PASS FEED SPACER		C	1	
3	A00J617900	Ball Bearing		B	1	
4	A50U819500	Connecting Plate		D	1	
5	A50U839900	Connecting Plate		D	1	
6	A50U842900	Conveyance Spring /5		D	1	
7	A50U882701	Reverse/Exit Joint /Rear		D	1	
8	A50U882801	Reverse/Exit Joint /Front		D	1	
9	A50U884202	Registration Base frame /2		D	1	
10	14GE45470	Rotation Knob		C	1	
11	A1RF944100	Release Label /11		D	1	
12	A50UF83702	Registration Base Frame / 1 Caulking		D	1	



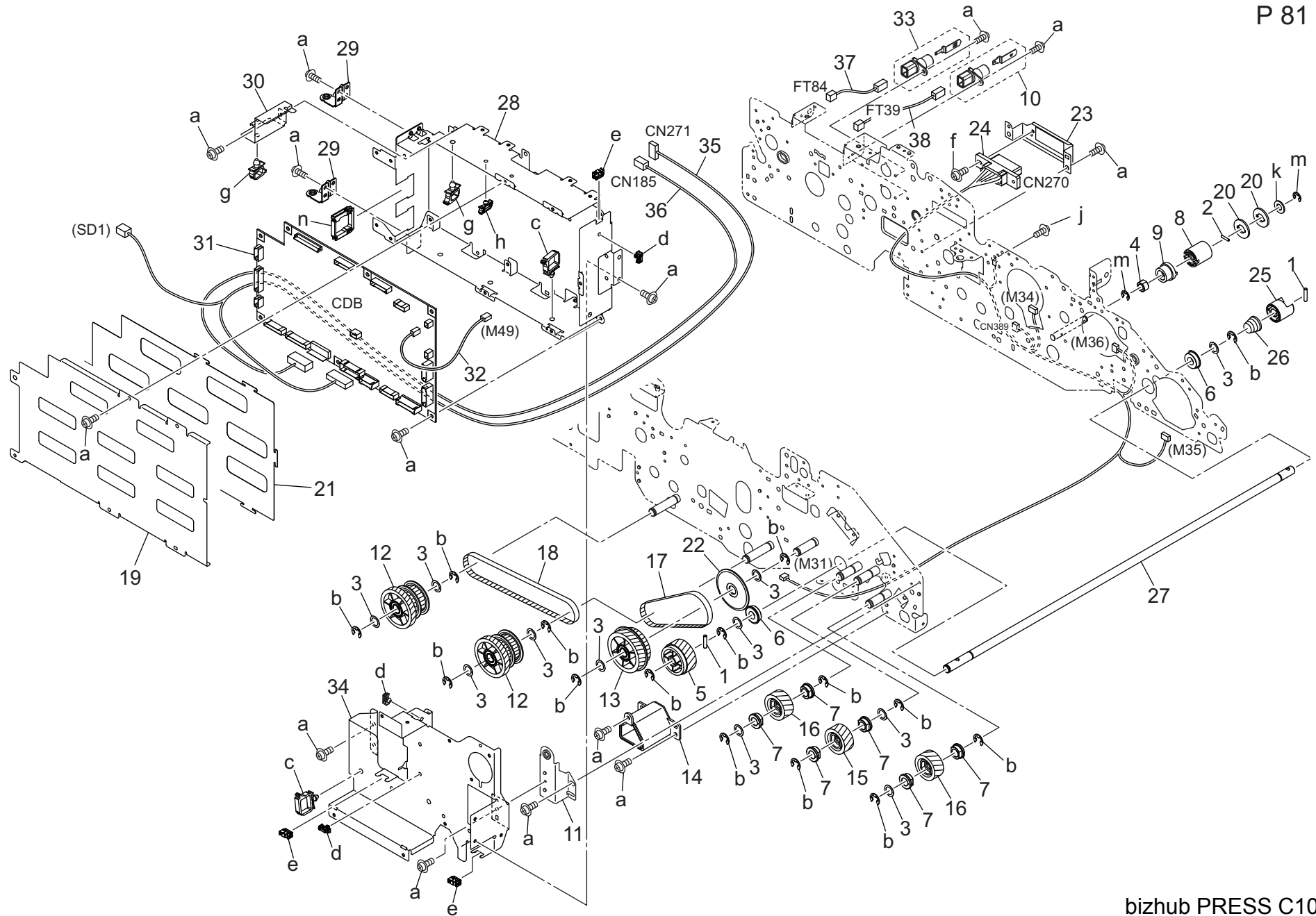
bizhub PRESS C1070P



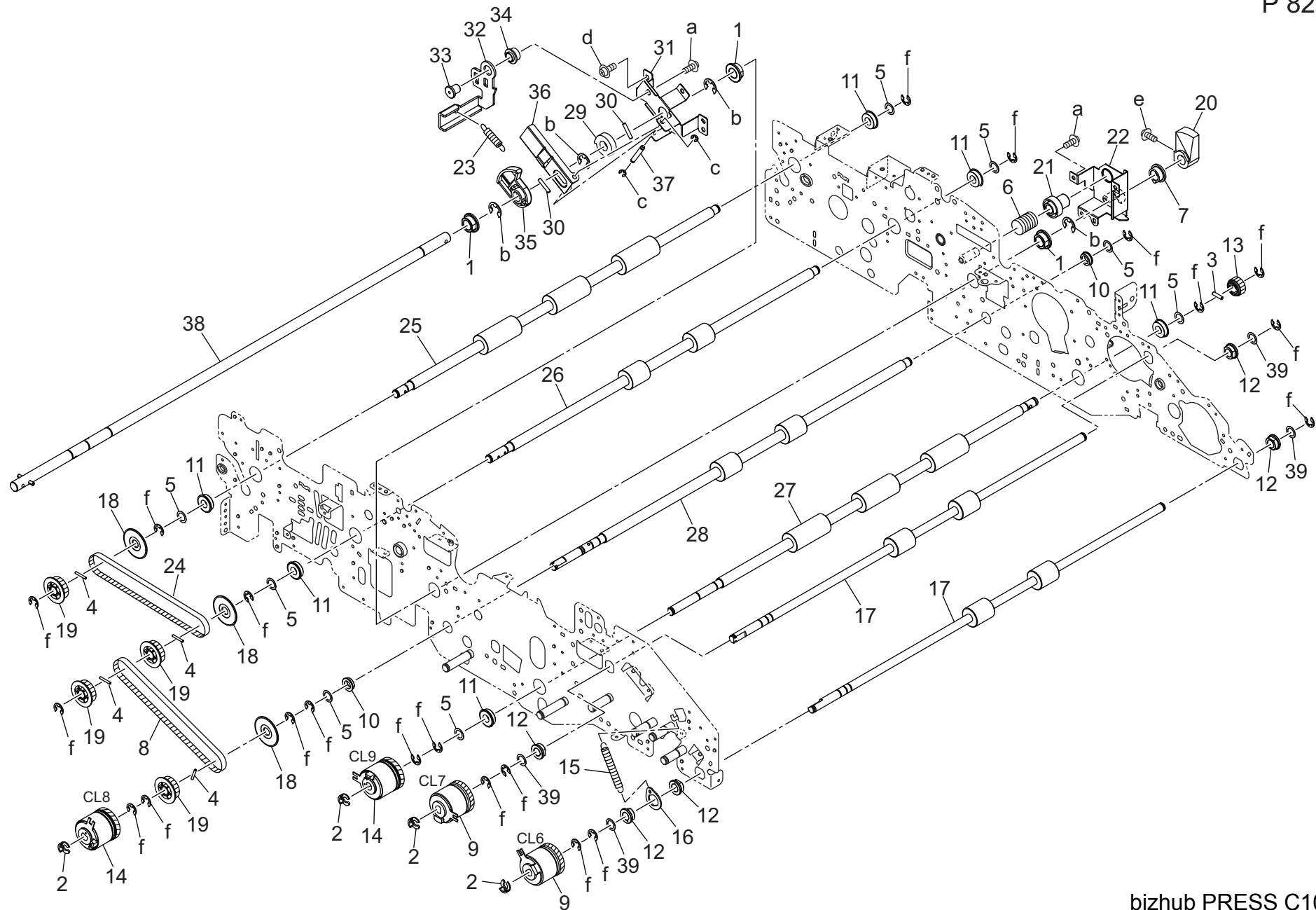
Key	Part No.	Description	Destinations	Class	QTY	Standard parts
1	12QV40650	SPACER		B	1	a-V127030603
2	40AA77550	Mirror Drive Gear /2 14/70T		C	1	b-V500010079
3	4131353202	BUSHING		C	4	c-V500020099
4	56AA17461	PIN A		B	4	d-V570010059
5	65AA45230	CAM PULLING SPRING		C	1	e-V217020050
6	A50U520601	Support Shaft /Front		D	1	f-V121040403
7	A50U520700	Adjusting Plate /Front		D	1	g-V116050803
8	A50U521101	Pressing Shaft /Front		D	1	h-V118030403
9	A50U521200	Pressing Shaft /Rear		D	1	j-V121030403
10	A50U521301	Support Shaft /Rear		D	1	k-V127040803
11	A50U521500	Drive Shaft		D	1	m-V207080003
12	A50U521900	Pressure Gear /3 47T		C	1	n-V217040050
13	A50U522400	Holding Plate		D	1	p-V217060050
14	A50U522500	Transfer Cam		D	2	
15	A50U524500	Transfer Actuator		D	1	
16	A50U524600	Adjusting Plate /Rear		D	1	
17	A50U834802	Cover Side plate /Right rear		D	1	
18	A50U858101	Cover Box		D	1	
19	A50U884600	Support Plate /1		D	1	
20	A50U884700	Support Plate /2		D	1	
21	A50U817001	Reinforce Stay /Lower		D	1	
22	08AA85512	Photo Sensor		B	1	
23	4470402401	STOPPER		D	1	
24	A50U855800	Drive Side plate /2		D	1	
25	A50UR72C00	Drive Motor / 1 Assy		C	1	
26	A50U522900	Rotation Shaft		D	1	
27	A50U523001	Release Arm		D	1	
28	A50U523100	Support Shaft		D	1	
29	A50U523200	Rotation Cover		D	1	
30	A50U523400	Torsion Coil spring		D	1	
31	A50U524700	Support Shaft		D	3	
32	A50U520401	Pressing Spring		D	2	
33	A50U520900	Pressing Cover		D	2	
34	A50U522001	Rotation Arm		D	2	
35	A50U524100	Receiving Shaft		D	2	
36	A50U716500	Ball Bearing		C	2	
37	56AA40490	SHAFT STOPPER 4		C	1	

# ADU Duplex Section

P 81



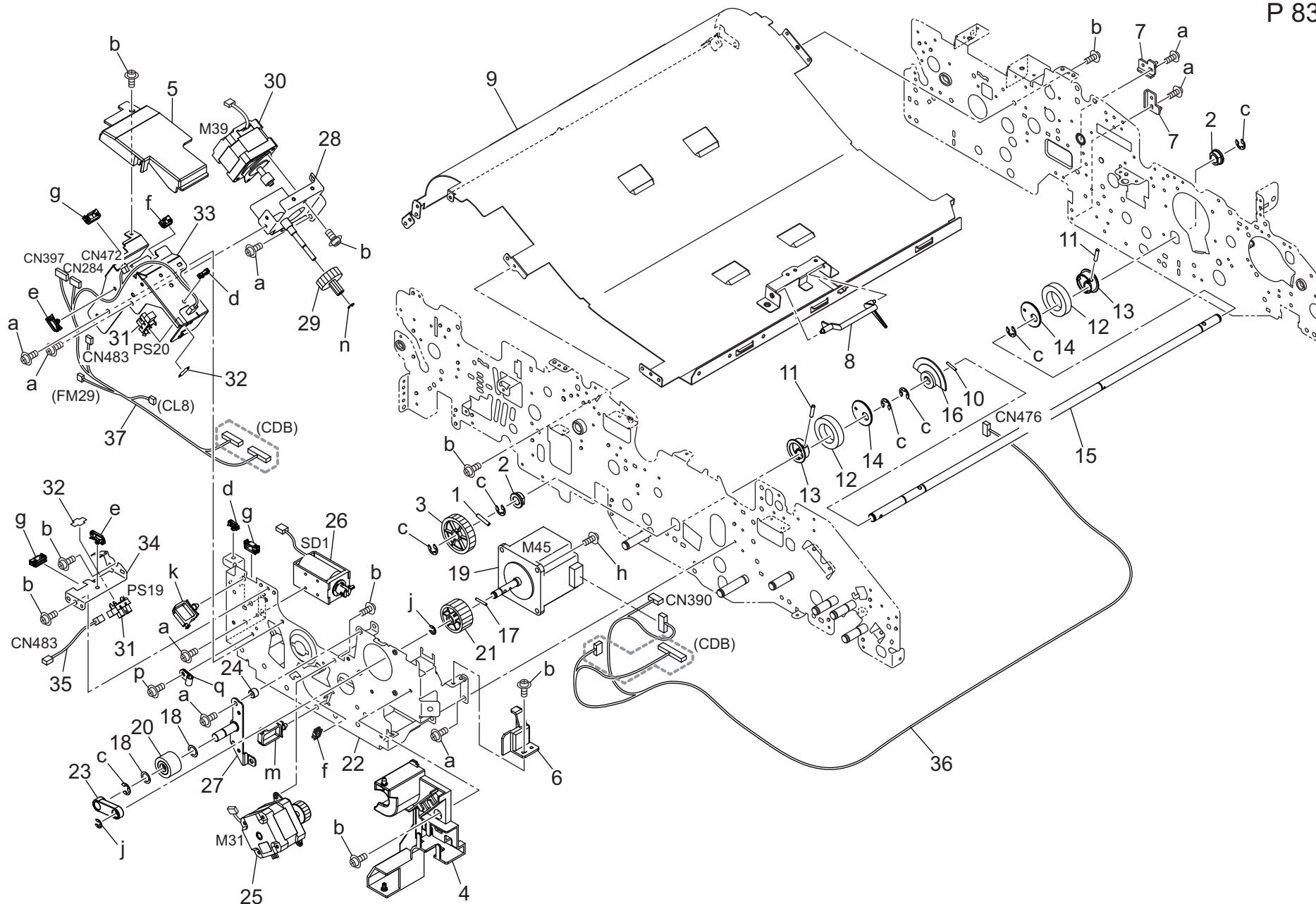
Key	Part No.	Description	Destinations	Class	QTY	Standard parts
1	56AA17480	PIN B	ピン B	C	2	a-V127030603
2	56AA17531	PIN A D2X10	ピン A D 2 X 1 0	C	1	b-V217060050
3	56AA42690	BY PASS FEED SPACER	手差しスペーサー	C	11	c-V500010008
4	56GA76010	SLIDE SHAFT HOLDER 2	滑り軸受 2	C	1	d-V500020099
5	65AA77540	PAPER FEED GEAR 2 29T	給紙歯車 2 2 9 T	C	1	e-V570010056
6	A00V240600	BALL BEARING	ボールベアリング	C	2	f-V127030803
7	A03U812800	Slide Shaft Holder	すべり軸受	B	6	g-V500010005
8	A03U815700	TORQUE LIMITER	トルクリミッタ	B	1	h-V500020100
9	A03U839000	BRAKE GEAR /1 21T	ブレーキギア / 1 2 1 T	C	1	j-V116030603
10	A1DUR73K00	Powering Block A Assy	給電ブロック / A 部組	C	1	k-V207060003
11	A50U816103	Positioning Side plate /Right	位置決め側板 / 右	D	1	m-V217050050
12	A50U818000	Drive Gear /1 38/29/29T	駆動ギア / 1 3 8 / 2 9 / 2 9 T	C	2	n-V570010058
13	A50U818100	Drive Gear /1 39T	駆動ギア / 1 3 9 T	C	1	
14	A50U835400	Guide Part /Front	ガイド部材 / 前	D	1	
15	A50U836400	Conveyance Idler /Right	搬送アイドラ / 右	D	1	
16	A50U836500	Conveyance Idler /Right	搬送アイドラ / 右	D	2	
17	A50U839100	Belt /4 243L	ベルト / 4 2 4 3 L	C	1	
18	A50U839200	Belt /3 342L	ベルト / 3 3 4 2 L	C	1	
19	A50U855900	Cover Board /Left Front	カバー基板 / 左前 (基板)	D	1	
20	A50U858600	Stopper Plate	ストッパ板	D	2	
21	A50U880701	Packing Board /Front	包装基板 / 前	D	1	
22	A50U885100	Drive Spacer	駆動スペーサ	D	1	
23	A50U817400	Mounting Side plate /1	取付側板 / 1	D	1	
24	A50UN15001	ADU Drive harness /1	A D U 駆動束線 / 1	D	1	
25	55VA15541	CLEANER COUPLING PART	クリーナーカップリング部材	C	1	
26	56AA17090	PRESSURE SPRING	押圧バネ	C	1	
27	A50U812100	Drive Input Shaft	駆動入力軸	D	1	
28	A50U810502	Mounting Board /1	取付基板 / 1	D	1	
29	A50U835900	Support Plate	支点板 (基板)	D	2	
30	A50U836000	Cover	カバー (基板)	D	1	
31	A50UH05002	Conveyance Drive board ASSY	搬送駆動基板 A S S Y	I	1	
32	A50UN17200	ADU Drive harness /7	A D U 駆動束線 / 7	D	1	
33	A50UF82200	Power Supply Block / B ASSY	給電ブロック / B A S S Y	D	1	
34	A50U835301	Mounting Board /2	取付基板 / 2	D	1	
35	A50UN15601	ADU Control harness /1	A D U 制御束線 / 1	D	1	
36	A50UN18801	ADU Control harness /2	A D U 制御束線 / 2	D	1	
37	A50UN25400	HV Relay harness /5	高圧中継束線 / 5	D	1	
38	A50UN25600	HV Relay harness /6	高圧中継束線 / 6	D	1	



Key	Part No.	Description	Destinations	Class	QTY	Standard parts
1	462076010	DRIVING SLIDE SHAFT HOLDER A		C	3	a-V127030603
2	55VA42120	SHAFT STOPPER		C	4	b-V217080050
3	56AA17471	PIN B 3X12		C	1	c-V217030050
4	56AA17551	PIN A		C	4	d-V121030403
5	56AA42690	BY PASS FEED SPACER		C	8	e-V121041203
6	56AA50670	CAM STOPPER SPRING		C	1	f-V217060050
7	56AA50800	LEVER SUPPORT SHAFT HOLDER		C	1	
8	56AA77530	Paper Feed Drive Belt /1 336L		C	1	
9	56AA82012	PAPER FEED DRIVING CLUTCH		B	2	
10	A00J617900	Ball Bearing		B	2	
11	A00V240600	BALL BEARING		C	6	
12	A03U812800	Slide Shaft Holder		B	5	
13	A03U838900	BRAKE GEAR /2 24T		C	1	
14	A03UM20100	Clutch /1		B	2	
15	A03X565001	Swing Spring		C	1	
16	A1RG681400	Brake Plate /8		D	1	
17	A50U812202	ADU Conveying Roller /Right		C	2	
18	A50U817300	Holding Collar		D	3	
19	A50U818501	Pulley /2		D	4	
20	A50U830200	Positioning Part /Rear		D	1	
21	A50U830300	Regulating Part /Rear		D	1	
22	A50U830400	Hold Plate /Assy		D	1	
23	A50U831900	Pulling Spring		D	1	
24	A50U839200	Belt /3 342L		C	1	
25	A50U849100	Roller /1		C	1	
26	A50U849200	Roller /2		C	1	
27	A50U859000	Roller		C	1	
28	A50U859400	Roller /3		C	1	
29	25AA47500	CARRIAGE LOCK CLAW B		C	1	
30	56AA17461	PIN A		B	2	
31	A50U830500	Reinforce Plate /1		D	1	
32	A50U830600	Lock Plate		D	1	
33	A50U830700	Support Shaft		D	1	
34	A50U830800	Lock Bushing		D	1	
35	A50U831000	Release Cam		D	1	
36	A50U831100	Release Plate		D	1	
37	A50U831200	Release Shaft /1		D	1	
38	A50UR72E00	Release Shaft Pin Assy		D	1	
39	12QV40650	SPACER		B	4	

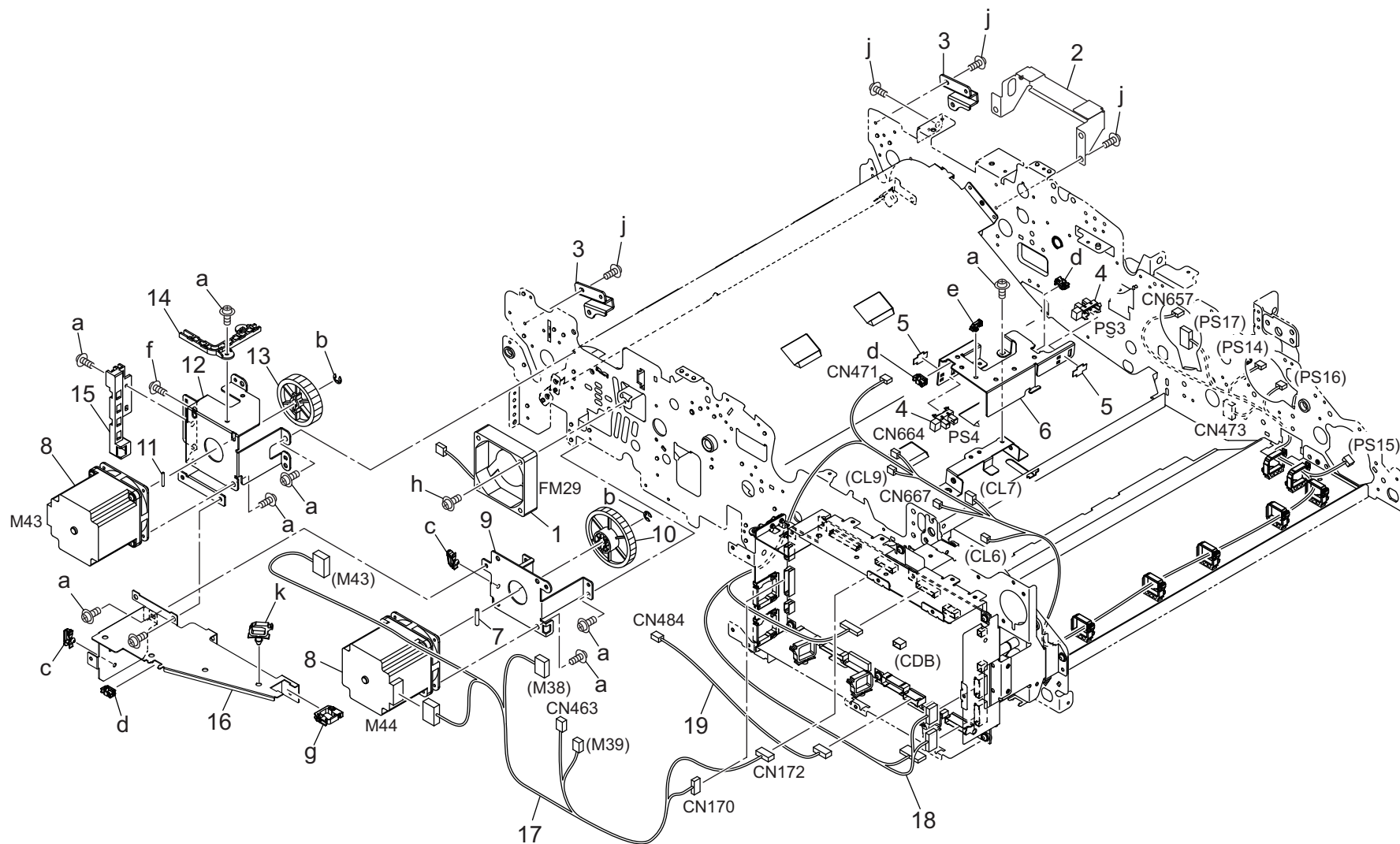
# ADU Duplex Section

P 83



bizhub PRESS C1070P

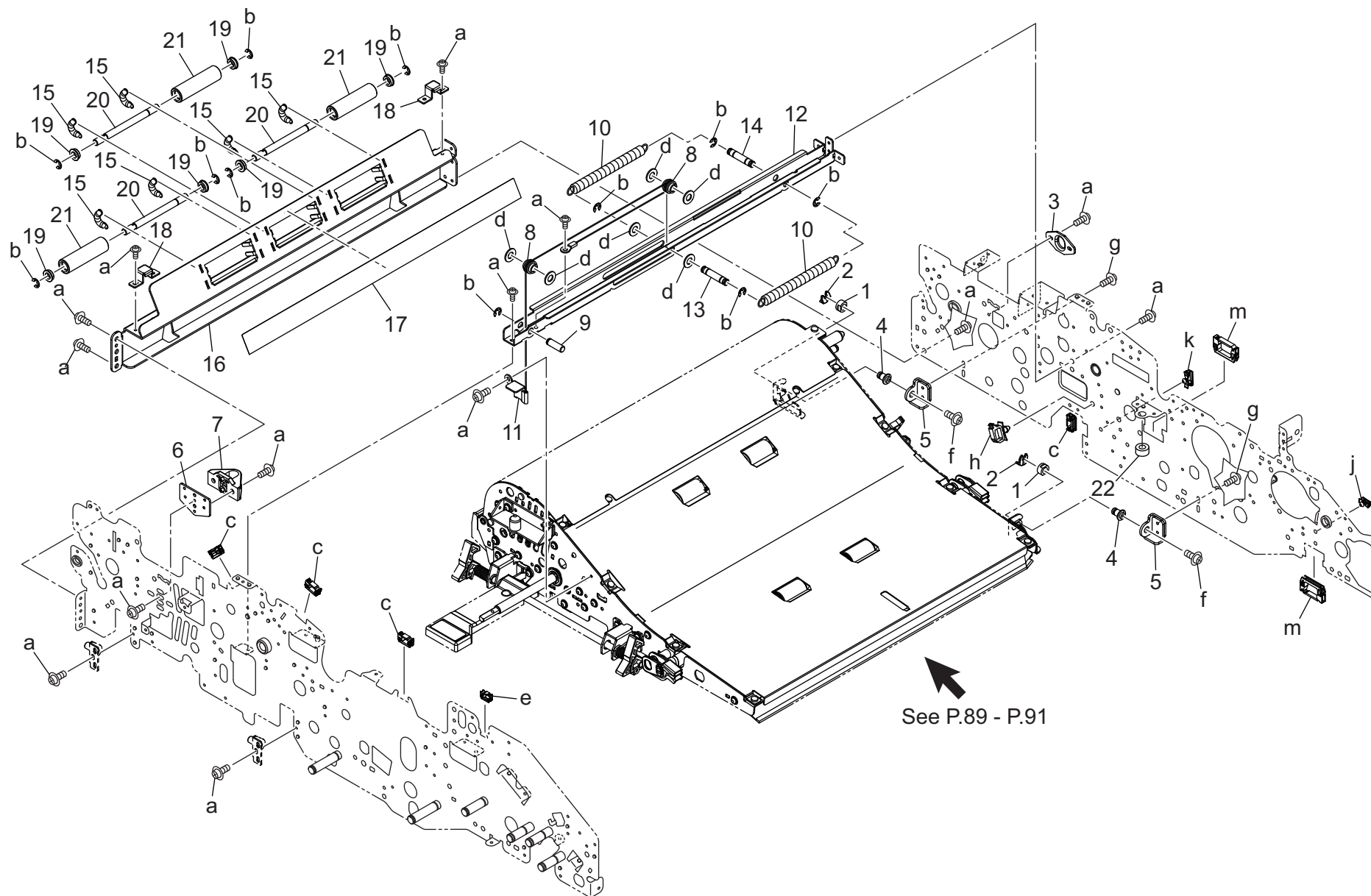
Key	Part No.	Description	Destinations	Class	QTY	Standard parts
1	56AA17461	PIN A	ピン A	B	1	a-V121030403
2	A03U812800	Slide Shaft Holder	すべり軸受	B	2	b-V127030603
3	A50U713900	Registration Gear /2 48T	レジストギア/2 48 T	C	1	c-V217060050
4	A50U835601	Drive Cover	駆動カバー	D	1	d-V500020099
5	A50U836100	Cover	カバー (ハーネス)	D	1	e-V500020100
6	A50U882300	Protection Cover	保護カバー	D	1	f-V570010056
7	A50U883501	Protection Plate	保護プレート	D	2	g-V570010057
8	65AA51730	ADU 2	A D U センサ 2	C	1	h-V127030803
9	A50U840101	Guide Plate /1	ガイド板/1	D	1	j-V217040050
10	56AA17321	PIN A D2X12	ピン A D 2 X 1 2	B	1	k-V500010008
11	56AA17480	PIN B	ピン B	C	2	m-V500010013
12	A0TK341300	Ball Bearing /Rear	ボールベアリング/奥	C	2	n-V217030050
13	A50U714800	Pressure Cam	圧着カム	D	2	p-V116030603
14	A50U714900	Spacer	スペーサ	D	2	q-V500020069
15	A50U715100	Pressure Shaft /2	圧着軸/2	D	1	
16	A50U715200	Pressure Actuator	圧着アクチュエータ	D	1	
17	56AA17551	PIN A	ピン A	C	1	
18	56AA42690	BY PASS FEED SPACER	手差しスペーサー	C	2	
19	65AA80112	HB Motor /50	HB モータ/50	B	1	
20	A50U713700	Registration Idler /1	レジストアイドル/1	D	1	
21	A50U713800	Registration Gear /1 56T	レジストギア/1 56 T	C	1	
22	A50U715001	Mounting Lever /1	取付レバー/1	D	1	
23	A50U882600	Registration ring /Front	レジストリング/前	D	1	
24	A50U883300	Idling Shaft /1	アイドル軸/1	D	1	
25	A50UR72F00	Motor Assy	モータ A s s y	C	1	
26	A50UR72G00	ADU Connecting Solenoid Pin Assy	A D U 連結ソレノイドピン A s s y	C	1	
27	A50UF81401	Adjusting Plate Caulking	調整板カンメ	D	1	
28	A50U713300	Swing Side plate /Assy	揺動側板/ A s s y	D	1	
29	A50U713500	Swing Gear /1 18/51T	揺動ギア/1 18/51 T	C	1	
30	A50UR72H00	Stepping Motor /3 Assy	ステッピングモータ/3 A s s y	C	1	
31	08AA85512	Photo Sensor	フォトセンサ	B	2	
32	4470402401	STOPPER	ストッパ	D	2	
33	A50U713401	Swing Side plate /2	揺動側板/2	D	1	
34	A50U819700	Cover	センサ蓋	D	1	
35	A50UN18900	ADU Detection harness /14	A D U 検知束線/14	D	1	
36	A50UN16500	ADU Drive harness /6	A D U 駆動束線/6	D	1	
37	A50UN18201	ADU Drive harness /12	A D U 駆動束線/12	D	1	





Key	Part No.	Description	Destinations	Class	QTY	Standard parts
1	56AA80551	Fan Motor /2		B	1	a-V127030603
2	A50U814400	Reinforce Plate		D	1	b-V217040050
3	A50U838500	Mounting Handle /Left		D	2	c-V500020100
4	08AA85512	Photo Sensor		B	2	d-V570010056
5	4470402401	STOPPER		D	2	e-V500020099
6	A50U819800	Mounting /A		D	1	f-V118030403
7	56AA17461	PIN A		B	1	g-V570010060
8	A1TVM10100	Stepping motor /50		C	2	h-V118032003
9	A50U815101	Positioning Plate /Lower		D	1	j-V121030403
10	A50U831300	Preventing Gear /1 57T		C	1	k-V500010005
11	56AA17551	PIN A		C	1	
12	A50U814500	Positioning Plate /Upper		D	1	
13	A50U819900	RiVerse/exit Gear /1 42T		C	1	
14	A50U836300	Cover		D	1	
15	A50U837700	Wiring Guide		D	1	
16	A50U838700	Reverse/Exit Plate /Left Front		D	1	
17	A50UN16000	ADU Drive harness /4		D	1	
18	A50UN16101	ADU Drive harness /11		D	1	
19	A50UN16900	ADU Detection harness /15		D	1	

# ADU Duplex Section



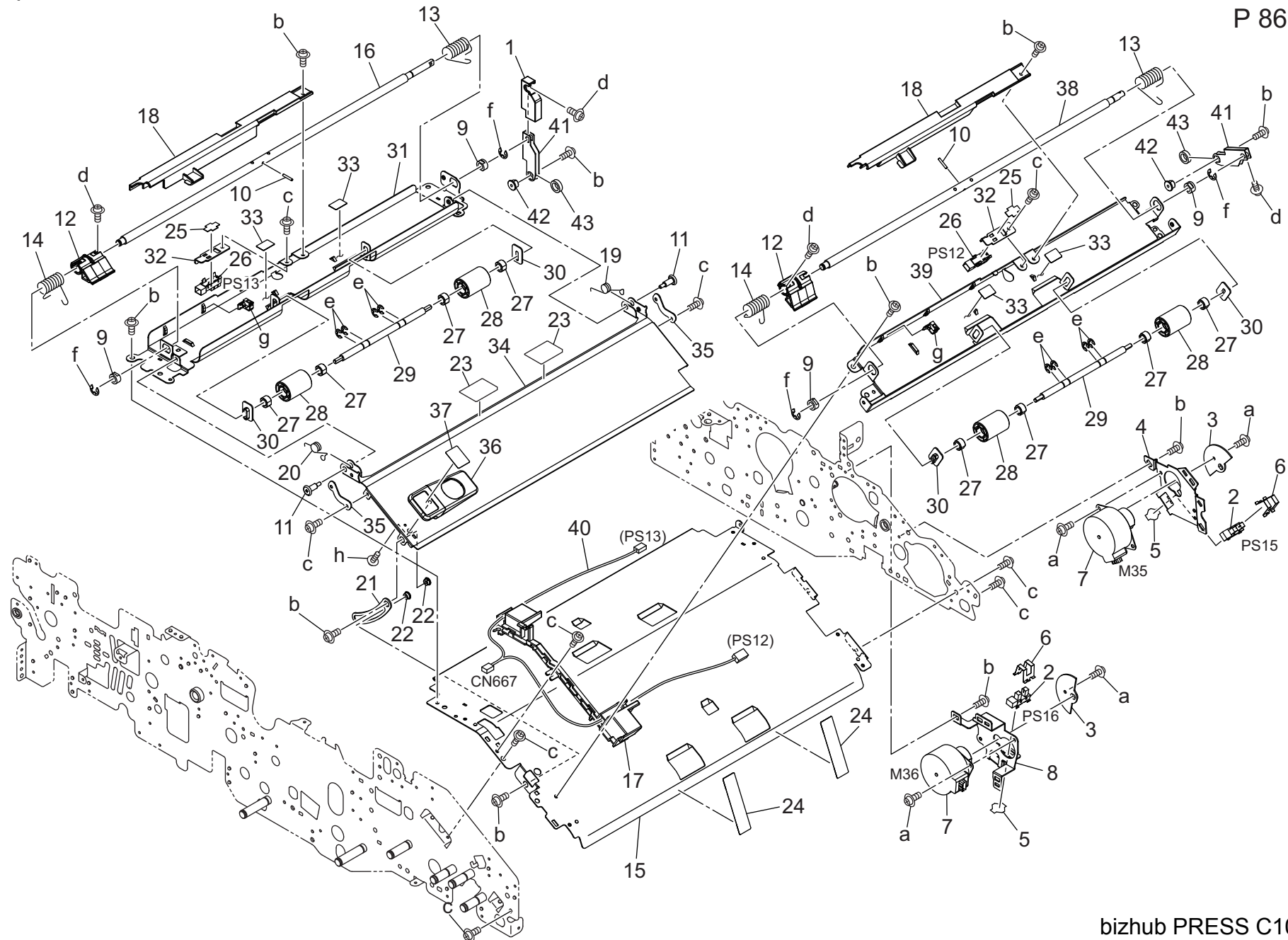
ADU Duplex Section

Key	Part No.	Description	Destinations	Class	QTY	Standard parts
1	4131253701	BUSHING		C	2	a-V127030603
2	56AA40490	SHAFT STOPPER 4		C	2	b-V217040050
3	A03U811800	ADU Positioning Plate /2		C	1	c-V570010057
4	A50U843900	Support Shaft /Right		D	2	d-V207060003
5	A50U844100	Support Plate /B		D	2	e-V570010056
6	A03U811600	ADU Positioning Plate /1		D	1	f-V121030403
7	A03U843500	Positioning Part		D	1	g-V127030803
8	25AA50080	WIRE PULLEY		C	2	h-V500010005
9	65AA51510	ADU OPEN SHUT SHAFT 3		D	1	j-V500020099
10	A03U813601	ADU Open/shut Spring /Upper		C	2	k-V500020100
11	A03U849701	Wire /Right		C	1	m-V570010059
12	A50U831400	Open/close Plate		D	1	
13	A50U832600	Open/close Shaft /1		D	1	
14	A50U832700	Open/close Shaft /2		D	1	
15	A03U814300	Conveyance Spring		C	6	
16	A50U810300	Hold Stay /Left		D	1	
17	A50U815800	Guide Sheet /A		D	1	
18	A50U834200	Reverse/Exit Stopper		D	2	
19	A00J617800	BALL BEARING		C	6	
20	A03U814100	Idler Shaft /Lower		D	3	
21	A03U814200	Idler Roll		C	3	
22	1154467001	PROTECTION		C	1	

bizhub PRESS C1070P

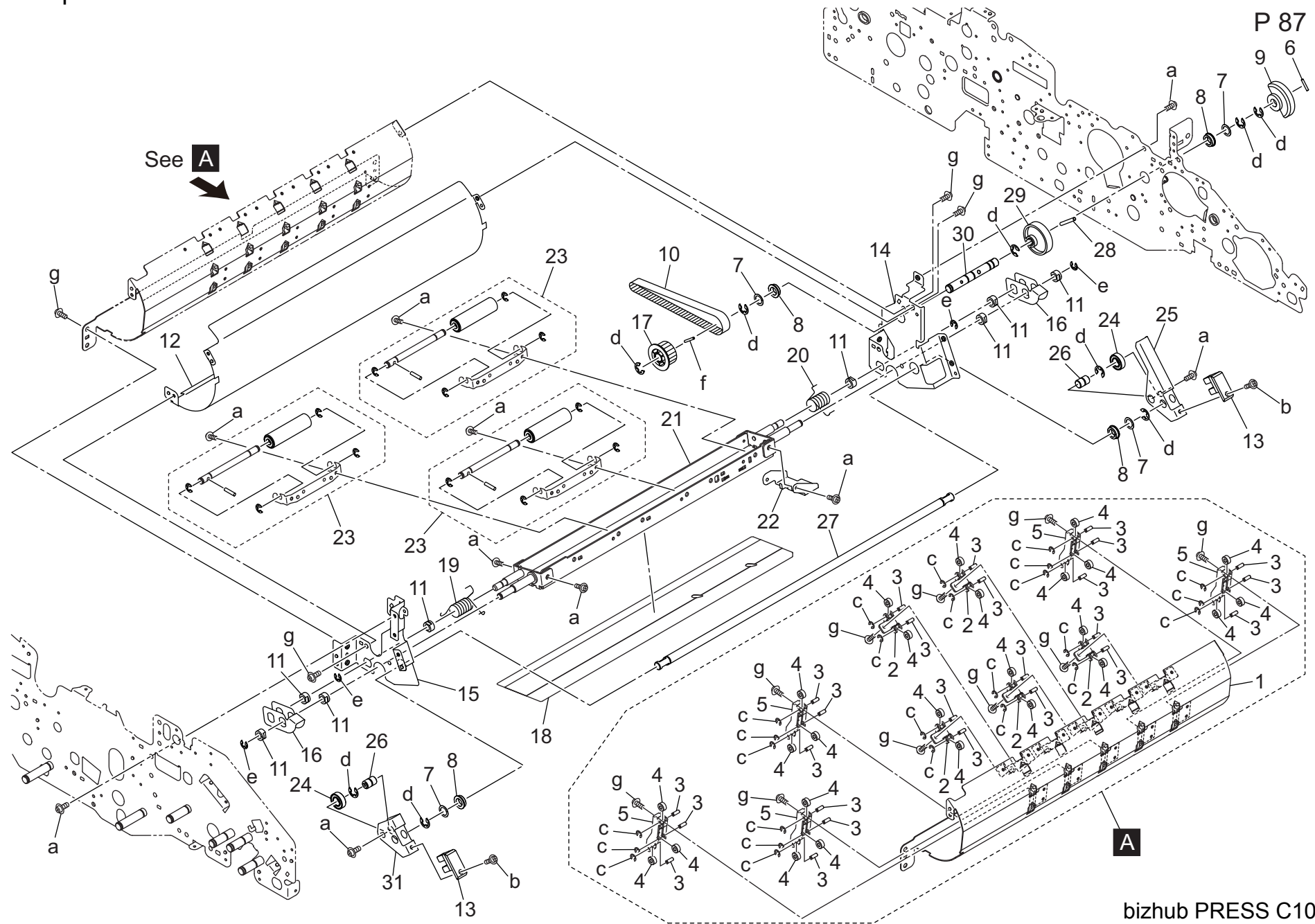
# ADU Duplex Section

P 86



Key	Part No.	Description	Destinations	Class	QTY	Standard parts
1	A50U715800	Protection Cover		D	1	a-V118030403
2	08AA85512	Photo Sensor		B	2	b-V121030403
3	A50U816700	Light blocking Plate /1		D	2	c-V127030603
4	A50U816800	Drive Side plate /1		D	1	d-V127030803
5	A50U882100	Stopper Plate		D	2	e-V217040050
6	A50U883600	Guide /1		D	2	f-V217050050
7	A50UR72600	Drive Motor / 1 Assy		C	2	g-V500010057
8	A50U816900	Drive Side plate /2		D	1	h-V151040803
9	4131253701	BUSHING		C	4	
10	56AA17321	PIN A D2X12		B	2	
11	A0P0144300	Shoulder screw		D	2	
12	A50U714600	Lever		D	2	
13	A50U718400	Pressing Spring /Rear		D	2	
14	A50U718500	Pressing Spring /Front		D	2	
15	A50U816301	Conveyance Guide /Lower		D	1	
16	A50U818601	Release Shaft /2		D	1	
17	A50U833400	Protection Cover /1		D	1	
18	A50U833500	Protection Cover /2		D	2	
19	A50U834500	Pressing Spring /Left		D	1	
20	A50U834600	Pressing Spring /Right		D	1	
21	A50U881600	Processing Guide /1		D	1	
22	A50U881700	Support Screw /A		D	2	
23	A50U886300	Sheet		D	2	
24	A50U886400	Conveyance Guide /3		D	2	
25	4470402401	STOPPER		D	2	
26	9335140071	SOLID STATE SWITCH		B	2	
27	A03U850101	Slide Bushing		C	8	
28	A50U712200	Idler Roll /1		D	4	
29	A50U712300	Idler Shaft /1		D	2	
30	A50U712400	Receiving Shaft /1		D	4	
31	A50U817600	Guide Plate		D	1	
32	A50U836200	Plate /23		D	2	
33	A50U880900	Guide Sheet /Side		D	4	
34	A50U817800	Guide Plate /Middle		D	1	
35	A50U834700	Reinforce Plate /A		D	2	
36	A50U880800	Processing Lever		D	1	
37	A50U943200	Release Label /2		D	1	
38	A50U818201	Release Shaft /1		D	1	
39	A50U818400	Guide Plate /Right		D	1	
40	A50UN17900	ADU Detection harness /13		D	1	
41	A50U715300	Pressure Lever /25		D	2	
42	A50U715600	Support Shaft /2		D	2	
43	A50U716500	Ball Bearing		C	2	

# ADU Duplex Section

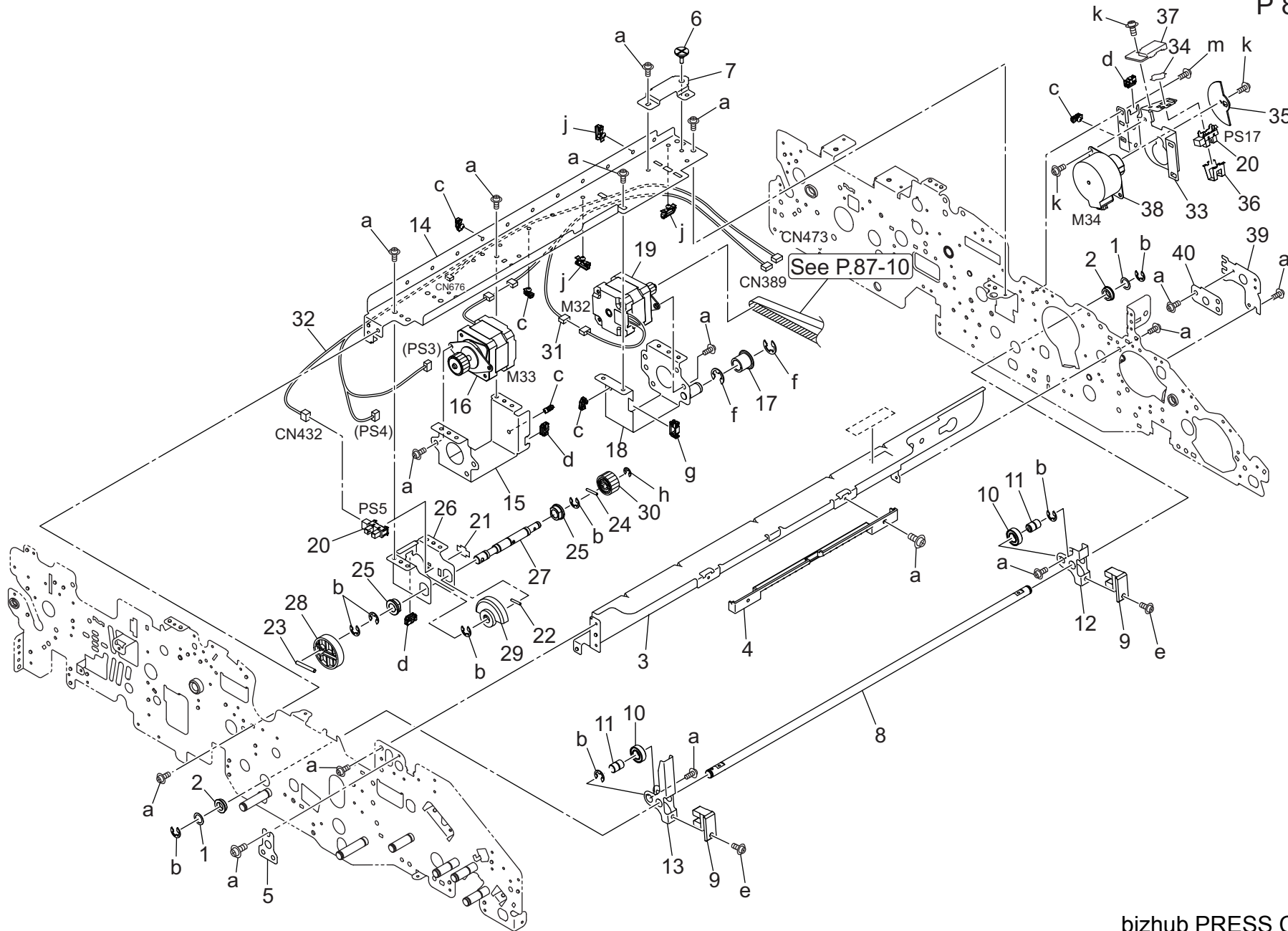


bizhub PRESS C1070P

Key	Part No.	Description	Destinations	Class	QTY	Standard parts
1	A50U840801	Guide Plate /2		D	1	a-V127030603 b-V127030803 c-V217020050 d-V217060050 e-V217040050 f-V231201650 g-V121030403
2	A50U854200	Roller Base frame /2		D	5	
3	A50U854400	Fixing Shaft		D	25	
4	A50U854800	Conveyance Roll		D	25	
5	A50U854301	Roller Base frame /1		D	5	
6	56AA17321	PIN A D2X12		B	1	
7	56AA42690	BY PASS FEED SPACER		C	4	
8	A00J617900	Ball Bearing		B	4	
9	A50U853200	Pressure Actuator		D	1	
10	A50U859800	Belt /1 280L		C	1	
11	4131253701	BUSHING		C	8	
12	A50U840303	Guide Plate /3		D	1	
13	A50U851800	Reinforce Block		D	2	
14	A50U852902	Release Plate /4		D	1	
15	A50U853000	Release Plate /5		D	1	
16	A50U853700	Release Plate /7		D	2	
17	A50U859500	Pulley /2		D	1	
18	A50U880102	Conveyance Guide /1		D	1	
19	A50U881300	Torsion Coil spring		D	1	
20	A50U881400	Torsion Coil spring		D	1	
21	A50U841401	Release Plate /10		D	1	
22	A50U856201	Support Plate		D	1	
23	A50UR73200	Idler Shaft /F Assy		D	3	
24	A1RF820000	Ball Bearing		C	2	
25	A50U851400	Release Plate /Rear		D	1	
26	A50U851500	Shaft		D	2	
27	A50U852000	Release Shaft /4		D	1	
28	56AA17490	PIN		C	1	
29	A50U852500	Cam		D	1	
30	A50U852700	Release Shaft /3		D	1	
31	A50U851700	Release Plate		D	1	

# ADU Duplex Section

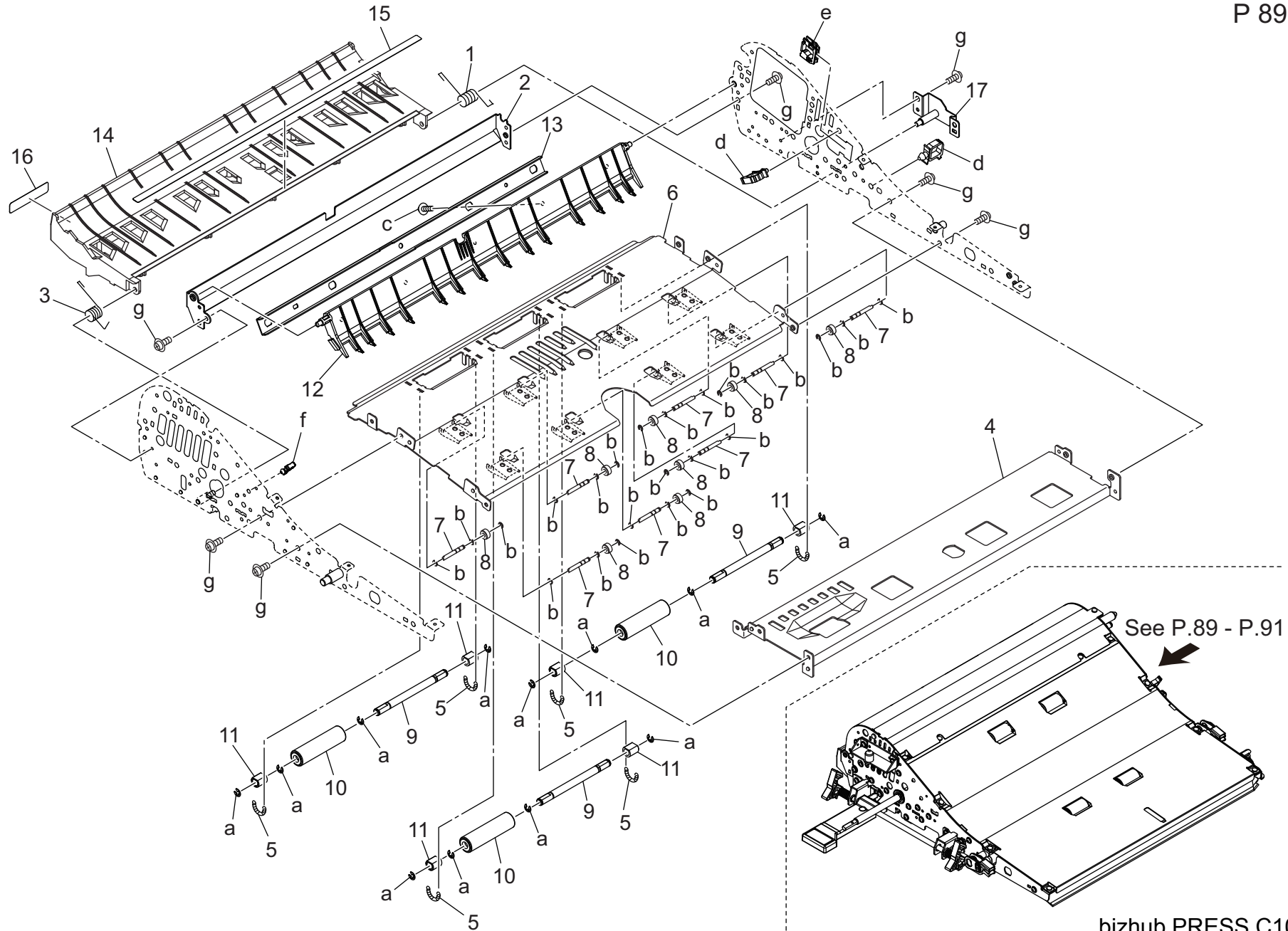
P 88



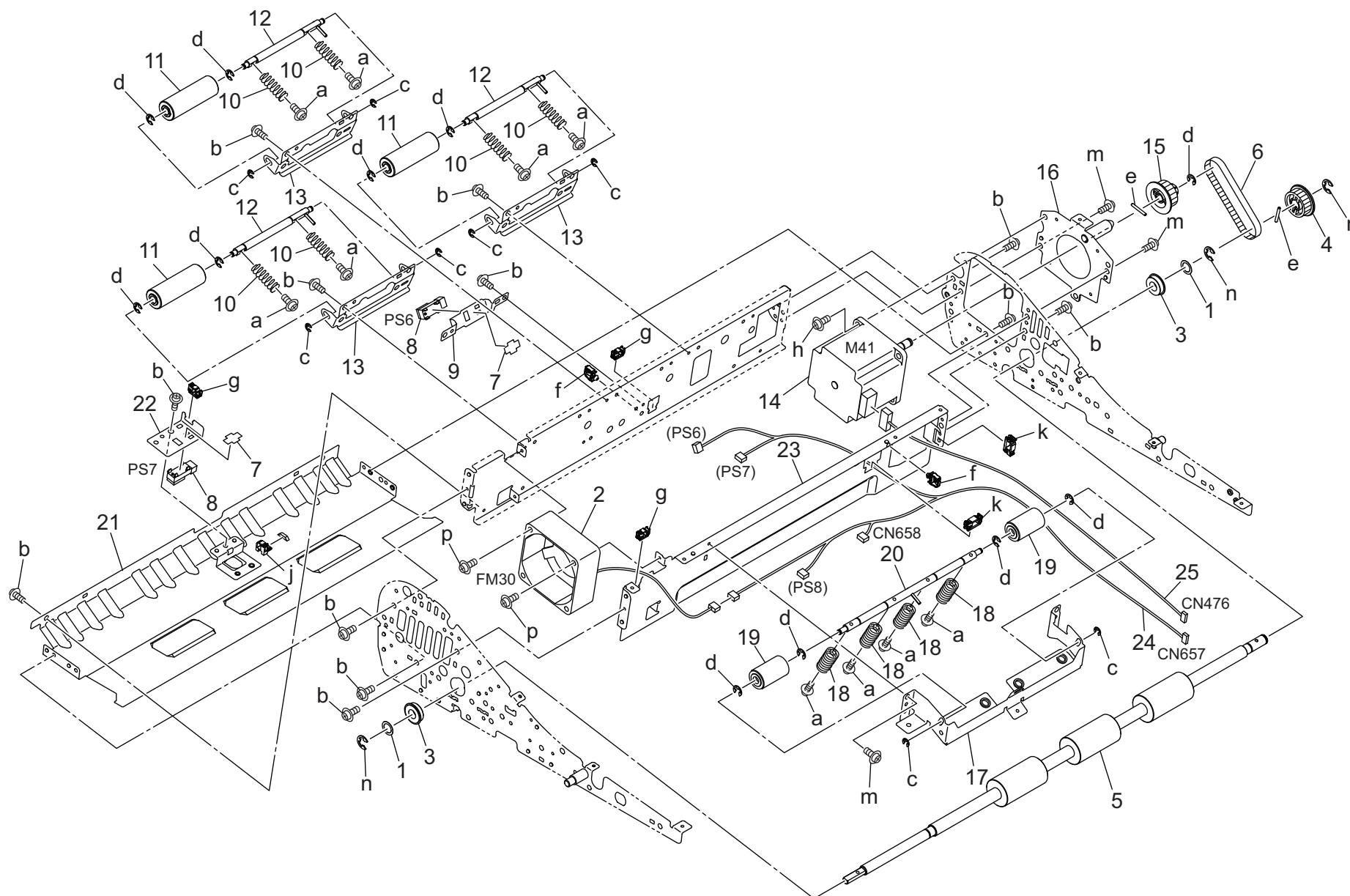


Key	Part No.	Description	Destinations	Class	QTY	Standard parts
1	56AA42690	BY PASS FEED SPACER		C	2	a-V127030603
2	A00J617900	Ball Bearing		B	2	b-V217060050
3	A50U816400	Hold Stay /Right		D	1	c-V500020099
4	A50U882900	Handle		D	1	d-V570010056
5	A50U883200	Positioning Plate /Front		D	1	e-V127030803
6	A50U884000	Registration Screw		D	1	f-V217080050
7	A50U884300	Registration Plate		D	1	g-V570010057
8	A50U850700	Release Shaft /2		D	1	h-V217040050
9	A50U851800	Reinforce Block		D	2	j-V500020100
10	A1RF820000	Ball Bearing		C	2	k-V118030403
11	A50U851500	Shaft		D	2	m-V121030403
12	A50U853100	Release Plate /6		D	1	
13	A50U852200	Release Plate /3		D	1	
14	A50U851901	Mounting Plate /1		D	1	
15	A50U852101	Mounting Plate /2		D	1	
16	A50UR72400	Stepping Motor / 2 Assy		C	1	
17	A50U836800	Tension Pulley /B		D	1	
18	A50U858701	Mounting Plate /3		D	1	
19	A50UR72500	Stepping Motor / 1 Assy		C	1	
20	08AA85512	Photo Sensor		B	2	
21	4470402401	STOPPER		D	1	
22	56AA17321	PIN A D2X12		B	1	
23	56AA17490	PIN		C	1	
24	56AA17551	PIN A		C	1	
25	A03U812800	Slide Shaft Holder		B	2	
26	A50U852300	Mounting Plate /3		D	1	
27	A50U852400	Release Shaft /1		D	1	
28	A50U852500	Cam		D	1	
29	A50U853200	Pressure Actuator		D	1	
30	A50U854600	Release Gear /1 24T		C	1	
31	A50UN15900	ADU Drive harness /3		D	1	
32	A50UN18100	ADU Detection harness /10		D	1	
33	A50U715400	Pressure Side plate /1		D	1	
34	A50U882100	Stopper Plate		D	1	
35	A50U883400	Light blocking Plate		D	1	
36	A50U883600	Guide /1		D	1	
37	A50U883701	Protection Cover /1		D	1	
38	A50UR72600	Drive Motor / 1 Assy		C	1	
39	A50U883001	Positioning Side plate /Rear		D	1	
40	A50U883101	Positioning Plate /Rear		D	1	

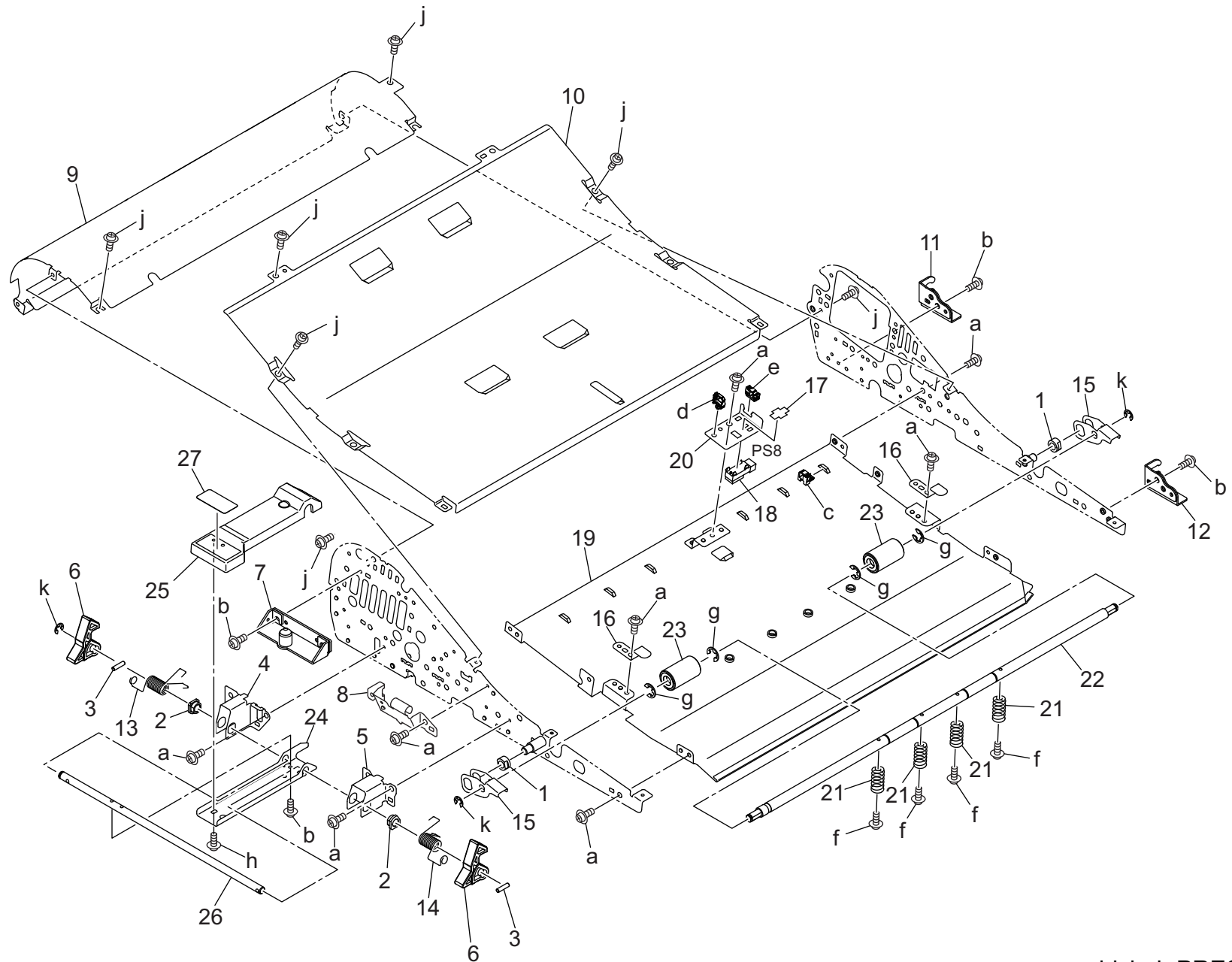
# ADU Duplex Section



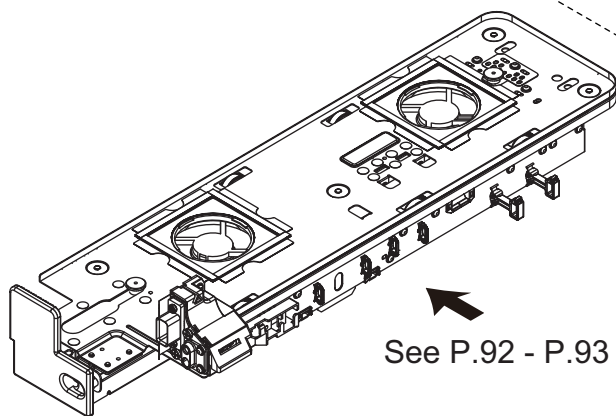
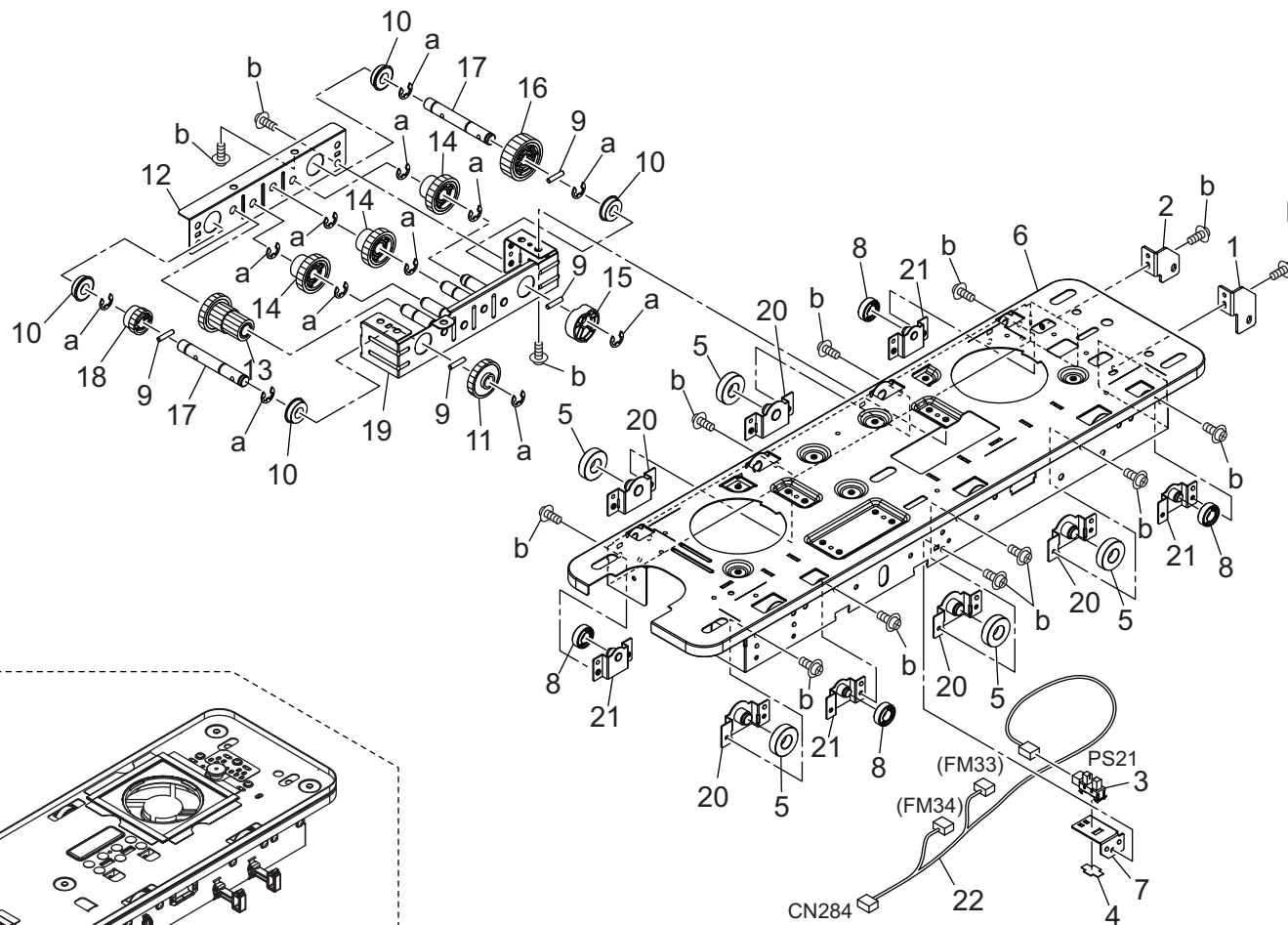
Key	Part No.	Description	Destinations	Class	QTY	Standard parts
1	A03U848100	Open/close Spring /4		C	1	a-V217030050 b-V217020050 c-V151030603 d-V500010005 e-V570010060 f-V500020098 g-V121030403
2	A50U841600	Guide Plate /K		D	1	
3	A50U848000	Open/close Spring /3		D	1	
4	A50U848302	Reinforce Plate /B		D	1	
5	A03U842600	Conveyance Spring /2		C	6	
6	A50U841900	Guide Plate /F		D	1	
7	A50U844800	Fixing Shaft		D	8	
8	A50U854800	Conveyance Roll		D	8	
9	A03U845100	Idler Shaft /B		D	3	
10	A03U845301	Idler Roller /1		C	3	
11	A1RF847400	Collar /1		D	6	
12	A50U841501	Guide Plate /J		D	1	
13	A50U855601	Reinforce Plate		D	1	
14	A50U840702	Guide Plate /A		D	1	
15	A50U880200	Conveyance Guide /2		D	1	
16	A50U944000	Release Label /10		D	1	
17	A50UF84100	Support Plate / C Caulking		D	1	



Key	Part No.	Description	Destinations	Class	QTY	Standard parts
1	56AA42690	BY PASS FEED SPACER		C	2	a-V118030603
2	56QA80570	INTERNAL COOLING FAN		C	1	b-V121030403
3	A00V240600	BALL BEARING		C	2	c-V217030050
4	A03U859500	PULLEY /2 24T		C	1	d-V217040050
5	A50U842000	Roller		C	1	e-V231201650
6	A50U859900	Belt /2 177L		C	1	f-V500020098
7	4470402401	STOPPER		D	2	g-V570010056
8	9335140071	SOLID STATE SWITCH		B	2	h-V127030803
9	A50U847200	Mounting Plate /A		D	1	j-V500010057
10	A03U842700	Conveyance Spring /3		C	6	k-V570010057
11	A03U845601	Idler Roller /2		C	3	m-V127030603
12	A1DUR73E00	Idler Shaft /C Assy		D	3	n-V217060050
13	A50U845400	Mounting Plate /3		D	3	p-V118033003
14	65AA80112	HB Motor /50		B	1	
15	A03U859400	PULLEY /1 24T		C	1	
16	A50UF84800	Mounting Plate / 2 Caulking		D	1	
17	A03U845700	Mounting Plate /4		D	1	
18	A03U842800	Conveyance Spring /4		C	4	
19	A03U845901	Idler Roller /3		C	2	
20	A1DUR73P00	Idler Shaft /D Assy		D	1	
21	A50U841100	Guide Plate /E		D	1	
22	A50U850201	Mounting Plate /F		D	1	
23	A50U842300	Support Plate /1		D	1	
24	A50UN16300	ADU Relay harness /1		D	1	
25	A50UN16400	ADU Drive harness /5		D	1	



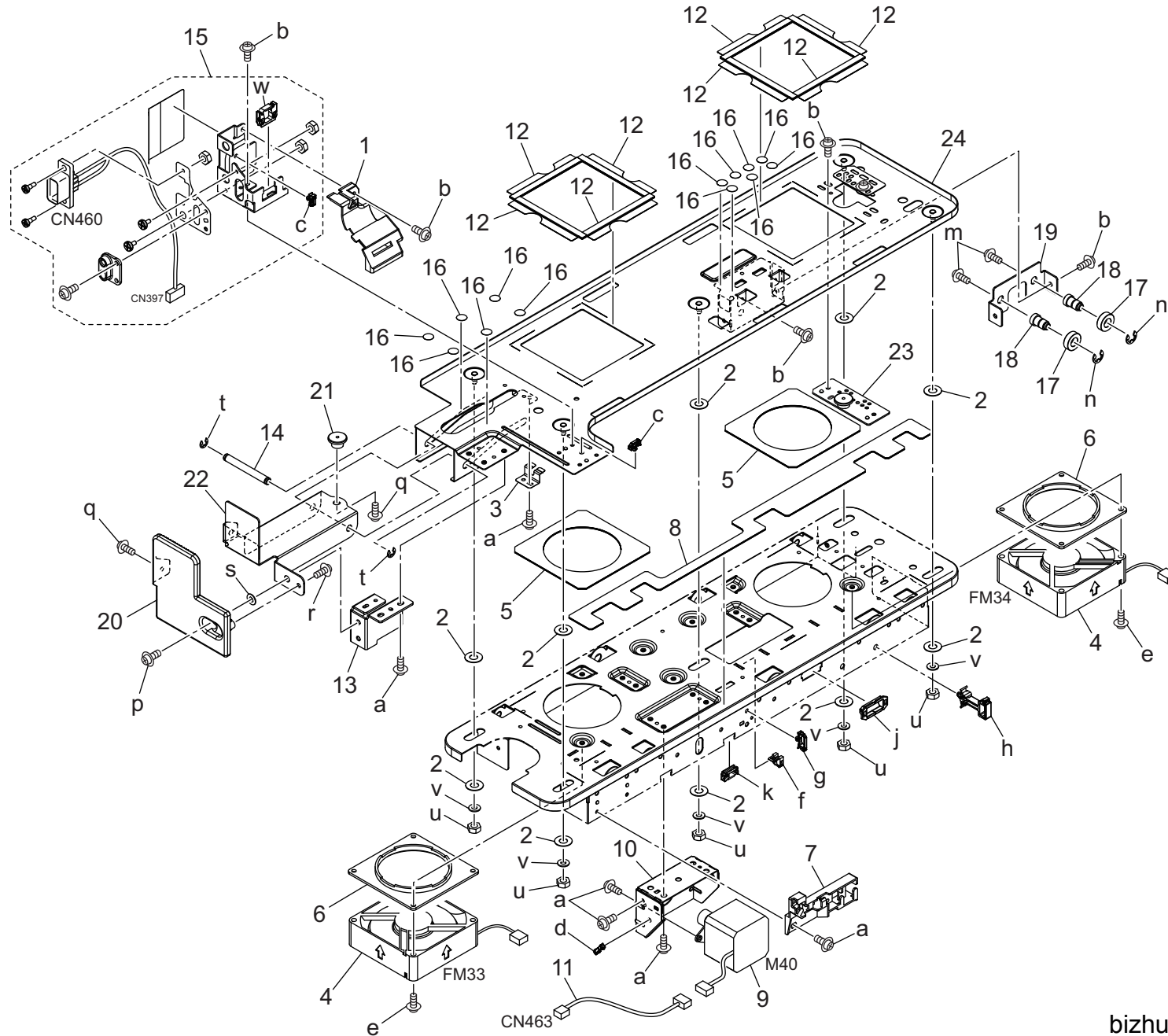
Key	Part No.	Description	Destinations	Class	QTY	Standard parts
1	4131253701	BUSHING		C	2	a-V121030403
2	466076020	PAPER FEED SHAFT HOLDER		B	2	b-V127030603
3	56AA17471	PIN B 3X12		C	2	c-V500010057
4	A03U844200	Mounting Plate /Left		D	1	d-V500020098
5	A03U844300	Mounting Plate /Right		D	1	e-V570010056
6	A03U844700	Lock Claw		C	2	f-V118030603
7	A03UF84300	Mounting Plate /1 Caulking		D	1	g-V217060050
8	A50U840400	Mounting Plate		D	1	h-V151030803
9	A50U841700	Guide Plate /L		D	1	j-V118030403
10	A50U841800	Guide Plate /M		D	1	k-V217040050
11	A50U843601	Support Plate		D	1	
12	A50U843801	Support Plate /Right rear		D	1	
13	A50U844501	Open/close Spring /1		D	1	
14	A50U844601	Open/close Spring /2		D	1	
15	A50U854100	Release Plate /8		D	2	
16	A50U856501	Hold Plate		D	2	
17	4470402401	STOPPER		D	1	
18	9335140071	SOLID STATE SWITCH		B	1	
19	A50U841301	Guide Plate /G		D	1	
20	A50U850201	Mounting Plate /F		D	1	
21	A50U842900	Conveyance Spring /5		D	4	
22	A50U846000	Idler Shaft /E		D	1	
23	A50U853400	Pressure Roller		C	2	
24	A03U844802	Open/close Plate		D	1	
25	A03U844901	Open/close Lever		C	1	
26	A50U844400	Lock Shaft		D	1	
27	A50U943900	Release Label /9		D	1	



See P.92 - P.93



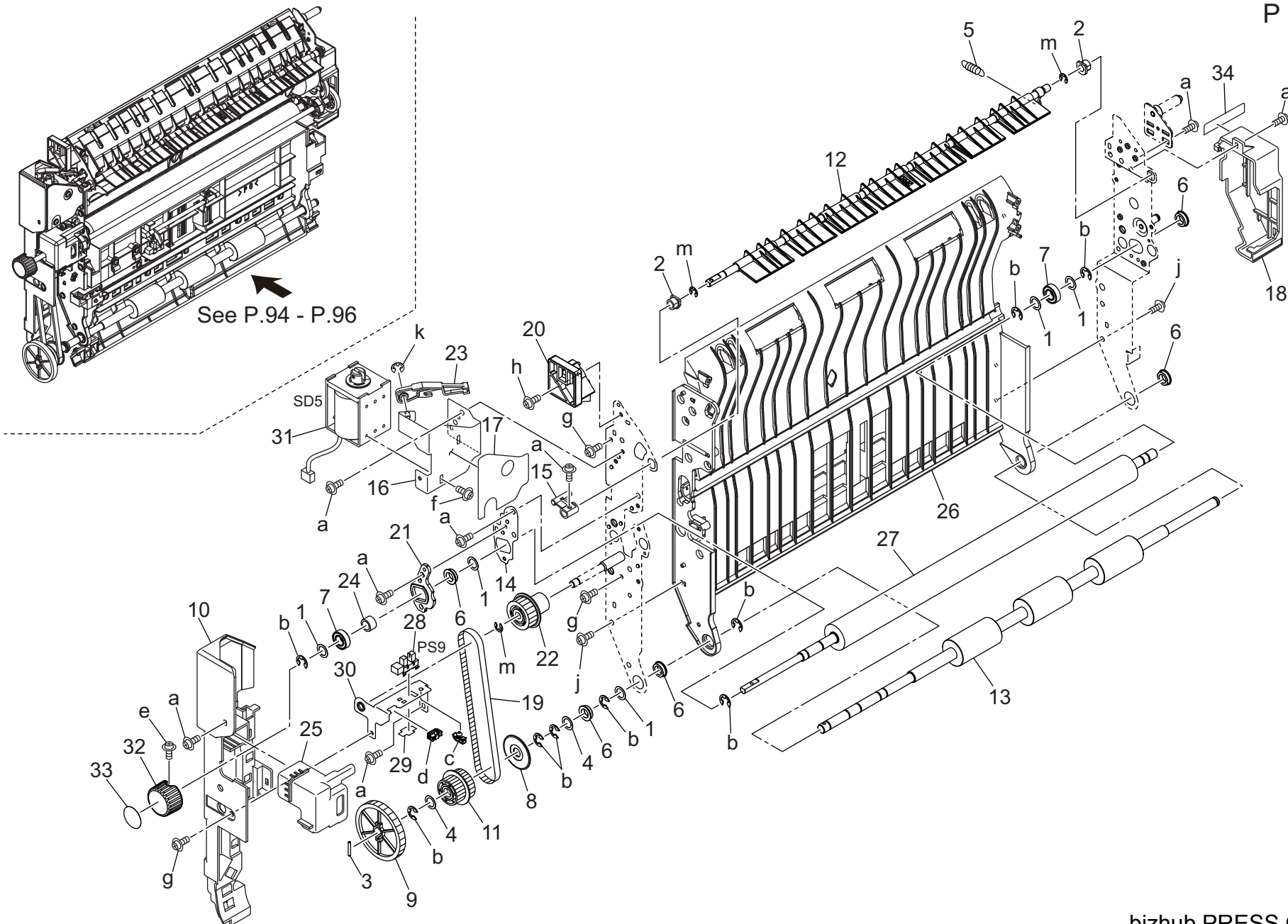
Key	Part No.	Description	Destinations	Class	QTY	Standard parts
1	A50U804900	Mounting Plate /Right		D	1	a-V217060050 b-V121030403
2	A50U805000	Mounting Plate /Left		D	1	
3	08AA85512	Photo Sensor		B	1	
4	4470402401	STOPPER		D	1	
5	A03U807700	Pressure Bearing		C	5	
6	A50U801602	Fixing Plate /ASSY		D	1	
7	A50U802200	Plate		D	1	
8	A50U804200	Fusing Roll		D	4	
9	56AA17480	PIN B		C	4	
10	A00V240600	BALL BEARING		C	4	
11	A1RJ825100	Drive Gear /4 34T		C	1	
12	A50U800300	Swing Frame /2		D	1	
13	A50U800400	Drive Gear /3 14/25T		C	1	
14	A50U800700	Drive Gear /6 14/25T		C	3	
15	A50U801500	Swing Cam		D	1	
16	A50U800800	Drive Gear /7 29T		C	1	
17	A50U801400	Drive Shaft		D	2	
18	A1RJ825800	Drive Gear /5 14T		C	1	
19	A50UF80500	Swing Frame Caulking		D	1	
20	A50UR72Q00	Fusing Rail Caulking		D	5	
21	A50UR72R00	Swing Rail Caulking		D	4	
22	A50UN17100	ADU Detection harness /7		D	1	



Key	Part No.	Description	Destinations	Class	QTY	Standard parts
1	A50U804701	Wiring Cover		D	1	a-V121030403
2	A00J191900	Washer		C	10	b-V127030603
3	A50U803700	Ground Plate		D	1	c-V500020098
4	4139M10000	FAN MOTOR		B	2	d-V500020099
5	A50U802600	Heat blocking Part /A		D	2	e-V118033003
6	A50U802900	Spacer		D	2	f-V500010057
7	A50U803800	Guide Part		D	1	g-V500020100
8	A50U804300	Heat blocking Part /C		D	1	h-V500020101
9	A00TM10000	Stepping motor		D	1	j-V570010037
10	A50U800100	Support Plate		B	1	k-V570010057
11	A50UN17700	ADU Drive harness /9		D	1	m-V127040803
12	A50U802700	Heat blocking Part /B		D	1	n-V217060050
13	A50U803300	Fusing Rail /A		D	8	p-V121041203
14	A50U803400	Positioning Shaft /1		D	1	q-V127030803
15	A50UR72200	Power Supply Guide Assy		D	1	r-V151030803
16	A50U805200	Protection Seal		D	1	s-V211040080
17	A0XV370300	Ball Bearing		D	1	t-V217040050
18	A50U802100	Positioning Shaft /B		D	13	u-V195040003
19	A50U803600	Holding Plate		C	2	v-V207040003
20	A50U802800	Handle		D	1	w-V570010060
21	A50U803101	Guide Pin /Front		D	2	
22	A50U803500	Positioning Plate /Front		D	1	
23	A50UR72300	Positioning Plate / 2 Assy		D	1	
24	A50UF80404	Swing Plate Caulking		C	1	
				D	1	

# ADU Reverse And Exit Section

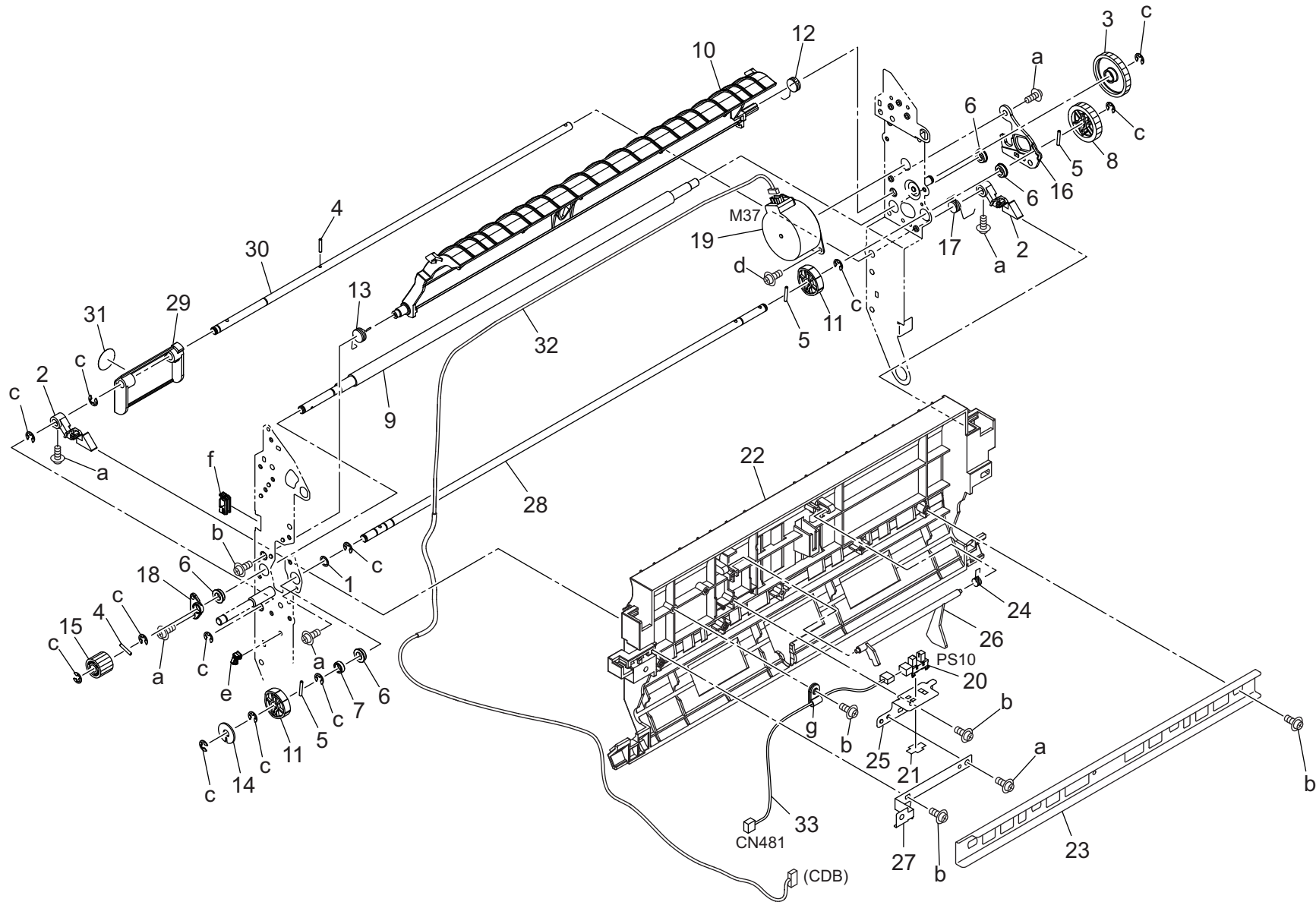
P 94



See P.94 - P.96

bizhub PRESS C1070P

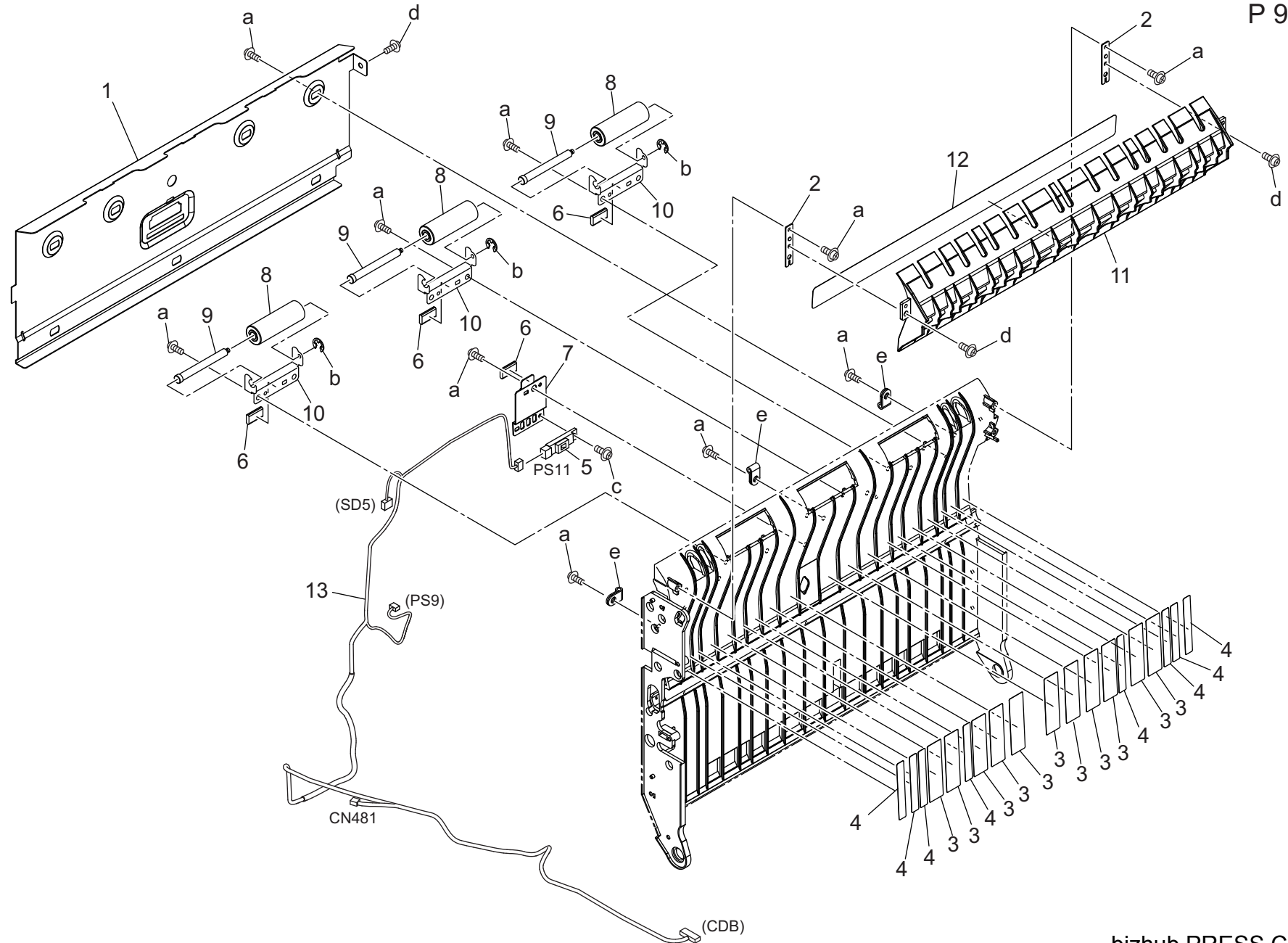
Key	Part No.	Description	Destinations	Class	QTY	Standard parts
1	13QA40610	Gear Spacer		C	5	a-V127030603
2	192141710	PAPER LIFT UP LEVER BUSHING		B	2	b-V217060050
3	56AA17551	PIN A		C	1	c-V500020099
4	56AA42690	BY PASS FEED SPACER		C	2	d-V570010056
5	65AA49270	PAPER EXIT OPEN SHUT SPRING 2		C	1	e-V118030603
6	A00J617900	Ball Bearing		B	5	f-V121030403
7	A1RF820000	Ball Bearing		C	2	g-V127030604
8	A50U817300	Holding Collar		D	1	h-V127031203
9	A50U819600	Reverse/Exit Gear /2 50 T		C	1	j-V151030803
10	A50U834302	Cover Part /2		D	1	k-V217030050
11	A50U838800	Drive Idler /1		D	1	m-V217040050
12	A50U861001	Swing Part		D	1	
13	A50U861800	Reverse/exit Roller /Lower		C	1	
14	A50U865300	Holding Plate		D	1	
15	A50U865702	Swing Arm		D	1	
16	A50U865900	Support Plate		D	1	
17	A50U866000	Insulating Sheet /1		D	1	
18	A50U866900	Drive Cover /1		D	1	
19	A50U867200	Belt /A 324L		C	1	
20	A50U867400	Positioning Part		D	1	
21	A50U867500	Fixing Plate /1		D	1	
22	A50U867600	Reverse/Exit Gear /1 20T		C	1	
23	A50U867800	Positioning Plate /1		D	1	
24	A50U869400	Collar		D	1	
25	A50U869501	Cover		D	1	
26	A50U860104	Guide Plate /A		D	1	
27	A50U860501	Paper exit Roller /Middle		C	1	
28	08AA85512	Photo Sensor		B	1	
29	4470402401	STOPPER		D	1	
30	A50U867301	Fixing Plate /1		D	1	
31	A50UR72800	ADU Solenoid Pin Assy		C	1	
32	14GE45470	Rotation Knob		C	1	
33	A50U943800	Release Label /8		D	1	
34	65AA42370	SLIDE PART 1		D	1	



Key	Part No.	Description	Destinations	Class	QTY	Standard parts
1	40AA30270	DEVELOPING SPACER		C	1	a-V127030603
2	40AA46261	LOCK CLAW F		B	2	b-V151030803
3	40AA77550	Mirror Drive Gear /2 14/70T		C	1	c-V217040050
4	56AA17321	PIN A D2X12		B	2	d-V118030403
5	56AA17551	PIN A		C	3	e-V500020099
6	A00J617800	BALL BEARING		C	4	f-V570010057
7	A1RF863800	Collar		D	1	g-V500020002
8	A1RJ818800	Drive Gear /8 29T		C	1	
9	A50U860600	Reverse/exit Shaft		D	1	
10	A50U861200	Guide Plate /4		D	1	
11	A50U861600	Positioning Cam		D	2	
12	A50U864200	Reverse/Exit Spring /Rear		D	1	
13	A50U864300	Reverse/Exit Spring /Front		D	1	
14	A50U865400	Positioning		D	1	
15	A50U867100	Reverse/Exit Gear /A 20T		C	1	
16	A50U867700	Fixing Plate /2		D	1	
17	A50U868401	Open/close Spring /1		D	1	
18	A50U869700	Fixing Collar /1		D	1	
19	A50UR72700	Drive Motor / 1 Assy		C	1	
20	08AA85512	Photo Sensor		B	1	
21	4470402401	STOPPER		D	1	
22	A50U860202	Guide Plate /B		D	1	
23	A50U868000	Reinforce Plate /A		D	1	
24	A50U868702	Spring /1		D	1	
25	A50U869300	Mounting Stay		D	1	
26	A50U869601	Arm /1		D	1	
27	A50U869800	Ground Plate /1		D	1	
28	A50U865100	Pressing Shaft		D	1	
29	65AA49410	PAPER EXIT HANDLE		C	1	
30	A50U865601	Lock Shaft /A		D	1	
31	A50U943600	Release Label /6		D	1	
32	A50UN17601	ADU Drive harness /8		D	1	
33	A50UN18401	ADU Detection harness /12		D	1	

# ADU Reverse And Exit Section

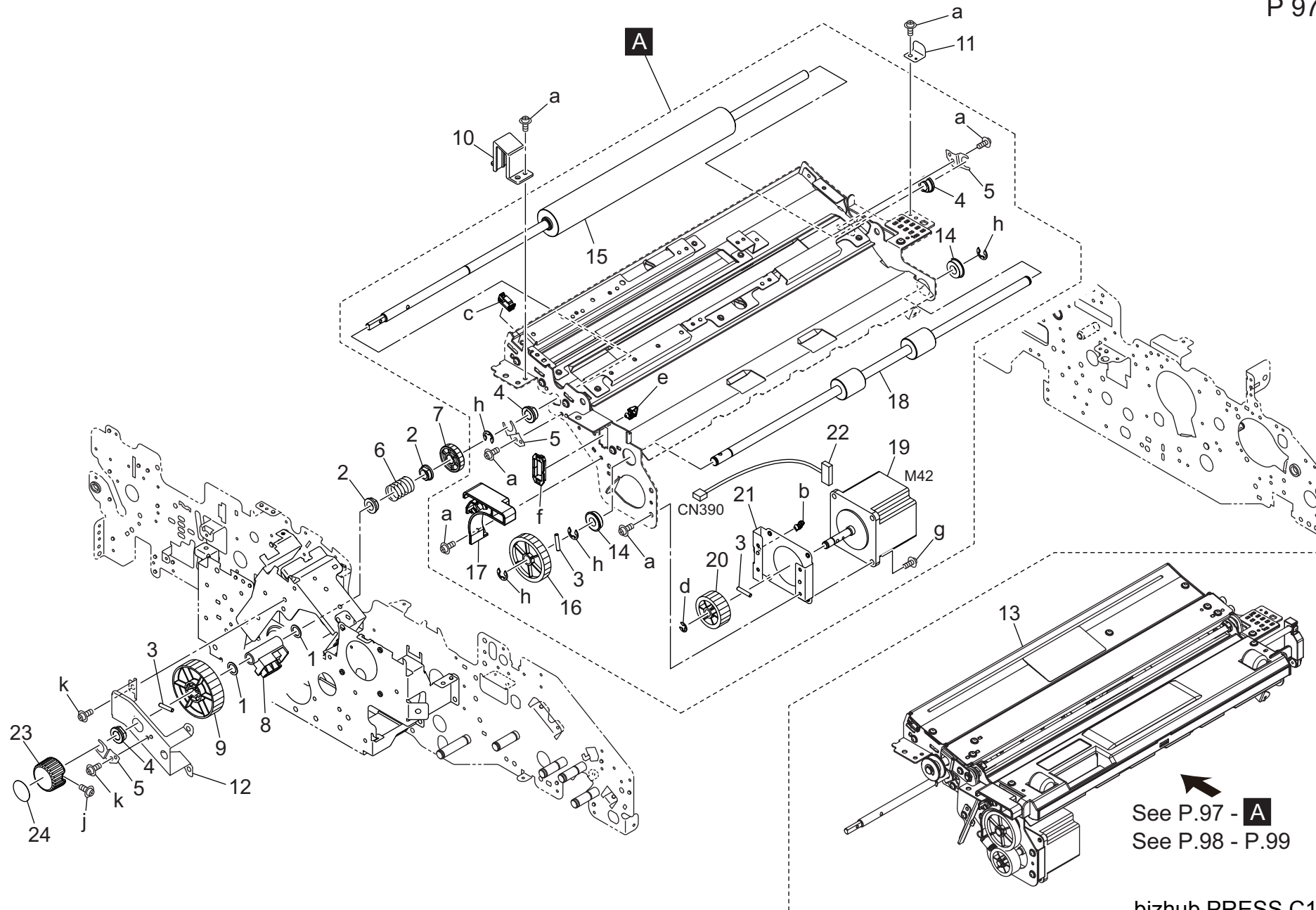
P 96





## ADU Reverse And Exit Section

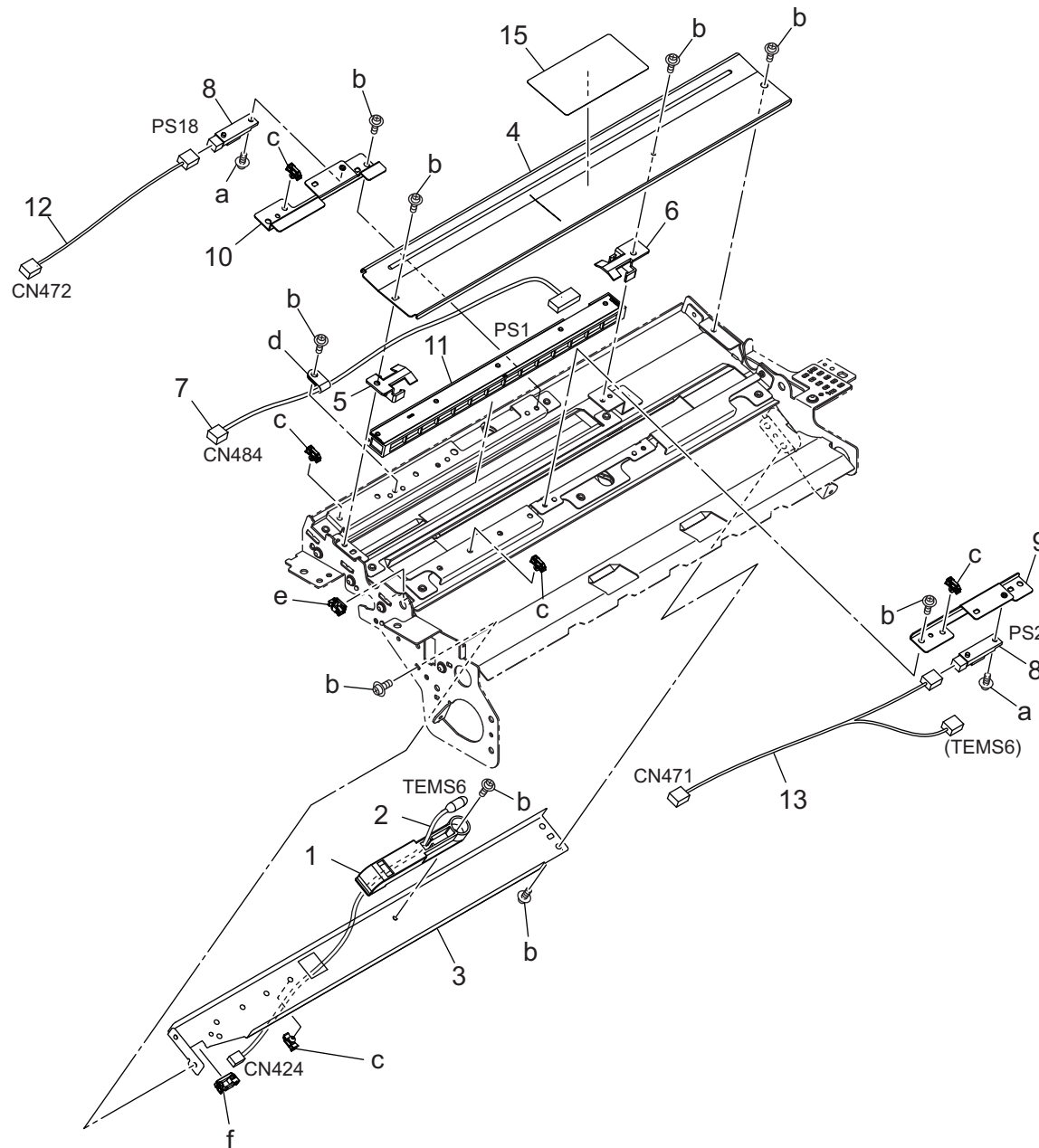
Key	Part No.	Description	Destinations	Class	QTY	Standard parts
1	A50U862600	Reinforce Plate /3		D	1	a-V151030803 b-V217020050 c-V118030403 d-V127030603 e-V500020002
2	A50U865200	Positioning Plate /1		D	2	
3	A50U868200	Guide Sheet /1		D	11	
4	A50U868301	Guide Sheet /2		D	8	
5	13QA85511	Sensor 1		B	1	
6	A1RF877100	Ground Part		D	4	
7	A50U861900	Fixing Plate		D	1	
8	A03U845601	Idler Roller /2		C	3	
9	A50U868500	Idler Shaft		D	3	
10	A50U868600	Support Plate		D	3	
11	A50U865000	Paper exit Guide Plate /5		D	1	
12	A50U869200	Separating Guide /1		D	1	
13	A50UN17502	ADU Detection harness /8		D	1	



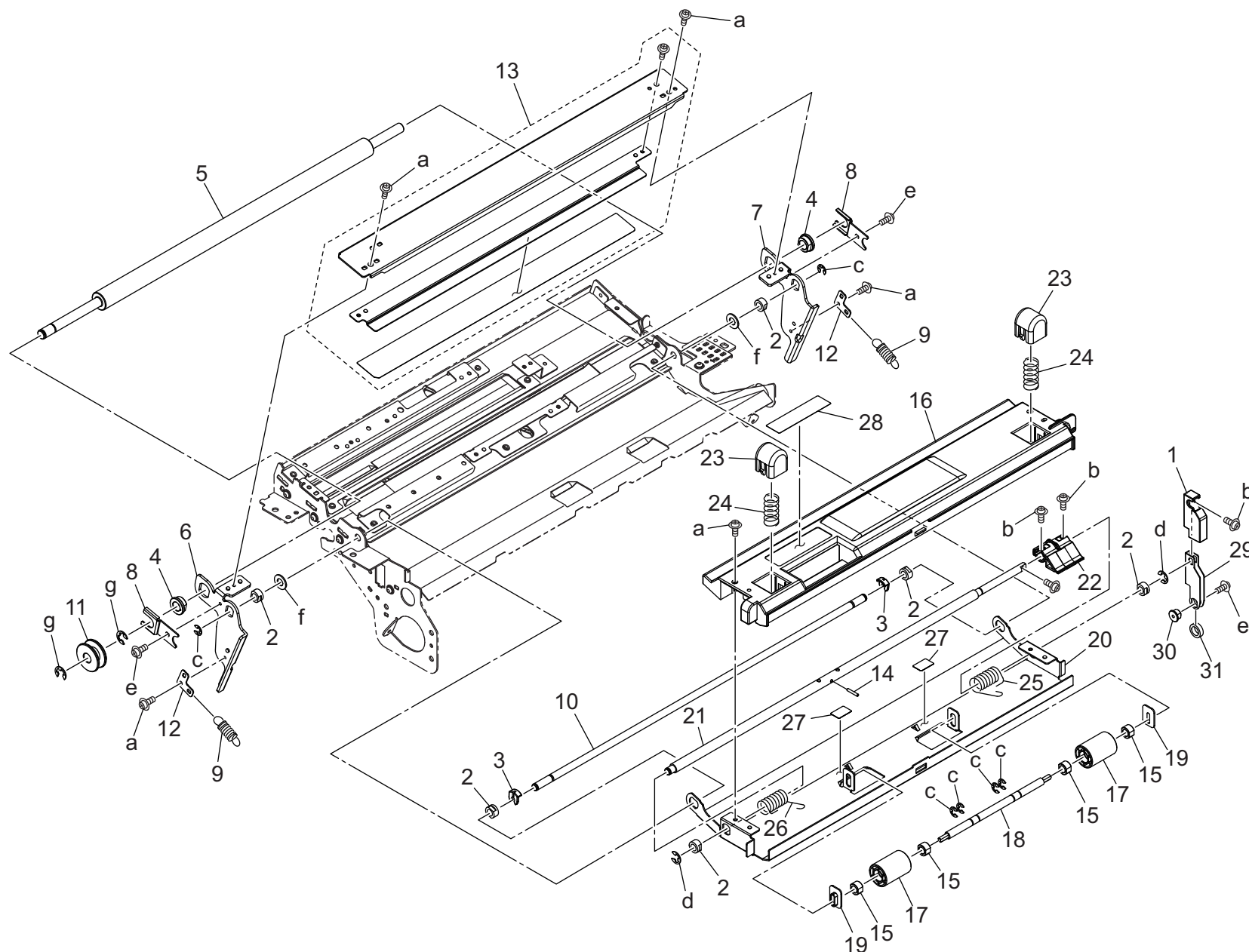
See P.97 - **A**  
See P.98 - P.99

bizhub PRESS C1070P

Key	Part No.	Description	Destinations	Class	QTY	Standard parts
1	12QV40650	SPACER		B	2	a-V127030603
2	4131353202	BUSHING		C	2	b-V500020099
3	56AA17461	PIN A		B	3	c-V570010057
4	A03U812800	Slide Shaft Holder		B	3	d-V217040050
5	A50U711101	Holding Plate /1		D	3	e-V500020098
6	A50U711400	Swing Spring		D	1	f-V570010037
7	A50U713000	Roll /1		D	1	g-V127030803
8	A50U713200	Light blocking Rack		D	1	h-V217060050
9	A50U713600	Swing Gear /2 104T		C	1	j-V118030603
10	A50U716200	Wiring Cover /2		D	1	k-V121030403
11	A50U717901	Adjusting Jig /ASSY		D	1	
12	A50U882401	Registration Side plate /Front		D	1	
13	A50UR71C00	Registration Assy		S	1	
14	A00V240600	BALL BEARING		C	2	
15	A50U710101	Registration Roller		B	1	
16	A50U714400	Conveyance Gear /1 40T		C	1	
17	A50U715900	Wiring Cover /1		D	1	
18	A50U719200	Roller		C	1	
19	65AA80112	HB Motor /50		B	1	
20	A50U714300	Drive Gear /1 28T		C	1	
21	A50U719800	Drive Side plate		D	1	
22	A50UN15800	ADU Drive harness /2		D	1	
23	14GE45470	Rotation Knob		C	1	
24	A50U943400	Release Label /4		D	1	



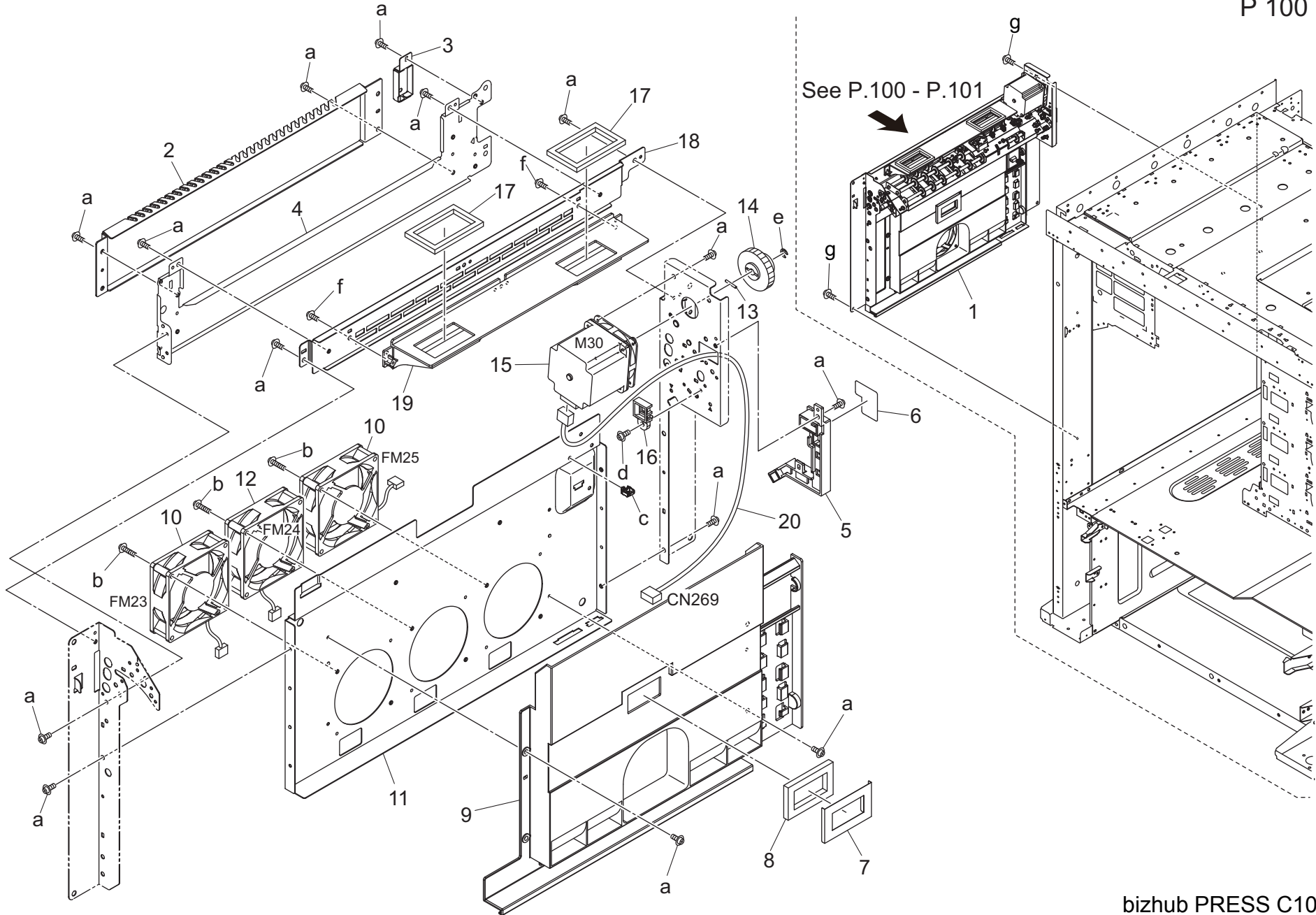
Key	Part No.	Description	Destinations	Class	QTY	Standard parts
1	A03X622000	Detecting Cover		C	1	a-V118030403 b-V127030603 c-V500020099 d-V500020069 e-V570010056 f-V570010057
2	A0VDM50500	Thermistor /1		I	1	
3	A50U712001	Mounting Stay /Lower		D	1	
4	A50U717000	Cover		D	1	
5	A50U717100	Stopper /1		D	1	
6	A50U717200	Stopper /2		D	1	
7	A50UN16800	ADU Detection harness /5		D	1	
8	13QA85511	Sensor 1		B	2	
9	A50U718200	Plate /1		D	1	
10	A50U718300	Plate /2		D	1	
11	A50UM55100	Compensating Sensor		C	1	
12	A50UN16600	ADU Detection harness /3		D	1	
13	A50UN16700	ADU Detection harness /4		D	1	
15	A1DU942900	Caution Label /5		D	1	



Key	Part No.	Description	Destinations	Class	QTY	Standard parts
1	A50U715800	Protection Cover		D	1	a-V127030603
2	4131253701	BUSHING		C	6	b-V127030803
3	56AA40490	SHAFT STOPPER 4		C	2	c-V217040050
4	A03U812800	Slide Shaft Holder		B	2	d-V217050050
5	A50U710300	Idler Roller		D	1	e-V121030403
6	A50U710900	Pressure Lever /1		D	1	f-V207060003
7	A50U711000	Pressure Lever /2		D	1	g-V217060050
8	A50U711200	Holding Plate /2		D	2	
9	A50U711300	Pressure Spring		D	2	
10	A50U712700	Pressure Shaft /1		D	1	
11	A50U713100	Roll /2		D	1	
12	A50U715700	Pulling Plate /1		D	2	
13	A50UR70D01	Registration Cleaning Sheet Assy		B	1	
14	56AA17321	PIN A D2X12		B	1	
15	A03U850101	Slide Bushing		C	4	
16	A50U711602	Open/close Holder		D	1	
17	A50U712200	Idler Roll /1		D	2	
18	A50U712300	Idler Shaft /1		D	1	
19	A50U712400	Receiving Shaft /1		D	2	
20	A50U714200	Open/close Guide		D	1	
21	A50U714500	Release Shaft		D	1	
22	A50U714600	Lever		D	1	
23	A50U716301	Pressing Block		D	2	
24	A50U716400	Compressing Coil spring		D	2	
25	A50U718400	Pressing Spring /Rear		D	1	
26	A50U718500	Pressing Spring /Front		D	1	
27	A50U880900	Guide Sheet /Side		D	2	
28	A50U943300	Release Label /3		D	1	
29	A50U715300	Pressure Lever /25		D	1	
30	A50U715600	Support Shaft /2		D	1	
31	A50U716500	Ball Bearing		C	1	

# Reverse And Exit Section

P 100



bizhub PRESS C1070P

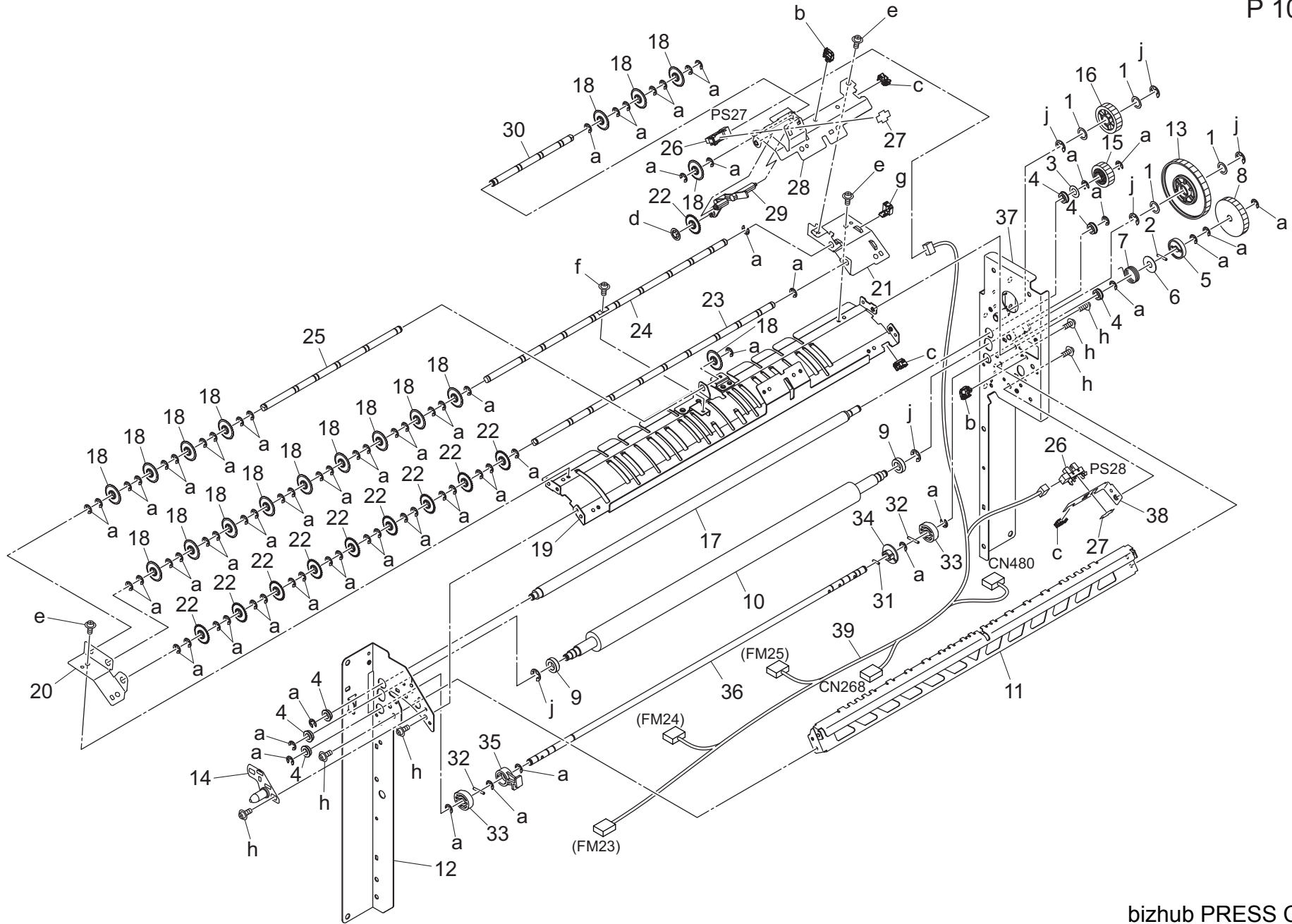


Reverse And Exit Section

Key	Part No.	Description	Destinations	Class	QTY	Standard parts
1	A50UR71F00	Main Body Paper Exit Unit Assy	本体排紙ユニット A s s y	S	1	a-V127030603 b-V118033003 c-V500020098 d-V127030803 e-V217040050 f-V151030803 g-V127040603
2	A03U893301	GUIDE PLATE /Z	ガイド板 / Z	C	1	
3	A03U893400	Drive Cover	駆動カバー	D	1	
4	A50U890500	Reinforce Plate /Left	補強板 / 左	D	1	
5	A50U893300	Guide Cover /1	ガイドカバー / 1	D	1	
6	A50U895000	Wiring Sheet	配線シート	D	1	
7	A03U892300	Sheet	シート	C	1	
8	A03U892400	Seal	シール	C	1	
9	A50U892502	Paper exit Duct	排紙ダクト	D	1	
10	9J03M10000	FAN MOTOR	ファンモータ	B	2	
11	A50U891200	Paper exit Plate	排紙板	D	1	
12	A50UM15300	Fan motor /2	ファンモータ / 2	C	1	
13	56AA17551	PIN A	ピン A	C	1	
14	A03U909900	Paper exit Gear /1 22/44T	排紙ギア / 1 22 / 44 T	C	1	
15	A1TVM10100	Stepping motor /50	ステッピングモータ / 50	C	1	
16	A50U895101	Positioning Part	位置決め部材	D	1	
17	65LA48530	DUCT SEAL 1	ダクトシール 1	D	2	
18	A50U891000	Guide Plate /Left	ガイド板 / 左	D	1	
19	A50U892200	Cooling Duct /2	冷却ダクト / 2	D	1	
20	A50UN15301	Drive harness /2	駆動束線 / 2	D	1	

# Reverse And Exit Section

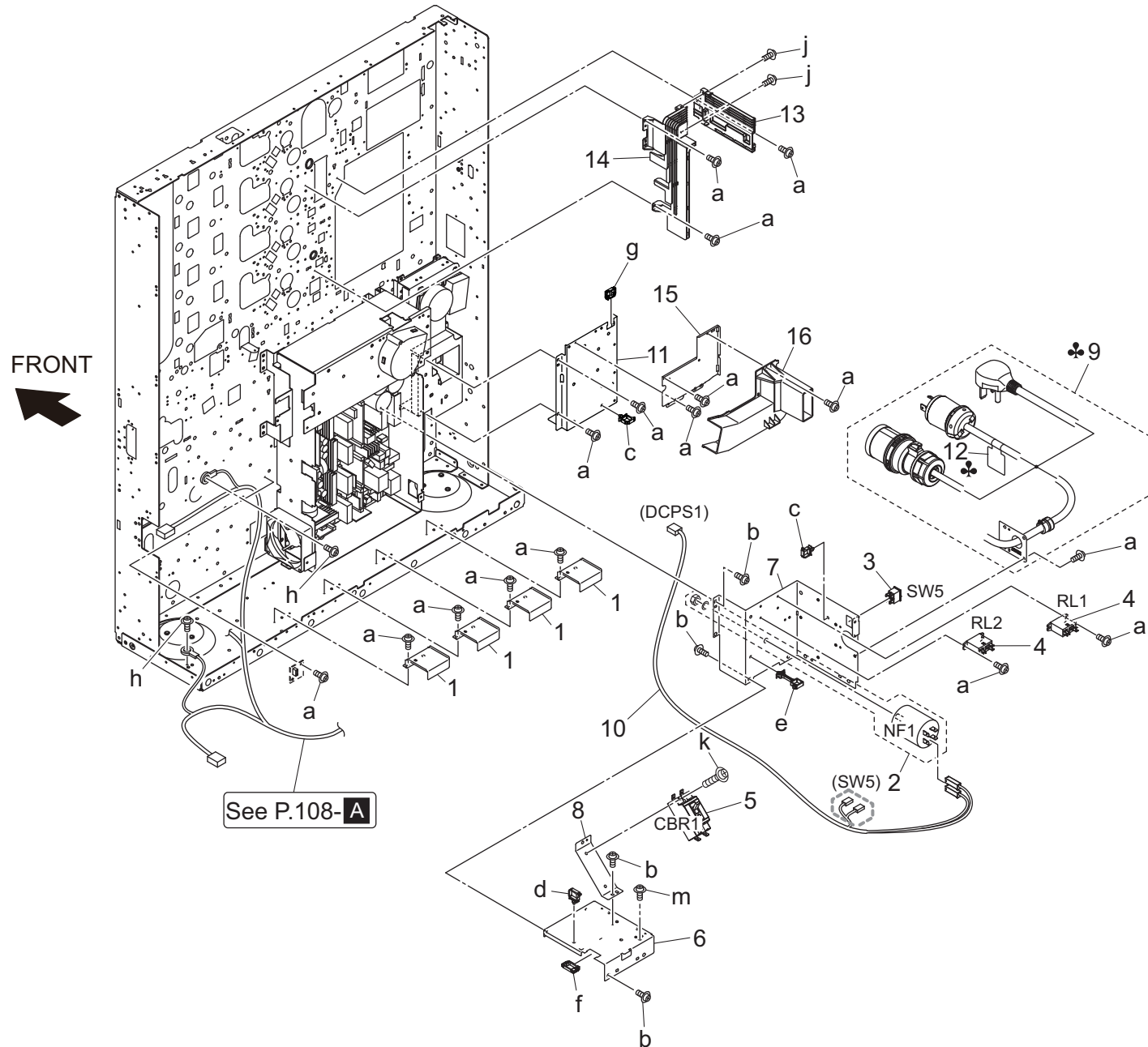
P 101



## Reverse And Exit Section

Key	Part No.	Description	Destinations	Class	QTY	Standard parts
1	13QA40610	Gear Spacer		C	4	a-V217040050
2	56AA17321	PIN A D2X12		B	1	b-V500020098
3	56AA17700	SPACER B		C	1	c-V570010056
4	A00J617800	BALL BEARING		C	6	d-V226030050
5	A03U893000	Slide Plate		C	1	e-V121030403
6	A03U893101	Spacer /Rear		C	1	f-V127030803
7	A03U893200	Stopper Spring		C	1	g-V500010057
8	A03U909502	PAPER EXIT GEAR /5 40 T		C	1	h-V127030603
9	A1RF517300	bearing		C	2	j-V217060050
10	A50U890800	Paper exit Roller /B		C	1	
11	A50U890900	Guide Plate /Lower		D	1	
12	A50U891301	Paper exit Plate /Front		D	1	
13	A50U892101	Idling Gear /1 68T		C	1	
14	A50U893201	Adjusting Plate /1		D	1	
15	A50U899700	Paper exit Gear /3 23T		C	1	
16	A50U899801	Paper exit Gear /2 29T		C	1	
17	A50U890700	Paper exit Shaft		D	1	
18	65AA48460	PAPER HOLDING PART 2		C	18	
19	A50U890400	Guide Plate /Upper		D	1	
20	A50U891500	Support Side plate /Front		D	1	
21	A50U891600	Support Side plate /Rear		D	1	
22	65AA48360	Paper Holding Part /1		C	10	
23	A50U890300	Fixing Shaft /1		D	1	
24	A50U890101	Fixing Shaft /2		D	1	
25	A50U891900	Fixing Shaft /5		D	1	
26	08AA85512	Photo Sensor		B	2	
27	4470402401	STOPPER		D	2	
28	A50U892800	Support Plate /A		D	1	
29	A50U892900	Paper exit /3		D	1	
30	A50U890200	Fixing Shaft /6		D	1	
31	56AA17310	PIN		C	1	
32	56AA17551	PIN A		C	2	
33	A03U892701	Positioning Cam		C	2	
34	A03U892800	Positioning Roll		C	1	
35	A03U893502	Regulating Cam		C	1	
36	A50U890600	Regulating Shaft		D	1	
37	A50U892001	Paper exit Plate /Rear		D	1	
38	A50U894000	Plate /Rear		D	1	
39	A50UN15201	Drive harness /3		D	1	

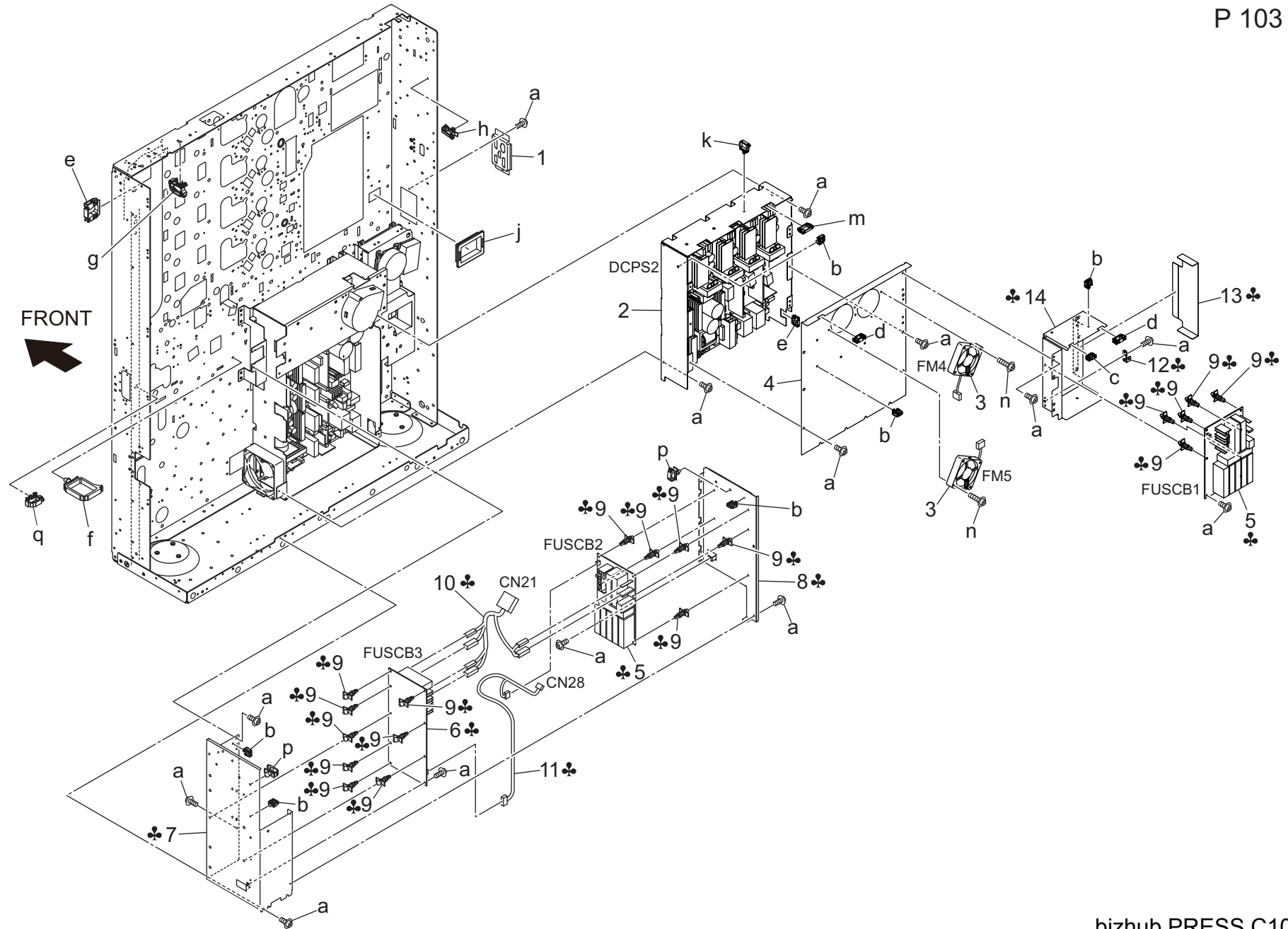
# Rear Electrical Section



Key	Part No.	Description	Destinations	Class	QTY	Standard parts
1	A50U132400	Wiring Cover		D	4	a-V127030603
2	55TA84561	Noise Filter		C	1	b-V127040603
3	A00JM60300	Rocker switch		C	1	c-V500010007
4	A07TM60100	Power source Relay		C	2	d-V500010008
5	A4EUM60400	Breaker		D	1	e-V500020085
6	A50U131501	Bottom plate		D	1	f-V570010059
7	A50U131600	Side plate		D	1	g-V570010060
8	A50U131800	Fixing Plate /D		D	1	h-V116040603
9	A50UR71G00	Power Code Assy(JP)	A	D	1	j-V158030803
9	A50UR71H00	Power Code Assy(US)	B,G2	D	1	k-V111042003
9	A50UR71J00	Power Code Assy(EU)	C	D	1	m-V116050803
10	A50UN11701	AC Wiring /4		D	1	
11	A50U131700	Mounting Plate		D	1	
12	56AA97140	CORD LABEL	B,G2	D	1	
13	A50U133700	Wiring Guide /Rear		D	1	
14	A50U133800	Wiring Guide /Left Rear		D	1	
15	A50U120100	Fixing Plate		C	1	
16	A50U120200	Cooling Duct		D	1	



# Rear Electrical Section

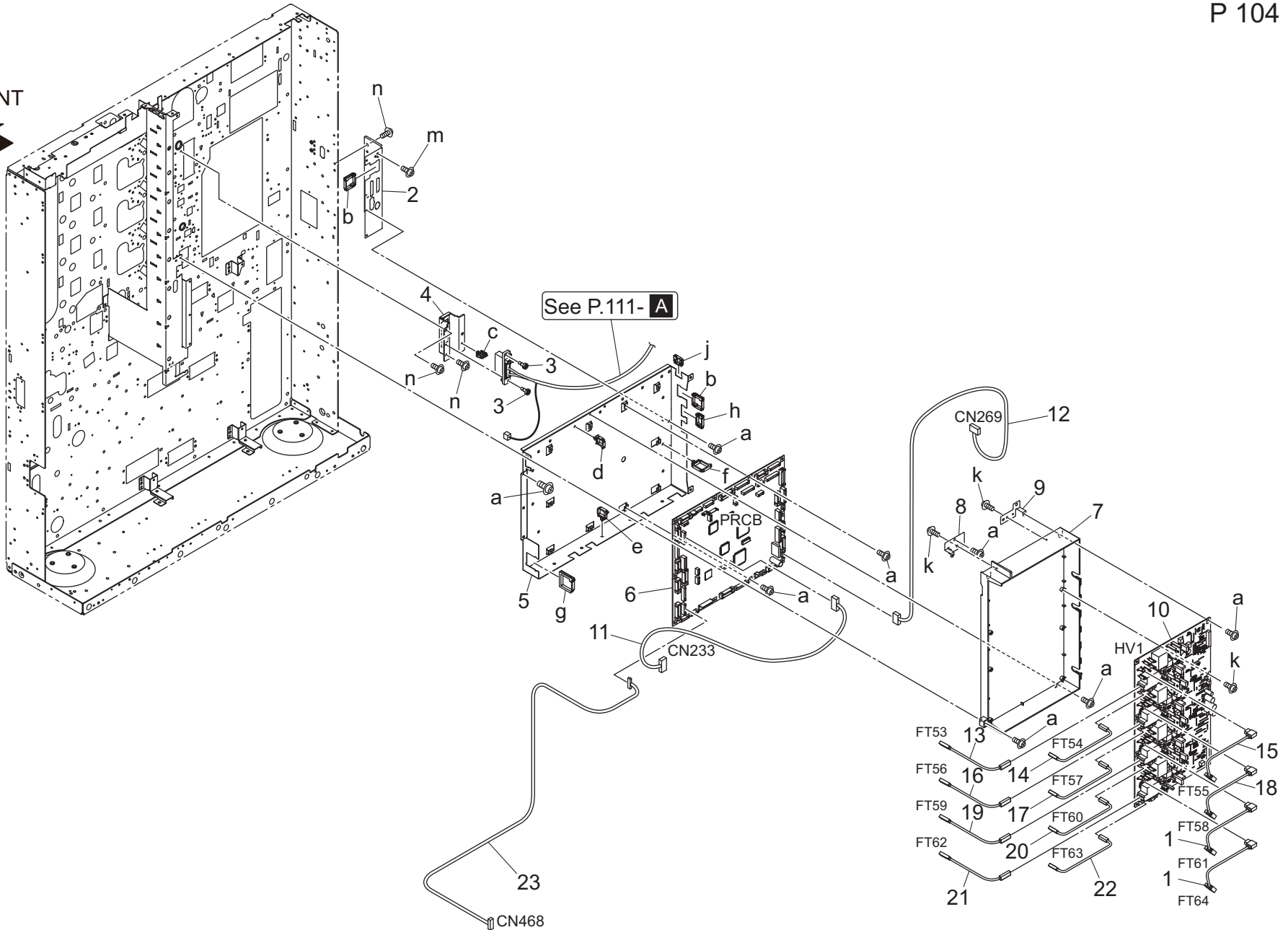


# Rear Electrical Section

Key	Part No.	Description	Destinations	Class	QTY	Standard parts
1	A50U108100	Power supply Panel /F		D	1	a-V127030603
2	A50UM45200	DC Power source /2		I	1	b-V500020098
3	9J06M10000	FAN MOTOR		C	2	c-V570010056
4	A50U132300	Cover /2		D	1	d-V570010057
5	A1DUM70001	Fixing Control board /1		I	2	e-V570010060
6	A1DUM70101	Fixing Control board /2	C	I	1	f-V500010015
7	A50U136000	Mounting Plate /1	A,B,G2	D	1	g-V500010071
7	A50U136000	Mounting Plate /1	C	D	1	h-V500020100
8	A50U136101	Mounting Plate /1	C	D	1	j-V570010038
9	V502010033	spacer	C	D	18	k-V500010008
10	A50UN12E01	Fixing Control harness /1	C	D	1	m-V570010059
11	A50UN13E01	Fixing Control harness /2	C	D	1	n-V118031803
12	A50U130300	Mounting Plate Outside	C	D	1	p-V500010003
13	A50U130400	Protection Sheet	C	D	1	q-V500010072
14	A50U136402	Mounting Plate /3	C	D	1	

# Rear Electrical Section

FRONT



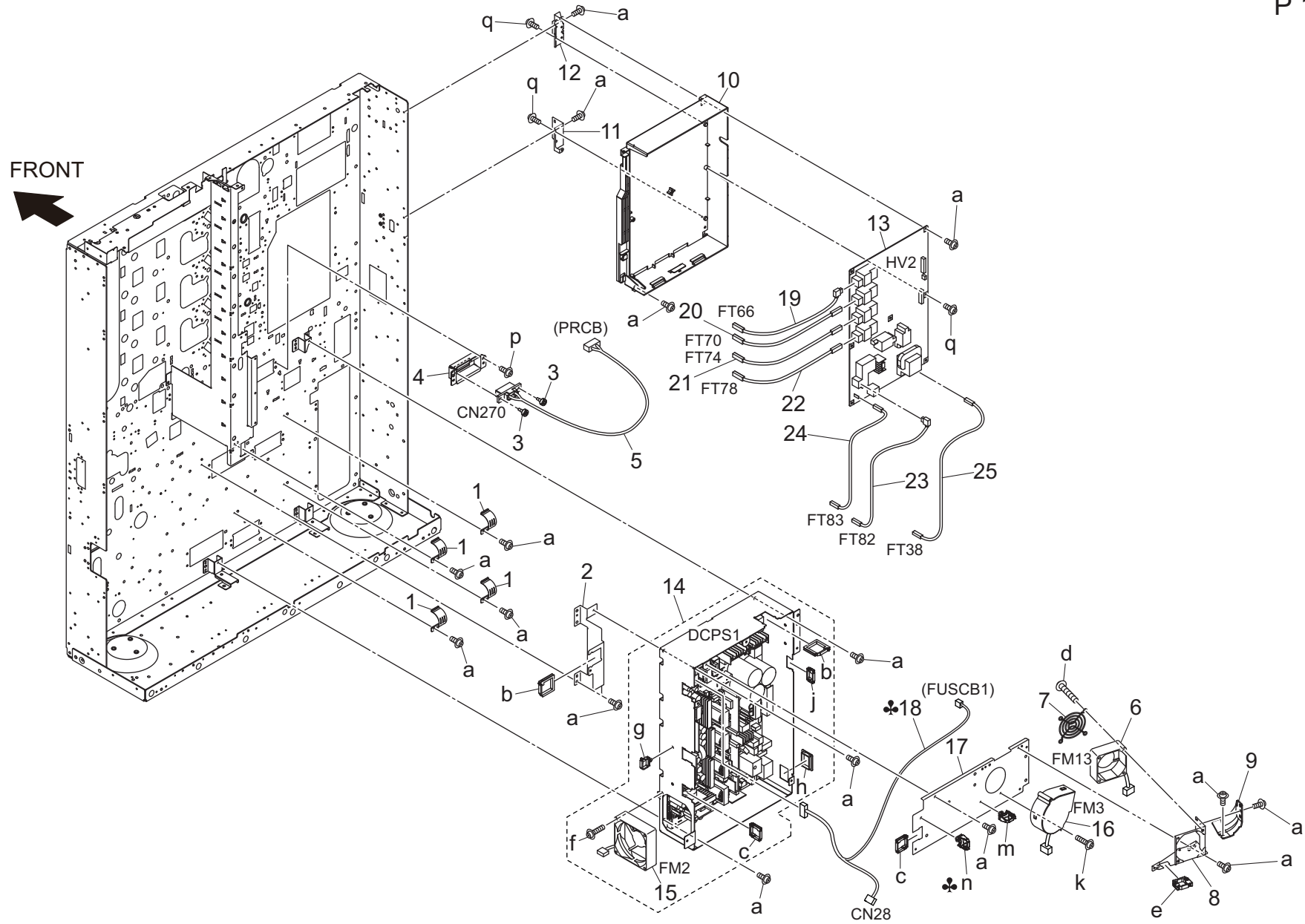
bizhub PRESS C1070P



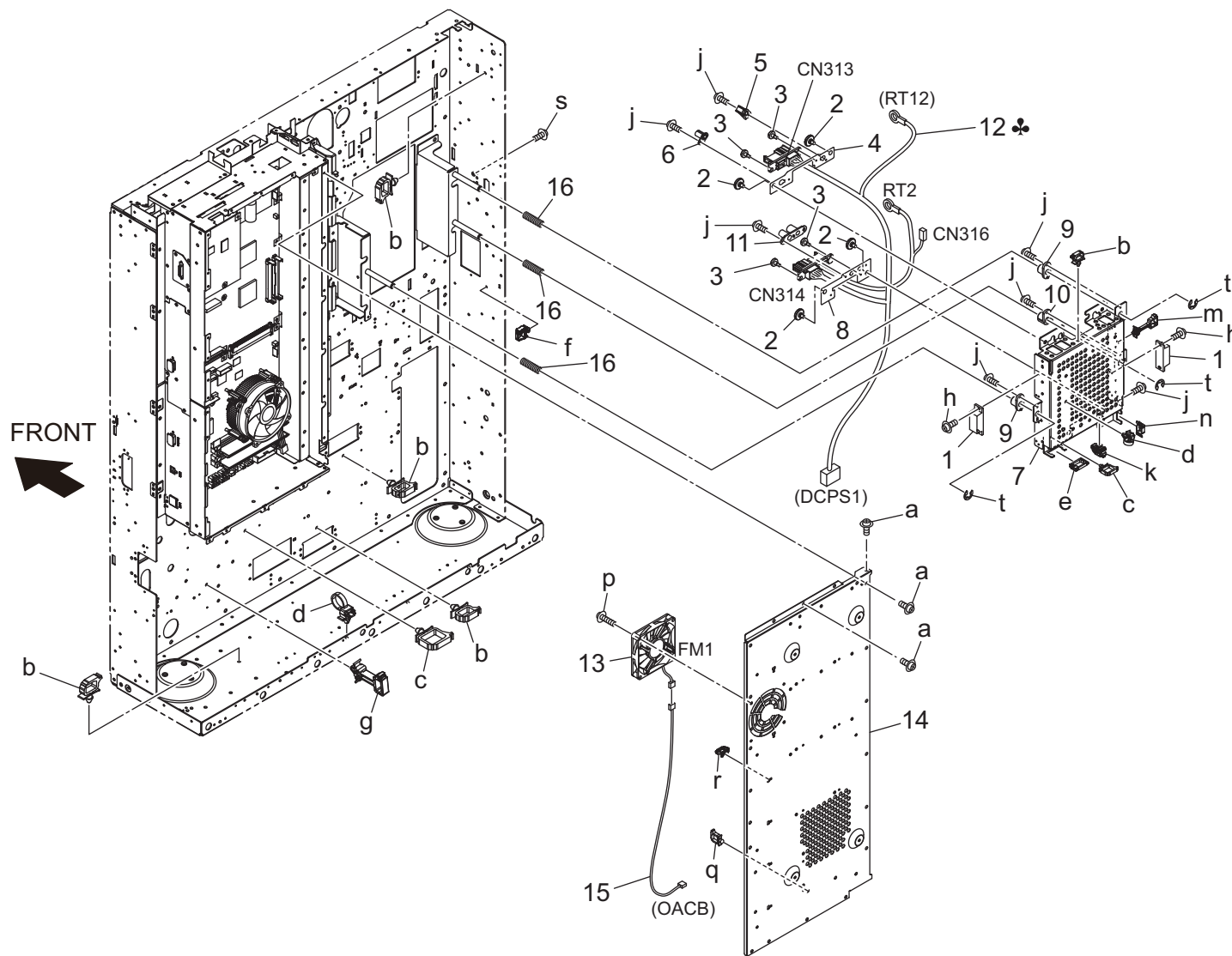
Rear Electrical Section

Key	Part No.	Description	Destinations	Class	QTY	Standard parts
1	A50UN24300	HV Wiring /14	高压束線 / 1 4	D	2	a-V127030603
2	A50U133101	Support Plate /B	支持板 / B	D	1	b-V570010058
3	57AA15600	ELECTRIC MOUNTING SCREW	電装取り付けネジ	C	2	c-V500020099
4	A50U104800	Connecting Frame	連結フレーム	D	1	d-V500010007
5	A50U133001	Control Plate	制御板	D	1	e-V500010008
6	A50UH03006	Print Control Board ASSY	プリンタ制御基板 A S S Y	I	1	f-V500010015
7	A50U131002	Casing /1	ケーシング / 1	D	1	g-V570010048
8	A50U131400	Ground Plate /1	アース板 / 1	D	1	h-V570010059
9	A50U131900	Ground Plate /2	アース板 / 2	D	1	j-V570010060
10	A50UM40100	HV Board /1	高压基板 / 1	D	1	k-V158030803
11	A50UN12900	Toner Relay harness /1	トナー中継束線 / 1	D	1	m-V116040603
12	A50UN17400	Drive Relay harness /2	駆動中継束線 / 2	D	1	n-V127040603
13	A50UN23200	HV Wiring /3	高压束線 / 3	D	1	
14	A50UN23300	HV Wiring /4	高压束線 / 4	D	1	
15	A50UN23400	HV Wiring /5	高压束線 / 5	D	1	
16	A50UN23500	HV Wiring /6	高压束線 / 6	D	1	
17	A50UN23600	HV Wiring /7	高压束線 / 7	D	1	
18	A50UN23700	HV Wiring /8	高压束線 / 8	D	1	
19	A50UN23800	HV Wiring /9	高压束線 / 9	D	1	
20	A50UN23900	HV Wiring /10	高压束線 / 1 0	D	1	
21	A50UN24100	HV Wiring /12	高压束線 / 1 2	D	1	
22	A50UN24200	HV Wiring /13	高压束線 / 1 3	D	1	
23	A50UN11501	Main body Wiring /5	本体束線 / 5	D	1	

# Rear Electrical Section



Key	Part No.	Description	Destinations	Class	QTY	Standard parts
1	56AA73560	EARTH PLATE UPPER		C	4	a-V127030603
2	A50U132600	Mounting Plate /Left		D	1	b-V570010048
3	A50U109200	Mounting Screw		D	2	c-V570010058
4	A50U112900	Mounting Tray		D	1	d-V121033003
5	A50UN15101	ADU Relay harness /2		D	1	e-V570010060
6	56QA80570	INTERNAL COOLING FAN		C	1	f-V118033003
7	57GA12100	FAN COVER /2		C	1	g-V500010008
8	A50U120700	Fixing Plate /2		D	1	h-V570010038
9	A50U120800	Cover Part /Left Front		D	1	j-V570010059
10	A50U131100	Hold Casing /2		D	1	k-V118043503
11	A50U131200	Ground Plate /4		D	1	m-V500020098
12	A50U131300	Ground Plate /3		D	1	n-V500010007
13	A50UM40201	HV Board /2		D	1	p-V146040804
14	A50UR70M00	Power Supply / 1		I	1	q-V158030803
15	A0EDM10500	Fan motor		C	1	
16	9313110033	FAN MOTOR		C	1	
17	A50U132100	Cover /1		D	1	
18	A50UN11E02	Fixing Control harness /E	C	D	1	
19	A50UN24400	HV Wiring /15		D	1	
20	A50UN24600	HV Wiring /16		D	1	
21	A50UN24800	HV Wiring /17		D	1	
22	A50UN25000	HV Wiring /18		D	1	
23	A50UN25200	HV Wiring /19		D	1	
24	A50UN25300	HV Wiring /G		D	1	
25	A50UN25500	HV Wiring /S		D	1	

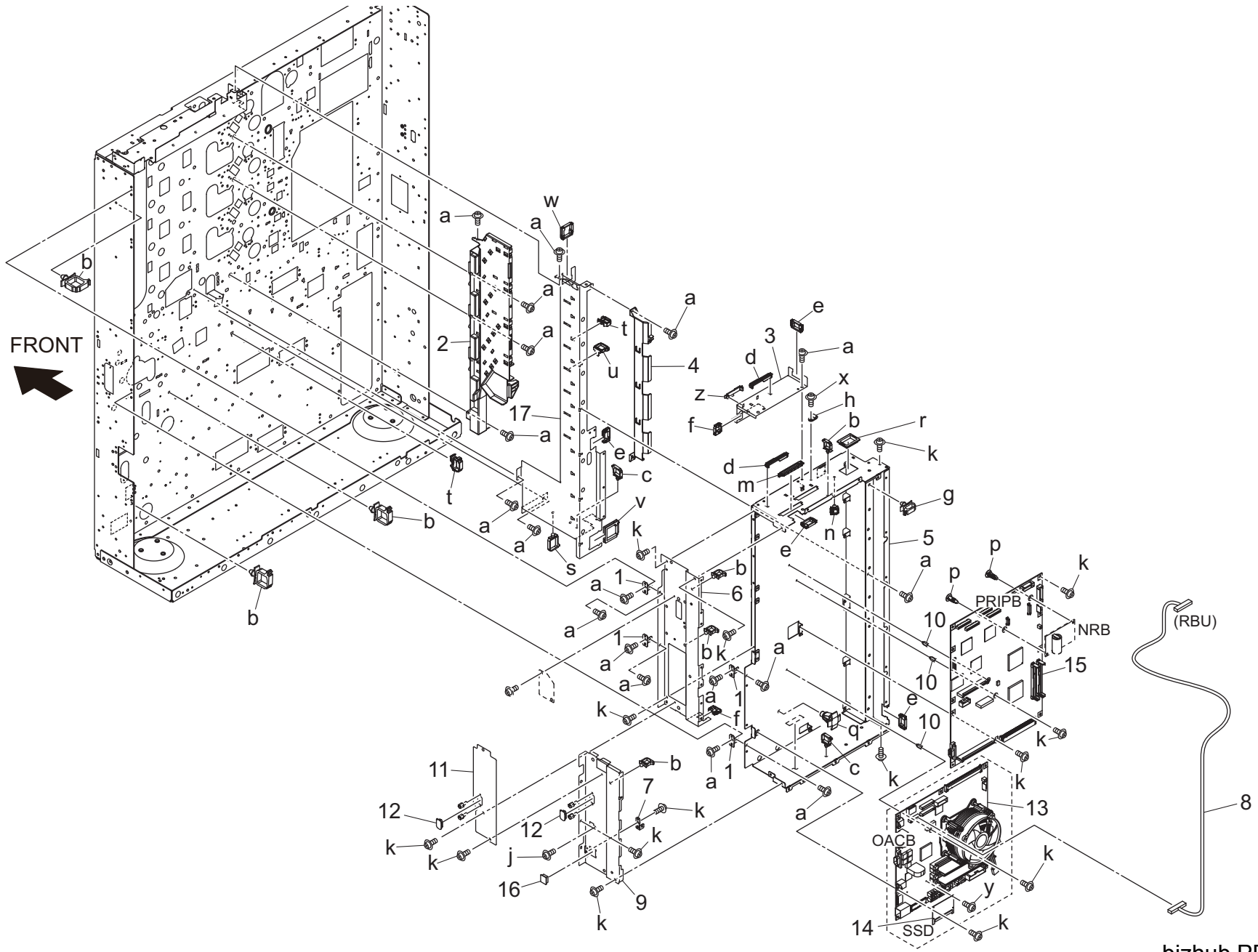


# Rear Electrical Section

Key	Part No.	Description	Destinations	Class	QTY	Standard parts
1	55VA32480	MAGNET CATCH		C	2	a-V127030516
2	A50U734100	Guide Screw		D	4	b-V500010005
3	A50U737301	Fixing Screw /1		D	4	c-V500010008
4	A50U737401	Mounting Stay /2		D	1	d-V501010018
5	A50U737601	Guide Part /11		D	1	e-V570010059
6	A50U737700	Guide Part /12		D	1	f-V500020098
7	A50U749401	Mounting Stay /Rear		D	1	g-V500020101
8	A50U749502	Mounting Stay /1		D	1	h-V126030603
9	A50U749600	Idler Sleeve /1		D	2	j-V127030603
10	A50U749700	Idler Sleeve /2		D	1	k-V500010072
11	A50U749801	Positioning Sleeve /3		D	1	m-V500020085
12	A50UN10A01	Fixing Relay harness /A	A,B,G2	D	1	n-V570010063
12	A50UN10E02	Fixing Relay harness /E	C	D	1	p-V118031803
13	A1RFM15100	Fan motor /1		C	1	q-V500010007
14	A50U130500	Processing Cover /Lower		D	1	r-V500010071
15	A50UN27400	ImageProcessing Relay harness /1		D	1	s-V116040603
16	A50U753100	Pressing Spring		D	3	t-V217060050

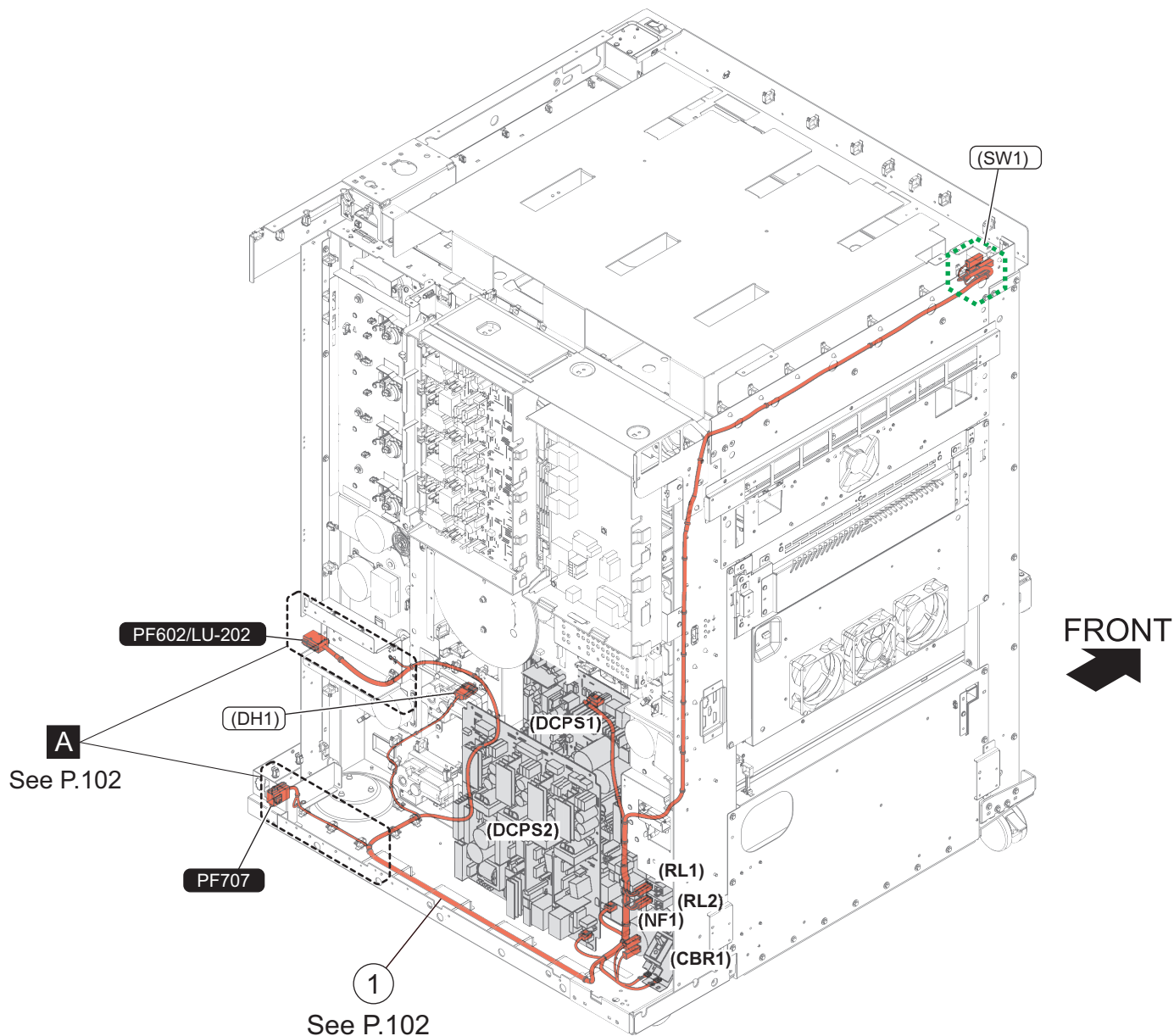
bizhub PRESS C1070P

# Rear Electrical Section



bizhub PRESS C1070P

Key	Part No.	Description	Destinations	Class	QTY	Standard parts
1	A50U130600	Mounting Plate Outside		D	4	a-V127030603
2	A50U133901	Wiring Guide /Right Rear		D	1	b-V500010007
3	A50U134700	Wiring Guide /P		D	1	c-V500010008
4	A50U136302	Wiring Guide /2		D	1	d-V500020093
5	A50U130103	Processing Plate		D	1	e-V570010059
6	A50U130202	Processing Plate /Side		D	1	f-V570010060
7	A50U130300	Mounting Plate Outside		D	1	g-V500010003
8	A50UN29201	Relay Wiring /U		D	1	h-V500020069
9	A50U130902	Cover /3		D	1	j-V111030603
10	A50U133400	Mounting Screw /B		D	3	k-V127030516
11	A50U136200	Cover /2		D	1	m-V500010080
12	13RN73120	Terminal Protection Cover /1		D	2	n-V500020098
13	A57PH01105	Main Body Control Board assy		I	1	p-V502010009
14	A50UR90133	SSD		I	1	q-V502010062
15	A50UH02004	Image Processing Board Assy		I	1	r-V570010038
16	40LA73840	Contact Protection Cover		D	1	s-V500010015
17	A50U134800	Cover Plate /1		D	1	t-V500010071
						u-V500010079
						v-V570010048
						w-V570010058
						x-V116030803
						y-V111140403
						z-V500020066

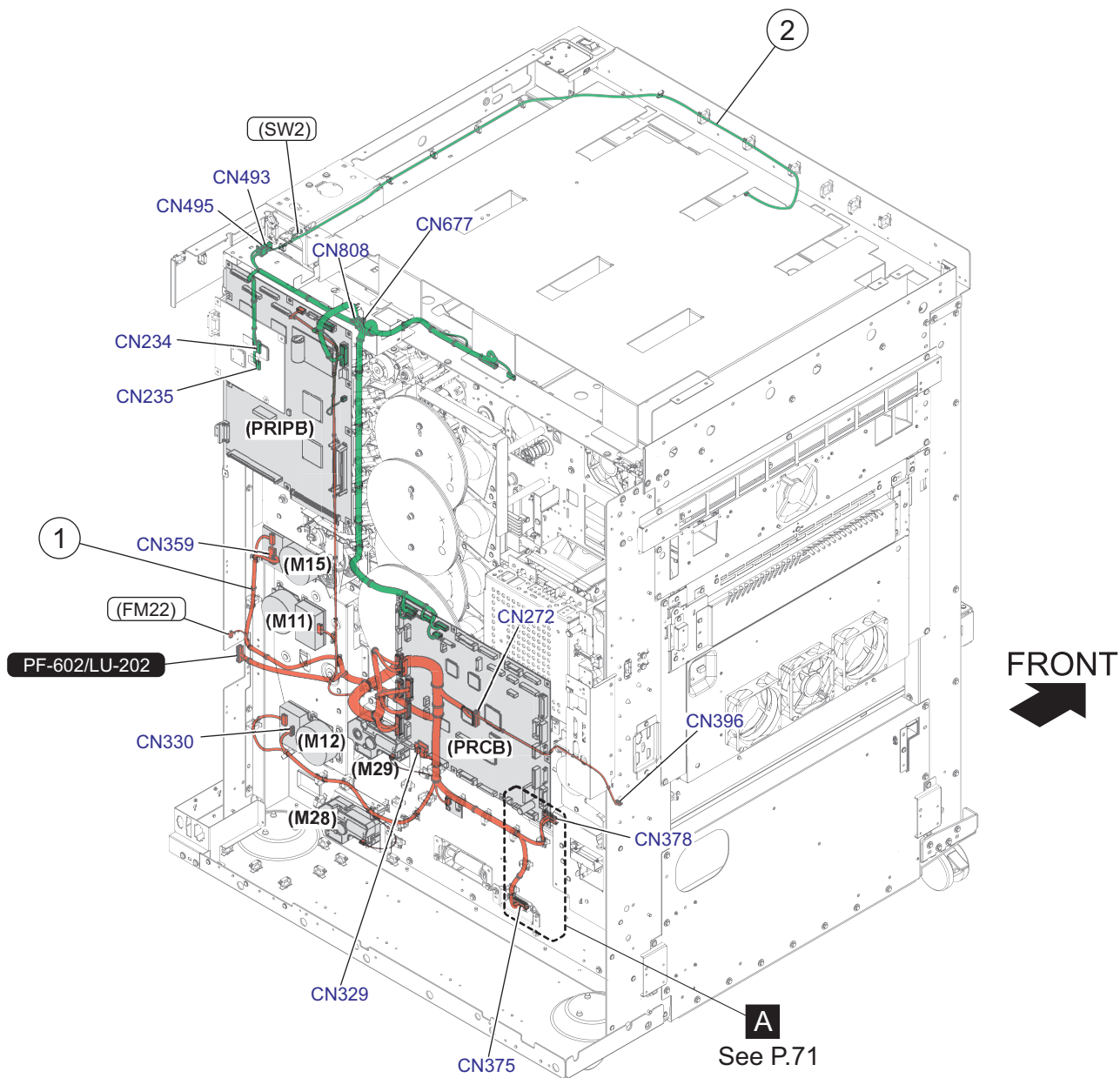




# Wiring

Key	Part No.	Description		Destinations	Class	QTY	Standard parts
1	A50UN10101	AC Wiring /3	A C 束線 / 3		D	1	

bizhub PRESS C1070P



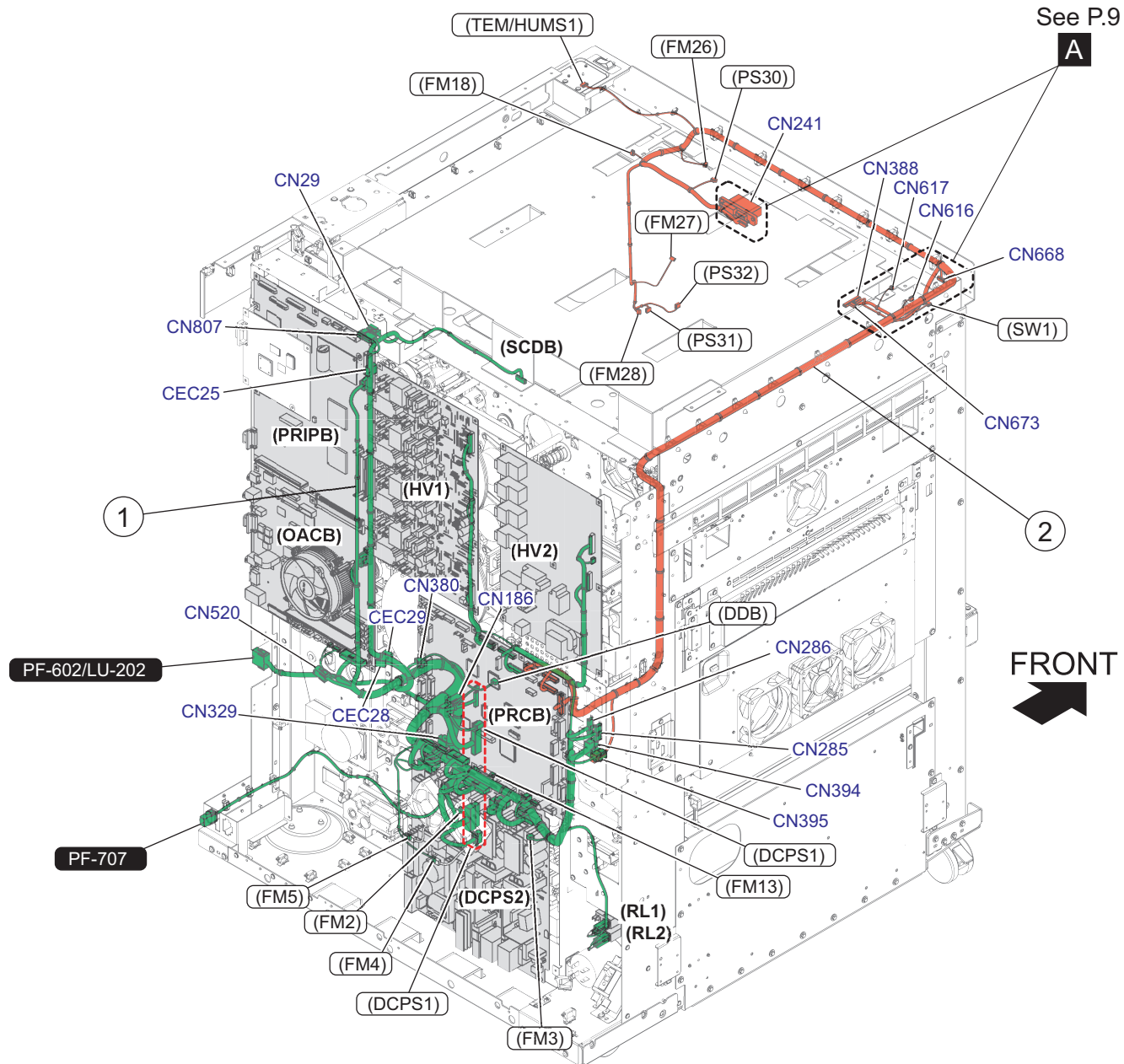
FRONT  
↓

**A**  
See P.71

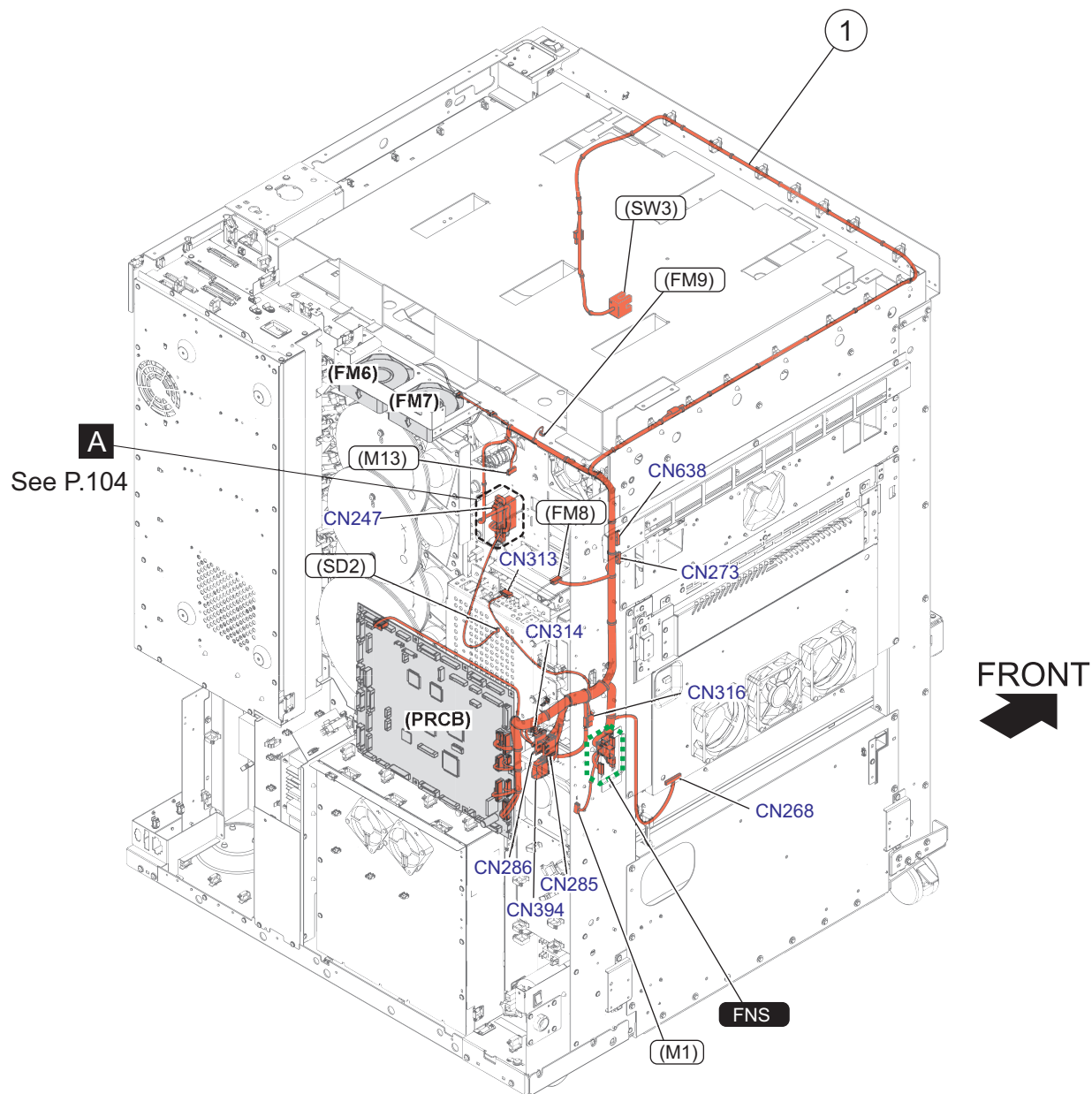
## Wiring

Key	Part No.	Description	Destinations	Class	QTY	Standard parts
1	A50UN10202	Main body Wiring /1		D	1	
2	A50UN10401	Main body Wiring /2		D	1	

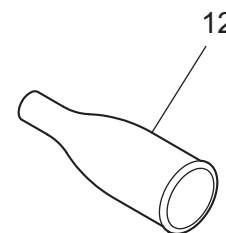
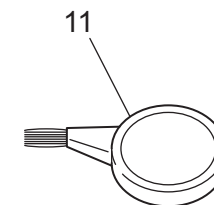
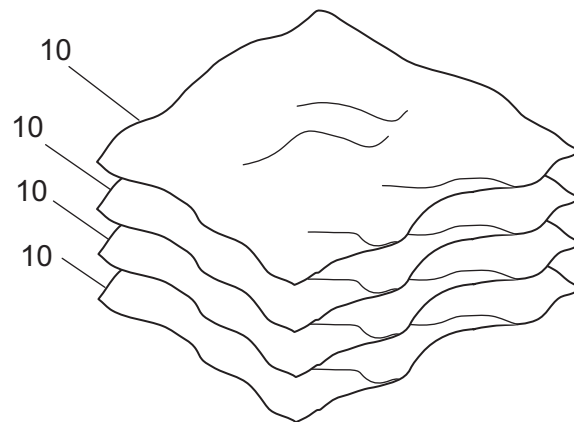
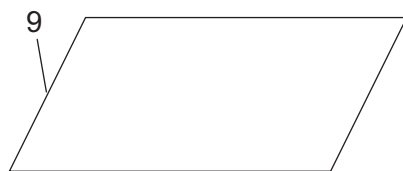
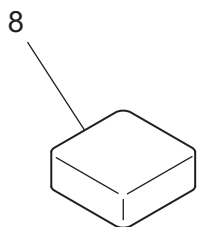
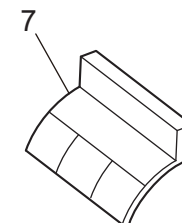
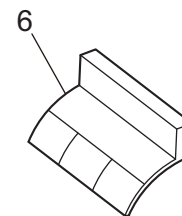
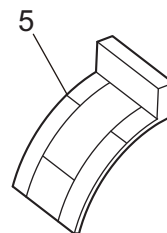
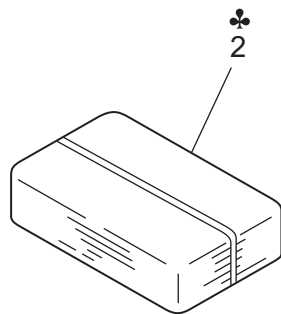
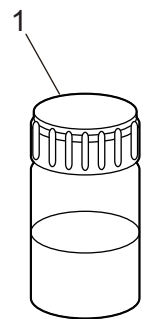
bizhub PRESS C1070P



Key	Part No.	Description		Destinations	Class	QTY	Standard parts
1	A50UN10302	DC Power source harness /1	D C 電源束線 / 1		D	1	
2	A50UN12702	Main body Wiring /4	本体束線 / 4		D	1	



Key	Part No.	Description		Destinations	Class	QTY	Standard parts
1	A50UN10502	Main body Wiring /3	本体束線 / 3		D	1	

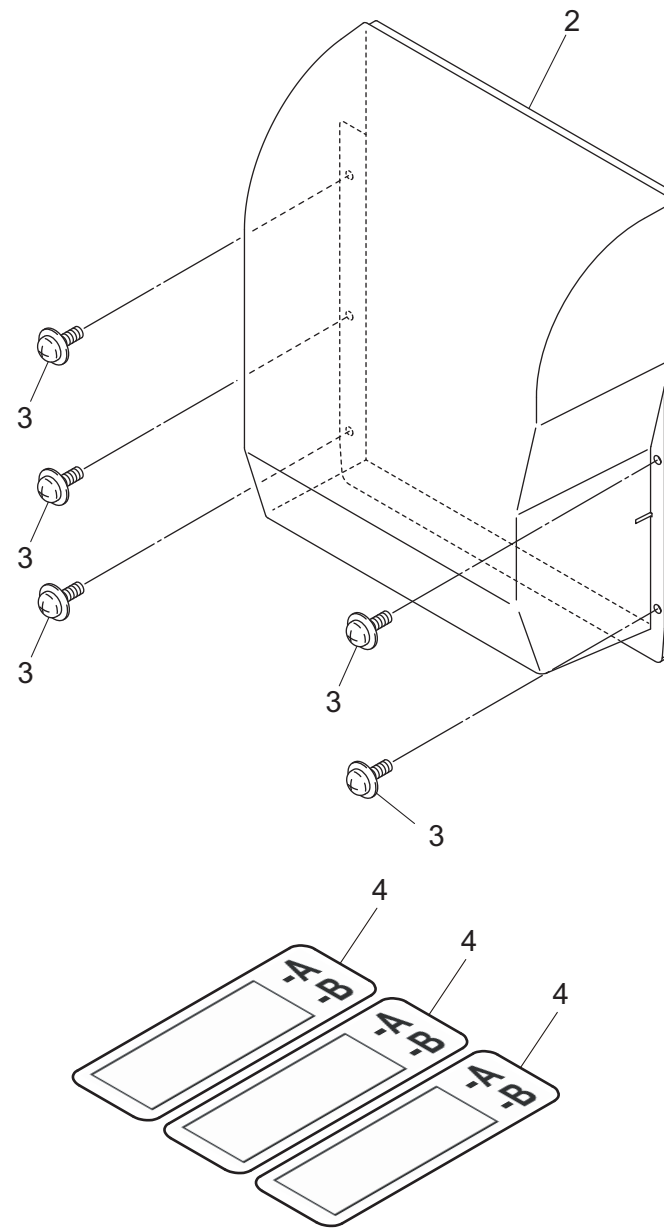
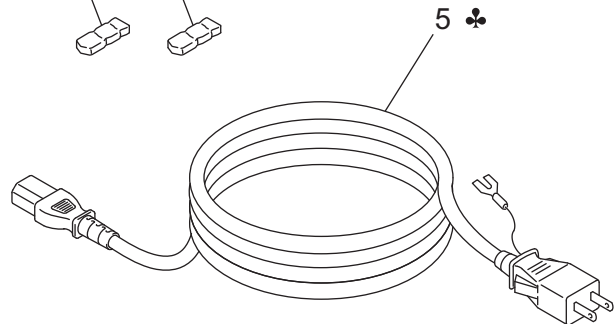
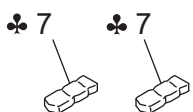
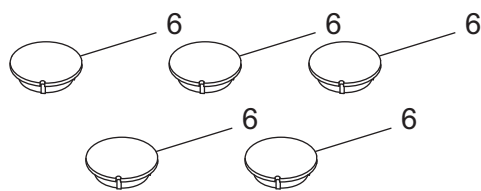
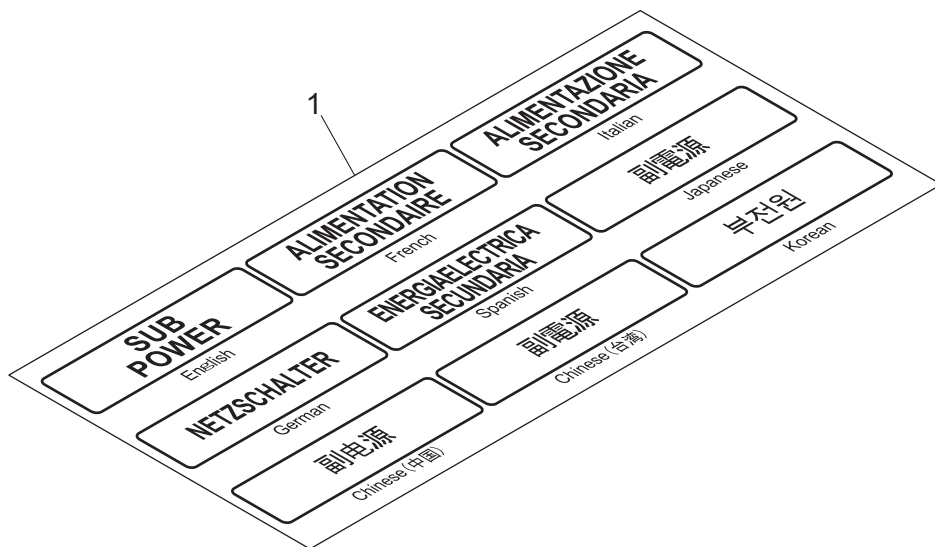




Key	Part No.	Description	Destinations	Class	QTY	Standard parts
1	A50UPP0100	Setting Toner No.2		S	1	
2	000V-18-1	CLEANING PAD	B,C,G2	A	1	
2	000V-18-2	CLEANING PAD	A	A	1	
3	A4EUPP0000	MHSURF FT-240	A,B,C,G2	S	1	
4	000V-19-0	SETTING POWDER		A	1	
5	A50UPJG300	Positioning Jig /C (Temperature Sensor)		S	1	
6	A50UPJG100	Positioning Jig /A (TS1/2)		S	1	
7	A50UPJG200	Positioning Jig /B (TS3)		S	1	
8	65AA-9920	HYDROWIPE		D	1	
9	65AA99500	AJUST PAPER FOR FIXING UNIT(16SHEET S)		S	1	
10	00VC-2-00	DRUM COVER		C	4	
11	00VD-1000	BLOWER BRUSH		B	1	
12	A1DUPJG100	Cleaning Jig		S	1	

# Accessory Parts

P 113



Key	Part No.	Description	Destinations	Class	QTY	Standard parts
1	A1DU946300	Input Label		D	1	
2	A50U168001	Duct		D	1	
3	V121030604	Screw		V	5	
4	A1RF945501	Replacement Label /5		D	3	
5	4040078001	POWER CORD 電源コード	A	C	2	
5	9381410131	POWER CORD プラグ付電源コード	B,G2	C	1	
5	9J06N30000	POWER CODE /230V 電源コード / 2 3 0 V	C	D	1	
6	A50U269000	Cover 蓋 (ネジキャップ)		D	5	
7	V590040002	Terminal Cap アース端子キャップ	A	D	2	

# MAINTENANCE LIST

● The items with no Page/Key numbers are not handled as spare parts.

No.	Section	PM Parts Description	Maintenance Cycle (K=1,000)		Parts No.	Destinations	Page/Key	Note
			QTY	Replace				
1	External section	Developing dust-proof filter/1	1	*1	A50U168900		P5-32	
2		Developing dust-proof filter/2	1	*1	A50U169500		P5-34	
3		PH dust-proof filter	1	*1	A50U168800		P5-31	
4		Electric component cooling filter	1	*1	A50U109900		P8-23	
5		Suction dust-proof filter	1	*1	A50U164901		P2-25	
6		Filter box	1	*1	A50UR70A01		P11-18	
7	Photo conductor section	Drum unit/Y	1					
8		Drum unit/M	1					
9		Drum unit/C	1					
10		Drum unit/K	1					
11	Charging section	Charging corona/Y	1	*1	A50UR70300		P18-1	
12		Charging corona/M	1	*1	A50UR70300		P18-1	
13		Charging corona/C	1	*1	A50UR70300		P18-1	
14		Charging corona/K	1	*1	A50UR70300		P18-1	
15	Developing section	Developing unit/Y	1	*1	A50UR70222		P20-1	
16		Developing unit/M	1	*1	A50UR70222		P21-1	
17		Developing unit/C	1	*1	A50UR70222		P22-1	
18		Developing unit/K	1	*1	A50UR70222		P23-1	
19	Intermediate transfer section	Toner collection sheet	1	*1	A1DUR71C00		P37-5	
20		Belt cleaning blade	1	*1	A50UR70K00		P37-16	
21		2nd transfer roller/Up	1	*1	A50U500401		P34-12	
22		Intermediate transfer belt	1	*1	A50U500101		P34-11	
23		1st transfer roller/Y	1	*1	A50U501201		P35-4	
24		1st transfer roller/M	1	*1	A50U501201		P35-4	
25		1st transfer roller/C	1	*1	A50U501201		P35-4	
26		1st transfer roller/K	1	*1	A50U501201		P35-4	
27		Transfer belt cleaning unit	1	*1	A50UR70622		P32-1	
28		Transfer belt separation claw	3	880K	A1DUR71900		P35-25	
29		Belt separation claw solenoid (SD2)	1	1,760K	26NA82513		P7-7	
30		Transfer roller bearing/Y, transfer roller bearing/M,	1	*1	65AA26380		P35-15	
31		Transfer roller bearing/K	1	*1	A50U505700		P35-12	
32		Side seal	1	*1	A50U531601		P37-7	
33		2nd transfer roller/Lw	1	*1	A50U520001		P55-2	
34		Separation discharging unit	1	*1	A50UR70B00		P55-9	
35		2nd transfer earth plate assy	1	*1	A50UR70G01		P78-23	
36	Toner collection section	Waste toner box	1	130K	A50UR70100		P30-19	
37	Paper feed section	Paper feed roller rubber/1, paper feed roller rubber/2	2	125K	25SA40960		P66-4/P69-4	
38		Separation roller rubber/1, separation roller rubber/2	2	125K	25SA40960		P64-22/P67-22	
39		Pick-up roller/1, pick-up roller/2	2	800K	A1DUR71J00		P66-2	
40		Paper feed clutch/1 (CL1), paper feed clutch/2 (CL2)	2	2,000K	56AA82012		P66-17/P69-17	
41		Pre-registration clutch/1 (CL3), preregistration clutch/2	2	2,000K	56AA82012		P65-11/P68-11	
42	Vertical conveyance section	Intermediate conveyance clutch/1 (CL5)	1	2,000K	56AA82012		P77-3	
43	Registration section	Registration cleaning sheet assy	1	600K	A50UR70D01		P99-13	
44		Registration roller	1	1,400K	A50U710101		P97-15	
45		Registration roller bearing	2	1,400K	A03U812800		P65-32	



No.	Section	PM Parts Description	Maintenance Cycle (K=1,000)		Parts No.	Destinations	Page/Key	Note
			QTY	Replace				
46	Fusing section	Fusing belt	1	600K	A50U734000		P45-27	
47		Heat insulating sleeve/Lw1, heat insulating sleeve/	4	600K	A50U756300		P42-23	
48		Fusing gear/1	1	600K	A50U752700		P42-22	
49		Fusing gear/3	1	600K	A50U752200		P40-11	
50		Fusing Roller/1	1	1,200K	A50U720100		P45-20	
51		Fusing roller/Lw	1	1,200K	A50U740101		P42-21	
52		Belt regulating sleeve	2	1,200K	A50U724101		P45-30	
53		Fusing paper exit roller/Up	2	1,200K	A50U760900		P46-22	
54		Heat insulating sleeve/Up	2	1,200K	A50U724200		P45-22	
55		Fusing bearing/Lw1, fusing bearing/Lw2	4	1,200K	26NA53712		P42-20	
56		Fusing Roller/2	1	1,200K	A50U720501		P45-29	
57		Fusing bearing/Up	2	1,200K	A1UD723500		P45-32	
58		Fusing gear/2	1	1,200K	A03U809500		P45-15	
59		Fusing separating claw assy	5	1,200K	A50UR72U00		P46-43	
60		Neutralizing ring	1	1,200K	A50U733700		P45-26	
61		Neutralizing flat spring assy	1	1,200K	A50UR73300		P45-19	
62	Fusing heater lamp assy/Up (Japan)	1	3,000K	A50UM31A00		P45-36	A	
62	Fusing heater lamp assy/Up (North America)	1	3,000K	A50UM31E00		P45-36	B, G2	
62	Fusing heater lamp assy/Up (Europe)	1	3,000K	A50UM31F00		P45-36	C	
63	Fusing temperature sensor/3 (TH3)	1	3,000K	A50UR70F00		P44-19		
64	Fusing temperature sensor/4 (TH4)	1	3,000K	A50UR70E00		P41-9		
65	Duplex section	Intermediate conveyance clutch/2 (CL6)	1	2,000K	56AA82012		P82-9	
66		Intermediate conveyance clutch/3 (CL7)	1	2,000K	56AA82012		P82-9	
67	Reverse exit section	Reverse de-curler roller	1	400K	A50U860501		P94-27	
68		Paper exit de-curler roller	1	1,000K	A50U890800		P101-10	
69		Paper exit drive gear	1	1,000K	A03U909502		P101-8	

\*1: F.4 Life value 4

The parts which the actual replacement cycles are displayed on special parts counter in percentage of its end of life.

# メンテナンスリスト

● ページ / キーナンバーのないものは、アフターサービス部品ではありません。

No.	区分	PM 部品名称	サイクル (K=1,000)		部品番号	仕向地	頁 / キー	備考
			員数	交換				
1	外装部	現像防塵フィルター / 1	1	*1	A50U168900		P5-32	
2		現像防塵フィルター / 2	1	*1	A50U169500		P5-34	
3		PH 防塵フィルター	1	*1	A50U168800		P5-31	
4		電装冷却フィルター	1	*1	A50U109900		P8-23	
5		吸気防塵フィルター	1	*1	A50U164901		P2-25	
6		フィルターボックス	1	*1	A50UR70A01		P11-18	
7	感光体部	ドラムユニット / Y	1					
8		ドラムユニット / M	1					
9		ドラムユニット / C	1					
10		ドラムユニット / K	1					
11	帯電部	帯電極 / Y	1	*1	A50UR70300		P18-1	
12		帯電極 / M	1	*1	A50UR70300		P18-1	
13		帯電極 / C	1	*1	A50UR70300		P18-1	
14		帯電極 / K	1	*1	A50UR70300		P18-1	
15	現像部	現像ユニット / Y	1	*1	A50UR70222		P20-1	
16		現像ユニット / M	1	*1	A50UR70222		P21-1	
17		現像ユニット / C	1	*1	A50UR70222		P22-1	
18		現像ユニット / K	1	*1	A50UR70222		P23-1	
19	中間転写部	トナー回収シート	1	*1	A1DUR71C00		P37-5	
20		転写ベルトクリーニングブレード	1	*1	A50UR70K00		P37-16	
21		2次転写ローラー / U p	1	*1	A50U500401		P34-12	
22		中間転写ベルト	1	*1	A50U500101		P34-11	
23		1次転写ローラー / Y	1	*1	A50U501201		P35-4	
24		1次転写ローラー / M	1	*1	A50U501201		P35-4	
25		1次転写ローラー / C	1	*1	A50U501201		P35-4	
26		1次転写ローラー / K	1	*1	A50U501201		P35-4	
27		転写ベルトクリーニングユニット	1	*1	A50UR70622		P32-1	
28		転写ベルト分離爪	3	880K	A1DUR71900		P35-25	
29		ベルト分離爪ソレノイド (SD 2)	1	1,760K	26NA82513		P7-7	
30		転写ローラー軸受 / Y、 / M、 / C	1	*1	65AA26380		P35-15	
31		転写ローラー軸受 / K	1	*1	A50U505700		P35-12	
32		サイドシール	1	*1	A50U531601		P37-7	
33		2次転写ローラー / L w	1	*1	A50U520001		P55-2	
34		分離放電板ユニット	1	*1	A50UR70B00		P55-9	
35	2次転写アース板 A s s y	1	*1	A50UR70G01		P78-23		
36	トナー回収部	廃棄トナーボックス	1	130K	A50UR70100		P30-19	
37	給紙部	給紙ローラーゴム / 1、 / 2	2	125K	25SA40960		P66-4/P69-4	
38		分離ローラーゴム / 1、 / 2	2	125K	25SA40960		P64-22/P67-22	
39		ピックアップローラー / 1、 / 2	2	800K	A1DUR71J00		P66-2	
40		給紙クラッチ / 1 (CL 1)、 / 2 (CL 2)	2	2,000K	56AA82012		P66-17/P69-17	
41		プレレジストクラッチ / 1 (CL 3)、 / 2	2	2,000K	56AA82012		P65-11/P68-11	
42	垂直搬送部	中間搬送クラッチ / 1 (CL 5)	1	2,000K	56AA82012		P77-3	
43	レジスト部	レジスト清掃シート A s s y	1	600K	A50UR70D01		P99-13	
44		レジストローラー	1	1,400K	A50U710101		P97-15	
45		レジストローラー軸受	2	1,400K	A03U812800		P65-32	

No.	区分	PM 部品名称	サイクル (K=1,000)		部品番号	仕向地	頁/キー	備考
			員数	交換				
46	定着部	定着ベルト	1	600K	A50U734000		P45-27	
47		断熱スリーブ / Lw 1、 / LW 2	4	600K	A50U756300		P42-23	
48		定着ギア / 1	1	600K	A50U752700		P42-22	
49		定着ギア / 3	1	600K	A50U752200		P40-11	
50		定着ローラ / 1	1	1,200K	A50U720100		P45-20	
51		定着ローラ / Lw	1	1,200K	A50U740101		P42-21	
52		ベルト規制スリーブ	2	1,200K	A50U724101		P45-30	
53		定着排紙ローラ / Up	4	1,200K	A50U760900		P46-22	
54		断熱スリーブ / Up	2	1,200K	A50U724200		P45-22	
55		定着軸受 / Lw 1、 / Lw 2	4	1,200K	26NA53712		P42-20	
56		定着ローラ / 2	1	1,200K	A50U720501		P45-29	
57		定着軸受 / Up	2	1,200K	A1UD723500		P45-32	
58		定着ギア / 2	1	1,200K	A03U809500		P45-15	
59		定着分離爪 Assy	5	1,200K	A50UR72U00		P46-43	
60		除電リング	1	1,200K	A50U733700		P45-26	
61		除電板バネ Assy	1	1,200K	A50UR73300		P45-19	
62	定着ヒーターランプ Assy / Up	1	3,000K	A50UM31A00		P45-36	A	
62	定着ヒーターランプ Assy / Up	1	3,000K	A50UM31E00		P45-36	B,G2	
62	定着ヒーターランプ Assy / Up	1	3,000K	A50UM31F00		P45-36	C	
63	定着温度センサ / 3 (TH 3)	1	3,000K	A50UR70F00		P44-19		
64	定着温度センサ / 4 (TH 4)	1	3,000K	A50UR70E00		P41-9		
65	両面部	中間搬送クラッチ / 2 (CL 6)	1	2,000K	56AA82012		P82-9	
66		中間搬送クラッチ / 3 (CL 7)	1	2,000K	56AA82012		P82-9	
67	反転 / 排紙部	反転デカローラローラ	1	400K	A50U860501		P94-27	
68		排紙デカローラローラ	1	1,000K	A50U890800		P101-10	
69		排紙駆動ギア	1	1,000K	A03U909502		P101-8	

## \*1: F.4 ライフ値の考え方

固定パーツカウンターで、実質交換サイクルがライフエンドに対する%で表示される部品

## DESTINATION

Destination No.		Destinations		V	Hz	Model No.
A	A1	JAPAN		200	50/60	A50U001
	A2	JAPAN		200	50/60	A50U001
B		USA, CANADA		208-240	60	A50U011
C		EUROPEAN TYPE		220-240	50/60	A50U021
D	D1	S.E ASIA TYPE	THAILAND, SRI LANKA, SINGAPORE, MALAYSIA, HONG KONG, PAKISTAN, INDIA, BANGLADESH, INDONESIA			
	D3	OCEANIA TYPE	AUSTRALIA, NEW ZEALAND			
E		PHILIPPINES				
F	F1	SAUDI ARABIA				
	F2	SAUDI ARABIA				
G	G1	C.S AMERICA				
	G2	C.S AMERICA		208-240	60	A50U011
H		TAIWAN				
I		JORDAN, LEBANON, SYRIA, SOUTH AFRICA, IRAQ, IRAN, N.YEMEN, CAMEROON, UAE, BAHRAIN, OMAN, QATAR, KUWAIT, KENYA, TUNISIA, IVORY COAST, MOROCCO				
J		CHINA				
K		KOREA				

bizhub PRESS C1070P