

KONICA MINOLTA

# *PARTS GUIDE MANUAL*

---

*AUGUST 2013*

# *bizhub PRESS C7000P* *A204*

## INFORMATION FOR PARTS GUIDE MANUAL

To find correct Parts No., refer to the "HOW TO MAKE THE BEST USE OF THIS MANUAL" in the following page.

### HOW TO MAKE THE BEST USE OF THIS MANUAL

- 1 When you order, please check the proper figures beforehand that are on Our Parts Guide Manual, and order with the appropriate figures.
- 2 For screws, Nuts, Washers, retaining rings and Pins which are used in this model, one letter is shown on the Standard parts column of Parts list and exploded diagrams.
- 3 In order to maintain safety of the product, some specific parts composed of this product are set up as "essential safety parts".
- 4 The assigned parts number for the "essential safety parts" is indicated as "SP00-\*\*\*\*".  
When replacing these parts, follow precautions for disassembling and installing which are listed in the Service Manual.  
Do not use any parts that are not set up as
- 5 ♣ means that there are exclusive parts for each destination.  
Please check the appropriate destination when you order.
- 6 Revision Mark  
Marked as ▲ on the illustration shows that the revision has been made.
- 7 All rights reserved. (any reprints or quotations are prohibited.)  
Use of this parts guide manual should be strictly supervised to avoid disclosure of confidential information.

## パーツガイドマニュアルのご案内

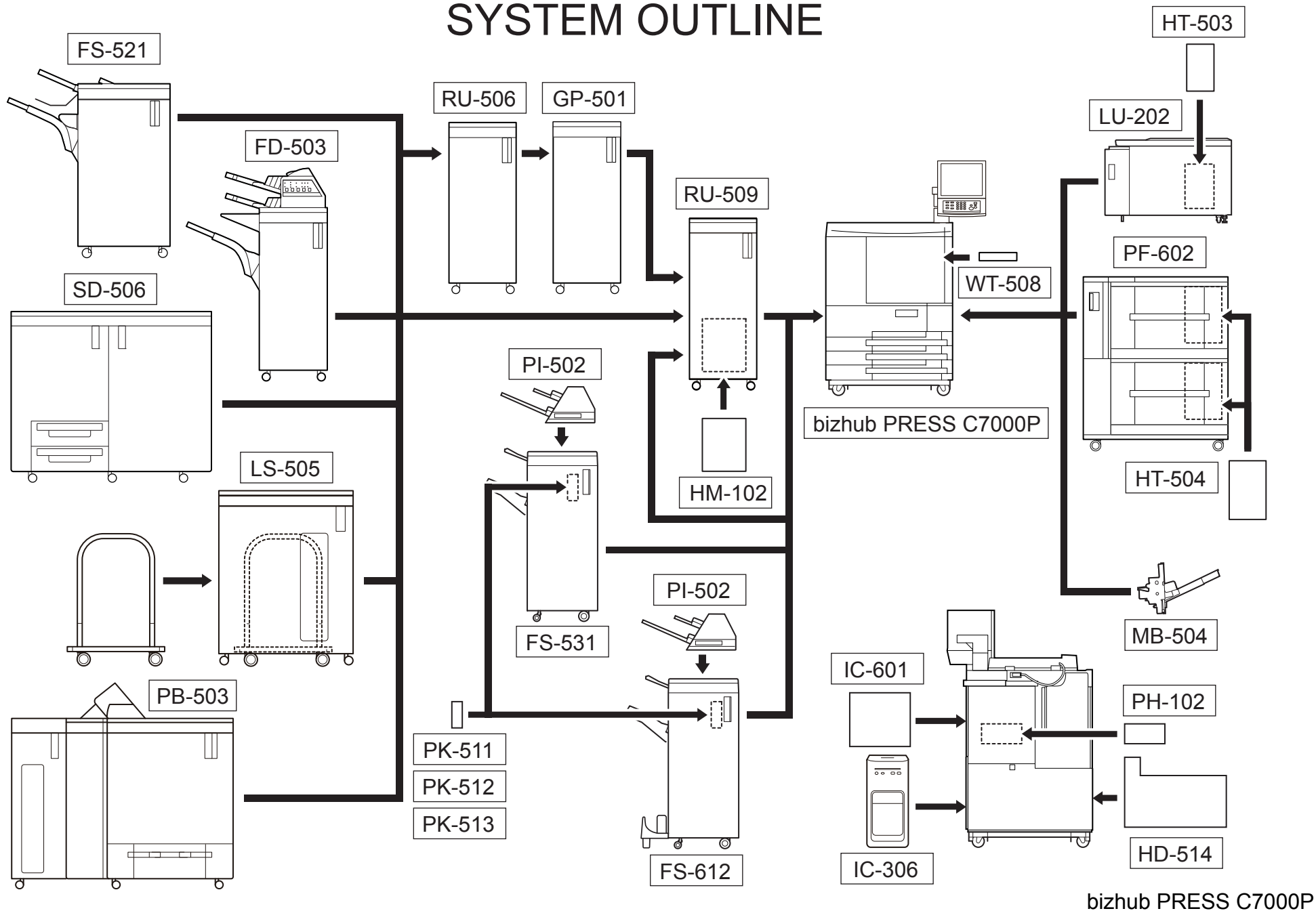
サービス部品をご発注の際には、下記に示す“パーツガイドマニュアルの活用にあたって”をご参照の上、正しい部品番号にてお願い致します。

### パーツガイドマニュアルの活用にあたって

- 1 部品発注の際には、掲載されている部品番号の桁数を確認し、掲載されている桁数で発注願います。
- 2 この製品に使用されているネジ、ナット、ワッシャー、止め輪、ピンなどは、リストの右側の Standard parts 欄に a,b,c,……で表示し、イラストにも a,b,c,……表示してあります。
- 3 製品の安全性を維持する為に、製品に使用される特定の部品を「重要保安部品」として設定しています。
- 4 重要保安部品の部品番号は、“SP00-\*\*\*\*”と記載されていますので、部品交換時は、サービスマニュアル記載の分解・組み立ての注意事項に従って作業をして下さい。  
また、指定以外の部品は一切使用しないで下さい。
- 5 本文に ♣ が表示されている部品は、仕向け地毎に専用部品がある事を意味しています。  
オーダーされる時は、仕向け地を確認して下さい。
- 6 改訂記号について  
イラスト上に ▲ 印が表示されている部分は、改訂された事を表します。
- 7 著作権所有（無断転載及び無断引用の禁止）  
本パーツガイドマニュアルについては、機密保持等その扱いには十分注意して下さい。万一取り扱いを誤った場合には、法律で処罰されることがあります。

07/24/2010

# SYSTEM OUTLINE



bizhub PRESS C7000P

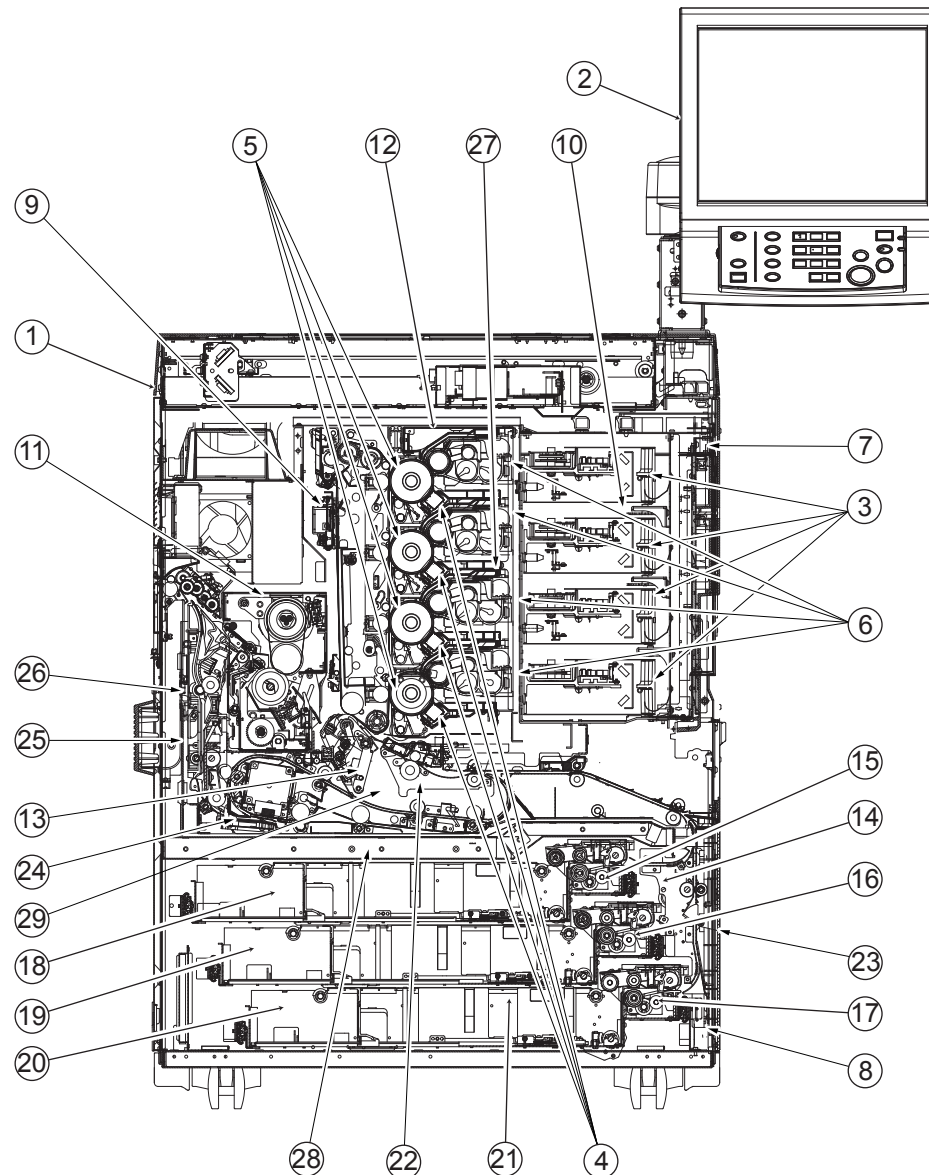
# GENERAL CONTENTS

No.	Description	Model
1	DIGITAL MFP COLOR	bizhub PRESS C7000P
2	PAPER FEEDER	LU-202
3	OTHER OPTION	HT-504
4	OTHER OPTION	HT-503
5	PUNCH UNIT	PK-511
6	PUNCH UNIT	PK-512
7	PUNCH UNIT	PK-513
8	OTHER OPTION	PI-502
9	OTHER OPTION	RU-506
10	SORTER/FINISHER	FS-521
11	OTHER OPTION	FD-503
12	STACKER	LS-505
13	OTHER OPTION	SD-506
14	PUNCH UNIT	GP-501
15	PAPER FEEDER	PF-602
16	OTHER OPTION	PB-503
17	OTHER OPTION	HD-514
18	SORTER/FINISHER	FS-612
19	PRINT CONTROLLER	IC-601
20	PRINT CONTROLLER	IC-306
21	PAPER FEEDER	MB-504
22	OTHER OPTION	WT-508

bizhub PRESS C7000P

<b>No.</b>	<b>Description</b>	<b>Model</b>
23	OTHER OPTION	PH-102
24	OTHER OPTION	RU-509
25	OTHER OPTION	HM-102
26	SORTER/FINISHER	FS-531

# DIAGRAMS OF MAIN PARTS SECTION



bizhub PRESS C7000P

# CONTENTS

No.	DESCRIPTION	名称	PAGE No.
1	EXTERNAL PARTS	外装	P1 P2 P3 P4 P5 P6
2	OPERATION SECTION	操作部	P7 P8 P9
3	WRITE SECTION	書込み部	P10
4	CHARGE CORONA SECTION	帯電極部	P11
5	PHOTO CONDUCTOR SECTION	感光体部	P12 P13 P14 P15
6	DEVELOPING SECTION	現像部	P16 P17 P18 P19
7	TONER SUPPLY SECTION	トナー補給部	P20 P21 P22 P23 P24 P25 P26 P27
8	TONER COLLECTING SECTION	トナー回収部	P28
9	INTERMEDIATE TRANSFER SECTION	中間転写部	P29 P30 P31 P32
10	COLOR RESIST SECTION	カラーレジスト部	P33
11	FUSING SECTION	定着部	P34 P35 P36 P37 P38 P39 P40 P41 P42
12	PROCESS CARRIAGE SECTION	プロセス架台部	P43 P44 P45
13	SECONDARY TRANSFER SECTION	二次転写部	P46
14	PAPER FEED DRIVING SECTION	給紙駆動部	P47
15	PAPER FEED SECTION : UPPER	給紙部 : 上	P48 P49 P50
16	PAPER FEED SECTION : MIDDLE	給紙部 : 中	P51 P52 P53
17	PAPER FEED SECTION : LOWER	給紙部 : 下	P54 P55 P56
18	CASSETTE : UPPER	カセット : 上	P57 P58 P59
19	CASSETTE : MIDDLE	カセット : 中	P60 P61 P62
20	CASSETTE : LOWER	カセット : 下	P63 P64 P65
21	CASSETTE DRIVING SECTION	カセット駆動部	P66
22	DUPLEX SECTION : REGISTRATION	両面部 : レジスト部	P67
23	DUPLEX SECTION : VERTICAL CONVEYANCE	両面部 : 垂直搬送	P68 P69
24	DUPLEX SECTION	両面部	P70 P71 P72 P73 P74 P75 P76 P77 P78 P79
25	PAPER EXIT SECTION	排紙部	P80 P81
26	DUPLEX SECTION : PAPER EXIT GUIDE	両面部 : 排紙ガイド	P82 P83 P84 P85
27	DRIVE SECTION	駆動部	P86 P87 P88 P89 P90 P91 P92 P93 P94 P95 P96
28	MAIN FRAME	骨格	P97 P98 P99 P100 P101 P102 P103 P104 P105 P106
29	ELECTRICAL COMPONENTS	電装	P107 P108 P109 P110
30	WIRING	束線	P111 P112 P113 P114
31	WIRING ACCESSORIES	配線部品	P115 P116
32	JIG AND SERVICE MATERIAL	治具・サービス資材	P117 P118
33	ACCESSORY PARTS	同梱部品	P119

# INDEX

Parts No.	Page No.
000V-18-1	117-6
000V-18-2	117-6
000V-19-0	117-9
00M6-2-00	117-5
00VC-2-00	117-1
00VD-1000	117-7
059076510	50-9
059076510	53-9
059076510	56-9
067642581	66-9
07AA77302	47-21
07BA12352	3-12
07BA12352	27-2
07BA15871	32-19
08AA45230	31-22
08AA77360	27-6
08AA80030	91-13
08AA85512	5-8
08AA85512	21-15
08AA85512	34-9
08AA85512	49-26
08AA85512	52-26
08AA85512	55-26
08AA85512	58-25
08AA85512	59-13
08AA85512	61-25
08AA85512	62-13
08AA85512	64-22
08AA85512	65-13
08AA85512	68-12
08AA85512	74-14
08AA85512	76-2
08AA85512	80-19
08AA85512	81-19
08AA85512	83-9
08AA85512	91-15
08AA85512	100-15
090075530	47-15
129X48350	99-12
129X48360	70-34

Parts No.	Page No.
12AJ45850	71-25
12QR86011	21-19
12QV40650	72-18
12QV75030	73-30
12VR75510	78-27
12VR75510	85-2
13GG77030	34-13
13GG77030	36-5
13NG45200	98-12
13NT80511	105-24
13QA40610	83-12
13QA40610	92-15
13QA40610	93-15
13QA40610	94-15
13QA40610	95-15
13QA85511	77-9
13QA85511	78-6
13QA85511	79-6
13QA85511	82-11
13RN73120	108-18
14GE45470	78-30
14GE45470	79-34
14GE45470	84-30
15AAR73600	74-17
20AL48470G	34-5
25AA40100	50-5
25AA40100	53-5
25AA40100	56-5
25AA47500	74-32
25AA50080	71-34
25AA77720	74-20
25AA77730	69-13
25AA77730	74-22
25AA77890	22-8
25AA77890	23-8
25AA77890	24-9
25AA77890	25-9
25BA77171	26-16
25BA85541	28-22
25HA30330	36-33

Parts No.	Page No.
25HA30330	96-5
25SA10200	99-8
25SA10200	104-3
25SA10431	99-16
25SA10431	104-18
25SA30160	16-19
25SA30160	17-19
25SA30160	18-19
25SA30160	19-19
25SA40960	48-22
25SA40960	50-4
25SA40960	51-22
25SA40960	53-4
25SA40960	54-22
25SA40960	56-4
25SA61070	97-5
25SA66420	101-6
25SA77420	47-14
26NA17580	86-1
26NA17580	87-1
26NA17580	88-1
26NA17580	89-1
26NA32660	26-9
26NA32870	21-10
26NA42061	48-17
26NA42061	51-17
26NA42061	54-17
26NA42560	48-3
26NA42560	51-3
26NA42560	54-3
26NA42560	68-19
26NA42560	71-29
26NA42560	73-11
26NA42560	77-17
26NA42560	82-6
26NA47070	57-8
26NA47070	60-8
26NA47070	63-8
26NA53712	40-11
26NA53780	41-29

Parts No.	Page No.
26NA54230	41-31
26NA54230	83-5
26NA73570	108-19
26NA82513	44-14
26TA32960	21-3
26TA32970	21-6
26TA32980	21-8
26TA32990	21-5
304078070	36-12
35EA77151	27-14
396040681	26-6
4038351102	103-14
4040078001	119-7
4040M10000	104-11
4040M40100	7-2
40AA32320	3-17
40AA32320	16-1
40AA32320	17-1
40AA32320	18-1
40AA32320	19-1
40AA32320	22-4
40AA32320	23-4
40AA32320	24-4
40AA32320	25-4
40AA32320	31-19
40AA46261	84-8
40AA46342	84-16
40AA77550	74-18
40AA77660	22-9
40AA77660	23-9
40AA77660	24-8
40AA77660	25-8
40AA85011	5-10
40AA88031	22-23
40AA88031	23-23
40AA88031	24-23
40AA88031	25-24
40AA98020D	22-32
40AA98020D	23-32
40AA98020D	24-32

Parts No.	Page No.
40AA98020D	25-33
40LA32850	21-9
40LA73840	108-17
4109553001	49-30
4109553001	52-30
4109553001	55-30
4470402401	99-4
450053391	35-8
454078030	36-13
454078050	96-3
462076010	74-31
466076020	26-13
466076020	77-23
500075010	36-9
55FA12101	5-15
55FA40320	50-22
55FA40320	53-22
55FA40320	56-22
55GA75031	37-8
55GA86010	98-3
55TA84561	107-3
55VA12470	103-7
55VA15541	73-19
55VA20680	20-1
55VA32530	75-10
55VA40600	58-13
55VA40600	61-13
55VA40600	64-13
55VA40930	59-10
55VA40930	62-9
55VA40930	65-9
55VA42120	30-4
55VA42120	46-7
55VA42120	49-10
55VA42120	50-16
55VA42120	52-10
55VA42120	53-16
55VA42120	55-10
55VA42120	56-16
55VA42120	67-15



Parts No.	Page No.	Parts No.	Page No.	Parts No.	Page No.	Parts No.	Page No.	Parts No.	Page No.
55VA42120	69-8	56AA17321	80-12	56AA17531	37-31	56AA40230	55-25	56AA40490	27-19
55VA42120	72-10	56AA17321	83-2	56AA17551	80-24	56AA40240	49-19	56AA40490	30-2
55VA42120	76-6	56AA17321	84-11	56AA17551	85-10	56AA40240	52-19	56AA40490	31-9
55VA42220	58-16	56AA17461	26-12	56AA17620	99-20	56AA40240	55-19	56AA40490	50-1
55VA42220	61-16	56AA17461	47-7	56AA17630	99-24	56AA40300	50-13	56AA40490	53-1
55VA42220	64-14	56AA17461	74-29	56AA17640	99-23	56AA40300	53-13	56AA40490	56-1
55VA53970	35-5	56AA17461	85-16	56AA17760	49-21	56AA40300	56-13	56AA40500	49-23
55VA53970	39-25	56AA17471	26-14	56AA17760	50-7	56AA40310	49-29	56AA40500	52-23
55VA53970	41-2	56AA17471	34-14	56AA17760	52-21	56AA40310	52-29	56AA40500	55-23
55VA75540	49-12	56AA17471	36-4	56AA17760	53-7	56AA40310	55-29	56AA40510	49-15
55VA75540	52-12	56AA17471	47-20	56AA17760	55-21	56AA40360	48-21	56AA40510	52-15
55VA75540	55-12	56AA17471	72-2	56AA17760	56-7	56AA40360	51-21	56AA40510	55-15
55VA77130	47-11	56AA17471	77-20	56AA20870	40-6	56AA40360	54-21	56AA40520	49-34
55VA77870	36-2	56AA17471	83-14	56AA20940D	31-24	56AA40370	49-31	56AA40520	52-34
55VA79030	48-16	56AA17471	96-9	56AA40010	48-7	56AA40370	52-31	56AA40520	55-34
55VA79030	51-15	56AA17480	36-21	56AA40010	51-7	56AA40370	55-31	56AA40530	48-18
55VA79030	54-15	56AA17480	47-6	56AA40010	54-7	56AA40380	50-20	56AA40530	51-18
55VA90840	105-27	56AA17480	49-18	56AA40032E	49-35	56AA40380	53-20	56AA40530	54-18
55WA10300	99-17	56AA17480	52-18	56AA40032E	52-35	56AA40380	56-20	56AA40540	48-19
55WA10300	104-19	56AA17480	55-18	56AA40032E	55-35	56AA40390	49-9	56AA40540	51-19
55WA10310	99-19	56AA17480	67-20	56AA40070	50-12	56AA40390	52-9	56AA40540	54-19
56AA10101	104-5	56AA17480	72-14	56AA40070	53-12	56AA40390	55-9	56AA42690	36-19
56AA10300	100-2	56AA17480	73-18	56AA40070	56-12	56AA40430	48-6	56AA42690	83-3
56AA12120	5-13	56AA17480	79-17	56AA40090	49-16	56AA40430	51-6	56AA44150	68-3
56AA12130	5-9	56AA17490	92-19	56AA40090	52-16	56AA40430	54-6	56AA44200	68-1
56AA12140	5-14	56AA17490	93-19	56AA40090	55-16	56AA40440	48-8	56AA44200	73-3
56AA12150	5-11	56AA17490	94-19	56AA40100G	49-6	56AA40440	51-8	56AA50311E	70-20
56AA12160	5-12	56AA17490	95-19	56AA40100G	52-6	56AA40440	54-8	56AA50381	70-21
56AA12241	3-25	56AA17510	48-14	56AA40100G	55-6	56AA40450	49-14	56AA50700	74-38
56AA17090	73-17	56AA17510	50-8	56AA40120	49-13	56AA40450	52-14	56AA50730	74-35
56AA17121	49-8	56AA17510	51-13	56AA40120	52-13	56AA40450	55-14	56AA52700	85-19
56AA17121	52-8	56AA17510	53-8	56AA40120	55-13	56AA40460	49-33	56AA53470	39-30
56AA17121	55-8	56AA17510	54-13	56AA40171	49-27	56AA40460	52-33	56AA54640	16-23
56AA17300	68-24	56AA17510	56-8	56AA40171	52-27	56AA40460	55-33	56AA54640	17-23
56AA17300	78-19	56AA17531	16-17	56AA40171	55-27	56AA40470	49-17	56AA54640	18-23
56AA17310	80-26	56AA17531	17-17	56AA40190	49-28	56AA40470	52-17	56AA54640	19-23
56AA17321	30-10	56AA17531	18-17	56AA40190	52-28	56AA40470	55-17	56AA61470D	105-28
56AA17321	37-23	56AA17531	19-17	56AA40190	55-28	56AA40481	48-5	56AA73560	110-6
56AA17321	73-5	56AA17531	31-2	56AA40230	49-25	56AA40481	51-5	56AA77330	22-2
56AA17321	75-9	56AA17531	36-15	56AA40230	52-25	56AA40481	54-5	56AA77330	23-2

Parts No.	Page No.	Parts No.	Page No.	Parts No.	Page No.	Parts No.	Page No.	Parts No.	Page No.
56AA77330	24-2	56QA40270	51-20	65AA10180E	105-1	65AA11490	100-7	65AA15240	95-13
56AA77330	25-2	56QA40270	54-20	65AA10190	102-19	65AA11500	99-1	65AA16080	96-1
56AA77330	26-17	56QA40550	48-10	65AA10200D	102-16	65AA11530	104-17	65AA17100	91-16
56AA77590	50-14	56QA40550	51-10	65AA10230D	102-11	65AA11590	102-10	65AA17130	91-2
56AA77590	53-14	56QA40550	54-10	65AA10260	98-15	65AA11630	99-15	65AA17140	91-1
56AA77590	56-14	56QA80570	79-21	65AA10260	101-3	65AA11650	99-21	65AA17180	91-4
56AA77720E	49-24	56UA12690	108-10	65AA10360E	106-1	65AA12021F	5-3	65AA17200	90-7
56AA77720E	52-24	56UA12770	119-5	65AA10470	100-3	65AA12270D	1-8	65AA17220D	91-11
56AA77720E	55-24	56UA70330	7-19	65AA10480	102-8	65AA12280	3-11	65AA18060	86-6
56AA77730	49-20	56UA75070	41-17	65AA10490	106-7	65AA12320E	98-20	65AA18060	87-6
56AA77730	52-20	56UA97300	27-1	65AA10540E	100-4	65AA12570D	5-1	65AA18060	88-6
56AA77730	55-20	56UA97300	101-16	65AA10550	100-6	65AA12610	3-9	65AA18060	89-6
56AA80551	74-9	56UA97310	4-10	65AA10580F	104-9	65AA12620D	3-8	65AA18070	86-4
56AA82012	49-11	56UA97320	4-11	65AA10640	102-23	65AA12630	3-1	65AA18070	87-4
56AA82012	50-17	56UAPJG000	117-10	65AA10660	98-2	65AA12640	3-10	65AA18070	88-4
56AA82012	52-11	57AA40420	48-9	65AA10690	99-14	65AA12720	119-1	65AA18070	89-4
56AA82012	53-17	57AA40420	51-9	65AA10700	99-22	65AA12730	119-2	65AA20040	12-7
56AA82012	55-11	57AA40420	54-9	65AA10710	98-18	65AA12790E	3-27	65AA20040	13-7
56AA82012	56-17	57AA50760	74-1	65AA10810	100-5	65AA12800	3-28	65AA20040	14-7
56AA82012	69-9	57AA53520	71-1	65AA10820	103-18	65AA12821	3-33	65AA20040	15-7
56AA82012	72-9	57AF88730	110-4	65AA10840	102-9	65AA12830	3-34	65AA20060	12-9
56AA85521	67-8	65AA-0750	98-14	65AA10900	98-10	65AA15030	93-2	65AA20060	13-9
56AA85521	71-23	65AA-2320	44-10	65AA10940D	102-1	65AA15030	95-2	65AA20060	14-9
56AA85521	73-26	65AA-2330	44-12	65AA10950D	102-3	65AA15040	92-2	65AA20060	15-9
56AA85601	57-10	65AA-3970	21-17	65AA10960	102-2	65AA15040	94-2	65AA20060	31-10
56AA85601	60-10	65AA-4110E	47-26	65AA10970	102-4	65AA15200	92-6	65AA20300	12-8
56AA85601	63-11	65AA-4120	47-4	65AA11020	105-11	65AA15200	93-6	65AA20300	13-8
56AA90610E	49-7	65AA-4340	68-5	65AA11050D	104-2	65AA15200	94-6	65AA20300	14-8
56AA90610E	52-7	65AA-4390	69-23	65AA11140	104-15	65AA15200	95-6	65AA20300	15-8
56AA90610E	55-7	65AA-4400	69-10	65AA11170	102-20	65AA15210	92-5	65AA20300	31-11
56AA97140	119-8	65AA-4750	57-29	65AA11200	98-8	65AA15210	93-5	65AA20450	12-4
56GA76010	71-17	65AA-4750	60-29	65AA11300	44-8	65AA15210	94-5	65AA20450	13-4
56QA20150	44-4	65AA-4750	63-28	65AA11300	101-18	65AA15210	95-5	65AA20450	14-4
56QA40080	48-12	65AA-9061E	26-1	65AA11310	99-18	65AA15230	92-9	65AA20450	15-4
56QA40080	51-14	65AA-9091E	90-6	65AA11320	98-9	65AA15230	93-9	65AA22100	45-2
56QA40080	54-14	65AA-9091E	92-7	65AA11350	105-29	65AA15230	94-9	65AA22130	45-12
56QA40250	48-13	65AA-9091E	93-7	65AA11390	105-2	65AA15230	95-9	65AA22140	45-7
56QA40250	51-12	65AA-9091E	94-7	65AA11410	100-8	65AA15240	92-13	65AA22260	45-5
56QA40250	54-12	65AA-9091E	95-7	65AA11430	98-4	65AA15240	93-13	65AA22290	45-4
56QA40270	48-20	65AA-9920	117-8	65AA11440D	98-19	65AA15240	94-13	65AA22350E	45-1

Parts No.	Page No.	Parts No.	Page No.	Parts No.	Page No.	Parts No.	Page No.	Parts No.	Page No.
65AA22360	45-8	65AA26131F	32-26	65AA32020	24-15	65AA32761	22-6	65AA33290	23-31
65AA22370E	44-5	65AA26141F	30-23	65AA32020	25-15	65AA32761	23-6	65AA33290	24-31
65AA22460	43-12	65AA26190	30-28	65AA32030	22-13	65AA32761	24-6	65AA33290	25-32
65AA22590	44-11	65AA26250E	32-8	65AA32030	23-13	65AA32761	25-6	65AA33310F	20-11
65AA22680	43-3	65AA26270E	32-29	65AA32030	24-14	65AA32800	22-22	65AA33320	22-11
65AA22750	44-9	65AA26380	30-16	65AA32030	25-14	65AA32800	23-22	65AA33320	23-11
65AA22760	44-6	65AA26380	32-23	65AA32040	22-18	65AA32800	24-22	65AA33320	24-12
65AA22800	45-11	65AA26400	31-7	65AA32040	23-18	65AA32800	25-18	65AA33320	25-11
65AA22820	44-13	65AA26530	32-12	65AA32040	24-18	65AA32851	22-20	65AA33360	22-5
65AA22830D	43-4	65AA26560D	32-28	65AA32040	25-19	65AA32851	23-20	65AA33360	23-5
65AA24030	28-35	65AA26570	33-7	65AA32110	22-7	65AA32851	24-20	65AA33360	24-5
65AA24040	28-38	65AA26580	33-11	65AA32110	23-7	65AA32851	25-21	65AA33360	25-5
65AA24060	28-8	65AA26600	30-31	65AA32110	24-7	65AA32890	26-22	65AA40010	49-5
65AA24070	28-41	65AA26610	33-9	65AA32110	25-7	65AA32940	22-21	65AA40010	52-5
65AA24080	28-31	65AA26690D	30-26	65AA32160D	21-1	65AA32940	23-21	65AA40010	55-5
65AA24120	28-15	65AA26740	30-8	65AA32430	22-12	65AA32940	24-21	65AA40020	49-37
65AA24130	28-13	65AA26750	30-9	65AA32430	23-12	65AA32940	25-22	65AA40020	52-37
65AA24140	28-9	65AA26760	30-7	65AA32430	24-13	65AA32950	22-16	65AA40020	55-37
65AA24171	47-17	65AA26810D	30-21	65AA32430	25-13	65AA32950	23-16	65AA40060	49-3
65AA24200	28-6	65AA26840	31-8	65AA32461	22-3	65AA32950	24-16	65AA40060	52-3
65AA24210	28-4	65AA26870	30-17	65AA32461	23-3	65AA32950	25-16	65AA40060	55-3
65AA24220	28-17	65AA26900D	32-21	65AA32461	24-3	65AA32970	22-29	65AA40070	49-36
65AA24240	28-28	65AA26920	30-1	65AA32461	25-3	65AA32970	23-29	65AA40070	52-36
65AA24250	28-27	65AA26950D	30-20	65AA32470	24-10	65AA32970	24-29	65AA40070	55-36
65AA24260E	28-20	65AA27090D	31-4	65AA32470	25-12	65AA32970	25-30	65AA40080E	50-10
65AA24300	47-19	65AA27110	33-6	65AA32501	22-10	65AA33020E	20-10	65AA40080E	53-10
65AA24310	28-14	65AA27180	32-20	65AA32501	23-10	65AA33040	20-4	65AA40080E	56-10
65AA24330	28-7	65AA272100	32-10	65AA32501	24-11	65AA33050	20-5	65AA40090D	49-38
65AA24340	28-33	65AA27240	30-6	65AA32501	25-10	65AA33070E	20-16	65AA40090D	52-38
65AA24360	28-19	65AA27240	32-9	65AA32620H	22-24	65AA33150	20-22	65AA40090D	55-38
65AA24371E	100-12	65AA27280	31-12	65AA32620H	23-24	65AA33160	20-23	65AA40110	49-4
65AA24380	100-14	65AA27300	33-8	65AA32620H	24-24	65AA33231D	20-14	65AA40110	52-4
65AA24400	28-3	65AA27320	31-14	65AA32620H	25-25	65AA33260	22-28	65AA40110	55-4
65AA24410	28-18	65AA27360	33-10	65AA32700D	26-23	65AA33260	23-28	65AA41040	47-10
65AA24420	28-34	65AA27460	32-1	65AA32710	26-21	65AA33260	24-28	65AA42610	57-14
65AA24430	28-11	65AA27470	32-2	65AA32720D	26-19	65AA33260	25-29	65AA42610	60-13
65AA24440	28-5	65AA30701	20-7	65AA32730	22-27	65AA33270	27-21	65AA42610	63-10
65AA26050D	30-14	65AA30910	20-8	65AA32730	23-27	65AA33270	99-25	65AA44030	69-4
65AA26100E	32-6	65AA32020	22-14	65AA32730	24-27	65AA33270	104-1	65AA44050	69-5
65AA26111	30-22	65AA32020	23-14	65AA32730	25-28	65AA33290	22-31	65AA44060	69-20

Parts No.	Page No.	Parts No.	Page No.	Parts No.	Page No.	Parts No.	Page No.	Parts No.	Page No.
65AA44100	68-9	65AA47060E	57-9	65AA47320	59-16	65AA47550	61-4	65AA47740E	57-1
65AA44130	69-17	65AA47060E	60-9	65AA47320	62-16	65AA47550	63-22	65AA47740E	58-22
65AA44150	68-20	65AA47060E	63-9	65AA47320	65-16	65AA47550	64-4	65AA47740E	60-1
65AA44170E	68-23	65AA47070F	58-17	65AA47340	57-17	65AA47580	59-7	65AA47740E	61-22
65AA44200	69-22	65AA47070F	61-18	65AA47340	60-17	65AA47580	62-7	65AA47740E	63-1
65AA44220	69-11	65AA47070F	64-18	65AA47340	63-17	65AA47580	65-7	65AA47740E	64-24
65AA44230	68-2	65AA47111	58-20	65AA47360	66-8	65AA47590	57-20	65AA47750	59-12
65AA44240	68-21	65AA47111	61-20	65AA47370	66-5	65AA47590	60-20	65AA47750	62-12
65AA44250	68-17	65AA47111	64-16	65AA47380	66-4	65AA47590	63-20	65AA47750	65-12
65AA44270	68-10	65AA47120D	59-14	65AA47390	66-7	65AA47600E	57-15	65AA47771E	59-18
65AA44280	69-3	65AA47120D	62-14	65AA47410D	59-17	65AA47600E	60-14	65AA47771E	62-18
65AA44290	69-1	65AA47120D	65-14	65AA47410D	62-17	65AA47600E	63-15	65AA47771E	65-18
65AA44300	69-2	65AA47130	58-24	65AA47410D	65-17	65AA47620	58-2	65AA47780	57-32
65AA44320	69-14	65AA47130	61-24	65AA47420	57-4	65AA47620	61-2	65AA47780	60-32
65AA44330	69-7	65AA47130	64-21	65AA47420	60-4	65AA47620	64-2	65AA47780	63-31
65AA44340	69-15	65AA47140	58-8	65AA47420	63-4	65AA47630	57-23	65AA47790D	58-28
65AA44350	69-12	65AA47140	61-8	65AA47450	59-1	65AA47630	58-3	65AA47790D	61-28
65AA44380	68-16	65AA47140	64-8	65AA47450	62-1	65AA47630	60-23	65AA47790D	64-29
65AA44390	68-7	65AA47160	57-12	65AA47450	65-1	65AA47630	61-3	65AA47800	58-27
65AA44410	68-4	65AA47160	60-12	65AA47470D	57-28	65AA47630	63-23	65AA47800	61-27
65AA44420	69-16	65AA47160	63-13	65AA47470D	60-28	65AA47630	64-3	65AA47800	64-25
65AA44430	69-21	65AA47170	57-24	65AA47470D	63-25	65AA47650	59-4	65AA47820	58-21
65AA44440	69-18	65AA47170	60-24	65AA47480	59-2	65AA47650	62-4	65AA47820	61-21
65AA44460	68-6	65AA47170	63-24	65AA47480	62-2	65AA47650	65-4	65AA47820	64-27
65AA44470	68-11	65AA47180	57-25	65AA47480	65-2	65AA47660	59-5	65AA47831	57-27
65AA45011	46-4	65AA47180	60-25	65AA47490E	57-6	65AA47660	62-5	65AA47831	60-27
65AA45040	46-20	65AA47180	63-33	65AA47490E	60-6	65AA47660	65-5	65AA47831	63-27
65AA45070	46-18	65AA47190	57-31	65AA47490E	63-6	65AA47680	57-21	65AA47860	59-3
65AA45220	75-15	65AA47190	60-31	65AA47500	58-23	65AA47680	60-21	65AA47860	62-3
65AA45230	75-16	65AA47190	63-30	65AA47500	61-23	65AA47680	63-21	65AA47860	65-3
65AA45241	75-13	65AA47210	57-2	65AA47500	64-26	65AA47700D	58-14	65AA47900E	58-26
65AA46020	67-23	65AA47210	60-2	65AA47520	59-8	65AA47700D	61-14	65AA47900E	61-26
65AA46030	67-17	65AA47210	63-2	65AA47520	62-8	65AA47700D	64-15	65AA47900E	64-23
65AA46080	67-12	65AA47270	57-11	65AA47520	65-8	65AA47710	66-6	65AA47970	66-10
65AA46120	67-10	65AA47270	60-11	65AA47530	59-6	65AA47720D	57-19	65AA48230F	81-6
65AA46130D	67-19	65AA47270	63-12	65AA47530	62-6	65AA47720D	60-19	65AA48302E	81-7
65AA47020D	59-9	65AA47290	66-1	65AA47530	65-6	65AA47720D	63-19	65AA48360	81-15
65AA47020D	62-10	65AA47310E	59-15	65AA47550	57-22	65AA47730E	58-29	65AA48440	81-18
65AA47020D	65-10	65AA47310E	62-15	65AA47550	58-4	65AA47730E	61-29	65AA48460	81-12
65AA47040D	100-1	65AA47310E	65-15	65AA47550	60-22	65AA47730E	64-28	65AA49110	82-21

Parts No.	Page No.	Parts No.	Page No.	Parts No.	Page No.	Parts No.	Page No.	Parts No.	Page No.
65AA49141	82-7	65AA50360D	74-12	65AA53230	39-28	65AA77540	47-2	65AA90291	29-3
65AA49150	84-29	65AA50370D	74-26	65AA53371	37-25	65AA77540	73-28	65AA90580	57-3
65AA49160E	84-19	65AA50380F	98-17	65AA53380	37-28	65AA77710	75-14	65AA90580	60-3
65AA49180	82-22	65AA50400	98-13	65AA53420	37-27	65AA77720	74-23	65AA90580	63-3
65AA49190	83-11	65AA50420	74-28	65AA53520F	37-13	65AA77730	74-24	65AA90650	33-3
65AA49200	84-20	65AA50430	102-15	65AA53560	37-26	65AA77840	28-1	65AA90691E	5-7
65AA49210	84-7	65AA50440D	70-27	65AA53651	36-16	65AA77840	90-2	65AA90710	76-19
65AA49260	84-28	65AA50440D	102-14	65AA53950	35-11	65AA77850	28-29	65AA90720E	83-8
65AA49270	85-4	65AA50460	102-5	65AA53980	38-11	65AA77850	47-18	65AA90810	74-11
65AA49280	84-1	65AA50471F	73-22	65AA53991	37-2	65AA77860	47-24	65AA90850	73-1
65AA49290	84-3	65AA50480	73-27	65AA61290D	97-3	65AA77870	67-22	65AA90880	110-2
65AA49300E	84-12	65AA50490	73-25	65AA61580	105-6	65AA77880	91-6	65AA90890E	47-22
65AA49320	84-15	65AA50560D	71-22	65AA61620	97-1	65AA77890	91-7	65AA90920E	28-21
65AA49410	73-7	65AA50570	70-10	65AA620	97-1	65AA77900	91-8	65AA91020	110-8
65AA49410	84-10	65AA50580	70-13	65AA61620	97-1	65AA77910	91-12	65AA91060E	90-10
65AA49450	82-16	65AA50590	70-8	65AA61620	97-1	65AA77960	28-10	65AA91090	33-2
65AA49470	82-23	65AA50600	70-9	65AA61620	97-1	65AA77970	28-16	65AA91100	21-18
65AA49470	84-24	65AA50610	70-11	65AA61620	97-1	65AA77970	28-16	65AA91340	28-24
65AA49500	79-11	65AA50620	70-12	65AA61620	97-1	65AA77980	47-12	65AA97440	43-5
65AA49510F	76-18	65AA50630	70-14	65AA61620	97-1	65AA77990	47-13	65AA97440	43-5
65AA49510F	84-2	65AA50640	71-30	65AA61620	97-1	65AA78010	96-2	65AA97450	43-6
65AA49520	78-26	65AA50640	73-13	65AA61620	97-1	65AA78020	86-3	65AA97460	43-7
65AA49520	85-1	65AA50720	71-5	65AA61620	97-1	65AA78020	87-3	65AA97470	43-8
65AA49530	84-21	65AA50740	70-25	65AA61620	97-1	65AA78020	88-3	65AA99500	118-1
65AA50060E	71-36	65AA50750D	70-22	65AA61620	97-1	65AA78020	89-3	65AAR70600	102-12
65AA50070D	73-14	65AA50810	74-39	65AA61620	97-1	65AA78040	26-15	65AAR74300	29-5
65AA50080F	71-21	65AA50840	74-36	65AA61620	97-1	65AA78050E	47-16	65GE47080	58-30
65AA50090	71-20	65AA50860	74-13	65AA61620	97-1	65AA80021	47-23	65GE47080	61-30
65AA50110	73-6	65AA51180	73-23	65AA61620	97-1	65AA80112	78-18	65GE47080	64-30
65AA50120E	73-4	65AA51280E	72-11	65AA61620	97-1	65AA80112	79-18	65GE47090	57-26
65AA50130E	73-9	65AA51311	83-19	65AA61620	97-1	65AA80590	20-21	65GE47090	60-26
65AA50150	71-19	65AA51400	71-31	65AA61620	97-1	65AA88010	41-21	65GE47090	63-26
65AA50160	71-26	65AA51400	73-12	65AA61620	97-1	65AA88020	39-27	65GE97400	50-11
65AA50170	73-24	65AA51480	83-10	65AA61620	97-1	65AA90150E	68-13	65GE97400	53-11
65AA50180	70-19	65AA51500	83-20	65AA61620	97-1	65AA90170E	58-11	65GE97400	56-11
65AA50190	70-18	65AA51510	71-7	65AA61620	97-1	65AA90170E	61-11	65GE97490	58-9
65AA50250	70-3	65AA51520	71-35	65AA61620	97-1	65AA90170E	64-11	65GE97490	61-9
65AA50310	74-15	65AA51530	71-33	65AA61620	97-1	65AA90190	109-3	65GE97490	64-9
65AA50320	74-27	65AA51670D	71-32	65AA61620	97-1	65AA90200	109-6	65LA48530	81-2
65AA50350	74-30	65AA51730	76-3	65AA61620	97-1	65AA90210	109-5	65LA48550	103-2
				65AA77530	47-8	65AA90260	110-7	65LA48560	103-3

Parts No.	Page No.	Parts No.	Page No.	Parts No.	Page No.	Parts No.	Page No.	Parts No.	Page No.
65LA48570	103-5	A00J945400	4-6	A03U162001	3-31	A03U195400	9-2	A03U372100	19-11
9335150021	99-3	A00JM60300	107-1	A03U163011	5-5	A03U195500	9-4	A03U375701	16-22
9381410131	119-7	A00V240600	30-5	A03U164500	119-3	A03U211000	92-17	A03U375701	17-22
9J03M10000	81-4	A00V240600	32-5	A03U165801	3-26	A03U211000	93-17	A03U375701	18-22
9J03M10000	101-19	A00V240600	34-8	A03U166000	3-6	A03U211000	94-17	A03U375701	19-22
9J03M10000	105-3	A00V240600	36-6	A03U166900	99-2	A03U211000	95-17	A03U389200	16-10
9J06730201	105-13	A00V240600	47-3	A03U167800	3-20	A03U212101	91-3	A03U389200	17-10
9J06N30000	119-7	A00V240600	67-14	A03U168500	3-16	A03U212201	91-5	A03U389200	18-10
9J07M20100	26-7	A00V240600	72-1	A03U168600	3-32	A03U220300	96-8	A03U389200	19-10
A00J617800	12-14	A00V240600	73-20	A03U169700	5-6	A03U220400	96-12	A03U389301	16-15
A00J617800	13-14	A00V240600	78-25	A03U190500	9-18	A03U229900	96-6	A03U389301	17-14
A00J617800	14-14	A00V240600	79-37	A03U190600	9-19	A03U259600	92-16	A03U389301	18-14
A00J617800	15-14	A00V240600	85-14	A03U190700	9-16	A03U259600	93-16	A03U389301	19-14
A00J617800	30-3	A00V240600	90-8	A03U190802	9-5	A03U259600	94-16	A03U389400	16-6
A00J617800	32-24	A00V240600	96-7	A03U190900	8-8	A03U259600	95-16	A03U389400	17-6
A00J617800	36-34	A011213300	97-2	A03U191100	9-7	A03U259900	92-18	A03U389400	18-6
A00J617800	37-21	A02E262300	101-7	A03U191201	9-8	A03U259900	93-18	A03U389400	19-6
A00J617800	75-3	A02E262300	105-26	A03U191300	9-9	A03U259900	94-18	A03U389600	16-16
A00J617800	80-9	A02E262300	108-16	A03U191400	8-11	A03U259900	95-18	A03U389600	17-16
A00J617800	84-6	A02EM50500	44-7	A03U191500	8-20	A03U266201	97-6	A03U389600	18-16
A00J617800	86-7	A02EM50500	101-17	A03U191600	8-5	A03U330203	12-1	A03U389600	19-16
A00J617800	87-7	A03U102803	105-12	A03U191700	8-4	A03U330203	13-1	A03U389900	16-9
A00J617800	88-7	A03U105702	105-7	A03U191800	8-3	A03U330203	14-1	A03U389900	17-9
A00J617800	89-7	A03U106300	102-21	A03U191900	8-6	A03U330203	15-1	A03U389900	18-9
A00J617800	91-10	A03U106400	102-22	A03U192000	8-2	A03U334600	12-3	A03U389900	19-9
A00J617800	96-13	A03U107500	101-5	A03U192100	8-7	A03U334600	13-3	A03U402100	21-16
A00J617900	36-31	A03U108800	98-7	A03U192200	8-12	A03U334600	14-3	A03U403300	26-20
A00J617900	83-4	A03U108900	104-16	A03U192300	9-10	A03U334600	15-3	A03U413900	20-15
A00J617900	84-17	A03U117800	104-24	A03U193100	9-20	A03U344200	43-1	A03U459900	27-13
A00J617900	85-18	A03U118100	104-23	A03U193200	9-17	A03U344300	43-10	A03U500400	30-19
A00J618400	47-1	A03U118300	104-22	A03U193300	8-10	A03U347200	44-1	A03U500800	32-4
A00J663200	48-11	A03U118401	104-20	A03U193400	8-19	A03U347300	44-2	A03U500900	30-18
A00J663200	49-22	A03U118800	105-23	A03U193500	8-21	A03U347400	44-3	A03U501200	32-27
A00J663200	50-3	A03U118900	105-20	A03U193600	8-16	A03U347801	43-11	A03U507100	30-15
A00J663200	51-11	A03U119000	105-22	A03U193700	8-13	A03U348900	43-9	A03U507100	32-22
A00J663200	52-22	A03U119100	105-21	A03U193800	8-9	A03U349500	43-2	A03U509700	30-11
A00J663200	53-3	A03U119200	105-19	A03U193900	9-21	A03U360100	100-11	A03U510200	30-12
A00J663200	54-11	A03U135000	105-30	A03U194002	8-1	A03U372100	16-11	A03U511200	30-25
A00J663200	55-22	A03U136500	108-20	A03U194102	8-18	A03U372100	17-11	A03U512000	32-17
A00J663200	56-3	A03U161000	1-7	A03U195302	9-3	A03U372100	18-11	A03U512200	32-14

Parts No.	Page No.	Parts No.	Page No.	Parts No.	Page No.	Parts No.	Page No.	Parts No.	Page No.
A03U512300	32-15	A03U620600	6-3	A03U721700	40-8	A03U728300	74-8	A03U734100	34-26
A03U512400	32-13	A03U620702	58-18	A03U722001	37-6	A03U728600	40-5	A03U734311	37-29
A03U520201	46-23	A03U620702	61-17	A03U722200	39-10	A03U728700	40-7	A03U734411	37-10
A03U520301	46-19	A03U620702	64-19	A03U722300	36-10	A03U728800	40-2	A03U734500	35-6
A03U520600	46-5	A03U621000	57-33	A03U722400	36-14	A03U728900	36-7	A03U734500	39-24
A03U521600	46-10	A03U621000	60-33	A03U722500	38-12	A03U729001	41-3	A03U734500	40-3
A03U521700	46-14	A03U621000	63-32	A03U722700	40-10	A03U729101	41-19	A03U734500	41-1
A03U521800	46-12	A03U621100	57-5	A03U722902	41-22	A03U729200	41-8	A03U734500	42-2
A03U521900	46-11	A03U621100	60-5	A03U723301	37-3	A03U729500	41-4	A03U734601	39-11
A03U522001	75-12	A03U621100	63-5	A03U723400	39-3	A03U729700	41-14	A03U734701	39-14
A03U522100	75-8	A03U621200	58-5	A03U723600	39-36	A03U729800	41-30	A03U734800	38-3
A03U523400	46-16	A03U621200	61-5	A03U723700	39-2	A03U729901	37-5	A03U734900	38-4
A03U523501	46-15	A03U621200	64-5	A03U723800	39-35	A03U730100	39-17	A03U735000	38-2
A03U523600	46-9	A03U621300	58-12	A03U723900	37-18	A03U730200	39-26	A03U735100	38-8
A03U523700	46-13	A03U621300	61-12	A03U724000	37-22	A03U730500	34-18	A03U735200	38-7
A03U523801	46-17	A03U621300	64-12	A03U724101	39-31	A03U730600	39-5	A03U735300	38-1
A03U523900	46-21	A03U621400	58-7	A03U724200	35-10	A03U730701	39-7	A03U735400	38-5
A03U524000	75-11	A03U621400	61-7	A03U724400	36-22	A03U730800	35-2	A03U735500	38-6
A03U524100	46-24	A03U621400	64-7	A03U724500	35-23	A03U730900	35-3	A03U735600	38-10
A03U552900	31-3	A03U621700	58-19	A03U724800	35-24	A03U731101	35-1	A03U735700	39-12
A03U553000	31-6	A03U621700	61-19	A03U724901	39-8	A03U731300	39-9	A03U736000	74-7
A03U555400	31-5	A03U621700	64-20	A03U725000	41-10	A03U731400	39-18	A03U807700	39-20
A03U559400	31-21	A03U700100	68-14	A03U725201	41-24	A03U731700	41-25	A03U807900	39-4
A03U559500	31-23	A03U700202	68-22	A03U725300	35-19	A03U731700	42-7	A03U808000	36-23
A03U560100	50-15	A03U700400	69-19	A03U725500	38-9	A03U731800	39-37	A03U808100	40-9
A03U560100	53-15	A03U710600	67-16	A03U725600	36-17	A03U731900	39-21	A03U808201	39-1
A03U560100	56-15	A03U710700	67-9	A03U725700	34-10	A03U732000	39-16	A03U808300	37-19
A03U560200	50-6	A03U711600	67-7	A03U725800	36-36	A03U732200	39-22	A03U808400	37-20
A03U560200	53-6	A03U711700	67-6	A03U726100	36-26	A03U732300	36-28	A03U808500	37-24
A03U560200	56-6	A03U711902	67-5	A03U726500	34-11	A03U732400	36-40	A03U808700	36-38
A03U560300	50-19	A03U712000	67-1	A03U726711	37-9	A03U732700	40-15	A03U808811	36-8
A03U560300	53-19	A03U712100	67-13	A03U726900	35-9	A03U732800	40-14	A03U809000	36-25
A03U560300	56-19	A03U720100	41-11	A03U727200	35-22	A03U732900	40-13	A03U809100	36-27
A03U560500	50-21	A03U720201	41-9	A03U727300	35-21	A03U733000	34-23	A03U809311	36-20
A03U560500	53-21	A03U720300	40-12	A03U727500	40-4	A03U733100	40-1	A03U809400	36-24
A03U560500	56-21	A03U720800	37-7	A03U727700	35-15	A03U733200	35-12	A03U809500	41-32
A03U620400	57-13	A03U720900	37-11	A03U727900	41-15	A03U733400	34-2	A03U809600	37-30
A03U620400	60-16	A03U721000	35-25	A03U728000	38-14	A03U733500	36-39	A03U809700	36-37
A03U620400	63-14	A03U721201	39-29	A03U728100	37-4	A03U733600	34-24	A03U810503	70-28
A03U620503	6-4	A03U721400	35-20	A03U728200	34-1	A03U733700	34-25	A03U810601	70-30

Parts No.	Page No.	Parts No.	Page No.	Parts No.	Page No.	Parts No.	Page No.	Parts No.	Page No.
A03U810701	74-10	A03U814800	72-17	A03U842600	77-2	A03U848701	79-8	A03U861900	82-12
A03U810900	74-19	A03U814902	74-16	A03U842700	79-3	A03U848800	79-12	A03U862000	82-24
A03U811003	74-4	A03U815400	73-2	A03U842800	79-28	A03U848901	79-23	A03U862100	82-10
A03U811101	70-26	A03U815700	71-16	A03U842900	77-18	A03U849601	79-36	A03U862300	84-25
A03U811200	70-24	A03U815800	75-7	A03U843000	77-13	A03U849701	71-37	A03U862401	85-5
A03U811300	70-7	A03U815900	76-15	A03U843601	76-8	A03U849801	71-6	A03U862500	84-26
A03U811401	70-6	A03U816000	98-11	A03U843700	76-7	A03U850101	48-2	A03U862600	82-1
A03U811500	70-4	A03U817700	102-27	A03U843801	76-10	A03U850101	51-2	A03U862700	83-7
A03U812000	99-13	A03U838900	72-3	A03U843900	76-9	A03U850101	54-2	A03U862900	85-12
A03U812100	73-21	A03U839000	71-15	A03U844200	77-30	A03U850101	68-18	A03U863000	85-13
A03U812200	72-8	A03U839100	73-32	A03U844300	77-24	A03U850101	71-28	A03U863100	85-21
A03U812800	46-8	A03U839200	73-35	A03U844400	77-26	A03U850101	73-10	A03U863200	85-17
A03U812800	49-32	A03U839300	73-36	A03U844500	77-31	A03U850101	77-16	A03U863300	85-22
A03U812800	50-18	A03U839400	73-37	A03U844600	77-22	A03U850101	82-5	A03U863400	85-20
A03U812800	52-32	A03U839501	73-33	A03U844700	77-21	A03U850200	77-10	A03U863700	85-9
A03U812800	53-18	A03U839601	73-34	A03U844802	77-27	A03U850400	72-7	A03U863801	82-19
A03U812800	55-32	A03U839700	73-29	A03U844901	77-28	A03U850500	76-4	A03U863900	84-4
A03U812800	56-18	A03U840101	76-1	A03U845001	79-33	A03U850600	78-8	A03U864001	82-20
A03U812800	58-15	A03U840201	76-5	A03U845100	77-3	A03U859400	78-20	A03U864100	84-23
A03U812800	61-15	A03U840300	76-17	A03U845200	77-1	A03U859500	78-23	A03U864200	82-14
A03U812800	64-17	A03U840400	76-16	A03U845301	77-4	A03U859600	79-16	A03U864300	82-15
A03U812800	69-6	A03U840700	78-12	A03U845400	79-4	A03U859700	79-30	A03U889500	83-13
A03U812800	72-4	A03U840800	78-15	A03U845601	79-1	A03U859800	79-14	A03U889600	83-15
A03U812800	74-21	A03U840901	78-28	A03U845700	79-26	A03U859900	78-22	A03U889700	85-15
A03U812900	70-15	A03U841000	78-10	A03U845901	79-25	A03U860102	82-13	A03U889800	85-11
A03U813001	70-29	A03U841101	78-9	A03U846100	77-12	A03U860201	83-6	A03U889900	75-18
A03U813100	71-13	A03U841200	77-5	A03U846200	77-11	A03U860402	82-9	A03U889900	83-1
A03U813200	71-10	A03U841302	77-8	A03U846600	78-24	A03U860500	84-22	A03U890100	81-22
A03U813300	71-12	A03U841400	77-19	A03U846700	79-15	A03U860600	84-13	A03U890200	80-28
A03U813400	71-11	A03U841500	78-2	A03U846800	79-22	A03U860700	84-14	A03U890300	80-31
A03U813500	71-8	A03U841600	78-1	A03U846900	79-20	A03U860800	83-21	A03U890501	80-3
A03U813601	71-9	A03U841700	76-12	A03U847000	78-7	A03U860900	83-18	A03U890800	80-20
A03U813702	70-5	A03U841800	76-11	A03U847100	78-4	A03U861002	85-3	A03U890900	80-18
A03U813900	73-31	A03U841900	79-29	A03U847200	79-7	A03U861100	83-16	A03U891400	81-20
A03U814000	75-5	A03U842000	78-29	A03U847300	79-24	A03U861200	84-27	A03U891500	81-11
A03U814100	75-2	A03U842100	72-5	A03U848000	78-13	A03U861300	82-3	A03U891600	81-17
A03U814200	75-4	A03U842200	72-6	A03U848100	78-16	A03U861500	82-4	A03U891700	81-16
A03U814300	75-1	A03U842301	76-13	A03U848200	78-14	A03U861600	82-8	A03U891800	81-13
A03U814400	75-6	A03U842400	79-5	A03U848300	77-6	A03U861701	84-18	A03U891900	81-10
A03U814501	75-17	A03U842500	79-31	A03U848602	79-9	A03U861800	83-17	A03U892000	81-14



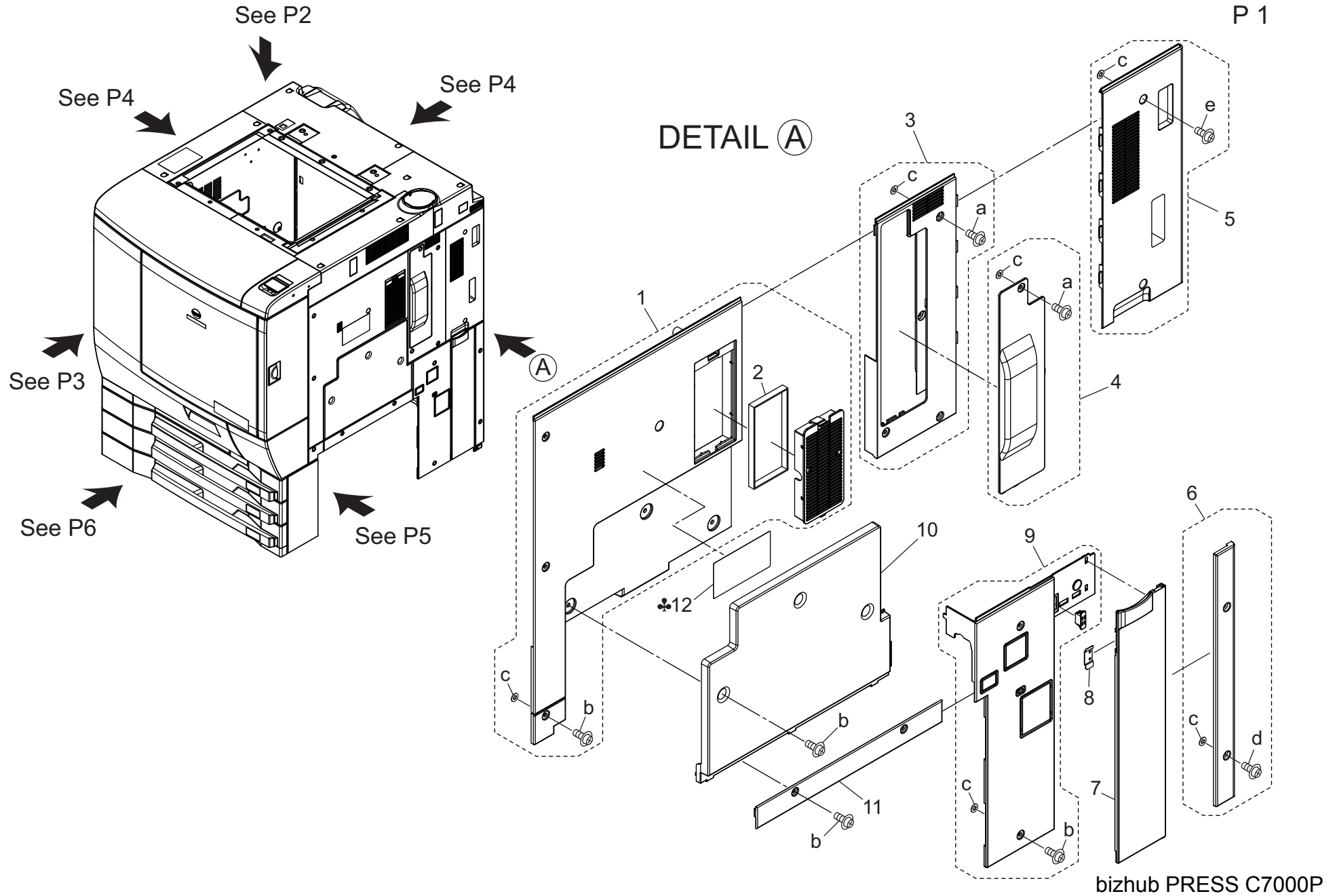
Parts No.	Page No.	Parts No.	Page No.	Parts No.	Page No.	Parts No.	Page No.	Parts No.	Page No.
A03U892100	81-1	A03UF74400	39-34	A03UN17700	72-15	A0G6194101	7-16	A1DU108500	103-1
A03U892200	81-3	A03UF74500	39-19	A03UN17801	70-16	A0G6243900	79-32	A1DU109100	103-13
A03U892300	81-9	A03UF77800	35-26	A03UN18000	105-5	A0G6H04000	7-15	A1DU109200	103-15
A03U892400	81-8	A03UF83600	74-33	A03UN20300	70-1	A0G6H06000	7-1	A1DU109301	101-11
A03U892500	80-4	A03UF84300	76-14	A03UN21600	79-19	A0G6M35200	7-3	A1DU110000	101-9
A03U892600	80-5	A03UF84500	77-25	A03UN21701	80-21	A0G6M60400	107-4	A1DU110301	103-11
A03U892701	80-23	A03UF85700	78-21	A03UN21800	85-7	A0G6M75400	7-7	A1DU110800	105-10
A03U892800	80-25	A03UF85800	78-17	A03UN22400	103-6	A0G6M75501	7-10	A1DU110900	101-23
A03U892902	80-27	A03UF85900	79-13	A03UN23000	78-5	A0G6M93100	8-15	A1DU111000	101-21
A03U893000	80-14	A03UF87100	82-17	A03UN23101	82-2	A0G6N18101	7-5	A1DU111100	98-1
A03U893101	80-15	A03UF88100	85-8	A03UN23200	35-7	A0G6N18400	7-14	A1DU111100	103-9
A03U893200	80-16	A03UF89200	80-7	A03UN23200	41-20	A0GA190301	7-25	A1DU111801	105-4
A03U893301	80-1	A03UF90000	80-29	A03UN23300	37-14	A0GA195000	7-26	A1DU111900	102-17
A03U893400	80-2	A03UH52002	107-7	A03UN23600	99-10	A0GA205000	7-26	A1DU112200	105-16
A03U893502	80-30	A03UM10400	27-4	A03UPJG100	117-4	A0P0M10000	66-11	A1DU112700	104-21
A03U909502	80-13	A03UM11100	72-16	A03UPJG200	117-2	A0R5M10300	26-3	A1DU112802	103-10
A03U909600	80-11	A03UM11100	75-19	A03UPJG300	117-3	A0R5M10300	96-15	A1DU114000	98-16
A03U909701	80-10	A03UM11100	80-22	A03UR70200	28-26	A0U0174000	6-1	A1DU115400	99-9
A03U909800	80-8	A03UM11100	85-6	A03V260101	97-4	A0U0178700	6-9	A1DU115500	105-8
A03U909900	80-17	A03UM15200	100-9	A03X170201	6-6	A0U0178800	6-5	A1DU115600	2-6
A03U942601	28-25	A03UM15300	34-3	A03X565611	48-15	A0U0179100	6-10	A1DU115700	105-25
A03U944200	5-17	A03UM15800	98-5	A03X565611	51-16	A0U0179601	6-12	A1DU115800	104-8
A03U945300	57-7	A03UM15800	103-4	A03X565611	54-16	A0U0179800	6-8	A1DU118200	101-8
A03U945300	60-7	A03UM20100	72-12	A03X622000	67-3	A0U0945401	6-7	A1DU118500	104-6
A03U945300	63-7	A03UM32A00	40-16	A07TM60100	107-5	A0U0945501	6-11	A1DU123001	1-2
A03U946500	7-28	A03UM32E00	40-16	A0EDM10500	105-15	A0U0945601	6-13	A1DU125000	101-15
A03U946700	28-23	A03UM32F00	40-16	A0G6190101	7-13	A0VT814900	27-7	A1DU130100	108-3
A03UB50400	32-25	A03UM50500	67-4	A0G6190200	7-4	A0Y5M15100	102-18	A1DU130301	104-12
A03UF11200	106-6	A03UN10800	39-33	A0G6190403	7-6	A0Y5M55100	78-3	A1DU130601	107-8
A03UF19100	9-11	A03UN11200	90-5	A0G6191600	7-17	A1DU101000	101-10	A1DU131102	108-5
A03UF21200	92-14	A03UN11200	96-16	A0G6192400	7-8	A1DU104000	102-26	A1DU131301	108-15
A03UF21200	93-14	A03UN14700	70-23	A0G6192500	7-9	A1DU104100	102-24	A1DU131401	105-36
A03UF21200	94-14	A03UN15100	70-31	A0G6192700	7-11	A1DU105300	102-7	A1DU131700	105-33
A03UF21200	95-14	A03UN15200	37-16	A0G6192900	7-12	A1DU105600	105-17	A1DU132002	108-6
A03UF36700	100-13	A03UN15302	77-7	A0G6193100	7-21	A1DU105901	105-9	A1DU132800	108-8
A03UF62100	57-16	A03UN15401	67-24	A0G6193200	7-20	A1DU106800	102-6	A1DU132901	108-12
A03UF62100	60-15	A03UN15500	92-10	A0G6193400	7-22	A1DU107301	101-14	A1DU133100	108-9
A03UF62100	63-16	A03UN15500	93-10	A0G6193800	7-18	A1DU107600	101-4	A1DU135001	108-1
A03UF74200	39-6	A03UN15500	94-10	A0G6193900	7-24	A1DU107800	101-22	A1DU135200	108-7
A03UF74300	39-15	A03UN15500	95-10	A0G6194000	7-23	A1DU108300	101-20	A1DU135301	108-21

Parts No.	Page No.	Parts No.	Page No.	Parts No.	Page No.	Parts No.	Page No.	Parts No.	Page No.
A1DU135600	105-37	A1DU210200	86-8	A1DU380300	17-5	A1DU413702	23-30	A1DU737000	42-10
A1DU135700	105-31	A1DU210200	87-8	A1DU380300	18-5	A1DU413702	24-30	A1DU737100	42-8
A1DU135901	107-2	A1DU210200	88-8	A1DU380300	19-5	A1DU413702	25-31	A1DU760100	42-12
A1DU136401	107-6	A1DU210200	89-8	A1DU389101	16-4	A1DU413800	27-20	A1DU760200	42-3
A1DU160102	5-16	A1DU210401	86-9	A1DU389101	17-4	A1DU420200	27-12	A1DU762300	38-15
A1DU160403	3-14	A1DU210401	87-9	A1DU389101	18-4	A1DU420300	27-11	A1DU762401	38-17
A1DU160500	3-7	A1DU210401	88-9	A1DU389101	19-4	A1DU420400	27-8	A1DU762500	38-18
A1DU160501	3-7	A1DU210401	89-9	A1DU389501	16-14	A1DU420500	27-15	A1DU762600	38-16
A1DU160600	3-29	A1DU229600	96-14	A1DU389501	17-15	A1DU420600	27-9	A1DU763501	42-13
A1DU160801	4-1	A1DU229700	96-10	A1DU389501	18-15	A1DU420700	27-10	A1DU763800	42-1
A1DU161301	2-10	A1DU229800	96-11	A1DU389501	19-15	A1DU504200	30-24	A1DU763900	42-4
A1DU161302	2-10	A1DU331200	12-10	A1DU389702	16-13	A1DU512100	32-18	A1DU764000	103-12
A1DU163200	3-30	A1DU331200	13-10	A1DU389702	17-13	A1DU519900	32-16	A1DU808600	41-6
A1DU163300	2-5	A1DU331200	14-10	A1DU389702	18-13	A1DU550200	31-13	A1DU808900	36-35
A1DU163402	2-4	A1DU331200	15-10	A1DU389702	19-13	A1DU559300	32-3	A1DU815000	74-6
A1DU163500	1-10	A1DU332500	12-5	A1DU389800	16-12	A1DU622200	66-2	A1DU817000	71-2
A1DU163601	3-19	A1DU332500	13-5	A1DU389800	17-12	A1DU622200	106-8	A1DU817100	71-3
A1DU163700	2-8	A1DU332500	14-5	A1DU389800	18-12	A1DU629500	58-1	A1DU817200	74-3
A1DU163800	2-7	A1DU332500	15-5	A1DU389800	19-12	A1DU629500	61-1	A1DU817300	71-18
A1DU163900	2-9	A1DU335100	12-11	A1DU400100	21-4	A1DU629500	64-1	A1DU817500	71-38
A1DU164000	4-4	A1DU335100	13-11	A1DU401300	21-2	A1DU720401	34-6	A1DU845100	78-32
A1DU164101	3-2	A1DU335100	14-11	A1DU401700	27-3	A1DU721100	35-13	A1DU845200	78-35
A1DU164400	3-35	A1DU335100	15-11	A1DU401800	22-15	A1DU721300	42-6	A1DU894000	81-5
A1DU165600	3-24	A1DU335200	12-6	A1DU401800	23-15	A1DU722811	35-17	A1DU942700	73-15
A1DU166200	1-11	A1DU335200	13-6	A1DU402600	21-14	A1DU724300	41-33	A1DU942900	74-5
A1DU166300	4-3	A1DU335200	14-6	A1DU402700	26-8	A1DU725100	41-18	A1DU943000	5-4
A1DU166500	4-7	A1DU335200	15-6	A1DU403500	27-17	A1DU726601	34-7	A1DU943800	77-29
A1DU169000	104-10	A1DU372500	16-8	A1DU404100	27-16	A1DU727002	42-5	A1DU943900	78-11
A1DU169100	104-4	A1DU372500	17-8	A1DU404101	27-16	A1DU727600	38-13	A1DU944300	5-2
A1DU169400	3-23	A1DU372500	18-8	A1DU404200	21-11	A1DU727800	34-22	A1DU944400	45-13
A1DU169500	3-21	A1DU372500	19-8	A1DU404500	27-18	A1DU731200	36-3	A1DU944500	20-20
A1DU169600	3-22	A1DU372700	16-7	A1DU406000	26-10	A1DU736000	41-12	A1DU944600	20-19
A1DU190100	9-12	A1DU372700	17-7	A1DU406701	21-13	A1DU736100	34-16	A1DU944700	20-18
A1DU194200	9-15	A1DU372700	18-7	A1DU406800	21-12	A1DU736200	34-15	A1DU944800	20-17
A1DU194300	9-1	A1DU372700	19-7	A1DU409600	22-26	A1DU736300	34-20	A1DU944900	3-3
A1DU197100	8-22	A1DU380100	16-2	A1DU409600	23-26	A1DU736400	34-21	A1DU945000	3-4
A1DU210100	86-5	A1DU380100	17-2	A1DU409600	24-26	A1DU736500	34-19	A1DU945100	3-5
A1DU210100	87-5	A1DU380100	18-2	A1DU409600	25-27	A1DU736600	42-9	A1DU945900	1-12
A1DU210100	88-5	A1DU380100	19-2	A1DU409800	26-18	A1DU736701	42-11	A1DU946300	119-10
A1DU210100	89-5	A1DU380300	16-5	A1DU413702	22-30	A1DU736800	35-16	A1DU949000	38-19

Parts No.	Page No.	Parts No.	Page No.	Parts No.	Page No.	Parts No.	Page No.	Parts No.	Page No.
A1DUF25000	96-4	A1DUN11400	16-20	A1DUN28300	8-23	A1DUR71500	33-1	A1DUR72100	34-12
A1DUF40100	26-5	A1DUN11400	17-20	A1DUN29001	9-14	A1DUR71600	33-4	A1DUR72200	82-18
A1DUF62100	57-18	A1DUN11400	18-20	A1DUN29200	105-32	A1DUR71700	20-6	A1DUR72300	84-5
A1DUF62100	58-6	A1DUN11400	19-20	A1DUPJG100	117-11	A1DUR71800	30-32	A1DUR72400	99-11
A1DUF62100	60-18	A1DUN11802	105-18	A1DUR70100	106-5	A1DUR71900	30-30	A1DUR72500	91-9
A1DUF62100	61-6	A1DUN13002	110-1	A1DUR70200	103-8	A1DUR71A00	46-1	A1DUR72600	106-4
A1DUF62100	63-18	A1DUN13900	112-2	A1DUR70300	102-25	A1DUR71B00	31-1	A1DUR72700	106-2
A1DUF62100	64-6	A1DUN14000	101-13	A1DUR70422	110-3	A1DUR71C00	31-17	A1DUR72800	28-12
A1DUF76100	41-7	A1DUN14201	25-23	A1DUR70500	4-2	A1DUR71D00	31-18	A1DUR72900	28-37
A1DUH01002	108-14	A1DUN14300	20-13	A1DUR70600	4-8	A1DUR71E00	31-20	A1DUR72A00	28-40
A1DUH02002	108-4	A1DUN14400	27-5	A1DUR70700	119-4	A1DUR71F00	31-15	A1DUR72B00	28-39
A1DUH06011	105-35	A1DUN14500	21-21	A1DUR70800	1-6	A1DUR71G00	31-16	A1DUR72C00	106-3
A1DUH11000	9-13	A1DUN14600	26-2	A1DUR70900	1-1	A1DUR71H00	48-1	A1DUR72D00	107-16
A1DUH25000	70-32	A1DUN14700	21-20	A1DUR70A00	1-5	A1DUR71H00	51-1	A1DUR72E00	107-16
A1DUM10100	36-30	A1DUN14801	70-33	A1DUR70B00	1-9	A1DUR71H00	54-1	A1DUR72F00	107-16
A1DUM10200	90-4	A1DUN14901	71-39	A1DUR70C00	1-4	A1DUR71J00	50-2	A1DUR72G00	92-12
A1DUM15100	103-16	A1DUN14F00	107-14	A1DUR70D00	1-3	A1DUR71J00	53-2	A1DUR72G00	93-12
A1DUM30700	43-13	A1DUN15001	34-17	A1DUR70E00	4-9	A1DUR71J00	56-2	A1DUR72G00	94-12
A1DUM31A00	41-34	A1DUN15A00	107-12	A1DUR70J00	92-1	A1DUR71K00	48-4	A1DUR72G00	95-12
A1DUM31E00	41-34	A1DUN16F00	107-12	A1DUR70J00	94-1	A1DUR71K00	51-4	A1DUR72H00	90-9
A1DUM31F00	41-34	A1DUN17000	33-5	A1DUR70K00	92-11	A1DUR71K00	54-4	A1DUR72J00	47-9
A1DUM40101	104-14	A1DUN17500	81-21	A1DUR70K00	93-11	A1DUR71M00	49-2	A1DUR72K00	47-5
A1DUM40201	104-13	A1DUN17601	111-1	A1DUR70K00	94-11	A1DUR71M00	52-2	A1DUR72Q00	12-12
A1DUM40301	109-4	A1DUN17900	90-11	A1DUR70K00	95-11	A1DUR71M00	55-2	A1DUR72Q00	13-12
A1DUM40401	110-13	A1DUN18300	91-14	A1DUR70M00	92-4	A1DUR71N00	57-34	A1DUR72Q00	14-12
A1DUM50800	16-18	A1DUN18400	71-27	A1DUR70M00	93-4	A1DUR71N00	60-34	A1DUR72Q00	15-12
A1DUM50800	17-18	A1DUN18700	110-9	A1DUR70M00	94-4	A1DUR71N00	63-34	A1DUR72R00	28-32
A1DUM50800	18-18	A1DUN18900	70-2	A1DUR70M00	95-4	A1DUR71P00	57-30	A1DUR72S33	19-21
A1DUM50800	19-18	A1DUN19000	110-10	A1DUR70N00	93-1	A1DUR71P00	60-30	A1DUR72T00	22-17
A1DUM70001	107-13	A1DUN19401	66-3	A1DUR70N00	95-1	A1DUR71P00	63-29	A1DUR72T00	23-17
A1DUM70101	107-15	A1DUN19502	113-1	A1DUR70U00	10-1	A1DUR71Q00	68-15	A1DUR72U00	24-17
A1DUN10102	111-2	A1DUN19600	105-14	A1DUR70V00	28-36	A1DUR71R00	68-8	A1DUR72U00	25-17
A1DUN10400	41-27	A1DUN19801	103-17	A1DUR70X66	16-21	A1DUR71S00	67-2	A1DUR72V00	22-1
A1DUN10502	35-18	A1DUN19900	104-7	A1DUR70X66	17-21	A1DUR71T22	34-28	A1DUR72W00	23-1
A1DUN10602	35-14	A1DUN21300	107-9	A1DUR70Y00	21-7	A1DUR71U22	34-28	A1DUR72X00	24-1
A1DUN10700	41-28	A1DUN22000	70-17	A1DUR71000	20-2	A1DUR71V22	34-28	A1DUR72Y00	25-1
A1DUN10902	106-10	A1DUN22700	114-1	A1DUR71100	20-12	A1DUR71W00	39-23	A1DUR73000	22-19
A1DUN11000	106-9	A1DUN27600	113-2	A1DUR71200	20-9	A1DUR71X00	41-13	A1DUR73000	23-19
A1DUN11100	43-14	A1DUN28100	8-14	A1DUR71300	11-1	A1DUR71Y00	41-16	A1DUR73000	24-19
A1DUN11300	112-1	A1DUN28200	8-17	A1DUR71444	29-7	A1DUR72000	41-23	A1DUR73000	25-20

Parts No.	Page No.	Parts No.	Page No.	Parts No.	Page No.	Parts No.	Page No.	Parts No.	Page No.
A1DUR73100	29-2	A1DUR74600	64-10	A1RF943600	37-1	A4EUH04001	7-31	V502010033	107-11
A1DUR73200	29-1	A1DUR74700	36-32	A1RF943700	84-31	A4EUM75400	7-32	V502010044	26-4
A1DUR73300	30-29	A1DUR74800	74-37	A1RF944000	79-35	A4EUN18100	7-29	V570010021	115-32
A1DUR73400	29-4	A1DUR74900	71-4	A1RF944100	78-31	SP00-0032	41-26	V570010023	115-33
A1DUR73500	30-27	A1DUR74B11	20-24	A1RF944200	6-2	SP00-0181	39-32	V570010038	115-34
A1DUR73600	46-22	A1DUR74C11	20-24	A1RF945100	12-2	V500010003	115-1	V570010039	115-35
A1DUR73700	46-25	A1DUR74D11	20-24	A1RF945100	13-2	V500010005	115-2	V570010040	115-36
A1DUR73800	46-2	A1DUR74E00	45-10	A1RF945100	14-2	V500010007	115-3	V570010047	115-37
A1DUR73900	46-3	A1DUR74H00	39-13	A1RF945100	15-2	V500010008	115-4	V570010050	115-38
A1DUR73A00	67-18	A1DUR74J00	2-11	A1RF945501	16-3	V500010015	115-5	V570010057	115-39
A1DUR73B00	67-11	A1DUR74K44	18-21	A1RF945501	17-3	V500010020	115-6	V570010058	115-40
A1DUR73C00	71-14	A1DUR74N00	80-32	A1RF945501	18-3	V500010021	115-7	V570010059	116-1
A1DUR73D00	78-33	A1DUR74S00	47-27	A1RF945501	19-3	V500010029	115-8	V570010060	116-2
A1DUR73E00	79-2	A1DUR74U00	36-41	A1RF945501	29-8	V500010030	115-9	V570010063	116-3
A1DUR73F00	101-1	A1DUR74W00	90-1	A1RF945501	34-27	V500010032	115-10	V570010064	37-15
A1DUR73G00	92-3	A1DUR74X00	22-33	A1RF945501	119-9	V500010034	115-11	V570010065	37-17
A1DUR73G00	93-3	A1DUR74Y00	23-33	A1RF946000	59-11	V500010046	115-12	V590040002	119-6
A1DUR73G00	94-3	A1DUR75000	24-33	A1RF946000	62-11	V500010050	116-5	V651010003	116-4
A1DUR73H00	95-3	A1DUR75100	25-34	A1RF946000	65-11	V500010051	115-13	V651010005	115-24
A1DUR73J00	20-3	A1DURX0100	118-2	A1RFM15100	105-34	V500010057	115-14		
A1DUR73K00	73-16	A1RF168800	2-1	A1RFM15100	108-13	V500010072	115-15		
A1DUR73M00	74-25	A1RF408201	22-25	A1RFM51000	35-4	V500010075	115-16		
A1DUR73N00	74-34	A1RF408201	23-25	A1RFM51000	37-12	V500020001	115-17		
A1DUR73P00	79-27	A1RF408201	24-25	A1RFM90300	4-5	V500020023	115-18		
A1DUR73Q00	77-15	A1RF408201	25-26	A1RFN26000	49-1	V500020033	115-19		
A1DUR73R00	77-14	A1RF517300	30-13	A1RFN26000	52-1	V500020035	115-20		
A1DUR73S00	98-6	A1RF517300	80-6	A1RFN26000	55-1	V500020050	115-21		
A1DUR73T00	100-10	A1RF529300	46-6	A1RFN28300	7-33	V500020053	115-22		
A1DUR73U00	3-18	A1RF620301	48-23	A1RJ817200	79-10	V500020054	115-23		
A1DUR73V00	102-13	A1RF620301	51-23	A1UD723500	41-5	V500020085	115-25		
A1DUR73W00	101-2	A1RF620301	54-23	A204160202	2-2	V501010002	115-26		
A1DUR73X00	86-2	A1RF820000	36-1	A204160203	2-2	V501010006	115-27		
A1DUR73X00	87-2	A1RF855600	78-34	A204161401	2-3	V501010009	115-28		
A1DUR73X00	88-2	A1RF942600	101-12	A204947000	3-13	V501010010	115-29		
A1DUR73X00	89-2	A1RF942900	3-15	A204R70000	7-27	V501010018	115-30		
A1DUR74100	45-3	A1RF943100	74-2	A204R70100	7-27	V501010020	115-31		
A1DUR74200	45-6	A1RF943200	71-24	A204R70200	7-27	V502010014	90-3		
A1DUR74400	32-11	A1RF943300	73-8	A4EU190401	7-34	V502010015	36-29		
A1DUR74600	58-10	A1RF943400	34-4	A4EU194100	7-35	V502010015	47-25		
A1DUR74600	61-10	A1RF943500	84-9	A4EU194200	7-30	V502010032	107-10		

# EXTERNAL PARTS



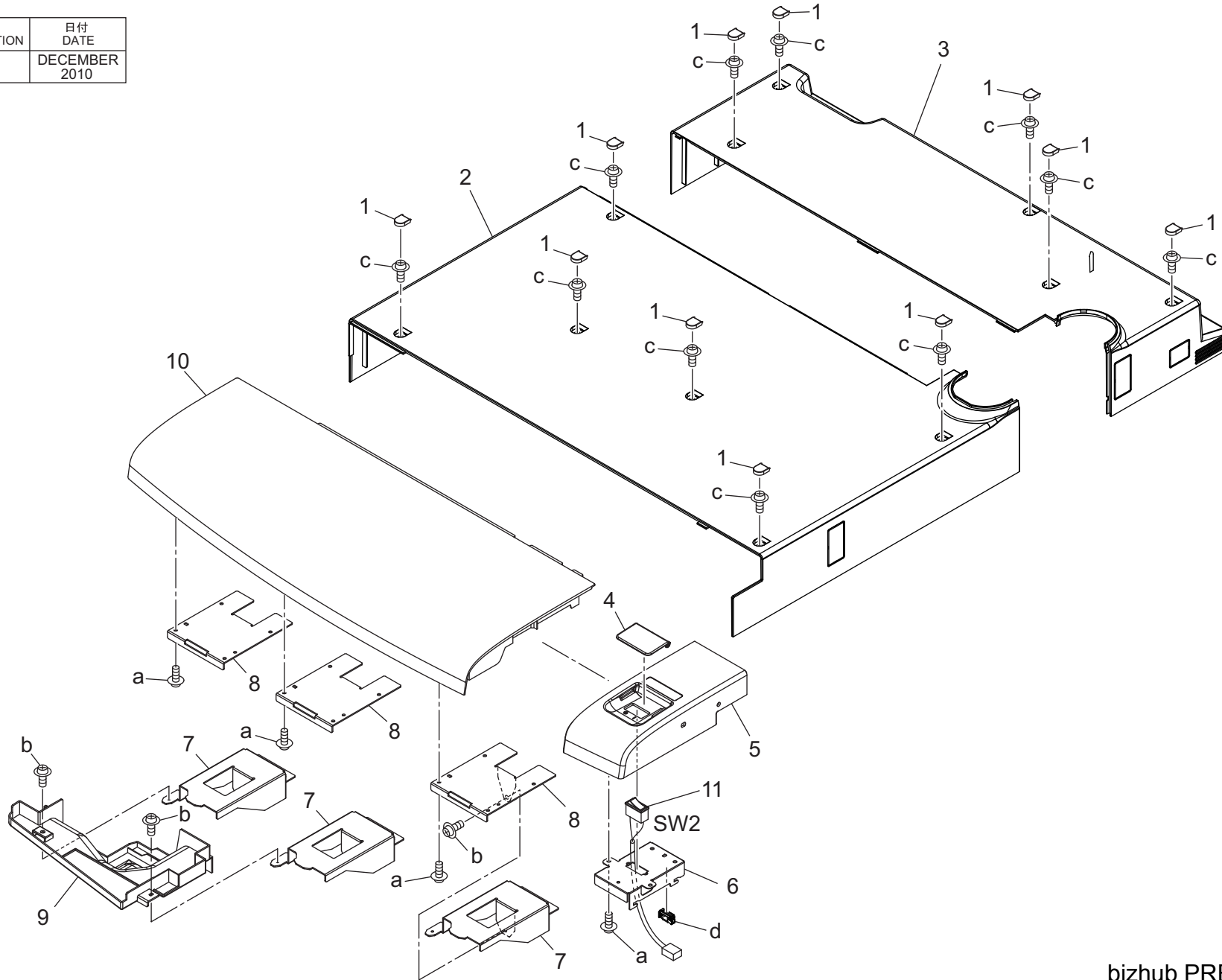
EXTERNAL PARTS

Key	Part No.	Description	Destinations	Class	QTY	Standard parts
1	A1DUR70900	Side Cover /1Assy		C	1	a-V114040804 b-V114041004 c-V211040080 d-V114041204 e-V114041404
2	A1DU123001	Cooling Filter /Right		A	1	
3	A1DUR70D00	Cover Part /2 Assy		D	1	
4	A1DUR70C00	Suction Cover Assy		D	1	
5	A1DUR70A00	Side Cover /2Assy		C	1	
6	A1DUR70800	Cover Part/4Assy		D	1	
7	A03U161000	Collection Door		C	1	
8	65AA12270D	Magnet Catch		D	1	
9	A1DUR70B00	Side Cover /3Assy		C	1	
10	A1DU163500	Bypass Cover		D	1	
11	A1DU166200	Protection Cover		D	1	
12	A1DU945900	Paper feed Label /3	B,G2	D	1	

bizhub PRESS C7000P

# EXTERNAL PARTS

改訂版 REVISED EDITION	日付 DATE
	DECEMBER 2010



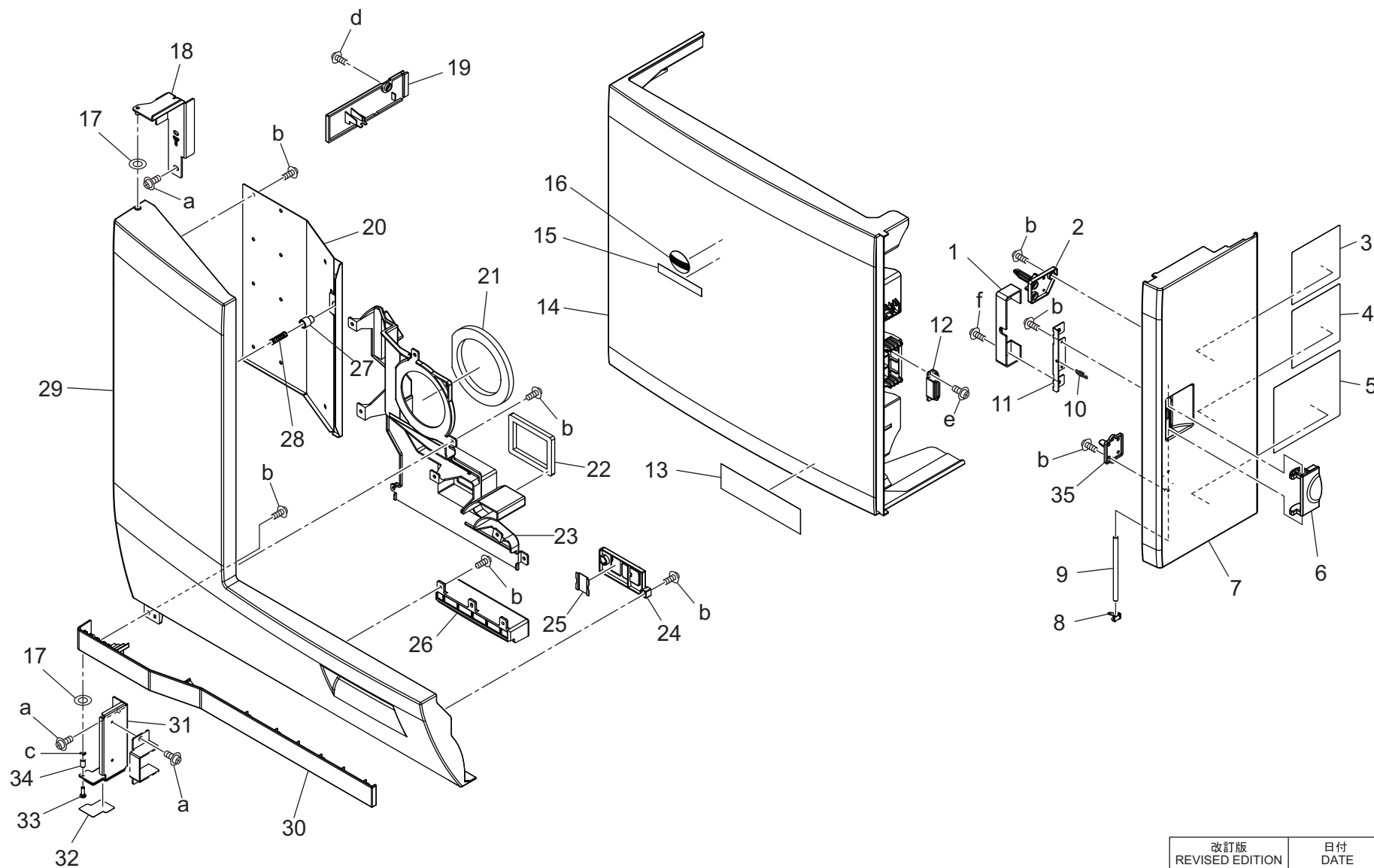
bizhub PRESS C7000P

EXTERNAL PARTS

Key	Part No.	Description	Destinations	Class	QTY	Standard parts
1	A1RF168800	Click Cover		D	11	a-V158030803 b-V121040603 c-V114040604 d-V570010057
2	A204160202Old	Read Cover /Middle	A,B,C,G2	D	1	
2	A204160203	Read Cover /Middle	A,B,C,G2	D	1	
3	A204161401	Read Cover /Rear		D	1	
4	A1DU163402	Protection Cover		D	1	
5	A1DU163300	Cover /Right		D	1	
6	A1DU115600	Fixing Plate /S		D	1	
7	A1DU163800	Hold Stay /Left		D	3	
8	A1DU163700	Mounting Plate /Upper		D	3	
9	A1DU163900	Mounting Cover /Lower		D	1	
10	A1DU161301Old	Cover /Upper		D	1	
10	A1DU161302	Cover /Upper		D	1	
11	A1DUR74J00	SWITCH/S ASSY		D	1	



# EXTERNAL PARTS



改訂版 REVISED EDITION	日付 DATE
▲	OCTOBER 2010

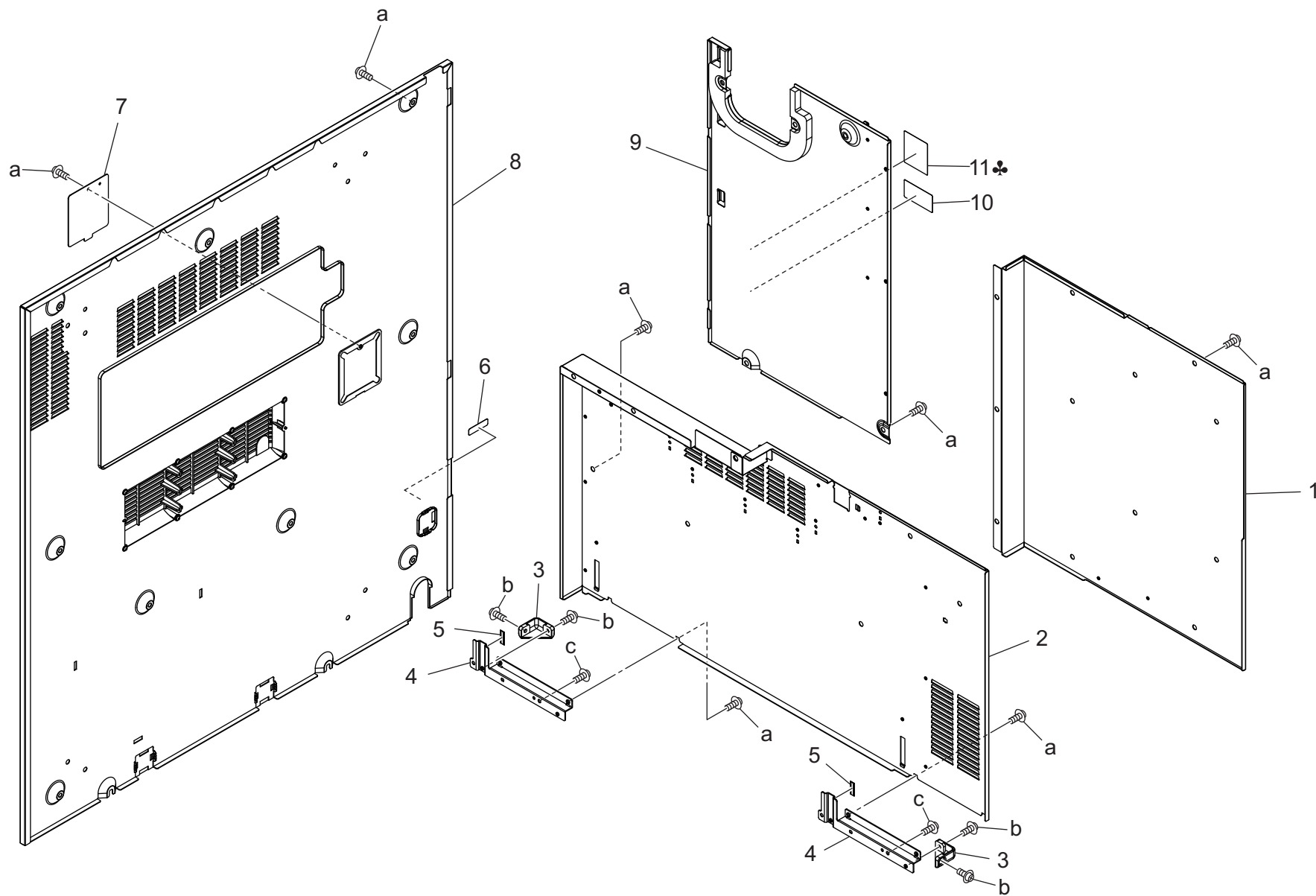
bizhub PRESS C7000P

## EXTERNAL PARTS

Key	Part No.	Description	Destinations	Class	QTY	Standard parts
1	65AA12630	FULCRUM COVER		C	1	a-V121040603
2	A1DU164101	Detecting Part	支点カバー 検出部材	D	1	b-V158030804
3	A1DU944900	Toner supply Label /1	トナー補給ラベル / 1	D	1	c-V217020050
4	A1DU945000	Toner supply Label /2	トナー補給ラベル / 2	D	1	d-V114041004
5	A1DU945100	Toner supply Label /3	トナー補給ラベル / 3	D	1	e-V145030804
6	A03U166000	Toner supply Handle	トナー補給 把手	C	1	f-V121030604
7	A1DU160500Old	Toner supply Cover /Right	トナー補給カバー / 右	D	1	
7	A1DU160501	Toner Supply Cover /Right	トナー補給カバー / 右	D	1	
8	65AA12620D	Open/shut Plate	開閉板	D	1	
9	65AA12610	Fulcrum Shaft	支点軸	D	1	
10	65AA12640	OPEN SHUT SPRING	開閉バネ	C	1	
11	65AA12280	MAGNET STOPPER PLATE A	マグネットストッパー板	D	1	
12	07BA12352	Magnet Catch	マグネットキャッチ	C	1	
13	A204947000	Indicating Label C7000P	表示ラベル C 7 0 0 0 P	D	1	
14	A1DU160403	Toner supply Cover /Front	トナー補給カバー / 前	D	1	
15	A1RF942900	Indicating Plate	表示プレート	D	1	
16	A03U168500	Indicating Plate	表示プレート	C	1	
17	40AA32320	TONER SUPPLY SPACER	トナー補給スペーサー	C	2	
18	A1DUR73U00	Main Body Hinge/2 Caulking	本体ヒンジ / 2 カシメ	D	1	
19	A1DU163601	Cover /Left front	カバー / 左前	D	1	
20	A03U167800	Front door Reinforce Plate	前扉補強板	D	1	
21	A1DU169500	Cooling Pad /1	冷却パッド / 1	D	1	
22	A1DU169600	Cooling Pad /2	冷却パッド / 2	D	1	
23	A1DU169400	Cooling Duct /Front	冷却ダクト / 前	D	1	
24	A1DU165600	Lock Cover	ロックカバー	D	1	
25	56AA12241	EXTERNAL LOCK PLATE	外装ロック板	D	1	
26	A03U165801	FRONT DOOR AUXILIARY COVER	前扉補助カバー	C	1	
27	65AA12790E	Front door Guide Pin	前扉ガイドピン	D	1	
28	65AA12800	SHAFT PRESSING SPRING	軸押圧バネ	C	1	
29	A1DU160600	Cover /Left	カバー / 左	D	1	
30	A1DU163200	Door /Lower	扉 / 下	D	1	
31	A03U162001	Main body Cover Hinge /1	本体カバーヒンジ / 1	D	1	
32	A03U168600	Cassette Protection Sheet	カセット保護シート	C	1	
33	65AA12821	HINGE SHAFT/3	ヒンジ 軸 / 3	D	1	
34	65AA12830	GUIDE COLLAR	ガイドカラー	C	1	
35	A1DU164400	Actuator	アクチュエータ (指定色)	D	1	

bizhub PRESS C7000P

# EXTERNAL PARTS

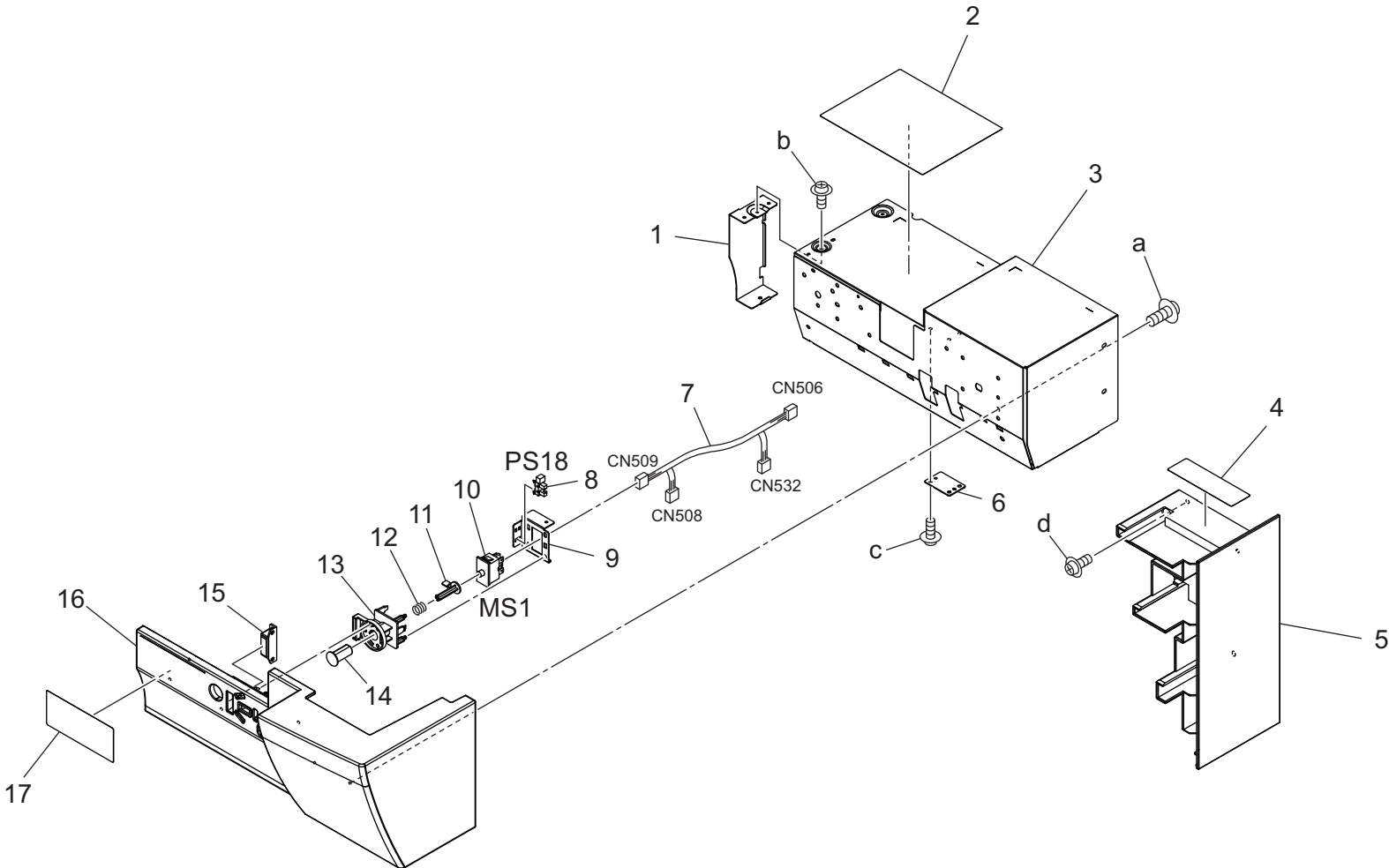


bizhub PRESS C7000P

EXTERNAL PARTS

Key	Part No.	Description	Destinations	Class	QTY	Standard parts
1	A1DU160801	Protection Cover /2		D	1	a-V114040604 b-V121030604 c-V121040603
2	A1DUR70500	Rear Cover		D	1	
3	A1DU166300	Protection Part		D	2	
4	A1DU164000	Mounting Plate		D	2	
5	A1RFM90300	Gasket /3		D	2	
6	A00J945400	Label Dehumidifier SW.		C	1	
7	A1DU166500	Protection Cover /Left		D	1	
8	A1DUR70600	Eject Cover Assy		D	1	
9	A1DUR70E00	Rear Cover/1Assy		D	1	
10	56UA97310	LASER INDICATING LABEL		D	1	
11	56UA97320	CAUTION LABEL/A	C	D	1	

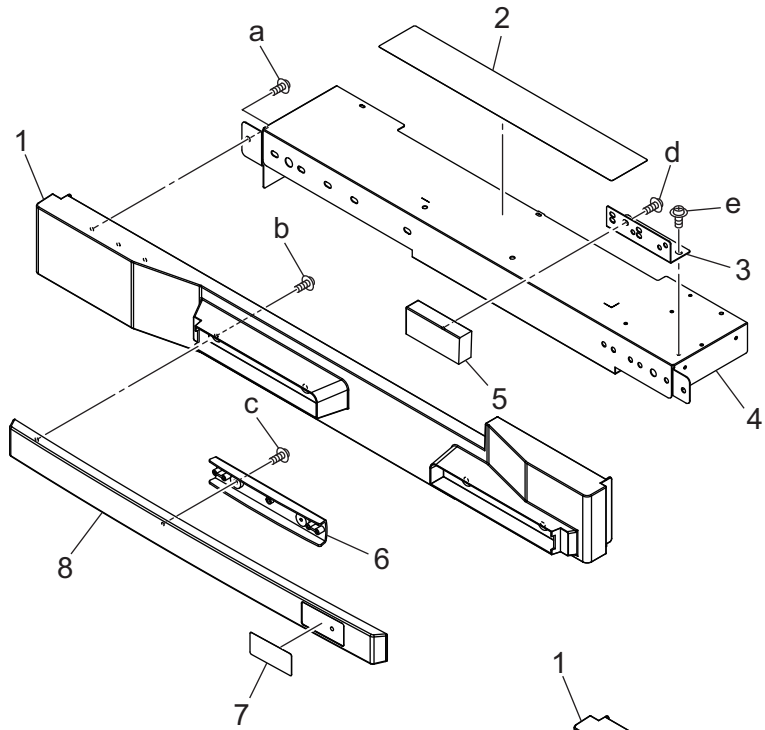
EXTERNAL PARTS



# EXTERNAL PARTS

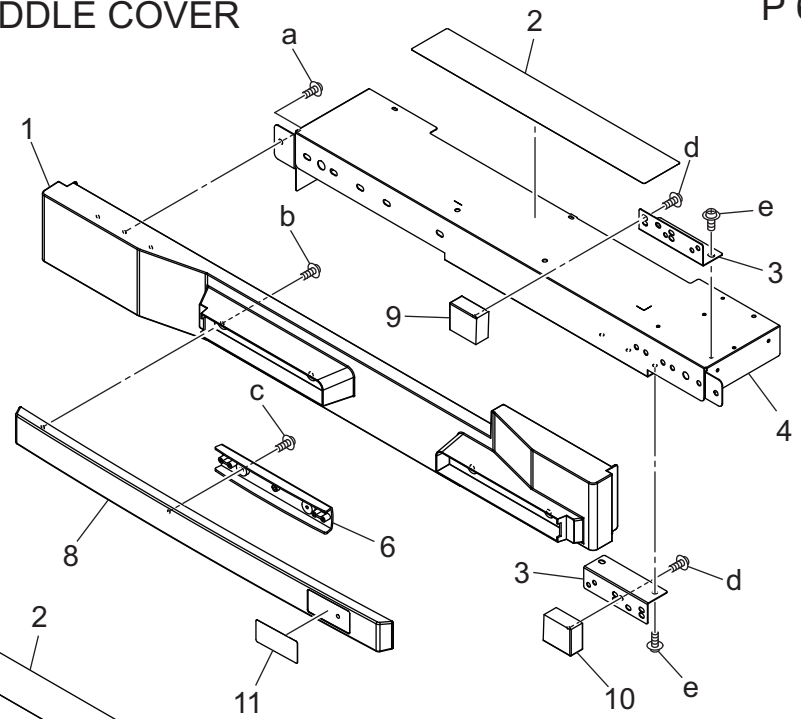
Key	Part No.	Description	Destinations	Class	QTY	Standard parts
1	65AA12570D	Side Mounting Plate /2		D	1	a-V158030803 b-V121030603 c-V121030403 d-V114040604
2	A1DU944300	Processing Label /2		D	1	
3	65AA12021F	ADU Cover /U		D	1	
4	A1DU943000	Caution Label		D	1	
5	A03U163011	Paper Feed Cover /Right		C	1	
6	A03U169700	Cover Plate		D	1	
7	65AA90691E	Interlock Wiring		D	1	
8	08AA85512	Photo Sensor		B	1	
9	56AA12130	SWITCH FIXING PLATE		D	1	
10	40AA85011	Door Switch		B	1	
11	56AA12150	SWITCH PRESSING ACTUATOR		C	1	
12	56AA12160	CONTACT PRESSING SPRING 1		C	1	
13	56AA12120	Switch Guide Part		C	1	
14	56AA12140	SWITCH CONNECTING ACTUATOR		C	1	
15	55FA12101	MAGNET CATCH X		C	1	
16	A1DU160102	Cover /Right front		D	1	
17	A03U944200	Processing Label /1		C	1	

# EXTERNAL PARTS UPPER COVER

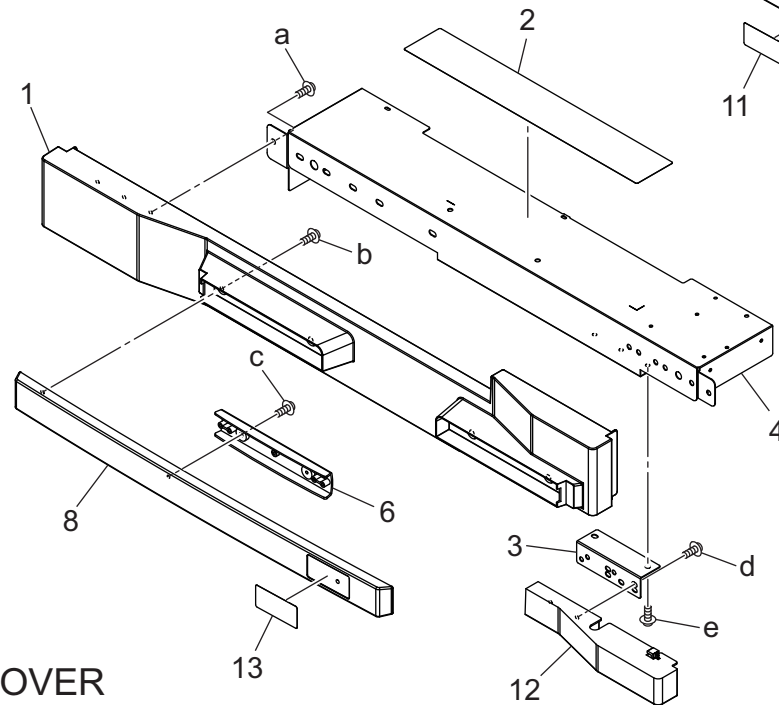


# MIDDLE COVER

P 6



# LOWER COVER



bizhub PRESS C7000P

EXTERNAL PARTS

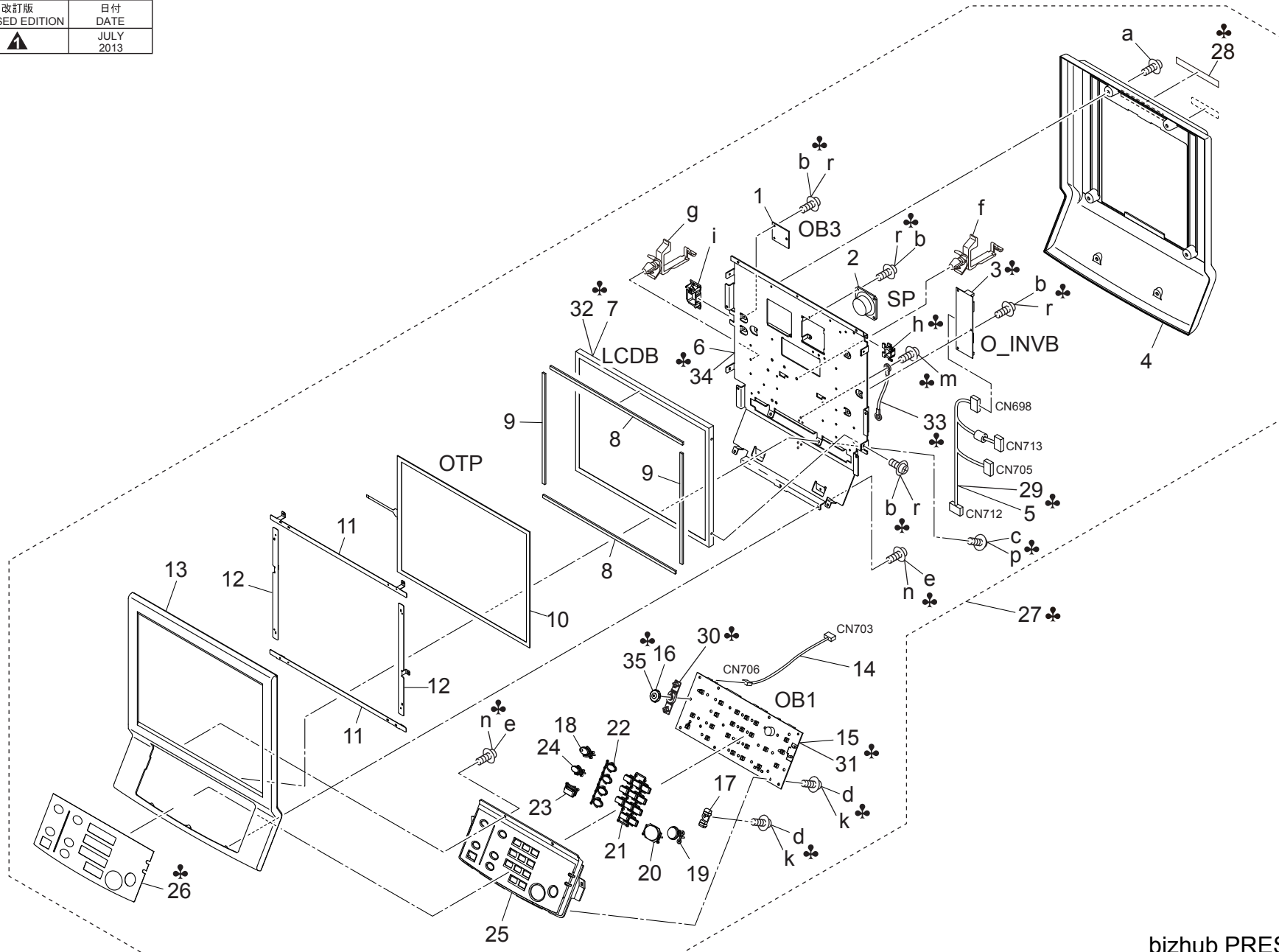
Key	Part No.	Description	Destinations	Class	QTY	Standard parts
1	A0U0174000	Paper feed Cover		C	3	a-V158041003 b-V151041203 c-V158031003 d-V151040804 e-V121030404
2	A1RF944200	Operation Label /1		D	3	
3	A03U620600	Mounting Plate		D	4	
4	A03U620503	Support Cover		D	3	
5	A0U0178800	Paper feed Cover /B		C	1	
6	A03X170201	PAPER FEED HANDLE /2		C	3	
7	A0U0945401	Indicating Label /1		C	1	
8	A0U0179800	Paper feed Handle		C	3	
9	A0U0178700	Paper feed Cover /A		C	1	
10	A0U0179100	Paper feed Cover /C		C	1	
11	A0U0945501	Indicating Label /2		C	1	
12	A0U0179601	Paper feed Cover /D		C	1	
13	A0U0945601	Indicating Label /3		C	1	

bizhub PRESS C7000P



# OPERATION SECTION

改訂版 REVISED EDITION	日付 DATE
▲	JULY 2013



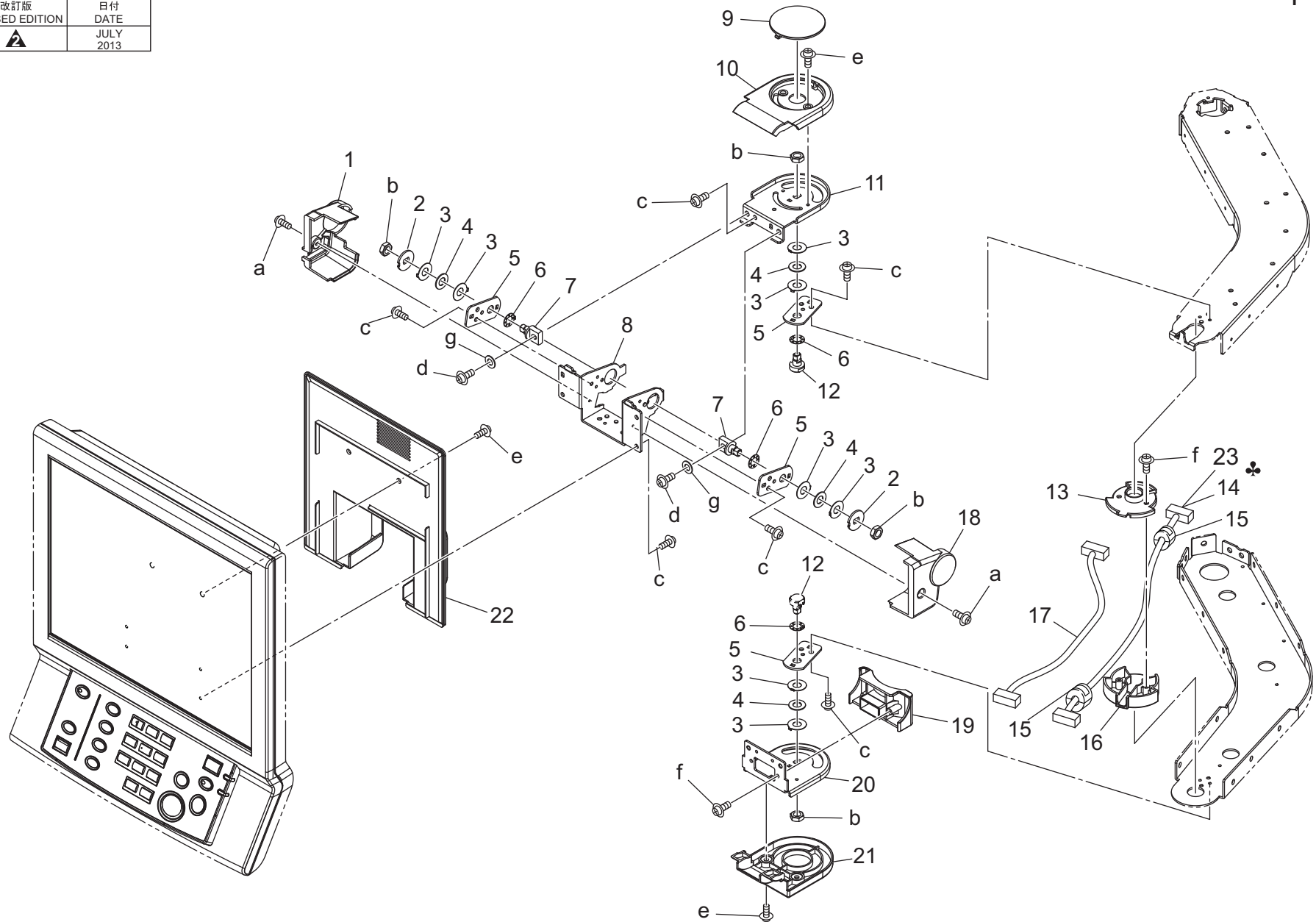
bizhub PRESS C7000P

# OPERATION SECTION

Key	Part No.	Description	Destinations	Class	QTY	Standard parts
1	A0G6H06000	Operation Board /3 Assy		C	1	a-V114040604
2	4040M40100	LOUDSPEAKER		D	1	b-V118030403
3	A0G6M35200	Ope.Unit Inverter Unit		C	1	c-V158031003
4	A0G6190200	Operation Cover /Rear		C	1	d-V158030603
5	A0G6N18101	Ope.unit Wiring /3		D	1	e-V158030803
6	A0G6190403	Operation Plate		D	1	f-V500010005
7	A0G6M75400	Ope.Unit LCD		C	1	g-V500010046
8	A0G6192400	Holding Cushion /Upper		C	2	h-V570010050
9	A0G6192500	Holding Cushion /Right		C	2	i-V570010063
10	A0G6M75501	Ope.Unit Touch Panel		C	1	k-V151030603
11	A0G6192700	Ground Plate /1		D	2	m-V116040603
12	A0G6192900	Ground Plate /2		D	2	n-V151030803
13	A0G6190101	Operation Cover /Front		C	1	p-V151031003
14	A0G6N18400	Ope.Unit Control Harness /3		D	1	r-V118030603
15	A0G6H04000	OPERATION BOARD/1 ASSY		I	1	
16	A0G6194101	Operation Knob /1		C	1	
17	A0G6191600	Indicating Part /1		D	1	
18	A0G6193800	Operation Button /10		C	1	
19	56UA70330	OPERATION UNIT BUTTON S		C	1	
20	A0G6193200	Operation Button /2		C	1	
21	A0G6193100	Operation Button /1		C	1	
22	A0G6193400	Operation Button /4		C	1	
23	A0G6194000	Operation Button /9		C	1	
24	A0G6193900	Operation Button /8		C	1	
25	A0GA190301	Operation Casing /1		C	1	
26	A0GA195000	Operation Sheet	A	C	1	
26	A0GA205000	Operation Sheet	B,G2	C	1	
27	A204R70000	Operation Unit(JP)	A	I	1	
27	A204R70100	Operation Unit(US)	B,G2	I	1	
27	A204R70200	Operation Unit(EU)	C	I	1	
28	A03U946500	Regulating Label	B,G2	D	1	
29	A4EUN18100	Ope.unit Wiring /3	(New Type)	D	1	
30	A4EU194200	Fixing Holder	(New Type)	D	1	
31	A4EUH04001	Operation Board /1 Assy	(New Type)	I	1	
32	A4EUM75400	Ope.unit LCD	(New Type)	C	1	
33	A1RFN28300	Ope.unit Wiring /1	(New Type)	D	1	
34	A4EU190401	Operation Plate	(New Type)	D	1	
35	A4EU194100	Operation Knob /1	(New Type)	D	1	

# OPERATION SECTION

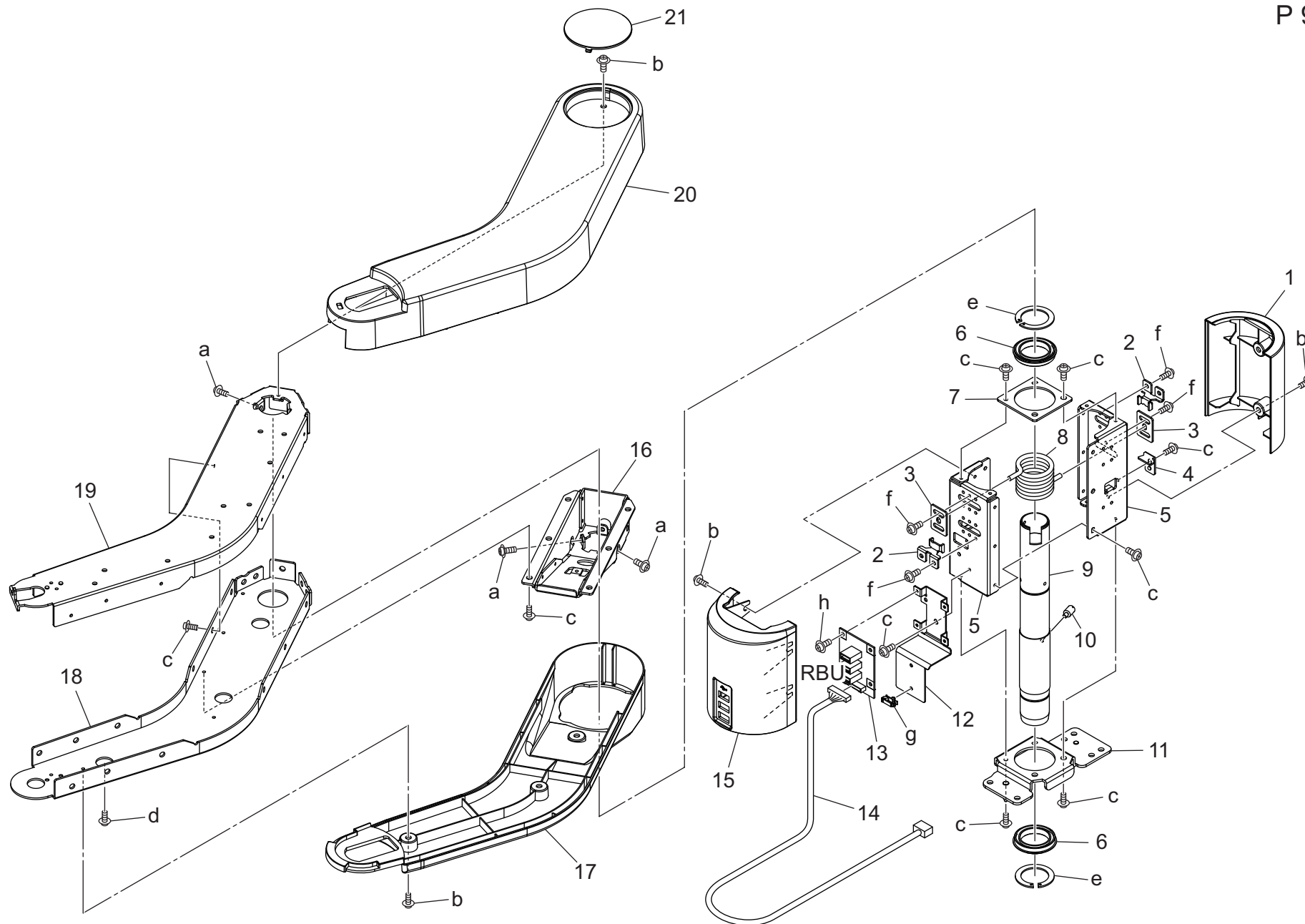
改訂版 REVISED EDITION	日付 DATE
	JULY 2013



OPERATION SECTION

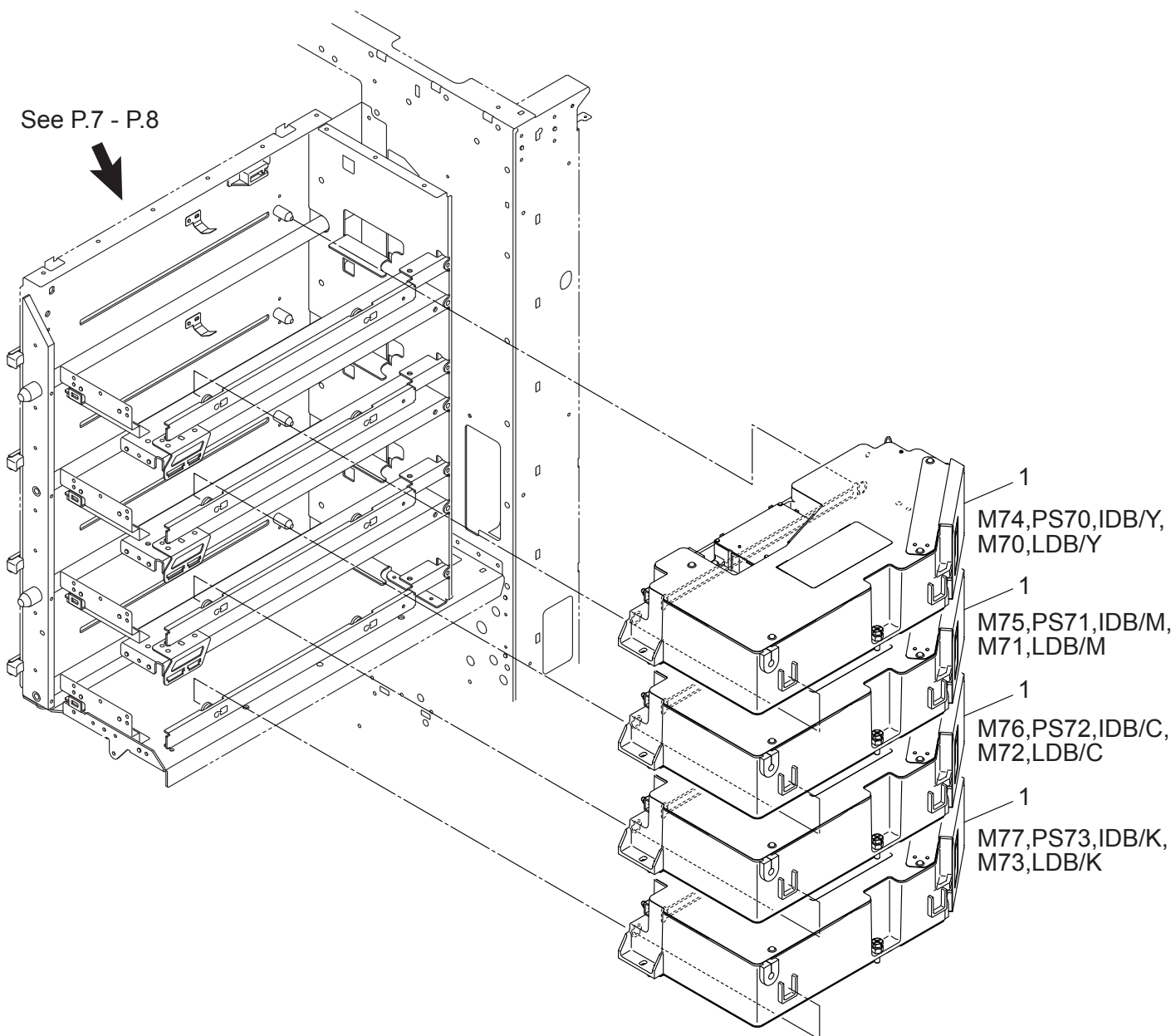
Key	Part No.	Description	Destinations	Class	QTY	Standard parts
1	A03U194002	Operation Cover /F		C	1	a-V121030603 b-V196080003 c-V121040603 d-V188051604 e-V114040604 f-V158030803 g-V207050003
2	A03U192000	Fixing Part /T		D	2	
3	A03U191800	Rotation Spacer /1		D	8	
4	A03U191700	Rotation Spring /T		D	4	
5	A03U191600	Mounting Plate /T		D	4	
6	A03U191900	Rotation Spacer /2		D	4	
7	A03U192100	Fixing Shaft /U		D	2	
8	A03U190900	Ope. unit Mounting Stay /1		D	1	
9	A03U193800	Operation Cover /I		C	1	
10	A03U193300	Operation Cover /C		C	1	
11	A03U191400	Support Plate /Upper		D	1	
12	A03U192200	Rotation Shaft /T		D	2	
13	A03U193700	Swing Cover /Upper		C	1	
14	A1DUN28100	Ope.unit Control harness /1		D	1	
15	A0G6M93100	Ferritecore		D	2	
16	A03U193600	Swing Cover /Lower		C	1	
17	A1DUN28200	Ope.unit Control harness /2		D	1	
18	A03U194102	Operation Cover /G		C	1	
19	A03U193400	Operation Cover /E		C	1	
20	A03U191500	Support Plate /Lower		D	1	
21	A03U193500	Operation Cover /D		C	1	
22	A1DU197100	Operation Cover /R		D	1	
23	A1DUN28300	Ope.Unit Control Harness /3	(New Type)	D	1	

bizhub PRESS C7000P



bizhub PRESS C7000P

Key	Part No.	Description	Destinations	Class	QTY	Standard parts
1	A1DU194300	Operation Cover /B		D	1	a-V185041203
2	A03U195400	Regulating Part		D	2	b-V114040604
3	A03U195302	REGULATING PLATE		D	2	c-V121040603
4	A03U195500	Rotation Stopper		D	1	d-V158030803
5	A03U190802	Support Plate /2		D	2	e-V223300004
6	65AA75010E	DRUM SUPPORT BEARING		D	2	f-V116040803
7	A03U191100	Support Plate /3		D	1	g-V500010061
8	A03U191201	Support Spring		C	1	h-V121030603
9	A03U191300	Ope. unit Support Pipe		D	1	
10	A03U192300	Stopper Screw /A		C	1	
11	A03UF19100	Main Body Attachment Caulking		D	1	
12	A1DU190100	Installing Plate		D	1	
13	A1DUH11000	Relay Board/U ASSY		C	1	
14	A1DUN29001	Relay Wiring /U		D	1	
15	A1DU194200	Operation Cover /A		D	1	
16	A03U190700	Support Plate /1		D	1	
17	A03U193200	Operation Cover /Lower		C	1	
18	A03U190500	Ope. unit Mounting Arm /Lower		D	1	
19	A03U190600	Ope. unit Mounting Arm /Upper		D	1	
20	A03U193100	Operation Cover /Upper		C	1	
21	A03U193900	Operation Cover /J		C	1	



WRITE SECTION

Key	Part No.	Description		Destinations	Class	QTY	Standard parts
1	A1DUR70U00	PH Unit	PH ユニット		I	4	

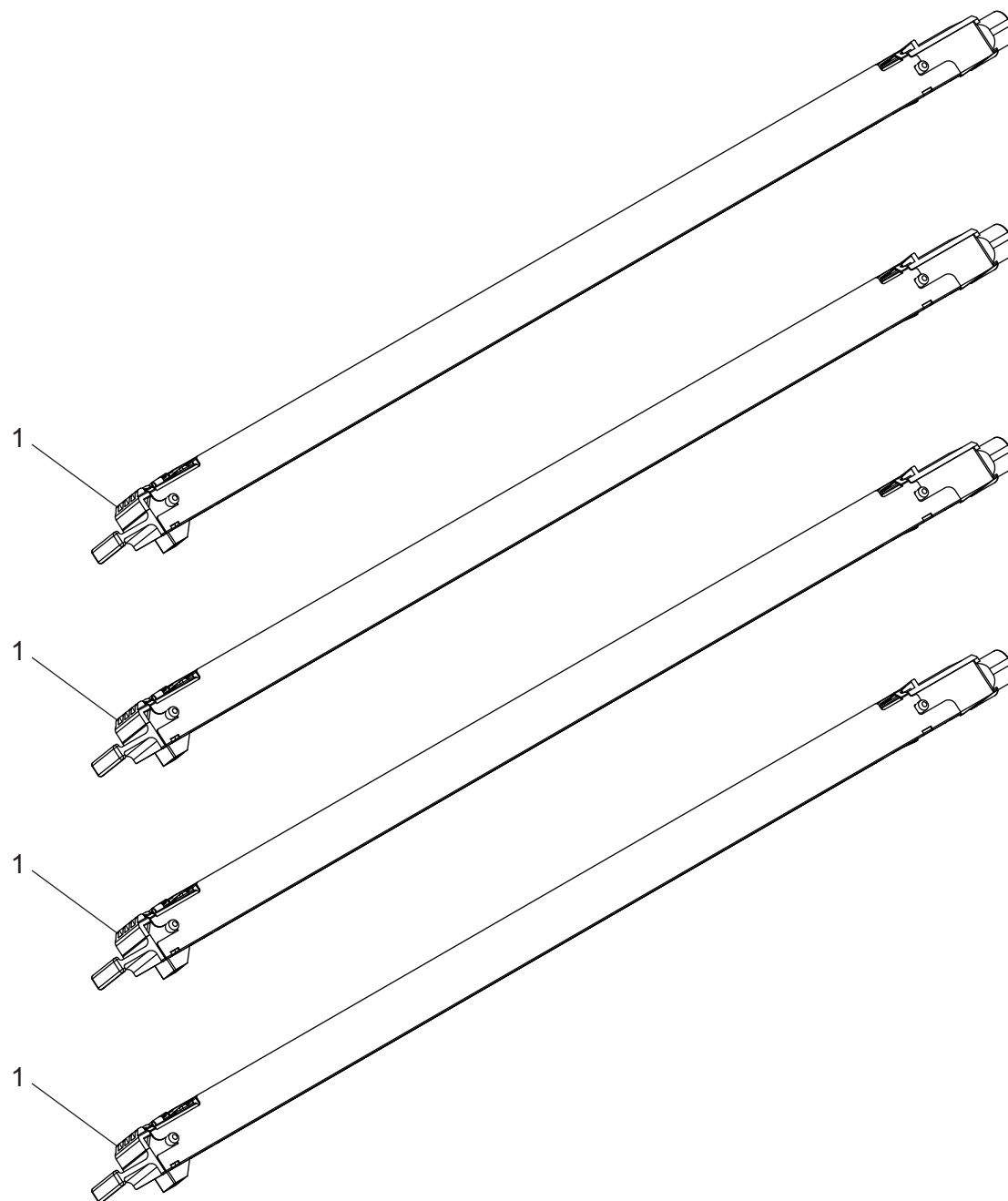




# CHARGE CORONA SECTION

YELLOW  
MAGENTA  
CYAN  
BLACK

P 11



Key	Part No.	Description		Destinations	Class	QTY	Standard parts
1	A1DUR71300	Charging Unit	帯電極ユニット		A	4	

# PHOTO CONDUCTOR SECTION

YELLOW

P 12

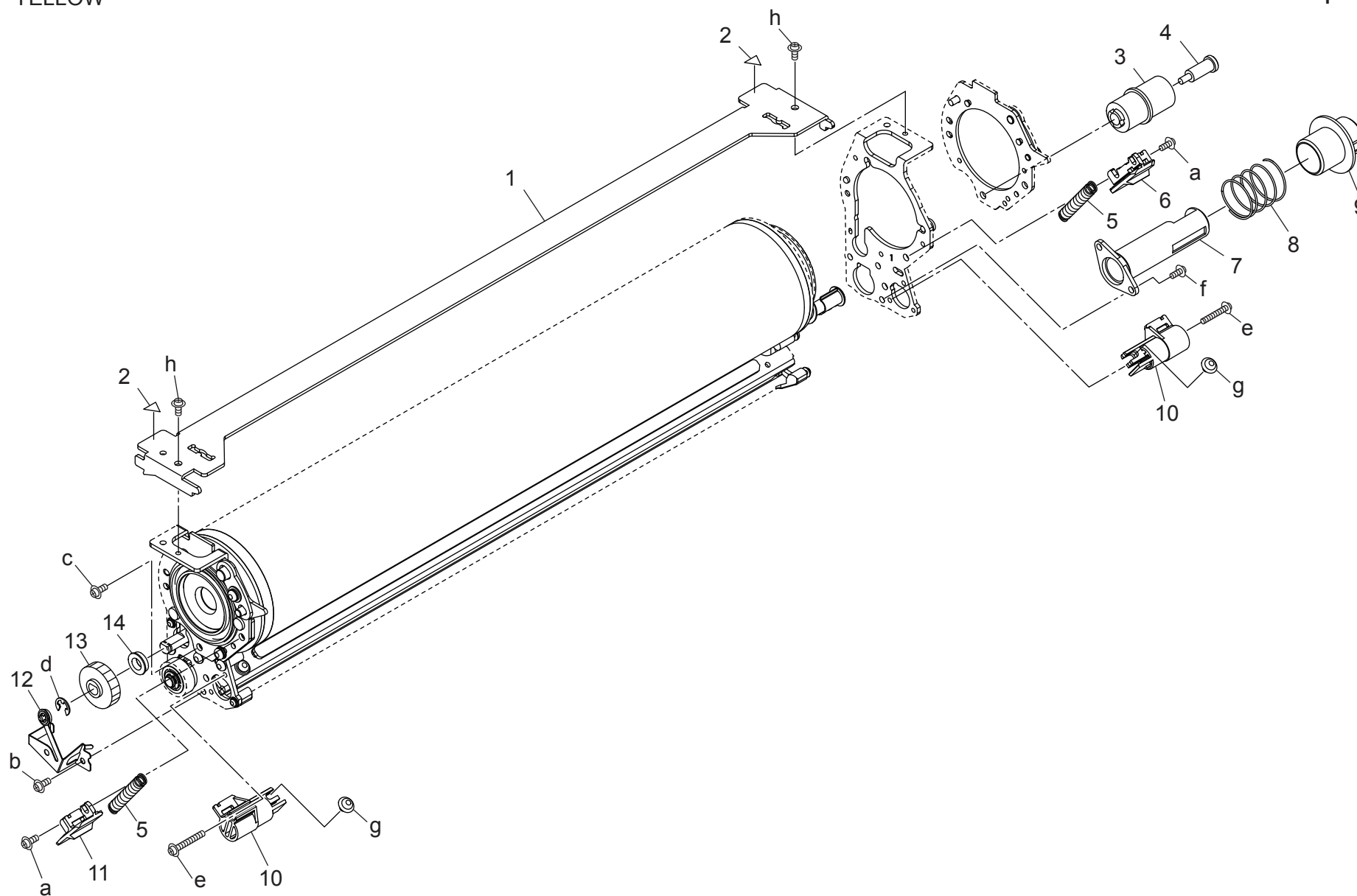


PHOTO CONDUCTOR SECTION

Key	Part No.	Description	Destinations	Class	QTY	Standard parts
1	A03U330203	Drum Stay /Upper		D	1	a-V129030803 b-V151031003 c-V118030603 d-V217040050 e-V121031803 f-V145031003 g-V121030403 h-V126030603
2	A1RF945100	Replacement Label /1		D	2	
3	A03U334600	Coupling /A		C	1	
4	65AA20450	Coupling Shaft /A		D	1	
5	A1DU332500	Pressing Spring		D	2	
6	A1DU335200	Insulating Part /Rear		D	1	
7	65AA20040	COLLECTING PIPE		D	1	
8	65AA20300	TONER COLLECTING SPRING		C	1	
9	65AA20060	COLLECTING COVER		C	1	
10	A1DU331200	Support Part		D	2	
11	A1DU335100	Insulating Part /Front		D	1	
12	A1DUR72Q00	Drum Ground		C	1	
13	65AA77320	SCREW IDLING GEAR 32T		C	1	
14	A00J617800	BALL BEARING		C	1	

bizhub PRESS C7000P

# PHOTO CONDUCTOR SECTION

MAGENTA

P 13

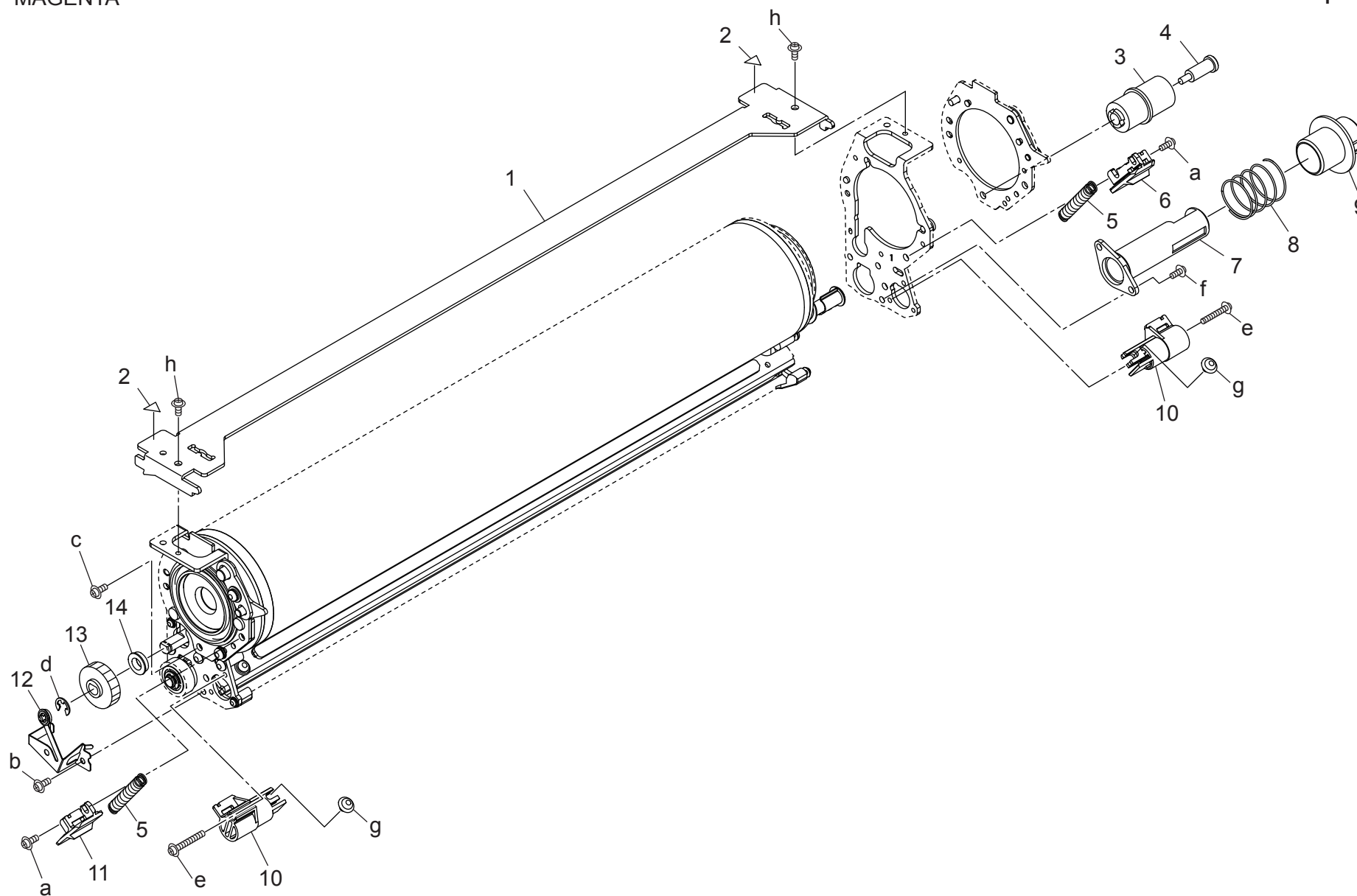


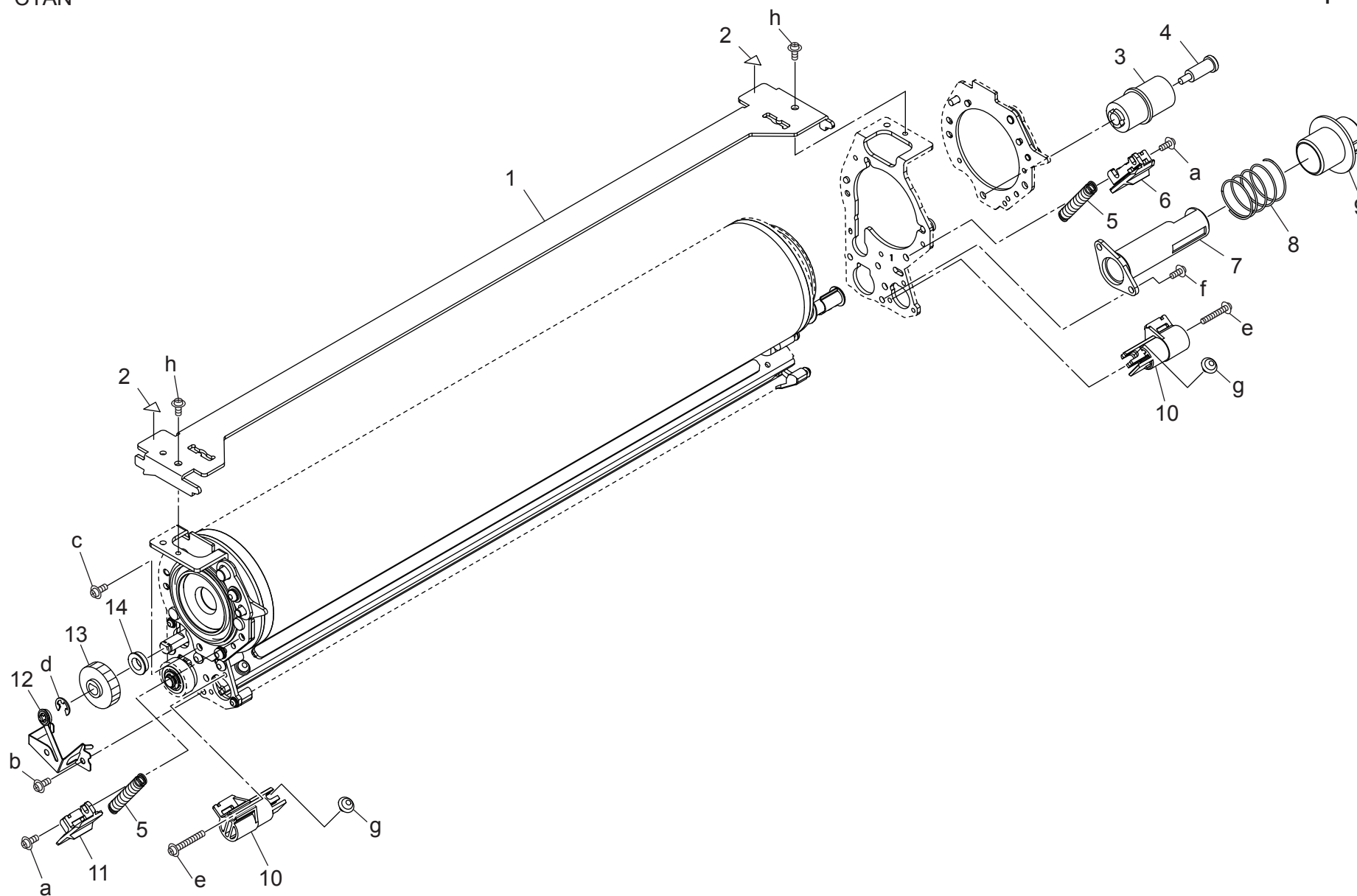
PHOTO CONDUCTOR SECTION

Key	Part No.	Description	Destinations	Class	QTY	Standard parts
1	A03U330203	Drum Stay /Upper		D	1	a-V129030803 b-V151031003 c-V118030603 d-V217040050 e-V121031803 f-V145031003 g-V121030403 h-V126030603
2	A1RF945100	Replacement Label /1		D	2	
3	A03U334600	Coupling /A		C	1	
4	65AA20450	Coupling Shaft /A		D	1	
5	A1DU332500	Pressing Spring		D	2	
6	A1DU335200	Insulating Part /Rear		D	1	
7	65AA20040	COLLECTING PIPE		D	1	
8	65AA20300	TONER COLLECTING SPRING		C	1	
9	65AA20060	COLLECTING COVER		C	1	
10	A1DU331200	Support Part		D	2	
11	A1DU335100	Insulating Part /Front		D	1	
12	A1DUR72Q00	Drum Ground		C	1	
13	65AA77320	SCREW IDLING GEAR 32T		C	1	
14	A00J617800	BALL BEARING		C	1	

# PHOTO CONDUCTOR SECTION

CYAN

P 14



bizhub PRESS C7000P

# PHOTO CONDUCTOR SECTION

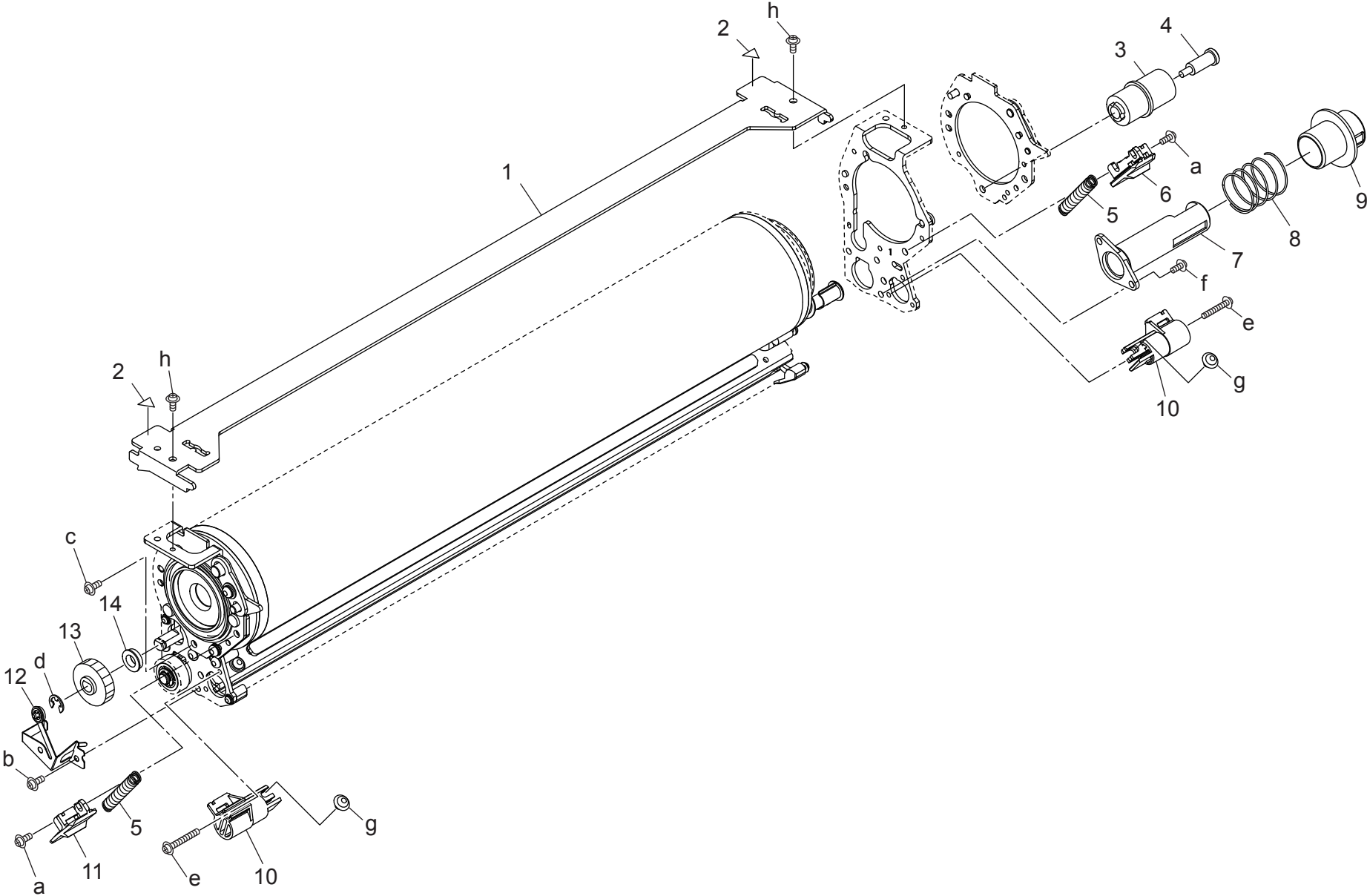
Key	Part No.	Description	Destinations	Class	QTY	Standard parts
1	A03U330203	Drum Stay /Upper		D	1	a-V129030803 b-V151031003 c-V118030603 d-V217040050 e-V121031803 f-V145031003 g-V121030403 h-V126030603
2	A1RF945100	Replacement Label /1		D	2	
3	A03U334600	Coupling /A		C	1	
4	65AA20450	Coupling Shaft /A		D	1	
5	A1DU332500	Pressing Spring		D	2	
6	A1DU335200	Insulating Part /Rear		D	1	
7	65AA20040	COLLECTING PIPE		D	1	
8	65AA20300	TONER COLLECTING SPRING		C	1	
9	65AA20060	COLLECTING COVER		C	1	
10	A1DU331200	Support Part		D	2	
11	A1DU335100	Insulating Part /Front		D	1	
12	A1DUR72Q00	Drum Ground		C	1	
13	65AA77320	SCREW IDLING GEAR 32T		C	1	
14	A00J617800	BALL BEARING		C	1	



# PHOTO CONDUCTOR SECTION

BLACK

P 15



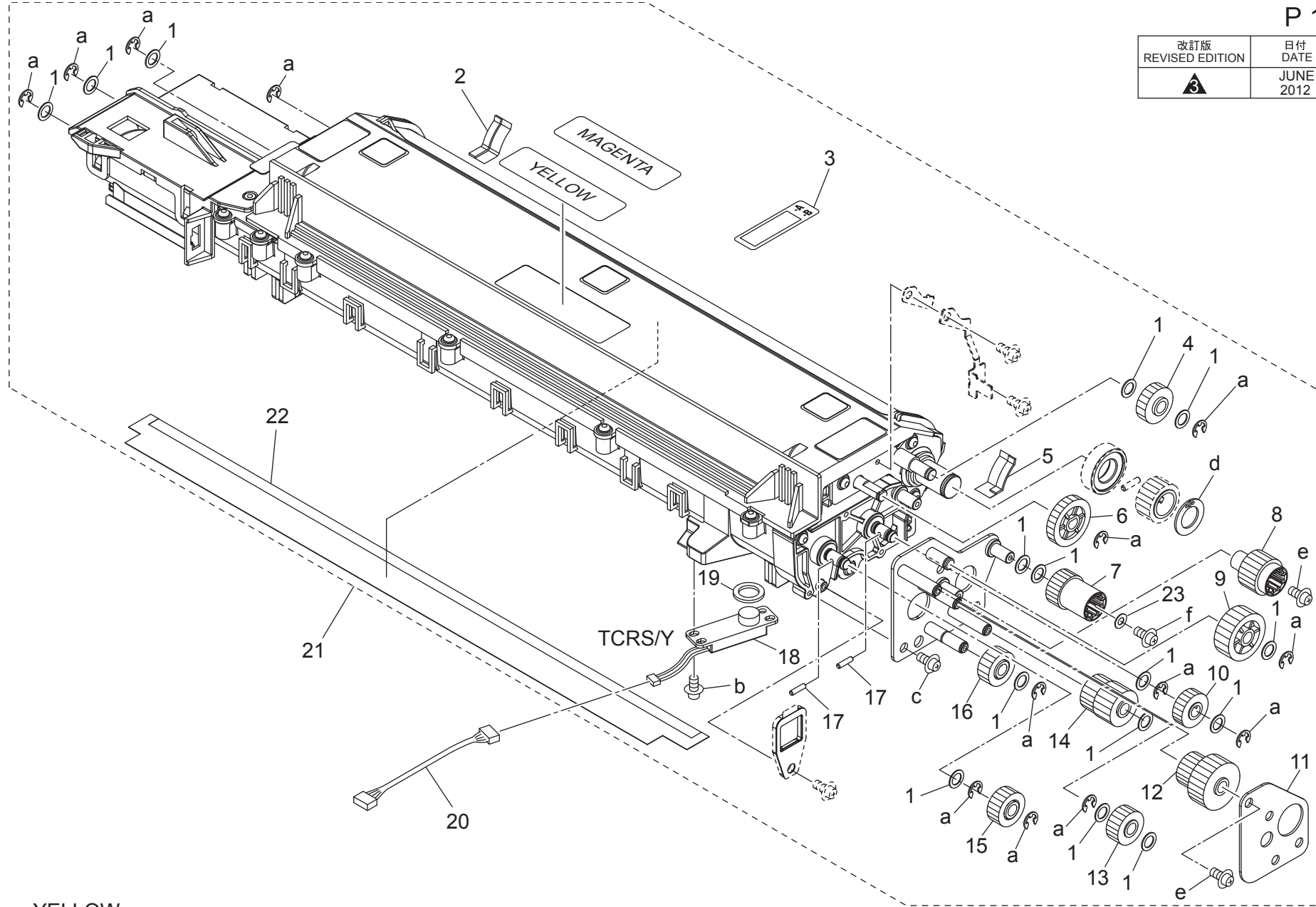
# PHOTO CONDUCTOR SECTION

Key	Part No.	Description	Destinations	Class	QTY	Standard parts
1	A03U330203	Drum Stay /Upper		D	1	a-V129030803 b-V151031003 c-V118030603 d-V217040050 e-V121031803 f-V145031003 g-V121030403 h-V126030603
2	A1RF945100	Replacement Label /1		D	2	
3	A03U334600	Coupling /A		C	1	
4	65AA20450	Coupling Shaft /A		D	1	
5	A1DU332500	Pressing Spring		D	2	
6	A1DU335200	Insulating Part /Rear		D	1	
7	65AA20040	COLLECTING PIPE		D	1	
8	65AA20300	TONER COLLECTING SPRING		C	1	
9	65AA20060	COLLECTING COVER		C	1	
10	A1DU331200	Support Part		D	2	
11	A1DU335100	Insulating Part /Front		D	1	
12	A1DUR72Q00	Drum Ground		C	1	
13	65AA77320	SCREW IDLING GEAR 32T		C	1	
14	A00J617800	BALL BEARING		C	1	

# DEVELOPING SECTION

P 16

改訂版 REVISED EDITION	日付 DATE
	JUNE 2012



YELLOW

bizhub PRESS C7000P

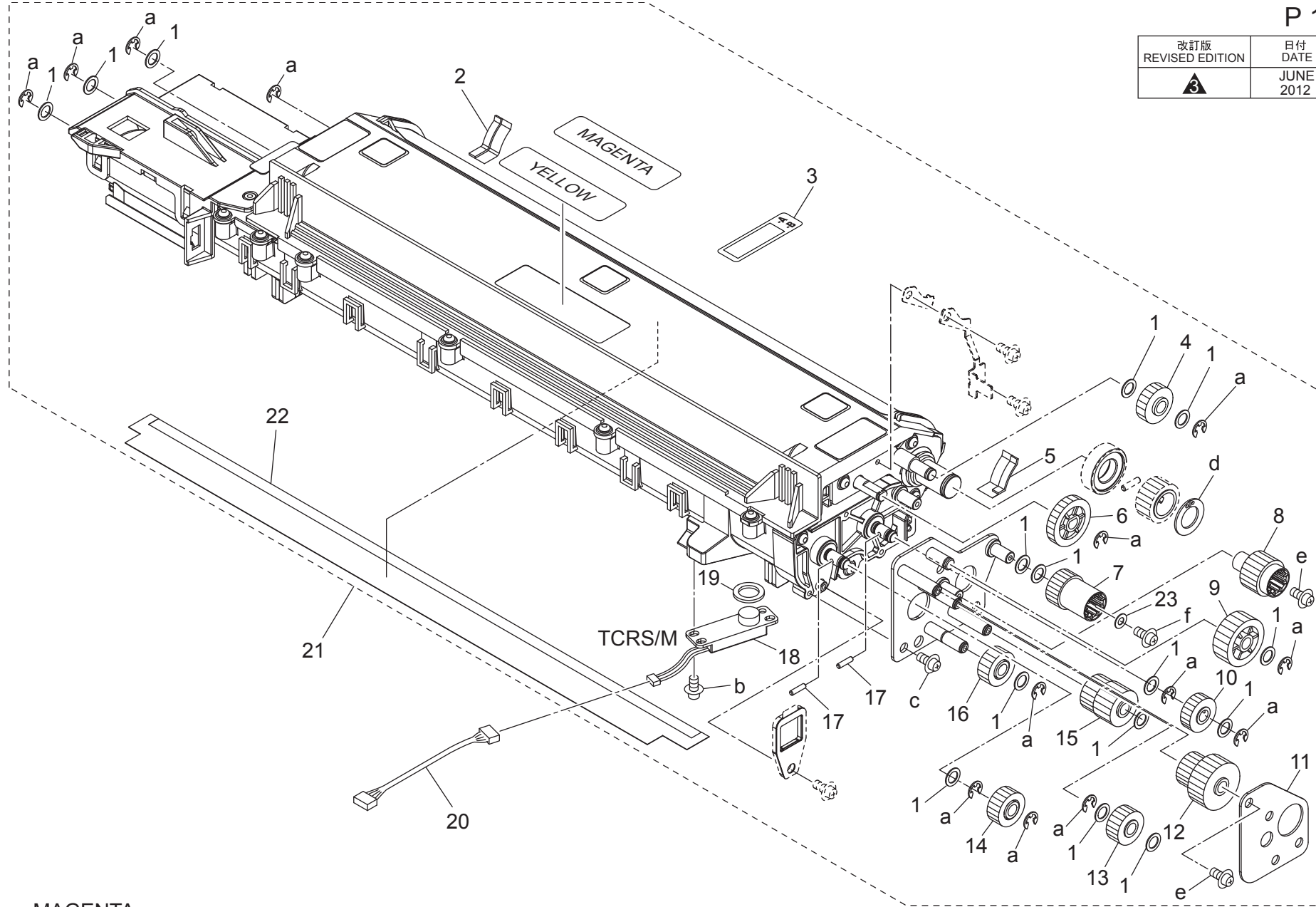
DEVELOPING SECTION

Key	Part No.	Description	Destinations	Class	QTY	Standard parts
1	40AA32320	TONER SUPPLY SPACER		C	15	a-V217040050 b-V145030603 c-V151030803 d-V223120050 e-V121030603 f-V114030616
2	A1DU380100	Preventing Pad /Front	トナー補給スペーサー 防止パッド/前	D	1	
3	A1RF945501	Replacement Label /5	交換ラベル/5 (ORU)	D	1	
4	A1DU389101	Developing Gear /2 16T	現像ギア/2 16 T	D	1	
5	A1DU380300	Preventing Pad /Rear	防止パッド/奥	D	1	
6	A03U389400	DEVELOPING GEAR /3 23T	現像ギア/3 23 T	B	1	
7	A1DU372700	Coupling /Left	カップリング/左	D	1	
8	A1DU372500	Coupling /Right	カップリング/右	D	1	
9	A03U389900	SCREW IDLING GEAR /5 23T	スクリューアイドルギア/5 23 T	B	1	
10	A03U389200	SCREW DRIVE GEAR /LEFT 16T	スクリュー駆動ギア/左 16 T	B	1	
11	A03U372100	Drive Support Plate /2	駆動支持板/2	D	1	
12	A1DU389800	Idling Gear /4 15/17T	アイドルギア/4 15/17 T	D	1	
13	A1DU389702	Idling Gear /3 13T	アイドルギア/3 13 T	D	1	
14	A1DU389501	Idling Gear /1 13/16T	アイドルギア/1 13/16 T	D	1	
15	A03U389301	SCREW DRIVE GEAR /RIGHT 16T	スクリュー駆動ギア/右 16 T	B	1	
16	A03U389600	SCREW IDLING GEAR /2 16T	スクリューアイドルギア/2 16 T	B	1	
17	56AA17531	PIN A D2X10	ピン A D 2 X 1 0	C	2	
18	A1DUM50800	Toner Sensor	トナーセンサ	C	1	
19	25SA30160	DEVELOPING DETECT SEAL	現像検知シール	C	1	
20	A1DUN11400	Relay harness /4	センサ中継束線/4	D	1	
21	A1DUR70X66	Developer Unit / C	現像器ユニット/C	B	1	
22	A03U375701	Scatter Preventing Sheet	飛散防止シート	C	1	
23	56AA54640	SHAFT HOLDER REGULATING PLATE	軸受規制板	D	1	

# DEVELOPING SECTION

P 17

改訂版 REVISED EDITION	日付 DATE
<b>3</b>	JUNE 2012



MAGENTA

bizhub PRESS C7000P

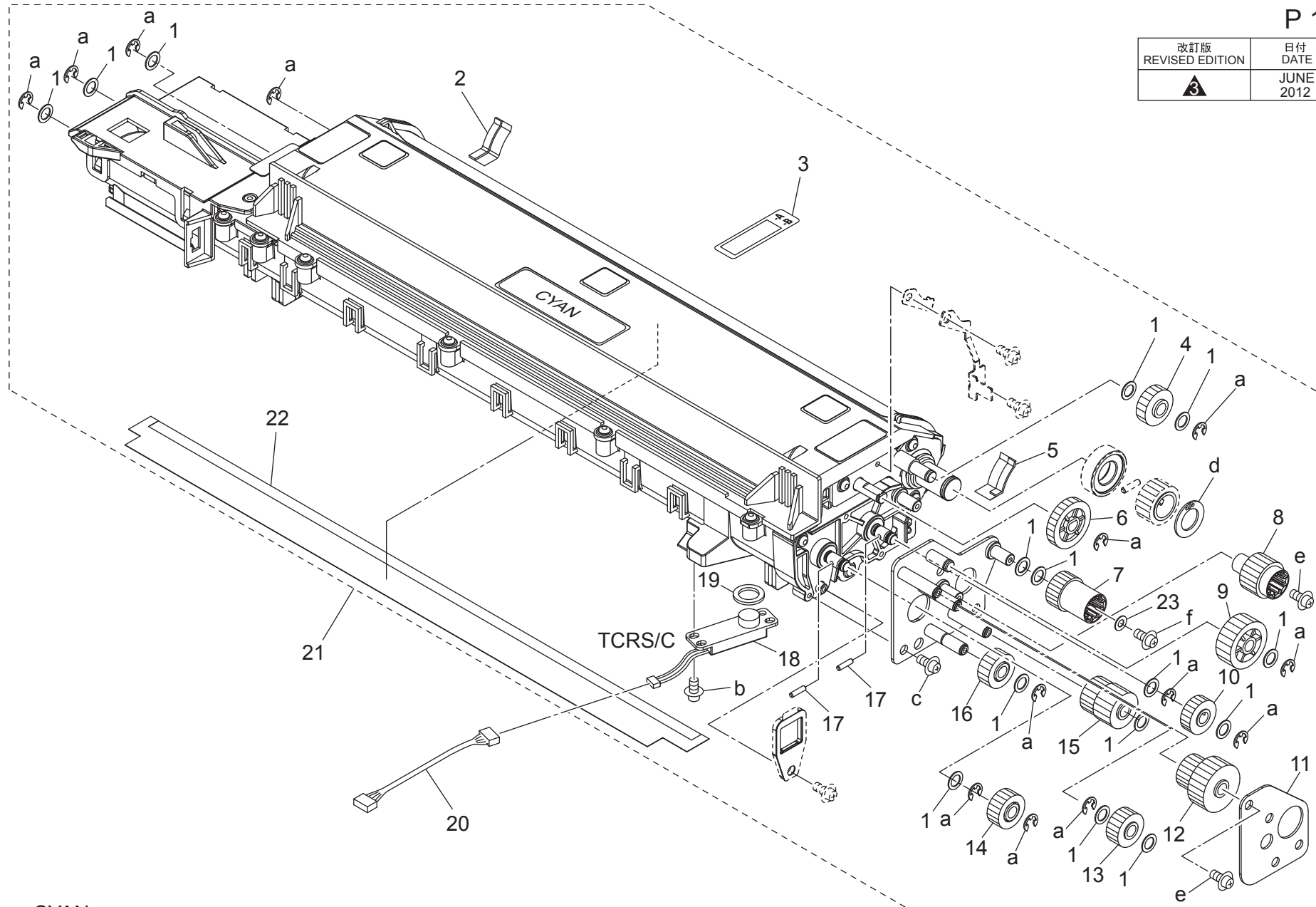
DEVELOPING SECTION

Key	Part No.	Description	Destinations	Class	QTY	Standard parts
1	40AA32320	TONER SUPPLY SPACER		C	15	a-V217040050 b-V145030603 c-V151030803 d-V223120050 e-V121030603 f-V114030616
2	A1DU380100	Preventing Pad /Front	トナー補給スペーサー 防止パッド/前	D	1	
3	A1RF945501	Replacement Label /5	交換ラベル/5 (ORU)	D	1	
4	A1DU389101	Developing Gear /2 16T	現像ギア/2 16 T	D	1	
5	A1DU380300	Preventing Pad /Rear	防止パッド/奥	D	1	
6	A03U389400	DEVELOPING GEAR /3 23T	現像ギア/3 23 T	B	1	
7	A1DU372700	Coupling /Left	カップリング/左	D	1	
8	A1DU372500	Coupling /Right	カップリング/右	D	1	
9	A03U389900	SCREW IDLING GEAR /5 23T	スクリューアイドルギア/5 23 T	B	1	
10	A03U389200	SCREW DRIVE GEAR /LEFT 16T	スクリュー駆動ギア/左 16 T	B	1	
11	A03U372100	Drive Support Plate /2	駆動支持板/2	D	1	
12	A1DU389800	Idling Gear /4 15/17T	アイドルギア/4 15/17 T	D	1	
13	A1DU389702	Idling Gear /3 13T	アイドルギア/3 13 T	D	1	
14	A03U389301	SCREW DRIVE GEAR /RIGHT 16T	スクリュー駆動ギア/右 16 T	B	1	
15	A1DU389501	Idling Gear /1 13/16T	アイドルギア/1 13/16 T	D	1	
16	A03U389600	SCREW IDLING GEAR /2 16T	スクリューアイドルギア/2 16 T	B	1	
17	56AA17531	PIN A D2X10	ピン A D 2 X 1 0	C	2	
18	A1DUM50800	Toner Sensor	トナーセンサ	C	1	
19	25SA30160	DEVELOPING DETECT SEAL	現像検知シール	C	1	
20	A1DUN11400	Relay harness /4	センサ中継束線/4	D	1	
21	A1DUR70X66	Developer Unit / C	現像器ユニット/ C	B	1	
22	A03U375701	Scatter Preventing Sheet	飛散防止シート	C	1	
23	56AA54640	SHAFT HOLDER REGULATING PLATE	軸受規制板	D	1	

# DEVELOPING SECTION

P 18

改訂版 REVISED EDITION	日付 DATE
▲ 3	JUNE 2012



CYAN

bizhub PRESS C7000P

DEVELOPING SECTION

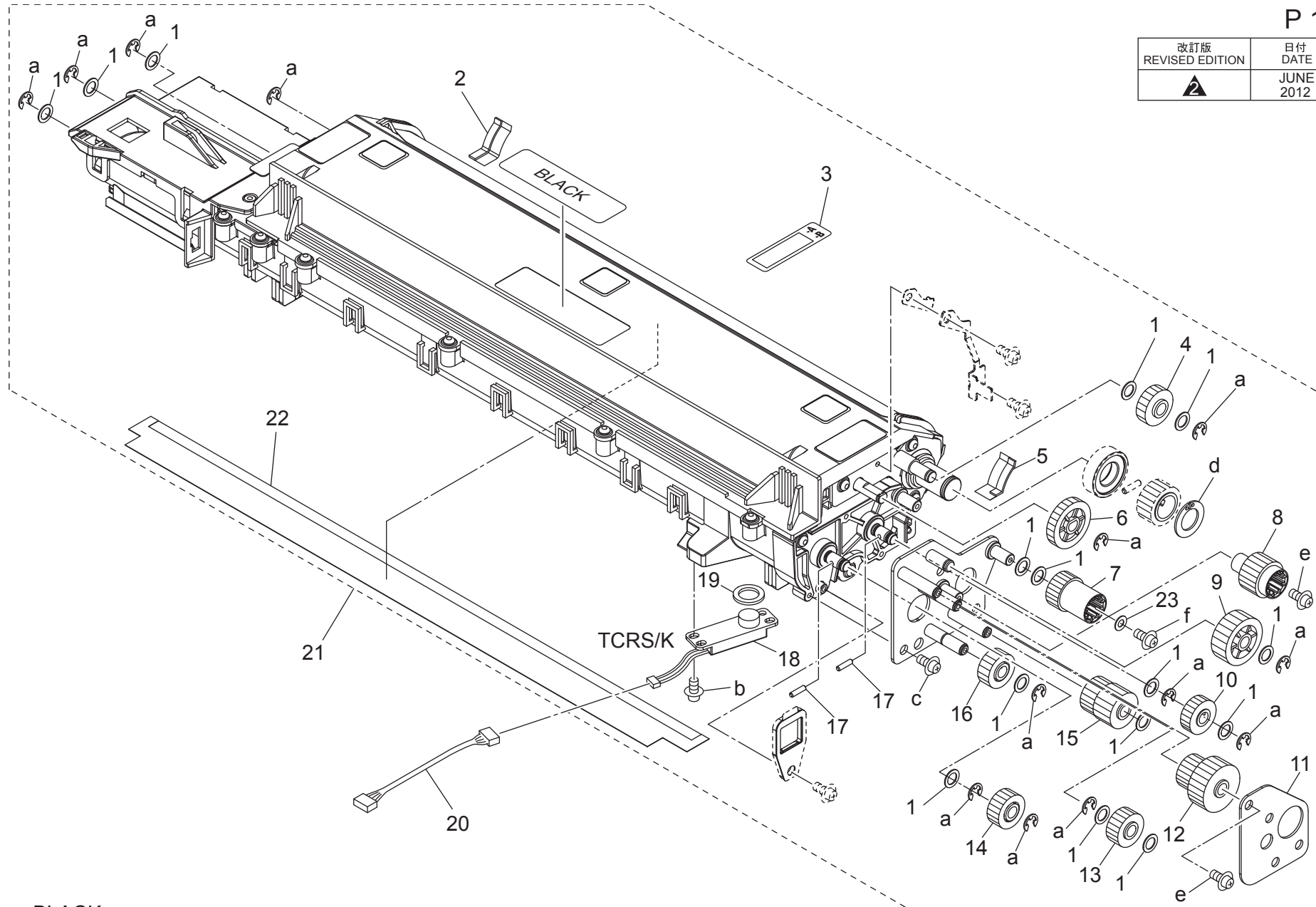
Key	Part No.	Description	Destinations	Class	QTY	Standard parts
1	40AA32320	TONER SUPPLY SPACER		C	15	a-V217040050 b-V145030603 c-V151030803 d-V223120050 e-V121030603 f-V114030616
2	A1DU380100	Preventing Pad /Front	トナー補給スペーサー 防止パッド/前	D	1	
3	A1RF945501	Replacement Label /5	交換ラベル/5 (ORU)	D	1	
4	A1DU389101	Developing Gear /2 16T	現像ギア/2 16 T	D	1	
5	A1DU380300	Preventing Pad /Rear	防止パッド/奥	D	1	
6	A03U389400	DEVELOPING GEAR /3 23T	現像ギア/3 23 T	B	1	
7	A1DU372700	Coupling /Left	カップリング/左	D	1	
8	A1DU372500	Coupling /Right	カップリング/右	D	1	
9	A03U389900	SCREW IDLING GEAR /5 23T	スクリューアイドルギア/5 23 T	B	1	
10	A03U389200	SCREW DRIVE GEAR /LEFT 16T	スクリュー駆動ギア/左 16 T	B	1	
11	A03U372100	Drive Support Plate /2	駆動支持板/2	D	1	
12	A1DU389800	Idling Gear /4 15/17T	アイドルギア/4 15/17 T	D	1	
13	A1DU389702	Idling Gear /3 13T	アイドルギア/3 13 T	D	1	
14	A03U389301	SCREW DRIVE GEAR /RIGHT 16T	スクリュー駆動ギア/右 16 T	B	1	
15	A1DU389501	Idling Gear /1 13/16T	アイドルギア/1 13/16 T	D	1	
16	A03U389600	SCREW IDLING GEAR /2 16T	スクリューアイドルギア/2 16 T	B	1	
17	56AA17531	PIN A D2X10	ピン A D 2 X 1 0	C	2	
18	A1DUM50800	Toner Sensor	トナーセンサ	C	1	
19	25SA30160	DEVELOPING DETECT SEAL	現像検知シール	C	1	
20	A1DUN11400	Relay harness /4	センサ中継束線/4	D	1	
21	A1DUR74K44	Developer Unit / Cyan	現像器ユニット/シアン	B	1	
22	A03U375701	Scatter Preventing Sheet	飛散防止シート	C	1	
23	56AA54640	SHAFT HOLDER REGULATING PLATE	軸受規制板	D	1	



# DEVELOPING SECTION

P 19

改訂版 REVISED EDITION	日付 DATE
	JUNE 2012



BLACK

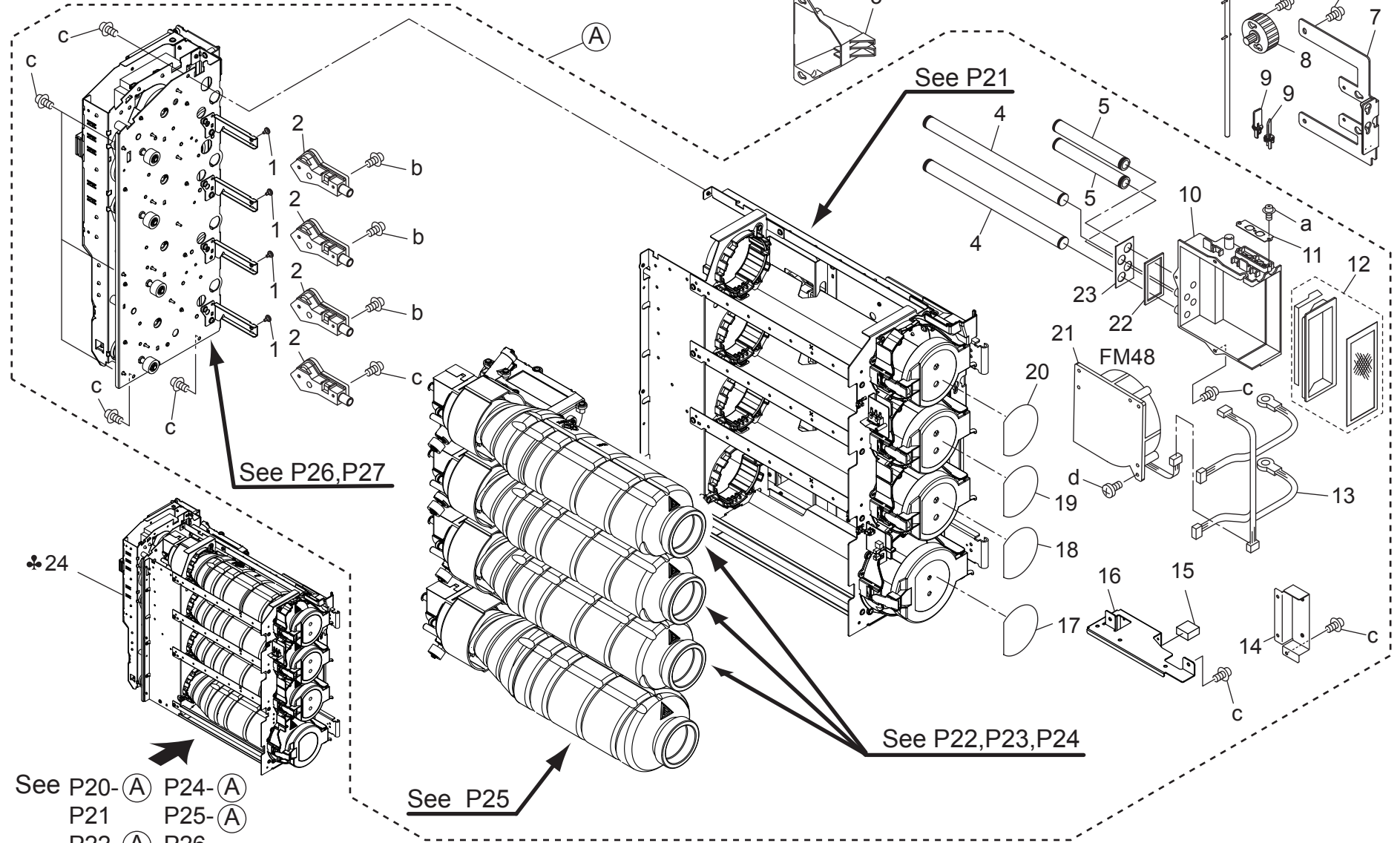
bizhub PRESS C7000P

Key	Part No.	Description	Destinations	Class	QTY	Standard parts
1	40AA32320	TONER SUPPLY SPACER		C	15	a-V217040050 b-V145030603 c-V151030803 d-V223120050 e-V121030603 f-V114030616
2	A1DU380100	Preventing Pad /Front	トナー補給スペーサー 防止パッド/前	D	1	
3	A1RF945501	Replacement Label /5	交換ラベル/5 (ORU)	D	1	
4	A1DU389101	Developing Gear /2 16T	現像ギア/2 16 T	D	1	
5	A1DU380300	Preventing Pad /Rear	防止パッド/奥	D	1	
6	A03U389400	DEVELOPING GEAR /3 23T	現像ギア/3 23 T	B	1	
7	A1DU372700	Coupling /Left	カップリング/左	D	1	
8	A1DU372500	Coupling /Right	カップリング/右	D	1	
9	A03U389900	SCREW IDLING GEAR /5 23T	スクリューアイドルギア/5 23 T	B	1	
10	A03U389200	SCREW DRIVE GEAR /LEFT 16T	スクリュー駆動ギア/左 16 T	B	1	
11	A03U372100	Drive Support Plate /2	駆動支持板/2	D	1	
12	A1DU389800	Idling Gear /4 15/17T	アイドルギア/4 15/17 T	D	1	
13	A1DU389702	Idling Gear /3 13T	アイドルギア/3 13 T	D	1	
14	A03U389301	SCREW DRIVE GEAR /RIGHT 16T	スクリュー駆動ギア/右 16 T	B	1	
15	A1DU389501	Idling Gear /1 13/16T	アイドルギア/1 13/16 T	D	1	
16	A03U389600	SCREW IDLING GEAR /2 16T	スクリューアイドルギア/2 16 T	B	1	
17	56AA17531	PIN A D2X10	ピン A D 2 X 1 0	C	2	
18	A1DUM50800	Toner Sensor	トナーセンサ	C	1	
19	25SA30160	DEVELOPING DETECT SEAL	現像検知シール	C	1	
20	A1DUN11400	Relay harness /4	センサ中継束線/4	D	1	
21	A1DUR72S33	Developer Unit / K	現像器ユニット/K	B	1	
22	A03U375701	Scatter Preventing Sheet	飛散防止シート	C	1	
23	56AA54640	SHAFT HOLDER REGULATING PLATE	軸受規制板	D	1	

# TONER SUPPLY SECTION

改訂版 REVISED EDITION	日付 DATE
	NOVEMBER 2010

P 20

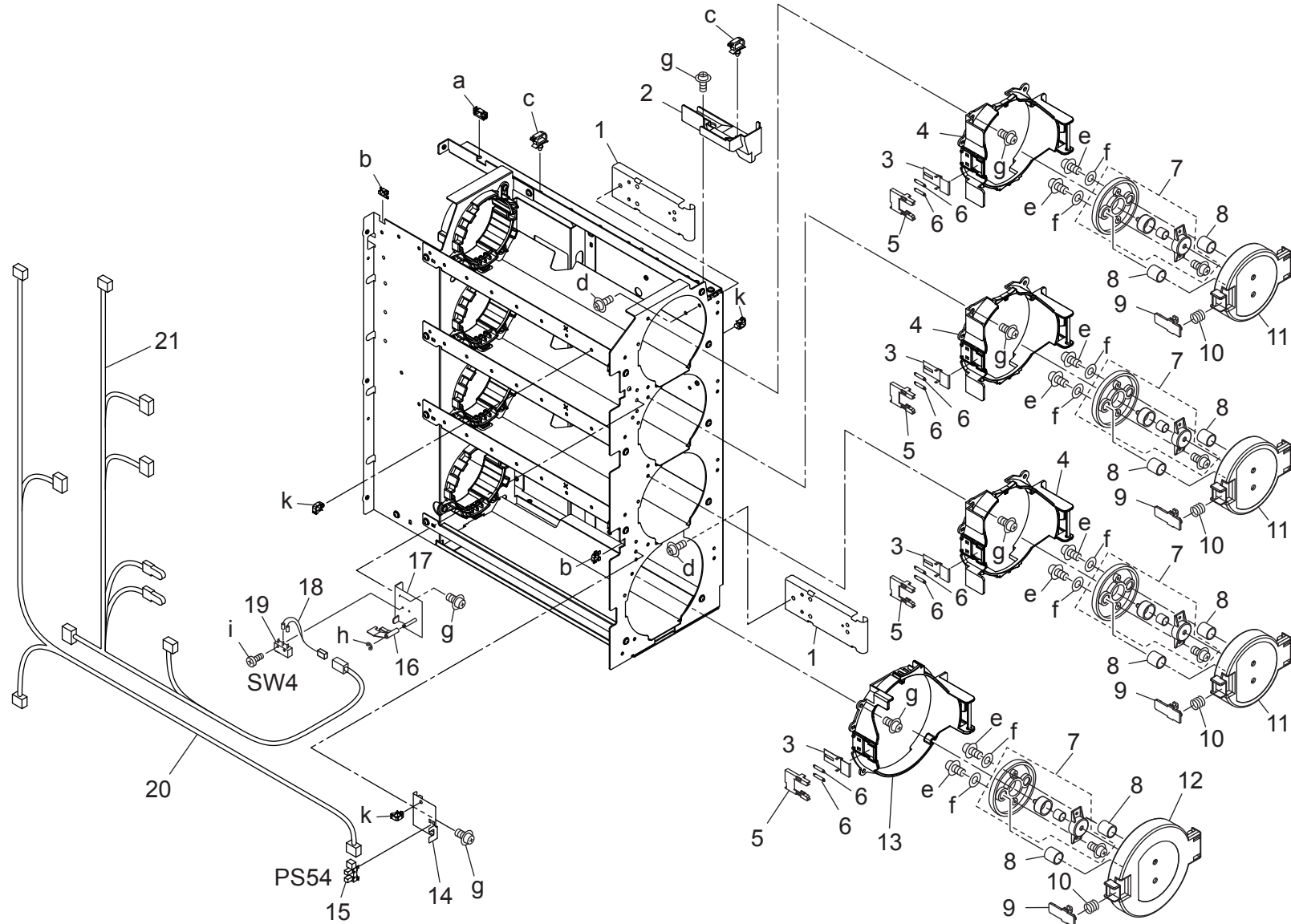


- See P20- (A) P24- (A)
- P21 P25- (A)
- P22- (A) P26
- P23- (A) P27

bizhub PRESS C7000P

Key	Part No.	Description	Destinations	Class	QTY	Standard parts
1	55VA20680	SEPARATION POSITIONING SCREW		C	4	a-V151030803 b-V158030803 c-V127030603 d-V126041003
2	A1DUR71000	Charge Suction Assy		C	4	
3	A1DUR73J00	Developing Supply Assy		D	1	
4	65AA33040	Charge Suction Pipe /L		D	2	
5	65AA33050	Charge Suction Pipe /S		D	2	
6	A1DUR71700	Support Shaft		C	1	
7	65AA30701	Cartridge Support Rail		D	1	
8	65AA30910	DEVELOPING ROTARY JIG		D	1	
9	A1DUR71200	Chaging Cleaning Part Assy		B	2	
10	65AA33020E	Charge Suction Cover		D	1	
11	65AA33310F	Mounting Plate /2		D	1	
12	A1DUR71100	Filter Pressing Assy		A	1	
13	A1DUN14300	Toner Relay harness /2		D	1	
14	65AA33231D	Mounting Plate /1		D	1	
15	A03U413900	Ground Cushion		C	1	
16	65AA33070E	duct Mounting Plate		D	1	
17	A1DU944800	Toner supply Label /K		D	1	
18	A1DU944700	Toner supply Label /C		D	1	
19	A1DU944600	Toner supply Label /M		D	1	
20	A1DU944500	Toner supply Label /Y		D	1	
21	65AA80590	MAIN BODY FAN		C	1	
22	65AA33150	FILTER SEALING PART/1		D	1	
23	65AA33160	FILTER SEALING PART/2		D	1	
24	A1DUR74B11	Toner Supply Unit(JP)	A	I	1	
24	A1DUR74D11	Toner Supply Unit(EU)	C	I	1	
24	A1DUR74C11	Toner Supply Unit(US)	B,G2	I	1	

# TONER SUPPLY SECTION



bizhub PRESS C7000P

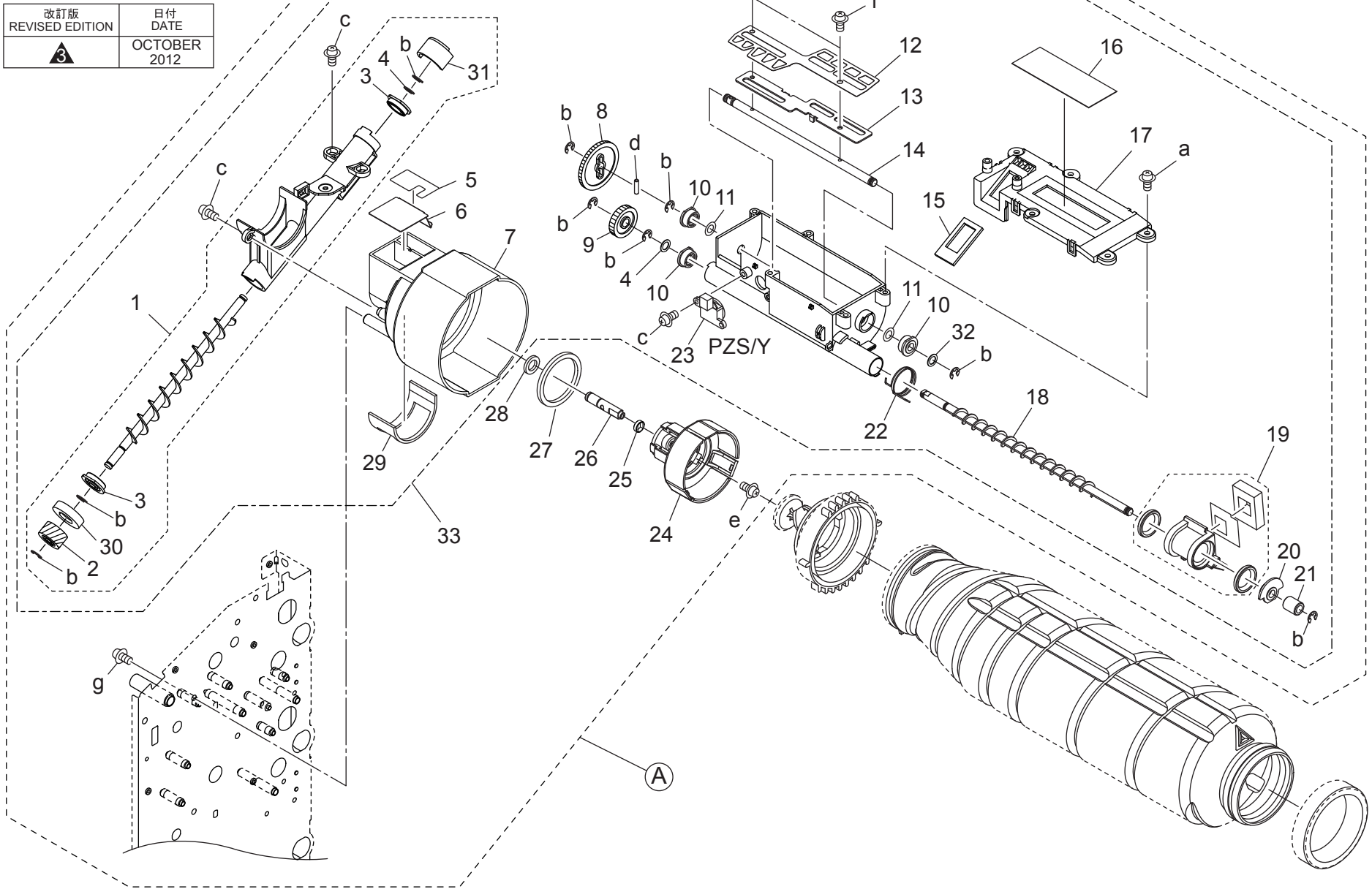
# TONER SUPPLY SECTION

Key	Part No.	Description	Destinations	Class	QTY	Standard parts
1	65AA32160D	Toner supply Hinge		D	2	a-V570010057
2	A1DU401300	Guide Part /Upper		D	1	b-V570010050
3	26TA32960	CARTRIDGE REGULATING PLATE		C	4	c-V500010005
4	A1DU400100	Guide Part /Color		D	3	d-V127040803
5	26TA32990	COVER PART		C	4	e-V151040803
6	26TA32970	CARTRIDGE REGULATING SPRING		C	8	f-V207060003
7	A1DUR70Y00	Pressing Part Assy		D	4	g-V127030603
8	26TA32980	CARTRIDGE PRESSING SPRING 3		C	8	h-V217020050
9	40LA32850	CARTRIDGEPRESSINGHANDLE		C	4	i-V111020803
10	26NA32870	CARTRIDGE PRESSING SPRING 2		C	4	k-V500010020
11	A1DU404200	Pressing Pedestal /Color		D	3	
12	A1DU406800	Pressing Pedestal /Black		D	1	
13	A1DU406701	Guide Part /Black		D	1	
14	A1DU402600	Mounting Plate /1		D	1	
15	08AA85512	Photo Sensor		B	1	
16	A03U402100	SWITCH PLATE		D	1	
17	65AA-3970	INTERLOCK CAULKING ASSY		D	1	
18	65AA91100	INTER LOCK WIRING		D	1	
19	12QR86011	Interlock Switch		B	1	
20	A1DUN14700	Toner Drive harness /4		D	1	
21	A1DUN14500	Toner Drive harness /2		D	1	

# TONER SUPPLY SECTION

YELLOW

改訂版 REVISED EDITION	日付 DATE
<b>3</b>	OCTOBER 2012



bizhub PRESS C7000P

# TONER SUPPLY SECTION

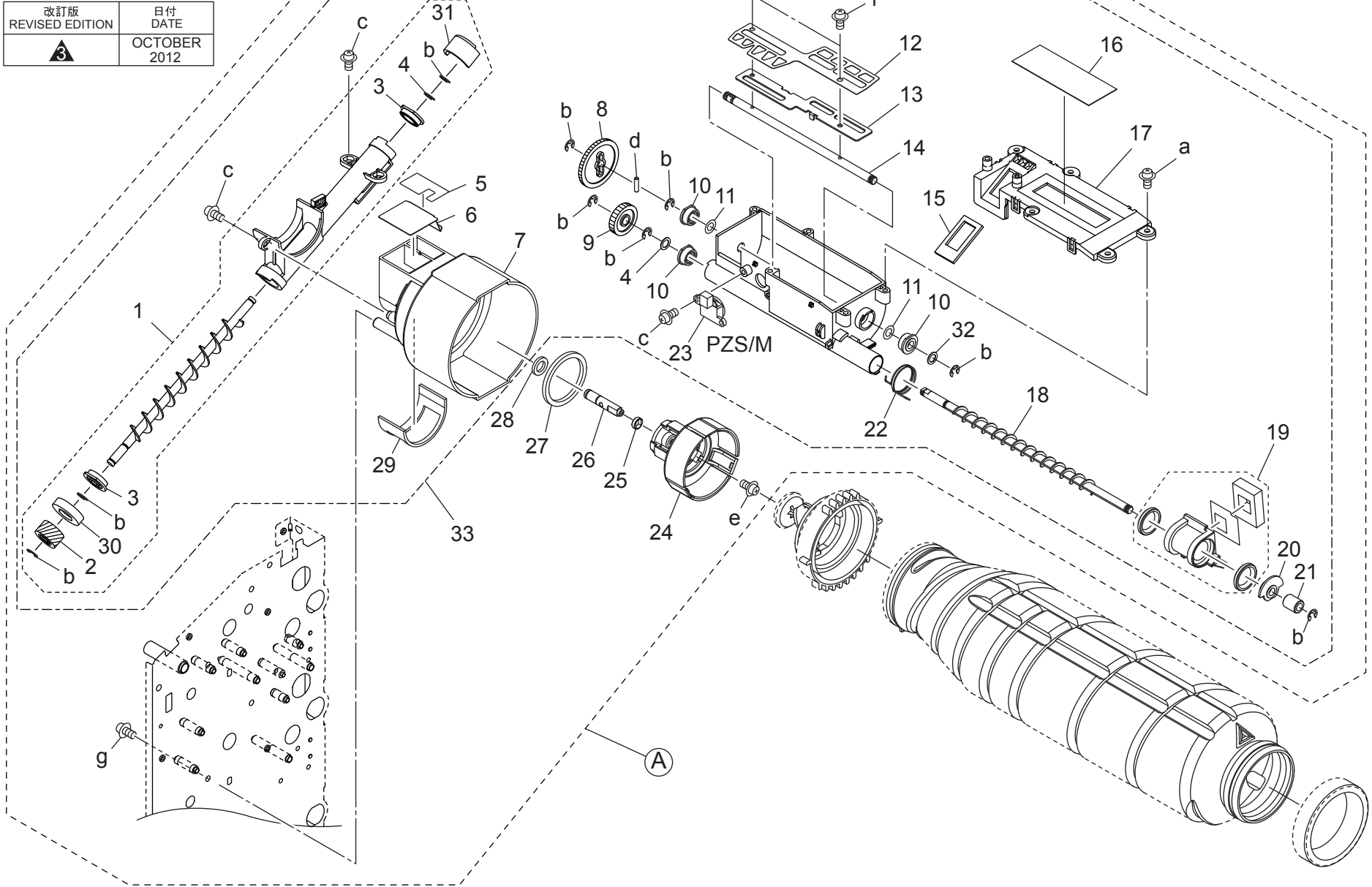
Key	Part No.	Description	Destinations	Class	QTY	Standard parts
1	A1DUR72V00	Toner Pipe /Y Assy		D	1	a-V151031003
2	56AA77330	SCREW GEAR 15T		C	1	b-V217040050
3	65AA32461	Screw Bushing /A		C	2	c-V158030803
4	40AA32320	TONER SUPPLY SPACER		C	2	d-V237201450
5	65AA33360	SEALING PART		D	1	e-V127030603
6	65AA32761	Seal Part /H		D	1	f-V129030803
7	65AA32110	Toner Supply Guide Part /A		D	1	g-V151030803
8	25AA77890	REGULATION GEAR 36T		C	1	
9	40AA77660	TONER SUPPLY GEAR F 28T		C	1	
10	65AA32501	BUSHING /B		C	3	
11	65AA33320	SCATTER PREVENTING PART 1		C	2	
12	65AA32430	TONER AGITATING SHEET		C	1	
13	65AA32030	TONER AGITATING PLATE		C	1	
14	65AA32020	Toner Agitating Shaft		D	1	
15	A1DU401800	Toner supply Seal /1		D	1	
16	65AA32950	TONER SEALING SHEET		D	1	
17	A1DUR72T00	Toner Supply Cover/1 Assy		D	1	
18	65AA32040	TONER SUPPLY SCREW		C	1	
19	A1DUR73000	Toner Supply Rotary Assy		C	1	
20	65AA32851	BUSHING /D		C	1	
21	65AA32940	BUSHING /E		C	1	
22	65AA32800	TONER SUPPLY OPEN SHUT SPRING		C	1	
23	40AA88031	Level Detection Sensor		C	1	
24	65AA32620H	Toner supply Holding Main body		D	1	
25	A1RF408201	Guide Collar		D	1	
26	A1DU409600	Toner supply Holding Shaft		D	1	
27	65AA32730	Toner Supply Holding Seal /A		D	1	
28	65AA33260	Toner Supply Holding Seal /B		D	1	
29	65AA32970	CONVEYING SEAL		C	1	
30	A1DU413702	Toner supply Sealing Part		D	1	
31	65AA33290	TONER SUPPLY SEAL PART		C	1	
32	40AA98020D	Paper exit Spacer		D	1	
33	A1DUR74X00	Toner Supply /Y		C	1	



# TONER SUPPLY SECTION

MAGENTA

改訂版 REVISED EDITION	日付 DATE
<b>3</b>	OCTOBER 2012



bizhub PRESS C7000P

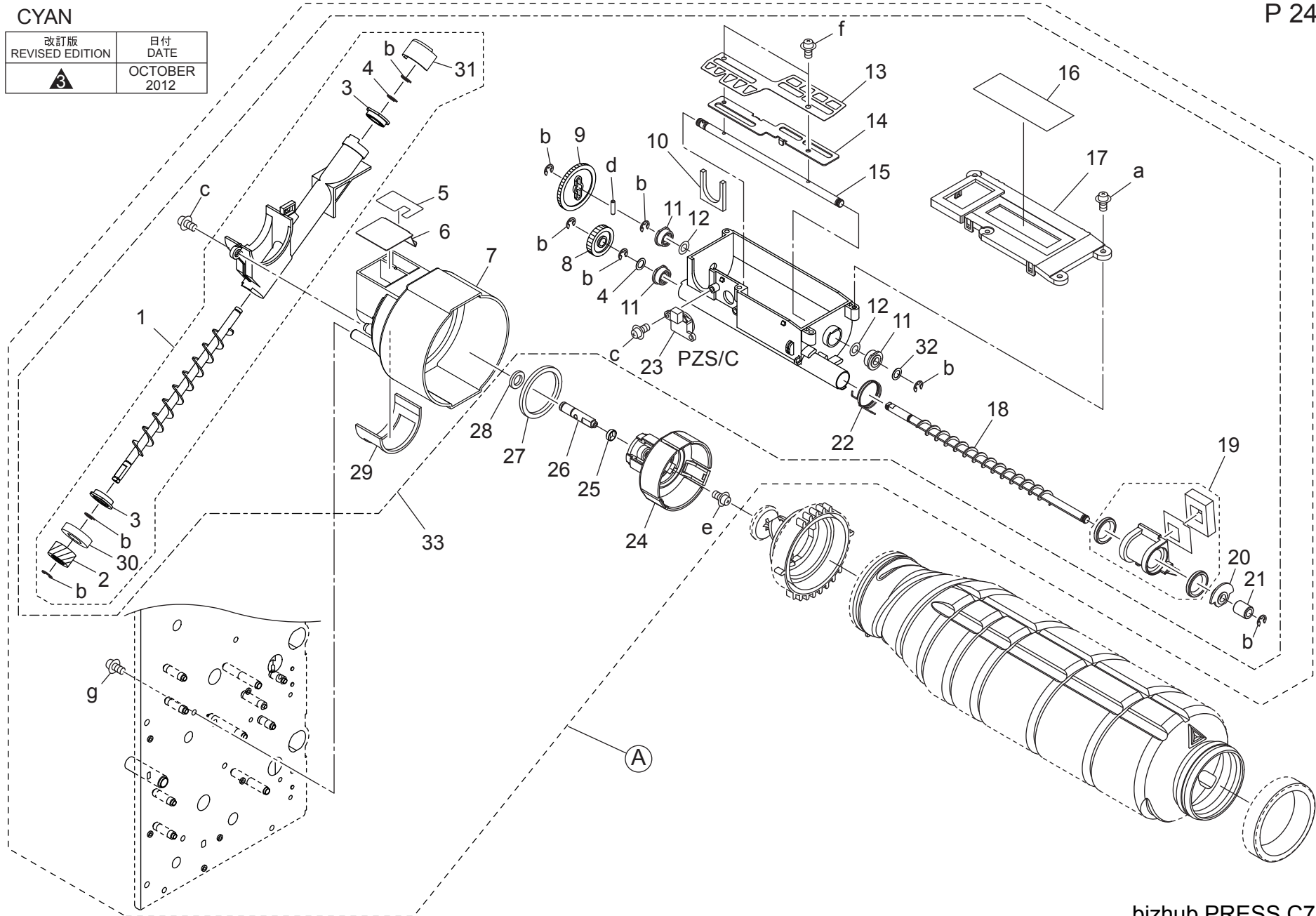
# TONER SUPPLY SECTION

Key	Part No.	Description	Destinations	Class	QTY	Standard parts
1	A1DUR72W00	Toner Pipe /M Assy		D	1	a-V151031003 b-V217040050 c-V158030803 d-V237201450 e-V127030603 f-V129030803 g-V151030803
2	56AA77330	SCREW GEAR 15T		C	1	
3	65AA32461	Screw Bushing /A		C	2	
4	40AA32320	TONER SUPPLY SPACER		C	2	
5	65AA33360	SEALING PART		D	1	
6	65AA32761	Seal Part /H		D	1	
7	65AA32110	Toner Supply Guide Part /A		D	1	
8	25AA77890	REGULATION GEAR 36T		C	1	
9	40AA77660	TONER SUPPLY GEAR F 28T		C	1	
10	65AA32501	BUSHING /B		C	3	
11	65AA33320	SCATTER PREVENTING PART 1		C	2	
12	65AA32430	TONER AGITATING SHEET		C	1	
13	65AA32030	TONER AGITATING PLATE		C	1	
14	65AA32020	Toner Agitating Shaft		D	1	
15	A1DU401800	Toner supply Seal /1		D	1	
16	65AA32950	TONER SEALING SHEET		D	1	
17	A1DUR72T00	Toner Supply Cover/1 Assy		D	1	
18	65AA32040	TONER SUPPLY SCREW		C	1	
19	A1DUR73000	Toner Supply Rotary Assy		C	1	
20	65AA32851	BUSHING /D		C	1	
21	65AA32940	BUSHING /E		C	1	
22	65AA32800	TONER SUPPLY OPEN SHUT SPRING		C	1	
23	40AA88031	Level Detection Sensor		C	1	
24	65AA32620H	Toner supply Holding Main body		D	1	
25	A1RF408201	Guide Collar		D	1	
26	A1DU409600	Toner supply Holding Shaft		D	1	
27	65AA32730	Toner Supply Holding Seal /A		D	1	
28	65AA33260	Toner Supply Holding Seal /B		D	1	
29	65AA32970	CONVEYING SEAL		C	1	
30	A1DU413702	Toner supply Sealing Part		D	1	
31	65AA33290	TONER SUPPLY SEAL PART		C	1	
32	40AA98020D	Paper exit Spacer		D	1	
33	A1DUR74Y00	Toner Supply /M		C	1	

# TONER SUPPLY SECTION

CYAN

改訂版 REVISED EDITION	日付 DATE
3	OCTOBER 2012



bizhub PRESS C7000P

# TONER SUPPLY SECTION

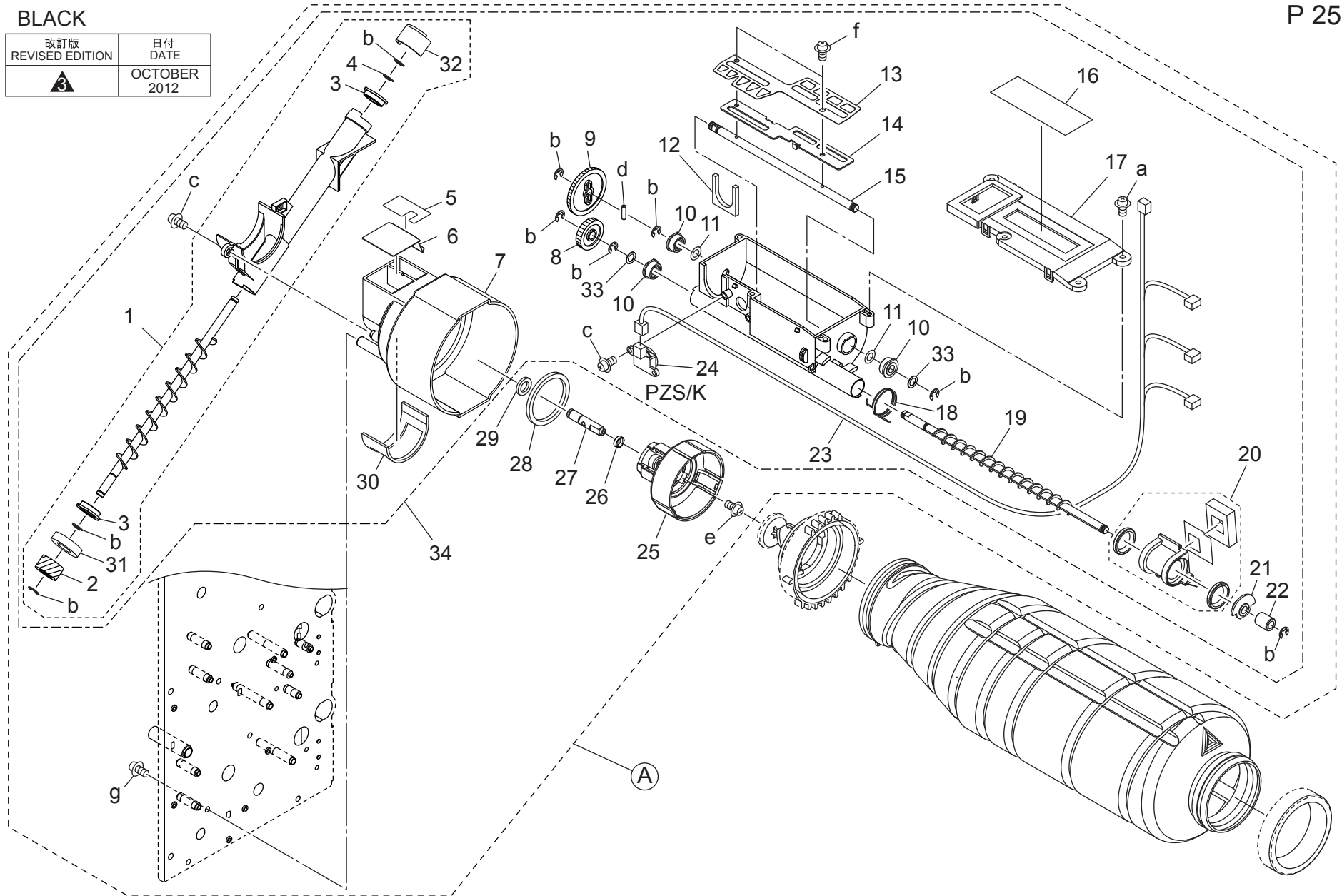
Key	Part No.	Description	Destinations	Class	QTY	Standard parts
1	A1DUR72X00	Toner Pipe /C Assy		D	1	a-V151031003 b-V217040050 c-V158030803 d-V237201450 e-V127030603 f-V129030803 g-V151030803
2	56AA77330	SCREW GEAR 15T	トナー搬送 C スクリユ歯車 15 T	C	1	
3	65AA32461	Screw Bushing /A	スクリユ軸受 / A	C	2	
4	40AA32320	TONER SUPPLY SPACER	トナー補給スペーサー	C	1	
5	65AA33360	SEALING PART	シール部材	D	1	
6	65AA32761	Seal Part /H	シール部材 / H	D	1	
7	65AA32110	Toner Supply Guide Part /A	トナー補給ガイド部材 / A	D	1	
8	40AA77660	TONER SUPPLY GEAR F 28T	トナー補給ギア F 28 T	C	1	
9	25AA77890	REGULATION GEAR 36T	規制歯車 36 T	C	1	
10	65AA32470	SEALING PART /A	シール部材 / A	C	1	
11	65AA32501	BUSHING /B	スクリユ軸受 / B	C	3	
12	65AA33320	SCATTER PREVENTING PART 1	飛散防止部材 1	C	2	
13	65AA32430	TONER AGITATING SHEET	トナー攪拌シート	C	1	
14	65AA32030	TONER AGITATING PLATE	トナー攪拌板	C	1	
15	65AA32020	Toner Agitating Shaft	トナー攪拌軸	D	1	
16	65AA32950	TONER SEALING SHEET	トナーシールシート	D	1	
17	A1DUR72U00	Toner Supply Cover/2 Assy	トナー補給搬送蓋 / 2	D	1	
18	65AA32040	TONER SUPPLY SCREW	トナー補給 スクリユ	C	1	
19	A1DUR73000	Toner Supply Rotary Assy	シャッタ	C	1	
20	65AA32851	BUSHING /D	スクリユ軸受 / D	C	1	
21	65AA32940	BUSHING /E	スクリユ軸受 / E	C	1	
22	65AA32800	TONER SUPPLY OPEN SHUT SPRING	トナー補給開閉バネ	C	1	
23	40AA88031	Level Detection Sensor	残量検知センサ	C	1	
24	65AA32620H	Toner supply Holding Main body	トナー補給ホルダー本体	D	1	
25	A1RF408201	Guide Collar	ガイドカラー	D	1	
26	A1DU409600	Toner supply Holding Shaft	トナー補給ホルダー軸	D	1	
27	65AA32730	Toner Supply Holding Seal /A	トナー補給ホルダーシール / A	D	1	
28	65AA33260	Toner Supply Holding Seal /B	トナー補給ホルダーシール / B	D	1	
29	65AA32970	CONVEYING SEAL	搬送シール	C	1	
30	A1DU413702	Toner supply Sealing Part	トナー補給シール部材	D	1	
31	65AA33290	TONER SUPPLY SEAL PART	トナー補給シール部材	C	1	
32	40AA98020D	Paper exit Spacer	排紙 スペーサ	D	2	
33	A1DUR75000	Toner Supply /C	トナー補給 / C	C	1	

# TONER SUPPLY SECTION

BLACK

P 25

改訂版 REVISED EDITION	日付 DATE
<b>3</b>	OCTOBER 2012

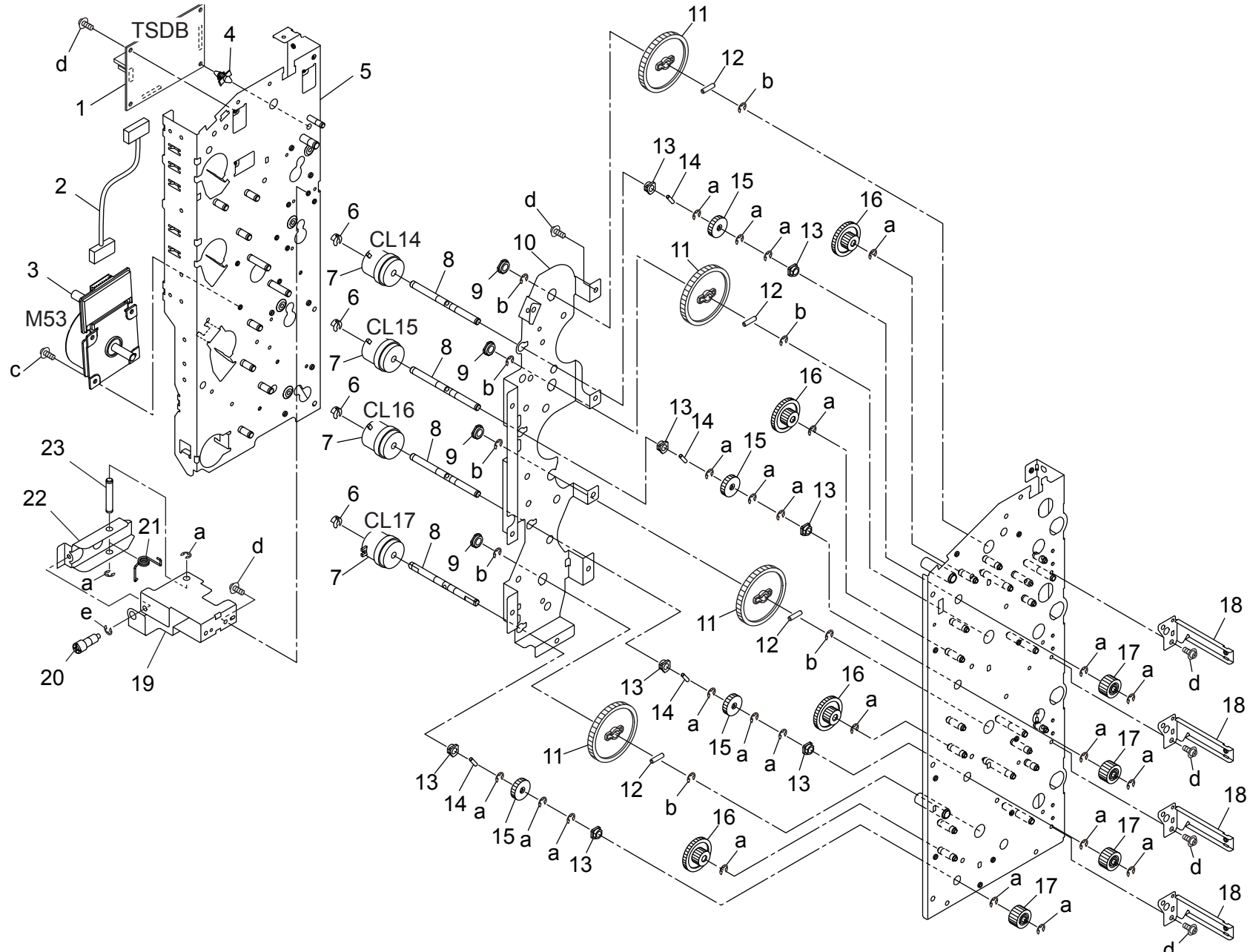


bizhub PRESS C7000P

# TONER SUPPLY SECTION

Key	Part No.	Description	Destinations	Class	QTY	Standard parts
1	A1DUR72Y00	Toner Pipe /K Assy		D	1	a-V151031003 b-V217040050 c-V158030803 d-V237201450 e-V127030603 f-V129030803 g-V151030803
2	56AA77330	SCREW GEAR 15T	トナー搬送 K スクリュー歯車 15 T	C	1	
3	65AA32461	Screw Bushing /A	スクリュー軸受 / A	C	2	
4	40AA32320	TONER SUPPLY SPACER	トナー補給スペーサー	C	1	
5	65AA33360	SEALING PART	シール部材	D	1	
6	65AA32761	Seal Part /H	シール部材 / H	D	1	
7	65AA32110	Toner Supply Guide Part /A	トナー補給ガイド部材 / A	D	1	
8	40AA77660	TONER SUPPLY GEAR F 28T	トナー補給ギア F 28 T	C	1	
9	25AA77890	REGULATION GEAR 36T	規制歯車 36 T	C	1	
10	65AA32501	BUSHING /B	スクリュー軸受 / B	C	3	
11	65AA33320	SCATTER PREVENTING PART 1	飛散防止部材 1	C	2	
12	65AA32470	SEALING PART /A	シール部材 / A	C	1	
13	65AA32430	TONER AGITATING SHEET	トナー攪拌シート	C	1	
14	65AA32030	TONER AGITATING PLATE	トナー攪拌板	C	1	
15	65AA32020	Toner Agitating Shaft	トナー攪拌軸	D	1	
16	65AA32950	TONER SEALING SHEET	トナーシールシート	D	1	
17	A1DUR72U00	Toner Supply Cover/2 Assy	トナー補給搬送蓋 / 2	D	1	
18	65AA32800	TONER SUPPLY OPEN SHUT SPRING	トナー補給開閉バネ	C	1	
19	65AA32040	TONER SUPPLY SCREW	トナー補給 スクリュー	C	1	
20	A1DUR73000	Toner Supply Rotary Assy	シャッタ	C	1	
21	65AA32851	BUSHING /D	スクリュー軸受 / D	C	1	
22	65AA32940	BUSHING /E	スクリュー軸受 / E	C	1	
23	A1DUN14201	Toner Relay harness /3	トナー中継束線 / 3	D	1	
24	40AA88031	Level Detection Sensor	残量検知センサ	C	1	
25	65AA32620H	Toner supply Holding Main body	トナー補給ホルダー本体	D	1	
26	A1RF408201	Guide Collar	ガイドカラー	D	1	
27	A1DU409600	Toner supply Holding Shaft	トナー補給ホルダー軸	D	1	
28	65AA32730	Toner Supply Holding Seal /A	トナー補給ホルダーシール / A	D	1	
29	65AA33260	Toner Supply Holding Seal /B	トナー補給ホルダーシール / B	D	1	
30	65AA32970	CONVEYING SEAL	搬送シール	C	1	
31	A1DU413702	Toner supply Sealing Part	トナー補給シール部材	D	1	
32	65AA33290	TONER SUPPLY SEAL PART	トナー補給シール部材	C	1	
33	40AA98020D	Paper exit Spacer	排紙 スペーサ	D	2	
34	A1DUR75100	Toner Supply /K	トナー補給 / K	C	1	

# TONER SUPPLY SECTION



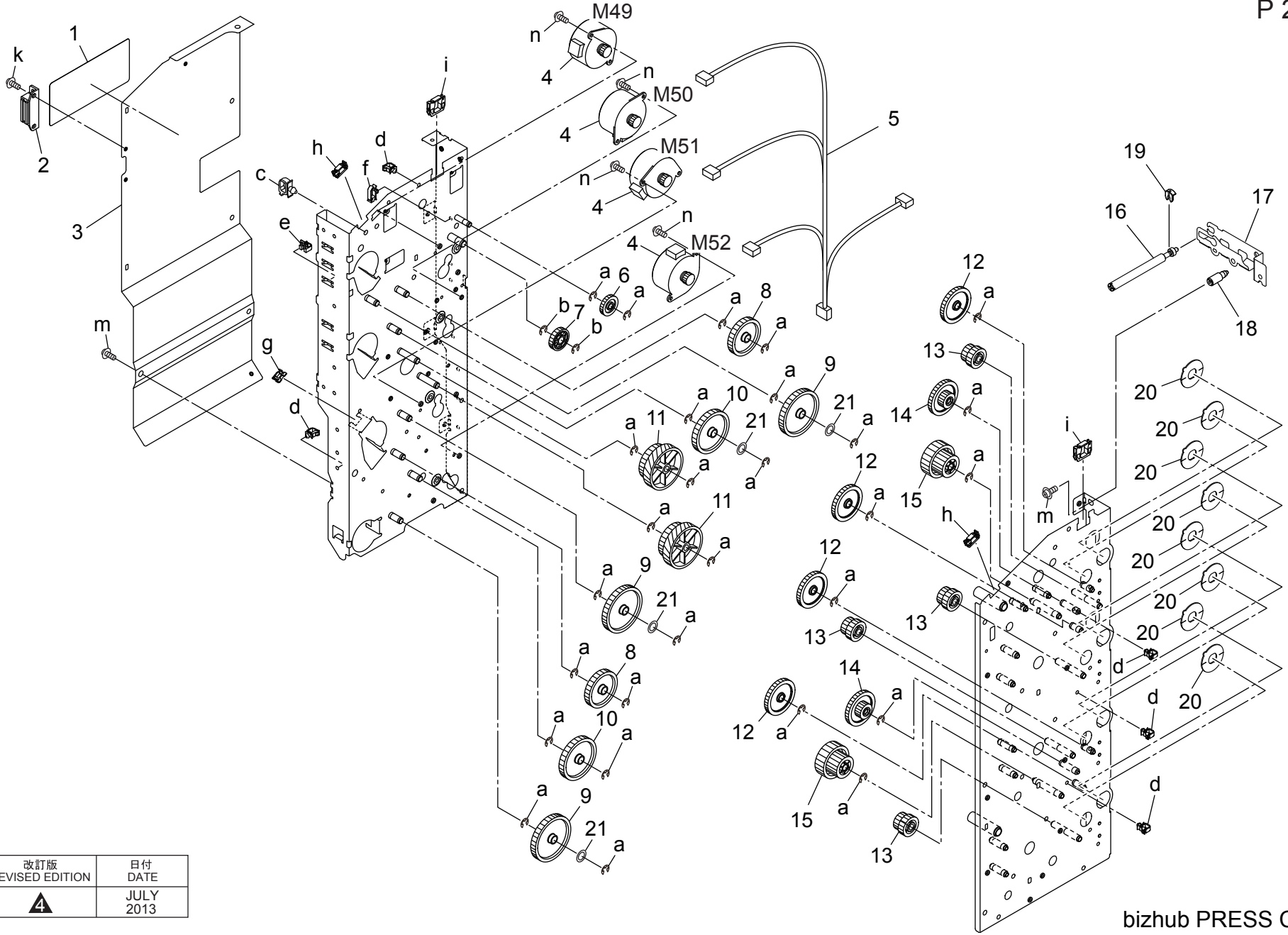
bizhub PRESS C7000P

# TONER SUPPLY SECTION

Key	Part No.	Description	Destinations	Class	QTY	Standard parts
1	65AA-9061E	Toner Driving Board Assy		B	1	a-V217040050 b-V217050050 c-V118030403 d-V127030603 e-V217060050
2	A1DUN14600	Toner Drive harness /3		D	1	
3	A0R5M10300	DC Brushless motor /30		B	1	
4	V502010044	PCB Support		D	1	
5	A1DUF40100	CAULKING B		D	1	
6	396040681	STOPPER RING		B	4	
7	9J07M20100	CLUTCH		C	4	
8	A1DU402700	Shaft /G		D	4	
9	26NA32660	TONER SUPPLY SHAFT HOLDER		C	4	
10	A1DU406000	Drive Plate /4		D	1	
11	65AA77390	Toner Supply Gear /B 56T		C	4	
12	56AA17461	PIN A		B	4	
13	466076020	PAPER FEED SHAFT HOLDER		B	8	
14	56AA17471	PIN B 3X12		C	4	
15	65AA78040	AGITATING GEAR A 18T		C	4	
16	25BA77171	Toner Supply Gear /2 13/31T		C	4	
17	56AA77330	SCREW GEAR 15T		C	4	
18	A1DU409800	Regulating Plate /Rear		D	4	
19	65AA32720D	LOCKING PLATE /A		D	1	
20	A03U403300	Fixing Screw		C	1	
21	65AA32710	TONER SUPPLY LOCK SPRING		C	1	
22	65AA32890	LOCKING PLATE /B		C	1	
23	65AA32700D	TONER SUPPLY FULCRUM SHAFT		D	1	



# TONER SUPPLY SECTION



改訂版 REVISED EDITION	日付 DATE
4	JULY 2013

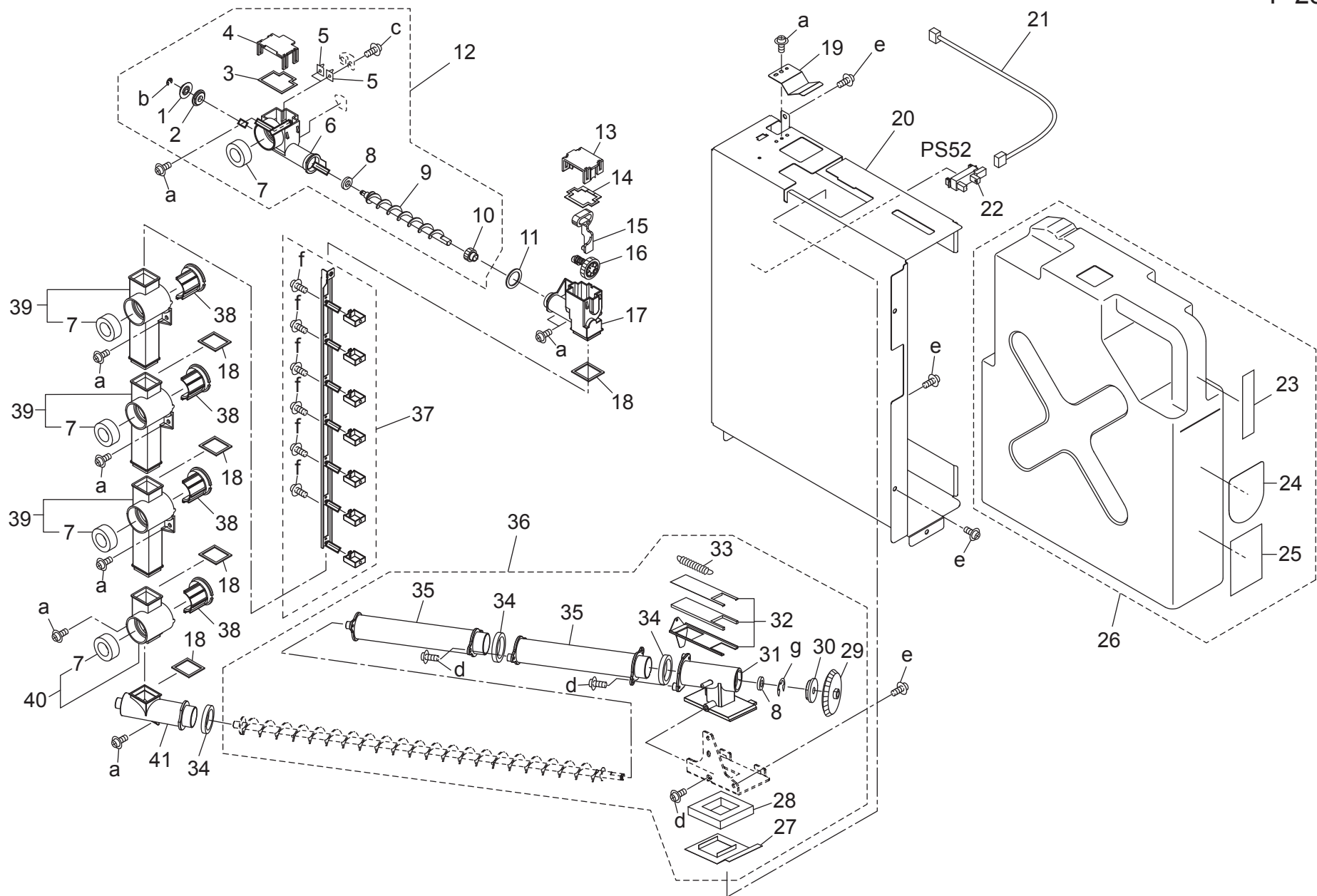
Order here  
8 (495) 646-0426  
ПЯТЫЙ ПАРТНЕР www.km-shop.ru

bizhub PRESS C7000P

TONER SUPPLY SECTION

Key	Part No.	Description	Destinations	Class	QTY	Standard parts
1	56UA97300	Laser Caution Label /1		C	1	a-V217040050
2	07BA12352	Magnet Catch		C	1	b-V217050050
3	A1DU401700	Drive Cover		D	1	c-V500010005
4	A03UM10400	PM Stepping motor /1		C	4	d-V500010020
5	A1DUN14400	Toner Drive harness /1		D	1	e-V500010057
6	08AA77360	TONER SUPPLY GEAR F 24T	トナー補給ギア / F 24 T	C	1	f-V500010061
7	A0VT814900	Gear 26T	ギア 26 T (つまみ連結)	D	1	g-V570010050
8	A1DU420400	Toner supply Gear /4 49T	トナー補給ギア / 4 49 T	C	2	h-V570010057
9	A1DU420600	Toner supply Gear /6 62T	トナー補給ギア / 6 62 T	C	3	i-V570010060
10	A1DU420700	Toner supply Gear /7 57T	トナー補給ギア / 7 57 T	C	2	k-V126030603
11	A1DU420300	Toner supply Gear /3 46/82T	トナー補給ギア / 3 46 / 82 T	C	2	m-V127030603
12	A1DU420200	Toner supply Gear /2 35T	トナー補給ギア / 2 35 T	C	4	n-V118030403
13	A03U459900	Toner supply Gear /C 24/33T	トナー補給 ギア / C 24 / 33 T	C	4	
14	35EA77151	BY-PASS IDLING GEAR 14/34T	手差しアイドルギア 14 / 34 T	C	2	
15	A1DU420500	Toner supply Gear /5 44T	トナー補給ギア / 5 44 T	C	2	
16	A1DU404100Old	Fixing Screw /Upper	固定ねじ / 上	D	1	
16	A1DU404101	Fixing Screw /Upper	固定ねじ / 上	D	1	
17	A1DU403500	Support Plate	支持板	D	1	
18	A1DU404500	Positioning Shaft	位置決め軸	D	1	
19	56AA40490	SHAFT STOPPER 4	軸ストッパ 4	C	1	
20	A1DU413800	Sealing Part /2	シール部材 / 2	D	8	
21	65AA33270	SPACER 2	スペーサー 2	D	4	

# TONER COLLECTING SECTION

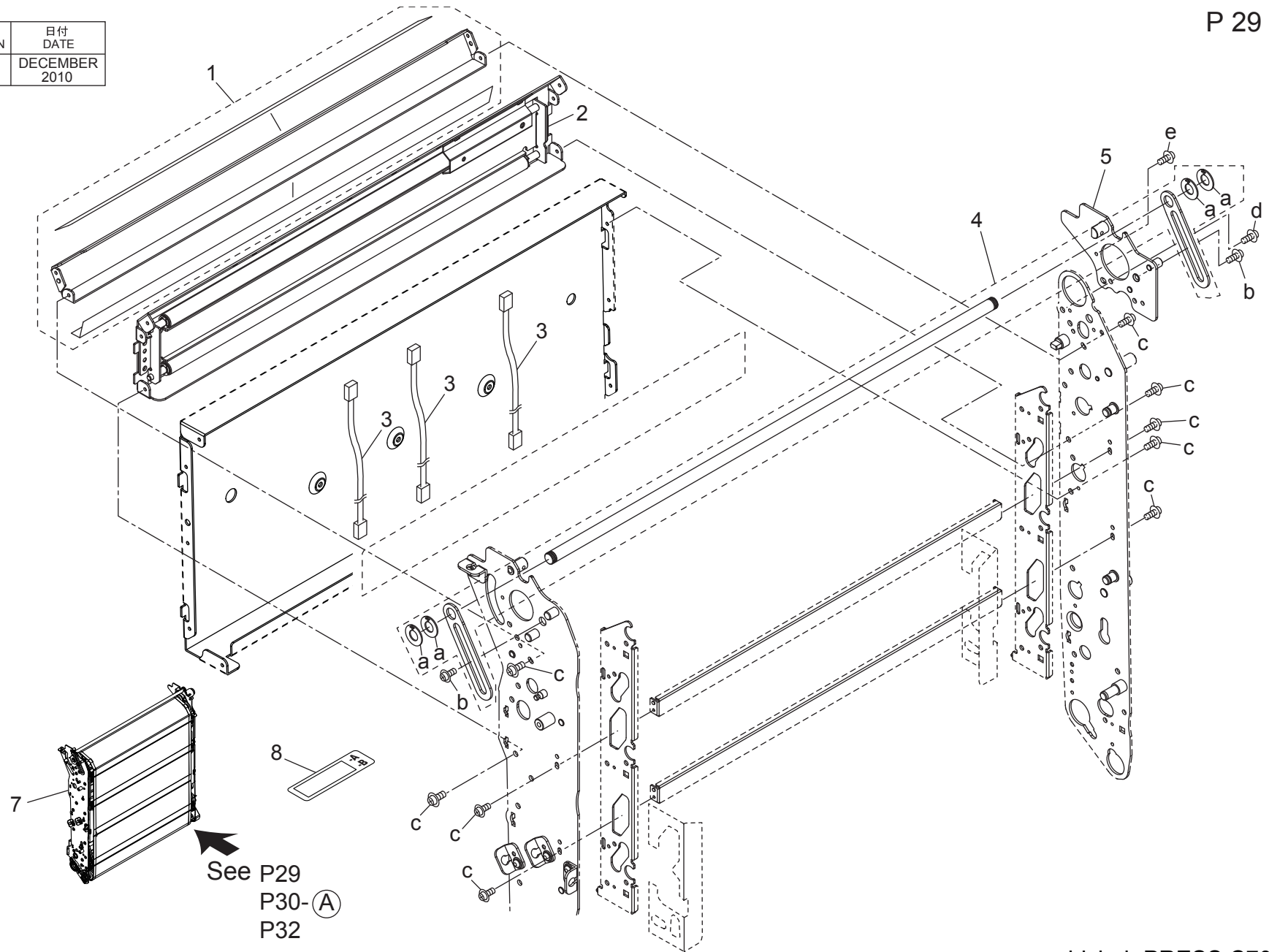


# TONER COLLECTING SECTION

Key	Part No.	Description	Destinations	Class	QTY	Standard parts
1	65AA77840	TONER COLLECTING GEAR 2 14T	トナー回収ギア 2 1 4 T	C	1	a-V121030403
2	65AA75070	TONER COLLECTING BUSHING/2	トナー回収軸受 2	C	1	b-V217030050
3	65AA24400	TONER COLLECTING SEAL 4	トナー回収シール 4	C	1	c-V145020403
4	65AA24210	COLLECTING PIPE 7	回収パイプ 7	C	1	d-V158030803
5	65AA24440	TONER DRIVING PART 2	トナー駆動部材 2	C	2	e-V121030603
6	65AA24200	COLLECTING PIPE 6	回収パイプ 6	C	1	f-V118020303
7	65AA24330	Toner Collecting Seal /3	トナー回収シール / 3	C	5	g-V217040050
8	65AA24060	TONER COLLECTING SEAL 1	トナー回収シール 1	C	2	
9	65AA24140	TONER COLLECTING SCREW 1	トナー回収スクリュー 1	C	1	
10	65AA77960	TONER COLLECTING GEAR 4 13T	トナー回収ギア 4 1 3 T	C	1	
11	65AA24430	TONER COLLECTING SEAL 7	トナー回収シール 7	C	1	
12	A1DUR72800	Collect Pipe/6 Assy	回収パイプ / 6 ASSY	C	1	
13	65AA24130	CONNECTING COVER	連結カバー	C	1	
14	65AA24310	TONER COLLECTING SEAL 2	トナー回収シール 2	C	1	
15	65AA24120	Rocking Cam	揺動カム	C	1	
16	65AA77970	TONER COLLECTING GEAR 5 24T	トナー回収ギア 5 2 4 T	C	1	
17	65AA24220	COLLECTING PIPE 8	回収パイプ 8	C	1	
18	65AA24410	TONER COLLECTING SEAL 5	トナー回収シール 5	C	5	
19	65AA24360	TONER COLLECTING SPRING 2	トナー回収バネ 2	D	1	
20	65AA24260E	Collecting Cover	回収カバー	D	1	
21	65AA90920E	TONER DETECTION WIRING /2	トナー検知束線 / 2	D	1	
22	25BA85541	PHOTO SENSOR 1	フォトセンサ 1	C	1	
23	A03U946700	Collection Label /2	回収ラベル / 2	D	1	
24	65AA97340	TONER COLLECTING LABEL /1	トナー回収ラベル / 1	C	1	
25	A03U942601	Caution Label /2	注意ラベル / 2	C	1	
26	A03UR70200	TONER COLLECTING BOX ASSY	トナー回収箱 ASSY	A	1	
27	65AA24250	OPEN SHUT PART 4	開閉部材 4	C	1	
28	65AA24240	OPEN SHUT PART 3	開閉部材 3	C	1	
29	65AA77850	TONER COLLECTING GEAR 3 27T	トナー回収ギア 3 2 7 T	C	1	
30	65AA75060	Toner Collecting Bushing /1	トナー回収軸受 / 1	C	1	
31	65AA24080	COLLECTING PIPE 5	回収パイプ 5	C	1	
32	A1DUR72R00	Open/Shut Part/6 Assy	開閉部材 / 6 部組	C	1	
33	65AA24340	TONER COLLECTING SPRING	トナー回収バネ	C	1	
34	65AA24420	TONER COLLECTING SEAL 6	トナー回収シール 6	C	3	
35	65AA24030	COLLECTING PIPE 1	回収パイプ 1	C	2	
36	A1DUR70V00	Toner Collecting Unit	トナー回収ユニット	C	1	
37	A1DUR72900	Toner Rock Plate Assy	トナー揺動板 ASSY	C	1	
38	65AA24040	COLLECTING PIPE 2	回収パイプ 2	C	4	
39	A1DUR72B00	Collect Pipe/3 Assy	回収パイプ / 3 ASSY	C	3	
40	A1DUR72A00	Collect Pipe Assy	回収パイプ ASSY	C	1	
41	65AA24070	Collecting Pipe /4	回収パイプ / 4	C	1	

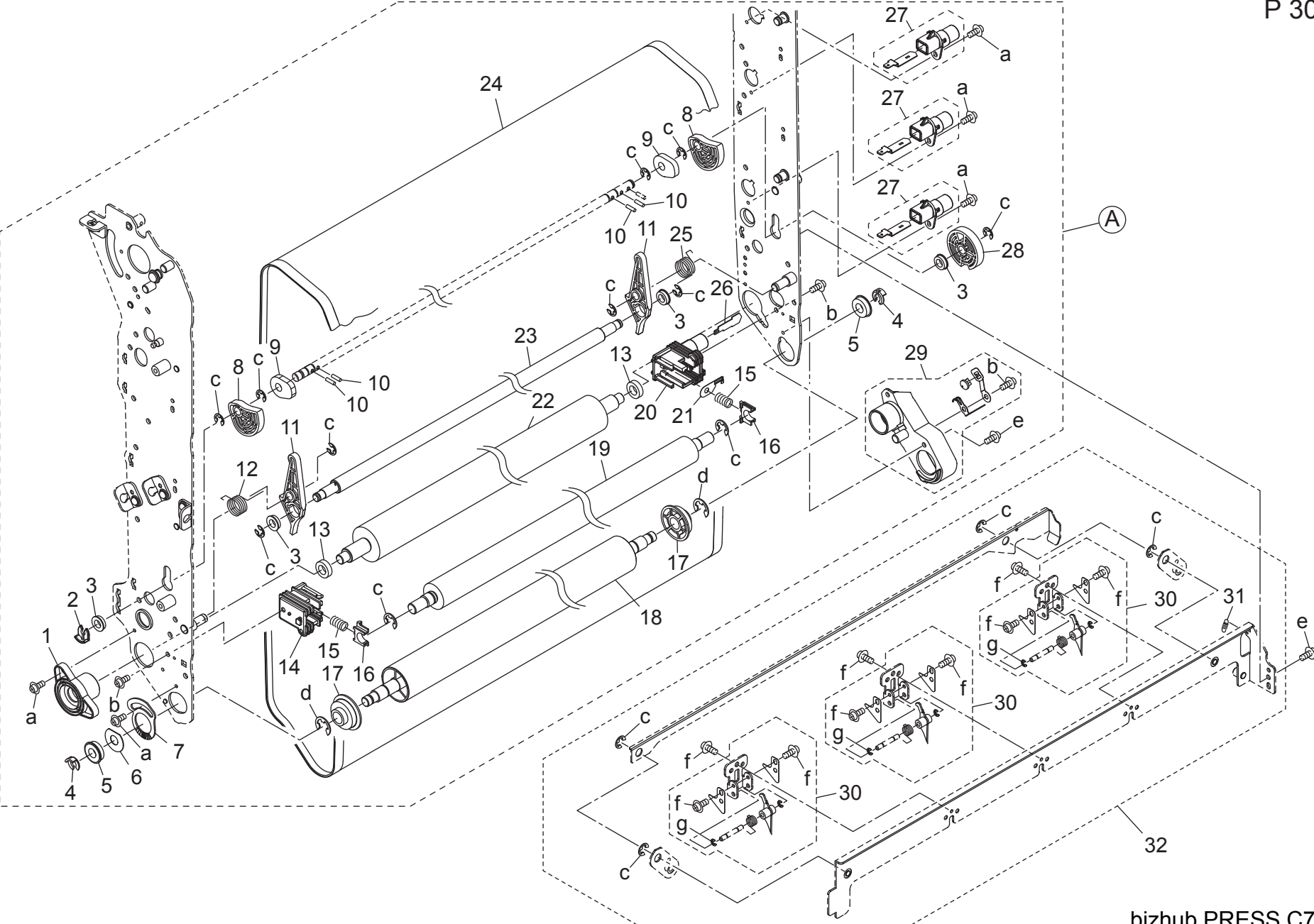
# INTERMEDIATE TRANSFER SECTION

改訂版 REVISED EDITION	日付 DATE
	DECEMBER 2010





INTERMEDIATE TRANSFER SECTION

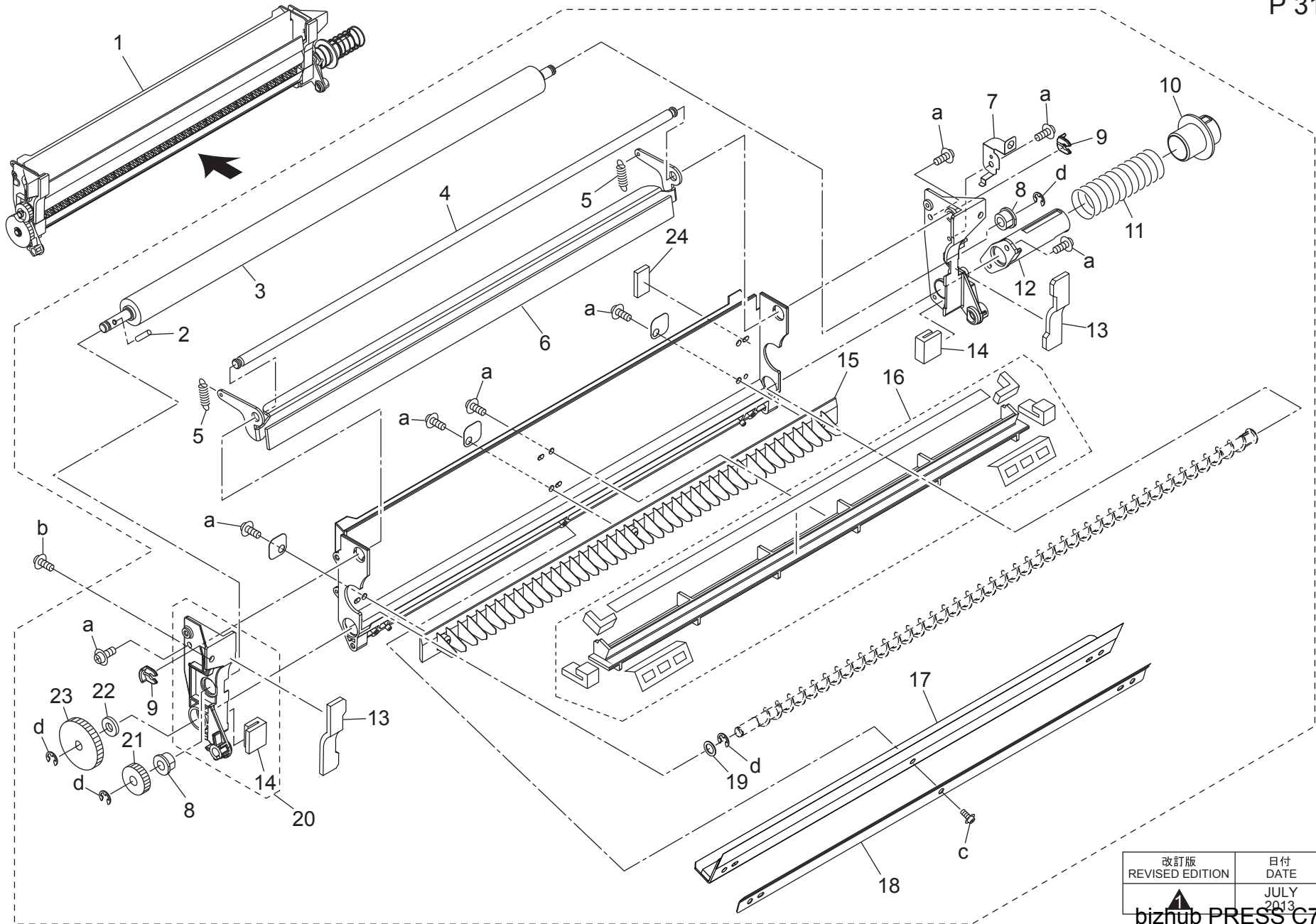


# INTERMEDIATE TRANSFER SECTION

Key	Part No.	Description	Destinations	Class	QTY	Standard parts
1	65AA26920	High Voltage Powering Collar /Front	高圧給電カラー／前	C	1	a-V121030403
2	56AA40490	SHAFT STOPPER 4	軸ストッパ 4	C	1	b-V158030803
3	A00J617800	BALL BEARING	ボールベアリング	C	4	c-V217040050
4	55VA42120	SHAFT STOPPER	軸ストッパ	C	2	d-V217080050
5	A00V240600	BALL BEARING	ボールベアリング	C	2	e-V121030603
6	65AA27240	SPACER A	スペーサー A	C	1	f-V118030403
7	65AA26760	SHAFT HOLDER ADJUSTING PLATE	軸受け調整板	C	1	g-V217020050
8	65AA26740	TRANSFER RELEASE CAM C	転写解除カム C	C	2	
9	65AA26750	TRANSFER RELEASE CAM K	転写解除カム K	C	2	
10	56AA17321	PIN A D2X12	ピン A D 2 X 1 2	B	4	
11	A03U509700	Release Arm	解除アーム	C	2	
12	A03U510200	Pressing Spring /Front	押圧ばね／前	C	1	
13	A1RF517300	bearing	軸受	C	2	
14	65AA26050D	High voltage Powering Block /B	高圧給電ブロック／ B	D	1	
15	A03U507100	Power supply Spring	給電ばね	C	2	
16	65AA26380	Transfer Powering Bushing	転写給電軸受	B	2	
17	65AA26870	REGULATING COLLAR	規制カラー	C	2	
18	A03U500900	IDLER ROLLER /2	従動ローラ／ 2	C	1	
19	A03U500400	Transfer Roller /K	転写ローラ／ K	A	1	
20	65AA26950D	High voltage Powering Block /D	高圧給電ブロック／ D	D	1	
21	65AA26810D	Transfer Powering Plate /L	転写給電板／ L	D	1	
22	65AA26111	TRANSFER ROLLER LOWER	転写ローラ 下	A	1	
23	65AA26141F	Transfer Pressure Roller /K	転写圧着ローラ／ K	C	1	
24	A1DU504200	Transfer Belt 862L	転写ベルト 8 6 2 L	A	1	
25	A03U511200	Pressing Spring /Rear	押圧ばね／奥	C	1	
26	65AA26690D	Transfer Powering Plate /K	転写給電板／ K	D	1	
27	A1DUR73500	Power Supply Block / A Assy	給電ブロック／ A A S S Y	D	3	
28	65AA26190	TRANSFER DRIVING COUPLING FRONT	転写駆動カップリング 前	C	1	
29	A1DUR73300	High V Powering Rear Assy	高圧給電カラー／奥 A S S Y	C	1	
30	A1DUR71900	Separation Claw Assy	分離爪部組	B	3	
31	65AA26600	SLIDE SPRING	スライドバネ	C	1	
32	A1DUR71800	Separation Claw Unit	分離爪ユニット	C	1	



# INTERMEDIATE TRANSFER SECTION



改訂版 REVISED EDITION	日付 DATE
	JULY 2013

bizhub PRESS C7000P

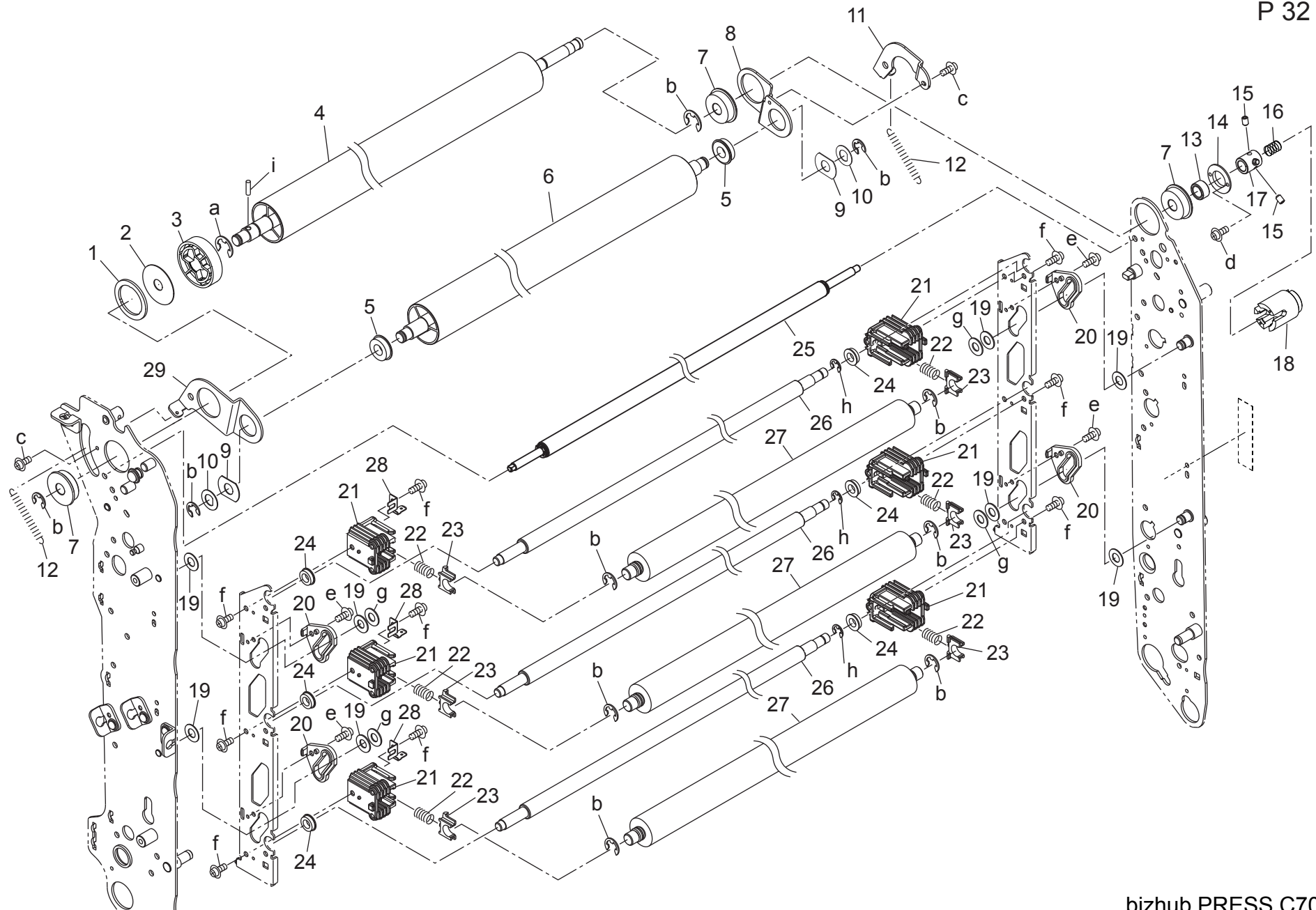
Order here  
8 (495) 646-0426  
ПЯТЫЙ ПАРТНЕР www.km-shop.ru

INTERMEDIATE TRANSFER SECTION

Key	Part No.	Description	Destinations	Class	QTY	Standard parts
1	A1DUR71B00	Belt Cleaner Unit		B	1	a-V158030803 b-V121030603 c-V158031003 d-V217040050
2	56AA17531	PIN A D2X10		C	1	
3	A03U552900	Auxiliary Roller		C	1	
4	65AA27090D	Blade Fulcrum Shaft		D	1	
5	A03U555400	Cleaning Spring		C	2	
6	A03U553000	Cleaning Blade		A	1	
7	65AA26400	CLEANER POWERING PLATE		C	1	
8	65AA26840	Cleaner Bushing /Front		C	2	
9	56AA40490	SHAFT STOPPER 4		C	2	
10	65AA20060	COLLECTING COVER		C	1	
11	65AA20300	TONER COLLECTING SPRING		C	1	
12	65AA27280	Toner Collecting Pipe /A		C	1	
13	A1DU550200	Scatter Preventing Pad /3		D	2	
14	65AA27320	SCATTER PREVENTING PAD 4		C	2	
15	A1DUR71F00	Support Plate Assy		C	1	
16	A1DUR71G00	Stopper Plate Assy		D	1	
17	A1DUR71C00	Sheet /1 Assy		A	1	
18	A1DUR71D00	Sheet /2 Assy		C	1	
19	40AA32320	TONER SUPPLY SPACER		C	1	
20	A1DUR71E00	Cleaning Front Plate Assy		B	1	
21	A03U559400	COLLECTION GEAR /MIDDLE 20T		C	1	
22	08AA45230	COLLECTING SEAL		C	1	
23	A03U559500	COLLECTION GEAR /LOWER 38T		C	1	
24	56AA20940D	Toner Dust-proof Seal /D		D	1	

# INTERMEDIATE TRANSFER SECTION

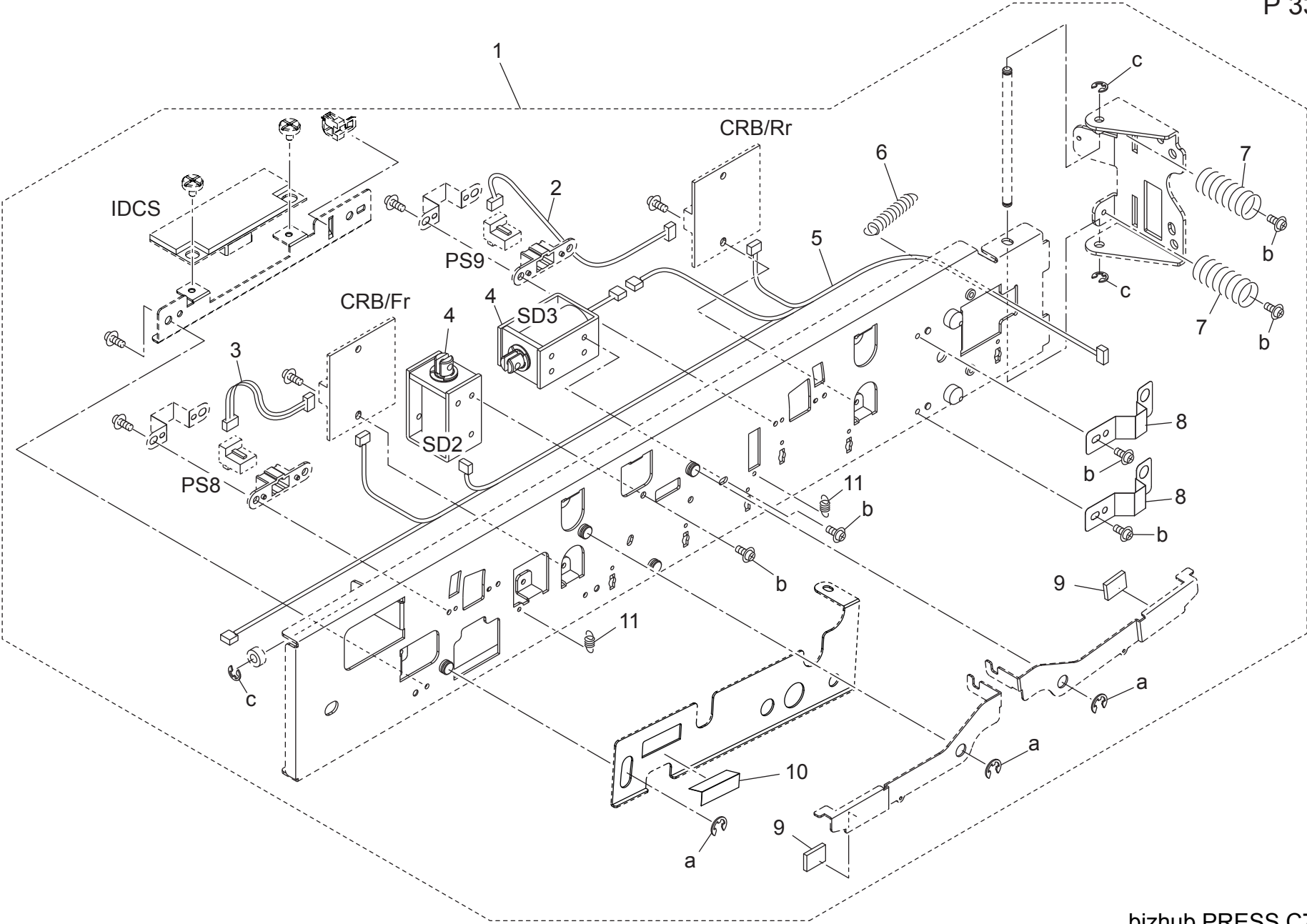
P 32



# INTERMEDIATE TRANSFER SECTION

Key	Part No.	Description	Destinations	Class	QTY	Standard parts
1	65AA27460	SPACER B	スペーサー / B	C	1	a-V217080050
2	65AA27470	SPACER C	スペーサー / C	C	1	b-V217060050
3	A1DU559300	Collection Gear /Upper 42T	回収ギア / 上 42 T	C	1	c-V121030603
4	A03U500800	Drive Roller	駆動ローラ	C	1	d-V118020403
5	A00V240600	BALL BEARING	ボールベアリング	C	2	e-V121030403
6	65AA26100E	Tension Roller	テンションローラ	C	1	f-V158030803
7	65AA75090	BELT DRIVING BEARING	ベルト駆動軸受	C	3	g-V223060004
8	65AA26250E	Plate /Rear	板 / 奥	C	1	h-V217040050
9	65AA27240	SPACER A	スペーサー A	C	2	i-V237301850
10	65AA272100	Spacer /T	スペーサ / T	C	2	
11	A1DUR74400	Tension Plate/ Rear Caulking	テンション板 / 奥カシメ	C	1	
12	65AA26530	TENSION SPRING	テンションバネ	C	2	
13	A03U512400	Positioning Sleeve	位置決めスリーブ	C	1	
14	A03U512200	DRIVE COUPLING /C	駆動カップリング / C	C	1	
15	A03U512300	Fixing Screw	固定ねじ	C	2	
16	A1DU519900	Spring	ばね	D	1	
17	A03U512000	DRIVE COUPLING /A	駆動カップリング / A	C	1	
18	A1DU512100	Drive Coupling /B	駆動カップリング / B	D	1	
19	07BA15871	SPACER A	スペーサー A	C	8	
20	65AA27180	Transfer Slide Bushing	転写スライド軸受け	C	4	
21	65AA26900D	High voltage Powering Block /C	高圧給電ブロック / C	D	6	
22	A03U507100	Power supply Spring	給電ばね	C	6	
23	65AA26380	Transfer Powering Bushing	転写給電軸受	B	6	
24	A00J617800	BALL BEARING	ボールベアリング	C	6	
25	A03UB50400	Roller /Upper Assy	ローラ / 上 A s s y	C	1	
26	65AA26131F	Transfer Pressure Roller /Y	転写圧着ローラ / Y	C	3	
27	A03U501200	Transfer Roller /C	転写 ローラ / C	A	3	
28	65AA26560D	Transfer Powering Plate /Front	転写給電板 / 前	D	3	
29	65AA26270E	Tension Plate /Front	テンション板 / 前	D	1	

COLOR RESIST SECTION



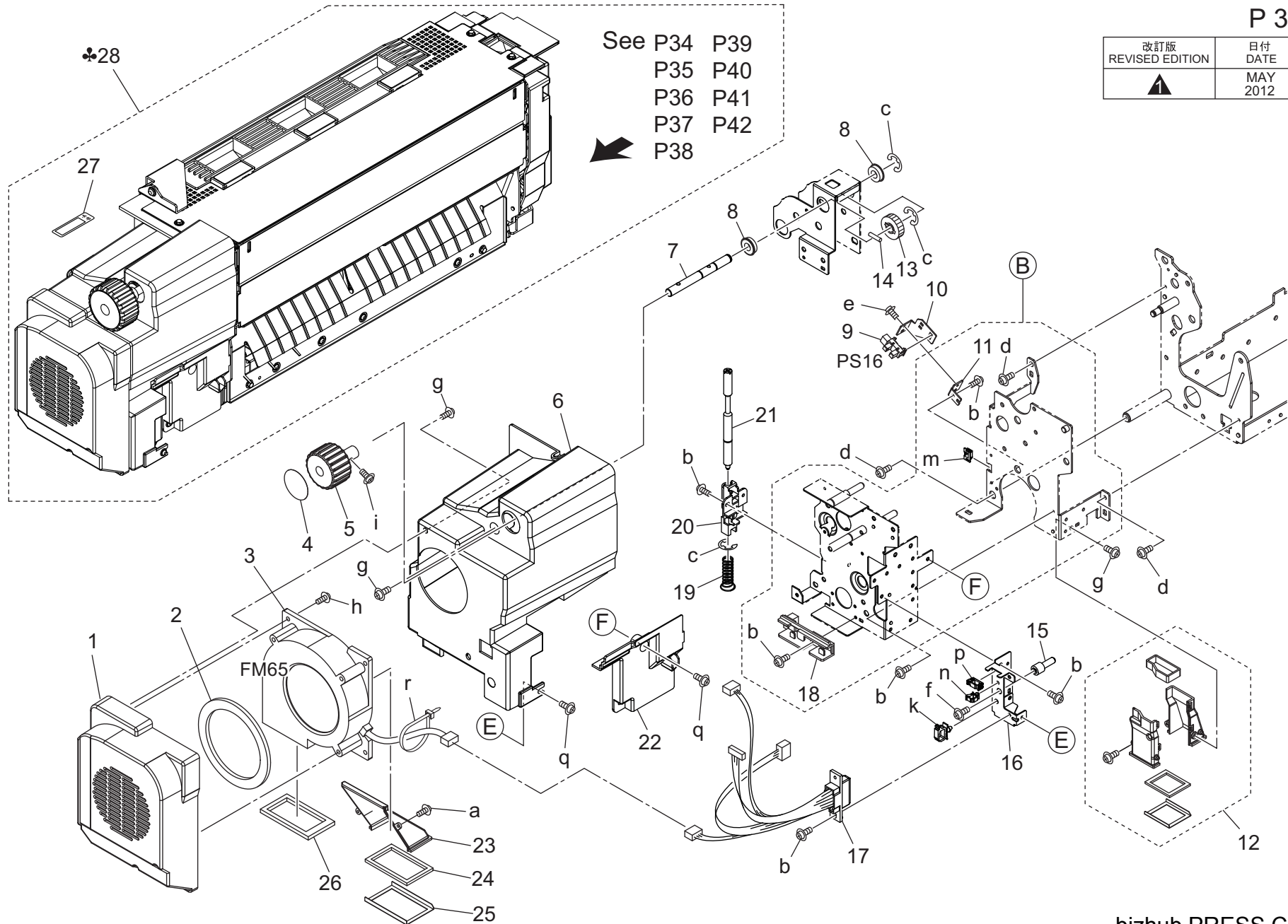


# FUSING SECTION

P 34

改訂版 REVISED EDITION	日付 DATE
	MAY 2012

See P34 P39  
P35 P40  
P36 P41  
P37 P42  
P38

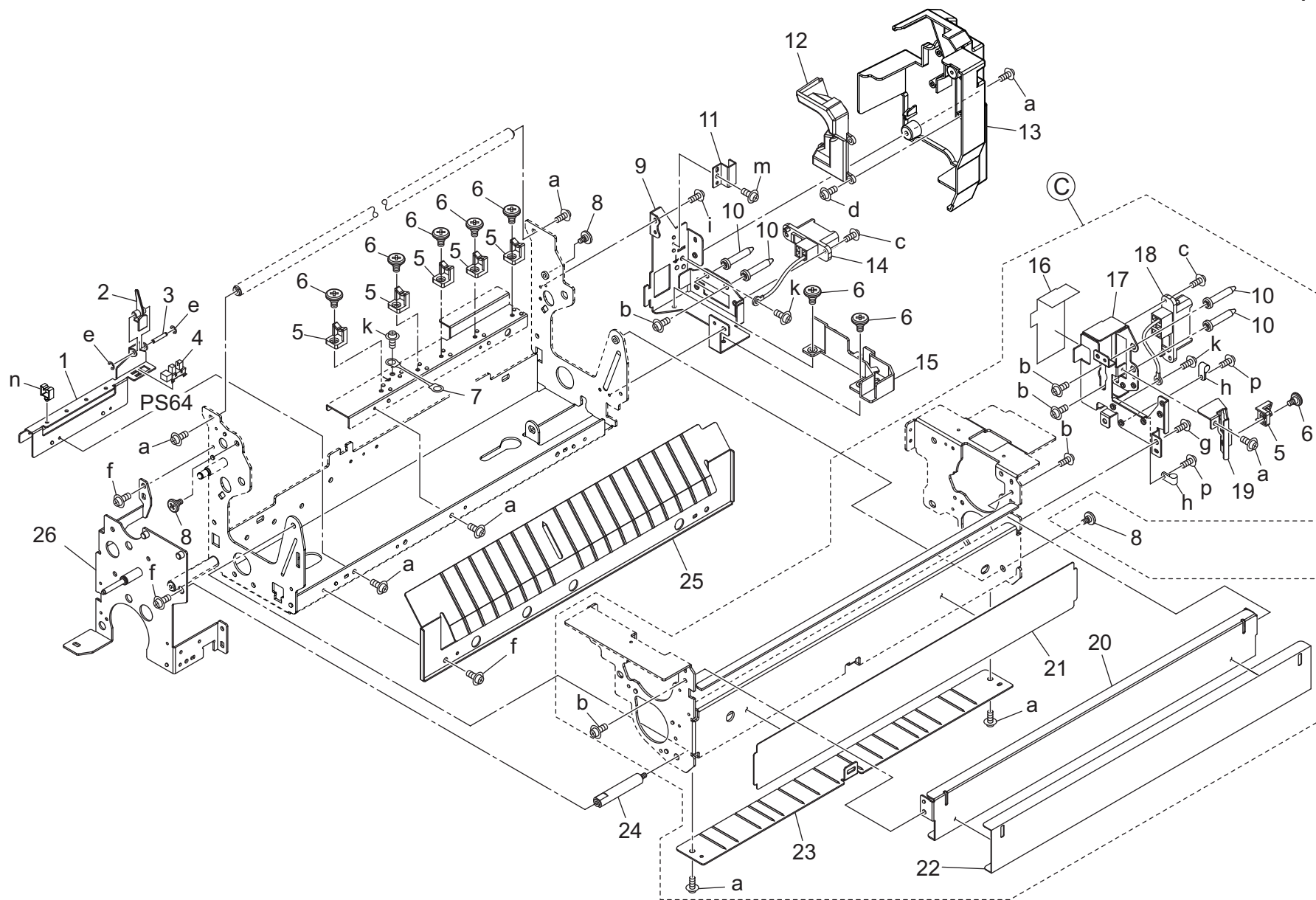


bizhub PRESS C7000P

Key	Part No.	Description	Destinations	Class	QTY	Standard parts
1	A03U728200	Suction Cover /1	サクシヨンカバー / 1	C	1	a-V151020503
2	A03U733400	Seal /5	シール / 5	C	1	b-V121030603
3	A03UM15300	Fixing Cooling Fan	定着冷却ファン	C	1	c-V217060050
4	A1RF943400	Release Label /4	解除ラベル / 4	D	1	d-V182040603
5	20AL48470G	Jam Release Knob	ジャム解除ノブ	C	1	e-V182030603
6	A1DU720401	Fusing Cover /Front	定着カバー / 前	D	1	f-V121040603
7	A1DU726601	Processing Shaft /A	処理軸 / A	D	1	g-V158030803
8	A00V240600	BALL BEARING	ボールベアリング	D	1	h-V158031003
9	08AA85512	Photo Sensor	フォトセンサ	C	2	i-V127040803
10	A03U725700	POSITIONING PLATE /A	センサ位置決め板 / A	B	1	k-V500010005
11	A03U726500	SUPPORT PLATE /A	センサ支持板 / A	D	1	m-V570010065
12	A1DUR72100	Fusing Duct / 2	定着ダクト / 2 ASSY	D	1	n-V500010020
13	13GG77030	Motor Driving Gear 22T	モータ駆動歯車 22 T	B	1	p-V570010057
14	56AA17471	PIN B 3X12	ピン B 3 X 1 2	B	1	q-V121030604
15	A1DU736200	Positioning Shaft	位置決め軸	C	1	r-V501010014
16	A1DU736100	Mounting Plate	取付板 (ドロア)	D	1	
17	A1DUN15001	Fixing Drive Harness /2	定着駆動束線 / 2	D	1	
18	A03U730500	Wiring Guide Plate /Front	束線ガイド板 / 前	D	1	
19	A1DU736500	Lifting Spring /2	持ち上げばね / 2	D	1	
20	A1DU736300	Fixing Pedestal /A	固定台 / A	D	1	
21	A1DU736400	Fixing Shaft	固定軸	D	1	
22	A1DU727800	Auxiliary Cover	補助カバー	D	1	
23	A03U733000	Fan Cover Cover	ファンカバー蓋	D	1	
24	A03U733600	Seal /1	シール / 1	C	1	
25	A03U733700	Sealing Plate /1	シール板 / 1	C	1	
26	A03U734100	Seal /4	シール / 4	C	1	
27	A1RF945501	Replacement Label /5	交換ラベル / 5 (ORU)	D	1	
28	A1DUR71T22	Fusing Unit (JP)	定着ユニット (国内)	A	1	
28	A1DUR71U22	Fusing Unit (US)	定着ユニット (北米)	B,G2	1	
28	A1DUR71V22	Fusing Unit (EU)	定着ユニット (欧州)	C	1	



# FUSING SECTION



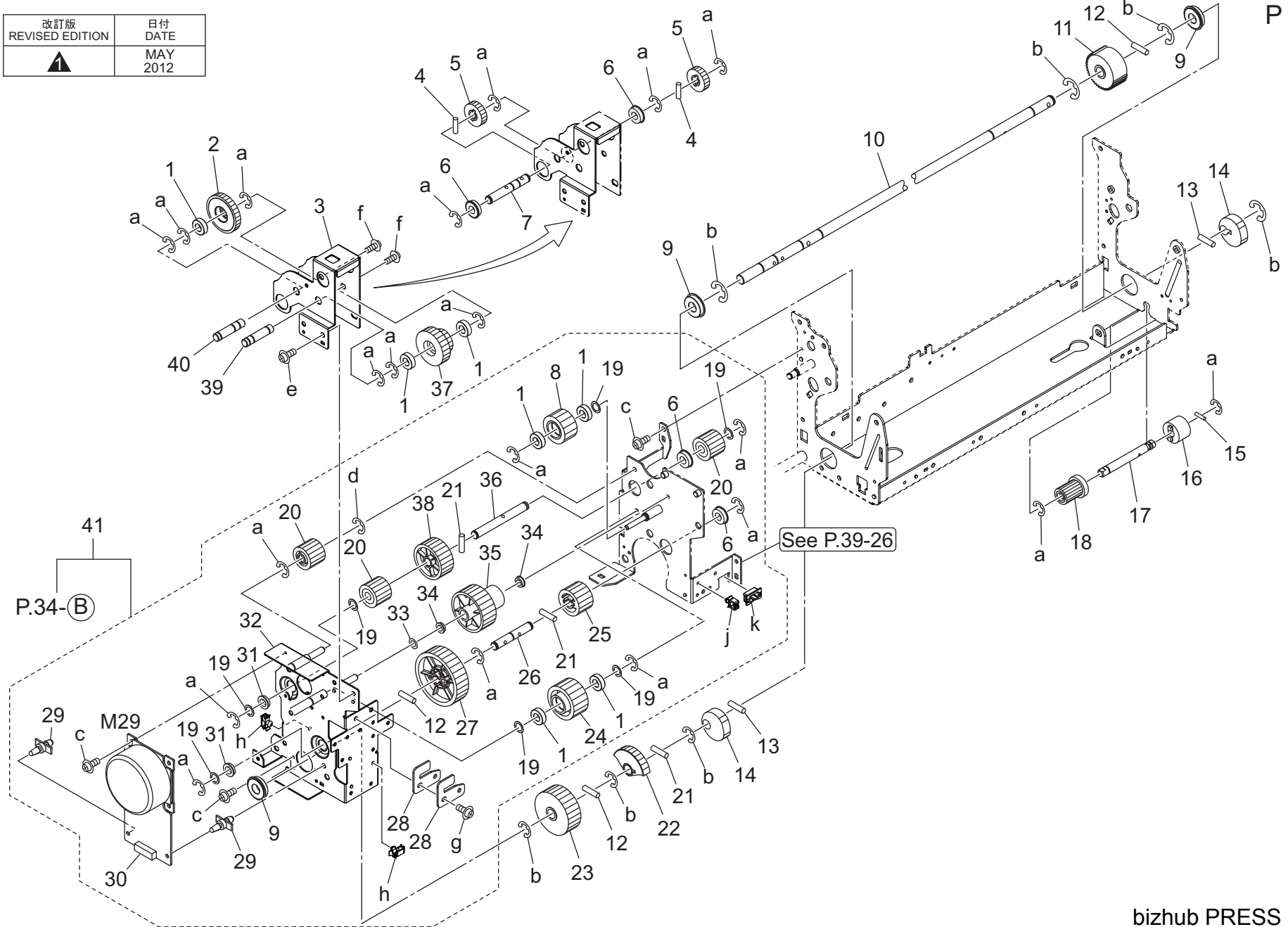
bizhub PRESS C7000P

Key	Part No.	Description	Destinations	Class	QTY	Standard parts
1	A03U731101	Support Plate /B		D	1	a-V121030603
2	A03U730800	Entrance Actuator /A		C	1	b-V121040603
3	A03U730900	SHAFT		D	1	c-V121030803
4	A1RFM51000	Photointerrupter /H		C	1	d-V158030803
5	55VA53970	Wiring Holder Part		D	6	e-V217020050
6	A03U734500	Support Screw /A		C	8	f-V182040603
7	A03UN23200	Grounding Wiring /F		D	1	g-V182030603
8	450053391	EXIT GUIDEPLATE MOUNTING SCREW		D	1	h-V500020031
9	A03U726900	Power supply Plate /Lower		C	3	i-V127030603
10	A03U724200	Positioning Shaft		D	1	k-V116040603
11	65AA53950	WIRING FIXING PLATE		D	4	m-V121030403
12	A03U733200	Cover Duct		D	1	n-V500010051
13	A1DU721100	Fusing Cover /Rear		D	1	p-V118040603
14	A1DUN10602	Fixing Wiring /2		D	1	
15	A03U727700	Guide Part		D	1	
16	A1DU736800	Insulating Sheet /A		D	1	
17	A1DU722811	Power supply Plate /Upper		D	1	
18	A1DUN10502	Fixing Wiring /1		D	1	
19	A03U725300	Terminal Fixing Plate		D	1	
20	A03U721400	Fusing Stay /Right		D	1	
21	A03U727300	Insulating Sheet /C		C	1	
22	A03U727200	Insulating Sheet /B		C	1	
23	A03U724500	Entrance Plate /Upper		C	1	
24	A03U724800	FIXING ROTATION SHAFT		D	1	
25	A03U721000	Fixing Entrance Plate /Lower		C	1	
26	A03UF77800	Fixing Drive Panel /A Caulking		D	1	

# FUSING SECTION

P 36

改訂版 REVISED EDITION	日付 DATE
	MAY 2012

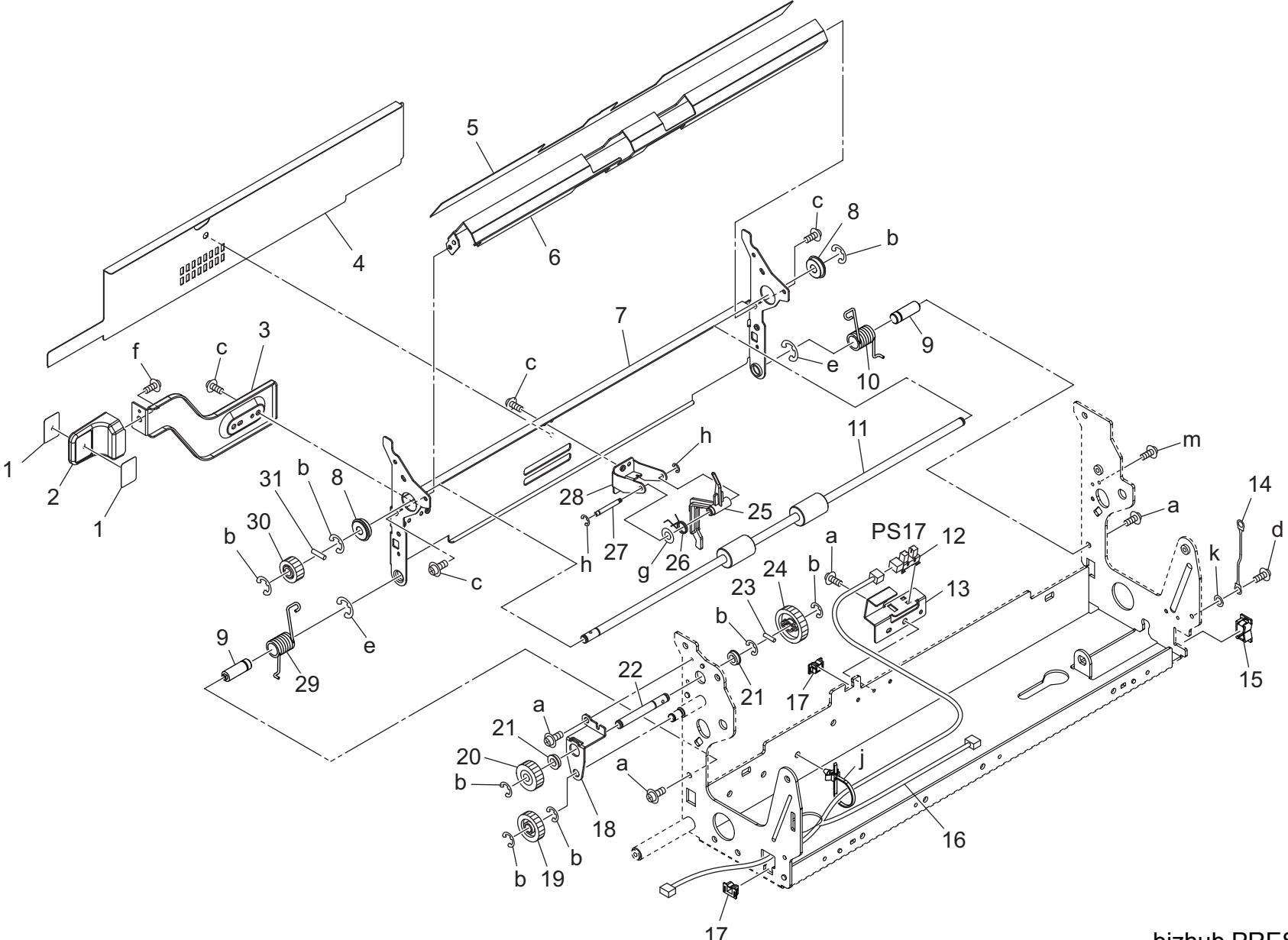


bizhub PRESS C7000P

# FUSING SECTION

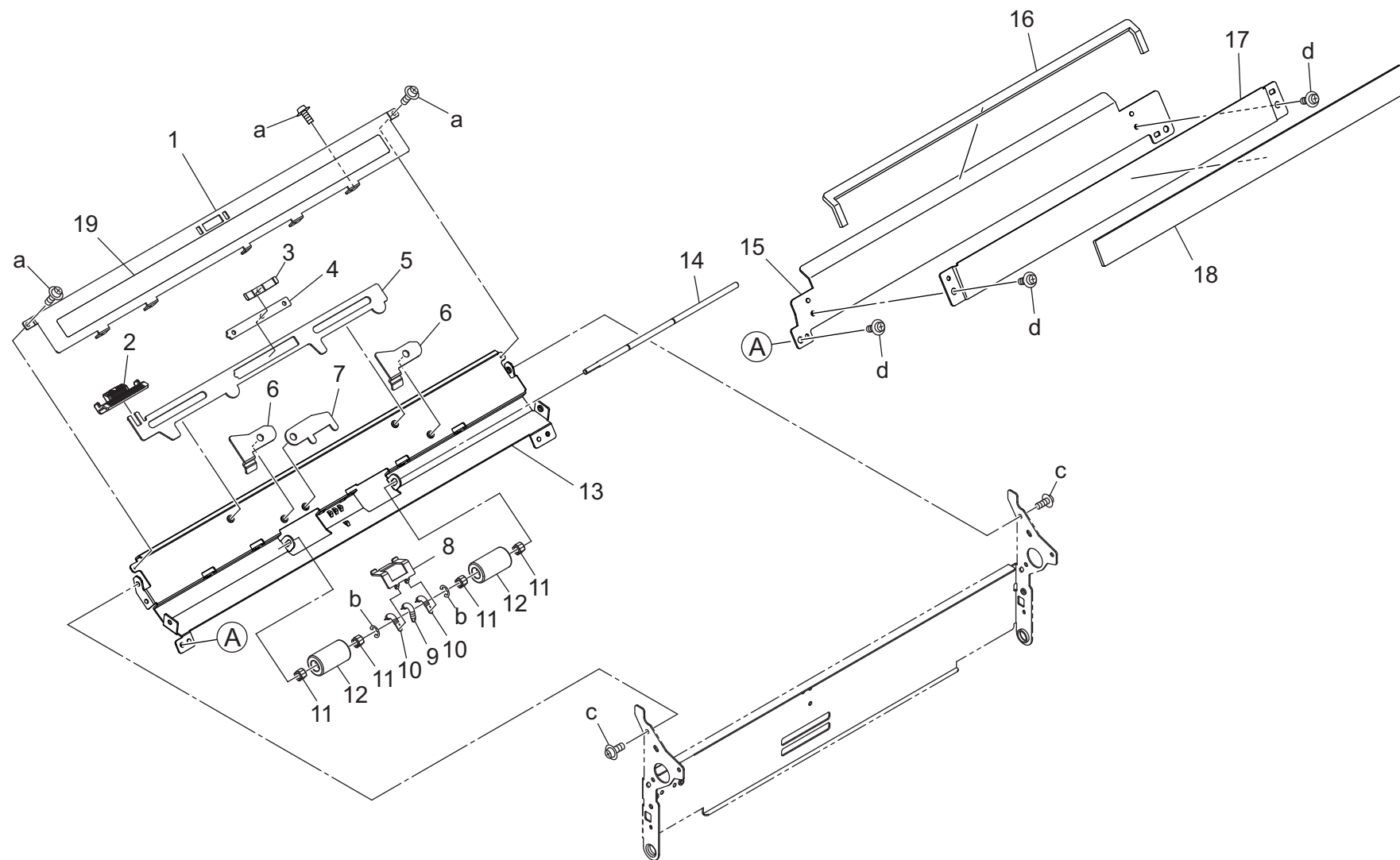
Key	Part No.	Description	Destinations	Class	QTY	Standard parts
1	A1RF820000	Ball Bearing		C	7	a-V217060050
2	55VA77870	FIXING IDLER GEAR 4 38T		B	1	b-V217080050
3	A1DU731200	Processing Panel		D	1	c-V121030603
4	56AA17471	PIN B 3X12		C	2	d-V217040050
5	13GG77030	Motor Driving Gear 22T		B	2	e-V182040603
6	A00V240600	BALL BEARING		C	4	f-V121040603
7	A03U728900	PROCESSING SHAFT /B		D	1	g-V140040803
8	A03U808811	FIXING DRIVE GEAR /H 35T		B	1	h-V500010046
9	500075010	BALL BEARING		C	3	j-V500010050
10	A03U722300	Release Shaft		D	1	k-V570010064
11	65AA77480	FIXING REGULATING GEAR B 47T		C	1	
12	304078070	PIN C		C	3	
13	454078030	PARALLEL PIN		C	2	
14	A03U722400	Pressure Cam		C	2	
15	56AA17531	PIN A D2X10		C	1	
16	65AA53651	FIXING LIMITTER		B	1	
17	A03U725600	Fixing Regulating Shaft /A		D	1	
18	65AA77470	FIXING REGULATING GEAR A 19T		B	1	
19	56AA42690	BY PASS FEED SPACER		C	7	
20	A03U809311	Fixing Drive Gear /M 22T		B	3	
21	56AA17480	PIN B		C	3	
22	A03U724400	Release Actuator /A		C	1	
23	A03U808000	Fixing Rrelease Gear /A 44T		B	1	
24	A03U809400	FIXING DRIVE GEAR /N 34T		B	1	
25	A03U809000	FIXING DRIVE GEAR /J 26T		B	1	
26	A03U726100	FIXING DRIVING SHAFT /D		D	1	
27	A03U809100	FIXING DRIVE GEAR /K 55T		B	1	
28	A03U732300	Fusing Jig		D	2	
29	V502010015	support		D	2	
30	A1DUM10100	DC Brushless motor /40		C	1	
31	A00J617900	Ball Bearing		B	2	
32	A1DUR74700	Fusing Drive Panel / B Caulking		D	1	
33	25HA30330	DEVELOPING REGULATING SPACER		C	1	
34	A00J617800	BALL BEARING		C	2	
35	A1DU808900	Drive Gear /I 26/79T		C	1	
36	A03U725800	FIXING DRIVE SHAFT /A		C	1	
37	A03U809700	Jam Processing Gear /A 22/35T		B	1	
38	A03U808700	FIXING DRIVE GEAR /G 45T		B	1	
39	A03U733500	Processing Shaft /D		D	1	
40	A03U732400	Processing Shaft /C		D	1	
41	A1DUR74U00	Fusing Drive Panel Assy		D	1	

FUSING SECTION



Key	Part No.	Description	Destinations	Class	QTY	Standard parts
1	A1RF943600	Release Label /6		D	2	a-V121030603
2	65AA53991	Fixing Paper Exit Lever		C	1	b-V217040050
3	A03U723301	Open/close Lever		C	1	c-V127030603
4	A03U728100	Insulating Sheet /D		C	1	d-V116040603
5	A03U729901	Insulating Sheet /E		C	1	e-V217060050
6	A03U722001	Fixing Paper exit Plate /Lower		D	1	f-V151040803
7	A03U720800	Fixing Paper exit Stay		D	1	g-V226060050
8	55GA75031	BALL BEARING		A	2	h-V217020050
9	A03U726711	Paper Exit Fulcrum Shaft		D	2	j-V501010003
10	A03U734411	Paper Exit Open /Shut Spring /B		C	1	k-V209040050
11	A03U720900	Fixing Paper Exit Roller		C	1	m-V118030603
12	A1RFM51000	Photointerrupter /H		C	1	
13	65AA53520F	Paper Exit Detecting Plate		D	1	
14	A03UN23300	Main body Grounding Wire		D	1	
15	V570010064	Edge Saddle		V	1	
16	A03UN15200	Fixing Relay Wiring		D	1	
17	V570010065	Edge Saddle		V	2	
18	A03U723900	Paper exit Drive Plate		D	1	
19	A03U808300	FIXING DRIVE GEAR /C 20T		B	1	
20	A03U808400	FIXING DRIVE GEAR /D 19T		B	1	
21	A00J617800	BALL BEARING		C	2	
22	A03U724000	Paper exit Drive Shaft		D	1	
23	56AA17321	PIN A D2X12		B	1	
24	A03U808500	FIXING DRIVE GEAR /E 32T		B	1	
25	65AA53371	PAPER EXIT ACTUATOR		C	1	
26	65AA53560	PAPER EXIT DETECTING SPRING		C	1	
27	65AA53420	PAPER EXIT DECTING SHAFT		D	1	
28	65AA53380	SUPPORT PLATE		D	1	
29	A03U734311	Paper Exit Open/ Shut Spring /A		C	1	
30	A03U809600	FIXING DRIVE GEAR /P 20T		B	1	
31	56AA17531	PIN A D2X10		C	1	

# FUSING SECTION

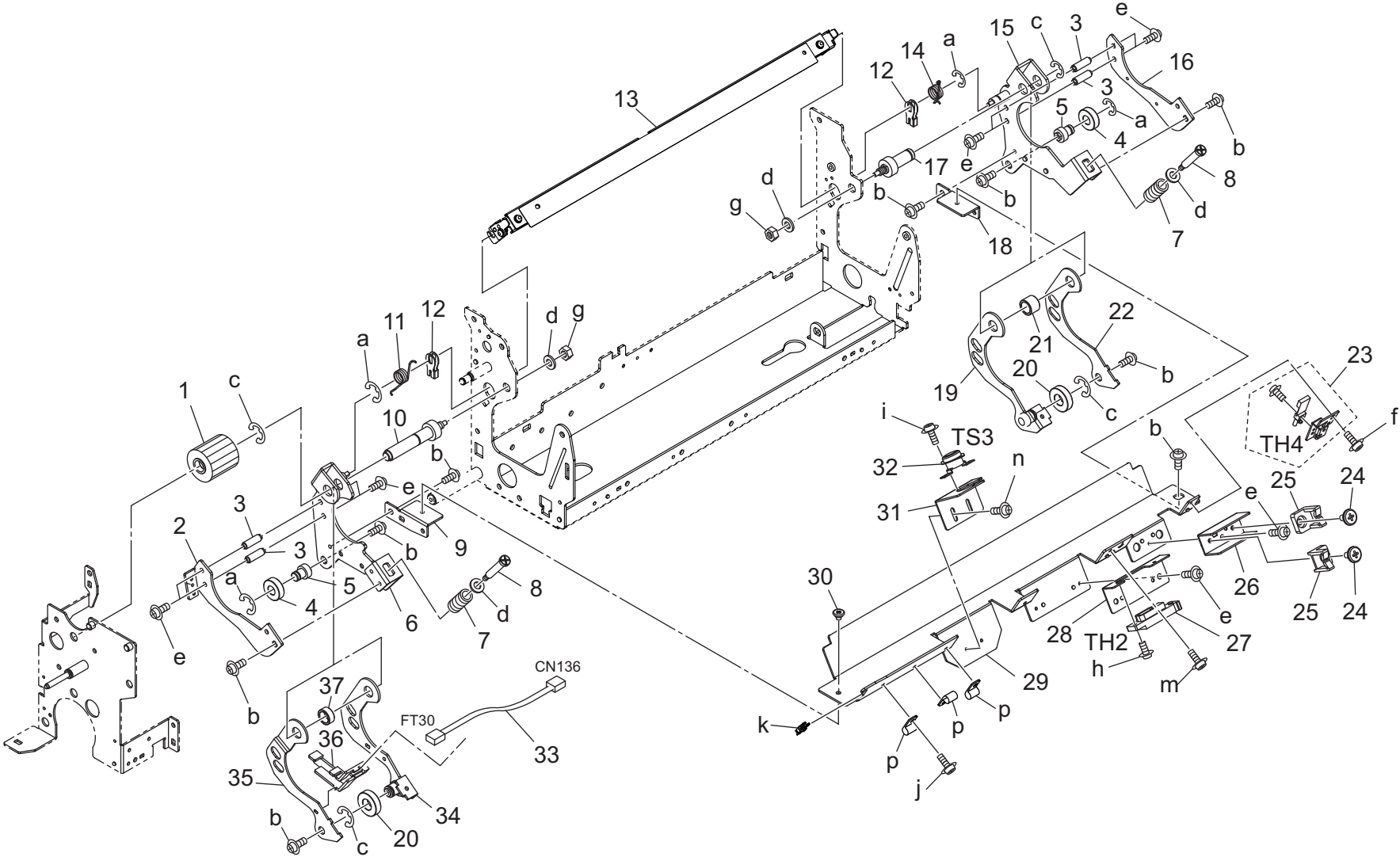


# FUSING SECTION

Key	Part No.	Description	Destinations	Class	QTY	Standard parts
1	A03U735300	Holding Plate		D	1	a-V118020303 b-V217030050 c-V127030603 d-V121030603
2	A03U735000	Slide Knob		C	1	
3	A03U734800	Positioning Plate spring /1		C	1	
4	A03U734900	Positioning Plate		D	1	
5	A03U735400	Slide Plate		D	1	
6	A03U735500	Release Lever		C	2	
7	A03U735200	Pressing Cam /2		C	1	
8	A03U735100	Pressing Cam /1		C	1	
9	A03U725500	Paper exit Spring /1		C	1	
10	A03U735600	Paper exit Spring /2		C	2	
11	65AA53980	FIXING PAPER EXIT BUSHING		C	4	
12	A03U722500	Fixing Paper exit Roller		A	2	
13	A1DU727600	Paper exit Plate /Upper		D	1	
14	A03U728000	PAPER EXIT SHAFT		D	1	
15	A1DU762300	Positioning Plate /1		D	1	
16	A1DU762600	Fusing Seal /2		D	1	
17	A1DU762401	Duct /1		D	1	
18	A1DU762500	Fusing Seal /1		D	1	
19	A1DU949000	Caution Label		D	1	

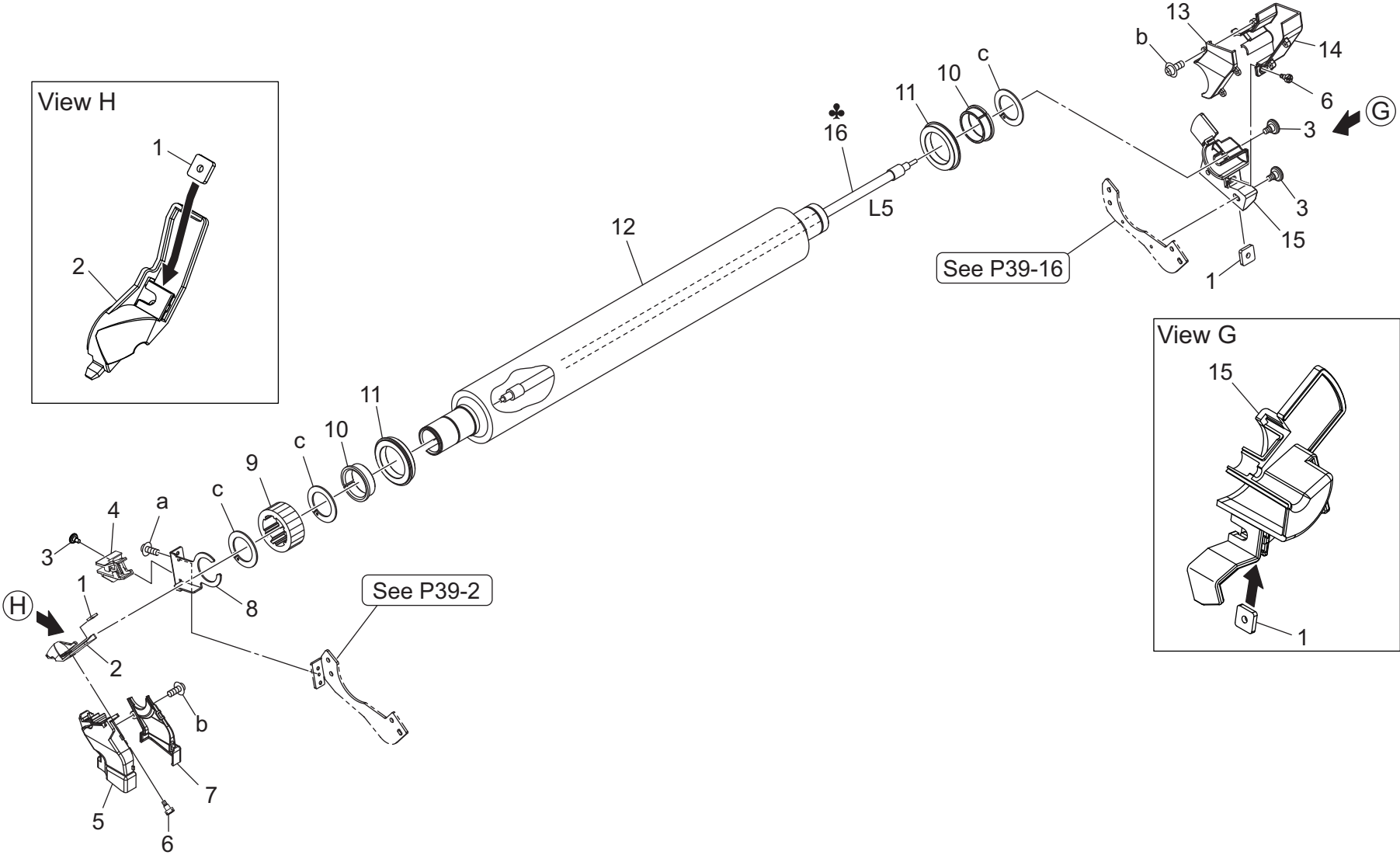


FUSING SECTION



Key	Part No.	Description	Destinations	Class	QTY	Standard parts
1	A03U808201	Fixing Drive Gear /B 28T		A	1	a-V217060050
2	A03U723700	Support Arm /Front		D	1	b-V121040603
3	A03U723400	Fixing Support Shaft /A		D	4	c-V217080050
4	A03U807900	Fixing Pressing Bearing		C	2	d-V207060003
5	A03U730600	Shaft holder Shaft		D	2	e-V121030603
6	A03UF74200	Arm /Front Caulking		D	1	f-V182030603
7	A03U730701	Pressure Spring		C	2	g-V195060003
8	A03U724901	Pressure Shaft		D	2	h-V116030803
9	A03U731300	Auxiliary Plate /Front		D	1	i-V118030403
10	A03U722200	Fixing Support Shaft /Front		D	1	j-V118040603
11	A03U734601	Separating Spring /Front		C	1	k-V570010025
12	A03U735700	HOLDING SIDE PLATE		D	2	m-V116040603
13	A1DUR74H00	Fusing Separating Plate		A	1	p-V500020030
14	A03U734701	Separating Spring /Rear		C	1	
15	A03UF74300	Arm /Rear Caulking		D	1	
16	A03U732000	Support Arm /Rear		D	1	
17	A03U730100	Fixing Support Shaft /Rear		D	1	
18	A03U731400	Auxiliary Plate /Rear		D	1	
19	A03UF74500	Fixing Pressure Plate /C Caulking		D	1	
20	A03U807700	Pressure Bearing		C	2	
21	A03U731900	Regulating Shaft /Rear		D	1	
22	A03U732200	Fixing Pressure Plate /D		D	1	
23	A1DUR71W00	Mounting Plate / A		B	1	
24	A03U734500	Support Screw /A		C	2	
25	55VA53970	Wiring Holder Part		D	2	
26	A03U730200	GUIDE PLATE /REAR		D	1	
27	65AA88020	TEMPERATURE SENSOR 2		B	1	
28	65AA53230	MOUNTING PLATE		D	1	
29	A03U721201	Fixing Support Stay /Lower		D	1	
30	56AA53470	FIXING FULCRUM SHAFT		D	1	
31	A03U724101	Fuse Mounting Plate /Lower		D	1	
32	SP00-0181	THERMOSTAT		A	1	
33	A03UN10800	Fixing Power supply Wiring /Lower		D	1	
34	A03UF74400	Fixing Pressure Plate /A Caulking		D	1	
35	A03U723800	Fixing Pressure Plate /B		D	1	
36	A03U723600	Wiring Mounting Plate /Front		D	1	
37	A03U731800	Regulating Shaft /Front		D	1	

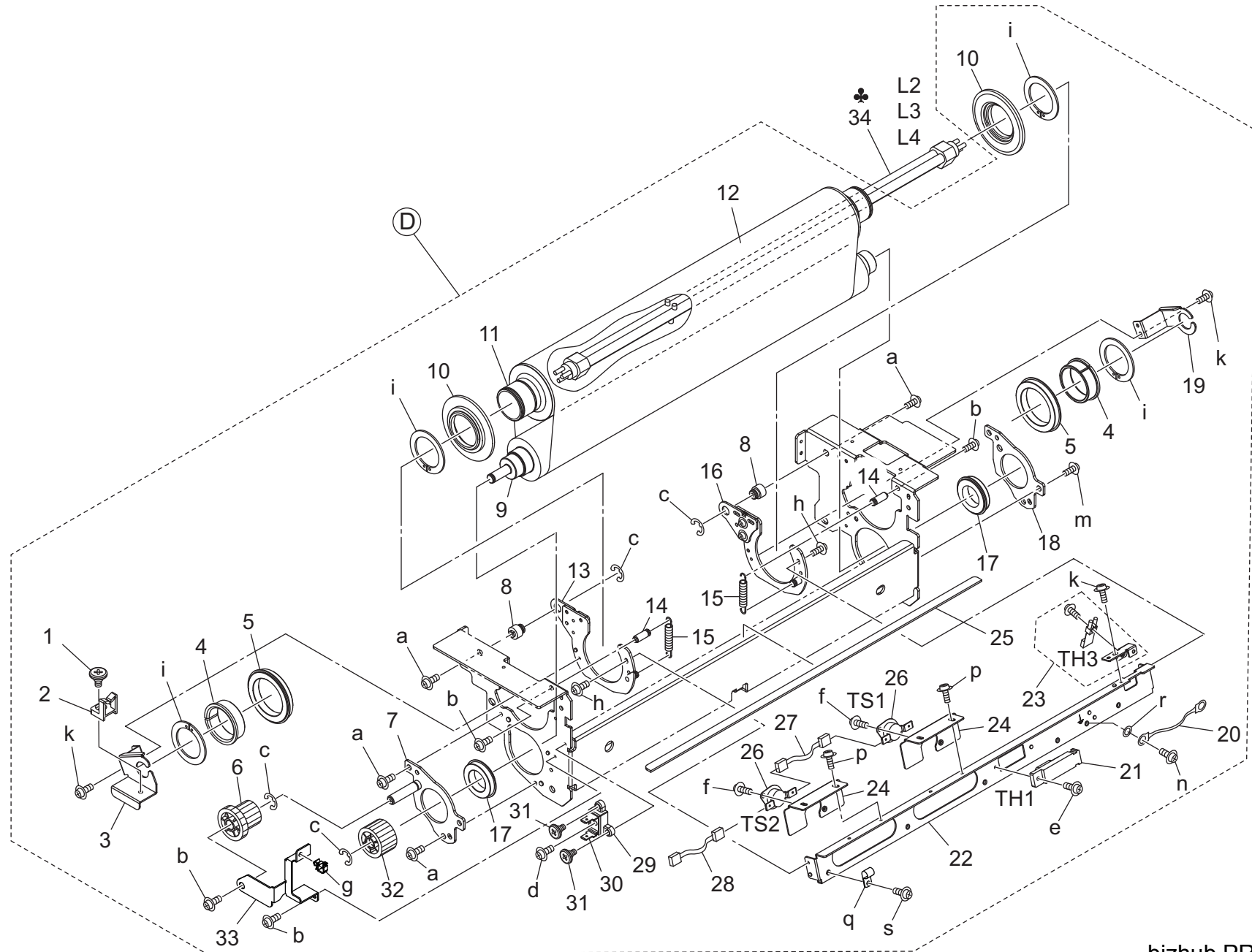
FUSING SECTION



Key	Part No.	Description	Destinations	Class	QTY	Standard parts
1	A03U733100	Mounting Nut		C	2	a-V121030603 b-V151020603 c-V223260004
2	A03U728800	Fusing Duct /4		C	1	
3	A03U734500	Support Screw /A		C	3	
4	A03U727500	Wiring Part /1		D	1	
5	A03U728600	Fusing Duct /3		C	1	
6	56AA20870	TERMINAL FIXING SCREW		C	2	
7	A03U728700	Cover /3		C	1	
8	A03U721700	Hold Plate /1		C	1	
9	A03U808100	Fixing Drive Gear /A 38T		B	1	
10	A03U722700	Insulating Sleeve /Lower		B	2	
11	26NA53712	BALL BEARING		A	2	
12	A03U720300	Fusing Roller /Lower		A	1	
13	A03U732900	Cover /5		C	1	
14	A03U732800	Fixing duct /5		C	1	
15	A03U732700	Hold Block /Rear		C	1	
16	A03UM32A00	Fixing Lamp /Lower	A	I	1	
16	A03UM32E00	Fixing Lamp /Lower	B,G2	I	1	
16	A03UM32F00	Fixing Lamp /Lower	C	I	1	

# FUSING SECTION

P 41

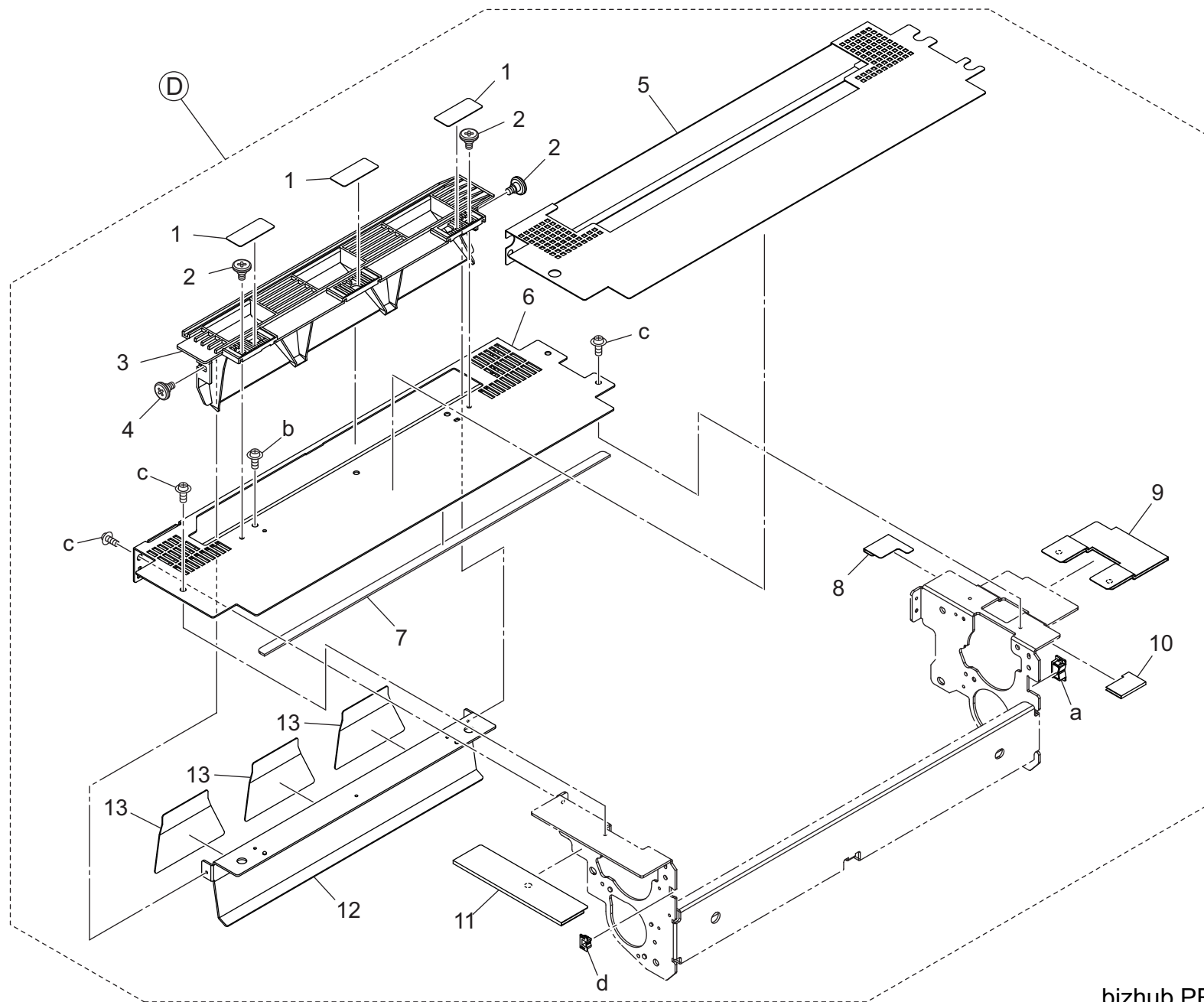


bizhub PRESS C7000P

# FUSING SECTION

Key	Part No.	Description	Destinations	Class	QTY	Standard parts
1	A03U734500	Support Screw /A		C	1	a-V121040603
2	55VA53970	Wiring Holder Part		D	1	b-V121030603
3	A03U729001	Heater Support Plate /Front		D	1	c-V217060050
4	A03U729500	INSULATING SLEEVE /UPPER		A	2	d-V116030503
5	A1UD723500	Fusing Bearing /Upper		A	2	e-V116030803
6	A1DU808600	Drive Gear /F 20/29T		C	1	f-V118030403
7	A1DUF76100	Roller Mounting Plate Caulking		D	1	g-V500010074
8	A03U729200	Support Shaft		D	2	h-V121030403
9	A03U720201	Fusing Roller /2		A	1	i-V223300004
10	A03U725000	Belt Regulating Sleeve		A	2	k-V182030603
11	A03U720100	FUSING ROLLER /1		A	1	m-V182040603
12	A1DU736000	Fusing Belt 251L		A	1	n-V116040603
13	A1DUR71X00	Support Arm / Front		D	1	p-V116030603
14	A03U729700	Spring Shaft /B		D	2	q-V500020031
15	A03U727900	Belt Tension Spring		C	2	r-V209040050
16	A1DUR71Y00	Support Arm / Rear		D	1	s-V118040603
17	56UA75070	FIXING BEARING		A	2	
18	A1DU725100	Mounting Plate		D	1	
19	A03U729101	HEATER SUPPORT PLATE /REAR		D	1	
20	A03UN23200	Grounding Wiring /F		D	1	
21	65AA88010	TEMPERATURE SENSOR 1		B	1	
22	A03U722902	Stay		D	1	
23	A1DUR72000	Stay / B		B	1	
24	A03U725201	Stay /A		D	2	
25	A03U731700	Fusing Seal		C	1	
26	SP00-0032	THERMOSTAT		A	2	
27	A1DUN10400	Fixing Wiring /Middle		D	1	
28	A1DUN10700	Fixing Wiring /Upper		D	1	
29	26NA53780	Terminal Pedestal /B		C	1	
30	A03U729800	Terminal Plate		C	1	
31	26NA54230	TERMINAL FIXING SCREW		C	2	
32	A03U809500	FIXING DRIVE GEAR /O 26T		A	1	
33	A1DU724300	Cover Plate		D	1	
34	A1DUM31A00	Fixing Halogen heater /Upper		I	1	
34	A1DUM31E00	Fixing Halogen heater /Upper	A, B, G2	I	1	
34	A1DUM31F00	Fixing Halogen heater /Upper	C	I	1	

# FUSING SECTION




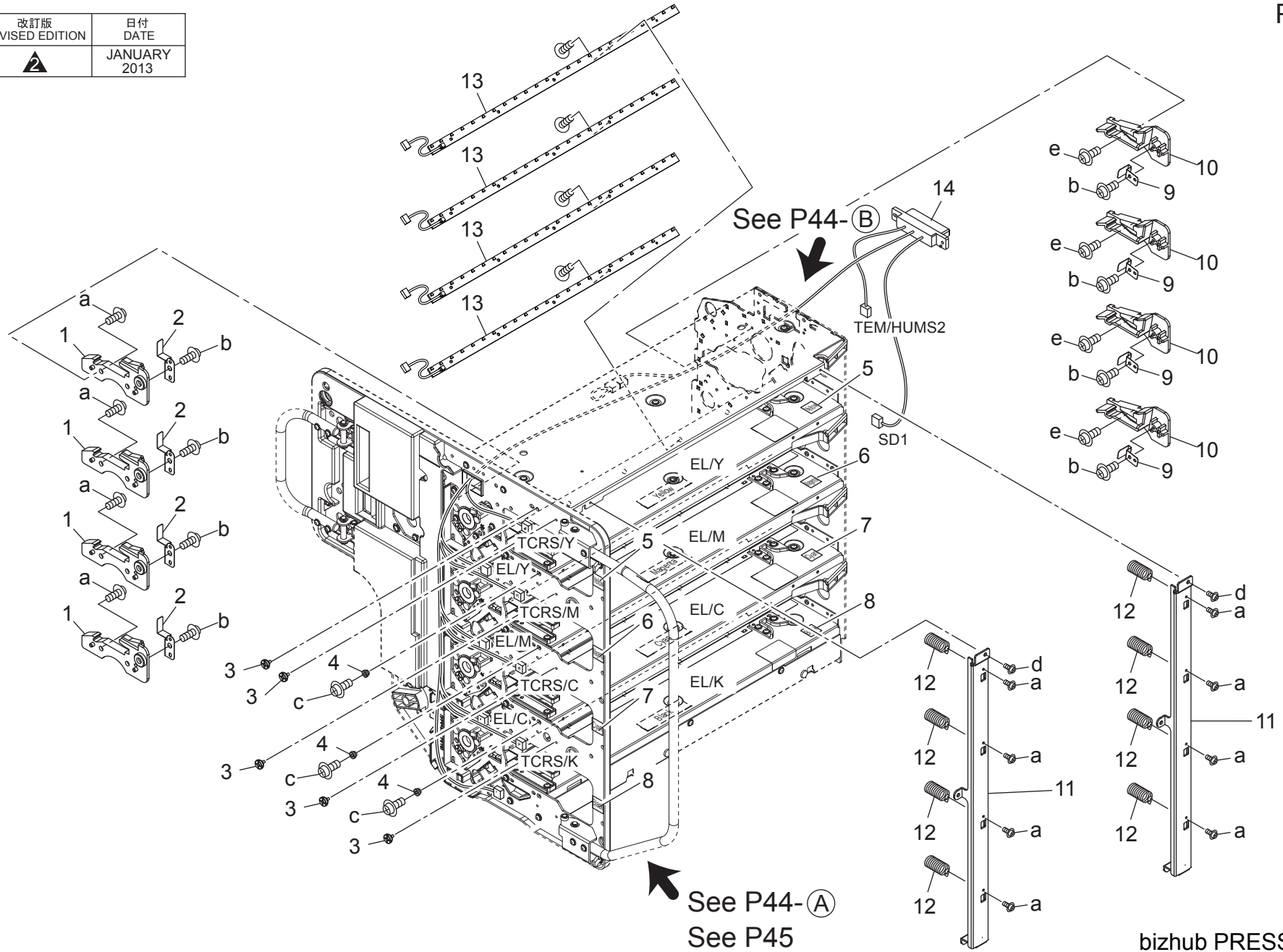
# FUSING SECTION

Key	Part No.	Description	Destinations	Class	QTY	Standard parts
1	A1DU763800	Insulating Sheet /2		D	3	a-V570010064 b-V121030603 c-V182030603 d-V570010065
2	A03U734500	Support Screw /A		C	3	
3	A1DU760200	Duct /A		D	1	
4	A1DU763900	Support Screw /A		D	1	
5	A1DU727002	Insulating Sheet /A		D	1	
6	A1DU721300	Insulating Part /1		D	1	
7	A03U731700	Fusing Seal		C	1	
8	A1DU737100	Insulating Sheet /2		D	1	
9	A1DU736600	Insulating Sheet /4		D	1	
10	A1DU737000	Insulating Sheet /3		D	1	
11	A1DU736701	Insulating Sheet /1		D	1	
12	A1DU760100	Cover Plate /1		D	1	
13	A1DU763501	Insulating Sheet /5		D	3	



# PROCESS CARRIAGE SECTION

改訂版 REVISED EDITION	日付 DATE
	JANUARY 2013



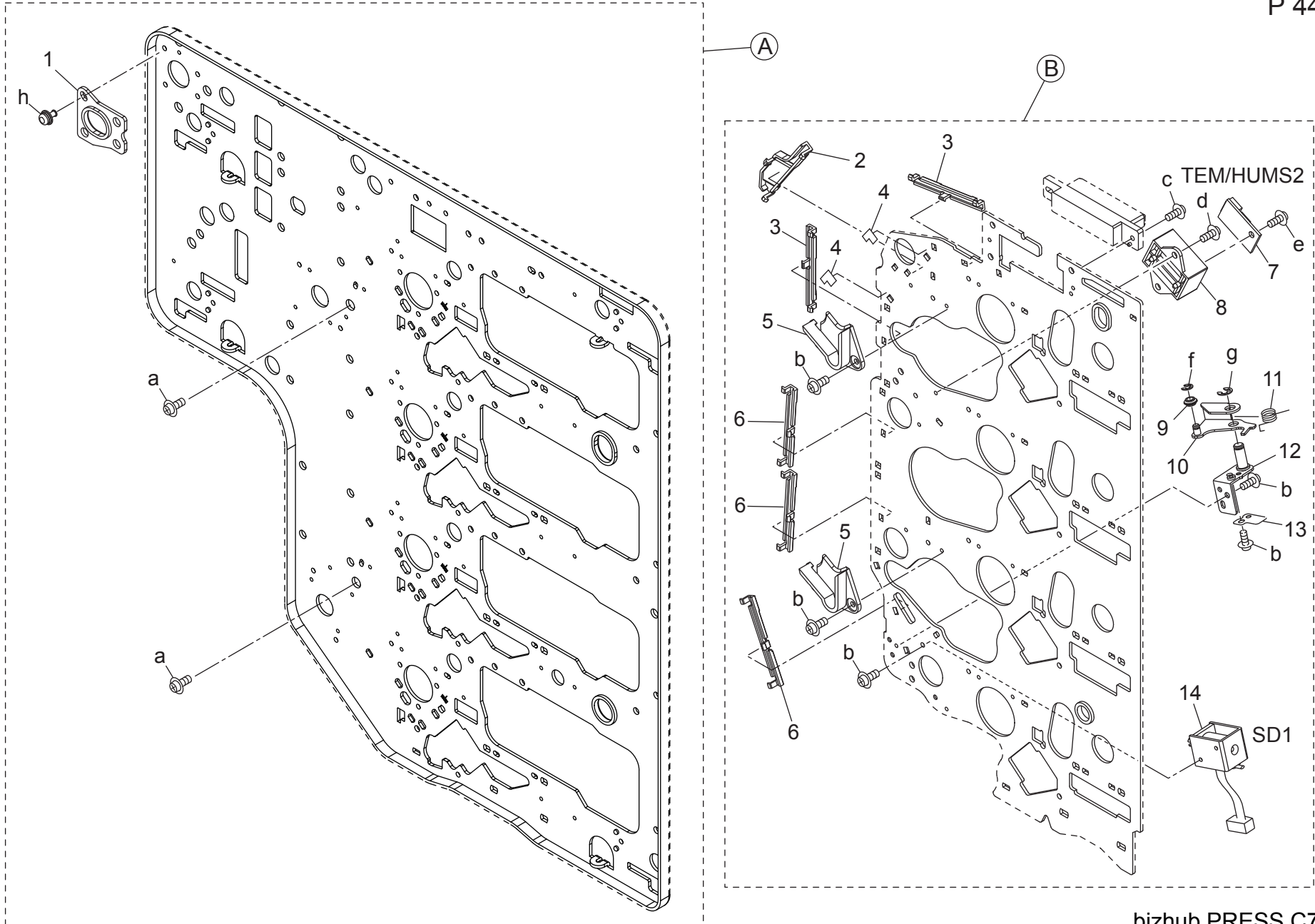
bizhub PRESS C7000P

PROCESS CARRIAGE SECTION

Key	Part No.	Description	Destinations	Class	QTY	Standard parts
1	A03U344200	Drum Mounting Block /Front		D	4	a-V121040403 b-V158030803 c-V118031003 d-V121030603 e-V121030403
2	A03U349500	Plate /1	ドラム取り付けブロック／前板／1	D	4	
3	65AA22680	CARTRIDGE SUPPORT SCREW	カートリッジ支持ネジ	C	5	
4	65AA22830D	Mounting Spacer	取り付けスペーサー	D	3	
5	65AA97440	Developing Exchanging Label /Y	現像交換ラベル／Y	D	2	
6	65AA97450	Developing Exchanging Label /M	現像交換ラベル／M	D	2	
7	65AA97460	Developing Exchanging Label /C	現像交換ラベル／C	D	2	
8	65AA97470	Developing Exchanging Label /K	現像交換ラベル K	D	2	
9	A03U348900	Drum Holding Plate /Rear	ドラム押さえ板／奥	D	4	
10	A03U344300	Drum Mounting Block /Rear	ドラム取り付けブロック／奥	D	4	
11	A03U347801	Developing Pressing Plate /2	現像押圧板／2	D	2	
12	65AA22460	DEVELOPING PRESSING SPRING	現像押圧バネ	C	8	
13	A1DUM30700	PCL	P C L	C	4	
14	A1DUN11100	Developing Detection Harness /2	現像検知束線／2	D	1	

# PROCESS CARRIAGE SECTION

P 44

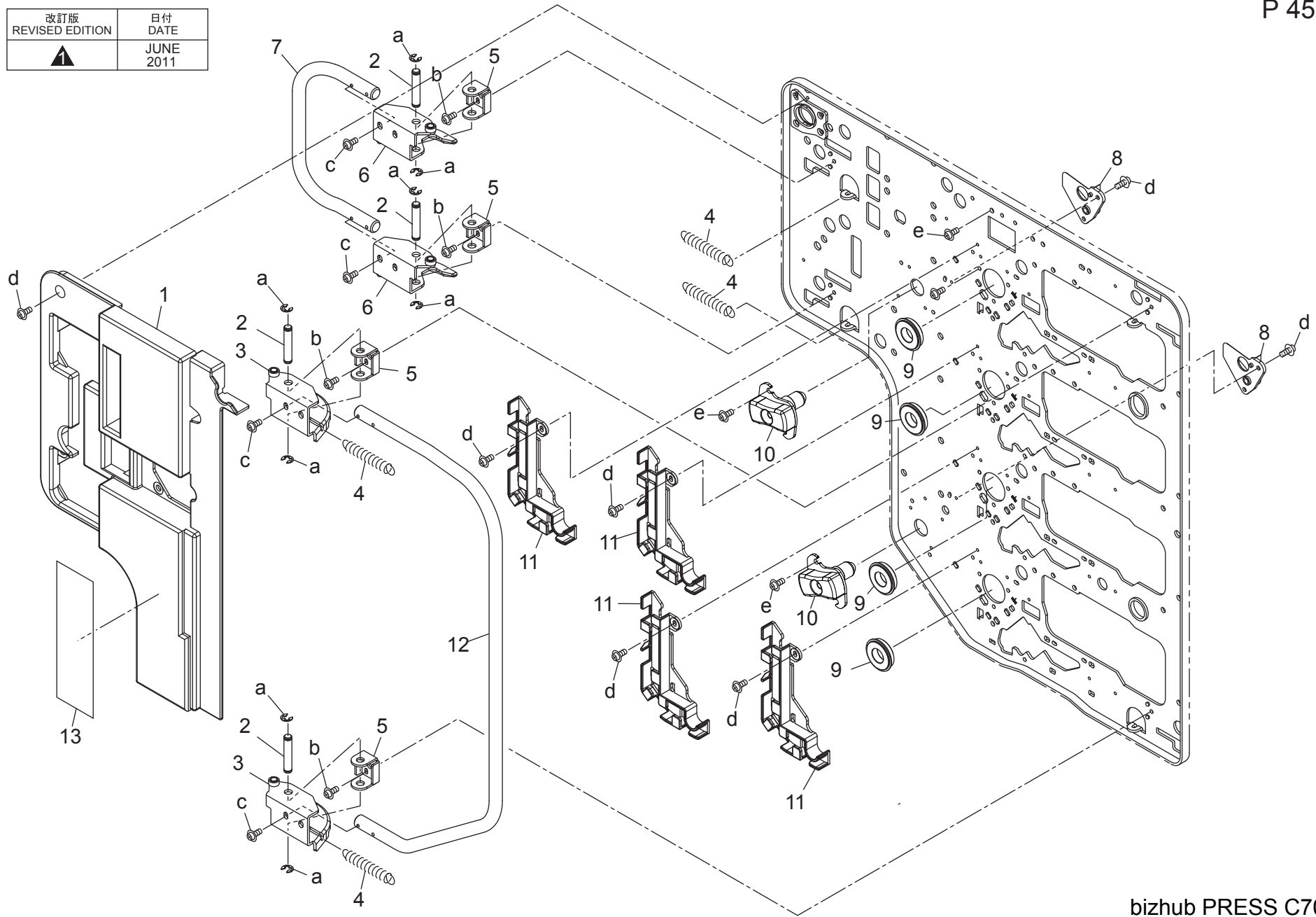


bizhub PRESS C7000P



# PROCESS CARRIAGE SECTION

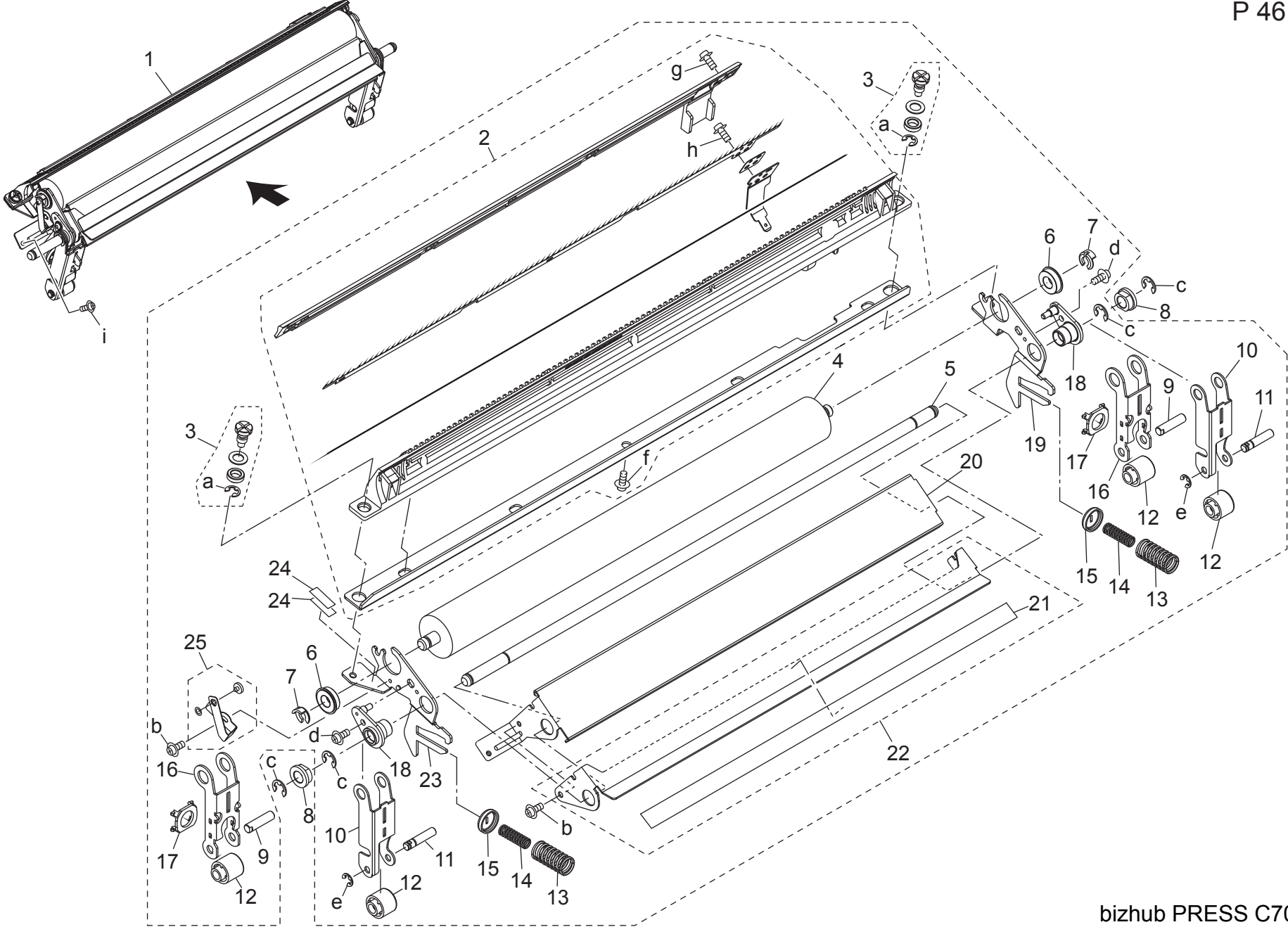
改訂版 REVISED EDITION	日付 DATE
▲	JUNE 2011



PROCESS CARRIAGE SECTION

Key	Part No.	Description	Destinations	Class	QTY	Standard parts
1	65AA22350E	FRONT COVER /LEFT		C	1	a-V217040050 b-V121040403 c-V121031203 d-V121030403 e-V121030603
2	65AA22100	CARRIGE LOCKING SHAFT UPPER		D	4	
3	A1DUR74100	Carrige Lock/Right Caulking		D	2	
4	65AA22290	LEVER OPEN SHUT SPRING		C	4	
5	65AA22260	HINGE PLATE A		D	4	
6	A1DUR74200	Carrige Lock/Left Caulking		D	2	
7	65AA22140	Carrige Handle /Left		D	1	
8	65AA22360	TRANSFER SUPPORT BLOCK FRONT		D	2	
9	65AA75081	DRUM SUPPORT BEARING /2		C	4	
10	A1DUR74E00	Belt Positioning Shaft Assy		D	2	
11	65AA22800	WIRING GUIDE COVER		D	4	
12	65AA22130	Carrige Handle /Right		D	1	
13	A1DU944400	Replacement Label		D	1	

SECONDARY TRANSFER SECTION



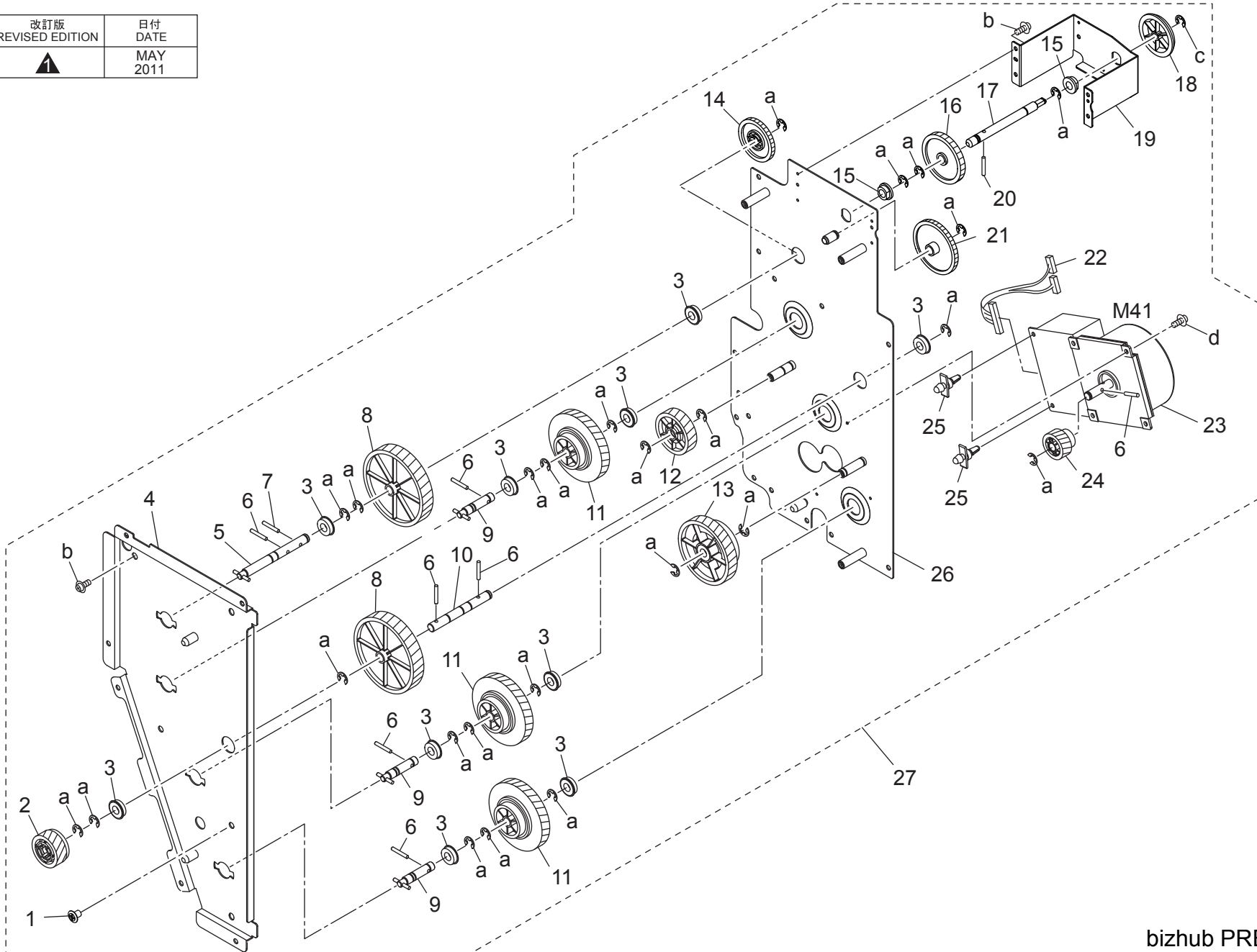
# SECONDARY TRANSFER SECTION

Key	Part No.	Description	Destinations	Class	QTY	Standard parts
1	A1DUR71A00	Second Transfer Unit		C	1	a-V217040050
2	A1DUR73800	Separating Neutralizing Assy		A	1	b-V121030403
3	A1DUR73900	Separating Mt Screw		C	2	c-V217060050
4	65AA45011	TRANSFER ROLLER		A	1	d-V121030603
5	A03U520600	Transfer Shaft		D	1	e-V217030050
6	A1RF529300	Ball bearing		C	2	f-V158030803
7	55VA42120	SHAFT STOPPER		C	2	g-V151020503
8	A03U812800	Slide Shaft Holder		B	2	h-V118020403
9	A03U523600	ROTATION SHAFT /2		D	2	i-V116030603
10	A03U521600	Pressure Lever /1		C	2	
11	A03U521900	Rotation Shaft /1		D	2	
12	A03U521800	Pressure Roll		C	4	
13	A03U523700	Transfer Spring /2		C	2	
14	A03U521700	Transfer Spring /1		C	2	
15	A03U523501	Guide Part /1		C	2	
16	A03U523400	PRESSURE LEVER /2		C	2	
17	A03U523801	GUIDE PART /2		D	2	
18	65AA45070	TRANSFER FULCRUM SHAFT HOLDER		D	2	
19	A03U520301	Transfer Side plate /Rear		D	1	
20	65AA45040	TRANSFER GUIDE PLATE		C	1	
21	A03U523900	HOLDING SHEET		C	1	
22	A1DUR73600	Guide Plate /Upper Assy		C	1	
23	A03U520201	Transfer Side plate /Front		D	1	
24	A03U524100	Adjusting Spacer		D	2	
25	A1DUR73700	Transfer Earth Plate Assy		B	1	



# PAPER FEED DRIVING SECTION

改訂版 REVISED EDITION	日付 DATE
▲	MAY 2011

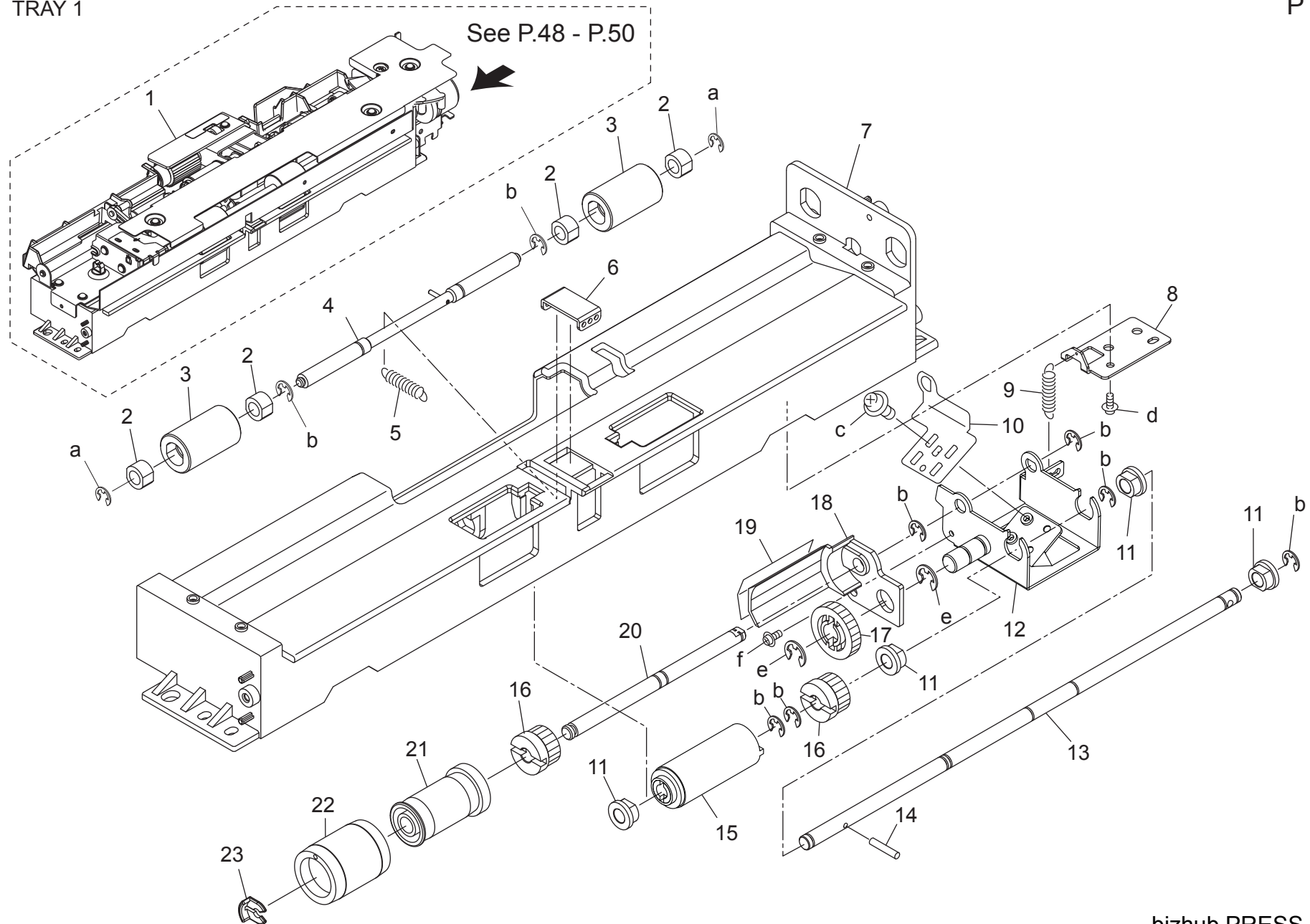


PAPER FEED DRIVING SECTION

Key	Part No.	Description	Destinations	Class	QTY	Standard parts
1	A00J618400	Screw		C	1	a-V217060050 b-V121030603 c-V217040050 d-V121030803
2	65AA77540	PAPER FEED GEAR 2 29T		C	1	
3	A00V240600	BALL BEARING		C	10	
4	65AA-4120	PF DRIVING PANEL/2CAULKING		D	1	
5	A1DUR72K00	Pf Driving Shaft/5Pin Hammer		D	1	
6	56AA17480	PIN B		C	7	
7	56AA17461	PIN A		B	1	
8	65AA77530	Paper Feed Gear /1 69T		C	2	
9	A1DUR72J00	Pf Driving Shaft/1Pin Hammer		D	3	
10	65AA41040	PAPER FEED DRIVING SHAFT 2		D	1	
11	55VA77130	PAPER FEED DRIVE GEAR /C 36/63T		B	3	
12	65AA77980	Paper Feed Gear /4 37T		C	1	
13	65AA77990	Paper Feed Gear /5 58T/40T		C	1	
14	25SA77420	MULTI-FEED DRIVE GEAR 24/41T		C	1	
15	090075530	BUSHING		B	2	
16	65AA78050E	Idling Gear /H 48T		C	1	
17	65AA24171	TONER COLLECTING SHAFT		C	1	
18	65AA77850	TONER COLLECTING GEAR 3 27T		C	1	
19	65AA24300	TONER COLLECTING PANEL 1		C	1	
20	56AA17471	PIN B 3X12		C	1	
21	07AA77302	SIDE GEAR E 52T		B	1	
22	65AA90890E	PAPER FEED RELAY WIRING		D	1	
23	65AA80021	DC Brushless Motor /50		B	1	
24	65AA77860	PAPER FEED GEAR 3 23T		C	1	
25	V502010015	support		D	2	
26	65AA-4110E	Paper Feed Drive Panel /1 Caulking		D	1	
27	A1DUR74S00	Paper Feed Drive Assy		C	1	

# PAPER FEED SECTION : UPPER

TRAY 1



bizhub PRESS C7000P

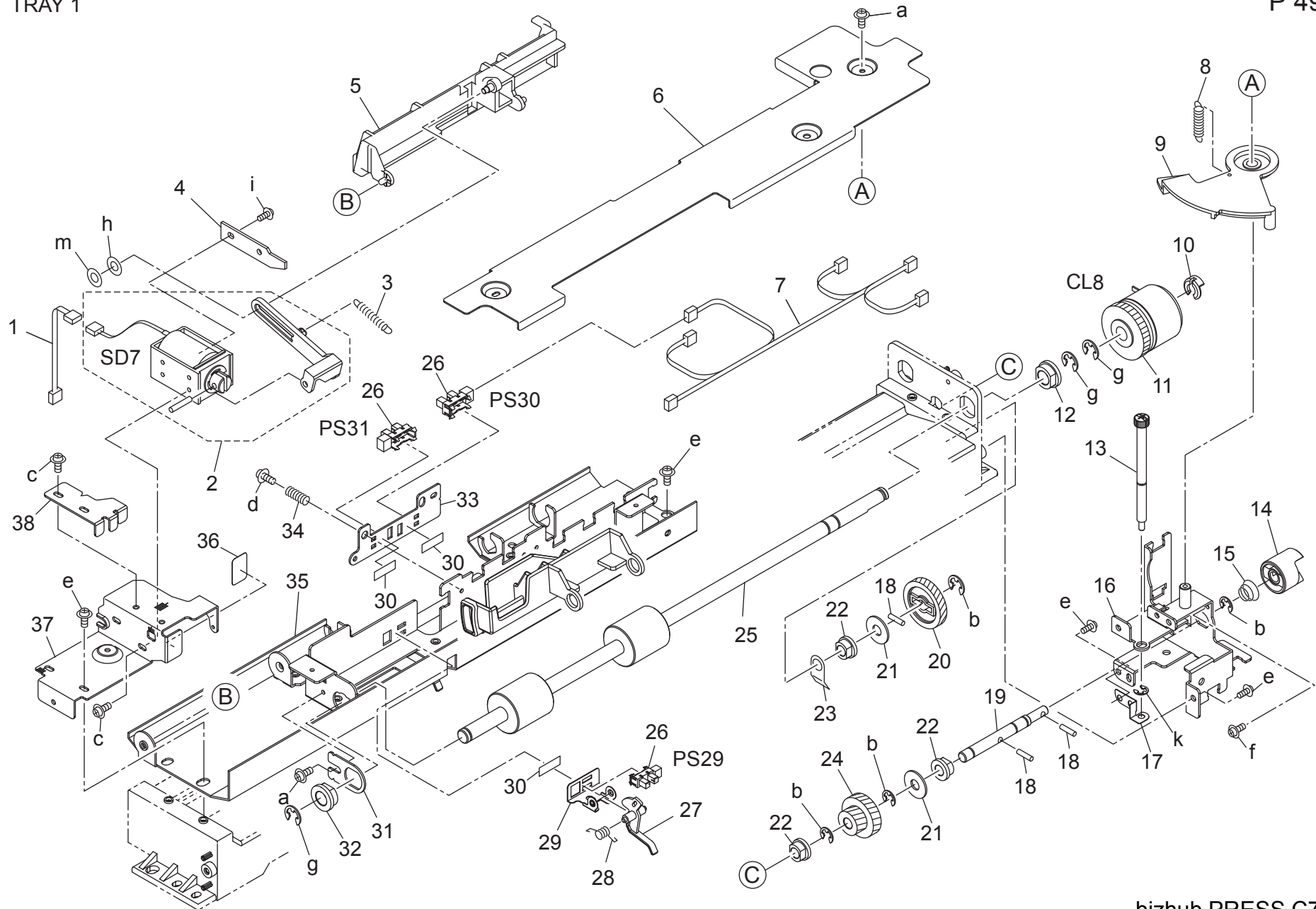
PAPER FEED SECTION : UPPER

Key	Part No.	Description	Destinations	Class	QTY	Standard parts
1	A1DUR71H00	Peper Feed Unit	給紙ユニット	S	1	a-V217030050
2	A03U850101	Slide Bushing	すべり軸受	C	4	b-V217040050
3	26NA42560	BY PASS FEED DRIVEN ROLLER	手差し従動ローラ	C	2	c-V116030603
4	A1DUR71K00	Paper Feed Driven Shaft Assy	給紙従動軸組	D	1	d-V153030803
5	56AA40481	PAPERFEEDPRESSINGSRING	給紙押圧バネ	C	1	e-V217060050
6	56AA40430	SPRING MOUNTING PLATE 1	バネ取り付け板 / 1	D	1	f-V121030603
7	56AA40010	Paper Feed Main Body	給紙本体	C	1	
8	56AA40440	SPRING MOUNTING PLATE 2	バネ取り付け板 / 2	D	1	
9	57AA40420	MULTI FEED PREVENTING SPRING	重送防止バネ	C	1	
10	56QA40550	MULTI FEED ADJUSTMENT PLATE	重送調整板	D	1	
11	A00J663200	Bushing	すべり軸受	C	4	
12	56QA40080	Multi-feed Preventing Plate	重送防止板	C	1	
13	56QA40250	MULTI FEED SUPPORT SHAFT	重送支点軸	D	1	
14	56AA17510	PIN B	ピン B	C	1	
15	A03X565611	Torque Limiter /A	トルクリミッタ / A	B	1	
16	55VA79030	Paper Feed Reversal Gear /C 14T	給紙逆転歯車 / C 14 T	B	2	
17	26NA42061	BY PASS FEED CONVEYING GEAR 21T	手差し搬送ギア 21 T	B	1	
18	56AA40530	ENTRANCE GUIDE PART	入口ガイド部材	D	1	
19	56AA40540	ENTRANCE GUIDE SHEET	入口ガイドシート	C	1	
20	56QA40270	MULTI FEED REVERSE SHAFT	重送逆転軸	D	1	
21	56AA40360	Reverse Roller	逆転ローラー	C	1	
22	25SA40960	DOUBLE FEED PREVENTION RUBBER	重送防止ゴム	A	1	
23	A1RF620301	Stopper Collar	ストッパカラー	D	1	

# PAPER FEED SECTION : UPPER

TRAY 1

P 49



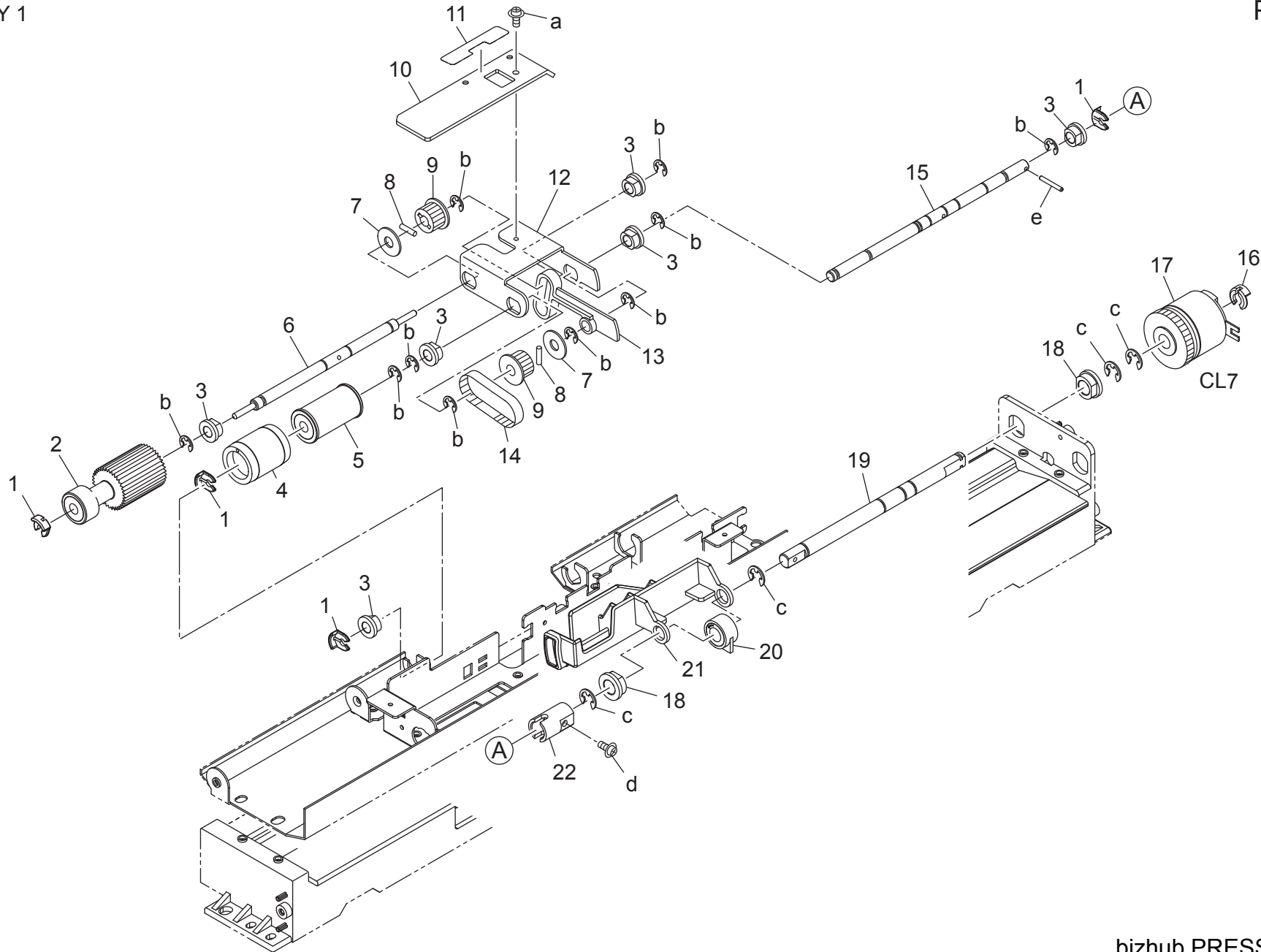
PAPER FEED SECTION : UPPER

Key	Part No.	Description	Destinations	Class	QTY	Standard parts
1	A1RFN26000	Relay harness /C	中継束線 / C	D	1	a-V121030603
2	A1DUR71M00	Solenoid Assy	ソレノイド部組	C	1	b-V217040050
3	65AA40060	RELEASE SPRING	解除バネ	C	1	c-V116030503
4	65AA40110	GUIDE PART	ガイド部材	D	1	d-V121030403
5	65AA40010	Regulating Plate	規制板	D	1	e-V153030803
6	56AA40100G	Wiring Protection Cover	束線保護カバー	D	1	f-V111030803
7	56AA90610E	PAPER FEED WIRING /2	給紙 束線 / 2	D	1	g-V217060050
8	56AA17121	SEPARATE SPRING UPPER	分離バネ 上	D	1	h-V207030003
9	56AA40390	CAM PLATE	カム板	C	1	i-V118030403
10	55VA42120	SHAFT STOPPER	軸ストッパー	C	1	k-V217030050
11	56AA82012	PAPER FEED DRIVING CLUTCH	給紙駆動クラッチ	C	1	m-V226030050
12	55VA75540	PAPER FEED SHAFT HOLDER B	給紙軸受 B	B	1	
13	56AA40120	PAPER FEED HOLDING SCREW	給紙押えネジ	B	1	
14	56AA40450	PAPER FEED COUPLING PART	給紙カップリング部材	C	1	
15	56AA40510	PRESSING SPRING	押圧バネ	C	1	
16	56AA40090	DRIVE MOUNTING PLATE	駆動取付板	C	1	
17	56AA40470	SCREW EARTH PLATE	ネジアース板	D	1	
18	56AA17480	PIN B	ピン B	C	1	
19	56AA40240	PAPER FEED INPUT SHAFT	給紙入力軸	C	3	
20	56AA77730	PAPER FEED REVERSING GEAR 2 33T	給紙逆転歯車 2 33 T	D	1	
21	56AA17760	COLLAR	カラー	C	1	
22	A00J663200	Bushing	すべり軸受	C	2	
23	56AA40500	SHAFT HOLDER EARTH PLATE	軸受アース板	C	3	
24	56AA77720E	Paper Feed Reverse Gear /1 16/22T	給紙逆転歯車 / 1 16 / 22 T	C	1	
25	56AA40230	PAPER FEED REGISTRATION ROLLER	給紙レジストローラ	C	1	
26	08AA85512	Photo Sensor	フォトセンサ	C	1	
27	56AA40171	PAPER FEED DETECTING ACTUATOR	給紙検知アクチュエタ	B	3	
28	56AA40190	PRESSING SPRING	センサ押圧バネ	C	1	
29	56AA40310	MOUNTING PLATE	センサ取付け板	C	1	
30	4109553001	STOPPER	ストッパ	D	1	
31	56AA40370	ADJUSTING PLATE	調整板	C	3	
32	A03U812800	Slide Shaft Holder	すべり軸受	D	1	
33	56AA40460	ADJUSTMENT PLATE	センサ調整板	B	1	
34	56AA40520	EARTH SPRING	センサアースバネ	D	1	
35	56AA40032E	Paper Feed Guide Plate /Upper	給紙ガイド板 / 上	C	1	
36	65AA40070	REGULATING SHEET	規制シート	C	1	
37	65AA40020	SOLENOID MOUNTING PLATE	ソレノイド取り付け板	D	1	
38	65AA40090D	Solenoid Fixing Plate	ソレノイド固定板	D	1	

# PAPER FEED SECTION : UPPER

TRAY 1

P 50



PAPER FEED SECTION : UPPER

Key	Part No.	Description	Destinations	Class	QTY	Standard parts
1	56AA40490	SHAFT STOPPER 4		C	4	a-V121030603 b-V217040050 c-V217060050 d-V118030603 e-V233201450
2	A1DUR71J00	Paper Feed Oscillate Roller		B	1	
3	A00J663200	Bushing		C	6	
4	25SA40960	DOUBLE FEED PREVENTION RUBBER		A	1	
5	25AA40100	Feeding Roller /B		B	1	
6	A03U560200	Swing Shaft		D	1	
7	56AA17760	COLLAR		C	2	
8	56AA17510	PIN B		C	2	
9	059076510	PULLEY 1 15T		C	2	
10	65AA40080E	Paper feed Auxiliary Plate		D	1	
11	65GE97400	GUIDE LABEL /1		C	1	
12	56AA40070	Paper feed Swing Plate		D	1	
13	56AA40300	PAPER QUANTITY ACTUATOR		C	1	
14	56AA77590	PAPER FEED ROCKING BELT 111L		C	1	
15	A03U560100	Feeding Shaft		D	1	
16	55VA42120	SHAFT STOPPER		C	1	
17	56AA82012	PAPER FEED DRIVING CLUTCH		B	1	
18	A03U812800	Slide Shaft Holder		B	2	
19	A03U560300	DRIVE SHAFT		D	1	
20	56AA40380	PAPER FEED REGULATING BLOCK		C	1	
21	A03U560500	Regulating Plate /Rear		C	1	
22	55FA40320	COUPLING		C	1	

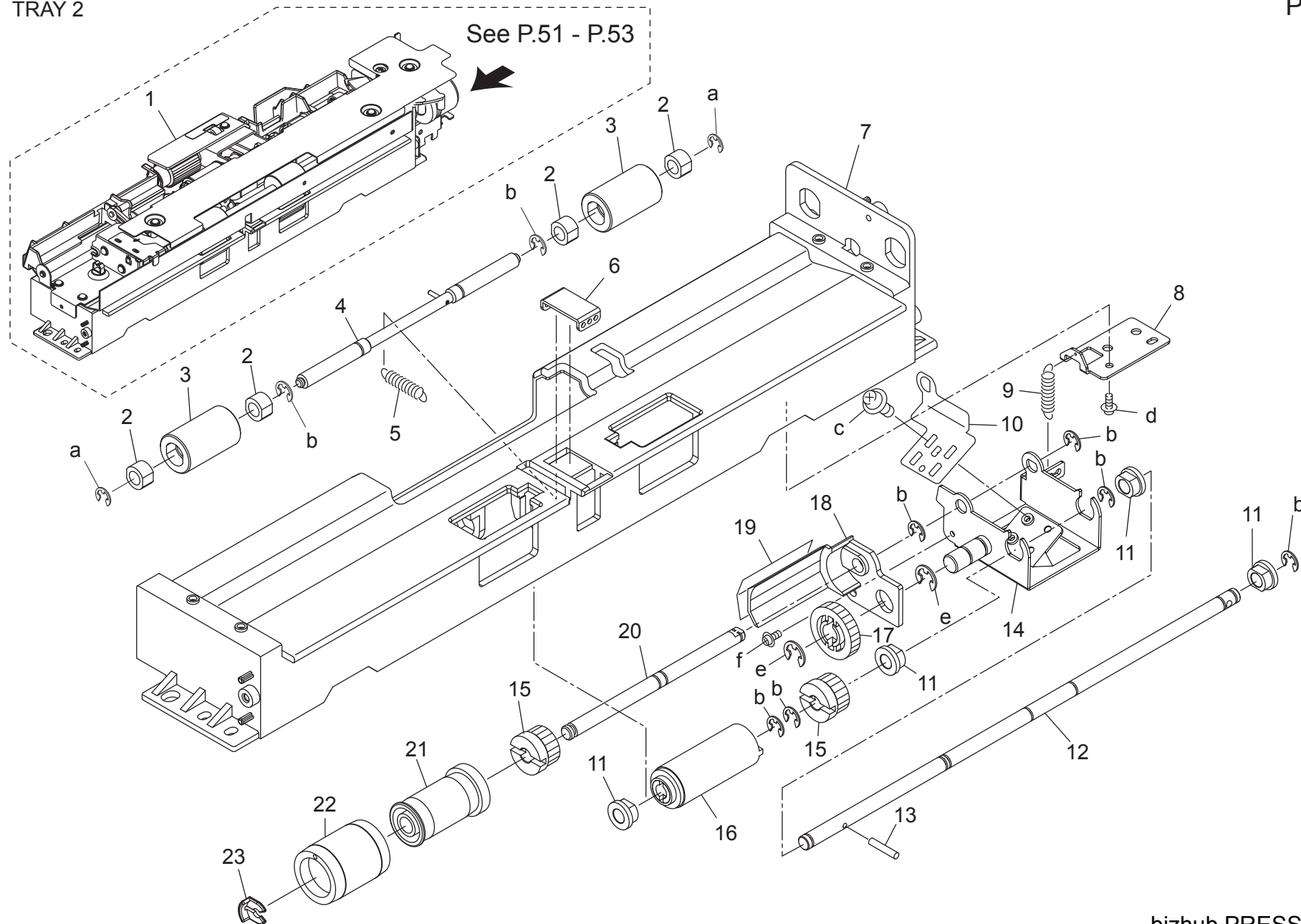




# PAPER FEED SECTION : MIDDLE

TRAY 2

P 51



bizhub PRESS C7000P

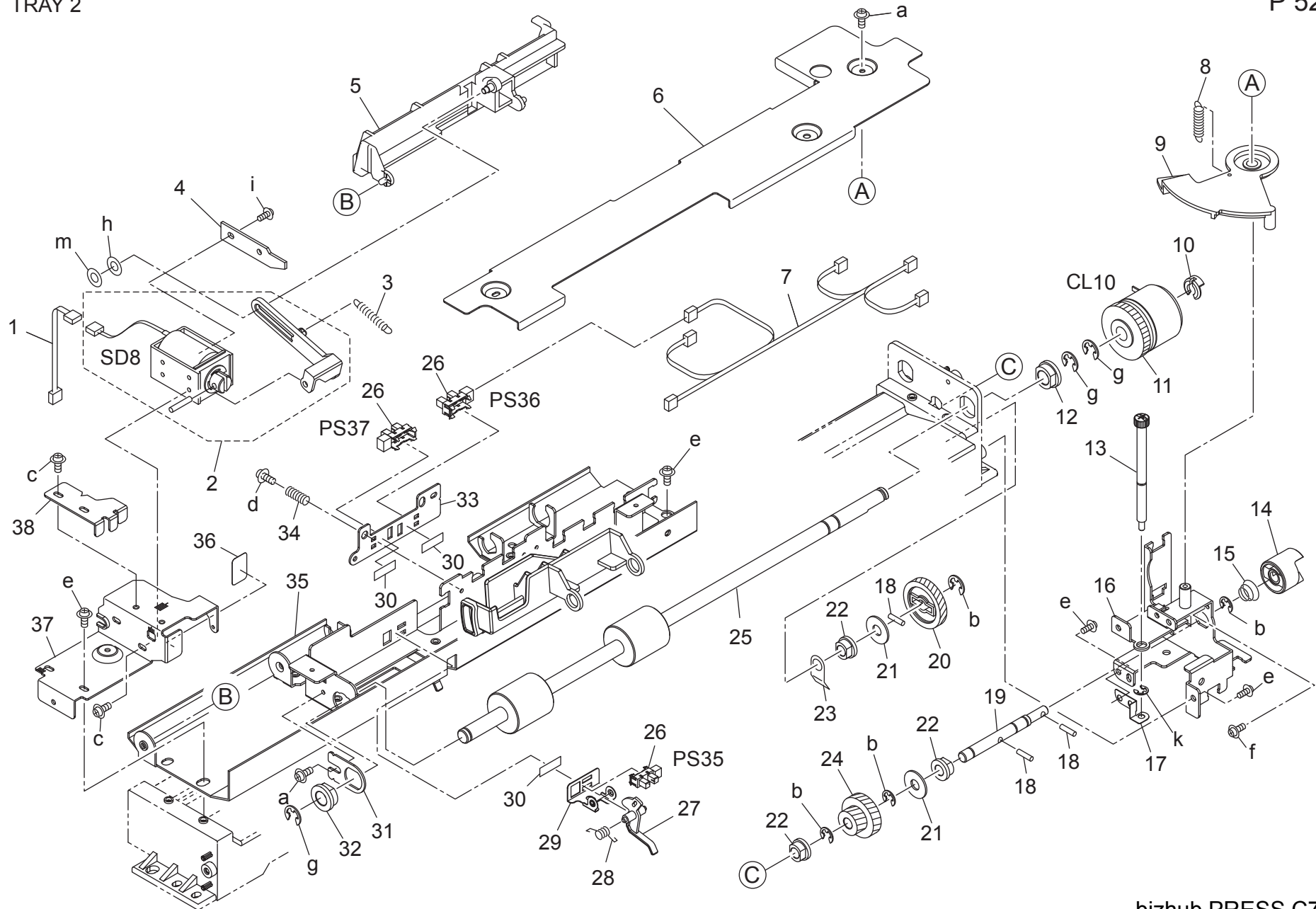
PAPER FEED SECTION : MIDDLE

Key	Part No.	Description	Destinations	Class	QTY	Standard parts
1	A1DUR71H00	Peper Feed Unit	給紙ユニット	S	1	a-V217030050
2	A03U850101	Slide Bushing	すべり軸受	C	4	b-V217040050
3	26NA42560	BY PASS FEED DRIVEN ROLLER	手差し従動ローラ	C	2	c-V116030603
4	A1DUR71K00	Paper Feed Driven Shaft Assy	給紙従動軸組	D	1	d-V153030803
5	56AA40481	PAPERFEEDPRESSINGSRING	給紙押圧バネ	C	1	e-V217060050
6	56AA40430	SPRING MOUNTING PLATE 1	バネ取り付け板 / 1	D	1	f-V121030603
7	56AA40010	Paper Feed Main Body	給紙本体	C	1	
8	56AA40440	SPRING MOUNTING PLATE 2	バネ取り付け板 / 2	D	1	
9	57AA40420	MULTI FEED PREVENTING SPRING	重送防止バネ	C	1	
10	56QA40550	MULTI FEED ADJUSTMENT PLATE	重送調整板	D	1	
11	A00J663200	Bushing	すべり軸受	C	4	
12	56QA40250	MULTI FEED SUPPORT SHAFT	重送支点軸	D	1	
13	56AA17510	PIN B	ピン B	C	1	
14	56QA40080	Multi-feed Preventing Plate	重送防止板	C	1	
15	55VA79030	Paper Feed Reversal Gear /C 14T	給紙逆転歯車 / C 14 T	B	2	
16	A03X565611	Torque Limiter /A	トルクリミッタ / A	B	1	
17	26NA42061	BY PASS FEED CONVEYING GEAR 21T	手差し搬送ギア 21 T	B	1	
18	56AA40530	ENTRANCE GUIDE PART	入口ガイド部材	D	1	
19	56AA40540	ENTRANCE GUIDE SHEET	入口ガイドシート	C	1	
20	56QA40270	MULTI FEED REVERSE SHAFT	重送逆転軸	D	1	
21	56AA40360	Reverse Roller	逆転ローラー	C	1	
22	25SA40960	DOUBLE FEED PREVENTION RUBBER	重送防止ゴム	A	1	
23	A1RF620301	Stopper Collar	ストッパカラー	D	1	

# PAPER FEED SECTION : MIDDLE

TRAY 2

P 52



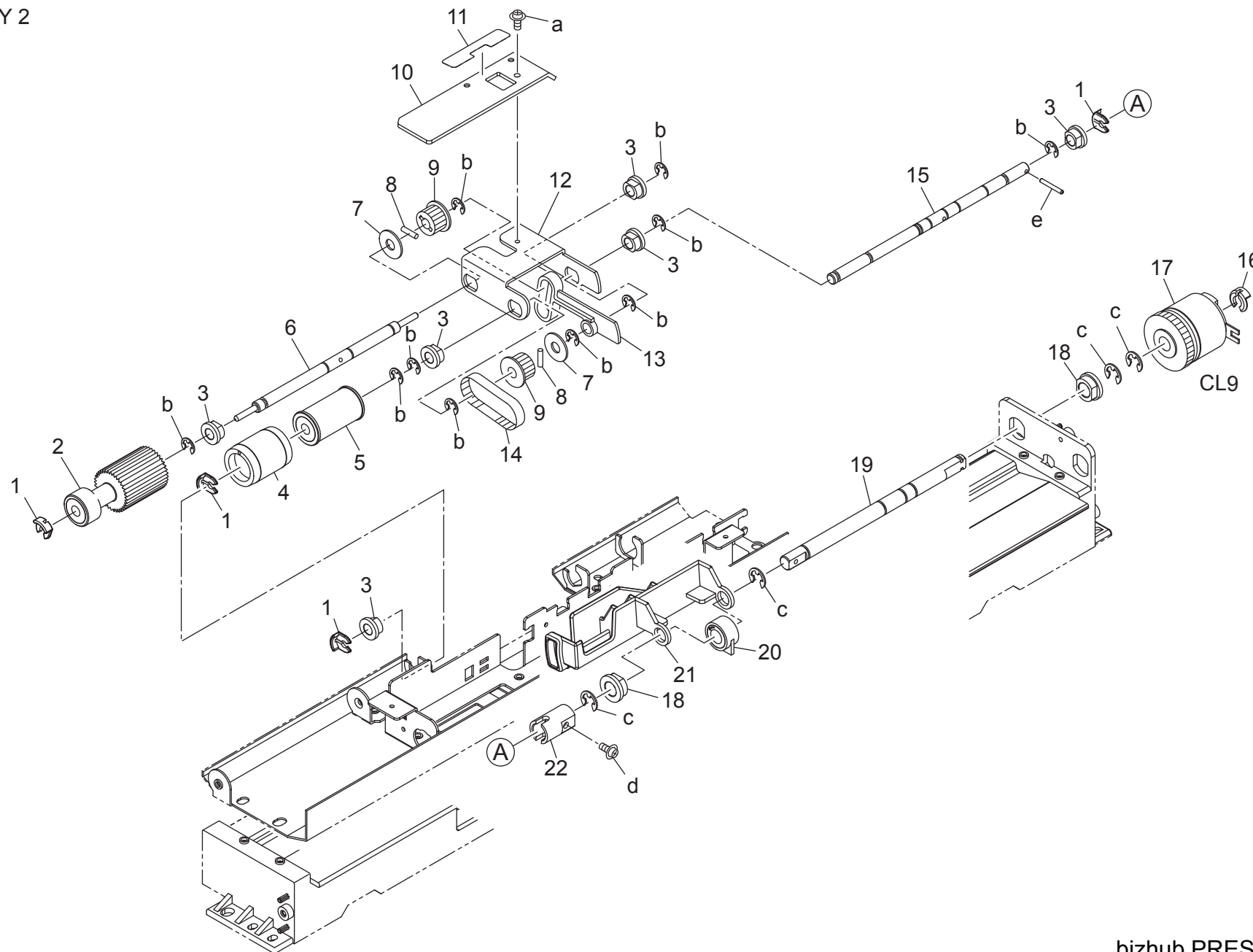
PAPER FEED SECTION : MIDDLE

Key	Part No.	Description	Destinations	Class	QTY	Standard parts
1	A1RFN26000	Relay harness /C	中継束線 / C	D	1	a-V121030603
2	A1DUR71M00	Solenoid Assy	ソレノイド部組	C	1	b-V217040050
3	65AA40060	RELEASE SPRING	解除バネ	C	1	c-V116030503
4	65AA40110	GUIDE PART	ガイド部材	D	1	d-V121030403
5	65AA40010	Regulating Plate	規制板	D	1	e-V153030803
6	56AA40100G	Wiring Protection Cover	束線保護カバー	D	1	f-V111030803
7	56AA90610E	PAPER FEED WIRING /2	給紙 束線 / 2	D	1	g-V217060050
8	56AA17121	SEPARATE SPRING UPPER	分離バネ 上	C	1	h-V207030003
9	56AA40390	CAM PLATE	カム板	C	1	i-V118030403
10	55VA42120	SHAFT STOPPER	軸ストッパー	C	1	k-V217030050
11	56AA82012	PAPER FEED DRIVING CLUTCH	給紙駆動クラッチ	B	1	m-V226030050
12	55VA75540	PAPER FEED SHAFT HOLDER B	給紙軸受 B	B	1	
13	56AA40120	PAPER FEED HOLDING SCREW	給紙押えネジ	C	1	
14	56AA40450	PAPER FEED COUPLING PART	給紙カップリング部材	C	1	
15	56AA40510	PRESSING SPRING	押圧バネ	C	1	
16	56AA40090	DRIVE MOUNTING PLATE	駆動取付板	D	1	
17	56AA40470	SCREW EARTH PLATE	ネジアース板	C	1	
18	56AA17480	PIN B	ピン B	C	3	
19	56AA40240	PAPER FEED INPUT SHAFT	給紙入力軸	D	1	
20	56AA77730	PAPER FEED REVERSING GEAR 2 33T	給紙逆転歯車 2 33 T	C	1	
21	56AA17760	COLLAR	カラー	C	2	
22	A00J663200	Bushing	すべり軸受	C	3	
23	56AA40500	SHAFT HOLDER EARTH PLATE	軸受アース板	C	1	
24	56AA77720E	Paper Feed Reverse Gear /1 16/22T	給紙逆転歯車 / 1 16 / 22 T	C	1	
25	56AA40230	PAPER FEED REGISTRATION ROLLER	給紙レジストローラ	C	1	
26	08AA85512	Photo Sensor	フォトセンサ	B	3	
27	56AA40171	PAPER FEED DETECTING ACTUATOR	給紙検知アクチュエタ	C	1	
28	56AA40190	PRESSING SPRING	センサ押圧バネ	C	1	
29	56AA40310	MOUNTING PLATE	センサ取付け板	D	1	
30	4109553001	STOPPER	ストッパ	C	3	
31	56AA40370	ADJUSTING PLATE	調整板	D	1	
32	A03U812800	Slide Shaft Holder	すべり軸受	B	1	
33	56AA40460	ADJUSTMENT PLATE	センサ調整板	D	1	
34	56AA40520	EARTH SPRING	センサアースバネ	C	1	
35	56AA40032E	Paper Feed Guide Plate /Upper	給紙ガイド板 / 上	C	1	
36	65AA40070	REGULATING SHEET	規制シート	C	1	
37	65AA40020	SOLENOID MOUNTING PLATE	ソレノイド取り付け板	D	1	
38	65AA40090D	Solenoid Fixing Plate	ソレノイド固定板	D	1	

# PAPER FEED SECTION : MIDDLE

TRAY 2

P 53



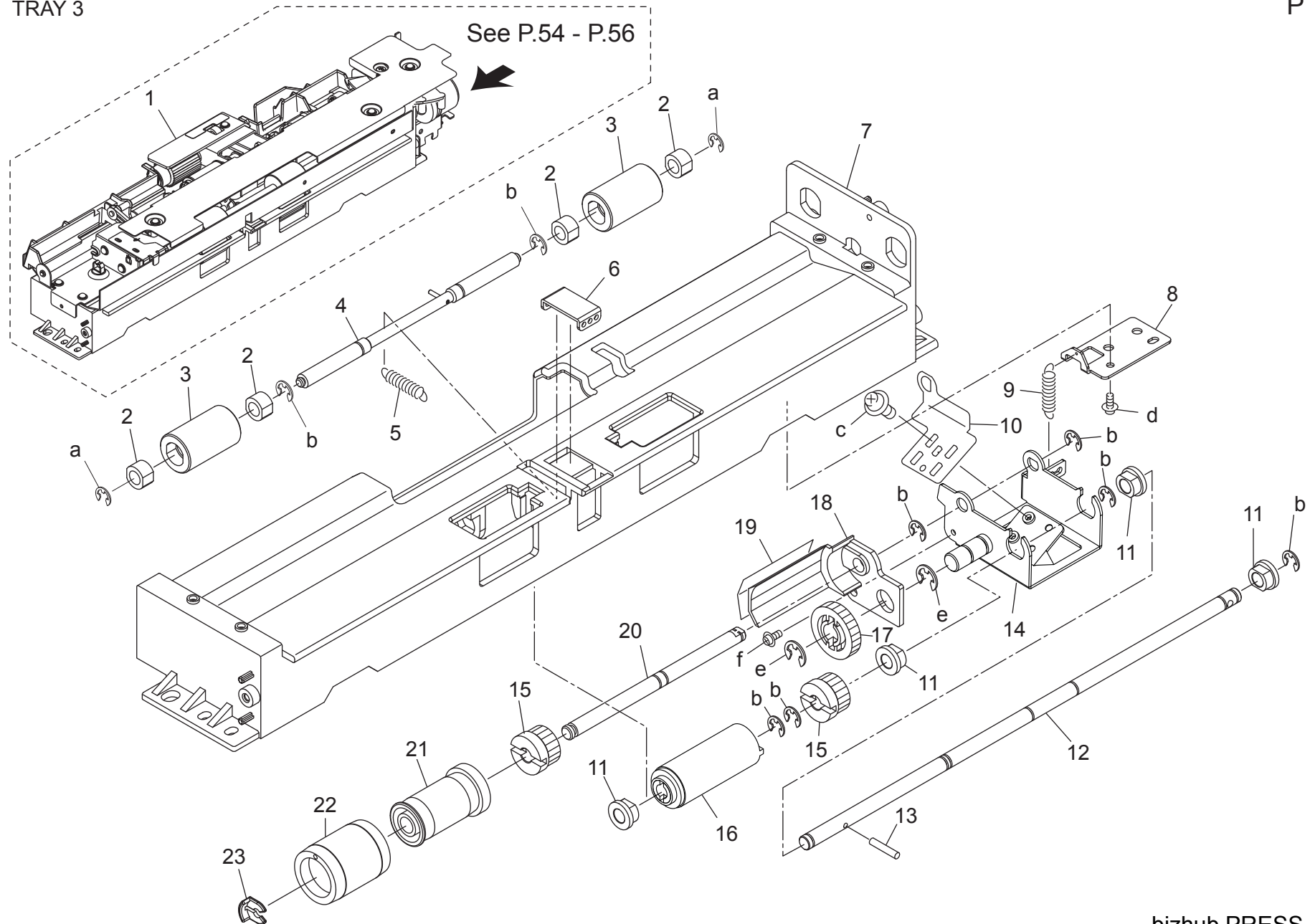
PAPER FEED SECTION : MIDDLE

Key	Part No.	Description	Destinations	Class	QTY	Standard parts
1	56AA40490	SHAFT STOPPER 4		C	4	a-V121030603 b-V217040050 c-V217060050 d-V118030603 e-V233201450
2	A1DUR71J00	Paper Feed Oscillate Roller		B	1	
3	A00J663200	Bushing		C	6	
4	25SA40960	DOUBLE FEED PREVENTION RUBBER		A	1	
5	25AA40100	Feeding Roller /B		B	1	
6	A03U560200	Swing Shaft		D	1	
7	56AA17760	COLLAR		C	2	
8	56AA17510	PIN B		C	2	
9	059076510	PULLEY 1 15T		C	2	
10	65AA40080E	Paper feed Auxiliary Plate		D	1	
11	65GE97400	GUIDE LABEL /1		C	1	
12	56AA40070	Paper feed Swing Plate		D	1	
13	56AA40300	PAPER QUANTITY ACTUATOR		C	1	
14	56AA77590	PAPER FEED ROCKING BELT 111L		C	1	
15	A03U560100	Feeding Shaft		D	1	
16	55VA42120	SHAFT STOPPER		C	1	
17	56AA82012	PAPER FEED DRIVING CLUTCH		B	1	
18	A03U812800	Slide Shaft Holder		B	2	
19	A03U560300	DRIVE SHAFT		D	1	
20	56AA40380	PAPER FEED REGULATING BLOCK		C	1	
21	A03U560500	Regulating Plate /Rear		C	1	
22	55FA40320	COUPLING		C	1	



# PAPER FEED SECTION : LOWER

TRAY 3



PAPER FEED SECTION : LOWER

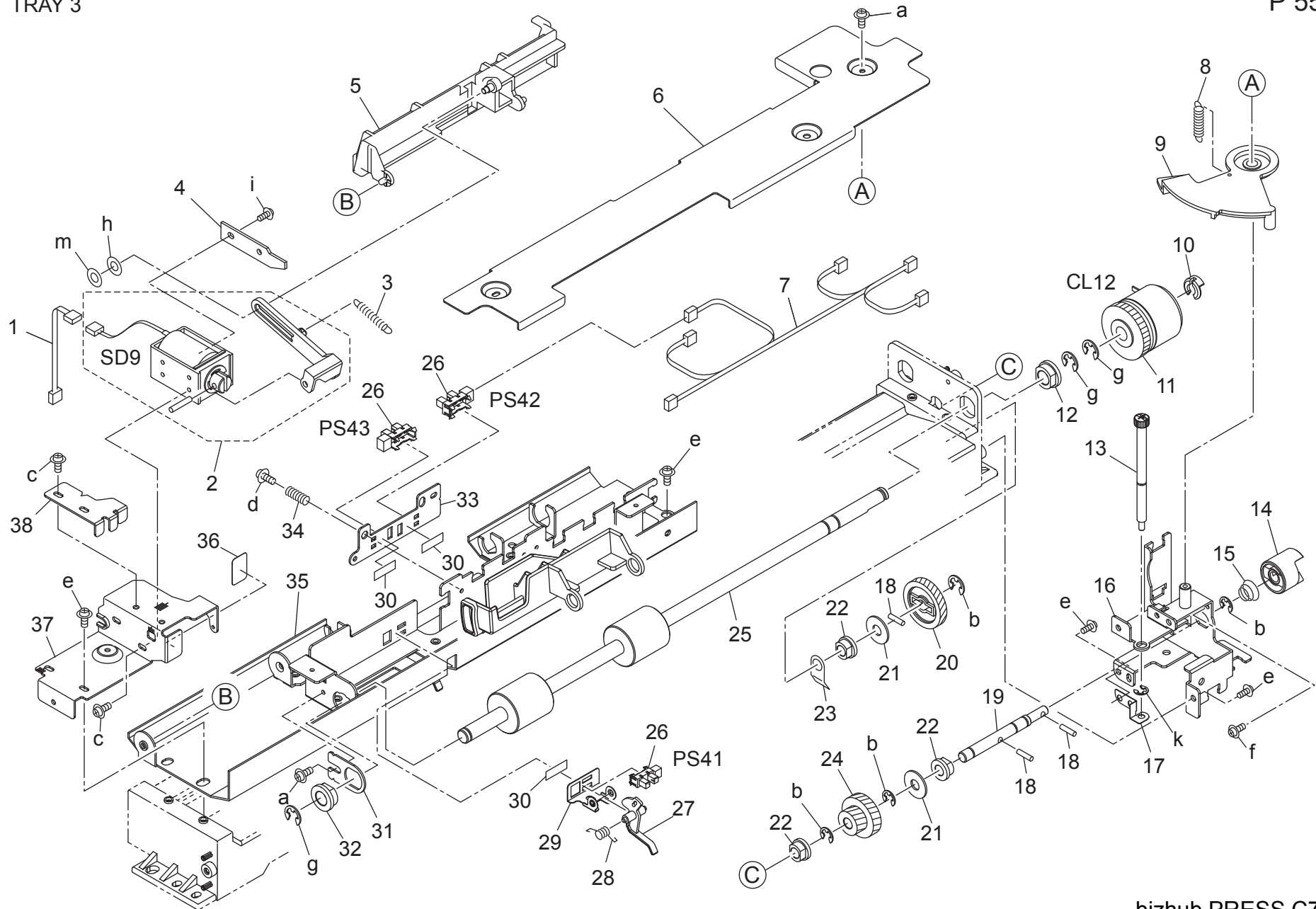
Key	Part No.	Description	Destinations	Class	QTY	Standard parts
1	A1DUR71H00	Peper Feed Unit	給紙ユニット	S	1	a-V217030050 b-V217040050 c-V116030603 d-V153030803 e-V217060050 f-V121030603
2	A03U850101	Slide Bushing	すべり軸受	C	4	
3	26NA42560	BY PASS FEED DRIVEN ROLLER	手差し従動ローラ	C	2	
4	A1DUR71K00	Paper Feed Driven Shaft Assy	給紙従動軸組	D	1	
5	56AA40481	PAPERFEEDPRESSINGSRING	給紙押圧バネ	C	1	
6	56AA40430	SPRING MOUNTING PLATE 1	バネ取り付け板 / 1	D	1	
7	56AA40010	Paper Feed Main Body	給紙本体	C	1	
8	56AA40440	SPRING MOUNTING PLATE 2	バネ取り付け板 / 2	D	1	
9	57AA40420	MULTI FEED PREVENTING SPRING	重送防止バネ	C	1	
10	56QA40550	MULTI FEED ADJUSTMENT PLATE	重送調整板	D	1	
11	A00J663200	Bushing	すべり軸受	C	4	
12	56QA40250	MULTI FEED SUPPORT SHAFT	重送支点軸	D	1	
13	56AA17510	PIN B	ピン B	C	1	
14	56QA40080	Multi-feed Preventing Plate	重送防止板	C	1	
15	55VA79030	Paper Feed Reversal Gear /C 14T	給紙逆転歯車 / C 14 T	B	2	
16	A03X565611	Torque Limiter /A	トルクリミッタ / A	B	1	
17	26NA42061	BY PASS FEED CONVEYING GEAR 21T	手差し搬送ギア 21 T	B	1	
18	56AA40530	ENTRANCE GUIDE PART	入口ガイド部材	D	1	
19	56AA40540	ENTRANCE GUIDE SHEET	入口ガイドシート	C	1	
20	56QA40270	MULTI FEED REVERSE SHAFT	重送逆転軸	D	1	
21	56AA40360	Reverse Roller	逆転ローラー	C	1	
22	25SA40960	DOUBLE FEED PREVENTION RUBBER	重送防止ゴム	A	1	
23	A1RF620301	Stopper Collar	ストップカラー	D	1	



# PAPER FEED SECTION : LOWER

TRAY 3

P 55



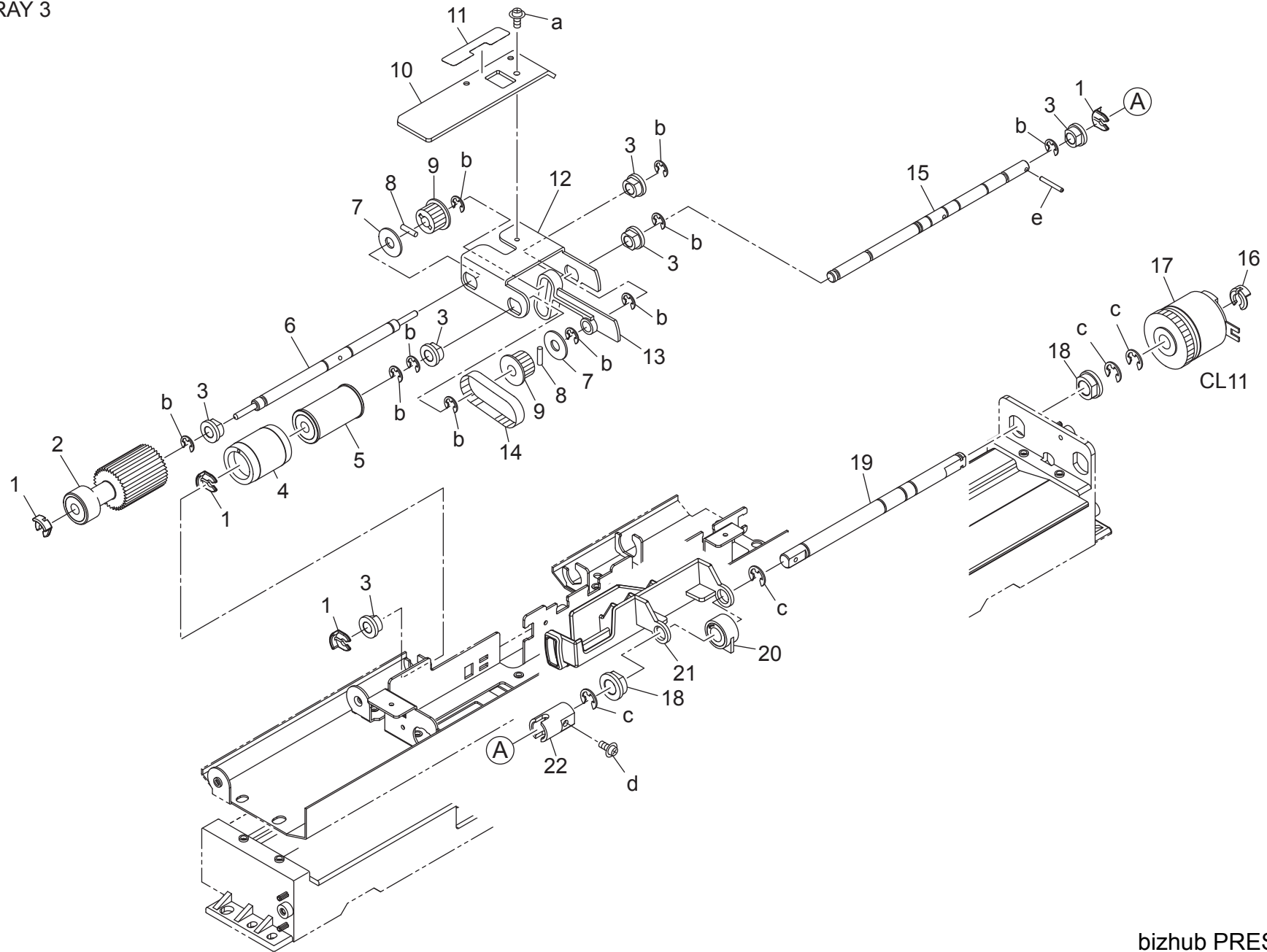
PAPER FEED SECTION : LOWER

Key	Part No.	Description	Destinations	Class	QTY	Standard parts
1	A1RFN26000	Relay harness /C		D	1	a-V121030603
2	A1DUR71M00	Solenoid Assy	中継束線 / C	D	1	b-V217040050
3	65AA40060	RELEASE SPRING	ソレノイド部組	C	1	c-V116030503
4	65AA40110	GUIDE PART	解除バネ	D	1	d-V121030403
5	65AA40010	Regulating Plate	ガイド部材	D	1	e-V153030803
6	56AA40100G	Wiring Protection Cover	規制板	D	1	f-V111030803
7	56AA90610E	PAPER FEED WIRING /2	束線保護カバー	D	1	g-V217060050
8	56AA17121	SEPARATE SPRING UPPER	給紙 束線 / 2	D	1	h-V207030003
9	56AA40390	CAM PLATE	分離バネ 上	C	1	i-V118030403
10	55VA42120	SHAFT STOPPER	カム板	C	1	k-V217030050
11	56AA82012	PAPER FEED DRIVING CLUTCH	軸ストッパー	C	1	m-V226030050
12	55VA75540	PAPER FEED SHAFT HOLDER B	給紙駆動クラッチ	B	1	
13	56AA40120	PAPER FEED HOLDING SCREW	給紙軸受 B	B	1	
14	56AA40450	PAPER FEED COUPLING PART	給紙押えネジ	C	1	
15	56AA40510	PRESSING SPRING	給紙カップリング部材	C	1	
16	56AA40090	DRIVE MOUNTING PLATE	押圧バネ	C	1	
17	56AA40470	SCREW EARTH PLATE	駆動取付板	D	1	
18	56AA17480	PIN B	ネジアース板	C	1	
19	56AA40240	PAPER FEED INPUT SHAFT	ピン B	C	3	
20	56AA77730	PAPER FEED REVERSING GEAR 2 33T	給紙入力軸	D	1	
21	56AA17760	COLLAR	給紙逆転歯車 2 33 T	C	1	
22	A00J663200	Bushing	カラー	C	2	
23	56AA40500	SHAFT HOLDER EARTH PLATE	すべり軸受	C	3	
24	56AA77720E	Paper Feed Reverse Gear /1 16/22T	軸受アース板	C	1	
25	56AA40230	PAPER FEED REGISTRATION ROLLER	給紙逆転歯車 / 1 16 / 22 T	C	1	
26	08AA85512	Photo Sensor	給紙レジストローラ	C	1	
27	56AA40171	PAPER FEED DETECTING ACTUATOR	フォトセンサ	B	3	
28	56AA40190	PRESSING SPRING	給紙検知アクチュエタ	C	1	
29	56AA40310	MOUNTING PLATE	センサ押圧バネ	C	1	
30	4109553001	STOPPER	センサ取付け板	D	1	
31	56AA40370	ADJUSTING PLATE	ストッパ	C	3	
32	A03U812800	Slide Shaft Holder	調整板	D	1	
33	56AA40460	ADJUSTMENT PLATE	すべり軸受	B	1	
34	56AA40520	EARTH SPRING	センサ調整板	D	1	
35	56AA40032E	Paper Feed Guide Plate /Upper	センサアースバネ	C	1	
36	65AA40070	REGULATING SHEET	給紙ガイド板 / 上	C	1	
37	65AA40020	SOLENOID MOUNTING PLATE	規制シート	C	1	
38	65AA40090D	Solenoid Fixing Plate	ソレノイド取り付け板	D	1	
			ソレノイド固定板	D	1	

# PAPER FEED SECTION : LOWER

TRAY 3

P 56



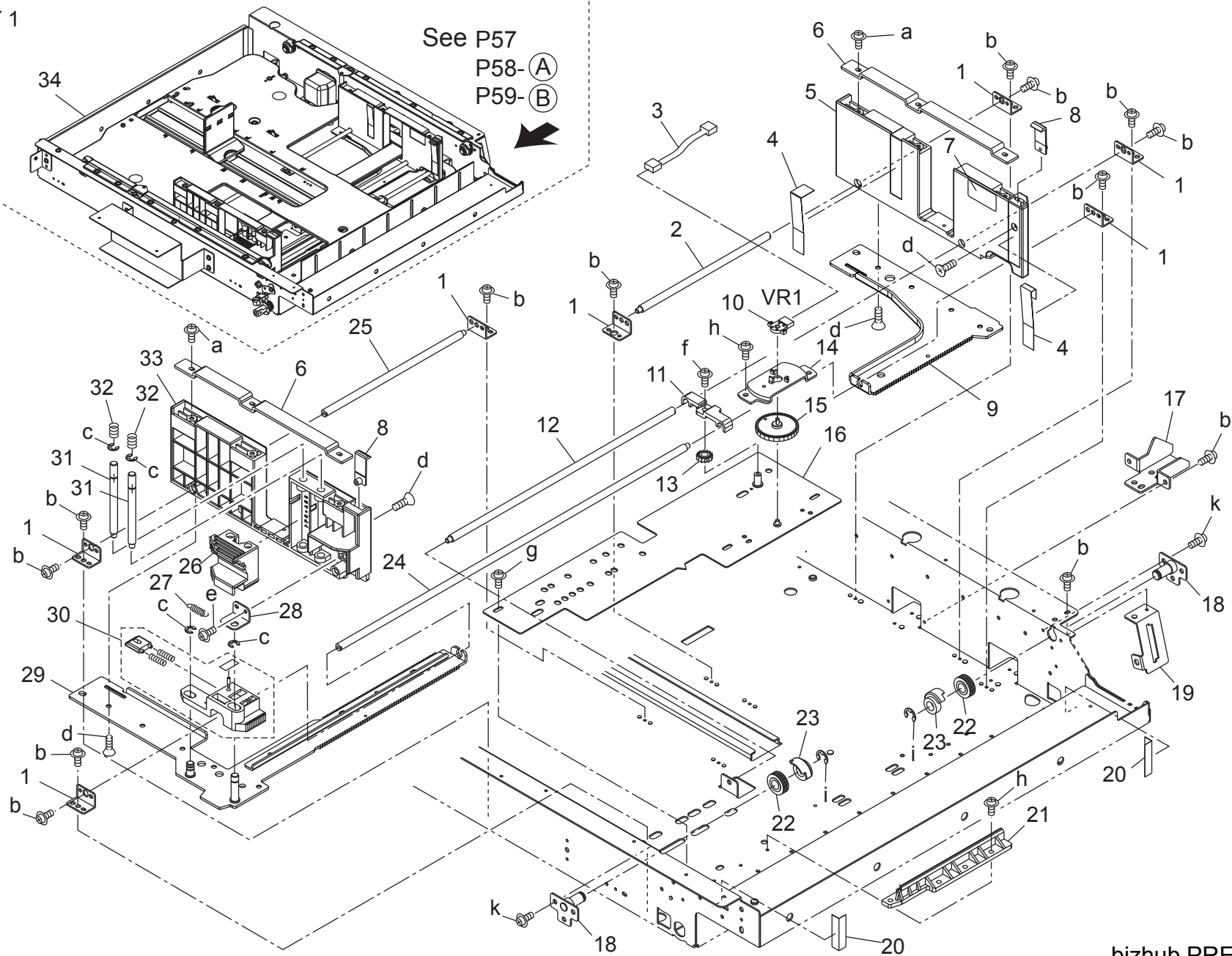
## PAPER FEED SECTION : LOWER

Key	Part No.	Description	Destinations	Class	QTY	Standard parts
1	56AA40490	SHAFT STOPPER 4		C	4	a-V121030603 b-V217040050 c-V217060050 d-V118030603 e-V233201450
2	A1DUR71J00	Paper Feed Oscillate Roller		B	1	
3	A00J663200	Bushing		C	6	
4	25SA40960	DOUBLE FEED PREVENTION RUBBER		A	1	
5	25AA40100	Feeding Roller /B		B	1	
6	A03U560200	Swing Shaft		D	1	
7	56AA17760	COLLAR		C	2	
8	56AA17510	PIN B		C	2	
9	059076510	PULLEY 1 15T		C	2	
10	65AA40080E	Paper feed Auxiliary Plate		D	1	
11	65GE97400	GUIDE LABEL /1		C	1	
12	56AA40070	Paper feed Swing Plate		D	1	
13	56AA40300	PAPER QUANTITY ACTUATOR		C	1	
14	56AA77590	PAPER FEED ROCKING BELT 111L		C	1	
15	A03U560100	Feeding Shaft		D	1	
16	55VA42120	SHAFT STOPPER		C	1	
17	56AA82012	PAPER FEED DRIVING CLUTCH		B	1	
18	A03U812800	Slide Shaft Holder		B	2	
19	A03U560300	DRIVE SHAFT		D	1	
20	56AA40380	PAPER FEED REGULATING BLOCK		C	1	
21	A03U560500	Regulating Plate /Rear		C	1	
22	55FA40320	COUPLING		C	1	

# CASSETTE : UPPER

TRAY 1

P 57



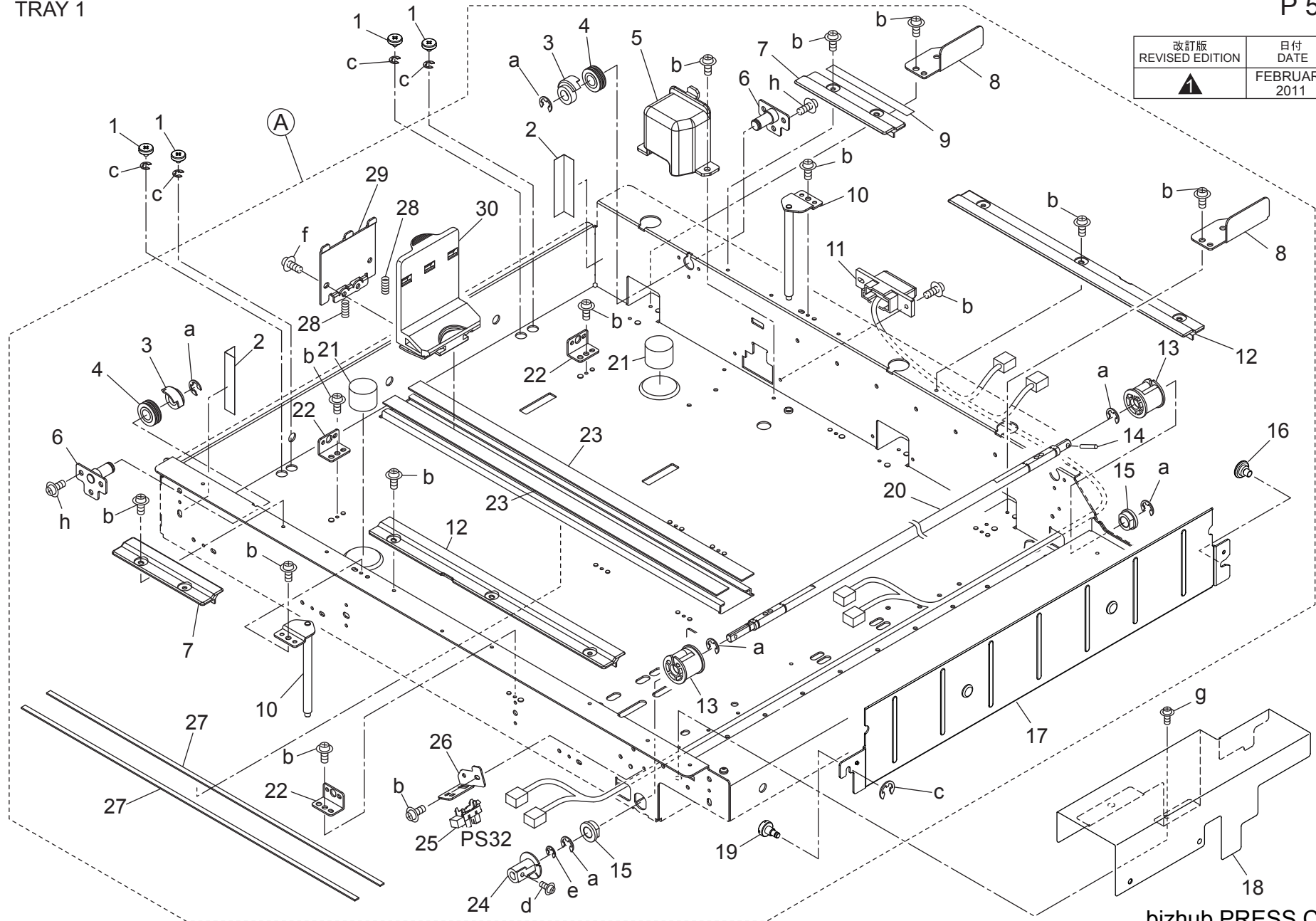
Key	Part No.	Description	Destinations	Class	QTY	Standard parts
1	65AA47740E	Shaft Mounting Plate		D	7	a-V158030816
2	65AA47210	Positioning Shaft /4		D	1	b-V116030803
3	65AA90580	SIZE RELAY WIRING		D	1	c-V217040050
4	65AA47420	PAPER REGULATING SHEET		C	2	d-V147030803
5	A03U621100	GUIDE PLATE /REAR		C	1	e-V158030803
6	65AA47490E	Side Supply Plate		D	2	f-V116030603
7	A03U945300	Regulating Label /1		C	1	g-V116030503
8	26NA47070	PAPER REGULATING CLAW		C	2	h-V121030603
9	65AA47060E	Guide Rack /Rear		D	1	i-V217060050
10	56AA85601	SIZE DETECTION VR		C	1	k-V127030516
11	65AA47270	SHAFT SUPPORT PLATE		D	1	
12	65AA47160	Positioning Shaft /1		D	1	
13	A03U620400	PINION 14T		D	1	
14	65AA42610	Mounting Plate		D	1	
15	65AA47600E	Detecting Gear 45T		C	1	
16	A03UF62100	Paper PS Plate Caulking		D	1	
17	65AA47340	FIXING CAM		D	1	
18	A1DUF62100	PULLEY FULCRUM PLATE CAULKING		D	2	
19	65AA47720D	Wiring Mounting Plate		D	1	
20	65AA47590	Protection Seal /1		D	2	
21	65AA47680	LOCKING PART		D	1	
22	65AA47550	WIRE ROLLER		C	2	
23	65AA47630	WIRE GUIDE PART		C	2	
24	65AA47170	Positioning Shaft /2		D	1	
25	65AA47180	Positioning Shaft /3		D	1	
26	65GE47090	SIDE LOCKING PLATE		D	1	
27	65AA47831	GUIDE SPRING 4		C	1	
28	65AA47470D	Fulcrum Plate		D	1	
29	65AA-4750	SIDE GUIDE RACK F CAULKING		D	1	
30	A1DUR71P00	Rock Part/2Assy		D	1	
31	65AA47190	PAPER POSITIONING PIN		D	2	
32	65AA47780	GUIDE SPRING 2		C	2	
33	A03U621000	GUIDE PLATE /FRONT		C	1	
34	A1DUR71N00	Cassette		S	1	

# CASSETTE : UPPER

## TRAY 1

P 58

改訂版 REVISED EDITION	日付 DATE
	FEBRUARY 2011



bizhub PRESS C7000P

Key	Part No.	Description	Destinations	Class	QTY	Standard parts
1	A1DU629500	Regulating Screw		D	4	a-V217060050
2	65AA47620	PROTECTION SEAL 2		C	2	b-V121030404
3	65AA47630	WIRE GUIDE PART		C	2	c-V217020050
4	65AA47550	WIRE ROLLER		C	2	d-V121030603
5	A03U621200	GUIDE COVER		C	1	e-V217040050
6	A1DUF62100	PULLEY FULCRUM PLATE CAULKING		D	2	f-V158030803
7	A03U621400	AUXILIARY COVER /S		C	2	g-V121030604
8	65AA47140	CASSETTE POSITIONING PLATE 1		D	2	h-V127030516
9	65GE97490	CASSETTE GUIDE LABEL		D	1	
10	A1DUR74600	Shaft Fulcrum Plate Caulking		D	2	
11	65AA90170E	CASSETTE SIGNAL WIRING		C	1	
12	A03U621300	AUXILIARY COVER /L		C	2	
13	55VA40600	Driving Up /Down Pulley		B	2	
14	65AA47700D	Up/down Pin		D	1	
15	A03U812800	Slide Shaft Holder		B	2	
16	55VA42220	POSITIONING SCREW		C	1	
17	65AA47070F	Paper Regulating Plate /Right		D	1	
18	A03U620702	Wiring Cover		D	1	
19	A03U621700	Holding Screw /Front		D	1	
20	65AA47111	Lifting Shaft		D	1	
21	65AA47820	REGULATING PART		C	2	
22	65AA47740E	Shaft Mounting Plate		D	3	
23	65AA47500	Slide Sheet		D	2	
24	65AA47130	PAPER DETECTING ACTUATOR		C	1	
25	08AA85512	Photo Sensor		B	1	
26	65AA47900E	Mounting Plate /2		D	1	
27	65AA47800	GUIDE SHEET		C	2	
28	65AA47790D	Guide Spring /3		D	2	
29	65AA47730E	Spring Support Part		D	1	
30	65GE47080	Paper Regulating Plate /Left		D	1	

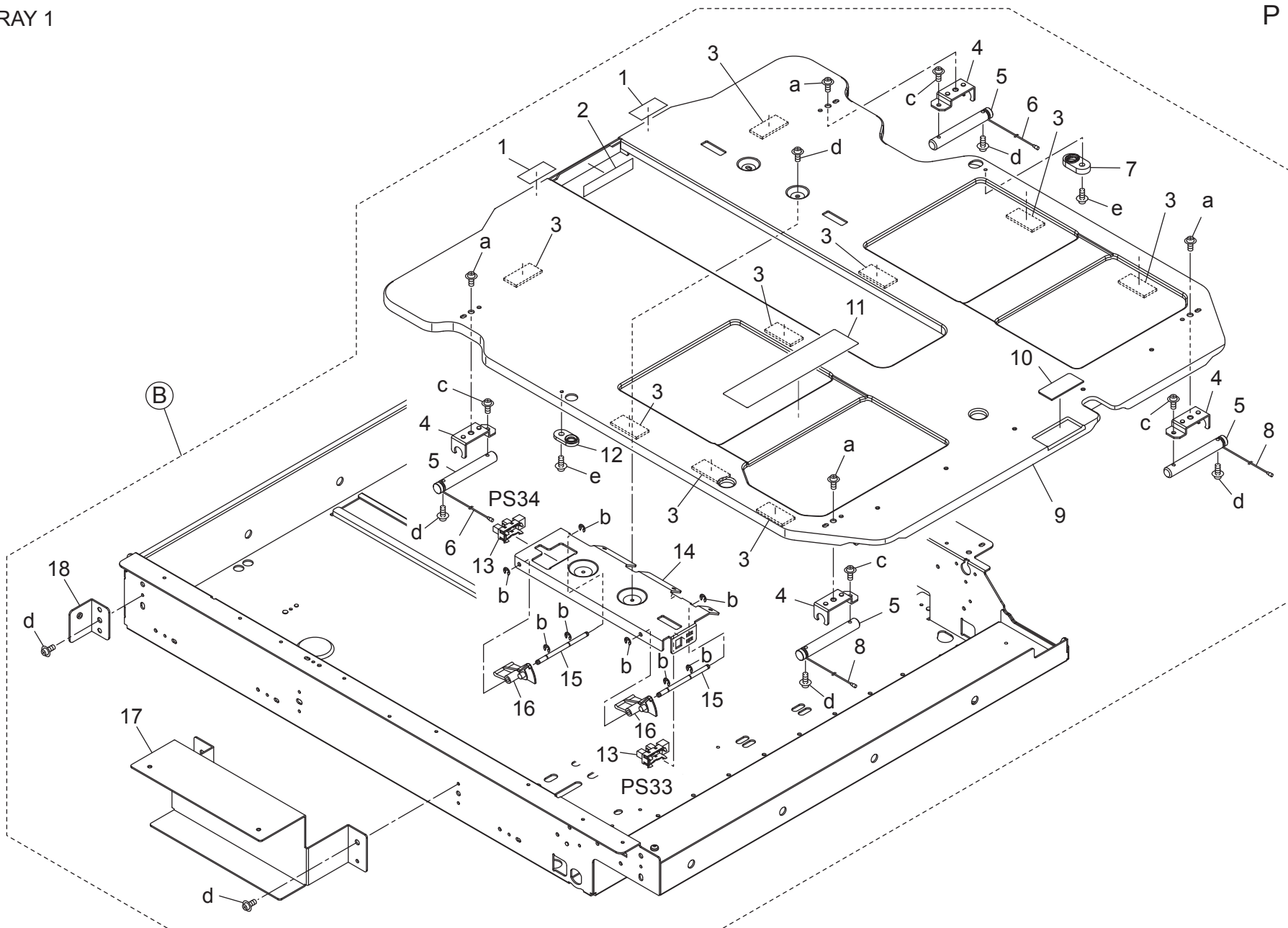




# CASSETTE : UPPER

## TRAY 1

P 59



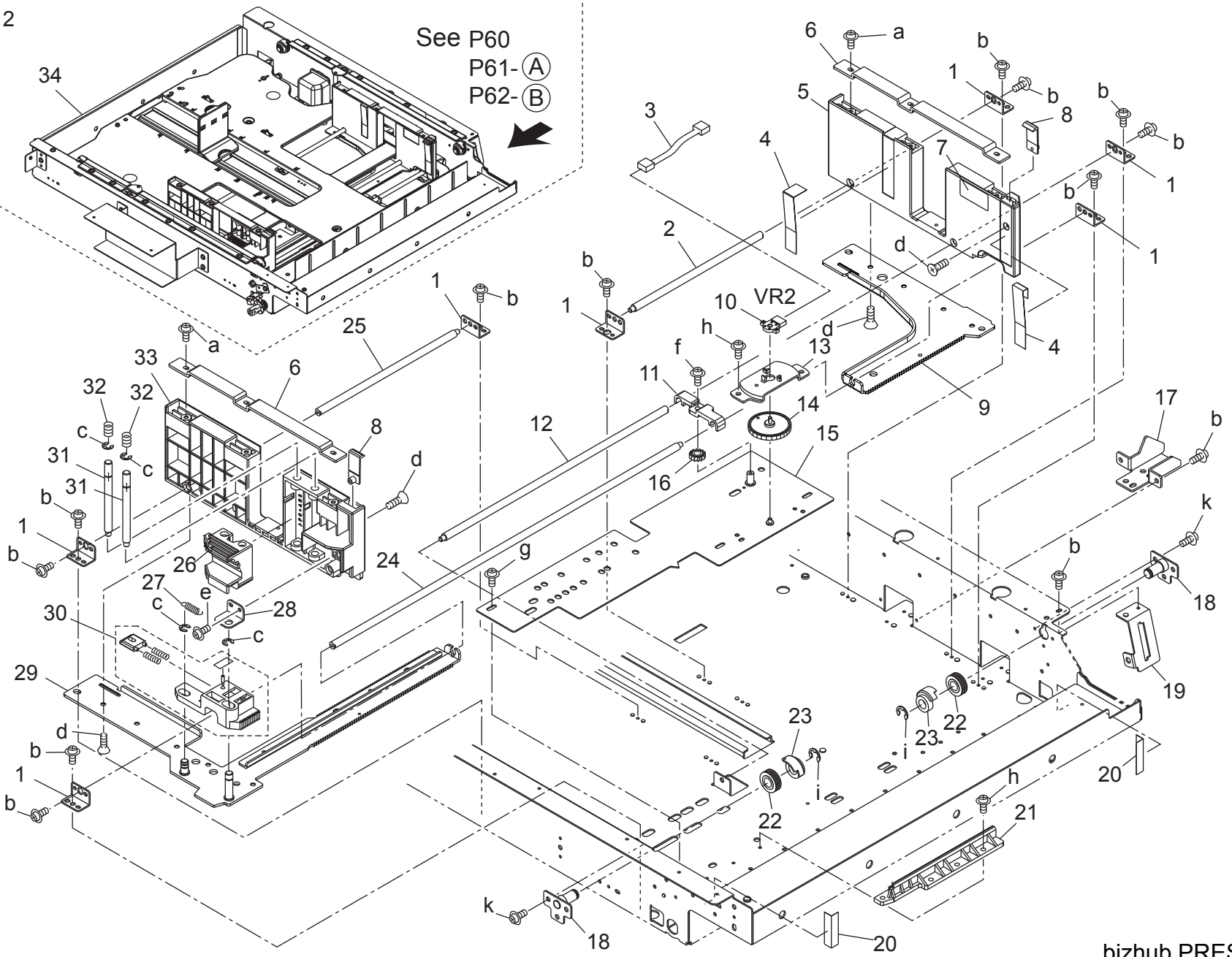
bizhub PRESS C7000P

Key	Part No.	Description	Destinations	Class	QTY	Standard parts
1	65AA47450	PROTECTION SEAL /3		D	2	a-V121040603 b-V217020050 c-V121030603 d-V127030516 e-V121030403
2	65AA47480	Protection Sheet /Upper		C	1	
3	65AA47860	AUXILIARY SHEET		C	9	
4	65AA47650	WIRE FULCRUM PLATE		D	4	
5	65AA47660	WIRE FULCRUM SHAFT		D	4	
6	65AA47530	Up Down Wire /2		C	2	
7	65AA47580	GUIDE BUSHING /2		C	1	
8	65AA47520	Up Down Wire /1		C	2	
9	65AA47020D	Paper Lifting Plate		D	1	
10	55VA40930	DOUBLE FEED PREVENTIVE PLATE		C	1	
11	A1RF946000	Paper feed Label /1		D	1	
12	65AA47750	GUIDE BUSHING		C	1	
13	08AA85512	Photo Sensor		B	2	
14	65AA47120D	Mounting Plate		D	1	
15	65AA47310E	PAPER DETECTING SHAFT		D	2	
16	65AA47320	Paper Detecting Actuator		C	2	
17	65AA47410D	Auxiliary Plate /1		D	1	
18	65AA4771E	Side Mounting Plate		D	1	

# CASSETTE : MIDDLE

TRAY 2

P 60



See P60  
P61-(A)  
P62-(B)

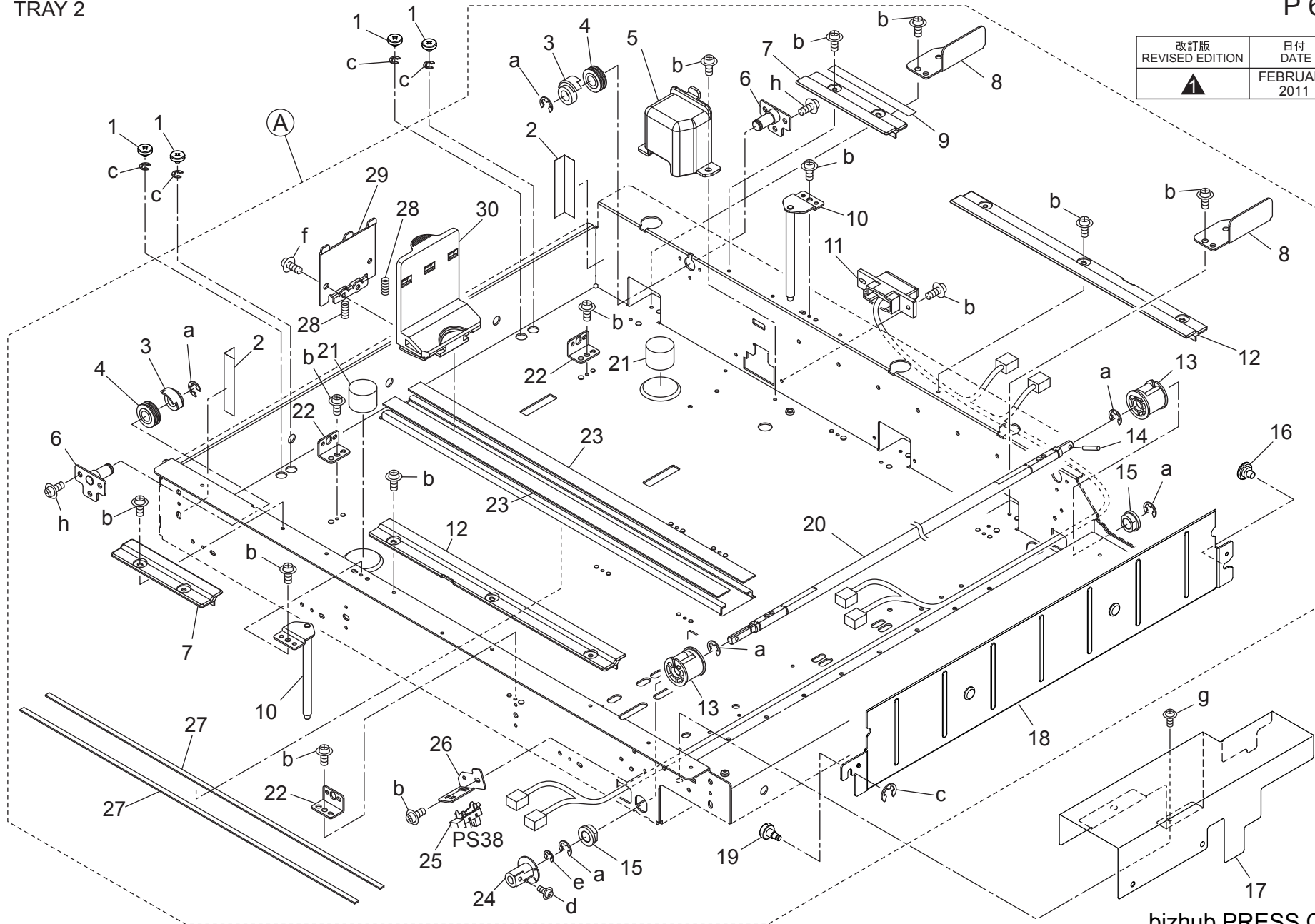
Key	Part No.	Description	Destinations	Class	QTY	Standard parts
1	65AA47740E	Shaft Mounting Plate		D	7	a-V158030816
2	65AA47210	Positioning Shaft /4		D	1	b-V116030803
3	65AA90580	SIZE RELAY WIRING		D	1	c-V217040050
4	65AA47420	PAPER REGULATING SHEET		C	2	d-V147030803
5	A03U621100	GUIDE PLATE /REAR		C	1	e-V158030803
6	65AA47490E	Side Supply Plate		D	2	f-V116030603
7	A03U945300	Regulating Label /1		C	1	g-V116030503
8	26NA47070	PAPER REGULATING CLAW		C	2	h-V121030603
9	65AA47060E	Guide Rack /Rear		D	1	i-V217060050
10	56AA85601	SIZE DETECTION VR		C	1	k-V127030516
11	65AA47270	SHAFT SUPPORT PLATE		D	1	
12	65AA47160	Positioning Shaft /1		D	1	
13	65AA42610	Mounting Plate		D	1	
14	65AA47600E	Detecting Gear 45T		C	1	
15	A03UF62100	Paper PS Plate Caulking		D	1	
16	A03U620400	PINION 14T		D	1	
17	65AA47340	FIXING CAM		D	1	
18	A1DUF62100	PULLEY FULCRUM PLATE CAULKING		D	2	
19	65AA47720D	Wiring Mounting Plate		D	1	
20	65AA47590	Protection Seal /1		D	2	
21	65AA47680	LOCKING PART		D	1	
22	65AA47550	WIRE ROLLER		C	2	
23	65AA47630	WIRE GUIDE PART		C	2	
24	65AA47170	Positioning Shaft /2		D	1	
25	65AA47180	Positioning Shaft /3		D	1	
26	65GE47090	SIDE LOCKING PLATE		D	1	
27	65AA47831	GUIDE SPRING 4		C	1	
28	65AA47470D	Fulcrum Plate		D	1	
29	65AA-4750	SIDE GUIDE RACK F CAULKING		D	1	
30	A1DUR71P00	Rock Part/2Assy		D	1	
31	65AA47190	PAPER POSITIONING PIN		D	2	
32	65AA47780	GUIDE SPRING 2		C	2	
33	A03U621000	GUIDE PLATE /FRONT		C	1	
34	A1DUR71N00	Cassette		S	1	

# CASSETTE : MIDDLE

## TRAY 2

P 61

改訂版 REVISED EDITION	日付 DATE
	FEBRUARY 2011



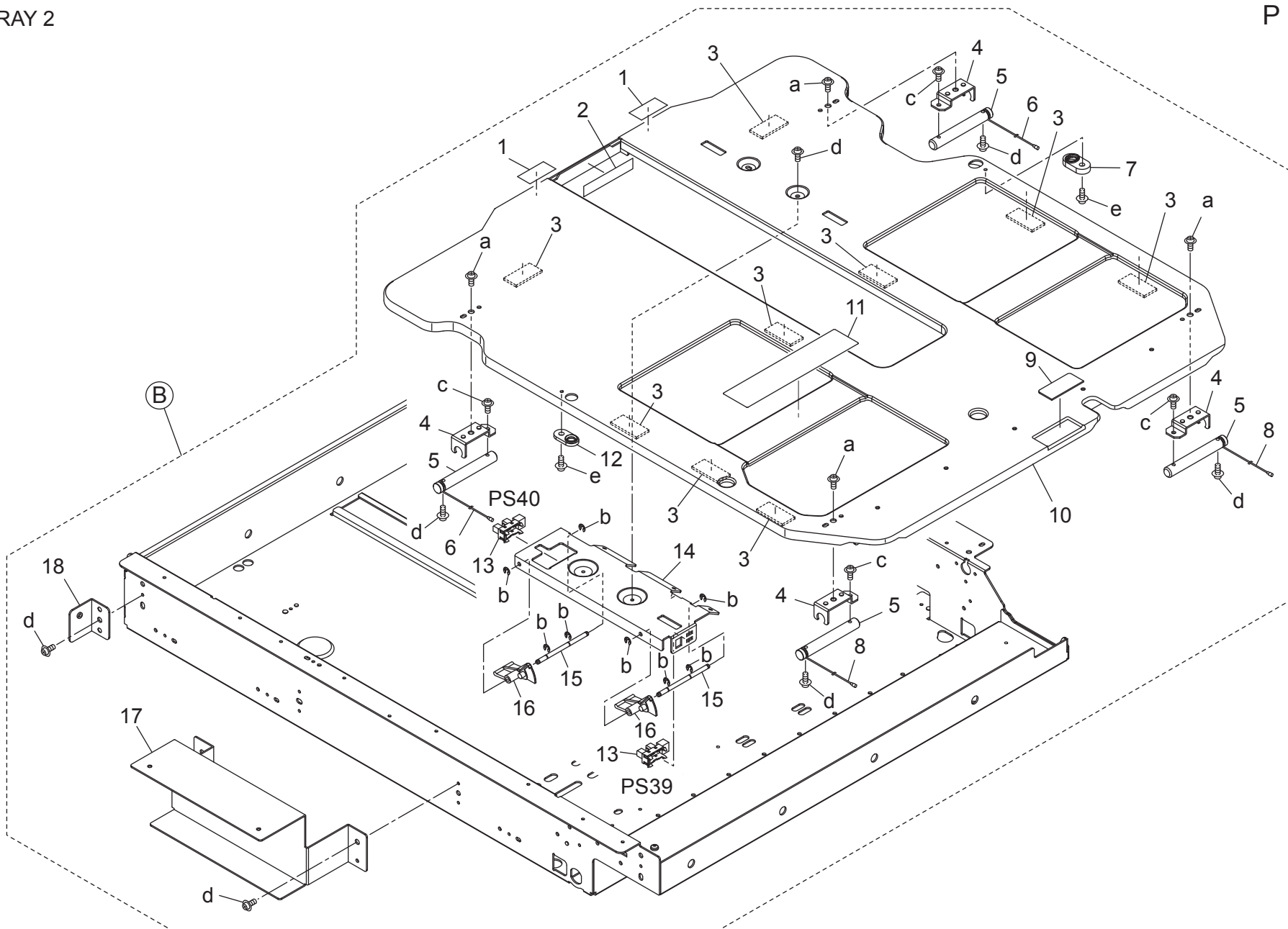
bizhub PRESS C7000P

Key	Part No.	Description	Destinations	Class	QTY	Standard parts
1	A1DU629500	Regulating Screw		D	4	a-V217060050
2	65AA47620	PROTECTION SEAL 2		C	2	b-V121030404
3	65AA47630	WIRE GUIDE PART		C	2	c-V217020050
4	65AA47550	WIRE ROLLER		C	2	d-V121030603
5	A03U621200	GUIDE COVER		C	1	e-V217040050
6	A1DUF62100	PULLEY FULCRUM PLATE CAULKING		D	2	f-V158030803
7	A03U621400	AUXILIARY COVER /S		C	2	g-V121030604
8	65AA47140	CASSETTE POSITIONING PLATE 1		D	2	h-V127030516
9	65GE97490	CASSETTE GUIDE LABEL		D	1	
10	A1DUR74600	Shaft Fulcrum Plate Caulking		D	2	
11	65AA90170E	CASSETTE SIGNAL WIRING		C	1	
12	A03U621300	AUXILIARY COVER /L		C	2	
13	55VA40600	Driving Up /Down Pulley		B	2	
14	65AA47700D	Up/down Pin		D	1	
15	A03U812800	Slide Shaft Holder		B	2	
16	55VA42220	POSITIONING SCREW		C	1	
17	A03U620702	Wiring Cover		D	1	
18	65AA47070F	Paper Regulating Plate /Right		D	1	
19	A03U621700	Holding Screw /Front		D	1	
20	65AA47111	Lifting Shaft		D	1	
21	65AA47820	REGULATING PART		C	2	
22	65AA47740E	Shaft Mounting Plate		D	3	
23	65AA47500	Slide Sheet		D	2	
24	65AA47130	PAPER DETECTING ACTUATOR		C	1	
25	08AA85512	Photo Sensor		B	1	
26	65AA47900E	Mounting Plate /2		D	1	
27	65AA47800	GUIDE SHEET		C	2	
28	65AA47790D	Guide Spring /3		D	2	
29	65AA47730E	Spring Support Part		D	1	
30	65GE47080	Paper Regulating Plate /Left		D	1	

# CASSETTE : MIDDLE

## TRAY 2

P 62



bizhub PRESS C7000P

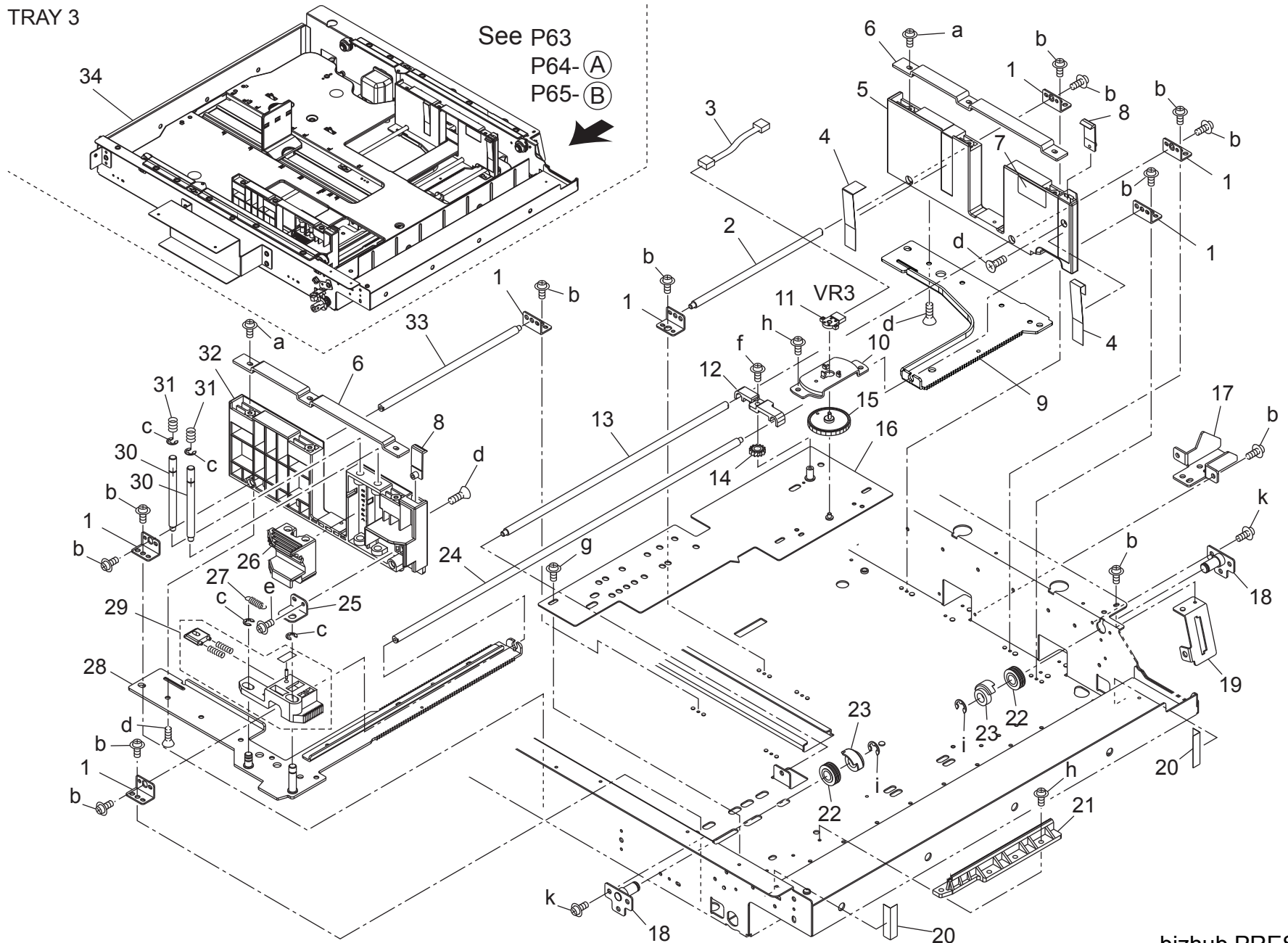
Key	Part No.	Description	Destinations	Class	QTY	Standard parts
1	65AA47450	PROTECTION SEAL /3		D	2	a-V121040603 b-V217020050 c-V121030603 d-V127030516 e-V121030403
2	65AA47480	Protection Sheet /Upper		C	1	
3	65AA47860	AUXILIARY SHEET		C	9	
4	65AA47650	WIRE FULCRUM PLATE		D	4	
5	65AA47660	WIRE FULCRUM SHAFT		D	4	
6	65AA47530	Up Down Wire /2		C	2	
7	65AA47580	GUIDE BUSHING /2		C	1	
8	65AA47520	Up Down Wire /1		C	2	
9	55VA40930	DOUBLE FEED PREVENTIVE PLATE		C	1	
10	65AA47020D	Paper Lifting Plate		D	1	
11	A1RF946000	Paper feed Label /1		D	1	
12	65AA47750	GUIDE BUSHING		C	1	
13	08AA85512	Photo Sensor		B	2	
14	65AA47120D	Mounting Plate		D	1	
15	65AA47310E	PAPER DETECTING SHAFT		D	2	
16	65AA47320	Paper Detecting Actuator		C	2	
17	65AA47410D	Auxiliary Plate /1		D	1	
18	65AA4771E	Side Mounting Plate		D	1	



# CASSETTE : LOWER

TRAY 3

P 63



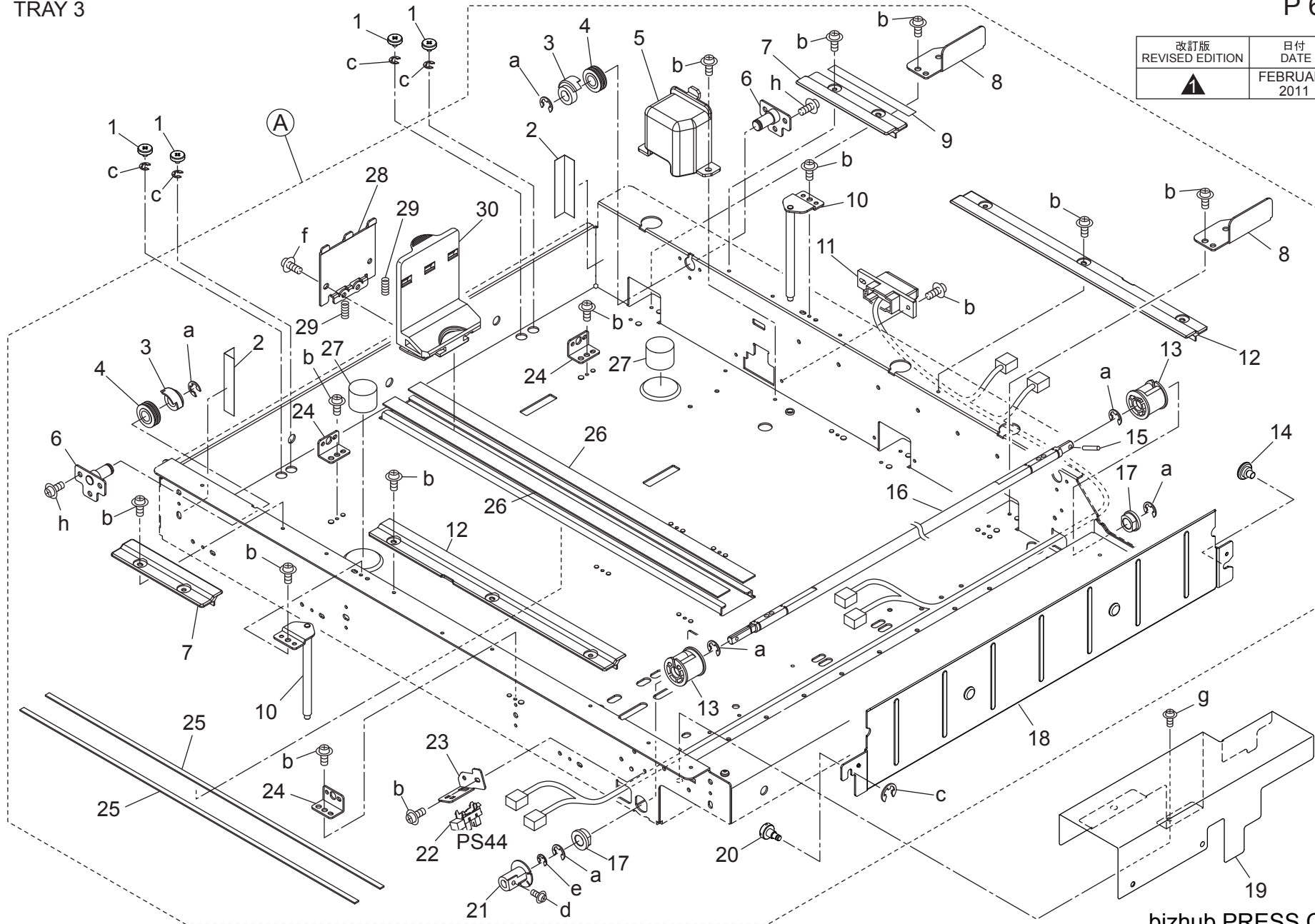
Key	Part No.	Description	Destinations	Class	QTY	Standard parts
1	65AA47740E	Shaft Mounting Plate		D	7	a-V158030816
2	65AA47210	Positioning Shaft /4		D	1	b-V116030803
3	65AA90580	SIZE RELAY WIRING		D	1	c-V217040050
4	65AA47420	PAPER REGULATING SHEET		C	2	d-V147030803
5	A03U621100	GUIDE PLATE /REAR		C	1	e-V158030803
6	65AA47490E	Side Supply Plate		D	2	f-V116030603
7	A03U945300	Regulating Label /1		C	1	g-V116030503
8	26NA47070	PAPER REGULATING CLAW		C	2	h-V121030603
9	65AA47060E	Guide Rack /Rear		D	1	i-V217060050
10	65AA42610	Mounting Plate		D	1	k-V127030516
11	56AA85601	SIZE DETECTION VR	サイズ検知ボリューム	C	1	
12	65AA47270	SHAFT SUPPORT PLATE	軸支持板	D	1	
13	65AA47160	Positioning Shaft /1	位置決め軸 / 1	D	1	
14	A03U620400	PINION 14T	ピニオン 14 T	D	1	
15	65AA47600E	Detecting Gear 45T	検知ギア 45 T	C	1	
16	A03UF62100	Paper PS Plate Caulking	紙位置決め板カシメ	D	1	
17	65AA47340	FIXING CAM	固定カム	D	1	
18	A1DUF62100	PULLEY FULCRUM PLATE CAULKING	プーリ支点板カシメ	D	2	
19	65AA47720D	Wiring Mounting Plate	束線取り付け板	D	1	
20	65AA47590	Protection Seal /1	保護シール / 1	D	2	
21	65AA47680	LOCKING PART	ロック部材	D	1	
22	65AA47550	WIRE ROLLER	ワイヤーコロ	C	2	
23	65AA47630	WIRE GUIDE PART	ワイヤーガイド部材	C	2	
24	65AA47170	Positioning Shaft /2	位置決め軸 / 2	D	1	
25	65AA47470D	Fulcrum Plate	支点板	D	1	
26	65GE47090	SIDE LOCKING PLATE	側面ロック板	D	1	
27	65AA47831	GUIDE SPRING 4	ガイドバネ 4	C	1	
28	65AA-4750	SIDE GUIDE RACK F CAULKING	側面ガイドラック / 前カシメ	D	1	
29	A1DUR71P00	Rock Part/2Assy	ロック部材 / 2 部組	D	1	
30	65AA47190	PAPER POSITIONING PIN	紙位置決めピン	D	2	
31	65AA47780	GUIDE SPRING 2	ガイドバネ 2	C	2	
32	A03U621000	GUIDE PLATE /FRONT	ガイド板 / 前	C	1	
33	65AA47180	Positioning Shaft /3	位置決め軸 / 3	D	1	
34	A1DUR71N00	Cassette	カセット	S	1	

# CASSETTE : LOWER

TRAY 3

P 64

改訂版 REVISED EDITION	日付 DATE
	FEBRUARY 2011



bizhub PRESS C7000P

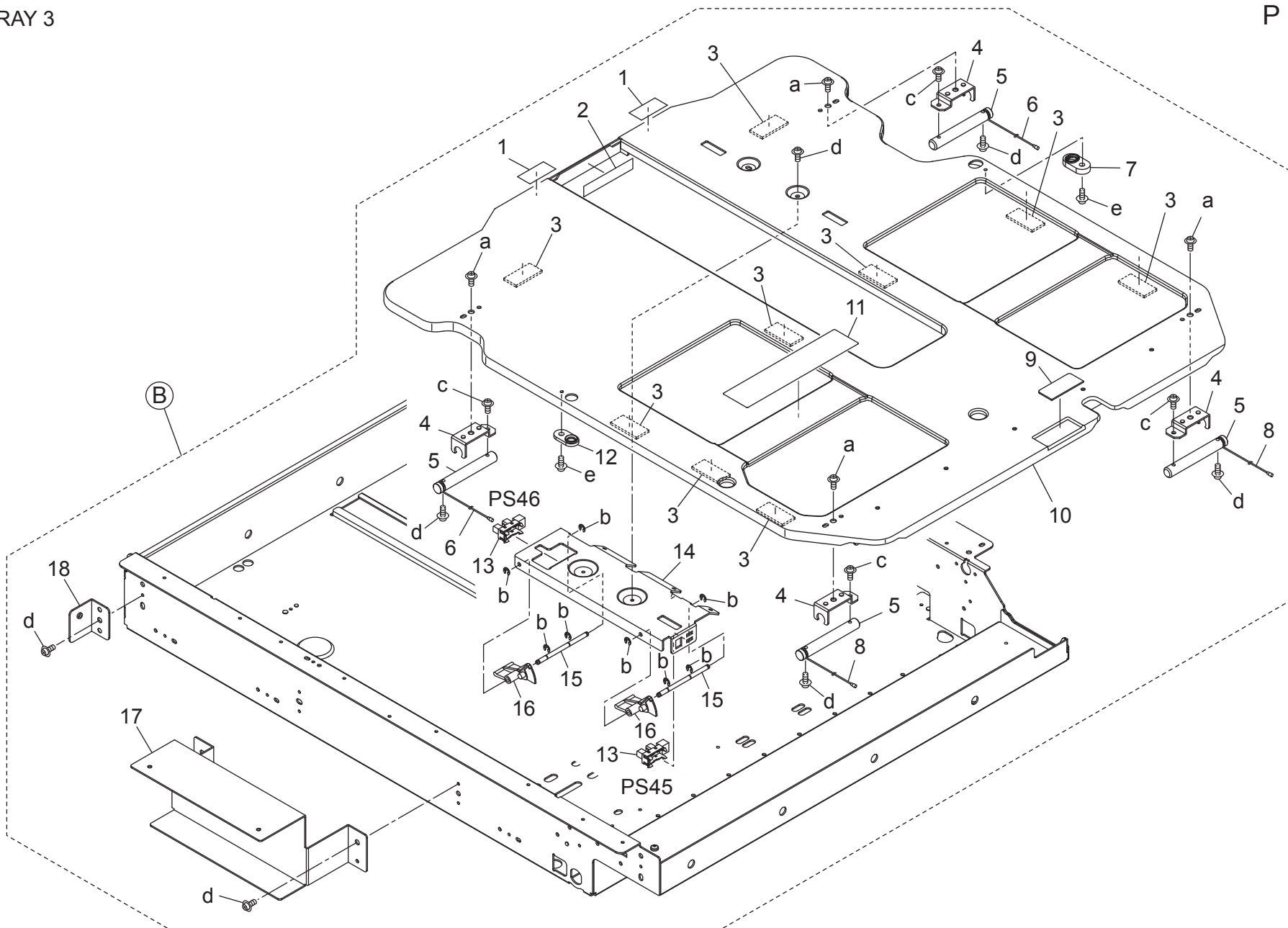
CASSETTE : LOWER

Key	Part No.	Description	Destinations	Class	QTY	Standard parts
1	A1DU629500	Regulating Screw		D	4	a-V217060050
2	65AA47620	PROTECTION SEAL 2		C	2	b-V121030404
3	65AA47630	WIRE GUIDE PART		C	2	c-V217020050
4	65AA47550	WIRE ROLLER		C	2	d-V121030603
5	A03U621200	GUIDE COVER		C	1	e-V217040050
6	A1DUF62100	PULLEY FULCRUM PLATE CAULKING		D	2	f-V158030803
7	A03U621400	AUXILIARY COVER /S		C	2	g-V121030604
8	65AA47140	CASSETTE POSITIONING PLATE 1		D	2	h-V127030516
9	65GE97490	CASSETTE GUIDE LABEL		D	1	
10	A1DUR74600	Shaft Fulcrum Plate Caulking		D	2	
11	65AA90170E	CASSETTE SIGNAL WIRING		C	1	
12	A03U621300	AUXILIARY COVER /L		C	2	
13	55VA40600	Driving Up /Down Pulley		B	2	
14	55VA42220	POSITIONING SCREW		C	1	
15	65AA47700D	Up/down Pin		D	1	
16	65AA47111	Lifting Shaft		D	1	
17	A03U812800	Slide Shaft Holder		B	2	
18	65AA47070F	Paper Regulating Plate /Right		D	1	
19	A03U620702	Wiring Cover		D	1	
20	A03U621700	Holding Screw /Front		D	1	
21	65AA47130	PAPER DETECTING ACTUATOR		C	1	
22	08AA85512	Photo Sensor		B	1	
23	65AA47900E	Mounting Plate /2		D	1	
24	65AA47740E	Shaft Mounting Plate		D	3	
25	65AA47800	GUIDE SHEET		C	2	
26	65AA47500	Slide Sheet		D	2	
27	65AA47820	REGULATING PART		C	2	
28	65AA47730E	Spring Support Part		D	1	
29	65AA47790D	Guide Spring /3		D	2	
30	65GE47080	Paper Regulating Plate /Left		D	1	

# CASSETTE : LOWER

TRAY 3

P 65

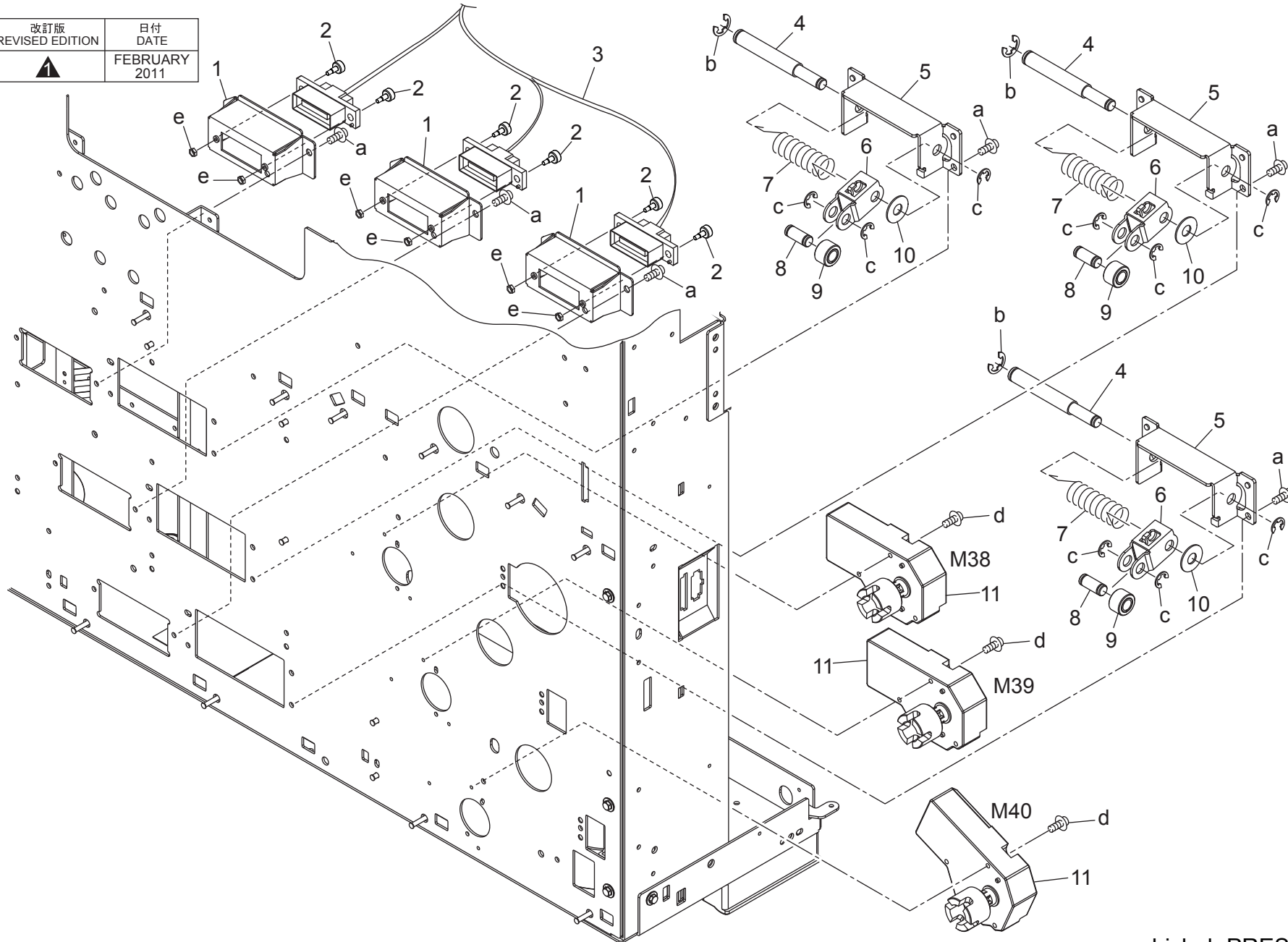


bizhub PRESS C7000P



# CASSETTE DRIVING SECTION

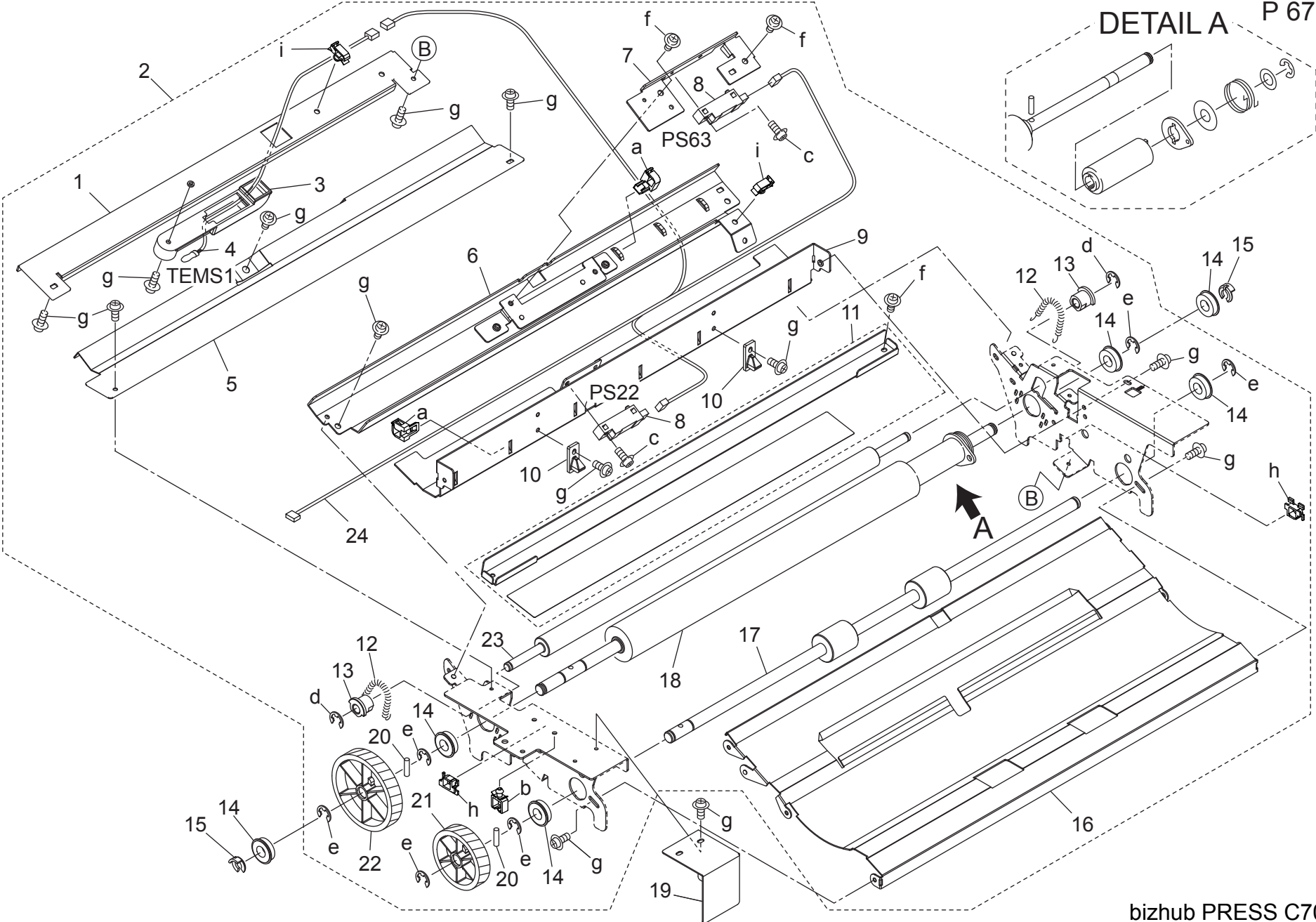
改訂版 REVISED EDITION	日付 DATE
	FEBRUARY 2011







# DUPLEX SECTION : REGISTRATION



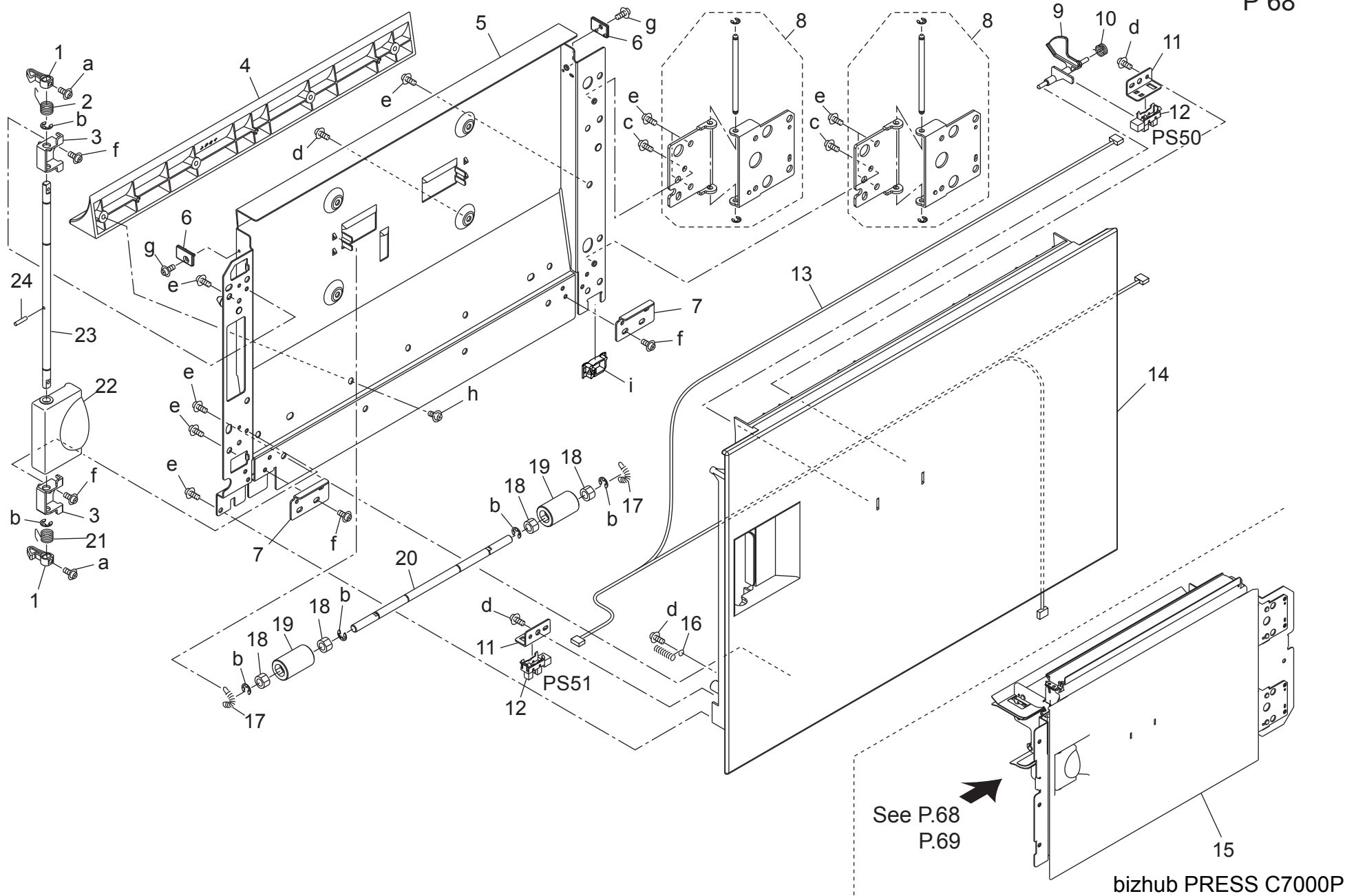
bizhub PRESS C7000P

# DUPLEX SECTION : REGISTRATION

Key	Part No.	Description	Destinations	Class	QTY	Standard parts
1	A03U712000	Mounting Stay /Lower		D	1	a-V500010057
2	A1DUR71S00	Regist Unit		C	1	b-V500010051
3	A03X622000	Detecting Cover		C	1	c-V118031003
4	A03UM50500	Temperature Sensor /5		C	1	d-V217040050
5	A03U711902	Cover Plate		D	1	e-V217060050
6	A03U711700	Guide Plate /2		C	1	f-V121030403
7	A03U711600	Mounting Plate /Middle		D	1	g-V127030603
8	56AA85521	Conveyance Photo Sensor		B	2	h-V570010050
9	A03U710700	Guide Plate /Upper		C	1	i-V500010046
10	65AA46120	LOCKING PART		C	2	
11	A1DUR73B00	Cleaning Stay Assy		B	1	
12	65AA46080	REGISTRATION PRESSURE SPRING		C	2	
13	A03U712100	Registration Bushing		C	2	
14	A00V240600	BALL BEARING		C	6	
15	55VA42120	SHAFT STOPPER		C	2	
16	A03U710600	Regist Guide Plate /Lower		C	1	
17	65AA46030	Conveyance Roller		C	1	
18	A1DUR73A00	Registration Roller Assy		A	1	
19	65AA46130D	Gear Cover Part		D	1	
20	56AA17480	PIN B		C	2	
21	65AA77510	CONVEYANCE GEAR 40T		C	1	
22	65AA77870	REGISTRATION GEAR 52T		C	1	
23	65AA46020	REGISTRATION DRIVEN ROLLER		C	1	
24	A03UN15401	Registration Relay Wiring		D	1	

# DUPLEX SECTION : VERTICAL CONVEYANCE

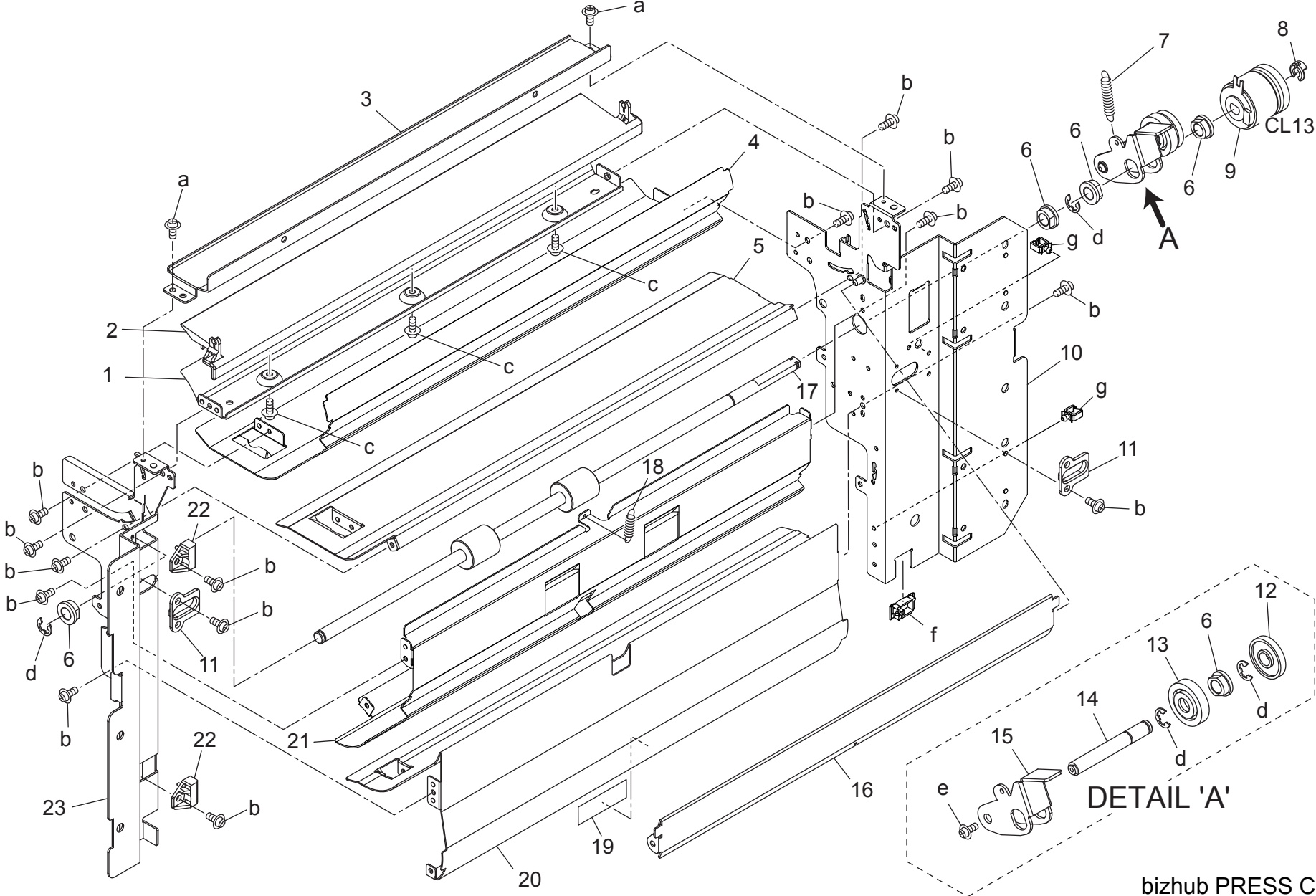
P 68



DUPLEX SECTION : VERTICAL CONVEYANCE

Key	Part No.	Description	Destinations	Class	QTY	Standard parts
1	56AA44200	LOCKING CLAW		C	2	a-V118030603
2	65AA44230	Locking Spring /Upper		C	1	b-V217040050
3	56AA44150	SHAFT FIXING PART		C	2	c-V121030603
4	65AA44410	PAPER ENTRANCE PLATE		C	1	d-V158030803
5	65AA-4340	CON GUIDE PLATE CAULKING		D	1	e-V151041003
6	65AA44460	REGULATING PLATE		C	2	f-V121030403
7	65AA44390	FIXING PLATE		D	2	g-V112030603
8	A1DUR71R00	Open/Shut Hinge Assy		C	2	h-V151040803
9	65AA44100	Paper Detecting Actuator /1		C	1	i-V570010063
10	65AA44270	CONVEYANCE SPRING		C	1	
11	65AA44470	MOUNTING PLATE		D	2	
12	08AA85512	Photo Sensor		B	2	
13	65AA90150E	P. F. UNIT DETECTION WIRING		D	1	
14	A03U700100	Conveyance Guide Door		C	1	
15	A1DUR71Q00	Vertical Conveying		D	1	
16	65AA44380	POSITIONING SPRING		C	1	
17	65AA44250	DRIVEN SPRING		C	2	
18	A03U850101	Slide Bushing		C	4	
19	26NA42560	BY PASS FEED DRIVEN ROLLER		C	2	
20	65AA44150	CONVEYANCE DRIVEN SHAFT		D	1	
21	65AA44240	Locking Spring /Lower		C	1	
22	A03U700202	Conveyance Handle		C	1	
23	65AA44170E	LOCKING SHAFT		D	1	
24	56AA17300	PIN		C	1	

DUPLEX SECTION : VERTICAL CONVEYANCE



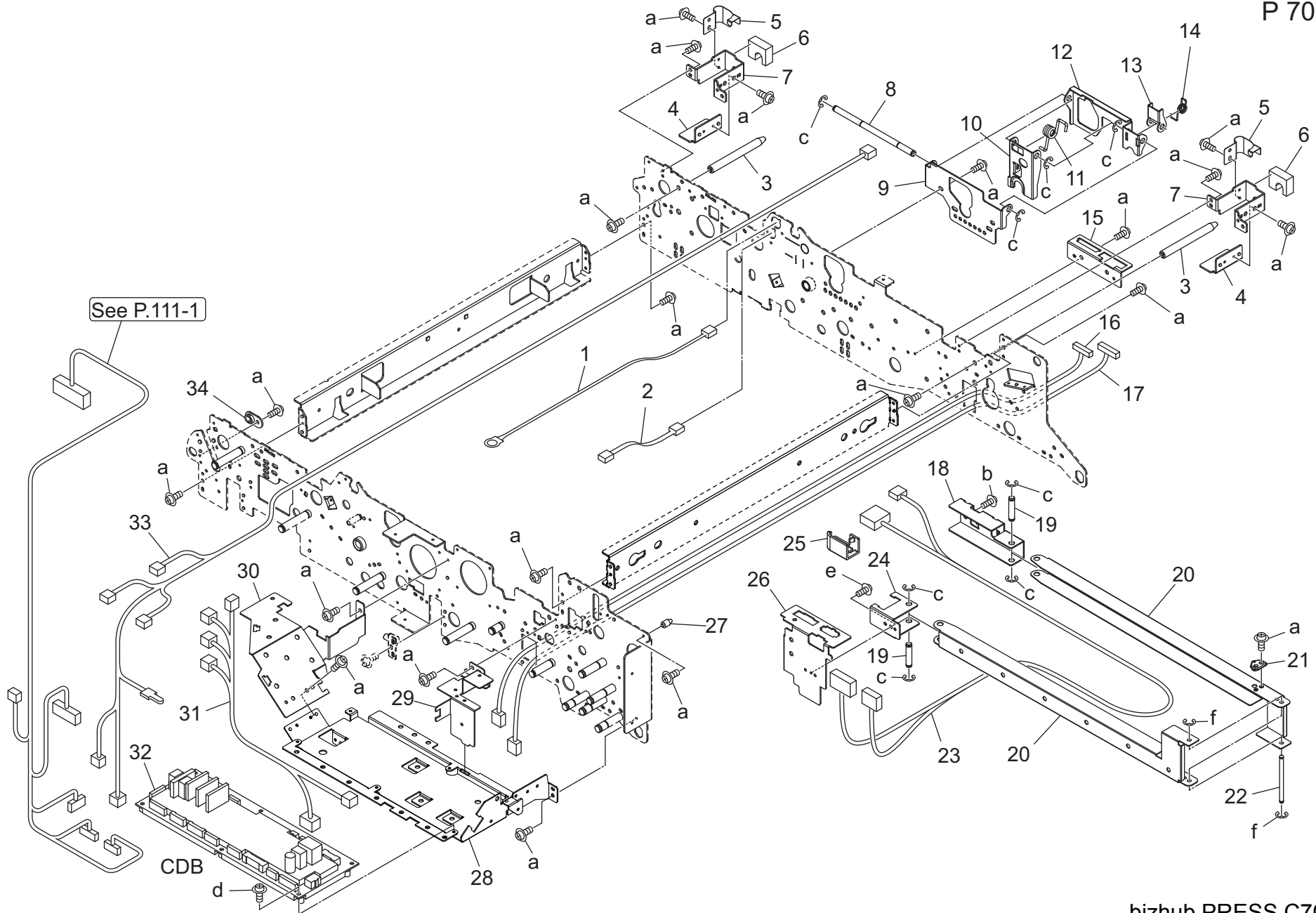
bizhub PRESS C7000P

DUPLEX SECTION : VERTICAL CONVEYANCE

Key	Part No.	Description	Destinations	Class	QTY	Standard parts
1	65AA44290	PAPER GUIDE PLATE C		C	1	a-V121030403 b-V121030603 c-V158030803 d-V217060050 e-V121040603 f-V570010063 g-V500010051
2	65AA44300	PAPER GUIDE PLATE T		C	1	
3	65AA44280	PAPER GUIDE PLATE L		C	1	
4	65AA44030	PAPER GUIDE PLATE 1		C	1	
5	65AA44050	PAPER GUIDE PLATE 3		C	1	
6	A03U812800	Slide Shaft Holder		B	5	
7	65AA44330	CONNECTING SPRING		C	1	
8	55VA42120	SHAFT STOPPER		C	1	
9	56AA82012	PAPER FEED DRIVING CLUTCH		B	1	
10	65AA-4400	SIDE PLATE/2 CAULKING		D	1	
11	65AA44220	Positioning Coller		C	2	
12	65AA44350	STOPPER ROLLER		C	1	
13	25AA77730	CONVEYANCE IDLER RIGHT 24T		C	1	
14	65AA44320	CONNECTING SHAFT		D	1	
15	65AA44340	CONNECTING PLATE		D	1	
16	65AA44420	OPEN SHUT PLATE		C	1	
17	65AA44130	Conveying Roller /1		C	1	
18	65AA44440	OPEN SHUT SPRING		C	1	
19	A03U700400	PAPER GUIDE SHEET		C	1	
20	65AA44060	PAPER GUIDE PLATE 4		C	1	
21	65AA44430	PAPER GUIDE PLATE MIDDLE		C	1	
22	65AA44200	LOCKING PLATE		C	2	
23	65AA-4390	SIDE PLATE/1 CAULKING		D	1	

# DUPLEX SECTION

P 70



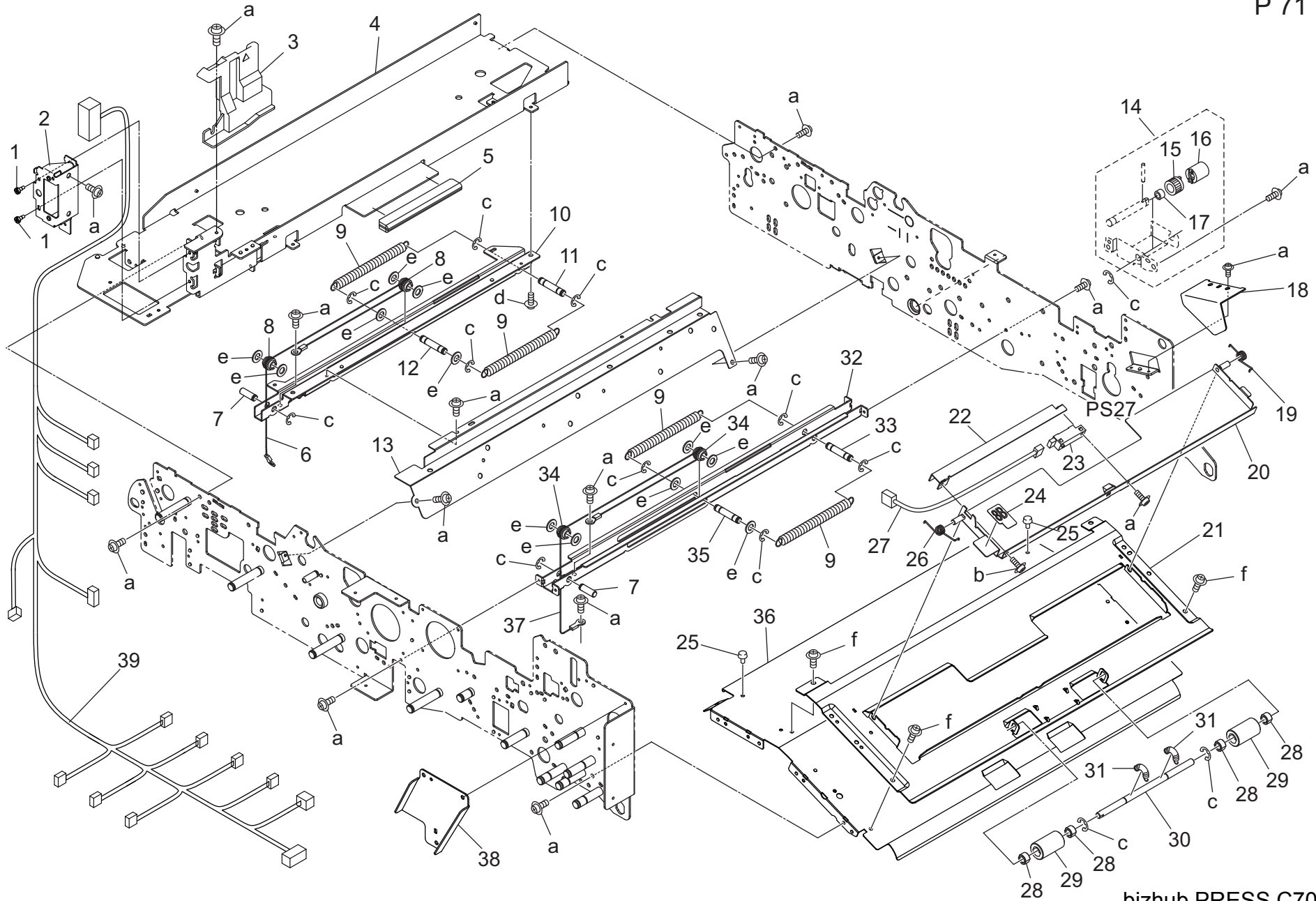
bizhub PRESS C7000P

Key	Part No.	Description	Destinations	Class	QTY	Standard parts
1	A03UN20300	Bias Wire /2		D	1	a-V127030603 b-V127040603 c-V217040050 d-V121030403 e-V127030516 f-V217030050
2	A1DUN18900	Separating Wire /1		D	1	
3	65AA50250	CARRIGE GUIDE PIN REAR		D	2	
4	A03U811500	Guide Holder /1		D	2	
5	A03U813702	Ground Plate		D	2	
6	A03U811401	Protection Cushion		D	2	
7	A03U811300	GUIDE HOLDER /REAR		D	2	
8	65AA50590	TRANSFER RELEASE SHAFT 2		D	1	
9	65AA50600	CAM MOUNTING PLATE		D	1	
10	65AA50570	TRANSFER RELEASE CAM 1		C	1	
11	65AA50610	CAM STOPPER SPRING 1		C	1	
12	65AA50620	CAM CONNECTING PLATE		C	1	
13	65AA50580	TRANSFER RELEASE CAM 2		C	1	
14	65AA50630	CAM STOPPER SPRING 2		C	1	
15	A03U812900	Wiring Fixing Plate		D	1	
16	A03UN17801	ADU DRIVE HARNESS /1		D	1	
17	A1DUN22000	ADU Relay harness /6		D	1	
18	65AA50190	FULCRUM PLATE REAR		D	1	
19	65AA50180	HINGE FULCRUM SHAFT 1		D	2	
20	56AA50311E	Wiring Guide Plate /Front		D	2	
21	56AA50381	HINGE LIFTING BLOCK		C	1	
22	65AA50750D	Hinge Fulcrum Shaft		D	1	
23	A03UN14700	Conv. unit Relay Wiring /1		D	1	
24	A03U811200	Carriage Support Plate /2		D	1	
25	65AA50740	Wiring Cover /1		C	1	
26	A03U811101	Carriage Fulcrum Plate /Front		D	1	
27	65AA50440D	Carriage Guide Pin /Left		C	1	
28	A03U810503	Board Mounting Plate		D	1	
29	A03U813001	Wiring Guide Plate		D	1	
30	A03U810601	Board Mounting Plate /2		D	1	
31	A03UN15100	Conveyance Drive Wiring		D	1	
32	A1DUH25000	Conveyance Drive Board Assy		I	1	
33	A1DUN14801	Conveyance Relay harness /2		D	1	
34	129X48360	GUIDE SHAFT HOLDER B		C	1	



# DUPLEX SECTION

P 71

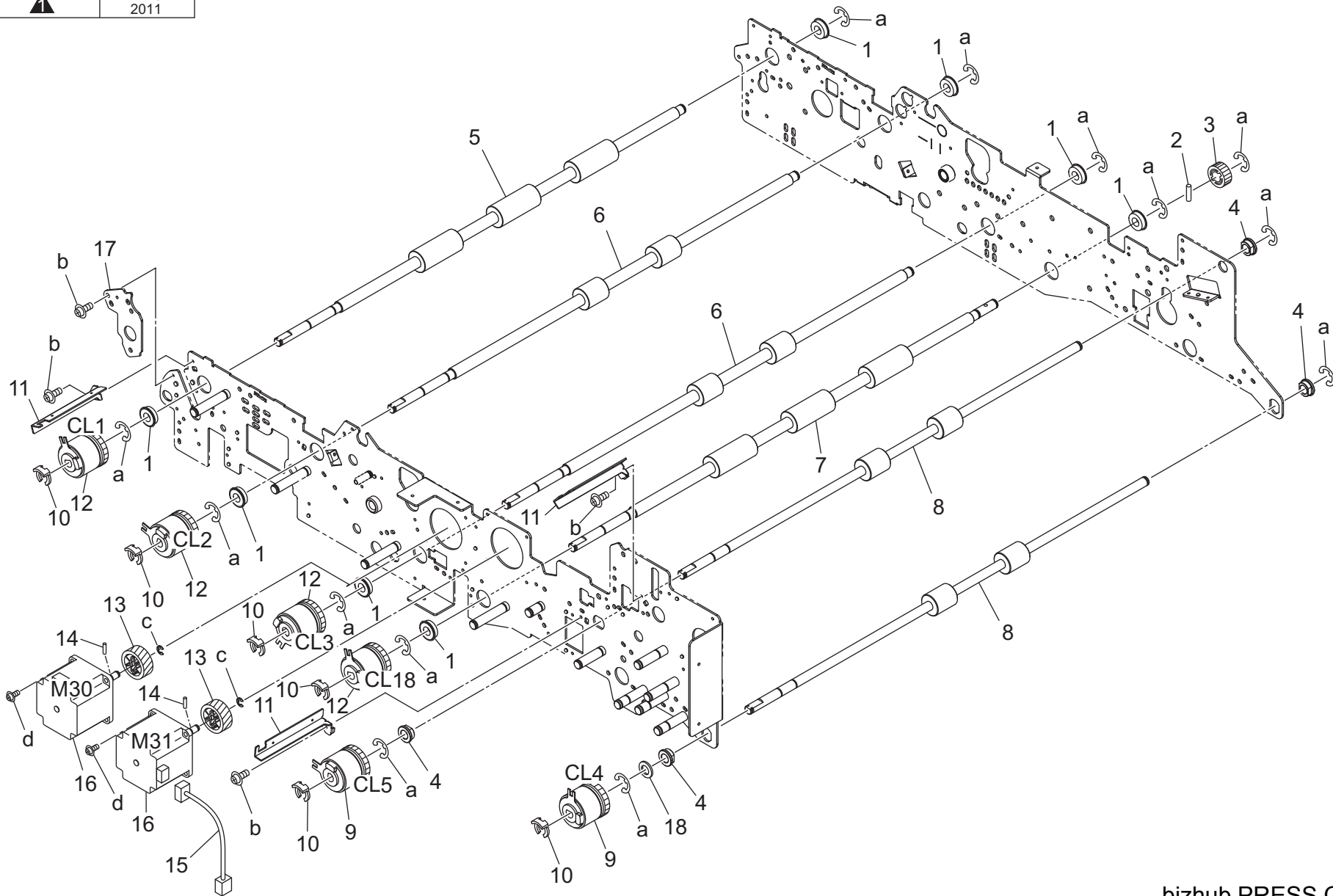


bizhub PRESS C7000P

Key	Part No.	Description	Destinations	Class	QTY	Standard parts
1	57AA53520	ELECTRIC MOUNTING SCREW FRONT		C	2	a-V127030603 b-V118031003 c-V217040050 d-V121030403 e-V207060003 f-V127030516
2	A1DU817000	Mounting Plate	電装取り付けネジ 前 取付板 (ドロア/A)	D	1	
3	A1DU817100	Protection Cover	保護カバー	D	1	
4	A1DUR74900	Fixing Positioning Rail Caulking	定着位置決めレールカシメ	D	1	
5	65AA50720	LIFTING COVER 1	持ち上げカバー 1	D	1	
6	A03U849801	Wire /Left	ワイヤ/左	C	1	
7	65AA51510	ADU OPEN SHUT SHAFT 3	ADU 開閉軸/3	D	2	
8	A03U813500	Wire Pulley	ワイヤー プーリ	C	2	
9	A03U813601	ADU Open/shut Spring /Upper	ADU 開閉バネ/上	C	4	
10	A03U813200	ADU Open/shut Plate	ADU 開閉板	D	1	
11	A03U813400	ADU Open/shut Shaft /2	ADU 開閉軸/2	D	1	
12	A03U813300	ADU Open/shut Shaft /1	ADU 開閉軸/1	D	1	
13	A03U813100	Wiring Guide Plate /2	束線案内板/2	D	1	
14	A1DUR73C00	Brake Assy	ブレーキ ASSY	C	1	
15	A03U839000	BRAKE GEAR /1 21T	ブレーキギア/1 21 T	C	1	
16	A03U815700	TORQUE LIMITER	トルクリミッタ	B	1	
17	56GA76010	SLIDE SHAFT HOLDER 2	滑り軸受 2	C	1	
18	A1DU817300	Support Plate	支持板	D	1	
19	65AA50150	Pressing Spring /Right	押圧バネ/右	C	1	
20	65AA50090	CONVEYANCE GUIDE PLATE MIDDLE	搬送ガイド板 中	C	1	
21	65AA50080F	Conveyance Guide Plate /Right	搬送ガイド板/右	C	1	
22	65AA50560D	Cover	センサ カバー	D	1	
23	56AA85521	Conveyance Photo Sensor	搬送フォトセンサ	B	1	
24	A1RF943200	Release Label /2	解除ラベル/2	D	1	
25	12AJ45850	STOPPER RUBBER	ストッパーゴム	C	2	
26	65AA50160	Pressing Spring /Left	押圧バネ/左	C	1	
27	A1DUN18400	Conveyance Detection harness /1	搬送検知束線/1	D	1	
28	A03U850101	Slide Bushing	すべり軸受	C	4	
29	26NA42560	BY PASS FEED DRIVEN ROLLER	手差し従動ローラ	C	2	
30	65AA50640	CONVEYANCE DRIVEN SHAFT 2	搬送従動軸 2	C	1	
31	65AA51400	ADU SPRING A	ADU バネ A	C	2	
32	65AA51670D	ADU Open/shut Plate	ADU 開閉板	D	1	
33	65AA51530	ADU OPEN SHUT SHAFT 2	ADU 開閉軸/2	D	1	
34	25AA50080	WIRE PULLEY	ワイヤープーリ	C	2	
35	65AA51520	ADU OPEN SHUT SHAFT 1	ADU 開閉軸/1	D	1	
36	65AA50060E	Conveyance Guide Plate /Lower	搬送ガイド板/下	C	1	
37	A03U849701	Wire /Right	ワイヤ/右	C	1	
38	A1DU817500	Reinforce Plate	補強板	D	1	
39	A1DUN14901	Fixing Drive harness /1	定着駆動束線/1	D	1	

# DUPLEX SECTION

改訂版 REVISED EDITION	日付 DATE
	MARCH 2011

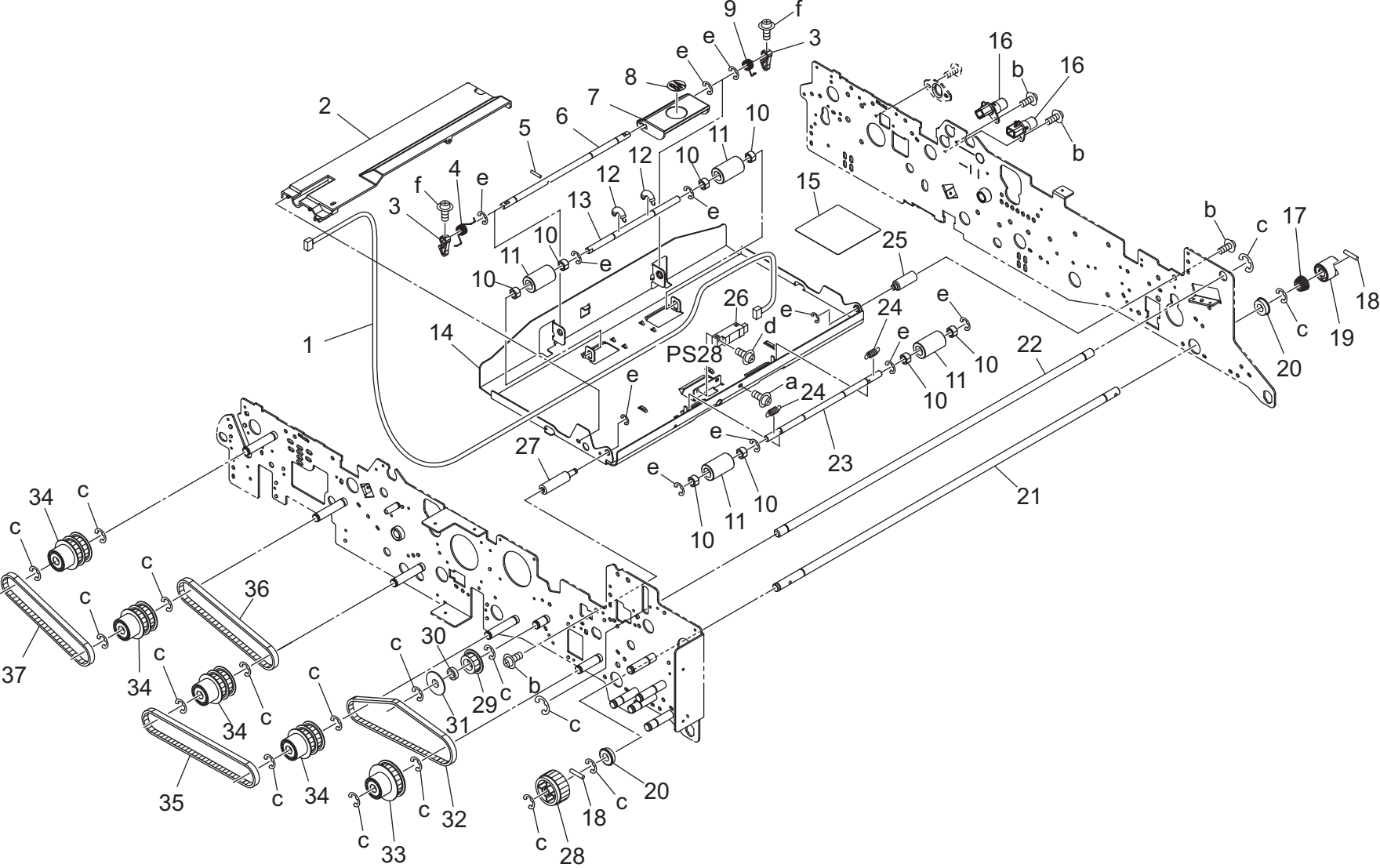


bizhub PRESS C7000P

# DUPLEX SECTION

Key	Part No.	Description	Destinations	Class	QTY	Standard parts
1	A00V240600	BALL BEARING		C	8	a-V217060050 b-V127030603 c-V217040050 d-V121030803
2	56AA17471	PIN B 3X12		C	1	
3	A03U838900	BRAKE GEAR /2 24T		C	1	
4	A03U812800	Slide Shaft Holder		B	4	
5	A03U842100	Roller /3		C	1	
6	A03U842200	Roller /4		C	2	
7	A03U850400	Roller /4		C	1	
8	A03U812200	ADU Conveying Roller /Right		C	2	
9	56AA82012	PAPER FEED DRIVING CLUTCH		B	2	
10	55VA42120	SHAFT STOPPER		C	6	
11	65AA51280E	ADU Locking Plate		D	3	
12	A03UM20100	Clutch /1		B	4	
13	65AA77520	REGISTRATION DRIVING GEAR 28T		C	2	
14	56AA17480	PIN B		C	2	
15	A03UN17700	Conveyance Drive harness /1		D	1	
16	A03UM11100	HB Motor /50		B	2	
17	A03U814800	Carrige Connecting Plate		D	1	
18	12QV40650	SPACER		B	1	

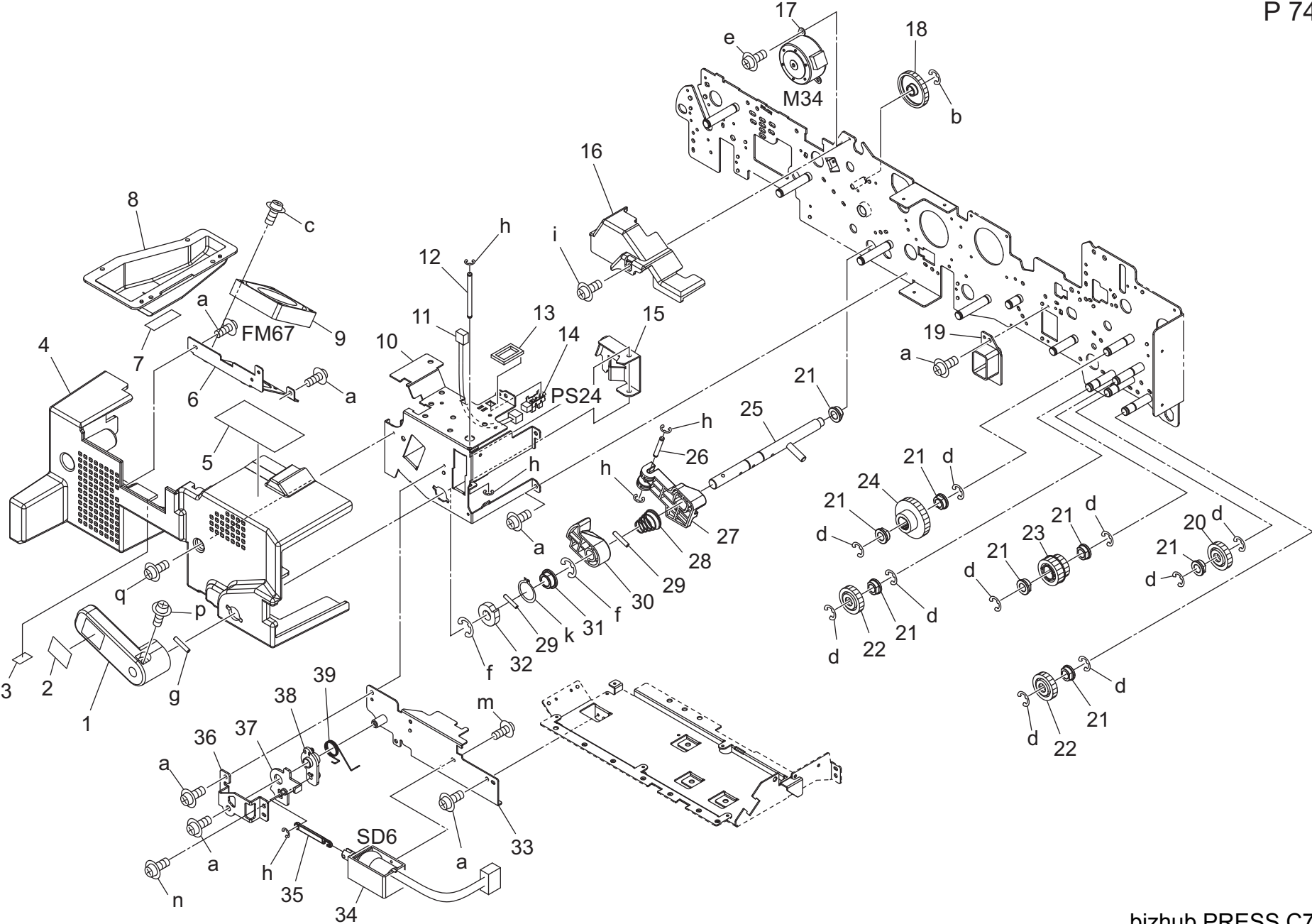
DUPLEX SECTION



DUPLEX SECTION

Key	Part No.	Description	Destinations	Class	QTY	Standard parts
1	65AA90850	Conveyance Detection Wiring /2	搬送検知束線 / 2	D	1	a-V158030803 b-V127030603 c-V217060050 d-V118031003 e-V217040050 f-V118030603
2	A03U815400	Cover /2	センサ カバー / 2	D	1	
3	56AA44200	LOCKING CLAW	ロック爪	C	2	
4	65AA50120E	Locking Spring /Right	ロックバネ / 右	C	1	
5	56AA17321	PIN A D2X12	ピン A D 2 X 1 2	B	1	
6	65AA50110	LOCKING SHAFT	ロック軸	D	1	
7	65AA49410	PAPER EXIT HANDLE	排紙把手	C	1	
8	A1RF943300	Release Label /3	解除ラベル / 3	D	1	
9	65AA50130E	Locking Spring /Left	ロックバネ / 左	C	1	
10	A03U850101	Slide Bushing	すべり軸受	C	8	
11	26NA42560	BY PASS FEED DRIVEN ROLLER	手差し従動ローラ	C	4	
12	65AA51400	ADU SPRING A	A D U バネ A	C	2	
13	65AA50640	CONVEYANCE DRIVEN SHAFT 2	搬送従動軸 2	C	1	
14	65AA50070D	Conveyance Guide Plate /Upper	搬送ガイド板 / 上	D	1	
15	A1DU942700	Caution Label /3	注意ラベル / 3	D	1	
16	A1DUR73K00	Powering Block A Assy	給電ブロック / A 部組	C	2	
17	56AA17090	PRESSURE SPRING	押圧バネ	C	1	
18	56AA17480	PIN B	ピン B	C	2	
19	55VA15541	CLEANER COUPLING PART	クリーナーカップリング部材	C	1	
20	A00V240600	BALL BEARING	ボールベアリング	C	2	
21	A03U812100	Drive Input Shaft	駆動入力軸	D	1	
22	65AA50471F	Carrige Handle /Right	架台 把手 / 右	D	1	
23	65AA51180	ADU DRIVEN SHAFT 1	A D U 従動軸 1	D	1	
24	65AA50170	CONVEYANCE SPRING	搬送バネ	C	2	
25	65AA50490	CONVEYANCE FULCRUM SHAFT REAR	搬送支点軸 / 奥	D	1	
26	56AA85521	Conveyance Photo Sensor	搬送フォトセンサ	B	1	
27	65AA50480	CONVEYANCE FULCRUM SHAFT FRONT	搬送支点軸 / 前	D	1	
28	65AA77540	PAPER FEED GEAR 2 29T	給紙歯車 2 2 9 T	C	1	
29	A03U839700	IDLING PULLEY 21T	アイドルプーリ 2 1 T	C	1	
30	12QV75030	Bearing /C	軸受 / C	C	1	
31	A03U813900	Regulating Plate	規制板	C	1	
32	A03U839100	BELT /1 327L	ベルト / 1 3 2 7 L	C	1	
33	A03U839501	Drive Pulley /1 24T/34T	駆動プーリ / 1 2 4 T / 3 4 T	C	1	
34	A03U839601	Drive Pulley /2 24/26T	駆動プーリ / 2 2 4 / 2 6 T	C	4	
35	A03U839200	BELT /2 339L	ベルト / 2 3 3 9 L	C	1	
36	A03U839300	BELT /3 300L	ベルト / 3 3 0 0 L	C	1	
37	A03U839400	BELT /4 282L	ベルト / 4 2 8 2 L	C	1	

DUPLEX SECTION

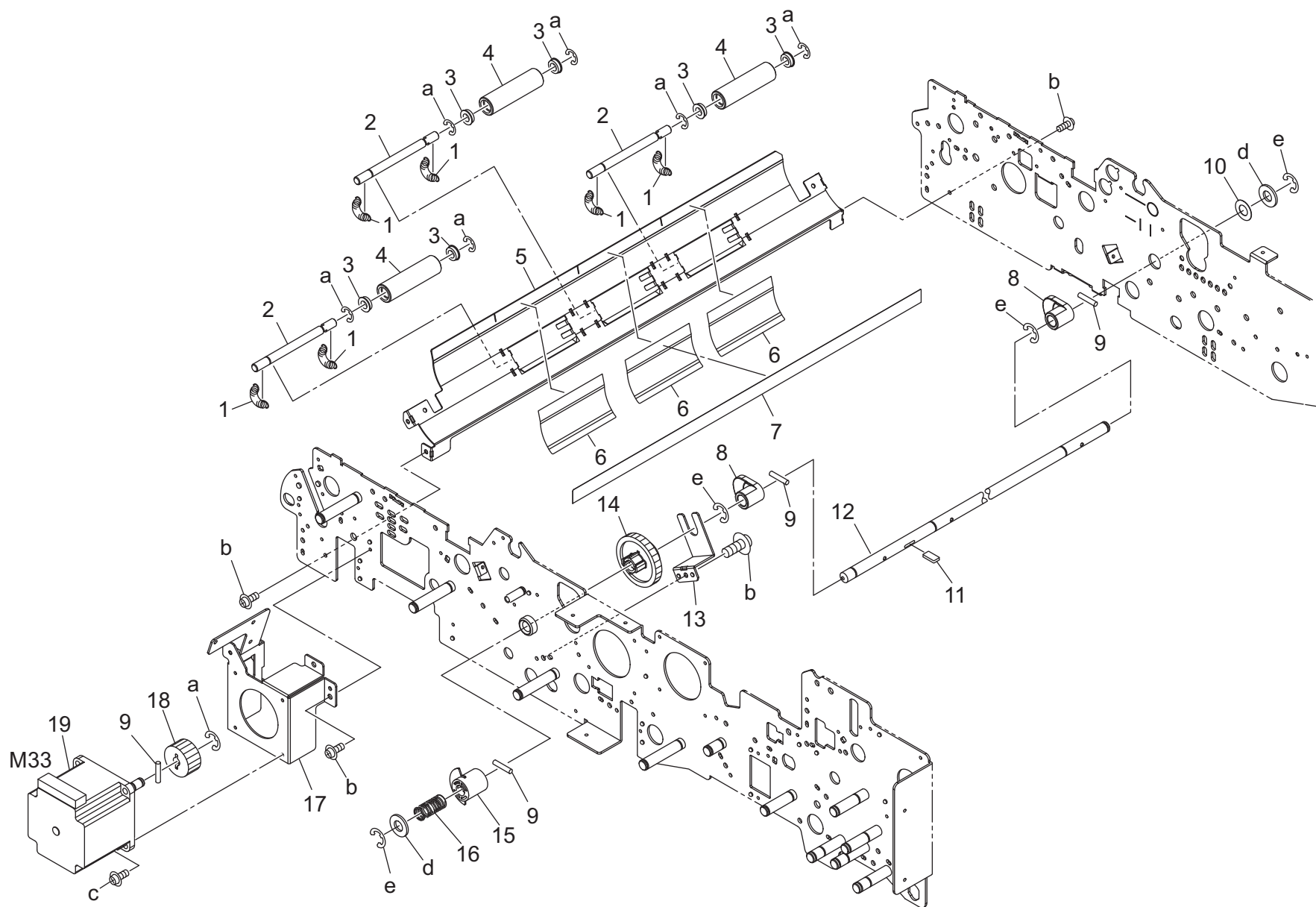


Key	Part No.	Description	Destinations	Class	QTY	Standard parts
1	57AA50760	CARRIAGE PULLING LEVER		C	1	a-V127030603
2	A1RF943100	Release Label /1	解除ラベル / 1	D	1	b-V217040050
3	A1DU817200	Vibrationproof Part	防振部材	D	1	c-V121032003
4	A03U811003	ADU Cover /Left	A D U カバー / 左	C	1	d-V217060050
5	A1DU942900	Caution Label /5	注意ラベル / 5	D	1	e-V118030403
6	A1DU815000	Mounting Plate	取付板	D	1	f-V217080050
7	A03U736000	Auxiliary Seal /A	補助シール / A	C	1	g-V233301650
8	A03U728300	Fusing Duct /1	定着ダクト / 1	C	1	h-V217030050
9	56AA80551	Fan Motor /2	ファンモーター / 2	B	1	i-V121030804
10	A03U810701	Lever Mounting Plate	レバー取り付け板	D	1	k-V223150004
11	65AA90810	RELAY WIRING 1	センサ中継束線 1	D	1	m-V121030403
12	65AA50360D	Release Shaft /1	解除軸 / 1	D	1	n-V151040803
13	65AA50860	COVER	センサ カバー	C	1	p-V116041203
14	08AA85512	Photo Sensor	フォトセンサ	B	1	q-V121030604
15	65AA50310	TRANSFER RELEASE PLATE	転写解除板	D	1	
16	A03U814902	Transfer Release Cover	転写解除カバー	C	1	
17	15AAR73600	MOTOR 2 ASSY	モーター 2組	C	1	
18	40AA77550	Mirror Drive Gear /2 14/70T	ミラー駆動ギア / 2 14 / 70 T	C	1	
19	A03U810900	Wiring Guide Part	束線ガイド部材	C	1	
20	25AA77720	CONVEYANCE IDLER LEFT 24T	搬送アイドラー 左 24 T	C	1	
21	A03U812800	Slide Shaft Holder	すべり軸受	B	8	
22	25AA77730	CONVEYANCE IDLER RIGHT 24T	搬送アイドラー 右 24 T	C	2	
23	65AA77720	BY PASS FEED DRIVING GEAR 1 20T/24T	手差し駆動歯車 1 20 T / 24 T	C	1	
24	65AA77730	BY PASS FEED DRIVING GEAR 2	手差し駆動歯車 2	C	1	
25	A1DUR73M00	Lock Pin Assy	ロックピン部組	C	1	
26	65AA50370D	Cam Fulcrum Shaft	カム支点軸	D	1	
27	65AA50320	Locking Cam	ロックカム	C	1	
28	65AA50420	CAM HOLDING SPRING	カム押えバネ	C	1	
29	56AA17461	PIN A	ピン A	B	2	
30	65AA50350	Release Cam	解除カム	C	1	
31	462076010	DRIVING SLIDE SHAFT HOLDER A	駆動滑り軸受 A	C	1	
32	25AA47500	CARRIAGE LOCK CLAW B	架台ロック爪 B	C	1	
33	A03UF83600	Carrige Locking Side Plate Caulking	架台ロック側板カシメ	D	1	
34	A1DUR73N00	Adu Connecting Solenoid Assy	A D U 連結ソレノイド部組	B	1	
35	56AA50730	SOLENOID PULLING LEVER	ソレノイド引張りレバー	C	1	
36	65AA50840	SHAFT HOLDING PLATE	軸押さえ板	D	1	
37	A1DUR74800	Lever Lock Plate Caulking	レバーロック板カシメ	D	1	
38	56AA50700	LEVER LOCKING PART	レバーロック部材	C	1	
39	65AA50810	LOCKING SPRING RIGHT	ロックバネ 右	C	1	



# DUPLEX SECTION

P 75

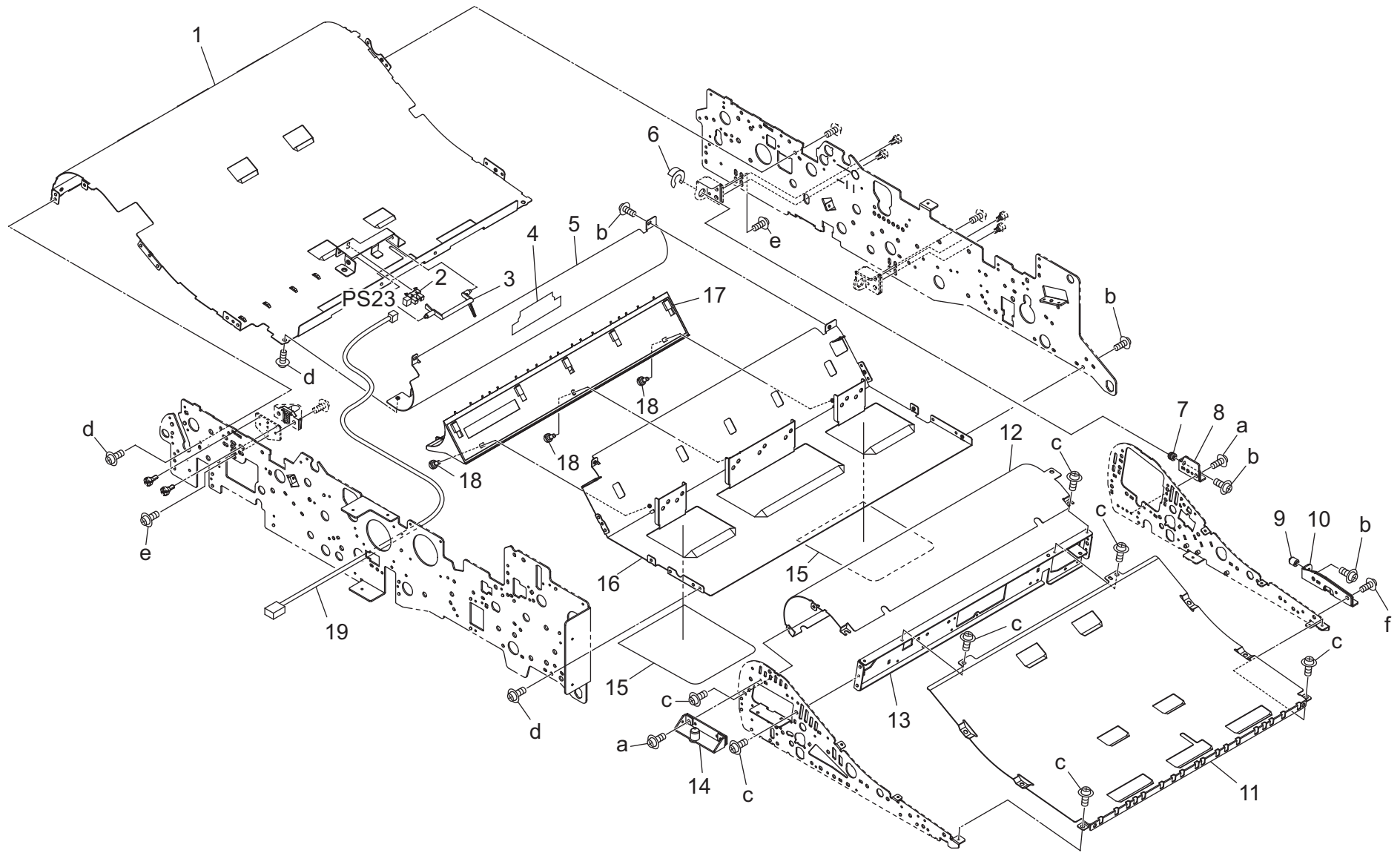


bizhub PRESS C7000P

DUPLEX SECTION

Key	Part No.	Description	Destinations	Class	QTY	Standard parts
1	A03U814300	Conveyance Spring		C	6	a-V217040050 b-V127030603 c-V121030803 d-V207080003 e-V217060050
2	A03U814100	Idler Shaft /Lower		D	3	
3	A00J617800	BALL BEARING		C	6	
4	A03U814200	Idler Roll		C	3	
5	A03U814000	Guide Plate /Lower		C	1	
6	A03U814400	Guide Sheet		C	3	
7	A03U815800	GUIDE SHEET /A		C	1	
8	A03U522100	Pressure Cam		C	2	
9	56AA17321	PIN A D2X12		B	4	
10	55VA32530	SPACER		C	1	
11	A03U524000	Drive Plate /1		D	1	
12	A03U522001	Release Shaft		D	1	
13	65AA45241	GEAR REGULATING PLATE		D	1	
14	65AA77710	TRANSFER RELEASE GEAR 1 38T		C	1	
15	65AA45220	Transfer Pressure Actuator		C	1	
16	65AA45230	CAM PULLING SPRING		C	1	
17	A03U814501	Positioning Plate /Lower		D	1	
18	A03U889900	RIVERSE/EXIT GEAR /1 22T		C	1	
19	A03UM11100	HB Motor /50		B	1	

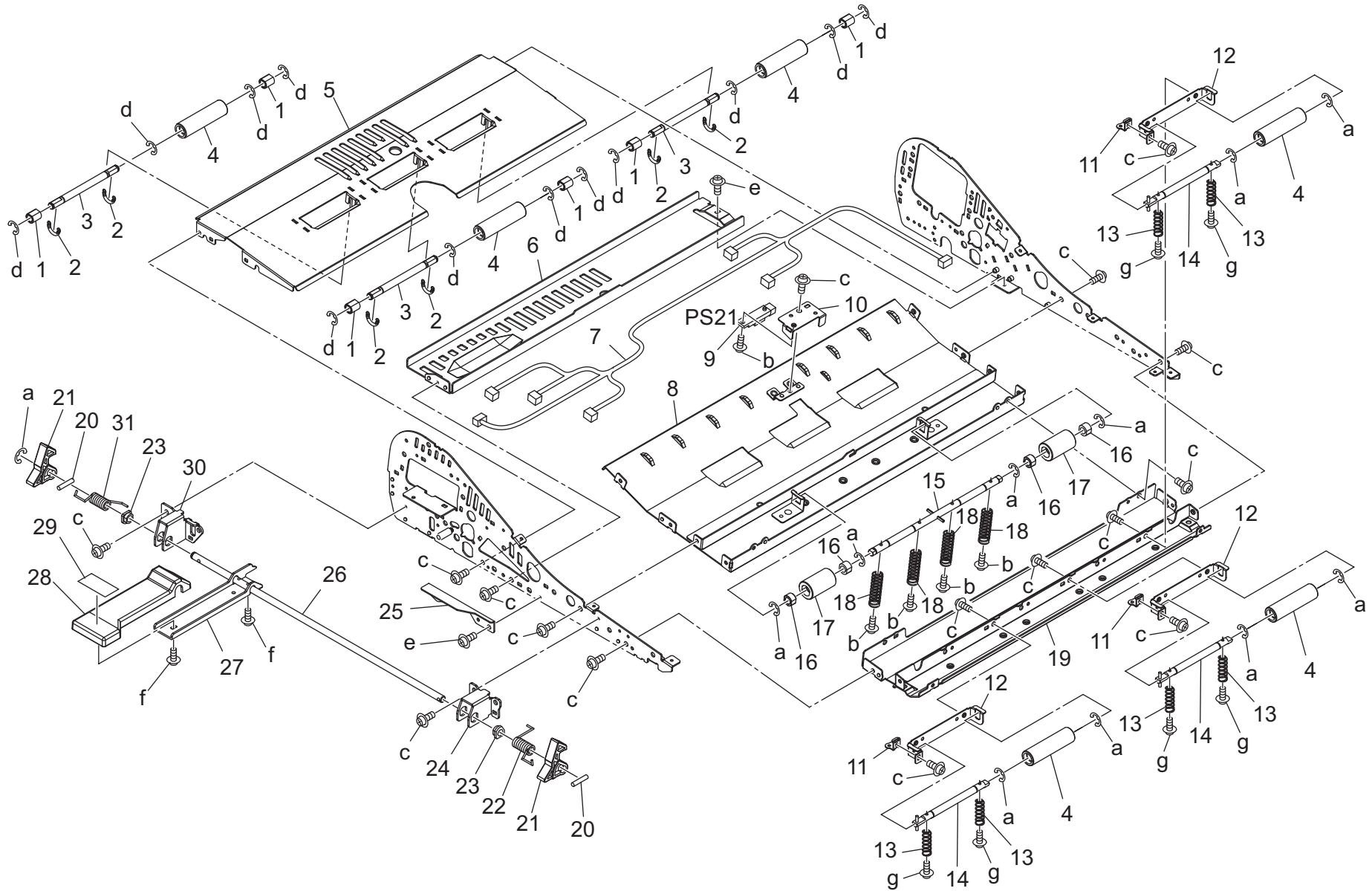
# DUPLEX SECTION



Key	Part No.	Description	Destinations	Class	QTY	Standard parts
1	A03U840101	Guide Plate /1		C	1	a-V121030603 b-V127030603 c-V118030403 d-V121030403 e-V116030803 f-V121030803
2	08AA85512	Photo Sensor		B	1	
3	65AA51730	ADU 2		C	1	
4	A03U850500	Guide Sheet		D	1	
5	A03U840201	GUIDE PLATE /2		C	1	
6	55VA42120	SHAFT STOPPER		C	1	
7	A03U843700	Support Shaft /Left		D	1	
8	A03U843601	Support Plate /Left		D	1	
9	A03U843900	Support Shaft /Right		D	1	
10	A03U843801	Support Plate /Right		D	1	
11	A03U841800	Guide Plate /M		C	1	
12	A03U841700	Guide Plate /L		C	1	
13	A03U842301	Support Plate /1		D	1	
14	A03UF84300	Mounting Plate /1 Caulking		D	1	
15	A03U815900	GUIDE SHEET		C	2	
16	A03U840400	Guide Plate /4		C	1	
17	A03U840300	Guide Plate /3		C	1	
18	65AA49510F	FIXING SCREW /1		C	3	
19	65AA90710	ADU RELAY WIRING 2		D	1	

# DUPLEX SECTION

P 77

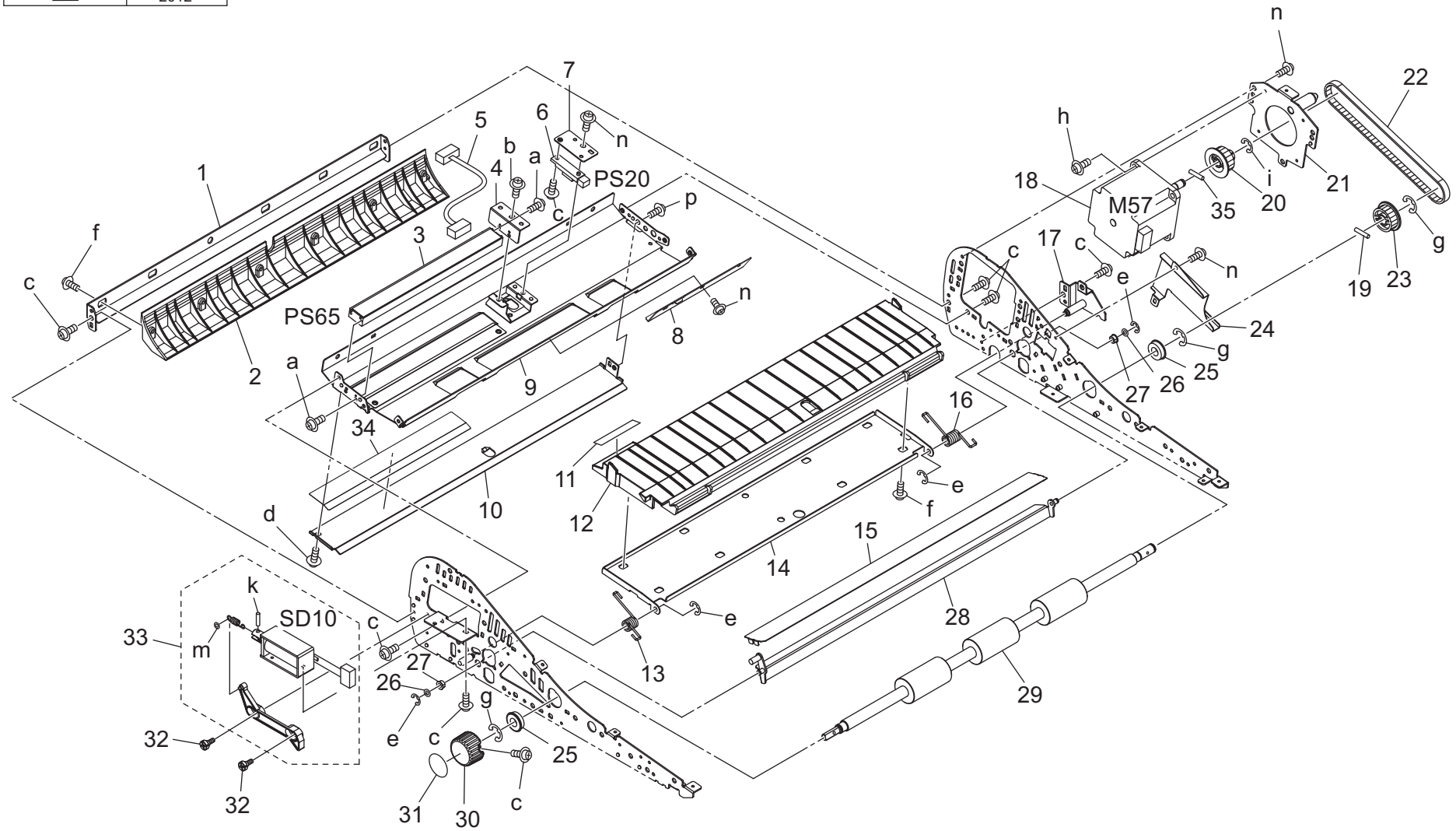


bizhub PRESS C7000P

Key	Part No.	Description	Destinations	Class	QTY	Standard parts
1	A03U845200	Collar /1		C	6	a-V217040050 b-V118030603 c-V121030403 d-V217030050 e-V121030603 f-V158030803 g-V118030403
2	A03U842600	Conveyance Spring /2		C	6	
3	A03U845100	Idler Shaft /B		D	3	
4	A03U845301	Idler Roller /1		C	6	
5	A03U841200	Guide Plate /F		C	1	
6	A03U848300	Reinforce Plate /B		D	1	
7	A03UN15302	ADU RELAY WIRING		D	1	
8	A03U841302	GUIDE PLATE /G		C	1	
9	13QA85511	Sensor 1		B	1	
10	A03U850200	Mounting Plate /F		D	1	
11	A03U846200	Mounting Plate /6		D	3	
12	A03U846100	Mounting Plate /5		D	3	
13	A03U843000	Conveyance Spring /6		C	6	
14	A1DUR73R00	Idler Shaft /F Assy		D	3	
15	A1DUR73Q00	Idler Shaft /E Assy		D	1	
16	A03U850101	Slide Bushing		C	4	
17	26NA42560	BY PASS FEED DRIVEN ROLLER		C	2	
18	A03U842900	Conveyance Spring /5		C	4	
19	A03U841400	Guide Plate /H		C	1	
20	56AA17471	PIN B 3X12		C	2	
21	A03U844700	Lock Claw		C	2	
22	A03U844600	Open /Close Spring /2		C	1	
23	466076020	PAPER FEED SHAFT HOLDER		B	2	
24	A03U844300	Mounting Plate /Right		D	1	
25	A03UF84500	Mounting Plate /B Caulking		D	1	
26	A03U844400	Lock Shaft		D	1	
27	A03U844802	Open/close Plate		D	1	
28	A03U844901	Open/close Lever		C	1	
29	A1DU943800	Release Label /8		D	1	
30	A03U844200	Mounting Plate /Left		D	1	
31	A03U844500	Open /Close Spring /1		C	1	

# DUPLEX SECTION

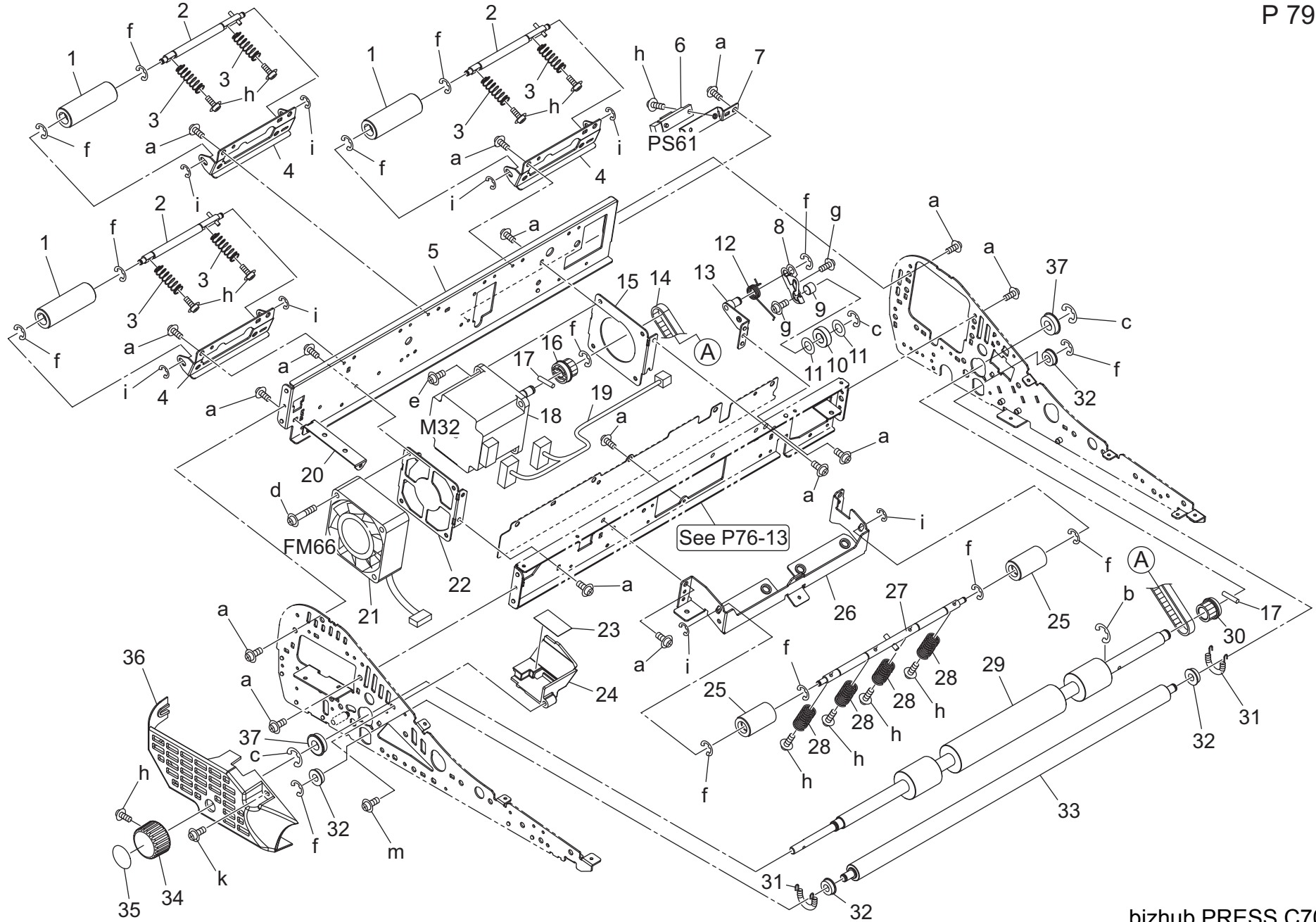
改訂版 REVISED EDITION	日付 DATE
	MAY 2012



Key	Part No.	Description	Destinations	Class	QTY	Standard parts
1	A03U841600	Guide Plate /K		C	1	a-V145260503
2	A03U841500	Guide Plate /J		C	1	b-V127030603
3	A0Y5M55100	Compensating Sensor		C	1	c-V118030603
4	A03U847100	Mounting Plate /9		D	1	d-V118030303
5	A03UN23000	ADU Relay Wiring /5		D	1	e-V217030050
6	13QA85511	Sensor 1		B	1	f-V151030603
7	A03U847000	Mounting Plate /8		D	1	g-V217060050
8	A03U850600	GUIDE PLATE /S		C	1	h-V121030803
9	A03U841101	Guide Plate /E		C	1	i-V217040050
10	A03U841000	Guide Plate /D		C	1	k-V233301250
11	A1DU943900	Release Label /9		D	1	m-V226020050
12	A03U840700	Guide Plate /A		C	1	n-V121030603
13	A03U848000	Open/close Spring /3		C	1	p-V118030403
14	A03U848200	Reinforce Plate /A		D	1	
15	A03U840800	Guide Plate /B		C	1	
16	A03U848100	Open/close Spring /4		C	1	
17	A03UF85800	Support Plate /C Caulking		D	1	
18	65AA80112	HB Motor /50		B	1	
19	56AA17300	PIN		C	1	
20	A03U859400	PULLEY /1 24T		C	1	
21	A03UF85700	Mounting Plate /2 Caulking		D	1	
22	A03U859900	BELT /2 330L		C	1	
23	A03U859500	PULLEY /2 24T		C	1	
24	A03U846600	Cover Plate		D	1	
25	A00V240600	BALL BEARING		C	2	
26	65AA49520	PAPER EXIT MOUNTING SPACER		C	2	
27	12VR75510	DOUBLE FEED PV SHAFT HOLDER		C	2	
28	A03U840901	Guide Plate /C		C	1	
29	A03U842000	Roller /2		C	1	
30	14GE45470	Rotation Knob		C	1	
31	A1RF944100	Release Label /11		D	1	
32	A1DU845100	Fixing Screw /1		C	2	
33	A1DUR73D00	Adu Solenoid Assy		C	1	
34	A1RF855600	Detecting Sheet		D	1	
35	A1DU845200	Pin		D	1	



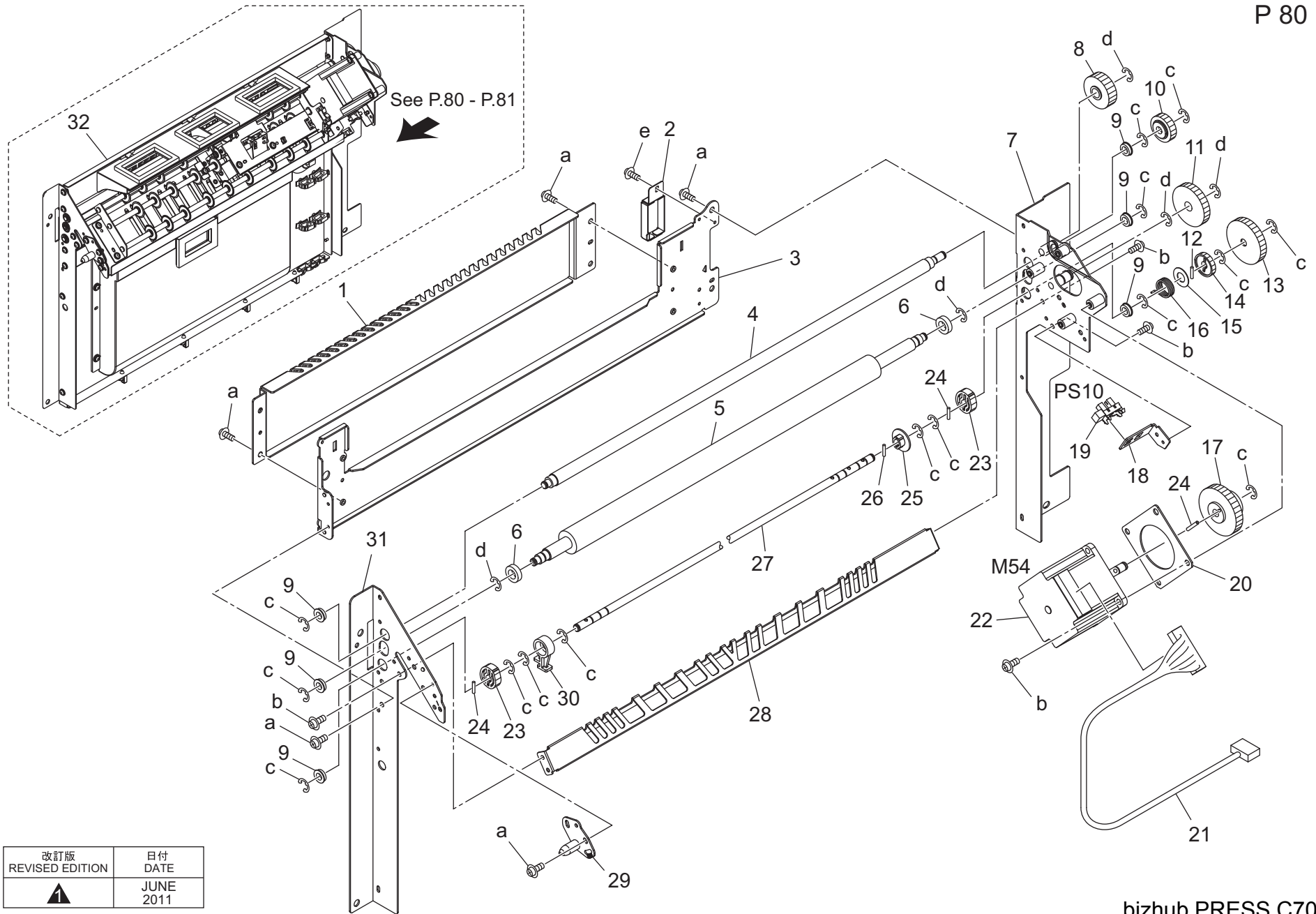
# DUPLEX SECTION



Key	Part No.	Description	Destinations	Class	QTY	Standard parts
1	A03U845601	Idler Roller /2		C	3	a-V121030403
2	A1DUR73E00	Idler Shaft /C Assy		D	3	b-V217080050
3	A03U842700	Conveyance Spring /3		C	6	c-V217060050
4	A03U845400	Mounting Plate /3		D	3	d-V121033003
5	A03U842400	Support Plate /2		D	1	e-V121030803
6	13QA85511	Sensor 1		B	1	f-V217040050
7	A03U847200	Mounting Plate /A		D	1	g-V121030603
8	A03U848701	Support Plate /E		C	1	h-V118030603
9	A03U848602	Tension Shaft		C	1	i-V217030050
10	A1RJ817200	Ball bearing /8		C	1	k-V127030603
11	65AA49500	PAPER EXIT SPACER 1		C	2	m-V151030803
12	A03U848800	Tension Spring		C	1	
13	A03UF85900	Support Shaft /D Caulking		D	1	
14	A03U859800	BELT /1 159L		C	1	
15	A03U846700	Slide Plate /A		D	1	
16	A03U859600	PULLEY /3 16T		C	1	
17	56AA17480	PIN B		C	2	
18	65AA80112	HB Motor /50		B	1	
19	A03UN21600	ADU Relay Wiring /4		D	1	
20	A03U846900	Mounting Plate /7		D	1	
21	56QA80570	INTERNAL COOLING FAN		C	1	
22	A03U846800	Slide Plate /B		D	1	
23	A03U848901	Sheet /1		C	1	
24	A03U847300	Duct /A		D	1	
25	A03U845901	Idler Roller /3		C	2	
26	A03U845700	Mounting Plate /4		D	1	
27	A1DUR73P00	Idler Shaft /D Assy		D	1	
28	A03U842800	Conveyance Spring /4		C	4	
29	A03U841900	Roller /1		C	1	
30	A03U859700	PULLEY /4 16T		C	1	
31	A03U842500	Conveyance Spring /1		C	2	
32	A0G6243900	Ball Bearing		C	4	
33	A03U845001	Idler Shaft /A		C	1	
34	14GE45470	Rotation Knob		C	1	
35	A1RF944000	Release Label /10		D	1	
36	A03U849601	Cover /Front		C	1	
37	A00V240600	BALL BEARING		C	2	

# PAPER EXIT SECTION

P 80



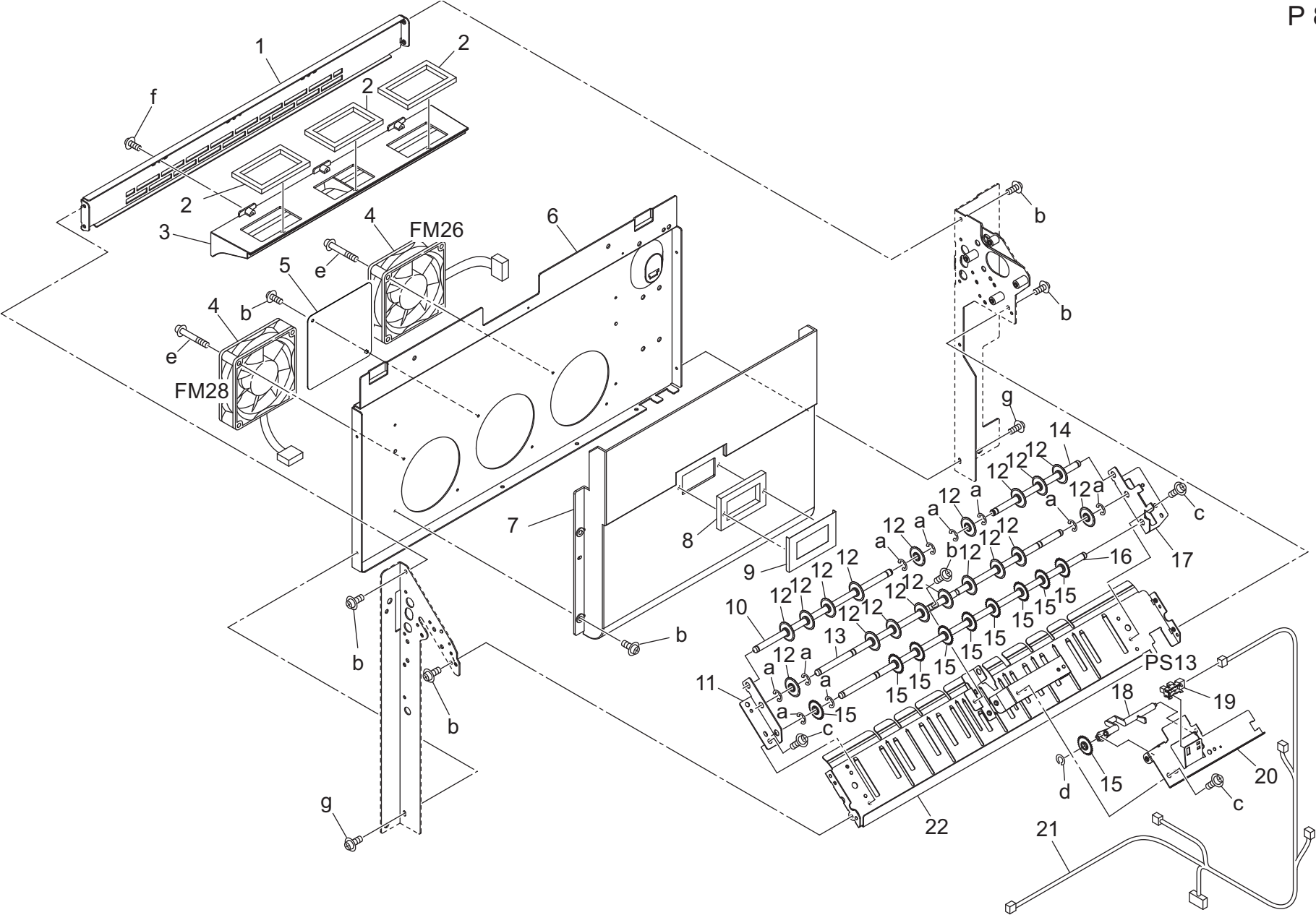
改訂版 REVISED EDITION	日付 DATE
▲	JUNE 2011

Order here  
8 (495) 646-0426  
ПЯТЫЙ ПАРТНЕР www.km-shop.ru

bizhub PRESS C7000P



# PAPER EXIT SECTION



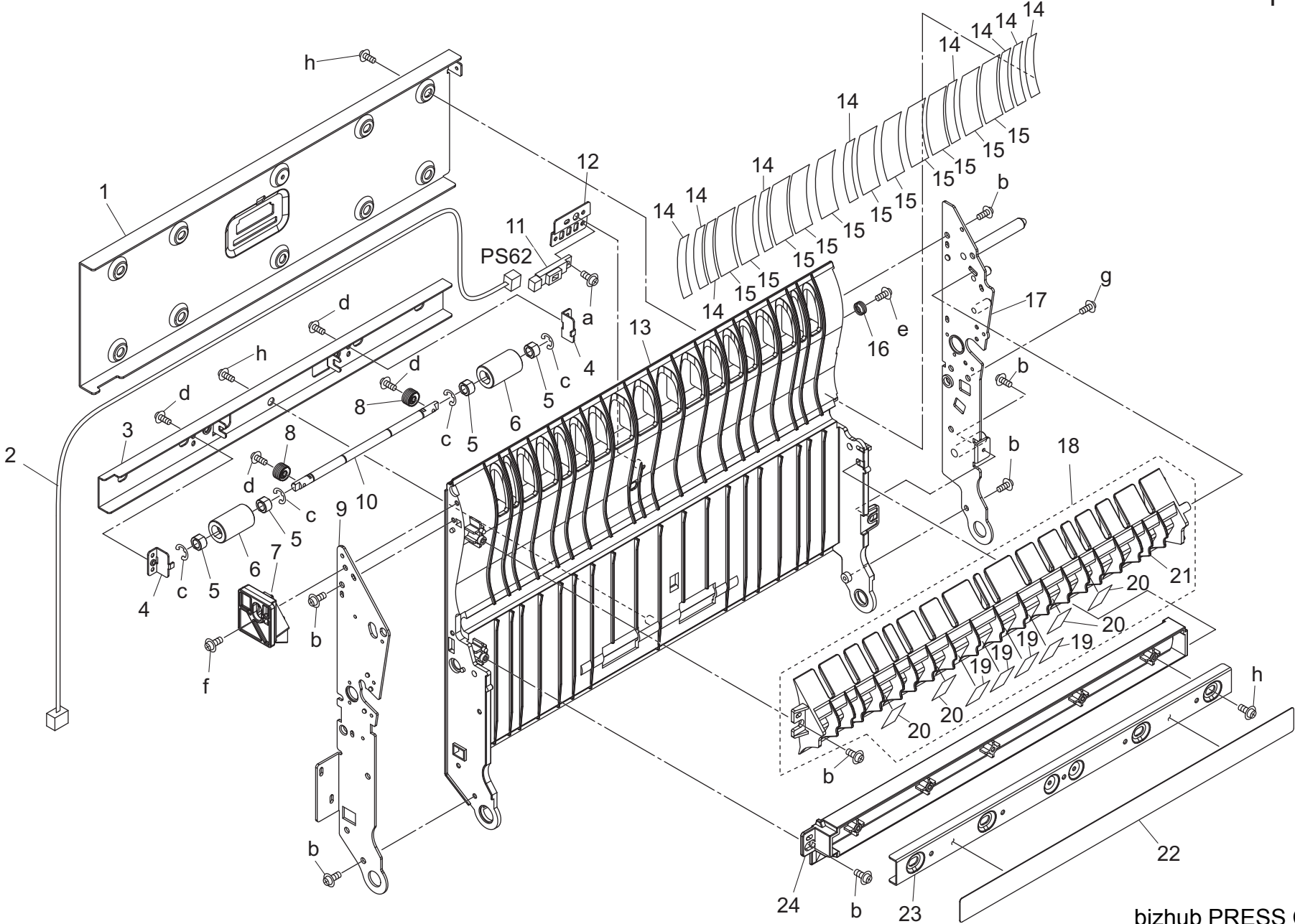
bizhub PRESS C7000P

PAPER EXIT SECTION

Key	Part No.	Description	Destinations	Class	QTY	Standard parts
1	A03U892100	Guide Plate /Left		D	1	a-V217040050 b-V121030603 c-V121030403 d-V226030050 e-V121033003 f-V158030803 g-V127030603
2	65LA48530	DUCT SEAL 1		D	3	
3	A03U892200	Cooling Duct /2		D	1	
4	9J03M10000	FAN MOTOR		B	2	
5	A1DU894000	Cover		D	1	
6	65AA48230F	Paper exit Mounting Plate		D	1	
7	65AA48302E	Paper Exit Duct		D	1	
8	A03U892400	Seal		C	1	
9	A03U892300	Sheet		C	1	
10	A03U891900	Fixing Shaft /5		D	1	
11	A03U891500	Support Side plate /Front		D	1	
12	65AA48460	PAPER HOLDING PART 2		C	18	
13	A03U891800	Fixing Shaft /2		D	1	
14	A03U892000	Fixing Shaft /6		D	1	
15	65AA48360	Paper Holding Part /1		C	10	
16	A03U891700	Fixing Shaft /1		D	1	
17	A03U891600	Support Side plate /Rear		D	1	
18	65AA48440	PAPER EXIT 3		C	1	
19	08AA85512	Photo Sensor		B	1	
20	A03U891400	Support Plate /A		D	1	
21	A1DUN17500	Main body Relay harness /4		D	1	
22	A03U890100	Guide Plate /Upper		C	1	



DUPLEX SECTION : PAPER EXIT GUIDE

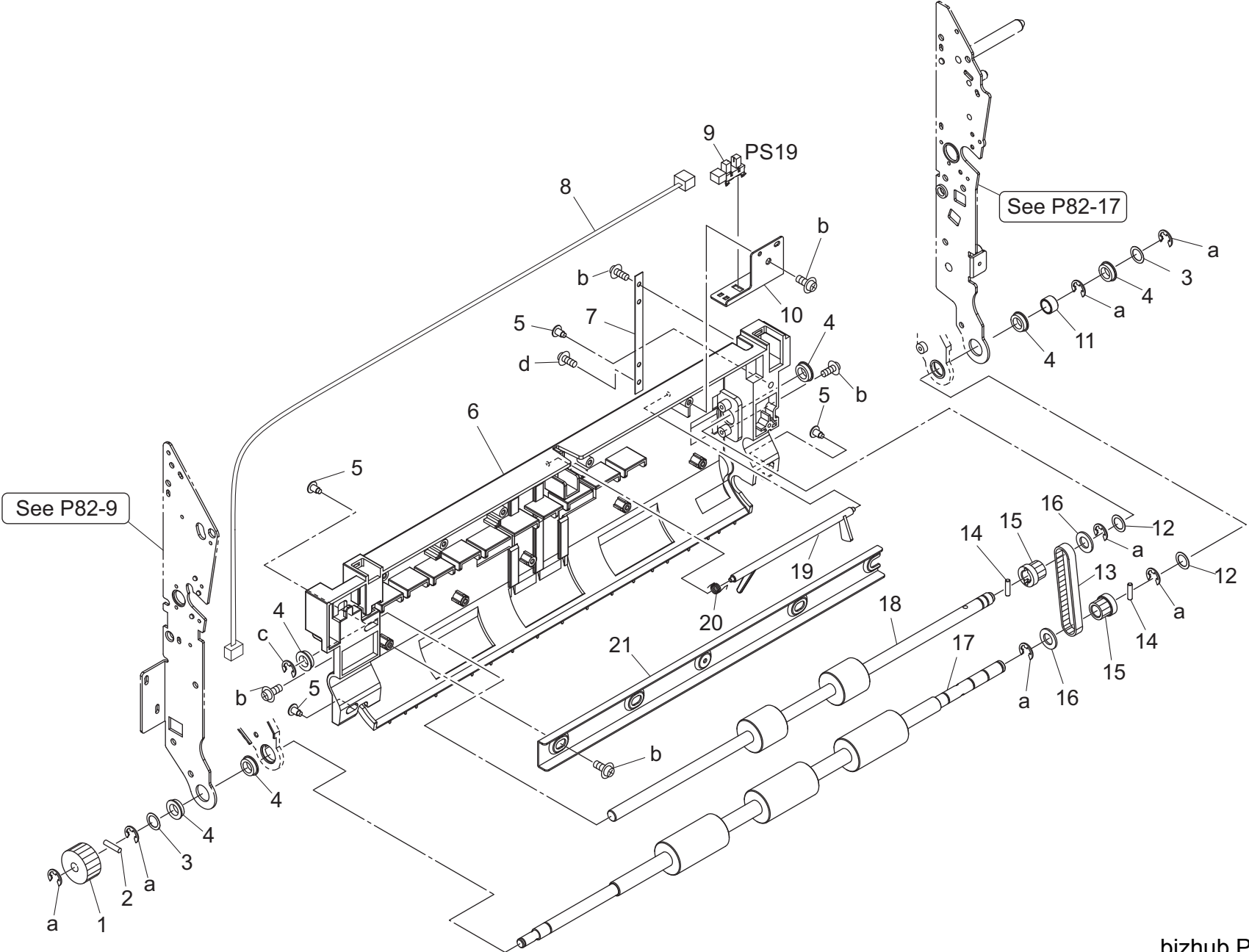


bizhub PRESS C7000P





DUPLEX SECTION : PAPER EXIT GUIDE

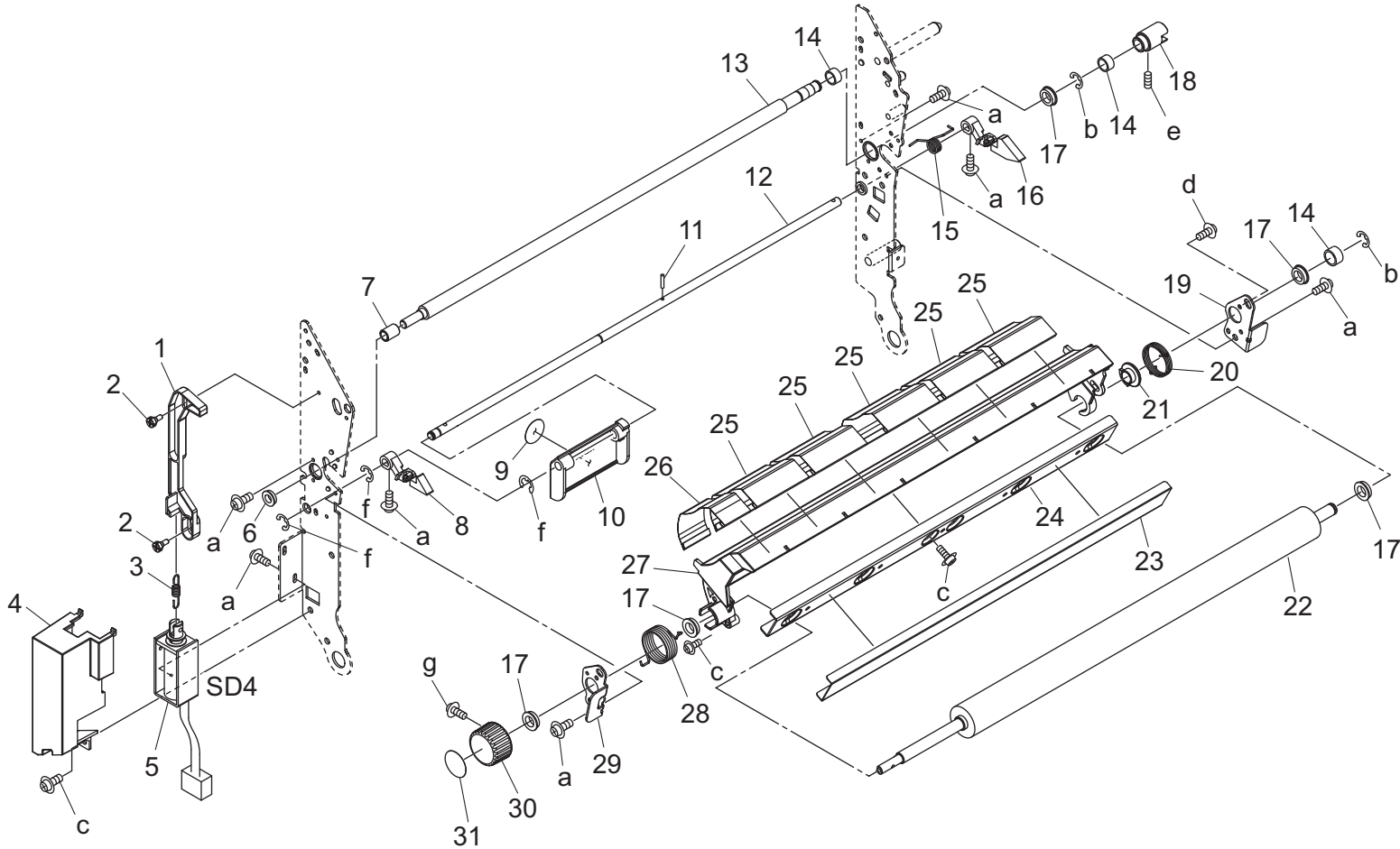


DUPLEX SECTION : PAPER EXIT GUIDE

Key	Part No.	Description	Destinations	Class	QTY	Standard parts
1	A03U889900	RIVERSE/EXIT GEAR /1 22T		C	1	a-V217060050 b-V158030803 c-V217040050 d-V127030603
2	56AA17321	PIN A D2X12		B	1	
3	56AA42690	BY PASS FEED SPACER		C	2	
4	A00J617900	Ball Bearing		B	6	
5	26NA54230	TERMINAL FIXING SCREW		C	4	
6	A03U860201	Guide Plate /B		C	1	
7	A03U862700	Stopper Belt		C	1	
8	65AA90720E	ADU RELAY WIRING /3		D	1	
9	08AA85512	Photo Sensor		B	1	
10	65AA51480	FIXING PLATE 1		D	1	
11	65AA49190	COLLAR 1		C	1	
12	13QA40610	Gear Spacer		C	2	
13	A03U889500	BELT /3 148L		C	1	
14	56AA17471	PIN B 3X12		C	2	
15	A03U889600	CONVEYANCE PULLEY 20T		C	2	
16	A03U861100	Collar /A		C	2	
17	A03U861800	Riverse /Exit Roller /Lower		C	1	
18	A03U860900	Riverse /Exit Roller /Middle		C	1	
19	65AA51311	ADU Sensor		C	1	
20	65AA51500	SPRING		C	1	
21	A03U860800	Reinforce Plate /Lower		D	1	

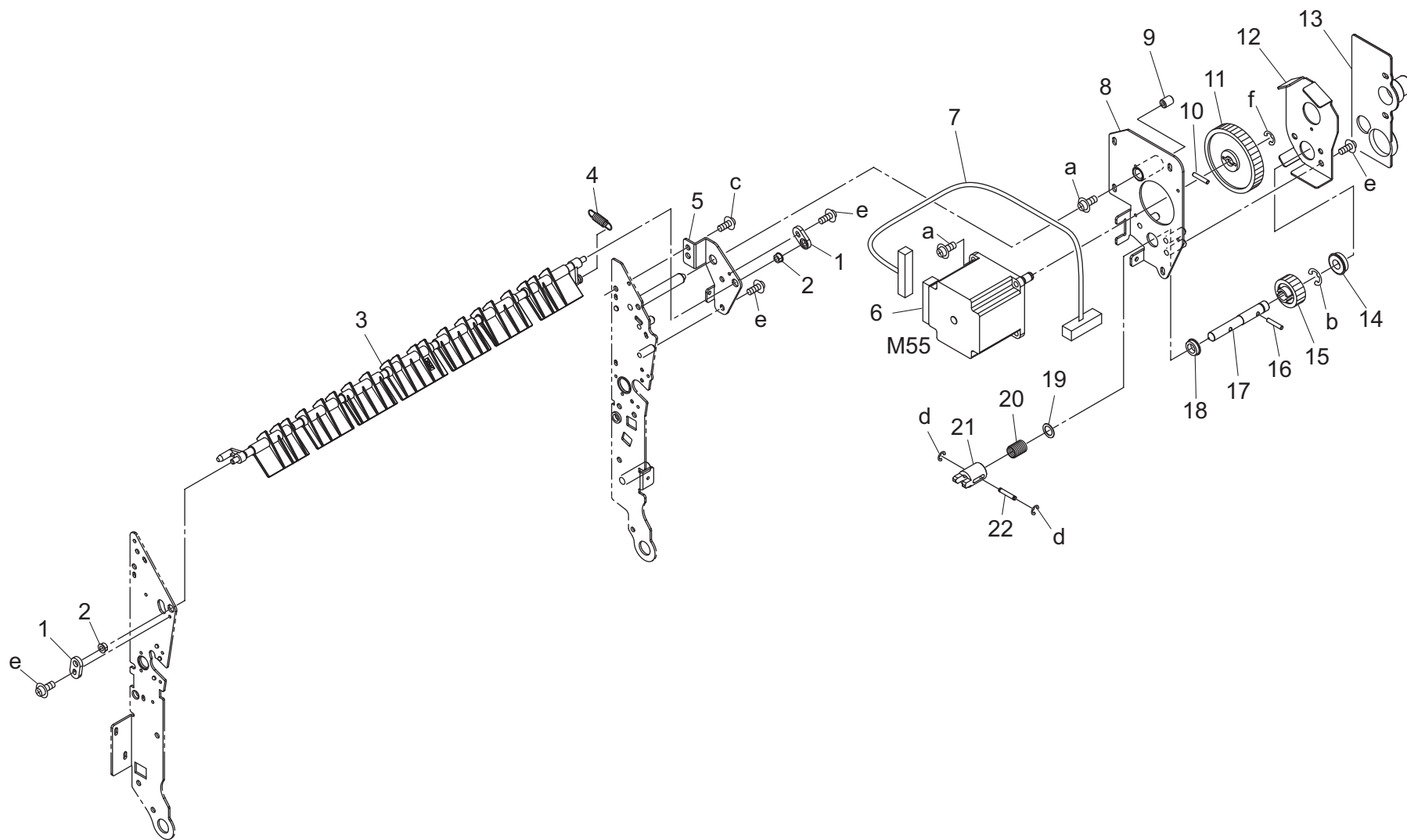


DUPLEX SECTION : PAPER EXIT GUIDE



Key	Part No.	Description	Destinations	Class	QTY	Standard parts
1	65AA49280	PAPER EXIT PULLING PART		C	1	a-V121030403
2	65AA49510F	FIXING SCREW /1		C	2	b-V217060050
3	65AA49290	PAPER EXIT ROCKING SPRING		C	1	c-V158030803
4	A03U863900	Protection Cover		D	1	d-V121030803
5	A1DUR72300	Solenoid Assy		C	1	e-V193040404
6	A00J617800	BALL BEARING		C	1	f-V217040050
7	65AA49210	COLLAR 2		C	1	g-V118030603
8	40AA46261	LOCK CLAW F		B	1	
9	A1RF943500	Release Label /5		D	1	
10	65AA49410	PAPER EXIT HANDLE		C	1	
11	56AA17321	PIN A D2X12		B	1	
12	65AA49300E	PAPER EXIT LOCKING SHAFT		D	1	
13	A03U860600	Rivserse/exit Shaft		D	1	
14	A03U860700	Collar /3		C	3	
15	65AA49320	PAPER EXIT OPEN SHUT SPRING 3		C	1	
16	40AA46342	LOCK CLAW REAR		B	1	
17	A00J617900	Ball Bearing		B	5	
18	A03U861701	COUPLING /1		C	1	
19	65AA49160E	PAPER EXIT MOUNTING PLATE /REAR		D	1	
20	65AA49200	PAPER EXIT OPEN SHUT SPRING REAR		C	1	
21	65AA49530	COLLOR 4		C	1	
22	A03U860500	Paper Exit Roller /Middle		A	1	
23	A03U864100	Insulating Sheet /3		D	1	
24	65AA49470	PAPER EXIT REINFORCE PLATE 5		D	1	
25	A03U862300	Slide Sheet /1		C	5	
26	A03U862500	Slide Sheet /2		C	1	
27	A03U861200	Guide Plate /4		C	1	
28	65AA49260	PAPER EXIT OPEN SHUT SPRING		C	1	
29	65AA49150	PAPER EXIT MOUNTING PLATE FRO		D	1	
30	14GE45470	Rotation Knob		C	1	
31	A1RF943700	Release Label /7		D	1	

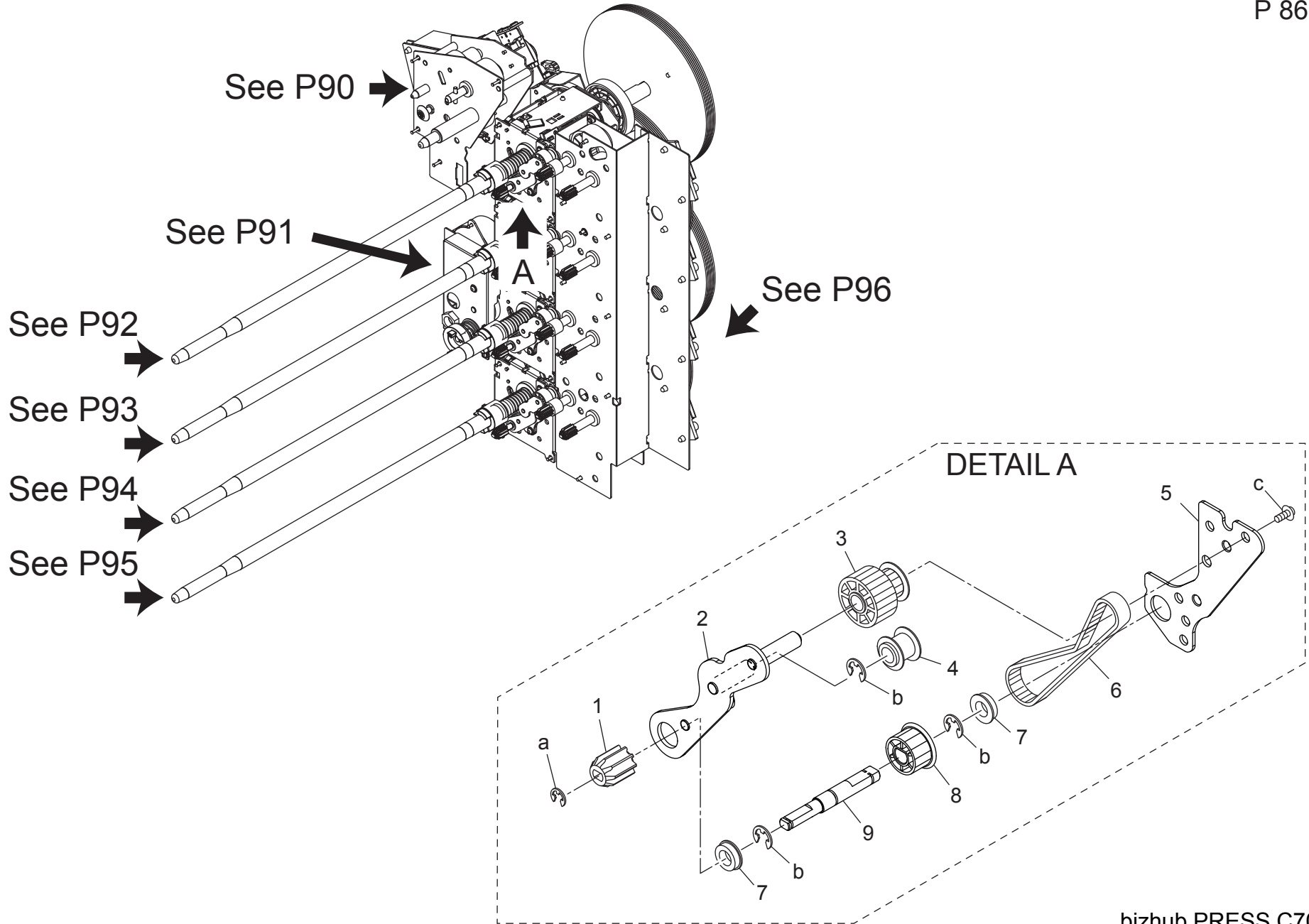
# DUPLEX SECTION : PAPER EXIT GUIDE



DUPLEX SECTION : PAPER EXIT GUIDE

Key	Part No.	Description	Destinations	Class	QTY	Standard parts
1	65AA49520	PAPER EXIT MOUNTING SPACER		C	2	a-V118030803 b-V217060050 c-V158030803 d-V217020050 e-V121030603 f-V217040050
2	12VR75510	DOUBLE FEED PV SHAFT HOLDER		C	2	
3	A03U861002	SWING PART		C	1	
4	65AA49270	PAPER EXIT OPEN SHUT SPRING 2		C	1	
5	A03U862401	Mounting Plate /3		D	1	
6	A03UM11100	HB Motor /50		B	1	
7	A03UN21800	Motor Relay Wiring /1		D	1	
8	A03UF88100	Mounting Plate /1 Caulking		D	1	
9	A03U863700	Positioning Stay /3		D	1	
10	56AA17551	PIN A		C	1	
11	A03U889800	RIVERSE/EXIT GEAR /2 60T		C	1	
12	A03U862900	Fixing Plate		D	1	
13	A03U863000	Cover		C	1	
14	A00V240600	BALL BEARING		C	1	
15	A03U889700	RIVERSE/EXIT GEAR /3 25T		C	1	
16	56AA17461	PIN A		B	1	
17	A03U863200	Drive Shaft /2		D	1	
18	A00J617900	Ball Bearing		B	1	
19	56AA52700	ADU COUPLING SPACER		C	1	
20	A03U863400	Pressing Spring /Rear		C	1	
21	A03U863100	Coupling /B		C	1	
22	A03U863300	Regulating Shaft		D	1	





# DRIVE SECTION

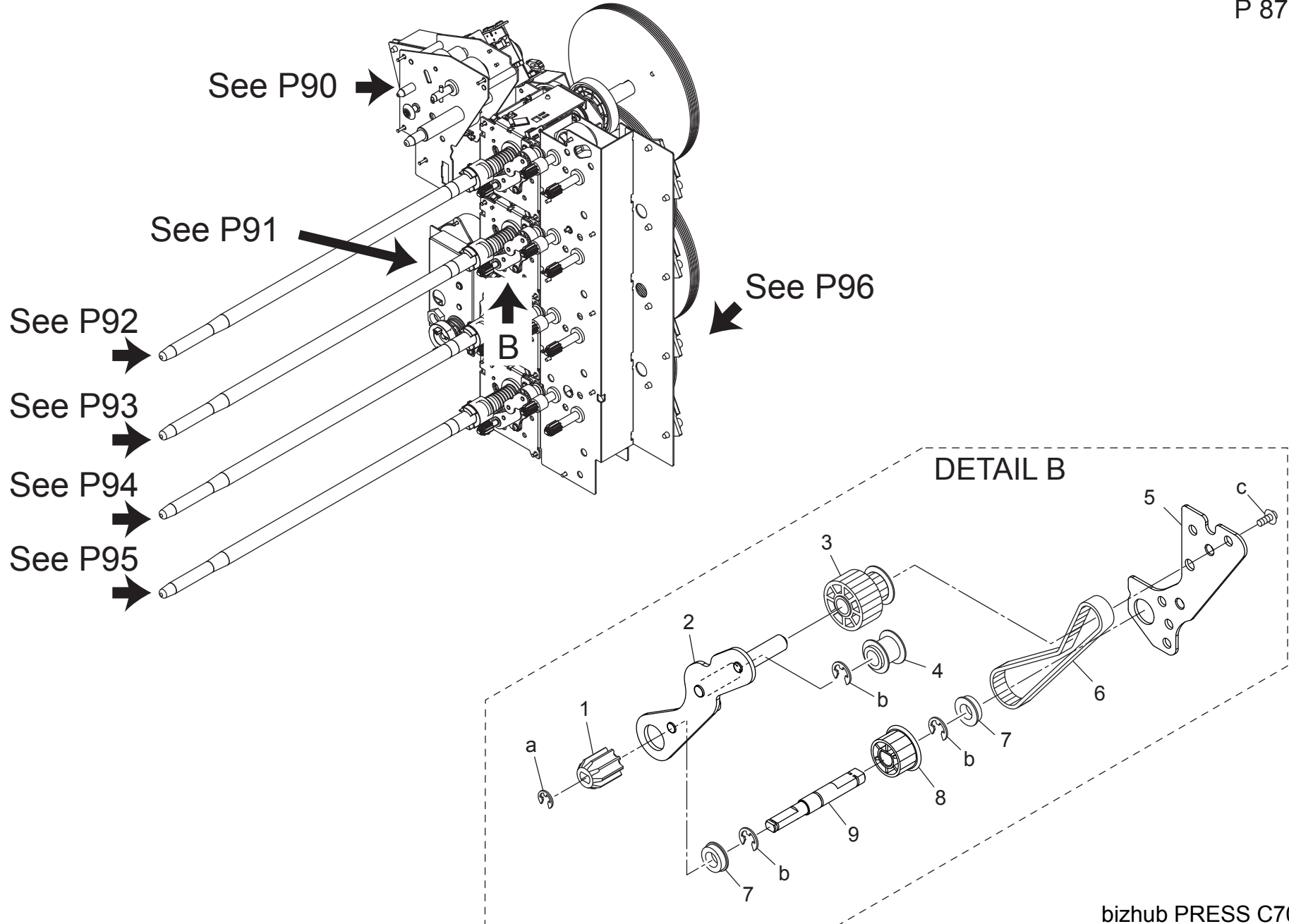
Key	Part No.	Description	Destinations	Class	QTY	Standard parts
1	26NA17580	AGITATING COUPLING B		C	1	a-V217030050 b-V217040050 c-V118030603
2	A1DUR73X00	Roller Drive Panel/4 Caulking		D	1	
3	65AA78020	ROLLER DRIVING PULLEY 1 27T/18T		C	1	
4	65AA18070	IDLING PULLEY		C	1	
5	A1DU210100	Drive Panel /1		D	1	
6	65AA18060	ROLLER DRIVING BELT 180L		C	1	
7	A00J617800	BALL BEARING		C	2	
8	A1DU210200	Drive Gear /1 24T		C	1	
9	A1DU210401	Drive Shaft /2		D	1	





DRIVE SECTION

P 87



Key	Part No.	Description	Destinations	Class	QTY	Standard parts
1	26NA17580	AGITATING COUPLING B		C	1	a-V217030050 b-V217040050 c-V118030603
2	A1DUR73X00	Roller Drive Panel/4 Caulking		D	1	
3	65AA78020	ROLLER DRIVING PULLEY 1 27T/18T		C	1	
4	65AA18070	IDLING PULLEY		C	1	
5	A1DU210100	Drive Panel /1		D	1	
6	65AA18060	ROLLER DRIVING BELT 180L		C	1	
7	A00J617800	BALL BEARING		C	2	
8	A1DU210200	Drive Gear /1 24T		C	1	
9	A1DU210401	Drive Shaft /2		D	1	

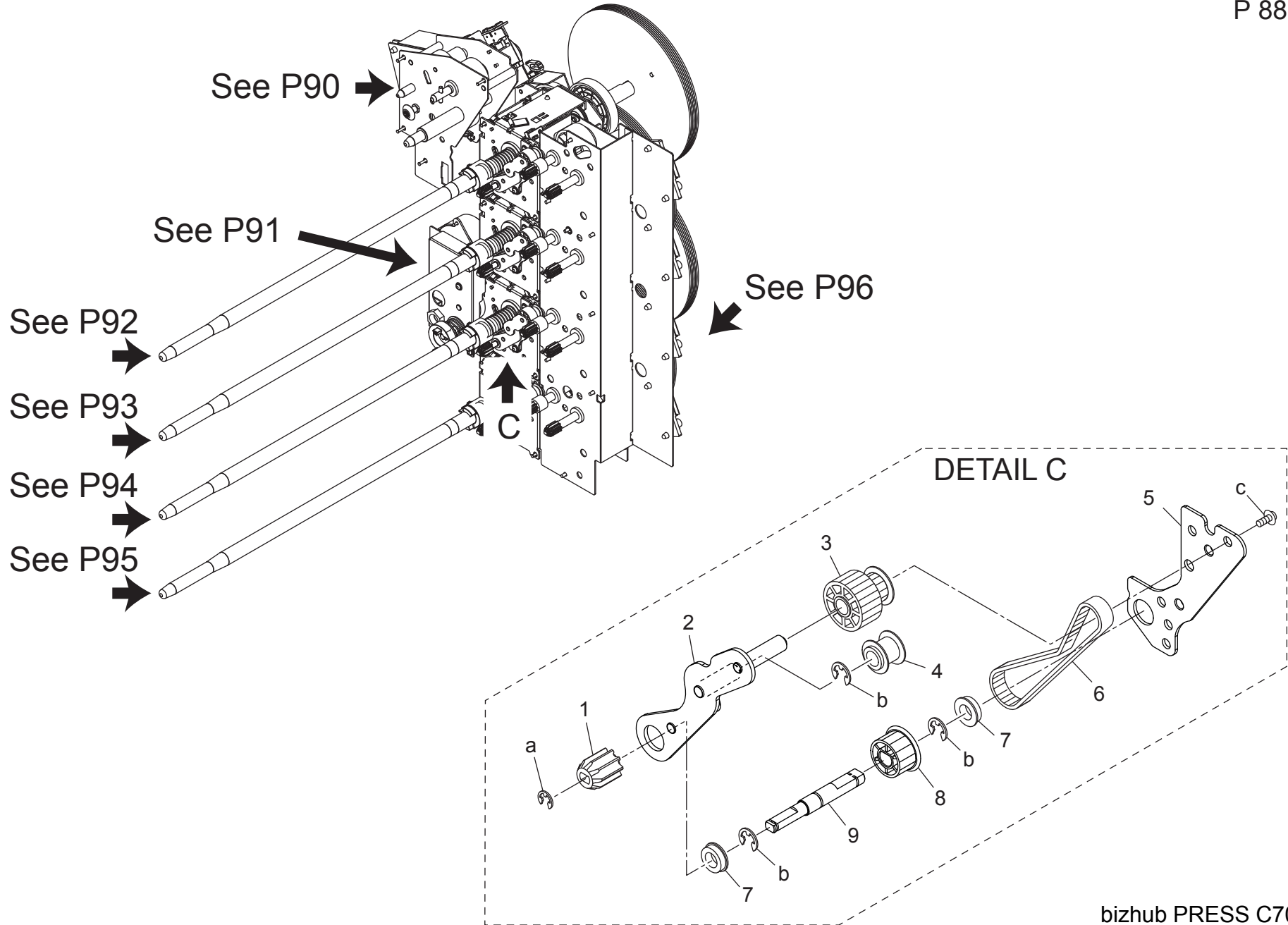
bizhub PRESS C7000P



Order here  
8 (495) 646-0426  
ПЯТЫЙ ПАРТНЕР www.km-shop.ru

# DRIVE SECTION

P 88

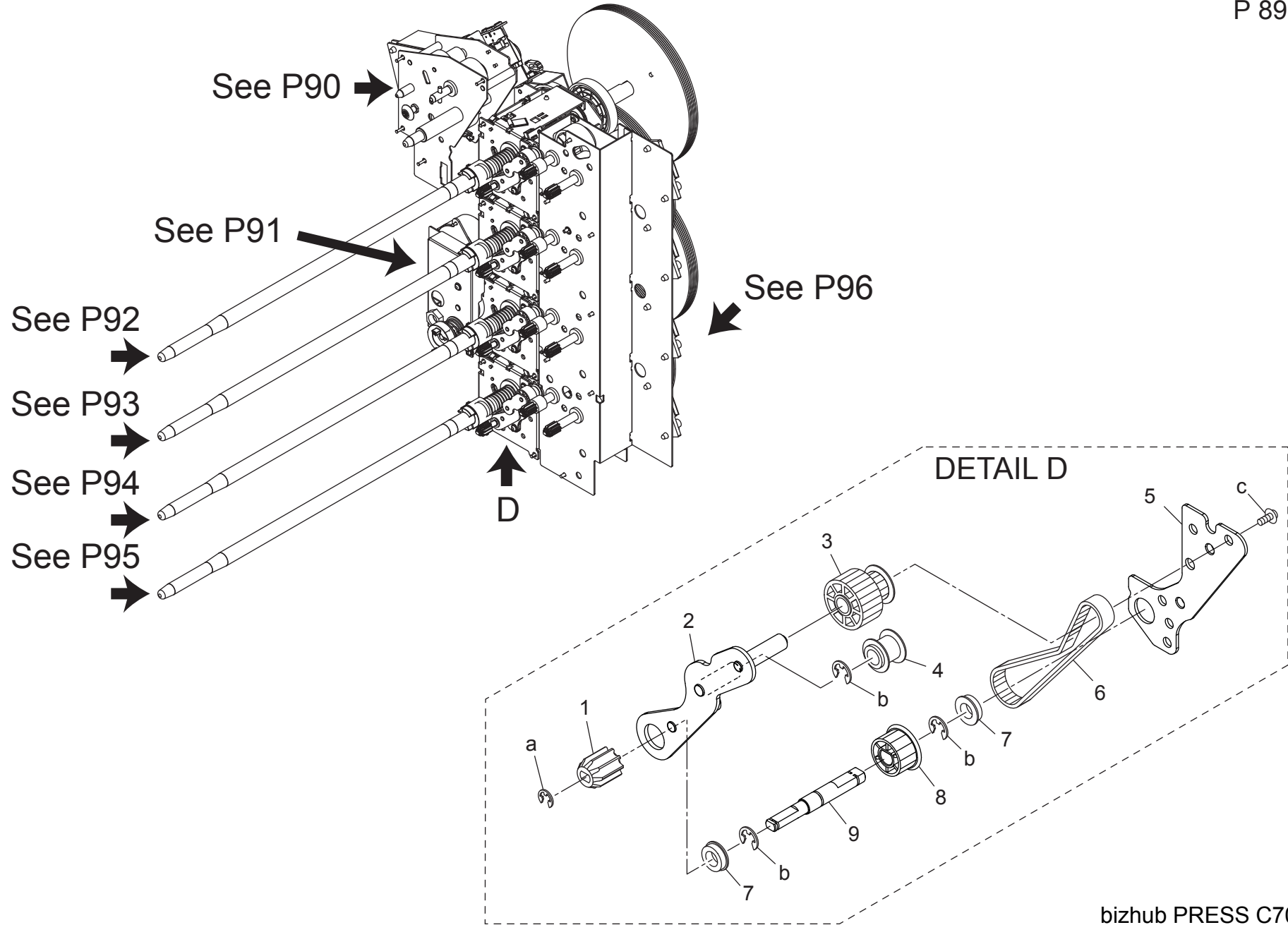


bizhub PRESS C7000P

# DRIVE SECTION

Key	Part No.	Description	Destinations	Class	QTY	Standard parts
1	26NA17580	AGITATING COUPLING B		C	1	a-V217030050 b-V217040050 c-V118030603
2	A1DUR73X00	Roller Drive Panel/4 Caulking		D	1	
3	65AA78020	ROLLER DRIVING PULLEY 1 27T/18T		C	1	
4	65AA18070	IDLING PULLEY		C	1	
5	A1DU210100	Drive Panel /1		D	1	
6	65AA18060	ROLLER DRIVING BELT 180L		C	1	
7	A00J617800	BALL BEARING		C	2	
8	A1DU210200	Drive Gear /1 24T		C	1	
9	A1DU210401	Drive Shaft /2		D	1	

DRIVE SECTION

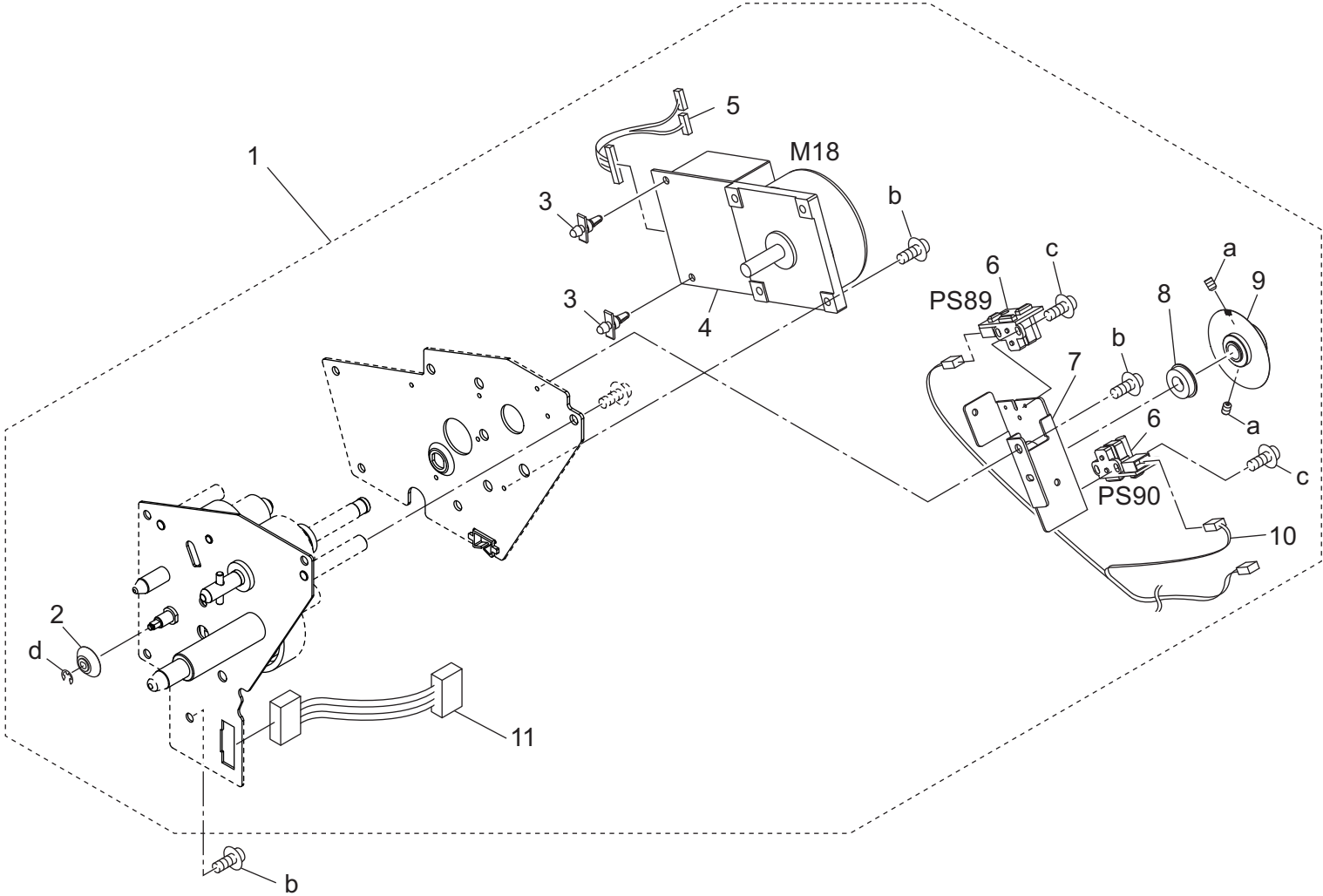


# DRIVE SECTION

Key	Part No.	Description	Destinations	Class	QTY	Standard parts
1	26NA17580	AGITATING COUPLING B		C	1	a-V217030050 b-V217040050 c-V118030603
2	A1DUR73X00	Roller Drive Panel/4 Caulking		D	1	
3	65AA78020	ROLLER DRIVING PULLEY 1 27T/18T		C	1	
4	65AA18070	IDLING PULLEY		C	1	
5	A1DU210100	Drive Panel /1		D	1	
6	65AA18060	ROLLER DRIVING BELT 180L		C	1	
7	A00J617800	BALL BEARING		C	2	
8	A1DU210200	Drive Gear /1 24T		C	1	
9	A1DU210401	Drive Shaft /2		D	1	

# DRIVE SECTION

改訂版 REVISED EDITION	日付 DATE
	DECEMBER 2010



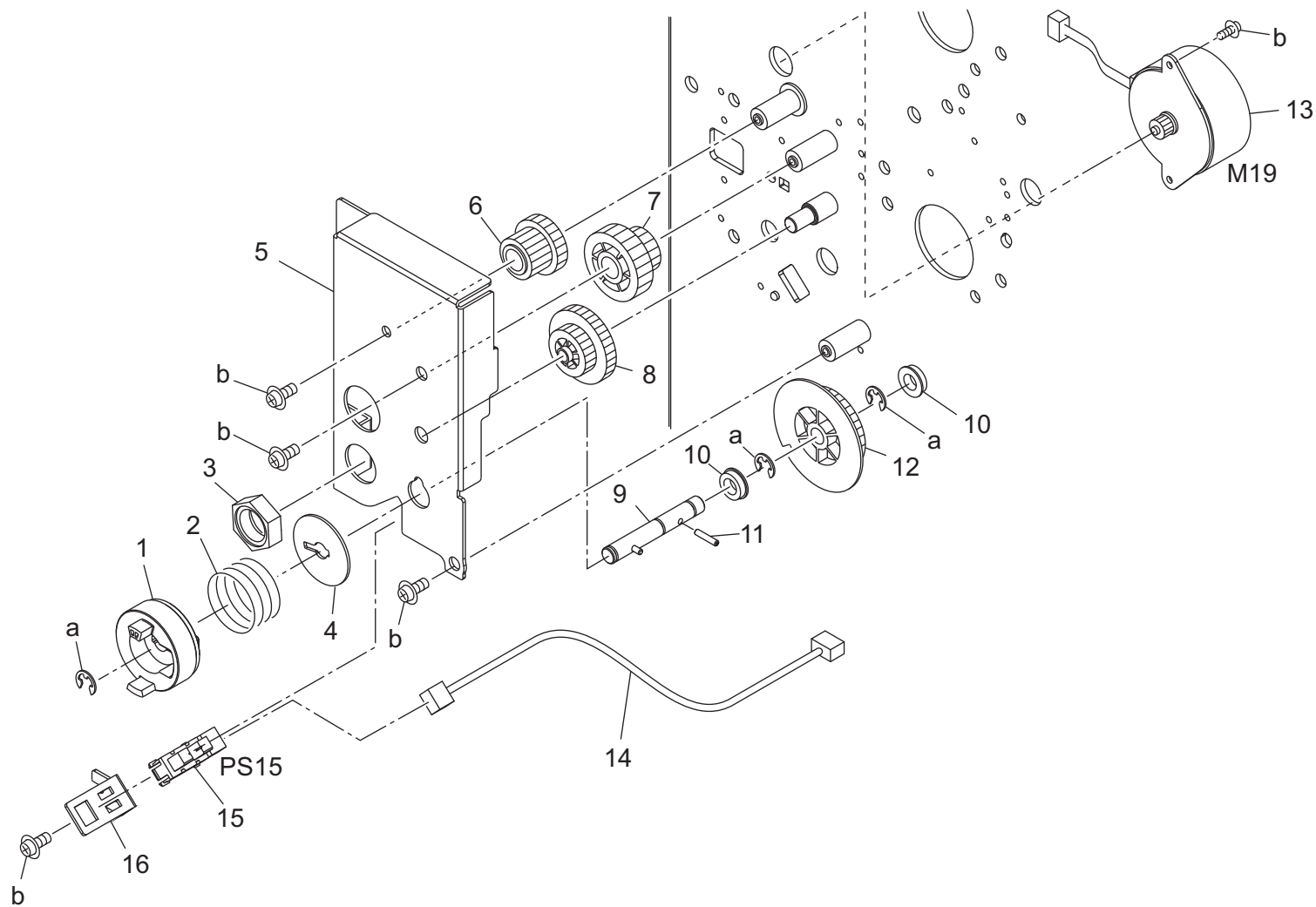
DRIVE SECTION

Key	Part No.	Description	Destinations	Class	QTY	Standard parts
1	A1DUR74W00	Belt Drive Motor Unit		I	1	a-V193040604 b-V121030603 c-V118020403 d-V217020050
2	65AA77840	TONER COLLECTING GEAR 2 14T		C	1	
3	V502010014	support		D	2	
4	A1DUM10200	Brushless Motor /20		C	1	
5	A03UN11200	Developing Drive Wiring		D	1	
6	65AA-9091E	Sensor Board Assy		B	2	
7	65AA17200	DRIVE CONTROL PART 5		D	1	
8	A00V240600	BALL BEARING		C	1	
9	A1DUR72H00	Encoder Assy		C	1	
10	65AA91060E	RELAY WIRING /3		D	1	
11	A1DUN17900	Main body Relay harness /6		D	1	



# DRIVE SECTION

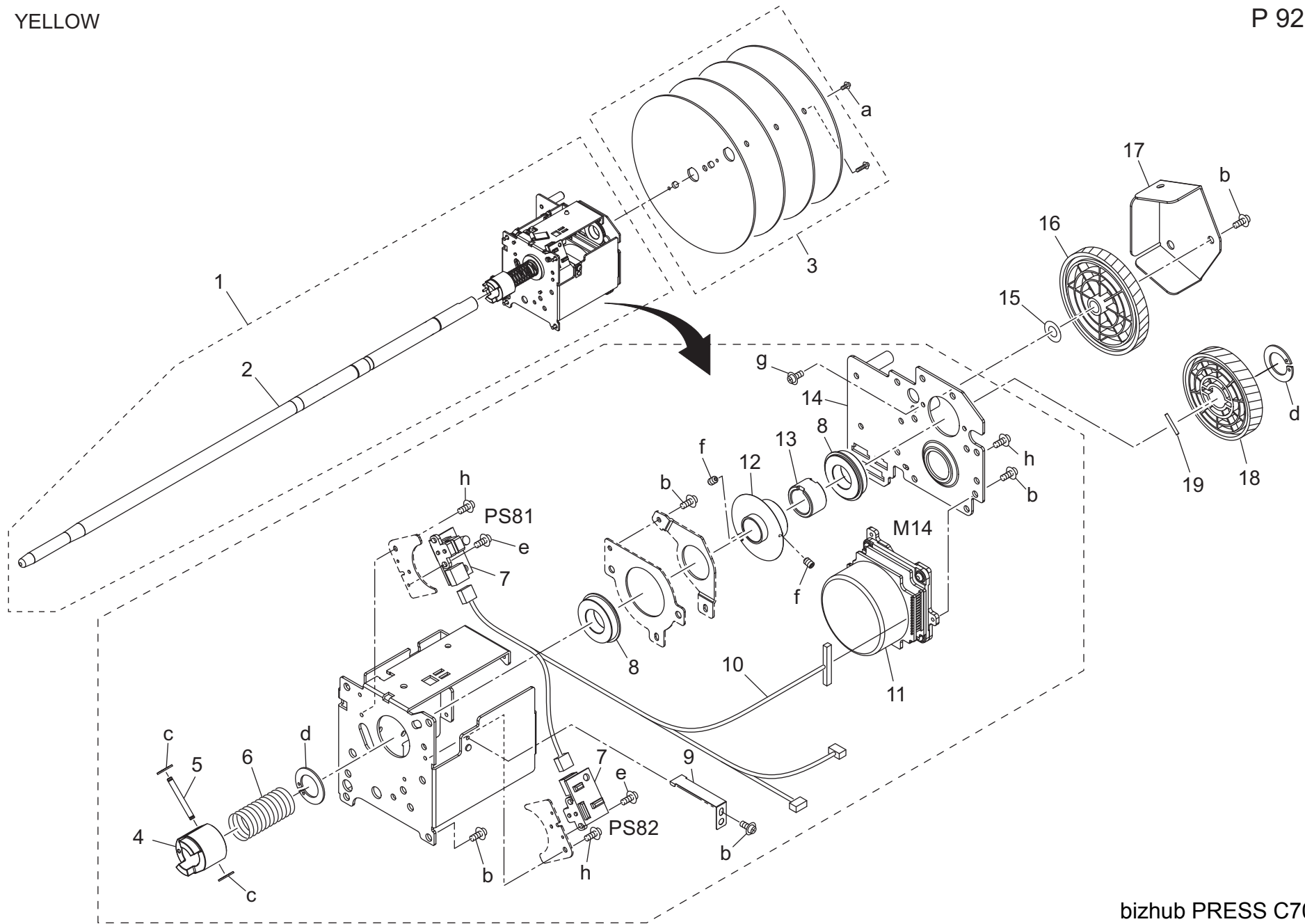
P 91





DRIVE SECTION  
YELLOW

P 92

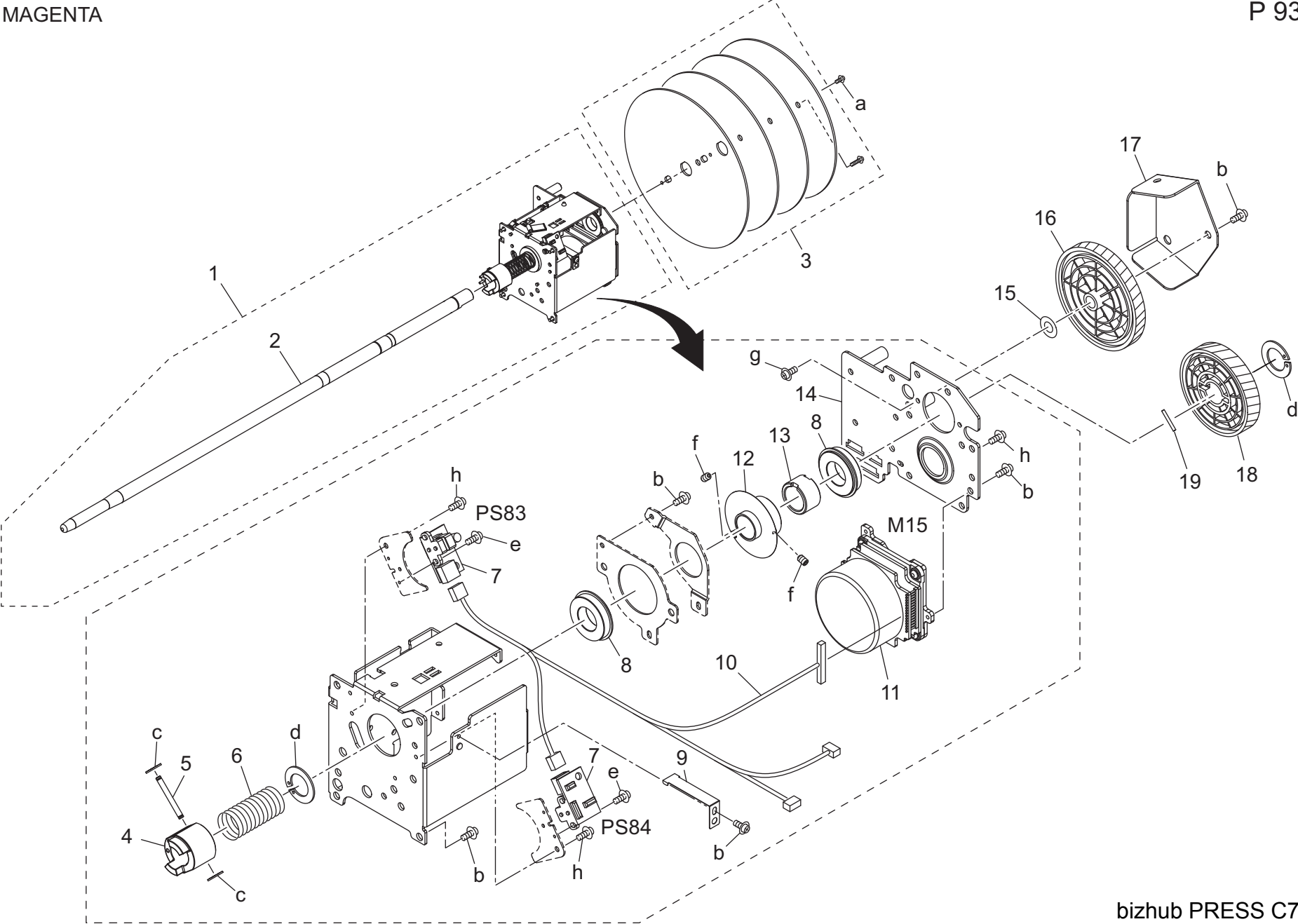


bizhub PRESS C7000P

DRIVE SECTION

Key	Part No.	Description	Destinations	Class	QTY	Standard parts
1	A1DUR70J00	Drum Driving/1 Assy		C	1	a-V185041203 b-V121030603 c-V217020050 d-V223150050 e-V118020403 f-V193040604 g-V118040403 h-V116030603
2	65AA15040	Drum Shaft /2		D	1	
3	A1DUR73G00	Flywheel Assy		D	1	
4	A1DUR70M00	Drum Coupring Assy		D	1	
5	65AA15210	COUPLING PIN		D	1	
6	65AA15200	PRESSING SPRING		C	1	
7	65AA-9091E	Sensor Board Assy		B	2	
8	65AA75051	BEARING		C	2	
9	65AA15230	DRUM EARTH SPRING		D	1	
10	A03UN15500	Drum Detection Wiring		D	1	
11	A1DUR70K00	Drum Driving Motor Assy		B	1	
12	A1DUR72G00	Encorder Assy		D	1	
13	65AA15240	EARTH BUSHING		C	1	
14	A03UF21200	Drum Driving Panel /1 Caulking		D	1	
15	13QA40610	Gear Spacer		C	1	
16	A03U259600	Idling Gear 46/132T		C	1	
17	A03U211000	Idling Panel		D	1	
18	A03U259900	DRIVE GEAR 92T		C	1	
19	56AA17490	PIN		C	1	

DRIVE SECTION  
MAGENTA



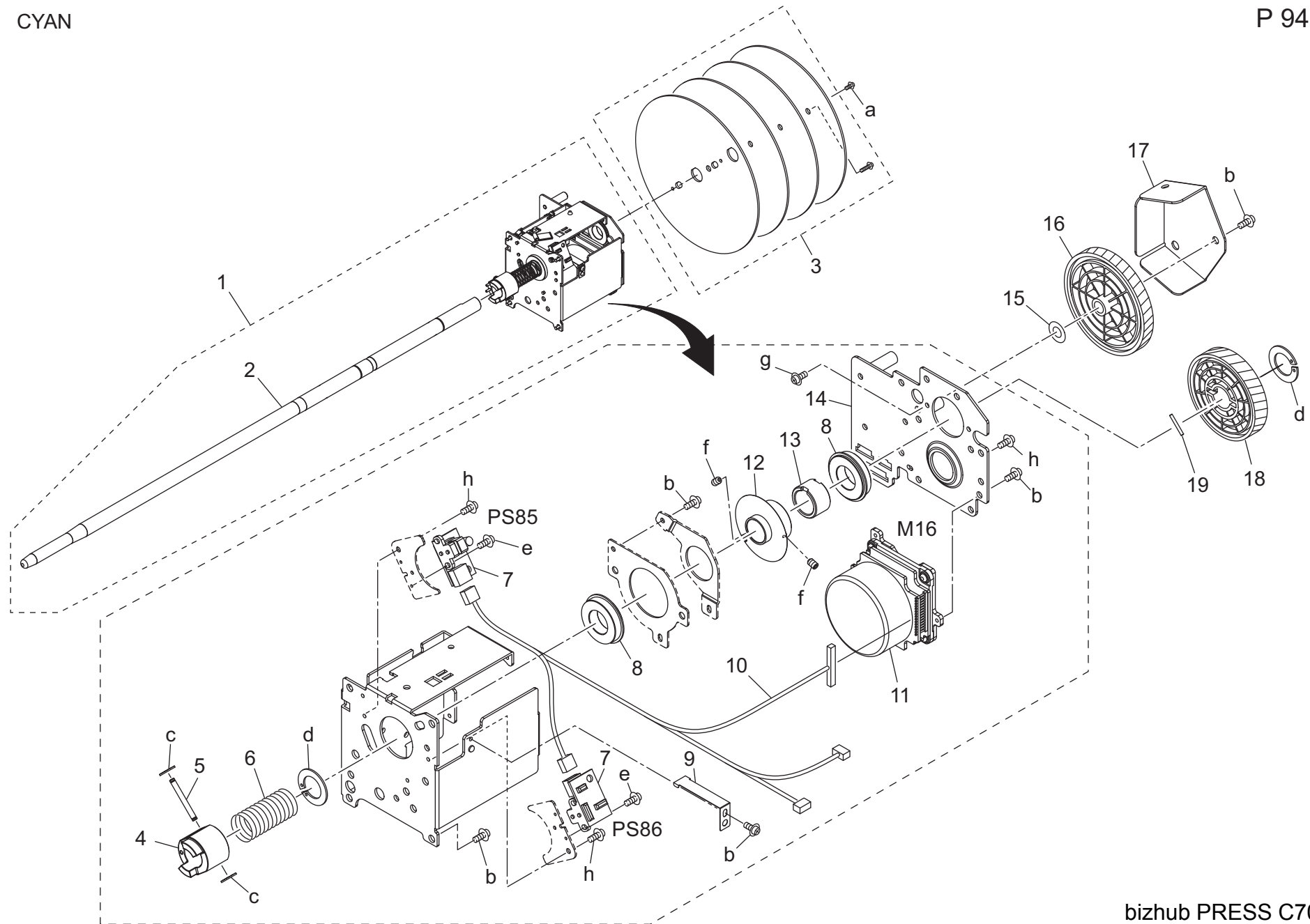
Key	Part No.	Description	Destinations	Class	QTY	Standard parts
1	A1DUR70N00	Drum Driving/2 Unit		C	1	a-V185041203 b-V121030603 c-V217020050 d-V223150050 e-V118020403 f-V193040604 g-V118040403 h-V116030603
2	65AA15030	Drum Shaft /1		D	1	
3	A1DUR73G00	Flywheel Assy		D	1	
4	A1DUR70M00	Drum Coupring Assy		D	1	
5	65AA15210	COUPLING PIN		D	1	
6	65AA15200	PRESSING SPRING		C	1	
7	65AA-9091E	Sensor Board Assy		B	2	
8	65AA75051	BEARING		C	2	
9	65AA15230	DRUM EARTH SPRING		D	1	
10	A03UN15500	Drum Detection Wiring		D	1	
11	A1DUR70K00	Drum Driving Motor Assy		B	1	
12	A1DUR72G00	Encorder Assy		D	1	
13	65AA15240	EARTH BUSHING		C	1	
14	A03UF21200	Drum Driving Panel /1 Caulking		D	1	
15	13QA40610	Gear Spacer		C	1	
16	A03U259600	Idling Gear 46/132T		C	1	
17	A03U211000	Idling Panel		D	1	
18	A03U259900	DRIVE GEAR 92T		C	1	
19	56AA17490	PIN		C	1	



# DRIVE SECTION

CYAN

P 94



bizhub PRESS C7000P



Order here  
8 (495) 646-0426  
www.km-shop.ru

ПЯТЫЙ ПАРТНЕР

# DRIVE SECTION

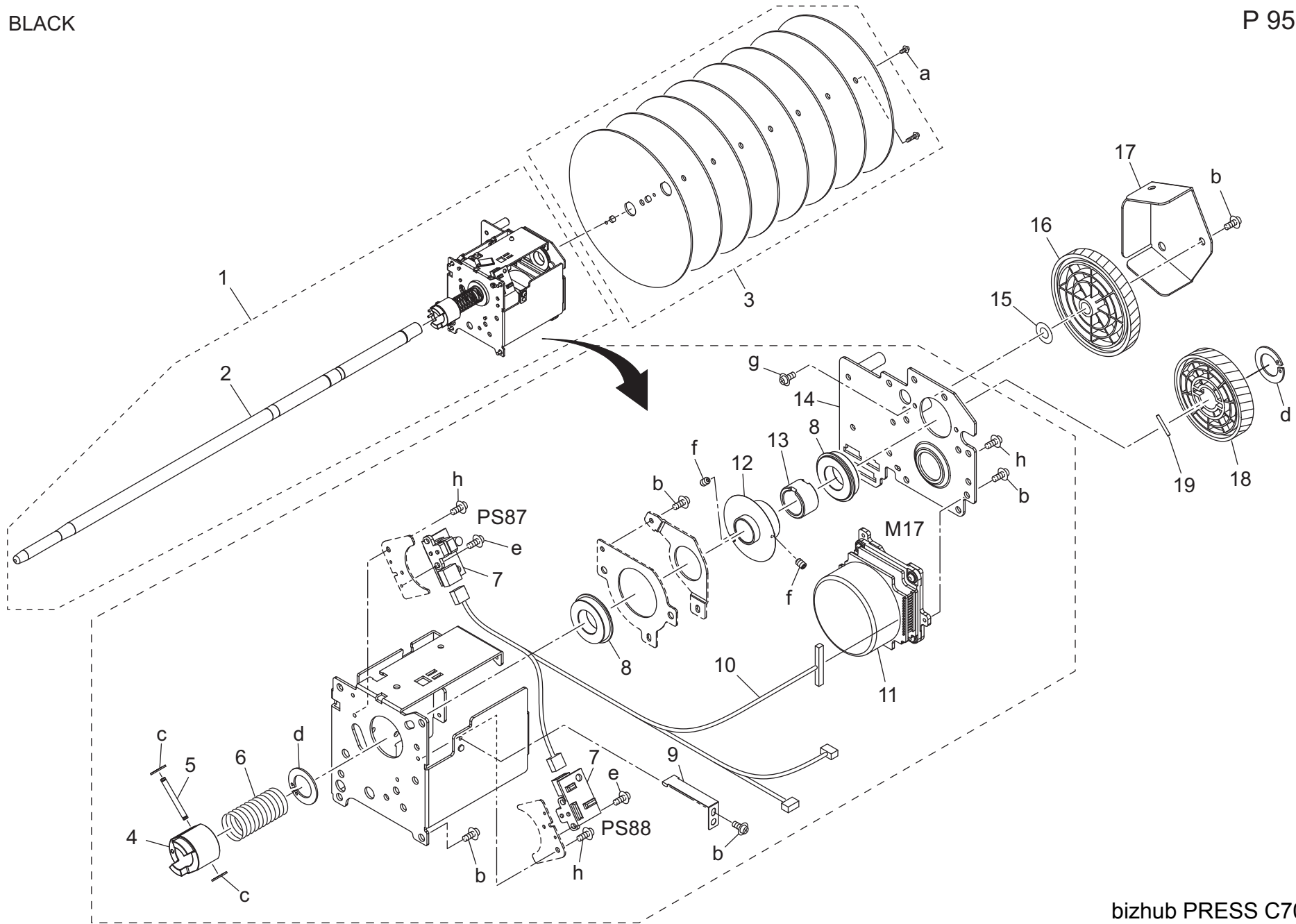
Key	Part No.	Description	Destinations	Class	QTY	Standard parts
1	A1DUR70J00	Drum Driving/1 Assy		C	1	a-V185041203 b-V121030603 c-V217020050 d-V223150050 e-V118020403 f-V193040604 g-V118040403 h-V116030603
2	65AA15040	Drum Shaft /2		D	1	
3	A1DUR73G00	Flywheel Assy		D	1	
4	A1DUR70M00	Drum Coupring Assy		D	1	
5	65AA15210	COUPLING PIN		D	1	
6	65AA15200	PRESSING SPRING		C	1	
7	65AA-9091E	Sensor Board Assy		B	2	
8	65AA75051	BEARING		C	2	
9	65AA15230	DRUM EARTH SPRING		D	1	
10	A03UN15500	Drum Detection Wiring		D	1	
11	A1DUR70K00	Drum Driving Motor Assy		B	1	
12	A1DUR72G00	Encorder Assy		D	1	
13	65AA15240	EARTH BUSHING		C	1	
14	A03UF21200	Drum Driving Panel /1 Caulking		D	1	
15	13QA40610	Gear Spacer		C	1	
16	A03U259600	Idling Gear 46/132T		C	1	
17	A03U211000	Idling Panel		D	1	
18	A03U259900	DRIVE GEAR 92T		C	1	
19	56AA17490	PIN		C	1	



# DRIVE SECTION

BLACK

P 95



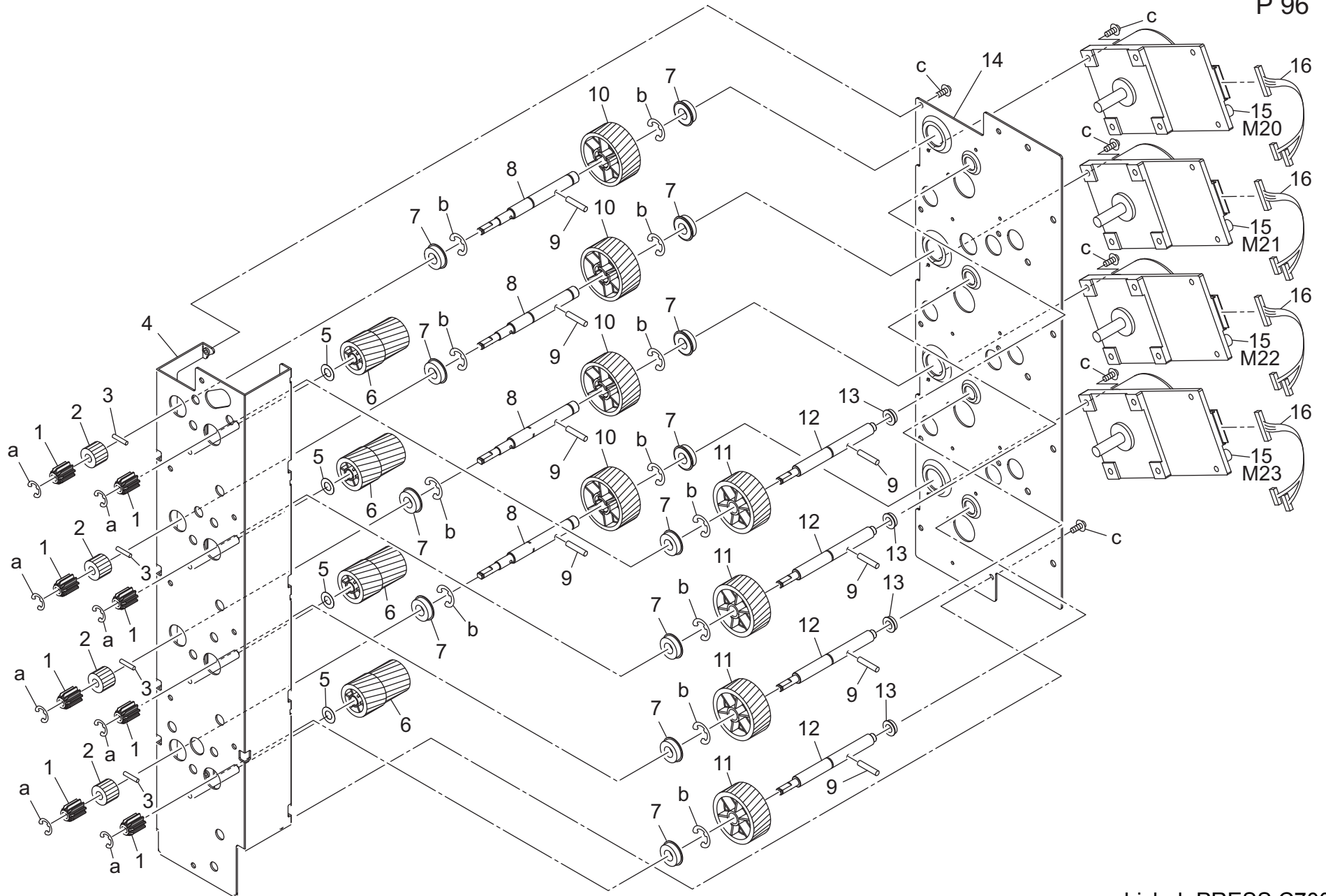
bizhub PRESS C7000P

# DRIVE SECTION

Key	Part No.	Description	Destinations	Class	QTY	Standard parts
1	A1DUR70N00	Drum Driving/2 Unit		C	1	a-V185041203 b-V121030603 c-V217020050 d-V223150050 e-V118020403 f-V193040604 g-V118040403 h-V116030603
2	65AA15030	Drum Shaft /1		D	1	
3	A1DUR73H00	Flywheel K Assy		D	1	
4	A1DUR70M00	Drum Coupring Assy		D	1	
5	65AA15210	COUPLING PIN		D	1	
6	65AA15200	PRESSING SPRING		C	1	
7	65AA-9091E	Sensor Board Assy		B	2	
8	65AA75051	BEARING		C	2	
9	65AA15230	DRUM EARTH SPRING		D	1	
10	A03UN15500	Drum Detection Wiring		D	1	
11	A1DUR70K00	Drum Driving Motor Assy		B	1	
12	A1DUR72G00	Encorder Assy		D	1	
13	65AA15240	EARTH BUSHING		C	1	
14	A03UF21200	Drum Driving Panel /1 Caulking		D	1	
15	13QA40610	Gear Spacer		C	1	
16	A03U259600	Idling Gear 46/132T		C	1	
17	A03U211000	Idling Panel		D	1	
18	A03U259900	DRIVE GEAR 92T		C	1	
19	56AA17490	PIN		C	1	

# DRIVE SECTION

P 96



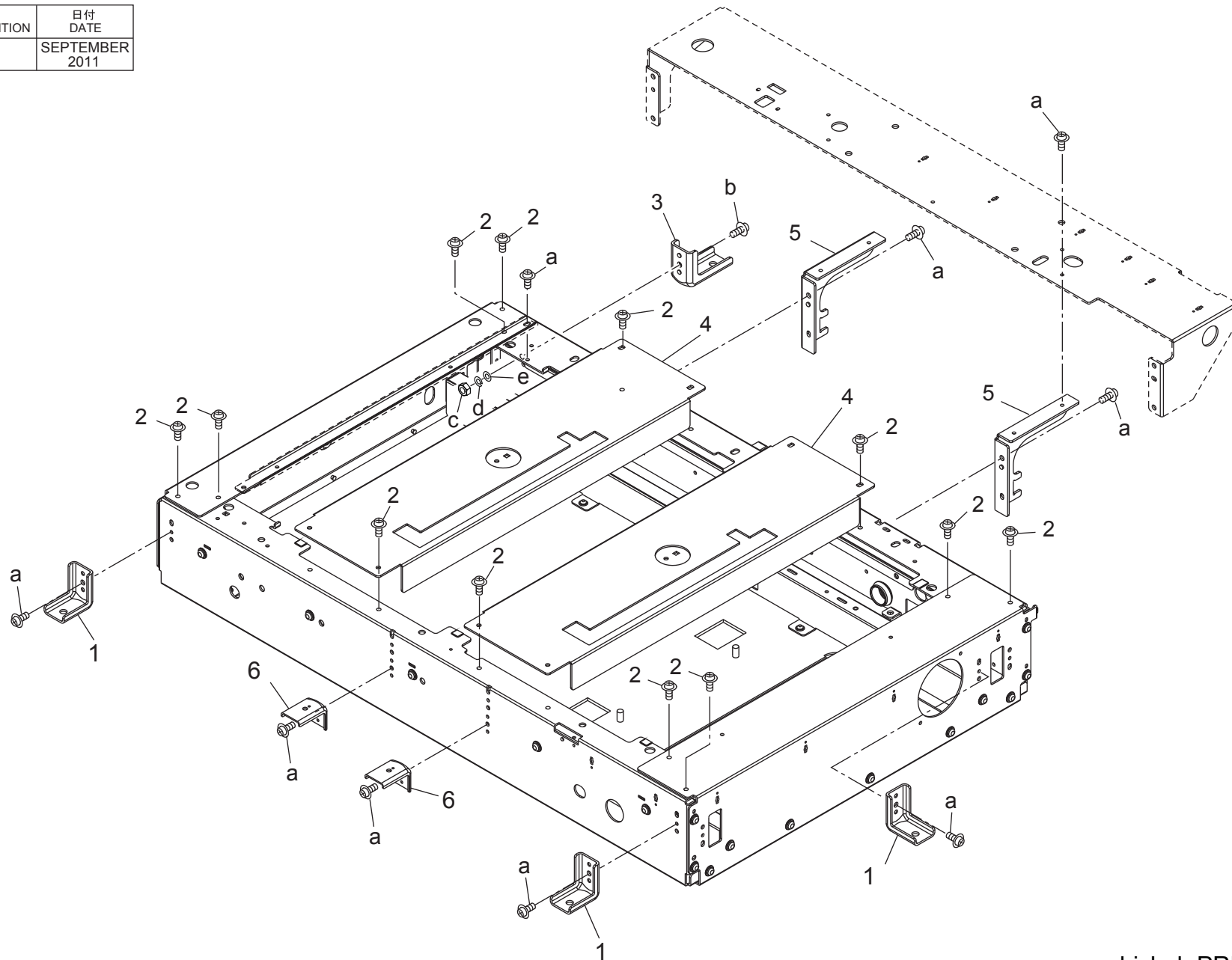
bizhub PRESS C7000P

# DRIVE SECTION

Key	Part No.	Description	Destinations	Class	QTY	Standard parts
1	65AA16080	DEVELOPING COUPLING		C	8	a-V217030050 b-V217060050 c-V121030603
2	65AA78010	TONER COLLECTING GEAR 6 16T		C	4	
3	454078050	PIN CLEANER A		C	4	
4	A1DUF25000	DEVELOPING DRIVE P/R CAULKING		D	1	
5	25HA30330	DEVELOPING REGULATING SPACER		C	4	
6	A03U229900	Developing Gear /Middle 27/42T		B	4	
7	A00V240600	BALL BEARING		C	12	
8	A03U220300	Developing Driving Shaft /1		D	4	
9	56AA17471	PIN B 3X12		C	8	
10	A1DU229700	Drive Gear 69T		C	4	
11	A1DU229800	Developing Agitating Gear 41T		C	4	
12	A03U220400	Developing Driving Shaft /2		D	4	
13	A00J617800	BALL BEARING		C	4	
14	A1DU229600	Developing Driving Panel /Front		D	1	
15	A0R5M10300	DC Brushless motor /30		B	4	
16	A03UN11200	Developing Drive Wiring		D	4	

# MAIN FRAME

改訂版 REVISED EDITION	日付 DATE
	SEPTEMBER 2011

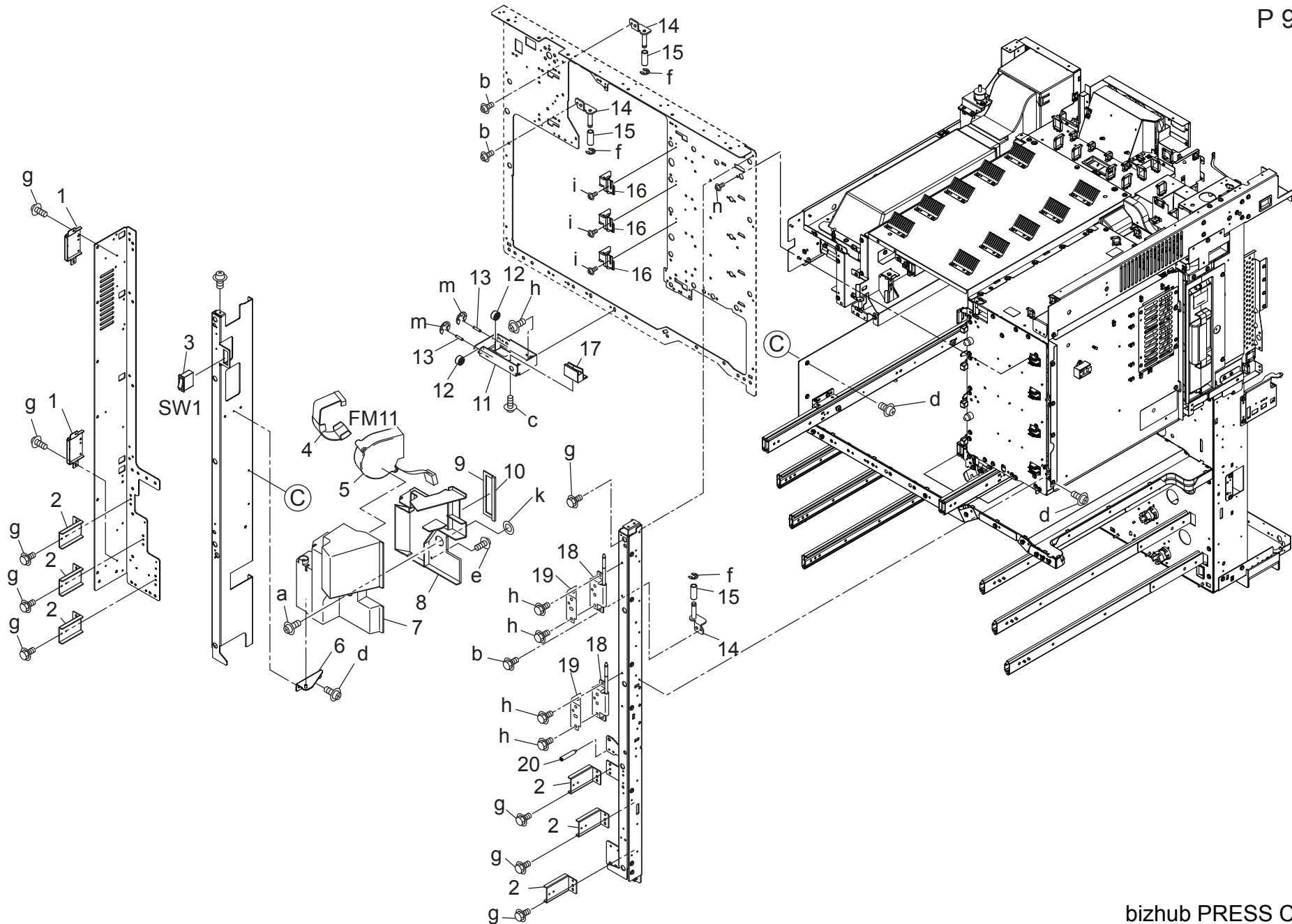


# MAIN FRAME

Key	Part No.	Description	Destinations	Class	QTY	Standard parts
1	65AA61620	READ SUPPORT PART /1		D	3	a-V121040603 b-V116041203 c-V195040003 d-V205040003 e-V207040003
2	A011213300	Screw		C	12	
3	65AA61290D	Read Support Part /2		D	1	
4	A03V260101	Reinforce Plate		D	2	
5	25SA61070	REINFORCE PLATE		D	2	
6	A03U266201	Read Support Part /1		D	2	

# MAIN FRAME

P 98



# MAIN FRAME

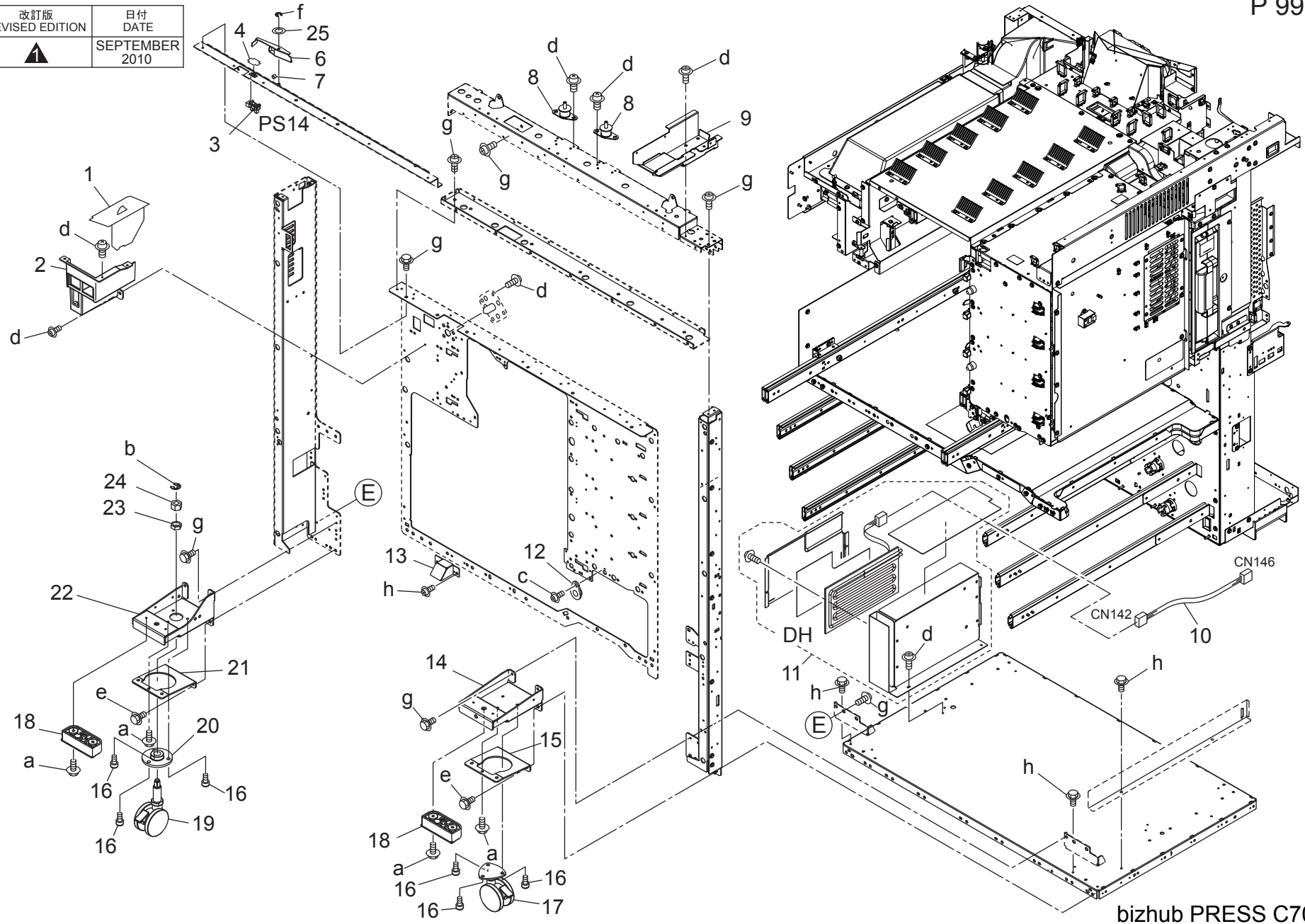
Key	Part No.	Description	Destinations	Class	QTY	Standard parts
1	A1DU111100	Connecting Plate /F		D	2	a-V114041404 b-V121030403 c-V121030603 d-V121040603 e-V158030803 f-V217040050 g-V140040803 h-V140041403 i-V116030603 k-V211040080 m-V217030050 n-V146040804
2	65AA10660	MOUNTING PLATE 5		D	6	
3	55GA86010	Power Source Switch		B	1	
4	65AA11430	FAN SEALING PART 3		C	1	
5	A03UM15800	Main body Cooling Fan		C	1	
6	A1DUR73S00	Front Fan Caulking Assy		D	1	
7	A03U108800	Front Cover		C	1	
8	65AA11200	CLEANER COOLING DUCT		C	1	
9	65AA11320	DUCT SEALING PART 5		C	1	
10	65AA10900	DUCT SEALING PART 3		C	1	
11	A03U816000	FIXING PLATE /FRONT		D	1	
12	13NG45200	CONVEYANCE DRIVEN ROLLER		C	2	
13	65AA50400	GUIDE SHAFT		D	2	
14	65AA-0750	LOCKING SHAFT CAULKING		C	3	
15	65AA10260	LOCKING ROLLER		D	3	
16	A1DU114000	Fixing Lever /Lower		D	3	
17	65AA50380F	Guide Block		C	1	
18	65AA10710	TONER SUPPLY OPEN SHUT HINGE LOWER		C	2	
19	65AA11440D	Hinge Reinforce Plate		D	2	
20	65AA12320E	Mounting Stay /A		D	1	





# MAIN FRAME

改訂版 REVISED EDITION	日付 DATE
	SEPTEMBER 2010

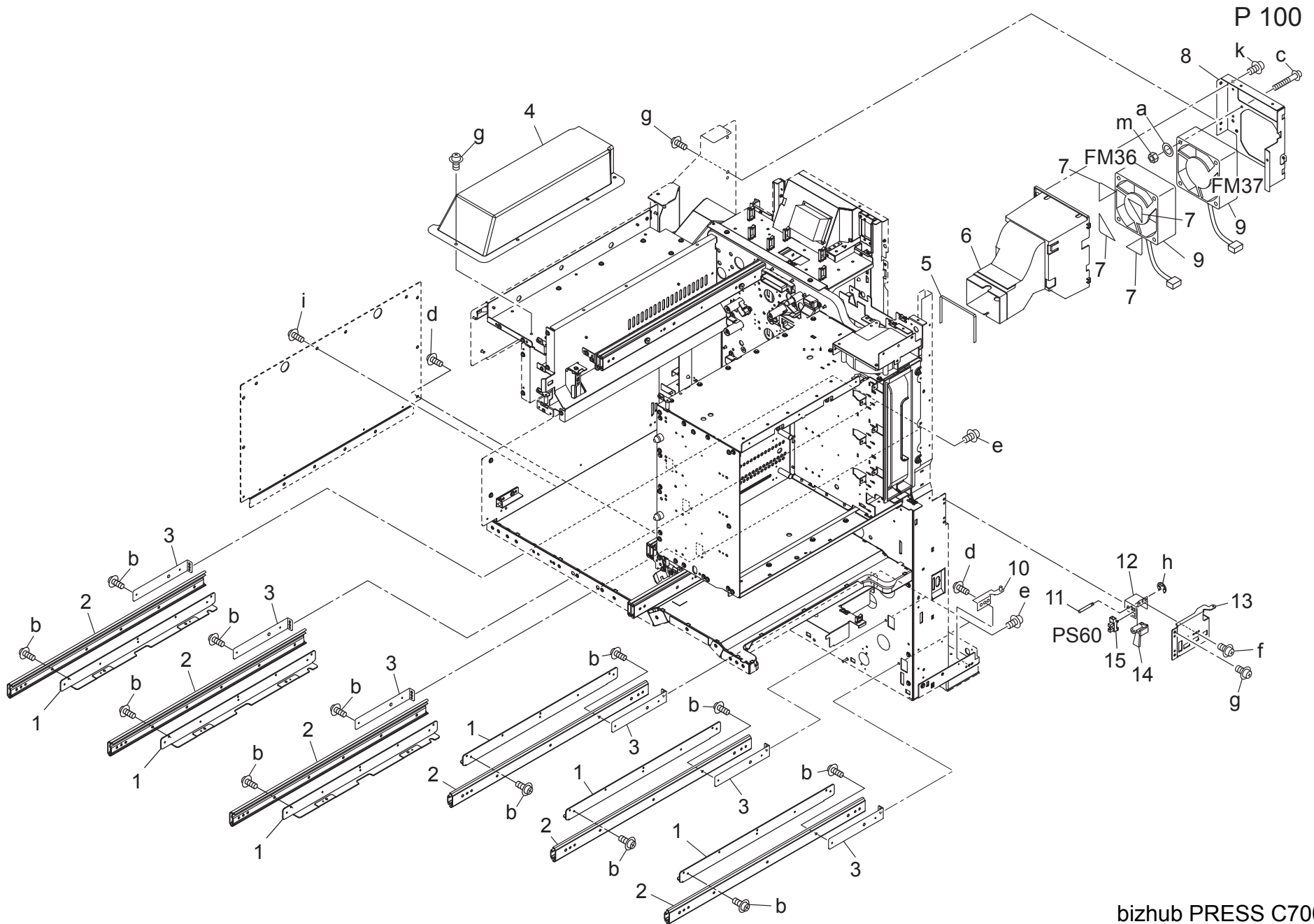


bizhub PRESS C7000P

# MAIN FRAME

Key	Part No.	Description	Destinations	Class	QTY	Standard parts
1	65AA11500	INSULATING COVER		C	1	a-V141040803
2	A03U166900	Cover /Inside		C	1	b-V217080050
3	9335150021	SOLID STATE SWITCH		B	1	c-V121030603
4	4470402401	STOPPER		D	1	d-V121040603
6	65AA73150	DETECTING PLATE		D	1	e-V140041803
7	65AA73160	DETECTING SPRING		C	1	f-V217040050
8	25SA10200	READ SUPPORT RUBBER		D	2	g-V140040803
9	A1DU115400	Hold Stay /S		D	1	h-V140041403
10	A03UN23600	Heater Relay harness		D	1	
11	A1DUR72400	Internal Heeter Assy		D	1	
12	129X48350	GUIDE SHAFT HOLDER A		C	1	
13	A03U812000	ADU Open/shut Plate /A		D	1	
14	65AA10690	MAIN BODY SUPPORT PART RIGHT		D	1	
15	65AA11630	MAIN BODY REINFORCE PLATE /A		D	1	
16	25SA10431	LOCKING SCREW		C	6	
17	55WA10300	MAIN BODY SUPPORT ROLLER X		C	1	
18	65AA11310	Main Body Lifting Handle		C	2	
19	55WA10310	MAIN BODY SUPPORT ROLLER Y		C	1	
20	56AA17620	CARRIAGE ADJUSTING PART		C	1	
21	65AA11650	MAIN BODY REINFORCE PLATE /B		D	1	
22	65AA10700	MAIN BODY SUPPORT PART LEFT		D	1	
23	56AA17640	ADJUSTING PART 2		C	1	
24	56AA17630	ADJUSTING PART		C	1	
25	65AA33270	SPACER 2		D	1	

# MAIN FRAME

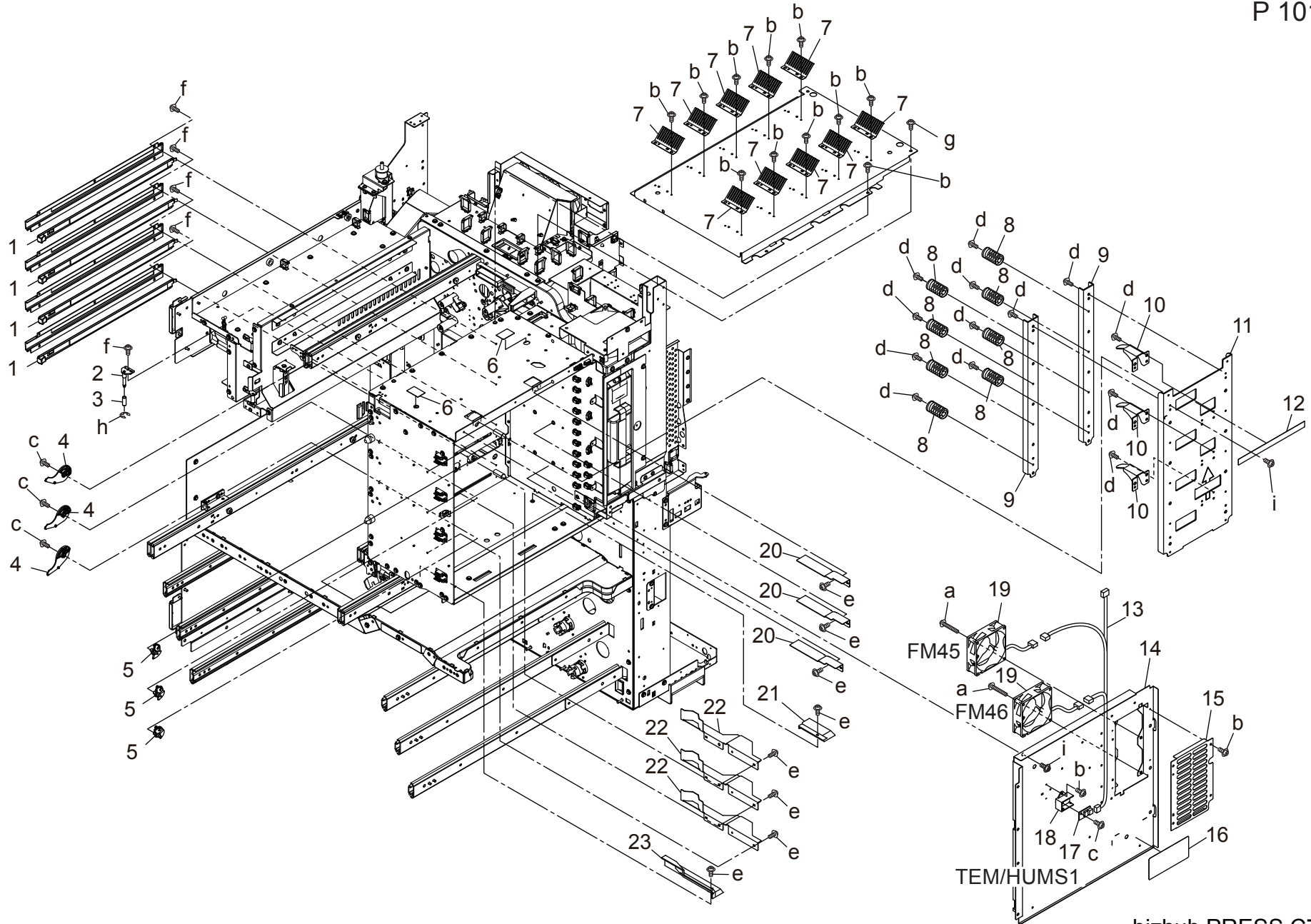


bizhub PRESS C7000P



# MAIN FRAME

P 101

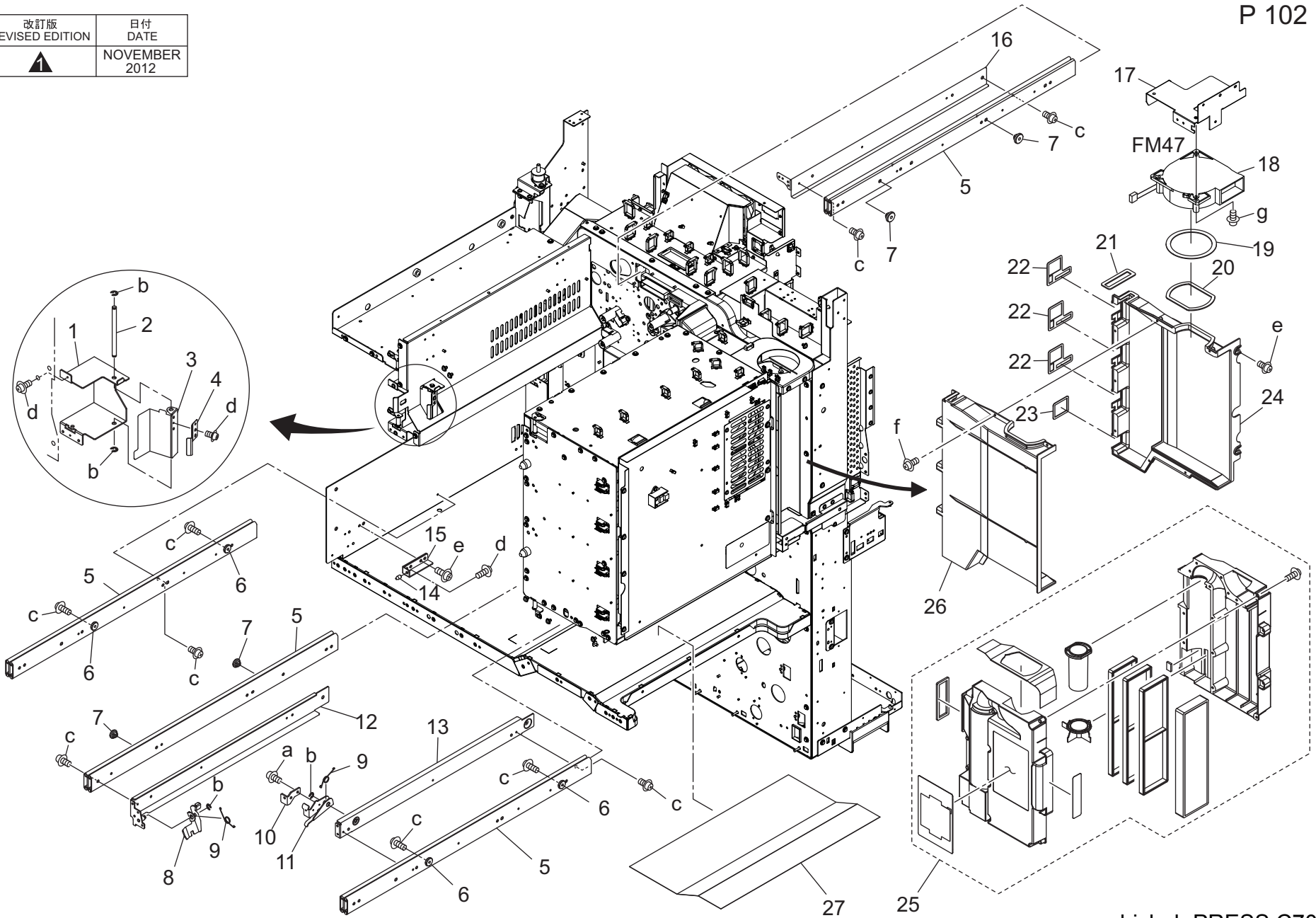


Key	Part No.	Description	Destinations	Class	QTY	Standard parts
1	A1DUR73F00	Glass Case Assy		C	4	a-V118043003
2	A1DUR73W00	Rock Shaft /2 Caulking		D	1	b-V121030603
3	65AA10260	LOCKING ROLLER		D	1	c-V158030803
4	A1DU107600	Writing Lever		D	3	d-V127040603
5	A03U107500	Write Adjusting Cam		C	3	e-V127030603
6	25SA66420	WRITE LIGHT SHIELD SHEET		C	2	f-V121030403
7	A02E262300	Plate spring		D	10	g-V140040803
8	A1DU118200	Holding Spring /1		D	8	h-V217040050
9	A1DU110000	Reinforce Stay		D	2	i-V121040603
10	A1DU101000	Support Pedestal /P		D	3	
11	A1DU109301	Support Plate /P		D	1	
12	A1RF942600	Caution Label /6		D	1	
13	A1DUN14000	Main body Relay harness /1		D	1	
14	A1DU107301	Mounting Plate /Right		D	1	
15	A1DU125000	Protection Cover		D	1	
16	56UA97300	Laser Caution Label /1		C	1	
17	A02EM50500	Humidity sensor		C	1	
18	65AA11300	SUPPORT PART		D	1	
19	9J03M10000	FAN MOTOR		B	2	
20	A1DU108300	Writing Rail /Rear		D	3	
21	A1DU111000	Support Guide /Black		D	1	
22	A1DU107800	Mounting Rail /Front		D	3	
23	A1DU110900	Writing Guide /Black		D	1	

# MAIN FRAME

P 102

改訂版 REVISED EDITION	日付 DATE
	NOVEMBER 2012

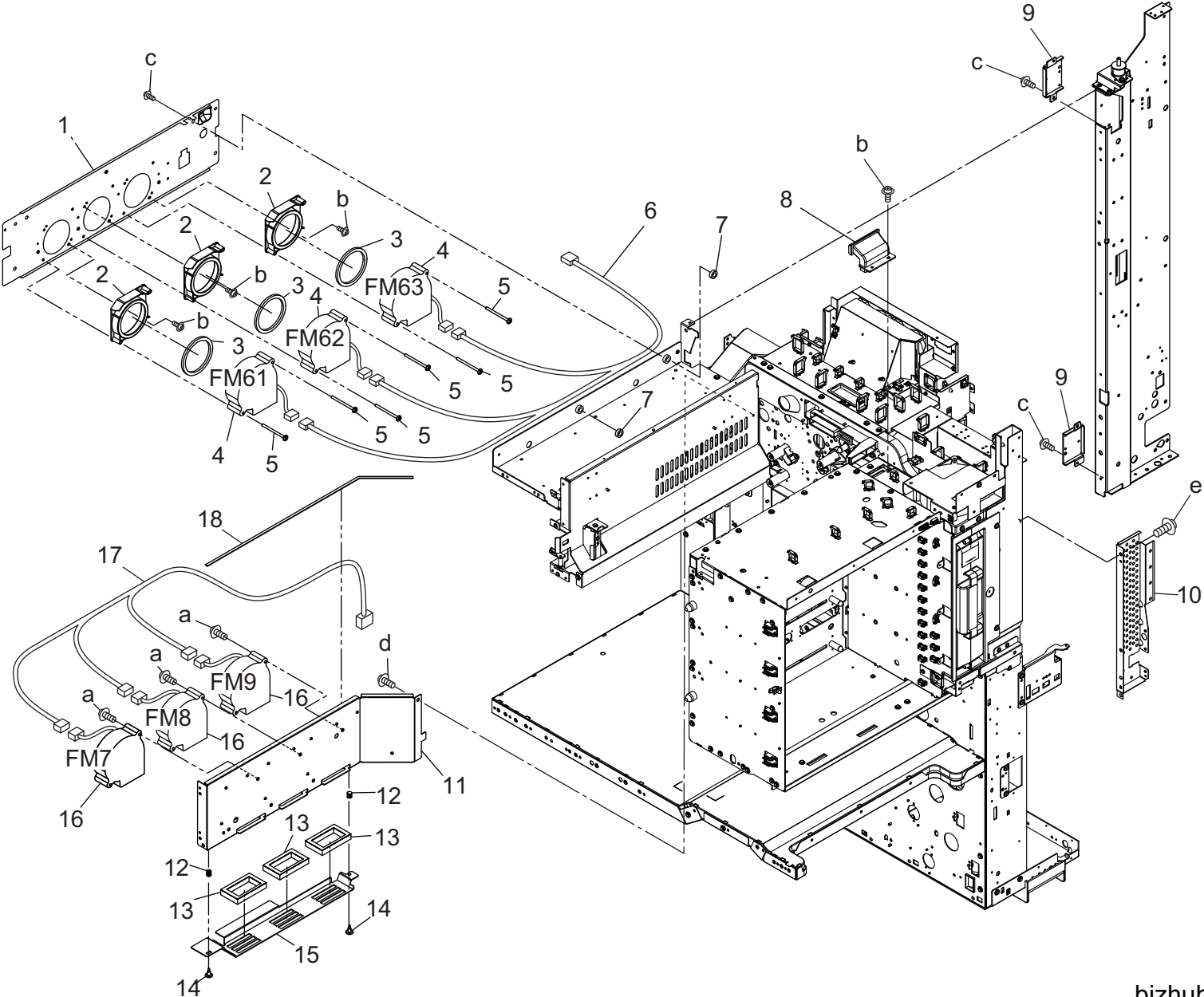


bizhub PRESS C7000P

Key	Part No.	Description	Destinations	Class	QTY	Standard parts
1	65AA10940D	Support Plate		D	1	a-V118030403 b-V217040050 c-V118040604 d-V121030603 e-V121040603 f-V151031003 g-V126041003
2	65AA10960	PRESSING SHAFT		D	1	
3	65AA10950D	Pressing Plate		D	1	
4	65AA10970	PRESSING SPRING		D	1	
5	65AA50460	CARRIGE SLIDE RAIL		C	4	
6	A1DU106800	Mounting Part /2		C	4	
7	A1DU105300	Mounting Part /1		D	4	
8	65AA10480	Locking Lever /2		C	1	
9	65AA10840	CARRIAGE LOCKING SPRING		C	2	
10	65AA11590	LEVER REINFORCE PLATE		D	1	
11	65AA10230D	LOCKING LEVER /1		C	1	
12	65AAR70600	LEVER ROTARY SHAFT CAULKING		D	1	
13	A1DUR73V00	Main Body Stay/2 Caulking		D	1	
14	65AA50440D	Carrige Guide Pin /Left		C	1	
15	65AA50430	SHAFT MOUNTING PLATE LEFT		D	1	
16	65AA10200D	Mounting Plate /1		D	1	
17	A1DU111900	Mounting Plate /B		D	1	
18	A0Y5M15100	Suction Fan motor		C	1	
19	65AA10190	FAN SEALING PART 1		C	1	
20	65AA11170	DUCT SEALING PART 4		C	1	
21	A03U106300	duct Seal /H		C	1	
22	A03U106400	duct Seal /G		C	3	
23	65AA10640	OZONE SEAL 3		C	1	
24	A1DU104100	Connecting Duct /2		D	1	
25	A1DUR70300	Filter Exchanging Assy		A	1	
26	A1DU104000	Ozone Duct /1		D	1	
27	A03U817700	Guide Plate /P		D	1	



MAIN FRAME

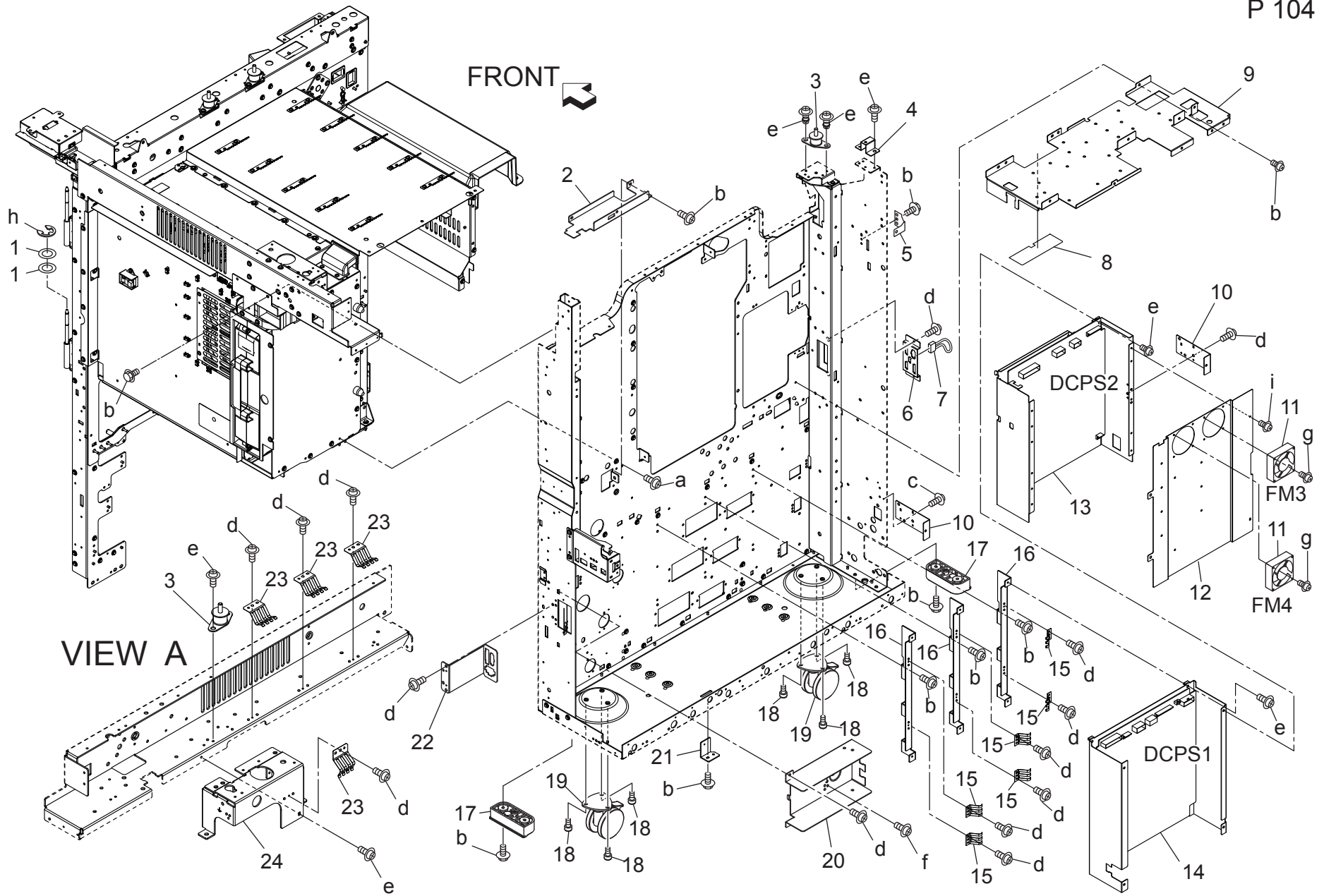


bizhub PRESS C7000P

MAIN FRAME

Key	Part No.	Description	Destinations	Class	QTY	Standard parts
1	A1DU108500	Side plate /Left		D	1	a-V121043503 b-V121030603 c-V140040803 d-V140040603 e-V121040603
2	65LA48550	Fan Duct		D	3	
3	65LA48560	DUCT SEAL /3		D	3	
4	A03UM15800	Main body Cooling Fan		C	3	
5	65LA48570	MOUNTING SCREW		D	6	
6	A03UN22400	Paper exit Cooling Wiring		D	1	
7	55VA12470	SCREW PROTECT CUSHION		D	2	
8	A1DUR70200	Connecting Duct / Y Assy		D	1	
9	A1DU111100	Connecting Plate /F		D	2	
10	A1DU112802	Wiring Panel		D	1	
11	A1DU110301	Mounting Plate		D	1	
12	A1DU764000	Spring		D	2	
13	A1DU109100	Cushion		D	3	
14	4038351102	SHOULDER SCREW		C	2	
15	A1DU109200	Shutter		D	1	
16	A1DUM15100	Fan motor		C	3	
17	A1DUN19801	Main body Relay harness /5		D	1	
18	65AA10820	DUCT SEALING PART /2		D	1	

# MAIN FRAME

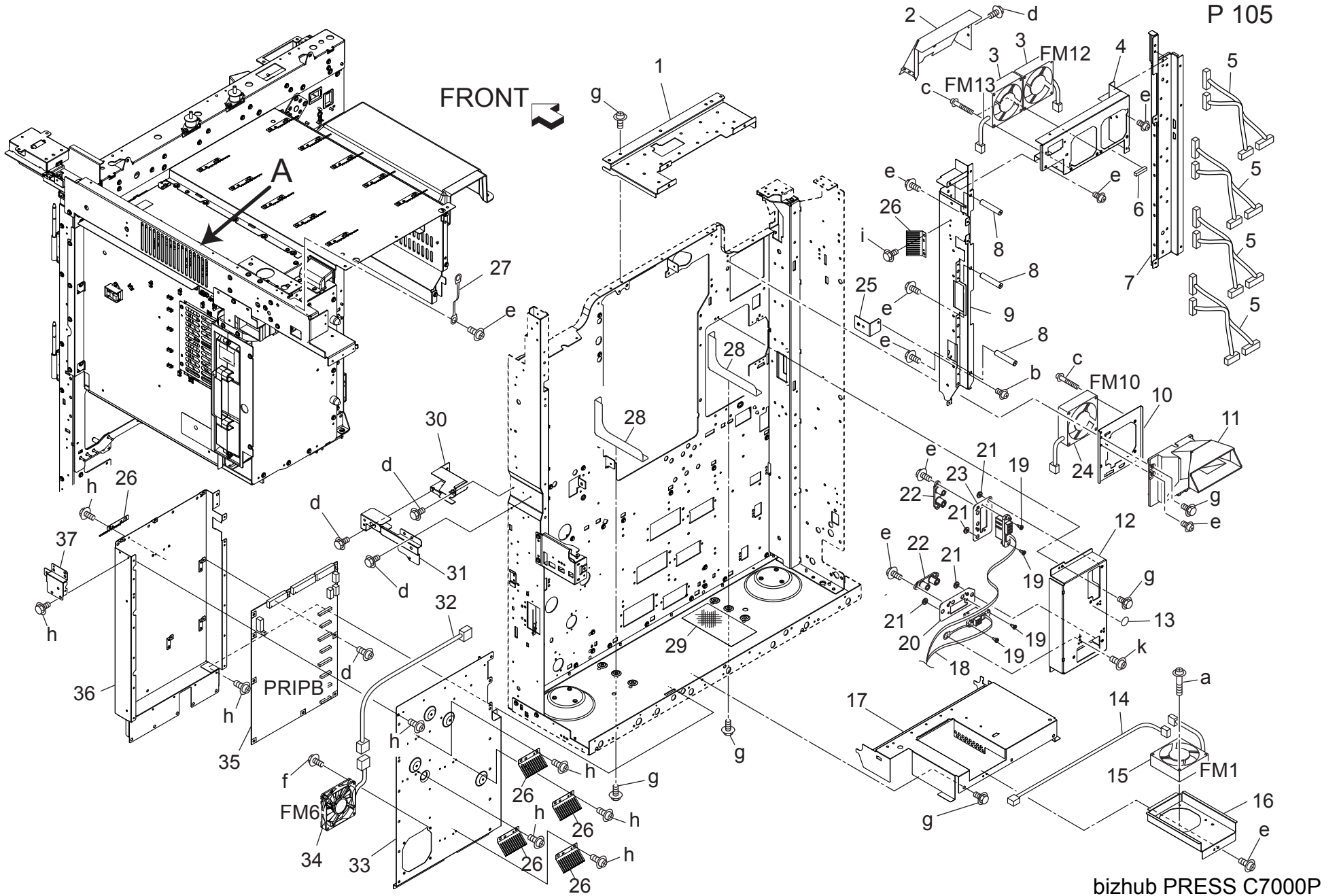


bizhub PRESS C7000P

# MAIN FRAME

Key	Part No.	Description	Destinations	Class	QTY	Standard parts
1	65AA33270	SPACER 2		D	2	a-V146040804
2	65AA11050D	Base plate Support Stay /2	基板支持ステー / 2	D	1	b-V140040803
3	25SA10200	READ SUPPORT RUBBER	読み取り支持ゴム	D	2	c-V127030603
4	A1DU169100	Mounting Plate	取付板	D	1	d-V121030603
5	56AA10101	EXTERNAL SUPPORT PLATE1	外装支持板 / 1	D	1	e-V121040603
6	A1DU118500	Power Supply Panel /F	給電パネル / F	D	1	f-V116040603
7	A1DUN19900	Interface Wiring /1	インターフェース束線 / 1	D	1	g-V118033003
8	A1DU115800	Protection Seal /1	保護シール / 1	D	1	h-V217040050
9	65AA10580F	Base plate Support Stay	基板支持ステー	D	1	i-V121030403
10	A1DU169000	Mounting Plate	取付板	D	2	
11	4040M10000	FAN MOTOR	ファンモータ	C	2	
12	A1DU130301	Cover	蓋	D	1	
13	A1DUM40201	DC Power source /2	DC 電源 / 2	I	1	
14	A1DUM40101	DC Power source /1	DC 電源 / 1	I	1	
15	65AA11140	EARTH PLATE	アース板	D	6	
16	A03U108900	Base plate Support Plate	基板支持板	D	3	
17	65AA11530	MAIN BODY LIFTING HANDLE 2	本体持ち上げ取っ手 2	C	2	
18	25SA10431	LOCKING SCREW	ロックネジ	C	6	
19	55WA10300	MAIN BODY SUPPORT ROLLER X	本体支持ローラ X	C	2	
20	A03U118401	Wiring Protection Plate /P	束線保護板 / P	D	1	
21	A1DU112700	Mounting Plate /Lower	取付板 / 下	D	1	
22	A03U118300	PFU Power supply Panel	P F U 給電パネル	D	1	
23	A03U118100	Ground Plate /A	アース板 / A	D	4	
24	A03U117800	Support Plate /A	支持板 / A	D	1	

MAIN FRAME



P 105

bizhub PRESS C7000P

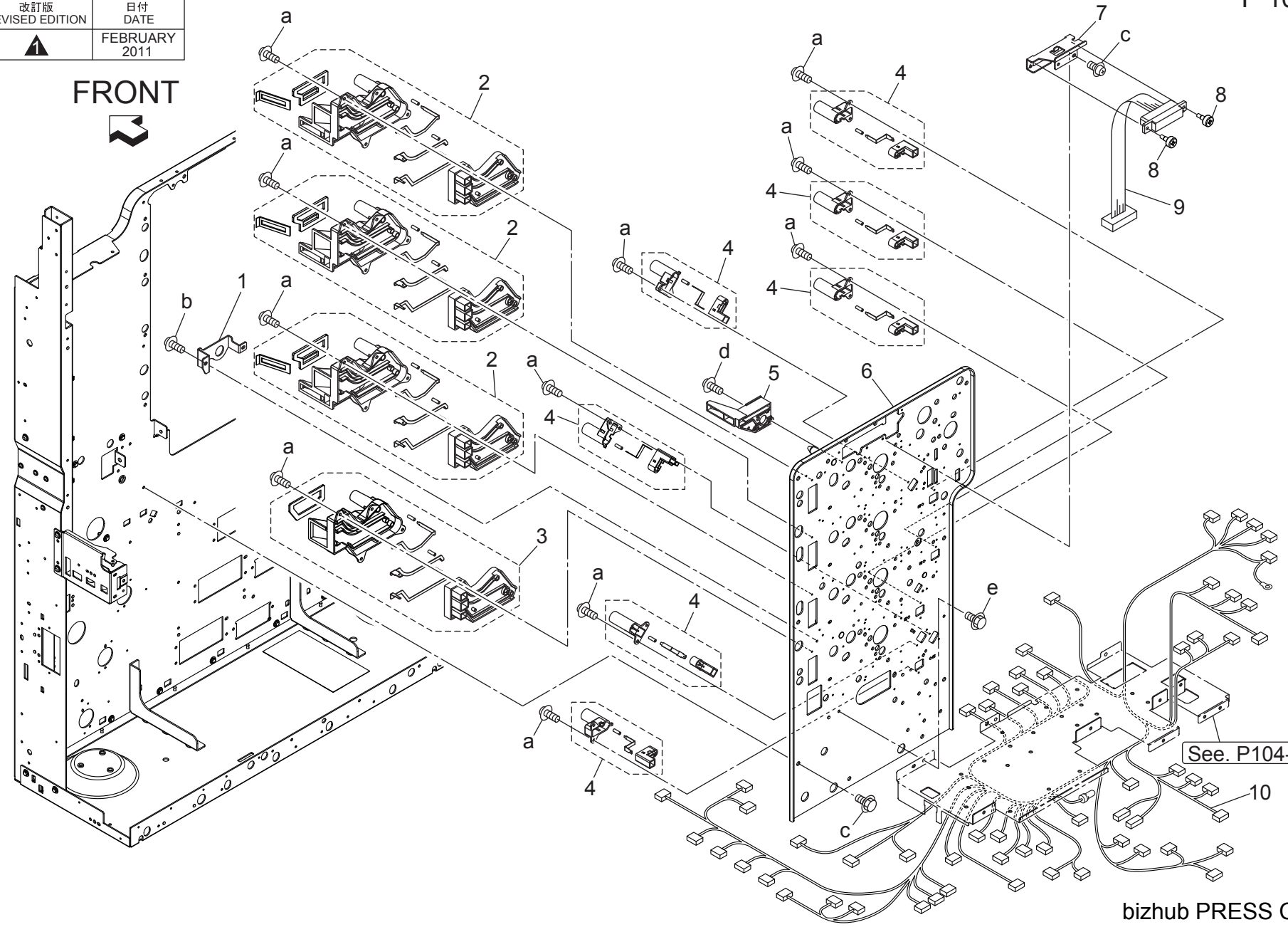
Key	Part No.	Description	Destinations	Class	QTY	Standard parts
1	65AA10180E	Wiring Guide Plate /1		D	1	a-V118033003
2	65AA11390	MOTOR COOLING DUCT		D	1	b-V118040603
3	9J03M10000	FAN MOTOR		B	2	c-V118043003
4	A1DU111801	Mounting Plate /A		D	1	d-V121030603
5	A03UN18000	Drum Relay Wiring		D	4	e-V121040603
6	65AA61580	READ EARTH PART		D	1	f-V121031803
7	A03U105702	Wiring Guide Plate /2		D	1	g-V140040803
8	A1DU115500	Mounting Screw		D	3	h-V121030403
9	A1DU105901	Guide Plate /3		D	1	i-V127030603
10	A1DU110800	Mounting Plate /Rear		D	1	k-V116040603
11	65AA11020	FIXING CONNECTING DUCT		D	1	
12	A03U102803	Fixing Cover /Rear		D	1	
13	9J06730201	LABEL		D	1	
14	A1DUN19600	Main body Relay harness /2		D	1	
15	A0EDM10500	Fan motor		C	1	
16	A1DU112200	Mounting Plate /F		D	1	
17	A1DU105600	Hold Plate /F		D	1	
18	A1DUN11802	AC Drive harness		D	1	
19	A03U119200	Fixing Screw		C	4	
20	A03U118900	Idler Plate /Lower		D	1	
21	A03U119100	Guide Screw		C	4	
22	A03U119000	Positioning Sleeve		C	2	
23	A03U118800	Idler Plate /Upper		D	1	
24	13NT80511	FAN MOTOR 1		C	1	
25	A1DU115700	Mounting Plate /5		D	1	
26	A02E262300	Plate spring		D	6	
27	55VA90840	MAIN EARTH WIRE		D	1	
28	56AA61470D	Read Reinforce Plate		D	2	
29	65AA11350	DUST PROOF FILTER 4		D	1	
30	A03U135000	WIRING GUIDE PLATE /1		D	1	
31	A1DU135700	Sealing Plate		D	1	
32	A1DUN29200	ImageProcessing Relay harness /2		D	1	
33	A1DU131700	Cover /Lower		D	1	
34	A1RFM15100	Fan motor /1		C	1	
35	A1DUH06011	Image Processing Board /P Assy		I	1	
36	A1DU131401	Mounting Plate /ASSY		D	1	
37	A1DU135600	Cover /Right		D	1	

# MAIN FRAME

P 106

改訂版 REVISED EDITION	日付 DATE
▲	FEBRUARY 2011

FRONT  
↘



See. P104-9

bizhub PRESS C7000P

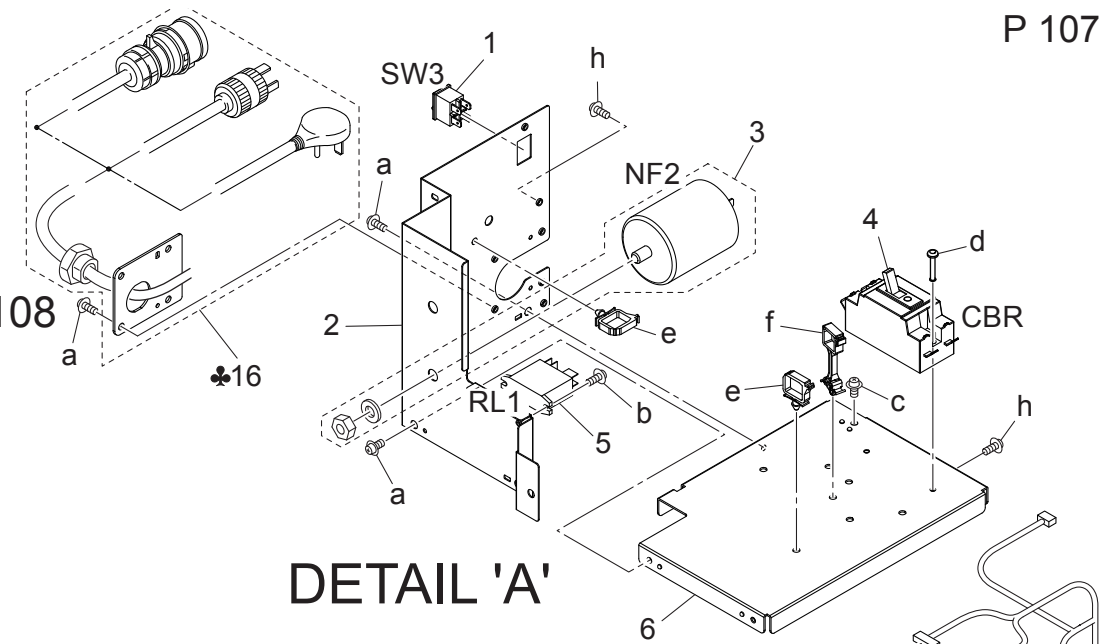
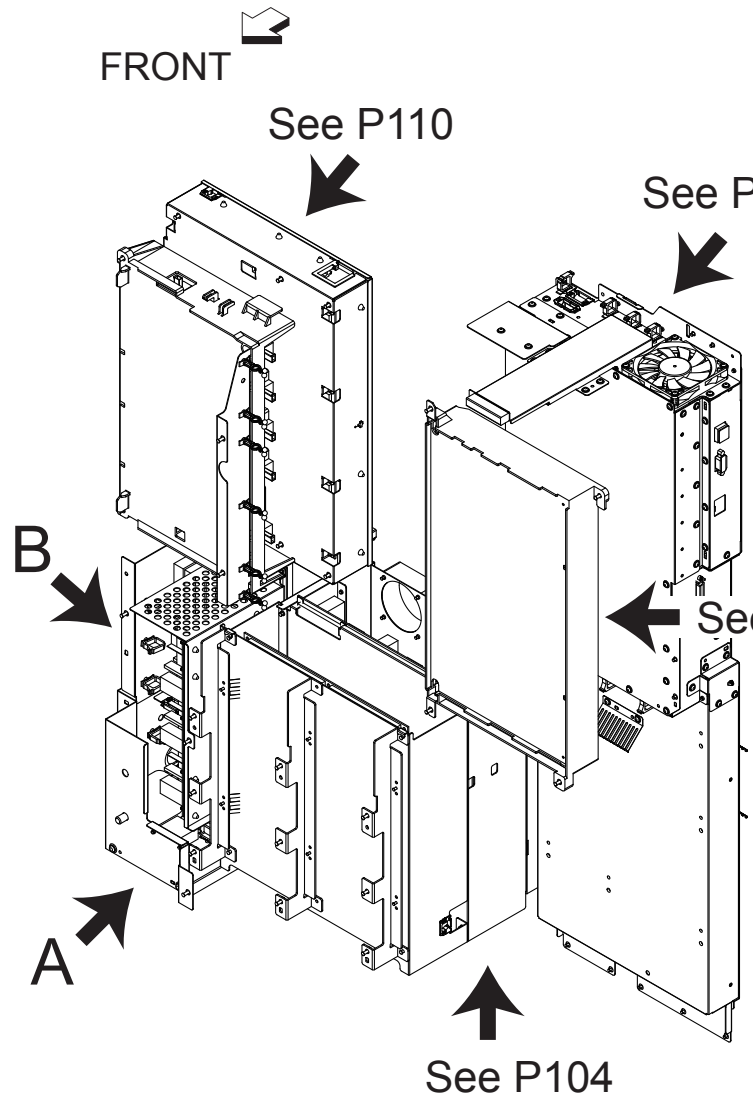
# MAIN FRAME

Key	Part No.	Description	Destinations	Class	QTY	Standard parts
1	65AA10360E	Shaft Support Plate		D	1	a-V121030403 b-V121040403 c-V121040603 d-V121030603 e-V140040803
2	A1DUR72700	High Voltage Cover Assy		C	3	
3	A1DUR72C00	High Voltage Cover/1 Assy		C	1	
4	A1DUR72600	Power Block/1 Assy		C	7	
5	A1DUR70100	Developing Cuct / Y Assy		D	1	
6	A03UF11200	Base Panel Shaft CAULKING		D	1	
7	65AA10490	ELECTRIC MOUTING PLATE		D	1	
8	A1DU622200	Mounting Screw		D	2	
9	A1DUN11000	Main body Wiring /3		D	1	
10	A1DUN10902	DC Power Source Harness		D	1	

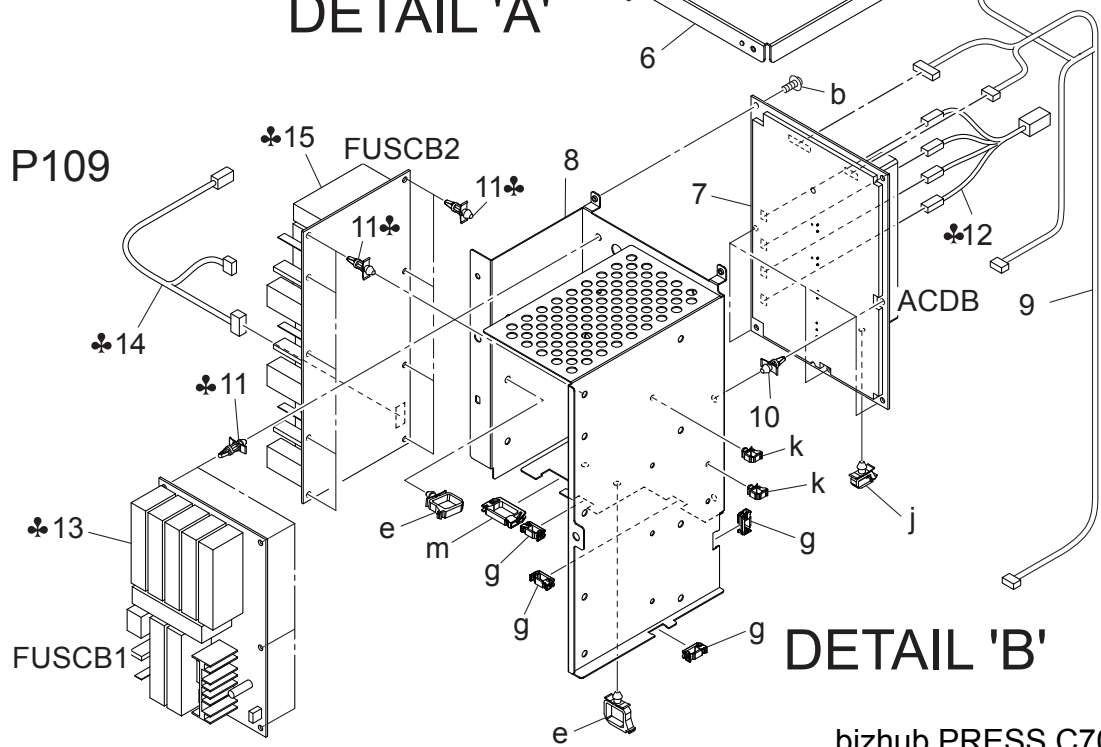


# ELECTRICAL COMPONENTS

P 107



DETAIL 'A'



DETAIL 'B'

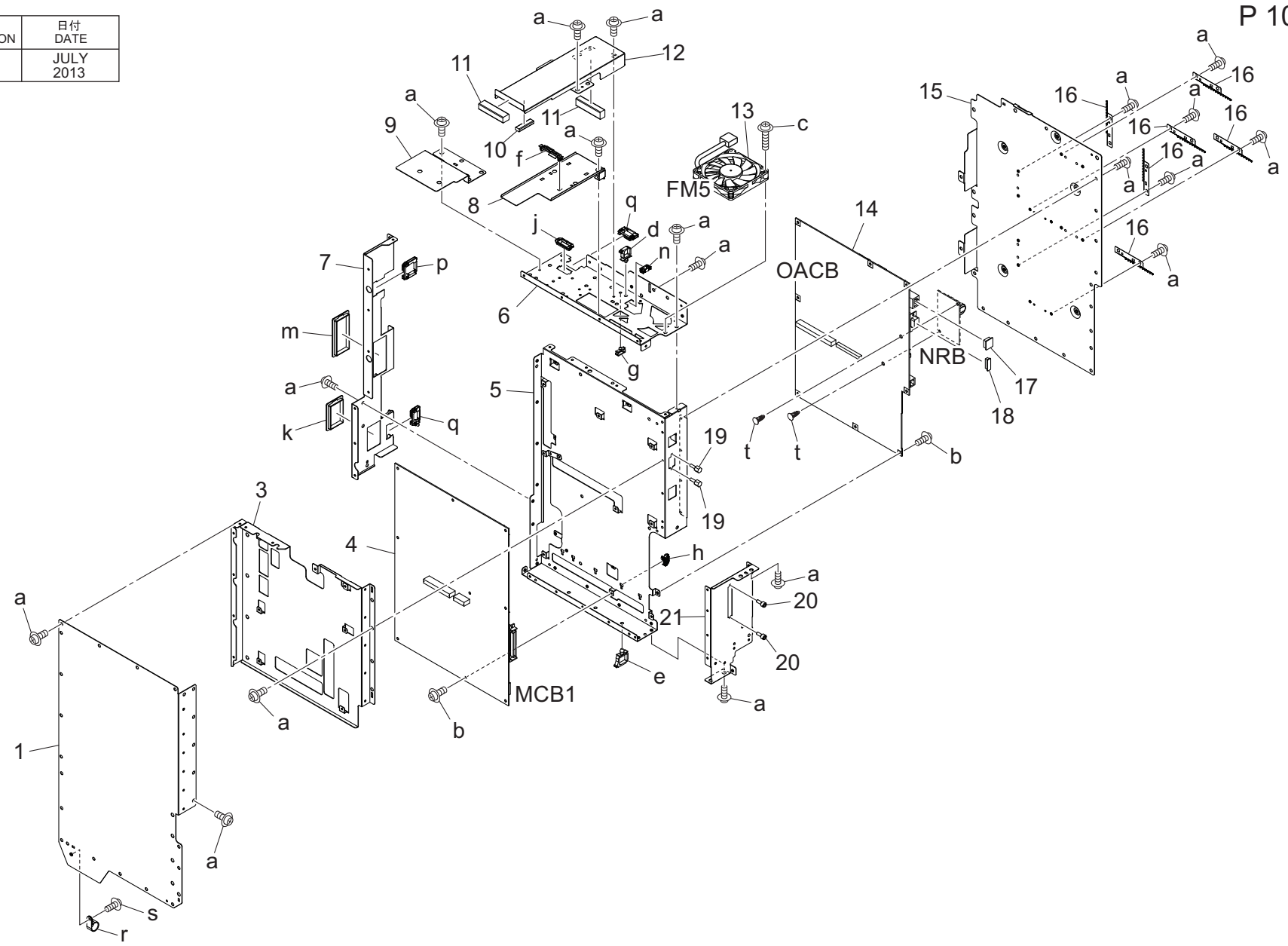
bizhub PRESS C7000P



# ELECTRICAL COMPONENTS

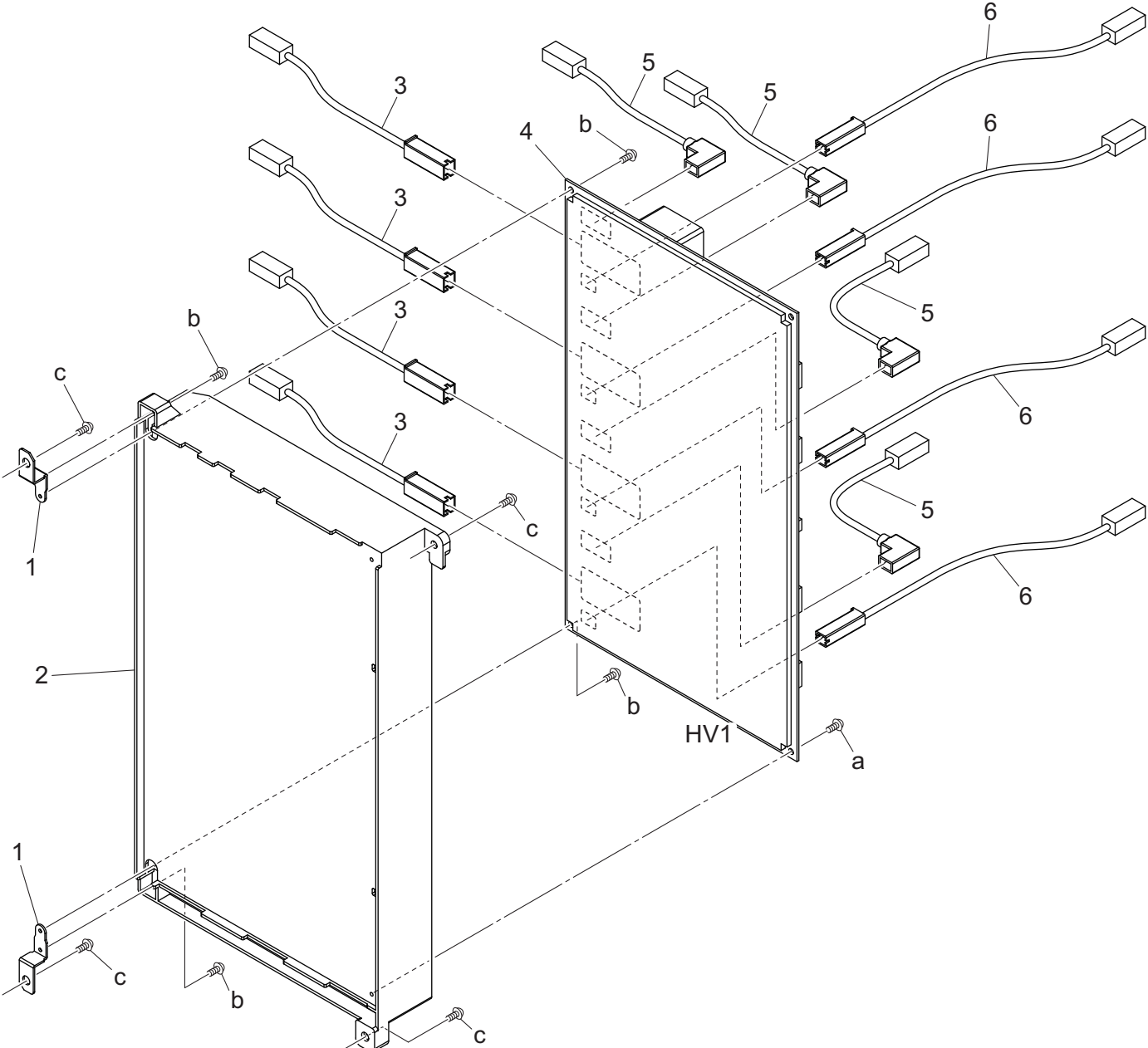
P 108

改訂版 REVISED EDITION	日付 DATE
	JULY 2013





ELECTRICAL COMPONENTS

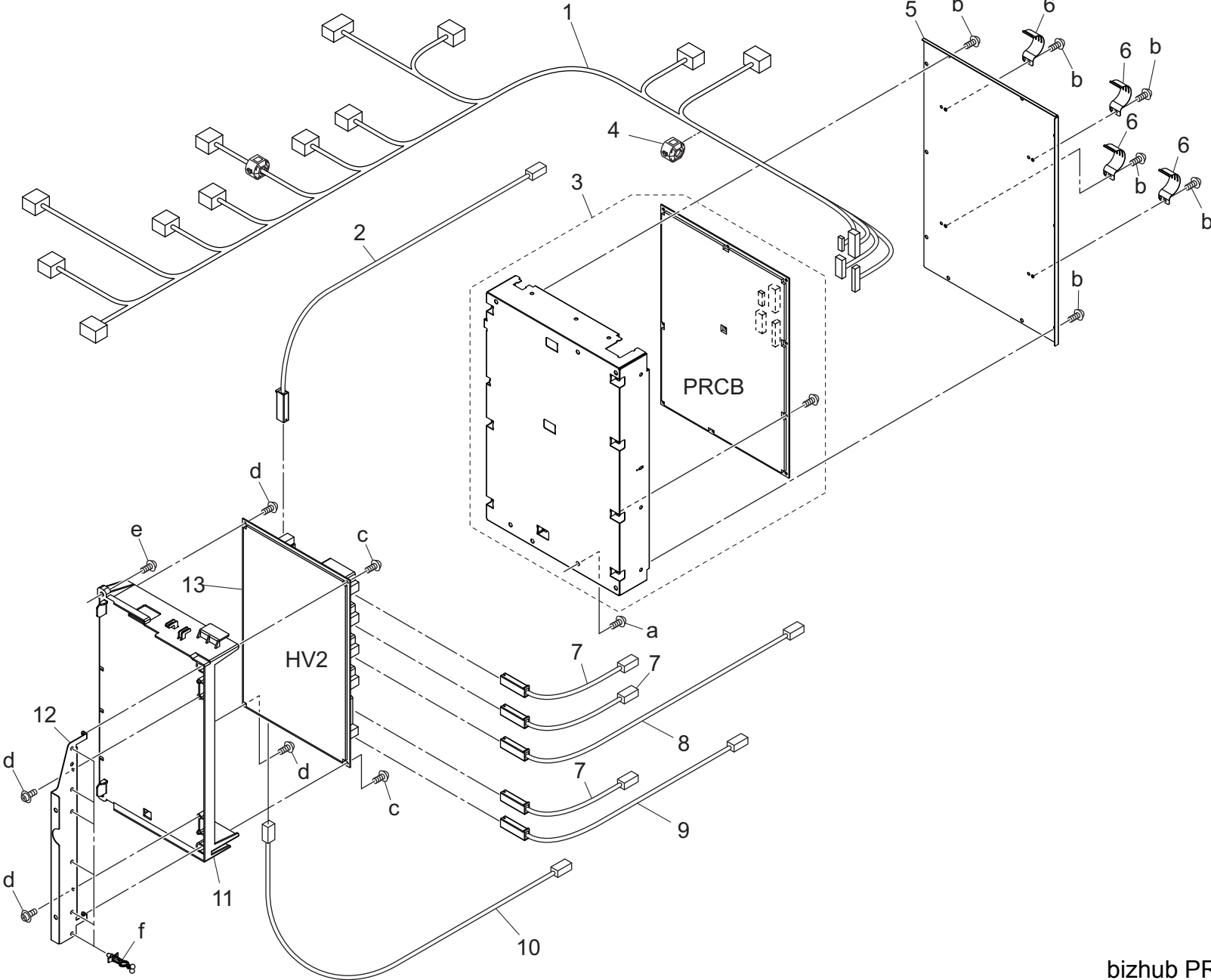


# ELECTRICAL COMPONENTS

Key	Part No.	Description	Destinations	Class	QTY	Standard parts
1	65AA73090D	Earth Plate /1		D	2	a-V151030803 b-V121030603 c-V140040803
2	65AA73040D	High voltage Casing /1		D	1	
3	65AA90190	HV Wire /C		D	4	
4	A1DUM40301	HV Power source /1		I	1	
5	65AA90210	High Voltage Wire /D		D	4	
6	65AA90200	High Voltage Wire /G		D	4	

ELECTRICAL COMPONENTS

P 110



# ELECTRICAL COMPONENTS

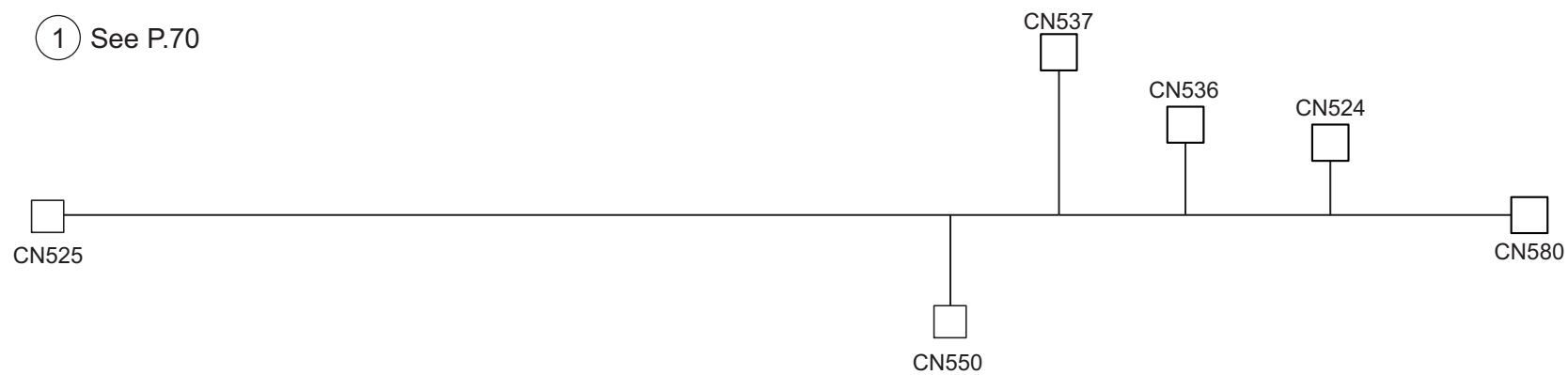
Key	Part No.	Description	Destinations	Class	QTY	Standard parts
1	A1DUN13002	Scanner Control harness		D	1	a-V121040603 b-V121030403 c-V121030603 d-V151030803 e-V140040803 f-V500020053
2	65AA90880	High Voltage Relay Wire /Y		D	1	
3	A1DUR70422	Printer Control Unit		I	1	
4	57AF88730	FERRITE CORE 3		D	1	
5	65AA73140D	Base plate Sealing Cover /2		D	1	
6	56AA73560	EARTH PLATE UPPER		C	4	
7	65AA90260	HV Wire /2		D	3	
8	65AA91020	HV Wire /K		D	1	
9	A1DUN18700	Bias Wire		D	1	
10	A1DUN19000	Separating Wire /2		D	1	
11	65AA73050D	High voltage Casing /2		D	1	
12	65AA73100E	Earth Plate /2		D	1	
13	A1DUM40401	HV Power source /2		I	1	



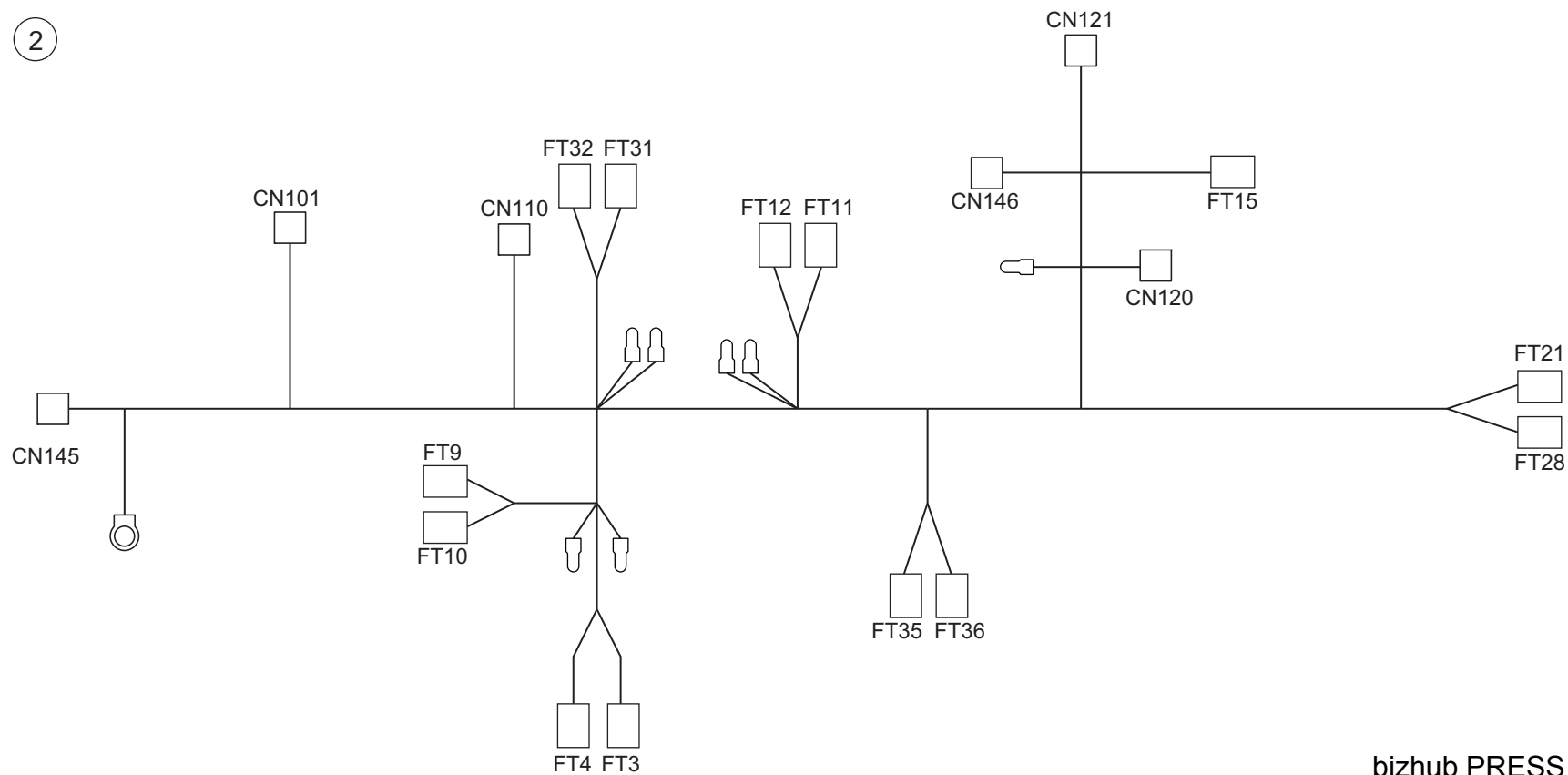
# WIRING

P 111

① See P.70



②

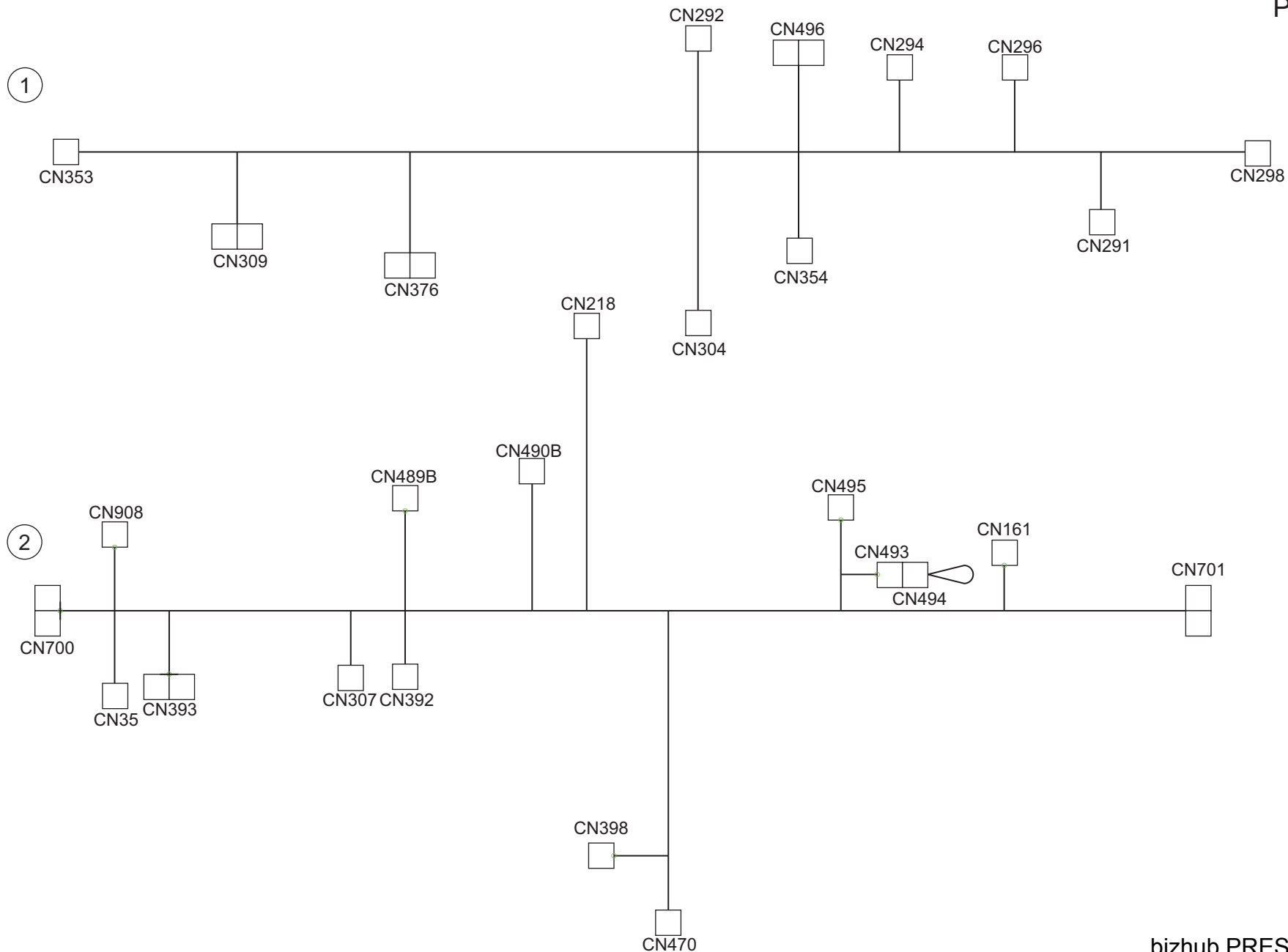


bizhub PRESS C7000P

Key	Part No.	Description	Destinations	Class	QTY	Standard parts
1	A1DUN17601	Conveyance Drive harness /3		D	1	
2	A1DUN10102	AC Power Source Harness /1		D	1	

# WIRING

P 112



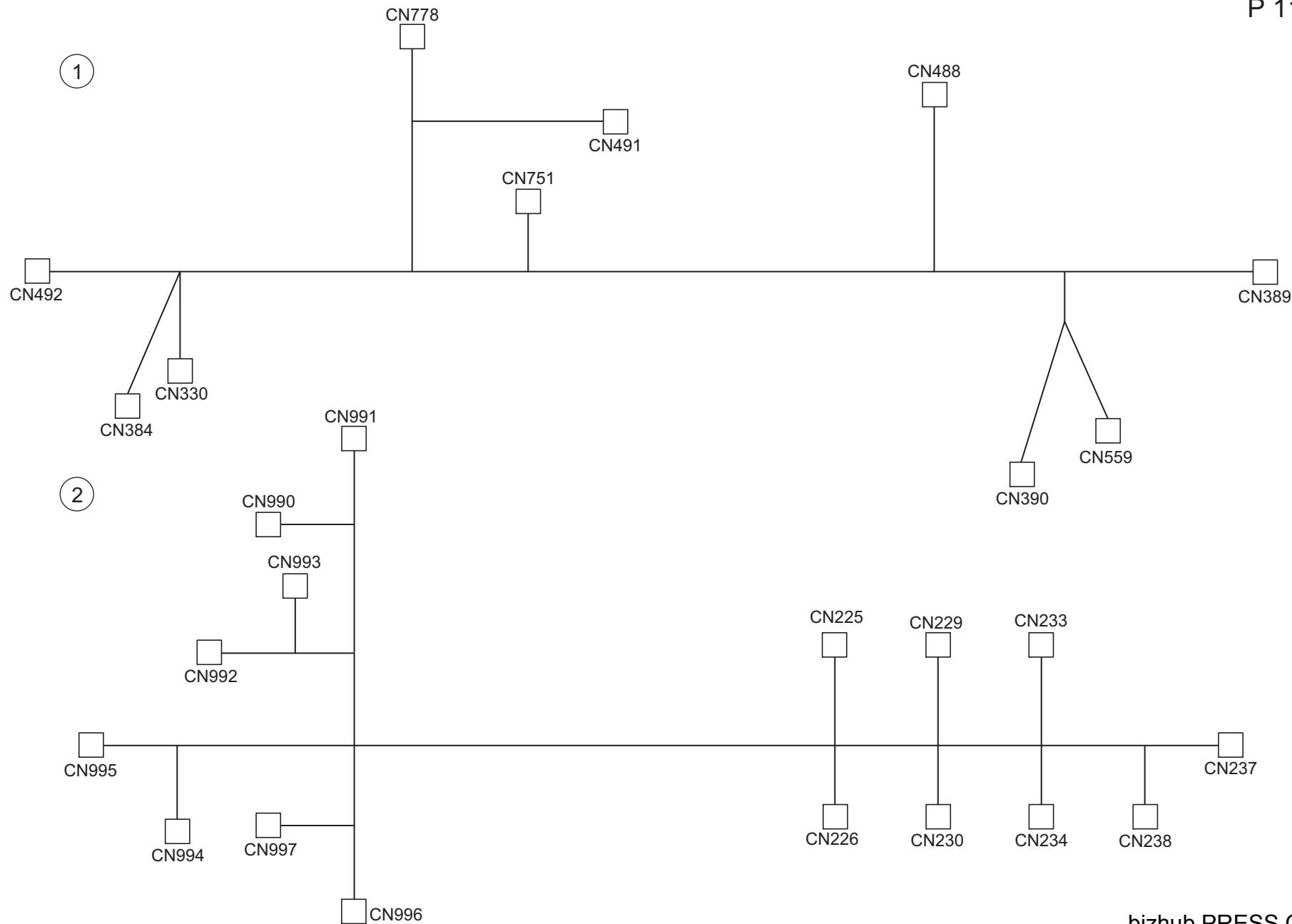
# WIRING

Key	Part No.	Description	Destinations	Class	QTY	Standard parts
1	A1DUN11300	Main body Wiring /5		D	1	
2	A1DUN13900	Toner Relay harness /1		D	1	

bizhub PRESS C7000P

# WIRING

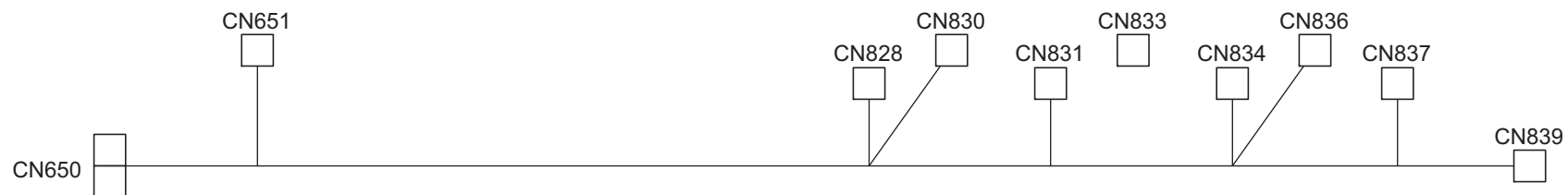
P 113



bizhub PRESS C7000P

Key	Part No.	Description		Destinations	Class	QTY	Standard parts
1	A1DUN19502	MAIN BODY WIRING /2	本体束線 / 2		D	1	
2	A1DUN27600	LD Relay Harness	半導体レーザー中継束線		D	1	

1



# WIRING

Key	Part No.	Description	Destinations	Class	QTY	Standard parts
1	A1DUN22700	Main body Wiring /4 本体束線 / 4		D	1	



# WIRING ACCESSORIES

P 115

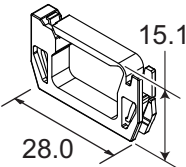
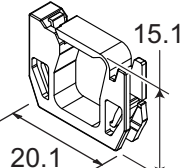
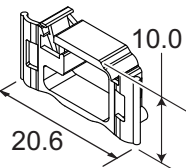
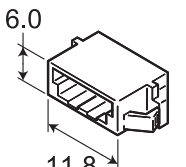
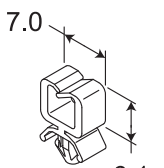
1 	6 	11 	16 	21 	26 	31 	36 
2 	7 	12 	17 	22 	27 	32 	37 
3 	8 	13 	18 	23 	28 	33 	38 
4 	9 	14 	19 	24 	29 	34 	39 
5 	10 	15 	20 	25 	30 	35 	40 

bizhub PRESS C7000P

Key	Part No.	Description	Destinations	Class	QTY	Standard parts
1	V500010003	Saddle	ロッキングワイヤーサドル	D		
2	V500010005	saddle	ロッキングワイヤーサドル	D		
3	V500010007	saddle	ロッキングワイヤーサドル	D		
4	V500010008	saddle	ロッキングワイヤーサドル	D		
5	V500010015	saddle	ロッキングワイヤーサドル	D		
6	V500010020	Saddle	ミニロッキングワイヤーサドル	D		
7	V500010021	saddle	ロッキングワイヤーサドル	D		
8	V500010029	saddle	ミニサドル	D		
9	V500010030	saddle	ミニサドル	D		
10	V500010032	clamp	リユースクランプ	D		
11	V500010034	saddle	リユースワイヤーサドル	D		
12	V500010046	saddle	ミニロッキングワイヤーサドル	D		
13	V500010051	saddle	ミニサドル	D		
14	V500010057	Locking Wire Saddle	ロッキングワイヤーサドル	D		
15	V500010072	Locking Wire Saddle	ロッキングワイヤーサドル	V		
16	V500010075	Locking Wire Saddle	ロッキングワイヤーサドル	V		
17	V500020001	clamp	ナイロンクランプ	D		
18	V500020023	clamp	フラットクランプ	D		
19	V500020033	clamp	K S クランプ	D		
20	V500020035	clamp	ナイロンクランプ	D		
21	V500020050	cord keep	コードキーブ	D		
22	V500020053	lock	スタンドオフツイストロック	D		
23	V500020054	clamp	ミニクランプ	D		
24	V651010005	CONNECTOR	W t o W コネクタ	D		
25	V500020085	Harness Lifter	ハーネスリフター	V		
26	V501010002	band	結束バンド	D		
27	V501010006	band	結束バンド	D		
28	V501010009	band	結束バンド	D		
29	V501010010	binder	S K バインダー	D		
30	V501010018	BAND	スナップバンド	D		
31	V501010020	SK Binder	S K バインダー	V		
32	V570010021	Saddle	エッジサドル	D		
33	V570010023	saddle	エッジサドル	D		
34	V570010038	bushing	スクウェアブッシュ	D		
35	V570010039	bushing	スクウェアブッシュ	D		
36	V570010040	bushing	スクウェアブッシュ	D		
37	V570010047	SQUARE CLAMP	スクウェアクランプ	D		
38	V570010050	Locking Edge Saddle	ロッキングエッジサドル	D		
39	V570010057	Wing Edge Saddle	ウィングエッジサドル	D		
40	V570010058	Wing Edge Saddle	ウィングエッジサドル	D		

# WIRING ACCESSORIES

P 116

1 	6	11	16	21	26	31	36
2 	7	12	17	22	27	32	37
3 	8	13	18	23	28	33	38
4 	9	14	19	24	29	34	39
5 	10	15	20	25	30	35	40

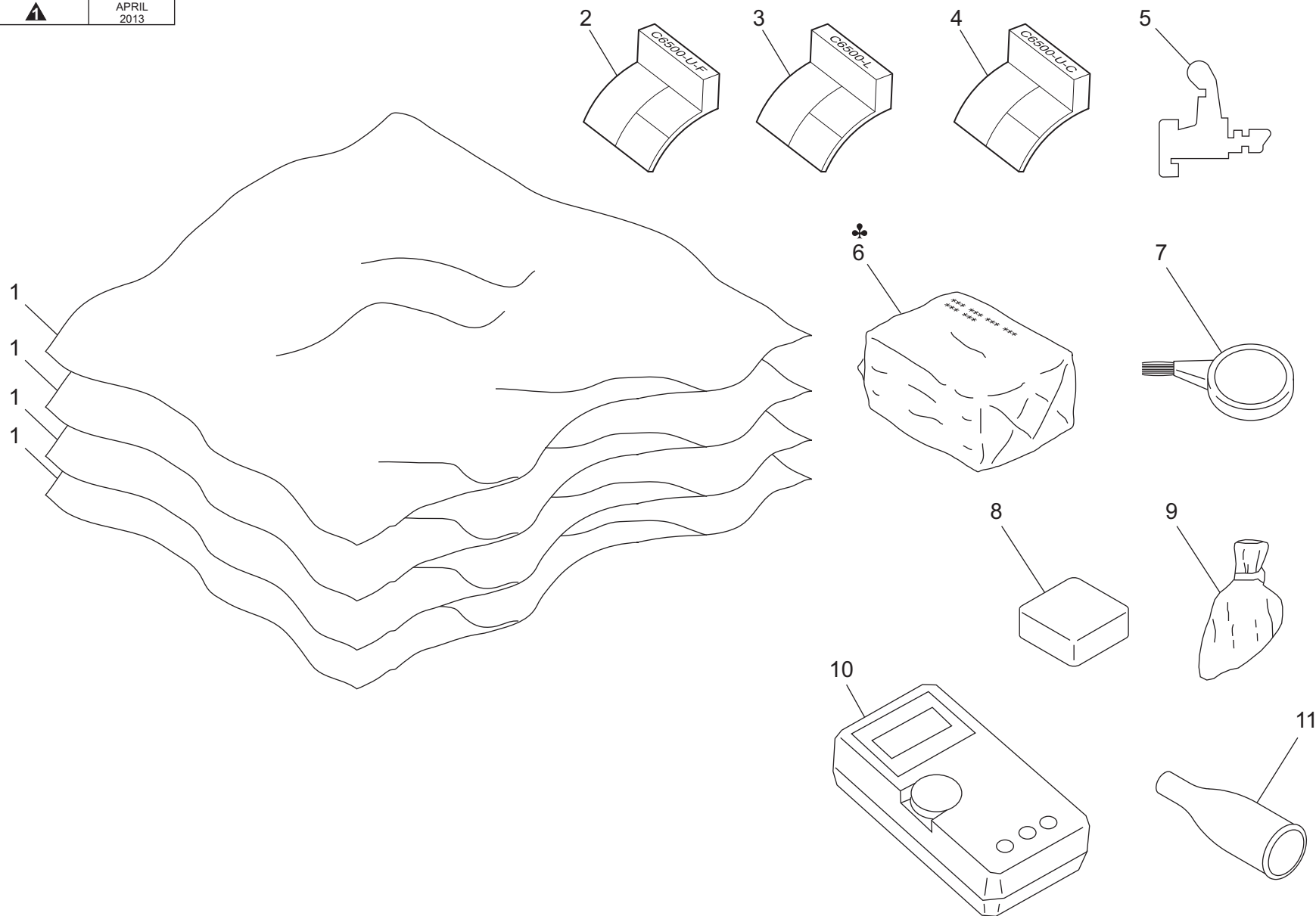
bizhub PRESS C7000P

Key	Part No.	Description	Destinations	Class	QTY	Standard parts
1	V570010059	Wing Edge Saddle		D		
2	V570010060	Wing Edge Saddle		D		
3	V570010063	Locking Edge Saddle		D		
4	V651010003	CONNECTOR		D		
5	V500010050	saddle		D		

# JIG AND SERVICE MATERIAL

P 117

改訂版 REVISED EDITION	日付 DATE
	APRIL 2013



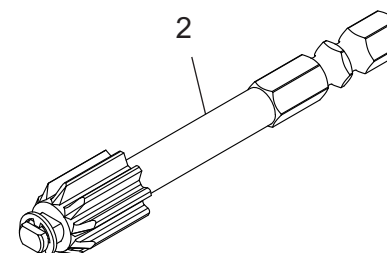
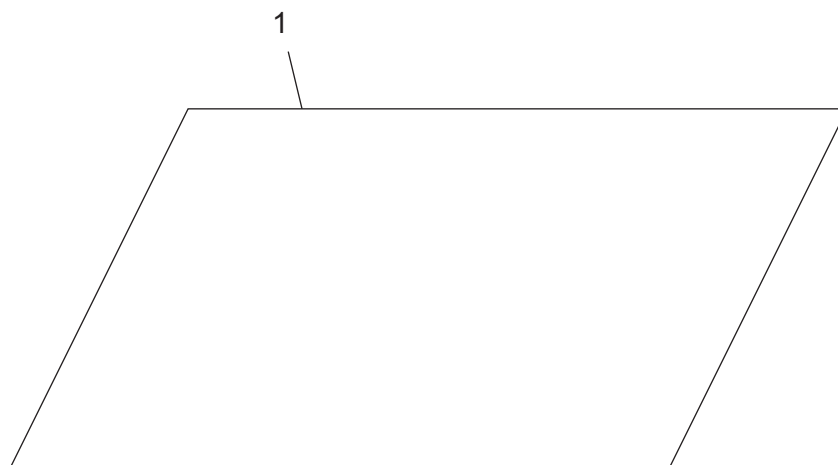
bizhub PRESS C7000P

Key	Part No.	Description	Destinations	Class	QTY	Standard parts
1	00VC-2-00	DRUM COVER		C	4	
2	A03UPJG200	ADJUSTING JIG /B		S	1	
3	A03UPJG300	ADJUSTING JIG /C		S	1	
4	A03UPJG100	ADJUSTING JIG /A		S	1	
5	00M6-2-00	DOOR SWITCH JIG 2/1SET		S	1	
6	000V-18-1	CLEANING PAD	C	A	1	
6	000V-18-2	CLEANING PAD	A	A	1	
7	00VD-1000	BLOWER BRUSH		B	1	
8	65AA-9920	HYDROWIPE		D	1	
9	000V-19-0	SETTING POWDER		A	1	
10	56UAPJG000	Tester		S	1	
11	A1DUPJG100	Cleaning Jig		S	1	

# JIG AND SERVICE MATERIAL

P 118

改訂版 REVISED EDITION	日付 DATE
	DECEMBER 2010

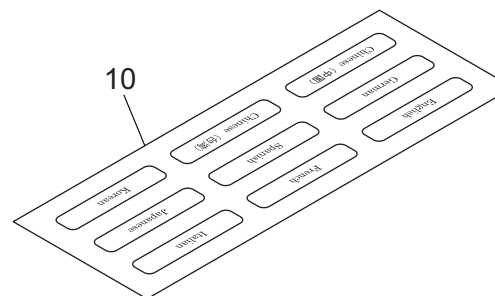
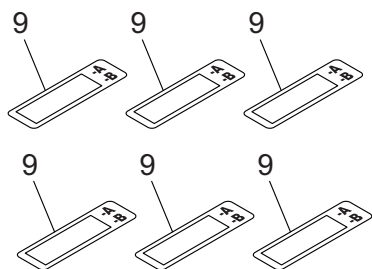
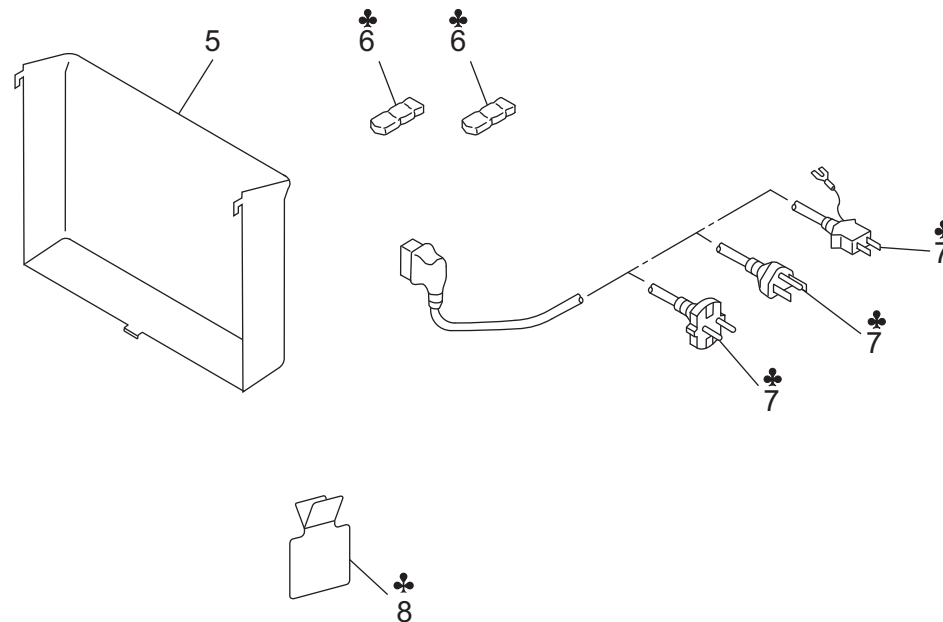
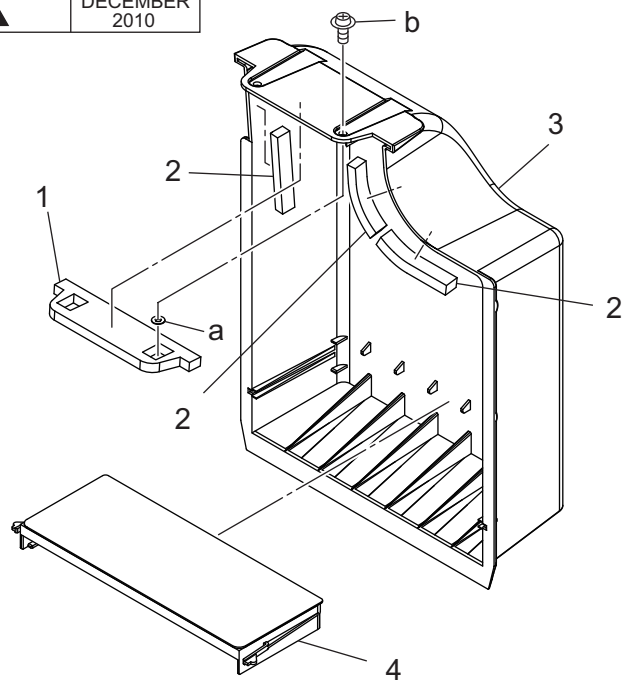


Key	Part No.	Description	Destinations	Class	QTY	Standard parts
1	65AA99500	AJUST PAPER FOR FIXING UNIT(16SHEET S)		S	1	
2	A1DURX0100	Developer Ejection Jig		S	1	



# ACCESSORY PARTS

改訂版 REVISED EDITION	日付 DATE
	DECEMBER 2010



# ACCESSORY PARTS

Key	Part No.	Description	Destinations	Class	QTY	Standard parts
1	65AA12720	REAR COVER SEAL 1		C	1	a-V211040080 b-V114041404
2	65AA12730	REAR COVER SEAL 2		C	3	
3	A03U164500	Rear Cover /2		C	1	
4	A1DUR70700	Dust Proof Firter /2 Assy		A	1	
5	56UA12770	ACCESSARIES HOLDING PANEL		C	1	
6	V590040002	Terminal Cap		D	2	
7	4040078001	POWER CORD	A	C	2	
7	9381410131	POWER CORD	B,G2	C	1	
7	9J06N30000	POWER CODE /230V	C	D	1	
8	56AA97140	CORD LABEL	B,G2	D	1	
9	A1RF945501	Replacement Label /5		D	6	
10	A1DU946300	Input Label		D	1	

# MAINTENANCE LIST

● The items with no Page/Key numbers are not handled as spare parts.

No.	Section	PM Parts Description	Maintenance Cycle (K=1,000)		Parts No.	Destinations	Page/Key	Note
			QTY	Replace				
1	External section	Filter box	1	600K	A1DUR70300		P102-25	
2		Dust proof filter on rear side	1	600K	A1DUR70700		P119-4	
3		Developing dust proof filter	1	600K	A1DU123001		P1-2	
4	Photo conductor section	Drum cartridge /Y	1					
5		Drum cartridge /M	1					
6		Drum cartridge /C	1					
7		Drum cartridge /K	1					
8		Charging corona /Y	1	200K	A1DUR71300		P11-1	
9		Charging corona /M	1	200K	A1DUR71300		P11-1	
10		Charging corona /C	1	200K	A1DUR71300		P11-1	
11		Charging corona /K	1	200K	A1DUR71300		P11-1	
12		Charging dust proof filter	1	600K	A1DUR71100		P20-12	
13	Intermediate transfer section	Transfer belt cleaning blade	1	350K	A03U553000		P31-6	
14		1st transfer roller /Y	1	350K	A03U501200		P32-27	
15		1st transfer roller /M	1	350K	A03U501200		P32-27	
16		1st transfer roller /C	1	350K	A03U501200		P32-27	
17		1st transfer roller /K	1	350K	A03U500400		P30-19	
18		2nd transfer roller /Up	1	350K	65AA26111		P30-22	
19		2nd transfer roller /Lw	1	350K	65AA45011		P46-4	
20		Intermediate transfer belt	1	350K	A1DU504200		P30-24	
21		Toner collection sheet	1	350K	A1DUR71C00		P31-17	
22		Separation discharging plate assy	1	350K	A1DUR73800		P46-2	
23		Transfer belt cleaning unit	1	700K	A1DUR71B00		P31-1	
24		Transfer Belt Separation Claw	3	700K	A1DUR71900		P30-30	
25		2nd transfer earth plate assy	1	1,050K	A1DUR73700		P46-25	
26		Belt separation claw solenoid	1	1,400K	26NA82513		P44-14	
27	Transfer Roller Bearing	8	3,000K	65AA26380		P30-16/P32-23		
28	Developing section	Developer /Y	1		-			
29		Developer /M	1		-			
30		Developer /C	1		-			
31		Developer /K	1		-			
32		Developing unit /Y	1	1,020K	A1DUR70X66		P16-21	
33		Developing unit /M	1	1,020K	A1DUR70X66		P17-21	
34		Developing unit /C	1	1,020K	A1DUR74K44		P18-21	
35		Developing unit /K	1	1,020K	A1DUR72S33		P19-21	
36	Toner collection section	Toner collect box	1	50K	A03UR70200		P28-26	
37	Paper feed section	Paper feed roller rubber /1	1	125K	25SA40960		P50-4	
38		Paper feed roller rubber /2	1	125K	25SA40960		P53-4	
39		Paper feed roller rubber /3	1	125K	25SA40960		P56-4	
40		Separation roller rubber /1	1	125K	25SA40960		P48-22	
41		Separation roller rubber /2	1	125K	25SA40960		P51-22	
42		Separation roller rubber /3	1	125K	25SA40960		P54-22	
43		Pick-up roller /1	1	800K	A1DUR71J00		P50-2	
44		Pick-up roller /2	1	800K	A1DUR71J00		P53-2	
45		Pick-up roller /3	1	800K	A1DUR71J00		P56-2	
46		Paper feed clutch /1	1	2,000K	56AA82012		P50-17	
47		Paper feed clutch /2	1	2,000K	56AA82012		P53-17	
48		Paper feed clutch /3	1	2,000K	56AA82012		P56-17	
49		Pre-registration clutch /1	1	2,000K	56AA82012		P49-11	
50		Pre-registration clutch /2	1	2,000K	56AA82012		P52-11	
51		Pre-registration clutch /3	1	2,000K	56AA82012		P55-11	
52	Vertical conveyance section	Intermediate conveyance clutch /1	1	2,000K	56AA82012		P69-9	

No.	Section	PM Parts Description	Maintenance Cycle (K=1,000)		Parts No.	Destinations	Page/Key	Note
			QTY	Replace				
53	Registration section	Registration cleaning sheet assy	1	600K	A1DUR73B00		P67-11	
54		Registration roller	1	1,400K	A1DUR73A00		P67-18	
55	Duplex section	Intermediate conveyance clutch /2	1	2,000K	56AA82012		P72-9	
56		Intermediate conveyance clutch /3	1	2,000K	56AA82012		P72-9	
57	Reverse/exit section	Reverse de-curler roller	1	400K	A03U860500		P84-22	
58		Paper exit de-curler roller	1	1,000K	A03U892600		P80-5	
59	Fusing section	Fusing separation plate assy	1	350K	A1DUR74H00		P39-13	
60		Fusing drive gear /O	1	450K	A03U809500		P41-32	
61		Fusing paper exit roller /Up	2	450K	A03U722500		P38-12	
62		Fusing Belt	1	450K	A1DU736000		P41-12	
63		Fusing roller /Lw	1	450K	A03U720300		P40-12	
64		Heat insulating sleeve /Lw	2	450K	A03U722700		P40-10	
65		Fusing bearing /Lw	2	450K	26NA53712		P40-11	
66		Fusing limiter	1	600K	65AA53651		P36-16	
67		Fusing regulating gear /A	1	600K	65AA77470		P36-18	
68		Fusing drive gear /B	1	900K	A03U808201		P39-1	
69		Fusing roller /1	1	900K	A03U720100		P41-11	
70		Fusing roller /2	1	900K	A03U720201		P41-9	
71		Fusing bearing /Up	2	900K	A1UD723500		P41-5	
72		Fusing bearing /2	2	900K	56UA75070		P41-17	
73		Belt regulating sleeve	2	900K	A03U725000		P41-10	
74		Heat insulating sleeve /Up	2	900K	A03U729500		P41-4	
75		Fusing drive gear /M	1	900K	A03U809311		P36-20	
76		Fusing duct assy	1	1,800K	A1DUR72100		P34-12	
77		Fusing lamp assy /Up	1	2,400K	A1DUM31A00	A	P41-34	
77		Fusing lamp assy /Up	1	2,400K	A1DUM31E00	B,G2	P41-34	
77	Fusing lamp assy /Up	1	2,400K	A1DUM31F00	C	P41-34		
78	Fusing heater lamp /4	1	2,700K	A03UM32A00	A	P40-16		
78	Fusing heater lamp /4	1	2,700K	A03UM32E00	B,G2	P40-16		
78	Fusing heater lamp /4	1	2,700K	A03UM32F00	C	P40-16		
79	Fusing temperature sensor assy /Up (edge)	1	2,400K	A1DUR72000		P41-23		
80	Fusing temperature sensor assy /Lw (edge)	1	2,400K	A1DUR71W00		P39-23		
81	Duplex section	ADU conveyance clutch /1	1	3,600K	A03UM20100		P72-12	Spotted replacement parts
82		ADU transport clutch /2	1	3,600K	A03UM20100		P72-12	Spotted replacement parts
83		ADU transport clutch /3	1	3,600K	A03UM20100		P72-12	Spotted replacement parts
84		ADU pre-registration clutch	1	3,600K	A03UM20100		P72-12	Spotted replacement parts

# メンテナンスリスト

● ページ / キーナンバーのないものは、アフターサービス部品ではありません。

No.	区分	PM 部品名称	サイクル (K=1,000)		部品番号	仕向地	頁 / キー	備考	
			員数	交換					
1	外装部	フィルターボックス	1	600K	A1DUR70300		P102-25		
2		背面防塵フィルター	1	600K	A1DUR70700		P119-4		
3		現像防塵フィルター	1	600K	A1DU123001		P1-2		
4	感光体部	ドラムカートリッジ /Y	1						
5		ドラムカートリッジ /M	1						
6		ドラムカートリッジ /C	1						
7		ドラムカートリッジ /K	1						
8		帯電極 /Y	1	200K	A1DUR71300		P11-1		
9		帯電極 /M	1	200K	A1DUR71300		P11-1		
10		帯電極 /C	1	200K	A1DUR71300		P11-1		
11		帯電極 /K	1	200K	A1DUR71300		P11-1		
12		帯電防塵フィルター	1	600K	A1DUR71100		P20-12		
13		中間転写部	転写ベルトクリーニングブレード	1	350K	A03U553000		P31-6	
14			1次転写ローラー /Y	1	350K	A03U501200		P32-27	
15			1次転写ローラー /M	1	350K	A03U501200		P32-27	
16	1次転写ローラー /C		1	350K	A03U501200		P32-27		
17	1次転写ローラー /K		1	350K	A03U500400		P30-19		
18	2次転写ローラー /Up		1	350K	65AA26111		P30-22		
19	2次転写ローラー /Lw		1	350K	65AA45011		P46-4		
20	中間転写ベルト		1	350K	A1DU504200		P30-24		
21	トナー回収シート		1	350K	A1DUR71C00		P31-17		
22	分離除電板 Assy		1	350K	A1DUR73800		P46-2		
23	転写ベルトクリーニングユニット		1	700K	A1DUR71B00		P31-1		
24	転写ベルト分離爪		3	700K	A1DUR71900		P30-30		
25	2次転写アース板 Assy		1	1,050K	A1DUR73700		P46-25		
26	ベルト分離爪ソレノイド		1	1,400K	26NA82513		P44-14		
27	転写ローラー軸受		8	3,000K	65AA26380		P30-16/P32-23		
28	現像部	現像剤 /Y	1		-				
29		現像剤 /M	1		-				
30		現像剤 /C	1		-				
31		現像剤 /K	1		-				
32		現像ユニット /Y	1	1,020K	A1DUR70X66		P16-21		
33		現像ユニット /M	1	1,020K	A1DUR70X66		P17-21		
34		現像ユニット /C	1	1,020K	A1DUR74K44		P18-21		
35		現像ユニット /K	1	1,020K	A1DUR72S33		P19-21		
36	トナー回収ボックス	1	50K	A03UR70200		P28-26			
37	給紙部	給紙ローラーゴム /1	1	125K	25SA40960		P50-4		
38		給紙ローラーゴム /2	1	125K	25SA40960		P53-4		
39		給紙ローラーゴム /3	1	125K	25SA40960		P56-4		
40		分離ローラーゴム /1	1	125K	25SA40960		P48-22		
41		分離ローラーゴム /2	1	125K	25SA40960		P51-22		
42		分離ローラーゴム /3	1	125K	25SA40960		P54-22		
43		ピックアップローラー /1	1	800K	A1DUR71J00		P50-2		
44		ピックアップローラー /2	1	800K	A1DUR71J00		P53-2		
45		ピックアップローラー /3	1	800K	A1DUR71J00		P56-2		
46		給紙クラッチ /1	1	2,000K	56AA82012		P50-17		
47		給紙クラッチ /2	1	2,000K	56AA82012		P53-17		
48		給紙クラッチ /3	1	2,000K	56AA82012		P56-17		
49		プレレジストクラッチ /1	1	2,000K	56AA82012		P49-11		
50		プレレジストクラッチ /2	1	2,000K	56AA82012		P52-11		
51		プレレジストクラッチ /3	1	2,000K	56AA82012		P55-11		
52	垂直搬送部	中間搬送クラッチ /1	1	2,000K	56AA82012		P69-9		

No.	区分	PM 部品名称	サイクル (K=1,000)		部品番号	仕向地	頁/キー	備考
			員数	交換				
53	レジスト部	レジスト清掃シート Assy	1	600K	A1DUR73B00		P67-11	
54		レジストローラー	1	1,400K	A1DUR73A00		P67-18	
55	両面部	中間搬送クラッチ /2	1	2,000K	56AA82012		P72-9	
56		中間搬送クラッチ /3	1	2,000K	56AA82012		P72-9	
57	反転/排紙部	反転デカーラーローラー	1	400K	A03U860500		P84-22	
58		排紙デカーラーローラー	1	1,000K	A03U892600		P80-5	
59	定着部	定着分離板 Assy	1	350K	A1DUR74H00		P39-13	
60		定着駆動ギア /O	1	450K	A03U809500		P41-32	
61		定着排紙ローラー /Up	2	450K	A03U722500		P38-12	
62		定着ベルト	1	450K	A1DU736000		P41-12	
63		定着ローラー /Lw	1	450K	A03U720300		P40-12	
64		断熱スリーブ /Lw	2	450K	A03U722700		P40-10	
65		定着軸受 /Lw	2	450K	26NA53712		P40-11	
66		定着リミッター	1	600K	65AA53651		P36-16	
67		定着駆動ギア /A	1	600K	65AA77470		P36-18	
68		定着駆動ギア /B	1	900K	A03U808201		P39-1	
69		定着ローラー /1	1	900K	A03U720100		P41-11	
70		定着ローラー /2	1	900K	A03U720201		P41-9	
71		定着軸受 /Up	2	900K	A1UD723500		P41-5	
72		定着軸受 /2	2	900K	56UA75070		P41-17	
73		ベルト規制スリーブ	2	900K	A03U725000		P41-10	
74		断熱スリーブ /Up	2	900K	A03U729500		P41-4	
75		定着駆動ギア /M	1	900K	A03U809311		P36-20	
76		定着ダクト Assy	1	1,800K	A1DUR72100		P34-12	
77		定着ランプ /Up	1	2,400K	A1DUM31A00	A	P41-34	
77		定着ランプ /Up	1	2,400K	A1DUM31E00	B,G2	P41-34	
77		定着ランプ /Up	1	2,400K	A1DUM31F00	C	P41-34	
78		定着ヒーターランプ /4	1	2,700K	A03UM32A00	A	P40-16	
78		定着ヒーターランプ /4	1	2,700K	A03UM32E00	B,G2	P40-16	
78		定着ヒーターランプ /4	1	2,700K	A03UM32F00	C	P40-16	
79		定着温度センサー Assy/Up ( 端部 )	1	2,400K	A1DUR72000		P41-23	
80		定着温度センサー Assy/Lw ( 端部 )	1	2,400K	A1DUR71W00		P39-23	
81	両面部	ADU 搬送クラッチ /1	1	3,600K	A03UM20100		P72-12	スポット交換部品
82		ADU 搬送クラッチ /2	1	3,600K	A03UM20100		P72-12	スポット交換部品
83		ADU 搬送クラッチ /3	1	3,600K	A03UM20100		P72-12	スポット交換部品
84		ADU プレレジストクラッチ	1	3,600K	A03UM20100		P72-12	スポット交換部品

## DESTINATION

Destination No.		Destinations		V	Hz	Model No.
A	A1	JAPAN		200	50	A204001
	A2	JAPAN		200	60	A204001
B		USA, CANADA		208-240	60	A204011
C		EUROPEAN TYPE		220-240	50/60	A204021
D	D1	S.E ASIA TYPE	THAILAND, SRI LANKA, SINGAPORE, MALAYSIA, HONG KONG, PAKISTAN, INDIA, BANGLADESH, INDONESIA			
	D3	OCEANIA TYPE	AUSTRALIA, NEW ZEALAND			
E		PHILIPPINES				
F	F1	SAUDI ARABIA				
	F2	SAUDI ARABIA				
G	G1	C.S AMERICA				
	G2	C.S AMERICA		208-240	60	A204011
H		TAIWAN				
I		JORDAN, LEBANON, SYRIA, SOUTH AFRICA, IRAQ, IRAN, N.YEMEN, CAMEROON, UAE, BAHRAIN, OMAN, QATAR, KUWAIT, KENYA, TUNISIA, IVORY COAST, MOROCCO				
J		CHINA				
K		KOREA				

bizhub PRESS C7000P