

KONICA MINOLTA

PARTS GUIDE MANUAL

DECEMBER 2010

bizhub PRESS C70hc
A205

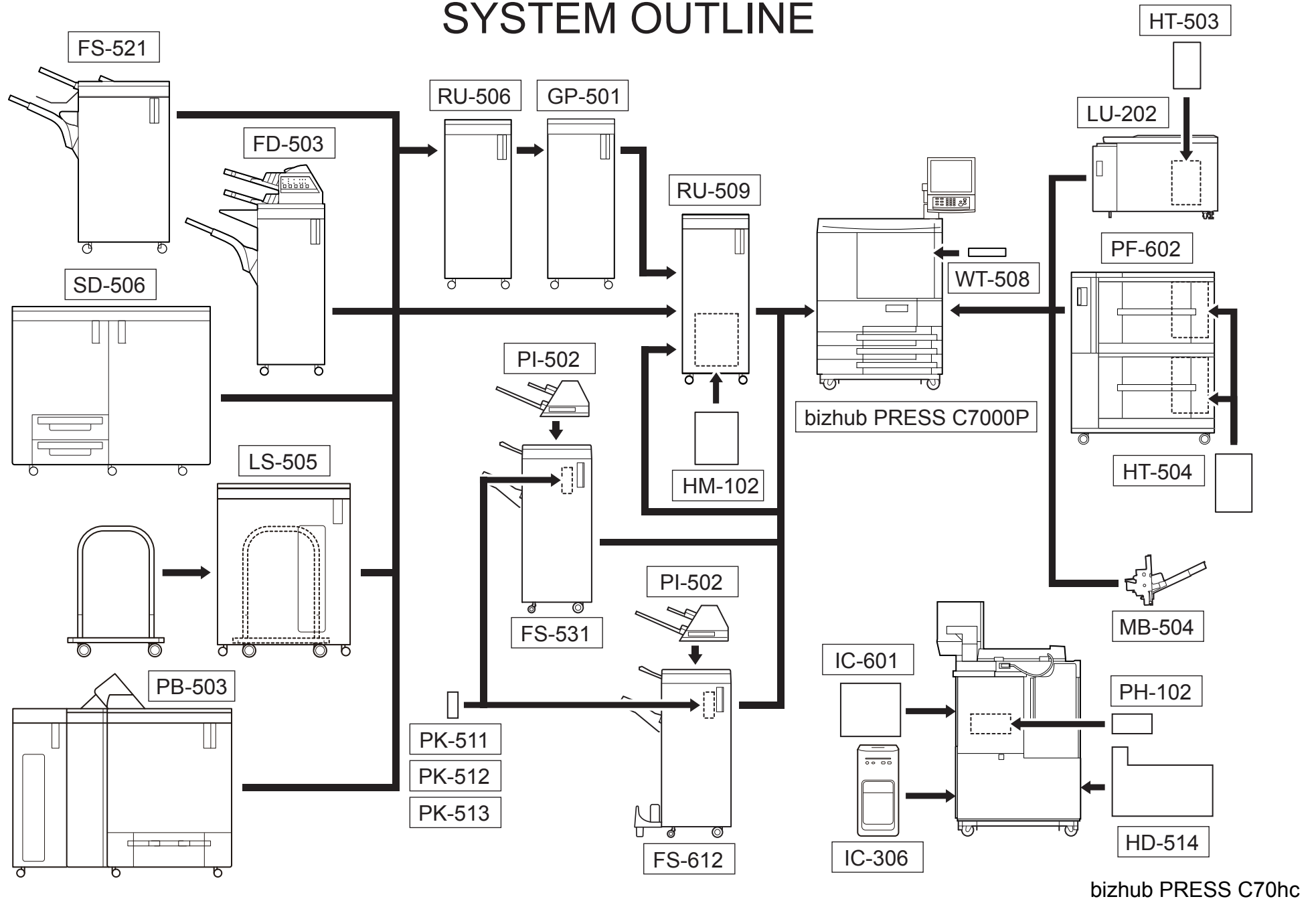
INFORMATION FOR PARTS GUIDE MANUAL

To find correct Parts No., refer to the "HOW TO MAKE THE BEST USE OF THIS MANUAL" in the following page.

HOW TO MAKE THE BEST USE OF THIS MANUAL

- 1 When you order, please check the proper figures beforehand that are on Our Parts Guide Manual, and order with the appropriate figures.
- 2 For screws, Nuts, Washers, retaining rings and Pins which are used in this model, one letter is shown on the Standard parts column of Parts list and exploded diagrams.
- 3 In order to maintain safety of the product, some specific parts composed of this product are set up as "essential safety parts".
- 4 The assigned parts number for the "essential safety parts" is indicated as "SP00-****".
When replacing these parts, follow precautions for disassembling and installing which are listed in the Service Manual.
Do not use any parts that are not set up as
- 5 ♣ means that there are exclusive parts for each destination.
Please check the appropriate destination when you order.
- 6 Revision Mark
Marked as ▲ on the illustration shows that the revision has been made.
- 7 All rights reserved. (any reprints or quotations are prohibited.)
Use of this parts guide manual should be strictly supervised to avoid disclosure of confidential information.

SYSTEM OUTLINE



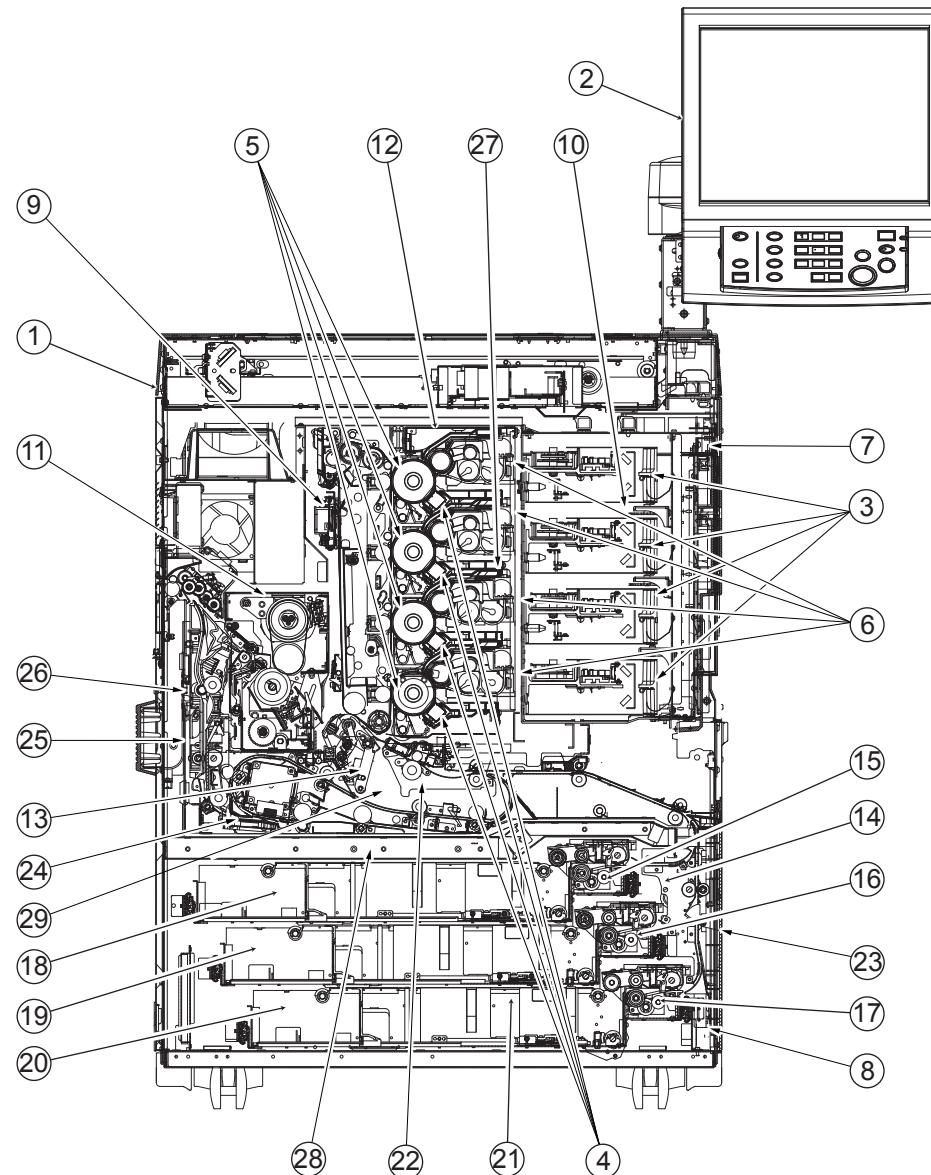
GENERAL CONTENTS

No.	Description	Model
1	DIGITAL MFP COLOR	bizhub PRESS C7000P
2	DIGITAL MFP COLOR	bizhub PRESS C70hc
3	PAPER FEEDER	LU-202
4	OTHER OPTION	HT-504
5	OTHER OPTION	HT-503
6	PUNCH UNIT	PK-511
7	PUNCH UNIT	PK-512
8	PUNCH UNIT	PK-513
9	OTHER OPTION	PI-502
10	OTHER OPTION	RU-506
11	SORTER/FINISHER	FS-521
12	OTHER OPTION	FD-503
13	STACKER	LS-505
14	OTHER OPTION	SD-506
15	PUNCH UNIT	GP-501
16	PAPER FEEDER	PF-602
17	OTHER OPTION	PB-503
18	OTHER OPTION	HD-514
19	SORTER/FINISHER	FS-612
20	PRINT CONTROLLER	IC-601
21	PRINT CONTROLLER	IC-306
22	PAPER FEEDER	MB-504

bizhub PRESS C70hc

No.	Description	Model
23	OTHER OPTION	WT-508
24	OTHER OPTION	PH-102
25	OTHER OPTION	RU-509
26	OTHER OPTION	HM-102
27	SORTER/FINISHER	FS-531

DIAGRAMS OF MAIN PARTS SECTION



bizhub PRESS C70hc

CONTENTS

No.	DESCRIPTION	PAGE No.
1	EXTERNAL PARTS	P1 P2 P3 P4 P5 P6
2	OPERATION SECTION	P7 P8 P9
3	WRITE SECTION	P10
4	CHARGE CORONA SECTION	P11
5	PHOTO CONDUCTOR SECTION	P12 P13 P14 P15
6	DEVELOPING SECTION	P16 P17 P18 P19
7	TONER SUPPLY SECTION	P20 P21 P22 P23 P24 P25 P26 P27
8	TONER COLLECTING SECTION	P28
9	INTERMEDIATE TRANSFER SECTION	P29 P30 P31 P32
10	COLOR RESIST SECTION	P33
11	FUSING SECTION	P34 P35 P36 P37 P38 P39 P40 P41 P42
12	PROCESS CARRIAGE SECTION	P43 P44 P45
13	SECONDARY TRANSFER SECTION	P46
14	PAPER FEED DRIVING SECTION	P47
15	PAPER FEED SECTION : UPPER	P48 P49 P50
16	PAPER FEED SECTION : MIDDLE	P51 P52 P53
17	PAPER FEED SECTION : LOWER	P54 P55 P56
18	CASSETTE : UPPER	P57 P58 P59
19	CASSETTE : MIDDLE	P60 P61 P62
20	CASSETTE : LOWER	P63 P64 P65
21	CASSETTE DRIVING SECTION	P66
22	DUPLEX SECTION : REGISTRATION	P67
23	DUPLEX SECTION : VERTICAL CONVEYANCE	P68 P69
24	DUPLEX SECTION	P70 P71 P72 P73 P74 P75 P76 P77 P78 P79
25	PAPER EXIT SECTION	P80 P81
26	DUPLEX SECTION : PAPER EXIT GUIDE	P82 P83 P84 P85
27	DRIVE SECTION	P86 P87 P88 P89 P90 P91 P92 P93 P94 P95 P96
28	MAIN FRAME	P97 P98 P99 P100 P101 P102 P103 P104 P105 P106
29	ELECTRICAL COMPONENTS	P107 P108 P109 P110
30	WIRING	P111 P112 P113 P114
31	WIRING ACCESSORIES	P115 P116
32	JIG AND MATERIAL	P117 P118
33	ACCESSORY PARTS	P119

INDEX

Parts No.	Page No.	Parts No.	Page No.	Parts No.	Page No.	Parts No.	Page No.	Parts No.	Page No.
000V -18- 1	117-6	12AJ 4585 0	71-25	25SA 1020 0	99-8	26NA 5423 0	83-5	4109 5530 01	52-30
000V -18- 2	117-6	12QR 8601 1	21-19	25SA 1020 0	104-3	26NA 7357 0	108-19	4109 5530 01	55-30
000V -19- 0	117-9	12QV 7503 0	73-30	25SA 1043 1	99-16	26NA 8251 3	44-14	4470 4024 01	99-4
00M6 -2-0 0	117-5	12VR 7551 0	78-27	25SA 1043 1	104-18	26TA 3296 0	21-3	4500 5339 1	35-8
00VC -2-0 0	117-1	12VR 7551 0	85-2	25SA 3016 0	16-19	26TA 3297 0	21-6	4540 7803 0	36-13
00VD -100 0	117-7	13GG 7703 0	34-13	25SA 3016 0	17-19	26TA 3298 0	21-8	4540 7805 0	96-3
0590 7651 0	50-9	13GG 7703 0	36-5	25SA 3016 0	18-19	26TA 3299 0	21-5	4620 7601 0	74-31
0590 7651 0	53-9	13NG 4520 0	98-12	25SA 3016 0	19-19	27LA 8001 2E	90-4	4660 7602 0	26-13
0590 7651 0	56-9	13NT 8051 1	105-24	25SA 4096 0	48-22	3040 7807 0	36-12	4660 7602 0	77-23
0676 4258 1	66-9	13QA 4061 0	83-12	25SA 4096 0	50-4	35EA 7715 1	27-14	5000 7501 0	36-9
07AA 7730 2	47-21	13QA 4061 0	92-15	25SA 4096 0	51-22	3960 4068 1	26-6	55FA 1210 1	5-15
07BA 1235 2	3-12	13QA 4061 0	93-15	25SA 4096 0	53-4	4038 3511 02	103-14	55FA 4032 0	50-22
07BA 1235 2	27-2	13QA 4061 0	94-15	25SA 4096 0	54-22	4040 0780 01	119-7	55FA 4032 0	53-22
07BA 1587 1	32-19	13QA 4061 0	95-15	25SA 4096 0	56-4	4040 M100 00	104-11	55FA 4032 0	56-22
08AA 4523 0	31-22	13QA 8551 1	77-9	25SA 6107 0	97-5	4040 M401 00	7-2	55GA 7503 1	37-8
08AA 7736 0	27-6	13QA 8551 1	78-6	25SA 6642 0	101-6	40AA 3232 0	3-17	55GA 8601 0	98-3
08AA 8003 0	91-13	13QA 8551 1	79-6	25SA 7742 0	47-14	40AA 3232 0	16-1	55TA 8456 1	107-3
08AA 8551 2	5-8	13QA 8551 1	82-11	26NA 1758 0	86-1	40AA 3232 0	17-1	55VA 1247 0	103-7
08AA 8551 2	21-15	13RN 7312 0	108-18	26NA 1758 0	87-1	40AA 3232 0	18-1	55VA 1554 1	73-19
08AA 8551 2	34-9	14GE 4547 0	78-30	26NA 1758 0	88-1	40AA 3232 0	19-1	55VA 2068 0	20-1
08AA 8551 2	49-26	14GE 4547 0	79-34	26NA 1758 0	89-1	40AA 3232 0	22-4	55VA 3253 0	75-10
08AA 8551 2	52-26	14GE 4547 0	84-30	26NA 3266 0	26-9	40AA 3232 0	23-4	55VA 4060 0	58-13
08AA 8551 2	55-26	15AA R736 00	74-17	26NA 3287 0	21-10	40AA 3232 0	24-4	55VA 4060 0	61-13
08AA 8551 2	58-25	20AL 4847 0	34-5	26NA 4206 1	48-17	40AA 3232 0	25-4	55VA 4060 0	64-13
08AA 8551 2	59-13	25AA 4010 0	50-5	26NA 4206 1	51-17	40AA 3232 0	31-19	55VA 4093 0	59-10
08AA 8551 2	61-25	25AA 4010 0	53-5	26NA 4206 1	54-17	40AA 4626 1	84-8	55VA 4093 0	62-9
08AA 8551 2	62-13	25AA 4010 0	56-5	26NA 4256 0	48-3	40AA 4634 2	84-16	55VA 4093 0	65-9
08AA 8551 2	64-22	25AA 4750 0	74-32	26NA 4256 0	51-3	40AA 7755 0	74-18	55VA 4212 0	30-4
08AA 8551 2	65-13	25AA 5008 0	71-34	26NA 4256 0	54-3	40AA 7766 0	22-9	55VA 4212 0	46-7
08AA 8551 2	68-12	25AA 7772 0	74-20	26NA 4256 0	68-19	40AA 7766 0	23-9	55VA 4212 0	49-10
08AA 8551 2	74-14	25AA 7773 0	69-13	26NA 4256 0	71-29	40AA 7766 0	24-8	55VA 4212 0	50-16
08AA 8551 2	76-2	25AA 7773 0	74-22	26NA 4256 0	73-11	40AA 7766 0	25-8	55VA 4212 0	52-10
08AA 8551 2	80-19	25AA 7789 0	22-8	26NA 4256 0	77-17	40AA 7766 0	25-8	55VA 4212 0	53-16
08AA 8551 2	81-19	25AA 7789 0	23-8	26NA 4256 0	82-6	40AA 8501 1	5-10	55VA 4212 0	55-10
08AA 8551 2	83-9	25AA 7789 0	24-9	26NA 4707 0	57-8	40AA 8803 1	22-23	55VA 4212 0	56-16
08AA 8551 2	91-15	25AA 7789 0	25-9	26NA 4707 0	60-8	40AA 8803 1	23-23	55VA 4212 0	67-15
08AA 8551 2	100-15	25BA 7717 1	26-16	26NA 4707 0	63-8	40AA 8803 1	24-23	55VA 4212 0	69-8
0900 7553 0	47-15	25BA 8554 1	28-22	26NA 5371 2	40-11	40AA 8803 1	25-24	55VA 4212 0	72-10
129X 4835 0	99-12	25HA 3033 0	36-33	26NA 5378 0	41-29	40LA 3285 0	21-9	55VA 4212 0	76-6
129X 4836 0	70-34	25HA 3033 0	96-5	26NA 5423 0	41-31	40LA 7384 0	108-17	55VA 4212 0	76-6
						4109 5530 01	49-30	55VA 4222 0	58-16

Parts No.	Page No.	Parts No.	Page No.	Parts No.	Page No.	Parts No.	Page No.	Parts No.	Page No.
55VA 4222 0	61-16	56AA 1746 1	47-7	56AA 1763 0	99-24	56AA 4030 0	53-13	56AA 4050 0	49-23
55VA 4222 0	64-14	56AA 1746 1	74-29	56AA 1764 0	99-23	56AA 4030 0	56-13	56AA 4050 0	52-23
55VA 5397 0	35-5	56AA 1746 1	85-16	56AA 1776 0	49-21	56AA 4031 0	49-29	56AA 4050 0	55-23
55VA 5397 0	39-25	56AA 1747 1	26-14	56AA 1776 0	50-7	56AA 4031 0	52-29	56AA 4051 0	49-15
55VA 5397 0	41-2	56AA 1747 1	34-14	56AA 1776 0	52-21	56AA 4031 0	55-29	56AA 4051 0	52-15
55VA 7554 0	49-12	56AA 1747 1	36-4	56AA 1776 0	53-7	56AA 4036 0	48-21	56AA 4051 0	55-15
55VA 7554 0	52-12	56AA 1747 1	47-20	56AA 1776 0	55-21	56AA 4036 0	51-21	56AA 4052 0	49-34
55VA 7554 0	55-12	56AA 1747 1	72-2	56AA 1776 0	56-7	56AA 4036 0	54-21	56AA 4052 0	52-34
55VA 7713 0	47-11	56AA 1747 1	77-20	56AA 2087 0	40-6	56AA 4037 0	49-31	56AA 4052 0	55-34
55VA 7787 0	36-2	56AA 1747 1	83-14	56AA 4001 0	48-7	56AA 4037 0	52-31	56AA 4053 0	48-18
55VA 7903 0	48-16	56AA 1747 1	96-9	56AA 4001 0	51-7	56AA 4037 0	55-31	56AA 4053 0	51-18
55VA 7903 0	51-15	56AA 1748 0	36-21	56AA 4001 0	54-7	56AA 4038 0	50-20	56AA 4053 0	54-18
55VA 7903 0	54-15	56AA 1748 0	47-6	56AA 4003 2	49-35	56AA 4038 0	53-20	56AA 4054 0	48-19
55VA 9084 0	105-27	56AA 1748 0	49-18	56AA 4003 2	52-35	56AA 4038 0	56-20	56AA 4054 0	51-19
55WA 1030 0	99-17	56AA 1748 0	52-18	56AA 4003 2	55-35	56AA 4039 0	49-9	56AA 4054 0	54-19
55WA 1030 0	104-19	56AA 1748 0	55-18	56AA 4007 0	50-12	56AA 4039 0	52-9	56AA 4269 0	36-19
55WA 1031 0	99-19	56AA 1748 0	67-20	56AA 4007 0	53-12	56AA 4039 0	55-9	56AA 4269 0	83-3
56AA 1010 1	104-5	56AA 1748 0	72-14	56AA 4007 0	56-12	56AA 4043 0	48-6	56AA 4415 0	68-3
56AA 1030 0	100-2	56AA 1748 0	73-18	56AA 4009 0	49-16	56AA 4043 0	51-6	56AA 4420 0	68-1
56AA 1212 0	5-13	56AA 1748 0	79-17	56AA 4009 0	52-16	56AA 4043 0	54-6	56AA 4420 0	73-3
56AA 1213 0	5-9	56AA 1749 0	92-19	56AA 4009 0	55-16	56AA 4044 0	48-8	56AA 5031 1E	70-20
56AA 1214 0	5-14	56AA 1749 0	93-19	56AA 4010 0E	49-6	56AA 4044 0	51-8	56AA 5038 1	70-21
56AA 1215 0	5-11	56AA 1749 0	94-19	56AA 4010 0E	52-6	56AA 4044 0	54-8	56AA 5053 0	102-7
56AA 1216 0	5-12	56AA 1749 0	95-19	56AA 4010 0E	55-6	56AA 4045 0	49-14	56AA 5070 0	74-38
56AA 1224 1	3-25	56AA 1751 0	48-14	56AA 4012 0	49-13	56AA 4045 0	52-14	56AA 5073 0	74-35
56AA 1709 0	73-17	56AA 1751 0	50-8	56AA 4012 0	52-13	56AA 4045 0	55-14	56AA 5270 0	85-19
56AA 1712 1	49-8	56AA 1751 0	51-13	56AA 4012 0	55-13	56AA 4046 0	49-33	56AA 5347 0	39-30
56AA 1712 1	52-8	56AA 1751 0	53-8	56AA 4017 1	49-27	56AA 4046 0	52-33	56AA 6147 0D	105-28
56AA 1712 1	55-8	56AA 1751 0	54-13	56AA 4017 1	52-27	56AA 4046 0	55-33	56AA 7356 0	110-6
56AA 1730 0	68-24	56AA 1751 0	56-8	56AA 4017 1	55-27	56AA 4047 0	49-17	56AA 7733 0	22-2
56AA 1730 0	78-19	56AA 1753 1	16-17	56AA 4019 0	49-28	56AA 4047 0	52-17	56AA 7733 0	23-2
56AA 1731 0	80-26	56AA 1753 1	17-17	56AA 4019 0	52-28	56AA 4047 0	55-17	56AA 7733 0	24-2
56AA 1732 1	30-10	56AA 1753 1	18-17	56AA 4019 0	55-28	56AA 4048 1	48-5	56AA 7733 0	25-2
56AA 1732 1	37-23	56AA 1753 1	19-17	56AA 4023 0	49-25	56AA 4048 1	51-5	56AA 7733 0	26-17
56AA 1732 1	73-5	56AA 1753 1	31-2	56AA 4023 0	52-25	56AA 4048 1	54-5	56AA 7759 0	50-14
56AA 1732 1	75-9	56AA 1753 1	36-15	56AA 4023 0	55-25	56AA 4049 0	30-2	56AA 7759 0	53-14
56AA 1732 1	80-12	56AA 1753 1	37-31	56AA 4024 0	49-19	56AA 4049 0	31-9	56AA 7759 0	56-14
56AA 1732 1	83-2	56AA 1755 1	80-24	56AA 4024 0	52-19	56AA 4049 0	50-1	56AA 7772 0	49-24
56AA 1732 1	84-11	56AA 1755 1	85-10	56AA 4024 0	55-19	56AA 4049 0	53-1	56AA 7772 0	52-24
56AA 1746 1	26-12	56AA 1762 0	99-20	56AA 4030 0	50-13	56AA 4049 0	56-1	56AA 7772 0	55-24

Parts No.	Page No.	Parts No.	Page No.	Parts No.	Page No.	Parts No.	Page No.	Parts No.	Page No.
56AA 7773 0	49-20	56UA 7507 0	41-17	65AA 1049 0	106-7	65AA 1232 0E	98-20	65AA 1806 0	87-6
56AA 7773 0	52-20	56UA 9730 0	27-1	65AA 1054 0E	100-4	65AA 1257 0D	5-1	65AA 1806 0	88-6
56AA 7773 0	55-20	56UA 9730 0	101-16	65AA 1055 0	100-6	65AA 1261 0	3-9	65AA 1806 0	89-6
56AA 8055 1	74-9	56UA 9731 0	4-10	65AA 1058 0F	104-9	65AA 1262 0D	3-8	65AA 1807 0	86-4
56AA 8201 2	49-11	56UA 9732 0	4-11	65AA 1064 0	102-23	65AA 1263 0	3-1	65AA 1807 0	87-4
56AA 8201 2	50-17	56UA PJG0 00	117-10	65AA 1066 0	98-2	65AA 1264 0	3-10	65AA 1807 0	88-4
56AA 8201 2	52-11	57AA 4042 0	48-9	65AA 1069 0	99-14	65AA 1272 0	119-1	65AA 1807 0	89-4
56AA 8201 2	53-17	57AA 4042 0	51-9	65AA 1070 0	99-22	65AA 1273 0	119-2	65AA 2004 0	12-7
56AA 8201 2	55-11	57AA 4042 0	54-9	65AA 1071 0	98-18	65AA 1279 0E	3-27	65AA 2004 0	13-7
56AA 8201 2	56-17	57AA 5076 0	74-1	65AA 1081 0	100-5	65AA 1280 0	3-28	65AA 2004 0	14-7
56AA 8201 2	69-9	57AA 5352 0	71-1	65AA 1082 0	103-18	65AA 1282 1	3-33	65AA 2004 0	15-7
56AA 8201 2	72-9	57AF 8873 0	110-4	65AA 1084 0	102-9	65AA 1283 0	3-34	65AA 2006 0	12-9
56AA 8552 1	67-8	65AA -075 0	98-14	65AA 1090 0	98-10	65AA 1503 0	93-2	65AA 2006 0	13-9
56AA 8552 1	71-23	65AA -232 0	44-10	65AA 1094 0D	102-1	65AA 1503 0	95-2	65AA 2006 0	14-9
56AA 8552 1	73-26	65AA -233 0	44-12	65AA 1095 0D	102-3	65AA 1504 0	92-2	65AA 2006 0	15-9
56AA 8560 1	57-10	65AA -397 0	21-17	65AA 1096 0	102-2	65AA 1504 0	94-2	65AA 2006 0	31-10
56AA 8560 1	60-10	65AA -411 0E	47-26	65AA 1097 0	102-4	65AA 1520 0	92-6	65AA 2030 0	12-8
56AA 8560 1	63-11	65AA -412 0	47-4	65AA 1102 0	105-11	65AA 1520 0	93-6	65AA 2030 0	13-8
56AA 9061 0E	49-7	65AA -434 0	68-5	65AA 1105 0D	104-2	65AA 1520 0	94-6	65AA 2030 0	14-8
56AA 9061 0E	52-7	65AA -439 0	69-23	65AA 1114 0	104-15	65AA 1520 0	95-6	65AA 2030 0	15-8
56AA 9061 0E	55-7	65AA -440 0	69-10	65AA 1117 0	102-20	65AA 1521 0	92-5	65AA 2030 0	31-11
56AA 9714 0	119-8	65AA -475 0	57-29	65AA 1120 0	98-8	65AA 1521 0	93-5	65AA 2045 0	12-4
56GA 7601 0	71-17	65AA -475 0	60-29	65AA 1130 0	44-8	65AA 1521 0	94-5	65AA 2045 0	13-4
56QA 2015 0	44-4	65AA -475 0	63-28	65AA 1130 0	101-18	65AA 1521 0	95-5	65AA 2045 0	14-4
56QA 4008 0	48-12	65AA -906 1E	26-1	65AA 1131 0	99-18	65AA 1523 0	92-9	65AA 2045 0	15-4
56QA 4008 0	51-14	65AA -909 1E	90-6	65AA 1132 0	98-9	65AA 1523 0	93-9	65AA 2210 0	45-2
56QA 4008 0	54-14	65AA -909 1E	92-7	65AA 1135 0	105-29	65AA 1523 0	94-9	65AA 2213 0	45-12
56QA 4025 0	48-13	65AA -909 1E	93-7	65AA 1139 0	105-2	65AA 1523 0	95-9	65AA 2214 0	45-7
56QA 4025 0	51-12	65AA -909 1E	94-7	65AA 1141 0	100-8	65AA 1524 0	92-13	65AA 2226 0	45-5
56QA 4025 0	54-12	65AA -909 1E	95-7	65AA 1143 0	98-4	65AA 1524 0	93-13	65AA 2229 0	45-4
56QA 4027 0	48-20	65AA -992 0	117-8	65AA 1144 0D	98-19	65AA 1524 0	94-13	65AA 2235 0E	45-1
56QA 4027 0	51-20	65AA 1018 0E	105-1	65AA 1149 0	100-7	65AA 1524 0	95-13	65AA 2236 0	45-8
56QA 4027 0	54-20	65AA 1019 0	102-19	65AA 1150 0	99-1	65AA 1608 0	96-1	65AA 2237 0E	44-5
56QA 4055 0	48-10	65AA 1020 0D	102-16	65AA 1153 0	104-17	65AA 1710 0	91-16	65AA 2246 0	43-12
56QA 4055 0	51-10	65AA 1023 0D	102-11	65AA 1159 0	102-10	65AA 1713 0	91-2	65AA 2259 0	44-11
56QA 4055 0	54-10	65AA 1026 0	98-15	65AA 1163 0	99-15	65AA 1714 0	91-1	65AA 2268 0	43-3
56QA 8057 0	79-21	65AA 1026 0	101-3	65AA 1165 0	99-21	65AA 1718 0	91-4	65AA 2275 0	44-9
56UA 1269 0	108-10	65AA 1036 0E	106-1	65AA 1202 1F	5-3	65AA 1720 0	90-7	65AA 2276 0	44-6
56UA 1277 0	119-5	65AA 1047 0	100-3	65AA 1227 0D	1-8	65AA 1722 0D	91-11	65AA 2280 0	45-11
56UA 7033 0	7-19	65AA 1048 0	102-8	65AA 1228 0	3-11	65AA 1806 0	86-6	65AA 2282 0	44-13

Parts No.	Page No.	Parts No.	Page No.	Parts No.	Page No.	Parts No.	Page No.	Parts No.	Page No.
65AA 2283 0D	43-4	65AA 2656 0D	32-28	65AA 3204 0	25-19	65AA 3285 1	23-20	65AA 4001 0	55-5
65AA 2403 0	28-35	65AA 2657 0	33-7	65AA 3211 0	22-7	65AA 3285 1	24-20	65AA 4002 0	49-37
65AA 2404 0	28-38	65AA 2658 0	33-11	65AA 3211 0	23-7	65AA 3285 1	25-21	65AA 4002 0	52-37
65AA 2406 0	28-8	65AA 2660 0	30-31	65AA 3211 0	24-7	65AA 3289 0	26-22	65AA 4002 0	55-37
65AA 2407 0	28-41	65AA 2661 0	33-9	65AA 3211 0	25-7	65AA 3294 0	22-21	65AA 4006 0	49-3
65AA 2408 0	28-31	65AA 2669 0D	30-26	65AA 3216 0D	21-1	65AA 3294 0	23-21	65AA 4006 0	52-3
65AA 2412 0	28-15	65AA 2674 0	30-8	65AA 3243 0	22-12	65AA 3294 0	24-21	65AA 4006 0	55-3
65AA 2413 0	28-13	65AA 2675 0	30-9	65AA 3243 0	23-12	65AA 3294 0	25-22	65AA 4007 0	49-36
65AA 2414 0	28-9	65AA 2676 0	30-7	65AA 3243 0	24-13	65AA 3295 0	22-16	65AA 4007 0	52-36
65AA 2417 1	47-17	65AA 2681 0D	30-21	65AA 3243 0	25-13	65AA 3295 0	23-16	65AA 4007 0	55-36
65AA 2420 0	28-6	65AA 2684 0	31-8	65AA 3246 1	22-3	65AA 3295 0	24-16	65AA 4008 0E	50-10
65AA 2421 0	28-4	65AA 2687 0	30-17	65AA 3246 1	23-3	65AA 3295 0	25-16	65AA 4008 0E	53-10
65AA 2422 0	28-17	65AA 2690 0D	32-21	65AA 3246 1	24-3	65AA 3297 0	22-29	65AA 4008 0E	56-10
65AA 2424 0	28-28	65AA 2692 0	30-1	65AA 3246 1	25-3	65AA 3297 0	23-29	65AA 4009 0D	49-38
65AA 2425 0	28-27	65AA 2695 0D	30-20	65AA 3247 0	24-10	65AA 3297 0	24-29	65AA 4009 0D	52-38
65AA 2426 0E	28-20	65AA 2709 0D	31-4	65AA 3247 0	25-12	65AA 3297 0	25-30	65AA 4009 0D	55-38
65AA 2430 0	47-19	65AA 2711 0	33-6	65AA 3250 1	22-10	65AA 3302 0E	20-10	65AA 4011 0	49-4
65AA 2431 0	28-14	65AA 2718 0	32-20	65AA 3250 1	23-10	65AA 3304 0	20-4	65AA 4011 0	52-4
65AA 2433 0	28-7	65AA 2721 00	32-10	65AA 3250 1	24-11	65AA 3305 0	20-5	65AA 4011 0	55-4
65AA 2434 0	28-33	65AA 2724 0	30-6	65AA 3250 1	25-10	65AA 3307 0E	20-16	65AA 4104 0	47-10
65AA 2436 0	28-19	65AA 2724 0	32-9	65AA 3262 0F	22-24	65AA 3315 0	20-22	65AA 4261 0	57-14
65AA 2437 1E	100-12	65AA 2728 0	31-12	65AA 3262 0F	23-24	65AA 3316 0	20-23	65AA 4261 0	60-13
65AA 2438 0	100-14	65AA 2730 0	33-8	65AA 3262 0F	24-24	65AA 3323 1D	20-14	65AA 4261 0	63-10
65AA 2440 0	28-3	65AA 2732 0	31-14	65AA 3262 0F	25-25	65AA 3326 0	22-28	65AA 4403 0	69-4
65AA 2441 0	28-18	65AA 2736 0	33-10	65AA 3270 0D	26-23	65AA 3326 0	23-28	65AA 4405 0	69-5
65AA 2442 0	28-34	65AA 2746 0	32-1	65AA 3271 0	26-21	65AA 3326 0	24-28	65AA 4406 0	69-20
65AA 2443 0	28-11	65AA 2747 0	32-2	65AA 3272 0D	26-19	65AA 3326 0	25-29	65AA 4410 0	68-9
65AA 2444 0	28-5	65AA 3070 1	20-7	65AA 3273 0	22-27	65AA 3327 0	99-25	65AA 4413 0	69-17
65AA 2605 0D	30-14	65AA 3091 0	20-8	65AA 3273 0	23-27	65AA 3327 0	104-1	65AA 4415 0	68-20
65AA 2610 0E	32-6	65AA 3202 0	22-14	65AA 3273 0	24-27	65AA 3331 0F	20-11	65AA 4417 0E	68-23
65AA 2611 1	30-22	65AA 3202 0	23-14	65AA 3273 0	25-28	65AA 3332 0	22-11	65AA 4420 0	69-22
65AA 2613 1F	32-26	65AA 3202 0	24-15	65AA 3276 1	22-6	65AA 3332 0	23-11	65AA 4422 0	69-11
65AA 2614 1F	30-23	65AA 3202 0	25-15	65AA 3276 1	23-6	65AA 3332 0	24-12	65AA 4423 0	68-2
65AA 2619 0	30-28	65AA 3203 0	22-13	65AA 3276 1	24-6	65AA 3332 0	25-11	65AA 4424 0	68-21
65AA 2625 0E	32-8	65AA 3203 0	23-13	65AA 3276 1	25-6	65AA 3336 0	22-5	65AA 4425 0	68-17
65AA 2627 0E	32-29	65AA 3203 0	24-14	65AA 3280 0	22-22	65AA 3336 0	23-5	65AA 4427 0	68-10
65AA 2638 0	30-16	65AA 3203 0	25-14	65AA 3280 0	23-22	65AA 3336 0	24-5	65AA 4428 0	69-3
65AA 2638 0	32-23	65AA 3204 0	22-18	65AA 3280 0	24-22	65AA 3336 0	25-5	65AA 4429 0	69-1
65AA 2640 0	31-7	65AA 3204 0	23-18	65AA 3280 0	25-18	65AA 4001 0	49-5	65AA 4430 0	69-2
65AA 2653 0	32-12	65AA 3204 0	24-18	65AA 3285 1	22-20	65AA 4001 0	52-5	65AA 4432 0	69-14

Parts No.	Page No.	Parts No.	Page No.	Parts No.	Page No.	Parts No.	Page No.	Parts No.	Page No.
65AA 4433 0	69-7	65AA 4713 0	64-21	65AA 4741 0D	65-17	65AA 4762 0	58-2	65AA 4778 0	57-32
65AA 4434 0	69-15	65AA 4714 0	58-8	65AA 4742 0	57-4	65AA 4762 0	61-2	65AA 4778 0	60-32
65AA 4435 0	69-12	65AA 4714 0	61-8	65AA 4742 0	60-4	65AA 4762 0	64-2	65AA 4778 0	63-31
65AA 4438 0	68-16	65AA 4714 0	64-8	65AA 4742 0	63-4	65AA 4763 0	57-23	65AA 4779 0D	58-28
65AA 4439 0	68-7	65AA 4716 0	57-12	65AA 4745 0	59-1	65AA 4763 0	58-3	65AA 4779 0D	61-28
65AA 4441 0	68-4	65AA 4716 0	60-12	65AA 4745 0	62-1	65AA 4763 0	60-23	65AA 4779 0D	64-29
65AA 4442 0	69-16	65AA 4716 0	63-13	65AA 4745 0	65-1	65AA 4763 0	61-3	65AA 4780 0	58-27
65AA 4443 0	69-21	65AA 4717 0	57-24	65AA 4747 0D	57-28	65AA 4763 0	63-23	65AA 4780 0	61-27
65AA 4444 0	69-18	65AA 4717 0	60-24	65AA 4747 0D	60-28	65AA 4763 0	64-3	65AA 4780 0	64-25
65AA 4446 0	68-6	65AA 4717 0	63-24	65AA 4747 0D	63-25	65AA 4765 0	59-4	65AA 4782 0	58-21
65AA 4447 0	68-11	65AA 4718 0	57-25	65AA 4748 0	59-2	65AA 4765 0	62-4	65AA 4782 0	61-21
65AA 4501 1	46-4	65AA 4718 0	60-25	65AA 4748 0	62-2	65AA 4765 0	65-4	65AA 4782 0	64-27
65AA 4504 0	46-20	65AA 4718 0	63-33	65AA 4748 0	65-2	65AA 4766 0	59-5	65AA 4783 1	57-27
65AA 4507 0	46-18	65AA 4719 0	57-31	65AA 4749 0E	57-6	65AA 4766 0	62-5	65AA 4783 1	60-27
65AA 4522 0	75-15	65AA 4719 0	60-31	65AA 4749 0E	60-6	65AA 4766 0	65-5	65AA 4783 1	63-27
65AA 4523 0	75-16	65AA 4719 0	63-30	65AA 4749 0E	63-6	65AA 4768 0	57-21	65AA 4786 0	59-3
65AA 4524 1	75-13	65AA 4721 0	57-2	65AA 4750 0	58-23	65AA 4768 0	60-21	65AA 4786 0	62-3
65AA 4602 0	67-23	65AA 4721 0	60-2	65AA 4750 0	61-23	65AA 4768 0	63-21	65AA 4786 0	65-3
65AA 4603 0	67-17	65AA 4721 0	63-2	65AA 4750 0	64-26	65AA 4770 0D	58-14	65AA 4790 0	58-26
65AA 4608 0	67-12	65AA 4722 0	66-2	65AA 4752 0	59-8	65AA 4770 0D	61-14	65AA 4790 0	61-26
65AA 4612 0	67-10	65AA 4722 0	106-8	65AA 4752 0	62-8	65AA 4770 0D	64-15	65AA 4790 0	64-23
65AA 4613 0D	67-19	65AA 4727 0	57-11	65AA 4752 0	65-8	65AA 4771 0	66-6	65AA 4795 0	58-1
65AA 4702 0D	59-9	65AA 4727 0	60-11	65AA 4753 0	59-6	65AA 4772 0D	57-19	65AA 4795 0	61-1
65AA 4702 0D	62-10	65AA 4727 0	63-12	65AA 4753 0	62-6	65AA 4772 0D	60-19	65AA 4795 0	64-1
65AA 4702 0D	65-10	65AA 4729 0	66-1	65AA 4753 0	65-6	65AA 4772 0D	63-19	65AA 4797 0	66-10
65AA 4704 0D	100-1	65AA 4731 0E	59-15	65AA 4755 0	57-22	65AA 4773 0E	58-29	65AA 4823 0F	81-6
65AA 4706 0E	57-9	65AA 4731 0E	62-15	65AA 4755 0	58-4	65AA 4773 0E	61-29	65AA 4830 2E	81-7
65AA 4706 0E	60-9	65AA 4731 0E	65-15	65AA 4755 0	60-22	65AA 4773 0E	64-28	65AA 4836 0	81-15
65AA 4706 0E	63-9	65AA 4732 0	59-16	65AA 4755 0	61-4	65AA 4774 0	57-1	65AA 4844 0	81-18
65AA 4707 0F	58-17	65AA 4732 0	62-16	65AA 4755 0	63-22	65AA 4774 0	58-22	65AA 4846 0	81-12
65AA 4707 0F	61-18	65AA 4732 0	65-16	65AA 4755 0	64-4	65AA 4774 0	60-1	65AA 4911 0	82-21
65AA 4707 0F	64-18	65AA 4734 0	57-17	65AA 4758 0	59-7	65AA 4774 0	61-22	65AA 4914 1	82-7
65AA 4711 1	58-20	65AA 4734 0	60-17	65AA 4758 0	62-7	65AA 4774 0	63-1	65AA 4915 0	84-29
65AA 4711 1	61-20	65AA 4734 0	63-17	65AA 4758 0	65-7	65AA 4774 0	64-24	65AA 4916 0E	84-19
65AA 4711 1	64-16	65AA 4736 0	66-8	65AA 4759 0	57-20	65AA 4775 0	59-12	65AA 4918 0	82-22
65AA 4712 0D	59-14	65AA 4737 0	66-5	65AA 4759 0	60-20	65AA 4775 0	62-12	65AA 4919 0	83-11
65AA 4712 0D	62-14	65AA 4738 0	66-4	65AA 4759 0	63-20	65AA 4775 0	65-12	65AA 4920 0	84-20
65AA 4712 0D	65-14	65AA 4739 0	66-7	65AA 4760 0E	57-15	65AA 4777 1E	59-18	65AA 4921 0	84-7
65AA 4713 0	58-24	65AA 4741 0D	59-17	65AA 4760 0E	60-14	65AA 4777 1E	62-18	65AA 4926 0	84-28
65AA 4713 0	61-24	65AA 4741 0D	62-17	65AA 4760 0E	63-15	65AA 4777 1E	65-18	65AA 4927 0	85-4

Parts No.	Page No.	Parts No.	Page No.	Parts No.	Page No.	Parts No.	Page No.	Parts No.	Page No.
65AA 4928 0	84-1	65AA 5047 1F	73-22	65AA 5398 0	38-11	65AA 7785 0	47-18	65AA 9081 0	74-11
65AA 4929 0	84-3	65AA 5048 0	73-27	65AA 5399 1	37-2	65AA 7786 0	47-24	65AA 9085 0	73-1
65AA 4930 0E	84-12	65AA 5049 0	73-25	65AA 6129 0D	97-3	65AA 7787 0	67-22	65AA 9088 0	110-2
65AA 4932 0	84-15	65AA 5056 0D	71-22	65AA 6158 0	105-6	65AA 7788 0	91-6	65AA 9089 0E	47-22
65AA 4941 0	73-7	65AA 5057 0	70-10	65AA 6162 0	97-1	65AA 7789 0	91-7	65AA 9092 0E	28-21
65AA 4941 0	84-10	65AA 5058 0	70-13	65AA 7304 0D	109-2	65AA 7790 0	91-8	65AA 9102 0	110-8
65AA 4945 0	82-16	65AA 5059 0	70-8	65AA 7305 0D	110-11	65AA 7791 0	91-12	65AA 9106 0E	90-10
65AA 4947 0	82-23	65AA 5060 0	70-9	65AA 7309 0D	109-1	65AA 7796 0	28-10	65AA 9109 0	33-2
65AA 4947 0	84-24	65AA 5061 0	70-11	65AA 7310 0E	110-12	65AA 7797 0	28-16	65AA 9110 0	21-18
65AA 4950 0	79-11	65AA 5062 0	70-12	65AA 7314 0D	110-5	65AA 7798 0	47-12	65AA 9734 0	28-24
65AA 4951 0F	76-18	65AA 5063 0	70-14	65AA 7315 0	99-6	65AA 7799 0	47-13	65AA 9744 0	43-5
65AA 4951 0F	84-2	65AA 5064 0	71-30	65AA 7316 0	99-7	65AA 7801 0	96-2	65AA 9745 0	43-6
65AA 4952 0	78-26	65AA 5064 0	73-13	65AA 7345 0	108-11	65AA 7802 0	86-3	65AA 9746 0	43-7
65AA 4952 0	85-1	65AA 5068 0D	102-6	65AA 7501 0E	9-6	65AA 7802 0	87-3	65AA 9747 0	43-8
65AA 4953 0	84-21	65AA 5072 0	71-5	65AA 7505 1	92-8	65AA 7802 0	88-3	65AA 9950 0	118-1
65AA 5006 0E	71-36	65AA 5074 0	70-25	65AA 7505 1	93-8	65AA 7802 0	89-3	65AA R706 00	102-12
65AA 5007 0D	73-14	65AA 5075 0D	70-22	65AA 7505 1	94-8	65AA 7804 0	26-15	65AA R743 00	29-5
65AA 5008 0F	71-21	65AA 5081 0	74-39	65AA 7505 1	95-8	65AA 7805 0E	47-16	65GE 4708 0	58-30
65AA 5009 0	71-20	65AA 5084 0	74-36	65AA 7506 0	28-30	65AA 8002 1	47-23	65GE 4708 0	61-30
65AA 5011 0	73-6	65AA 5086 0	74-13	65AA 7507 0	28-2	65AA 8011 2	78-18	65GE 4708 0	64-30
65AA 5012 0E	73-4	65AA 5118 0	73-23	65AA 7508 1	45-9	65AA 8011 2	79-18	65GE 4709 0	57-26
65AA 5013 0E	73-9	65AA 5128 0E	72-11	65AA 7509 0	32-7	65AA 8059 0	20-21	65GE 4709 0	60-26
65AA 5015 0	71-19	65AA 5131 1	83-19	65AA 7732 0	12-13	65AA 8801 0	41-21	65GE 4709 0	63-26
65AA 5016 0	71-26	65AA 5140 0	71-31	65AA 7732 0	13-13	65AA 8802 0	39-27	65GE 9740 0	50-11
65AA 5017 0	73-24	65AA 5140 0	73-12	65AA 7732 0	14-13	65AA 9015 0E	68-13	65GE 9740 0	53-11
65AA 5018 0	70-19	65AA 5148 0	83-10	65AA 7732 0	15-13	65AA 9017 0E	58-11	65GE 9740 0	56-11
65AA 5019 0	70-18	65AA 5150 0	83-20	65AA 7739 0	26-11	65AA 9017 0E	61-11	65GE 9749 0	58-9
65AA 5025 0	70-3	65AA 5151 0	71-7	65AA 7747 0	36-18	65AA 9017 0E	64-11	65GE 9749 0	61-9
65AA 5031 0	74-15	65AA 5152 0	71-35	65AA 7748 0	36-11	65AA 9019 0	109-3	65GE 9749 0	64-9
65AA 5032 0	74-27	65AA 5153 0	71-33	65AA 7751 0	67-21	65AA 9020 0	109-6	65LA 4853 0	81-2
65AA 5035 0	74-30	65AA 5167 0D	71-32	65AA 7752 0	72-13	65AA 9021 0	109-5	65LA 4855 0	103-2
65AA 5036 0D	74-12	65AA 5173 0	76-3	65AA 7753 0	47-8	65AA 9026 0	110-7	65LA 4856 0	103-3
65AA 5037 0D	74-26	65AA 5323 0	39-28	65AA 7754 0	47-2	65AA 9029 1	29-3	65LA 4857 0	103-5
65AA 5038 0F	98-17	65AA 5337 1	37-25	65AA 7754 0	73-28	65AA 9058 0	57-3	9335 1500 21	99-3
65AA 5040 0	98-13	65AA 5338 0	37-28	65AA 7771 0	75-14	65AA 9058 0	60-3	9381 4101 31	119-7
65AA 5042 0	74-28	65AA 5342 0	37-27	65AA 7772 0	74-23	65AA 9058 0	63-3	9J03 M100 00	81-4
65AA 5043 0	102-15	65AA 5352 0F	37-13	65AA 7773 0	74-24	65AA 9065 0	33-3	9J03 M100 00	101-19
65AA 5044 0D	70-27	65AA 5356 0	37-26	65AA 7784 0	28-1	65AA 9069 1E	5-7	9J03 M100 00	105-3
65AA 5044 0D	102-14	65AA 5365 1	36-16	65AA 7784 0	90-2	65AA 9071 0	76-19	9J06 7302 01	105-13
65AA 5046 0	102-5	65AA 5395 0	35-11	65AA 7785 0	28-29	65AA 9072 0E	83-8	9J06 N300 00	119-7

Parts No.	Page No.	Parts No.	Page No.	Parts No.	Page No.	Parts No.	Page No.	Parts No.	Page No.
9J07 M201 00	26-7	A00V 2406 00	72-1	A03U 1686 00	3-32	A03U 2203 00	96-8	A03U 3892 00	19-10
A00J 6178 00	12-14	A00V 2406 00	73-20	A03U 1697 00	5-6	A03U 2204 00	96-12	A03U 3893 01	16-15
A00J 6178 00	13-14	A00V 2406 00	78-25	A03U 1905 00	9-18	A03U 2299 00	96-6	A03U 3893 01	17-14
A00J 6178 00	14-14	A00V 2406 00	79-37	A03U 1906 00	9-19	A03U 2596 00	92-16	A03U 3893 01	18-14
A00J 6178 00	15-14	A00V 2406 00	85-14	A03U 1907 00	9-16	A03U 2596 00	93-16	A03U 3893 01	19-14
A00J 6178 00	30-3	A00V 2406 00	90-8	A03U 1908 02	9-5	A03U 2596 00	94-16	A03U 3894 00	16-6
A00J 6178 00	32-24	A00V 2406 00	96-7	A03U 1909 00	8-8	A03U 2596 00	95-16	A03U 3894 00	17-6
A00J 6178 00	36-34	A011 2133 00	97-2	A03U 1911 00	9-7	A03U 2599 00	92-18	A03U 3894 00	18-6
A00J 6178 00	37-21	A02E 2623 00	101-7	A03U 1912 01	9-8	A03U 2599 00	93-18	A03U 3894 00	19-6
A00J 6178 00	75-3	A02E 2623 00	105-26	A03U 1913 00	9-9	A03U 2599 00	94-18	A03U 3896 00	16-16
A00J 6178 00	80-9	A02E 2623 00	108-16	A03U 1914 00	8-11	A03U 2599 00	95-18	A03U 3896 00	17-16
A00J 6178 00	84-6	A02E M505 00	44-7	A03U 1915 00	8-20	A03U 2662 01	97-6	A03U 3896 00	18-16
A00J 6178 00	86-7	A02E M505 00	101-17	A03U 1916 00	8-5	A03U 3302 02	12-1	A03U 3896 00	19-16
A00J 6178 00	87-7	A03U 1028 03	105-12	A03U 1917 00	8-4	A03U 3302 02	13-1	A03U 3899 00	16-9
A00J 6178 00	88-7	A03U 1057 02	105-7	A03U 1918 00	8-3	A03U 3302 02	14-1	A03U 3899 00	17-9
A00J 6178 00	89-7	A03U 1063 00	102-21	A03U 1919 00	8-6	A03U 3302 02	15-1	A03U 3899 00	18-9
A00J 6178 00	91-10	A03U 1064 00	102-22	A03U 1920 00	8-2	A03U 3346 00	12-3	A03U 3899 00	19-9
A00J 6178 00	96-13	A03U 1075 00	101-5	A03U 1921 00	8-7	A03U 3346 00	13-3	A03U 4021 00	21-16
A00J 6179 00	36-31	A03U 1088 00	98-7	A03U 1922 00	8-12	A03U 3346 00	14-3	A03U 4033 00	26-20
A00J 6179 00	83-4	A03U 1089 00	104-16	A03U 1923 00	9-10	A03U 3346 00	15-3	A03U 4139 00	20-15
A00J 6179 00	84-17	A03U 1178 00	104-24	A03U 1931 00	9-20	A03U 3442 00	43-1	A03U 4599 00	27-13
A00J 6179 00	85-18	A03U 1181 00	104-23	A03U 1932 00	9-17	A03U 3443 00	43-10	A03U 5004 00	30-19
A00J 6184 00	47-1	A03U 1183 00	104-22	A03U 1933 00	8-10	A03U 3472 00	44-1	A03U 5008 00	32-4
A00J 6632 00	48-11	A03U 1184 01	104-20	A03U 1934 00	8-19	A03U 3473 00	44-2	A03U 5009 00	30-18
A00J 6632 00	49-22	A03U 1188 00	105-23	A03U 1935 00	8-21	A03U 3474 00	44-3	A03U 5012 00	32-27
A00J 6632 00	50-3	A03U 1189 00	105-20	A03U 1936 00	8-16	A03U 3478 01	43-11	A03U 5042 00	30-24
A00J 6632 00	51-11	A03U 1190 00	105-22	A03U 1937 00	8-13	A03U 3489 00	43-9	A03U 5071 00	30-15
A00J 6632 00	52-22	A03U 1191 00	105-21	A03U 1938 00	8-9	A03U 3495 00	43-2	A03U 5071 00	32-22
A00J 6632 00	53-3	A03U 1192 00	105-19	A03U 1939 00	9-21	A03U 3601 00	100-11	A03U 5097 00	30-11
A00J 6632 00	54-11	A03U 1350 00	105-30	A03U 1940 01	8-1	A03U 3721 00	16-11	A03U 5102 00	30-12
A00J 6632 00	55-22	A03U 1365 00	108-20	A03U 1941 01	8-18	A03U 3721 00	17-11	A03U 5112 00	30-25
A00J 6632 00	56-3	A03U 1610 00	1-7	A03U 1953 02	9-3	A03U 3721 00	18-11	A03U 5120 00	32-17
A00J 9454 00	4-6	A03U 1620 01	3-31	A03U 1954 00	9-2	A03U 3721 00	19-11	A03U 5122 00	32-14
A00J M603 00	107-1	A03U 1630 11	5-5	A03U 1955 00	9-4	A03U 3757 01	16-22	A03U 5123 00	32-15
A00V 2406 00	30-5	A03U 1645 00	119-3	A03U 2110 00	92-17	A03U 3757 01	17-22	A03U 5124 00	32-13
A00V 2406 00	32-5	A03U 1658 01	3-26	A03U 2110 00	93-17	A03U 3757 01	18-22	A03U 5202 01	46-23
A00V 2406 00	34-8	A03U 1660 00	3-6	A03U 2110 00	94-17	A03U 3757 01	19-22	A03U 5203 01	46-19
A00V 2406 00	36-6	A03U 1669 00	99-2	A03U 2110 00	95-17	A03U 3892 00	16-10	A03U 5206 00	46-5
A00V 2406 00	47-3	A03U 1678 00	3-20	A03U 2121 01	91-3	A03U 3892 00	17-10	A03U 5216 00	46-10
A00V 2406 00	67-14	A03U 1685 00	3-16	A03U 2122 01	91-5	A03U 3892 00	18-10	A03U 5217 00	46-14

Parts No.	Page No.	Parts No.	Page No.	Parts No.	Page No.	Parts No.	Page No.	Parts No.	Page No.
A03U 5218 00	46-12	A03U 6211 00	57-5	A03U 7227 00	40-10	A03U 7291 01	41-19	A03U 7345 00	41-1
A03U 5219 00	46-11	A03U 6211 00	60-5	A03U 7229 02	41-22	A03U 7292 00	41-8	A03U 7345 00	42-2
A03U 5220 01	75-12	A03U 6211 00	63-5	A03U 7233 00	37-3	A03U 7295 00	41-4	A03U 7346 01	39-11
A03U 5221 00	75-8	A03U 6212 00	58-5	A03U 7234 00	39-3	A03U 7297 00	41-14	A03U 7347 01	39-14
A03U 5234 00	46-16	A03U 6212 00	61-5	A03U 7236 00	39-36	A03U 7298 00	41-30	A03U 7348 00	38-3
A03U 5235 01	46-15	A03U 6212 00	64-5	A03U 7237 00	39-2	A03U 7299 01	37-5	A03U 7349 00	38-4
A03U 5236 00	46-9	A03U 6213 00	58-12	A03U 7238 00	39-35	A03U 7301 00	39-17	A03U 7350 00	38-2
A03U 5237 00	46-13	A03U 6213 00	61-12	A03U 7239 00	37-18	A03U 7302 00	39-26	A03U 7351 00	38-8
A03U 5238 01	46-17	A03U 6213 00	64-12	A03U 7240 00	37-22	A03U 7305 00	34-18	A03U 7352 00	38-7
A03U 5239 00	46-21	A03U 6214 00	58-7	A03U 7241 01	39-31	A03U 7306 00	39-5	A03U 7353 00	38-1
A03U 5240 00	75-11	A03U 6214 00	61-7	A03U 7242 00	35-10	A03U 7307 01	39-7	A03U 7354 00	38-5
A03U 5241 00	46-24	A03U 6214 00	64-7	A03U 7244 00	36-22	A03U 7308 00	35-2	A03U 7355 00	38-6
A03U 5529 00	31-3	A03U 6217 00	58-19	A03U 7245 00	35-23	A03U 7309 00	35-3	A03U 7356 00	38-10
A03U 5530 00	31-6	A03U 6217 00	61-19	A03U 7248 00	35-24	A03U 7311 01	35-1	A03U 7357 00	39-12
A03U 5554 00	31-5	A03U 6217 00	64-20	A03U 7249 01	39-8	A03U 7313 00	39-9	A03U 7360 00	74-7
A03U 5594 00	31-21	A03U 7001 00	68-14	A03U 7250 00	41-10	A03U 7314 00	39-18	A03U 8077 00	39-20
A03U 5595 00	31-23	A03U 7002 02	68-22	A03U 7252 01	41-24	A03U 7317 00	41-25	A03U 8079 00	39-4
A03U 5601 00	50-15	A03U 7004 00	69-19	A03U 7253 00	35-19	A03U 7317 00	42-7	A03U 8080 00	36-23
A03U 5601 00	53-15	A03U 7106 00	67-16	A03U 7255 00	38-9	A03U 7318 00	39-37	A03U 8081 00	40-9
A03U 5601 00	56-15	A03U 7107 00	67-9	A03U 7256 00	36-17	A03U 7319 00	39-21	A03U 8082 01	39-1
A03U 5602 00	50-6	A03U 7116 00	67-7	A03U 7257 00	34-10	A03U 7320 00	39-16	A03U 8083 00	37-19
A03U 5602 00	53-6	A03U 7117 00	67-6	A03U 7258 00	36-36	A03U 7322 00	39-22	A03U 8084 00	37-20
A03U 5602 00	56-6	A03U 7119 02	67-5	A03U 7261 00	36-26	A03U 7323 00	36-28	A03U 8085 00	37-24
A03U 5603 00	50-19	A03U 7120 00	67-1	A03U 7265 00	34-11	A03U 7324 00	36-40	A03U 8087 00	36-38
A03U 5603 00	53-19	A03U 7121 00	67-13	A03U 7267 11	37-9	A03U 7327 00	40-15	A03U 8088 11	36-8
A03U 5603 00	56-19	A03U 7201 00	41-11	A03U 7269 00	35-9	A03U 7328 00	40-14	A03U 8090 00	36-25
A03U 5605 00	50-21	A03U 7202 01	41-9	A03U 7272 00	35-22	A03U 7329 00	40-13	A03U 8091 00	36-27
A03U 5605 00	53-21	A03U 7203 00	40-12	A03U 7273 00	35-21	A03U 7330 00	34-23	A03U 8093 11	36-20
A03U 5605 00	56-21	A03U 7205 01	41-12	A03U 7275 00	40-4	A03U 7331 00	40-1	A03U 8094 00	36-24
A03U 6204 00	57-13	A03U 7208 00	37-7	A03U 7277 00	35-15	A03U 7332 00	35-12	A03U 8095 00	41-32
A03U 6204 00	60-16	A03U 7209 00	37-11	A03U 7279 00	41-15	A03U 7334 00	34-2	A03U 8096 00	37-30
A03U 6204 00	63-14	A03U 7210 00	35-25	A03U 7280 00	38-14	A03U 7335 00	36-39	A03U 8097 00	36-37
A03U 6205 03	6-4	A03U 7212 01	39-29	A03U 7281 00	37-4	A03U 7336 00	34-24	A03U 8105 03	70-28
A03U 6206 00	6-3	A03U 7214 00	35-20	A03U 7282 00	34-1	A03U 7337 00	34-25	A03U 8106 01	70-30
A03U 6207 02	58-18	A03U 7217 00	40-8	A03U 7283 00	74-8	A03U 7341 00	34-26	A03U 8107 01	74-10
A03U 6207 02	61-17	A03U 7220 01	37-6	A03U 7286 00	40-5	A03U 7343 11	37-29	A03U 8109 00	74-19
A03U 6207 02	64-19	A03U 7222 00	39-10	A03U 7287 00	40-7	A03U 7344 11	37-10	A03U 8110 03	74-4
A03U 6210 00	57-33	A03U 7223 00	36-10	A03U 7288 00	40-2	A03U 7345 00	35-6	A03U 8111 01	70-26
A03U 6210 00	60-33	A03U 7224 00	36-14	A03U 7289 00	36-7	A03U 7345 00	39-24	A03U 8112 00	70-24
A03U 6210 00	63-32	A03U 7225 00	38-12	A03U 7290 01	41-3	A03U 7345 00	40-3	A03U 8113 00	70-7

Parts No.	Page No.	Parts No.	Page No.	Parts No.	Page No.	Parts No.	Page No.	Parts No.	Page No.
A03U 8114 01	70-6	A03U 8160 00	98-11	A03U 8438 01	76-10	A03U 8501 01	51-2	A03U 8627 00	83-7
A03U 8115 00	70-4	A03U 8389 00	72-3	A03U 8439 00	76-9	A03U 8501 01	54-2	A03U 8629 00	85-12
A03U 8120 00	99-13	A03U 8390 00	71-15	A03U 8442 00	77-30	A03U 8501 01	68-18	A03U 8630 00	85-13
A03U 8121 00	73-21	A03U 8391 00	73-32	A03U 8443 00	77-24	A03U 8501 01	71-28	A03U 8631 00	85-21
A03U 8122 00	72-8	A03U 8392 00	73-35	A03U 8444 00	77-26	A03U 8501 01	73-10	A03U 8632 00	85-17
A03U 8128 00	46-8	A03U 8393 00	73-36	A03U 8445 00	77-31	A03U 8501 01	77-16	A03U 8633 00	85-22
A03U 8128 00	49-32	A03U 8394 00	73-37	A03U 8446 00	77-22	A03U 8501 01	82-5	A03U 8634 00	85-20
A03U 8128 00	50-18	A03U 8395 01	73-33	A03U 8447 00	77-21	A03U 8502 00	77-10	A03U 8637 00	85-9
A03U 8128 00	52-32	A03U 8396 01	73-34	A03U 8448 02	77-27	A03U 8504 00	72-7	A03U 8638 01	82-19
A03U 8128 00	53-18	A03U 8397 00	73-29	A03U 8449 01	77-28	A03U 8505 00	76-4	A03U 8639 00	84-4
A03U 8128 00	55-32	A03U 8401 01	76-1	A03U 8450 01	79-33	A03U 8506 00	78-8	A03U 8640 01	82-20
A03U 8128 00	56-18	A03U 8402 01	76-5	A03U 8451 00	77-3	A03U 8594 00	78-20	A03U 8641 00	84-23
A03U 8128 00	58-15	A03U 8403 00	76-17	A03U 8452 00	77-1	A03U 8595 00	78-23	A03U 8642 00	82-14
A03U 8128 00	61-15	A03U 8404 00	76-16	A03U 8453 01	77-4	A03U 8596 00	79-16	A03U 8643 00	82-15
A03U 8128 00	64-17	A03U 8407 00	78-12	A03U 8454 00	79-4	A03U 8597 00	79-30	A03U 8895 00	83-13
A03U 8128 00	69-6	A03U 8408 00	78-15	A03U 8456 01	79-1	A03U 8598 00	79-14	A03U 8896 00	83-15
A03U 8128 00	72-4	A03U 8409 01	78-28	A03U 8457 00	79-26	A03U 8599 00	78-22	A03U 8897 00	85-15
A03U 8128 00	74-21	A03U 8410 00	78-10	A03U 8459 01	79-25	A03U 8601 02	82-13	A03U 8898 00	85-11
A03U 8129 00	70-15	A03U 8411 01	78-9	A03U 8461 00	77-12	A03U 8602 01	83-6	A03U 8899 00	75-18
A03U 8130 01	70-29	A03U 8412 00	77-5	A03U 8462 00	77-11	A03U 8604 02	82-9	A03U 8899 00	83-1
A03U 8131 00	71-13	A03U 8413 02	77-8	A03U 8466 00	78-24	A03U 8605 00	84-22	A03U 8901 00	81-22
A03U 8132 00	71-10	A03U 8414 00	77-19	A03U 8467 00	79-15	A03U 8606 00	84-13	A03U 8902 00	80-28
A03U 8133 00	71-12	A03U 8415 00	78-2	A03U 8468 00	79-22	A03U 8607 00	84-14	A03U 8903 00	80-31
A03U 8134 00	71-11	A03U 8416 00	78-1	A03U 8469 00	79-20	A03U 8608 00	83-21	A03U 8905 01	80-3
A03U 8135 00	71-8	A03U 8417 00	76-12	A03U 8470 00	78-7	A03U 8609 00	83-18	A03U 8908 00	80-20
A03U 8136 01	71-9	A03U 8418 00	76-11	A03U 8471 00	78-4	A03U 8610 02	85-3	A03U 8909 00	80-18
A03U 8137 02	70-5	A03U 8419 00	79-29	A03U 8472 00	79-7	A03U 8611 00	83-16	A03U 8914 00	81-20
A03U 8139 00	73-31	A03U 8420 00	78-29	A03U 8473 00	79-24	A03U 8612 00	84-27	A03U 8915 00	81-11
A03U 8140 00	75-5	A03U 8421 00	72-5	A03U 8480 00	78-13	A03U 8613 00	82-3	A03U 8916 00	81-17
A03U 8141 00	75-2	A03U 8422 00	72-6	A03U 8481 00	78-16	A03U 8615 00	82-4	A03U 8917 00	81-16
A03U 8142 00	75-4	A03U 8423 01	76-13	A03U 8482 00	78-14	A03U 8616 00	82-8	A03U 8918 00	81-13
A03U 8143 00	75-1	A03U 8424 00	79-5	A03U 8483 00	77-6	A03U 8617 01	84-18	A03U 8919 00	81-10
A03U 8144 00	75-6	A03U 8425 00	79-31	A03U 8486 02	79-9	A03U 8618 00	83-17	A03U 8920 00	81-14
A03U 8145 01	75-17	A03U 8426 00	77-2	A03U 8487 01	79-8	A03U 8619 00	82-12	A03U 8921 00	81-1
A03U 8148 00	72-17	A03U 8427 00	79-3	A03U 8488 00	79-12	A03U 8620 00	82-24	A03U 8922 00	81-3
A03U 8149 02	74-16	A03U 8428 00	79-28	A03U 8489 01	79-23	A03U 8621 00	82-10	A03U 8923 00	81-9
A03U 8154 00	73-2	A03U 8429 00	77-18	A03U 8496 01	79-36	A03U 8623 00	84-25	A03U 8924 00	81-8
A03U 8157 00	71-16	A03U 8430 00	77-13	A03U 8497 01	71-37	A03U 8624 01	85-5	A03U 8925 00	80-4
A03U 8158 00	75-7	A03U 8436 01	76-8	A03U 8498 01	71-6	A03U 8625 00	84-26	A03U 8926 00	80-5
A03U 8159 00	76-15	A03U 8437 00	76-7	A03U 8501 01	48-2	A03U 8626 00	82-1	A03U 8927 01	80-23

Parts No.	Page No.	Parts No.	Page No.	Parts No.	Page No.	Parts No.	Page No.	Parts No.	Page No.
A03U 8928 00	80-25	A03U F858 00	78-17	A03U N224 00	103-6	A0G6 M931 00	8-15	A1DU 1111 00	103-9
A03U 8929 02	80-27	A03U F859 00	79-13	A03U N230 00	78-5	A0G6 N181 01	7-5	A1DU 1118 01	105-4
A03U 8930 00	80-14	A03U F871 00	82-17	A03U N231 01	82-2	A0G6 N184 00	7-14	A1DU 1119 00	102-17
A03U 8931 01	80-15	A03U F881 00	85-8	A03U N232 00	35-7	A0GA 1903 01	7-25	A1DU 1122 00	105-16
A03U 8932 00	80-16	A03U F892 00	80-7	A03U N232 00	41-20	A0GA 1950 00	7-26	A1DU 1127 00	104-21
A03U 8933 01	80-1	A03U F900 00	80-29	A03U N233 00	37-14	A0GA 2050 00	7-26	A1DU 1128 02	103-10
A03U 8934 00	80-2	A03U H520 02	107-7	A03U N236 00	99-10	A0P0 M100 00	66-11	A1DU 1140 00	98-16
A03U 8935 02	80-30	A03U M104 00	27-4	A03U PJG1 00	117-4	A0R5 M103 00	26-3	A1DU 1154 00	99-9
A03U 9095 02	80-13	A03U M111 00	72-16	A03U PJG2 00	117-2	A0R5 M103 00	96-15	A1DU 1155 00	105-8
A03U 9096 00	80-11	A03U M111 00	75-19	A03U PJG3 00	117-3	A0U0 1740 00	6-1	A1DU 1156 00	2-6
A03U 9097 01	80-10	A03U M111 00	80-22	A03U R702 00	28-26	A0U0 1787 00	6-9	A1DU 1157 00	105-25
A03U 9098 00	80-8	A03U M111 00	85-6	A03V 2601 01	97-4	A0U0 1788 00	6-5	A1DU 1158 00	104-8
A03U 9099 00	80-17	A03U M152 00	100-9	A03X 1702 01	6-6	A0U0 1791 00	6-10	A1DU 1182 00	101-8
A03U 9426 01	28-25	A03U M153 00	34-3	A03X 5656 11	48-15	A0U0 1796 01	6-12	A1DU 1185 00	104-6
A03U 9442 00	5-17	A03U M158 00	98-5	A03X 5656 11	51-16	A0U0 1798 00	6-8	A1DU 1230 01	1-2
A03U 9453 00	57-7	A03U M158 00	103-4	A03X 5656 11	54-16	A0U0 9454 01	6-7	A1DU 1250 00	101-15
A03U 9453 00	60-7	A03U M201 00	72-12	A03X 6220 00	67-3	A0U0 9455 01	6-11	A1DU 1301 00	108-3
A03U 9453 00	63-7	A03U M32A 00	40-16	A07T M601 00	107-5	A0U0 9456 01	6-13	A1DU 1303 01	104-12
A03U 9465 00	7-28	A03U M32E 00	40-16	A0ED M105 00	105-15	A0VT 8149 00	27-7	A1DU 1306 01	107-8
A03U 9467 00	28-23	A03U M32F 00	40-16	A0G6 1901 01	7-13	A0Y5 M151 00	102-18	A1DU 1311 02	108-5
A03U B504 00	32-25	A03U M505 00	67-4	A0G6 1902 00	7-4	A0Y5 M551 00	78-3	A1DU 1313 01	108-15
A03U F112 00	106-6	A03U N108 00	39-33	A0G6 1904 03	7-6	A1DU 1010 00	101-10	A1DU 1314 01	105-36
A03U F191 00	9-11	A03U N112 00	90-5	A0G6 1916 00	7-17	A1DU 1040 00	102-26	A1DU 1317 00	105-33
A03U F212 00	92-14	A03U N112 00	96-16	A0G6 1924 00	7-8	A1DU 1041 00	102-24	A1DU 1320 02	108-6
A03U F212 00	93-14	A03U N147 00	70-23	A0G6 1925 00	7-9	A1DU 1056 00	105-17	A1DU 1328 00	108-8
A03U F212 00	94-14	A03U N151 00	70-31	A0G6 1927 00	7-11	A1DU 1059 01	105-9	A1DU 1329 01	108-12
A03U F212 00	95-14	A03U N152 00	37-16	A0G6 1929 00	7-12	A1DU 1073 01	101-14	A1DU 1331 00	108-9
A03U F367 00	100-13	A03U N153 02	77-7	A0G6 1931 00	7-21	A1DU 1076 00	101-4	A1DU 1350 01	108-1
A03U F621 00	57-16	A03U N154 01	67-24	A0G6 1932 00	7-20	A1DU 1078 00	101-22	A1DU 1352 00	108-7
A03U F621 00	60-15	A03U N155 00	92-10	A0G6 1934 00	7-22	A1DU 1083 00	101-20	A1DU 1353 01	108-21
A03U F621 00	63-16	A03U N155 00	93-10	A0G6 1938 00	7-18	A1DU 1085 00	103-1	A1DU 1356 00	105-37
A03U F742 00	39-6	A03U N155 00	94-10	A0G6 1939 00	7-24	A1DU 1091 00	103-13	A1DU 1357 00	105-31
A03U F743 00	39-15	A03U N155 00	95-10	A0G6 1940 00	7-23	A1DU 1092 00	103-15	A1DU 1359 01	107-2
A03U F744 00	39-34	A03U N177 00	72-15	A0G6 1941 01	7-16	A1DU 1093 01	101-11	A1DU 1364 01	107-6
A03U F745 00	39-19	A03U N178 01	70-16	A0G6 2439 00	79-32	A1DU 1100 00	101-9	A1DU 1601 02	5-16
A03U F778 00	35-26	A03U N180 00	105-5	A0G6 H040 00	7-15	A1DU 1103 01	103-11	A1DU 1604 03	3-14
A03U F836 00	74-33	A03U N203 00	70-1	A0G6 H060 00	7-1	A1DU 1108 00	105-10	A1DU 1605 01	3-7
A03U F843 00	76-14	A03U N216 00	79-19	A0G6 M352 00	7-3	A1DU 1109 00	101-23	A1DU 1606 00	3-29
A03U F845 00	77-25	A03U N217 01	80-21	A0G6 M604 00	107-4	A1DU 1110 00	101-21	A1DU 1608 01	4-1
A03U F857 00	78-21	A03U N218 00	85-7	A0G6 M754 00	7-7	A1DU 1111 00	98-1	A1DU 1613 02	2-10

Parts No.	Page No.	Parts No.	Page No.	Parts No.	Page No.	Parts No.	Page No.	Parts No.	Page No.
A1DU 1632 00	3-30	A1DU 3312 00	13-10	A1DU 3897 02	17-13	A1DU 7266 01	34-7	A1DU 9443 00	5-2
A1DU 1633 00	2-5	A1DU 3312 00	14-10	A1DU 3897 02	18-13	A1DU 7270 02	42-5	A1DU 9449 00	3-3
A1DU 1634 02	2-4	A1DU 3312 00	15-10	A1DU 3897 02	19-13	A1DU 7276 00	38-13	A1DU 9450 00	3-4
A1DU 1635 00	1-10	A1DU 3325 00	12-5	A1DU 3898 00	16-12	A1DU 7278 00	34-22	A1DU 9451 00	3-5
A1DU 1636 01	3-19	A1DU 3325 00	13-5	A1DU 3898 00	17-12	A1DU 7312 00	36-3	A1DU 9459 00	1-12
A1DU 1637 00	2-8	A1DU 3325 00	14-5	A1DU 3898 00	18-12	A1DU 7361 00	34-16	A1DU 9490 00	38-19
A1DU 1638 00	2-7	A1DU 3325 00	15-5	A1DU 3898 00	19-12	A1DU 7362 00	34-15	A1DU F250 00	96-4
A1DU 1639 00	2-9	A1DU 3351 00	12-11	A1DU 4013 00	21-2	A1DU 7363 00	34-20	A1DU F401 00	26-5
A1DU 1640 00	4-4	A1DU 3351 00	13-11	A1DU 4017 00	27-3	A1DU 7364 00	34-21	A1DU F761 00	41-7
A1DU 1641 01	3-2	A1DU 3351 00	14-11	A1DU 4018 00	22-15	A1DU 7365 00	34-19	A1DU H010 02	108-14
A1DU 1644 00	3-35	A1DU 3351 00	15-11	A1DU 4018 00	23-15	A1DU 7366 00	42-9	A1DU H020 02	108-4
A1DU 1656 00	3-24	A1DU 3352 00	12-6	A1DU 4026 00	21-14	A1DU 7367 01	42-11	A1DU H050 01	108-2
A1DU 1662 00	1-11	A1DU 3352 00	13-6	A1DU 4027 00	26-8	A1DU 7368 00	35-16	A1DU H060 11	105-35
A1DU 1663 00	4-3	A1DU 3352 00	14-6	A1DU 4035 00	27-17	A1DU 7370 00	42-10	A1DU H110 00	9-13
A1DU 1665 00	4-7	A1DU 3352 00	15-6	A1DU 4041 00	27-16	A1DU 7371 00	42-8	A1DU H250 00	70-32
A1DU 1690 00	104-10	A1DU 3725 00	16-8	A1DU 4042 00	21-11	A1DU 7601 00	42-12	A1DU M101 00	36-30
A1DU 1691 00	104-4	A1DU 3725 00	17-8	A1DU 4045 00	27-18	A1DU 7602 00	42-3	A1DU M151 00	103-16
A1DU 1694 00	3-23	A1DU 3725 00	18-8	A1DU 4060 00	26-10	A1DU 7623 00	38-15	A1DU M31A 00	41-34
A1DU 1695 00	3-21	A1DU 3725 00	19-8	A1DU 4068 00	21-12	A1DU 7624 01	38-17	A1DU M31E 00	41-34
A1DU 1696 00	3-22	A1DU 3727 00	16-7	A1DU 4096 00	22-26	A1DU 7625 00	38-18	A1DU M31F 00	41-34
A1DU 1901 00	9-12	A1DU 3727 00	17-7	A1DU 4096 00	23-26	A1DU 7626 00	38-16	A1DU M401 01	104-14
A1DU 1942 00	9-15	A1DU 3727 00	18-7	A1DU 4096 00	24-26	A1DU 7635 01	42-13	A1DU M402 01	104-13
A1DU 1943 00	9-1	A1DU 3727 00	19-7	A1DU 4096 00	25-27	A1DU 7638 00	42-1	A1DU M403 01	109-4
A1DU 1971 00	8-22	A1DU 3801 00	16-2	A1DU 4098 00	26-18	A1DU 7639 00	42-4	A1DU M404 01	110-13
A1DU 2101 00	86-5	A1DU 3801 00	17-2	A1DU 4202 00	27-12	A1DU 7640 00	103-12	A1DU M508 00	16-18
A1DU 2101 00	87-5	A1DU 3801 00	18-2	A1DU 4203 00	27-11	A1DU 8086 00	41-6	A1DU M508 00	17-18
A1DU 2101 00	88-5	A1DU 3801 00	19-2	A1DU 4204 00	27-8	A1DU 8089 00	36-35	A1DU M508 00	18-18
A1DU 2101 00	89-5	A1DU 3803 00	16-5	A1DU 4205 00	27-15	A1DU 8150 00	74-6	A1DU M508 00	19-18
A1DU 2102 00	86-8	A1DU 3803 00	17-5	A1DU 4206 00	27-9	A1DU 8170 00	71-2	A1DU M700 01	107-13
A1DU 2102 00	87-8	A1DU 3803 00	18-5	A1DU 4207 00	27-10	A1DU 8171 00	71-3	A1DU M701 01	107-15
A1DU 2102 00	88-8	A1DU 3803 00	19-5	A1DU 5121 00	32-18	A1DU 8172 00	74-3	A1DU N101 02	111-2
A1DU 2102 00	89-8	A1DU 3891 01	16-4	A1DU 5199 00	32-16	A1DU 8173 00	71-18	A1DU N104 00	41-27
A1DU 2104 01	86-9	A1DU 3891 01	17-4	A1DU 5502 00	31-13	A1DU 8175 00	71-38	A1DU N105 02	35-18
A1DU 2104 01	87-9	A1DU 3891 01	18-4	A1DU 5593 00	32-3	A1DU 8451 00	78-32	A1DU N106 02	35-14
A1DU 2104 01	88-9	A1DU 3891 01	19-4	A1DU 7204 01	34-6	A1DU 8940 00	81-5	A1DU N107 00	41-28
A1DU 2104 01	89-9	A1DU 3895 01	16-14	A1DU 7211 00	35-13	A1DU 9427 00	73-15	A1DU N109 02	106-10
A1DU 2296 00	96-14	A1DU 3895 01	17-15	A1DU 7213 00	42-6	A1DU 9429 00	74-5	A1DU N110 00	106-9
A1DU 2297 00	96-10	A1DU 3895 01	18-15	A1DU 7228 11	35-17	A1DU 9430 00	5-4	A1DU N113 00	112-1
A1DU 2298 00	96-11	A1DU 3895 01	19-15	A1DU 7243 00	41-33	A1DU 9438 00	77-29	A1DU N114 00	16-20
A1DU 3312 00	12-10	A1DU 3897 02	16-13	A1DU 7251 00	41-18	A1DU 9439 00	78-11	A1DU N114 00	17-20

Parts No.	Page No.	Parts No.	Page No.	Parts No.	Page No.	Parts No.	Page No.	Parts No.	Page No.
A1DU N114 00	18-20	A1DU R702 00	103-8	A1DU R719 00	30-30	A1DU R725 00	91-9	A1DU R735 00	30-27
A1DU N114 00	19-20	A1DU R703 00	102-25	A1DU R71A 00	46-1	A1DU R726 00	106-4	A1DU R736 00	46-22
A1DU N118 02	105-18	A1DU R704 00	110-3	A1DU R71B 00	31-1	A1DU R727 00	106-2	A1DU R737 00	46-25
A1DU N130 02	110-1	A1DU R705 00	4-2	A1DU R71C 00	31-17	A1DU R728 00	28-12	A1DU R738 00	46-2
A1DU N139 00	112-2	A1DU R706 00	4-8	A1DU R71D 00	31-18	A1DU R729 00	28-37	A1DU R739 00	46-3
A1DU N140 00	101-13	A1DU R707 00	119-4	A1DU R71E 00	31-20	A1DU R72A 00	28-40	A1DU R73A 00	67-18
A1DU N142 01	25-23	A1DU R708 00	1-6	A1DU R71F 00	31-15	A1DU R72B 00	28-39	A1DU R73B 00	67-11
A1DU N143 00	20-13	A1DU R709 00	1-1	A1DU R71G 00	31-16	A1DU R72C 00	106-3	A1DU R73C 00	71-14
A1DU N144 00	27-5	A1DU R70A 00	1-5	A1DU R71H 00	48-1	A1DU R72D 00	107-16	A1DU R73D 00	78-33
A1DU N145 00	21-21	A1DU R70B 00	1-9	A1DU R71H 00	51-1	A1DU R72E 00	107-16	A1DU R73E 00	79-2
A1DU N146 00	26-2	A1DU R70C 00	1-4	A1DU R71H 00	54-1	A1DU R72F 00	107-16	A1DU R73F 00	101-1
A1DU N147 00	21-20	A1DU R70D 00	1-3	A1DU R71J 00	50-2	A1DU R72G 00	92-12	A1DU R73G 00	92-3
A1DU N148 01	70-33	A1DU R70E 00	4-9	A1DU R71J 00	53-2	A1DU R72G 00	93-12	A1DU R73G 00	93-3
A1DU N149 01	71-39	A1DU R70J 00	92-1	A1DU R71J 00	56-2	A1DU R72G 00	94-12	A1DU R73G 00	94-3
A1DU N14F 00	107-14	A1DU R70J 00	94-1	A1DU R71K 00	48-4	A1DU R72G 00	95-12	A1DU R73H 00	95-3
A1DU N150 01	34-17	A1DU R70K 00	92-11	A1DU R71K 00	51-4	A1DU R72H 00	90-9	A1DU R73J 00	20-3
A1DU N15A 00	107-12	A1DU R70K 00	93-11	A1DU R71K 00	54-4	A1DU R72J 00	47-9	A1DU R73K 00	73-16
A1DU N16F 00	107-12	A1DU R70K 00	94-11	A1DU R71M 00	49-2	A1DU R72K 00	47-5	A1DU R73M 00	74-25
A1DU N170 00	33-5	A1DU R70K 00	95-11	A1DU R71M 00	52-2	A1DU R72Q 00	12-12	A1DU R73N 00	74-34
A1DU N175 00	81-21	A1DU R70M 00	92-4	A1DU R71M 00	55-2	A1DU R72Q 00	13-12	A1DU R73P 00	79-27
A1DU N176 01	111-1	A1DU R70M 00	93-4	A1DU R71N 00	57-34	A1DU R72Q 00	14-12	A1DU R73Q 00	77-15
A1DU N183 00	91-14	A1DU R70M 00	94-4	A1DU R71N 00	60-34	A1DU R72Q 00	15-12	A1DU R73R 00	77-14
A1DU N184 00	71-27	A1DU R70M 00	95-4	A1DU R71N 00	63-34	A1DU R72R 00	28-32	A1DU R73S 00	98-6
A1DU N187 00	110-9	A1DU R70N 00	93-1	A1DU R71P 00	57-30	A1DU R72S 11	19-21	A1DU R73T 00	100-10
A1DU N189 00	70-2	A1DU R70N 00	95-1	A1DU R71P 00	60-30	A1DU R72T 00	22-17	A1DU R73U 00	3-18
A1DU N190 00	110-10	A1DU R70P 00	90-1	A1DU R71P 00	63-29	A1DU R72T 00	23-17	A1DU R73V 00	102-13
A1DU N194 01	66-3	A1DU R70U 00	10-1	A1DU R71Q 00	68-15	A1DU R72U 00	24-17	A1DU R73W 00	101-2
A1DU N195 02	113-1	A1DU R70V 00	28-36	A1DU R71R 00	68-8	A1DU R72U 00	25-17	A1DU R73X 00	86-2
A1DU N196 00	105-14	A1DU R70X 44	16-21	A1DU R71S 00	67-2	A1DU R72V 00	22-1	A1DU R73X 00	87-2
A1DU N198 01	103-17	A1DU R70X 44	17-21	A1DU R71T 22	34-28	A1DU R72W 00	23-1	A1DU R73X 00	88-2
A1DU N199 00	104-7	A1DU R70Y 00	21-7	A1DU R71U 22	34-28	A1DU R72X 00	24-1	A1DU R73X 00	89-2
A1DU N213 00	107-9	A1DU R710 00	20-2	A1DU R71V 22	34-28	A1DU R72Y 00	25-1	A1DU R741 00	45-3
A1DU N220 00	70-17	A1DU R711 00	20-12	A1DU R71W 00	39-23	A1DU R730 00	22-19	A1DU R742 00	45-6
A1DU N227 00	114-1	A1DU R712 00	20-9	A1DU R71X 00	41-13	A1DU R730 00	23-19	A1DU R744 00	32-11
A1DU N276 00	113-2	A1DU R713 00	11-1	A1DU R71Y 00	41-16	A1DU R730 00	24-19	A1DU R745 00	57-18
A1DU N281 00	8-14	A1DU R714 33	29-7	A1DU R720 00	41-23	A1DU R730 00	25-20	A1DU R745 00	58-6
A1DU N282 00	8-17	A1DU R715 00	33-1	A1DU R721 00	34-12	A1DU R731 00	29-2	A1DU R745 00	60-18
A1DU N290 01	9-14	A1DU R716 00	33-4	A1DU R722 00	82-18	A1DU R732 00	29-1	A1DU R745 00	61-6
A1DU N292 00	105-32	A1DU R717 00	20-6	A1DU R723 00	84-5	A1DU R733 00	30-29	A1DU R745 00	63-18
A1DU R701 00	106-5	A1DU R718 00	30-32	A1DU R724 00	99-11	A1DU R734 00	29-4	A1DU R745 00	64-6

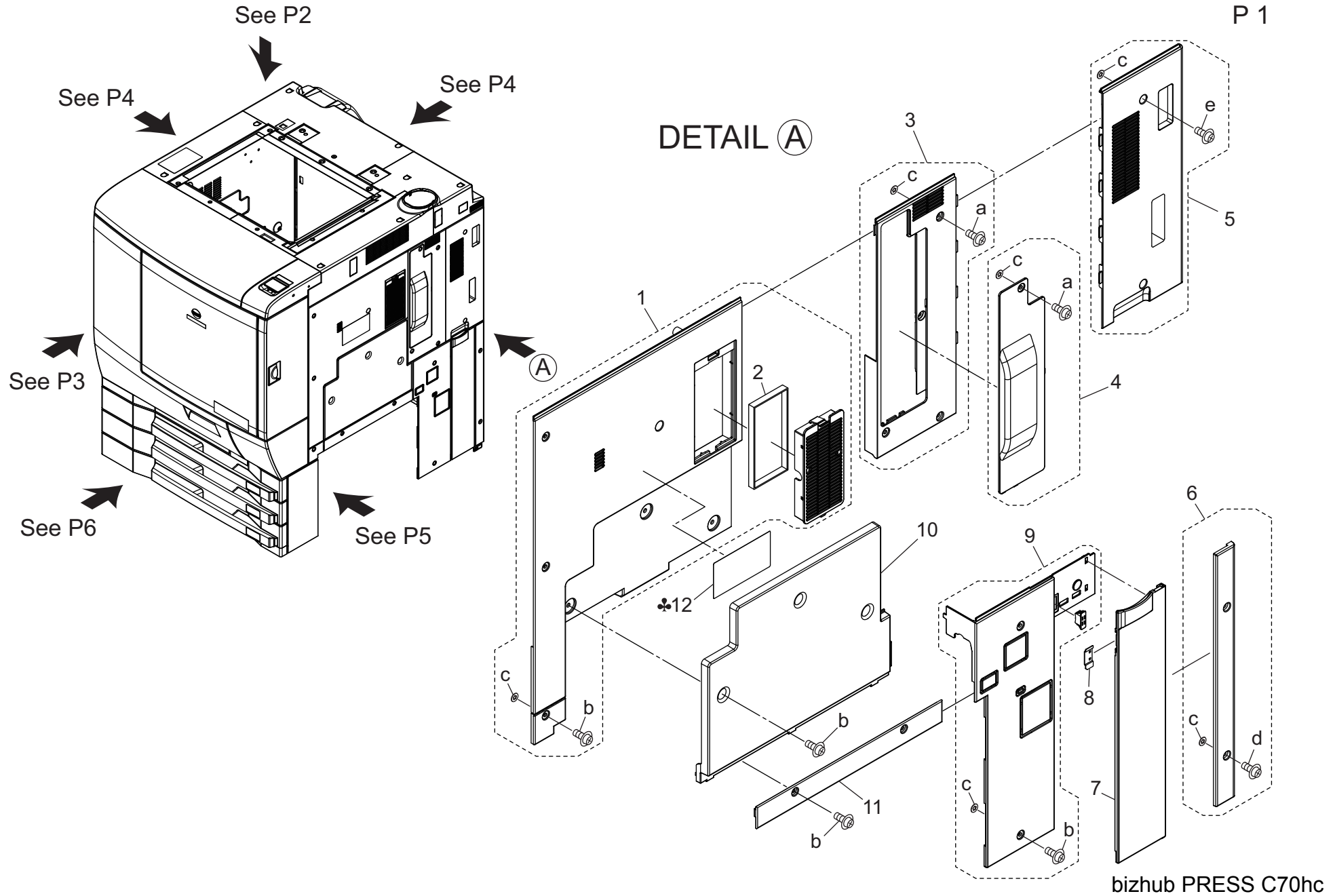
Parts No.	Page No.
A1DU R746 00	58-10
A1DU R746 00	61-10
A1DU R746 00	64-10
A1DU R747 00	36-32
A1DU R748 00	74-37
A1DU R749 00	71-4
A1DU R74E 00	45-10
A1DU R74G 00	107-16
A1DU R74H 00	39-13
A1DU R74K 22	18-21
A1RF 1688 00	2-1
A1RF 4082 01	22-25
A1RF 4082 01	23-25
A1RF 4082 01	24-25
A1RF 4082 01	25-26
A1RF 5173 00	30-13
A1RF 5173 00	80-6
A1RF 5293 00	46-6
A1RF 6203 01	48-23
A1RF 6203 01	51-23
A1RF 6203 01	54-23
A1RF 8200 00	36-1
A1RF 9426 00	101-12
A1RF 9429 00	3-15
A1RF 9431 00	74-2
A1RF 9432 00	71-24
A1RF 9433 00	73-8
A1RF 9434 00	34-4
A1RF 9435 00	84-9
A1RF 9436 00	37-1
A1RF 9437 00	84-31
A1RF 9440 00	79-35
A1RF 9441 00	78-31
A1RF 9442 00	6-2
A1RF 9451 00	12-2
A1RF 9451 00	13-2
A1RF 9451 00	14-2
A1RF 9451 00	15-2
A1RF 9455 01	16-3
A1RF 9455 01	17-3

Parts No.	Page No.
A1RF 9455 01	18-3
A1RF 9455 01	19-3
A1RF 9455 01	34-27
A1RF 9455 01	119-9
A1RF 9460 00	59-11
A1RF 9460 00	62-11
A1RF 9460 00	65-11
A1RF M151 00	105-34
A1RF M151 00	108-13
A1RF M510 00	35-4
A1RF M510 00	37-12
A1RF M755 00	7-10
A1RF M903 00	4-5
A1RF N260 00	49-1
A1RF N260 00	52-1
A1RF N260 00	55-1
A1RJ 8172 00	79-10
A1UD 7235 00	41-5
A204 1602 03	2-2
A204 1614 01	2-3
A204 R700 00	7-27
A204 R701 00	7-27
A204 R702 00	7-27
A205 4001 00	21-4
A205 4067 01	21-13
A205 9445 00	20-20
A205 9446 00	20-19
A205 9447 00	20-18
A205 9448 00	20-17
A205 9470 00	3-13
A205 R700 00	20-24
A205 R701 00	20-24
A205 R702 00	20-24
A205 R703 00	7-27
SP00 -003 2	41-26
SP00 -018 1	39-32
V500 0100 03	115-1
V500 0100 05	115-2
V500 0100 07	115-3
V500 0100 08	115-4

Parts No.	Page No.
V500 0100 15	115-5
V500 0100 20	115-6
V500 0100 21	115-7
V500 0100 29	115-8
V500 0100 30	115-9
V500 0100 32	115-10
V500 0100 34	115-11
V500 0100 46	115-12
V500 0100 51	115-13
V500 0100 57	115-14
V500 0100 72	115-15
V500 0100 75	115-16
V500 0200 01	115-17
V500 0200 23	115-18
V500 0200 33	115-19
V500 0200 35	115-20
V500 0200 50	115-21
V500 0200 53	115-22
V500 0200 54	115-23
V500 0200 85	115-25
V501 0100 02	115-26
V501 0100 06	115-27
V501 0100 09	115-28
V501 0100 10	115-29
V501 0100 18	115-30
V501 0100 20	115-31
V502 0100 14	90-3
V502 0100 15	36-29
V502 0100 15	47-25
V502 0100 32	107-10
V502 0100 33	107-11
V502 0100 44	26-4
V570 0100 08	37-15
V570 0100 21	115-32
V570 0100 23	115-33
V570 0100 34	37-17
V570 0100 38	115-34
V570 0100 39	115-35
V570 0100 40	115-36
V570 0100 47	115-37

Parts No.	Page No.
V570 0100 50	115-38
V570 0100 57	115-39
V570 0100 58	115-40
V570 0100 59	116-1
V570 0100 60	116-2
V570 0100 63	116-3
V590 0400 02	119-6
V651 0100 03	116-4
V651 0100 05	115-24

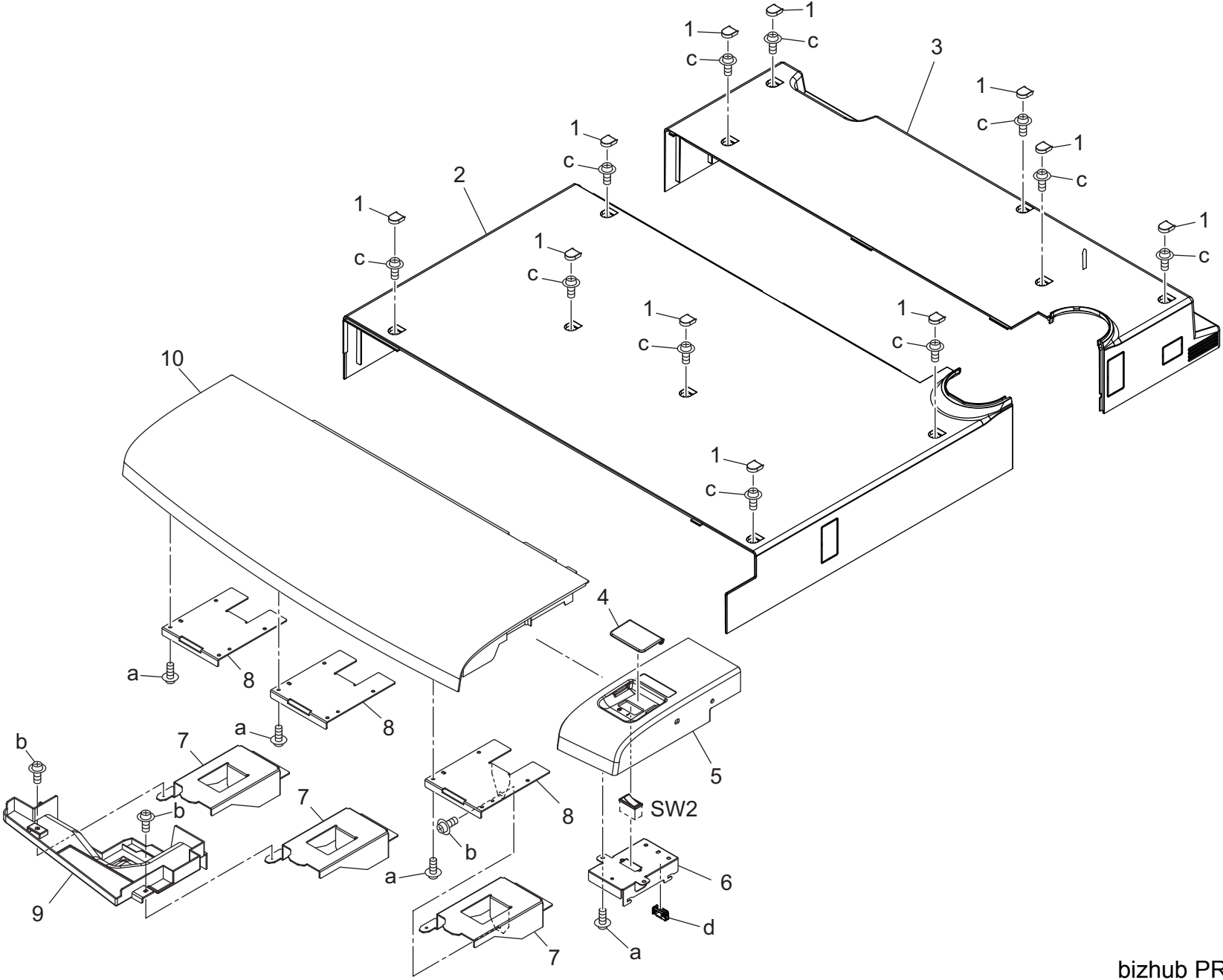
EXTERNAL PARTS



EXTERNAL PARTS

Key	Part No.	Description	Destinations	Class	QTY	Standard parts
1	A1DU R709 00	Side Cover /1Assy		C	1	a-V114 0408 04 b-V114 0410 04 c-V211 0400 80 d-V114 0412 04 e-V114 0414 04
2	A1DU 1230 01	Cooling Filter /Right		A	1	
3	A1DU R70D 00	Cover Part /2 Assy		D	1	
4	A1DU R70C 00	Suction Cover Assy		D	1	
5	A1DU R70A 00	Side Cover /2Assy		C	1	
6	A1DU R708 00	Cover Part/4Assy		D	1	
7	A03U 1610 00	Collection Door		C	1	
8	65AA 1227 0D	Magnet Catch		D	1	
9	A1DU R70B 00	Side Cover /3Assy		C	1	
10	A1DU 1635 00	Bypass Cover		D	1	
11	A1DU 1662 00	Protection Cover		D	1	
12	A1DU 9459 00	Paper feed Label /3	B,G2	D	1	

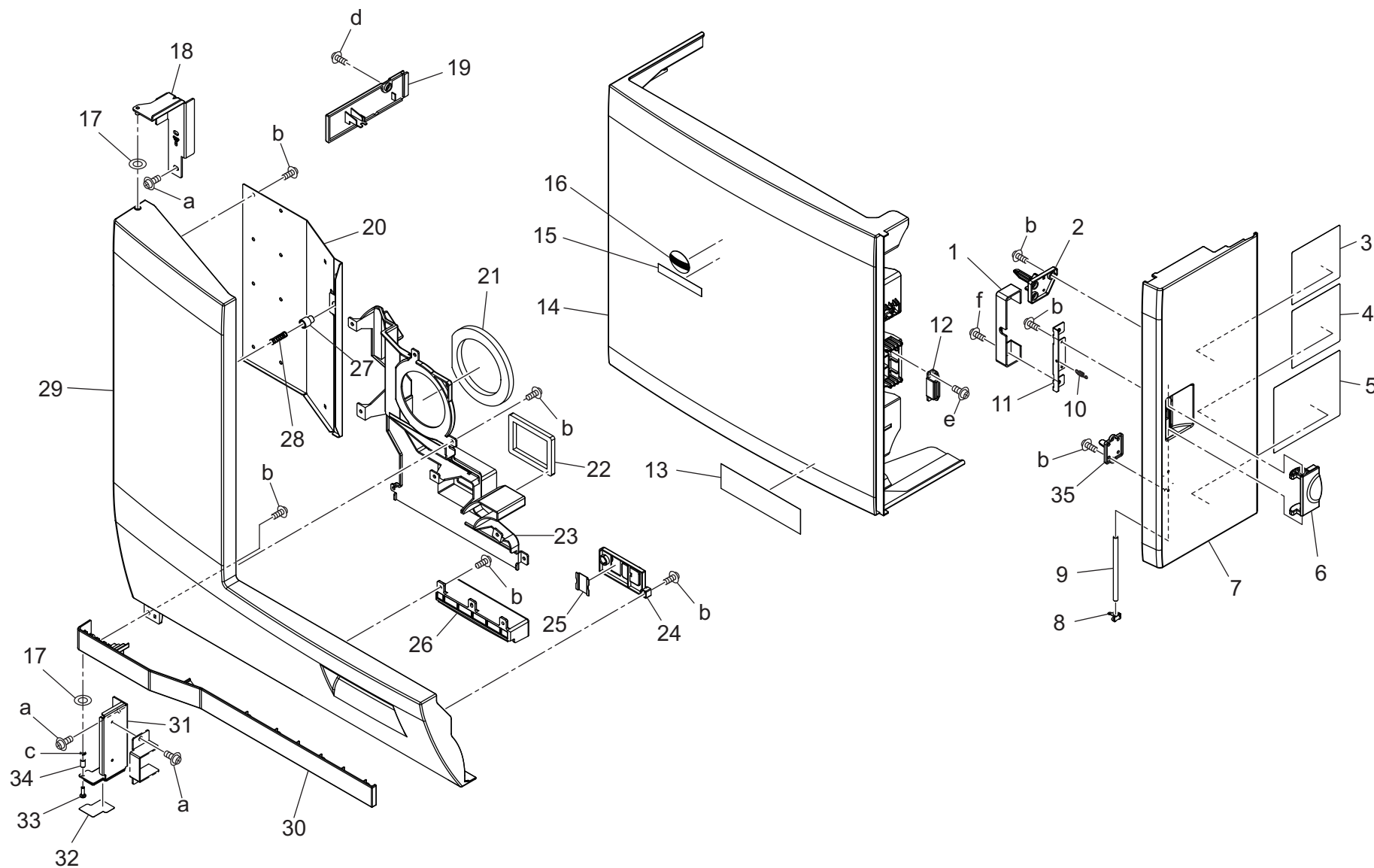
EXTERNAL PARTS



EXTERNAL PARTS

Key	Part No.	Description	Destinations	Class	QTY	Standard parts
1	A1RF 1688 00	Click Cover		D	11	a-V158 0308 03 b-V121 0406 03 c-V114 0406 04 d-V570 0100 57
2	A204 1602 03	Read Cover /Middle		D	1	
3	A204 1614 01	Read Cover /Rear		D	1	
4	A1DU 1634 02	Protection Cover		D	1	
5	A1DU 1633 00	Cover /Right		D	1	
6	A1DU 1156 00	Fixing Plate /S		D	1	
7	A1DU 1638 00	Hold Stay /Left		D	3	
8	A1DU 1637 00	Mounting Plate /Upper		D	3	
9	A1DU 1639 00	Mounting Cover /Lower		D	1	
10	A1DU 1613 02	Cover /Upper		D	1	

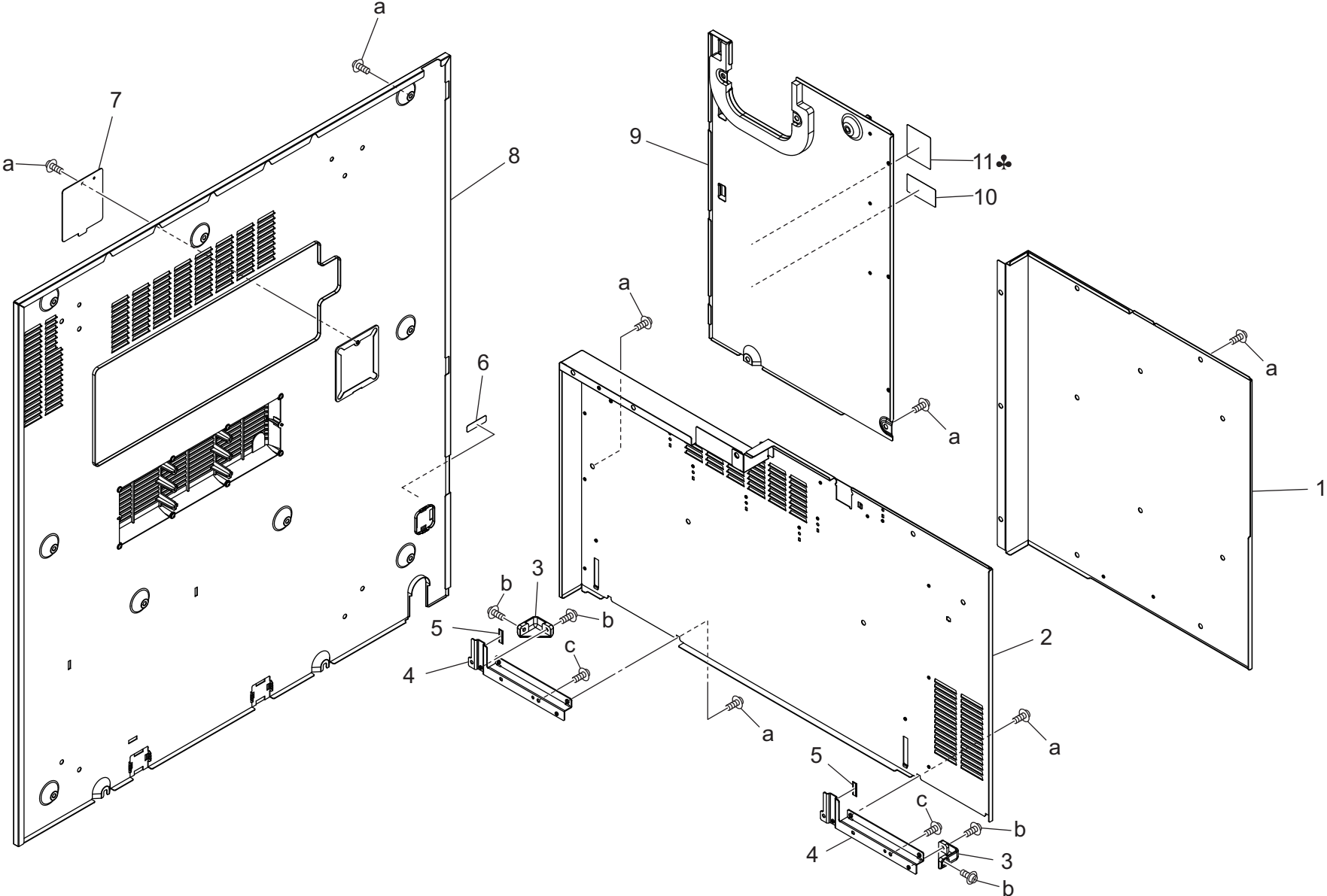
EXTERNAL PARTS



EXTERNAL PARTS

Key	Part No.	Description	Destinations	Class	QTY	Standard parts
1	65AA 1263 0	FULCRUM COVER		C	1	a-V121 0406 03 b-V158 0308 04 c-V217 0200 50 d-V114 0410 04 e-V145 0308 04 f-V121 0306 04
2	A1DU 1641 01	Detecting Part		D	1	
3	A1DU 9449 00	Toner supply Label /1		D	1	
4	A1DU 9450 00	Toner supply Label /2		D	1	
5	A1DU 9451 00	Toner supply Label /3		D	1	
6	A03U 1660 00	Toner supply Handle		C	1	
7	A1DU 1605 01	Toner Supply Cover /Right		D	1	
8	65AA 1262 0D	Open/shut Plate		D	1	
9	65AA 1261 0	Fulcrum Shaft		D	1	
10	65AA 1264 0	OPEN SHUT SPRING		C	1	
11	65AA 1228 0	MAGNET STOPPER PLATE A		D	1	
12	07BA 1235 2	MAGNET CATCH		C	1	
13	A205 9470 00	Indicating Label C70hc		D	1	
14	A1DU 1604 03	Toner supply Cover /Front		D	1	
15	A1RF 9429 00	Indicating Plate		D	1	
16	A03U 1685 00	Indicating Plate		C	1	
17	40AA 3232 0	TONER SUPPLY SPACER		C	2	
18	A1DU R73U 00	Main Body Hinge/2 Caulking		D	1	
19	A1DU 1636 01	Cover /Left front		D	1	
20	A03U 1678 00	Front door Reinforce Plate		D	1	
21	A1DU 1695 00	Cooling Pad /1		D	1	
22	A1DU 1696 00	Cooling Pad /2		D	1	
23	A1DU 1694 00	Cooling Duct /Front		D	1	
24	A1DU 1656 00	Lock Cover		D	1	
25	56AA 1224 1	EXTERNAL LOCK PLATE		D	1	
26	A03U 1658 01	FRONT DOOR AUXILIARY COVER		C	1	
27	65AA 1279 0E	Front door Guide Pin		D	1	
28	65AA 1280 0	SHAFT PRESSING SPRING		C	1	
29	A1DU 1606 00	Cover /Left		D	1	
30	A1DU 1632 00	Door /Lower		D	1	
31	A03U 1620 01	Main body Cover Hinge /1		D	1	
32	A03U 1686 00	Cassette Protection Sheet		C	1	
33	65AA 1282 1	HINGE SHAFT/3		D	1	
34	65AA 1283 0	GUIDE COLLAR		C	1	
35	A1DU 1644 00	Actuator		D	1	

EXTERNAL PARTS

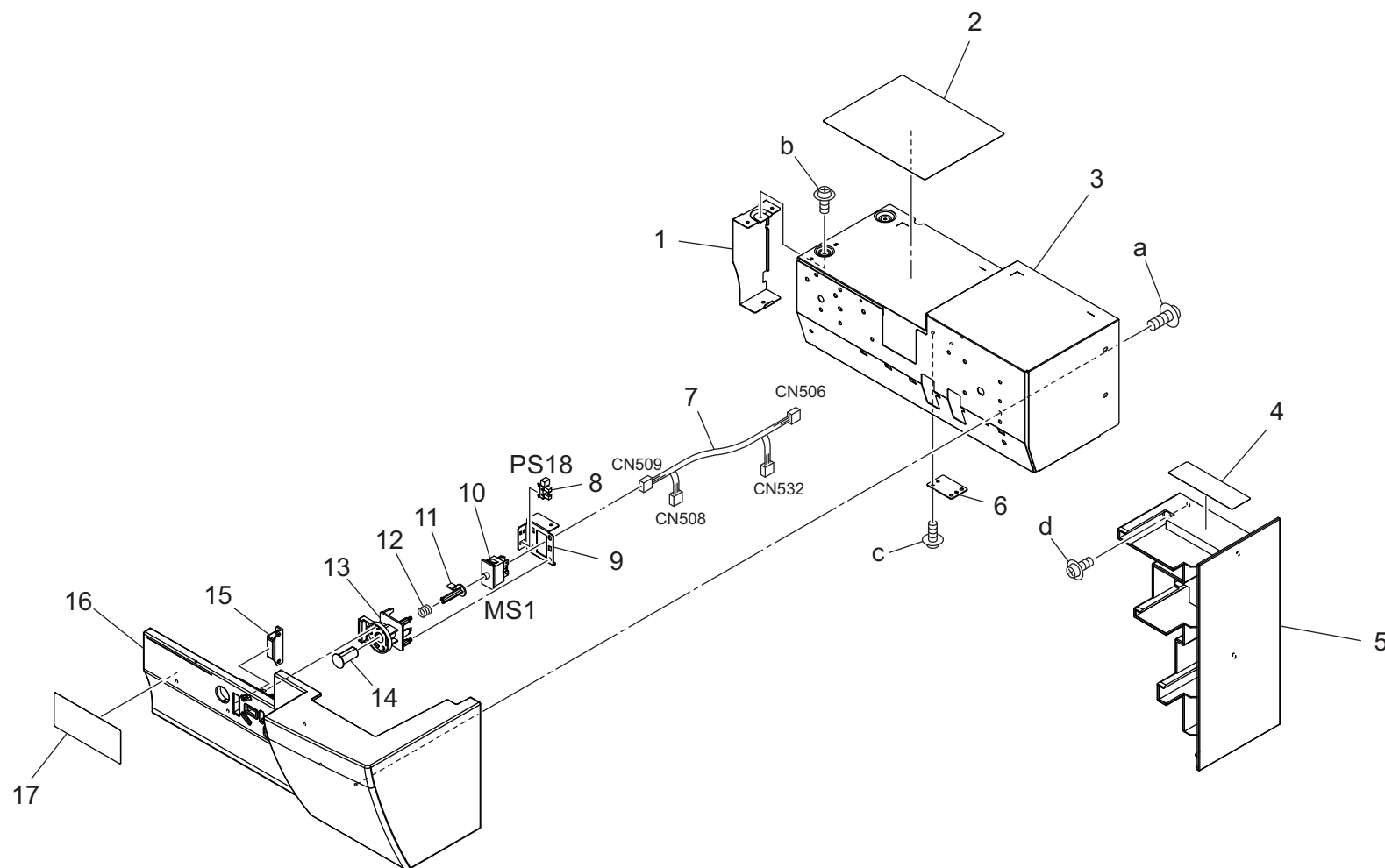


EXTERNAL PARTS

Key	Part No.	Description	Destinations	Class	QTY	Standard parts
1	A1DU 1608 01	Protection Cover /2		D	1	a-V114 0406 04 b-V121 0306 04 c-V121 0406 03
2	A1DU R705 00	Rear Cover		D	1	
3	A1DU 1663 00	Protection Part		D	2	
4	A1DU 1640 00	Mounting Plate		D	2	
5	A1RF M903 00	Gasket /3		D	2	
6	A00J 9454 00	Label Dehumidifier SW.		C	1	
7	A1DU 1665 00	Protection Cover /Left		D	1	
8	A1DU R706 00	Eject Cover Assy		D	1	
9	A1DU R70E 00	Rear Cover/1Assy		D	1	
10	56UA 9731 0	LASER INDICATING LABEL		D	1	
11	56UA 9732 0	CAUTION LABEL/A	C	D	1	

EXTERNAL PARTS

P 5

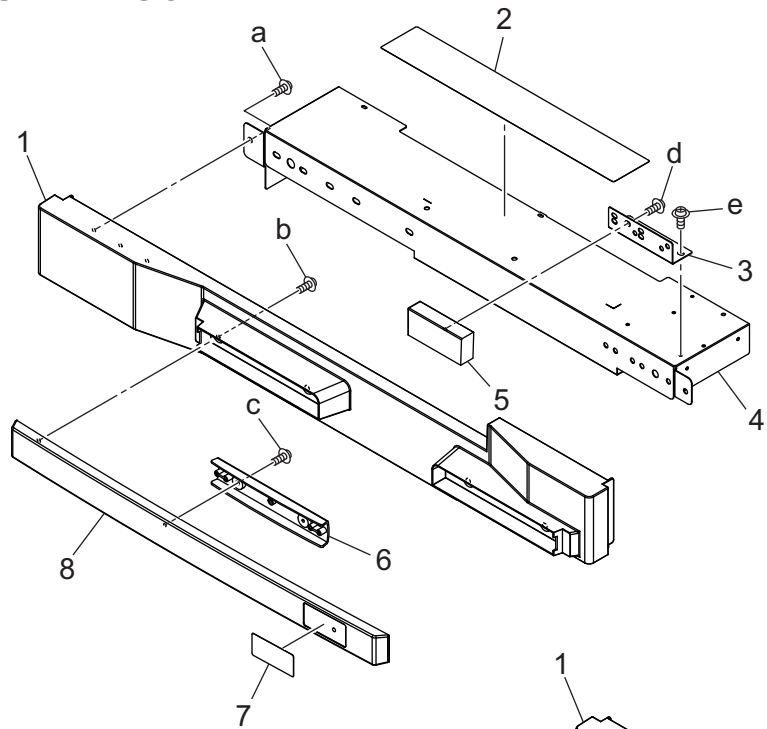


bizhub PRESS C70hc

EXTERNAL PARTS

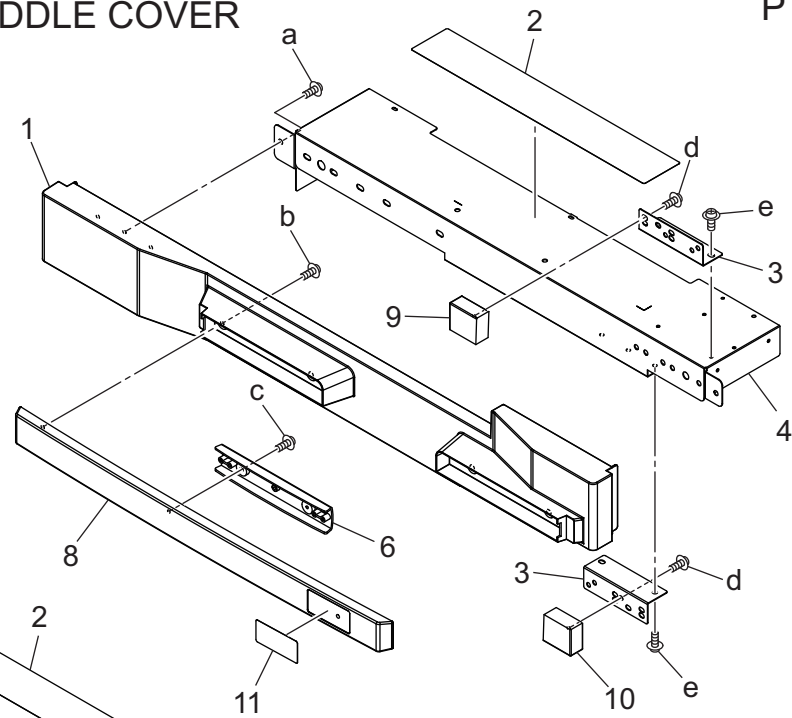
Key	Part No.	Description	Destinations	Class	QTY	Standard parts
1	65AA 1257 0D	Side Mounting Plate /2		D	1	a-V158 0308 03 b-V121 0306 03 c-V121 0304 03 d-V114 0406 04
2	A1DU 9443 00	Processing Label /2		D	1	
3	65AA 1202 1F	ADU Cover /U		D	1	
4	A1DU 9430 00	Caution Label		D	1	
5	A03U 1630 11	Paper Feed Cover /Right		C	1	
6	A03U 1697 00	Cover Plate		D	1	
7	65AA 9069 1E	Interlock Wiring		D	1	
8	08AA 8551 2	Photo Sensor		B	1	
9	56AA 1213 0	SWITCH FIXING PLATE		D	1	
10	40AA 8501 1	Door Switch		B	1	
11	56AA 1215 0	SWITCH PRESSING ACTUATOR		C	1	
12	56AA 1216 0	CONTACT PRESSING SPRING 1		C	1	
13	56AA 1212 0	SWITCH GUIDE PART		C	1	
14	56AA 1214 0	SWITCH CONNECTING ACTUATOR		C	1	
15	55FA 1210 1	MAGNET CATCH X		C	1	
16	A1DU 1601 02	Cover /Right front		D	1	
17	A03U 9442 00	Processing Label /1		C	1	

EXTERNAL PARTS
UPPER COVER

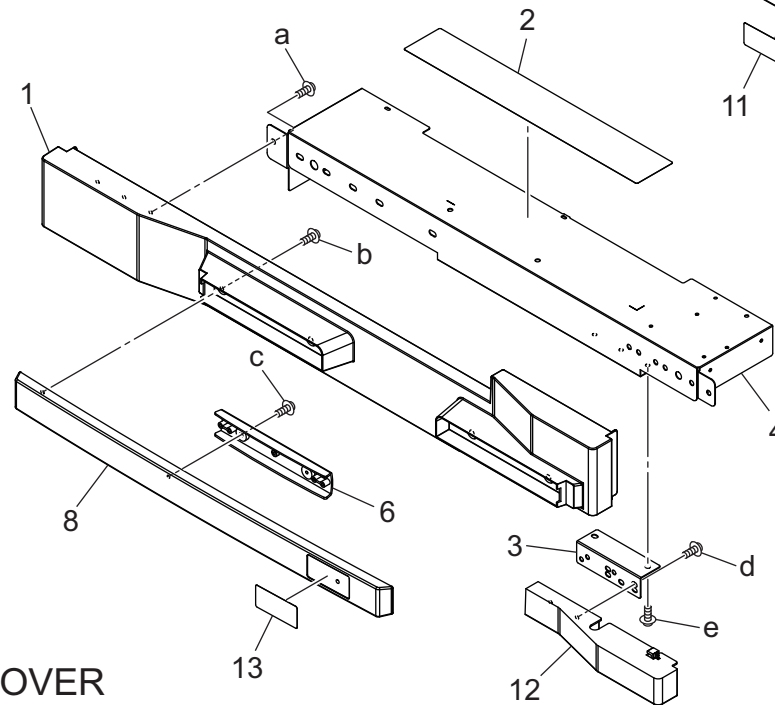


MIDDLE COVER

P 6



LOWER COVER



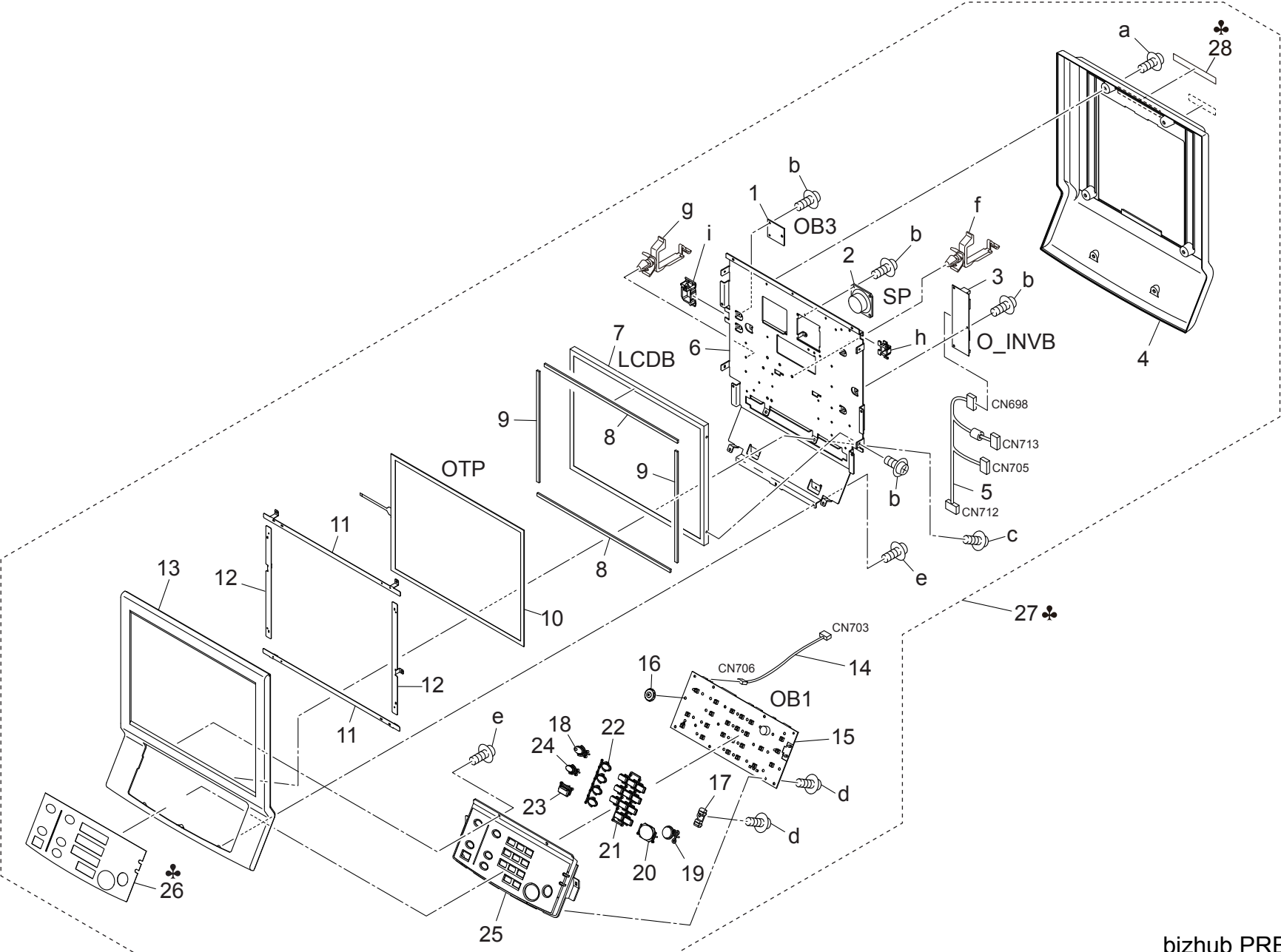
EXTERNAL PARTS

Key	Part No.	Description	Destinations	Class	QTY	Standard parts
1	A0U0 1740 00	Paper feed Cover		C	3	a-V158 0410 03 b-V151 0412 03 c-V158 0310 03 d-V151 0408 04 e-V121 0304 04
2	A1RF 9442 00	Operation Label /1		D	3	
3	A03U 6206 00	Mounting Plate		D	4	
4	A03U 6205 03	Support Cover		D	3	
5	A0U0 1788 00	Paper feed Cover /B		C	1	
6	A03X 1702 01	PAPER FEED HANDLE /2		C	3	
7	A0U0 9454 01	Indicating Label /1		C	1	
8	A0U0 1798 00	Paper feed Handle		C	3	
9	A0U0 1787 00	Paper feed Cover /A		C	1	
10	A0U0 1791 00	Paper feed Cover /C		C	1	
11	A0U0 9455 01	Indicating Label /2		C	1	
12	A0U0 1796 01	Paper feed Cover /D		C	1	
13	A0U0 9456 01	Indicating Label /3		C	1	



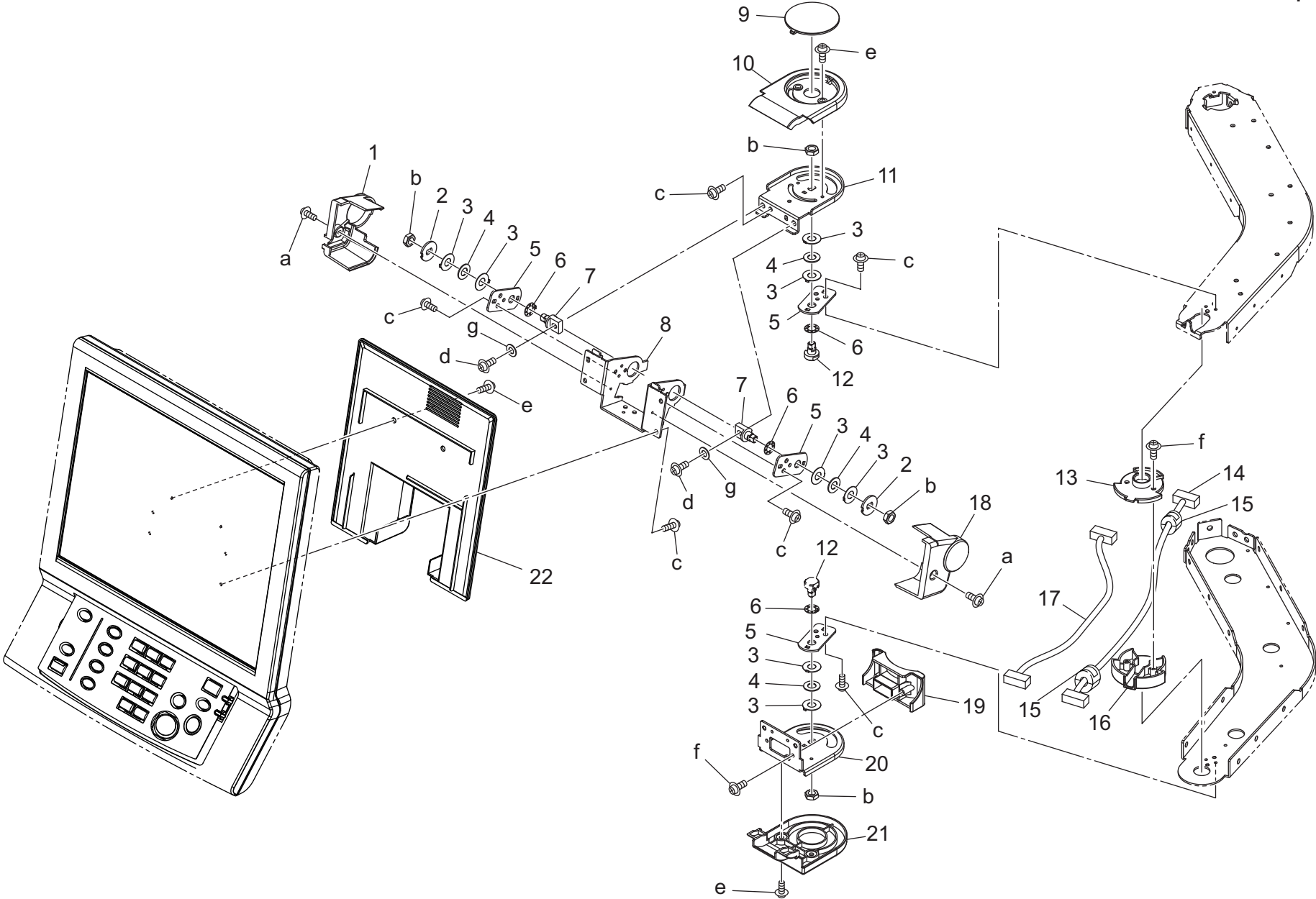
Order here
8 (495) 646-0426
www.km-shop.ru

OPERATION SECTION



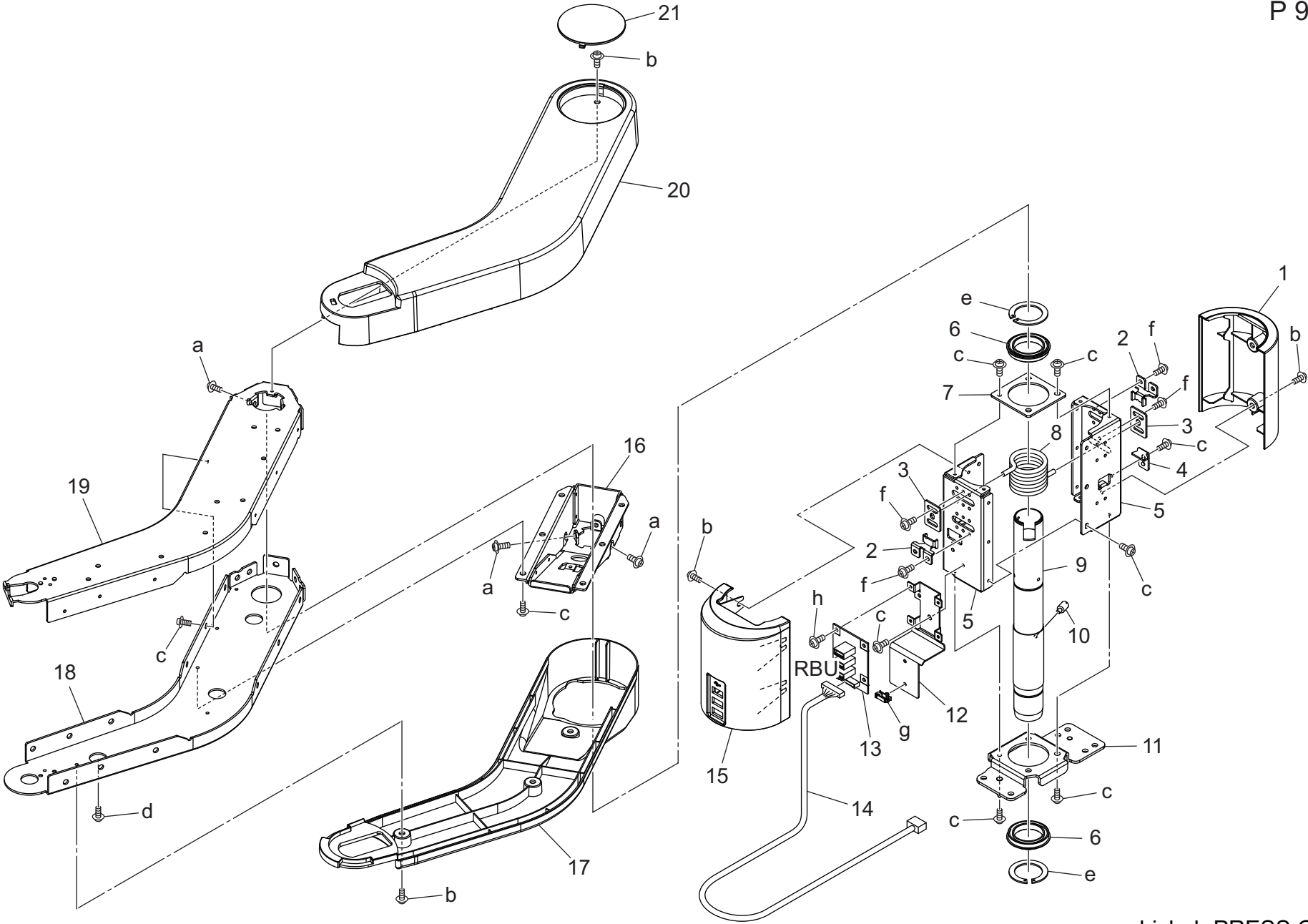
OPERATION SECTION

Key	Part No.	Description	Destinations	Class	QTY	Standard parts
1	A0G6 H060 00	Operation Board /3 Assy		C	1	a-V114 0406 04
2	4040 M401 00	LOUDSPEAKER		D	1	b-V118 0304 03
3	A0G6 M352 00	Ope.Unit Inverter Unit		C	1	c-V158 0310 03
4	A0G6 1902 00	Operation Cover /Rear		C	1	d-V158 0306 03
5	A0G6 N181 01	Ope.unit Wiring /3		D	1	e-V158 0308 03
6	A0G6 1904 03	Operation Plate		D	1	f-V500 0100 05
7	A0G6 M754 00	Ope.Unit LCD		C	1	g-V500 0100 46
8	A0G6 1924 00	Holding Cushion /Upper		C	2	h-V570 0100 50
9	A0G6 1925 00	Holding Cushion /Right		C	2	i-V570 0100 63
10	A1RF M755 00	Ope.unit Touch panel		D	1	
11	A0G6 1927 00	Ground Plate /1		D	2	
12	A0G6 1929 00	Ground Plate /2		D	2	
13	A0G6 1901 01	Operation Cover /Front		C	1	
14	A0G6 N184 00	Ope.Unit Control Harness /3		D	1	
15	A0G6 H040 00	OPERATION BOARD/1 ASSY		I	1	
16	A0G6 1941 01	Operation Knob /1		C	1	
17	A0G6 1916 00	Indicating Part /1		D	1	
18	A0G6 1938 00	Operation Button /10		C	1	
19	56UA 7033 0	OPERATION UNIT BUTTON S		C	1	
20	A0G6 1932 00	Operation Button /2		C	1	
21	A0G6 1931 00	Operation Button /1		C	1	
22	A0G6 1934 00	Operation Button /4		C	1	
23	A0G6 1940 00	Operation Button /9		C	1	
24	A0G6 1939 00	Operation Button /8		C	1	
25	A0GA 1903 01	Operation Casing /1		C	1	
26	A0GA 1950 00	Operation Sheet	A	C	1	
26	A0GA 2050 00	Operation Sheet	B,D1,D3,E,F2,G1,G2,I	C	1	
27	A204 R700 00	Operation Unit(JP)	A	I	1	
27	A204 R701 00	Operation Unit(US)	B,G2	I	1	
27	A204 R702 00	Operation Unit(EU)	C	I	1	
27	A205 R703 00	OPERATION UNIT(AP)	D1,D3,E,F2,G1,I	I	1	
28	A03U 9465 00	Regulating Label	B,G2	D	1	

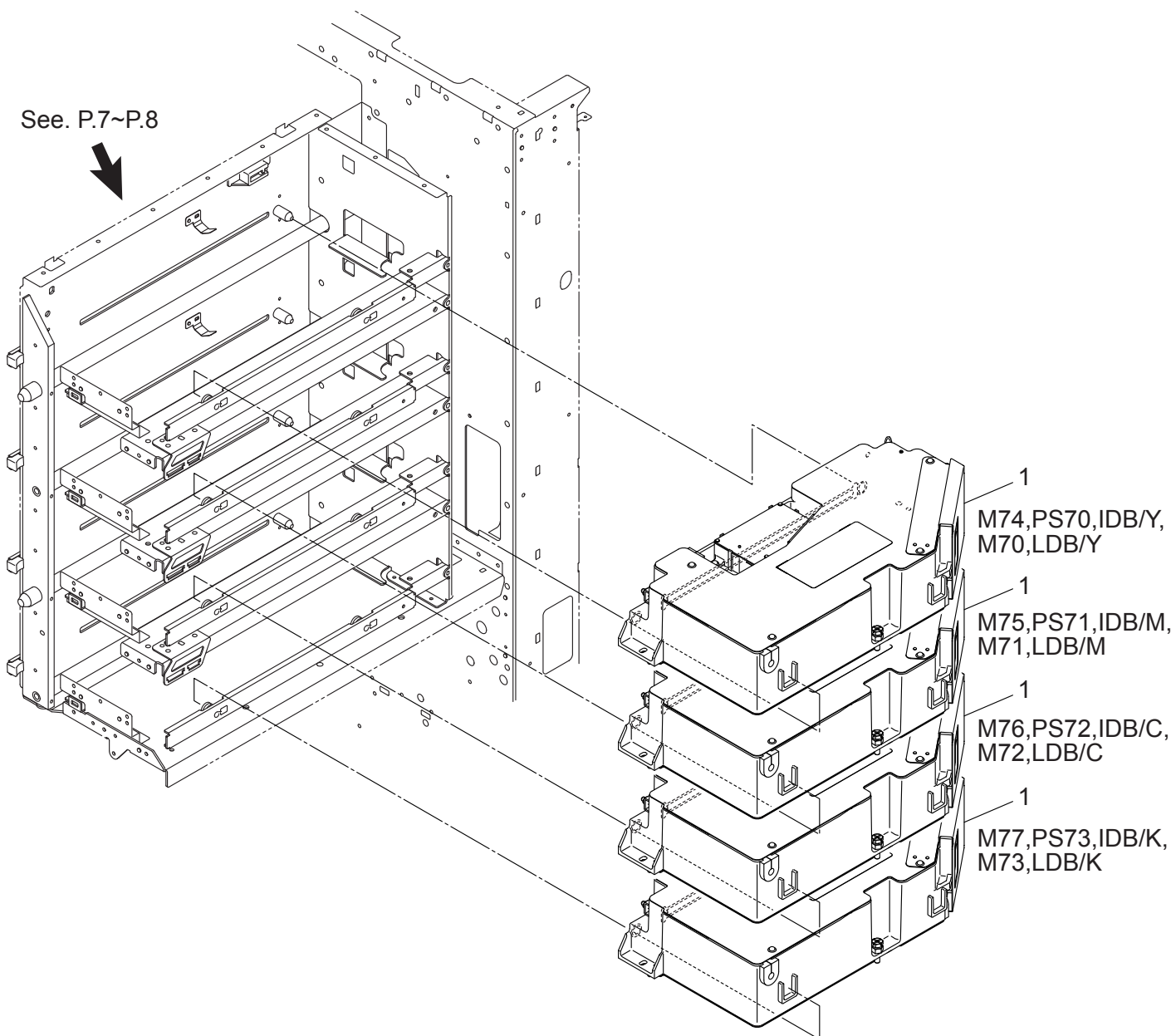


OPERATION SECTION

Key	Part No.	Description	Destinations	Class	QTY	Standard parts
1	A03U 1940 01	Operation Cover /F		C	1	a-V121 0306 03 b-V196 0800 03 c-V121 0406 03 d-V188 0516 04 e-V114 0406 04 f-V158 0308 03 g-V207 0500 03
2	A03U 1920 00	Fixing Part /T		D	2	
3	A03U 1918 00	Rotation Spacer /1		D	8	
4	A03U 1917 00	Rotation Spring /T		D	4	
5	A03U 1916 00	Mounting Plate /T		D	4	
6	A03U 1919 00	Rotation Spacer /2		D	4	
7	A03U 1921 00	Fixing Shaft /U		D	2	
8	A03U 1909 00	Ope. unit Mounting Stay /1		D	1	
9	A03U 1938 00	Operation Cover /I		C	1	
10	A03U 1933 00	Operation Cover /C		C	1	
11	A03U 1914 00	Support Plate /Upper		D	1	
12	A03U 1922 00	Rotation Shaft /T		D	2	
13	A03U 1937 00	Swing Cover /Upper		C	1	
14	A1DU N281 00	Ope.unit Control harness /1		D	1	
15	A0G6 M931 00	Ferritecore		D	2	
16	A03U 1936 00	Swing Cover /Lower		C	1	
17	A1DU N282 00	Ope.unit Control harness /2		D	1	
18	A03U 1941 01	Operation Cover /G		C	1	
19	A03U 1934 00	Operation Cover /E		C	1	
20	A03U 1915 00	Support Plate /Lower		D	1	
21	A03U 1935 00	Operation Cover /D		C	1	
22	A1DU 1971 00	Operation Cover /R		D	1	



Key	Part No.	Description	Destinations	Class	QTY	Standard parts
1	A1DU 1943 00	Operation Cover /B		D	1	a-V185 0412 03
2	A03U 1954 00	Regulating Part		D	2	b-V114 0406 04
3	A03U 1953 02	REGULATING PLATE		D	2	c-V121 0406 03
4	A03U 1955 00	Rotation Stopper		D	1	d-V158 0308 03
5	A03U 1908 02	Support Plate /2		D	2	e-V223 3000 04
6	65AA 7501 0E	DRUM SUPPORT BEARING		D	2	f-V116 0408 03
7	A03U 1911 00	Support Plate /3		D	1	g-V500 0100 61
8	A03U 1912 01	Support Spring		C	1	h-V121 0306 03
9	A03U 1913 00	Ope. unit Support Pipe		D	1	
10	A03U 1923 00	Stopper Screw /A		C	1	
11	A03U F191 00	Main Body Attachment Caulking		D	1	
12	A1DU 1901 00	Installing Plate		D	1	
13	A1DU H110 00	Relay Board/U ASSY		C	1	
14	A1DU N290 01	Relay Wiring /U		D	1	
15	A1DU 1942 00	Operation Cover /A		D	1	
16	A03U 1907 00	Support Plate /1		D	1	
17	A03U 1932 00	Operation Cover /Lower		C	1	
18	A03U 1905 00	Ope. unit Mounting Arm /Lower		D	1	
19	A03U 1906 00	Ope. unit Mounting Arm /Upper		D	1	
20	A03U 1931 00	Operation Cover /Upper		C	1	
21	A03U 1939 00	Operation Cover /J		C	1	



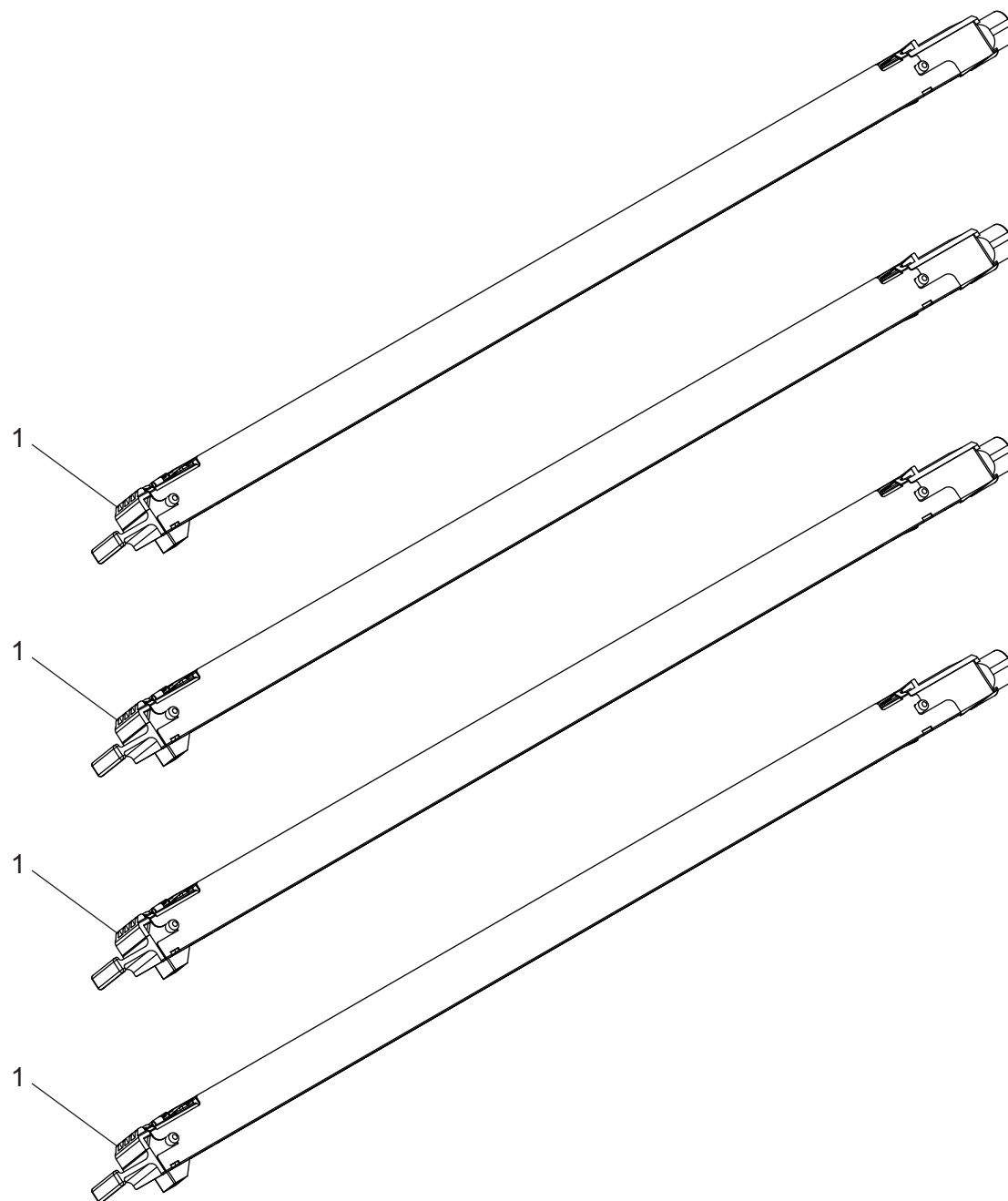
WRITE SECTION

Key	Part No.	Description	Destinations	Class	QTY	Standard parts
1	A1DU R70U 00	PH Unit		I	4	

CHARGE CORONA SECTION

YELLOW
MAGENTA
CYAN
BLACK

P 11



CHARGE CORONA SECTION

Key	Part No.	Description	Destinations	Class	QTY	Standard parts
1	A1DU R713 00	Charging Unit		A	4	



PHOTO CONDUCTOR SECTION

YELLOW

P 12

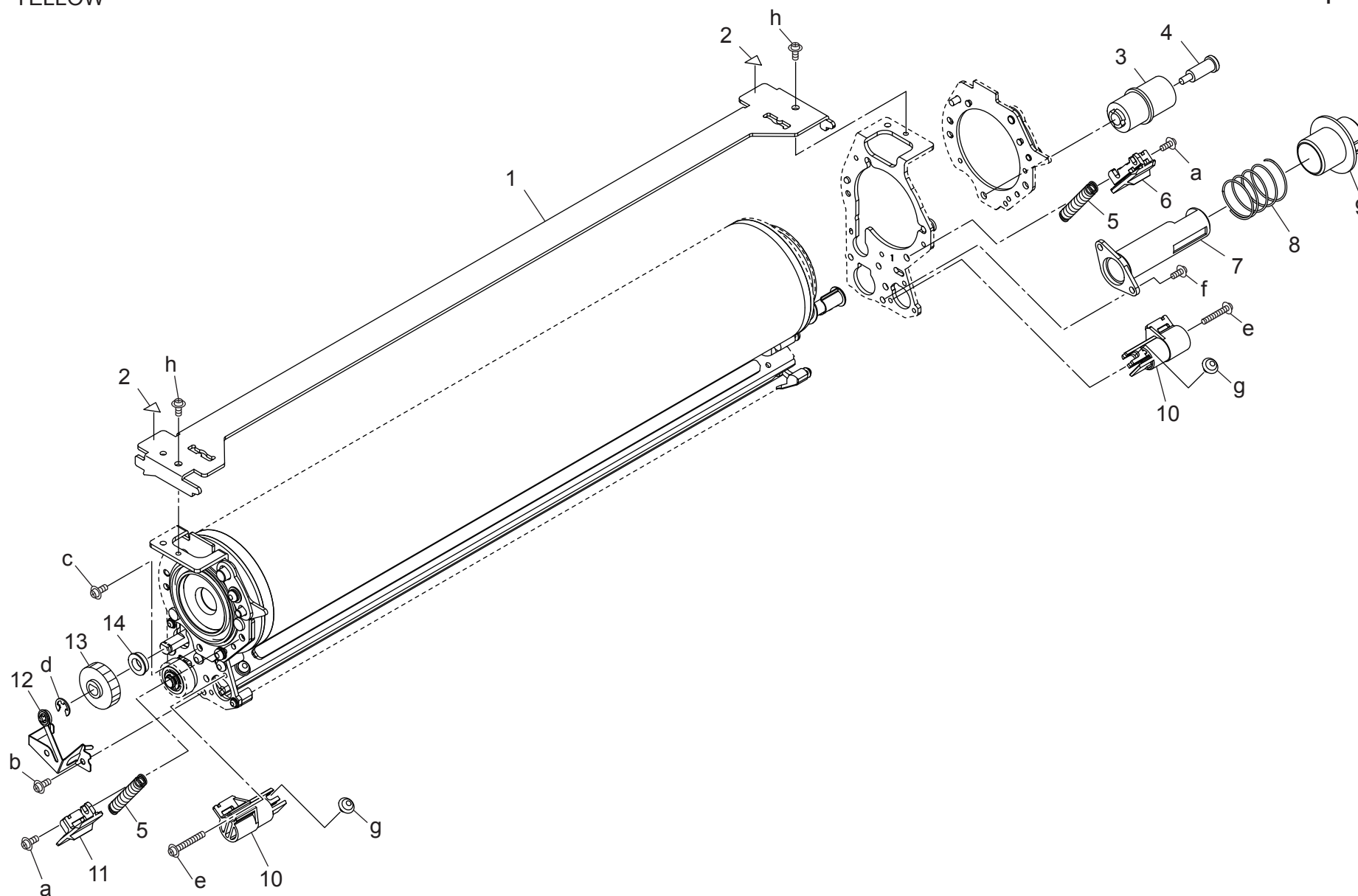


PHOTO CONDUCTOR SECTION

Key	Part No.	Description	Destinations	Class	QTY	Standard parts
1	A03U 3302 02	Drum Stay /Upper		D	1	a-V129 0308 03 b-V151 0310 03 c-V118 0306 03 d-V217 0400 50 e-V121 0318 03 f-V145 0310 03 g-V121 0304 03 h-V126 0306 03
2	A1RF 9451 00	Replacement Label /1		D	2	
3	A03U 3346 00	Coupling /A		C	1	
4	65AA 2045 0	Coupling Shaft /A		D	1	
5	A1DU 3325 00	Pressing Spring		D	2	
6	A1DU 3352 00	Insulating Part /Rear		D	1	
7	65AA 2004 0	COLLECTING PIPE		D	1	
8	65AA 2030 0	TONER COLLECTING SPRING		C	1	
9	65AA 2006 0	COLLECTING COVER		C	1	
10	A1DU 3312 00	Support Part		D	2	
11	A1DU 3351 00	Insulating Part /Front		D	1	
12	A1DU R72Q 00	Drum Ground		C	1	
13	65AA 7732 0	SCREW IDLING GEAR 32T		C	1	
14	A00J 6178 00	BALL BEARING		C	1	

PHOTO CONDUCTOR SECTION

MAGENTA

P 13

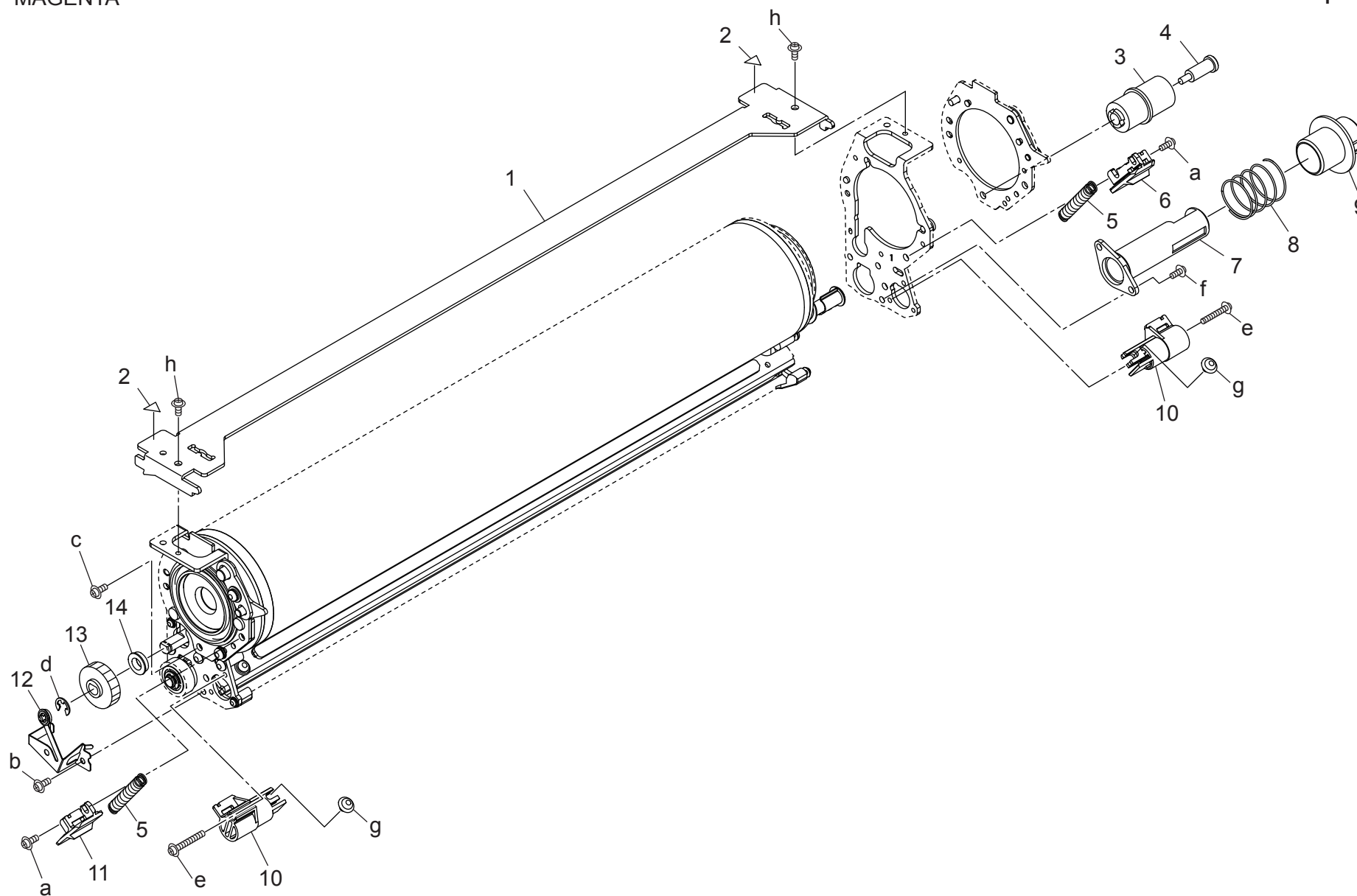


PHOTO CONDUCTOR SECTION

Key	Part No.	Description	Destinations	Class	QTY	Standard parts
1	A03U 3302 02	Drum Stay /Upper		D	1	a-V129 0308 03 b-V151 0310 03 c-V118 0306 03 d-V217 0400 50 e-V121 0318 03 f-V145 0310 03 g-V121 0304 03 h-V126 0306 03
2	A1RF 9451 00	Replacement Label /1		D	2	
3	A03U 3346 00	Coupling /A		C	1	
4	65AA 2045 0	Coupling Shaft /A		D	1	
5	A1DU 3325 00	Pressing Spring		D	2	
6	A1DU 3352 00	Insulating Part /Rear		D	1	
7	65AA 2004 0	COLLECTING PIPE		D	1	
8	65AA 2030 0	TONER COLLECTING SPRING		C	1	
9	65AA 2006 0	COLLECTING COVER		C	1	
10	A1DU 3312 00	Support Part		D	2	
11	A1DU 3351 00	Insulating Part /Front		D	1	
12	A1DU R72Q 00	Drum Ground		C	1	
13	65AA 7732 0	SCREW IDLING GEAR 32T		C	1	
14	A00J 6178 00	BALL BEARING		C	1	

PHOTO CONDUCTOR SECTION

CYAN

P 14

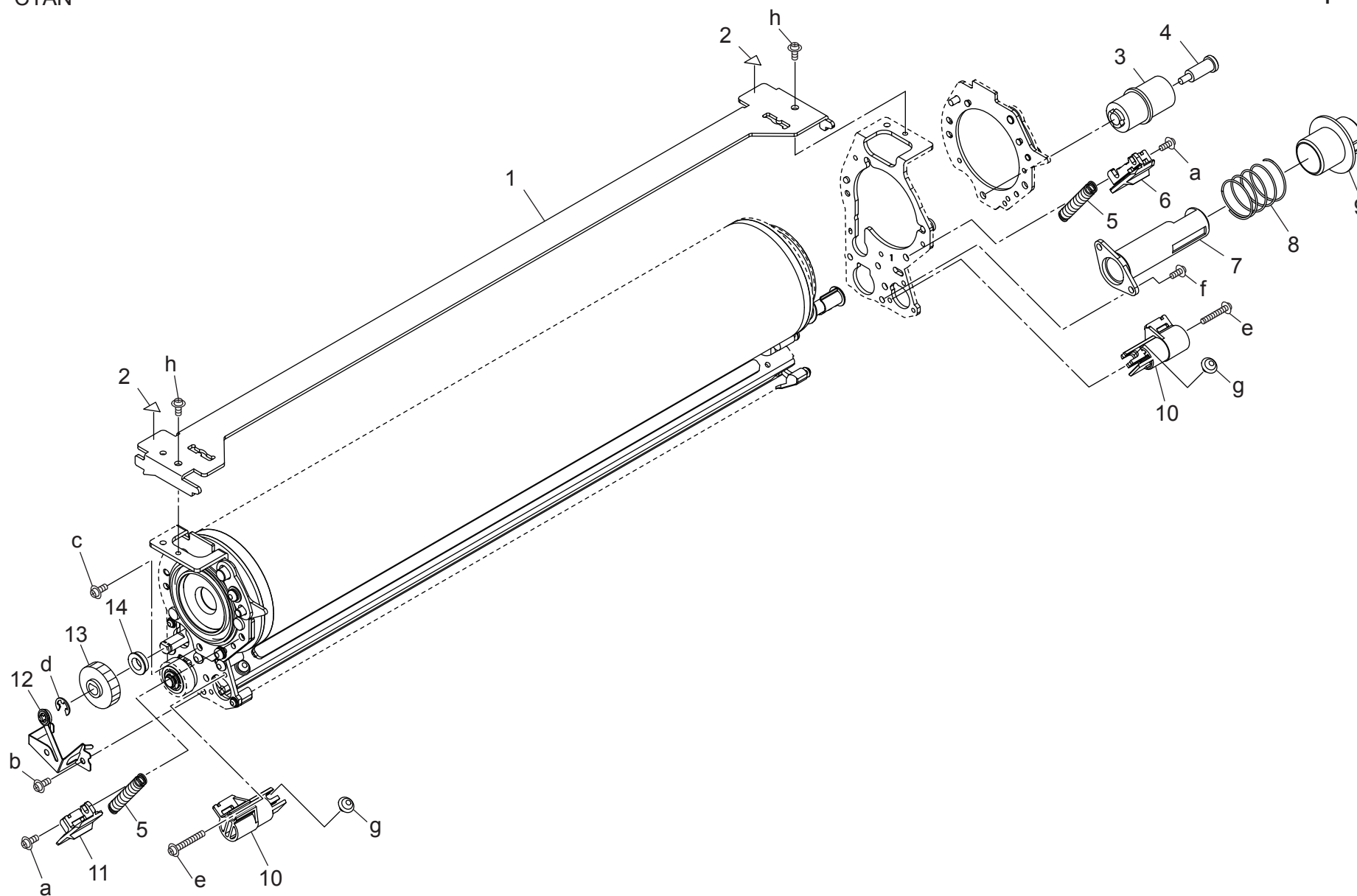


PHOTO CONDUCTOR SECTION

Key	Part No.	Description	Destinations	Class	QTY	Standard parts
1	A03U 3302 02	Drum Stay /Upper		D	1	a-V129 0308 03 b-V151 0310 03 c-V118 0306 03 d-V217 0400 50 e-V121 0318 03 f-V145 0310 03 g-V121 0304 03 h-V126 0306 03
2	A1RF 9451 00	Replacement Label /1		D	2	
3	A03U 3346 00	Coupling /A		C	1	
4	65AA 2045 0	Coupling Shaft /A		D	1	
5	A1DU 3325 00	Pressing Spring		D	2	
6	A1DU 3352 00	Insulating Part /Rear		D	1	
7	65AA 2004 0	COLLECTING PIPE		D	1	
8	65AA 2030 0	TONER COLLECTING SPRING		C	1	
9	65AA 2006 0	COLLECTING COVER		C	1	
10	A1DU 3312 00	Support Part		D	2	
11	A1DU 3351 00	Insulating Part /Front		D	1	
12	A1DU R72Q 00	Drum Ground		C	1	
13	65AA 7732 0	SCREW IDLING GEAR 32T		C	1	
14	A00J 6178 00	BALL BEARING		C	1	

PHOTO CONDUCTOR SECTION

BLACK

P 15

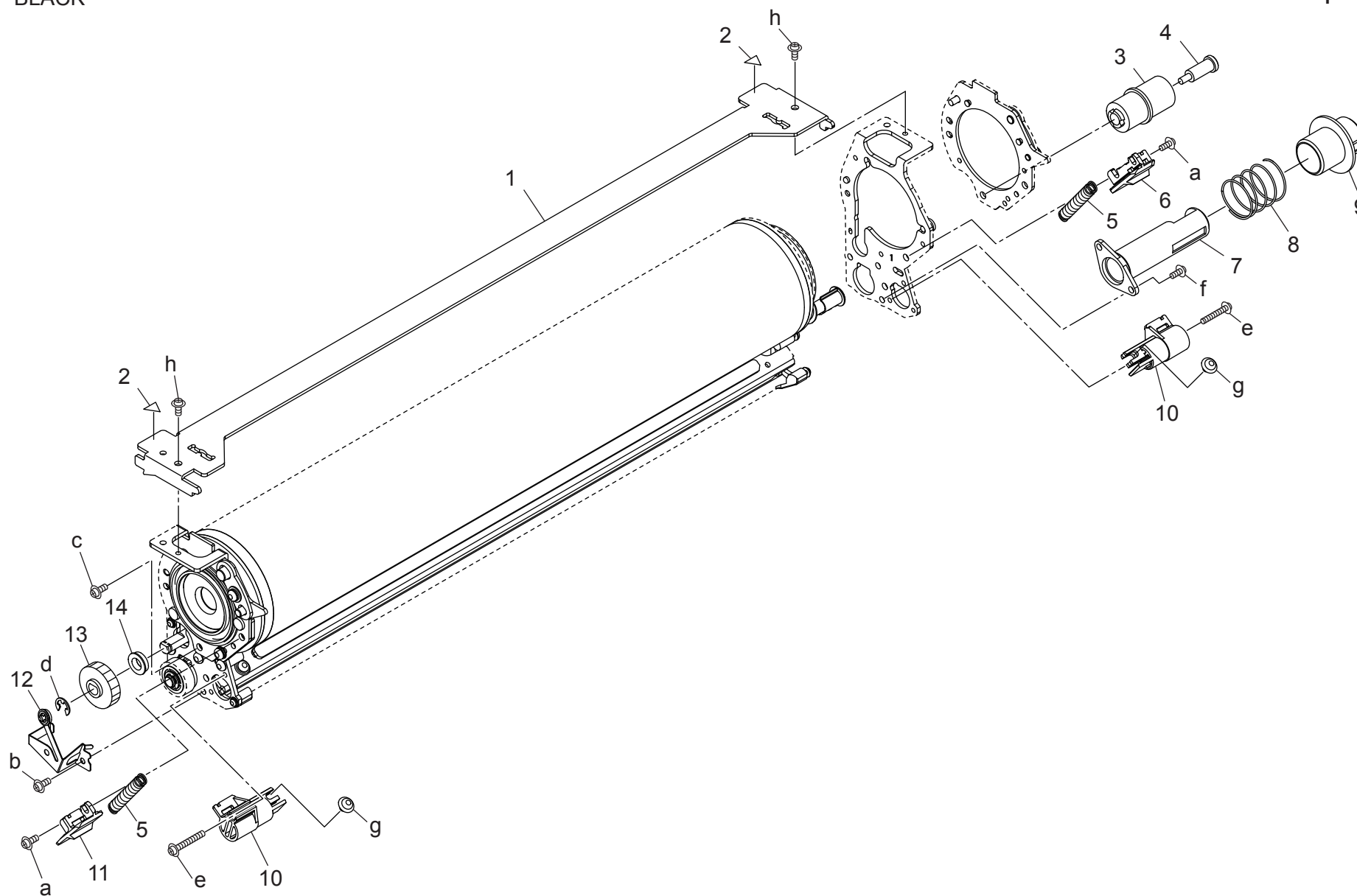
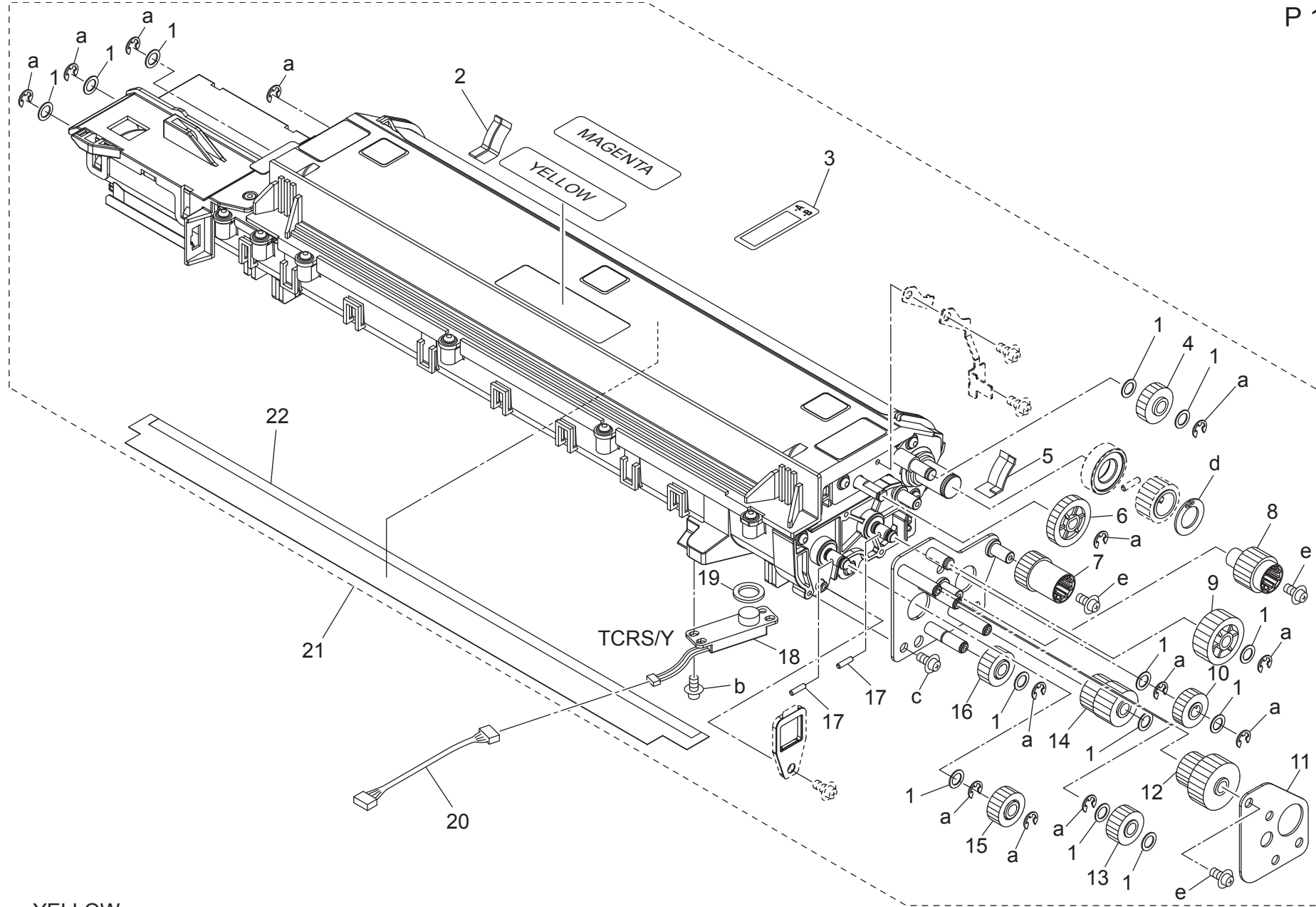


PHOTO CONDUCTOR SECTION

Key	Part No.	Description	Destinations	Class	QTY	Standard parts
1	A03U 3302 02	Drum Stay /Upper		D	1	a-V129 0308 03 b-V151 0310 03 c-V118 0306 03 d-V217 0400 50 e-V121 0318 03 f-V145 0310 03 g-V121 0304 03 h-V126 0306 03
2	A1RF 9451 00	Replacement Label /1		D	2	
3	A03U 3346 00	Coupling /A		C	1	
4	65AA 2045 0	Coupling Shaft /A		D	1	
5	A1DU 3325 00	Pressing Spring		D	2	
6	A1DU 3352 00	Insulating Part /Rear		D	1	
7	65AA 2004 0	COLLECTING PIPE		D	1	
8	65AA 2030 0	TONER COLLECTING SPRING		C	1	
9	65AA 2006 0	COLLECTING COVER		C	1	
10	A1DU 3312 00	Support Part		D	2	
11	A1DU 3351 00	Insulating Part /Front		D	1	
12	A1DU R72Q 00	Drum Ground		C	1	
13	65AA 7732 0	SCREW IDLING GEAR 32T		C	1	
14	A00J 6178 00	BALL BEARING		C	1	

DEVELOPING SECTION



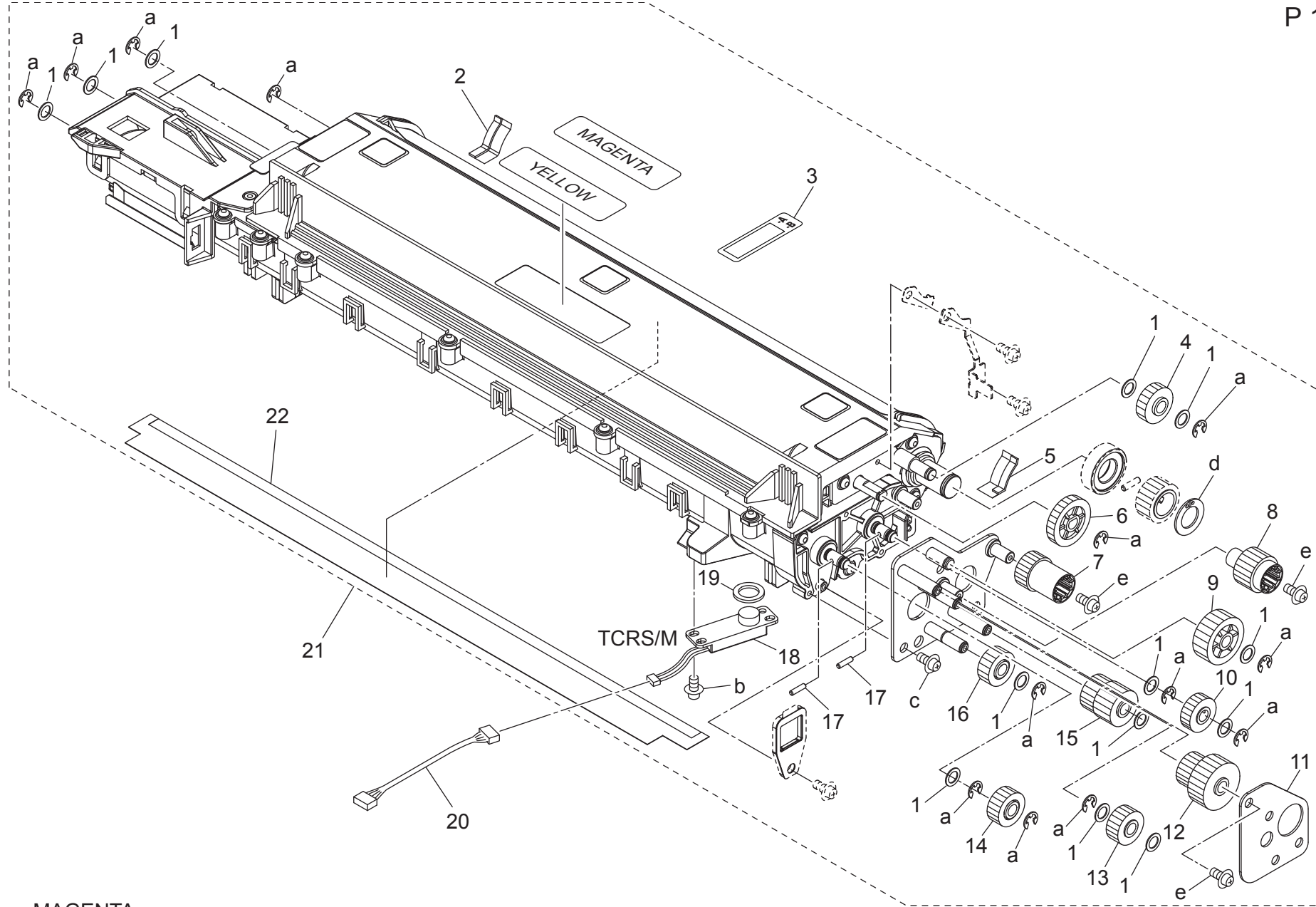
YELLOW

bizhub PRESS C70hc

Key	Part No.	Description	Destinations	Class	QTY	Standard parts
1	40AA 3232 0	TONER SUPPLY SPACER		C	13	a-V217 0400 50 b-V145 0306 03 c-V151 0308 03 d-V223 1200 50 e-V121 0306 03
2	A1DU 3801 00	Preventing Pad /Front		D	1	
3	A1RF 9455 01	Replacement Label /5		D	1	
4	A1DU 3891 01	Developing Gear /2 16T		D	1	
5	A1DU 3803 00	Preventing Pad /Rear		D	1	
6	A03U 3894 00	DEVELOPING GEAR /3 23T		B	1	
7	A1DU 3727 00	Coupling /Left		D	1	
8	A1DU 3725 00	Coupling /Right		D	1	
9	A03U 3899 00	SCREW IDLING GEAR /5 23T		B	1	
10	A03U 3892 00	SCREW DRIVE GEAR /LEFT 16T		B	1	
11	A03U 3721 00	Drive Support Plate /2		D	1	
12	A1DU 3898 00	Idling Gear /4 15/17T		D	1	
13	A1DU 3897 02	Idling Gear /3 13T		D	1	
14	A1DU 3895 01	Idling Gear /1 13/16T		D	1	
15	A03U 3893 01	SCREW DRIVE GEAR /RIGHT 16T		B	1	
16	A03U 3896 00	SCREW IDLING GEAR /2 16T		B	1	
17	56AA 1753 1	PIN A D2X10		C	2	
18	A1DU M508 00	Toner Sensor		C	1	
19	25SA 3016 0	DEVELOPING DETECT SEAL		C	1	
20	A1DU N114 00	Relay harness /4		D	1	
21	A1DU R70X 44	Developer Unit / C		B	1	
22	A03U 3757 01	Scatter Preventing Sheet		C	1	

DEVELOPING SECTION

P 17

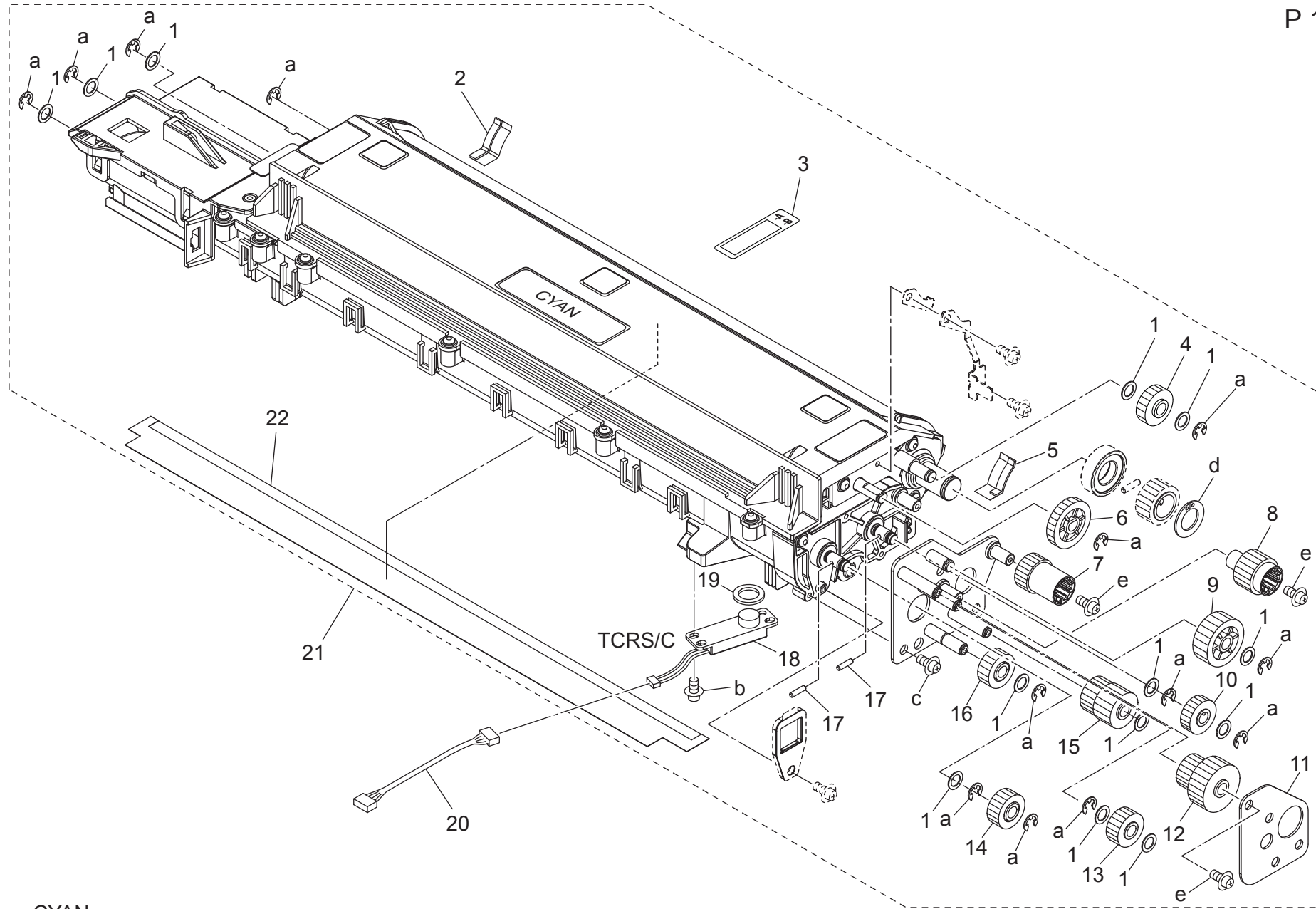


MAGENTA

bizhub PRESS C70hc

Key	Part No.	Description	Destinations	Class	QTY	Standard parts
1	40AA 3232 0	TONER SUPPLY SPACER		C	13	a-V217 0400 50 b-V145 0306 03 c-V151 0308 03 d-V223 1200 50 e-V121 0306 03
2	A1DU 3801 00	Preventing Pad /Front		D	1	
3	A1RF 9455 01	Replacement Label /5		D	1	
4	A1DU 3891 01	Developing Gear /2 16T		D	1	
5	A1DU 3803 00	Preventing Pad /Rear		D	1	
6	A03U 3894 00	DEVELOPING GEAR /3 23T		B	1	
7	A1DU 3727 00	Coupling /Left		D	1	
8	A1DU 3725 00	Coupling /Right		D	1	
9	A03U 3899 00	SCREW IDLING GEAR /5 23T		B	1	
10	A03U 3892 00	SCREW DRIVE GEAR /LEFT 16T		B	1	
11	A03U 3721 00	Drive Support Plate /2		D	1	
12	A1DU 3898 00	Idling Gear /4 15/17T		D	1	
13	A1DU 3897 02	Idling Gear /3 13T		D	1	
14	A03U 3893 01	SCREW DRIVE GEAR /RIGHT 16T		B	1	
15	A1DU 3895 01	Idling Gear /1 13/16T		D	1	
16	A03U 3896 00	SCREW IDLING GEAR /2 16T		B	1	
17	56AA 1753 1	PIN A D2X10		C	2	
18	A1DU M508 00	Toner Sensor		C	1	
19	25SA 3016 0	DEVELOPING DETECT SEAL		C	1	
20	A1DU N114 00	Relay harness /4		D	1	
21	A1DU R70X 44	Developer Unit / C		B	1	
22	A03U 3757 01	Scatter Preventing Sheet		C	1	

DEVELOPING SECTION

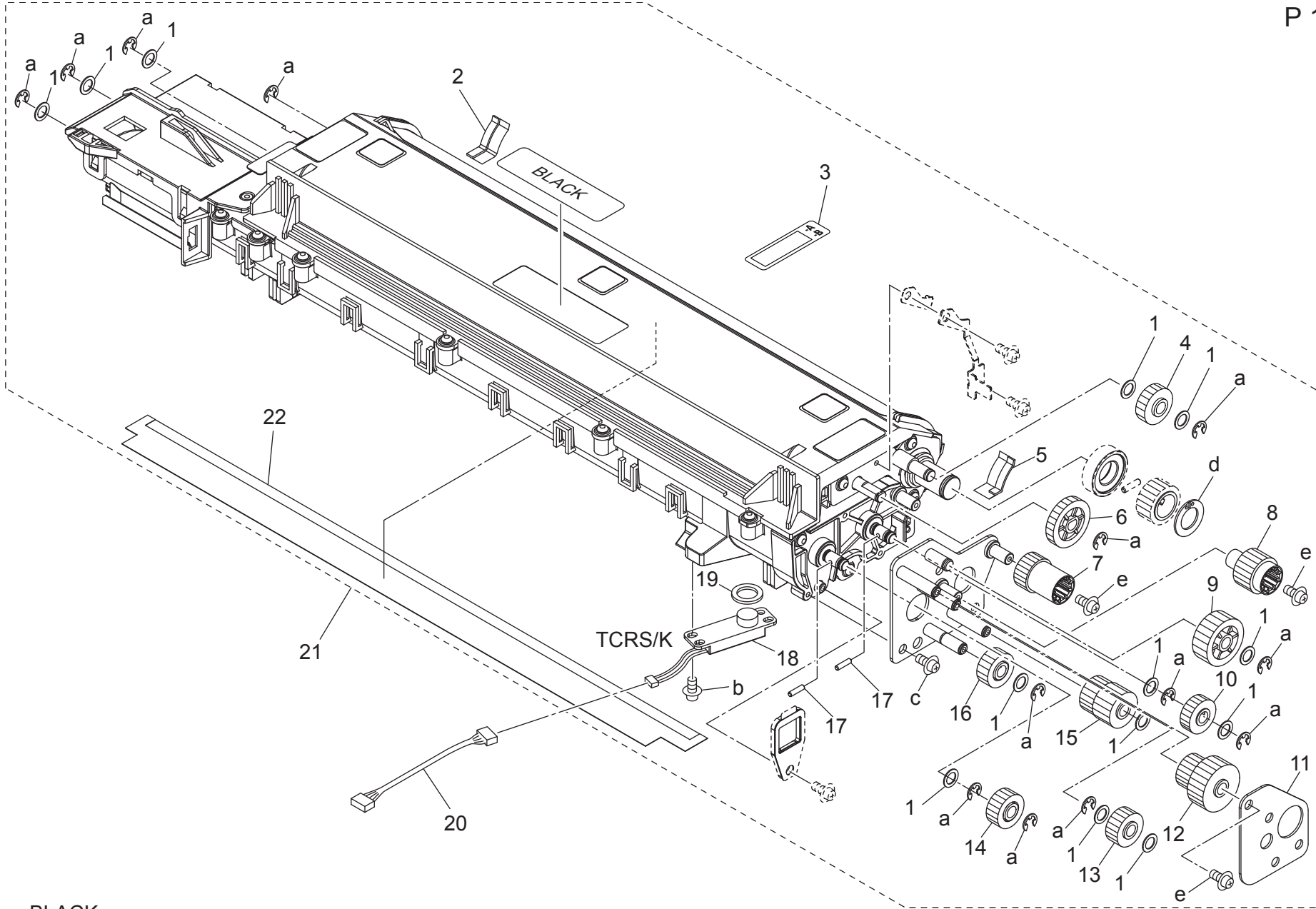


CYAN

bizhub PRESS C70hc

Key	Part No.	Description	Destinations	Class	QTY	Standard parts
1	40AA 3232 0	TONER SUPPLY SPACER		C	13	a-V217 0400 50 b-V145 0306 03 c-V151 0308 03 d-V223 1200 50 e-V121 0306 03
2	A1DU 3801 00	Preventing Pad /Front		D	1	
3	A1RF 9455 01	Replacement Label /5		D	1	
4	A1DU 3891 01	Developing Gear /2 16T		D	1	
5	A1DU 3803 00	Preventing Pad /Rear		D	1	
6	A03U 3894 00	DEVELOPING GEAR /3 23T		B	1	
7	A1DU 3727 00	Coupling /Left		D	1	
8	A1DU 3725 00	Coupling /Right		D	1	
9	A03U 3899 00	SCREW IDLING GEAR /5 23T		B	1	
10	A03U 3892 00	SCREW DRIVE GEAR /LEFT 16T		B	1	
11	A03U 3721 00	Drive Support Plate /2		D	1	
12	A1DU 3898 00	Idling Gear /4 15/17T		D	1	
13	A1DU 3897 02	Idling Gear /3 13T		D	1	
14	A03U 3893 01	SCREW DRIVE GEAR /RIGHT 16T		B	1	
15	A1DU 3895 01	Idling Gear /1 13/16T		D	1	
16	A03U 3896 00	SCREW IDLING GEAR /2 16T		B	1	
17	56AA 1753 1	PIN A D2X10		C	2	
18	A1DU M508 00	Toner Sensor		C	1	
19	25SA 3016 0	DEVELOPING DETECT SEAL		C	1	
20	A1DU N114 00	Relay harness /4		D	1	
21	A1DU R74K 22	Developer Unit / Cyan		B	1	
22	A03U 3757 01	Scatter Preventing Sheet		C	1	

DEVELOPING SECTION



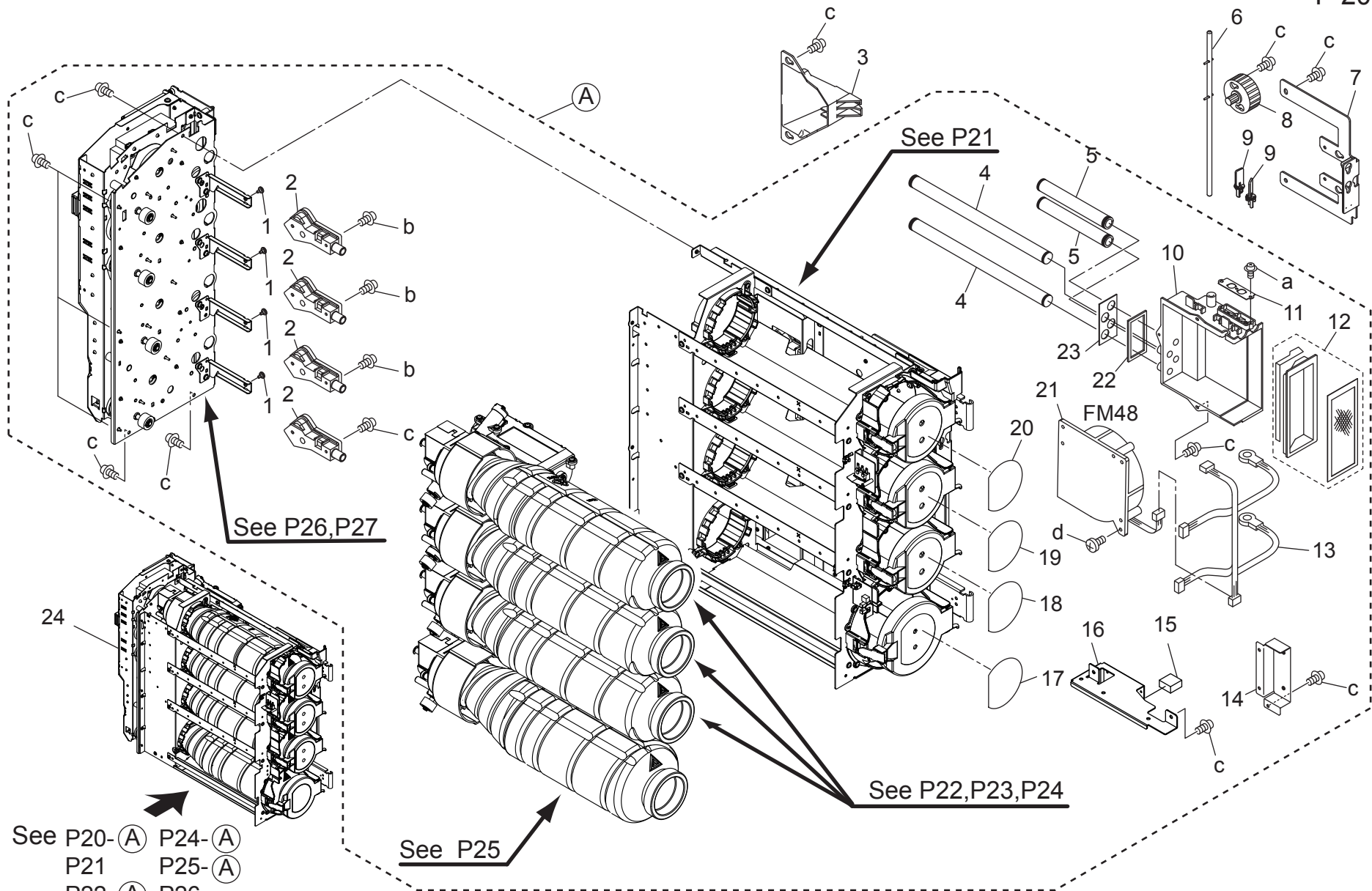
BLACK

bizhub PRESS C70hc

Key	Part No.	Description	Destinations	Class	QTY	Standard parts
1	40AA 3232 0	TONER SUPPLY SPACER		C	13	a-V217 0400 50 b-V145 0306 03 c-V151 0308 03 d-V223 1200 50 e-V121 0306 03
2	A1DU 3801 00	Preventing Pad /Front		D	1	
3	A1RF 9455 01	Replacement Label /5		D	1	
4	A1DU 3891 01	Developing Gear /2 16T		D	1	
5	A1DU 3803 00	Preventing Pad /Rear		D	1	
6	A03U 3894 00	DEVELOPING GEAR /3 23T		B	1	
7	A1DU 3727 00	Coupling /Left		D	1	
8	A1DU 3725 00	Coupling /Right		D	1	
9	A03U 3899 00	SCREW IDLING GEAR /5 23T		B	1	
10	A03U 3892 00	SCREW DRIVE GEAR /LEFT 16T		B	1	
11	A03U 3721 00	Drive Support Plate /2		D	1	
12	A1DU 3898 00	Idling Gear /4 15/17T		D	1	
13	A1DU 3897 02	Idling Gear /3 13T		D	1	
14	A03U 3893 01	SCREW DRIVE GEAR /RIGHT 16T		B	1	
15	A1DU 3895 01	Idling Gear /1 13/16T		D	1	
16	A03U 3896 00	SCREW IDLING GEAR /2 16T		B	1	
17	56AA 1753 1	PIN A D2X10		C	2	
18	A1DU M508 00	Toner Sensor		C	1	
19	25SA 3016 0	DEVELOPING DETECT SEAL		C	1	
20	A1DU N114 00	Relay harness /4		D	1	
21	A1DU R72S 11	Developer Unit / K		B	1	
22	A03U 3757 01	Scatter Preventing Sheet		C	1	

TONER SUPPLY SECTION

P 20



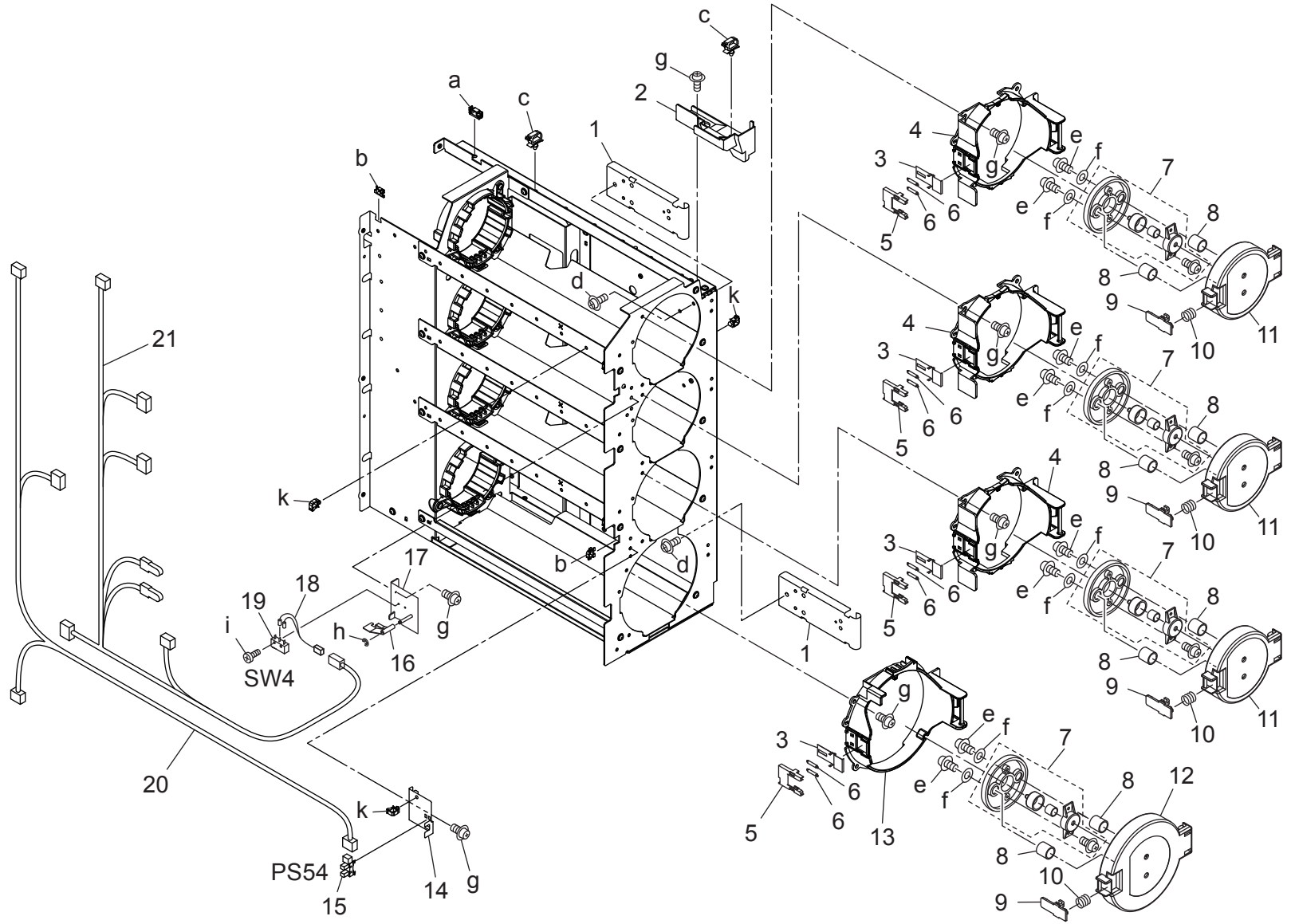
- See P20- (A)
- P21
- P22- (A)
- P23- (A)
- P24- (A)
- P25- (A)
- P26
- P27

bizhub PRESS C70hc

TONER SUPPLY SECTION

Key	Part No.	Description	Destinations	Class	QTY	Standard parts
1	55VA 2068 0	SEPARATION POSITIONING SCREW		C	4	a-V151 0308 03 b-V158 0308 03 c-V127 0306 03 d-V126 0410 03
2	A1DU R710 00	Charge Suction Assy		C	4	
3	A1DU R73J 00	Developing Supply Assy		D	1	
4	65AA 3304 0	Charge Suction Pipe /L		D	2	
5	65AA 3305 0	Charge Suction Pipe /S		D	2	
6	A1DU R717 00	Support Shaft		C	1	
7	65AA 3070 1	CARTRIDGE SUPPORT RAIL		D	1	
8	65AA 3091 0	DEVELOPING ROTARY JIG		D	1	
9	A1DU R712 00	Chaging Cleaning Part Assy		B	2	
10	65AA 3302 0E	Charge Suction Cover		D	1	
11	65AA 3331 0F	Mounting Plate /2		D	1	
12	A1DU R711 00	Filter Pressing Assy		A	1	
13	A1DU N143 00	Toner Relay harness /2		D	1	
14	65AA 3323 1D	Mounting Plate /1		D	1	
15	A03U 4139 00	Ground Cushion		C	1	
16	65AA 3307 0E	duct Mounting Plate		D	1	
17	A205 9448 00	Toner supply Label /K		D	1	
18	A205 9447 00	Toner supply Label /C		D	1	
19	A205 9446 00	Toner supply Label /M		D	1	
20	A205 9445 00	Toner supply Label /Y		D	1	
21	65AA 8059 0	MAIN BODY FAN		C	1	
22	65AA 3315 0	FILTER SEALING PART/1		D	1	
23	65AA 3316 0	FILTER SEALING PART/2		D	1	
24	A205 R700 00	TONER SUPPLY UNIT PV(JP)	A	I	1	
24	A205 R701 00	TONER SUPPLY UNIT PV(US)	B,G2	I	1	
24	A205 R702 00	TONER SUPPLY UNIT PV(EU)	C,D1,D3,E,F2,G1,I	I	1	

TONER SUPPLY SECTION



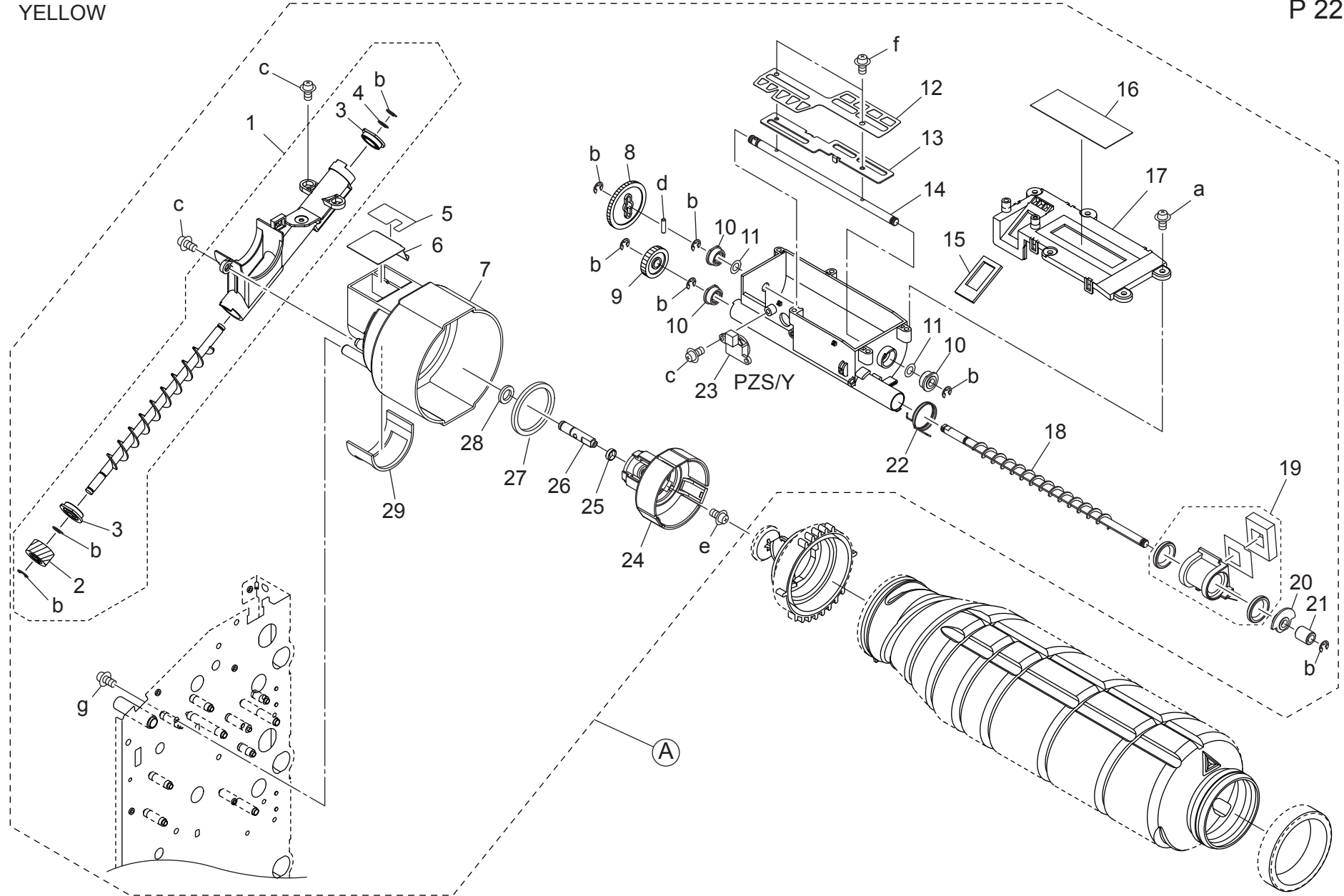
TONER SUPPLY SECTION

Key	Part No.	Description	Destinations	Class	QTY	Standard parts
1	65AA 3216 0D	Toner supply Hinge		D	2	a-V570 0100 57
2	A1DU 4013 00	Guide Part /Upper		D	1	b-V570 0100 50
3	26TA 3296 0	CARTRIDGE REGULATING PLATE		C	4	c-V500 0100 05
4	A205 4001 00	Guide Part /Color		D	3	d-V127 0408 03
5	26TA 3299 0	COVER PART		C	4	e-V151 0408 03
6	26TA 3297 0	CARTRIDGE REGULATING SPRING		C	8	f-V207 0600 03
7	A1DU R70Y 00	Pressing Part Assy		D	4	g-V127 0306 03
8	26TA 3298 0	CARTRIDGE PRESSING SPRING 3		C	8	h-V217 0200 50
9	40LA 3285 0	CARTRIDGEPRESSINGHANDLE		C	4	i-V111 0208 03
10	26NA 3287 0	CARTRIDGE PRESSING SPRING 2		C	4	k-V500 0100 20
11	A1DU 4042 00	Pressing Pedestal /Color		D	3	
12	A1DU 4068 00	Pressing Pedestal /Black		D	1	
13	A205 4067 01	Guide Part /Black		D	1	
14	A1DU 4026 00	Mounting Plate /1		D	1	
15	08AA 8551 2	Photo Sensor		B	1	
16	A03U 4021 00	SWITCH PLATE		D	1	
17	65AA -397 0	INTERLOCK CAULKING ASSY		D	1	
18	65AA 9110 0	INTER LOCK WIRING		D	1	
19	12QR 8601 1	Interlock Switch		B	1	
20	A1DU N147 00	Toner Drive harness /4		D	1	
21	A1DU N145 00	Toner Drive harness /2		D	1	

TONER SUPPLY SECTION

YELLOW

P 22



bizhub PRESS C70hc

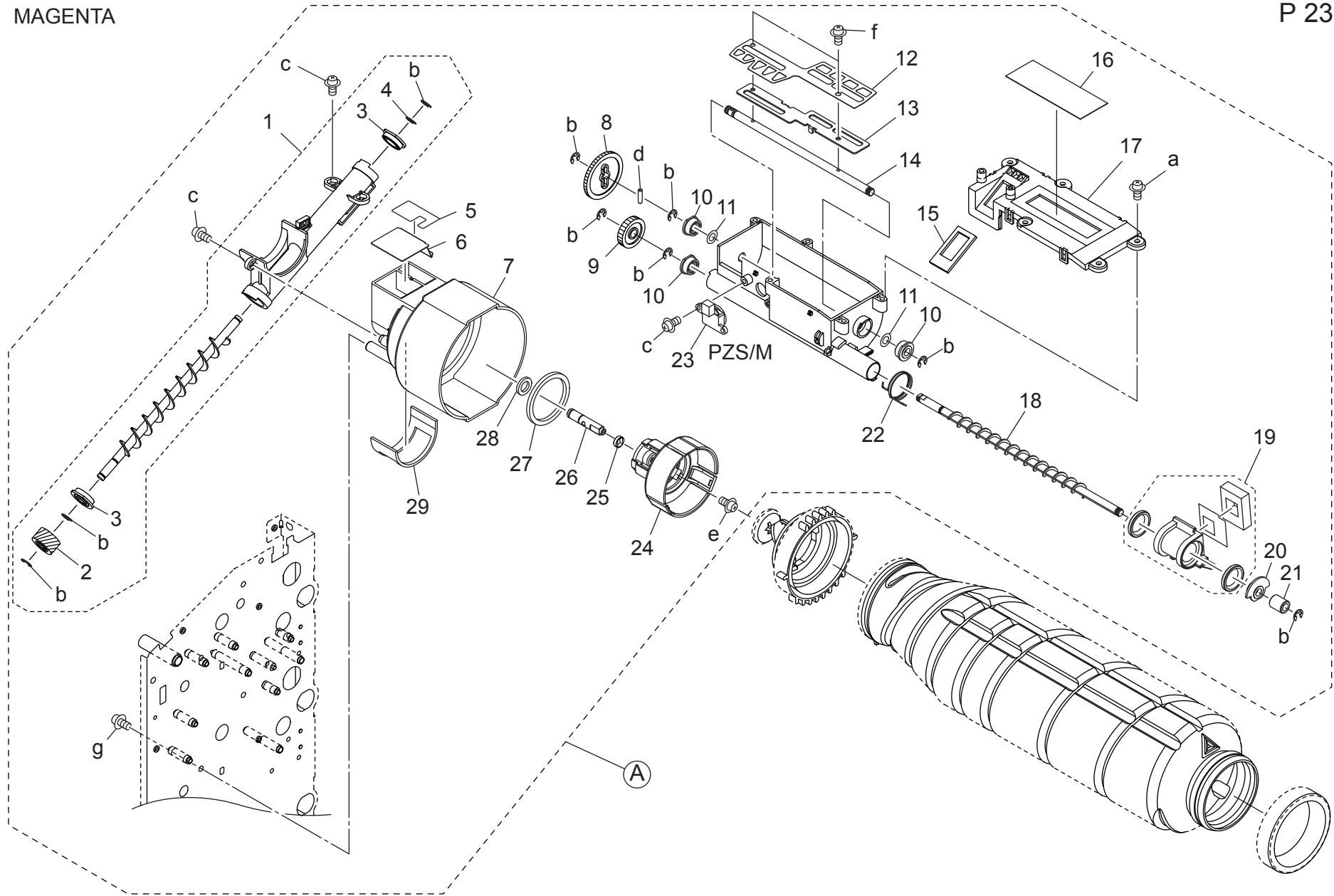
TONER SUPPLY SECTION

Key	Part No.	Description	Destinations	Class	QTY	Standard parts
1	A1DU R72V 00	Toner Pipe /Y Assy		D	1	a-V151 0310 03 b-V217 0400 50 c-V158 0308 03 d-V237 2014 50 e-V127 0306 03 f-V129 0308 03 g-V151 0308 03
2	56AA 7733 0	SCREW GEAR 15T		C	1	
3	65AA 3246 1	Screw Bushing /A		C	2	
4	40AA 3232 0	TONER SUPPLY SPACER		C	1	
5	65AA 3336 0	SEALING PART		D	1	
6	65AA 3276 1	Seal Part /H		D	1	
7	65AA 3211 0	Toner Supply Guide Part /A		D	1	
8	25AA 7789 0	REGULATION GEAR 36T		C	1	
9	40AA 7766 0	TONER SUPPLY GEAR F 28T		C	1	
10	65AA 3250 1	BUSHING /B		C	3	
11	65AA 3332 0	SCATTER PREVENTING PART 1		C	2	
12	65AA 3243 0	TONER AGITATING SHEET		C	1	
13	65AA 3203 0	TONER AGITATING PLATE		C	1	
14	65AA 3202 0	Toner Agitating Shaft		D	1	
15	A1DU 4018 00	Toner supply Seal /1		D	1	
16	65AA 3295 0	TONER SEALING SHEET		D	1	
17	A1DU R72T 00	Toner Supply Cover/1 Assy		D	1	
18	65AA 3204 0	TONER SUPPLY SCREW		C	1	
19	A1DU R730 00	Toner Supply Rotary Assy		C	1	
20	65AA 3285 1	BUSHING /D		C	1	
21	65AA 3294 0	BUSHING /E		C	1	
22	65AA 3280 0	TONER SUPPLY OPEN SHUT SPRING		C	1	
23	40AA 8803 1	Level Detection Sensor		C	1	
24	65AA 3262 0F	Toner Supply Holding Main Body		D	1	
25	A1RF 4082 01	Guide Collar		D	1	
26	A1DU 4096 00	Toner supply Holding Shaft		D	1	
27	65AA 3273 0	Toner Supply Holding Seal /A		D	1	
28	65AA 3326 0	Toner Supply Holding Seal /B		D	1	
29	65AA 3297 0	CONVEYING SEAL		C	1	

TONER SUPPLY SECTION

MAGENTA

P 23



bizhub PRESS C70hc

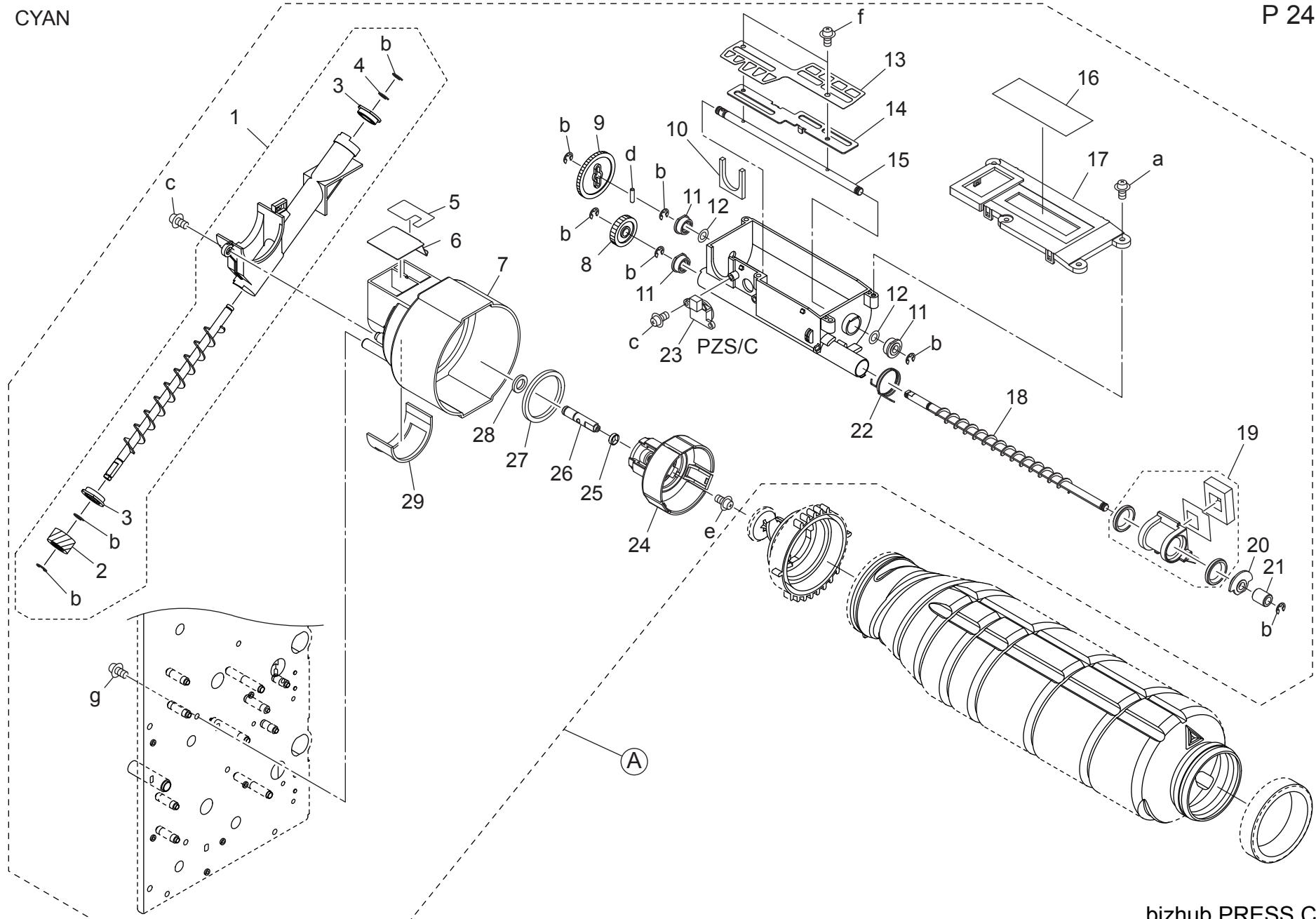
TONER SUPPLY SECTION

Key	Part No.	Description	Destinations	Class	QTY	Standard parts
1	A1DU R72W 00	Toner Pipe /M Assy		D	1	a-V151 0310 03 b-V217 0400 50 c-V158 0308 03 d-V237 2014 50 e-V127 0306 03 f-V129 0308 03 g-V151 0308 03
2	56AA 7733 0	SCREW GEAR 15T		C	1	
3	65AA 3246 1	Screw Bushing /A		C	2	
4	40AA 3232 0	TONER SUPPLY SPACER		C	1	
5	65AA 3336 0	SEALING PART		D	1	
6	65AA 3276 1	Seal Part /H		D	1	
7	65AA 3211 0	Toner Supply Guide Part /A		D	1	
8	25AA 7789 0	REGULATION GEAR 36T		C	1	
9	40AA 7766 0	TONER SUPPLY GEAR F 28T		C	1	
10	65AA 3250 1	BUSHING /B		C	3	
11	65AA 3332 0	SCATTER PREVENTING PART 1		C	2	
12	65AA 3243 0	TONER AGITATING SHEET		C	1	
13	65AA 3203 0	TONER AGITATING PLATE		C	1	
14	65AA 3202 0	Toner Agitating Shaft		D	1	
15	A1DU 4018 00	Toner supply Seal /1		D	1	
16	65AA 3295 0	TONER SEALING SHEET		D	1	
17	A1DU R72T 00	Toner Supply Cover/1 Assy		D	1	
18	65AA 3204 0	TONER SUPPLY SCREW		C	1	
19	A1DU R730 00	Toner Supply Rotary Assy		C	1	
20	65AA 3285 1	BUSHING /D		C	1	
21	65AA 3294 0	BUSHING /E		C	1	
22	65AA 3280 0	TONER SUPPLY OPEN SHUT SPRING		C	1	
23	40AA 8803 1	Level Detection Sensor		C	1	
24	65AA 3262 0F	Toner Supply Holding Main Body		D	1	
25	A1RF 4082 01	Guide Collar		D	1	
26	A1DU 4096 00	Toner supply Holding Shaft		D	1	
27	65AA 3273 0	Toner Supply Holding Seal /A		D	1	
28	65AA 3326 0	Toner Supply Holding Seal /B		D	1	
29	65AA 3297 0	CONVEYING SEAL		C	1	

TONER SUPPLY SECTION

CYAN

P 24



bizhub PRESS C70hc

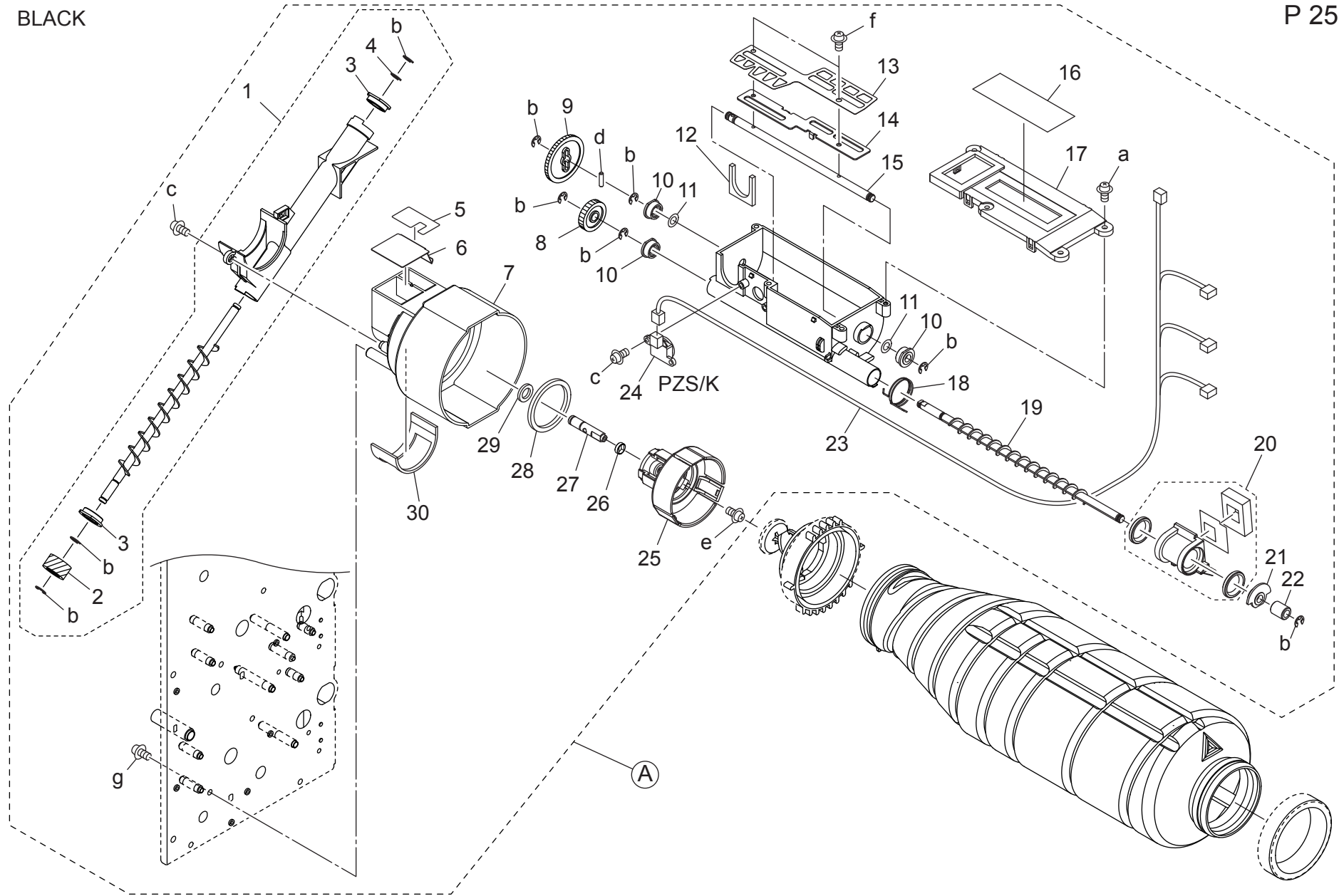
TONER SUPPLY SECTION

Key	Part No.	Description	Destinations	Class	QTY	Standard parts
1	A1DU R72X 00	Toner Pipe /C Assy		D	1	a-V151 0310 03 b-V217 0400 50 c-V158 0308 03 d-V237 2014 50 e-V127 0306 03 f-V129 0308 03 g-V151 0308 03
2	56AA 7733 0	SCREW GEAR 15T		C	1	
3	65AA 3246 1	Screw Bushing /A		C	2	
4	40AA 3232 0	TONER SUPPLY SPACER		C	1	
5	65AA 3336 0	SEALING PART		D	1	
6	65AA 3276 1	Seal Part /H		D	1	
7	65AA 3211 0	Toner Supply Guide Part /A		D	1	
8	40AA 7766 0	TONER SUPPLY GEAR F 28T		C	1	
9	25AA 7789 0	REGULATION GEAR 36T		C	1	
10	65AA 3247 0	SEALING PART /A		C	1	
11	65AA 3250 1	BUSHING /B		C	3	
12	65AA 3332 0	SCATTER PREVENTING PART 1		C	2	
13	65AA 3243 0	TONER AGITATING SHEET		C	1	
14	65AA 3203 0	TONER AGITATING PLATE		C	1	
15	65AA 3202 0	Toner Agitating Shaft		D	1	
16	65AA 3295 0	TONER SEALING SHEET		D	1	
17	A1DU R72U 00	Toner Supply Cover/2 Assy		D	1	
18	65AA 3204 0	TONER SUPPLY SCREW		C	1	
19	A1DU R730 00	Toner Supply Rotary Assy		C	1	
20	65AA 3285 1	BUSHING /D		C	1	
21	65AA 3294 0	BUSHING /E		C	1	
22	65AA 3280 0	TONER SUPPLY OPEN SHUT SPRING		C	1	
23	40AA 8803 1	Level Detection Sensor		C	1	
24	65AA 3262 0F	Toner Supply Holding Main Body		D	1	
25	A1RF 4082 01	Guide Collar		D	1	
26	A1DU 4096 00	Toner supply Holding Shaft		D	1	
27	65AA 3273 0	Toner Supply Holding Seal /A		D	1	
28	65AA 3326 0	Toner Supply Holding Seal /B		D	1	
29	65AA 3297 0	CONVEYING SEAL		C	1	

TONER SUPPLY SECTION

BLACK

P 25

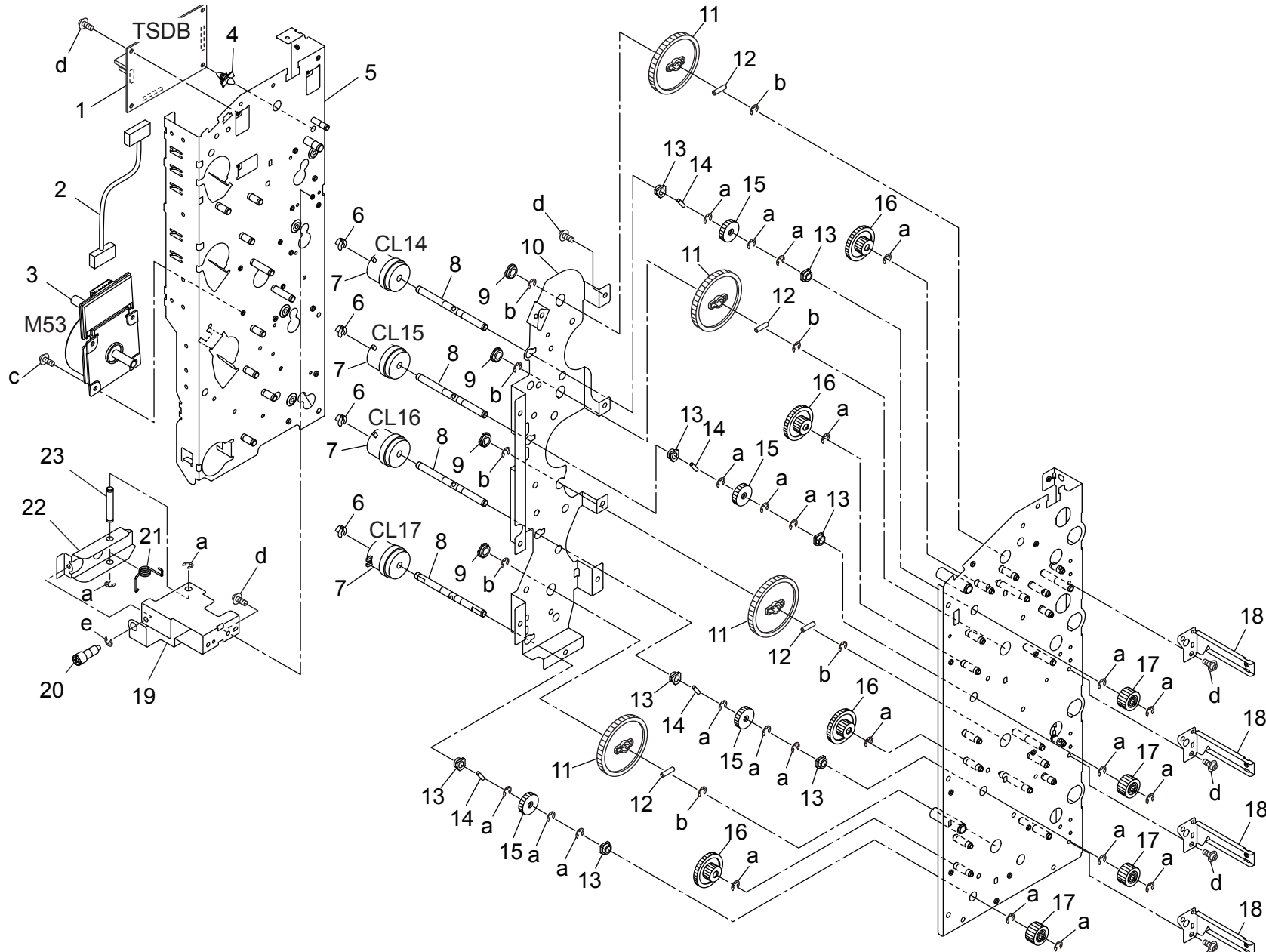


bizhub PRESS C70hc

TONER SUPPLY SECTION

Key	Part No.	Description	Destinations	Class	QTY	Standard parts
1	A1DU R72Y 00	Toner Pipe /K Assy		D	1	a-V151 0310 03 b-V217 0400 50 c-V158 0308 03 d-V237 2014 50 e-V127 0306 03 f-V129 0308 03 g-V151 0308 03
2	56AA 7733 0	SCREW GEAR 15T		C	1	
3	65AA 3246 1	Screw Bushing /A		C	2	
4	40AA 3232 0	TONER SUPPLY SPACER		C	1	
5	65AA 3336 0	SEALING PART		D	1	
6	65AA 3276 1	Seal Part /H		D	1	
7	65AA 3211 0	Toner Supply Guide Part /A		D	1	
8	40AA 7766 0	TONER SUPPLY GEAR F 28T		C	1	
9	25AA 7789 0	REGULATION GEAR 36T		C	1	
10	65AA 3250 1	BUSHING /B		C	3	
11	65AA 3332 0	SCATTER PREVENTING PART 1		C	2	
12	65AA 3247 0	SEALING PART /A		C	1	
13	65AA 3243 0	TONER AGITATING SHEET		C	1	
14	65AA 3203 0	TONER AGITATING PLATE		C	1	
15	65AA 3202 0	Toner Agitating Shaft		D	1	
16	65AA 3295 0	TONER SEALING SHEET		D	1	
17	A1DU R72U 00	Toner Supply Cover/2 Assy		D	1	
18	65AA 3280 0	TONER SUPPLY OPEN SHUT SPRING		C	1	
19	65AA 3204 0	TONER SUPPLY SCREW		C	1	
20	A1DU R730 00	Toner Supply Rotary Assy		C	1	
21	65AA 3285 1	BUSHING /D		C	1	
22	65AA 3294 0	BUSHING /E		C	1	
23	A1DU N142 01	Toner Relay harness /3		D	1	
24	40AA 8803 1	Level Detection Sensor		C	1	
25	65AA 3262 0F	Toner Supply Holding Main Body		D	1	
26	A1RF 4082 01	Guide Collar		D	1	
27	A1DU 4096 00	Toner supply Holding Shaft		D	1	
28	65AA 3273 0	Toner Supply Holding Seal /A		D	1	
29	65AA 3326 0	Toner Supply Holding Seal /B		D	1	
30	65AA 3297 0	CONVEYING SEAL		C	1	

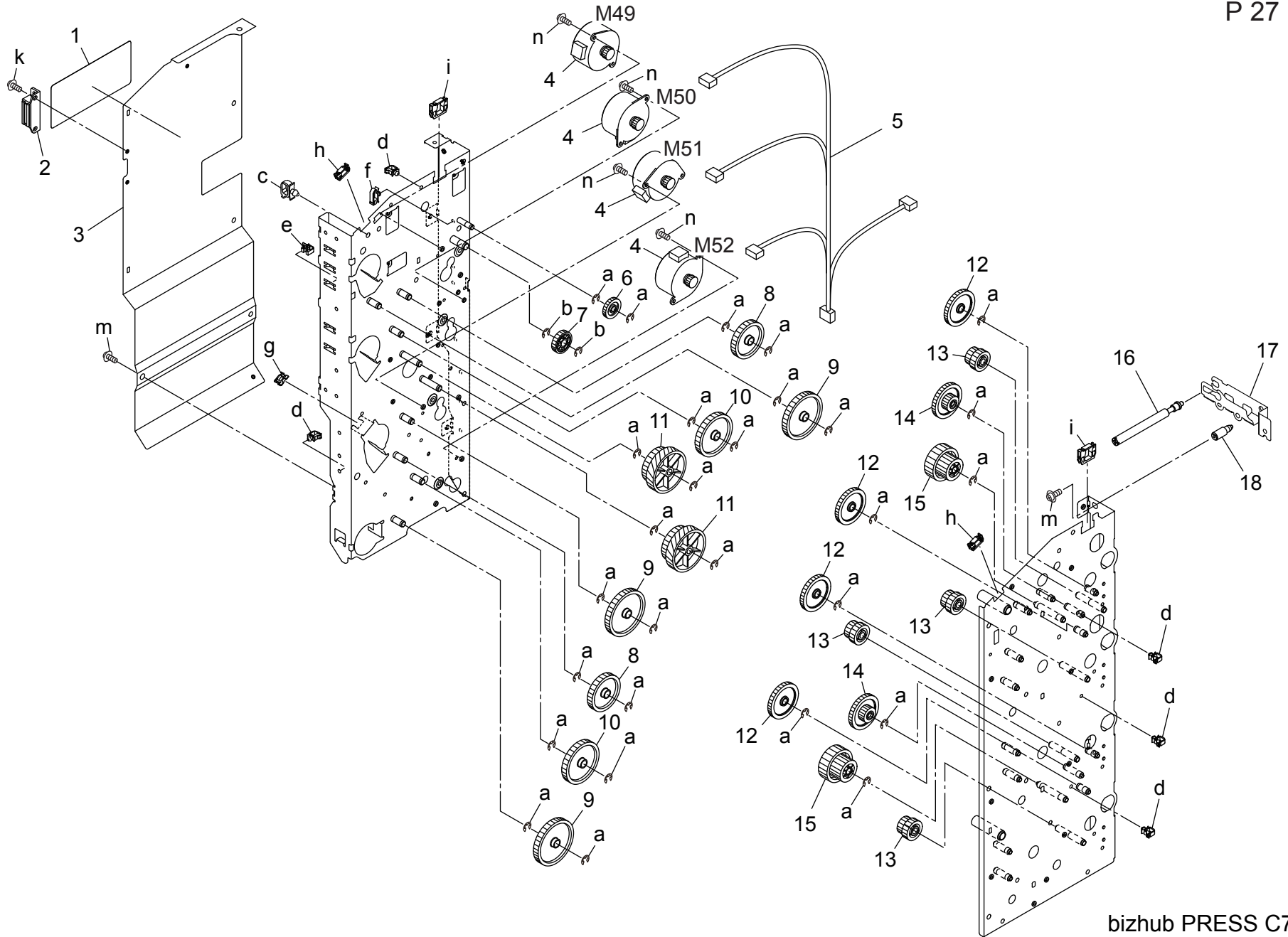
TONER SUPPLY SECTION



TONER SUPPLY SECTION

Key	Part No.	Description	Destinations	Class	QTY	Standard parts
1	65AA -906 1E	Toner Driving Board Assy		B	1	a-V217 0400 50 b-V217 0500 50 c-V118 0304 03 d-V127 0306 03 e-V217 0600 50
2	A1DU N146 00	Toner Drive harness /3		D	1	
3	A0R5 M103 00	DC Brushless motor /30		B	1	
4	V502 0100 44	PCB Support		D	1	
5	A1DU F401 00	CAULKING B		D	1	
6	3960 4068 1	STOPPER RING		B	4	
7	9J07 M201 00	CLUTCH		C	4	
8	A1DU 4027 00	Shaft /G		D	4	
9	26NA 3266 0	TONER SUPPLY SHAFT HOLDER		C	4	
10	A1DU 4060 00	Drive Plate /4		D	1	
11	65AA 7739 0	TONER SUPPLY GEAR B 56T		C	4	
12	56AA 1746 1	PIN A		B	4	
13	4660 7602 0	PAPER FEED SHAFT HOLDER		B	8	
14	56AA 1747 1	PIN B 3X12		C	4	
15	65AA 7804 0	AGITATING GEAR A 18T		C	4	
16	25BA 7717 1	Toner Supply Gear /2 13/31T		C	4	
17	56AA 7733 0	SCREW GEAR 15T		C	4	
18	A1DU 4098 00	Regulating Plate /Rear		D	4	
19	65AA 3272 0D	LOCKING PLATE /A		D	1	
20	A03U 4033 00	Fixing Screw		C	1	
21	65AA 3271 0	TONER SUPPLY LOCK SPRING		C	1	
22	65AA 3289 0	LOCKING PLATE /B		C	1	
23	65AA 3270 0D	TONER SUPPLY FULCRUM SHAFT		D	1	

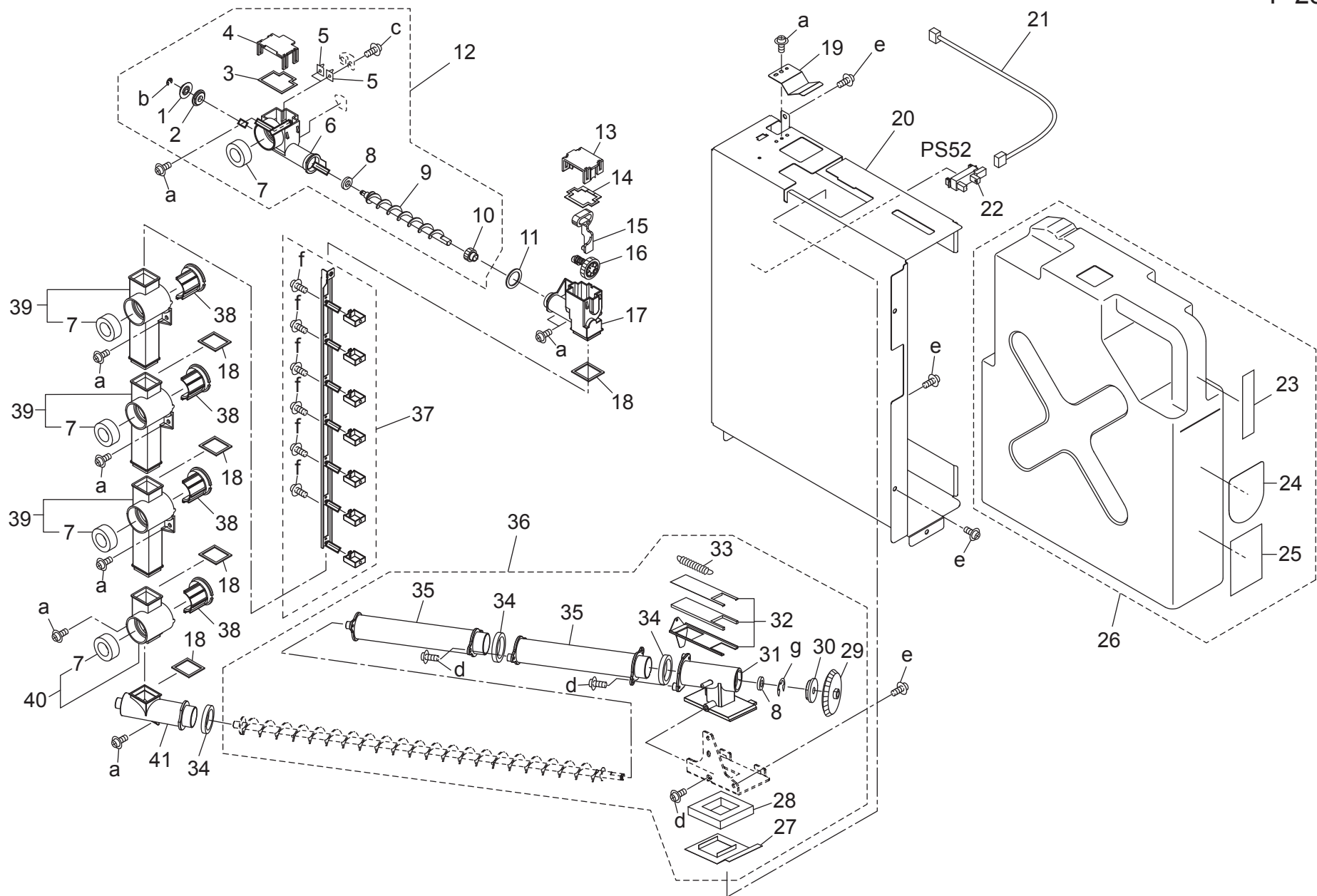
TONER SUPPLY SECTION



TONER SUPPLY SECTION

Key	Part No.	Description	Destinations	Class	QTY	Standard parts
1	56UA 9730 0	Laser Caution Label /1		C	1	a-V217 0400 50
2	07BA 1235 2	MAGNET CATCH		C	1	b-V217 0500 50
3	A1DU 4017 00	Drive Cover		D	1	c-V500 0100 05
4	A03U M104 00	PM Stepping motor /1		C	4	d-V500 0100 20
5	A1DU N144 00	Toner Drive harness /1		D	1	e-V500 0100 57
6	08AA 7736 0	TONER SUPPLY GEAR F 24T		C	1	f-V500 0100 61
7	A0VT 8149 00	Gear 26T		D	1	g-V570 0100 50
8	A1DU 4204 00	Toner supply Gear /4 49T		C	2	h-V570 0100 57
9	A1DU 4206 00	Toner supply Gear /6 62T		C	3	i-V570 0100 60
10	A1DU 4207 00	Toner supply Gear /7 57T		C	2	k-V126 0306 03
11	A1DU 4203 00	Toner supply Gear /3 46/82T		C	2	m-V127 0306 03
12	A1DU 4202 00	Toner supply Gear /2 35T		C	4	n-V118 0304 03
13	A03U 4599 00	Toner supply Gear /C 24/33T		C	4	
14	35EA 7715 1	BY-PASS IDLING GEAR 14/34T		C	2	
15	A1DU 4205 00	Toner supply Gear /5 44T		C	2	
16	A1DU 4041 00	Fixing Screw /Upper		D	1	
17	A1DU 4035 00	Support Plate		D	1	
18	A1DU 4045 00	Positioning Shaft		D	1	

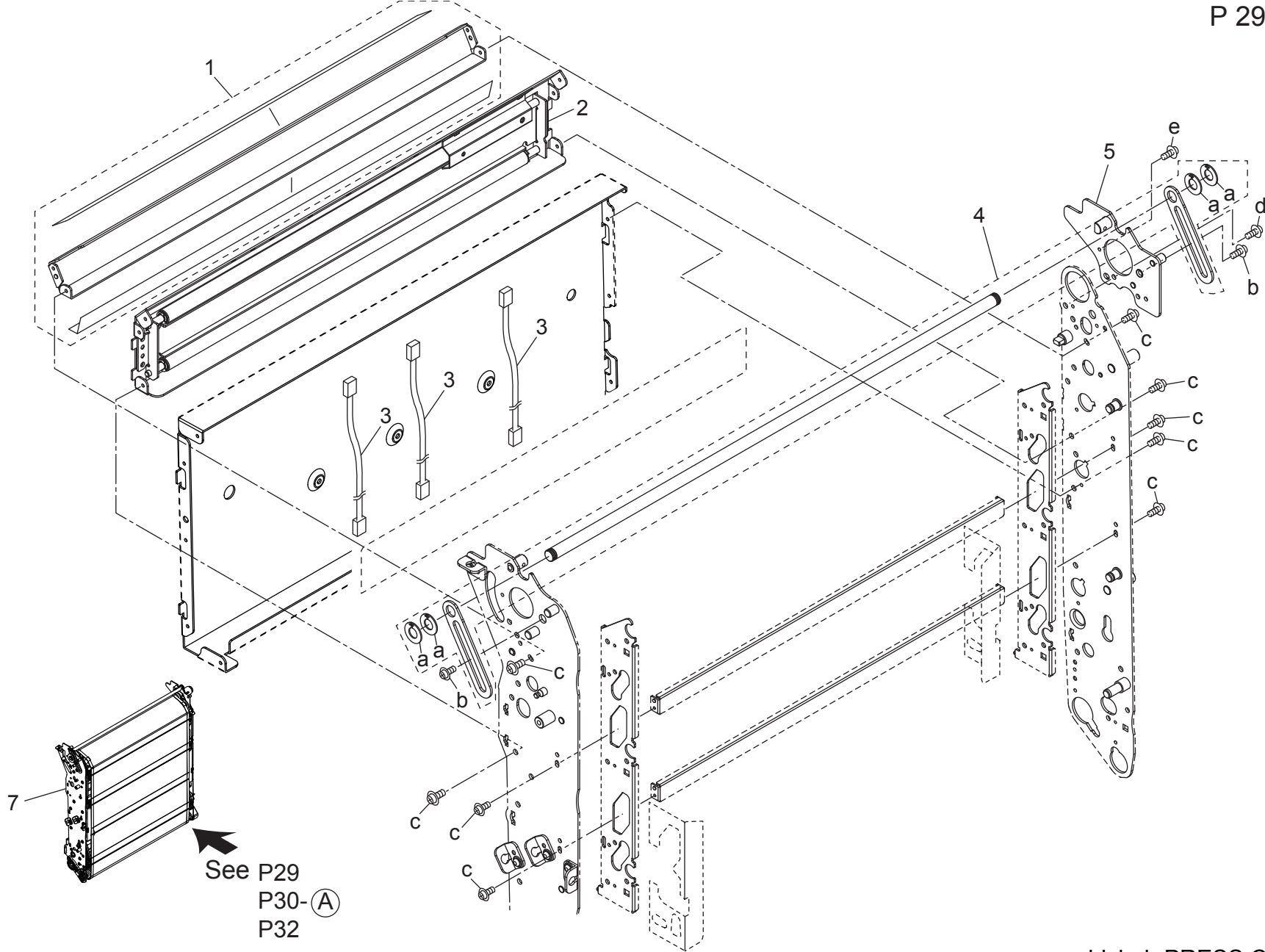
TONER COLLECTING SECTION



TONER COLLECTING SECTION

Key	Part No.	Description	Destinations	Class	QTY	Standard parts
1	65AA 7784 0	TONER COLLECTING GEAR 2 14T		C	1	a-V121 0304 03 b-V217 0300 50 c-V145 0204 03 d-V158 0308 03 e-V121 0306 03 f-V118 0203 03 g-V217 0400 50
2	65AA 7507 0	TONER COLLECTING BUSHING/2		C	1	
3	65AA 2440 0	TONER COLLECTING SEAL 4		C	1	
4	65AA 2421 0	COLLECTING PIPE 7		C	1	
5	65AA 2444 0	TONER DRIVING PART 2		C	2	
6	65AA 2420 0	COLLECTING PIPE 6		C	1	
7	65AA 2433 0	Toner Collecting Seal /3		C	5	
8	65AA 2406 0	TONER COLLECTING SEAL 1		C	2	
9	65AA 2414 0	TONER COLLECTING SCREW 1		C	1	
10	65AA 7796 0	TONER COLLECTING GEAR 4 13T		C	1	
11	65AA 2443 0	TONER COLLECTING SEAL 7		C	1	
12	A1DU R728 00	Collect Pipe/6 Assy		C	1	
13	65AA 2413 0	CONNECTING COVER		C	1	
14	65AA 2431 0	TONER COLLECTING SEAL 2		C	1	
15	65AA 2412 0	Rocking Cam		C	1	
16	65AA 7797 0	TONER COLLECTING GEAR 5 24T		C	1	
17	65AA 2422 0	COLLECTING PIPE 8		C	1	
18	65AA 2441 0	TONER COLLECTING SEAL 5		C	5	
19	65AA 2436 0	TONER COLLECTING SPRING 2		D	1	
20	65AA 2426 0E	Collecting Cover		D	1	
21	65AA 9092 0E	TONER DETECTION WIRING /2		D	1	
22	25BA 8554 1	PHOTO SENSOR 1		C	1	
23	A03U 9467 00	Collection Label /2		D	1	
24	65AA 9734 0	TONER COLLECTING LABEL /1		C	1	
25	A03U 9426 01	Caution Label /2		C	1	
26	A03U R702 00	TONER COLLECTING BOX ASSY		A	1	
27	65AA 2425 0	OPEN SHUT PART 4		C	1	
28	65AA 2424 0	OPEN SHUT PART 3		C	1	
29	65AA 7785 0	TONER COLLECTING GEAR 3 27T		C	1	
30	65AA 7506 0	Toner Collecting Bushing /1		C	1	
31	65AA 2408 0	COLLECTING PIPE 5		C	1	
32	A1DU R72R 00	Open/Shut Part/6 Assy		C	1	
33	65AA 2434 0	TONER COLLECTING SPRING		C	1	
34	65AA 2442 0	TONER COLLECTING SEAL 6		C	3	
35	65AA 2403 0	COLLECTING PIPE 1		C	2	
36	A1DU R70V 00	Toner Collecting Unit		C	1	
37	A1DU R729 00	Toner Rock Plate Assy		C	1	
38	65AA 2404 0	COLLECTING PIPE 2		C	4	
39	A1DU R72B 00	Collect Pipe/3 Assy		C	3	
40	A1DU R72A 00	Collect Pipe Assy		C	1	
41	65AA 2407 0	Collecting Pipe /4		C	1	

INTERMEDIATE TRANSFER SECTION



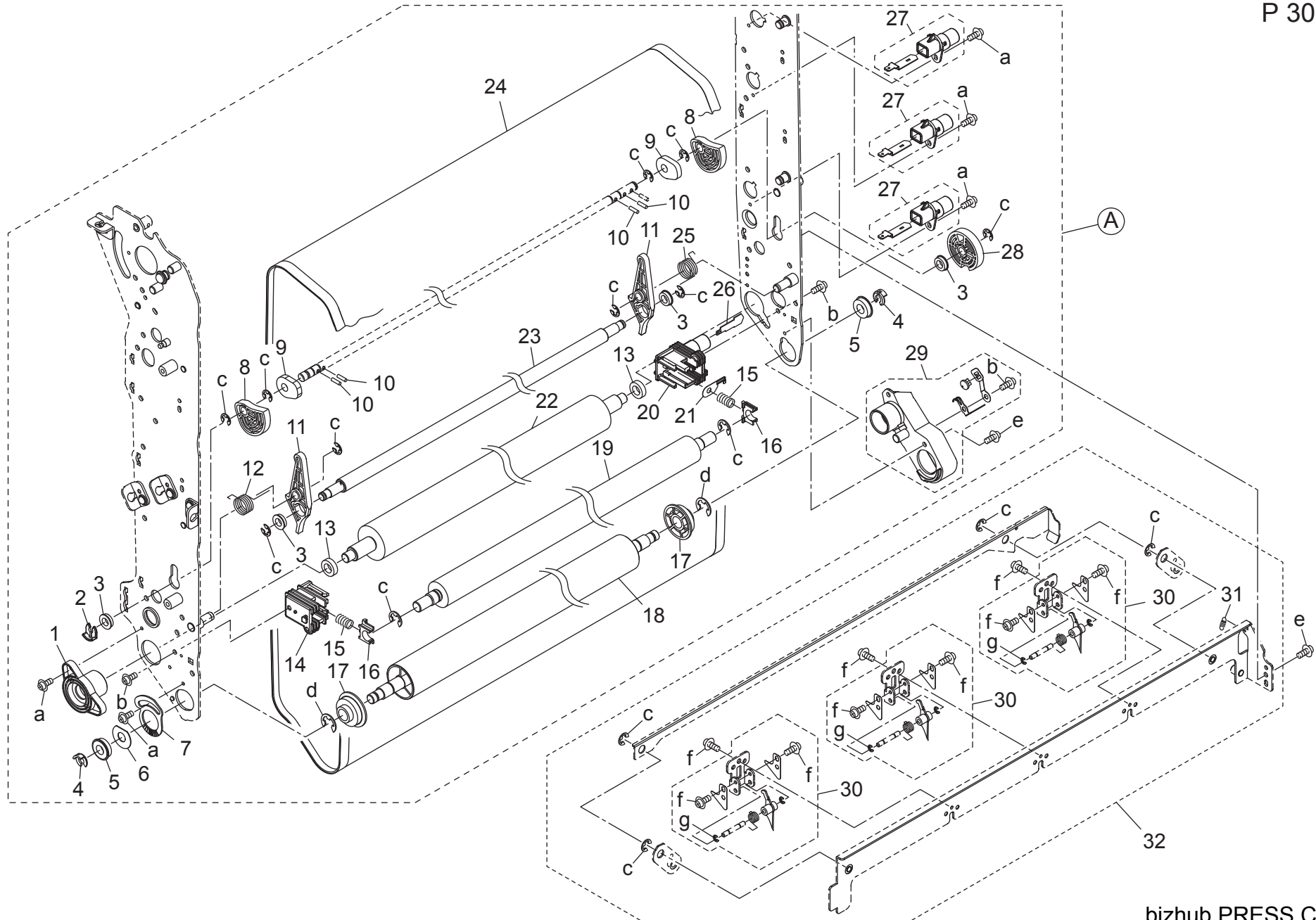
See P29
P30-**A**
P32

INTERMEDIATE TRANSFER SECTION

Key	Part No.	Description	Destinations	Class	QTY	Standard parts
1	A1DU R732 00	Belt Support Shaft Assy		D	1	a-V223 0800 04 b-V121 0404 03 c-V121 0304 03 d-V121 0306 03 e-V121 0312 03
2	A1DU R731 00	Mounting Plate Assy		C	1	
3	65AA 9029 1	TRANSFER WIRE 1		D	3	
4	A1DU R734 00	Handle Assy		D	1	
5	65AA R743 00	CLEANING FIXING PLATE CAULKING		C	1	
7	A1DU R714 33	Intermediate Transfer Assy		S	1	

INTERMEDIATE TRANSFER SECTION

P 30

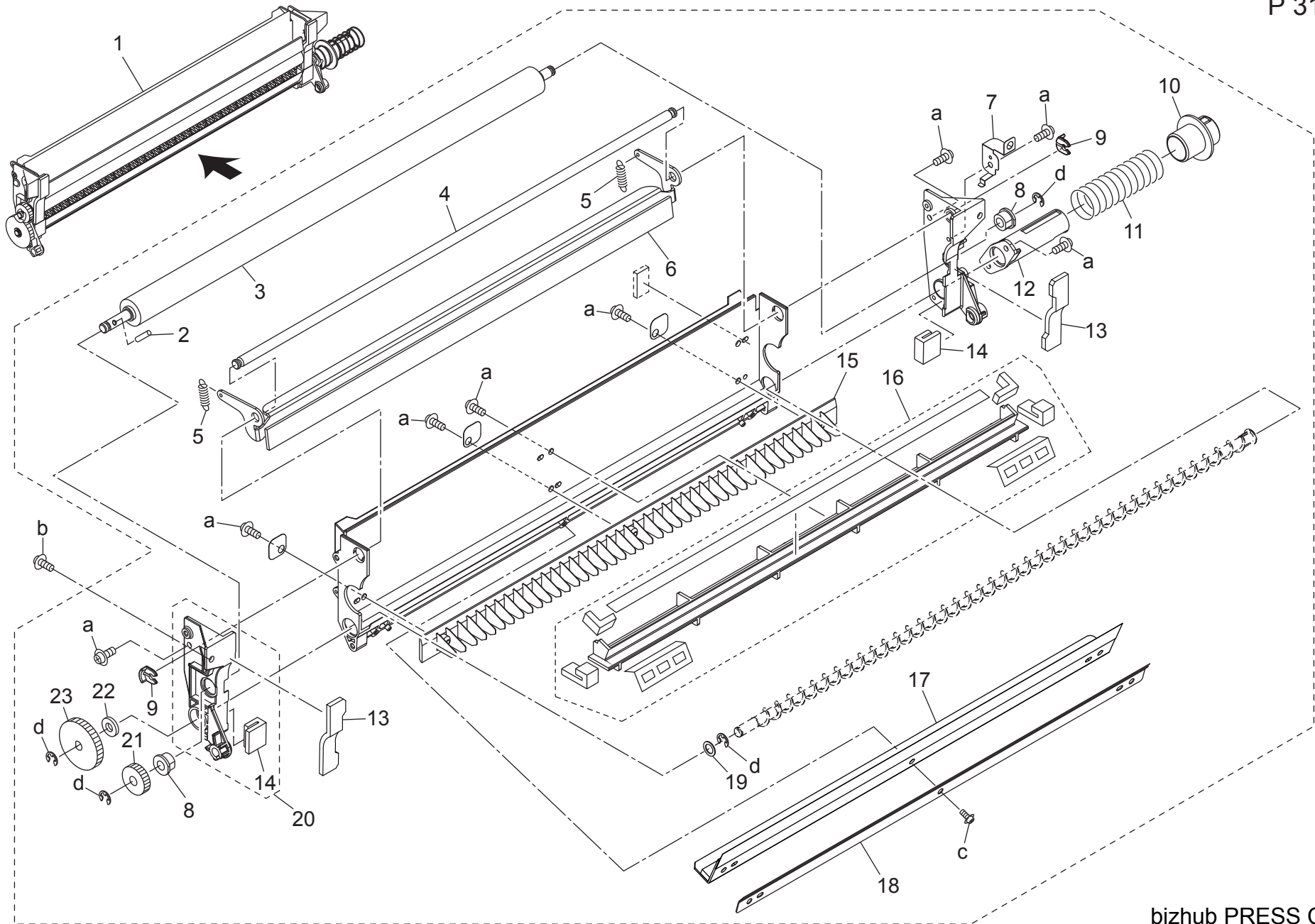


INTERMEDIATE TRANSFER SECTION

Key	Part No.	Description	Destinations	Class	QTY	Standard parts
1	65AA 2692 0	High Voltage Powering Collar /Front		C	1	a-V121 0304 03 b-V158 0308 03 c-V217 0400 50 d-V217 0800 50 e-V121 0306 03 f-V118 0304 03 g-V217 0200 50
2	56AA 4049 0	SHAFT STOPPER 4		C	1	
3	A00J 6178 00	BALL BEARING		C	4	
4	55VA 4212 0	SHAFT STOPPER		C	2	
5	A00V 2406 00	BALL BEARING		C	2	
6	65AA 2724 0	SPACER A		C	1	
7	65AA 2676 0	SHAFT HOLDER ADJUSTING PLATE		C	1	
8	65AA 2674 0	TRANSFER RELEASE CAM C		C	2	
9	65AA 2675 0	TRANSFER RELEASE CAM K		C	2	
10	56AA 1732 1	PIN A D2X12		B	4	
11	A03U 5097 00	Release Arm		C	2	
12	A03U 5102 00	Pressing Spring /Front		C	1	
13	A1RF 5173 00	bearing		C	2	
14	65AA 2605 0D	High voltage Powering Block /B		D	1	
15	A03U 5071 00	Power supply Spring		C	2	
16	65AA 2638 0	Transfer Powering Bushing		B	2	
17	65AA 2687 0	REGULATING COLLAR		C	2	
18	A03U 5009 00	IDLER ROLLER /2		C	1	
19	A03U 5004 00	Transfer Roller /K		A	1	
20	65AA 2695 0D	High voltage Powering Block /D		D	1	
21	65AA 2681 0D	Transfer Powering Plate /L		D	1	
22	65AA 2611 1	TRANSFER ROLLER LOWER		A	1	
23	65AA 2614 1F	Transfer Pressure Roller /K		C	1	
24	A03U 5042 00	Belt 861L		A	1	
25	A03U 5112 00	Pressing Spring /Rear		C	1	
26	65AA 2669 0D	Transfer Powering Plate /K		D	1	
27	A1DU R735 00	Power Supply Block / A Assy		D	3	
28	65AA 2619 0	TRANSFER DRIVING COUPLING FRONT		C	1	
29	A1DU R733 00	High V Powering Rear Assy		C	1	
30	A1DU R719 00	Separation Claw Assy		B	3	
31	65AA 2660 0	SLIDE SPRING		C	1	
32	A1DU R718 00	Separation Claw Unit		C	1	

INTERMEDIATE TRANSFER SECTION

P 31

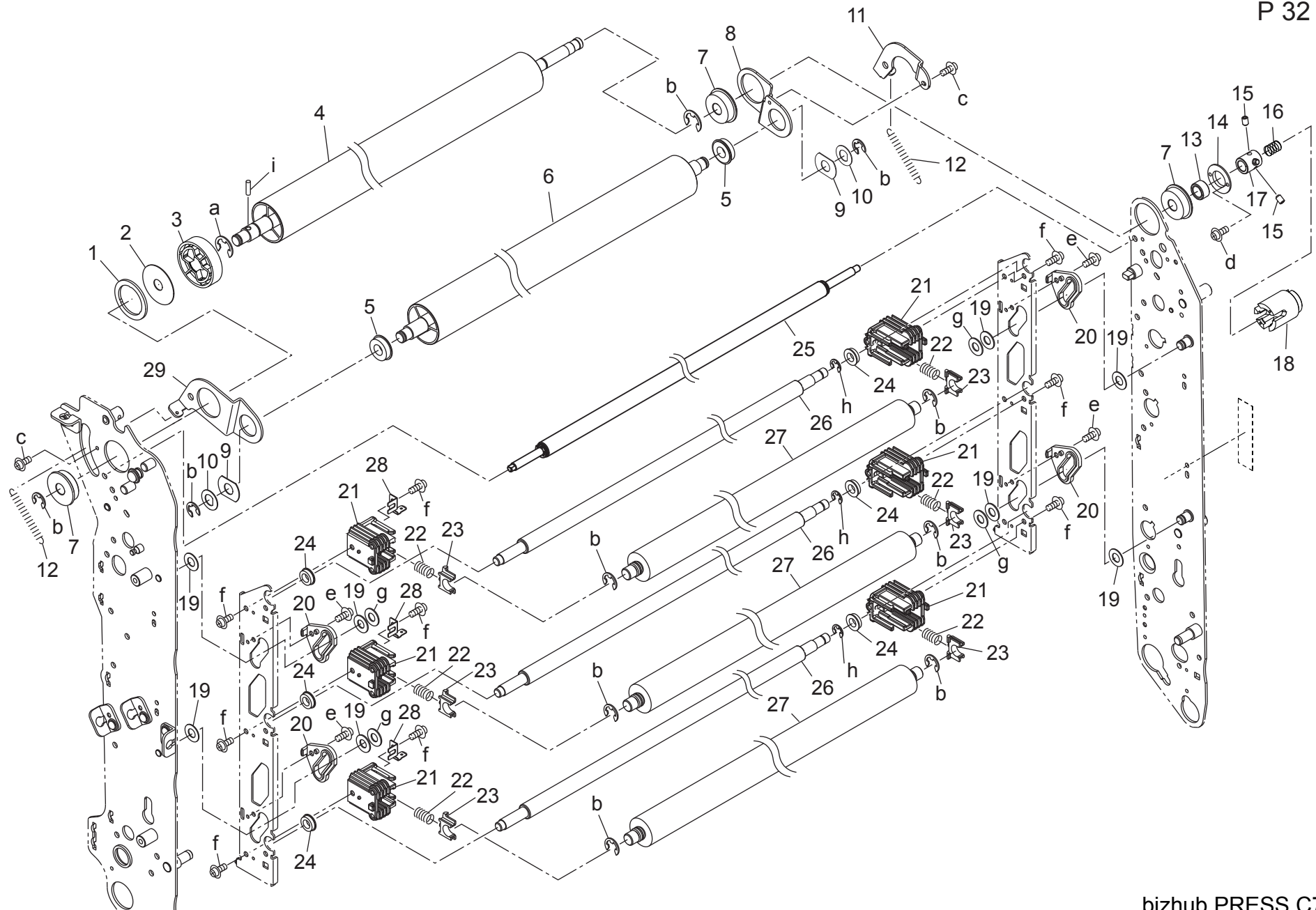


INTERMEDIATE TRANSFER SECTION

Key	Part No.	Description	Destinations	Class	QTY	Standard parts
1	A1DU R71B 00	Belt Cleaner Unit		B	1	a-V158 0308 03 b-V121 0306 03 c-V158 0310 03 d-V217 0400 50
2	56AA 1753 1	PIN A D2X10		C	1	
3	A03U 5529 00	Auxiliary Roller		C	1	
4	65AA 2709 0D	Blade Fulcrum Shaft		D	1	
5	A03U 5554 00	Cleaning Spring		C	2	
6	A03U 5530 00	Cleaning Blade		A	1	
7	65AA 2640 0	CLEANER POWERING PLATE		C	1	
8	65AA 2684 0	Cleaner Bushing /Front		C	2	
9	56AA 4049 0	SHAFT STOPPER 4		C	2	
10	65AA 2006 0	COLLECTING COVER		C	1	
11	65AA 2030 0	TONER COLLECTING SPRING		C	1	
12	65AA 2728 0	Toner Collecting Pipe /A		C	1	
13	A1DU 5502 00	Scatter Preventing Pad /3		D	2	
14	65AA 2732 0	SCATTER PREVENTING PAD 4		C	2	
15	A1DU R71F 00	Support Plate Assy		C	1	
16	A1DU R71G 00	Stopper Plate Assy		D	1	
17	A1DU R71C 00	Sheet /1 Assy		A	1	
18	A1DU R71D 00	Sheet /2 Assy		C	1	
19	40AA 3232 0	TONER SUPPLY SPACER		C	1	
20	A1DU R71E 00	Cleaning Front Plate Assy		B	1	
21	A03U 5594 00	COLLECTION GEAR /MIDDLE 20T		C	1	
22	08AA 4523 0	COLLECTING SEAL		C	1	
23	A03U 5595 00	COLLECTION GEAR /LOWER 38T		C	1	

INTERMEDIATE TRANSFER SECTION

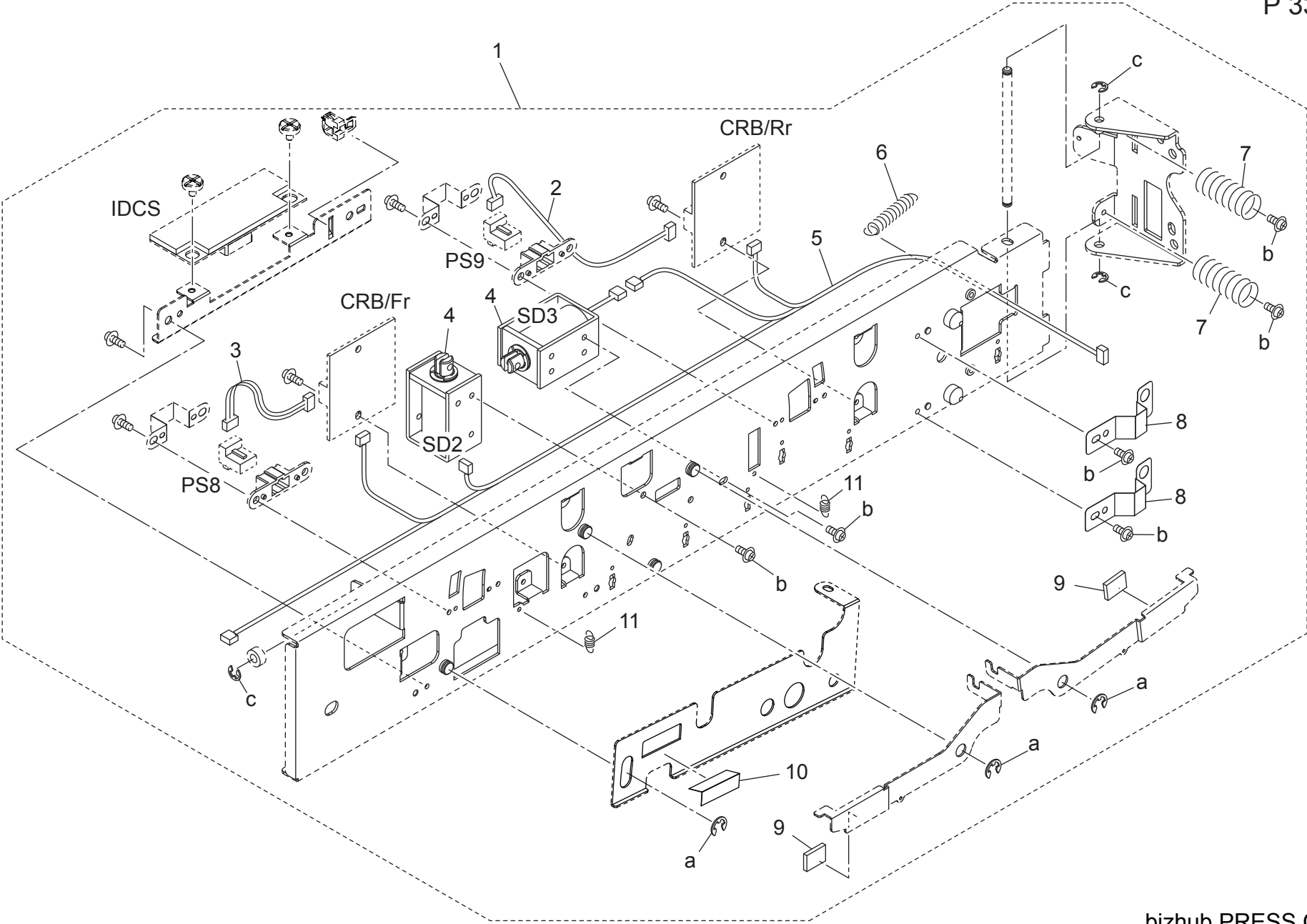
P 32



INTERMEDIATE TRANSFER SECTION

Key	Part No.	Description	Destinations	Class	QTY	Standard parts
1	65AA 2746 0	SPACER B		C	1	a-V217 0800 50
2	65AA 2747 0	SPACER C		C	1	b-V217 0600 50
3	A1DU 5593 00	Collection Gear /Upper 42T		C	1	c-V121 0306 03
4	A03U 5008 00	Drive Roller		D	1	d-V118 0204 03
5	A00V 2406 00	BALL BEARING		C	2	e-V121 0304 03
6	65AA 2610 0E	Tension Roller		C	1	f-V158 0308 03
7	65AA 7509 0	BELT DRIVING BEARING		C	3	g-V223 0600 04
8	65AA 2625 0E	Plate /Rear		C	1	h-V217 0400 50
9	65AA 2724 0	SPACER A		C	2	i-V237 3018 50
10	65AA 2721 00	Spacer /T		C	2	
11	A1DU R744 00	Tension Plate/ Rear Caulking		C	1	
12	65AA 2653 0	TENSION SPRING		C	2	
13	A03U 5124 00	Positioning Sleeve		C	1	
14	A03U 5122 00	DRIVE COUPLING /C		C	1	
15	A03U 5123 00	Fixing Screw		C	2	
16	A1DU 5199 00	Spring		D	1	
17	A03U 5120 00	DRIVE COUPLING /A		C	1	
18	A1DU 5121 00	Drive Coupling /B		D	1	
19	07BA 1587 1	SPACER A		C	8	
20	65AA 2718 0	Transfer Slide Bushing		C	4	
21	65AA 2690 0D	High voltage Powering Block /C		D	6	
22	A03U 5071 00	Power supply Spring		C	6	
23	65AA 2638 0	Transfer Powering Bushing		B	6	
24	A00J 6178 00	BALL BEARING		C	6	
25	A03U B504 00	Roller /Upper Assy		C	1	
26	65AA 2613 1F	Transfer Pressure Roller /Y		C	3	
27	A03U 5012 00	Transfer Roller /C		A	3	
28	65AA 2656 0D	Transfer Powering Plate /Front		D	3	
29	65AA 2627 0E	Tension Plate /Front		D	1	

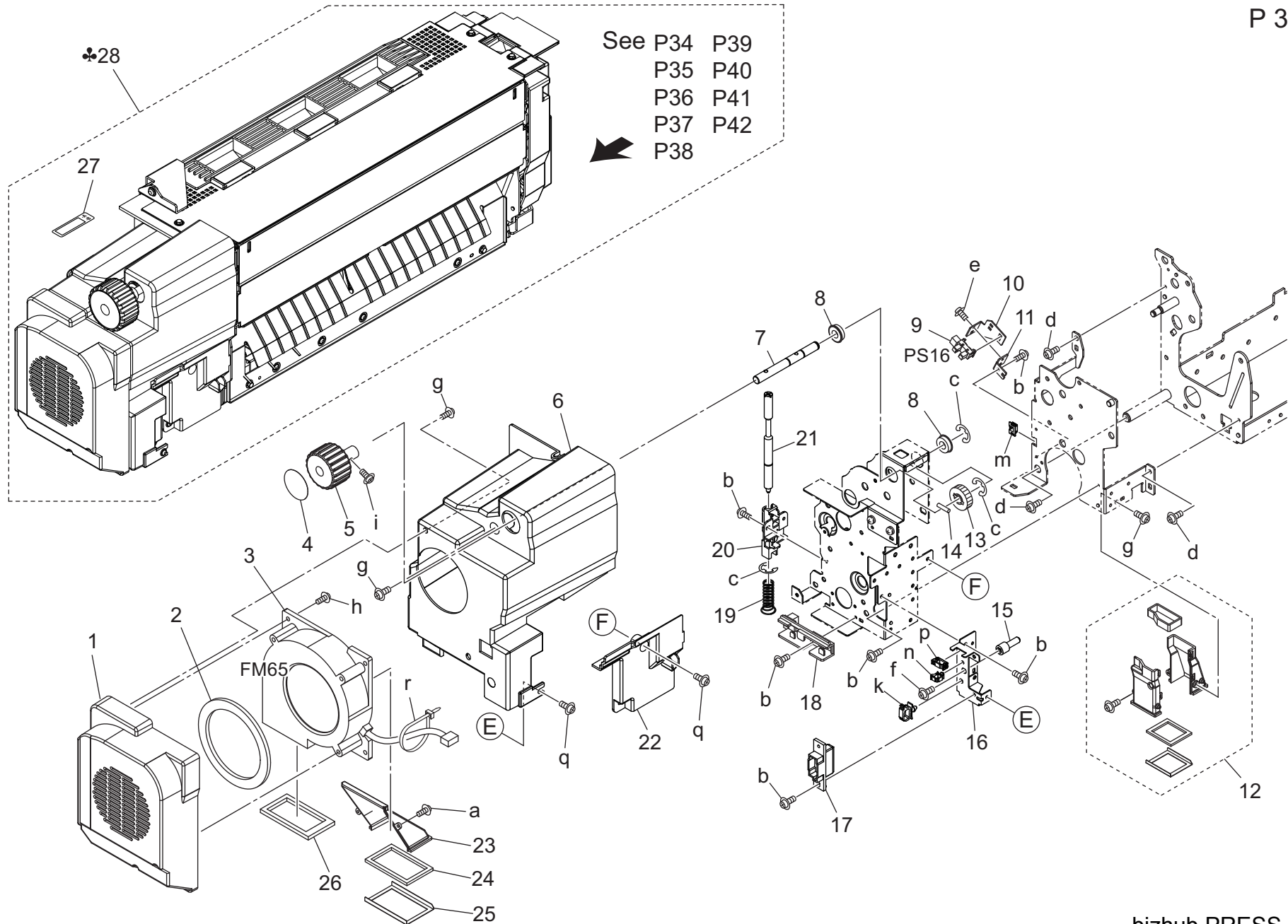
COLOR RESIST SECTION



COLOR RESIST SECTION

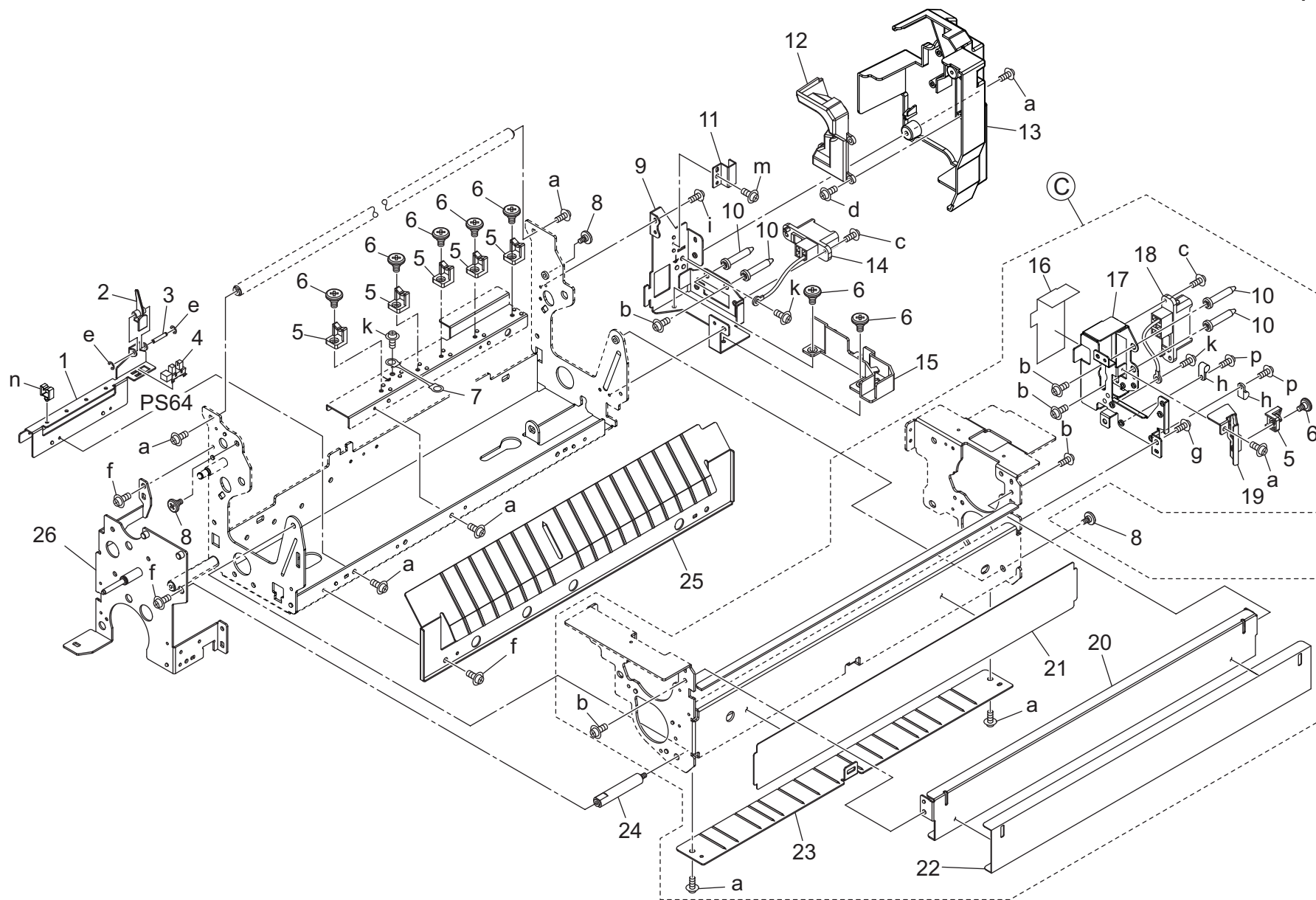
Key	Part No.	Description	Destinations	Class	QTY	Standard parts
1	A1DU R715 00	Color Regist Assy		C	1	a-V217 0400 50 b-V121 0304 03 c-V217 0300 50
2	65AA 9109 0	COLOR COMPENSATING WIRING 2		D	1	
3	65AA 9065 0	COLOR COMPENSATING WIRING		D	1	
4	A1DU R716 00	Solenoid Assy		C	2	
5	A1DU N170 00	Relay harness /5		D	1	
6	65AA 2711 0	REGISTRATION RELEASE SPRING		C	1	
7	65AA 2657 0	REGISTRATION PRESSING SPRING		C	2	
8	65AA 2730 0	GUIDE PLATE		D	2	
9	65AA 2661 0	Scatter Preventing Pad /1		D	2	
10	65AA 2736 0	COVER SHEET		D	1	
11	65AA 2658 0	REGISTRATION OPEN SHUT SPRING		C	2	

FUSING SECTION



Key	Part No.	Description	Destinations	Class	QTY	Standard parts
1	A03U 7282 00	Suction Cover /1		C	1	a-V151 0205 03
2	A03U 7334 00	Seal /5		C	1	b-V121 0306 03
3	A03U M153 00	Fixing Cooling Fan		C	1	c-V217 0600 50
4	A1RF 9434 00	Release Label /4		D	1	d-V182 0406 03
5	20AL 4847 0	Jam Release Knob		C	1	e-V182 0306 03
6	A1DU 7204 01	Fusing Cover /Front		D	1	f-V121 0406 03
7	A1DU 7266 01	Processing Shaft /A		D	1	g-V158 0308 03
8	A00V 2406 00	BALL BEARING		C	2	h-V158 0310 03
9	08AA 8551 2	Photo Sensor		B	1	i-V127 0408 03
10	A03U 7257 00	POSITIONING PLATE /A		D	1	k-V500 0100 05
11	A03U 7265 00	SUPPORT PLATE /A		D	1	m-V570 0100 34
12	A1DU R721 00	Fusing Duct / 2		B	1	n-V500 0100 20
13	13GG 7703 0	Motor Driving Gear 22T		B	1	p-V570 0100 57
14	56AA 1747 1	PIN B 3X12		C	1	q-V121 0306 04
15	A1DU 7362 00	Positioning Shaft		D	1	r-V501 0100 14
16	A1DU 7361 00	Mounting Plate		D	1	
17	A1DU N150 01	Fixing Drive harness /2		D	1	
18	A03U 7305 00	Wiring Guide Plate /Front		D	1	
19	A1DU 7365 00	Lifting Spring /2		D	1	
20	A1DU 7363 00	Fixing Pedestal /A		D	1	
21	A1DU 7364 00	Fixing Shaft		D	1	
22	A1DU 7278 00	Auxiliary Cover		D	1	
23	A03U 7330 00	Fan Cover Cover		C	1	
24	A03U 7336 00	Seal /1		C	1	
25	A03U 7337 00	Sealing Plate /1		C	1	
26	A03U 7341 00	Seal /4		C	1	
27	A1RF 9455 01	Replacement Label /5		D	1	
28	A1DU R71T 22	Fusing Unit (JP)	A	I	1	
28	A1DU R71U 22	Fusing Unit (US)	B,G2	I	1	
28	A1DU R71V 22	Fusing Unit (EU)	C,D1,D3,E,F2,G1,I	I	1	

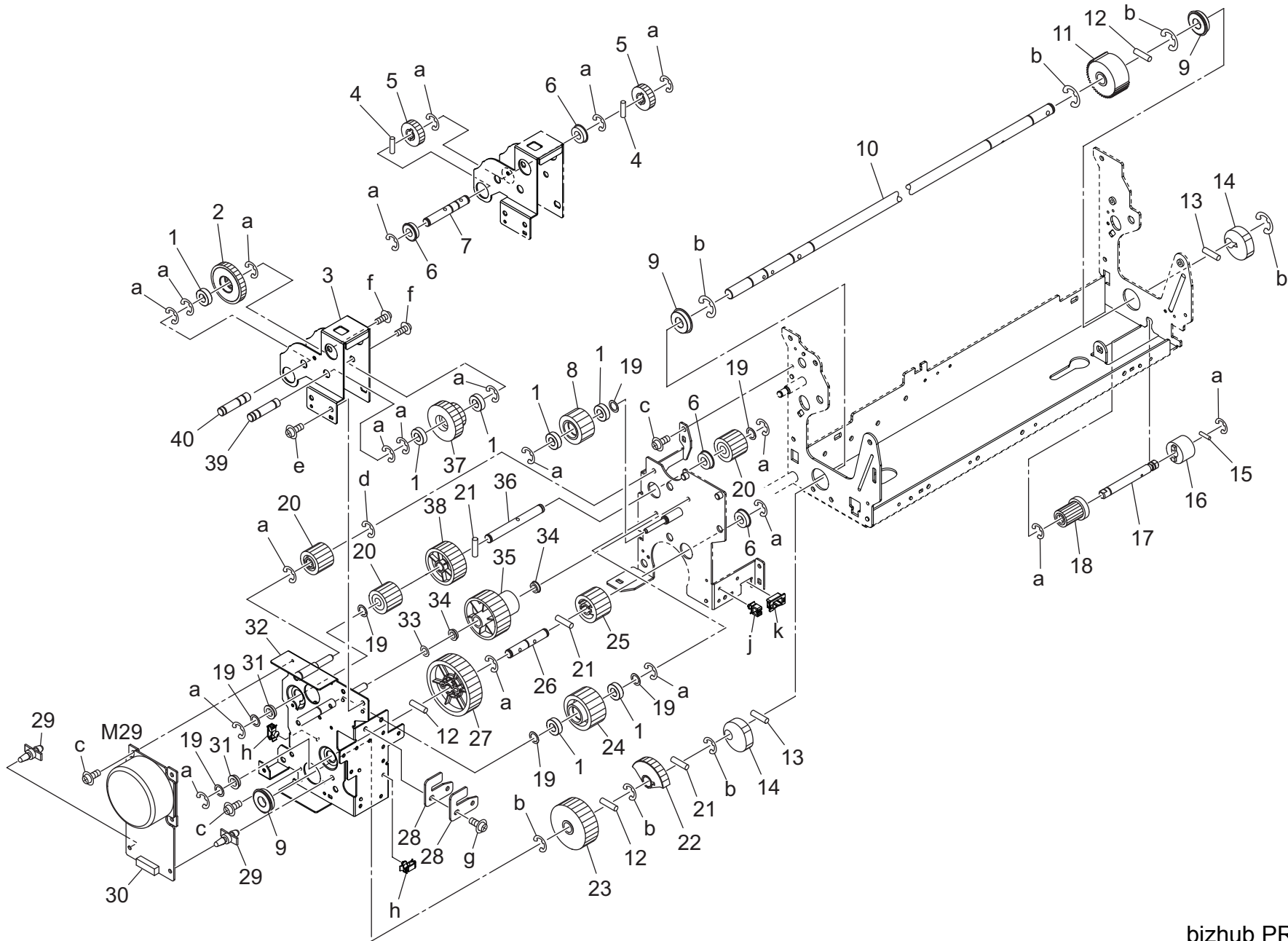
FUSING SECTION



Key	Part No.	Description	Destinations	Class	QTY	Standard parts
1	A03U 7311 01	Support Plate /B		D	1	a-V121 0306 03
2	A03U 7308 00	Entrance Actuator /A		C	1	b-V121 0406 03
3	A03U 7309 00	SHAFT		D	1	c-V121 0308 03
4	A1RF M510 00	Photointerrupter /H		C	1	d-V158 0308 03
5	55VA 5397 0	WIRING HOLDER PART		D	6	e-V217 0200 50 f-V182 0406 03
6	A03U 7345 00	Support Screw /A		C	8	g-V182 0306 03
7	A03U N232 00	Grounding Wiring /F		D	1	h-V500 0200 31
8	4500 5339 1	EXIT GUIDEPLATE MOUNTING SCREW		C	3	i-V127 0306 03
9	A03U 7269 00	Power supply Plate /Lower		D	1	k-V116 0406 03
10	A03U 7242 00	Positioning Shaft		D	4	m-V121 0304 03 n-V500 0100 51 p-V118 0406 03
11	65AA 5395 0	WIRING FIXING PLATE		D	1	
12	A03U 7332 00	Cover Duct		D	1	
13	A1DU 7211 00	Fusing Cover /Rear		D	1	
14	A1DU N106 02	Fixing Wiring /2		D	1	
15	A03U 7277 00	Guide Part		D	1	
16	A1DU 7368 00	Insulating Sheet /A		D	1	
17	A1DU 7228 11	Power supply Plate /Upper		D	1	
18	A1DU N105 02	Fixing Wiring /1		D	1	
19	A03U 7253 00	Terminal Fixing Plate		D	1	
20	A03U 7214 00	Fusing Stay /Right		D	1	
21	A03U 7273 00	Insulating Sheet /C		C	1	
22	A03U 7272 00	Insulating Sheet /B		C	1	
23	A03U 7245 00	Entrance Plate /Upper		C	1	
24	A03U 7248 00	FIXING ROTATION SHAFT		D	1	
25	A03U 7210 00	Fixing Entrance Plate /Lower		C	1	
26	A03U F778 00	Fixing Drive Panel /A Caulking		D	1	

FUSING SECTION

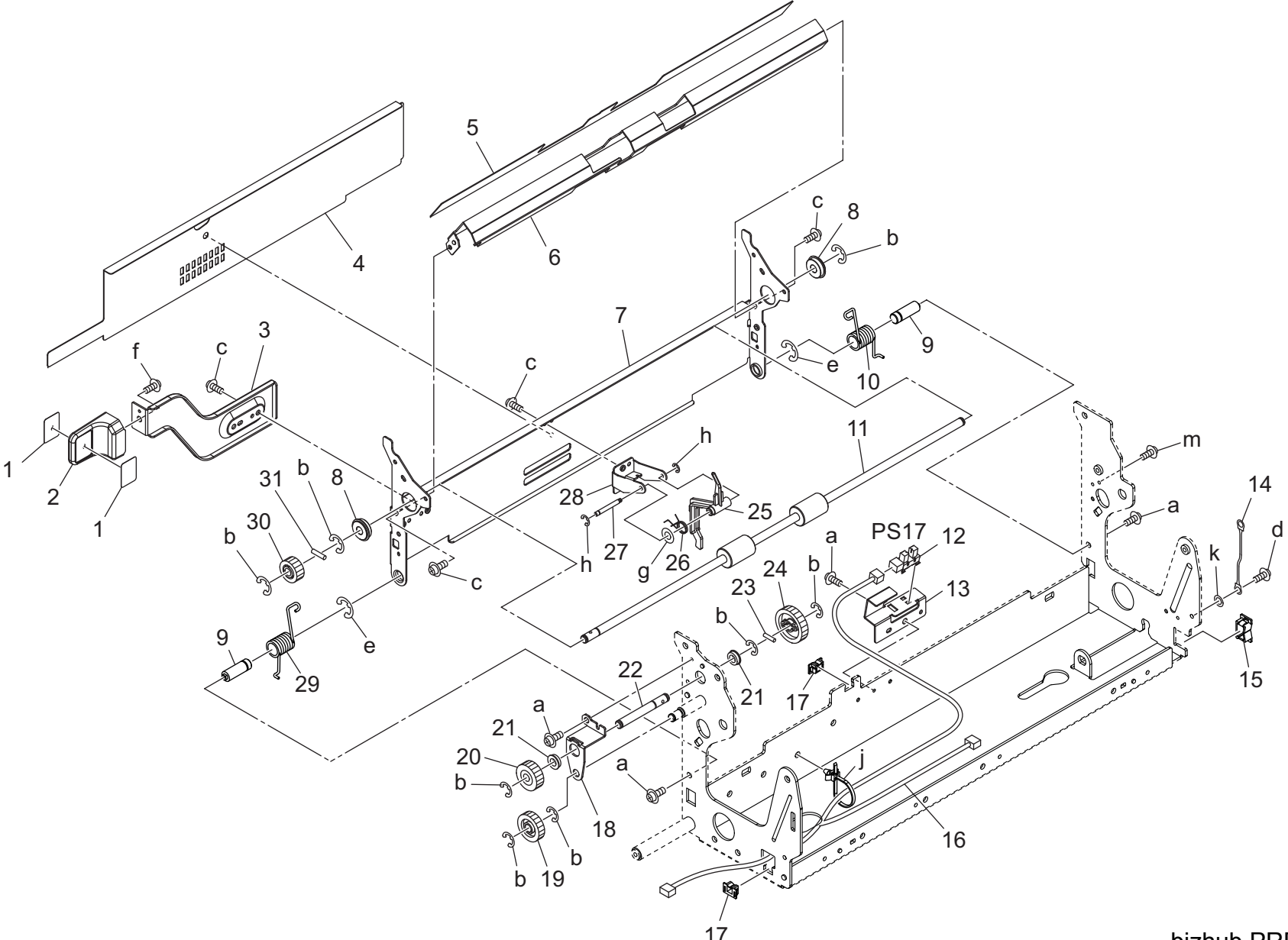
P 36



FUSING SECTION

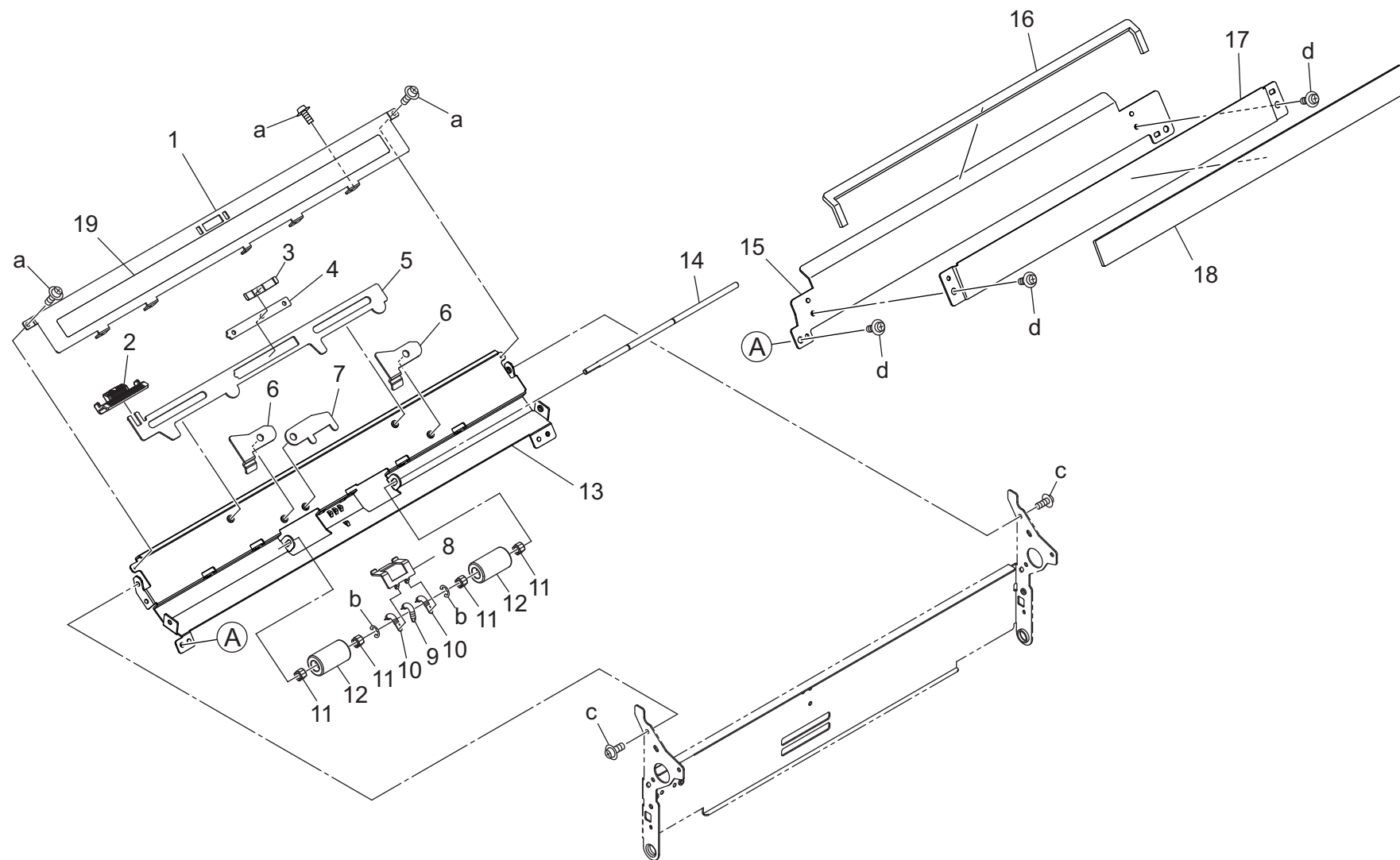
Key	Part No.	Description	Destinations	Class	QTY	Standard parts
1	A1RF 8200 00	Ball Bearing		C	7	a-V217 0600 50
2	55VA 7787 0	FIXING IDLER GEAR 4 38T		B	1	b-V217 0800 50
3	A1DU 7312 00	Processing Panel		D	1	c-V121 0306 03
4	56AA 1747 1	PIN B 3X12		C	2	d-V217 0400 50
5	13GG 7703 0	Motor Driving Gear 22T		B	2	e-V182 0406 03
6	A00V 2406 00	BALL BEARING		C	4	f-V121 0406 03
7	A03U 7289 00	PROCESSING SHAFT /B		D	1	g-V140 0408 03
8	A03U 8088 11	FIXING DRIVE GEAR /H 35T		B	1	h-V500 0100 46
9	5000 7501 0	BALL BEARING		C	3	j-V500 0100 50
10	A03U 7223 00	Release Shaft		D	1	k-V570 0100 08
11	65AA 7748 0	FIXING REGULATING GEAR B 47T		C	1	
12	3040 7807 0	PIN C		C	3	
13	4540 7803 0	PARALLEL PIN		C	2	
14	A03U 7224 00	Pressure Cam		C	2	
15	56AA 1753 1	PIN A D2X10		C	1	
16	65AA 5365 1	FIXING LIMITTER		B	1	
17	A03U 7256 00	Fixing Regulating Shaft /A		D	1	
18	65AA 7747 0	FIXING REGULATING GEAR A 19T		B	1	
19	56AA 4269 0	BY PASS FEED SPACER		C	7	
20	A03U 8093 11	Fixing Drive Gear /M 22T		B	3	
21	56AA 1748 0	PIN B		C	3	
22	A03U 7244 00	Release Actuator /A		C	1	
23	A03U 8080 00	Fixing Rrelease Gear /A 44T		B	1	
24	A03U 8094 00	FIXING DRIVE GEAR /N 34T		B	1	
25	A03U 8090 00	FIXING DRIVE GEAR /J 26T		B	1	
26	A03U 7261 00	FIXING DRIVING SHAFT /D		D	1	
27	A03U 8091 00	FIXING DRIVE GEAR /K 55T		B	1	
28	A03U 7323 00	Fusing Jig		D	2	
29	V502 0100 15	support		D	2	
30	A1DU M101 00	DC Brushless motor /40		C	1	
31	A00J 6179 00	Ball Bearing		C	2	
32	A1DU R747 00	Fusing Drive Panel / B Caulking		D	1	
33	25HA 3033 0	DEVELOPING REGULATING SPACER		C	1	
34	A00J 6178 00	BALL BEARING		C	2	
35	A1DU 8089 00	Drive Gear /I 26/79T		C	1	
36	A03U 7258 00	FIXING DRIVE SHAFT /A		C	1	
37	A03U 8097 00	Jam Processing Gear /A 22/35T		B	1	
38	A03U 8087 00	FIXING DRIVE GEAR /G 45T		B	1	
39	A03U 7335 00	Processing Shaft /D		D	1	
40	A03U 7324 00	Processing Shaft /C		D	1	

FUSING SECTION



Key	Part No.	Description	Destinations	Class	QTY	Standard parts
1	A1RF 9436 00	Release Label /6		D	2	a-V121 0306 03
2	65AA 5399 1	FIXING PAPER EXIT LEVER		C	1	b-V217 0400 50
3	A03U 7233 00	Open/close Lever		C	1	c-V127 0306 03
4	A03U 7281 00	Insulating Sheet /D		C	1	d-V116 0406 03
5	A03U 7299 01	INSULATING SHEET /E		C	1	e-V217 0600 50
6	A03U 7220 01	Fixing Paper exit Plate /Lower		D	1	f-V151 0408 03
7	A03U 7208 00	Fixing Paper exit Stay		D	1	g-V226 0600 50
8	55GA 7503 1	BALL BEARING		A	2	h-V217 0200 50
9	A03U 7267 11	Paper Exit Fulcrum Shaft		D	2	j-V501 0100 03
10	A03U 7344 11	Paper Exit Open /Shut Spring /B		C	1	k-V209 0400 50
11	A03U 7209 00	Fixing Paper Exit Roller		C	1	m-V118 0306 03
12	A1RF M510 00	Photointerrupter /H		C	1	
13	65AA 5352 0F	Paper Exit Detecting Plate		D	1	
14	A03U N233 00	Main body Grounding Wire		D	1	
15	V570 0100 08	saddle		D	1	
16	A03U N152 00	Fixing Relay Wiring		D	1	
17	V570 0100 34	saddle		D	2	
18	A03U 7239 00	Paper exit Drive Plate		D	1	
19	A03U 8083 00	FIXING DRIVE GEAR /C 20T		B	1	
20	A03U 8084 00	FIXING DRIVE GEAR /D 19T		B	1	
21	A00J 6178 00	BALL BEARING		C	2	
22	A03U 7240 00	Paper exit Drive Shaft		D	1	
23	56AA 1732 1	PIN A D2X12		B	1	
24	A03U 8085 00	FIXING DRIVE GEAR /E 32T		B	1	
25	65AA 5337 1	PAPER EXIT ACTUATOR		C	1	
26	65AA 5356 0	PAPER EXIT DETECTING SPRING		C	1	
27	65AA 5342 0	PAPER EXIT DECTING SHAFT		D	1	
28	65AA 5338 0	SUPPOT PLATE		D	1	
29	A03U 7343 11	Paper Exit Open/ Shut Spring /A		C	1	
30	A03U 8096 00	FIXING DRIVE GEAR /P 20T		B	1	
31	56AA 1753 1	PIN A D2X10		C	1	

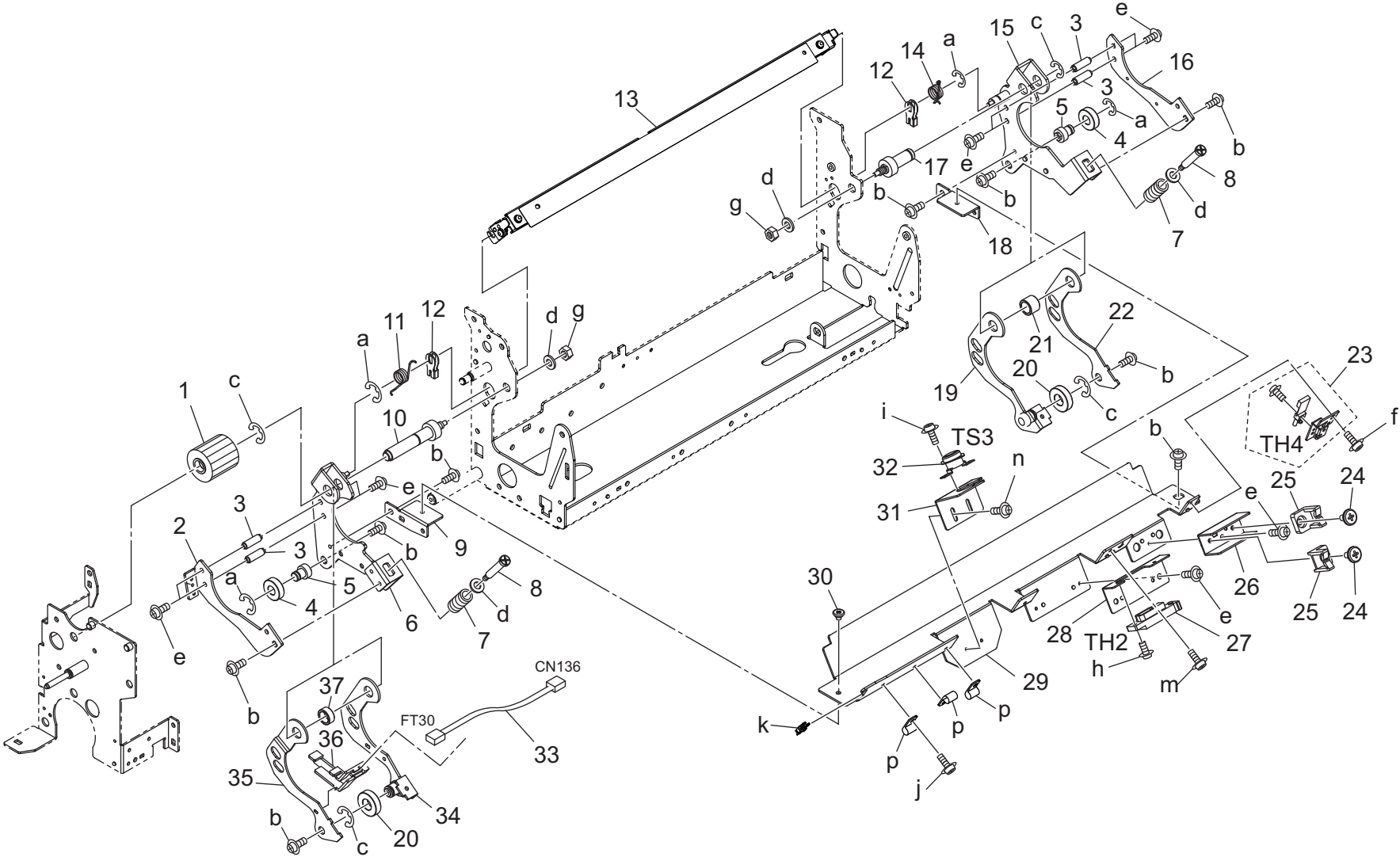
FUSING SECTION



FUSING SECTION

Key	Part No.	Description	Destinations	Class	QTY	Standard parts
1	A03U 7353 00	Holding Plate		D	1	a-V118 0203 03 b-V217 0300 50 c-V127 0306 03 d-V121 0306 03
2	A03U 7350 00	Slide Knob		C	1	
3	A03U 7348 00	Positioning Plate spring /1		C	1	
4	A03U 7349 00	Positioning Plate		D	1	
5	A03U 7354 00	Slide Plate		D	1	
6	A03U 7355 00	Release Lever		C	2	
7	A03U 7352 00	Pressing Cam /2		C	1	
8	A03U 7351 00	Pressing Cam /1		C	1	
9	A03U 7255 00	Paper exit Spring /1		C	1	
10	A03U 7356 00	Paper exit Spring /2		C	2	
11	65AA 5398 0	FIXING PAPER EXIT BUSHING		C	4	
12	A03U 7225 00	Fixing Paper exit Roller		A	2	
13	A1DU 7276 00	Paper exit Plate /Upper		D	1	
14	A03U 7280 00	PAPER EXIT SHAFT		D	1	
15	A1DU 7623 00	Positioning Plate /1		D	1	
16	A1DU 7626 00	Fusing Seal /2		D	1	
17	A1DU 7624 01	Duct /1		D	1	
18	A1DU 7625 00	Fusing Seal /1		D	1	
19	A1DU 9490 00	Caution Label		D	1	

FUSING SECTION

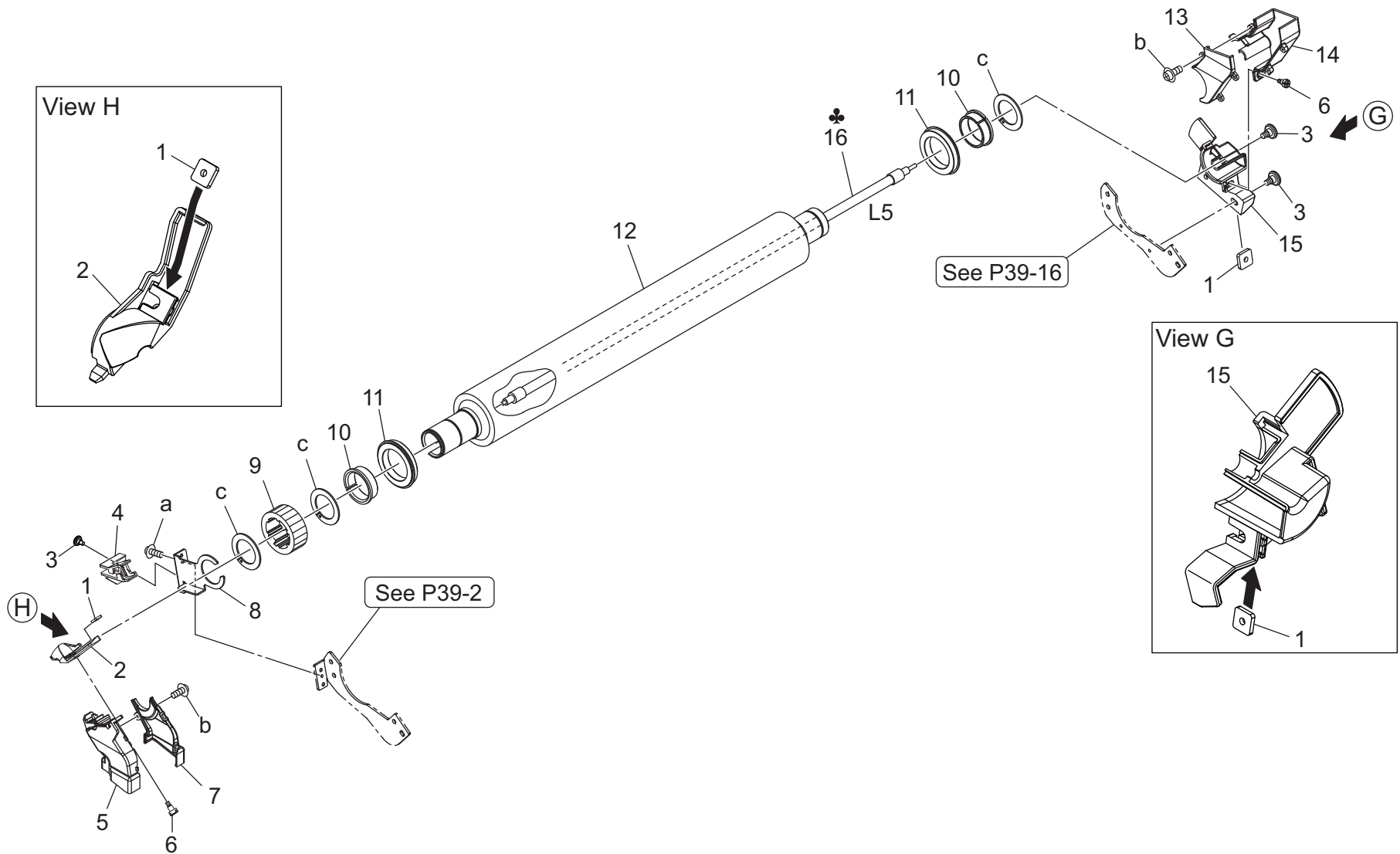


FUSING SECTION

Key	Part No.	Description	Destinations	Class	QTY	Standard parts
1	A03U 8082 01	Fixing Drive Gear /B 28T		A	1	a-V217 0600 50
2	A03U 7237 00	Support Arm /Front		D	1	b-V121 0406 03
3	A03U 7234 00	Fixing Support Shaft /A		D	4	c-V217 0800 50
4	A03U 8079 00	Fixing Pressing Bearing		C	2	d-V207 0600 03
5	A03U 7306 00	Shaft holder Shaft		D	2	e-V121 0306 03
6	A03U F742 00	Arm /Front Caulking		D	1	f-V182 0306 03
7	A03U 7307 01	Pressure Spring		C	2	g-V195 0600 03
8	A03U 7249 01	Pressure Shaft		D	2	h-V116 0308 03
9	A03U 7313 00	Auxiliary Plate /Front		D	1	i-V118 0304 03
10	A03U 7222 00	Fixing Support Shaft /Front		D	1	j-V118 0406 03
11	A03U 7346 01	Separating Spring /Front		C	1	k-V570 0100 25
12	A03U 7357 00	HOLDING SIDE PLATE		D	2	m-V116 0406 03
13	A1DU R74H 00	Fusing Separating Plate		A	1	n-V116 0306 03
14	A03U 7347 01	Separating Spring /Rear		C	1	p-V500 0200 30
15	A03U F743 00	Arm /Rear Caulking		D	1	
16	A03U 7320 00	Support Arm /Rear		D	1	
17	A03U 7301 00	Fixing Support Shaft /Rear		D	1	
18	A03U 7314 00	Auxiliary Plate /Rear		D	1	
19	A03U F745 00	Fixing Pressure Plate /C Caulking		D	1	
20	A03U 8077 00	Pressure Bearing		C	2	
21	A03U 7319 00	Regulating Shaft /Rear		D	1	
22	A03U 7322 00	Fixing Pressure Plate /D		D	1	
23	A1DU R71W 00	Mounting Plate / A		B	1	
24	A03U 7345 00	Support Screw /A		C	2	
25	55VA 5397 0	WIRING HOLDER PART		D	2	
26	A03U 7302 00	GUIDE PLATE /REAR		D	1	
27	65AA 8802 0	TEMPERATURE SENSOR 2		B	1	
28	65AA 5323 0	MOUNTING PLATE		D	1	
29	A03U 7212 01	Fixing Support Stay /Lower		D	1	
30	56AA 5347 0	FIXING FULCRUM SHAFT		D	1	
31	A03U 7241 01	Fuse Mounting Plate /Lower		D	1	
32	SP00 -018 1	THERMOSTAT		A	1	
33	A03U N108 00	Fixing Power supply Wiring /Lower		D	1	
34	A03U F744 00	Fixing Pressure Plate /A Caulking		D	1	
35	A03U 7238 00	Fixing Pressure Plate /B		D	1	
36	A03U 7236 00	Wiring Mounting Plate /Front		D	1	
37	A03U 7318 00	Regulating Shaft /Front		D	1	

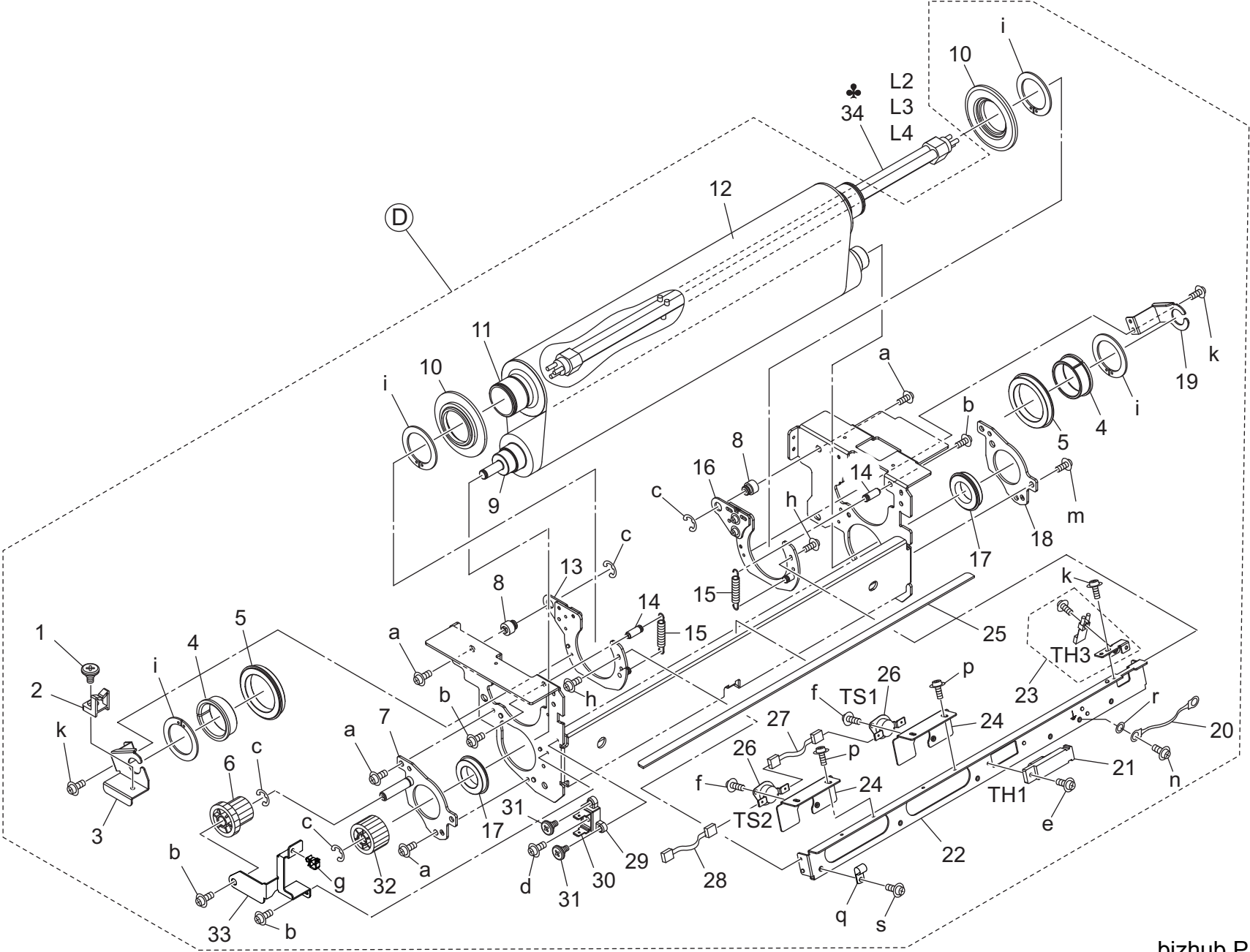
FUSING SECTION

P 40



Key	Part No.	Description	Destinations	Class	QTY	Standard parts
1	A03U 7331 00	Mounting Nut		C	4	a-V121 0306 03 b-V151 0206 03 c-V223 2600 04
2	A03U 7288 00	Fusing Duct /4		C	2	
3	A03U 7345 00	Support Screw /A		C	3	
4	A03U 7275 00	Wiring Part /1		D	1	
5	A03U 7286 00	Fusing Duct /3		C	1	
6	56AA 2087 0	TERMINAL FIXING SCREW		C	2	
7	A03U 7287 00	Cover /3		C	1	
8	A03U 7217 00	Hold Plate /1		C	1	
9	A03U 8081 00	Fixing Drive Gear /A 38T		B	1	
10	A03U 7227 00	Insulating Sleeve /Lower		B	2	
11	26NA 5371 2	BALL BEARING		A	2	
12	A03U 7203 00	Fusing Roller /Lower		A	1	
13	A03U 7329 00	Cover /5		C	1	
14	A03U 7328 00	Fixing duct /5		C	1	
15	A03U 7327 00	Hold Block /Rear		C	2	
16	A03U M32A 00	Fixing Lamp /Lower	A	I	1	
16	A03U M32E 00	Fixing Lamp /Lower	B,G2	I	1	
16	A03U M32F 00	Fixing Lamp /Lower	C,D1,D3,E,F2,G1,I	I	1	

FUSING SECTION

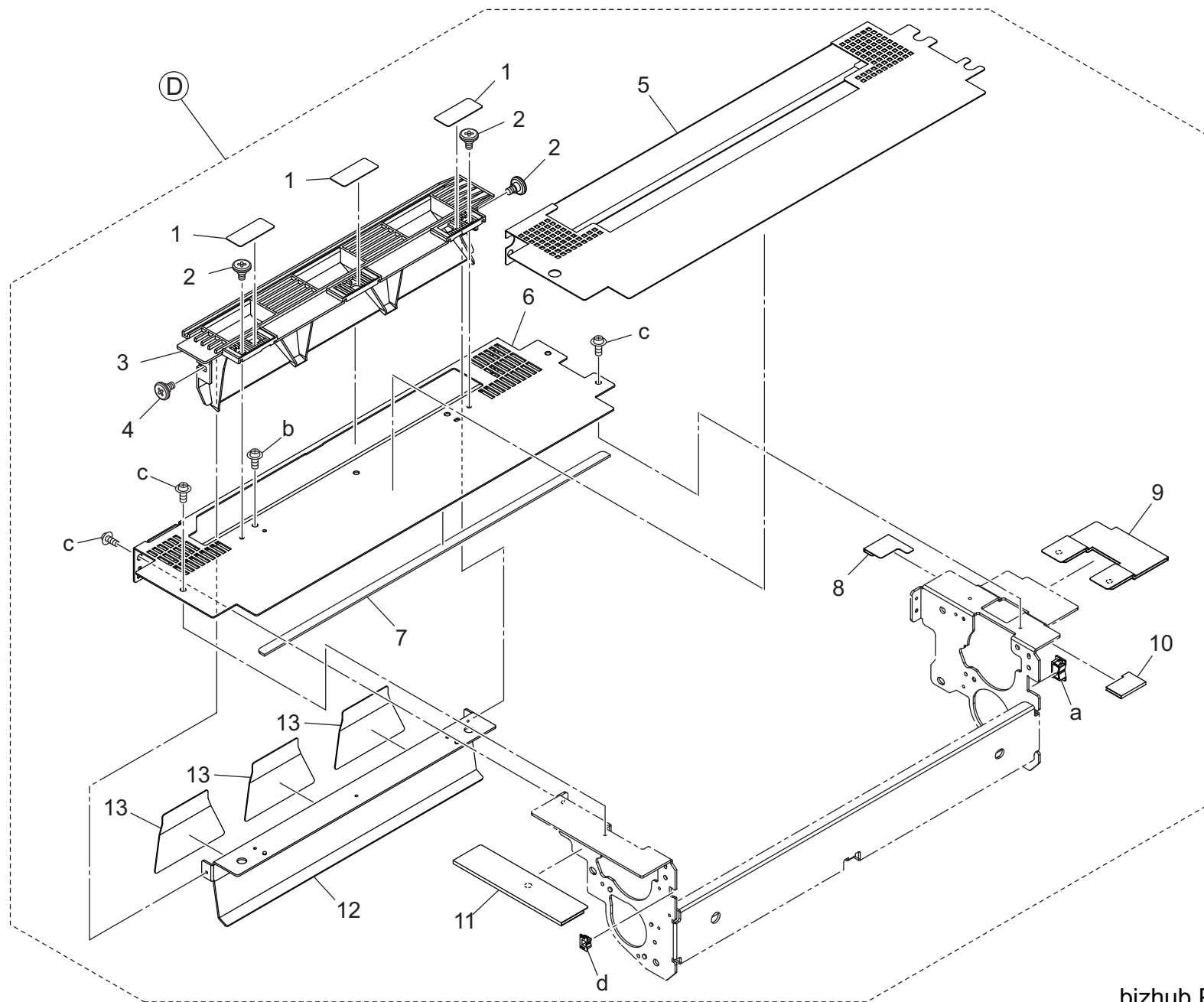


FUSING SECTION

Key	Part No.	Description	Destinations	Class	QTY	Standard parts
1	A03U 7345 00	Support Screw /A		C	1	a-V121 0406 03
2	55VA 5397 0	WIRING HOLDER PART		D	1	b-V121 0306 03
3	A03U 7290 01	Heater Support Plate /Front		D	1	c-V217 0600 50
4	A03U 7295 00	INSULATING SLEEVE /UPPER		A	2	d-V116 0305 03
5	A1UD 7235 00	Ball bearing		A	2	e-V116 0308 03
6	A1DU 8086 00	Drive Gear /F 20/29T		C	1	f-V118 0304 03
7	A1DU F761 00	Roller Mounting Plate Caulking		D	1	g-V500 0100 74
8	A03U 7292 00	Support Shaft		D	2	h-V121 0304 03
9	A03U 7202 01	Fusing Roller /2		A	1	i-V223 3000 04
10	A03U 7250 00	Belt Regulating Sleeve		A	2	k-V182 0306 03
11	A03U 7201 00	FUSING ROLLER /1		A	1	m-V182 0406 03
12	A03U 7205 01	FUSING BELT 251L		A	1	n-V116 0406 03
13	A1DU R71X 00	Support Arm / Front		D	1	p-V116 0306 03
14	A03U 7297 00	Spring Shaft /B		D	2	q-V500 0200 31
15	A03U 7279 00	Belt Tension Spring		C	2	r-V209 0400 50
16	A1DU R71Y 00	Support Arm / Rear		D	1	s-V118 0406 03
17	56UA 7507 0	FIXING BEARING		A	2	
18	A1DU 7251 00	Mounting Plate		D	1	
19	A03U 7291 01	HEATER SUPPORT PLATE /REAR		D	1	
20	A03U N232 00	Grounding Wiring /F		D	1	
21	65AA 8801 0	TEMPERATURE SENSOR 1		B	1	
22	A03U 7229 02	Stay		D	1	
23	A1DU R720 00	Stay / B		B	1	
24	A03U 7252 01	Stay /A		D	2	
25	A03U 7317 00	Fusing Seal		C	1	
26	SP00 -003 2	THERMOSTAT		A	2	
27	A1DU N104 00	Fixing Wiring /Middle		D	1	
28	A1DU N107 00	Fixing Wiring /Upper		D	1	
29	26NA 5378 0	TERMINAL PEDESTAL B		C	1	
30	A03U 7298 00	Terminal Plate		C	1	
31	26NA 5423 0	TERMINAL FIXING SCREW		C	2	
32	A03U 8095 00	FIXING DRIVE GEAR /O 26T		A	1	
33	A1DU 7243 00	Cover Plate		D	1	
34	A1DU M31A 00	Fixing Halogen heater /Upper	A	I	1	
34	A1DU M31E 00	Fixing Halogen heater /Upper	B,G2	I	1	
34	A1DU M31F 00	Fixing Halogen heater /Upper	C,D1,D3,E,F2,G1,I	I	1	

FUSING SECTION

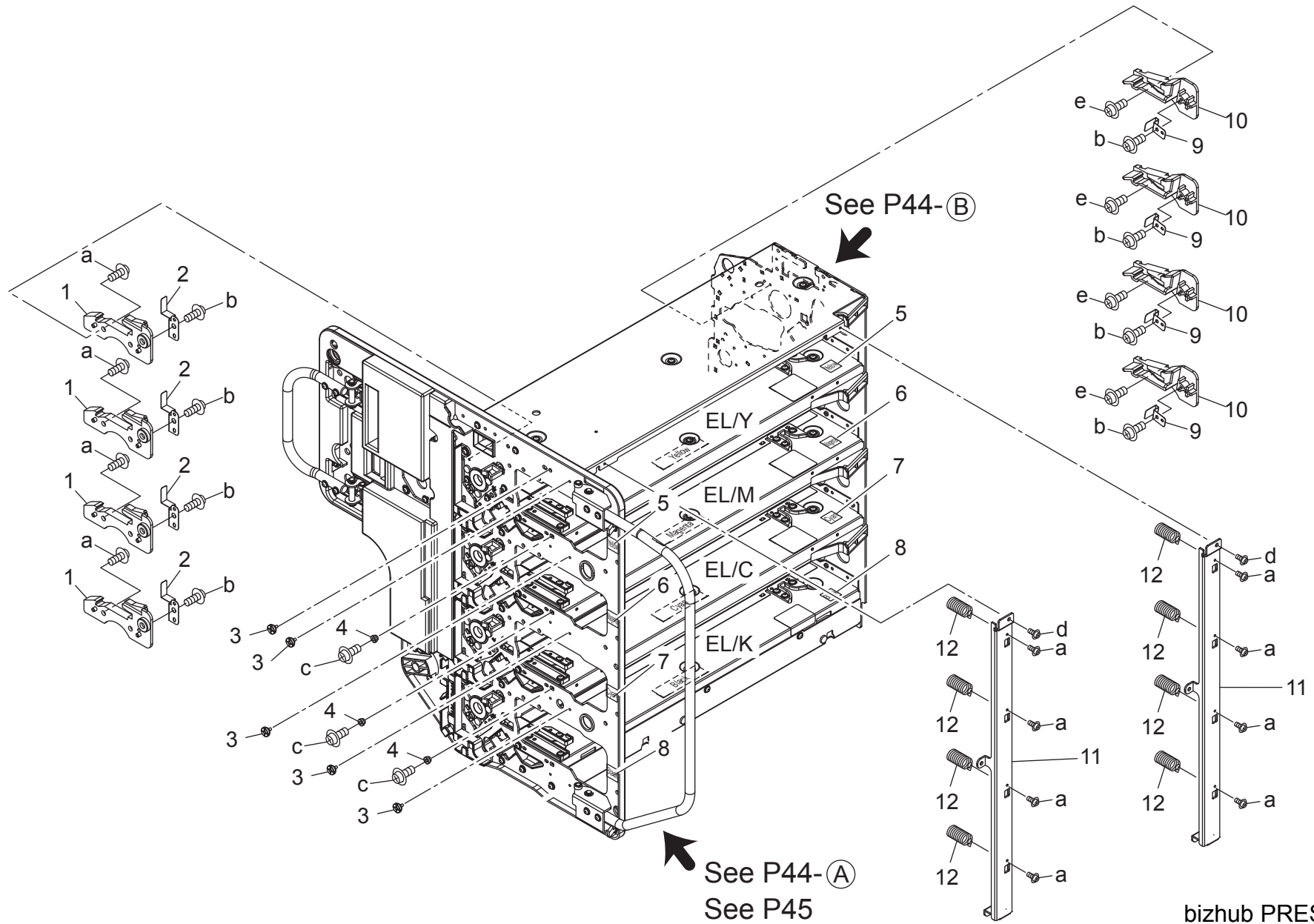
P 42



FUSING SECTION

Key	Part No.	Description	Destinations	Class	QTY	Standard parts
1	A1DU 7638 00	Insulating Sheet /2		D	3	a-V570 0100 08 b-V121 0306 03 c-V182 0306 03 d-V570 0100 34
2	A03U 7345 00	Support Screw /A		C	3	
3	A1DU 7602 00	Duct /A		D	1	
4	A1DU 7639 00	Support Screw /A		D	1	
5	A1DU 7270 02	Insulating Sheet /A		D	1	
6	A1DU 7213 00	Insulating Part /1		D	1	
7	A03U 7317 00	Fusing Seal		C	1	
8	A1DU 7371 00	Insulating Sheet /2		D	1	
9	A1DU 7366 00	Insulating Sheet /4		D	1	
10	A1DU 7370 00	Insulating Sheet /3		D	1	
11	A1DU 7367 01	Insulating Sheet /1		D	1	
12	A1DU 7601 00	Cover Plate /1		D	1	
13	A1DU 7635 01	Insulating Sheet /5		D	3	

PROCESS CARRIAGE SECTION

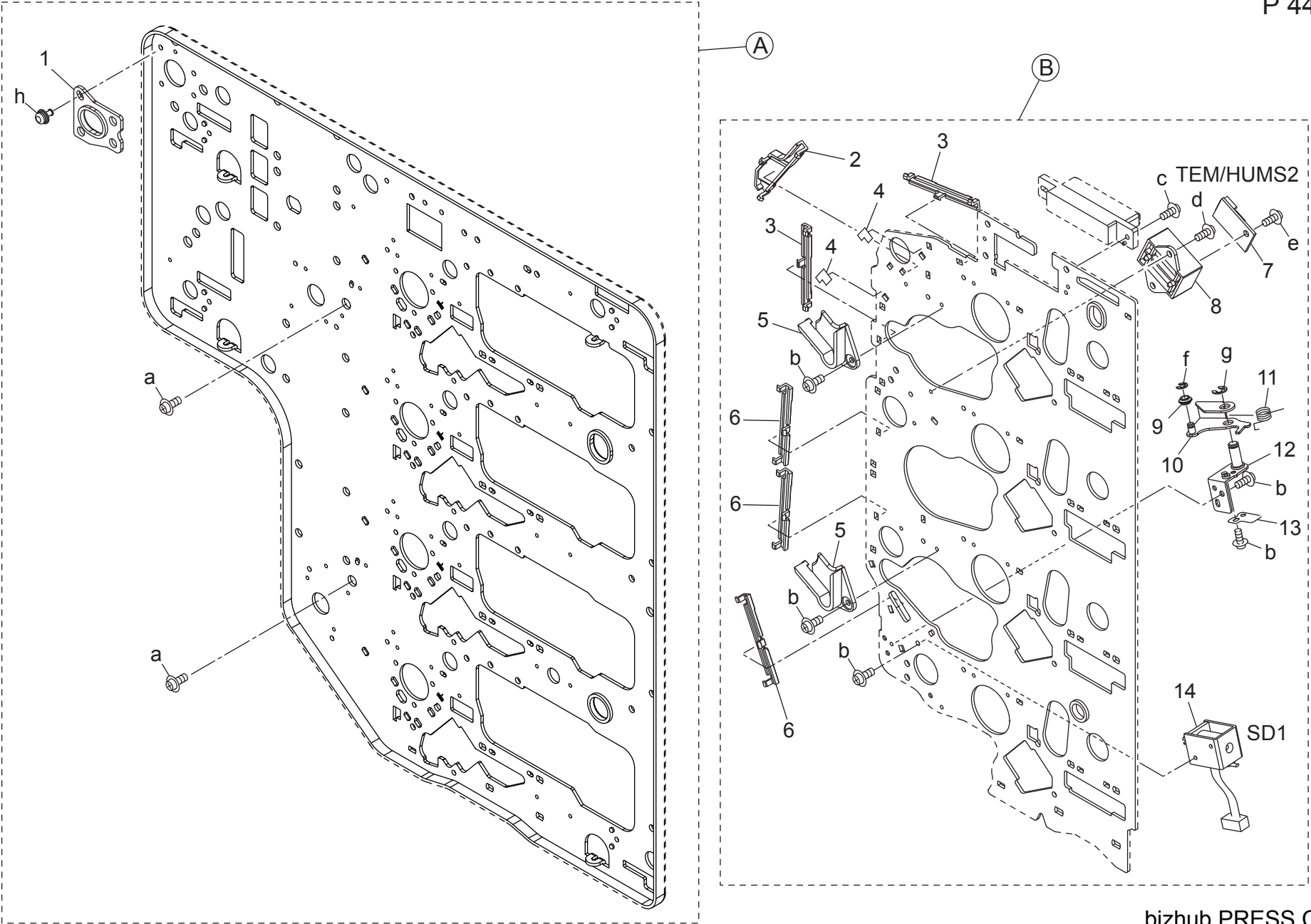


bizhub PRESS C70hc

PROCESS CARRIAGE SECTION

Key	Part No.	Description	Destinations	Class	QTY	Standard parts
1	A03U 3442 00	Drum Mounting Block /Front		D	4	a-V121 0404 03 b-V158 0308 03 c-V118 0310 03 d-V121 0306 03 e-V121 0304 03
2	A03U 3495 00	Plate /1		D	4	
3	65AA 2268 0	CARTRIDGE SUPPORT SCREW		C	5	
4	65AA 2283 0D	Mounting Spacer		D	3	
5	65AA 9744 0	Developing Exchanging Label /Y		D	2	
6	65AA 9745 0	Developing Exchanging Label /M		D	2	
7	65AA 9746 0	Developing Exchanging Label /C		D	2	
8	65AA 9747 0	Developing Exchanging Label /K		D	2	
9	A03U 3489 00	Drum Holding Plate /Rear		D	4	
10	A03U 3443 00	Drum Mounting Block /Rear		D	4	
11	A03U 3478 01	Developing Pressing Plate /2		D	2	
12	65AA 2246 0	DEVELOPING PRESSING SPRING		C	8	

PROCESS CARRIAGE SECTION

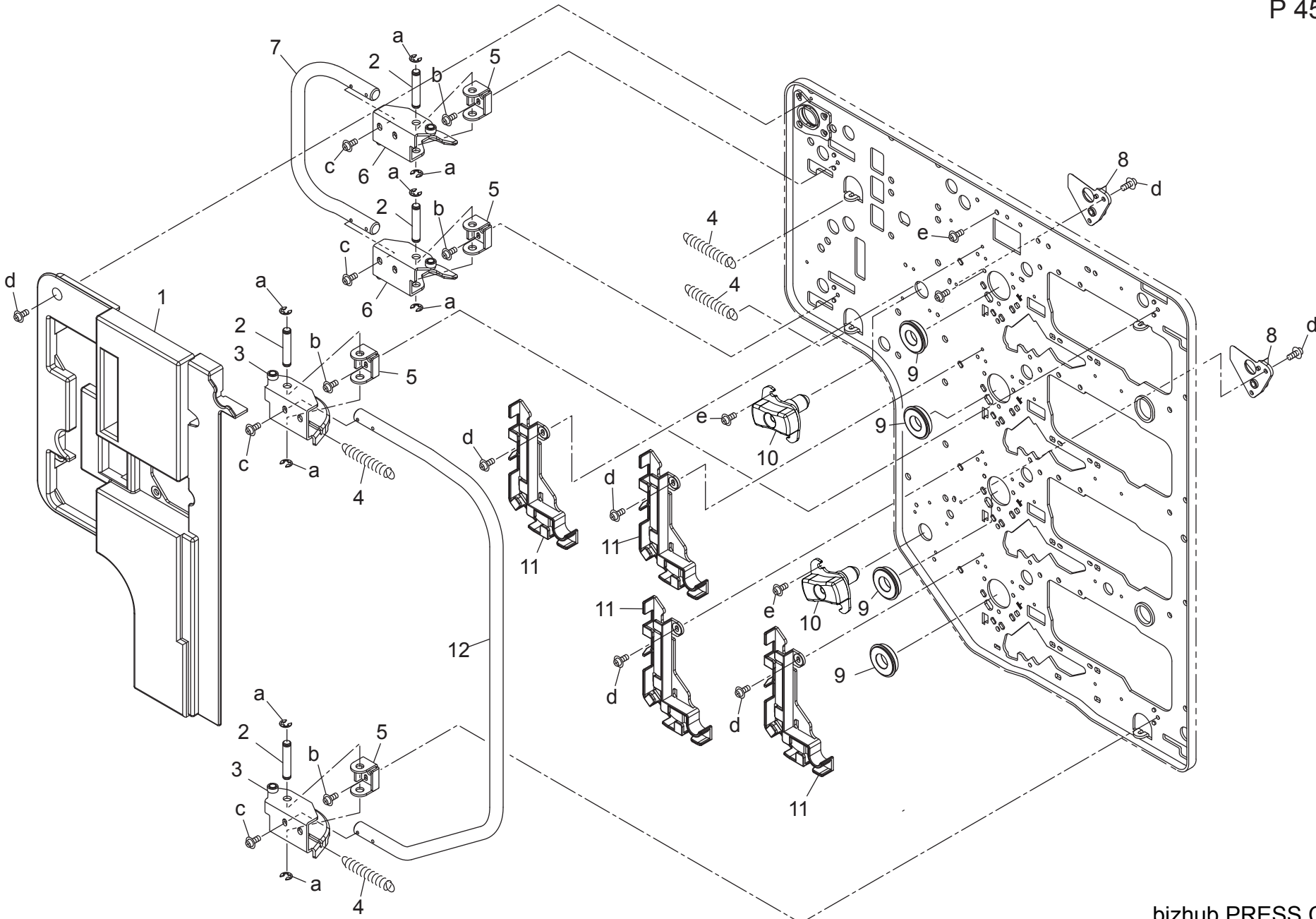


bizhub PRESS C70hc

PROCESS CARRIAGE SECTION

Key	Part No.	Description	Destinations	Class	QTY	Standard parts
1	A03U 3472 00	Carriage Positioning Plate /Left		D	1	a-V126 0410 03 b-V121 0304 03 c-V121 0308 03 d-V121 0306 03 e-V158 0308 03 f-V217 0300 50 g-V217 0400 50 h-V116 0408 03
2	A03U 3473 00	Wiring Cover		D	1	
3	A03U 3474 00	Wiring Cover		D	2	
4	56QA 2015 0	CLEANER AUXILIARY SHEET		D	2	
5	65AA 2237 0E	TRANSFER SUPPORT BLOCK /REAR		C	2	
6	65AA 2276 0	WIRING COVER		D	3	
7	A02E M505 00	Humidity sensor		C	1	
8	65AA 1130 0	SUPPORT PART		D	1	
9	65AA 2275 0	SEPARATION PRESSURE ROLLER		C	1	
10	65AA -232 0	CAM PLATE CAULKING		D	1	
11	65AA 2259 0	SOLENOID RELEASE SPRING		C	1	
12	65AA -233 0	CAM FIXING PLATE CAULKING		D	1	
13	65AA 2282 0	SOLENOID SUPPORT PLATE		D	1	
14	26NA 8251 3	Paper Feed Solenoid		B	1	

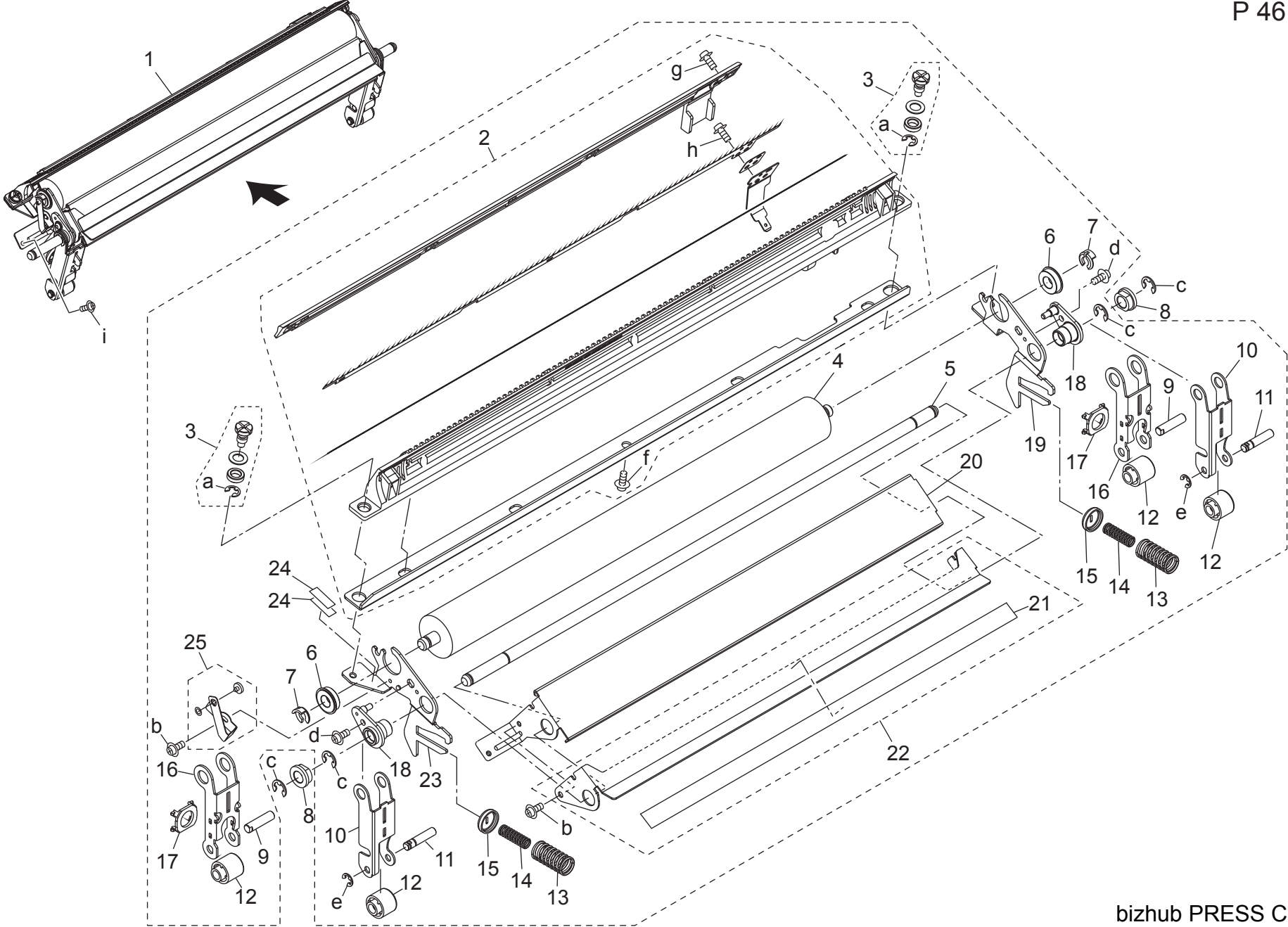
PROCESS CARRIAGE SECTION



PROCESS CARRIAGE SECTION

Key	Part No.	Description	Destinations	Class	QTY	Standard parts
1	65AA 2235 0E	FRONT COVER /LEFT		C	1	a-V217 0400 50 b-V121 0404 03 c-V121 0312 03 d-V121 0304 03 e-V121 0306 03
2	65AA 2210 0	CARRIGE LOCKING SHAFT UPPER		D	4	
3	A1DU R741 00	Carrige Lock/Right Caulking		D	2	
4	65AA 2229 0	LEVER OPEN SHUT SPRING		C	4	
5	65AA 2226 0	HINGE PLATE A		D	4	
6	A1DU R742 00	Carrige Lock/Left Caulking		D	2	
7	65AA 2214 0	Carrige Handle /Left		D	1	
8	65AA 2236 0	TRANSFER SUPPORT BLOCK FRONT		D	2	
9	65AA 7508 1	DRUM SUPPORT BEARING /2		C	4	
10	A1DU R74E 00	Belt Positioning Shaft Assy		D	2	
11	65AA 2280 0	WIRING GUIDE COVER		D	4	
12	65AA 2213 0	Carrige Handle /Right		D	1	

SECONDARY TRANSFER SECTION

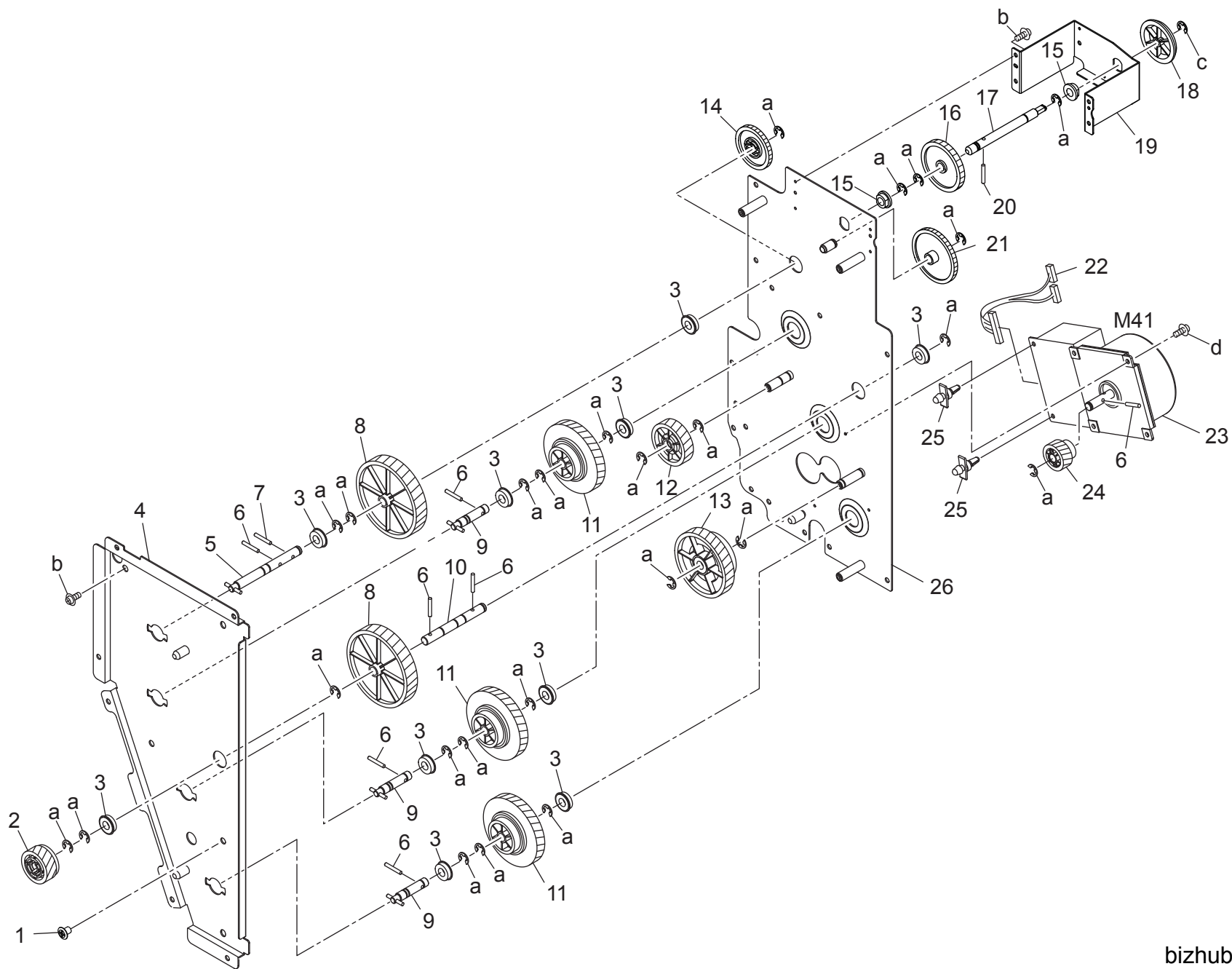


SECONDARY TRANSFER SECTION

Key	Part No.	Description	Destinations	Class	QTY	Standard parts
1	A1DU R71A 00	Second Transfer Unit		C	1	a-V217 0400 50
2	A1DU R738 00	Separating Neutralizing Assy		A	1	b-V121 0304 03
3	A1DU R739 00	Separating Mt Screw		C	2	c-V217 0600 50
4	65AA 4501 1	TRANSFER ROLLER		A	1	d-V121 0306 03
5	A03U 5206 00	Transfer Shaft		D	1	e-V217 0300 50
6	A1RF 5293 00	Transfer Ball bearing		D	2	f-V158 0308 03
7	55VA 4212 0	SHAFT STOPPER		C	2	g-V151 0205 03
8	A03U 8128 00	Slide Shaft Holder		B	2	h-V118 0204 03
9	A03U 5236 00	ROTATION SHAFT /2		D	2	i-V116 0306 03
10	A03U 5216 00	Pressure Lever /1		C	2	
11	A03U 5219 00	Rotation Shaft /1		D	2	
12	A03U 5218 00	Pressure Roll		C	4	
13	A03U 5237 00	Transfer Spring /2		C	2	
14	A03U 5217 00	Transfer Spring /1		C	2	
15	A03U 5235 01	Guide Part /1		C	2	
16	A03U 5234 00	PRESSURE LEVER /2		C	2	
17	A03U 5238 01	GUIDE PART /2		D	2	
18	65AA 4507 0	TRANSFER FULCRUM SHAFT HOLDER		D	2	
19	A03U 5203 01	Transfer Side plate /Rear		D	1	
20	65AA 4504 0	TRANSFER GUIDE PLATE		C	1	
21	A03U 5239 00	HOLDING SHEET		C	1	
22	A1DU R736 00	Guide Plate /Upper Assy		C	1	
23	A03U 5202 01	Transfer Side plate /Front		D	1	
24	A03U 5241 00	Adjusting Spacer		D	2	
25	A1DU R737 00	Transfer Earth Plate Assy		B	1	

PAPER FEED DRIVING SECTION

P 47



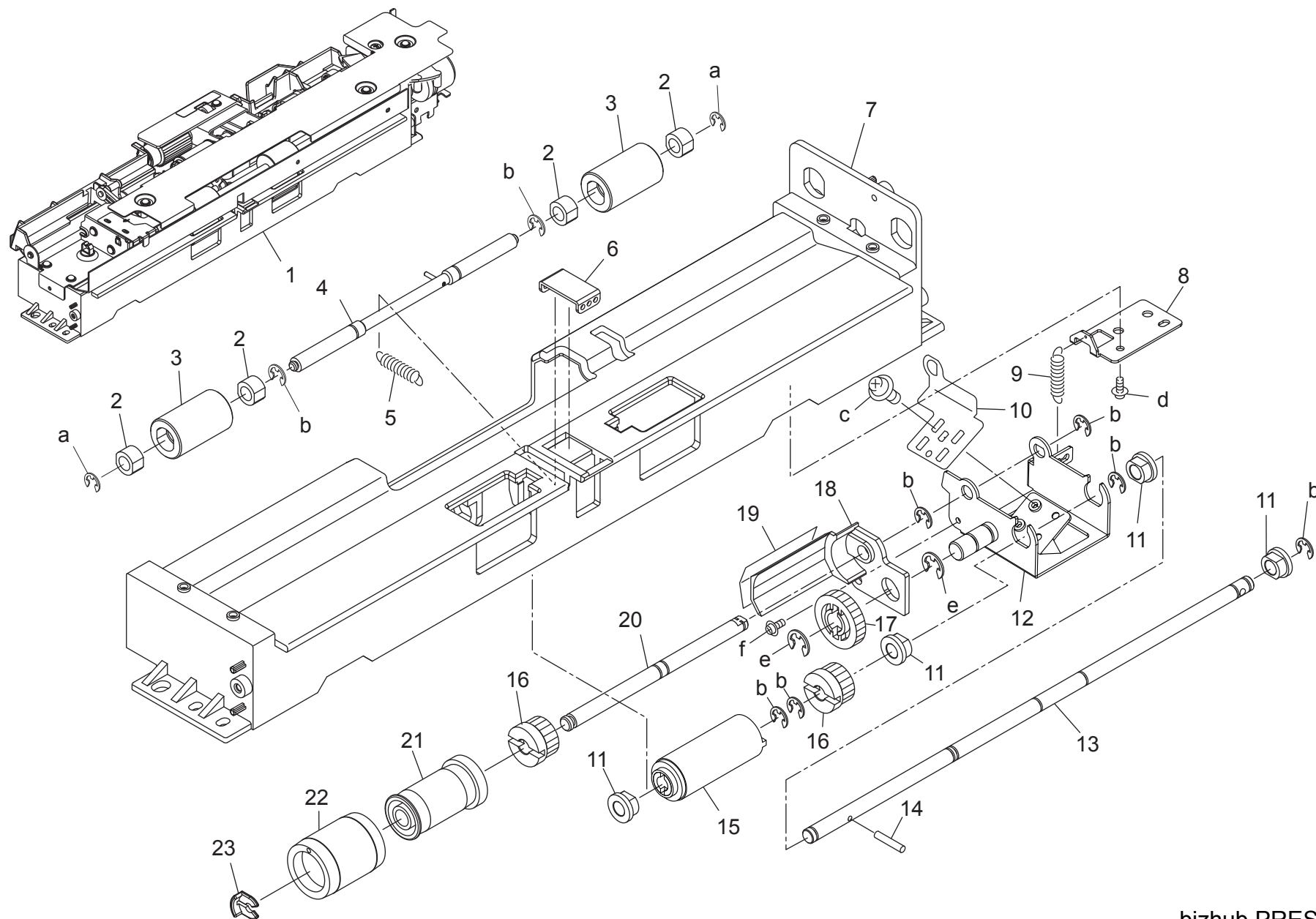
PAPER FEED DRIVING SECTION

Key	Part No.	Description	Destinations	Class	QTY	Standard parts
1	A00J 6184 00	Screw		C	1	a-V217 0600 50 b-V121 0306 03 c-V217 0400 50 d-V121 0308 03
2	65AA 7754 0	PAPER FEED GEAR 2 29T		C	1	
3	A00V 2406 00	BALL BEARING		C	10	
4	65AA -412 0	PF DRIVING PANEL/2CAULKING		D	1	
5	A1DU R72K 00	Pf Driving Shaft/5Pin Hammer		D	1	
6	56AA 1748 0	PIN B		C	7	a-V217 0600 50 b-V121 0306 03 c-V217 0400 50 d-V121 0308 03
7	56AA 1746 1	PIN A		B	1	
8	65AA 7753 0	PAPER FEED GEAR 1 69T		C	2	
9	A1DU R72J 00	Pf Driving Shaft/1Pin Hammer		D	3	
10	65AA 4104 0	PAPER FEED DRIVING SHAFT 2		D	1	
11	55VA 7713 0	PAPER FEED DRIVE GEAR /C 36/63T		B	3	
12	65AA 7798 0	PAPER FEED GEAR 4 37T		C	1	
13	65AA 7799 0	PAPER FEED GEAR 5 58T/40T		C	1	
14	25SA 7742 0	MULTI-FEED DRIVE GEAR 24/41T		C	1	
15	0900 7553 0	BUSHING		B	2	
16	65AA 7805 0E	Idling Gear /H 48T		C	1	a-V217 0600 50 b-V121 0306 03 c-V217 0400 50 d-V121 0308 03
17	65AA 2417 1	TONER COLLECTING SHAFT		C	1	
18	65AA 7785 0	TONER COLLECTING GEAR 3 27T		C	1	
19	65AA 2430 0	TONER COLLECTING PANEL 1		C	1	
20	56AA 1747 1	PIN B 3X12		C	1	
21	07AA 7730 2	SIDE GEAR E 52T		B	1	a-V217 0600 50 b-V121 0306 03 c-V217 0400 50 d-V121 0308 03
22	65AA 9089 0E	PAPER FEED RELAY WIRING		D	1	
23	65AA 8002 1	DC BRUSHLESS MOTOR 50		B	1	
24	65AA 7786 0	PAPER FEED GEAR 3 23T		C	1	
25	V502 0100 15	support		D	2	
26	65AA -411 0E	Paper Feed Drive Panel /1 Caulking		D	1	a-V217 0600 50 b-V121 0306 03 c-V217 0400 50 d-V121 0308 03

PAPER FEED SECTION : UPPER

TRAY 1

P 48



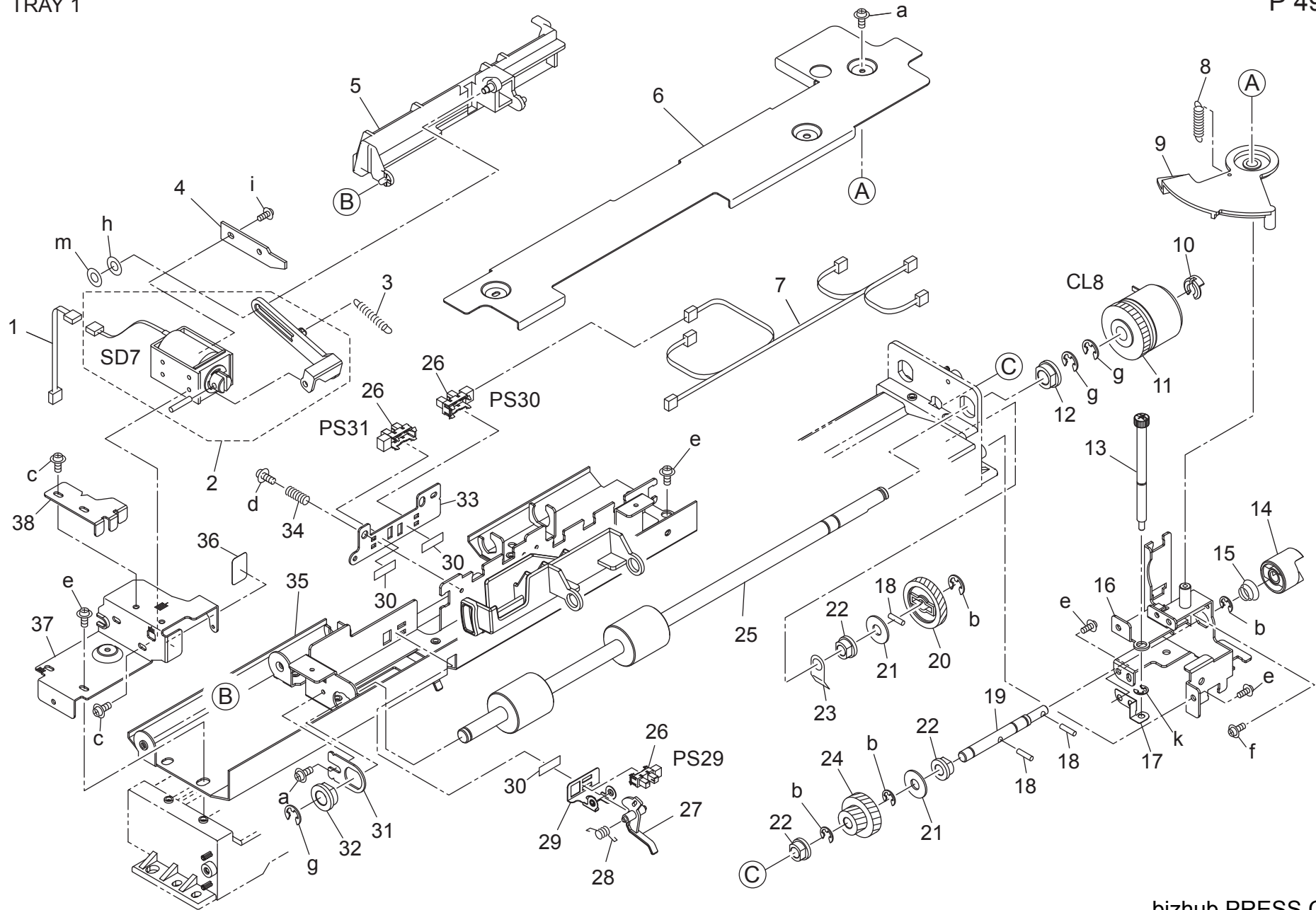
bizhub PRESS C70hc

Key	Part No.	Description	Destinations	Class	QTY	Standard parts
1	A1DU R71H 00	Peper Feed Unit		S	1	a-V217 0300 50 b-V217 0400 50 c-V116 0306 03 d-V151 0308 03 e-V217 0600 50 f-V121 0306 03
2	A03U 8501 01	Slide Bushing		C	4	
3	26NA 4256 0	BY PASS FEED DRIVEN ROLLER		C	2	
4	A1DU R71K 00	Paper Feed Driven Shaft Assy		D	1	
5	56AA 4048 1	PAPERFEEDPRESSINGSRING		C	1	
6	56AA 4043 0	SPRING MOUNTING PLATE 1		D	1	
7	56AA 4001 0	Paper Feed Main Body		C	1	
8	56AA 4044 0	SPRING MOUNTING PLATE 2		D	1	
9	57AA 4042 0	MULTI FEED PREVENTING SPRING		C	1	
10	56QA 4055 0	MULTI FEED ADJUSTMENT PLATE		D	1	
11	A00J 6632 00	Bushing		C	4	
12	56QA 4008 0	Multi-feed Preventing Plate		C	1	
13	56QA 4025 0	MULTI FEED SUPPORT SHAFT		D	1	
14	56AA 1751 0	PIN B		C	1	
15	A03X 5656 11	Torque Limiter /A		B	1	
16	55VA 7903 0	Paper Feed Reversal Gear /C 14T		B	2	
17	26NA 4206 1	BY PASS FEED CONVEYING GEAR 21T		B	1	
18	56AA 4053 0	ENTRANCE GUIDE PART		D	1	
19	56AA 4054 0	ENTRANCE GUIDE SHEET		C	1	
20	56QA 4027 0	MULTI FEED REVERSE SHAFT		D	1	
21	56AA 4036 0	Reverse Roller		D	1	
22	25SA 4096 0	DOUBLE FEED PREVENTION RUBBER		A	1	
23	A1RF 6203 01	Stopper Collar		D	1	

PAPER FEED SECTION : UPPER

TRAY 1

P 49



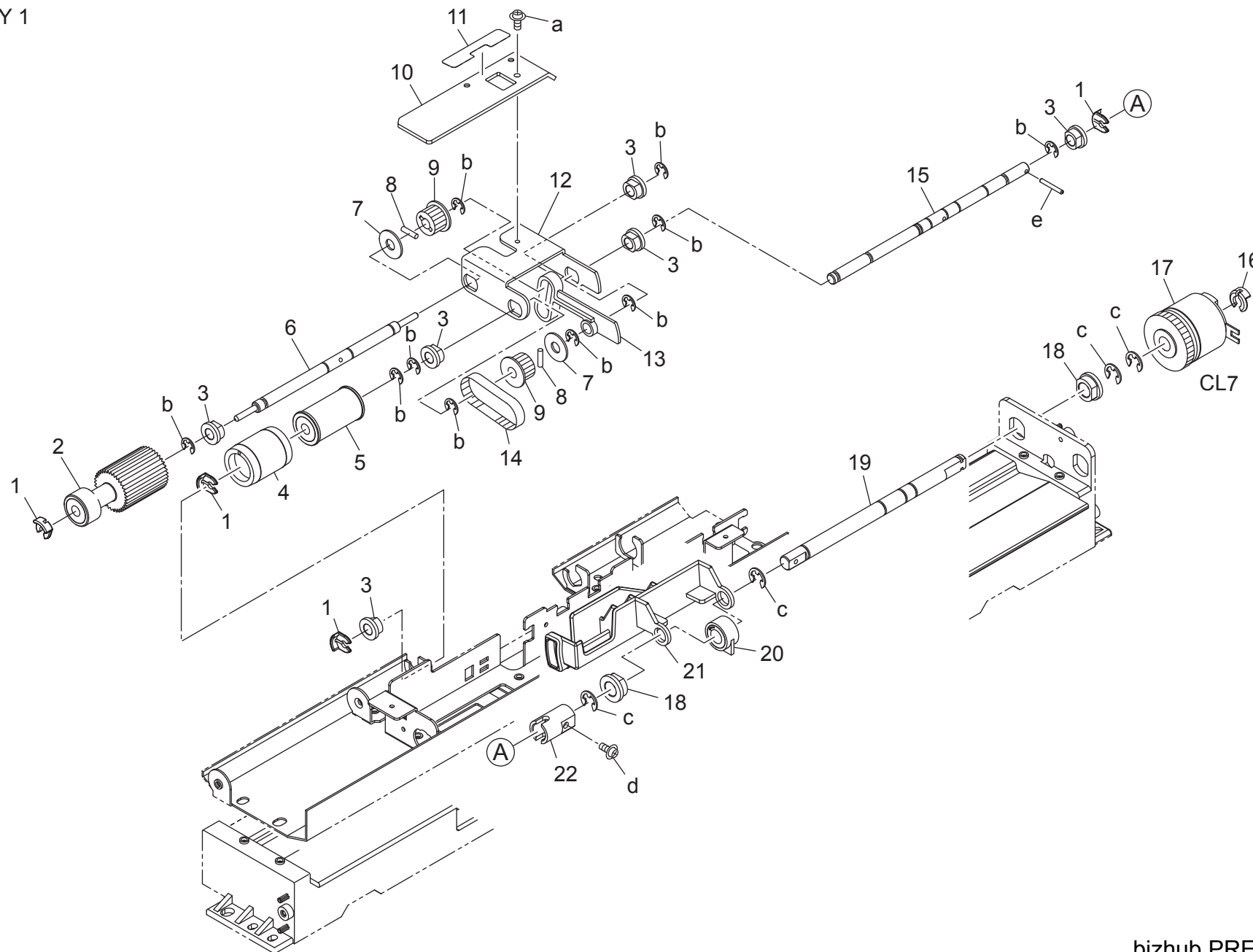
PAPER FEED SECTION : UPPER

Key	Part No.	Description	Destinations	Class	QTY	Standard parts
1	A1RF N260 00	Relay harness /C		D	1	a-V121 0306 03
2	A1DU R71M 00	Solenoid Assy		C	1	b-V217 0400 50
3	65AA 4006 0	RELEASE SPRING		C	1	c-V116 0305 03
4	65AA 4011 0	GUIDE PART		D	1	d-V121 0304 03
5	65AA 4001 0	Regulating Plate		D	1	e-V151 0308 03
6	56AA 4010 0E	Wiring Protection Cover		D	1	f-V111 0308 03
7	56AA 9061 0E	PAPER FEED WIRING /2		D	1	g-V217 0600 50
8	56AA 1712 1	SEPARATE SPRING UPPER		C	1	h-V207 0300 03
9	56AA 4039 0	CAM PLATE		C	1	i-V118 0304 03
10	55VA 4212 0	SHAFT STOPPER		C	1	k-V217 0300 50
11	56AA 8201 2	PAPER FEED DRIVING CLUTCH		B	1	m-V226 0300 50
12	55VA 7554 0	PAPER FEED SHAFT HOLDER B		B	1	
13	56AA 4012 0	PAPER FEED HOLDING SCREW		C	1	
14	56AA 4045 0	PAPER FEED COUPLING PART		C	1	
15	56AA 4051 0	PRESSING SPRING		C	1	
16	56AA 4009 0	DRIVE MOUNTING PLATE		D	1	
17	56AA 4047 0	SCREW EARTH PLATE		C	1	
18	56AA 1748 0	PIN B		C	3	
19	56AA 4024 0	PAPER FEED INPUT SHAFT		D	1	
20	56AA 7773 0	PAPER FEED REVERSING GEAR 2 33T		C	1	
21	56AA 1776 0	COLLAR		C	2	
22	A00J 6632 00	Bushing		C	3	
23	56AA 4050 0	SHAFT HOLDER EARTH PLATE		C	1	
24	56AA 7772 0	Paper Feed Reverse Gear /1 16/22T		C	1	
25	56AA 4023 0	PAPER FEED REGISTRATION ROLLER		C	1	
26	08AA 8551 2	Photo Sensor		B	3	
27	56AA 4017 1	PAPER FEED DETECTING ACTUATOR		C	1	
28	56AA 4019 0	PRESSING SPRING		C	1	
29	56AA 4031 0	MOUNTING PLATE		D	1	
30	4109 5530 01	STOPPER		C	3	
31	56AA 4037 0	ADJUSTING PLATE		D	1	
32	A03U 8128 00	Slide Shaft Holder		B	1	
33	56AA 4046 0	ADJUSTMENT PLATE		D	1	
34	56AA 4052 0	EARTH SPRING		C	1	
35	56AA 4003 2	PAPER FEED GUIDE PLATE UPPER		C	1	
36	65AA 4007 0	REGULATING SHEET		C	1	
37	65AA 4002 0	SOLENOID MOUNTING PLATE		D	1	
38	65AA 4009 0D	Solenoid Fixing Plate		D	1	

PAPER FEED SECTION : UPPER

TRAY 1

P 50



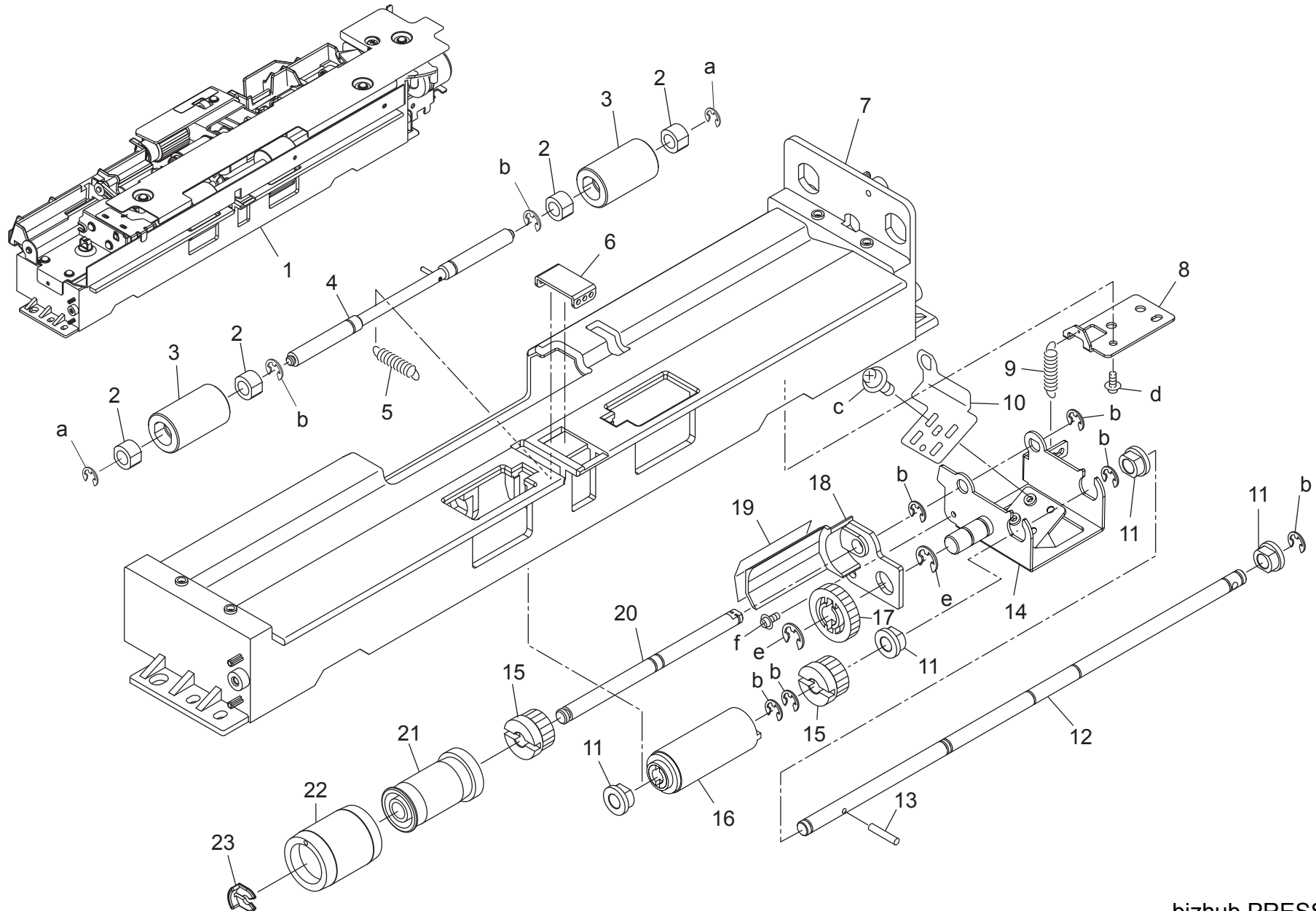
PAPER FEED SECTION : UPPER

Key	Part No.	Description	Destinations	Class	QTY	Standard parts
1	56AA 4049 0	SHAFT STOPPER 4		C	4	a-V121 0306 03 b-V217 0400 50 c-V217 0600 50 d-V118 0306 03 e-V233 2014 50
2	A1DU R71J 00	Paper Feed Oscillate Roller		B	1	
3	A00J 6632 00	Bushing		C	6	
4	25SA 4096 0	DOUBLE FEED PREVENTION RUBBER		A	1	
5	25AA 4010 0	FEEDING ROLLER B		B	1	
6	A03U 5602 00	Swing Shaft		D	1	
7	56AA 1776 0	COLLAR		C	2	
8	56AA 1751 0	PIN B		C	2	
9	0590 7651 0	PULLEY 1 15T		C	2	
10	65AA 4008 0E	Paper feed Auxiliary Plate		D	1	
11	65GE 9740 0	GUIDE LABEL /1		C	1	
12	56AA 4007 0	Paper feed Swing Plate		D	1	
13	56AA 4030 0	PAPER QUANTITY ACTUATOR		C	1	
14	56AA 7759 0	PAPER FEED ROCKING BELT 111L		C	1	
15	A03U 5601 00	Feeding Shaft		D	1	
16	55VA 4212 0	SHAFT STOPPER		C	1	
17	56AA 8201 2	PAPER FEED DRIVING CLUTCH		B	1	
18	A03U 8128 00	Slide Shaft Holder		B	2	
19	A03U 5603 00	DRIVE SHAFT		D	1	
20	56AA 4038 0	PAPER FEED REGULATING BLOCK		C	1	
21	A03U 5605 00	Regulating Plate /Rear		C	1	
22	55FA 4032 0	COUPLING		C	1	

PAPER FEED SECTION : MIDDLE

TRAY 2

P 51



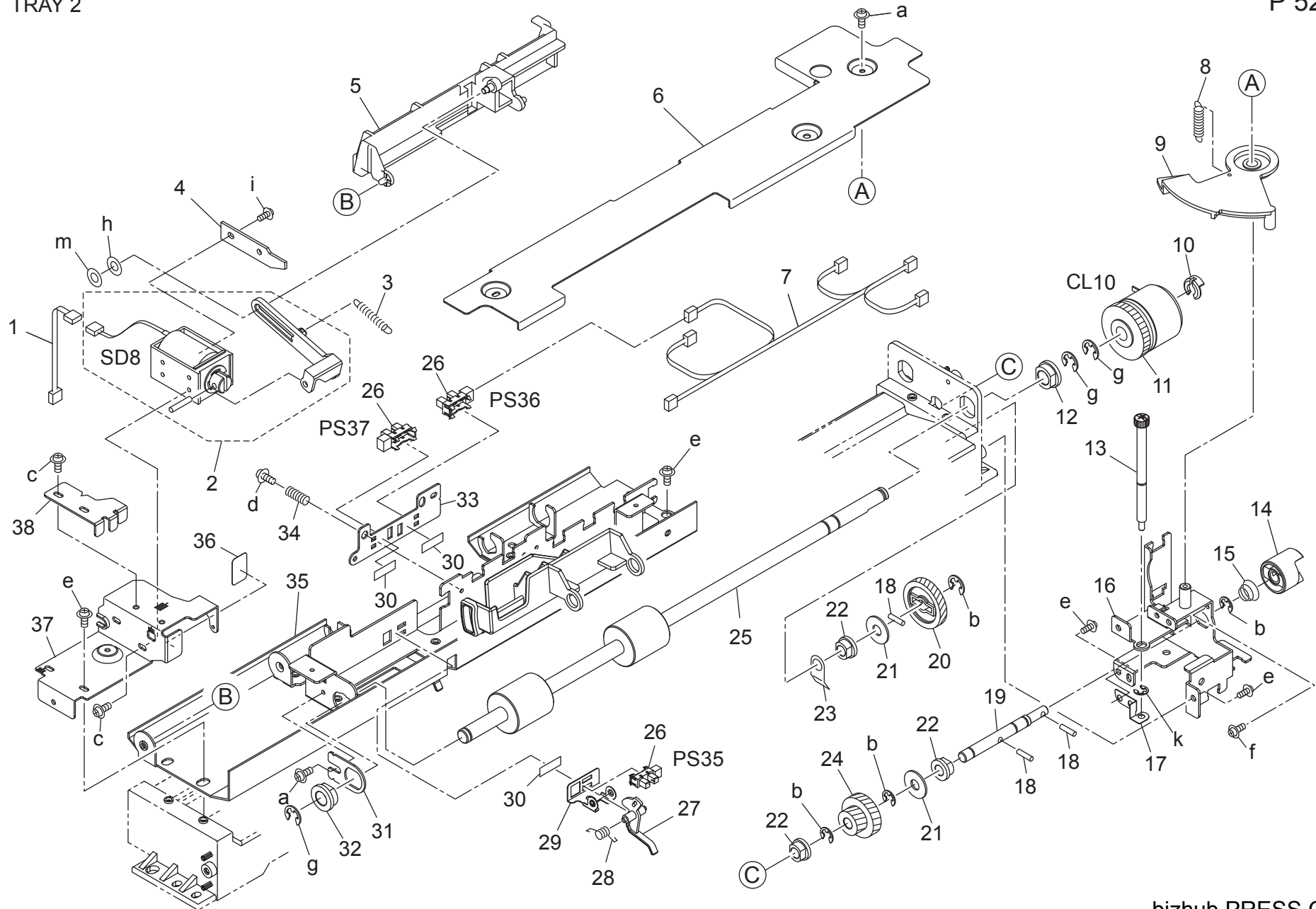
PAPER FEED SECTION : MIDDLE

Key	Part No.	Description	Destinations	Class	QTY	Standard parts
1	A1DU R71H 00	Peper Feed Unit		S	1	a-V217 0300 50 b-V217 0400 50 c-V116 0306 03 d-V151 0308 03 e-V217 0600 50 f-V121 0306 03
2	A03U 8501 01	Slide Bushing		C	4	
3	26NA 4256 0	BY PASS FEED DRIVEN ROLLER		C	2	
4	A1DU R71K 00	Paper Feed Driven Shaft Assy		D	1	
5	56AA 4048 1	PAPERFEEDPRESSINGSRING		C	1	
6	56AA 4043 0	SPRING MOUNTING PLATE 1		D	1	
7	56AA 4001 0	Paper Feed Main Body		C	1	
8	56AA 4044 0	SPRING MOUNTING PLATE 2		D	1	
9	57AA 4042 0	MULTI FEED PREVENTING SPRING		C	1	
10	56QA 4055 0	MULTI FEED ADJUSTMENT PLATE		D	1	
11	A00J 6632 00	Bushing		C	4	
12	56QA 4025 0	MULTI FEED SUPPORT SHAFT		D	1	
13	56AA 1751 0	PIN B		C	1	
14	56QA 4008 0	Multi-feed Preventing Plate		C	1	
15	55VA 7903 0	Paper Feed Reversal Gear /C 14T		B	2	
16	A03X 5656 11	Torque Limiter /A		B	1	
17	26NA 4206 1	BY PASS FEED CONVEYING GEAR 21T		B	1	
18	56AA 4053 0	ENTRANCE GUIDE PART		D	1	
19	56AA 4054 0	ENTRANCE GUIDE SHEET		C	1	
20	56QA 4027 0	MULTI FEED REVERSE SHAFT		D	1	
21	56AA 4036 0	Reverse Roller		D	1	
22	25SA 4096 0	DOUBLE FEED PREVENTION RUBBER		A	1	
23	A1RF 6203 01	Stopper Collar		D	1	

PAPER FEED SECTION : MIDDLE

TRAY 2

P 52



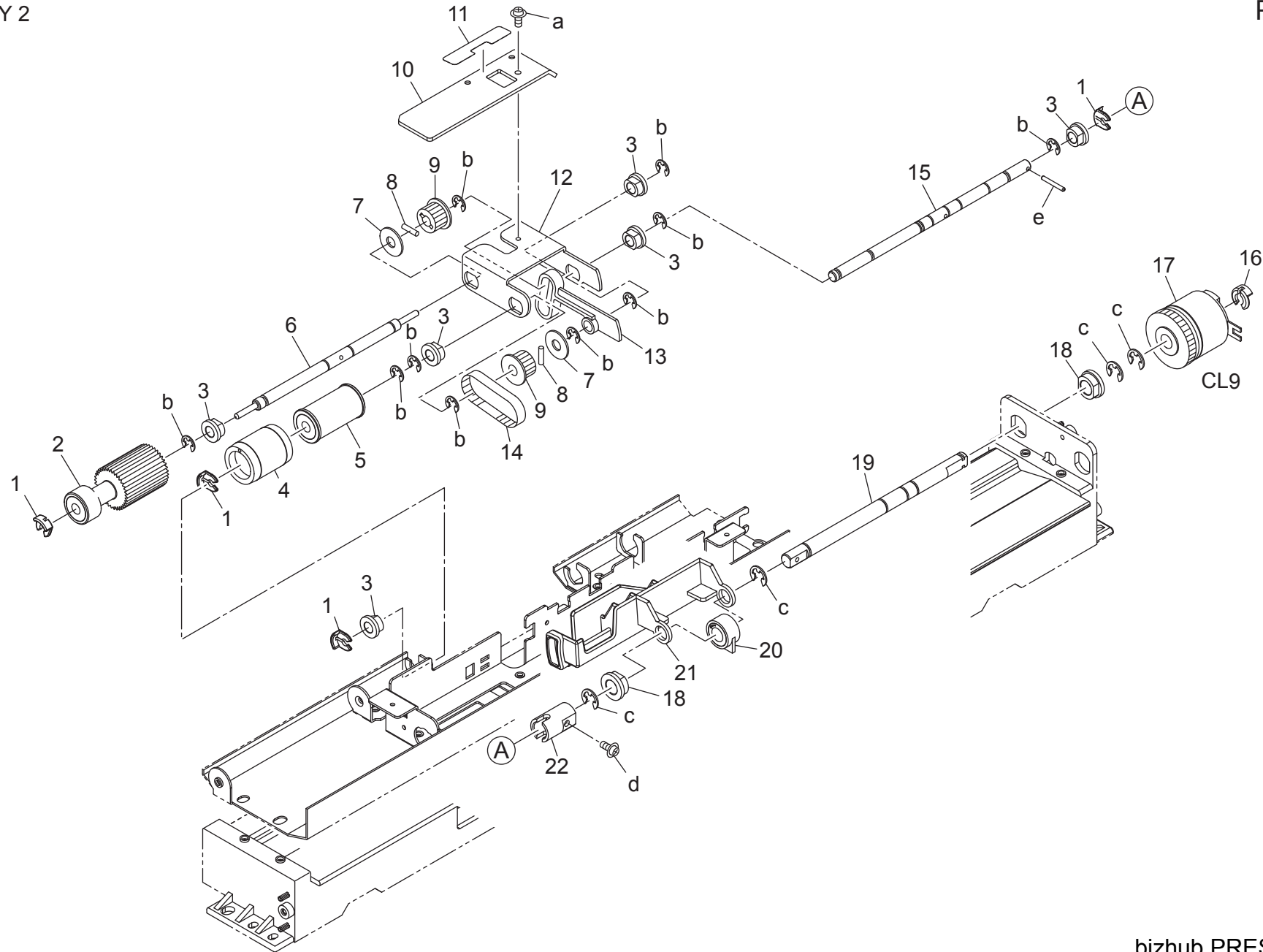
PAPER FEED SECTION : MIDDLE

Key	Part No.	Description	Destinations	Class	QTY	Standard parts
1	A1RF N260 00	Relay harness /C		D	1	a-V121 0306 03
2	A1DU R71M 00	Solenoid Assy		C	1	b-V217 0400 50
3	65AA 4006 0	RELEASE SPRING		C	1	c-V116 0305 03
4	65AA 4011 0	GUIDE PART		D	1	d-V121 0304 03
5	65AA 4001 0	Regulating Plate		D	1	e-V151 0308 03
6	56AA 4010 0E	Wiring Protection Cover		D	1	f-V111 0308 03
7	56AA 9061 0E	PAPER FEED WIRING /2		D	1	g-V217 0600 50
8	56AA 1712 1	SEPARATE SPRING UPPER		C	1	h-V207 0300 03
9	56AA 4039 0	CAM PLATE		C	1	i-V118 0304 03
10	55VA 4212 0	SHAFT STOPPER		C	1	k-V217 0300 50
11	56AA 8201 2	PAPER FEED DRIVING CLUTCH		B	1	m-V226 0300 50
12	55VA 7554 0	PAPER FEED SHAFT HOLDER B		B	1	
13	56AA 4012 0	PAPER FEED HOLDING SCREW		C	1	
14	56AA 4045 0	PAPER FEED COUPLING PART		C	1	
15	56AA 4051 0	PRESSING SPRING		C	1	
16	56AA 4009 0	DRIVE MOUNTING PLATE		D	1	
17	56AA 4047 0	SCREW EARTH PLATE		C	1	
18	56AA 1748 0	PIN B		C	3	
19	56AA 4024 0	PAPER FEED INPUT SHAFT		D	1	
20	56AA 7773 0	PAPER FEED REVERSING GEAR 2 33T		C	1	
21	56AA 1776 0	COLLAR		C	2	
22	A00J 6632 00	Bushing		C	3	
23	56AA 4050 0	SHAFT HOLDER EARTH PLATE		C	1	
24	56AA 7772 0	Paper Feed Reverse Gear /1 16/22T		C	1	
25	56AA 4023 0	PAPER FEED REGISTRATION ROLLER		C	1	
26	08AA 8551 2	Photo Sensor		B	3	
27	56AA 4017 1	PAPER FEED DETECTING ACTUATOR		C	1	
28	56AA 4019 0	PRESSING SPRING		C	1	
29	56AA 4031 0	MOUNTING PLATE		D	1	
30	4109 5530 01	STOPPER		C	3	
31	56AA 4037 0	ADJUSTING PLATE		D	1	
32	A03U 8128 00	Slide Shaft Holder		B	1	
33	56AA 4046 0	ADJUSTMENT PLATE		D	1	
34	56AA 4052 0	EARTH SPRING		C	1	
35	56AA 4003 2	PAPER FEED GUIDE PLATE UPPER		C	1	
36	65AA 4007 0	REGULATING SHEET		C	1	
37	65AA 4002 0	SOLENOID MOUNTING PLATE		D	1	
38	65AA 4009 0D	Solenoid Fixing Plate		D	1	

PAPER FEED SECTION : MIDDLE

TRAY 2

P 53

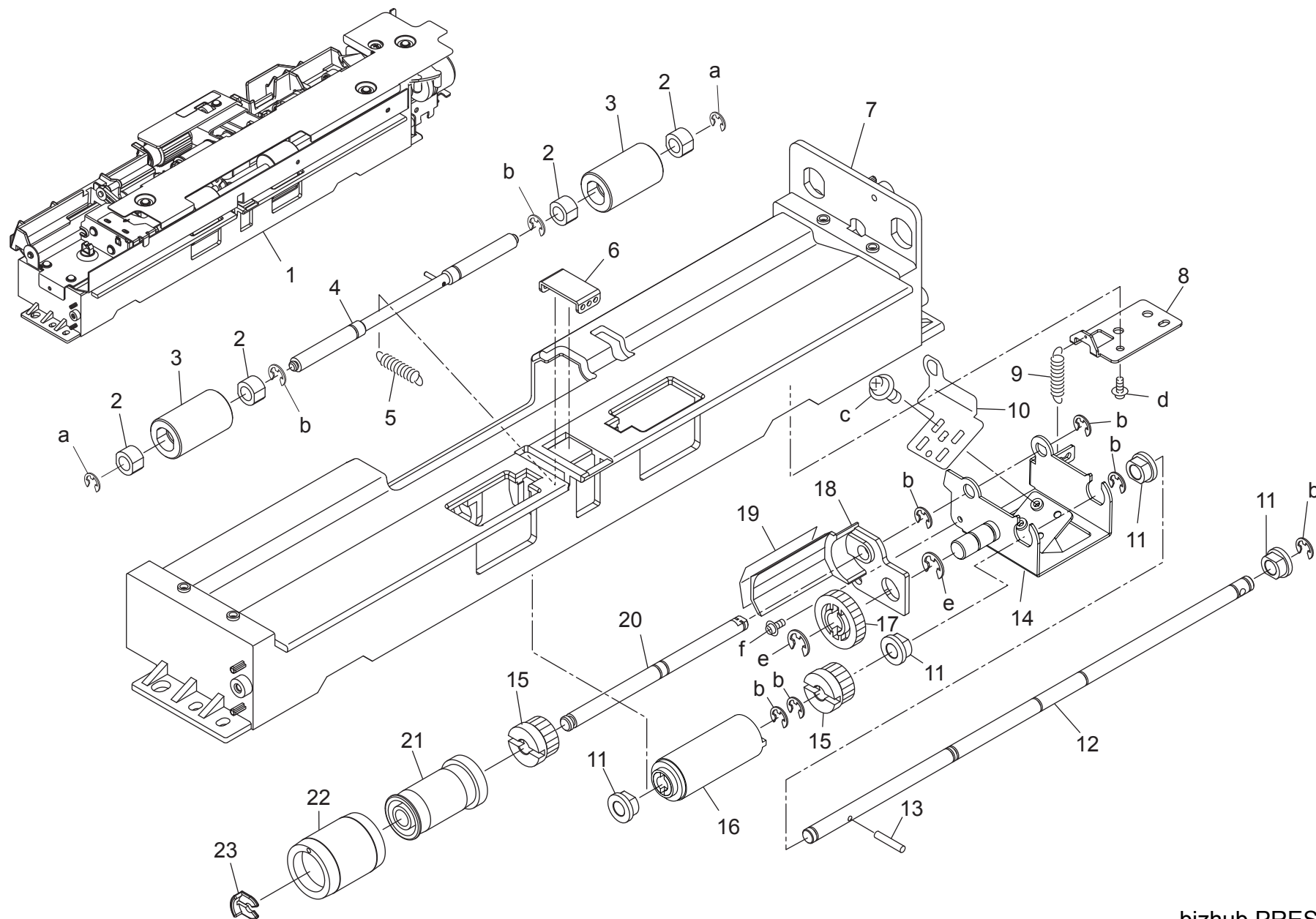


Key	Part No.	Description	Destinations	Class	QTY	Standard parts
1	56AA 4049 0	SHAFT STOPPER 4		C	4	a-V121 0306 03 b-V217 0400 50 c-V217 0600 50 d-V118 0306 03 e-V233 2014 50
2	A1DU R71J 00	Paper Feed Oscillate Roller		B	1	
3	A00J 6632 00	Bushing		C	6	
4	25SA 4096 0	DOUBLE FEED PREVENTION RUBBER		A	1	
5	25AA 4010 0	FEEDING ROLLER B		B	1	
6	A03U 5602 00	Swing Shaft		D	1	
7	56AA 1776 0	COLLAR		C	2	
8	56AA 1751 0	PIN B		C	2	
9	0590 7651 0	PULLEY 1 15T		C	2	
10	65AA 4008 0E	Paper feed Auxiliary Plate		D	1	
11	65GE 9740 0	GUIDE LABEL /1		C	1	
12	56AA 4007 0	Paper feed Swing Plate		D	1	
13	56AA 4030 0	PAPER QUANTITY ACTUATOR		C	1	
14	56AA 7759 0	PAPER FEED ROCKING BELT 111L		C	1	
15	A03U 5601 00	Feeding Shaft		D	1	
16	55VA 4212 0	SHAFT STOPPER		C	1	
17	56AA 8201 2	PAPER FEED DRIVING CLUTCH		B	1	
18	A03U 8128 00	Slide Shaft Holder		B	2	
19	A03U 5603 00	DRIVE SHAFT		D	1	
20	56AA 4038 0	PAPER FEED REGULATING BLOCK		C	1	
21	A03U 5605 00	Regulating Plate /Rear		C	1	
22	55FA 4032 0	COUPLING		C	1	

PAPER FEED SECTION : LOWER

TRAY 3

P 54

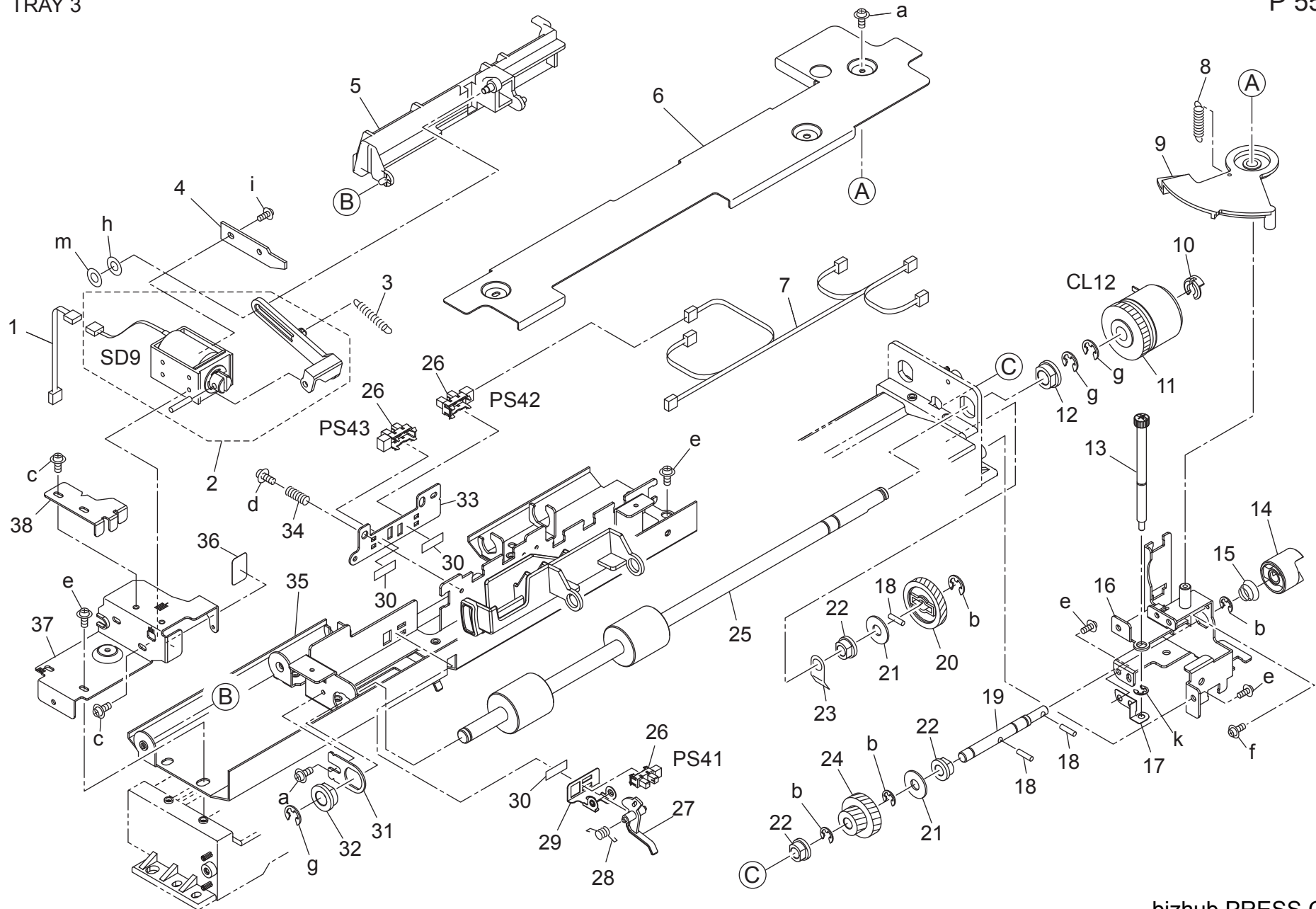


Key	Part No.	Description	Destinations	Class	QTY	Standard parts
1	A1DU R71H 00	Peper Feed Unit		S	1	a-V217 0300 50
2	A03U 8501 01	Slide Bushing		C	4	b-V217 0400 50
3	26NA 4256 0	BY PASS FEED DRIVEN ROLLER		C	2	c-V116 0306 03
4	A1DU R71K 00	Paper Feed Driven Shaft Assy		D	1	d-V151 0308 03
5	56AA 4048 1	PAPERFEEDPRESSINGSRING		C	1	e-V217 0600 50
6	56AA 4043 0	SPRING MOUNTING PLATE 1		D	1	f-V121 0306 03
7	56AA 4001 0	Paper Feed Main Body		C	1	
8	56AA 4044 0	SPRING MOUNTING PLATE 2		D	1	
9	57AA 4042 0	MULTI FEED PREVENTING SPRING		C	1	
10	56QA 4055 0	MULTI FEED ADJUSTMENT PLATE		D	1	
11	A00J 6632 00	Bushing		C	4	
12	56QA 4025 0	MULTI FEED SUPPORT SHAFT		D	1	
13	56AA 1751 0	PIN B		C	1	
14	56QA 4008 0	Multi-feed Preventing Plate		C	1	
15	55VA 7903 0	Paper Feed Reversal Gear /C 14T		B	2	
16	A03X 5656 11	Torque Limiter /A		B	1	
17	26NA 4206 1	BY PASS FEED CONVEYING GEAR 21T		B	1	
18	56AA 4053 0	ENTRANCE GUIDE PART		D	1	
19	56AA 4054 0	ENTRANCE GUIDE SHEET		C	1	
20	56QA 4027 0	MULTI FEED REVERSE SHAFT		D	1	
21	56AA 4036 0	Reverse Roller		D	1	
22	25SA 4096 0	DOUBLE FEED PREVENTION RUBBER		A	1	
23	A1RF 6203 01	Stopper Collar		D	1	

PAPER FEED SECTION : LOWER

TRAY 3

P 55



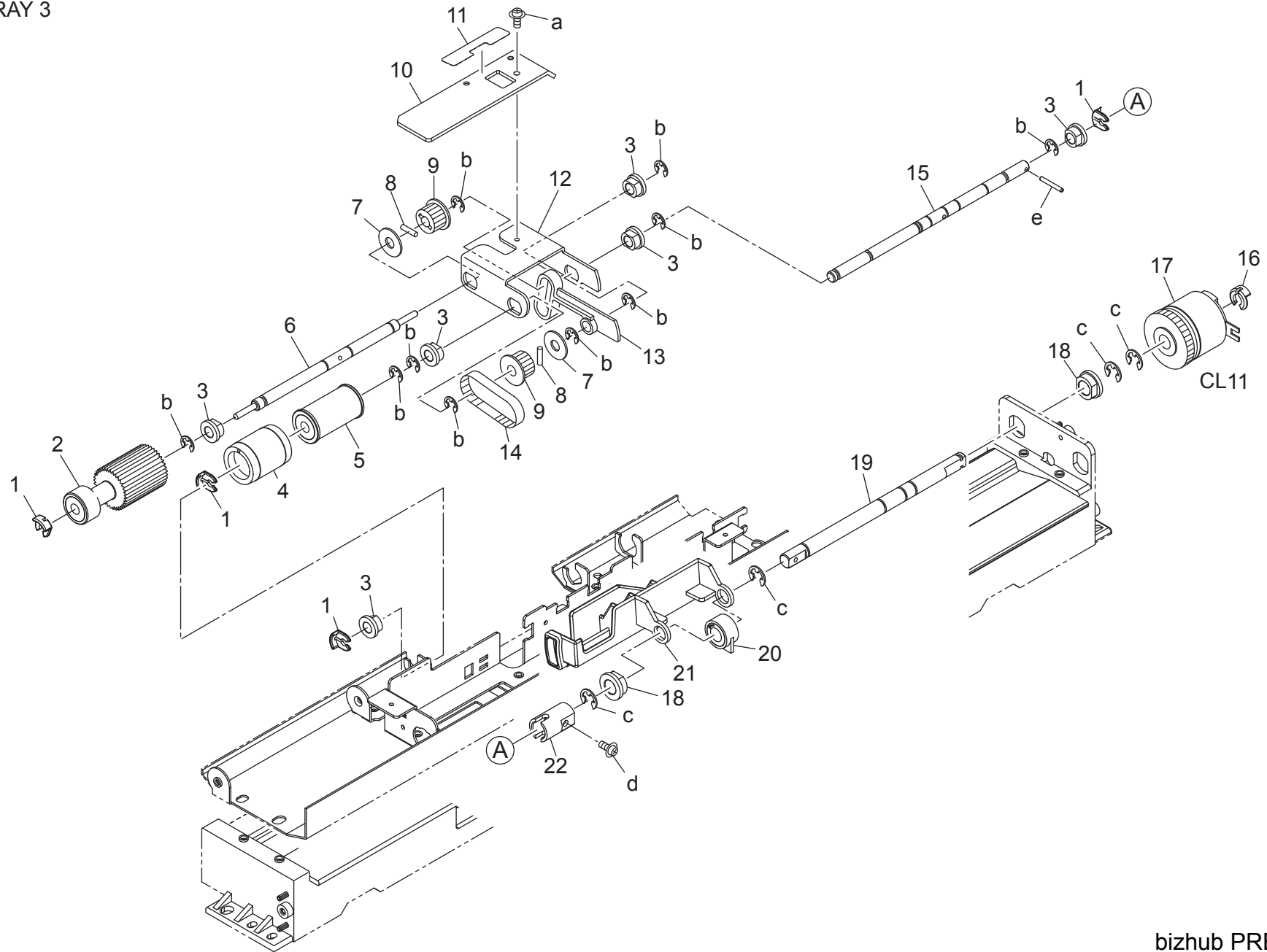
PAPER FEED SECTION : LOWER

Key	Part No.	Description	Destinations	Class	QTY	Standard parts
1	A1RF N260 00	Relay harness /C		D	1	a-V121 0306 03
2	A1DU R71M 00	Solenoid Assy		C	1	b-V217 0400 50
3	65AA 4006 0	RELEASE SPRING		C	1	c-V116 0305 03
4	65AA 4011 0	GUIDE PART		D	1	d-V121 0304 03
5	65AA 4001 0	Regulating Plate		D	1	e-V151 0308 03
6	56AA 4010 0E	Wiring Protection Cover		D	1	f-V111 0308 03
7	56AA 9061 0E	PAPER FEED WIRING /2		D	1	g-V217 0600 50
8	56AA 1712 1	SEPARATE SPRING UPPER		C	1	h-V207 0300 03
9	56AA 4039 0	CAM PLATE		C	1	i-V118 0304 03
10	55VA 4212 0	SHAFT STOPPER		C	1	k-V217 0300 50
11	56AA 8201 2	PAPER FEED DRIVING CLUTCH		B	1	m-V226 0300 50
12	55VA 7554 0	PAPER FEED SHAFT HOLDER B		B	1	
13	56AA 4012 0	PAPER FEED HOLDING SCREW		C	1	
14	56AA 4045 0	PAPER FEED COUPLING PART		C	1	
15	56AA 4051 0	PRESSING SPRING		C	1	
16	56AA 4009 0	DRIVE MOUNTING PLATE		D	1	
17	56AA 4047 0	SCREW EARTH PLATE		C	1	
18	56AA 1748 0	PIN B		C	3	
19	56AA 4024 0	PAPER FEED INPUT SHAFT		D	1	
20	56AA 7773 0	PAPER FEED REVERSING GEAR 2 33T		C	1	
21	56AA 1776 0	COLLAR		C	2	
22	A00J 6632 00	Bushing		C	3	
23	56AA 4050 0	SHAFT HOLDER EARTH PLATE		C	1	
24	56AA 7772 0	Paper Feed Reverse Gear /1 16/22T		C	1	
25	56AA 4023 0	PAPER FEED REGISTRATION ROLLER		C	1	
26	08AA 8551 2	Photo Sensor		B	3	
27	56AA 4017 1	PAPER FEED DETECTING ACTUATOR		C	1	
28	56AA 4019 0	PRESSING SPRING		C	1	
29	56AA 4031 0	MOUNTING PLATE		D	1	
30	4109 5530 01	STOPPER		C	3	
31	56AA 4037 0	ADJUSTING PLATE		D	1	
32	A03U 8128 00	Slide Shaft Holder		B	1	
33	56AA 4046 0	ADJUSTMENT PLATE		D	1	
34	56AA 4052 0	EARTH SPRING		C	1	
35	56AA 4003 2	PAPER FEED GUIDE PLATE UPPER		C	1	
36	65AA 4007 0	REGULATING SHEET		C	1	
37	65AA 4002 0	SOLENOID MOUNTING PLATE		D	1	
38	65AA 4009 0D	Solenoid Fixing Plate		D	1	

PAPER FEED SECTION : LOWER

TRAY 3

P 56

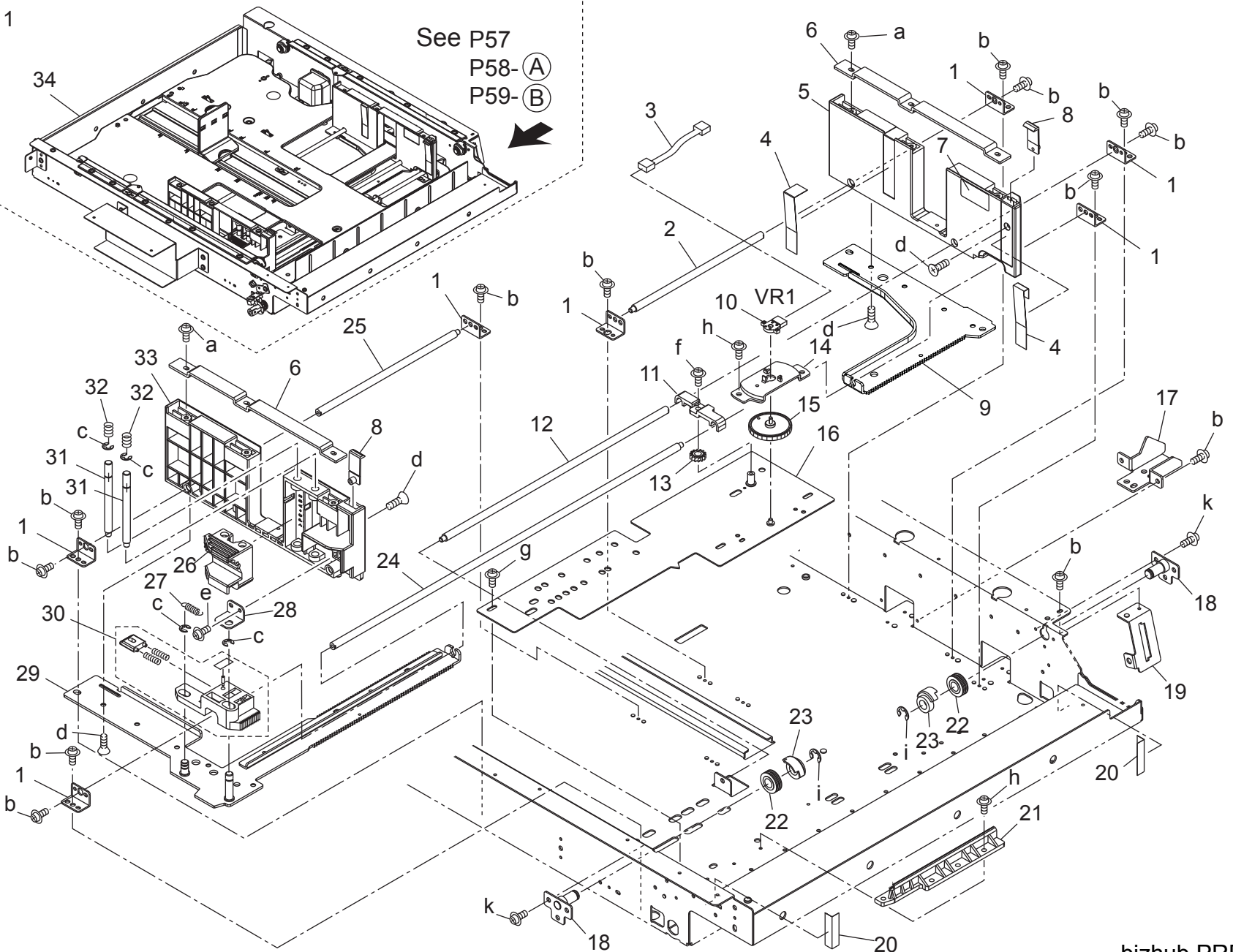


Key	Part No.	Description	Destinations	Class	QTY	Standard parts
1	56AA 4049 0	SHAFT STOPPER 4		C	4	a-V121 0306 03 b-V217 0400 50 c-V217 0600 50 d-V118 0306 03 e-V233 2014 50
2	A1DU R71J 00	Paper Feed Oscillate Roller		B	1	
3	A00J 6632 00	Bushing		C	6	
4	25SA 4096 0	DOUBLE FEED PREVENTION RUBBER		A	1	
5	25AA 4010 0	FEEDING ROLLER B		B	1	
6	A03U 5602 00	Swing Shaft		D	1	
7	56AA 1776 0	COLLAR		C	2	
8	56AA 1751 0	PIN B		C	2	
9	0590 7651 0	PULLEY 1 15T		C	2	
10	65AA 4008 0E	Paper feed Auxiliary Plate		D	1	
11	65GE 9740 0	GUIDE LABEL /1		C	1	
12	56AA 4007 0	Paper feed Swing Plate		D	1	
13	56AA 4030 0	PAPER QUANTITY ACTUATOR		C	1	
14	56AA 7759 0	PAPER FEED ROCKING BELT 111L		C	1	
15	A03U 5601 00	Feeding Shaft		D	1	
16	55VA 4212 0	SHAFT STOPPER		C	1	
17	56AA 8201 2	PAPER FEED DRIVING CLUTCH		B	1	
18	A03U 8128 00	Slide Shaft Holder		B	2	
19	A03U 5603 00	DRIVE SHAFT		D	1	
20	56AA 4038 0	PAPER FEED REGULATING BLOCK		C	1	
21	A03U 5605 00	Regulating Plate /Rear		C	1	
22	55FA 4032 0	COUPLING		C	1	

CASSETTE : UPPER

TRAY 1

P 57

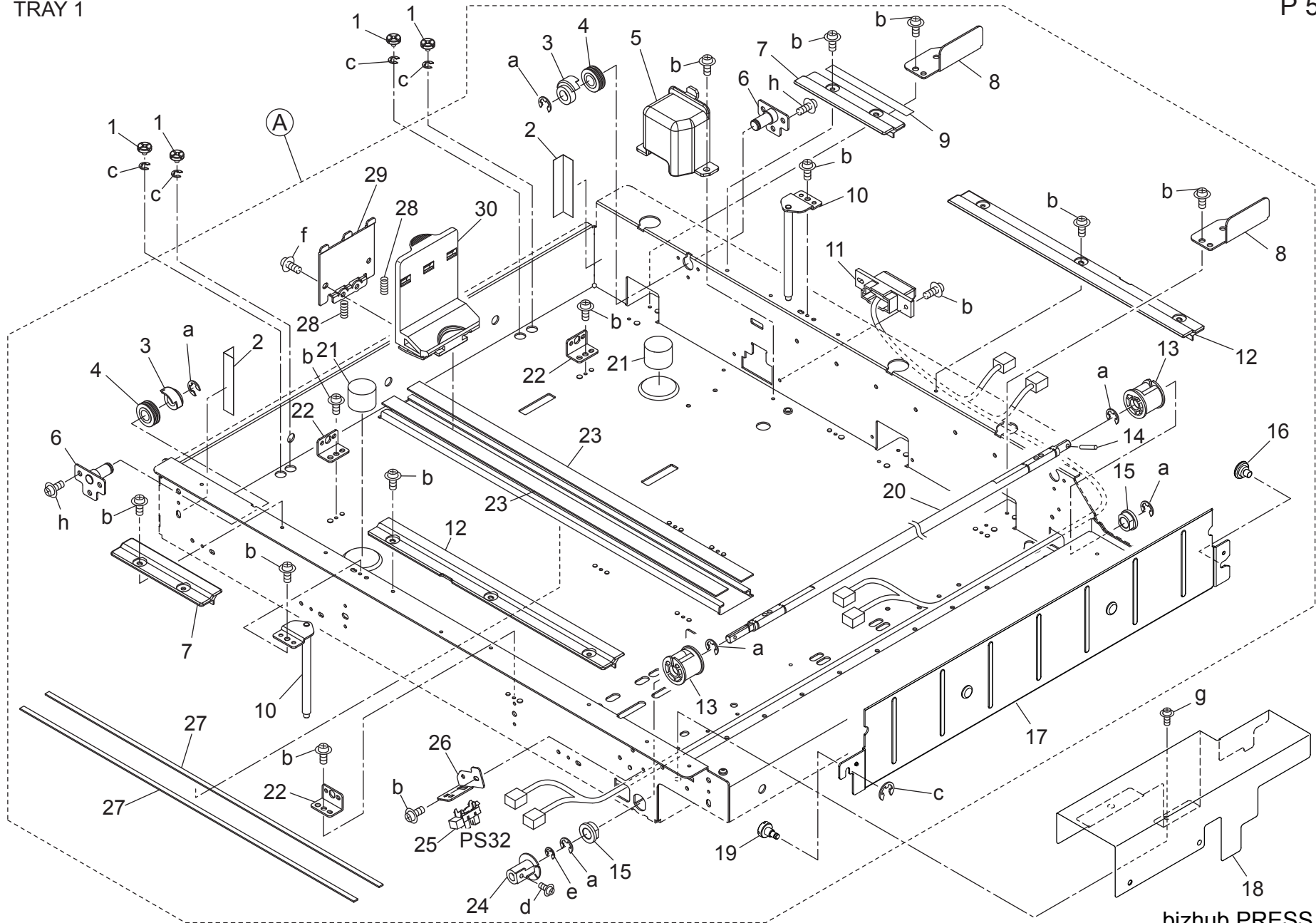


Key	Part No.	Description	Destinations	Class	QTY	Standard parts
1	65AA 4774 0	SHAFT MOUNTING PLATE		D	7	a-V158 0308 16
2	65AA 4721 0	Positioning Shaft /4		D	1	b-V116 0308 03
3	65AA 9058 0	SIZE RELAY WIRING		D	1	c-V217 0400 50
4	65AA 4742 0	PAPER REGULATING SHEET		C	2	d-V147 0308 03
5	A03U 6211 00	GUIDE PLATE /REAR		C	1	e-V158 0308 03
6	65AA 4749 0E	Side Supply Plate		D	2	f-V116 0306 03
7	A03U 9453 00	Regulating Label /1		C	1	g-V116 0305 03
8	26NA 4707 0	PAPER REGULATING CLAW		C	2	h-V121 0306 03
9	65AA 4706 0E	Guide Rack /Rear		D	1	i-V217 0600 50
10	56AA 8560 1	SIZE DETECTION VR		C	1	k-V127 0305 16
11	65AA 4727 0	SHAFT SUPPORT PLATE		D	1	
12	65AA 4716 0	Positioning Shaft /1		D	1	
13	A03U 6204 00	PINION 14T		D	1	
14	65AA 4261 0	Mounting Plate		D	1	
15	65AA 4760 0E	Detecting Gear 45T		C	1	
16	A03U F621 00	Paper PS Plate Caulking		D	1	
17	65AA 4734 0	FIXING CAM		D	1	
18	A1DU R745 00	Pulley Fulcrum Plate Caulking		D	2	
19	65AA 4772 0D	Wiring Mounting Plate		D	1	
20	65AA 4759 0	Protection Seal /1		D	2	
21	65AA 4768 0	LOCKING PART		D	1	
22	65AA 4755 0	WIRE ROLLER		C	2	
23	65AA 4763 0	WIRE GUIDE PART		C	2	
24	65AA 4717 0	Positioning Shaft /2		D	1	
25	65AA 4718 0	Positioning Shaft /3		D	1	
26	65GE 4709 0	SIDE LOCKING PLATE		D	1	
27	65AA 4783 1	GUIDE SPRING 4		C	1	
28	65AA 4747 0D	Fulcrum Plate		D	1	
29	65AA -475 0	SIDE GUIDE RACK F CAULKING		D	1	
30	A1DU R71P 00	Rock Part/2Assy		D	1	
31	65AA 4719 0	PAPER POSITIONING PIN		D	2	
32	65AA 4778 0	GUIDE SPRING 2		C	2	
33	A03U 6210 00	GUIDE PLATE /FRONT		C	1	
34	A1DU R71N 00	Cassette		S	1	

CASSETTE : UPPER

TRAY 1

P 58



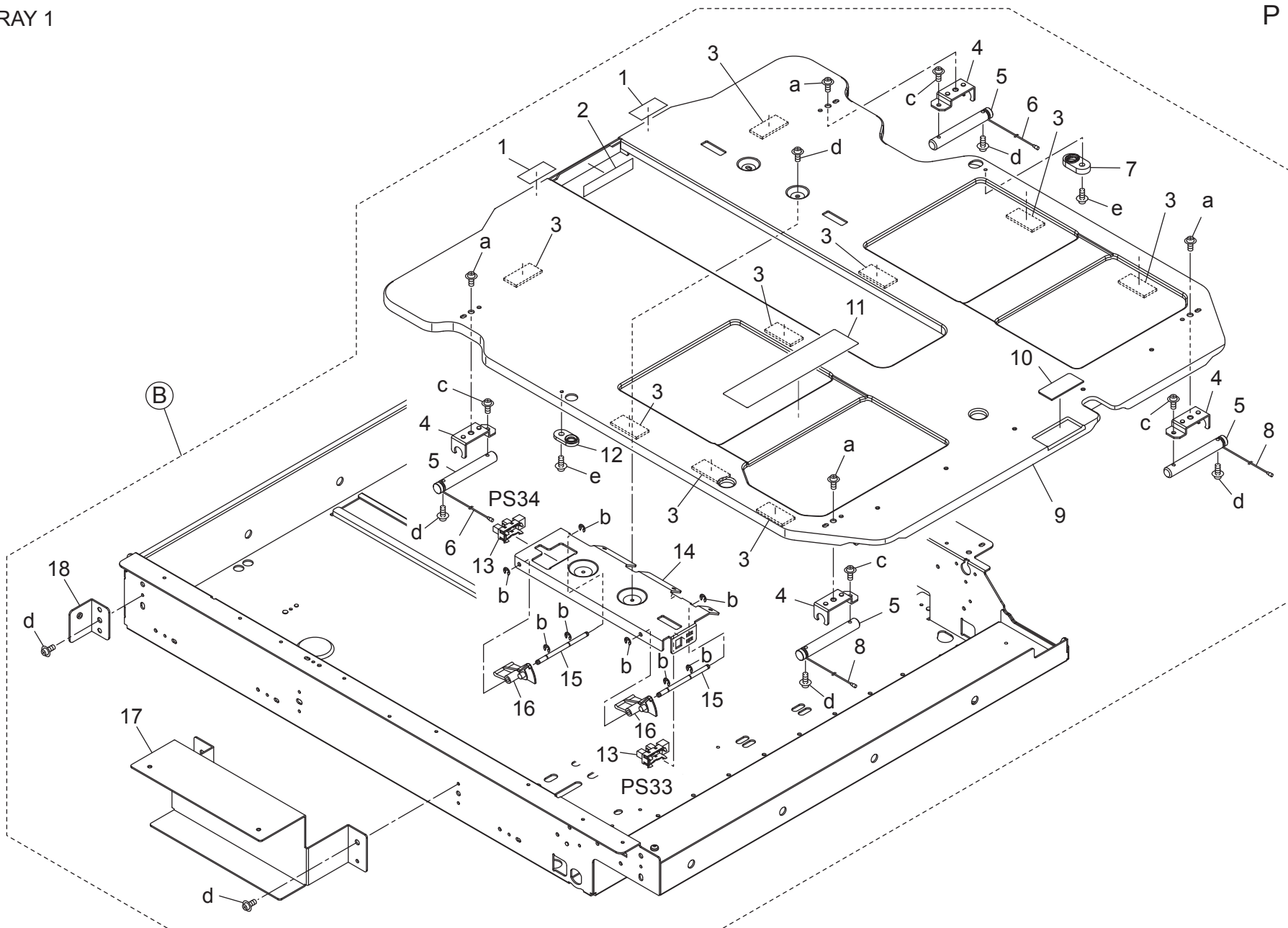
bizhub PRESS C70hc

Key	Part No.	Description	Destinations	Class	QTY	Standard parts
1	65AA 4795 0	CASSETTE REGULATING SCREW		C	4	a-V217 0600 50
2	65AA 4762 0	PROTECTION SEAL 2		C	2	b-V121 0304 04
3	65AA 4763 0	WIRE GUIDE PART		C	2	c-V217 0200 50
4	65AA 4755 0	WIRE ROLLER		C	2	d-V121 0306 03
5	A03U 6212 00	GUIDE COVER		C	1	e-V217 0400 50
6	A1DU R745 00	Pulley Fulcrum Plate Caulking		D	2	f-V158 0308 03
7	A03U 6214 00	AUXILIARY COVER /S		C	2	g-V121 0306 04
8	65AA 4714 0	CASSETTE POSITIONING PLATE 1		D	2	h-V127 0305 16
9	65GE 9749 0	CASSETTE GUIDE LABEL		D	1	
10	A1DU R746 00	Shaft Fulcrum Plate Caulking		D	2	
11	65AA 9017 0E	CASSETTE SIGNAL WIRING		C	1	
12	A03U 6213 00	AUXILIARY COVER /L		C	2	
13	55VA 4060 0	Driving Up /Down Pulley		B	2	
14	65AA 4770 0D	Up/down Pin		D	1	
15	A03U 8128 00	Slide Shaft Holder		B	2	
16	55VA 4222 0	POSITIONING SCREW		C	1	
17	65AA 4707 0F	Paper Regulating Plate /Right		D	1	
18	A03U 6207 02	Wiring Cover		D	1	
19	A03U 6217 00	Holding Screw /Front		D	1	
20	65AA 4711 1	Lifting Shaft		D	1	
21	65AA 4782 0	REGULATING PART		C	2	
22	65AA 4774 0	SHAFT MOUNTING PLATE		D	3	
23	65AA 4750 0	Slide Sheet		D	2	
24	65AA 4713 0	PAPER DETECTING ACTUATOR		C	1	
25	08AA 8551 2	Photo Sensor		B	1	
26	65AA 4790 0	MOUNTING PLATE 2		D	1	
27	65AA 4780 0	GUIDE SHEET		C	2	
28	65AA 4779 0D	Guide Spring /3		D	2	
29	65AA 4773 0E	Spring Support Part		D	1	
30	65GE 4708 0	Paper Regulating Plate /Left		D	1	

CASSETTE : UPPER

TRAY 1

P 59



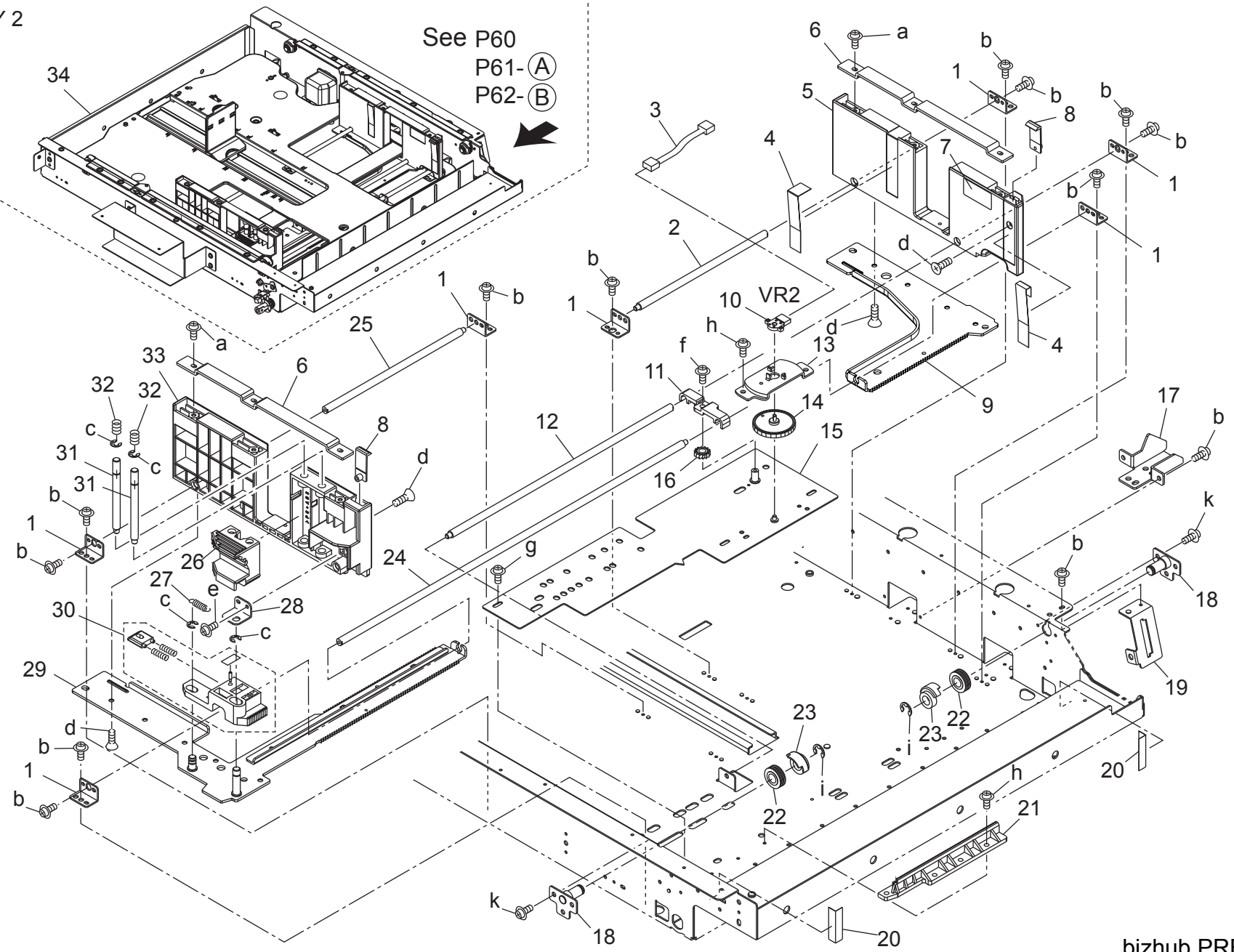
bizhub PRESS C70hc

Key	Part No.	Description	Destinations	Class	QTY	Standard parts
1	65AA 4745 0	PROTECTION SEAL /3		D	2	a-V121 0406 03 b-V217 0200 50 c-V121 0306 03 d-V127 0305 16 e-V121 0304 03
2	65AA 4748 0	Protection Sheet /Upper		C	1	
3	65AA 4786 0	AUXILIARY SHEET		C	9	
4	65AA 4765 0	WIRE FULCRUM PLATE		D	4	
5	65AA 4766 0	WIRE FULCRUM SHAFT		D	4	
6	65AA 4753 0	Up Down Wire /2		C	2	
7	65AA 4758 0	GUIDE BUSHING /2		C	1	
8	65AA 4752 0	Up Down Wire /1		C	2	
9	65AA 4702 0D	Paper Lifting Plate		D	1	
10	55VA 4093 0	DOUBLE FEED PREVENTIVE PLATE		C	1	
11	A1RF 9460 00	Paper feed Label /1		D	1	
12	65AA 4775 0	GUIDE BUSHING		C	1	
13	08AA 8551 2	Photo Sensor		B	2	
14	65AA 4712 0D	Mounting Plate		D	1	
15	65AA 4731 0E	PAPER DETECTING SHAFT		D	2	
16	65AA 4732 0	Paper Detecting Actuator		C	2	
17	65AA 4741 0D	Auxiliary Plate /1		D	1	
18	65AA 4777 1E	Side Mounting Plate		D	1	

CASSETTE : MIDDLE

TRAY 2

P 60

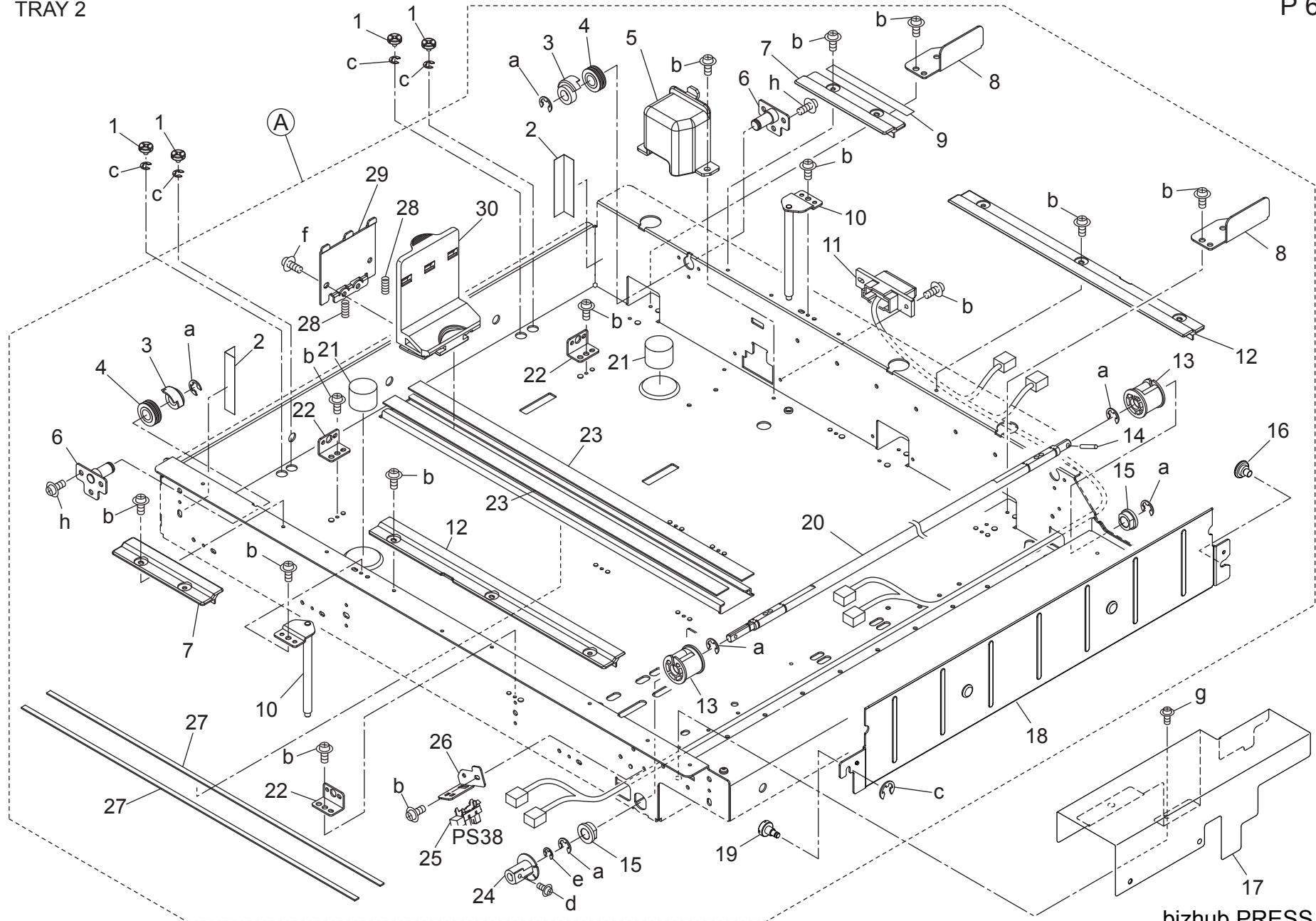


Key	Part No.	Description	Destinations	Class	QTY	Standard parts
1	65AA 4774 0	SHAFT MOUNTING PLATE		D	7	a-V158 0308 16
2	65AA 4721 0	Positioning Shaft /4		D	1	b-V116 0308 03
3	65AA 9058 0	SIZE RELAY WIRING		D	1	c-V217 0400 50
4	65AA 4742 0	PAPER REGULATING SHEET		C	2	d-V147 0308 03
5	A03U 6211 00	GUIDE PLATE /REAR		C	1	e-V158 0308 03
6	65AA 4749 0E	Side Supply Plate		D	2	f-V116 0306 03
7	A03U 9453 00	Regulating Label /1		C	1	g-V116 0305 03
8	26NA 4707 0	PAPER REGULATING CLAW		C	2	h-V121 0306 03
9	65AA 4706 0E	Guide Rack /Rear		D	1	i-V217 0600 50
10	56AA 8560 1	SIZE DETECTION VR		C	1	k-V127 0305 16
11	65AA 4727 0	SHAFT SUPPORT PLATE		D	1	
12	65AA 4716 0	Positioning Shaft /1		D	1	
13	65AA 4261 0	Mounting Plate		D	1	
14	65AA 4760 0E	Detecting Gear 45T		C	1	
15	A03U F621 00	Paper PS Plate Caulking		D	1	
16	A03U 6204 00	PINION 14T		D	1	
17	65AA 4734 0	FIXING CAM		D	1	
18	A1DU R745 00	Pulley Fulcrum Plate Caulking		D	2	
19	65AA 4772 0D	Wiring Mounting Plate		D	1	
20	65AA 4759 0	Protection Seal /1		D	2	
21	65AA 4768 0	LOCKING PART		D	1	
22	65AA 4755 0	WIRE ROLLER		C	2	
23	65AA 4763 0	WIRE GUIDE PART		C	2	
24	65AA 4717 0	Positioning Shaft /2		D	1	
25	65AA 4718 0	Positioning Shaft /3		D	1	
26	65GE 4709 0	SIDE LOCKING PLATE		D	1	
27	65AA 4783 1	GUIDE SPRING 4		C	1	
28	65AA 4747 0D	Fulcrum Plate		D	1	
29	65AA -475 0	SIDE GUIDE RACK F CAULKING		D	1	
30	A1DU R71P 00	Rock Part/2Assy		D	1	
31	65AA 4719 0	PAPER POSITIONING PIN		D	2	
32	65AA 4778 0	GUIDE SPRING 2		C	2	
33	A03U 6210 00	GUIDE PLATE /FRONT		C	1	
34	A1DU R71N 00	Cassette		S	1	

CASSETTE : MIDDLE

TRAY 2

P 61



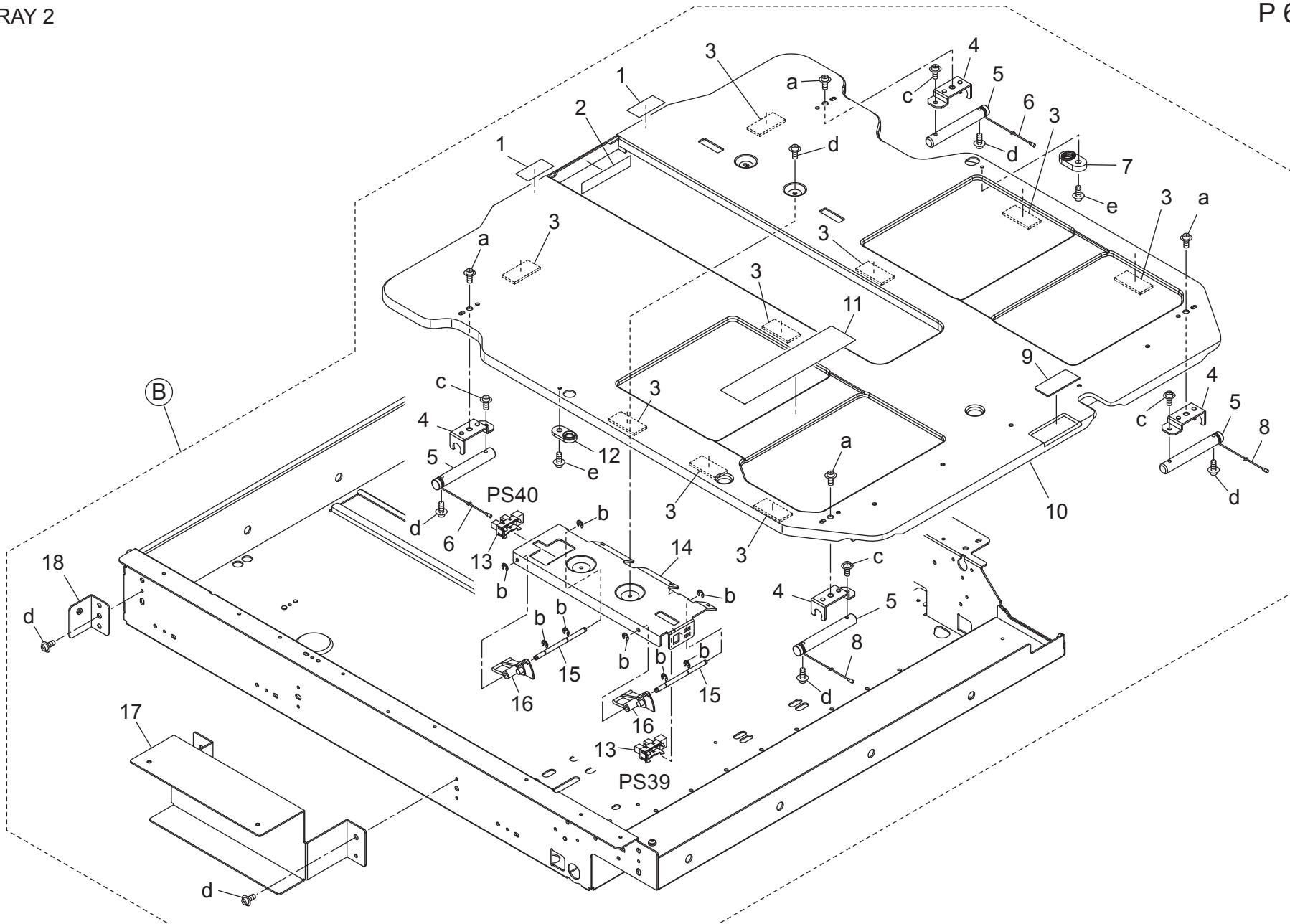
bizhub PRESS C70hc

Key	Part No.	Description	Destinations	Class	QTY	Standard parts
1	65AA 4795 0	CASSETTE REGULATING SCREW		C	4	a-V217 0600 50
2	65AA 4762 0	PROTECTION SEAL 2		C	2	b-V121 0304 04
3	65AA 4763 0	WIRE GUIDE PART		C	2	c-V217 0200 50
4	65AA 4755 0	WIRE ROLLER		C	2	d-V121 0306 03
5	A03U 6212 00	GUIDE COVER		C	1	e-V217 0400 50
6	A1DU R745 00	Pulley Fulcrum Plate Caulking		D	2	f-V158 0308 03
7	A03U 6214 00	AUXILIARY COVER /S		C	2	g-V121 0306 04
8	65AA 4714 0	CASSETTE POSITIONING PLATE 1		D	2	h-V127 0305 16
9	65GE 9749 0	CASSETTE GUIDE LABEL		D	1	
10	A1DU R746 00	Shaft Fulcrum Plate Caulking		D	2	
11	65AA 9017 0E	CASSETTE SIGNAL WIRING		C	1	
12	A03U 6213 00	AUXILIARY COVER /L		C	2	
13	55VA 4060 0	Driving Up /Down Pulley		B	2	
14	65AA 4770 0D	Up/down Pin		D	1	
15	A03U 8128 00	Slide Shaft Holder		B	2	
16	55VA 4222 0	POSITIONING SCREW		C	1	
17	A03U 6207 02	Wiring Cover		D	1	
18	65AA 4707 0F	Paper Regulating Plate /Right		D	1	
19	A03U 6217 00	Holding Screw /Front		D	1	
20	65AA 4711 1	Lifting Shaft		D	1	
21	65AA 4782 0	REGULATING PART		C	2	
22	65AA 4774 0	SHAFT MOUNTING PLATE		D	3	
23	65AA 4750 0	Slide Sheet		D	2	
24	65AA 4713 0	PAPER DETECTING ACTUATOR		C	1	
25	08AA 8551 2	Photo Sensor		B	1	
26	65AA 4790 0	MOUNTING PLATE 2		D	1	
27	65AA 4780 0	GUIDE SHEET		C	2	
28	65AA 4779 0D	Guide Spring /3		D	2	
29	65AA 4773 0E	Spring Support Part		D	1	
30	65GE 4708 0	Paper Regulating Plate /Left		D	1	

CASSETTE : MIDDLE

TRAY 2

P 62



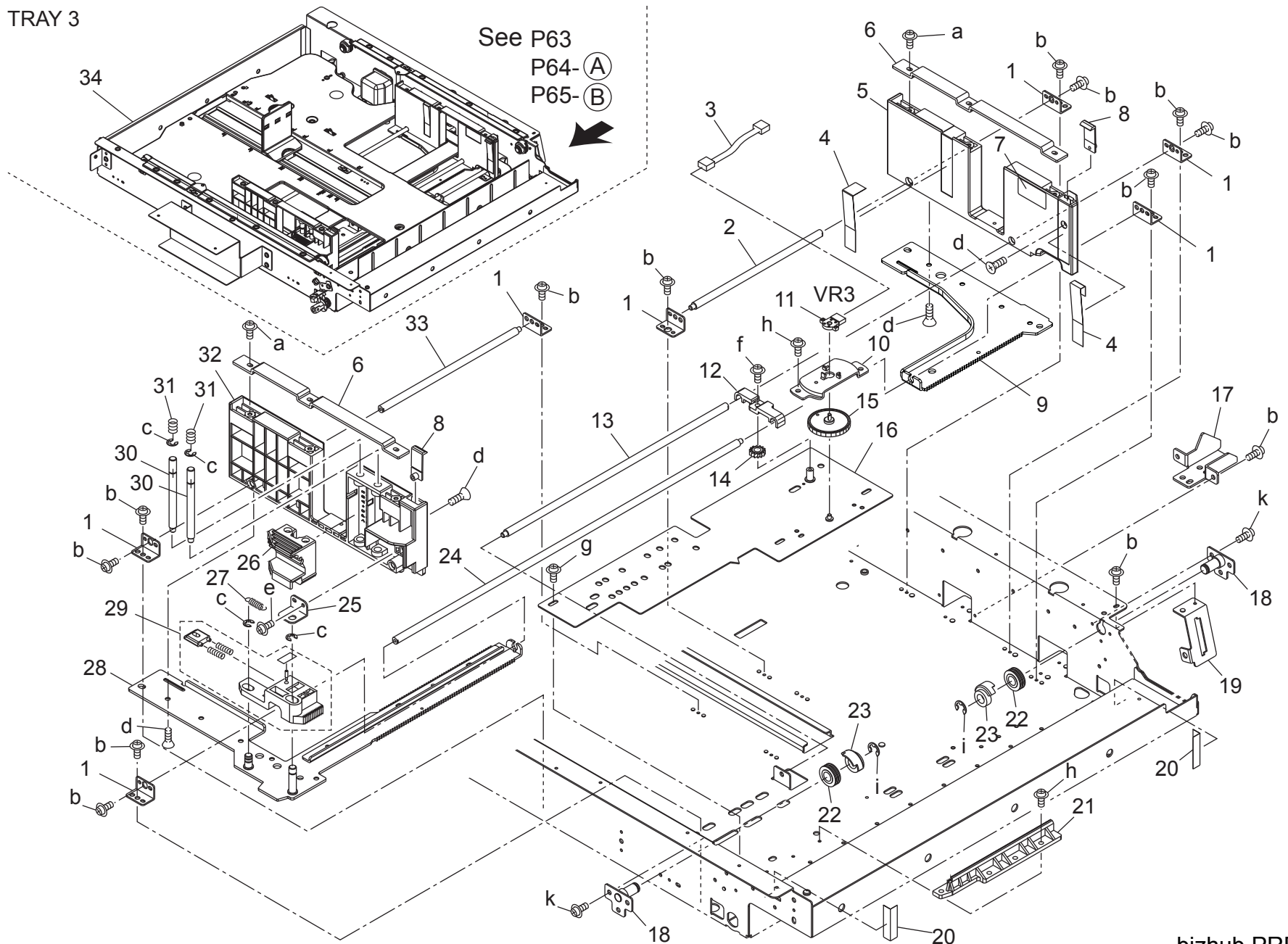
bizhub PRESS C70hc

Key	Part No.	Description	Destinations	Class	QTY	Standard parts
1	65AA 4745 0	PROTECTION SEAL /3		D	2	a-V121 0406 03 b-V217 0200 50 c-V121 0306 03 d-V127 0305 16 e-V121 0304 03
2	65AA 4748 0	Protection Sheet /Upper		C	1	
3	65AA 4786 0	AUXILIARY SHEET		C	9	
4	65AA 4765 0	WIRE FULCRUM PLATE		D	4	
5	65AA 4766 0	WIRE FULCRUM SHAFT		D	4	
6	65AA 4753 0	Up Down Wire /2		C	2	
7	65AA 4758 0	GUIDE BUSHING /2		C	1	
8	65AA 4752 0	Up Down Wire /1		C	2	
9	55VA 4093 0	DOUBLE FEED PREVENTIVE PLATE		C	1	
10	65AA 4702 0D	Paper Lifting Plate		D	1	
11	A1RF 9460 00	Paper feed Label /1		D	1	
12	65AA 4775 0	GUIDE BUSHING		C	1	
13	08AA 8551 2	Photo Sensor		B	2	
14	65AA 4712 0D	Mounting Plate		D	1	
15	65AA 4731 0E	PAPER DETECTING SHAFT		D	2	
16	65AA 4732 0	Paper Detecting Actuator		C	2	
17	65AA 4741 0D	Auxiliary Plate /1		D	1	
18	65AA 4777 1E	Side Mounting Plate		D	1	

CASSETTE : LOWER

TRAY 3

P 63

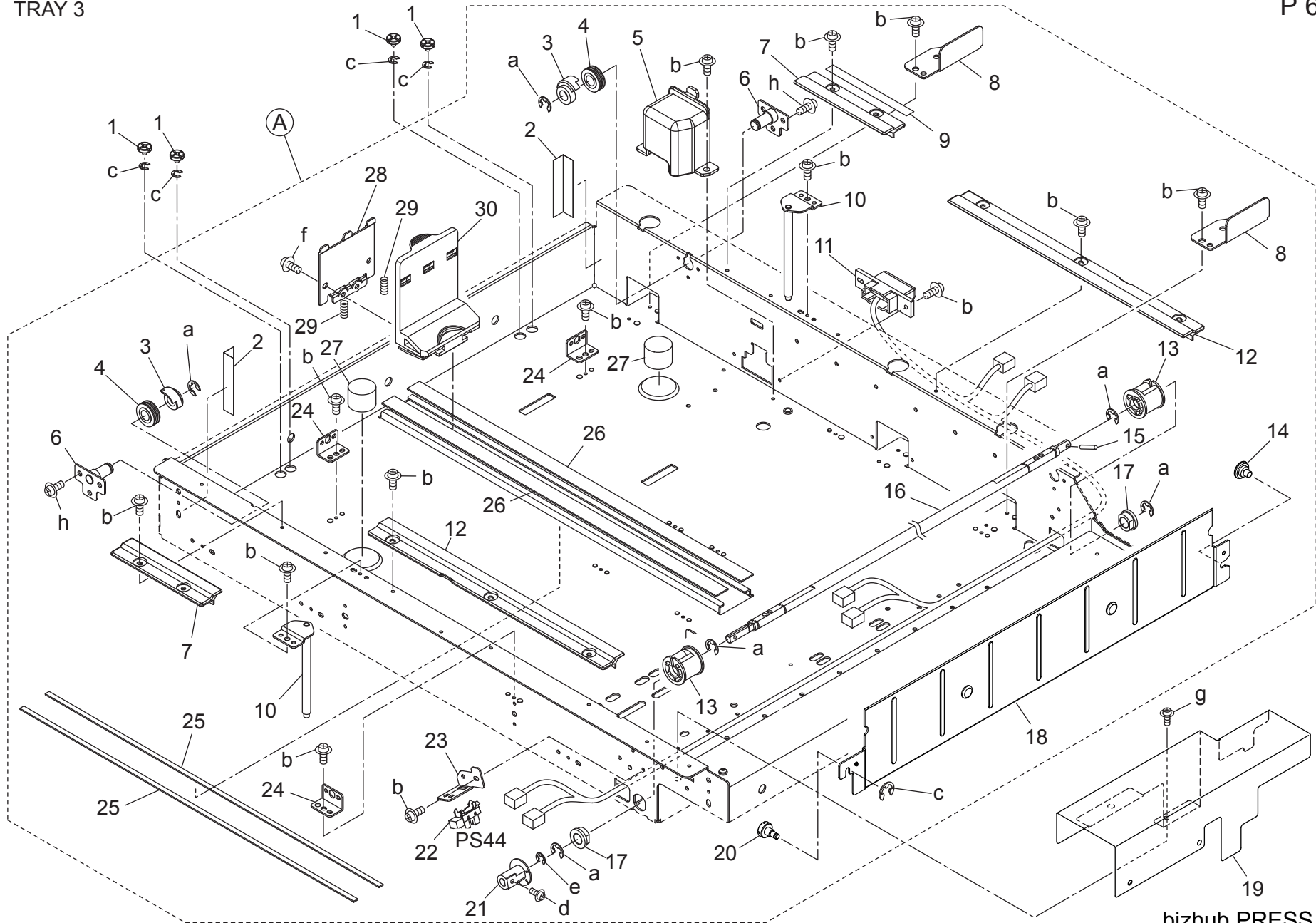


Key	Part No.	Description	Destinations	Class	QTY	Standard parts
1	65AA 4774 0	SHAFT MOUNTING PLATE		D	7	a-V158 0308 16
2	65AA 4721 0	Positioning Shaft /4		D	1	b-V116 0308 03
3	65AA 9058 0	SIZE RELAY WIRING		D	1	c-V217 0400 50
4	65AA 4742 0	PAPER REGULATING SHEET		C	2	d-V147 0308 03
5	A03U 6211 00	GUIDE PLATE /REAR		C	1	e-V158 0308 03
6	65AA 4749 0E	Side Supply Plate		D	2	f-V116 0306 03
7	A03U 9453 00	Regulating Label /1		C	1	g-V116 0305 03
8	26NA 4707 0	PAPER REGULATING CLAW		C	2	h-V121 0306 03
9	65AA 4706 0E	Guide Rack /Rear		D	1	i-V217 0600 50
10	65AA 4261 0	Mounting Plate		D	1	k-V127 0305 16
11	56AA 8560 1	SIZE DETECTION VR		C	1	
12	65AA 4727 0	SHAFT SUPPORT PLATE		D	1	
13	65AA 4716 0	Positioning Shaft /1		D	1	
14	A03U 6204 00	PINION 14T		D	1	
15	65AA 4760 0E	Detecting Gear 45T		C	1	
16	A03U F621 00	Paper PS Plate Caulking		D	1	
17	65AA 4734 0	FIXING CAM		D	1	
18	A1DU R745 00	Pulley Fulcrum Plate Caulking		D	2	
19	65AA 4772 0D	Wiring Mounting Plate		D	1	
20	65AA 4759 0	Protection Seal /1		D	2	
21	65AA 4768 0	LOCKING PART		D	1	
22	65AA 4755 0	WIRE ROLLER		C	2	
23	65AA 4763 0	WIRE GUIDE PART		C	2	
24	65AA 4717 0	Positioning Shaft /2		D	1	
25	65AA 4747 0D	Fulcrum Plate		D	1	
26	65GE 4709 0	SIDE LOCKING PLATE		D	1	
27	65AA 4783 1	GUIDE SPRING 4		C	1	
28	65AA -475 0	SIDE GUIDE RACK F CAULKING		D	1	
29	A1DU R71P 00	Rock Part/2Assy		D	1	
30	65AA 4719 0	PAPER POSITIONING PIN		D	2	
31	65AA 4778 0	GUIDE SPRING 2		C	2	
32	A03U 6210 00	GUIDE PLATE /FRONT		C	1	
33	65AA 4718 0	Positioning Shaft /3		D	1	
34	A1DU R71N 00	Cassette		S	1	

CASSETTE : LOWER

TRAY 3

P 64



bizhub PRESS C70hc

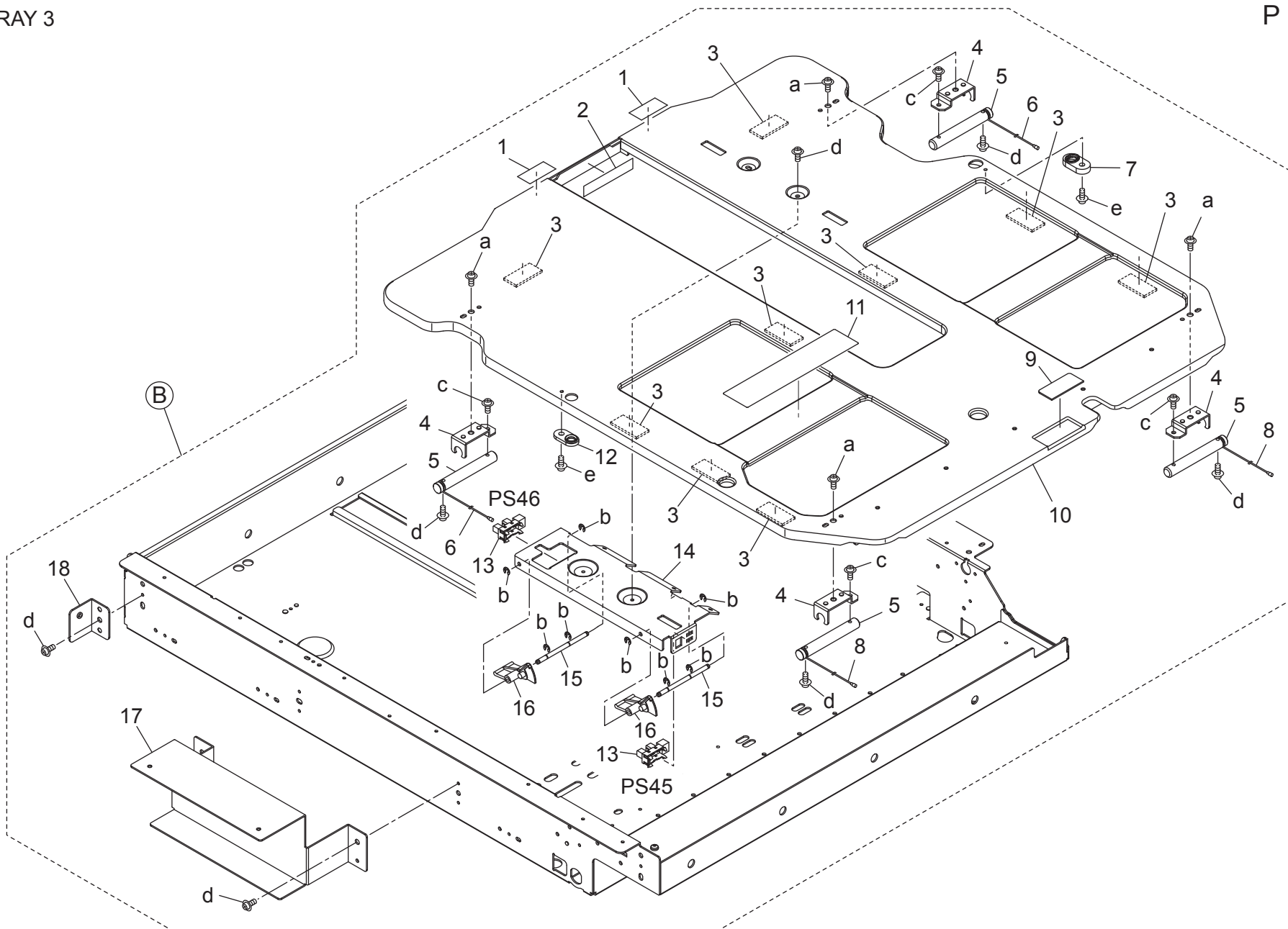
CASSETTE : LOWER

Key	Part No.	Description	Destinations	Class	QTY	Standard parts
1	65AA 4795 0	CASSETTE REGULATING SCREW		C	4	a-V217 0600 50
2	65AA 4762 0	PROTECTION SEAL 2		C	2	b-V121 0304 04
3	65AA 4763 0	WIRE GUIDE PART		C	2	c-V217 0200 50
4	65AA 4755 0	WIRE ROLLER		C	2	d-V121 0306 03
5	A03U 6212 00	GUIDE COVER		C	1	e-V217 0400 50
6	A1DU R745 00	Pulley Fulcrum Plate Caulking		D	2	f-V158 0308 03
7	A03U 6214 00	AUXILIARY COVER /S		C	2	g-V121 0306 04
8	65AA 4714 0	CASSETTE POSITIONING PLATE 1		D	2	h-V127 0305 16
9	65GE 9749 0	CASSETTE GUIDE LABEL		D	1	
10	A1DU R746 00	Shaft Fulcrum Plate Caulking		D	2	
11	65AA 9017 0E	CASSETTE SIGNAL WIRING		C	1	
12	A03U 6213 00	AUXILIARY COVER /L		C	2	
13	55VA 4060 0	Driving Up /Down Pulley		B	2	
14	55VA 4222 0	POSITIONING SCREW		C	1	
15	65AA 4770 0D	Up/down Pin		D	1	
16	65AA 4711 1	Lifting Shaft		D	1	
17	A03U 8128 00	Slide Shaft Holder		B	2	
18	65AA 4707 0F	Paper Regulating Plate /Right		D	1	
19	A03U 6207 02	Wiring Cover		D	1	
20	A03U 6217 00	Holding Screw /Front		D	1	
21	65AA 4713 0	PAPER DETECTING ACTUATOR		C	1	
22	08AA 8551 2	Photo Sensor		B	1	
23	65AA 4790 0	MOUNTING PLATE 2		D	1	
24	65AA 4774 0	SHAFT MOUNTING PLATE		D	3	
25	65AA 4780 0	GUIDE SHEET		C	2	
26	65AA 4750 0	Slide Sheet		D	2	
27	65AA 4782 0	REGULATING PART		C	2	
28	65AA 4773 0E	Spring Support Part		D	1	
29	65AA 4779 0D	Guide Spring /3		D	2	
30	65GE 4708 0	Paper Regulating Plate /Left		D	1	

CASSETTE : LOWER

TRAY 3

P 65

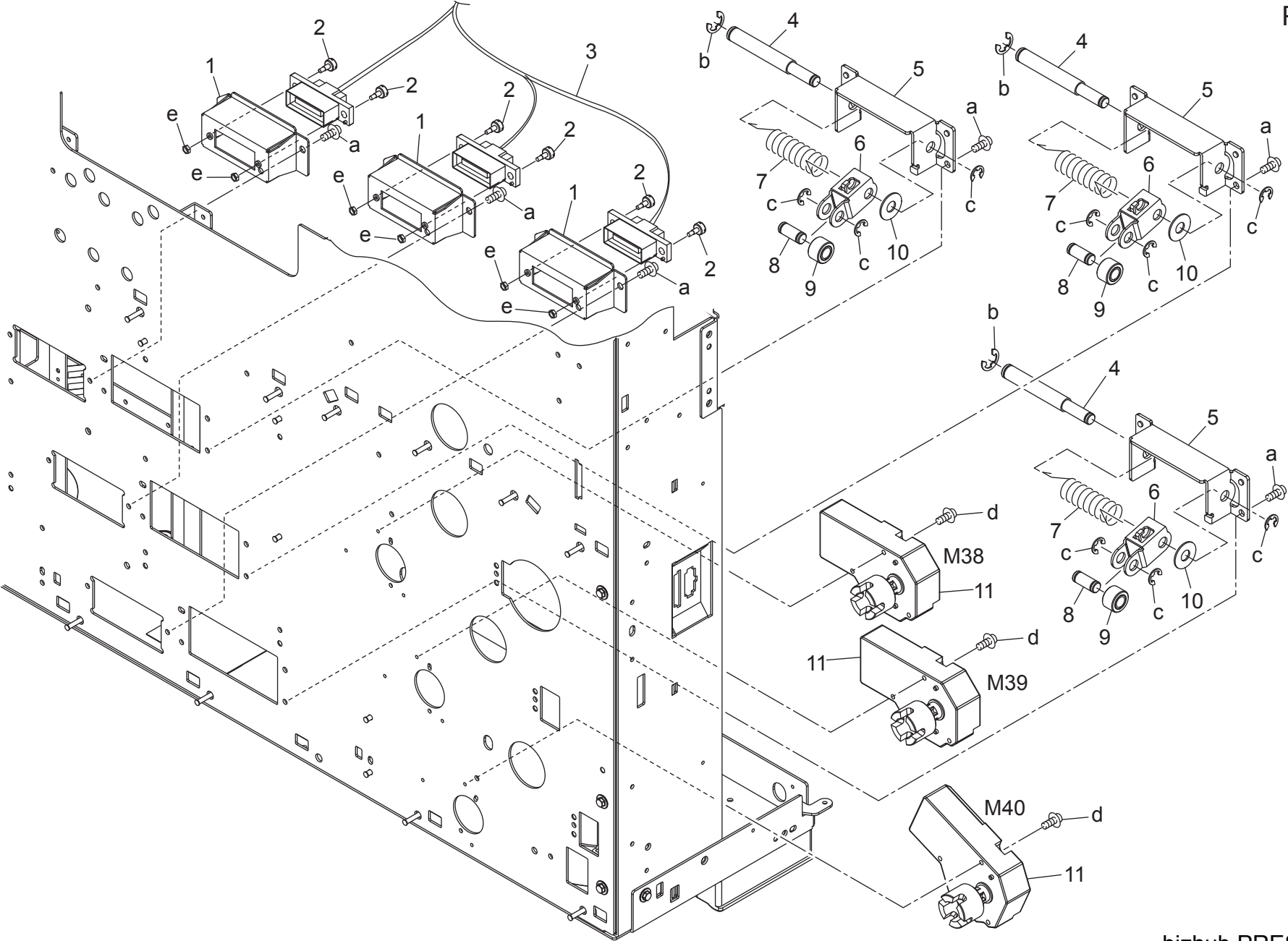


bizhub PRESS C70hc

CASSETTE : LOWER

Key	Part No.	Description	Destinations	Class	QTY	Standard parts
1	65AA 4745 0	PROTECTION SEAL /3		D	2	a-V121 0406 03 b-V217 0200 50 c-V121 0306 03 d-V127 0305 16 e-V121 0304 03
2	65AA 4748 0	Protection Sheet /Upper		C	1	
3	65AA 4786 0	AUXILIARY SHEET		C	9	
4	65AA 4765 0	WIRE FULCRUM PLATE		D	4	
5	65AA 4766 0	WIRE FULCRUM SHAFT		D	4	
6	65AA 4753 0	Up Down Wire /2		C	2	
7	65AA 4758 0	GUIDE BUSHING /2		C	1	
8	65AA 4752 0	Up Down Wire /1		C	2	
9	55VA 4093 0	DOUBLE FEED PREVENTIVE PLATE		C	1	
10	65AA 4702 0D	Paper Lifting Plate		D	1	
11	A1RF 9460 00	Paper feed Label /1		D	1	
12	65AA 4775 0	GUIDE BUSHING		C	1	
13	08AA 8551 2	Photo Sensor		B	2	
14	65AA 4712 0D	Mounting Plate		D	1	
15	65AA 4731 0E	PAPER DETECTING SHAFT		D	2	
16	65AA 4732 0	Paper Detecting Actuator		C	2	
17	65AA 4741 0D	Auxiliary Plate /1		D	1	
18	65AA 4777 1E	Side Mounting Plate		D	1	

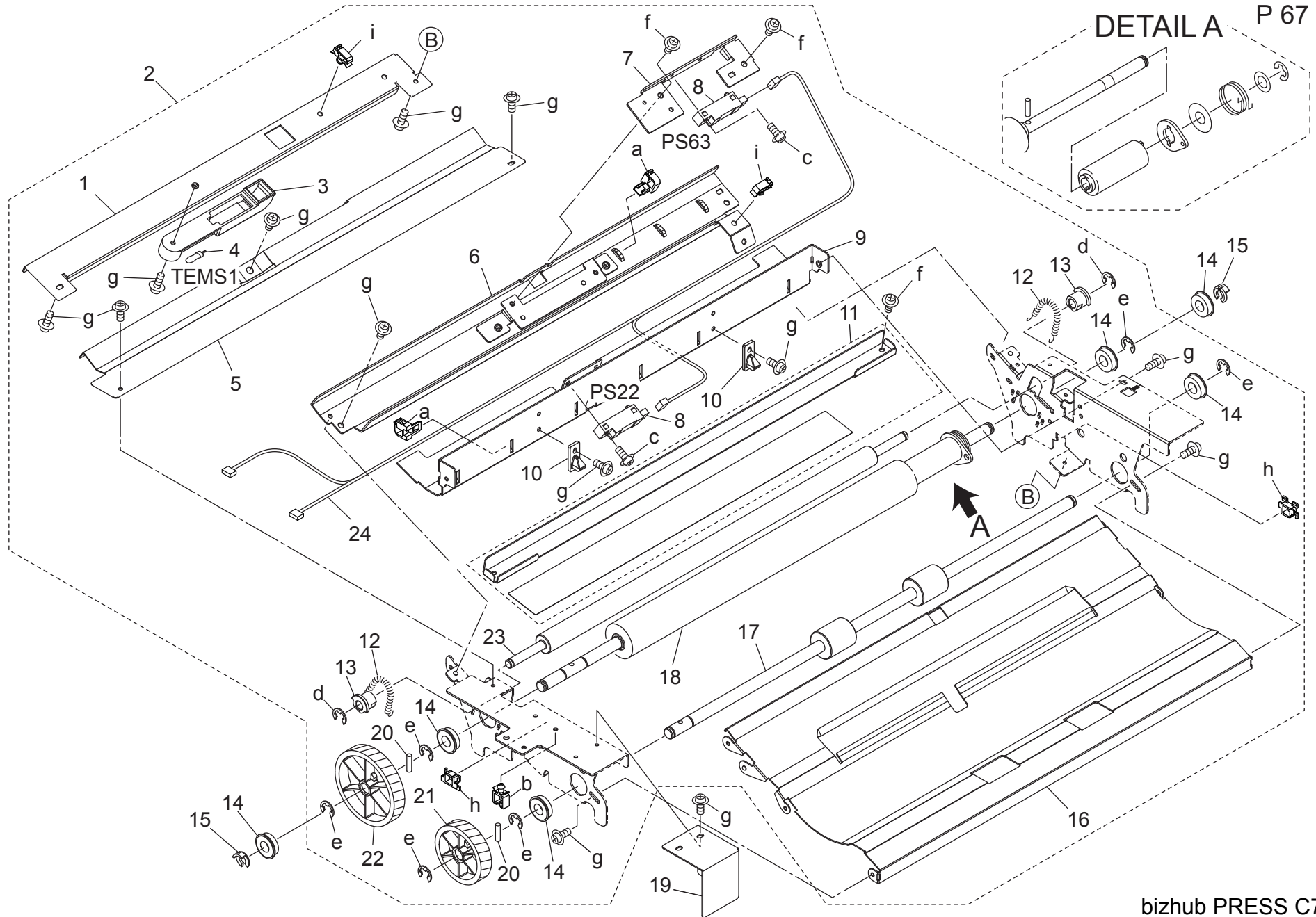
CASSETTE DRIVING SECTION



CASSETTE DRIVING SECTION

Key	Part No.	Description	Destinations	Class	QTY	Standard parts
1	65AA 4729 0	WIRING MOUNTING PLATE		D	3	a-V140 0408 03 b-V217 0800 50 c-V217 0600 50 d-V121 0320 03 e-V195 2600 03
2	65AA 4722 0	MOUNTING SCREW		C	6	
3	A1DU N194 01	Main body Wiring /1		D	1	
4	65AA 4738 0	FULCRUM SHAFT		D	3	
5	65AA 4737 0	FULCRUM PLATE		D	3	
6	65AA 4771 0	LOCKING PLATE		D	3	
7	65AA 4739 0	GUIDE SPRING		C	3	
8	65AA 4736 0	CASSETTE LOCKING SHAFT		D	3	
9	0676 4258 1	TRAY LOCK PULLEY		C	3	
10	65AA 4797 0	SPACER		C	3	
11	A0P0 M100 00	Brush Motor		B	3	

DUPLEX SECTION : REGISTRATION



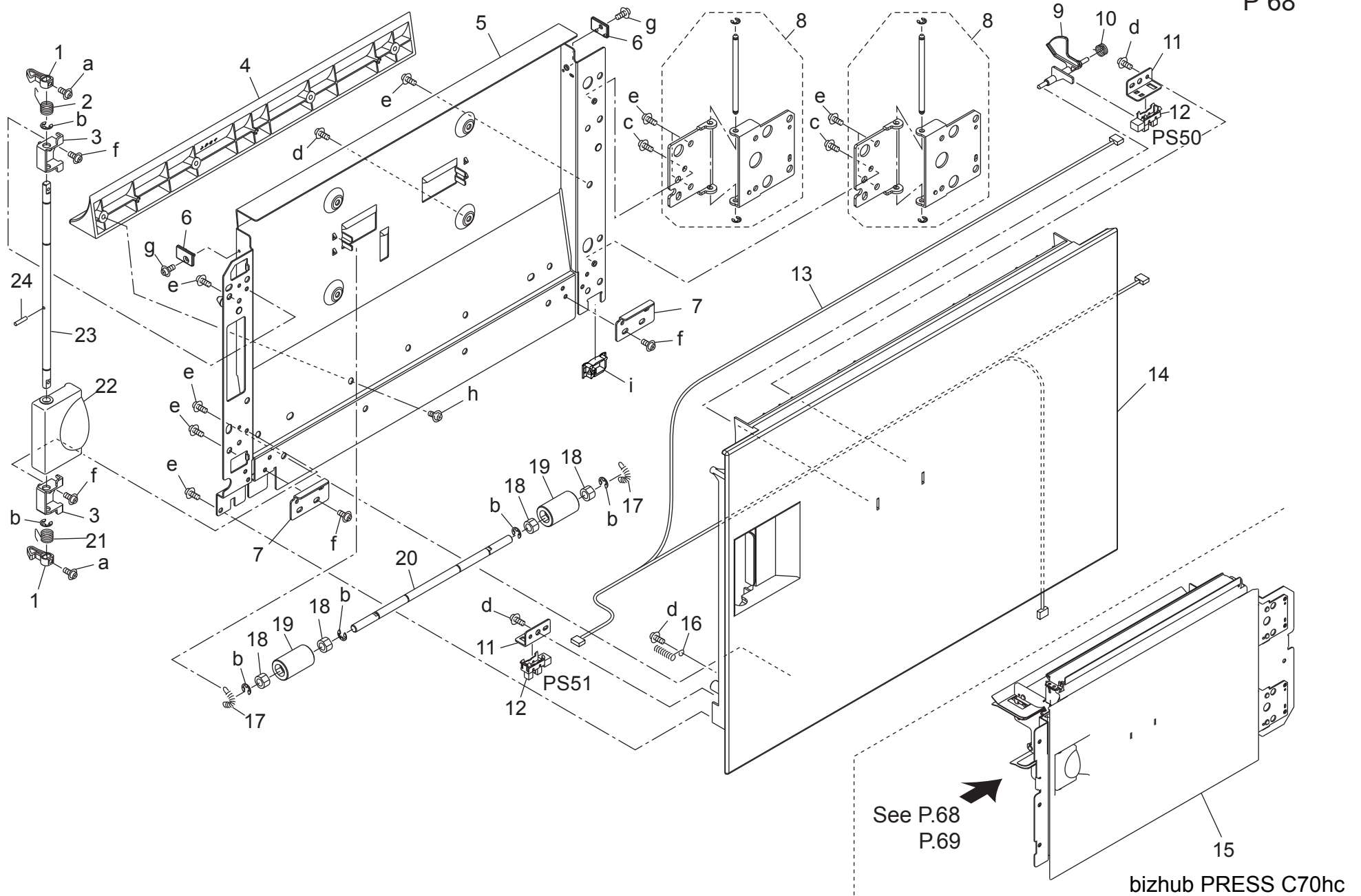
bizhub PRESS C70hc

DUPLEX SECTION : REGISTRATION

Key	Part No.	Description	Destinations	Class	QTY	Standard parts
1	A03U 7120 00	Mounting Stay /Lower		D	1	a-V500 0100 57
2	A1DU R71S 00	Regist Unit		C	1	b-V500 0100 51
3	A03X 6220 00	Detecting Cover		C	1	c-V118 0310 03
4	A03U M505 00	Temperature Sensor /5		C	1	d-V217 0400 50
5	A03U 7119 02	Cover Plate		D	1	e-V217 0600 50
6	A03U 7117 00	Guide Plate /2		C	1	f-V121 0304 03
7	A03U 7116 00	Mounting Plate /Middle		D	1	g-V127 0306 03
8	56AA 8552 1	CONVEYANCE PHOTO SENSOR		B	2	h-V570 0100 50
9	A03U 7107 00	Guide Plate /Upper		C	1	i-V500 0100 46
10	65AA 4612 0	LOCKING PART		C	2	
11	A1DU R73B 00	Cleaning Stay Assy		B	1	
12	65AA 4608 0	REGISTRATION PRESSURE SPRING		C	2	
13	A03U 7121 00	Registration Bushing		C	2	
14	A00V 2406 00	BALL BEARING		C	6	
15	55VA 4212 0	SHAFT STOPPER		C	2	
16	A03U 7106 00	Regist Guide Plate /Lower		C	1	
17	65AA 4603 0	Conveyance Roller		C	1	
18	A1DU R73A 00	Resist Roller Assy		A	1	
19	65AA 4613 0D	Gear Cover Part		D	1	
20	56AA 1748 0	PIN B		C	2	
21	65AA 7751 0	CONVEYANCE GEAR 40T		C	1	
22	65AA 7787 0	REGISTRATION GEAR 52T		C	1	
23	65AA 4602 0	REGISTRATION DRIVEN ROLLER		C	1	
24	A03U N154 01	Registration Relay Wiring		D	1	

DUPLEX SECTION : VERTICAL CONVEYANCE

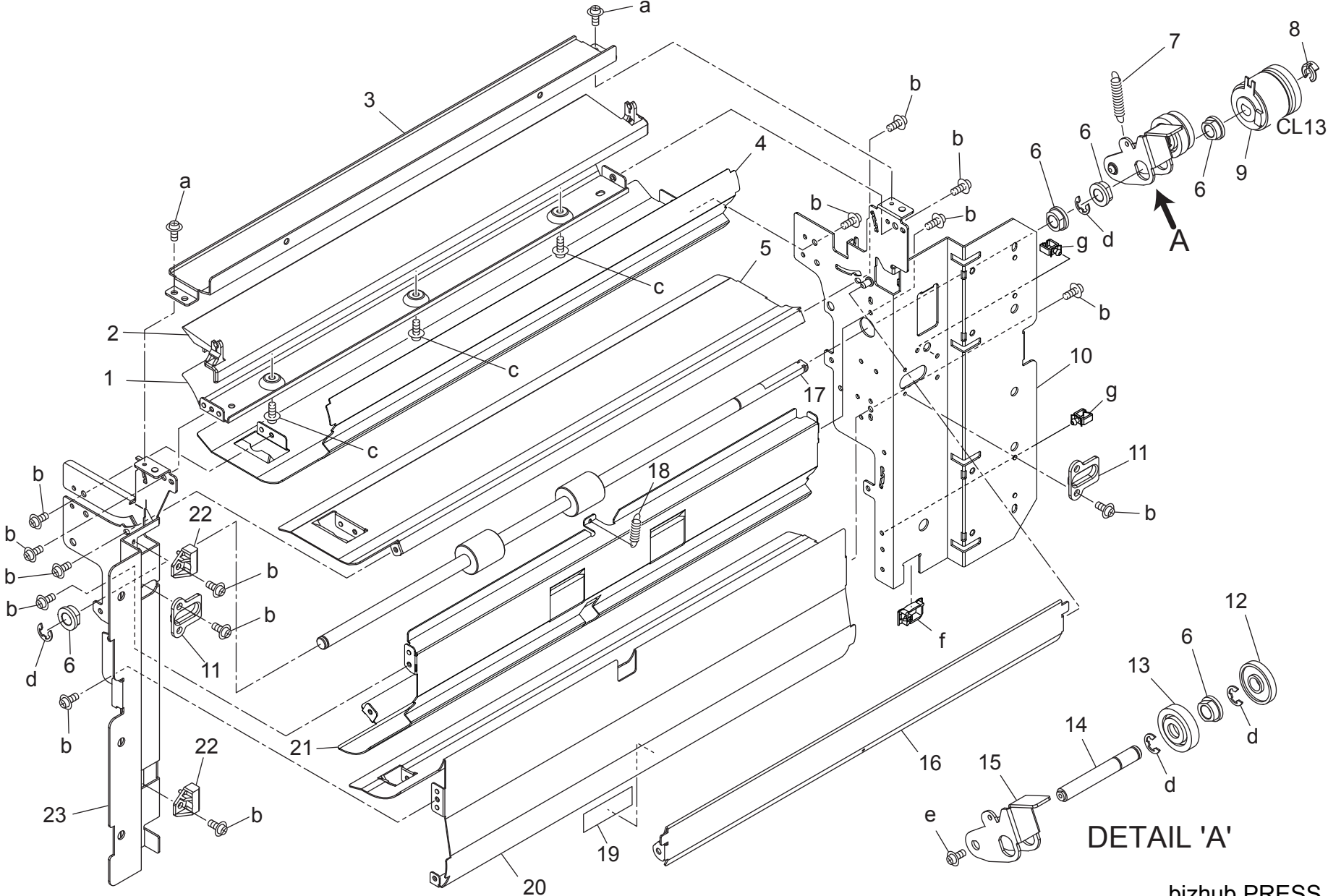
P 68



DUPLEX SECTION : VERTICAL CONVEYANCE

Key	Part No.	Description	Destinations	Class	QTY	Standard parts
1	56AA 4420 0	LOCKING CLAW		C	2	a-V118 0306 03
2	65AA 4423 0	Locking Spring /Upper		C	1	b-V217 0400 50
3	56AA 4415 0	SHAFT FIXING PART		C	2	c-V121 0306 03
4	65AA 4441 0	PAPER ENTRANCE PLATE		C	1	d-V158 0308 03
5	65AA -434 0	CON GUIDE PLATE CAULKING		D	1	e-V151 0410 03
6	65AA 4446 0	REGULATING PLATE		C	2	f-V121 0304 03
7	65AA 4439 0	FIXING PLATE		D	2	g-V112 0306 03
8	A1DU R71R 00	Open/Shut Hinge Assy		C	2	h-V151 0408 03
9	65AA 4410 0	Paper Detecting Actuator /1		C	1	i-V570 0100 63
10	65AA 4427 0	CONVEYANCE SPRING		C	1	
11	65AA 4447 0	MOUNTING PLATE		D	2	
12	08AA 8551 2	Photo Sensor		B	2	
13	65AA 9015 0E	P. F. UNIT DETECTION WIRING		D	1	
14	A03U 7001 00	Conveyance Guide Door		C	1	
15	A1DU R71Q 00	Vertical Conveying		D	1	
16	65AA 4438 0	POSITIONING SPRING		C	1	
17	65AA 4425 0	DRIVEN SPRING		C	2	
18	A03U 8501 01	Slide Bushing		C	4	
19	26NA 4256 0	BY PASS FEED DRIVEN ROLLER		C	2	
20	65AA 4415 0	CONVEYANCE DRIVEN SHAFT		D	1	
21	65AA 4424 0	Locking Spring /Lower		C	1	
22	A03U 7002 02	Conveyance Handle		C	1	
23	65AA 4417 0E	LOCKING SHAFT		D	1	
24	56AA 1730 0	PIN		C	1	

DUPLEX SECTION : VERTICAL CONVEYANCE



DETAIL 'A'

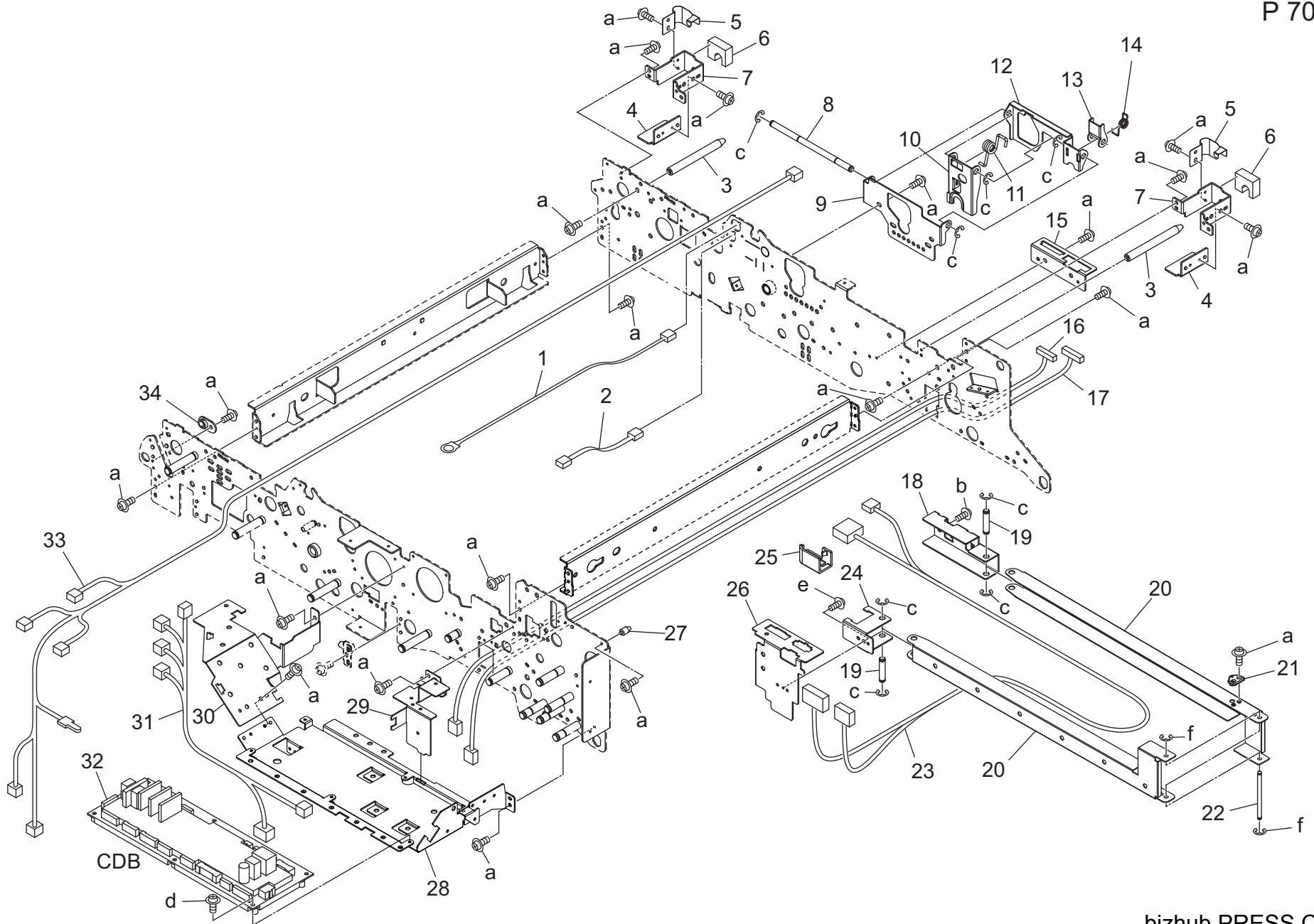
bizhub PRESS C70hc

DUPLEX SECTION : VERTICAL CONVEYANCE

Key	Part No.	Description	Destinations	Class	QTY	Standard parts
1	65AA 4429 0	PAPER GUIDE PLATE C		C	1	a-V121 0304 03 b-V121 0306 03 c-V158 0308 03 d-V217 0600 50 e-V121 0406 03 f-V570 0100 63 g-V500 0100 51
2	65AA 4430 0	PAPER GUIDE PLATE T		C	1	
3	65AA 4428 0	PAPER GUIDE PLATE L		C	1	
4	65AA 4403 0	PAPER GUIDE PLATE 1		C	1	
5	65AA 4405 0	PAPER GUIDE PLATE 3		C	1	
6	A03U 8128 00	Slide Shaft Holder		B	5	
7	65AA 4433 0	CONNECTING SPRING		C	1	
8	55VA 4212 0	SHAFT STOPPER		C	1	
9	56AA 8201 2	PAPER FEED DRIVING CLUTCH		B	1	
10	65AA -440 0	SIDE PLATE/2 CAULKING		D	1	
11	65AA 4422 0	Positioning Coller		C	2	
12	65AA 4435 0	STOPPER ROLLER		C	1	
13	25AA 7773 0	CONVEYANCE IDLER RIGHT 24T		C	1	
14	65AA 4432 0	CONNECTING SHAFT		D	1	
15	65AA 4434 0	CONNECTING PLATE		D	1	
16	65AA 4442 0	OPEN SHUT PLATE		C	1	
17	65AA 4413 0	CONVEYING ROLLER 1		C	1	
18	65AA 4444 0	OPEN SHUT SPRING		C	1	
19	A03U 7004 00	PAPER GUIDE SHEET		C	1	
20	65AA 4406 0	PAPER GUIDE PLATE 4		C	1	
21	65AA 4443 0	PAPER GUIDE PLATE MIDDLE		C	1	
22	65AA 4420 0	LOCKING PLATE		C	2	
23	65AA -439 0	SIDE PLATE/1 CAULKING		D	1	

DUPLEX SECTION

P 70



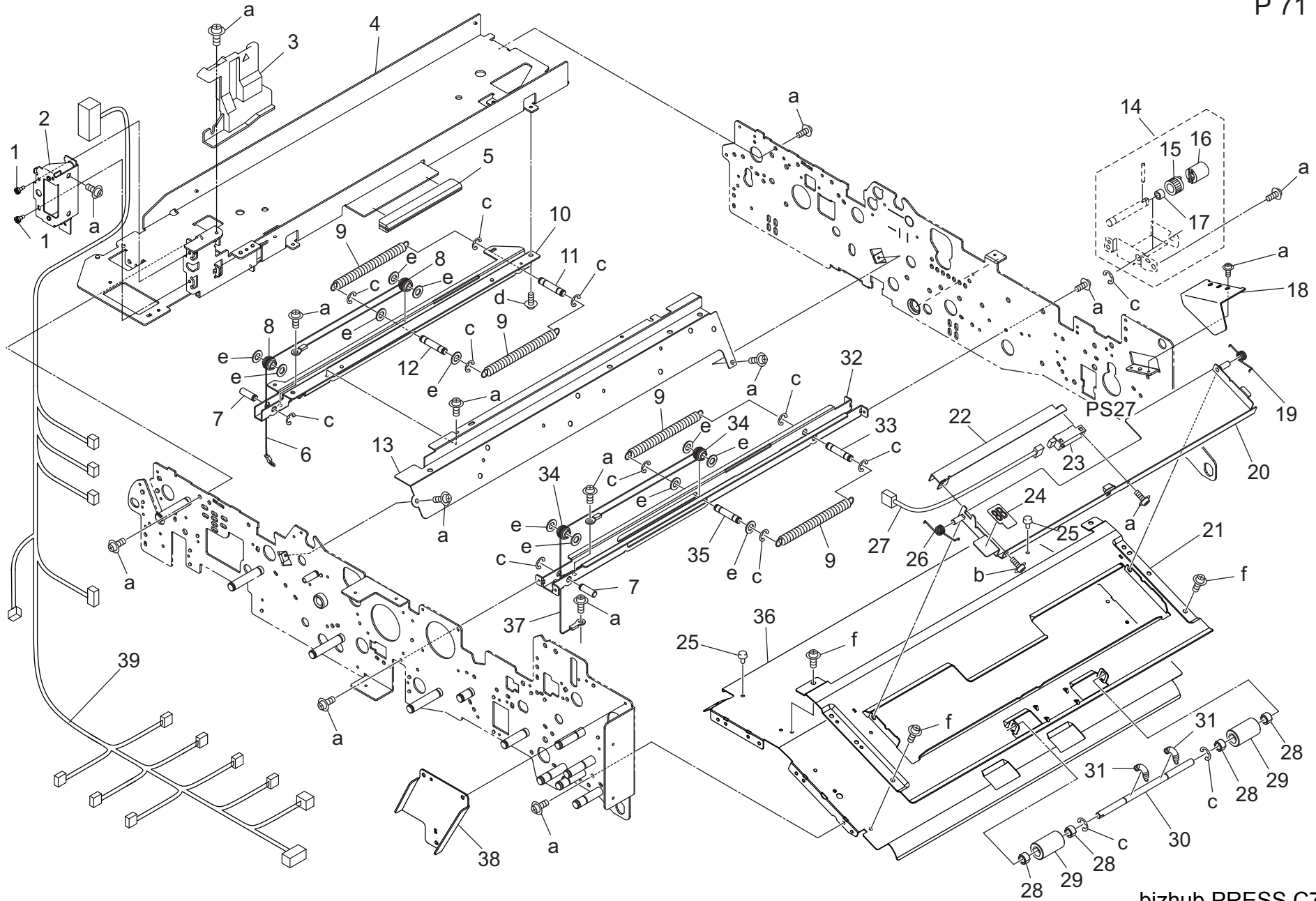
bizhub PRESS C70hc

DUPLEX SECTION

Key	Part No.	Description	Destinations	Class	QTY	Standard parts
1	A03U N203 00	Bias Wire /2		D	1	a-V127 0306 03 b-V127 0406 03 c-V217 0400 50 d-V121 0304 03 e-V127 0305 16 f-V217 0300 50
2	A1DU N189 00	Separating Wire /1		D	1	
3	65AA 5025 0	CARRIGE GUIDE PIN REAR		D	2	
4	A03U 8115 00	Guide Holder /1		D	2	
5	A03U 8137 02	Ground Plate		D	2	
6	A03U 8114 01	Protection Cushion		D	2	
7	A03U 8113 00	GUIDE HOLDER /REAR		D	2	
8	65AA 5059 0	TRANSFER RELEASE SHAFT 2		D	1	
9	65AA 5060 0	CAM MOUNTING PLATE		D	1	
10	65AA 5057 0	TRANSFER RELEASE CAM 1		C	1	
11	65AA 5061 0	CAM STOPPER SPRING 1		C	1	
12	65AA 5062 0	CAM CONNECTING PLATE		C	1	
13	65AA 5058 0	TRANSFER RELEASE CAM 2		C	1	
14	65AA 5063 0	CAM STOPPER SPRING 2		C	1	
15	A03U 8129 00	Wiring Fixing Plate		D	1	
16	A03U N178 01	ADU DRIVE HARNESS /1		D	1	
17	A1DU N220 00	ADU Relay harness /6		D	1	
18	65AA 5019 0	FULCRUM PLATE REAR		D	1	
19	65AA 5018 0	HINGE FULCRUM SHAFT 1		D	2	
20	56AA 5031 1E	Wiring Guide Plate /Front		D	2	
21	56AA 5038 1	HINGE LIFTING BLOCK		C	1	
22	65AA 5075 0D	Hinge Fulcrum Shaft		D	1	
23	A03U N147 00	Conv. unit Relay Wiring /1		D	1	
24	A03U 8112 00	Carriage Support Plate /2		D	1	
25	65AA 5074 0	WIRING COVER 1		C	1	
26	A03U 8111 01	Carrige Fulcrum Plate /Front		D	1	
27	65AA 5044 0D	Carrige Guide Pin /Left		C	1	
28	A03U 8105 03	Board Mounting Plate		D	1	
29	A03U 8130 01	Wiring Guide Plate		D	1	
30	A03U 8106 01	Board Mounting Plate /2		D	1	
31	A03U N151 00	Conveyance Drive Wiring		D	1	
32	A1DU H250 00	Conveyance Drive board ASSY		I	1	
33	A1DU N148 01	Conveyance Relay harness /2		D	1	
34	129X 4836 0	GUIDE SHAFT HOLDER B		C	1	

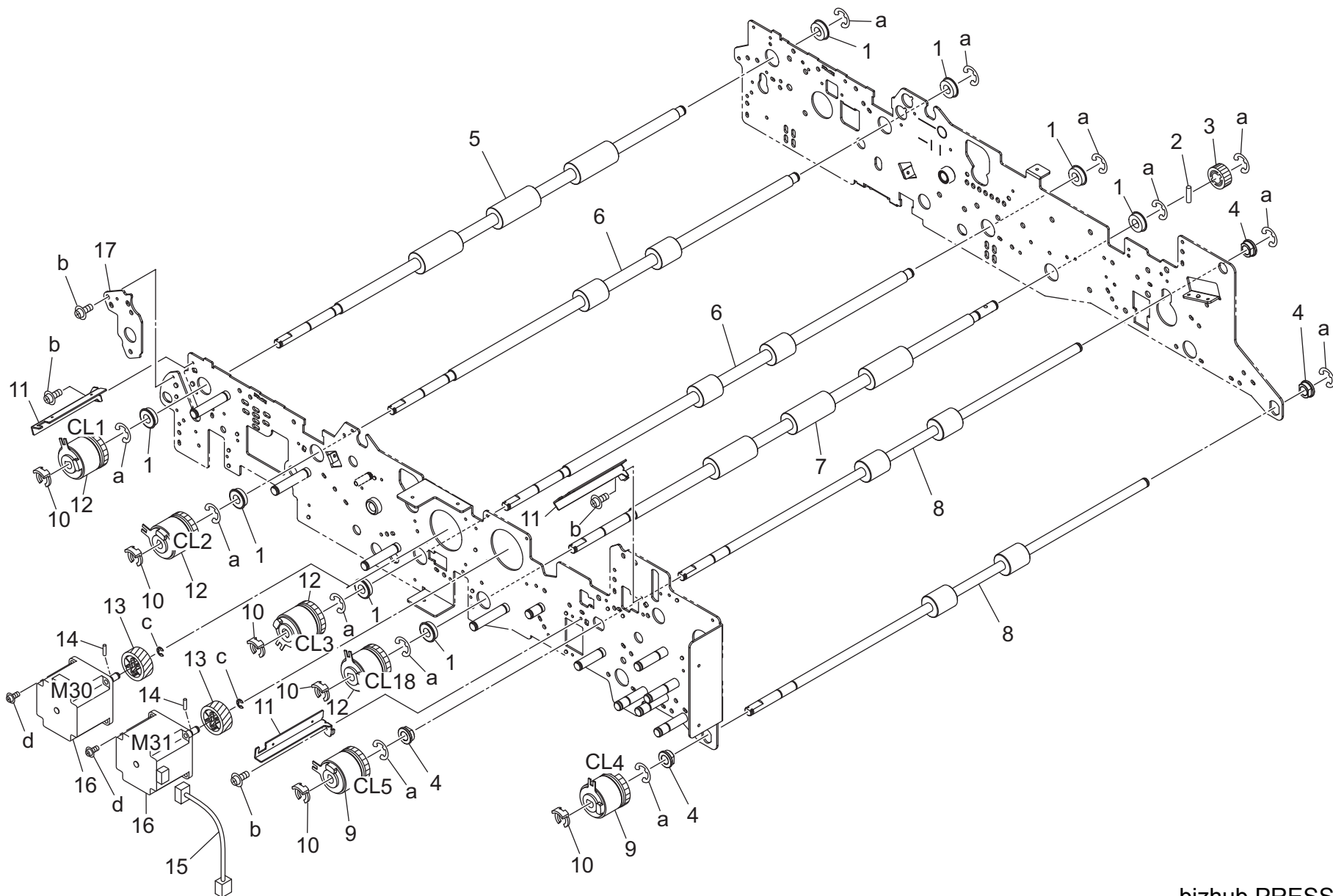
DUPLEX SECTION

P 71



bizhub PRESS C70hc

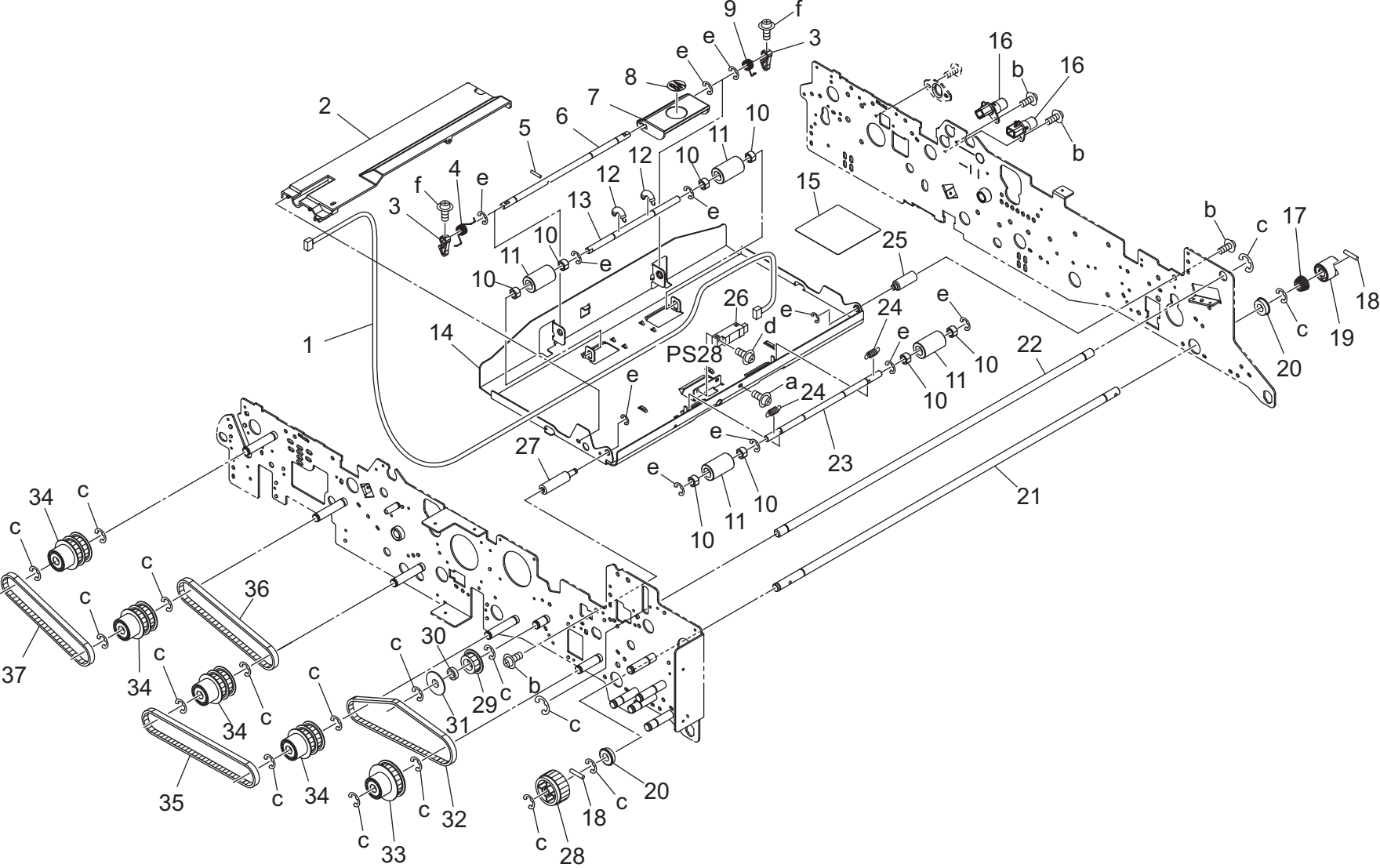
Key	Part No.	Description	Destinations	Class	QTY	Standard parts
1	57AA 5352 0	ELECTRIC MOUNTING SCREW FRONT		C	2	a-V127 0306 03 b-V118 0310 03 c-V217 0400 50 d-V121 0304 03 e-V207 0600 03 f-V127 0305 16
2	A1DU 8170 00	Mounting Plate		D	1	
3	A1DU 8171 00	Protection Cover		D	1	
4	A1DU R749 00	Fixing Positioning Rail Caulking		D	1	
5	65AA 5072 0	LIFTING COVER 1		D	1	
6	A03U 8498 01	Wire /Left		C	1	
7	65AA 5151 0	ADU OPEN SHUT SHAFT 3		D	2	
8	A03U 8135 00	Wire Pulley		C	2	
9	A03U 8136 01	ADU Open/shut Spring /Upper		C	4	
10	A03U 8132 00	ADU Open/shut Plate		D	1	
11	A03U 8134 00	ADU Open/shut Shaft /2		D	1	
12	A03U 8133 00	ADU Open/shut Shaft /1		D	1	
13	A03U 8131 00	Wiring Guide Plate /2		D	1	
14	A1DU R73C 00	Brake Assy		C	1	
15	A03U 8390 00	BRAKE GEAR /1 21T		C	1	
16	A03U 8157 00	TORQUE LIMITER		B	1	
17	56GA 7601 0	SLIDE SHAFT HOLDER 2		C	1	
18	A1DU 8173 00	Support Plate		D	1	
19	65AA 5015 0	Pressing Spring /Right		C	1	
20	65AA 5009 0	CONVEYANCE GUIDE PLATE MIDDLE		C	1	
21	65AA 5008 0F	Conveyance Guide Plate /Right		C	1	
22	65AA 5056 0D	Cover		D	1	
23	56AA 8552 1	CONVEYANCE PHOTO SENSOR		B	1	
24	A1RF 9432 00	Release Label /2		D	1	
25	12AJ 4585 0	STOPPER RUBBER		C	2	
26	65AA 5016 0	Pressing Spring /Left		C	1	
27	A1DU N184 00	Conveyance Detection harness /1		D	1	
28	A03U 8501 01	Slide Bushing		C	4	
29	26NA 4256 0	BY PASS FEED DRIVEN ROLLER		C	2	
30	65AA 5064 0	CONVEYANCE DRIVEN SHAFT 2		C	1	
31	65AA 5140 0	ADU SPRING A		C	2	
32	65AA 5167 0D	ADU Open/shut Plate		D	1	
33	65AA 5153 0	ADU OPEN SHUT SHAFT 2		D	1	
34	25AA 5008 0	WIRE PULLEY		C	2	
35	65AA 5152 0	ADU OPEN SHUT SHAFT 1		D	1	
36	65AA 5006 0E	Conveyance Guide Plate /Lower		C	1	
37	A03U 8497 01	Wire /Right		C	1	
38	A1DU 8175 00	Reinforce Plate		D	1	
39	A1DU N149 01	Fixing Drive harness /1		D	1	



DUPLEX SECTION

Key	Part No.	Description	Destinations	Class	QTY	Standard parts
1	A00V 2406 00	BALL BEARING		C	8	a-V217 0600 50 b-V127 0306 03 c-V217 0400 50 d-V121 0308 03
2	56AA 1747 1	PIN B 3X12		C	1	
3	A03U 8389 00	BRAKE GEAR /2 24T		C	1	
4	A03U 8128 00	Slide Shaft Holder		B	4	
5	A03U 8421 00	Roller /3		C	1	
6	A03U 8422 00	Roller /4		C	2	
7	A03U 8504 00	Roller /4		C	1	
8	A03U 8122 00	ADU Conveying Roller /Right		C	2	
9	56AA 8201 2	PAPER FEED DRIVING CLUTCH		B	2	
10	55VA 4212 0	SHAFT STOPPER		C	6	
11	65AA 5128 0E	ADU Locking Plate		D	3	
12	A03U M201 00	Clutch /1		B	4	
13	65AA 7752 0	REGISTRATION DRIVING GEAR 28T		C	2	
14	56AA 1748 0	PIN B		C	2	
15	A03U N177 00	Conveyance Drive harness /1		D	1	
16	A03U M111 00	HB Motor /50		B	2	
17	A03U 8148 00	Carrige Connecting Plate		D	1	

DUPLEX SECTION



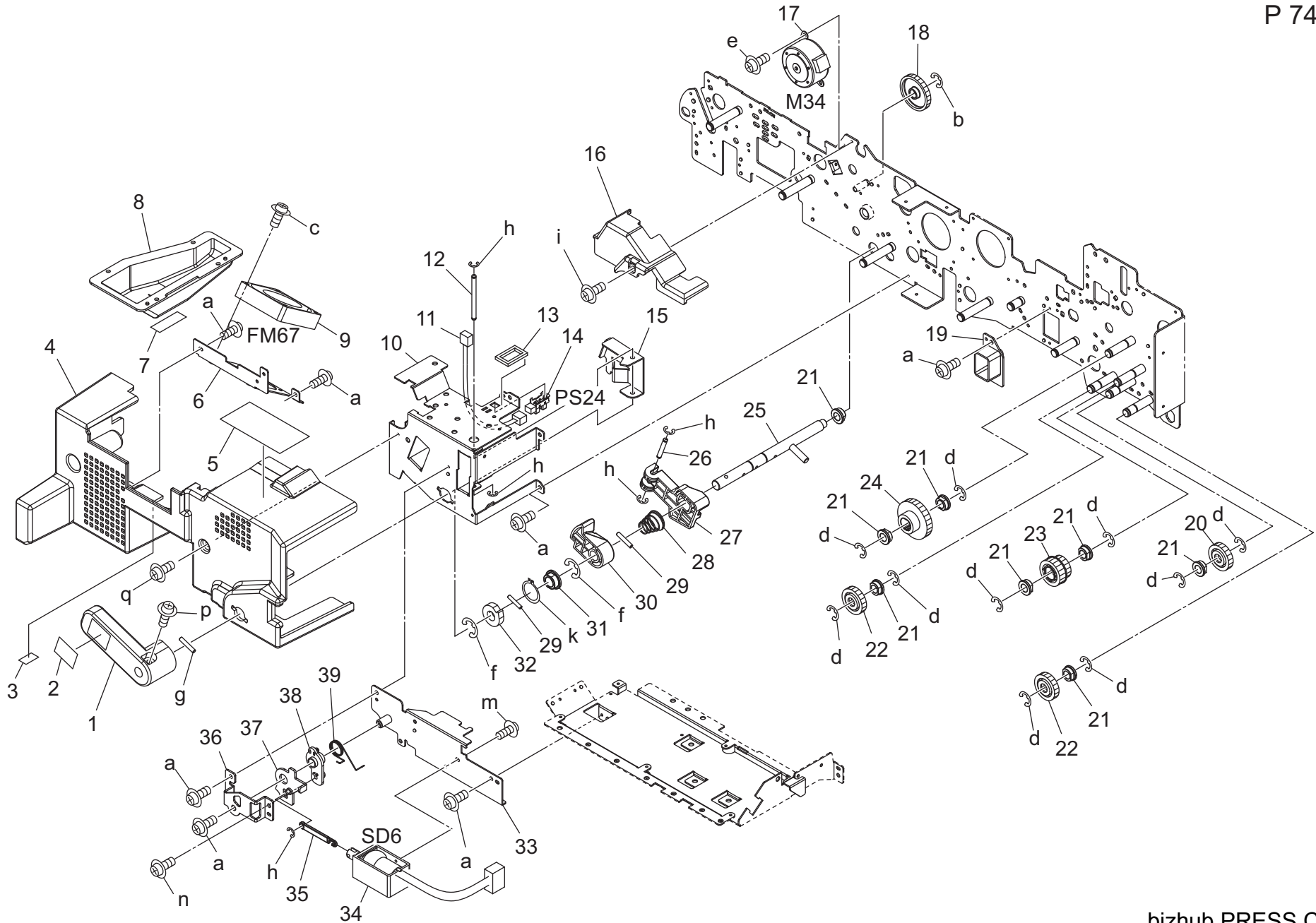
bizhub PRESS C70hc



Key	Part No.	Description	Destinations	Class	QTY	Standard parts
1	65AA 9085 0	Conveyance Detection Wiring /2		D	1	a-V158 0308 03 b-V127 0306 03 c-V217 0600 50 d-V118 0310 03 e-V217 0400 50 f-V118 0306 03
2	A03U 8154 00	Cover /2		D	1	
3	56AA 4420 0	LOCKING CLAW		C	2	
4	65AA 5012 0E	Locking Spring /Right		C	1	
5	56AA 1732 1	PIN A D2X12		B	1	
6	65AA 5011 0	LOCKING SHAFT		D	1	
7	65AA 4941 0	PAPER EXIT HANDLE		C	1	
8	A1RF 9433 00	Release Label /3		D	1	
9	65AA 5013 0E	Locking Spring /Left		C	1	
10	A03U 8501 01	Slide Bushing		C	8	
11	26NA 4256 0	BY PASS FEED DRIVEN ROLLER		C	4	
12	65AA 5140 0	ADU SPRING A		C	2	
13	65AA 5064 0	CONVEYANCE DRIVEN SHAFT 2		C	1	
14	65AA 5007 0D	Conveyance Guide Plate /Upper		D	1	
15	A1DU 9427 00	Caution Label /3		D	1	
16	A1DU R73K 00	Powering Block A Assy		C	2	
17	56AA 1709 0	PRESSURE SPRING		C	1	
18	56AA 1748 0	PIN B		C	2	
19	55VA 1554 1	CLEANER COUPLING PART		C	1	
20	A00V 2406 00	BALL BEARING		C	2	
21	A03U 8121 00	Drive Input Shaft		D	1	
22	65AA 5047 1F	Carrige Handle /Right		D	1	
23	65AA 5118 0	ADU DRIVEN SHAFT 1		D	1	
24	65AA 5017 0	CONVEYANCE SPRING		C	2	
25	65AA 5049 0	CONVEYANCE FULCRUM SHAFT REAR		D	1	
26	56AA 8552 1	CONVEYANCE PHOTO SENSOR		B	1	
27	65AA 5048 0	CONVEYANCE FULCRUM SHAFT FRONT		D	1	
28	65AA 7754 0	PAPER FEED GEAR 2 29T		C	1	
29	A03U 8397 00	IDLING PULLEY 21T		C	1	
30	12QV 7503 0	Bearing /C		C	1	
31	A03U 8139 00	Regulating Plate		C	1	
32	A03U 8391 00	BELT /1 327L		C	1	
33	A03U 8395 01	DRIVE PULLEY /1 24T/34T		C	1	
34	A03U 8396 01	Drive Pulley /2 24/26T		C	4	
35	A03U 8392 00	BELT /2 339L		C	1	
36	A03U 8393 00	BELT /3 300L		C	1	
37	A03U 8394 00	BELT /4 282L		C	1	

DUPLEX SECTION

P 74

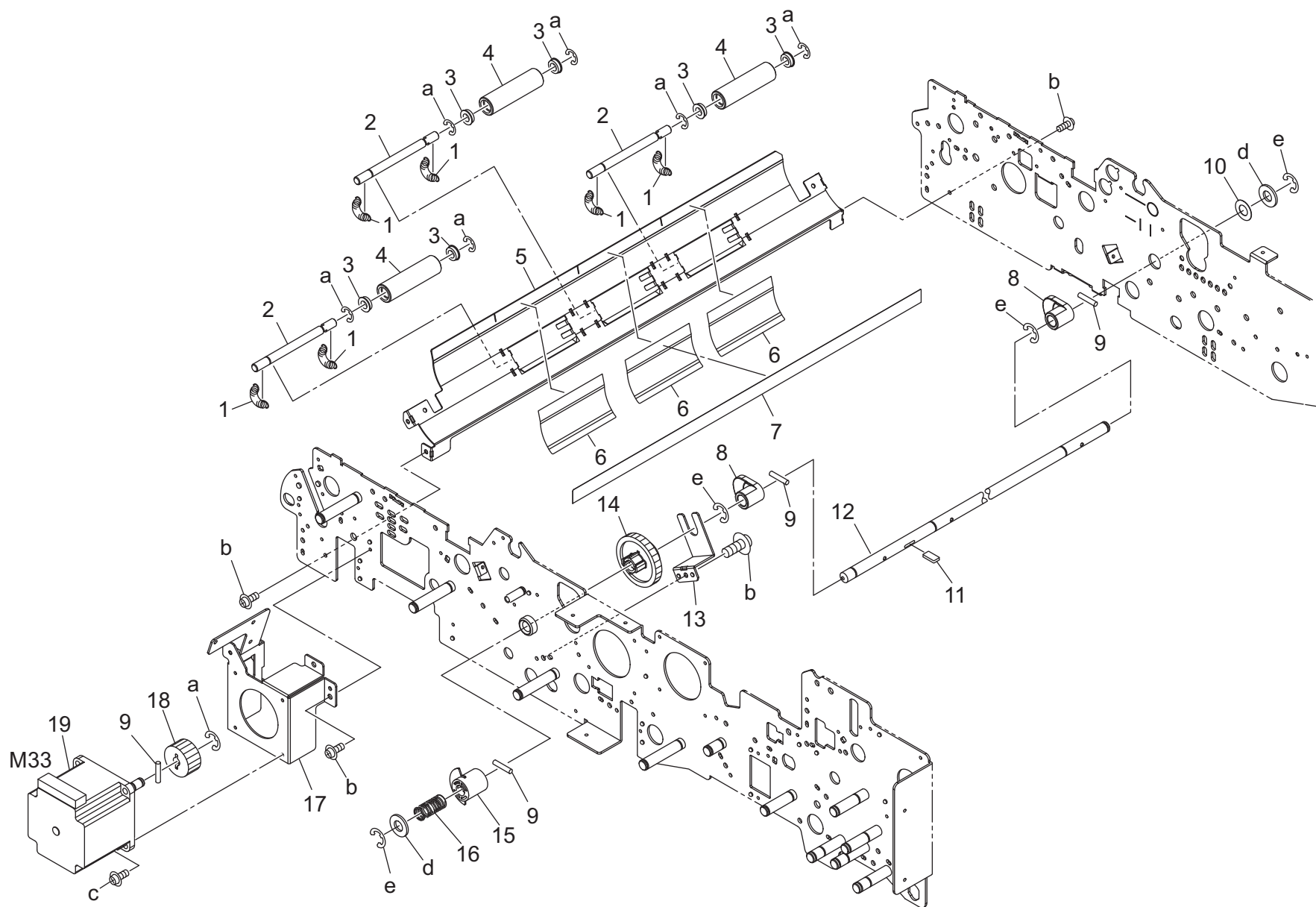


DUPLEX SECTION

Key	Part No.	Description	Destinations	Class	QTY	Standard parts
1	57AA 5076 0	CARRIAGE PULLING LEVER		C	1	a-V127 0306 03
2	A1RF 9431 00	Release Label /1		D	1	b-V217 0400 50
3	A1DU 8172 00	Vibrationproof Part		D	1	c-V121 0320 03
4	A03U 8110 03	ADU Cover /Left		C	1	d-V217 0600 50
5	A1DU 9429 00	Caution Label /5		D	1	e-V118 0304 03
6	A1DU 8150 00	Mounting Plate		D	1	f-V217 0800 50
7	A03U 7360 00	Auxiliary Seal /A		C	1	g-V233 3016 50
8	A03U 7283 00	Fusing Duct /1		C	1	h-V217 0300 50
9	56AA 8055 1	FAN MOTOR 2		B	1	i-V121 0308 04
10	A03U 8107 01	Lever Mounting Plate		D	1	k-V223 1500 04
11	65AA 9081 0	RELAY WIRING 1		D	1	m-V121 0304 03
12	65AA 5036 0D	Release Shaft /1		D	1	n-V151 0408 03
13	65AA 5086 0	COVER		C	1	p-V116 0412 03
14	08AA 8551 2	Photo Sensor		B	1	q-V121 0306 04
15	65AA 5031 0	TRANSFER RELEASE PLATE		D	1	
16	A03U 8149 02	Transfer Release Cover		C	1	
17	15AA R736 00	MOTOR 2 ASSY		C	1	
18	40AA 7755 0	Mirror Drive Gear /2 14/70T		C	1	
19	A03U 8109 00	Wiring Guide Part		C	1	
20	25AA 7772 0	CONVEYANCE IDLER LEFT 24T		C	1	
21	A03U 8128 00	Slide Shaft Holder		B	8	
22	25AA 7773 0	CONVEYANCE IDLER RIGHT 24T		C	2	
23	65AA 7772 0	BY PASS FEED DRIVING GEAR 1 20T/24T		C	1	
24	65AA 7773 0	BY PASS FEED DRIVING GEAR 2		C	1	
25	A1DU R73M 00	Lock Pin Assy		C	1	
26	65AA 5037 0D	Cam Fulcrum Shaft		D	1	
27	65AA 5032 0	LOCKING CAM		C	1	
28	65AA 5042 0	CAM HOLDING SPRING		C	1	
29	56AA 1746 1	PIN A		B	2	
30	65AA 5035 0	RELEASE CAM		C	1	
31	4620 7601 0	DRIVING SLIDE SHAFT HOLDER A		C	1	
32	25AA 4750 0	CARRIAGE LOCK CLAW B		C	1	
33	A03U F836 00	Carrige Locking Side Plate Caulking		D	1	
34	A1DU R73N 00	Adu Connecting Solenoid Assy		B	1	
35	56AA 5073 0	SOLENOID PULLING LEVER		C	1	
36	65AA 5084 0	SHAFT HOLDING PLATE		D	1	
37	A1DU R748 00	Lever Lock Plate Caulking		D	1	
38	56AA 5070 0	LEVER LOCKING PART		C	1	
39	65AA 5081 0	LOCKING SPRING RIGHT		C	1	

DUPLEX SECTION

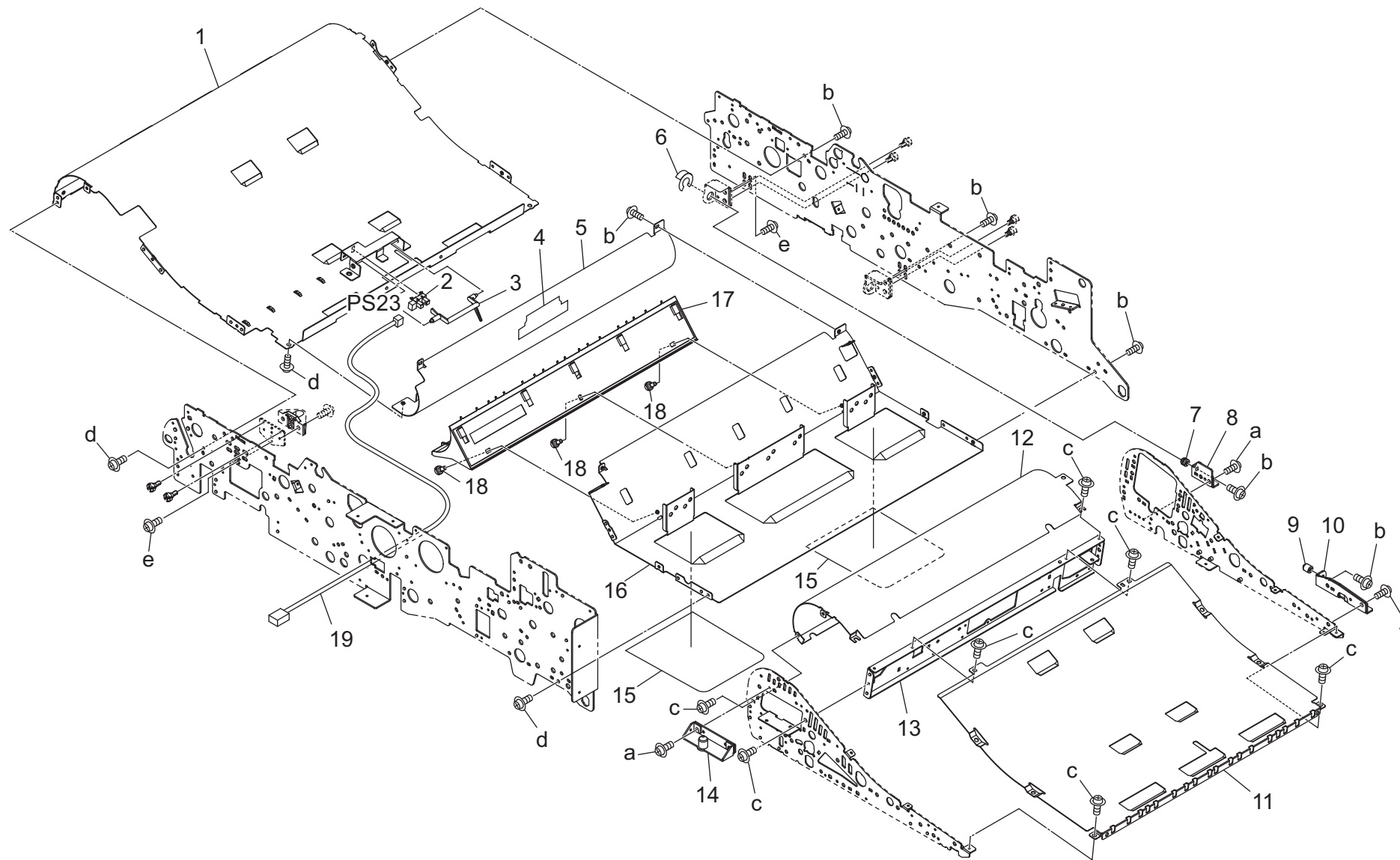
P 75



DUPLEX SECTION

Key	Part No.	Description	Destinations	Class	QTY	Standard parts
1	A03U 8143 00	Conveyance Spring		C	6	a-V217 0400 50 b-V127 0306 03 c-V121 0308 03 d-V207 0800 03 e-V217 0600 50
2	A03U 8141 00	Idler Shaft /Lower		D	3	
3	A00J 6178 00	BALL BEARING		C	6	
4	A03U 8142 00	Idler Roll		C	3	
5	A03U 8140 00	Guide Plate /Lower		C	1	
6	A03U 8144 00	Guide Sheet		C	3	
7	A03U 8158 00	GUIDE SHEET /A		C	1	
8	A03U 5221 00	Pressure Cam		C	2	
9	56AA 1732 1	PIN A D2X12		B	4	
10	55VA 3253 0	SPACER		C	1	
11	A03U 5240 00	Drive Plate /1		D	1	
12	A03U 5220 01	Release Shaft		D	1	
13	65AA 4524 1	GEAR REGULATING PLATE		D	1	
14	65AA 7771 0	TRANSFER RELEASE GEAR 1 38T		C	1	
15	65AA 4522 0	Transfer Pressure Actuator		C	1	
16	65AA 4523 0	CAM PULLING SPRING		C	1	
17	A03U 8145 01	Positioning Plate /Lower		D	1	
18	A03U 8899 00	RIVERSE/EXIT GEAR /1 22T		C	1	
19	A03U M111 00	HB Motor /50		B	1	

DUPLEX SECTION

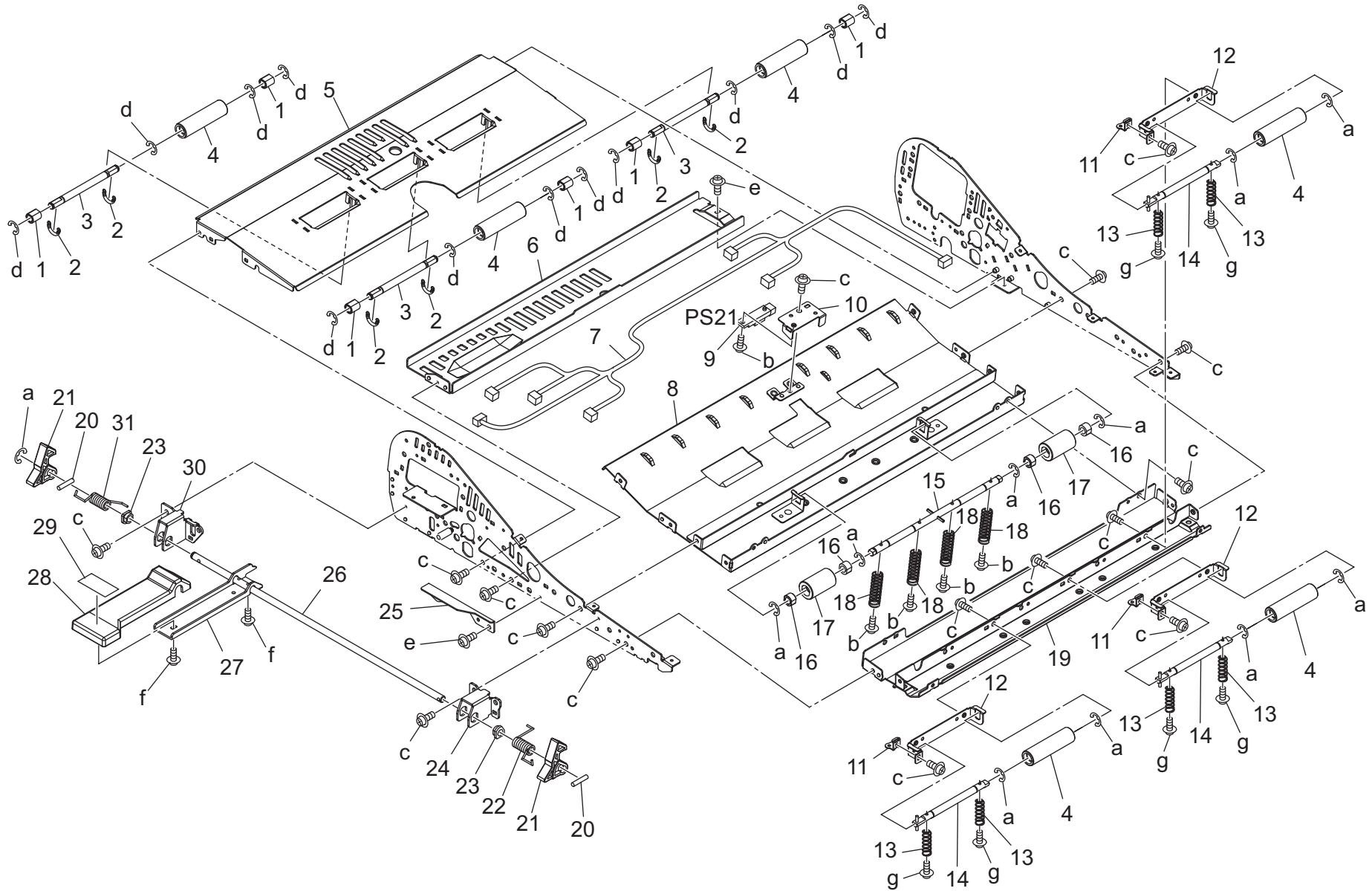


DUPLEX SECTION

Key	Part No.	Description	Destinations	Class	QTY	Standard parts
1	A03U 8401 01	Guide Plate /1		C	1	a-V121 0306 03 b-V127 0306 03 c-V118 0304 03 d-V121 0304 03 e-V116 0308 03 f-V121 0308 03
2	08AA 8551 2	Photo Sensor		B	1	
3	65AA 5173 0	ADU 2		C	1	
4	A03U 8505 00	Guide Sheet		D	1	
5	A03U 8402 01	GUIDE PLATE /2		C	1	
6	55VA 4212 0	SHAFT STOPPER		C	1	
7	A03U 8437 00	Support Shaft /Left		D	1	
8	A03U 8436 01	Support Plate /Left		D	1	
9	A03U 8439 00	Support Shaft /Right		D	1	
10	A03U 8438 01	Support Plate /Right		D	1	
11	A03U 8418 00	Guide Plate /M		C	1	
12	A03U 8417 00	Guide Plate /L		C	1	
13	A03U 8423 01	Support Plate /1		D	1	
14	A03U F843 00	Mounting Plate /1 Caulking		D	1	
15	A03U 8159 00	GUIDE SHEET		C	2	
16	A03U 8404 00	Guide Plate /4		C	1	
17	A03U 8403 00	Guide Plate /3		C	1	
18	65AA 4951 0F	FIXING SCREW /1		C	3	
19	65AA 9071 0	ADU RELAY WIRING 2		D	1	

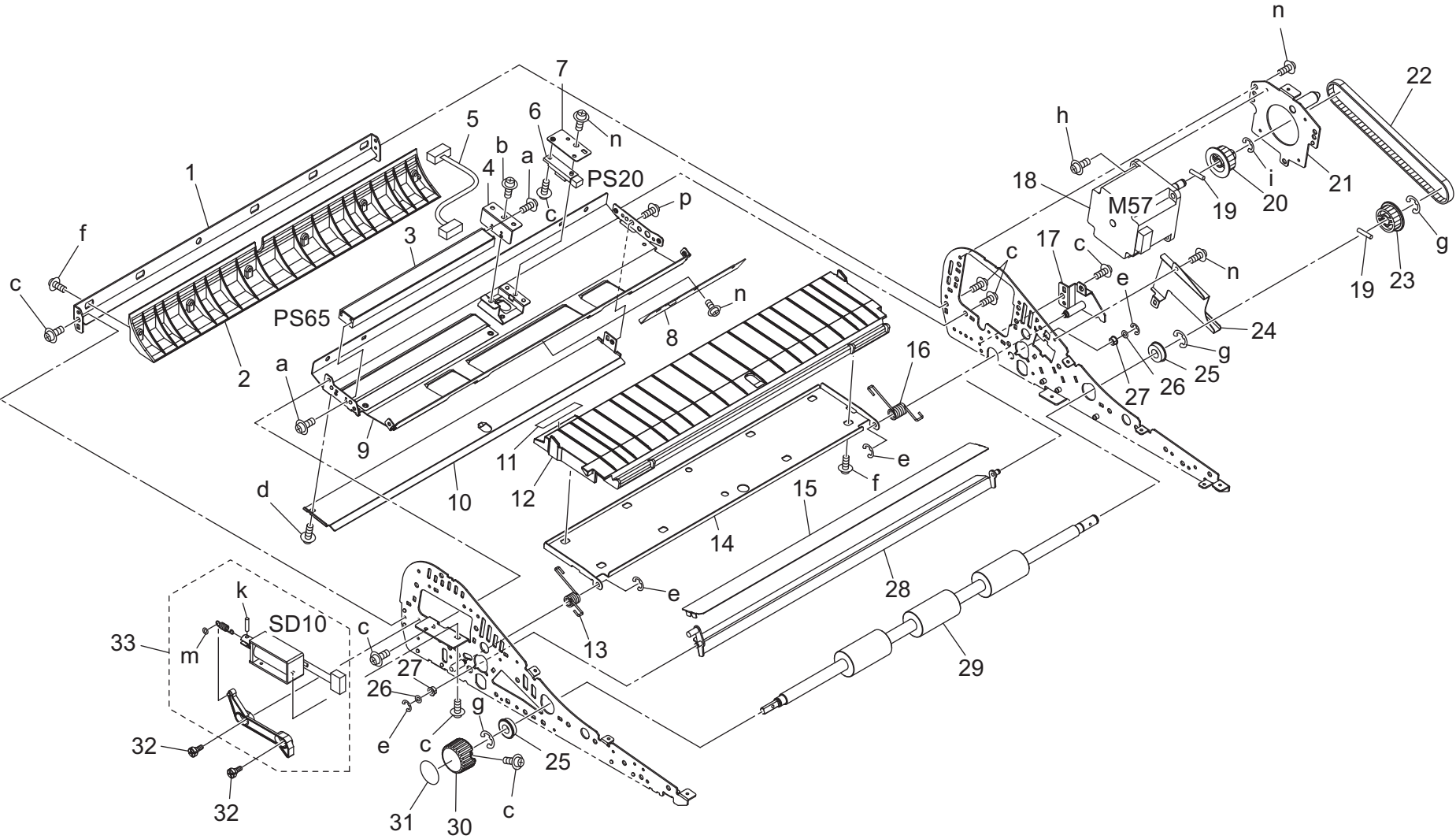
DUPLEX SECTION

P 77



Key	Part No.	Description	Destinations	Class	QTY	Standard parts
1	A03U 8452 00	Collar /1		C	6	a-V217 0400 50 b-V118 0306 03 c-V121 0304 03 d-V217 0300 50 e-V121 0306 03 f-V158 0308 03 g-V118 0304 03
2	A03U 8426 00	Conveyance Spring /2		C	6	
3	A03U 8451 00	Idler Shaft /B		D	3	
4	A03U 8453 01	Idler Roller /1		C	6	
5	A03U 8412 00	Guide Plate /F		C	1	
6	A03U 8483 00	Reinforce Plate /B		D	1	
7	A03U N153 02	ADU RELAY WIRING		D	1	
8	A03U 8413 02	GUIDE PLATE /G		C	1	
9	13QA 8551 1	Sensor 1		B	1	
10	A03U 8502 00	Mounting Plate /F		D	1	
11	A03U 8462 00	Mounting Plate /6		D	3	
12	A03U 8461 00	Mounting Plate /5		D	3	
13	A03U 8430 00	Conveyance Spring /6		C	6	
14	A1DU R73R 00	Idler Shaft /F Assy		D	3	
15	A1DU R73Q 00	Idler Shaft /E Assy		D	1	
16	A03U 8501 01	Slide Bushing		C	4	
17	26NA 4256 0	BY PASS FEED DRIVEN ROLLER		C	2	
18	A03U 8429 00	Conveyance Spring /5		C	4	
19	A03U 8414 00	Guide Plate /H		C	1	
20	56AA 1747 1	PIN B 3X12		C	2	
21	A03U 8447 00	Lock Claw		C	2	
22	A03U 8446 00	Open /Close Spring /2		C	1	
23	4660 7602 0	PAPER FEED SHAFT HOLDER		B	2	
24	A03U 8443 00	Mounting Plate /Right		D	1	
25	A03U F845 00	Mounting Plate /B Caulking		D	1	
26	A03U 8444 00	Lock Shaft		D	1	
27	A03U 8448 02	Open/close Plate		D	1	
28	A03U 8449 01	Open/close Lever		C	1	
29	A1DU 9438 00	Release Label /8		D	1	
30	A03U 8442 00	Mounting Plate /Left		D	1	
31	A03U 8445 00	Open /Close Spring /1		C	1	

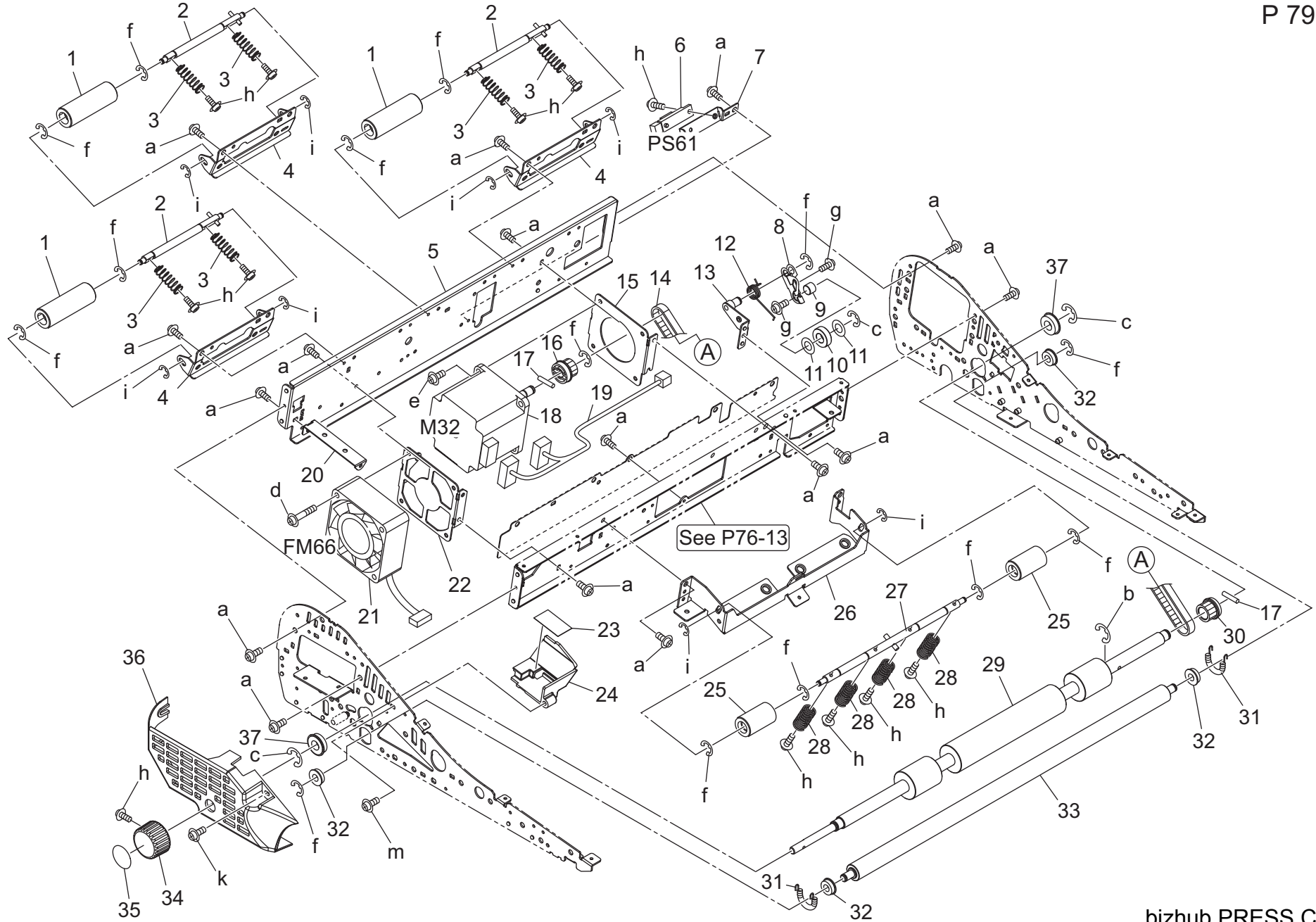
DUPLEX SECTION



DUPLEX SECTION

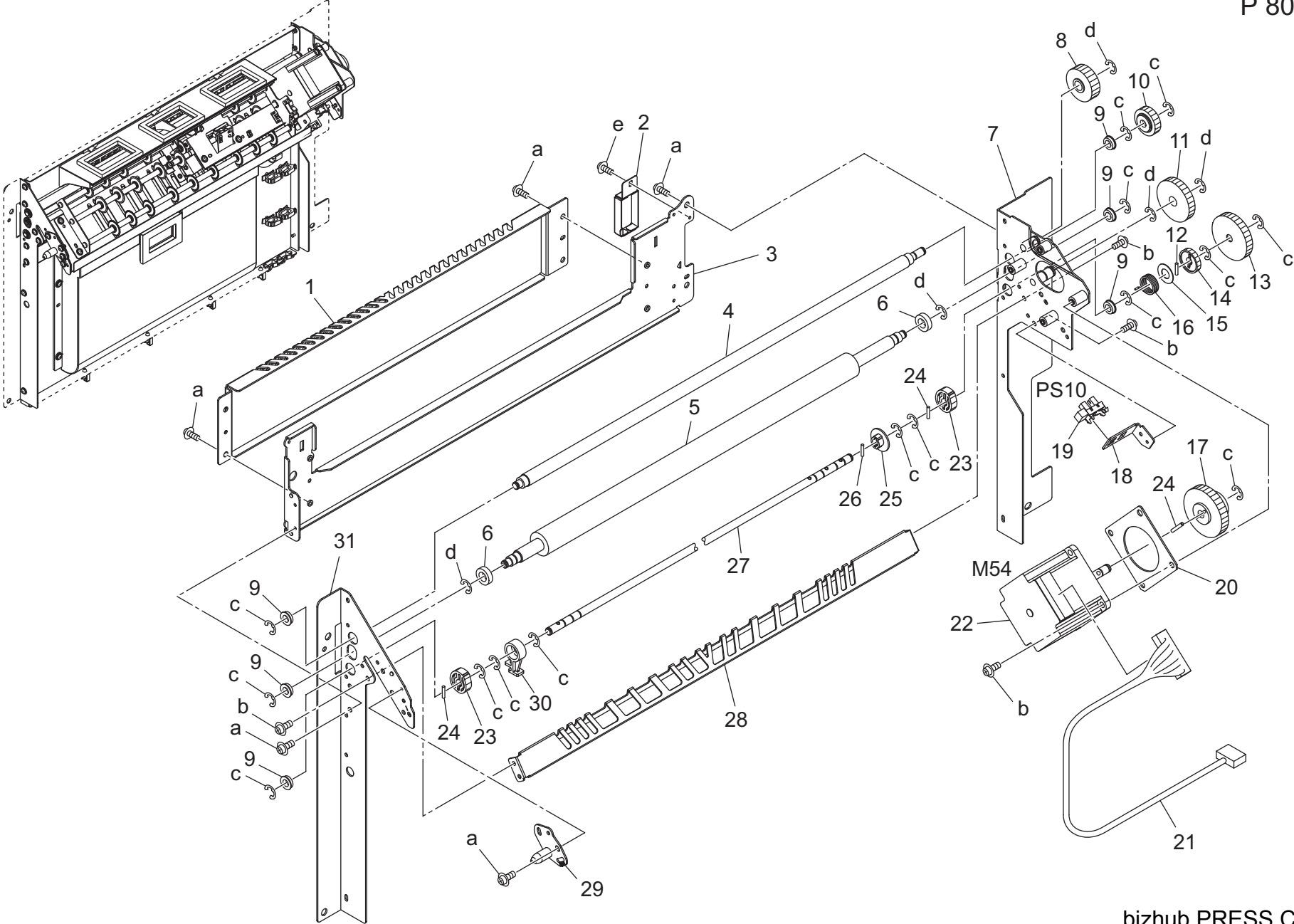
Key	Part No.	Description	Destinations	Class	QTY	Standard parts
1	A03U 8416 00	Guide Plate /K		C	1	a-V145 2605 03
2	A03U 8415 00	Guide Plate /J		C	1	b-V127 0306 03
3	A0Y5 M551 00	Compensating Sensor		C	1	c-V118 0306 03
4	A03U 8471 00	Mounting Plate /9		D	1	d-V118 0303 03
5	A03U N230 00	ADU Relay Wiring /5		D	1	e-V217 0300 50
6	13QA 8551 1	Sensor 1		B	1	f-V151 0306 03
7	A03U 8470 00	Mounting Plate /8		D	1	g-V217 0600 50
8	A03U 8506 00	GUIDE PLATE /S		C	1	h-V121 0308 03
9	A03U 8411 01	GUIDE PLATE /E		C	1	i-V217 0400 50
10	A03U 8410 00	Guide Plate /D		C	1	k-V233 3012 50
11	A1DU 9439 00	Release Label /9		D	1	m-V226 0200 50
12	A03U 8407 00	Guide Plate /A		C	1	n-V121 0306 03
13	A03U 8480 00	Open/close Spring /3		C	1	
14	A03U 8482 00	Reinforce Plate /A		D	1	
15	A03U 8408 00	Guide Plate /B		C	1	
16	A03U 8481 00	Open/close Spring /4		C	1	
17	A03U F858 00	Support Plate /C Caulking		D	1	
18	65AA 8011 2	HB MOTOR 50		B	1	
19	56AA 1730 0	PIN		C	2	
20	A03U 8594 00	PULLEY /1 24T		C	1	
21	A03U F857 00	Mounting Plate /2 Caulking		D	1	
22	A03U 8599 00	BELT /2 330L		C	1	
23	A03U 8595 00	PULLEY /2 24T		C	1	
24	A03U 8466 00	Cover Plate		D	1	
25	A00V 2406 00	BALL BEARING		C	2	
26	65AA 4952 0	PAPER EXIT MOUNTING SPACER		C	2	
27	12VR 7551 0	DOUBLE FEED PV SHAFT HOLDER		C	2	
28	A03U 8409 01	Guide Plate /C		C	1	
29	A03U 8420 00	Roller /2		C	1	
30	14GE 4547 0	Rotation Knob		C	1	
31	A1RF 9441 00	Release Label /11		D	1	
32	A1DU 8451 00	Fixing Screw /1		C	2	
33	A1DU R73D 00	Adu Solenoid Assy		C	1	

DUPLEX SECTION



Key	Part No.	Description	Destinations	Class	QTY	Standard parts
1	A03U 8456 01	Idler Roller /2		C	3	a-V121 0304 03
2	A1DU R73E 00	Idler Shaft /C Assy		D	3	b-V217 0800 50
3	A03U 8427 00	Conveyance Spring /3		C	6	c-V217 0600 50
4	A03U 8454 00	Mounting Plate /3		D	3	d-V121 0330 03
5	A03U 8424 00	Support Plate /2		D	1	e-V121 0308 03
6	13QA 8551 1	Sensor 1		B	1	f-V217 0400 50
7	A03U 8472 00	Mounting Plate /A		D	1	g-V121 0306 03
8	A03U 8487 01	Support Plate /E		C	1	h-V118 0306 03
9	A03U 8486 02	Tension Shaft		C	1	i-V217 0300 50
10	A1RJ 8172 00	Ball bearing /8		C	1	k-V127 0306 03
11	65AA 4950 0	PAPER EXIT SPACER 1		C	2	m-V151 0308 03
12	A03U 8488 00	Tension Spring		C	1	
13	A03U F859 00	Support Shaft /D Caulking		D	1	
14	A03U 8598 00	BELT /1 159L		C	1	
15	A03U 8467 00	Slide Plate /A		D	1	
16	A03U 8596 00	PULLEY /3 16T		C	1	
17	56AA 1748 0	PIN B		C	2	
18	65AA 8011 2	HB MOTOR 50		B	1	
19	A03U N216 00	ADU Relay Wiring /4		D	1	
20	A03U 8469 00	Mounting Plate /7		D	1	
21	56QA 8057 0	INTERNAL COOLING FAN		C	1	
22	A03U 8468 00	Slide Plate /B		D	1	
23	A03U 8489 01	Sheet /1		C	1	
24	A03U 8473 00	Duct /A		D	1	
25	A03U 8459 01	Idler Roller /3		C	2	
26	A03U 8457 00	Mounting Plate /4		D	1	
27	A1DU R73P 00	Idler Shaft /D Assy		D	1	
28	A03U 8428 00	Conveyance Spring /4		C	4	
29	A03U 8419 00	Roller /1		C	1	
30	A03U 8597 00	PULLEY /4 16T		C	1	
31	A03U 8425 00	Conveyance Spring /1		C	2	
32	A0G6 2439 00	Ball Bearing		C	4	
33	A03U 8450 01	Idler Shaft /A		C	1	
34	14GE 4547 0	Rotation Knob		C	1	
35	A1RF 9440 00	Release Label /10		D	1	
36	A03U 8496 01	Cover /Front		C	1	
37	A00V 2406 00	BALL BEARING		C	2	

PAPER EXIT SECTION

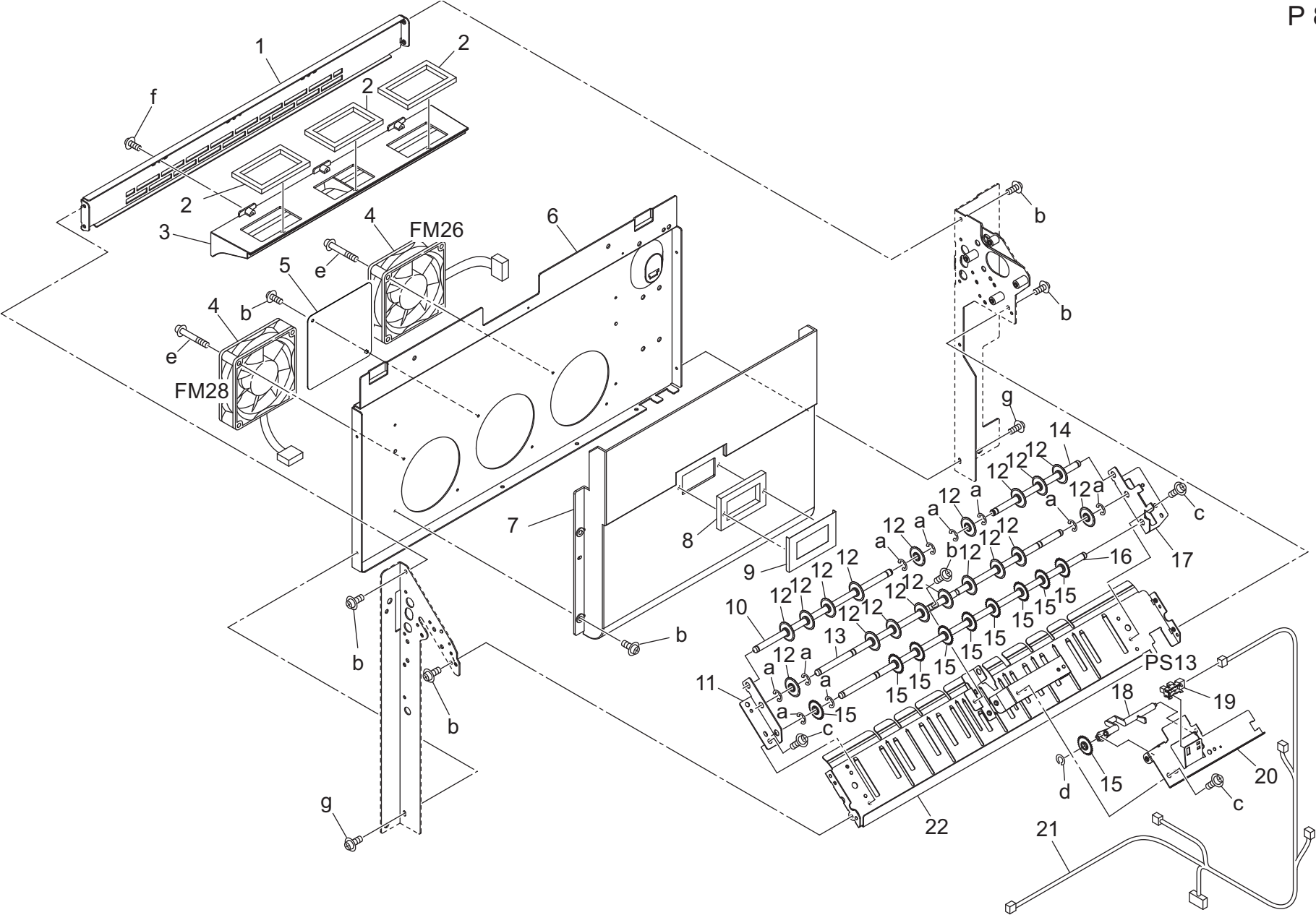


bizhub PRESS C70hc

PAPER EXIT SECTION

Key	Part No.	Description	Destinations	Class	QTY	Standard parts
1	A03U 8933 01	GUIDE PLATE /Z		C	1	a-V121 0306 03 b-V121 0308 03 c-V217 0400 50 d-V217 0600 50 e-V121 0304 03
2	A03U 8934 00	Drive Cover		D	1	
3	A03U 8905 01	Reinforce Plate /Left		D	1	
4	A03U 8925 00	Paper Exit Shaft		C	1	
5	A03U 8926 00	Paper Exit Roller /B		B	1	
6	A1RF 5173 00	bearing		C	2	
7	A03U F892 00	Exit MT Plate /R Caulking		D	1	
8	A03U 9098 00	PAPER EXIT GEAR /2 29T		C	1	
9	A00J 6178 00	BALL BEARING		C	6	
10	A03U 9097 01	PAPER EXIT GEAR /3 23T		C	1	
11	A03U 9096 00	PAPER EXIT GEAR /4 37T		C	1	
12	56AA 1732 1	PIN A D2X12		B	1	
13	A03U 9095 02	PAPER EXIT GEAR /5 40T		C	1	
14	A03U 8930 00	Slide Plate		C	1	
15	A03U 8931 01	Spacer /Rear		C	1	
16	A03U 8932 00	Stopper Spring		C	1	
17	A03U 9099 00	Paper exit Gear /1 22/44T		C	1	
18	A03U 8909 00	PLATE /REAR		D	1	
19	08AA 8551 2	Photo Sensor		B	1	
20	A03U 8908 00	Positioning Plate /Rear		D	1	
21	A03U N217 01	Paper exit Drive Wiring /2		D	1	
22	A03U M111 00	HB Motor /50		B	1	
23	A03U 8927 01	Positioning Cam		C	2	
24	56AA 1755 1	PIN A		C	3	
25	A03U 8928 00	Positioning Roll		C	1	
26	56AA 1731 0	PIN		C	1	
27	A03U 8929 02	Regulating Shaft		C	1	
28	A03U 8902 00	Guide Plate /Lower		C	1	
29	A03U F900 00	Positioning Shaft Caulking		D	1	
30	A03U 8935 02	Regulating Cam		C	1	
31	A03U 8903 00	Paper exit Plate /Front		D	1	

PAPER EXIT SECTION

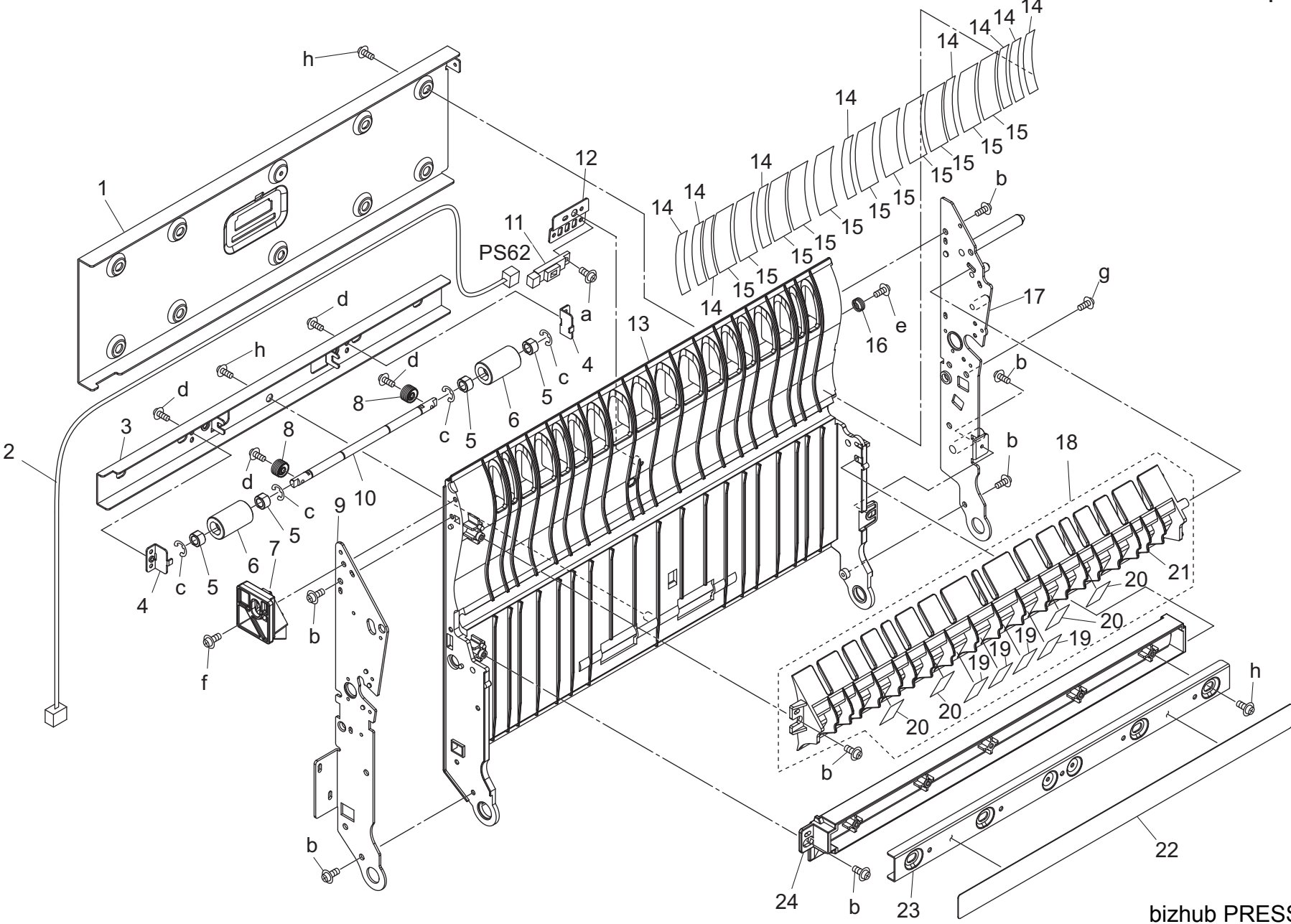


bizhub PRESS C70hc

PAPER EXIT SECTION

Key	Part No.	Description	Destinations	Class	QTY	Standard parts
1	A03U 8921 00	Guide Plate /Left		D	1	a-V217 0400 50 b-V121 0306 03 c-V121 0304 03 d-V226 0300 50 e-V121 0330 03 f-V158 0308 03 g-V127 0306 03
2	65LA 4853 0	DUCT SEAL 1		D	3	
3	A03U 8922 00	Cooling Duct /2		D	1	
4	9J03 M100 00	FAN MOTOR		B	2	
5	A1DU 8940 00	Cover		D	1	
6	65AA 4823 0F	Paper exit Mounting Plate		D	1	
7	65AA 4830 2E	Paper Exit Duct		D	1	
8	A03U 8924 00	Seal		C	1	
9	A03U 8923 00	Sheet		C	1	
10	A03U 8919 00	Fixing Shaft /5		D	1	
11	A03U 8915 00	Support Side plate /Front		D	1	
12	65AA 4846 0	PAPER HOLDING PART 2		C	18	
13	A03U 8918 00	Fixing Shaft /2		D	1	
14	A03U 8920 00	Fixing Shaft /6		D	1	
15	65AA 4836 0	Paper Holding Part /1		C	10	
16	A03U 8917 00	Fixing Shaft /1		D	1	
17	A03U 8916 00	Support Side plate /Rear		D	1	
18	65AA 4844 0	PAPER EXIT 3		C	1	
19	08AA 8551 2	Photo Sensor		B	1	
20	A03U 8914 00	Support Plate /A		D	1	
21	A1DU N175 00	Main body Relay harness /4		D	1	
22	A03U 8901 00	Guide Plate /Upper		C	1	

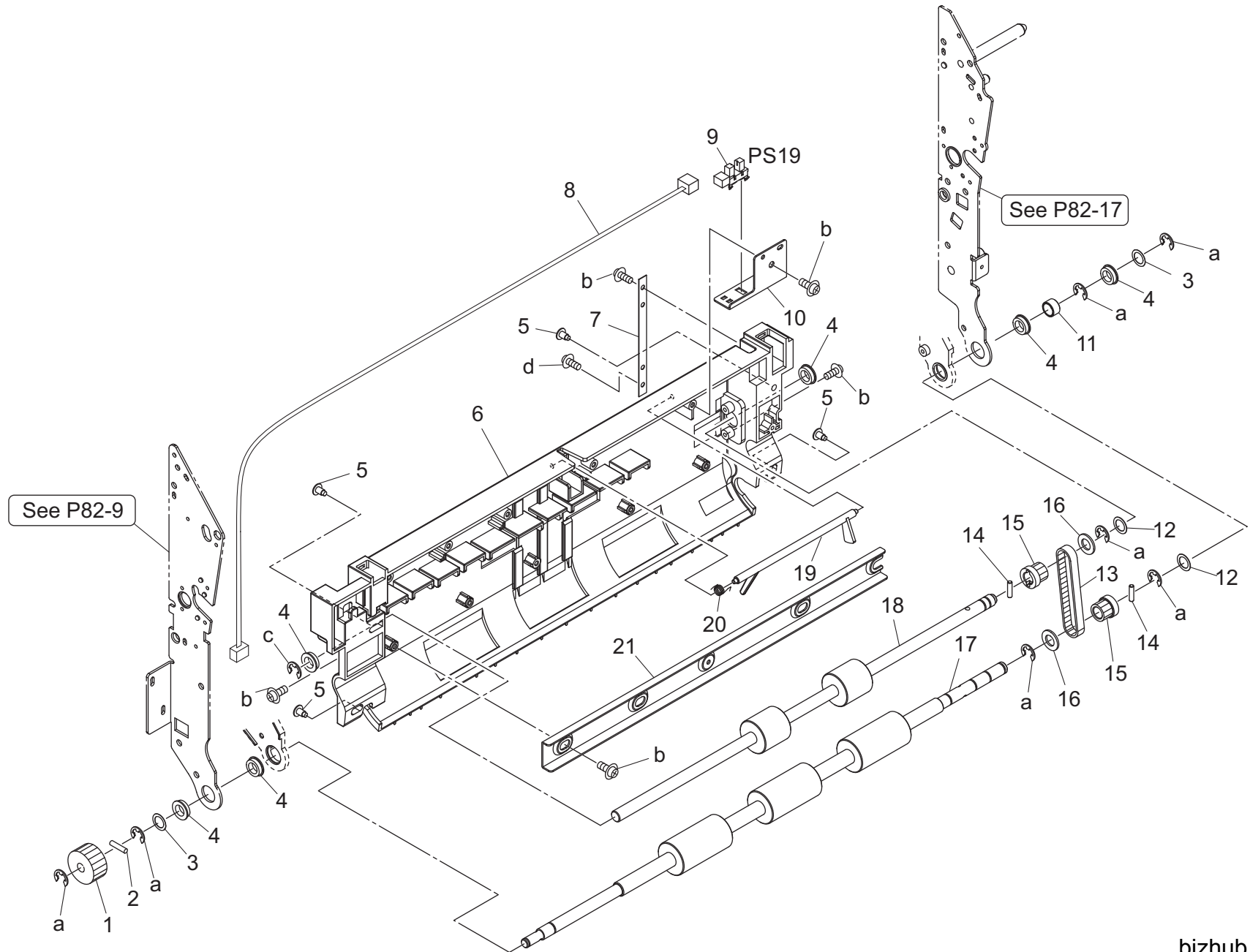
DUPLEX SECTION : PAPER EXIT GUIDE



DUPLEX SECTION : PAPER EXIT GUIDE

Key	Part No.	Description	Destinations	Class	QTY	Standard parts
1	A03U 8626 00	Reinforce Plate /3		D	1	a-V118 0305 03
2	A03U N231 01	Relay harness /1		D	1	b-V127 0306 03
3	A03U 8613 00	Positioning Plate /Lower		D	1	c-V217 0400 50
4	A03U 8615 00	Stopper Plate		D	2	d-V121 0304 03
5	A03U 8501 01	Slide Bushing		C	4	e-V121 0306 03
6	26NA 4256 0	BY PASS FEED DRIVEN ROLLER		C	2	f-V158 0318 03
7	65AA 4914 1	PAPER EXIT POSITIONING PART		C	1	g-V158 0312 03
8	A03U 8616 00	Pressing Spring /A		C	2	h-V158 0308 03
9	A03U 8604 02	Reinforce Plate /Front		D	1	
10	A03U 8621 00	Idler Shaft /A		D	1	
11	13QA 8551 1	Sensor 1		B	1	
12	A03U 8619 00	Fixing Plate		D	1	
13	A03U 8601 02	Guide Plate /A		C	1	
14	A03U 8642 00	Guide Sheet /1		C	9	
15	A03U 8643 00	Guide Sheet /2		C	11	
16	65AA 4945 0	NEUTRALIZING SPRING		C	1	
17	A03U F871 00	Reinforce Plate /Rear Assy		D	1	
18	A1DU R722 00	Paper Exit Guide Plate /5 Assy		C	1	
19	A03U 8638 01	Slide Sheet /3		C	4	
20	A03U 8640 01	Slide Sheet /4		C	4	
21	65AA 4911 0	PAPER EXIT GUIDE PLATE 5		C	1	
22	65AA 4918 0	Heat Insulat Sheet /2		C	1	
23	65AA 4947 0	PAPER EXIT REINFORCE PLATE 5		D	1	
24	A03U 8620 00	Guide Plate /6		C	1	

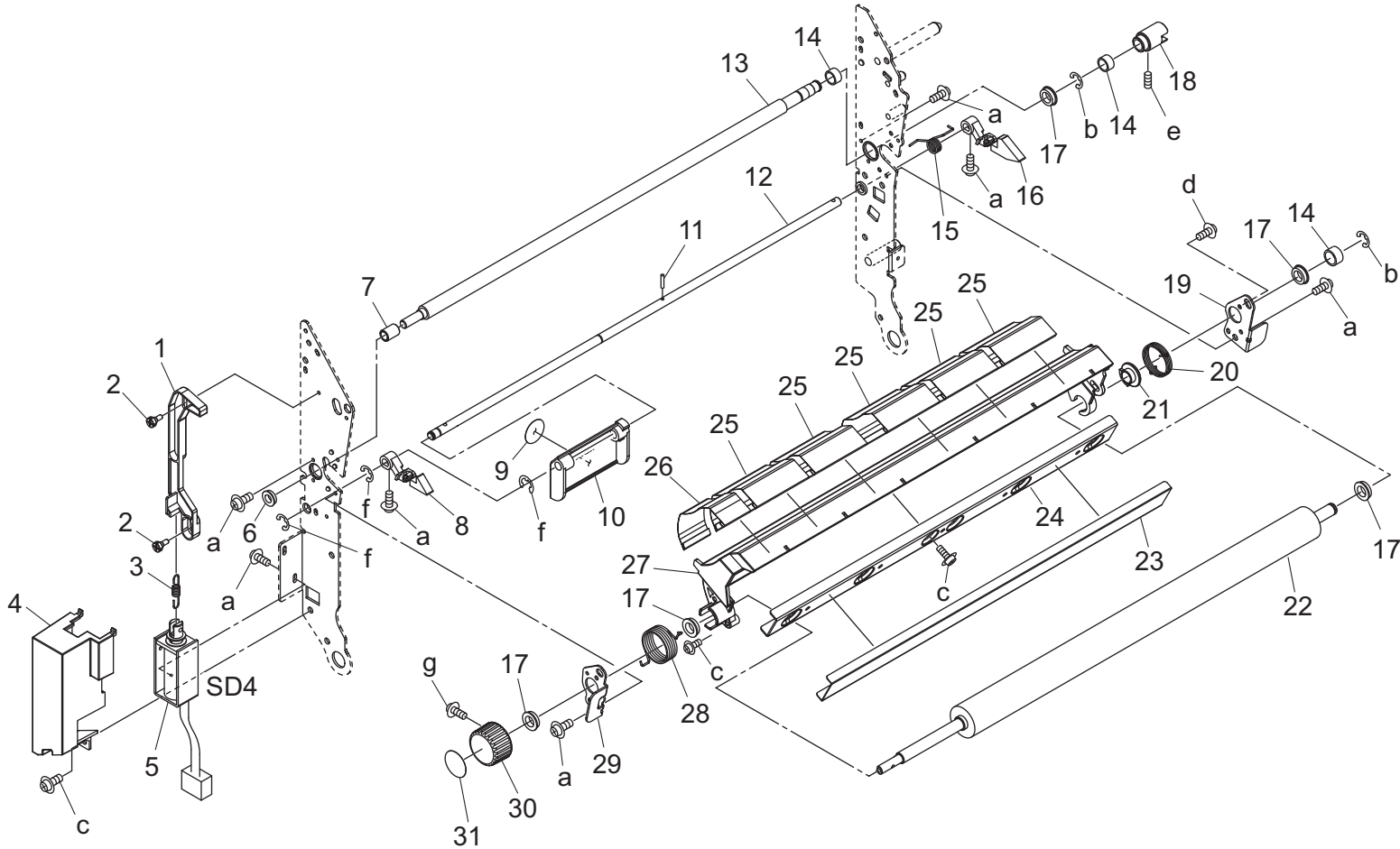
DUPLEX SECTION : PAPER EXIT GUIDE



DUPLEX SECTION : PAPER EXIT GUIDE

Key	Part No.	Description	Destinations	Class	QTY	Standard parts
1	A03U 8899 00	RIVERSE/EXIT GEAR /1 22T		C	1	a-V217 0600 50 b-V158 0308 03 c-V217 0400 50 d-V127 0306 03
2	56AA 1732 1	PIN A D2X12		B	1	
3	56AA 4269 0	BY PASS FEED SPACER		C	2	
4	A00J 6179 00	Ball Bearing		C	6	
5	26NA 5423 0	TERMINAL FIXING SCREW		C	4	
6	A03U 8602 01	Guide Plate /B		C	1	
7	A03U 8627 00	Stopper Belt		C	1	
8	65AA 9072 0E	ADU RELAY WIRING /3		D	1	
9	08AA 8551 2	Photo Sensor		B	1	
10	65AA 5148 0	FIXING PLATE 1		D	1	
11	65AA 4919 0	COLLAR 1		C	1	
12	13QA 4061 0	GEAR SPACER		C	2	
13	A03U 8895 00	BELT /3 148L		C	1	
14	56AA 1747 1	PIN B 3X12		C	2	
15	A03U 8896 00	CONVEYANCE PULLEY 20T		C	2	
16	A03U 8611 00	Collar /A		C	2	
17	A03U 8618 00	Riverse /Exit Roller /Lower		C	1	
18	A03U 8609 00	Riverse /Exit Roller /Middle		C	1	
19	65AA 5131 1	ADU SENSOR		C	1	
20	65AA 5150 0	SPRING		C	1	
21	A03U 8608 00	Reinforce Plate /Lower		D	1	

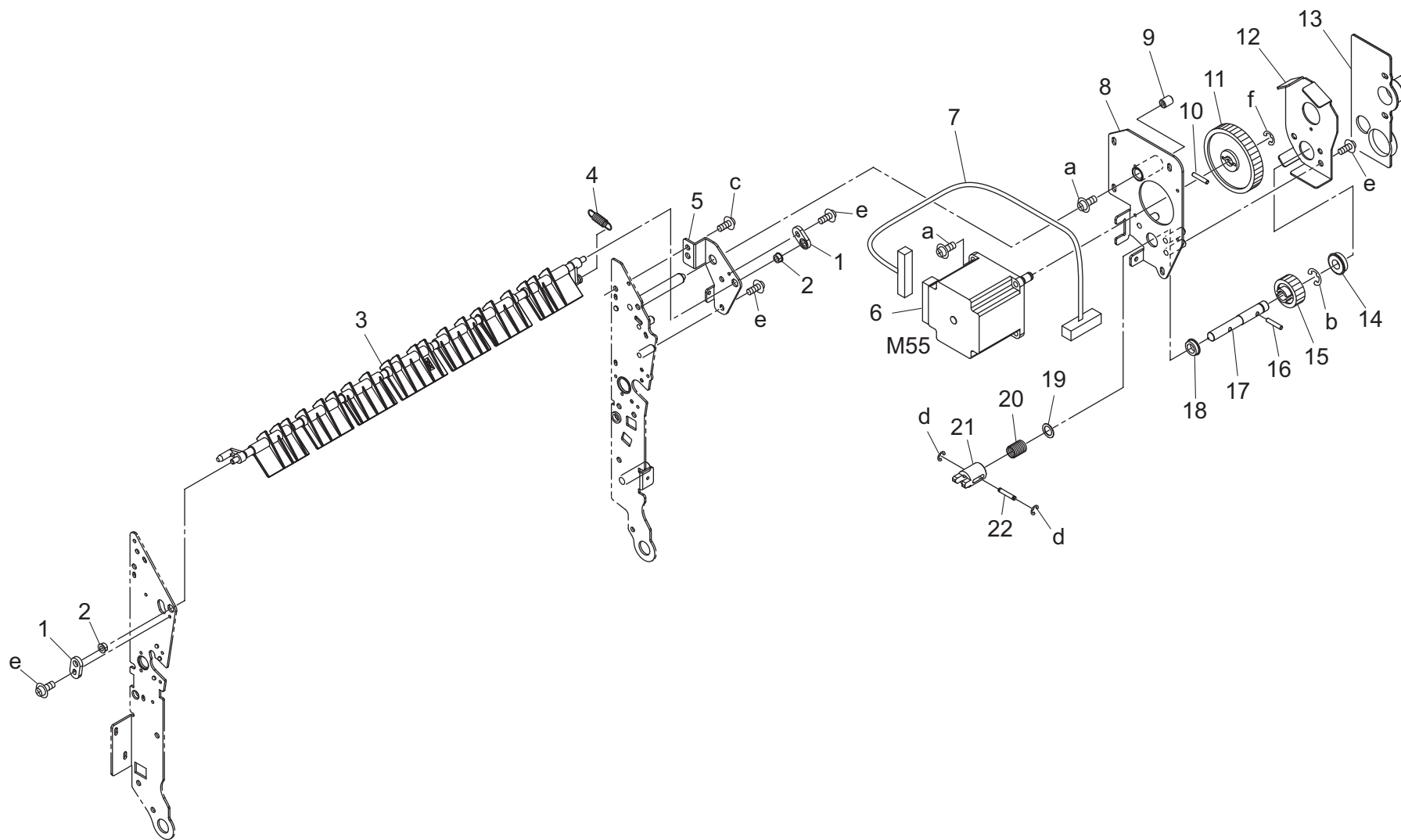
DUPLEX SECTION : PAPER EXIT GUIDE



DUPLEX SECTION : PAPER EXIT GUIDE

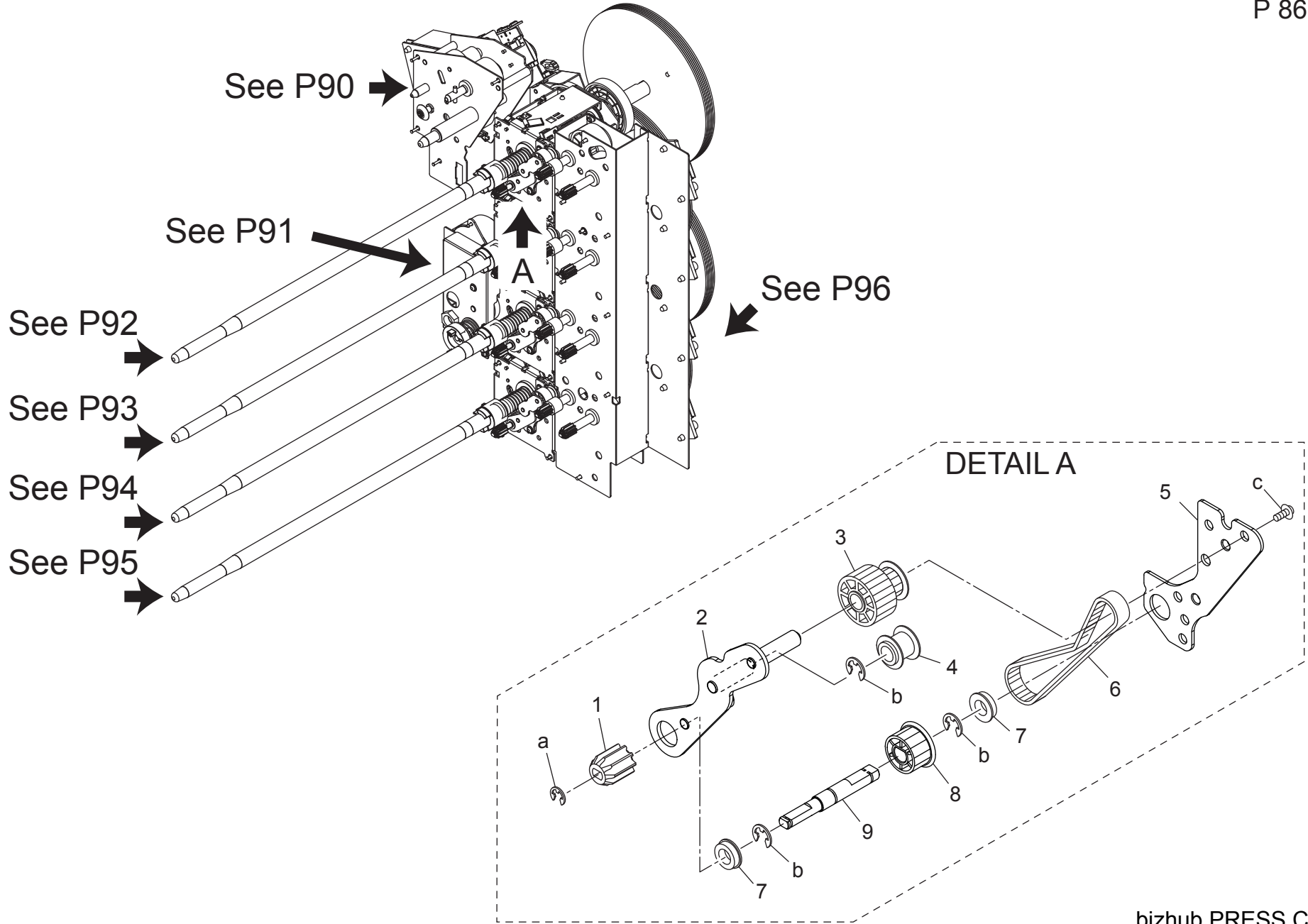
Key	Part No.	Description	Destinations	Class	QTY	Standard parts
1	65AA 4928 0	PAPER EXIT PULLING PART		C	1	a-V121 0304 03
2	65AA 4951 0F	FIXING SCREW /1		C	2	b-V217 0600 50
3	65AA 4929 0	PAPER EXIT ROCKING SPRING		C	1	c-V158 0308 03
4	A03U 8639 00	Protection Cover		D	1	d-V121 0308 03
5	A1DU R723 00	Solenoid Assy		C	1	e-V193 0404 04
6	A00J 6178 00	BALL BEARING		C	1	f-V217 0400 50
7	65AA 4921 0	COLLAR 2		C	1	g-V118 0306 03
8	40AA 4626 1	LOCK CLAW F		B	1	
9	A1RF 9435 00	Release Label /5		D	1	
10	65AA 4941 0	PAPER EXIT HANDLE		C	1	
11	56AA 1732 1	PIN A D2X12		B	1	
12	65AA 4930 0E	PAPER EXIT LOCKING SHAFT		D	1	
13	A03U 8606 00	Riverse/exit Shaft		D	1	
14	A03U 8607 00	Collar /3		C	3	
15	65AA 4932 0	PAPER EXIT OPEN SHUT SPRING 3		C	1	
16	40AA 4634 2	LOCK CLAW REAR		B	1	
17	A00J 6179 00	Ball Bearing		C	5	
18	A03U 8617 01	COUPLING /1		C	1	
19	65AA 4916 0E	PAPER EXIT MOUNTING PLATE /REAR		D	1	
20	65AA 4920 0	PAPER EXIT OPEN SHUT SPRING REAR		C	1	
21	65AA 4953 0	COLLOR 4		C	1	
22	A03U 8605 00	Paper Exit Roller /Middle		A	1	
23	A03U 8641 00	Insulating Sheet /3		D	1	
24	65AA 4947 0	PAPER EXIT REINFORCE PLATE 5		D	1	
25	A03U 8623 00	Slide Sheet /1		C	5	
26	A03U 8625 00	Slide Sheet /2		C	1	
27	A03U 8612 00	Guide Plate /4		C	1	
28	65AA 4926 0	PAPER EXIT OPEN SHUT SPRING		C	1	
29	65AA 4915 0	PAPER EXIT MOUNTING PLATE FRO		D	1	
30	14GE 4547 0	Rotation Knob		C	1	
31	A1RF 9437 00	Release Label /7		D	1	

DUPLEX SECTION : PAPER EXIT GUIDE



DUPLEX SECTION : PAPER EXIT GUIDE

Key	Part No.	Description	Destinations	Class	QTY	Standard parts
1	65AA 4952 0	PAPER EXIT MOUNTING SPACER		C	2	a-V118 0308 03 b-V217 0600 50 c-V158 0308 03 d-V217 0200 50 e-V121 0306 03 f-V217 0400 50
2	12VR 7551 0	DOUBLE FEED PV SHAFT HOLDER		C	2	
3	A03U 8610 02	SWING PART		C	1	
4	65AA 4927 0	PAPER EXIT OPEN SHUT SPRING 2		C	1	
5	A03U 8624 01	Mounting Plate /3		D	1	
6	A03U M111 00	HB Motor /50		B	1	
7	A03U N218 00	Motor Relay Wiring /1		D	1	
8	A03U F881 00	Mounting Plate /1 Caulking		D	1	
9	A03U 8637 00	Positioning Stay /3		D	1	
10	56AA 1755 1	PIN A		C	1	
11	A03U 8898 00	RIVERSE/EXIT GEAR /2 60T		C	1	
12	A03U 8629 00	Fixing Plate		D	1	
13	A03U 8630 00	Cover		C	1	
14	A00V 2406 00	BALL BEARING		C	1	
15	A03U 8897 00	RIVERSE/EXIT GEAR /3 25T		C	1	
16	56AA 1746 1	PIN A		B	1	
17	A03U 8632 00	Drive Shaft /2		D	1	
18	A00J 6179 00	Ball Bearing		C	1	
19	56AA 5270 0	ADU COUPLING SPACER		C	1	
20	A03U 8634 00	Pressing Spring /Rear		C	1	
21	A03U 8631 00	Coupling /B		C	1	
22	A03U 8633 00	Regulating Shaft		D	1	

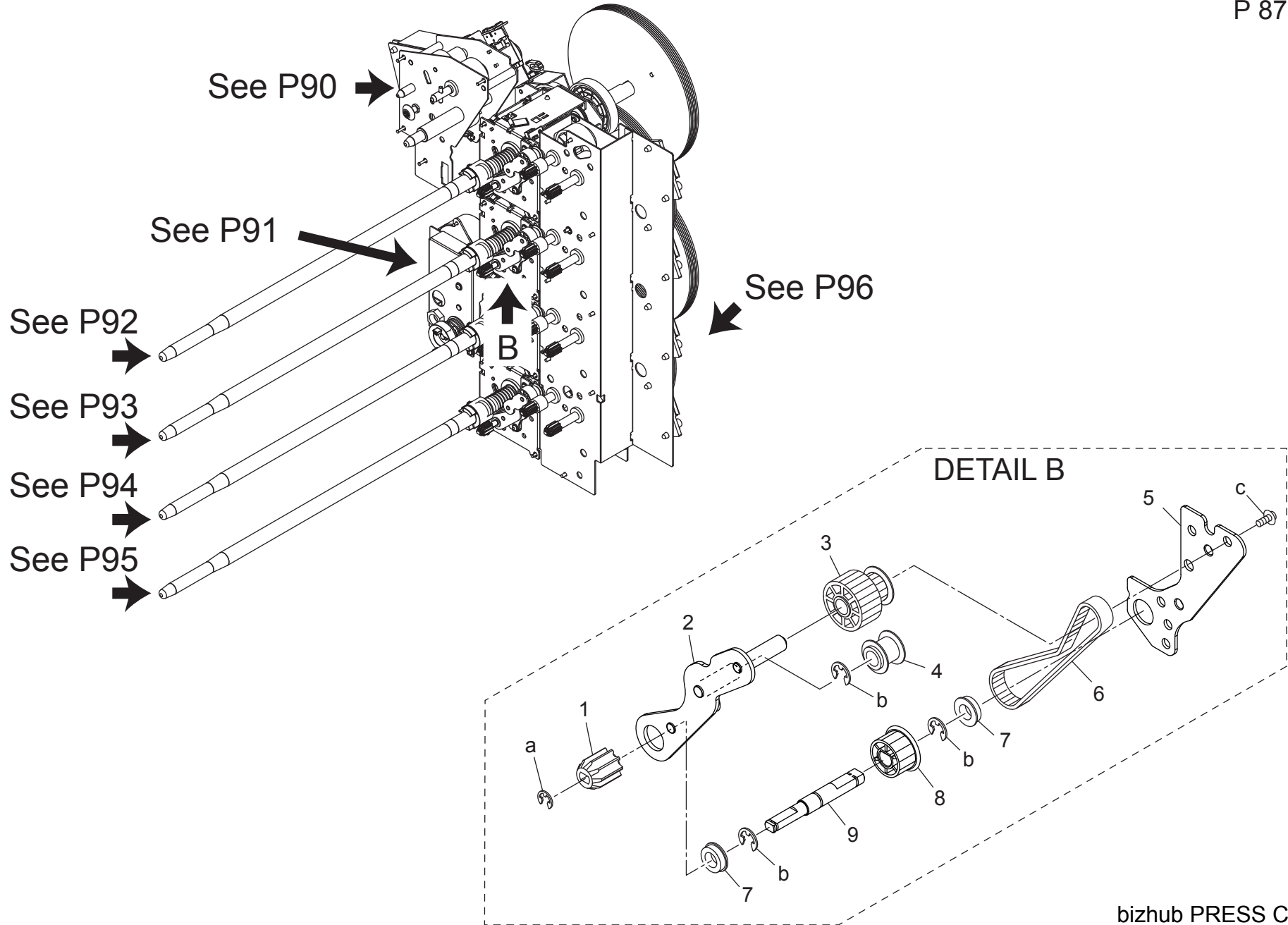


DRIVE SECTION

Key	Part No.	Description	Destinations	Class	QTY	Standard parts
1	26NA 1758 0	AGITATING COUPLING B		C	1	a-V217 0300 50 b-V217 0400 50 c-V118 0306 03
2	A1DU R73X 00	Roller Drive Panel/4 Caulking		D	1	
3	65AA 7802 0	ROLLER DRIVING PULLEY 1 27T/18T		C	1	
4	65AA 1807 0	IDLING PULLEY		C	1	
5	A1DU 2101 00	Drive Panel /1		D	1	
6	65AA 1806 0	ROLLER DRIVING BELT 180L		C	1	
7	A00J 6178 00	BALL BEARING		C	2	
8	A1DU 2102 00	Drive Gear /1 24T		C	1	
9	A1DU 2104 01	Drive Shaft /2		D	1	

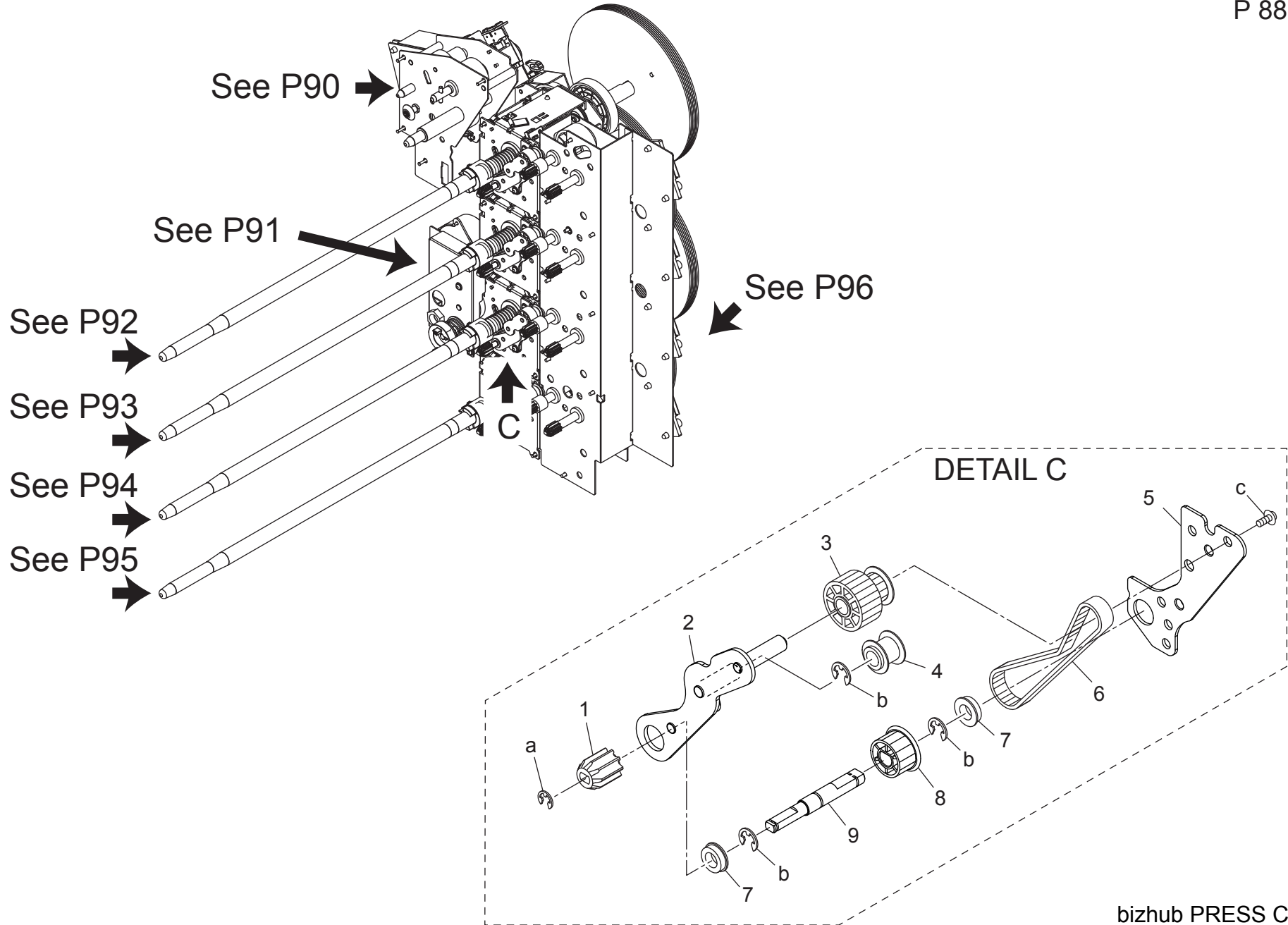
DRIVE SECTION

P 87



DRIVE SECTION

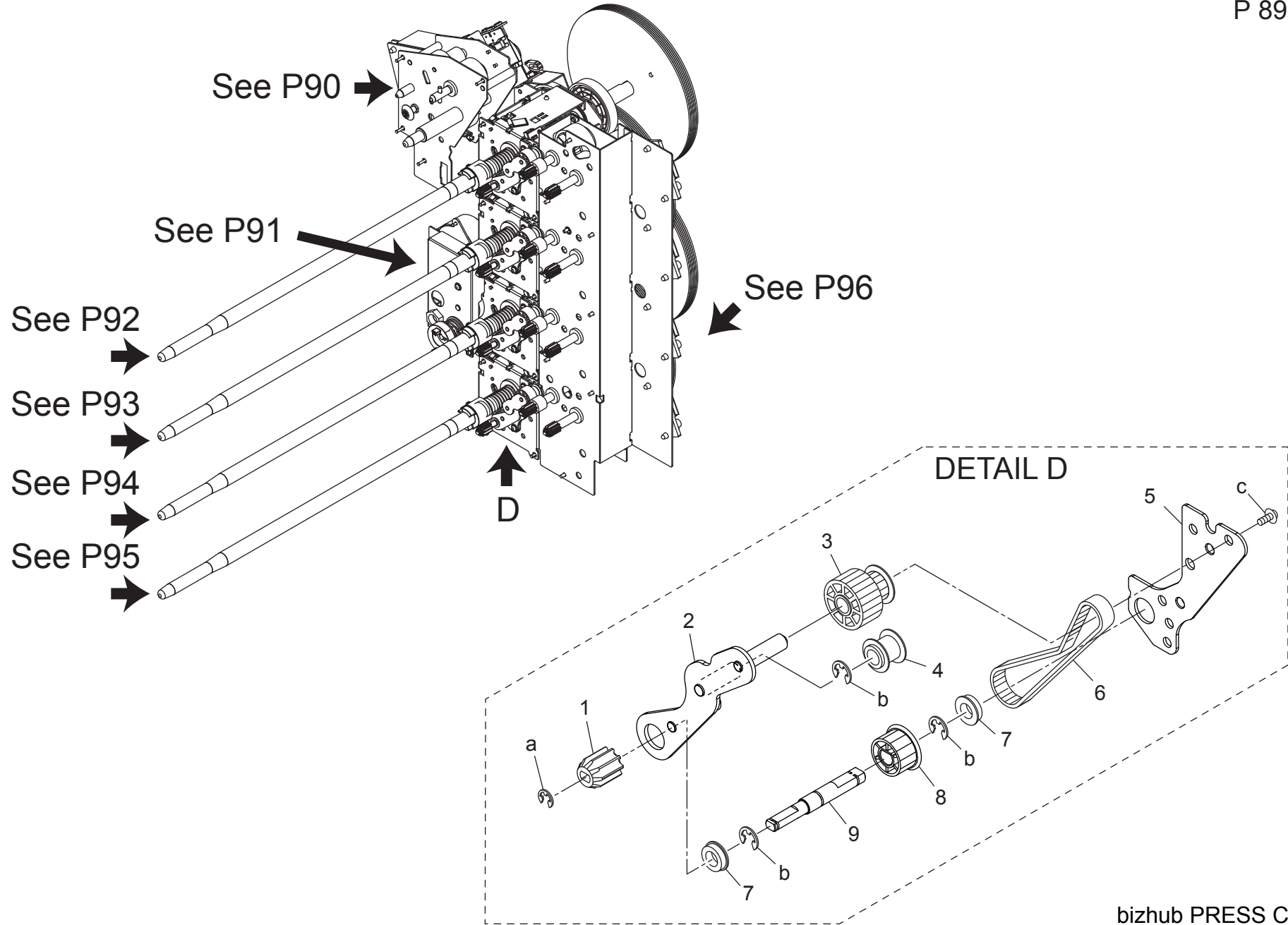
Key	Part No.	Description	Destinations	Class	QTY	Standard parts
1	26NA 1758 0	AGITATING COUPLING B		C	1	a-V217 0300 50 b-V217 0400 50 c-V118 0306 03
2	A1DU R73X 00	Roller Drive Panel/4 Caulking		D	1	
3	65AA 7802 0	ROLLER DRIVING PULLEY 1 27T/18T		C	1	
4	65AA 1807 0	IDLING PULLEY		C	1	
5	A1DU 2101 00	Drive Panel /1		D	1	
6	65AA 1806 0	ROLLER DRIVING BELT 180L		C	1	
7	A00J 6178 00	BALL BEARING		C	2	
8	A1DU 2102 00	Drive Gear /1 24T		C	1	
9	A1DU 2104 01	Drive Shaft /2		D	1	



DRIVE SECTION

Key	Part No.	Description	Destinations	Class	QTY	Standard parts
1	26NA 1758 0	AGITATING COUPLING B		C	1	a-V217 0300 50 b-V217 0400 50 c-V118 0306 03
2	A1DU R73X 00	Roller Drive Panel/4 Caulking		D	1	
3	65AA 7802 0	ROLLER DRIVING PULLEY 1 27T/18T		C	1	
4	65AA 1807 0	IDLING PULLEY		C	1	
5	A1DU 2101 00	Drive Panel /1		D	1	
6	65AA 1806 0	ROLLER DRIVING BELT 180L		C	1	
7	A00J 6178 00	BALL BEARING		C	2	
8	A1DU 2102 00	Drive Gear /1 24T		C	1	
9	A1DU 2104 01	Drive Shaft /2		D	1	

DRIVE SECTION

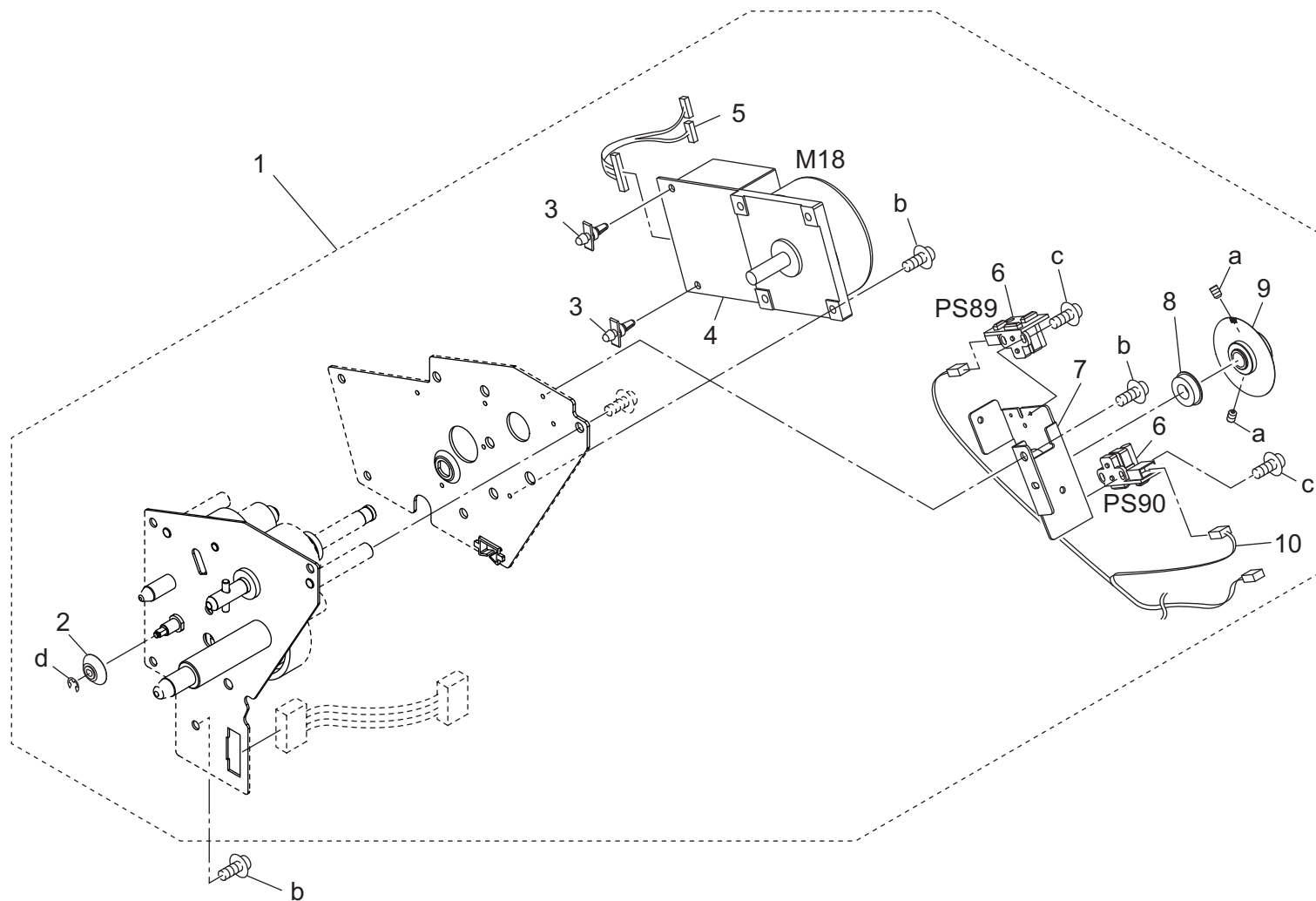


DRIVE SECTION

Key	Part No.	Description	Destinations	Class	QTY	Standard parts
1	26NA 1758 0	AGITATING COUPLING B		C	1	a-V217 0300 50 b-V217 0400 50 c-V118 0306 03
2	A1DU R73X 00	Roller Drive Panel/4 Caulking		D	1	
3	65AA 7802 0	ROLLER DRIVING PULLEY 1 27T/18T		C	1	
4	65AA 1807 0	IDLING PULLEY		C	1	
5	A1DU 2101 00	Drive Panel /1		D	1	
6	65AA 1806 0	ROLLER DRIVING BELT 180L		C	1	
7	A00J 6178 00	BALL BEARING		C	2	
8	A1DU 2102 00	Drive Gear /1 24T		C	1	
9	A1DU 2104 01	Drive Shaft /2		D	1	

DRIVE SECTION

P 90

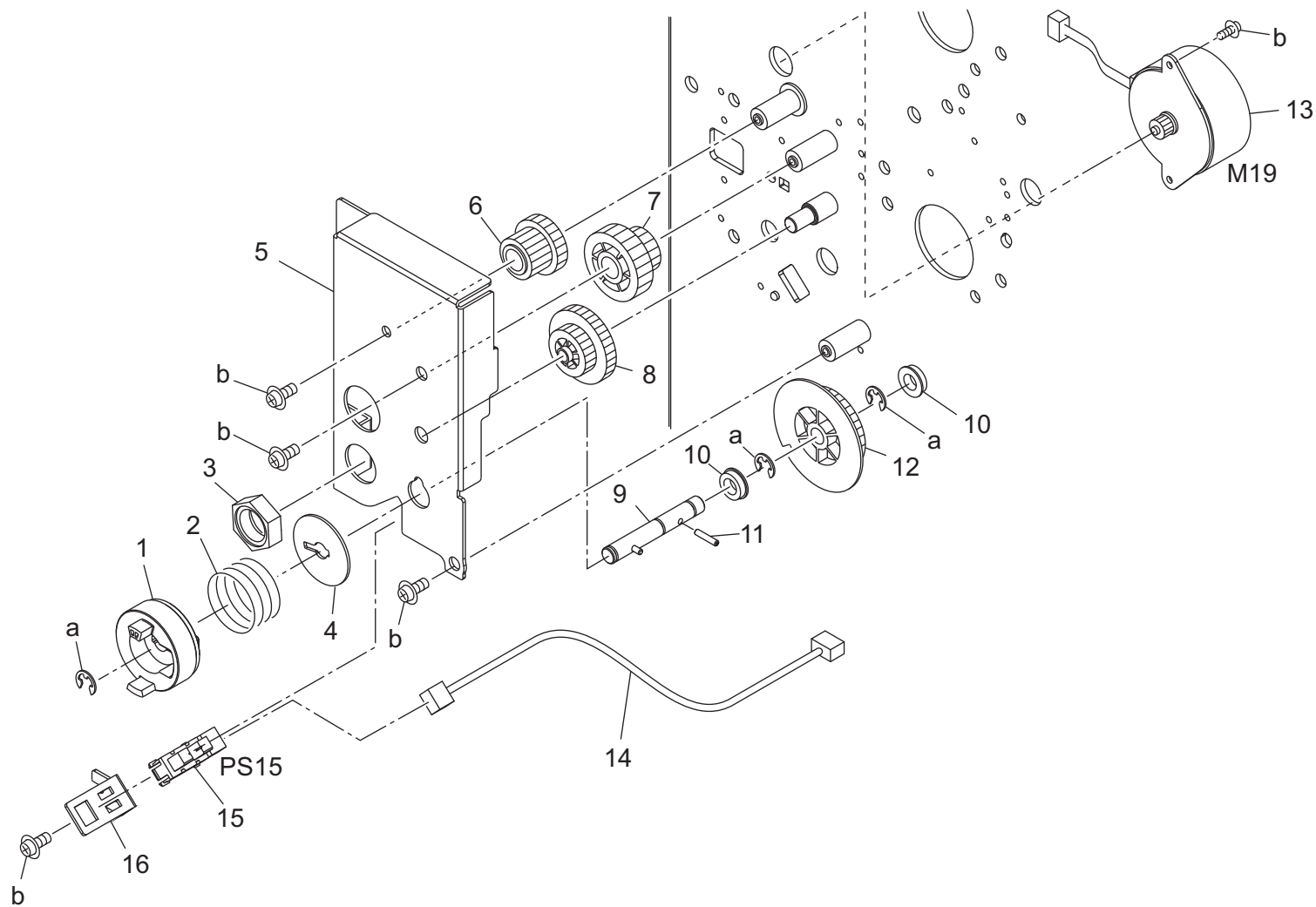


DRIVE SECTION

Key	Part No.	Description	Destinations	Class	QTY	Standard parts
1	A1DU R70P 00	Belt Drive Unit Assy		I	1	a-V193 0406 04 b-V121 0306 03 c-V118 0204 03 d-V217 0200 50
2	65AA 7784 0	TONER COLLECTING GEAR 2 14T		C	1	
3	V502 0100 14	support		D	2	
4	27LA 8001 2E	DC BRUSHLESS MOTOR /20		C	1	
5	A03U N112 00	Developing Drive Wiring		D	1	
6	65AA -909 1E	Sensor Board Assy		B	2	
7	65AA 1720 0	DRIVE CONTROL PART 5		D	1	
8	A00V 2406 00	BALL BEARING		C	1	
9	A1DU R72H 00	Encoder Assy		C	1	
10	65AA 9106 0E	RELAY WIRING /3		D	1	

DRIVE SECTION

P 91

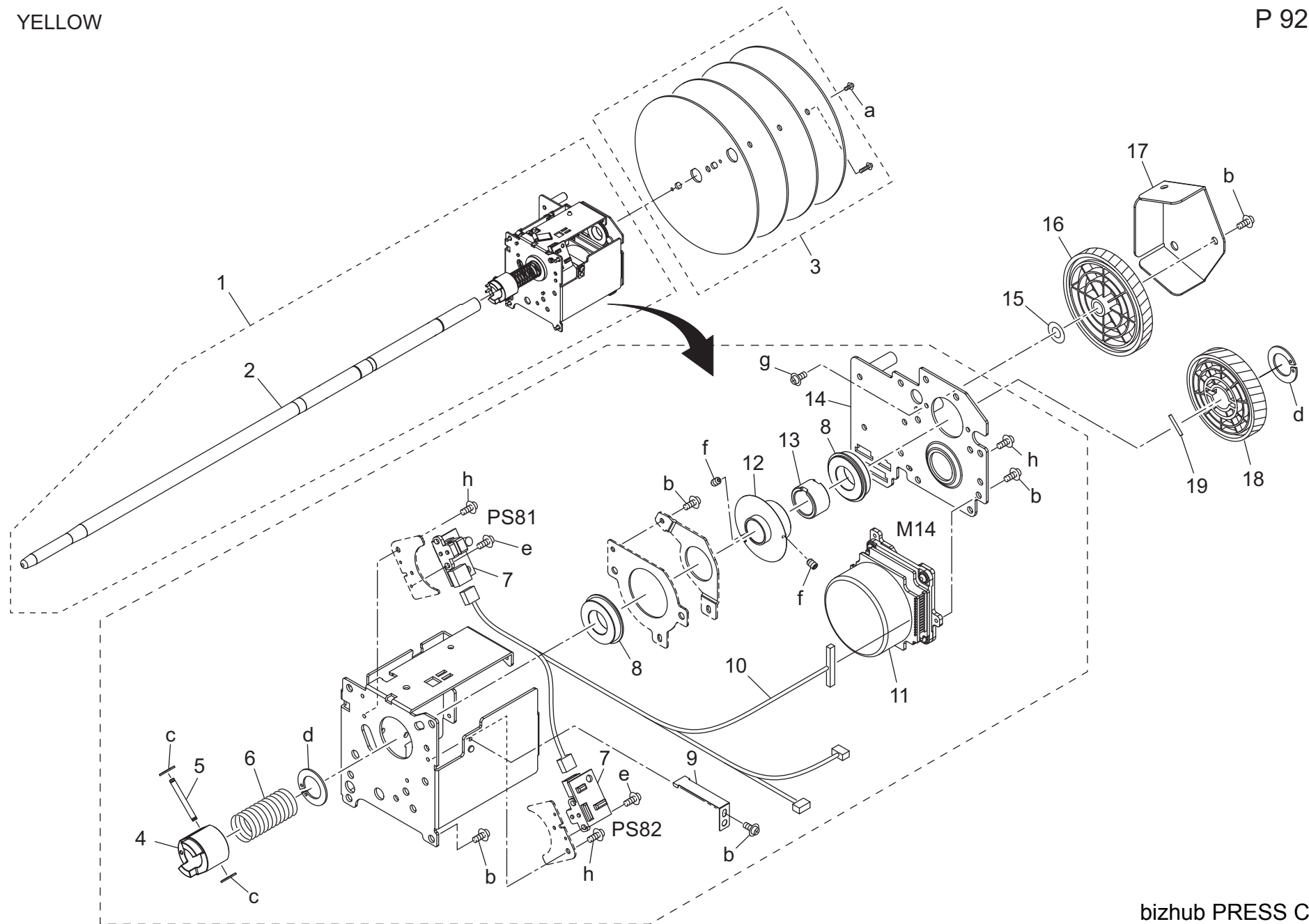


DRIVE SECTION

Key	Part No.	Description	Destinations	Class	QTY	Standard parts
1	65AA 1714 0	TRANSFER COUPLING		C	1	a-V217 0400 50 b-V121 0304 03
2	65AA 1713 0	PRESSING SPRING		C	1	
3	A03U 2121 01	Fixing Nut		D	1	
4	65AA 1718 0	SPACER		C	1	
5	A03U 2122 01	Drive Panel /4		D	1	
6	65AA 7788 0	TRANSFER CONTROL GEAR 1 35T/17T		C	1	
7	65AA 7789 0	TRANSFER CONTROL GEAR 2 30T/18T		C	1	
8	65AA 7790 0	TRANSFER CONTROL GEAR 3 45T/22T		C	1	
9	A1DU R725 00	Transfer Drive Shaft Pin Hit		D	1	
10	A00J 6178 00	BALL BEARING		C	2	
11	65AA 1722 0D	Transfer Drive Pin /1		D	1	
12	65AA 7791 0	TRANSFER CONTROL GEAR 4 28T		C	1	
13	08AA 8003 0	PAPER FEED MOTOR		B	1	
14	A1DU N183 00	Relay harness /2		D	1	
15	08AA 8551 2	Photo Sensor		B	1	
16	65AA 1710 0	FIXING PLATE B		D	1	

DRIVE SECTION
YELLOW

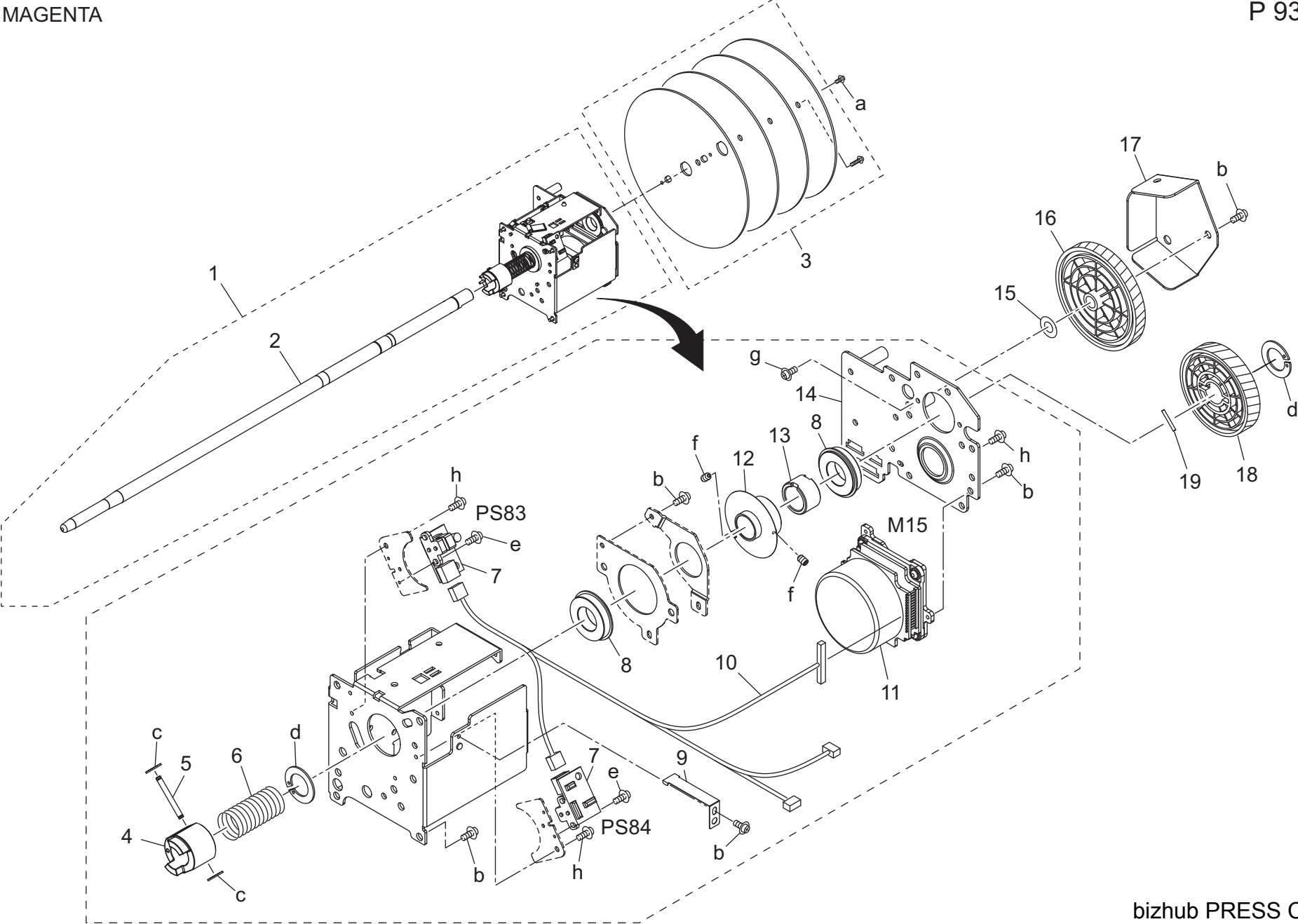
P 92



DRIVE SECTION

Key	Part No.	Description	Destinations	Class	QTY	Standard parts
1	A1DU R70J 00	Drum Driving/1 Assy		C	1	a-V185 0412 03 b-V121 0306 03 c-V217 0200 50 d-V223 1500 50 e-V118 0204 03 f-V193 0406 04 g-V118 0404 03 h-V116 0306 03
2	65AA 1504 0	Drum Shaft /2		D	1	
3	A1DU R73G 00	Flywheel Assy		D	1	
4	A1DU R70M 00	Drum Coupring Assy		D	1	
5	65AA 1521 0	COUPLING PIN		D	1	
6	65AA 1520 0	PRESSING SPRING		C	1	
7	65AA -909 1E	Sensor Board Assy		B	2	
8	65AA 7505 1	BEARING		C	2	
9	65AA 1523 0	DRUM EARTH SPRING		D	1	
10	A03U N155 00	Drum Detection Wiring		D	1	
11	A1DU R70K 00	Drum Driving Motor Assy		B	1	
12	A1DU R72G 00	Encorder Assy		D	1	
13	65AA 1524 0	EARTH BUSHING		C	1	
14	A03U F212 00	Drum Driving Panel /1 Caulking		D	1	
15	13QA 4061 0	GEAR SPACER		C	1	
16	A03U 2596 00	Idling Gear 46/132T		C	1	
17	A03U 2110 00	Idling Panel		D	1	
18	A03U 2599 00	DRIVE GEAR 92T		C	1	
19	56AA 1749 0	PIN		C	1	

DRIVE SECTION
MAGENTA



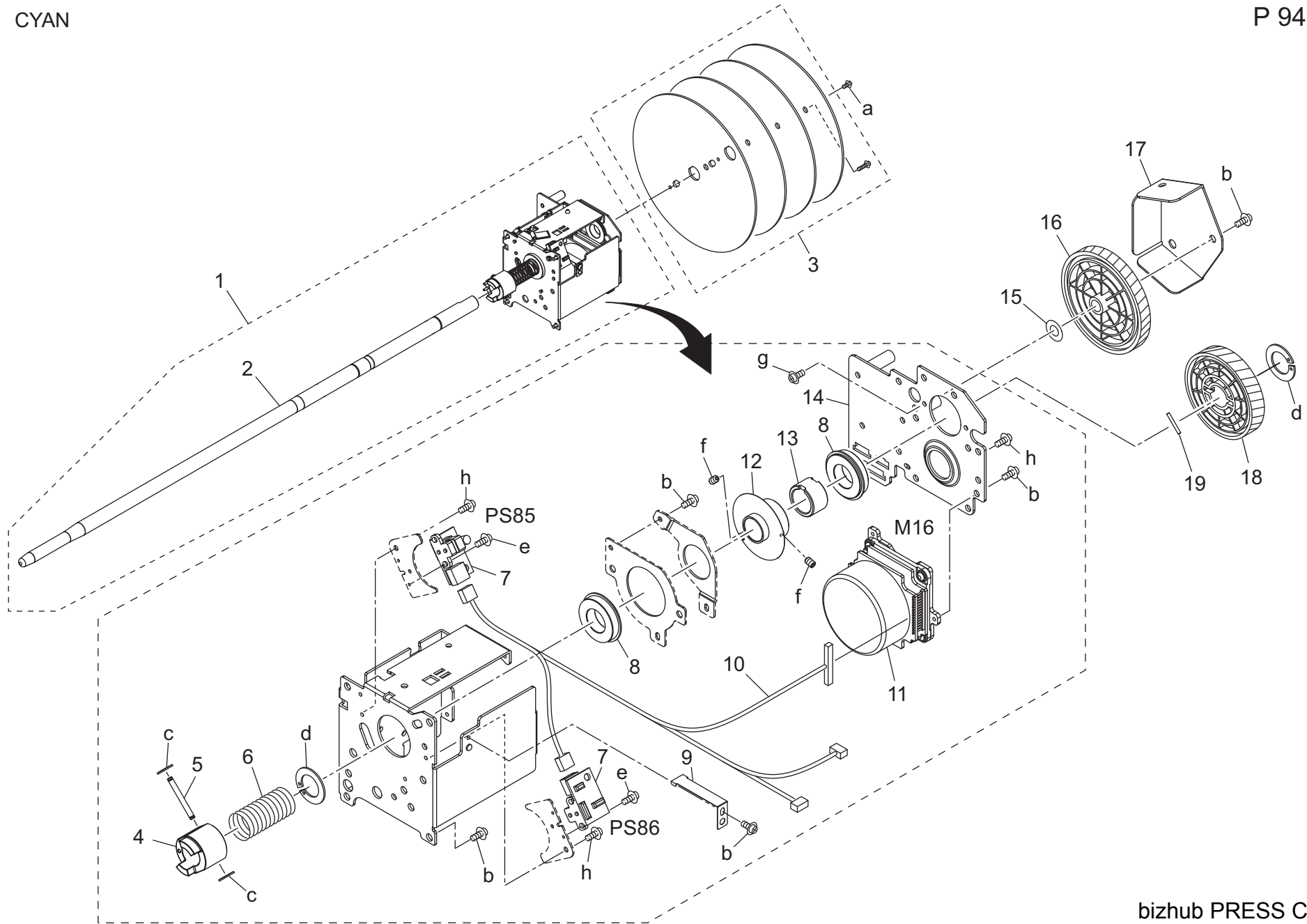
DRIVE SECTION

Key	Part No.	Description	Destinations	Class	QTY	Standard parts
1	A1DU R70N 00	Drum Driving/2 Unit		C	1	a-V185 0412 03
2	65AA 1503 0	Drum Shaft /1		D	1	b-V121 0306 03
3	A1DU R73G 00	Flywheel Assy		D	1	c-V217 0200 50
4	A1DU R70M 00	Drum Coupring Assy		D	1	d-V223 1500 50
5	65AA 1521 0	COUPLING PIN		D	1	e-V118 0204 03
6	65AA 1520 0	PRESSING SPRING		C	1	f-V193 0406 04
7	65AA -909 1E	Sensor Board Assy		B	2	g-V118 0404 03
8	65AA 7505 1	BEARING		C	2	h-V116 0306 03
9	65AA 1523 0	DRUM EARTH SPRING		D	1	
10	A03U N155 00	Drum Detection Wiring		D	1	
11	A1DU R70K 00	Drum Driving Motor Assy		B	1	
12	A1DU R72G 00	Encorder Assy		D	1	
13	65AA 1524 0	EARTH BUSHING		C	1	
14	A03U F212 00	Drum Driving Panel /1 Caulking		D	1	
15	13QA 4061 0	GEAR SPACER		C	1	
16	A03U 2596 00	Idling Gear 46/132T		C	1	
17	A03U 2110 00	Idling Panel		D	1	
18	A03U 2599 00	DRIVE GEAR 92T		C	1	
19	56AA 1749 0	PIN		C	1	

DRIVE SECTION

CYAN

P 94



bizhub PRESS C70hc

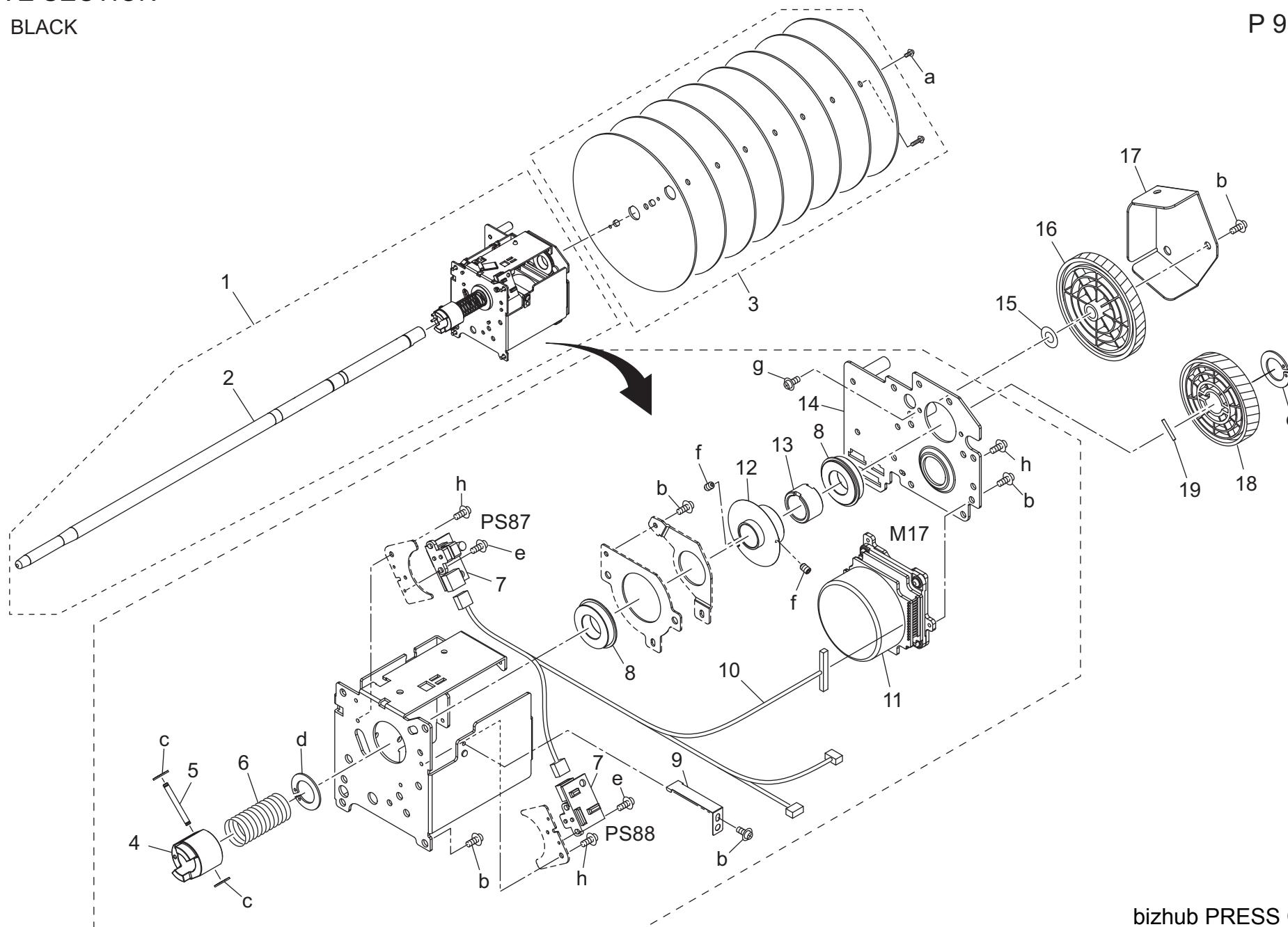
DRIVE SECTION

Key	Part No.	Description	Destinations	Class	QTY	Standard parts
1	A1DU R70J 00	Drum Driving/1 Assy		C	1	a-V185 0412 03 b-V121 0306 03 c-V217 0200 50 d-V223 1500 50 e-V118 0204 03 f-V193 0406 04 g-V118 0404 03 h-V116 0306 03
2	65AA 1504 0	Drum Shaft /2		D	1	
3	A1DU R73G 00	Flywheel Assy		D	1	
4	A1DU R70M 00	Drum Coupring Assy		D	1	
5	65AA 1521 0	COUPLING PIN		D	1	
6	65AA 1520 0	PRESSING SPRING		C	1	
7	65AA -909 1E	Sensor Board Assy		B	2	
8	65AA 7505 1	BEARING		C	2	
9	65AA 1523 0	DRUM EARTH SPRING		D	1	
10	A03U N155 00	Drum Detection Wiring		D	1	
11	A1DU R70K 00	Drum Driving Motor Assy		B	1	
12	A1DU R72G 00	Encorder Assy		D	1	
13	65AA 1524 0	EARTH BUSHING		C	1	
14	A03U F212 00	Drum Driving Panel /1 Caulking		D	1	
15	13QA 4061 0	GEAR SPACER		C	1	
16	A03U 2596 00	Idling Gear 46/132T		C	1	
17	A03U 2110 00	Idling Panel		D	1	
18	A03U 2599 00	DRIVE GEAR 92T		C	1	
19	56AA 1749 0	PIN		C	1	

DRIVE SECTION

BLACK

P 95

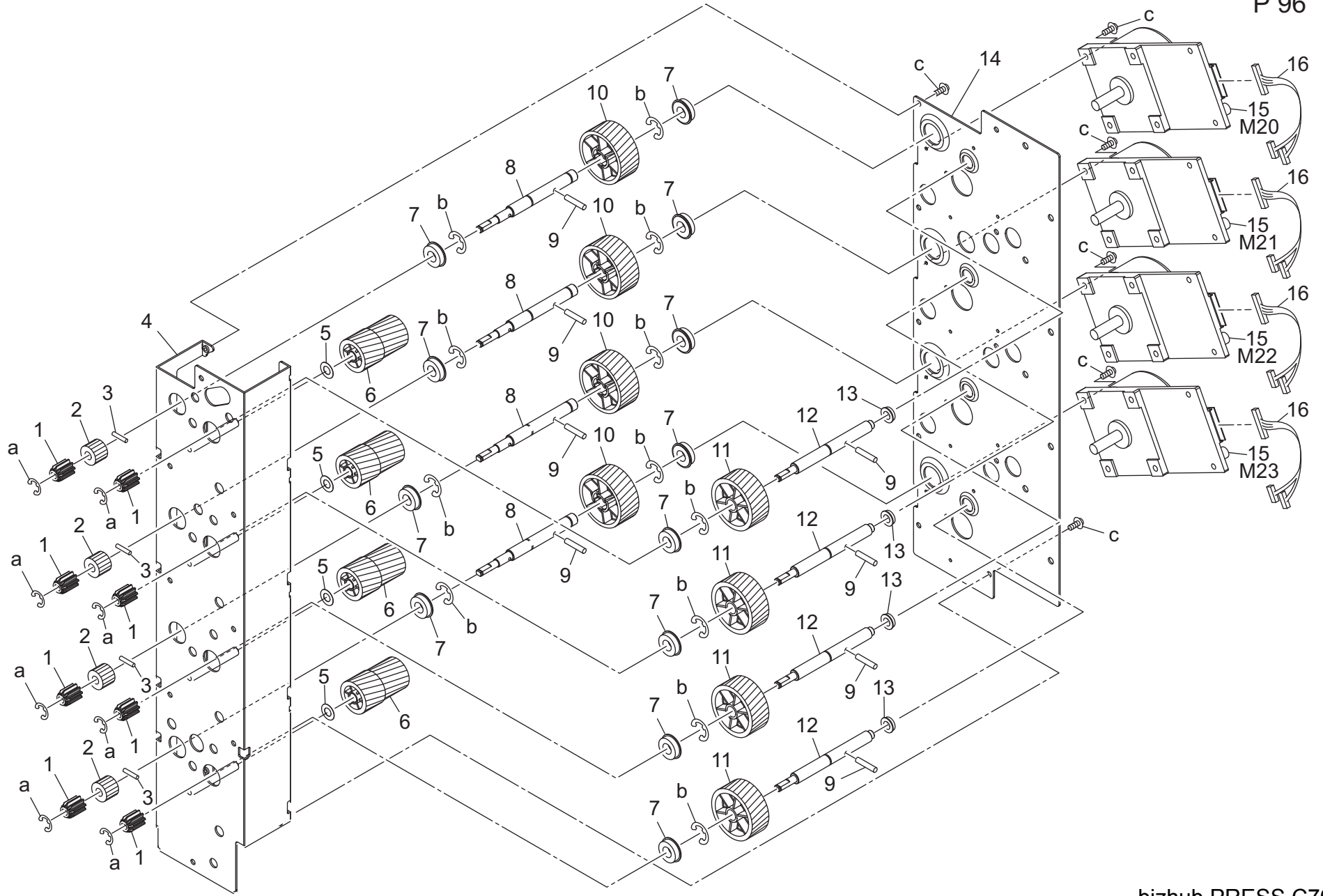


DRIVE SECTION

Key	Part No.	Description	Destinations	Class	QTY	Standard parts
1	A1DU R70N 00	Drum Driving/2 Unit		C	1	a-V185 0412 03 b-V121 0306 03 c-V217 0200 50 d-V223 1500 50 e-V118 0204 03 f-V193 0406 04 g-V118 0404 03 h-V116 0306 03
2	65AA 1503 0	Drum Shaft /1		D	1	
3	A1DU R73H 00	Flywheel K Assy		D	1	
4	A1DU R70M 00	Drum Coupring Assy		D	1	
5	65AA 1521 0	COUPLING PIN		D	1	
6	65AA 1520 0	PRESSING SPRING		C	1	
7	65AA -909 1E	Sensor Board Assy		B	2	
8	65AA 7505 1	BEARING		C	2	
9	65AA 1523 0	DRUM EARTH SPRING		D	1	
10	A03U N155 00	Drum Detection Wiring		D	1	
11	A1DU R70K 00	Drum Driving Motor Assy		B	1	
12	A1DU R72G 00	Encorder Assy		D	1	
13	65AA 1524 0	EARTH BUSHING		C	1	
14	A03U F212 00	Drum Driving Panel /1 Caulking		D	1	
15	13QA 4061 0	GEAR SPACER		C	1	
16	A03U 2596 00	Idling Gear 46/132T		C	1	
17	A03U 2110 00	Idling Panel		D	1	
18	A03U 2599 00	DRIVE GEAR 92T		C	1	
19	56AA 1749 0	PIN		C	1	

DRIVE SECTION

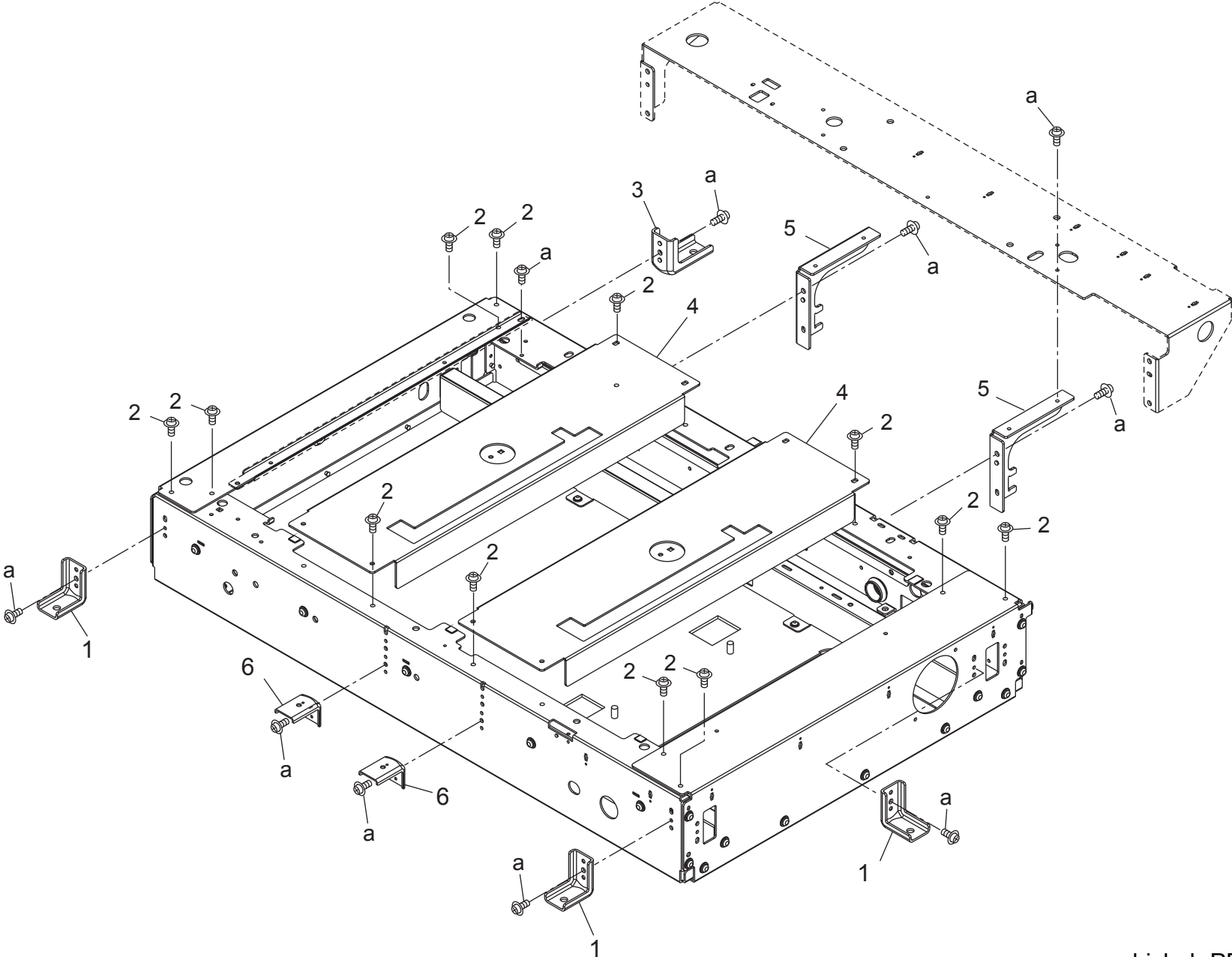
P 96



DRIVE SECTION

Key	Part No.	Description	Destinations	Class	QTY	Standard parts
1	65AA 1608 0	DEVELOPING COUPLING		C	8	a-V217 0300 50 b-V217 0600 50 c-V121 0306 03
2	65AA 7801 0	TONER COLLECTING GEAR 6 16T		C	4	
3	4540 7805 0	PIN CLEANER A		C	4	
4	A1DU F250 00	DEVEROPING DRIVE P/R CAULKING		D	1	
5	25HA 3033 0	DEVELOPING REGULATING SPACER		C	4	
6	A03U 2299 00	Developing Gear /Middle 27/42T		B	4	
7	A00V 2406 00	BALL BEARING		C	12	
8	A03U 2203 00	Developing Driving Shaft /1		D	4	
9	56AA 1747 1	PIN B 3X12		C	8	
10	A1DU 2297 00	Drive Gear 69T		C	4	
11	A1DU 2298 00	Developing Agitating Gear 41T		C	4	
12	A03U 2204 00	Developing Driving Shaft /2		D	4	
13	A00J 6178 00	BALL BEARING		C	4	
14	A1DU 2296 00	Developing Driving Panel /Front		D	1	
15	A0R5 M103 00	DC Brushless motor /30		B	4	
16	A03U N112 00	Developing Drive Wiring		D	4	

MAIN FRAME

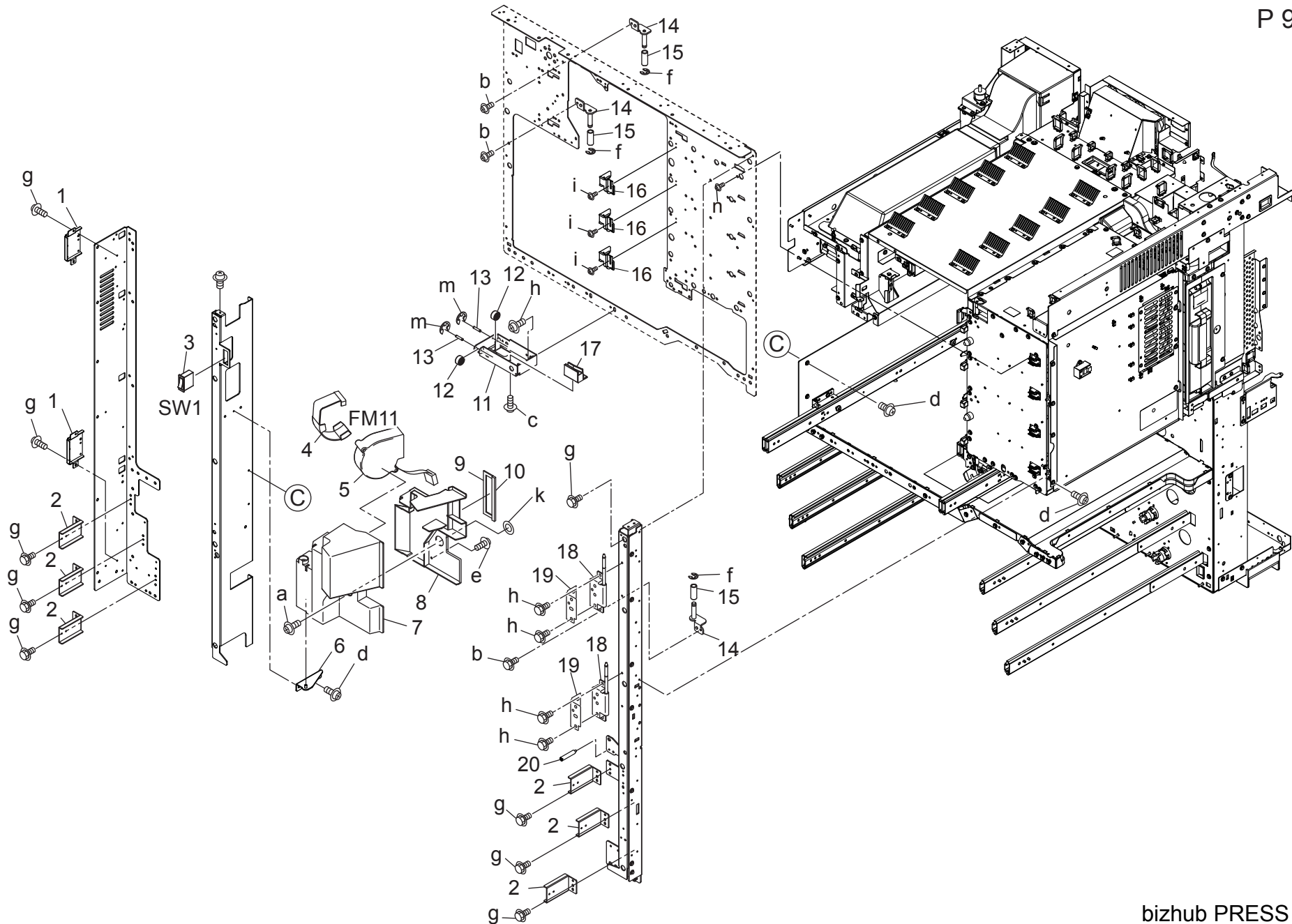


MAIN FRAME

Key	Part No.	Description	Destinations	Class	QTY	Standard parts
1	65AA 6162 0	READ SUPPORT PART /1		D	3	a-V121 0406 03
2	A011 2133 00	Screw		C	12	
3	65AA 6129 0D	Read Support Part /2		D	1	
4	A03V 2601 01	Reinforce Plate		D	2	
5	25SA 6107 0	REINFORCE PLATE		D	2	
6	A03U 2662 01	Read Support Part /1		D	2	

MAIN FRAME

P 98

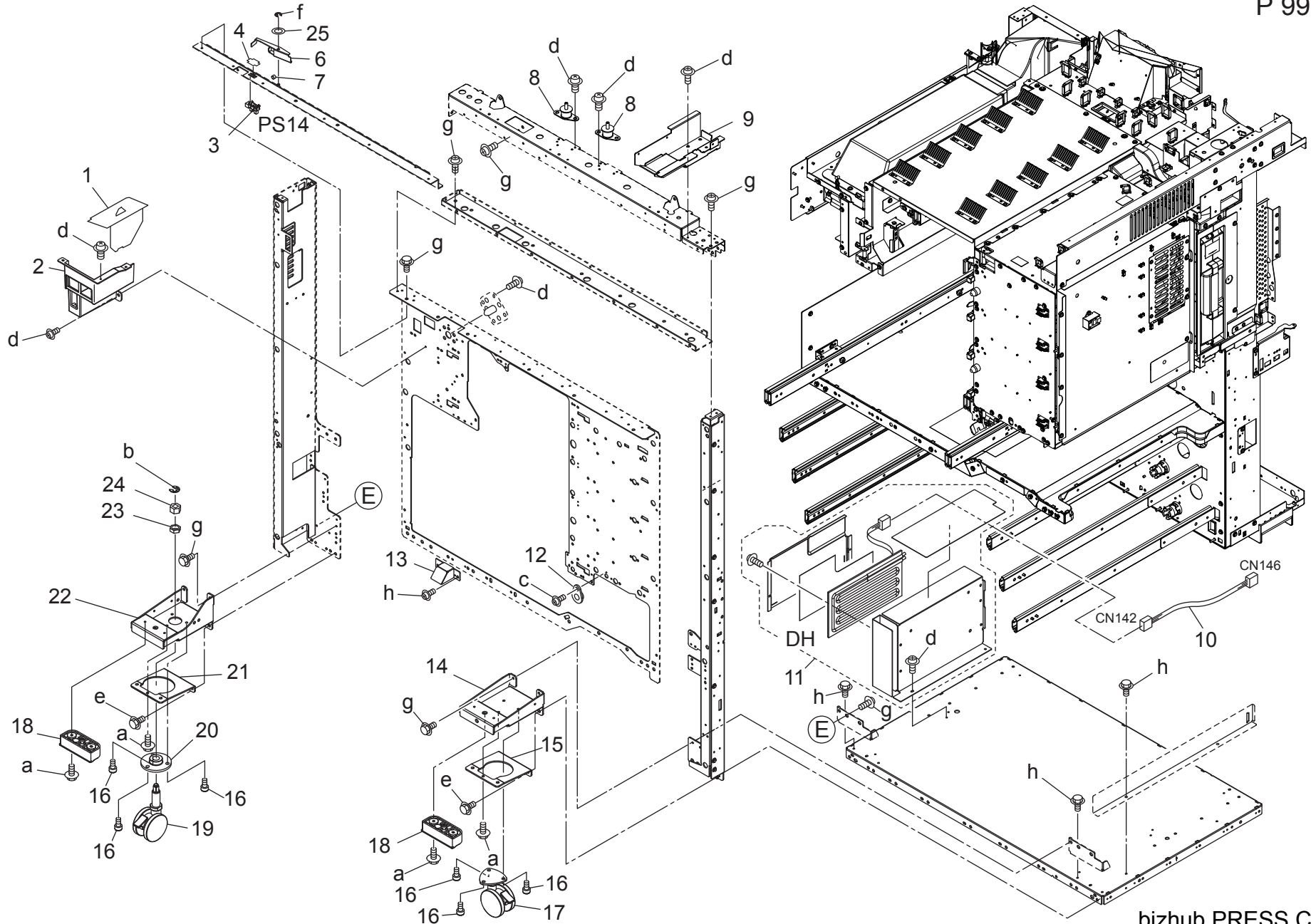


MAIN FRAME

Key	Part No.	Description	Destinations	Class	QTY	Standard parts
1	A1DU 1111 00	Connecting Plate /F		D	2	a-V114 0414 04
2	65AA 1066 0	MOUNTING PLATE 5		D	6	b-V121 0304 03
3	55GA 8601 0	POWER SOURCE SWITCH		B	1	c-V121 0306 03
4	65AA 1143 0	FAN SEALING PART 3		C	1	d-V121 0406 03
5	A03U M158 00	Main body Cooling Fan		C	1	e-V158 0308 03
6	A1DU R73S 00	Front Fan Caulking Assy		D	1	f-V217 0400 50
7	A03U 1088 00	Front Cover		C	1	g-V140 0408 03
8	65AA 1120 0	CLEANER COOLING DUCT		C	1	h-V140 0414 03
9	65AA 1132 0	DUCT SEALING PART 5		C	1	i-V116 0306 03
10	65AA 1090 0	DUCT SEALING PART 3		C	1	k-V211 0400 80
11	A03U 8160 00	FIXING PLATE /FRONT		D	1	m-V217 0300 50
12	13NG 4520 0	CONVEYANCE DRIVEN ROLLER		C	2	n-V146 0408 04
13	65AA 5040 0	GUIDE SHAFT		D	2	
14	65AA -075 0	LOCKING SHAFT CAULKING		C	3	
15	65AA 1026 0	LOCKING ROLLER		D	3	
16	A1DU 1140 00	Fixing Lever /Lower		D	3	
17	65AA 5038 0F	Guide Block		C	1	
18	65AA 1071 0	TONER SUPPLY OPEN SHUT HINGE LOWER		C	2	
19	65AA 1144 0D	Hinge Reinforce Plate		D	2	
20	65AA 1232 0E	Mounting Stay /A		D	1	

MAIN FRAME

P 99

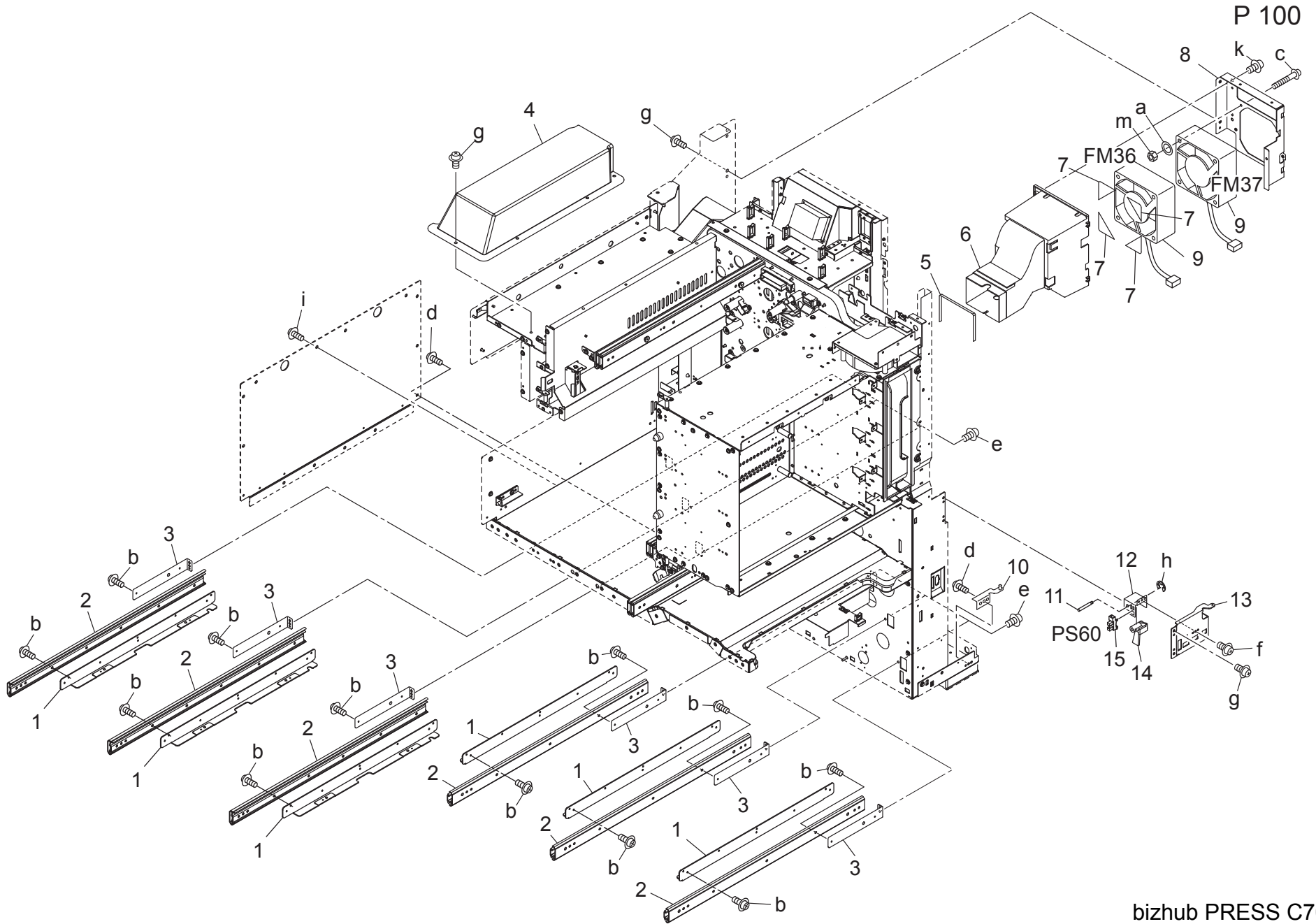


bizhub PRESS C70hc

MAIN FRAME

Key	Part No.	Description	Destinations	Class	QTY	Standard parts
1	65AA 1150 0	INSULATING COVER		C	1	a-V141 0408 03
2	A03U 1669 00	Cover /Inside		C	1	b-V217 0800 50
3	9335 1500 21	SOLID STATE SWITCH		B	1	c-V121 0306 03
4	4470 4024 01	STOPPER		D	1	d-V121 0406 03
6	65AA 7315 0	DETECTING PLATE		D	1	e-V140 0418 03
7	65AA 7316 0	DETECTING SPRING		C	1	f-V217 0400 50
8	25SA 1020 0	READ SUPPORT RUBBER		D	2	g-V140 0408 03
9	A1DU 1154 00	Hold Stay /S		D	1	h-V140 0414 03
10	A03U N236 00	Heater Relay harness		D	1	
11	A1DU R724 00	Internal Heeter Assy		D	1	
12	129X 4835 0	GUIDE SHAFT HOLDER A		C	1	
13	A03U 8120 00	ADU Open/shut Plate /A		D	1	
14	65AA 1069 0	MAIN BODY SUPPORT PART RIGHT		D	1	
15	65AA 1163 0	MAIN BODY REINFORCE PLATE /A		D	1	
16	25SA 1043 1	LOCKING SCREW		C	6	
17	55WA 1030 0	MAIN BODY SUPPORT ROLLER X		C	1	
18	65AA 1131 0	Main Body Lifting Handle		C	2	
19	55WA 1031 0	MAIN BODY SUPPORT ROLLER Y		C	1	
20	56AA 1762 0	CARRIAGE ADJUSTING PART		C	1	
21	65AA 1165 0	MAIN BODY REINFORCE PLATE /B		D	1	
22	65AA 1070 0	MAIN BODY SUPPORT PART LEFT		D	1	
23	56AA 1764 0	ADJUSTING PART 2		C	1	
24	56AA 1763 0	ADJUSTING PART		C	1	
25	65AA 3327 0	SPACER 2		D	1	

MAIN FRAME



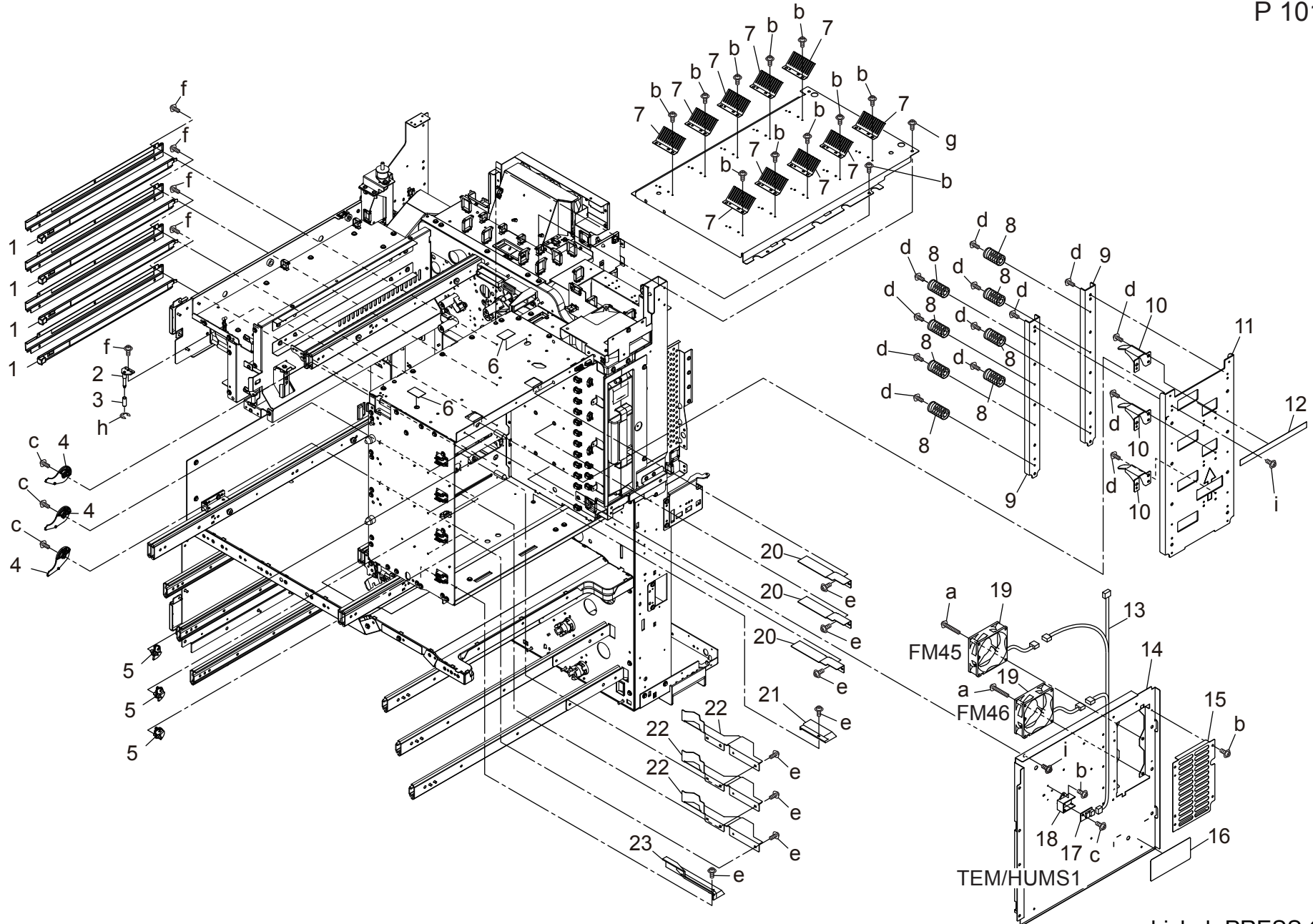
bizhub PRESS C70hc

MAIN FRAME

Key	Part No.	Description	Destinations	Class	QTY	Standard parts
1	65AA 4704 0D	Cassette Support Stay		D	6	a-V205 0400 03 b-V118 0404 03 c-V118 0412 03 d-V140 0408 03 e-V140 0406 03 f-V121 0306 03 g-V121 0406 03 h-V217 0200 50 i-V138 0308 03 k-V158 0308 03 m-V195 0400 03
2	56AA 1030 0	Slide Rail /A		C	6	
3	65AA 1047 0	Mounting Plate /4		D	6	
4	65AA 1054 0E	Fixing duct		D	1	
5	65AA 1081 0	DUCT SEALING PART 1		C	1	
6	65AA 1055 0	Fan Mounting Duct		D	1	
7	65AA 1149 0	FAN SEALING PART 4		D	4	
8	65AA 1141 0	FAN MOUNTING PLATE D		D	1	
9	A03U M152 00	Main body Fan motor		B	2	
10	A1DU R73T 00	Hinge/A Caulking		D	1	
11	A03U 3601 00	Collection Shaft		D	1	
12	65AA 2437 1E	Door Detecting Part /1		C	1	
13	A03U F367 00	Toner Collecting Hinge Plate		D	1	
14	65AA 2438 0	DOOR DETECTING PART 2		C	1	
15	08AA 8551 2	Photo Sensor		B	1	

MAIN FRAME

P 101

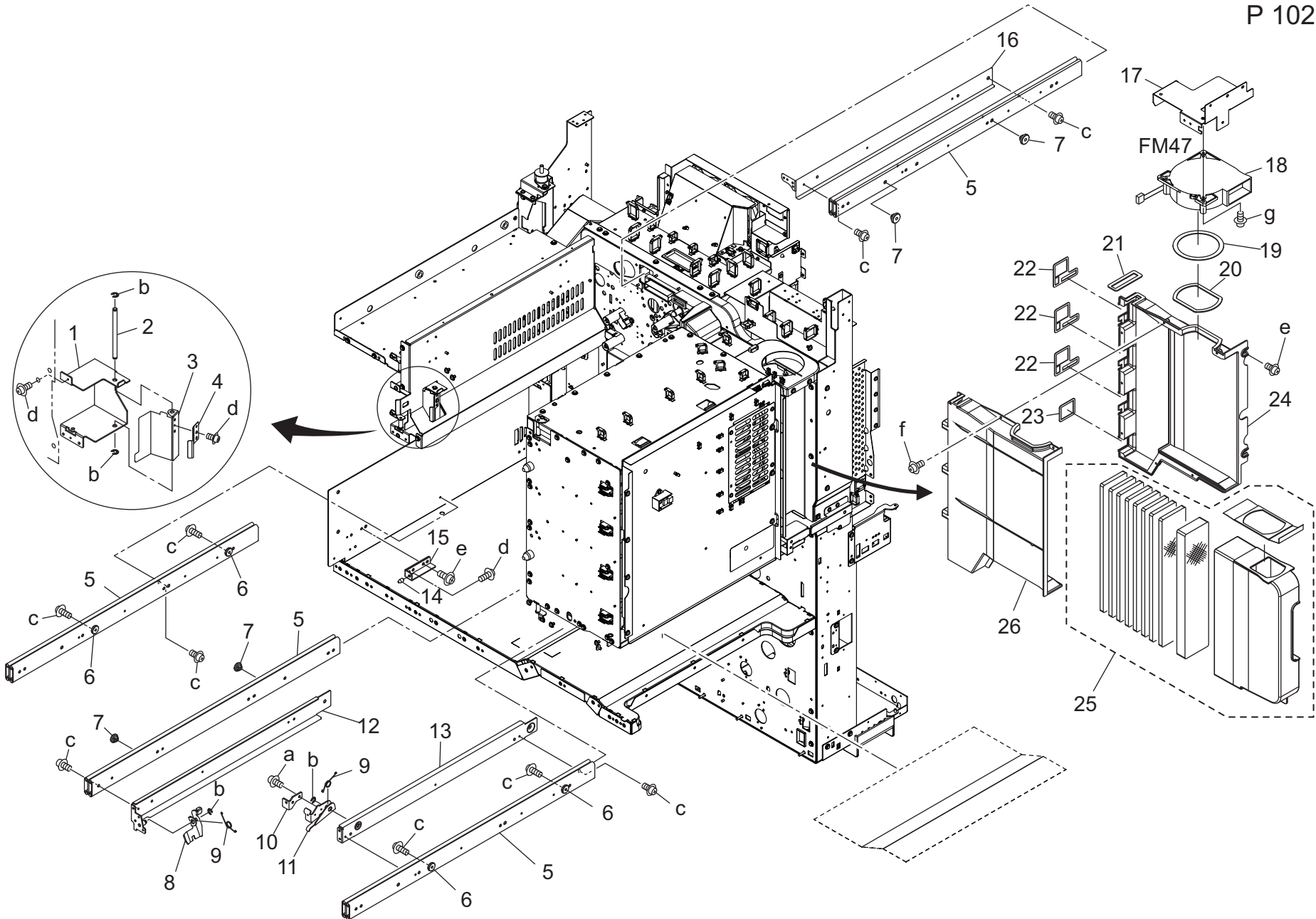


MAIN FRAME

Key	Part No.	Description	Destinations	Class	QTY	Standard parts
1	A1DU R73F 00	Glass Case Assy		C	4	a-V118 0430 03
2	A1DU R73W 00	Rock Shaft /2 Caulking		D	1	b-V121 0306 03
3	65AA 1026 0	LOCKING ROLLER		D	1	c-V158 0308 03
4	A1DU 1076 00	Writing Lever		D	3	d-V127 0406 03
5	A03U 1075 00	Write Adjusting Cam		C	3	e-V127 0306 03
6	25SA 6642 0	WRITE LIGHT SHIELD SHEET		C	2	f-V121 0304 03
7	A02E 2623 00	Plate spring		D	10	g-V140 0408 03
8	A1DU 1182 00	Holding Spring /1		D	8	h-V217 0400 50
9	A1DU 1100 00	Reinforce Stay		D	2	i-V121 0406 03
10	A1DU 1010 00	Support Pedestal /P		D	3	
11	A1DU 1093 01	Support Plate /P		D	1	
12	A1RF 9426 00	Caution Label /6		D	1	
13	A1DU N140 00	Main body Relay harness /1		D	1	
14	A1DU 1073 01	Mounting Plate /Right		D	1	
15	A1DU 1250 00	Protection Cover		D	1	
16	56UA 9730 0	Laser Caution Label /1		C	1	
17	A02E M505 00	Humidity sensor		C	1	
18	65AA 1130 0	SUPPORT PART		D	1	
19	9J03 M100 00	FAN MOTOR		B	2	
20	A1DU 1083 00	Writing Rail /Rear		D	3	
21	A1DU 1110 00	Support Guide /Black		D	1	
22	A1DU 1078 00	Mounting Rail /Front		D	3	
23	A1DU 1109 00	Writing Guide /Black		D	1	

MAIN FRAME

P 102

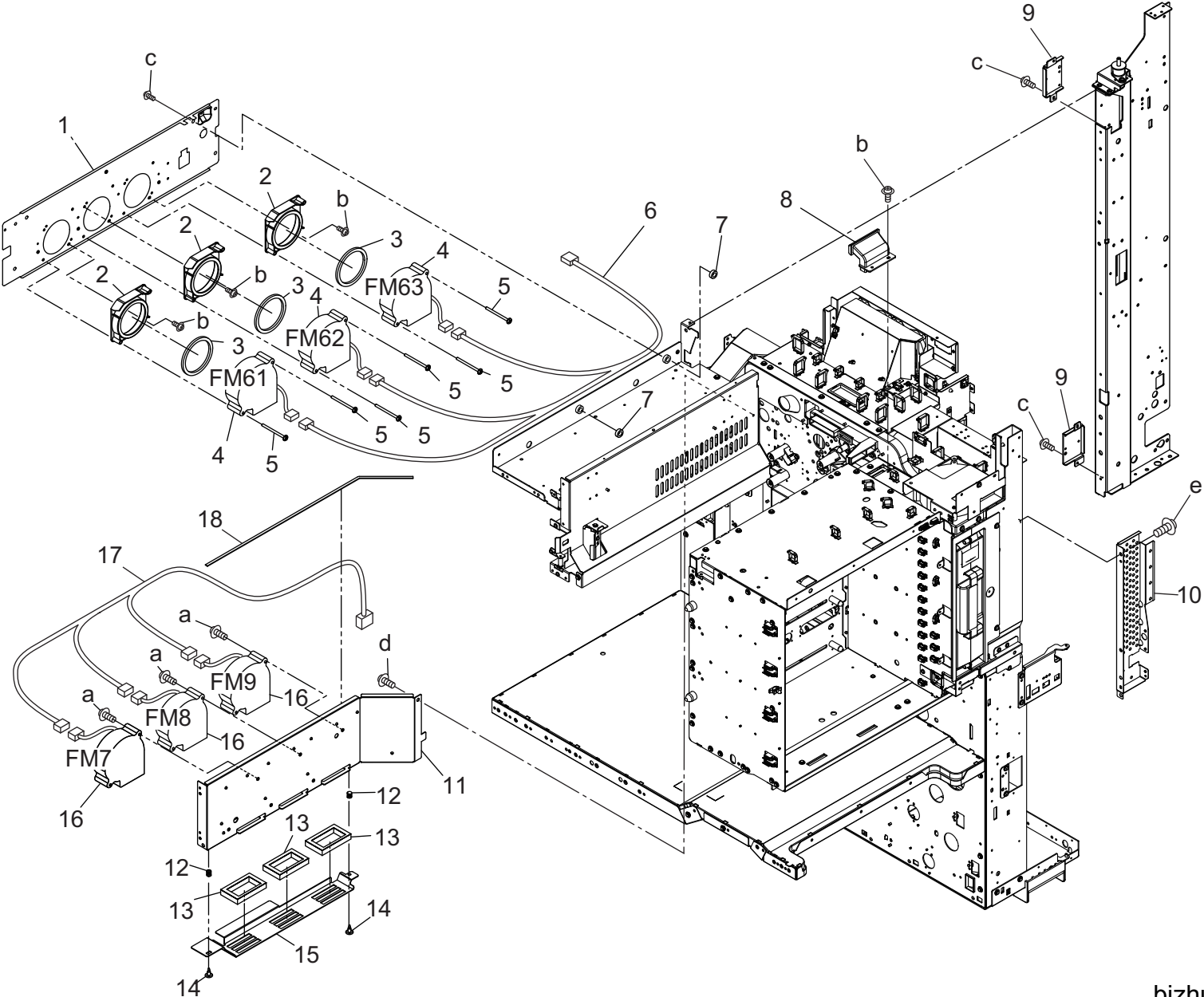


bizhub PRESS C70hc

MAIN FRAME

Key	Part No.	Description	Destinations	Class	QTY	Standard parts
1	65AA 1094 0D	Support Plate		D	1	a-V118 0304 03 b-V217 0400 50 c-V118 0406 04 d-V121 0306 03 e-V121 0406 03 f-V151 0310 03 g-V126 0410 03
2	65AA 1096 0	PRESSING SHAFT		D	1	
3	65AA 1095 0D	Pressing Plate		D	1	
4	65AA 1097 0	PRESSING SPRING		D	1	
5	65AA 5046 0	CARRIGE SLIDE RAIL		C	4	
6	65AA 5068 0D	ADU Mounting Collar		C	4	
7	56AA 5053 0	ADU MOUNTING COLLAR		C	4	
8	65AA 1048 0	LOCKING LEVER 2		C	1	
9	65AA 1084 0	CARRIAGE LOCKING SPRING		C	2	
10	65AA 1159 0	LEVER REINFORCE PLATE		D	1	
11	65AA 1023 0D	LOCKING LEVER /1		C	1	
12	65AA R706 00	LEVER ROTARY SHAFT CAULKING		D	1	
13	A1DU R73V 00	Main Body Stay/2 Caulking		D	1	
14	65AA 5044 0D	Carrige Guide Pin /Left		C	1	
15	65AA 5043 0	SHAFT MOUNTING PLATE LEFT		D	1	
16	65AA 1020 0D	Mounting Plate /1		D	1	
17	A1DU 1119 00	Mounting Plate /B		D	1	
18	A0Y5 M151 00	Suction Fan motor		C	1	
19	65AA 1019 0	FAN SEALING PART 1		C	1	
20	65AA 1117 0	DUCT SEALING PART 4		C	1	
21	A03U 1063 00	duct Seal /H		C	1	
22	A03U 1064 00	duct Seal /G		C	3	
23	65AA 1064 0	OZONE SEAL 3		C	1	
24	A1DU 1041 00	Connecting Duct /2		D	1	
25	A1DU R703 00	Filter Exchanging Assy		A	1	
26	A1DU 1040 00	Ozone Duct /1		D	1	

MAIN FRAME

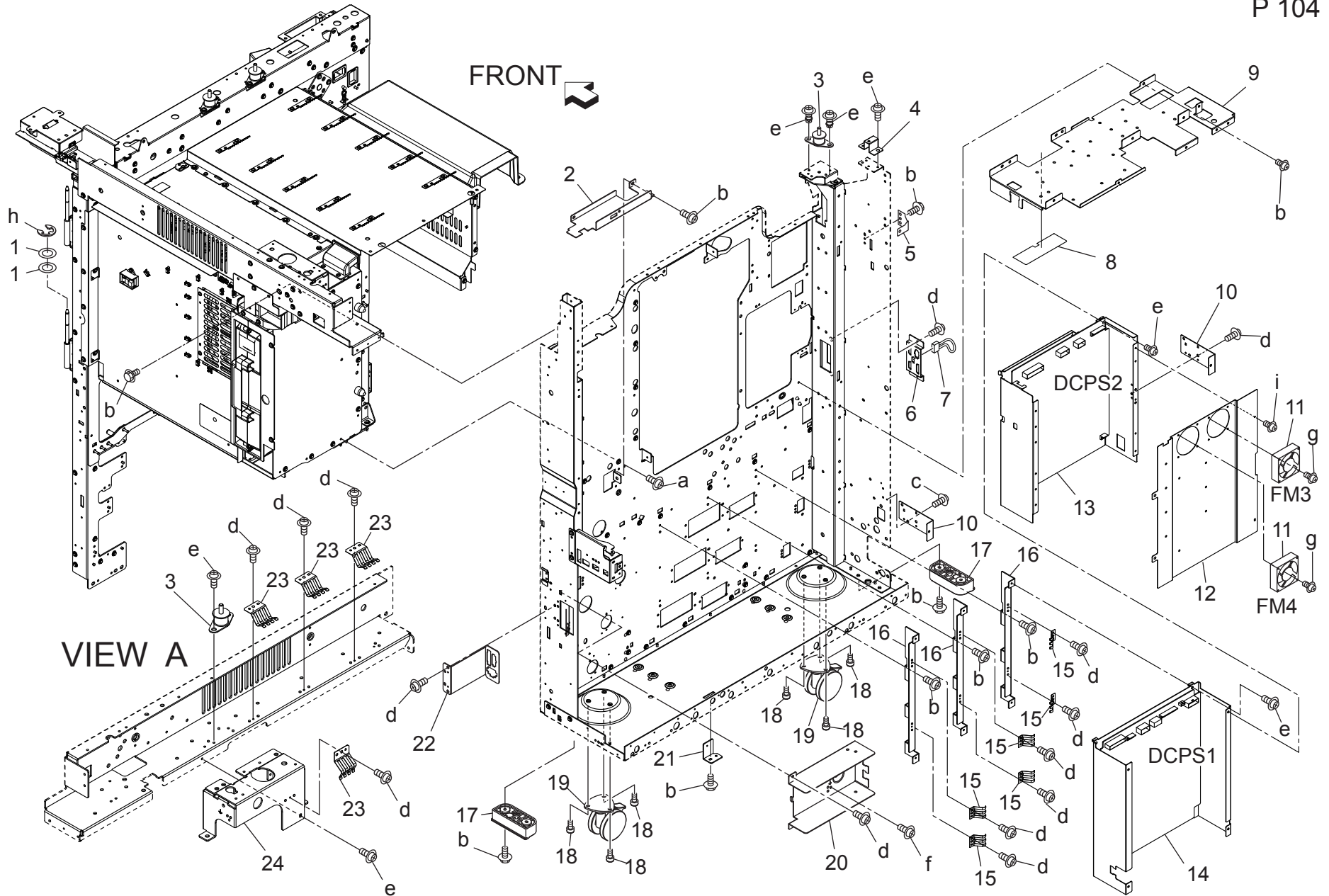


MAIN FRAME

Key	Part No.	Description	Destinations	Class	QTY	Standard parts
1	A1DU 1085 00	Side plate /Left		D	1	a-V121 0435 03 b-V121 0306 03 c-V140 0408 03 d-V140 0406 03 e-V121 0406 03
2	65LA 4855 0	Fan Duct		D	3	
3	65LA 4856 0	DUCT SEAL /3		D	3	
4	A03U M158 00	Main body Cooling Fan		C	3	
5	65LA 4857 0	MOUNTING SCREW		D	6	
6	A03U N224 00	Paper exit Cooling Wiring		D	1	
7	55VA 1247 0	SCREW PROTECT CUSHION		D	2	
8	A1DU R702 00	Connecting Duct / Y Assy		D	1	
9	A1DU 1111 00	Connecting Plate /F		D	2	
10	A1DU 1128 02	Wiring Panel		D	1	
11	A1DU 1103 01	Mounting Plate		D	1	
12	A1DU 7640 00	Spring		D	2	
13	A1DU 1091 00	Cushion		D	3	
14	4038 3511 02	SHOULDER SCREW		C	2	
15	A1DU 1092 00	Shutter		D	1	
16	A1DU M151 00	Fan motor		C	3	
17	A1DU N198 01	Main body Relay harness /5		D	1	
18	65AA 1082 0	DUCT SEALING PART /2		D	1	

MAIN FRAME

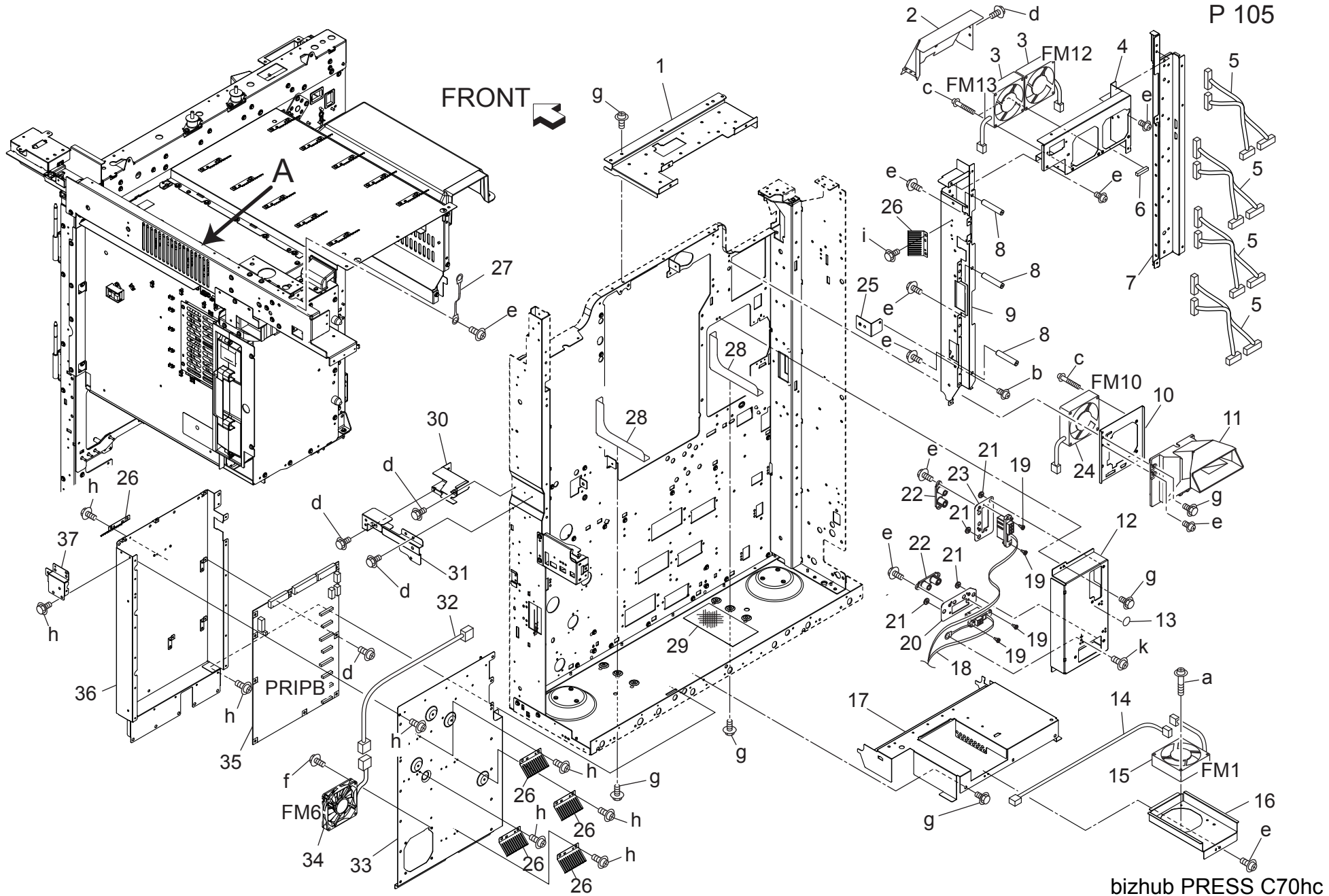
P 104



bizhub PRESS C70hc

Key	Part No.	Description	Destinations	Class	QTY	Standard parts
1	65AA 3327 0	SPACER 2		D	2	a-V146 0408 04
2	65AA 1105 0D	Base plate Support Stay /2		D	1	b-V140 0408 03
3	25SA 1020 0	READ SUPPORT RUBBER		D	2	c-V127 0306 03
4	A1DU 1691 00	Mounting Plate		D	1	d-V121 0306 03
5	56AA 1010 1	EXTERNAL SUPPORT PLATE1		D	1	e-V121 0406 03
6	A1DU 1185 00	Power supply Panel /F		D	1	f-V116 0406 03
7	A1DU N199 00	Interface Wiring /1		D	1	g-V118 0330 03
8	A1DU 1158 00	Protection Seal /1		D	1	h-V217 0400 50
9	65AA 1058 0F	Base plate Support Stay		D	1	i-V121 0304 03
10	A1DU 1690 00	Mounting Plate		D	2	
11	4040 M100 00	FAN MOTOR		C	2	
12	A1DU 1303 01	Cover		D	1	
13	A1DU M402 01	DC Power source /2		I	1	
14	A1DU M401 01	DC Power source /1		I	1	
15	65AA 1114 0	EARTH PLATE		D	6	
16	A03U 1089 00	Base plate Support Plate		D	3	
17	65AA 1153 0	MAIN BODY LIFTING HANDLE 2		C	2	
18	25SA 1043 1	LOCKING SCREW		C	6	
19	55WA 1030 0	MAIN BODY SUPPORT ROLLER X		C	2	
20	A03U 1184 01	Wiring Protection Plate /P		D	1	
21	A1DU 1127 00	Mounting Plate /Lower		D	1	
22	A03U 1183 00	PFU Power supply Panel		D	1	
23	A03U 1181 00	Ground Plate /A		D	4	
24	A03U 1178 00	Support Plate /A		D	1	

MAIN FRAME

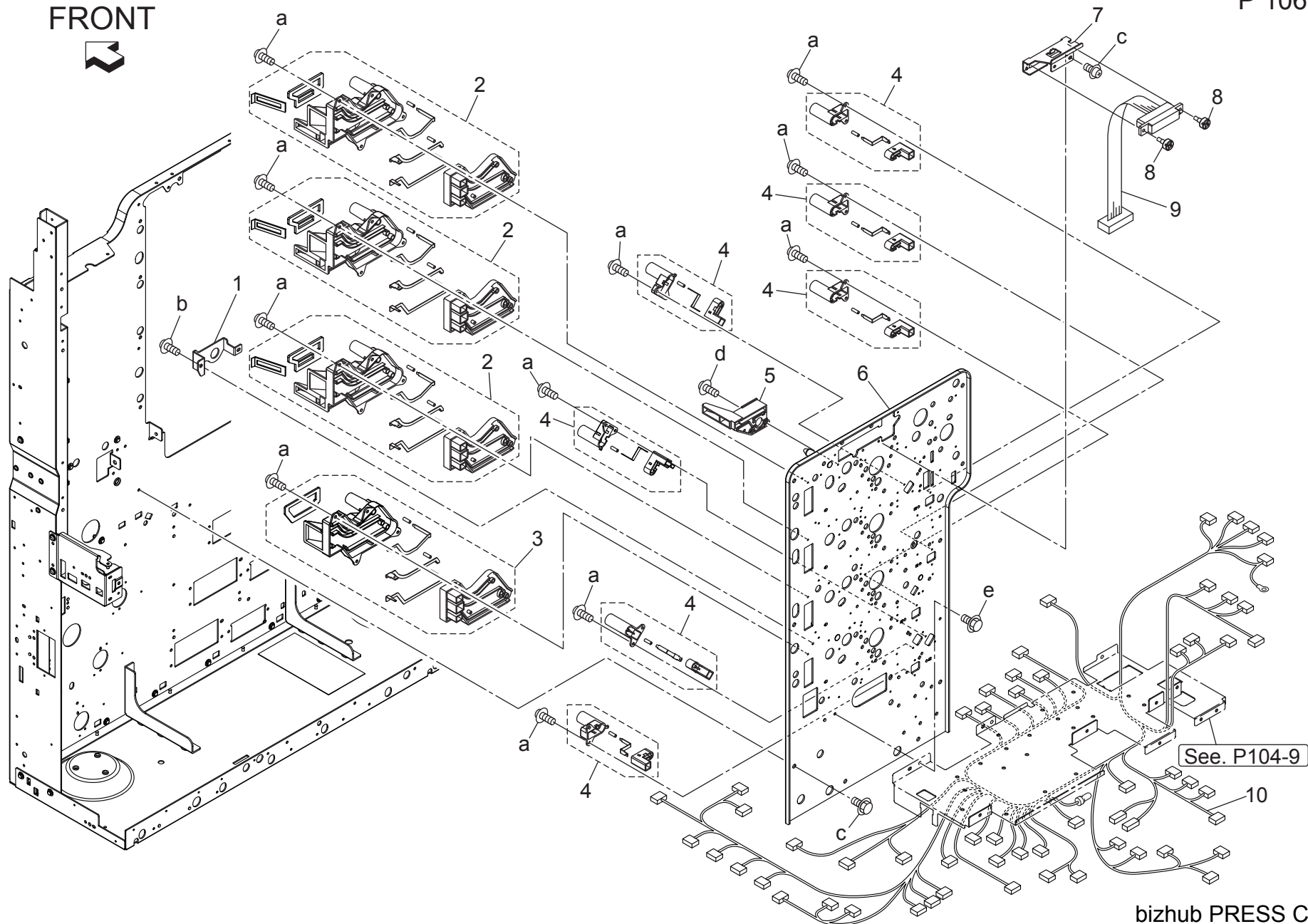


Key	Part No.	Description	Destinations	Class	QTY	Standard parts
1	65AA 1018 0E	Wiring Guide Plate /1		D	1	a-V118 0330 03
2	65AA 1139 0	MOTOR COOLING DUCT		D	1	b-V118 0406 03
3	9J03 M100 00	FAN MOTOR		B	2	c-V118 0430 03
4	A1DU 1118 01	Mounting Plate /A		D	1	d-V121 0306 03
5	A03U N180 00	Drum Relay Wiring		D	4	e-V121 0406 03
6	65AA 6158 0	READ EARTH PART		D	1	f-V121 0318 03
7	A03U 1057 02	Wiring Guide Plate /2		D	1	g-V140 0408 03
8	A1DU 1155 00	Mounting Screw		D	3	h-V121 0304 03
9	A1DU 1059 01	Guide Plate /3		D	1	i-V127 0306 03
10	A1DU 1108 00	Mounting Plate /Rear		D	1	k-V116 0406 03
11	65AA 1102 0	FIXING CONNECTING DUCT		D	1	
12	A03U 1028 03	Fixing Cover /Rear		D	1	
13	9J06 7302 01	LABEL		D	1	
14	A1DU N196 00	Main body Relay harness /2		D	1	
15	A0ED M105 00	Fan motor		C	1	
16	A1DU 1122 00	Mounting Plate /F		D	1	
17	A1DU 1056 00	Hold Plate /F		D	1	
18	A1DU N118 02	AC Drive harness		D	1	
19	A03U 1192 00	Fixing Screw		C	4	
20	A03U 1189 00	Idler Plate /Lower		D	1	
21	A03U 1191 00	Guide Screw		C	4	
22	A03U 1190 00	Positioning Sleeve		C	2	
23	A03U 1188 00	Idler Plate /Upper		D	1	
24	13NT 8051 1	FAN MOTOR 1		C	1	
25	A1DU 1157 00	Mounting Plate /5		D	1	
26	A02E 2623 00	Plate spring		D	6	
27	55VA 9084 0	MAIN EARTH WIRE		D	1	
28	56AA 6147 0D	Read Reinforce Plate		D	2	
29	65AA 1135 0	DUST PROOF FILTER 4		D	1	
30	A03U 1350 00	WIRING GUIDE PLATE /1		D	1	
31	A1DU 1357 00	Sealing Plate		D	1	
32	A1DU N292 00	ImageProcessing Relay harness /2		D	1	
33	A1DU 1317 00	Cover /Lower		D	1	
34	A1RF M151 00	Fan motor /1		C	1	
35	A1DU H060 11	Image Processing Board /P ASSY		I	1	
36	A1DU 1314 01	Mounting Plate /ASSY		D	1	
37	A1DU 1356 00	Cover /Right		D	1	

MAIN FRAME

P 106

FRONT

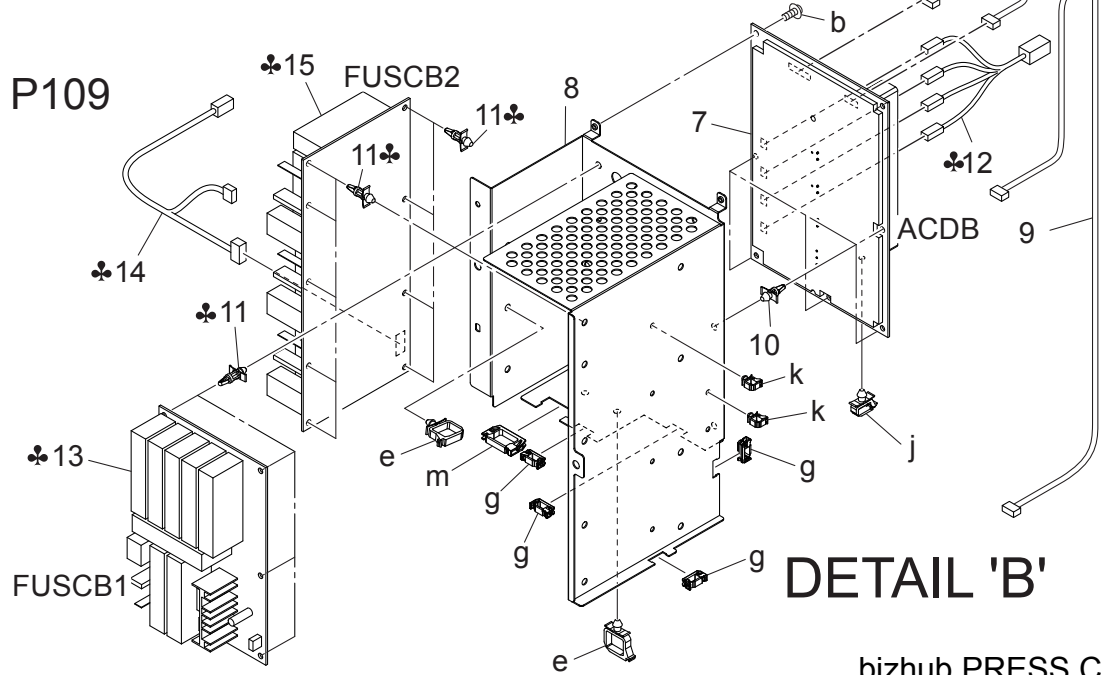
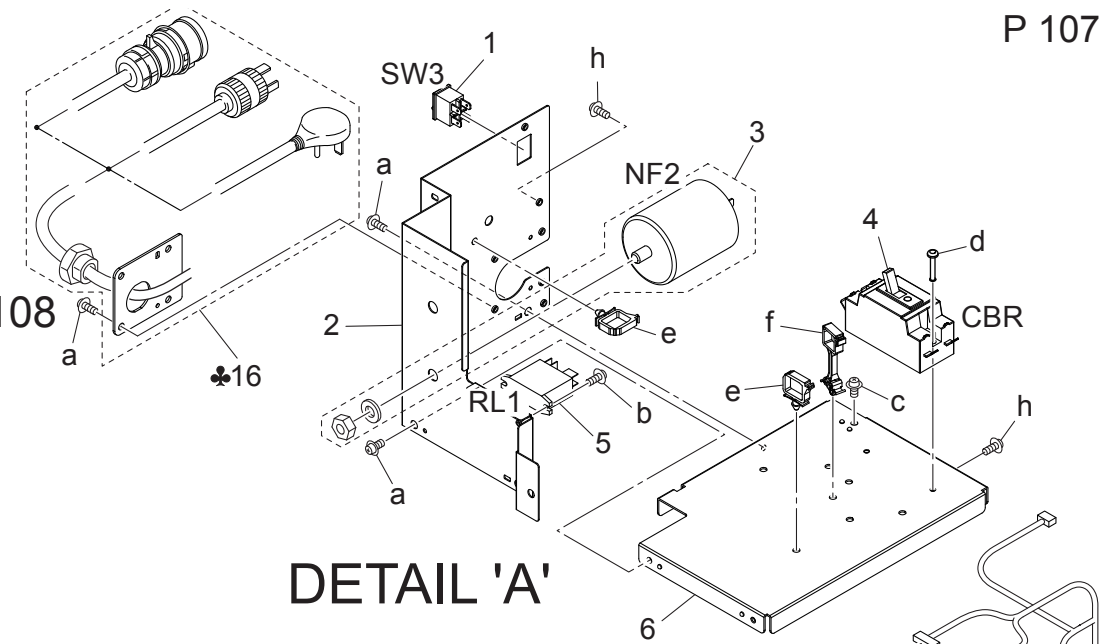
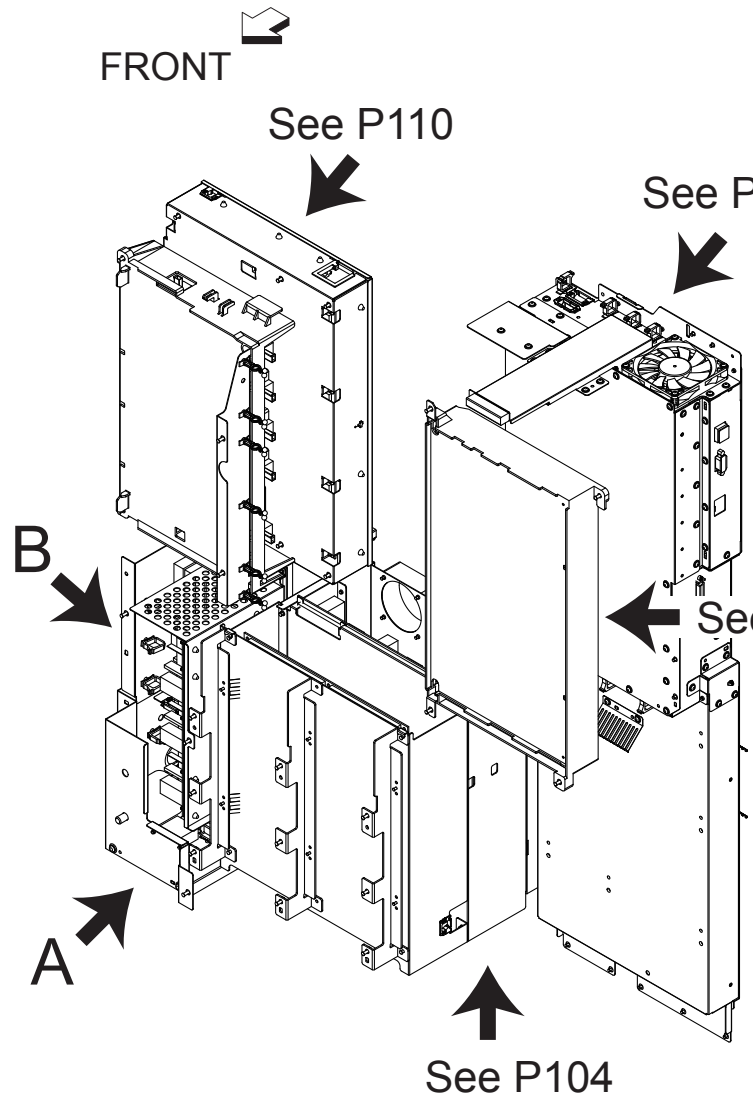


MAIN FRAME

Key	Part No.	Description	Destinations	Class	QTY	Standard parts
1	65AA 1036 0E	Shaft Support Plate		D	1	a-V121 0304 03 b-V121 0404 03 c-V121 0406 03 d-V121 0306 03 e-V140 0408 03
2	A1DU R727 00	High Voltage Cover Assy		C	3	
3	A1DU R72C 00	High Voltage Cover/1 Assy		C	1	
4	A1DU R726 00	Power Block/1 Assy		C	7	
5	A1DU R701 00	Developing Cuct / Y Assy		D	1	
6	A03U F112 00	Base Panel Shaft CAULKING		D	1	
7	65AA 1049 0	ELECTRIC MOUTING PLATE		D	1	
8	65AA 4722 0	MOUNTING SCREW		C	2	
9	A1DU N110 00	Main body Wiring /3		D	1	
10	A1DU N109 02	DC Power source harness		D	1	

ELECTRICAL COMPONENTS

P 107

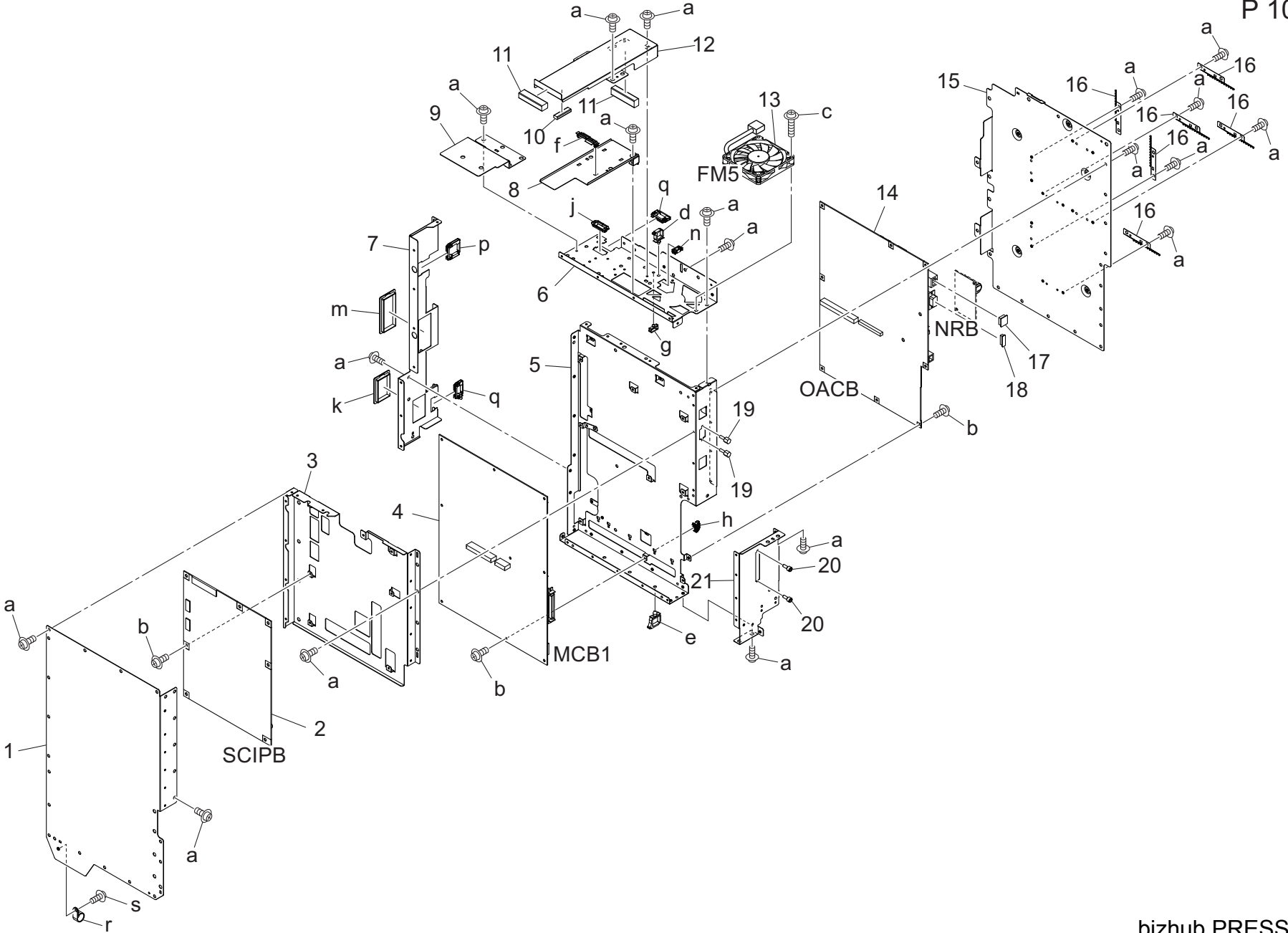


bizhub PRESS C70hc

Key	Part No.	Description	Destinations	Class	QTY	Standard parts
1	A00J M603 00	Rocker switch		C	1	a-V127 0406 03
2	A1DU 1359 01	Mounting Plate		D	1	b-V121 0306 03
3	55TA 8456 1	NOISE FILTER		C	1	c-V116 0508 03
4	A0G6 M604 00	Breaker		C	1	d-V111 0420 03
5	A07T M601 00	Power source Relay		C	1	e-V500 0100 08
6	A1DU 1364 01	Fixing Plate /C		D	1	f-V500 0200 85
7	A03U H520 02	AC Drive Board Assy		I	1	g-V570 0100 57
8	A1DU 1306 01	Mounting Plate /1		D	1	h-V125 0408 03
9	A1DU N213 00	Main body Relay harness /3		D	1	j-V500 0100 59
10	V502 0100 32	spacer		D	1	k-V500 0100 20
11	V502 0100 33	spacer	C	D	3	m-V570 0100 59
12	A1DU N15A 00	Fixing Relay harness	A,B,G2	D	1	
12	A1DU N16F 00	Fixing Relay harness /F	C,D1,D3,E,F2,G1,I	D	1	
13	A1DU M700 01	Fixing Control board /1	C,D1,D3,E,F2,G1,I	I	1	
14	A1DU N14F 00	Fixing Control harness /F	C,D1,D3,E,F2,G1,I	D	1	
15	A1DU M701 01	Fixing Control board /2	C,D1,D3,E,F2,G1,I	I	1	
16	A1DU R72D 00	Power Cord Assy	A	D	1	
16	A1DU R72E 00	Power Cord Assy US	B,G2	D	1	
16	A1DU R72F 00	Power Cord Assy EU	C,D1,E,F2,G1,I	D	1	
16	A1DU R74G 00	Power Cord Assy AU	D3	D	1	

ELECTRICAL COMPONENTS

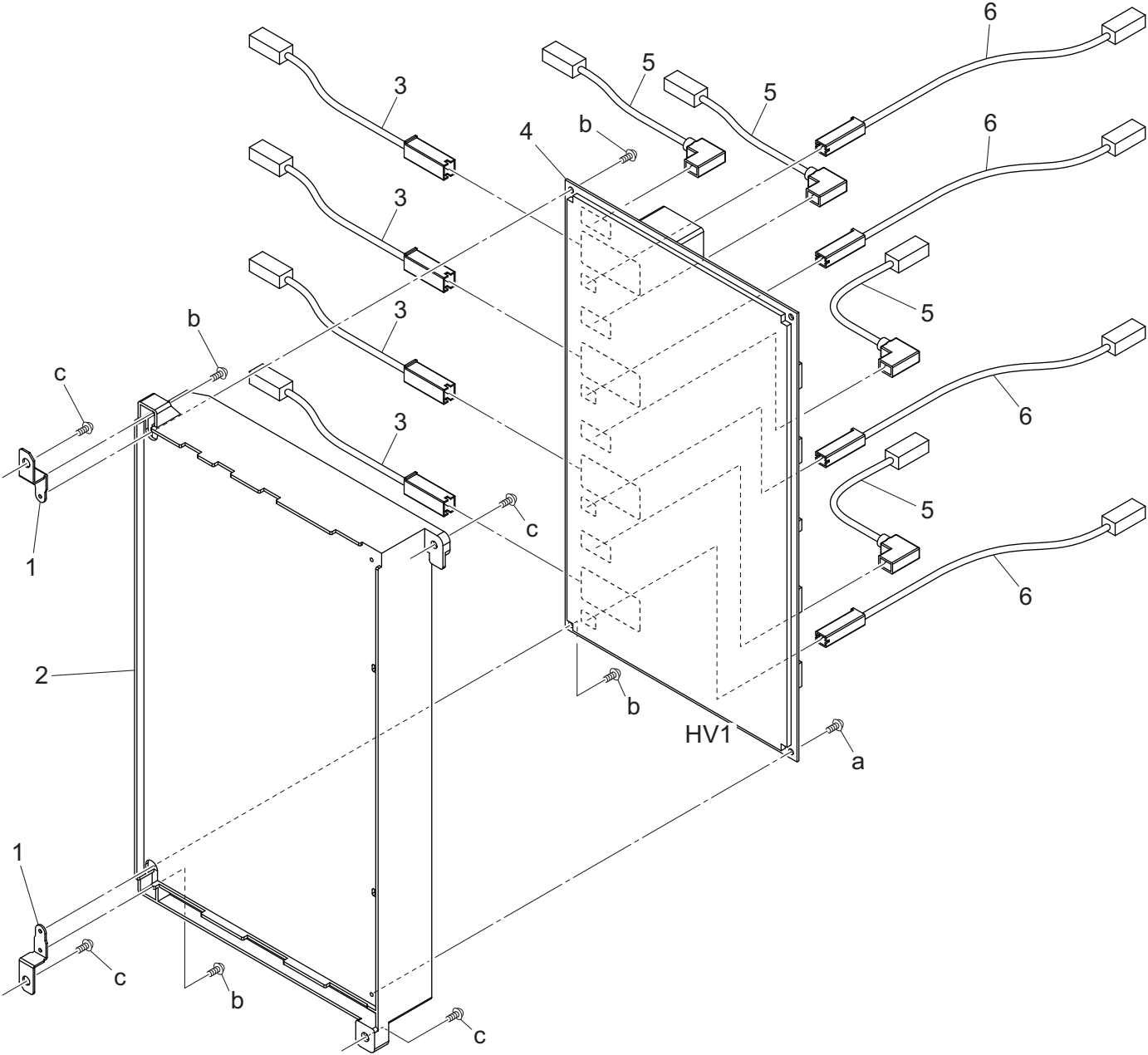
P 108



ELECTRICAL COMPONENTS

Key	Part No.	Description	Destinations	Class	QTY	Standard parts
1	A1DU 1350 01	Cover /Rear		D	1	a-V121 0304 03
2	A1DU H050 01	Image Processing Board /S ASSY		I	1	b-V121 0306 03
3	A1DU 1301 00	Mounting Plate /3		D	1	c-V121 0318 03
4	A1DU H020 02	Memory Control Board /1 ASSY		I	1	d-V500 0100 07
5	A1DU 1311 02	Mounting Main body /ASSY		D	1	e-V500 0100 08
6	A1DU 1320 02	Cover		D	1	f-V500 0200 66
7	A1DU 1352 00	Side plate		D	1	g-V500 0100 61
8	A1DU 1328 00	Sealing Plate /1		D	1	h-V500 0100 72
9	A1DU 1331 00	Cover /2		D	1	j-V570 0100 37
10	56UA 1269 0	Earth Cushion /3		D	1	k-V570 0100 39
11	65AA 7345 0	ELECTRIC EARTH PART /2		D	2	m-V570 0100 40
12	A1DU 1329 01	Sealing Plate /2		D	1	n-V570 0100 57
13	A1RF M151 00	Fan motor /1		C	1	p-V570 0100 58
14	A1DU H010 02	Control Board/S ASSY		I	1	q-V570 0100 59
15	A1DU 1313 01	Cover /Upper		D	1	r-V500 0200 86
16	A02E 2623 00	Plate spring		D	6	s-V125 0410 01
17	40LA 7384 0	CONTACT PROTECTION COVER		D	1	
18	13RN 7312 0	TERMINAL PROTECTION COVER 1		D	1	
19	26NA 7357 0	CONTACT FIXING SCREW A		C	2	
20	A03U 1365 00	Set Screw /A		C	2	
21	A1DU 1353 01	Side plate /Right		D	1	

ELECTRICAL COMPONENTS



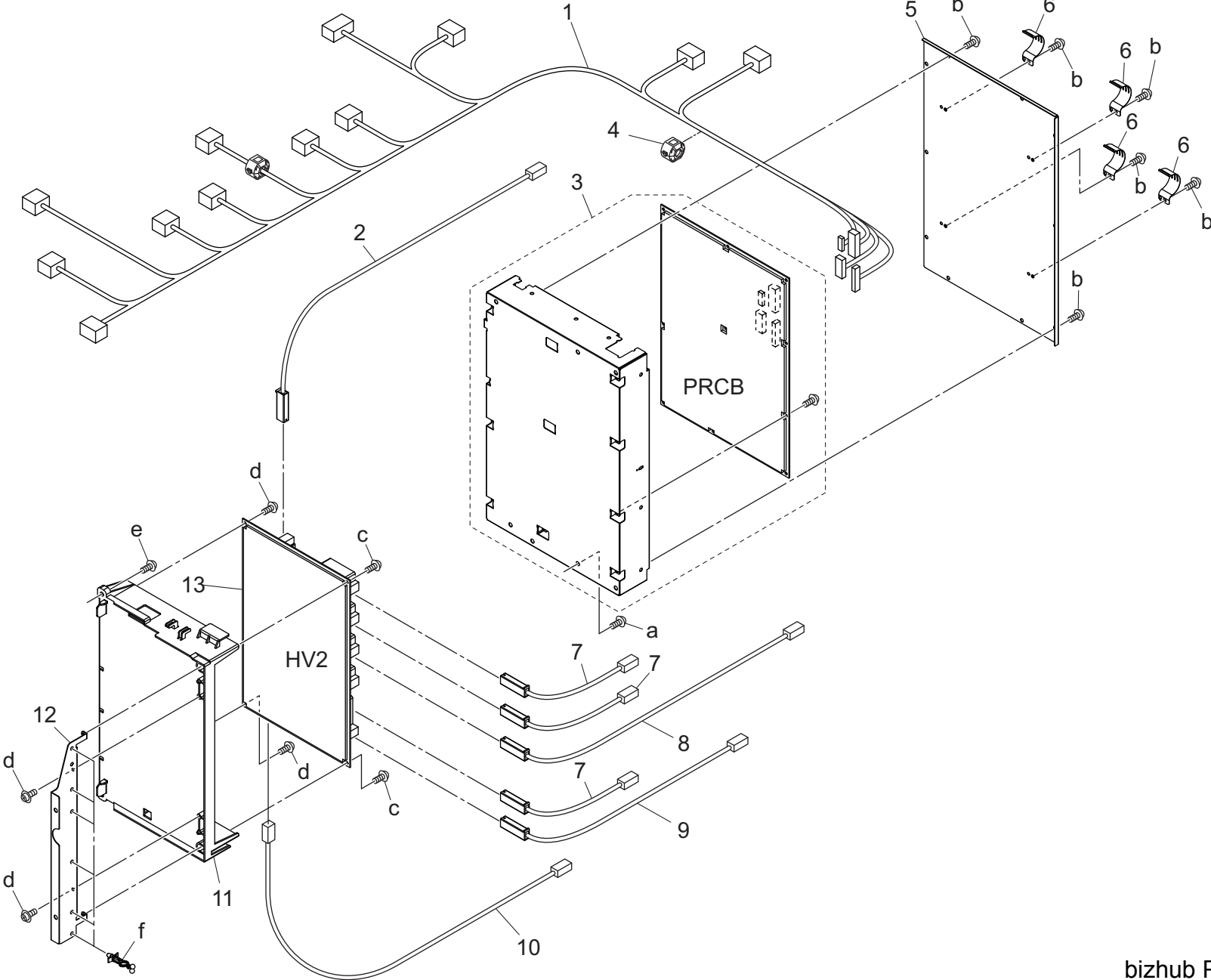
ELECTRICAL COMPONENTS

Key	Part No.	Description	Destinations	Class	QTY	Standard parts
1	65AA 7309 0D	Earth Plate /1		D	2	a-V151 0308 03 b-V121 0306 03 c-V140 0408 03
2	65AA 7304 0D	High voltage Casing /1		D	1	
3	65AA 9019 0	HIGH VOLTAGE WIRE C		D	4	
4	A1DU M403 01	HV Power source /1		I	1	
5	65AA 9021 0	HIGH VOLTAGE WIRE D		D	4	
6	65AA 9020 0	HIGH VOLTAGE WIRE G		D	4	

bizhub PRESS C70hc

ELECTRICAL COMPONENTS

P 110

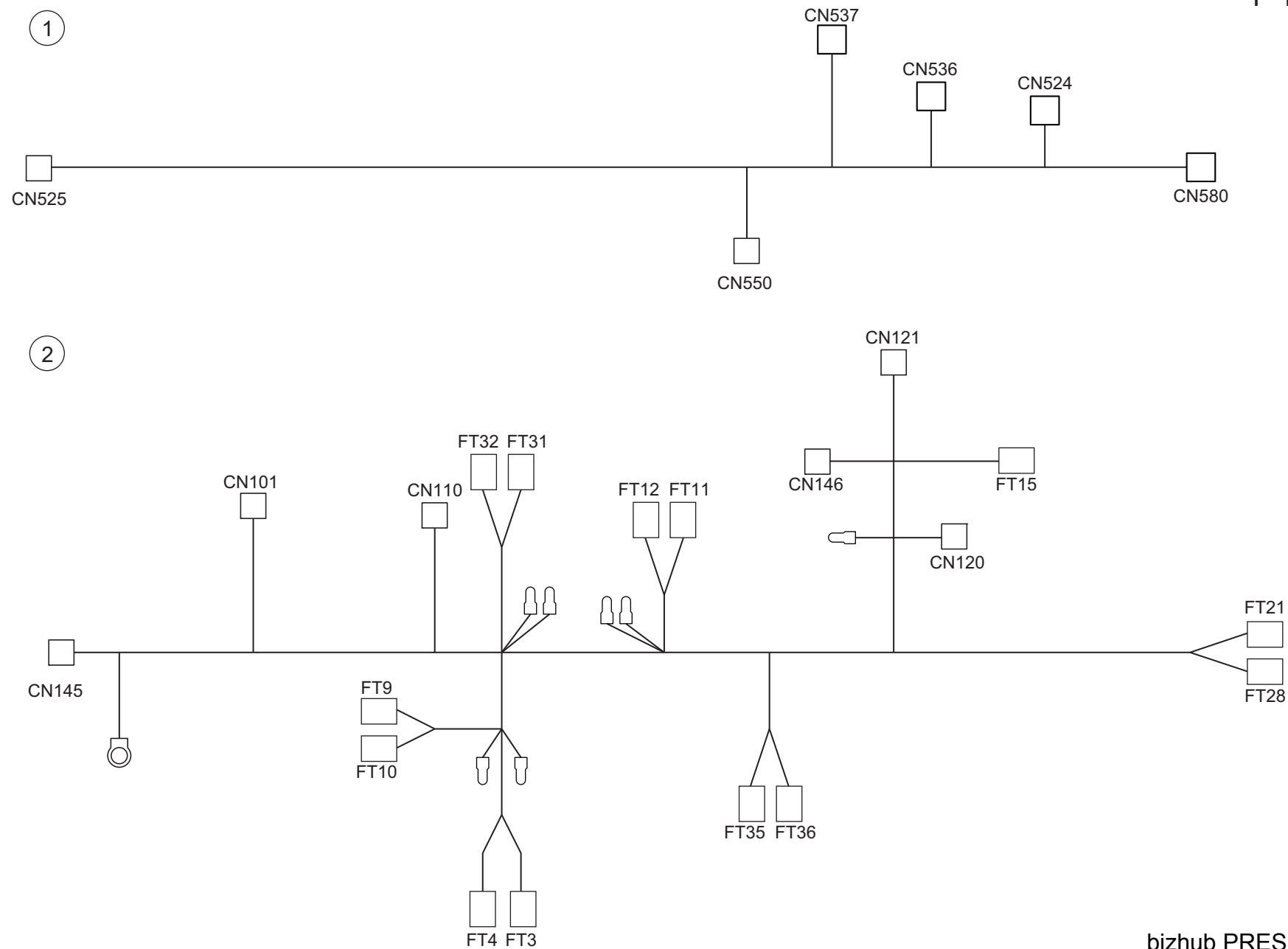


ELECTRICAL COMPONENTS

Key	Part No.	Description	Destinations	Class	QTY	Standard parts
1	A1DU N130 02	Scanner Control harness		D	1	a-V121 0406 03 b-V121 0304 03 c-V121 0306 03 d-V151 0308 03 e-V140 0408 03 f-V500 0200 53
2	65AA 9088 0	HIGH VOLTAGE RELAY WIRE Y		D	1	
3	A1DU R704 00	Printer Control Unit		I	1	
4	57AF 8873 0	FERRITE CORE 3		D	1	
5	65AA 7314 0D	Base plate Sealing Cover /2		D	1	
6	56AA 7356 0	EARTH PLATE UPPER		C	4	
7	65AA 9026 0	HV WIRE 2		D	3	
8	65AA 9102 0	HIGH VOLTAGE WIRE K		D	1	
9	A1DU N187 00	Bias Wire		D	1	
10	A1DU N190 00	Separating Wire /2		D	1	
11	65AA 7305 0D	High voltage Casing /2		D	1	
12	65AA 7310 0E	Earth Plate /2		D	1	
13	A1DU M404 01	HV Power source /2		I	1	

WIRING

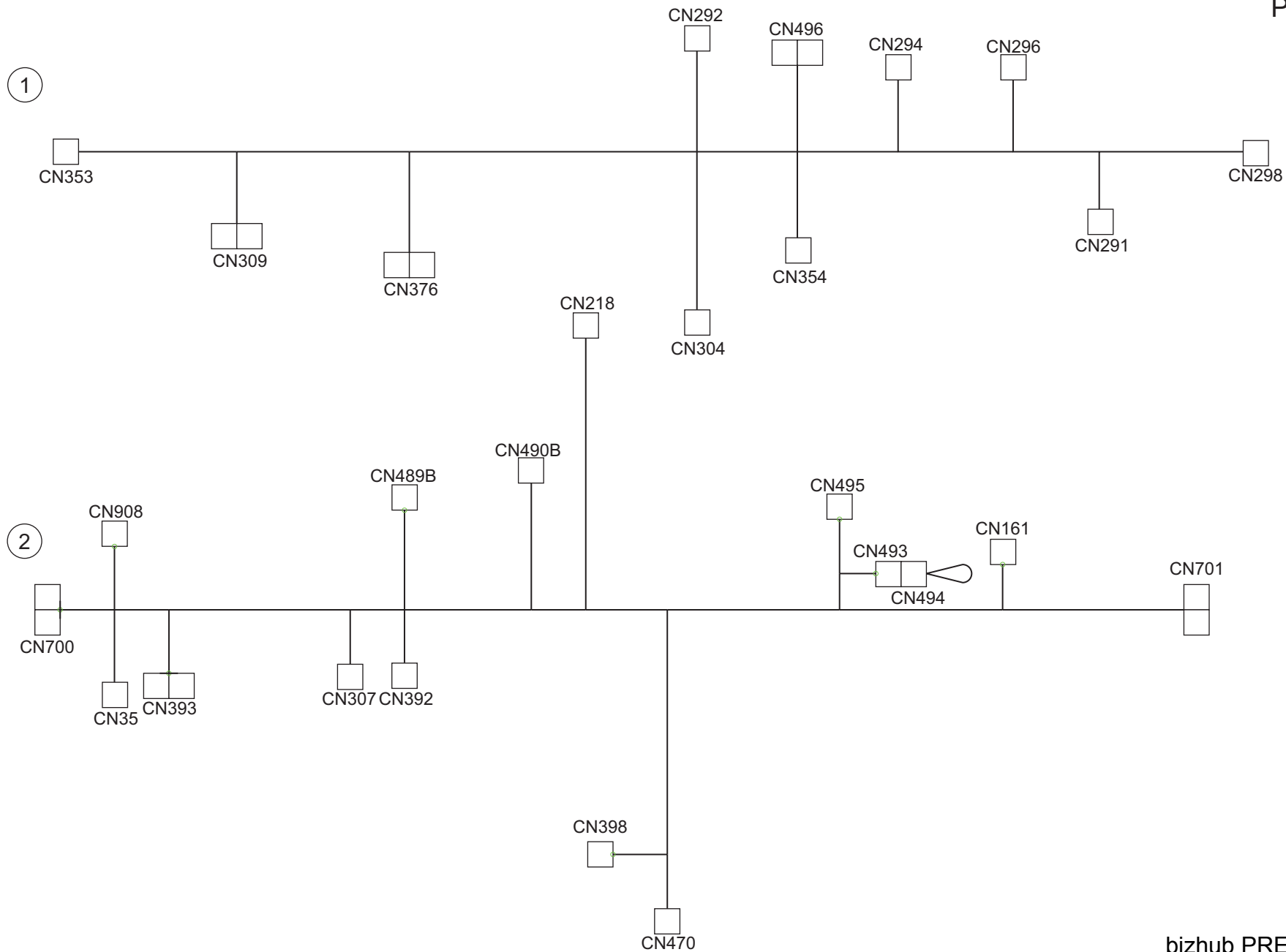
P 111



Key	Part No.	Description	Destinations	Class	QTY	Standard parts
1	A1DU N176 01	Conveyance Drive harness /3		D	1	
2	A1DU N101 02	AC Power source harness /1		D	1	

WIRING

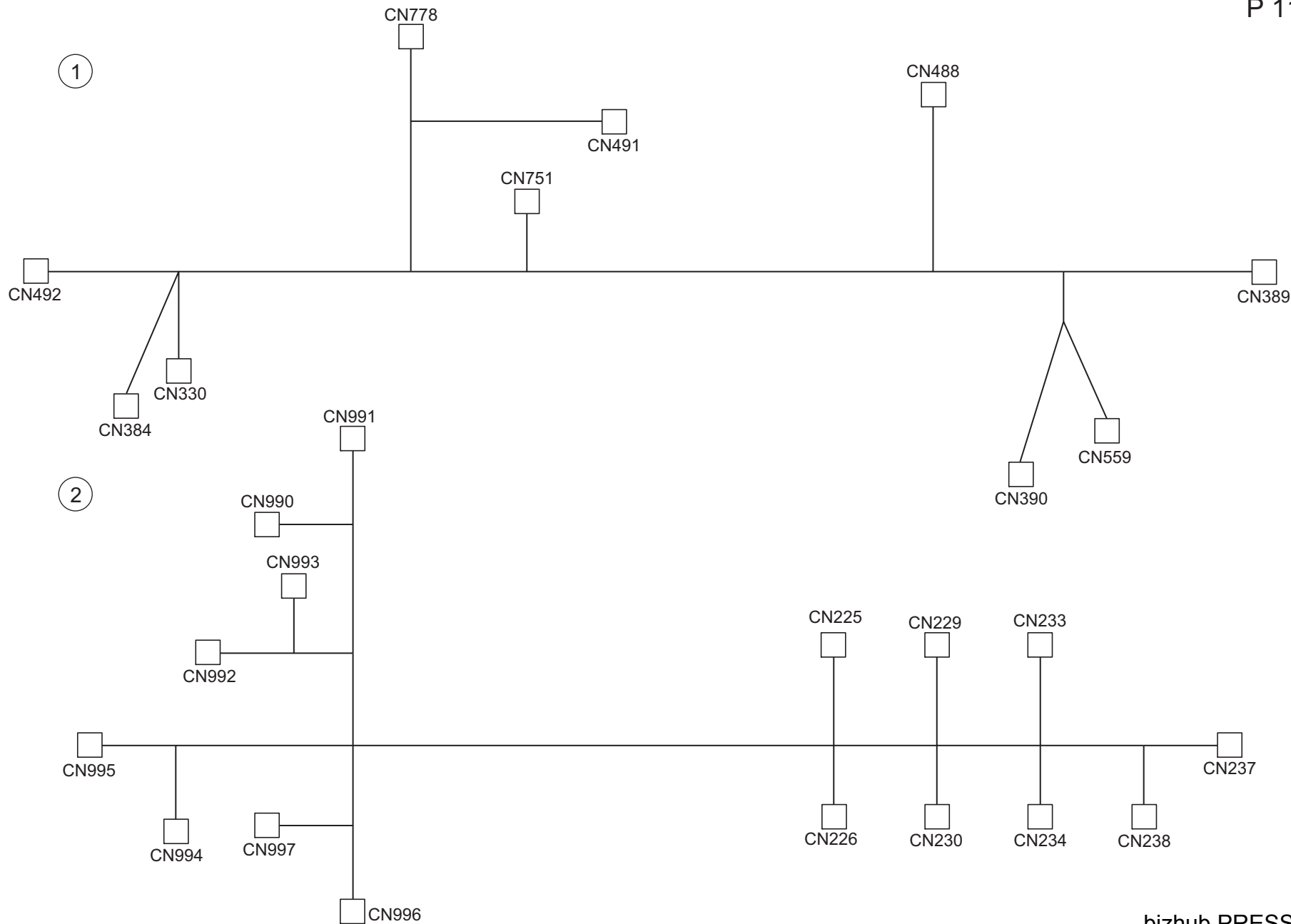
P 112



Key	Part No.	Description	Destinations	Class	QTY	Standard parts
1	A1DU N113 00	Main body Wiring /5		D	1	
2	A1DU N139 00	Toner Relay harness /1		D	1	

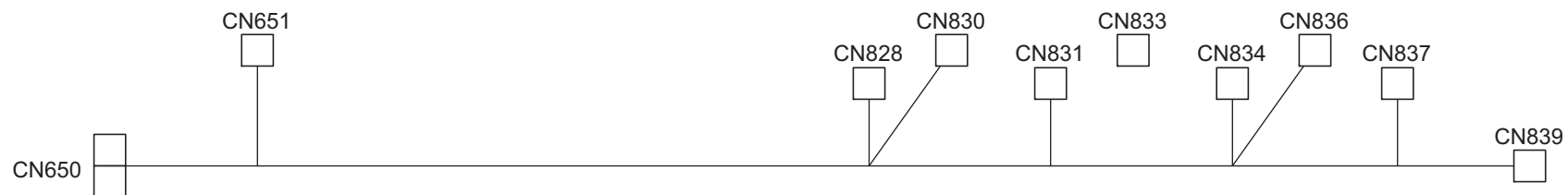
WIRING

P 113



Key	Part No.	Description	Destinations	Class	QTY	Standard parts
1	A1DU N195 02	MAIN BODY WIRING /2		D	1	
2	A1DU N276 00	LD Relay harness		D	1	

①



WIRING

Key	Part No.	Description	Destinations	Class	QTY	Standard parts
1	A1DU N227 00	Main body Wiring /4		D	1	

WIRING ACCESSORIES

P 115

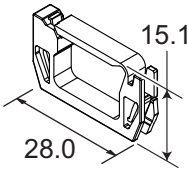
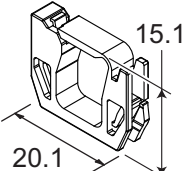
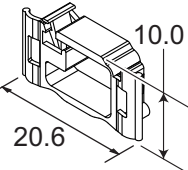
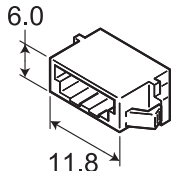
1 	6 	11 	16 	21 	26 	31 	36
2 	7 	12 	17 	22 	27 	32 	37
3 	8 	13 	18 	23 	28 	33 	38
4 	9 	14 	19 	24 	29 	34 	39
5 	10 	15 	20 	25 	30 	35 	40

bizhub PRESS C70hc

Key	Part No.	Description	Destinations	Class	QTY	Standard parts
1	V500 0100 03	Saddle		D		
2	V500 0100 05	saddle		D		
3	V500 0100 07	saddle		D		
4	V500 0100 08	saddle		D		
5	V500 0100 15	saddle		D		
6	V500 0100 20	Saddle		D		
7	V500 0100 21	saddle		D		
8	V500 0100 29	saddle		D		
9	V500 0100 30	saddle		D		
10	V500 0100 32	clamp		D		
11	V500 0100 34	saddle		D		
12	V500 0100 46	saddle		D		
13	V500 0100 51	saddle		D		
14	V500 0100 57	Locking Wire Saddle		D		
15	V500 0100 72	Locking Wire Saddle		V		
16	V500 0100 75	Locking Wire Saddle		V		
17	V500 0200 01	clamp		D		
18	V500 0200 23	clamp		D		
19	V500 0200 33	clamp		D		
20	V500 0200 35	clamp		D		
21	V500 0200 50	cord keep		D		
22	V500 0200 53	lock		D		
23	V500 0200 54	clamp		D		
24	V651 0100 05	CONNECTOR		D		
25	V500 0200 85	Harness Lifter		V		
26	V501 0100 02	band		D		
27	V501 0100 06	band		D		
28	V501 0100 09	band		D		
29	V501 0100 10	binder		D		
30	V501 0100 18	BAND		D		
31	V501 0100 20	SK Binder		V		
32	V570 0100 21	Saddle		D		
33	V570 0100 23	saddle		D		
34	V570 0100 38	bushing		D		
35	V570 0100 39	bushing		D		
36	V570 0100 40	bushing		D		
37	V570 0100 47	SQUARE CLAMP		D		
38	V570 0100 50	Locking Edge Saddle		D		
39	V570 0100 57	Wing Edge Saddle		D		
40	V570 0100 58	Wing Edge Saddle		V		

WIRING ACCESSORIES

P 116

1 	6	11	16	21	26	31	36
2 	7	12	17	22	27	32	37
3 	8	13	18	23	28	33	38
4 	9	14	19	24	29	34	39
5	10	15	20	25	30	35	40

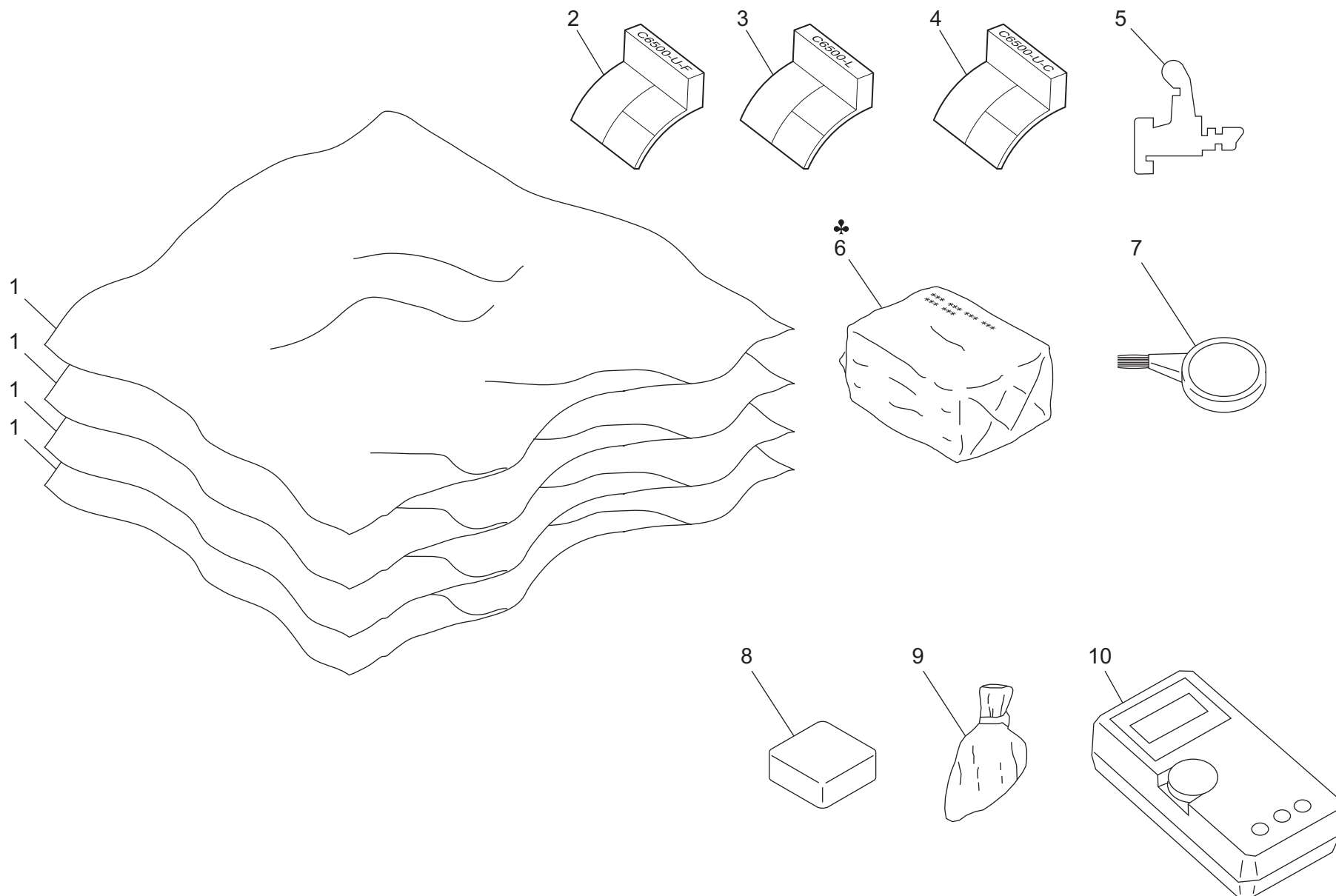
bizhub PRESS C70hc

WIRING ACCESSORIES

Key	Part No.	Description	Destinations	Class	QTY	Standard parts
1	V570 0100 59	Wing Edge Saddle		D		
2	V570 0100 60	Wing Edge Saddle		D		
3	V570 0100 63	Locking Edge Saddle		V		
4	V651 0100 03	CONNECTOR		D		

JIG AND MATERIAL

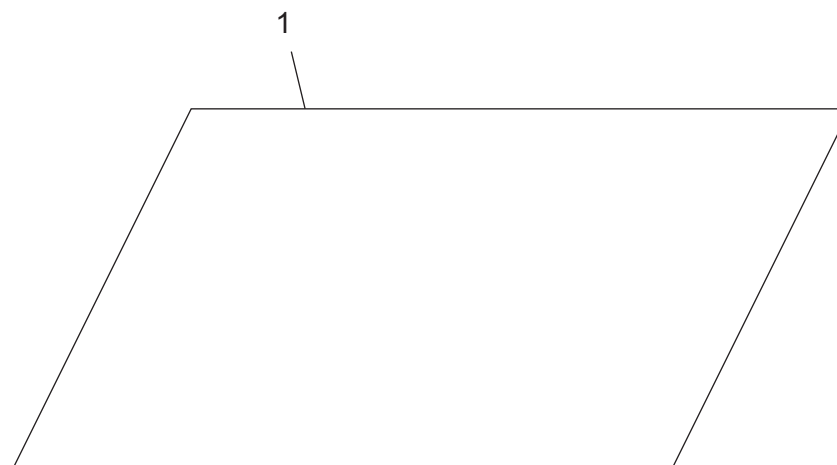
P 117



bizhub PRESS C70hc

JIG AND MATERIAL

Key	Part No.	Description	Destinations	Class	QTY	Standard parts
1	00VC -2-0 0	DRUM COVER		C	4	
2	A03U PJG2 00	ADJUSTING JIG /B		S	1	
3	A03U PJG3 00	ADJUSTING JIG /C		S	1	
4	A03U PJG1 00	ADJUSTING JIG /A		S	1	
5	00M6 -2-0 0	DOOR SWITCH JIG 2/1SET		S	1	
6	000V -18- 1	CLEANING PAD	C,D1,D3,E,F2,G1,I	A	1	
6	000V -18- 2	CLEANING PAD	A	A	1	
7	00VD -100 0	BLOWER BRUSH		B	1	
8	65AA -992 0	HYDROWIPE		D	1	
9	000V -19- 0	SETTING POWDER		A	1	
10	56UA PJG0 00	Tester		S	1	

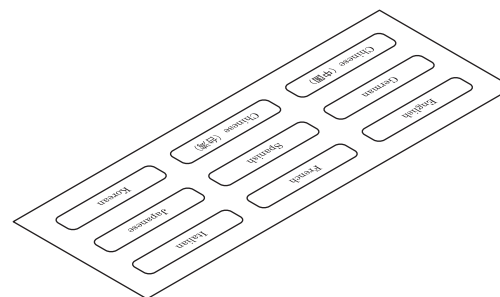
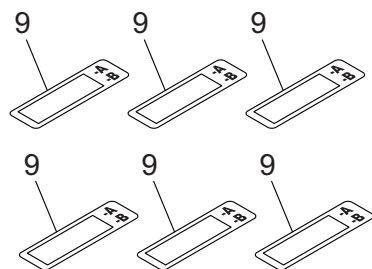
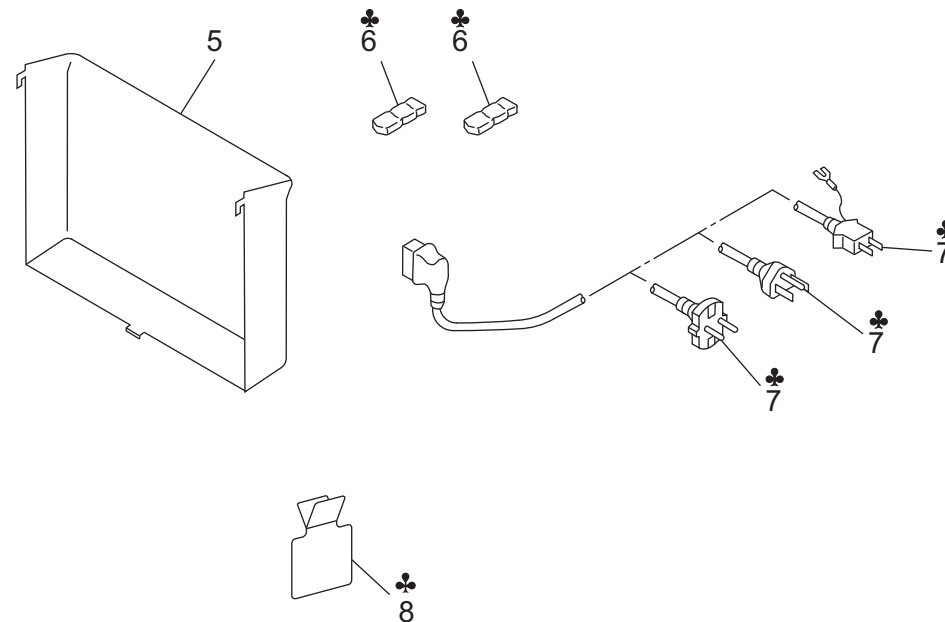
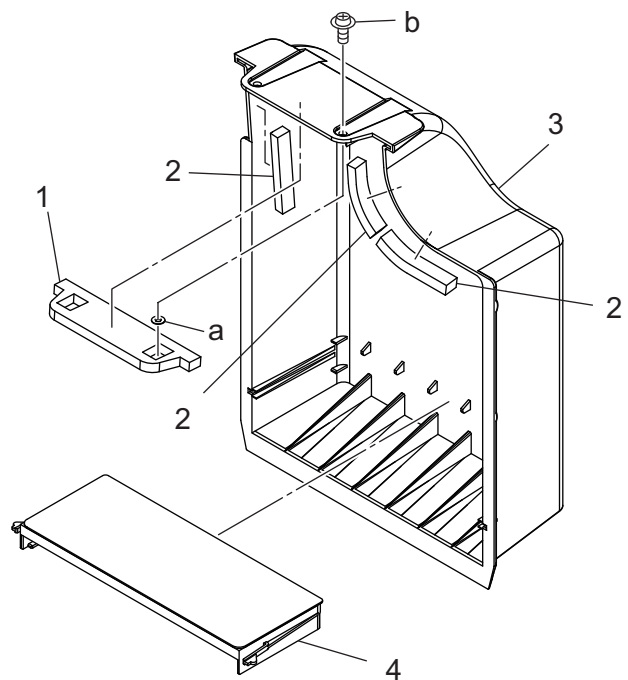


Key	Part No.	Description	Destinations	Class	QTY	Standard parts
1	65AA 9950 0	AJUST PAPER FOR FIXING UNIT(16SHEETS)		S	1	



ACCESSORY PARTS

P 119



ACCESSORY PARTS

Key	Part No.	Description	Destinations	Class	QTY	Standard parts
1	65AA 1272 0	REAR COVER SEAL 1		C	1	a-V211 0400 80 b-V114 0414 04
2	65AA 1273 0	REAR COVER SEAL 2		C	3	
3	A03U 1645 00	Rear Cover /2		C	1	
4	A1DU R707 00	Dust Proof Firter /2 Assy		A	1	
5	56UA 1277 0	ACCESSARIES HOLDING PANEL		C	1	
6	V590 0400 02	Terminal Cap		D	2	
7	4040 0780 01	POWER CORD	A	C	2	
7	9381 4101 31	POWER CORD	B,G2	C	1	
7	9J06 N300 00	POWER CODE /230V	C,D1,D3,E,F2,G1,I	D	1	
8	56AA 9714 0	CORD LABEL	B,G2	D	1	
9	A1RF 9455 01	Replacement Label /5		D	6	

MAINTENANCE LIST

● The items with no Page/Key numbers are not handled as spare parts.

No.	Section	PM Parts Description	Maintenance Cycle (K=1,000)		Parts No.	Destinations	Page/Key	Note
			QTY	Replace				
1	External section	Filter box	1	600K	A1DUR70300		P102-25	
2		Dust proof filter on rear side	1	600K	A1DUR70700		P119-4	
3		Developing dust proof filter	1	600K	A1DUR70900		P1-1	
4	Photo conductor section	Drum cartridge /Y	1					
5		Drum cartridge /M	1					
6		Drum cartridge /C	1					
7		Drum cartridge /K	1					
8		Charging corona /Y	1	200K	A1DUR71300		P11-1	
9		Charging corona /M	1	200K	A1DUR71300		P11-1	
10		Charging corona /C	1	200K	A1DUR71300		P11-1	
11		Charging corona /K	1	200K	A1DUR71300		P11-1	
12		Charging dust proof filter	1	600K	A1DUR71100		P20-12	
13	Intermediate transfer section	Transfer belt cleaning blade	1	350K	A03U553000		P31-6	
14		1st transfer roller /Y	1	350K	A03U501200		P32-27	
15		1st transfer roller /M	1	350K	A03U501200		P32-27	
16		1st transfer roller /C	1	350K	A03U501200		P32-27	
17		1st transfer roller /K	1	350K	A03U500400		P30-19	
18		2nd transfer roller /Up	1	350K	65AA26111		P30-22	
19		2nd transfer roller /Lw	1	350K	65AA45011		P46-4	
20		Intermediate transfer belt	1	350K	A03U504200		P30-24	
21		Toner collection sheet	1	350K	A1DUR71C00		P31-17	
22		Separation discharging plate assy	1	350K	A1DUR73800		P46-2	
23		Transfer belt cleaning unit	1	700K	A1DUR71B00		P31-1	
24		Transfer Belt Separation Claw	3	700K	A1DUR71900		P30-30	
25		2nd transfer earth plate assy	1	1,050K	A1DUR73700		P46-25	
26		Belt separation claw solenoid	1	1,400K	26NA82513		P44-14	
27	Transfer Roller Bearing	8	3,000K	65AA26380		P30-16/P32-23		
28	Developing section	Developer /Y	1		-			
29		Developer /M	1		-			
30		Developer /C	1		-			
31		Developer /K	1		-			
32		Developing unit /Y	1	1,020K	A1DUR70X44		P16-21	
33		Developing unit /M	1	1,020K	A1DUR70X44		P17-21	
34		Developing unit /C	1	1,020K	A1DUR74K22		P18-21	
35	Developing unit /K	1	1,020K	A1DUR72S11		P19-21		
36	Toner collection section	Toner collect box	1	50K	A03UR70200		P28-26	
37	Paper feed section	Paper feed roller rubber /1	1	125K	25SA40960		P50-4	
38		Paper feed roller rubber /2	1	125K	25SA40960		P53-4	
39		Paper feed roller rubber /3	1	125K	25SA40960		P56-4	
40		Separation roller rubber /1	1	125K	25SA40960		P48-22	
41		Separation roller rubber /2	1	125K	25SA40960		P51-22	
42		Separation roller rubber /3	1	125K	25SA40960		P54-22	
43		Pick-up roller /1	1	125K	A1DUR71J00		P50-2	
44		Pick-up roller /2	1	125K	A1DUR71J00		P53-2	
45		Pick-up roller /3	1	125K	A1DUR71J00		P56-2	
46		Paper feed clutch /1	1	2,000K	56AA82012		P50-17	
47		Paper feed clutch /2	1	2,000K	56AA82012		P53-17	
48		Paper feed clutch /3	1	2,000K	56AA82012		P56-17	
49		Pre-registration clutch /1	1	2,000K	56AA82012		P49-11	
50		Pre-registration clutch /2	1	2,000K	56AA82012		P52-11	
51		Pre-registration clutch /3	1	2,000K	56AA82012		P55-11	
52	Vertical conveyance section	Intermediate conveyance clutch /1	1	2,000K	56AA82012		P69-9	

No.	Section	PM Parts Description	Maintenance Cycle (K=1,000)		Parts No.	Destinations	Page/Key	Note
			QTY	Replace				
53	Registration section	Registration cleaning sheet assy	1	600K	A1DUR73B00		P67-11	
54		Registration roller	1	1,400K	A1DUR73A00		P67-18	
55	Duplex section	Intermediate conveyance clutch /2	1	2,000K	56AA82012		P72-9	
56		Intermediate conveyance clutch /3	1	2,000K	56AA82012		P72-9	
57	Reverse/exit section	Reverse de-curler roller	1	400K	A03U860500		P84-22	
58		Paper exit de-curler roller	1	1,000K	A03U892600		P80-5	
59	Fusing section	Fusing drive gear /O	1	450K	A03U809500		P41-32	
60		Fusing paper exit roller /Up	2	450K	A03U722500		P38-12	
61		Fusing Belt	1	450K	A03U720501		P41-12	
62		Fusing roller /Lw	1	450K	A03U720300		P40-12	
63		Heat insulating sleeve /Lw	2	450K	A03U722700		P40-10	
64		Fusing bearing /Lw	2	450K	26NA53712		P40-11	
65		Fusing limiter	1	600K	65AA53651		P36-16	
66		Fusing regulating gear /A	1	600K	65AA77470		P36-18	
67		Fusing drive gear /B	1	900K	A03U808201		P39-1	
68		Fusing roller /1	1	900K	A03U720100		P41-11	
69		Fusing roller /2	1	900K	A03U720201		P41-9	
70		Fusing bearing /Up	2	900K	A1UD723500		P41-5	
71		Fusing bearing /2	2	900K	56UA75070		P41-17	
72		Belt regulating sleeve	2	900K	A03U725000		P41-10	
73		Heat insulating sleeve /Up	2	900K	A03U729500		P41-4	
74		Fusing drive gear /M	1	900K	A03U809311		P36-20	
75		Fusing duct assy	1	1,800K	A1DUR72100		P34-12	
76		Fusing lamp assy /Up	1	2,400K	A1DUM31A00	A	P41-34	
77		Fusing lamp assy /Up	1	2,400K	A1DUM31E00	B,G2	P41-34	
78		Fusing lamp assy /Up	1	2,400K	A1DUM31F00	C	P41-34	
79		Fusing heater lamp /4	1	2,700K	A03UM32A00	A	P40-16	
80		Fusing heater lamp /4	1	2,700K	A03UM32E00	B,G2	P40-16	
81		Fusing heater lamp /4	1	2,700K	A03UM32F00	C	P40-16	
82		Fusing temperature sensor assy /Up (edge)	1	2,400K	A1DUR72000		P41-23	
83		Fusing temperature sensor assy /Lw (edge)	1	2,400K	A1DUR71W00		P39-23	
84	Duplex section	ADU conveyance clutch /1	1	3,600K	A03UM20100		P72-12	Spotted replacement parts
85		ADU transport clutch /2	1	3,600K	A03UM20100		P72-12	Spotted replacement parts
86		ADU transport clutch /3	1	3,600K	A03UM20100		P72-12	Spotted replacement parts
87		ADU pre-registration clutch	1	3,600K	A03UM20100		P72-12	Spotted replacement parts

DESTINATION

Destination No.		Destinations		V	Hz	Model No.
A	A1	JAPAN		200	50	A205001
	A2	JAPAN		200	60	A205001
B		USA, CANADA		208-240	60	A205011
C		EUROPEAN TYPE		220-240	50/60	A205021
D	D1	S.E ASIA TYPE	THAILAND, SRI LANKA, SINGAPORE, MALAYSIA, HONG KONG, PAKISTAN, INDIA, BANGLADESH, INDONESIA	220-240	50/60	A205041
	D3	OCEANIA TYPE	AUSTRALIA, NEW ZEALAND	220-240	50/60	A205051
E		PHILIPPINES		220-240	50/60	A205041
F	F1	SAUDI ARABIA				
	F2	SAUDI ARABIA		220-240	50/60	A205041
G	G1	C.S AMERICA		220-240	50/60	A205041
	G2	C.S AMERICA				
H		TAIWAN				
I		JORDAN, LEBANON, SYRIA, SOUTH AFRICA, IRAQ, IRAN, N.YEMEN, CAMEROON, UAE, BAHRAIN, OMAN, QATAR, KUWAIT, KENYA, TUNISIA, IVORY COAST, MOROCCO		220-240	50/60	A205041
J		CHINA				
K		KOREA				

bizhub PRESS C70hc