

KONICA MINOLTA

# *PARTS GUIDE MANUAL*

---

*JULY 2019*

# *AccurioLabel 190/bizhub PRESS*

## *C71cf*

## *A7X5*

## INFORMATION FOR PARTS GUIDE MANUAL

To find correct Parts No., refer to the "HOW TO MAKE THE BEST USE OF THIS MANUAL" in the following page.

### HOW TO MAKE THE BEST USE OF THIS MANUAL

- 1 When you order, please check the proper figures beforehand that are on Our Parts Guide Manual, and order with the appropriate figures.
- 2 For screws, Nuts, Washers, retaining rings and Pins which are used in this model, one letter is shown on the Standard parts column of Parts list and exploded diagrams.
- 3 In order to maintain safety of the product, some specific parts composed of this product are set up as "essential safety parts".
- 4 The assigned parts number for the "essential safety parts" is indicated as "SP00-\*\*\*\*".  
When replacing these parts, follow precautions for disassembling and installing which are listed in the Service Manual.  
Do not use any parts that are not set up as
- 5 ♣ means that there are exclusive parts for each destination.  
Please check the appropriate destination when you order.
- 6 All rights reserved. (any reprints or quotations are prohibited.)  
Use of this parts guide manual should be strictly supervised to avoid disclosure of confidential information.

## パーツガイドマニュアルのご案内

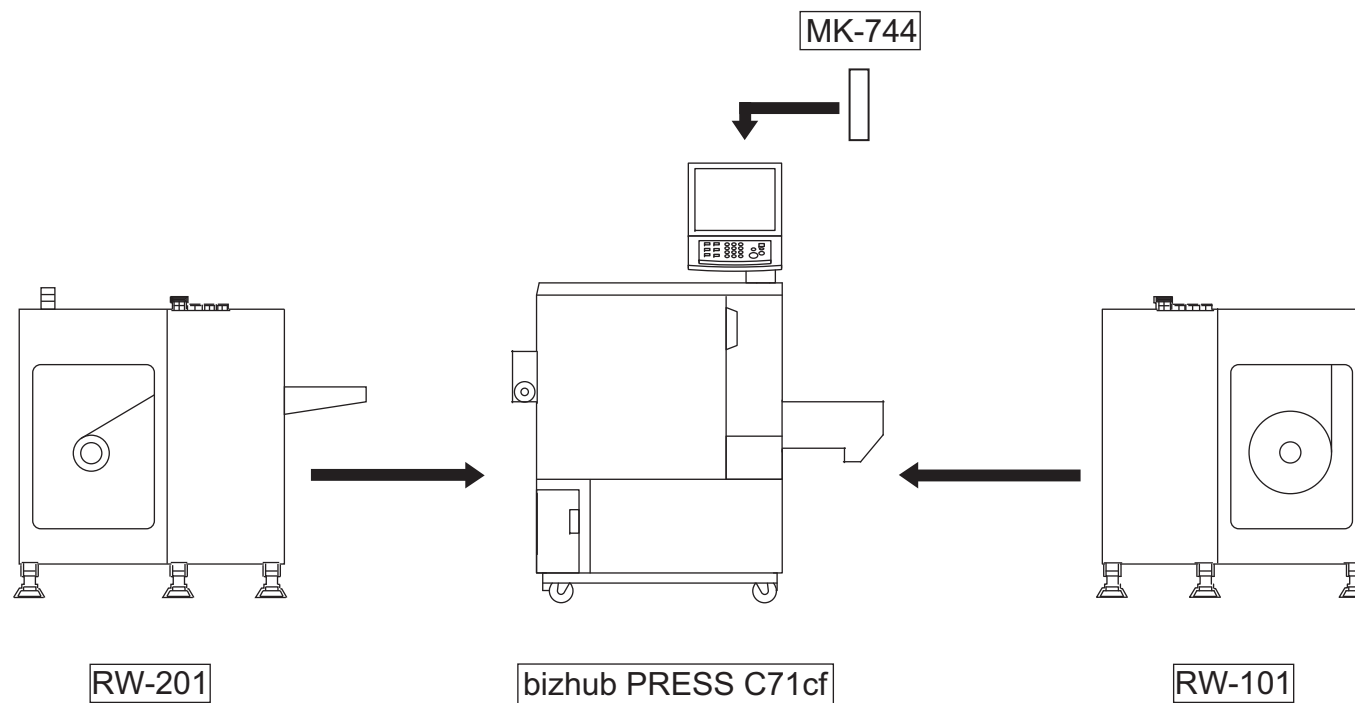
サービス部品をご発注の際には、下記に示す“パーツガイドマニュアルの活用にあたって”をご参照の上、正しい部品番号にてお願い致します。

### パーツガイドマニュアルの活用にあたって

- 1 部品発注の際には、掲載されている部品番号の桁数を確認し、掲載されている桁数で発注願います。
- 2 この製品に使用されているネジ、ナット、ワッシャー、止め輪、ピンなどは、リストの右側の Standard parts 欄に a,b,c,…… で表示し、イラストにも a,b,c,…… 表示してあります。
- 3 製品の安全性を維持する為に、製品に使用される特定の部品を「重要保安部品」として設定しています。
- 4 重要保安部品の部品番号は、“SP00-\*\*\*\*”と記載されていますので、部品交換時は、サービスマニュアル記載の分解・組み立ての注意事項に従って作業をして下さい。  
また、指定以外の部品は一切使用しないで下さい。
- 5 本文に ♣ が表示されている部品は、仕向け地毎に専用部品がある事を意味しています。  
オーダーされる時は、仕向け地を確認して下さい。
- 6 著作権所有（無断転載及び無断引用の禁止）  
本パーツガイドマニュアルについては、機密保持等その扱いには十分注意して下さい。万一取り扱いを誤った場合には、法律で処罰される場合があります。

11/13/2015

# System Configuration



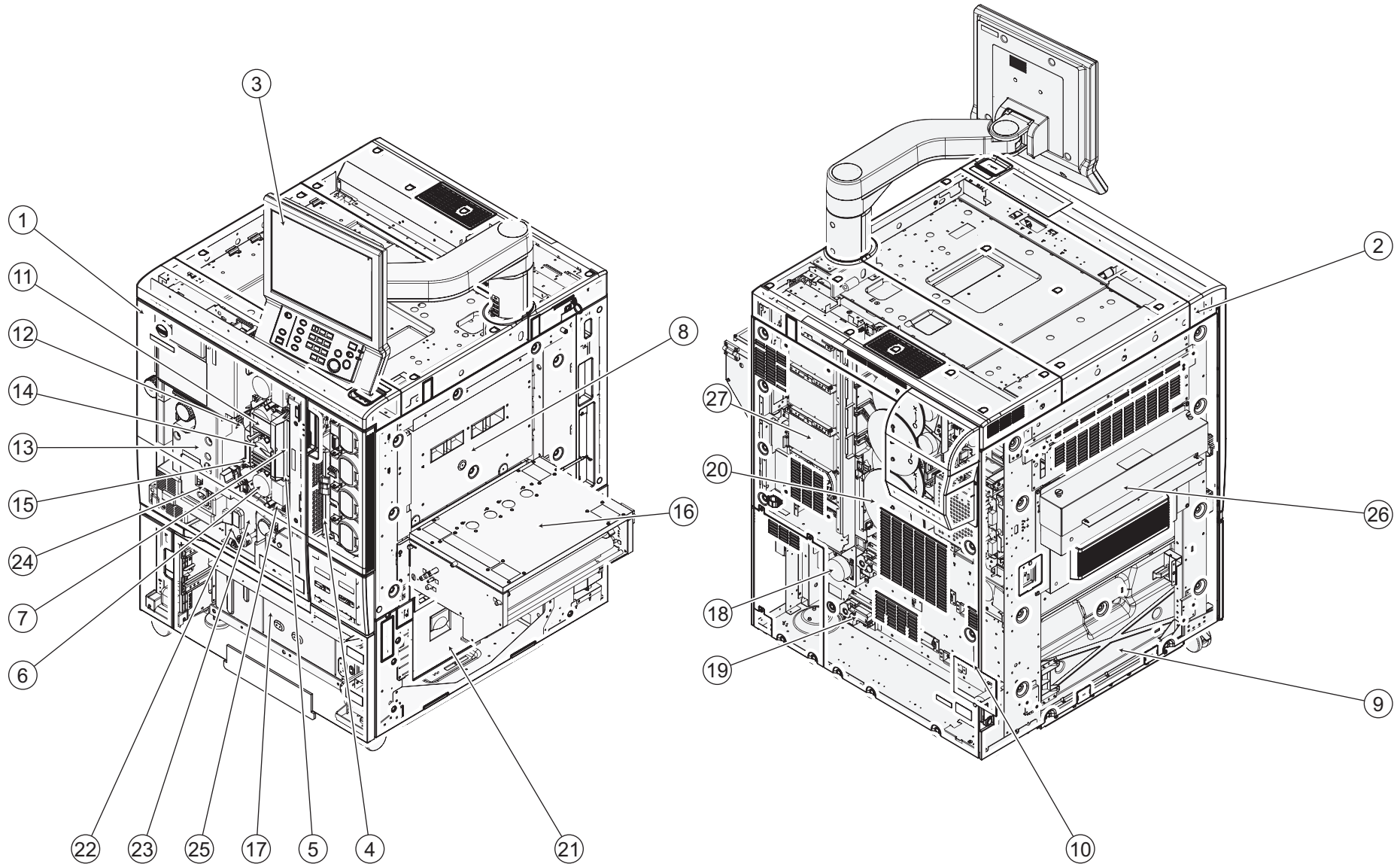
AccurioLabel 190/bizhub PRESS C71cf

# GENERAL CONTENTS

<b>No.</b>	<b>Description</b>	<b>Model</b>
1	Digital MFP Color	AccurioLabel 190/bizhub PRESS C71cf
2	Roll feeding device/Roll winding device	RW-101
3	Roll feeding device/Roll winding device	RW-201
4	Mount Kit	MK-744

AccurioLabel 190/bizhub PRESS C71cf

# Section Configuration



AccurioLabel 190/bizhub PRESS C71cf

# CONTENTS

No.	DESCRIPTION	名称	PAGE No.
1	External Parts	外装	P1 P2 P3 P4
2	Main Frame	骨格	P5 P6 P7 P8 P9 P10 P11 P12 P13
3	Operation Panel Section	操作部	P14 P15 P16
4	Write Section	書き込み部	P17
5	Charging Section	帯電部	P18
6	Photo Conductor Section	感光体部	P19
7	Developing Section	現像部	P20 P21 P22 P23
8	Toner Supply Section	トナー補給部	P24 P25 P26 P27 P28
9	Toner Collection Section	トナー回収部	P29 P30
10	Toner Collection Driving Section	トナー回収駆動部	P31
11	Intermediate Transfer Section	中間転写部	P32 P33 P34 P35 P36 P37
12	Image Correction Section	画像補正部	P38
13	Fusing Section	定着部	P39 P40 P41 P42 P43 P44 P45 P46 P47
14	Process Carriage	プロセス架台	P48 P49 P50 P51 P52 P53 P54
15	Secondary Transfer Section	2次転写部	P55
16	Paper Introduce Section	用紙導入部	P56 P57 P58
17	Tray	トレイ	P59
18	Paper Feed Driving Section	給紙駆動部	P60
19	Tray Driving Section	トレイ駆動部	P61
20	Drum Driving Section	ドラム駆動部	P62 P63 P64 P65
21	Vertical Conveyance Section	垂直搬送部	P66 P67
22	Conveyance Carriage	搬送架台	P68
23	Conveyance Section	搬送部	P69 P70 P71 P72 P73 P74 P75 P76 P77
24	Conveyance Swing Section	搬送揺動部	P78 P79
25	Pre-transfer Conveyance Section	転写前搬送部	P80
26	Paper Exit Section	排紙部	P81 P82 P83
27	Rear Electrical Section	背面電気部	P84 P85 P86 P87 P88 P89
28	Wiring	束線	P90 P91 P92 P93
29	Jigs	治具・サービス資材	P94
30	Accessory Parts	同梱部品	P95 P96

# INDEX

Parts No.	Page No.
00GR00020	94-11
00GR00260	94-10
00VC-2-00	94-7
00VD-1000	94-8
048645260	56-1
07BA12352	25-1
07BA12352	40-1
07BA15871	33-3
07BA15871	35-1
08AA45230	37-8
08AA85512	33-13
08AA85512	72-31
08AA85512	75-2
08AA85512	77-18
1154467001	74-21
12EJ41370	80-1
12QR86011	24-11
12QV40650	34-1
12QV40650	60-2
12QV40650	62-11
12QV40650	63-11
12QV40650	64-11
12QV40650	65-5
12QV40650	69-1
12QV40650	71-39
13NG45200	9-5
13QA40610	31-2
13QA40610	48-5
13QA40610	81-1
13QA40610	82-1
13QA40610	83-1
13QA85511	80-2
13QA85511	82-2
13RN73120	89-12
15AJ50460	83-2
20AL48470G	39-2
20ER73110E	88-19
20ER73120	88-18
25AA10091F	12-16
25AA47500	71-29

Parts No.	Page No.
25AA50080	74-7
25AA77730	67-22
25BA77171	27-1
26NA17580	29-3
26NA32660	28-1
26NA32870	25-13
26NA42560	66-4
26NA53712	42-20
26NA53712	45-31
26NA82513	7-7
26TA32970	25-3
26TA32990	25-4
304078070	43-5
4004457301	30-13
4038254001	31-3
4038351102	7-12
40AA30270	2-1
40AA32320	7-8
40AA32320	27-13
40AA32320	29-6
40AA32320	31-17
40AA32320	35-2
40AA32320	37-9
40AA32320	49-3
40AA32320	57-36
40AA32320	58-31
40AA32320	60-3
40AA32320	80-3
40AA77550	69-2
40AA85011	24-3
40LA73840	89-15
4109553001	81-2
4131253701	75-9
4131253701	76-11
4131353202	69-3
4139M10000	79-4
4470402401	8-20
4470402401	24-4
4470402401	30-3
4470402401	33-14

Parts No.	Page No.
4470402401	40-3
4470402401	42-13
4470402401	50-9
4470402401	62-6
4470402401	63-6
4470402401	64-6
4470402401	67-14
4470402401	69-23
4470402401	72-32
4470402401	73-5
4470402401	75-18
4470402401	77-19
4470402401	78-2
462076010	71-1
466076020	27-2
466076020	31-4
50GA250100	29-4
55GA77050	31-5
55TA84561E	84-2
55VA15541	70-25
55VA20520	44-12
55VA20680	67-1
55VA32480	88-1
55VA42120	34-2
55VA42120	67-2
55VA42120	71-2
55VA42120	81-3
55VA47840	30-4
55VA48500	45-14
55VA90840	2-2
55VA90840	56-2
55WA10300	10-21
55WA10300	13-5
55WA10310	10-7
56AA10300	8-7
56AA10300	9-11
56AA12140	24-6
56AA12150	24-7
56AA12160	24-8
56AA12241	2-19

Parts No.	Page No.
56AA12270	30-11
56AA17090	70-26
56AA17321	34-29
56AA17321	72-10
56AA17321	75-10
56AA17321	76-6
56AA17321	77-20
56AA17461	39-5
56AA17461	69-4
56AA17461	71-30
56AA17461	72-1
56AA17461	73-7
56AA17471	71-3
56AA17480	39-20
56AA17480	40-19
56AA17480	70-1
56AA17480	72-11
56AA17490	62-12
56AA17490	63-12
56AA17490	64-12
56AA17490	65-6
56AA17490	76-27
56AA17490	77-21
56AA17531	47-12
56AA17531	70-2
56AA17551	71-4
56AA17551	72-17
56AA17551	73-11
56AA17551	77-22
56AA17630	10-9
56AA17640	10-10
56AA20940D	37-1
56AA40490	28-2
56AA40490	37-2
56AA40490	68-13
56AA40490	69-37
56AA40490	74-1
56AA42690	39-6
56AA42690	40-20
56AA42690	68-24

Parts No.	Page No.
56AA42690	70-3
56AA42690	71-5
56AA42690	72-18
56AA42690	76-7
56AA42690	77-1
56AA50670	71-6
56AA50800	71-7
56AA73560	87-1
56AA77330	27-10
56AA77530	71-8
56AA80551	73-1
56AA82012	67-3
56AA82012	71-9
56AA97140	84-12
56GA76010	70-4
56QA80570	10-23
56QA80570	87-6
56UA12770	95-6
56UA40680	75-38
56UA46470D	75-38
56UA70330	14-21
56UA77280	31-15
56UA77710	31-6
56UA77750	81-4
56UA97321G	4-7
56UA97321G	4-7
57AA15600	9-19
57AA15600	86-3
57AA53520	83-3
65AA-9091E	65-12
65AA-9920	94-6
65AA10190	11-11
65AA10470	9-8
65AA11300	5-3
65AA11300	33-10
65AA11430	5-17
65AA15210	62-1
65AA15210	63-1
65AA15210	64-1
65AA15210	65-1

Parts No.	Page No.	Parts No.	Page No.	Parts No.	Page No.	Parts No.	Page No.	Parts No.	Page No.
65AA20060	37-10	65AAR73200	53-8	A034122300	96-1	A03U259600	64-13	A03UF19100	16-11
65AA20300	37-11	65AAR73200	54-8	A034M50000	5-4	A03U259600	65-7	A03UM15802	5-18
65AA26380	35-13	9313100072	5-8	A034M50000	33-11	A03U259900	62-14	A03UM15802	8-26
65AA26690D	35-17	9313110033	87-16	A03U118301	11-1	A03U259900	63-14	A03UM20100	71-14
65AA26840	37-12	9335140051	30-14	A03U162500	4-3	A03U259900	64-14	A03UN23200	41-5
65AA26870	34-27	9335140071	75-19	A03U168500	2-35	A03U259900	65-9	A03UN23200	44-3
65AA26900D	35-20	9J03M10000	8-25	A03U190500	16-18	A03U512300	34-7	A03X565001	71-15
65AA27090D	37-3	9J03M10000	10-22	A03U190600	16-19	A03U515100	33-12	A07TM60100	84-4
65AA27240	34-4	9J03M10000	83-4	A03U190700	16-16	A03U555400	37-4	A0E7946700	89-17
65AA27320	37-15	9J06M10000	85-3	A03U190802	16-5	A03U700202	66-5	A0EDM10500	87-15
65AA33310F	48-9	9J07500201	27-3	A03U190900	15-8	A03U723301	46-2	A0G6190101	14-1
65AA44200	67-19	A00FM20000	28-4	A03U191100	16-7	A03U724200	40-13	A0G6190200	14-12
65AA44350	67-23	A00J617800	35-3	A03U191201	16-8	A03U729500	45-22	A0G6191600	14-19
65AA44440	67-4	A00J617800	40-7	A03U191300	16-9	A03U734500	40-14	A0G6192400	14-5
65AA45230	69-5	A00J617800	49-4	A03U191400	15-11	A03U734500	42-1	A0G6192500	14-6
65AA47360	61-4	A00J617800	74-18	A03U191500	15-20	A03U734500	43-6	A0G6192700	14-3
65AA47370	61-5	A00J617800	80-4	A03U191600	15-5	A03U734500	44-15	A0G6192900	14-2
65AA47390	61-6	A00J617900	34-5	A03U191700	15-4	A03U734500	47-1	A0G6193100	14-23
65AA47710	61-7	A00J617900	68-25	A03U191800	15-3	A03U807700	78-3	A0G6193200	14-22
65AA47970	61-8	A00J617900	71-10	A03U191900	15-6	A03U808400	40-8	A0G6193400	14-24
65AA50400	9-6	A00J617900	76-8	A03U192000	15-2	A03U809500	45-15	A0G6193800	14-20
65AA509900	8-3	A00J617900	77-2	A03U192100	15-7	A03U811600	74-5	A0G6193900	14-26
65AA51510	74-8	A00J617900	81-5	A03U192200	15-12	A03U811800	74-2	A0G6194000	14-25
65AA51730	72-8	A00J617900	82-3	A03U192300	16-10	A03U812800	67-5	A0G6411200	5-9
65AA53991	46-1	A00J617900	83-5	A03U193100	16-20	A03U812800	70-7	A0G6H06000	14-9
65AA75010E	16-6	A00J660700	40-34	A03U193200	16-17	A03U812800	71-12	A0G6M75501	14-4
65AA77390	28-3	A00J945401	4-2	A03U193300	15-10	A03U812800	72-2	A0G6N18400	14-14
65AA77410	31-7	A00JM12100	26-3	A03U193400	15-19	A03U812800	77-23	A0GA190301	14-27
65AA77540	70-5	A00JM60300	84-3	A03U193500	15-21	A03U813601	74-9	A0GA195000	14-11
65AA78040	26-4	A00TM10000	79-9	A03U193600	15-16	A03U814100	74-19	A0GA205000	14-11
65AA80021	40-29	A00V240600	34-6	A03U193700	15-13	A03U814200	74-20	A0H0911900	58-1
65AA80112	72-19	A00V240600	39-7	A03U193800	15-9	A03U814300	74-14	A0P0742300	41-6
65AA88010	44-14	A00V240600	40-21	A03U193900	16-14	A03U815700	70-8	A0P0M73100	14-10
65AA91100	24-12	A00V240600	45-2	A03U194002	15-1	A03U838900	71-13	A0TK341200	40-35
65AA97440	51-1	A00V240600	49-7	A03U194102	15-18	A03U839000	70-9	A0TK341300	72-12
65AA97450	52-1	A00V240600	60-4	A03U195302	16-3	A03U843500	74-6	A0TKH00200	20-2
65AA97460	53-1	A00V240600	70-6	A03U195400	16-2	A03U845301	76-32	A0TKH00200	21-2
65AA97470	54-1	A00V240600	71-11	A03U195500	16-4	A03U849701	74-10	A0TKH00200	22-2
65AAR73200	51-8	A00V240600	78-7	A03U259600	62-13	A03U850101	66-6	A0TKH00200	23-2
65AAR73200	52-8	A02E230200	40-36	A03U259600	63-13	A03U850101	75-20	A0Y5M15101	11-12



Parts No.	Page No.	Parts No.	Page No.	Parts No.	Page No.	Parts No.	Page No.	Parts No.	Page No.
A0Y6581400	81-6	A1RF508100	36-1	A4EUH04001	14-15	A50U107600	8-30	A50U123800	5-23
A11PM10200	34-23	A1RF508200	36-9	A4EUM60000	5-1	A50U107800	8-31	A50U123900	6-11
A11PM10200	39-8	A1RF517300	34-10	A4EUM60401	84-5	A50U107901	11-2	A50U124000	6-16
A161M10200	31-8	A1RF701700	66-7	A4EUM75800	14-7	A50U108001	11-3	A50U124100	5-24
A1DU111101	7-29	A1RF758100	43-7	A4EUN28500	14-13	A50U108100	85-1	A50U124900	5-13
A1DU162300	4-4	A1RF808600	43-8	A4EX205300	14-11	A50U108200	11-4	A50U125000	11-22
A1DU163402	3-4	A1RF809400	39-9	A50U101600	9-17	A50U108900	7-28	A50U125101	11-23
A1DU166500	4-8	A1RF815702	8-4	A50U101901	8-27	A50U109100	6-1	A50U125200	5-25
A1DU190101	16-12	A1RF820000	41-14	A50U102703	9-13	A50U109201	61-10	A50U125500	11-19
A1DU194200	16-15	A1RF820000	76-23	A50U102800	7-4	A50U109201	87-3	A50U125600	11-15
A1DU194300	16-1	A1RF820000	77-8	A50U102900	5-6	A50U109300	61-9	A50U125800	11-14
A1DU197100	15-15	A1RF820000	79-17	A50U103200	8-10	A50U109400	8-5	A50U125901	5-26
A1DU504203	34-11	A1RF942900	2-36	A50U103301	10-17	A50U109900	8-23	A50U126200	6-12
A1DU736200	39-26	A1RF943100	68-18	A50U103402	8-13	A50U110000	10-5	A50U126300	11-28
A1DU764000	7-13	A1RF945501	95-4	A50U103500	8-28	A50U112901	61-11	A50U126400	11-16
A1DU942900	80-5	A1RFM15100	88-13	A50U103602	7-2	A50U112901	87-4	A50U126500	5-14
A1DU946300	95-1	A1RFM51000	42-14	A50U103700	10-11	A50U120100	84-15	A50U126600	5-15
A1DUH11000	16-13	A1RFN28300	14-18	A50U103800	10-3	A50U120200	84-16	A50U126800	6-13
A1DUM70001	85-5	A1RG569900	29-10	A50U104000	12-10	A50U120300	8-17	A50U127000	12-15
A1DUM70101	85-6	A1RG569900	31-22	A50U104300	13-1	A50U120600	5-10	A50U127200	6-7
A1DUPJG100	94-9	A1RG681400	71-16	A50U104401	10-4	A50U120700	87-8	A50U127300	6-8
A1DUR71200	48-1	A1RHM91100	96-2	A50U104500	13-2	A50U120900	11-5	A50U127400	5-2
A1DUR71600	38-3	A1RJ732100	36-2	A50U104600	9-20	A50U121003	5-20	A50U127500	6-17
A1DUR71C00	37-5	A1RJ825100	78-8	A50U104700	8-21	A50U121300	5-11	A50U127800	6-14
A1DUR71D00	37-6	A1RJ825800	78-15	A50U104800	86-4	A50U121500	17-1	A50U127901	5-35
A1DUR73500	34-8	A1TVM10100	73-8	A50U104901	7-1	A50U121601	5-21	A50U128000	6-18
A1DUR73K00	70-10	A1TVM10100	83-6	A50U105000	13-3	A50U121800	11-6	A50U128700	6-19
A1RF168800	3-7	A1UD210500	31-10	A50U105100	8-22	A50U121900	11-13	A50U128800	11-24
A1RF214100	62-15	A1UD723500	45-32	A50U105201	8-8	A50U122000	10-1	A50U128900	11-25
A1RF214100	63-15	A205195100	14-11	A50U105600	8-1	A50U122103	5-12	A50U129100	11-17
A1RF214100	64-15	A205195200	14-11	A50U105800	9-3	A50U122400	87-7	A50U129200	8-18
A1RF214100	65-10	A2X0M12101	61-1	A50U106300	10-12	A50U122701	12-14	A50U129300	11-26
A1RF301400	12-2	A2XKM10300	27-4	A50U106300	13-6	A50U122800	10-2	A50U129401	11-29
A1RF363500	30-5	A2XKM10300	48-7	A50U106502	11-9	A50U122900	11-21	A50U129801	11-30
A1RF363801	30-6	A2XKM10300	60-5	A50U106600	11-20	A50U123200	6-9	A50U130104	89-5
A1RF368500	31-9	A4EU190413	14-8	A50U106700	11-10	A50U123300	6-5	A50U130202	89-6
A1RF372300	31-21	A4EU194100	14-16	A50U106800	7-5	A50U123400	6-10	A50U130300	85-12
A1RF441500	25-14	A4EU194200	14-28	A50U107000	9-9	A50U123500	6-15	A50U130300	89-7
A1RF501700	34-9	A4EU265000	43-1	A50U107101	9-4	A50U123600	6-6	A50U130400	85-13
A1RF508000	36-8	A4EU538400	26-5	A50U107501	8-29	A50U123700	5-22	A50U130502	88-14

Parts No.	Page No.	Parts No.	Page No.	Parts No.	Page No.	Parts No.	Page No.	Parts No.	Page No.
A50U130600	89-1	A50U160401	68-20	A50U172300	5-34	A50U318500	12-1	A50U342300	51-14
A50U130902	89-9	A50U160500	2-6	A50U175001	3-3	A50U318601	12-3	A50U342300	52-14
A50U131002	86-7	A50U160600	2-26	A50U179000	24-5	A50U318700	17-5	A50U342300	53-14
A50U131100	87-10	A50U161001	3-5	A50U179500	5-7	A50U318700	24-15	A50U342300	54-14
A50U131200	87-11	A50U161501	2-8	A50U210600	62-2	A50U318800	12-9	A50U342400	6-4
A50U131300	87-12	A50U161502	2-8	A50U210600	63-2	A50U318900	17-6	A50U342502	50-25
A50U131400	86-8	A50U161601	2-9	A50U210600	64-2	A50U319301	17-2	A50U342600	50-26
A50U131502	84-6	A50U161700	2-10	A50U210600	65-2	A50U333500	19-1	A50U342900	8-9
A50U131600	84-7	A50U161800	2-11	A50U212100	62-10	A50U333600	19-2	A50U343000	50-13
A50U131700	84-11	A50U161900	2-12	A50U212100	63-10	A50U335600	50-20	A50U343100	54-19
A50U131800	84-8	A50U162102	1-1	A50U212100	64-10	A50U335600	51-2	A50U343301	54-20
A50U131900	86-9	A50U162400	3-6	A50U212100	65-4	A50U335600	52-2	A50U343400	50-21
A50U132100	87-17	A50U162503	1-6	A50U212600	62-3	A50U335600	53-2	A50U343500	50-22
A50U132301	85-4	A50U163001	4-5	A50U212600	63-3	A50U335600	54-2	A50U343600	50-2
A50U132400	84-1	A50U163506	4-9	A50U212600	64-3	A50U337101	49-9	A50U343700	54-21
A50U132600	87-2	A50U163603	4-10	A50U212600	65-3	A50U337200	50-17	A50U343800	50-11
A50U132701	11-7	A50U163700	4-1	A50U220501	48-8	A50U337300	50-18	A50U343900	50-3
A50U132800	11-8	A50U163800	4-11	A50U220600	49-6	A50U337400	49-10	A50U344100	50-23
A50U133001	86-5	A50U163903	3-1	A50U220700	49-1	A50U340301	51-3	A50U344200	50-14
A50U133101	86-2	A50U164000	5-29	A50U221500	48-2	A50U340301	52-3	A50U360700	31-18
A50U133201	7-6	A50U164100	2-21	A50U221701	48-11	A50U340301	53-3	A50U361200	31-19
A50U133302	88-17	A50U164200	2-22	A50U221800	49-5	A50U340301	54-3	A50U361401	31-20
A50U133400	89-10	A50U164801	2-23	A50U252100	60-12	A50U340501	50-19	A50U361900	29-7
A50U133500	88-20	A50U164901	2-24	A50U252300	60-6	A50U340700	8-2	A50U362200	31-11
A50U133600	88-21	A50U165500	2-13	A50U252400	60-7	A50U340900	50-10	A50U362300	29-1
A50U133700	84-13	A50U165600	2-14	A50U252500	60-8	A50U341000	48-3	A50U363200	30-7
A50U133800	84-14	A50U166100	2-15	A50U252600	60-9	A50U341200	54-22	A50U363300	29-12
A50U133901	89-2	A50U166200	2-16	A50U252700	60-11	A50U341300	50-12	A50U363400	30-1
A50U134701	89-3	A50U166800	24-9	A50U252800	60-10	A50U341401	50-27	A50U363701	30-12
A50U134801	89-16	A50U167201	2-17	A50U269000	95-5	A50U341600	50-15	A50U363900	9-18
A50U136000	85-7	A50U167500	2-27	A50U308100	12-4	A50U341800	6-2	A50U365400	29-8
A50U136000	85-7	A50U167601	2-28	A50U308200	12-5	A50U341900	51-4	A50U365600	31-13
A50U136101	85-8	A50U167801	4-12	A50U308300	12-6	A50U341900	52-4	A50U365800	31-12
A50U136200	89-11	A50U167901	5-30	A50U308400	12-7	A50U341900	53-4	A50U366601	9-14
A50U136302	89-4	A50U168002	95-2	A50U308500	12-8	A50U341900	54-4	A50U366800	30-15
A50U136403	85-14	A50U169002	48-16	A50U314300	12-13	A50U342000	51-5	A50U367001	31-14
A50U136501	9-1	A50U169602	48-17	A50U314800	9-2	A50U342000	52-5	A50U367100	30-8
A50U160101	2-4	A50U169900	2-18	A50U318101	17-3	A50U342000	53-5	A50U367400	30-16
A50U160200	2-5	A50U172100	5-31	A50U318201	17-7	A50U342000	54-5	A50U368000	9-15
A50U160303	2-20	A50U172200	5-32	A50U318300	17-4	A50U342200	6-3	A50U368400	30-9

Parts No.	Page No.	Parts No.	Page No.	Parts No.	Page No.	Parts No.	Page No.	Parts No.	Page No.
A50U369900	30-2	A50U404200	27-12	A50U462700	51-15	A50U504600	34-15	A50U520601	69-6
A50U372901	20-3	A50U404600	27-11	A50U462700	52-15	A50U504700	34-16	A50U520700	69-7
A50U372901	21-3	A50U406400	27-6	A50U462700	53-15	A50U505000	34-17	A50U520900	69-33
A50U372901	22-3	A50U407300	13-4	A50U462700	54-15	A50U505100	34-32	A50U521301	69-10
A50U372901	23-3	A50U407600	28-8	A50U462801	51-16	A50U505200	33-9	A50U521500	69-11
A50U373100	20-4	A50U408100	24-2	A50U462801	52-16	A50U505300	34-3	A50U521900	69-12
A50U373100	21-4	A50U408501	25-15	A50U462801	53-16	A50U505401	35-6	A50U522001	69-34
A50U373100	22-4	A50U408600	25-6	A50U462801	54-16	A50U505500	35-7	A50U522400	69-13
A50U373100	23-4	A50U408700	25-7	A50U462900	51-10	A50U505601	35-18	A50U522500	69-14
A50U374102	20-7	A50U408900	25-8	A50U462900	52-10	A50U505700	35-10	A50U522900	69-26
A50U374102	21-7	A50U410200	25-16	A50U462900	53-10	A50U505800	35-11	A50U523001	69-27
A50U374102	22-7	A50U420300	27-7	A50U462900	54-10	A50U505901	34-18	A50U523100	69-28
A50U374102	23-7	A50U420400	28-9	A50U463000	51-6	A50U506101	34-19	A50U523200	69-29
A50U374501	20-6	A50U420800	28-10	A50U463000	52-6	A50U506200	33-6	A50U523400	69-30
A50U374501	21-6	A50U420900	27-8	A50U463000	53-6	A50U506300	33-8	A50U524100	69-35
A50U374501	22-6	A50U421000	27-9	A50U463000	54-6	A50U506500	50-7	A50U524500	69-15
A50U374501	23-6	A50U421000	28-11	A50U463100	51-7	A50U506701	34-28	A50U524600	69-16
A50U376002	20-8	A50U440301	25-17	A50U463100	52-7	A50U507000	34-20	A50U524700	69-31
A50U376002	21-8	A50U440601	25-18	A50U463100	53-7	A50U507600	35-19	A50U525900	55-3
A50U376002	22-8	A50U442100	24-13	A50U463100	54-7	A50U507801	35-14	A50U531400	37-13
A50U376002	23-8	A50U462101	51-9	A50U500401	34-12	A50U507900	35-12	A50U531500	37-14
A50U376801	20-5	A50U462101	52-9	A50U500800	33-1	A50U508001	35-8	A50U531601	37-7
A50U376801	21-5	A50U462101	53-9	A50U501201	35-4	A50U508102	35-9	A50U624000	9-16
A50U376801	22-5	A50U462101	54-9	A50U501401	36-3	A50U508301	7-9	A50U624113	10-13
A50U376801	23-5	A50U462201	51-12	A50U501702	36-4	A50U508600	33-2	A50U624300	10-16
A50U377201	20-9	A50U462201	52-12	A50U501900	35-5	A50U508800	33-7	A50U624503	9-12
A50U377201	21-9	A50U462201	53-12	A50U502100	36-24	A50U509100	34-21	A50U624700	59-1
A50U377201	22-9	A50U462201	54-12	A50U502500	34-30	A50U509300	7-10	A50U624904	9-10
A50U377201	23-9	A50U462400	51-17	A50U502600	34-31	A50U510100	35-15	A50U625100	59-2
A50U377301	20-10	A50U462400	52-17	A50U502700	36-5	A50U510200	35-16	A50U627002	59-3
A50U377301	21-10	A50U462400	53-17	A50U502801	50-6	A50U510400	7-30	A50U628001	10-14
A50U377301	22-10	A50U462400	54-17	A50U502900	36-6	A50U515200	38-4	A50U629100	61-2
A50U377301	23-10	A50U462501	51-18	A50U503001	36-7	A50U515500	38-8	A50U634200	10-15
A50U400503	28-5	A50U462501	52-18	A50U503500	36-25	A50U516800	38-10	A50U637002	59-4
A50U400600	24-16	A50U462501	53-18	A50U503600	33-4	A50U516900	38-9	A50U637600	59-5
A50U400900	24-17	A50U462501	54-18	A50U503700	33-5	A50U517000	38-2	A50U637700	59-6
A50U401200	28-6	A50U462600	51-13	A50U503900	34-24	A50U517100	38-5	A50U640200	10-18
A50U401301	28-7	A50U462600	52-13	A50U504000	34-13	A50U517300	34-22	A50U640400	10-19
A50U401401	24-18	A50U462600	53-13	A50U504400	34-25	A50U520001	55-2	A50U641600	10-20
A50U404000	27-5	A50U462600	54-13	A50U504500	34-14	A50U520401	69-32	A50U642300	43-21

Parts No.	Page No.	Parts No.	Page No.	Parts No.	Page No.	Parts No.	Page No.	Parts No.	Page No.
A50U700101	66-8	A50U714900	72-14	A50U727600	47-5	A50U738100	7-25	A50U745302	39-27
A50U700200	67-24	A50U715002	72-22	A50U727700	46-6	A50U738201	47-8	A50U745500	40-9
A50U700300	67-6	A50U715100	72-15	A50U727900	46-7	A50U738300	47-13	A50U745600	39-21
A50U700400	67-25	A50U715200	72-16	A50U728301	45-11	A50U738400	47-14	A50U745700	39-22
A50U700500	67-7	A50U715300	75-30	A50U728401	44-6	A50U738500	47-15	A50U745802	41-7
A50U700600	67-8	A50U715400	77-31	A50U728500	44-7	A50U738600	47-9	A50U746200	41-11
A50U700901	66-2	A50U715600	75-31	A50U728700	47-20	A50U738700	47-10	A50U746400	40-10
A50U701000	67-9	A50U715800	75-1	A50U728800	44-8	A50U738801	47-16	A50U746700	43-11
A50U701113	66-3	A50U716500	55-4	A50U729000	47-21	A50U738900	7-19	A50U746800	42-4
A50U701303	66-9	A50U716500	69-36	A50U730125	45-33	A50U739000	7-17	A50U747101	43-4
A50U704400	67-10	A50U716500	75-32	A50U730525	45-35	A50U739200	47-17	A50U747200	40-16
A50U704700	67-15	A50U716500	81-7	A50U730600	45-25	A50U739400	7-20	A50U747300	40-17
A50U704801	67-11	A50U717100	80-6	A50U730700	45-34	A50U739500	47-11	A50U747803	42-16
A50U704900	67-26	A50U717200	80-7	A50U730900	44-9	A50U739811	45-24	A50U747900	42-17
A50U705000	67-20	A50U717901	80-8	A50U731002	44-10	A50U739900	45-10	A50U748200	42-6
A50U705100	66-10	A50U718400	75-12	A50U731102	44-11	A50U741612	41-1	A50U748403	39-34
A50U705200	66-11	A50U718500	75-13	A50U731501	47-6	A50U741700	42-2	A50U748505	40-33
A50U705400	67-28	A50U720501	45-29	A50U731700	7-14	A50U741800	42-3	A50U749200	40-5
A50U705500	67-16	A50U721201	47-18	A50U731900	7-15	A50U741900	43-9	A50U749300	40-6
A50U705600	67-17	A50U721502	47-2	A50U732000	47-7	A50U742000	43-10	A50U749401	88-7
A50U705701	66-12	A50U721601	45-3	A50U732100	40-32	A50U742300	39-10	A50U749502	88-8
A50U706000	66-13	A50U722100	44-1	A50U732200	39-30	A50U742400	40-22	A50U749600	88-9
A50U706800	67-27	A50U722202	44-2	A50U732300	39-31	A50U742501	39-11	A50U749700	88-10
A50U706900	66-14	A50U722301	47-19	A50U732400	39-32	A50U742800	39-12	A50U749801	88-11
A50U707001	67-29	A50U722700	47-3	A50U732500	39-33	A50U742901	39-13	A50U751002	39-35
A50U707300	67-12	A50U722800	47-4	A50U733001	45-1	A50U743000	39-14	A50U751101	39-36
A50U707400	67-18	A50U723100	45-21	A50U733101	45-12	A50U743100	39-15	A50U751200	39-17
A50U707600	66-15	A50U723600	45-4	A50U733402	44-25	A50U743200	39-16	A50U751301	39-37
A50U711101	72-39	A50U723812	44-16	A50U733500	44-18	A50U743302	40-23	A50U752300	40-12
A50U712200	75-21	A50U723911	44-20	A50U733712	45-26	A50U743501	45-16	A50U752600	39-25
A50U712300	75-22	A50U724102	45-30	A50U734100	88-2	A50U743600	40-24	A50U753100	88-16
A50U712400	75-23	A50U725001	45-23	A50U737201	7-18	A50U743700	40-25	A50U754700	40-30
A50U713300	72-28	A50U725200	44-5	A50U737302	88-3	A50U743800	40-26	A50U754901	43-14
A50U713403	72-33	A50U726300	45-7	A50U737401	88-4	A50U744100	45-13	A50U755000	41-8
A50U713500	72-29	A50U726401	45-8	A50U737601	83-7	A50U744300	40-28	A50U755100	42-10
A50U713700	72-20	A50U726611	44-17	A50U737601	88-5	A50U744400	45-18	A50U755301	42-11
A50U713800	72-21	A50U726800	45-9	A50U737700	83-8	A50U744601	40-4	A50U755800	42-12
A50U713900	72-3	A50U727300	46-3	A50U737700	88-6	A50U744700	43-2	A50U755900	39-38
A50U714600	75-11	A50U727400	46-4	A50U737800	7-16	A50U744912	40-15	A50U756001	39-18
A50U714800	72-13	A50U727500	46-5	A50U738001	7-24	A50U745100	41-2	A50U756300	42-8

Parts No.	Page No.	Parts No.	Page No.	Parts No.	Page No.	Parts No.	Page No.	Parts No.	Page No.
A50U756300	45-28	A50U800300	78-9	A50U816700	75-3	A50U832700	74-13	A50U851400	76-24
A50U756500	39-19	A50U800400	78-10	A50U816801	75-4	A50U832901	68-6	A50U851500	76-25
A50U757000	39-23	A50U800700	78-11	A50U816900	75-8	A50U833000	8-6	A50U851500	77-9
A50U757100	39-24	A50U800800	78-13	A50U817001	69-21	A50U833400	75-16	A50U851700	76-30
A50U757800	46-8	A50U801400	78-14	A50U817300	71-18	A50U833500	75-17	A50U851901	77-12
A50U757900	46-9	A50U801500	78-12	A50U817400	70-23	A50U834200	74-17	A50U852000	76-26
A50U758000	46-10	A50U801602	78-4	A50U817601	75-24	A50U834802	69-17	A50U852102	77-13
A50U758201	42-5	A50U802002	78-19	A50U817700	13-10	A50U835001	68-7	A50U852200	77-11
A50U762912	47-22	A50U802100	79-18	A50U817700	13-11	A50U835301	70-34	A50U852300	77-24
A50U763000	47-23	A50U802211	78-5	A50U818000	70-12	A50U835400	70-14	A50U852301	77-24
A50U763100	47-24	A50U802700	79-12	A50U818100	70-13	A50U835601	72-4	A50U852400	77-25
A50U763211	47-25	A50U802801	79-20	A50U818201	75-27	A50U835900	70-29	A50U852500	76-28
A50U763300	47-26	A50U802900	79-6	A50U818400	75-28	A50U836000	70-30	A50U852500	77-26
A50U763400	47-27	A50U803101	79-21	A50U818501	71-19	A50U836100	72-5	A50U852701	76-29
A50U763511	47-28	A50U803300	79-13	A50U818601	75-15	A50U836200	75-25	A50U852904	76-14
A50U763600	47-29	A50U803400	79-14	A50U818700	68-1	A50U836300	73-14	A50U853001	76-15
A50U763900	46-11	A50U803500	79-22	A50U818800	68-2	A50U836400	70-15	A50U853100	77-10
A50U764000	47-30	A50U803600	79-19	A50U818900	68-3	A50U836500	70-16	A50U853200	76-9
A50U783400	45-37	A50U803700	79-3	A50U819201	68-4	A50U836801	77-15	A50U853200	77-27
A50U784200	44-4	A50U803800	79-7	A50U819302	68-5	A50U837001	68-14	A50U853700	76-16
A50U785000	43-3	A50U804001	78-20	A50U819500	68-26	A50U837101	68-15	A50U854200	76-2
A50U785400	45-5	A50U804200	78-6	A50U819700	72-34	A50U837300	68-21	A50U854302	76-5
A50U785500	45-6	A50U804701	79-1	A50U819812	73-6	A50U837700	73-15	A50U854400	76-3
A50U786100	44-24	A50U805200	79-16	A50U819900	73-13	A50U838500	73-3	A50U854600	77-28
A50U787003	43-15	A50U805300	78-21	A50U830200	71-20	A50U838700	73-16	A50U854800	76-4
A50U787500	41-3	A50U810300	74-15	A50U830300	71-21	A50U839100	70-17	A50U855200	9-7
A50U787600	41-4	A50U810400	74-22	A50U830400	71-22	A50U839200	70-18	A50U855702	68-19
A50U787700	42-15	A50U810502	70-28	A50U830500	71-31	A50U839200	71-24	A50U855800	69-24
A50U788000	43-16	A50U811300	13-7	A50U830600	71-32	A50U839900	68-27	A50U855900	70-19
A50U788102	43-12	A50U811500	13-8	A50U830700	71-33	A50U840303	76-12	A50U856201	76-22
A50U788601	42-18	A50U812100	70-27	A50U830800	71-34	A50U840802	76-1	A50U858101	69-18
A50U788900	42-7	A50U812202	71-17	A50U831000	71-35	A50U841402	76-21	A50U858200	68-16
A50U789100	42-9	A50U813700	13-9	A50U831100	71-36	A50U842900	68-28	A50U858300	68-8
A50U792901	43-13	A50U814401	73-2	A50U831200	71-37	A50U843900	74-3	A50U858400	68-9
A50U794800	43-22	A50U814500	73-12	A50U831300	73-10	A50U844100	74-4	A50U858500	68-10
A50U799200	43-17	A50U815101	73-9	A50U831400	74-11	A50U846102	76-33	A50U858600	70-20
A50U799601	43-20	A50U815800	74-16	A50U831900	71-23	A50U846304	76-34	A50U858702	77-16
A50U799700	43-18	A50U816103	70-11	A50U832100	8-11	A50U849100	71-25	A50U859000	71-27
A50U799800	43-19	A50U816301	75-14	A50U832201	10-6	A50U849200	71-26	A50U859400	71-28
A50U800100	79-10	A50U816403	77-3	A50U832600	74-12	A50U850700	77-6	A50U859500	76-17

Parts No.	Page No.
A50U859800	76-10
A50U863100	2-37
A50U880103	76-18
A50U880701	70-21
A50U881300	76-19
A50U881400	76-20
A50U881500	8-12
A50U882100	75-5
A50U882100	77-32
A50U882300	72-6
A50U882600	72-23
A50U882701	68-29
A50U882801	68-30
A50U882900	77-4
A50U883001	77-37
A50U883101	77-38
A50U883200	77-5
A50U883300	72-24
A50U883400	77-33
A50U883501	72-7
A50U883600	75-6
A50U883600	77-34
A50U883701	77-35
A50U884202	68-31
A50U884600	69-19
A50U884700	69-20
A50U885100	70-22
A50U886700	77-40
A50U886800	76-31
A50U886900	77-41
A50U887100	75-33
A50U887200	75-34
A50U887300	75-35
A50U943200	80-9
A50U943501	39-3
A50U943700	46-12
A50U944200	68-23
A50U944900	2-25
A50U945601	50-29
A50U946501	2-29

Parts No.	Page No.
A50U948001	48-12
A50U949600	5-19
A50U949600	48-10
A50U949600	48-15
A50U949700	48-6
A50U949700	49-8
A50U949700	50-16
A50UF12000	5-16
A50UF16000	2-30
A50UF16101	2-31
A50UF16201	2-32
A50UF16301	2-33
A50UF16400	2-34
A50UF21100	62-9
A50UF21100	63-9
A50UF21100	64-9
A50UF36500	29-11
A50UF41500	24-14
A50UF50700	7-11
A50UF70800	66-18
A50UF70900	66-16
A50UF80404	79-24
A50UF80500	78-16
A50UF81401	72-27
A50UF82200	70-33
A50UF83702	68-32
A50UH02004	89-14
A50UH05004	70-31
A50UH06001	65-14
A50UM10101	65-13
A50UM10202	36-23
A50UM10202	62-7
A50UM10202	63-7
A50UM10202	64-7
A50UM15201	7-26
A50UM15300	7-3
A50UM15300	83-9
A50UM15401	11-27
A50UM30101	51-11
A50UM30101	52-11

Parts No.	Page No.
A50UM30101	53-11
A50UM30101	54-11
A50UM31A00	45-36
A50UM31E00	45-36
A50UM31F00	45-36
A50UM32A00	42-19
A50UM32E00	42-19
A50UM32F00	42-19
A50UM40100	86-10
A50UM40201	87-13
A50UM45200	85-2
A50UM50100	38-6
A50UM50200	38-11
A50UM50600	44-22
A50UM51000	8-19
A50UM51000	24-10
A50UM51000	30-10
A50UM51000	67-21
A50UM55500	40-2
A50UM55500	50-8
A50UM55500	62-5
A50UM55500	63-5
A50UM55500	64-5
A50UM55500	67-13
A50UM55500	69-22
A50UM55500	72-38
A50UM55500	73-4
A50UM55500	78-1
A50UM55500	81-8
A50UM60300	5-5
A50UN10101	90-1
A50UN10202	91-1
A50UN10302	92-1
A50UN10414	91-2
A50UN10502	93-1
A50UN10602	44-13
A50UN10800	40-18
A50UN10903	39-4
A50UN10A01	88-12
A50UN10E02	88-12

Parts No.	Page No.
A50UN11011	44-23
A50UN11501	86-23
A50UN11701	84-10
A50UN11801	30-17
A50UN11E02	87-18
A50UN12000	30-18
A50UN12101	24-1
A50UN12203	28-12
A50UN12401	48-13
A50UN12500	50-24
A50UN12602	5-28
A50UN12702	92-2
A50UN12800	7-27
A50UN12900	86-11
A50UN12E01	85-10
A50UN13201	35-21
A50UN13203	35-21
A50UN13600	10-24
A50UN13E01	85-11
A50UN14400	67-30
A50UN15001	70-24
A50UN15101	87-5
A50UN15400	8-32
A50UN15500	68-11
A50UN15601	70-35
A50UN15900	77-29
A50UN16000	73-17
A50UN16101	73-18
A50UN16500	72-36
A50UN16800	80-11
A50UN16900	73-19
A50UN17100	78-18
A50UN17200	70-32
A50UN17400	86-12
A50UN17700	79-11
A50UN17900	75-29
A50UN18100	77-30
A50UN18201	72-37
A50UN18700	68-12
A50UN18801	70-36

Parts No.	Page No.
A50UN18900	72-35
A50UN19005	62-16
A50UN19101	65-15
A50UN20001	38-7
A50UN23200	86-13
A50UN23300	86-14
A50UN23400	86-15
A50UN23500	86-16
A50UN23600	86-17
A50UN23700	86-18
A50UN23800	86-19
A50UN23900	86-20
A50UN24100	86-21
A50UN24200	86-22
A50UN24300	86-1
A50UN24400	87-19
A50UN24501	34-33
A50UN24600	87-20
A50UN24701	34-34
A50UN24800	87-21
A50UN24901	34-35
A50UN25000	87-22
A50UN25200	87-23
A50UN25300	87-24
A50UN25400	70-37
A50UN25500	87-25
A50UN25600	70-38
A50UN26102	17-9
A50UN26202	17-10
A50UN26302	17-11
A50UN26403	17-12
A50UN27002	12-12
A50UN27400	88-15
A50UN29012	15-17
A50UN29101	15-14
A50UN29201	89-8
A50UN29801	88-23
A50UN29900	88-24
A50UPJG100	94-4
A50UPJG200	94-5

Parts No.	Page No.	Parts No.	Page No.	Parts No.	Page No.	Parts No.	Page No.	Parts No.	Page No.
A50UPJG300	94-3	A50UR71H00	84-9	A50UR73F00	87-26	A7X5600500	57-4	A7X5605300	56-8
A50UPP0100	94-1	A50UR71J00	84-9	A50UR73J00	36-26	A7X5600500	58-4	A7X5605301	56-8
A50UR70115	30-19	A50UR71K00	62-4	A50UR73K00	36-27	A7X5600600	58-5	A7X5605400	58-18
A50UR70244	20-1	A50UR71K00	63-4	A50UR90300	88-22	A7X5600700	58-6	A7X5605501	56-9
A50UR70244	20-1	A50UR71K00	64-4	A50UR90400	88-26	A7X5600800	58-7	A7X5605600	1-5
A50UR70244	21-1	A50UR71M00	65-11	A55C712000	66-17	A7X5601000	58-8	A7X5605600	56-10
A50UR70244	21-1	A50UR71N22	32-2	A57P160100	3-8	A7X5601101	57-27	A7X5605801	57-16
A50UR70244	22-1	A50UR71R11	55-6	A57P160202	3-9	A7X5601200	57-5	A7X5605900	56-11
A50UR70244	22-1	A50UR71S11	55-7	A57P160301	6-20	A7X5601200	58-9	A7X5606000	56-12
A50UR70244	23-1	A50UR71U01	13-12	A57PH0110A	89-13	A7X5601400	57-28	A7X5606100	57-17
A50UR70244	23-1	A50UR71V01	13-13	A57PR70111	14-17	A7X5601500	58-10	A7X5606101	57-17
A50UR70323	18-1	A50UR71W01	13-14	A57PR70211	14-17	A7X5601600	58-11	A7X5606300	56-13
A50UR70323	18-1	A50UR71X00	7-21	A57PR70311	14-17	A7X5601701	56-3	A7X5608000	57-29
A50UR70655	32-1	A50UR71Y00	7-22	A57V720211	45-27	A7X5601702	56-3	A7X5608100	57-30
A50UR70655	32-1	A50UR72100	34-26	A5AW858200	74-25	A7X5601801	56-4	A7X5608200	57-31
A50UR70A12	11-18	A50UR72200	79-15	A5AWP00100	94-2	A7X5601802	56-4	A7X5608300	57-32
A50UR70B00	55-8	A50UR72400	77-14	A5AWP00100	94-2	A7X5602100	56-22	A7X5608400	57-33
A50UR70E22	41-9	A50UR72500	77-17	A5XJN15001	88-25	A7X5602200	56-23	A7X5608500	57-35
A50UR70F00	44-19	A50UR72600	75-7	A7V0R70200	14-17	A7X5602301	57-7	A7X5608701	58-24
A50UR70G01	68-22	A50UR72600	77-36	A7X5101200	11-31	A7X5602400	58-28	A7X5608800	58-25
A50UR70H00	12-11	A50UR72C00	69-25	A7X5101400	11-32	A7X5602800	58-26	A7X5609400	58-29
A50UR70K22	37-16	A50UR72E00	71-38	A7X5101500	11-32	A7X5603000	58-27	A7X5609600	57-23
A50UR70K22	37-16	A50UR72F00	72-25	A7X5102001	96-3	A7X5603101	56-5	A7X5609800	58-21
A50UR70M00	87-14	A50UR72G00	72-26	A7X5160100	59-7	A7X5603102	56-5	A7X5609802	58-21
A50UR70N00	62-17	A50UR72H00	72-30	A7X5160200	68-34	A7X5603200	58-13	A7X5609900	58-22
A50UR70Q00	65-16	A50UR72J00	7-23	A7X5160301	1-2	A7X5603400	58-14	A7X5609902	58-22
A50UR70R00	48-4	A50UR72K00	50-28	A7X5160400	1-3	A7X5603700	58-32	A7X5700200	66-5
A50UR70S11	60-1	A50UR72R00	78-17	A7X5160600	2-26	A7X5603800	57-11	A7X5701300	66-9
A50UR70T22	17-8	A50UR72S00	68-17	A7X5161100	2-5	A7X5604000	58-15	A7X5710000	80-12
A50UR70V00	29-2	A50UR72V12	26-1	A7X5161200	4-3	A7X5604200	56-6	A7X5710011	80-12
A50UR70W23	29-5	A50UR72W22	32-3	A7X5161300	1-6	A7X5604301	57-12	A7X5710100	80-13
A50UR70Y11	31-1	A50UR72X01	62-8	A7X5161400	59-7	A7X5604401	57-13	A7X5710101	80-13
A50UR71100	29-9	A50UR72X01	63-8	A7X5161500	1-2	A7X5604501	57-14	A7X5710200	80-14
A50UR71200	31-16	A50UR72X01	64-8	A7X5161601	59-8	A7X5604600	57-15	A7X5710300	80-15
A50UR71300	26-2	A50UR72X01	65-8	A7X5161701	2-38	A7X5604600	58-16	A7X5710900	80-16
A50UR71411	26-2	A50UR72Y00	41-10	A7X5162001	1-4	A7X5604701	58-17	A7X5711000	80-17
A50UR71511	26-2	A50UR73100	66-19	A7X5162002	1-4	A7X5604800	56-7	A7X5711100	80-18
A50UR71711	38-1	A50UR73322	45-19	A7X5163000	4-5	A7X5605000	58-33	A7X5711201	80-19
A50UR71B00	66-1	A50UR73700	84-9	A7X5400200	25-5	A7X5605100	58-34	A7X5711500	80-20
A50UR71G00	84-9	A50UR73D11	47-31	A7X5600300	57-3	A7X5605200	58-35	A7X5711600	80-21

Parts No.	Page No.
A7X5711700	80-22
A7X5711800	80-23
A7X5711901	80-24
A7X5712001	80-25
A7X5712101	80-26
A7X5712200	80-27
A7X5720100	45-20
A7X5720700	42-22
A7X5720800	41-13
A7X5720900	40-11
A7X5721000	40-27
A7X5721100	45-17
A7X5721200	46-13
A7X5740100	42-21
A7X5810100	75-36
A7X5810101	75-36
A7X5810200	75-37
A7X5810201	75-37
A7X5810300	74-23
A7X5810400	74-24
A7X5890100	81-9
A7X5890200	83-10
A7X5890300	82-4
A7X5890400	83-11
A7X5890500	81-10
A7X5890600	81-11
A7X5890700	83-12
A7X5890800	81-12
A7X5890900	81-13
A7X5891000	82-5
A7X5891100	82-6
A7X5891200	82-7
A7X5891300	82-8
A7X5891400	82-9
A7X5891500	82-10
A7X5891601	83-13
A7X5891700	81-14
A7X5891800	82-11
A7X5891900	81-15
A7X5892001	81-16

Parts No.	Page No.
A7X5892100	81-17
A7X5892300	83-14
A7X5892400	83-15
A7X5892500	81-18
A7X5893400	83-16
A7X5893501	81-19
A7X5893600	83-17
A7X5893700	82-12
A7X5894100	81-20
A7X5894400	81-21
A7X5894501	83-18
A7X5894600	83-19
A7X5894700	83-20
A7X5895000	83-21
A7X5895200	83-22
A7X5895400	81-22
A7X5895500	82-13
A7X5895600	82-14
A7X5895901	81-23
A7X5896000	83-23
A7X5896100	83-24
A7X5896300	83-25
A7X5896400	82-15
A7X5896600	81-24
A7X5942100	56-14
A7X5942101	56-14
A7X5942200	56-15
A7X5942300	56-16
A7X5942400	56-17
A7X5942500	56-18
A7X5942600	56-19
A7X5942700	56-20
A7X5942800	80-28
A7X5942900	75-40
A7X5943000	81-25
A7X5943101	81-26
A7X5943200	5-27
A7X5943300	25-9
A7X5943400	25-10
A7X5943500	25-11

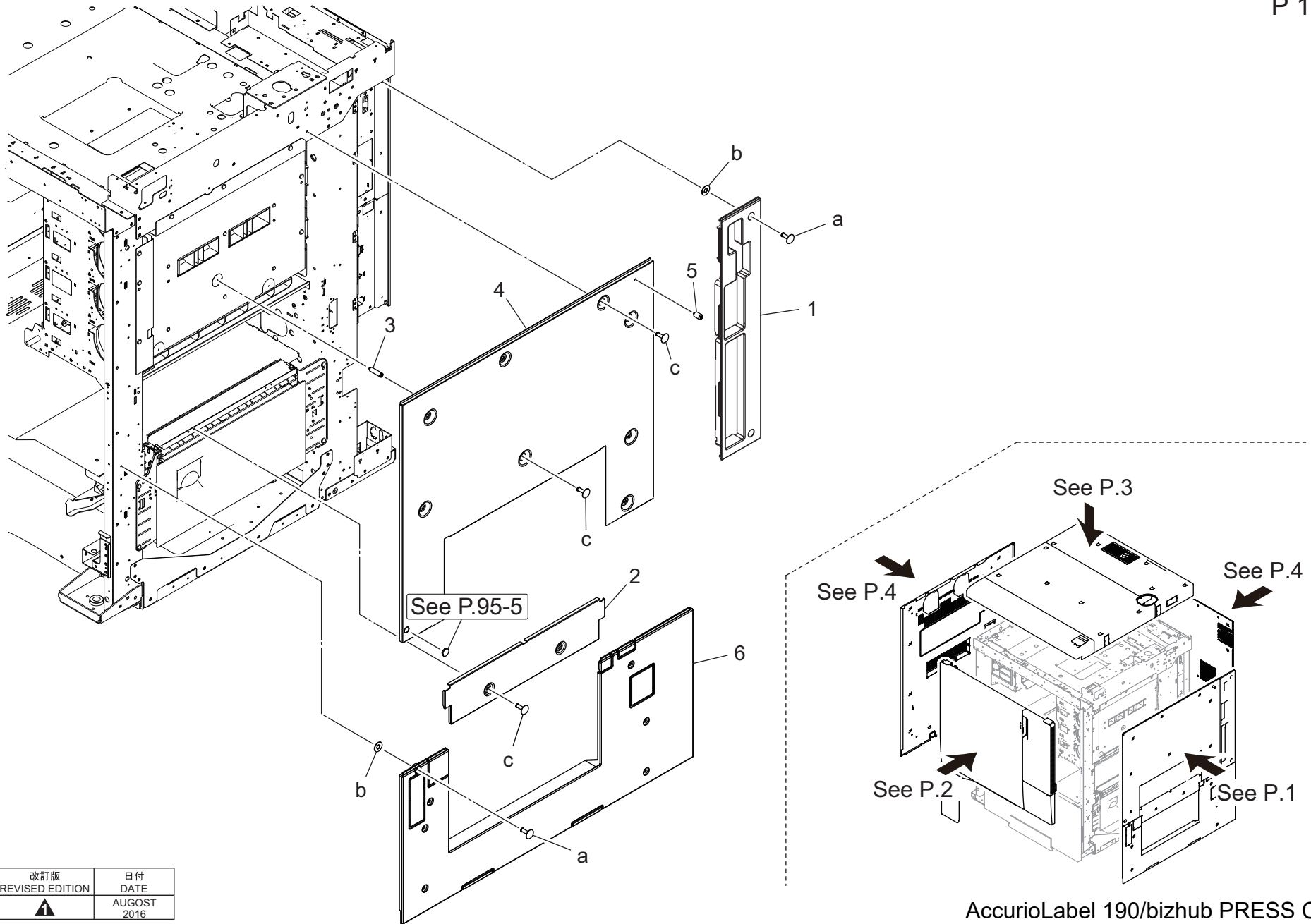
Parts No.	Page No.
A7X5943600	25-12
A7X5943700	68-33
A7X5943800	57-25
A7X5943800	58-23
A7X5943900	3-10
A7X5944000	3-10
A7X5944100	56-21
A7X5944200	57-34
A7X5946100	68-33
A7X5959000	96-4
A7X5959100	96-5
A7X5M90100	96-6
A7X5N11400	91-3
A7X5N14901	81-27
A7X5N15200	83-26
A7X5N15300	83-27
A7X5N16700	80-29
A7X5PJG100	94-12
A7X5R70500	66-1
A7X5R90100	57-26
A7X5R90211	46-14
A7X5R90300	39-1
A7X5R90400	39-1
A7X5R90500	39-1
A7X5R90600	86-6
A7X5R90733	56-24
A7X5R90800	58-30
A7X5R90900	57-37
A7X5R90A00	58-30
A7X5R90C00	57-37
A85C102000	10-8
A85C409600	25-2
A85CM55600	77-39
A9JT942401	4-7
A9JT944200	2-36
A9VE222000	49-2
A9VE521100	69-38
A9VE521200	69-39
A9VE625800	61-3
A9VE851800	76-13

Parts No.	Page No.
A9VE851800	77-7
A9VE942600	4-6
A9VE942700	48-14
A9VEM55100	80-10
A9VEP12100	5-36
A9VEP12200	5-37
A9VER71600	30-19
SP00-0210	44-21
SP00-0220	41-12
V114040604	96-7
V118045503	8-24
V121030604	95-3
V121040803	96-8
V207060003	96-9
V217040001	96-10
V501010004	96-11
V501010018	96-12
V502010033	40-31
V502010033	85-9
V570010060	96-13
V651010046	72-40
V865300078	89-18



# External Parts

P 1




改訂版 REVISED EDITION	日付 DATE
▲	AUGUST 2016

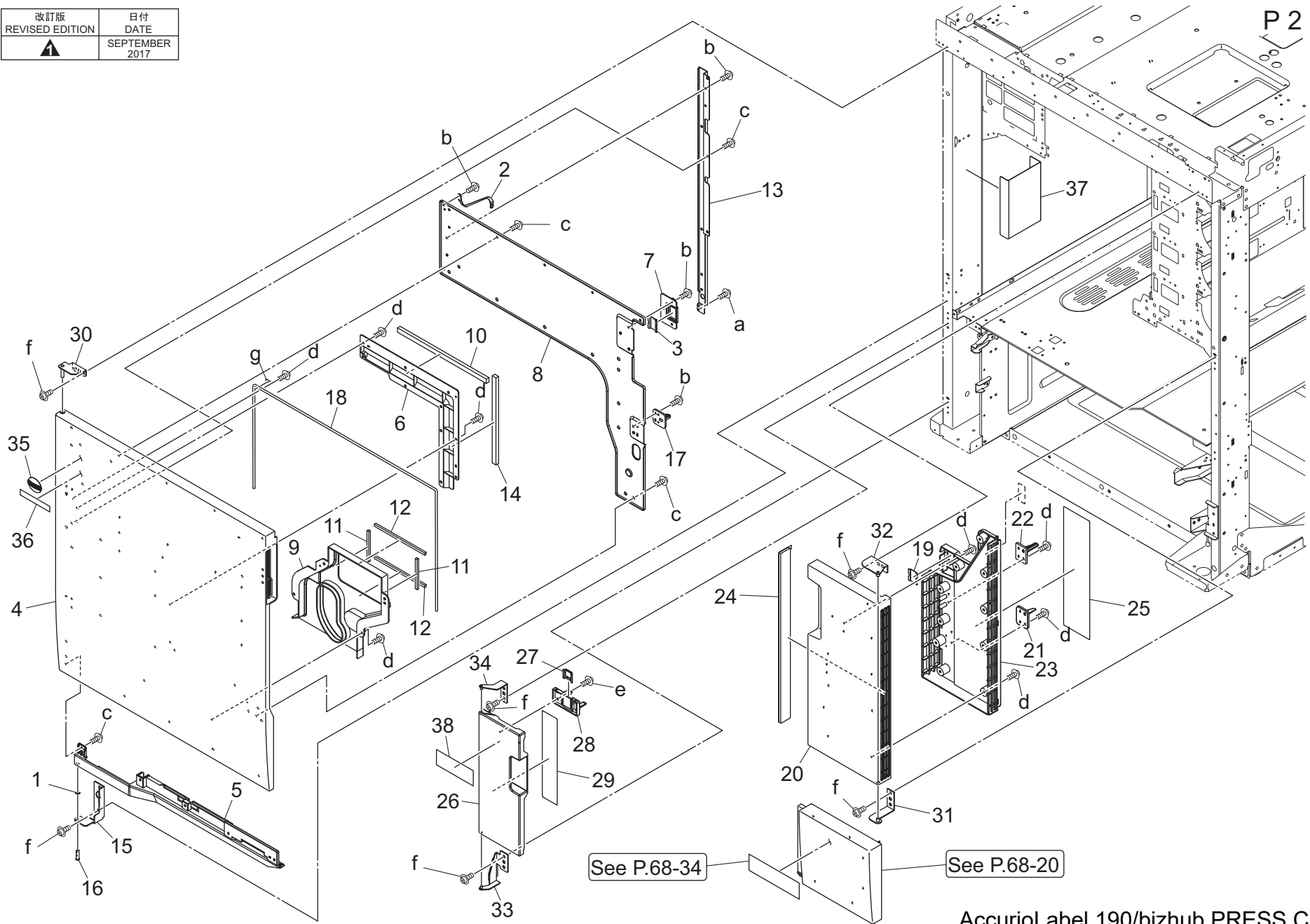
Order here  
8 (495) 646-0426  
ПЯТЫЙ ПАРТНЕР www.km-shop.ru

AccurioLabel 190/bizhub PRESS C71cf

Key	Part No.	Description	Destinations	Class	QTY	Standard parts
1	A50U162102	Protection Cover /1		D	1	a-V114041004 b-V211040080 c-V114040604
2	A7X5160301	Cover /2	(A7X5001,A7X5011,A7X5021,A7X5081)	D	1	
2	A7X5161500	Cover /2	(A7X5003,A7X5013,A7X5023,A7X5083)	D	1	
3	A7X5160400	Cover Shoulder screw		D	1	
4	A7X5162001Old	Cover /1		D	1	
4	A7X5162002	Cover /1		D	1	
5	A7X5605600	Operation Shoulder screw		D	1	
6	A50U162503	Protection Cover /Lower	(A7X5001,A7X5011,A7X5021,A7X5081)	D	1	
6	A7X5161300	Protection Cover /Lower	(A7X5003,A7X5013,A7X5023,A7X5083)	D	1	

# External Parts

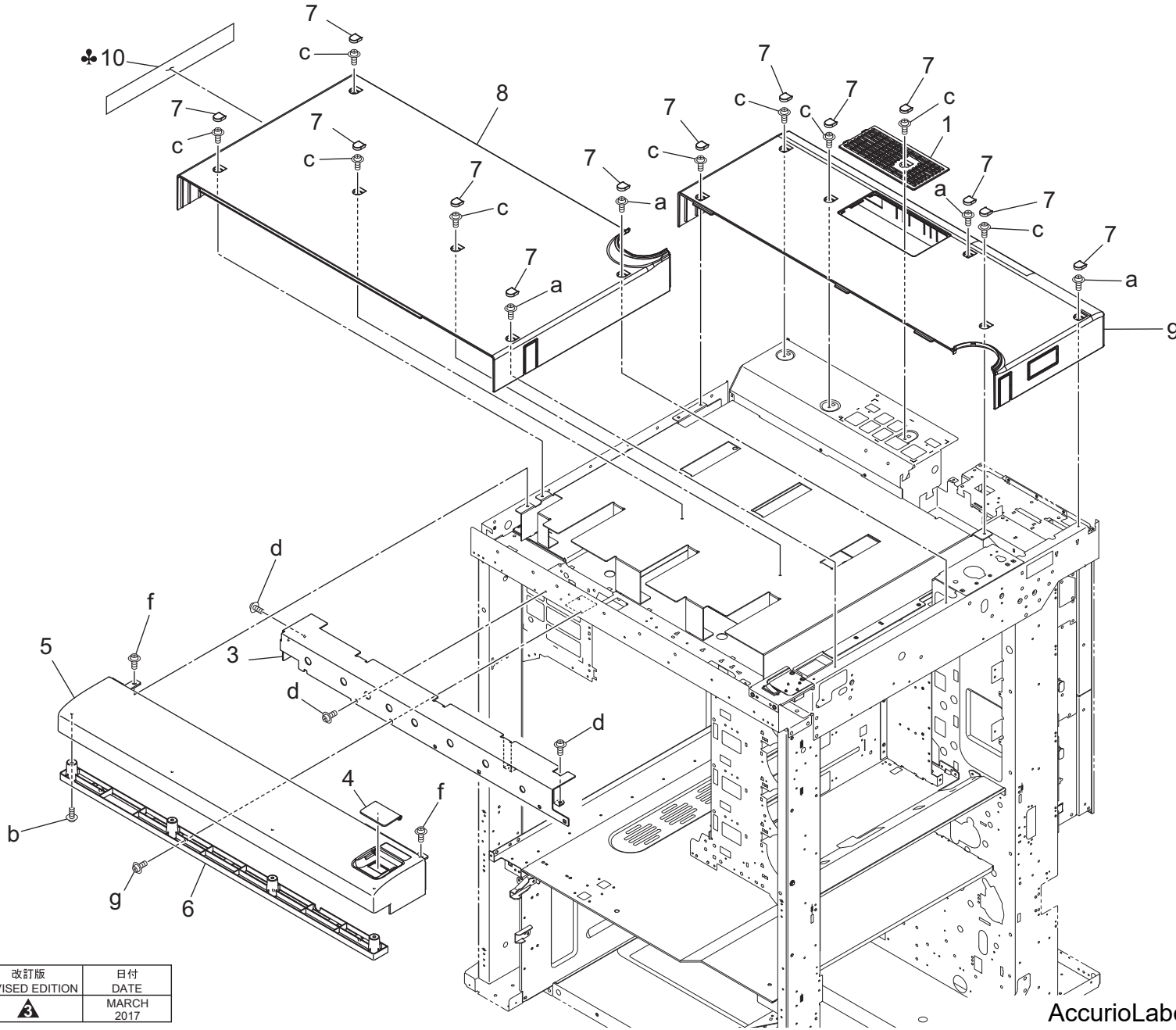
改訂版 REVISED EDITION	日付 DATE
	SEPTEMBER 2017



AccurioLabel 190/bizhub PRESS C71cf

Key	Part No.	Description	Destinations	Class	QTY	Standard parts
1	40AA30270	DEVELOPING SPACER		C	1	a-V126030603 b-V127030604 c-V158030803 d-V158030804 e-V158031003 f-V127040603 g-V234201450
2	55VA90840	MAIN EARTH WIRE		D	1	
4	A50U160101	Door /Front		D	1	
5	A50U160200	Door /Lower		D	1	
5	A7X5161100	Door /Lower	(A7X5001,A7X5011,A7X5021,A7X5081) (A7X5003,A7X5013,A7X5023,A7X5083)	D	1	
6	A50U160500	Fixing Plate		D	1	
8	A50U161501Old	Reinforce Door /Right		D	1	
8	A50U161502	Reinforce Door /Right		D	1	
9	A50U161601	Cover Duct /Front		D	1	
10	A50U161700	Sealing Cushion /1		D	1	
11	A50U161800	Sealing Cushion /Right		D	2	
12	A50U161900	Sealing Cushion /Left		D	2	
13	A50U165500	Reinforce Hinge		D	1	
14	A50U165600	Sealing Cushion /2		D	1	
15	A50U166100	Hinge /Lower		D	1	
16	A50U166200	Support Shaft /Lower		D	1	
17	A50U167201	Lock Cover		D	1	
18	A50U169900	Reinforce Wire		D	1	
19	56AA12241	EXTERNAL LOCK PLATE		D	1	
20	A50U160303	Toner supply Door		D	1	
21	A50U164100	Detecting Actuator		D	1	
22	A50U164200	Detecting Part		D	1	
23	A50U164801	Toner supply Duct		D	1	
24	A50U164901	Suction Dust-proof Filter		B	1	
25	A50U944900	Toner supply Label		D	1	
26	A50U160600	Collection Door		D	1	
26	A7X5160600	Collection Door	(A7X5001,A7X5011,A7X5021,A7X5081) (A7X5003,A7X5013,A7X5023,A7X5083)	D	1	
27	A50U167500	Lock Plate		D	1	
28	A50U167601	Detecting Part		D	1	
29	A50U946501	Operation Label /A		D	1	
30	A50UF16000	Left Door Support Plate / Upper Caulking		D	1	
31	A50UF16101	Right Door Support Plate / Lower Caulkin		D	1	
32	A50UF16201	Right Door Support Plate / Upper Caulkin		D	1	
33	A50UF16301	Collection Box Door Support Plate / L		D	1	
34	A50UF16400	Collection Box Door Support Plate / Upper		D	1	
35	A03U168500	Indicating Plate		C	1	
36	A1RF942900	Indicating Plate		D	1	
36	A9JT944200	Label /KONICA MINOLTA		D	1	
37	A50U863100	Sheet		D	1	
38	A7X5161701	Seal /Left	(A7X5003,A7X5013,A7X5023,A7X5083)	D	1	

# External Parts



改訂版 REVISED EDITION	日付 DATE
	MARCH 2017

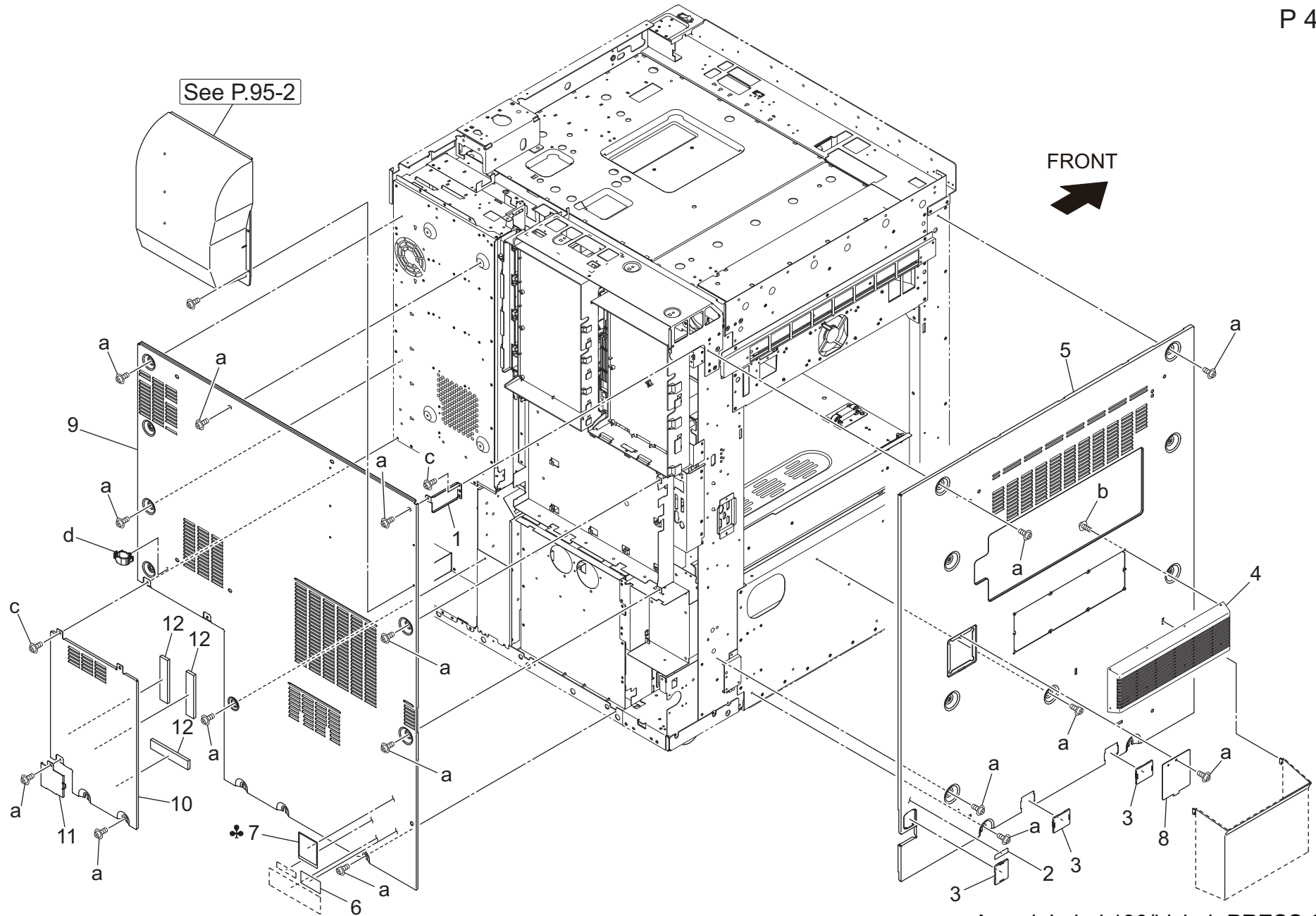
AccurioLabel 190/bizhub PRESS C71cf

Order here  
 8 (495) 646-0426  
 ПЯТЫЙ ПАРТНЕР www.km-shop.ru

Key	Part No.	Description	Destinations	Class	QTY	Standard parts
1	A50U163903	Replacement Cover		D	1	a-V114041004 b-V158030803 c-V114040604 d-V121040604 f-V127040603 g-V114040804
3	A50U175001	Reinforce Plate		D	1	
4	A1DU163402	Protection Cover		D	1	
5	A50U161001	Cover Part		D	1	
6	A50U162400	Cover Part /Inside		D	1	
7	A1RF168800	Click Cover		D	13	
8	A57P160100	Read Cover /Middle		D	1	
9	A57P160202	Read Cover /Rear		D	1	
10	A7X5943900	Regulating Label /1	A,F2,H,J,K	D	1	
10	A7X5944000	Regulating Label /2	B,C,D1,D3,G1,G2,I	D	1	

# External Parts

P 4



AccurioLabel 190/bizhub PRESS C71cf

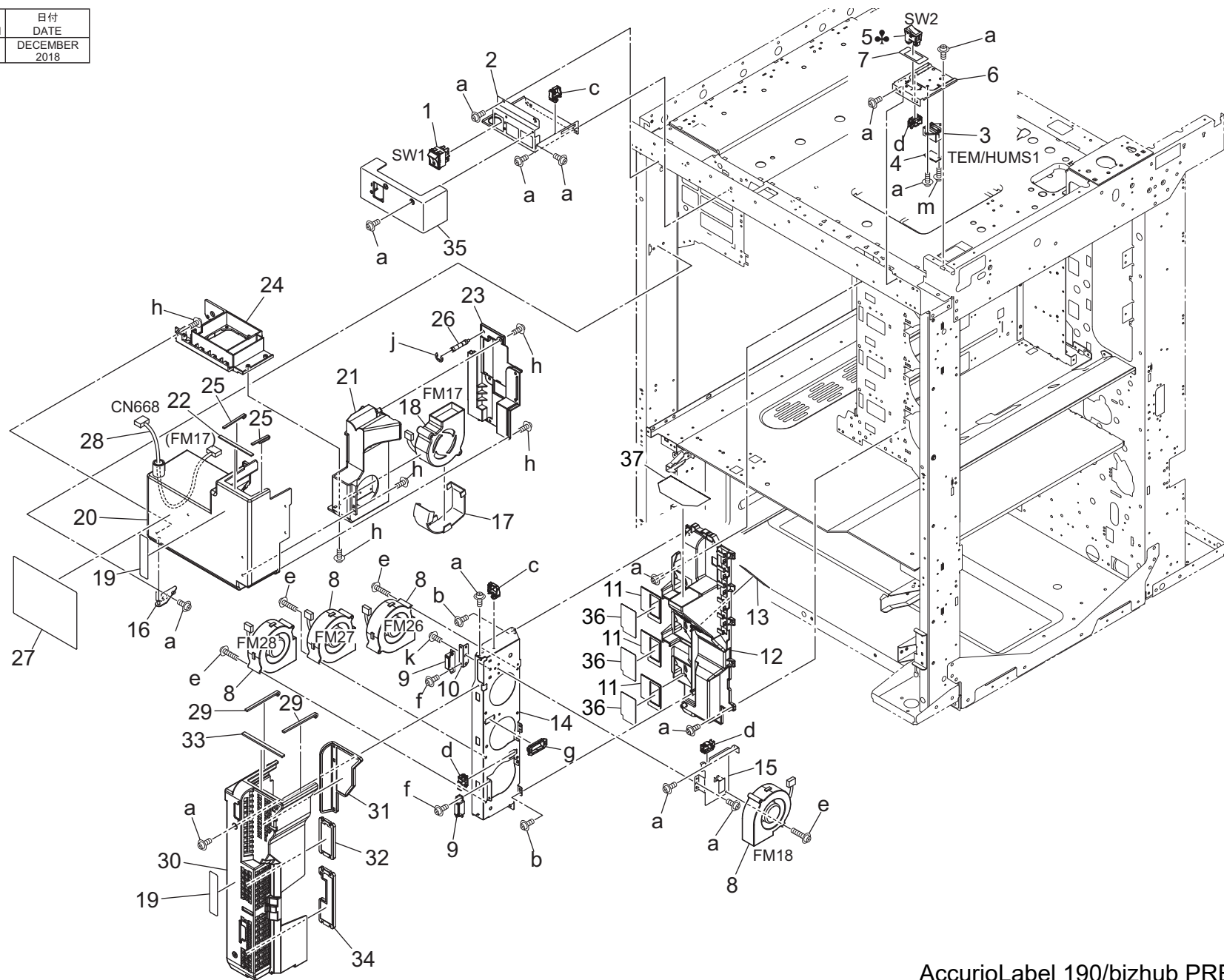
Key	Part No.	Description	Destinations	Class	QTY	Standard parts
1	A50U163700	Mounting Plate /Upper		D	1	a-V114040604 b-V158030804 c-V127030604 d-V500010075
2	A00J945401	Label Dehumidifier SW.		C	1	
3	A03U162500	Cover /A	(A7X5001,A7X5011,A7X5021,A7X5081)	C	3	
3	A7X5161200	Cover /A	(A7X5003,A7X5013,A7X5023,A7X5083)	D	3	
4	A1DU162300	Paper exit Cover /2		D	1	
5	A50U163001	Paper exit Cover /Left	(A7X5001,A7X5011,A7X5021,A7X5081)	D	1	
5	A7X5163000	Paper exit Cover /Left	(A7X5003,A7X5013,A7X5023,A7X5083)	D	1	
6	A9VE942600	Caution Label		D	1	
7	56UA97321G	Caution Label /A	C,D1,D3,F2,H,I,K	D	1	
7	A9JT942401	Caution Label	(A7X5023)	D	1	
7	56UA97321G	Caution Label /A	C,D1,D3(A7X5021)	D	1	
8	A1DU166500	Protection Cover /Left		D	1	
9	A50U163506	Protection Cover /1		D	1	
10	A50U163603	Cover /Rear		D	1	
11	A50U163800	Entrance Plate		D	1	
12	A50U167801	Holding Part		D	3	



# Main Frame

改訂版 REVISED EDITION	日付 DATE
	DECEMBER 2018

P 5

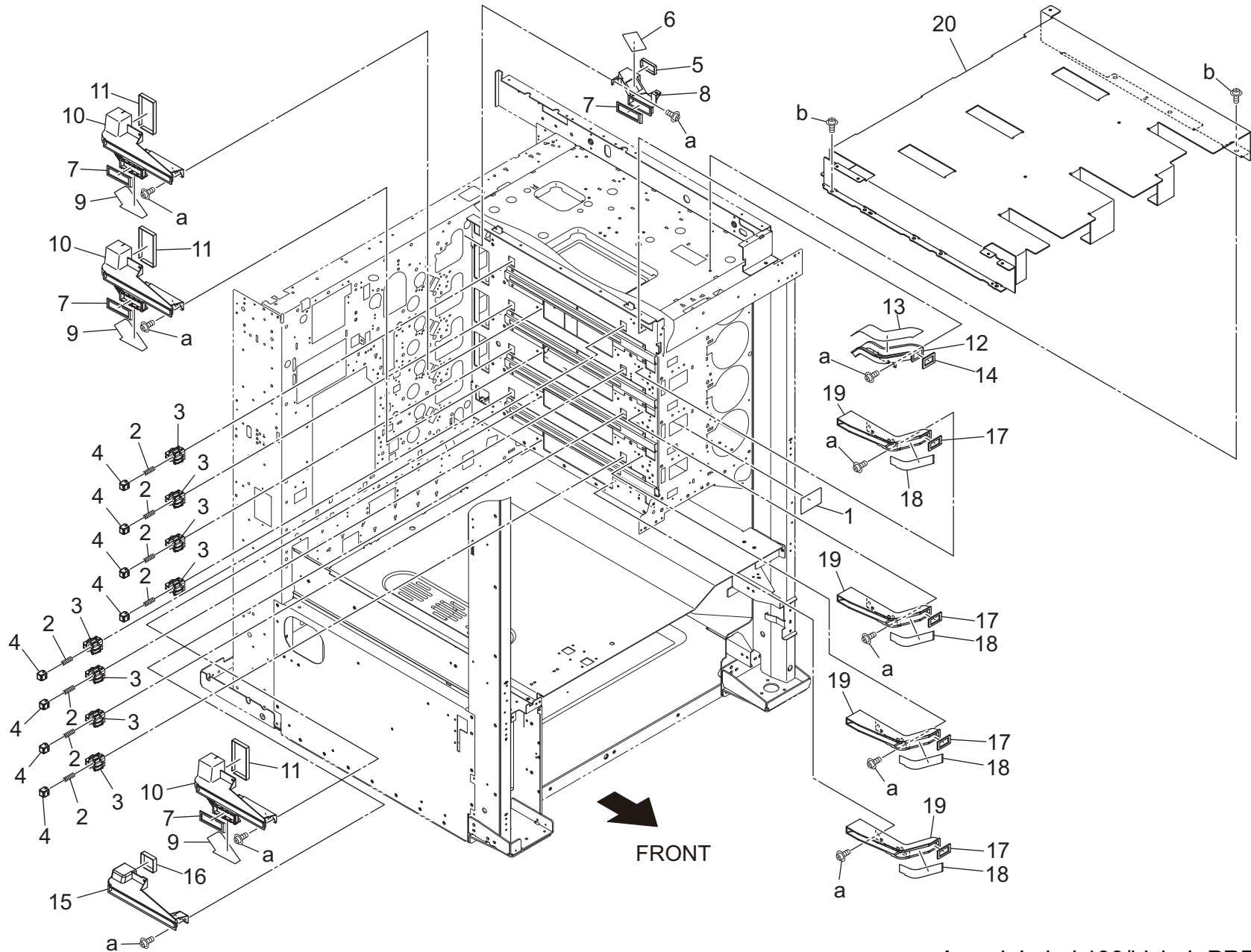


AccurioLabel 190/bizhub PRESS C71cf

Key	Part No.	Description	Destinations	Class	QTY	Standard parts
1	A4EUM60000	Power source Switch		C	1	a-V127030604
2	A50U127400	Mounting Plate		D	1	b-V158030803
3	65AA11300	SUPPORT PART		D	1	c-V500020098
4	A034M50000	Humidity sensor		C	1	d-V570010056
5	A50UM60300	Power source Switch		C	1	e-V118033503
6	A50U102900	Mounting Plate		D	1	f-V126030603
7	A50U179500	Protection Sheet		D	1	g-V570010037
8	9313100072	FAN MOTOR		C	4	h-V158030803
9	A0G6411200	Magnet / X		D	2	j-V217060050
10	A50U120600	Fixing Plate		D	1	k-V116030803
11	A50U121300	Cooling Seal /Front		D	3	m-V151030803
12	A50U122103	Cooling Duct		D	1	
13	A50U124900	Cover Sheet		D	1	
14	A50U126500	Mounting Plate		D	1	
15	A50U126600	Mounting Plate		D	1	
16	A50UF12000	Fusing Front Cooling Duct Support Shaft		D	1	
17	65AA11430	FAN SEALING PART 3		C	1	
18	A03UM15802	Main body Cooling Fan		C	1	
19	A50U949600	Replacement Label		D	2	
20	A50U121003	Duct		D	1	
21	A50U121601	Duct		D	1	
22	A50U123700	Cooling Seal /B		D	1	
23	A50U123800	Cover		D	1	
24	A50U124100	Duct		D	1	
25	A50U125200	Cooling Seal /A		D	2	
26	A50U125901	Fixing Screw		D	1	
27	A7X5943200	Processing Label /2		D	1	
28	A50UN12602	Cooling Relay harness /1		D	1	
29	A50U164000	Cooling Seal /1		D	3	
30	A50U167901	Cooling Cover		D	1	
31	A50U172100	PH Dust-proof Filter		B	1	
32	A50U172200	Deve. Dust-proof Filter/1		B	1	
34	A50U172300	Deve. Dust-proof Filter/2		B	1	
35	A50U127901	Cover		D	1	
36	A9VEP12100	Filter /G	(Service Part Only)	C	3	
37	A9VEP12200	Filter /H	(Service Part Only)	C	1	

# Main Frame


P 6



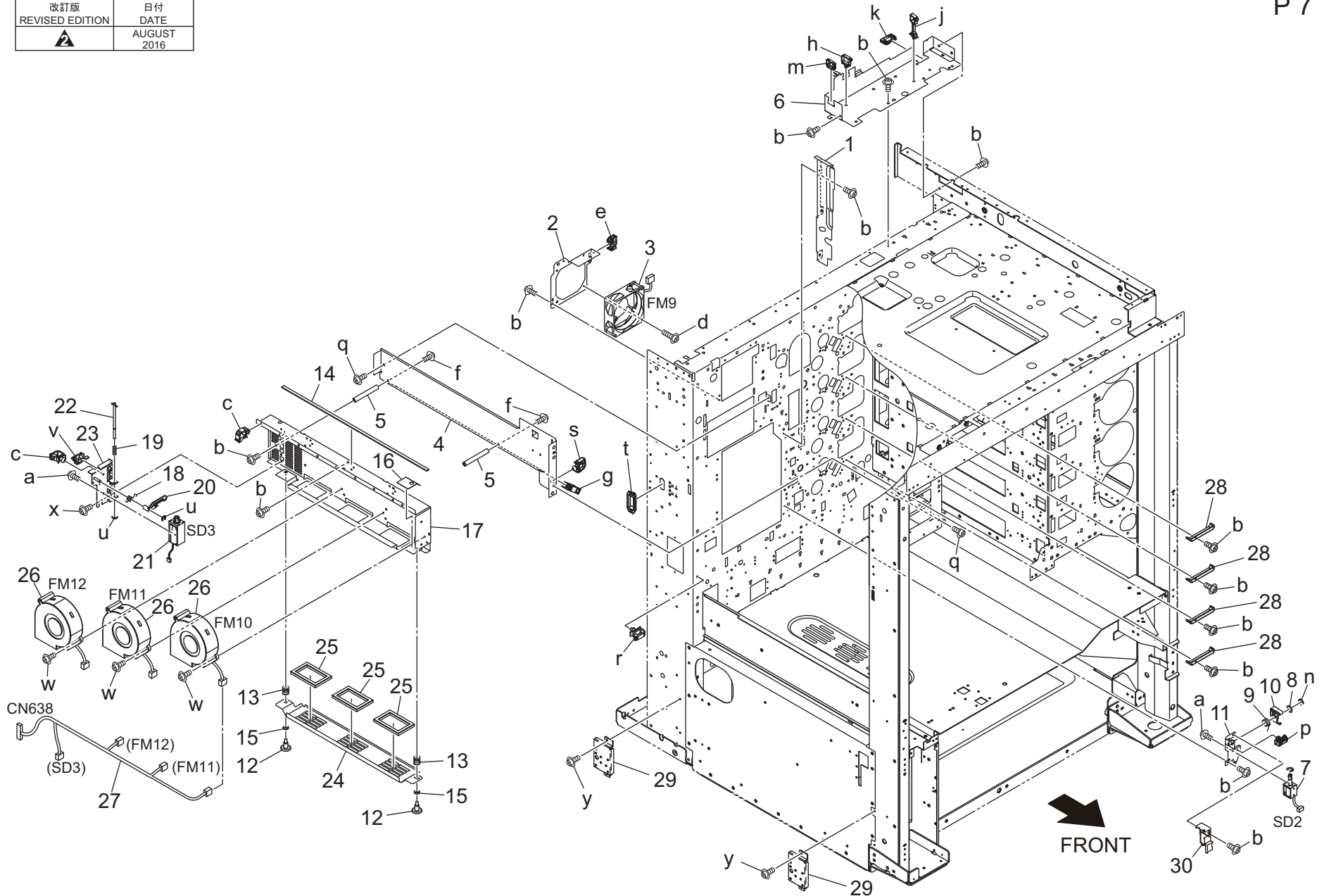
AccurioLabel 190/bizhub PRESS C71cf

Key	Part No.	Description	Destinations	Class	QTY	Standard parts
1	A50U109100	Writing Cover		D	1	a-V127030604 b-V127040803
2	A50U341800	Pressing Spring /D		D	8	
3	A50U342200	Pressing Pedestal		D	8	
4	A50U342400	Charge Pressing Block		D	8	
5	A50U123300	Suction Seal		D	1	
6	A50U123600	Suction Cover		D	1	
7	A50U127200	Suction Seal /Rear		D	4	
8	A50U127300	Suction Duct		D	1	
9	A50U123200	Ozone Cover		D	3	
10	A50U123400	Duct /Cyan		D	3	
11	A50U123900	Suction Seal		D	3	
12	A50U126200	Duct		D	1	
13	A50U126800	Sheet /1		D	1	
14	A50U127800	Seal		D	1	
15	A50U123500	Duct		D	1	
16	A50U124000	Suction Seal		D	1	
17	A50U127500	Seal		D	4	
18	A50U128000	Sheet /2		D	4	
19	A50U128700	Duct /1		D	4	
20	A57P160301	Reinforce Plate		D	1	

# Main Frame

改訂版 REVISED EDITION	日付 DATE
	AUGUST 2016

P 7

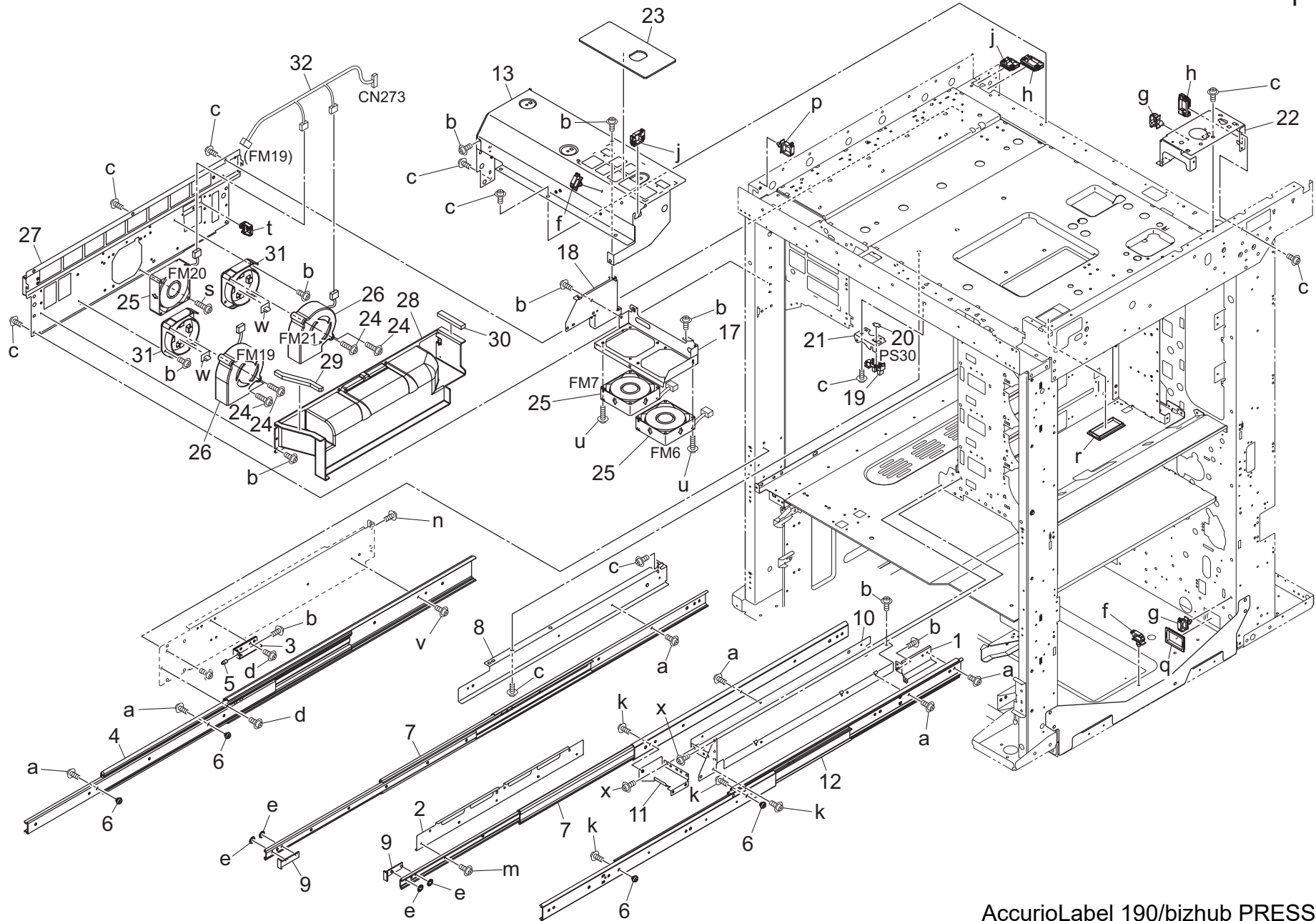


AccurioLabel 190/bizhub PRESS C71cf

Key	Part No.	Description	Destinations	Class	QTY	Standard parts
1	A50U104901	Inner partition		D	1	a-V118030303
2	A50U103602	Mounting Plate /Rear		D	1	b-V127030604
3	A50UM15300	Fan motor /2		C	1	c-V500010074
4	A50U102800	Mounting Stay /Middle		D	1	d-V118033003
5	A50U106800	Mounting Shaft /Inside		D	2	e-V570010056
6	A50U133201	Mounting Plate /Upper		D	1	f-V116030803
7	26NA82513	Paper Feed Solenoid		B	1	g-V570010057
8	40AA32320	Toner Supply Spacer		C	1	h-V500010084
9	A50U508301	Solenoid Release Spring		D	1	j-V500020085
10	A50U509300	Separating Cam		D	1	k-V570010059
11	A50UF50700	Mounting Stay Caulking		D	1	m-V570010060
12	4038351102	SHOULDER SCREW		C	2	n-V217040050
13	A1DU764000	Spring		D	2	p-V500020099
14	A50U731700	Insulating Seal /1		D	1	q-V146040804
15	A50U731900	Lifting Spacer /1		D	2	r-V500010082
16	A50U737800	Protection Sheet /1		D	1	s-V500020098
17	A50U739000	Mounting Plate		D	1	t-V570010037
18	A50U737201	Holding Spring /A		D	1	u-V217030050
19	A50U738900	Holding Spring /B		D	1	v-V570010025
20	A50U739400	Open/close Arm /1		D	1	w-V116031003
21	A50UR71X00	Shutter Solenoid Pin Insert		C	1	x-V127040603
22	A50UR71Y00	Support Shaft / B Pin Insert		D	1	
23	A50UR72J00	Support Shaft Caulking		D	1	
24	A50U738001	Shutter		D	1	
25	A50U738100	Cushion		D	3	
26	A50UM15201	Fan motor		C	3	
27	A50UN12800	Fixing Relay harness /1		D	1	
28	A50U108900	Receiving Part /1		D	4	
29	A1DU111101	Connecting Plate /F		D	2	
30	A50U510400	Cover		D	1	

# Main Frame

P 8

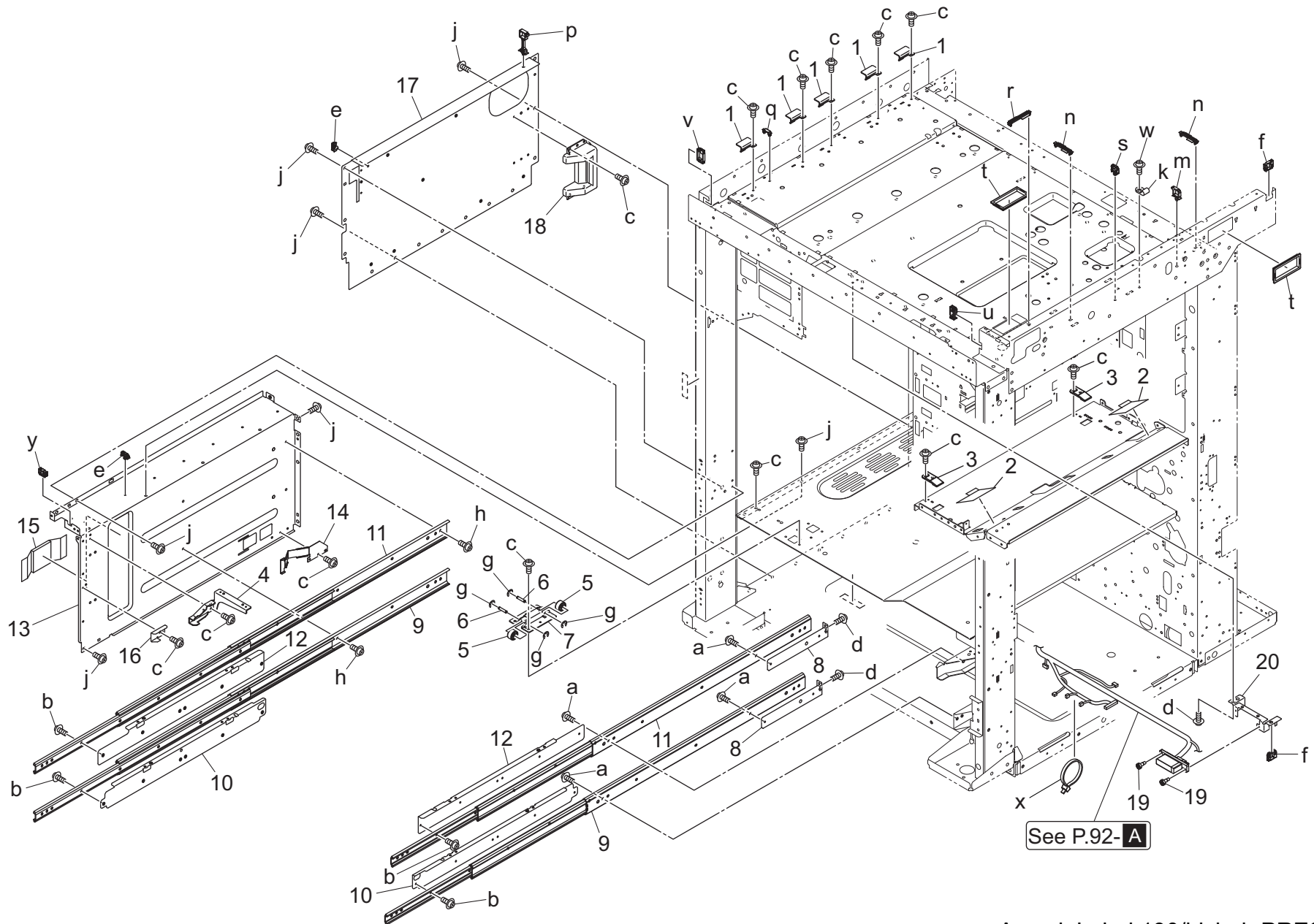


AccurioLabel 190/bizhub PRESS C71cf

Key	Part No.	Description	Destinations	Class	QTY	Standard parts
1	A50U105600	Rail /Rear		D	1	a-V118040604
2	A50U340700	Mounting Rail		D	1	b-V127030604
3	65AA509900	Mounting Plate /Left		D	1	c-V127040603
4	A1RF815702	Slide Rail /Left		D	1	d-V127040803
5	A50U109400	Guide Pin /Left		D	1	e-V226040050
6	A50U833000	Mounting Collar /1		C	4	f-V500010081
7	56AA10300	Slide Rail /A		C	2	g-V500010082
8	A50U105201	Support Rail /Front		D	1	h-V570010059
9	A50U342900	Protection Cover		D	2	j-V570010060
10	A50U103200	Reinforce Rail		D	1	k-V118040804
11	A50U832100	Reinforce Rail /A		D	1	m-V121030403
12	A50U881500	Slide Rail		D	1	n-V146040804
13	A50U103402	Fixing Plate /Left rear		D	1	p-V500010083
17	A50U120300	Fixing Plate		D	1	q-V570010039
18	A50U129200	Fixing Plate		D	1	r-V570010040
19	A50UM51000	Photointerrupter		C	1	s-V118043003
20	4470402401	Stopper		D	1	t-V500020098
21	A50U104700	Mounting Plate		D	1	u-V118033003
22	A50U105100	Support Plate /A		D	1	v-V126040603
23	A50U109900	Electric Comp. Cooling Filter		B	1	w-V500020050
24	V118045503	Screw		V	4	x-V121040803
25	9J03M10000	FAN MOTOR		B	3	
26	A03UM15802	Main body Cooling Fan		C	2	
27	A50U101901	Cooling Stay		D	1	
28	A50U103500	Separating Duct		D	1	
29	A50U107501	Sealing Part /Front		D	1	
30	A50U107600	Sealing Part /Rear		D	1	
31	A50U107800	Fan duct		D	2	
32	A50UN15400	Drive harness /F		D	1	

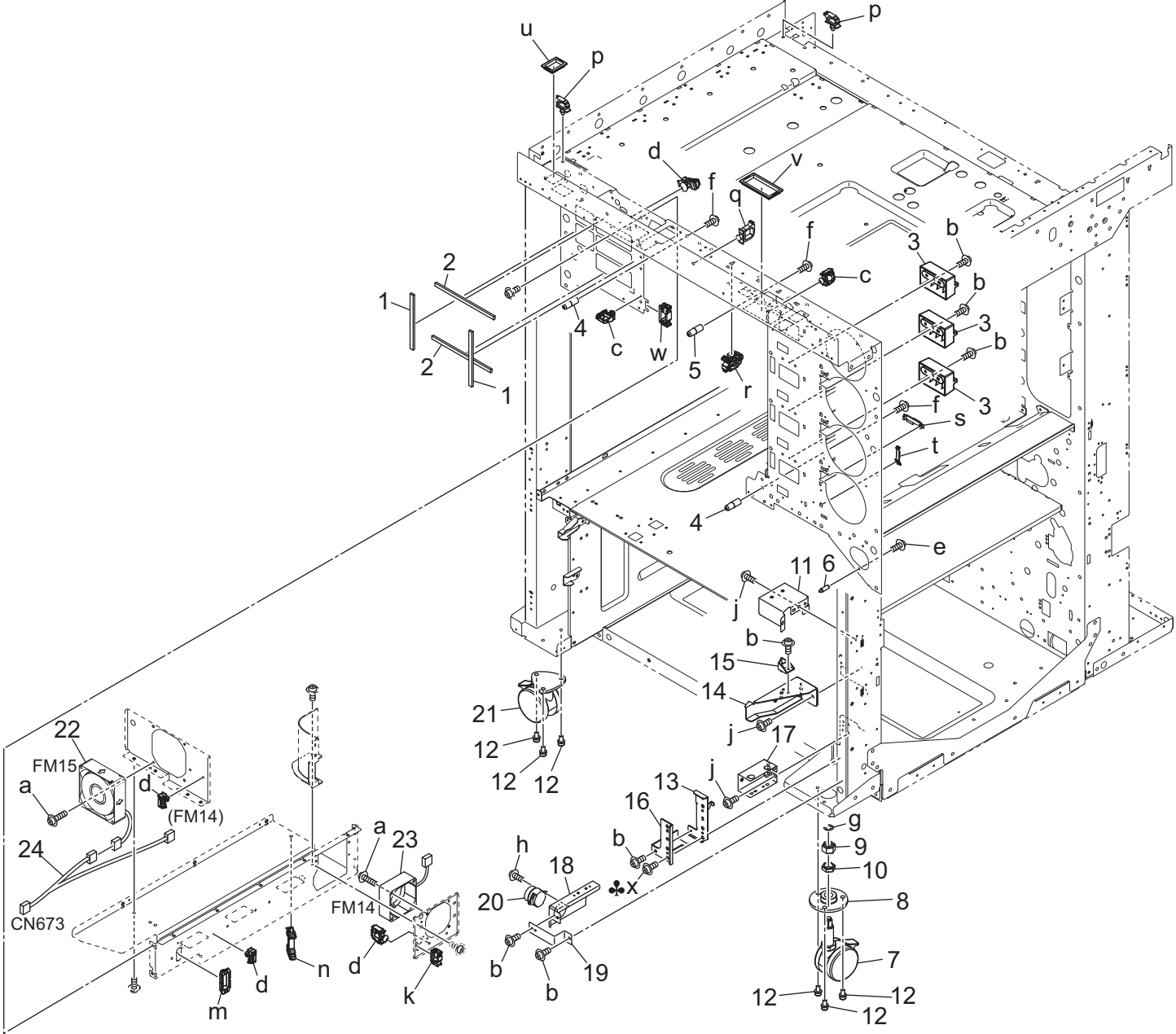


# Main Frame



AccurioLabel 190/bizhub PRESS C71cf

Key	Part No.	Description	Destinations	Class	QTY	Standard parts
1	A50U136501	Cover		D	5	a-V118040603
2	A50U314800	Receiving Sheet		D	2	b-V118040604
3	A50U105800	Writing Guide /Front		D	2	c-V127030604
4	A50U107101	Hold Plate /Front		D	1	d-V127040603
5	13NG45200	Conveyance Driven Roller		C	2	e-V500020099
6	65AA50400	Guide Shaft		D	2	f-V570010060
7	A50U855200	Lifting Base frame		D	1	g-V217030050
8	65AA10470	Mounting Plate /4		D	2	h-V126040603
9	A50U107000	Slide Rail /A		D	2	j-V146040804
10	A50U624904	Support Stay /2		D	2	k-V500020069
11	56AA10300	Slide Rail /A		C	2	m-V500010083
12	A50U624503	Support Stay /2		D	2	n-V500020066
13	A50U102703	Protection Plate		D	1	p-V500020085
14	A50U366601	Regulating Plate		D	1	q-V500020092
15	A50U368000	Collection Seal /2		D	1	r-V500020093
16	A50U624000	Lock Claw		D	1	s-V500020098
17	A50U101600	Auxiliary Plate /Left		D	1	t-V570010040
18	A50U363900	Collection Guide		D	1	u-V570010057
19	57AA15600	ELECTRIC MOUNTING SCREW		C	2	v-V570010059
20	A50U104600	Mounting Plate /Front		D	1	w-V116030803
						x-V501010002
						y-V570010056

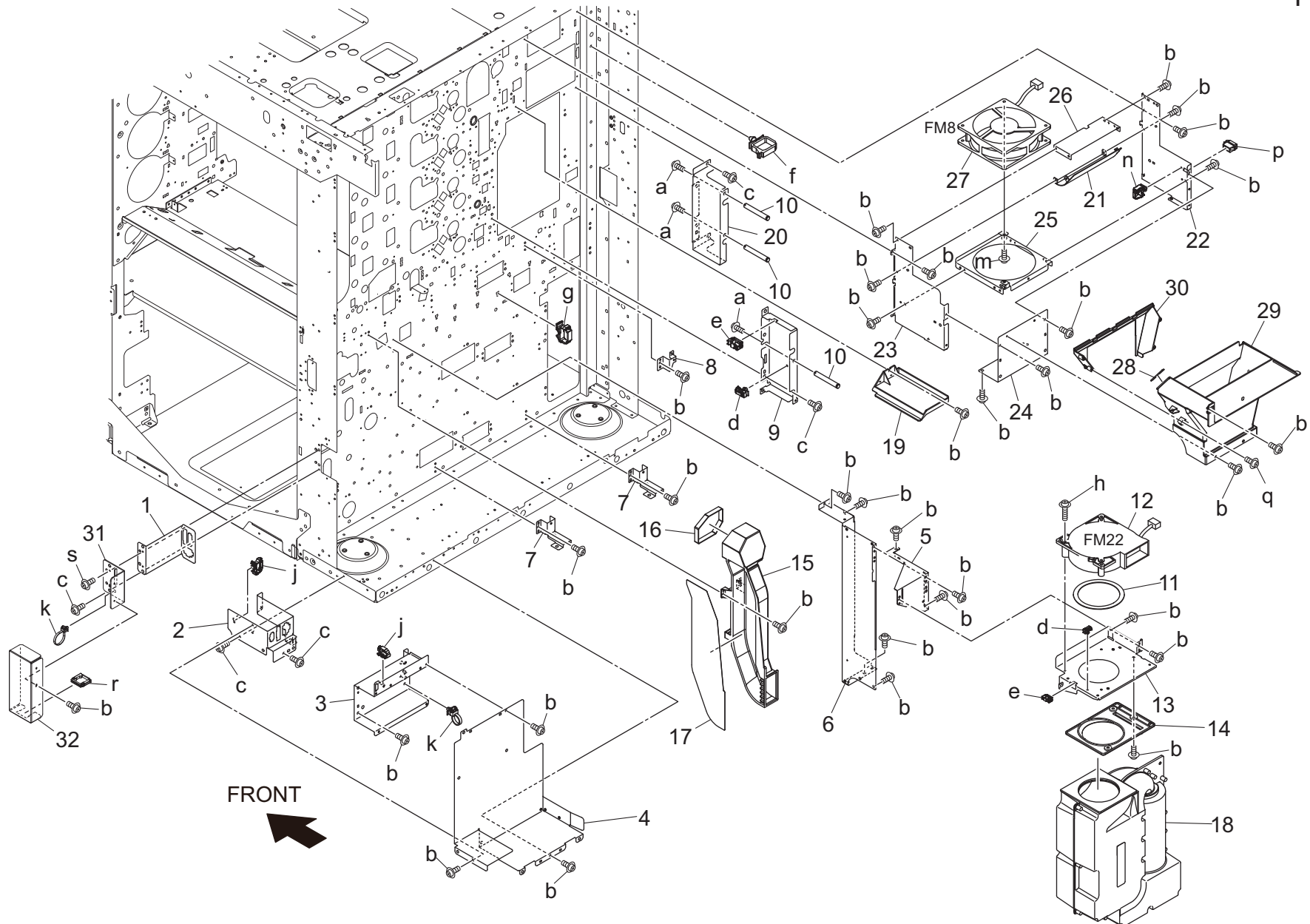


AccurioLabel 190/bizhub PRESS C71cf

Key	Part No.	Description	Destinations	Class	QTY	Standard parts
1	A50U122000	Cooling Seal		D	2	a-V118033003
2	A50U122800	Cooling Seal		D	2	b-V127030604
3	A50U103800	Guide Part /Front		D	3	c-V500020098
4	A50U104401	Positioning Shaft /Front		D	2	d-V500020099
5	A50U110000	Positioning Shaft /Upper		D	1	e-V116030803
6	A50U832201	Guide Pin /Right front		D	1	f-V116040803
7	55WA10310	MAIN BODY SUPPORT ROLLER Y		C	1	g-V217080001
8	A85C102000	Adjusting Part		C	1	h-V126030603
9	56AA17630	ADJUSTING PART		C	1	j-V146040804
10	56AA17640	ADJUSTING PART 2		C	1	k-V570010056
11	A50U103700	Support Part /Middle		D	1	m-V570010037
12	A50U106300	Lock Screw		D	6	n-V500020101
13	A50U624113	Lock Part		D	1	p-V500010081
14	A50U628001	Lock Claw		D	1	q-V500010083
15	A50U634200	Lock Part		D	1	r-V500010071
16	A50U624300	Reinforce Plate		D	1	s-V500020066
17	A50U103301	Support Part /Middle		D	1	t-V500020102
18	A50U640200	Mounting Plate		D	1	u-V570010038
19	A50U640400	Reinforce Part		D	1	v-V570010040
20	A50U641600	Slide Dumper /A		D	1	w-V570010057
21	55WA10300	MAIN BODY SUPPORT ROLLER X		C	1	x-V127040603
22	9J03M10000	FAN MOTOR		B	1	
23	56QA80570	Internal Cooling Fan		C	1	
24	A50UN13600	Cooling Relay harness /3		D	1	

# Main Frame

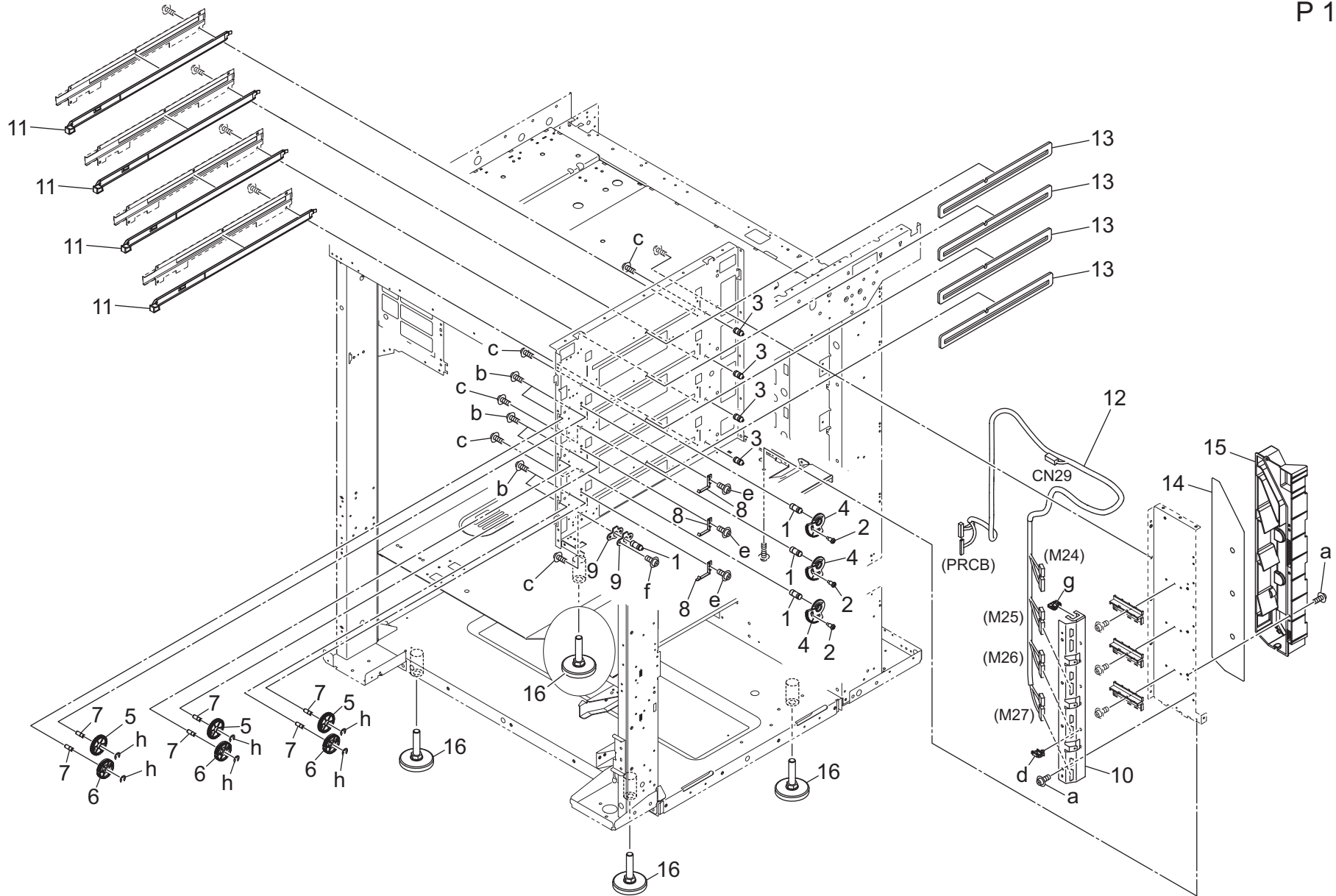
P 11



AccurioLabel 190/bizhub PRESS C71cf

Key	Part No.	Description	Destinations	Class	QTY	Standard parts
1	A03U118301	PFU Power supply Panel	P F U 給電パネル	D	1	a-V116040803
2	A50U107901	Mounting Plate /P	取付板 / P	D	1	b-V127030604
3	A50U108001	Protection Plate /P	保護板 / P	D	1	c-V127040603
4	A50U108200	Guide Part /Rear	ガイド部材 / 奥	D	1	d-V500020099
5	A50U120900	Mounting Frame /2	取付フレーム / 2 ( P H 冷却ファン)	D	1	e-V570010056
6	A50U121800	Mounting Frame /Right Rear	取付フレーム / 右後	D	1	f-V500010084
7	A50U132701	Mounting Plate /Lower	取付板 / 下	D	2	g-V500010071
8	A50U132800	Mounting Plate /Right	取付板 / 右	D	1	h-V118033503
9	A50U106502	Fusing Plate	定着板	D	1	j-V500010072
10	A50U106700	Swing Shaft	揺動軸	D	3	k-V501010018
11	65AA10190	FAN SEALING PART 1	ファンシール材 1	C	1	m-V127031203
12	A0Y5M15101	Suction Fan motor	サクシヨファンモーター	C	1	n-V500020098
13	A50U121900	Fixing Plate /1	固定板 / 1	D	1	p-V651010003
14	A50U125800	Connecting Duct	連結ダクト (サイクロンダクト)	D	1	q-V151030803
15	A50U125600	Suction Duct /Lower	サクシヨダクト / 下 (本体)	D	1	r-V570010058
16	A50U126400	Suction Seal	サクシヨシール (本体)	D	1	s-V127040803
17	A50U129100	Suction Cover /Lower	サクシヨ蓋 / 下 (本体)	D	1	
18	A50UR70A12	Filter Box	フィルターボックス	B	1	
19	A50U125500	Heat blocking Plate	遮熱板	D	1	
20	A50U106600	Fusing Plate /B	定着板 / B	D	1	
21	A50U122900	Fusing Duct /4	定着ダクト / 4	D	1	
22	A50U125000	Fusing Duct /2	定着ダクト / 2	D	1	
23	A50U125101	Fusing Duct /1	定着ダクト / 1	D	1	
24	A50U128800	Fusing Duct /3	定着ダクト / 3	D	1	
25	A50U128900	Fusing Duct /5	定着ダクト / 5 (ファン固定)	D	1	
26	A50U129300	Fusing Duct /6	定着ダクト / 6	D	1	
27	A50UM15401	Fan motor /3	ファンモーター / 3	C	1	
28	A50U126300	Cooling Seal	冷却シール (定着排気ダクト)	D	1	
29	A50U129401	Fusing Duct	定着ダクト	D	1	
30	A50U129801	Fusing Duct /7	定着ダクト / 7	D	1	
31	A7X5101200	Auxiliary Plate	補助板	D	1	
32	A7X5101400	Wiring Cover	配線カバー	D	1	(A7X5001,A7X5011,A7X5021,A7X5081)
32	A7X5101500	Wiring Cover	配線カバー	D	1	(A7X5003,A7X5013,A7X5023,A7X5083)

# Main Frame

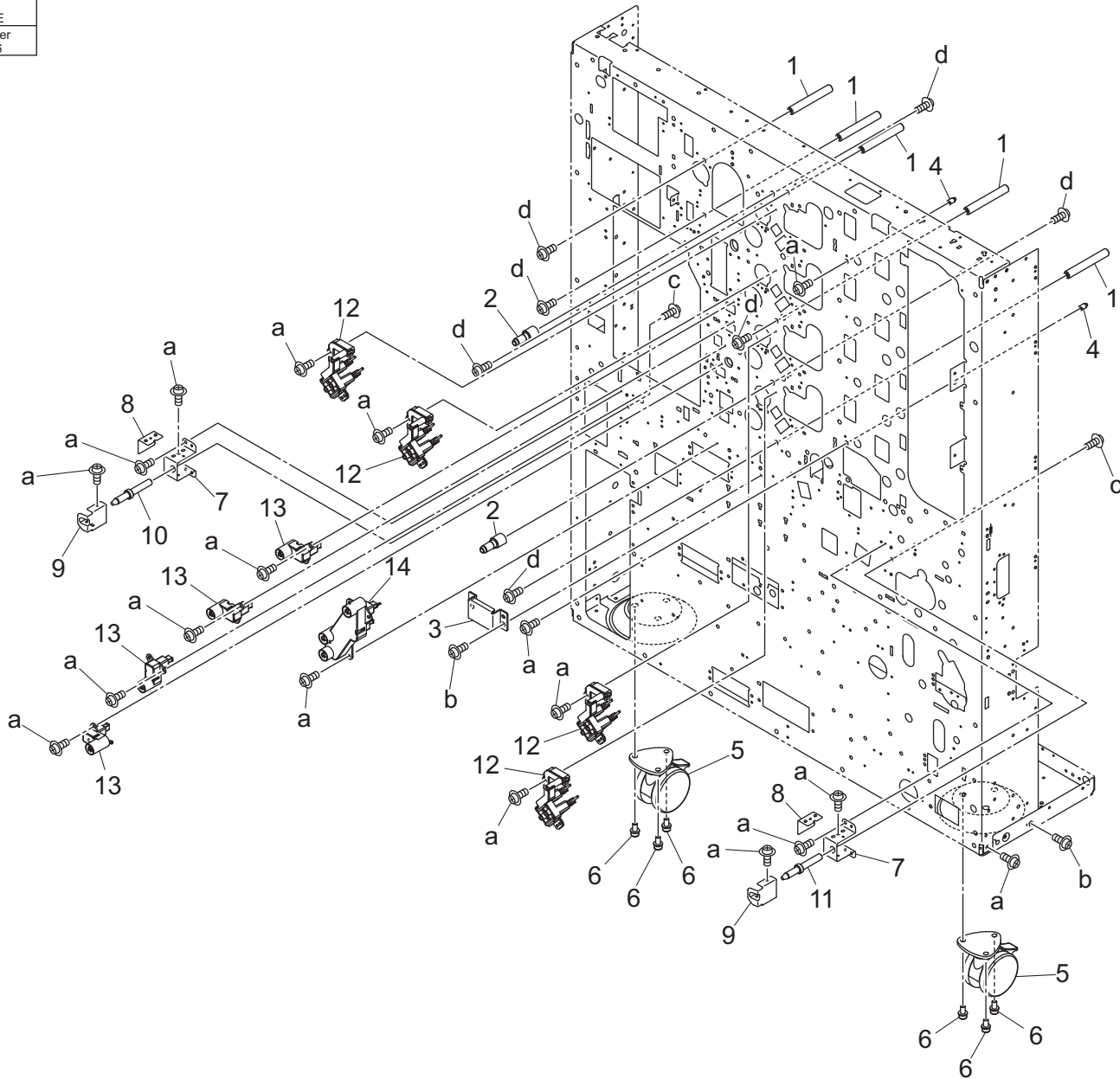


Key	Part No.	Description	Destinations	Class	QTY	Standard parts
1	A50U318500	Positioning Pin /Front		D	4	a-V127030604
2	A1RF301400	Guide Screw		D	3	b-V116030803
3	A50U318601	Positioning Pin /Rear		D	4	c-V116040803
4	A50U308100	Adjusting Cam		D	3	d-V500010082
5	A50U308200	Idling Gear 36T		C	3	e-V121030403
6	A50U308300	Adjusting Gear 15T		C	3	f-V127030803
7	A50U308400	Idling Shaft		D	6	g-V570010060
8	A50U308500	Regulating Spring		D	3	h-V217040050
9	A50U318800	Stopper Plate /Black		D	2	
10	A50U104000	Support Plate /P		D	1	
11	A50UR70H00	PH Protection Glass Assy		D	4	
12	A50UN27002	Polygon Relay harness /1		D	1	
13	A50U314300	Seal /4		D	4	
14	A50U122701	Suction Cover /Upper		D	1	
15	A50U127000	Suction Duct /Upper		D	1	
16	25AA10091F	Mainbody Fixing Stopper		C	4	



# Main Frame

改訂版 REVISED EDITION	日付 DATE
	October 2016

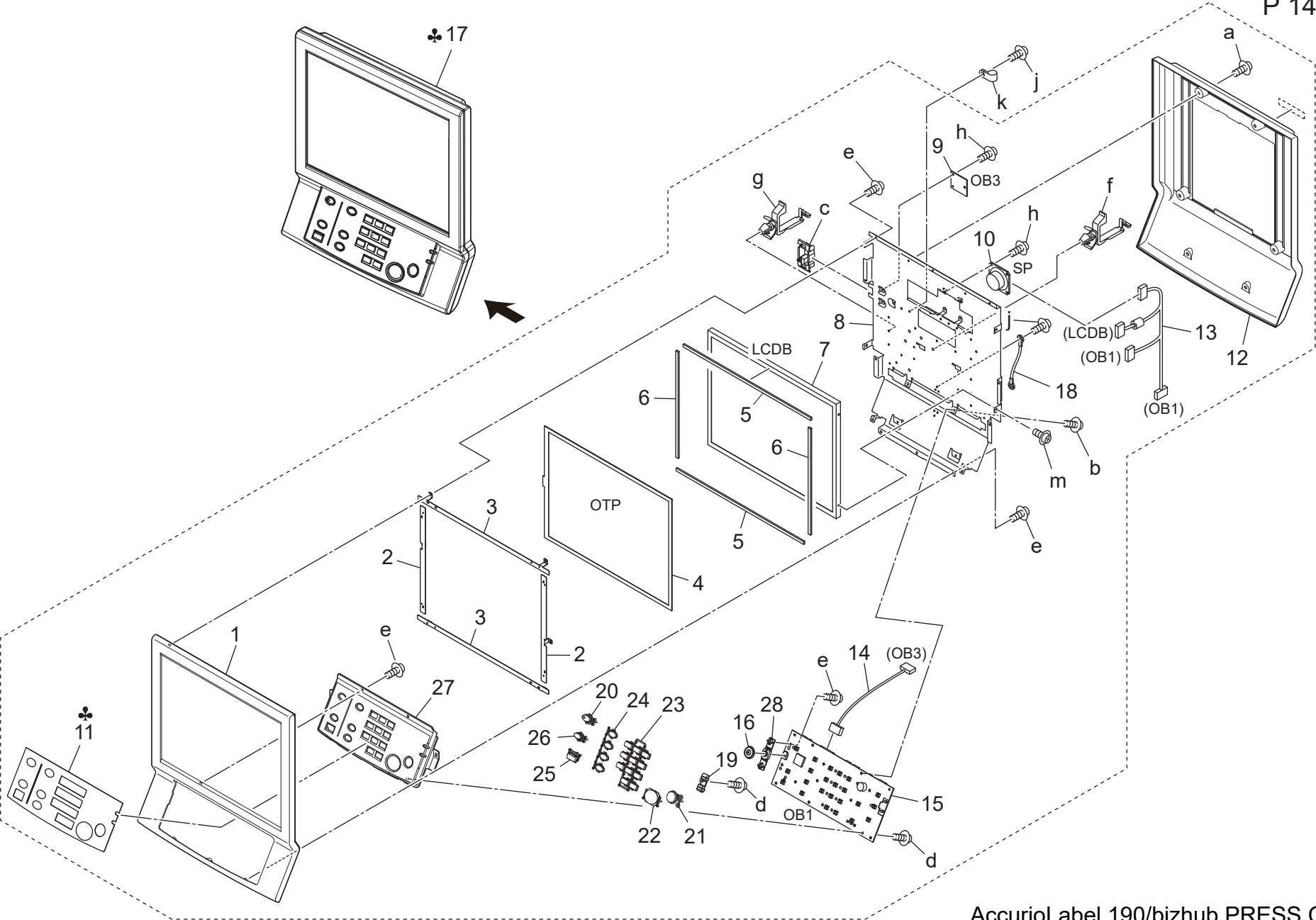


AccurioLabel 190/bizhub PRESS C71cf

## Main Frame

Key	Part No.	Description	Destinations	Class	QTY	Standard parts
1	A50U104300	Drive Shaft		D	5	a-V127030604 b-V146040804 c-V116030803 d-V116040803
2	A50U104500	Positioning Shaft /Rear		D	2	
3	A50U105000	Lock Plate		D	1	
4	A50U407300	Positioning Shaft /Rear		D	2	
5	55WA10300	MAIN BODY SUPPORT ROLLER X		C	2	
6	A50U106300	Lock Screw		D	6	
7	A50U811300	Guide Holder /Rear		D	2	
8	A50U811500	Guide Holder /1		D	2	
9	A50U813700	Ground Plate		D	2	
10	A50U817700	Guide Pin /Right rear		D	1	
11	A50U817700	Guide Pin /Right rear		D	1	
12	A50UR71U01	Terminal 1 Assy / HV		C	4	
13	A50UR71V01	Terminal 2 Assy / HV		C	4	
14	A50UR71W01	Terminal 3 Assy / HV		C	1	

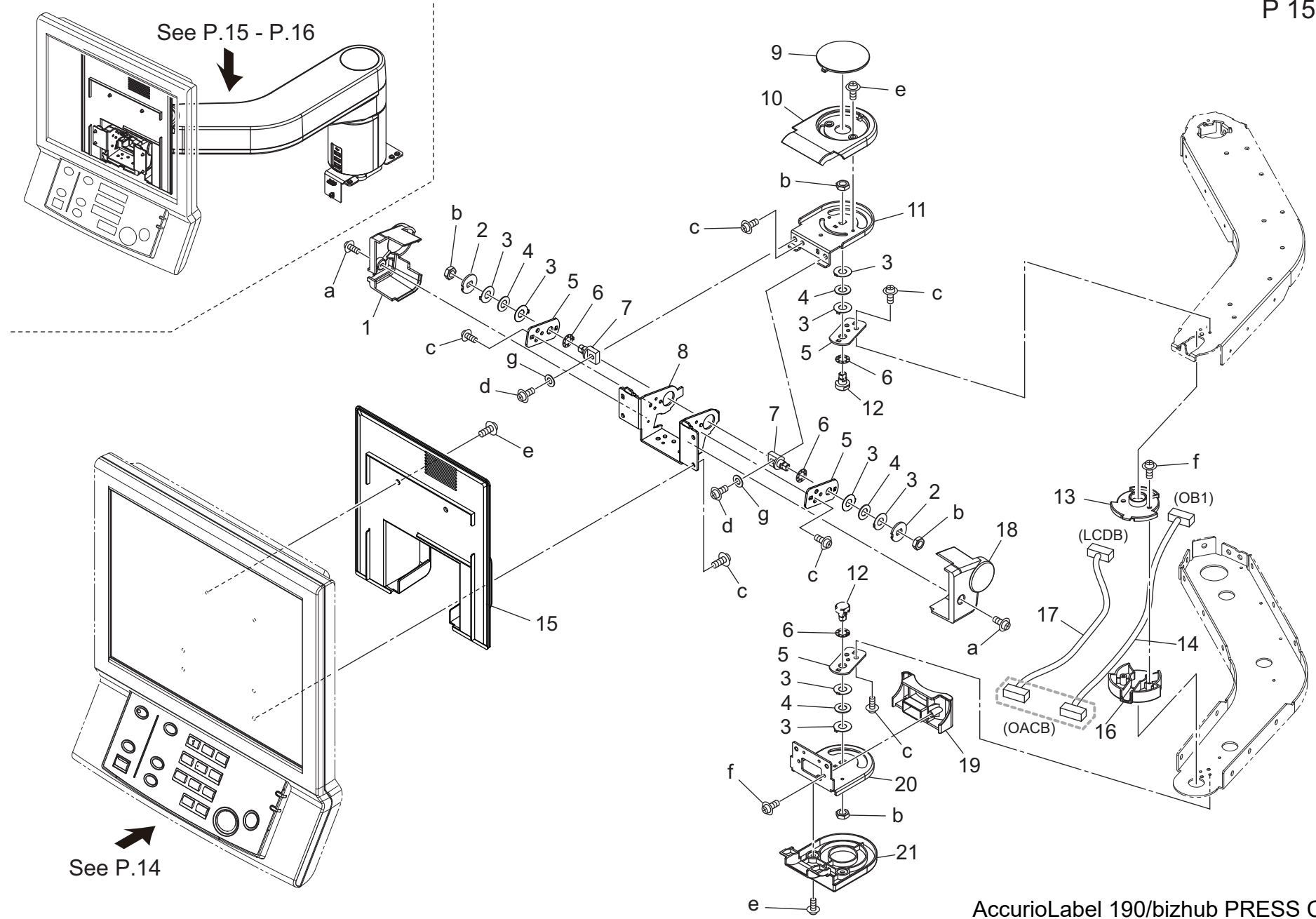
# Operation Panel Section



AccurioLabel 190/bizhub PRESS C71cf

Key	Part No.	Description	Destinations	Class	QTY	Standard parts
1	A0G6190101	Operation Cover /Front		C	1	a-V114040604
2	A0G6192900	Ground Plate /2		D	2	b-V151031003
3	A0G6192700	Ground Plate /1		D	2	c-V570010063
4	A0G6M75501	Ope.Unit Touch Panel		C	1	d-V151030603
5	A0G6192400	Holding Cushion /Upper		C	2	e-V151030803
6	A0G6192500	Holding Cushion /Right		C	2	f-V500010082
7	A4EUM75800	Ope.unit LCD		C	1	g-V500020099
8	A4EU190413	Operation Plate		D	1	h-V118030603
9	A0G6H06000	Operation Board /3 Assy		C	1	j-V116040603
10	A0P0M73100	Speaker		D	1	k-V500020069
11	A0GA195000	Operation Sheet	A	C	1	m-V118030404
11	A0GA205000	Operation Sheet	B,D3,G1,G2,F2	C		
11	A205195100	Operation Sheet (CHINA)	J	C	1	
11	A205195200	Operation Sheet (TAIWAN)	H	C	1	
11	A4EX205300	Operation Sheet	K	C	1	
12	A0G6190200	Operation Cover /Rear		C	1	
13	A4EUN28500	Ope.unit Wiring /4		D	1	
14	A0G6N18400	Ope.Unit Control Harness /3		D	1	
15	A4EUH04001	Operation Board /1 Assy		I	1	
16	A4EU194100	Operation Knob /1		D	1	
17	A57PR70111	Operation Unit	A	I	1	
17	A57PR70211	Operation Unit	B,G1,G2	I	1	
17	A57PR70311	Operation Unit	C,D1,D3,F2,H,I,K	I	1	
17	A7V0R70200	Operation Unit	J	I	1	
18	A1RFN28300	Ope.unit Wiring /1		D	1	
19	A0G6191600	Indicating Part /1		D	1	
20	A0G6193800	Operation Button /10		C	1	
21	56UA70330	OPERATION UNIT BUTTON S		C	1	
22	A0G6193200	Operation Button /2		C	1	
23	A0G6193100	Operation Button /1		C	1	
24	A0G6193400	Operation Button /4		C	1	
25	A0G6194000	Operation Button /9		C	1	
26	A0G6193900	Operation Button /8		C	1	
27	A0GA190301	Operation Casing /1		C	1	
28	A4EU194200	Fixing Holder		D	1	

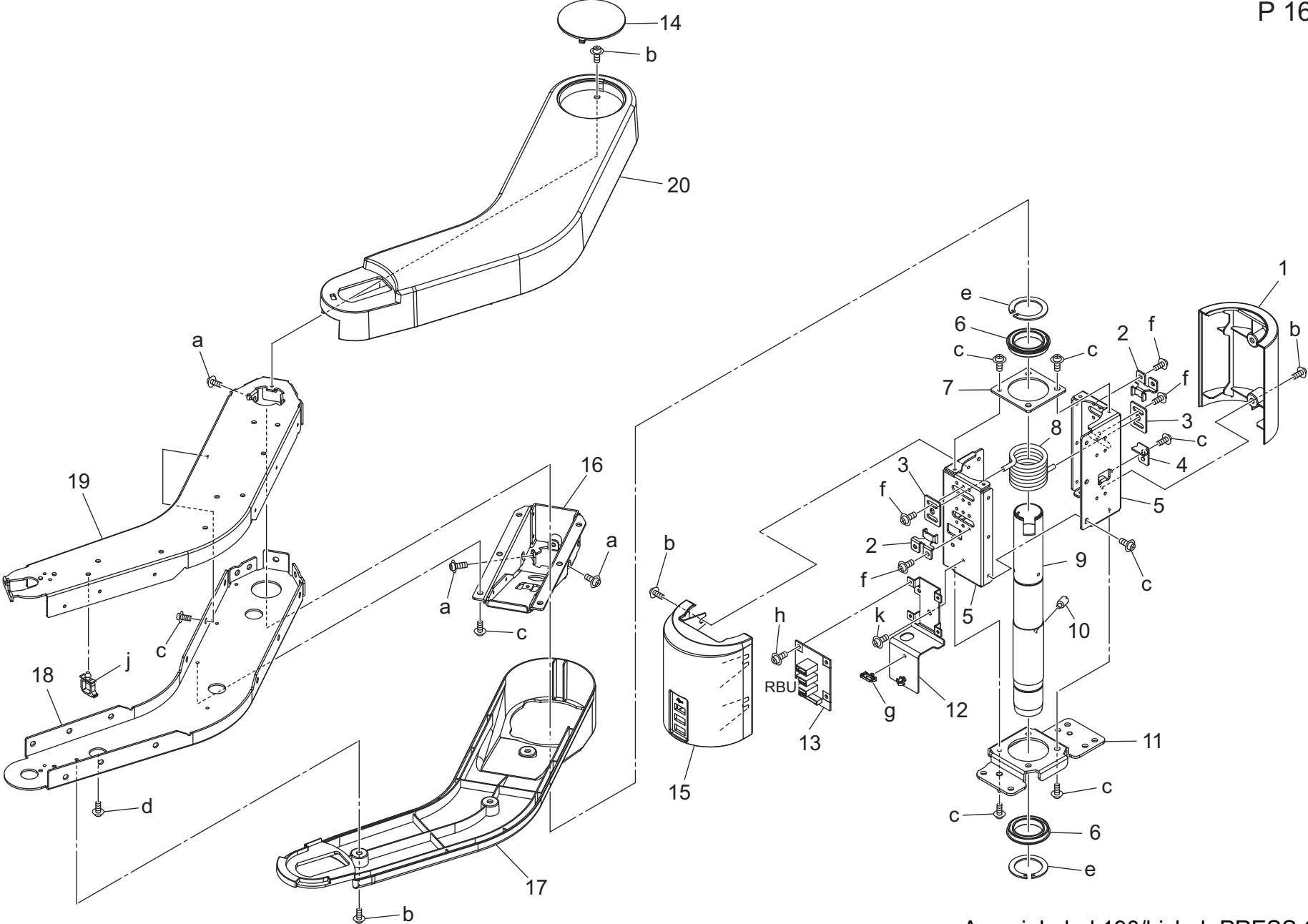
# Operation Panel Section



AccurioLabel 190/bizhub PRESS C71cf

Key	Part No.	Description	Destinations	Class	QTY	Standard parts
1	A03U194002	Operation Cover /F		C	1	a-V121030603 b-V196080003 c-V121040603 d-V188051604 e-V114040604 f-V158030803 g-V207050003
2	A03U192000	Fixing Part /T		D	2	
3	A03U191800	Rotation Spacer /1		D	8	
4	A03U191700	Rotation Spring /T		D	4	
5	A03U191600	Mounting Plate /T		D	4	
6	A03U191900	Rotation Spacer /2		D	4	
7	A03U192100	Fixing Shaft /U		D	2	
8	A03U190900	Ope. unit Mounting Stay /1		D	1	
9	A03U193800	Operation Cover /I		C	1	
10	A03U193300	Operation Cover /C		C	1	
11	A03U191400	Support Plate /Upper		D	1	
12	A03U192200	Rotation Shaft /T		D	2	
13	A03U193700	Swing Cover /Upper		C	1	
14	A50UN29101	Ope.unit Control harness /2		D	1	
15	A1DU197100	Operation Cover /R		D	1	
16	A03U193600	Swing Cover /Lower		C	1	
17	A50UN29012	Ope.unit Control harness /1		D	1	
18	A03U194102	Operation Cover /G		C	1	
19	A03U193400	Operation Cover /E		C	1	
20	A03U191500	Support Plate /Lower		D	1	
21	A03U193500	Operation Cover /D		C	1	

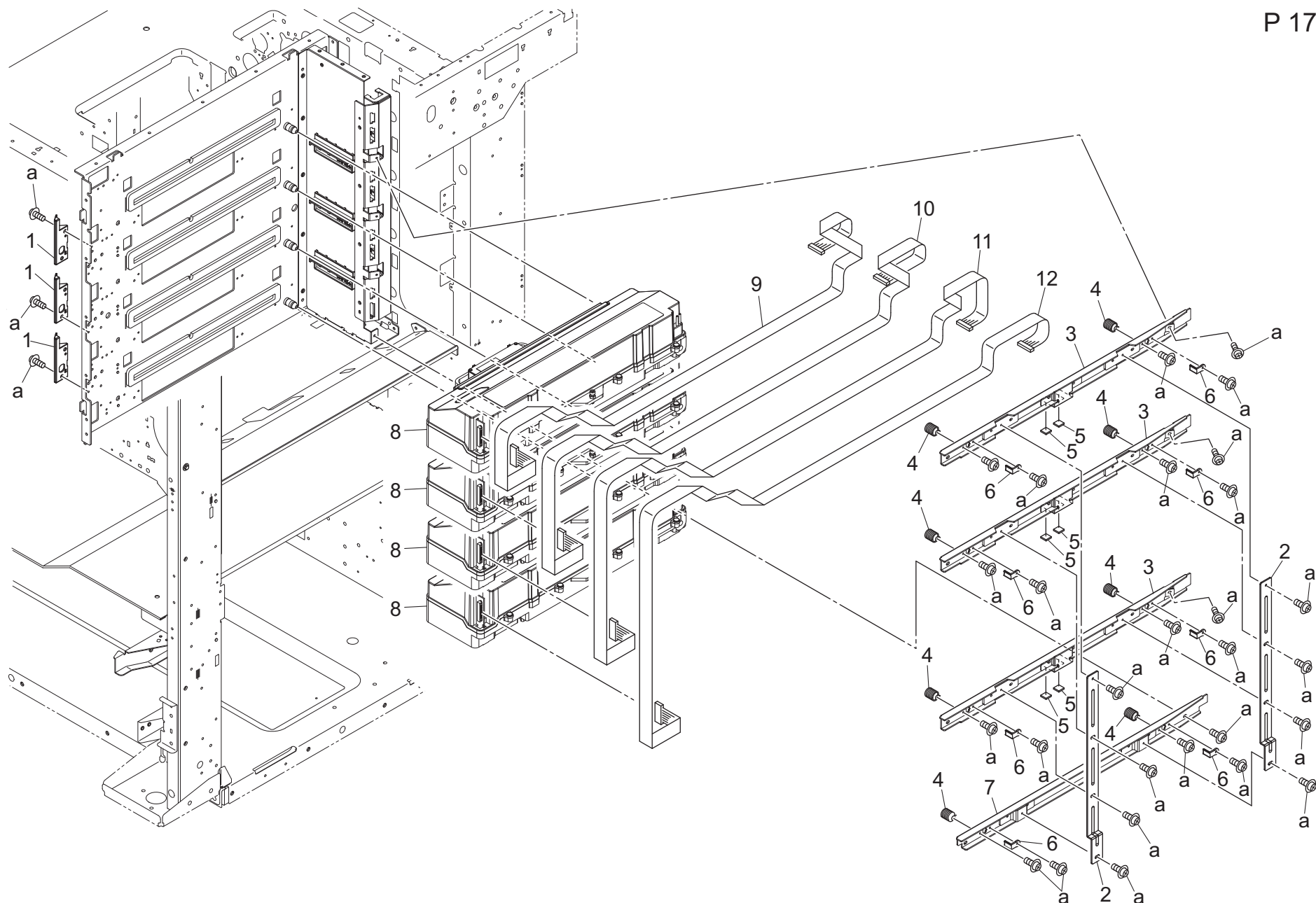
Operation Panel Section



AccurioLabel 190/bizhub PRESS C71cf

Key	Part No.	Description	Destinations	Class	QTY	Standard parts
1	A1DU194300	Operation Cover /B 操作カバー / B		D	1	a-V185041203
2	A03U195400	Regulating Part 規制部材		D	2	b-V114040604
3	A03U195302	REGULATING PLATE 規制板		D	2	c-V121040603
4	A03U195500	Rotation Stopper 回転ストッパ		D	1	d-V158030803
5	A03U190802	Support Plate /2 支持板 / 2		D	2	e-V223300017
6	65AA75010E	DRUM SUPPORT BEARING ドラム支持軸受		D	2	f-V116040803
7	A03U191100	Support Plate /3 支持板 / 3		D	1	g-V500020100
8	A03U191201	Support Spring 支持ばね		C	1	h-V127030603
9	A03U191300	Ope. unit Support Pipe 操作部支持パイプ		D	1	j-V500010083
10	A03U192300	Stopper Screw /A ストッパねじ / A		C	1	k-V127040603
11	A03UF19100	Main Body Attachment Caulking 本体取付部カシメ		D	1	
12	A1DU190101	Installing Plate 設置板		D	1	
13	A1DUH11000	Relay Board/U ASSY 中継基板 / U ASSY		C	1	
14	A03U193900	Operation Cover /J 操作カバー / J		C	1	
15	A1DU194200	Operation Cover /A 操作カバー / A		D	1	
16	A03U190700	Support Plate /1 支持板 / 1		D	1	
17	A03U193200	Operation Cover /Lower 操作カバー / 下		C	1	
18	A03U190500	Ope. unit Mounting Arm /Lower 操作部取り付けアーム / 下		D	1	
19	A03U190600	Ope. unit Mounting Arm /Upper 操作部取り付けアーム / 上		D	1	
20	A03U193100	Operation Cover /Upper 操作カバー / 上		C	1	





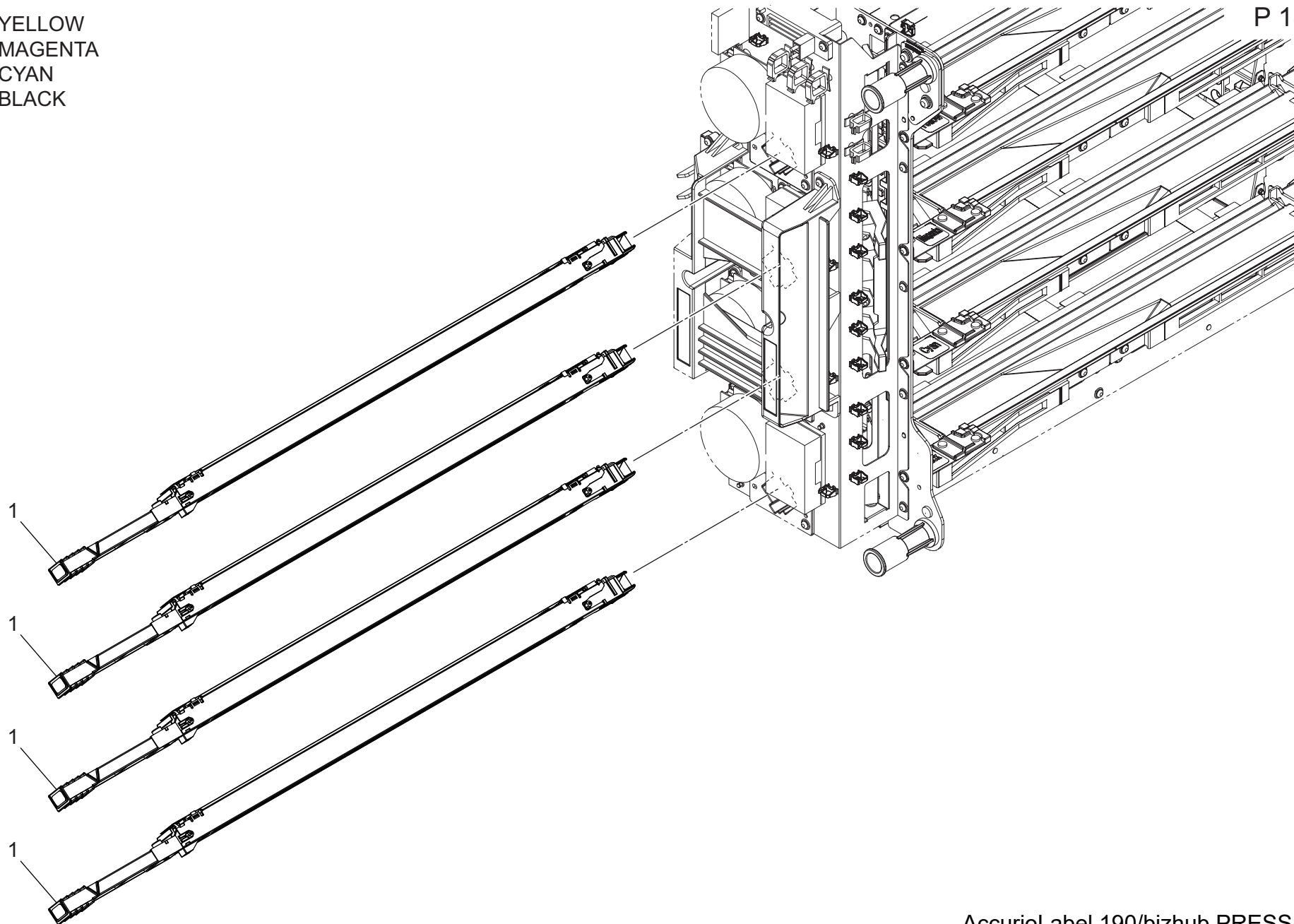
AccurioLabel 190/bizhub PRESS C71cf

Key	Part No.	Description	Destinations	Class	QTY	Standard parts
1	A50U121500	Cooling Guide /Front		D	3	a-V127030604
2	A50U319301	Connecting Plate /1		D	2	
3	A50U318101	Pressing Stay /Color		D	3	
4	A50U318300	Pressing Spring /R		D	8	
5	A50U318700	Auxiliary Pad		D	6	
6	A50U318900	Pressing Guide		D	8	
7	A50U318201	Pressing Stay /Black		D	1	
8	A50UR70T22	PH Unit		S	4	
9	A50UN26102	LD Wiring /1		D	1	
10	A50UN26202	LD Wiring /2		D	1	
11	A50UN26302	LD Wiring /3		D	1	
12	A50UN26403	LD Wiring /4		D	1	

# Charging Section

YELLOW  
MAGENTA  
CYAN  
BLACK

P 18



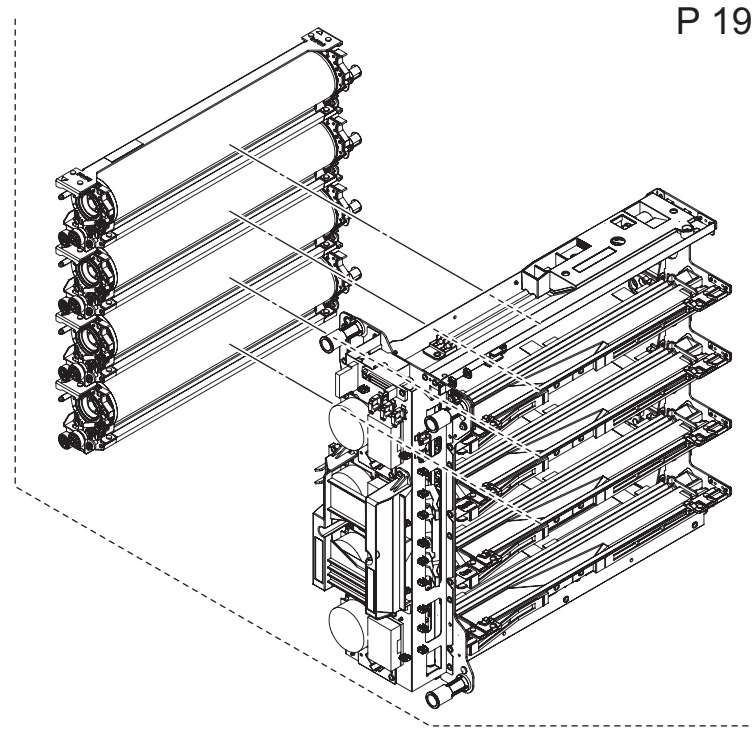
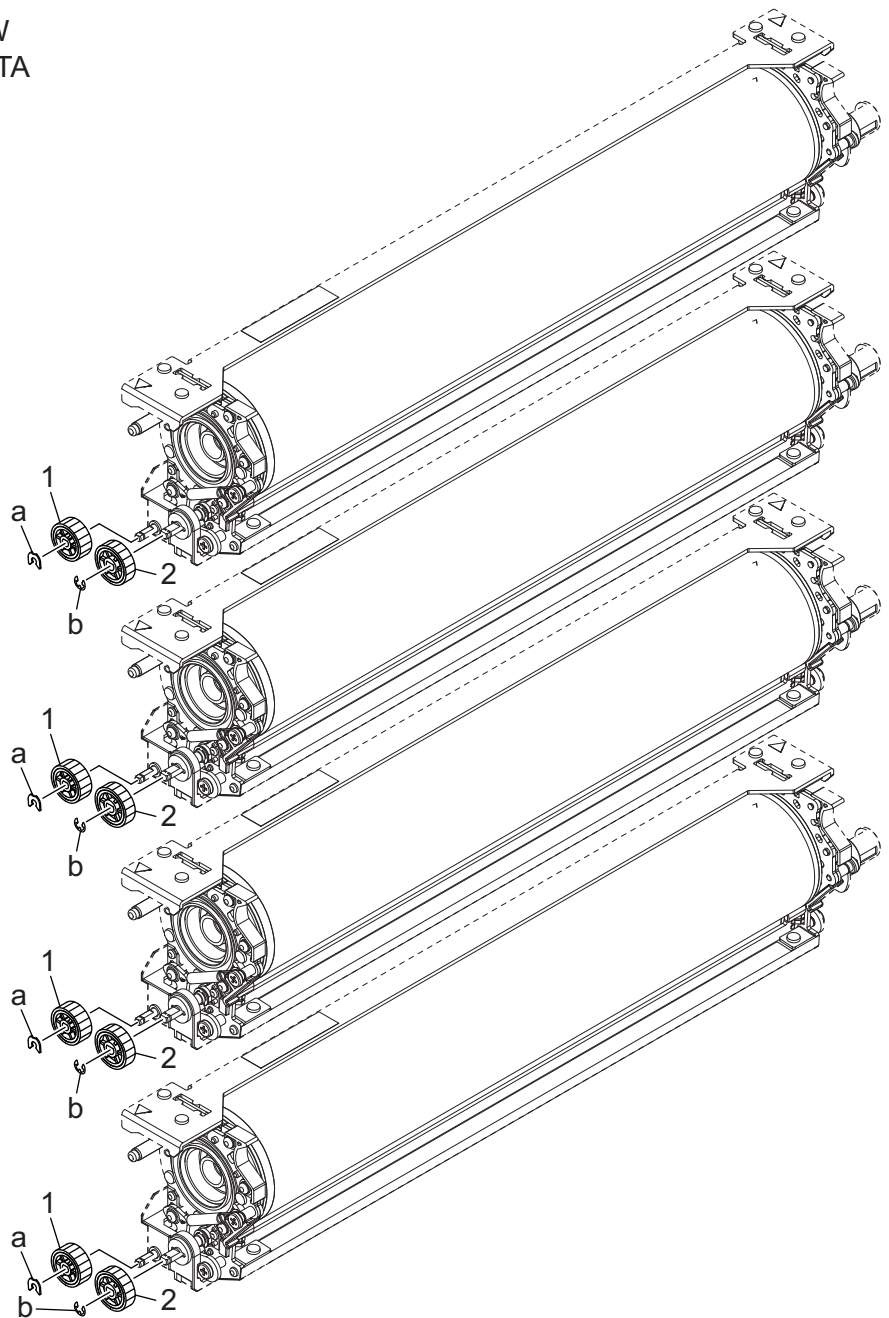
AccurioLabel 190/bizhub PRESS C71cf

# Charging Section

Key	Part No.	Description	Destinations	Class	QTY	Standard parts
1	A50UR70323	Charging Corona Unit	帯電極ユニット	C	4	
1	A50UR70323	Charging Corona Unit	帯電極ユニット	A,B,G2,D1,D3,F2,G1, H,I,J,K	4	

# Photo Conductor Section

YELLOW  
MAGENTA  
CYAN  
BLACK



P 19

AccurioLabel 190/bizhub PRESS C71cf

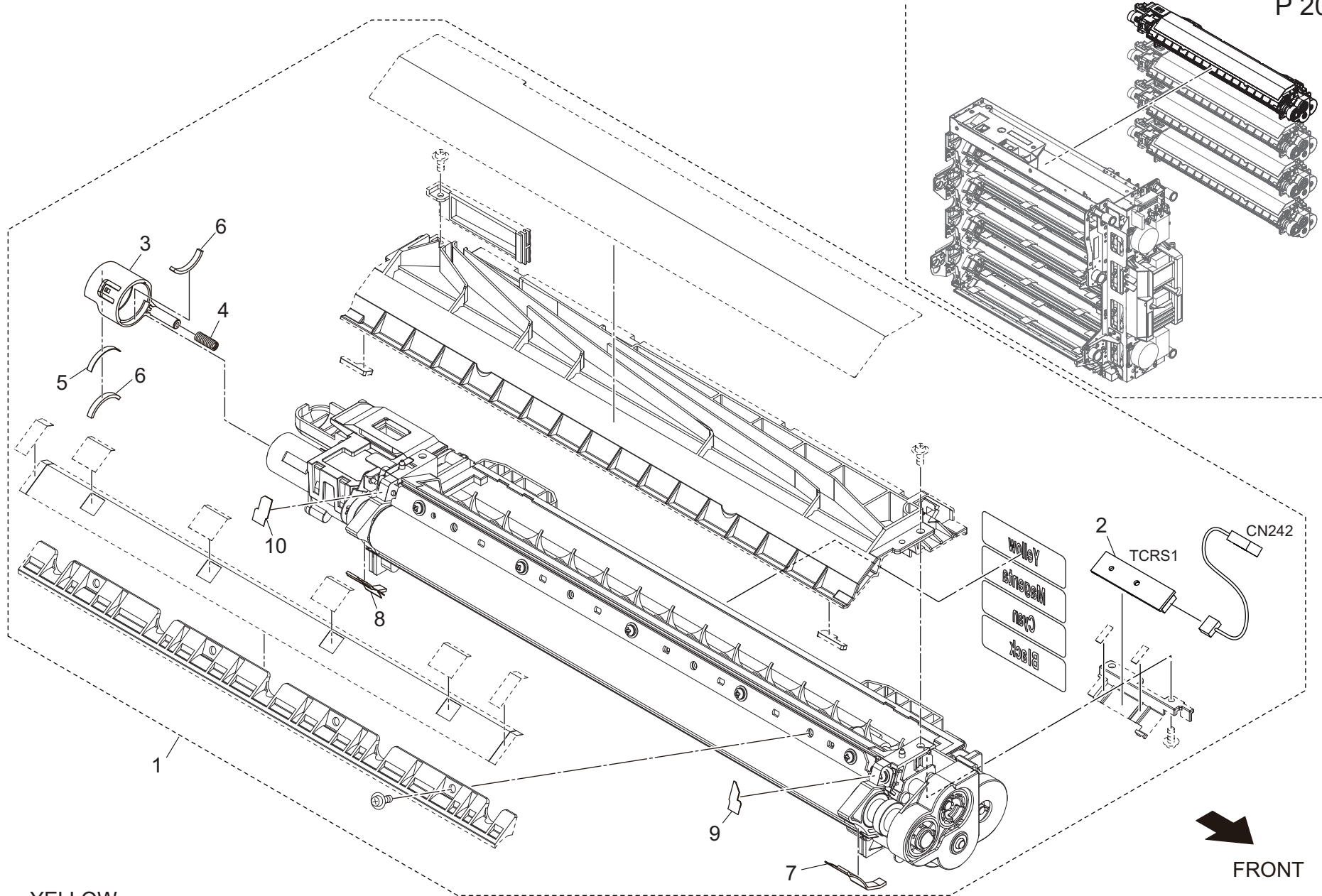
# Photo Conductor Section

Key	Part No.	Description	Destinations	Class	QTY	Standard parts
1	A50U333500	Cleaning Gear /1 28T		C	4	a-V218030086
2	A50U333600	Cleaning Gear /2 30T		C	4	b-V217030050



# Developing Section

P 20



YELLOW

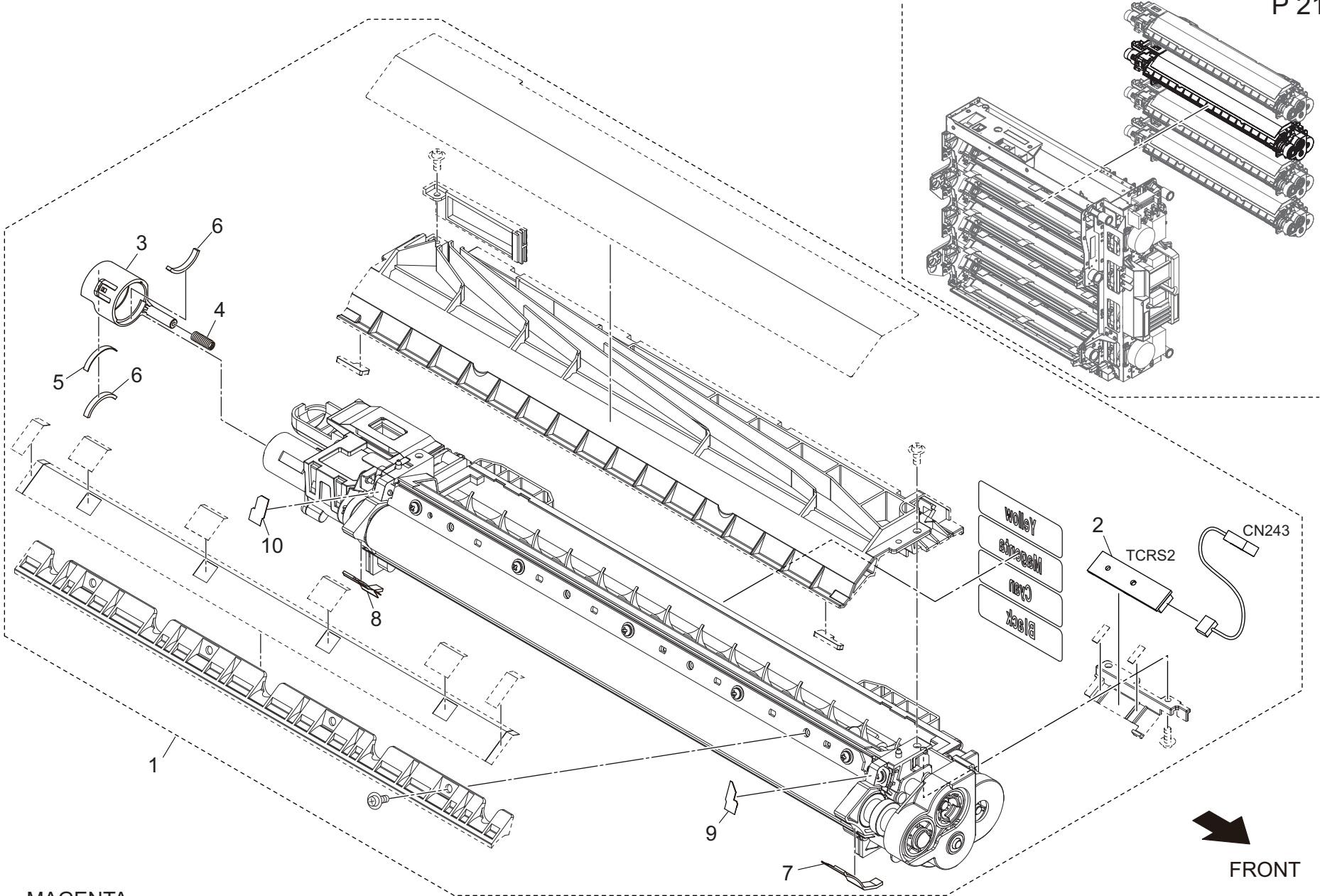
AccurioLabel 190/bizhub PRESS C71cf

Key	Part No.	Description	Destinations	Class	QTY	Standard parts
1	A50UR70244	Developing Unit	現像ユニット	B	1	
1	A50UR70244	Developing Unit	現像ユニット	B	1	
2	A0TKH00200	PWB Assembly(PWB-TCR ASSY)	基板 ASSY (PWB-TCR ASSY)	I	1	
3	A50U372901	Collection Cover	回収カバー	D	1	
4	A50U373100	Compressing Coil spring /1	圧縮コイルばね / 1	D	1	
5	A50U376801	Seal /T	シール / T	D	1	
6	A50U374501	Seal /J	シール / J	D	2	
7	A50U374102	Scatteringprevention Sheet /Side	飛散防止シート / サイド	D	1	
8	A50U376002	Scatteringprevention Sheet /Rear	飛散防止シート / 奥	D	1	
9	A50U377201	Auxiliary Seal /Front	補助シール / 前	D	1	
10	A50U377301	Auxiliary Seal /Rear	補助シール / 奥	D	1	



Developing Section

P 21

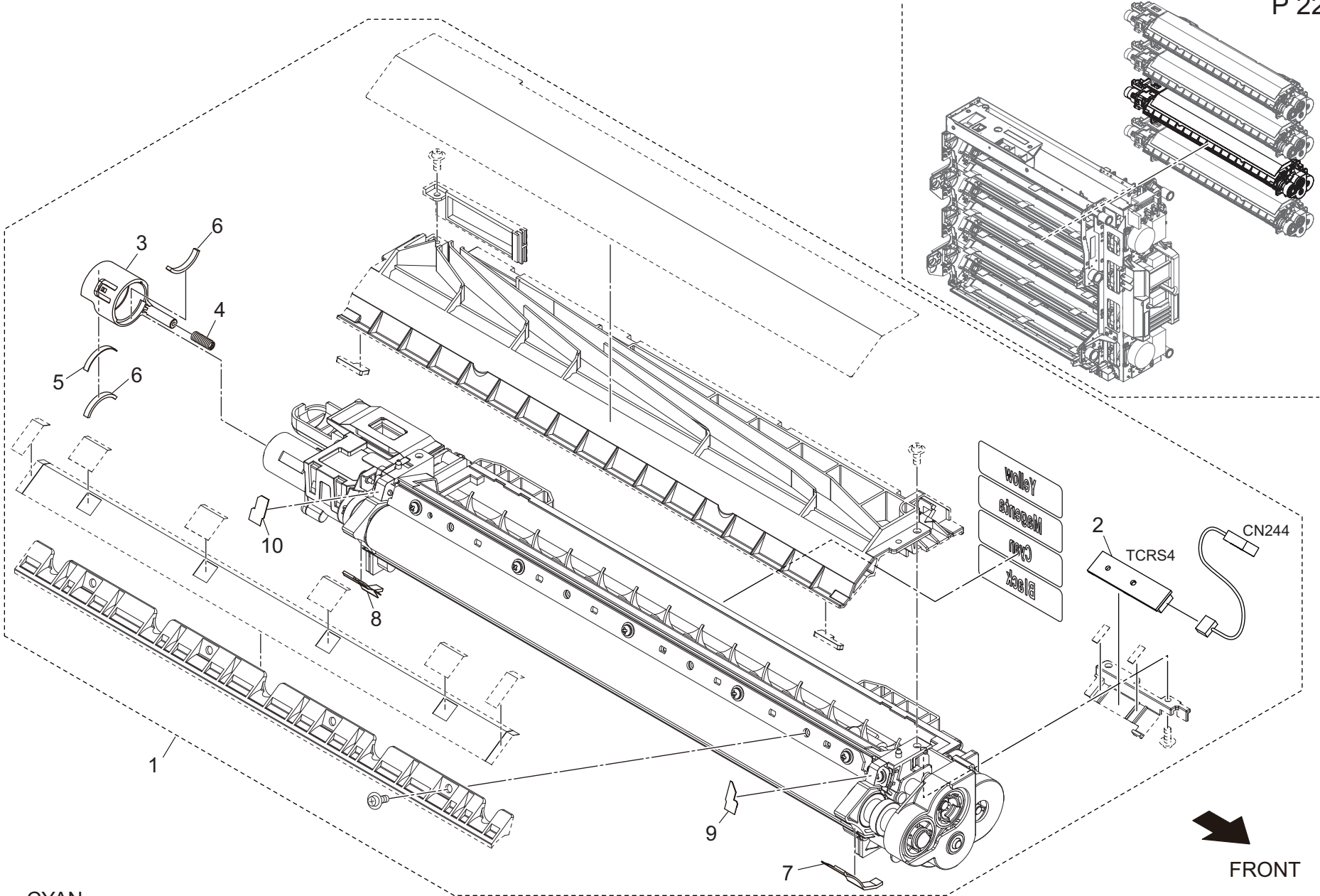


MAGENTA

AccurioLabel 190/bizhub PRESS C71cf

Key	Part No.	Description	Destinations	Class	QTY	Standard parts
1	A50UR70244	Developing Unit	現像ユニット	B	1	
1	A50UR70244	Developing Unit	現像ユニット	B	1	
2	A0TKH00200	PWB Assembly(PWB-TCR ASSY)	基板 ASSY (PWB-TCR ASSY)	I	1	
3	A50U372901	Collection Cover	回収カバー	D	1	
4	A50U373100	Compressing Coil spring /1	圧縮コイルばね / 1	D	1	
5	A50U376801	Seal /T	シール / T	D	1	
6	A50U374501	Seal /J	シール / J	D	2	
7	A50U374102	Scatteringprevention Sheet /Side	飛散防止シート / サイド	D	1	
8	A50U376002	Scatteringprevention Sheet /Rear	飛散防止シート / 奥	D	1	
9	A50U377201	Auxiliary Seal /Front	補助シール / 前	D	1	
10	A50U377301	Auxiliary Seal /Rear	補助シール / 奥	D	1	

Developing Section

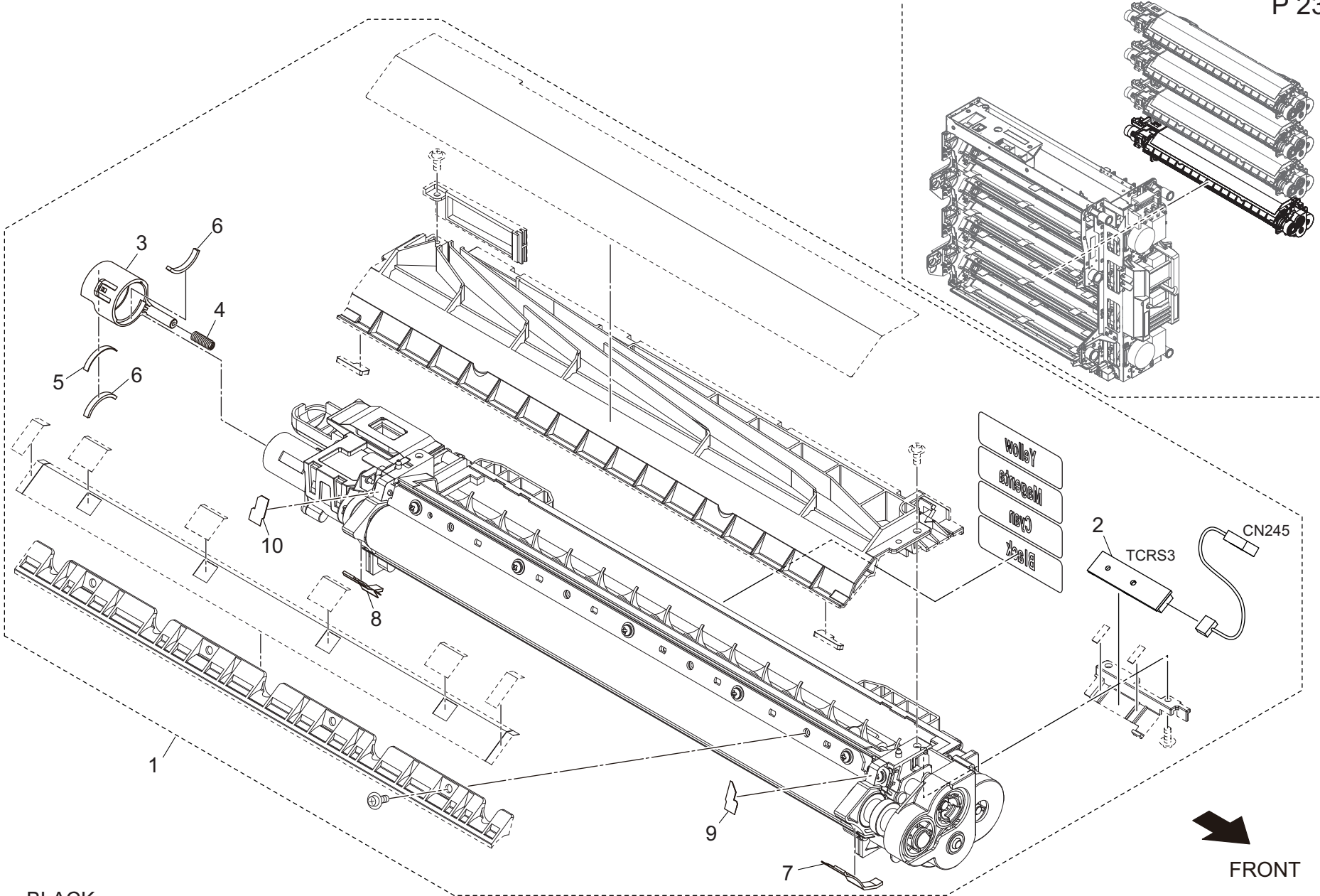


CYAN

AccurioLabel 190/bizhub PRESS C71cf

Key	Part No.	Description	Destinations	Class	QTY	Standard parts
1	A50UR70244	Developing Unit	現像ユニット	B	1	
1	A50UR70244	Developing Unit	現像ユニット	B	1	
2	A0TKH00200	PWB Assembly(PWB-TCR ASSY)	基板 ASSY (PWB-TCR ASSY)	I	1	
3	A50U372901	Collection Cover	回収カバー	D	1	
4	A50U373100	Compressing Coil spring /1	圧縮コイルばね / 1	D	1	
5	A50U376801	Seal /T	シール / T	D	1	
6	A50U374501	Seal /J	シール / J	D	2	
7	A50U374102	Scatteringprevention Sheet /Side	飛散防止シート / サイド	D	1	
8	A50U376002	Scatteringprevention Sheet /Rear	飛散防止シート / 奥	D	1	
9	A50U377201	Auxiliary Seal /Front	補助シール / 前	D	1	
10	A50U377301	Auxiliary Seal /Rear	補助シール / 奥	D	1	

Developing Section



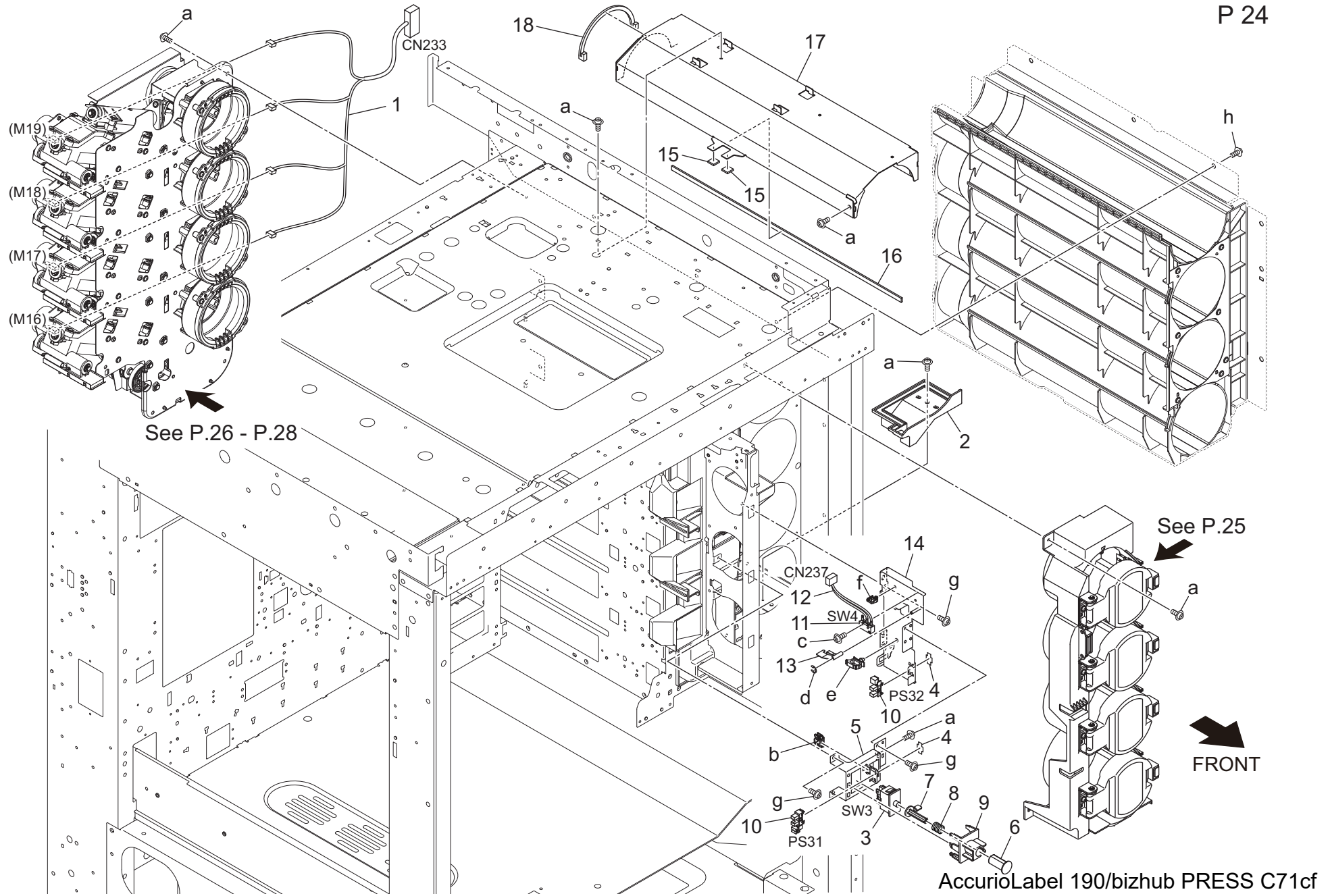
BLACK

AccurioLabel 190/bizhub PRESS C71cf

Key	Part No.	Description	Destinations	Class	QTY	Standard parts
1	A50UR70244	Developing Unit	現像ユニット B,C,D1,D3,F2,G1,G2, H,I,J,K	B	1	
1	A50UR70244	Developing Unit	現像ユニット A	B	1	
2	A0TKH00200	PWB Assembly(PWB-TCR ASSY)	基板 ASSY (PWB-TCR ASSY)	I	1	
3	A50U372901	Collection Cover	回収カバー	D	1	
4	A50U373100	Compressing Coil spring /1	圧縮コイルばね / 1	D	1	
5	A50U376801	Seal /T	シール / T	D	1	
6	A50U374501	Seal /J	シール / J	D	2	
7	A50U374102	Scatteringprevention Sheet /Side	飛散防止シート / サイド	D	1	
8	A50U376002	Scatteringprevention Sheet /Rear	飛散防止シート / 奥	D	1	
9	A50U377201	Auxiliary Seal /Front	補助シール / 前	D	1	
10	A50U377301	Auxiliary Seal /Rear	補助シール / 奥	D	1	

# Toner Supply Section

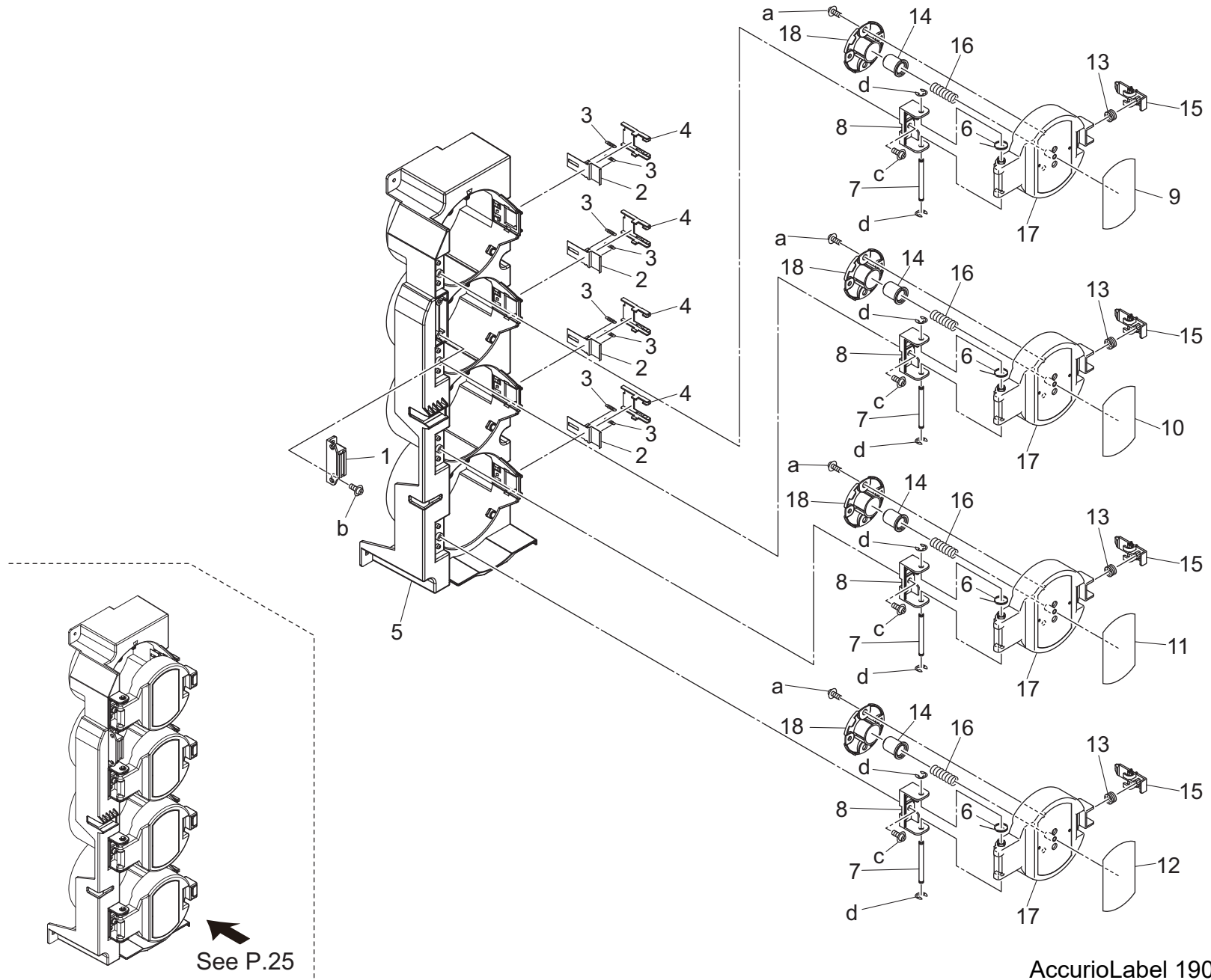
P 24



Key	Part No.	Description	Destinations	Class	QTY	Standard parts
1	A50UN12101	Toner Wiring /1		D	1	a-V127030604
2	A50U408100	Receiving Lower tray		D	1	b-V570010056
3	40AA85011	Door Switch		B	1	c-V111020803
4	4470402401	Stopper		D	2	d-V217020050
5	A50U179000	Plate		D	1	e-V500010081
6	56AA12140	Switch Connecting Actuator		C	1	f-V500020098
7	56AA12150	Switch Pressing Actuator		C	1	g-V127030516
8	56AA12160	Contact Pressing Spring /1		C	1	h-V127040603
9	A50U166800	Guide Part		D	1	
10	A50UM51000	Photointerrupter		C	2	
11	12QR86011	Interlock Switch		B	1	
12	65AA91100	INTER LOCK WIRING		D	1	
13	A50U442100	Switch Plate		D	1	
14	A50UF41500	Toner Supply Support Shaft Caulking ASSY		D	1	
15	A50U318700	Auxiliary Pad		D	2	
16	A50U400600	Toner supply Seal /Upper		D	1	
17	A50U400900	Toner supply Frame /Upper		D	1	
18	A50U401401	Seal /Rear		D	1	



# Toner Supply Section




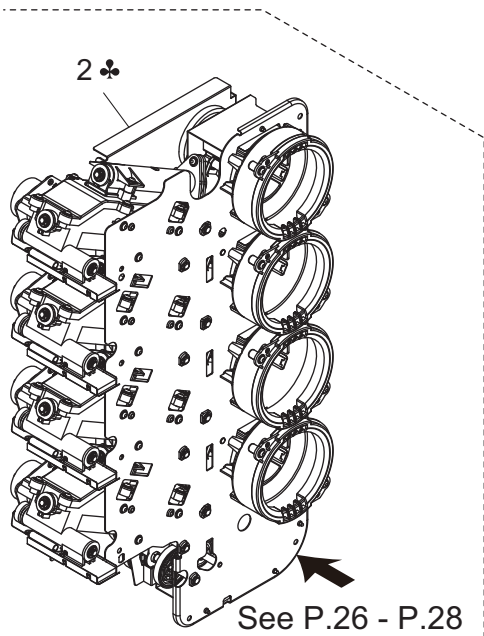
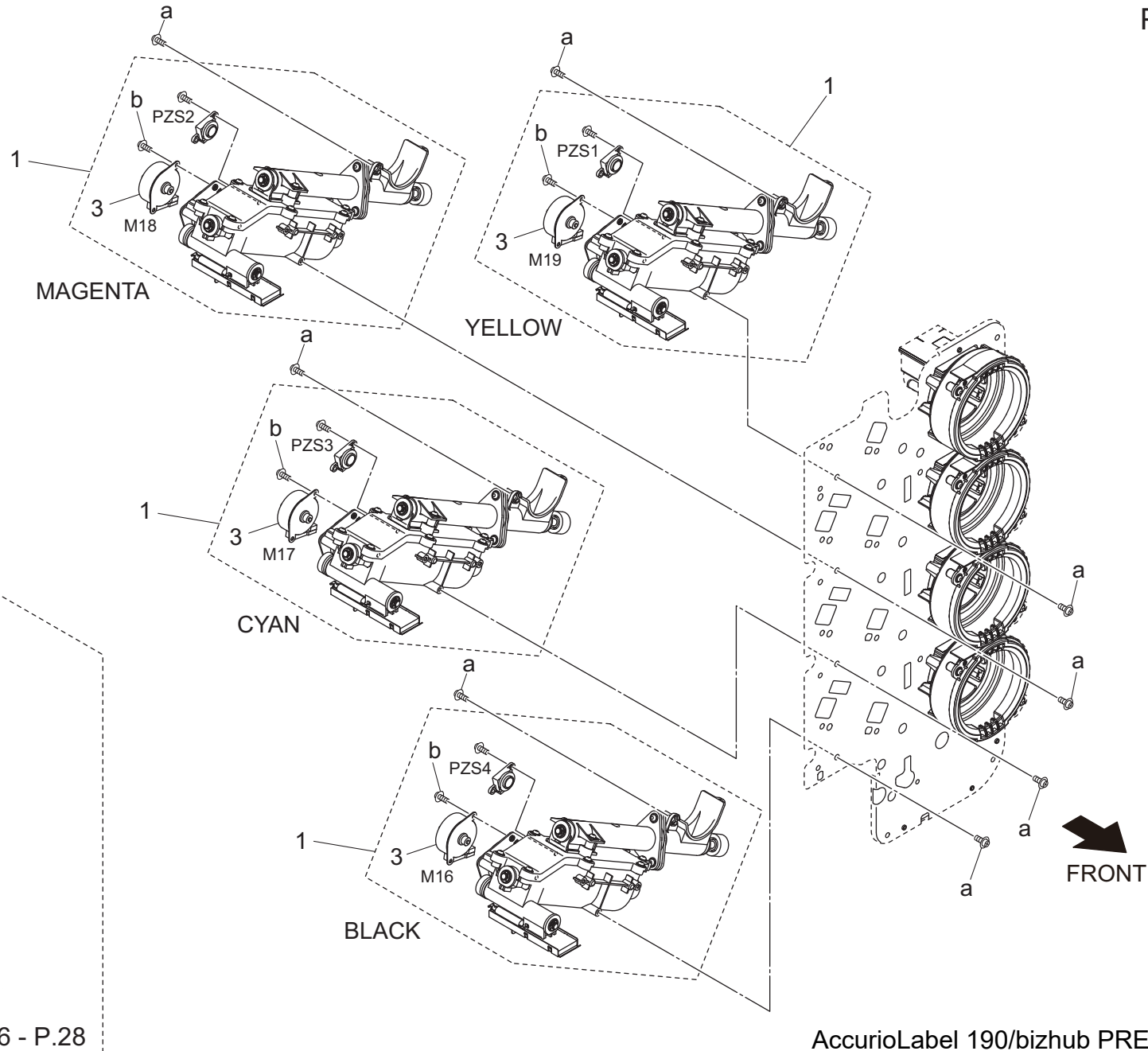
See P.25

AccurioLabel 190/bizhub PRESS C71cf

Key	Part No.	Description	Destinations	Class	QTY	Standard parts
1	07BA12352	Magnet Catch		C	1	a-V151041003 b-V149030803 c-V151030803 d-V217030050
2	A85C409600	Regulating Plate		D	4	
3	26TA32970	CARTRIDGE REGULATING SPRING		C	8	
4	26TA32990	COVER PART		C	4	
5	A7X5400200	Guide Part		D	1	
6	A50U408600	Toner supply Open/close Spring /A		D	4	
7	A50U408700	Support Shaft		D	4	
8	A50U408900	Support Part		D	4	
9	A7X5943300	Toner supply Label /Y		D	1	
10	A7X5943400	Toner supply Label /M		D	1	
11	A7X5943500	Toner supply Label /C		D	1	
12	A7X5943600	Toner supply Label /K		D	1	
13	26NA32870	CARTRIDGE PRESSING SPRING 2		C	4	
14	A1RF441500	Pressing Part /Front		D	4	
15	A50U408501	Pressing Handle		D	4	
16	A50U410200	Lock Spring		D	4	
17	A50U440301	Pressing Pedestal /Front		D	4	
18	A50U440601	Pressing Part /Rear		D	4	

# Toner Supply Section

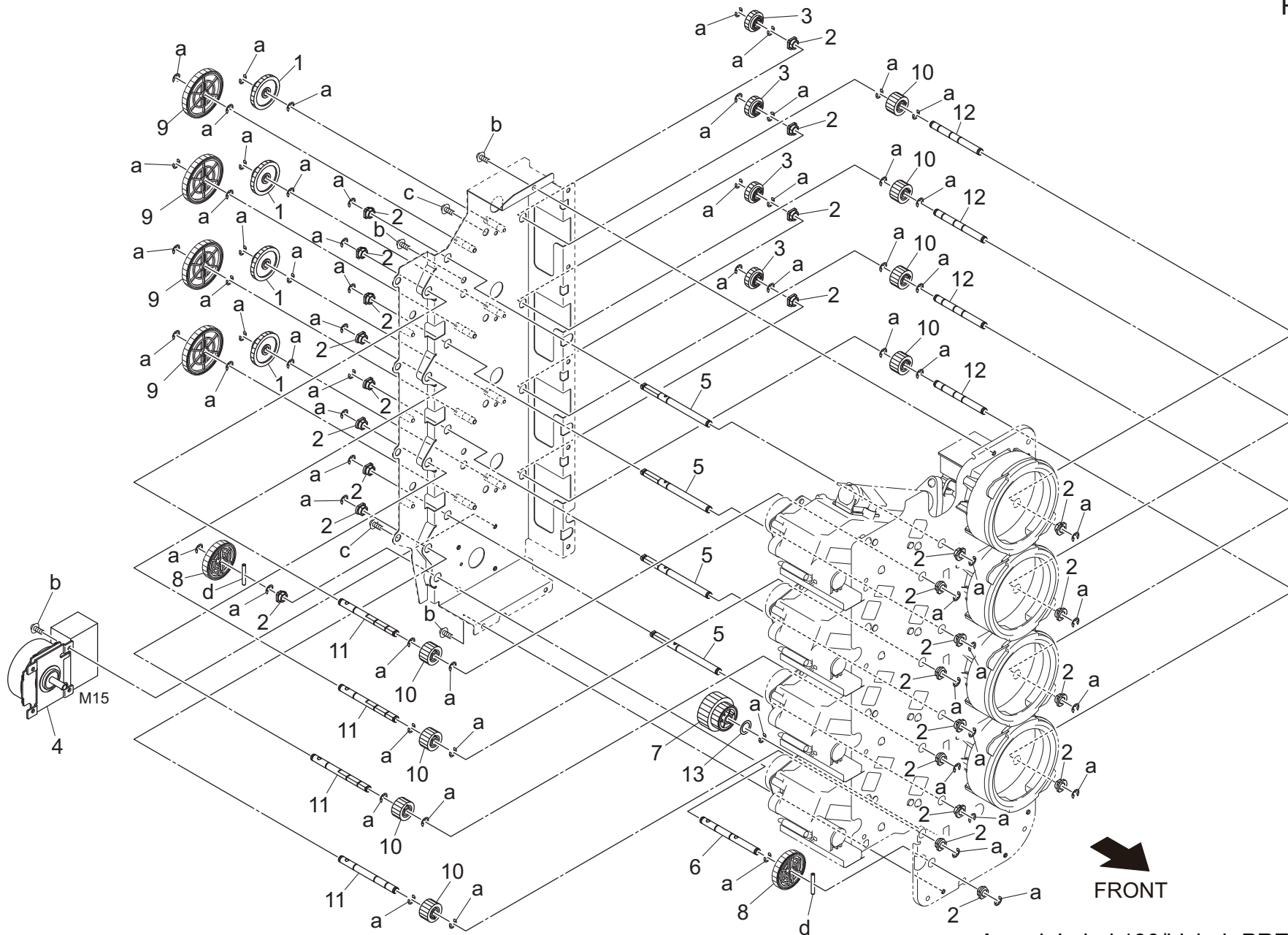
改訂版 REVISED EDITION	日付 DATE
	FEBRUARY 2017



AccurioLabel 190/bizhub PRESS C71cf

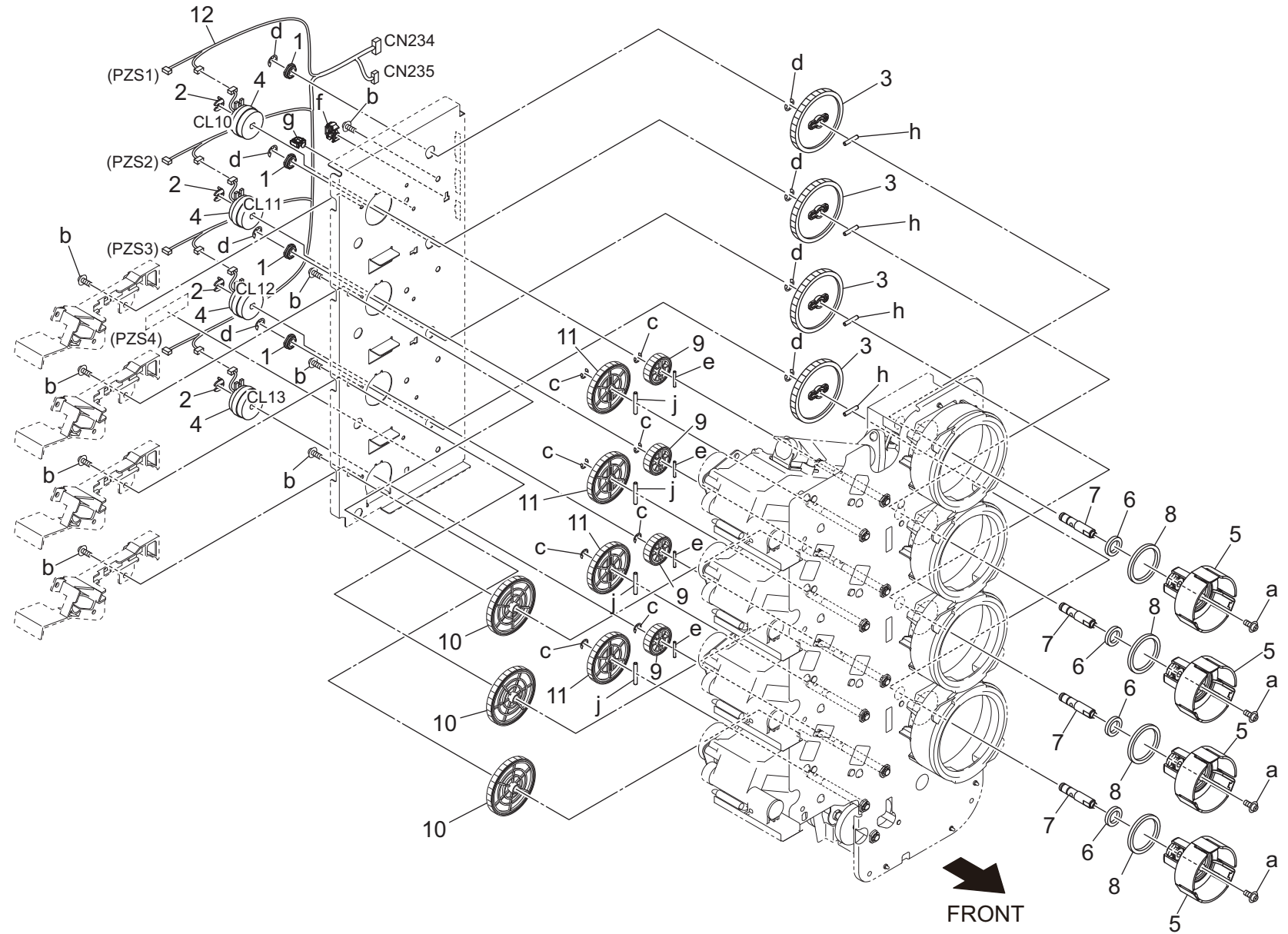
Key	Part No.	Description	Destinations	Class	QTY	Standard parts
1	A50UR72V12	Toner Conveyance Assy		D	4	a-V151030803 b-V158030803 c-V217040003 d-V234301250
2	A50UR71300	Toner Supply Unit Assy(JP)	A	S	1	
2	A50UR71411	Toner Supply Unit Assy(US)	B,G1,G2	S	1	
2	A50UR71511	Toner Supply Unit Assy(EU)	C,D1,D3,F2,H,I,J,K	S	1	
3	A00JM12100	Stepping motor		C	4	
4	65AA78040	AGITATING GEAR A 18T		C	4	
5	A4EU538400	Release Gear /4 15T		C	8	

# Toner Supply Section



AccurioLabel 190/bizhub PRESS C71cf

Key	Part No.	Description	Destinations	Class	QTY	Standard parts
1	25BA77171	Toner Supply Gear /2 13/31T		C	4	a-V217040050 b-V127030604 c-V151030803 d-V234302250
2	466076020	Paper Feed Feeding Bearing		B	26	
3	9J07500201	GEAR 17T		C	4	
4	A2XKM10300	Brushless motor		I	1	
5	A50U404000	Drive Shaft /A		D	4	
6	A50U406400	Drive Shaft /D		D	1	
7	A50U420300	Toner supply Gear /3 25/65T		C	1	
8	A50U420900	Toner supply Gear /9 35T		C	2	
9	A50U421000	Toner supply Gear /10 45T		C	4	
10	56AA77330	SCREW GEAR 15T		C	8	
11	A50U404600	Drive Shaft /B		D	4	
12	A50U404200	Drive Shaft /C		D	4	
13	40AA32320	Toner Supply Spacer		C	1	



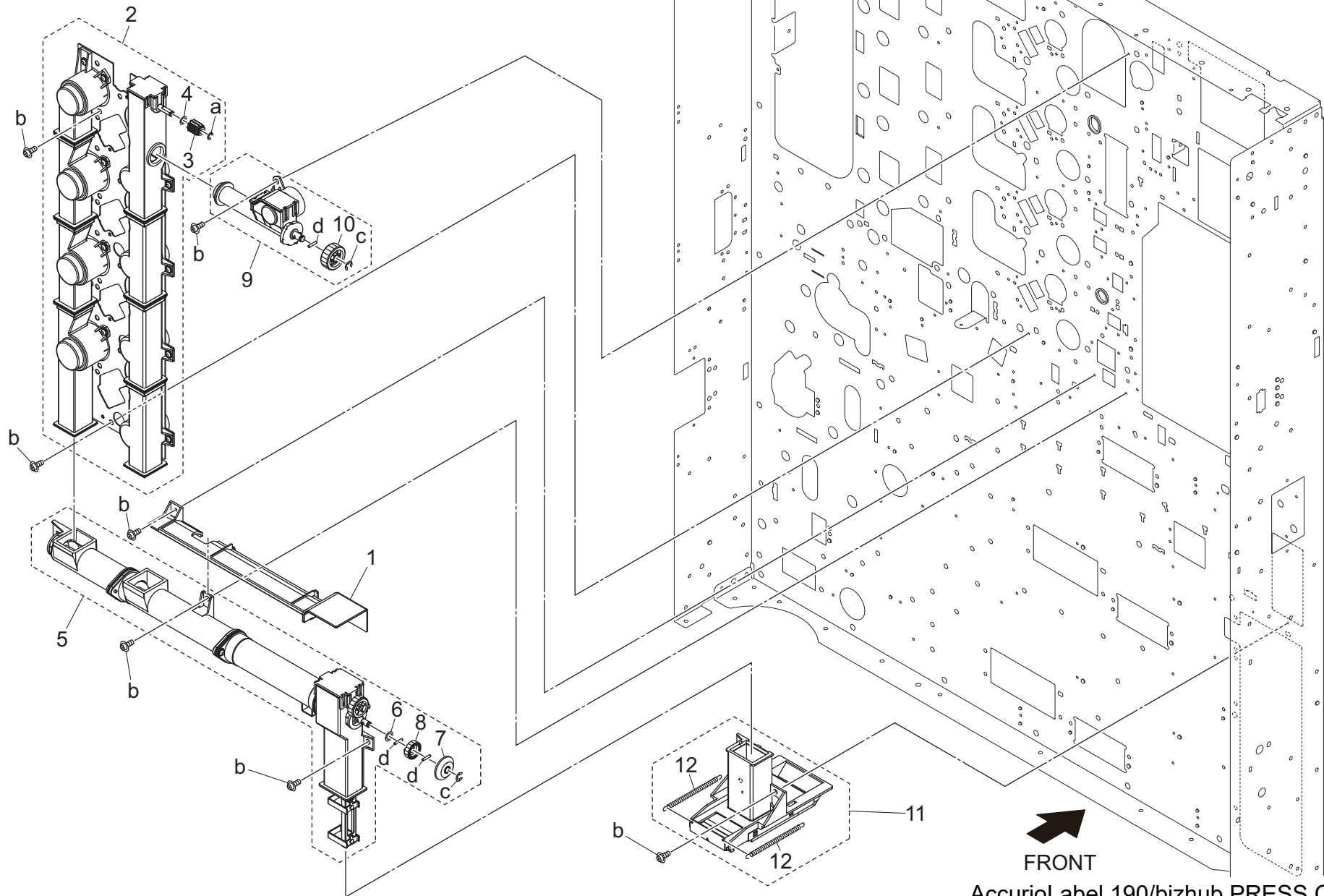
AccurioLabel 190/bizhub PRESS C71cf

# Toner Supply Section

Key	Part No.	Description	Destinations	Class	QTY	Standard parts
1	26NA32660	TONER SUPPLY SHAFT HOLDER		C	4	a-V116030803 b-V127030604 c-V217040050 d-V217050050 e-V234201650 f-V500010072 g-V500020098 h-V234301650 j-V234302250
2	56AA40490	SHAFT STOPPER 4		C	4	
3	65AA77390	Toner Supply Gear /B 56T		C	4	
4	A00FM20000	Clutch		C	4	
5	A50U400503	Toner supply Coupling		D	4	
6	A50U401200	Holding Seal /A		D	4	
7	A50U401301	Connecting Shaft		D	4	
8	A50U407600	Toner supply Holding Seal /A		D	4	
9	A50U420400	Toner supply Gear /4 25T		C	4	
10	A50U420800	Toner supply Gear /8 52T		C	3	
11	A50U421000	Toner supply Gear /10 45T		C	4	
12	A50UN12203	Toner Wiring /2		D	1	



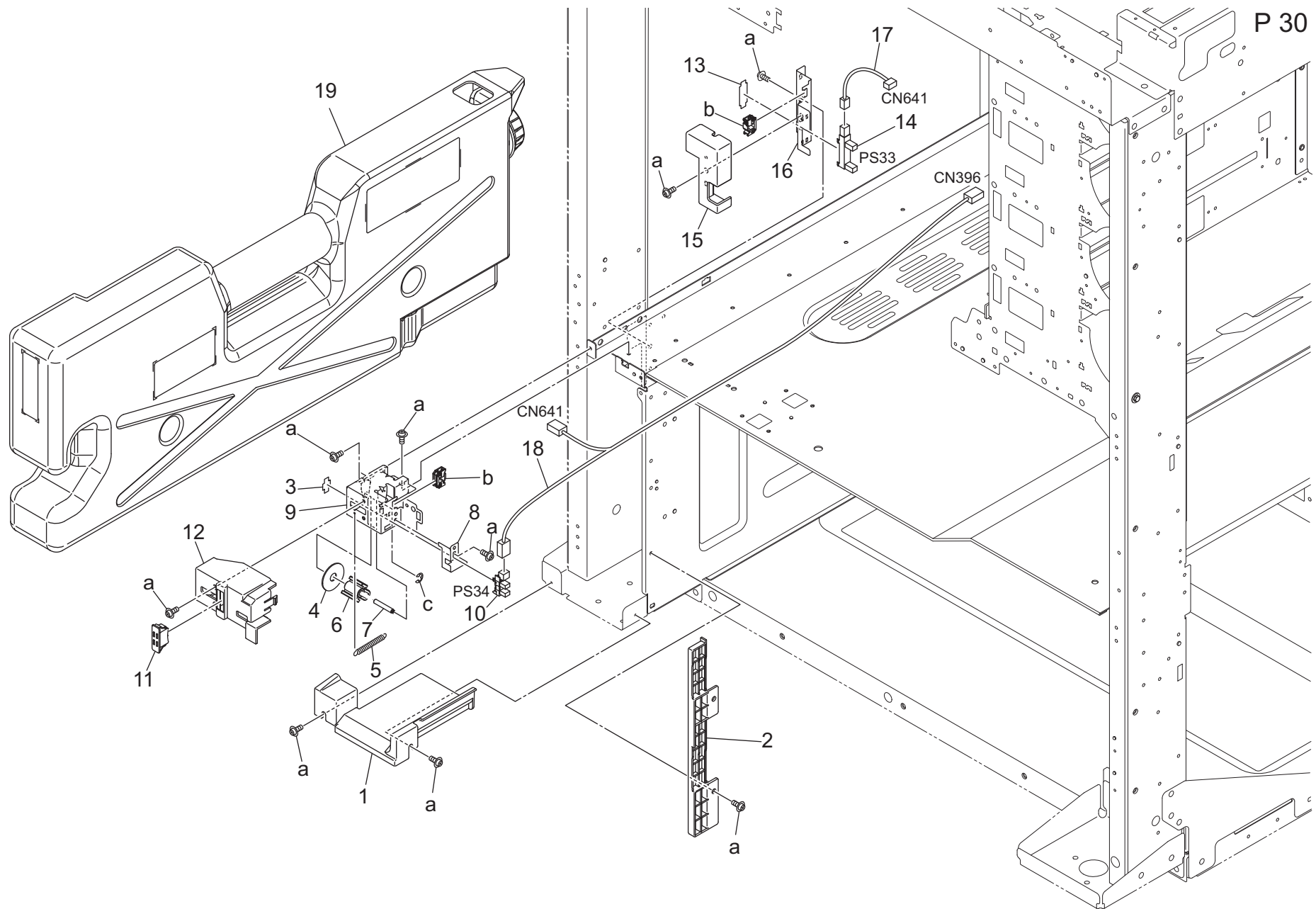
# Toner Collection Section



FRONT  
AccurioLabel 190/bizhub PRESS C71cf

Key	Part No.	Description	Destinations	Class	QTY	Standard parts
1	A50U362300	Insulating Cover		D	1	a-V217030050 b-V127030604 c-V217040050 d-V234201050
2	A50UR70V00	Collection Pipe Assy		S	1	
3	26NA17580	AGITATING COUPLING B		C	1	
4	50GA250100	SPACER		C	1	
5	A50UR70W23	Toner Collection Conveyance Assy		S	1	
6	40AA32320	Toner Supply Spacer		C	1	
7	A50U361900	Collection Gear /2 14T		C	1	
8	A50U365400	Collection Gear 19T		C	1	
9	A50UR71100	Collection Pipe / 1 Assy		D	1	
10	A1RG569900	Suction Gear /2 21T		C	1	
11	A50UF36500	Toner Collection Gate ASSY		D	1	
12	A50U363300	Open/close Spring		D	2	

# Toner Collection Section

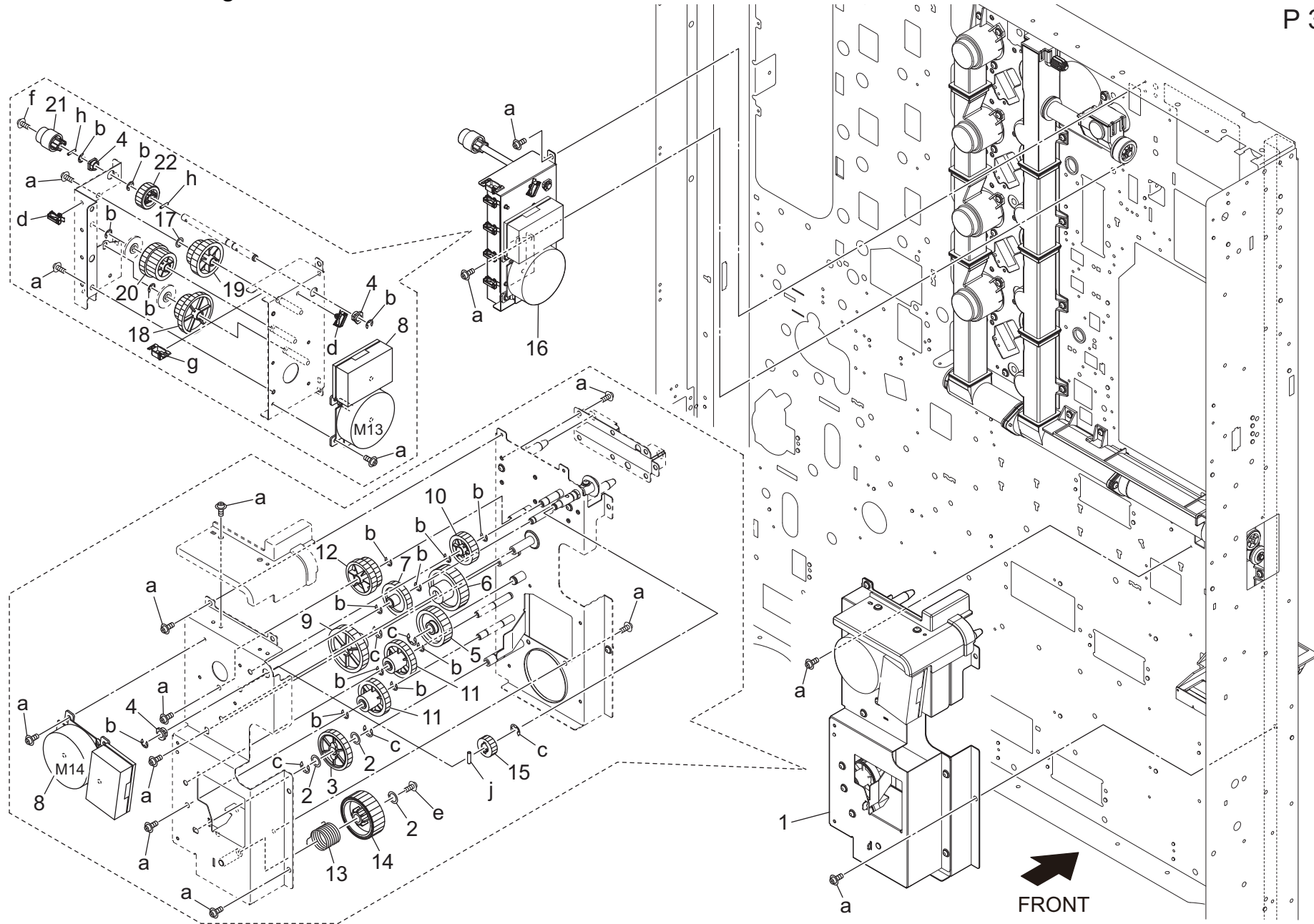


P 30

AccurioLabel 190/bizhub PRESS C71cf

Key	Part No.	Description	Destinations	Class	QTY	Standard parts
1	A50U363400	Protection Cover /Lower		D	1	a-V127030604 b-V570010056 c-V217020050
2	A50U369900	Cover /Front		D	1	
3	4470402401	Stopper		D	1	
4	55VA47840	Belt Hold Part /3		D	1	
5	A1RF363500	Control Spring		C	1	
6	A1RF363801	Detecting Part /2		D	1	
7	A50U363200	Collection Shaft		D	1	
8	A50U367100	Card		D	1	
9	A50U368400	Cover		D	1	
10	A50UM51000	Photointerrupter		C	1	
11	56AA12270	EXTERNAL LOCKING PART		C	1	
12	A50U363701	Cover Outside		D	1	
13	4004457301	Stopper		D	1	
14	9335140051	SOLID STATE SWITCH		B	1	
15	A50U366800	Cover /2		D	1	
16	A50U367400	Cover		D	1	
17	A50UN11801	Detection Relay harness /3		D	1	
18	A50UN12000	Detection Relay harness /1		D	1	
19	A50UR70115	Waste Toner Box	B,C,D1,D3,F2,G1,G2, H,I,J,K	A	1	
19	A9VER71600	Waste Toner Box	A	A	1	

# Toner Collection Driving Section

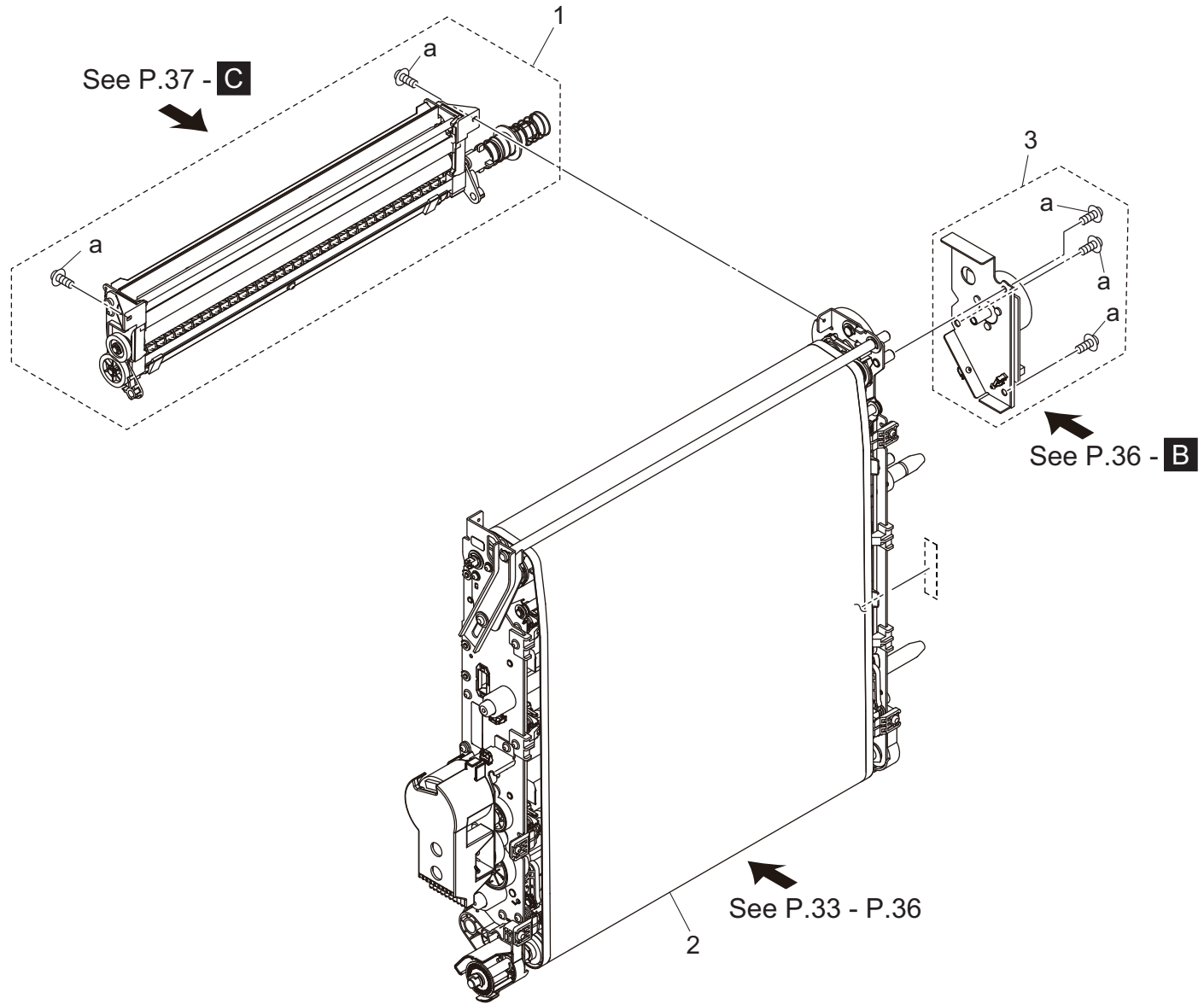


**FRONT**  
AccurioLabel 190/bizhub PRESS C71cf

Key	Part No.	Description	Destinations	Class	QTY	Standard parts
1	A50UR70Y11	Toner Collection Drive Assy		S	1	a-V127030604
2	13QA40610	Gear Spacer		C	3	b-V217040050
3	4038254001	GEAR 37T		C	1	c-V217060050
4	466076020	Paper Feed Feeding Bearing		B	3	d-V500020100
5	55GA77050	Conveyance Drive Gear /2 35T		B	1	e-V127040603
6	56UA77710	TONER SUPPLY DRIVE GEAR /B 16/40T		C	1	f-V121030403
7	65AA77410	TONER SUPPLY GEAR D 31T		C	1	g-V570010063
8	A161M10200	brushless Motor /20		I	2	h-V234201050
9	A1RF368500	Collection Gear 14/43T		C	1	j-V234301250
10	A1UD210500	Gear 28T		C	1	
11	A50U362200	Gear /1 34/14T		C	2	
12	A50U365800	Collection Gear /1 62/28T		C	1	
13	A50U365600	Collection Spring		D	1	
14	A50U367001	Collection Coupling		D	1	
15	56UA77280	ADU CONVEYANCE GEAR 17T		C	1	
16	A50UR71200	Collection Drive Assy		S	1	
17	40AA32320	Toner Supply Spacer		C	1	
18	A50U360700	Collection Gear /1 75/23T		C	1	
19	A50U361200	Collection Gear /3 32/22T		C	1	
20	A50U361401	Collection Gear /2 29/25T		C	1	
21	A1RF372300	Agitating Coupling /1		D	1	
22	A1RG569900	Suction Gear /2 21T		C	1	

# Intermediate Transfer Section

改訂版 REVISED EDITION	日付 DATE
▲	NOVEMBER 2016

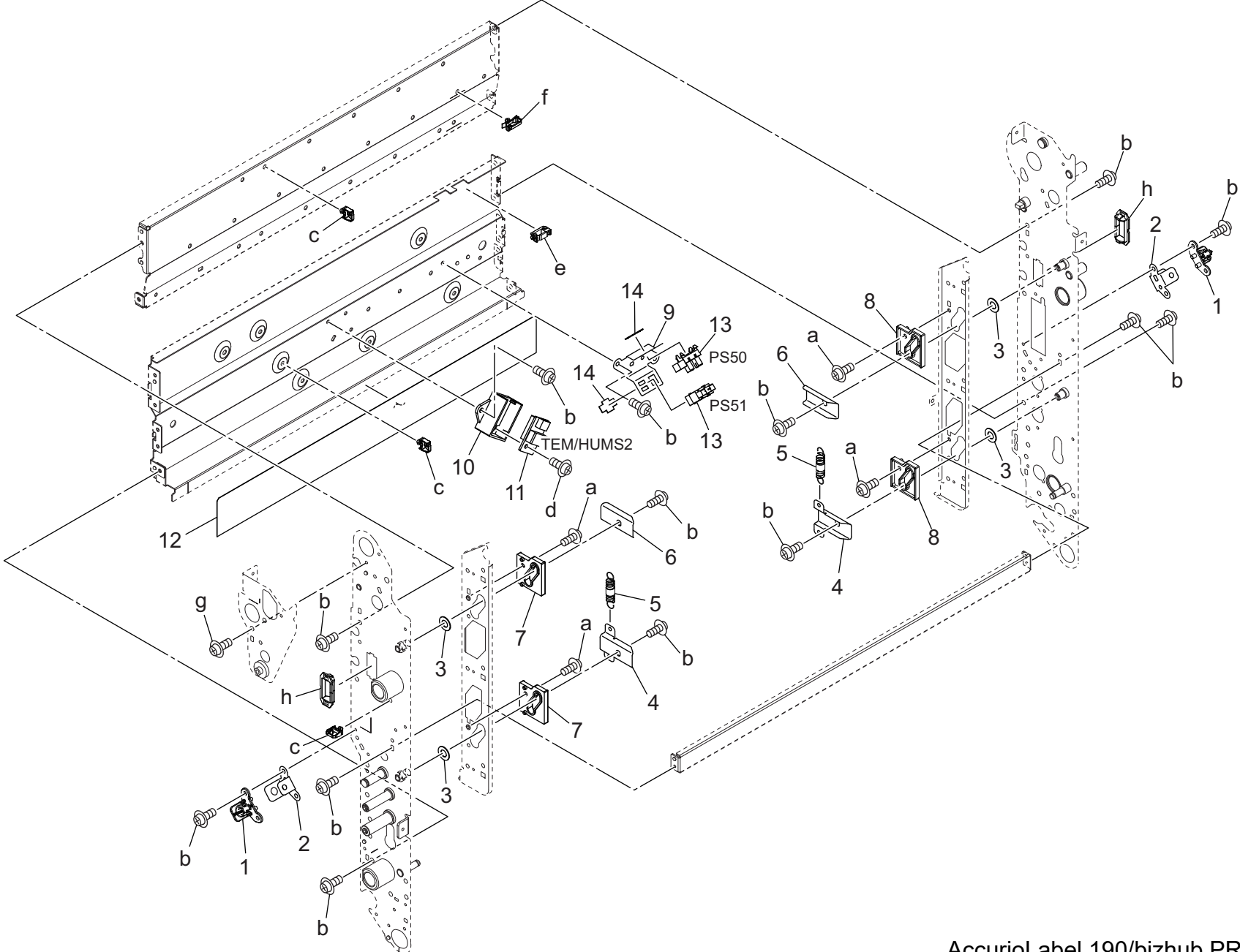


# Intermediate Transfer Section

Key	Part No.	Description	Destinations	Class	QTY	Standard parts
1	A50UR70655	Transfer Belt Cleaning Unit 転写ベルトクリーニングユニット	A,C,D1,D3,F2,G1,G2, H,I,J,K	B	1	a-V127030604
1	A50UR70655	Transfer Belt Cleaning Unit 転写ベルトクリーニングユニット	B	B	1	
2	A50UR71N22	Middle Transfer Assy 中間転写 A s s y		I	1	
3	A50UR72W22	Drive Plate Assy 駆動板 A s s y		I	1	



Intermediate Transfer Section

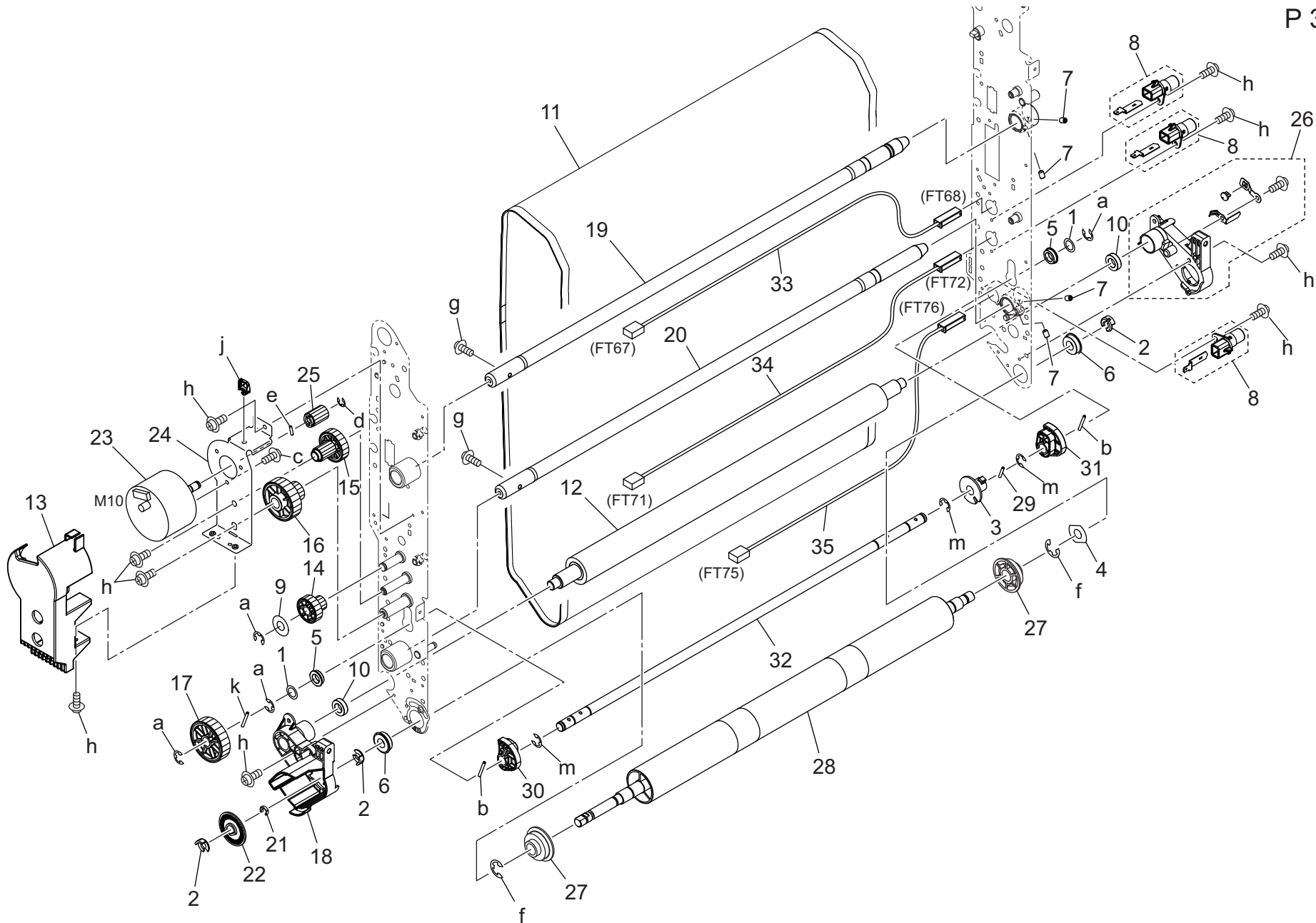


# Intermediate Transfer Section

Key	Part No.	Description	Destinations	Class	QTY	Standard parts
1	A50U500800	Hold Part		D	2	a-V121030403 b-V127030604 c-V500020098 d-V158030803 e-V570010057 f-V500020100 g-V116030503 h-V570010037
2	A50U508600	Transfer Support Plate		D	2	
3	07BA15871	SPACER A		C	4	
4	A50U503600	Stopper Plate		D	2	
5	A50U503700	Spring		D	2	
6	A50U506200	Stopper Plate		D	2	
7	A50U508800	Transfer Bushing /Front		D	2	
8	A50U506300	Transfer Bushing /Rear		D	2	
9	A50U505200	Plate		D	1	
10	65AA11300	SUPPORT PART		D	1	
11	A034M50000	Humidity sensor		C	1	
12	A03U515100	Insulating Sheet		D	1	
13	08AA85512	Photo Sensor		B	2	
14	4470402401	Stopper		D	2	

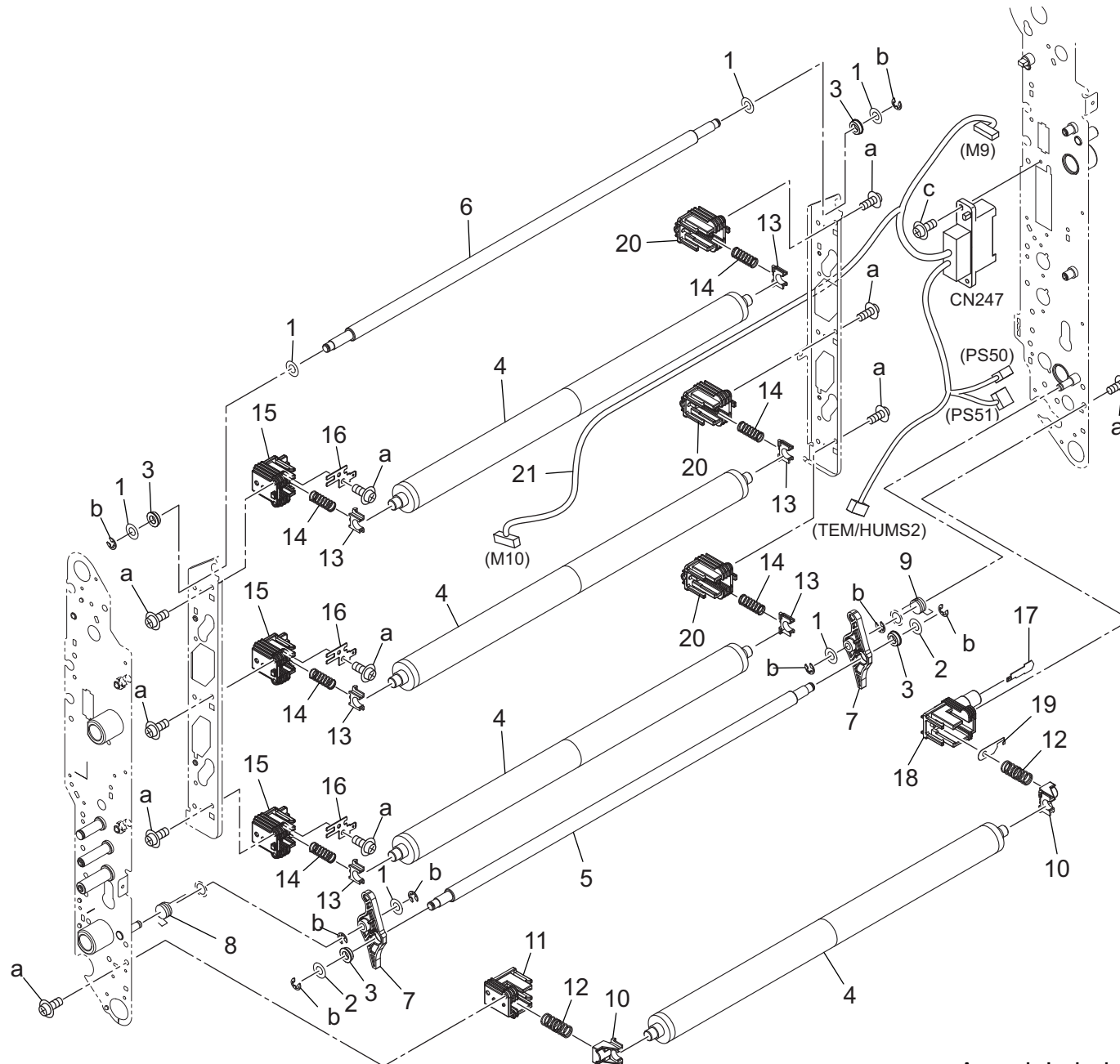
# Intermediate Transfer Section

P 34



AccurioLabel 190/bizhub PRESS C71cf

Key	Part No.	Description	Destinations	Class	QTY	Standard parts
1	12QV40650	Spacer	スペーサー	B	2	a-V217060050
2	55VA42120	Shaft Stopper	軸ストッパー	C	3	b-V237201850
3	A50U505300	Light blocking Plate	遮光板	D	1	c-V121030403
4	65AA27240	SPACER A	スペーサー A	C	1	d-V217040050
5	A00J617900	Ball Bearing	ボールベアリング	B	2	e-V234200850
6	A00V240600	Ball Bearing	ボールベアリング	B	2	f-V217080050
7	A03U512300	Fixing Screw	固定ねじ	C	4	g-V127040803
8	A1DUR73500	Power Supply Block / A Assy	給電ブロック / A A S S Y	D	3	h-V127030604
9	A1RF501700	Slide Spacer /A	スライドスペーサ / A	D	1	j-V500020098
10	A1RF517300	bearing	軸受	C	2	k-V234201850
11	A1DU504203	Transfer Belt 862L	転写ベルト 862 L	A	1	m-V217060001
12	A50U500401	2nd Transfer Roller/Up	2次転写ローラー / U p	A	1	
13	A50U504000	Cover	カバー	D	1	
14	A50U504500	Compressing Gear /1 35/18T	圧縮ギア / 1 35 / 18 T	C	1	
15	A50U504600	Pressure Gear /2 43/18T	圧着ギア / 2 43 / 18 T	C	1	
16	A50U504700	Pressure Gear /3 56/18T	圧着ギア / 3 56 / 18 T	C	1	
17	A50U505000	Pressure Gear /4 44T	圧着ギア / 4 44 T	C	1	
18	A50U505901	Insulating Holder /Front	絶縁ホルダ /前	D	1	
19	A50U506101	Positioning Shaft /Upper	位置決め軸 /上	D	1	
20	A50U507000	Positioning Shaft /Lower	位置決め軸 /下	D	1	
21	A50U509100	Lifting Collar /8	押上げカラー / 8	D	1	
22	A50U517300	Control Plate	制御プレート	D	1	
23	A11PM10200	DC Brushless motor /12	D C ブラシレスモータ / 1 2	C	1	
24	A50U503900	Drive Plate /2	駆動板 / 2	D	1	
25	A50U504400	Pressure Gear /M 18T	圧着ギア / M 18 T	C	1	
26	A50UR72100	Insulating Holder / Rear Assy	絶縁ホルダ / 奥 A s s y	D	1	
27	65AA26870	REGULATING COLLAR	規制カラー	C	2	
28	A50U506701	Idler Roller	従動ローラ	C	1	
29	56AA17321	PIN A D2X12	ピン A D 2 X 1 2	B	1	
30	A50U502500	Transfer Release Cam /C	転写解除カム / C	D	1	
31	A50U502600	Transfer Release Cam /C	転写解除カム / C	D	1	
32	A50U505100	Pressure Shaft	圧着軸	D	1	
33	A50UN24501	HV Relay harness /1	高圧中継束線 / 1	D	1	
34	A50UN24701	HV Relay harness /2	高圧中継束線 / 2	D	1	
35	A50UN24901	HV Relay harness /3	高圧中継束線 / 3	D	1	

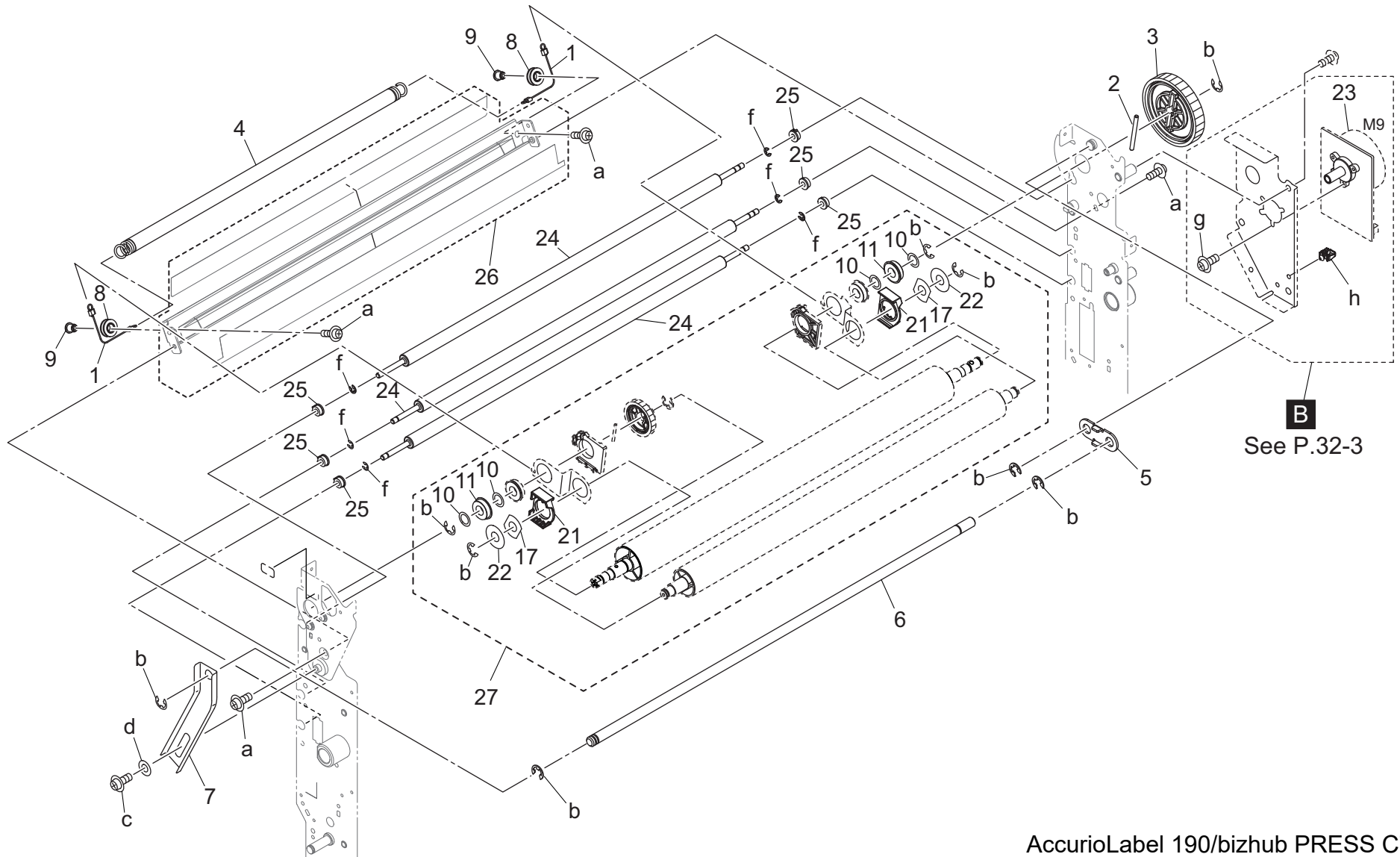


AccurioLabel 190/bizhub PRESS C71cf

Key	Part No.	Description	Destinations	Class	QTY	Standard parts
1	07BA15871	SPACER A		C	6	a-V158030803 b-V217040050 c-V127030803
2	40AA32320	Toner Supply Spacer		C	2	
3	A00J617800	Ball Bearing		B	4	
4	A50U501201	1st Transfer Roller		A	4	
5	A50U501900	Transfer Pressure Roller /K		C	1	
6	A50U505401	Transfer Pressure Roller /Y		C	1	
7	A50U505500	Release Arm		D	2	
8	A50U508001	Pressing Spring /Front		D	1	
9	A50U508102	Pressing Spring /Rear		D	1	
10	A50U505700	Transfer Roller Bearing /K		B	2	
11	A50U505800	High voltage Powering Block /B		D	1	
12	A50U507900	Pressure Spring /Black		D	2	
13	65AA26380	Transfer Powering Bushing		B	6	
14	A50U507801	Pressure Spring /C		D	6	
15	A50U510100	High voltage Powering Block /C		D	3	
16	A50U510200	Transfer Powering Plate /Front		D	3	
17	65AA26690D	Transfer Powering Plate /K		D	1	
18	A50U505601	Power supply Block /D		D	1	
19	A50U507600	Transfer Powering Plate /L		D	1	
20	65AA26900D	High voltage Powering Block /C		D	3	
21	A50UN13201Old	Transfer Drive harness /1		D	1	
21	A50UN13203	Transfer Drive harness /1		D	1	

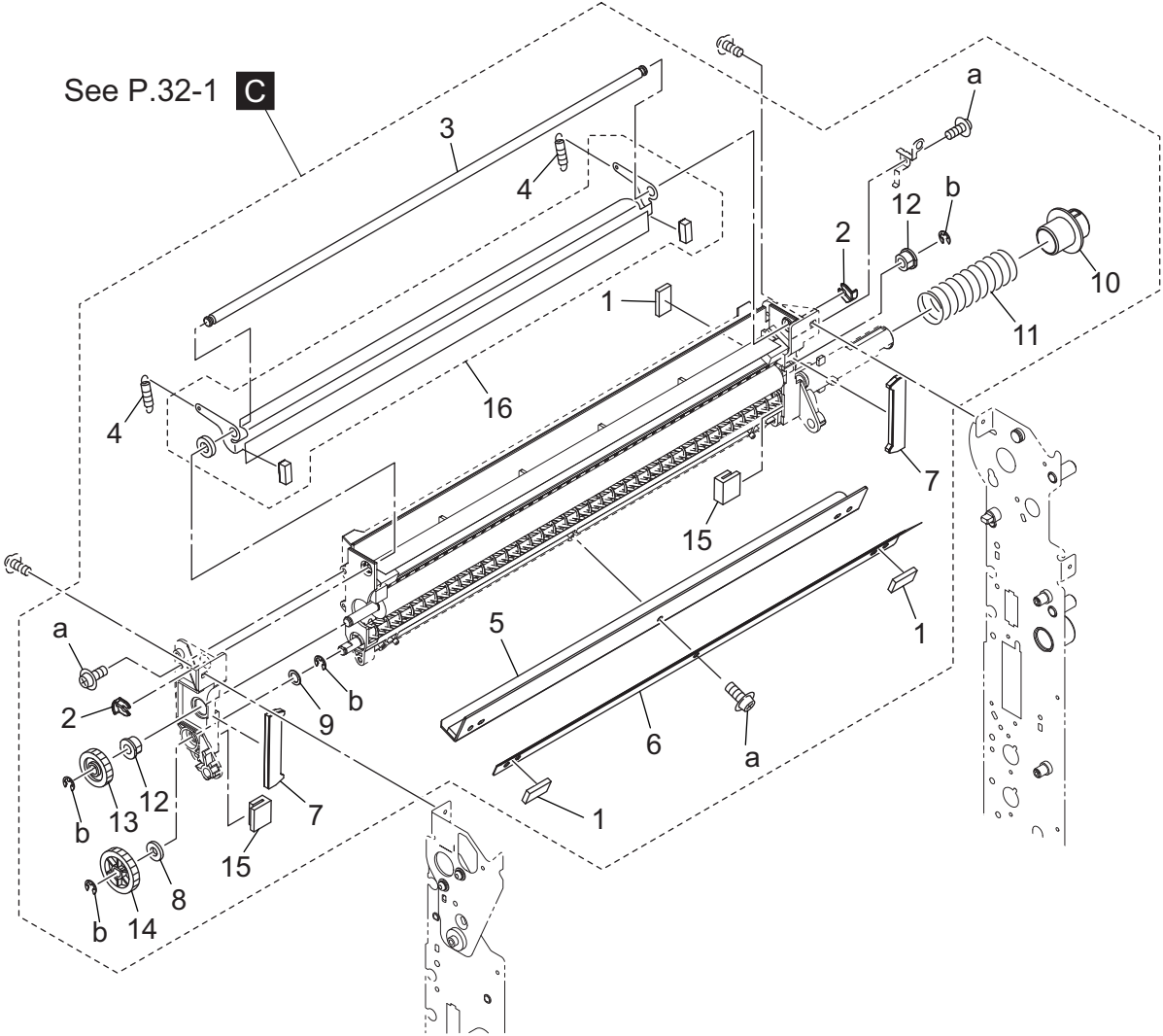
# Intermediate Transfer Section

改訂版 REVISED EDITION	日付 DATE
	JANUARY 2018

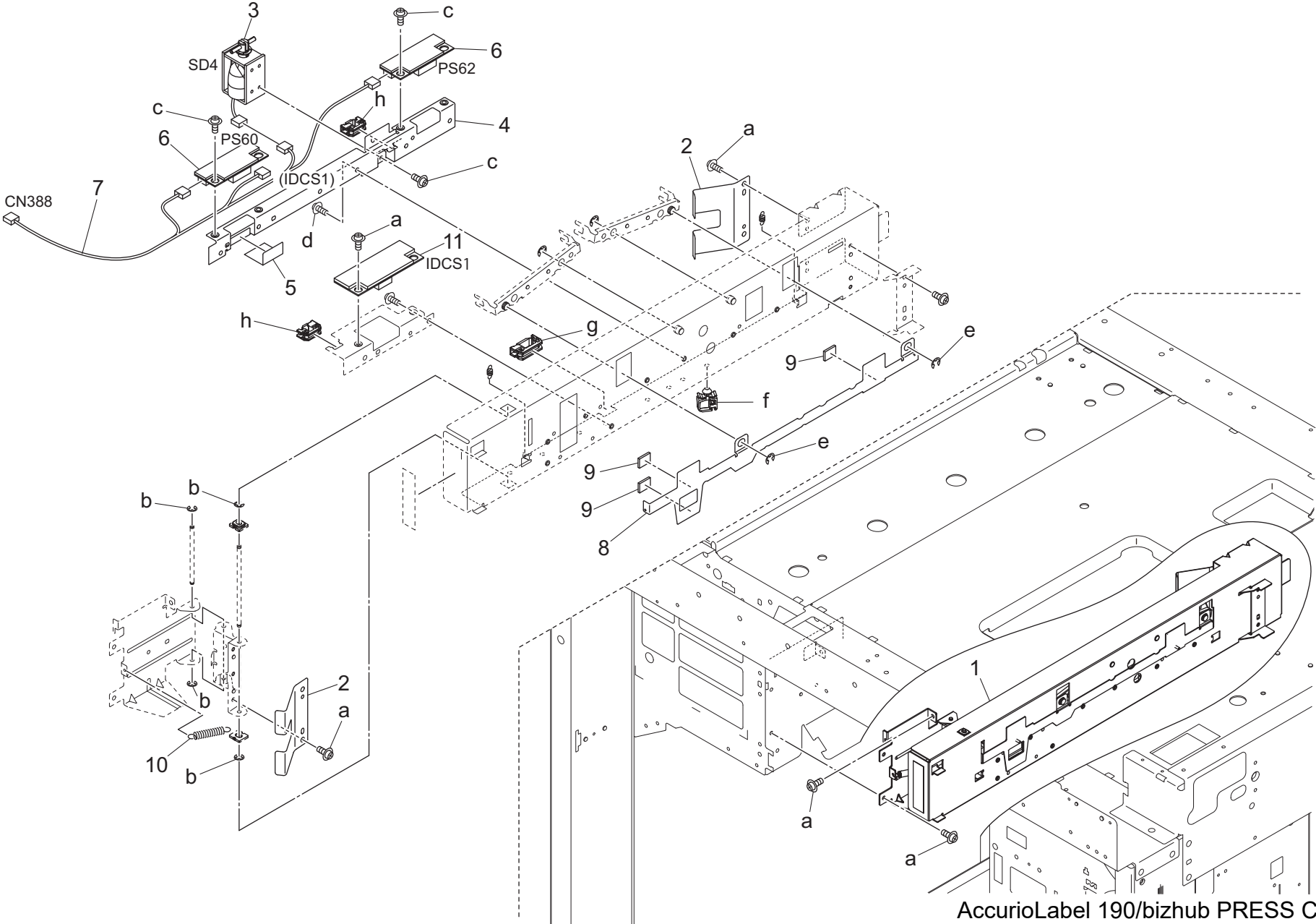


Key	Part No.	Description	Destinations	Class	QTY	Standard parts
1	A1RF508100	Pulling Wire	引張りワイヤ	D	2	a-V127030604 b-V217060050 c-V127040603 d-V207060003 f-V217030050 g-V118030403 h-V500020098
2	A1RJ732100	Pin /2	ピン/2	C	1	
3	A50U501401	Drive Gear 108T	駆動ギア 108 T	C	1	
4	A50U501702	Tension Spring	テンションばね	D	1	
5	A50U502700	Handle /Rear	取手/奥	D	1	
6	A50U502900	Handle	把手	D	1	
7	A50U503001	Mounting Plate	取付板	D	1	
8	A1RF508000	Tension Pulley	テンションプーリ	D	2	
9	A1RF508200	Tension Shaft	テンション軸	D	2	
23	A50UM10202	DC Brushless motor /20	DC ブラシレスモータ /20	C	1	
24	A50U502100	Auxiliary Roller /1	補助ローラ /1	C	3	
25	A50U503500	Bushing	すべり軸受	D	6	
26	A50UR73J00	Cleaning Sheet Assy	清掃シート A s s y	D	1	
27	A50UR73K00	Drive Roller Assy	駆動ローラー A s s y	C	1	





Key	Part No.	Description	Destinations	Class	QTY	Standard parts
1	56AA20940D	Toner Dust-proof Seal /D		D	3	a-V158030803 b-V217040050
2	56AA40490	SHAFT STOPPER 4		C	2	
3	65AA27090D	Blade Fulcrum Shaft		D	1	
4	A03U555400	Cleaning Spring		C	2	
5	A1DUR71C00	Sheet /1 Assy		A	1	
6	A1DUR71D00	Sheet /2 Assy		C	1	
7	A50U531601	Seal /F		A	2	
8	08AA45230	COLLECTING SEAL		C	1	
9	40AA32320	Toner Supply Spacer		C	1	
10	65AA20060	COLLECTING COVER		C	1	
11	65AA20300	TONER COLLECTING SPRING		C	1	
12	65AA26840	Cleaner Bushing /Front		C	2	
13	A50U531400	Cleaning Gear /1 21T		C	1	
14	A50U531500	Cleaning Gear /2 26T		C	1	
15	65AA27320	SCATTER PREVENTING PAD 4		C	2	
16	A50UR70K22	Belt Cleaning Blade	A,D1,D3,F2,G1,G2,H, I,J,K	A	1	
16	A50UR70K22	Belt Cleaning Blade	B,C	A	1	



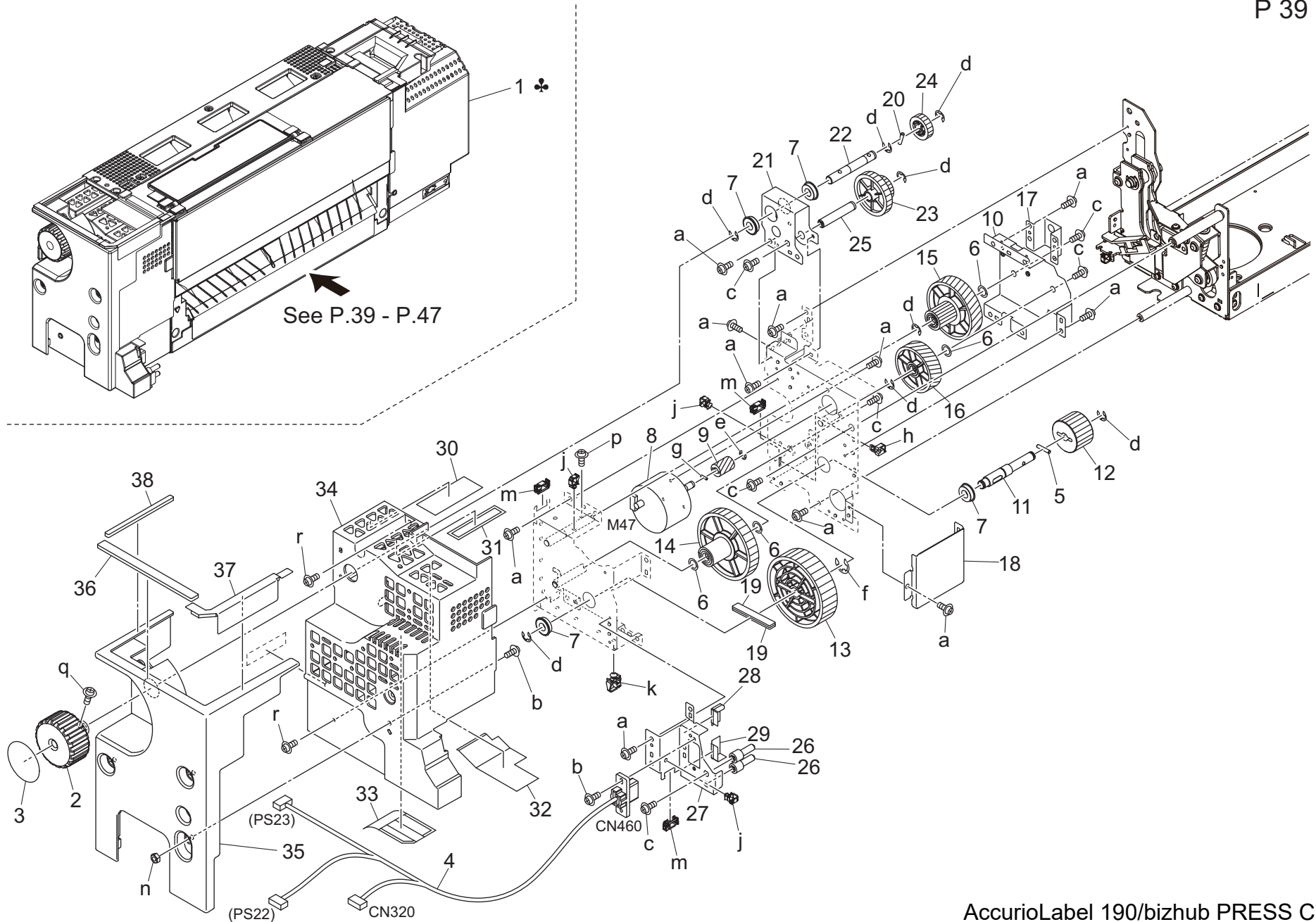
AccurioLabel 190/bizhub PRESS C71cf

Image Correction Section

Key	Part No.	Description	Destinations	Class	QTY	Standard parts
1	A50UR71711	Color Registration Unit		S	1	a-V127030604 b-V217020050 c-V121030403 d-V116030503 e-V217040050 f-V500020098 g-V570010057 h-V570010056
2	A50U517000	Pressing Spring		D	2	
3	A1DUR71600	Solenoid Assy		C	1	
4	A50U515200	Fixing Plate		D	1	
5	A50U517100	Cover Sheet		D	1	
6	A50UM50100	Photo sensing		I	2	
7	A50UN20001	Wiring /1		D	1	
8	A50U515500	Open/close Shutter		D	1	
9	A50U516900	Scatteringprevention Pad		D	3	
10	A50U516800	Spring		D	1	
11	A50UM50200	Photo sensing		I	1	

AccurioLabel 190/bizhub PRESS C71cf

# Fusing Section

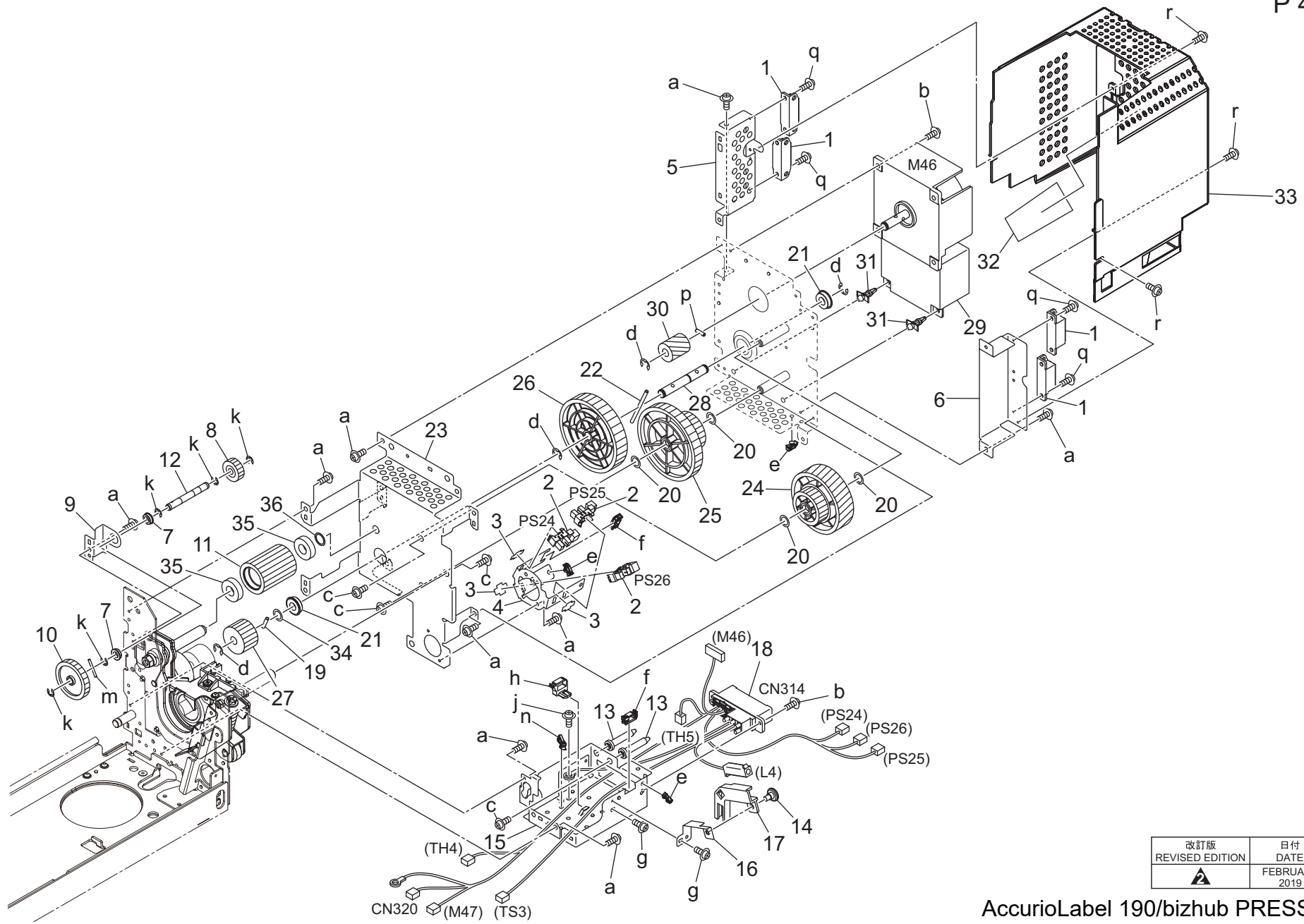


AccurioLabel 190/bizhub PRESS C71cf

Key	Part No.	Description	Destinations	Class	QTY	Standard parts
1	A7X5R90300	Fusing Unit (200V)	A	I	1	a-V121030403
1	A7X5R90400	Fusing Unit (208V)	B,G1,G2	I	1	b-V127030803
1	A7X5R90500	Fusing Unit (220V)	C,D1,D3,F2,H,I,J,K	I	1	c-V127040603
2	20AL48470G	Jam Release Knob		C	1	d-V217060050
3	A50U943501	Release Label /5		D	1	e-V217040050
4	A50UN10903	Fixing Wiring /5		D	1	f-V217080050
5	56AA17461	PIN A		B	1	g-V237200850
6	56AA42690	BY-PASS SPACER		C	4	h-V500010057
7	A00V240600	Ball Bearing		B	4	j-V500010074
8	A11PM10200	DC Brushless motor /12		C	1	k-V500020098
9	A1RF809400	Pressure Gear /1 22T		C	1	m-V570010057
10	A50U742300	Drive Plate /3		D	1	n-V195030003
11	A50U742501	Pressure Shaft /1		D	1	p-V116030603
12	A50U742800	Pressure Gear /1 31T		C	1	q-V121041003
13	A50U742901	Pressure Gear /2 90T		C	1	r-V127030604
14	A50U743000	Pressure Gear /3 23/85T		C	1	
15	A50U743100	Pressure Gear /4 23/110T		C	1	
16	A50U743200	Pressure Gear /5 87T		C	1	
17	A50U751200	Positioning Plate /A		D	1	
18	A50U756001	Auxiliary Side plate		D	1	
19	A50U756500	Part /1		D	2	
20	56AA17480	PIN B		C	1	
21	A50U745600	Fixing Plate /1		D	1	
22	A50U745700	Processing Shaft /A		D	1	
23	A50U757000	Connecting Gear /A 41/22T		C	1	
24	A50U757100	Idling Gear /A 22T		C	1	
25	A50U752600	Processing Shaft		D	1	
26	A1DU736200	Positioning Shaft		D	2	
27	A50U745302	Fixing Plate /5		D	1	
30	A50U732200	Protection Seal /2		D	1	
31	A50U732300	Protection Seal /3		D	1	
32	A50U732400	Protection Seal /4		D	1	
33	A50U732500	Protection Seal /5		D	1	
34	A50U748403	Fusing Cover /Front		D	1	
35	A50U751002	Fusing Cover /1		D	1	
36	A50U751101	Spacer /1		D	1	
37	A50U751301	Spacer /2		D	1	
38	A50U755900	Spacer /3		D	1	

# Fusing Section

P 40



改訂版 REVISED EDITION	日付 DATE
	FEBRUARY 2019

AccurioLabel 190/bizhub PRESS C71cf

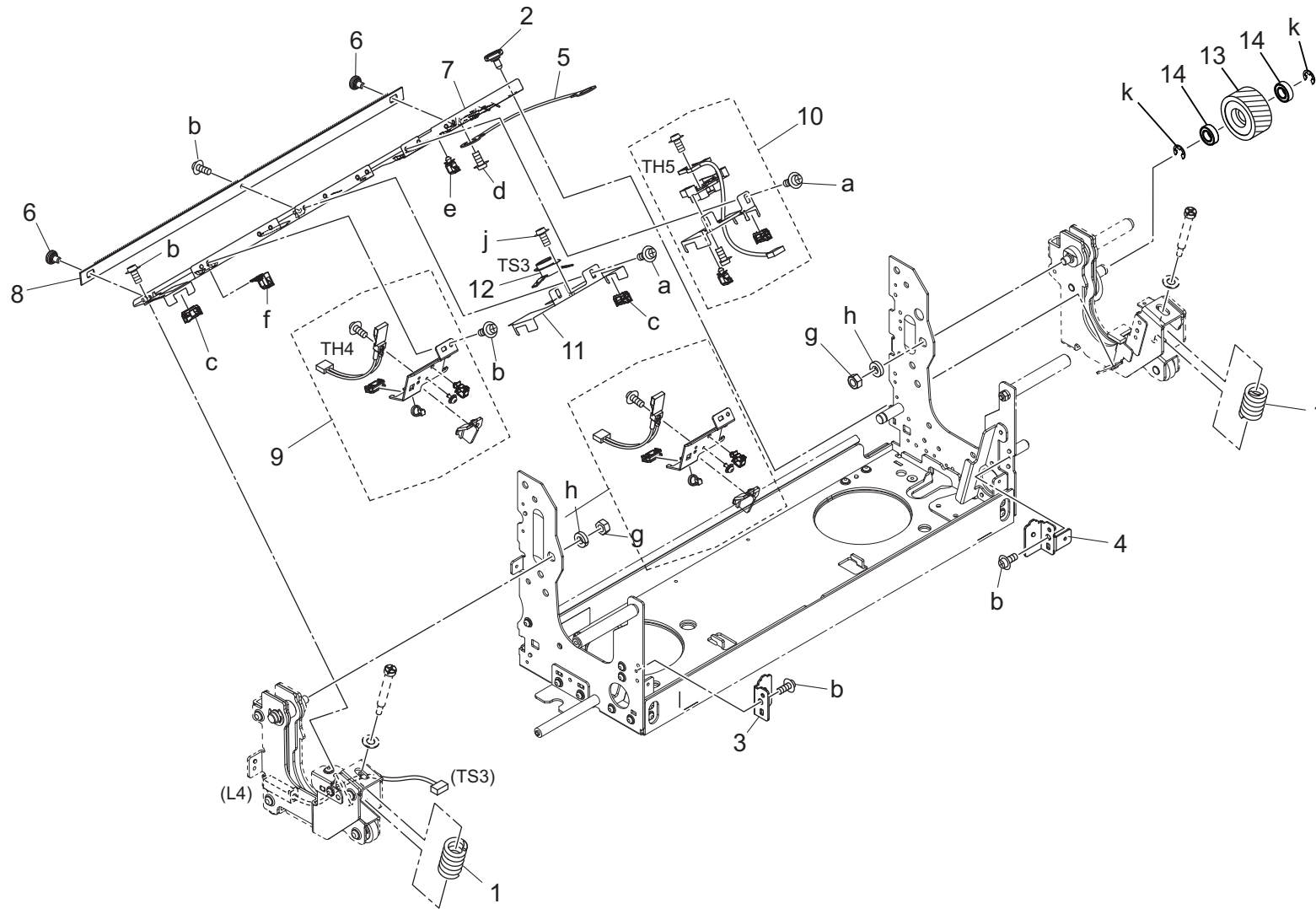
Order here  
8 (495) 646-0426  
ПЯТЫЙ ПАРТНЕР www.km-shop.ru

Key	Part No.	Description	Destinations	Class	QTY	Standard parts
1	07BA12352	Magnet Catch		C	4	a-V121030403
2	A50UM55500	Photo Sensor		I	3	b-V127030803
3	4470402401	Stopper		D	3	c-V127040603
4	A50U744601	Plate		D	1	d-V217060050
5	A50U749200	Mounting Plate /1		D	1	e-V500020099
6	A50U749300	Mounting Plate /2		D	1	f-V570010057
7	A00J617800	Ball Bearing		B	2	g-V127030516
8	A03U808400	FIXING DRIVE GEAR /D 19 T		B	1	h-V500010021
9	A50U745500	Paper exit Plate /1		D	1	j-V116040603
10	A50U746400	Paper exit Gear /A 37T		C	1	k-V217040050
11	A7X5720900	Drive Gear /3 30T		C	1	m-V237201850
12	A50U752300	Paper exit Shaft /A		D	1	n-V500020100
13	A03U724200	Positioning Shaft		D	2	p-V237301150
14	A03U734500	Support Screw /A		C	1	q-V118030603
15	A50U744912	Mounting Plate /4		D	1	r-V127030604
16	A50U747200	Hold Plate /2		D	1	
17	A50U747300	Wiring Part /5		D	1	
18	A50UN10800	Fixing Wiring /4		D	1	
19	56AA17480	PIN B		C	1	
20	56AA42690	BY-PASS SPACER		C	4	
21	A00V240600	Ball Bearing		B	2	
22	A50U742400	Pin /4		D	1	
23	A50U743302	Drive Plate /4		D	1	
24	A50U743600	Drive Gear /2 33/58T		C	1	
25	A50U743700	Drive Gear /3 36/74T		C	1	
26	A50U743800	Drive Gear /4 74T		C	1	
27	A7X5721000	Drive Gear /4 26T		C	1	
28	A50U744300	Drive Shaft /2		D	1	
29	65AA80021	DC Brushless Motor /50		B	1	
30	A50U754700	Fusing Gear /6 16T		C	1	
31	V502010033	Circuit Board Spacer		D	2	
32	A50U732100	Protection Seal /1		D	1	
33	A50U748505	Fusing Cover /Rear		D	1	
34	A00J660700	Washer		D	1	
35	A0TK341200	Ball Bearing /Front		C	2	
36	A02E230200	Washer		C	1	



# Fusing Section

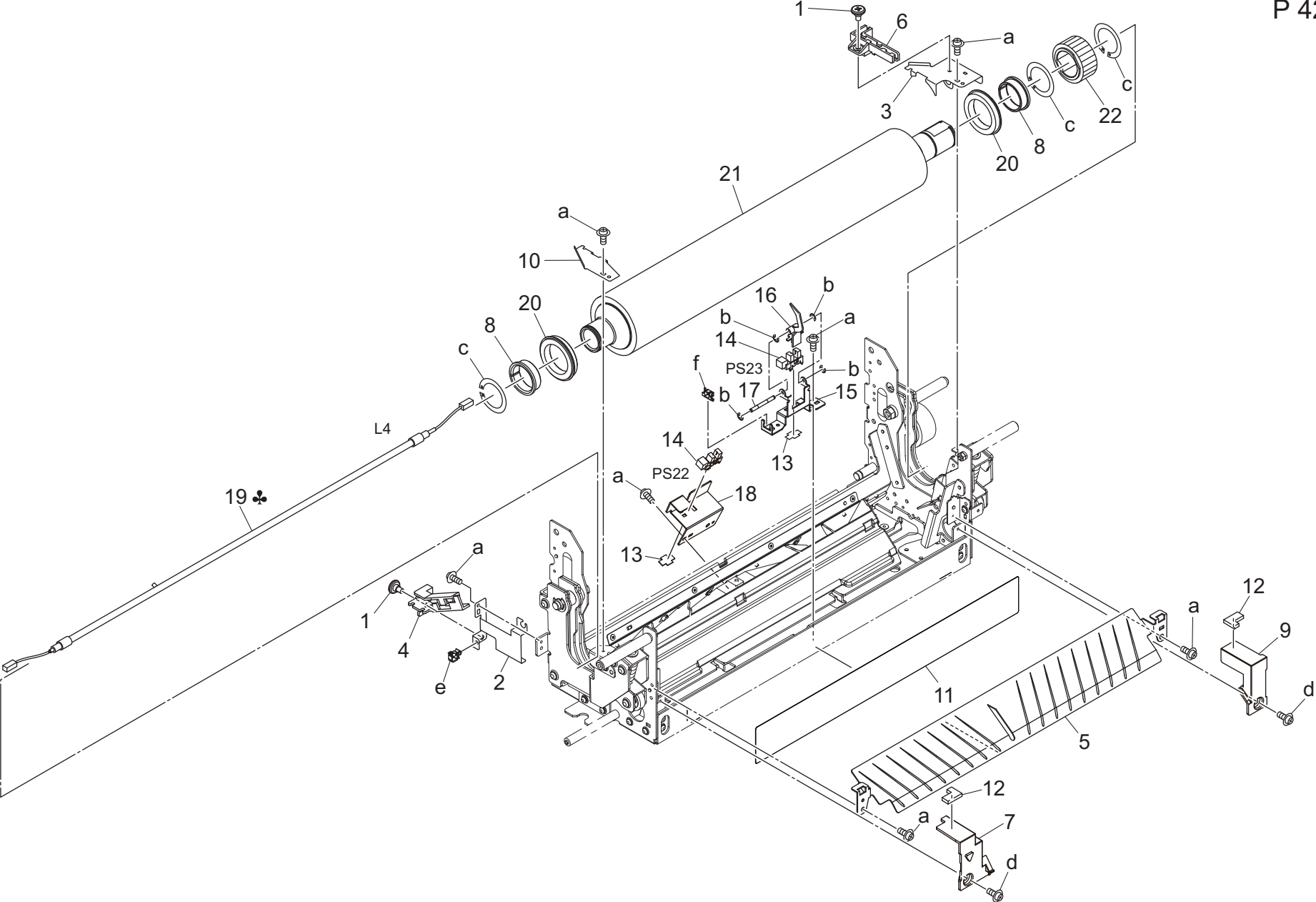
改訂版 REVISED EDITION	日付 DATE
▲	JULY 2016



Key	Part No.	Description	Destinations	Class	QTY	Standard parts
1	A50U741612	Pressure Spring /1		D	2	a-V116030603
2	A50U745100	Guide Screw		D	1	b-V121030403
3	A50U787500	Hold Arm /Front		D	1	c-V500020096
4	A50U787600	Hold Arm /Rear		D	1	d-V116040603
5	A03UN23200	Grounding Wiring /F		D	1	e-V500010074
6	A0P0742300	Shoulder screw		C	2	f-V500020097
7	A50U745802	Stay /4		D	1	g-V195060003
8	A50U755000	Neutralizing Brush		D	1	h-V205060003
9	A50UR70E22	Fusing Temperature Sensor/4		B	1	j-V118030403
10	A50UR72Y00	Fusing Temperature Sensor/5		C	1	k-V217060050
11	A50U746200	Stay /2		D	1	
12	SP00-0220	Thermostat /Lower		I	1	
13	A7X5720800	Drive Gear /2 3 6 T		D	1	
14	A1RF820000	Ball Bearing		C	2	

AccurioLabel 190/bizhub PRESS C71cf

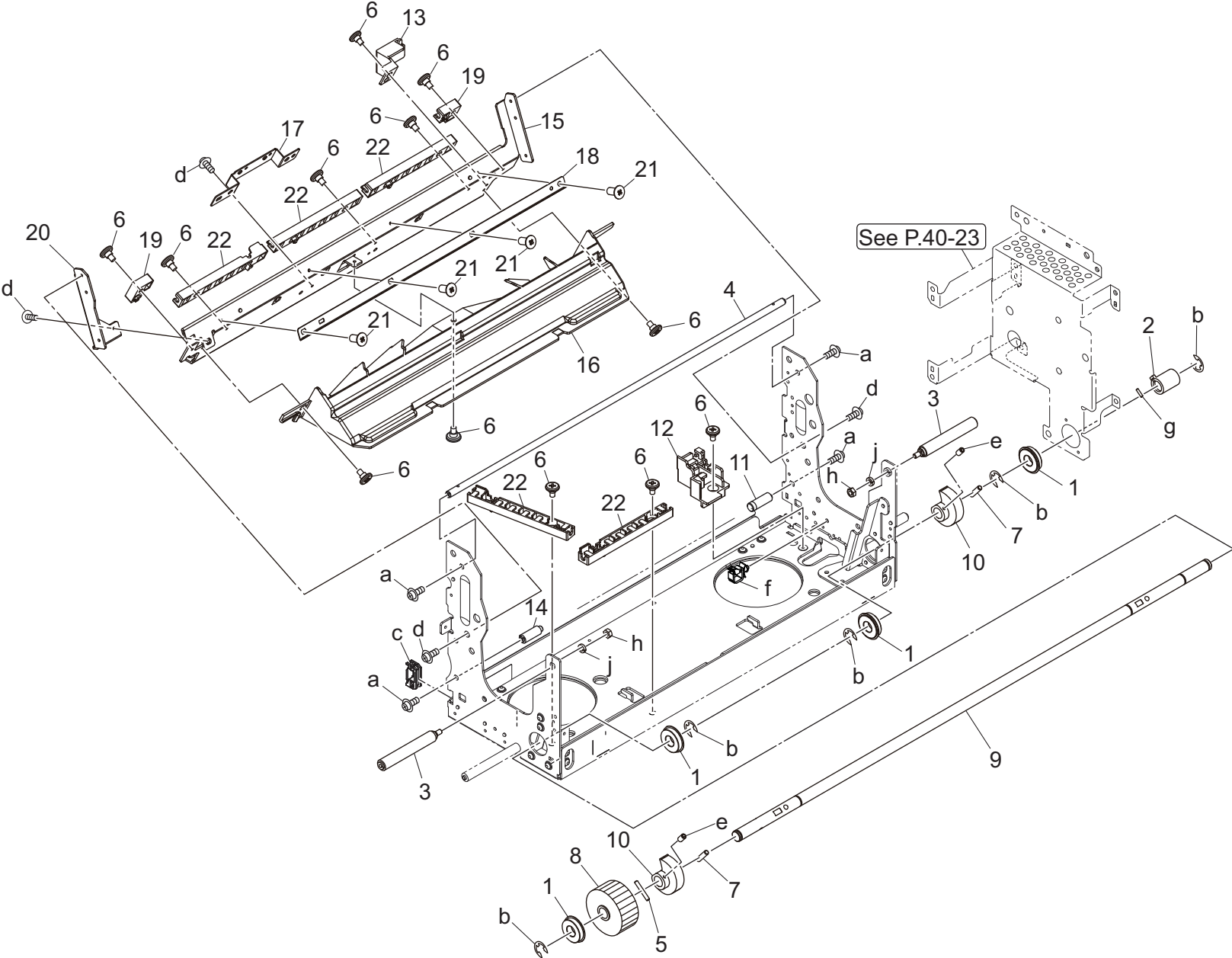
Fusing Section



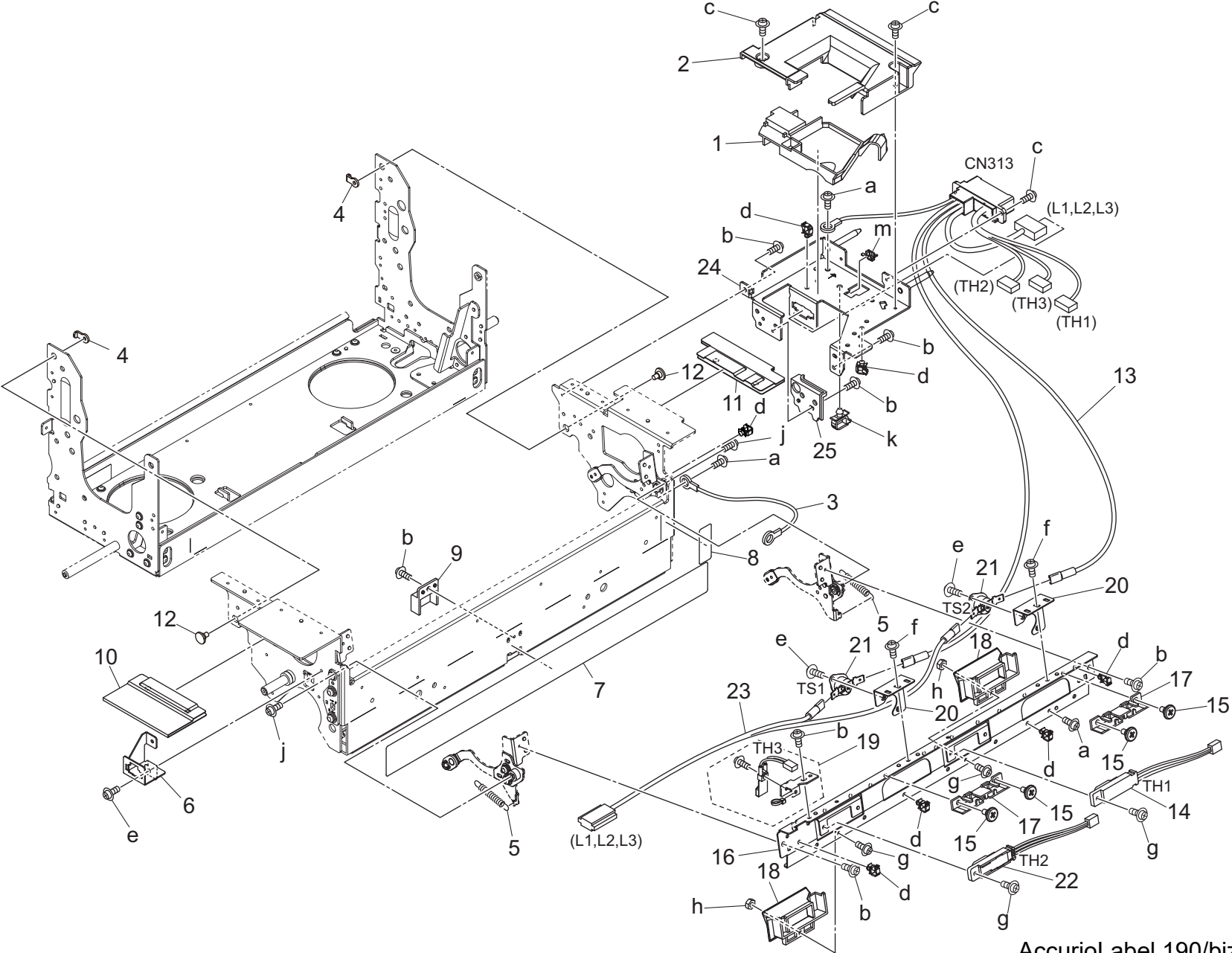
AccurioLabel 190/bizhub PRESS C71cf

Key	Part No.	Description	Destinations	Class	QTY	Standard parts
1	A03U734500	Support Screw /A		C	1	a-V121030403 b-V217020050 c-V223260017 d-V127030604 e-V500010074 f-V570010025
2	A50U741700	Hold Plate /1		D	1	
3	A50U741800	Hold Plate /2		D	1	
4	A50U746800	Wiring Part /3		D	1	
5	A50U758201	Guide Plate /B		D	1	
6	A50U748200	Wiring Part /1		D	1	
7	A50U788900	Insulating Plate /Front		D	1	
8	A50U756300	Insulating Sleeve /Lower		B	2	
9	A50U789100	Insulating Plate /Rear		D	1	
10	A50U755100	Holding Part /F		D	1	
11	A50U755301	Sheet /L		D	1	
12	A50U755800	Sealing Part /2		D	2	
13	4470402401	Stopper		D	2	
14	A1RFM51000	Photointerrupter /H		C	2	
15	A50U787700	Sensor Plate /Front		D	1	
16	A50U747803	Actuator /A		D	1	
17	A50U747900	Shaft /1		D	1	
18	A50U788601	Sensor Plate /Rear		D	1	
19	A50UM32A00	Fusing Heater Lamp/4 (200V)	A	I	1	
19	A50UM32E00	Fusing Heater Lamp/4 (208V)	B,G1,G2	I	1	
19	A50UM32F00	Fusing Heater Lamp/4 (220V)	C,D1,D3,F2,H,I,J,K	I	1	
20	26NA53712	BALL BEARING		A	2	
21	A7X5740100	Fusing Roller /Lw		B	1	
22	A7X5720700	Drive Gear /1 38T		C	1	

Fusing Section



Key	Part No.	Description	Destinations	Class	QTY	Standard parts
1	A4EU265000	Ball bearing		B	4	a-V116030603
2	A50U744700	Pressure Actuator /1		D	1	b-V217080050
3	A50U785000	Rotation Shaft /2		D	2	c-V500020096
4	A50U747101	Stopper Shaft /1		D	1	d-V121030403
5	304078070	PIN C		C	1	e-V193030404
6	A03U734500	Support Screw /A		C	12	f-V500010074
7	A1RF758100	Pin /B		D	2	g-V237200850
8	A1RF808600	Pressure Gear /5 4 2 T		C	1	h-V195040003
9	A50U741900	Pressure Shaft /2		D	1	j-V205040003
10	A50U742000	Pressure Cam /1		D	2	
11	A50U746700	Paper exit Fulcrum Shaft		D	1	
12	A50U788102	Wiring Part /2		D	1	
13	A50U792901	Wiring Part /D		D	1	
14	A50U754901	Paper exit Fulcrum Shaft		D	1	
15	A50U787003	Cover Plate		D	1	
16	A50U788000	Cooling Duct		D	1	
17	A50U799200	Mounting Plate		D	1	
18	A50U799700	Regulating Plate		D	1	
19	A50U799800	Wiring Part		D	2	
20	A50U799601	Adjusting Plate		D	1	
21	A50U642300	Mounting Screw		D	4	
22	A50U794800	Wiring Part		D	5	

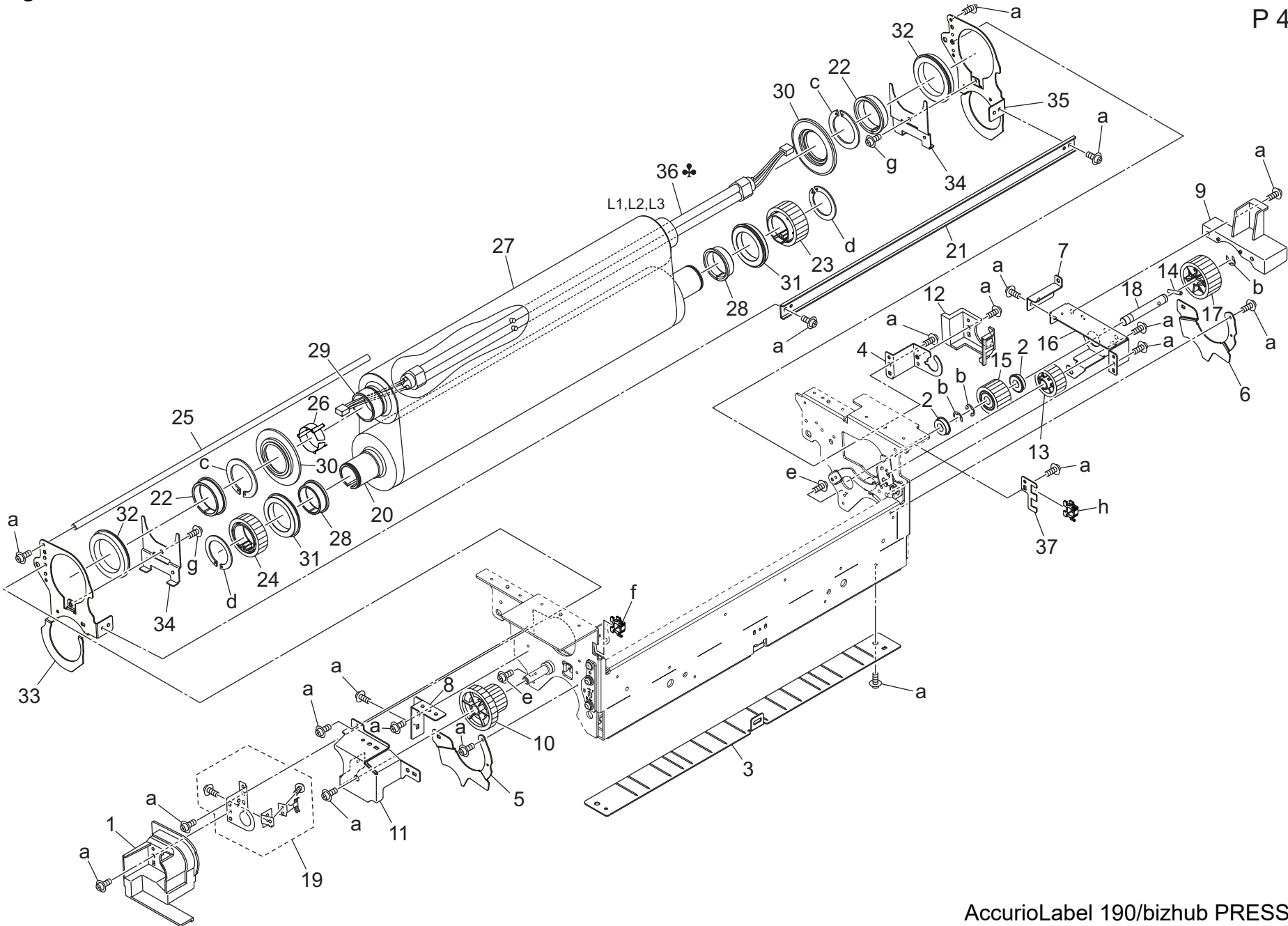


AccurioLabel 190/bizhub PRESS C71cf

Key	Part No.	Description	Destinations	Class	QTY	Standard parts
1	A50U722100	Fusing Cover /1		D	1	a-V116040603
2	A50U722202	Fusing Cover /2		D	1	b-V121030403
3	A03UN23200	Grounding Wiring /F		D	1	c-V127030604
4	A50U784200	Fixing Plate		D	2	d-V500010074
5	A50U725200	Tension Spring /1		D	2	e-V118030303
6	A50U728401	Mounting Plate /B		D	1	f-V116030603
7	A50U728500	Insulating Sheet /A		D	1	g-V116030803
8	A50U728800	Insulating Sheet /D		D	1	h-V195030003
9	A50U730900	Cover Part /1		D	1	j-V127040603
10	A50U731002	Insulating Sheet /F		D	1	k-V500010073
11	A50U731102	Insulating Sheet /G		D	1	m-V570010025
12	55VA20520	Cleaner Locking Screw		C	2	
13	A50UN10602	Fixing Wiring /1		D	1	
14	65AA88010	Temperature Sensor /1		B	1	
15	A03U734500	Support Screw /A		C	4	
16	A50U723812	Stay /1		D	1	
17	A50U726611	Guide Part /2		D	2	
18	A50U733500	Protection Part /1		D	2	
19	A50UR70F00	Fusing Temperature Sensor/3		B	1	
20	A50U723911	Stay /2		D	2	
21	SP00-0210	Thermostat /Upper		I	2	
22	A50UM50600	Fusing Temperature Sensor/2		C	1	
23	A50UN11011	Fixing Relay harness /1		D	1	
24	A50U786100	Fusing Stay /2		D	1	
25	A50U733402	Protection Cover /A		D	1	



# Fusing Section

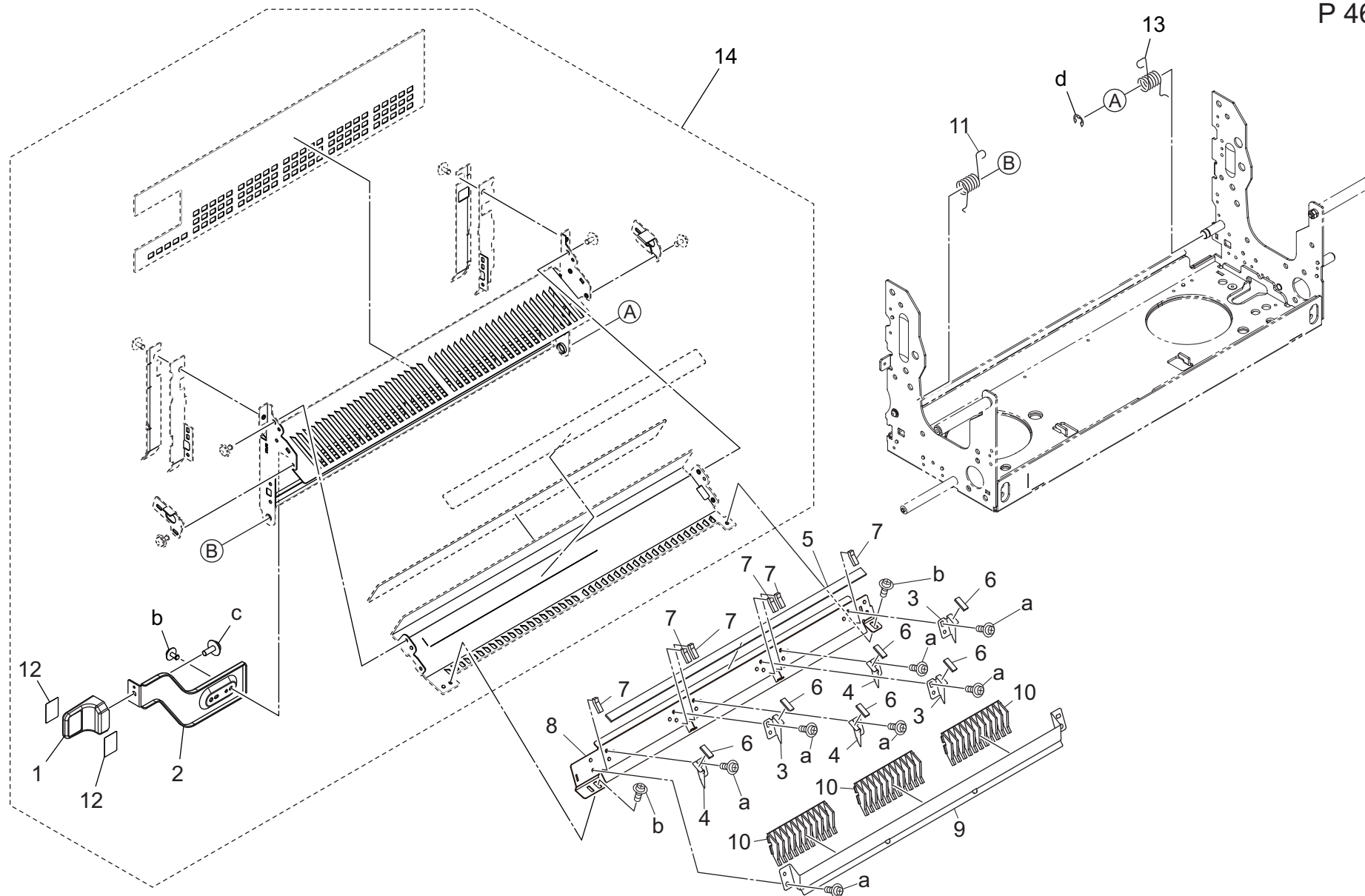


AccurioLabel 190/bizhub PRESS C71cf

Key	Part No.	Description	Destinations	Class	QTY	Standard parts
1	A50U733001	Cover /Front	カバー／前	D	1	a-V121030403
2	A00V240600	Ball Bearing	ボールベアリング	B	2	b-V217060050
3	A50U721601	Guide Plate /Upper	ガイド板／上	D	1	c-V223300017
4	A50U723600	Support Plate /2	支持板／2	D	1	d-V223260017
5	A50U785400	Stopper Stopper /A	突当てストッパ／A	D	1	e-V127030604
6	A50U785500	Stopper Stopper /B	突当てストッパ／B	D	1	f-V570010025
7	A50U726300	Support Plate /3	支持板／3	D	1	g-V116030503
8	A50U726401	Support Plate /4	支持板／4	D	1	h-V500020096
9	A50U726800	Guide Part /3	ガイド部材／3	D	1	
10	A50U739900	Connecting Gear /A 42/25T	連結ギア／A 42／25 T	C	1	
11	A50U728301	Support Plate /11	支持板／11	D	1	
12	A50U733101	Cover /Rear	カバー／奥	D	1	
13	A50U744100	Drive Gear /7 27 T	駆動ギア／7 27 T	C	1	
14	55VA48500	PARALLEL PIN D3X18	平行ピン D 3 X 18	D	1	
15	A03U809500	FIXING DRIVE GEAR /O 26T	定着駆動ギア／O 26 T	A	1	
16	A50U743501	Drive Plate /6	駆動板／6	D	1	
17	A7X5721100	Drive Gear /5 36T	駆動ギア／5 36 T	C	1	
18	A50U744400	Drive Shaft /3	駆動軸／3	D	1	
19	A50UR73322	Neutralizing Spring Assy	除電ばね A s s y	B	1	
20	A7X5720100	Fusing Roller /1	定着ローラー／1	B	1	
21	A50U723100	Fusing Stay /1	定着ステー／1	D	1	
22	A03U729500	INSULATING SLEEVE /UPPER	断熱スリーブ／上	B	2	
23	A50U725001	Drive Gear /Upper 38T	駆動ギア／上 38 T	C	1	
24	A50U739811	Drive Gear /Front 38T	駆動ギア／前 38 T	C	1	
25	A50U730600	Fusing Stay /F	定着ステー／F	D	1	
26	A50U733712	Neutralizing Ring /1	除電リング／1	B	1	
27	A57V720211	Fusing Belt	定着ベルト	B	1	
28	A50U756300	Insulating Sleeve /Lower	断熱スリーブ／下	B	2	
29	A50U720501	Fusing Roller/2	定着ローラー／2	B	1	
30	A50U724102	Belt Regulating Sleeve	ベルト規制スリーブ	B	2	
31	26NA53712	BALL BEARING	定着 軸受 上	A	2	
32	A1UD723500	Fusing Bearing /Upper	ボールベアリング (HR)	A	2	
33	A50U730125	Fusing Stay /A	定着ステー／A	D	1	
34	A50U730700	Holding Plate /1	押さえ板／1	D	2	
35	A50U730525	Fusing Stay /E	定着ステー／E	D	1	
36	A50UM31A00	Fusing Heater Lamp Assy/Up (200V)	定着ヒーターランプ A s s y / U p ( 2 0 0	B	1	A
36	A50UM31E00	Fusing Heater Lamp Assy/Up (208V)	定着ヒーターランプ A s s y / U p ( 2 0 8	B	1	B,G1,G2
36	A50UM31F00	Fusing Heater Lamp Assy/Up (220V)	定着ヒーターランプ A s s y / U p ( 2 2 0	B	1	C,D1,D3,F2,H,I,J,K
37	A50U783400	Hold Plate	保持板	D	1	

# Fusing Section

P 46

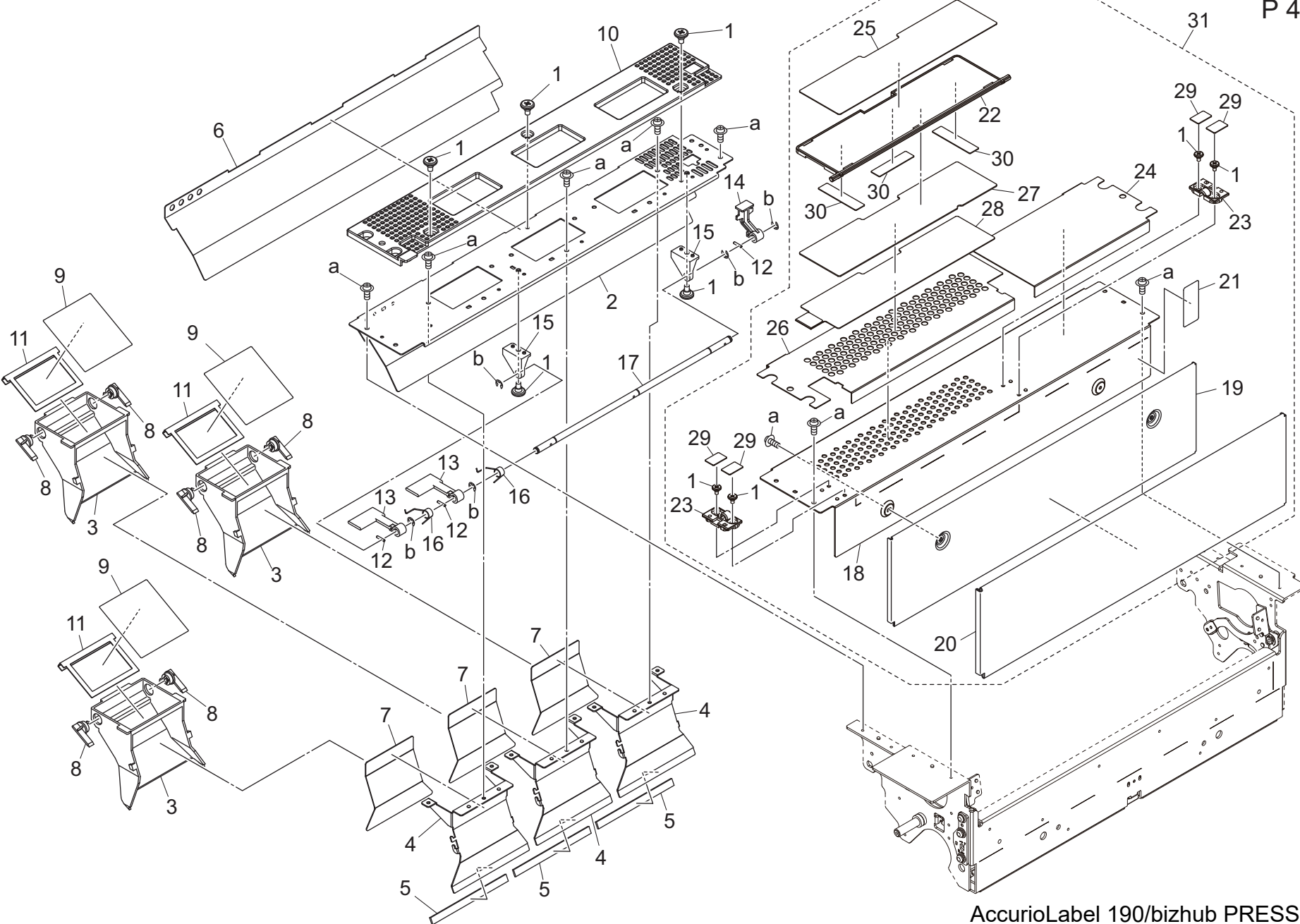


AccurioLabel 190/bizhub PRESS C71cf

# Fusing Section

Key	Part No.	Description	Destinations	Class	QTY	Standard parts
1	65AA53991	Fixing Papaer Exit Lever		C	1	a-V121030403 b-V127030604 c-V151040803 d-V217060001
2	A03U723301	Open/close Lever		C	1	
3	A50U727300	Guide Plate /D		D	3	
4	A50U727400	Guide Plate /E		D	3	
5	A50U727500	Guide Seal /A		D	1	
6	A50U727700	Guide Seal /C		D	6	
7	A50U727900	Guide Seal /E		D	6	
8	A50U757800	Guide Plate /A		D	1	
9	A50U757900	Guide Plate /B		D	1	
10	A50U758000	Separating Cell		D	3	
11	A50U763900	Paper exit Open/shut Spring /A		D	1	
12	A50U943700	Release Label /7		D	2	
13	A7X5721200	Open/close Spring /B		D	1	
14	A7X5R90211	Fusing Paper Exit Door Duct Assy		D	1	

# Fusing Section



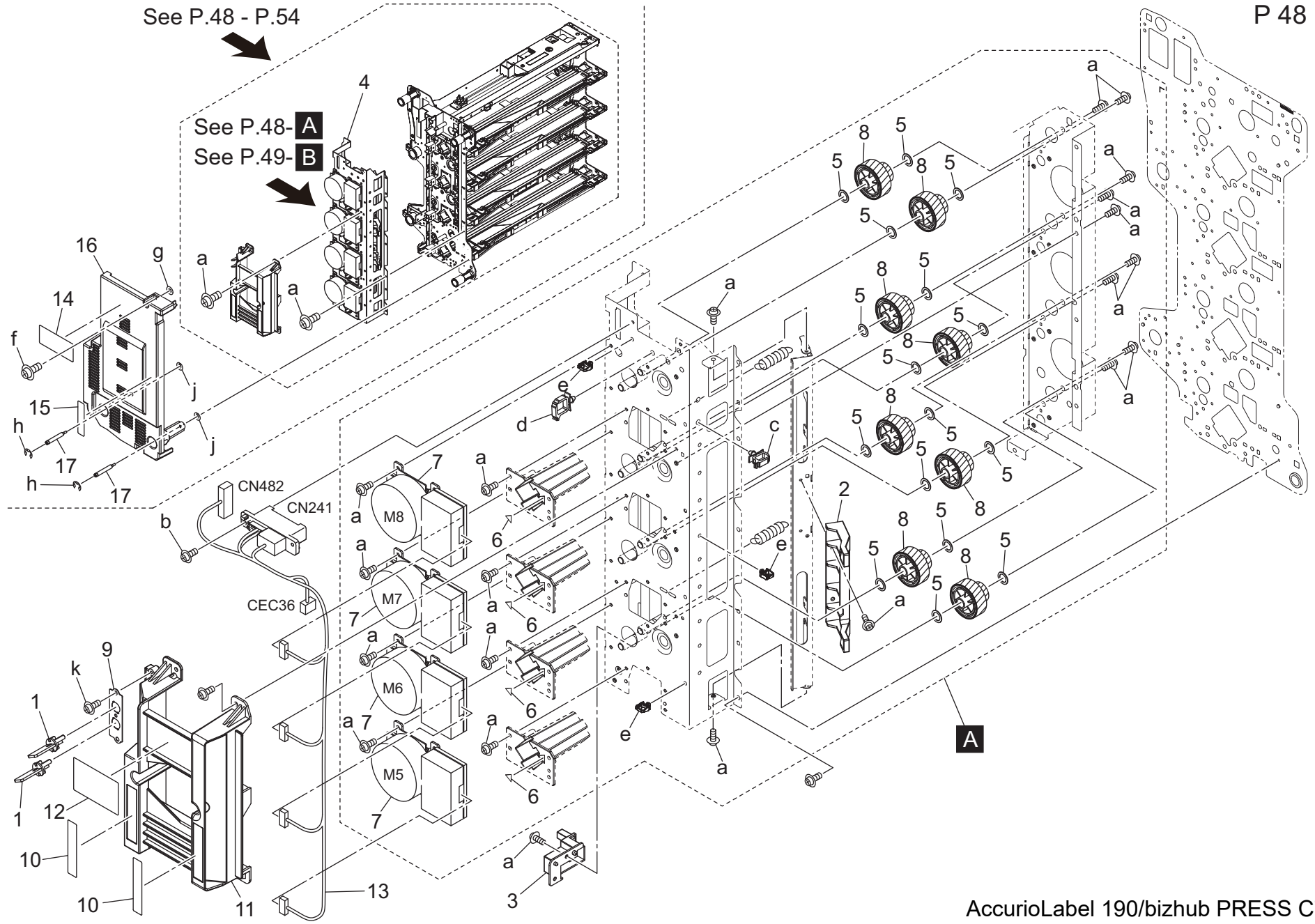
AccurioLabel 190/bizhub PRESS C71cf

Key	Part No.	Description	Destinations	Class	QTY	Standard parts
1	A03U734500	Support Screw /A		C	9	a-V121030403 b-V217040050
2	A50U721502	Fusing Frame /Upper		D	1	
3	A50U722700	Fusing Duct /3		D	3	
4	A50U722800	Fusing Duct /4		D	3	
5	A50U727600	Guide Seal /B		D	3	
6	A50U731501	Insulating Sheet /L		D	1	
7	A50U732000	Insulating Sheet /N		D	3	
8	A50U738201	Support Part /1		D	6	
9	A50U738600	Holding Sheet /A		D	3	
10	A50U738700	Cover Part /A		D	1	
11	A50U739500	Support Plate /A		D	3	
12	56AA17531	PIN /A D2X10		C	3	
13	A50U738300	Lifting Arm /1		D	2	
14	A50U738400	Lifting Arm /2		D	1	
15	A50U738500	Support Part /A		D	2	
16	A50U738801	Lifting Spring /A		D	2	
17	A50U739200	Support Shaft /1		D	1	
18	A50U721201	Fusing Stay /Upper		D	1	
19	A50U722301	Fusing Cover /3		D	1	
20	A50U728700	Insulating Sheet /C		D	1	
21	A50U729000	Insulating Sheet /F		D	1	
22	A50U762912	Open/close Door		D	1	
23	A50U763000	Support Plate		D	2	
24	A50U763100	Insulating Sheet /2		D	1	
25	A50U763211	Insulating Sheet /3		D	1	
26	A50U763300	Insulating Sheet /4		D	1	
27	A50U763400	Mounting Plate		D	1	
28	A50U763511	Insulating Sheet /5		D	1	
29	A50U763600	Insulating Sheet /6		D	4	
30	A50U764000	Fusing Seal		D	3	
31	A50UR73D11	Fusing Stay /Upper Assy		D	1	

# Process Carriage

See P.48 - P.54

P 48



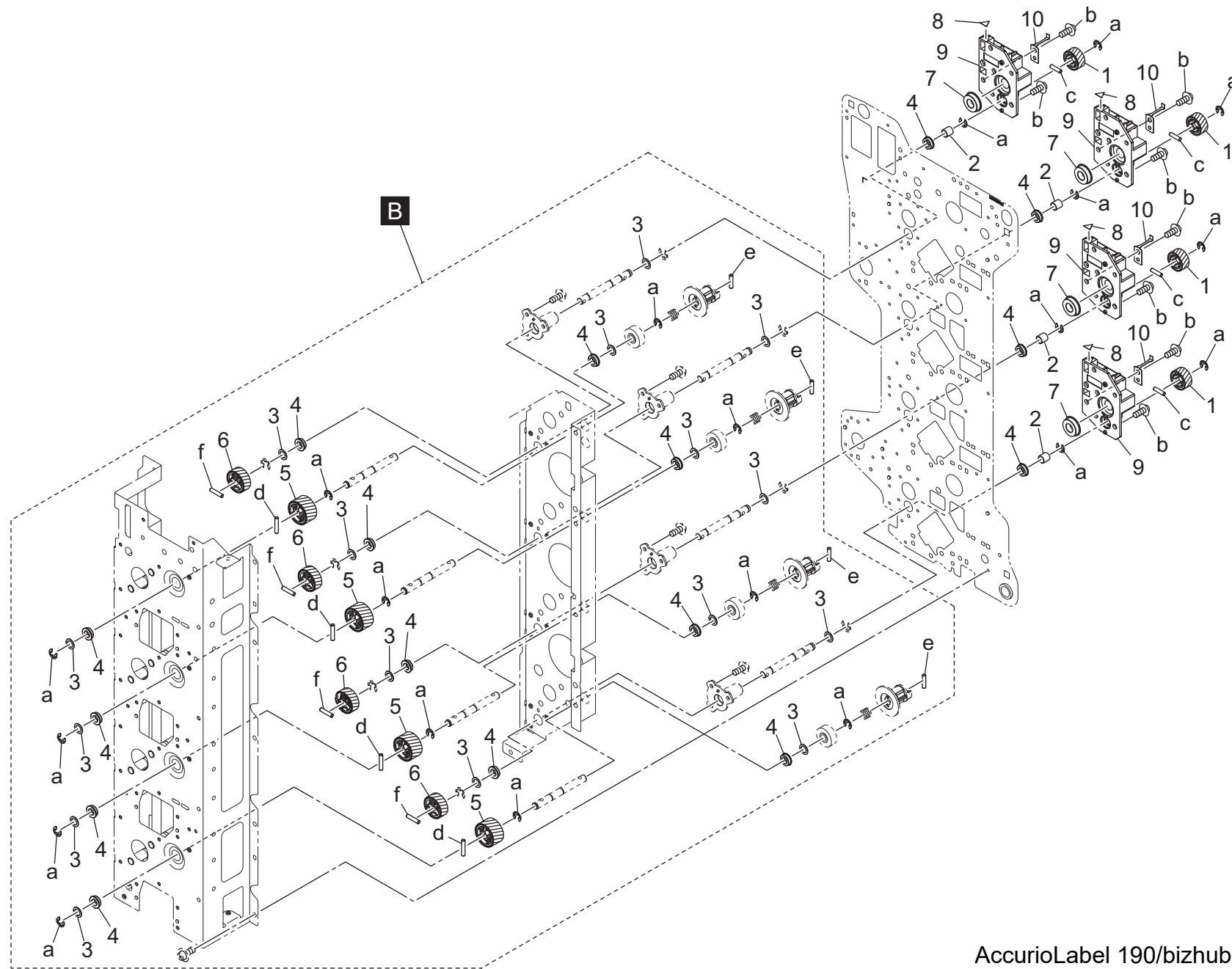
AccurioLabel 190/bizhub PRESS C71cf

Key	Part No.	Description	Destinations	Class	QTY	Standard parts
1	A1DUR71200	Chaging Cleaning Part Assy		B	2	a-V127030604
2	A50U221500	Release Lever		D	1	b-V127030803
3	A50U341000	Protection Cover /2		D	1	c-V500010082
4	A50UR70R00	Developing Drive Assy		S	1	d-V500010083
5	13QA40610	Gear Spacer		C	16	e-V500020098
6	A50U949700	Replacement Label /1		D	4	f-V114041004
7	A2XKM10300	Brushless motor		I	4	g-V211040080
8	A50U220501	Idling Gear /C 63/34T		C	8	h-V217060050
9	65AA33310F	Mounting Plate /2		D	1	j-V221040050
10	A50U949600	Replacement Label		D	2	k-V151030803
11	A50U221701	Guide Handle		D	1	
12	A50U948001	Caution Label		D	1	
13	A50UN12401	Developing Wiring /1		D	1	
14	A9VE942700	Caution Label		D	1	
15	A50U949600	Replacement Label		D	1	
16	A50U169002	Cover Duct /B		D	1	
17	A50U169602	Mounting Screw		D	2	



# Process Carriage

P 49

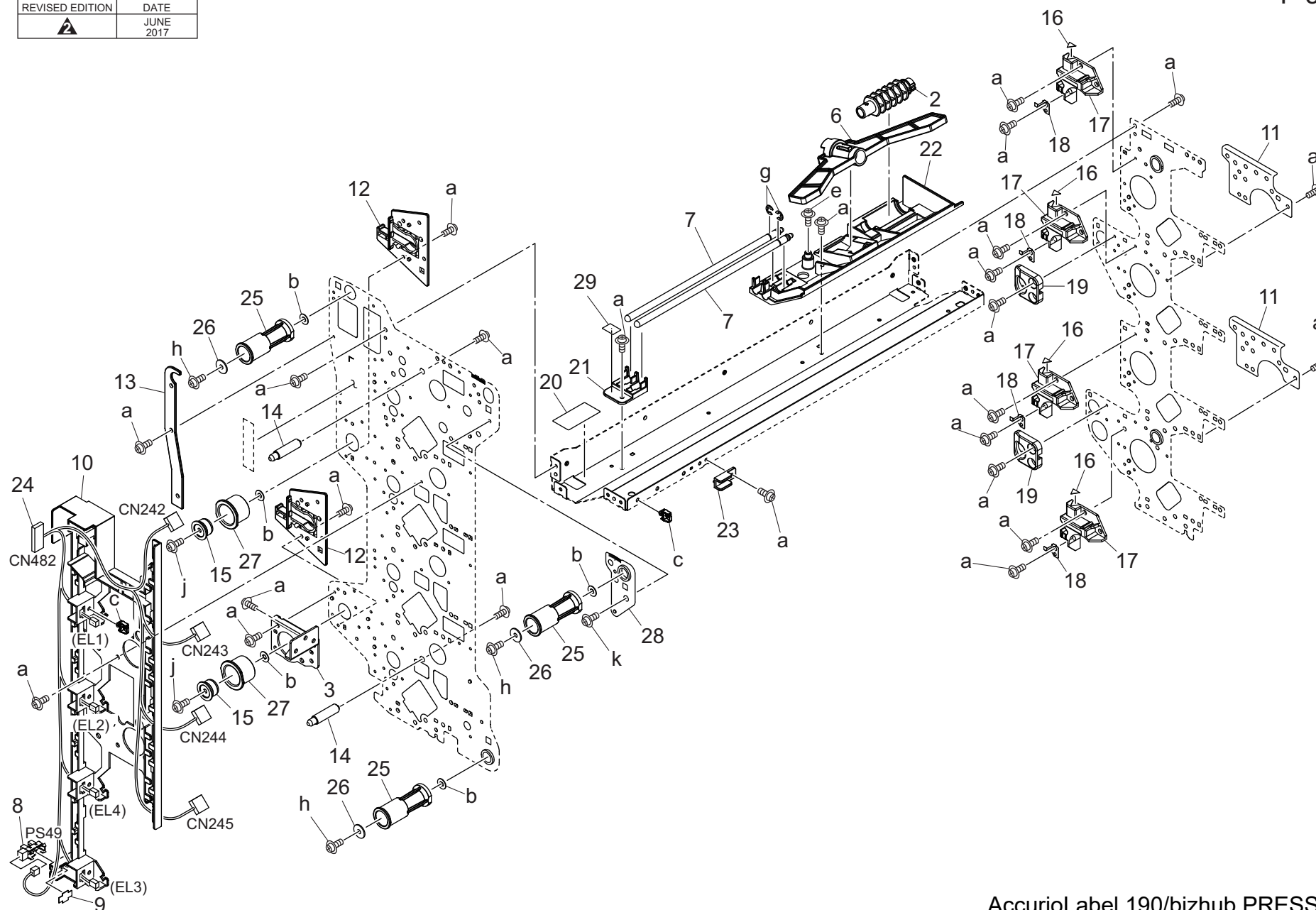


AccurioLabel 190/bizhub PRESS C71cf

Key	Part No.	Description	Destinations	Class	QTY	Standard parts
1	A50U220700	Coupling Gear /C 28T		C	4	a-V217040050 b-V127030604 c-V234301250 d-V234301650 e-V234301050 f-V234301450
2	A9VE222000	Collar		D	4	
3	40AA32320	Toner Supply Spacer		C	16	
4	A00J617800	Ball Bearing		B	16	
5	A50U221800	Drive Gear /D 40T		C	4	
6	A50U220600	Drive Gear /C 37T		C	4	
7	A00V240600	Ball Bearing		B	4	
8	A50U949700	Replacement Label /1		D	4	
9	A50U337101	Positioning Rail /1		D	4	
10	A50U337400	Ground Plate spring /Front		D	4	

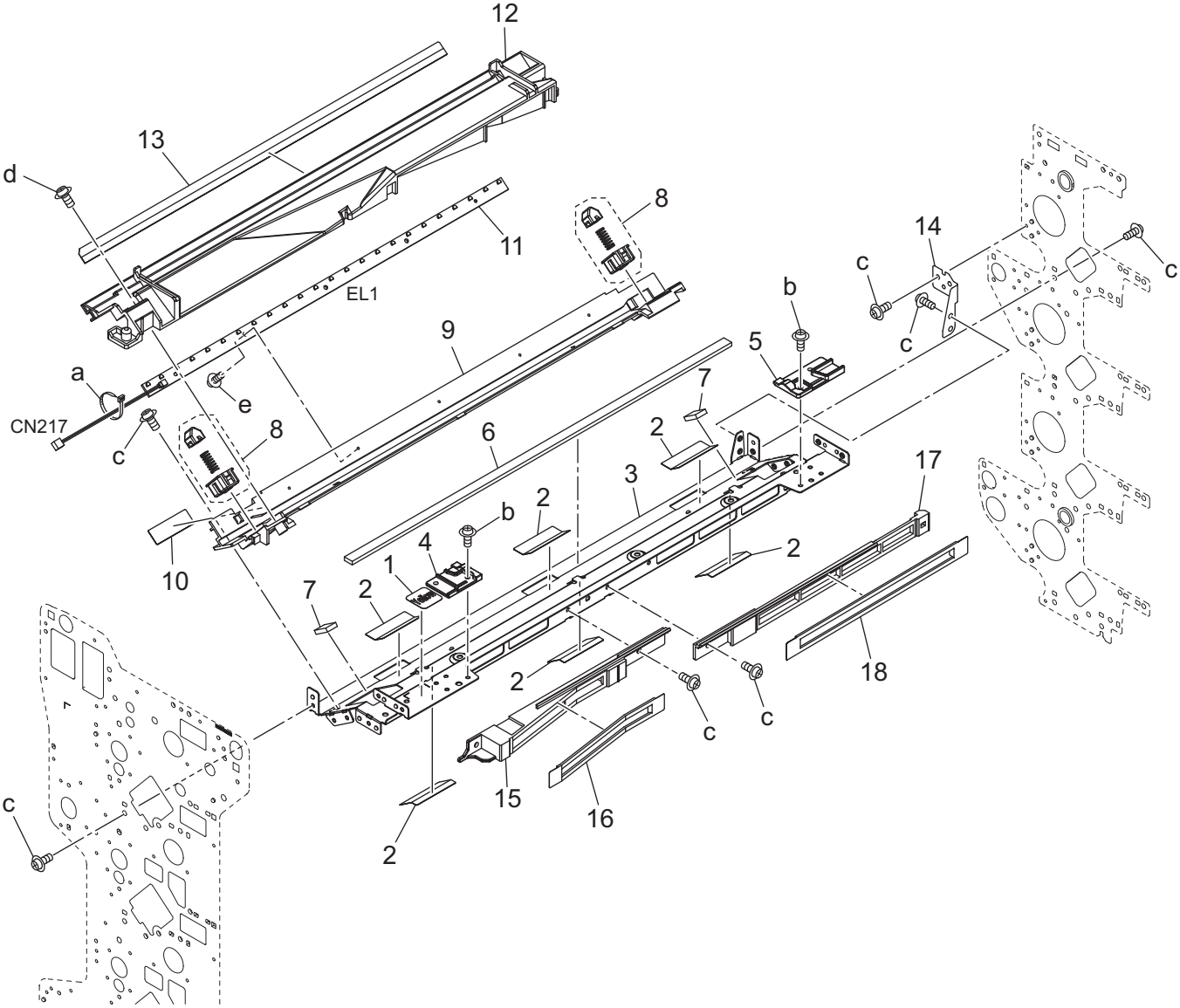
# Process Carriage

改訂版 REVISED EDITION	日付 DATE
	JUNE 2017

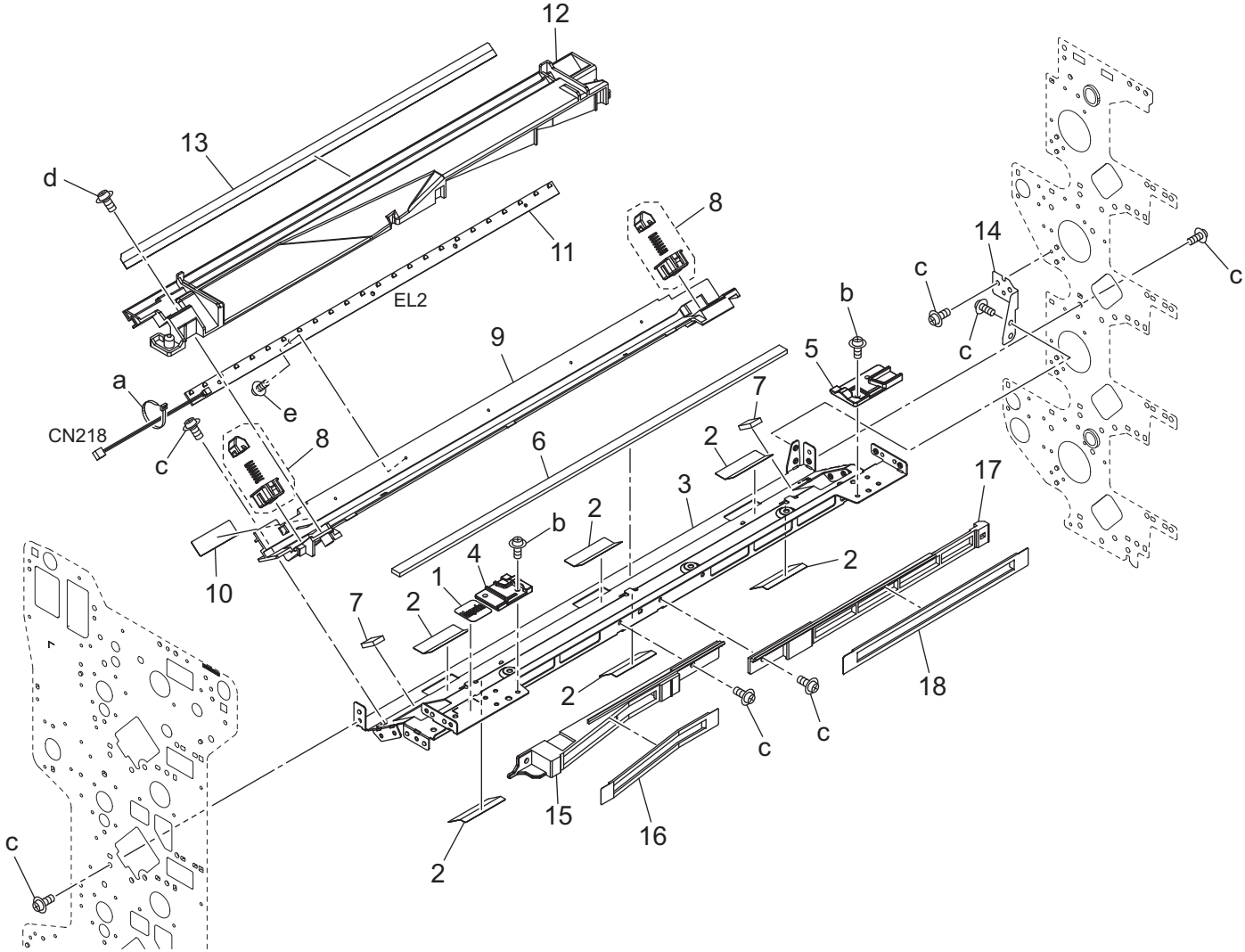


AccurioLabel 190/bizhub PRESS C71cf

Key	Part No.	Description	Destinations	Class	QTY	Standard parts
2	A50U343600	Coupling /D		D	1	a-V127030604
3	A50U343900	Transfer Plate /2		D	1	b-V211040080
6	A50U502801	Hold Guide		D	1	c-V500020098
7	A50U506500	Support Shaft		D	2	e-V127031203
8	A50UM55500	Photo Sensor		I	1	g-V217040050
9	4470402401	Stopper		D	1	h-V121041403
10	A50U340900	Protection Cover /1		D	1	j-V121041003
11	A50U343800	Transfer Plate		D	2	k-V116040803
12	A50U341300	Positioning Block /1		D	2	
13	A50U343000	Operation Cover		D	1	
14	A50U344200	Positioning Shaft		D	2	
15	A50U341600	Transfer Shaft		D	2	
16	A50U949700	Replacement Label /1		D	4	
17	A50U337200	Positioning Rail /2		D	4	
18	A50U337300	Ground Plate spring /Rear		D	4	
19	A50U340501	Transfer Hinge		D	2	
20	A50U335600	Cleaning Seal /A		D	1	
21	A50U343400	Tray /Front		D	1	
22	A50U343500	Tray /Rear		D	1	
23	A50U344100	Developing Collar /Y		D	1	
24	A50UN12500	Developing Wiring /2		D	1	
25	A50U342502	Set Collar		D	3	
26	A50U342600	Collar		D	3	
27	A50U341401	Positioning Collar /1		D	2	
28	A50UR72K00	Adjusting Plate Caulking Assy		D	1	
29	A50U945601	Operation Label		D	1	

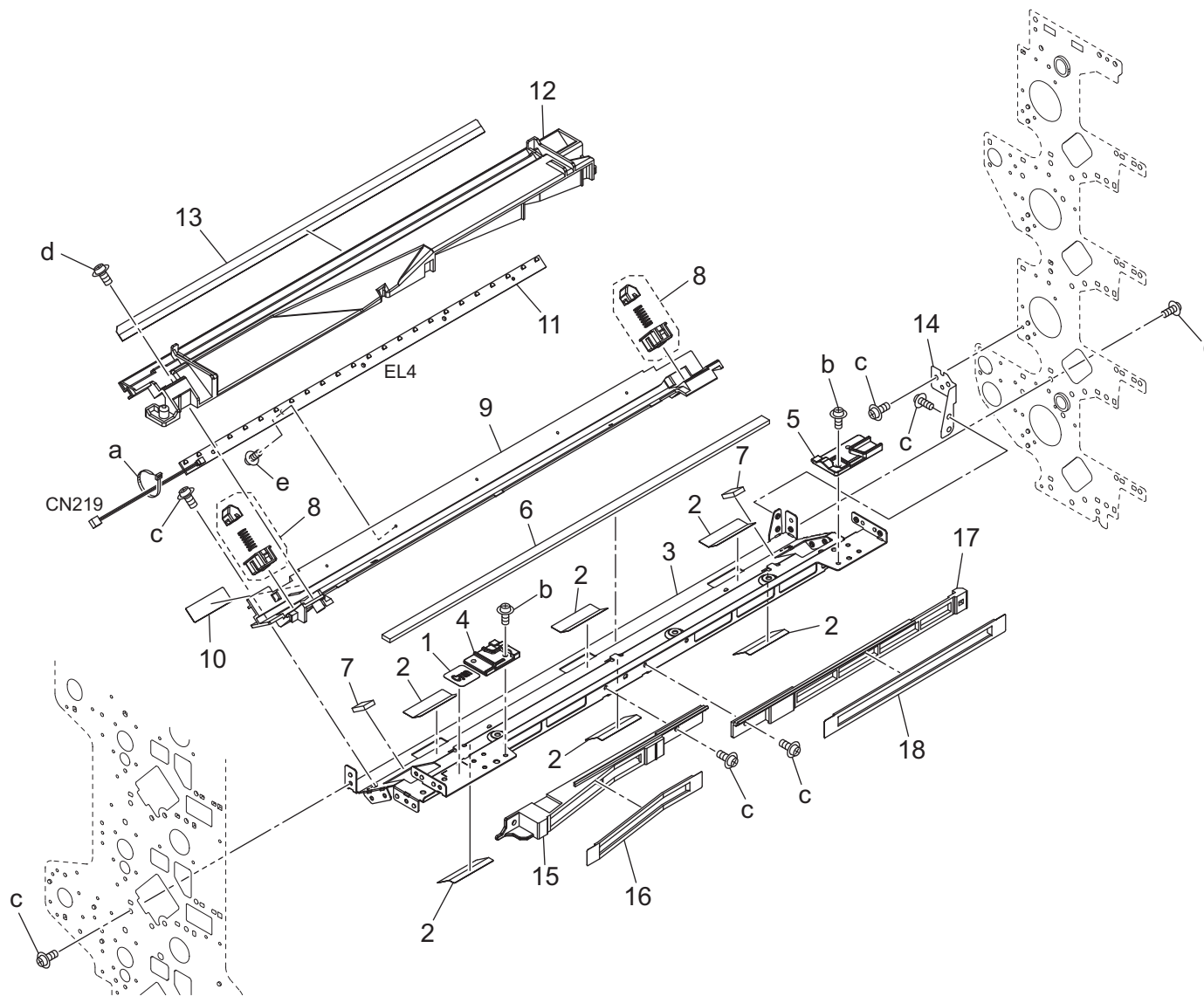


Key	Part No.	Description	Destinations	Class	QTY	Standard parts
1	65AA97440	Developing Exchanging Label /Y		D	1	a-V501010002 b-V118030403 c-V127030604 d-V151030803 e-V151020603
2	A50U335600	Cleaning Seal /A		D	6	
3	A50U340301	Fixing Stay /1		D	1	
4	A50U341900	Developing Rail /Front		D	1	
5	A50U342000	Developing Rail /Rear		D	1	
6	A50U463000	Charging Seal /2		D	1	
7	A50U463100	Charging Seal /3		D	2	
8	65AAR73200	CHARGE PRESSING ASSY		C	2	
9	A50U462101	Charging Rail		D	1	
10	A50U462900	Auxiliary Seal /A		D	1	
11	A50UM30101	LED array		D	1	
12	A50U462201	Charging Rail /2		D	1	
13	A50U462600	Charging Seal		D	1	
14	A50U342300	Reinforce Plate		D	1	
15	A50U462700	Charging Duct		D	1	
16	A50U462801	Charging Seal		D	1	
17	A50U462400	Charging Duct /3		D	1	
18	A50U462501	Charging Seal /1		D	1	



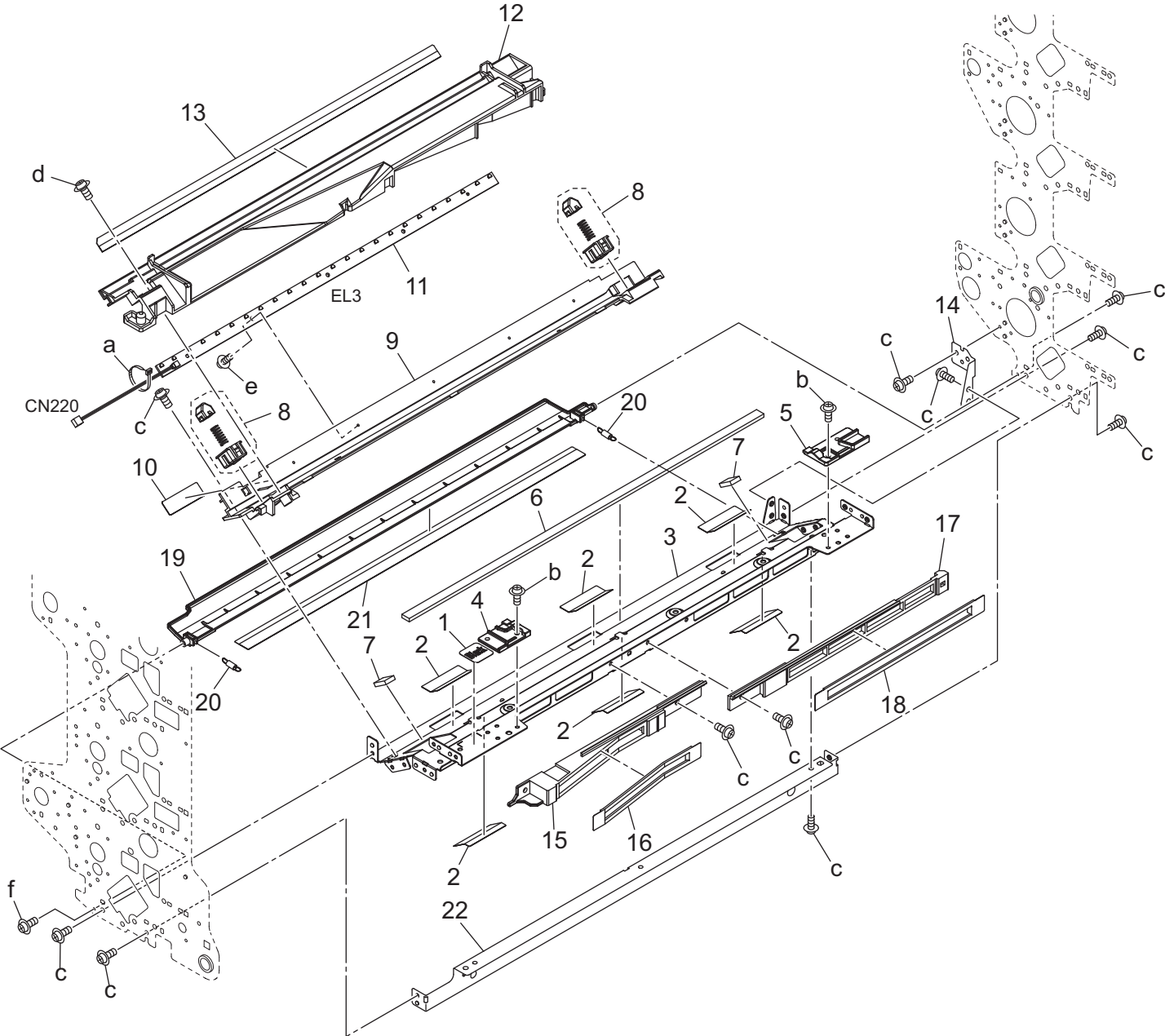
Key	Part No.	Description	Destinations	Class	QTY	Standard parts
1	65AA97450	Developing Exchanging Label /M		D	1	a-V501010002 b-V118030403 c-V127030604 d-V151030803 e-V151020603
2	A50U335600	Cleaning Seal /A		D	6	
3	A50U340301	Fixing Stay /1		D	1	
4	A50U341900	Developing Rail /Front		D	1	
5	A50U342000	Developing Rail /Rear		D	1	
6	A50U463000	Charging Seal /2		D	1	
7	A50U463100	Charging Seal /3		D	2	
8	65AAR73200	CHARGE PRESSING ASSY		C	2	
9	A50U462101	Charging Rail		D	1	
10	A50U462900	Auxiliary Seal /A		D	1	
11	A50UM30101	LED array		D	1	
12	A50U462201	Charging Rail /2		D	1	
13	A50U462600	Charging Seal		D	1	
14	A50U342300	Reinforce Plate		D	1	
15	A50U462700	Charging Duct		D	1	
16	A50U462801	Charging Seal		D	1	
17	A50U462400	Charging Duct /3		D	1	
18	A50U462501	Charging Seal /1		D	1	





Key	Part No.	Description	Destinations	Class	QTY	Standard parts
1	65AA97460	Developing Exchanging Label /C		D	1	a-V501010002 b-V118030403 c-V127030604 d-V151030803 e-V151020603
2	A50U335600	Cleaning Seal /A		D	6	
3	A50U340301	Fixing Stay /1		D	1	
4	A50U341900	Developing Rail /Front		D	1	
5	A50U342000	Developing Rail /Rear		D	1	
6	A50U463000	Charging Seal /2		D	1	
7	A50U463100	Charging Seal /3		D	2	
8	65AAR73200	CHARGE PRESSING ASSY		C	2	
9	A50U462101	Charging Rail		D	1	
10	A50U462900	Auxiliary Seal /A		D	1	
11	A50UM30101	LED array		D	1	
12	A50U462201	Charging Rail /2		D	1	
13	A50U462600	Charging Seal		D	1	
14	A50U342300	Reinforce Plate		D	1	
15	A50U462700	Charging Duct		D	1	
16	A50U462801	Charging Seal		D	1	
17	A50U462400	Charging Duct /3		D	1	
18	A50U462501	Charging Seal /1		D	1	


Process Carriage

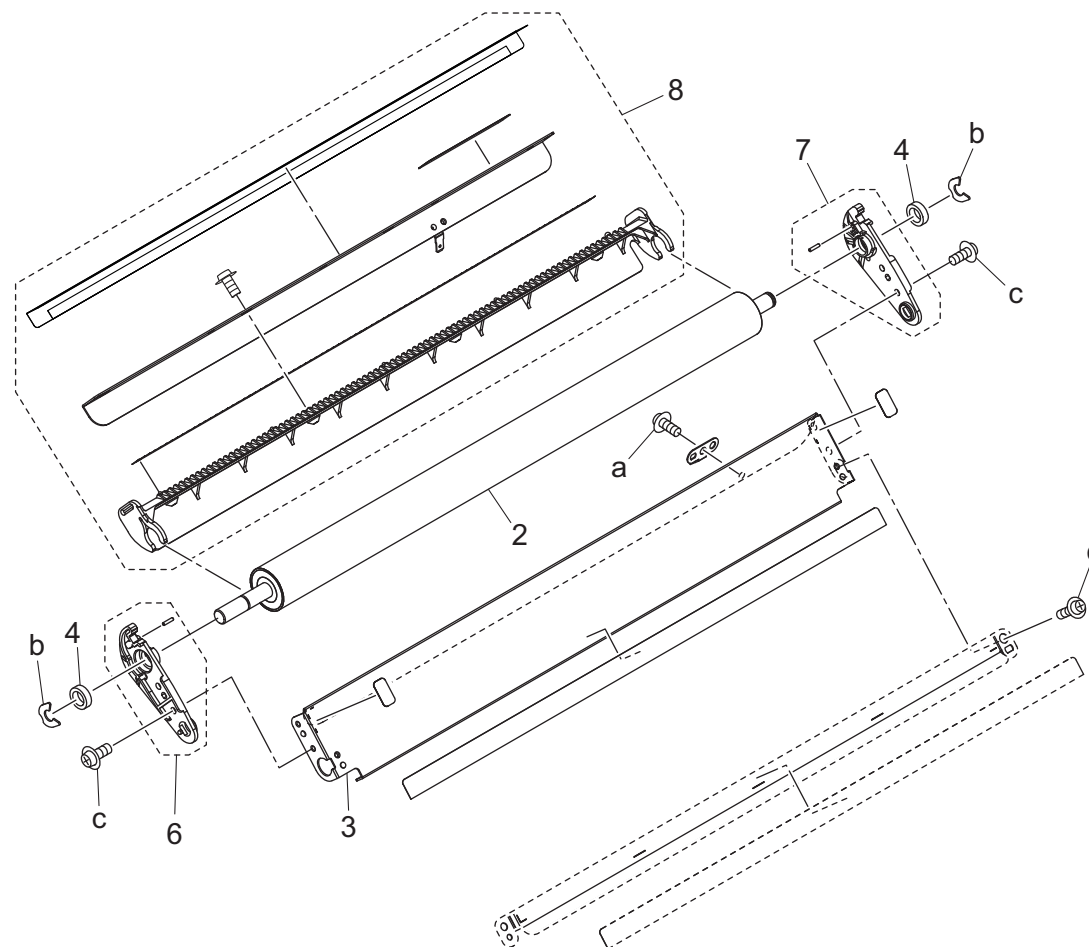


AccurioLabel 190/bizhub PRESS C71cf

Key	Part No.	Description	Destinations	Class	QTY	Standard parts
1	65AA97470	Developing Exchanging Label /K		D	1	a-V501010002 b-V118030403 c-V127030604 d-V151030803 e-V151020603 f-V127030803
2	A50U335600	Cleaning Seal /A		D	6	
3	A50U340301	Fixing Stay /1		D	1	
4	A50U341900	Developing Rail /Front		D	1	
5	A50U342000	Developing Rail /Rear		D	1	
6	A50U463000	Charging Seal /2		D	1	
7	A50U463100	Charging Seal /3		D	2	
8	65AAR73200	CHARGE PRESSING ASSY		C	2	
9	A50U462101	Charging Rail		D	1	
10	A50U462900	Auxiliary Seal /A		D	1	
11	A50UM30101	LED array		D	1	
12	A50U462201	Charging Rail /2		D	1	
13	A50U462600	Charging Seal		D	1	
14	A50U342300	Reinforce Plate		D	1	
15	A50U462700	Charging Duct		D	1	
16	A50U462801	Charging Seal		D	1	
17	A50U462400	Charging Duct /3		D	1	
18	A50U462501	Charging Seal /1		D	1	
19	A50U343100	Cleaning Catch		D	1	
20	A50U343301	Receiving Spring		D	2	
21	A50U343700	Receiving Sheet		D	1	
22	A50U341200	Fixing Stay /3		D	1	

# Secondary Transfer Section

改訂版 REVISED EDITION	日付 DATE
	NOVEMBER 2018



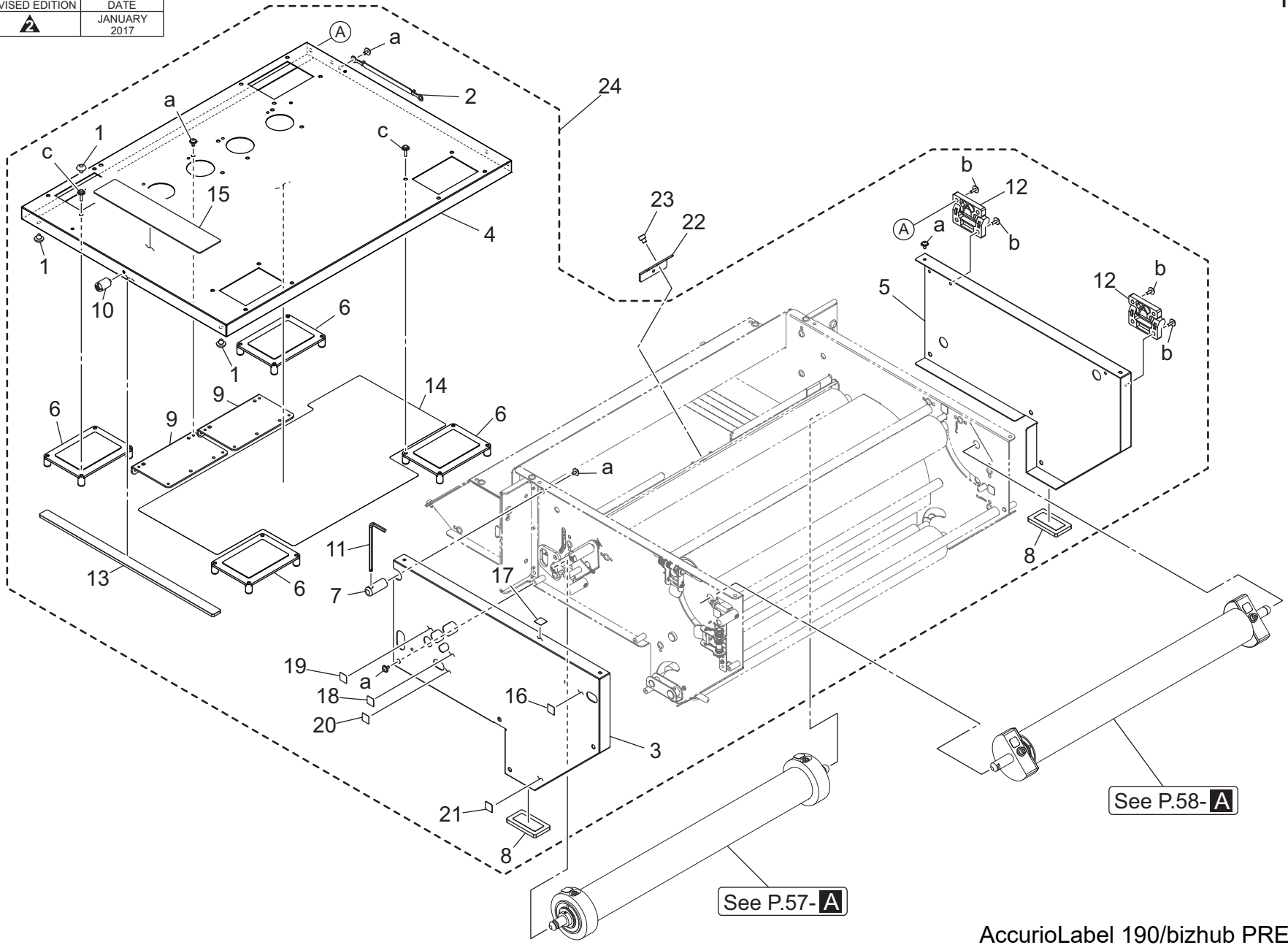
AccurioLabel 190/bizhub PRESS C71cf

## Secondary Transfer Section

Key	Part No.	Description	Destinations	Class	QTY	Standard parts
2	A50U520001	2nd Transfer Roller/L		A	1	a-V127030603 b-V218060086 c-V127030604
3	A50U525900	Entrance Sheet		D	1	
4	A50U716500	Ball Bearing		C	2	
6	A50UR71R11	Transfer Side Plate / Front Assy		D	1	
7	A50UR71S11	Transfer Side Plate / Rear Assy		D	1	
8	A50UR70B00	Separation Discharging Unit		A	1	

# Paper Introduce Section

改訂版 REVISED EDITION	日付 DATE
	JANUARY 2017



See P.58-**A**

See P.57-**A**

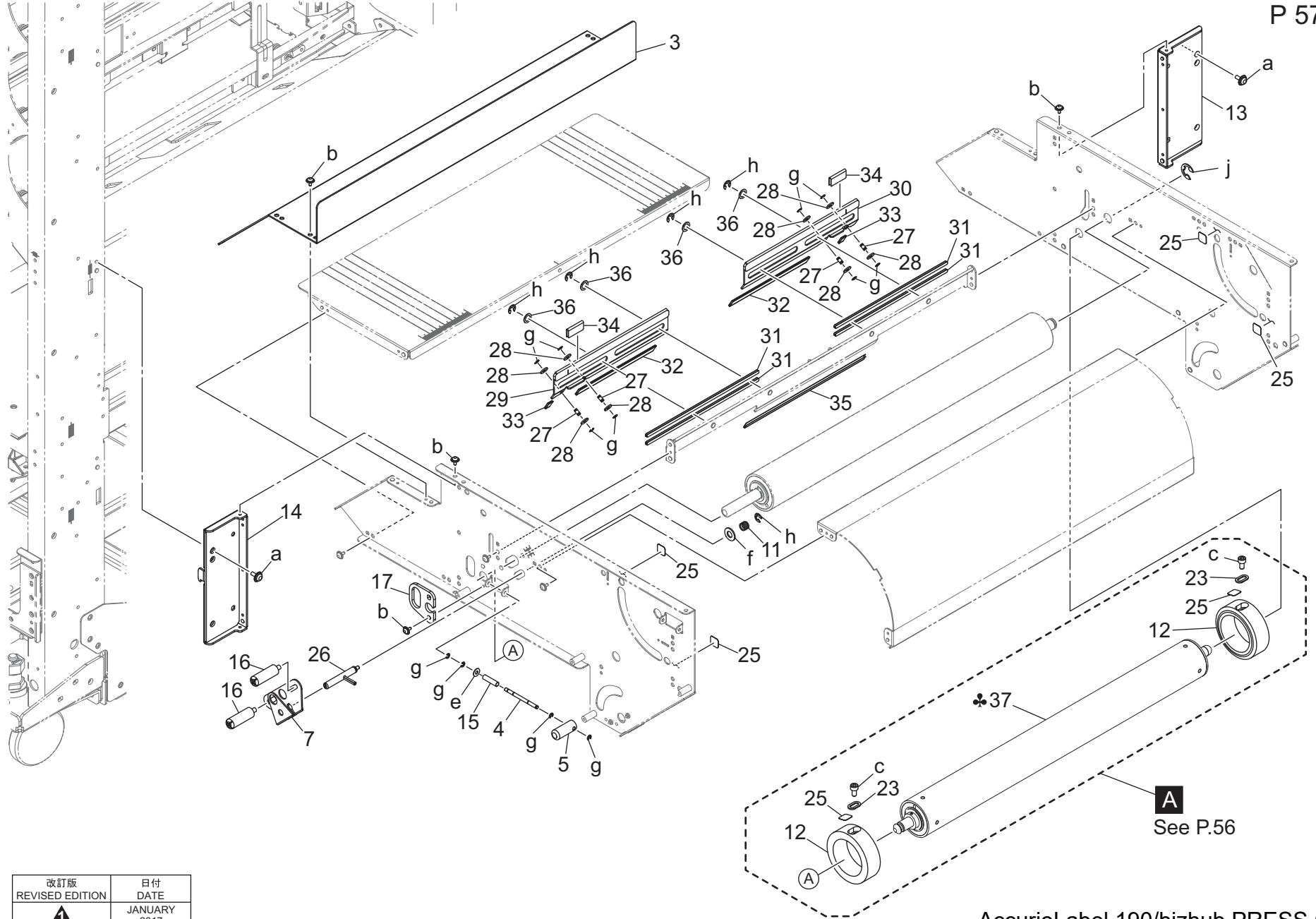
AccurioLabel 190/bizhub PRESS C71cf

Key	Part No.	Description	Destinations	Class	QTY	Standard parts
1	048645260	Stopper Rubber		B	3	a-V127030604 b-V127030804 c-V153031004
2	55VA90840	MAIN EARTH WIRE		D	1	
3	A7X5601701Old	Paper feed Cover /F		D	1	
3	A7X5601702	Paper feed Cover /F		D	1	
4	A7X5601801Old	Paper feed Cover /T		D	1	
4	A7X5601802	Paper feed Cover /T		D	1	
5	A7X5603101Old	Paper feed Cover /R		D	1	
5	A7X5603102	Paper feed Cover /R		D	1	
6	A7X5604200	Cover Partition		D	4	
7	A7X5604800	Installing Shaft		D	1	
8	A7X5605300Old	Protection Seal /Lower		D	2	
8	A7X5605301	Protection Seal /Lower		D	2	
9	A7X5605501	Neutralizing Cover		D	2	
10	A7X5605600	Operation Shoulder screw		D	1	
11	A7X5605900	Adjusting Jig		S	1	
12	A7X5606000	Cover Hinge		D	2	
13	A7X5606300	Protection Seal /Upper		D	1	
14	A7X5942100Old	Operation Label /1		D	1	
14	A7X5942101	Operation Label /1		D	1	
15	A7X5942200	Caution Label /1		D	1	
16	A7X5942300	Indicating Label /1		D	1	
17	A7X5942400	Indicating Label /2		D	1	
18	A7X5942500	Indicating Label /3		D	1	
19	A7X5942600	Indicating Label /4		D	1	
20	A7X5942700	Indicating Label /5		D	1	
21	A7X5944100	Indicating Label /6		D	1	
22	A7X5602100	Regulating Plate		D	1	
23	A7X5602200	Regulating Screw		D	1	
24	A7X5R90733	Web Leading Assy		S	1	



# Paper Introduce Section

P 57



改訂版 REVISED EDITION	日付 DATE
▲	JANUARY 2017

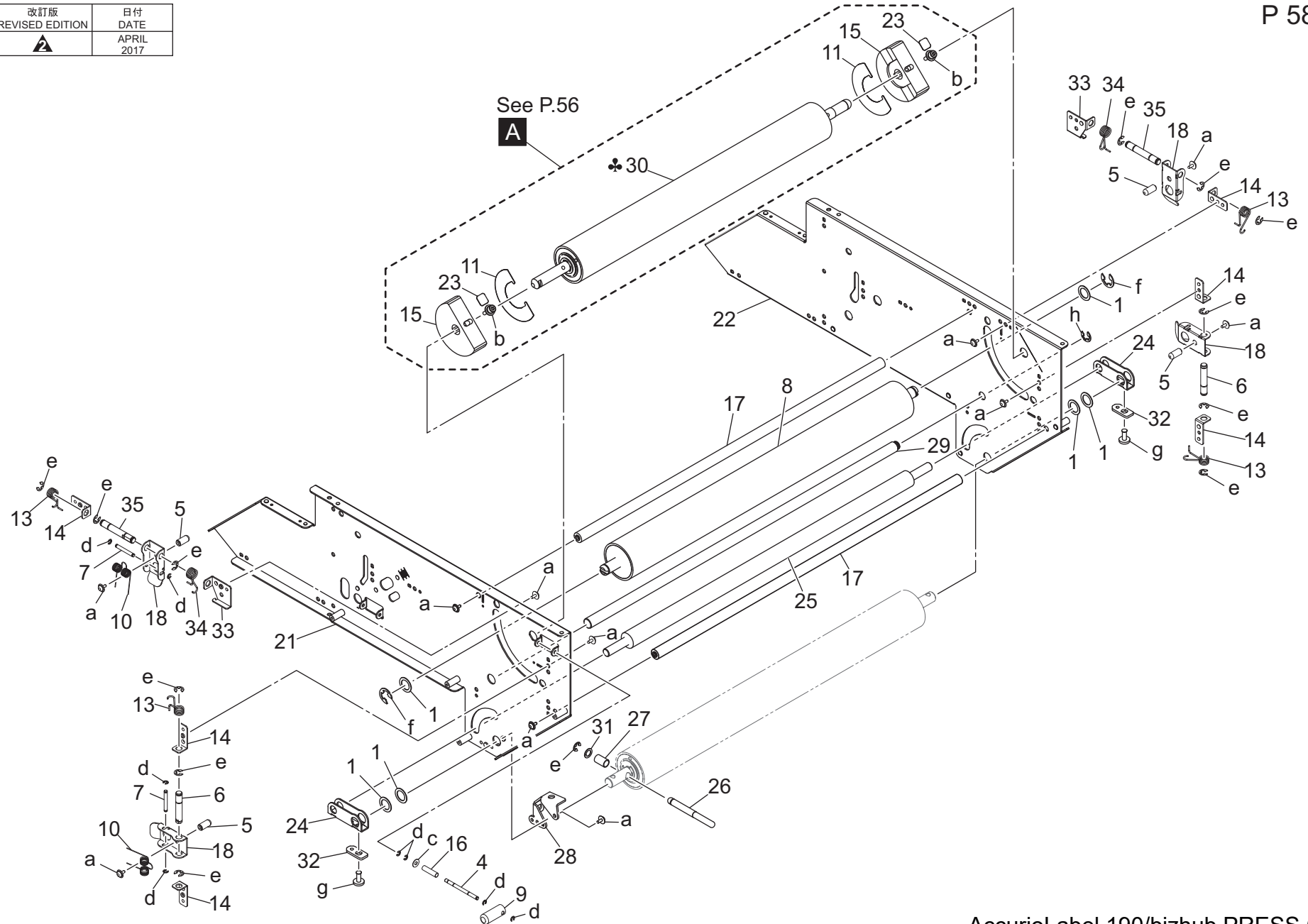
Order here  
8 (495) 646-0426  
ПЯТЫЙ ПАРТНЕР www.km-shop.ru

AccurioLabel 190/bizhub PRESS C71cf

Key	Part No.	Description	Destinations	Class	QTY	Standard parts
3	A7X5600300	Reinforce Stay		D	1	a-V121040803
4	A7X5600500	Lock Shaft /1		D	1	b-V127030604
5	A7X5601200	Release Knob /2		D	1	c-V188040804
7	A7X5602301	Adjusting Plate		D	1	e-V207030001
11	A7X5603800	Lock Spring /S		D	1	f-V207060003
12	A7X5604301	Regulating Guide		D	2	g-V217020001
13	A7X5604401	Paper feed Side plate /R		D	1	h-V217040001
14	A7X5604501	Paper feed Side plate /F		D	1	j-V217080001
15	A7X5604600	Lock Spring /F		D	1	
16	A7X5605801	Adjusting Shoulder screw		D	2	
17	A7X5606100Old	Hold Plate		D	1	
17	A7X5606101	Hold Plate		D	1	
23	A7X5609600	Washer		D	2	
25	A7X5943800	Operation Label /A		D	6	
26	A7X5R90100	Release knob Assy /S		D	1	
27	A7X5601101	Protection Shaft		D	4	
28	A7X5601400	Protection Roll		D	8	
29	A7X5608000	Protection Cover /F		D	1	
30	A7X5608100	Protection Cover /R		D	1	
31	A7X5608200	Cover Cushion		D	4	
32	A7X5608300	Protection Tape /1		D	2	
33	A7X5608400	Protection Tape /2		D	2	
34	A7X5944200	Operation Label /3		D	2	
35	A7X5608500	Protection Tape /3		D	1	
36	40AA32320	Toner Supply Spacer		C	4	
37	A7X5R90C00	Roller Pipe /T (250) Assy		D	1	A
37	A7X5R90900	Roller Pipe /T (330) Assy		D	1	B,C,D1,D3,F2,G1,G2, H,I,J,K

# Paper Introduce Section

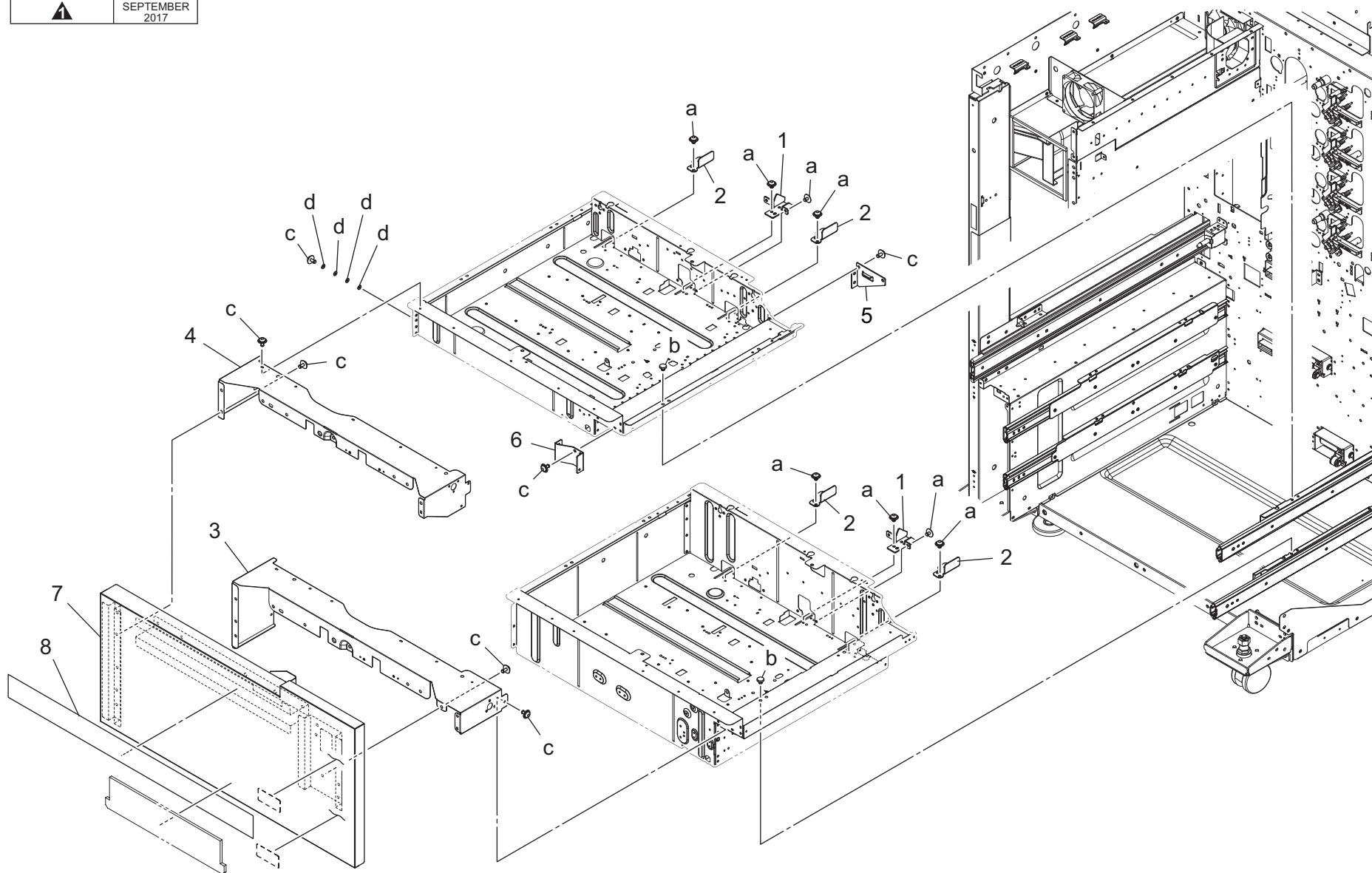
改訂版 REVISED EDITION	日付 DATE
	APRIL 2017



Key	Part No.	Description	Destinations	Class	QTY	Standard parts
1	A0H0911900	Spacer /10		C	6	a-V127030604
4	A7X5600500	Lock Shaft /1		D	1	b-V185041203
5	A7X5600600	Release Knob /1		D	4	c-V207030001
6	A7X5600700	Support Shaft /L		D	2	d-V217020001
7	A7X5600800	Support Shaft /S		D	2	e-V217040001
8	A7X5601000	Fixing Roller		D	1	f-V217080001
9	A7X5601200	Release Knob /2		D	1	g-V118051001
10	A7X5601500	Torsion Coil spring /W		D	2	h-V217060001
11	A7X5601600	Label conveyance film		A	2	
13	A7X5603200	Torsion Coil spring /L		D	4	
14	A7X5603400	Support Plate /L		D	6	
15	A7X5604000	Regulating Guide		D	2	
16	A7X5604600	Lock Spring /F		D	1	
17	A7X5604701	Reinforce Shaft		D	2	
18	A7X5605400	Lock Plate		D	4	
21	A7X5609800Old	Paper feed Side plate /ASSY		D	1	
21	A7X5609802	Paper feed Side plate /ASSY		D	1	
22	A7X5609900Old	Paper feed Side plate /ASSY		D	1	
22	A7X5609902	Paper feed Side plate /ASSY		D	1	
23	A7X5943800	Operation Label /A		D	2	
24	A7X5608701	Rotation Arm		D	2	
25	A7X5608800	Brake Shaft		D	1	
26	A7X5602800	Positioning Knob /B		D	1	
27	A7X5603000	Lock Spring /C		D	1	
28	A7X5602400	Lock Plate /B		D	1	
29	A7X5609400	Protection Shaft		D	1	
30	A7X5R90A00	Roller Pipe /S (250) Assy	A	D	1	
30	A7X5R90800	Roller Pipe /S (330) Assy	B,C,D1,D3,F2,G1,G2, H,I,J,K	D	1	
31	40AA32320	Toner Supply Spacer		C	1	
32	A7X5603700	Reinforce Washer		D	2	
33	A7X5605000	Support Plate /R		D	2	
34	A7X5605100	Torsion Coil spring /R		D	2	
35	A7X5605200	Support Shaft /R		D	2	

# Tray


改訂版 REVISED EDITION	日付 DATE
	SEPTEMBER 2017



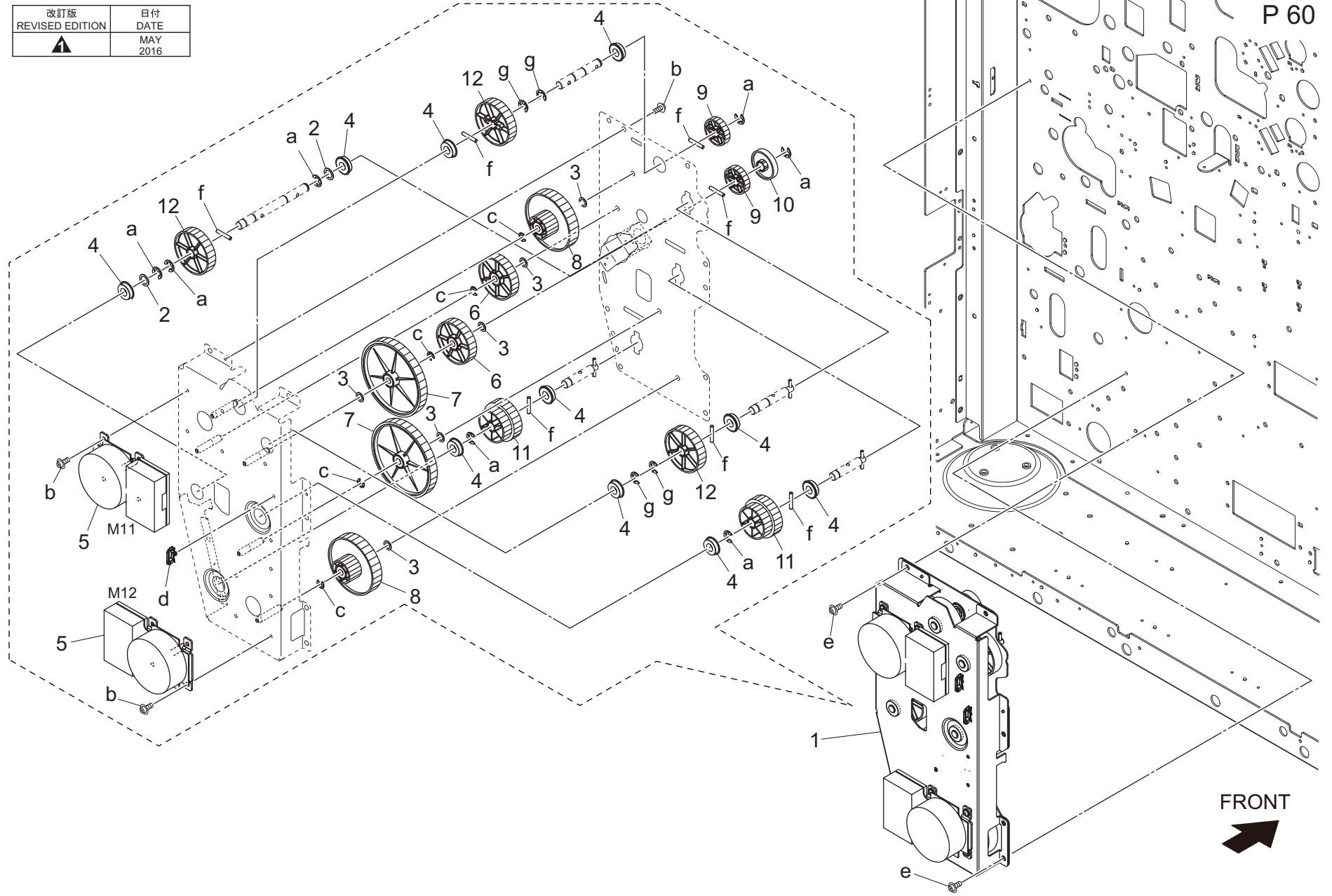
Key	Part No.	Description	Destinations	Class	QTY	Standard parts
1	A50U624700	Fixing Cam		D	2	a-V127030516 b-V118030303 c-V127030604 d-V207030003
2	A50U625100	Positioning Plate		D	4	
3	A50U627002	Fixing Plate /2		D	1	
4	A50U637002	Fixing Plate /1		D	1	
5	A50U637600	Reinforce Plate /1		D	1	
6	A50U637700	Reinforce Plate /2		D	1	
7	A7X5160100	Mounting Plate /1	(A7X5001,A7X5011,A7 X5021,A7X5081)	D	1	
7	A7X5161400	Mounting Plate /1	(A7X5003,A7X5013,A7 X5023,A7X5083)	D	1	
8	A7X5161601	Seal /Right	(A7X5003,A7X5013,A7 X5023,A7X5083)	D	1	

AccurioLabel 190/bizhub PRESS C71cf

# Paper Feed Driving Section

改訂版 REVISED EDITION	日付 DATE
	MAY 2016

P 60



FRONT  


AccurioLabel 190/bizhub PRESS C71cf

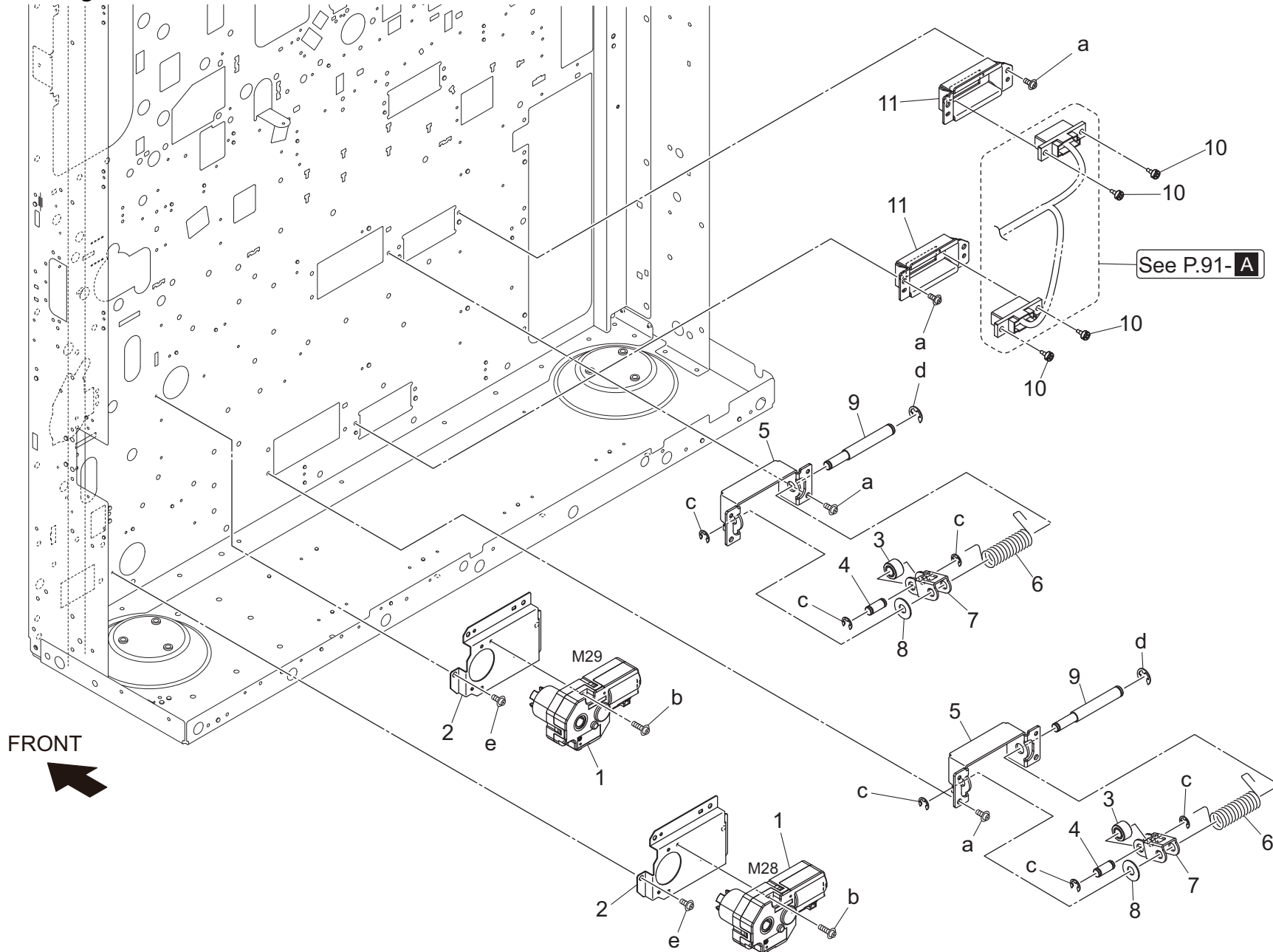
## Paper Feed Driving Section

Key	Part No.	Description	Destinations	Class	QTY	Standard parts
1	A50UR70S11	Paper Feed Drive Assy		S	1	a-V217060050
2	12QV40650	Spacer		B	2	b-V121030403
3	40AA32320	Toner Supply Spacer		C	6	c-V217040050
4	A00V240600	Ball Bearing		B	10	d-V500020100
5	A2XKM10300	Brushless motor		I	2	e-V127030604
6	A50U252300	Paper feed Gear /3 45T		C	2	f-V234301850
7	A50U252400	Paper feed Gear /4 74T		C	2	g-V217060001
8	A50U252500	Paper feed Gear /5 47/60T		C	2	
9	A50U252600	Paper feed Gear /6 29T		C	2	
10	A50U252800	Stopper Roll		D	1	
11	A50U252700	Paper feed Gear /2 35/41T		C	2	
12	A50U252100	Paper feed Gear /1 46T		C	3	



# Tray Driving Section

P 61



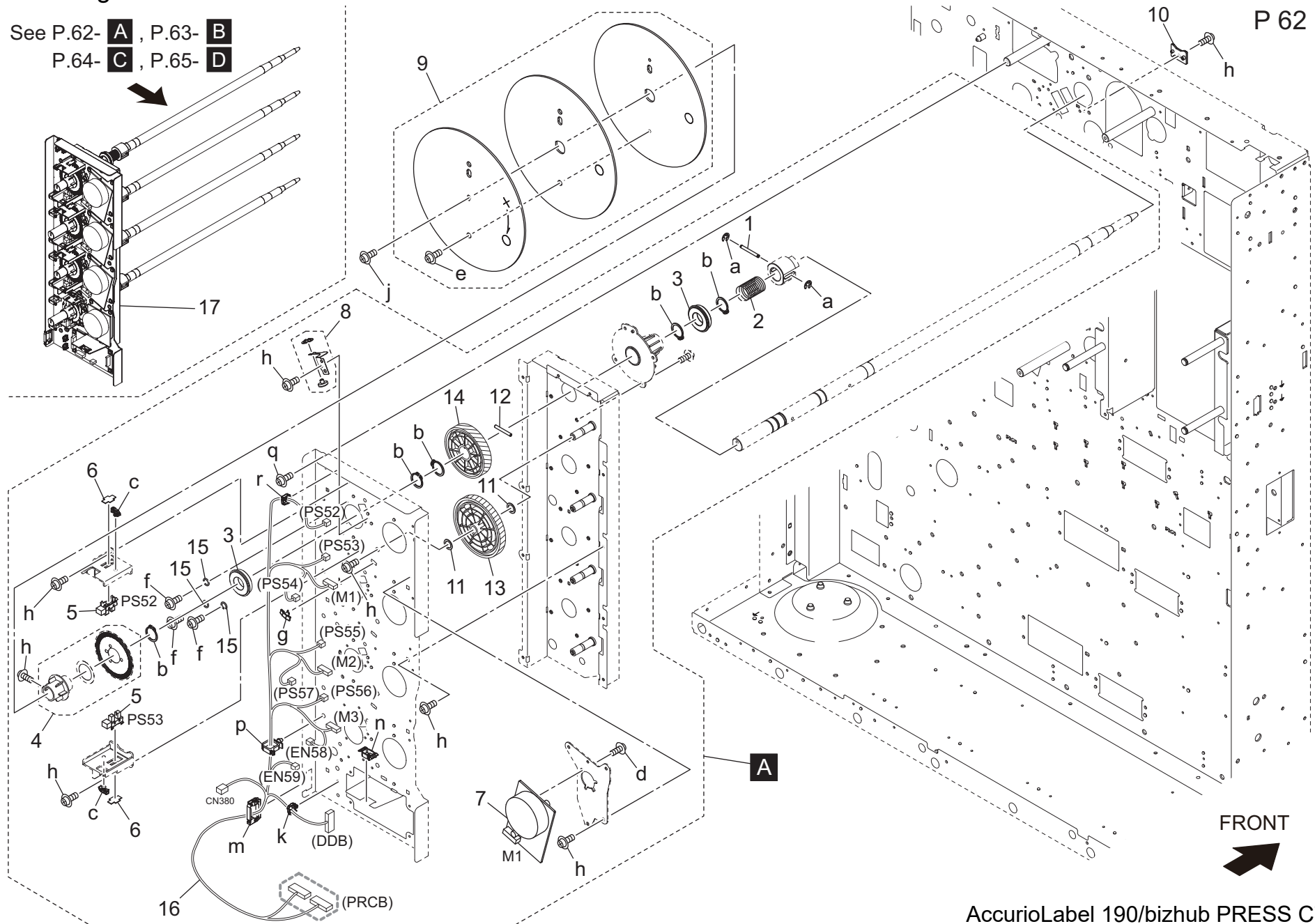
AccurioLabel 190/bizhub PRESS C71cf

# Tray Driving Section

Key	Part No.	Description	Destinations	Class	QTY	Standard parts
1	A2X0M12101	Brush motor		B	2	a-V146040804 b-V118032003 c-V217060001 d-V217080050 e-V127030604
2	A50U629100	Mounting Plate		D	2	
3	A9VE625800	Roll		C	2	
4	65AA47360	CASSETTE LOCKING SHAFT		D	2	
5	65AA47370	FULCRUM PLATE		D	2	
6	65AA47390	GUIDE SPRING		C	2	
7	65AA47710	LOCKING PLATE		D	2	
8	65AA47970	SPACER		C	2	
9	A50U109300	Support Shaft		D	2	
10	A50U109201	Mounting Screw		D	4	
11	A50U112901	Mounting Tray		D	2	

# Drum Driving Section

See P.62- **A** , P.63- **B**  
 P.64- **C** , P.65- **D**



AccurioLabel 190/bizhub PRESS C71cf

# Drum Driving Section

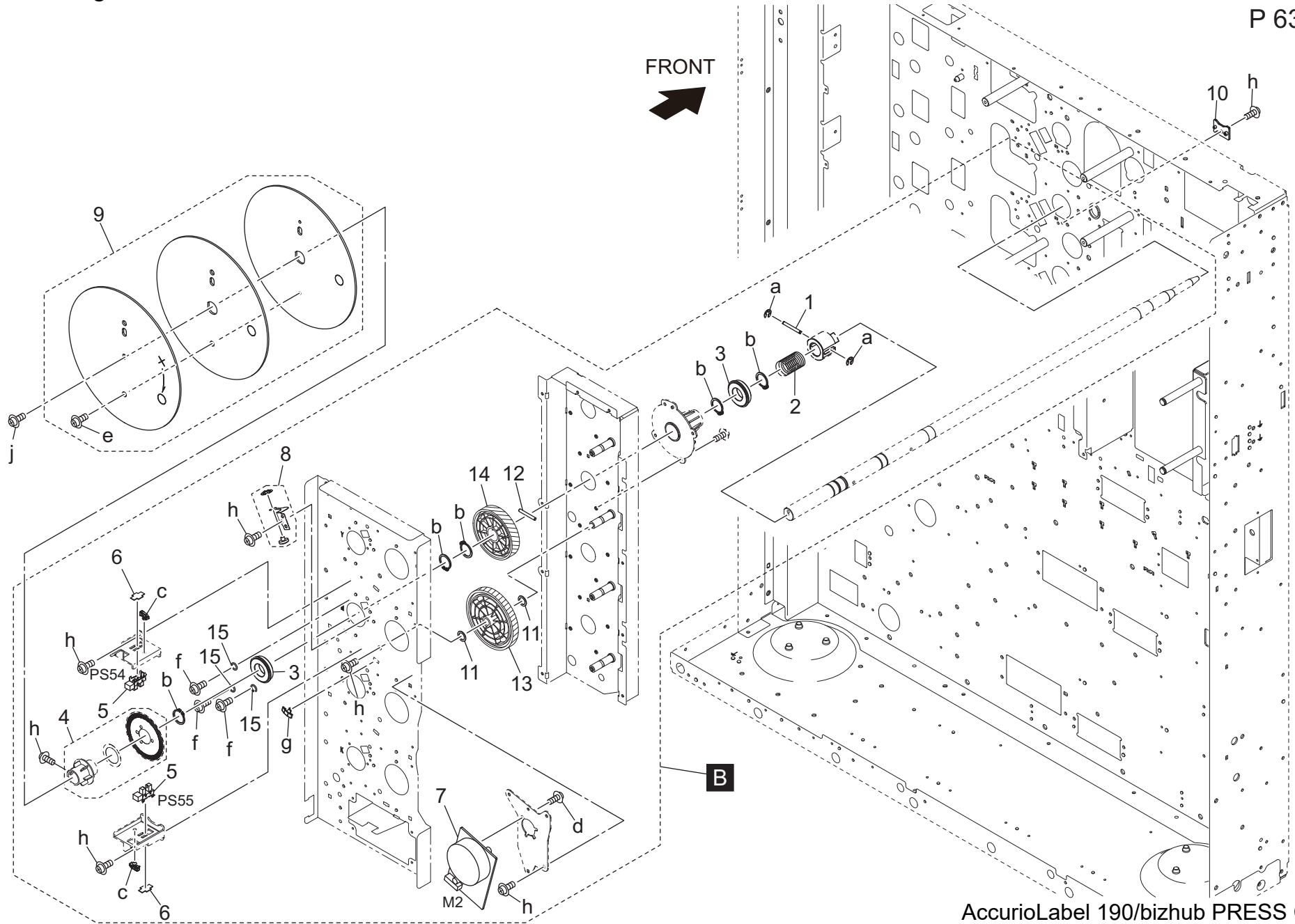
Key	Part No.	Description	Destinations	Class	QTY	Standard parts
1	65AA15210	COUPLING PIN		D	1	a-V217020050
2	A50U210600	Pressing Spring		D	1	b-V223150017
3	A50U212600	Ball Bearing /15		C	2	c-V500020099
4	A50UR71K00	Encoder / YMC		D	1	d-V118030403
5	A50UM55500	Photo Sensor		I	2	e-V116040803
6	4470402401	Stopper		D	2	f-V118030603
7	A50UM10202	DC Brushless motor /20		C	1	g-V500020103
8	A50UR72X01	Drum Ground Assy		D	1	h-V127030604
9	A50UF21100	Drum Drive Fly Wheel / Y M C		D	1	j-V185041003
10	A50U212100	Slide Part		D	1	k-V500020098
11	12QV40650	Spacer		B	2	m-V570010059
12	56AA17490	PIN		C	1	n-V570010063
13	A03U259600	Idling Gear 46/132T		C	1	p-V500010082
14	A03U259900	DRIVE GEAR 92T		C	1	q-V127040803
15	A1RF214100	Set Washer /1		D	3	r-V500020099
16	A50UN19005	Drive harness /1		D	1	
17	A50UR70N00	Drum Drive Assy		S	1	



# Drum Driving Section

P 63

FRONT



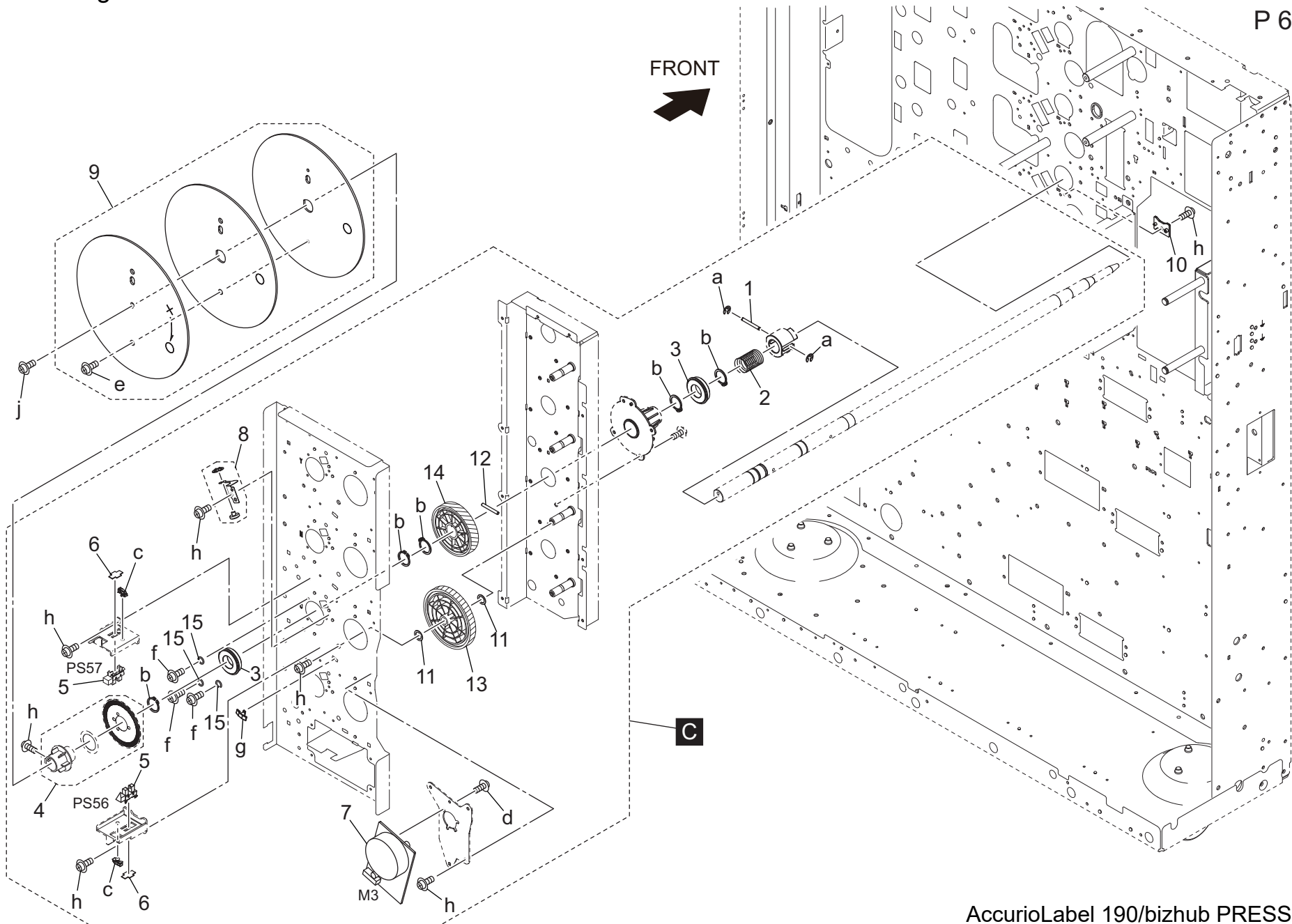
AccurioLabel 190/bizhub PRESS C71cf

Key	Part No.	Description	Destinations	Class	QTY	Standard parts
1	65AA15210	COUPLING PIN		D	1	a-V217020050
2	A50U210600	Pressing Spring		D	1	b-V223150017
3	A50U212600	Ball Bearing /15		C	2	c-V500020099
4	A50UR71K00	Encoder / YMC		D	1	d-V118030403
5	A50UM55500	Photo Sensor		I	2	e-V116040803
6	4470402401	Stopper		D	2	f-V118030603
7	A50UM10202	DC Brushless motor /20		C	1	g-V500020103
8	A50UR72X01	Drum Ground Assy		D	1	h-V127030604
9	A50UF21100	Drum Drive Fly Wheel / Y M C		D	1	j-V185041003
10	A50U212100	Slide Part		D	1	
11	12QV40650	Spacer		B	2	
12	56AA17490	PIN		C	1	
13	A03U259600	Idling Gear 46/132T		C	1	
14	A03U259900	DRIVE GEAR 92T		C	1	
15	A1RF214100	Set Washer /1		D	3	

# Drum Driving Section

P 64

FRONT



AccurioLabel 190/bizhub PRESS C71cf

## Drum Driving Section

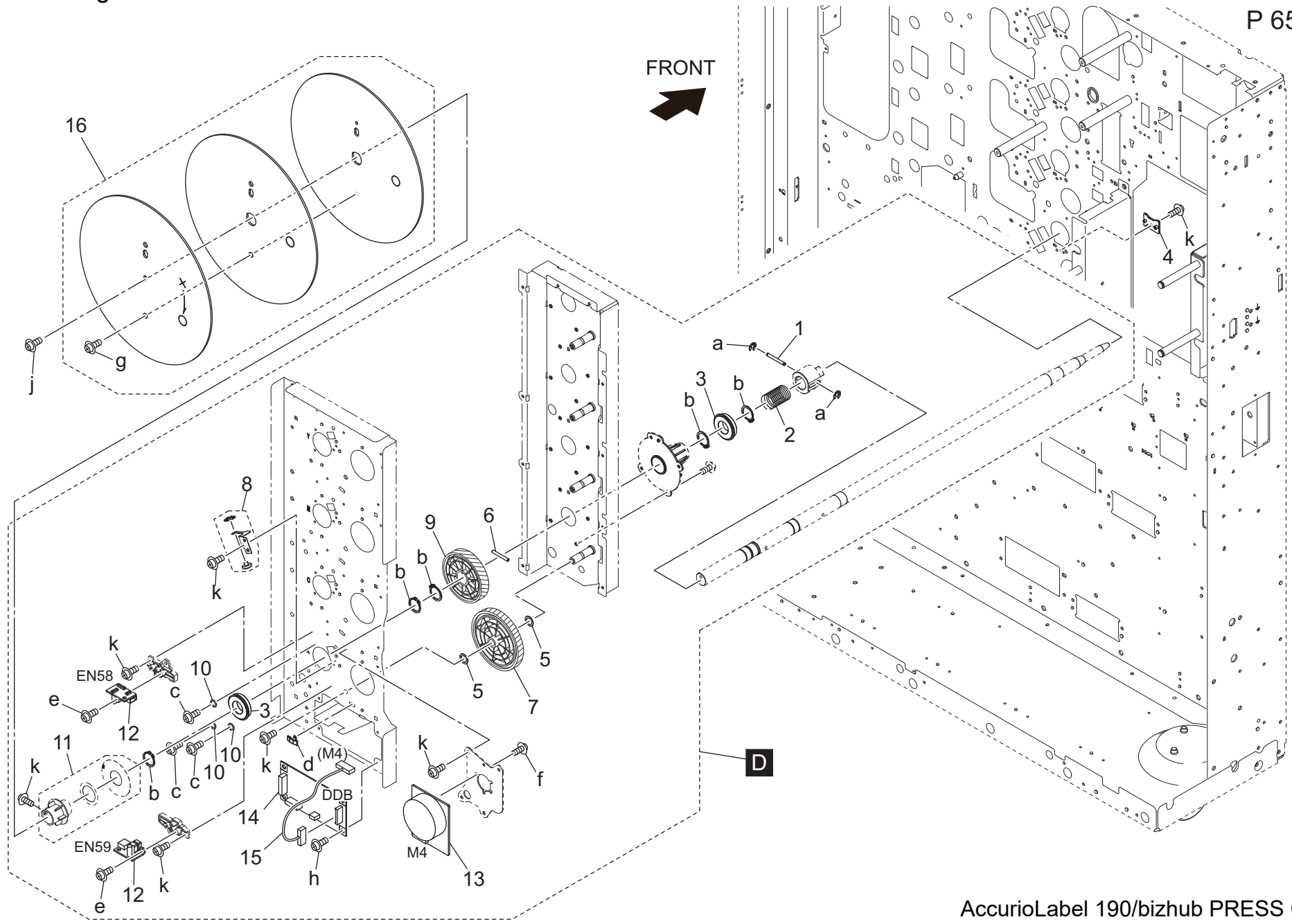
Key	Part No.	Description	Destinations	Class	QTY	Standard parts
1	65AA15210	COUPLING PIN		D	1	a-V217020050
2	A50U210600	Pressing Spring		D	1	b-V223150017
3	A50U212600	Ball Bearing /15		C	2	c-V500020099
4	A50UR71K00	Encoder / YMC		D	1	d-V118030403
5	A50UM55500	Photo Sensor		I	2	e-V116040803
6	4470402401	Stopper		D	2	f-V118030603
7	A50UM10202	DC Brushless motor /20		C	1	g-V500020103
8	A50UR72X01	Drum Ground Assy		D	1	h-V127030604
9	A50UF21100	Drum Drive Fly Wheel / Y M C		D	1	j-V185041003
10	A50U212100	Slide Part		D	1	
11	12QV40650	Spacer		B	2	
12	56AA17490	PIN		C	1	
13	A03U259600	Idling Gear 46/132T		C	1	
14	A03U259900	DRIVE GEAR 92T		C	1	
15	A1RF214100	Set Washer /1		D	3	



# Drum Driving Section

P 65

FRONT  

AccurioLabel 190/bizhub PRESS C71cf

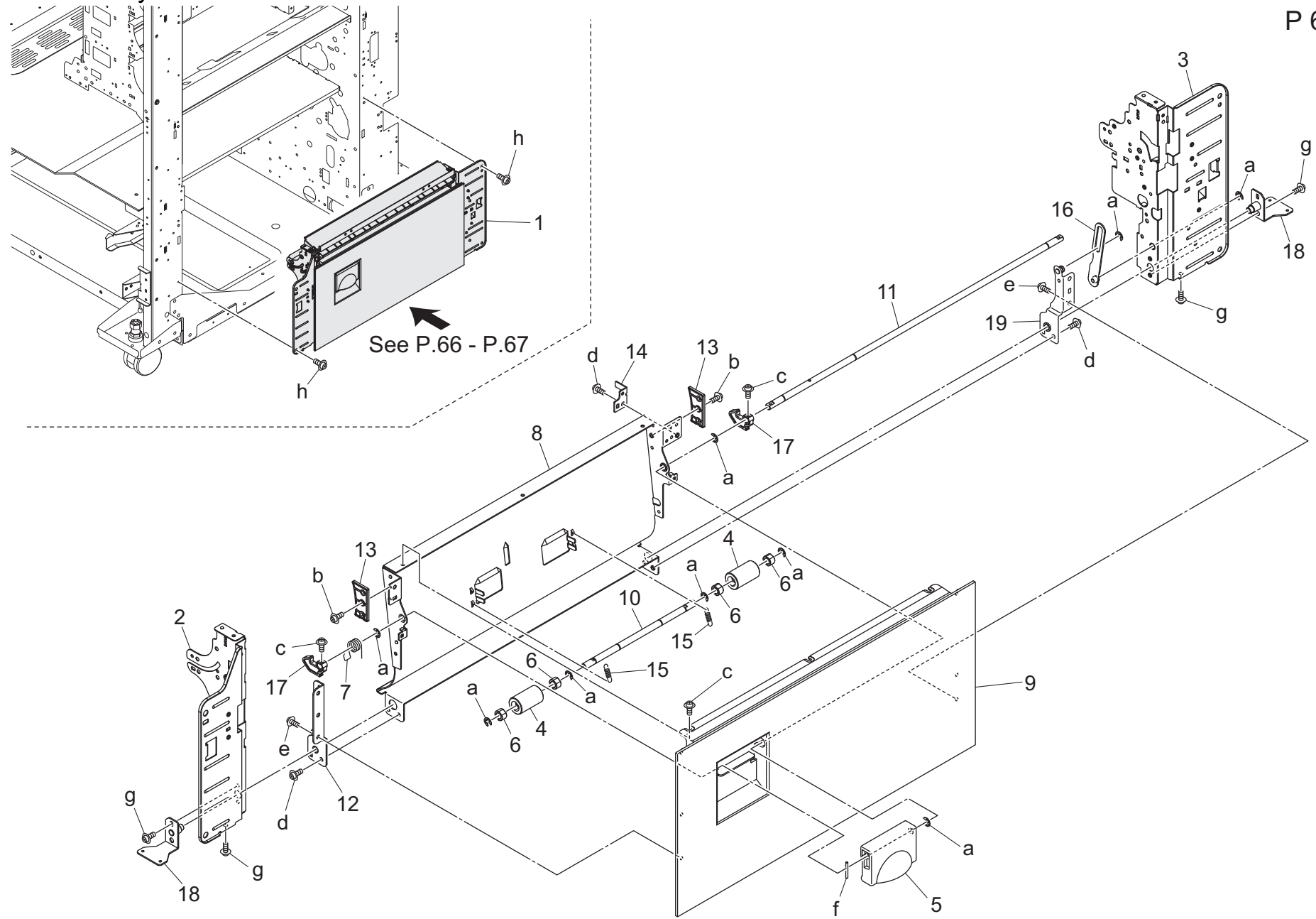
## Drum Driving Section

Key	Part No.	Description	Destinations	Class	QTY	Standard parts
1	65AA15210	COUPLING PIN		D	1	a-V217020050
2	A50U210600	Pressing Spring		D	1	b-V223150017
3	A50U212600	Ball Bearing /15		C	2	c-V118030603
4	A50U212100	Slide Part		D	1	d-V500020103
5	12QV40650	Spacer		B	2	e-V149020603
6	56AA17490	PIN		C	1	f-V118030403
7	A03U259600	Idling Gear 46/132T		C	1	g-V116040803
8	A50UR72X01	Drum Ground Assy		D	1	h-V127030603
9	A03U259900	DRIVE GEAR 92T		C	1	j-V185041003
10	A1RF214100	Set Washer /1		D	3	k-V127030604
11	A50UR71M00	Encoder / K		D	1	
12	65AA-9091E	Sensor Board Assy		B	2	
13	A50UM10101	DC Brushless motor		C	1	
14	A50UH06001	Drum Drive Board Assy		I	1	
15	A50UN19101	Drive harness /K		D	1	
16	A50UR70Q00	Drum Drive Fly Wheel / K		D	1	

AccurioLabel 190/bizhub PRESS C71cf

# Vertical Conveyance Section

P 66

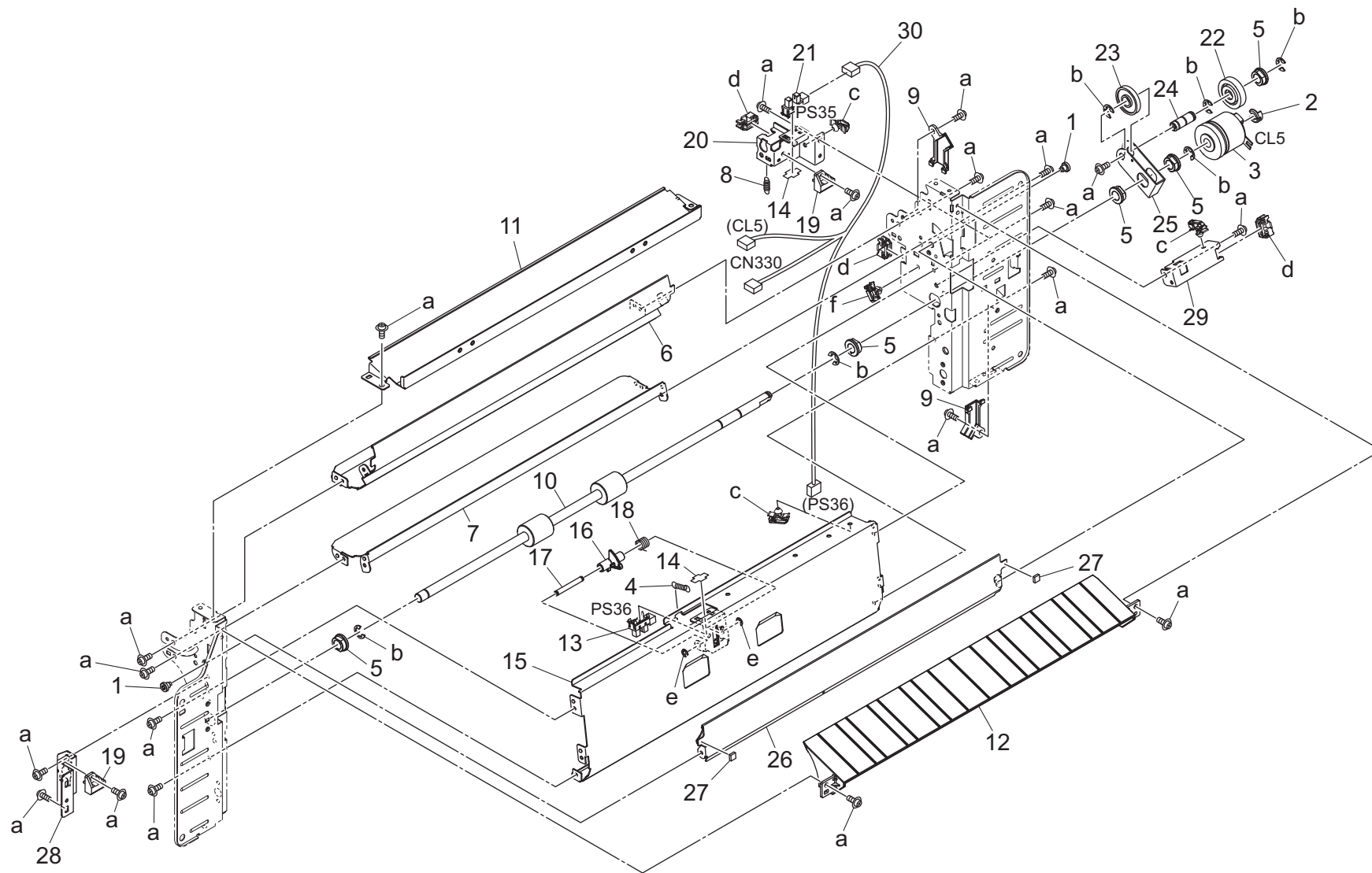


AccurioLabel 190/bizhub PRESS C71cf

Key	Part No.	Description	Destinations	Class	QTY	Standard parts
1	A50UR71B00	Vertical Conveyance Assy	垂直搬送 A s s y	S	1	a-V217040050 b-V112030603 c-V118030603 d-V127030604 e-V158030803 f-V234201850 g-V121030403 h-V127040603
1	A7X5R70500	Vertical Conveyance Assy	垂直搬送 A s s y	S	1	
2	A50U700901	Side plate /1	側板 / 1	D	1	
3	A50U701113	Side plate /2	側板 / 2	D	1	
4	26NA42560	By-Pass Idler Roller	手差し従動ローラー	C	2	
5	A03U700202	Conveyance Handle	搬送把手	C	1	
5	A7X5700200	Conveyance Handle	搬送把手	D	1	
6	A03U850101	Slide Bushing	すべり軸受	C	4	
7	A1RF701700	Lock Spring /Front	ロックばね / 前	D	1	
8	A50U700101	Guide Plate Outside	ガイド板 / 外	D	1	
9	A50U701303	Cover Door	カバー扉	D	1	
9	A7X5701300	Cover Door	カバー扉	D	1	
10	A50U705100	Idler Shaft	従動軸	D	1	
11	A50U705200	Open/close Shaft	開閉軸	D	1	
12	A50U705701	Support Plate /3	支点板 / 3	D	1	
13	A50U706000	Regulating Plate /Front	規制板 / 前	D	2	
14	A50U706900	Detecting Plate	検出板	D	1	
15	A50U707600	Idler Spring	従動ばね	D	2	
16	A50UF70900	Connecting Plate Caulking	連結板カシメ	D	1	
17	A55C712000	Lock Claw	ロック爪	D	2	
18	A50UF70800	Support Plate / 1 Caulking	支点板 / 1 カシメ	D	2	
19	A50UR73100	Support Plate /2 Caulking	支点軸 / 2 カシメ	D	1	

# Vertical Conveyance Section

P 67




AccurioLabel 190/bizhub PRESS C71cf

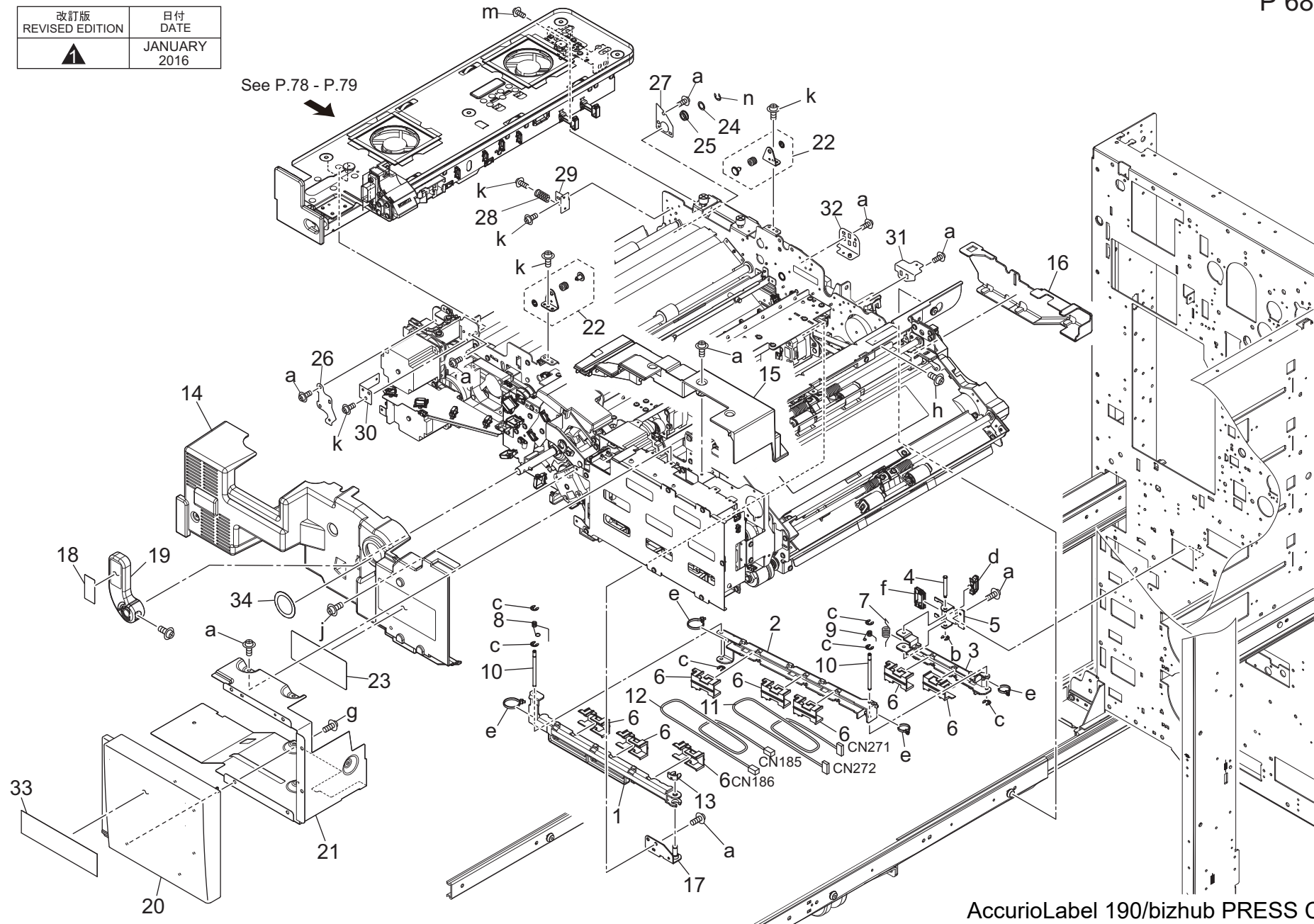
# Vertical Conveyance Section

Key	Part No.	Description	Destinations	Class	QTY	Standard parts
1	55VA20680	SEPARATION POSITIONING SCREW		C	2	a-V127030604 b-V217060050 c-V500020099 d-V570010056 e-V217030050 f-V500020098
2	55VA42120	Shaft Stopper		C	1	
3	56AA82012	Paper Feed Drive Clutch		B	1	
4	65AA44440	OPEN SHUT SPRING		C	1	
5	A03U812800	Slide Shaft Holder		B	5	
6	A50U700300	Guide Plate /Upper		D	1	
7	A50U700500	Guide Plate /Inside		D	1	
8	A50U700600	Positioning Spring		D	1	
9	A50U701000	Support Plate		D	2	
10	A50U704400	Conveyance Roller /1		C	1	
11	A50U704801	Guide Plate /2		D	1	
12	A50U707300	Guide Plate		D	1	
13	A50UM55500	Photo Sensor		I	1	
14	4470402401	Stopper		D	2	
15	A50U704700	Guide Plate /Middle		D	1	
16	A50U705500	Detection Actuator		D	1	
17	A50U705600	Support Shaft		D	1	
18	A50U707400	Pressing Spring /1		D	1	
19	65AA44200	LOCKING PLATE		C	2	
20	A50U705000	Mounting Plate /Rear		D	1	
21	A50UM51000	Photointerrupter		C	1	
22	25AA77730	CONVEYANCE IDLER RIGHT 24T		C	1	
23	65AA44350	STOPPER ROLLER		C	1	
24	A50U700200	Idling Shaft		D	1	
25	A50U700400	Rotation Plate		D	1	
26	A50U704900	Open/shut Plate		D	1	
27	A50U706800	Cushion		D	2	
28	A50U705400	Fixing Plate /1		D	1	
29	A50U707001	Lock Plate		D	1	
30	A50UN14400	Conveyance Wiring /1		D	1	

# Conveyance Carriage

改訂版 REVISED EDITION	日付 DATE
	JANUARY 2016

See P.78 - P.79



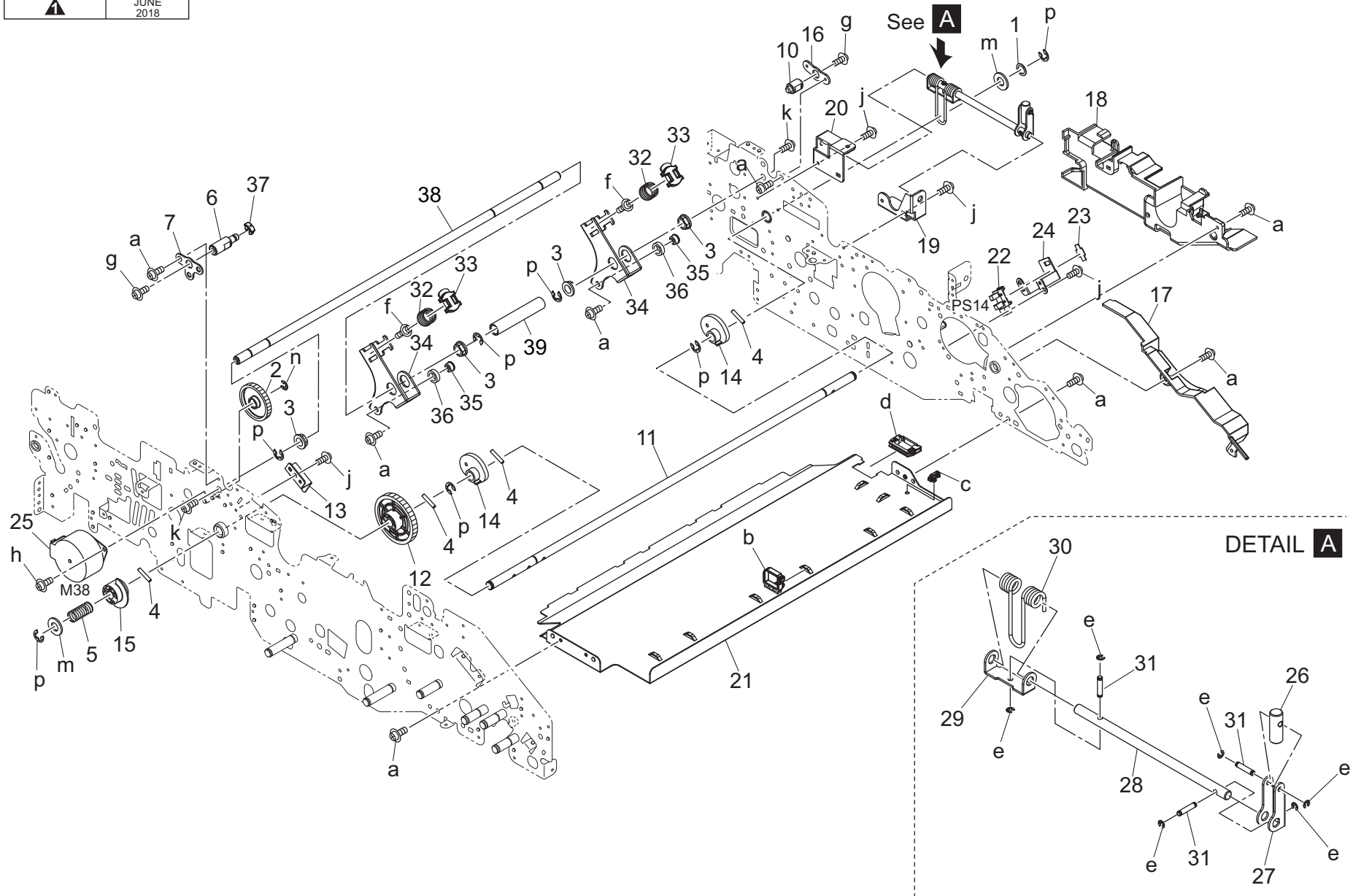
AccurioLabel 190/bizhub PRESS C71cf

Key	Part No.	Description	Destinations	Class	QTY	Standard parts
1	A50U818700	Wiring Guide /Front		D	1	a-V127030604
2	A50U818800	Wiring Guide /Middle		D	1	b-V217020050
3	A50U818900	Wiring Guide /Rear		D	1	c-V217030050
4	A50U819201	Support Shaft /Rear		D	1	d-V500020100
5	A50U819302	Support Plate /Rear		D	1	e-V501010002
6	A50U832901	Wiring Cover		D	8	f-V570010059
7	A50U835001	Torsion Coil spring		D	1	g-V151030803
8	A50U858300	Ground Spring /2		D	1	h-V118040603
9	A50U858400	Ground Spring /1		D	1	j-V127030804
10	A50U858500	Support Shaft /Middle		D	2	k-V121030403
11	A50UN15500	ADU Relay harness /3	ADU 中継束線 / 3	D	1	m-V127040803
12	A50UN18700	ADU Relay harness /6	ADU 中継束線 / 6	D	1	n-V217060050
13	56AA40490	SHAFT STOPPER 4	軸ストッパ 4	C	1	
14	A50U837001	Cover Part /1	カバー材 / 1	D	1	
15	A50U837101	Cover Part /2	カバー材 / 2	D	1	
16	A50U858200	Cover Cover	カバー蓋	D	1	
17	A50UR72S00	Support Plate / Front Caulking	支点板 / 前カシメ	D	1	
18	A1RF943100	Release Label /1	解除ラベル / 1	D	1	
19	A50U855702	Pulling Lever	引張りレバー (ADU 架台)	D	1	
20	A50U160401	Duplex Cover	両面カバー	D	1	
21	A50U837300	Cover Part /3	カバー材 / 3	D	1	
22	A50UR70G01	2nd Transfer Earth Plate Assy	2次転写アース板 Assy	B	2	
23	A50U944200	Processing Label /1	処理ラベル / 1	D	1	
24	56AA42690	BY-PASS SPACER	手差しスペーサー	C	1	
25	A00J617900	Ball Bearing	ボールベアリング	B	1	
26	A50U819500	Connecting Plate	連結板	D	1	
27	A50U839900	Connecting Plate	連結板	D	1	
28	A50U842900	Conveyance Spring /5	搬送ばね / 5	D	1	
29	A50U882701	Reverse/Exit Joint /Rear	反転排紙ジョイント / 奥	D	1	
30	A50U882801	Reverse/Exit Joint /Front	反転排紙ジョイント / 前	D	1	
31	A50U884202	Registration Base frame /2	レジスト台板 / 2	D	1	
32	A50UF83702	Registration Base Frame / 1 Caulking	レジスト台板 / 1カシメ	D	1	
33	A7X5943700	Indicating Label /6 (bizhub PRESS C 71cf)	ラベル / PRESS C 71 c f	D	1	(A7X5001,A7X5011,A7X5021,A7X5081)
33	A7X5946100	Indicating Label /6 (AccurioLabel 190)	ラベル AccurioLabel 190	D	1	(A7X5003,A7X5013,A7X5023,A7X5083)
34	A7X5160200	Cover Sheet /2	カバーシート / 2	D	1	



# Conveyance Section

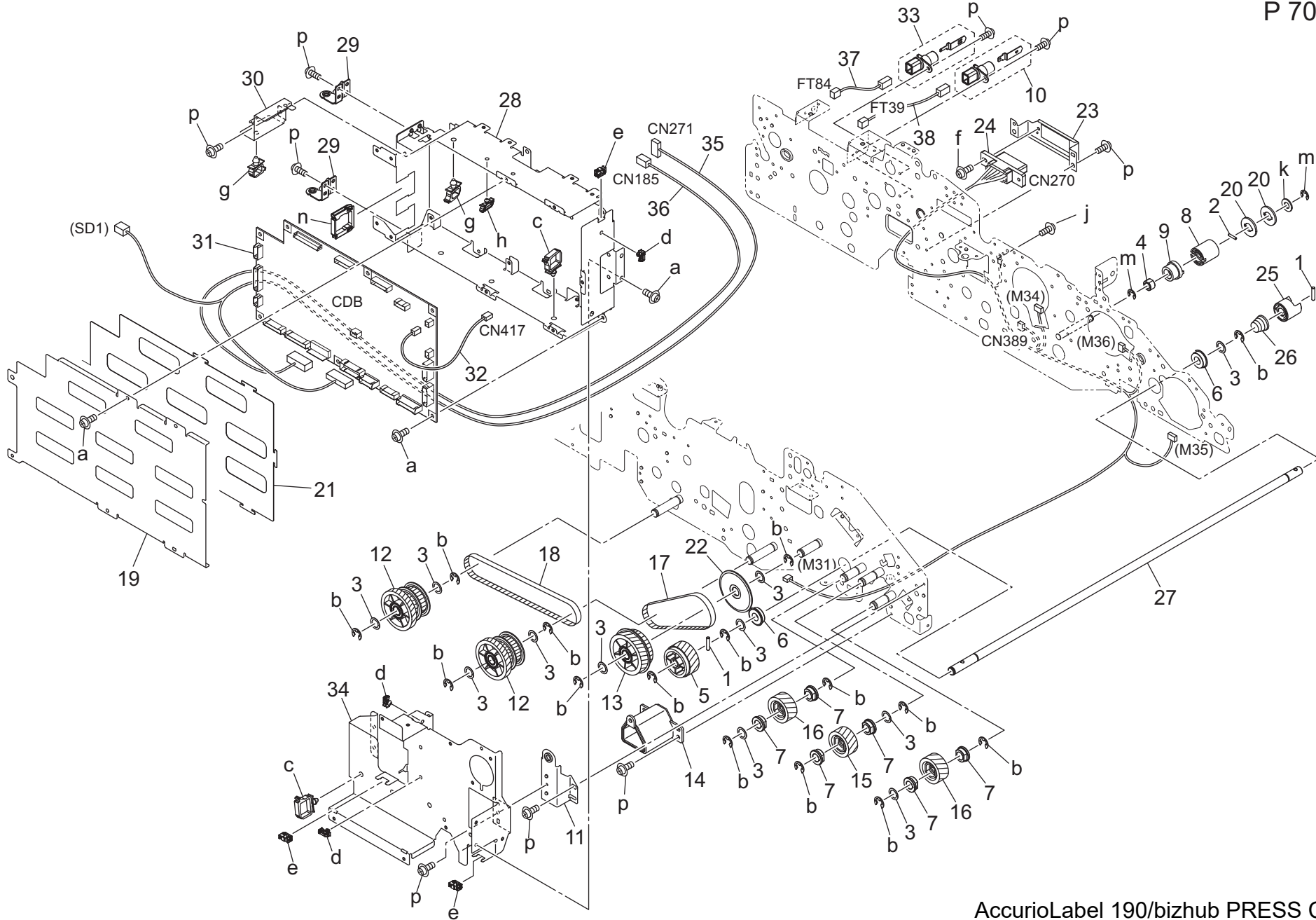
改訂版 REVISED EDITION	日付 DATE
▲	JUNE 2018



AccurioLabel 190/bizhub PRESS C71cf

Key	Part No.	Description	Destinations	Class	QTY	Standard parts
1	12QV40650	Spacer		B	1	a-V127030604
2	40AA77550	Mirror Drive Gear /2 14/70T		C	1	b-V500010079
3	4131353202	BUSHING		C	4	c-V500020099
4	56AA17461	PIN A		B	4	d-V570010059
5	65AA45230	CAM PULLING SPRING		C	1	e-V217020050
6	A50U520601	Support Shaft /Front		D	1	f-V121040403
7	A50U520700	Adjusting Plate /Front		D	1	g-V116050803
10	A50U521301	Support Shaft /Rear		D	1	h-V118030403
11	A50U521500	Drive Shaft		D	1	j-V121030403
12	A50U521900	Pressure Gear /3 47T		C	1	k-V127040803
13	A50U522400	Holding Plate		D	1	m-V207080003
14	A50U522500	Transfer Cam		D	2	n-V217040050
15	A50U524500	Transfer Actuator		D	1	
16	A50U524600	Adjusting Plate /Rear		D	1	
17	A50U834802	Cover Side plate /Right rear		D	1	
18	A50U858101	Cover Box		D	1	
19	A50U884600	Support Plate /1		D	1	
20	A50U884700	Support Plate /2		D	1	
21	A50U817001	Reinforce Stay /Lower		D	1	
22	A50UM55500	Photo Sensor		I	1	
23	4470402401	Stopper		D	1	
24	A50U855800	Drive Side plate /2		D	1	
25	A50UR72C00	Drive Motor / 1 Assy		C	1	
26	A50U522900	Rotation Shaft		D	1	
27	A50U523001	Release Arm		D	1	
28	A50U523100	Support Shaft		D	1	
29	A50U523200	Rotation Cover		D	1	
30	A50U523400	Torsion Coil spring		D	1	
31	A50U524700	Support Shaft		D	3	
32	A50U520401	Pressing Spring		D	2	
33	A50U520900	Pressing Cover		D	2	
34	A50U522001	Rotation Arm		D	2	
35	A50U524100	Receiving Shaft		D	2	
36	A50U716500	Ball Bearing		C	2	
37	56AA40490	SHAFT STOPPER 4		C	1	
38	A9VE521100	Pressing Shaft /1		D	1	
39	A9VE521200	Transfer Collar /1		D	1	

Conveyance Section

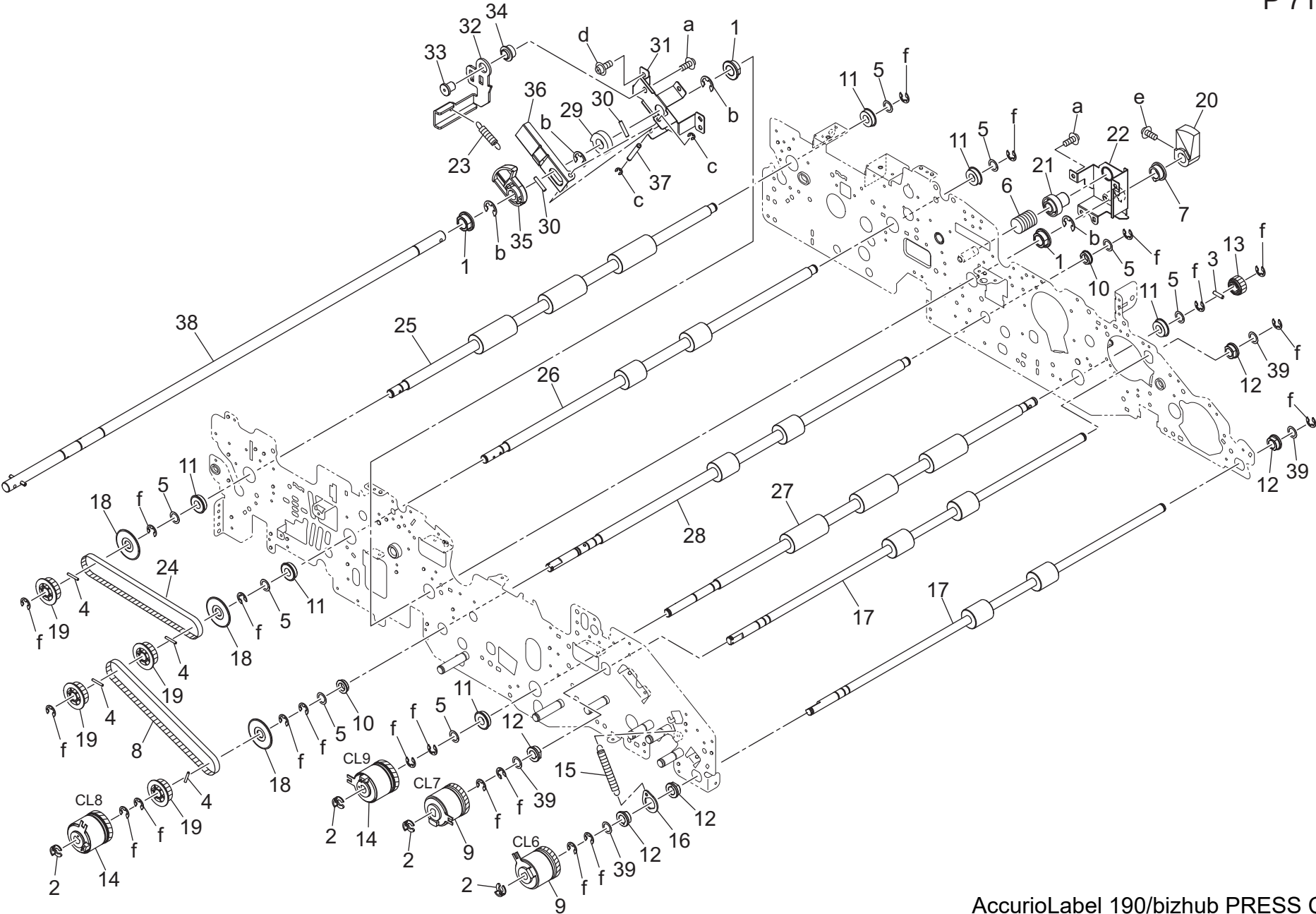


AccurioLabel 190/bizhub PRESS C71cf

# Conveyance Section

Key	Part No.	Description	Destinations	Class	QTY	Standard parts
1	56AA17480	PIN B		C	2	a-V127030603
2	56AA17531	PIN /A D2X10		C	1	b-V217060050
3	56AA42690	BY-PASS SPACER		C	11	c-V500010084
4	56GA76010	SLIDE SHAFT HOLDER 2		C	1	d-V500020099
5	65AA77540	PAPER FEED GEAR 2 29T		C	1	e-V570010056
6	A00V240600	Ball Bearing		B	2	f-V127030803
7	A03U812800	Slide Shaft Holder		B	6	g-V500010082
8	A03U815700	Torque Limiter		B	1	h-V500020100
9	A03U839000	BRAKE GEAR /1 21T		C	1	j-V116030603
10	A1DUR73K00	Powering Block A Assy		C	1	k-V207060003
11	A50U816103	Positioning Side plate /Right		D	1	m-V217050050
12	A50U818000	Drive Gear /1 38/29/29T		C	2	n-V570010058
13	A50U818100	Drive Gear /1 39T		C	1	p-V127030604
14	A50U835400	Guide Part /Front		D	1	
15	A50U836400	Conveyance Idler /Right		D	1	
16	A50U836500	Conveyance Idler /Right		D	2	
17	A50U839100	Belt /4 243L		C	1	
18	A50U839200	Belt /3 342L		C	1	
19	A50U855900	Cover Board /Left Front		D	1	
20	A50U858600	Stopper Plate		D	2	
21	A50U880701	Packing Board /Front		D	1	
22	A50U885100	Drive Spacer		D	1	
23	A50U817400	Mounting Side plate /1		D	1	
24	A50UN15001	ADU Drive harness /1		D	1	
25	55VA15541	CLEANER COUPLING PART		C	1	
26	56AA17090	Pressing Spring		C	1	
27	A50U812100	Drive Input Shaft		D	1	
28	A50U810502	Mounting Board /1		D	1	
29	A50U835900	Support Plate		D	2	
30	A50U836000	Cover		D	1	
31	A50UH05004	Conveyance Drive board ASSY		I	1	
32	A50UN17200	ADU Drive harness /7		D	1	
33	A50UF82200	Power Supply Block / B ASSY		D	1	
34	A50U835301	Mounting Board /2		D	1	
35	A50UN15601	ADU Control harness /1		D	1	
36	A50UN18801	ADU Control harness /2		D	1	
37	A50UN25400	HV Relay harness /5		D	1	
38	A50UN25600	HV Relay harness /6		D	1	

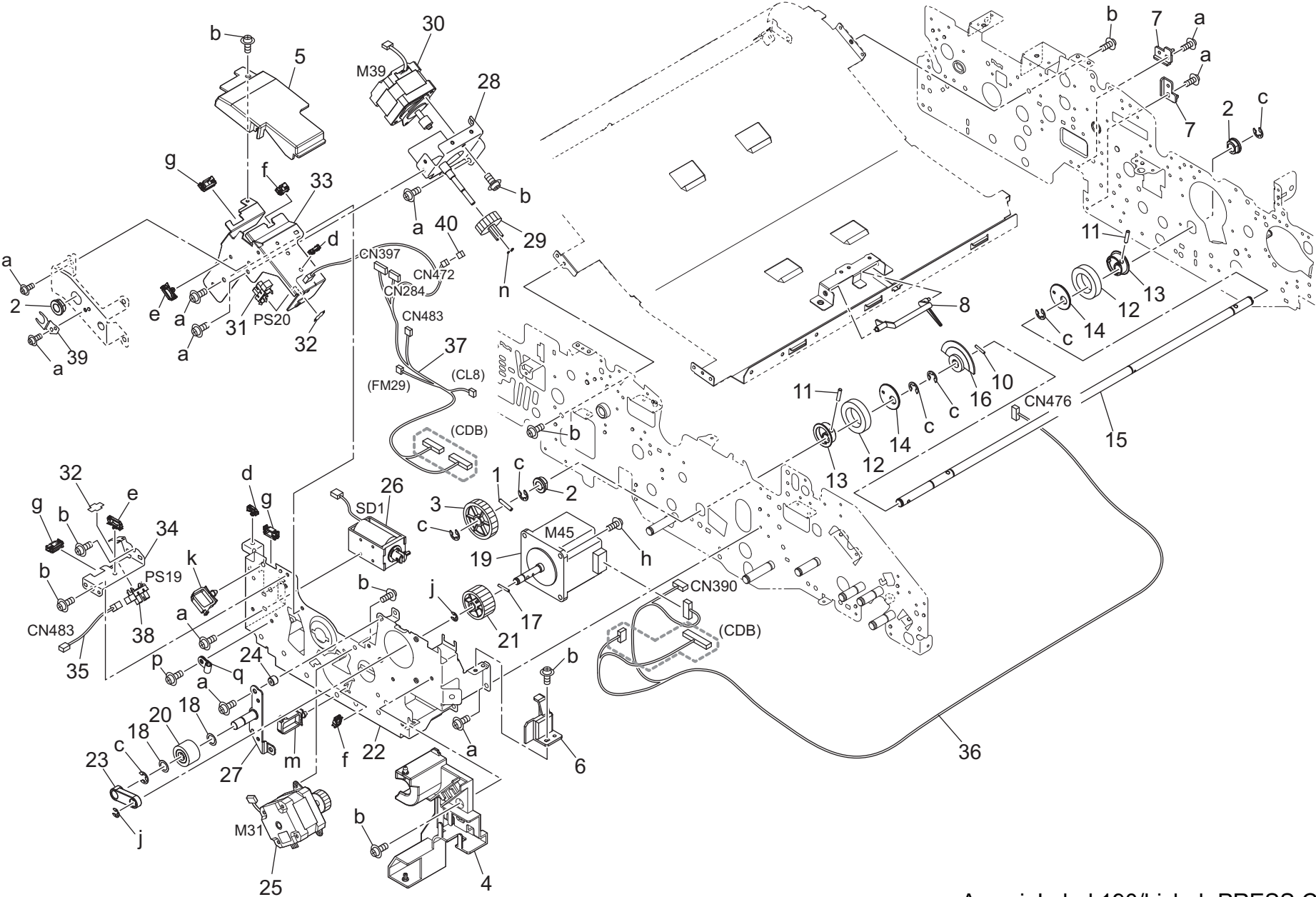
Conveyance Section



AccurioLabel 190/bizhub PRESS C71cf

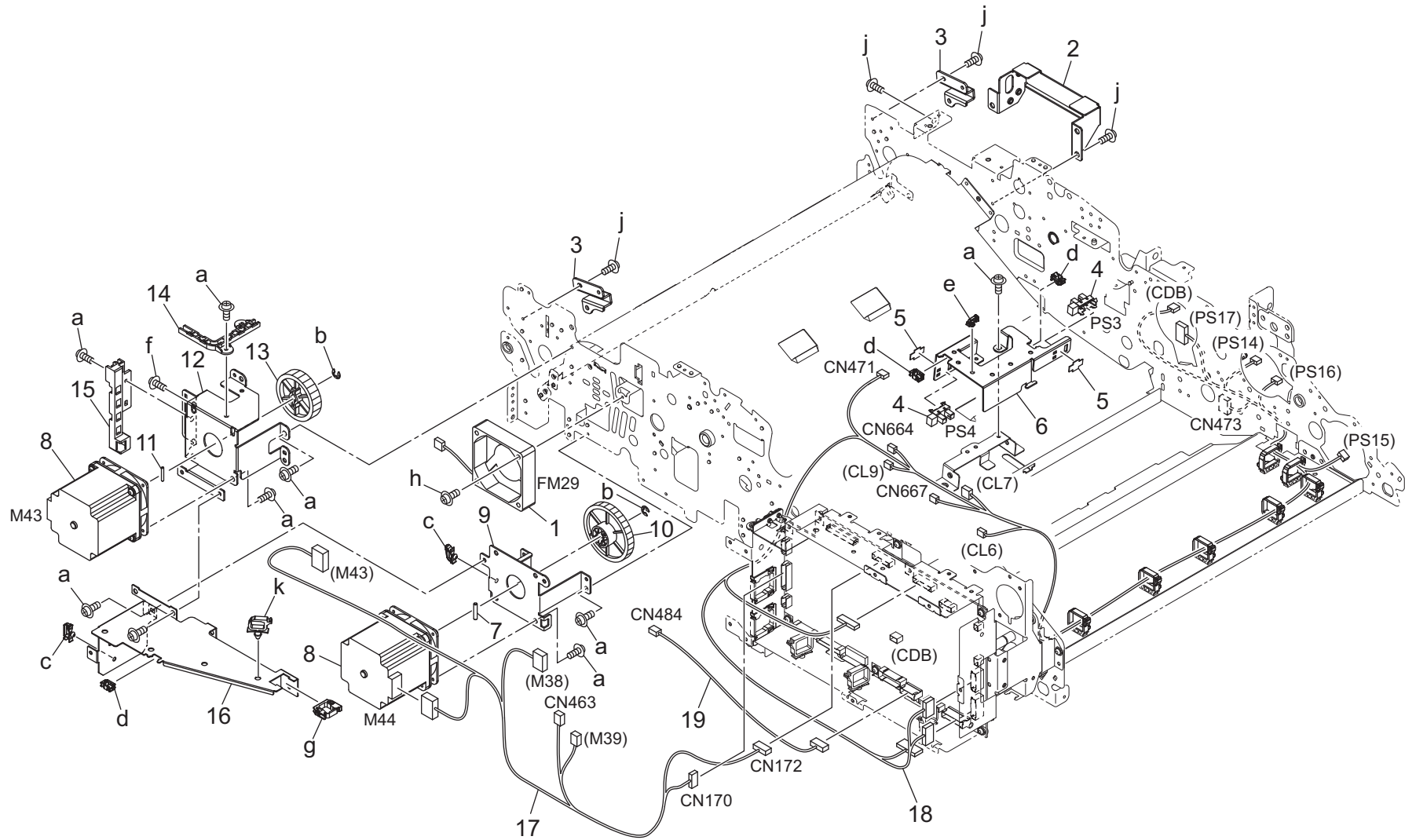
Key	Part No.	Description	Destinations	Class	QTY	Standard parts
1	462076010	Driving Slide Shaft Holder A		C	3	a-V127030604 b-V217080050 c-V217030050 d-V121030403 e-V121041203 f-V217060050
2	55VA42120	Shaft Stopper		C	4	
3	56AA17471	PIN B 3X12		B	1	
4	56AA17551	PIN A		C	4	
5	56AA42690	BY-PASS SPACER		C	8	
6	56AA50670	Cam Stopper Spring		C	1	
7	56AA50800	LEVER SUPPORT SHAFT HOLDER		C	1	
8	56AA77530	Paper Feed Drive Belt /1 336L		C	1	
9	56AA82012	Paper Feed Drive Clutch		B	2	
10	A00J617900	Ball Bearing		B	2	
11	A00V240600	Ball Bearing		B	6	
12	A03U812800	Slide Shaft Holder		B	5	
13	A03U838900	Brake Gear /2 24T		C	1	
14	A03UM20100	Clutch /1		B	2	
15	A03X565001	Swing Spring		C	1	
16	A1RG681400	Brake Plate /8		D	1	
17	A50U812202	ADU Conveying Roller /Right		C	2	
18	A50U817300	Holding Collar		D	3	
19	A50U818501	Pulley /2		D	4	
20	A50U830200	Positioning Part /Rear		D	1	
21	A50U830300	Regulating Part /Rear		D	1	
22	A50U830400	Hold Plate /Assy		D	1	
23	A50U831900	Pulling Spring		D	1	
24	A50U839200	Belt /3 342L		C	1	
25	A50U849100	Roller /1		C	1	
26	A50U849200	Roller /2		C	1	
27	A50U859000	Roller		C	1	
28	A50U859400	Roller /3		C	1	
29	25AA47500	Carriage Lock Claw B		C	1	
30	56AA17461	PIN A		B	2	
31	A50U830500	Reinforce Plate /1		D	1	
32	A50U830600	Lock Plate		D	1	
33	A50U830700	Support Shaft		D	1	
34	A50U830800	Lock Bushing		D	1	
35	A50U831000	Release Cam		D	1	
36	A50U831100	Release Plate		D	1	
37	A50U831200	Release Shaft /1		D	1	
38	A50UR72E00	Release Shaft Pin Assy		D	1	
39	12QV40650	Spacer		B	4	

# Conveyance Section



Key	Part No.	Description	Destinations	Class	QTY	Standard parts
1	56AA17461	PIN A	ピン A	B	1	a-V121030403
2	A03U812800	Slide Shaft Holder	すべり軸受	B	3	b-V127030604
3	A50U713900	Registration Gear /2 48T	レジストギア/2 48 T	C	1	c-V217060050
4	A50U835601	Drive Cover	駆動カバー	D	1	d-V500020099
5	A50U836100	Cover	カバー (ハーネス)	D	1	e-V500020100
6	A50U882300	Protection Cover	保護カバー	D	1	f-V570010056
7	A50U883501	Protection Plate	保護プレート	D	2	g-V570010057
8	65AA51730	ADU 2	A D U センサ 2	C	1	h-V127030803
10	56AA17321	PIN A D2X12	ピン A D 2 X 1 2	B	1	j-V217040050
11	56AA17480	PIN B	ピン B	C	2	k-V500010084
12	A0TK341300	Ball Bearing /Rear	ボールベアリング/奥	C	2	m-V500010013
13	A50U714800	Pressure Cam	圧着カム	D	2	n-V217030050
14	A50U714900	Spacer	スペーサ	D	2	p-V116030603
15	A50U715100	Pressure Shaft /2	圧着軸/2	D	1	q-V500020069
16	A50U715200	Pressure Actuator	圧着アクチュエータ	D	1	
17	56AA17551	PIN A	ピン A	C	1	
18	56AA42690	BY-PASS SPACER	手差しスペーサー	C	2	
19	65AA80112	HB Motor /50	HB モータ/50	B	1	
20	A50U713700	Registration Idler /1	レジストアイドラ/1	B	1	
21	A50U713800	Registration Gear /1 56T	レジストギア/1 56 T	C	1	
22	A50U715002	Mounting Lever /1	取付レバー/1	D	1	
23	A50U882600	Registration ring /Front	レジストリング/前	D	1	
24	A50U883300	Idling Shaft /1	アイドラ軸/1	D	1	
25	A50UR72F00	Motor Assy	モータ A s s y	C	1	
26	A50UR72G00	ADU Connecting Solenoid Pin Assy	A D U 連結ソレノイドピン A s s y	C	1	
27	A50UF81401	Adjusting Plate Caulking	調整板カンメ	D	1	
28	A50U713300	Swing Side plate /Assy	揺動側板/ A s s y	D	1	
29	A50U713500	Swing Gear /1 18/51T	揺動ギア/1 18/51 T	C	1	
30	A50UR72H00	Stepping Motor / 3 Assy	ステッピングモータ/3 A s s y	C	1	
31	08AA85512	Photo Sensor	フォトセンサ	B	1	
32	4470402401	Stopper	ストッパー	D	2	
33	A50U713403	Swing Side plate /2	揺動側板/2	D	1	
34	A50U819700	Cover	センサ蓋	D	1	
35	A50UN18900	ADU Detection harness /14	A D U 検知束線/14	D	1	
36	A50UN16500	ADU Drive harness /6	A D U 駆動束線/6	D	1	
37	A50UN18201	ADU Drive harness /12	A D U 駆動束線/12	D	1	
38	A50UM55500	Photo Sensor	フォトセンサ (透過型)	I	1	
39	A50U711101	Holding Plate /1	押さえ板/1	D	1	
40	V651010046	WtoW Connector	ミニ C T コネクタ	V	1	



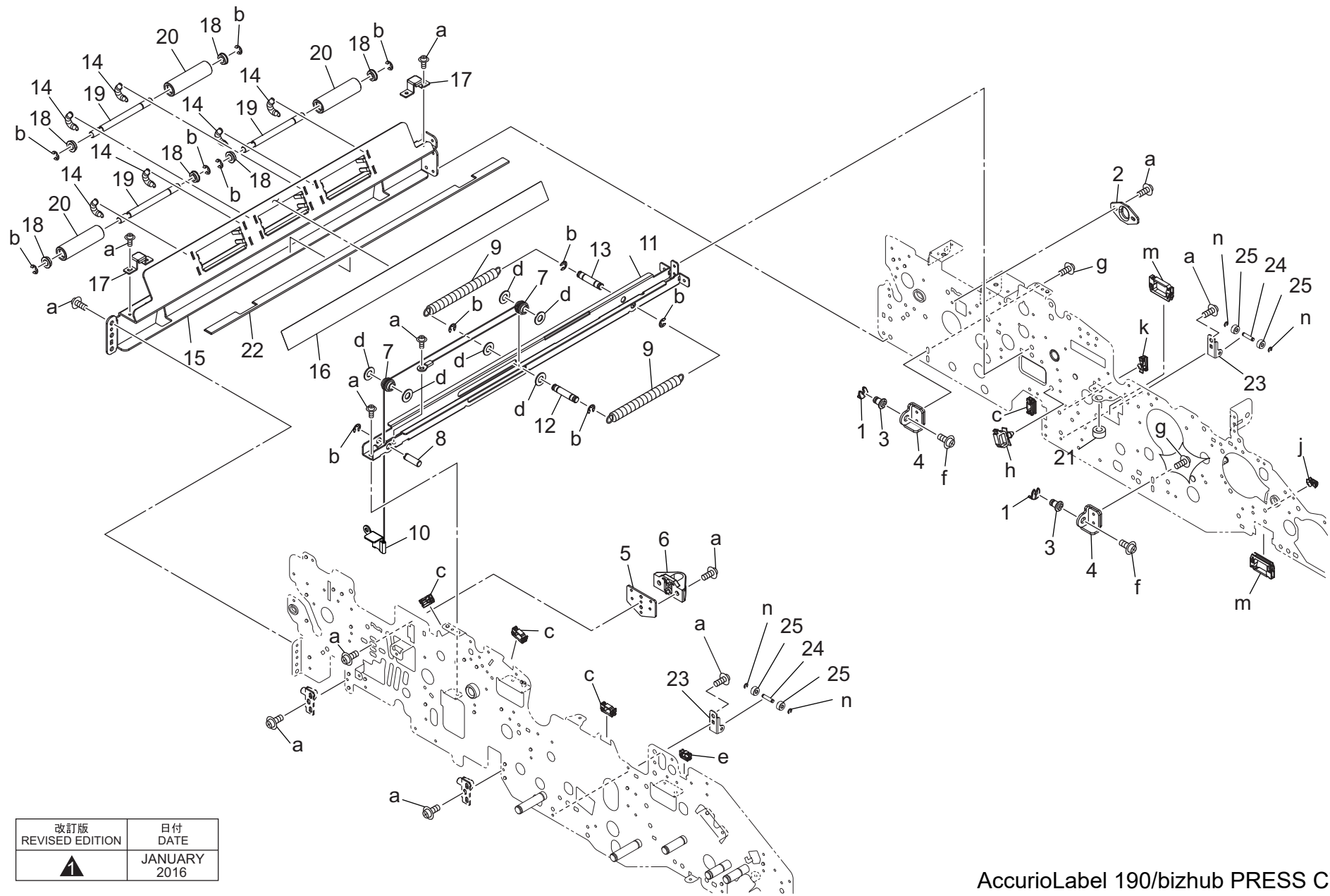


# Conveyance Section

Key	Part No.	Description	Destinations	Class	QTY	Standard parts
1	56AA80551	Fan Motor /2		B	1	a-V127030604 b-V217040050 c-V500020100 d-V570010056 e-V500020099 f-V118030403 g-V570010060 h-V118032003 j-V121030403 k-V500010082
2	A50U814401	Reinforce Plate		D	1	
3	A50U838500	Mounting Handle /Left		D	2	
4	A50UM55500	Photo Sensor		I	2	
5	4470402401	Stopper		D	2	
6	A50U819812	Mounting /A		D	1	
7	56AA17461	PIN A		B	1	
8	A1TVM10100	Stepping motor /50		B	2	
9	A50U815101	Positioning Plate /Lower		D	1	
10	A50U831300	Preventing Gear /1 57T		C	1	
11	56AA17551	PIN A		C	1	
12	A50U814500	Positioning Plate /Upper		D	1	
13	A50U819900	Riverse/exit Gear /1 42T		C	1	
14	A50U836300	Cover		D	1	
15	A50U837700	Wiring Guide		D	1	
16	A50U838700	Reverse/Exit Plate /Left Front		D	1	
17	A50UN16000	ADU Drive harness /4		D	1	
18	A50UN16101	ADU Drive harness /11		D	1	
19	A50UN16900	ADU Detection harness /15		D	1	

AccurioLabel 190/bizhub PRESS C71cf

# Conveyance Section



改訂版 REVISED EDITION	日付 DATE
▲	JANUARY 2016

AccurioLabel 190/bizhub PRESS C71cf

Order here  
8 (495) 646-0426  
ПЯТЫЙ ПАРТНЕР www.km-shop.ru

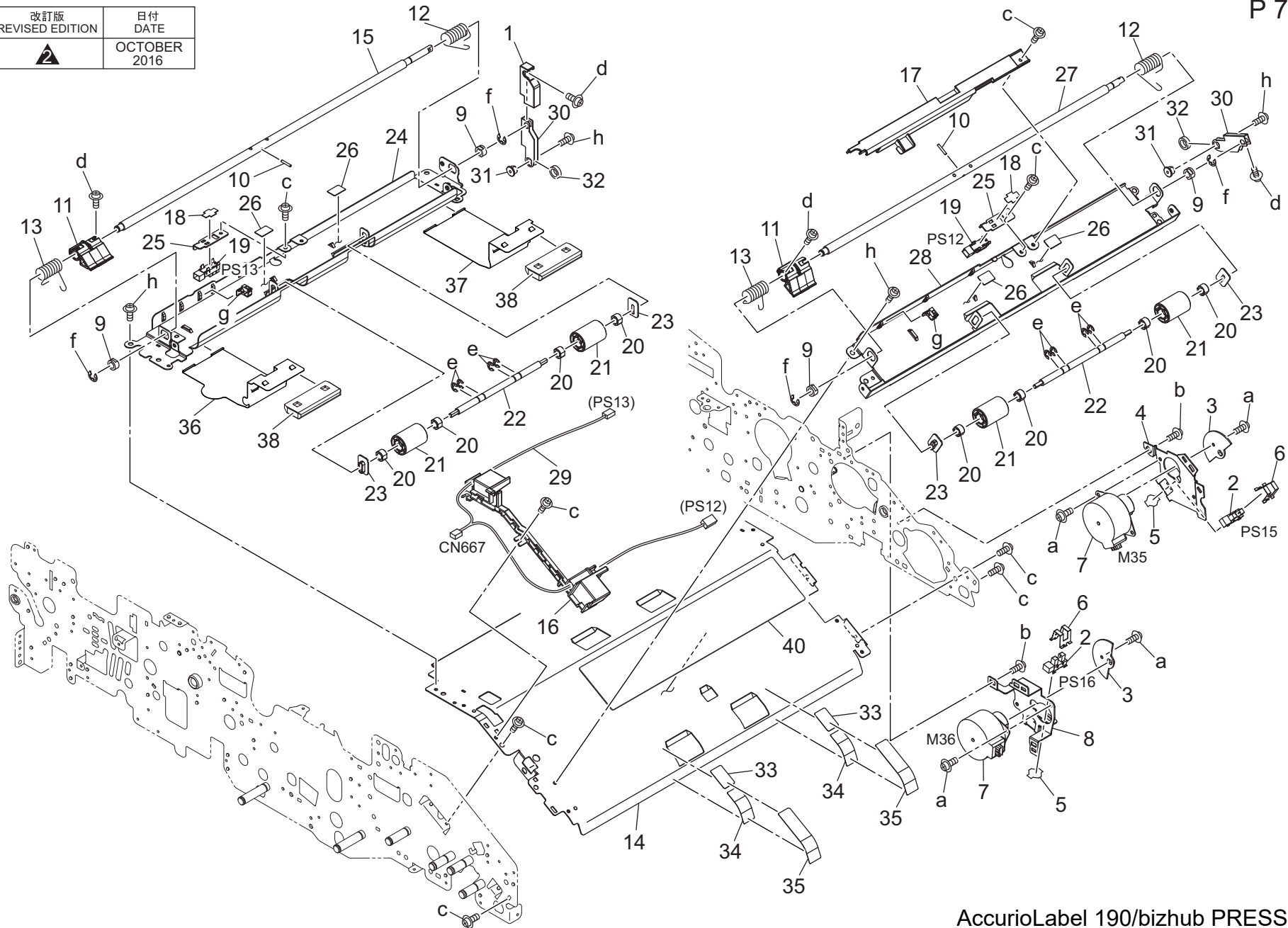
# Conveyance Section

Key	Part No.	Description	Destinations	Class	QTY	Standard parts
1	56AA40490	SHAFT STOPPER 4		C	2	a-V127030604
2	A03U811800	ADU Positioning Plate /2		C	1	b-V217040050
3	A50U843900	Support Shaft /Right		D	2	c-V570010057
4	A50U844100	Support Plate /B		D	2	d-V207060003
5	A03U811600	ADU Positioning Plate /1		D	1	e-V570010056
6	A03U843500	Positioning Part		D	1	f-V121030403
7	25AA50080	WIRE PULLEY		C	2	g-V127030803
8	65AA51510	ADU OPEN SHUT SHAFT 3		D	1	h-V500010082
9	A03U813601	ADU Open/shut Spring /Upper		C	2	j-V500020099
10	A03U849701	Wire /Right		C	1	k-V500020100
11	A50U831400	Open/close Plate		D	1	m-V570010059
12	A50U832600	Open/close Shaft /1		D	1	n-V217020001
13	A50U832700	Open/close Shaft /2		D	1	
14	A03U814300	Conveyance Spring		C	6	
15	A50U810300	Hold Stay /Left		D	1	
16	A50U815800	Guide Sheet /A		D	1	
17	A50U834200	Reverse/Exit Stopper		D	2	
18	A00J617800	Ball Bearing		B	6	
19	A03U814100	Idler Shaft /Lower		D	3	
20	A03U814200	Idler Roll		C	3	
21	1154467001	PROTECTION		C	1	
22	A50U810400	Protection Sheet		D	1	
23	A7X5810300	Holding Plate		D	2	
24	A7X5810400	Support Shaft		D	2	
25	A5AW858200	Ball bearing /A		C	4	

# Conveyance Section

P 75

改訂版 REVISED EDITION	日付 DATE
	OCTOBER 2016

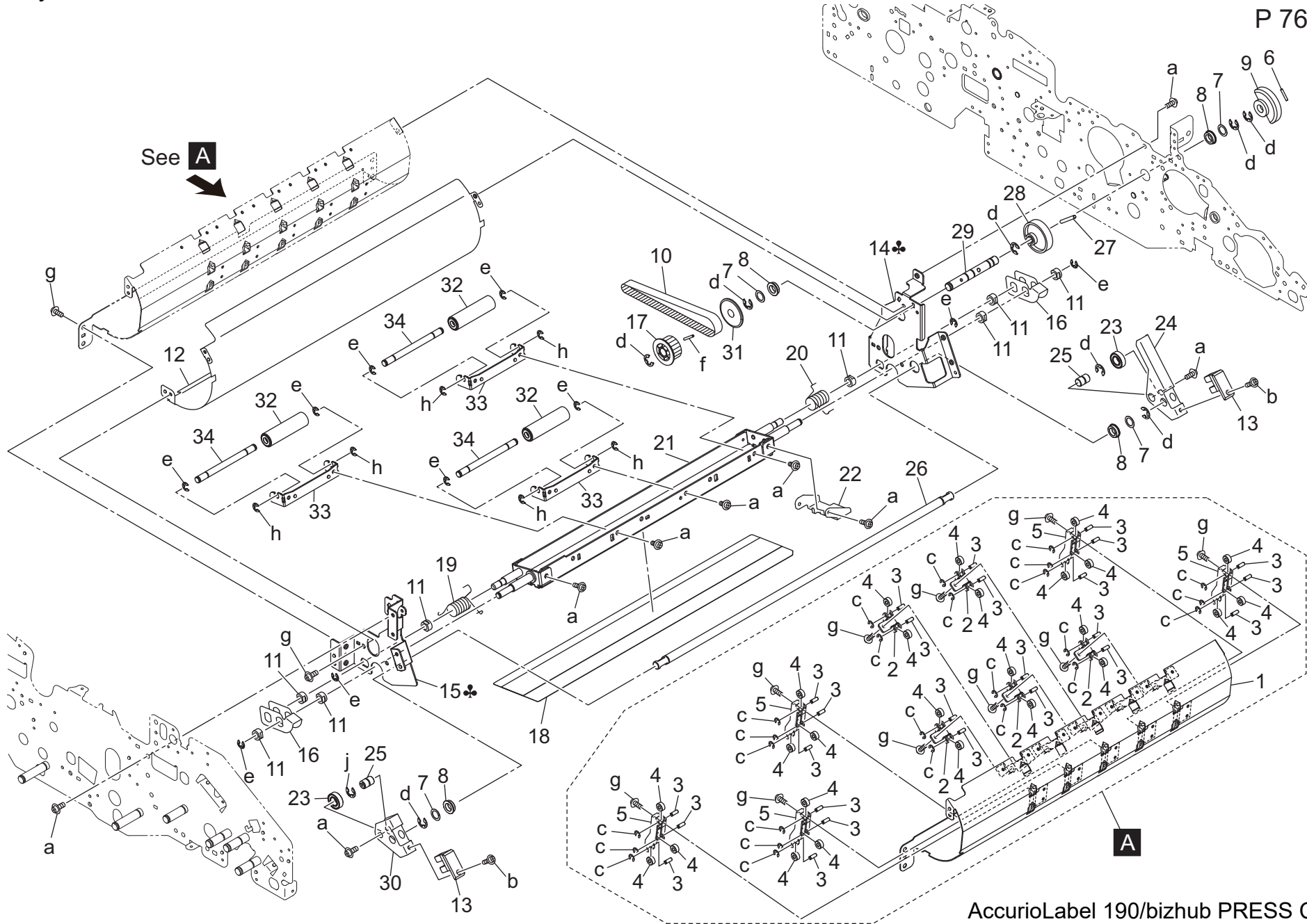


AccurioLabel 190/bizhub PRESS C71cf

Key	Part No.	Description	Destinations	Class	QTY	Standard parts
1	A50U715800	Protection Cover		D	1	a-V118030403
2	08AA85512	Photo Sensor		B	2	b-V121030403
3	A50U816700	Light blocking Plate /1		D	2	c-V127030604
4	A50U816801	Drive Side plate /1		D	1	d-V127030803
5	A50U882100	Stopper Plate		D	2	e-V217040050
6	A50U883600	Guide /1		D	2	f-V217050050
7	A50UR72600	Drive Motor / 1 Assy		C	2	g-V500010057
8	A50U816900	Drive Side plate /2		D	1	h-V121030303
9	4131253701	BUSHING		C	4	
10	56AA17321	PIN A D2X12		B	2	
11	A50U714600	Lever		D	2	
12	A50U718400	Pressing Spring /Rear		D	2	
13	A50U718500	Pressing Spring /Front		D	2	
14	A50U816301	Conveyance Guide /Lower		D	1	
15	A50U818601	Release Shaft /2		D	1	
16	A50U833400	Protection Cover /1		D	1	
17	A50U833500	Protection Cover /2		D	1	
18	4470402401	Stopper		D	2	
19	9335140071	Solid State Switch		B	2	
20	A03U850101	Slide Bushing		C	8	
21	A50U712200	Idler Roll /1		D	4	
22	A50U712300	Idler Shaft /1		D	2	
23	A50U712400	Receiving Shaft /1		D	4	
24	A50U817601	Guide Plate		D	1	
25	A50U836200	Plate /23		D	2	
27	A50U818201	Release Shaft /1		D	1	
28	A50U818400	Guide Plate /Right		D	1	
29	A50UN17900	ADU Detection harness /13		D	1	
30	A50U715300	Pressure Lever /25		D	2	
31	A50U715600	Support Shaft /2		D	2	
32	A50U716500	Ball Bearing		C	2	
33	A50U887100	Conductive Tape /4		D	2	
34	A50U887200	Duplex Tape		D	2	
35	A50U887300	Conveyance Guide /3		D	2	
36	A7X5810100Old	Holding Plate spring /Front		D	1	
36	A7X5810101	Holding Plate spring /Front		D	1	
37	A7X5810200Old	Holding Plate spring /Rear		D	1	
37	A7X5810201	Holding Plate spring /Rear		D	1	
38	56UA46470DOld	Regist Cleaning Knob /Lower		D	2	
38	56UA40680	Lever Cover		C	2	
40	A7X5942900	Operation Label /2		D	1	

# Conveyance Section

P 76

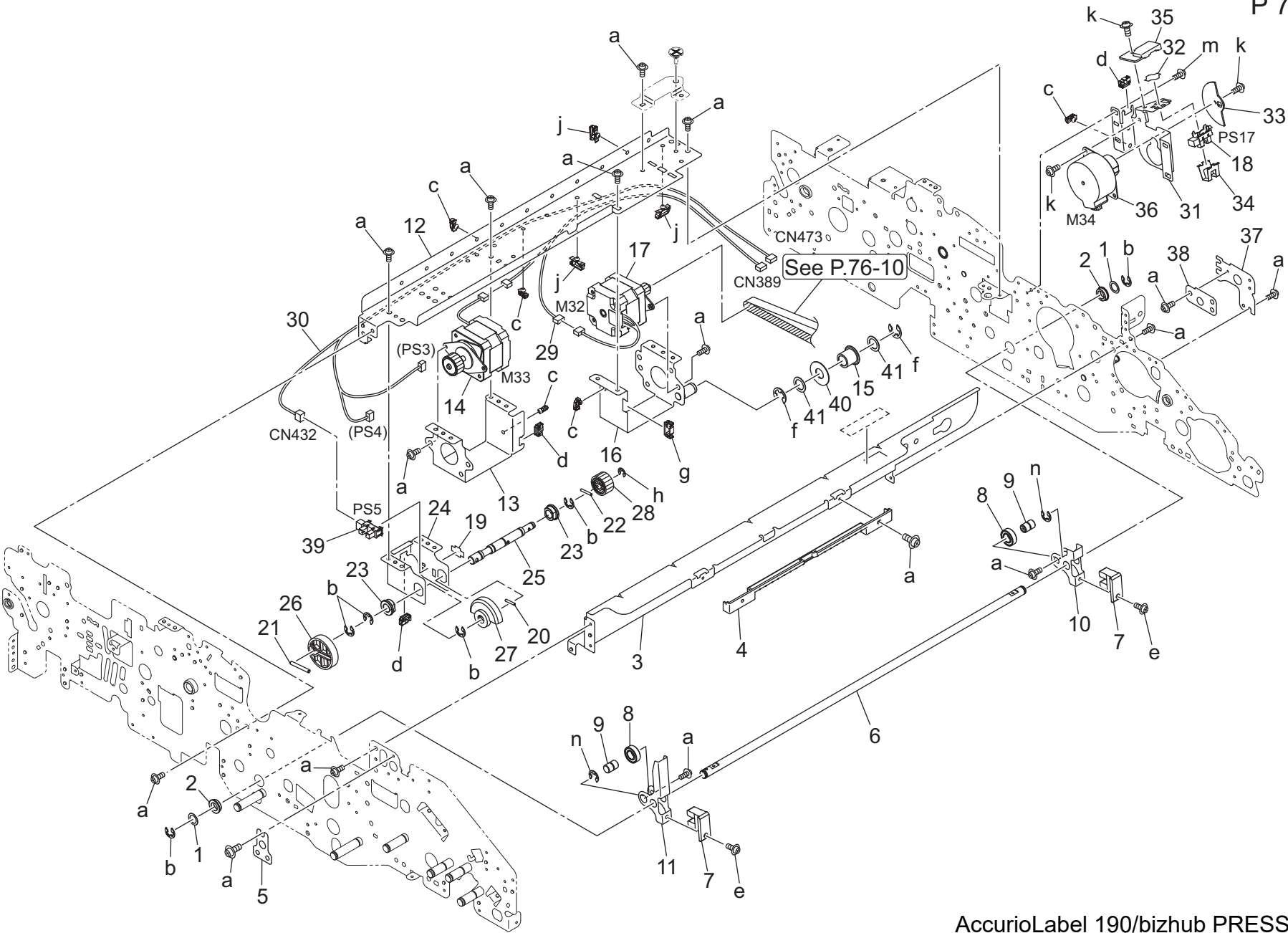


AccurioLabel 190/bizhub PRESS C71cf

Key	Part No.	Description	Destinations	Class	QTY	Standard parts
1	A50U840802	Guide Plate /2		D	1	a-V127030604
2	A50U854200	Roller Base frame /2		D	5	b-V127030803
3	A50U854400	Fixing Shaft		D	25	c-V217020050
4	A50U854800	Conveyance Roll		D	25	d-V217060050
5	A50U854302	Roller Base frame /1		D	5	e-V217040050
6	56AA17321	PIN A D2X12		B	1	f-V231201650
7	56AA42690	BY-PASS SPACER		C	4	g-V121030403
8	A00J617900	Ball Bearing		B	4	h-V217030050
9	A50U853200	Pressure Actuator		D	1	j-V217060001
10	A50U859800	Belt /1 280L		C	1	
11	4131253701	BUSHING		C	8	
12	A50U840303	Guide Plate /3		D	1	
13	A9VE851800	Reinforce Block		D	2	
14	A50U852904	Release Plate /4		D	1	
15	A50U853001	Release Plate /5		D	1	
16	A50U853700	Release Plate /7		D	2	
17	A50U859500	Pulley /2		D	1	
18	A50U880103	Conveyance Guide /1		D	1	
19	A50U881300	Torsion Coil spring		D	1	
20	A50U881400	Torsion Coil spring		D	1	
21	A50U841402	Release Plate /10		D	1	
22	A50U856201	Support Plate		D	1	
23	A1RF820000	Ball Bearing		C	2	
24	A50U851400	Release Plate /Rear		D	1	
25	A50U851500	Shaft		D	2	
26	A50U852000	Release Shaft /4		D	1	
27	56AA17490	PIN		C	1	
28	A50U852500	Cam		D	1	
29	A50U852701	Release Shaft /3		D	1	
30	A50U851700	Release Plate		D	1	
31	A50U886800	Regulating Spacer		D	1	
32	A03U845301	Idler Roller /1		C	3	
33	A50U846102	Mounting Plate /5		D	3	
34	A50U846304	Idler Shaft /F		D	3	

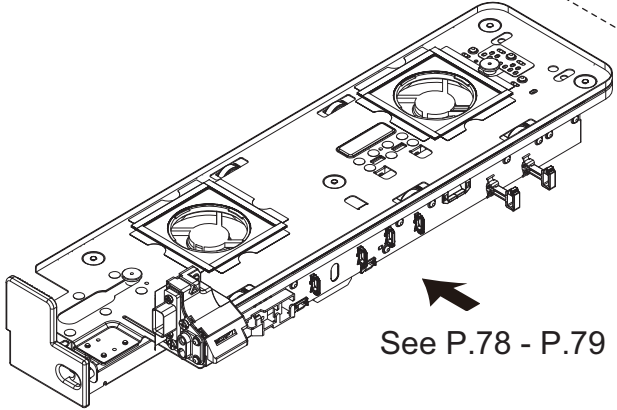
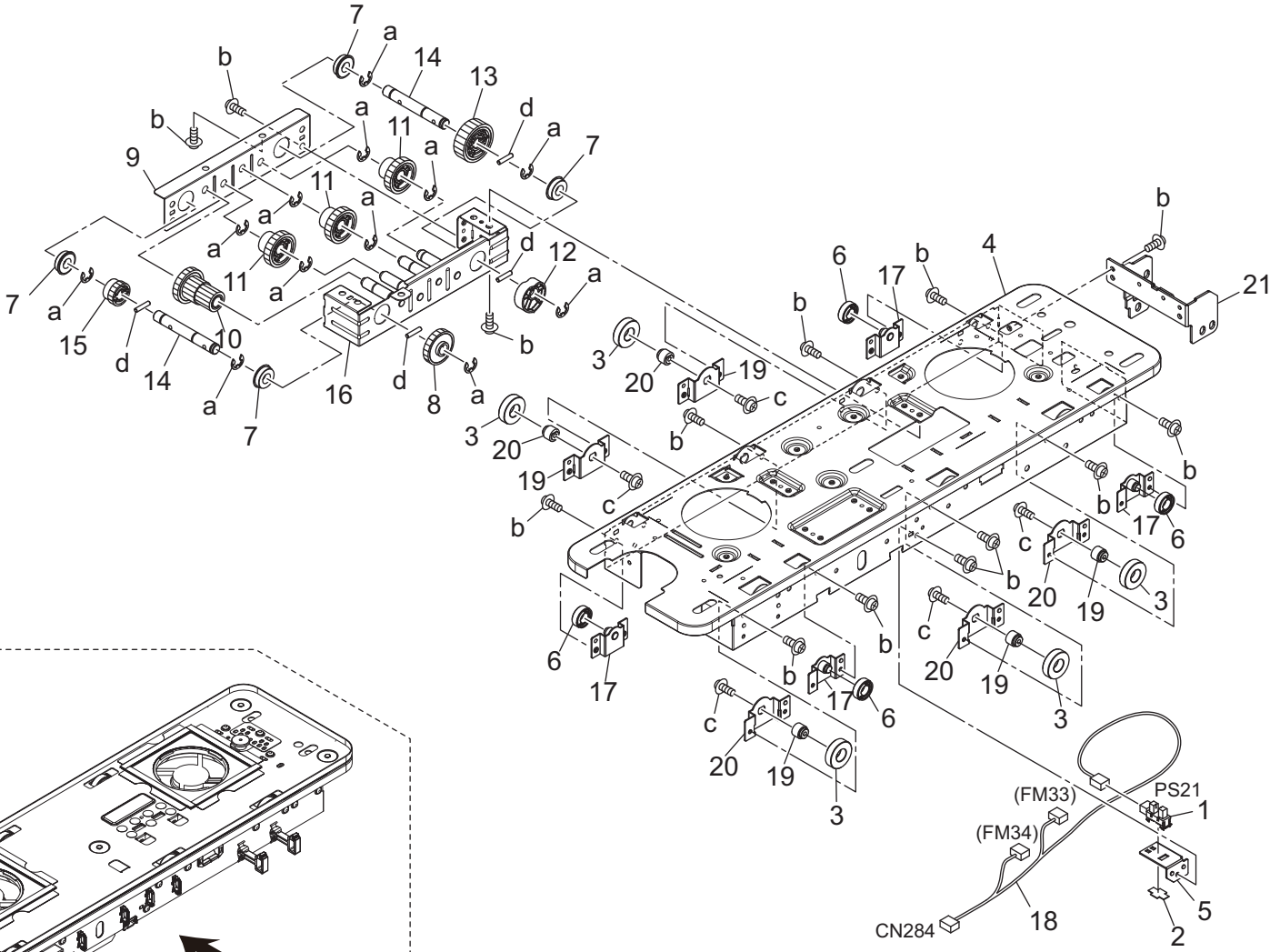


Conveyance Section



AccurioLabel 190/bizhub PRESS C71cf


Key	Part No.	Description	Destinations	Class	QTY	Standard parts
1	56AA42690	BY-PASS SPACER		C	2	a-V127030604
2	A00J617900	Ball Bearing		B	2	b-V217060050
3	A50U816403	Hold Stay /Right		D	1	c-V500020099
4	A50U882900	Handle		D	1	d-V570010056
5	A50U883200	Positioning Plate /Front		D	1	e-V127030803
6	A50U850700	Release Shaft /2		D	1	f-V217080050
7	A9VE851800	Reinforce Block		D	2	g-V570010057
8	A1RF820000	Ball Bearing		C	2	h-V217040050
9	A50U851500	Shaft		D	2	j-V500020100
10	A50U853100	Release Plate /6		D	1	k-V118030403
11	A50U852200	Release Plate /3		D	1	m-V121030403
12	A50U851901	Mounting Plate /1		D	1	n-V217060001
13	A50U852102	Mounting Plate /2		D	1	
14	A50UR72400	Stepping Motor / 2 Assy		C	1	
15	A50U836801	Tension Pulley /B		D	1	
16	A50U858702	Mounting Plate /3		D	1	
17	A50UR72500	Stepping Motor / 1 Assy		C	1	
18	08AA85512	Photo Sensor		B	1	
19	4470402401	Stopper		D	1	
20	56AA17321	PIN A D2X12		B	1	
21	56AA17490	PIN		C	1	
22	56AA17551	PIN A		C	1	
23	A03U812800	Slide Shaft Holder		B	2	
24	A50U852300Old	Mounting Plate /3		D	1	
24	A50U852301	Mounting Plate /3		D	1	
25	A50U852400	Release Shaft /1		D	1	
26	A50U852500	Cam		D	1	
27	A50U853200	Pressure Actuator		D	1	
28	A50U854600	Release Gear /1 24T		C	1	
29	A50UN15900	ADU Drive harness /3		D	1	
30	A50UN18100	ADU Detection harness /10		D	1	
31	A50U715400	Pressure Side plate /1		D	1	
32	A50U882100	Stopper Plate		D	1	
33	A50U883400	Light blocking Plate		D	1	
34	A50U883600	Guide /1		D	1	
35	A50U883701	Protection Cover /1		D	1	
36	A50UR72600	Drive Motor / 1 Assy		C	1	
37	A50U883001	Positioning Side plate /Rear		D	1	
38	A50U883101	Positioning Plate /Rear		D	1	
39	A85CM55600	Photo Sensor		C	1	
40	A50U886700	Holding Collar		D	1	
41	A50U886900	Spacer		D	2	

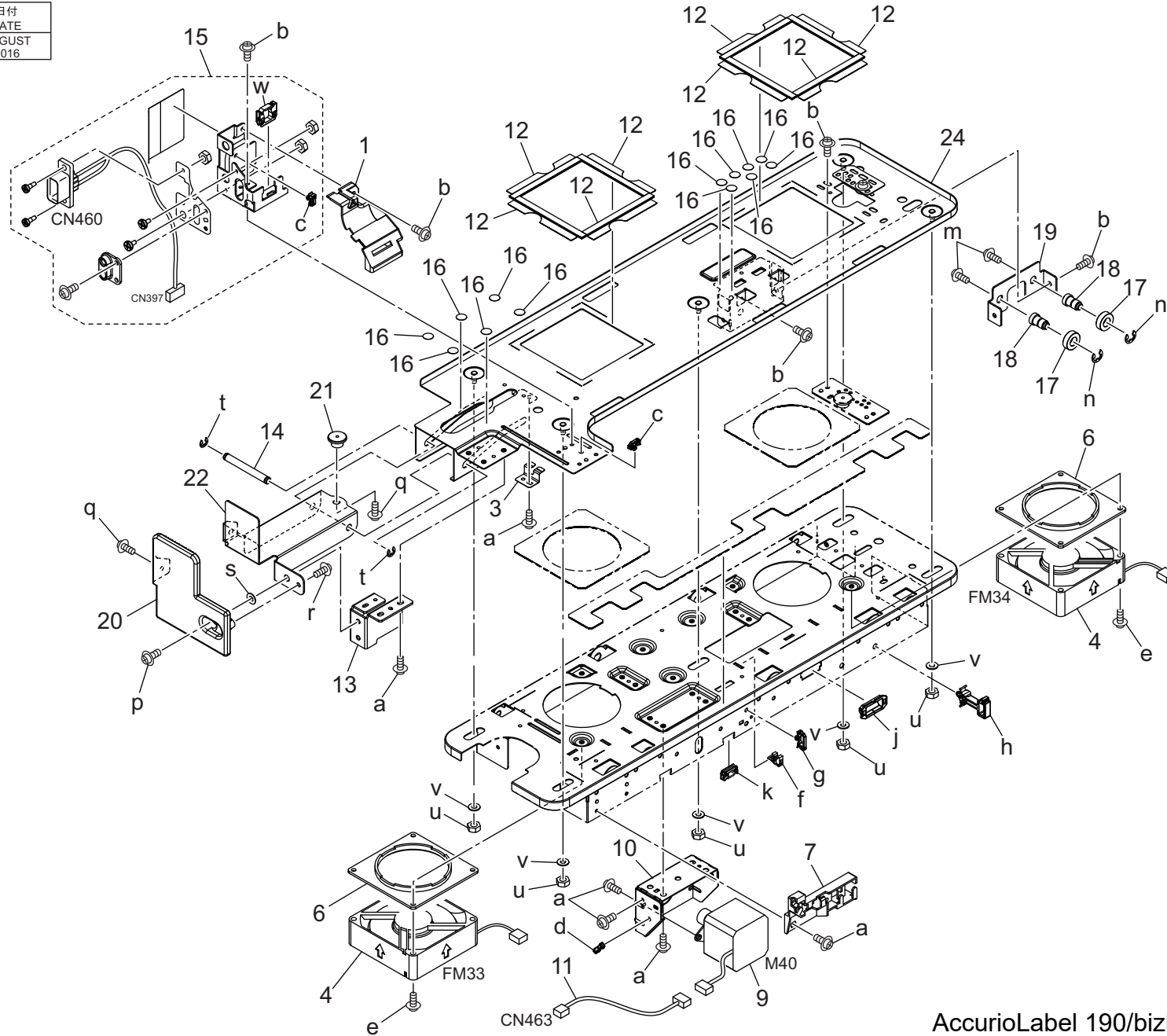


See P.78 - P.79

Key	Part No.	Description	Destinations	Class	QTY	Standard parts
1	A50UM55500	Photo Sensor		I	1	a-V217060001 b-V121030403 c-V116040803 d-V234301450
2	4470402401	Stopper		D	1	
3	A03U807700	Pressure Bearing		C	5	
4	A50U801602	Fixing Plate /ASSY		D	1	
5	A50U802211	Plate		D	1	
6	A50U804200	Fusing Roll		D	4	
7	A00V240600	Ball Bearing		B	4	
8	A1RJ825100	Drive Gear /4 34T		C	1	
9	A50U800300	Swing Frame /2		D	1	
10	A50U800400	Drive Gear /3 14/25T		C	1	
11	A50U800700	Drive Gear /6 14/25T		C	3	
12	A50U801500	Swing Cam		D	1	
13	A50U800800	Drive Gear /7 29T		C	1	
14	A50U801400	Drive Shaft		D	2	
15	A1RJ825800	Drive Gear /5 14T		C	1	
16	A50UF80500	Swing Frame Caulking		D	1	
17	A50UR72R00	Swing Rail Caulking		D	4	
18	A50UN17100	ADU Detection harness /7		D	1	
19	A50U802002	Positioning Shaft /A		D	5	
20	A50U804001	Fusing Rail /B		D	5	
21	A50U805300	Mounting Plate /1		D	1	

# Conveyance Swing Section

改訂版 REVISED EDITION	日付 DATE
	AUGUST 2016

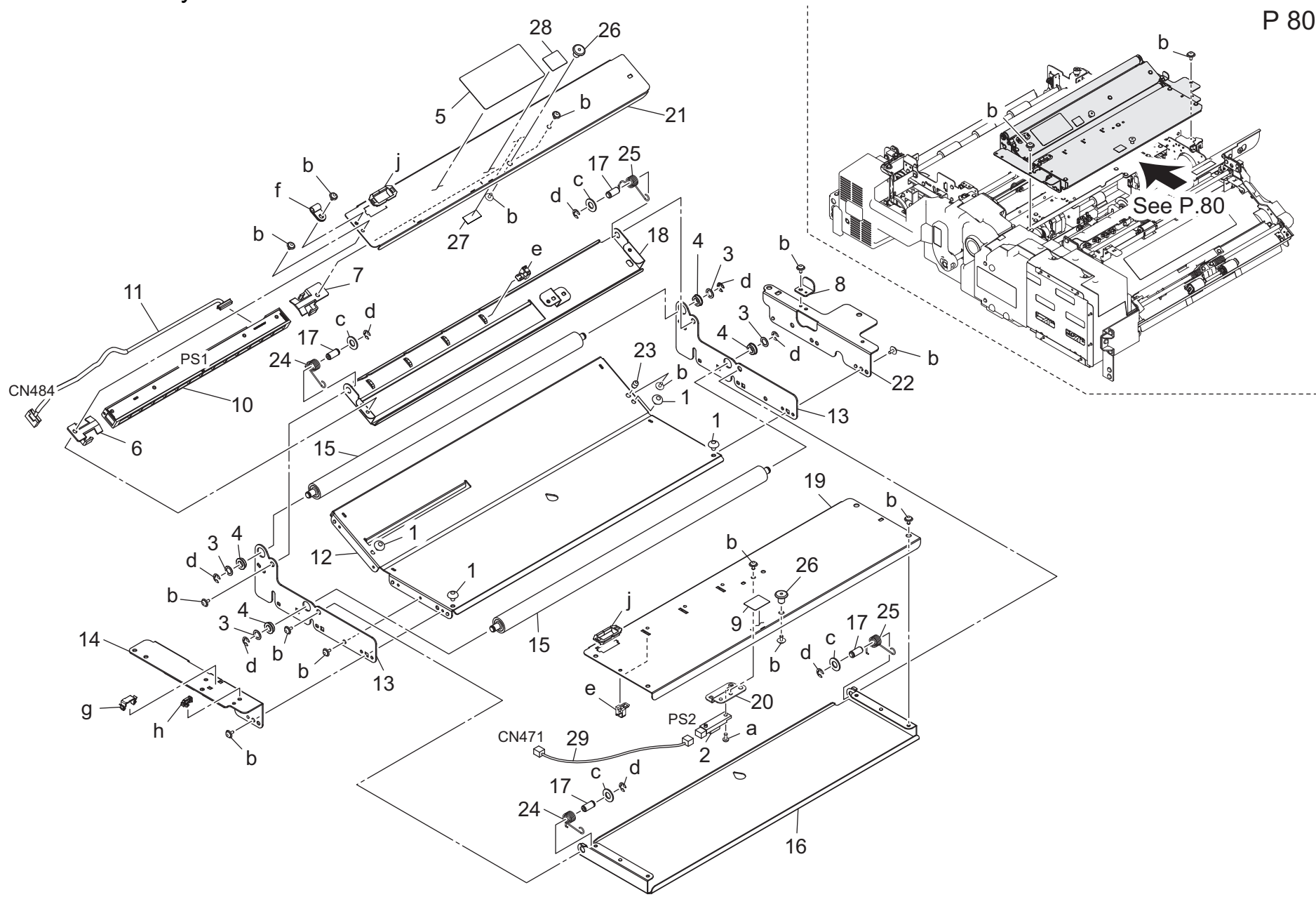


AccurioLabel 190/bizhub PRESS C71cf

Key	Part No.	Description	Destinations	Class	QTY	Standard parts
1	A50U804701	Wiring Cover		D	1	a-V121030403
3	A50U803700	Ground Plate		D	1	b-V127030604
4	4139M10000	Fan motor		B	2	c-V500020098
6	A50U802900	Spacer		D	2	d-V500020099
7	A50U803800	Guide Part		D	1	e-V118033003
9	A00TM10000	Stepping motor		B	1	f-V500010057
10	A50U800100	Support Plate		D	1	g-V500020100
11	A50UN17700	ADU Drive harness /9		D	1	h-V500020101
12	A50U802700	Heat blocking Part /B		D	8	j-V570010037
13	A50U803300	Fusing Rail /A		D	1	k-V570010057
14	A50U803400	Positioning Shaft /1		D	1	m-V127040803
15	A50UR72200	Power Supply Guide Assy		D	1	n-V217060050
16	A50U805200	Protection Seal		D	13	p-V121041203
17	A1RF820000	Ball Bearing		C	2	q-V127030803
18	A50U802100	Positioning Shaft /B		D	2	r-V151030803
19	A50U803600	Holding Plate		D	1	s-V211040080
20	A50U802801	Handle		D	1	t-V217040050
21	A50U803101	Guide Pin /Front		D	1	u-V195040003
22	A50U803500	Positioning Plate /Front		D	1	v-V207040003
24	A50UF80404	Swing Plate Caulking		D	1	w-V570010060

# Pre-transfer Conveyance Section

P 80



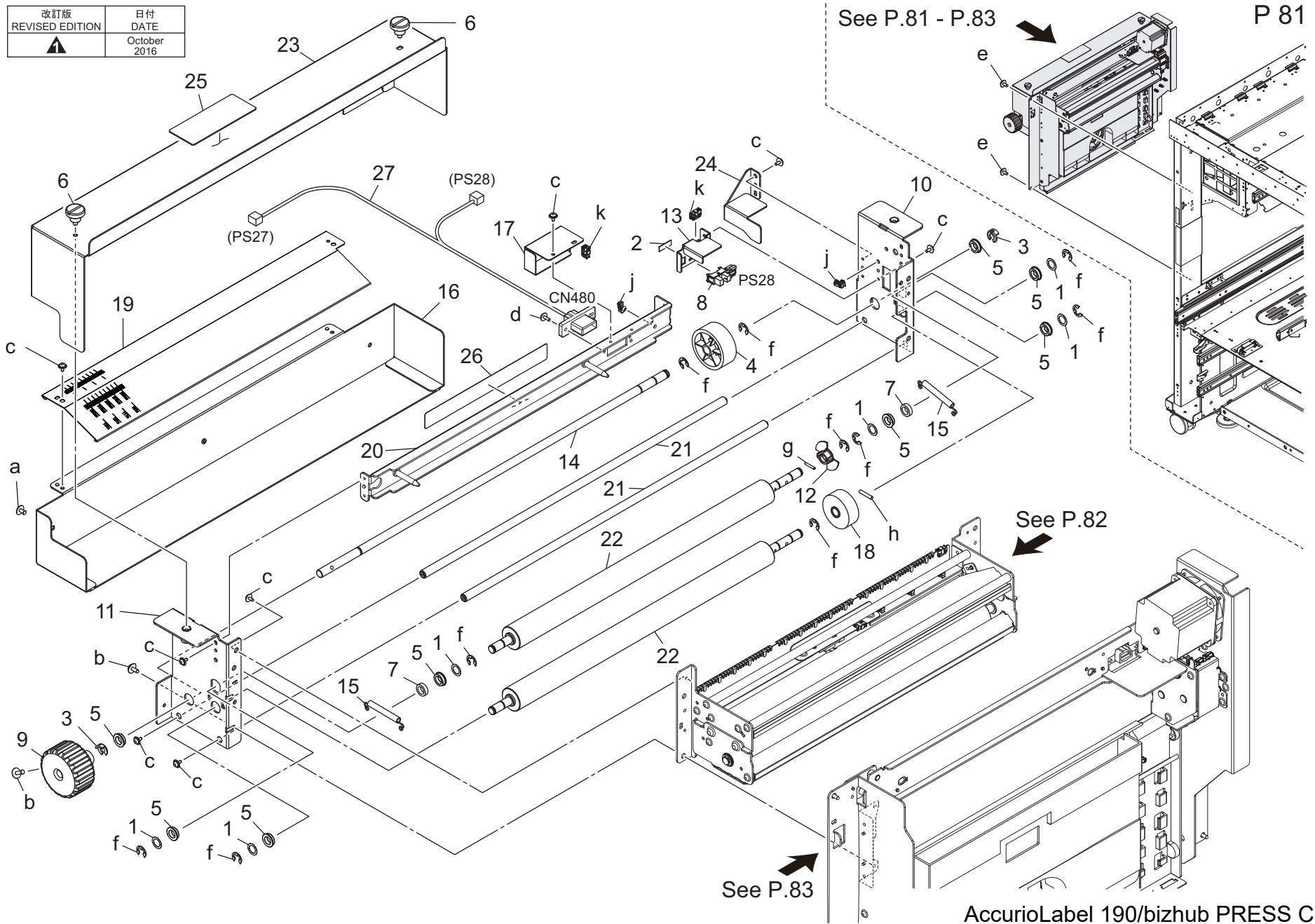
AccurioLabel 190/bizhub PRESS C71cf

Key	Part No.	Description	Destinations	Class	QTY	Standard parts
1	12EJ41370	Stoppre Rubber		C	4	a-V111030603
2	13QA85511	Sensor 1		B	1	b-V127030604
3	40AA32320	Toner Supply Spacer		C	4	c-V207060003
4	A00J617800	Ball Bearing		B	4	d-V217040001
5	A1DU942900	Caution Label /5		D	1	e-V500010057
6	A50U717100	Stopper /1		D	1	f-V500020069
7	A50U717200	Stopper /2		D	1	g-V500020092
8	A50U717901	Adjusting Jig /ASSY		D	1	h-V500020099
9	A50U943200	Release Label /2		D	1	j-V570010037
10	A9VEM55100	Compensating Sensor		C	1	
11	A50UN16800	ADU Detection harness /5		D	1	
12	A7X5710000Old	Conveyance Guide /1		D	1	
12	A7X5710011	Conveyance Guide /1		D	1	
13	A7X5710100Old	Conveyance Side plate		D	2	
13	A7X5710101	Conveyance Side plate		D	2	
14	A7X5710200	Conveyance Base frame /Front		D	1	
15	A7X5710300	Roller Roller		D	2	
16	A7X5710900	Conveyance Cover /1		D	1	
17	A7X5711000	Support Shaft		D	4	
18	A7X5711100	Conveyance Cover /ASSY		D	1	
19	A7X5711201	Sensor Plate /1		D	1	
20	A7X5711500	Sensor Plate /2		D	1	
21	A7X5711600	Sensor Cover		D	1	
22	A7X5711700	Conveyance Base frame /Rear		D	1	
23	A7X5711800	Positioning Shaft		D	1	
24	A7X5711901	Torsion Coil spring /Front		D	2	
25	A7X5712001	Torsion Coil spring /Rear		D	2	
26	A7X5712101	Lifting Handle		D	2	
27	A7X5712200	Insulating Sheet		D	1	
28	A7X5942800	Release Label /1		D	1	
29	A7X5N16700	ADU Detection harness /4		D	1	



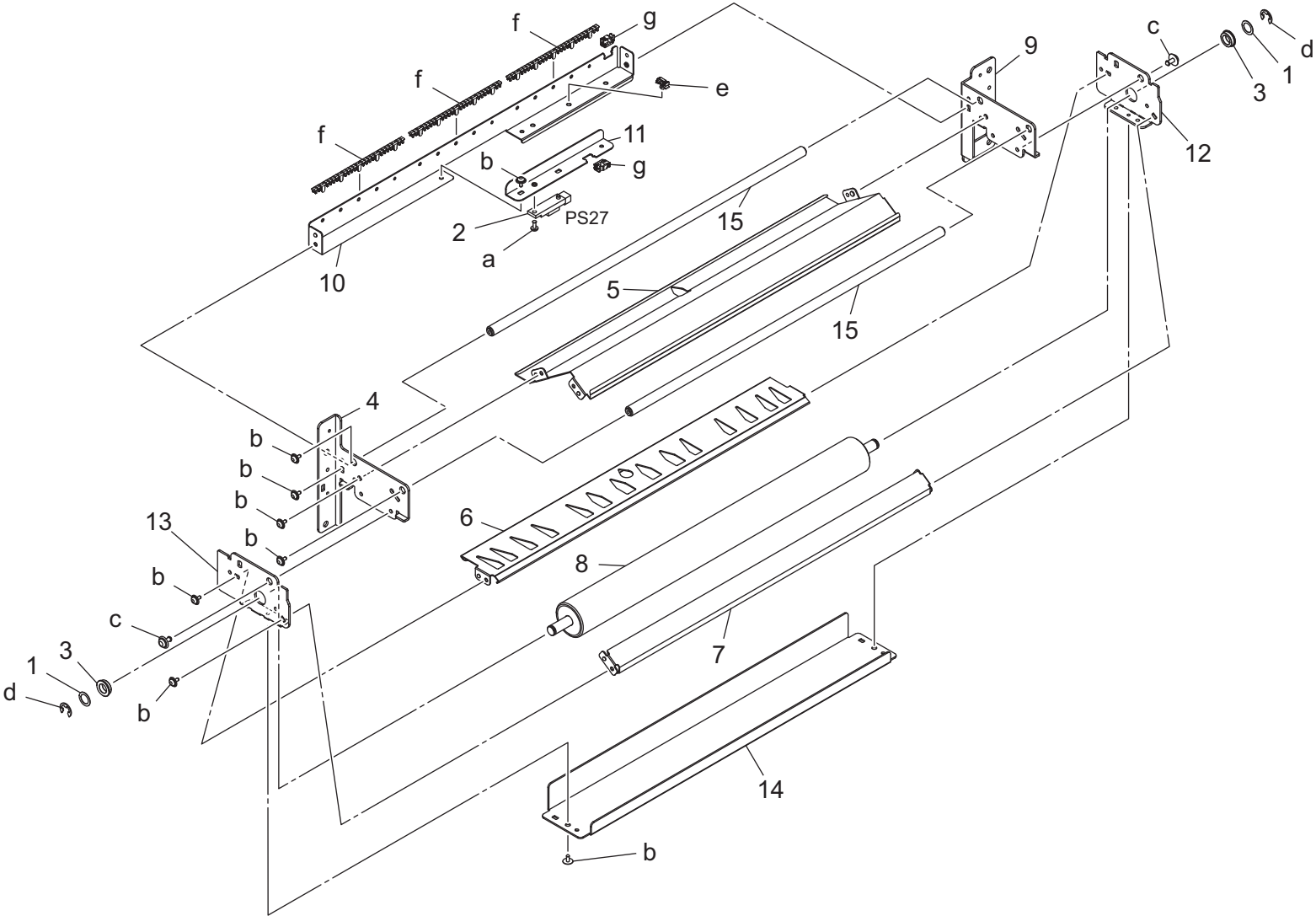
# Paper Exit Section

改訂版 REVISED EDITION	日付 DATE
	October 2016



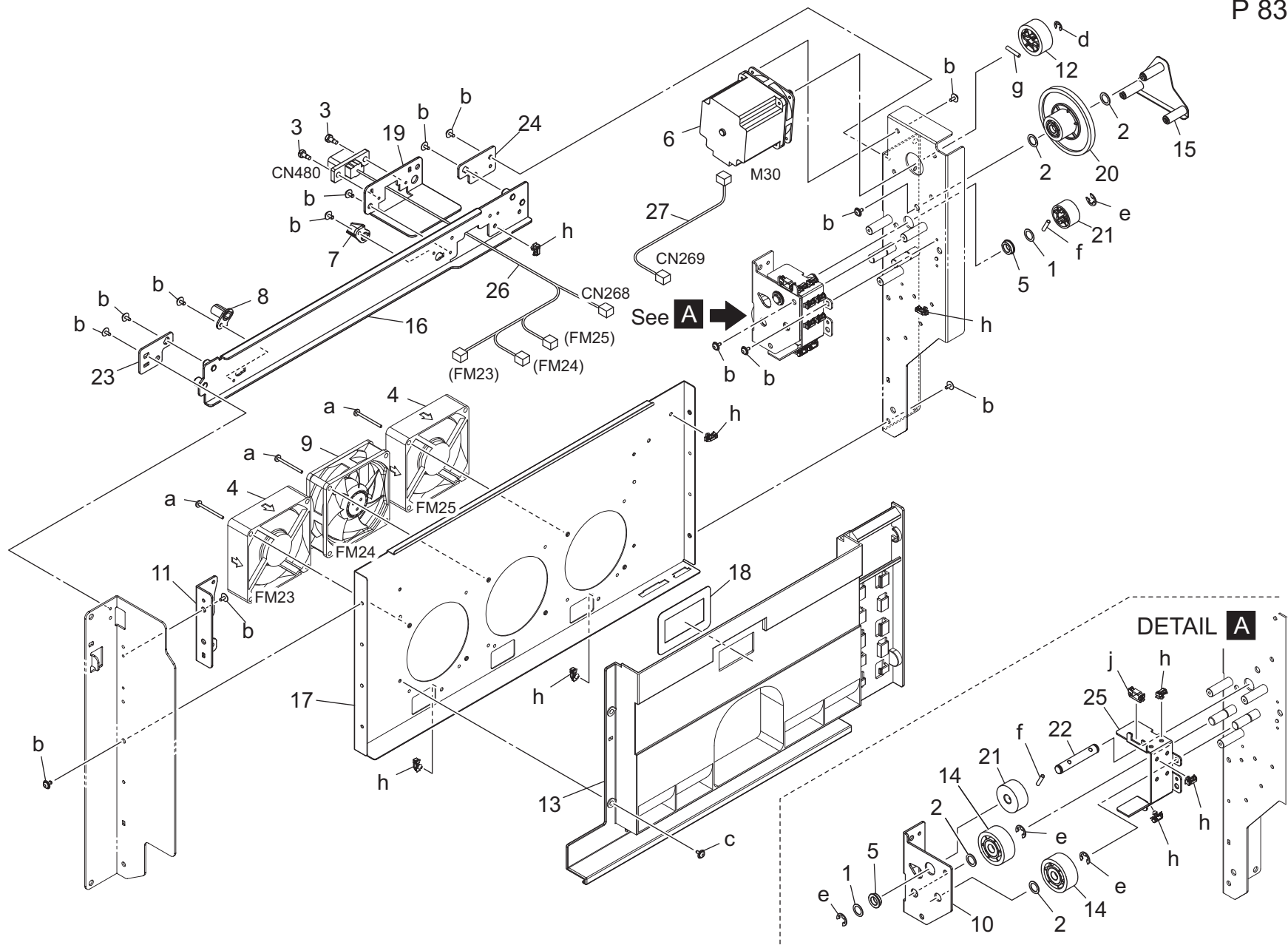
AccurioLabel 190/bizhub PRESS C71cf

Key	Part No.	Description	Destinations	Class	QTY	Standard parts
1	13QA40610	Gear Spacer		C	6	a-V114040604
2	4109553001	Stopper		C	1	b-V121041003
3	55VA42120	Shaft Stopper		C	2	c-V127030604
4	56UA77750	Toner Supply Drive Gear /F 40T		C	1	d-V127030804
5	A00J617900	Ball Bearing		B	8	e-V127040803
6	A0Y6581400	Fixing Screw /2		C	2	f-V217060001
7	A50U716500	Ball Bearing		C	2	g-V234201250
8	A50UM55500	Photo Sensor		I	1	h-V234301650
9	A7X5890100	Release Knob		D	1	j-V500020099
10	A7X5890500	Fixing Plate /Rear		D	1	k-V570010056
11	A7X5890600	Fixing Plate /Front		D	1	
12	A7X5890800	Conveyance Actuator		D	1	
13	A7X5890900	Sensor Plate		D	1	
14	A7X5891700	Drive Shaft		D	1	
15	A7X5891900	Spring		D	2	
16	A7X5892001	Paper exit Cover		D	1	
17	A7X5892100	Sensor Cover		D	1	
18	A7X5892500	Conveyance Gear		C	1	
19	A7X5893501	Guide Plate /2		D	1	
20	A7X5894100	Sensor Stay /ASSY		D	1	
21	A7X5894400	Fixing Shaft		D	2	
22	A7X5895400	Paper exit Roller		B	2	
23	A7X5895901	Paper exit Cover /2		D	1	
24	A7X5896600	Cover Plate		D	1	
25	A7X5943000	Caution Label /1		D	1	
26	A7X5943101	Caution Label /2		D	1	
27	A7X5N14901	Conveyance Relay harness /1		D	1	



Key	Part No.	Description	Destinations	Class	QTY	Standard parts
1	13QA40610	Gear Spacer		C	2	a-V111030603 b-V127030604 c-V127040803 d-V217060001 e-V500020099 f-V500030001 g-V570010056
2	13QA85511	Sensor 1		B	1	
3	A00J617900	Ball Bearing		B	2	
4	A7X5890300	Panel /2		D	1	
5	A7X5891000	Guide Plate /Upper		D	1	
6	A7X5891100	Guide Plate /Lower		D	1	
7	A7X5891200	Guide Plate /Inside		D	1	
8	A7X5891300	Guide Roll		D	1	
9	A7X5891400	Panel /3		D	1	
10	A7X5891500	Sensor Cover		D	1	
11	A7X5891800	Sensor Plate /2		D	1	
12	A7X5893700	Panel /4		D	1	
13	A7X5895500	Panel /5		D	1	
14	A7X5895600	Panel /6		D	1	
15	A7X5896400	Fixing Shaft /3		D	2	

# Paper Exit Section



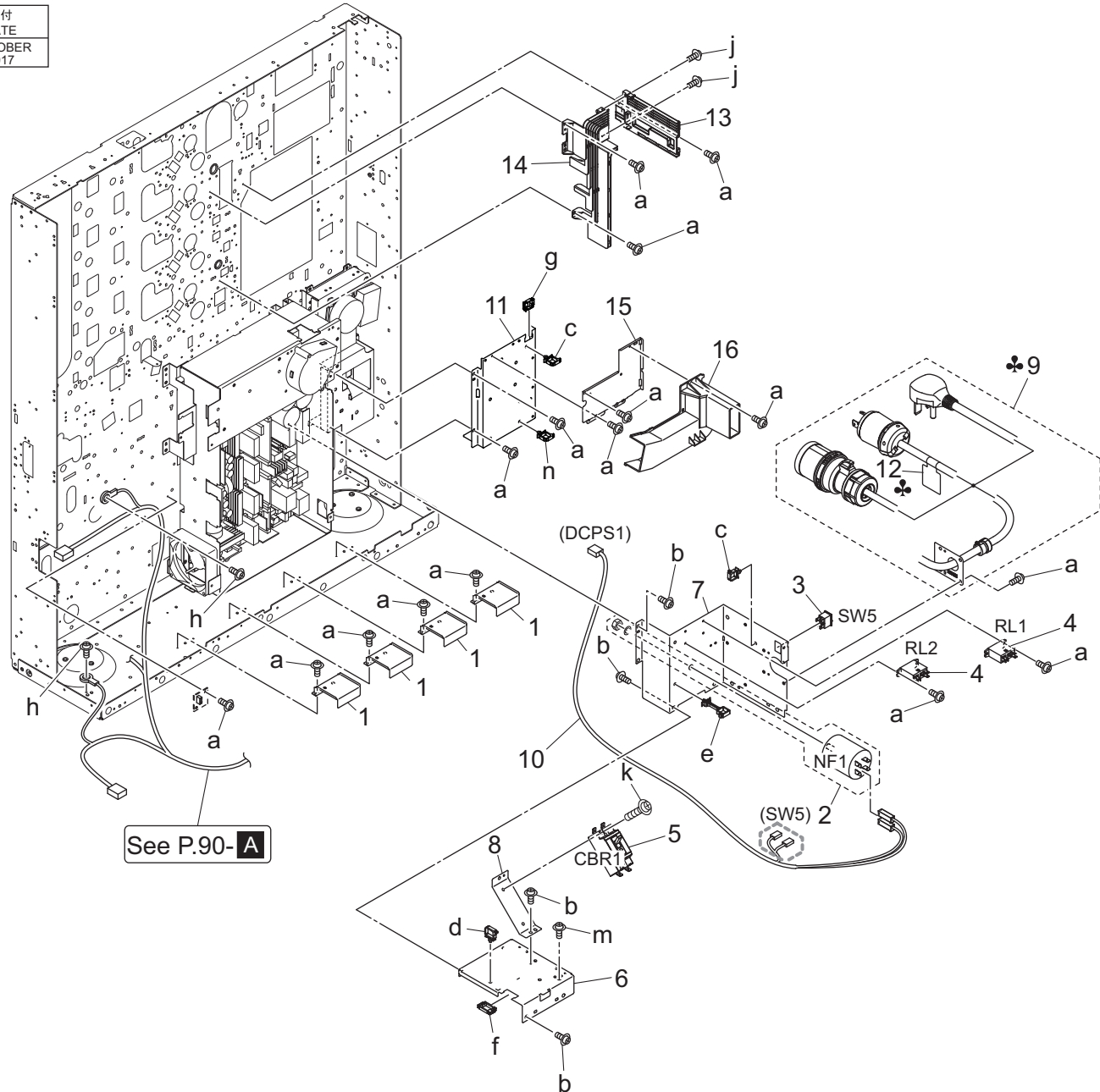
AccurioLabel 190/bizhub PRESS C71cf

Key	Part No.	Description	Destinations	Class	QTY	Standard parts
1	13QA40610	Gear Spacer		C	2	a-V118033003
2	15AJ50460	Punch Spacer		D	4	b-V127030604
3	57AA53520	ELECTRIC MOUNTING SCREW FRONT		C	2	c-V127030804
4	9J03M10000	FAN MOTOR		B	2	d-V217040001
5	A00J617900	Ball Bearing		B	2	e-V217060001
6	A1TVM10100	Stepping motor /50		B	1	f-V234301450
7	A50U737601	Guide Part /11		D	1	g-V234301650
8	A50U737700	Guide Part /12		D	1	h-V500020099
9	A50UM15300	Fan motor /2		C	1	j-V570010057
10	A7X5890200	Reinforce Plate		D	1	
11	A7X5890400	Fixing Plate		D	1	
12	A7X5890700	Drive Gear /1		C	1	
13	A7X5891601	Paper exit Duct		D	1	
14	A7X5892300	Idling Gear /2		C	2	
15	A7X5892400	Fixing Plate /ASSY		D	1	
16	A7X5893400	Guide Plate /ASSY		D	1	
17	A7X5893600	Paper exit Plate		D	1	
18	A7X5894501	Cover Sheet		D	1	
19	A7X5894600	Mounting Plate		D	1	
20	A7X5894700	Conveyance Gear /2		C	1	
21	A7X5895000	Idling Gear		C	2	
22	A7X5895200	Idling Shaft		D	1	
23	A7X5896000	Positioning Plate /Right		D	1	
24	A7X5896100	Positioning Plate /Left		D	1	
25	A7X5896300	Fixing Plate /2		D	1	
26	A7X5N15200	Drive Wiring /3		D	1	
27	A7X5N15300	Drive Wiring /2		D	1	

# Rear Electrical Section

改訂版 REVISED EDITION	日付 DATE
▲	OCTOBER 2017

FRONT  
←



See P.90- A

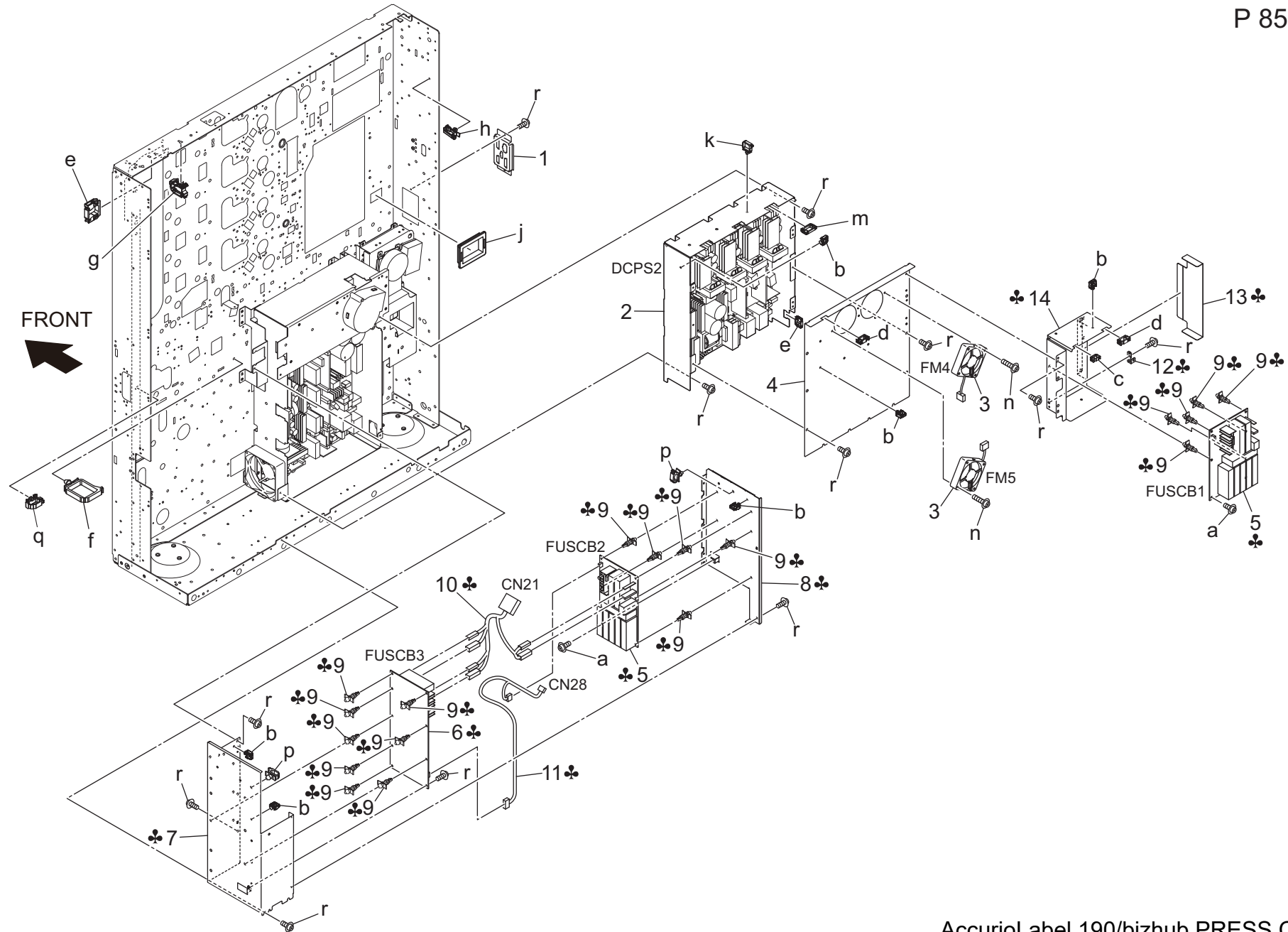


Key	Part No.	Description	Destinations	Class	QTY	Standard parts
1	A50U132400	Wiring Cover		D	4	a-V127030604
2	55TA84561E	Noise filter		C	1	b-V127040603
3	A00JM60300	Rocker switch		C	1	c-V500010083
4	A07TM60100	Power source Relay		C	2	d-V500010084
5	A4EUM60401	Breaker		D	1	e-V500020085
6	A50U131502	Bottom plate		D	1	f-V570010059
7	A50U131600	Side plate		D	1	g-V570010060
8	A50U131800	Fixing Plate /D		D	1	h-V116040603
9	A50UR71G00	Power Code Assy(JP)	A	D	1	j-V158030803
9	A50UR71H00	Power Code Assy(US)	B,G1,G2	D	1	k-V111042003
9	A50UR71J00	Power Code Assy(EU)	C,D1,F2,H,I,J,K	D	1	m-V116050803
9	A50UR73700	Power Code Assy	D3	D	1	n-V500010081
10	A50UN11701	AC Wiring /4		D	1	
11	A50U131700	Mounting Plate		D	1	
12	56AA97140	CORD LABEL	B,G1,G2	D	1	
13	A50U133700	Wiring Guide /Rear		D	1	
14	A50U133800	Wiring Guide /Left Rear		D	1	
15	A50U120100	Fixing Plate		C	1	
16	A50U120200	Cooling Duct		D	1	

AccurioLabel 190/bizhub PRESS C71cf



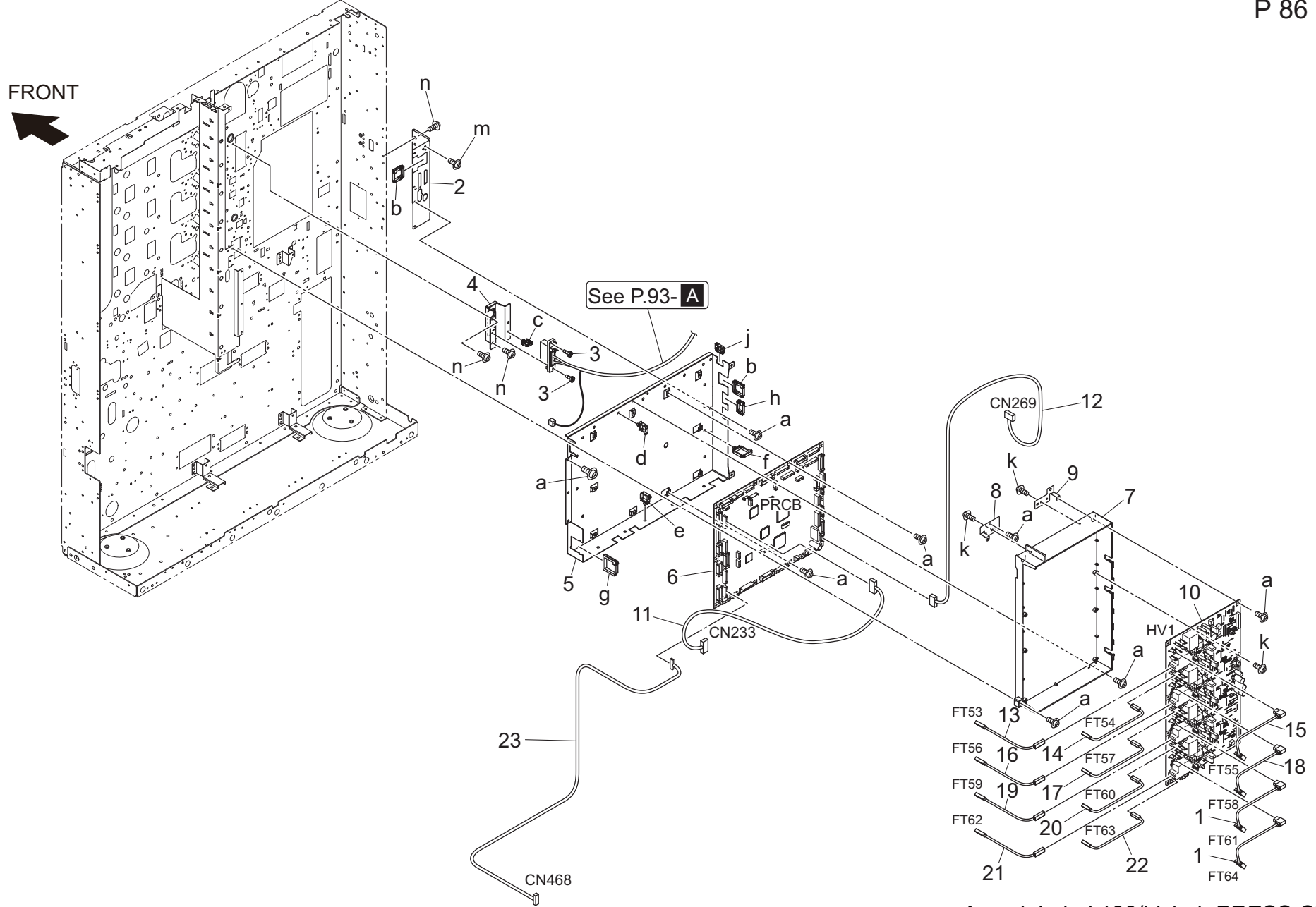
# Rear Electrical Section



AccurioLabel 190/bizhub PRESS C71cf

Key	Part No.	Description	Destinations	Class	QTY	Standard parts
1	A50U108100	Power supply Panel /F		D	1	a-V127030603
2	A50UM45200	DC Power source /2		I	1	b-V500020098
3	9J06M10000	Fan motor		C	2	c-V570010056
4	A50U132301	Cover /2		D	1	d-V570010057
5	A1DUM70001	Fixing Control board /1	C,D1,D3,F2,H,I,J,K	I	2	e-V570010060
6	A1DUM70101	Fixing Control board /2	C,D1,D3,F2,H,I,J,K	I	1	f-V500010063
7	A50U136000	Mounting Plate /1	A,B,C,D1,D3,F2,G1,G 2,H,I,J,K	D	1	g-V500010071
7	A50U136000	Mounting Plate /1	取付板 / 1	D	1	h-V500020100
8	A50U136101	Mounting Plate /1	取付板 / 1	D	1	j-V570010038
9	V502010033	Circuit Board Spacer	サーキットボードスペーサー	D	18	k-V500010084
10	A50UN12E01	Fixing Control harness /1	C,D1,D3,F2,H,I,J,K	D	1	m-V570010059
11	A50UN13E01	Fixing Control harness /2	C,D1,D3,F2,H,I,J,K	D	1	n-V118031803
12	A50U130300	Mounting Plate Outside	取付板 / 外	D	1	p-V500010081
13	A50U130400	Protection Sheet	保護シート	D	1	q-V500010072
14	A50U136403	Mounting Plate /3	取付板 / 3	D	1	r-V127030604

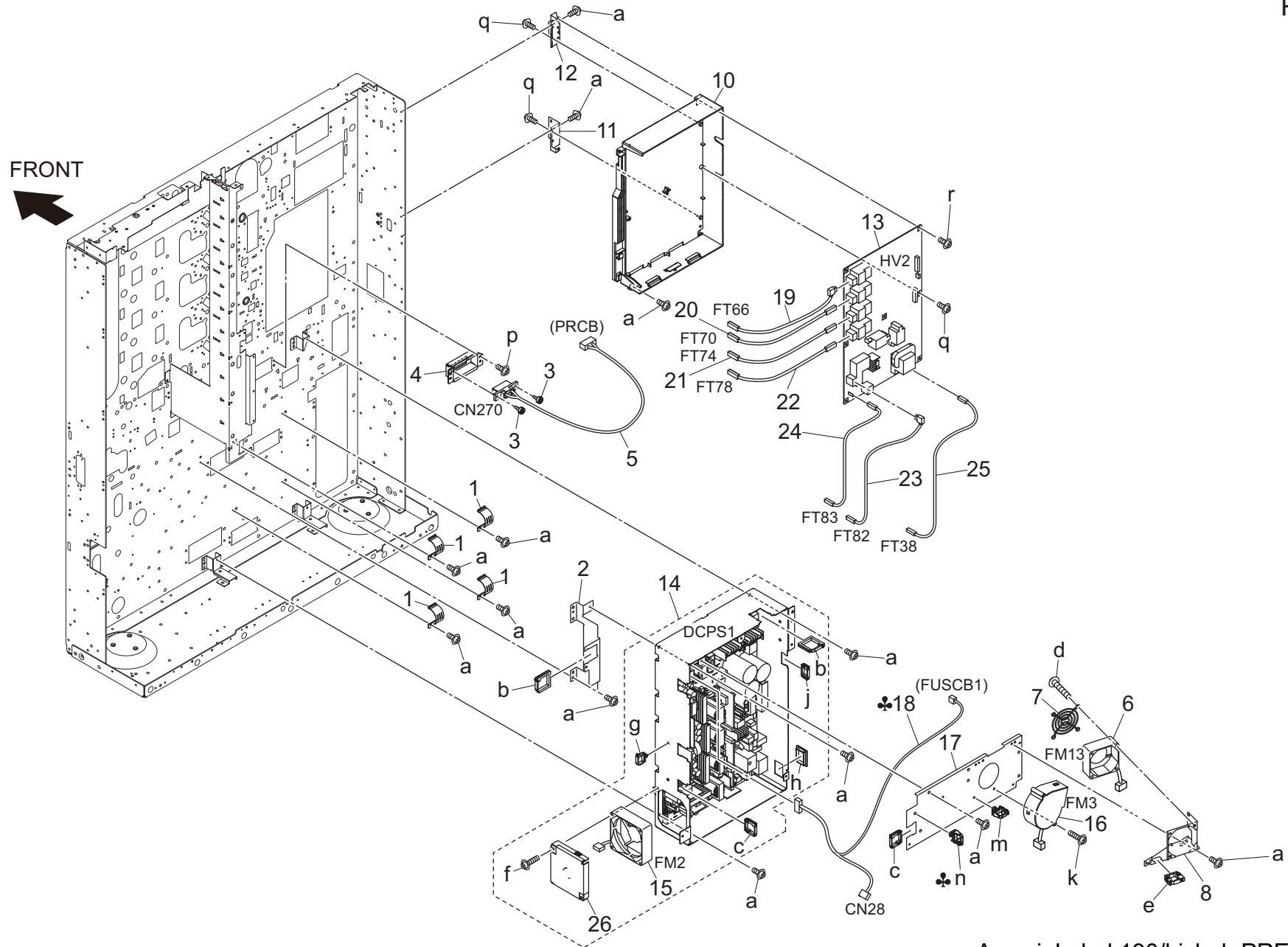
# Rear Electrical Section



AccurioLabel 190/bizhub PRESS C71cf

Key	Part No.	Description	Destinations	Class	QTY	Standard parts
1	A50UN24300	HV Wiring /14		D	2	a-V127030603
2	A50U133101	Support Plate /B		D	1	b-V570010058
3	57AA15600	ELECTRIC MOUNTING SCREW		C	2	c-V500020099
4	A50U104800	Connecting Frame		D	1	d-V500010083
5	A50U133001	Control Plate		D	1	e-V500010084
6	A7X5R90600	Print Control Board ASSY		I	1	f-V500010085
7	A50U131002	Casing /1		D	1	g-V570010048
8	A50U131400	Ground Plate /1		D	1	h-V570010059
9	A50U131900	Ground Plate /2		D	1	j-V570010060
10	A50UM40100	HV Board /1		D	1	k-V158030803
11	A50UN12900	Toner Relay harness /1		D	1	m-V116040603
12	A50UN17400	Drive Relay harness /2		D	1	n-V127040603
13	A50UN23200	HV Wiring /3		D	1	
14	A50UN23300	HV Wiring /4		D	1	
15	A50UN23400	HV Wiring /5		D	1	
16	A50UN23500	HV Wiring /6		D	1	
17	A50UN23600	HV Wiring /7		D	1	
18	A50UN23700	HV Wiring /8		D	1	
19	A50UN23800	HV Wiring /9		D	1	
20	A50UN23900	HV Wiring /10		D	1	
21	A50UN24100	HV Wiring /12		D	1	
22	A50UN24200	HV Wiring /13		D	1	
23	A50UN11501	Main body Wiring /5		D	1	

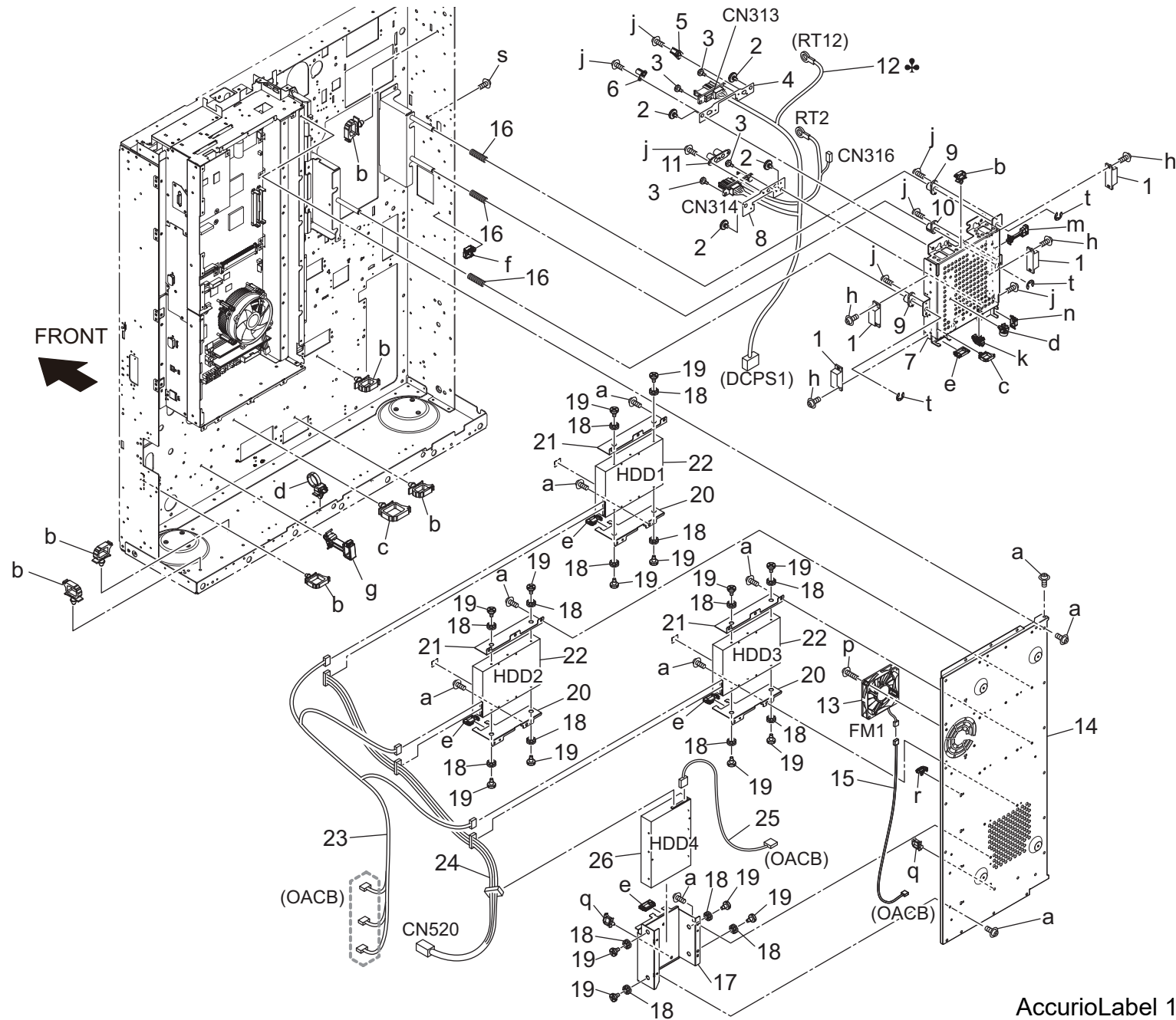
# Rear Electrical Section



AccurioLabel 190/bizhub PRESS C71cf

Key	Part No.	Description	Destinations	Class	QTY	Standard parts
1	56AA73560	EARTH PLATE UPPER		C	4	a-V127030604
2	A50U132600	Mounting Plate /Left		D	1	b-V570010048
3	A50U109201	Mounting Screw		D	2	c-V570010058
4	A50U112901	Mounting Tray		D	1	d-V121033003
5	A50UN15101	ADU Relay harness /2		D	1	e-V570010060
6	56QA80570	Internal Cooling Fan		C	1	f-V118033003
7	A50U122400	Protection Cover /2		D	1	g-V500010084
8	A50U120700	Fixing Plate /2		D	1	h-V570010038
10	A50U131100	Hold Casing /2		D	1	j-V570010059
11	A50U131200	Ground Plate /4		D	1	k-V118043503
12	A50U131300	Ground Plate /3		D	1	m-V500020098
13	A50UM40201	HV Board /2		D	1	n-V500010083
14	A50UR70M00	Power Supply / 1		I	1	p-V146040804
15	A0EDM10500	Fan motor		C	1	q-V158030803
16	9313110033	FAN MOTOR		C	1	r-V127030603
17	A50U132100	Cover /1		D	1	
18	A50UN11E02	Fixing Control harness /E	C,D1,D3,F2,H,I,J,K	D	1	
19	A50UN24400	HV Wiring /15		D	1	
20	A50UN24600	HV Wiring /16		D	1	
21	A50UN24800	HV Wiring /17		D	1	
22	A50UN25000	HV Wiring /18		D	1	
23	A50UN25200	HV Wiring /19		D	1	
24	A50UN25300	HV Wiring /G		D	1	
25	A50UN25500	HV Wiring /S		D	1	
26	A50UR73F00	Filter Assy		D	1	

# Rear Electrical Section

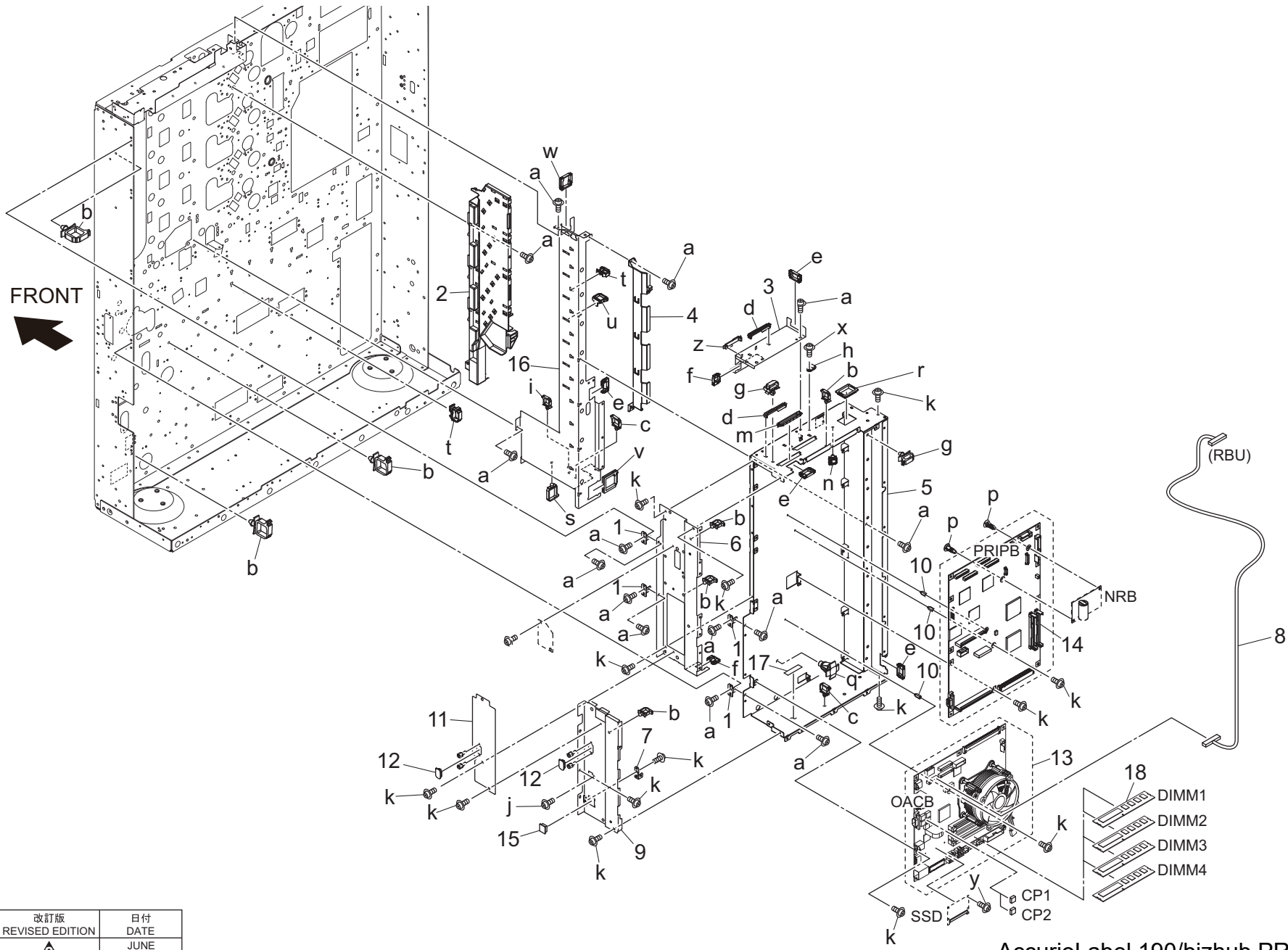


AccurioLabel 190/bizhub PRESS C71cf

Key	Part No.	Description	Destinations	Class	QTY	Standard parts
1	55VA32480	MAGNET CATCH		C	4	a-V127030516
2	A50U734100	Guide Screw		D	4	b-V500010082
3	A50U737302	Fixing Screw /1		D	4	c-V500010084
4	A50U737401	Mounting Stay /2		D	1	d-V501010018
5	A50U737601	Guide Part /11		D	1	e-V570010059
6	A50U737700	Guide Part /12		D	1	f-V500020098
7	A50U749401	Mounting Stay /Rear		D	1	g-V500020101
8	A50U749502	Mounting Stay /1		D	1	h-V126030603
9	A50U749600	Idler Sleeve /1		D	2	j-V127030604
10	A50U749700	Idler Sleeve /2		D	1	k-V500010072
11	A50U749801	Positioning Sleeve /3		D	1	m-V500020085
12	A50UN10A01	Fixing Relay harness /A	A,B,G1,G2	D	1	n-V570010063
12	A50UN10E02	Fixing Relay harness /E	C,D1,D3,F2,H,I,J,K	D	1	p-V118031803
13	A1RFM15100	Fan motor /1		C	1	q-V500010083
14	A50U130502	Processing Cover /Lower		D	1	r-V500010071
15	A50UN27400	ImageProcessing Relay harness /1		D	1	s-V116040603
16	A50U753100	Pressing Spring		D	3	t-V217060050
17	A50U133302	Mounting Plate /C		C	1	
18	20ER73120	Board Support Rubber		D	16	
19	20ER73110E	Board Fixing Screw		D	16	
20	A50U133500	Mounting Plate /B		D	3	
21	A50U133600	Mounting Plate /A		D	3	
22	A50UR90300	HDD set (3 pcs)		I	3	
23	A50UN29801	Signal Cable /H		D	1	
24	A50UN29900	Power source Cable /H		D	1	
25	A5XJN15001	Signal Cable /1		D	1	
26	A50UR90400	HDD		I	1	



# Rear Electrical Section

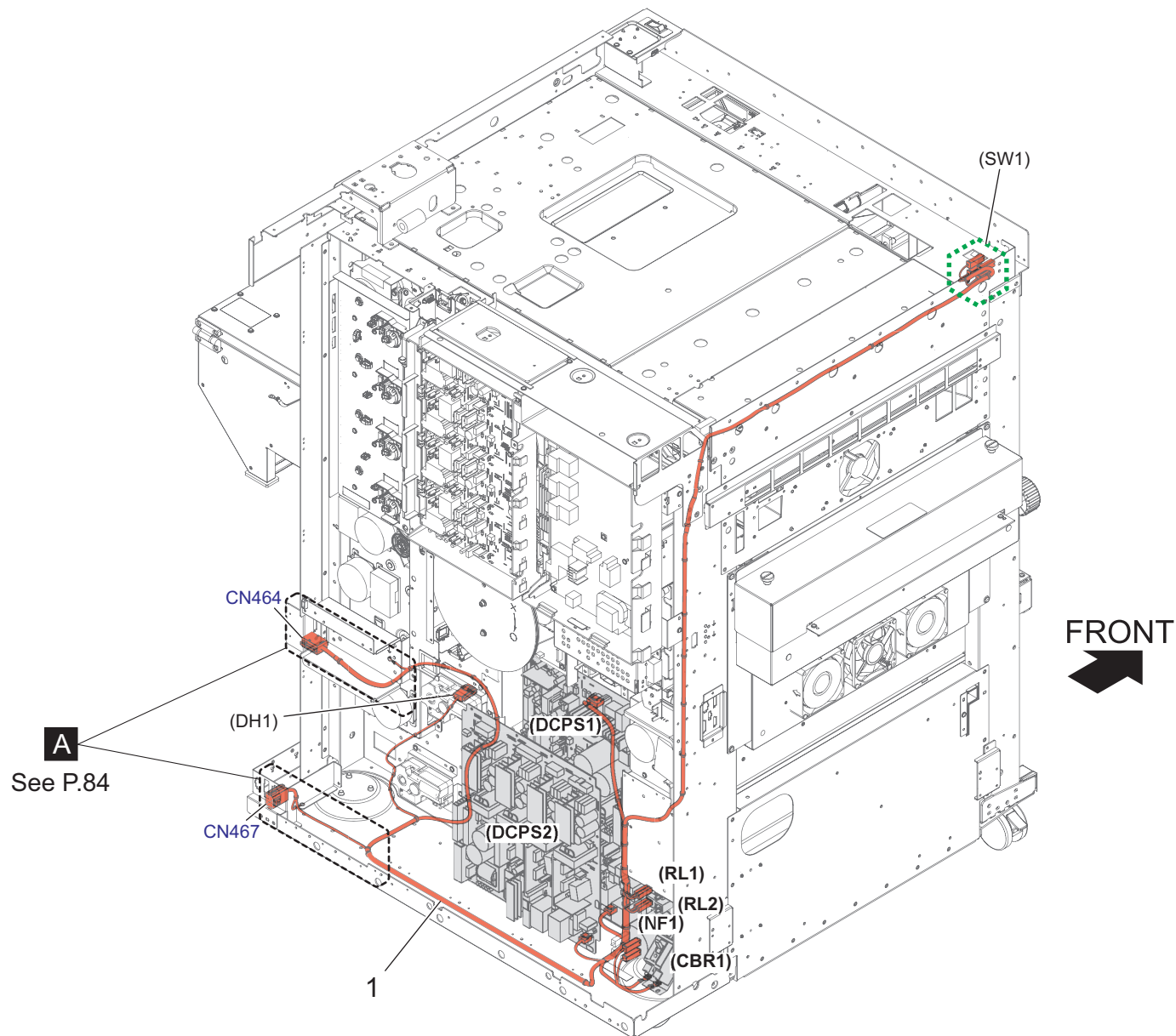


改訂版 REVISED EDITION	日付 DATE
	JUNE 2018

Order here  
8 (495) 646-0426  
ПЯТЫЙ ПАРТНЕР www.km-shop.ru

AccurioLabel 190/bizhub PRESS C71cf

Key	Part No.	Description	Destinations	Class	QTY	Standard parts
1	A50U130600	Mounting Plate Outside		D	4	a-V127030604
2	A50U133901	Wiring Guide /Right Rear		D	1	b-V500010083
3	A50U134701	Wiring Guide /P		D	1	c-V500010084
4	A50U136302	Wiring Guide /2		D	1	d-V500020093
5	A50U130104	Processing Plate		D	1	e-V570010059
6	A50U130202	Processing Plate /Side		D	1	f-V570010060
7	A50U130300	Mounting Plate Outside		D	1	g-V500010081
8	A50UN29201	Relay Wiring /U		D	1	h-V500020069
9	A50U130902	Cover /3		D	1	i-V500020100
10	A50U133400	Mounting Screw /B		D	3	j-V111030603
11	A50U136200	Cover /2		D	1	k-V127030516
12	13RN73120	Terminal Protection Cover /1		D	2	m-V500010080
13	A57PH0110A	Main Body Control Board assy		I	1	n-V500020098
14	A50UH02004	Image Processing Board Assy		I	1	p-V502010009
15	40LA73840	Contact Protection Cover		D	1	q-V502010062
16	A50U134801	Cover Plate /1		D	1	r-V570010038
17	A0E7946700	Caution Label	H	C	1	s-V500010085
18	V865300078	Memory Modules		C	1	t-V500010071
						u-V500010079
						v-V570010048
						w-V570010058
						x-V116030803
						y-V111140403
						z-V500020066

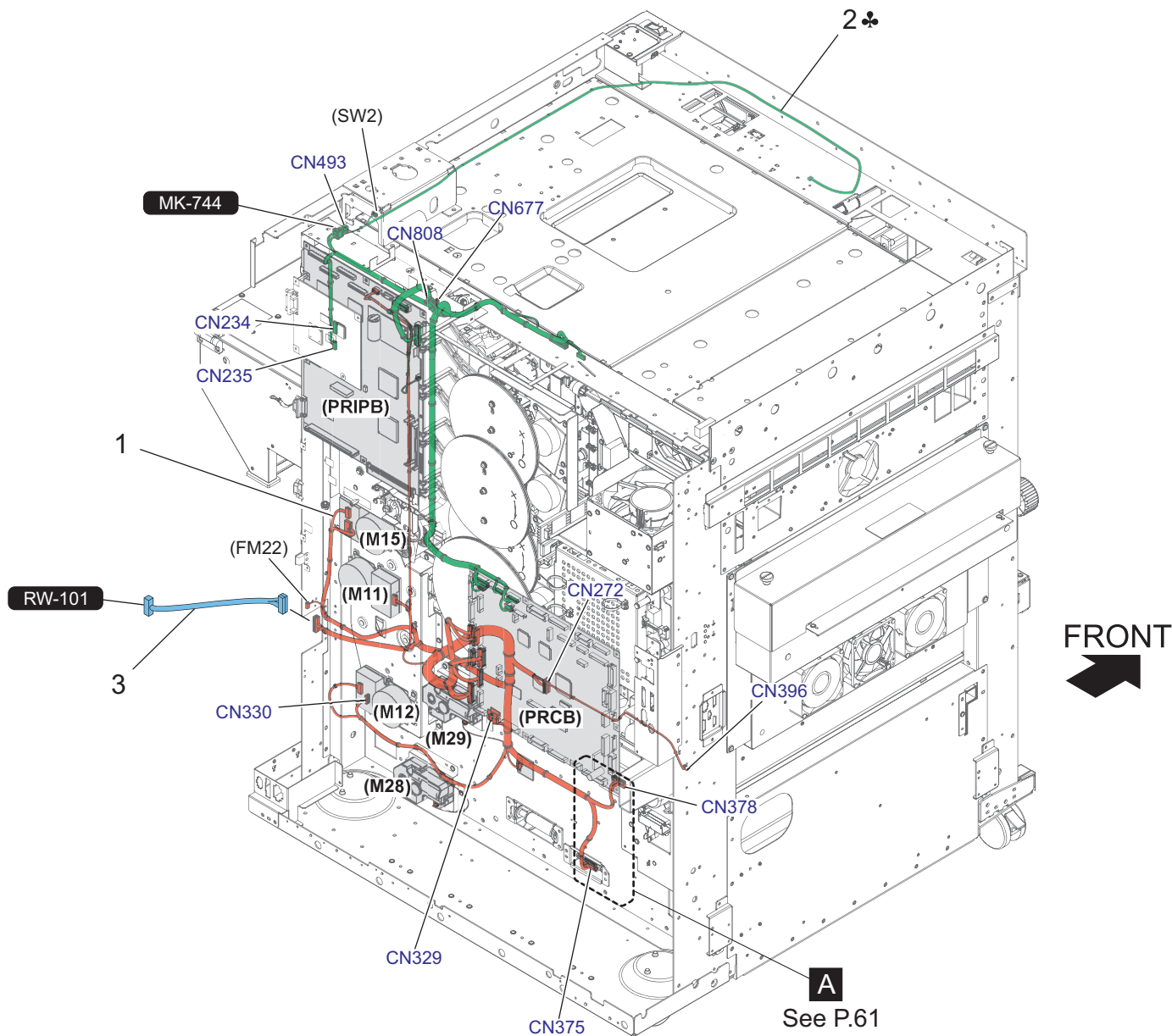


AccurioLabel 190/bizhub PRESS C71cf

Wiring

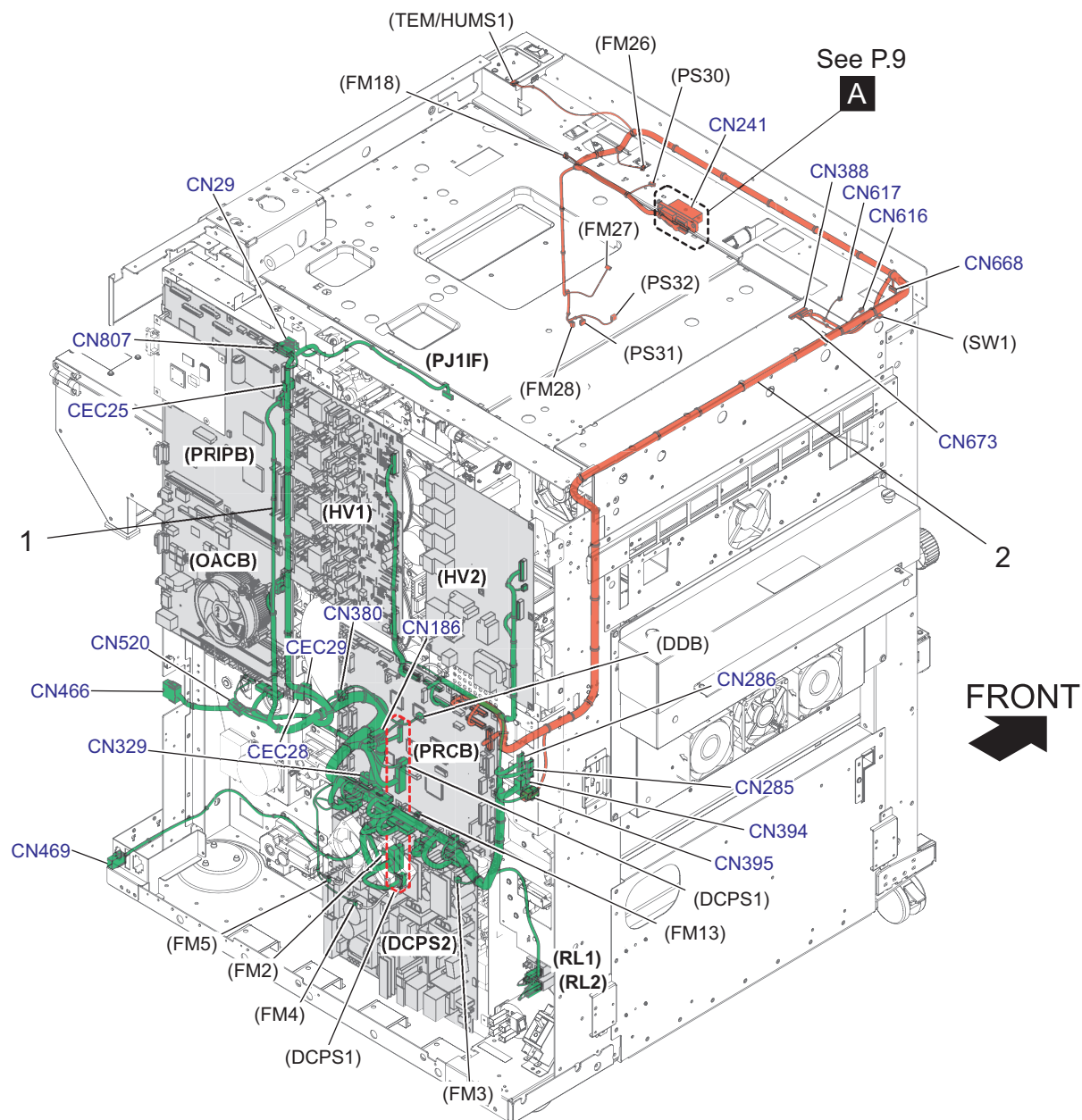
Key	Part No.	Description		Destinations	Class	QTY	Standard parts
1	A50UN10101	AC Wiring /3	A C 束線 / 3		D	1	

AccurioLabel 190/bizhub PRESS C71cf



AccurioLabel 190/bizhub PRESS C71cf

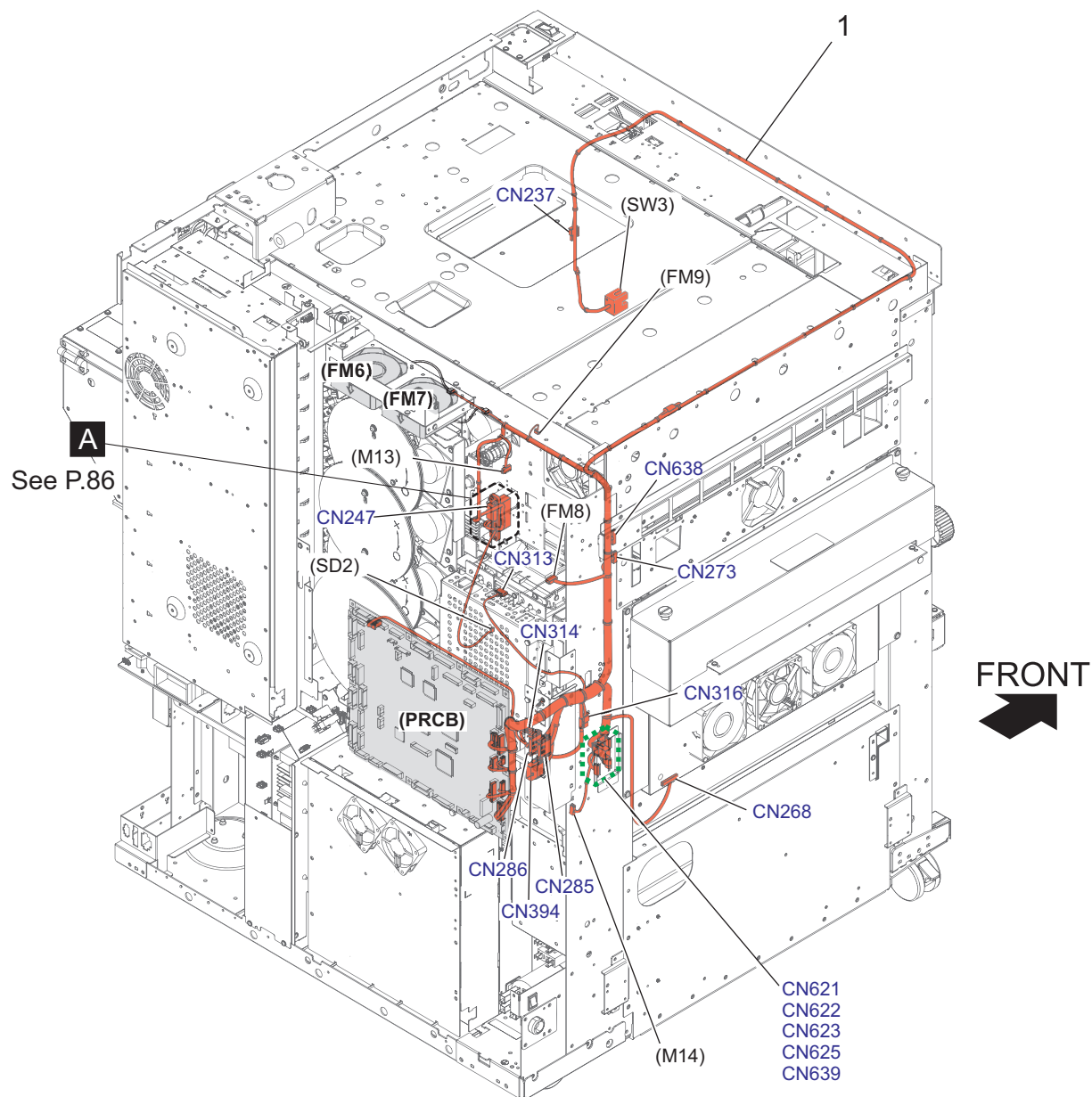
Key	Part No.	Description	Destinations	Class	QTY	Standard parts
1	A50UN10202	Main body Wiring /1		D	1	
2	A50UN10414	Main body Wiring /2		D	1	
3	A7X5N11400	Interface Control harness /1		D	1	



AccurioLabel 190/bizhub PRESS C71cf

Key	Part No.	Description	Destinations	Class	QTY	Standard parts
1	A50UN10302	DC Power source harness /1		D	1	
2	A50UN12702	Main body Wiring /4		D	1	



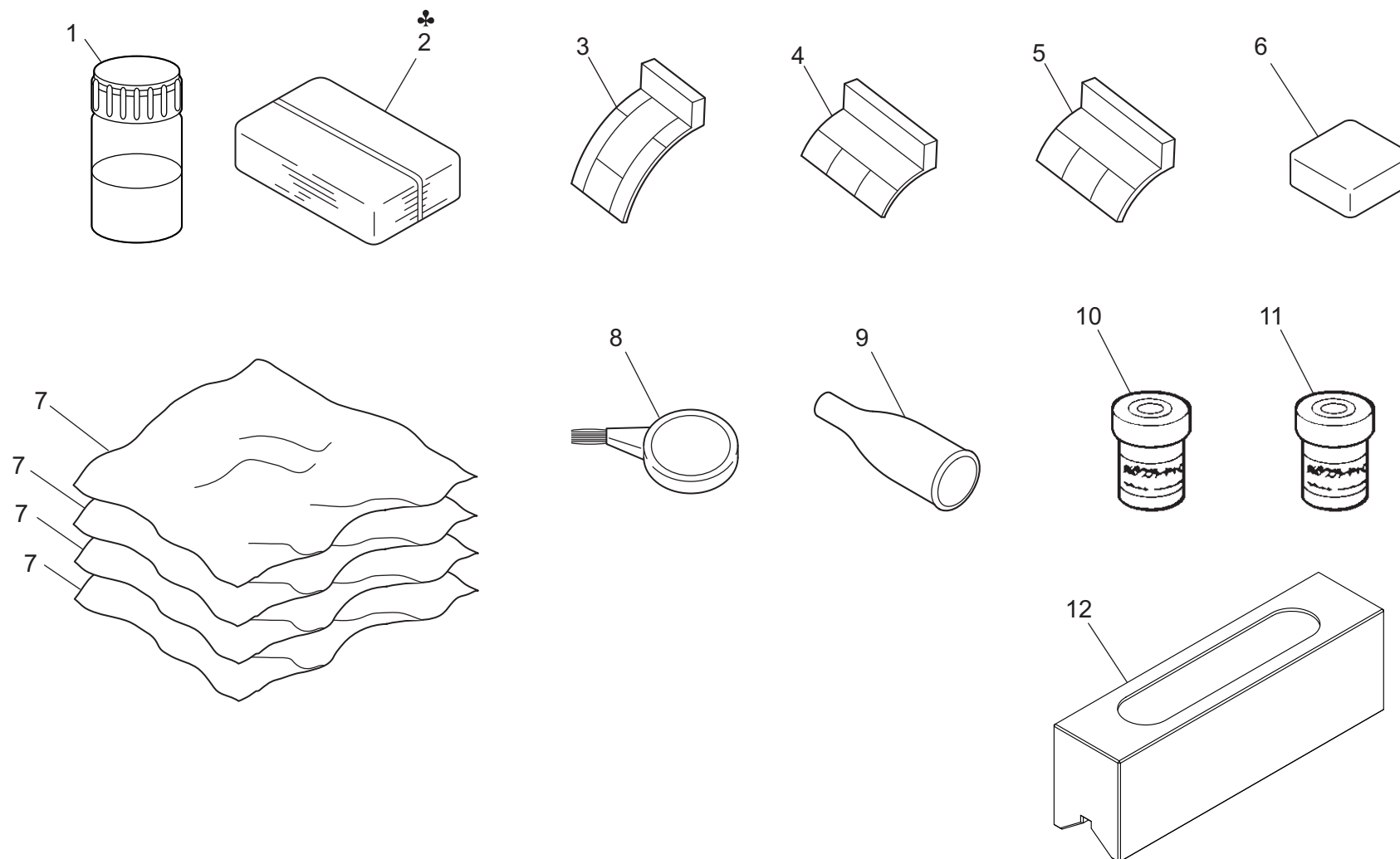


AccurioLabel 190/bizhub PRESS C71cf

Key	Part No.	Description	Destinations	Class	QTY	Standard parts
1	A50UN10502	Main body Wiring /3	本体束線 / 3	D	1	

# Jigs

改訂版 REVISED EDITION	日付 DATE
	MAY 2016

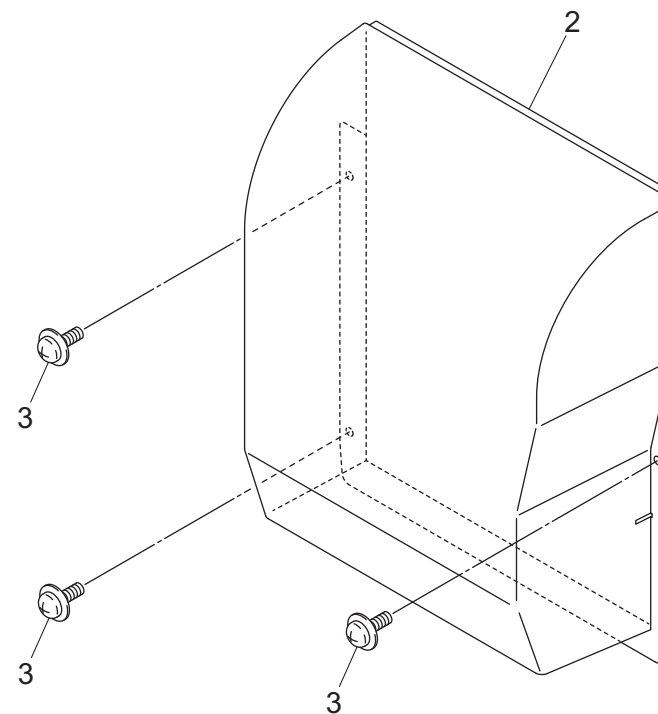
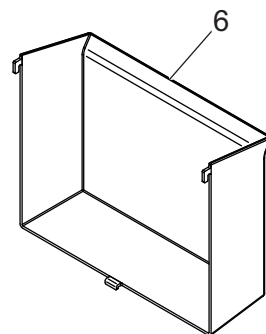
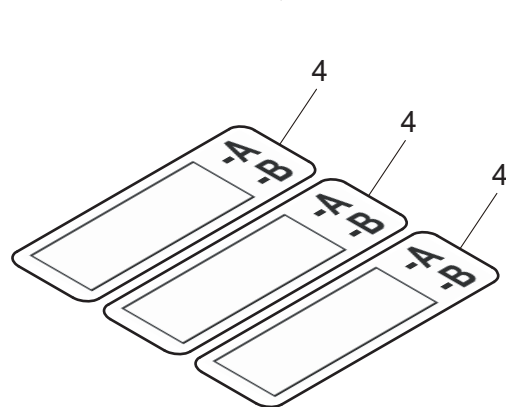
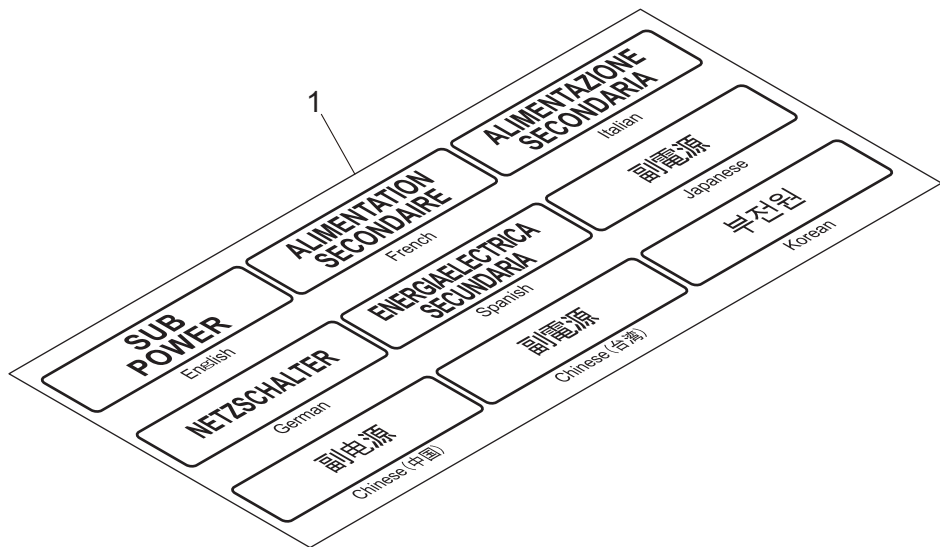


AccurioLabel 190/bizhub PRESS C71cf

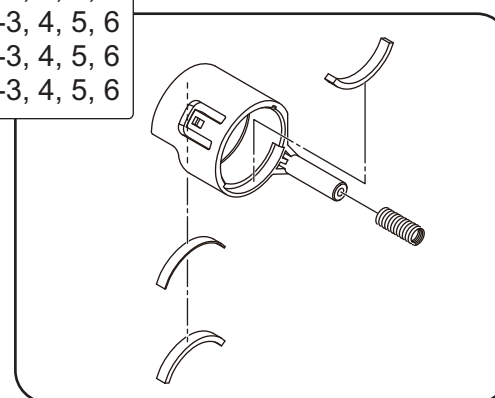
Key	Part No.	Description	Destinations	Class	QTY	Standard parts
1	A50UPP0100	Setting Toner No.2		S	1	
2	A5AWP00100	Cleaning Pad		S	1	
2	A5AWP00100	Cleaning Pad	C,D1,D3,F2,H,I,J,K	S	1	
3	A50UPJG300	Positioning Jig /C (Temperature Sensor)	A	S	1	
4	A50UPJG100	Positioning Jig /A (TS1/2)		S	1	
5	A50UPJG200	Positioning Jig /B (TS3)		S	1	
6	65AA-9920	HYDROWIPE		S	1	
7	00VC-2-00	Drum Cover		S	4	
8	00VD-1000	Blower Brush		S	1	
9	A1DUPJG100	Cleaning Jig		S	1	
10	00GR00260	Grease(Multemp FF-RM)		S	1	
11	00GR00020	Grease(Plas Guard No.1)		S	1	
12	A7X5PJG100	Small Precision level (V-groove Base)		S	1	

# Accessory Parts

P 95

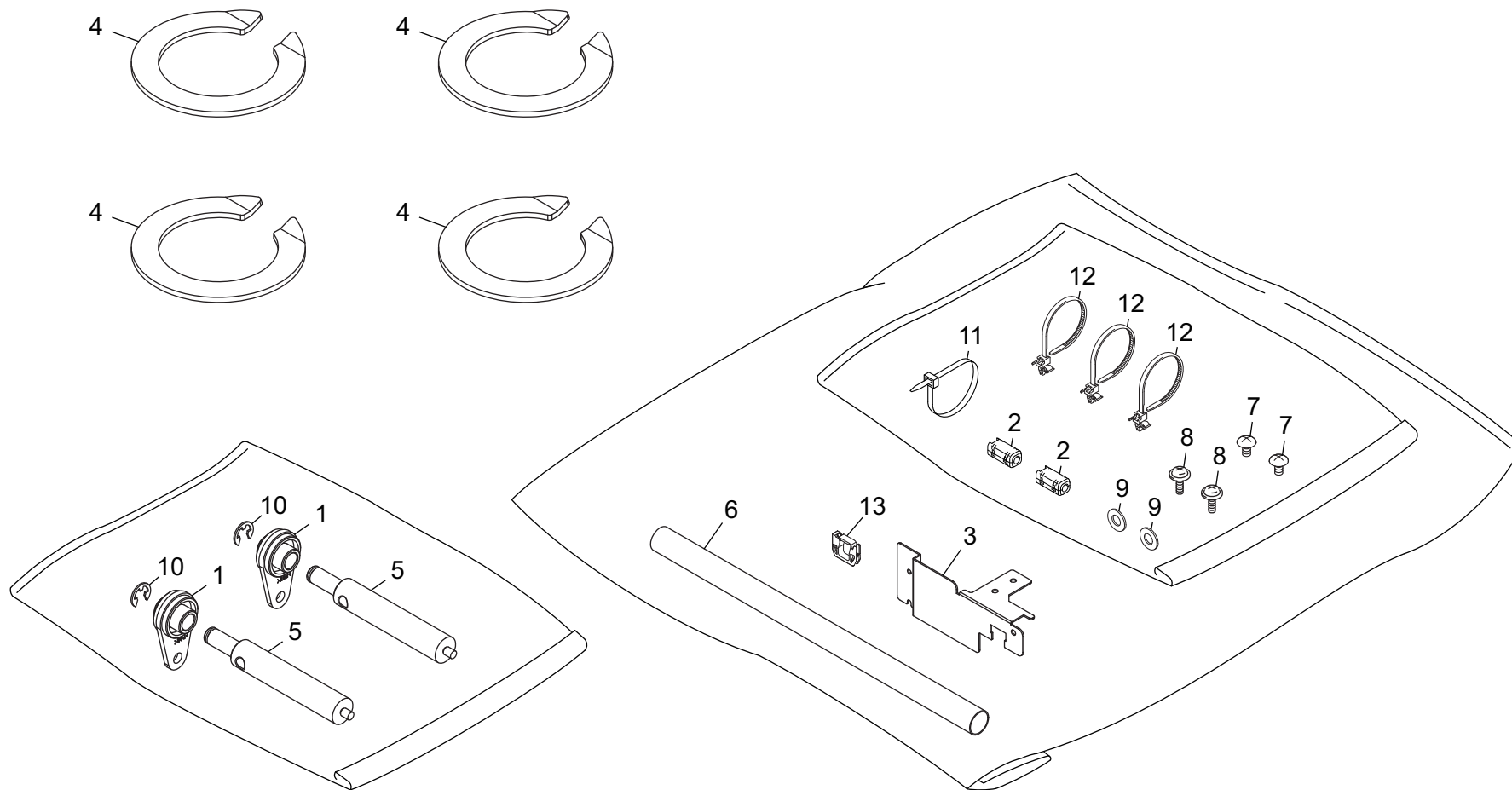


See P.20-3, 4, 5, 6  
 P.21-3, 4, 5, 6  
 P.21-3, 4, 5, 6  
 P.21-3, 4, 5, 6



AccurioLabel 190/bizhub PRESS C71cf

Key	Part No.	Description	Destinations	Class	QTY	Standard parts
1	A1DU946300	Input Label		D	1	
2	A50U168002	Duct		D	1	
3	V121030604	Screw		V	3	
4	A1RF945501	Replacement Label /5		D	3	
5	A50U269000	Cover		C	1	
6	56UA12770	ACCESSARIES HOLDING PANEL		C	1	



Key	Part No.	Description	Destinations	Class	QTY	Standard parts
1	A034122300	Bushing		D	2	
2	A1RHM91100	Ferritecore /1		D	2	
3	A7X5102001	Holding Plate /1		D	1	
4	A7X5959000	Stopper Ring		D	4	
5	A7X5959100	Installing Shoulder screw		S	2	
6	A7X5M90100	Tube		D	1	
7	V114040604	Screw		V	2	
8	V121040803	Screw		V	2	
9	V207060003	Washer		V	2	
10	V217040001	E-ring		V	2	
11	V501010004	band		D	1	
12	V501010018	BAND		D	3	
13	V570010060	Wing Edge Saddle		D	1	



# MAINTENANCE LIST

● The items with no Page/Key numbers are not handled as spare parts.

No.	Section	PM Parts Description	Maintenance Cycle (K=1,000)		Parts No.	Destinations	Page/Key	Note
			QTY	Replace				
1	External section	Developing dust-proof filter/1	1	*1	A50U172200		P5-32	
2		Developing dust-proof filter/2	1	*1	A50U172300		P5-34	
3		PH dust-proof filter	1	*1	A50U172100		P5-31	
4		Electric component cooling filter	1	*1	A50U109900		P8-23	
5		Suction dust-proof filter	1	*1	A50U164901		P2-24	
6		Filter box	1	*1	A50UR70A12		P11-18	
7	Photo conductor section	Drum unit/Y	1					
8		Drum unit/M	1					
9		Drum unit/C	1					
10		Drum unit/K	1					
11	Charging section	Charging corona/Y	1	*1	A50UR70323		P18-1	
12		Charging corona/M	1	*1	A50UR70323		P18-1	
13		Charging corona/C	1	*1	A50UR70323		P18-1	
14		Charging corona/K	1	*1	A50UR70323		P18-1	
15	Developing section	Developing unit/Y	1	*1	A50UR70244		P20-1	
16		Developing unit/M	1	*1	A50UR70244		P21-1	
17		Developing unit/C	1	*1	A50UR70244		P22-1	
18		Developing unit/K	1	*1	A50UR70244		P23-1	
19	Intermediate transfer section	Toner collection sheet	1	*1	A1DUR71C00		P37-5	
20		Belt cleaning blade	1	*1	A50UR70K22		P37-16	
21		2nd transfer roller/Up	1	*1	A50U500401		P34-12	
22		Intermediate transfer belt	1	*1	A1DU504203		P34-11	
23		1st transfer roller/Y	1	*1	A50U501201		P35-4	
24		1st transfer roller/M	1	*1	A50U501201		P35-4	
25		1st transfer roller/C	1	*1	A50U501201		P35-4	
26		1st transfer roller/K	1	*1	A50U501201		P35-4	
27		Transfer belt cleaning unit	1	*1	A50UR70655		P32-1	
28		Transfer roller bearing/Y, transfer roller bearing/M,	6	*1	65AA26380		P35-13	
29		Transfer roller bearing/K	2	*1	A50U505700		P35-10	
30		Side seal	2	*1	A50U531601		P37-7	
31		2nd transfer roller/Lw	1	*1	A50U520001		P55-2	
32		Separation discharging unit	1	*1	A50UR70B00		P55-8	
33		2nd transfer earth plate assy	2	*1	A50UR70G01		P68-22	
34		C-clip	2	*1	V218060086		P55-b	
35	Toner collection section	Waste toner box	1	9K *2	A50UR70115	B,C,D1,D3,F2,G1,G2,	P30-19	
36	Toner collection section	Waste toner box	1	9K *2	A9VER71600	A	P30-19	
37	Paper feed section	Label conveyance film (Main body)	2	30K *2	A7X5601600		P58-11	
38	Paper exit section	Paper exit roller	2	126K *2	A7X5895400		P81-22	

No.	Section	PM Parts Description	Maintenance Cycle (K=1,000)		Parts No.	Destinations	Page/Key	Note
			QTY	Replace				
39	Fusing section	Fusing belt	1	126K *2	A57V720211		P45-27	
40		Heat insulating sleeve/Lw	4	126K *2	A50U756300		P42-8/P45-28	
41		Fusing Roller/1	1	252K *2	A7X5720100		P45-20	
42		Fusing roller/Lw	1	252K *2	A7X5740100		P42-21	
43		Belt regulating sleeve	2	252K *2	A50U724102		P45-30	
44		Heat insulating sleeve/Up	2	252K *2	A03U729500		P45-22	
45		Fusing bearing/Lw	4	252K *2	26NA53712		P42-20/P45-31	
46		Fusing Roller/2	1	252K *2	A50U720501		P45-29	
47		Fusing bearing/Up	2	252K *2	A1UD723500		P45-32	
48		Fusing gear/2	1	252K *2	A03U809500		P45-15	
49		Neutralizing ring	1	252K *2	A50U733712		P45-26	
50		Neutralizing flat spring assy	1	252K *2	A50UR73322		P45-19	
51		Fusing heater lamp assy/Up (Japan)	1	630K *2	A50UM31A00	A	P45-36	
52		Fusing heater lamp assy/Up (North America)	1	630K *2	A50UM31E00	B	P45-36	
53		Fusing heater lamp assy/Up (Europe)	1	630K *2	A50UM31F00	C,D1,D3,J	P45-36	
54		Fusing temperature sensor/3 (TH3)	1	630K *2	A50UR70F00		P44-19	
55		Fusing temperature sensor/4 (TH4)	1	630K *2	A50UR70E22		P41-9	

\*1: See Service Manual F-4 LIFE VALUE" \*2:Unit : meter

メンテナンスリスト

● ページ / キーナンバーのないものは、アフターサービス部品ではありません。

No.	区分	PM 部品名称	サイクル (K=1,000)		部品番号	仕向地	頁 / キー	備考
			員数	交換				
1	外装部	現像防塵フィルター / 1	1	*1	A50U172200		P5-32	
2		現像防塵フィルター / 2	1	*1	A50U172300		P5-34	
3		PH 防塵フィルター	1	*1	A50U172100		P5-31	
4		電装冷却フィルター	1	*1	A50U109900		P8-23	
5		吸気防塵フィルター	1	*1	A50U164901		P2-24	
6		フィルターボックス	1	*1	A50UR70A12		P11-18	
7	感光体部	ドラムユニット / Y	1					
8		ドラムユニット / M	1					
9		ドラムユニット / C	1					
10		ドラムユニット / K	1					
11	帯電部	帯電極 / Y	1	*1	A50UR70323		P18-1	
12		帯電極 / M	1	*1	A50UR70323		P18-1	
13		帯電極 / C	1	*1	A50UR70323		P18-1	
14		帯電極 / K	1	*1	A50UR70323		P18-1	
15	現像部	現像ユニット / Y	1	*1	A50UR70244		P20-1	
16		現像ユニット / M	1	*1	A50UR70244		P21-1	
17		現像ユニット / C	1	*1	A50UR70244		P22-1	
18		現像ユニット / K	1	*1	A50UR70244		P23-1	
19	中間転写部	トナー回収シート	1	*1	A1DUR71C00		P37-5	
20		転写ベルトクリーニングブレード	1	*1	A50UR70K22		P37-16	
21		2次転写ローラー / Up	1	*1	A50U500401		P34-12	
22		中間転写ベルト	1	*1	A1DU504203		P34-11	
23		1次転写ローラー / Y	1	*1	A50U501201		P35-4	
24		1次転写ローラー / M	1	*1	A50U501201		P35-4	
25		1次転写ローラー / C	1	*1	A50U501201		P35-4	
26		1次転写ローラー / K	1	*1	A50U501201		P35-4	
27		転写ベルトクリーニングユニット	1	*1	A50UR70655		P32-1	
28		転写ローラー軸受 / Y、 / M、 / C	6	*1	65AA26380		P35-13	
29		転写ローラー軸受 / K	2	*1	A50U505700		P35-10	
30		サイドシール	2	*1	A50U531601		P37-7	
31		2次転写ローラー / Lw	1	*1	A50U520001		P55-2	
32		分離放電板ユニット	1	*1	A50UR70B00		P55-8	
33		2次転写アース板 A s s y	2	*1	A50UR70G01		P68-22	
34		C クリップ	2	*1	V218060086		P55-b	
35	トナー回収部	廃棄トナーボックス	1	9K *2	A50UR70115	B,C,D1,D3,F2,G1,G2,H,I,	P30-19	
36	トナー回収部	廃棄トナーボックス	1	9K *2	A9VER71600	A	P30-19	
37	給紙部	ラベル搬送フィルム (本体)	2	30K *2	A7X5601600		P58-11	
38	排紙部	排紙ローラー	2	126K *2	A7X5895400		P81-22	



No.	区分	PM 部品名称	サイクル (K=1,000)		部品番号	仕向地	頁/キー	備考
			員数	交換				
39	定着部	定着ベルト	1	126K *2	A57V720211		P45-27	
40		断熱スリーブ/Lw	4	126K *2	A50U756300		P42-8/P45-28	
41		定着ローラー/1	1	252K *2	A7X5720100		P45-20	
42		定着ローラー/Lw	1	252K *2	A7X5740100		P42-21	
43		ベルト規制スリーブ	2	252K *2	A50U724102		P45-30	
44		断熱スリーブ/Up	2	252K *2	A03U729500		P45-22	
45		定着軸受/Lw	4	252K *2	26NA53712		P42-20/P45-31	
46		定着ローラー/2	1	252K *2	A50U720501		P45-29	
47		定着軸受/Up	2	252K *2	A1UD723500		P45-32	
48		定着ギア/2	1	252K *2	A03U809500		P45-15	
49		除電リング	1	252K *2	A50U733712		P45-26	
50		除電板バネ Assy	1	252K *2	A50UR73322		P45-19	
51		定着ヒーターランプ Assy / Up	1	630K *2	A50UM31A00	A	P45-36	
52		定着ヒーターランプ Assy / Up	1	630K *2	A50UM31E00	B	P45-36	
53		定着ヒーターランプ Assy / Up	1	630K *2	A50UM31F00	C,D1,D3,J	P45-36	
54		定着温度センサ/3 (TH 3)	1	630K *2	A50UR70F00		P44-19	
55	定着温度センサ/4 (TH 4)	1	630K *2	A50UR70E22		P41-9		

\*1: サービスマニュアル F-4 「ライフ値の考え方」 参照

\*2: 単位 : メートル

## DESTINATION

Destination No.		Destinations		V	Hz	Model No.
A	A1	JAPAN		200	50/60	A7X5001/ A7X5003
	A2	JAPAN		200	50/60	A7X5001/ A7X5003
B		USA, CANADA		208-240	60	A7X5011/ A7X5013
C		EUROPEAN TYPE		220-240	50/60	A7X5021/ A7X5023
D	D1	S.E ASIA TYPE	THAILAND, SRI LANKA, SINGAPORE, MALAYSIA, HONG KONG, PAKISTAN, INDIA, BANGLADESH, INDONESIA	220-240	50/60	A7X5021/ A7X5023
	D3	OCEANIA TYPE	AUSTRALIA, NEW ZEALAND	220-240	50/60	A7X5021/ A7X5023
E		PHILIPPINES				
F	F1	SAUDI ARABIA				
	F2	SAUDI ARABIA		208-240	60	A7X5023
G	G1	C.S AMERICA		208-240	60	A7X5013
	G2	C.S AMERICA		208-240	60	A7X5013
H		TAIWAN		220-240	60	A7X5023
I		JORDAN, LEBANON, SYRIA, SOUTH AFRICA, IRAQ, IRAN, N.YEMEN, CAMEROON, UAE, BAHRAIN, OMAN, QATAR, KUWAIT, KENYA, TUNISIA, IVORY COAST, MOROCCO		220-240	60	A7X5023
J		CHINA		220	50/60	A7X5081
K		KOREA		220-240	60	A7X5023

AccurioLabel 190/bizhub PRESS C71cf