

KONICA MINOLTA

# *PARTS GUIDE MANUAL*

---

*JUNE 2018*

*bizhub PRESS C71hc*  
*A7V0*

## INFORMATION FOR PARTS GUIDE MANUAL

To find correct Parts No., refer to the "HOW TO MAKE THE BEST USE OF THIS MANUAL" in the following page.

### HOW TO MAKE THE BEST USE OF THIS MANUAL

- 1 When you order, please check the proper figures beforehand that are on Our Parts Guide Manual, and order with the appropriate figures.
- 2 For screws, Nuts, Washers, retaining rings and Pins which are used in this model, one letter is shown on the Standard parts column of Parts list and exploded diagrams.
- 3 In order to maintain safety of the product, some specific parts composed of this product are set up as "essential safety parts".
- 4 The assigned parts number for the "essential safety parts" is indicated as "SP00-\*\*\*\*".  
When replacing these parts, follow precautions for disassembling and installing which are listed in the Service Manual.  
Do not use any parts that are not set up as
- 5 ♣ means that there are exclusive parts for each destination.  
Please check the appropriate destination when you order.
- 6 Revision Mark  
Marked as ▲ on the illustration shows that the revision has been made.
- 7 All rights reserved. (any reprints or quotations are prohibited.)  
Use of this parts guide manual should be strictly supervised to avoid disclosure of confidential information.

## パーツガイド マニュアルのご案内

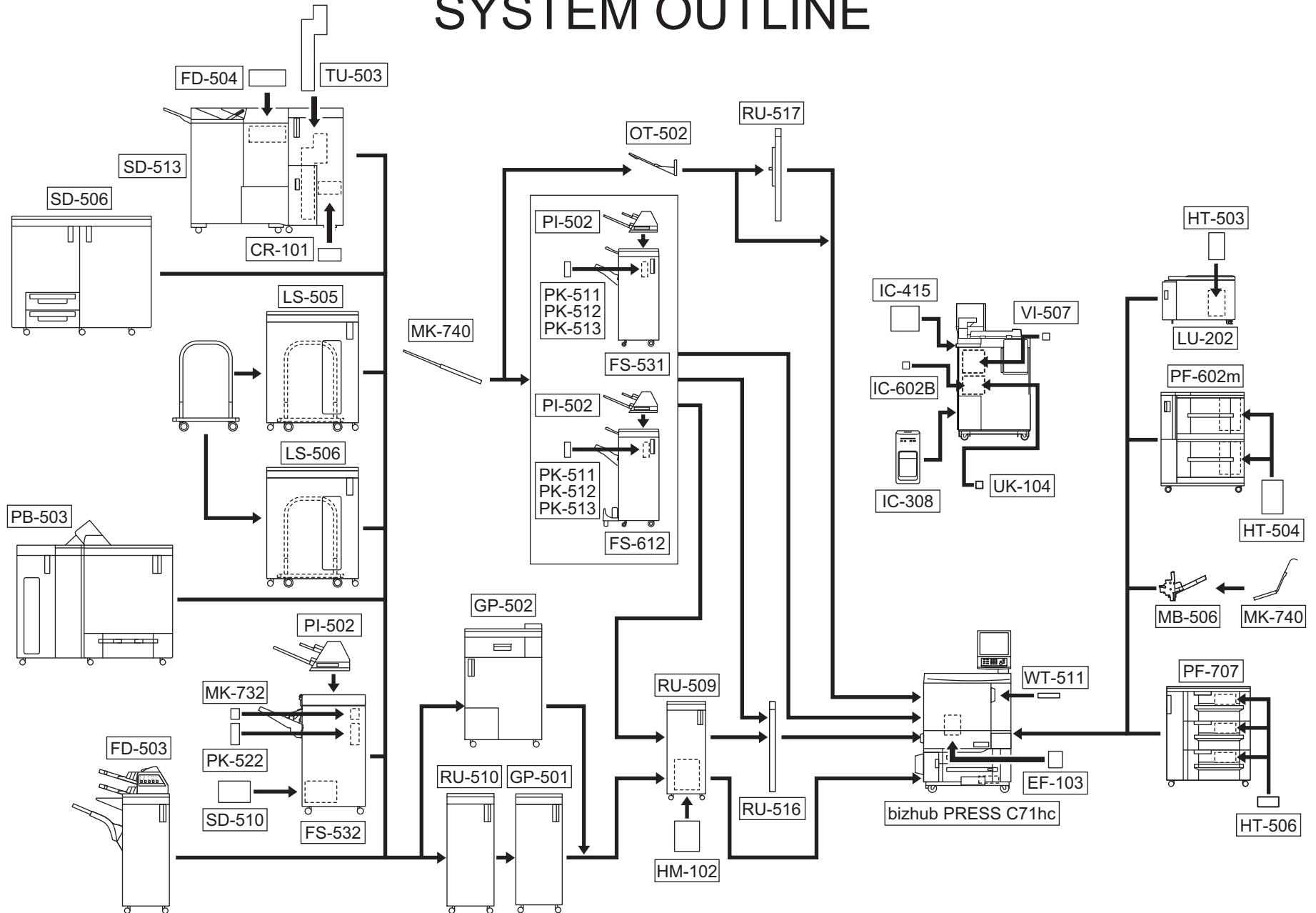
サービス部品をご発注の際には、下記に示す“パーツガイド マニュアルの活用にあたって”をご参照の上、正しい部品番号にてお願い致します。

### パーツガイド マニュアルの活用にあたって

- 1 部品発注の際には、掲載されている部品番号の桁数を確認し、掲載されている桁数で発注願います。
- 2 この製品に使用されているネジ、ナット、ワッシャー、止め輪、ピンなどは、リストの右側の Standard parts 欄に a,b,c,…… で表示し、イラストにも a,b,c,…… 表示してあります。
- 3 製品の安全性を維持する為に、製品に使用される特定の部品を「重要保安部品」として設定しています。
- 4 重要保安部品の部品番号は、“SP00-\*\*\*\*”と記載されていますので、部品交換時は、サービスマニュアル記載の分解・組み立ての注意事項に従って作業をして下さい。  
また、指定以外の部品は一切使用しないで下さい。
- 5 本文に ♣ が表示されている部品は、仕向け地毎に専用部品がある事を意味しています。  
オーダーされる時は、仕向け地を確認して下さい。
- 6 改訂記号について  
イラスト上に ▲ 印が表示されている部分は、改訂された事を表します。
- 7 著作権所有（無断転載及び無断引用の禁止）  
本パーツガイド マニュアルについては、機密保持等その扱いには十分注意して下さい。万一取り扱いを誤った場合には、法律で処罰されることがあります。

03/27/2015

# SYSTEM OUTLINE



bizhub PRESS C71hc

# GENERAL CONTENTS

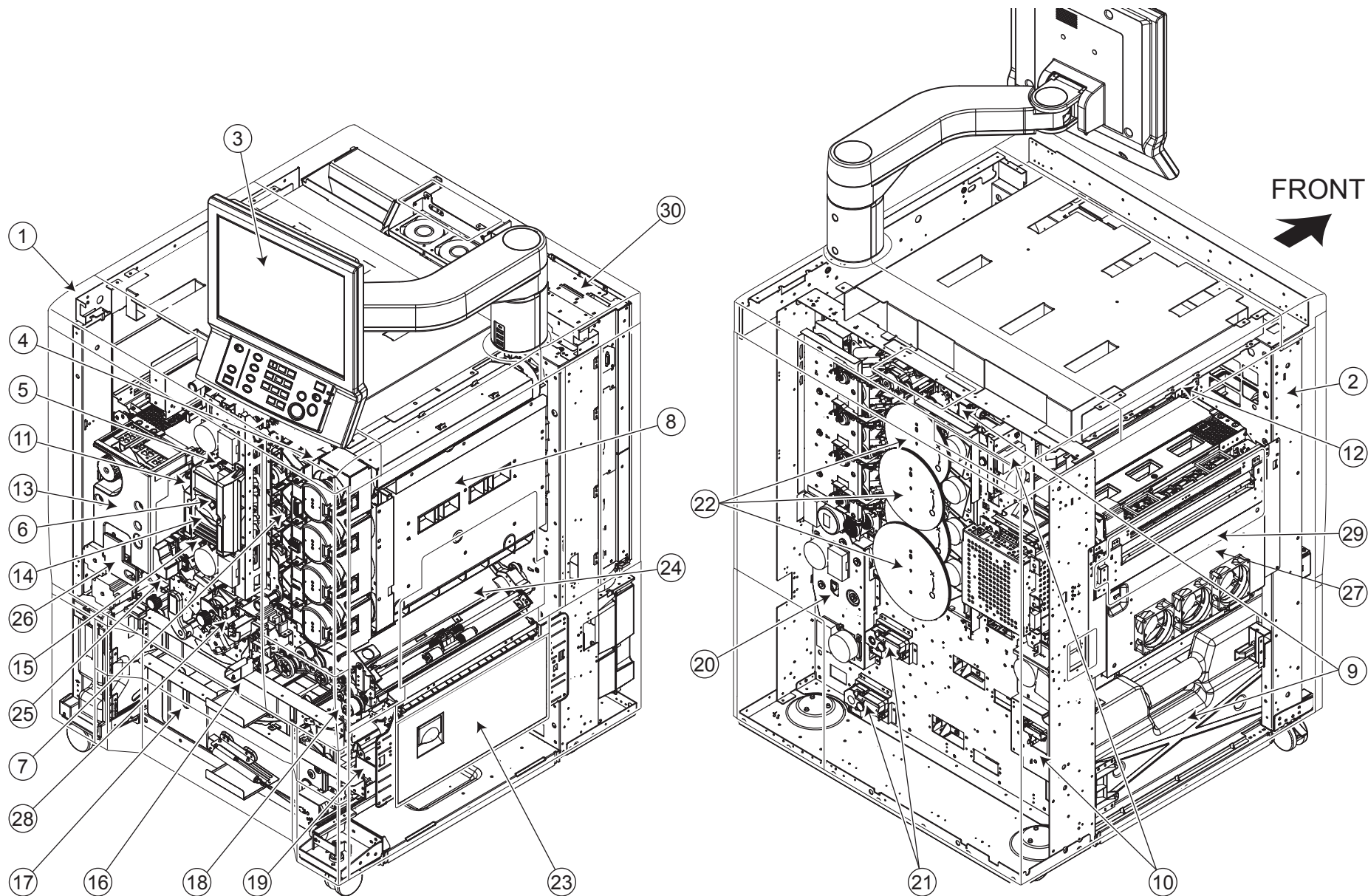
No.	Description	Model
1	Digital MFP Color	bizhub PRESS C71hc
2	Saddle Unit	CR-101
3	Envelop Fusing Unit	EF-103
4	Folding Unit	FD-503
5	Saddle Unit	FD-504
6	Finisher/Sorter	FS-531
7	Finisher/Sorter	FS-532/FS-532 PK/SD
8	Finisher/Sorter	FS-612
9	Punch Unit	GP-501
10	Ring Binder	GP-502
11	Humidifier	HM-102
12	Heater	HT-503
13	Heater	HT-504
14	Heater	HT-506
15	Image Controller	IC-308
16	Image Controller	IC-415
17	Image Controller	IC-602B
18	Large Capacity Stacker	LS-505
19	Large Capacity Stacker	LS-506
20	Paper Feeder	LU-202
21	Bypass Tray	MB-506
22	Mount Kit	MK-732

bizhub PRESS C71hc

No.	Description	Model
23	Mount Kit	MK-740/MK-740m
24	Output Tray	OT-502
25	Perfect Binder	PB-503
26	Paper Feeder	PF-602/PF-602m
27	Paper Feeder	PF-707
28	Post Inserter	PI-502
29	Punch Unit	PK-511
30	Punch Unit	PK-512
31	Punch Unit	PK-513
32	Punch Unit	PK-522
33	Relay Unit	RU-509
34	Relay Unit	RU-510
35	Relay Unit	RU-516
36	Relay Unit	RU-517
37	Saddle Unit	SD-506
38	Saddle Unit	SD-510
39	Saddle Unit	SD-513
40	Saddle Unit	TU-503
41	Other Option	UK-104
42	Video IF Kit	VI-507
43	Working Table	WT-511

bizhub PRESS C71hc

# DIAGRAMS OF MAIN PARTS SECTION



bizhub PRESS C71hc

# CONTENTS

No.	DESCRIPTION	名称	PAGE No.
1	External Parts Section	外装部	P1 P2 P3 P4
2	Main Frame Section	骨格部	P5 P6 P7 P8 P9 P10 P11 P12 P13
3	Operation Panel Section	操作部	P14 P15 P16
4	Write Section	書き込み部	P17
5	Charging Section	帯電部	P18
6	Photo Conductor Section	感光体部	P19
7	Developing Section	現像部	P20 P21 P22 P23
8	Toner Supply Section	トナー補給部	P24 P25 P26 P27 P28
9	Toner Collection Section	トナー回収部	P29 P30
10	Toner Collection Driving Section	トナー回収駆動部	P31
11	Intermediate Transfer Section	中間転写部	P32 P33 P34 P35 P36 P37
12	Color Resist Section	画像補正ユニット部	P38
13	Fusing Section	定着部	P39 P40 P41 P42 P43 P44 P45 P46 P47
14	Process Carriage Section	プロセス架台部	P48 P49 P50 P51 P52 P53 P54
15	Secondary Transfer Section	2次転写部	P55
16	Tray 1 Section	トレイ1	P56 P57 P58 P59
17	Tray 2 Section	トレイ2	P60 P61 P62 P63
18	Tray 1 Paper Feed Section	トレイ1 給紙部	P64 P65 P66
19	Tray 2 Paper Feed Section	トレイ2 給紙部	P67 P68 P69
20	Paper Feed Driving Section	給紙駆動部	P70
21	Tray Driving Section	トレイ駆動部	P71
22	Drum Driving Section	ドラム駆動部	P72 P73 P74 P75
23	Vertical Conveyance Section	垂直搬送部	P76 P77
24	Duplex Carriage Section	両面架台部	P78 P79
25	Duplex Section	両面部	P80 P81 P82 P83 P84 P85 P86 P87 P88 P89 P90 P91
26	Duplex Swing Section	両面揺動部	P92 P93
27	Reverse Section	反転	P94 P95 P96
28	Resist Section	レジスト部	P97 P98 P99
29	Exit Section	排紙部	P100 P101
30	Rear Electrical Section	背面電気部	P102 P103 P104 P105 P106
31	Wiring	束線	P108 P109 P110 P111
32	Jigs	治具・サービス資材	P112
33	Accessory Parts	同梱部品	P113

# INDEX

Parts No.	Page No.	Parts No.	Page No.	Parts No.	Page No.	Parts No.	Page No.	Parts No.	Page No.
000V-19-0	112-4	14GE45470	94-32	40AA32320	29-6	4470402401	83-32	55VA79030	64-16
00VC-2-00	112-10	14GE45470	97-23	40AA32320	31-21	4470402401	84-5	55VA79030	67-16
00VD-1000	112-11	192141710	94-2	40AA32320	35-2	4470402401	86-25	55VA90840	2-2
059076510	66-9	20AL48470G	39-2	40AA32320	37-9	4470402401	88-21	55WA10300	10-21
059076510	69-9	25AA10090	10-28	40AA32320	49-4	4470402401	90-7	55WA10300	13-5
067642581	71-3	25AA40100	66-5	40AA32320	58-4	4470402401	91-17	55WA10310	10-7
07BA12352	25-1	25AA40100	69-5	40AA32320	62-3	4470402401	92-4	56AA10300	8-7
07BA12352	40-1	25AA47500	82-29	40AA32320	70-3	4470402401	94-29	56AA10300	9-11
07BA15871	33-3	25AA50080	85-8	40AA46261	95-2	4470402401	95-21	56AA12140	24-6
07BA15871	35-1	25AA77730	77-22	40AA77550	80-2	4470402401	101-27	56AA12150	24-7
08AA45230	37-8	25BA77171	27-1	40AA77550	95-3	462076010	82-1	56AA12160	24-8
08AA85512	33-13	25SA40960	64-22	40AA85011	24-3	466076020	27-2	56AA12241	2-20
08AA85512	61-12	25SA40960	66-4	40LA73840	107-16	466076020	31-4	56AA12270	30-11
08AA85512	65-26	25SA40960	67-22	4109553001	65-25	466076020	91-2	56AA17090	81-26
08AA85512	68-26	25SA40960	69-4	4109553001	68-25	50GA250100	29-4	56AA17121	65-8
08AA85512	83-31	26NA17580	29-3	4109553001	86-47	55FA40320	66-22	56AA17121	68-8
08AA85512	86-2	26NA32660	28-1	4131253701	85-1	55FA40320	69-22	56AA17321	34-29
08AA85512	88-20	26NA32870	25-13	4131253701	86-9	55GA75031	46-1	56AA17321	88-22
08AA85512	94-28	26NA42061	64-17	4131253701	87-11	55GA77050	31-5	56AA17321	95-34
1154467001	85-22	26NA42061	67-17	4131253701	91-1	55TA84561	102-2	56AA17321	99-14
12QR86011	24-11	26NA42560	64-3	4131253701	99-2	55VA15541	81-25	56AA17461	39-5
12QV40650	34-1	26NA42560	67-3	4131353202	80-3	55VA20520	44-1	56AA17490	88-23
12QV40650	36-10	26NA42560	76-4	4131353202	97-2	55VA20680	77-1	56AA17510	64-14
12QV40650	70-2	26NA47070	58-22	4139M10000	93-4	55VA32480	106-1	56AA17510	66-8
12QV40650	72-12	26NA47070	62-34	4470402401	8-20	55VA32530	57-1	56AA17510	67-14
12QV40650	73-11	26NA53712	42-2	4470402401	24-4	55VA32530	61-1	56AA17510	69-8
12QV40650	74-11	26NA53712	45-1	4470402401	30-3	55VA40600	58-5	56AA17531	47-12
12QV40650	75-5	26NA54230	79-1	4470402401	33-14	55VA40930	57-11	56AA17551	62-4
12QV40650	80-1	26NA82513	7-7	4470402401	40-3	55VA40930	61-16	56AA17551	88-24
12QV40650	82-39	26TA32970	25-3	4470402401	42-1	55VA42120	34-2	56AA17551	94-3
12QV40650	97-1	26TA32990	25-4	4470402401	43-2	55VA42120	65-10	56AA17551	95-5
13NG45200	9-5	304078070	43-1	4470402401	50-9	55VA42120	66-16	56AA17630	10-9
13QA40610	31-2	4004457301	30-13	4470402401	57-21	55VA42120	68-10	56AA17640	10-10
13QA40610	48-5	4038254001	31-3	4470402401	59-19	55VA42120	69-16	56AA17700	101-3
13QA40610	94-1	4038351102	7-12	4470402401	61-13	55VA42120	77-2	56AA17760	65-21
13QA40610	101-1	4040078001	113-5	4470402401	72-6	55VA42120	82-2	56AA17760	66-7
13QA85511	96-5	40AA30270	2-1	4470402401	73-6	55VA47840	30-4	56AA17760	68-21
13QA85511	98-8	40AA30270	95-1	4470402401	74-6	55VA48500	45-2	56AA17760	69-7
13RN73120	107-12	40AA32320	7-8	4470402401	77-14	55VA75540	65-12	56AA20940D	37-1
14GE45470	79-10	40AA32320	27-14	4470402401	80-23	55VA75540	68-12	56AA40010E	64-7



Parts No.	Page No.	Parts No.	Page No.	Parts No.	Page No.	Parts No.	Page No.	Parts No.	Page No.
56AA40010E	67-7	56AA40490	80-37	56GA76010	81-4	65AA27240	34-4	65AA47970	71-8
56AA40032E	65-3	56AA40490	85-2	56QA40080	64-12	65AA27240	36-17	65AA48360	101-22
56AA40032E	68-3	56AA40490	99-3	56QA40080	67-12	65AA27320	37-15	65AA48460	101-18
56AA40070	66-12	56AA40500	65-23	56QA40250	64-13	65AA33310F	48-9	65AA49270	94-5
56AA40070	69-12	56AA40500	68-23	56QA40250	67-13	65AA40010	65-2	65AA49410	95-29
56AA40100G	65-1	56AA40520	65-5	56QA40270	64-20	65AA40010	68-2	65AA50400	9-6
56AA40100G	68-1	56AA40520	68-5	56QA40270	67-20	65AA40080E	66-10	65AA50430	8-3
56AA40120	65-13	56AA40530	64-18	56QA40550	64-10	65AA40080E	69-10	65AA51510	85-9
56AA40120	68-13	56AA40530	67-18	56QA40550	67-10	65AA42370	94-34	65AA51730	83-8
56AA40171	65-27	56AA40540	64-19	56QA80570	10-26	65AA44200	77-19	65AA53560	46-3
56AA40171	68-27	56AA40540	67-19	56QA80570	90-2	65AA44350	77-23	65AA53991	46-4
56AA40190	65-28	56AA42690	39-6	56QA80570	105-6	65AA44440	77-4	65AA75010E	16-6
56AA40190	68-28	56AA42690	40-20	56UA70330	14-21	65AA45230	80-5	65AA77390	28-5
56AA40230	65-6	56AA42690	79-2	56UA77280	31-18	65AA47120D	61-18	65AA77410	31-8
56AA40230	68-6	56AA42690	81-3	56UA77710	31-7	65AA47131E	58-6	65AA77540	81-5
56AA40300	66-13	56AA42690	82-5	56UA97321G	4-7	65AA47310E	57-22	65AA80021	40-29
56AA40300	69-13	56AA42690	83-18	57AA15600	9-19	65AA47310E	61-19	65AA80112	83-19
56AA40310	65-29	56AA42690	87-7	57AA15600	104-3	65AA47320	57-23	65AA80112	90-14
56AA40310	68-29	56AA42690	88-1	57AA40420	64-9	65AA47320	61-20	65AA80112	97-19
56AA40360	64-21	56AA42690	90-1	57AA40420	67-9	65AA47360	71-4	65AA88010	44-2
56AA40360	67-21	56AA42690	94-4	65AA-9091E	75-12	65AA47370	71-5	65AA91100	24-12
56AA40370	65-31	56AA50670	82-6	65AA-9920	112-8	65AA47390	71-6	65AA97440	51-1
56AA40370	68-31	56AA50800	82-7	65AA10190	11-11	65AA47550	59-2	65AA97450	52-1
56AA40380	66-20	56AA73560	105-1	65AA10470	9-8	65AA47550	63-2	65AA97460	53-1
56AA40380	69-20	56AA77330	27-11	65AA11300	5-3	65AA47600E	58-28	65AA97470	54-1
56AA40390	65-9	56AA77530	82-8	65AA11300	33-10	65AA47600E	62-28	65AA99500	112-9
56AA40390	68-9	56AA77590	66-14	65AA11430	5-17	65AA47630	59-3	65AAR73200	51-8
56AA40430	64-6	56AA77590	69-14	65AA15210	72-1	65AA47630	63-3	65AAR73200	52-8
56AA40430	67-6	56AA77720E	65-24	65AA15210	73-1	65AA47700D	58-7	65AAR73200	53-8
56AA40440	64-8	56AA77720E	68-24	65AA15210	74-1	65AA47700D	62-5	65AAR73200	54-8
56AA40440	67-8	56AA77730	65-20	65AA15210	75-1	65AA47710	71-7	65GE97400	66-11
56AA40470	65-17	56AA77730	68-20	65AA20060	37-10	65AA47740E	58-8	65GE97400	69-11
56AA40470	68-17	56AA80551	84-1	65AA20300	37-11	65AA47740E	59-4	65GE97490	58-9
56AA40481	64-5	56AA82012	65-11	65AA26380	35-15	65AA47740E	62-6	65GE97490	62-7
56AA40481	67-5	56AA82012	66-17	65AA26600	35-24	65AA47740E	63-4	65LA48530	100-17
56AA40490	28-4	56AA82012	68-11	65AA26690D	35-19	65AA47820	57-2	9313100072	5-8
56AA40490	37-2	56AA82012	69-17	65AA26840	37-12	65AA47820	61-2	9313110033	105-16
56AA40490	66-1	56AA82012	77-3	65AA26870	34-27	65AA47860	57-12	9335140051	30-14
56AA40490	69-1	56AA82012	82-9	65AA26900D	35-22	65AA47860	61-17	9335140071	86-26
56AA40490	78-13	56AA97140	102-12	65AA27090D	37-3	65AA47900E	59-20	9335140071	90-8

Parts No.	Page No.	Parts No.	Page No.	Parts No.	Page No.	Parts No.	Page No.	Parts No.	Page No.
9335140071	91-18	A00V240600	90-3	A03U195400	16-2	A03U812800	68-32	A03U859500	90-4
9381410131	113-5	A00V240600	92-10	A03U195500	16-4	A03U812800	69-18	A03U892300	100-7
9J03M10000	8-25	A00V240600	97-14	A03U259600	72-14	A03U812800	77-5	A03U892400	100-8
9J03M10000	10-25	A034M50000	5-4	A03U259600	73-13	A03U812800	81-7	A03U892701	101-33
9J03M10000	100-10	A034M50000	33-11	A03U259600	74-13	A03U812800	82-12	A03U892800	101-34
9J06M10000	103-3	A03N621800	62-8	A03U259600	75-7	A03U812800	83-2	A03U893000	101-5
9J06N30000	113-5	A03U118301	11-1	A03U259900	72-15	A03U812800	88-25	A03U893101	101-6
9J07500201	27-4	A03U162500	4-3	A03U259900	73-14	A03U812800	97-4	A03U893200	101-7
A00FM20000	28-6	A03U168500	2-36	A03U259900	74-14	A03U812800	99-4	A03U893301	100-2
A00J617800	35-3	A03U169900	2-4	A03U259900	75-9	A03U813601	85-10	A03U893400	100-3
A00J617800	40-7	A03U190500	16-18	A03U512300	34-7	A03U814100	85-20	A03U893502	101-35
A00J617800	49-7	A03U190600	16-19	A03U515100	33-12	A03U814200	85-21	A03U909502	101-8
A00J617800	85-19	A03U190700	16-16	A03U555400	37-4	A03U814300	85-15	A03U909900	100-14
A00J617800	95-6	A03U190802	16-5	A03U560300	66-19	A03U815700	81-8	A03UF19100	16-11
A00J617800	101-4	A03U190900	15-8	A03U560300	69-19	A03U838900	82-13	A03UF84300	91-7
A00J617900	34-5	A03U191100	16-7	A03U560500	66-21	A03U839000	81-9	A03UM15802	5-18
A00J617900	79-3	A03U191201	16-8	A03U560500	69-21	A03U842600	89-5	A03UM15802	8-26
A00J617900	82-10	A03U191300	16-9	A03U621200	59-5	A03U842700	90-10	A03UM20100	82-14
A00J617900	87-8	A03U191400	15-11	A03U621200	63-5	A03U842800	90-18	A03UN23200	41-5
A00J617900	88-2	A03U191500	15-20	A03U700202	76-5	A03U843500	85-7	A03UN23200	44-4
A00J617900	94-6	A03U191600	15-5	A03U723301	46-5	A03U844200	91-4	A03X565001	82-15
A00J663200	64-11	A03U191700	15-4	A03U724200	40-13	A03U844300	91-5	A03X565611	64-15
A00J663200	65-22	A03U191800	15-3	A03U728000	46-6	A03U844700	91-6	A03X565611	67-15
A00J663200	66-3	A03U191900	15-6	A03U729500	45-4	A03U844802	91-24	A03X622000	98-1
A00J663200	67-11	A03U192000	15-2	A03U734500	40-14	A03U844901	91-25	A03X622101	63-18
A00J663200	68-22	A03U192100	15-7	A03U734500	42-3	A03U845100	89-9	A03X622201	63-19
A00J663200	69-3	A03U192200	15-12	A03U734500	43-3	A03U845301	87-33	A03X656203	57-3
A00J945401	4-2	A03U192300	16-10	A03U734500	44-3	A03U845301	89-10	A03X656203	61-3
A00JM12100	26-3	A03U193100	16-20	A03U734500	47-1	A03U845601	90-11	A07TM60100	102-4
A00JM60300	102-3	A03U193200	16-17	A03U734800	46-7	A03U845601	96-8	A0E7946700	107-18
A00TM10000	93-9	A03U193300	15-10	A03U734900	46-8	A03U845700	90-17	A0EDM10500	105-15
A00V240600	34-6	A03U193400	15-19	A03U807700	92-5	A03U845901	90-19	A0G6190101	14-1
A00V240600	36-11	A03U193500	15-21	A03U808400	40-8	A03U848100	89-1	A0G6190200	14-12
A00V240600	39-7	A03U193600	15-16	A03U809500	45-5	A03U849701	85-11	A0G6191600	14-19
A00V240600	40-21	A03U193700	15-13	A03U811600	85-6	A03U850101	64-2	A0G6192400	14-5
A00V240600	45-3	A03U193800	15-9	A03U811800	85-3	A03U850101	67-2	A0G6192500	14-6
A00V240600	49-11	A03U193900	16-14	A03U812800	58-10	A03U850101	76-6	A0G6192700	14-3
A00V240600	70-5	A03U194002	15-1	A03U812800	62-9	A03U850101	86-27	A0G6192900	14-2
A00V240600	81-6	A03U194102	15-18	A03U812800	65-32	A03U850101	99-15	A0G6193100	14-23
A00V240600	82-11	A03U195302	16-3	A03U812800	66-18	A03U859400	90-15	A0G6193200	14-22

Parts No.	Page No.	Parts No.	Page No.	Parts No.	Page No.	Parts No.	Page No.	Parts No.	Page No.
A0G6193400	14-24	A1DU942900	98-15	A1RF517300	101-9	A2X0M12101	71-1	A50U106300	10-12
A0G6193800	14-20	A1DU945900	1-9	A1RF620301	64-23	A2XKM10300	27-5	A50U106300	13-6
A0G6193900	14-26	A1DU946300	113-1	A1RF620301	67-23	A2XKM10300	48-7	A50U106502	11-9
A0G6194000	14-25	A1DUF62100	59-6	A1RF701700	76-7	A2XKM10300	70-6	A50U106600	11-20
A0G6411200	5-9	A1DUF62100	63-6	A1RF758100	43-4	A4EU190413	14-8	A50U106700	11-10
A0G6H06000	14-9	A1DUH11000	16-13	A1RF808600	43-5	A4EU194100	14-16	A50U106800	7-5
A0G6M75501	14-4	A1DUM70001	103-5	A1RF809400	39-9	A4EU194200	14-28	A50U107000	9-9
A0G6N18400	14-14	A1DUM70101	103-6	A1RF815702	8-4	A4EU265000	43-7	A50U107101	9-4
A0GA190301	14-27	A1DUPJG100	112-12	A1RF820000	40-35	A4EUH04001	14-15	A50U107501	8-29
A0GA195000	14-11	A1DUR71200	48-1	A1RF820000	87-24	A4EUM60000	5-1	A50U107600	8-30
A0GA205000	14-11	A1DUR71600	38-3	A1RF820000	88-10	A4EUM60401	102-5	A50U107800	8-31
A0P0144300	86-11	A1DUR71900	35-25	A1RF820000	94-7	A4EUM75700	14-7	A50U107901	11-2
A0P0742300	41-6	A1DUR71C00	37-5	A1RF847400	89-11	A4EUM75800	14-7	A50U108001	11-3
A0P0M73100	14-10	A1DUR71D00	37-6	A1RF863800	95-7	A4EUN28500	14-13	A50U108100	103-1
A0TK341300	83-12	A1DUR71J00	66-2	A1RF877100	96-6	A4EUPP0000	112-3	A50U108200	11-4
A0TKH00200	20-2	A1DUR71J00	69-2	A1RF942900	2-37	A50U101600	9-17	A50U108900	7-28
A0TKH00200	21-2	A1DUR71K00	64-4	A1RF943100	78-19	A50U101901	8-27	A50U109100	6-1
A0TKH00200	22-2	A1DUR71K00	67-4	A1RF944100	79-11	A50U102703	9-13	A50U109201	71-10
A0TKH00200	23-2	A1DUR73500	34-8	A1RF945501	113-4	A50U102800	7-4	A50U109201	105-3
A0U0945401	56-2	A1DUR73E00	90-12	A1RF946000	61-21	A50U102900	5-6	A50U109300	71-9
A0U0945501	60-2	A1DUR73K00	81-10	A1RFM15100	106-13	A50U103200	8-10	A50U109400	8-5
A0VDM50500	98-2	A1DUR73P00	90-20	A1RFM51000	42-4	A50U103301	10-17	A50U109600	8-14
A0XV370300	93-17	A1DUR75200	66-15	A1RFM51000	43-6	A50U103402	8-13	A50U109700	8-15
A0Y5M15101	11-12	A1DUR75200	69-15	A1RFN28300	14-18	A50U103500	8-28	A50U109800	8-16
A11PM10200	34-23	A1RF168800	3-7	A1RG569900	29-11	A50U103602	7-2	A50U109900	8-23
A11PM10200	39-8	A1RF214100	72-16	A1RG569900	31-26	A50U103700	10-11	A50U110000	10-5
A161626800	56-3	A1RF214100	73-15	A1RG681400	82-16	A50U103800	10-3	A50U112901	71-11
A161626800	60-3	A1RF214100	74-15	A1RJ732100	36-2	A50U104000	12-10	A50U112901	105-4
A161M10200	31-9	A1RF214100	75-10	A1RJ818800	95-8	A50U104300	13-1	A50U120100	102-15
A1DU111101	7-29	A1RF301400	12-2	A1RJ825100	92-11	A50U104401	10-4	A50U120200	102-16
A1DU162300	4-4	A1RF363500	30-5	A1RJ825800	92-18	A50U104500	13-2	A50U120300	8-17
A1DU163402	3-4	A1RF363801	30-6	A1TVM10100	84-8	A50U104600	9-20	A50U120600	5-10
A1DU166500	4-8	A1RF368500	31-11	A1TVM10100	100-15	A50U104700	8-21	A50U120700	105-8
A1DU190101	16-12	A1RF372300	31-25	A1UD210500	31-12	A50U104800	104-4	A50U120800	105-9
A1DU194200	16-15	A1RF441500	25-14	A1UD723500	45-6	A50U104901	7-1	A50U120900	11-5
A1DU194300	16-1	A1RF501700	34-9	A1UDM50100	58-29	A50U105000	13-3	A50U121003	5-20
A1DU197100	15-15	A1RF508000	36-8	A1UDM50100	62-29	A50U105100	8-22	A50U121300	5-11
A1DU504203	34-11	A1RF508100	36-1	A205195100	14-11	A50U105201	8-8	A50U121500	17-1
A1DU736200	39-26	A1RF508200	36-9	A205195200	14-11	A50U105600	8-1	A50U121601	5-21
A1DU764000	7-13	A1RF517300	34-10	A205195300	14-11	A50U105800	9-3	A50U121800	11-6

Parts No.	Page No.	Parts No.	Page No.	Parts No.	Page No.	Parts No.	Page No.	Parts No.	Page No.
A50U121900	11-13	A50U128800	11-24	A50U136000	103-7	A50U164901	2-25	A50U221500	48-2
A50U122000	10-1	A50U128900	11-25	A50U136101	103-8	A50U165500	2-14	A50U221701	48-11
A50U122103	5-12	A50U129100	11-17	A50U136200	107-11	A50U165600	2-15	A50U221800	49-8
A50U122400	105-7	A50U129200	8-18	A50U136302	107-4	A50U166100	2-16	A50U222000	49-3
A50U122701	12-14	A50U129300	11-26	A50U136403	103-14	A50U166200	2-17	A50U252100	70-13
A50U122800	10-2	A50U129401	11-29	A50U136501	9-1	A50U166800	24-9	A50U252300	70-7
A50U122900	11-21	A50U129801	11-30	A50U160101	2-5	A50U167201	2-18	A50U252400	70-8
A50U123200	6-9	A50U130104	107-5	A50U160200	2-6	A50U167500	2-28	A50U252500	70-9
A50U123300	6-5	A50U130202	107-6	A50U160303	2-21	A50U167601	2-29	A50U252600	70-10
A50U123400	6-10	A50U130300	103-12	A50U160401	78-21	A50U167801	4-12	A50U252700	70-12
A50U123500	6-15	A50U130300	107-7	A50U160500	2-7	A50U167901	5-30	A50U252800	70-11
A50U123600	6-6	A50U130400	103-13	A50U160600	2-27	A50U168002	113-2	A50U269000	113-6
A50U123700	5-22	A50U130502	106-14	A50U160701	56-4	A50U168800	5-31	A50U308100	12-4
A50U123800	5-23	A50U130600	107-1	A50U160801	60-4	A50U168801	5-31	A50U308200	12-5
A50U123900	6-11	A50U130902	107-9	A50U160900	2-8	A50U168900	5-32	A50U308300	12-6
A50U124000	6-16	A50U131002	104-7	A50U161001	3-5	A50U168901	5-32	A50U308400	12-7
A50U124100	5-24	A50U131100	105-10	A50U161501	2-9	A50U169002	48-16	A50U308500	12-8
A50U124900	5-13	A50U131200	105-11	A50U161601	2-10	A50U169300	5-33	A50U314300	12-13
A50U125000	11-22	A50U131300	105-12	A50U161700	2-11	A50U169500	5-34	A50U314800	9-2
A50U125101	11-23	A50U131400	104-8	A50U161800	2-12	A50U169501	5-34	A50U318101	17-3
A50U125200	5-25	A50U131502	102-6	A50U161900	2-13	A50U169602	48-17	A50U318201	17-7
A50U125500	11-19	A50U131600	102-7	A50U162005	1-5	A50U169900	2-19	A50U318300	17-4
A50U125600	11-15	A50U131700	102-11	A50U162102	1-6	A50U175001	3-3	A50U318500	12-1
A50U125800	11-14	A50U131800	102-8	A50U162200	1-7	A50U179000	24-5	A50U318601	12-3
A50U125901	5-26	A50U131900	104-9	A50U162301	1-1	A50U179500	5-7	A50U318700	17-5
A50U126200	6-12	A50U132100	105-17	A50U162400	3-6	A50U210600	72-2	A50U318700	24-15
A50U126300	11-28	A50U132301	103-4	A50U162503	1-8	A50U210600	73-2	A50U318800	12-9
A50U126400	11-16	A50U132400	102-1	A50U162701	1-2	A50U210600	74-2	A50U318900	17-6
A50U126500	5-14	A50U132600	105-2	A50U162803	1-3	A50U210600	75-2	A50U319301	17-2
A50U126600	5-15	A50U132701	11-7	A50U162900	1-4	A50U212100	72-10	A50U333500	19-1
A50U126800	6-13	A50U132800	11-8	A50U163001	4-5	A50U212100	73-10	A50U333600	19-2
A50U127000	12-15	A50U133001	104-5	A50U163506	4-9	A50U212100	74-10	A50U335600	50-20
A50U127200	6-7	A50U133101	104-2	A50U163603	4-10	A50U212100	75-4	A50U335600	51-2
A50U127300	6-8	A50U133201	7-6	A50U163700	4-1	A50U212600	72-3	A50U335600	52-2
A50U127400	5-2	A50U133400	107-10	A50U163800	4-11	A50U212600	73-3	A50U335600	53-2
A50U127500	6-17	A50U133700	102-13	A50U163903	3-1	A50U212600	74-3	A50U335600	54-2
A50U127800	6-14	A50U133800	102-14	A50U164000	5-29	A50U212600	75-3	A50U337101	49-13
A50U127901	5-35	A50U133901	107-2	A50U164100	2-22	A50U220501	48-8	A50U337200	50-17
A50U128000	6-18	A50U134701	107-3	A50U164200	2-23	A50U220600	49-10	A50U337300	50-18
A50U128700	6-19	A50U134801	107-17	A50U164801	2-24	A50U220700	49-2	A50U337400	49-14

Parts No.	Page No.	Parts No.	Page No.	Parts No.	Page No.	Parts No.	Page No.	Parts No.	Page No.
A50U340301	51-3	A50U344200	50-14	A50U376002	21-8	A50U440601	25-18	A50U463100	53-7
A50U340301	52-3	A50U360700	31-22	A50U376002	22-8	A50U442100	24-13	A50U463100	54-7
A50U340301	53-3	A50U361200	31-23	A50U376002	23-8	A50U462101	51-9	A50U500401	34-12
A50U340301	54-3	A50U361401	31-24	A50U376801	20-5	A50U462101	52-9	A50U500800	33-1
A50U340501	50-19	A50U361900	29-8	A50U376801	21-5	A50U462101	53-9	A50U501201	35-4
A50U340700	8-2	A50U362200	31-13	A50U376801	22-5	A50U462101	54-9	A50U501401	36-3
A50U340900	50-10	A50U362300	29-1	A50U376801	23-5	A50U462201	51-12	A50U501702	36-4
A50U341000	48-3	A50U363200	30-7	A50U377201	20-9	A50U462201	52-12	A50U501900	35-5
A50U341200	54-22	A50U363300	29-13	A50U377201	21-9	A50U462201	53-12	A50U502100	36-24
A50U341300	50-12	A50U363400	30-1	A50U377201	22-9	A50U462201	54-12	A50U502500	34-30
A50U341401	50-27	A50U363701	30-12	A50U377201	23-9	A50U462400	51-17	A50U502600	34-31
A50U341600	50-15	A50U363900	9-18	A50U377301	20-10	A50U462400	52-17	A50U502700	36-5
A50U341800	6-2	A50U365400	29-9	A50U377301	21-10	A50U462400	53-17	A50U502801	50-6
A50U341900	51-4	A50U365600	31-15	A50U377301	22-10	A50U462400	54-17	A50U502900	36-6
A50U341900	52-4	A50U365800	31-14	A50U377301	23-10	A50U462501	51-18	A50U503001	36-7
A50U341900	53-4	A50U366601	9-14	A50U400501	28-7	A50U462501	52-18	A50U503200	35-6
A50U341900	54-4	A50U366800	30-15	A50U400600	24-16	A50U462501	53-18	A50U503300	36-21
A50U342000	51-5	A50U367001	31-16	A50U400900	24-17	A50U462501	54-18	A50U503500	36-25
A50U342000	52-5	A50U367100	30-8	A50U401200	28-8	A50U462600	51-13	A50U503600	33-4
A50U342000	53-5	A50U367400	30-16	A50U401301	28-9	A50U462600	52-13	A50U503700	33-5
A50U342000	54-5	A50U368000	9-15	A50U401401	24-18	A50U462600	53-13	A50U503900	34-24
A50U342200	6-3	A50U368400	30-9	A50U404000	27-6	A50U462600	54-13	A50U504000	34-13
A50U342300	51-14	A50U369900	30-2	A50U404200	27-13	A50U462700	51-15	A50U504400	34-25
A50U342300	52-14	A50U372901	20-3	A50U404600	27-12	A50U462700	52-15	A50U504500	34-14
A50U342300	53-14	A50U372901	21-3	A50U406400	27-7	A50U462700	53-15	A50U504600	34-15
A50U342300	54-14	A50U372901	22-3	A50U407300	13-4	A50U462700	54-15	A50U504700	34-16
A50U342400	6-4	A50U372901	23-3	A50U407600	28-10	A50U462801	51-16	A50U505000	34-17
A50U342502	50-25	A50U373100	20-4	A50U408100	24-2	A50U462801	52-16	A50U505100	34-32
A50U342600	50-26	A50U373100	21-4	A50U408501	25-15	A50U462801	53-16	A50U505200	33-9
A50U342900	8-9	A50U373100	22-4	A50U408600	25-6	A50U462801	54-16	A50U505300	34-3
A50U343000	50-13	A50U373100	23-4	A50U408700	25-7	A50U462900	51-10	A50U505401	35-8
A50U343100	54-19	A50U374102	20-7	A50U408900	25-8	A50U462900	52-10	A50U505500	35-9
A50U343301	54-20	A50U374102	21-7	A50U410200	25-16	A50U462900	53-10	A50U505601	35-20
A50U343400	50-21	A50U374102	22-7	A50U420300	27-8	A50U462900	54-10	A50U505700	35-12
A50U343500	50-22	A50U374102	23-7	A50U420400	28-11	A50U463000	51-6	A50U505800	35-13
A50U343600	50-2	A50U374501	20-6	A50U420800	28-12	A50U463000	52-6	A50U505901	34-18
A50U343700	54-21	A50U374501	21-6	A50U420900	27-9	A50U463000	53-6	A50U506101	34-19
A50U343800	50-11	A50U374501	22-6	A50U421000	27-10	A50U463000	54-6	A50U506200	33-6
A50U343900	50-3	A50U374501	23-6	A50U421000	28-13	A50U463100	51-7	A50U506300	33-8
A50U344100	50-23	A50U376002	20-8	A50U440301	25-17	A50U463100	52-7	A50U506500	50-7

Parts No.	Page No.	Parts No.	Page No.	Parts No.	Page No.	Parts No.	Page No.	Parts No.	Page No.
A50U506701	34-28	A50U523200	80-29	A50U622300	58-26	A50U627002	60-5	A50U631600	61-14
A50U506900	35-7	A50U523400	80-30	A50U622400	58-24	A50U627200	60-6	A50U631700	62-19
A50U507000	34-20	A50U524100	80-35	A50U622400	62-35	A50U627501	58-18	A50U631800	62-20
A50U507600	35-21	A50U524500	80-15	A50U622600	57-5	A50U627501	62-15	A50U631900	62-21
A50U507801	35-16	A50U524600	80-16	A50U622600	61-5	A50U627601	57-8	A50U632300	62-39
A50U507900	35-14	A50U524700	80-31	A50U622802	57-6	A50U627601	61-8	A50U633002	56-5
A50U508001	35-10	A50U525900	55-3	A50U622802	61-6	A50U627701	57-9	A50U633002	60-7
A50U508102	35-11	A50U531400	37-13	A50U623201	58-27	A50U627701	61-9	A50U633100	56-6
A50U508301	7-9	A50U531500	37-14	A50U623201	62-38	A50U628001	10-14	A50U633100	60-8
A50U508600	33-2	A50U531601	37-7	A50U623300	58-25	A50U628100	58-3	A50U633200	56-7
A50U508800	33-7	A50U560900	65-16	A50U623300	62-36	A50U628200	57-10	A50U633200	60-9
A50U509100	34-21	A50U560900	68-16	A50U623600	58-1	A50U628200	59-11	A50U633301	56-8
A50U509200	36-22	A50U561200	65-30	A50U623701	58-2	A50U628200	61-10	A50U633400	56-9
A50U509300	7-10	A50U561200	68-30	A50U623900	62-1	A50U628200	63-12	A50U633400	60-10
A50U510100	35-17	A50U562400	65-19	A50U624000	9-16	A50U628300	59-1	A50U633601	60-11
A50U510200	35-18	A50U562400	68-19	A50U624113	10-13	A50U628300	63-1	A50U633702	56-10
A50U510400	7-30	A50U564500	65-14	A50U624201	62-2	A50U628400	58-12	A50U633702	60-12
A50U515200	38-4	A50U564500	68-14	A50U624300	10-16	A50U628400	62-11	A50U633800	56-11
A50U515500	38-8	A50U565100	65-15	A50U624503	9-12	A50U629001	61-25	A50U633800	60-13
A50U516800	38-10	A50U565100	68-15	A50U624600	59-8	A50U629100	71-2	A50U633900	56-12
A50U516900	38-9	A50U620602	58-34	A50U624600	63-9	A50U629202	61-26	A50U633900	60-14
A50U517000	38-2	A50U620701	63-7	A50U624700	59-9	A50U629300	57-16	A50U634200	10-15
A50U517100	38-5	A50U620801	58-11	A50U624700	63-10	A50U629401	63-13	A50U634300	56-13
A50U517300	34-22	A50U620801	62-10	A50U624904	9-10	A50U629502	59-12	A50U634300	60-15
A50U520001	55-2	A50U620902	58-23	A50U625000	57-17	A50U629502	63-14	A50U634400	56-14
A50U520401	80-32	A50U621001	57-4	A50U625100	59-10	A50U629702	59-13	A50U634400	60-16
A50U520601	80-6	A50U621001	61-4	A50U625100	63-11	A50U629702	63-15	A50U635400	62-22
A50U520700	80-7	A50U621200	59-7	A50U625400	58-15	A50U629801	59-14	A50U635500	62-23
A50U520900	80-33	A50U621200	63-8	A50U625500	58-16	A50U629801	63-16	A50U637002	56-15
A50U521101	80-8	A50U621301	58-32	A50U625701	57-7	A50U629901	59-15	A50U637600	59-21
A50U521200	80-9	A50U621301	62-32	A50U625701	61-7	A50U630203	57-24	A50U637700	59-22
A50U521301	80-10	A50U621400	58-33	A50U626000	62-13	A50U630203	61-28	A50U640100	63-20
A50U521500	80-11	A50U621400	62-33	A50U626100	58-17	A50U630602	62-40	A50U640200	10-18
A50U521900	80-12	A50U621800	58-13	A50U626100	62-14	A50U630701	59-16	A50U640400	10-19
A50U522001	80-34	A50U621900	58-30	A50U626502	57-13	A50U630902	62-37	A50U640700	62-24
A50U522400	80-13	A50U621900	62-30	A50U626502	61-22	A50U631000	62-16	A50U640800	58-19
A50U522500	80-14	A50U622001	58-14	A50U626601	57-14	A50U631100	62-17	A50U641500	57-18
A50U522900	80-26	A50U622001	62-12	A50U626601	61-23	A50U631200	61-15	A50U641500	61-27
A50U523001	80-27	A50U622101	58-31	A50U626702	57-15	A50U631300	61-11	A50U641600	10-20
A50U523100	80-28	A50U622101	62-31	A50U626702	61-24	A50U631500	62-18	A50U642000	58-20

Parts No.	Page No.	Parts No.	Page No.	Parts No.	Page No.	Parts No.	Page No.	Parts No.	Page No.
A50U642000	62-25	A50U711602	99-16	A50U716400	99-24	A50U726611	44-10	A50U737700	106-6
A50U642300	43-8	A50U712001	98-3	A50U716500	55-4	A50U726800	45-16	A50U737800	7-16
A50U642300	63-22	A50U712200	86-28	A50U716500	80-36	A50U727300	46-10	A50U738001	7-24
A50U642300	94-35	A50U712200	99-17	A50U716500	86-43	A50U727400	46-11	A50U738100	7-25
A50U700101	76-8	A50U712300	86-29	A50U716500	99-31	A50U727500	46-12	A50U738201	47-8
A50U700200	77-24	A50U712300	99-18	A50U717000	98-4	A50U727600	47-5	A50U738300	47-13
A50U700300	77-6	A50U712400	86-30	A50U717001	98-4	A50U727700	46-13	A50U738400	47-14
A50U700400	77-25	A50U712400	99-19	A50U717100	98-5	A50U727900	46-14	A50U738500	47-15
A50U700500	77-7	A50U712700	99-10	A50U717200	98-6	A50U728301	45-17	A50U738600	47-9
A50U700600	77-8	A50U713000	97-7	A50U717901	97-11	A50U728401	44-11	A50U738700	47-10
A50U700901	76-2	A50U713100	99-11	A50U718200	98-9	A50U728500	44-12	A50U738801	47-16
A50U701000	77-9	A50U713200	97-8	A50U718300	98-10	A50U728700	47-21	A50U738900	7-19
A50U701113	76-3	A50U713300	83-28	A50U718400	86-13	A50U728800	44-13	A50U739000	7-17
A50U701303	76-9	A50U713401	83-33	A50U718400	99-25	A50U729000	47-22	A50U739200	47-17
A50U704400	77-10	A50U713500	83-29	A50U718500	86-14	A50U730125	45-18	A50U739400	7-20
A50U704700	77-15	A50U713600	97-9	A50U718500	99-26	A50U730525	45-19	A50U739500	47-11
A50U704801	77-11	A50U713700	83-20	A50U719200	97-18	A50U730600	45-20	A50U739811	45-25
A50U704900	77-26	A50U713800	83-21	A50U719300	98-16	A50U730700	45-21	A50U739900	45-26
A50U705000	77-20	A50U713900	83-3	A50U719400	98-17	A50U730900	44-14	A50U741612	41-13
A50U705100	76-10	A50U714200	99-20	A50U719400	98-17	A50U731002	44-15	A50U741700	42-6
A50U705200	76-11	A50U714300	97-20	A50U719800	97-21	A50U731102	44-16	A50U741800	42-7
A50U705400	77-28	A50U714400	97-16	A50U720123	45-7	A50U731501	47-6	A50U741900	43-9
A50U705500	77-16	A50U714500	99-21	A50U720501	45-8	A50U731700	7-14	A50U742000	43-10
A50U705600	77-17	A50U714600	86-12	A50U721201	47-18	A50U731900	7-15	A50U742300	39-10
A50U705701	76-12	A50U714600	99-22	A50U721502	47-2	A50U732000	47-7	A50U742400	40-22
A50U706000	76-13	A50U714800	83-13	A50U721601	45-9	A50U732100	40-32	A50U742501	39-11
A50U706800	77-27	A50U714900	83-14	A50U722100	44-5	A50U732200	39-30	A50U742800	39-12
A50U706900	76-14	A50U715002	83-22	A50U722202	44-6	A50U732300	39-31	A50U742901	39-13
A50U707001	77-29	A50U715100	83-15	A50U722301	47-19	A50U732400	39-32	A50U743000	39-14
A50U707300	77-12	A50U715200	83-16	A50U722700	47-3	A50U732500	39-33	A50U743100	39-15
A50U707400	77-18	A50U715300	86-41	A50U722800	47-4	A50U733001	45-22	A50U743200	39-16
A50U707600	76-15	A50U715300	99-29	A50U723100	45-10	A50U733101	45-23	A50U743301	40-23
A50U710101	97-15	A50U715400	88-33	A50U723600	45-11	A50U733402	44-17	A50U743501	45-27
A50U710300	99-5	A50U715600	86-42	A50U723812	44-7	A50U733500	44-18	A50U743600	40-24
A50U710901	99-6	A50U715600	99-30	A50U723911	44-8	A50U733712	45-24	A50U743700	40-25
A50U711001	99-7	A50U715800	86-1	A50U724102	45-12	A50U734100	106-2	A50U743800	40-26
A50U711101	97-5	A50U715800	99-1	A50U725001	45-13	A50U737201	7-18	A50U743900	40-27
A50U711200	99-8	A50U715900	97-17	A50U725200	44-9	A50U737302	106-3	A50U744000	45-28
A50U711300	99-9	A50U716200	97-10	A50U726300	45-14	A50U737401	106-4	A50U744100	45-29
A50U711400	97-6	A50U716301	99-23	A50U726401	45-15	A50U737601	106-5	A50U744300	40-28

Parts No.	Page No.	Parts No.	Page No.	Parts No.	Page No.	Parts No.	Page No.	Parts No.	Page No.
A50U744400	45-30	A50U752600	39-25	A50U762300	46-40	A50U800700	92-14	A50U816900	86-8
A50U744601	40-4	A50U752700	42-12	A50U762400	46-41	A50U800800	92-16	A50U817001	80-21
A50U744700	43-11	A50U753100	106-16	A50U762912	47-23	A50U801400	92-17	A50U817300	82-18
A50U744912	40-15	A50U754700	40-30	A50U763000	47-24	A50U801500	92-15	A50U817300	94-8
A50U745100	41-2	A50U754901	43-14	A50U763100	47-25	A50U801602	92-6	A50U817400	81-23
A50U745302	39-27	A50U755000	41-8	A50U763211	47-26	A50U802002	92-23	A50U817600	86-31
A50U745500	40-9	A50U755100	42-13	A50U763300	47-27	A50U802100	93-18	A50U817601	86-31
A50U745600	39-21	A50U755301	42-14	A50U763400	47-28	A50U802211	92-7	A50U817700	13-10
A50U745700	39-22	A50U755800	42-15	A50U763511	47-29	A50U802700	93-12	A50U817700	13-11
A50U745802	41-7	A50U755900	39-38	A50U763600	47-30	A50U802801	93-20	A50U817800	86-34
A50U746200	41-11	A50U756001	39-18	A50U763800	46-42	A50U802900	93-6	A50U818000	81-12
A50U746400	40-10	A50U756300	42-16	A50U763900	46-43	A50U803101	93-21	A50U818100	81-13
A50U746500	46-15	A50U756300	45-31	A50U764000	47-31	A50U803300	93-13	A50U818201	86-38
A50U746700	43-12	A50U756500	39-19	A50U765000	45-32	A50U803400	93-14	A50U818400	86-39
A50U746800	42-8	A50U757000	39-23	A50U765500	42-5	A50U803500	93-22	A50U818501	82-19
A50U747101	43-13	A50U757100	39-24	A50U783400	45-33	A50U803600	93-19	A50U818601	86-16
A50U747200	40-16	A50U757800	46-17	A50U784200	44-19	A50U803700	93-3	A50U818700	78-1
A50U747300	40-17	A50U757900	46-18	A50U785000	43-15	A50U803800	93-7	A50U818800	78-2
A50U747803	42-9	A50U758000	46-19	A50U785400	45-34	A50U804001	92-24	A50U818900	78-3
A50U747900	42-10	A50U758100	46-20	A50U785500	45-35	A50U804200	92-8	A50U819201	78-4
A50U748200	42-11	A50U758201	42-17	A50U786100	44-20	A50U804701	93-1	A50U819302	78-5
A50U748403	39-34	A50U760300	46-21	A50U787003	43-16	A50U805200	93-16	A50U819500	79-4
A50U748504	40-33	A50U760400	46-22	A50U787500	41-3	A50U805300	92-25	A50U819600	94-9
A50U748701	46-16	A50U760600	46-23	A50U787600	41-4	A50U810300	85-16	A50U819700	83-34
A50U749200	40-5	A50U760701	46-24	A50U787700	42-18	A50U810400	85-23	A50U819812	84-6
A50U749300	40-6	A50U760802	46-25	A50U788000	43-17	A50U810502	81-28	A50U819900	84-13
A50U749401	106-7	A50U760900	46-26	A50U788101	43-18	A50U811300	13-7	A50U830200	82-20
A50U749502	106-8	A50U761000	46-27	A50U788600	43-19	A50U811500	13-8	A50U830300	82-21
A50U749600	106-9	A50U761100	46-28	A50U788601	43-19	A50U812100	81-27	A50U830400	82-22
A50U749700	106-10	A50U761200	46-29	A50U788900	42-19	A50U812202	82-17	A50U830500	82-31
A50U749801	106-11	A50U761300	46-30	A50U789100	42-20	A50U813700	13-9	A50U830600	82-32
A50U750500	39-28	A50U761400	46-31	A50U792901	43-20	A50U814401	84-2	A50U830700	82-33
A50U750600	39-29	A50U761500	46-32	A50U794800	43-21	A50U814500	84-12	A50U830800	82-34
A50U751002	39-35	A50U761601	46-33	A50U799200	43-22	A50U815101	84-9	A50U831000	82-35
A50U751101	39-36	A50U761700	46-34	A50U799601	43-23	A50U815800	85-17	A50U831100	82-36
A50U751200	39-17	A50U761800	46-35	A50U799700	43-24	A50U816103	81-11	A50U831200	82-37
A50U751301	39-37	A50U761900	46-36	A50U799800	43-25	A50U816301	86-15	A50U831300	84-10
A50U752000	40-34	A50U762000	46-37	A50U800100	93-10	A50U816403	88-3	A50U831400	85-12
A50U752200	40-11	A50U762100	46-38	A50U800300	92-12	A50U816700	86-3	A50U831900	82-23
A50U752300	40-12	A50U762200	46-39	A50U800400	92-13	A50U816801	86-4	A50U832100	8-11



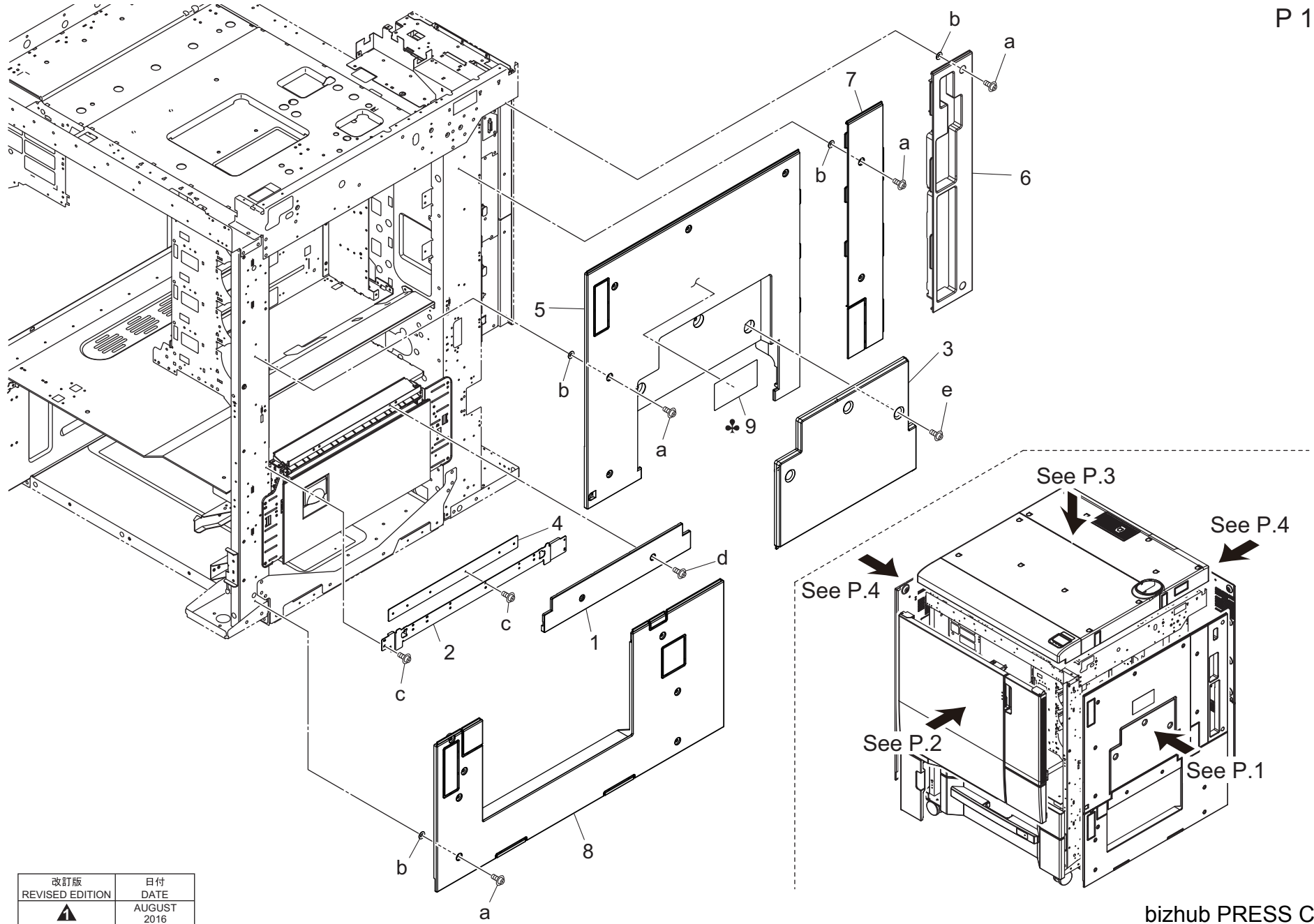
Parts No.	Page No.	Parts No.	Page No.	Parts No.	Page No.	Parts No.	Page No.	Parts No.	Page No.
A50U832201	10-6	A50U841100	90-21	A50U852101	88-15	A50U859800	87-10	A50U868401	95-17
A50U832600	85-13	A50U841301	91-19	A50U852200	88-13	A50U859900	90-6	A50U868500	96-9
A50U832700	85-14	A50U841402	87-21	A50U852300	88-26	A50U860104	94-26	A50U868600	96-10
A50U832901	78-6	A50U841501	89-12	A50U852400	88-27	A50U860202	95-22	A50U868702	95-24
A50U833000	8-6	A50U841600	89-2	A50U852500	87-29	A50U860501	94-27	A50U869100	96-12
A50U833400	86-17	A50U841700	91-9	A50U852500	88-28	A50U860600	95-9	A50U869300	95-25
A50U833500	86-18	A50U841800	91-10	A50U852701	87-30	A50U861003	94-12	A50U869400	94-24
A50U834200	85-18	A50U841901	89-6	A50U852903	87-14	A50U861004	94-12	A50U869501	94-25
A50U834302	94-10	A50U842000	90-5	A50U852904	87-14	A50U861100	95-10	A50U869601	95-26
A50U834500	86-19	A50U842300	90-23	A50U853001	87-15	A50U861601	95-11	A50U869700	95-18
A50U834600	86-20	A50U842900	79-6	A50U853100	88-12	A50U861800	94-13	A50U869800	95-27
A50U834700	86-35	A50U842900	91-21	A50U853200	87-9	A50U861900	96-7	A50U880103	87-18
A50U834802	80-17	A50U843601	91-11	A50U853200	88-29	A50U862600	96-1	A50U880201	89-15
A50U835001	78-7	A50U843801	91-12	A50U853400	91-23	A50U863000	96-14	A50U880701	81-21
A50U835301	81-34	A50U843900	85-4	A50U853700	87-16	A50U863100	2-38	A50U880800	86-36
A50U835400	81-14	A50U844100	85-5	A50U854100	91-15	A50U864200	95-12	A50U880900	86-33
A50U835601	83-4	A50U844400	91-26	A50U854200	87-2	A50U864300	95-13	A50U880900	99-27
A50U835900	81-29	A50U844501	91-13	A50U854302	87-5	A50U865011	96-11	A50U881300	87-19
A50U836000	81-30	A50U844601	91-14	A50U854400	87-3	A50U865101	95-28	A50U881400	87-20
A50U836100	83-5	A50U844800	89-7	A50U854600	62-26	A50U865200	96-2	A50U881500	8-12
A50U836200	86-32	A50U845400	90-13	A50U854600	88-30	A50U865300	94-14	A50U881601	86-21
A50U836300	84-14	A50U846000	91-22	A50U854800	87-4	A50U865401	95-14	A50U881700	86-22
A50U836400	81-15	A50U846102	87-34	A50U854800	89-8	A50U865601	95-30	A50U882100	86-5
A50U836500	81-16	A50U846304	87-35	A50U855200	9-7	A50U865702	94-15	A50U882100	88-34
A50U836801	88-17	A50U847200	90-9	A50U855601	89-13	A50U865703	94-15	A50U882300	83-6
A50U837001	78-14	A50U848000	89-3	A50U855702	78-20	A50U865901	94-16	A50U882401	97-12
A50U837101	78-15	A50U848302	89-4	A50U855800	80-24	A50U866000	94-17	A50U882600	83-23
A50U837300	78-22	A50U849100	82-25	A50U855900	81-19	A50U866400	94-36	A50U882701	79-7
A50U837700	84-15	A50U849200	82-26	A50U856201	87-22	A50U866900	94-18	A50U882801	79-8
A50U838500	84-3	A50U850201	90-22	A50U856501	91-16	A50U867100	95-15	A50U882900	88-4
A50U838700	84-16	A50U850201	91-20	A50U858101	80-18	A50U867200	94-19	A50U883001	88-39
A50U838800	94-11	A50U850700	88-8	A50U858200	78-16	A50U867312	94-30	A50U883101	88-40
A50U839100	81-17	A50U851400	87-25	A50U858300	78-8	A50U867400	94-20	A50U883200	88-5
A50U839200	81-18	A50U851500	87-26	A50U858400	78-9	A50U867500	94-21	A50U883300	83-24
A50U839200	82-24	A50U851500	88-11	A50U858500	78-10	A50U867600	94-22	A50U883400	88-35
A50U839900	79-5	A50U851700	87-31	A50U858600	81-20	A50U867700	95-16	A50U883501	83-7
A50U840303	87-12	A50U851800	87-13	A50U858702	88-18	A50U867800	94-23	A50U883600	86-6
A50U840400	91-8	A50U851800	88-9	A50U859000	82-27	A50U868000	95-23	A50U883600	88-36
A50U840704	89-14	A50U851901	88-14	A50U859400	82-28	A50U868200	96-3	A50U883701	88-37
A50U840802	87-1	A50U852000	87-27	A50U859500	87-17	A50U868301	96-4	A50U884000	88-6


Parts No.	Page No.	Parts No.	Page No.	Parts No.	Page No.	Parts No.	Page No.	Parts No.	Page No.
A50U884202	79-9	A50U899700	101-15	A50UF21100	73-9	A50UM50100	38-6	A50UN12000	30-18
A50U884300	88-7	A50U899801	101-16	A50UF21100	74-9	A50UM50200	38-11	A50UN12101	24-1
A50U884600	80-19	A50U943200	86-37	A50UF36500	29-12	A50UM50600	44-22	A50UN12203	28-14
A50U884700	80-20	A50U943300	99-28	A50UF41500	24-14	A50UM51000	8-19	A50UN12401	48-13
A50U885100	81-22	A50U943400	97-24	A50UF50700	7-11	A50UM51000	24-10	A50UN12500	50-24
A50U886300	86-23	A50U943501	39-3	A50UF70800	76-18	A50UM51000	30-10	A50UN12602	5-28
A50U886700	88-42	A50U943600	95-31	A50UF70900	76-16	A50UM51000	77-21	A50UN12702	110-2
A50U886800	87-32	A50U943700	46-44	A50UF80404	93-24	A50UM55500	40-2	A50UN12800	7-27
A50U886900	88-43	A50U943800	94-33	A50UF80500	92-19	A50UM55500	50-8	A50UN12900	104-11
A50U887100	86-44	A50U943900	91-27	A50UF81401	83-27	A50UM55500	57-20	A50UN12E01	103-10
A50U887200	86-45	A50U944000	89-16	A50UF82200	81-33	A50UM55500	59-18	A50UN13201	35-23
A50U887300	86-46	A50U944200	78-24	A50UF83702	79-12	A50UM55500	61-29	A50UN13203	35-23
A50U890102	101-24	A50U944301	5-27	A50UF84100	89-17	A50UM55500	72-5	A50UN13600	10-27
A50U890201	101-30	A50U944900	2-26	A50UF84800	90-16	A50UM55500	73-5	A50UN13E01	103-11
A50U890300	101-23	A50U945300	58-35	A50UH02004	107-15	A50UM55500	74-5	A50UN14001	63-21
A50U890402	101-19	A50U945300	62-41	A50UH03009	104-6	A50UM55500	77-13	A50UN14100	59-23
A50U890500	100-4	A50U945601	50-29	A50UH05004	81-31	A50UM55500	80-22	A50UN14201	65-7
A50U890600	101-36	A50U945700	56-17	A50UH06001	75-14	A50UM55500	83-38	A50UN14201	68-7
A50U890700	101-17	A50U945700	60-18	A50UM10100	75-13	A50UM55500	84-4	A50UN14400	77-30
A50U890802	101-10	A50U946000	57-19	A50UM10201	36-23	A50UM55500	88-41	A50UN15001	81-24
A50U890900	101-11	A50U946300	58-21	A50UM10201	72-7	A50UM55500	92-3	A50UN15101	105-5
A50U891000	100-18	A50U946300	62-27	A50UM10201	73-7	A50UM55500	95-20	A50UN15201	101-39
A50U891001	100-18	A50U946400	59-17	A50UM10201	74-7	A50UM55500	101-26	A50UN15301	100-20
A50U891200	100-11	A50U946400	63-17	A50UM15201	7-26	A50UM60300	5-5	A50UN15400	8-32
A50U891301	101-12	A50U946501	2-30	A50UM15300	7-3	A50UN10101	108-1	A50UN15500	78-11
A50U891500	101-20	A50U948001	48-12	A50UM15300	100-12	A50UN10202	109-1	A50UN15601	81-35
A50U891600	101-21	A50U949600	5-19	A50UM15401	11-27	A50UN10302	110-1	A50UN15800	97-22
A50U891900	101-25	A50U949600	39-39	A50UM30101	51-11	A50UN10414	109-2	A50UN15900	88-31
A50U892001	101-37	A50U949600	48-10	A50UM30101	52-11	A50UN10502	111-1	A50UN16000	84-17
A50U892101	101-13	A50U949600	48-15	A50UM30101	53-11	A50UN10602	44-24	A50UN16101	84-18
A50U892200	100-19	A50U949700	48-6	A50UM30101	54-11	A50UN10800	40-18	A50UN16300	90-24
A50U892201	100-19	A50U949700	49-12	A50UM31A00	45-37	A50UN10900	39-4	A50UN16400	90-25
A50U892502	100-9	A50U949700	50-16	A50UM31E00	45-37	A50UN10903	39-4	A50UN16500	83-36
A50U892801	101-28	A50UF12000	5-16	A50UM31F00	45-37	A50UN10A01	106-12	A50UN16600	98-12
A50U892911	101-29	A50UF16000	2-31	A50UM32A00	42-21	A50UN10E02	106-12	A50UN16700	98-13
A50U893201	101-14	A50UF16101	2-32	A50UM32E00	42-21	A50UN11011	44-25	A50UN16800	98-7
A50U893300	100-5	A50UF16201	2-33	A50UM32F00	42-21	A50UN11501	104-23	A50UN16900	84-19
A50U894000	101-38	A50UF16301	2-34	A50UM40100	104-10	A50UN11701	102-10	A50UN17100	92-22
A50U895000	100-6	A50UF16400	2-35	A50UM40201	105-13	A50UN11801	30-17	A50UN17200	81-32
A50U895101	100-16	A50UF21100	72-9	A50UM45200	103-2	A50UN11E02	105-18	A50UN17400	104-12

Parts No.	Page No.	Parts No.	Page No.	Parts No.	Page No.	Parts No.	Page No.	Parts No.	Page No.
A50UN17502	96-13	A50UN27002	12-12	A50UR70W11	29-5	A50UR72E00	82-38	A7V0R70100	14-17
A50UN17601	95-32	A50UN27400	106-15	A50UR70Y11	31-1	A50UR72F00	83-25	A7V0R70200	14-17
A50UN17700	93-11	A50UN29012	15-17	A50UR71100	29-10	A50UR72G00	83-26	A7V0R70300	14-17
A50UN17900	86-40	A50UN29101	15-14	A50UR71200	31-20	A50UR72H00	83-30	A85C102000	10-8
A50UN18100	88-32	A50UN29201	107-8	A50UR71300	26-2	A50UR72J00	7-23	A85C409600	25-2
A50UN18201	83-37	A50UPJG100	112-6	A50UR71411	26-2	A50UR72K00	50-28	A85C635200	66-6
A50UN18401	95-33	A50UPJG200	112-7	A50UR71500	26-2	A50UR72R00	92-21	A85C635200	69-6
A50UN18700	78-12	A50UPJG300	112-5	A50UR71711	38-1	A50UR72S00	78-18	A85C635400	65-4
A50UN18801	81-36	A50UPP0100	112-1	A50UR71800	64-1	A50UR72U11	46-46	A85C635400	68-4
A50UN18900	83-35	A50UR70115	30-19	A50UR71800	67-1	A50UR72V00	26-1	A9VE500100	34-11
A50UN19005	72-17	A50UR70115	30-19	A50UR71911	60-17	A50UR72W11	32-3	A9VE715700	99-12
A50UN19101	75-15	A50UR70244	20-1	A50UR71A11	56-16	A50UR72X01	72-8	A9VE942600	4-6
A50UN20001	38-7	A50UR70244	20-1	A50UR71B00	76-1	A50UR72X01	73-8	A9VE942700	48-14
A50UN23200	104-13	A50UR70244	21-1	A50UR71F11	100-1	A50UR72X01	74-8	A9VE949000	46-9
A50UN23300	104-14	A50UR70244	21-1	A50UR71G00	102-9	A50UR72X01	75-8	A9VEM55100	98-11
A50UN23400	104-15	A50UR70244	22-1	A50UR71H00	102-9	A50UR72Y00	41-10	A9VER71000	97-13
A50UN23500	104-16	A50UR70244	22-1	A50UR71J00	102-9	A50UR73100	76-19	SP00-0210	44-23
A50UN23600	104-17	A50UR70244	23-1	A50UR71K00	72-4	A50UR73322	45-36	SP00-0220	41-12
A50UN23700	104-18	A50UR70244	23-1	A50UR71K00	73-4	A50UR73700	102-9	V118045503	8-24
A50UN23800	104-19	A50UR70311	18-1	A50UR71K00	74-4	A50UR73A22	46-45	V121030604	113-3
A50UN23900	104-20	A50UR70500	55-1	A50UR71M00	75-11	A50UR73D11	47-20	V502010033	40-31
A50UN24100	104-21	A50UR70633	32-1	A50UR71N22	32-2	A50UR73F00	105-26	V502010033	103-9
A50UN24200	104-22	A50UR70767	39-1	A50UR71P22	32-4	A50UR73J00	36-26	V590040002	113-7
A50UN24300	104-1	A50UR70867	39-1	A50UR71Q00	55-5	A50UR73K00	36-27		
A50UN24400	105-19	A50UR70978	39-1	A50UR71R11	55-7	A55C712000	76-17		
A50UN24501	34-33	A50UR70A12	11-18	A50UR71S11	55-8	A57P160100	3-8		
A50UN24600	105-20	A50UR70B00	55-9	A50UR71U01	13-12	A57P160202	3-9		
A50UN24701	34-34	A50UR70D01	99-13	A50UR71V01	13-13	A57P160301	6-20		
A50UN24800	105-21	A50UR70E11	41-9	A50UR71W01	13-14	A57PH0110A	107-13		
A50UN24901	34-35	A50UR70F00	44-21	A50UR71X00	7-21	A57PR70111	14-17		
A50UN25000	105-22	A50UR70G01	78-23	A50UR71Y00	7-22	A57PR70211	14-17		
A50UN25200	105-23	A50UR70H00	12-11	A50UR72100	34-26	A57PR70311	14-17		
A50UN25300	105-24	A50UR70K11	37-16	A50UR72200	93-15	A5AWP00100	112-2		
A50UN25400	81-37	A50UR70M00	105-14	A50UR72400	88-16	A5AWP00100	112-2		
A50UN25500	105-25	A50UR70N00	72-11	A50UR72500	88-19	A7V0400200	25-5		
A50UN25600	81-38	A50UR70Q00	75-16	A50UR72600	86-7	A7V0944500	25-9		
A50UN26102	17-9	A50UR70R00	48-4	A50UR72600	88-38	A7V0944600	25-10		
A50UN26202	17-10	A50UR70S11	70-1	A50UR72711	95-19	A7V0944700	25-11		
A50UN26302	17-11	A50UR70T22	17-8	A50UR72811	94-31	A7V0944800	25-12		
A50UN26403	17-12	A50UR70V00	29-2	A50UR72C00	80-25	A7V0947000	78-25		

# External Parts Section

P 1



改訂版 REVISED EDITION	日付 DATE
	AUGUST 2016

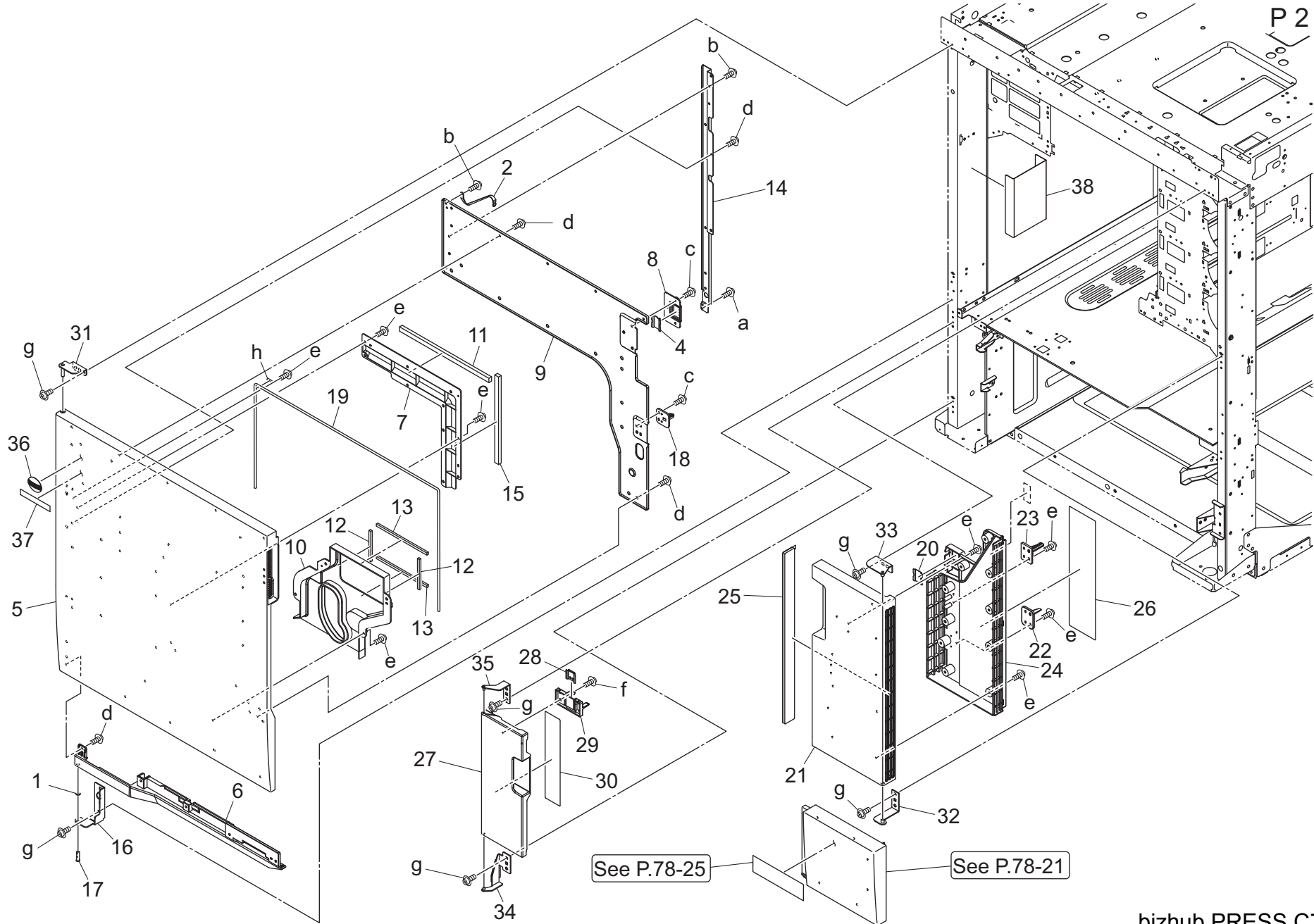
Order here  
8 (495) 646-0426  
ПЯТЫЙ ПАРТНЕР www.km-shop.ru

bizhub PRESS C71hc

# External Parts Section

Key	Part No.	Description	Destinations	Class	QTY	Standard parts
1	A50U162301	Protection Cover		D	1	a-V114041004 b-V211040080 c-V127030604 d-V114040604 e-V121031004
2	A50U162701	Reinforce Plate		D	1	
3	A50U162803	Bypass Cover		D	1	
4	A50U162900	Reinforce Plate /2		D	1	
5	A50U162005	Cover /Right		D	1	
6	A50U162102	Protection Cover /1		D	1	
7	A50U162200	Protection Cover /2		D	1	
8	A50U162503	Protection Cover /Lower		D	1	
9	A1DU945900	Paper feed Label /3	B,G2	D	1	


# External Parts Section

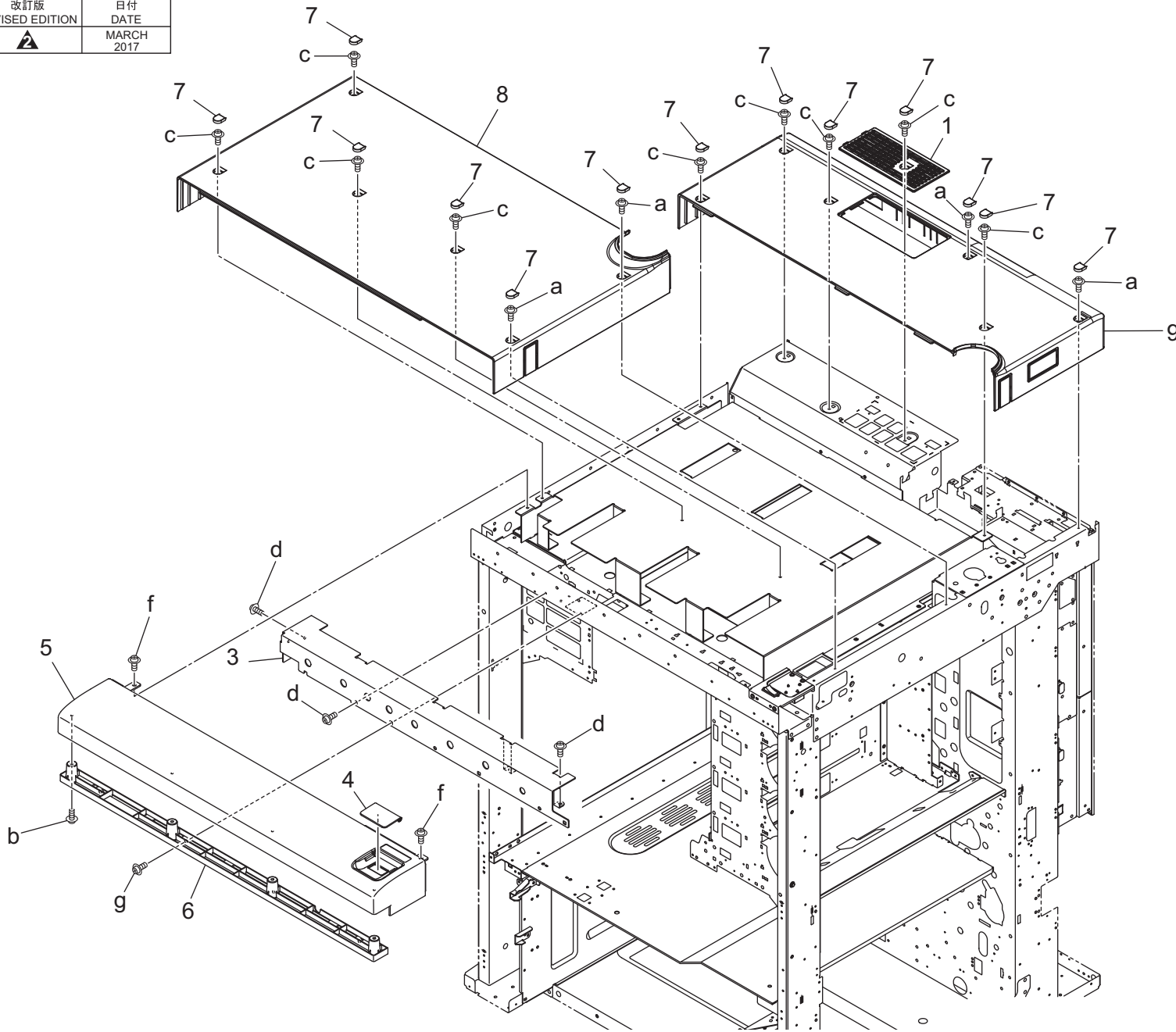


# External Parts Section

Key	Part No.	Description	Destinations	Class	QTY	Standard parts
1	40AA30270	DEVELOPING SPACER		C	1	a-V126030603
2	55VA90840	MAIN EARTH WIRE		D	1	b-V127030604
4	A03U169900	LOCK PLATE		D	1	c-V127030604
5	A50U160101	Door /Front		D	1	d-V158030803
6	A50U160200	Door /Lower		D	1	e-V158030804
7	A50U160500	Fixing Plate		D	1	f-V158031003
8	A50U160900	Holding Part		D	1	h-V234201450
9	A50U161501	Reinforce Door /Right		D	1	
10	A50U161601	Cover Duct /Front		D	1	
11	A50U161700	Sealing Cushion /1		D	1	
12	A50U161800	Sealing Cushion /Right		D	2	
13	A50U161900	Sealing Cushion /Left		D	2	
14	A50U165500	Reinforce Hinge		D	1	
15	A50U165600	Sealing Cushion /2		D	1	
16	A50U166100	Hinge /Lower		D	1	
17	A50U166200	Support Shaft /Lower		D	1	
18	A50U167201	Lock Cover		D	1	
19	A50U169900	Reinforce Wire		D	1	
20	56AA12241	EXTERNAL LOCK PLATE		D	1	
21	A50U160303	Toner supply Door		D	1	
22	A50U164100	Detecting Actuator		D	1	
23	A50U164200	Detecting Part		D	1	
24	A50U164801	Toner supply Duct		D	1	
25	A50U164901	Suction Dust-proof Filter		B	1	
26	A50U944900	Toner supply Label		D	1	
27	A50U160600	Collection Door		D	1	
28	A50U167500	Lock Plate		D	1	
29	A50U167601	Detecting Part		D	1	
30	A50U946501	Operation Label /A		D	1	
31	A50UF16000	Left Door Support Plate / Upper Caulking		D	1	
32	A50UF16101	Right Door Support Plate / Lower Caulkin		D	1	
33	A50UF16201	Right Door Support Plate / Upper Caulkin		D	1	
34	A50UF16301	Collection Box Door Support Plate / L		D	1	
35	A50UF16400	Collection Box Door Support Plate / Upper		D	1	
36	A03U168500	Indicating Plate		C	1	
37	A1RF942900	Indicating Plate		D	1	
38	A50U863100	Sheet		D	1	

# External Parts Section

改訂版 REVISED EDITION	日付 DATE
	MARCH 2017



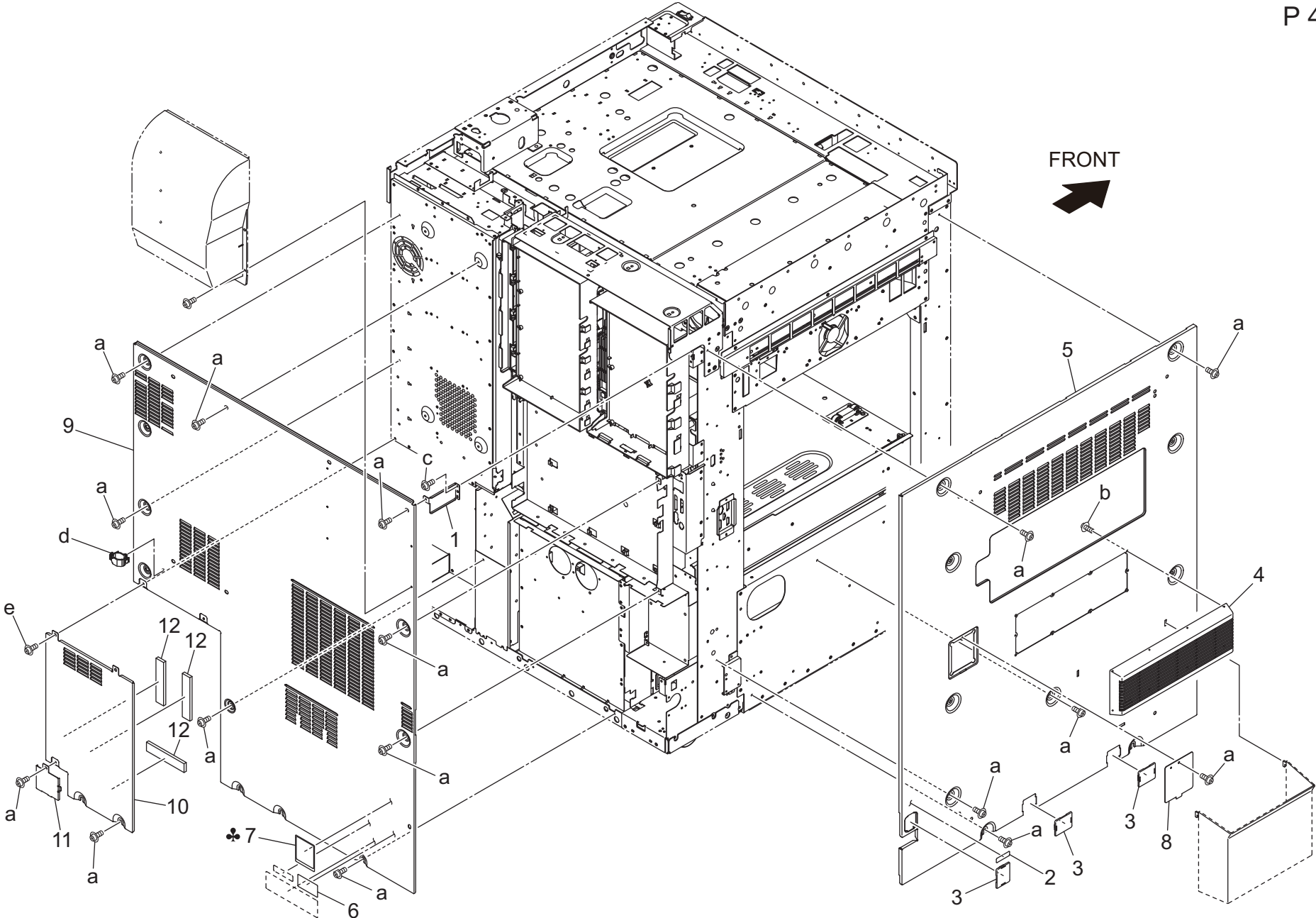


# External Parts Section

Key	Part No.	Description	Destinations	Class	QTY	Standard parts
1	A50U163903	Replacement Cover		D	1	a-V114041004 b-V158030803 c-V114040604 d-V121040604 f-V127040603 g-V114040804
3	A50U175001	Reinforce Plate		D	1	
4	A1DU163402	Protection Cover		D	1	
5	A50U161001	Cover Part		D	1	
6	A50U162400	Cover Part /Inside		D	1	
7	A1RF168800	Click Cover		D	13	
8	A57P160100	Read Cover /Middle		D	1	
9	A57P160202	Read Cover /Rear		D	1	

bizhub PRESS C71hc

External Parts Section



bizhub PRESS C71hc

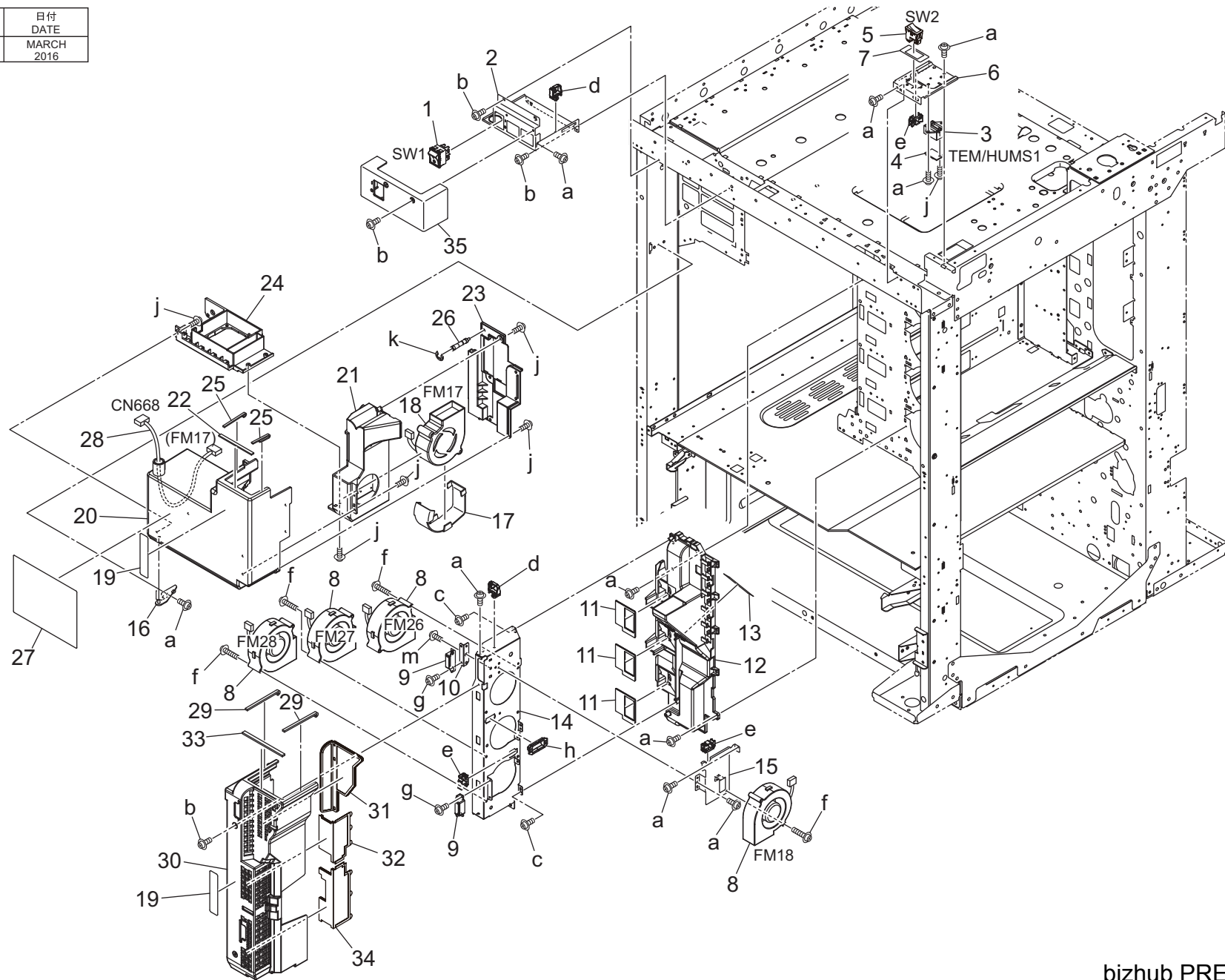
External Parts Section

Key	Part No.	Description	Destinations	Class	QTY	Standard parts
1	A50U163700	Mounting Plate /Upper		D	1	a-V114040604 b-V158030804 c-V127030604 d-V500010075 e-V127030604
2	A00J945401	Label Dehumidifier SW.		C	1	
3	A03U162500	Cover /A		C	3	
4	A1DU162300	Paper exit Cover /2		D	1	
5	A50U163001	Paper exit Cover /Left		D	1	
6	A9VE942600	Caution Label		D	1	
7	56UA97321G	Caution Label /A	C	D	1	
8	A1DU166500	Protection Cover /Left		D	1	
9	A50U163506	Protection Cover /1		D	1	
10	A50U163603	Cover /Rear		D	1	
11	A50U163800	Entrance Plate		D	1	
12	A50U167801	Holding Part		D	3	

# Main Frame Section

改訂版 REVISED EDITION	日付 DATE
	MARCH 2016

P 5

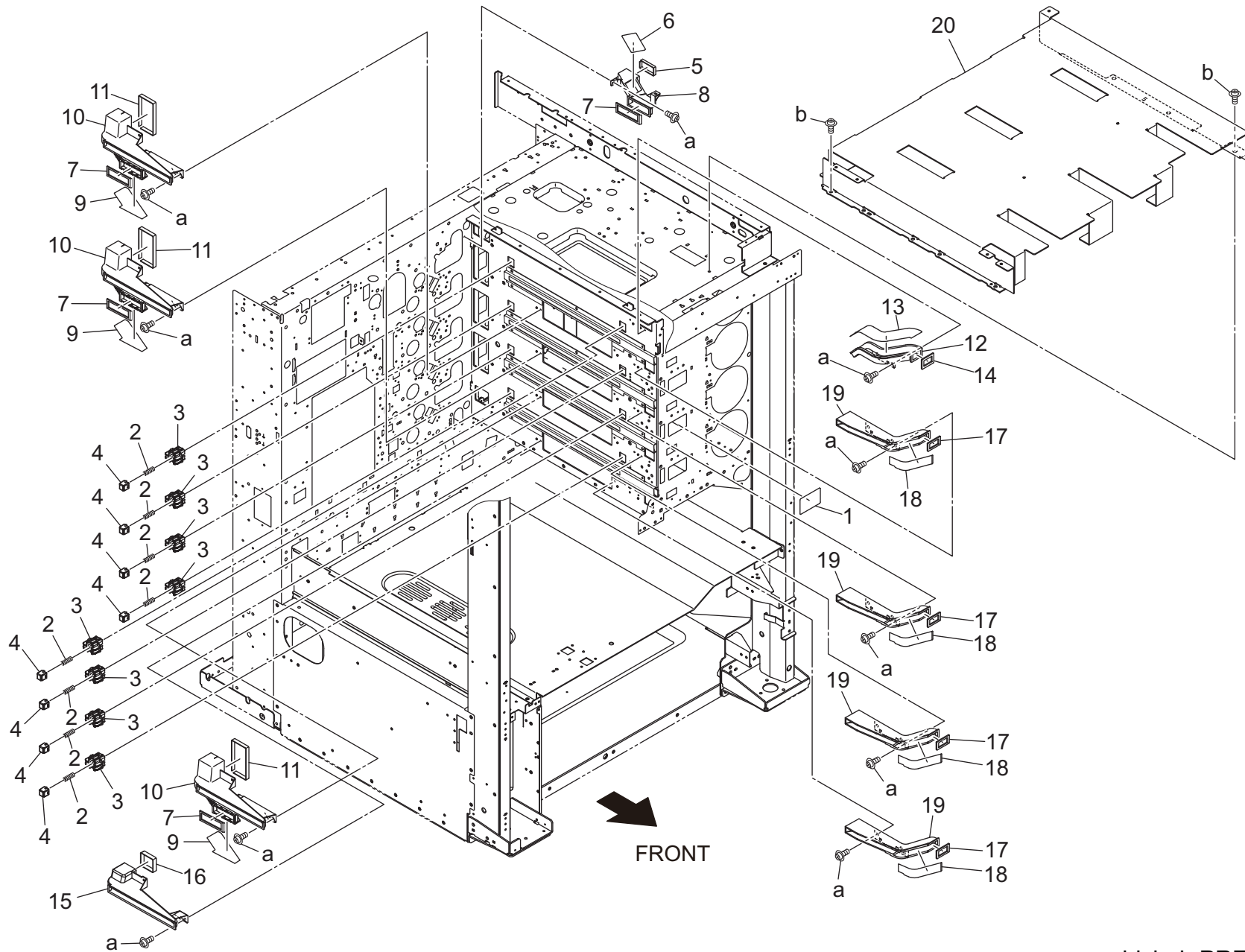


bizhub PRESS C71hc

Key	Part No.	Description	Destinations	Class	QTY	Standard parts
1	A4EUM60000	Power source Switch	電源スイッチ	C	1	a-V127030604
2	A50U127400	Mounting Plate	取付板	D	1	b-V127030604
3	65AA11300	SUPPORT PART	センサ支持部材	D	1	c-V158030803
4	A034M50000	Humidity sensor	温湿度センサ	C	1	d-V500020098
5	A50UM60300	Power source Switch	電源スイッチ	C	1	e-V570010056
6	A50U102900	Mounting Plate	取付板	D	1	f-V118033503
7	A50U179500	Protection Sheet	保護シート	D	1	g-V126030603
8	9313100072	FAN MOTOR	ファンモータ	C	4	h-V570010037
9	A0G6411200	Magnet /X	マグネット /X	D	2	j-V151030803
10	A50U120600	Fixing Plate	固定板 ( マグネットキャッチ)	D	1	k-V217060050
11	A50U121300	Cooling Seal /Front	冷却シール/前 ( 現像)	D	3	m-V116030803
12	A50U122103	Cooling Duct	冷却ダクト ( 現像/PH)	D	1	
13	A50U124900	Cover Sheet	カバーシート	D	1	
14	A50U126500	Mounting Plate	取付板 ( 現像/PH 冷却ファン)	D	1	
15	A50U126600	Mounting Plate	取付板 ( PH 冷却ファン)	D	1	
16	A50UF12000	Fusing Front Cooling Duct Support Shaft	定着前冷却ダクト 支点軸カシメ	D	1	
17	65AA11430	FAN SEALING PART 3	ファンシール材 3	C	1	
18	A03UM15802	Main body Cooling Fan	本体冷却ファン	C	1	
19	A50U949600	Replacement Label	交換ラベル ( ORU)	D	2	
20	A50U121003	Duct	ダクト ( 定着上)	D	1	
21	A50U121601	Duct	ダクト ( 中転ベルト)	D	1	
22	A50U123700	Cooling Seal /B	冷却シール/B ( 中転ダクト)	D	1	
23	A50U123800	Cover	蓋 ( 中転ファン)	D	1	
24	A50U124100	Duct	ダクト ( 定着上水平)	D	1	
25	A50U125200	Cooling Seal /A	冷却シール/A ( 中転ダクト)	D	2	
26	A50U125901	Fixing Screw	固定ねじ	D	1	
27	A50U944301	Processing Label /2	処理ラベル/2	D	1	
28	A50UN12602	Cooling Relay harness /1	冷却中継束線/1	D	1	
29	A50U164000	Cooling Seal /1	冷却シール/1 ( 現像/PH ダクト)	D	2	
30	A50U167901	Cooling Cover	冷却カバー ( 現像/PH)	D	1	
31	A50U168800Old	PH Dust-proof Filter	PH 防塵フィルター	B	1	
31	A50U168801	PH Dust-proof Filter	PH 防塵フィルター	B	1	
32	A50U168900Old	Deve. Dust-proof Filter/1	現像防塵フィルター/1	B	1	
32	A50U168901	Deve. Dust-proof Filter/1	現像防塵フィルター/1	B	1	
33	A50U169300	Cooling Seal /2	冷却シール/2 ( 現像/PH ダクト)	D	1	
34	A50U169500Old	Deve. Dust-proof Filter/2	現像防塵フィルター/2	B	1	
34	A50U169501	Deve. Dust-proof Filter/2	現像防塵フィルター/2	B	1	
35	A50U127901	Cover	カバー ( スイッチ/カウンター)	D	1	


# Main Frame Section

P 6

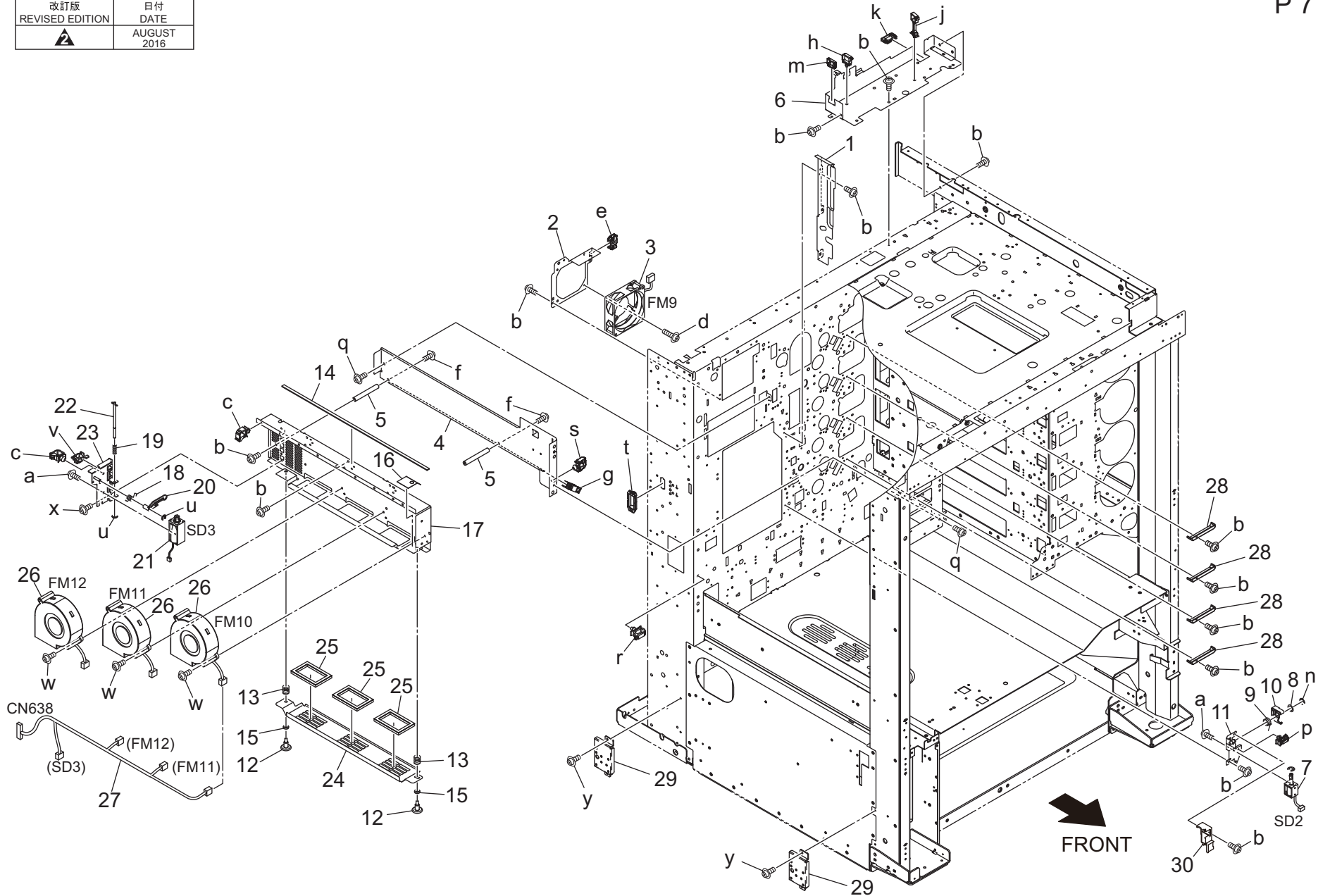


Key	Part No.	Description	Destinations	Class	QTY	Standard parts
1	A50U109100	Writing Cover		D	1	a-V127030604 b-V127040803
2	A50U341800	Pressing Spring /D		D	8	
3	A50U342200	Pressing Pedestal		D	8	
4	A50U342400	Charge Pressing Block		D	8	
5	A50U123300	Suction Seal		D	1	
6	A50U123600	Suction Cover		D	1	
7	A50U127200	Suction Seal /Rear		D	4	
8	A50U127300	Suction Duct		D	1	
9	A50U123200	Ozone Cover		D	3	
10	A50U123400	Duct /Cyan		D	3	
11	A50U123900	Suction Seal		D	3	
12	A50U126200	Duct		D	1	
13	A50U126800	Sheet /1		D	1	
14	A50U127800	Seal		D	1	
15	A50U123500	Duct		D	1	
16	A50U124000	Suction Seal		D	1	
17	A50U127500	Seal		D	4	
18	A50U128000	Sheet /2		D	4	
19	A50U128700	Duct /1		D	4	
20	A57P160301	Reinforce Plate		D	1	

# Main Frame Section

改訂版 REVISED EDITION	日付 DATE
	AUGUST 2016

P 7



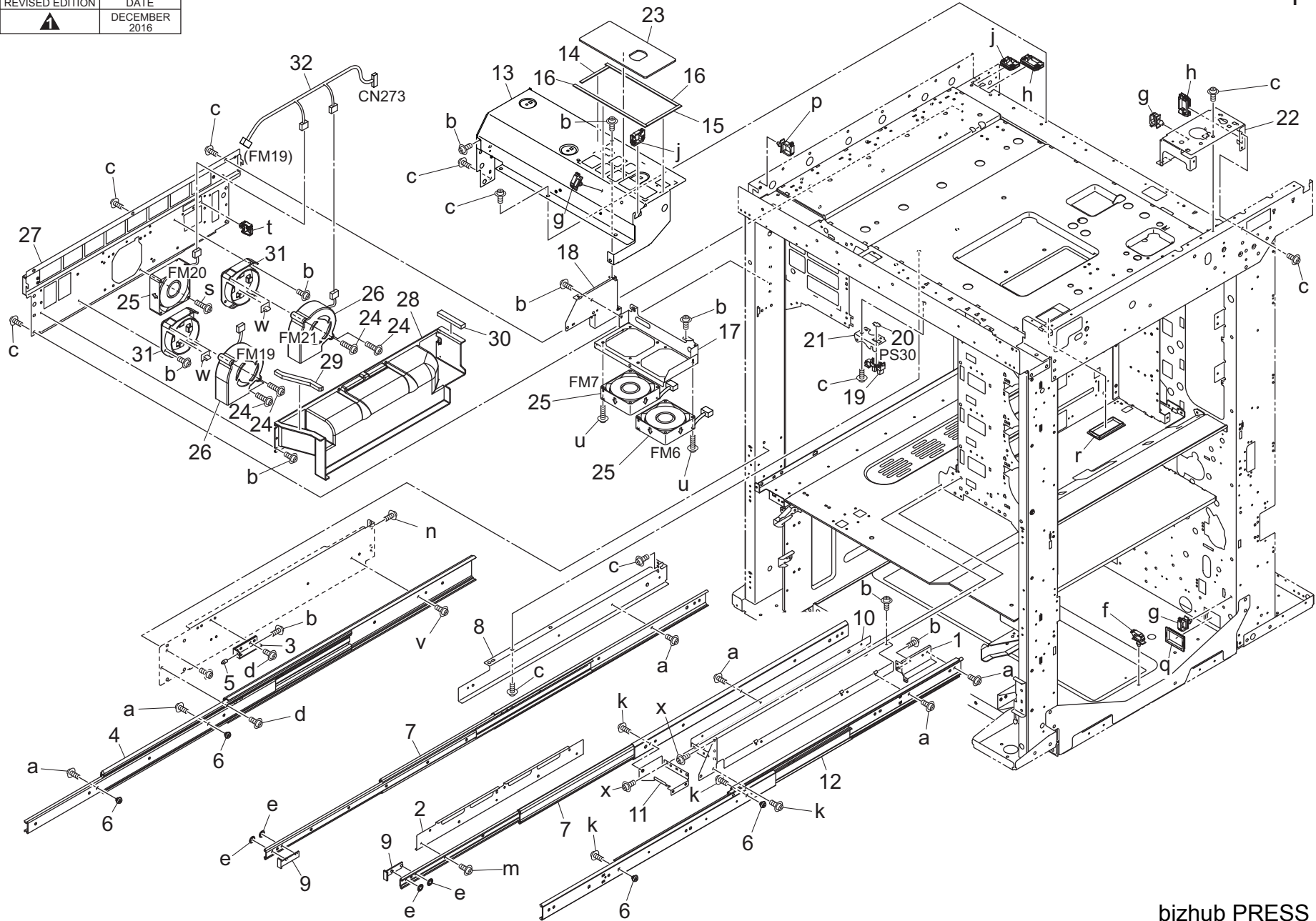
bizhub PRESS C71hc



Key	Part No.	Description	Destinations	Class	QTY	Standard parts
1	A50U104901	Inner partition		D	1	a-V118030303
2	A50U103602	Mounting Plate /Rear		D	1	b-V127030604
3	A50UM15300	Fan motor /2		C	1	c-V500010074
4	A50U102800	Mounting Stay /Middle		D	1	d-V118033003
5	A50U106800	Mounting Shaft /Inside		D	2	e-V570010056
6	A50U133201	Mounting Plate /Upper		D	1	f-V116030803
7	26NA82513	Paper Feed Solenoid		B	1	g-V570010057
8	40AA32320	Toner Supply Spacer		C	1	h-V500010084
9	A50U508301	Solenoid Release Spring		D	1	j-V500020085
10	A50U509300	Separating Cam		D	1	k-V570010059
11	A50UF50700	Mounting Stay Caulking		D	1	m-V570010060
12	4038351102	SHOULDER SCREW		C	2	n-V217040050
13	A1DU764000	Spring		D	2	p-V500020099
14	A50U731700	Insulating Seal /1		D	1	q-V146040804
15	A50U731900	Lifting Spacer /1		D	2	r-V500010082
16	A50U737800	Protection Sheet /1		D	1	s-V500020098
17	A50U739000	Mounting Plate		D	1	t-V570010037
18	A50U737201	Holding Spring /A		D	1	u-V217030001
19	A50U738900	Holding Spring /B		D	1	v-V570010025
20	A50U739400	Open/close Arm /1		D	1	w-V116031003
21	A50UR71X00	Shutter Solenoid Pin Insert		C	1	x-V121030403
22	A50UR71Y00	Support Shaft / B Pin Insert		D	1	y-V127040603
23	A50UR72J00	Support Shaft Caulking		D	1	
24	A50U738001	Shutter		D	1	
25	A50U738100	Cushion		D	3	
26	A50UM15201	Fan motor		C	3	
27	A50UN12800	Fixing Relay harness /1		D	1	
28	A50U108900	Receiving Part /1		D	4	
29	A1DU111101	Connecting Plate /F		D	2	
30	A50U510400	Cover		D	1	

# Main Frame Section

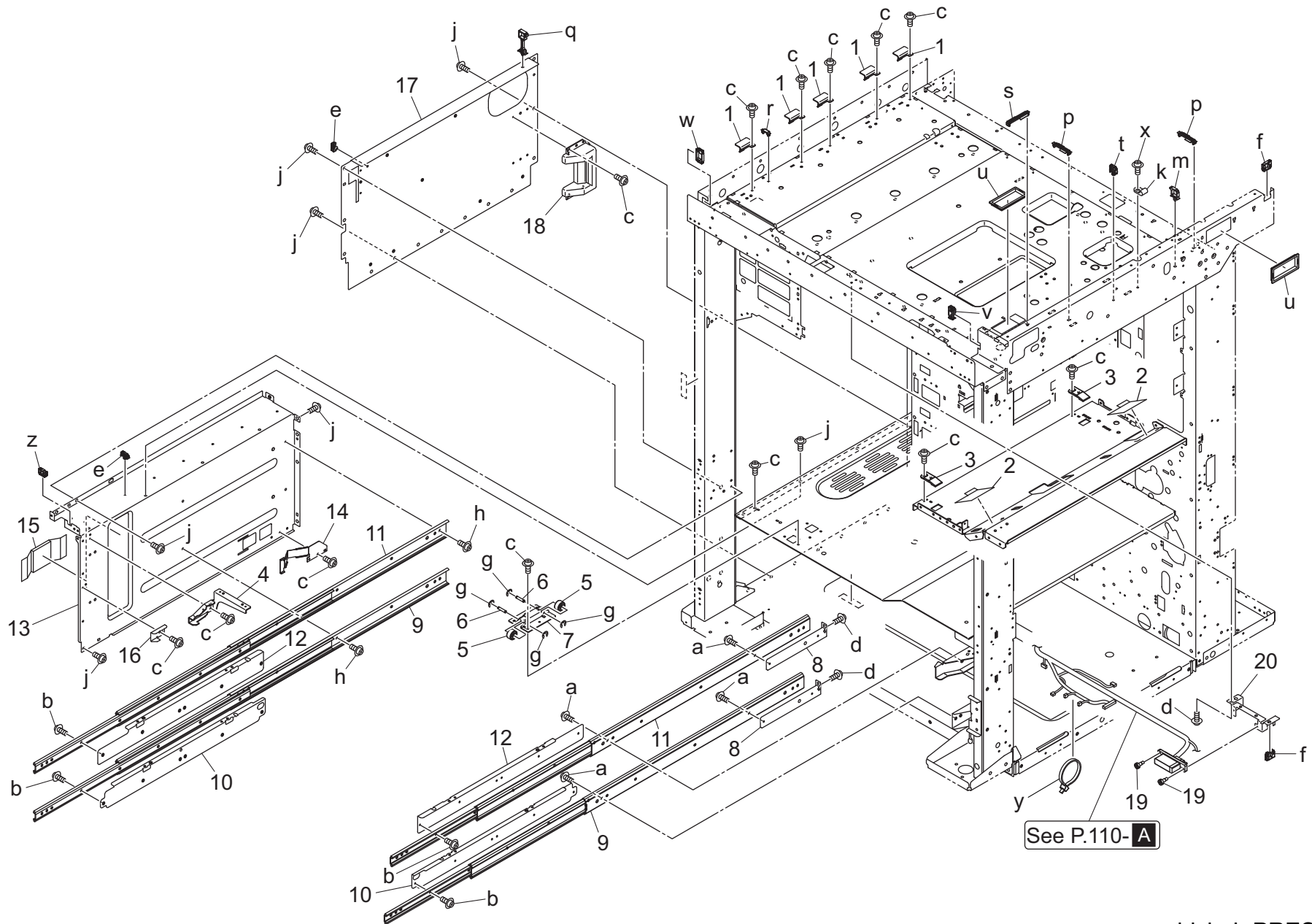
改訂版 REVISED EDITION	日付 DATE
	DECEMBER 2016



bizhub PRESS C71hc

Key	Part No.	Description	Destinations	Class	QTY	Standard parts
1	A50U105600	Rail /Rear	レール/奥	D	1	a-V118040604
2	A50U340700	Mounting Rail	取付レール	D	1	b-V127030604
3	65AA50430	SHAFT MOUNTING PLATE LEFT	軸取り 付け板/左	D	1	c-V127040603
4	A1RF815702	Slide Rail /Left	スライドレール/左	D	1	d-V127040803
5	A50U109400	Guide Pin /Left	ガイドピン/左	D	1	e-V226040050
6	A50U833000	Mounting Collar /1	取付カラー/1	C	4	f-V500010081
7	56AA10300	Slide Rail /A	スライドレール/A	C	2	g-V500010082
8	A50U105201	Support Rail /Front	支持レール/前	D	1	h-V570010059
9	A50U342900	Protection Cover	保護カバー	D	2	j-V570010060
10	A50U103200	Reinforce Rail	補強レール	D	1	k-V118040804
11	A50U832100	Reinforce Rail /A	補強レール/A	D	1	m-V121030403
12	A50U881500	Slide Rail	スライドレール	D	1	n-V146040804
13	A50U103402	Fixing Plate /Left rear	固定板/左後	D	1	p-V500010083
14	A50U109600	Cooling Seal /2	冷却シール/2	D	1	q-V570010039
15	A50U109700	Cooling Seal /3	冷却シール/3	D	1	r-V570010040
16	A50U109800	Cooling Seal /4	冷却シール/4	D	2	s-V118043003
17	A50U120300	Fixing Plate	固定板	D	1	t-V500020098
18	A50U129200	Fixing Plate	固定板 ( D U 駆動冷却)	D	1	u-V118033003
19	A50UM51000	Photointerrupter	透過型センサ	C	1	v-V126040603
20	4470402401	Stopper	ストッパー	D	1	w-V500020050
21	A50U104700	Mounting Plate	取付板	D	1	x-V121040803
22	A50U105100	Support Plate /A	支持板/A	D	1	
23	A50U109900	Electric Comp. Cooling Filter	電装冷却フィルター	B	1	
24	V118045503	Screw	バインド 小ねじ	V	4	
25	9J03M10000	FAN MOTOR	ファンモータ	B	3	
26	A03UM15802	Main body Cooling Fan	本体冷却ファン	C	2	
27	A50U101901	Cooling Stay	冷却ステー	D	1	
28	A50U103500	Separating Duct	分離ダクト	D	1	
29	A50U107501	Sealing Part /Front	シール材/前	D	1	
30	A50U107600	Sealing Part /Rear	シール材/奥	D	1	
31	A50U107800	Fan duct	ファン ダクト	D	2	
32	A50UN15400	Drive harness /F	駆動束線/F	D	1	

# Main Frame Section

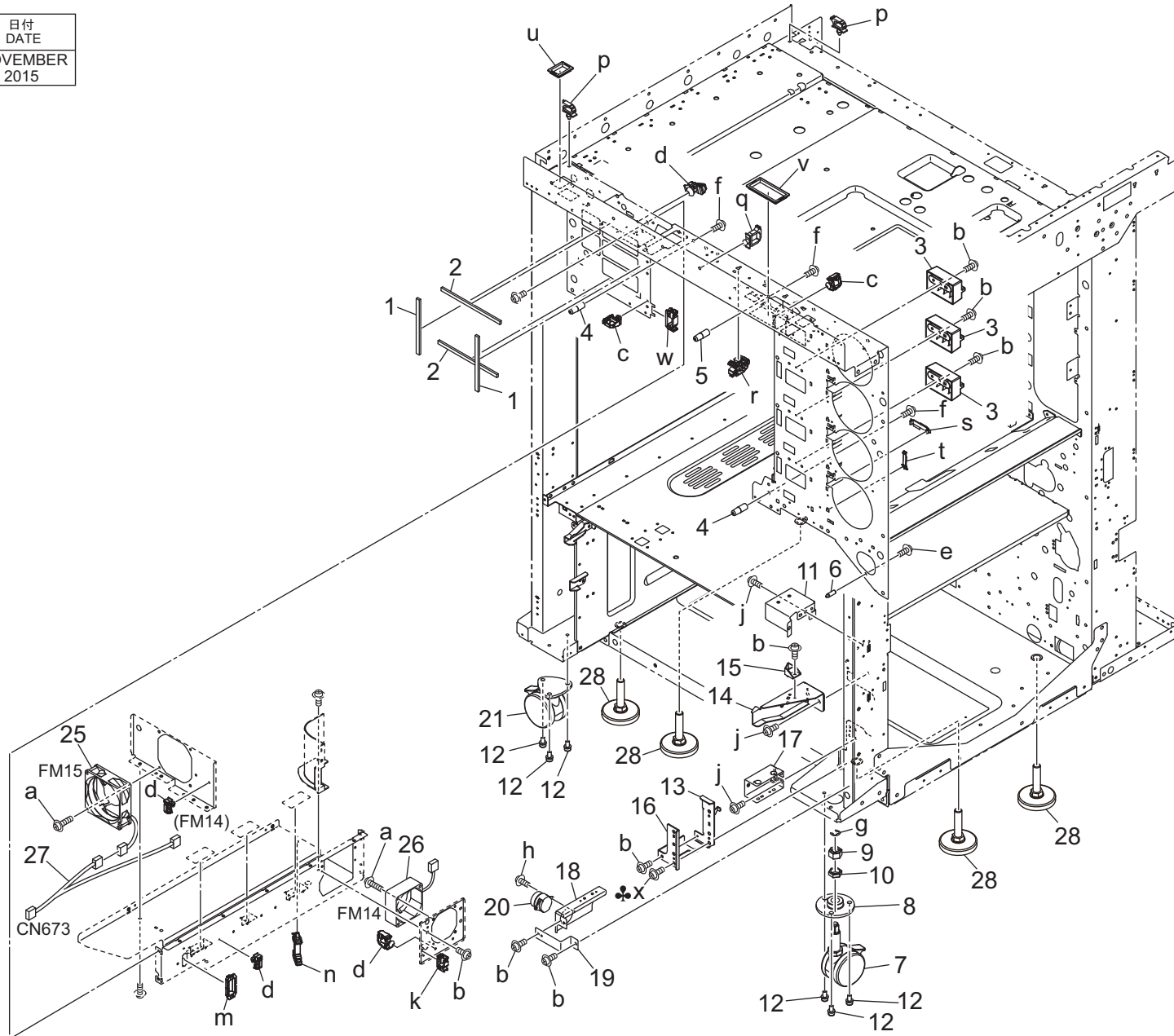


# Main Frame Section

Key	Part No.	Description	Destinations	Class	QTY	Standard parts
1	A50U136501	Cover		D	5	a-V118040603
2	A50U314800	Receiving Sheet		D	2	b-V118040604
3	A50U105800	Writing Guide /Front		D	2	c-V127030604
4	A50U107101	Hold Plate /Front		D	1	d-V127040603
5	13NG45200	Conveyance Driven Roller		C	2	e-V500020099
6	65AA50400	Guide Shaft		D	2	f-V570010060
7	A50U855200	Lifting Base frame		D	1	g-V217030001
8	65AA10470	Mounting Plate /4		D	2	h-V126040603
9	A50U107000	Slide Rail /A		D	2	j-V146040804
10	A50U624904	Support Stay /2		D	2	k-V500020069
11	56AA10300	Slide Rail /A		C	2	m-V500010083
12	A50U624503	Support Stay /2		D	2	p-V500020066
13	A50U102703	Protection Plate		D	1	q-V500020085
14	A50U366601	Regulating Plate		D	1	r-V500020092
15	A50U368000	Collection Seal /2		D	1	s-V500020093
16	A50U624000	Lock Claw		D	1	t-V500020098
17	A50U101600	Auxiliary Plate /Left		D	1	u-V570010040
18	A50U363900	Collection Guide		D	1	v-V570010057
19	57AA15600	ELECTRIC MOUNTING SCREW		C	2	w-V570010059
20	A50U104600	Mounting Plate /Front		D	1	x-V116030803
						y-V501010002
						z-V570010056

# Main Frame Section

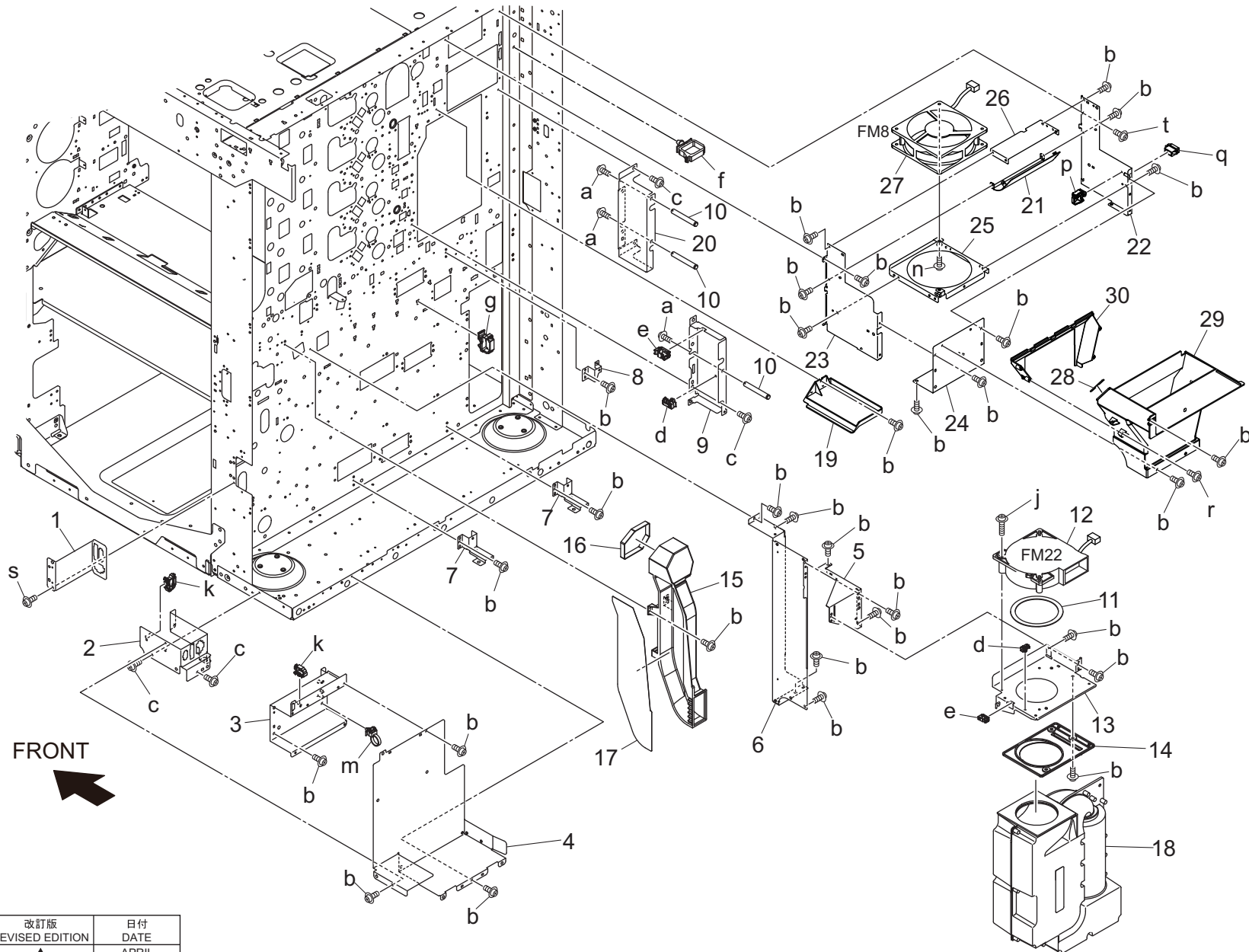
改訂版 REVISED EDITION	日付 DATE
	NOVEMBER 2015




# Main Frame Section

Key	Part No.	Description	Destinations	Class	QTY	Standard parts
1	A50U122000	Cooling Seal		D	2	a-V118033003
2	A50U122800	Cooling Seal		D	2	b-V127030604
3	A50U103800	Guide Part /Front		D	3	c-V500020098
4	A50U104401	Positioning Shaft /Front		D	2	d-V500020099
5	A50U110000	Positioning Shaft /Upper		D	1	e-V116030803
6	A50U832201	Guide Pin /Right front		D	1	f-V116040803
7	55WA10310	MAIN BODY SUPPORT ROLLER Y		C	1	g-V217080001
8	A85C102000	Adjusting Part		C	1	h-V126030603
9	56AA17630	ADJUSTING PART		C	1	j-V146040804
10	56AA17640	ADJUSTING PART 2		C	1	k-V570010056
11	A50U103700	Support Part /Middle		D	1	m-V570010037
12	A50U106300	Lock Screw		D	6	n-V500020101
13	A50U624113	Lock Part		D	1	p-V500010081
14	A50U628001	Lock Claw		D	1	q-V500010083
15	A50U634200	Lock Part		D	1	r-V500010071
16	A50U624300	Reinforce Plate		D	1	s-V500020066
17	A50U103301	Support Part /Middle		D	1	t-V500020102
18	A50U640200	Mounting Plate		D	1	u-V570010038
19	A50U640400	Reinforce Part		D	1	v-V570010040
20	A50U641600	Slide Dumper /A		D	1	w-V570010057
21	55WA10300	MAIN BODY SUPPORT ROLLER X		C	1	x-V127040603
25	9J03M10000	FAN MOTOR		B	1	
26	56QA80570	Internal Cooling Fan		C	1	
27	A50UN13600	Cooling Relay harness /3		D	1	
28	25AA10090	Mainbody Fixing Stopper		C	4	

# Main Frame Section



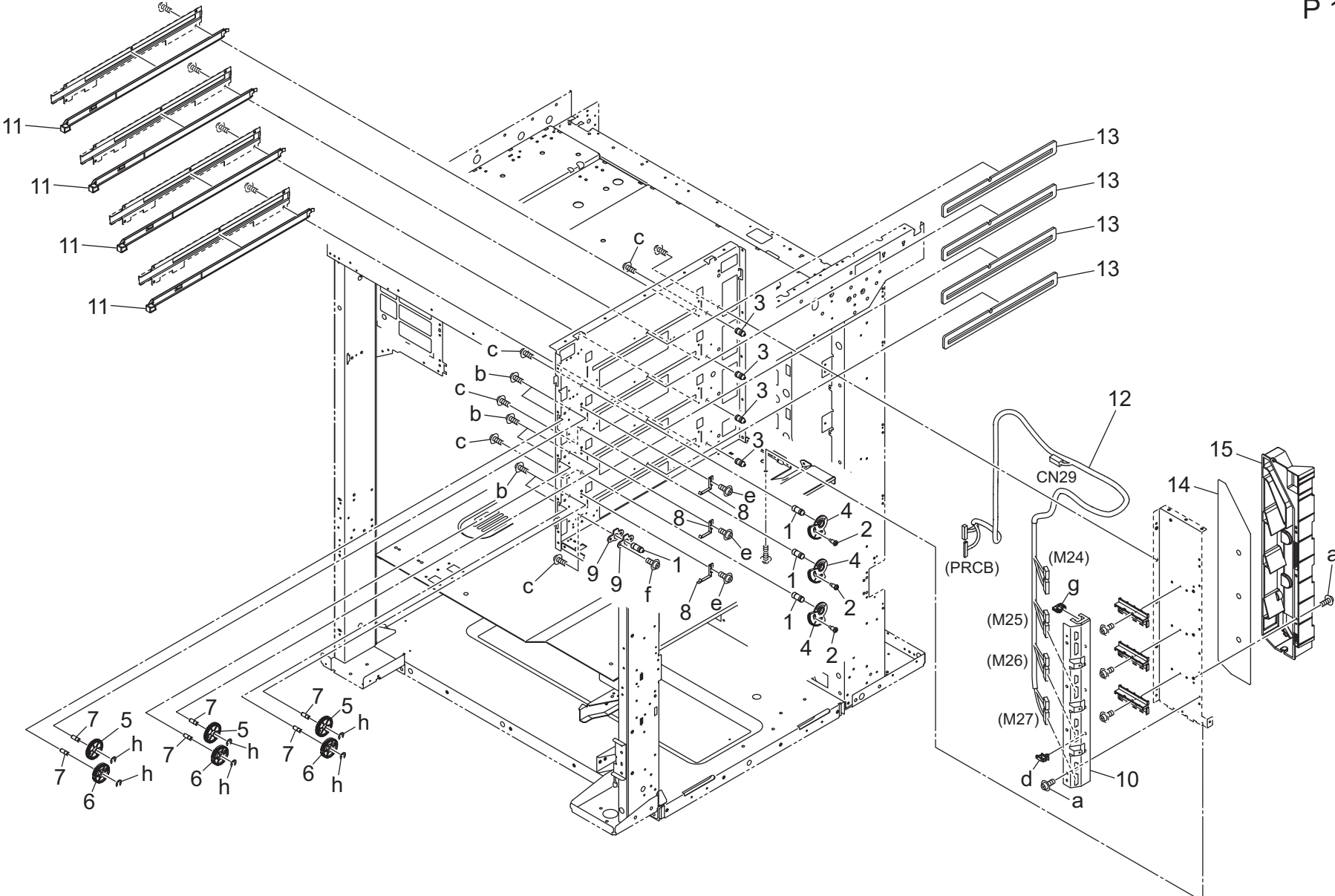
改訂版 REVISED EDITION	日付 DATE
	APRIL 2016

Order here  
8 (495) 646-0426  
ПЯТЫЙ ПАРТНЕР www.km-shop.ru



Key	Part No.	Description	Destinations	Class	QTY	Standard parts
1	A03U118301	PFU Power supply Panel	P F U 給電パネル	D	1	a-V116040803
2	A50U107901	Mounting Plate /P	取付板 / P	D	1	b-V127030604
3	A50U108001	Protection Plate /P	保護板 / P	D	1	c-V127040603
4	A50U108200	Guide Part /Rear	ガイド 部材 / 奥	D	1	d-V500020099
5	A50U120900	Mounting Frame /2	取付フレーム / 2 ( P H 冷却ファン)	D	1	e-V570010056
6	A50U121800	Mounting Frame /Right Rear	取付フレーム / 右後	D	1	f-V500010084
7	A50U132701	Mounting Plate /Lower	取付板 / 下	D	2	g-V500010071
8	A50U132800	Mounting Plate /Right	取付板 / 右	D	1	j-V118033503
9	A50U106502	Fusing Plate	定着板	D	1	k-V500010072
10	A50U106700	Swing Shaft	揺動軸	D	3	m-V501010018
11	65AA10190	FAN SEALING PART 1	ファンシール材 1	C	1	n-V127031203
12	A0Y5M15101	Suction Fan motor	サクシオンファンモーター	C	1	p-V500020098
13	A50U121900	Fixing Plate /1	固定板 / 1	D	1	q-V651010003
14	A50U125800	Connecting Duct	連結ダクト ( サイクロンダクト )	D	1	r-V151030803
15	A50U125600	Suction Duct /Lower	サクシオンダクト / 下 ( 本体 )	D	1	s-V127040803
16	A50U126400	Suction Seal	サクシオンシール ( 本体 )	D	1	t-V121030403
17	A50U129100	Suction Cover /Lower	サクシオン蓋 / 下 ( 本体 )	D	1	
18	A50UR70A12	Filter Box	フィルターボックス	B	1	
19	A50U125500	Heat blocking Plate	遮熱板	D	1	
20	A50U106600	Fusing Plate /B	定着板 / B	D	1	
21	A50U122900	Fusing Duct /4	定着ダクト / 4	D	1	
22	A50U125000	Fusing Duct /2	定着ダクト / 2	D	1	
23	A50U125101	Fusing Duct /1	定着ダクト / 1	D	1	
24	A50U128800	Fusing Duct /3	定着ダクト / 3	D	1	
25	A50U128900	Fusing Duct /5	定着ダクト / 5 ( ファン固定)	D	1	
26	A50U129300	Fusing Duct /6	定着ダクト / 6	D	1	
27	A50UM15401	Fan motor /3	ファンモーター / 3	C	1	
28	A50U126300	Cooling Seal	冷却シール ( 定着排気ダクト )	D	1	
29	A50U129401	Fusing Duct	定着ダクト	D	1	
30	A50U129801	Fusing Duct /7	定着ダクト / 7	D	1	


Main Frame Section

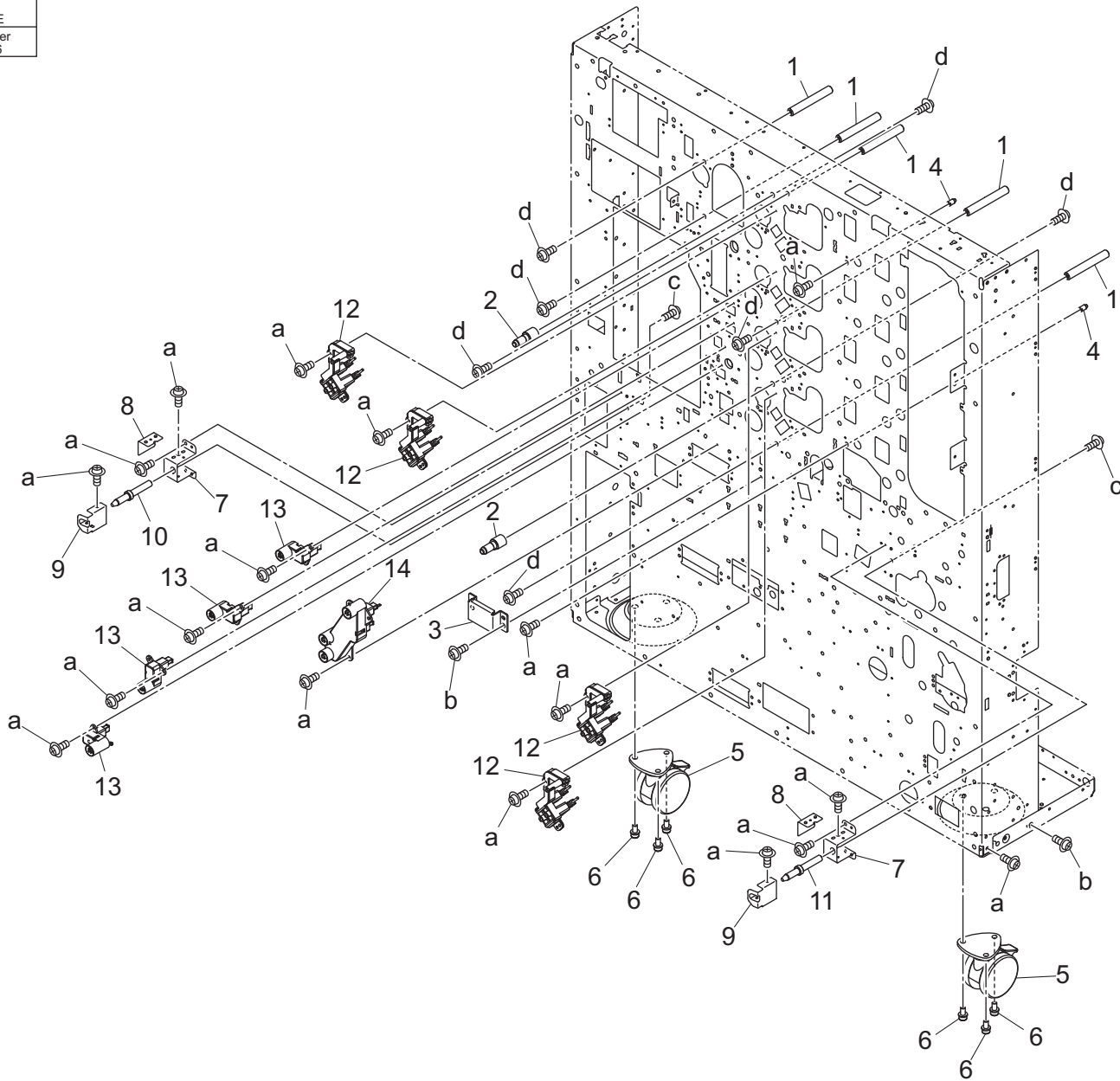


# Main Frame Section

Key	Part No.	Description	Destinations	Class	QTY	Standard parts
1	A50U318500	Positioning Pin /Front		D	4	a-V127030604 b-V116030803 c-V116040803 d-V500010082 e-V121030403 f-V127030803 g-V570010060 h-V217040001
2	A1RF301400	Guide Screw		D	3	
3	A50U318601	Positioning Pin /Rear		D	4	
4	A50U308100	Adjusting Cam		D	3	
5	A50U308200	Idling Gear 36T		C	3	
6	A50U308300	Adjusting Gear 15T		C	3	
7	A50U308400	Idling Shaft		D	6	
8	A50U308500	Regulating Spring		D	3	
9	A50U318800	Stopper Plate /Black		D	2	
10	A50U104000	Support Plate /P		D	1	
11	A50UR70H00	PH Protection Glass Assy		D	4	
12	A50UN27002	Polygon Relay harness /1		D	1	
13	A50U314300	Seal /4		D	4	
14	A50U122701	Suction Cover /Upper		D	1	
15	A50U127000	Suction Duct /Upper		D	1	

# Main Frame Section

改訂版 REVISED EDITION	日付 DATE
	October 2016



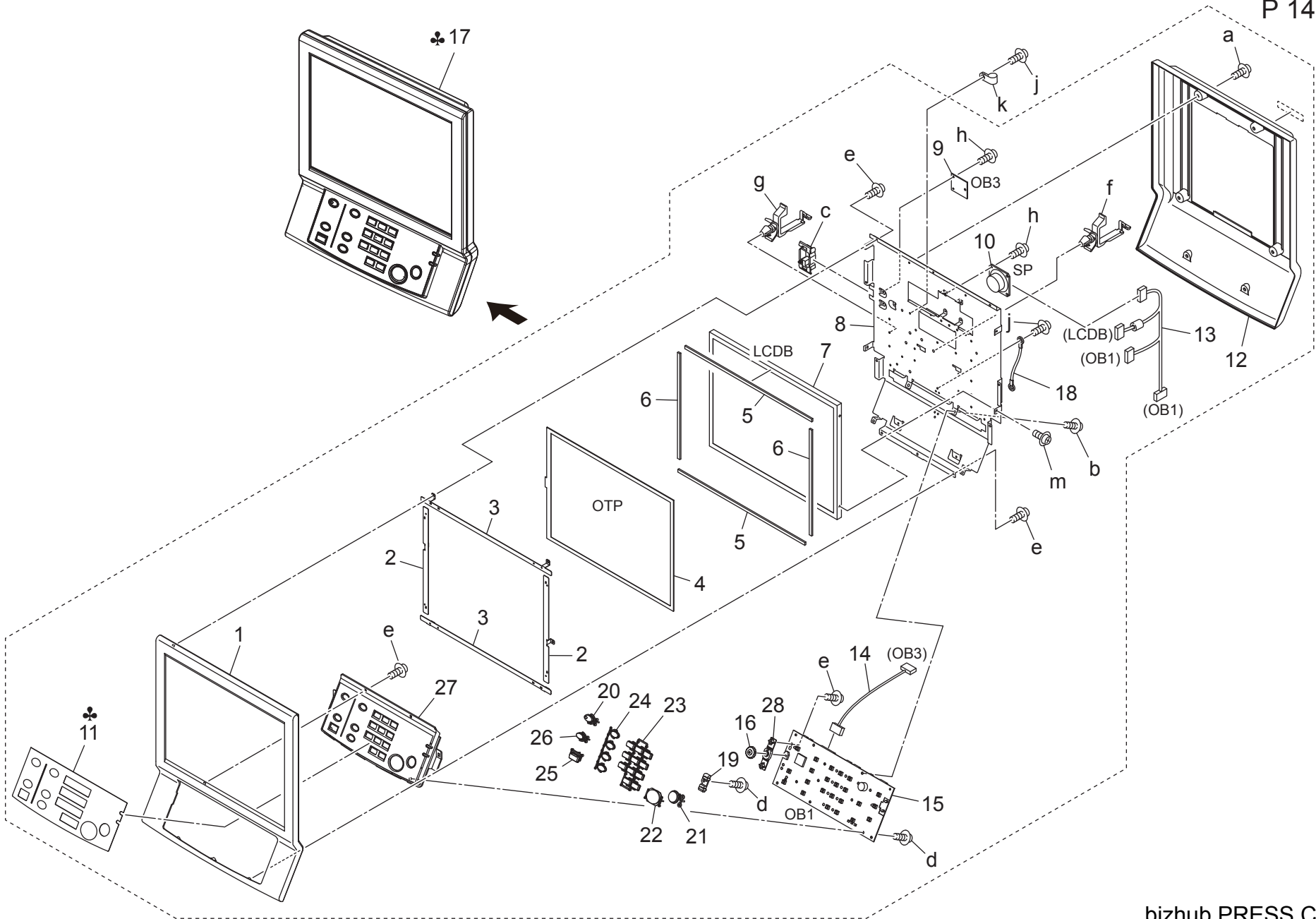
## Main Frame Section

Key	Part No.	Description	Destinations	Class	QTY	Standard parts
1	A50U104300	Drive Shaft		D	5	a-V127030604 b-V146040804 c-V116030803 d-V116040803
2	A50U104500	Positioning Shaft /Rear		D	2	
3	A50U105000	Lock Plate		D	1	
4	A50U407300	Positioning Shaft /Rear		D	2	
5	55WA10300	MAIN BODY SUPPORT ROLLER X		C	2	
6	A50U106300	Lock Screw		D	6	
7	A50U811300	Guide Holder /Rear		D	2	
8	A50U811500	Guide Holder /1		D	2	
9	A50U813700	Ground Plate		D	2	
10	A50U817700	Guide Pin /Right rear		D	1	
11	A50U817700	Guide Pin /Right rear		D	1	
12	A50UR71U01	Terminal 1 Assy / HV		C	4	
13	A50UR71V01	Terminal 2 Assy / HV		C	4	
14	A50UR71W01	Terminal 3 Assy / HV		C	1	

bizhub PRESS C71hc

# Operation Panel Section

P 14

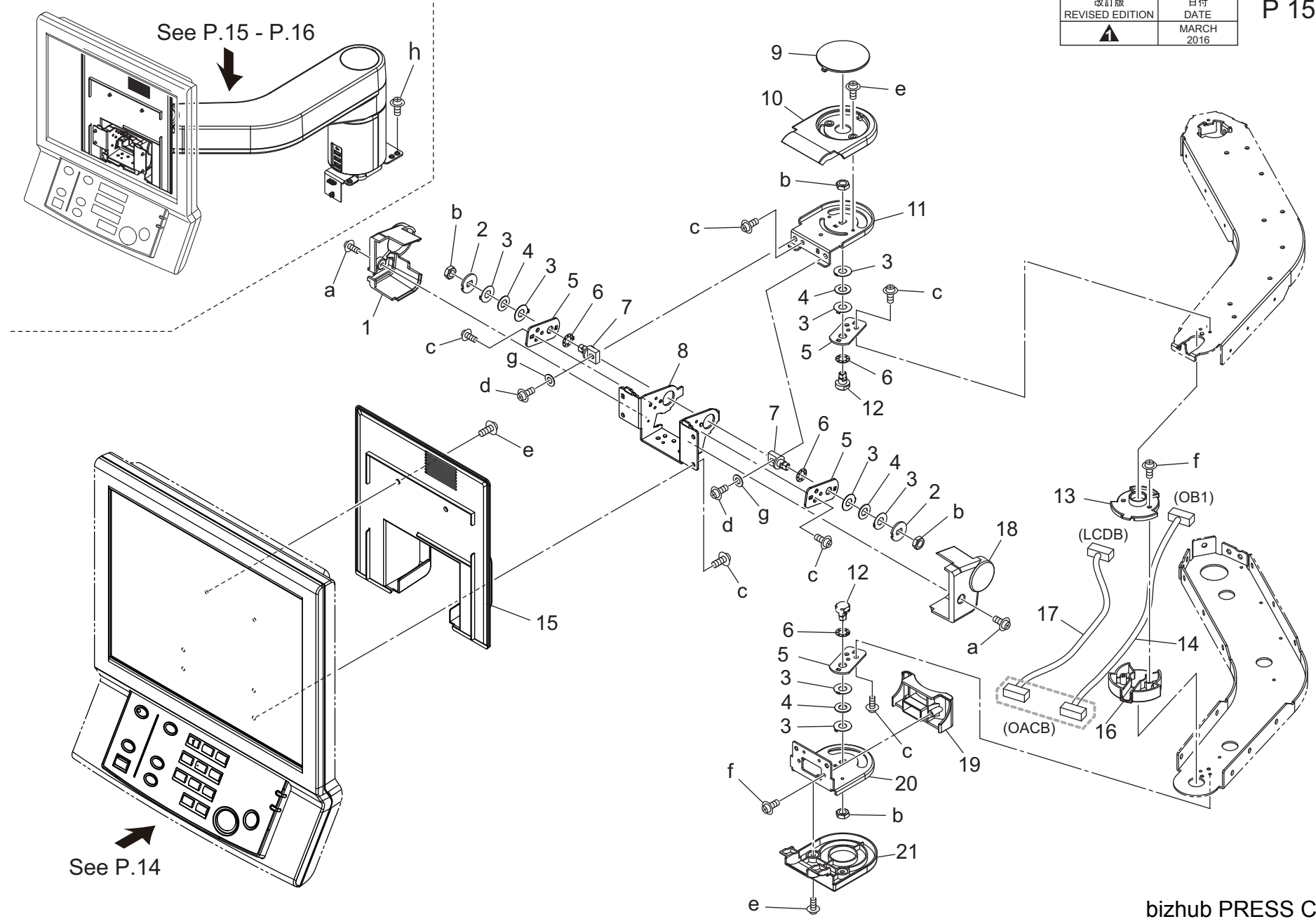


bizhub PRESS C71hc

Key	Part No.	Description	Destinations	Class	QTY	Standard parts
1	A0G6190101	Operation Cover /Front		C	1	a-V114040604 b-V151031003 c-V570010063 d-V151030603 e-V151030803 f-V500010082 g-V500020099 h-V118030603 j-V116040603 k-V500020069 m-V118030404
2	A0G6192900	Ground Plate /2		D	2	
3	A0G6192700	Ground Plate /1		D	2	
4	A0G6M75501	Ope.Unit Touch Panel		C	1	
5	A0G6192400	Holding Cushion /Upper		C	2	
6	A0G6192500	Holding Cushion /Right		C	2	
7	A4EUM75700	Ope.unit LCD	D1,E,F2,G1,H,I,K	C	1	
7	A4EUM75800	Ope.unit LCD	A,B,C,D3,G2,J	C	1	
8	A4EU190413	Operation Plate		D	1	
9	A0G6H06000	Operation Board /3 Assy		C	1	
10	A0P0M73100	Speaker		D	1	
11	A0GA195000	Operation Sheet	A	C	1	
11	A0GA205000	Operation Sheet	B,D1,D3,E,F2,G1,G2, I	C	1	
11	A205195200	Operation Sheet (TAIWAN)	H	C	1	
11	A205195300	Operation Sheet (KOREA)	K	C	1	
11	A205195100	Operation Sheet (CHINA)	J	C	1	
12	A0G6190200	Operation Cover /Rear		C	1	
13	A4EUN28500	Ope.unit Wiring /4		D	1	
14	A0G6N18400	Ope.Unit Control Harness /3		D	1	
15	A4EUH04001	Operation Board /1 Assy		I	1	
16	A4EU194100	Operation Knob /1		D	1	
17	A57PR70111	Operation Unit	A	I	1	
17	A57PR70211	Operation Unit	B,G2	I	1	
17	A57PR70311	Operation Unit	C	I	1	
17	A7V0R70100	Operation Unit	D3	I	1	
17	A7V0R70200	Operation Unit	J	I	1	
17	A7V0R70300	Operation Unit	D1,E,F2,G1,H,I,K	I	1	
18	A1RFN28300	Ope.unit Wiring /1		D	1	
19	A0G6191600	Indicating Part /1		D	1	
20	A0G6193800	Operation Button /10		C	1	
21	56UA70330	OPERATION UNIT BUTTON S		C	1	
22	A0G6193200	Operation Button /2		C	1	
23	A0G6193100	Operation Button /1		C	1	
24	A0G6193400	Operation Button /4		C	1	
25	A0G6194000	Operation Button /9		C	1	
26	A0G6193900	Operation Button /8		C	1	
27	A0GA190301	Operation Casing /1		C	1	
28	A4EU194200	Fixing Holder		D	1	

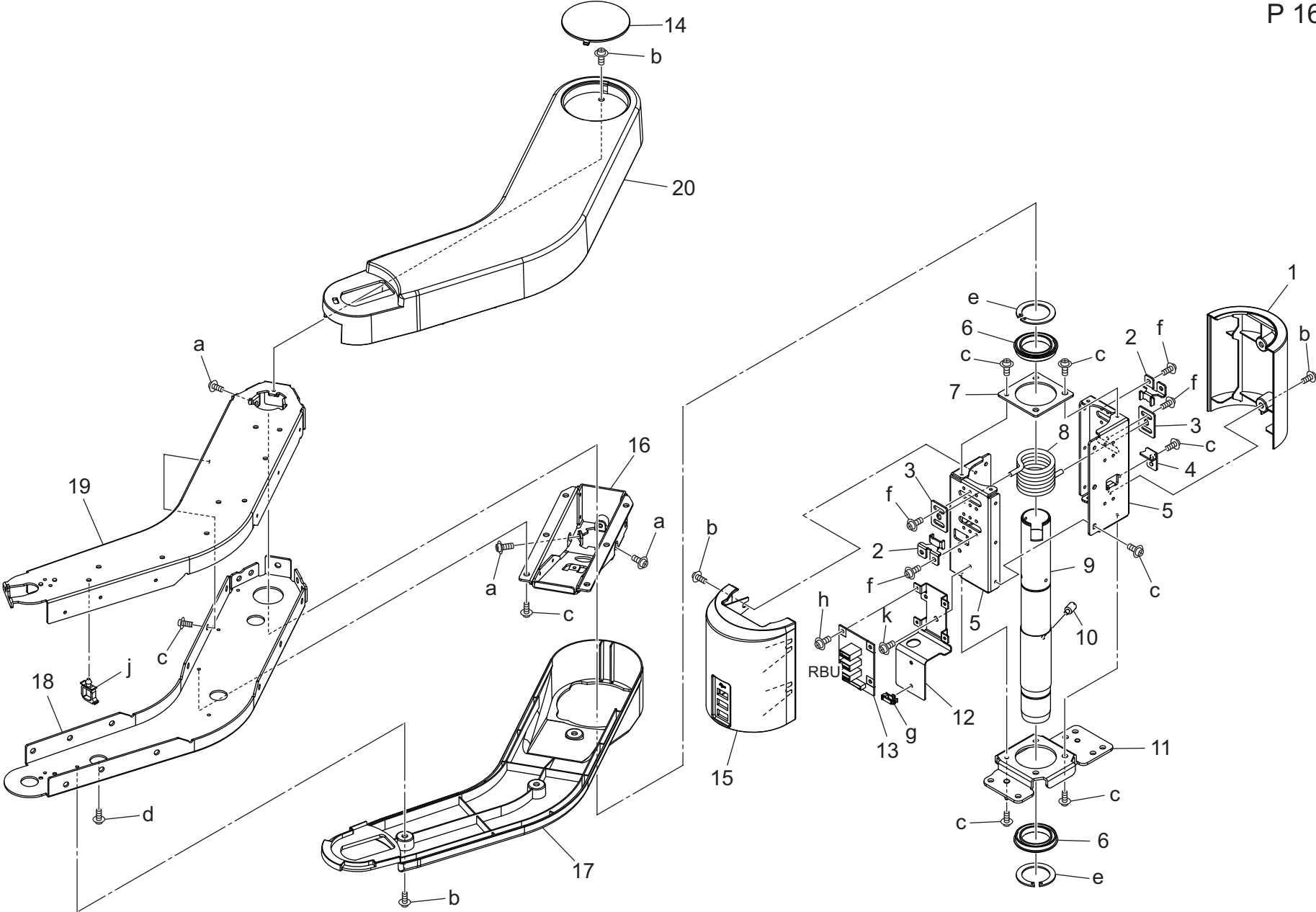
# Operation Panel Section

改訂版 REVISED EDITION	日付 DATE
▲	MARCH 2016



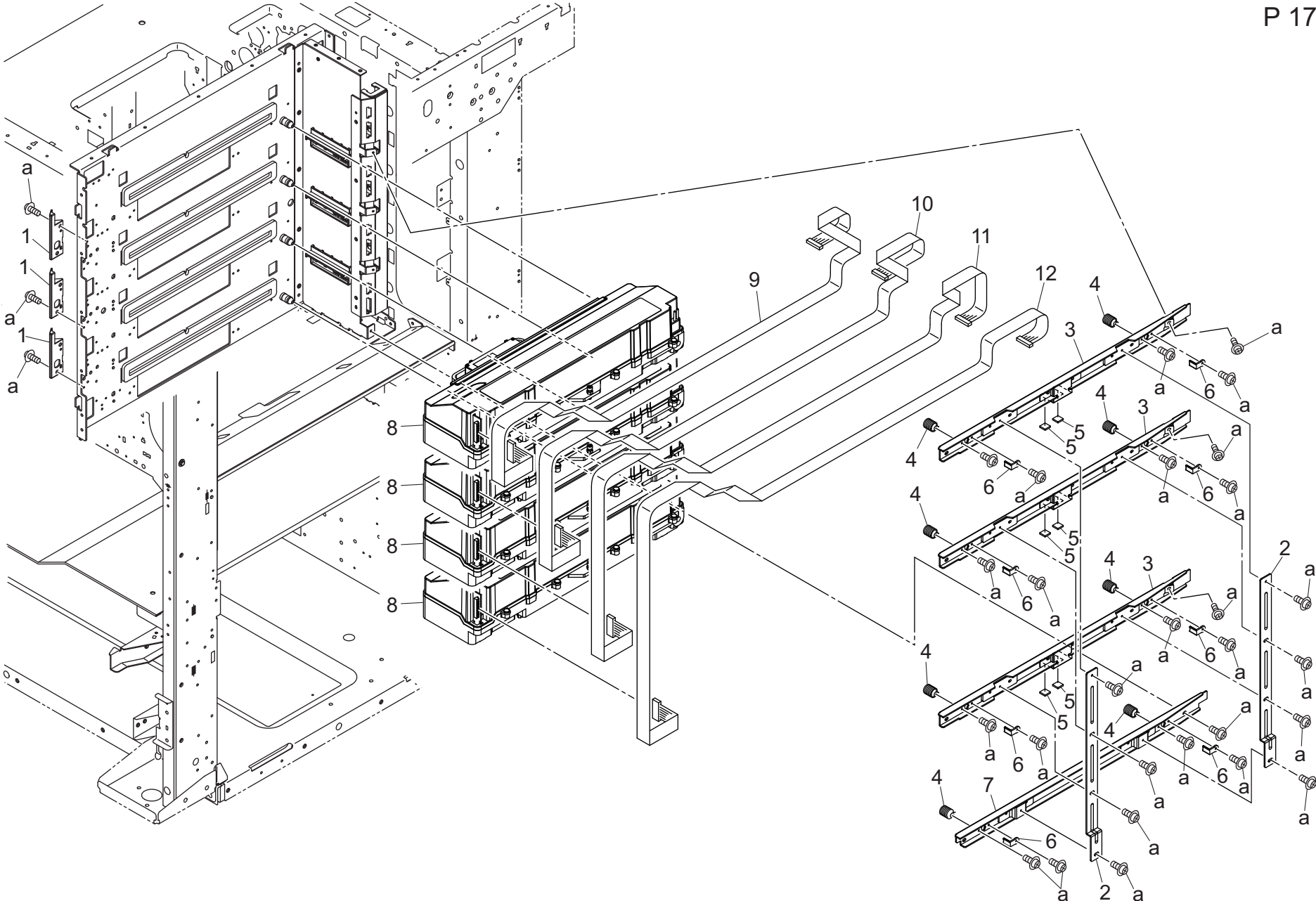


Key	Part No.	Description	Destinations	Class	QTY	Standard parts
1	A03U194002	Operation Cover /F		C	1	a-V121030603 b-V196080003 c-V121040603 d-V188051604 e-V114040604 f-V158030803 g-V207050003 h-V127040803
2	A03U192000	Fixing Part /T		D	2	
3	A03U191800	Rotation Spacer /1		D	8	
4	A03U191700	Rotation Spring /T		D	4	
5	A03U191600	Mounting Plate /T		D	4	
6	A03U191900	Rotation Spacer /2		D	4	
7	A03U192100	Fixing Shaft /U		D	2	
8	A03U190900	Ope. unit Mounting Stay /1		D	1	
9	A03U193800	Operation Cover /I		C	1	
10	A03U193300	Operation Cover /C		C	1	
11	A03U191400	Support Plate /Upper		D	1	
12	A03U192200	Rotation Shaft /T		D	2	
13	A03U193700	Swing Cover /Upper		C	1	
14	A50UN29101	Ope.unit Control harness /2		D	1	
15	A1DU197100	Operation Cover /R		D	1	
16	A03U193600	Swing Cover /Lower		C	1	
17	A50UN29012	Ope.unit Control harness /1		D	1	
18	A03U194102	Operation Cover /G		C	1	
19	A03U193400	Operation Cover /E		C	1	
20	A03U191500	Support Plate /Lower		D	1	
21	A03U193500	Operation Cover /D		C	1	



# Operation Panel Section

Key	Part No.	Description	Destinations	Class	QTY	Standard parts
1	A1DU194300	Operation Cover /B 操作カバー / B		D	1	a-V185041203
2	A03U195400	Regulating Part 規制部材		D	2	b-V114040604
3	A03U195302	REGULATING PLATE 規制板		D	2	c-V121040603
4	A03U195500	Rotation Stopper 回転ストッパ		D	1	d-V158030803
5	A03U190802	Support Plate /2 支持板 / 2		D	2	e-V223300004
6	65AA75010E	DRUM SUPPORT BEARING ドラム支持軸受		D	2	f-V116040803
7	A03U191100	Support Plate /3 支持板 / 3		D	1	g-V500020100
8	A03U191201	Support Spring 支持ばね		C	1	h-V127030603
9	A03U191300	Ope. unit Support Pipe 操作部支持パイプ		D	1	j-V500010083
10	A03U192300	Stopper Screw /A ストッパねじ / A		C	1	k-V127040603
11	A03UF19100	Main Body Attachment Caulking 本体取付部カシメ		D	1	
12	A1DU190101	Installing Plate 設置板		D	1	
13	A1DUH11000	Relay Board/U ASSY 中継基板 / U ASSY		C	1	
14	A03U193900	Operation Cover /J 操作カバー / J		C	1	
15	A1DU194200	Operation Cover /A 操作カバー / A		D	1	
16	A03U190700	Support Plate /1 支持板 / 1		D	1	
17	A03U193200	Operation Cover /Lower 操作カバー / 下		C	1	
18	A03U190500	Ope. unit Mounting Arm /Lower 操作部取り付けアーム / 下		D	1	
19	A03U190600	Ope. unit Mounting Arm /Upper 操作部取り付けアーム / 上		D	1	
20	A03U193100	Operation Cover /Upper 操作カバー / 上		C	1	



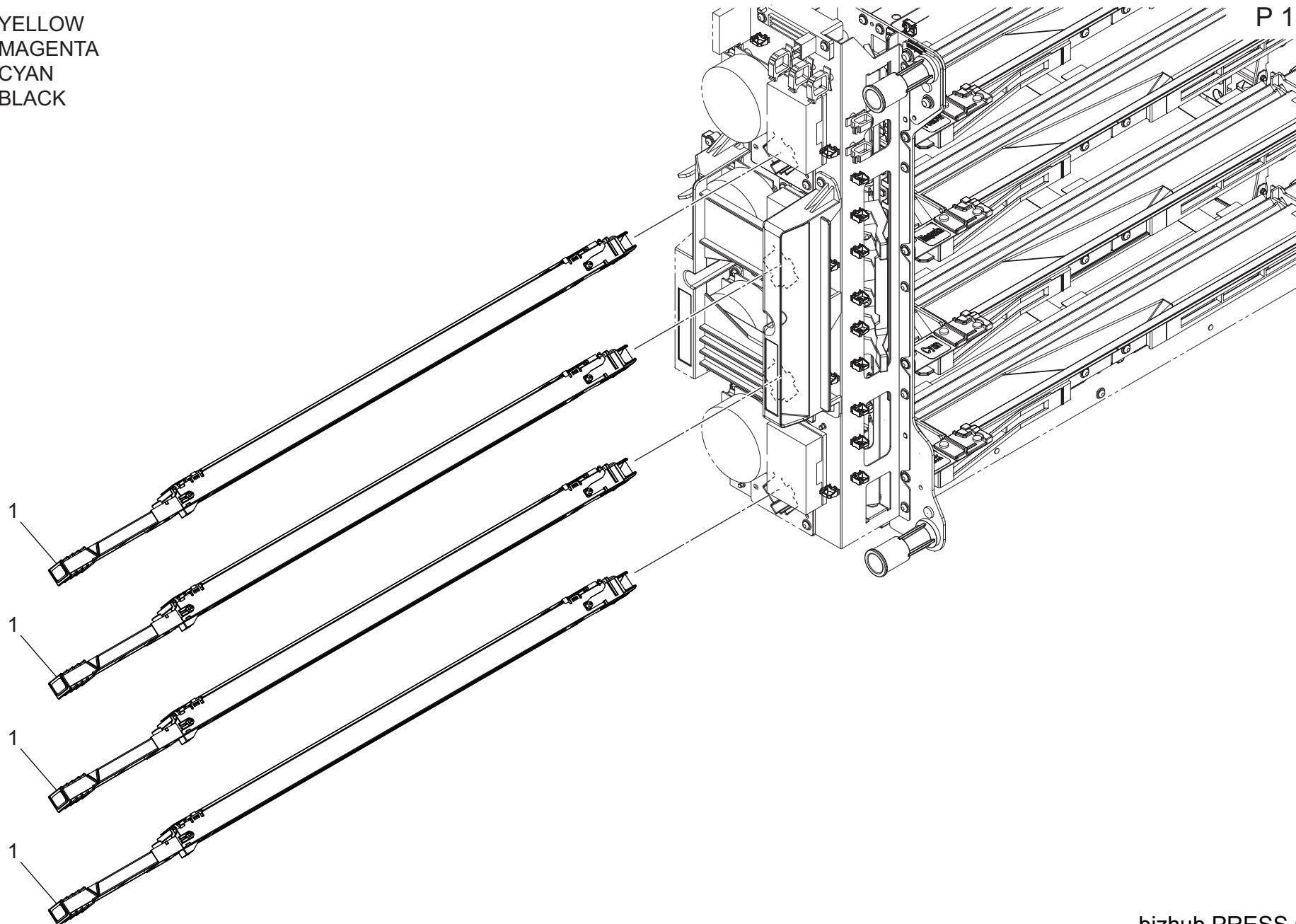
bizhub PRESS C71hc

Key	Part No.	Description	Destinations	Class	QTY	Standard parts
1	A50U121500	Cooling Guide /Front		D	3	a-V127030604
2	A50U319301	Connecting Plate /1		D	2	
3	A50U318101	Pressing Stay /Color		D	3	
4	A50U318300	Pressing Spring /R		D	8	
5	A50U318700	Auxiliary Pad		D	6	
6	A50U318900	Pressing Guide		D	8	
7	A50U318201	Pressing Stay /Black		D	1	
8	A50UR70T22	PH Unit		S	4	
9	A50UN26102	LD Wiring /1		D	1	
10	A50UN26202	LD Wiring /2		D	1	
11	A50UN26302	LD Wiring /3		D	1	
12	A50UN26403	LD Wiring /4		D	1	

# Charging Section

YELLOW  
MAGENTA  
CYAN  
BLACK

P 18



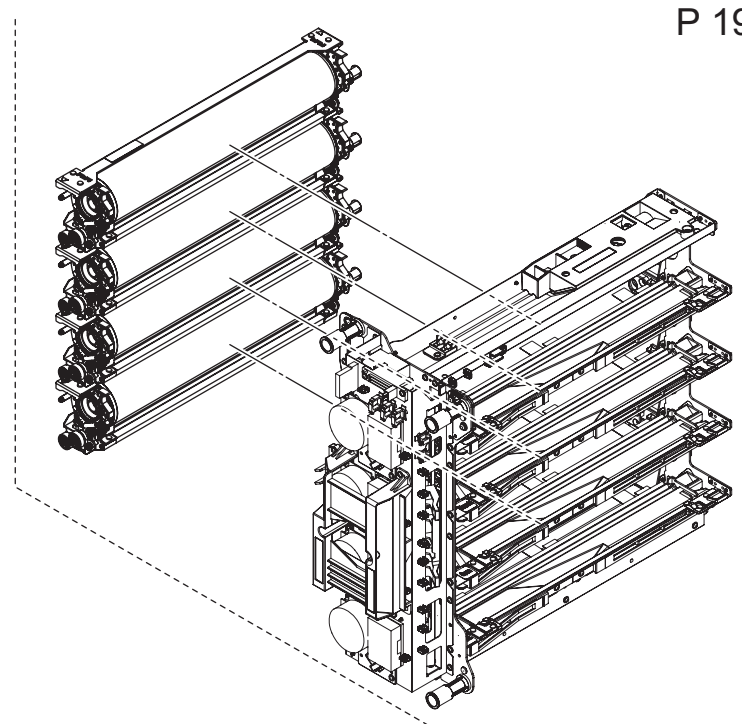
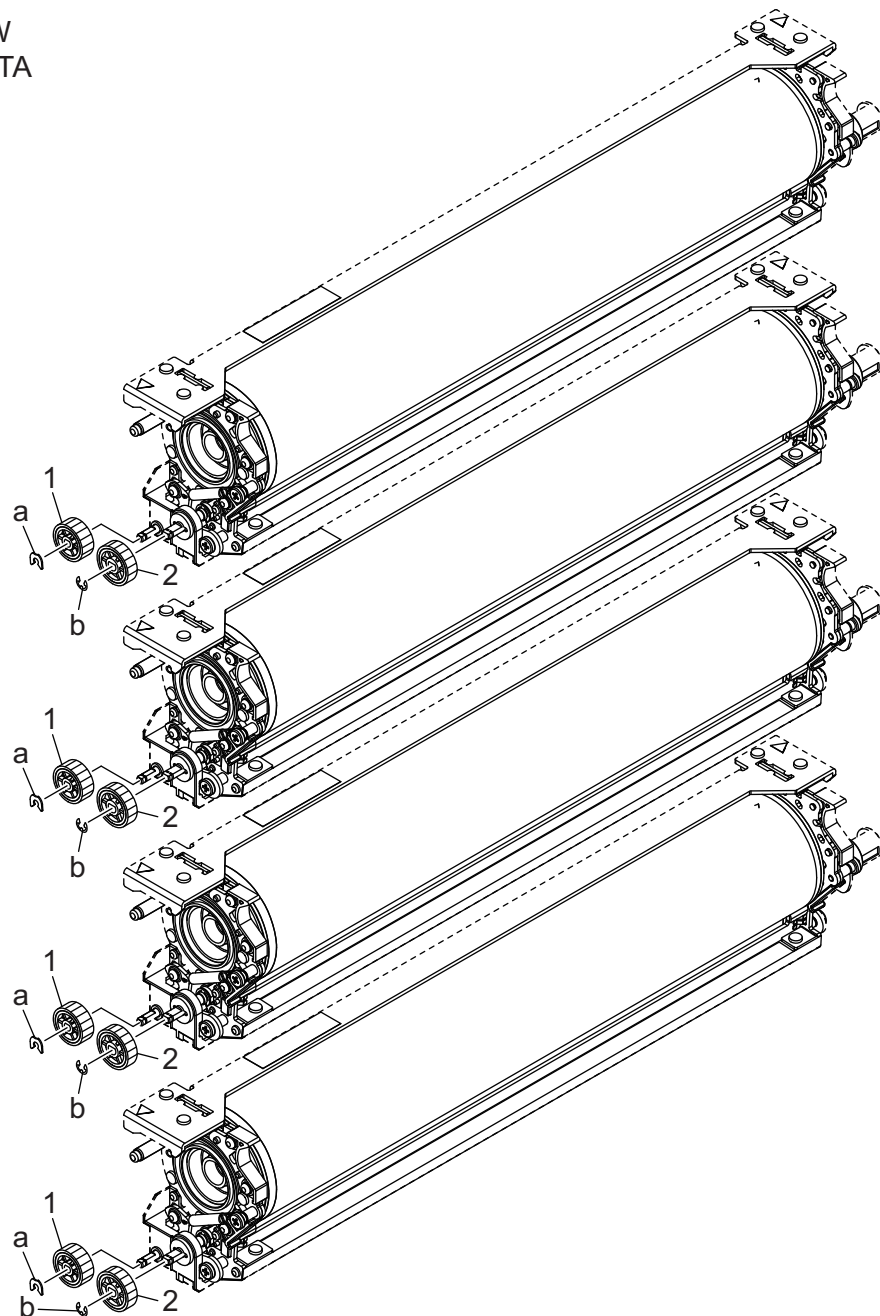
# Charging Section

Key	Part No.	Description	Destinations	Class	QTY	Standard parts
1	A50UR70311	Charging Corona Unit 帯電極ユニット		A	4	

bizhub PRESS C71hc

# Photo Conductor Section

YELLOW  
MAGENTA  
CYAN  
BLACK



P 19



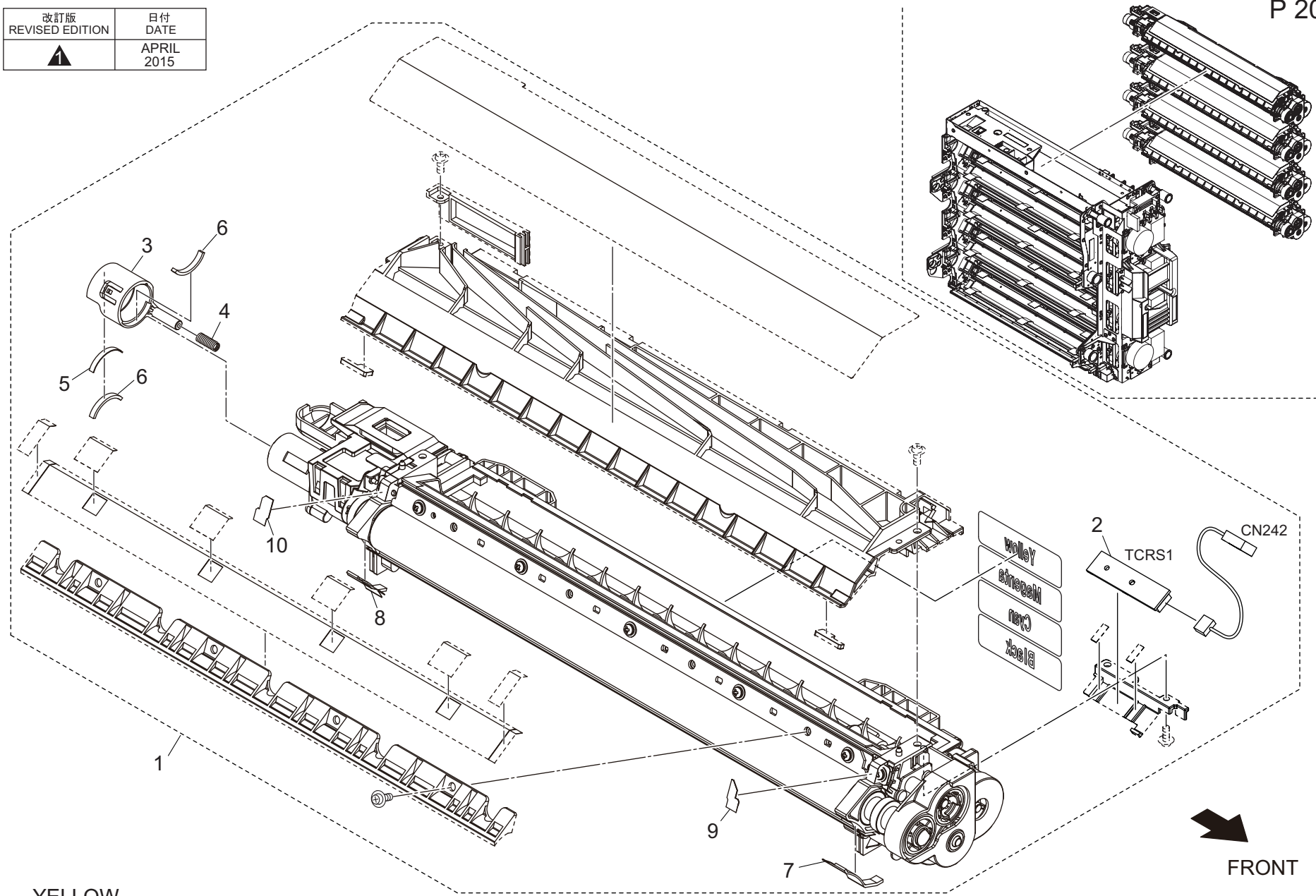
# Photo Conductor Section

Key	Part No.	Description	Destinations	Class	QTY	Standard parts
1	A50U333500	Cleaning Gear /1 28T		C	4	a-V218030086 b-V217030001
2	A50U333600	Cleaning Gear /2 30T		C	4	

# Developing Section

P 20

改訂版 REVISED EDITION	日付 DATE
	APRIL 2015



YELLOW

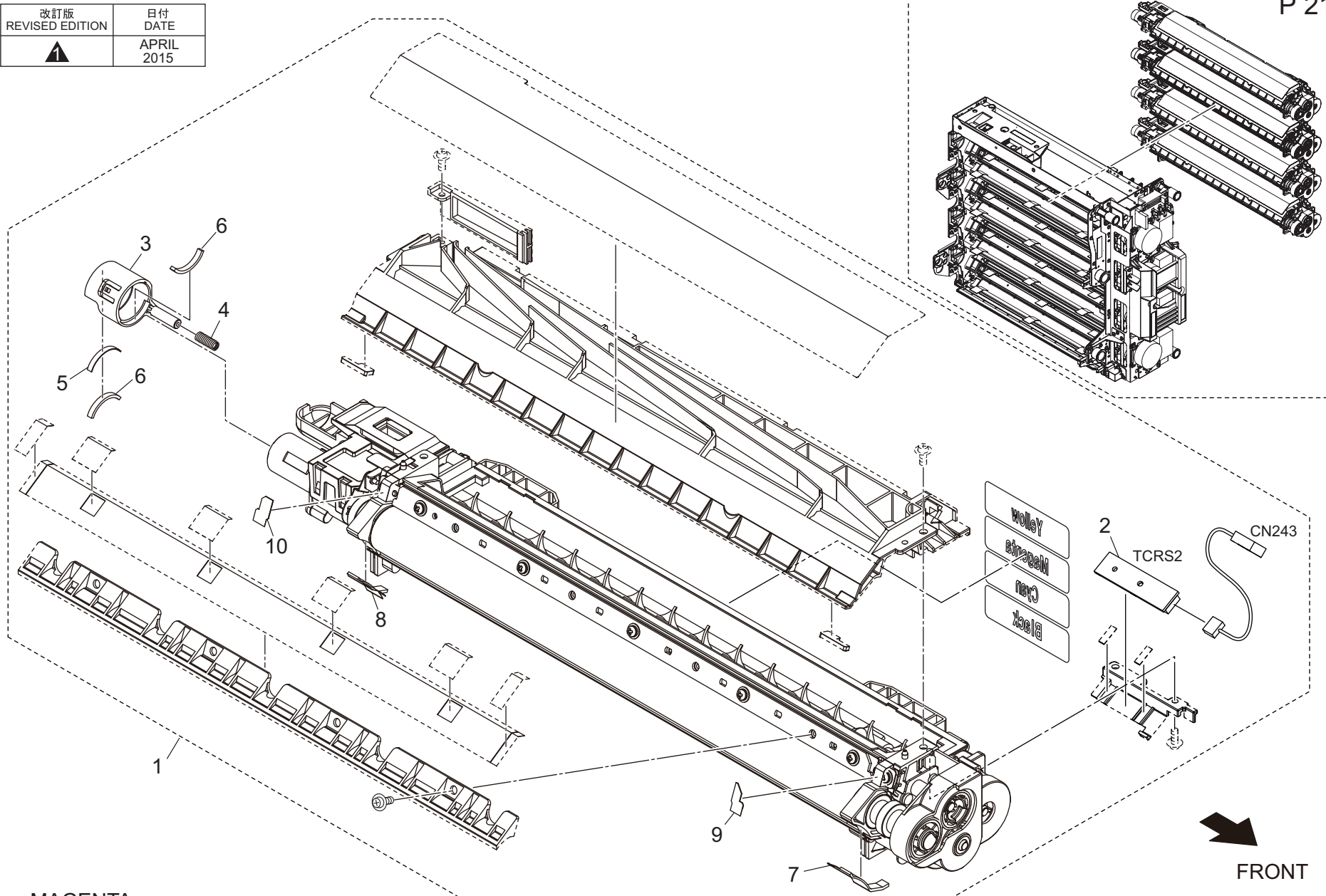
FRONT

bizhub PRESS C71hc

Key	Part No.	Description	Destinations	Class	QTY	Standard parts
1	A50UR70244	Developing Unit 現像ユニット	B,C,D1,D3,E,F2,G1,G 2,H,I,J,K	B	1	
1	A50UR70244	Developing Unit 現像ユニット	A	B	1	
2	A0TKH00200	PWB Assembly(PWB-TCR ASSY) 基板 ASSY ( PWB - TCR ASSY )		I	1	
3	A50U372901	Collection Cover 回収カバー		D	1	
4	A50U373100	Compressing Coil spring /1 圧縮コイルばね /1		D	1	
5	A50U376801	Seal /T シール / T		D	1	
6	A50U374501	Seal /J シール / J		D	2	
7	A50U374102	Scatteringprevention Sheet /Side 飛散防止シート /サイド		D	1	
8	A50U376002	Scatteringprevention Sheet /Rear 飛散防止シート /奥		D	1	
9	A50U377201	Auxiliary Seal /Front 補助シール /前		D	1	
10	A50U377301	Auxiliary Seal /Rear 補助シール /奥		D	1	

# Developing Section

改訂版 REVISED EDITION	日付 DATE
	APRIL 2015



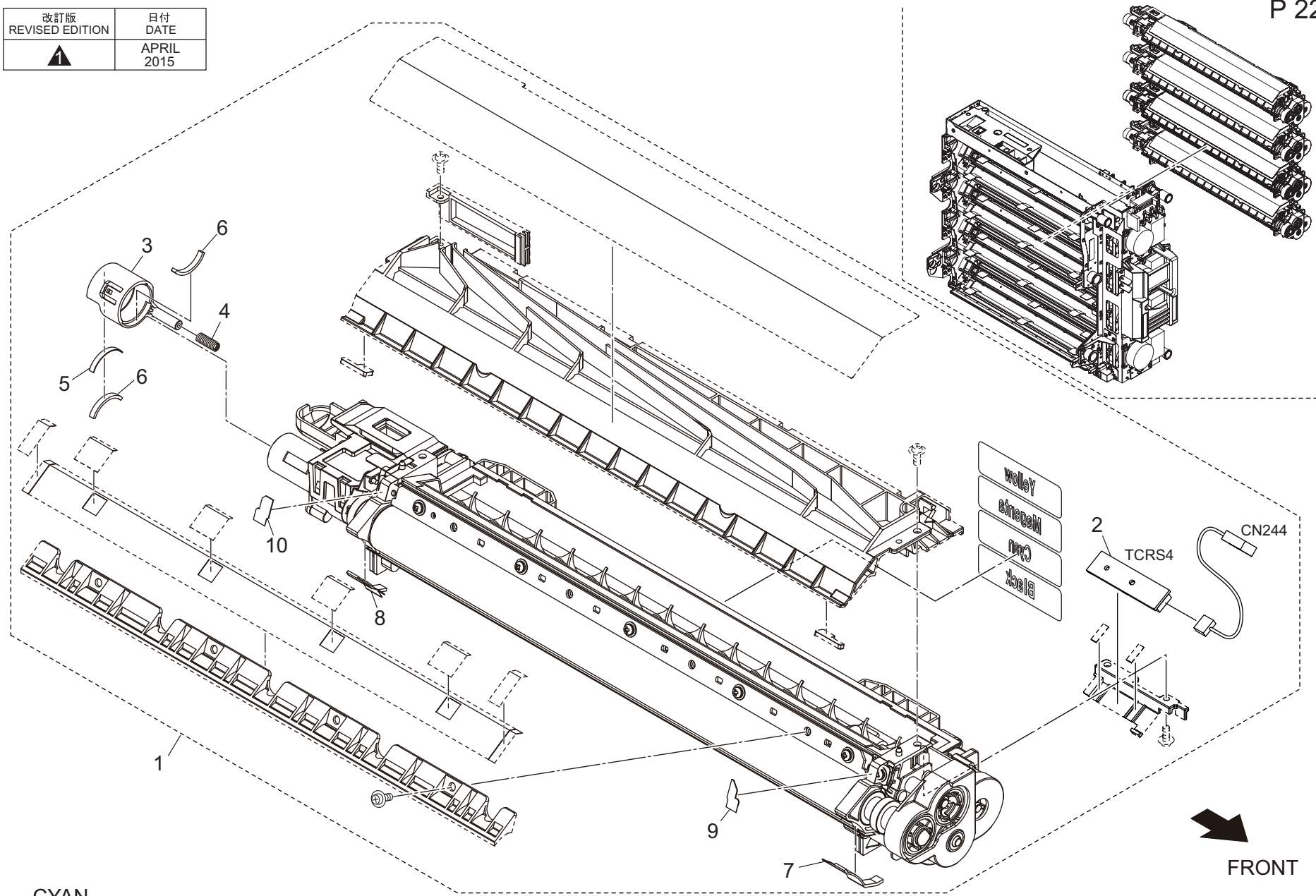
MAGENTA

FRONT  
bizhub PRESS C71hc

Key	Part No.	Description		Destinations	Class	QTY	Standard parts
1	A50UR70244	Developing Unit	現像ユニット	B,C,D1,D3,E,F2,G1,G 2,H,I,J,K	B	1	
1	A50UR70244	Developing Unit	現像ユニット	A	B	1	
2	A0TKH00200	PWB Assembly(PWB-TCR ASSY)	基板 ASSY ( PWB - TCR ASSY )		I	1	
3	A50U372901	Collection Cover	回収カバー		D	1	
4	A50U373100	Compressing Coil spring /1	圧縮コイルばね /1		D	1	
5	A50U376801	Seal /T	シール / T		D	1	
6	A50U374501	Seal /J	シール / J		D	2	
7	A50U374102	Scatteringprevention Sheet /Side	飛散防止シート /サイド		D	1	
8	A50U376002	Scatteringprevention Sheet /Rear	飛散防止シート /奥		D	1	
9	A50U377201	Auxiliary Seal /Front	補助シール /前		D	1	
10	A50U377301	Auxiliary Seal /Rear	補助シール /奥		D	1	

# Developing Section

改訂版 REVISED EDITION	日付 DATE
	APRIL 2015



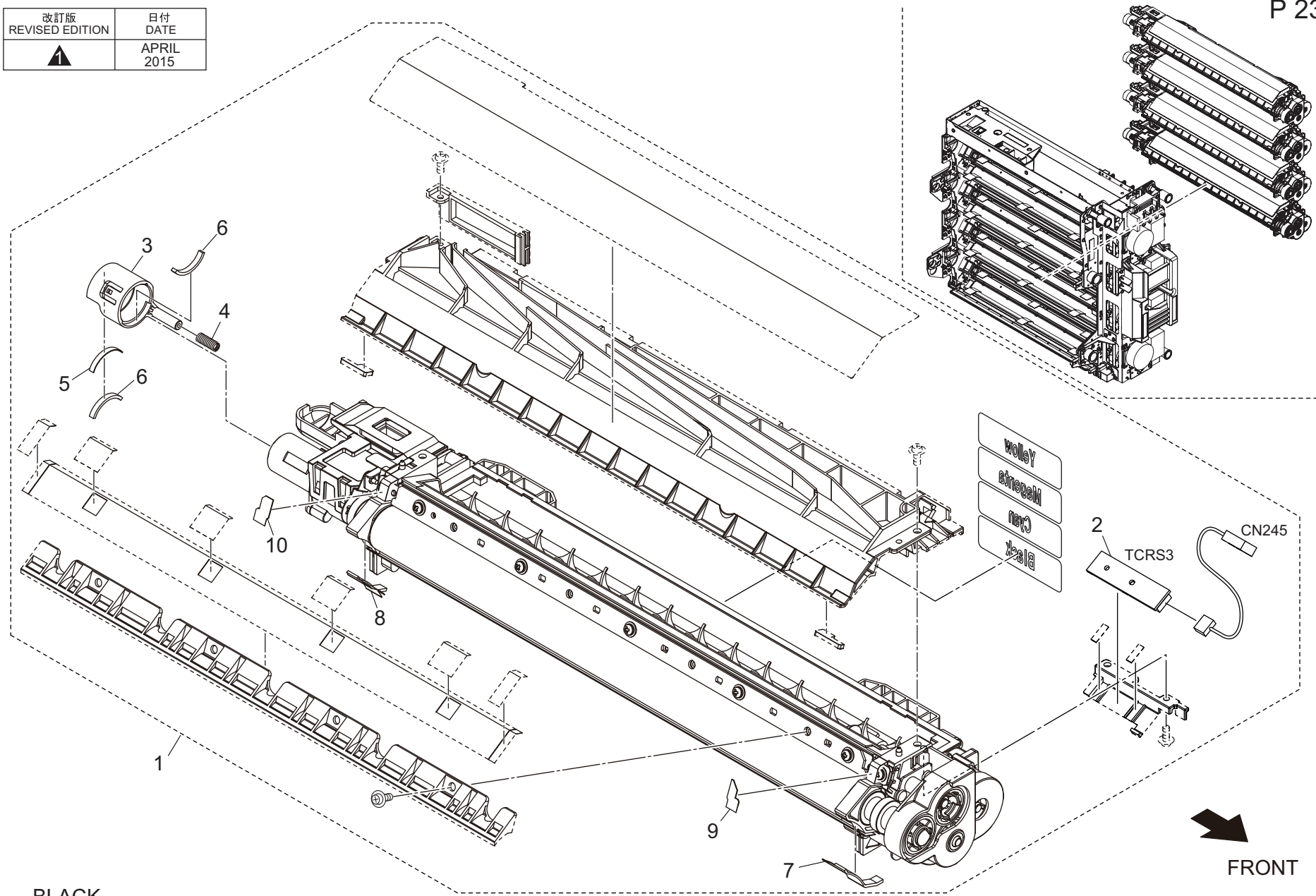
CYAN

FRONT  
bizhub PRESS C71hc

Key	Part No.	Description	Destinations	Class	QTY	Standard parts
1	A50UR70244	Developing Unit 現像ユニット	B,C,D1,D3,E,F2,G1,G 2,H,I,J,K A	B	1	
1	A50UR70244	Developing Unit		B	1	
2	A0TKH00200	PWB Assembly(PWB-TCR ASSY) 基板 ASSY ( PWB-T C R A S S Y )		I	1	
3	A50U372901	Collection Cover 回収カバー		D	1	
4	A50U373100	Compressing Coil spring /1 圧縮コイルばね /1		D	1	
5	A50U376801	Seal /T シール / T		D	1	
6	A50U374501	Seal /J シール / J		D	2	
7	A50U374102	Scatteringprevention Sheet /Side 飛散防止シート /サイド		D	1	
8	A50U376002	Scatteringprevention Sheet /Rear 飛散防止シート /奥		D	1	
9	A50U377201	Auxiliary Seal /Front 補助シール /前		D	1	
10	A50U377301	Auxiliary Seal /Rear 補助シール /奥		D	1	

# Developing Section

改訂版 REVISED EDITION	日付 DATE
	APRIL 2015



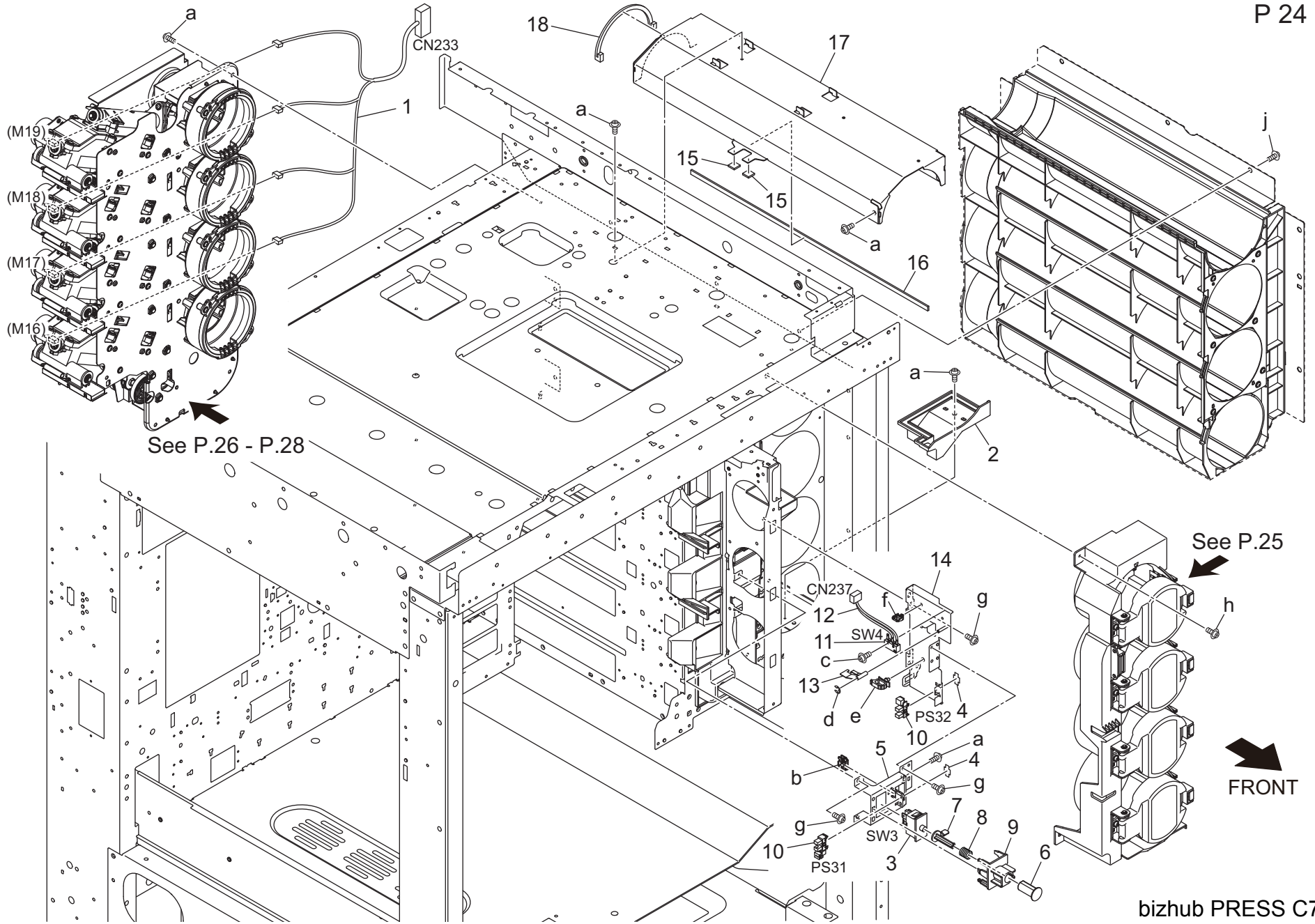
BLACK

FRONT  
bizhub PRESS C71hc



Key	Part No.	Description	Destinations	Class	QTY	Standard parts
1	A50UR70244	Developing Unit 現像ユニット	B,C,D1,D3,E,F2,G1,G 2,H,I,J,K	B	1	
1	A50UR70244	Developing Unit 現像ユニット	A	B	1	
2	A0TKH00200	PWB Assembly(PWB-TCR ASSY) 基板 A S S Y ( P W B - T C R A S S Y )		I	1	
3	A50U372901	Collection Cover 回収カバー		D	1	
4	A50U373100	Compressing Coil spring /1 圧縮コイルばね /1		D	1	
5	A50U376801	Seal /T シール / T		D	1	
6	A50U374501	Seal /J シール / J		D	2	
7	A50U374102	Scatteringprevention Sheet /Side 飛散防止シート /サイド		D	1	
8	A50U376002	Scatteringprevention Sheet /Rear 飛散防止シート /奥		D	1	
9	A50U377201	Auxiliary Seal /Front 補助シール /前		D	1	
10	A50U377301	Auxiliary Seal /Rear 補助シール /奥		D	1	

# Toner Supply Section

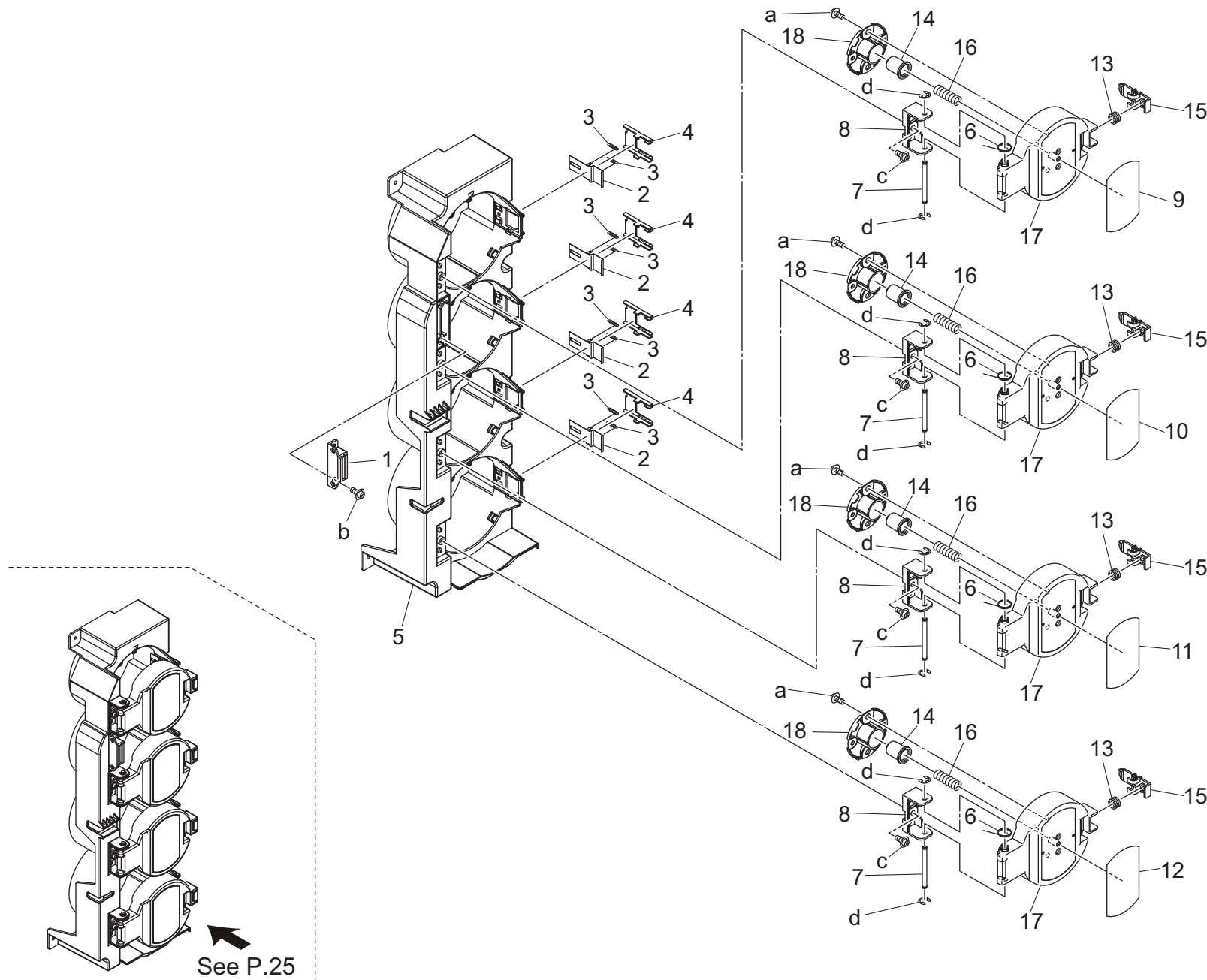


bizhub PRESS C71hc

Key	Part No.	Description	Destinations	Class	QTY	Standard parts
1	A50UN12101	Toner Wiring /1		D	1	a-V127030604 b-V570010056 c-V111020803 d-V217020050 e-V500010081 f-V500020098 g-V127030516 h-V127030604 j-V127040603
2	A50U408100	Receiving Lower tray		D	1	
3	40AA85011	Door Switch		B	1	
4	4470402401	Stopper		D	2	
5	A50U179000	Plate		D	1	
6	56AA12140	Switch Connecting Actuator		C	1	
7	56AA12150	Switch Pressing Actuator		C	1	
8	56AA12160	Contact Pressing Spring /1		C	1	
9	A50U166800	Guide Part		D	1	
10	A50UM51000	Photointerrupter		C	2	
11	12QR86011	Interlock Switch		B	1	
12	65AA91100	INTER LOCK WIRING		D	1	
13	A50U442100	Switch Plate		D	1	
14	A50UF41500	Toner Supply Support Shaft Caulking ASSY		D	1	
15	A50U318700	Auxiliary Pad		D	2	
16	A50U400600	Toner supply Seal /Upper		D	1	
17	A50U400900	Toner supply Frame /Upper		D	1	
18	A50U401401	Seal /Rear		D	1	

# Toner Supply Section

P 25



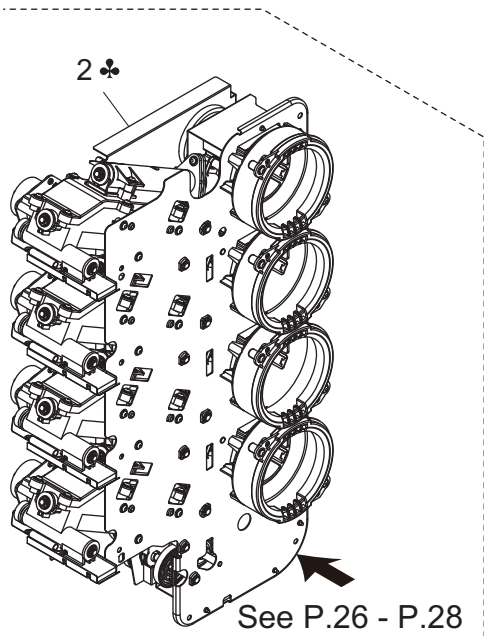
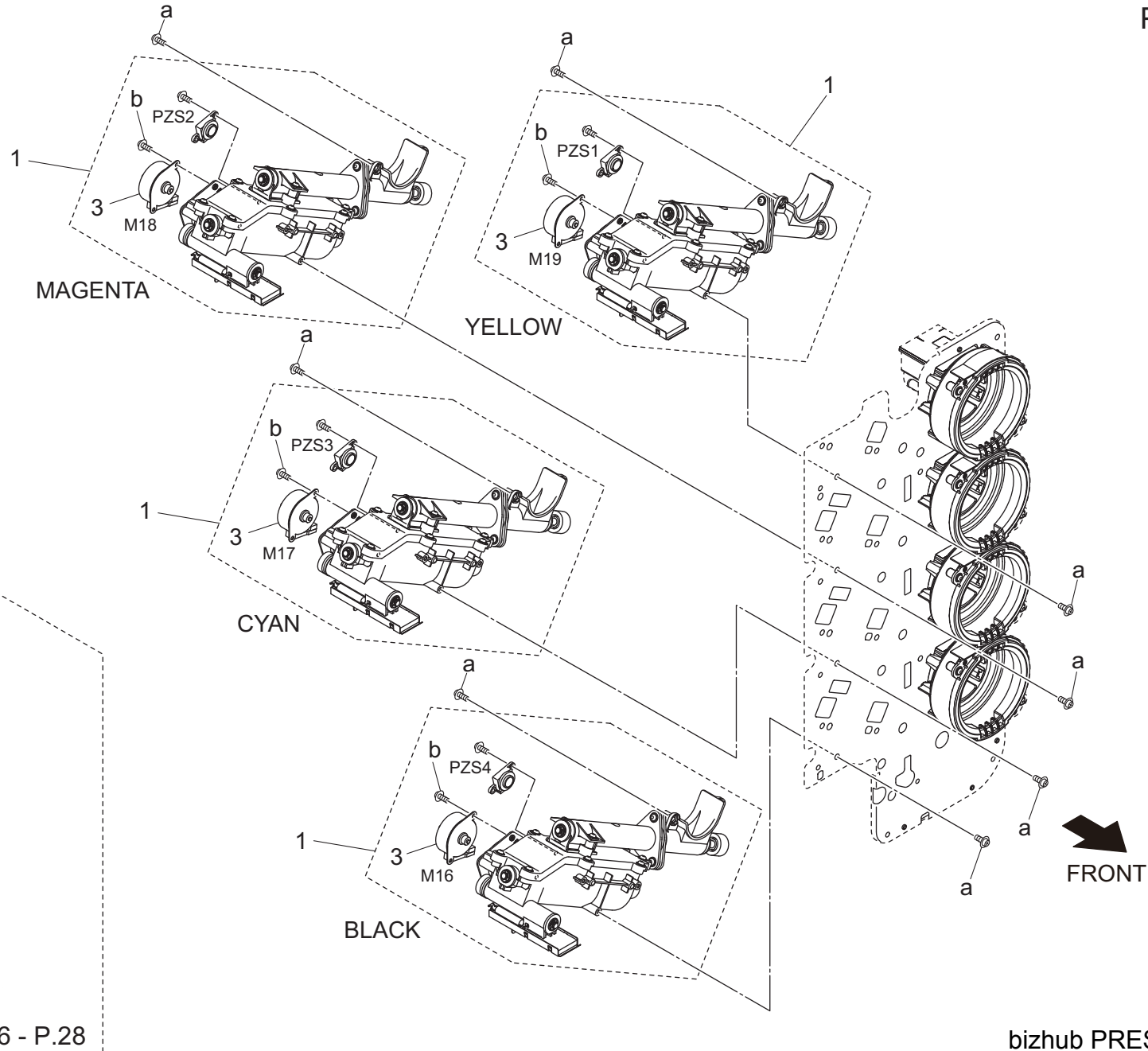
See P.25

FRONT

Key	Part No.	Description	Destinations	Class	QTY	Standard parts
1	07BA12352	Magnet Catch		C	1	a-V151041003 b-V149030803 c-V158030803 d-V217030001
2	A85C409600	Regulating Plate		D	4	
3	26TA32970	CARTRIDGE REGULATING SPRING		C	8	
4	26TA32990	COVER PART		C	4	
5	A7V0400200	Guide Part		D	1	
6	A50U408600	Toner supply Open/close Spring /A		D	4	
7	A50U408700	Support Shaft		D	4	
8	A50U408900	Support Part		D	4	
9	A7V0944500	Toner supply Label /Y		D	1	
10	A7V0944600	Toner supply Label /M		D	1	
11	A7V0944700	Toner supply Label /C		D	1	
12	A7V0944800	Toner supply Label /K		D	1	
13	26NA32870	CARTRIDGE PRESSING SPRING 2		C	4	
14	A1RF441500	Pressing Part /Front		D	4	
15	A50U408501	Pressing Handle		D	4	
16	A50U410200	Lock Spring		D	4	
17	A50U440301	Pressing Pedestal /Front		D	4	
18	A50U440601	Pressing Part /Rear		D	4	

# Toner Supply Section

改訂版 REVISED EDITION	日付 DATE
	FEBRUARY 2017



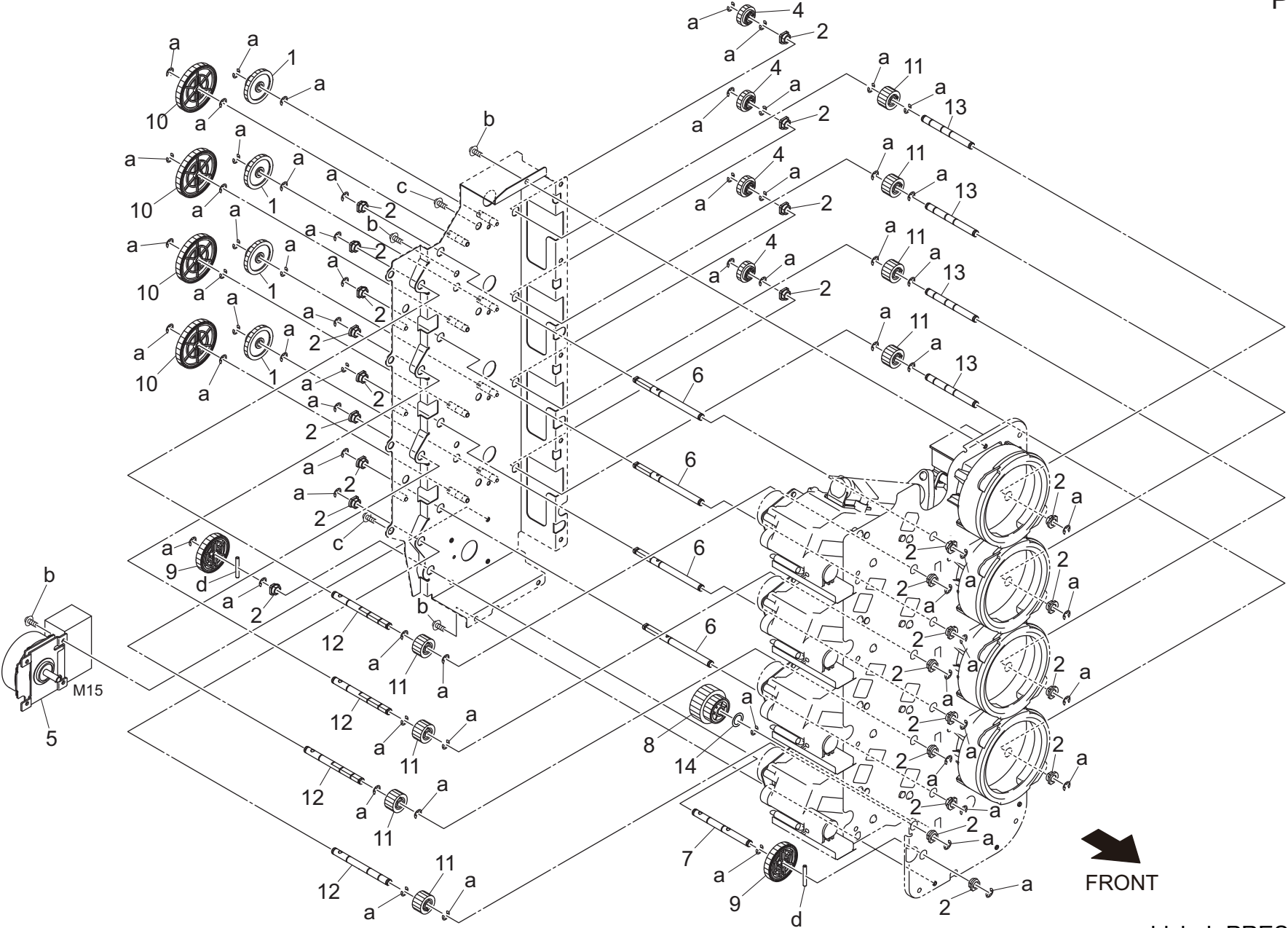
See P.26 - P.28

bizhub PRESS C71hc

# Toner Supply Section

Key	Part No.	Description	Destinations	Class	QTY	Standard parts
1	A50UR72V00	Toner Conveyance Assy		D	4	a-V151030803 b-V158030803
2	A50UR71300	Toner Supply Unit Assy(JP)	トナー補給ユニット A s s y ( 日本)	S	1	
2	A50UR71411	Toner Supply Unit Assy(US)	トナー補給ユニット A s s y ( 北米)	S	1	
2	A50UR71500	Toner Supply Unit Assy(EU)	トナー補給ユニット A s s y ( 欧州)	S	1	
3	A00JM12100	Stepping motor	ステッピングモータ	C	4	

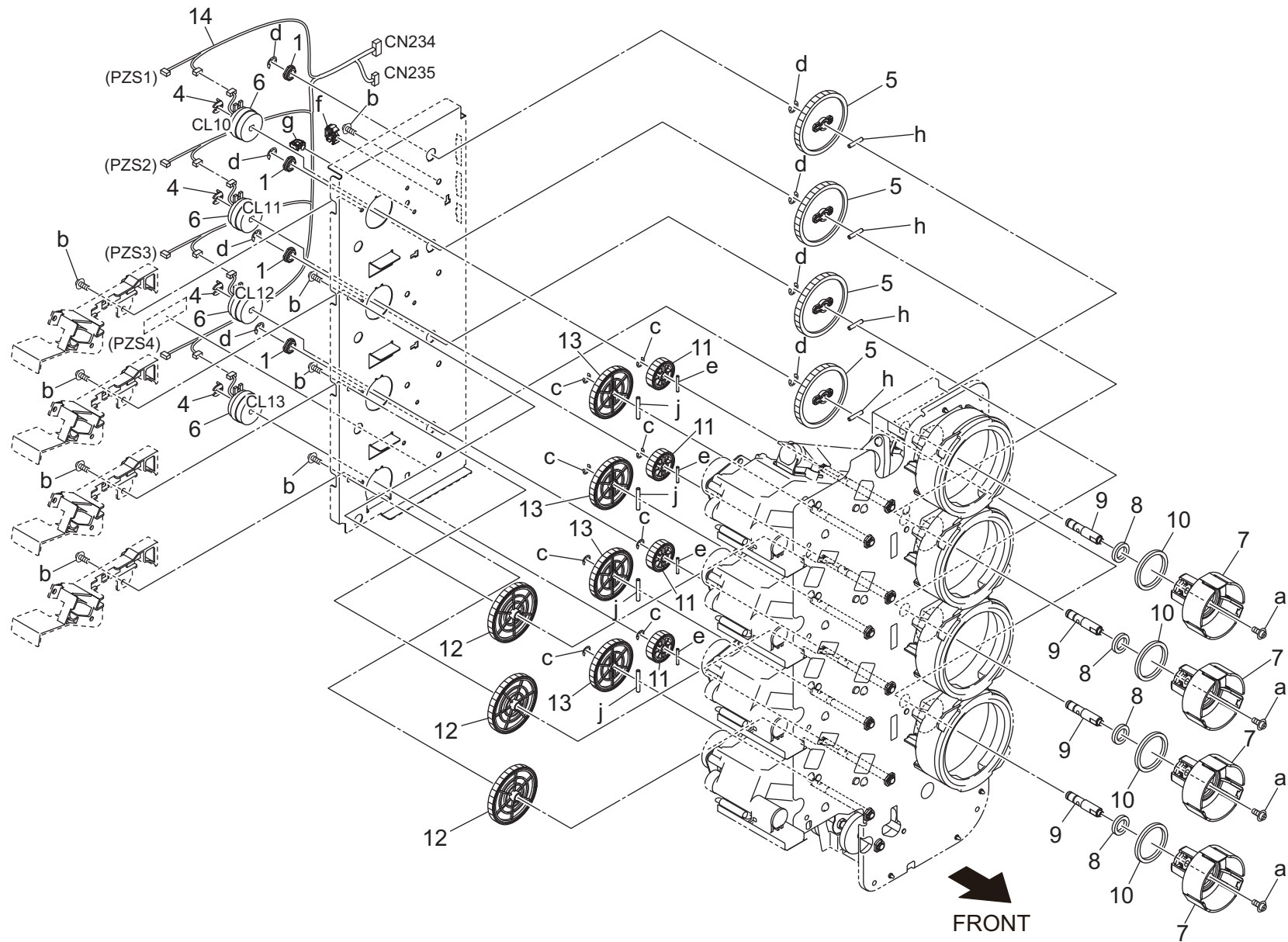
Toner Supply Section





Key	Part No.	Description	Destinations	Class	QTY	Standard parts
1	25BA77171	Toner Supply Gear /2 13/31T		C	4	a-V217040001 b-V127030604 c-V151030803 d-V234302250
2	466076020	Paper Feed Feeding Bearing		B	26	
4	9J07500201	GEAR 17T		C	4	
5	A2XKM10300	Brushless motor		I	1	
6	A50U404000	Drive Shaft /A		D	4	
7	A50U406400	Drive Shaft /D		D	1	
8	A50U420300	Toner supply Gear /3 25/65T		C	1	
9	A50U420900	Toner supply Gear /9 35T		C	2	
10	A50U421000	Toner supply Gear /10 45T		C	4	
11	56AA77330	SCREW GEAR 15T		C	8	
12	A50U404600	Drive Shaft /B		D	4	
13	A50U404200	Drive Shaft /C		D	4	
14	40AA32320	Toner Supply Spacer		C	1	

# Toner Supply Section

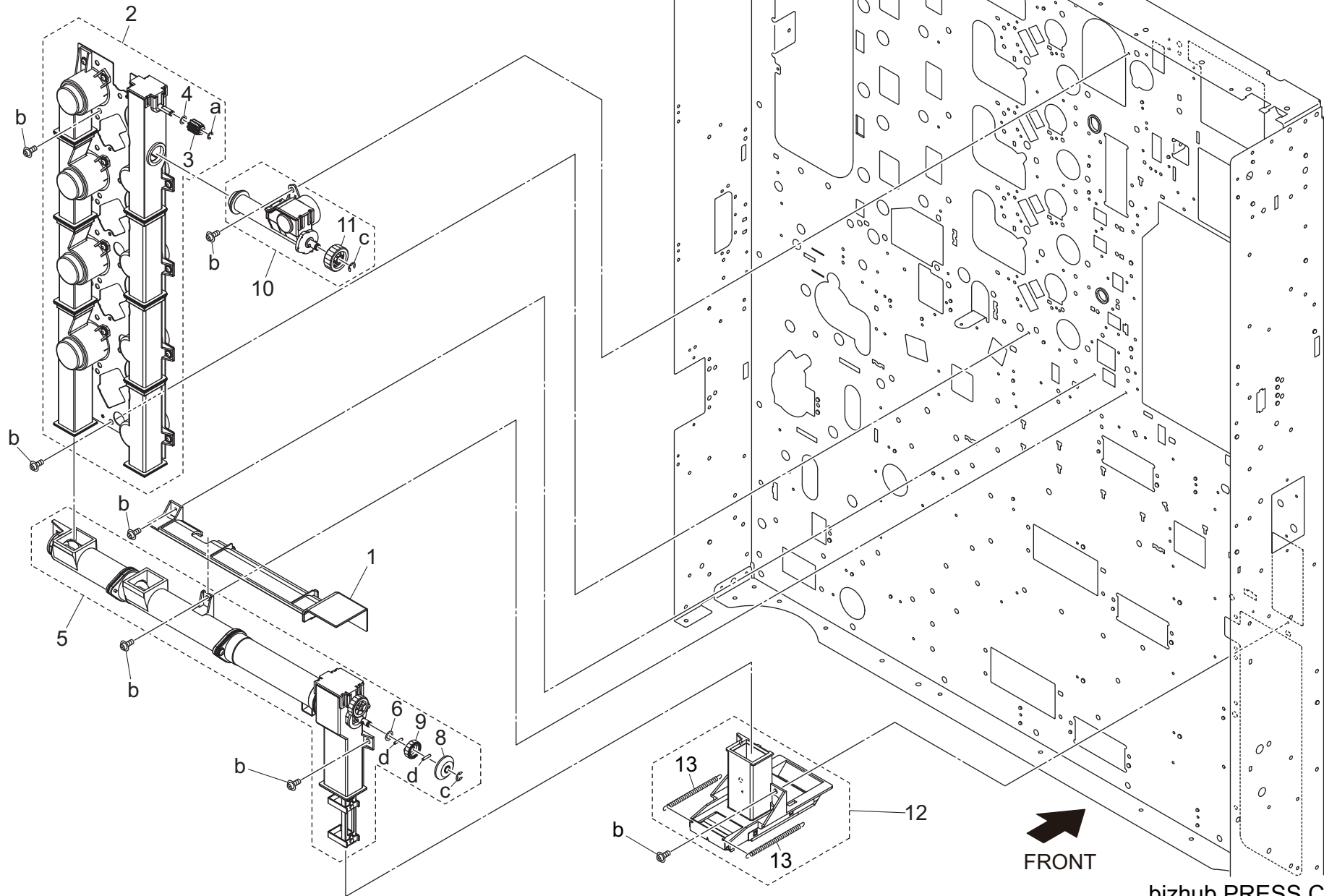


bizhub PRESS C71hc

# Toner Supply Section


Key	Part No.	Description	Destinations	Class	QTY	Standard parts	
1	26NA32660	TONER SUPPLY SHAFT HOLDER		C	4	a-V116030803 b-V127030604 c-V217040001 d-V217050001 e-V234201650 f-V500010072 g-V500020098 h-V234301650 j-V234302250	
4	56AA40490	SHAFT STOPPER 4		C	4		
5	65AA77390	Toner Supply Gear /B 56T		C	4		
6	A00FM20000	Clutch		C	4		
7	A50U400501	Toner supply Coupling		D	4		
8	A50U401200	Holding Seal /A		D	4		
9	A50U401301	Connecting Shaft		D	4		
10	A50U407600	Toner supply Holding Seal /A		D	4		
11	A50U420400	Toner supply Gear /4 25T		C	4		
12	A50U420800	Toner supply Gear /8 52T		C	3		
13	A50U421000	Toner supply Gear /10 45T		C	4		
14	A50UN12203	Toner Wiring /2		D	1		

# Toner Collection Section

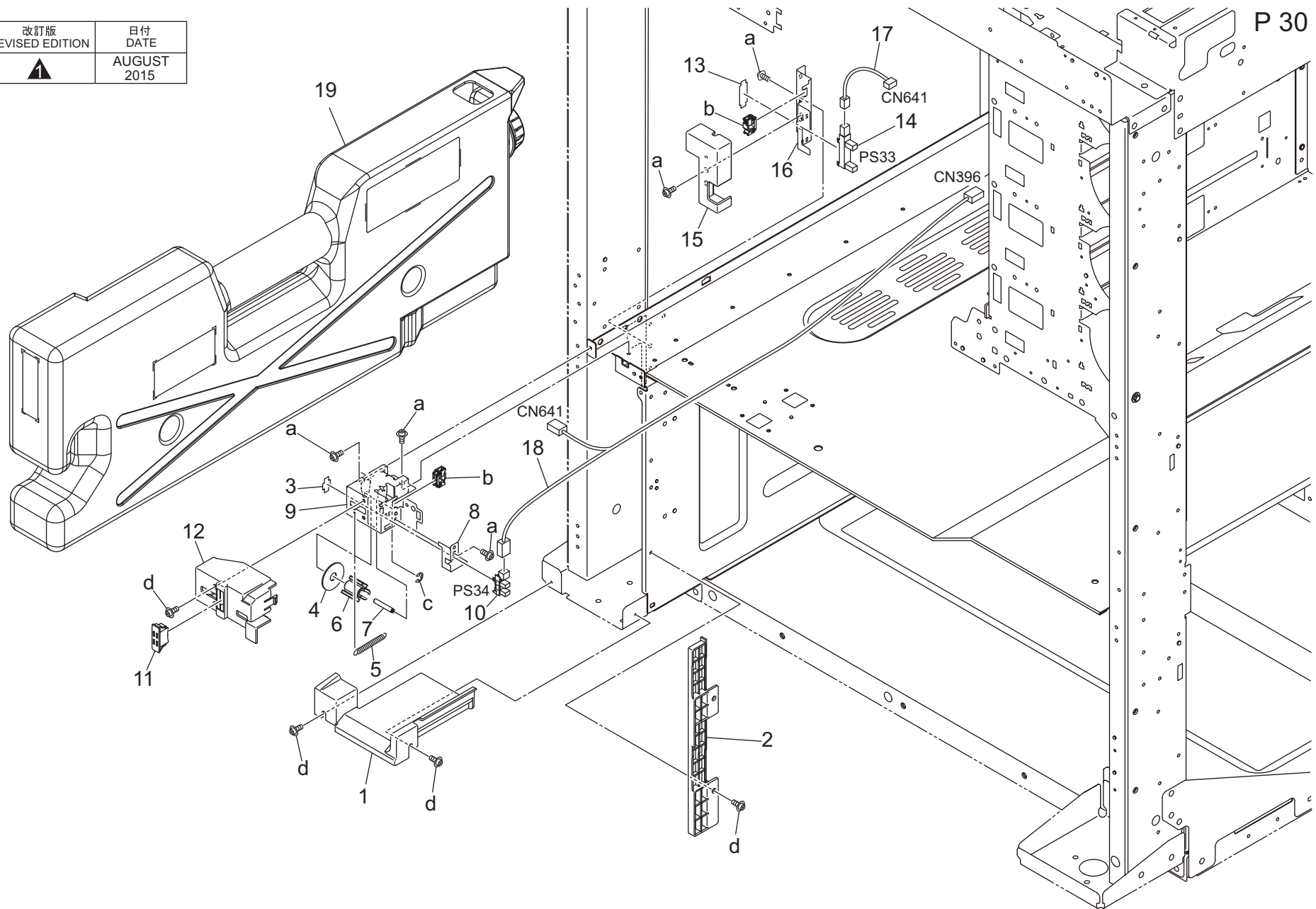


Key	Part No.	Description	Destinations	Class	QTY	Standard parts
1	A50U362300	Insulating Cover		D	1	a-V217030001 b-V127030604 c-V217040001 d-V234201050
2	A50UR70V00	Collection Pipe Assy		S	1	
3	26NA17580	AGITATING COUPLING B		C	1	
4	50GA250100	SPACER		C	1	
5	A50UR70W11	Toner Collection Conveyance Assy		S	1	
6	40AA32320	Toner Supply Spacer		C	1	
8	A50U361900	Collection Gear /2 14T		C	1	
9	A50U365400	Collection Gear 19T		C	1	
10	A50UR71100	Collection Pipe / 1 Assy		D	1	
11	A1RG569900	Suction Gear /2 21T		C	1	
12	A50UF36500	Toner Collection Gate ASSY		D	1	
13	A50U363300	Open/close Spring		D	2	

# Toner Collection Section

改訂版 REVISED EDITION	日付 DATE
	AUGUST 2015

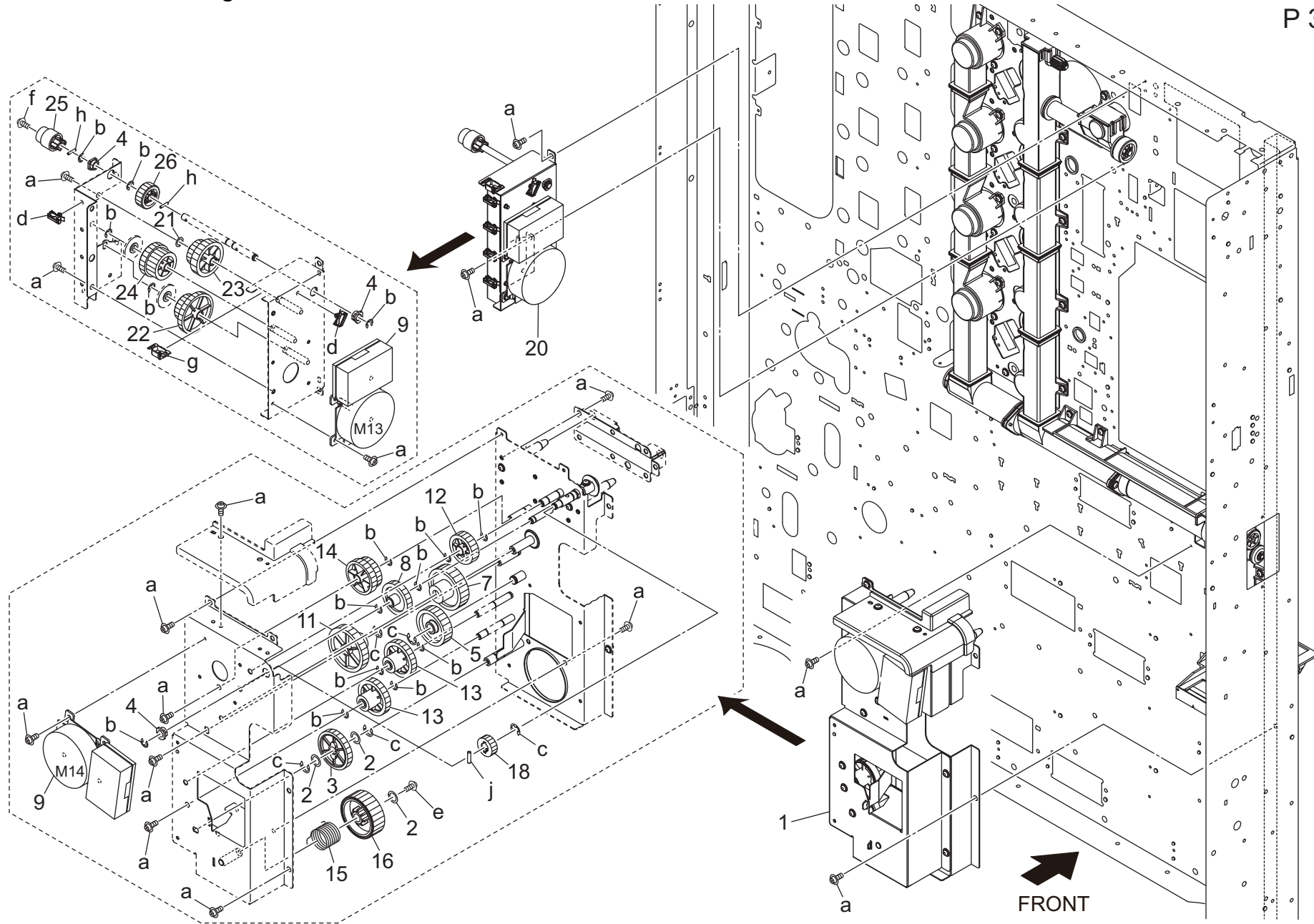
P 30



bizhub PRESS C71hc

Key	Part No.	Description	Destinations	Class	QTY	Standard parts
1	A50U363400	Protection Cover /Lower		D	1	a-V127030604 b-V570010056 c-V217020001 d-V127030604
2	A50U369900	Cover /Front		D	1	
3	4470402401	Stopper		D	1	
4	55VA47840	Belt Hold Part /3		D	1	
5	A1RF363500	Control Spring		C	1	
6	A1RF363801	Detecting Part /2		D	1	
7	A50U363200	Collection Shaft		D	1	
8	A50U367100	Card		D	1	
9	A50U368400	Cover		D	1	
10	A50UM51000	Photointerrupter		C	1	
11	56AA12270	EXTERNAL LOCKING PART		C	1	
12	A50U363701	Cover Outside		D	1	
13	4004457301	Stopper		D	1	
14	9335140051	SOLID STATE SWITCH		B	1	
15	A50U366800	Cover /2		D	1	
16	A50U367400	Cover		D	1	
17	A50UN11801	Detection Relay harness /3		D	1	
18	A50UN12000	Detection Relay harness /1		D	1	
19	A50UR70115	Waste Toner Box	B,C,D1,D3,E,F2,G1,G 2,H,I,J,K	A	1	
19	A50UR70115	Waste Toner Box	A	A	1	

# Toner Collection Driving Section



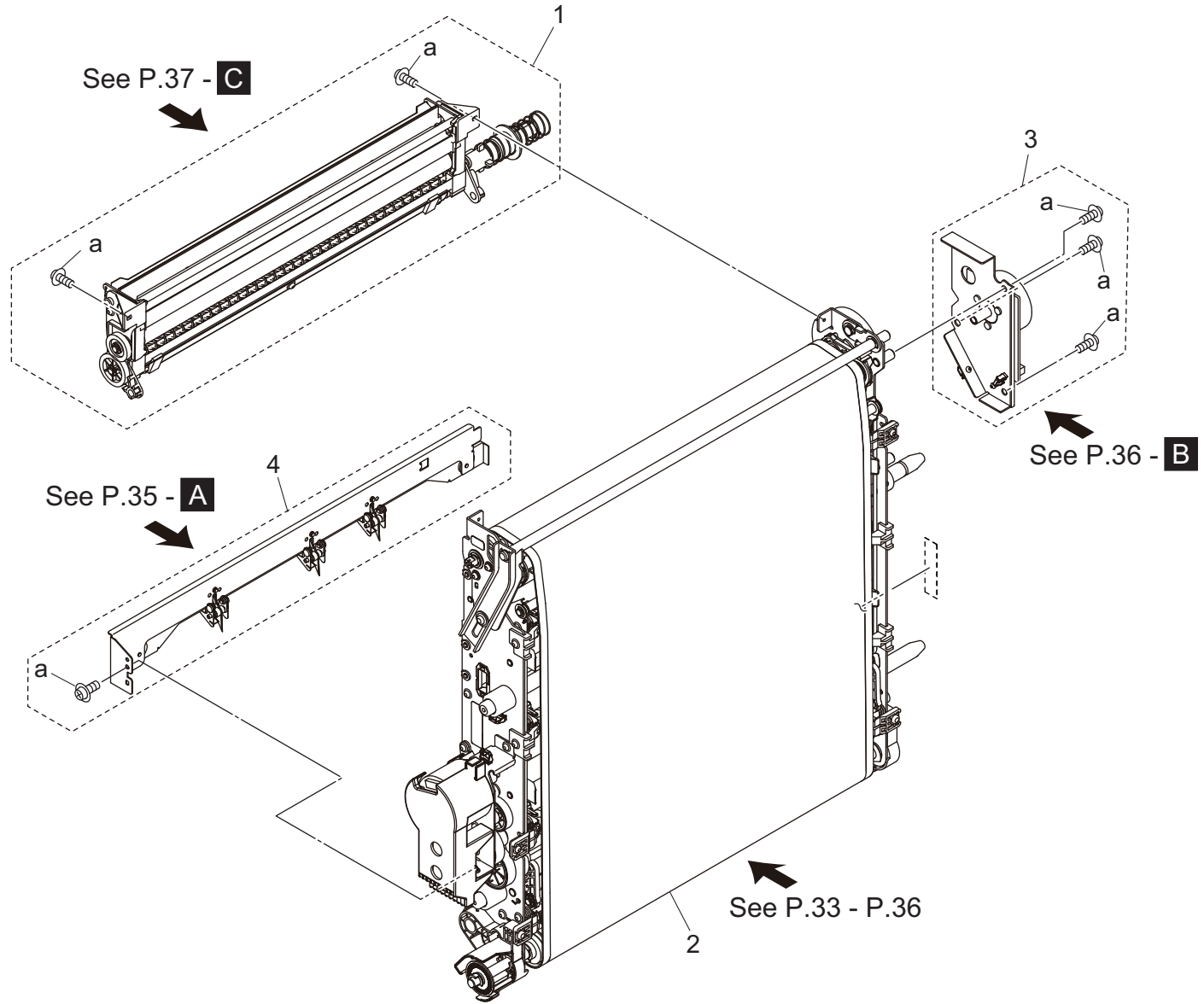


# Toner Collection Driving Section

Key	Part No.	Description	Destinations	Class	QTY	Standard parts
1	A50UR70Y11	Toner Collection Drive Assy		S	1	a-V127030604
2	13QA40610	Gear Spacer		C	3	b-V217040001
3	4038254001	GEAR 37T		C	1	c-V217060001
4	466076020	Paper Feed Feeding Bearing		B	3	d-V500020100
5	55GA77050	Conveyance Drive Gear /2 35T		B	1	e-V127040603
7	56UA77710	TONER SUPPLY DRIVE GEAR /B 16/40T		C	1	f-V121030403
8	65AA77410	TONER SUPPLY GEAR D 31T		C	1	g-V570010063
9	A161M10200	brushless Motor /20		I	2	h-V234201050
11	A1RF368500	Collection Gear 14/43T		C	1	j-V234301250
12	A1UD210500	Gear 28T		C	1	
13	A50U362200	Gear /1 34/14T		C	2	
14	A50U365800	Collection Gear /1 62/28T		C	1	
15	A50U365600	Collection Spring		D	1	
16	A50U367001	Collection Coupling		D	1	
18	56UA77280	ADU CONVEYANCE GEAR 17T		C	1	
20	A50UR71200	Collection Drive Assy		S	1	
21	40AA32320	Toner Supply Spacer		C	1	
22	A50U360700	Collection Gear /1 75/23T		C	1	
23	A50U361200	Collection Gear /3 32/22T		C	1	
24	A50U361401	Collection Gear /2 29/25T		C	1	
25	A1RF372300	Agitating Coupling /1		D	1	
26	A1RG569900	Suction Gear /2 21T		C	1	

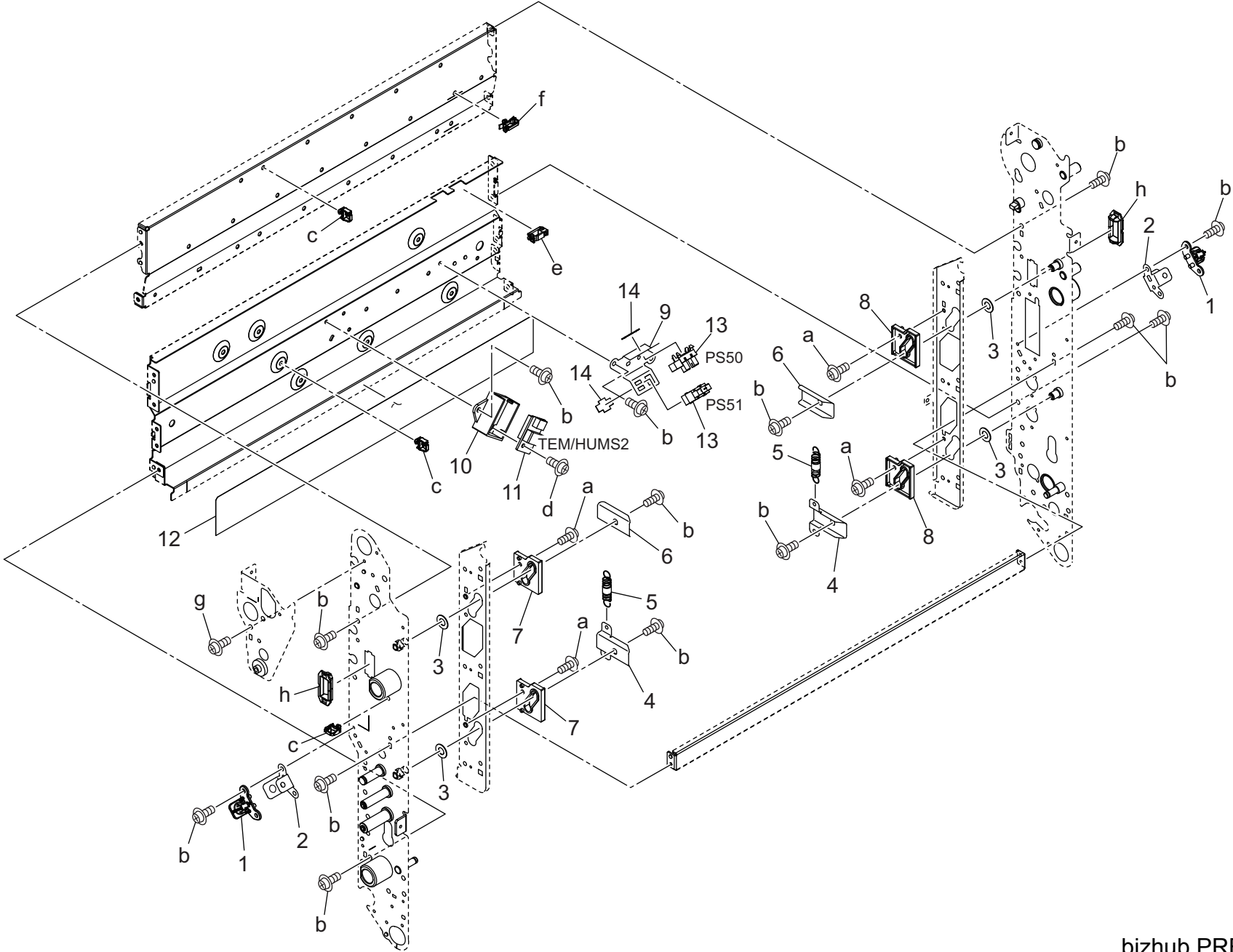
# Intermediate Transfer Section

改訂版 REVISED EDITION	日付 DATE
▲	NOVEMBER 2016



Key	Part No.	Description	Destinations	Class	QTY	Standard parts
1	A50UR70633	Transfer Belt Cleaning Unit		B	1	a-V127030604
2	A50UR71N22	Middle Transfer Assy		I	1	
3	A50UR72W11	Drive Plate Assy		I	1	
4	A50UR71P22	Separating Claw Unit		I	1	

Intermediate Transfer Section

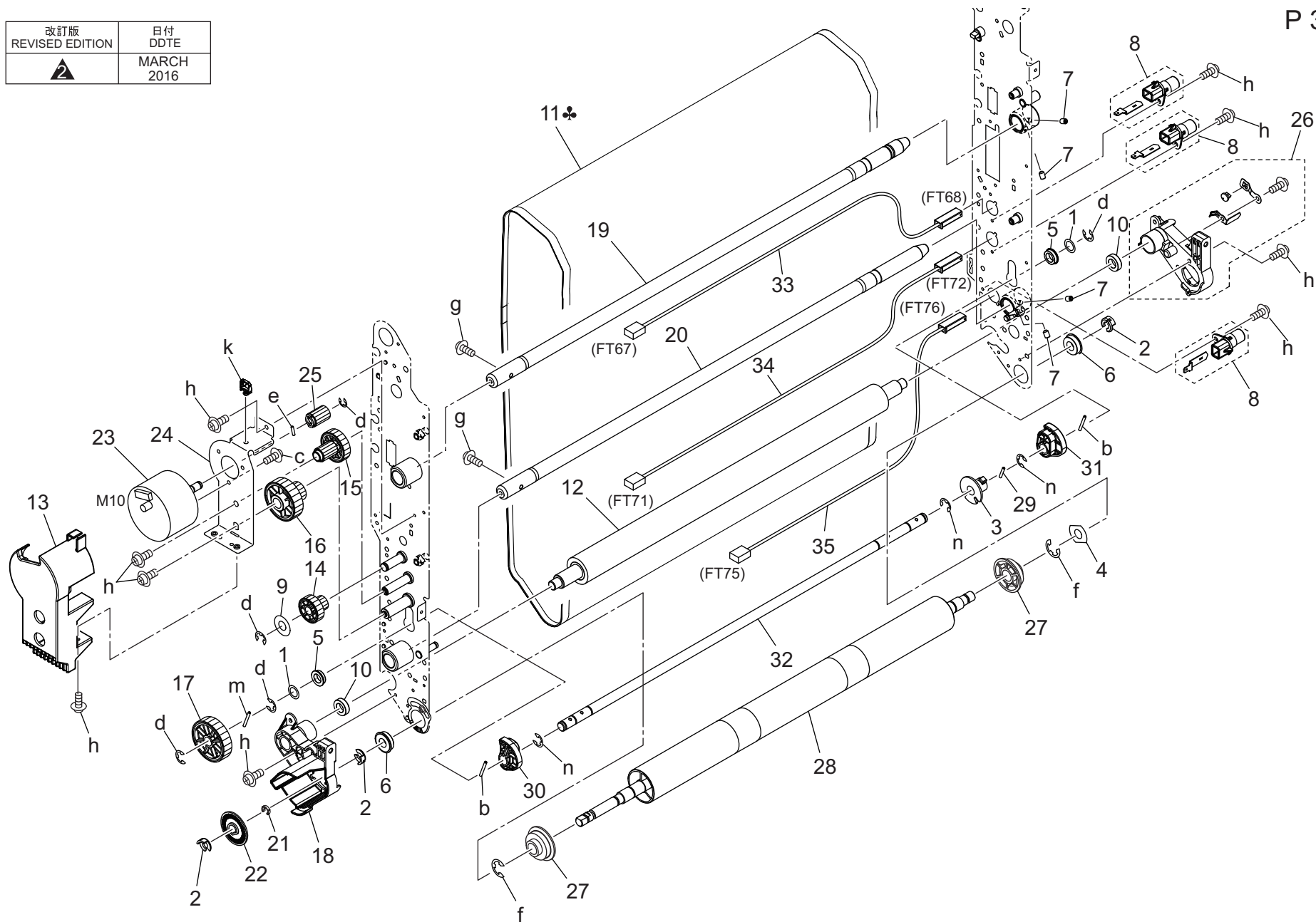


Intermediate Transfer Section

Key	Part No.	Description	Destinations	Class	QTY	Standard parts
1	A50U500800	Hold Part		D	2	a-V121030403 b-V127030604 c-V500020098 d-V158030803 e-V570010057 f-V500020100 g-V116030503 h-V570010037
2	A50U508600	Transfer Support Plate		D	2	
3	07BA15871	SPACER A		C	4	
4	A50U503600	Stopper Plate		D	2	
5	A50U503700	Spring		D	2	
6	A50U506200	Stopper Plate		D	2	
7	A50U508800	Transfer Bushing /Front		D	2	
8	A50U506300	Transfer Bushing /Rear		D	2	
9	A50U505200	Plate		D	1	
10	65AA11300	SUPPORT PART		D	1	
11	A034M50000	Humidity sensor		C	1	
12	A03U515100	Insulating Sheet		D	1	
13	08AA85512	Photo Sensor		B	2	
14	4470402401	Stopper		D	2	

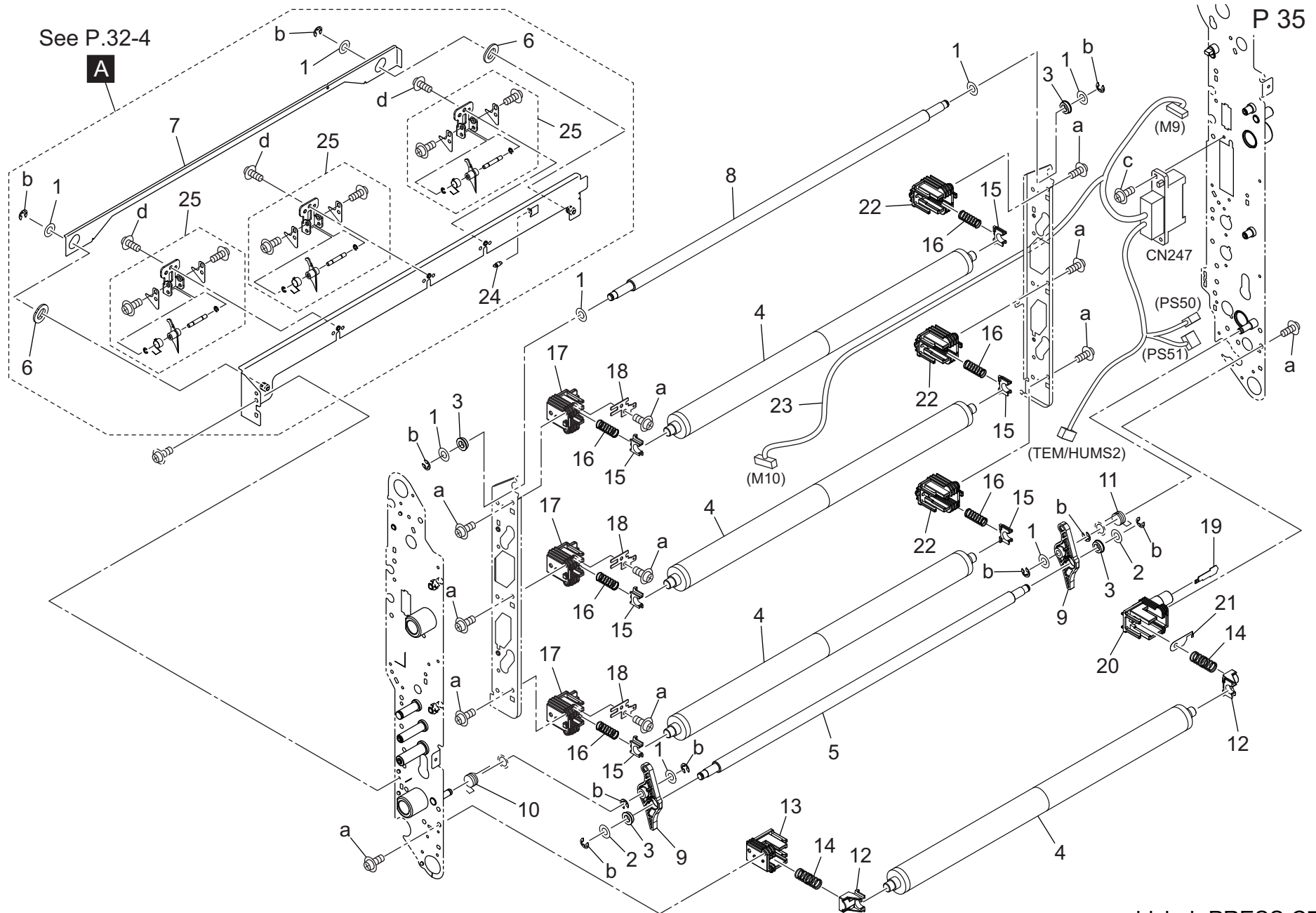
# Intermediate Transfer Section

改訂版 REVISED EDITION	日付 DDTE
	MARCH 2016



Key	Part No.	Description	Destinations	Class	QTY	Standard parts
1	12QV40650	Spacer		B	2	b-V237201850
2	55VA42120	Shaft Stopper		C	3	c-V121030403
3	A50U505300	Light blocking Plate		D	1	d-V217040001
4	65AA27240	SPACER A		C	1	e-V234200850
5	A00J617900	Ball Bearing		B	2	f-V217080001
6	A00V240600	Ball Bearing		B	2	g-V127040803
7	A03U512300	Fixing Screw		C	4	h-V127030604
8	A1DUR73500	Power Supply Block / A Assy		D	3	k-V500020098
9	A1RF501700	Slide Spacer /A		D	1	m-V234201850
10	A1RF517300	bearing		C	2	n-V217060001
11	A1DU504203	Transfer Belt 862L		A	1	
11	A9VE500100	Transfer Belt /H	(Embossed paper)	A	1	
12	A50U500401	2nd Transfer Roller/Up		A	1	
13	A50U504000	Cover		D	1	
14	A50U504500	Compressing Gear /1 35/18T		C	1	
15	A50U504600	Pressure Gear /2 43/18T		C	1	
16	A50U504700	Pressure Gear /3 56/18T		C	1	
17	A50U505000	Pressure Gear /4 44T		C	1	
18	A50U505901	Insulating Holder /Front		D	1	
19	A50U506101	Positioning Shaft /Upper		D	1	
20	A50U507000	Positioning Shaft /Lower		D	1	
21	A50U509100	Lifting Collar /8		D	1	
22	A50U517300	Control Plate		D	1	
23	A11PM10200	DC Brushless motor /12		C	1	
24	A50U503900	Drive Plate /2		D	1	
25	A50U504400	Pressure Gear /M 18T		C	1	
26	A50UR72100	Insulating Holder / Rear Assy		D	1	
27	65AA26870	REGULATING COLLAR		C	2	
28	A50U506701	Idler Roller		C	1	
29	56AA17321	PIN A D2X12		B	1	
30	A50U502500	Transfer Release Cam /C		D	1	
31	A50U502600	Transfer Release Cam /C		D	1	
32	A50U505100	Pressure Shaft		D	1	
33	A50UN24501	HV Relay harness /1		D	1	
34	A50UN24701	HV Relay harness /2		D	1	
35	A50UN24901	HV Relay harness /3		D	1	

# Intermediate Transfer Section



bizhub PRESS C71hc

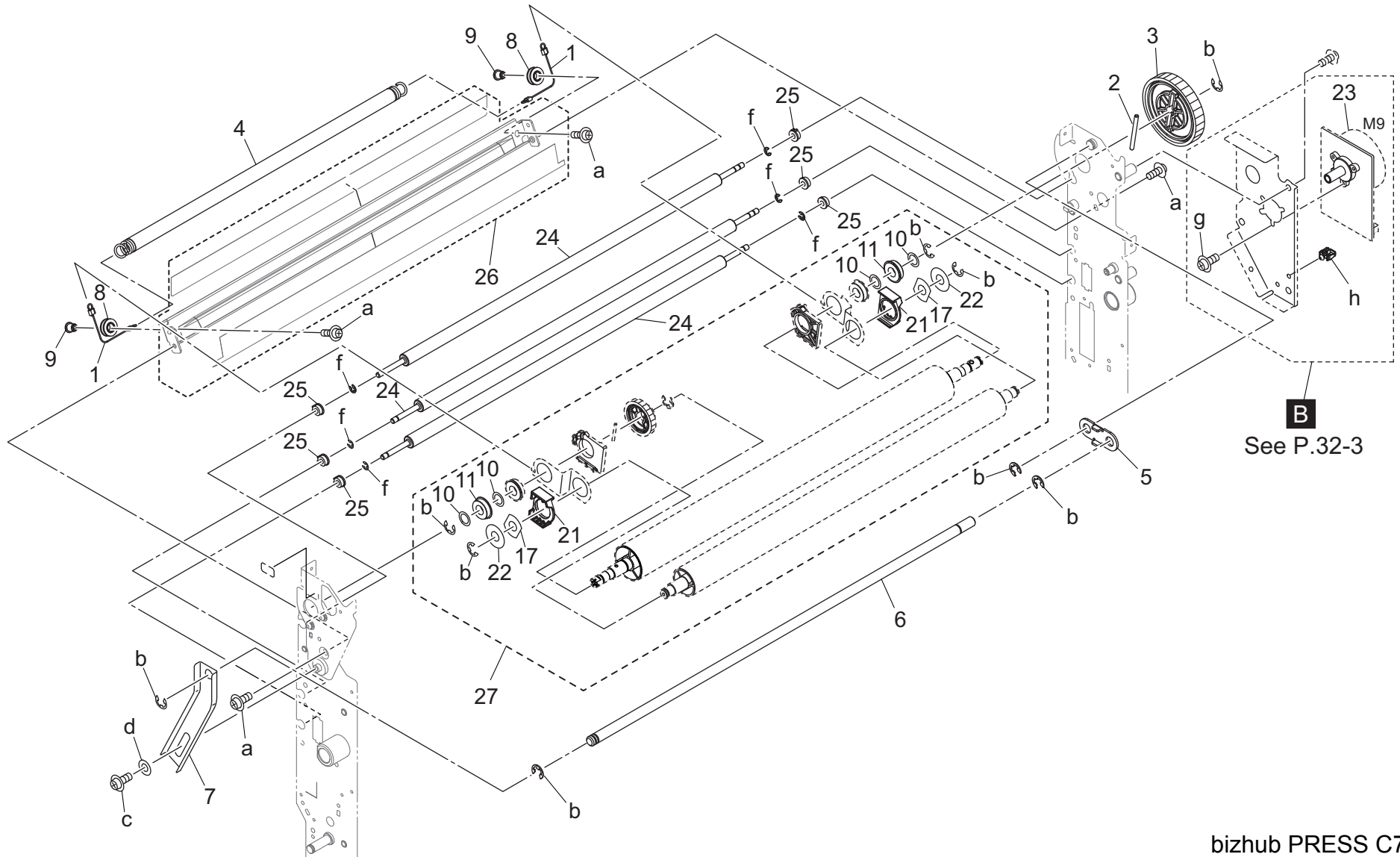


Intermediate Transfer Section

Key	Part No.	Description	Destinations	Class	QTY	Standard parts
1	07BA15871	SPACER A		C	8	a-V158030803 b-V217040001 c-V127030803 d-V121030403
2	40AA32320	Toner Supply Spacer		C	2	
3	A00J617800	Ball Bearing		B	4	
4	A50U501201	1st Transfer Roller		A	4	
5	A50U501900	Transfer Pressure Roller /K		C	1	
6	A50U503200	Bushing		D	2	
7	A50U506900	Release Plate		D	1	
8	A50U505401	Transfer Pressure Roller /Y		C	1	
9	A50U505500	Release Arm		D	2	
10	A50U508001	Pressing Spring /Front		D	1	
11	A50U508102	Pressing Spring /Rear		D	1	
12	A50U505700	Transfer Roller Bearing /K		B	2	
13	A50U505800	High voltage Powering Block /B		D	1	
14	A50U507900	Pressure Spring /Black		D	2	
15	65AA26380	Transfer Powering Bushing		B	6	
16	A50U507801	Pressure Spring /C		D	6	
17	A50U510100	High voltage Powering Block /C		D	3	
18	A50U510200	Transfer Powering Plate /Front		D	3	
19	65AA26690D	Transfer Powering Plate /K		D	1	
20	A50U505601	Power supply Block /D		D	1	
21	A50U507600	Transfer Powering Plate /L		D	1	
22	65AA26900D	High voltage Powering Block /C		D	3	
23	A50UN13201Old	Transfer Drive harness /1		D	1	
23	A50UN13203	Transfer Drive harness /1		D	1	
24	65AA26600	SLIDE SPRING		C	1	
25	A1DUR71900	Separation Claw Assy		B	3	

# Intermediate Transfer Section

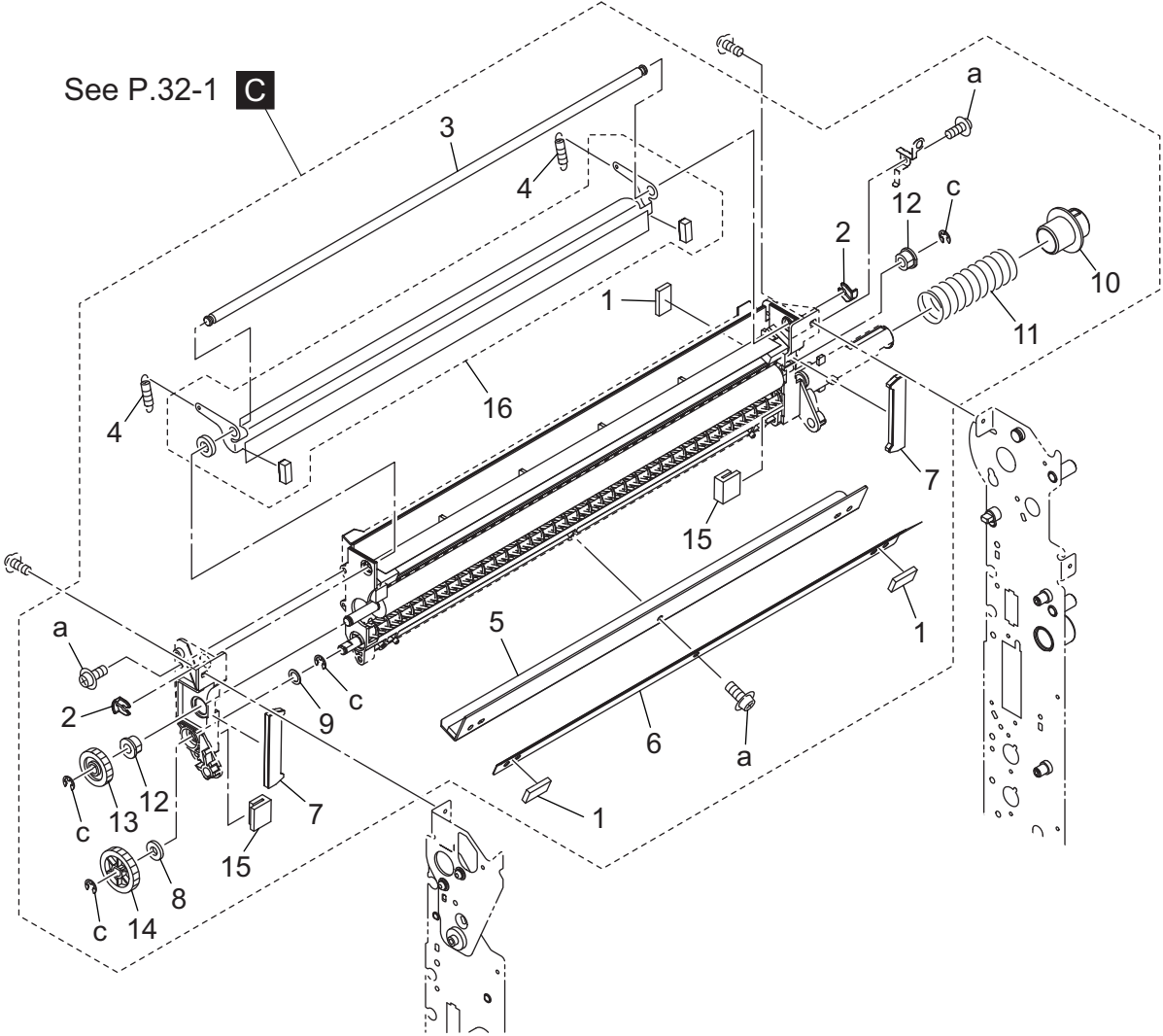
改訂版 REVISED EDITION	日付 DATE
	JANUARY 2018



**B**  
See P.32-3

Key	Part No.	Description	Destinations	Class	QTY	Standard parts
1	A1RF508100	Pulling Wire		D	2	a-V127030604 b-V217060001 c-V127040603 d-V207060003 f-V217030001 g-V118030403 h-V500020098
2	A1RJ732100	Pin /2		C	1	
3	A50U501401	Drive Gear 108T		C	1	
4	A50U501702	Tension Spring		D	1	
5	A50U502700	Handle /Rear		D	1	
6	A50U502900	Handle		D	1	
7	A50U503001	Mounting Plate		D	1	
8	A1RF508000	Tension Pulley		D	2	
9	A1RF508200	Tension Shaft		D	2	
10	12QV40650	Spacer		B	4	
11	A00V240600	Ball Bearing		B	2	
17	65AA27240	SPACER A		C	2	
21	A50U503300	Cover		D	2	
22	A50U509200	Washer		D	2	
23	A50UM10201	DC Brushless motor /20		C	1	
24	A50U502100	Auxiliary Roller /1		C	3	
25	A50U503500	Bushing		D	6	
26	A50UR73J00	Cleaning Sheet Assy		D	1	
27	A50UR73K00	Drive Roller Assy		C	1	

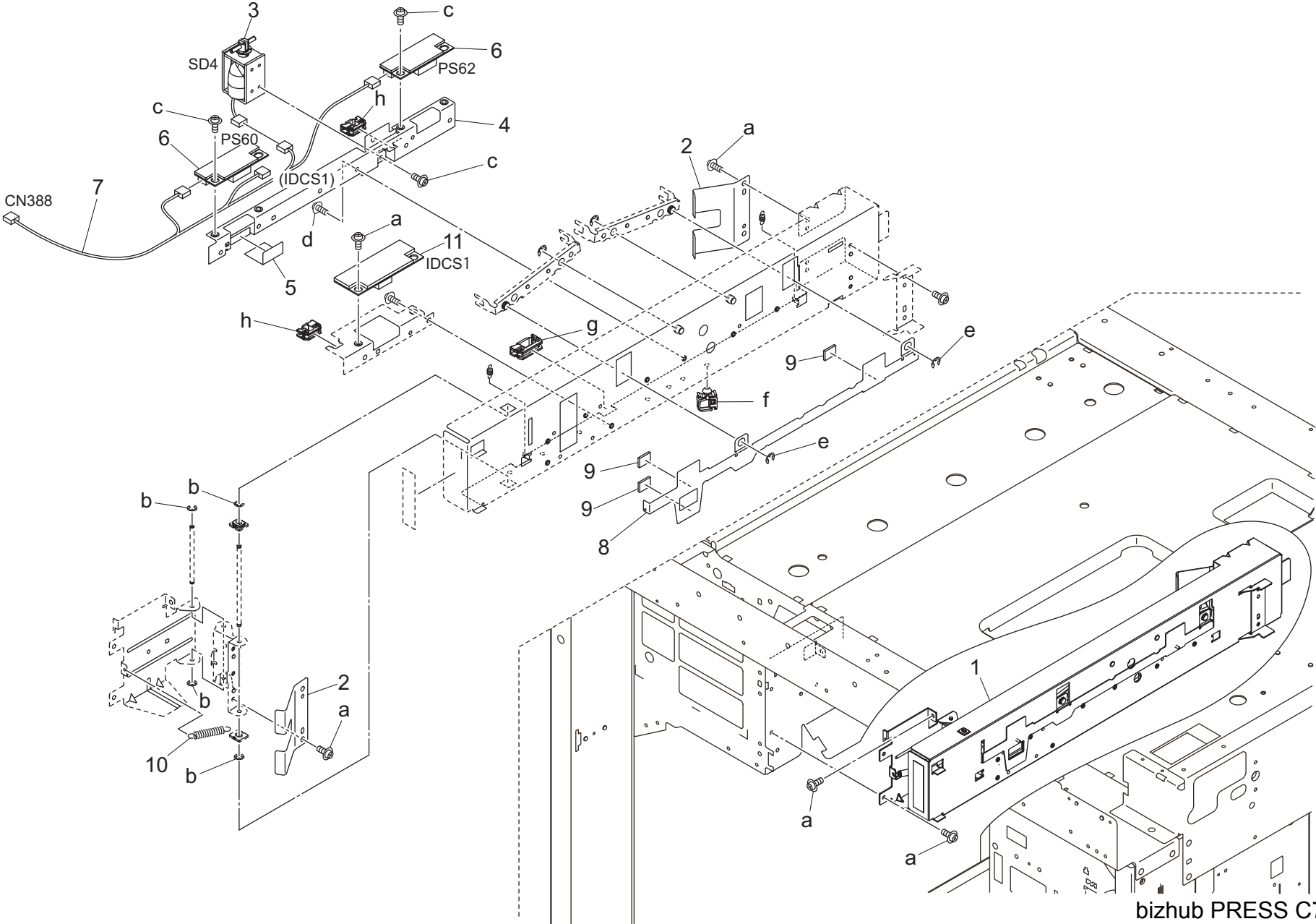
Intermediate Transfer Section



Intermediate Transfer Section

Key	Part No.	Description	Destinations	Class	QTY	Standard parts
1	56AA20940D	Toner Dust-proof Seal /D		D	3	a-V158030803 c-V217040001
2	56AA40490	SHAFT STOPPER 4		C	2	
3	65AA27090D	Blade Fulcrum Shaft		D	1	
4	A03U555400	Cleaning Spring		C	2	
5	A1DUR71C00	Sheet /1 Assy		A	1	
6	A1DUR71D00	Sheet /2 Assy		C	1	
7	A50U531601	Seal /F		A	2	
8	08AA45230	COLLECTING SEAL		C	1	
9	40AA32320	Toner Supply Spacer		C	1	
10	65AA20060	COLLECTING COVER		C	1	
11	65AA20300	TONER COLLECTING SPRING		C	1	
12	65AA26840	Cleaner Bushing /Front		C	2	
13	A50U531400	Cleaning Gear /1 21T		C	1	
14	A50U531500	Cleaning Gear /2 26T		C	1	
15	65AA27320	SCATTER PREVENTING PAD 4		C	2	
16	A50UR70K11	Belt Cleaning Blade		A	1	

Color Resist Section

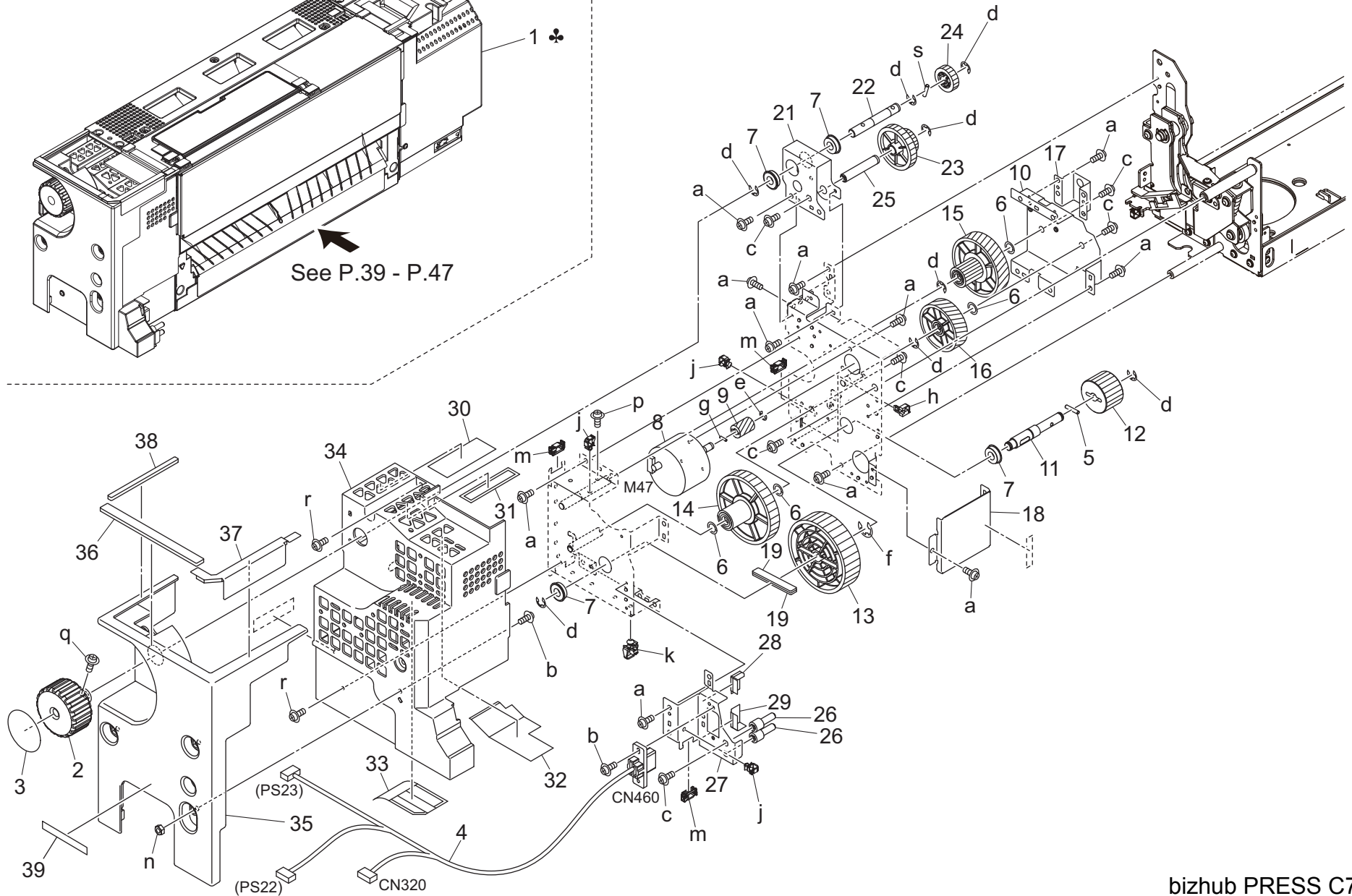
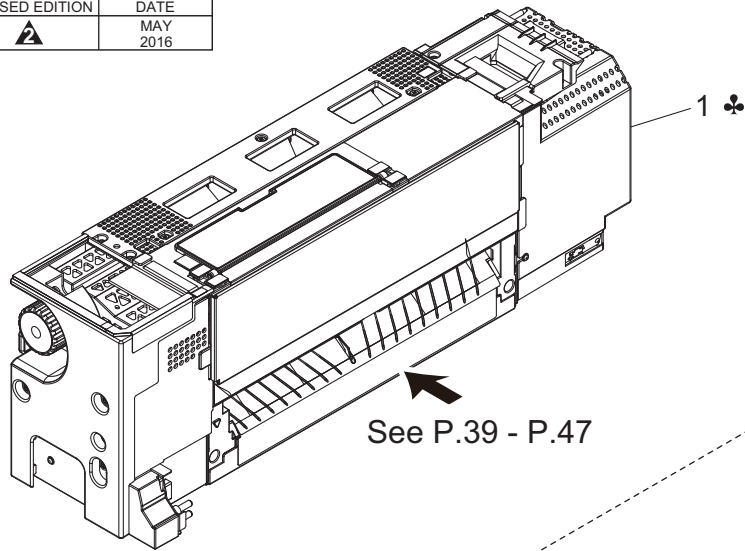


bizhub PRESS C71hc

Key	Part No.	Description	Destinations	Class	QTY	Standard parts
1	A50UR71711	Color Registration Unit		S	1	a-V127030604 b-V217020001 c-V121030403 d-V116030503 e-V217040001 f-V500020098 g-V570010057 h-V570010056
2	A50U517000	Pressing Spring		D	2	
3	A1DUR71600	Solenoid Assy		C	1	
4	A50U515200	Fixing Plate		D	1	
5	A50U517100	Cover Sheet		D	1	
6	A50UM50100	Photo sensing		I	2	
7	A50UN20001	Wiring /1		D	1	
8	A50U515500	Open/close Shutter		D	1	
9	A50U516900	Scatteringprevention Pad		D	3	
10	A50U516800	Spring		D	1	
11	A50UM50200	Photo sensing		I	1	

# Fusing Section

改訂版 REVISED EDITION	日付 DATE
	MAY 2016

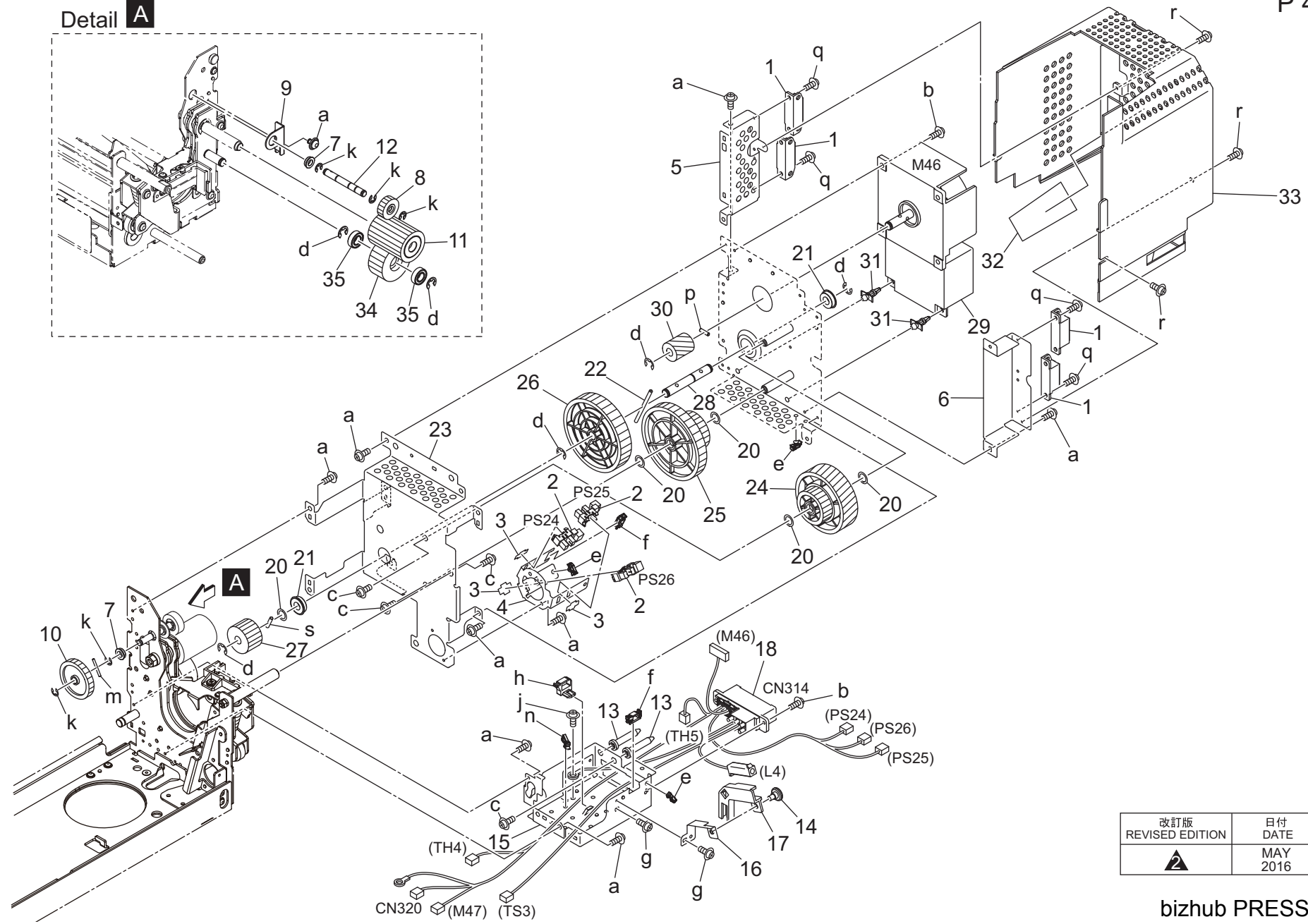




Key	Part No.	Description	Destinations	Class	QTY	Standard parts
1	A50UR70767	Fusing Unit (200V)	A	I	1	a-V121030403
1	A50UR70867	Fusing Unit (208V)	B,G2	I	1	b-V127030803
1	A50UR70978	Fusing Unit (220V)	C,D1,D3,E,F2,G1,H,I,J,K	I	1	c-V127040603 d-V217060001 e-V217040001 f-V217080001 g-V234200850
2	20AL48470G	Jam Release Knob		C	1	h-V500010057
3	A50U943501	Release Label /5		D	1	i-V500010074 k-V500020098
4	A50UN10900Old	Fixing Wiring /5		D	1	m-V570010057
4	A50UN10903	Fixing Wiring /5		D	1	n-V195030003
5	56AA17461	PIN A		B	1	p-V116030603
6	56AA42690	BY-PASS SPACER		C	4	q-V121041003
7	A00V240600	Ball Bearing		B	4	r-V127030604 s-V234301450
8	A11PM10200	DC Brushless motor /12	DC ブラシレスモータ /1 2	C	1	
9	A1RF809400	Pressure Gear /1 22T	圧着ギア /1 2 2 T	C	1	
10	A50U742300	Drive Plate /3	駆動板 /3	D	1	
11	A50U742501	Pressure Shaft /1	圧着軸 /1	D	1	
12	A50U742800	Pressure Gear /1 31T	圧着ギア /1 3 1 T	C	1	
13	A50U742901	Pressure Gear /2 90T	圧着ギア /2 9 0 T	C	1	
14	A50U743000	Pressure Gear /3 23/85T	圧着ギア /3 2 3 / 8 5 T	C	1	
15	A50U743100	Pressure Gear /4 23/110T	圧着ギア /4 2 3 / 1 1 0 T	C	1	
16	A50U743200	Pressure Gear /5 87T	圧着ギア /5 8 7 T	C	1	
17	A50U751200	Positioning Plate /A	位置決め板 /A	D	1	
18	A50U756001	Auxiliary Side plate	補助側板	D	1	
19	A50U756500	Part /1	部材 /1	D	2	
21	A50U745600	Fixing Plate /1	固定板 /1	D	1	
22	A50U745700	Processing Shaft /A	処理軸 /A	D	1	
23	A50U757000	Connecting Gear /A 41/22T	連結ギア /A 4 1 / 2 2 T	C	1	
24	A50U757100	Idling Gear /A 22T	アイドラギア /A 2 2 T	C	1	
25	A50U752600	Processing Shaft	処理軸	D	1	
26	A1DU736200	Positioning Shaft	位置決め軸	D	2	
27	A50U745302	Fixing Plate /5	固定板 /5	D	1	
28	A50U750500	Sheet /5	シート /5	D	1	
29	A50U750600	Sheet /6	シート /6	D	1	
30	A50U732200	Protection Seal /2	保護シール /2	D	1	
31	A50U732300	Protection Seal /3	保護シール /3	D	1	
32	A50U732400	Protection Seal /4	保護シール /4	D	1	
33	A50U732500	Protection Seal /5	保護シール /5	D	1	
34	A50U748403	Fusing Cover /Front	定着カバー /前	D	1	
35	A50U751002	Fusing Cover /1	定着カバー /1	D	1	
36	A50U751101	Spacer /1	スペーサ /1	D	1	
37	A50U751301	Spacer /2	スペーサ /2	D	1	
38	A50U755900	Spacer /3	スペーサ /3	D	1	
39	A50U949600	Replacement Label	交換ラベル ( O R U )	D	1	

# Fusing Section

Detail **A**



改訂版 REVISED EDITION	日付 DATE
	MAY 2016

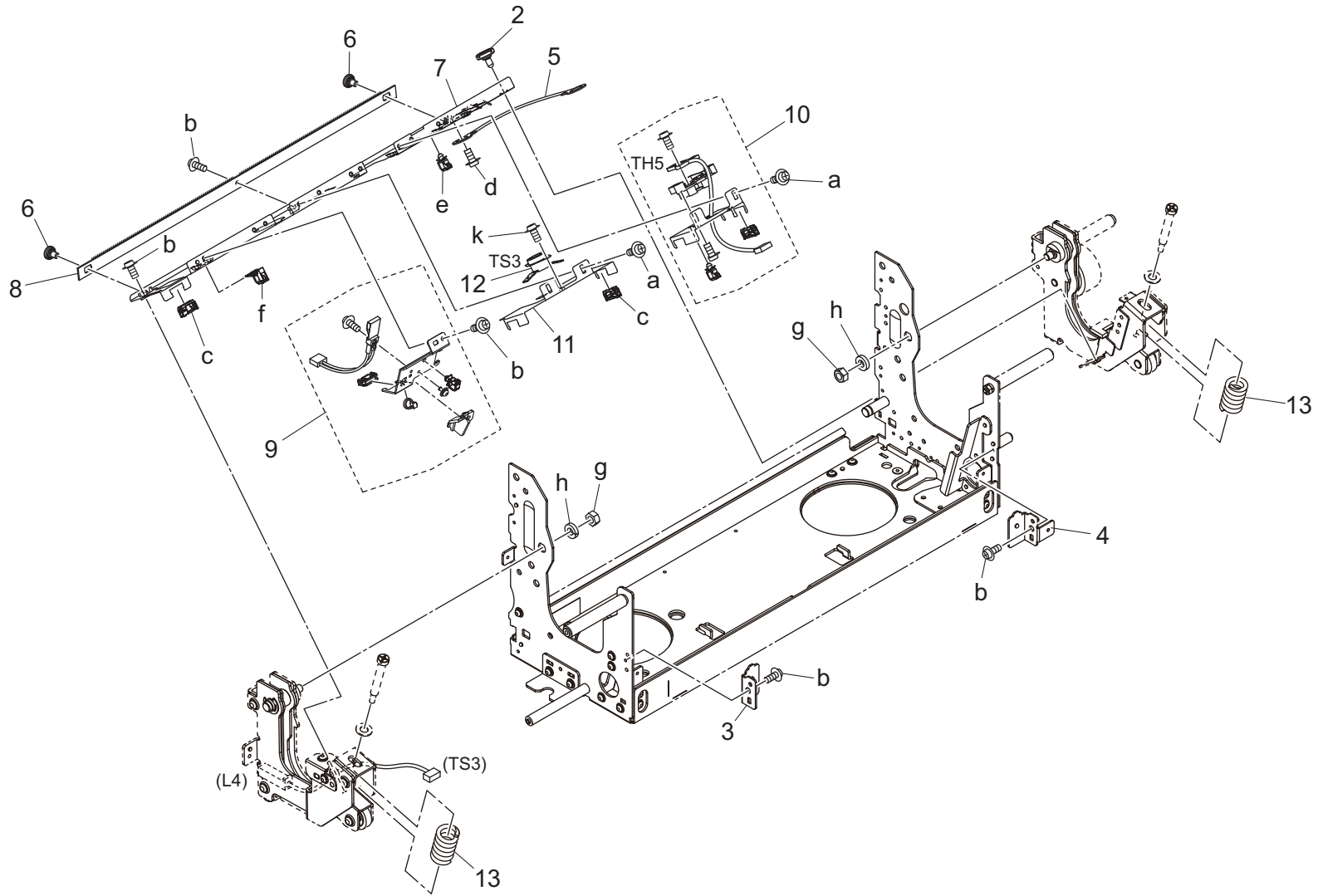
bizhub PRESS C71hc

Order here  
8 (495) 646-0426  
ПЯТЫЙ ПАРТНЕР www.km-shop.ru

Key	Part No.	Description	Destinations	Class	QTY	Standard parts
1	07BA12352	Magnet Catch		C	4	a-V121030403
2	A50UM55500	Photo Sensor		I	3	b-V127030803
3	4470402401	Stopper		D	3	c-V127040603
4	A50U744601	Plate		D	1	d-V217060001
5	A50U749200	Mounting Plate /1		D	1	e-V500020099
6	A50U749300	Mounting Plate /2		D	1	f-V570010057
7	A00J617800	Ball Bearing		B	2	g-V127030516
8	A03U808400	FIXING DRIVE GEAR /D 19 T		B	1	h-V500010021
9	A50U745500	Paper exit Plate /1		D	1	j-V116040603
10	A50U746400	Paper exit Gear /A 37T		C	1	k-V217040001
11	A50U752200	Fusing Gear/3 30T		B	1	m-V234201850
12	A50U752300	Paper exit Shaft /A		D	1	n-V500020100
13	A03U724200	Positioning Shaft		D	2	p-V237301150
14	A03U734500	Support Screw /A		C	1	q-V118030603
15	A50U744912	Mounting Plate /4		D	1	r-V127030604
16	A50U747200	Hold Plate /2		D	1	s-V234301450
17	A50U747300	Wiring Part /5		D	1	
18	A50UN10800	Fixing Wiring /4		D	1	
20	56AA42690	BY-PASS SPACER		C	5	
21	A00V240600	Ball Bearing		B	2	
22	A50U742400	Pin /4		D	1	
23	A50U743301	Drive Plate /4		D	1	
24	A50U743600	Drive Gear /2 33/58T		C	1	
25	A50U743700	Drive Gear /3 36/74T		C	1	
26	A50U743800	Drive Gear /4 74T		C	1	
27	A50U743900	Drive Gear /5 26T		C	1	
28	A50U744300	Drive Shaft /2		D	1	
29	65AA80021	DC Brushless Motor /50		B	1	
30	A50U754700	Fusing Gear /6 16T		C	1	
31	V502010033	Circuit Board Spacer		D	2	
32	A50U732100	Protection Seal /1		D	1	
33	A50U748504	Fusing Cover /Rear		D	1	
34	A50U752000	Drive Gear /C 36T		D	1	
35	A1RF820000	Ball Bearing		C	2	

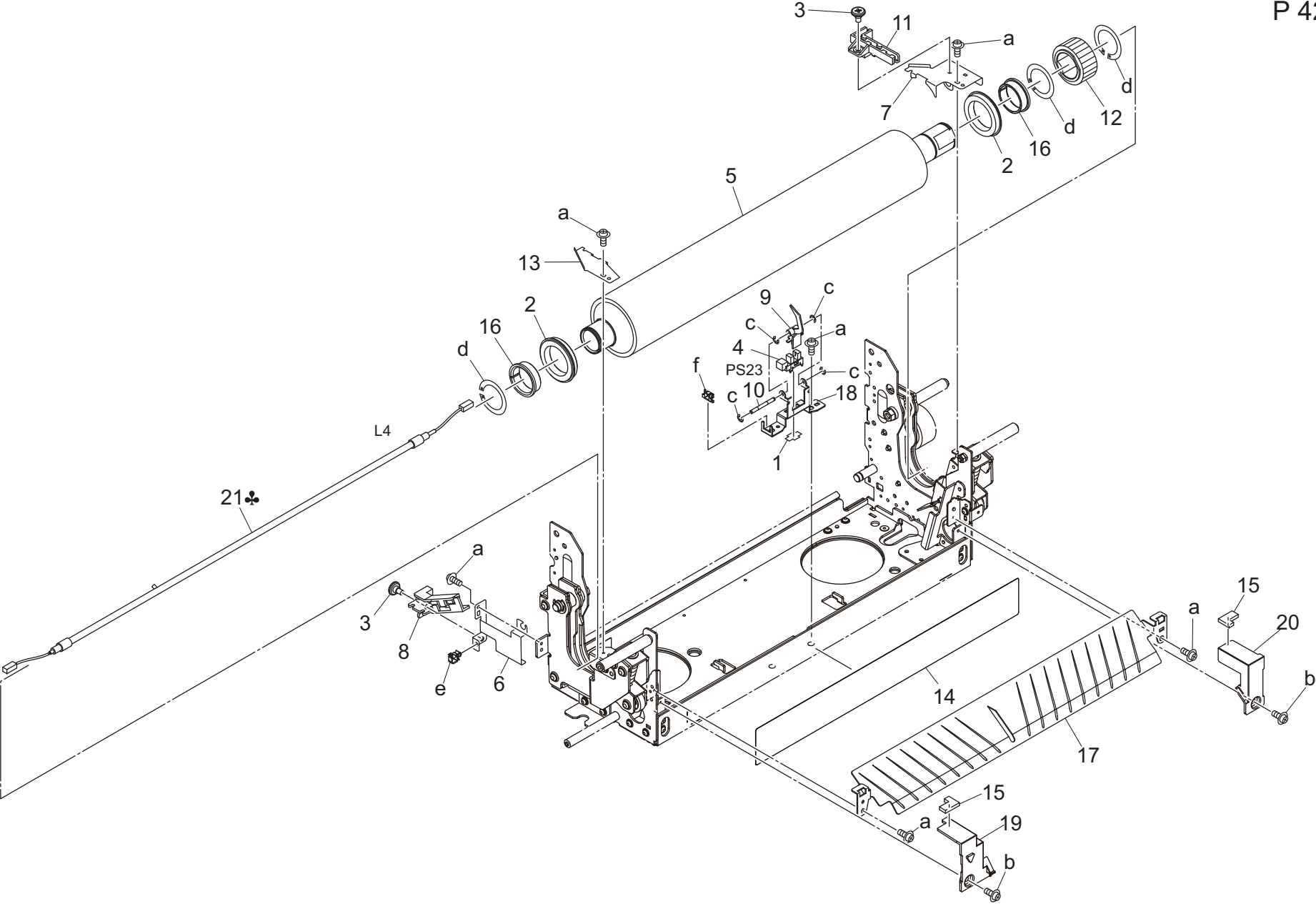
# Fusing Section

改訂版 REVISED EDITION	日付 DATE
	JULY 2016



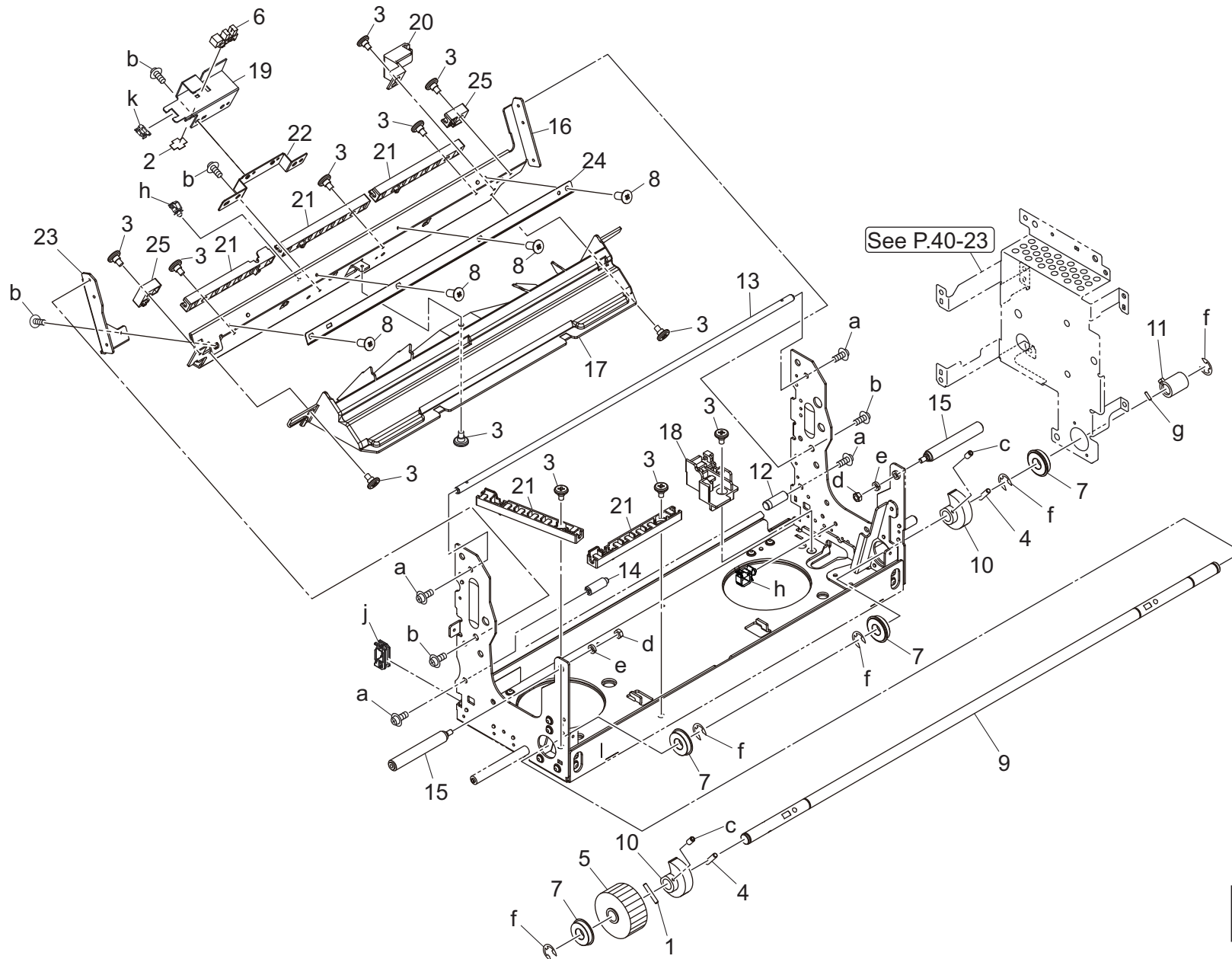


Fusing Section



Key	Part No.	Description	Destinations	Class	QTY	Standard parts
1	4470402401	Stopper		D	1	a-V121030403 b-V127030604 c-V217020001 d-V223260004 e-V500010074 f-V570010025
2	26NA53712	BALL BEARING		A	2	
3	A03U734500	Support Screw /A		C	2	
4	A1RFM51000	Photointerrupter /H		C	1	
5	A50U765500	Fusing Roller /Lw		B	1	
6	A50U741700	Hold Plate /1		D	1	
7	A50U741800	Hold Plate /2		D	1	
8	A50U746800	Wiring Part /3		D	1	
9	A50U747803	Actuator /A		D	1	
10	A50U747900	Shaft /1		D	1	
11	A50U748200	Wiring Part /1		D	1	
12	A50U752700	Fusing Gear/1 38T		B	1	
13	A50U755100	Holding Part /F		D	1	
14	A50U755301	Sheet /L		D	1	
15	A50U755800	Sealing Part /2		D	2	
16	A50U756300	Insulating Sleeve /Lower		B	2	
17	A50U758201	Guide Plate /B		D	1	
18	A50U787700	Sensor Plate /Front		D	1	
19	A50U788900	Insulating Plate /Front		D	1	
20	A50U789100	Insulating Plate /Rear		D	1	
21	A50UM32A00	Fusing Heater Lamp/4 (200V)	A	I	1	
21	A50UM32E00	Fusing Heater Lamp/4 (208V)	B,G2	I	1	
21	A50UM32F00	Fusing Heater Lamp/4 (220V)	C,D1,D3,E,F2,G1,H,I J,K	I	1	

# Fusing Section




改訂版 REVISED EDITION	日付 DATE
▲	SEPTEMBER 2015

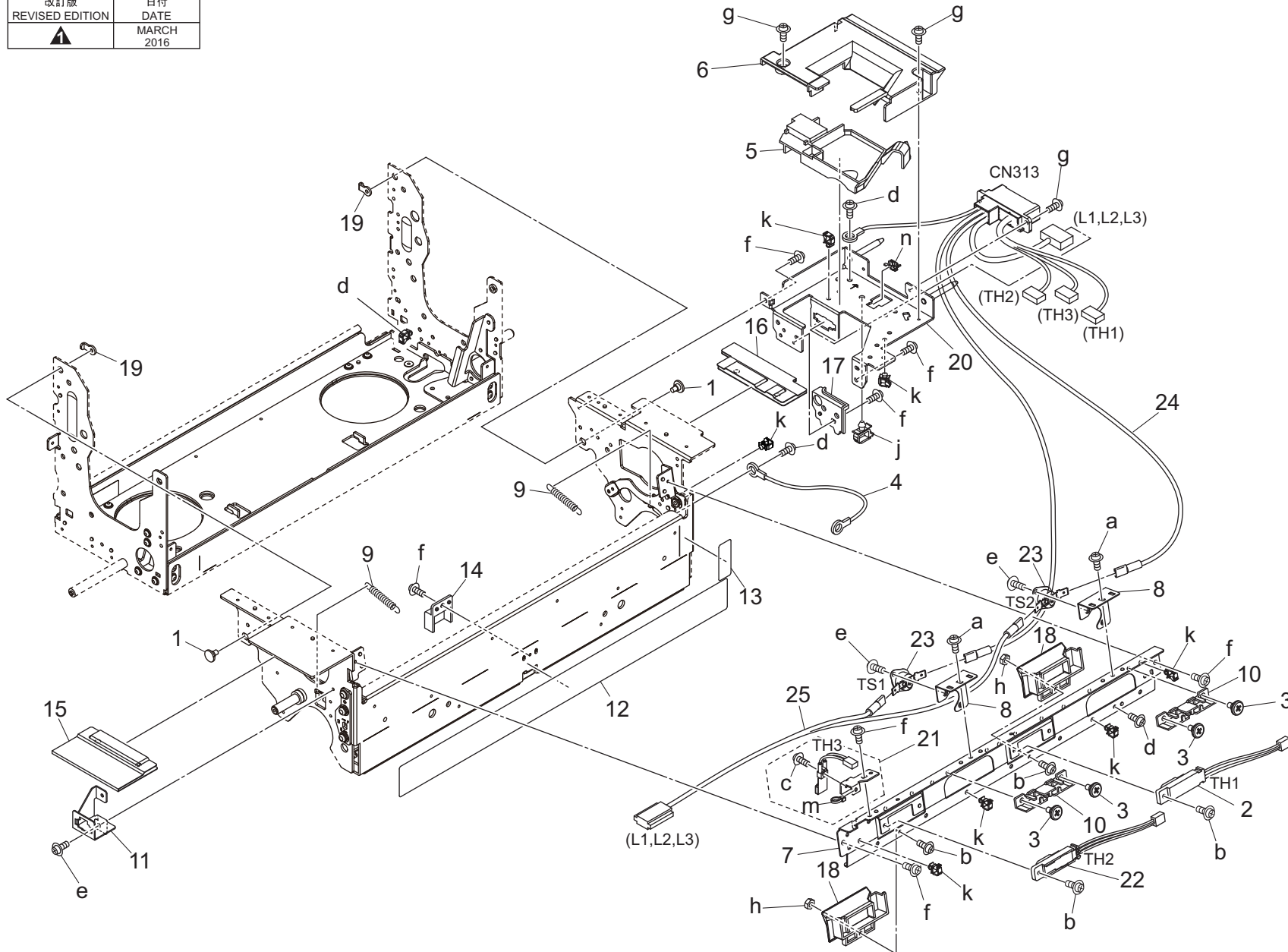
bizhub PRESS C71hc



Key	Part No.	Description	Destinations	Class	QTY	Standard parts
1	304078070	PIN C		C	1	a-V116030603
2	4470402401	Stopper		D	1	b-V121030403
3	A03U734500	Support Screw /A		C	12	c-V193030404
4	A1RF758100	Pin /B		D	2	d-V195040003
5	A1RF808600	Pressure Gear /5 42T		C	1	e-V205040003
6	A1RFM51000	Photointerrupter /H		C	1	f-V217080001
7	A4EU265000	Ball bearing		B	4	g-V234200850
8	A50U642300	Mounting Screw		D	4	h-V500010074
9	A50U741900	Pressure Shaft /2		D	1	j-V500020096
10	A50U742000	Pressure Cam /1		D	2	k-V570010025
11	A50U744700	Pressure Actuator /1		D	1	
12	A50U746700	Paper exit Fulcrum Shaft		D	1	
13	A50U747101	Stopper Shaft /1		D	1	
14	A50U754901	Paper exit Fulcrum Shaft		D	1	
15	A50U785000	Rotation Shaft /2		D	2	
16	A50U787003	Cover Plate		D	1	
17	A50U788000	Cooling Duct		D	1	
18	A50U788101	Wiring Part /2		D	1	
19	A50U788600Old	Sensor Plate /Rear		D	1	
19	A50U788601	Sensor Plate /Rear		D	1	
20	A50U792901	Wiring Part /D		D	1	
21	A50U794800	Wiring Part		D	5	
22	A50U799200	Mounting Plate		D	1	
23	A50U799601	Adjusting Plate		D	1	
24	A50U799700	Regulating Plate		D	1	
25	A50U799800	Wiring Part		D	2	

# Fusing Section

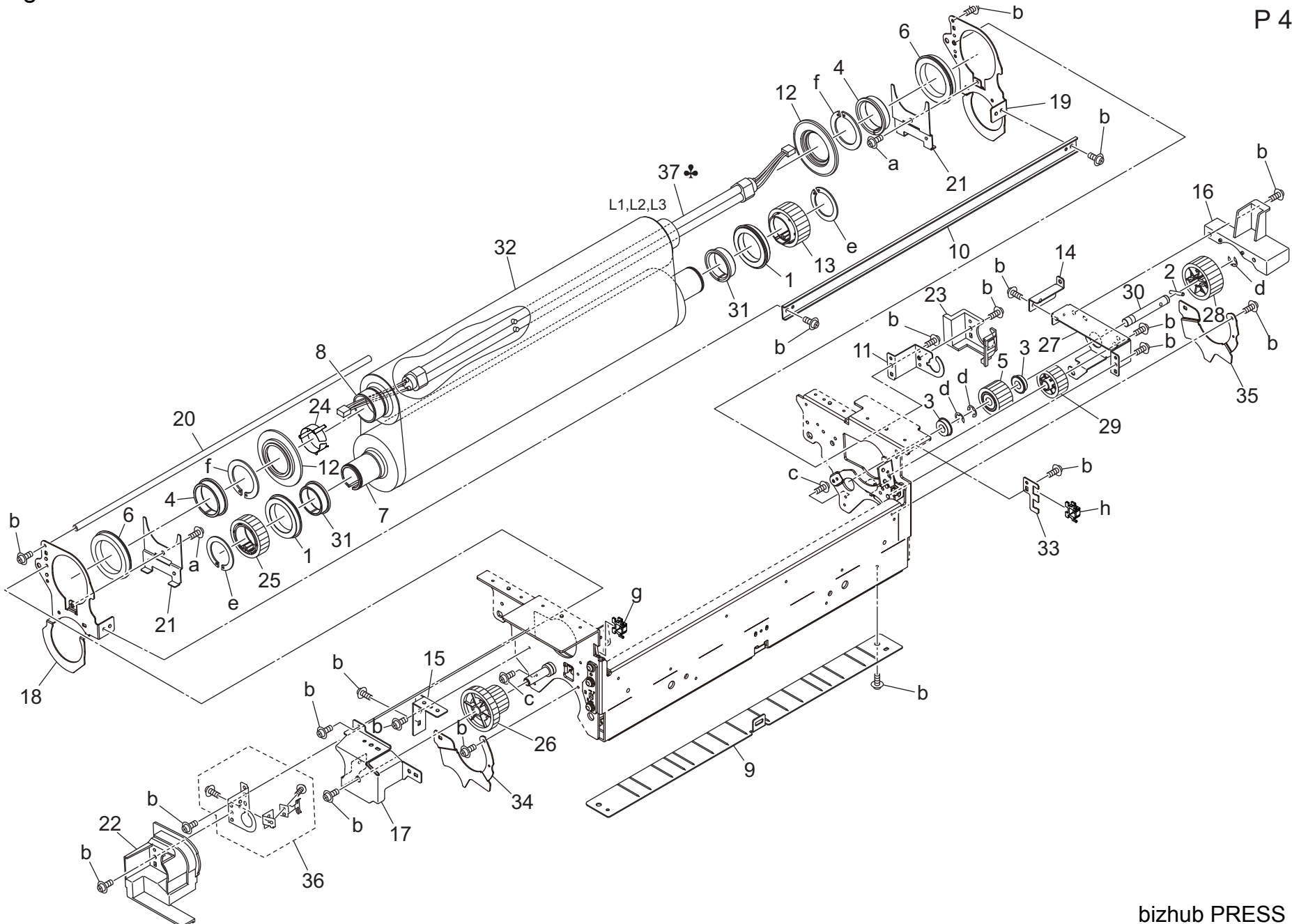
改訂版 REVISED EDITION	日付 DATE
	MARCH 2016



Key	Part No.	Description	Destinations	Class	QTY	Standard parts
1	55VA20520	Cleaner Locking Screw		C	2	a-V116030603
2	65AA88010	Temperature Sensor /1		B	1	b-V116030803
3	A03U734500	Support Screw /A		C	4	c-V116031003
4	A03UN23200	Grounding Wiring /F		D	1	d-V116040603
5	A50U722100	Fusing Cover /1		D	1	e-V118030303
6	A50U722202	Fusing Cover /2		D	1	f-V121030403
7	A50U723812	Stay /1		D	1	g-V127030604
8	A50U723911	Stay /2		D	1	h-V195030003
9	A50U725200	Tension Spring /1		D	2	j-V500010073
10	A50U726611	Guide Part /2		D	2	k-V500010074
11	A50U728401	Mounting Plate /B		D	1	m-V501010014
12	A50U728500	Insulating Sheet /A		D	1	n-V570010025
13	A50U728800	Insulating Sheet /D		D	1	
14	A50U730900	Cover Part /1		D	1	
15	A50U731002	Insulating Sheet /F		D	1	
16	A50U731102	Insulating Sheet /G		D	1	
17	A50U733402	Protection Cover /A		D	1	
18	A50U733500	Protection Part /1		D	2	
19	A50U784200	Fixing Plate		D	2	
20	A50U786100	Fusing Stay /2		D	1	
21	A50UR70F00	Fusing Temperature Sensor/3		B	1	
22	A50UM50600	Fusing Temperature Sensor/2		C	1	
23	SP00-0210	Thermostat /Upper		I	2	
24	A50UN10602	Fixing Wiring /1		D	1	
25	A50UN11011	Fixing Relay harness /1		D	1	

# Fusing Section

P 45



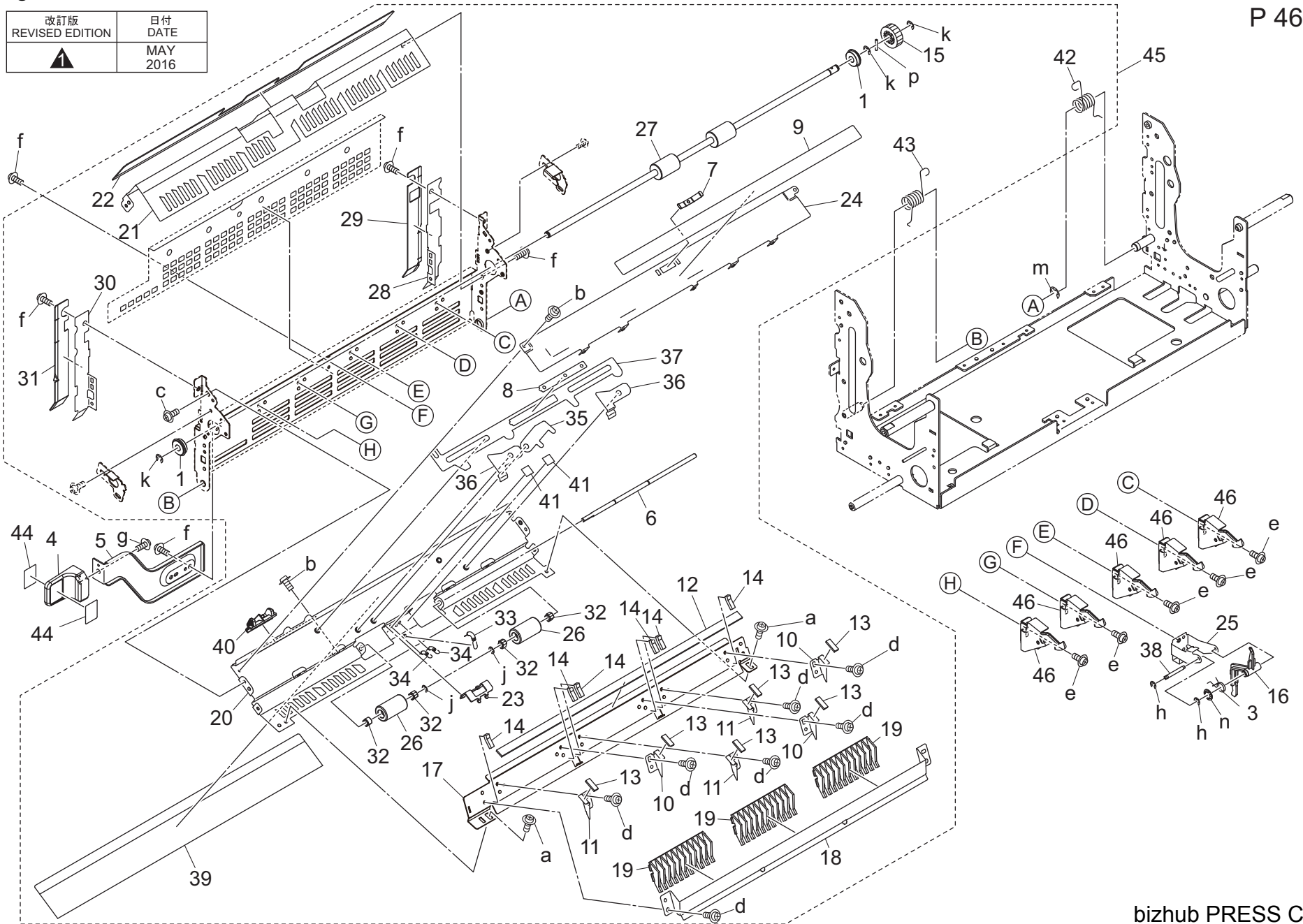
 Order here  
8 (495) 646-0426  
www.km-shop.ru

bizhub PRESS C71hc

Key	Part No.	Description	Destinations	Class	QTY	Standard parts
1	26NA53712	BALL BEARING		A	2	a-V116030503 b-V121030403 c-V127030604 d-V217060001 e-V223260004 f-V223300004 g-V500020096 h-V570010025
2	55VA48500	PARALLEL PIN D3X18		D	1	
3	A00V240600	Ball Bearing		B	2	
4	A03U729500	INSULATING SLEEVE /UPPER		B	2	
5	A03U809500	FIXING DRIVE GEAR /O 26T		A	1	
6	A1UD723500	Fusing Bearing /Upper		A	2	
7	A50U720123	Fusing Roller/1		B	1	
8	A50U720501	Fusing Roller/2		B	1	
9	A50U721601	Guide Plate /Upper		D	1	
10	A50U723100	Fusing Stay /1		D	1	
11	A50U723600	Support Plate /2		D	1	
12	A50U724102	Belt Regulating Sleeve		B	2	
13	A50U725001	Drive Gear /Upper 38T		C	1	
14	A50U726300	Support Plate /3		D	1	
15	A50U726401	Support Plate /4		D	1	
16	A50U726800	Guide Part /3		D	1	
17	A50U728301	Support Plate /11		D	1	
18	A50U730125	Fusing Stay /A		D	1	
19	A50U730525	Fusing Stay /E		D	1	
20	A50U730600	Fusing Stay /F		D	1	
21	A50U730700	Holding Plate /1		D	2	
22	A50U733001	Cover /Front		D	1	
23	A50U733101	Cover /Rear		D	1	
24	A50U733712	Neutralizing Ring /1		B	1	
25	A50U739811	Drive Gear /Front 38T		C	1	
26	A50U739900	Connecting Gear /A 42/25T		C	1	
27	A50U743501	Drive Plate /6		D	1	
28	A50U744000	Drive Gear /6 36T		C	1	
29	A50U744100	Drive Gear /7 27T		C	1	
30	A50U744400	Drive Shaft /3		D	1	
31	A50U756300	Insulating Sleeve /Lower		B	2	
32	A50U765000	Fusing Belt		B	1	
33	A50U783400	Hold Plate		D	1	
34	A50U785400	Stopper Stopper /A		D	1	
35	A50U785500	Stopper Stopper /B		D	1	
36	A50UR73322	Neutralizing Spring Assy		B	1	
37	A50UM31A00	Fusing Heater Lamp Assy/Up (200V)		B	1	
37	A50UM31E00	Fusing Heater Lamp Assy/Up (208V)		B	1	
37	A50UM31F00	Fusing Heater Lamp Assy/Up (220V)		B	1	

# Fusing Section

改訂版 REVISED EDITION	日付 DATE
	MAY 2016



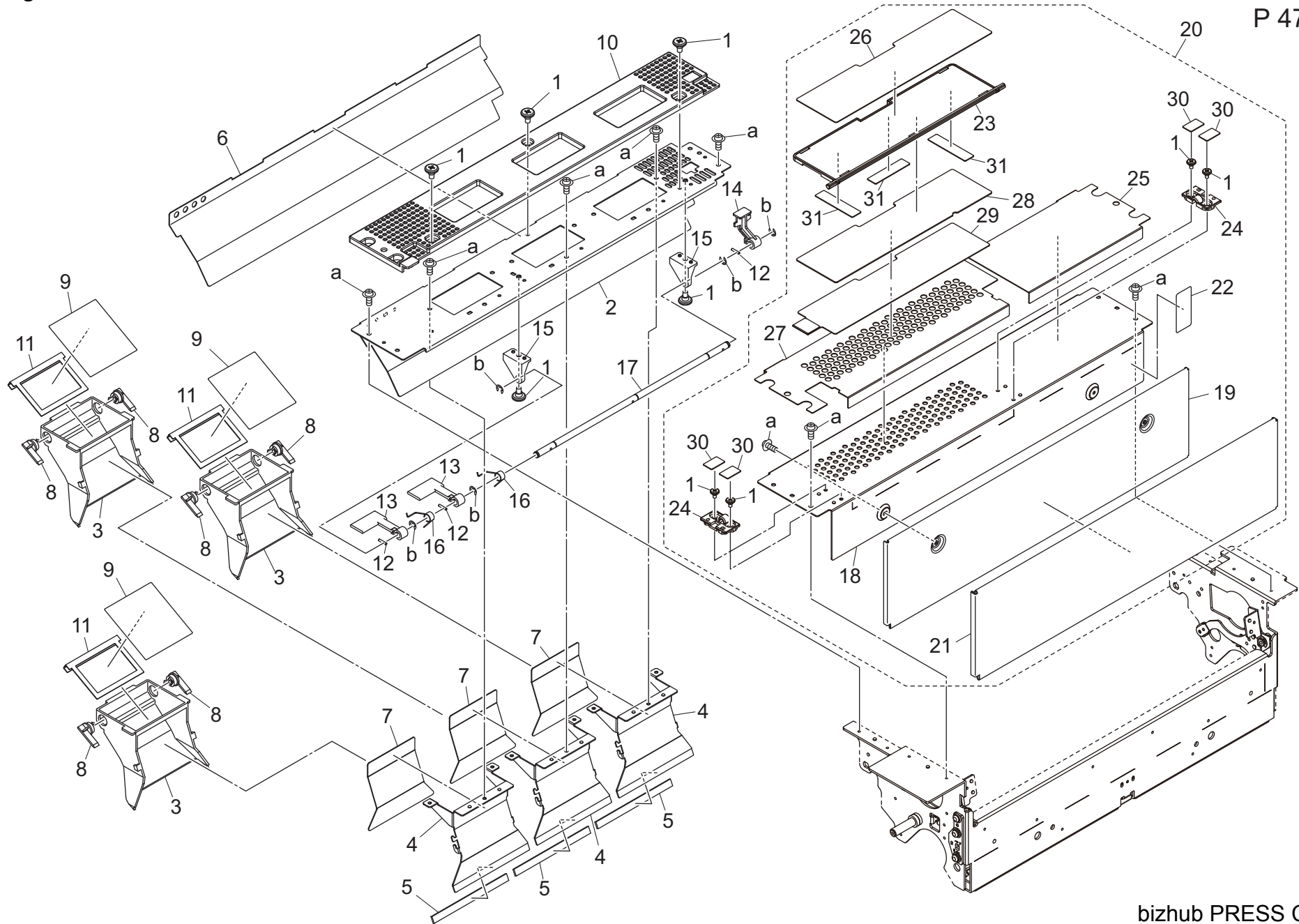
Order here  
8 (495) 646-0426  
ПЯТЫЙ ПАРТНЕР www.km-shop.ru

bizhub PRESS C71hc

Key	Part No.	Description	Destinations	Class	QTY	Standard parts
1	55GA75031	BALL BEARING		A	2	a-V116030603
3	65AA53560	PAPER EXIT DETECTING SPRING		C	1	b-V118020403
4	65AA53991	Fixing Papaer Exit Lever		C	1	c-V118030403
5	A03U723301	Open/close Lever		C	1	d-V121030403
6	A03U728000	PAPER EXIT SHAFT		D	1	e-V127030516
7	A03U734800	Positioning Plate spring /1		C	1	f-V127030604
8	A03U734900	Positioning Plate		D	1	g-V151040803
9	A9VE949000	Caution Label		D	1	h-V217020001
10	A50U727300	Guide Plate /D		D	3	j-V217030001
11	A50U727400	Guide Plate /E		D	3	k-V217040001
12	A50U727500	Guide Seal /A		D	1	m-V217060001
13	A50U727700	Guide Seal /C		D	6	n-V226060050
14	A50U727900	Guide Seal /E		D	6	p-V234201250
15	A50U746500	Paper exit Gear /B 20T		C	1	
16	A50U748701	Paper exit Actuator		D	1	
17	A50U757800	Guide Plate /A		D	1	
18	A50U757900	Guide Plate /B		D	1	
19	A50U758000	Separating Cell		D	3	
20	A50U758100	Paper exit Plate /Upper		D	1	
21	A50U760300	Paper exit Plate /Lower		D	1	
22	A50U760400	Insulating Sheet		D	1	
23	A50U760600	Pressing Cam /1		D	1	
24	A50U760701	Holding Plate		D	1	
25	A50U760802	Support Plate		D	1	
26	A50U760900	Fusing Paper Exit Roller/Up		B	2	
27	A50U761000	Fixing Paper exit Roller		C	1	
28	A50U761100	Heat blocking Plate /Rear		D	1	
29	A50U761200	Insulating Sheet /Rear		D	1	
30	A50U761300	Heat blocking Plate /Front		D	1	
31	A50U761400	Insulating Sheet /Front		D	1	
32	A50U761500	Fixing Paper exit Bearing		C	4	
33	A50U761601	Paper exit Spring /1		D	1	
34	A50U761700	Paper exit Spring /2		D	2	
35	A50U761800	Pressing Cam /2		D	1	
36	A50U761900	Release Lever		D	2	
37	A50U762000	Slide Plate		D	1	
38	A50U762100	Paper exit Detecting Shaft		D	1	
39	A50U762200	Protection Film		D	1	
40	A50U762300	Slide Knob		D	1	
41	A50U762400	Fusing Spacer /2		D	2	
42	A50U763800	Paper exit Open/shut Spring /B		D	1	
43	A50U763900	Paper exit Open/shut Spring /A		D	1	
44	A50U943700	Release Label /7		D	2	
45	A50UR73A22	Fusing Paper Exit Door Duct Assy		D	1	
46	A50UR72U11	Fusing Separating Claw Assy		B	5	

# Fusing Section

P 47



bizhub PRESS C71hc

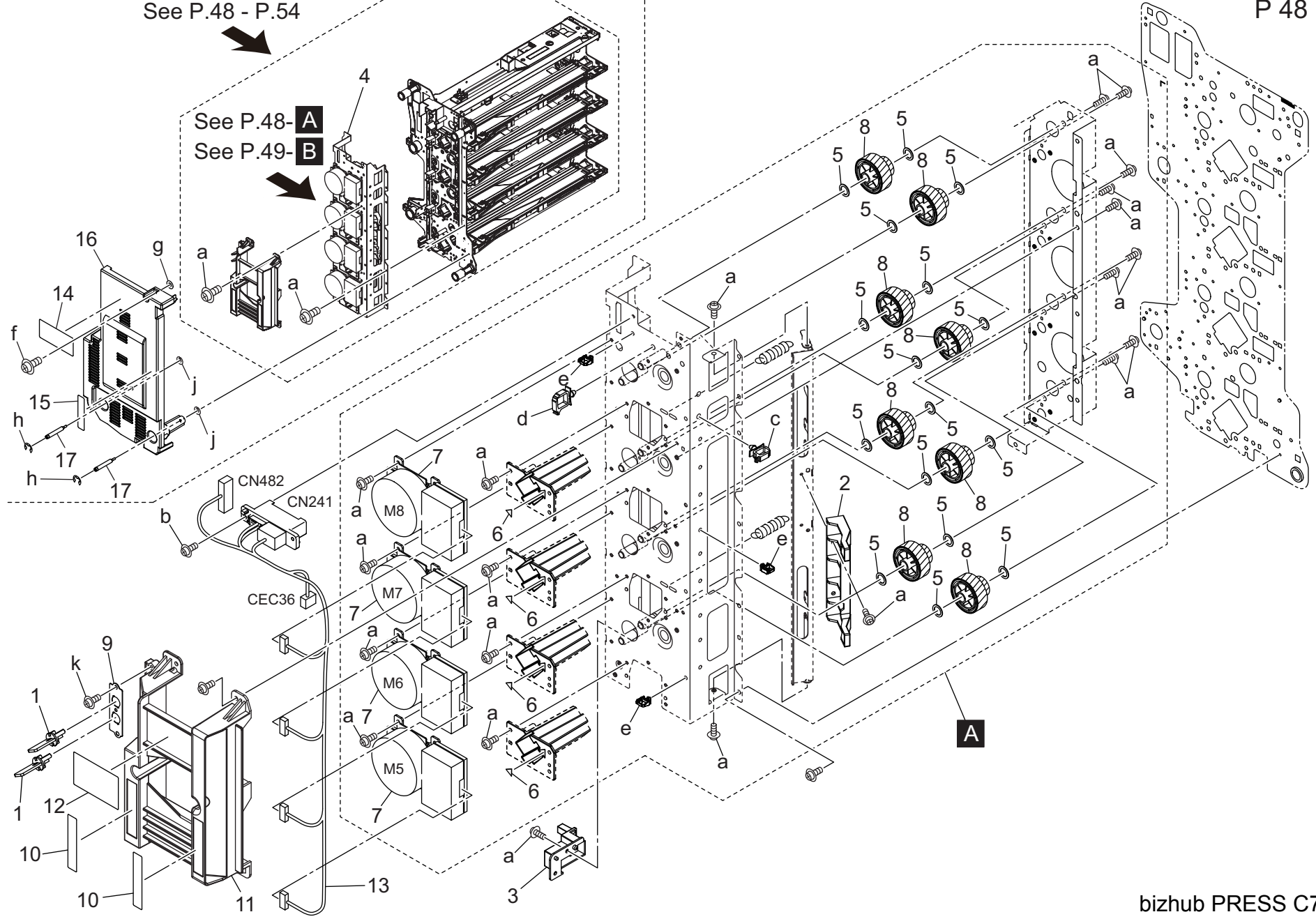


Key	Part No.	Description	Destinations	Class	QTY	Standard parts
1	A03U734500	Support Screw /A		C	9	a-V121030403 b-V217040001
2	A50U721502	Fusing Frame /Upper		D	1	
3	A50U722700	Fusing Duct /3		D	3	
4	A50U722800	Fusing Duct /4		D	3	
5	A50U727600	Guide Seal /B		D	3	
6	A50U731501	Insulating Sheet /L		D	1	
7	A50U732000	Insulating Sheet /N		D	3	
8	A50U738201	Support Part /1		D	6	
9	A50U738600	Holding Sheet /A		D	3	
10	A50U738700	Cover Part /A		D	1	
11	A50U739500	Support Plate /A		D	3	
12	56AA17531	PIN /A D2X10		C	3	
13	A50U738300	Lifting Arm /1		D	2	
14	A50U738400	Lifting Arm /2		D	1	
15	A50U738500	Support Part /A		D	2	
16	A50U738801	Lifting Spring /A		D	2	
17	A50U739200	Support Shaft /1		D	1	
18	A50U721201	Fusing Stay /Upper		D	1	
19	A50U722301	Fusing Cover /3		D	1	
20	A50UR73D11	Fusing Stay /Upper Assy		D	1	
21	A50U728700	Insulating Sheet /C		D	1	
22	A50U729000	Insulating Sheet /F		D	1	
23	A50U762912	Open/close Door		D	1	
24	A50U763000	Support Plate		D	2	
25	A50U763100	Insulating Sheet /2		D	1	
26	A50U763211	Insulating Sheet /3		D	1	
27	A50U763300	Insulating Sheet /4		D	1	
28	A50U763400	Mounting Plate		D	1	
29	A50U763511	Insulating Sheet /5		D	1	
30	A50U763600	Insulating Sheet /6		D	4	
31	A50U764000	Fusing Seal		D	3	

# Process Carriage Section

See P.48 - P.54

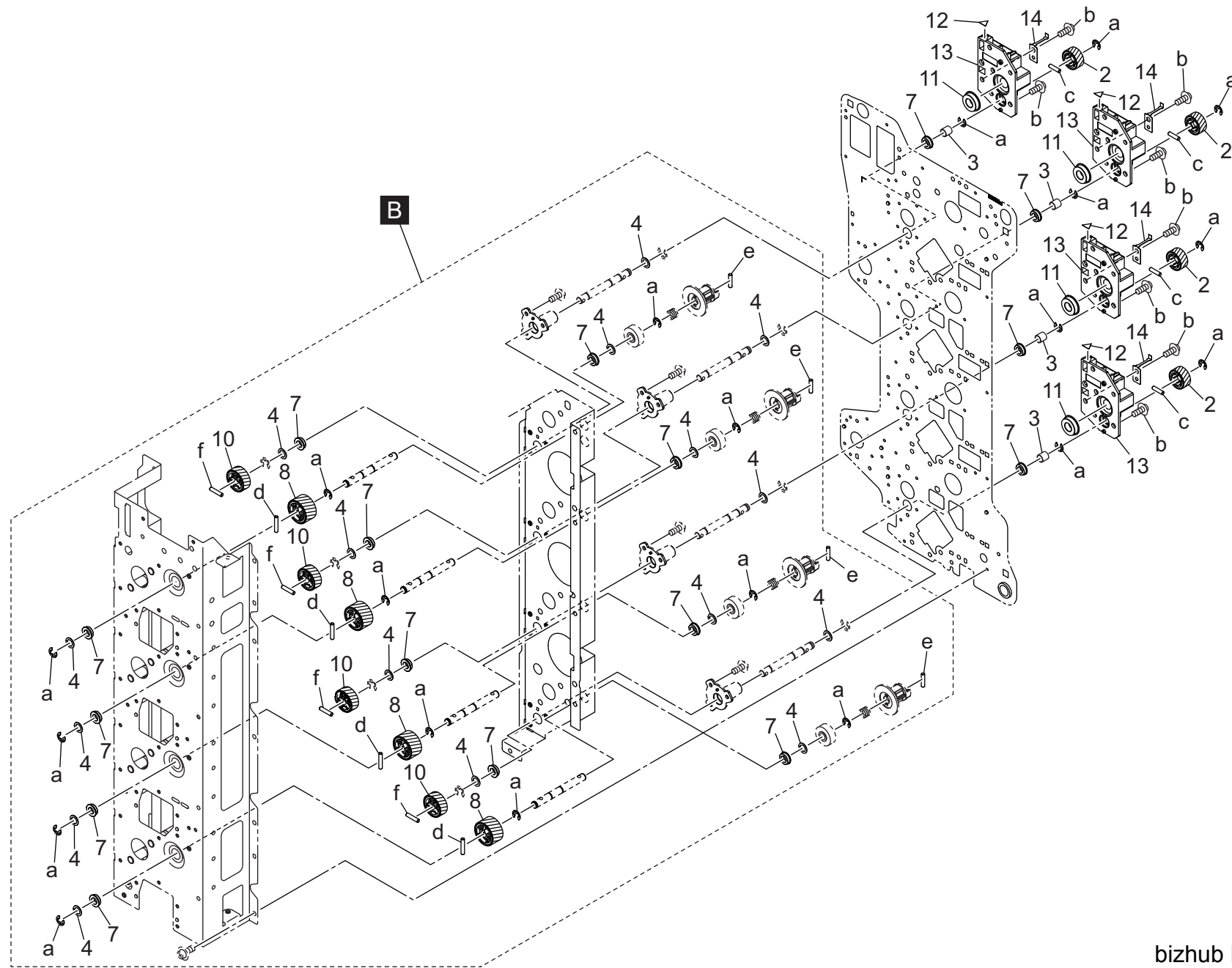
P 48



bizhub PRESS C71hc

Key	Part No.	Description	Destinations	Class	QTY	Standard parts
1	A1DUR71200	Chaging Cleaning Part Assy		B	2	a-V127030604
2	A50U221500	Release Lever		D	1	b-V127030803
3	A50U341000	Protection Cover /2		D	1	c-V500010082
4	A50UR70R00	Developing Drive Assy		S	1	d-V500010083
5	13QA40610	Gear Spacer		C	16	e-V500020098
6	A50U949700	Replacement Label /1		D	4	f-V114041004
7	A2XKM10300	Brushless motor		I	4	g-V211040080
8	A50U220501	Idling Gear /C 63/34T		C	8	h-V217060050
9	65AA33310F	Mounting Plate /2		D	1	j-V221040050
10	A50U949600	Replacement Label		D	2	k-V151030803
11	A50U221701	Guide Handle		D	1	
12	A50U948001	Caution Label		D	1	
13	A50UN12401	Developing Wiring /1		D	1	
14	A9VE942700	Caution Label		D	1	
15	A50U949600	Replacement Label		D	1	
16	A50U169002	Cover Duct /B		D	1	
17	A50U169602	Mounting Screw		D	2	


# Process Carriage Section

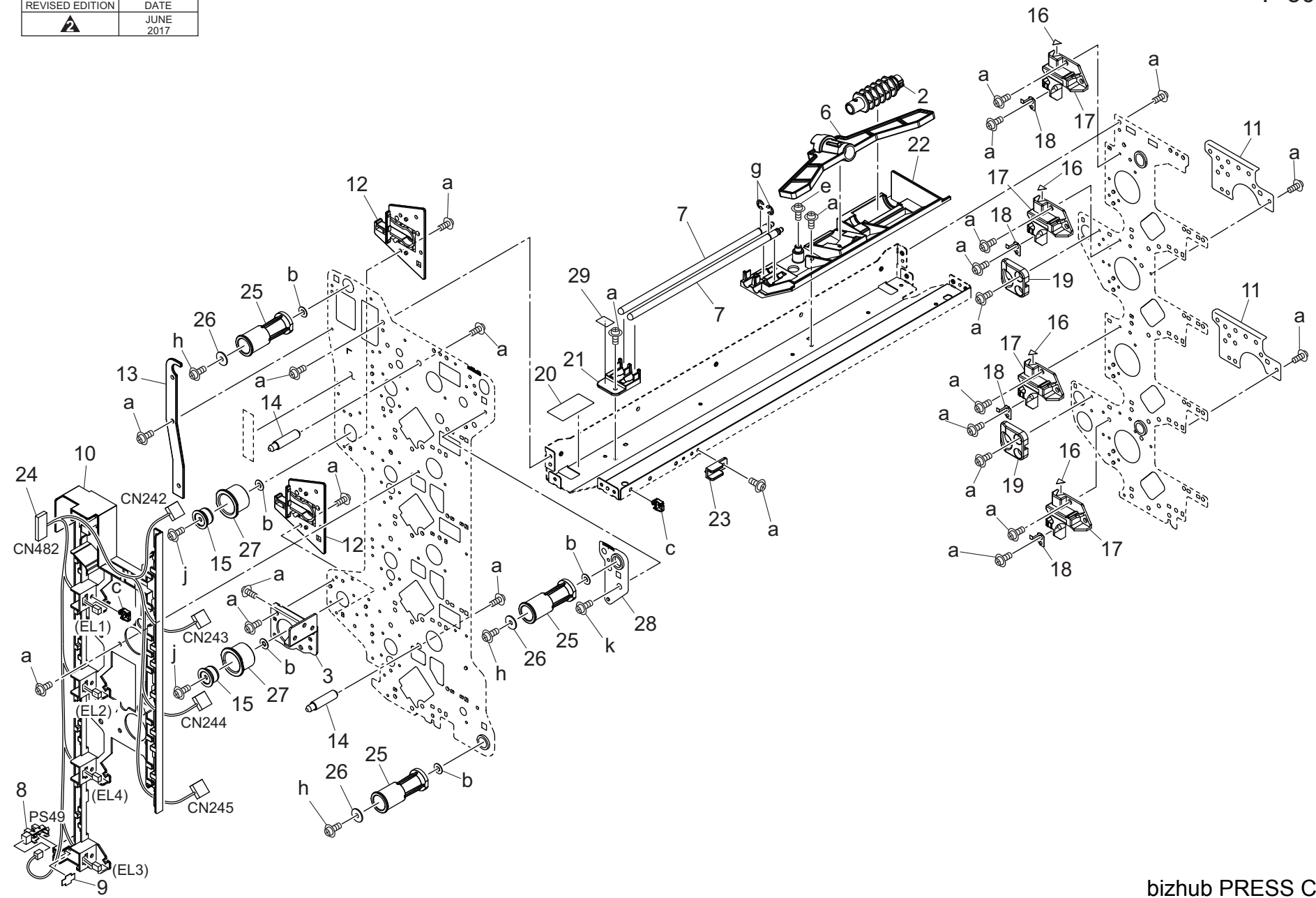


# Process Carriage Section

Key	Part No.	Description	Destinations	Class	QTY	Standard parts	
2	A50U220700	Coupling Gear /C 28T		C	4	a-V217040001 b-V127030604 c-V234301250 d-V234301650 e-V234301050 f-V234301450	
3	A50U222000	Collar		D	4		
4	40AA32320	Toner Supply Spacer		C	16		
7	A00J617800	Ball Bearing		B	16		
8	A50U221800	Drive Gear /D 40T		C	4		
10	A50U220600	Drive Gear /C 37T		C	4		
11	A00V240600	Ball Bearing		B	4		
12	A50U949700	Replacement Label /1		D	4		
13	A50U337101	Positioning Rail /1		D	4		
14	A50U337400	Ground Plate spring /Front		D	4		

# Process Carriage Section

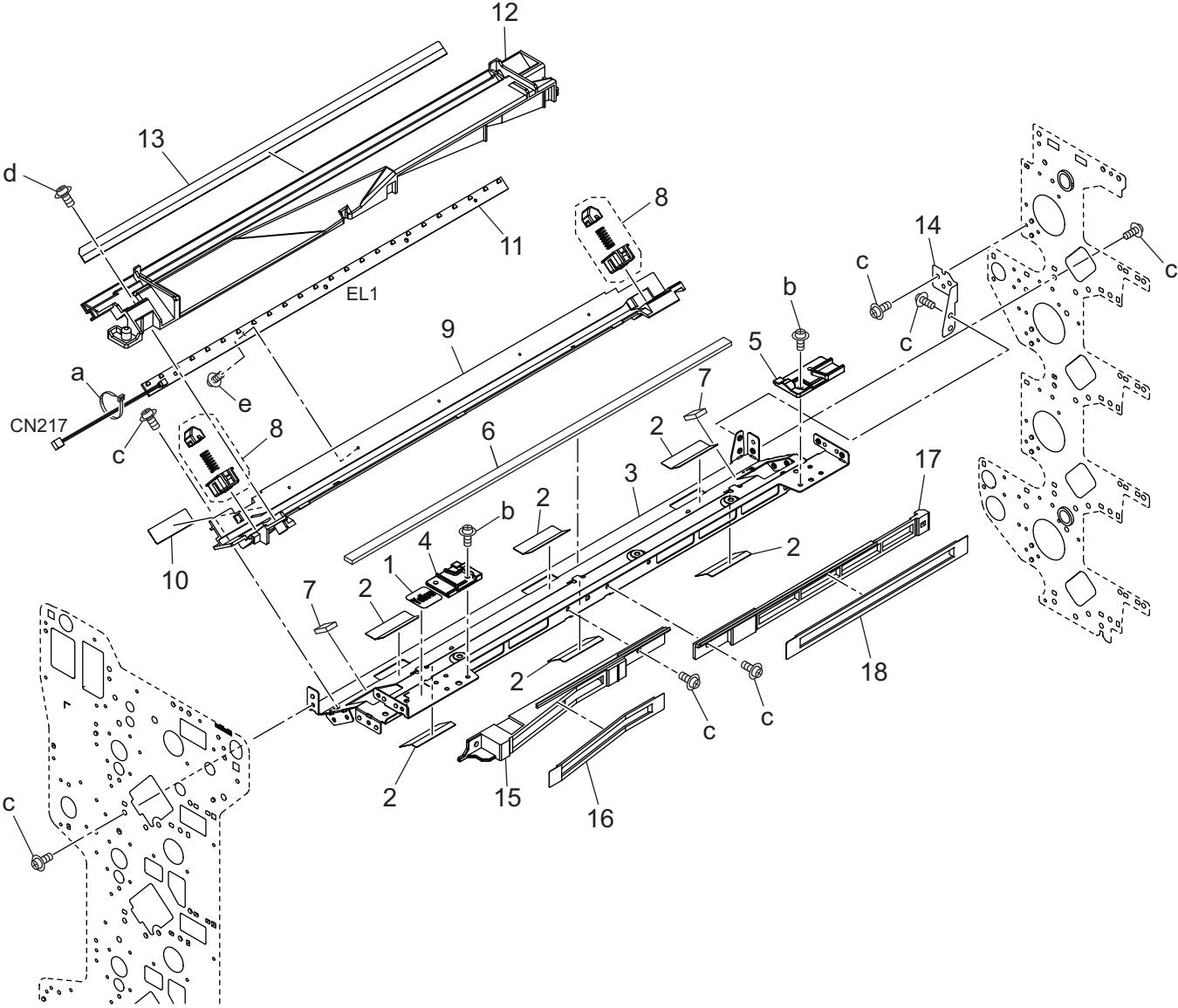
改訂版 REVISED EDITION	日付 DATE
	JUNE 2017



bizhub PRESS C71hc

Key	Part No.	Description	Destinations	Class	QTY	Standard parts	
2	A50U343600	Coupling /D		D	1	a-V127030604 b-V211040080 c-V500020098 e-V127031203 g-V217040001 h-V121041403 j-V121041003 k-V116040803	
3	A50U343900	Transfer Plate /2		D	1		
6	A50U502801	Hold Guide		D	1		
7	A50U506500	Support Shaft		D	2		
8	A50UM55500	Photo Sensor		I	1		
9	4470402401	Stopper		D	1		
10	A50U340900	Protection Cover /1		D	1		
11	A50U343800	Transfer Plate		D	2		
12	A50U341300	Positioning Block /1		D	2		
13	A50U343000	Operation Cover		D	1		
14	A50U344200	Positioning Shaft		D	2		
15	A50U341600	Transfer Shaft		D	2		
16	A50U949700	Replacement Label /1		D	4		
17	A50U337200	Positioning Rail /2		D	4		
18	A50U337300	Ground Plate spring /Rear		D	4		
19	A50U340501	Transfer Hinge		D	2		
20	A50U335600	Cleaning Seal /A		D	1		
21	A50U343400	Tray /Front		D	1		
22	A50U343500	Tray /Rear		D	1		
23	A50U344100	Developing Collar /Y		D	1		
24	A50UN12500	Developing Wiring /2		D	1		
25	A50U342502	Set Collar		D	3		
26	A50U342600	Collar		D	3		
27	A50U341401	Positioning Collar /1		D	2		
28	A50UR72K00	Adjusting Plate Caulking Assy		D	1		
29	A50U945601	Operation Label		D	1		

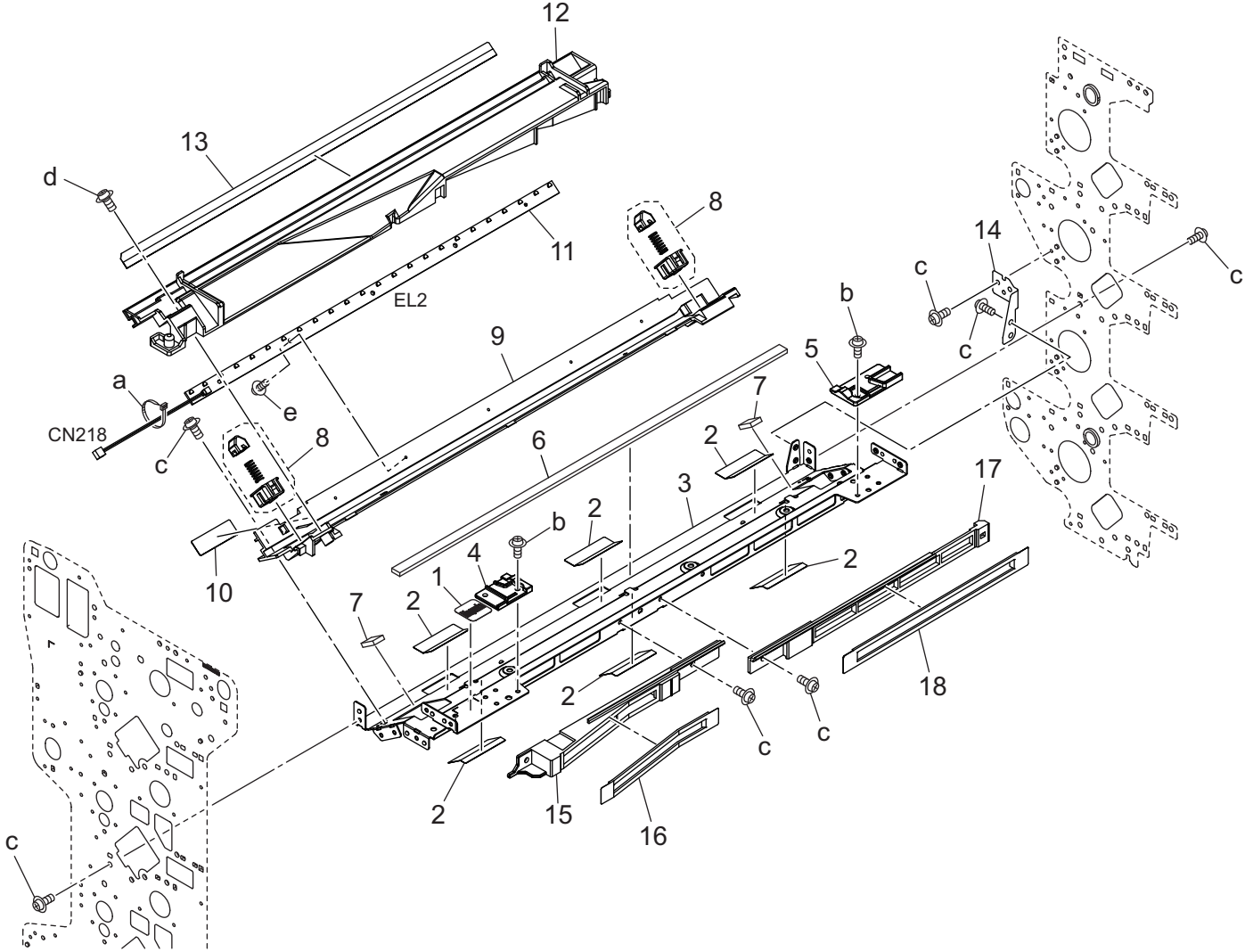
Process Carriage Section





Key	Part No.	Description	Destinations	Class	QTY	Standard parts
1	65AA97440	Developing Exchanging Label /Y		D	1	a-V501010002 b-V118030403 c-V127030604 d-V151030803 e-V151020603
2	A50U335600	Cleaning Seal /A		D	6	
3	A50U340301	Fixing Stay /1		D	1	
4	A50U341900	Developing Rail /Front		D	1	
5	A50U342000	Developing Rail /Rear		D	1	
6	A50U463000	Charging Seal /2		D	1	
7	A50U463100	Charging Seal /3		D	2	
8	65AAR73200	CHARGE PRESSING ASSY		C	2	
9	A50U462101	Charging Rail		D	1	
10	A50U462900	Auxiliary Seal /A		D	1	
11	A50UM30101	LED array		D	1	
12	A50U462201	Charging Rail /2		D	1	
13	A50U462600	Charging Seal		D	1	
14	A50U342300	Reinforce Plate		D	1	
15	A50U462700	Charging Duct		D	1	
16	A50U462801	Charging Seal		D	1	
17	A50U462400	Charging Duct /3		D	1	
18	A50U462501	Charging Seal /1		D	1	

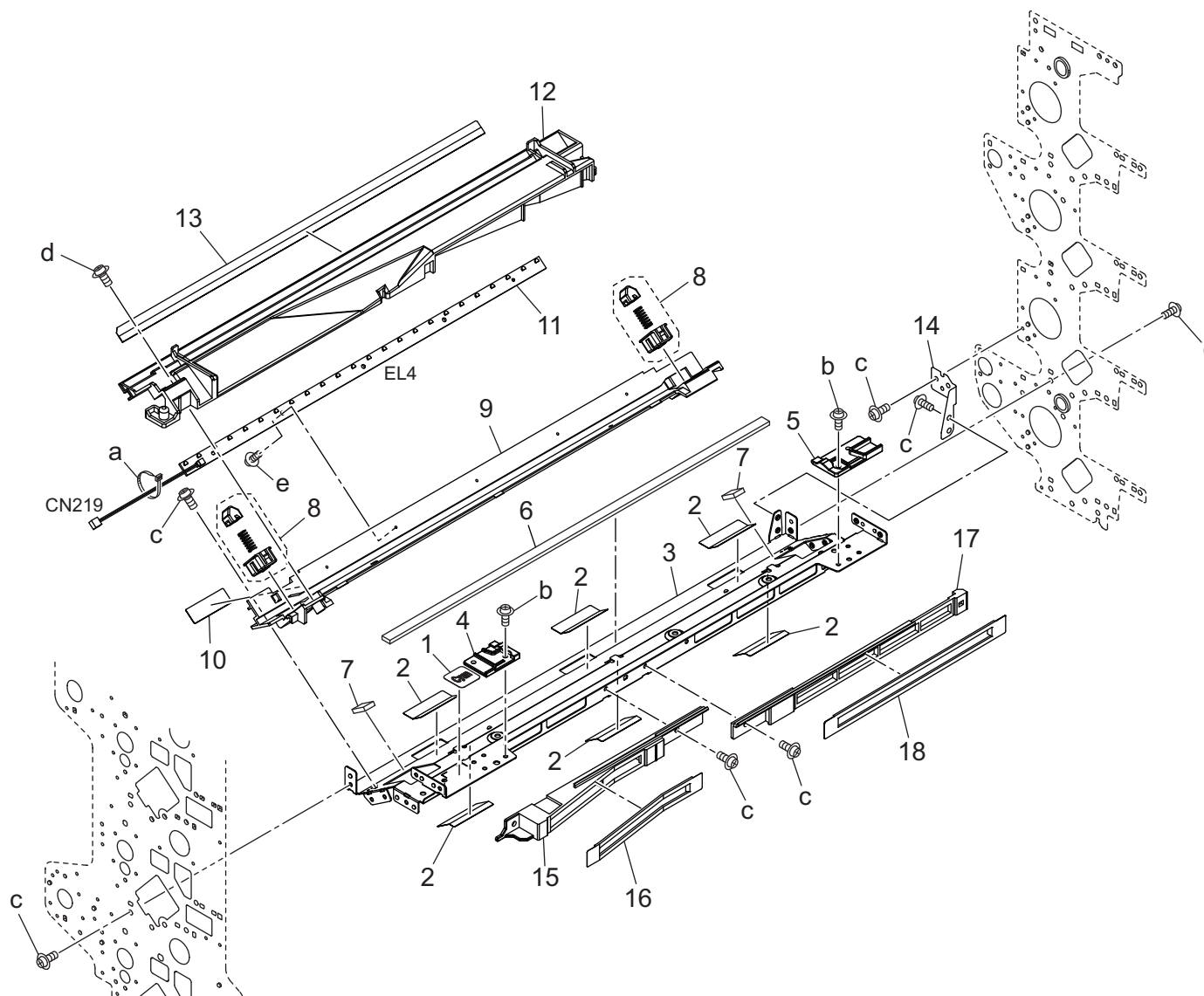
Process Carriage Section



Process Carriage Section


Key	Part No.	Description	Destinations	Class	QTY	Standard parts
1	65AA97450	Developing Exchanging Label /M		D	1	a-V501010002 b-V118030403 c-V127030604 d-V151030803 e-V151020603
2	A50U335600	Cleaning Seal /A		D	6	
3	A50U340301	Fixing Stay /1		D	1	
4	A50U341900	Developing Rail /Front		D	1	
5	A50U342000	Developing Rail /Rear		D	1	
6	A50U463000	Charging Seal /2		D	1	
7	A50U463100	Charging Seal /3		D	2	
8	65AAR73200	CHARGE PRESSING ASSY		C	2	
9	A50U462101	Charging Rail		D	1	
10	A50U462900	Auxiliary Seal /A		D	1	
11	A50UM30101	LED array		D	1	
12	A50U462201	Charging Rail /2		D	1	
13	A50U462600	Charging Seal		D	1	
14	A50U342300	Reinforce Plate		D	1	
15	A50U462700	Charging Duct		D	1	
16	A50U462801	Charging Seal		D	1	
17	A50U462400	Charging Duct /3		D	1	
18	A50U462501	Charging Seal /1		D	1	

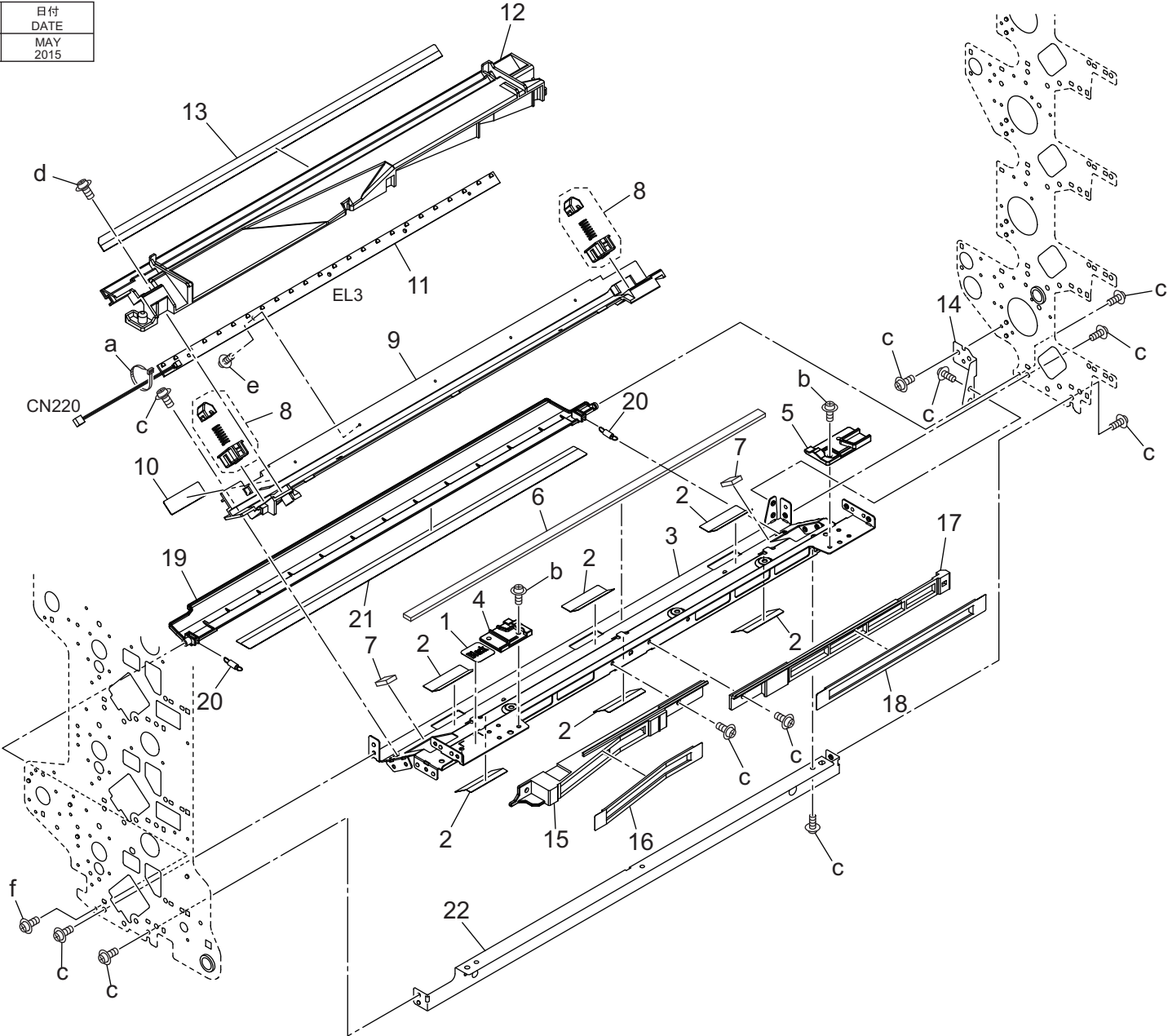
# Process Carriage Section



Key	Part No.	Description	Destinations	Class	QTY	Standard parts
1	65AA97460	Developing Exchanging Label /C		D	1	a-V501010002 b-V118030403 c-V127030604 d-V151030803 e-V151020603
2	A50U335600	Cleaning Seal /A		D	6	
3	A50U340301	Fixing Stay /1		D	1	
4	A50U341900	Developing Rail /Front		D	1	
5	A50U342000	Developing Rail /Rear		D	1	
6	A50U463000	Charging Seal /2		D	1	
7	A50U463100	Charging Seal /3		D	2	
8	65AAR73200	CHARGE PRESSING ASSY		C	2	
9	A50U462101	Charging Rail		D	1	
10	A50U462900	Auxiliary Seal /A		D	1	
11	A50UM30101	LED array		D	1	
12	A50U462201	Charging Rail /2		D	1	
13	A50U462600	Charging Seal		D	1	
14	A50U342300	Reinforce Plate		D	1	
15	A50U462700	Charging Duct		D	1	
16	A50U462801	Charging Seal		D	1	
17	A50U462400	Charging Duct /3		D	1	
18	A50U462501	Charging Seal /1		D	1	

# Process Carriage Section

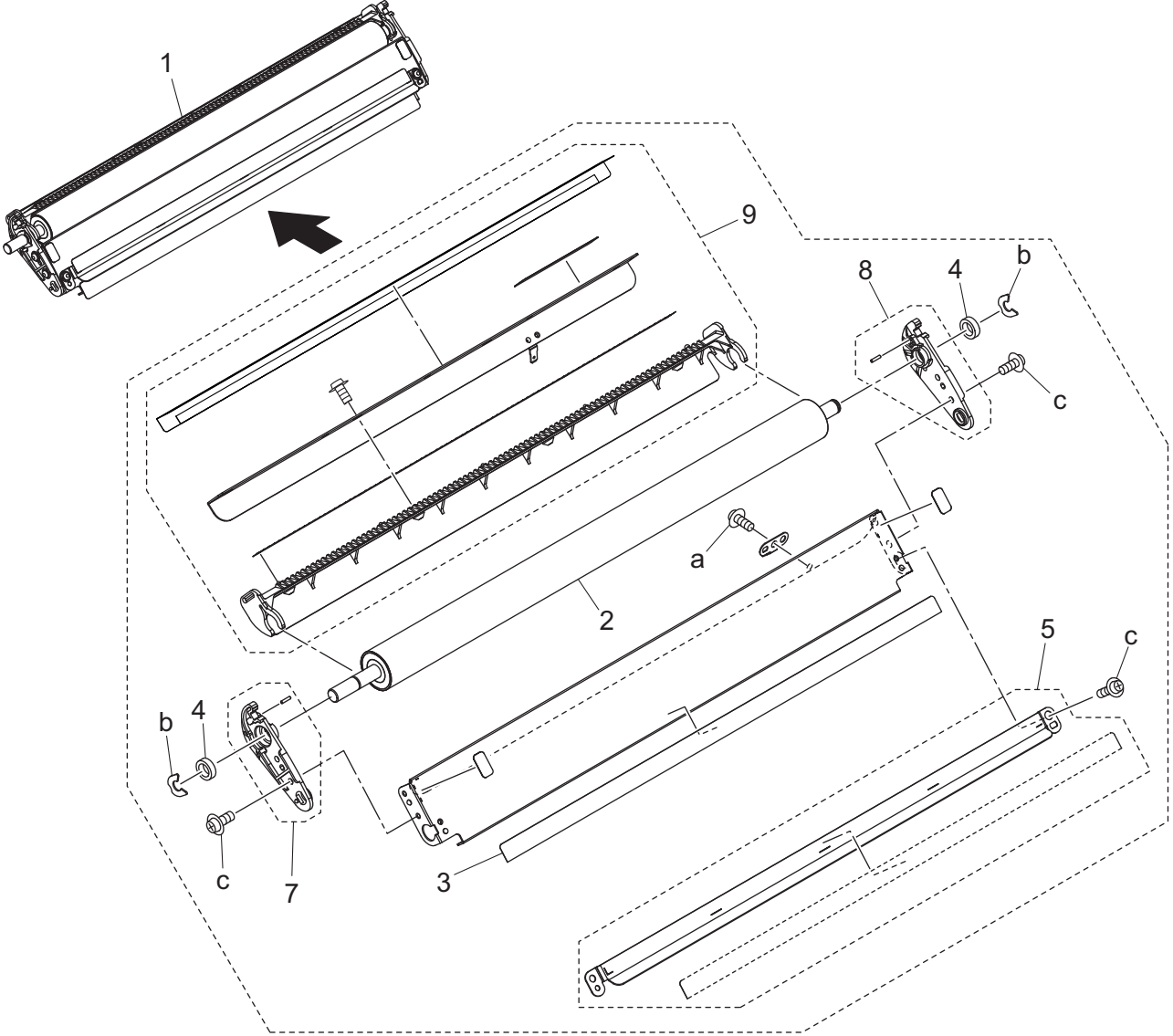
改訂版 REVISED EDITION	日付 DATE
	MAY 2015



Key	Part No.	Description	Destinations	Class	QTY	Standard parts
1	65AA97470	Developing Exchanging Label /K		D	1	a-V501010002
2	A50U335600	Cleaning Seal /A		D	6	b-V118030403
3	A50U340301	Fixing Stay /1		D	1	c-V127030604
4	A50U341900	Developing Rail /Front		D	1	d-V151030803
5	A50U342000	Developing Rail /Rear		D	1	e-V151020603
6	A50U463000	Charging Seal /2		D	1	f-V127030803
7	A50U463100	Charging Seal /3		D	2	
8	65AAR73200	CHARGE PRESSING ASSY		C	2	
9	A50U462101	Charging Rail		D	1	
10	A50U462900	Auxiliary Seal /A		D	1	
11	A50UM30101	LED array		D	1	
12	A50U462201	Charging Rail /2		D	1	
13	A50U462600	Charging Seal		D	1	
14	A50U342300	Reinforce Plate		D	1	
15	A50U462700	Charging Duct		D	1	
16	A50U462801	Charging Seal		D	1	
17	A50U462400	Charging Duct /3		D	1	
18	A50U462501	Charging Seal /1		D	1	
19	A50U343100	Cleaning Catch		D	1	
20	A50U343301	Receiving Spring		D	2	
21	A50U343700	Receiving Sheet		D	1	
22	A50U341200	Fixing Stay /3		D	1	

# Secondary Transfer Section

改訂版 REVISED EDITION	日付 DATE
▲	JULY 2015

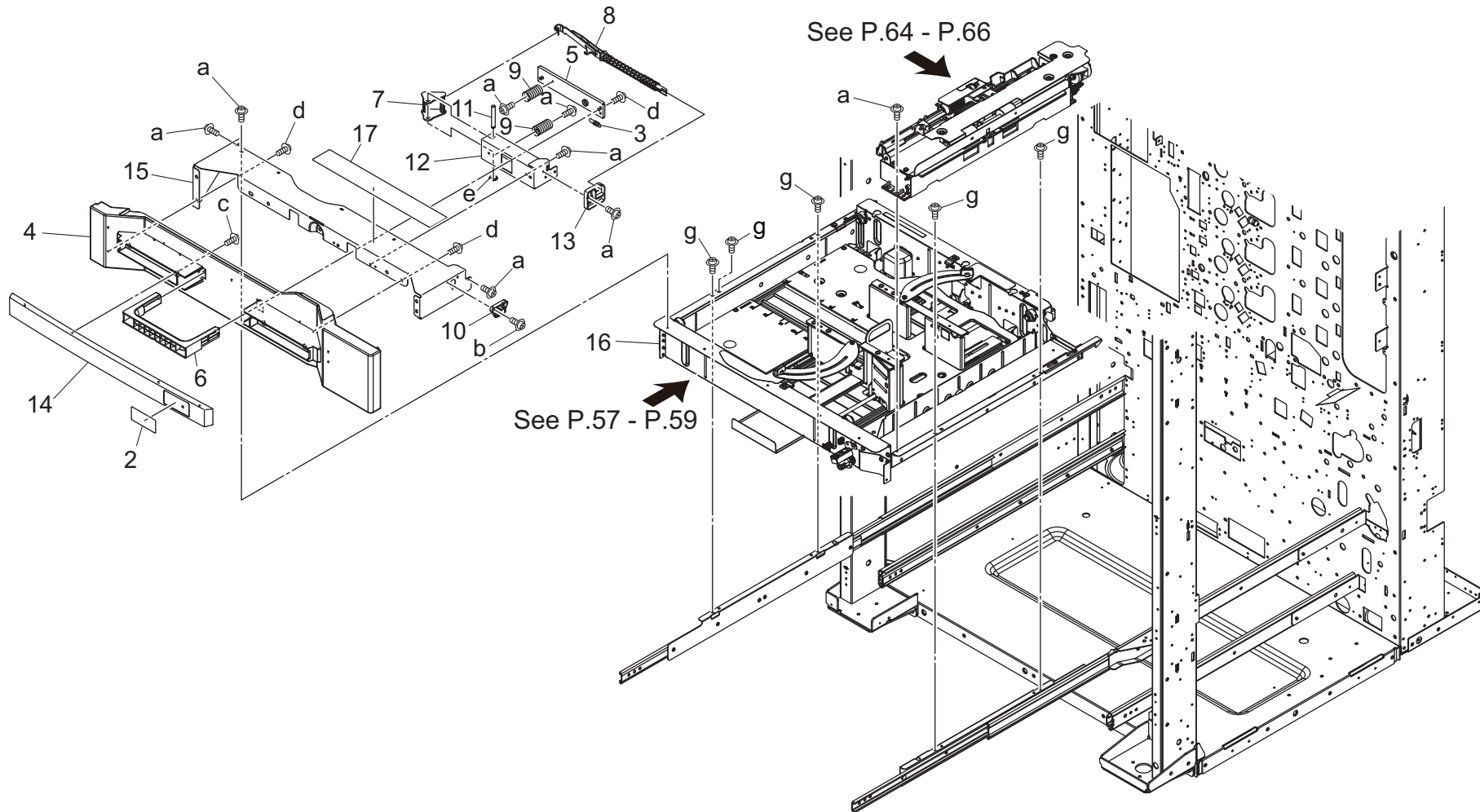




## Secondary Transfer Section

Key	Part No.	Description	Destinations	Class	QTY	Standard parts
1	A50UR70500	2nd Transfer Unit		I	1	a-V127030603 b-V218060086 c-V127030604
2	A50U520001	2nd Transfer Roller/L		A	1	
3	A50U525900	Entrance Sheet		D	1	
4	A50U716500	Ball Bearing		C	2	
5	A50UR71Q00	Transfer Guide / Upper Assy		D	1	
7	A50UR71R11	Transfer Side Plate / Front Assy		D	1	
8	A50UR71S11	Transfer Side Plate / Rear Assy		D	1	
9	A50UR70B00	Separation Discharging Unit		A	1	

# Tray 1 Section

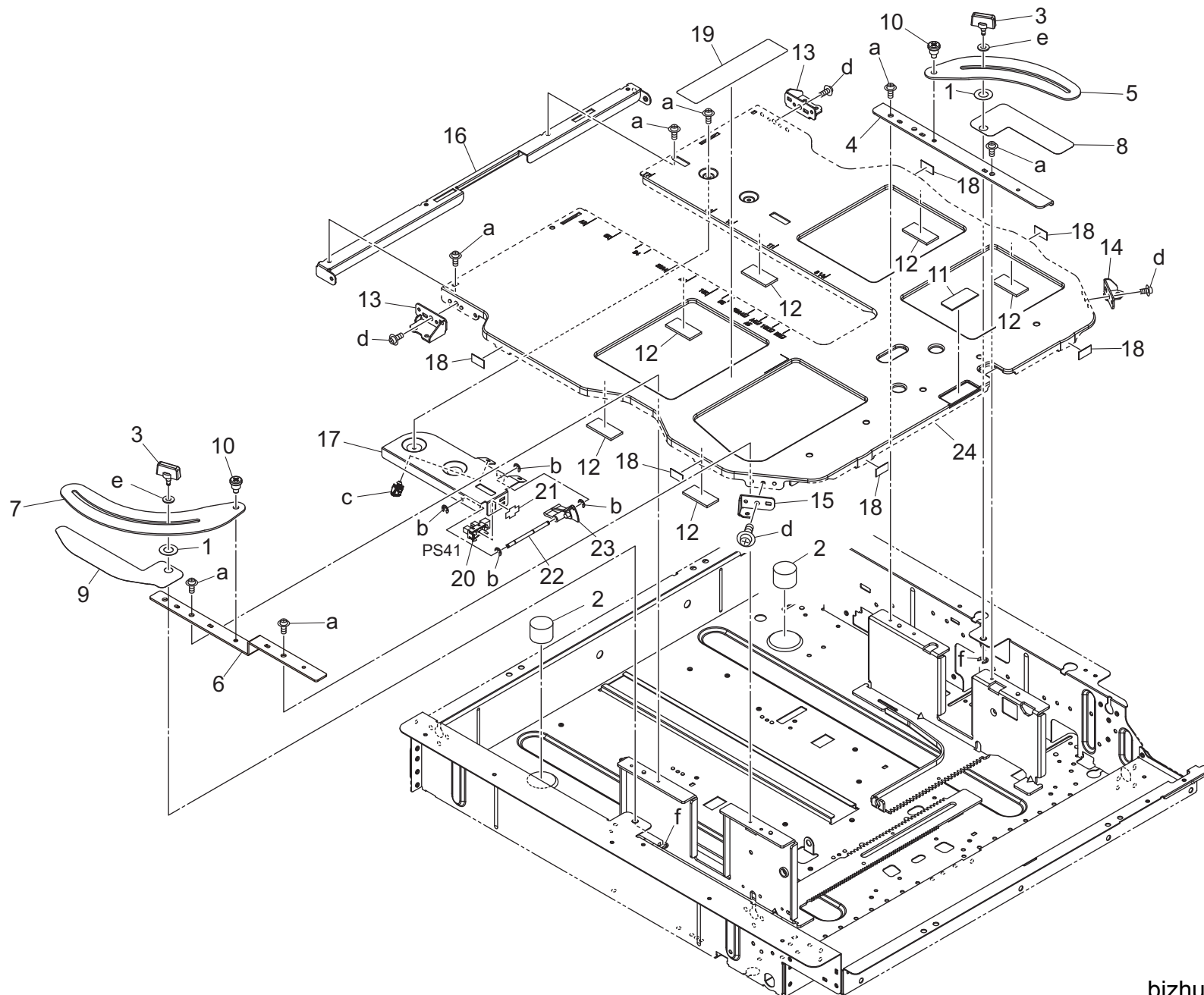


Key	Part No.	Description	Destinations	Class	QTY	Standard parts
2	A0U0945401	Indicating Label /1		C	1	a-V127030604 b-V126030603 c-V151041003 d-V158030803 e-V217040001 g-V118030303
3	A161626800	Pulling Coil spring		C	1	
4	A50U160701	Cover Tray /1		D	1	
5	A50U633002	Holding Handle		D	1	
6	A50U633100	Handle /B		D	1	
7	A50U633200	Release Lever		D	1	
8	A50U633301	Lock Lever		D	1	
9	A50U633400	Stable Spring		D	2	
10	A50U633702	Receiving Guide /1		D	1	
11	A50U633800	Release Shaft /1		D	1	
12	A50U633900	Fixing Plate		D	1	
13	A50U634300	Receiving Guide /2		D	1	
14	A50U634400	Paper feed Handle		D	1	
15	A50U637002	Fixing Plate /1		D	1	
16	A50UR71A11	500 Paper Cassette Assy		S	1	
17	A50U945700	Operation Label /1		D	1	



# Tray 1 Section

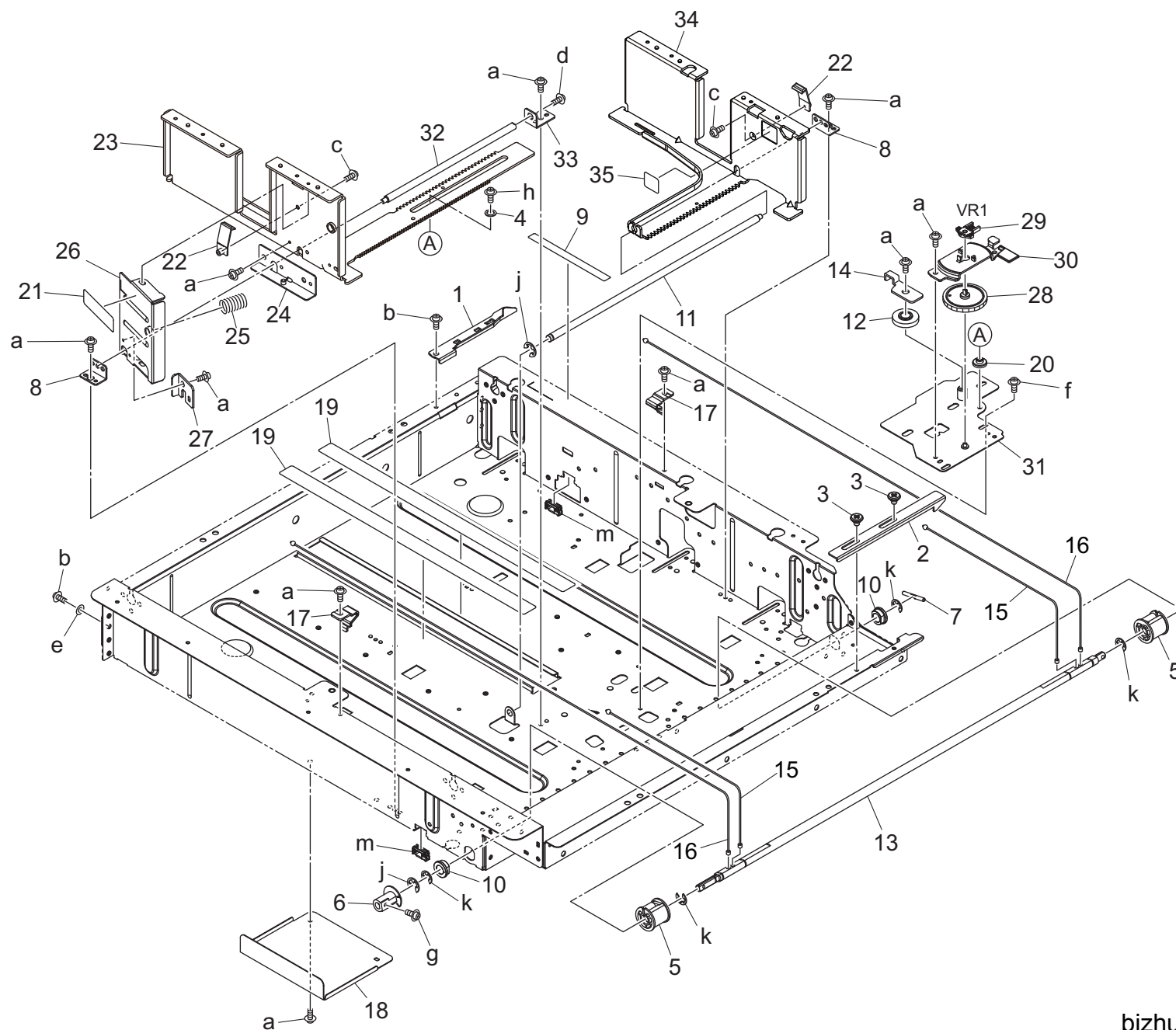
P 57



Key	Part No.	Description	Destinations	Class	QTY	Standard parts
1	55VA32530	SPACER		C	2	a-V127030516 b-V217020050 c-V500020098 d-V127030604 e-V207040003 f-V217025050
2	65AA47820	REGULATING PART		C	2	
3	A03X656203	Lock Screw		C	2	
4	A50U621001	Reinforce Plate /Rear		D	1	
5	A50U622600	Regulating Plate /Rear		D	1	
6	A50U622802	Reinforce Plate /Front		D	1	
7	A50U625701	Regulating Plate /Front		D	1	
8	A50U627601	Sheet		D	1	
9	A50U627701	Sheet		D	1	
10	A50U628200	Shoulder Screw		D	2	
11	55VA40930	DOUBLE FEED PREVENTIVE PLATE		C	1	
12	65AA47860	AUXILIARY SHEET		C	6	
13	A50U626502	Support Plate /1		D	2	
14	A50U626601	Support Plate /2		D	1	
15	A50U626702	Support Plate /3		D	1	
16	A50U629300	Guide Base frame		D	1	
17	A50U625000	Mounting Plate /2		D	1	
18	A50U641500	Slide Sheet		D	6	
19	A50U946000	Paper feed Label		D	1	
20	A50UM55500	Photo Sensor		I	1	
21	4470402401	Stopper		D	1	
22	65AA47310E	PAPER DETECTING SHAFT		D	1	
23	65AA47320	Paper Detecting Actuator		C	1	
24	A50U630203	Lifting Plate		D	1	

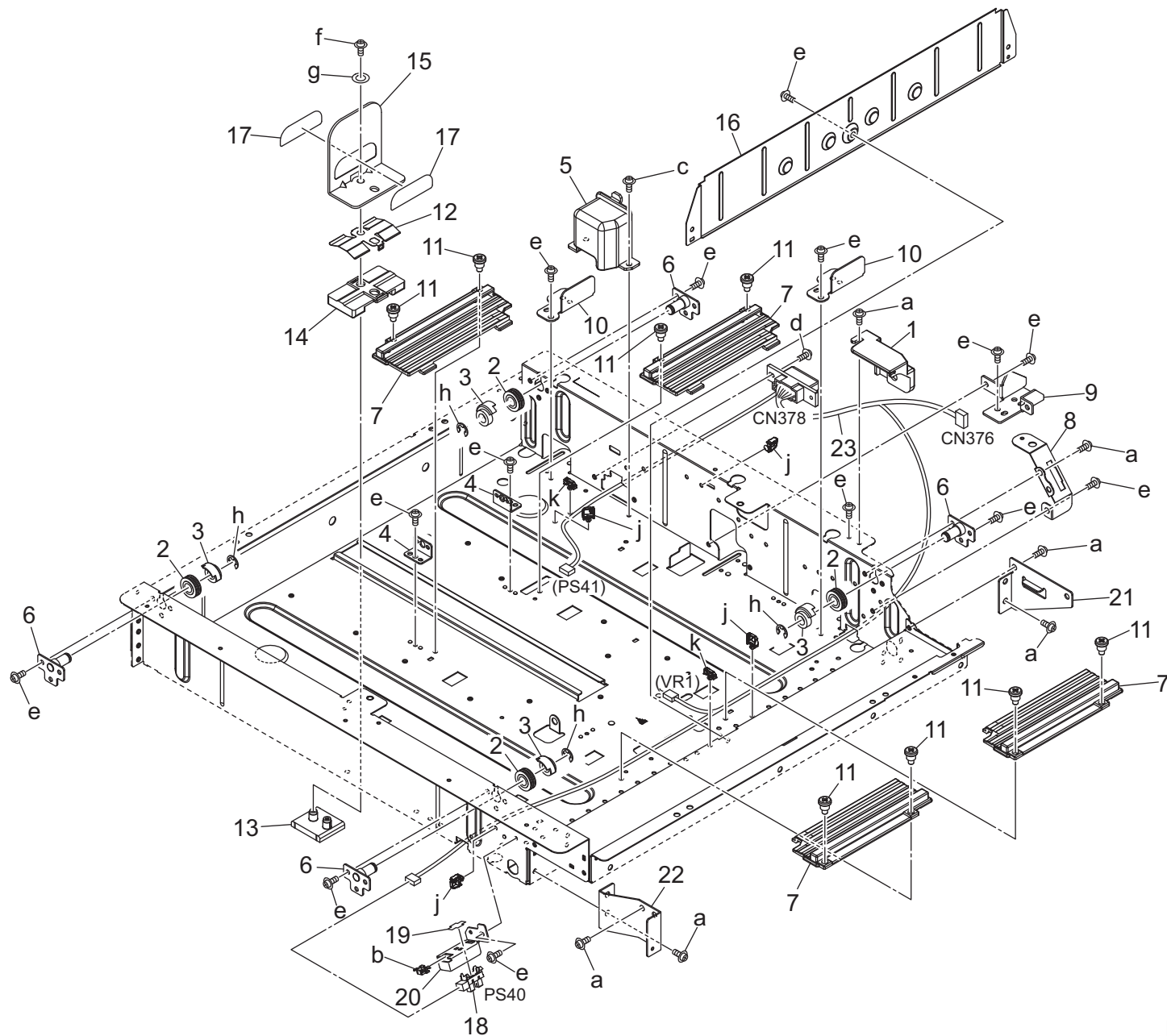


# Tray 1 Section



Key	Part No.	Description	Destinations	Class	QTY	Standard parts
1	A50U623600	Lock Claw		D	1	a-V127030516
2	A50U623701	Lock Claw	ロック爪 ( 500 カセット _左)	D	1	b-V127030604
3	A50U628100	Shoulder Screw	ロック爪 ( 500 カセット _右)	D	1	c-V147030803
4	40AA32320	Toner Supply Spacer	段ねじ	D	2	d-V116030603
5	55VA40600	Driving Up /Down Pulley	トナー補給スペーサー	C	1	e-V207030003
			駆動昇降プーリ	B	2	f-V116030503
6	65AA47131E	Paper Detecting Actuator	紙検知アクチュエタ	C	1	g-V121030603
7	65AA47700D	Up/down Pin	昇降ピン	D	1	h-V127030803
8	65AA47740E	Shaft Mounting Plate	軸取り 付け板	D	2	j-V217040050
9	65GE97490	CASSETTE GUIDE LABEL	カセット 案内ラベル	D	1	k-V217060050
10	A03U812800	Slide Shaft Holder	すべり軸受	B	2	m-V570010057
11	A50U620801	Regulating Shaft	規制軸	D	1	
12	A50U628400	Pinion	ピニオン	C	1	
13	A50U621800	Lifting Shaft	持ち上げ軸	D	1	
14	A50U622001	Stopper Plate	ストップ板	D	1	
15	A50U625400	Up/down Wire /1	昇降ワイヤ/1	D	2	
16	A50U625500	Up/down Wire /2	昇降ワイヤ/2	D	2	
17	A50U626100	Protection Plate	保護プレート	D	2	
18	A50U627501	Reinforce Stay	補強ステー	D	1	
19	A50U640800	Sheet	シート ( 500 枚トレイ)	D	2	
20	A50U642000	Guide Spacer	ガイドスペーサ	D	1	
21	A50U946300	Lock Label /2	ロックラベル/2	D	1	
22	26NA47070	PAPER REGULATING CLAW	紙規制爪	C	2	
23	A50U620902	Guide Rack /Front	ガイドラック/前 ( A s s y )	D	1	
24	A50U622400	Support Plate	支持板 ( A s s y )	D	1	
25	A50U623300	Slide Spring /1	スライドばね/1	D	1	
26	A50U622300	Brake Knob	ブレーキつまみ	D	1	
27	A50U623201	Lock Claw	ロック爪	D	1	
28	65AA47600E	Detecting Gear 45T	検知ギア 45 T	C	1	
29	A1UDM50100	VR	ボリューム	D	1	
30	A50U621900	Mounting Plate	センサ取り 付け板	D	1	
31	A50U622101	Positioning Plate	位置決め板	D	1	
32	A50U621301	Stopper Shaft	ストップ軸	D	1	
33	A50U621400	Mounting Plate	取付板	D	1	
34	A50U620602	Guide Rack /Rear	ガイドラック/奥	D	1	
35	A50U945300	Regulating Label	規制ラベル	D	1	

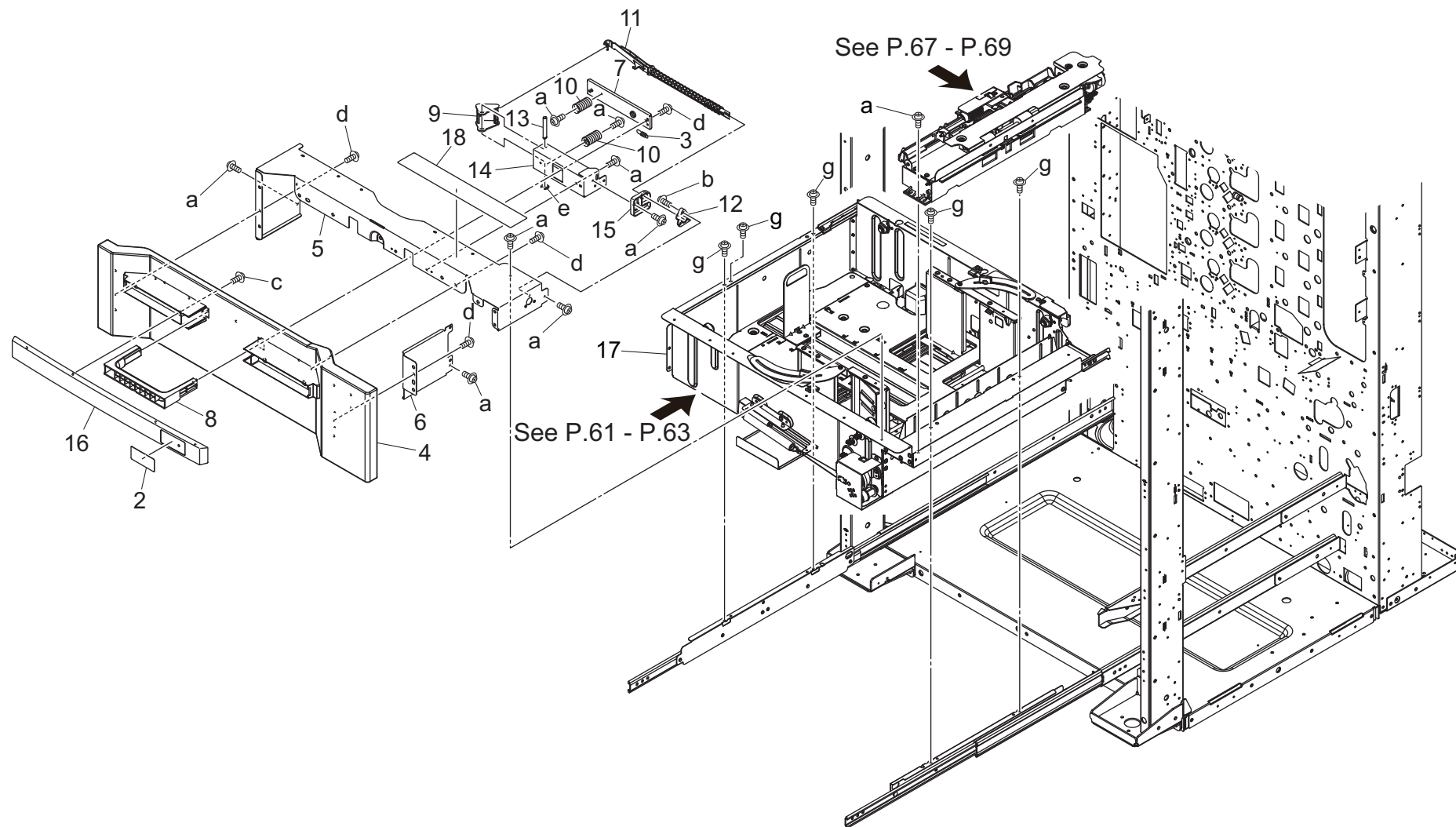
# Tray 1 Section





Key	Part No.	Description	Destinations	Class	QTY	Standard parts
1	A50U628300	Cover		D	1	a-V127030604
2	65AA47550	WIRE ROLLER		C	4	b-V570010050
3	65AA47630	WIRE GUIDE PART		C	4	c-V116030503
4	65AA47740E	Shaft Mounting Plate		D	2	d-V121030603
5	A03U621200	GUIDE COVER		C	1	e-V127030516
6	A1DUF62100	PULLEY FULCRUM PLATE CAULKING		D	4	f-V158031003
7	A50U621200	Slide Guide		D	4	g-V207030003
8	A50U624600	Mounting Plate		D	1	h-V217060050
9	A50U624700	Fixing Cam		D	1	j-V500020098
10	A50U625100	Positioning Plate		D	2	k-V500020099
11	A50U628200	Shoulder Screw		D	8	
12	A50U629502	Plate spring		D	1	
13	A50U629702	Brake Part /Lower		D	1	
14	A50U629801	Brake Part		D	1	
15	A50U629901	Regulating Plate /Rear		D	1	
16	A50U630701	Regulating Plate /Right		D	1	
17	A50U946400	Lock Label /1		D	2	
18	A50UM55500	Photo Sensor		I	1	
19	4470402401	Stopper		D	1	
20	65AA47900E	Mounting Plate /2		D	1	
21	A50U637600	Reinforce Plate /1		D	1	
22	A50U637700	Reinforce Plate /2		D	1	
23	A50UN14100	Paperfeed Wiring /3		D	1	

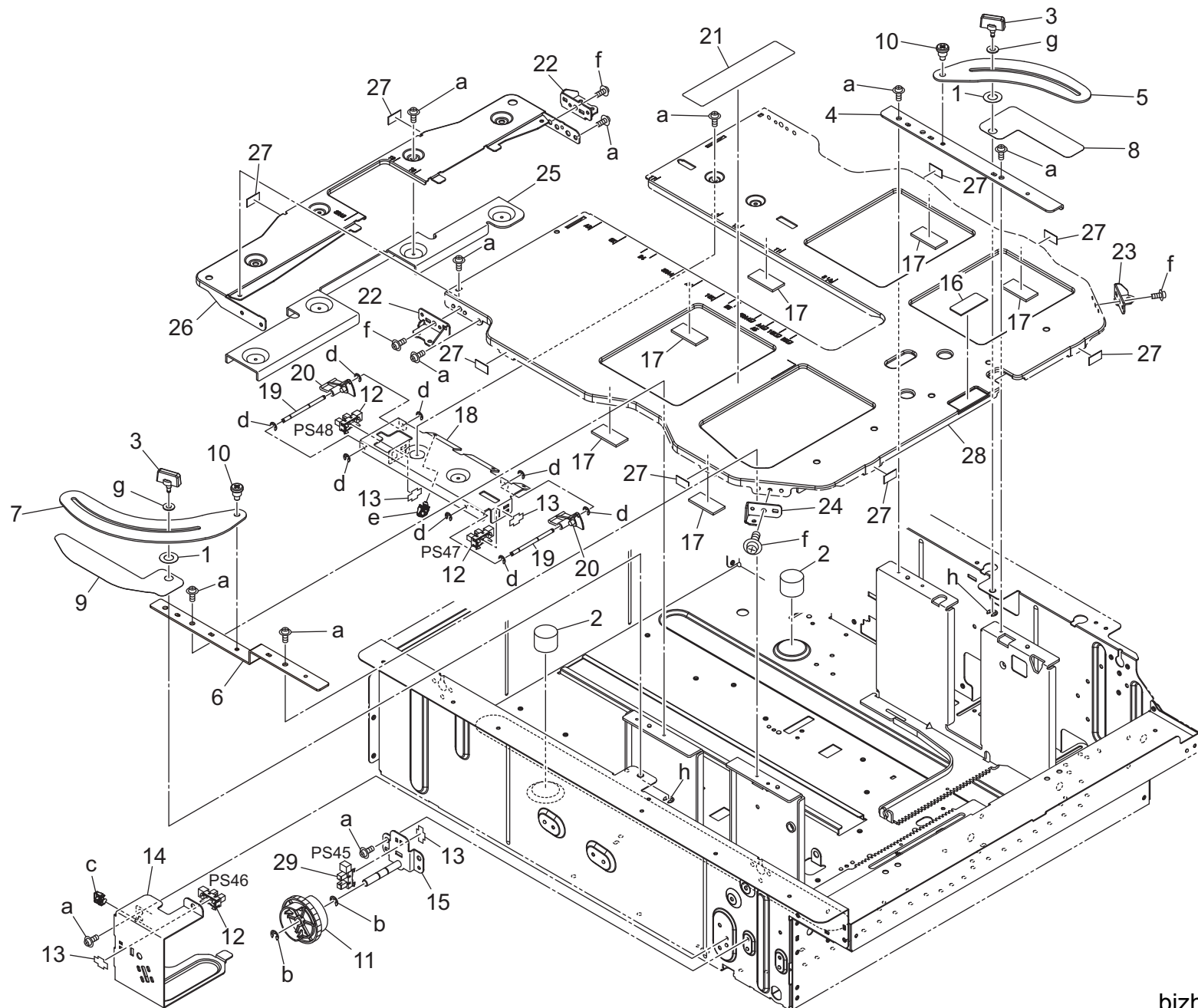
# Tray 2 Section





# Tray 2 Section

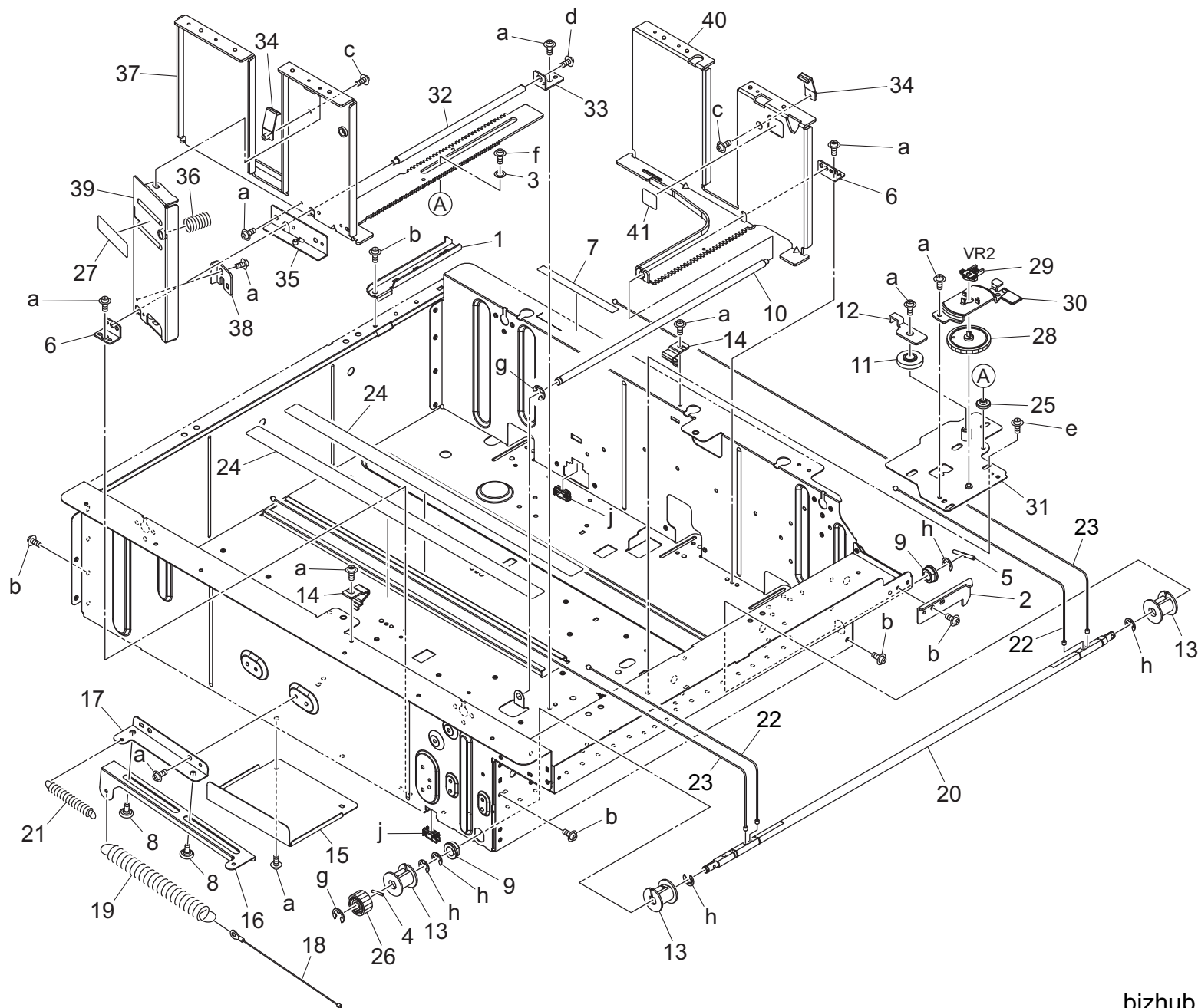
P 61



bizhub PRESS C71hc

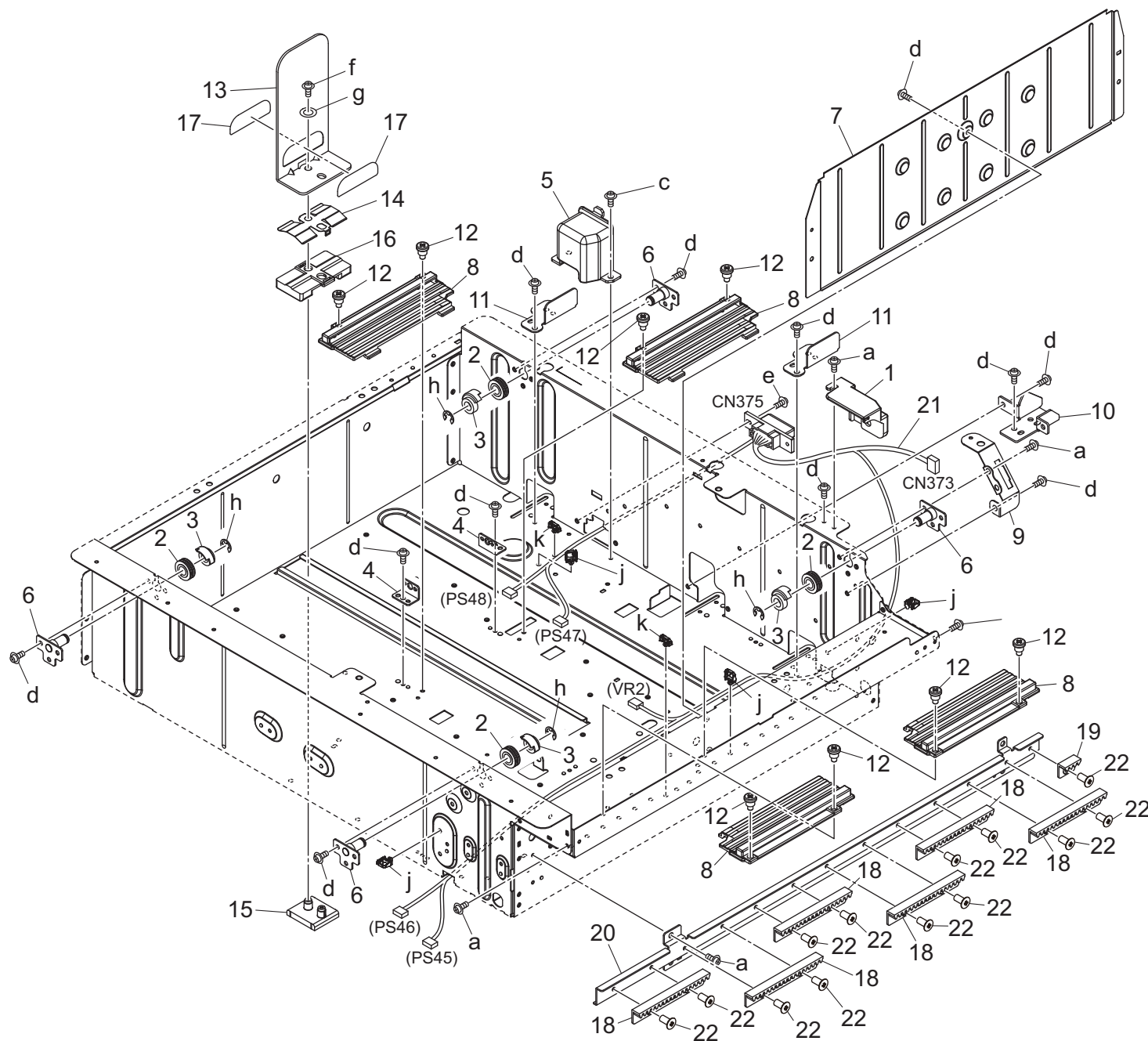
Key	Part No.	Description	Destinations	Class	QTY	Standard parts
1	55VA32530	SPACER		C	2	a-V127030516 b-V217040050 c-V500020098 d-V217020050 e-V500010051 f-V127030604 g-V207040003 h-V217025050
2	65AA47820	REGULATING PART		C	2	
3	A03X656203	Lock Screw		C	2	
4	A50U621001	Reinforce Plate /Rear		D	1	
5	A50U622600	Regulating Plate /Rear		D	1	
6	A50U622802	Reinforce Plate /Front		D	1	
7	A50U625701	Regulating Plate /Front		D	1	
8	A50U627601	Sheet		D	1	
9	A50U627701	Sheet		D	1	
10	A50U628200	Shoulder Screw		D	2	
11	A50U631300	Up/down Gear 60T		C	1	
12	08AA85512	Photo Sensor		B	3	
13	4470402401	Stopper		D	4	
14	A50U631600	Mounting Plate		D	1	
15	A50U631200	Mounting Plate /Assy		D	1	
16	55VA40930	DOUBLE FEED PREVENTIVE PLATE		C	1	
17	65AA47860	AUXILIARY SHEET		C	6	
18	65AA47120D	Mounting Plate		D	1	
19	65AA47310E	PAPER DETECTING SHAFT		D	2	
20	65AA47320	Paper Detecting Actuator		C	2	
21	A1RF946000	Paper feed Label /1		D	1	
22	A50U626502	Support Plate /1		D	2	
23	A50U626601	Support Plate /2		D	1	
24	A50U626702	Support Plate /3		D	1	
25	A50U629001	Reinforce Stay		D	1	
26	A50U629202	Up/down Plate /Rear		D	1	
27	A50U641500	Slide Sheet		D	8	
28	A50U630203	Lifting Plate		D	1	
29	A50UM55500	Photo Sensor		I	1	

# Tray 2 Section



Key	Part No.	Description	Destinations	Class	QTY	Standard parts
1	A50U623900	Lock Claw		D	1	a-V127030516
2	A50U624201	Lock Part	ロック爪 ( 1000カセット 左)	D	1	b-V127030604
3	40AA32320	Toner Supply Spacer	ロック材 ( 給紙ユニット 固定)	C	1	c-V147030803
4	56AA17551	PIN A	トナー補給スペーサー	C	1	d-V116030603
5	65AA47700D	Up/down Pin	ピン A	C	1	e-V116030503
6	65AA47740E	Shaft Mounting Plate	昇降ピン	D	1	f-V127030803
7	65GE97490	CASSETTE GUIDE LABEL	軸取り付け板	D	2	g-V217040050
8	A03N621800	Slide Shoulder screw	カセット 案内ラベル	D	1	h-V217060050
9	A03U812800	Slide Shaft Holder	スライド 段ねじ	C	2	j-V570010057
10	A50U620801	Regulating Shaft	すべり軸受	B	2	
11	A50U628400	Pinion	規制軸	D	1	
12	A50U622001	Stopper Plate	ピニオン	C	1	
13	A50U626000	Pulley	ストップ板	D	1	
14	A50U626100	Protection Plate	プーリ ( ワイヤー吊上げ)	C	3	
15	A50U627501	Reinforce Stay	保護プレート	D	2	
16	A50U631000	Slide Plate	補強ステー	D	1	
17	A50U631100	Mounting Plate	スライド板	D	1	
18	A50U631500	Auxiliary Wire	取付板	D	1	
19	A50U631700	Slide Spring /1	補助ワイヤ	D	1	
20	A50U631800	Up/down Shaft	スライドばね /1	D	1	
21	A50U631900	Slide Spring /1	昇降軸	D	1	
22	A50U635400	Up/down Wire /1	スライドばね /1	D	1	
23	A50U635500	Up/down Wire /2	昇降ワイヤ /1	D	2	
24	A50U640700	Sheet	昇降ワイヤ /2	D	2	
25	A50U642000	Guide Spacer	シート ( 1000 枚トレイ)	D	2	
26	A50U854600	Release Gear /1 24T	ガイドスペーサー	D	1	
27	A50U946300	Lock Label /2	解除ギア /1 24 T	C	1	
28	65AA47600E	Detecting Gear 45T	ロックラベル /2	D	1	
29	A1UDM50100	VR	検知ギア 45 T	C	1	
30	A50U621900	Mounting Plate	ボリューム	D	1	
31	A50U622101	Positioning Plate	センサ取り付け板	D	1	
32	A50U621301	Stopper Shaft	位置決め板	D	1	
33	A50U621400	Mounting Plate	ストップ軸	D	1	
34	26NA47070	PAPER REGULATING CLAW	取付板	D	1	
35	A50U622400	Support Plate	PAPER REGULATING CLAW	C	2	
36	A50U623300	Slide Spring /1	支持板 ( A s s y )	D	1	
37	A50U630902	Guide Rack /Front	スライドばね /1	D	1	
38	A50U623201	Lock Claw	ガイドラック /前 ( A s s y )	D	1	
39	A50U632300	Brake Knob	ロック爪	D	1	
40	A50U630602	Guide Rack /Rear	ブレーキつまみ	D	1	
41	A50U945300	Regulating Label	ガイドラック /奥	D	1	
			規制ラベル	D	1	

# Tray 2 Section



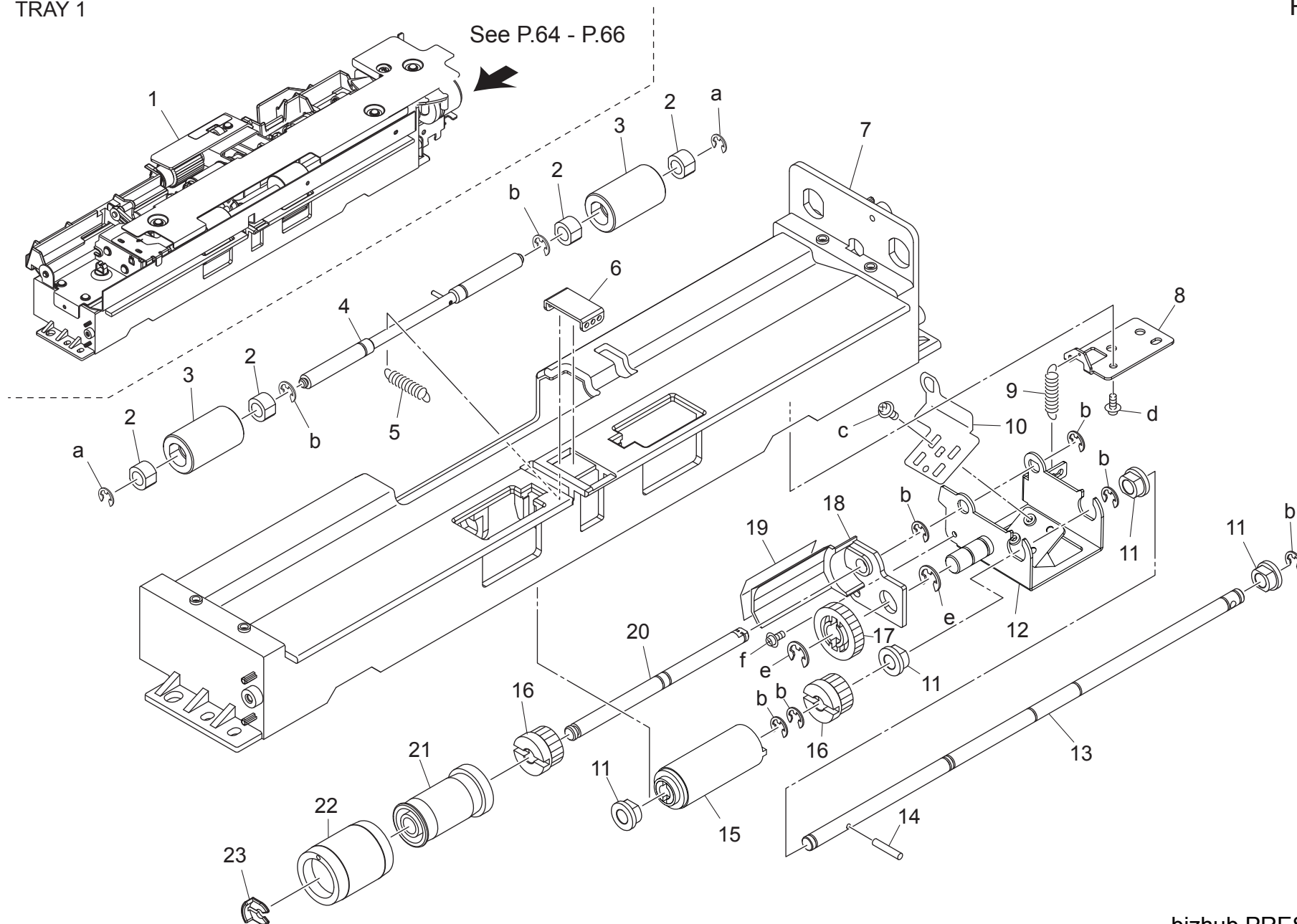


Key	Part No.	Description	Destinations	Class	QTY	Standard parts
1	A50U628300	Cover		D	1	a-V127030604 c-V116030503 d-V127030516 e-V121030603 f-V158031003 g-V207030003 h-V217060050 j-V500020098 k-V500020099
2	65AA47550	WIRE ROLLER		C	4	
3	65AA47630	WIRE GUIDE PART		C	4	
4	65AA47740E	Shaft Mounting Plate		D	2	
5	A03U621200	GUIDE COVER		C	1	
6	A1DUF62100	PULLEY FULCRUM PLATE CAULKING		D	4	
7	A50U620701	Regulating Plate /Right		D	1	
8	A50U621200	Slide Guide		D	4	
9	A50U624600	Mounting Plate		D	1	
10	A50U624700	Fixing Cam		D	1	
11	A50U625100	Positioning Plate		D	2	
12	A50U628200	Shoulder Screw		D	8	
13	A50U629401	Regulating Plate /Rear		D	1	
14	A50U629502	Plate spring		D	1	
15	A50U629702	Brake Part /Lower		D	1	
16	A50U629801	Brake Part		D	1	
17	A50U946400	Lock Label /1		D	2	
18	A03X622101	REGULATING RACK /1		D	6	
19	A03X622201	REGULATING RACK /2		D	1	
20	A50U640100	Guide Rail		D	1	
21	A50UN14001	Paperfeed Wiring /2		D	1	
22	A50U642300	Mounting Screw		D	13	

# Tray 1 Paper Feed Section

TRAY 1

P 64



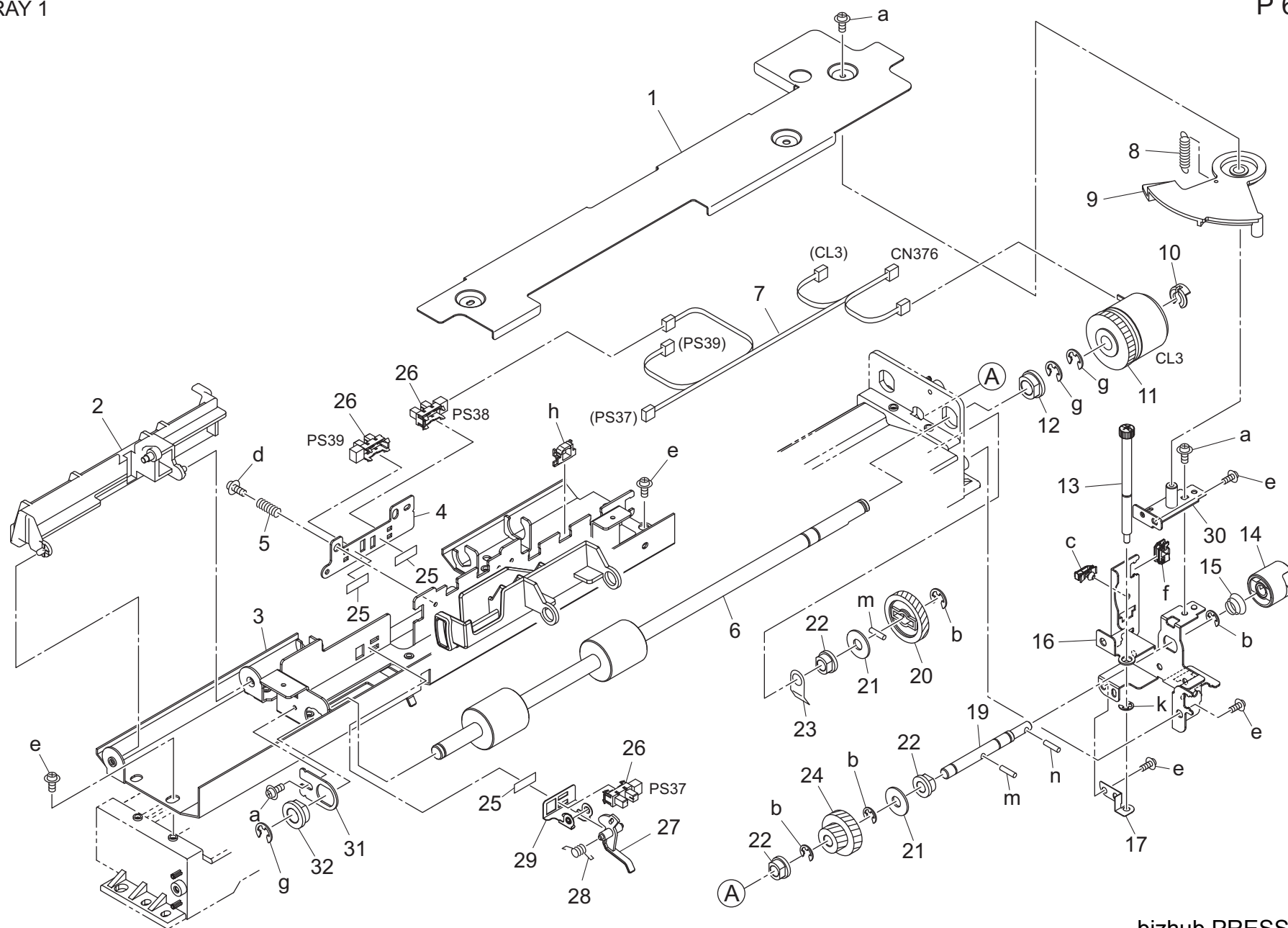
# Tray 1 Paper Feed Section

Key	Part No.	Description	Destinations	Class	QTY	Standard parts
1	A50UR71800	Paper Feed Assy		S	1	a-V217030001
2	A03U850101	Slide Bushing		C	4	b-V217040001
3	26NA42560	By-Pass Idler Roller		C	2	c-V116030603
4	A1DUR71K00	Paper Feed Driven Shaft Assy		D	1	d-V153030803
5	56AA40481	PAPERFEEDPRESSINGSRING		C	1	e-V217060001
6	56AA40430	SPRING MOUNTING PLATE 1		D	1	f-V121030603
7	56AA40010E	Paper feed Main body		C	1	
8	56AA40440	SPRING MOUNTING PLATE 2		D	1	
9	57AA40420	MULTI FEED PREVENTING SPRING		C	1	
10	56QA40550	MULTI FEED ADJUSTMENT PLATE		D	1	
11	A00J663200	Bushing		C	4	
12	56QA40080	Multi-feed Preventing Plate		C	1	
13	56QA40250	MULTI FEED SUPPORT SHAFT		D	1	
14	56AA17510	Pin /B		C	1	
15	A03X565611	Torque Limiter /A		B	1	
16	55VA79030	Paper Feed Reversal Gear /C 14T		B	2	
17	26NA42061	BY PASS FEED CONVEYING GEAR 21T		B	1	
18	56AA40530	ENTRANCE GUIDE PART		D	1	
19	56AA40540	ENTRANCE GUIDE SHEET		C	1	
20	56QA40270	MULTI FEED REVERSE SHAFT		D	1	
21	56AA40360	Reverse Roller		C	1	
22	25SA40960	DOUBLE FEED PREVENTION RUBBER		A	1	
23	A1RF620301	Stopper Collar		D	1	

# Tray 1 Paper Feed Section

TRAY 1

P 65

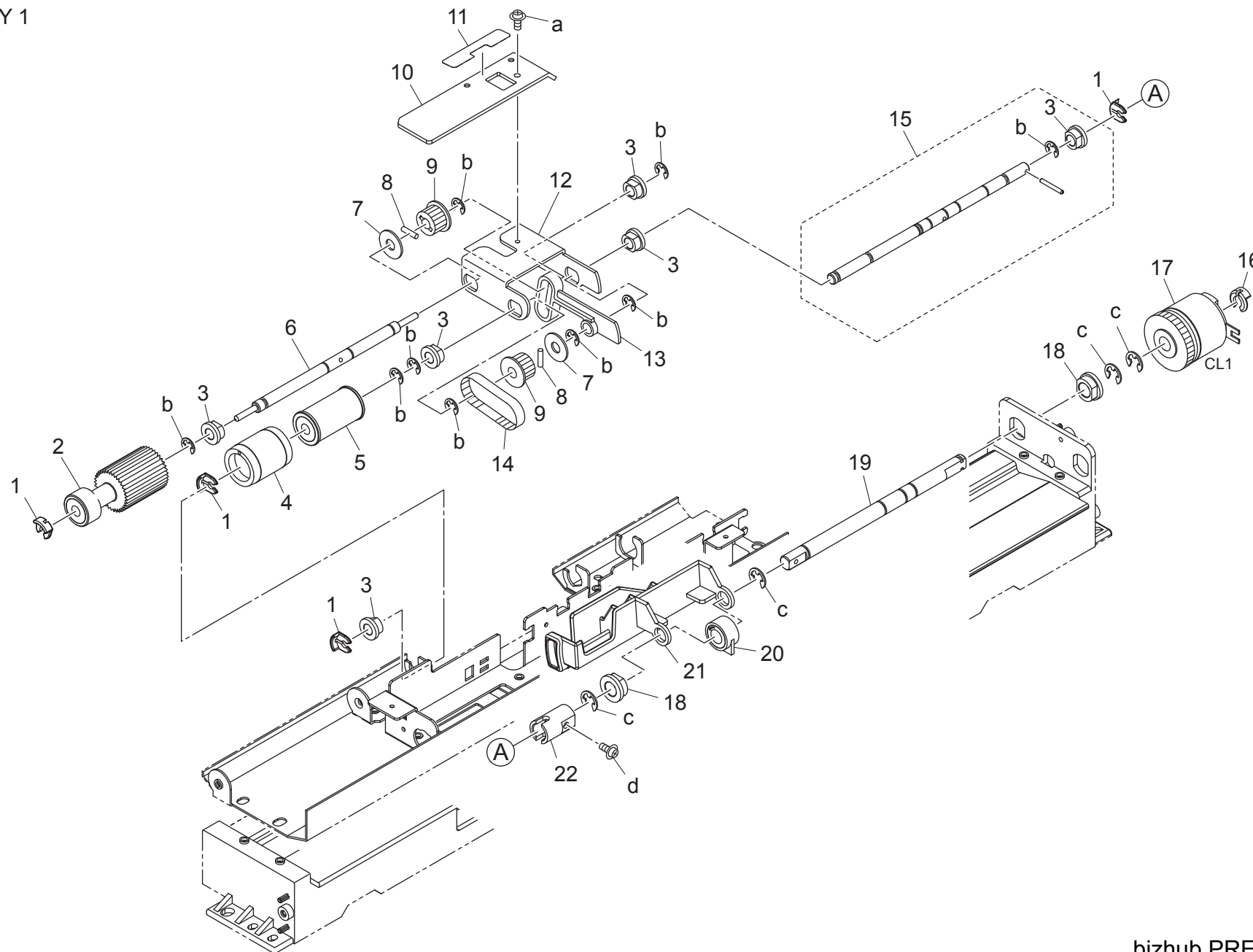


Key	Part No.	Description	Destinations	Class	QTY	Standard parts
1	56AA40100G	Wiring Protection Cover		D	1	a-V121030603 b-V217040001 c-V500020099 d-V127030604 e-V153030803 f-V570010056 g-V217060001 h-V570010050 k-V217030001 m-V234301450 n-V234301250
2	65AA40010	Regulating Plate		D	1	
3	56AA40032E	Paper Feed Guide Plate /Upper		C	1	
4	A85C635400	Adjusting Plate		D	1	
5	56AA40520	EARTH SPRING		C	1	
6	56AA40230	PAPER FEED REGISTRATION ROLLER		C	1	
7	A50UN14201	Paperfeed Wiring /1		D	1	
8	56AA17121	SEPARATE SPRING UPPER		C	1	
9	56AA40390	CAM PLATE		C	1	
10	55VA42120	Shaft Stopper		C	1	
11	56AA82012	Paper Feed Drive Clutch		B	1	
12	55VA75540	PAPER FEED SHAFT HOLDER B		B	1	
13	56AA40120	PAPER FEED HOLDING SCREW		C	1	
14	A50U564500	Paper feed Coupling		D	1	
15	A50U565100	Pressing Spring		D	1	
16	A50U560900	Drive Side plate /1		D	1	
17	56AA40470	SCREW EARTH PLATE		C	1	
19	A50U562400	Input Shaft		D	1	
20	56AA77730	PAPER FEED REVERSING GEAR 2 33T		C	1	
21	56AA17760	COLLAR		C	2	
22	A00J663200	Bushing		C	3	
23	56AA40500	SHAFT HOLDER EARTH PLATE		C	1	
24	56AA77720E	Paper Feed Reverse Gear /1 16/22T		C	1	
25	4109553001	Stopper		C	3	
26	08AA85512	Photo Sensor		B	3	
27	56AA40171	PAPER FEED DETECTING ACTUATOR		C	1	
28	56AA40190	PRESSING SPRING		C	1	
29	56AA40310	MOUNTING PLATE		D	1	
30	A50U561200	Drive Side plate /Assy		D	1	
31	56AA40370	ADJUSTING PLATE		D	1	
32	A03U812800	Slide Shaft Holder		B	1	

# Tray 1 Paper Feed Section

TRAY 1

P 66



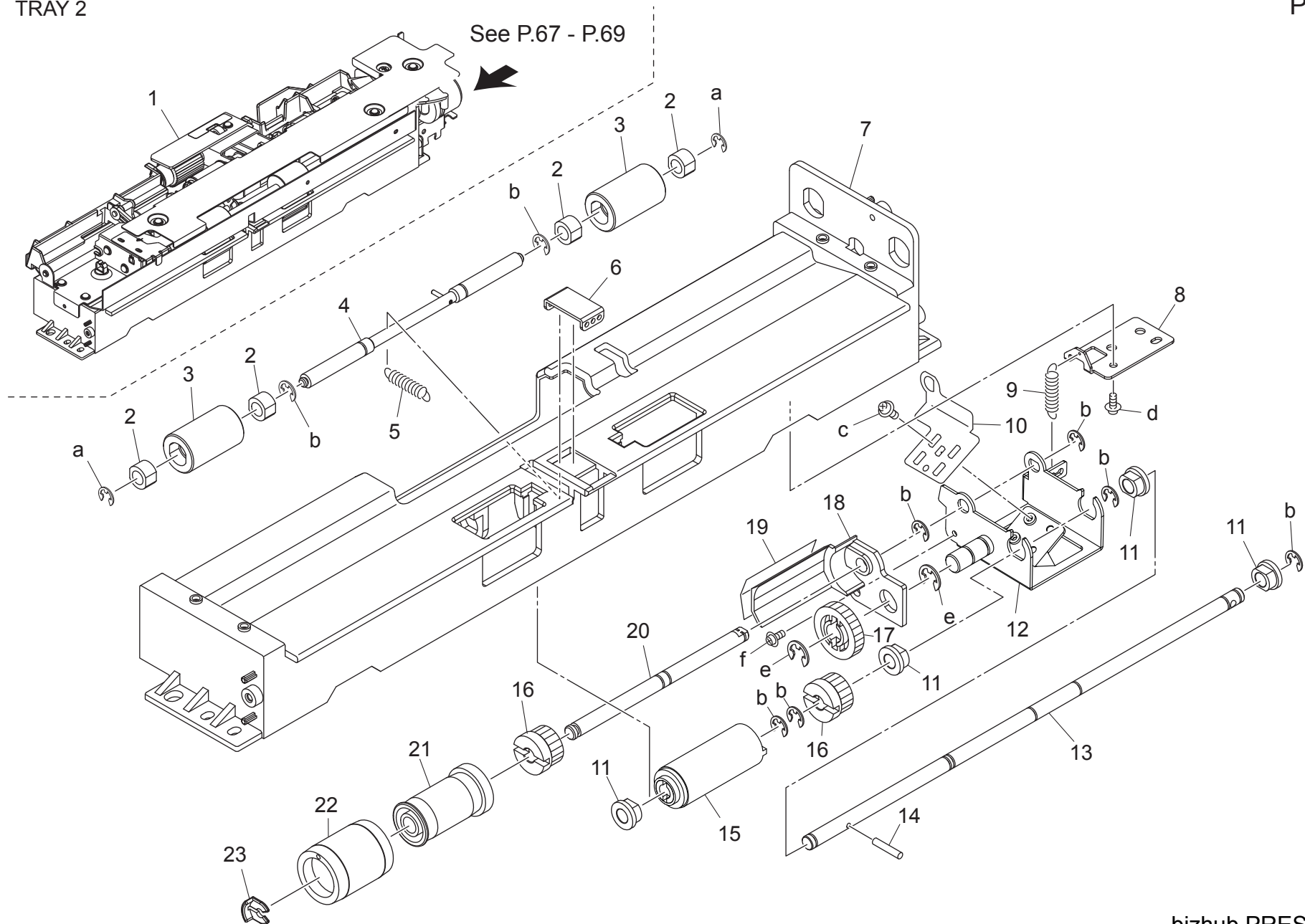
# Tray 1 Paper Feed Section

Key	Part No.	Description	Destinations	Class	QTY	Standard parts
1	56AA40490	SHAFT STOPPER 4		C	4	a-V121030603 b-V217040001 c-V217060001 d-V118030603
2	A1DUR71J00	Paper Feed Oscillate Roller		B	1	
3	A00J663200	Bushing		C	6	
4	25SA40960	DOUBLE FEED PREVENTION RUBBER		A	1	
5	25AA40100	Feeding Roller /B		B	1	
6	A85C635200	Swing Shaft		D	1	
7	56AA17760	COLLAR		C	2	
8	56AA17510	Pin /B		C	2	
9	059076510	PULLEY 1 15T		C	2	
10	65AA40080E	Paper feed Auxiliary Plate		D	1	
11	65GE97400	GUIDE LABEL /1		C	1	
12	56AA40070	Paper feed Swing Plate		D	1	
13	56AA40300	PAPER QUANTITY ACTUATOR		C	1	
14	56AA77590	PAPER FEED ROCKING BELT 111L		C	1	
15	A1DUR75200	Paper Feed Feeding Shaft Assy		D	1	
16	55VA42120	Shaft Stopper		C	1	
17	56AA82012	Paper Feed Drive Clutch		B	1	
18	A03U812800	Slide Shaft Holder		B	2	
19	A03U560300	DRIVE SHAFT		D	1	
20	56AA40380	PAPER FEED REGULATING BLOCK		B	1	
21	A03U560500	Regulating Plate /Rear		C	1	
22	55FA40320	COUPLING		C	1	

# Tray 2 Paper Feed Section

TRAY 2

P 67





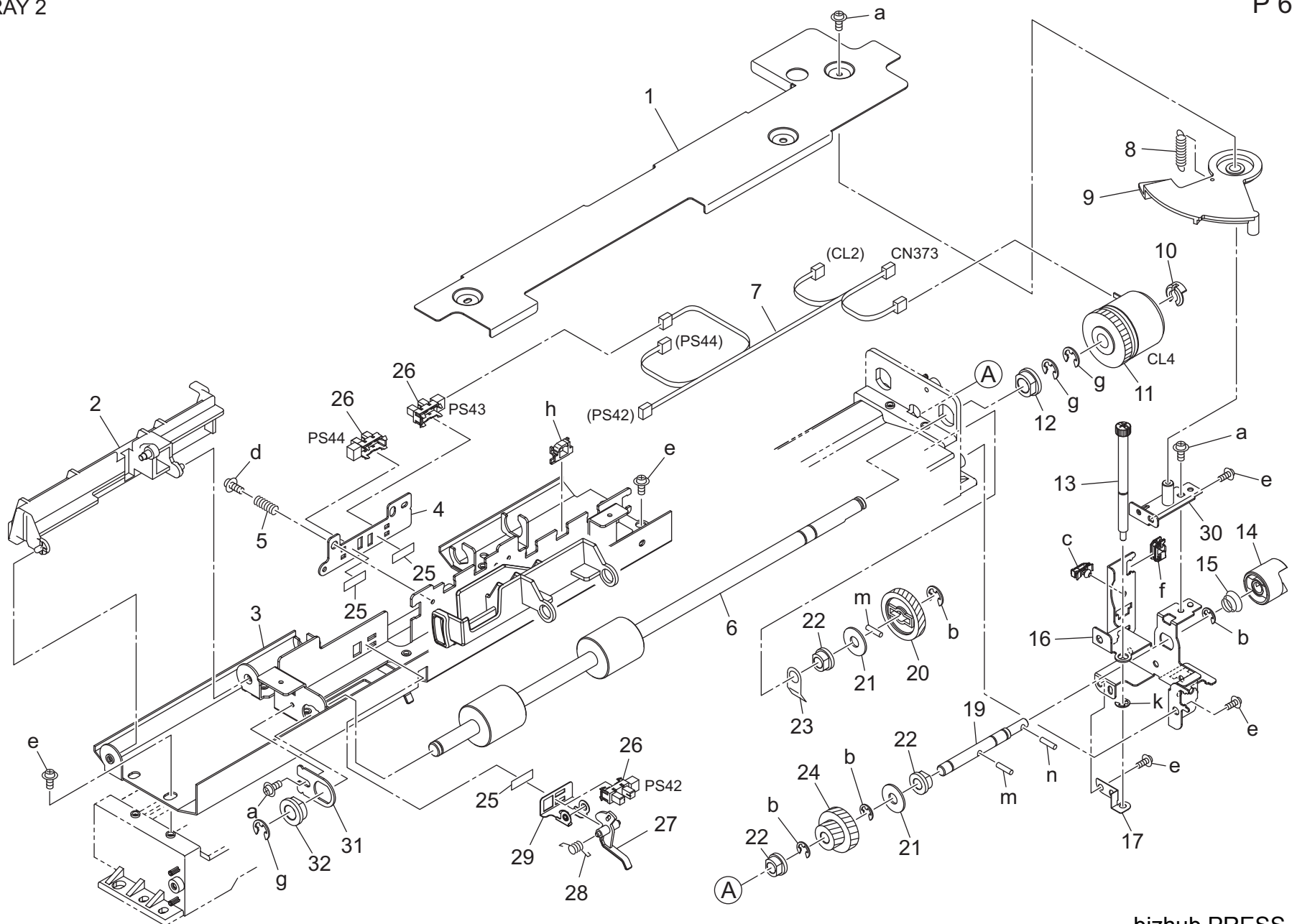
# Tray 2 Paper Feed Section

Key	Part No.	Description	Destinations	Class	QTY	Standard parts
1	A50UR71800	Paper Feed Assy		S	1	a-V217030001 b-V217040001 c-V116030603 d-V153030803 e-V217060001 f-V121030603
2	A03U850101	Slide Bushing		C	4	
3	26NA42560	By-Pass Idler Roller		C	2	
4	A1DUR71K00	Paper Feed Driven Shaft Assy		D	1	
5	56AA40481	PAPERFEEDPRESSINGSPRING		C	1	
6	56AA40430	SPRING MOUNTING PLATE 1		D	1	
7	56AA40010E	Paper feed Main body		C	1	
8	56AA40440	SPRING MOUNTING PLATE 2		D	1	
9	57AA40420	MULTI FEED PREVENTING SPRING		C	1	
10	56QA40550	MULTI FEED ADJUSTMENT PLATE		D	1	
11	A00J663200	Bushing		C	4	
12	56QA40080	Multi-feed Preventing Plate		C	1	
13	56QA40250	MULTI FEED SUPPORT SHAFT		D	1	
14	56AA17510	Pin /B		C	1	
15	A03X565611	Torque Limiter /A		B	1	
16	55VA79030	Paper Feed Reversal Gear /C 14T		B	2	
17	26NA42061	BY PASS FEED CONVEYING GEAR 21T		B	1	
18	56AA40530	ENTRANCE GUIDE PART		D	1	
19	56AA40540	ENTRANCE GUIDE SHEET		C	1	
20	56QA40270	MULTI FEED REVERSE SHAFT		D	1	
21	56AA40360	Reverse Roller		C	1	
22	25SA40960	DOUBLE FEED PREVENTION RUBBER		A	1	
23	A1RF620301	Stopper Collar		D	1	

# Tray 2 Paper Feed Section

TRAY 2

P 68

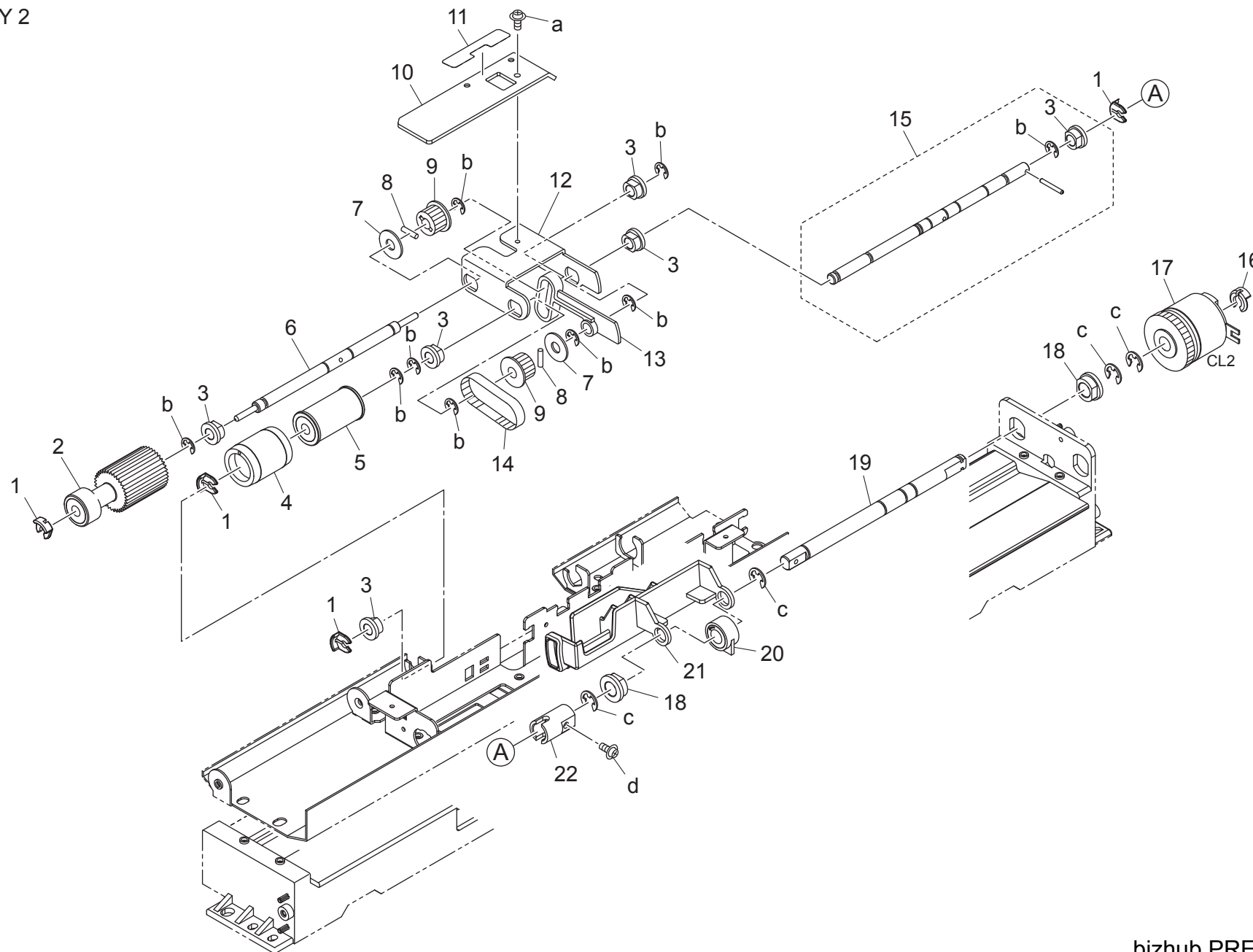


Key	Part No.	Description	Destinations	Class	QTY	Standard parts
1	56AA40100G	Wiring Protection Cover		D	1	a-V121030603 b-V217040001 c-V500020099 d-V127030604 e-V153030803 f-V570010056 g-V217060001 h-V570010050 k-V217030001 m-V234301450 n-V234301250
2	65AA40010	Regulating Plate		D	1	
3	56AA40032E	Paper Feed Guide Plate /Upper		C	1	
4	A85C635400	Adjusting Plate		D	1	
5	56AA40520	EARTH SPRING		C	1	
6	56AA40230	PAPER FEED REGISTRATION ROLLER		C	1	
7	A50UN14201	Paperfeed Wiring /1		D	1	
8	56AA17121	SEPARATE SPRING UPPER		C	1	
9	56AA40390	CAM PLATE		C	1	
10	55VA42120	Shaft Stopper		C	1	
11	56AA82012	Paper Feed Drive Clutch		B	1	
12	55VA75540	PAPER FEED SHAFT HOLDER B		B	1	
13	56AA40120	PAPER FEED HOLDING SCREW		C	1	
14	A50U564500	Paper feed Coupling		D	1	
15	A50U565100	Pressing Spring		D	1	
16	A50U560900	Drive Side plate /1		D	1	
17	56AA40470	SCREW EARTH PLATE		C	1	
19	A50U562400	Input Shaft		D	1	
20	56AA77730	PAPER FEED REVERSING GEAR 2 33T		C	1	
21	56AA17760	COLLAR		C	2	
22	A00J663200	Bushing		C	3	
23	56AA40500	SHAFT HOLDER EARTH PLATE		C	1	
24	56AA77720E	Paper Feed Reverse Gear /1 16/22T		C	1	
25	4109553001	Stopper		C	3	
26	08AA85512	Photo Sensor		B	3	
27	56AA40171	PAPER FEED DETECTING ACTUATOR		C	1	
28	56AA40190	PRESSING SPRING		C	1	
29	56AA40310	MOUNTING PLATE		D	1	
30	A50U561200	Drive Side plate /Assy		D	1	
31	56AA40370	ADJUSTING PLATE		D	1	
32	A03U812800	Slide Shaft Holder		B	1	

# Tray 2 Paper Feed Section

TRAY 2


P 69

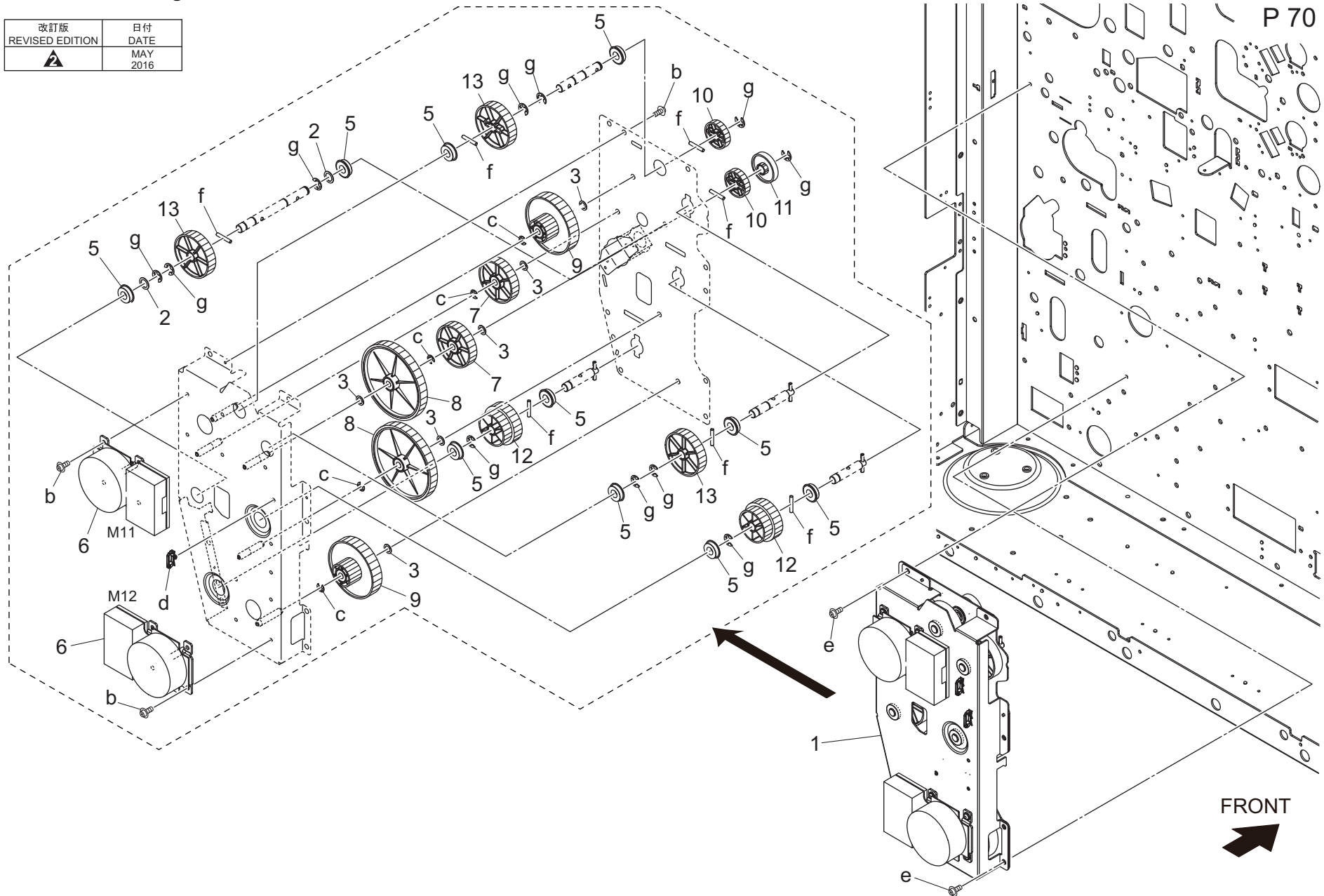


# Tray 2 Paper Feed Section

Key	Part No.	Description	Destinations	Class	QTY	Standard parts
1	56AA40490	SHAFT STOPPER 4		C	4	a-V121030603 b-V217040001 c-V217060001 d-V118030603
2	A1DUR71J00	Paper Feed Oscillate Roller		B	1	
3	A00J663200	Bushing		C	6	
4	25SA40960	DOUBLE FEED PREVENTION RUBBER		A	1	
5	25AA40100	Feeding Roller /B		B	1	
6	A85C635200	Swing Shaft		D	1	
7	56AA17760	COLLAR		C	2	
8	56AA17510	Pin /B		C	2	
9	059076510	PULLEY 1 15T		C	2	
10	65AA40080E	Paper feed Auxiliary Plate		D	1	
11	65GE97400	GUIDE LABEL /1		C	1	
12	56AA40070	Paper feed Swing Plate		D	1	
13	56AA40300	PAPER QUANTITY ACTUATOR		C	1	
14	56AA77590	PAPER FEED ROCKING BELT 111L		C	1	
15	A1DUR75200	Paper Feed Feeding Shaft Assy		D	1	
16	55VA42120	Shaft Stopper		C	1	
17	56AA82012	Paper Feed Drive Clutch		B	1	
18	A03U812800	Slide Shaft Holder		B	2	
19	A03U560300	DRIVE SHAFT		D	1	
20	56AA40380	PAPER FEED REGULATING BLOCK		B	1	
21	A03U560500	Regulating Plate /Rear		C	1	
22	55FA40320	COUPLING		C	1	

# Paper Feed Driving Section

改訂版 REVISED EDITION	日付 DATE
	MAY 2016



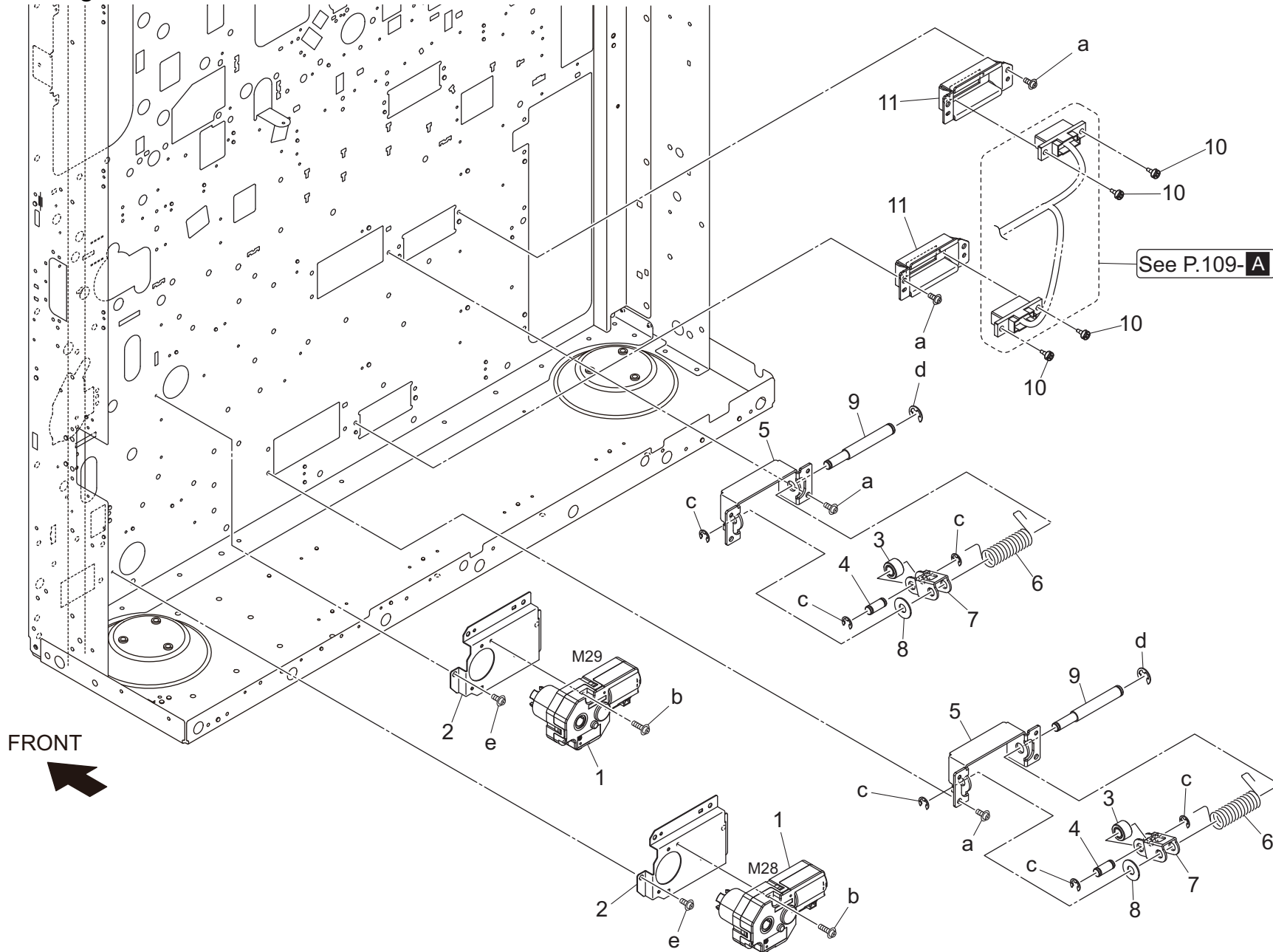
bizhub PRESS C71hc

# Paper Feed Driving Section

Key	Part No.	Description	Destinations	Class	QTY	Standard parts
1	A50UR70S11	Paper Feed Drive Assy	給紙駆動 A s s y	S	1	b-V121030403 c-V217040001 d-V500020100 e-V127030604 f-V234301850 g-V217060001
2	12QV40650	Spacer	スペーサー	B	2	
3	40AA32320	Toner Supply Spacer	トナー補給スペーサー	C	6	
5	A00V240600	Ball Bearing	ボールベアリング	B	10	
6	A2XKM10300	Brushless motor	ブラシレスモータ ( 3 0 W )	I	2	
7	A50U252300	Paper feed Gear /3 45T	給紙ギア /3 4 5 T	C	2	
8	A50U252400	Paper feed Gear /4 74T	給紙ギア /4 7 4 T	C	2	
9	A50U252500	Paper feed Gear /5 47/60T	給紙ギア /5 4 7 / 6 0 T	C	2	
10	A50U252600	Paper feed Gear /6 29T	給紙ギア /6 2 9 T	C	2	
11	A50U252800	Stopper Roll	突当てころ	D	1	
12	A50U252700	Paper feed Gear /2 35/41T	給紙ギア /2 3 5 / 4 1 T	C	2	
13	A50U252100	Paper feed Gear /1 46T	給紙ギア /1 4 6 T	C	3	

# Tray Driving Section

P 71



FRONT

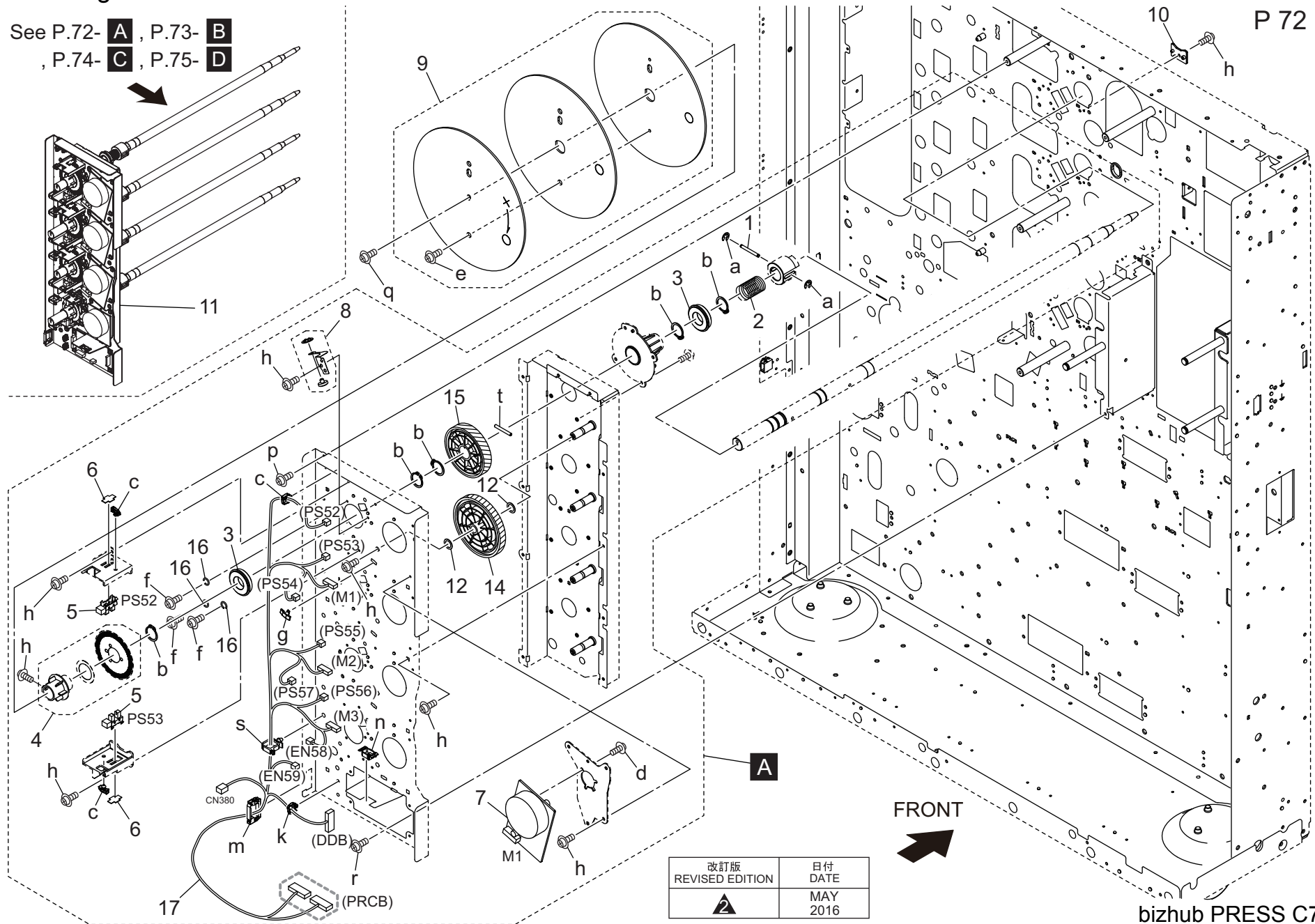


# Tray Driving Section

Key	Part No.	Description	Destinations	Class	QTY	Standard parts
1	A2X0M12101	Brush motor		B	2	a-V146040804 b-V118032003 c-V217060001 d-V217080050 e-V127030604
2	A50U629100	Mounting Plate		D	2	
3	067642581	TRAY LOCK PULLEY		C	2	
4	65AA47360	CASSETTE LOCKING SHAFT		D	2	
5	65AA47370	FULCRUM PLATE		D	2	
6	65AA47390	GUIDE SPRING		C	2	
7	65AA47710	LOCKING PLATE		D	2	
8	65AA47970	SPACER		C	2	
9	A50U109300	Support Shaft		D	2	
10	A50U109201	Mounting Screw		D	4	
11	A50U112901	Mounting Tray		D	2	

# Drum Driving Section

See P.72- **A** , P.73- **B**  
 , P.74- **C** , P.75- **D**



P 72

FRONT

改訂版 REVISED EDITION	日付 DATE
	MAY 2016

bizhub PRESS C71hc

Order here  
 8 (495) 646-0426  
 ПЯТЫЙ ПАРТНЕР www.km-shop.ru

# Drum Driving Section

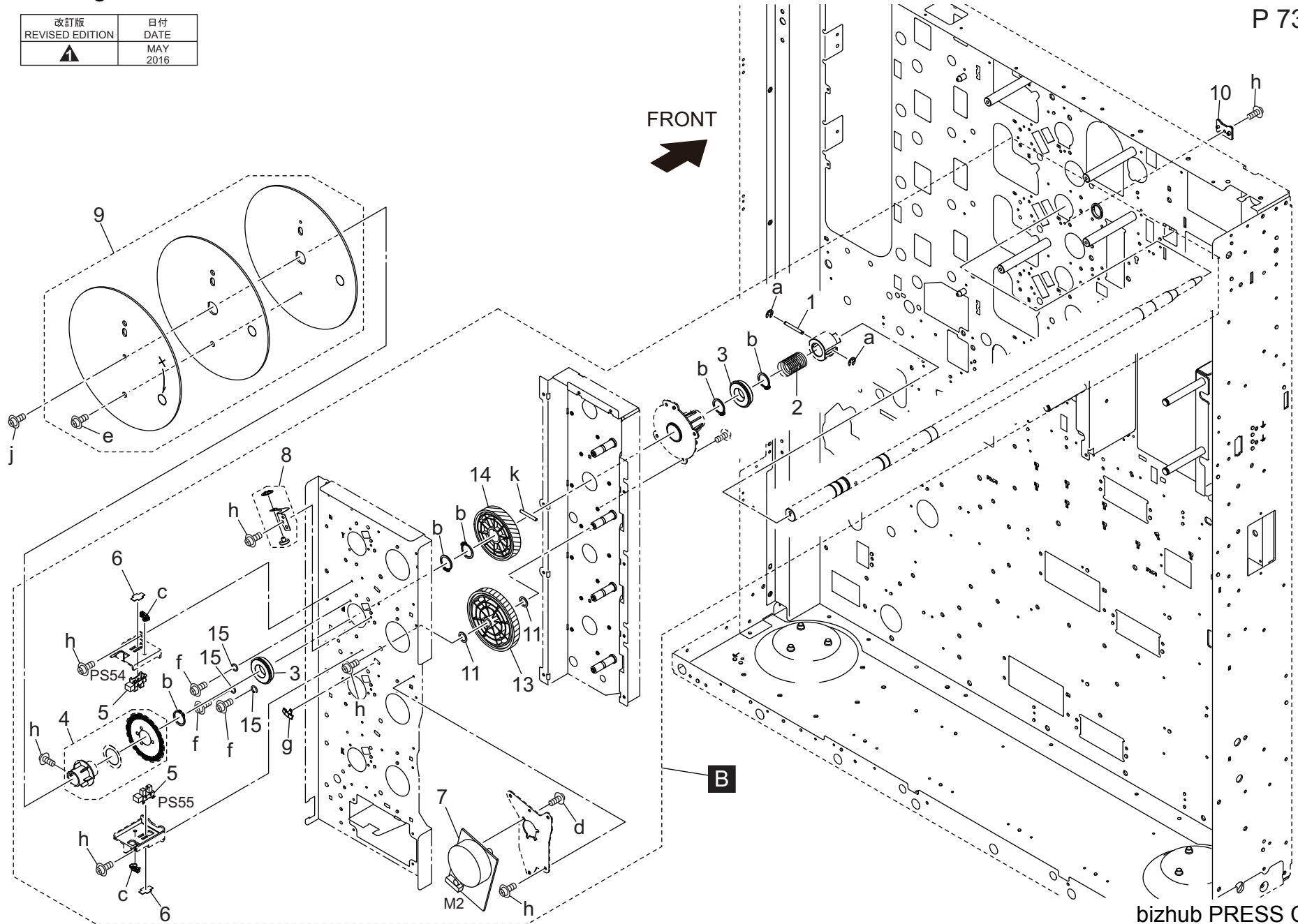
Key	Part No.	Description	Destinations	Class	QTY	Standard parts
1	65AA15210	COUPLING PIN		D	1	a-V217020001
2	A50U210600	Pressing Spring		D	1	b-V223150004
3	A50U212600	Ball Bearing /15		C	2	c-V500020099
4	A50UR71K00	Encoder / YMC		D	1	d-V118030403
5	A50UM55500	Photo Sensor		I	2	e-V116040803
6	4470402401	Stopper		D	2	f-V118030603
7	A50UM10201	DC Brushless motor /20		C	1	g-V500020103
8	A50UR72X01	Drum Ground Assy		D	1	h-V127030604
9	A50UF21100	Drum Drive Fly Wheel / Y M C		D	1	k-V500020098
10	A50U212100	Slide Part		D	1	m-V570010059
11	A50UR70N00	Drum Drive Assy		S	1	n-V570010063
12	12QV40650	Spacer		B	2	o-V127040603
14	A03U259600	Idling Gear 46/132T		C	1	q-V185041003
15	A03U259900	DRIVE GEAR 92T		C	1	r-V127040803
16	A1RF214100	Set Washer /1		D	3	s-V500010005
17	A50UN19005	Drive harness /1		D	1	t-V234302550

# Drum Driving Section

改訂版 REVISED EDITION	日付 DATE
	MAY 2016

P 73

FRONT



bizhub PRESS C71hc

# Drum Driving Section

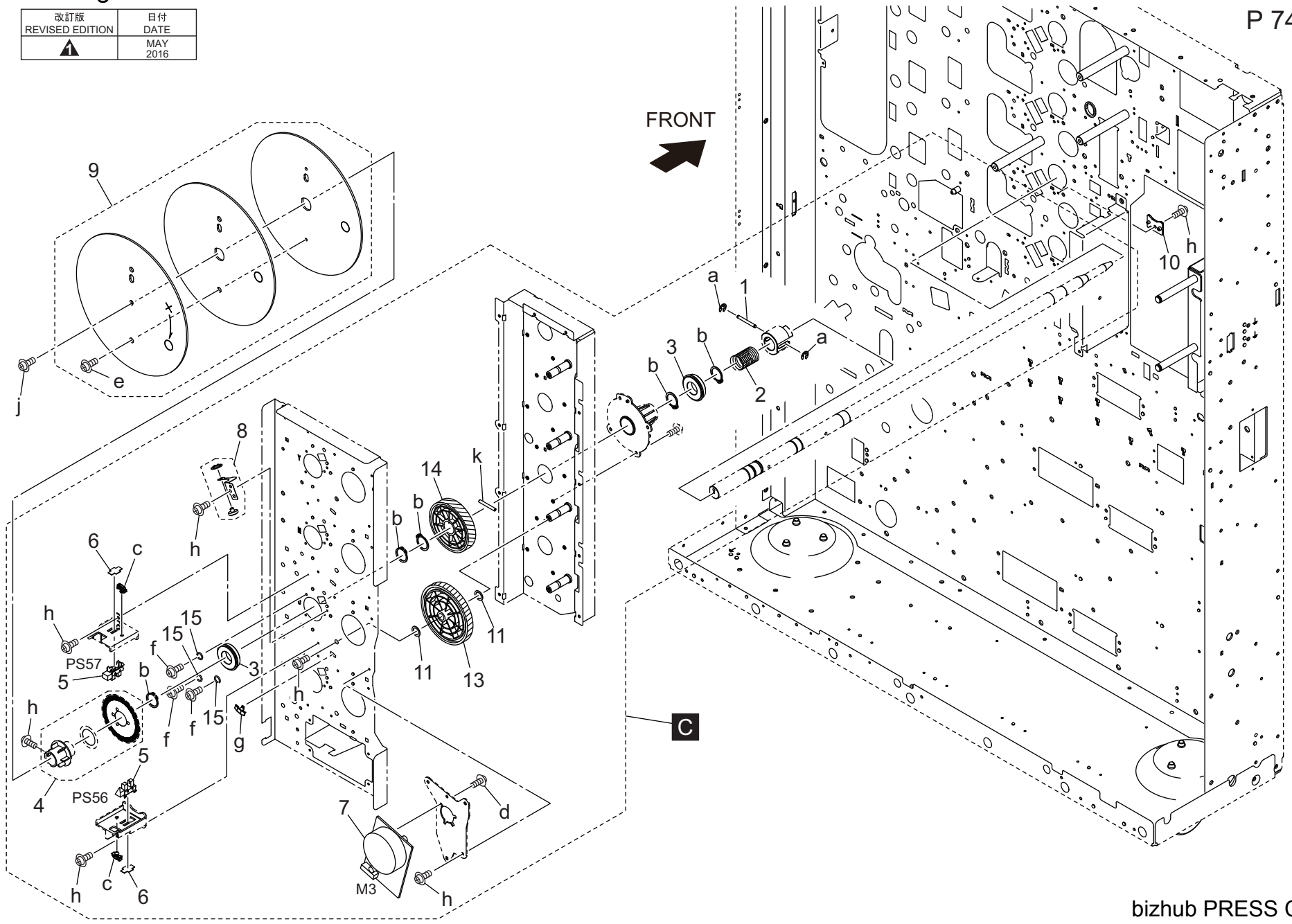
Key	Part No.	Description	Destinations	Class	QTY	Standard parts
1	65AA15210	COUPLING PIN		D	1	a-V217020001
2	A50U210600	Pressing Spring		D	1	b-V223150004
3	A50U212600	Ball Bearing /15		C	2	c-V500020099
4	A50UR71K00	Encoder / YMC		D	1	d-V118030403
5	A50UM55500	Photo Sensor		I	2	e-V116040803
6	4470402401	Stopper		D	2	f-V118030603
7	A50UM10201	DC Brushless motor /20		D	1	g-V500020103
8	A50UR72X01	Drum Ground Assy		C	1	h-V127030604
9	A50UF21100	Drum Drive Fly Wheel / Y M C		D	1	j-V185041003
10	A50U212100	Slide Part		D	1	k-V234302550
11	12QV40650	Spacer		B	2	
13	A03U259600	Idling Gear 46/132T		C	1	
14	A03U259900	DRIVE GEAR 92T		C	1	
15	A1RF214100	Set Washer /1		D	3	

# Drum Driving Section

改訂版 REVISED EDITION	日付 DATE
▲	MAY 2016

P 74

FRONT  
➔



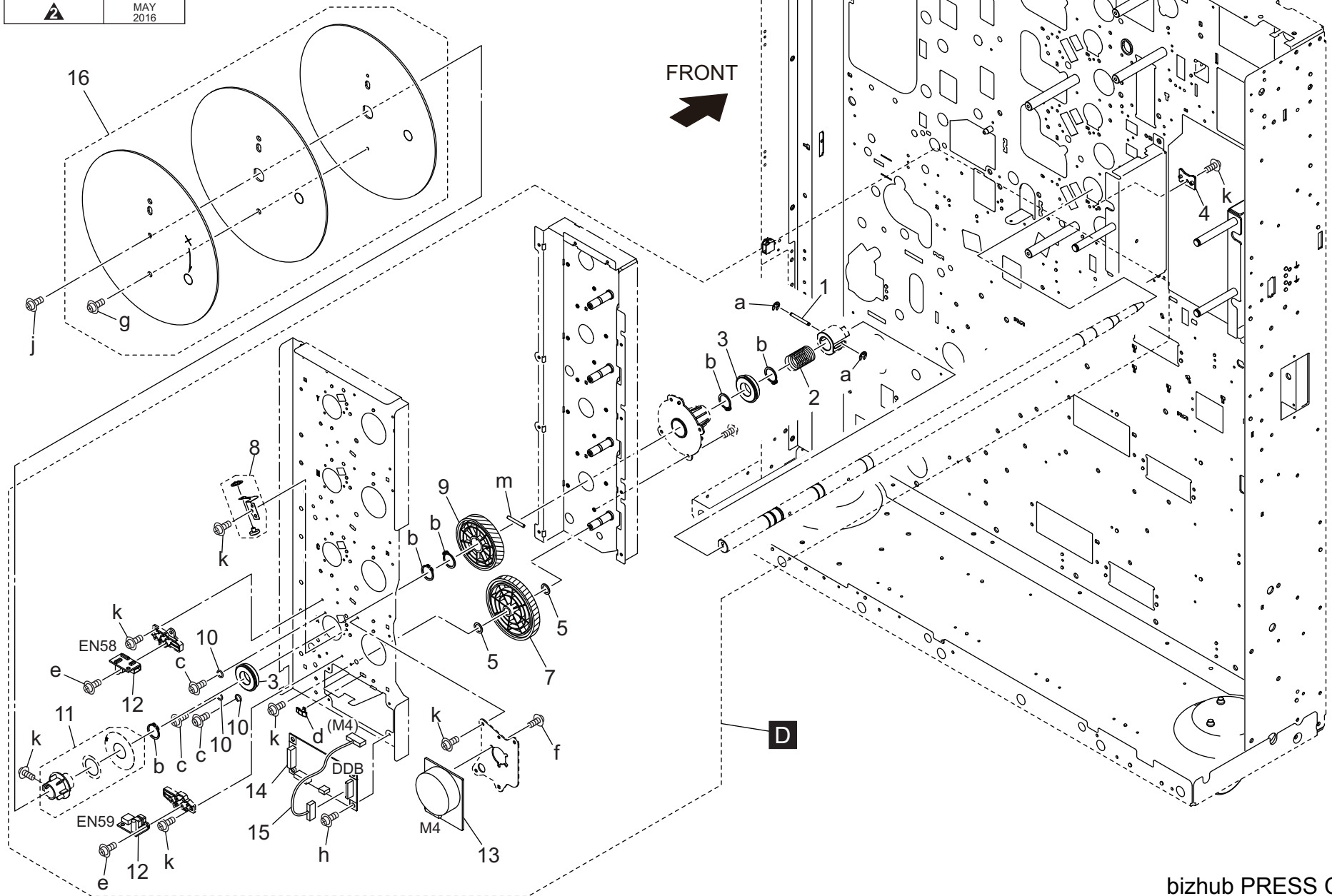
bizhub PRESS C71hc

Key	Part No.	Description	Destinations	Class	QTY	Standard parts
1	65AA15210	COUPLING PIN		D	1	a-V217020001
2	A50U210600	Pressing Spring		D	1	b-V223150004
3	A50U212600	Ball Bearing /15		C	2	c-V500020099
4	A50UR71K00	Encoder / YMC		D	1	d-V118030403
5	A50UM55500	Photo Sensor		I	2	e-V116040803
6	4470402401	Stopper		D	2	f-V118030603
7	A50UM10201	DC Brushless motor /20		D	2	g-V500020103
8	A50UR72X01	Drum Ground Assy		C	1	h-V127030604
9	A50UF21100	Drum Drive Fly Wheel / Y M C		D	1	j-V185041003
10	A50U212100	Slide Part		D	1	k-V234302550
11	12QV40650	Spacer		B	2	
13	A03U259600	Idling Gear 46/132T		C	1	
14	A03U259900	DRIVE GEAR 92T		C	1	
15	A1RF214100	Set Washer /1		D	3	

# Drum Driving Section

改訂版 REVISED EDITION	日付 DATE
	MAY 2016

P 75



bizhub PRESS C71hc

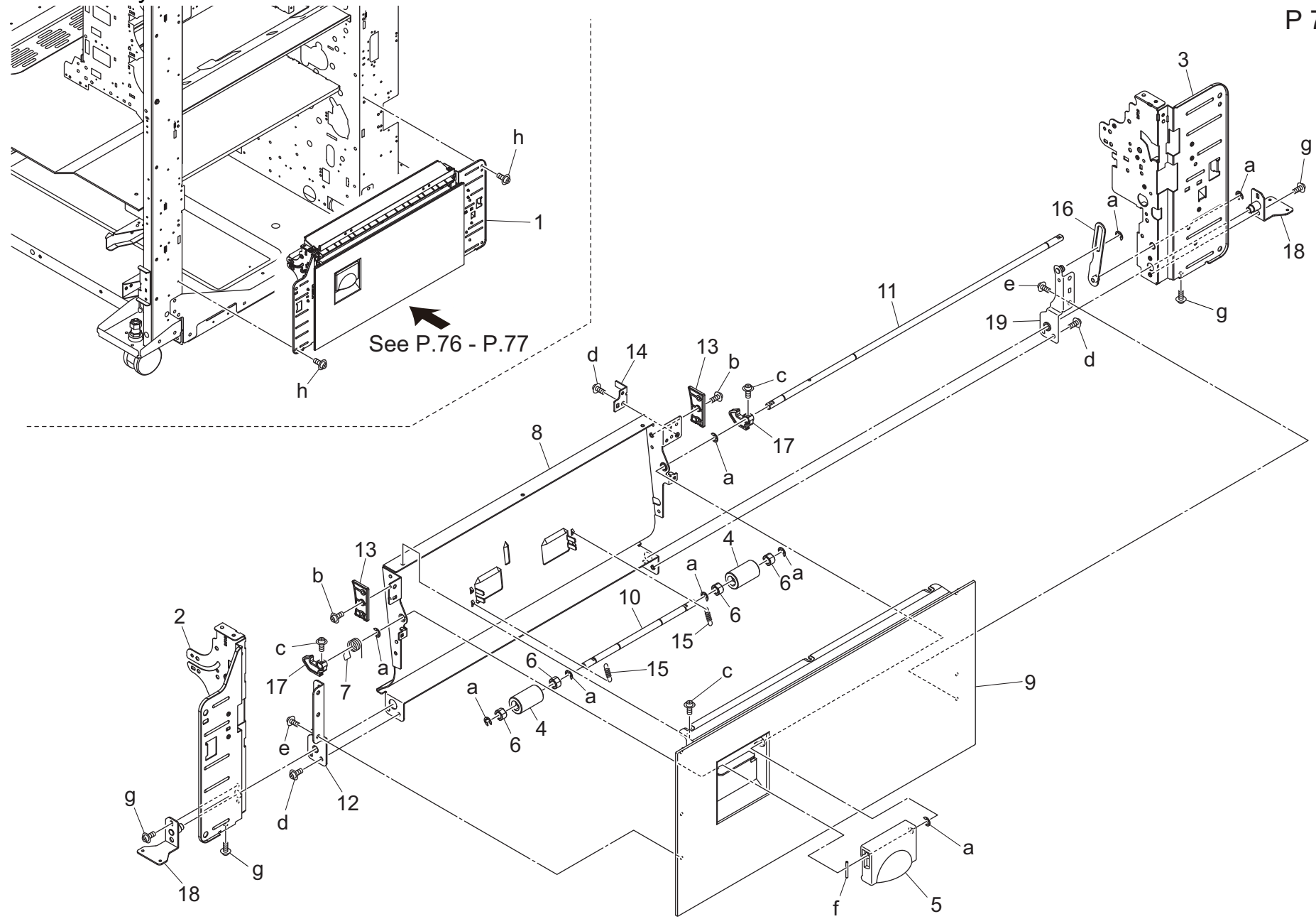


# Drum Driving Section

Key	Part No.	Description	Destinations	Class	QTY	Standard parts
1	65AA15210	COUPLING PIN		D	1	a-V217020001 b-V223150004 c-V118030603 d-V500020103 e-V149020603 f-V118030403 g-V116040803 h-V127030603 j-V185041003 k-V127030604 m-V234302550
2	A50U210600	Pressing Spring		D	1	
3	A50U212600	Ball Bearing /15		C	2	
4	A50U212100	Slide Part		D	1	
5	12QV40650	Spacer		B	2	
7	A03U259600	Idling Gear 46/132T		C	1	
8	A50UR72X01	Drum Ground Assy		D	1	
9	A03U259900	DRIVE GEAR 92T		C	1	
10	A1RF214100	Set Washer /1		D	3	
11	A50UR71M00	Encoder / K		D	1	
12	65AA-9091E	Sensor Board Assy		B	2	
13	A50UM10100	DC Brushless motor		C	1	
14	A50UH06001	Drum Drive Board Assy		I	1	
15	A50UN19101	Drive harness /K		D	1	
16	A50UR70Q00	Drum Drive Fly Wheel / K		D	1	

# Vertical Conveyance Section

P 76

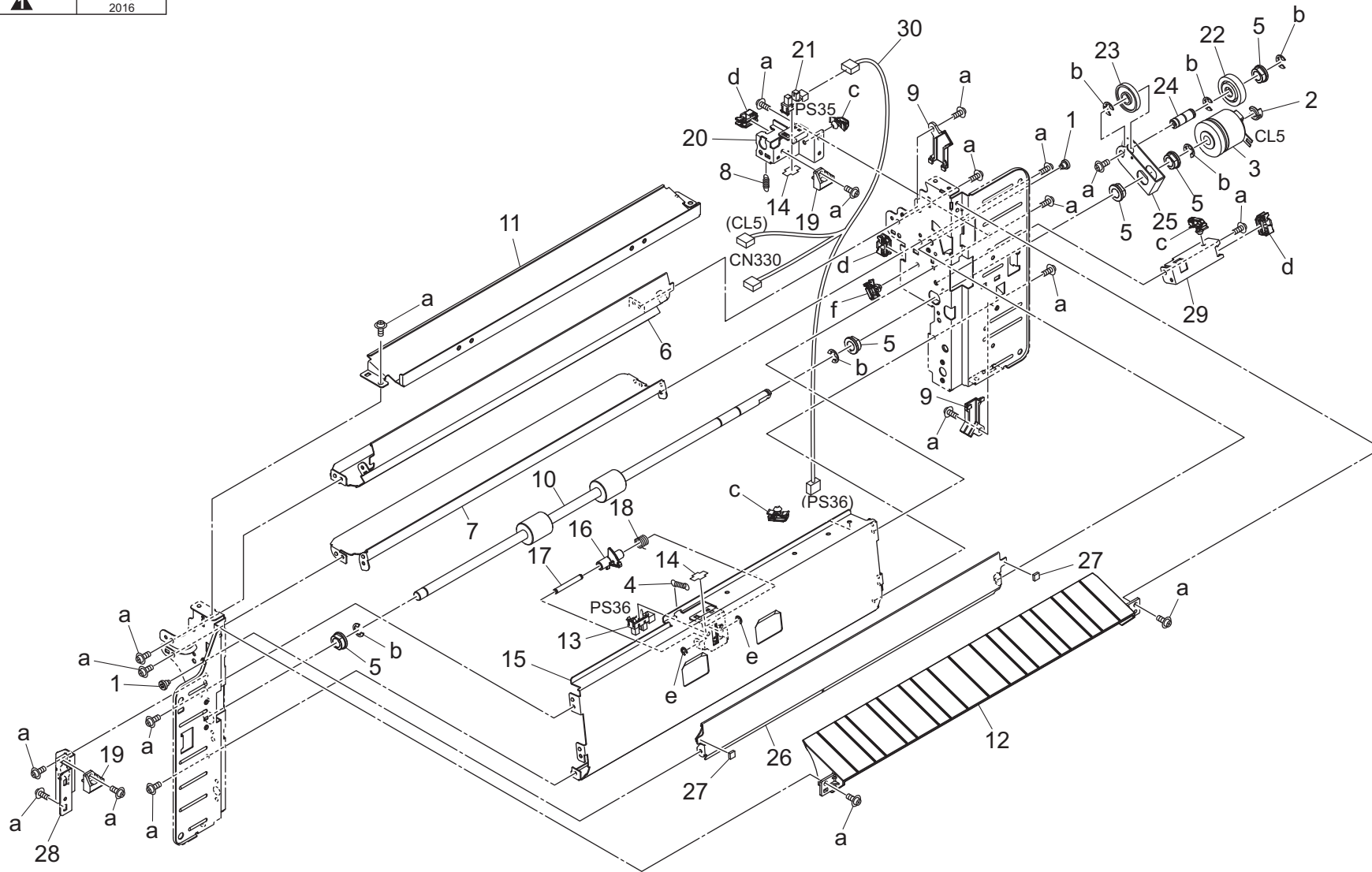


# Vertical Conveyance Section

Key	Part No.	Description	Destinations	Class	QTY	Standard parts
1	A50UR71B00	Vertical Conveyance Assy		S	1	a-V217040001 b-V112030603 c-V118030603 d-V127030604 e-V158030803 f-V234201850 g-V121030403 h-V127040603
2	A50U700901	Side plate /1		D	1	
3	A50U701113	Side plate /2		D	1	
4	26NA42560	By-Pass Idler Roller		C	2	
5	A03U700202	Conveyance Handle		C	1	
6	A03U850101	Slide Bushing		C	4	
7	A1RF701700	Lock Spring /Front		D	1	
8	A50U700101	Guide Plate Outside		D	1	
9	A50U701303	Cover Door		D	1	
10	A50U705100	Idler Shaft		D	1	
11	A50U705200	Open/close Shaft		D	1	
12	A50U705701	Support Plate /3		D	1	
13	A50U706000	Regulating Plate /Front		D	2	
14	A50U706900	Detecting Plate		D	1	
15	A50U707600	Idler Spring		D	2	
16	A50UF70900	Connecting Plate Caulking		D	1	
17	A55C712000	Lock Claw		D	2	
18	A50UF70800	Support Plate / 1 Caulking		D	2	
19	A50UR73100	Support Plate /2 Caulking		D	1	

# Vertical Conveyance Section

改訂版 REVISED EDITION	日付 DATE
	MARCH 2016



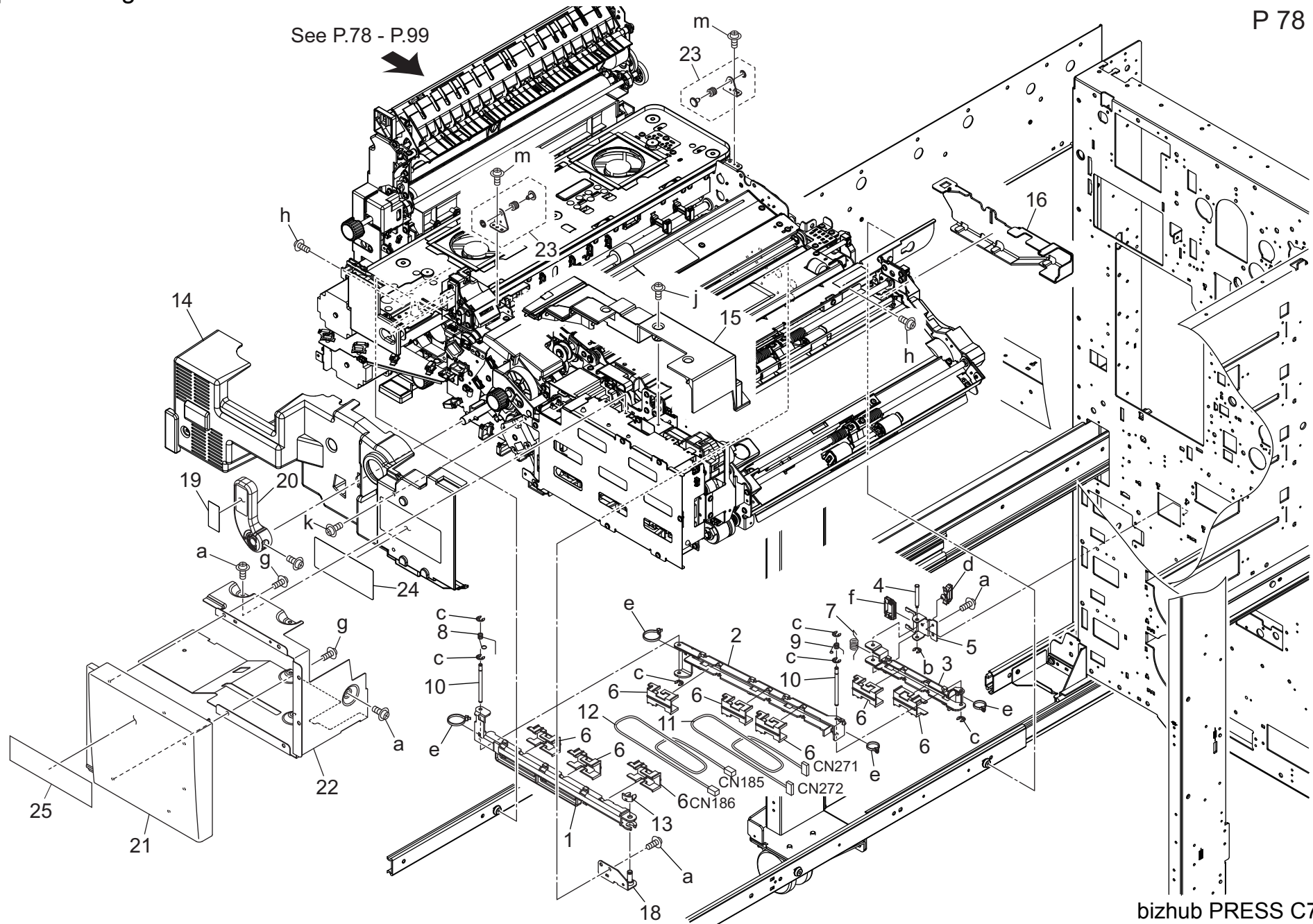
Key	Part No.	Description	Destinations	Class	QTY	Standard parts
1	55VA20680	SEPARATION POSITIONING SCREW		C	2	a-V127030604 b-V217060001 c-V500020099 d-V570010056 e-V217030001 f-V500020098
2	55VA42120	Shaft Stopper		C	1	
3	56AA82012	Paper Feed Drive Clutch		B	1	
4	65AA44440	OPEN SHUT SPRING		C	1	
5	A03U812800	Slide Shaft Holder		B	5	
6	A50U700300	Guide Plate /Upper		D	1	
7	A50U700500	Guide Plate /Inside		D	1	
8	A50U700600	Positioning Spring		D	1	
9	A50U701000	Support Plate		D	2	
10	A50U704400	Conveyance Roller /1		C	1	
11	A50U704801	Guide Plate /2		D	1	
12	A50U707300	Guide Plate		D	1	
13	A50UM55500	Photo Sensor		I	1	
14	4470402401	Stopper		D	2	
15	A50U704700	Guide Plate /Middle		D	1	
16	A50U705500	Detection Actuator		D	1	
17	A50U705600	Support Shaft		D	1	
18	A50U707400	Pressing Spring /1		D	1	
19	65AA44200	LOCKING PLATE		C	2	
20	A50U705000	Mounting Plate /Rear		D	1	
21	A50UM51000	Photointerrupter		C	1	
22	25AA77730	CONVEYANCE IDLER RIGHT 24T		C	1	
23	65AA44350	STOPPER ROLLER		C	1	
24	A50U700200	Idling Shaft		D	1	
25	A50U700400	Rotation Plate		D	1	
26	A50U704900	Open/shut Plate		D	1	
27	A50U706800	Cushion		D	2	
28	A50U705400	Fixing Plate /1		D	1	
29	A50U707001	Lock Plate		D	1	
30	A50UN14400	Conveyance Wiring /1		D	1	



# Duplex Carriage Section

See P.78 - P.99

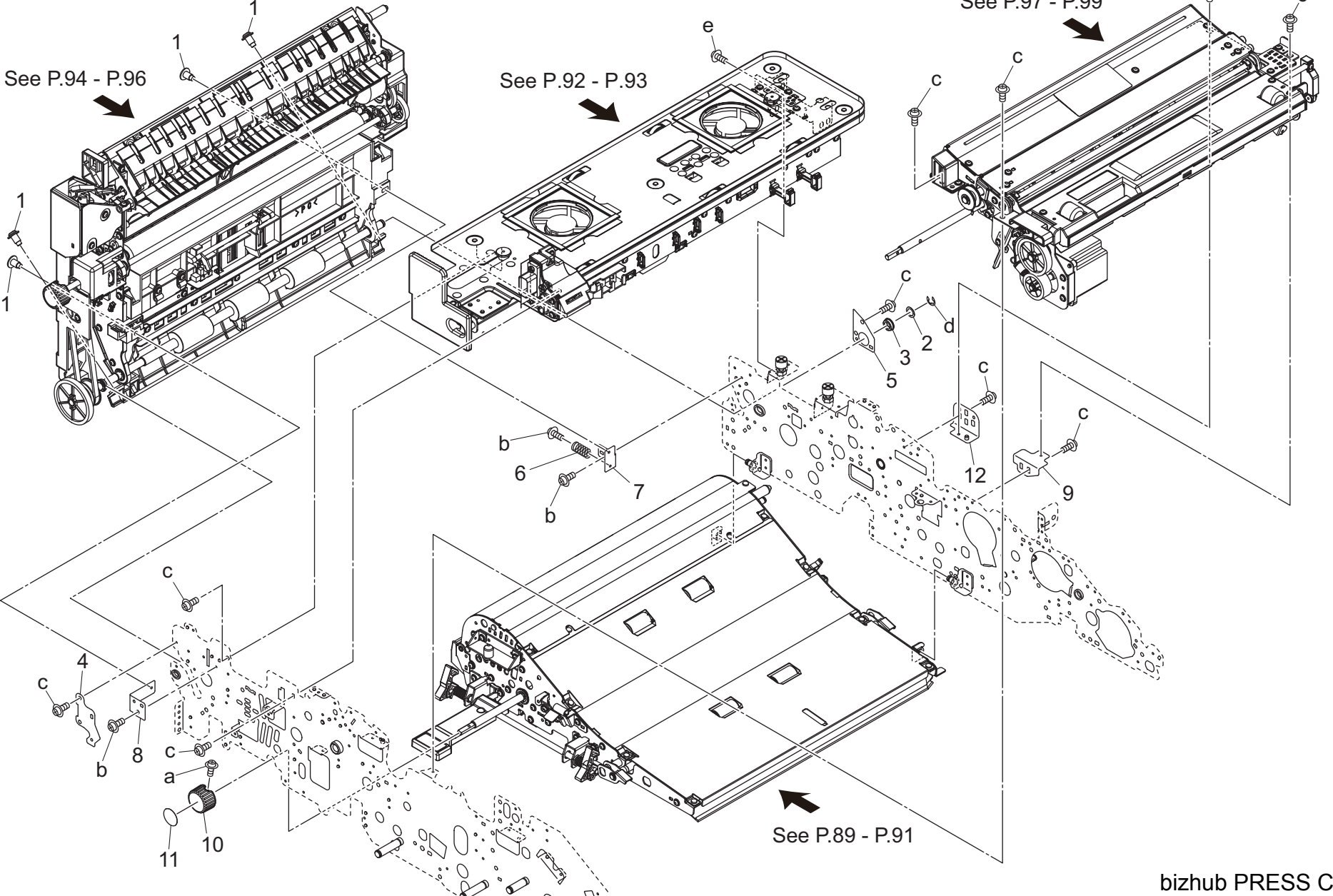
P 78



bizhub PRESS C71hc

Key	Part No.	Description	Destinations	Class	QTY	Standard parts
1	A50U818700	Wiring Guide /Front		D	1	a-V127030604
2	A50U818800	Wiring Guide /Middle		D	1	b-V217020001
3	A50U818900	Wiring Guide /Rear		D	1	c-V217030001
4	A50U819201	Support Shaft /Rear		D	1	d-V500020100
5	A50U819302	Support Plate /Rear		D	1	e-V501010002
6	A50U832901	Wiring Cover		D	8	f-V570010059
7	A50U835001	Torsion Coil spring		D	1	g-V151030803
8	A50U858300	Ground Spring /2		D	1	h-V118040603
9	A50U858400	Ground Spring /1		D	1	j-V127030604
10	A50U858500	Support Shaft /Middle		D	2	k-V127030804
11	A50UN15500	ADU Relay harness /3	A D U 中継束線 /3	D	1	m-V121030403
12	A50UN18700	ADU Relay harness /6	A D U 中継束線 /6	D	1	
13	56AA40490	SHAFT STOPPER 4	軸ストッパ 4	C	1	
14	A50U837001	Cover Part /1	カバー材 /1	D	1	
15	A50U837101	Cover Part /2	カバー材 /2	D	1	
16	A50U858200	Cover Cover	カバー蓋	D	1	
18	A50UR72S00	Support Plate / Front Caulking	支点板 /前カシメ	D	1	
19	A1RF943100	Release Label /1	解除ラベル /1	D	1	
20	A50U855702	Pulling Lever	引張りレバー ( A D U 架台)	D	1	
21	A50U160401	Duplex Cover	両面カバー	D	1	
22	A50U837300	Cover Part /3	カバー材 /3	D	1	
23	A50UR70G01	2nd Transfer Earth Plate Assy	2 次転写アース板 A s s y	B	2	
24	A50U944200	Processing Label /1	処理ラベル /1	D	1	
25	A7V0947000	Indicating Label /C71hc	表示ラベル / C 7 1 h c	D	1	

# Duplex Carriage Section



bizhub PRESS C71hc

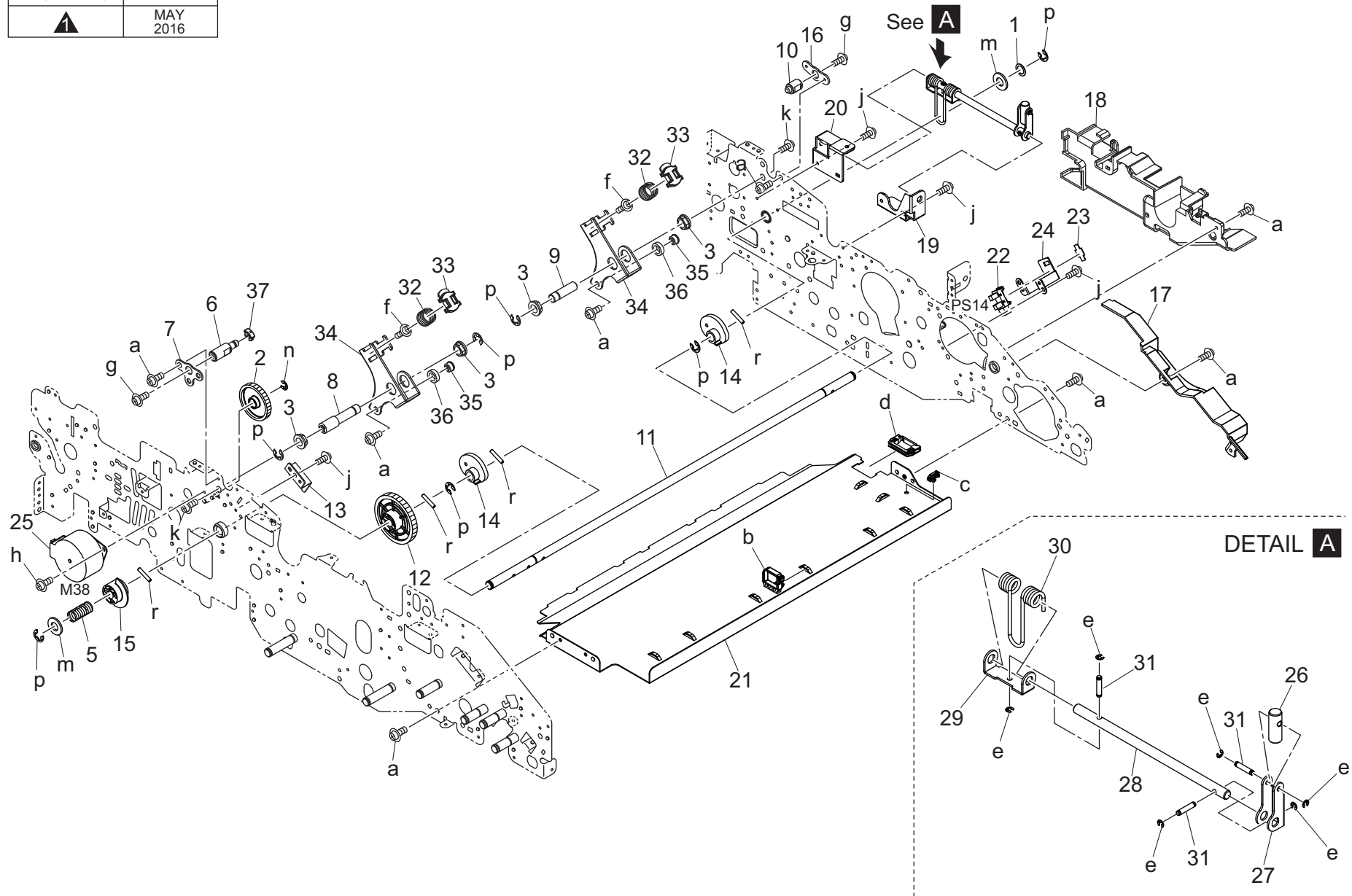


# Duplex Carriage Section

Key	Part No.	Description	Destinations	Class	QTY	Standard parts
1	26NA54230	TERMINAL FIXING SCREW		C	4	a-V118030603 b-V121030403 c-V127030604 d-V217060001 e-V127040803
2	56AA42690	BY-PASS SPACER		C	1	
3	A00J617900	Ball Bearing		B	1	
4	A50U819500	Connecting Plate		D	1	
5	A50U839900	Connecting Plate		D	1	
6	A50U842900	Conveyance Spring /5		D	1	
7	A50U882701	Reverse/Exit Joint /Rear		D	1	
8	A50U882801	Reverse/Exit Joint /Front		D	1	
9	A50U884202	Registration Base frame /2		D	1	
10	14GE45470	Rotation Knob		C	1	
11	A1RF944100	Release Label /11		D	1	
12	A50UF83702	Registration Base Frame / 1 Caulking		D	1	

# Duplex Section

改訂版 REVISED EDITION	日付 DATE
	MAY 2016




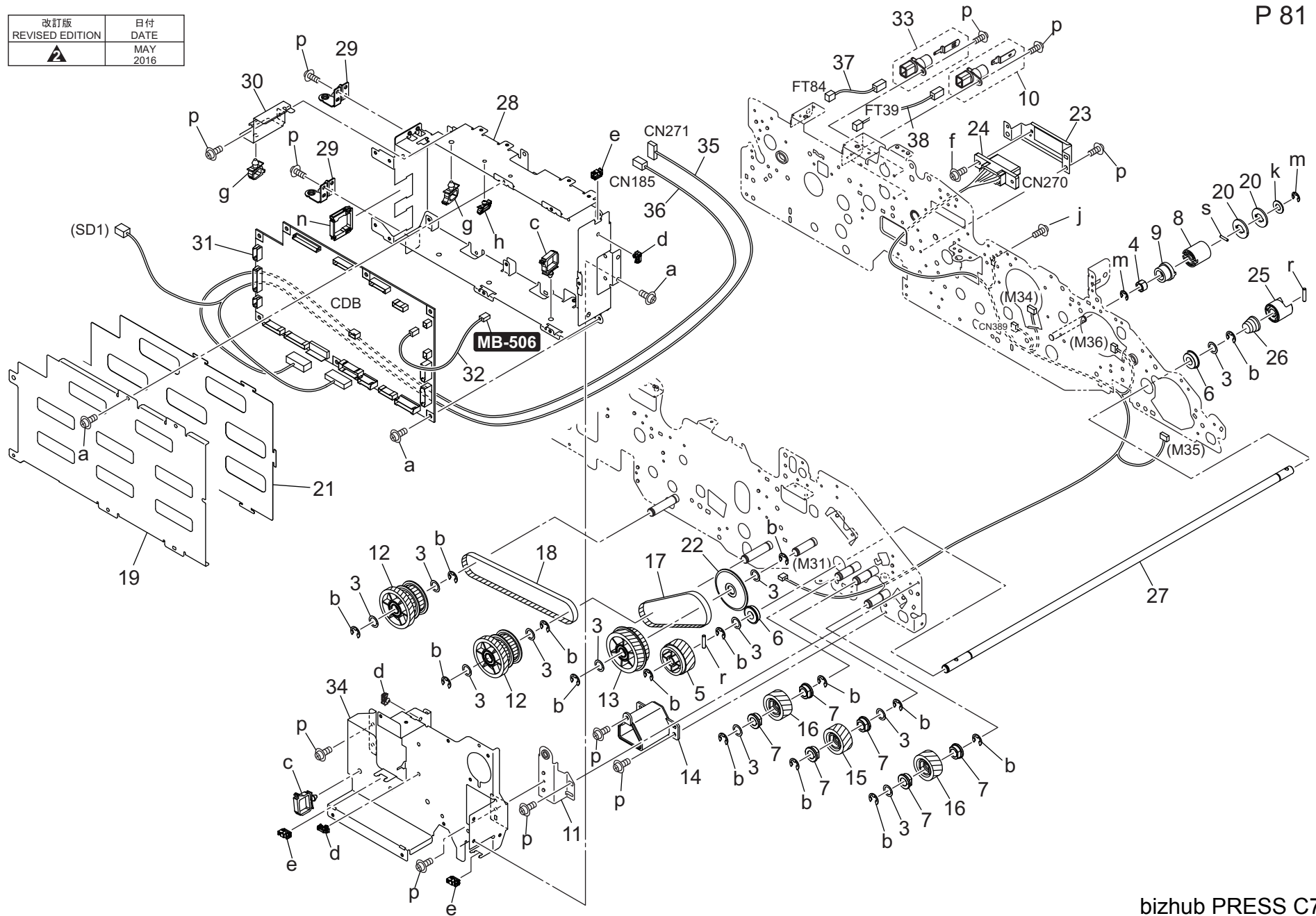
bizhub PRESS C71hc

Key	Part No.	Description	Destinations	Class	QTY	Standard parts
1	12QV40650	Spacer		B	1	a-V127030604
2	40AA77550	Mirror Drive Gear /2 14/70T		C	1	b-V500010079
3	4131353202	BUSHING		C	4	c-V500020099
5	65AA45230	CAM PULLING SPRING		C	1	d-V570010059
6	A50U520601	Support Shaft /Front		D	1	e-V217020001
7	A50U520700	Adjusting Plate /Front		D	1	f-V121040403
8	A50U521101	Pressing Shaft /Front		D	1	g-V116050803
9	A50U521200	Pressing Shaft /Rear		D	1	h-V118030403
10	A50U521301	Support Shaft /Rear		D	1	j-V121030403
11	A50U521500	Drive Shaft		D	1	k-V127040803
12	A50U521900	Pressure Gear /3 47T		C	1	m-V207080003
13	A50U522400	Holding Plate		D	1	n-V217040001
14	A50U522500	Transfer Cam		D	2	p-V217060001
15	A50U524500	Transfer Actuator		D	1	r-V234301650
16	A50U524600	Adjusting Plate /Rear		D	1	
17	A50U834802	Cover Side plate /Right rear		D	1	
18	A50U858101	Cover Box		D	1	
19	A50U884600	Support Plate /1		D	1	
20	A50U884700	Support Plate /2		D	1	
21	A50U817001	Reinforce Stay /Lower		D	1	
22	A50UM55500	Photo Sensor		I	1	
23	4470402401	Stopper		D	1	
24	A50U855800	Drive Side plate /2		D	1	
25	A50UR72C00	Drive Motor / 1 Assy		C	1	
26	A50U522900	Rotation Shaft		D	1	
27	A50U523001	Release Arm		D	1	
28	A50U523100	Support Shaft		D	1	
29	A50U523200	Rotation Cover		D	1	
30	A50U523400	Torsion Coil spring		D	1	
31	A50U524700	Support Shaft		D	3	
32	A50U520401	Pressing Spring		D	2	
33	A50U520900	Pressing Cover		D	2	
34	A50U522001	Rotation Arm		D	2	
35	A50U524100	Receiving Shaft		D	2	
36	A50U716500	Ball Bearing		C	2	
37	56AA40490	SHAFT STOPPER 4		C	1	

# Duplex Section

P 81

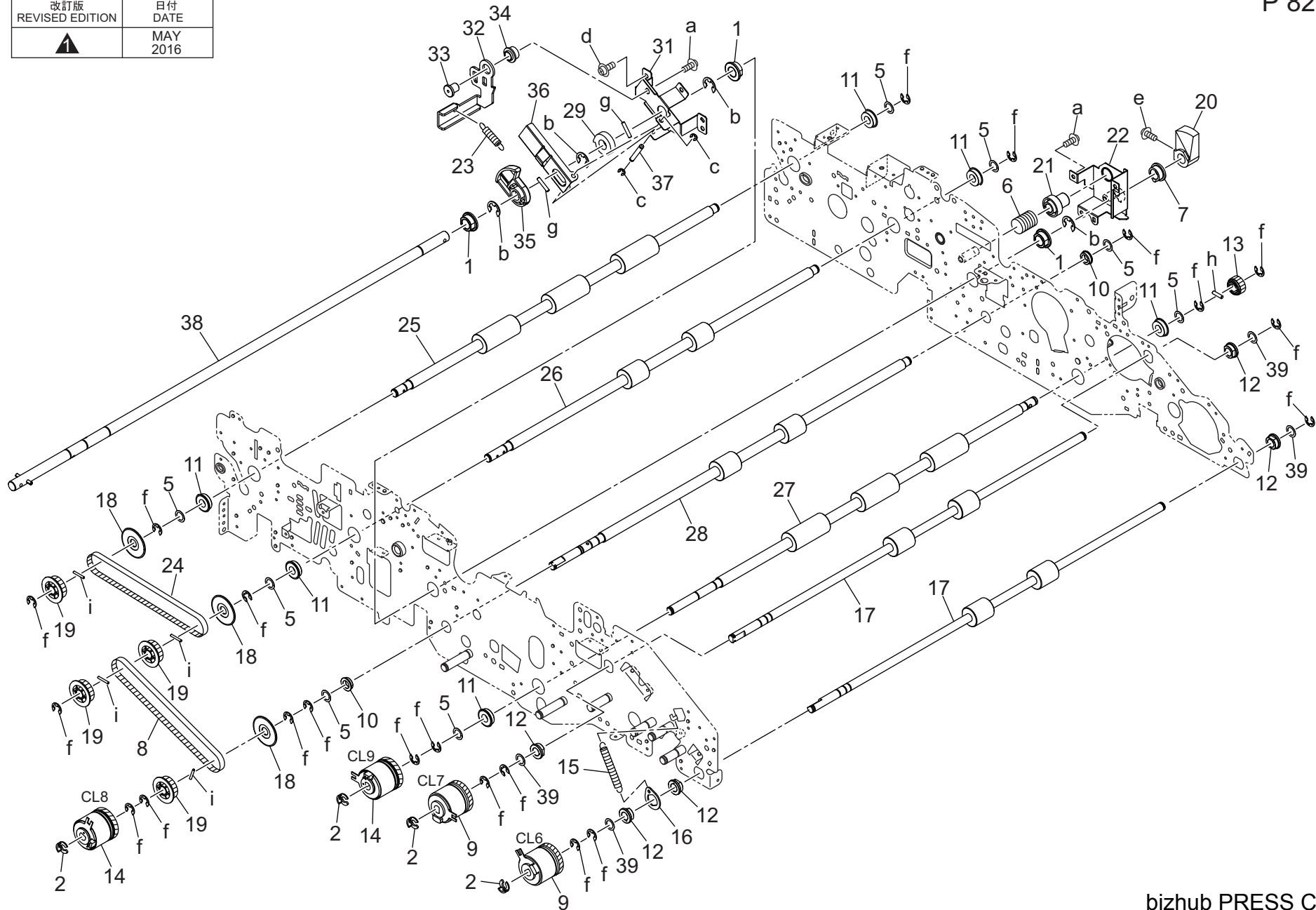
改訂版 REVISED EDITION	日付 DATE
	MAY 2016



Key	Part No.	Description	Destinations	Class	QTY	Standard parts
3	56AA42690	BY-PASS SPACER		C	11	a-V127030603
4	56GA76010	SLIDE SHAFT HOLDER 2		C	1	b-V217060001
5	65AA77540	PAPER FEED GEAR 2 29T		C	1	c-V500010084
6	A00V240600	Ball Bearing		B	2	d-V500020099
7	A03U812800	Slide Shaft Holder		B	6	e-V570010056
8	A03U815700	Torque Limiter		B	1	f-V127030803
9	A03U839000	BRAKE GEAR /1 21T		C	1	g-V500010082
10	A1DUR73K00	Powering Block A Assy		C	1	h-V500020100
11	A50U816103	Positioning Side plate /Right		C	1	j-V116030603
12	A50U818000	Drive Gear /1 38/29/29T		D	1	k-V207060003
13	A50U818100	Drive Gear /1 39T		C	2	m-V217050001
14	A50U835400	Guide Part /Front		C	1	n-V570010058
15	A50U836400	Conveyance Idler /Right		D	1	p-V127030604
16	A50U836500	Conveyance Idler /Right		D	2	r-V234301450
17	A50U839100	Belt /4 243L		D	1	s-V234201050
18	A50U839200	Belt /3 342L		C	1	
19	A50U855900	Cover Board /Left Front		D	1	
20	A50U858600	Stopper Plate		D	2	
21	A50U880701	Packing Board /Front		D	1	
22	A50U885100	Drive Spacer		D	1	
23	A50U817400	Mounting Side plate /1		D	1	
24	A50UN15001	ADU Drive harness /1		D	1	
25	55VA15541	CLEANER COUPLING PART		C	1	
26	56AA17090	Pressing Spring		C	1	
27	A50U812100	Drive Input Shaft		D	1	
28	A50U810502	Mounting Board /1		D	1	
29	A50U835900	Support Plate		D	2	
30	A50U836000	Cover		D	1	
31	A50UH05004	Conveyance Drive board ASSY		I	1	
32	A50UN17200	ADU Drive harness /7		D	1	
33	A50UF82200	Power Supply Block / B ASSY		D	1	
34	A50U835301	Mounting Board /2		D	1	
35	A50UN15601	ADU Control harness /1		D	1	
36	A50UN18801	ADU Control harness /2		D	1	
37	A50UN25400	HV Relay harness /5		D	1	
38	A50UN25600	HV Relay harness /6		D	1	

# Duplex Section

改訂版 REVISED EDITION	日付 DATE
	MAY 2016

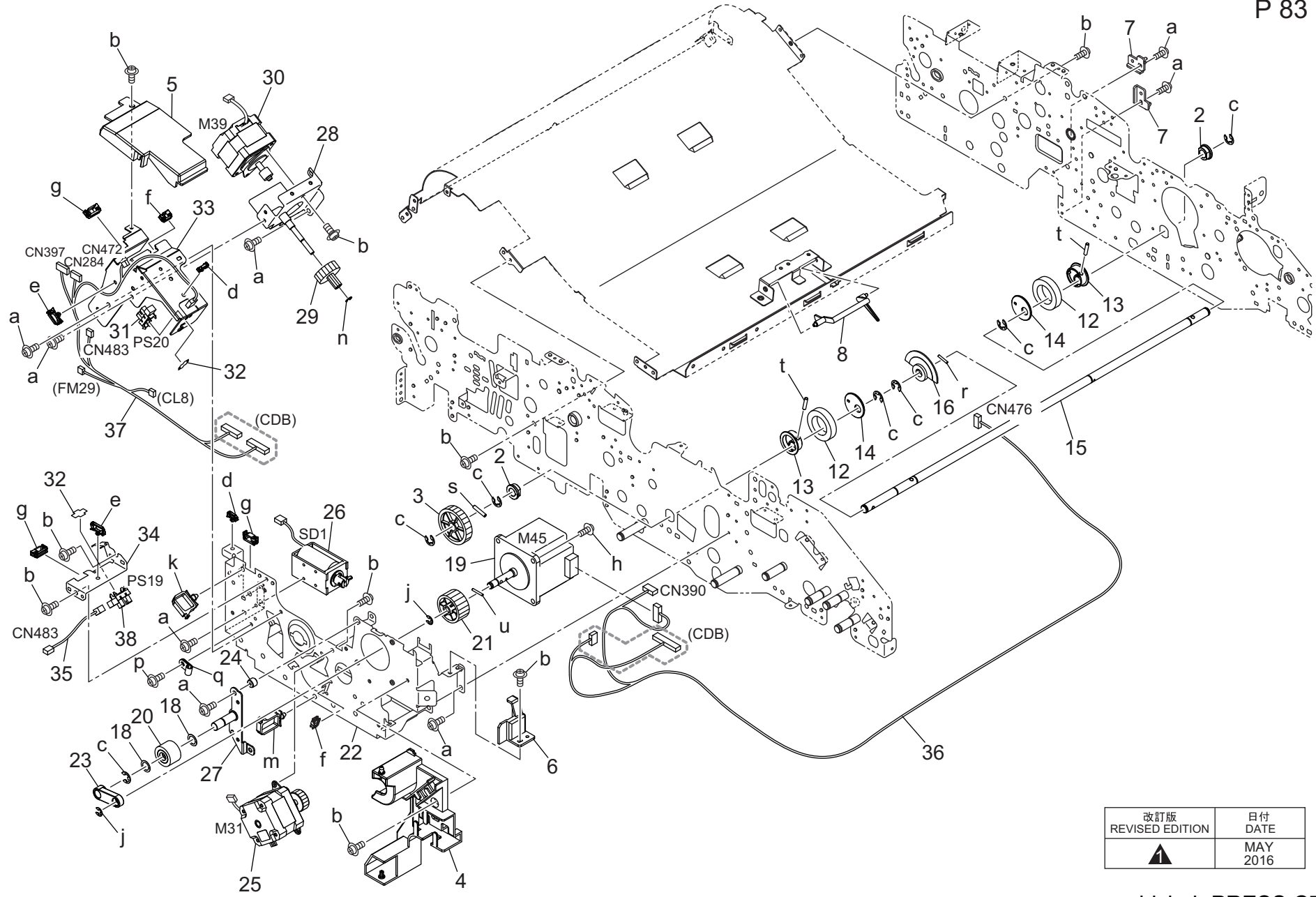


bizhub PRESS C71hc

Key	Part No.	Description	Destinations	Class	QTY	Standard parts
1	462076010	Driving Slide Shaft Holder A	駆動滑り軸受 A	C	3	a-V127030604
2	55VA42120	Shaft Stopper	軸ストッパー	C	4	b-V217080001
5	56AA42690	BY-PASS SPACER	手差しスペーサー	C	8	c-V217030001
6	56AA50670	Cam Stopper Spring	カムストップバネ	C	1	d-V121030403
7	56AA50800	LEVER SUPPORT SHAFT HOLDER	レバー支持軸受	C	1	e-V121041203
8	56AA77530	Paper Feed Drive Belt /1 336L	給紙駆動ベルト /1 336 L	C	1	f-V217060001
9	56AA82012	Paper Feed Drive Clutch	給紙駆動クラッチ	B	2	g-V234301650
10	A00J617900	Ball Bearing	ボールベアリング	B	2	h-V234301250
11	A00V240600	Ball Bearing	ボールベアリング	B	6	i-V234201450
12	A03U812800	Slide Shaft Holder	すべり軸受	B	5	
13	A03U838900	Brake Gear /2 24T	ブレーキギア /2 24 T	C	1	
14	A03UM20100	Clutch /1	クラッチ /1	B	2	
15	A03X565001	Swing Spring	首振りばね	C	1	
16	A1RG681400	Brake Plate /8	ブレーキ板 /8	D	1	
17	A50U812202	ADU Conveying Roller /Right	A D U 搬送ローラ /右	C	2	
18	A50U817300	Holding Collar	押さえカラー	D	3	
19	A50U818501	Pulley /2	プーリ /2	D	4	
20	A50U830200	Positioning Part /Rear	位置決め部材 /奥	D	1	
21	A50U830300	Regulating Part /Rear	規制部材 /奥	D	1	
22	A50U830400	Hold Plate /Assy	保持板 / A s s y	D	1	
23	A50U831900	Pulling Spring	引張りばね ( ロックレバー)	D	1	
24	A50U839200	Belt /3 342L	ベルト /3 342 L	C	1	
25	A50U849100	Roller /1	ローラ /1	C	1	
26	A50U849200	Roller /2	ローラ /2	C	1	
27	A50U859000	Roller	ローラ	C	1	
28	A50U859400	Roller /3	ローラ /3	C	1	
29	25AA47500	Carriage Lock Claw B	架台ロック爪 B	C	1	
31	A50U830500	Reinforce Plate /1	補強板 /1	D	1	
32	A50U830600	Lock Plate	ロック板	D	1	
33	A50U830700	Support Shaft	支持軸	D	1	
34	A50U830800	Lock Bushing	ロックすべり軸受	D	1	
35	A50U831000	Release Cam	解除カム	D	1	
36	A50U831100	Release Plate	解除板	D	1	
37	A50U831200	Release Shaft /1	解除軸 /1	D	1	
38	A50UR72E00	Release Shaft Pin Assy	解除軸ピン A s s y	D	1	
39	12QV40650	Spacer	スペーサー	B	4	

# Duplex Section

P 83



改訂版 REVISED EDITION	日付 DATE
▲	MAY 2016

bizhub PRESS C71hc

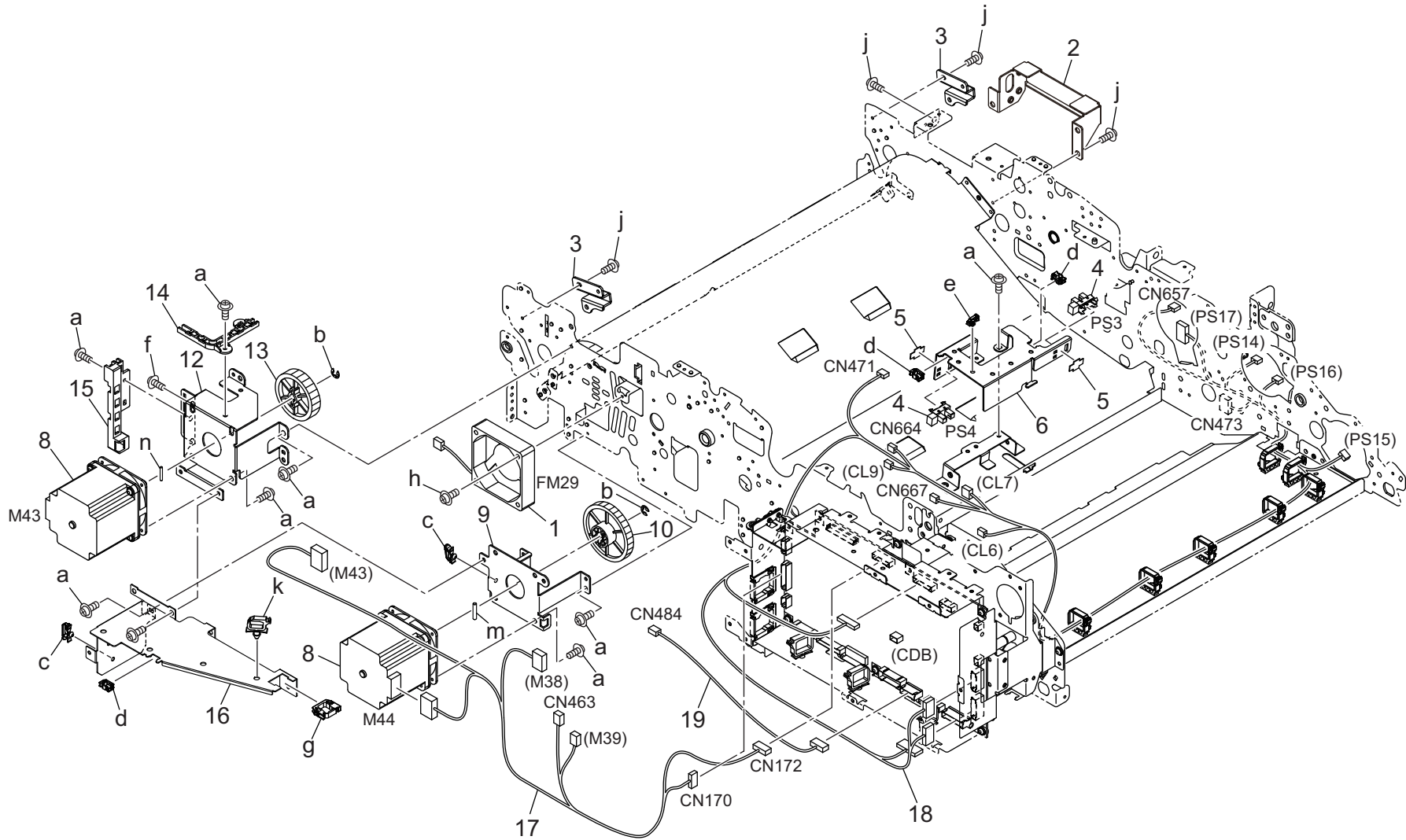
Order here  
8 (495) 646-0426  
ПЯТЫЙ ПАРТНЕР www.km-shop.ru



Key	Part No.	Description	Destinations	Class	QTY	Standard parts
2	A03U812800	Slide Shaft Holder		B	2	a-V121030403
3	A50U713900	Registration Gear /2 48T		C	1	b-V127030604
4	A50U835601	Drive Cover		D	1	c-V217060001
5	A50U836100	Cover		D	1	d-V500020099
6	A50U882300	Protection Cover		D	1	e-V500020100
7	A50U883501	Protection Plate		D	2	f-V570010056
8	65AA51730	ADU 2		C	1	g-V570010057
12	A0TK341300	Ball Bearing /Rear		C	2	h-V127030803
13	A50U714800	Pressure Cam		D	2	j-V217040001
14	A50U714900	Spacer		D	2	k-V500010084
15	A50U715100	Pressure Shaft /2		D	1	m-V500010013
16	A50U715200	Pressure Actuator		D	1	n-V217030001
18	56AA42690	BY-PASS SPACER		C	2	p-V116030603
19	65AA80112	HB Motor /50		B	1	q-V500020069
20	A50U713700	Registration Idler /1		B	1	r-V234201250
21	A50U713800	Registration Gear /1 56T		C	1	s-V500010084
22	A50U715002	Mounting Lever /1		D	1	t-V234301650
23	A50U882600	Registration ring /Front		D	1	u-V234201450
24	A50U883300	Idling Shaft /1		D	1	
25	A50UR72F00	Motor Assy		C	1	
26	A50UR72G00	ADU Connecting Solenoid Pin Assy		C	1	
27	A50UF81401	Adjusting Plate Caulking		D	1	
28	A50U713300	Swing Side plate /Assy		D	1	
29	A50U713500	Swing Gear /1 18/51T		C	1	
30	A50UR72H00	Stepping Motor / 3 Assy		C	1	
31	08AA85512	Photo Sensor		B	1	
32	4470402401	Stopper		D	2	
33	A50U713401	Swing Side plate /2		D	1	
34	A50U819700	Cover		D	1	
35	A50UN18900	ADU Detection harness /14		D	1	
36	A50UN16500	ADU Drive harness /6		D	1	
37	A50UN18201	ADU Drive harness /12		D	1	
38	A50UM55500	Photo Sensor		I	1	

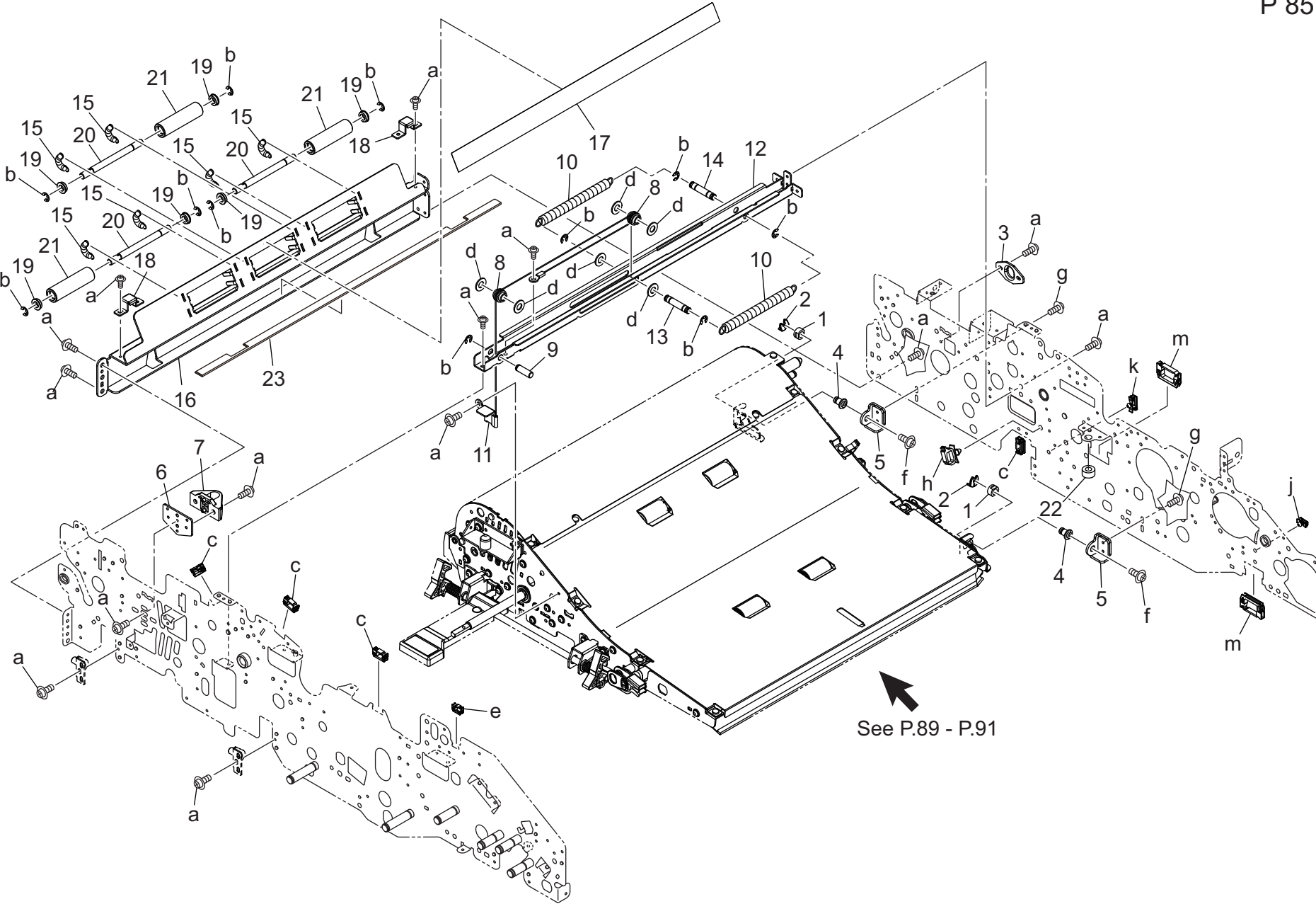
# Duplex Section

改訂版 REVISED EDITION	日付 DATE
	MAY 2016






Duplex Section

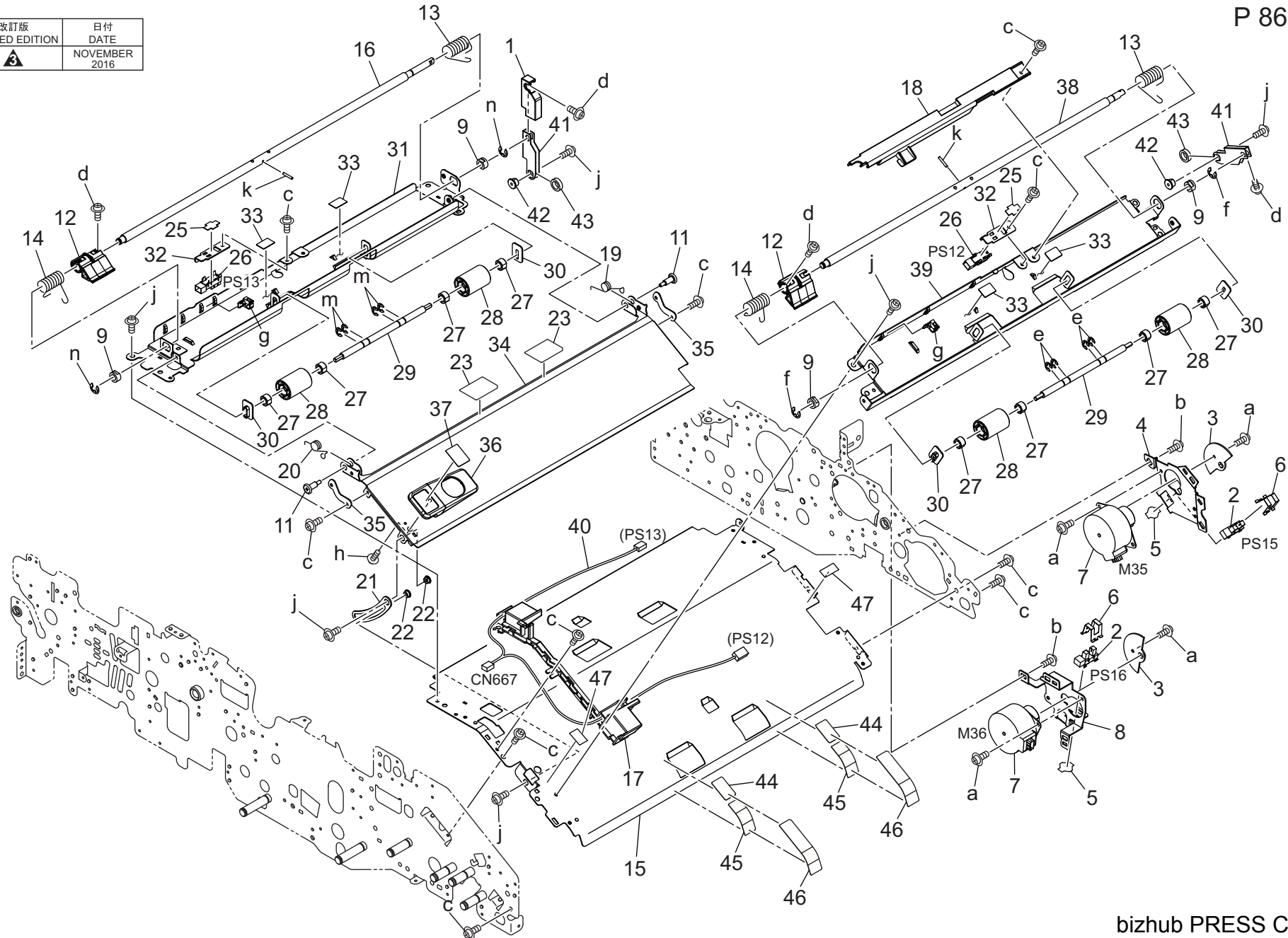


See P.89 - P.91




# Duplex Section

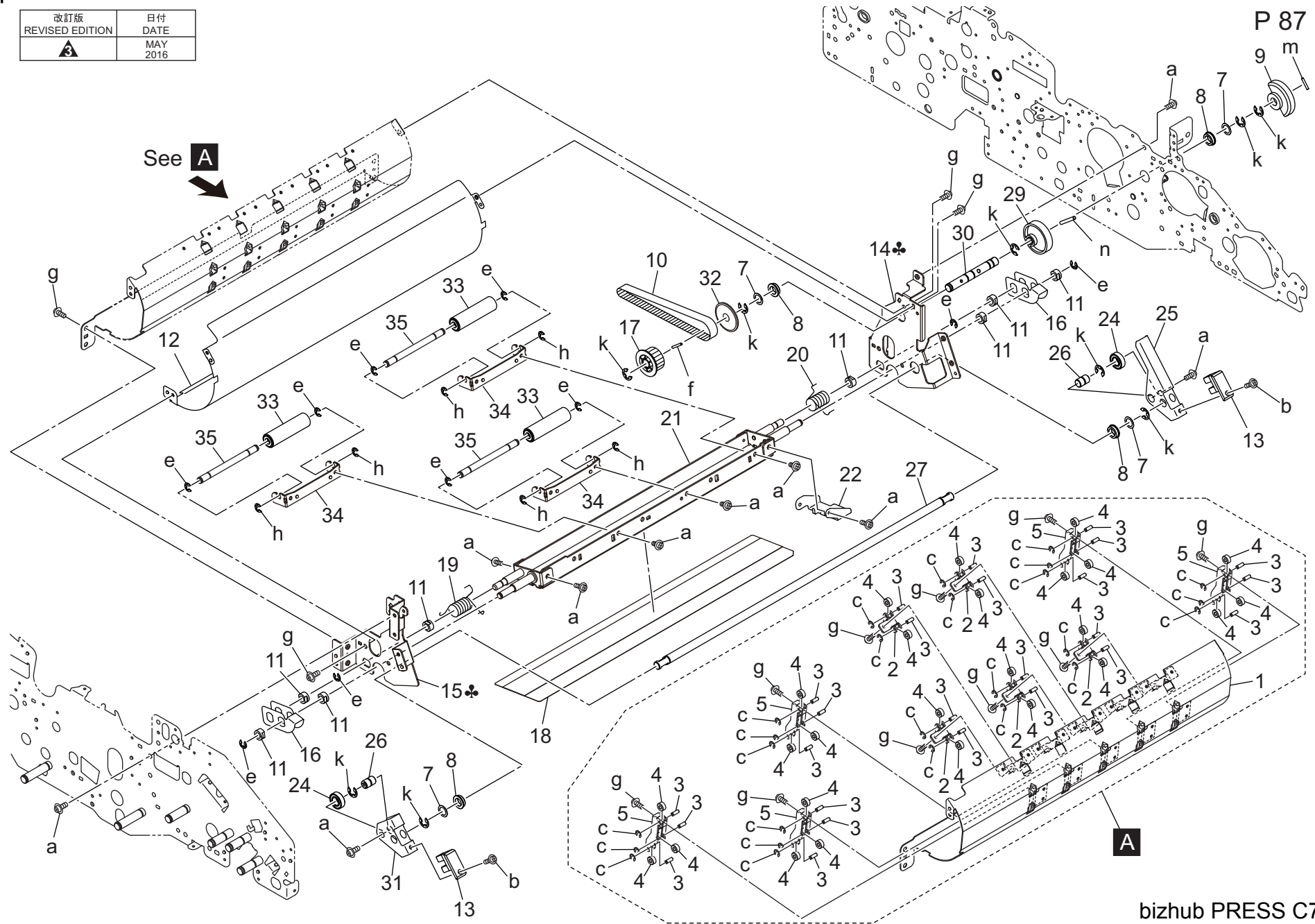
改訂版 REVISED EDITION	日付 DATE
	NOVEMBER 2016



Key	Part No.	Description	Destinations	Class	QTY	Standard parts
1	A50U715800	Protection Cover		D	1	a-V118030403
2	08AA85512	Photo Sensor		B	2	b-V121030403
3	A50U816700	Light blocking Plate /1		D	2	c-V127030604
4	A50U816801	Drive Side plate /1		D	1	d-V127030803
5	A50U882100	Stopper Plate		D	2	e-V217040050
6	A50U883600	Guide /1		D	2	f-V217050050
7	A50UR72600	Drive Motor / 1 Assy		C	2	g-V500010057
8	A50U816900	Drive Side plate /2		D	1	h-V151040803
9	4131253701	BUSHING		C	4	j-V121030303
11	A0P0144300	Shoulder screw		D	2	k-V234201250
12	A50U714600	Lever		D	2	m-V217040001
13	A50U718400	Pressing Spring /Rear		D	2	n-V217050001
14	A50U718500	Pressing Spring /Front		D	2	
15	A50U816301	Conveyance Guide /Lower		D	1	
16	A50U818601	Release Shaft /2		D	1	
17	A50U833400	Protection Cover /1		D	1	
18	A50U833500	Protection Cover /2		D	1	
19	A50U834500	Pressing Spring /Left		D	1	
20	A50U834600	Pressing Spring /Right		D	1	
21	A50U881601	Processing Guide /1		D	1	
22	A50U881700	Support Screw /A		D	2	
23	A50U886300	Sheet		D	2	
25	4470402401	Stopper		D	2	
26	9335140071	Solid State Switch		B	2	
27	A03U850101	Slide Bushing		C	8	
28	A50U712200	Idler Roll /1		D	4	
29	A50U712300	Idler Shaft /1		D	2	
30	A50U712400	Receiving Shaft /1		D	4	
31	A50U817600Old	Guide Plate		D	1	
31	A50U817601	Guide Plate		D	1	
32	A50U836200	Plate /23		D	2	
33	A50U880900	Guide Sheet /Side		D	4	
34	A50U817800	Guide Plate /Middle		D	1	
35	A50U834700	Reinforce Plate /A		D	2	
36	A50U880800	Processing Lever		D	1	
37	A50U943200	Release Label /2		D	1	
38	A50U818201	Release Shaft /1		D	1	
39	A50U818400	Guide Plate /Right		D	1	
40	A50UN17900	ADU Detection harness /13		D	1	
41	A50U715300	Pressure Lever /25		D	2	
42	A50U715600	Support Shaft /2		D	2	
43	A50U716500	Ball Bearing		C	2	
44	A50U887100	Conductive Tape /4		D	2	
45	A50U887200	Duplex Tape		D	2	
46	A50U887300	Conveyance Guide /3		D	2	
47	4109553001	Stopper		C	2	

# Duplex Section

改訂版 REVISED EDITION	日付 DATE
	MAY 2016



bizhub PRESS C71hc

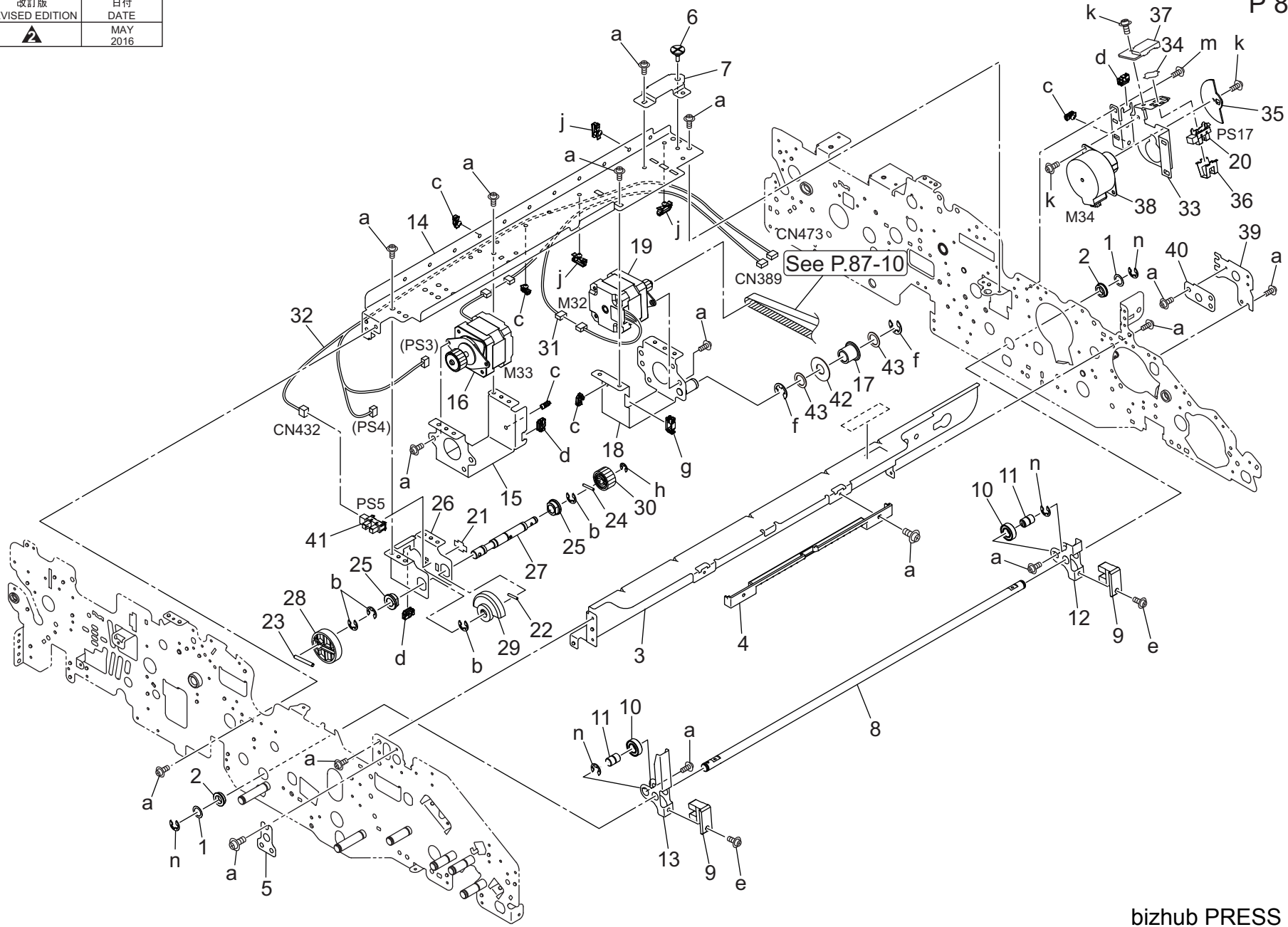


Key	Part No.	Description	Destinations	Class	QTY	Standard parts	
1	A50U840802	Guide Plate /2		D	1	a-V127030604 b-V127030803 c-V217020001 e-V217040001 f-V234201650 g-V121030403 h-V217030001 k-V217060001 m-V234201250 n-V234302550	
2	A50U854200	Roller Base frame /2		D	5		
3	A50U854400	Fixing Shaft		D	25		
4	A50U854800	Conveyance Roll		D	25		
5	A50U854302	Roller Base frame /1		D	5		
7	56AA42690	BY-PASS SPACER		C	4		
8	A00J617900	Ball Bearing		B	4		
9	A50U853200	Pressure Actuator		D	1		
10	A50U859800	Belt /1 280L		C	1		
11	4131253701	BUSHING		C	8		
12	A50U840303	Guide Plate /3		D	1		
13	A50U851800	Reinforce Block		D	2		
14	A50U852903Old	Release Plate /4		D	1		
14	A50U852904	Release Plate /4		D	1		
15	A50U853001	Release Plate /5		D	1		
16	A50U853700	Release Plate /7		D	2		
17	A50U859500	Pulley /2		D	1		
18	A50U880103	Conveyance Guide /1		D	1		
19	A50U881300	Torsion Coil spring	ねじりコイルばね (搬送コロ)	D	1		
20	A50U881400	Torsion Coil spring	ねじりコイルばね (搬送ころ)	D	1		
21	A50U841402	Release Plate /10		D	1		
22	A50U856201	Support Plate		D	1		
24	A1RF820000	Ball Bearing		C	2		
25	A50U851400	Release Plate /Rear		D	1		
26	A50U851500	Shaft		D	2		
27	A50U852000	Release Shaft /4		D	1		
29	A50U852500	Cam		D	1		
30	A50U852701	Release Shaft /3		D	1		
31	A50U851700	Release Plate		D	1		
32	A50U886800	Regulating Spacer		D	1		
33	A03U845301	Idler Roller /1		C	3		
34	A50U846102	Mounting Plate /5		D	3		
35	A50U846304	Idler Shaft /F		D	3		

# Duplex Section

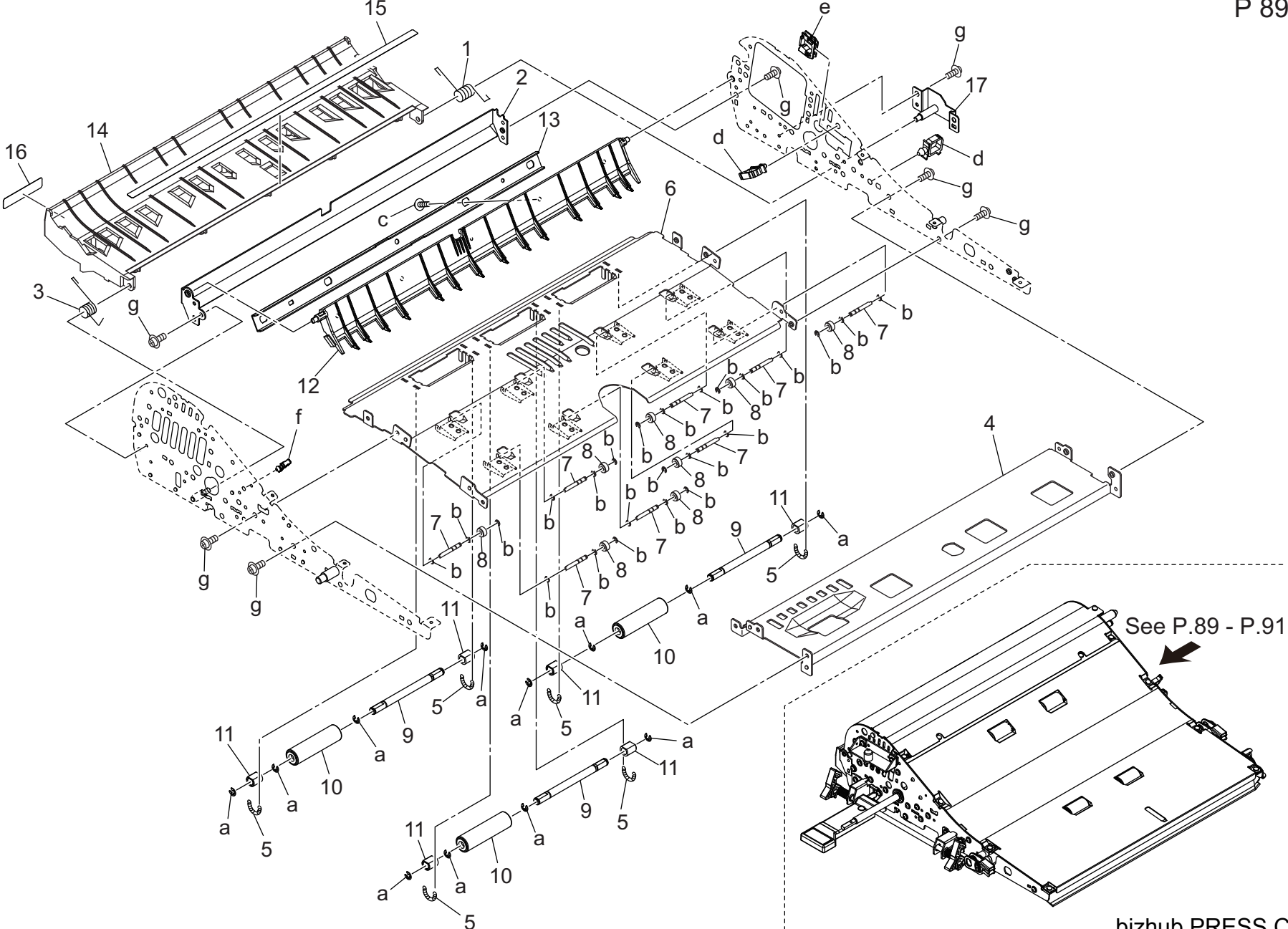
改訂版 REVISED EDITION	日付 DATE
	MAY 2016

P 88

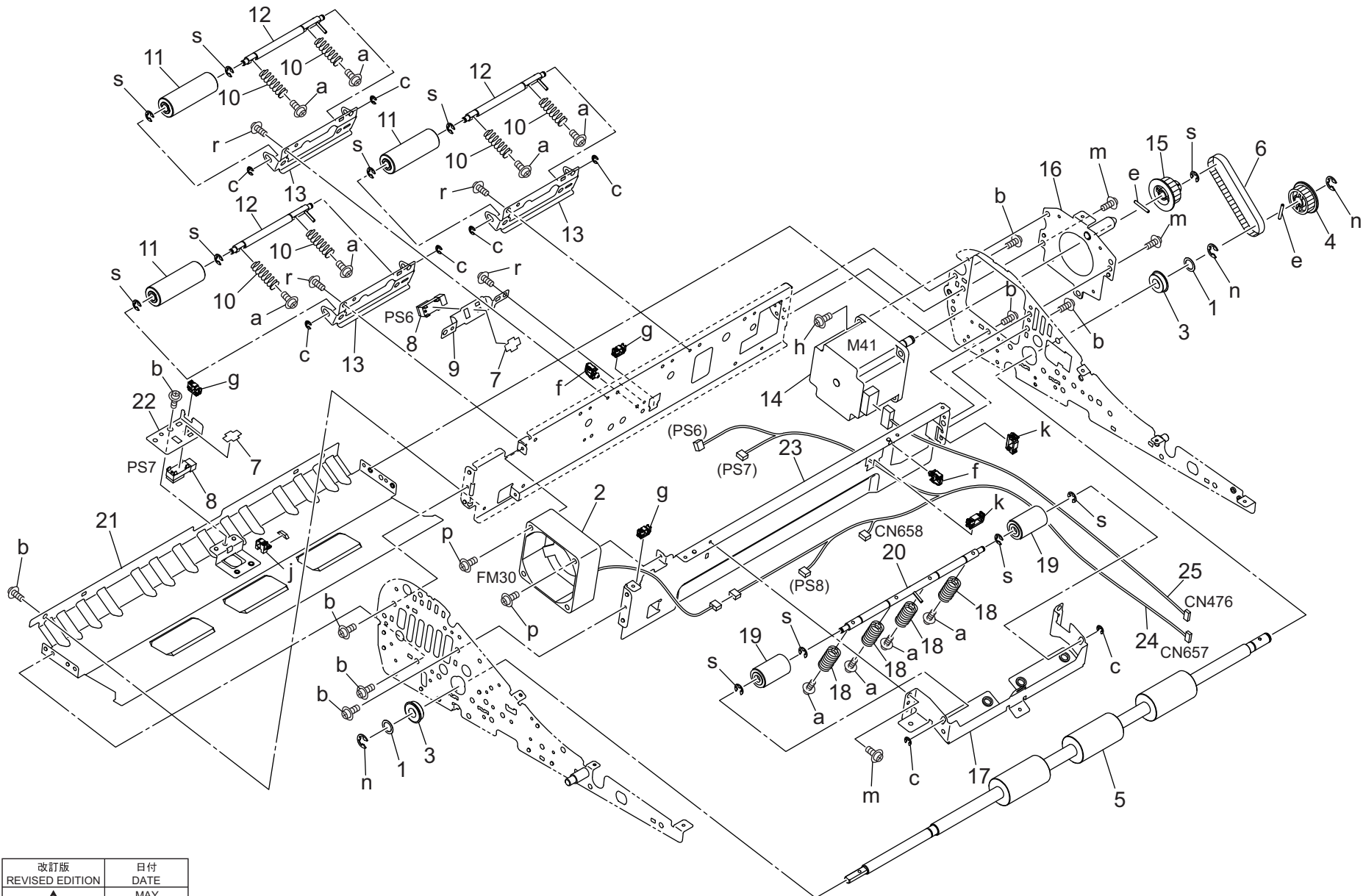



Key	Part No.	Description	Destinations	Class	QTY	Standard parts
1	56AA42690	BY-PASS SPACER		C	2	a-V127030604
2	A00J617900	Ball Bearing		B	2	b-V217060050
3	A50U816403	Hold Stay /Right		D	1	c-V500020099
4	A50U882900	Handle		D	1	d-V570010056
5	A50U883200	Positioning Plate /Front		D	1	e-V127030803
6	A50U884000	Registration Screw		D	1	f-V217080001
7	A50U884300	Registration Plate		D	1	g-V570010057
8	A50U850700	Release Shaft /2		D	1	h-V217040050
9	A50U851800	Reinforce Block		D	2	j-V500020100
10	A1RF820000	Ball Bearing		C	2	k-V118030403
11	A50U851500	Shaft		D	2	m-V121030403
12	A50U853100	Release Plate /6		D	1	n-V217060001
13	A50U852200	Release Plate /3		D	1	
14	A50U851901	Mounting Plate /1		D	1	
15	A50U852101	Mounting Plate /2		D	1	
16	A50UR72400	Stepping Motor / 2 Assy	ステッピングモーター/2 A s s y	C	1	
17	A50U836801	Tension Pulley /B	テンションプーリ/B	D	1	
18	A50U858702	Mounting Plate /3	取付板/3	D	1	
19	A50UR72500	Stepping Motor / 1 Assy	ステッピングモーター/1 A s s y	C	1	
20	08AA85512	Photo Sensor	フォトセンサ	B	1	
21	4470402401	Stopper	ストッパー	D	1	
22	56AA17321	PIN A D2X12	ピン A D 2 X 1 2	B	1	
23	56AA17490	PIN	ピン	C	1	
24	56AA17551	PIN A	ピン A	C	1	
25	A03U812800	Slide Shaft Holder	すべり軸受	B	2	
26	A50U852300	Mounting Plate /3	取付板/3	D	1	
27	A50U852400	Release Shaft /1	解除軸/1	D	1	
28	A50U852500	Cam	カム	D	1	
29	A50U853200	Pressure Actuator	圧着アクチュエータ	D	1	
30	A50U854600	Release Gear /1 24T	解除ギア/1 24 T	C	1	
31	A50UN15900	ADU Drive harness /3	A D U 駆動束線/3	D	1	
32	A50UN18100	ADU Detection harness /10	A D U 検知束線/1 0	D	1	
33	A50U715400	Pressure Side plate /1	圧着側板/1	D	1	
34	A50U882100	Stopper Plate	ストッパ板 ( センサー )	D	1	
35	A50U883400	Light blocking Plate	遮光板	D	1	
36	A50U883600	Guide /1	センサガイド/1	D	1	
37	A50U883701	Protection Cover /1	保護カバー/1	D	1	
38	A50UR72600	Drive Motor / 1 Assy	駆動モーター/1 A s s y	C	1	
39	A50U883001	Positioning Side plate /Rear	位置決め側板/奥	D	1	
40	A50U883101	Positioning Plate /Rear	位置決め板/奥	D	1	
41	A50UM55500	Photo Sensor	フォトセンサ(透過型)	I	1	
42	A50U886700	Holding Collar	押さえカラー	D	1	
43	A50U886900	Spacer	スペーサ	D	2	

Duplex Section



Key	Part No.	Description	Destinations	Class	QTY	Standard parts
1	A03U848100	Open/close Spring /4		C	1	a-V217030001 b-V217020001 c-V151030603 d-V500010082 e-V570010060 f-V500020098 g-V121030403
2	A50U841600	Guide Plate /K		D	1	
3	A50U848000	Open/close Spring /3		D	1	
4	A50U848302	Reinforce Plate /B		D	1	
5	A03U842600	Conveyance Spring /2		C	6	
6	A50U841901	Guide Plate /F		D	1	
7	A50U844800	Fixing Shaft		D	8	
8	A50U854800	Conveyance Roll		D	8	
9	A03U845100	Idler Shaft /B		D	3	
10	A03U845301	Idler Roller /1		C	3	
11	A1RF847400	Collar /1		D	6	
12	A50U841501	Guide Plate /J		D	1	
13	A50U855601	Reinforce Plate		D	1	
14	A50U840704	Guide Plate /A		D	1	
15	A50U880201	Conveyance Guide /2		D	1	
16	A50U944000	Release Label /10		D	1	
17	A50UF84100	Support Plate / C Caulking		D	1	

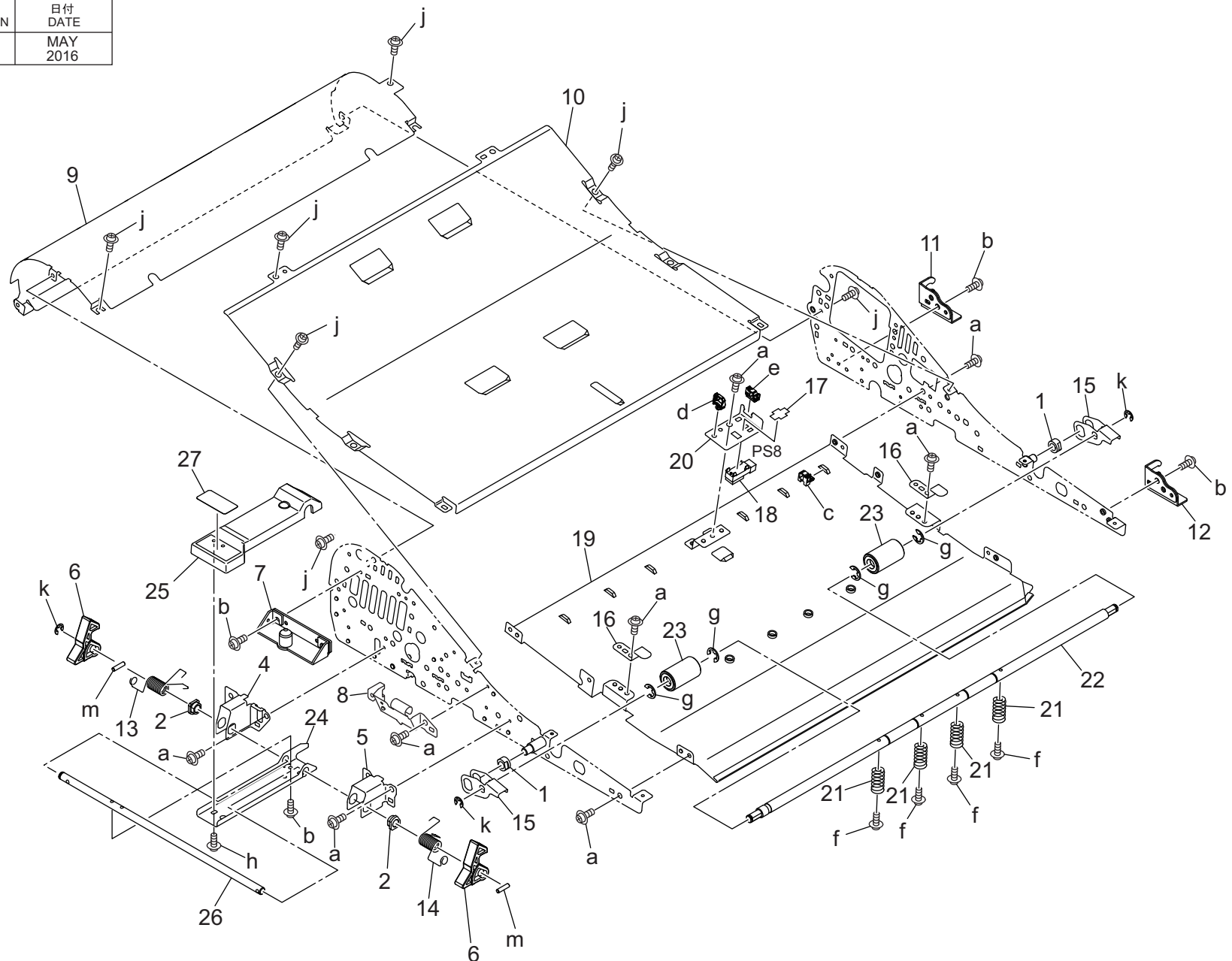


改訂版 REVISED EDITION	日付 DATE
	MAY 2016



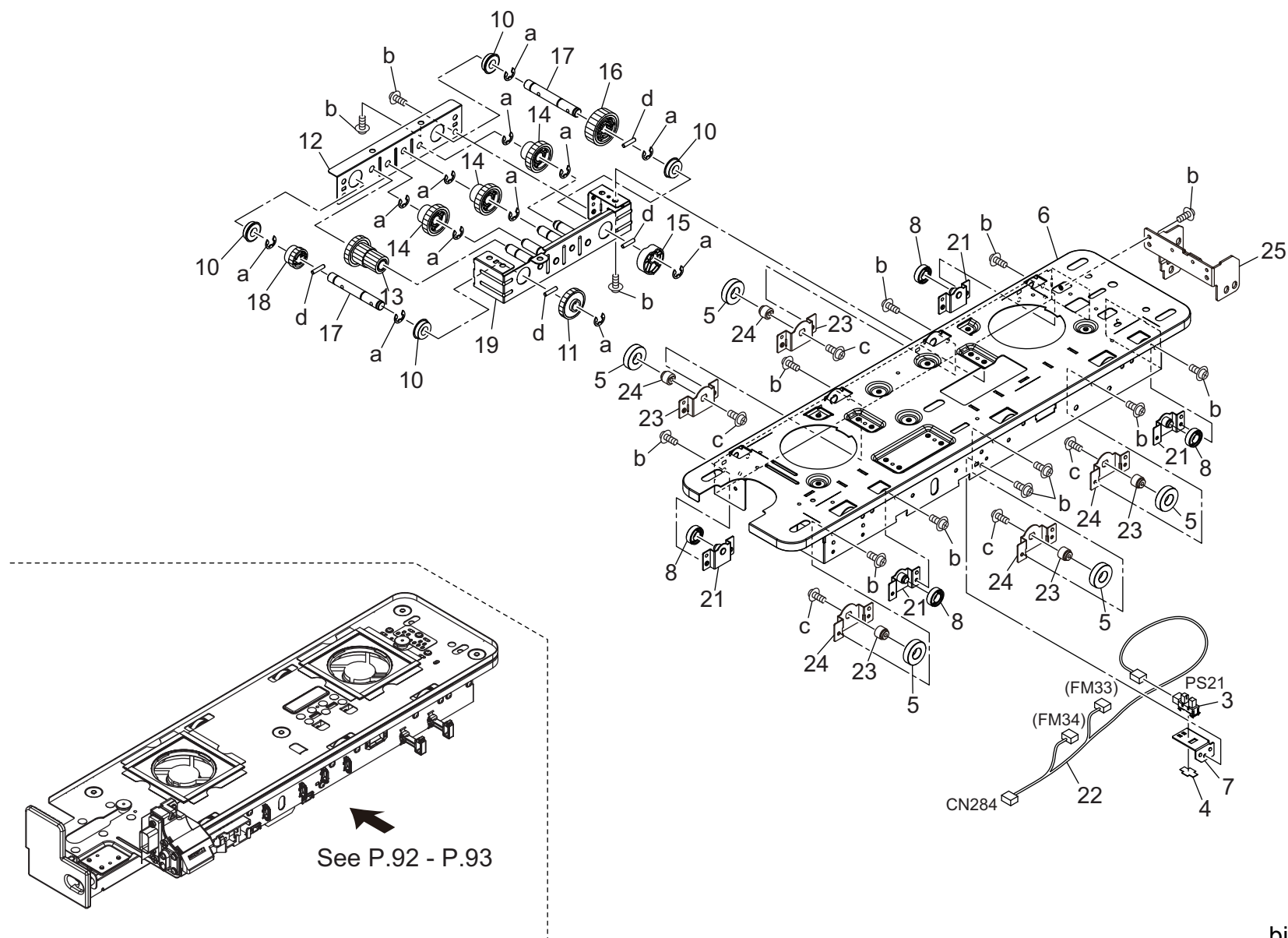
# Duplex Section

改訂版 REVISED EDITION	日付 DATE
	MAY 2016







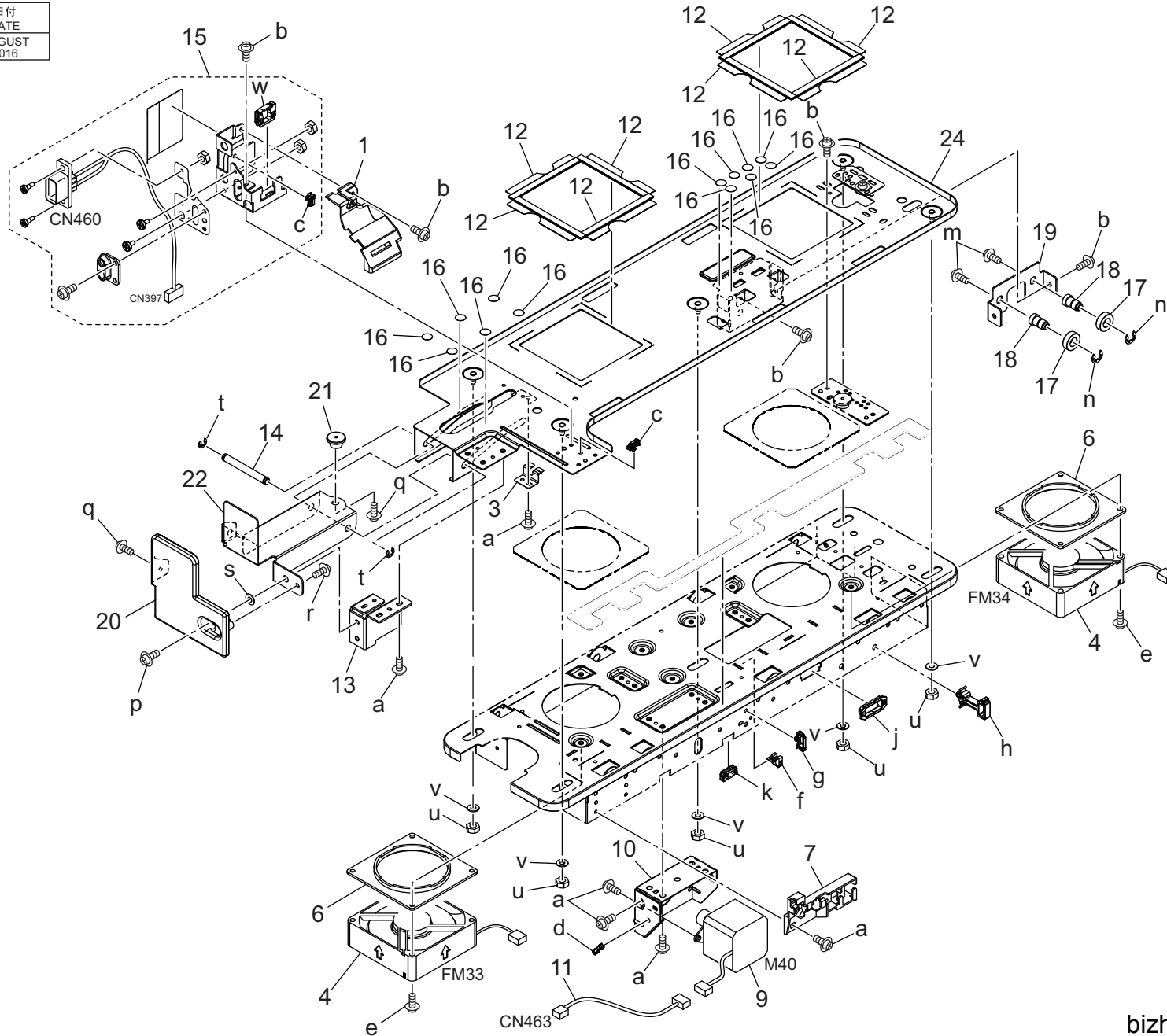


# Duplex Swing Section

Key	Part No.	Description	Destinations	Class	QTY	Standard parts	
3	A50UM55500	Photo Sensor		I	1	a-V217060001 b-V121030403 c-V116040803 d-V234301450	
4	4470402401	Stopper		D	1		
5	A03U807700	Pressure Bearing		C	5		
6	A50U801602	Fixing Plate /ASSY		D	1		
7	A50U802211	Plate		D	1		
8	A50U804200	Fusing Roll		D	4		
10	A00V240600	Ball Bearing		B	4		
11	A1RJ825100	Drive Gear /4 34T		C	1		
12	A50U800300	Swing Frame /2		D	1		
13	A50U800400	Drive Gear /3 14/25T		C	1		
14	A50U800700	Drive Gear /6 14/25T		C	3		
15	A50U801500	Swing Cam		D	1		
16	A50U800800	Drive Gear /7 29T		C	1		
17	A50U801400	Drive Shaft		D	2		
18	A1RJ825800	Drive Gear /5 14T		C	1		
19	A50UF80500	Swing Frame Caulking		D	1		
21	A50UR72R00	Swing Rail Caulking		D	4		
22	A50UN17100	ADU Detection harness /7		D	1		
23	A50U802002	Positioning Shaft /A		D	5		
24	A50U804001	Fusing Rail /B		D	5		
25	A50U805300	Mounting Plate /1		D	1		

# Duplex Swing Section

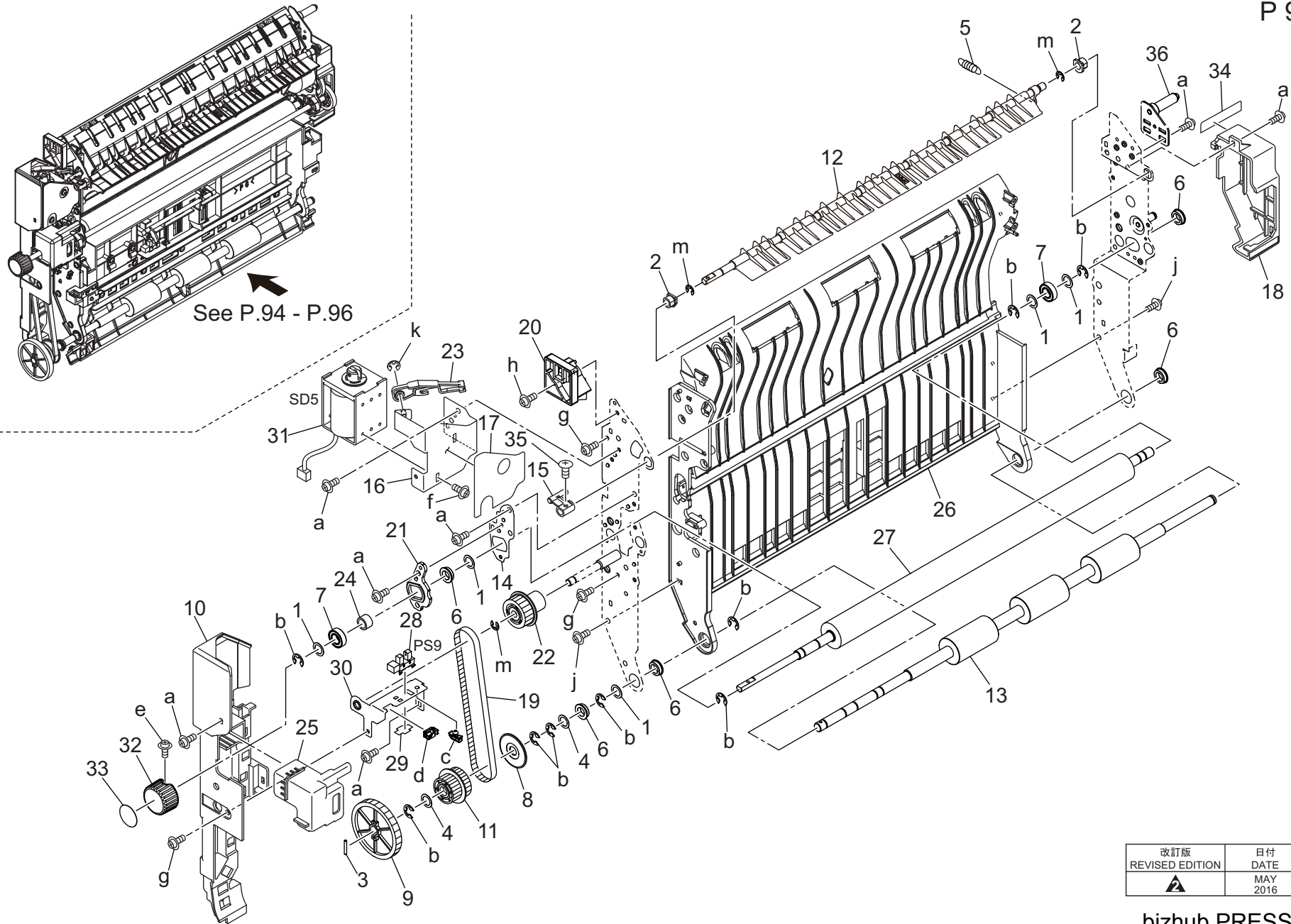
改訂版 REVISED EDITION	日付 DATE
	AUGUST 2016



Key	Part No.	Description	Destinations	Class	QTY	Standard parts
1	A50U804701	Wiring Cover		D	1	a-V121030403
3	A50U803700	Ground Plate		D	1	b-V127030604
4	4139M10000	Fan motor		B	2	c-V500020098
6	A50U802900	Spacer		D	2	d-V500020099
7	A50U803800	Guide Part		D	1	e-V118033003
9	A00TM10000	Stepping motor		B	1	f-V500010057
10	A50U800100	Support Plate		D	1	g-V500020100
11	A50UN17700	ADU Drive harness /9		D	1	h-V500020101
12	A50U802700	Heat blocking Part /B		D	1	j-V570010037
13	A50U803300	Fusing Rail /A		D	8	k-V570010057
14	A50U803400	Positioning Shaft /1		D	1	m-V127040803
15	A50UR72200	Power Supply Guide Assy		D	1	n-V217060001
16	A50U805200	Protection Seal		D	13	p-V121041203
17	A0XV370300	Ball Bearing		C	2	q-V127030803
18	A50U802100	Positioning Shaft /B		D	2	r-V151030803
19	A50U803600	Holding Plate		D	1	s-V211040080
20	A50U802801	Handle		D	1	t-V217040001
21	A50U803101	Guide Pin /Front		D	1	u-V195040003
22	A50U803500	Positioning Plate /Front		D	1	v-V207040003
24	A50UF80404	Swing Plate Caulking		D	1	w-V570010060

# Reverse Section

P 94



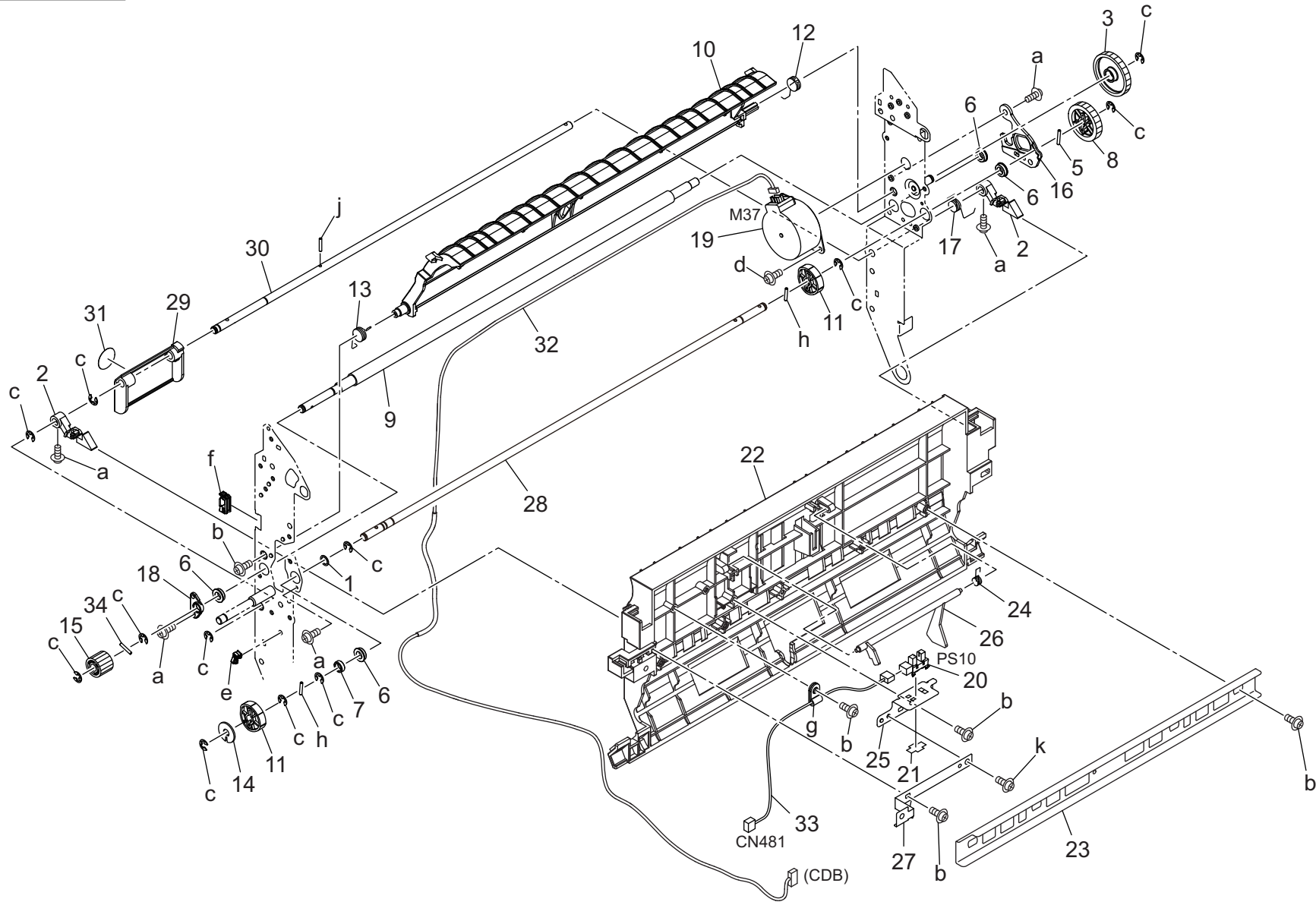
改訂版 REVISED EDITION	日付 DATE
	MAY 2016

bizhub PRESS C71hc

Key	Part No.	Description	Destinations	Class	QTY	Standard parts
1	13QA40610	Gear Spacer		C	5	a-V127030604
2	192141710	PAPER LIFT UP LEVER BUSHING		B	2	b-V217060001
3	56AA17551	PIN A		C	1	c-V500020099
4	56AA42690	BY-PASS SPACER		C	2	d-V570010056
5	65AA49270	PAPER EXIT OPEN SHUT SPRING 2		C	1	e-V118030603
6	A00J617900	Ball Bearing		B	5	f-V121030403
7	A1RF820000	Ball Bearing		C	2	g-V127030604
8	A50U817300	Holding Collar		D	1	h-V127031203
9	A50U819600	Reverse/Exit Gear /2 50 T		C	1	j-V151030803
10	A50U834302	Cover Part /2		D	1	k-V217030050
11	A50U838800	Drive Idler /1		D	1	m-V217040050
12	A50U861003Old	Swing Part		D	1	
12	A50U861004	Swing Part		D	1	
13	A50U861800	Riverse/exit Roller /Lower		C	1	
14	A50U865300	Holding Plate		D	1	
15	A50U865702Old	Swing Arm		D	1	
15	A50U865703	Swing Arm		D	1	
16	A50U865901	Support Plate		D	1	
17	A50U866000	Insulating Sheet /1		D	1	
18	A50U866900	Drive Cover /1		D	1	
19	A50U867200	Belt /A 324 L		C	1	
20	A50U867400	Positioning Part		D	1	
21	A50U867500	Fixing Plate /1		D	1	
22	A50U867600	Reverse/Exit Gear /1 20 T		C	1	
23	A50U867800	Positioning Plate /1		D	1	
24	A50U869400	Collar		D	1	
25	A50U869501	Cover		D	1	
26	A50U860104	Guide Plate /A		D	1	
27	A50U860501	Decurler Roller		A	1	
28	08AA85512	Photo Sensor		B	1	
29	4470402401	Stopper		D	1	
30	A50U867312	Fixing Plate /1		D	1	
31	A50UR72811	ADU Solenoid Pin Assy		C	1	
32	14GE45470	Rotation Knob		C	1	
33	A50U943800	Release Label /8		D	1	
34	65AA42370	SLIDE PART 1		D	1	
35	A50U642300	Mounting Screw		D	1	
36	A50U866400	Positioning Plate /2		D	1	

# Reverse Section

改訂版 REVISED EDITION	日付 DATE
	MARCH 2016

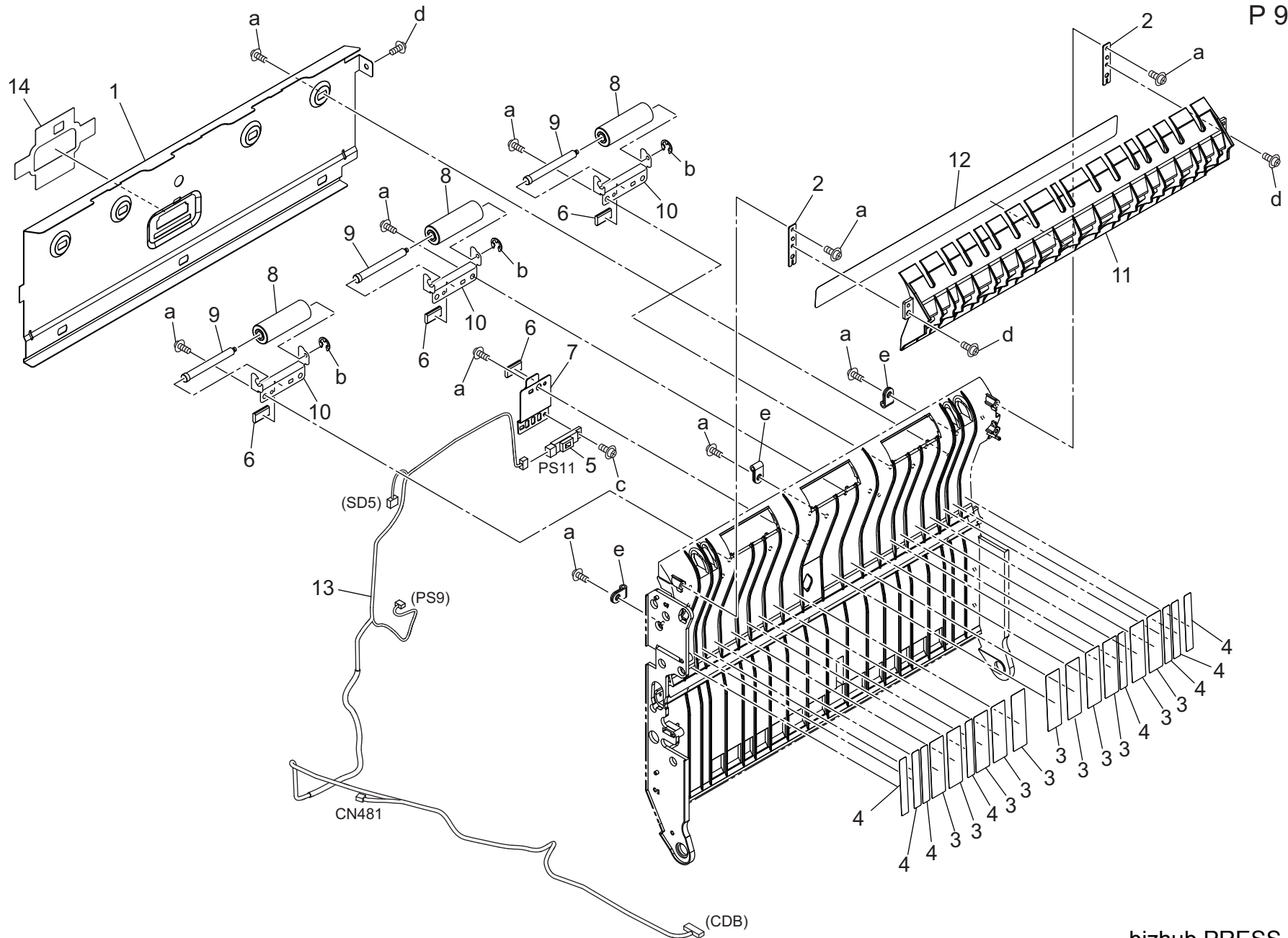




Key	Part No.	Description	Destinations	Class	QTY	Standard parts
1	40AA30270	DEVELOPING SPACER		C	1	a-V127030604
2	40AA46261	LOCK CLAW F		B	2	b-V151030803
3	40AA77550	Mirror Drive Gear /2 14/70T		C	1	c-V217040050
5	56AA17551	PIN A		C	1	d-V118030403
6	A00J617800	Ball Bearing		B	4	e-V500020099
7	A1RF863800	Collar		D	1	f-V570010057
8	A1RJ818800	Drive Gear /8 29T		C	1	g-V500020002
9	A50U860600	Riverse/exit Shaft		D	1	h-V234200850
10	A50U861100	Guide Plate /4		D	1	j-V234201250
11	A50U861601	Positioning Cam		D	2	k-V127030603
12	A50U864200	Reverse/Exit Spring /Rear		D	1	
13	A50U864300	Reverse/Exit Spring /Front		D	1	
14	A50U865401	Positioning		D	1	
15	A50U867100	Reverse/Exit Gear /A 20T		C	1	
16	A50U867700	Fixing Plate /2		D	1	
17	A50U868401	Open/close Spring /1		D	1	
18	A50U869700	Fixing Collar /1		D	1	
19	A50UR72711	Drive Motor / 1 Assy		C	1	
20	A50UM55500	Photo Sensor		I	1	
21	4470402401	Stopper		D	1	
22	A50U860202	Guide Plate /B		D	1	
23	A50U868000	Reinforce Plate /A		D	1	
24	A50U868702	Spring /1		D	1	
25	A50U869300	Mounting Stay		D	1	
26	A50U869601	Arm /1		D	1	
27	A50U869800	Ground Plate /1		D	1	
28	A50U865101	Pressing Shaft		D	1	
29	65AA49410	Paper Exit Handle		C	1	
30	A50U865601	Lock Shaft /A		D	1	
31	A50U943600	Release Label /6		D	1	
32	A50UN17601	ADU Drive harness /8		D	1	
33	A50UN18401	ADU Detection harness /12		D	1	
34	56AA17321	PIN A D2X12		B	1	

# Reverse Section

P 96

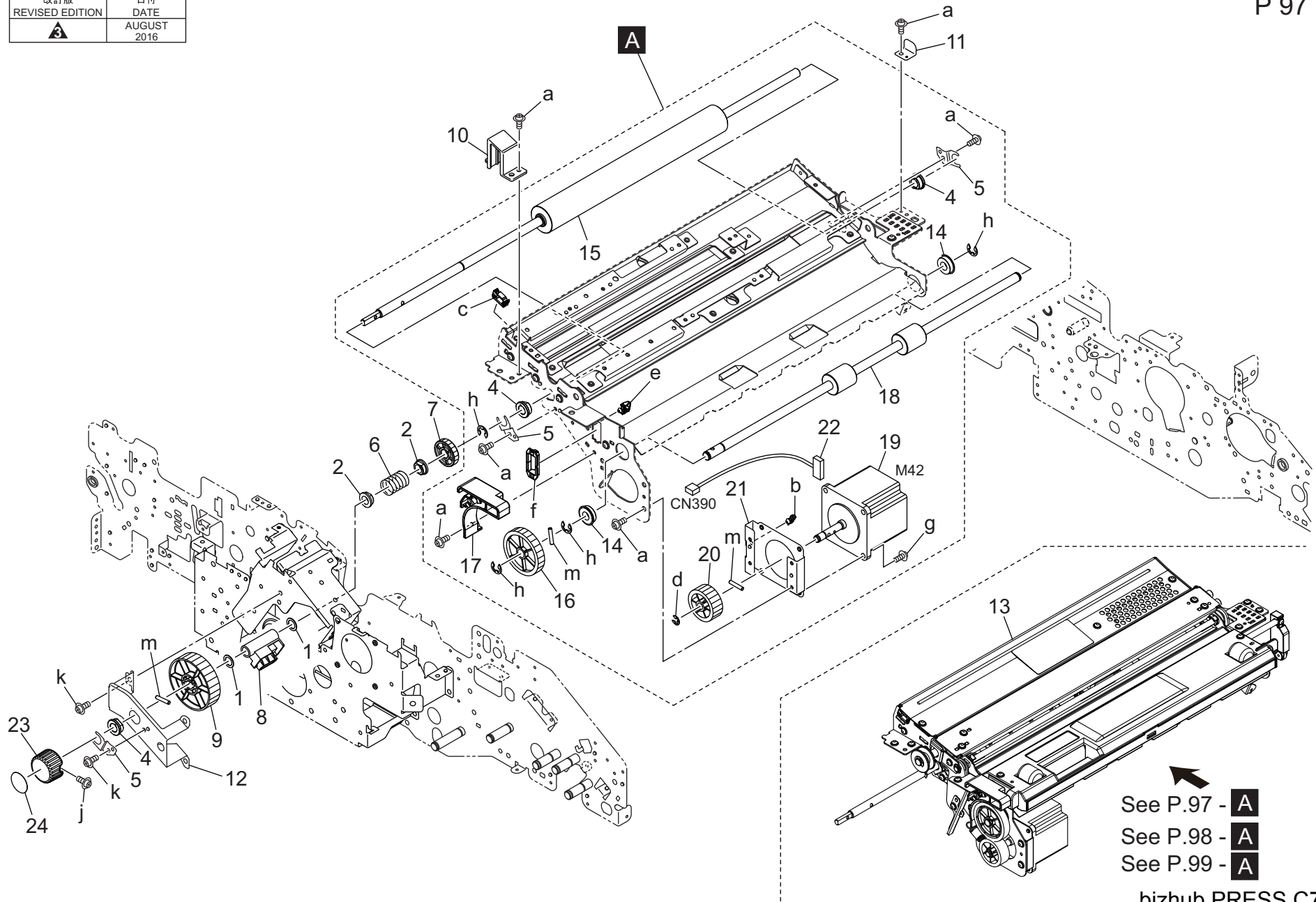


Key	Part No.	Description	Destinations	Class	QTY	Standard parts
1	A50U862600	Reinforce Plate /3		D	1	a-V151030803 b-V217020050 c-V118030403 d-V127030604 e-V500020002
2	A50U865200	Positioning Plate /1		D	2	
3	A50U868200	Guide Sheet /1		D	11	
4	A50U868301	Guide Sheet /2		D	8	
5	13QA85511	Sensor 1		B	1	
6	A1RF877100	Ground Part		D	4	
7	A50U861900	Fixing Plate		D	1	
8	A03U845601	Idler Roller /2		C	3	
9	A50U868500	Idler Shaft		D	3	
10	A50U868600	Support Plate		D	3	
11	A50U865011	Paper exit Guide Plate /5		D	1	
12	A50U869100	Separating Guide /1		D	1	
13	A50UN17502	ADU Detection harness /8		D	1	
14	A50U863000	Slide Seal		D	1	

# Resist Section

改訂版 REVISED EDITION	日付 DATE
	AUGUST 2016

P 97



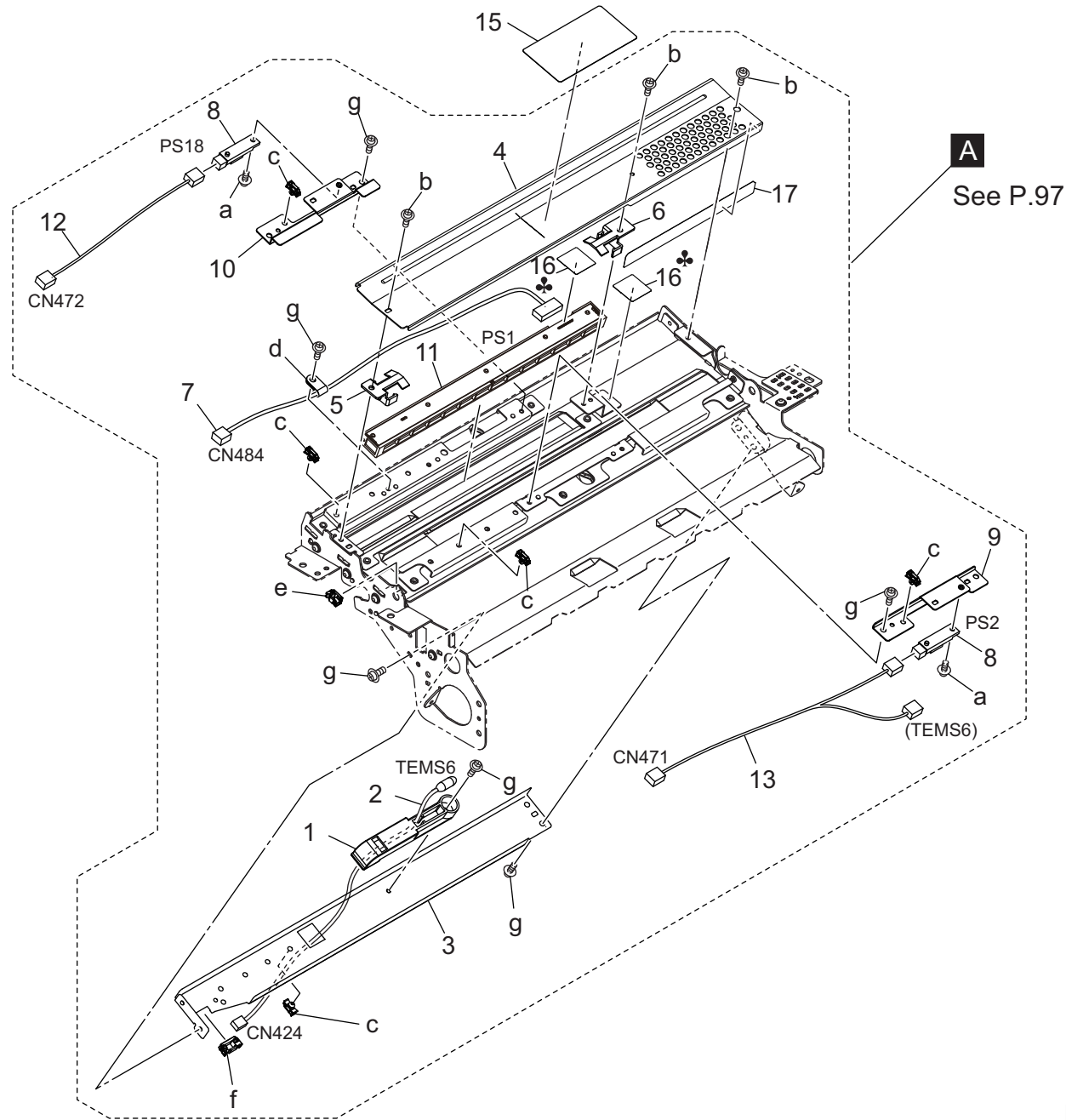
See P.97 - **A**  
 See P.98 - **A**  
 See P.99 - **A**

bizhub PRESS C71hc

Key	Part No.	Description	Destinations	Class	QTY	Standard parts
1	12QV40650	Spacer		B	2	a-V127030604 b-V500020099 c-V570010057 d-V217040001 e-V500020098 f-V570010037 g-V127030803 h-V217060001 j-V118030603 k-V121030403 m-V234301650
2	4131353202	BUSHING		C	2	
4	A03U812800	Slide Shaft Holder		B	3	
5	A50U711101	Holding Plate /1		D	3	
6	A50U711400	Swing Spring		D	1	
7	A50U713000	Roll /1		D	1	
8	A50U713200	Light blocking Rack		D	1	
9	A50U713600	Swing Gear /2 104T		C	1	
10	A50U716200	Wiring Cover /2		D	1	
11	A50U717901	Adjusting Jig /ASSY		D	1	
12	A50U882401	Registration Side plate /Front		D	1	
13	A9VER71000	Registration Assy		S	1	
14	A00V240600	Ball Bearing		B	2	
15	A50U710101	Registration Roller		B	1	
16	A50U714400	Conveyance Gear /1 40T		C	1	
17	A50U715900	Wiring Cover /1		D	1	
18	A50U719200	Roller		C	1	
19	65AA80112	HB Motor /50		B	1	
20	A50U714300	Drive Gear /1 28T		C	1	
21	A50U719800	Drive Side plate		D	1	
22	A50UN15800	ADU Drive harness /2		D	1	
23	14GE45470	Rotation Knob		C	1	
24	A50U943400	Release Label /4		D	1	

# Resist Section


改訂版 REVISED EDITION	日付 DATE
<b>A</b>	AUGUST 2016

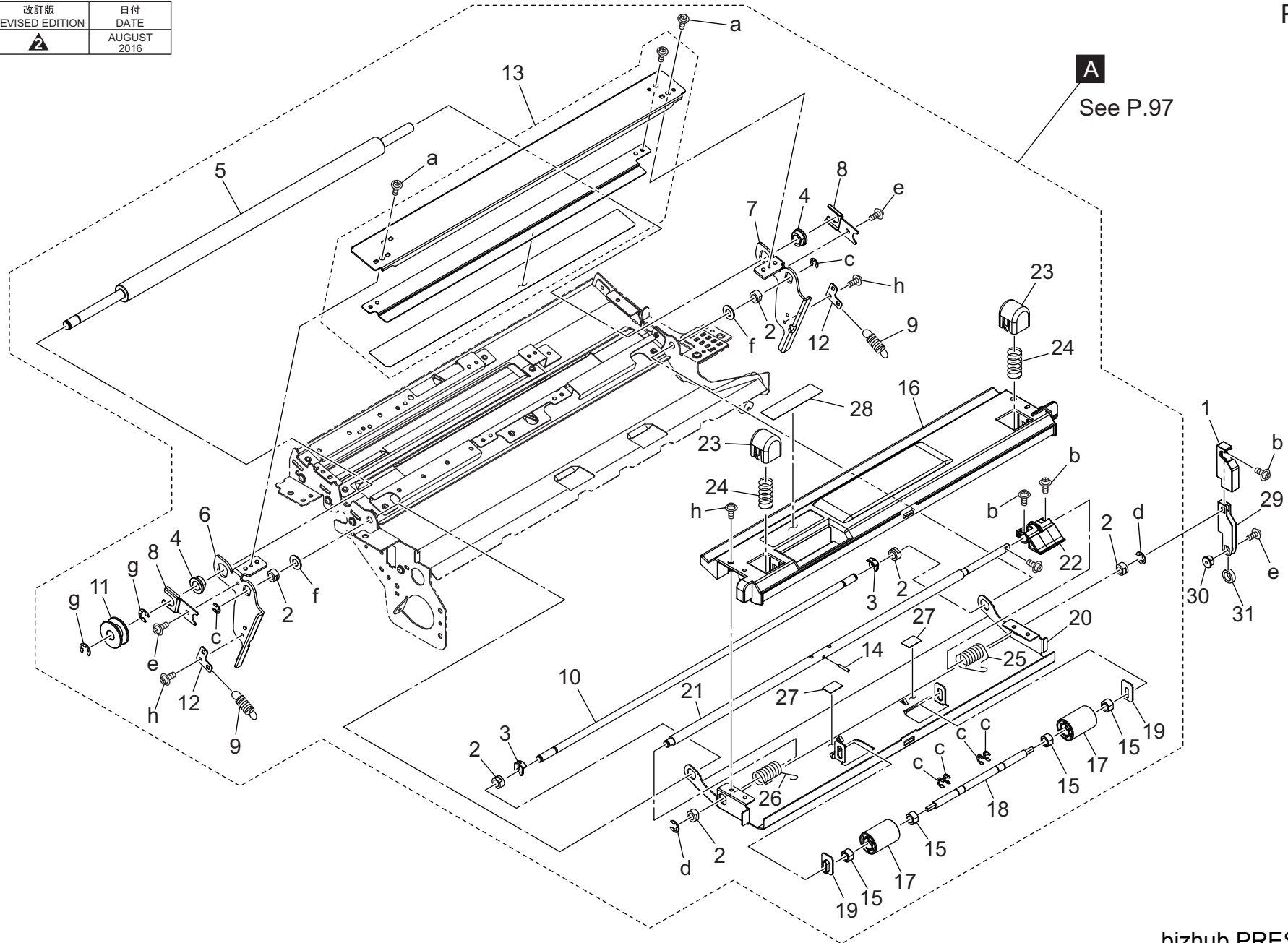


**A**  
See P.97



# Resist Section

改訂版 REVISED EDITION	日付 DATE
	AUGUST 2016




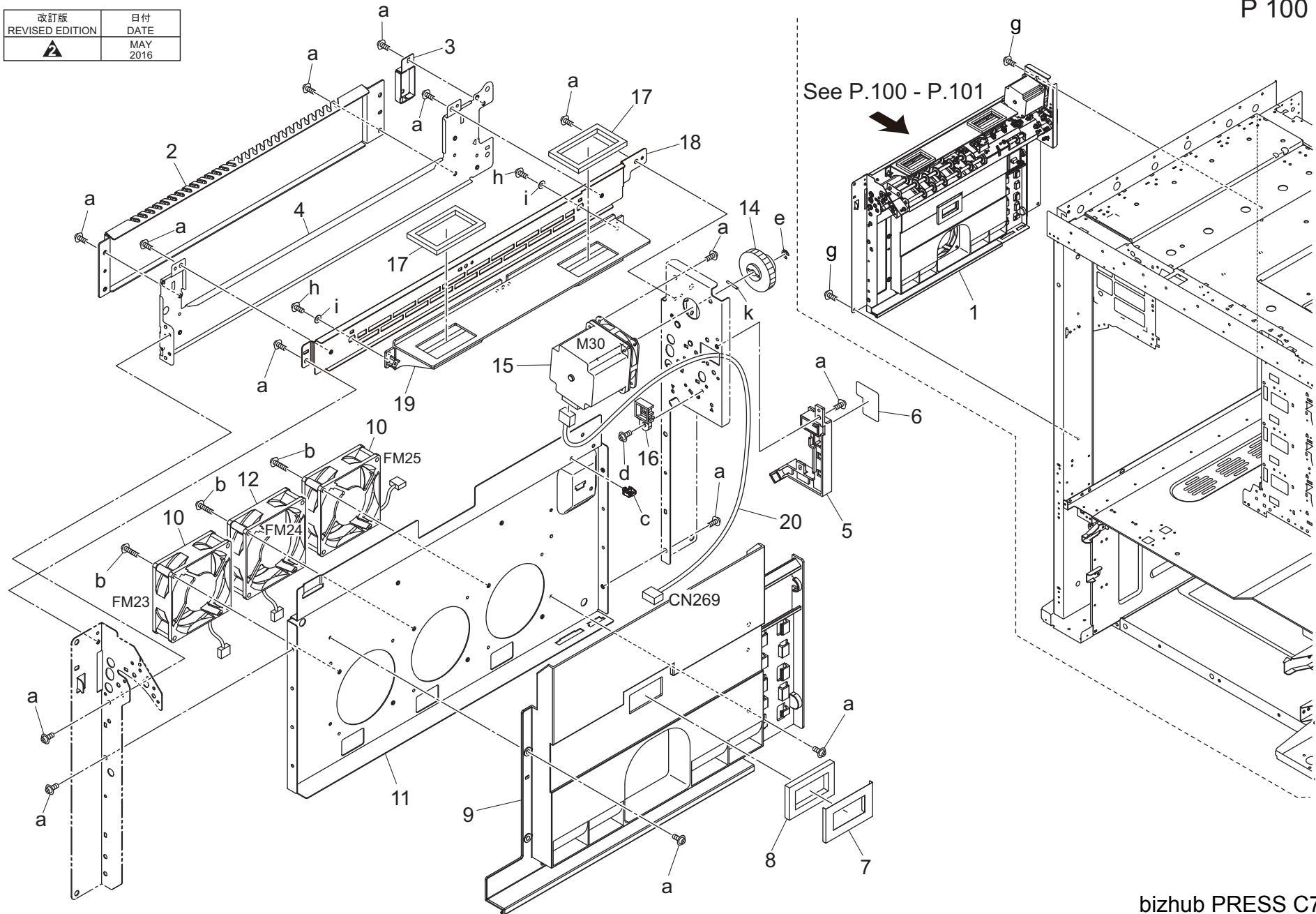




# Exit Section

P 100

改訂版 REVISED EDITION	日付 DATE
	MAY 2016

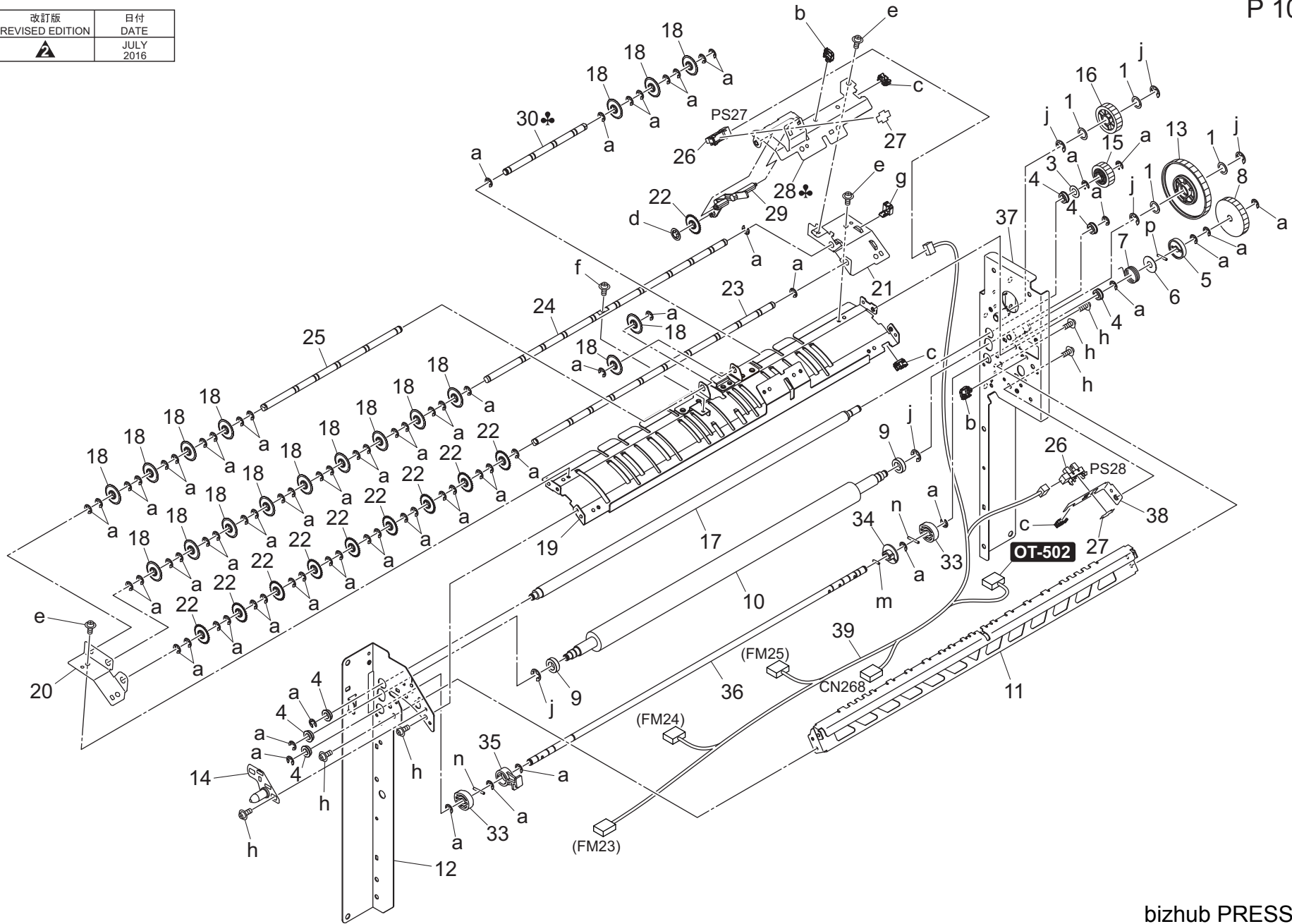


bizhub PRESS C71hc



# Exit Section

改訂版 REVISED EDITION	日付 DATE
	JULY 2016

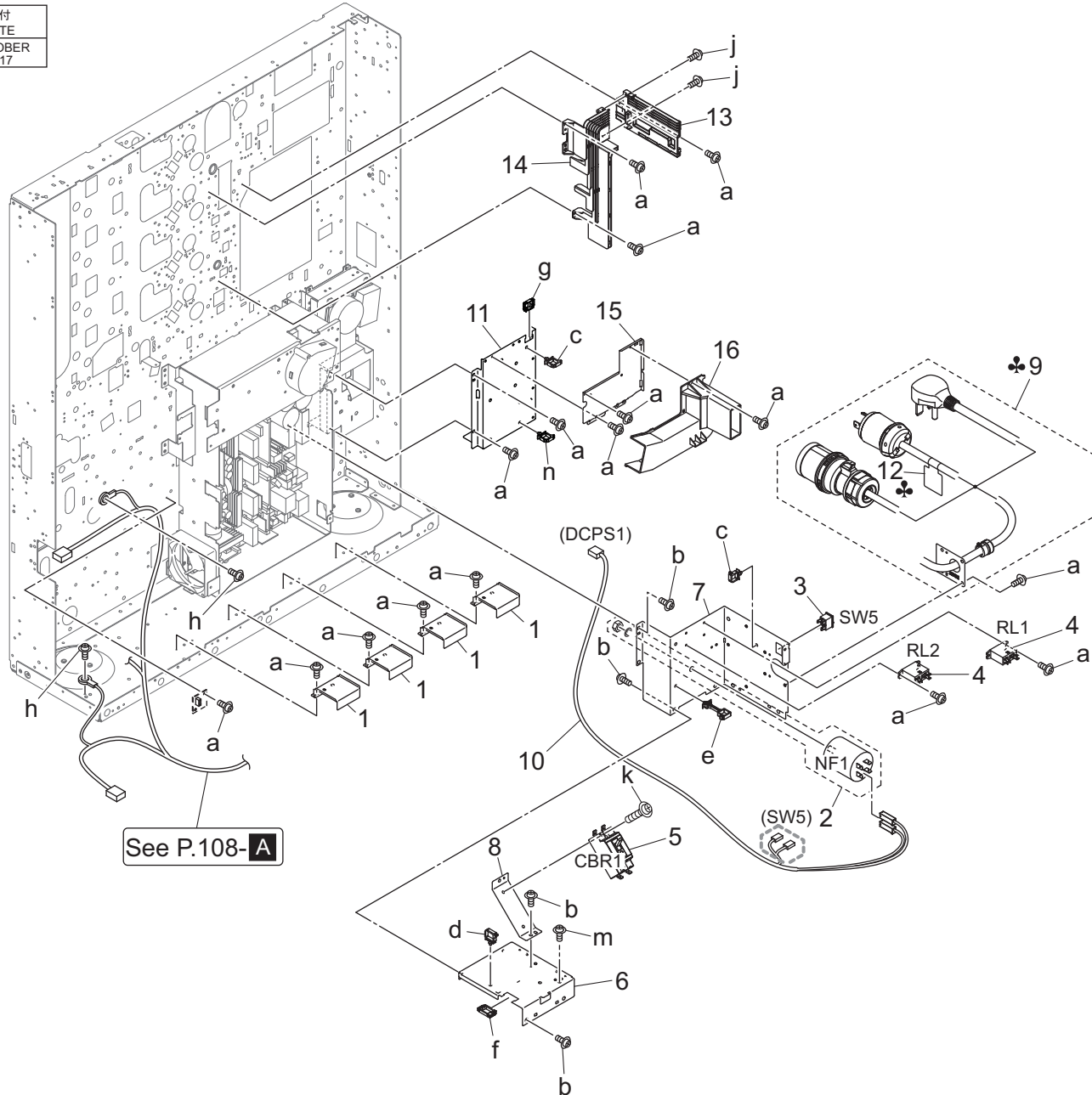


Key	Part No.	Description	Destinations	Class	QTY	Standard parts
1	13QA40610	Gear Spacer		C	4	a-V217040001
3	56AA17700	Spacer /B		C	1	b-V500020098
4	A00J617800	Ball Bearing		B	6	c-V570010056
5	A03U893000	Slide Plate		C	1	d-V226030050
6	A03U893101	Spacer /Rear		C	1	e-V121030303
7	A03U893200	Stopper Spring		C	1	f-V127030803
8	A03U909502	PAPER EXIT GEAR /5 40T		C	1	g-V500010057
9	A1RF517300	bearing		C	2	h-V127030604
10	A50U890802	Paper exit Roller /B		C	1	j-V217060001
11	A50U890900	Guide Plate /Lower		D	1	m-V234200850
12	A50U891301	Paper exit Plate /Front		D	1	n-V234201450
13	A50U892101	Idling Gear /1 68T		C	1	p-V234201250
14	A50U893201	Adjusting Plate /1		D	1	
15	A50U899700	Paper exit Gear /3 23T		C	1	
16	A50U899801	Paper exit Gear /2 29T		C	1	
17	A50U890700	Paper exit Shaft		D	1	
18	65AA48460	PAPER HOLDING PART 2		C	18	
19	A50U890402	Guide Plate /Upper		D	1	
20	A50U891500	Support Side plate /Front		D	1	
21	A50U891600	Support Side plate /Rear		D	1	
22	65AA48360	Paper Holding Part /1		C	10	
23	A50U890300	Fixing Shaft /1		D	1	
24	A50U890102	Fixing Shaft /2		D	1	
25	A50U891900	Fixing Shaft /5		D	1	
26	A50UM55500	Photo Sensor		I	2	
27	4470402401	Stopper		D	2	
28	A50U892801	Support Plate /A		D	1	
29	A50U892911	Paper exit /3		D	1	
30	A50U890201	Fixing Shaft /6		D	1	
33	A03U892701	Positioning Cam		C	2	
34	A03U892800	Positioning Roll		C	1	
35	A03U893502	Regulating Cam		C	1	
36	A50U890600	Regulating Shaft		D	1	
37	A50U892001	Paper exit Plate /Rear		D	1	
38	A50U894000	Plate /Rear		D	1	
39	A50UN15201	Drive harness /3		D	1	

# Rear Electrical Section

改訂版 REVISED EDITION	日付 DATE
▲	OCTOBER 2017

FRONT  
←

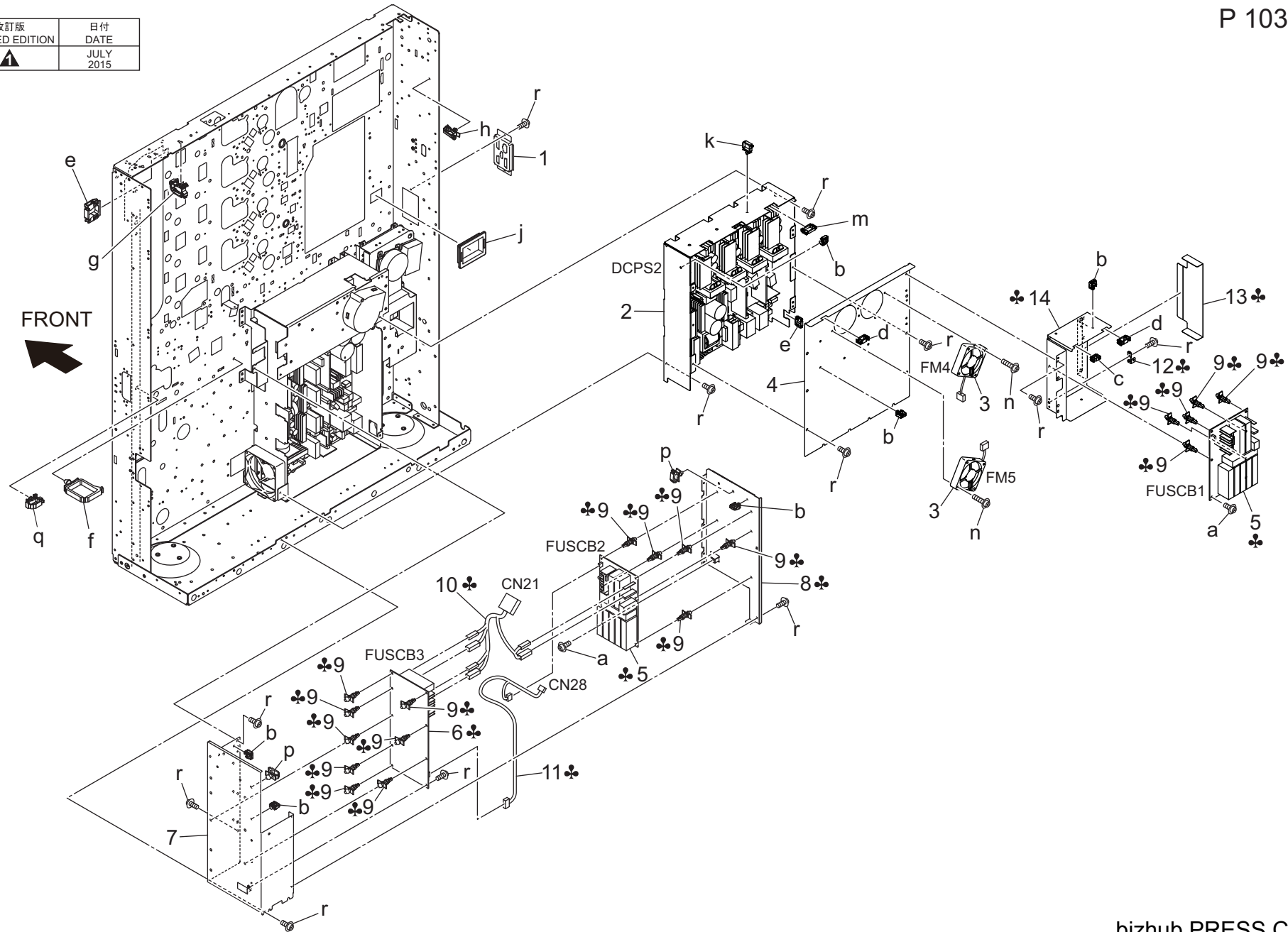


See P.108- A



# Rear Electrical Section

改訂版 REVISED EDITION	日付 DATE
▲	JULY 2015



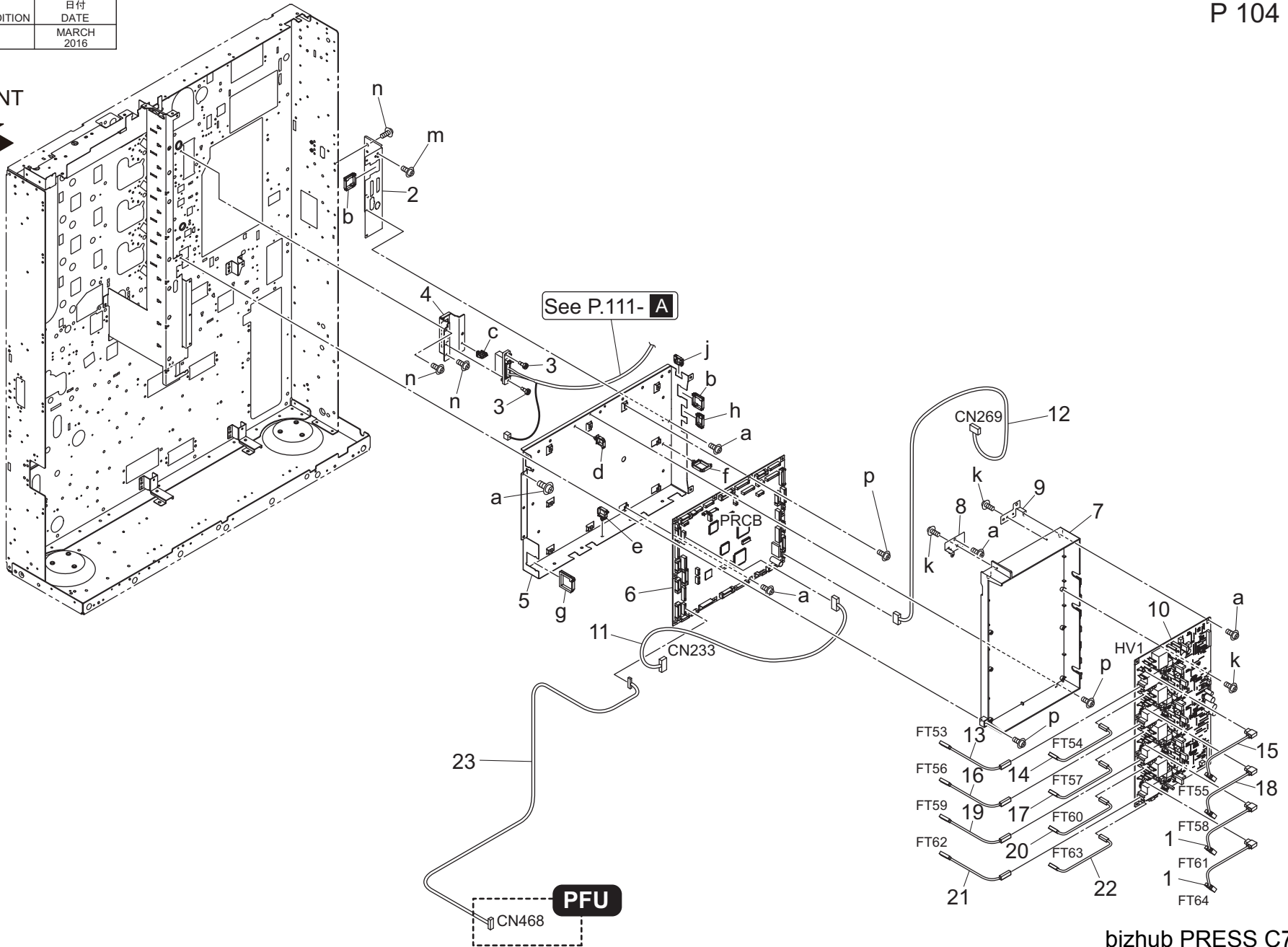




# Rear Electrical Section

改訂版 REVISED EDITION	日付 DATE
	MARCH 2016


FRONT  
←



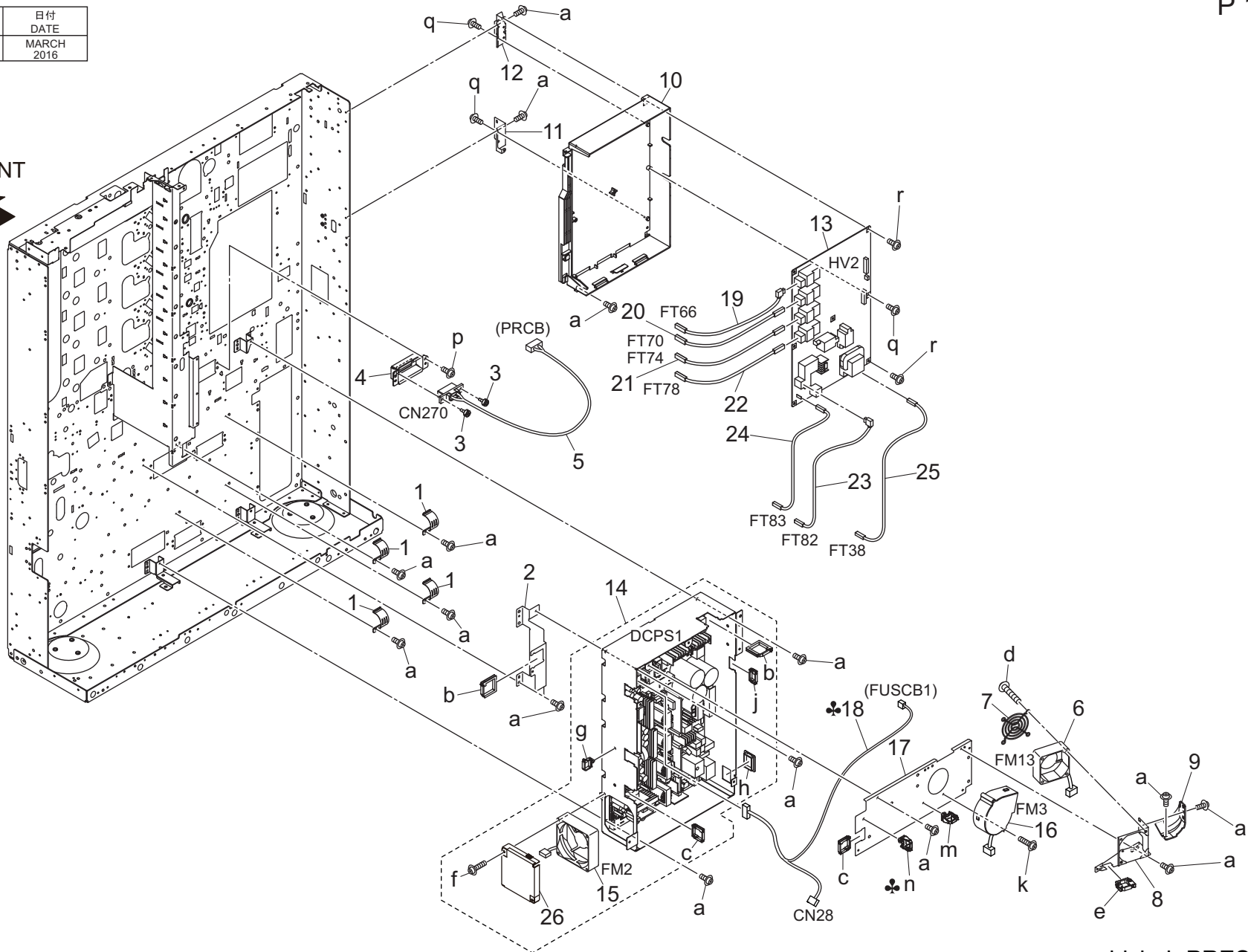
bizhub PRESS C71hc



# Rear Electrical Section

改訂版 REVISED EDITION	日付 DATE
	MARCH 2016

FRONT  
←

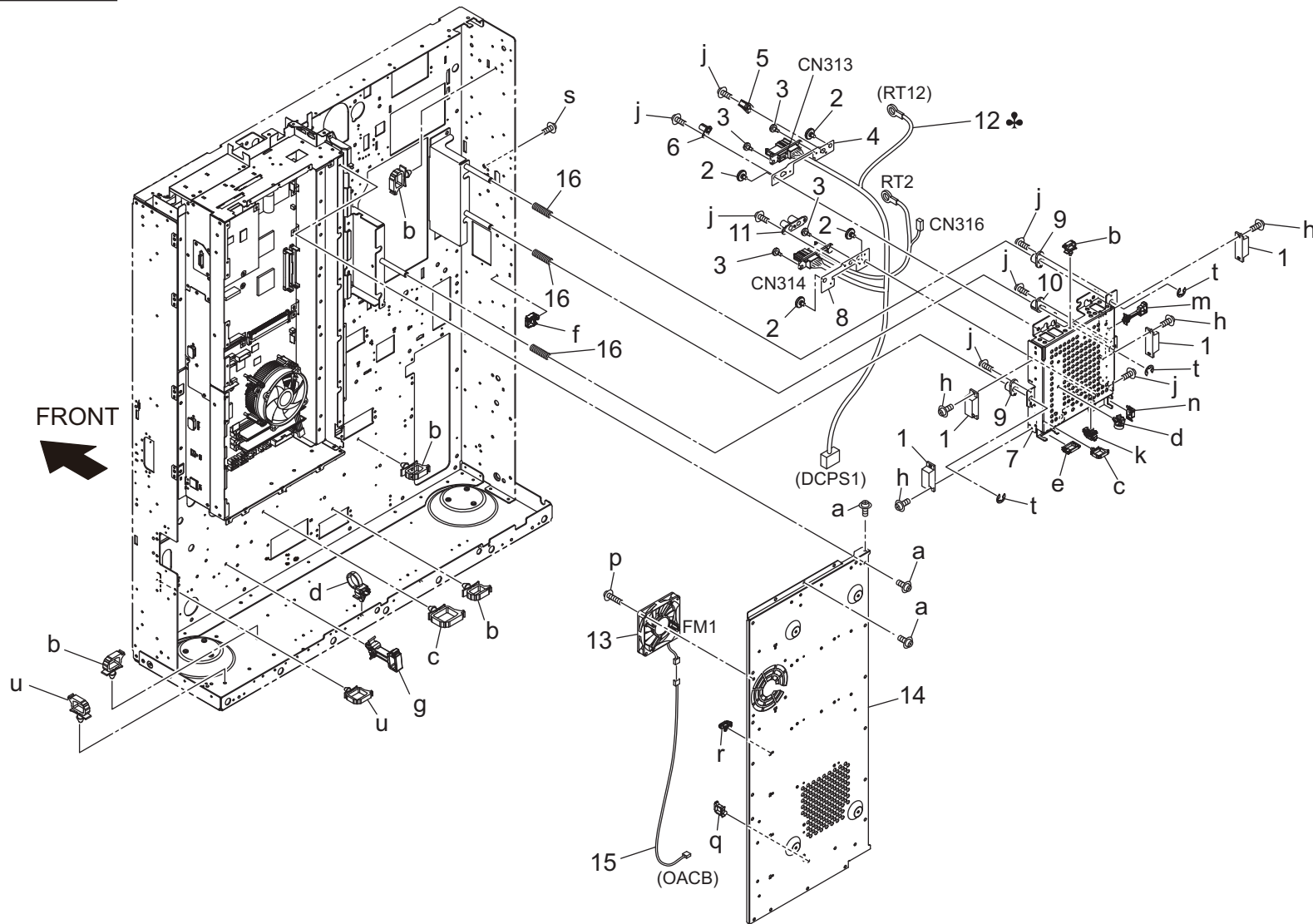


bizhub PRESS C71hc

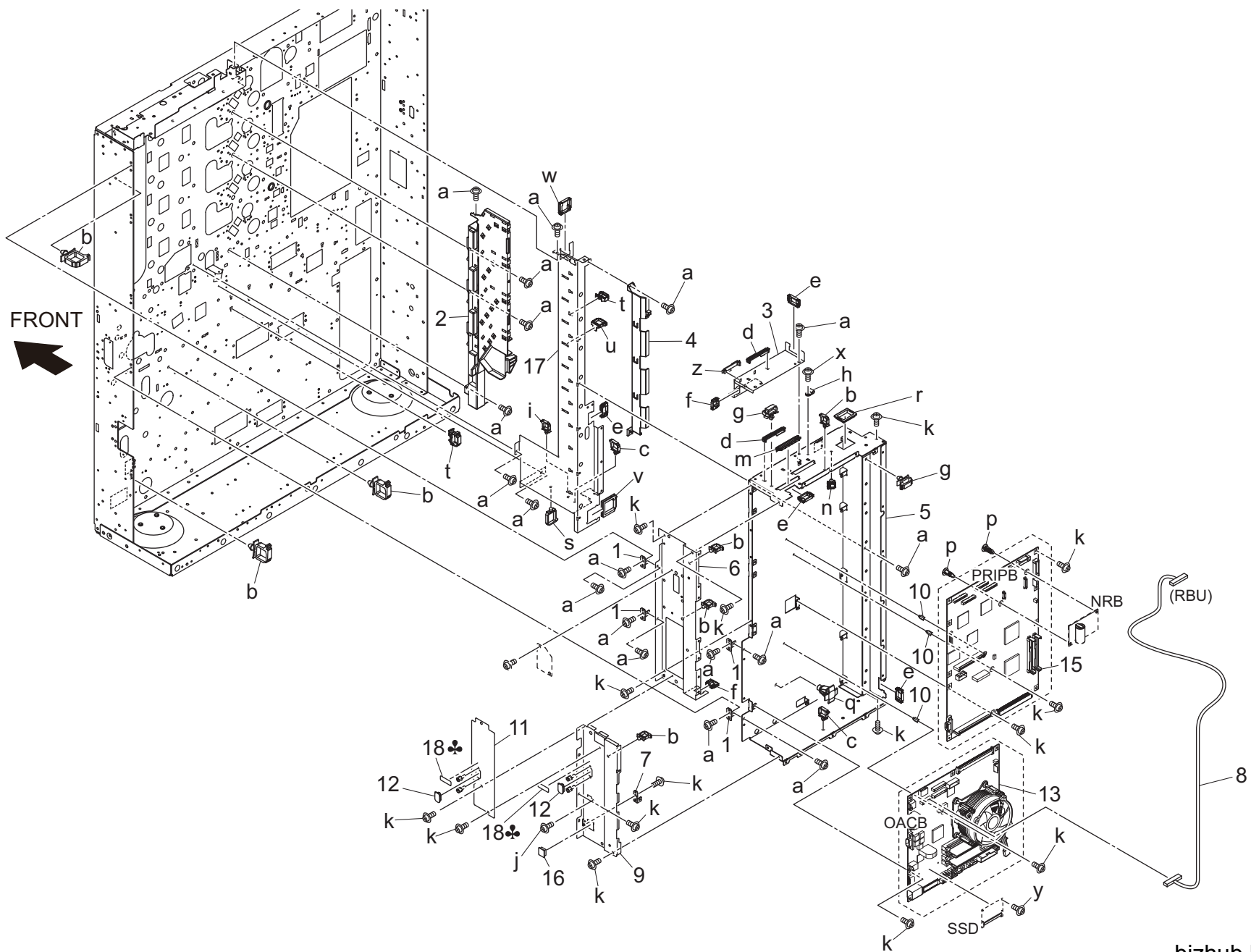


# Rear Electrical Section

改訂版 REVISED EDITION	日付 DATE
	JUNE 2015



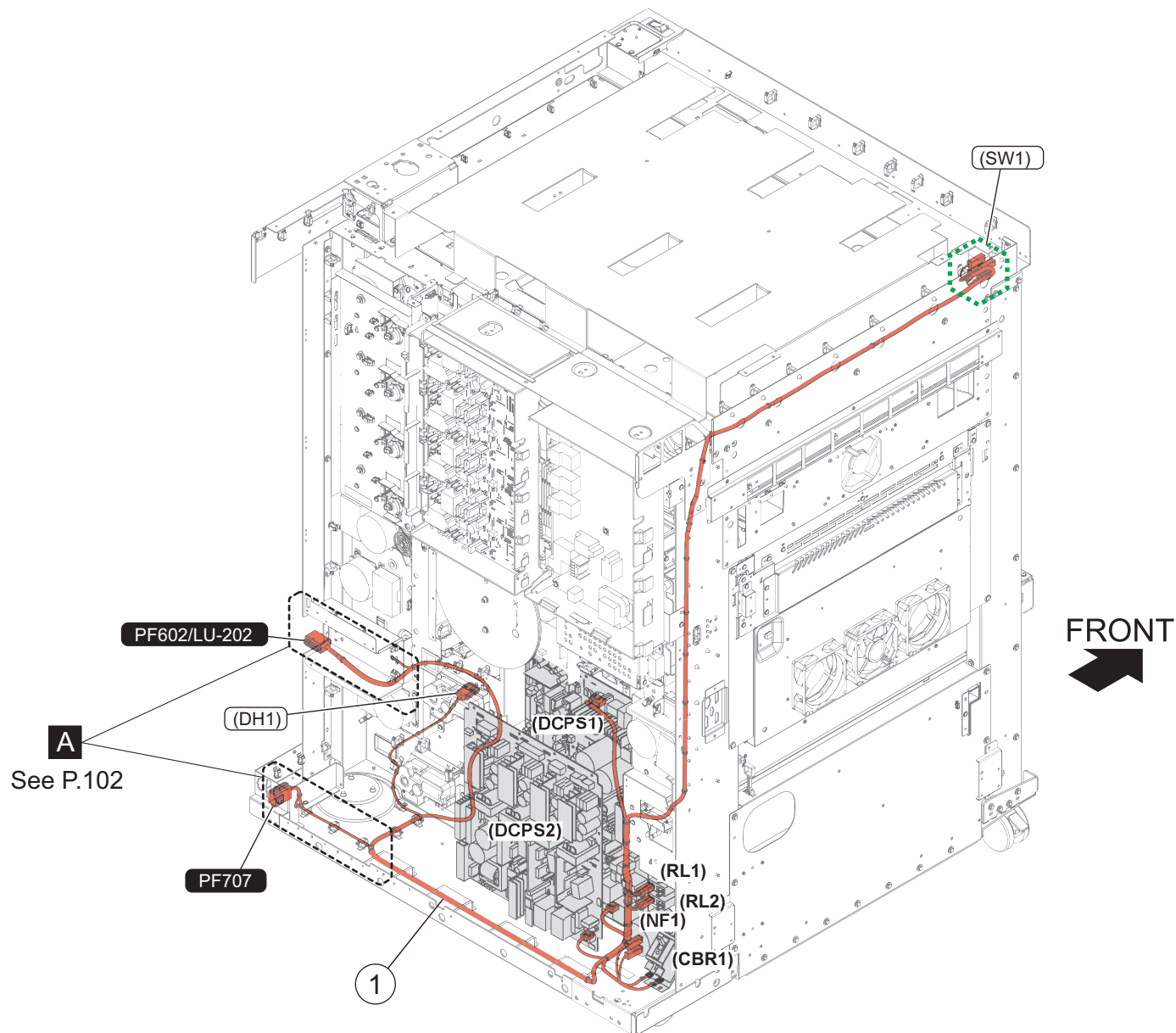




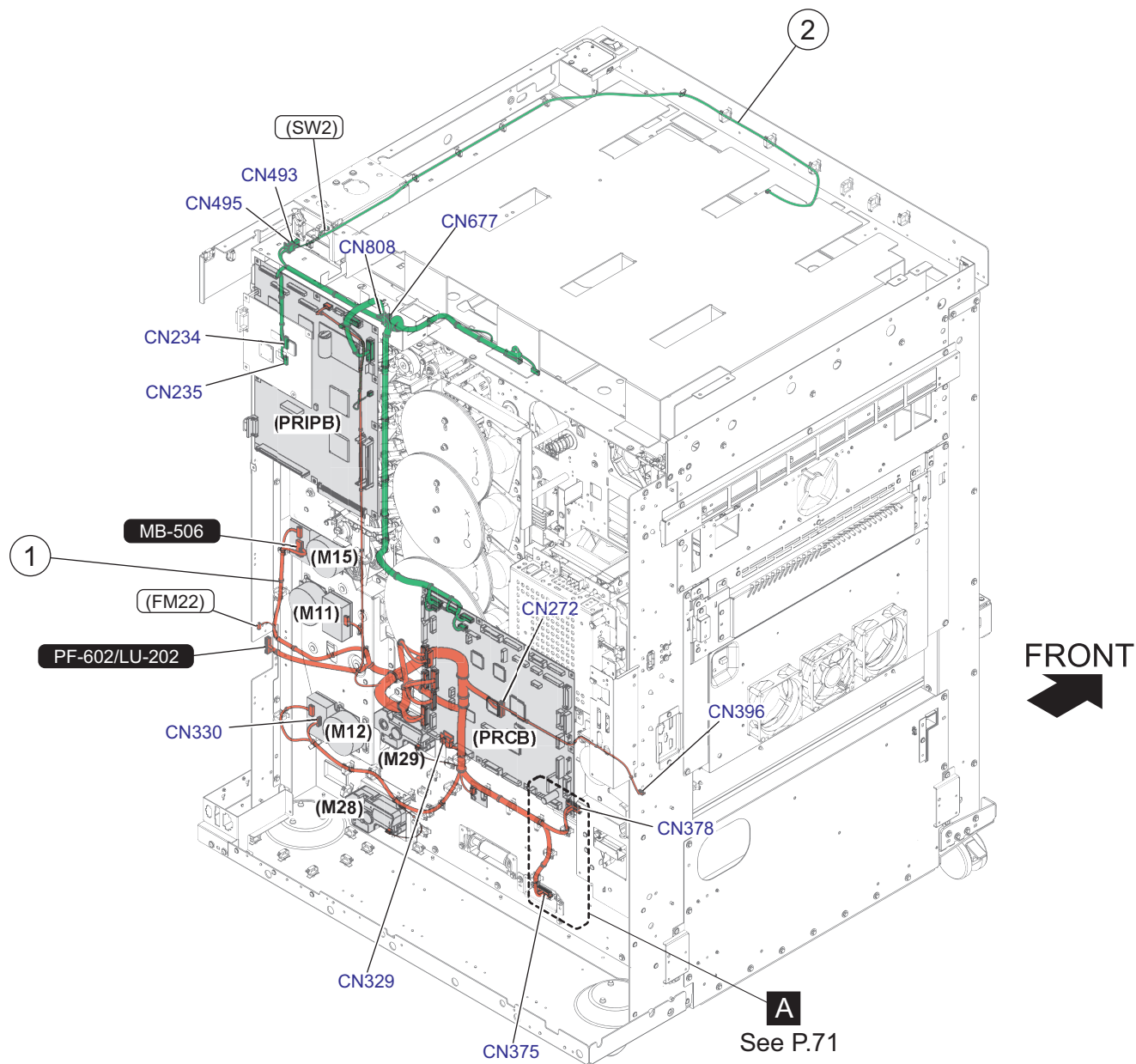
bizhub PRESS C71hc



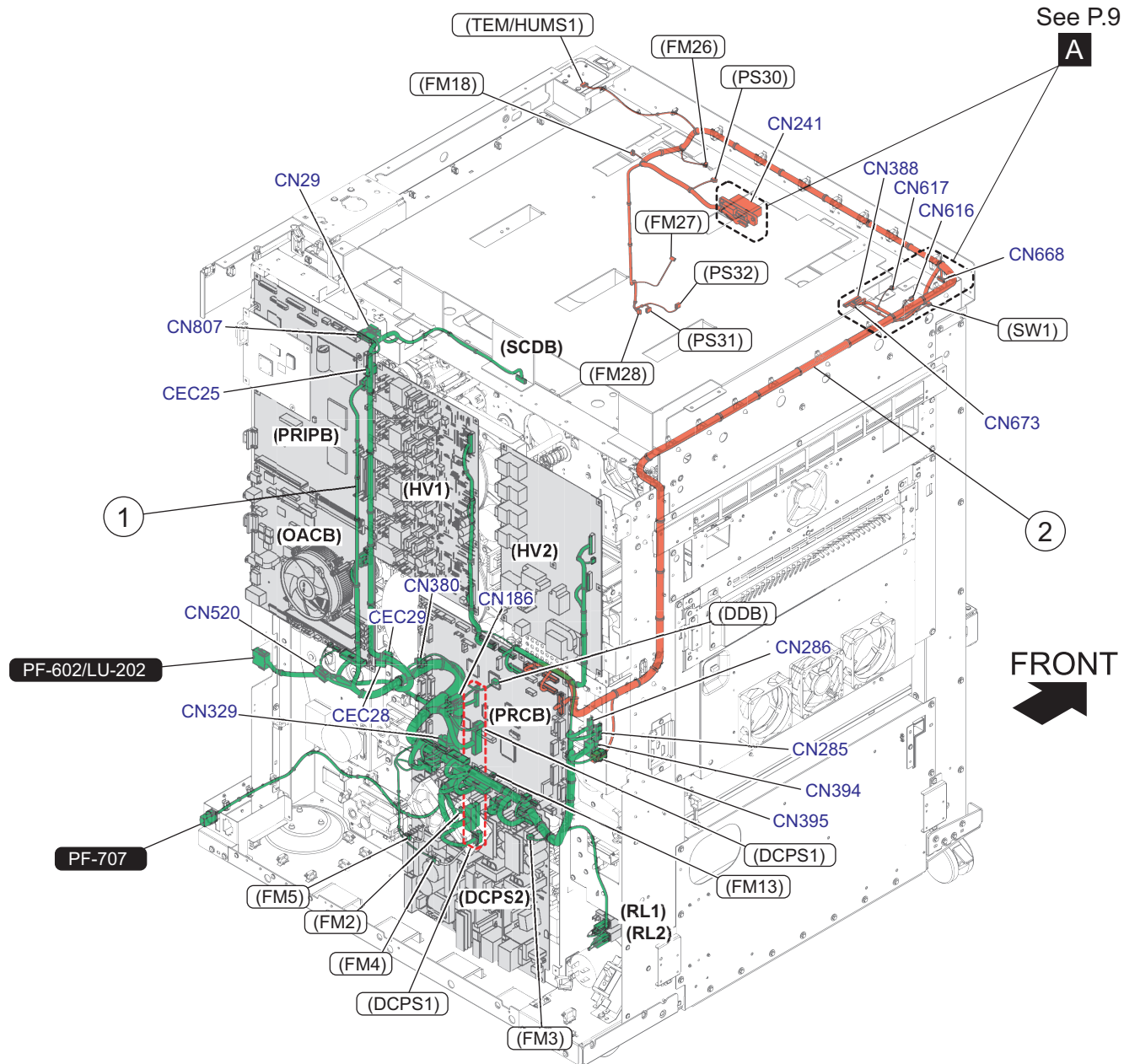
Key	Part No.	Description	Destinations	Class	QTY	Standard parts
1	A50U130600	Mounting Plate Outside		D	4	a-V127030604
2	A50U133901	Wiring Guide /Right Rear		D	1	b-V500010083
3	A50U134701	Wiring Guide /P		D	1	c-V500010084
4	A50U136302	Wiring Guide /2		D	1	d-V500020093
5	A50U130104	Processing Plate		D	1	e-V570010059
6	A50U130202	Processing Plate /Side		D	1	f-V570010060
7	A50U130300	Mounting Plate Outside		D	1	g-V500010081
8	A50UN29201	Relay Wiring /U		D	1	h-V500020069
9	A50U130902	Cover /3		D	1	i-V500020100
10	A50U133400	Mounting Screw /B		D	3	j-V111030603
11	A50U136200	Cover /2		D	1	k-V127030516
12	13RN73120	Terminal Protection Cover /1		D	2	m-V500010080
13	A57PH0110A	Main Body Control Board assy		I	1	n-V500020098
15	A50UH02004	Image Processing Board Assy		I	1	p-V502010009
16	40LA73840	Contact Protection Cover		D	1	q-V502010062
17	A50U134801	Cover Plate /1		D	1	r-V570010038
18	A0E7946700	Caution Label	D1,E,F2,G1,H,I,K	C	2	s-V500010085
						t-V500010071
						u-V500010079
						v-V570010048
						w-V570010058
						x-V116030803
						y-V111140403
						z-V500020066



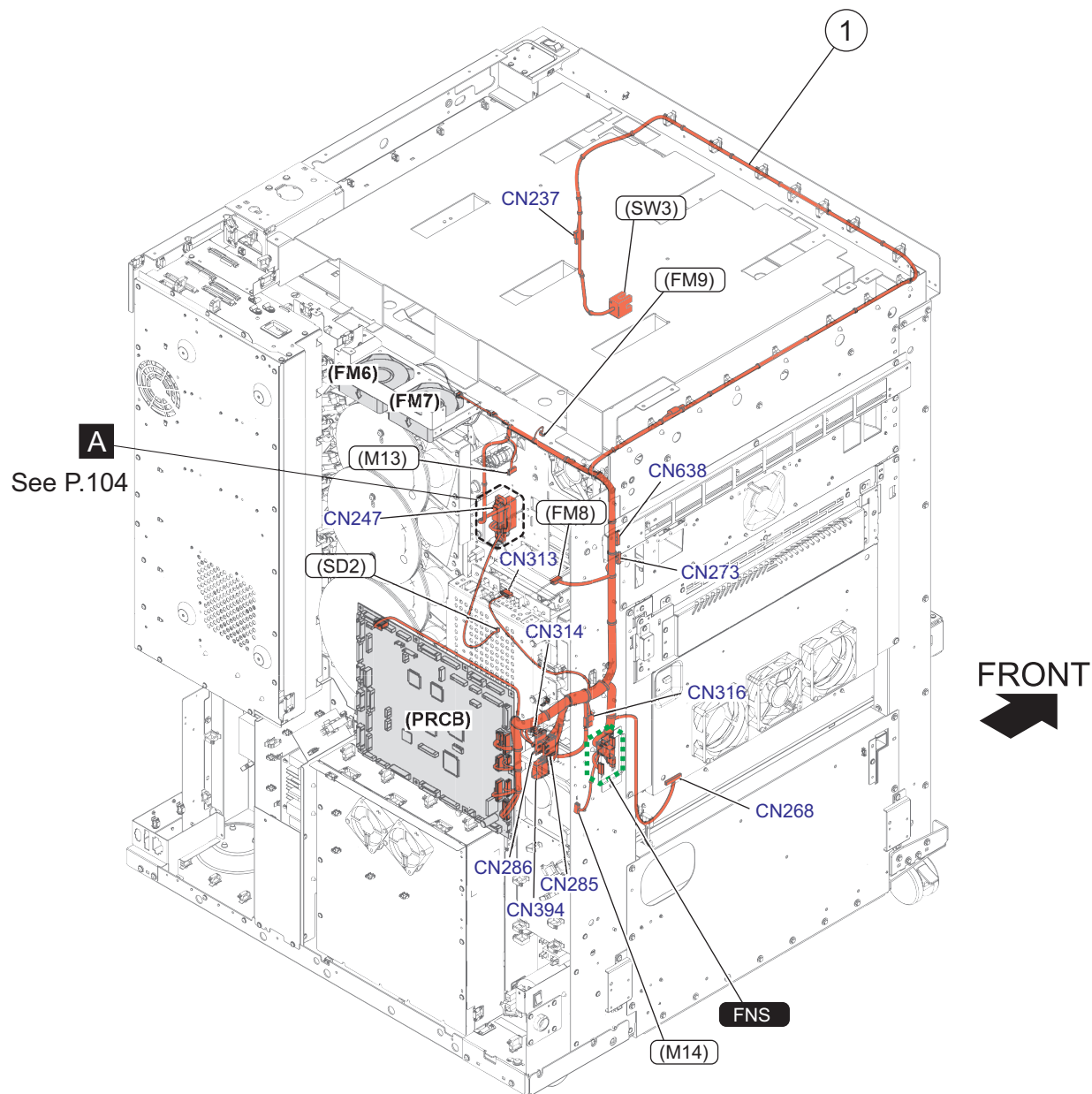




Key	Part No.	Description	Destinations	Class	QTY	Standard parts
1	A50UN10202	Main body Wiring /1		D	1	
2	A50UN10414	Main body Wiring /2		D	1	

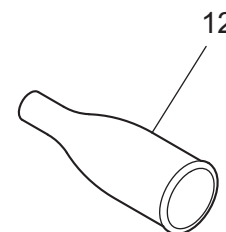
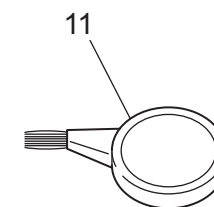
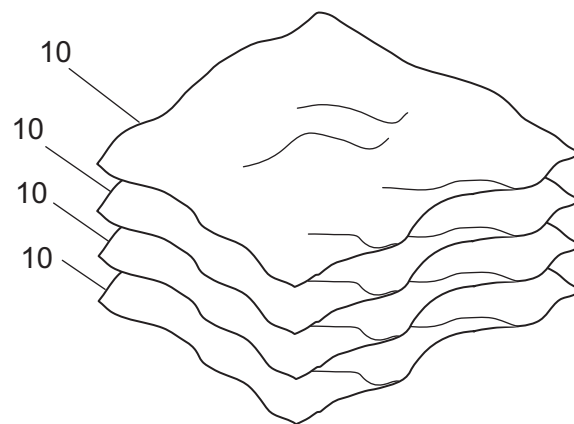
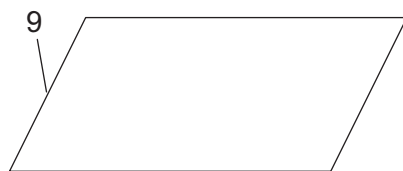
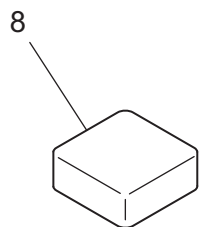
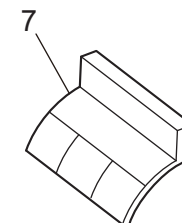
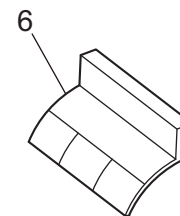
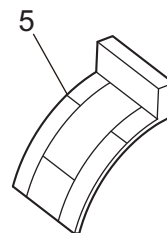
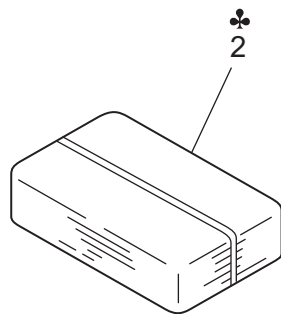
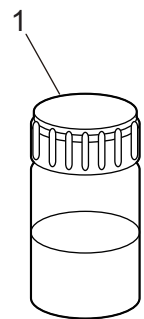


Key	Part No.	Description		Destinations	Class	QTY	Standard parts
1	A50UN10302	DC Power source harness /1	D C 電源束線 /1		D	1	
2	A50UN12702	Main body Wiring /4	本体束線 /4		D	1	





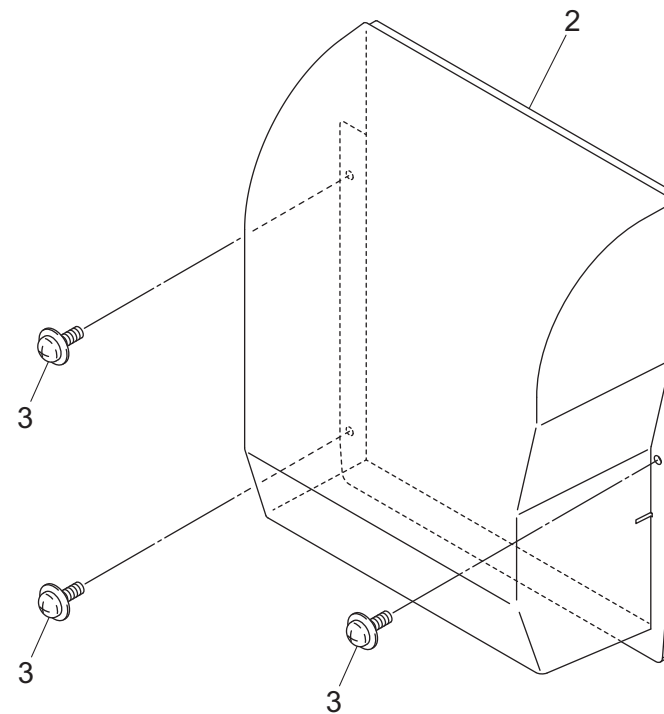
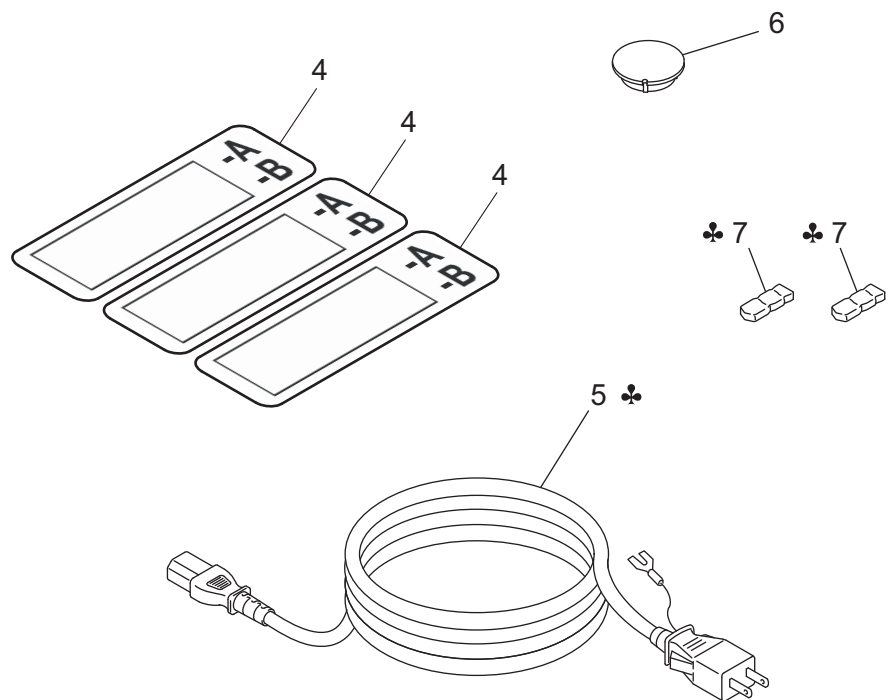
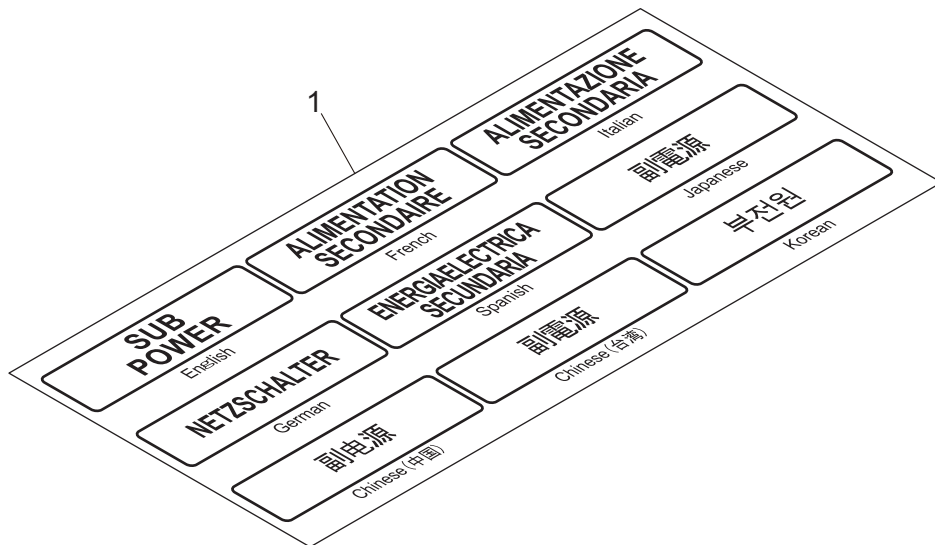




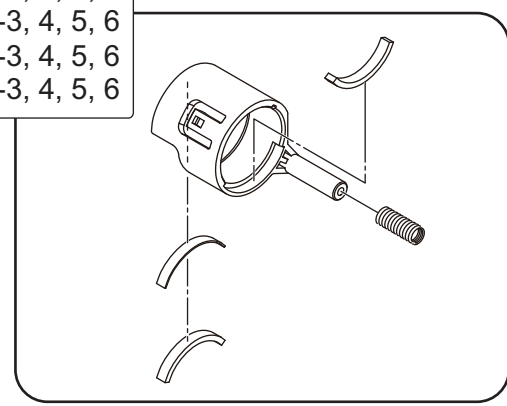


# Accessory Parts

P 113



See P.20-3, 4, 5, 6  
 P.21-3, 4, 5, 6  
 P.21-3, 4, 5, 6  
 P.21-3, 4, 5, 6





# MAINTENANCE LIST

● The items with no Page/Key numbers are not handled as spare parts.

No.	Section	PM Parts Description	Maintenance Cycle (K=1,000)		Parts No.	Destinations	Page/Key	Note
			QTY	Replace				
1	External section	Developing dust-proof filter/1	1	*1	A50U168901		P5-32	
2		Developing dust-proof filter/2	1	*1	A50U169501		P5-34	
3		PH dust-proof filter	1	*1	A50U168801		P5-31	
4		Electric component cooling filter	1	*1	A50U109900		P8-23	
5		Suction dust-proof filter	1	*1	A50U164901		P2-25	
6		Filter box	1	*1	A50UR70A12		P11-18	
7	Photo conductor section	Drum unit/Y	1					
8		Drum unit/M	1					
9		Drum unit/C	1					
10		Drum unit/K	1					
11	Charging section	Charging corona/Y	1	*1	A50UR70311		P18-1	
12		Charging corona/M	1	*1	A50UR70311		P18-1	
13		Charging corona/C	1	*1	A50UR70311		P18-1	
14		Charging corona/K	1	*1	A50UR70311		P18-1	
15	Developing section	Developing unit/Y	1	*1	A50UR70244		P20-1	
16		Developing unit/M	1	*1	A50UR70244		P21-1	
17		Developing unit/C	1	*1	A50UR70244		P22-1	
18		Developing unit/K	1	*1	A50UR70244		P23-1	
19	Intermediate transfer section	Toner collection sheet	1	*1	A1DUR71C00		P37-5	
20		Belt cleaning blade	1	*1	A50UR70K11		P37-16	
21		2nd transfer roller/Up	1	*1	A50U500401		P34-12	
22		Intermediate transfer belt	1	*1	A1DU504203		P34-11	
23		1st transfer roller/Y	1	*1	A50U501201		P35-4	
24		1st transfer roller/M	1	*1	A50U501201		P35-4	
25		1st transfer roller/C	1	*1	A50U501201		P35-4	
26		1st transfer roller/K	1	*1	A50U501201		P35-4	
27		Transfer belt cleaning unit	1	*1	A50UR70633		P32-1	
28		Transfer belt separation claw	3	880K	A1DUR71900		P35-25	
29		Belt separation claw solenoid (SD2)	1	1,760K	26NA82513		P7-7	
30		Transfer roller bearing/Y, transfer roller bearing/M,	6	*1	65AA26380		P35-15	
31		Transfer roller bearing/K	2	*1	A50U505700		P35-12	
32		Side seal	2	*1	A50U531601		P37-7	
33		2nd transfer roller/Lw	1	*1	A50U520001		P55-2	
34		Separation discharging unit	1	*1	A50UR70B00		P55-9	
35		2nd transfer earth plate assy	2	*1	A50UR70G01		P78-23	
36		C-clip	2	*1	V218060086		P55-b	
37	Toner collection section	Waste toner box	1	130K	A50UR70115		P30-19	
38	Paper feed section	Paper feed roller rubber/1, paper feed roller rubber/2	2	125K	25SA40960		P66-4/P69-4	
39		Separation roller rubber/1, separation roller rubber/2	2	125K	25SA40960		P64-22/P67-22	
40		Pick-up roller/1, pick-up roller/2	2	800K	A1DUR71J00		P66-2/P69-2	
41		Paper feed clutch/1 (CL1), paper feed clutch/2 (CL2)	2	2,000K	56AA82012		P66-17/P69-17	
42		Pre-registration clutch/1 (CL3), preregistration clutch/2	2	2,000K	56AA82012		P65-11/P68-11	
43		Vertical conveyance section	Intermediate conveyance clutch/1 (CL5)	1	2,000K	56AA82012		P77-3
44	Registration section	Registration cleaning sheet assy	1	600K	A50UR70D01		P99-13	
45		Registration roller	1	1,400K	A50U710101		P97-15	
46		Registration roller bearing	2	1,400K	A03U812800		P65-32	

No.	Section	PM Parts Description	Maintenance Cycle (K=1,000)		Parts No.	Destinations	Page/Key	Note
			QTY	Replace				
47	Fusing section	Fusing belt	1	600K	A50U765000		P45-32	
48		Heat insulating sleeve/Lw1, heat insulating sleeve/	4	600K	A50U756300		P42-16/P45-31	
49		Fusing gear/1	1	600K	A50U752700		P42-12	
50		Fusing gear/3	1	600K	A50U752200		P40-11	
51		Fusing Roller/1	1	1,200K	A50U720123		P45-7	
52		Fusing roller/Lw	1	1,200K	A50U765500		P42-5	
53		Belt regulating sleeve	2	1,200K	A50U724102		P45-12	
54		Fusing paper exit roller/Up	2	1,200K	A50U760900		P46-26	
55		Heat insulating sleeve/Up	2	1,200K	A03U729500		P45-4	
56		Fusing bearing/Lw1, fusing bearing/Lw2	4	1,200K	26NA53712		P42-2/P45-1	
57		Fusing Roller/2	1	1,200K	A50U720501		P45-8	
58		Fusing bearing/Up	2	1,200K	A1UD723500		P45-6	
59		Fusing gear/2	1	1,200K	A03U809500		P45-5	
60		Fusing separating claw assy	5	1,200K	A50UR72U11		P46-46	
61		Neutralizing ring	1	1,200K	A50U733712		P45-24	
62	Neutralizing flat spring assy	1	1,200K	A50UR73322		P45-36		
63	Fusing heater lamp assy/Up (Japan)	1	3,000K	A50UM31A00	A	P45-37		
63	Fusing heater lamp assy/Up (North America)	1	3,000K	A50UM31E00	B,G2	P45-37		
63	Fusing heater lamp assy/Up (Europe)	1	3,000K	A50UM31F00	C,D1,E,F2,G1,H,I,K	P45-37		
64	Fusing temperature sensor/3 (TH3)	1	3,000K	A50UR70F00		P44-21		
65	Fusing temperature sensor/4 (TH4)	1	3,000K	A50UR70E11		P41-9		
66	Duplex section	Intermediate conveyance clutch/2 (CL6)	1	2,000K	56AA82012		P82-9	
67		Intermediate conveyance clutch/3 (CL7)	1	2,000K	56AA82012		P82-9	
68	Reverse exit section	Reverse de-curler roller	1	400K	A50U860501		P94-27	
69		Paper exit de-curler roller	1	1,000K	A50U890802		P101-10	

\*1: See Service Manual F-4 LIFE VALUE.

## メンテナンスリスト

● ページ / キーナンバーのないものは、アフターサービス部品ではありません。

No.	区分	P M 部品名称	サイクル ( K=1,000)		部品番号	仕向地	頁 / キー	備考
			員数	交換				
1	外装部	現像防塵フィルター／1	1	*1	A50U168901		P5-32	
2		現像防塵フィルター／2	1	*1	A50U169501		P5-34	
3		PH 防塵フィルター	1	*1	A50U168801		P5-31	
4		電装冷却フィルター	1	*1	A50U109900		P8-23	
5		吸気防塵フィルター	1	*1	A50U164901		P2-25	
6		フィルターボックス	1	*1	A50UR70A12		P11-18	
7	感光体部	ドラムユニット / Y	1					
8		ドラムユニット / M	1					
9		ドラムユニット / C	1					
10		ドラムユニット / K	1					
11	帯電部	帯電極 / Y	1	*1	A50UR70311		P18-1	
12		帯電極 / M	1	*1	A50UR70311		P18-1	
13		帯電極 / C	1	*1	A50UR70311		P18-1	
14		帯電極 / K	1	*1	A50UR70311		P18-1	
15	現像部	現像ユニット / Y	1	*1	A50UR70244		P20-1	
16		現像ユニット / M	1	*1	A50UR70244		P21-1	
17		現像ユニット / C	1	*1	A50UR70244		P22-1	
18		現像ユニット / K	1	*1	A50UR70244		P23-1	
19	中間転写部	トナー回収シート	1	*1	A1DUR71C00		P37-5	
20		転写ベルトクリーニングブレード	1	*1	A50UR70K11		P37-16	
21		2次転写ローラー / Up	1	*1	A50U500401		P34-12	
22		中間転写ベルト	1	*1	A1DU504203		P34-11	
23		1次転写ローラー / Y	1	*1	A50U501201		P35-4	
24		1次転写ローラー / M	1	*1	A50U501201		P35-4	
25		1次転写ローラー / C	1	*1	A50U501201		P35-4	
26		1次転写ローラー / K	1	*1	A50U501201		P35-4	
27		転写ベルトクリーニングユニット	1	*1	A50UR70633		P32-1	
28		転写ベルト分離爪	3	880K	A1DUR71900		P35-25	
29		ベルト分離爪ソレノイド ( SD 2 )	1	1,760K	26NA82513		P7-7	
30		転写ローラー軸受 / Y、 / M、 / C	6	*1	65AA26380		P35-15	
31		転写ローラー軸受 / K	2	*1	A50U505700		P35-12	
32		サイドシール	2	*1	A50U531601		P37-7	
33		2次転写ローラー / L w	1	*1	A50U520001		P55-2	
34		分離放電板ユニット	1	*1	A50UR70B00		P55-9	
35		2次転写アース板 A s s y	2	*1	A50UR70G01		P78-23	
36		C クリップ	2	*1	V218060086		P55-b	
37	トナー回収部	廃棄トナーボックス	1	130K	A50UR70115		P30-19	
38	給紙部	給紙ローラーゴム / 1、 / 2	2	125K	25SA40960		P66-4/P69-4	
39		分離ローラーゴム / 1、 / 2	2	125K	25SA40960		P64-22/P67-22	
40		ピックアップローラー / 1、 / 2	2	800K	A1DUR71J00		P66-2/P69-2	
41		給紙クラッチ / 1 ( CL 1)、 / 2 ( CL 2 )	2	2,000K	56AA82012		P66-17/P69-17	
42		プレレジストクラッチ / 1 ( CL 3)、 / 2	2	2,000K	56AA82012		P65-11/P68-11	
43		垂直搬送部	中間搬送クラッチ / 1 ( CL 5 )	1	2,000K	56AA82012		P77-3
44	レジスト部	レジスト清掃シート A s s y	1	600K	A50UR70D01		P99-13	
45		レジストローラー	1	1,400K	A50U710101		P97-15	
46		レジストローラー軸受	2	1,400K	A03U812800		P65-32	



No.	区分	P M 部品名称	サイクル ( K=1,000)		部品番号	仕向地	頁 / キー	備考
			員数	交換				
47	定着部	定着ベルト	1	600K	A50U765000	A B,G2 C,D1,E,F2,G1,H,I,K	P45-32	
48		断熱スリーブ / L w 1、 / L W 2	4	600K	A50U756300		P42-16/P45-31	
49		定着ギア / 1	1	600K	A50U752700		P42-12	
50		定着ギア / 3	1	600K	A50U752200		P40-11	
51		定着ローラ / 1	1	1,200K	A50U720123		P45-7	
52		定着ローラ / L w	1	1,200K	A50U765500		P42-5	
53		ベルト 規制スリーブ	2	1,200K	A50U724102		P45-12	
54		定着排紙ローラ / U p	2	1,200K	A50U760900		P46-26	
55		断熱スリーブ / U p	2	1,200K	A03U729500		P45-4	
56		定着軸受 / L w 1、 / L w 2	4	1,200K	26NA53712		P42-2/P45-1	
57		定着ローラ / 2	1	1,200K	A50U720501		P45-8	
58		定着軸受 / U p	2	1,200K	A1UD723500		P45-6	
59		定着ギア / 2	1	1,200K	A03U809500		P45-5	
60		定着分離爪 A s s y	5	1,200K	A50UR72U11		P46-46	
61		除電リング	1	1,200K	A50U733712		P45-24	
62		除電板バネ A s s y	1	1,200K	A50UR73322		P45-36	
63	定着ヒーターランプ A s s y / U p	1	3,000K	A50UM31A00	P45-37			
63	定着ヒーターランプ A s s y / U p	1	3,000K	A50UM31E00	P45-37			
63	定着ヒーターランプ A s s y / U p	1	3,000K	A50UM31F00	P45-37			
64	定着温度センサ / 3 ( T H 3 )	1	3,000K	A50UR70F00	P44-21			
65	定着温度センサ / 4 ( T H 4 )	1	3,000K	A50UR70E11	P41-9			
66	両面部	中間搬送クラッチ / 2 ( C L 6 )	1	2,000K	56AA82012	P82-9		
67		中間搬送クラッチ / 3 ( C L 7 )	1	2,000K	56AA82012	P82-9		
68	反転 / 排紙部	反転デカローラローラ	1	400K	A50U860501	P94-27		
69		排紙デカローラローラ	1	1,000K	A50U890802	P101-10		

\*1: サービスマニュアル F-4「ライフ値の考え方」参照

## DESTINATION

Destination No.		Destinations		V	Hz	Model No.
A	A1	JAPAN		200	50/60	A7V0001
	A2	JAPAN		200	50/60	A7V0001
B		USA, CANADA		208-240	60	A7V0011
C		EUROPEAN TYPE		220-240	50/60	A7V0021
D	D1	S.E ASIA TYPE	THAILAND, SRI LANKA, SINGAPORE, MALAYSIA, HONG KONG, PAKISTAN, INDIA, BANGLADESH, INDONESIA	220-240	50/60	A7V0041
	D3	OCEANIA TYPE	AUSTRALIA, NEW ZEALAND	220-240	50/60	A7V0051
E		PHILIPPINES		220-240	50/60	A7V0041
F	F1	SAUDI ARABIA				
	F2	SAUDI ARABIA		220-240	50/60	A7V0041
G	G1	C.S AMERICA		220-240	50/60	A7V0041
	G2	C.S AMERICA		208-240	60	A7V0011
H		TAIWAN		220-240	50/60	A7V0041
I		JORDAN, LEBANON, SYRIA, SOUTH AFRICA, IRAQ, IRAN, N.YEMEN, CAMEROON, UAE, BAHRAIN, OMAN, QATAR, KUWAIT, KENYA, TUNISIA, IVORY COAST, MOROCCO		220-240	50/60	A7V0041
J		CHINA		220-240	50/60	A7V0081
K		KOREA		220-240	50/60	A7V0041

bizhub PRESS C71hc