

KONICA MINOLTA

# *PARTS GUIDE MANUAL*

---

*JULY 2010*

# *bizhub PRESS C8000 A1RF*

## INFORMATION FOR PARTS GUIDE MANUAL

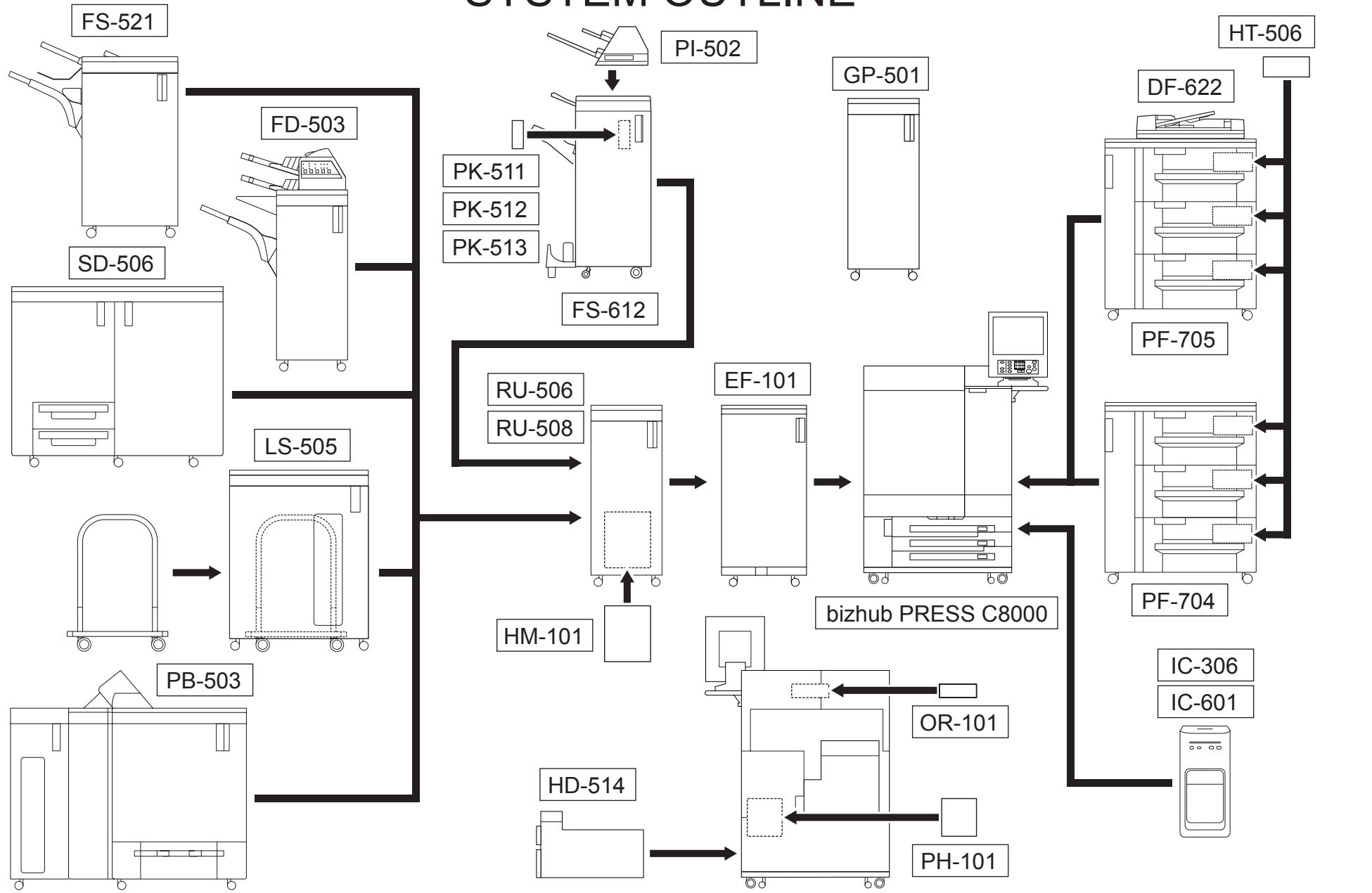
To find correct Parts No., refer to the "HOW TO MAKE THE BEST USE OF THIS MANUAL" in the following page.

### HOW TO MAKE THE BEST USE OF THIS MANUAL

- 1 When you order, please check the proper figures beforehand that are on Our Parts Guide Manual, and order with the appropriate figures.
- 2 For screws, Nuts, Washers, retaining rings and Pins which are used in this model, one letter is shown on the Standard parts column of Parts list and exploded diagrams.
- 3 In order to maintain safety of the product, some specific parts composed of this product are set up as "essential safety parts".
- 4 The assigned parts number for the "essential safety parts" is indicated as "SP00-\*\*\*\*".  
When replacing these parts, follow precautions for disassembling and installing which are listed in the Service Manual.  
Do not use any parts that are not set up as
- 5 ♣ means that there are exclusive parts for each destination.  
Please check the appropriate destination when you order.
- 6 Revision Mark  
Marked as ▲ on the illustration shows that the revision has been made.
- 7 All rights reserved. (any reprints or quotations are prohibited.)  
Use of this parts guide manual should be strictly supervised to avoid disclosure of confidential information.

07/23/2010

# SYSTEM OUTLINE



bizhub PRESS C8000

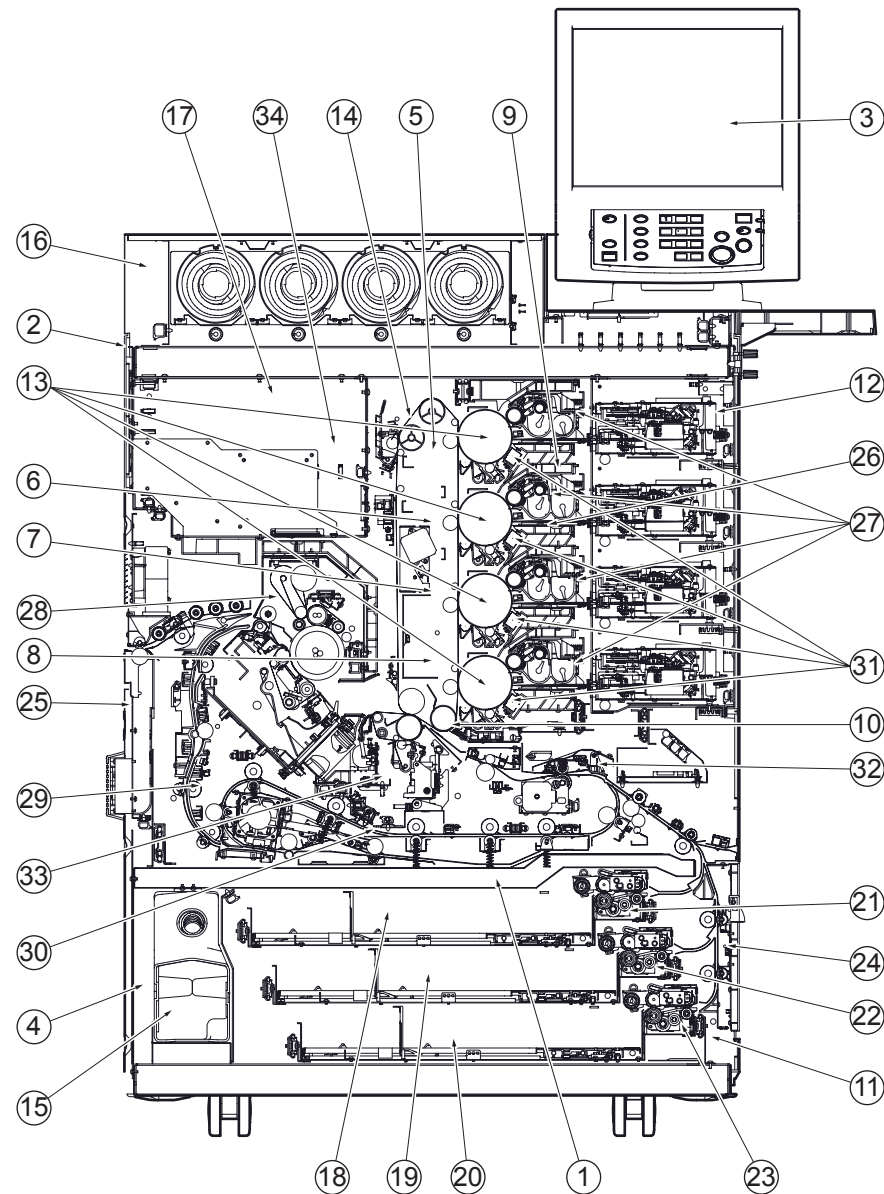
# GENERAL CONTENTS

No.	Description	Model
1	DIGITAL MFP COLOR	bizhub PRO C8000
2	PUNCH UNIT	PK-511
3	PUNCH UNIT	PK-512
4	PUNCH UNIT	PK-513
5	OTHER OPTION	PI-502
6	OTHER OPTION	RU-506
7	SORTER/FINISHER	FS-521
8	OTHER OPTION	FD-503
9	STACKER	LS-505
10	OTHER OPTION	SD-506
11	PUNCH UNIT	GP-501
12	OTHER OPTION	PB-503
13	PAPER FEEDER	PF-704
14	PAPER FEEDER	PF-705
15	OTHER OPTION	EF-101
16	OTHER OPTION	HT-506
17	OTHER OPTION	HD-514
18	OTHER OPTION	RU-508
19	OTHER OPTION	HM-101
20	SORTER/FINISHER	FS-612
21	DOCUMENT FEEDER	DF-622
22	PRINT CONTROLLER	IC-601

bizhub PRESS C8000

<b>No.</b>	<b>Description</b>	<b>Model</b>
23	OTHER OPTION	OR-101
24	OTHER OPTION	PH-101
25	PRINT CONTROLLER	IC-306

# DIAGRAMS OF MAIN PARTS SECTION



# CONTENTS

No.	DESCRIPTION	PAGE No.
1	MAIN FRAMES	P1 P2 P3 P4 P5 P6 P7 P8 P9 P10 P11 P12 P13 P14
2	EXTERNAL PARTS	P15 P16 P17
3	OPERATION SECTION	P18 P19 P20
4	DRIVE SECTION:TONER COLLECTION	P21
5	DRIVE SECTION:DRUM DRIVE UNIT Y	P22
6	DRIVE SECTION:DRUM DRIVE UNIT M	P23
7	DRIVE SECTION:DRUM DRIVE UNIT C	P24
8	DRIVE SECTION:DRUM DRIVE UNIT K	P25
9	DRIVE SECTION:DEVELOPING UNIT DRIVE	P26
10	DRIVE SECTION:BELT DRIVE	P27
11	DRIVE SECTION:PAPER FEED	P28
12	WRITE SECTION	P29
13	DRUM CARTRIDGE SECTION	P30 P31 P32 P33
14	INTERMEDIATE TRANSFER SECTION	P34 P35 P36 P37 P38 P39
15	TONER COLLECTING SECTION	P40 P41 P42 P43
16	TONER SUPPLY SECTION:UPPER	P44 P45 P46 P47 P48
17	TONER SUPPLY SECTION:LOWER	P49 P50 P51 P52 P53 P54 P55 P56 P57 P58
18	CASSETTE SECTION:UPPER	P59 P60 P61 P62
19	CASSETTE SECTION:MIDDLE	P63 P64 P65 P66
20	CASSETTE SECTION:LOWER	P67 P68 P69 P70
21	PAPER FEED SECTION:UPPER	P71 P72 P73
22	PAPER FEED SECTION:MIDDLE	P74 P75 P76

<b>No.</b>	<b>DESCRIPTION</b>	<b>PAGE No.</b>
23	PAPER FEED SECTION:LOWER	P77 P78 P79
24	VERTICAL CONVEYANCE SECTION	P80 P81 P82
25	PAPER EXIT SECTION	P83 P84 P85
26	PROCESS CARRIAGE SECTION	P86 P87 P88 P89 P90 P91 P92 P93 P94 P95
27	DEVELOPING SECTION	P96 P97 P98 P99
28	FUSING SECTION	P100 P101 P102 P103 P104 P105 P106 P107 P108 P109 P110 P111 P112 P113
29	DUPLEX SECTION:ADU UNIT	P114 P115 P116 P117 P118
30	DUPLEX SECTION	P119 P120 P121 P122 P123 P124 P125 P126 P127 P128 P129 P130 P131 P132 P133
31	CHARGE CORONA	P134
32	DUPLEX SECTION:RESIST	P135 P136 P137
33	SECONDARY TRANSFER SECTION	P138 P139 P140 P141 P142 P143
34	ELECTRICAL COMPONENTS SECTION	P144 P145 P146 P147 P148 P149
35	JIG AND MATERIAL	P150 P151 P152
36	ACCESSORY PARTS	P153 P154



# INDEX

Parts No.	Page No.	Parts No.	Page No.	Parts No.	Page No.	Parts No.	Page No.	Parts No.	Page No.
000V -18- 1	150-7	12QR 8601 1	48-20	25SA 1043 1	2-15	26NA 7357 0	145-32	40LA 4409 0	123-10
000V -19- 0	150-10	12QV 4065 0	49-7	25SA 4096 0	71-9	26TA 5345 0	112-3	40LA 7384 0	145-34
00M6 -2-0 0	150-6	12QV 4065 0	126-29	25SA 4096 0	73-5	27LA 8803 1	1-15	4109 5530 01	72-13
00VC -2-0 0	150-2	12VG 7712 0	142-29	25SA 4096 0	74-21	27LA 8803 1	86-14	4109 5530 01	75-13
00VD -100 0	150-8	13GQ 4549 0	84-29	25SA 4096 0	76-5	3040 7807 0	109-28	4109 5530 01	78-13
0590 7651 0	73-10	13GQ 7603 0	104-23	25SA 4096 0	77-19	3220 7601 0	21-11	4109 5530 01	104-28
0590 7651 0	76-10	13NG 4520 0	15-24	25SA 4096 0	79-5	3220 7601 0	45-1	4109 5530 01	108-15
0590 7651 0	79-10	13NG 4520 0	114-21	25SA 7504 0	132-14	3220 7601 0	51-1	4109 5530 01	109-13
0676 4258 1	59-13	13NT 8051 1	4-1	25SA 7747 0	21-7	3220 7601 0	57-11	4109 5530 01	111-8
0676 4258 1	63-13	13NT 8051 1	13-17	25SA 8846 1	148-1	35EA 7715 1	21-4	4470 4024 01	1-1
0676 4258 1	67-13	13QA 4061 0	22-29	26MA 7404 0	30-12	35EA 7715 1	51-11	4470 4024 01	7-11
08AA 7601 0	71-7	13QA 4061 0	23-29	26MA 7404 0	31-12	35EA 7723 0	21-14	4470 4024 01	36-19
08AA 7601 0	72-27	13QA 4061 0	24-29	26MA 7404 0	32-12	3960 7706 0	118-11	4470 4024 01	43-9
08AA 7601 0	73-3	13QA 4061 0	25-29	26MA 7404 0	33-12	4004 4573 01	43-11	4470 4024 01	48-25
08AA 7601 0	74-9	13QA 8551 1	81-21	26NA 1758 0	22-7	4038 M600 00	5-19	4470 4024 01	82-11
08AA 7601 0	75-27	13QA 8551 1	82-1	26NA 1758 0	23-7	4040 M401 00	18-2	4470 4024 01	122-28
08AA 7601 0	76-3	13QA 8551 1	117-4	26NA 1758 0	24-7	4040 PJP1 00	152-3	4470 4024 01	126-2
08AA 7601 0	77-9	13QA 8551 1	119-30	26NA 1758 0	25-7	4040 PJP2 00	152-4	4470 4024 01	139-15
08AA 7601 0	78-27	13QA 8551 1	129-2	26NA 1758 0	26-9	40AA 3232 0	30-17	4470 4024 01	141-8
08AA 7601 0	79-3	13QA 8551 1	131-15	26NA 2048 0	37-8	40AA 3232 0	31-17	4540 5339 1	105-5
08AA 7736 0	51-13	13QA 8551 1	135-3	26NA 2144 0	128-19	40AA 3232 0	32-17	4540 7803 0	109-2
08AA 8551 2	7-7	13QA 8551 1	136-2	26NA 3266 0	45-5	40AA 3232 0	33-17	4620 7601 0	122-24
08AA 8551 2	11-6	13QA 8552 1	85-9	26NA 4204 0	51-7	40AA 3232 0	39-13	4660 7602 0	133-15
08AA 8551 2	36-17	13QA 8552 1	124-4	26NA 4206 1	71-20	40AA 3232 0	42-3	5000 7501 0	109-6
08AA 8551 2	61-27	13QA 8552 1	136-29	26NA 4206 1	74-17	40AA 3232 0	96-2	5000 7501 0	110-14
08AA 8551 2	62-13	13RN 7312 0	145-33	26NA 4206 1	77-17	40AA 3232 0	97-2	5380 8826 1	148-7
08AA 8551 2	65-27	13SU 1511 0	142-16	26NA 4256 0	71-2	40AA 3232 0	98-2	5440 7720 1	105-2
08AA 8551 2	66-13	14GE 4547 0	84-32	26NA 4256 0	74-2	40AA 3232 0	99-2	55FA 1210 1	50-16
08AA 8551 2	69-27	14GE 4547 0	132-30	26NA 4256 0	77-2	40AA 3232 0	140-7	55FA 1210 1	114-1
08AA 8551 2	70-13	15AA 8005 0	28-13	26NA 4256 0	81-2	40AA 3232 0	142-14	55FA 4032 0	73-33
08AA 8551 2	72-10	1900 4141 0	101-9	26NA 4256 0	119-8	40AA 4626 1	125-1	55FA 4032 0	76-33
08AA 8551 2	75-10	20AL 4847 0	104-24	26NA 4707 0	60-12	40AA 7766 0	52-3	55FA 4032 0	79-33
08AA 8551 2	78-10	25AA 4010 0	73-6	26NA 4707 0	64-12	40AA 7766 0	53-3	55GA 7705 0	21-15
08AA 8551 2	122-27	25AA 4010 0	76-6	26NA 4707 0	68-12	40AA 7766 0	54-3	55TA 8456 1	148-13
08AA 8551 2	126-3	25AA 4010 0	79-6	26NA 5092 0	141-2	40AA 7766 0	55-3	55VA 2068 0	52-23
08AA 8551 2	139-16	25AA 4750 0	122-25	26NA 5377 0	103-31	40AA 8501 1	123-24	55VA 2068 0	53-23
08AA 8551 2	141-6	25AA 5008 0	120-2	26NA 5378 0	109-10	40AA 8803 1	52-20	55VA 2068 0	54-23
120A 9711 0	152-5	25AA 7772 0	80-13	26NA 5423 0	103-32	40AA 8803 1	53-20	55VA 2068 0	55-23
12AJ 4585 0	82-8	25AA 7773 0	80-16	26NA 5423 0	109-12	40AA 8803 1	54-20	55VA 3253 0	121-9
12AJ 4585 0	136-18	25SA 1043 1	1-25	26NA 5423 0	124-1	40AA 8803 1	55-20	55VA 4060 0	61-17

Parts No.	Page No.	Parts No.	Page No.	Parts No.	Page No.	Parts No.	Page No.	Parts No.	Page No.
55VA 4060 0	65-16	56AA 1030 0	3-4	56AA 1763 0	1-28	56AA 4030 0	76-11	56AA 4049 0	73-1
55VA 4060 0	69-16	56AA 1227 0	43-7	56AA 1764 0	1-29	56AA 4030 0	79-11	56AA 4049 0	76-1
55VA 4093 0	62-10	56AA 1712 1	73-18	56AA 1776 0	72-26	56AA 4031 0	72-18	56AA 4049 0	79-1
55VA 4093 0	66-10	56AA 1712 1	76-18	56AA 1776 0	73-7	56AA 4031 0	75-18	56AA 4050 0	72-28
55VA 4093 0	70-10	56AA 1712 1	79-18	56AA 1776 0	75-26	56AA 4031 0	78-18	56AA 4050 0	75-28
55VA 4212 0	45-12	56AA 1731 0	108-26	56AA 1776 0	76-7	56AA 4036 0	71-10	56AA 4050 0	78-28
55VA 4212 0	72-23	56AA 1731 0	143-5	56AA 1776 0	78-26	56AA 4036 0	74-20	56AA 4051 0	73-24
55VA 4212 0	73-26	56AA 1732 1	121-27	56AA 1776 0	79-7	56AA 4036 0	77-18	56AA 4051 0	76-24
55VA 4212 0	75-23	56AA 1746 1	122-18	56AA 2070 0	38-4	56AA 4037 0	72-16	56AA 4051 0	79-24
55VA 4212 0	76-26	56AA 1747 1	118-5	56AA 4001 0	71-6	56AA 4037 0	75-16	56AA 4052 0	72-11
55VA 4212 0	78-23	56AA 1747 1	129-10	56AA 4001 0	74-6	56AA 4037 0	78-16	56AA 4052 0	75-11
55VA 4212 0	79-26	56AA 1747 1	133-11	56AA 4001 0	77-6	56AA 4038 0	73-32	56AA 4052 0	78-11
55VA 4212 0	80-10	56AA 1747 1	142-30	56AA 4003 2	72-17	56AA 4038 0	76-32	56AA 4053 0	71-13
55VA 4212 0	116-12	56AA 1748 0	72-24	56AA 4003 2	75-17	56AA 4038 0	79-32	56AA 4053 0	74-14
55VA 4212 0	118-1	56AA 1748 0	73-20	56AA 4003 2	78-17	56AA 4039 0	73-17	56AA 4053 0	77-14
55VA 4212 0	120-22	56AA 1748 0	75-24	56AA 4007 0	73-12	56AA 4039 0	76-17	56AA 4054 0	71-12
55VA 4212 0	134-1	56AA 1748 0	76-20	56AA 4007 0	76-12	56AA 4039 0	79-17	56AA 4054 0	74-15
55VA 4222 0	61-20	56AA 1748 0	78-24	56AA 4007 0	79-12	56AA 4042 0	71-15	56AA 4054 0	77-15
55VA 4222 0	65-19	56AA 1748 0	79-20	56AA 4009 0	73-22	56AA 4042 0	74-8	56AA 4269 0	110-13
55VA 4222 0	69-19	56AA 1748 0	110-12	56AA 4009 0	76-22	56AA 4042 0	77-8	56AA 4269 0	111-5
55VA 7554 0	72-21	56AA 1748 0	111-4	56AA 4009 0	79-22	56AA 4043 0	71-5	56AA 4269 0	140-4
55VA 7554 0	75-21	56AA 1748 0	130-17	56AA 4010 0E	73-16	56AA 4043 0	74-5	56AA 5038 1	114-20
55VA 7554 0	78-21	56AA 1748 0	132-19	56AA 4010 0E	76-16	56AA 4043 0	77-5	56AA 5052 0	14-3
55VA 7713 0	28-9	56AA 1749 0	22-26	56AA 4010 0E	79-16	56AA 4044 0	71-16	56AA 5053 0	14-1
55VA 7729 0	57-19	56AA 1749 0	23-26	56AA 4012 0	73-23	56AA 4044 0	74-7	56AA 5070 0	122-14
55VA 7793 1	51-6	56AA 1749 0	24-26	56AA 4012 0	76-23	56AA 4044 0	77-7	56AA 5073 0	122-10
55VA 7793 1	57-20	56AA 1749 0	25-26	56AA 4012 0	79-23	56AA 4045 0	73-25	56AA 7733 0	57-23
55VA 7796 0	51-4	56AA 1749 0	102-8	56AA 4017 1	72-20	56AA 4045 0	76-25	56AA 7733 0	58-1
55VA 7903 0	71-11	56AA 1749 0	105-8	56AA 4017 1	75-20	56AA 4045 0	79-25	56AA 7759 0	73-9
55VA 7903 0	74-12	56AA 1751 0	71-22	56AA 4017 1	78-20	56AA 4046 0	72-12	56AA 7759 0	76-9
55VA 7903 0	77-12	56AA 1751 0	73-8	56AA 4019 0	72-19	56AA 4046 0	75-12	56AA 7759 0	79-9
55VA 7920 0	119-16	56AA 1751 0	74-19	56AA 4019 0	75-19	56AA 4046 0	78-12	56AA 7772 0	73-19
55WA 3001 0	30-13	56AA 1751 0	76-8	56AA 4019 0	78-19	56AA 4047 0	73-28	56AA 7772 0	76-19
55WA 3001 0	31-13	56AA 1751 0	77-22	56AA 4023 0	72-9	56AA 4047 0	76-28	56AA 7772 0	79-19
55WA 3001 0	32-13	56AA 1751 0	79-8	56AA 4023 0	75-9	56AA 4047 0	79-28	56AA 7773 0	72-25
55WA 3001 0	33-13	56AA 1751 0	111-18	56AA 4023 0	78-9	56AA 4048 1	71-4	56AA 7773 0	75-25
56AA -409 0	71-3	56AA 1753 1	21-10	56AA 4024 0	73-21	56AA 4048 1	74-3	56AA 7773 0	78-25
56AA -409 0	74-4	56AA 1753 1	42-2	56AA 4024 0	76-21	56AA 4048 1	77-3	56AA 7794 0	52-1
56AA -409 0	77-4	56AA 1755 1	108-21	56AA 4024 0	79-21	56AA 4049 0	36-32	56AA 7794 0	53-1
56AA 1010 1	2-6	56AA 1762 0	1-30	56AA 4030 0	73-11	56AA 4049 0	39-9	56AA 7794 0	54-1

Parts No.	Page No.	Parts No.	Page No.	Parts No.	Page No.	Parts No.	Page No.	Parts No.	Page No.
56AA 7794 0	55-1	56UA 7770 0	51-2	65AA 1074 0D	23-10	65AA 2268 0	8-2	65AA 3090 0	4-28
56AA 8201 2	45-11	56UA 7771 0	21-5	65AA 1074 0D	24-10	65AA 2268 0	88-9	65AA 3091 0	4-25
56AA 8201 2	72-22	56UA 9730 0	49-3	65AA 1074 0D	25-10	65AA 2275 0	87-33	65AA 3211 0	44-6
56AA 8201 2	73-27	56UA 9731 0	17-20	65AA 1084 0	14-8	65AA 2281 0	89-3	65AA 3262 0F	44-1
56AA 8201 2	75-22	56UA 9732 0	17-22	65AA 1114 0	145-24	65AA 2281 0	90-3	65AA 3273 0	44-4
56AA 8201 2	76-27	56UA 9792 0	89-1	65AA 1114 0	149-7	65AA 2281 0	91-3	65AA 3276 1	44-7
56AA 8201 2	78-22	56UA 9792 0	90-1	65AA 1130 0	1-14	65AA 2281 0	92-3	65AA 3297 0	44-11
56AA 8201 2	79-27	56UA 9792 0	91-1	65AA 1130 0	86-15	65AA 2282 0	87-31	65AA 3326 0	44-5
56AA 8560 1	60-23	56UA 9792 0	92-1	65AA 1153 0	2-13	65AA 2283 0D	8-3	65AA 3328 0	44-12
56AA 8560 1	64-23	56UA PJG0 00	150-11	65AA 1159 0	14-10	65AA 2283 0D	88-8	65AA 3331 0F	56-12
56AA 8560 1	68-23	56UF 9728 0	17-21	65AA 1510 0D	22-17	65AA 2403 0	42-18	65AA 3336 0	44-8
56AA 9061 0E	72-14	57AA 1560 0	124-22	65AA 1510 0D	23-17	65AA 2406 0	10-4	65AA 4001 0	72-3
56AA 9061 0E	75-14	57AA 5076 0	114-8	65AA 1510 0D	24-17	65AA 2406 0	41-3	65AA 4001 0	75-3
56AA 9061 0E	78-14	65AA -075 0	14-15	65AA 1510 0D	25-17	65AA 2406 0	42-5	65AA 4001 0	78-3
56AA R705 00	144-24	65AA -475 0	60-4	65AA 1519 0D	22-19	65AA 2412 0	42-10	65AA 4002 0	72-1
56AA R721 00	73-2	65AA -475 0	64-4	65AA 1519 0D	23-19	65AA 2413 0	40-25	65AA 4002 0	75-1
56AA R721 00	76-2	65AA -475 0	68-4	65AA 1519 0D	24-19	65AA 2431 0	40-24	65AA 4002 0	78-1
56AA R721 00	79-2	65AA -481 0	60-31	65AA 1519 0D	25-19	65AA 2442 0	42-13	65AA 4006 0	72-6
56QA 4008 0	71-18	65AA -481 0	61-1	65AA 1520 0	22-3	65AA 2446 0	41-8	65AA 4006 0	75-6
56QA 4008 0	74-11	65AA -481 0	64-31	65AA 1520 0	23-3	65AA 2605 0D	35-19	65AA 4006 0	78-6
56QA 4008 0	77-11	65AA -481 0	65-1	65AA 1520 0	24-3	65AA 2613 1F	37-14	65AA 4007 0	72-5
56QA 4025 0	71-19	65AA -481 0	68-31	65AA 1520 0	25-3	65AA 2614 1F	36-26	65AA 4007 0	75-5
56QA 4025 0	74-16	65AA -481 0	69-1	65AA 1521 0	22-5	65AA 2617 0D	38-1	65AA 4007 0	78-5
56QA 4025 0	77-16	65AA -482 0	61-12	65AA 1521 0	23-5	65AA 2634 0	38-2	65AA 4008 0E	73-13
56QA 4027 0	71-14	65AA -482 0	65-11	65AA 1521 0	24-5	65AA 2638 0	35-13	65AA 4008 0E	76-13
56QA 4027 0	74-13	65AA -482 0	69-11	65AA 1521 0	25-5	65AA 2650 1F	38-5	65AA 4008 0E	79-13
56QA 4027 0	77-13	65AA -909 1E	22-18	65AA 1525 0D	22-16	65AA 2656 0D	35-17	65AA 4009 0D	72-4
56QA 4055 0	71-17	65AA -909 1E	23-18	65AA 1525 0D	23-16	65AA 2660 0	38-27	65AA 4009 0D	75-4
56QA 4055 0	74-10	65AA -909 1E	24-18	65AA 1525 0D	24-16	65AA 2669 0D	35-9	65AA 4009 0D	78-4
56QA 4055 0	77-10	65AA -909 1E	25-18	65AA 1525 0D	25-16	65AA 2675 0	36-28	65AA 4011 0	72-8
56QA 8057 0	122-30	65AA -992 0	150-9	65AA 1608 0	40-4	65AA 2681 0D	35-11	65AA 4011 0	75-8
56QA 8057 0	130-15	65AA 1023 0D	14-9	65AA 1710 0	11-5	65AA 2684 0	39-15	65AA 4011 0	78-8
56QF 8455 1	148-17	65AA 1026 0	14-16	65AA 1713 0	11-35	65AA 2690 0D	35-14	65AA 4261 0	60-24
56UA 7033 0	19-10	65AA 1047 0	3-6	65AA 1714 0	11-36	65AA 2692 0	37-16	65AA 4261 0	64-24
56UA 7609 00	101-5	65AA 1048 0	14-12	65AA 1718 0	11-34	65AA 2693 0D	37-4	65AA 4261 0	68-24
56UA 7609 00	103-7	65AA 1052 0	11-1	65AA 1724 0	11-13	65AA 2695 0D	35-10	65AA 4420 0	82-12
56UA 7609 00	104-16	65AA 1066 0	1-26	65AA 2210 0	87-2	65AA 2709 0D	39-1	65AA 4435 0	80-14
56UA 7728 0	21-13	65AA 1074 0D	9-6	65AA 2226 0	87-5	65AA 2718 0	35-6	65AA 4435 0	136-19
56UA 7743 0	51-5	65AA 1074 0D	11-2	65AA 2229 0	87-4	65AA 2727 0	38-3	65AA 4518 0	140-13
56UA 7767 0	104-17	65AA 1074 0D	22-10	65AA 2252 1	87-26	65AA 3089 0	4-26	65AA 4519 0D	140-15

Parts No.	Page No.	Parts No.	Page No.	Parts No.	Page No.	Parts No.	Page No.	Parts No.	Page No.
65AA 4522 0	121-28	65AA 4721 0	64-17	65AA 4747 0D	64-7	65AA 4763 0	69-3	65AA 4780 0	61-28
65AA 4524 1	121-24	65AA 4721 0	68-17	65AA 4747 0D	68-7	65AA 4765 0	62-6	65AA 4780 0	65-28
65AA 4702 0D	62-4	65AA 4722 0	5-15	65AA 4748 0	62-3	65AA 4765 0	66-6	65AA 4780 0	69-28
65AA 4702 0D	66-4	65AA 4722 0	124-21	65AA 4748 0	66-3	65AA 4765 0	70-6	65AA 4782 0	61-24
65AA 4702 0D	70-4	65AA 4722 0	147-12	65AA 4748 0	70-3	65AA 4766 0	62-5	65AA 4782 0	65-23
65AA 4704 0D	3-5	65AA 4727 0	60-16	65AA 4749 0E	60-10	65AA 4766 0	66-5	65AA 4782 0	69-23
65AA 4706 0E	60-21	65AA 4727 0	64-16	65AA 4749 0E	64-10	65AA 4766 0	70-5	65AA 4783 1	60-5
65AA 4706 0E	64-21	65AA 4727 0	68-16	65AA 4749 0E	68-10	65AA 4768 0	62-17	65AA 4783 1	64-5
65AA 4706 0E	68-21	65AA 4729 0	147-13	65AA 4750 0	61-6	65AA 4768 0	66-17	65AA 4783 1	68-5
65AA 4707 0F	61-21	65AA 4731 0E	62-15	65AA 4750 0	65-5	65AA 4768 0	70-17	65AA 4786 0	62-1
65AA 4707 0F	65-20	65AA 4731 0E	66-15	65AA 4750 0	69-5	65AA 4770 0D	61-18	65AA 4786 0	66-1
65AA 4707 0F	69-20	65AA 4731 0E	70-15	65AA 4752 0	62-9	65AA 4770 0D	65-17	65AA 4786 0	70-1
65AA 4711 1	61-23	65AA 4732 0	62-16	65AA 4752 0	66-9	65AA 4770 0D	69-17	65AA 4790 0	61-25
65AA 4711 1	65-22	65AA 4732 0	66-16	65AA 4752 0	70-9	65AA 4771 0	59-14	65AA 4790 0	65-25
65AA 4711 1	69-22	65AA 4732 0	70-16	65AA 4753 0	62-7	65AA 4771 0	63-14	65AA 4790 0	69-25
65AA 4712 0D	62-14	65AA 4734 0	60-29	65AA 4753 0	66-7	65AA 4771 0	67-14	65AA 4795 0	59-7
65AA 4712 0D	66-14	65AA 4734 0	64-29	65AA 4753 0	70-7	65AA 4772 0D	60-32	65AA 4795 0	63-7
65AA 4712 0D	70-14	65AA 4734 0	68-29	65AA 4755 0	60-27	65AA 4772 0D	64-32	65AA 4795 0	67-7
65AA 4713 0	61-26	65AA 4736 0	59-15	65AA 4755 0	61-2	65AA 4772 0D	68-32	65AA 4797 0	59-16
65AA 4713 0	65-26	65AA 4736 0	63-15	65AA 4755 0	64-27	65AA 4773 0E	61-8	65AA 4797 0	63-16
65AA 4713 0	69-26	65AA 4736 0	67-15	65AA 4755 0	65-2	65AA 4773 0E	65-7	65AA 4797 0	67-16
65AA 4714 0	60-30	65AA 4737 0	59-10	65AA 4755 0	68-27	65AA 4773 0E	69-7	65AA 4836 0	85-2
65AA 4714 0	61-14	65AA 4737 0	63-10	65AA 4755 0	69-2	65AA 4774 0	60-3	65AA 4846 0	85-3
65AA 4714 0	64-30	65AA 4737 0	67-10	65AA 4758 0	62-8	65AA 4774 0	61-5	65AA 4941 0	125-3
65AA 4714 0	65-13	65AA 4738 0	59-12	65AA 4758 0	66-8	65AA 4774 0	64-3	65AA 4941 0	136-10
65AA 4714 0	68-30	65AA 4738 0	63-12	65AA 4758 0	70-8	65AA 4774 0	65-24	65AA 4947 0	124-30
65AA 4714 0	69-13	65AA 4738 0	67-12	65AA 4759 0	62-18	65AA 4774 0	68-3	65AA 4947 0	125-27
65AA 4716 0	60-14	65AA 4739 0	59-11	65AA 4759 0	66-18	65AA 4774 0	69-24	65AA 4947 0	126-33
65AA 4716 0	64-14	65AA 4739 0	63-11	65AA 4759 0	70-18	65AA 4775 0	62-12	65AA 4947 0	127-2
65AA 4716 0	68-14	65AA 4739 0	67-11	65AA 4760 0E	60-25	65AA 4775 0	66-12	65AA 4950 0	21-16
65AA 4717 0	60-13	65AA 4741 0D	62-19	65AA 4760 0E	64-25	65AA 4775 0	70-12	65AA 4951 0F	115-7
65AA 4717 0	64-13	65AA 4741 0D	66-19	65AA 4760 0E	68-25	65AA 4777 1E	62-20	65AA 4951 0F	125-35
65AA 4717 0	68-13	65AA 4741 0D	70-19	65AA 4762 0	61-4	65AA 4777 1E	66-20	65AA 4951 0F	131-20
65AA 4718 0	60-11	65AA 4742 0	60-18	65AA 4762 0	65-4	65AA 4777 1E	70-20	65AA 4951 0F	133-21
65AA 4718 0	64-11	65AA 4742 0	64-18	65AA 4762 0	69-4	65AA 4778 0	60-1	65AA 4952 0	125-14
65AA 4718 0	68-11	65AA 4742 0	68-18	65AA 4763 0	60-26	65AA 4778 0	64-1	65AA 4952 0	131-19
65AA 4719 0	60-2	65AA 4745 0	62-2	65AA 4763 0	61-3	65AA 4778 0	68-1	65AA 5015 0	119-25
65AA 4719 0	64-2	65AA 4745 0	66-2	65AA 4763 0	64-26	65AA 4779 0D	61-7	65AA 5016 0	119-28
65AA 4719 0	68-2	65AA 4745 0	70-2	65AA 4763 0	65-3	65AA 4779 0D	65-6	65AA 5018 0	114-11
65AA 4721 0	60-17	65AA 4747 0D	60-7	65AA 4763 0	68-26	65AA 4779 0D	69-6	65AA 5025 0	116-3

Parts No.	Page No.	Parts No.	Page No.	Parts No.	Page No.	Parts No.	Page No.	Parts No.	Page No.
65AA 5032 0	122-20	65AA 7783 0	40-10	65GE 9740 0	73-14	A00J M121 00	108-24	A03U 1921 00	20-6
65AA 5034 0E	122-15	65AA 7790 0	11-33	65GE 9740 0	76-14	A00J M121 00	141-14	A03U 2596 00	22-30
65AA 5035 0	122-22	65AA 7796 0	40-8	65GE 9740 0	79-14	A00J M603 00	148-3	A03U 2596 00	23-30
65AA 5037 0D	122-19	65AA 7797 0	40-1	65GE 9749 0	61-13	A00T M100 00	36-22	A03U 2596 00	24-30
65AA 5040 0	15-23	65AA 7797 0	42-9	65GE 9749 0	65-12	A00V 2406 00	22-23	A03U 2596 00	25-32
65AA 5040 0	114-22	65AA 7798 0	28-10	65GE 9749 0	69-12	A00V 2406 00	23-23	A03U 2597 00	11-9
65AA 5042 0	122-21	65AA 7799 0	28-1	65LA -464 1	134-4	A00V 2406 00	24-23	A03U 2599 00	22-27
65AA 5061 0	120-10	65AA 8059 0	6-6	65LA R704 00	39-22	A00V 2406 00	25-20	A03U 2599 00	23-27
65AA 5063 0	120-13	65AA 9017 0E	61-15	7050 K002 0	150-1	A00V 2406 00	26-6	A03U 2599 00	24-27
65AA 5064 0	119-10	65AA 9017 0E	65-14	9313 1000 72	56-7	A00V 2406 00	28-7	A03U 2599 00	25-27
65AA 5068 0D	4-32	65AA 9017 0E	69-14	9313 1000 72	85-15	A00V 2406 00	36-4	A03U 3472 00	86-1
65AA 5068 0D	14-11	65AA 9058 0	60-28	9335 1400 51	43-13	A00V 2406 00	38-10	A03U 3719 00	96-9
65AA 5074 0	114-15	65AA 9058 0	64-28	9335 1500 21	1-4	A00V 2406 00	84-23	A03U 3719 00	97-9
65AA 5075 0D	114-19	65AA 9058 0	68-28	9335 1500 21	43-14	A00V 2406 00	87-18	A03U 3719 00	98-9
65AA 5081 0	122-9	65AA 9744 0	87-20	9335 1500 21	48-22	A00V 2406 00	109-9	A03U 3719 00	99-9
65AA 5128 0E	116-17	65AA 9745 0	87-21	9335 1500 21	82-10	A00V 2406 00	110-9	A03U 3760 00	96-10
65AA 5140 0	119-3	65AA 9746 0	87-22	9335 1500 21	123-25	A00V 2406 00	111-6	A03U 3760 00	97-10
65AA 5147 0	4-30	65AA 9747 0	87-23	9381 4101 31	154-6	A00V 2406 00	112-2	A03U 3760 00	98-10
65AA 5151 0	120-4	65AA 9950 0	152-6	9J06 M100 00	8-10	A00V 2406 00	116-7	A03U 3760 00	99-10
65AA 5167 0D	120-6	65AA R723 00	22-21	9J06 PJP1 00	152-1	A00V 2406 00	118-3	A03U 4021 00	48-21
65AA 5357 0	112-28	65AA R723 00	23-21	9J06 PJP2 00	152-2	A00V 2406 00	120-8	A03U 5004 00	37-12
65AA 5359 0	103-33	65AA R723 00	24-21	A00J 2112 00	84-24	A00V 2406 00	121-16	A03U 5012 00	37-13
65AA 5398 0	112-10	65AA R723 00	25-22	A00J 2112 00	102-1	A00V 2406 00	126-15	A03U 5133 00	142-6
65AA 5399 1	112-27	65AA R727 00	2-3	A00J 2112 00	108-18	A00V 2406 00	132-17	A03U 5135 00	10-11
65AA 7505 1	22-15	65AA R738 00	56-11	A00J 2112 00	136-5	A00V 2406 00	134-2	A03U 5240 00	121-26
65AA 7505 1	23-15	65AA R746 00	35-3	A00J 6178 00	10-6	A011 M101 01	10-15	A03U 5554 00	39-3
65AA 7505 1	24-15	65AA R746 00	123-1	A00J 6178 00	11-26	A011 M101 01	104-25	A03U 5601 00	73-15
65AA 7505 1	25-15	65AA R753 00	38-6	A00J 6178 00	26-1	A011 M101 01	110-26	A03U 5601 00	76-15
65AA 7505 1	37-15	65AA R756 00	39-21	A00J 6178 00	30-7	A03U 1190 00	5-18	A03U 5601 00	79-15
65AA 7506 0	42-4	65AA R757 00	39-20	A00J 6178 00	31-7	A03U 1190 00	13-4	A03U 5602 00	73-4
65AA 7508 1	25-31	65AA R779 00	139-8	A00J 6178 00	32-7	A03U 1190 00	124-16	A03U 5602 00	76-4
65AA 7508 1	27-7	65AA R781 00	60-6	A00J 6178 00	33-7	A03U 1365 00	145-3	A03U 5602 00	79-4
65AA 7508 1	88-6	65AA R781 00	64-6	A00J 6178 00	36-11	A03U 1656 01	153-11	A03U 5603 00	73-30
65AA 7718 0	110-25	65AA R781 00	68-6	A00J 6178 00	37-2	A03U 1685 00	15-26	A03U 5603 00	76-30
65AA 7738 0	44-14	65GE 4708 0	61-9	A00J 6178 00	84-9	A03U 1708 00	11-14	A03U 5603 00	79-30
65AA 7738 0	51-10	65GE 4708 0	65-8	A00J 6178 00	119-15	A03U 1916 00	20-4	A03U 5605 00	73-31
65AA 7738 0	57-21	65GE 4708 0	69-8	A00J 6178 00	123-18	A03U 1917 00	20-3	A03U 5605 00	76-31
65AA 7741 0	21-6	65GE 4709 0	60-8	A00J 6178 00	124-18	A03U 1918 00	20-2	A03U 5605 00	79-31
65AA 7753 0	28-3	65GE 4709 0	64-8	A00J 6178 00	126-12	A03U 1919 00	20-5	A03U 6204 00	60-15
65AA 7764 0	84-8	65GE 4709 0	68-8	A00J 9454 00	2-9	A03U 1920 00	20-1	A03U 6204 00	64-15

Parts No.	Page No.	Parts No.	Page No.	Parts No.	Page No.	Parts No.	Page No.	Parts No.	Page No.
A03U 6204 00	68-15	A03U 8116 00	115-10	A03U 8501 01	74-1	A03X 1702 01	67-3	A0G6 R7G9 00	148-6
A03U 6207 02	59-9	A03U 8118 00	116-6	A03U 8501 01	77-1	A03X 5656 11	71-21	A0G6 R7H0 00	148-6
A03U 6207 02	63-9	A03U 8128 00	61-19	A03U 8501 01	81-3	A03X 5656 11	74-18	A0GD M451 11	144-21
A03U 6207 02	67-9	A03U 8128 00	65-18	A03U 8501 01	118-7	A03X 5656 11	77-21	A0P0 M100 00	59-17
A03U 6210 00	60-9	A03U 8128 00	69-18	A03U 8501 01	119-1	A03X 6220 00	135-6	A0P0 M100 00	63-17
A03U 6210 00	64-9	A03U 8128 00	72-15	A03U 8501 01	123-6	A07R 8137 01	115-15	A0P0 M100 00	67-17
A03U 6210 00	68-9	A03U 8128 00	73-29	A03U 8596 00	130-22	A0G6 1901 01	18-21	A0PN M102 00	11-11
A03U 6211 00	60-19	A03U 8128 00	75-15	A03U 8597 00	132-20	A0G6 1902 00	18-3	A0PN M102 00	21-21
A03U 6211 00	64-19	A03U 8128 00	76-29	A03U 8613 00	127-3	A0G6 1903 01	19-13	A0PN M102 00	51-8
A03U 6211 00	68-19	A03U 8128 00	78-15	A03U 8615 00	127-7	A0G6 1904 03	18-13	A0PN M102 00	57-12
A03U 6212 00	61-10	A03U 8128 00	79-29	A03U 8899 00	126-13	A0G6 1916 00	19-6	A0PN M102 00	85-11
A03U 6212 00	65-9	A03U 8128 00	80-1	A03U 9453 00	60-20	A0G6 1924 00	18-16	A0R5 M103 00	26-14
A03U 6212 00	69-9	A03U 8128 00	118-12	A03U 9453 00	64-20	A0G6 1925 00	18-15	A0R5 M103 00	45-6
A03U 6213 00	61-16	A03U 8128 00	122-16	A03U 9453 00	68-20	A0G6 1927 00	18-19	A0R5 M103 00	123-16
A03U 6213 00	65-15	A03U 8128 00	125-16	A03U 9465 00	20-24	A0G6 1929 00	18-20	A0U0 1798 00	59-1
A03U 6213 00	69-15	A03U 8153 00	123-4	A03U F621 00	60-22	A0G6 1931 00	19-8	A0U0 1798 00	63-1
A03U 6214 00	61-11	A03U 8155 01	123-9	A03U F621 00	64-22	A0G6 1932 00	19-9	A0U0 1798 00	67-1
A03U 6214 00	65-10	A03U 8157 00	118-10	A03U F621 00	68-22	A0G6 1934 00	19-3	A0U0 9454 01	59-2
A03U 6214 00	69-10	A03U 8157 00	123-8	A03U M111 00	11-17	A0G6 1935 00	19-4	A0U0 9455 01	63-2
A03U 6217 00	61-22	A03U 8160 00	114-26	A03U M111 00	116-19	A0G6 1937 00	19-5	A0U0 9456 01	67-2
A03U 6217 00	65-21	A03U 8389 00	118-4	A03U M111 00	130-16	A0G6 1938 00	19-2	A0Y5 M151 00	5-7
A03U 6217 00	69-21	A03U 8396 01	115-2	A03U M111 00	134-5	A0G6 1939 00	19-1	A0Y5 M151 00	6-7
A03U 7002 02	81-15	A03U 8409 01	131-1	A03U M152 00	4-4	A0G6 1940 00	19-7	A0Y5 M551 00	129-4
A03U 7120 00	135-8	A03U 8410 00	129-17	A03U M152 00	6-4	A0G6 1941 01	19-11	A0Y5 M601 00	1-20
A03U 7121 00	84-21	A03U 8435 00	115-11	A03U M153 00	5-11	A0G6 1950 00	19-14	A11P M102 00	111-21
A03U 7242 00	105-14	A03U 8436 01	129-13	A03U M158 00	12-11	A0G6 2050 00	19-14	A11P M102 00	121-33
A03U 7242 00	110-2	A03U 8437 00	129-12	A03U M158 00	83-2	A0G6 2439 00	115-28	A11P M102 00	124-29
A03U 7242 00	111-23	A03U 8439 00	129-14	A03U M201 00	80-9	A0G6 2439 00	126-22	A11P M102 00	129-9
A03U 7345 00	103-23	A03U 8452 00	131-28	A03U M201 00	116-21	A0G6 2439 00	131-3	A1RF 1010 00	7-3
A03U 7345 00	104-11	A03U 8453 01	131-29	A03U M201 00	118-2	A0G6 H040 00	19-12	A1RF 1017 00	4-33
A03U 7345 00	107-2	A03U 8459 01	124-6	A03U M201 00	120-21	A0G6 H060 00	18-9	A1RF 1020 00	14-2
A03U 7345 00	108-1	A03U 8459 01	127-4	A03U M402 01	144-14	A0G6 M352 00	18-11	A1RF 1025 01	43-6
A03U 7345 00	109-25	A03U 8459 01	130-8	A03U M505 00	7-1	A0G6 M453 11	144-23	A1RF 1034 00	5-16
A03U 7345 00	110-5	A03U 8459 01	131-21	A03U M505 00	26-11	A0G6 M454 00	148-9	A1RF 1034 00	124-14
A03U 7345 00	112-23	A03U 8459 01	132-4	A03U M505 00	135-7	A0G6 M602 00	148-2	A1RF 1035 00	1-24
A03U 7348 00	112-18	A03U 8459 01	136-31	A03U R724 11	59-8	A0G6 M604 00	148-11	A1RF 1036 00	1-22
A03U 7349 00	112-15	A03U 8470 00	129-7	A03U R724 11	63-8	A0G6 M70E 00	148-5	A1RF 1037 00	6-19
A03U 7350 00	112-19	A03U 8471 00	129-6	A03U R724 11	67-8	A0G6 M754 00	18-14	A1RF 1048 00	4-29
A03U 8078 00	105-4	A03U 8482 00	133-6	A03X 1702 01	59-3	A0G6 N184 00	18-8	A1RF 1048 00	7-4
A03U 8087 00	110-11	A03U 8501 01	71-1	A03X 1702 01	63-3	A0G6 N30A 00	148-6	A1RF 1049 00	5-17

Parts No.	Page No.	Parts No.	Page No.	Parts No.	Page No.	Parts No.	Page No.	Parts No.	Page No.
A1RF 1054 00	4-3	A1RF 1120 00	2-12	A1RF 1206 00	12-7	A1RF 1267 00	10-24	A1RF 1337 00	145-20
A1RF 1055 02	1-27	A1RF 1122 00	14-5	A1RF 1207 00	9-9	A1RF 1268 00	10-8	A1RF 1338 00	145-19
A1RF 1057 00	1-7	A1RF 1123 00	13-16	A1RF 1208 00	9-12	A1RF 1269 00	10-5	A1RF 1339 01	147-11
A1RF 1058 00	1-3	A1RF 1124 00	6-1	A1RF 1209 00	9-5	A1RF 1274 00	10-21	A1RF 1340 00	17-1
A1RF 1059 00	1-8	A1RF 1125 00	13-25	A1RF 1210 00	9-11	A1RF 1275 00	10-19	A1RF 1341 00	144-22
A1RF 1060 00	1-5	A1RF 1127 00	13-24	A1RF 1211 00	9-10	A1RF 1276 00	10-16	A1RF 1342 00	147-2
A1RF 1061 00	4-7	A1RF 1128 00	2-2	A1RF 1212 00	9-7	A1RF 1278 00	9-17	A1RF 1344 01	147-6
A1RF 1062 00	4-9	A1RF 1129 01	13-3	A1RF 1213 00	9-3	A1RF 1279 00	10-18	A1RF 1347 00	145-11
A1RF 1063 00	4-2	A1RF 1130 00	13-26	A1RF 1214 00	9-2	A1RF 1280 00	10-23	A1RF 1348 00	147-10
A1RF 1064 00	4-6	A1RF 1131 00	6-14	A1RF 1215 00	12-1	A1RF 1281 00	9-27	A1RF 1349 00	2-7
A1RF 1071 02	13-11	A1RF 1132 00	6-8	A1RF 1216 01	12-4	A1RF 1282 00	9-19	A1RF 1350 00	4-11
A1RF 1072 01	13-12	A1RF 1133 00	6-12	A1RF 1217 00	11-25	A1RF 1283 00	10-22	A1RF 1351 01	144-26
A1RF 1073 00	5-20	A1RF 1134 00	12-14	A1RF 1217 00	12-2	A1RF 1284 00	10-14	A1RF 1352 00	145-17
A1RF 1074 00	5-8	A1RF 1135 00	12-12	A1RF 1218 00	9-8	A1RF 1301 00	149-16	A1RF 1355 02	149-5
A1RF 1075 00	5-10	A1RF 1136 00	12-13	A1RF 1219 00	11-22	A1RF 1302 01	144-3	A1RF 1358 01	17-3
A1RF 1077 00	5-12	A1RF 1137 00	12-15	A1RF 1219 00	12-3	A1RF 1303 01	144-27	A1RF 1361 01	145-8
A1RF 1078 00	5-9	A1RF 1138 00	13-1	A1RF 1220 00	11-21	A1RF 1304 00	145-1	A1RF 1362 00	145-5
A1RF 1080 00	5-13	A1RF 1139 00	2-11	A1RF 1221 00	11-24	A1RF 1305 01	149-3	A1RF 1363 00	145-30
A1RF 1081 00	7-10	A1RF 1140 00	13-2	A1RF 1222 00	9-1	A1RF 1306 00	145-21	A1RF 1364 00	144-11
A1RF 1082 01	7-5	A1RF 1140 00	14-4	A1RF 1222 00	11-23	A1RF 1307 01	148-14	A1RF 1365 00	145-10
A1RF 1083 01	7-13	A1RF 1141 00	14-13	A1RF 1223 00	9-4	A1RF 1308 00	148-4	A1RF 1366 00	13-10
A1RF 1084 00	7-9	A1RF 1142 00	6-5	A1RF 1225 00	12-9	A1RF 1309 00	145-23	A1RF 1367 00	145-31
A1RF 1088 00	8-11	A1RF 1144 00	6-17	A1RF 1240 00	9-16	A1RF 1310 00	145-16	A1RF 1391 00	5-4
A1RF 1089 01	8-15	A1RF 1146 00	5-21	A1RF 1241 00	9-14	A1RF 1312 01	145-29	A1RF 1391 00	40-12
A1RF 1090 00	8-16	A1RF 1147 00	5-22	A1RF 1245 00	9-15	A1RF 1313 02	145-25	A1RF 1392 00	5-1
A1RF 1091 01	8-4	A1RF 1148 00	5-23	A1RF 1252 00	9-20	A1RF 1314 00	146-1	A1RF 1392 00	40-15
A1RF 1094 00	8-14	A1RF 1149 00	13-13	A1RF 1253 00	9-21	A1RF 1315 00	149-18	A1RF 1393 00	5-3
A1RF 1095 00	4-24	A1RF 1150 00	13-9	A1RF 1254 00	9-22	A1RF 1316 00	144-2	A1RF 1393 00	40-14
A1RF 1096 00	2-14	A1RF 1151 00	13-7	A1RF 1255 00	9-24	A1RF 1317 00	144-29	A1RF 1601 02	15-21
A1RF 1098 01	14-14	A1RF 1152 00	1-2	A1RF 1256 00	9-18	A1RF 1319 00	2-8	A1RF 1602 02	15-12
A1RF 1101 01	6-3	A1RF 1153 00	13-8	A1RF 1257 00	9-23	A1RF 1321 00	146-9	A1RF 1603 00	15-2
A1RF 1102 00	13-19	A1RF 1154 00	13-15	A1RF 1258 00	9-25	A1RF 1322 00	145-2	A1RF 1604 02	15-4
A1RF 1104 01	6-2	A1RF 1155 00	13-5	A1RF 1259 00	10-12	A1RF 1322 00	146-8	A1RF 1605 00	154-1
A1RF 1105 00	13-20	A1RF 1156 01	13-6	A1RF 1260 00	10-25	A1RF 1324 00	4-10	A1RF 1606 02	15-5
A1RF 1111 00	6-10	A1RF 1178 02	6-9	A1RF 1261 00	10-1	A1RF 1326 00	149-17	A1RF 1607 00	15-14
A1RF 1112 00	6-11	A1RF 1201 00	12-8	A1RF 1262 00	9-26	A1RF 1328 00	145-26	A1RF 1608 01	16-5
A1RF 1113 00	6-16	A1RF 1202 00	12-10	A1RF 1263 00	10-20	A1RF 1329 00	145-12	A1RF 1609 00	16-7
A1RF 1114 00	6-13	A1RF 1203 00	6-15	A1RF 1264 00	10-3	A1RF 1330 02	145-28	A1RF 1610 01	15-6
A1RF 1115 00	3-3	A1RF 1204 00	12-5	A1RF 1265 00	10-2	A1RF 1333 01	144-19	A1RF 1611 00	16-11
A1RF 1116 01	13-21	A1RF 1205 00	12-6	A1RF 1266 00	10-7	A1RF 1334 00	144-13	A1RF 1612 00	16-15

Parts No.	Page No.	Parts No.	Page No.	Parts No.	Page No.	Parts No.	Page No.	Parts No.	Page No.
A1RF 1613 00	16-2	A1RF 1660 00	146-10	A1RF 1904 00	18-6	A1RF 2109 00	22-11	A1RF 2494 01	11-27
A1RF 1614 00	16-14	A1RF 1661 00	16-9	A1RF 1905 00	20-7	A1RF 2109 00	23-11	A1RF 2496 00	11-30
A1RF 1615 00	16-13	A1RF 1662 00	16-8	A1RF 1906 01	20-11	A1RF 2109 00	24-11	A1RF 2497 00	11-29
A1RF 1616 00	17-11	A1RF 1663 00	16-6	A1RF 1909 00	20-14	A1RF 2109 00	25-11	A1RF 2498 00	11-28
A1RF 1617 00	17-5	A1RF 1664 01	15-19	A1RF 1910 00	20-13	A1RF 2116 00	22-4	A1RF 2499 00	11-19
A1RF 1618 00	17-9	A1RF 1666 01	17-18	A1RF 1911 00	20-22	A1RF 2116 00	23-4	A1RF 2504 00	28-2
A1RF 1619 04	17-19	A1RF 1668 00	16-4	A1RF 1912 00	20-23	A1RF 2116 00	24-4	A1RF 2505 00	28-6
A1RF 1621 01	17-7	A1RF 1669 00	16-3	A1RF 1913 00	20-16	A1RF 2116 00	25-4	A1RF 2598 00	28-5
A1RF 1622 00	17-10	A1RF 1670 00	16-12	A1RF 1914 00	20-12	A1RF 2134 00	25-9	A1RF 2599 00	28-12
A1RF 1624 01	16-10	A1RF 1671 00	153-4	A1RF 1915 00	20-20	A1RF 2137 00	25-30	A1RF 3049 01	7-12
A1RF 1626 00	3-1	A1RF 1672 00	153-3	A1RF 1916 00	20-8	A1RF 2199 00	22-28	A1RF 3147 00	8-6
A1RF 1627 00	4-8	A1RF 1673 00	153-1	A1RF 1917 00	20-21	A1RF 2199 00	23-28	A1RF 3302 00	30-18
A1RF 1628 00	3-2	A1RF 1676 00	153-5	A1RF 1918 00	20-18	A1RF 2199 00	24-28	A1RF 3302 00	31-18
A1RF 1630 00	8-5	A1RF 1678 01	153-7	A1RF 1920 00	20-19	A1RF 2199 00	25-28	A1RF 3302 00	32-18
A1RF 1631 01	153-8	A1RF 1679 00	1-18	A1RF 1921 00	20-10	A1RF 2203 00	26-5	A1RF 3302 00	33-18
A1RF 1632 00	15-3	A1RF 1679 00	8-9	A1RF 1922 00	20-17	A1RF 2204 00	26-3	A1RF 3308 01	30-8
A1RF 1633 00	15-9	A1RF 1679 00	146-11	A1RF 1923 00	18-10	A1RF 2209 00	26-10	A1RF 3308 01	31-8
A1RF 1634 00	1-13	A1RF 1680 00	15-8	A1RF 2101 00	22-9	A1RF 2296 00	26-13	A1RF 3308 01	32-8
A1RF 1635 00	44-18	A1RF 1681 01	153-13	A1RF 2101 00	23-9	A1RF 2297 00	26-4	A1RF 3308 01	33-8
A1RF 1642 00	1-11	A1RF 1683 01	153-18	A1RF 2101 00	24-9	A1RF 2298 00	26-2	A1RF 3341 00	30-3
A1RF 1644 01	114-4	A1RF 1684 01	153-15	A1RF 2103 01	22-2	A1RF 2301 00	27-9	A1RF 3341 00	31-3
A1RF 1645 01	114-6	A1RF 1685 00	1-12	A1RF 2103 01	24-2	A1RF 2302 00	27-10	A1RF 3341 00	32-3
A1RF 1646 00	114-5	A1RF 1686 00	15-18	A1RF 2104 01	23-2	A1RF 2303 00	27-1	A1RF 3341 00	33-3
A1RF 1647 00	6-18	A1RF 1687 01	153-16	A1RF 2104 01	25-2	A1RF 2312 00	27-19	A1RF 3351 01	30-4
A1RF 1648 00	2-1	A1RF 1688 00	153-12	A1RF 2105 00	22-20	A1RF 2316 00	11-4	A1RF 3351 01	31-4
A1RF 1649 02	15-11	A1RF 1689 00	17-12	A1RF 2105 00	23-20	A1RF 2317 00	11-3	A1RF 3351 01	32-4
A1RF 1650 01	15-7	A1RF 1690 00	17-13	A1RF 2105 00	24-20	A1RF 2318 02	27-2	A1RF 3351 01	33-4
A1RF 1651 01	15-22	A1RF 1691 00	17-15	A1RF 2105 00	25-21	A1RF 2319 00	27-4	A1RF 3361 01	30-10
A1RF 1655 01	15-13	A1RF 1692 00	17-14	A1RF 2106 00	22-31	A1RF 2320 00	27-5	A1RF 3361 01	31-10
A1RF 1658 00	15-10	A1RF 1693 00	17-16	A1RF 2106 00	23-31	A1RF 2321 00	27-6	A1RF 3361 01	32-10
A1RF 1659 00	1-10	A1RF 1694 00	17-17	A1RF 2106 00	24-31	A1RF 2323 00	27-15	A1RF 3361 01	33-10
A1RF 1659 00	2-4	A1RF 1710 01	59-5	A1RF 2106 00	25-33	A1RF 2324 00	27-12	A1RF 3362 01	30-5
A1RF 1659 00	4-12	A1RF 1710 01	63-5	A1RF 2107 00	22-12	A1RF 2397 00	27-11	A1RF 3362 01	31-5
A1RF 1659 00	5-5	A1RF 1710 01	67-5	A1RF 2107 00	23-12	A1RF 2398 00	27-13	A1RF 3362 01	32-5
A1RF 1659 00	149-6	A1RF 1711 01	59-4	A1RF 2107 00	24-12	A1RF 2399 00	27-8	A1RF 3362 01	33-5
A1RF 1660 00	1-9	A1RF 1712 01	63-4	A1RF 2107 00	25-12	A1RF 2402 00	11-10	A1RF 3363 00	30-9
A1RF 1660 00	2-5	A1RF 1713 00	67-4	A1RF 2108 00	22-13	A1RF 2404 00	11-15	A1RF 3363 00	31-9
A1RF 1660 00	4-13	A1RF 1901 00	18-4	A1RF 2108 00	23-13	A1RF 2420 00	11-32	A1RF 3363 00	32-9
A1RF 1660 00	5-6	A1RF 1902 01	18-1	A1RF 2108 00	24-13	A1RF 2422 01	11-20	A1RF 3363 00	33-9
A1RF 1660 00	8-8	A1RF 1903 00	20-9	A1RF 2108 00	25-13	A1RF 2425 00	11-18	A1RF 3392 00	30-14



Parts No.	Page No.	Parts No.	Page No.	Parts No.	Page No.	Parts No.	Page No.	Parts No.	Page No.
A1RF 3392 00	31-14	A1RF 3475 00	87-24	A1RF 3609 00	40-6	A1RF 3654 00	42-19	A1RF 3727 00	99-5
A1RF 3392 00	32-14	A1RF 3476 00	89-6	A1RF 3610 00	40-9	A1RF 3655 00	42-20	A1RF 3794 00	4-27
A1RF 3392 00	33-15	A1RF 3476 00	90-6	A1RF 3611 00	41-1	A1RF 3656 00	42-23	A1RF 3795 01	8-1
A1RF 3394 00	30-6	A1RF 3476 00	91-6	A1RF 3612 00	40-2	A1RF 3657 00	42-27	A1RF 3892 00	96-4
A1RF 3394 00	31-6	A1RF 3476 00	92-6	A1RF 3613 00	40-17	A1RF 3659 00	42-22	A1RF 3892 00	97-4
A1RF 3394 00	32-6	A1RF 3477 00	89-7	A1RF 3614 00	41-2	A1RF 3660 00	42-25	A1RF 3892 00	98-4
A1RF 3394 00	33-6	A1RF 3477 00	90-7	A1RF 3615 00	40-7	A1RF 3662 00	43-16	A1RF 3892 00	99-4
A1RF 3395 00	30-16	A1RF 3477 00	91-7	A1RF 3616 00	41-7	A1RF 3663 00	4-14	A1RF 3893 00	96-5
A1RF 3395 00	31-16	A1RF 3477 00	92-7	A1RF 3617 00	41-9	A1RF 3664 00	42-15	A1RF 3893 00	97-6
A1RF 3395 00	32-16	A1RF 3478 00	86-5	A1RF 3619 00	43-1	A1RF 3666 01	43-5	A1RF 3893 00	98-6
A1RF 3395 00	33-16	A1RF 3479 00	86-4	A1RF 3620 00	41-4	A1RF 3667 00	42-17	A1RF 3893 00	99-6
A1RF 3396 00	30-11	A1RF 3480 00	88-2	A1RF 3621 00	41-6	A1RF 3668 00	42-24	A1RF 3894 00	96-11
A1RF 3396 00	31-11	A1RF 3481 01	89-2	A1RF 3622 00	40-23	A1RF 3670 00	4-20	A1RF 3894 00	97-11
A1RF 3396 00	32-11	A1RF 3481 01	90-2	A1RF 3623 00	40-20	A1RF 3671 00	4-19	A1RF 3894 00	98-11
A1RF 3396 00	33-11	A1RF 3481 01	91-2	A1RF 3624 00	10-10	A1RF 3672 01	4-18	A1RF 3894 00	99-11
A1RF 3407 00	95-4	A1RF 3481 01	92-2	A1RF 3624 00	21-9	A1RF 3673 00	4-16	A1RF 3898 00	96-3
A1RF 3412 00	87-9	A1RF 3483 00	93-1	A1RF 3624 00	22-8	A1RF 3674 00	4-15	A1RF 3898 00	97-3
A1RF 3413 00	87-17	A1RF 3484 00	93-2	A1RF 3624 00	23-8	A1RF 3675 00	4-17	A1RF 3898 00	98-3
A1RF 3414 00	87-1	A1RF 3485 00	93-3	A1RF 3624 00	24-8	A1RF 3676 01	4-21	A1RF 3898 00	99-3
A1RF 3421 00	88-11	A1RF 3486 00	93-4	A1RF 3624 00	25-8	A1RF 3683 00	21-18	A1RF 4011 00	46-1
A1RF 3422 00	86-8	A1RF 3488 00	87-29	A1RF 3624 00	42-1	A1RF 3684 01	43-10	A1RF 4013 00	46-4
A1RF 3439 00	88-12	A1RF 3490 00	88-4	A1RF 3625 00	41-14	A1RF 3685 00	21-2	A1RF 4017 00	46-10
A1RF 3440 00	86-9	A1RF 3491 01	86-2	A1RF 3626 00	41-10	A1RF 3686 00	21-17	A1RF 4018 01	46-6
A1RF 3441 01	88-10	A1RF 3491 01	87-27	A1RF 3627 00	41-12	A1RF 3687 00	42-16	A1RF 4019 01	46-11
A1RF 3442 00	86-6	A1RF 3492 00	87-13	A1RF 3628 00	41-13	A1RF 3688 00	42-6	A1RF 4020 00	46-5
A1RF 3446 00	87-7	A1RF 3493 02	86-3	A1RF 3629 00	41-16	A1RF 3689 00	42-8	A1RF 4022 01	50-14
A1RF 3448 00	95-7	A1RF 3495 00	95-5	A1RF 3630 00	41-11	A1RF 3691 00	21-12	A1RF 4023 01	50-13
A1RF 3449 02	95-2	A1RF 3496 00	95-3	A1RF 3632 00	41-18	A1RF 3696 00	21-1	A1RF 4025 01	57-8
A1RF 3450 00	95-1	A1RF 3498 01	95-6	A1RF 3633 00	40-22	A1RF 3697 00	21-3	A1RF 4026 00	50-15
A1RF 3458 00	88-3	A1RF 3499 00	87-8	A1RF 3633 00	41-17	A1RF 3721 00	96-1	A1RF 4033 02	45-14
A1RF 3459 00	88-13	A1RF 3501 00	87-6	A1RF 3636 01	43-8	A1RF 3721 00	97-1	A1RF 4034 00	45-3
A1RF 3467 00	86-10	A1RF 3601 01	40-11	A1RF 3638 00	43-15	A1RF 3721 00	98-1	A1RF 4035 00	44-13
A1RF 3468 00	86-12	A1RF 3602 00	40-5	A1RF 3640 00	41-5	A1RF 3721 00	99-1	A1RF 4036 00	45-2
A1RF 3469 00	86-7	A1RF 3603 00	40-19	A1RF 3641 01	42-7	A1RF 3723 00	96-6	A1RF 4037 00	47-15
A1RF 3470 00	86-11	A1RF 3604 00	40-16	A1RF 3642 00	21-19	A1RF 3723 00	97-7	A1RF 4040 00	44-15
A1RF 3471 00	8-7	A1RF 3605 00	40-21	A1RF 3645 00	42-11	A1RF 3723 00	98-7	A1RF 4041 00	45-7
A1RF 3471 00	87-25	A1RF 3606 00	40-18	A1RF 3646 00	42-12	A1RF 3723 00	99-7	A1RF 4042 00	45-8
A1RF 3472 00	88-7	A1RF 3607 00	10-17	A1RF 3651 01	42-26	A1RF 3727 00	96-7	A1RF 4042 00	57-14
A1RF 3473 00	87-19	A1RF 3607 00	41-15	A1RF 3652 00	42-14	A1RF 3727 00	97-5	A1RF 4045 00	45-9
A1RF 3475 00	86-13	A1RF 3608 00	40-3	A1RF 3653 01	42-21	A1RF 3727 00	98-5	A1RF 4045 00	57-17

Parts No.	Page No.	Parts No.	Page No.	Parts No.	Page No.	Parts No.	Page No.	Parts No.	Page No.
A1RF 4052 02	44-3	A1RF 4145 01	58-14	A1RF 4206 00	52-12	A1RF 4220 00	52-26	A1RF 4343 00	50-3
A1RF 4053 00	45-10	A1RF 4146 01	58-16	A1RF 4206 00	53-12	A1RF 4220 00	53-26	A1RF 4344 01	50-1
A1RF 4064 00	57-5	A1RF 4147 00	58-11	A1RF 4206 00	54-12	A1RF 4220 00	54-26	A1RF 4345 00	44-17
A1RF 4065 00	57-7	A1RF 4149 00	58-7	A1RF 4206 00	55-12	A1RF 4220 00	55-26	A1RF 4347 00	50-11
A1RF 4066 00	57-6	A1RF 4156 00	52-2	A1RF 4207 00	52-9	A1RF 4221 01	52-28	A1RF 4348 00	50-10
A1RF 4067 00	56-3	A1RF 4156 00	53-2	A1RF 4207 00	53-9	A1RF 4221 01	53-28	A1RF 4349 00	50-9
A1RF 4069 00	49-2	A1RF 4156 00	54-2	A1RF 4207 00	54-9	A1RF 4221 01	54-28	A1RF 4350 00	50-12
A1RF 4070 00	49-1	A1RF 4156 00	55-2	A1RF 4207 00	55-9	A1RF 4221 01	55-28	A1RF 4351 01	57-2
A1RF 4071 01	47-13	A1RF 4157 00	47-10	A1RF 4208 00	52-11	A1RF 4222 00	52-30	A1RF 4352 00	57-1
A1RF 4072 00	47-14	A1RF 4157 00	58-5	A1RF 4208 00	53-11	A1RF 4222 00	53-30	A1RF 4353 00	57-3
A1RF 4073 01	47-6	A1RF 4162 00	51-14	A1RF 4208 00	54-11	A1RF 4222 00	54-30	A1RF 4355 00	1-6
A1RF 4074 01	47-12	A1RF 4178 00	51-3	A1RF 4208 00	55-11	A1RF 4222 00	55-30	A1RF 4355 00	50-2
A1RF 4075 01	47-3	A1RF 4191 01	52-32	A1RF 4209 00	52-10	A1RF 4223 02	52-25	A1RF 4359 00	57-4
A1RF 4076 01	47-4	A1RF 4191 01	53-32	A1RF 4209 00	53-10	A1RF 4223 02	53-25	A1RF 4371 01	56-4
A1RF 4077 00	47-7	A1RF 4191 01	54-32	A1RF 4209 00	54-10	A1RF 4223 02	54-25	A1RF 4372 00	56-8
A1RF 4078 01	47-5	A1RF 4191 01	55-32	A1RF 4209 00	55-10	A1RF 4223 02	55-25	A1RF 4374 00	56-6
A1RF 4079 00	47-2	A1RF 4192 00	52-22	A1RF 4210 00	52-13	A1RF 4224 00	52-27	A1RF 4375 00	56-1
A1RF 4080 00	47-1	A1RF 4192 00	53-22	A1RF 4210 00	53-13	A1RF 4224 00	53-27	A1RF 4376 00	56-5
A1RF 4081 00	47-9	A1RF 4192 00	54-22	A1RF 4210 00	54-13	A1RF 4224 00	54-27	A1RF 4379 00	56-9
A1RF 4081 00	58-6	A1RF 4192 00	55-22	A1RF 4210 00	55-13	A1RF 4224 00	55-27	A1RF 4381 01	87-12
A1RF 4082 01	44-2	A1RF 4193 01	58-10	A1RF 4211 00	52-15	A1RF 4225 01	52-31	A1RF 4382 00	56-2
A1RF 4101 01	57-13	A1RF 4201 02	52-19	A1RF 4211 00	53-15	A1RF 4225 01	53-31	A1RF 4390 00	49-5
A1RF 4111 00	57-15	A1RF 4201 02	53-19	A1RF 4211 00	54-15	A1RF 4225 01	54-31	A1RF 4401 01	48-27
A1RF 4117 00	57-18	A1RF 4201 02	54-19	A1RF 4211 00	55-15	A1RF 4225 01	55-31	A1RF 4402 01	48-31
A1RF 4119 00	57-16	A1RF 4201 02	55-19	A1RF 4212 00	52-4	A1RF 4231 00	52-18	A1RF 4405 00	48-11
A1RF 4131 01	58-13	A1RF 4202 00	53-18	A1RF 4212 00	53-4	A1RF 4233 00	52-16	A1RF 4406 01	48-13
A1RF 4132 01	58-15	A1RF 4202 00	54-18	A1RF 4212 00	54-4	A1RF 4234 01	58-3	A1RF 4407 00	48-6
A1RF 4133 01	58-17	A1RF 4202 00	55-18	A1RF 4212 00	55-4	A1RF 4241 02	52-5	A1RF 4409 00	48-7
A1RF 4136 01	47-8	A1RF 4203 01	52-24	A1RF 4213 00	52-8	A1RF 4241 02	53-5	A1RF 4411 00	48-10
A1RF 4136 01	58-2	A1RF 4203 01	53-24	A1RF 4213 00	53-8	A1RF 4241 02	54-5	A1RF 4412 00	48-16
A1RF 4137 00	58-4	A1RF 4203 01	54-24	A1RF 4213 00	54-8	A1RF 4241 02	55-5	A1RF 4415 00	48-29
A1RF 4138 00	58-12	A1RF 4203 01	55-24	A1RF 4213 00	55-8	A1RF 4242 02	52-29	A1RF 4416 00	48-28
A1RF 4139 00	47-11	A1RF 4204 00	52-14	A1RF 4217 00	53-17	A1RF 4242 02	53-29	A1RF 4417 01	48-17
A1RF 4139 00	58-9	A1RF 4204 00	53-14	A1RF 4217 00	54-17	A1RF 4242 02	54-29	A1RF 4418 00	48-4
A1RF 4141 00	57-9	A1RF 4204 00	54-14	A1RF 4217 00	55-17	A1RF 4242 02	55-29	A1RF 4419 00	48-1
A1RF 4142 02	57-10	A1RF 4204 00	55-14	A1RF 4218 00	52-6	A1RF 4322 00	44-9	A1RF 4421 00	48-12
A1RF 4143 01	53-16	A1RF 4205 00	52-7	A1RF 4218 00	53-6	A1RF 4323 01	44-10	A1RF 4423 00	48-5
A1RF 4143 01	54-16	A1RF 4205 00	53-7	A1RF 4218 00	54-6	A1RF 4324 00	46-3	A1RF 4424 00	48-15
A1RF 4143 01	55-16	A1RF 4205 00	54-7	A1RF 4218 00	55-6	A1RF 4326 02	48-32	A1RF 4426 00	48-30
A1RF 4144 01	58-8	A1RF 4205 00	55-7	A1RF 4219 00	52-17	A1RF 4342 01	50-4	A1RF 4429 00	48-9

Parts No.	Page No.	Parts No.	Page No.	Parts No.	Page No.	Parts No.	Page No.	Parts No.	Page No.
A1RF 4430 00	48-14	A1RF 5045 00	36-18	A1RF 5199 01	39-28	A1RF 5298 00	142-25	A1RF 7029 00	81-8
A1RF 4431 00	48-18	A1RF 5046 01	36-3	A1RF 5201 00	142-22	A1RF 5299 00	140-3	A1RF 7030 00	81-7
A1RF 4432 00	48-2	A1RF 5048 00	38-11	A1RF 5202 00	142-8	A1RF 5301 00	141-10	A1RF 7032 00	81-10
A1RF 4433 00	46-7	A1RF 5049 00	38-21	A1RF 5203 00	142-9	A1RF 5304 00	140-21	A1RF 7032 00	136-8
A1RF 4434 00	46-8	A1RF 5050 02	36-5	A1RF 5204 00	142-7	A1RF 5305 00	126-30	A1RF 7033 00	81-11
A1RF 4435 00	46-9	A1RF 5053 00	36-6	A1RF 5207 00	140-18	A1RF 5305 00	140-1	A1RF 7034 00	81-22
A1RF 4451 02	49-4	A1RF 5054 00	36-7	A1RF 5209 01	140-17	A1RF 5307 00	139-2	A1RF 7035 00	80-8
A1RF 4453 01	50-17	A1RF 5059 00	36-1	A1RF 5212 00	142-2	A1RF 5313 00	140-5	A1RF 7036 00	80-19
A1RF 4453 01	114-2	A1RF 5070 00	38-17	A1RF 5220 00	142-24	A1RF 5317 00	142-1	A1RF 7037 00	81-18
A1RF 4454 01	49-6	A1RF 5071 00	38-15	A1RF 5222 01	142-15	A1RF 5321 00	142-10	A1RF 7038 00	80-12
A1RF 4461 00	48-3	A1RF 5072 00	37-5	A1RF 5224 00	141-3	A1RF 5328 00	143-7	A1RF 7039 02	80-18
A1RF 5001 01	37-18	A1RF 5077 00	36-10	A1RF 5232 01	140-16	A1RF 5337 00	140-11	A1RF 7040 00	80-7
A1RF 5004 00	37-11	A1RF 5078 00	36-9	A1RF 5234 01	142-19	A1RF 5398 00	143-3	A1RF 7041 00	81-5
A1RF 5005 00	37-10	A1RF 5079 00	36-29	A1RF 5236 00	142-21	A1RF 5399 00	140-6	A1RF 7042 00	82-16
A1RF 5006 00	36-21	A1RF 5096 00	36-12	A1RF 5237 00	142-23	A1RF 5399 00	143-8	A1RF 7043 00	82-7
A1RF 5007 00	38-9	A1RF 5097 00	36-16	A1RF 5238 00	140-14	A1RF 6202 00	3-7	A1RF 7044 00	82-3
A1RF 5009 00	35-7	A1RF 5098 00	36-13	A1RF 5239 00	142-20	A1RF 6203 01	71-8	A1RF 7050 00	80-15
A1RF 5010 00	36-25	A1RF 5112 02	39-10	A1RF 5243 00	141-5	A1RF 6203 01	74-22	A1RF 7099 00	80-17
A1RF 5011 00	36-30	A1RF 5114 00	39-19	A1RF 5244 00	141-4	A1RF 6203 01	77-20	A1RF 7101 00	135-15
A1RF 5012 00	36-24	A1RF 5115 00	39-7	A1RF 5249 01	139-4	A1RF 7001 00	80-4	A1RF 7102 00	136-1
A1RF 5014 01	35-18	A1RF 5116 00	39-25	A1RF 5259 00	140-22	A1RF 7002 00	82-15	A1RF 7103 02	136-16
A1RF 5015 00	35-8	A1RF 5117 00	39-30	A1RF 5260 00	140-23	A1RF 7003 00	80-5	A1RF 7104 00	135-18
A1RF 5016 00	37-6	A1RF 5120 00	39-18	A1RF 5261 00	140-25	A1RF 7004 00	80-3	A1RF 7105 00	135-9
A1RF 5017 00	38-13	A1RF 5121 00	39-16	A1RF 5262 00	140-24	A1RF 7005 00	81-23	A1RF 7108 01	134-9
A1RF 5020 00	38-14	A1RF 5122 00	39-17	A1RF 5265 00	140-12	A1RF 7006 00	81-16	A1RF 7109 00	102-9
A1RF 5021 01	35-12	A1RF 5124 00	39-12	A1RF 5267 00	142-12	A1RF 7007 00	81-1	A1RF 7109 00	105-9
A1RF 5022 00	38-23	A1RF 5131 00	38-8	A1RF 5269 00	141-1	A1RF 7008 00	82-4	A1RF 7109 00	126-35
A1RF 5023 00	38-24	A1RF 5133 00	38-26	A1RF 5271 00	142-13	A1RF 7009 00	82-13	A1RF 7109 00	139-6
A1RF 5024 00	36-27	A1RF 5136 01	39-11	A1RF 5272 00	142-28	A1RF 7010 00	82-14	A1RF 7109 00	140-2
A1RF 5025 00	37-7	A1RF 5137 01	39-5	A1RF 5273 01	139-12	A1RF 7011 01	82-2	A1RF 7109 00	142-27
A1RF 5028 01	35-15	A1RF 5138 02	39-8	A1RF 5291 00	140-8	A1RF 7012 00	80-2	A1RF 7110 00	135-5
A1RF 5029 00	37-17	A1RF 5139 00	39-14	A1RF 5291 00	142-5	A1RF 7014 00	81-20	A1RF 7111 00	135-4
A1RF 5030 01	38-25	A1RF 5157 00	39-29	A1RF 5291 00	143-2	A1RF 7015 00	81-12	A1RF 7112 00	134-11
A1RF 5031 00	38-20	A1RF 5158 00	39-4	A1RF 5293 00	142-17	A1RF 7017 00	81-19	A1RF 7113 00	136-7
A1RF 5037 02	38-19	A1RF 5171 00	35-5	A1RF 5294 00	142-4	A1RF 7018 00	81-9	A1RF 7114 00	136-12
A1RF 5038 00	38-22	A1RF 5171 00	37-1	A1RF 5295 00	139-7	A1RF 7021 00	82-9	A1RF 7115 00	134-7
A1RF 5039 00	38-12	A1RF 5171 00	38-16	A1RF 5295 00	142-26	A1RF 7022 01	80-11	A1RF 7116 01	134-10
A1RF 5041 00	36-8	A1RF 5172 00	39-26	A1RF 5296 00	141-12	A1RF 7024 00	81-14	A1RF 7117 00	134-8
A1RF 5042 00	36-14	A1RF 5173 00	37-9	A1RF 5297 01	143-4	A1RF 7027 01	82-5	A1RF 7118 00	134-12
A1RF 5044 00	36-15	A1RF 5198 00	39-27	A1RF 5298 00	140-9	A1RF 7028 00	81-17	A1RF 7119 00	134-6

Parts No.	Page No.	Parts No.	Page No.	Parts No.	Page No.	Parts No.	Page No.	Parts No.	Page No.
A1RF 7120 00	135-17	A1RF 7240 01	103-6	A1RF 7317 00	102-19	A1RF 7422 01	110-15	A1RF 7512 00	113-8
A1RF 7121 00	136-6	A1RF 7242 00	105-27	A1RF 7318 00	101-7	A1RF 7423 00	111-19	A1RF 7513 00	113-7
A1RF 7122 00	136-13	A1RF 7243 00	105-25	A1RF 7319 00	102-4	A1RF 7424 00	108-17	A1RF 7514 01	112-4
A1RF 7124 00	136-26	A1RF 7244 00	102-6	A1RF 7321 00	104-7	A1RF 7425 00	109-1	A1RF 7517 03	112-5
A1RF 7125 00	136-20	A1RF 7244 00	105-6	A1RF 7322 00	104-8	A1RF 7429 00	113-20	A1RF 7521 00	112-1
A1RF 7127 00	136-9	A1RF 7245 00	104-27	A1RF 7324 00	103-14	A1RF 7430 00	110-28	A1RF 7522 00	112-24
A1RF 7128 02	136-30	A1RF 7246 00	101-2	A1RF 7325 00	101-13	A1RF 7433 00	113-18	A1RF 7526 01	113-1
A1RF 7129 00	136-37	A1RF 7250 00	105-3	A1RF 7326 00	101-15	A1RF 7436 01	113-17	A1RF 7533 01	110-7
A1RF 7131 00	136-25	A1RF 7251 00	105-23	A1RF 7327 00	105-13	A1RF 7439 00	113-27	A1RF 7536 00	112-7
A1RF 7133 00	136-27	A1RF 7256 00	105-1	A1RF 7328 00	102-3	A1RF 7452 00	107-3	A1RF 7540 00	113-22
A1RF 7135 01	136-28	A1RF 7257 00	105-21	A1RF 7329 01	104-29	A1RF 7455 01	108-7	A1RF 7568 00	109-5
A1RF 7136 00	135-2	A1RF 7258 01	106-4	A1RF 7330 00	102-23	A1RF 7456 00	108-5	A1RF 7569 00	110-1
A1RF 7139 00	136-36	A1RF 7259 01	106-1	A1RF 7331 00	102-16	A1RF 7457 00	113-14	A1RF 7570 00	111-24
A1RF 7141 00	134-13	A1RF 7260 01	103-28	A1RF 7334 00	104-20	A1RF 7458 00	113-13	A1RF 7571 00	108-2
A1RF 7142 00	136-21	A1RF 7261 01	103-21	A1RF 7335 00	104-3	A1RF 7463 00	109-8	A1RF 7580 00	110-19
A1RF 7143 00	135-10	A1RF 7265 02	105-11	A1RF 7341 00	101-11	A1RF 7463 00	111-7	A1RF 7581 00	110-29
A1RF 7150 00	136-23	A1RF 7266 01	105-12	A1RF 7342 00	100-9	A1RF 7465 00	109-3	A1RF 7582 00	110-34
A1RF 7151 00	136-24	A1RF 7267 00	102-15	A1RF 7344 01	102-11	A1RF 7468 00	108-19	A1RF 7582 00	111-2
A1RF 7155 00	136-4	A1RF 7268 00	104-18	A1RF 7345 01	102-12	A1RF 7470 00	113-3	A1RF 7586 00	113-11
A1RF 7160 00	136-15	A1RF 7273 00	102-17	A1RF 7354 03	101-20	A1RF 7471 00	108-22	A1RF 7588 00	108-16
A1RF 7161 00	136-14	A1RF 7275 00	105-18	A1RF 7356 00	103-4	A1RF 7473 01	108-11	A1RF 7590 00	113-16
A1RF 7162 00	136-17	A1RF 7279 00	103-17	A1RF 7357 03	101-21	A1RF 7476 00	113-10	A1RF 7591 00	113-12
A1RF 7163 00	135-13	A1RF 7280 00	103-34	A1RF 7361 01	103-24	A1RF 7479 00	108-12	A1RF 7592 00	109-26
A1RF 7164 01	135-12	A1RF 7286 00	101-12	A1RF 7363 00	104-22	A1RF 7482 01	110-4	A1RF 7594 00	110-27
A1RF 7165 01	135-11	A1RF 7287 00	101-10	A1RF 7364 01	104-21	A1RF 7483 00	109-21	A1RF 7597 00	111-14
A1RF 7166 00	135-16	A1RF 7288 00	101-3	A1RF 7368 00	104-1	A1RF 7485 00	113-23	A1RF 7599 00	110-23
A1RF 7167 00	135-14	A1RF 7290 00	100-10	A1RF 7372 00	104-30	A1RF 7486 01	109-27	A1RF 7604 00	112-29
A1RF 7198 00	134-3	A1RF 7291 01	100-4	A1RF 7373 01	102-10	A1RF 7487 00	109-11	A1RF 7623 00	109-20
A1RF 7199 01	116-14	A1RF 7292 00	100-8	A1RF 7374 01	102-13	A1RF 7488 01	109-7	A1RF 7624 00	110-32
A1RF 7201 01	105-26	A1RF 7293 00	100-1	A1RF 7378 00	103-26	A1RF 7490 00	113-9	A1RF 7624 00	111-1
A1RF 7207 01	103-16	A1RF 7294 00	100-7	A1RF 7379 00	102-14	A1RF 7491 01	113-6	A1RF 7625 00	109-24
A1RF 7210 01	101-14	A1RF 7298 01	103-15	A1RF 7380 00	104-10	A1RF 7495 00	110-24	A1RF 7626 00	109-23
A1RF 7224 00	104-13	A1RF 7299 00	104-4	A1RF 7381 00	103-22	A1RF 7496 00	110-17	A1RF 7627 00	110-35
A1RF 7225 00	104-5	A1RF 7301 00	101-4	A1RF 7382 00	100-2	A1RF 7499 00	111-12	A1RF 7630 00	112-17
A1RF 7226 00	104-14	A1RF 7311 03	102-24	A1RF 7383 00	103-19	A1RF 7501 00	111-20	A1RF 7631 00	112-9
A1RF 7227 00	104-2	A1RF 7312 00	102-21	A1RF 7393 00	104-12	A1RF 7502 00	109-30	A1RF 7632 01	112-16
A1RF 7232 00	104-6	A1RF 7313 00	102-20	A1RF 7407 00	109-19	A1RF 7503 00	109-14	A1RF 7633 00	112-14
A1RF 7236 00	103-10	A1RF 7314 00	102-25	A1RF 7409 02	113-25	A1RF 7504 00	109-15	A1RF 7634 00	112-12
A1RF 7237 00	103-13	A1RF 7315 00	102-18	A1RF 7410 01	113-2	A1RF 7505 00	109-18	A1RF 7635 01	112-13
A1RF 7239 01	103-9	A1RF 7316 00	102-26	A1RF 7413 00	113-19	A1RF 7506 00	109-16	A1RF 7641 00	113-26

Parts No.	Page No.	Parts No.	Page No.	Parts No.	Page No.	Parts No.	Page No.	Parts No.	Page No.
A1RF 7642 00	113-4	A1RF 8110 02	122-2	A1RF 8161 00	121-2	A1RF 8205 00	128-18	A1RF 8332 00	119-14
A1RF 7643 00	110-8	A1RF 8112 00	116-8	A1RF 8162 00	121-5	A1RF 8206 00	128-21	A1RF 8334 00	119-21
A1RF 7644 00	113-24	A1RF 8113 01	122-26	A1RF 8163 00	121-3	A1RF 8207 00	128-13	A1RF 8350 01	119-5
A1RF 7645 00	113-5	A1RF 8115 00	123-14	A1RF 8164 00	121-4	A1RF 8208 01	121-14	A1RF 8351 01	119-11
A1RF 7650 00	111-10	A1RF 8116 00	122-23	A1RF 8165 00	115-24	A1RF 8209 00	128-12	A1RF 8352 00	119-7
A1RF 7651 00	105-20	A1RF 8117 01	122-32	A1RF 8167 00	121-7	A1RF 8210 01	121-13	A1RF 8375 00	118-16
A1RF 8068 00	102-2	A1RF 8118 01	114-18	A1RF 8168 00	121-8	A1RF 8211 00	123-30	A1RF 8376 00	118-17
A1RF 8070 00	103-8	A1RF 8119 01	114-13	A1RF 8171 01	114-9	A1RF 8214 01	128-20	A1RF 8377 00	115-19
A1RF 8071 00	101-19	A1RF 8120 01	114-10	A1RF 8172 01	114-3	A1RF 8215 00	128-9	A1RF 8378 00	123-21
A1RF 8071 00	102-5	A1RF 8121 01	114-12	A1RF 8173 00	138-8	A1RF 8216 00	128-10	A1RF 8379 00	119-20
A1RF 8071 00	103-11	A1RF 8122 01	118-21	A1RF 8174 00	123-20	A1RF 8217 00	128-15	A1RF 8380 00	119-17
A1RF 8072 00	101-17	A1RF 8123 00	118-23	A1RF 8175 00	123-15	A1RF 8219 00	114-24	A1RF 8381 00	123-19
A1RF 8072 00	103-12	A1RF 8126 00	119-4	A1RF 8177 01	124-15	A1RF 8224 00	128-3	A1RF 8382 00	118-15
A1RF 8074 00	103-3	A1RF 8127 00	122-29	A1RF 8178 00	121-17	A1RF 8225 00	114-14	A1RF 8385 00	118-6
A1RF 8075 00	102-7	A1RF 8128 01	115-14	A1RF 8179 01	123-23	A1RF 8227 00	138-11	A1RF 8385 00	123-7
A1RF 8075 00	105-7	A1RF 8129 00	120-17	A1RF 8180 00	122-31	A1RF 8229 00	118-8	A1RF 8387 01	121-31
A1RF 8077 00	105-16	A1RF 8135 00	120-9	A1RF 8181 00	138-3	A1RF 8231 00	114-23	A1RF 8388 00	121-18
A1RF 8078 00	105-17	A1RF 8136 00	120-15	A1RF 8182 02	138-1	A1RF 8233 00	120-5	A1RF 8391 00	115-1
A1RF 8079 00	106-2	A1RF 8137 00	120-12	A1RF 8183 00	138-6	A1RF 8234 00	120-7	A1RF 8392 00	115-3
A1RF 8080 00	105-22	A1RF 8138 00	120-11	A1RF 8184 00	122-4	A1RF 8236 00	116-5	A1RF 8393 00	115-21
A1RF 8083 00	108-27	A1RF 8139 01	120-14	A1RF 8185 00	122-3	A1RF 8237 00	118-25	A1RF 8394 00	115-18
A1RF 8084 00	110-10	A1RF 8140 01	115-32	A1RF 8186 00	122-7	A1RF 8240 00	119-9	A1RF 8395 00	115-20
A1RF 8085 00	110-18	A1RF 8141 00	119-13	A1RF 8187 01	138-7	A1RF 8241 00	118-22	A1RF 8396 00	115-17
A1RF 8086 00	109-29	A1RF 8142 00	119-22	A1RF 8188 00	122-5	A1RF 8244 00	118-9	A1RF 8397 00	123-26
A1RF 8087 00	107-1	A1RF 8143 00	114-17	A1RF 8189 00	122-6	A1RF 8245 00	116-15	A1RF 8403 03	129-18
A1RF 8088 00	111-3	A1RF 8144 03	119-27	A1RF 8190 00	138-4	A1RF 8247 00	128-8	A1RF 8404 01	131-32
A1RF 8089 00	111-13	A1RF 8145 00	119-29	A1RF 8191 00	138-5	A1RF 8249 00	123-12	A1RF 8405 00	132-25
A1RF 8090 00	111-15	A1RF 8146 00	119-31	A1RF 8192 00	121-1	A1RF 8250 00	123-13	A1RF 8406 00	133-4
A1RF 8091 00	111-16	A1RF 8147 00	123-5	A1RF 8193 00	121-29	A1RF 8251 01	119-26	A1RF 8407 00	131-16
A1RF 8092 00	108-20	A1RF 8148 00	121-6	A1RF 8194 01	115-22	A1RF 8252 00	123-27	A1RF 8408 01	132-11
A1RF 8093 00	108-25	A1RF 8149 00	115-9	A1RF 8195 00	115-23	A1RF 8253 00	123-29	A1RF 8409 01	131-25
A1RF 8094 00	111-17	A1RF 8150 00	121-32	A1RF 8196 00	116-4	A1RF 8255 00	138-2	A1RF 8410 00	133-5
A1RF 8096 00	110-31	A1RF 8151 00	119-6	A1RF 8197 02	115-31	A1RF 8282 00	114-25	A1RF 8412 00	133-1
A1RF 8097 00	110-16	A1RF 8153 00	128-4	A1RF 8198 00	119-2	A1RF 8290 00	118-24	A1RF 8413 01	132-24
A1RF 8098 00	110-21	A1RF 8154 00	128-5	A1RF 8200 00	115-6	A1RF 8291 00	119-24	A1RF 8414 00	132-23
A1RF 8099 00	110-20	A1RF 8156 01	14-6	A1RF 8200 00	118-14	A1RF 8295 00	121-25	A1RF 8415 00	131-4
A1RF 8105 03	128-14	A1RF 8157 01	4-31	A1RF 8200 00	128-7	A1RF 8296 00	115-13	A1RF 8416 02	117-10
A1RF 8106 00	119-12	A1RF 8158 00	120-1	A1RF 8201 00	122-12	A1RF 8297 00	115-26	A1RF 8416 02	130-4
A1RF 8108 00	121-15	A1RF 8159 00	128-6	A1RF 8202 00	128-17	A1RF 8298 00	115-12	A1RF 8418 00	131-2
A1RF 8109 01	121-23	A1RF 8160 00	128-11	A1RF 8203 00	128-16	A1RF 8299 00	115-25	A1RF 8419 00	133-17

Parts No.	Page No.	Parts No.	Page No.	Parts No.	Page No.	Parts No.	Page No.	Parts No.	Page No.
A1RF 8421 02	130-24	A1RF 8470 00	132-10	A1RF 8527 01	130-13	A1RF 8713 00	125-13	A1RF 8792 01	125-22
A1RF 8423 02	130-14	A1RF 8471 00	132-22	A1RF 8530 01	131-33	A1RF 8714 00	127-1	A1RF 8793 01	125-10
A1RF 8424 00	130-26	A1RF 8475 00	132-26	A1RF 8531 00	132-7	A1RF 8715 00	126-34	A1RF 8794 00	125-6
A1RF 8425 01	132-27	A1RF 8477 00	133-14	A1RF 8534 00	131-27	A1RF 8717 01	126-32	A1RF 8795 00	125-4
A1RF 8426 00	117-14	A1RF 8478 00	116-11	A1RF 8535 00	131-26	A1RF 8719 02	126-19	A1RF 8796 01	126-17
A1RF 8432 00	117-3	A1RF 8479 00	116-10	A1RF 8540 00	131-10	A1RF 8720 00	127-6	A1RF 8798 00	126-16
A1RF 8434 00	129-15	A1RF 8481 00	132-13	A1RF 8541 00	131-7	A1RF 8721 00	125-29	A1RF 8799 00	126-23
A1RF 8435 01	130-23	A1RF 8482 00	133-23	A1RF 8544 00	131-9	A1RF 8722 00	125-8	A1RF 8901 01	84-20
A1RF 8440 00	133-8	A1RF 8483 00	130-19	A1RF 8545 00	131-11	A1RF 8723 00	126-26	A1RF 8902 00	84-7
A1RF 8441 00	120-3	A1RF 8487 00	130-2	A1RF 8546 00	131-8	A1RF 8724 00	126-11	A1RF 8903 01	85-10
A1RF 8442 00	120-16	A1RF 8488 01	130-12	A1RF 8547 01	131-12	A1RF 8727 00	126-14	A1RF 8904 01	84-28
A1RF 8443 00	115-16	A1RF 8489 00	130-5	A1RF 8548 01	131-6	A1RF 8731 00	125-36	A1RF 8907 00	85-19
A1RF 8443 00	116-9	A1RF 8490 00	130-6	A1RF 8601 00	124-2	A1RF 8732 00	126-1	A1RF 8908 00	84-31
A1RF 8443 00	132-18	A1RF 8496 00	130-18	A1RF 8602 00	124-9	A1RF 8733 00	125-17	A1RF 8913 00	84-4
A1RF 8444 00	133-20	A1RF 8497 00	129-11	A1RF 8603 00	124-10	A1RF 8734 00	125-19	A1RF 8917 00	84-5
A1RF 8445 00	133-10	A1RF 8498 00	132-15	A1RF 8604 00	124-11	A1RF 8735 00	125-18	A1RF 8920 00	85-5
A1RF 8446 00	132-12	A1RF 8499 00	132-16	A1RF 8605 01	126-31	A1RF 8736 00	127-5	A1RF 8921 00	85-4
A1RF 8448 00	133-16	A1RF 8501 02	117-5	A1RF 8614 00	120-18	A1RF 8737 00	125-7	A1RF 8922 01	85-6
A1RF 8449 01	133-13	A1RF 8502 00	131-13	A1RF 8616 00	124-12	A1RF 8738 00	125-15	A1RF 8923 01	85-1
A1RF 8450 01	132-31	A1RF 8503 02	117-2	A1RF 8617 00	124-26	A1RF 8742 00	126-5	A1RF 8927 00	85-8
A1RF 8451 00	133-9	A1RF 8504 00	131-17	A1RF 8622 00	124-8	A1RF 8744 00	125-24	A1RF 8928 00	84-30
A1RF 8452 00	133-3	A1RF 8505 00	117-8	A1RF 8627 00	124-27	A1RF 8745 00	125-23	A1RF 8930 00	83-1
A1RF 8453 00	131-18	A1RF 8506 00	115-5	A1RF 8636 00	124-3	A1RF 8746 00	125-25	A1RF 8931 00	85-12
A1RF 8454 00	131-31	A1RF 8507 00	115-4	A1RF 8638 00	126-24	A1RF 8751 01	126-7	A1RF 8934 00	85-7
A1RF 8455 00	117-11	A1RF 8508 01	115-8	A1RF 8680 00	124-7	A1RF 8752 01	126-8	A1RF 8935 01	84-26
A1RF 8455 00	130-1	A1RF 8509 01	117-15	A1RF 8691 00	124-25	A1RF 8753 01	126-9	A1RF 8943 00	84-3
A1RF 8456 00	130-10	A1RF 8510 03	117-1	A1RF 8692 00	124-19	A1RF 8754 01	126-10	A1RF 8944 00	84-2
A1RF 8457 00	132-5	A1RF 8511 00	120-19	A1RF 8693 00	121-20	A1RF 8770 00	126-39	A1RF 8950 02	84-6
A1RF 8458 00	132-21	A1RF 8512 00	116-13	A1RF 8693 00	124-24	A1RF 8771 00	125-28	A1RF 8951 01	84-22
A1RF 8459 00	133-18	A1RF 8512 00	118-18	A1RF 8696 00	124-17	A1RF 8772 00	126-38	A1RF 8952 00	84-1
A1RF 8461 00	131-5	A1RF 8513 00	118-20	A1RF 8697 00	120-20	A1RF 8781 00	126-27	A1RF 8954 00	84-10
A1RF 8462 00	131-23	A1RF 8514 00	118-19	A1RF 8698 01	124-28	A1RF 8782 00	125-33	A1RF 8955 00	84-18
A1RF 8464 00	125-12	A1RF 8515 00	117-7	A1RF 8699 00	124-13	A1RF 8784 01	126-25	A1RF 8956 00	84-14
A1RF 8464 00	131-14	A1RF 8520 00	131-30	A1RF 8702 01	126-6	A1RF 8785 00	125-30	A1RF 8970 00	85-13
A1RF 8465 01	132-6	A1RF 8521 00	117-13	A1RF 8703 04	125-5	A1RF 8786 00	125-21	A1RF 8973 00	85-14
A1RF 8467 01	132-9	A1RF 8522 00	117-12	A1RF 8704 03	125-9	A1RF 8787 00	125-31	A1RF 8974 00	85-17
A1RF 8468 00	132-3	A1RF 8523 00	117-9	A1RF 8706 00	126-36	A1RF 8788 00	125-20	A1RF 8975 00	85-18
A1RF 8469 01	130-21	A1RF 8524 01	129-3	A1RF 8707 00	125-26	A1RF 8789 00	126-41	A1RF 8978 00	84-34
A1RF 8470 00	130-11	A1RF 8525 01	130-7	A1RF 8708 02	126-37	A1RF 8790 01	126-20	A1RF 8979 00	84-35
A1RF 8470 00	131-22	A1RF 8526 00	129-1	A1RF 8711 00	126-21	A1RF 8791 00	126-40	A1RF 9090 00	84-16

Parts No.	Page No.	Parts No.	Page No.	Parts No.	Page No.	Parts No.	Page No.	Parts No.	Page No.
A1RF 9091 01	84-27	A1RF 9451 00	32-1	A1RF H010 15	145-7	A1RF M404 00	144-8	A1RF N115 00	105-15
A1RF 9092 00	84-11	A1RF 9451 00	33-1	A1RF H020 02	145-9	A1RF M405 00	144-28	A1RF N116 00	147-3
A1RF 9093 00	84-17	A1RF 9451 00	36-33	A1RF H030 13	145-14	A1RF M406 00	147-9	A1RF N117 00	145-13
A1RF 9094 00	84-15	A1RF 9451 00	87-10	A1RF H040 02	146-4	A1RF M501 00	103-20	A1RF N118 00	146-7
A1RF 9095 00	84-12	A1RF 9452 00	30-2	A1RF H050 0A	149-4	A1RF M502 00	103-25	A1RF N120 00	147-15
A1RF 9097 00	84-19	A1RF 9452 00	31-2	A1RF H060 03	121-21	A1RF M503 01	108-4	A1RF N121 01	144-1
A1RF 9098 01	84-13	A1RF 9452 00	32-2	A1RF H070 03	50-6	A1RF M509 00	27-14	A1RF N122 02	149-2
A1RF 9421 00	43-3	A1RF 9452 00	33-2	A1RF H110 02	18-5	A1RF M510 00	104-19	A1RF N123 03	5-14
A1RF 9422 00	135-1	A1RF 9453 00	36-2	A1RF H130 03	5-2	A1RF M510 00	108-14	A1RF N124 02	149-8
A1RF 9423 00	138-9	A1RF 9455 01	96-14	A1RF H130 03	40-13	A1RF M510 00	109-17	A1RF N126 02	147-14
A1RF 9424 00	100-5	A1RF 9455 01	97-14	A1RF H510 02	147-5	A1RF M510 00	111-9	A1RF N127 00	149-10
A1RF 9425 00	100-6	A1RF 9455 01	98-14	A1RF H520 02	147-1	A1RF M512 00	96-12	A1RF N128 01	27-20
A1RF 9426 00	8-17	A1RF 9455 01	99-14	A1RF H780 02	145-18	A1RF M512 00	97-12	A1RF N129 00	1-16
A1RF 9427 00	1-19	A1RF 9455 01	153-10	A1RF M101 00	22-24	A1RF M512 00	98-12	A1RF N130 01	13-23
A1RF 9429 00	15-25	A1RF 9457 00	36-31	A1RF M101 00	23-24	A1RF M512 00	99-12	A1RF N132 00	11-8
A1RF 9430 00	15-20	A1RF 9458 00	139-1	A1RF M101 00	24-24	A1RF M701 00	100-3	A1RF N132 00	21-22
A1RF 9431 00	114-7	A1RF 9460 00	62-11	A1RF M101 00	25-24	A1RF M755 00	18-18	A1RF N132 00	26-15
A1RF 9432 00	119-23	A1RF 9460 00	66-11	A1RF M102 00	27-17	A1RF M901 00	145-6	A1RF N132 00	28-14
A1RF 9433 00	136-11	A1RF 9460 00	70-11	A1RF M102 00	115-29	A1RF M902 00	17-4	A1RF N132 00	115-30
A1RF 9434 00	104-26	A1RF F220 00	26-8	A1RF M103 00	7-8	A1RF M903 00	2-10	A1RF N137 01	1-23
A1RF 9435 00	125-2	A1RF F345 00	87-16	A1RF M106 00	110-6	A1RF M903 00	17-2	A1RF N138 00	7-6
A1RF 9436 00	112-26	A1RF F346 00	87-3	A1RF M151 00	144-18	A1RF M904 00	145-4	A1RF N139 00	8-13
A1RF 9437 00	84-33	A1RF F522 02	141-13	A1RF M151 00	145-22	A1RF M905 00	153-6	A1RF N140 00	45-13
A1RF 9438 01	133-19	A1RF F523 00	139-5	A1RF M152 00	146-2	A1RF M906 00	17-8	A1RF N141 00	50-8
A1RF 9439 00	133-7	A1RF F528 03	142-18	A1RF M153 00	128-2	A1RF M907 00	8-12	A1RF N142 01	50-5
A1RF 9440 00	132-29	A1RF F532 01	140-10	A1RF M154 00	116-16	A1RF M908 00	18-7	A1RF N143 01	50-7
A1RF 9441 00	132-28	A1RF F565 00	72-7	A1RF M154 00	122-1	A1RF M931 00	4-23	A1RF N144 00	51-12
A1RF 9442 00	59-6	A1RF F565 00	75-7	A1RF M155 00	13-22	A1RF M931 00	148-15	A1RF N145 00	83-3
A1RF 9442 00	63-6	A1RF F565 00	78-7	A1RF M308 00	3-8	A1RF N101 01	144-12	A1RF N146 00	52-21
A1RF 9442 00	67-6	A1RF F701 00	80-6	A1RF M31A 00	105-28	A1RF N102 00	148-12	A1RF N146 00	53-21
A1RF 9443 00	48-33	A1RF F730 01	113-21	A1RF M31E 00	105-28	A1RF N103 00	144-17	A1RF N146 00	54-21
A1RF 9444 00	48-34	A1RF F732 01	113-15	A1RF M31F 00	105-28	A1RF N104 00	148-10	A1RF N146 00	55-21
A1RF 9445 00	48-35	A1RF F750 01	104-15	A1RF M34A 00	107-5	A1RF N105 00	147-7	A1RF N147 00	87-15
A1RF 9446 00	48-36	A1RF F752 01	104-9	A1RF M34E 00	107-5	A1RF N106 02	13-14	A1RF N148 00	87-11
A1RF 9447 00	15-1	A1RF F789 00	112-6	A1RF M34F 00	107-5	A1RF N107 00	147-4	A1RF N149 00	48-23
A1RF 9448 00	153-9	A1RF F805 00	109-4	A1RF M35A 00	106-5	A1RF N108 01	105-10	A1RF N151 00	88-1
A1RF 9449 00	43-4	A1RF F843 00	131-34	A1RF M35E 00	106-5	A1RF N109 02	110-3	A1RF N152 01	88-5
A1RF 9450 00	15-16	A1RF F844 00	132-2	A1RF M35F 00	106-5	A1RF N10F 00	148-12	A1RF N154 00	87-14
A1RF 9451 00	30-1	A1RF F845 01	133-2	A1RF M401 01	144-16	A1RF N110 00	103-27	A1RF N155 00	36-23
A1RF 9451 00	31-1	A1RF F877 01	124-23	A1RF M403 00	149-15	A1RF N111 00	108-6	A1RF N156 01	34-4

Parts No.	Page No.	Parts No.	Page No.	Parts No.	Page No.	Parts No.	Page No.	Parts No.	Page No.
A1RF N159 00	22-22	A1RF N210 00	124-20	A1RF N263 00	4-5	A1RF R725 22	100-11	A1RF R754 00	44-19
A1RF N159 00	23-22	A1RF N211 00	121-19	A1RF N265 00	149-9	A1RF R726 22	100-11	A1RF R755 00	44-19
A1RF N159 00	24-22	A1RF N212 00	121-11	A1RF N266 00	149-11	A1RF R727 11	96-13	A1RF R756 00	44-19
A1RF N159 00	25-23	A1RF N213 00	121-12	A1RF N270 00	146-6	A1RF R727 11	97-13	A1RF R758 00	122-11
A1RF N160 01	11-7	A1RF N214 00	116-18	A1RF N271 00	146-5	A1RF R727 11	98-13	A1RF R759 00	122-17
A1RF N161 00	27-18	A1RF N215 00	116-1	A1RF N276 02	4-22	A1RF R727 11	99-13	A1RF R760 00	94-2
A1RF N163 00	11-12	A1RF N216 00	128-1	A1RF N281 02	145-15	A1RF R728 00	29-1	A1RF R761 00	37-3
A1RF N164 01	82-6	A1RF N217 00	119-32	A1RF N282 02	20-15	A1RF R729 00	140-20	A1RF R762 00	35-2
A1RF N166 00	84-25	A1RF N219 00	117-6	A1RF N283 00	18-17	A1RF R731 00	108-3	A1RF R767 00	81-4
A1RF N167 00	85-16	A1RF N221 00	139-3	A1RF N284 01	153-17	A1RF R732 00	112-22	A1RF R768 00	136-33
A1RF N168 00	43-12	A1RF N223 00	141-15	A1RF N285 01	18-12	A1RF R734 00	103-18	A1RF R769 00	25-25
A1RF N170 00	81-6	A1RF N224 00	141-9	A1RF N292 00	145-27	A1RF R735 00	103-5	A1RF R770 00	35-1
A1RF N171 00	149-13	A1RF N225 00	139-17	A1RF N293 00	146-3	A1RF R736 00	153-14	A1RF R771 00	1-21
A1RF N172 00	149-12	A1RF N226 00	136-35	A1RF N299 00	147-15	A1RF R737 00	18-22	A1RF R772 00	14-7
A1RF N173 00	149-14	A1RF N227 02	134-14	A1RF N30E 01	148-6	A1RF R738 00	18-22	A1RF R773 00	10-13
A1RF N174 00	144-4	A1RF N228 00	130-25	A1RF PJG1 00	151-3	A1RF R739 00	18-22	A1RF R774 00	10-9
A1RF N175 00	144-5	A1RF N229 00	129-8	A1RF PJG4 00	150-3	A1RF R740 00	7-14	A1RF R775 00	15-15
A1RF N176 00	144-6	A1RF N230 00	129-5	A1RF PP00 00	151-1	A1RF R741 00	133-22	A1RF R776 00	15-17
A1RF N177 00	144-7	A1RF N231 00	130-20	A1RF R700 00	43-2	A1RF R742 00	125-34	A1RF R777 00	22-25
A1RF N178 00	144-20	A1RF N232 00	116-20	A1RF R701 00	137-1	A1RF R743 00	51-16	A1RF R777 00	23-25
A1RF N179 00	22-14	A1RF N234 00	124-5	A1RF R702 00	9-13	A1RF R743 00	103-1	A1RF R777 00	24-25
A1RF N180 00	23-14	A1RF N235 00	126-4	A1RF R703 00	56-10	A1RF R743 00	116-2	A1RF R778 00	26-16
A1RF N181 00	24-14	A1RF N236 00	123-17	A1RF R705 00	139-9	A1RF R744 00	16-1	A1RF R779 00	27-16
A1RF N182 00	25-14	A1RF N238 01	111-22	A1RF R707 00	101-1	A1RF R744 00	153-2	A1RF R780 00	11-16
A1RF N183 00	147-8	A1RF N239 00	109-22	A1RF R708 00	106-3	A1RF R745 00	17-6	A1RF R781 00	28-11
A1RF N184 00	35-16	A1RF N240 00	112-25	A1RF R709 00	108-10	A1RF R746 00	22-6	A1RF R782 00	28-4
A1RF N186 00	144-9	A1RF N241 00	110-30	A1RF R710 00	112-8	A1RF R746 00	23-6	A1RF R784 00	87-32
A1RF N187 01	149-1	A1RF N242 00	124-32	A1RF R712 00	105-24	A1RF R746 00	24-6	A1RF R785 00	87-30
A1RF N190 01	48-19	A1RF N243 00	121-30	A1RF R713 00	112-21	A1RF R746 00	25-6	A1RF R789 00	21-20
A1RF N195 00	108-8	A1RF N244 00	124-31	A1RF R714 00	141-16	A1RF R747 00	89-4	A1RF R790 00	21-8
A1RF N196 00	103-29	A1RF N245 00	123-11	A1RF R715 00	141-11	A1RF R747 00	90-4	A1RF R791 00	96-8
A1RF N199 00	13-18	A1RF N251 00	1-17	A1RF R716 00	136-3	A1RF R747 00	91-4	A1RF R791 00	97-8
A1RF N201 00	123-2	A1RF N252 00	26-7	A1RF R717 00	39-24	A1RF R747 00	92-4	A1RF R791 00	98-8
A1RF N202 00	140-27	A1RF N253 00	144-15	A1RF R718 00	119-19	A1RF R748 00	87-28	A1RF R791 00	99-8
A1RF N203 00	123-3	A1RF N254 00	7-2	A1RF R719 00	139-18	A1RF R750 00	11-31	A1RF R792 00	46-2
A1RF N204 00	140-26	A1RF N255 00	148-16	A1RF R720 00	139-14	A1RF R751 00	28-8	A1RF R793 00	48-8
A1RF N205 00	114-16	A1RF N256 00	144-10	A1RF R721 00	102-22	A1RF R752 00	30-15	A1RF R794 00	48-24
A1RF N206 00	121-10	A1RF N260 00	72-2	A1RF R722 22	138-10	A1RF R752 00	31-15	A1RF R795 00	48-26
A1RF N207 00	121-22	A1RF N260 00	75-2	A1RF R723 22	34-1	A1RF R752 00	32-15	A1RF R796 00	45-4
A1RF N208 00	123-22	A1RF N260 00	78-2	A1RF R724 22	100-11	A1RF R752 00	33-14	A1RF R797 00	44-16



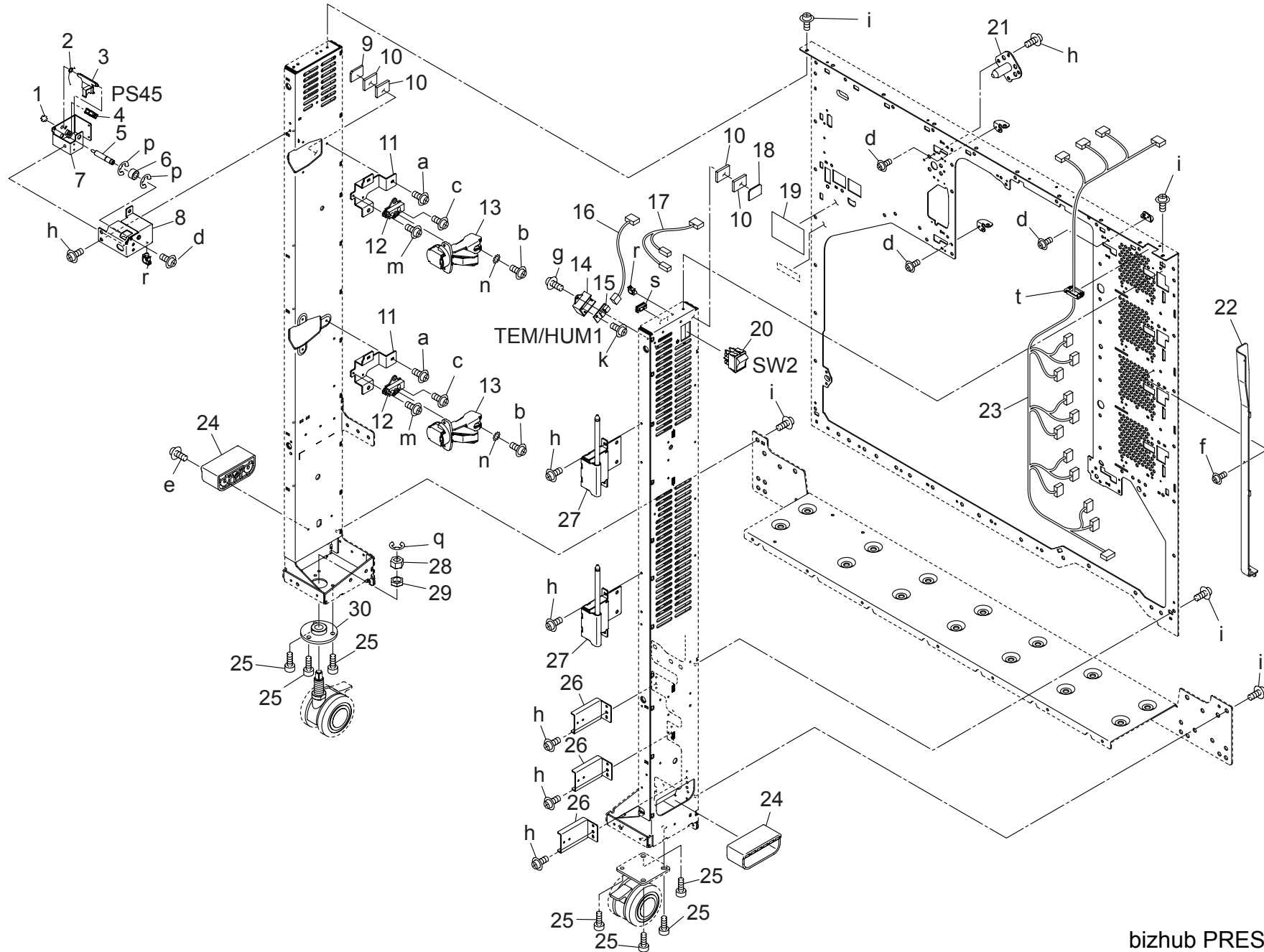
Parts No.	Page No.
A1RF R798 00	51-17
A1RF R799 00	51-15
A1RF R7A0 00	51-9
A1RF R7A1 00	57-22
A1RF R7A2 00	35-4
A1RF R7A3 00	38-18
A1RF R7A5 00	38-7
A1RF R7A6 00	39-23
A1RF R7A7 00	39-6
A1RF R7A8 00	39-31
A1RF R7A9 00	143-9
A1RF R7B0 00	141-7
A1RF R7B1 00	143-1
A1RF R7B2 00	139-11
A1RF R7B3 00	139-10
A1RF R7B4 00	143-6
A1RF R7B5 00	142-11
A1RF R7B6 00	142-3
A1RF R7B7 00	140-19
A1RF R7C2 00	81-13
A1RF R7C3 00	136-22
A1RF R7C4 00	108-23
A1RF R7C5 00	111-11
A1RF R7C6 00	108-13
A1RF R7C7 00	110-22
A1RF R7C9 00	105-19
A1RF R7D0 00	103-2
A1RF R7D1 00	101-18
A1RF R7D2 00	101-6
A1RF R7D3 00	101-16
A1RF R7D4 00	101-8
A1RF R7D8 00	122-8
A1RF R7D9 00	122-13
A1RF R7E0 00	115-27
A1RF R7E5 00	133-12
A1RF R7E6 00	125-37
A1RF R7E7 00	125-11
A1RF R7E8 00	125-32
A1RF R7E9 00	126-18
A1RF R7F0 00	22-1

Parts No.	Page No.
A1RF R7F0 00	23-1
A1RF R7F0 00	24-1
A1RF R7F1 00	39-2
A1RF R7F2 00	110-33
A1RF R7F3 00	136-34
A1RF R7F4 00	129-16
A1RF R7F5 00	130-3
A1RF R7F6 00	130-9
A1RF R7F6 00	131-24
A1RF R7F6 00	132-1
A1RF R7F6 00	136-32
A1RF R7F7 00	94-1
A1RF R7F8 00	143-10
A1RF R7G1 00	34-3
A1RF R7G2 00	34-2
A1RF R7G3 00	139-13
A1RF R7G4 00	119-18
A1RF R7G5 00	25-1
A1RF R7G6 00	27-3
A1RF R7G7 00	36-20
A1RF R7G8 00	18-22
A1RF R7H1 00	112-20
A1RF RX00 01	151-4
A1RF RX01 01	151-2
A1RG 1043 00	144-25
A1RG 1059 00	123-28
A1RG 1101 00	26-12
A1RG 6814 00	118-13
A1RJ 7264 01	112-11
A1RJ 8172 00	126-28
A1RJ 8172 00	132-8
A1RJ PJG0 00	150-4
A1RJ PJG1 00	150-5
SP00 -017 1	103-30
SP00 -020 1	108-9
V114 0408 04	154-2
V118 0306 04	154-5
V121 0410 03	154-4
V500 0100 07	154-3
V502 0100 06	6-20

Parts No.	Page No.
V502 0100 09	145-35
V502 0100 21	89-5
V502 0100 21	90-5
V502 0100 21	91-5
V502 0100 21	92-5
V502 0100 33	148-8

# MAIN FRAMES

P 1

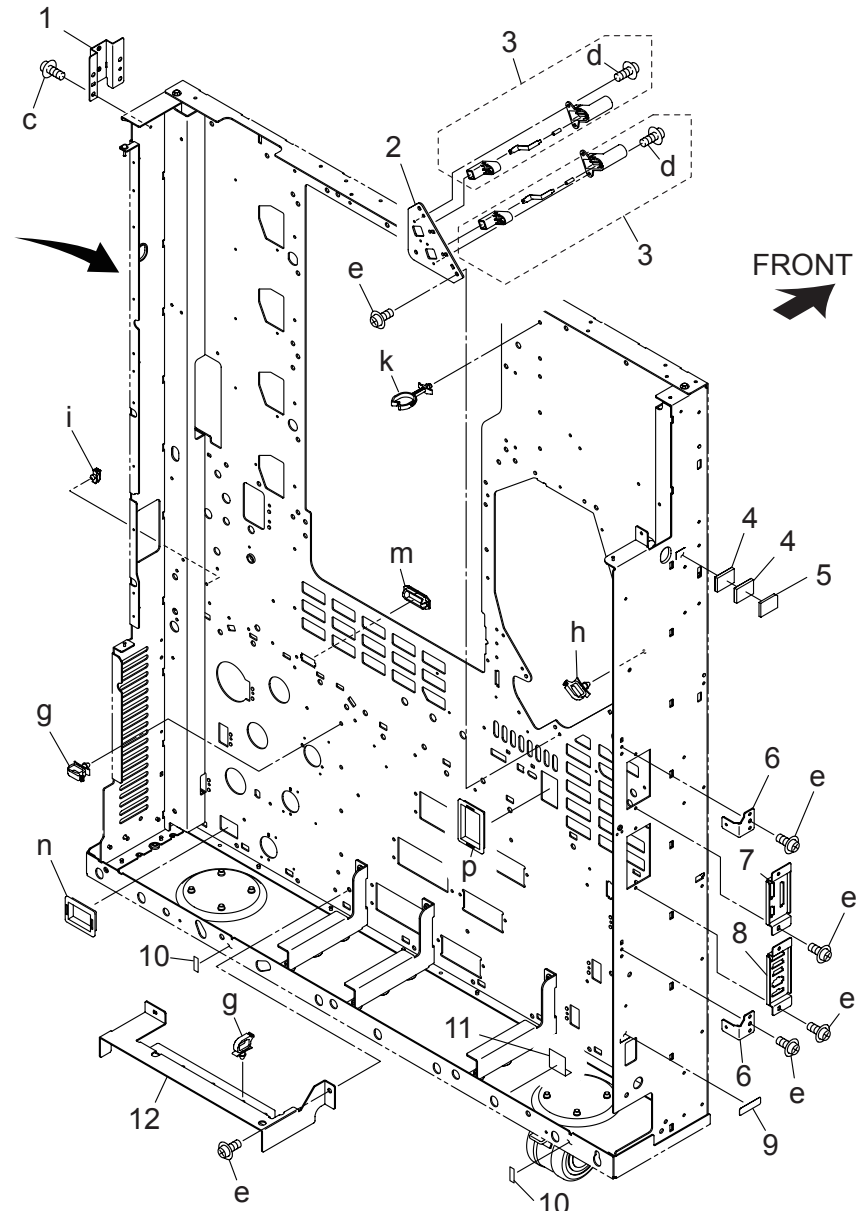
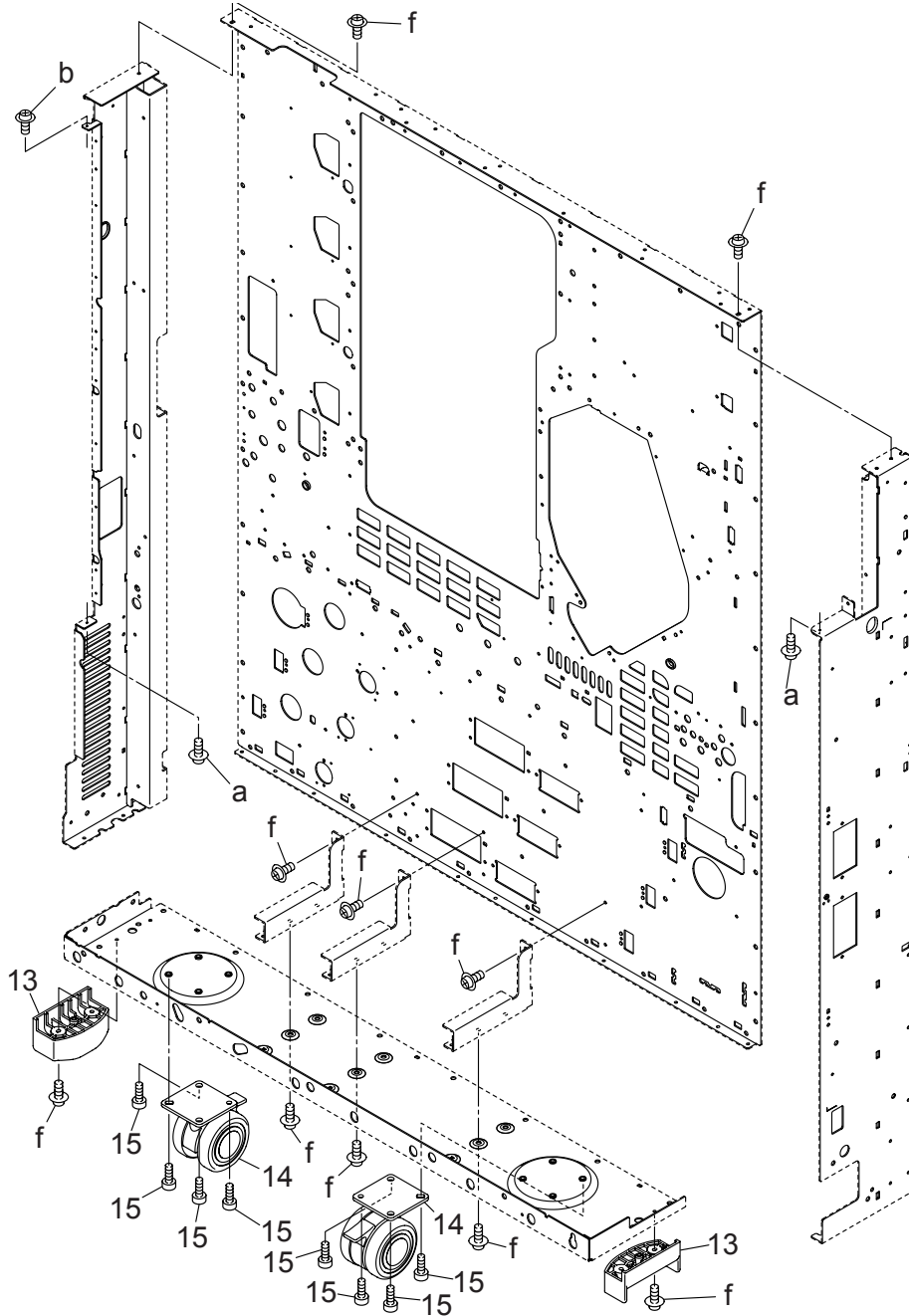


# MAIN FRAMES

Key	Part No.	Description	Destinations	Class	QTY	Standard parts
1	4470 4024 01	STOPPER		D	1	a-V116 0408 03
2	A1RF 1152 00	Detecting Spring /1		D	1	b-V118 0408 03
3	A1RF 1058 00	Detecting Actuator		D	1	c-V188 0408 09
4	9335 1500 21	SOLID STATE SWITCH		B	1	d-V121 0306 03
5	A1RF 1060 00	Guide Shaft /1		D	1	e-V121 0406 04
6	A1RF 4355 00	Open/close Bushing Outside		C	1	f-V146 0306 03
7	A1RF 1057 00	Mounting Plate /6		D	1	g-V146 0308 03
8	A1RF 1059 00	Lifting Arm /Right Calking		D	1	h-V146 0408 03
9	A1RF 1660 00	Protection Rubber /2		D	1	i-V146 0408 04
10	A1RF 1659 00	Protection Rubber /1		D	4	k-V153 0308 03
11	A1RF 1642 00	Support Plate /Upper		D	2	m-V188 0406 09
12	A1RF 1685 00	Support Part /H		D	2	n-V209 0400 03
13	A1RF 1634 00	Hinge		D	2	p-V217 0600 50
14	65AA 1130 0	SUPPORT PART		D	1	q-V217 0800 50
15	27LA 8803 1	PROCESS SENSOR		B	1	r-V500 0100 20
16	A1RF N129 00	Temperature Detection harness		D	1	s-V570 0100 57
17	A1RF N251 00	Detection harness /S		D	1	t-V570 0100 59
18	A1RF 1679 00	Protection Rubber /3		D	1	
19	A1RF 9427 00	Caution Label /7		D	1	
20	A0Y5 M601 00	Power Source Switch		C	1	
21	A1RF R771 00	POSITIONING PLATE/Front Calking		D	1	
22	A1RF 1036 00	Wiring Cover		D	1	
23	A1RF N137 01	Polygon Drive Harness /3		D	1	
24	A1RF 1035 00	Lifting Handle		D	2	
25	25SA 1043 1	LOCKING SCREW		C	7	
26	65AA 1066 0	MOUNTING PLATE 5		D	3	
27	A1RF 1055 02	Toner Supply Hinge		D	2	
28	56AA 1763 0	ADJUSTING PART		C	1	
29	56AA 1764 0	ADJUSTING PART 2		C	1	
30	56AA 1762 0	CARRIAGE ADJUSTING PART		C	1	

# MAIN FRAMES

P 2



bizhub PRESS C8000

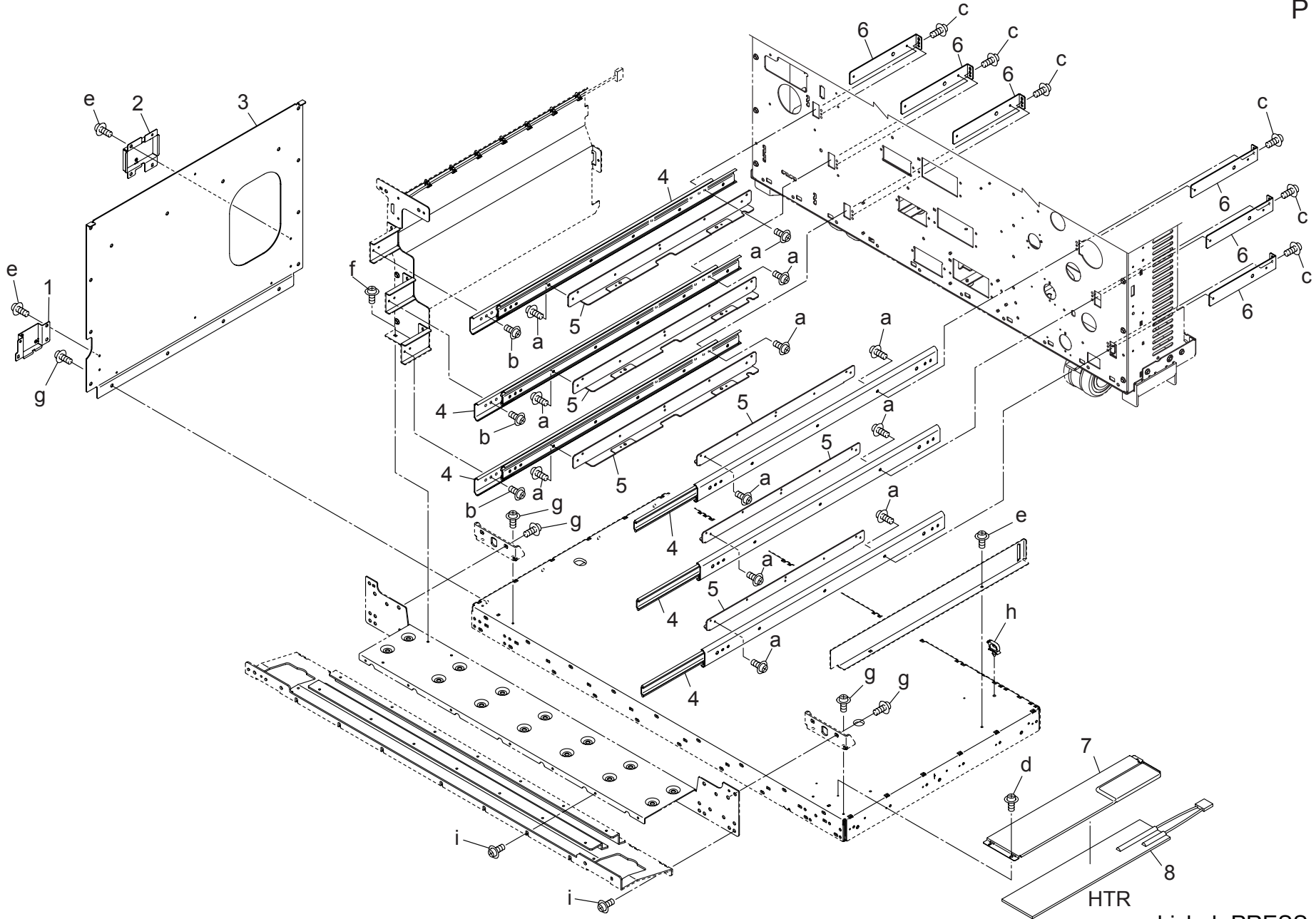
# MAIN FRAMES

Key	Part No.	Description	Destinations	Class	QTY	Standard parts
1	A1RF 1648 00	Cover Spacer /6		D	1	a-V121 0306 03
2	A1RF 1128 00	Mounting Plate /H		D	1	b-V121 0312 03
3	65AA R727 00	POWERING BLOCK 1 ASSY		C	2	c-V121 0406 03
4	A1RF 1659 00	Protection Rubber /1		D	2	d-V146 0306 03
5	A1RF 1660 00	Protection Rubber /2		D	1	e-V146 0408 03
6	56AA 1010 1	EXTERNAL SUPPORT PLATE1		D	2	f-V146 0408 04
7	A1RF 1349 00	Connecting Plate /C		D	1	g-V500 0100 05
8	A1RF 1319 00	Connecting Plate /A		D	1	h-V500 0100 07
9	A00J 9454 00	Label Dehumidifier SW.		C	1	i-V500 0100 46
10	A1RF M903 00	Gasket /3		D	2	k-V500 0200 26
11	A1RF 1139 00	Protection Sheet /P		D	1	m-V570 0100 37
12	A1RF 1120 00	Mounting Plate /G		D	1	n-V570 0100 38
13	65AA 1153 0	MAIN BODY LIFTING HANDLE 2		C	2	p-V570 0100 39
14	A1RF 1096 00	Support Roller /A		D	2	
15	25SA 1043 1	LOCKING SCREW		C	8	

bizhub PRESS C8000

# MAIN FRAMES

P 3



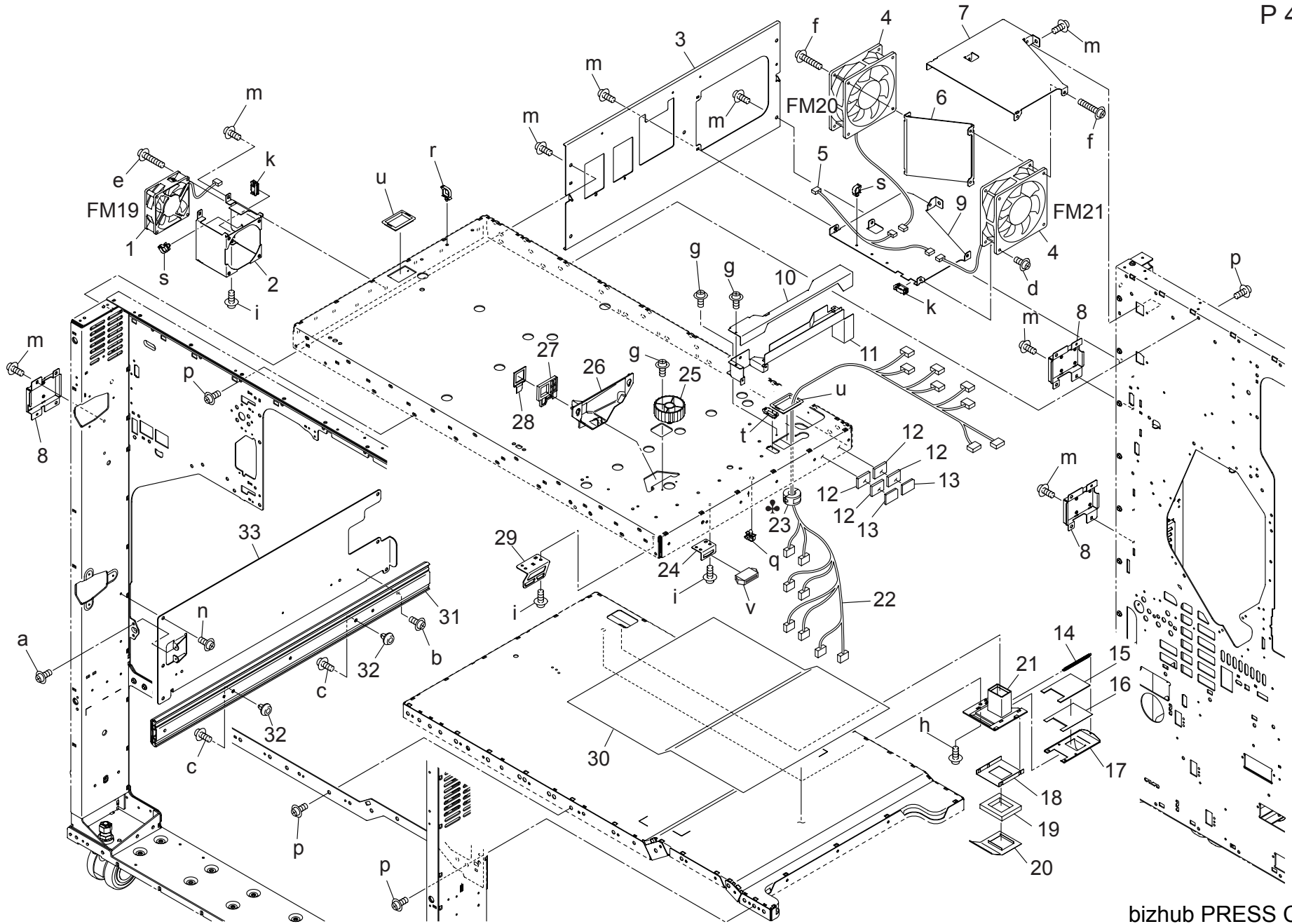
# MAIN FRAMES

Key	Part No.	Description	Destinations	Class	QTY	Standard parts
1	A1RF 1626 00	Cover Spacer /1		D	1	a-V118 0404 03
2	A1RF 1628 00	Cover Spacer /3		D	1	b-V118 0406 03
3	A1RF 1115 00	Reinforce Panel /Left		D	1	c-V121 0406 04
4	56AA 1030 0	Slide Rail /A		C	6	d-V146 0306 03
5	65AA 4704 0D	Cassette Support Stay		D	6	e-V146 0408 03 f-V146 0408 04
6	65AA 1047 0	Mounting Plate /4		D	6	g-V146 0414 04
7	A1RF 6202 00	Mounting Plate		D	1	h-V500 0100 05
8	A1RF M308 00	Heater /K		D	1	i-V146 0418 04

bizhub PRESS C8000

# MAIN FRAMES

P 4

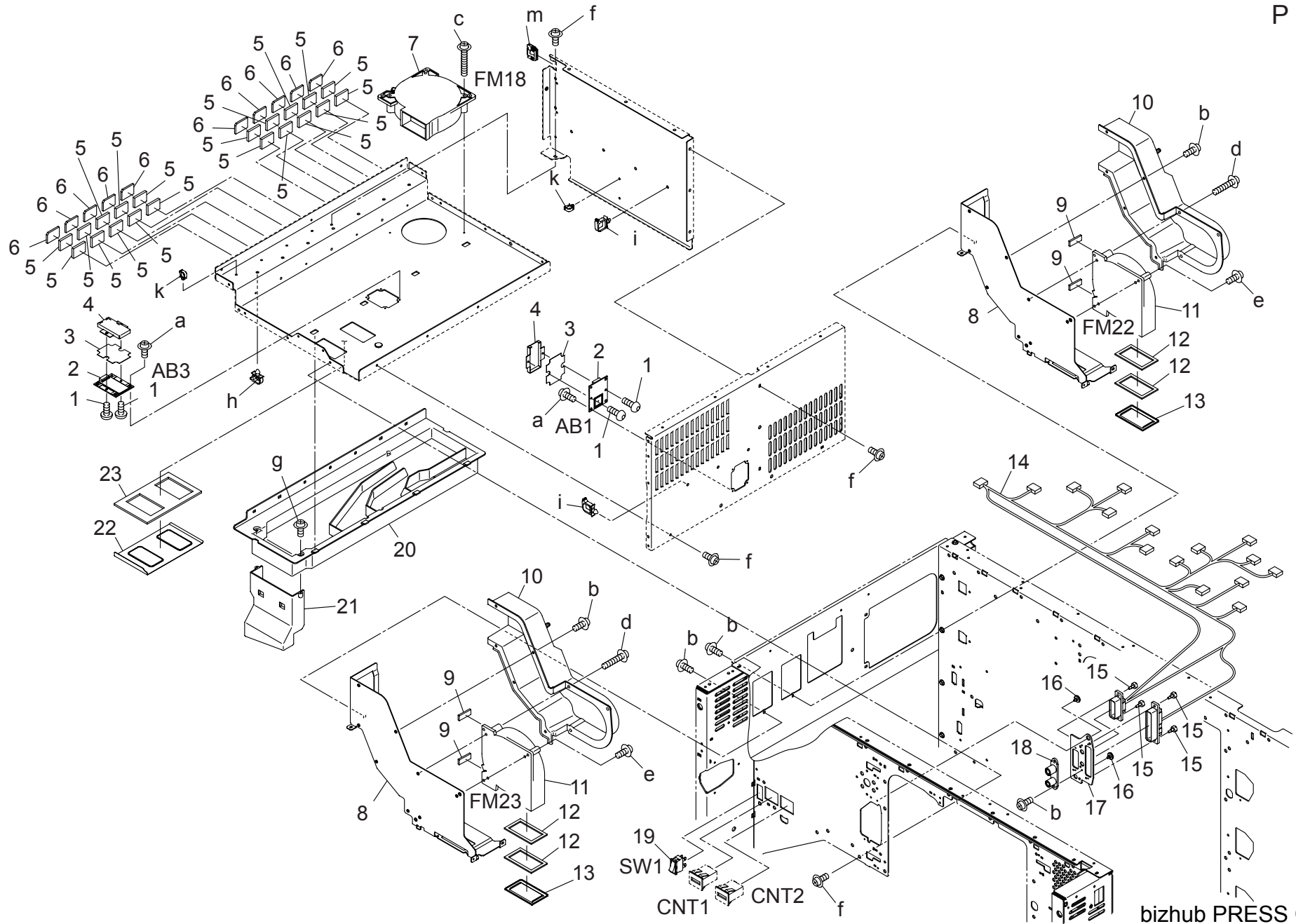




Key	Part No.	Description	Destinations	Class	QTY	Standard parts
1	13NT 8051 1	FAN MOTOR 1		C	1	a-V118 0306 04
2	A1RF 1063 00	Mounting Plate /63		D	1	b-V118 0406 03
3	A1RF 1054 00	Mounting Plate /5		D	1	c-V118 0406 04
4	A03U M152 00	Main body Fan motor		B	2	d-V118 0408 03
5	A1RF N263 00	Cooling Wiring /B		D	1	e-V118 0430 03
6	A1RF 1064 00	Partition /70		D	1	f-V118 0445 03
7	A1RF 1061 00	Mounting Plate /61		D	1	g-V121 0308 03
8	A1RF 1627 00	Cover Spacer /2		D	3	h-V121 0408 03
9	A1RF 1062 00	Mounting Plate /62		D	1	i-V146 0306 03
10	A1RF 1324 00	Hold Plate /A		D	1	k-V570 0100 57
11	A1RF 1350 00	Guide Cover /B		D	1	m-V146 0408 03
12	A1RF 1659 00	Protection Rubber /1		D	4	n-V146 0408 04
13	A1RF 1660 00	Protection Rubber /2		D	2	p-V146 0414 04
14	A1RF 3663 00	Collection Spring		D	1	q-V500 0100 05
15	A1RF 3674 00	Collection Pad		D	1	r-V500 0100 07
16	A1RF 3673 00	Collection Sheet		D	1	s-V500 0100 20
17	A1RF 3675 00	Collection Shutter		D	1	t-V570 0100 37
18	A1RF 3672 01	Collection Rail		D	1	u-V570 0100 39
19	A1RF 3671 00	Collection Pad		D	1	v-V651 0100 25
20	A1RF 3670 00	Collection Sheet		D	1	
21	A1RF 3676 01	Collection Part		D	1	
22	A1RF N276 02	LD Relay Harness		D	1	
23	A1RF M931 00	Ferritecore	C,D3	D	1	
24	A1RF 1095 00	Mounting Plate /3		D	1	
25	65AA 3091 0	DEVELOPING ROTARY JIG		D	1	
26	65AA 3089 0	Cartridge Cover		D	1	
27	A1RF 3794 00	Stopper Spacer		D	1	
28	65AA 3090 0	Cartridge Protection Pad		D	1	
29	A1RF 1048 00	Wiring Plate /30		D	1	
30	65AA 5147 0	ADU GUIDE PLATE P		C	1	
31	A1RF 8157 01	Slide Rail /Left		D	1	
32	65AA 5068 0D	ADU Mounting Collar		C	2	
33	A1RF 1017 00	Support Stay /G		D	1	

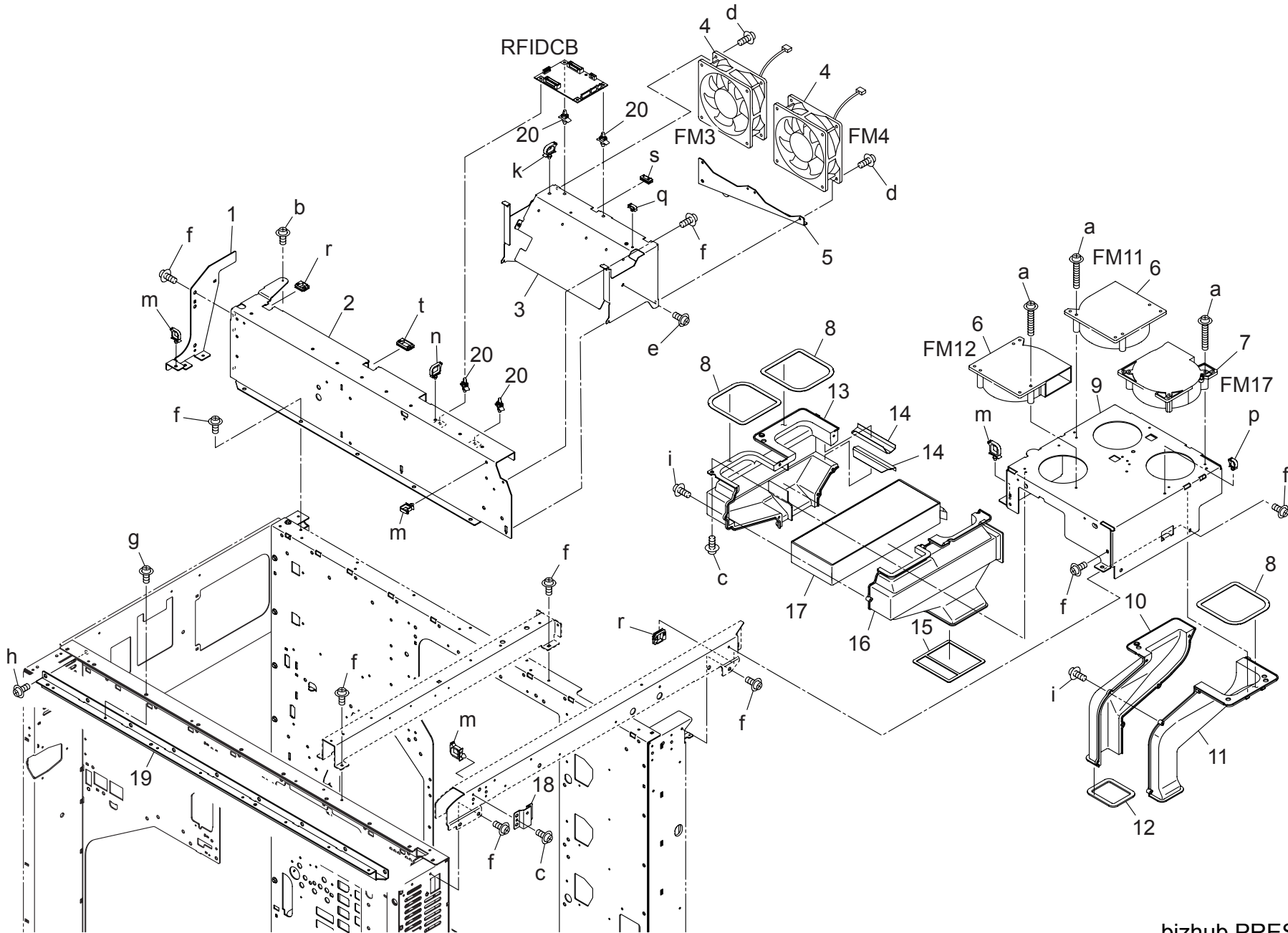
# MAIN FRAMES

P 5



# MAIN FRAMES

Key	Part No.	Description	Destinations	Class	QTY	Standard parts
1	A1RF 1392 00	Regulating Screw		D	4	a-V118 0304 03
2	A1RF H130 03	Relay board /R ASSY		I	2	b-V121 0306 03
3	A1RF 1393 00	Shield Cover /F		D	2	c-V121 0335 03
4	A1RF 1391 00	Shield Cover /R		D	2	d-V121 0340 03
5	A1RF 1659 00	Protection Rubber /1		D	20	e-V121 0408 03
6	A1RF 1660 00	Protection Rubber /2		D	10	f-V146 0408 04
7	A0Y5 M151 00	Suction Fan motor		C	1	g-V153 0308 03
8	A1RF 1074 00	Installing Plate /Upper		D	2	h-V500 0100 05
9	A1RF 1078 00	Fusing Seal /2		D	4	i-V500 0100 07
10	A1RF 1075 00	Fusing Duct /Upper		D	2	k-V500 0100 20
11	A03U M153 00	Fixing Cooling Fan		C	2	m-V570 0100 60
12	A1RF 1077 00	Fusing Seal /1		D	4	
13	A1RF 1080 00	Sealing Sheet		D	2	
14	A1RF N123 03	Main Body Wiring /3		D	1	
15	65AA 4722 0	MOUNTING SCREW		C	4	
16	A1RF 1034 00	Guide Screw		D	2	
17	A1RF 1049 00	Mounting Plate /4		D	1	
18	A03U 1190 00	Positioning Sleeve		C	1	
19	4038 M600 00	SEESAW-SWITCH		C	1	
20	A1RF 1073 00	Auxiliary Duct /1		D	1	
21	A1RF 1146 00	Auxiliary Duct /2		D	1	
22	A1RF 1147 00	Sealing Plate		D	1	
23	A1RF 1148 00	Insulating Seal		D	1	



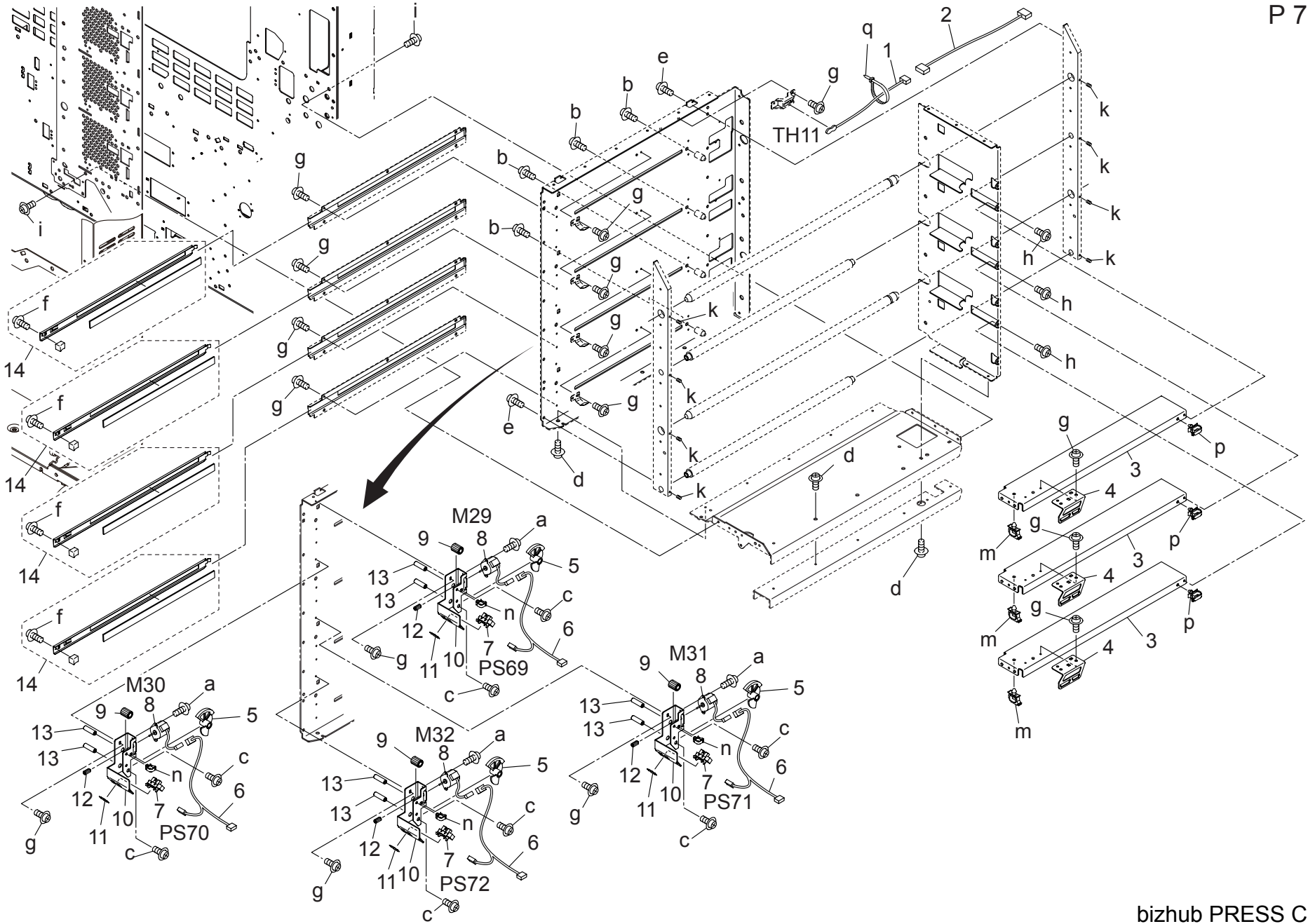
bizhub PRESS C8000

# MAIN FRAMES

Key	Part No.	Description	Destinations	Class	QTY	Standard parts
1	A1RF 1124 00	Guide Stay /C		D	1	a-V118 0435 03
2	A1RF 1104 01	Support Stay /Rear		D	1	b-V121 0312 03
3	A1RF 1101 01	Cooling Duct /Upper		D	1	c-V121 0406 03
4	A03U M152 00	Main body Fan motor		B	2	d-V121 0410 03
5	A1RF 1142 00	Mounting Stay /Upper		D	1	e-V146 0306 03
6	65AA 8059 0	MAIN BODY FAN		C	2	f-V146 0408 03
7	A0Y5 M151 00	Suction Fan motor		C	1	g-V146 0408 04
8	A1RF 1132 00	Scatteringprevention Seal /A		D	3	h-V146 0414 04
9	A1RF 1178 02	Support Frame		D	1	i-V153 0308 03
10	A1RF 1111 00	Scatter Duct /A		D	1	k-V500 0100 05
11	A1RF 1112 00	Scatter Duct /B		D	1	m-V500 0100 07
12	A1RF 1133 00	Scatteringprevention Seal /B		D	1	n-V500 0100 08
13	A1RF 1114 00	Ozone Duct /B		D	1	p-V500 0100 20
14	A1RF 1131 00	Scatteringprevention Seal /D		D	2	q-V500 0100 46
15	A1RF 1203 00	Ozone Seal /1		D	1	r-V570 0100 60
16	A1RF 1113 00	Ozone Duct /A		D	1	s-V570 0100 46
17	A1RF 1144 00	Ozone Filter /A		A	1	t-V570 0100 59
18	A1RF 1647 00	Cover Spacer /5		D	1	
19	A1RF 1037 00	Reinforce Stay /Upper		D	1	
20	V502 0100 06	spacer		D	4	

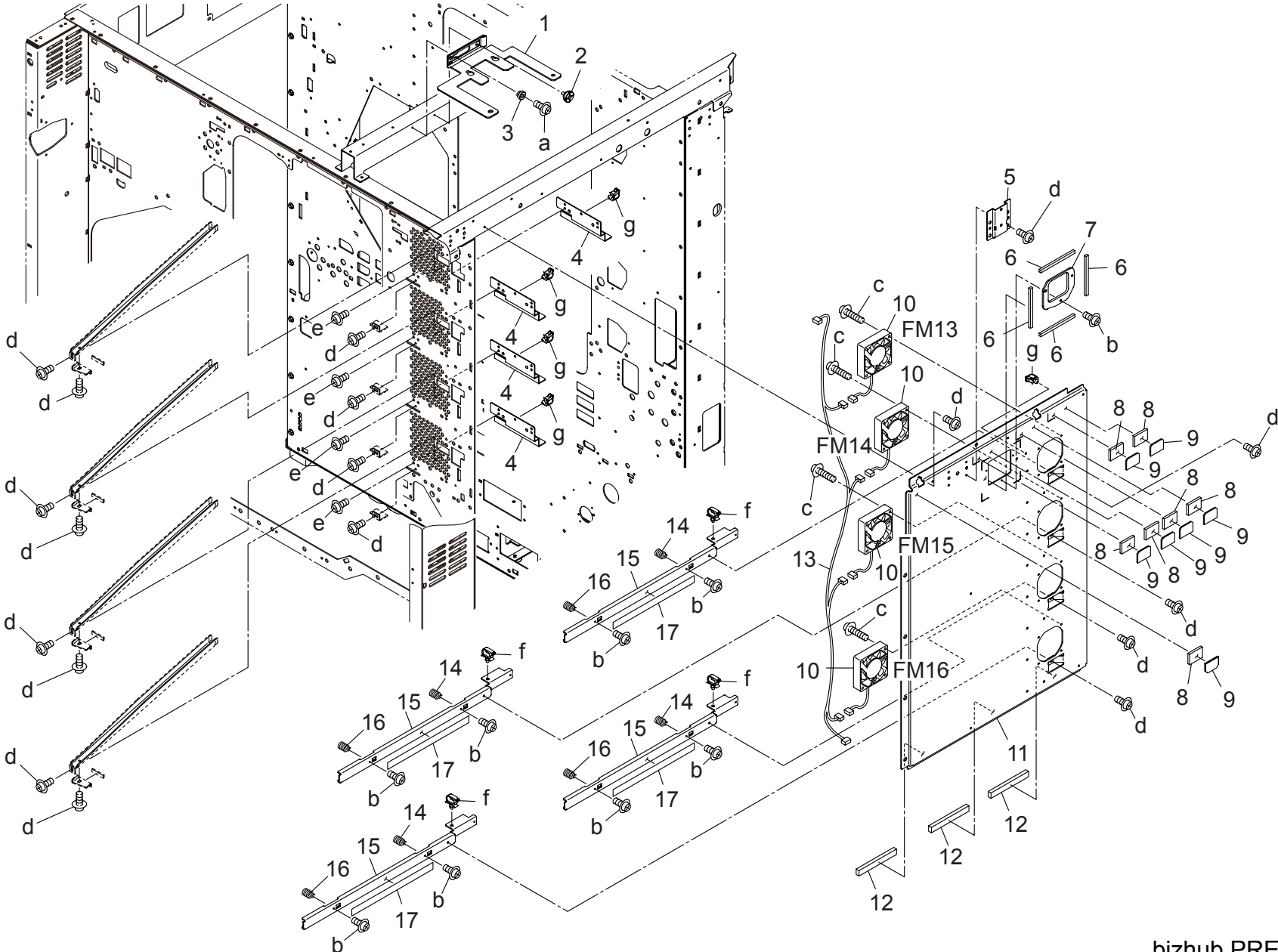
# MAIN FRAMES

P 7



# MAIN FRAMES

Key	Part No.	Description	Destinations	Class	QTY	Standard parts
1	A03U M505 00	Temperature Sensor /5		C	1	a-V118 0204 03
2	A1RF N254 00	Polygon Detection harness		D	1	b-V118 0408 04
3	A1RF 1010 00	Writing Stay		D	3	c-V121 0306 03
4	A1RF 1048 00	Wiring Plate /30		D	3	d-V121 0406 04
5	A1RF 1082 01	Adjusting Cam		D	4	e-V121 0410 04
6	A1RF N138 00	Polygon Drive harness /4		D	4	f-V138 0306 03
7	08AA 8551 2	Photo Sensor		B	4	g-V146 0306 03
8	A1RF M103 00	Stepping motor /20		C	4	h-V146 0408 03
9	A1RF 1084 00	Gear /1 20T		C	4	i-V146 0408 04
10	A1RF 1081 00	Drive Plate		D	4	k-V193 0406 09
11	4470 4024 01	STOPPER		D	4	m-V500 0100 05
12	A1RF 3049 01	Gear		C	4	n-V500 0100 20
13	A1RF 1083 01	Drive Shaft		D	8	p-V500 0100 76
14	A1RF R740 00	GLASS CASE ASSY		D	4	q-V501 0100 02

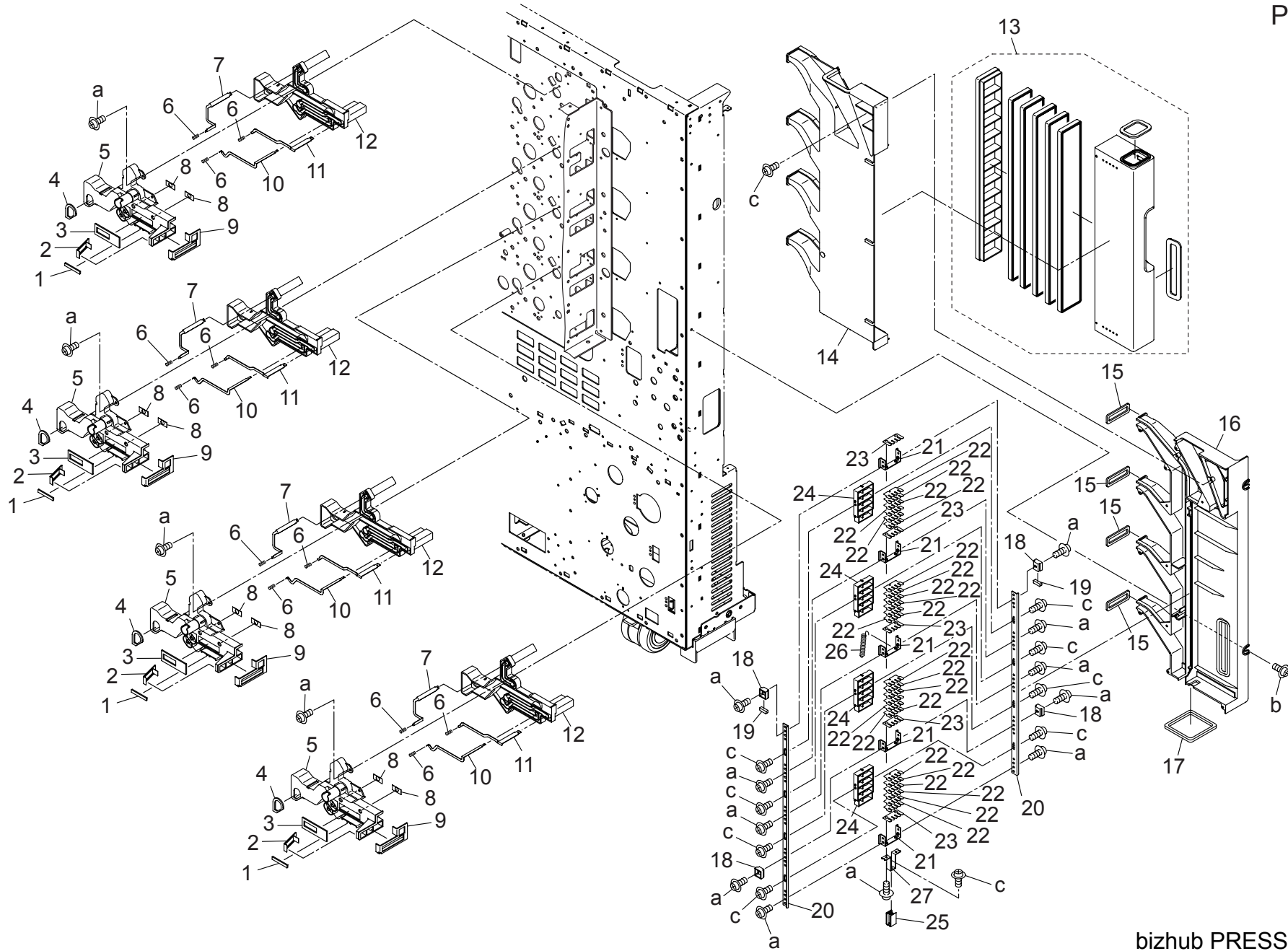




# MAIN FRAMES

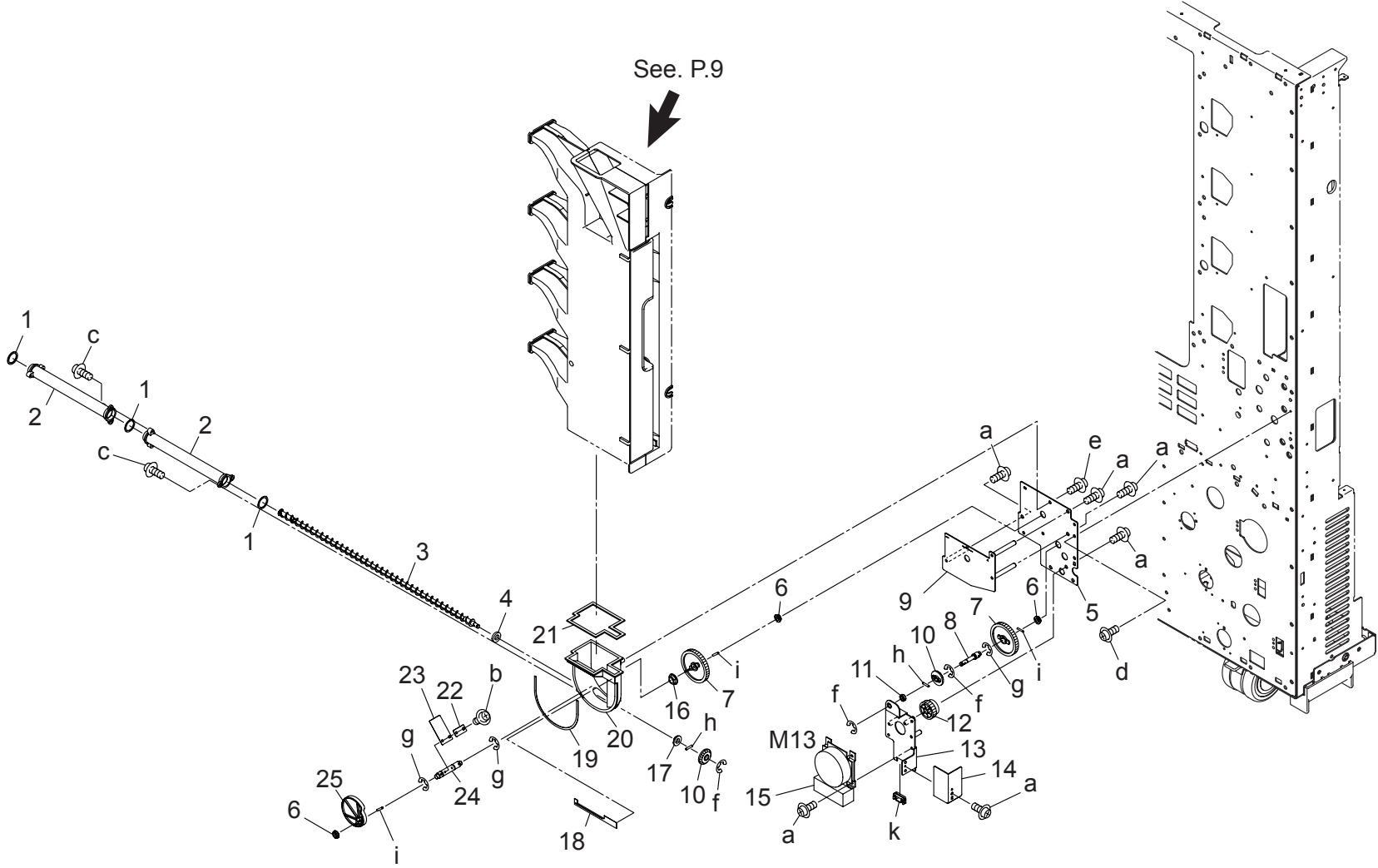
Key	Part No.	Description	Destinations	Class	QTY	Standard parts
1	A1RF 3795 01	Supply Stay		D	1	a-V118 0308 03 b-V121 0306 03 c-V121 0418 03 d-V121 0406 03 e-V146 0306 03 f-V500 0100 05 g-V500 0100 20
2	65AA 2268 0	CARTRIDGE SUPPORT SCREW		C	1	
3	65AA 2283 0D	Mounting Spacer		D	1	
4	A1RF 1091 01	Installing Rail /Front		D	4	
5	A1RF 1630 00	Cover Spacer /4		D	1	
6	A1RF 3147 00	Seal /12		D	4	
7	A1RF 3471 00	Wiring Cover		D	1	
8	A1RF 1660 00	Protection Rubber /2		D	7	
9	A1RF 1679 00	Protection Rubber /3		D	7	
10	9J06 M100 00	FAN MOTOR		C	4	
11	A1RF 1088 00	Mounting Plate /1		D	1	
12	A1RF M907 00	Gasket /7		D	3	
13	A1RF N139 00	Polygon Drive harness /5		D	1	
14	A1RF 1094 00	Pressing Spring /S		C	4	
15	A1RF 1089 01	Pressing Plate		D	4	
16	A1RF 1090 00	Pressing Spring /R		D	4	
17	A1RF 9426 00	Caution Label /6		D	4	

# MAIN FRAMES



# MAIN FRAMES

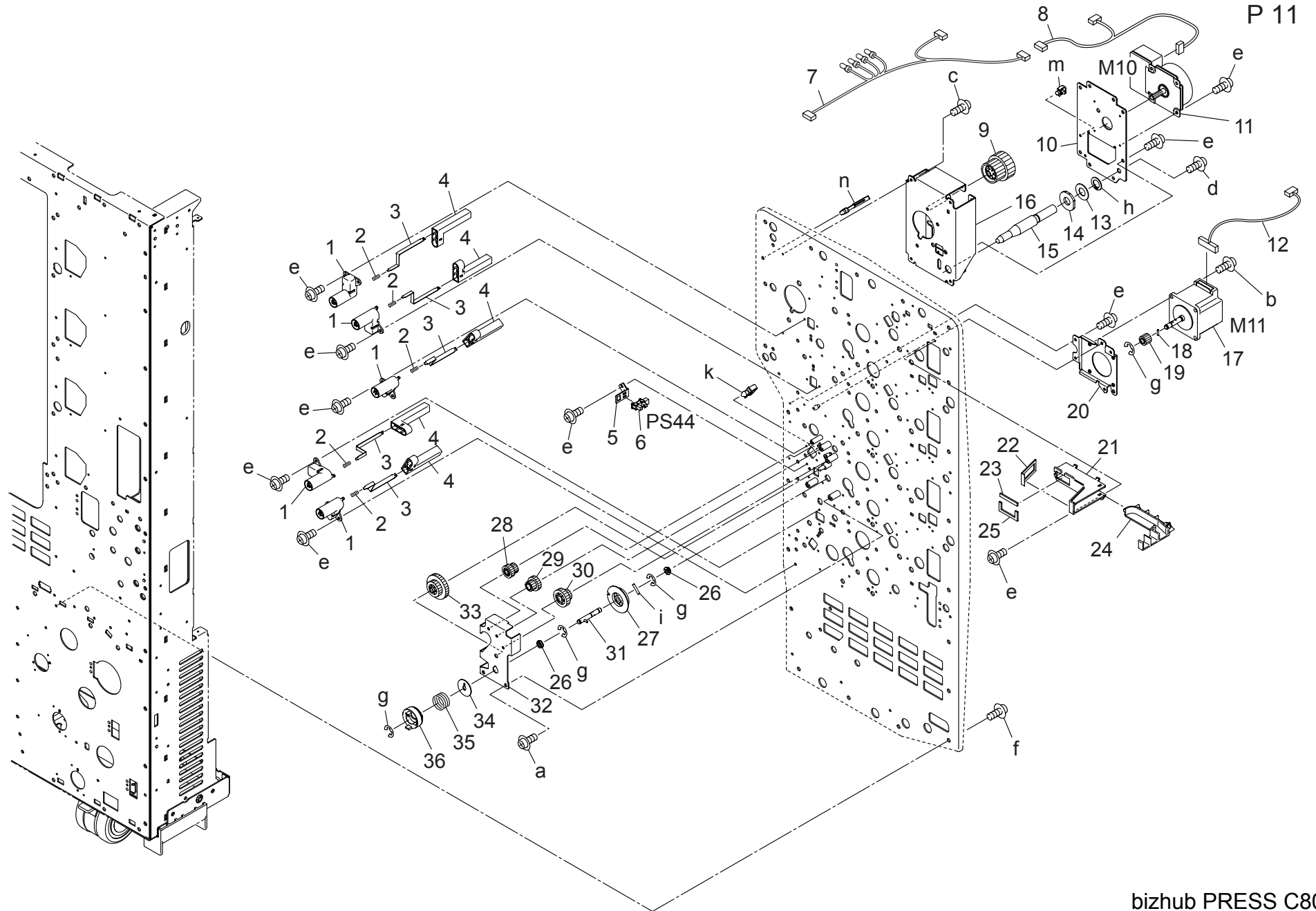
Key	Part No.	Description	Destinations	Class	QTY	Standard parts
1	A1RF 1222 00	Scatter Seal /10		D	4	a-V146 0306 03 b-V146 0408 03 c-V153 0308 03
2	A1RF 1214 00	Ozone Seal /B		D	4	
3	A1RF 1213 00	Ozone Seal /4		D	4	
4	A1RF 1223 00	Ozone Seal /Side		D	4	
5	A1RF 1209 00	Power supply Cover /1		D	4	
6	65AA 1074 0D	High voltage Powering Spring		D	12	
7	A1RF 1212 00	Power supply Plate /3		D	4	
8	A1RF 1218 00	Suction Sheet		D	8	
9	A1RF 1207 00	Ozone Seal /3		D	4	
10	A1RF 1211 00	Power supply Plate /2		D	4	
11	A1RF 1210 00	Power supply Plate /1		D	4	
12	A1RF 1208 00	Power supply Block /1		D	4	
13	A1RF R702 00	Filter Assy		A	1	
14	A1RF 1241 00	Scatteringprevention Duct /2		D	1	
15	A1RF 1245 00	Scatteringprevention Seal /A		D	4	
16	A1RF 1240 00	Scatteringprevention Duct /1		D	1	
17	A1RF 1278 00	Scatteringprevention Seal /F		D	1	
18	A1RF 1256 00	Cleaning Stay /4		D	4	
19	A1RF 1282 00	Sound shield Spacer		D	2	
20	A1RF 1252 00	Cleaning Stay /1		D	2	
21	A1RF 1253 00	Cleaning Stay /2		D	5	
22	A1RF 1254 00	Cleaning Film /1		D	24	
23	A1RF 1257 00	Cleaning Film /2		D	5	
24	A1RF 1255 00	Cleaning Stay /3		D	4	
25	A1RF 1258 00	Cleaning Stay /5		D	1	
26	A1RF 1262 00	Cleaning Spring		D	1	
27	A1RF 1281 00	Cleaning Stay /6		D	1	



Key	Part No.	Description	Destinations	Class	QTY	Standard parts
1	A1RF 1261 00	Scatteringprevention Seal /S		D	3	a-V116 0306 03
2	A1RF 1265 00	Cleaning Pipe		D	2	b-V118 0306 03
3	A1RF 1264 00	Cleaning Screw		D	1	c-V145 0308 03
4	65AA 2406 0	TONER COLLECTING SEAL 1		C	1	d-V146 0306 03
5	A1RF 1269 00	Cleaning Panel /1		D	1	e-V153 0308 03
6	A00J 6178 00	BALL BEARING		C	3	f-V217 0400 50
7	A1RF 1266 00	Up/down Gear /C 48T		C	2	g-V217 0600 50
8	A1RF 1268 00	Cleaning Shaft /2		D	1	h-V237 2010 50
9	A1RF R774 00	CLEANING PANEL/3 CALKING		D	1	i-V237 2012 50
10	A1RF 3624 00	Collection Gear /2 14T		C	2	k-V570 0100 57
11	A03U 5135 00	Ball bearing		C	1	
12	A1RF 1259 00	Drive Gear /1 20/48T		C	1	
13	A1RF R773 00	CLEANING PANEL/2 CALKING		D	1	
14	A1RF 1284 00	Cover Plate		D	1	
15	A011 M101 01	BRUSHLESS MOTOR /20		B	1	
16	A1RF 1276 00	Cleaning Spacer		D	1	
17	A1RF 3607 00	Collection Spacer /1		D	1	
18	A1RF 1279 00	Cleaning Seal /4		D	1	
19	A1RF 1275 00	Cleaning Seal /3		D	1	
20	A1RF 1263 00	Cleaning Cover /2		D	1	
21	A1RF 1274 00	Cleaning Seal /2		D	1	
22	A1RF 1283 00	Fixing Plate /1		D	1	
23	A1RF 1280 00	Agitating Sheet		D	1	
24	A1RF 1267 00	Cleaning Shaft /1		D	1	
25	A1RF 1260 00	Cleaning Cam /1		D	1	

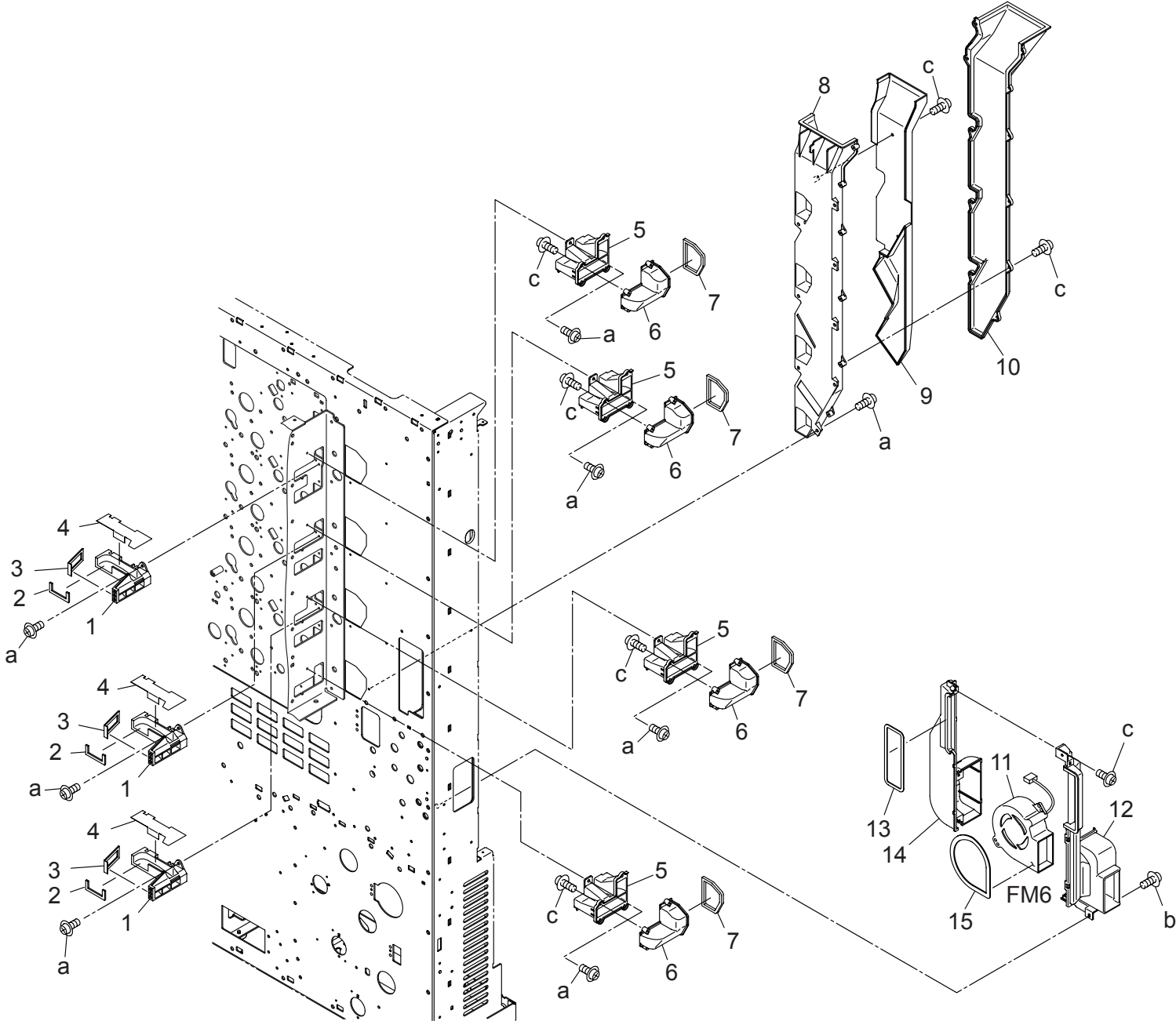
# MAIN FRAMES

P 11



# MAIN FRAMES

Key	Part No.	Description	Destinations	Class	QTY	Standard parts
1	65AA 1052 0	High Voltage Powering Cover /2		D	5	a-V121 0306 03
2	65AA 1074 0D	High voltage Powering Spring		D	5	b-V121 0308 03
3	A1RF 2317 00	Power supply Plate		D	5	c-V121 0406 03
4	A1RF 2316 00	Power supply Block		D	5	d-V121 0408 03
5	65AA 1710 0	FIXING PLATE B		D	1	e-V146 0306 03
6	08AA 8551 2	Photo Sensor		B	1	f-V146 0408 04
7	A1RF N160 01	Relay Harness /1		D	1	g-V217 0400 50
8	A1RF N132 00	Drive Relay harness /1		D	1	h-V223 1200 50
9	A03U 2597 00	Drive Gear /1 56/72T		C	1	i-V237 3016 50
10	A1RF 2402 00	Drive Panel /Rear		D	1	k-V500 0100 05
11	A0PN M102 00	DC Brushless motor /20		B	1	m-V500 0100 20
12	A1RF N163 00	Drive harness /1		D	1	n-V500 0200 26
13	65AA 1724 0	PRESSING SPACER A		D	1	
14	A03U 1708 00	Reinforce Spacer		D	1	
15	A1RF 2404 00	Positioning Pin		D	1	
16	A1RF R780 00	DRIVING UNIT PANEL/FRONT CALKING		D	1	
17	A03U M111 00	HB Motor /50		B	1	
18	A1RF 2425 00	Pin /1		D	1	
19	A1RF 2499 00	Control Gear /1 21T		C	1	
20	A1RF 2422 01	Drive Base frame		D	1	
21	A1RF 1220 00	Scatter Duct /2		D	1	
22	A1RF 1219 00	Scatter Seal /2		D	1	
23	A1RF 1222 00	Scatter Seal /10		D	1	
24	A1RF 1221 00	Scatter Duct /3		D	1	
25	A1RF 1217 00	Scatter Seal /1		D	1	
26	A00J 6178 00	BALL BEARING		C	2	
27	A1RF 2494 01	Control Gear /6 20T		C	1	
28	A1RF 2498 00	Control Gear /2 23/29T		C	1	
29	A1RF 2497 00	Control Gear /3 16/33T		C	1	
30	A1RF 2496 00	Control Gear /4 18/31T		C	1	
31	A1RF R750 00	DRIVE SHAFT/3		C	1	
32	A1RF 2420 00	Drive Panel		D	1	
33	65AA 7790 0	TRANSFER CONTROL GEAR 3 45T/22T		C	1	
34	65AA 1718 0	SPACER		C	1	
35	65AA 1713 0	PRESSING SPRING		C	1	
36	65AA 1714 0	TRANSFER COUPLING		C	1	



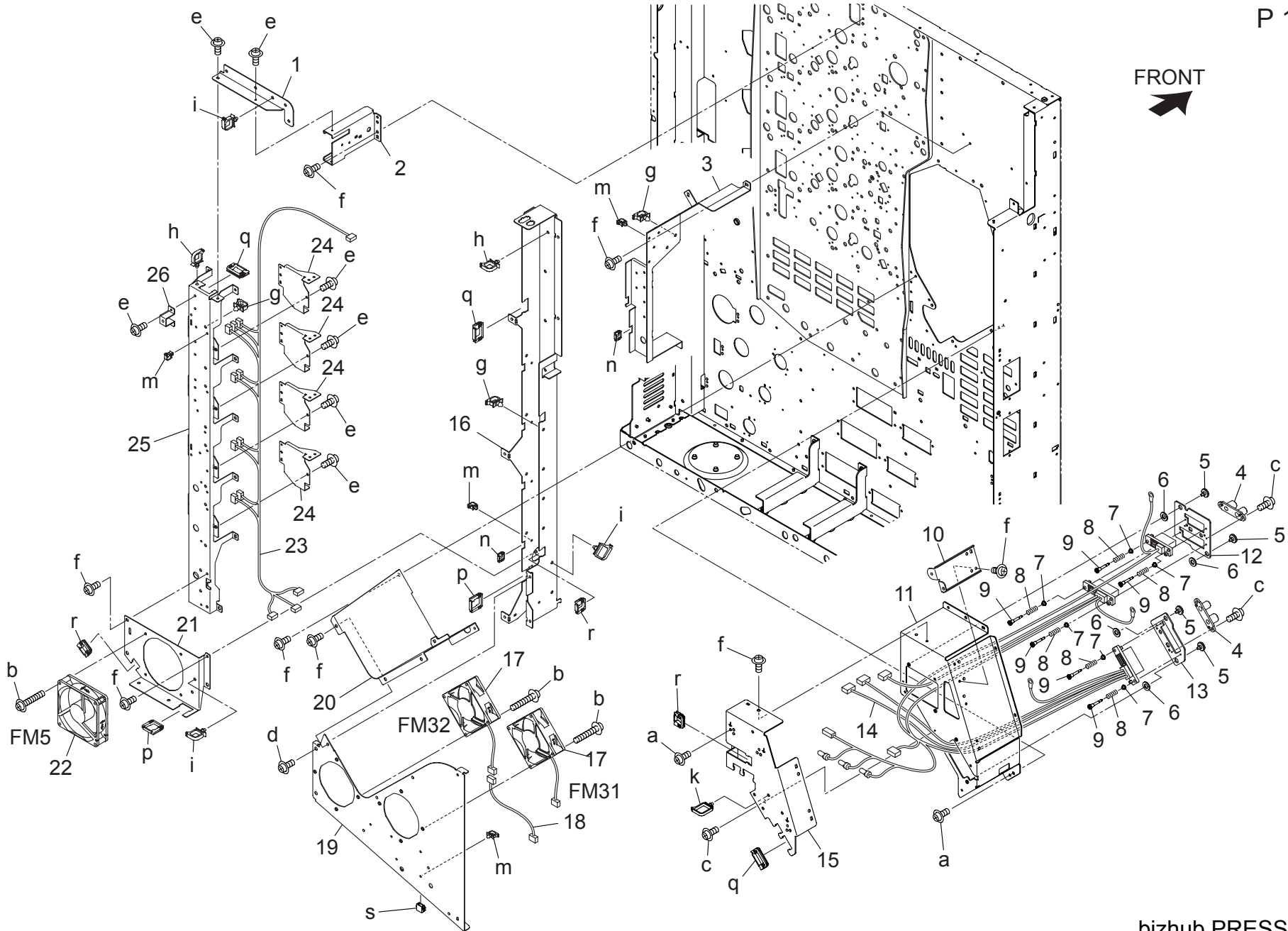


# MAIN FRAMES

Key	Part No.	Description	Destinations	Class	QTY	Standard parts
1	A1RF 1215 00	Scatter Duct /1		D	3	a-V146 0306 03 b-V146 0408 03 c-V153 0308 03
2	A1RF 1217 00	Scatter Seal /1		D	3	
3	A1RF 1219 00	Scatter Seal /2		D	3	
4	A1RF 1216 01	Scatter Sheet /1		D	3	
5	A1RF 1204 00	Ozone Duct /3		D	4	
6	A1RF 1205 00	Ozone Duct /4		D	4	
7	A1RF 1206 00	Ozone Seal /2		D	4	
8	A1RF 1201 00	Ozone Duct /1		D	1	
9	A1RF 1225 00	Ozone Duct /Middle		D	1	
10	A1RF 1202 00	Ozone Duct /2		D	1	
11	A03U M158 00	Main body Cooling Fan		C	1	
12	A1RF 1135 00	Scatter Duct /D		D	1	
13	A1RF 1136 00	Scatteringprevention Seal /C		D	1	
14	A1RF 1134 00	Scatter Duct /C		D	1	
15	A1RF 1137 00	Scatteringprevention Seal /E		D	1	

# MAIN FRAMES

FRONT

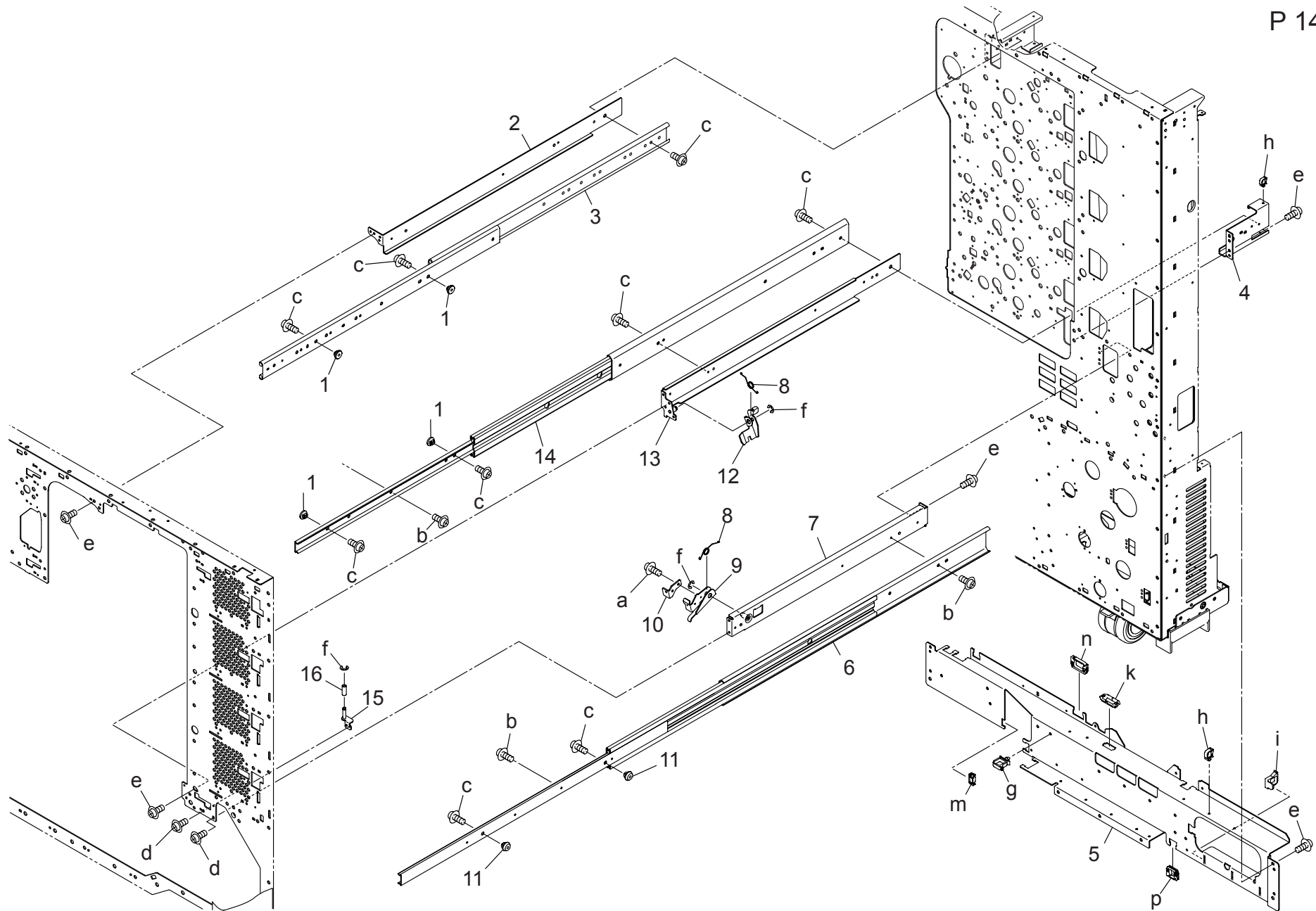


# MAIN FRAMES

Key	Part No.	Description	Destinations	Class	QTY	Standard parts
1	A1RF 1138 00	Guide Plate		D	1	a-V116 0408 03
2	A1RF 1140 00	Mounting Plate /2		D	1	b-V118 0430 03
3	A1RF 1129 01	Guide Stay /E		D	1	c-V121 0306 03
4	A03U 1190 00	Positioning Sleeve		C	2	d-V121 0408 03
5	A1RF 1155 00	Guide Screw /D		D	4	e-V146 0306 03
6	A1RF 1156 01	Spacer /1		D	4	f-V146 0408 03
7	A1RF 1151 00	Slide Spacer		D	6	g-V500 0100 05
8	A1RF 1153 00	Pressing Spring /D		D	6	h-V500 0100 07
9	A1RF 1150 00	Fixing Screw		D	6	i-V500 0100 08
10	A1RF 1366 00	Mounting Stay /1		D	1	k-V500 0100 14
11	A1RF 1071 02	Mounting Plate /Rear		D	1	m-V500 0100 20
12	A1RF 1072 01	Swing Plate /Upper		D	1	n-V570 0100 57
13	A1RF 1149 00	Swing Plate /Lower		D	1	p-V570 0100 58
14	A1RF N106 02	AC Power Source Harness /5		D	1	q-V570 0100 59
15	A1RF 1154 00	Wiring Guide		D	1	r-V570 0100 60
16	A1RF 1123 00	Guide Stay /B		D	1	s-V651 0100 03
17	13NT 8051 1	FAN MOTOR 1		C	2	
18	A1RF N199 00	Cooling Relay harness		D	1	
19	A1RF 1102 00	Mounting Plate /F		D	1	
20	A1RF 1105 00	Heat blocking Plate /Rear		D	1	
21	A1RF 1116 01	Mounting Plate /E		D	1	
22	A1RF M155 00	Fan motor /5		C	1	
23	A1RF N130 01	Developing Drive Harness		D	1	
24	A1RF 1127 00	Guide Cover /D		D	4	
25	A1RF 1125 00	Guide Stay /D		D	1	
26	A1RF 1130 00	Mounting Plate /G		D	1	

# MAIN FRAMES

P 14

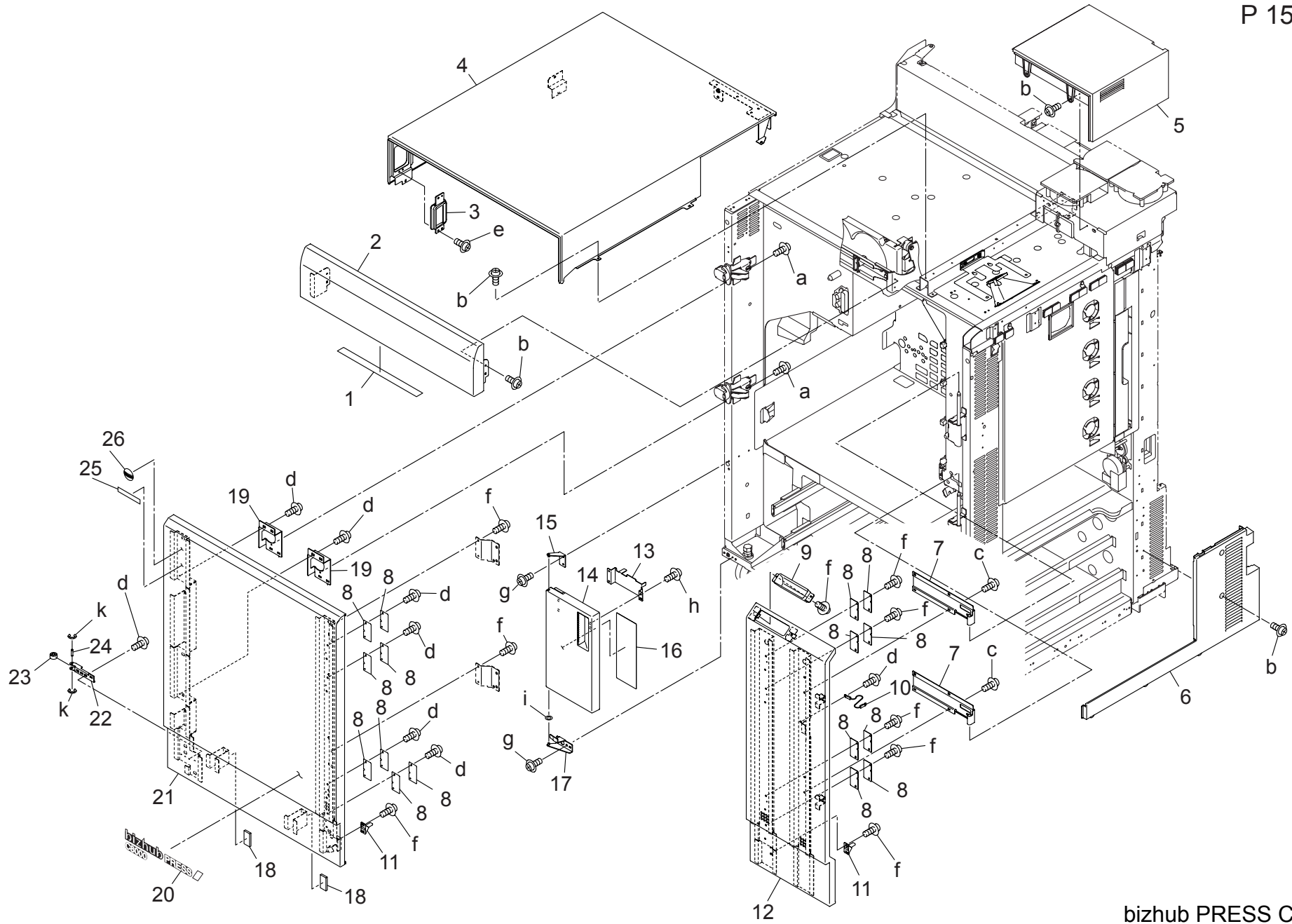


bizhub PRESS C8000

Key	Part No.	Description	Destinations	Class	QTY	Standard parts
1	56AA 5053 0	ADU MOUNTING COLLAR		C	4	a-V118 0304 03
2	A1RF 1020 00	Support Stay /C		D	1	b-V118 0406 03
3	56AA 5052 0	SLIDE RAIL D		C	1	c-V118 0406 04
4	A1RF 1140 00	Mounting Plate /2		D	1	d-V121 0306 03
5	A1RF 1122 00	Guide Stay /A		D	1	e-V146 0408 03
6	A1RF 8156 01	Slide Rail /Right		D	1	f-V217 0400 50
7	A1RF R772 00	SUPPORT STAY/E CALKING		D	1	g-V500 0100 07
8	65AA 1084 0	CARRIAGE LOCKING SPRING		C	2	h-V500 0100 20
9	65AA 1023 0D	LOCKING LEVER /1		C	1	i-V500 0100 22
10	65AA 1159 0	LEVER REINFORCE PLATE		D	1	k-V570 0100 37
11	65AA 5068 0D	ADU Mounting Collar		C	2	m-V570 0100 57
12	65AA 1048 0	LOCKING LEVER 2		C	1	n-V570 0100 59
13	A1RF 1141 00	Support Stay /D		D	1	p-V570 0100 60
14	A1RF 1098 01	Slide Rail /B		D	1	
15	65AA -075 0	LOCKING SHAFT CAULKING		C	1	
16	65AA 1026 0	LOCKING ROLLER		D	1	

# EXTERNAL PARTS

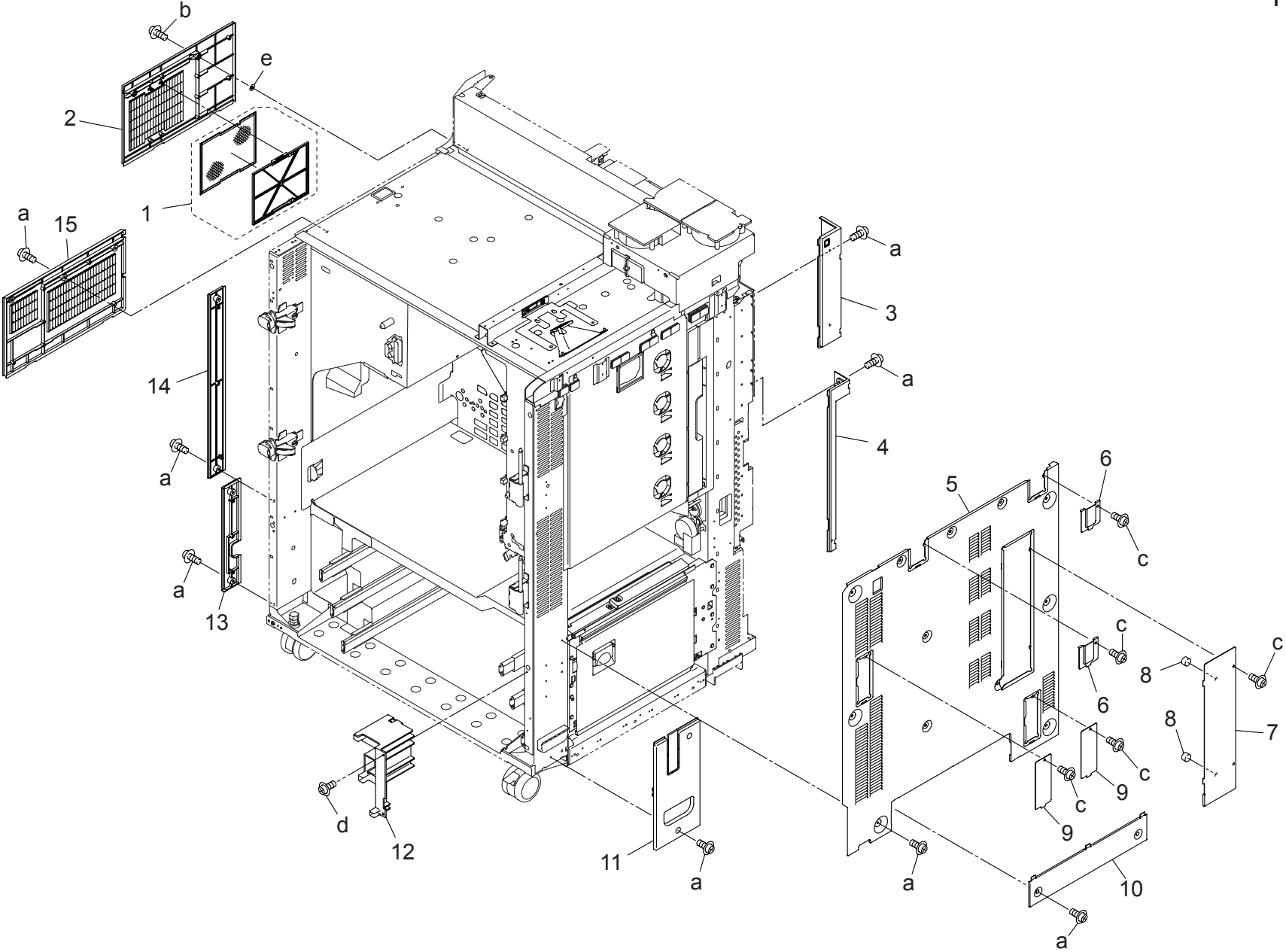
P 15



EXTERNAL PARTS

Key	Part No.	Description	Destinations	Class	QTY	Standard parts
1	A1RF 9447 00	Toner supply Label /1		D	1	a-V112 0408 03
2	A1RF 1603 00	Cover Door /Upper		D	1	b-V114 0408 04
3	A1RF 1632 00	Cover Guide		D	1	c-V116 0306 04
4	A1RF 1604 02	Cover Top plate /Left		D	1	d-V116 0408 04
5	A1RF 1606 02	Cover Top plate /Right		D	1	e-V121 0306 03
6	A1RF 1610 01	Cover Side plate /3		D	1	f-V121 0306 04
7	A1RF 1650 01	Cover Arm /Right		D	2	g-V146 0408 03
8	A1RF 1680 00	Adjusting Plate		D	16	h-V153 0308 04
9	A1RF 1633 00	Cover Handle		D	1	i-V207 0400 03
10	A1RF 1658 00	Regulating Wire		D	1	k-V217 0300 50
11	A1RF 1649 02	Cover Lock /4		D	2	
12	A1RF 1602 02	Cover Door /Right		D	1	
13	A1RF 1655 01	Release Plate		D	1	
14	A1RF 1607 00	Cover Bottom plate		D	1	
15	A1RF R775 00	COVER HINGE/UPPER CALKING		D	1	
16	A1RF 9450 00	Taking out Label /B		D	1	
17	A1RF R776 00	COVER HINGE/UPPER CALKING		D	1	
18	A1RF 1686 00	PROTECTION PAD /INSIDE		D	2	
19	A1RF 1664 01	Support Plate		D	2	
20	A1RF 9430 00	Indicating Label		D	1	
21	A1RF 1601 02	Cover Door /Left		D	1	
22	A1RF 1651 01	Support Plate		D	1	
23	65AA 5040 0	GUIDE SHAFT		D	1	
24	13NG 4520 0	CONVEYANCE DRIVEN ROLLER		C	1	
25	A1RF 9429 00	Indicating Plate		D	1	
26	A03U 1685 00	Indicating Plate		C	1	

EXTERNAL PARTS



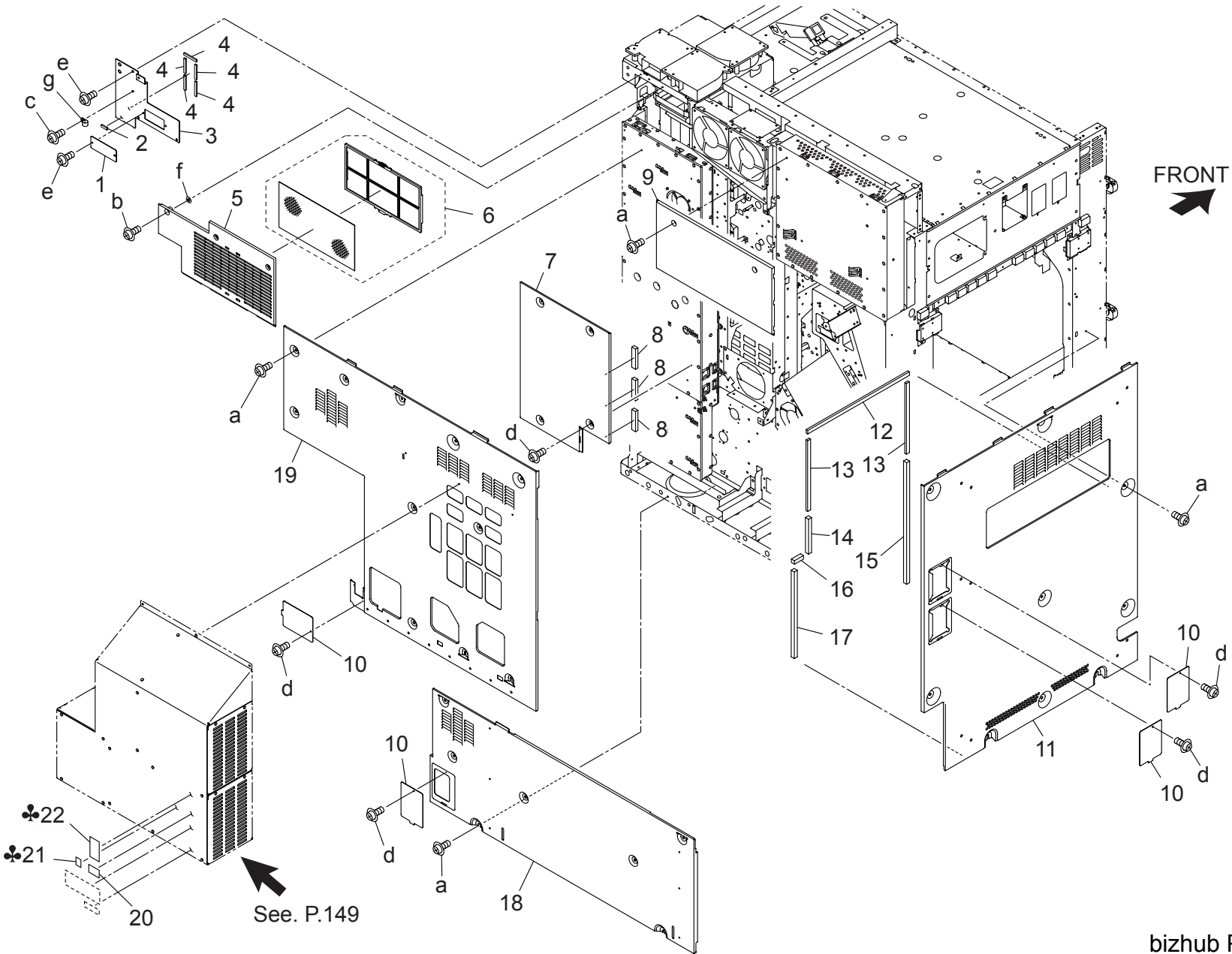
bizhub PRESS C8000



EXTERNAL PARTS

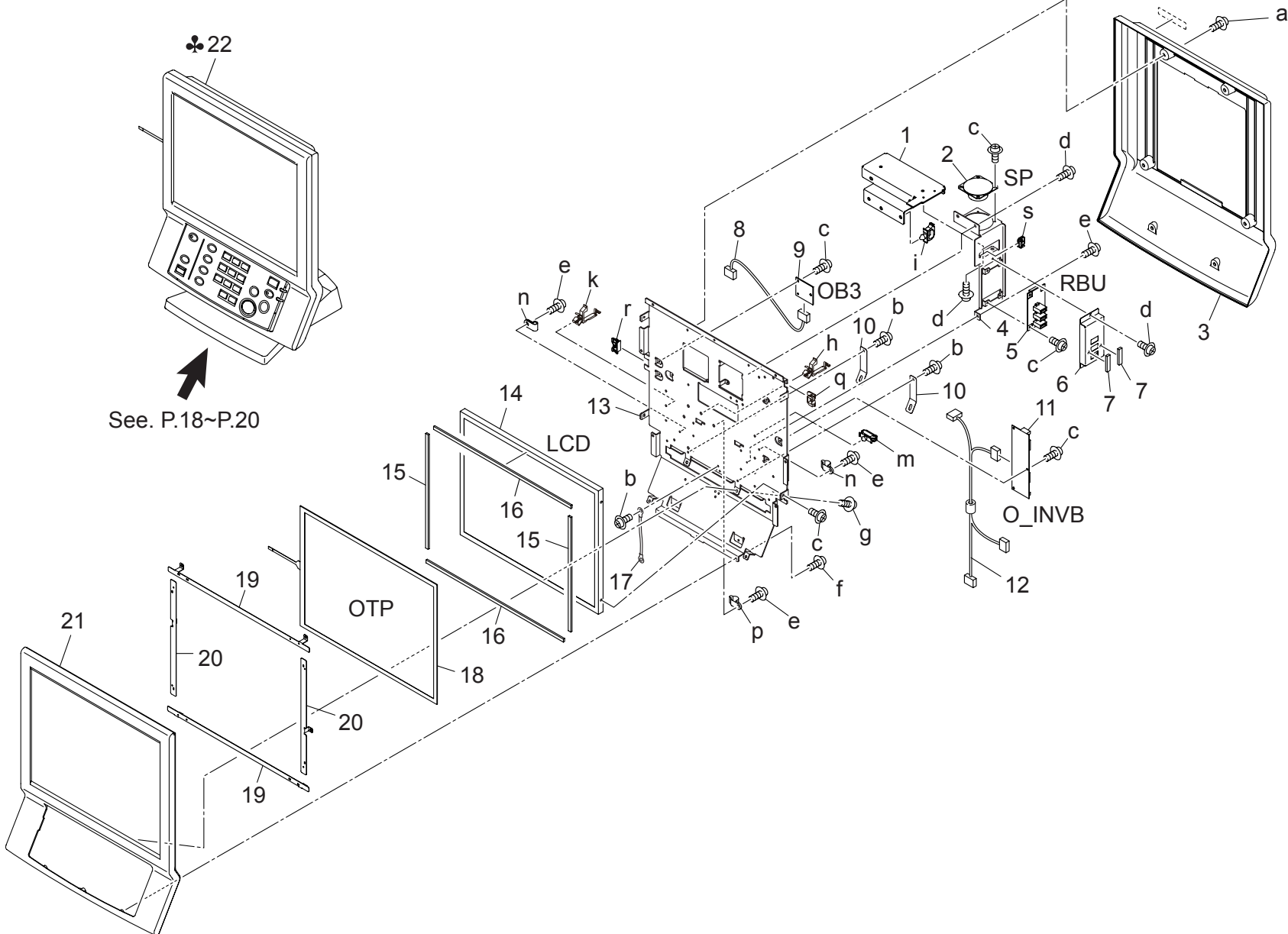
Key	Part No.	Description	Destinations	Class	QTY	Standard parts
1	A1RF R744 00	COVER FILTER/4		A	1	a-V114 0408 04 b-V114 0412 04 c-V118 0306 04 d-V121 0406 03 e-V211 0400 80
2	A1RF 1613 00	Cover Side plate /B		D	1	
3	A1RF 1669 00	Cover Side plate /6		D	1	
4	A1RF 1668 00	Cover Side plate /5		D	1	
5	A1RF 1608 01	Cover Side plate /1		D	1	
6	A1RF 1663 00	Cover Part /H		D	2	
7	A1RF 1609 00	Cover Part /F		D	1	
8	A1RF 1662 00	Cover Part /J		D	2	
9	A1RF 1661 00	Cover Part /G		D	2	
10	A1RF 1624 01	Cover Part /D		D	1	
11	A1RF 1611 00	Cover Side plate /4		D	1	
12	A1RF 1670 00	Cover Side plate /7		D	1	
13	A1RF 1615 00	Cover Side plate /D		D	1	
14	A1RF 1614 00	Cover Side plate /C		D	1	
15	A1RF 1612 00	Cover Side plate /A		D	1	

EXTERNAL PARTS



EXTERNAL PARTS

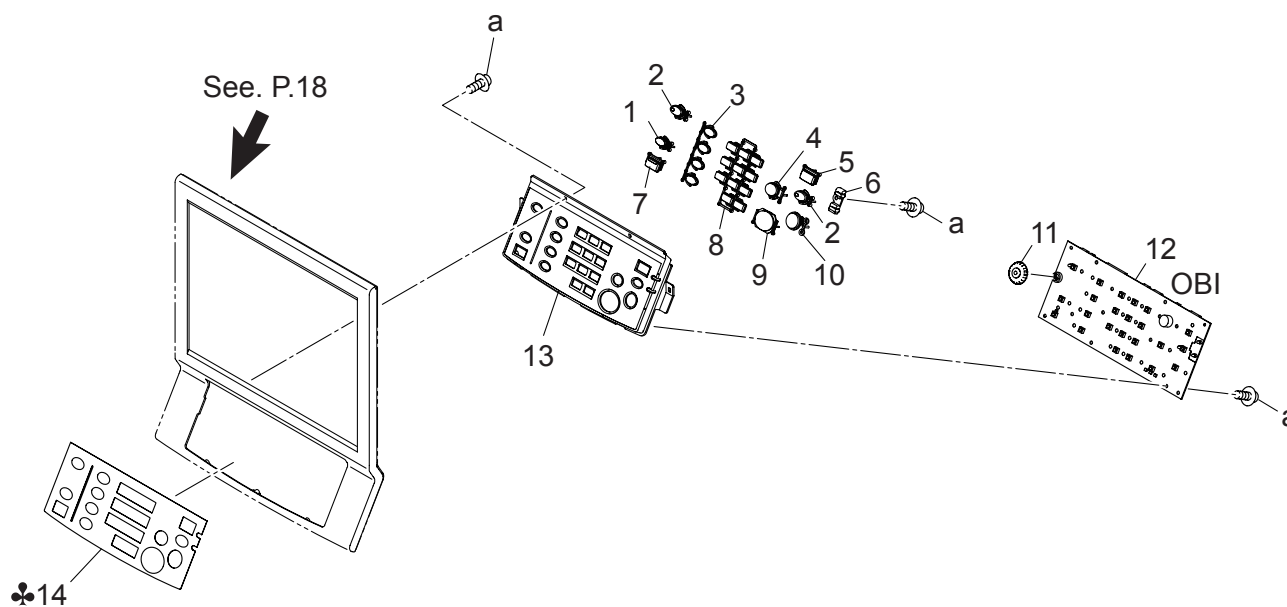
Key	Part No.	Description	Destinations	Class	QTY	Standard parts
1	A1RF 1340 00	Cover		D	1	a-V114 0408 04 b-V114 0412 04 c-V116 0408 03 d-V118 0306 04 e-V121 0306 03 f-V211 0400 80 g-V500 0200 20
2	A1RF M903 00	Gasket /3		D	1	
3	A1RF 1358 01	Connecting Panel		D	1	
4	A1RF M902 00	Gasket /2		D	5	
5	A1RF 1617 00	Cover Side plate /No.1		D	1	
6	A1RF R745 00	COVER FILTER/1		A	1	
7	A1RF 1621 01	Cover Part /B		D	1	
8	A1RF M906 00	Gasket /6		D	3	
9	A1RF 1618 00	Cover Side plate /No.2		D	1	
10	A1RF 1622 00	Cover Part /C		D	4	
11	A1RF 1616 00	Cover Side plate /E		D	1	
12	A1RF 1689 00	Cooling Seal /1		D	1	
13	A1RF 1690 00	Cooling Seal /2		D	2	
14	A1RF 1692 00	Cooling Seal /4		D	1	
15	A1RF 1691 00	Cooling Seal /3		D	1	
16	A1RF 1693 00	Cooling Seal /5		D	1	
17	A1RF 1694 00	Cooling Seal /6		D	1	
18	A1RF 1666 01	Cover Side Plate /No.4		D	1	
19	A1RF 1619 04	Cover Side plate /No.3		D	1	
20	56UA 9731 0	LASER INDICATING LABEL		D	1	
21	56UF 9728 0	SEPARATION PROCESSING LABEL	C	D	1	
22	56UA 9732 0	CAUTION LABEL/A	C	D	1	



See. P.18~P.20

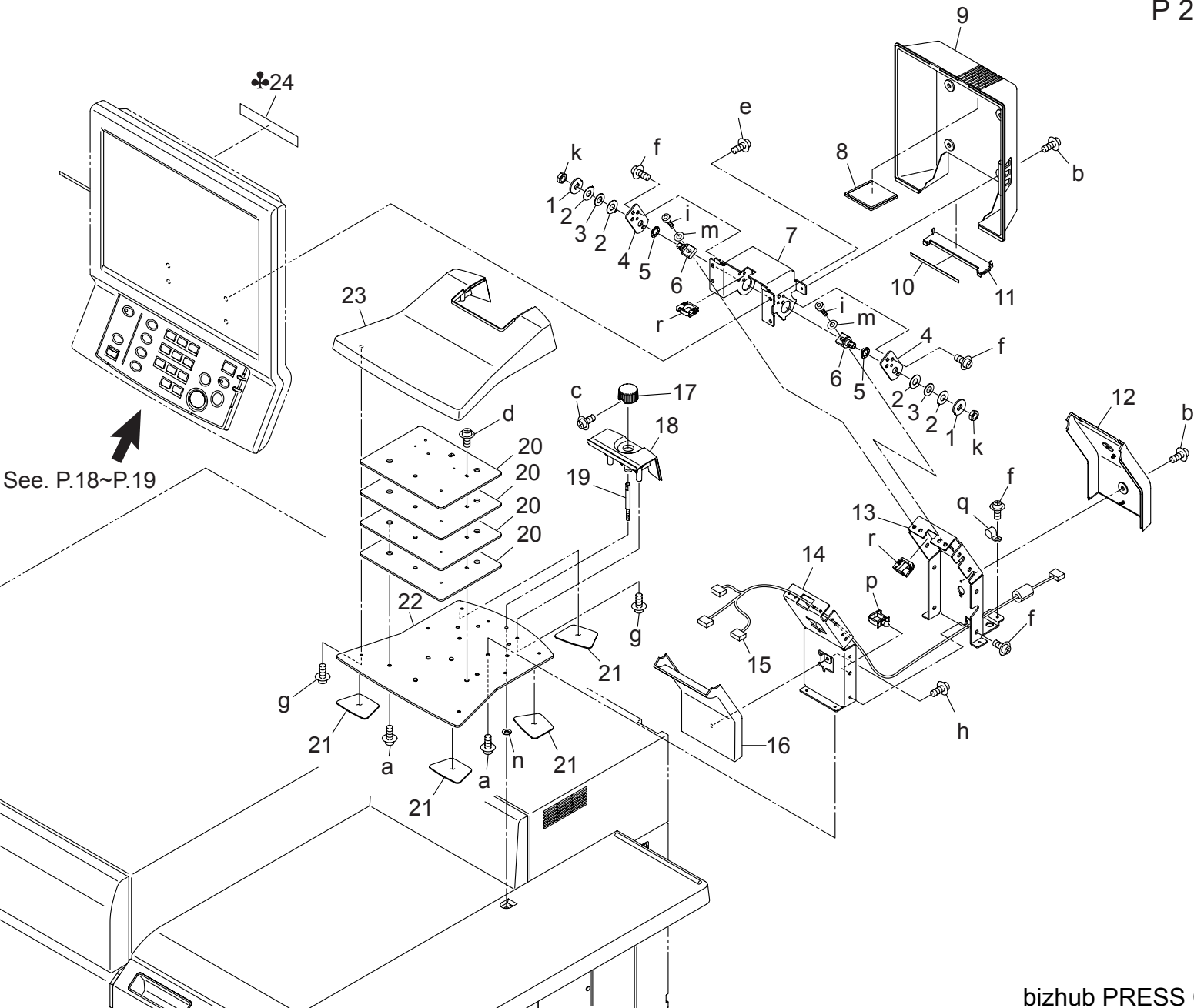
# OPERATION SECTION

Key	Part No.	Description	Destinations	Class	QTY	Standard parts
1	A1RF 1902 01	Mounting Stay /2		D	1	a-V114 0406 04
2	4040 M401 00	LOUDSPEAKER		D	1	b-V116 0406 03
3	A0G6 1902 00	Operation Cover /Rear		C	1	c-V118 0304 03
4	A1RF 1901 00	Mounting Stay /1		D	1	d-V121 0306 03
5	A1RF H110 02	Relay Board /U ASSY		I	1	e-V121 0406 03
6	A1RF 1904 00	Shield Cover		D	1	f-V153 0308 03
7	A1RF M908 00	Gasket /8		D	2	g-V153 0310 03
8	A0G6 N184 00	Ope.Unit Control Harness /3		D	1	h-V500 0100 05
9	A0G6 H060 00	Operation Board /3 Assy		C	1	i-V500 0100 07
10	A1RF 1923 00	Ground Plate		D	2	k-V500 0100 46
11	A0G6 M352 00	Ope.Unit Inverter Unit		C	1	m-V500 0100 61
12	A1RF N285 01	Ope.unit Wiring /3		D	1	n-V500 0200 18
13	A0G6 1904 03	Operation Plate		D	1	p-V500 0200 25
14	A0G6 M754 00	Ope.Unit LCD		C	1	q-V570 0100 21
15	A0G6 1925 00	Holding Cushion /Right		C	2	r-V570 0100 23
16	A0G6 1924 00	Holding Cushion /Upper		C	2	s-V570 0100 56
17	A1RF N283 00	Ope.unit Wiring /1		D	1	
18	A1RF M755 00	Ope.unit Touch panel		D	1	
19	A0G6 1927 00	Ground Plate /1		D	2	
20	A0G6 1929 00	Ground Plate /2		D	2	
21	A0G6 1901 01	Operation Cover /Front		C	1	
22	A1RF R737 00	OPERATION PANEL UNIT	A	I	1	
22	A1RF R738 00	OPERATION PANEL UNIT	B,G1	I	1	
22	A1RF R739 00	OPERATION PANEL UNIT	C	I	1	
22	A1RF R7G8 00	OPERATION PANEL UNIT	D3	I	1	



# OPERATION SECTION

Key	Part No.	Description	Destinations	Class	QTY	Standard parts
1	A0G6 1939 00	Operation Button /8		C	1	a-V153 0306 03
2	A0G6 1938 00	Operation Button /10		C	2	
3	A0G6 1934 00	Operation Button /4		C	1	
4	A0G6 1935 00	Operation Button /5		C	1	
5	A0G6 1937 00	Operation Button /7		C	1	
6	A0G6 1916 00	Indicating Part /1		D	1	
7	A0G6 1940 00	Operation Button /9		C	1	
8	A0G6 1931 00	Operation Button /1		C	1	
9	A0G6 1932 00	Operation Button /2		C	1	
10	56UA 7033 0	OPERATION UNIT BUTTON S		C	1	
11	A0G6 1941 01	Operation Knob /1		C	1	
12	A0G6 H040 00	OPERATION BOARD/1 ASSY		I	1	
13	A0G6 1903 01	Operation Casing /1		C	1	
14	A0G6 1950 00	Operation Sheet	A	C	1	
14	A0G6 2050 00	Operation Sheet	B,D3,G1	C	1	

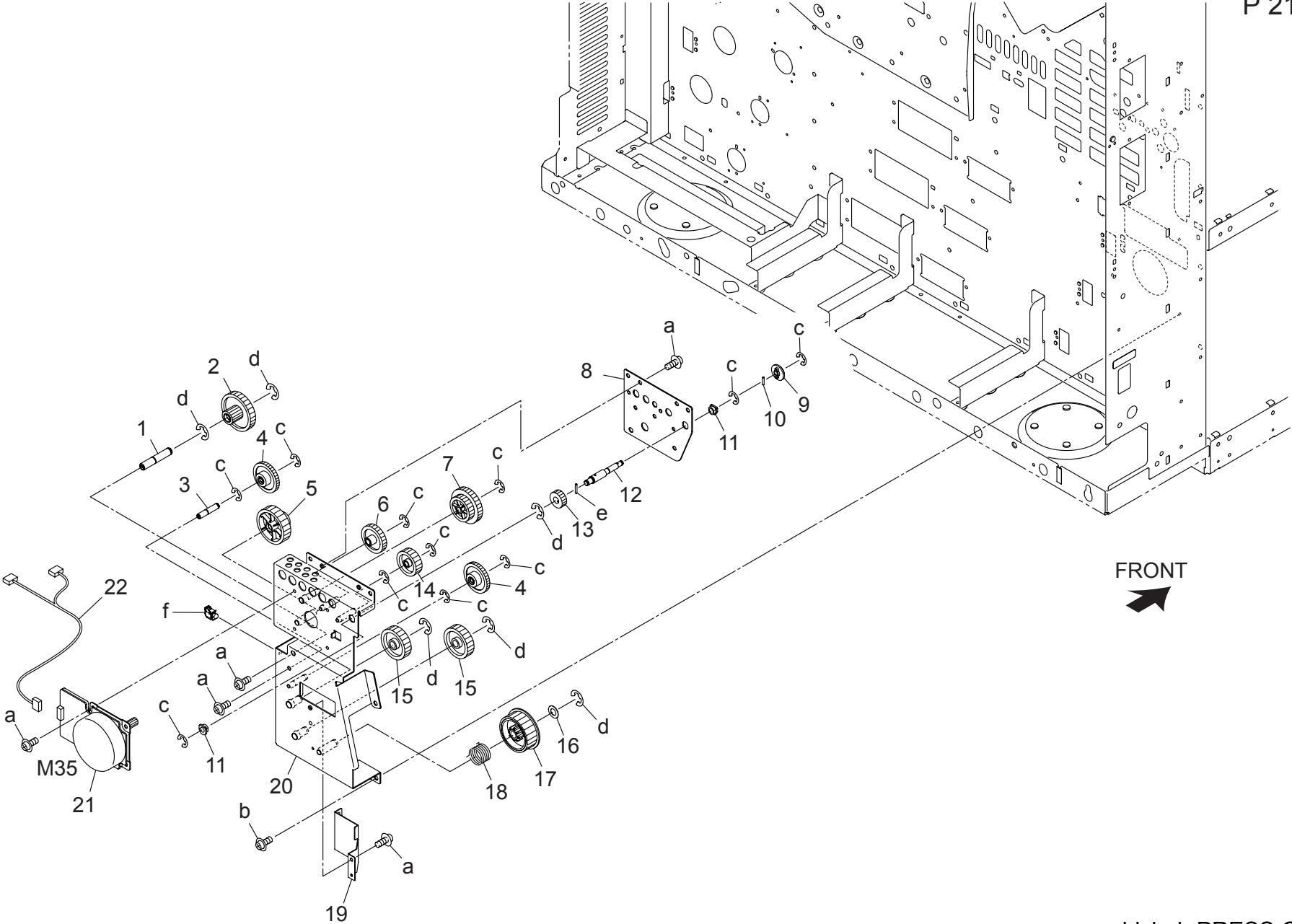


See. P.18~P.19



Key	Part No.	Description	Destinations	Class	QTY	Standard parts
1	A03U 1920 00	Fixing Part /T		D	2	a-V112 0408 03
2	A03U 1918 00	Rotation Spacer /1		D	4	b-V114 0406 04
3	A03U 1917 00	Rotation Spring /T		D	2	c-V118 0306 03
4	A03U 1916 00	Mounting Plate /T		D	2	d-V121 0312 03
5	A03U 1919 00	Rotation Spacer /2		D	2	e-V121 0406 03
6	A03U 1921 00	Fixing Shaft /U		D	2	f-V146 0408 03
7	A1RF 1905 00	Mounting Stay /3		D	1	g-V147 0310 03
8	A1RF 1916 00	Filter		D	1	h-V153 0308 03
9	A1RF 1903 00	Cover /1		D	1	i-V188 0414 09
10	A1RF 1921 00	Pressing Cushion		D	1	k-V196 0800 03
11	A1RF 1906 01	Cover /2		D	1	m-V207 0400 03
12	A1RF 1914 00	Cover /6		D	1	n-V211 0400 80
13	A1RF 1910 00	Support Stay /2		D	1	p-V500 0100 07
14	A1RF 1909 00	Support Stay /1		D	1	q-V500 0200 40
15	A1RF N282 02	Ope.unit Control Harness /2		D	1	r-V570 0100 60
16	A1RF 1913 00	Cover /5		D	1	
17	A1RF 1922 00	Rotation Knob		D	1	
18	A1RF 1918 00	Cover /7		D	1	
19	A1RF 1920 00	Fixing Screw		D	1	
20	A1RF 1915 00	Weight		D	4	
21	A1RF 1917 00	Pad		D	4	
22	A1RF 1911 00	Bottom plate		D	1	
23	A1RF 1912 00	Cover /4		D	1	
24	A03U 9465 00	Regulating Label	B,G1	D	1	

DRIVE SECTION:TONER COLLECTION

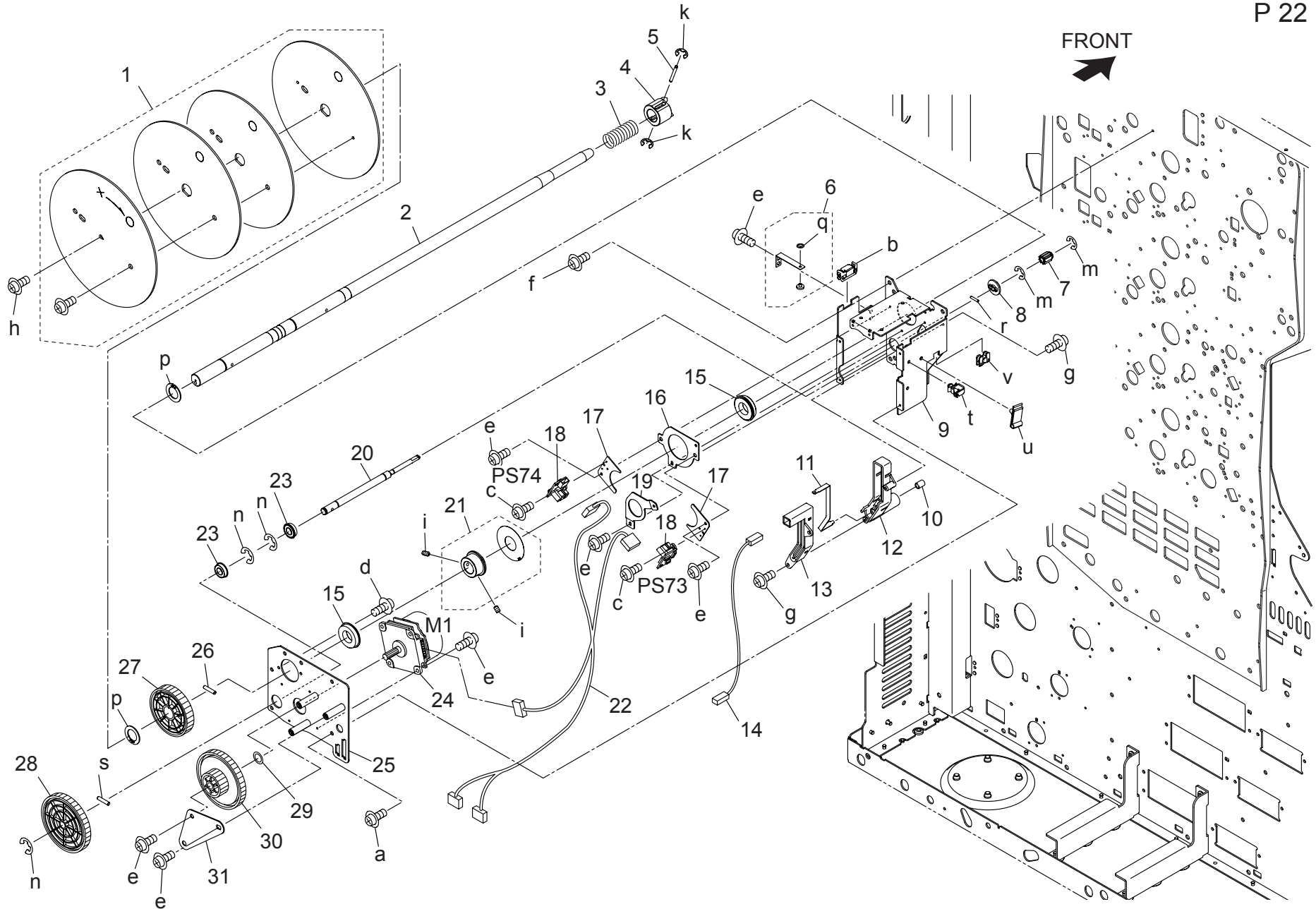


DRIVE SECTION:TONER COLLECTION

Key	Part No.	Description	Destinations	Class	QTY	Standard parts
1	A1RF 3696 00	Collection Shaft /W		D	1	a-V116 0306 03 b-V146 0408 03 c-V217 0400 50 d-V217 0600 50 e-V237 2012 50 f-V500 0100 20
2	A1RF 3685 00	Collection Gear 14/43T		C	1	
3	A1RF 3697 00	Collection Shaft /X		D	1	
4	35EA 7715 1	BY-PASS IDLING GEAR 14/34T		C	2	
5	56UA 7771 0	TONER SUPPLY DRIVE GEAR /B 16/40T		C	1	
6	65AA 7741 0	TONER SUPPLY GEAR D 31T		C	1	
7	25SA 7747 0	Idler Gear /A 76T 28T		C	1	
8	A1RF R790 00	TONER COLLECTION DRIVE UNIT/2 CALKING		D	1	
9	A1RF 3624 00	Collection Gear /2 14T		C	1	
10	56AA 1753 1	PIN A D2X10		C	1	
11	3220 7601 0	PAPER LIFT UP LEVER SHAFT HOLDER		B	2	
12	A1RF 3691 00	Collection Shaft /R		D	1	
13	56UA 7728 0	ADU CONVEYANCE GEAR 17T		C	1	
14	35EA 7723 0	GEAR U 28T		C	1	
15	55GA 7705 0	Conveyance Drive Gear /2 35T		B	2	
16	65AA 4950 0	PAPER EXIT SPACER 1		C	1	
17	A1RF 3686 00	Collection Coupling		D	1	
18	A1RF 3683 00	Collection Spring		D	1	
19	A1RF 3642 00	Reinforce Plate /1		D	1	
20	A1RF R789 00	TONER COLLECTION DRIVE UNIT/1 CALKING		D	1	
21	A0PN M102 00	DC Brushless motor /20		B	1	
22	A1RF N132 00	Drive Relay harness /1		D	1	

# DRIVE SECTION:DRUM DRIVE UNIT Y

P 22



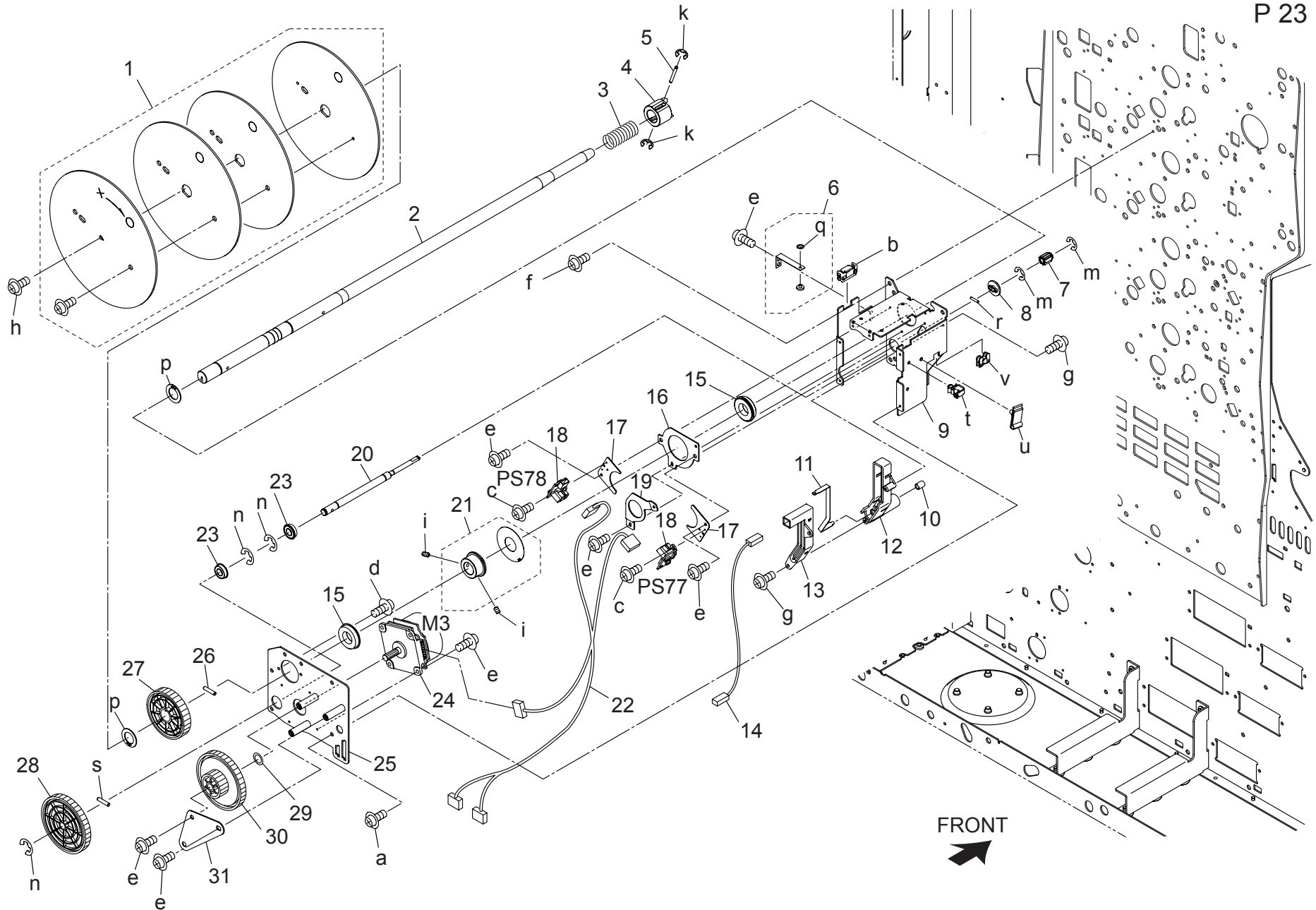
bizhub PRESS C8000

DRIVE SECTION:DRUM DRIVE UNIT Y

Key	Part No.	Description	Destinations	Class	QTY	Standard parts
1	A1RF R7F0 00	Flywheel(YMC)		D	1	a-V116 0306 03
2	A1RF 2103 01	Drive Shaft /1		D	1	b-V570 0100 57
3	65AA 1520 0	PRESSING SPRING		C	1	c-V118 0204 03
4	A1RF 2116 00	Coupling		D	1	d-V118 0406 03
5	65AA 1521 0	COUPLING PIN		D	1	e-V121 0304 03
6	A1RF R746 00	GROUND SPRING ASSY		D	1	f-V146 0306 03
7	26NA 1758 0	AGITATING COUPLING B		C	1	g-V153 0308 03
8	A1RF 3624 00	Collection Gear /2 14T		C	1	h-V185 0410 03
9	A1RF 2101 00	Drive Panel /1		D	1	i-V193 0406 09
10	65AA 1074 0D	High voltage Powering Spring		D	1	k-V217 0200 50
11	A1RF 2109 00	Power supply Plate /4		D	1	m-V217 0300 50
12	A1RF 2107 00	High voltage Powering Cover /2		D	1	n-V217 0600 50
13	A1RF 2108 00	High voltage Powering Block /2		D	1	p-V223 1500 50
14	A1RF N179 00	HV Wiring /13		D	1	q-V226 0240 50
15	65AA 7505 1	BEARING		C	2	r-V237 2010 50
16	65AA 1525 0D	Mounting Plate /2		D	1	s-V237 3014 50
17	65AA 1510 0D	Mounting Plate		D	2	t-V500 0100 20
18	65AA -909 1E	Sensor Board Assy		B	2	u-V500 0200 33
19	65AA 1519 0D	Shaft holder Holding Plate		C	1	v-V570 0100 21
20	A1RF 2105 00	Drive Shaft /3		D	1	
21	65AA R723 00	ENCORDER ASSY		D	1	
22	A1RF N159 00	Drive Relay harness /2		D	1	
23	A00V 2406 00	BALL BEARING		C	2	
24	A1RF M101 00	DC Brushless motor /D		C	1	
25	A1RF R777 00	DRUM DRIVE UNIT PANEL(YMC) CALKING		D	1	
26	56AA 1749 0	PIN		C	1	
27	A03U 2599 00	DRIVE GEAR 92T		C	1	
28	A1RF 2199 00	Drive Gear /A 132T		C	1	
29	13QA 4061 0	GEAR SPACER		C	1	
30	A03U 2596 00	Idling Gear 46/132T		C	1	
31	A1RF 2106 00	Idling Panel		D	1	

# DRIVE SECTION:DRUM DRIVE UNIT M

P 23



FRONT

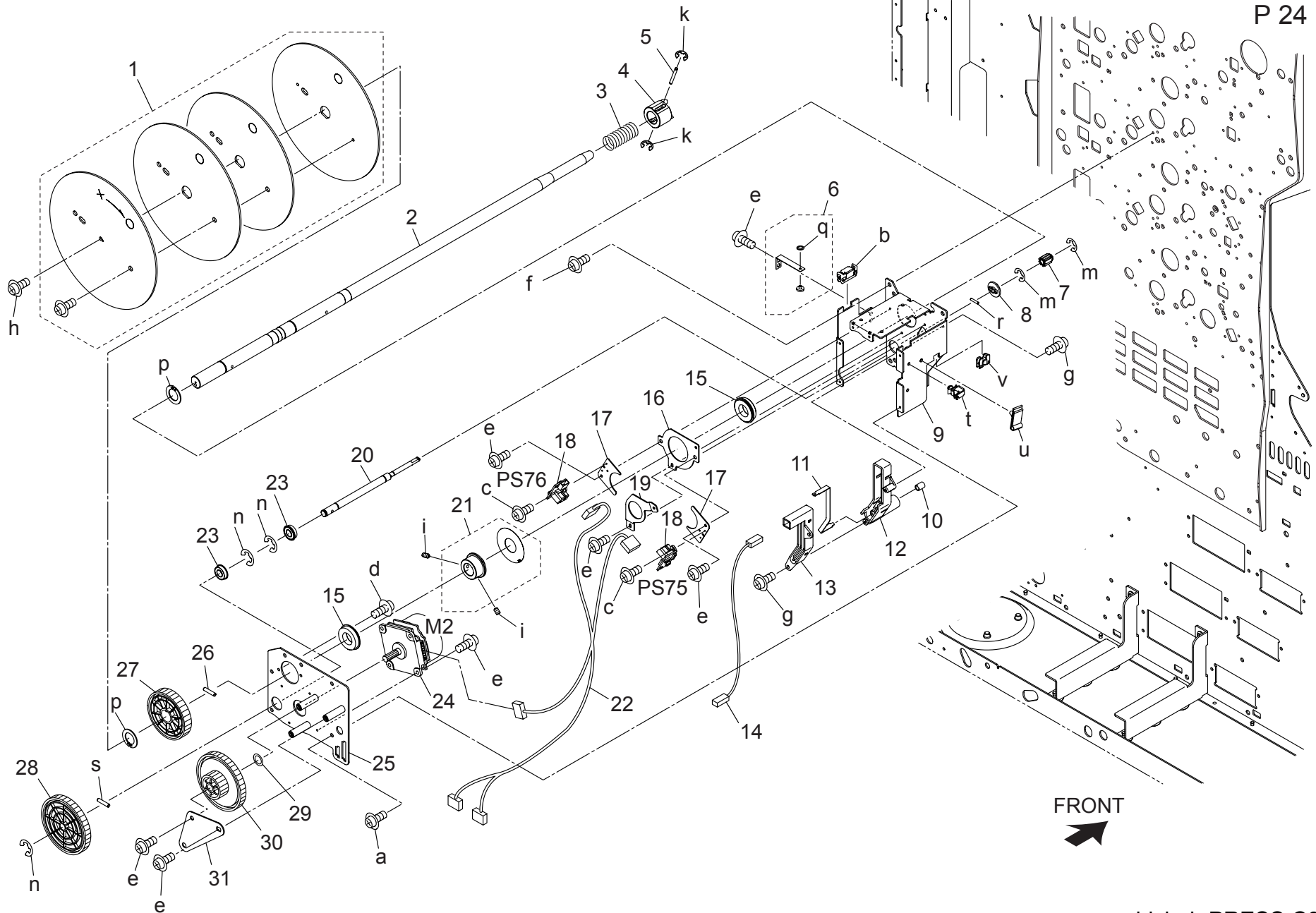
bizhub PRESS C8000

DRIVE SECTION:DRUM DRIVE UNIT M

Key	Part No.	Description	Destinations	Class	QTY	Standard parts
1	A1RF R7F0 00	Flywheel(YMC)		D	1	a-V116 0306 03
2	A1RF 2104 01	Drive Shaft /2		D	1	b-V570 0100 57
3	65AA 1520 0	PRESSING SPRING		C	1	c-V118 0204 03
4	A1RF 2116 00	Coupling		D	1	d-V118 0406 03
5	65AA 1521 0	COUPLING PIN		D	1	e-V121 0304 03
6	A1RF R746 00	GROUND SPRING ASSY		D	1	f-V146 0306 03
7	26NA 1758 0	AGITATING COUPLING B		C	1	g-V153 0308 03
8	A1RF 3624 00	Collection Gear /2 14T		C	1	h-V185 0410 03
9	A1RF 2101 00	Drive Panel /1		D	1	i-V193 0406 09
10	65AA 1074 0D	High voltage Powering Spring		D	1	k-V217 0200 50
11	A1RF 2109 00	Power supply Plate /4		D	1	m-V217 0300 50
12	A1RF 2107 00	High voltage Powering Cover /2		D	1	n-V217 0600 50
13	A1RF 2108 00	High voltage Powering Block /2		D	1	p-V223 1500 50
14	A1RF N180 00	HV Wiring /14		D	1	q-V226 0240 50
15	65AA 7505 1	BEARING		C	2	r-V237 2010 50
16	65AA 1525 0D	Mounting Plate /2		D	1	s-V237 3014 50
17	65AA 1510 0D	Mounting Plate		D	2	t-V500 0100 20
18	65AA -909 1E	Sensor Board Assy		B	2	u-V500 0200 33
19	65AA 1519 0D	Shaft holder Holding Plate		C	1	v-V570 0100 21
20	A1RF 2105 00	Drive Shaft /3		D	1	
21	65AA R723 00	ENCORDER ASSY		D	1	
22	A1RF N159 00	Drive Relay harness /2		D	1	
23	A00V 2406 00	BALL BEARING		C	2	
24	A1RF M101 00	DC Brushless motor /D		C	1	
25	A1RF R777 00	DRUM DRIVE UNIT PANEL(YMC) CALKING		D	1	
26	56AA 1749 0	PIN		C	1	
27	A03U 2599 00	DRIVE GEAR 92T		C	1	
28	A1RF 2199 00	Drive Gear /A 132T		C	1	
29	13QA 4061 0	GEAR SPACER		C	1	
30	A03U 2596 00	Idling Gear 46/132T		C	1	
31	A1RF 2106 00	Idling Panel		D	1	

# DRIVE SECTION:DRUM DRIVE UNIT C

P 24



FRONT

bizhub PRESS C8000

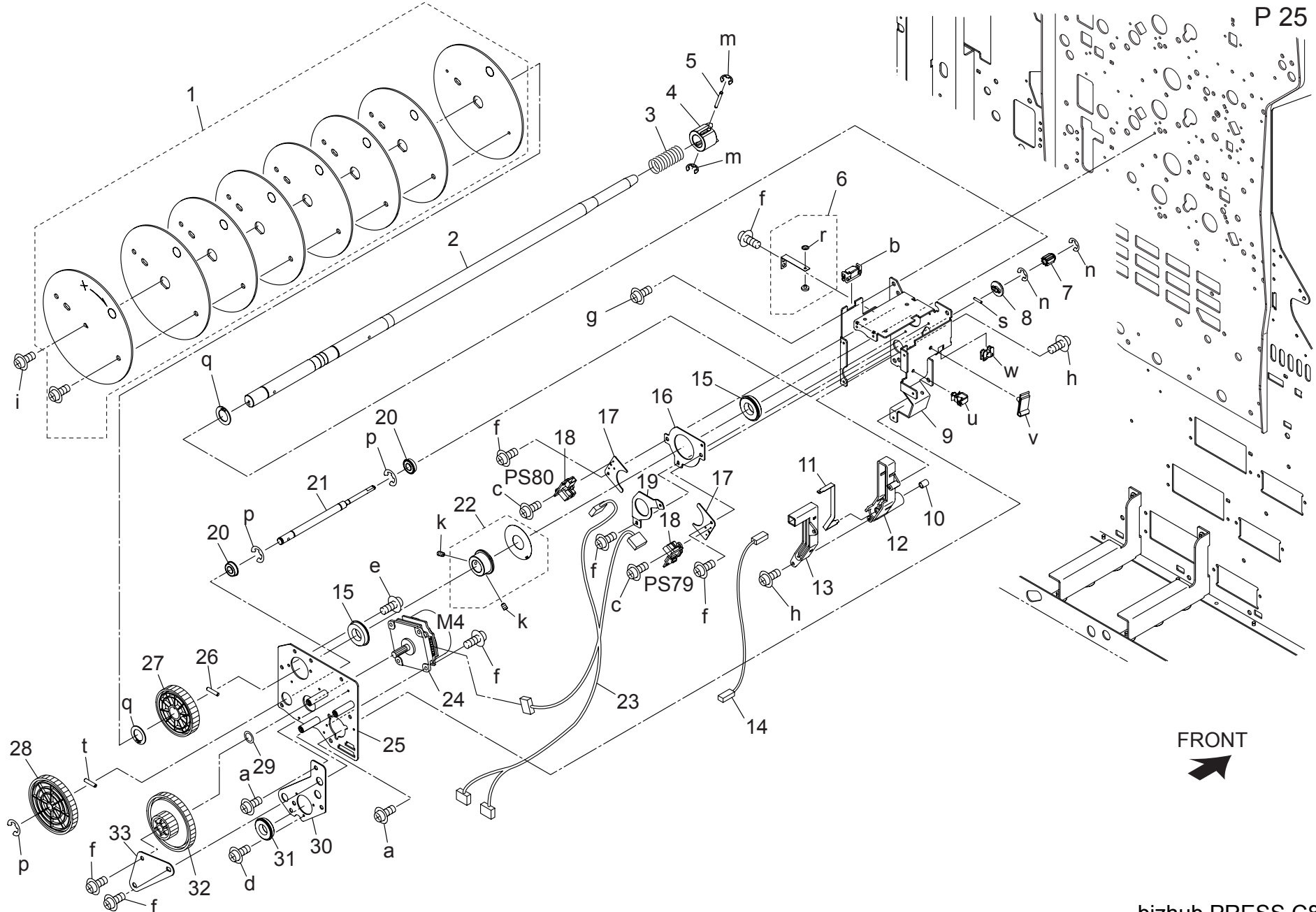


DRIVE SECTION:DRUM DRIVE UNIT C

Key	Part No.	Description	Destinations	Class	QTY	Standard parts
1	A1RF R7F0 00	Flywheel(YMC)		D	1	a-V116 0306 03
2	A1RF 2103 01	Drive Shaft /1		D	1	b-V570 0100 57
3	65AA 1520 0	PRESSING SPRING		C	1	c-V118 0204 03
4	A1RF 2116 00	Coupling		D	1	d-V118 0406 03
5	65AA 1521 0	COUPLING PIN		D	1	e-V121 0304 03
6	A1RF R746 00	GROUND SPRING ASSY		D	1	f-V146 0306 03
7	26NA 1758 0	AGITATING COUPLING B		C	1	g-V153 0308 03
8	A1RF 3624 00	Collection Gear /2 14T		C	1	h-V185 0410 03
9	A1RF 2101 00	Drive Panel /1		D	1	i-V193 0406 09
10	65AA 1074 0D	High voltage Powering Spring		D	1	k-V217 0200 50
11	A1RF 2109 00	Power supply Plate /4		D	1	m-V217 0300 50
12	A1RF 2107 00	High voltage Powering Cover /2		D	1	n-V217 0600 50
13	A1RF 2108 00	High voltage Powering Block /2		D	1	p-V223 1500 50
14	A1RF N181 00	HV Wiring /15		D	1	q-V226 0240 50
15	65AA 7505 1	BEARING		C	2	r-V237 2010 50
16	65AA 1525 0D	Mounting Plate /2		D	1	s-V237 3014 50
17	65AA 1510 0D	Mounting Plate		D	2	t-V500 0100 20
18	65AA -909 1E	Sensor Board Assy		B	2	u-V500 0200 33
19	65AA 1519 0D	Shaft holder Holding Plate		C	1	v-V570 0100 21
20	A1RF 2105 00	Drive Shaft /3		D	1	
21	65AA R723 00	ENCORDER ASSY		D	1	
22	A1RF N159 00	Drive Relay harness /2		D	1	
23	A00V 2406 00	BALL BEARING		C	2	
24	A1RF M101 00	DC Brushless motor /D		C	1	
25	A1RF R777 00	DRUM DRIVE UNIT PANEL(YMC) CALKING		D	1	
26	56AA 1749 0	PIN		C	1	
27	A03U 2599 00	DRIVE GEAR 92T		C	1	
28	A1RF 2199 00	Drive Gear /A 132T		C	1	
29	13QA 4061 0	GEAR SPACER		C	1	
30	A03U 2596 00	Idling Gear 46/132T		C	1	
31	A1RF 2106 00	Idling Panel		D	1	

# DRIVE SECTION:DRUM DRIVE UNIT K

P 25



FRONT

Order here  
 8 (495) 646-0426  
 ПЯТЫЙ ПАРТНЕР www.km-shop.ru

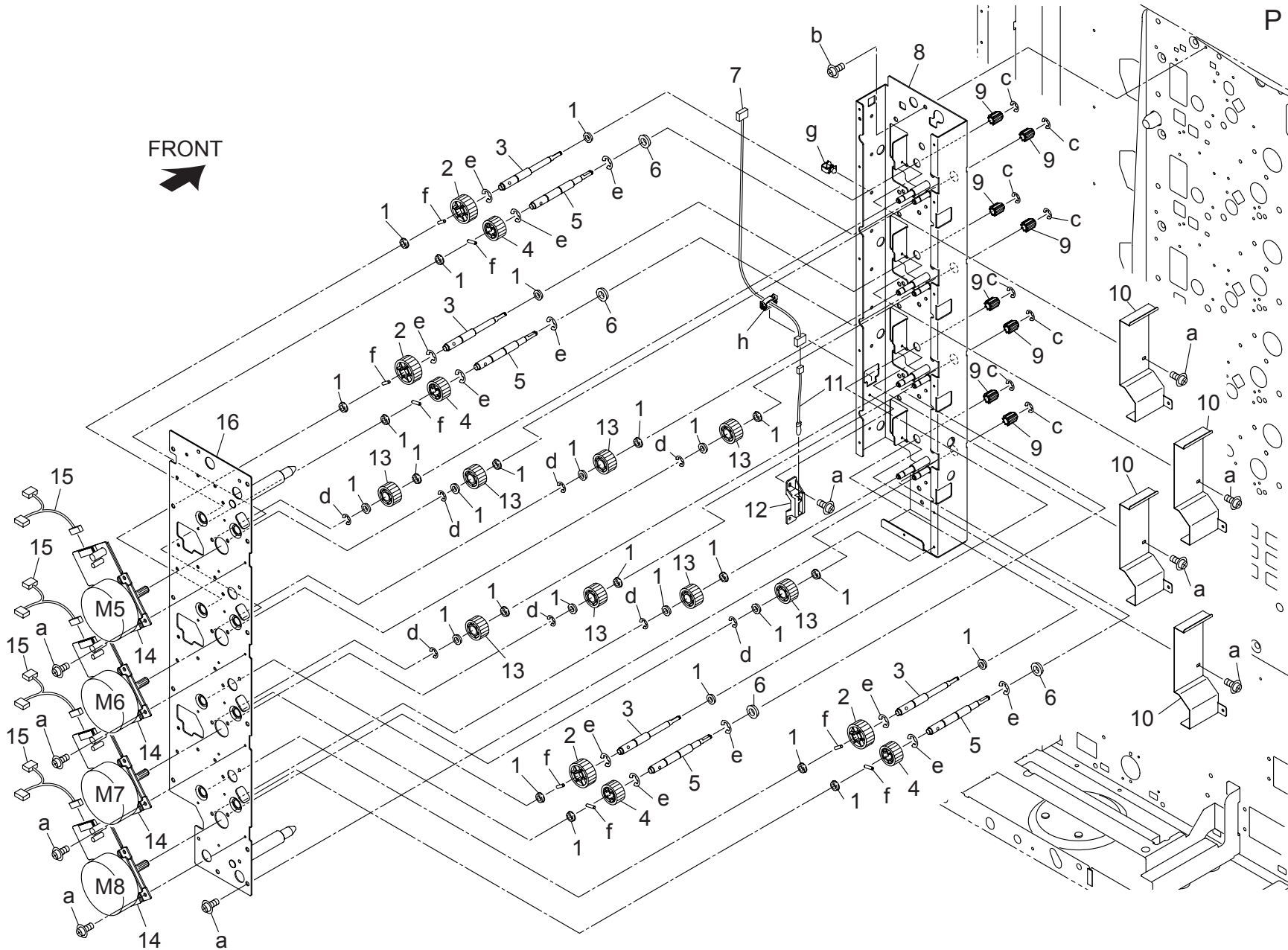
bizhub PRESS C8000

DRIVE SECTION:DRUM DRIVE UNIT K

Key	Part No.	Description	Destinations	Class	QTY	Standard parts
1	A1RF R7G5 00	FLYWHEEL(K)		D	1	a-V116 0306 03
2	A1RF 2104 01	Drive Shaft /2		D	1	b-V570 0100 57
3	65AA 1520 0	PRESSING SPRING		C	1	c-V118 0204 03
4	A1RF 2116 00	Coupling		D	1	d-V118 0304 03
5	65AA 1521 0	COUPLING PIN		D	1	e-V118 0406 03
6	A1RF R746 00	GROUND SPRING ASSY		D	1	f-V121 0304 03
7	26NA 1758 0	AGITATING COUPLING B		C	1	g-V146 0306 03
8	A1RF 3624 00	Collection Gear /2 14T		C	1	h-V153 0308 03
9	A1RF 2134 00	Drive Panel /A		D	1	i-V185 0410 03
10	65AA 1074 0D	High voltage Powering Spring		D	1	k-V193 0406 09
11	A1RF 2109 00	Power supply Plate /4		D	1	m-V217 0200 50
12	A1RF 2107 00	High voltage Powering Cover /2		D	1	n-V217 0300 50
13	A1RF 2108 00	High voltage Powering Block /2		D	1	p-V217 0600 50
14	A1RF N182 00	HV Wiring /16		D	1	q-V223 1500 50
15	65AA 7505 1	BEARING		C	2	r-V226 0240 50
16	65AA 1525 0D	Mounting Plate /2		D	1	s-V237 2010 50
17	65AA 1510 0D	Mounting Plate		D	2	t-V237 3014 50
18	65AA -909 1E	Sensor Board Assy		B	2	u-V500 0100 20
19	65AA 1519 0D	Shaft holder Holding Plate		C	1	v-V500 0200 33
20	A00V 2406 00	BALL BEARING		C	2	w-V570 0100 21
21	A1RF 2105 00	Drive Shaft /3		D	1	
22	65AA R723 00	ENCORDER ASSY		D	1	
23	A1RF N159 00	Drive Relay harness /2		D	1	
24	A1RF M101 00	DC Brushless motor /D		C	1	
25	A1RF R769 00	DRUM DRIVING UNIT PANEL CALKING		D	1	
26	56AA 1749 0	PIN		C	1	
27	A03U 2599 00	DRIVE GEAR 92T		C	1	
28	A1RF 2199 00	Drive Gear /A 132T		C	1	
29	13QA 4061 0	GEAR SPACER		C	1	
30	A1RF 2137 00	Support Plate		D	1	
31	65AA 7508 1	DRUM SUPPORT BEARING /2		C	1	
32	A03U 2596 00	Idling Gear 46/132T		C	1	
33	A1RF 2106 00	Idling Panel		D	1	

# DRIVE SECTION:DEVELOPING UNIT DRIVE

P 26

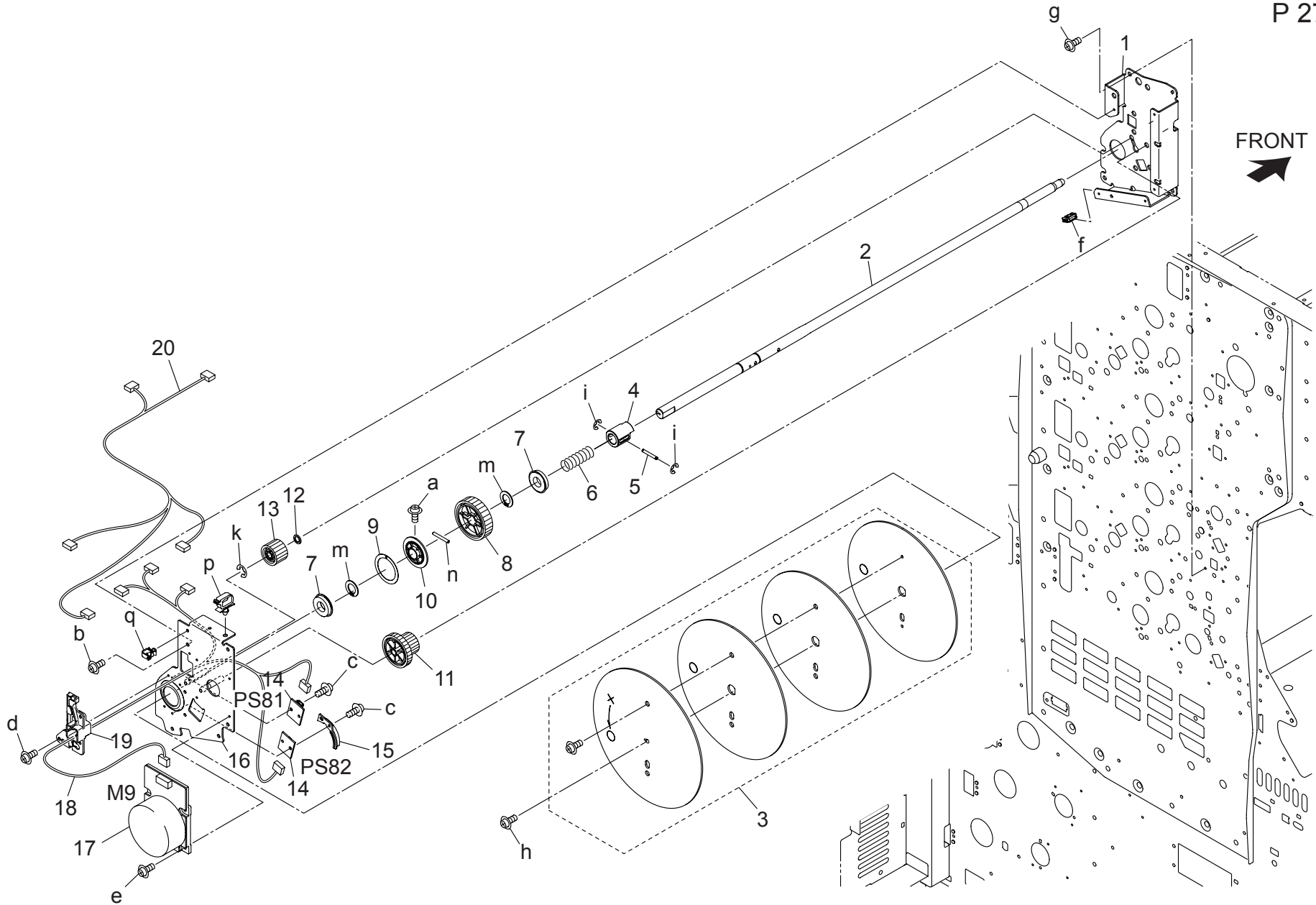


DRIVE SECTION:DEVELOPING UNIT DRIVE

Key	Part No.	Description	Destinations	Class	QTY	Standard parts
1	A00J 6178 00	BALL BEARING		C	28	a-V121 0306 03 b-V146 0306 03 c-V217 0300 50 d-V217 0400 50 e-V217 0600 50 f-V237 3012 50 g-V500 0100 20 h-V570 0100 57
2	A1RF 2298 00	Agitating Gear /2 52T		C	4	
3	A1RF 2204 00	Drive Shaft /2		D	4	
4	A1RF 2297 00	Developing Gear /2 42T		C	4	
5	A1RF 2203 00	Drive Shaft /1		D	4	
6	A00V 2406 00	BALL BEARING		C	4	
7	A1RF N252 00	Developing Detection harness		D	1	
8	A1RF F220 00	DRIVE PANEL/REAR CALKING		D	1	
9	26NA 1758 0	AGITATING COUPLING B		C	8	
10	A1RF 2209 00	Auxiliary Partition		D	4	
11	A03U M505 00	Temperature Sensor /5		C	1	
12	A1RG 1101 00	Support Part		D	1	
13	A1RF 2296 00	Idling Gear /2 42T		C	8	
14	A0R5 M103 00	DC Brushless motor /30		B	4	
15	A1RF N132 00	Drive Relay harness /1		D	4	
16	A1RF R778 00	DRIVING UNIT PANEL/FRONT CALKING		D	1	

# DRIVE SECTION:BELT DRIVE

P 27

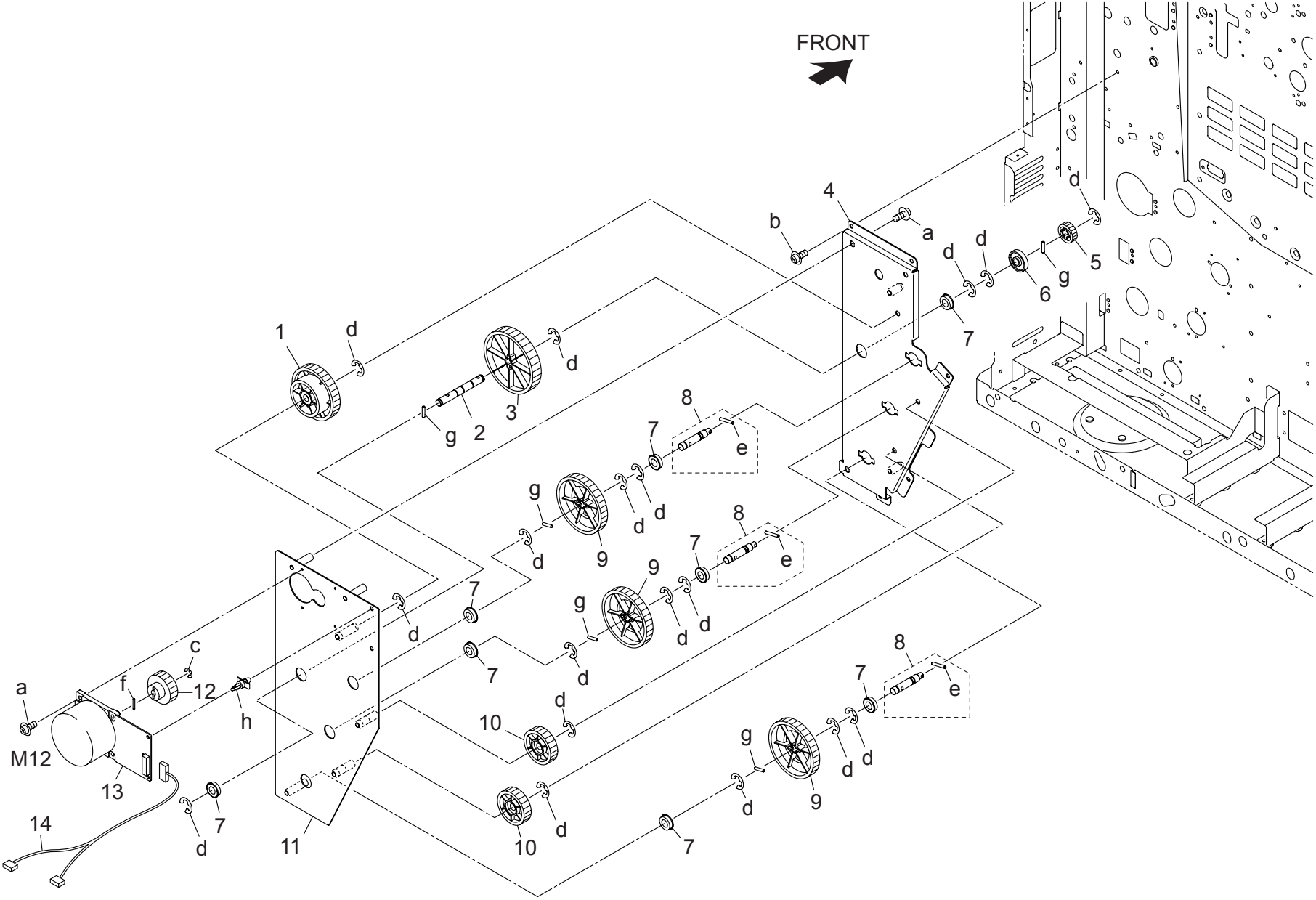


bizhub PRESS C8000

DRIVE SECTION:BELT DRIVE

Key	Part No.	Description	Destinations	Class	QTY	Standard parts
1	A1RF 2303 00	Drive Panel /Front		D	1	a-V111 0306 03
2	A1RF 2318 02	Drive Shaft		D	1	b-V116 0306 03
3	A1RF R7G6 00	FLYWHEEL(BELT)		D	1	c-V118 0306 03
4	A1RF 2319 00	Drive Coupling		D	1	d-V121 0304 03
5	A1RF 2320 00	Coupling Pin		D	1	e-V121 0306 03
6	A1RF 2321 00	Pressing Spring		D	1	f-V570 0100 56
7	65AA 7508 1	DRUM SUPPORT BEARING /2		C	2	g-V146 0306 03
8	A1RF 2399 00	Drive Gear /1 88T		C	1	h-V185 0410 03
9	A1RF 2301 00	Reflecting Plate		D	1	i-V217 0200 50
10	A1RF 2302 00	Mounting Part		D	1	k-V217 0400 50
11	A1RF 2397 00	Idling Gear /1 44/72T		C	1	m-V223 1200 50
12	A1RF 2324 00	Protection Washer		D	1	n-V237 3025 50
13	A1RF 2398 00	Idling Gear /2 44T		C	1	p-V500 0100 05
14	A1RF M509 00	Sensor PWB assembly		C	2	q-V500 0100 20
15	A1RF 2323 00	Scatteringprevention Partition		D	1	
16	A1RF R779 00	DRIVE PANEL/REAR CALKING		D	1	
17	A1RF M102 00	DC Brushless motor /B		C	1	
18	A1RF N161 00	Detection harness /B		D	1	
19	A1RF 2312 00	Guide Part		D	1	
20	A1RF N128 01	Main Body Wiring /8		D	1	

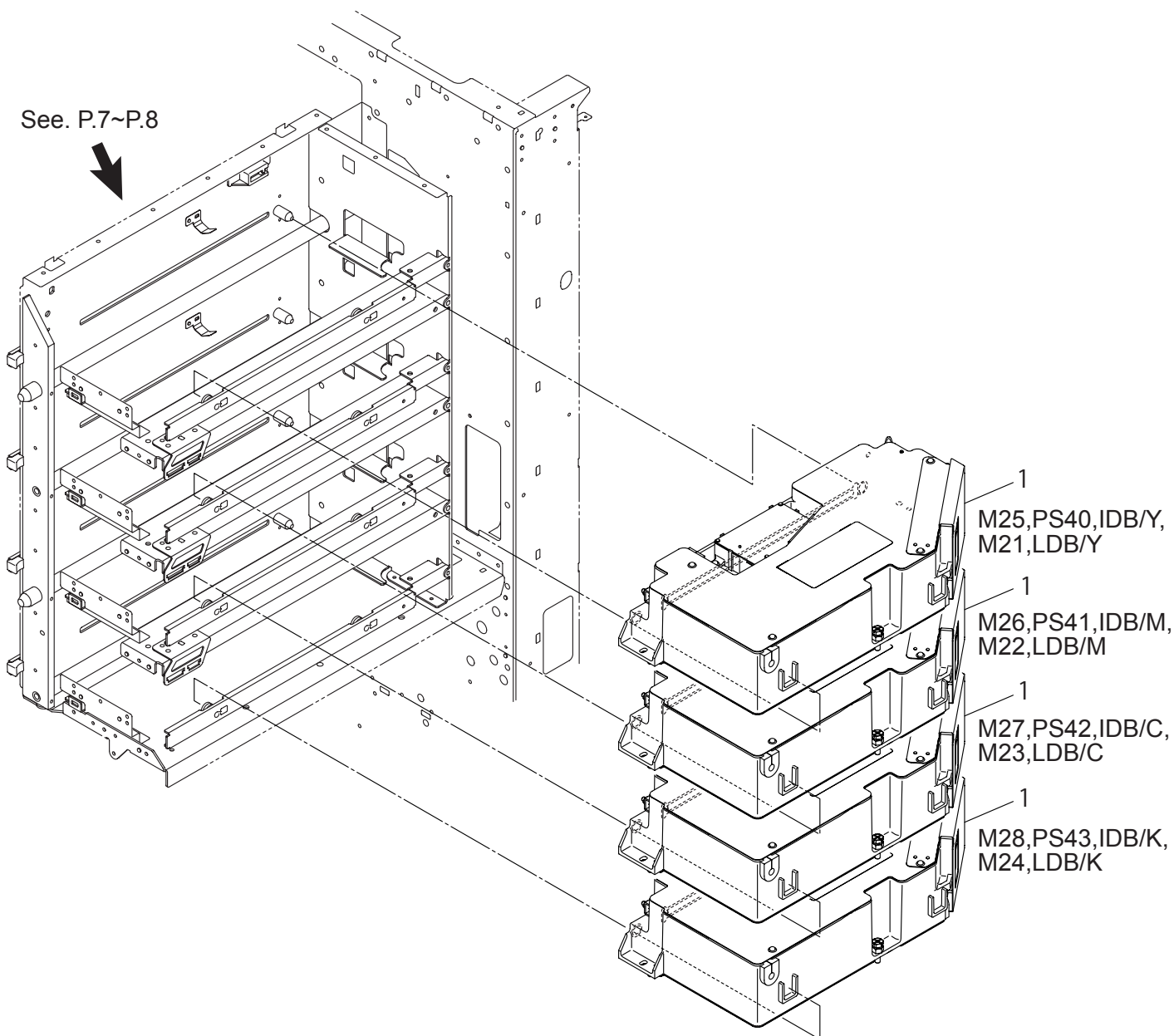
DRIVE SECTION:PAPER FEED





DRIVE SECTION:PAPER FEED

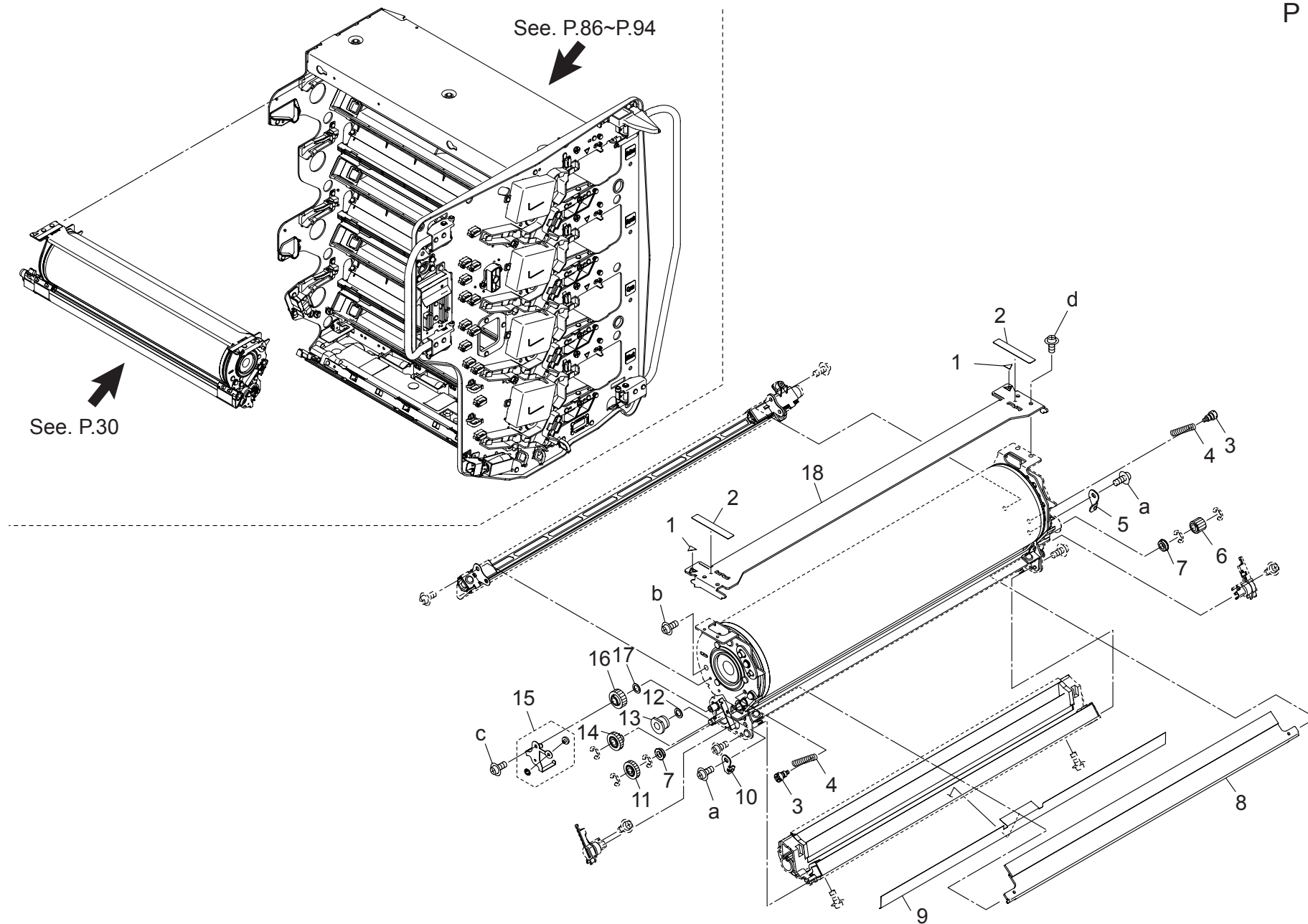
Key	Part No.	Description	Destinations	Class	QTY	Standard parts
1	65AA 7799 0	PAPER FEED GEAR 5 58T/40T		C	1	a-V121 0306 03 b-V146 0408 03 c-V217 0400 50 d-V217 0600 50 e-V233 3020 50 f-V237 2014 50 g-V237 3014 50 h-V502 0100 14
2	A1RF 2504 00	Drive Shaft /2		D	1	
3	65AA 7753 0	PAPER FEED GEAR 1 69T		C	1	
4	A1RF R782 00	DRIVING UNIT PANEL/2 CALKING		D	1	
5	A1RF 2598 00	Conveyance Gear /2 24T		C	1	
6	A1RF 2505 00	Stopper Roll		D	1	
7	A00V 2406 00	BALL BEARING		C	8	
8	A1RF R751 00	DRIVE SHAFT/1 ASSY		C	3	
9	55VA 7713 0	PAPER FEED DRIVE GEAR /C 36/63T		B	3	
10	65AA 7798 0	PAPER FEED GEAR 4 37T		C	2	
11	A1RF R781 00	DRIVING UNIT PANEL/1 CALKING		D	1	
12	A1RF 2599 00	Conveyance Gear /1 31T		C	1	
13	15AA 8005 0	DC BRUSHRESS MOTOR 40		B	1	
14	A1RF N132 00	Drive Relay harness /1		D	1	



**WRITE SECTION**

Key	Part No.	Description	Destinations	Class	QTY	Standard parts
1	A1RF R728 00	PH Unit		I	4	

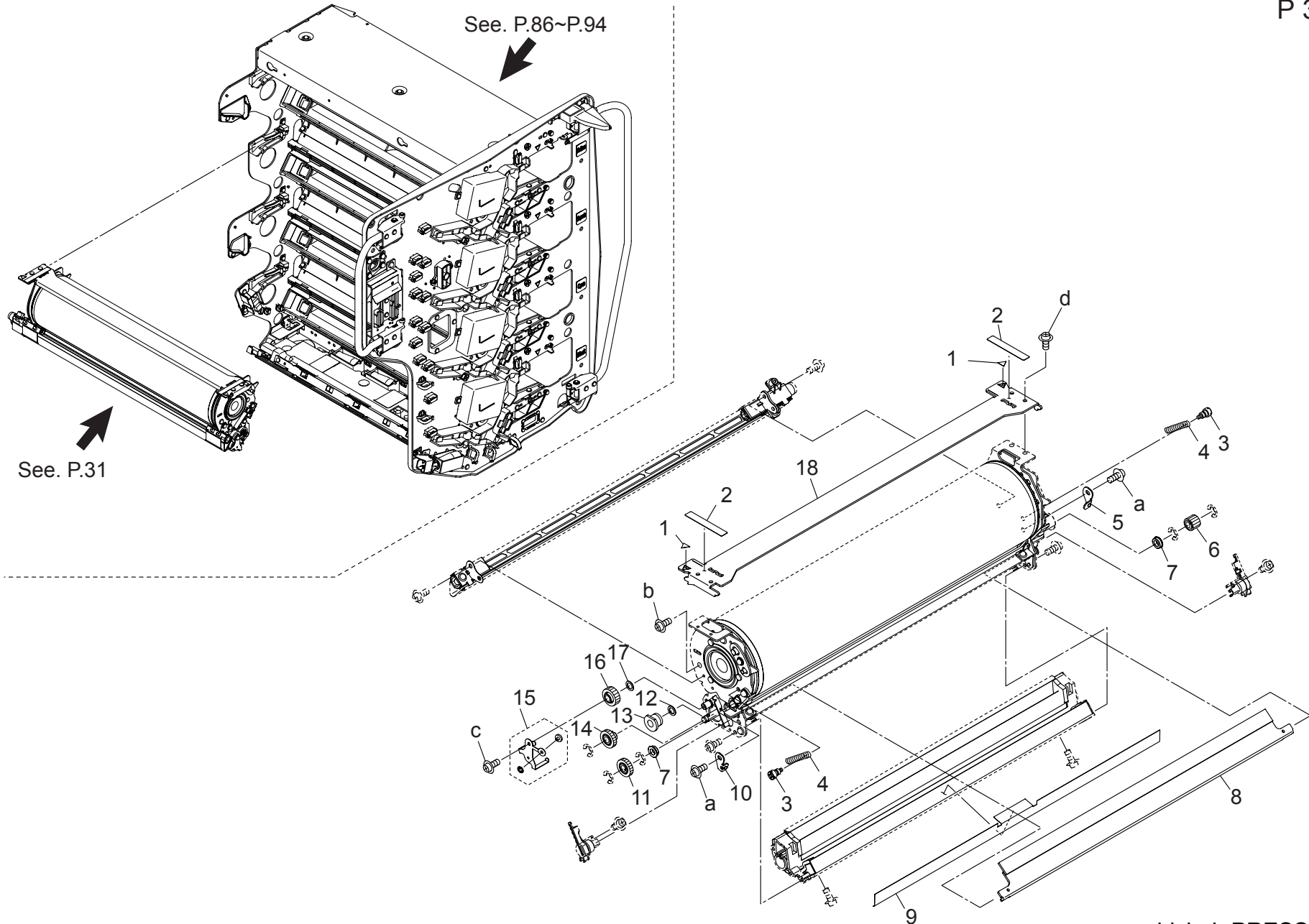
# DRUM CARTRIDGE SECTION



# DRUM CARTRIDGE SECTION

Key	Part No.	Description	Destinations	Class	QTY	Standard parts
1	A1RF 9451 00	Replacement Label /1		D	2	a-V116 0306 03 b-V121 0304 03 c-V121 0306 03 d-V126 0306 03
2	A1RF 9452 00	Replacement Label /2		D	2	
3	A1RF 3341 00	Support Shaft		D	2	
4	A1RF 3351 01	Pressing Spring		D	2	
5	A1RF 3362 01	Fixing Plate /Rear		D	1	
6	A1RF 3394 00	Drive Gear /4 18T		C	1	
7	A00J 6178 00	BALL BEARING		C	2	
8	A1RF 3308 01	Cleaning Blade		D	1	
9	A1RF 3363 00	Receiving Sheet /B		D	1	
10	A1RF 3361 01	Fixing Plate /Front		D	1	
11	A1RF 3396 00	Drive Gear 25T		C	1	
12	26MA 7404 0	WASHER		C	1	
13	55WA 3001 0	DEVELOPING SHAFT HOLDER		C	1	
14	A1RF 3392 00	Drive Gear /2 25T		C	1	
15	A1RF R752 00	GROUND		D	1	
16	A1RF 3395 00	Idling Gear 25T		C	1	
17	40AA 3232 0	TONER SUPPLY SPACER		C	1	
18	A1RF 3302 00	Drum Stay /Upper		D	1	

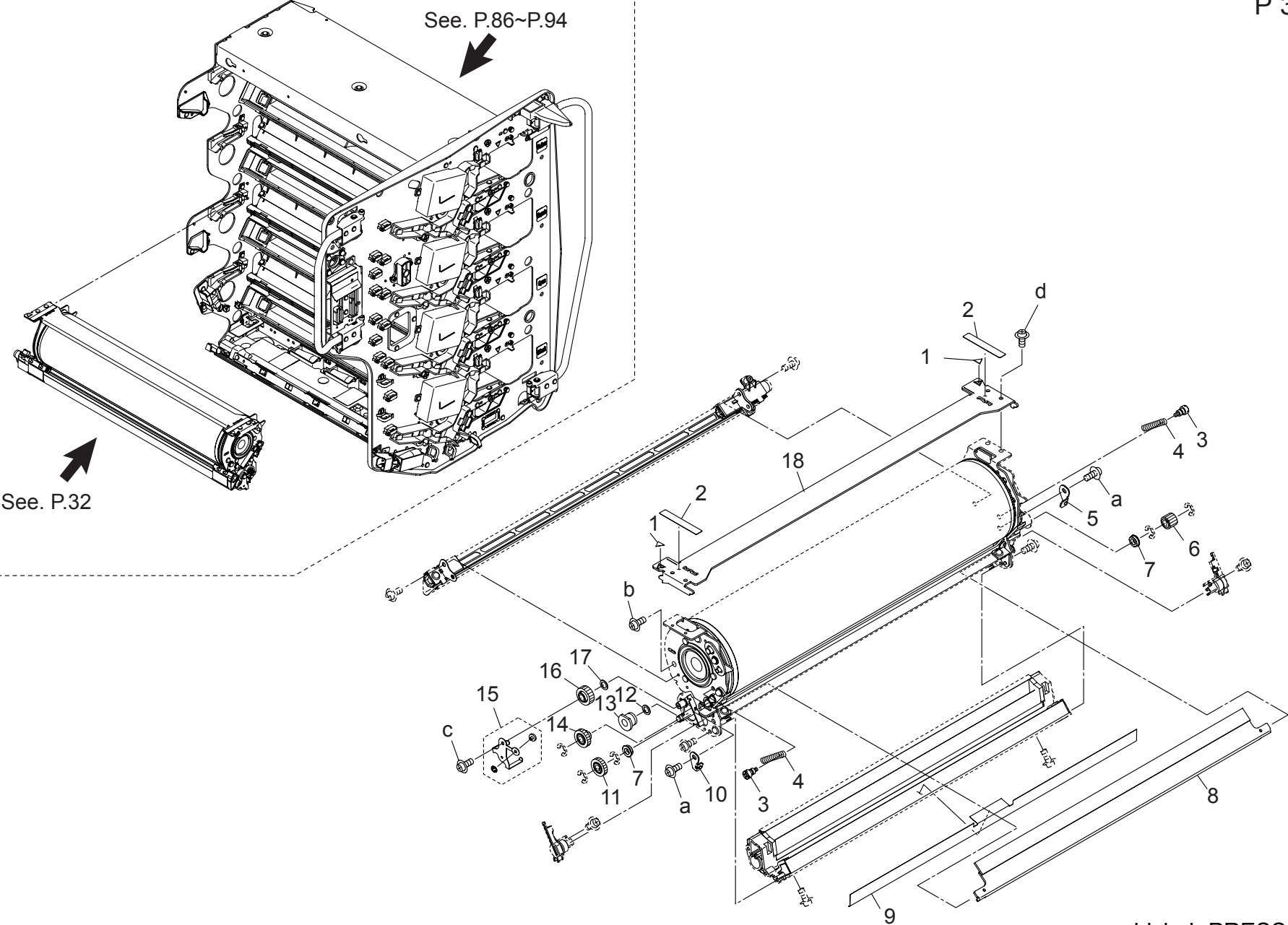
# DRUM CARTRIDGE SECTION



# DRUM CARTRIDGE SECTION

Key	Part No.	Description	Destinations	Class	QTY	Standard parts
1	A1RF 9451 00	Replacement Label /1		D	2	a-V116 0306 03 b-V121 0304 03 c-V121 0306 03 d-V126 0306 03
2	A1RF 9452 00	Replacement Label /2		D	2	
3	A1RF 3341 00	Support Shaft		D	2	
4	A1RF 3351 01	Pressing Spring		D	2	
5	A1RF 3362 01	Fixing Plate /Rear		D	1	
6	A1RF 3394 00	Drive Gear /4 18T		C	1	
7	A00J 6178 00	BALL BEARING		C	2	
8	A1RF 3308 01	Cleaning Blade		D	1	
9	A1RF 3363 00	Receiving Sheet /B		D	1	
10	A1RF 3361 01	Fixing Plate /Front		D	1	
11	A1RF 3396 00	Drive Gear 25T		C	1	
12	26MA 7404 0	WASHER		C	1	
13	55WA 3001 0	DEVELOPING SHAFT HOLDER		C	1	
14	A1RF 3392 00	Drive Gear /2 25T		C	1	
15	A1RF R752 00	GROUND		D	1	
16	A1RF 3395 00	Idling Gear 25T		C	1	
17	40AA 3232 0	TONER SUPPLY SPACER		C	1	
18	A1RF 3302 00	Drum Stay /Upper		D	1	

DRUM CARTRIDGE SECTION

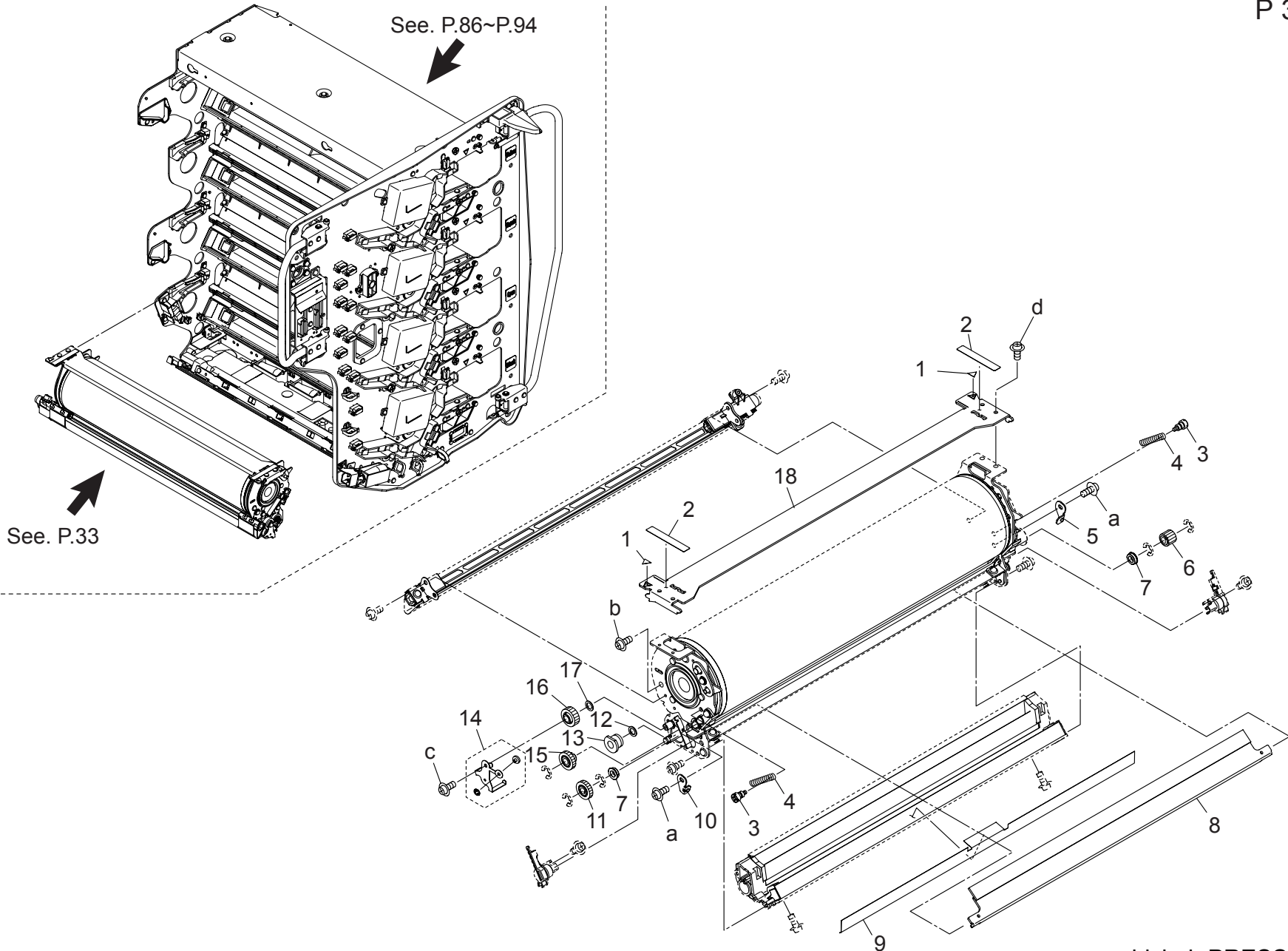




# DRUM CARTRIDGE SECTION

Key	Part No.	Description	Destinations	Class	QTY	Standard parts
1	A1RF 9451 00	Replacement Label /1		D	2	a-V116 0306 03 b-V121 0304 03 c-V121 0306 03 d-V126 0306 03
2	A1RF 9452 00	Replacement Label /2		D	2	
3	A1RF 3341 00	Support Shaft		D	2	
4	A1RF 3351 01	Pressing Spring		D	2	
5	A1RF 3362 01	Fixing Plate /Rear		D	1	
6	A1RF 3394 00	Drive Gear /4 18T		C	1	
7	A00J 6178 00	BALL BEARING		C	2	
8	A1RF 3308 01	Cleaning Blade		D	1	
9	A1RF 3363 00	Receiving Sheet /B		D	1	
10	A1RF 3361 01	Fixing Plate /Front		D	1	
11	A1RF 3396 00	Drive Gear 25T		C	1	
12	26MA 7404 0	WASHER		C	1	
13	55WA 3001 0	DEVELOPING SHAFT HOLDER		C	1	
14	A1RF 3392 00	Drive Gear /2 25T		C	1	
15	A1RF R752 00	GROUND		D	1	
16	A1RF 3395 00	Idling Gear 25T		C	1	
17	40AA 3232 0	TONER SUPPLY SPACER		C	1	
18	A1RF 3302 00	Drum Stay /Upper		D	1	

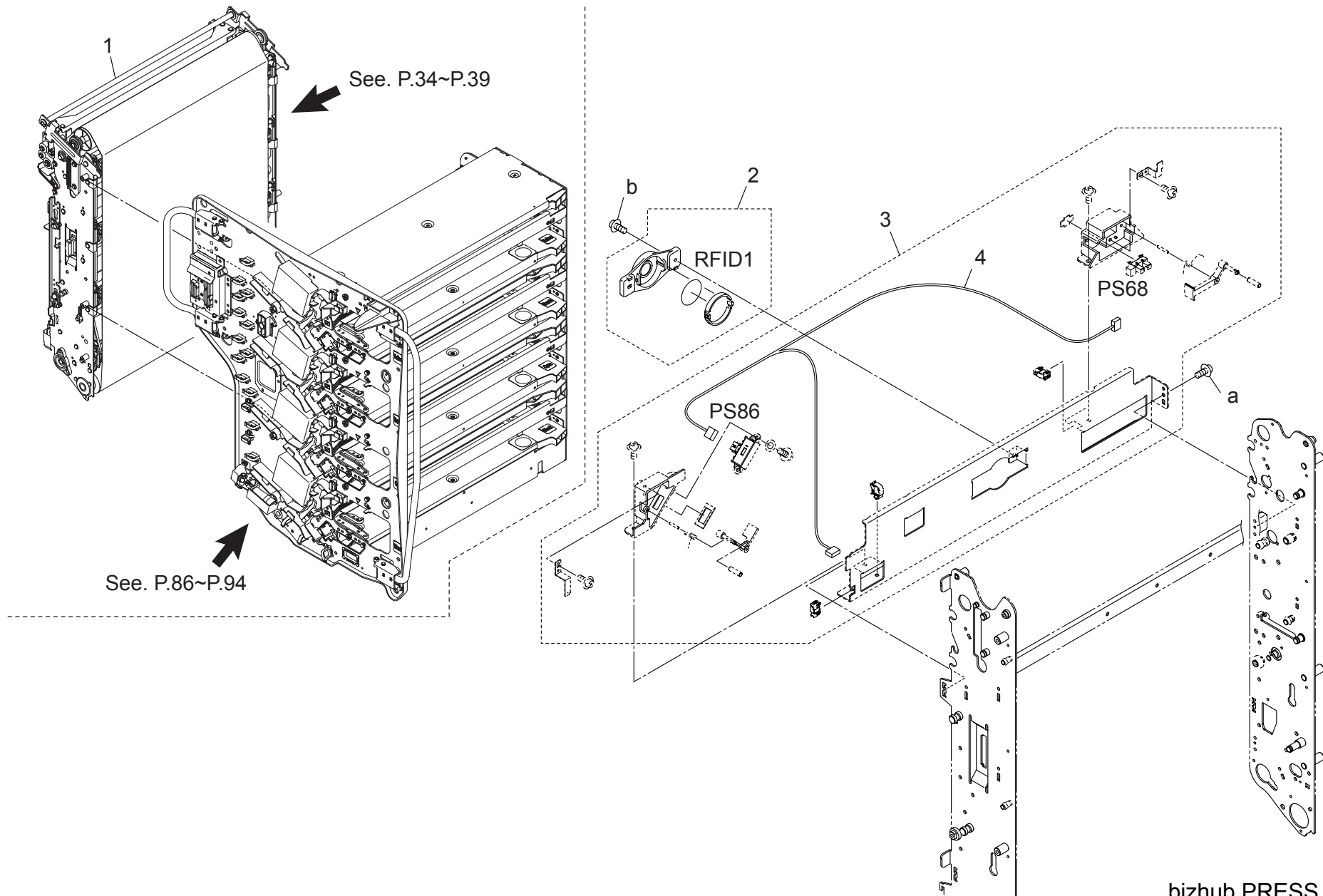
# DRUM CARTRIDGE SECTION



# DRUM CARTRIDGE SECTION

Key	Part No.	Description	Destinations	Class	QTY	Standard parts
1	A1RF 9451 00	Replacement Label /1		D	2	a-V116 0306 03 b-V121 0304 03 c-V121 0306 03 d-V126 0306 03
2	A1RF 9452 00	Replacement Label /2		D	2	
3	A1RF 3341 00	Support Shaft		D	2	
4	A1RF 3351 01	Pressing Spring		D	2	
5	A1RF 3362 01	Fixing Plate /Rear		D	1	
6	A1RF 3394 00	Drive Gear /4 18T		C	1	
7	A00J 6178 00	BALL BEARING		C	2	
8	A1RF 3308 01	Cleaning Blade		D	1	
9	A1RF 3363 00	Receiving Sheet /B		D	1	
10	A1RF 3361 01	Fixing Plate /Front		D	1	
11	A1RF 3396 00	Drive Gear 25T		C	1	
12	26MA 7404 0	WASHER		C	1	
13	55WA 3001 0	DEVELOPING SHAFT HOLDER		C	1	
14	A1RF R752 00	GROUND		D	1	
15	A1RF 3392 00	Drive Gear /2 25T		C	1	
16	A1RF 3395 00	Idling Gear 25T		C	1	
17	40AA 3232 0	TONER SUPPLY SPACER		C	1	
18	A1RF 3302 00	Drum Stay /Upper		D	1	

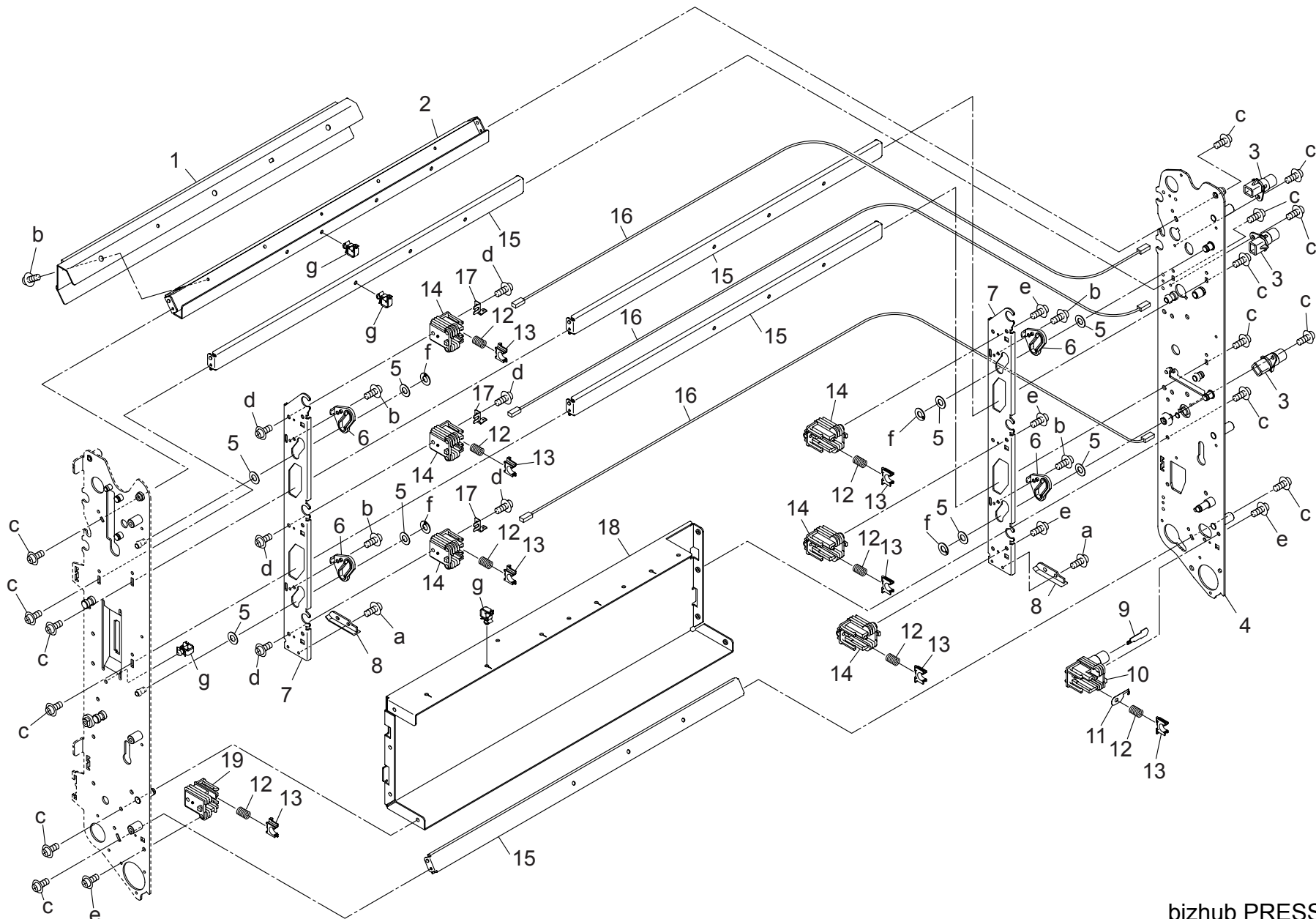
# INTERMEDIATE TRANSFER SECTION



# INTERMEDIATE TRANSFER SECTION

Key	Part No.	Description	Destinations	Class	QTY	Standard parts
1	A1RF R723 22	INTERMEDIATE TRANSFER UNIT		I	1	a-V121 0306 03 b-V127 0306 03
2	A1RF R7G2 00	Case		C	1	
3	A1RF R7G1 00	Mounting Plate D		C	1	
4	A1RF N156 01	Transfer Wiring /5		D	1	

# INTERMEDIATE TRANSFER SECTION

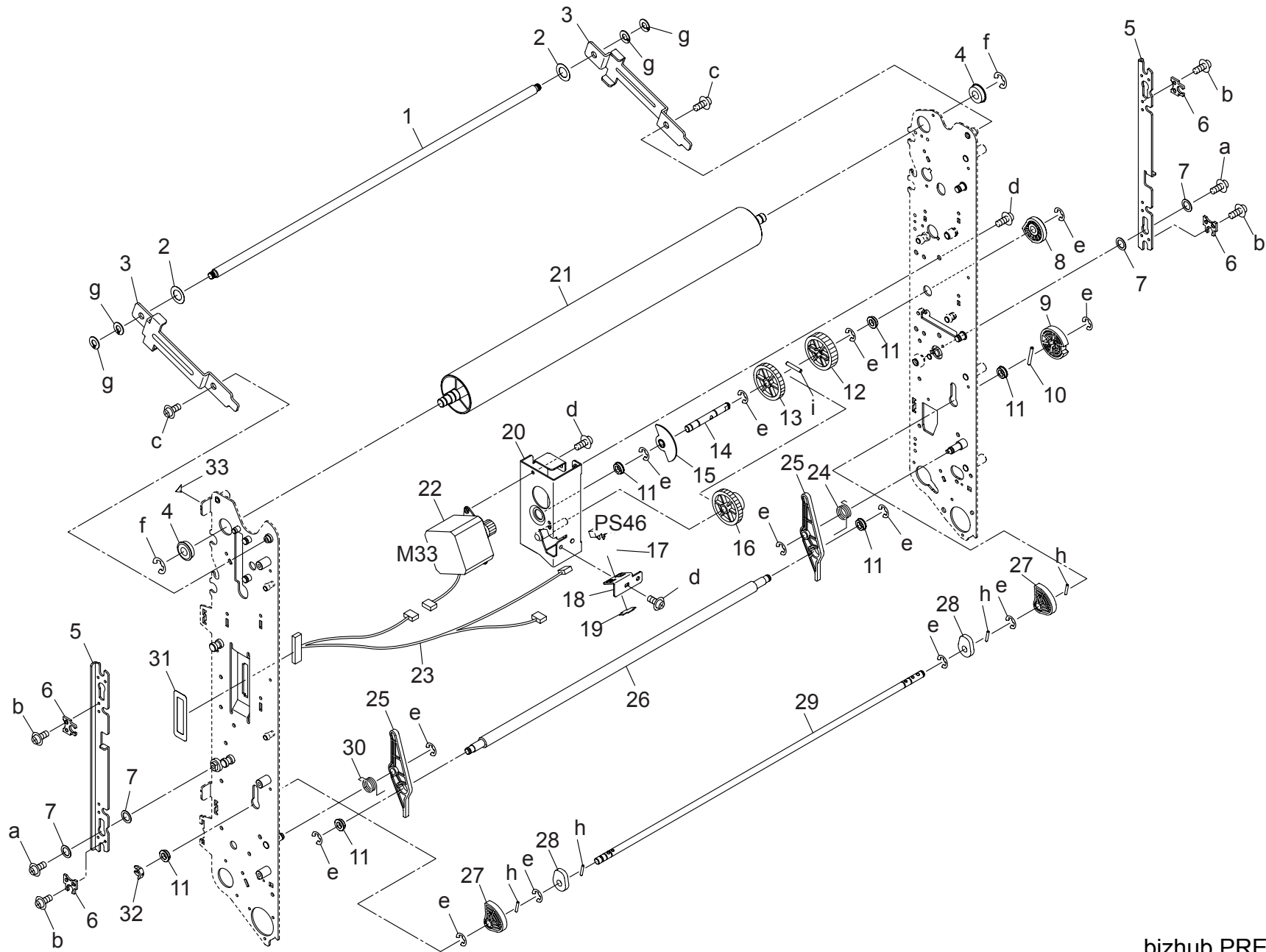


INTERMEDIATE TRANSFER SECTION

Key	Part No.	Description	Destinations	Class	QTY	Standard parts
1	A1RF R770 00	CLEANING SHEET BASE FRAME		D	1	a-V118 0304 03
2	A1RF R762 00	CLEANING SHEET		D	1	b-V121 0304 03
3	65AA R746 00	POWERING BLOCK A ASSY		C	3	c-V121 0306 03
4	A1RF R7A2 00	TRANSFER PANEL/REAR CALKING		D	1	d-V149 0308 03
5	A1RF 5171 00	Spacer /A		D	8	e-V153 0308 03
6	65AA 2718 0	Transfer Slide Bushing		C	4	f-V223 0600 09
7	A1RF 5009 00	Release Plate /Color		D	2	g-V500 0100 20
8	A1RF 5015 00	Slide Part		D	2	
9	65AA 2669 0D	Transfer Powering Plate /K		D	1	
10	65AA 2695 0D	High voltage Powering Block /D		D	1	
11	65AA 2681 0D	Transfer Powering Plate /L		D	1	
12	A1RF 5021 01	Power supply Spring /B		D	8	
13	65AA 2638 0	Transfer Powering Bushing		B	8	
14	65AA 2690 0D	High voltage Powering Block /C		D	6	
15	A1RF 5028 01	Reinforce Plate /2		D	4	
16	A1RF N184 00	HV Wiring /18		D	3	
17	65AA 2656 0D	Transfer Powering Plate /Front		D	3	
18	A1RF 5014 01	Reinforce Plate		D	1	
19	65AA 2605 0D	High voltage Powering Block /B		D	1	

# INTERMEDIATE TRANSFER SECTION

P 36

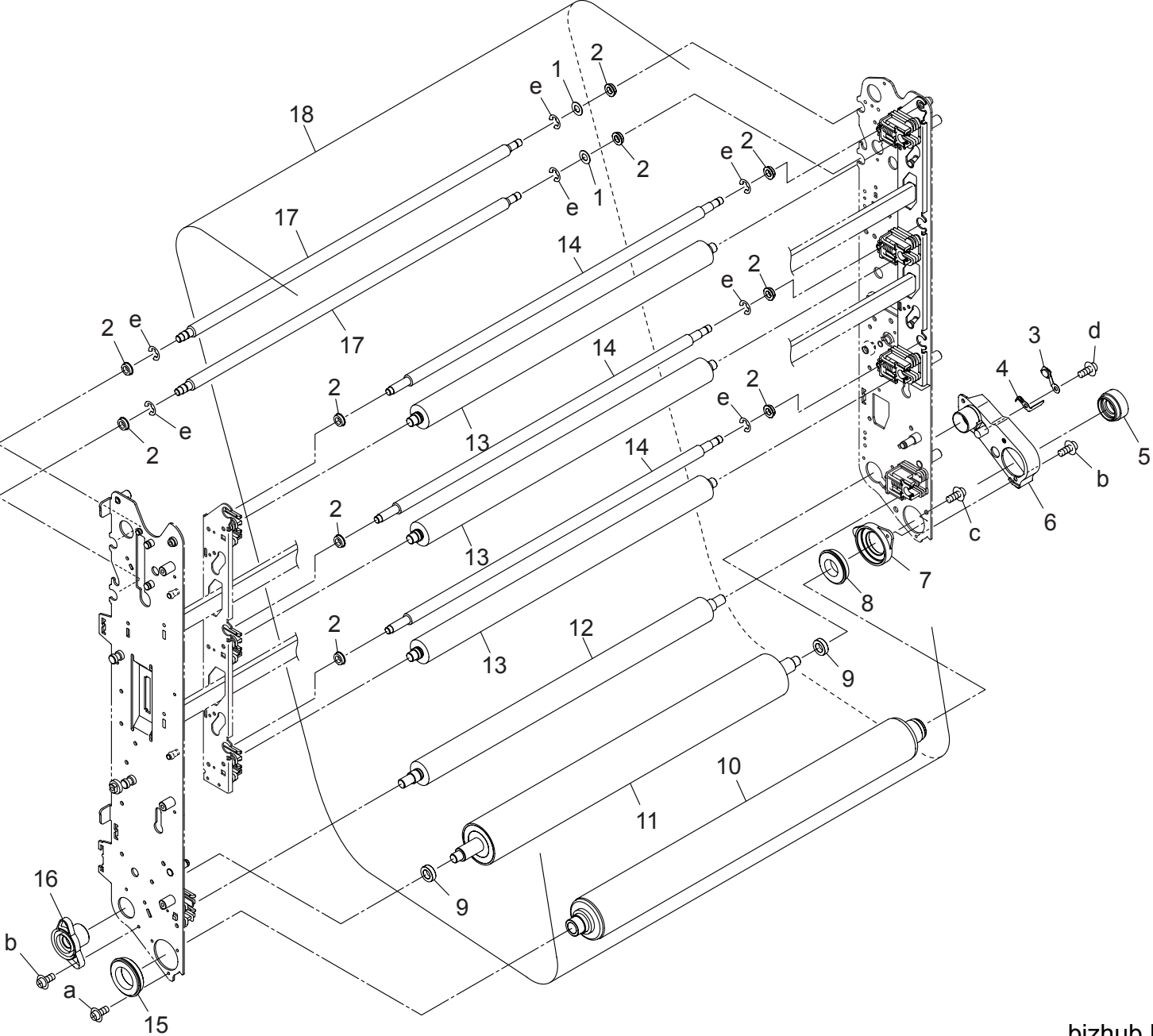




INTERMEDIATE TRANSFER SECTION

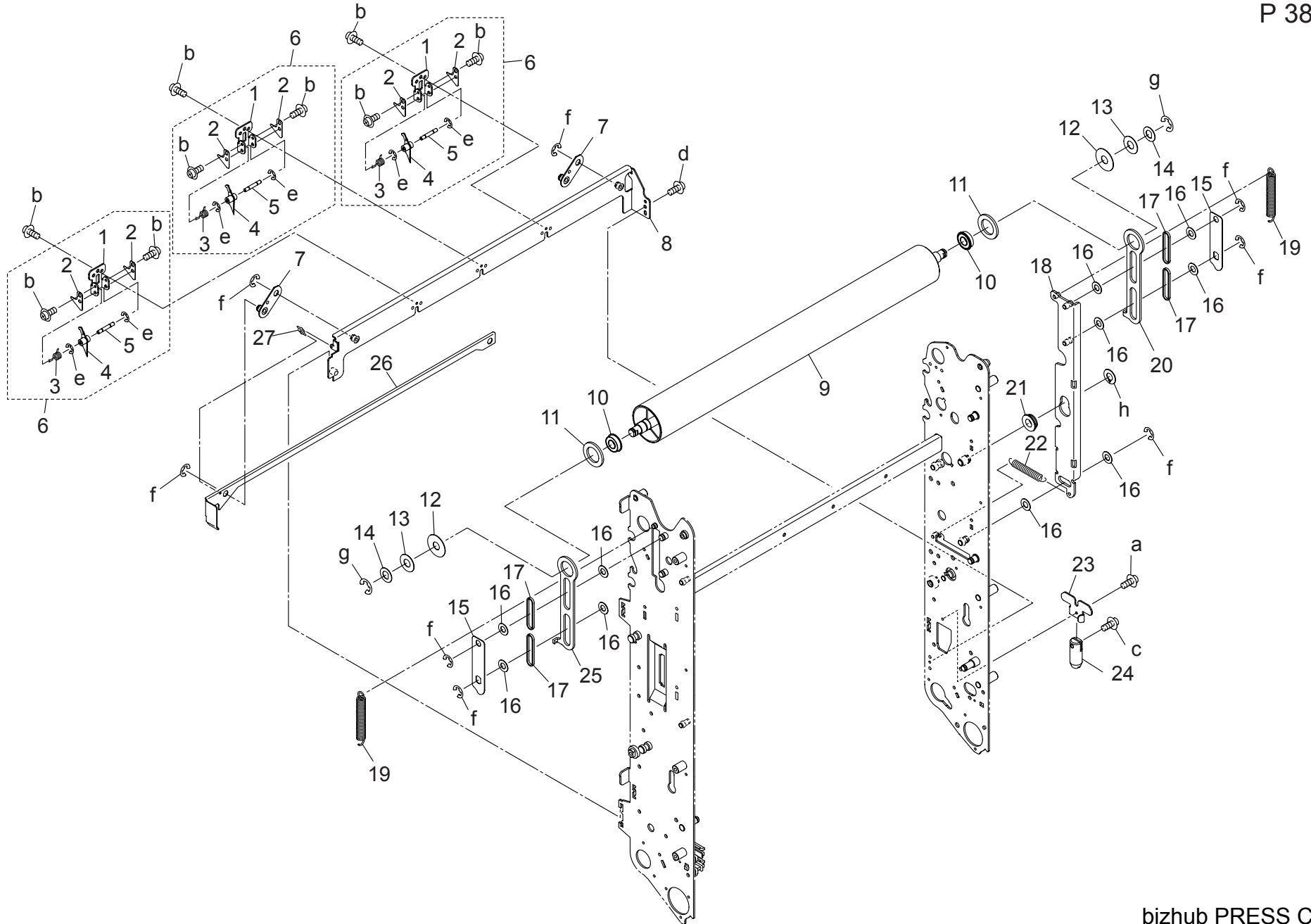
Key	Part No.	Description	Destinations	Class	QTY	Standard parts
1	A1RF 5059 00	Handle		D	1	a-V116 0408 03
2	A1RF 9453 00	Replacement Label /3		D	2	b-V118 0304 03
3	A1RF 5046 01	Lifting Arm		D	2	c-V118 0406 03
4	A00V 2406 00	BALL BEARING		C	2	d-V121 0306 03
5	A1RF 5050 02	Support Leg		D	2	e-V217 0400 50
6	A1RF 5053 00	Lock Claw		D	4	f-V217 0600 50
7	A1RF 5054 00	Slide Spacer		D	4	g-V223 0600 09
8	A1RF 5041 00	Swing Cam		D	1	h-V237 2012 50
9	A1RF 5078 00	Transfer Driving Coupling /Front		D	1	i-V237 3018 50
10	A1RF 5077 00	Pin /Z		D	1	
11	A00J 6178 00	BALL BEARING		C	6	
12	A1RF 5096 00	Drive Gear /2 40T		C	1	
13	A1RF 5098 00	Idling Gear /1 20/44T		C	1	
14	A1RF 5042 00	Drive Shaft /S		D	1	
15	A1RF 5044 00	Index Plate /S		D	1	
16	A1RF 5097 00	Idling Gear /2 20/40T		C	1	
17	08AA 8551 2	Photo Sensor		B	1	
18	A1RF 5045 00	Stay		D	1	
19	4470 4024 01	STOPPER		D	1	
20	A1RF R7G7 00	Drive Unit Panel Calking		D	1	
21	A1RF 5006 00	Driven Roller		D	1	
22	A00T M100 00	Stepping motor		B	1	
23	A1RF N155 00	Transfer Wiring /4		D	1	
24	A1RF 5012 00	Pressing Spring /Rear		D	1	
25	A1RF 5010 00	Release Arm /Black		D	2	
26	65AA 2614 1F	Transfer Pressure Roller /K		C	1	
27	A1RF 5024 00	Transfer Release Cam /C		D	2	
28	65AA 2675 0	TRANSFER RELEASE CAM K		C	2	
29	A1RF 5079 00	Pressure Shaft		D	1	
30	A1RF 5011 00	Pressing Spring /Front		D	1	
31	A1RF 9457 00	Replacement Label /7		D	1	
32	56AA 4049 0	SHAFT STOPPER 4		C	1	
33	A1RF 9451 00	Replacement Label /1		D	1	

INTERMEDIATE TRANSFER SECTION





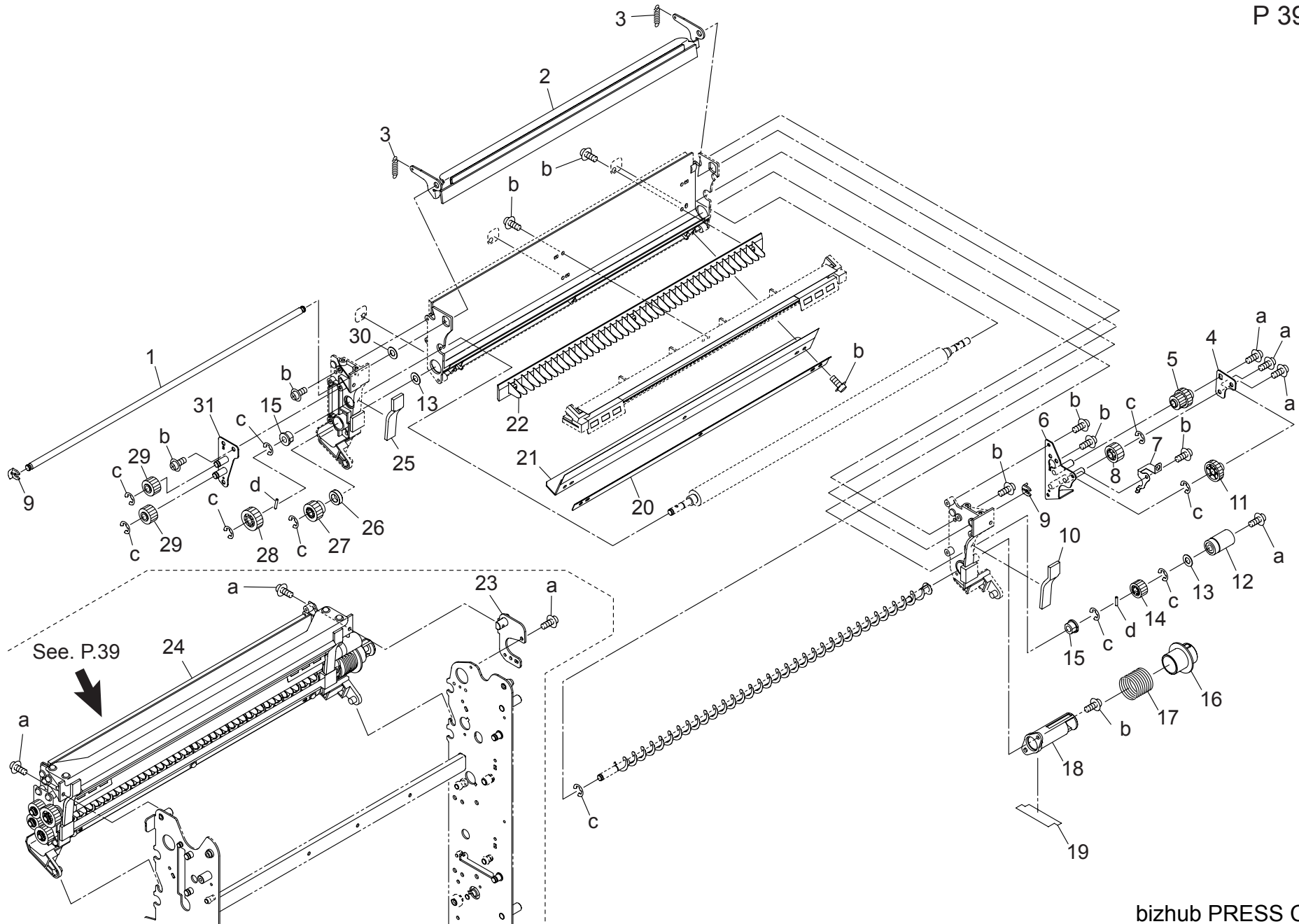
# INTERMEDIATE TRANSFER SECTION



# INTERMEDIATE TRANSFER SECTION

Key	Part No.	Description	Destinations	Class	QTY	Standard parts
1	65AA 2617 0D	Separation Fixing Plate /1		D	3	a-V116 0306 03
2	65AA 2634 0	GUIDE PLATE		C	6	b-V118 0304 03
3	65AA 2727 0	SEPARATION PRESSING SPRING		C	3	c-V118 0306 03
4	56AA 2070 0	DRUM SEPARATING CLAW		A	3	d-V121 0306 03
5	65AA 2650 1F	Fulcrum Shaft /A		D	3	e-V217 0200 50
6	65AA R753 00	SEPARATION CLAW ASSY		B	3	f-V217 0400 50
7	A1RF R7A5 00	SEPARATION RELEASE PLATE CALKING		D	2	g-V217 0600 50
8	A1RF 5131 00	Positioning Plate		D	1	h-V223 0800 50
9	A1RF 5007 00	Tension Roller		D	1	
10	A00V 2406 00	BALL BEARING		C	2	
11	A1RF 5048 00	Spacer		D	2	
12	A1RF 5039 00	Holding Plate		D	2	
13	A1RF 5017 00	Slide Spacer /A		D	2	
14	A1RF 5020 00	Slide Spacer /B		D	2	
15	A1RF 5071 00	Holding Plate		D	2	
16	A1RF 5171 00	Spacer /A		D	10	
17	A1RF 5070 00	Bushing		C	4	
18	A1RF R7A3 00	SWING ARM CALKING		D	1	
19	A1RF 5037 02	Tension Spring		D	2	
20	A1RF 5031 00	Tension Arm /Rear		D	1	
21	A1RF 5049 00	Bushing		C	1	
22	A1RF 5038 00	Pressing Spring		D	1	
23	A1RF 5022 00	Rotation Jig /1		D	1	
24	A1RF 5023 00	Rotation Jig /2		D	1	
25	A1RF 5030 01	Tension Arm		D	1	
26	A1RF 5133 00	Release Plate		D	1	
27	65AA 2660 0	SLIDE SPRING		C	1	

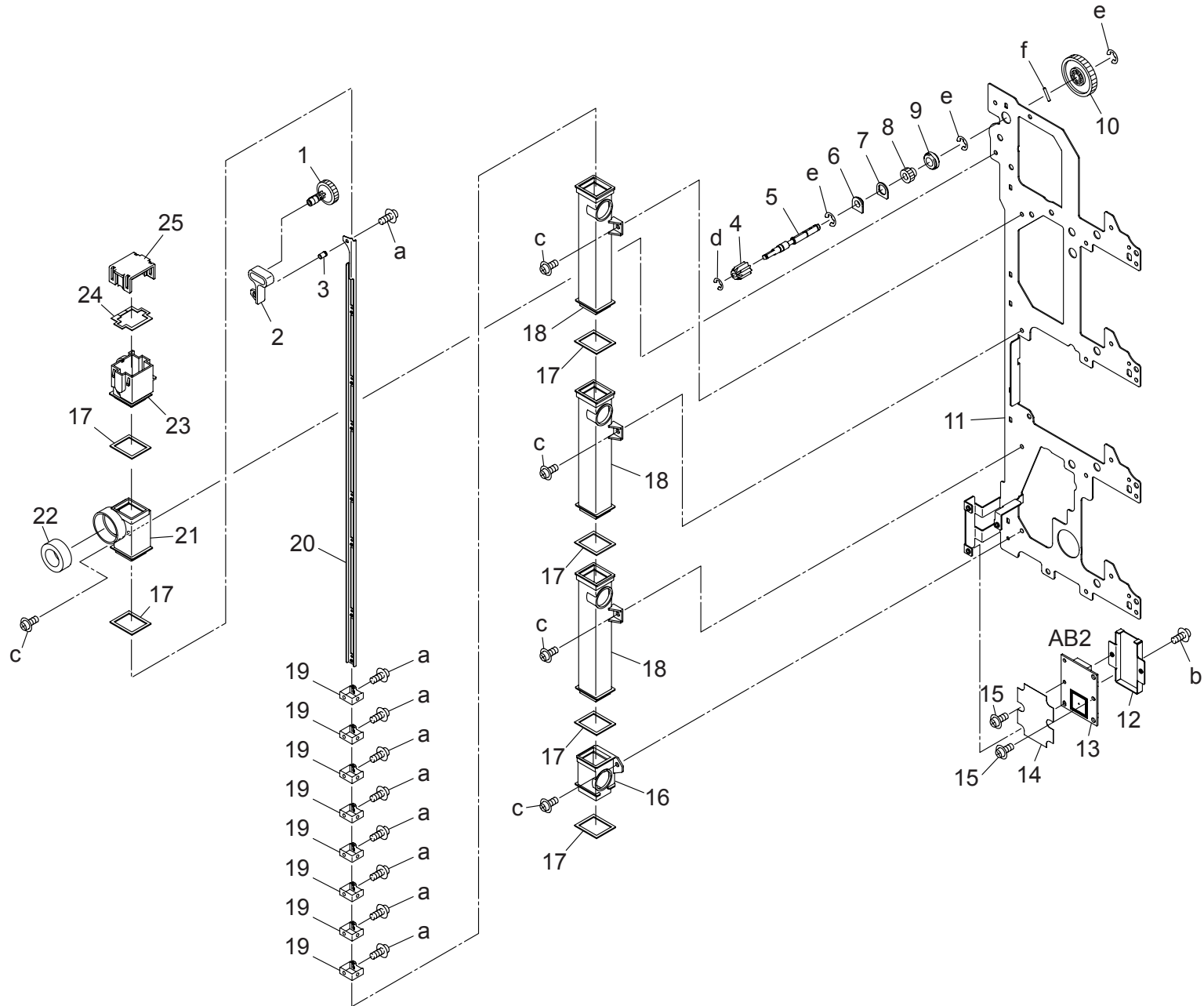
# INTERMEDIATE TRANSFER SECTION



INTERMEDIATE TRANSFER SECTION

Key	Part No.	Description	Destinations	Class	QTY	Standard parts
1	65AA 2709 0D	Blade Fulcrum Shaft		D	1	a-V121 0306 03 b-V153 0308 03 c-V217 0400 50 d-V237 2010 50
2	A1RF R7F1 00	Cleaning Blade		A	1	
3	A03U 5554 00	Cleaning Spring		C	2	
4	A1RF 5158 00	Auxiliary Plate		D	1	
5	A1RF 5137 01	Idling Gear /2 26/43T		C	1	
6	A1RF R7A7 00	DRIVING UNIT BASE FRAME/1 CALKING		D	1	
7	A1RF 5115 00	Power supply Plate		D	1	
8	A1RF 5138 02	Idling Gear /3 32T		C	1	
9	56AA 4049 0	SHAFT STOPPER 4		C	2	
10	A1RF 5112 02	Sealing Pad /C		A	1	
11	A1RF 5136 01	Idling Gear /1 29/38T		C	1	
12	A1RF 5124 00	Collection Coupling		D	1	
13	40AA 3232 0	TONER SUPPLY SPACER		C	2	
14	A1RF 5139 00	Drive Gear /1 28T		C	1	
15	65AA 2684 0	Cleaner Bushing /Front		C	2	
16	A1RF 5121 00	Collection Shutter		D	1	
17	A1RF 5122 00	Collection Spring		D	1	
18	A1RF 5120 00	Collection Pipe		D	1	
19	A1RF 5114 00	Collection Seal /2		D	1	
20	65AA R757 00	SHEET 2 ASSY		C	1	
21	65AA R756 00	SHEET 1 ASSY		A	1	
22	65LA R704 00	SUPPORT PLATE ASSY		C	1	
23	A1RF R7A6 00	CLEANER FIXING STAY CALKING		D	1	
24	A1RF R717 00	Cleaning		B	1	
25	A1RF 5116 00	Sealing Pad /E		A	1	
26	A1RF 5172 00	Collection Seal		D	1	
27	A1RF 5198 00	Collection Gear /B 16T		C	1	
28	A1RF 5199 01	Collection Gear /A 23T		C	1	
29	A1RF 5157 00	Idling Gear /4 14T		C	2	
30	A1RF 5117 00	Regulating Seal		D	1	
31	A1RF R7A8 00	DRIVING UNIT BASE FRAME/2 CALKING		D	1	

# TONER COLLECTING SECTION

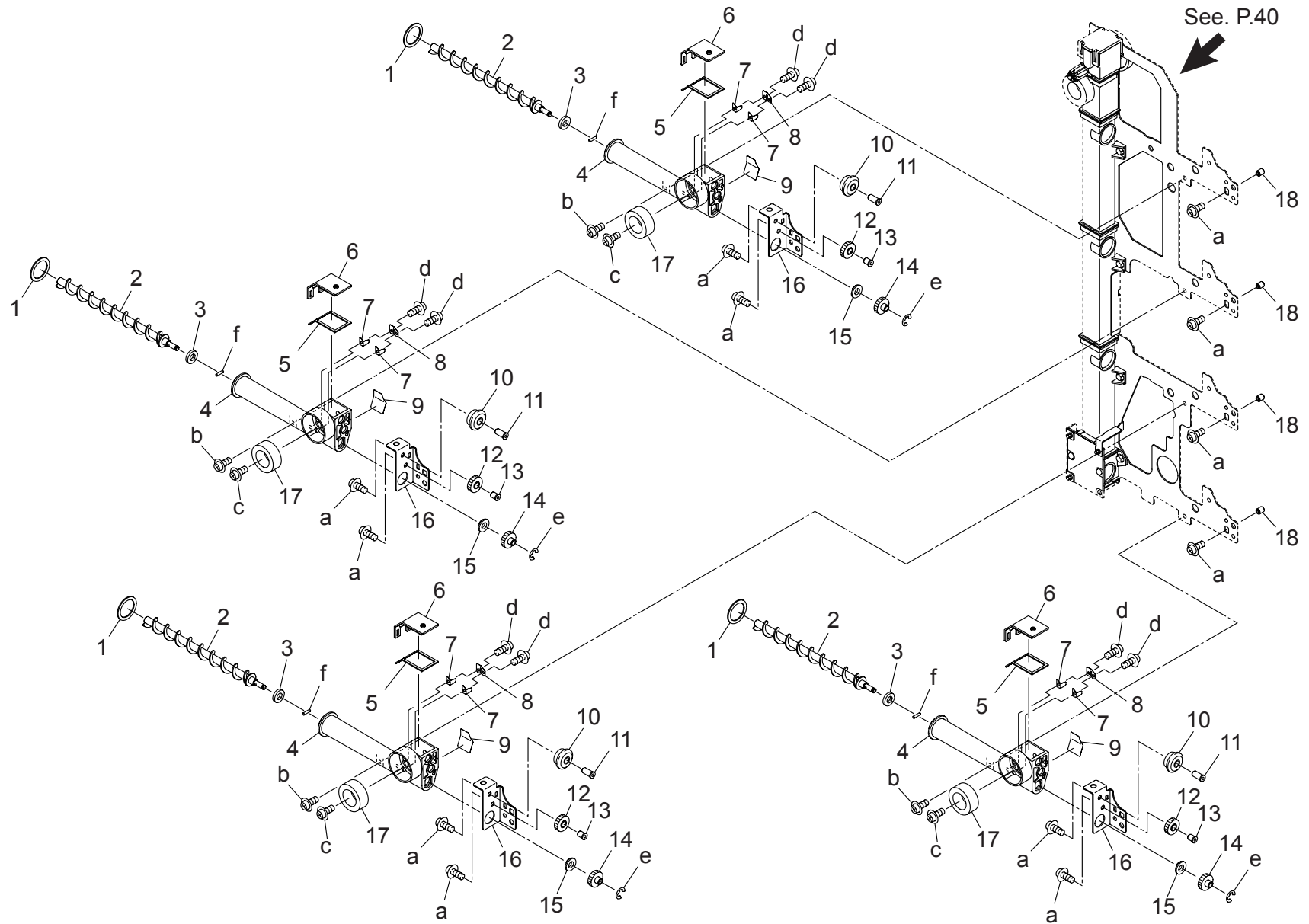




# TONER COLLECTING SECTION

Key	Part No.	Description	Destinations	Class	QTY	Standard parts
1	65AA 7797 0	TONER COLLECTING GEAR 5 24T		C	1	a-V118 0204 03 b-V118 0304 03 c-V146 0306 03 d-V217 0300 50 e-V217 0400 50 f-V237 2012 50
2	A1RF 3612 00	Rocking Cam		D	1	
3	A1RF 3608 00	Agitating Shaft /1		D	1	
4	65AA 1608 0	DEVELOPING COUPLING		C	1	
5	A1RF 3602 00	Collection Shaft /1		D	1	
6	A1RF 3609 00	Collection Spacer /2		D	1	
7	A1RF 3615 00	Collection Seal /3		D	1	
8	65AA 7796 0	TONER COLLECTING GEAR 4 13T		C	1	
9	A1RF 3610 00	Collection Spacer /3		D	1	
10	65AA 7783 0	TONER COLLECTING GEAR 1 66T		C	1	
11	A1RF 3601 01	Collection Stay /Rear		D	1	
12	A1RF 1391 00	Shield Cover /R		D	1	
13	A1RF H130 03	Relay board /R ASSY		I	1	
14	A1RF 1393 00	Shield Cover /F		D	1	
15	A1RF 1392 00	Regulating Screw		D	2	
16	A1RF 3604 00	Collection Pipe /1		D	1	
17	A1RF 3613 00	Collection Seal /2		D	6	
18	A1RF 3606 00	Collection Pipe /3		D	3	
19	A1RF 3603 00	Swing Part		D	8	
20	A1RF 3623 00	Swing Plate		D	1	
21	A1RF 3605 00	Collection Pipe /2		D	1	
22	A1RF 3633 00	Collection Seal /5		D	1	
23	A1RF 3622 00	Collection Pipe /6		D	1	
24	65AA 2431 0	TONER COLLECTING SEAL 2		C	1	
25	65AA 2413 0	CONNECTING COVER		C	1	

# TONER COLLECTING SECTION

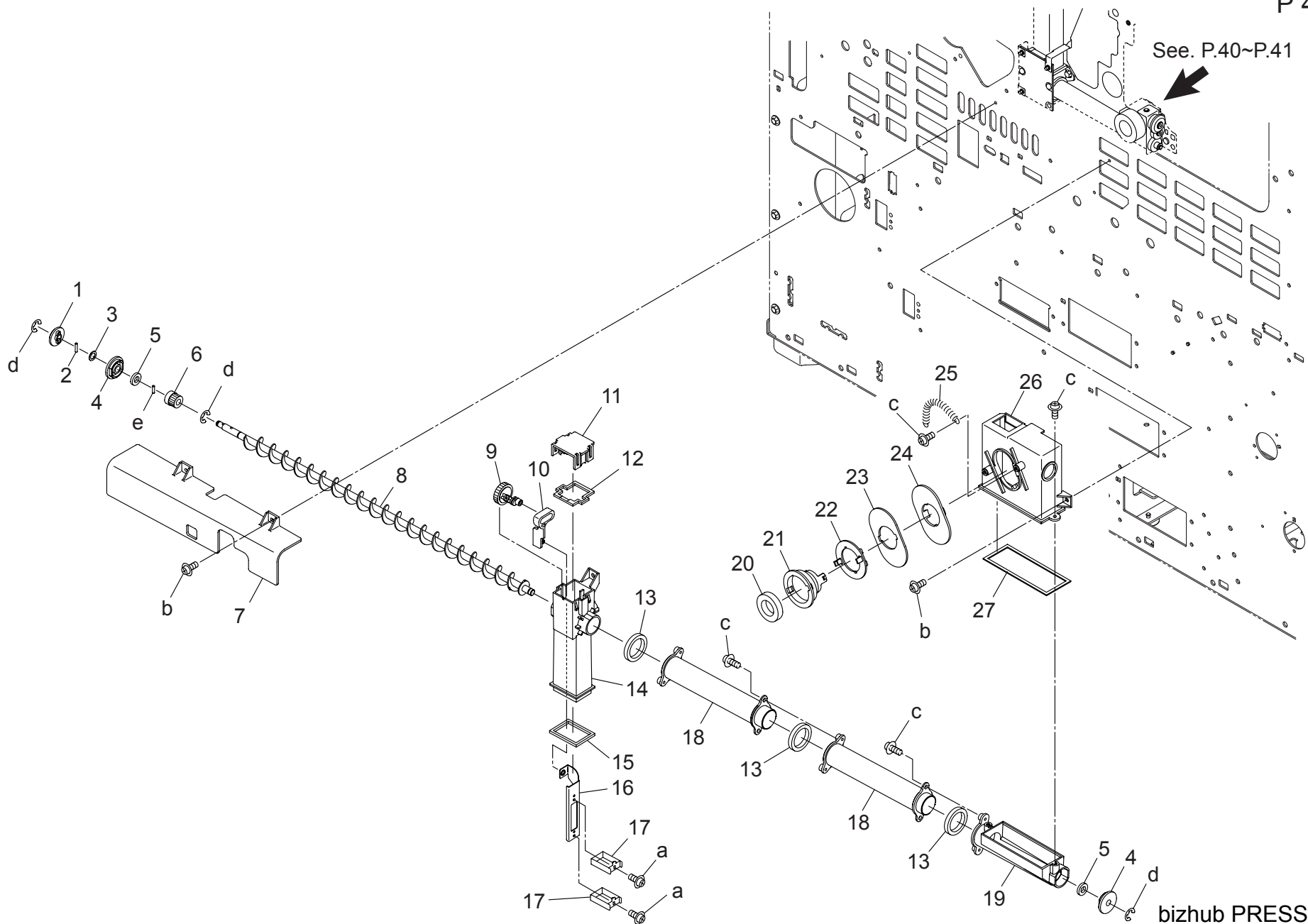


bizhub PRESS C8000

# TONER COLLECTING SECTION

Key	Part No.	Description	Destinations	Class	QTY	Standard parts
1	A1RF 3611 00	Collection Seal /1		D	4	a-V118 0306 03 b-V146 0306 03 c-V146 0308 03 d-V149 0206 03 e-V217 0300 50 f-V237 2008 50
2	A1RF 3614 00	Collection Screw /1		D	4	
3	65AA 2406 0	TONER COLLECTING SEAL 1		C	4	
4	A1RF 3620 00	Collection Pipe /4		D	4	
5	A1RF 3640 00	Collection Seal /6		D	4	
6	A1RF 3621 00	Collection Pipe /5		D	4	
7	A1RF 3616 00	Swing Sheet /1		D	8	
8	65AA 2446 0	Toner Agitating Holder		D	4	
9	A1RF 3617 00	Collection Seal /4		D	4	
10	A1RF 3626 00	Collection Gear /2 16T		C	4	
11	A1RF 3630 00	Collection Shaft /3		D	4	
12	A1RF 3627 00	Collection Gear /3 16T		C	4	
13	A1RF 3628 00	Collection Shaft /2		D	4	
14	A1RF 3625 00	Collection Gear /1 16T		C	4	
15	A1RF 3607 00	Collection Spacer /1		D	4	
16	A1RF 3629 00	Collection Side plate		D	4	
17	A1RF 3633 00	Collection Seal /5		D	4	
18	A1RF 3632 00	Collection Shaft /4		D	4	

# TONER COLLECTING SECTION



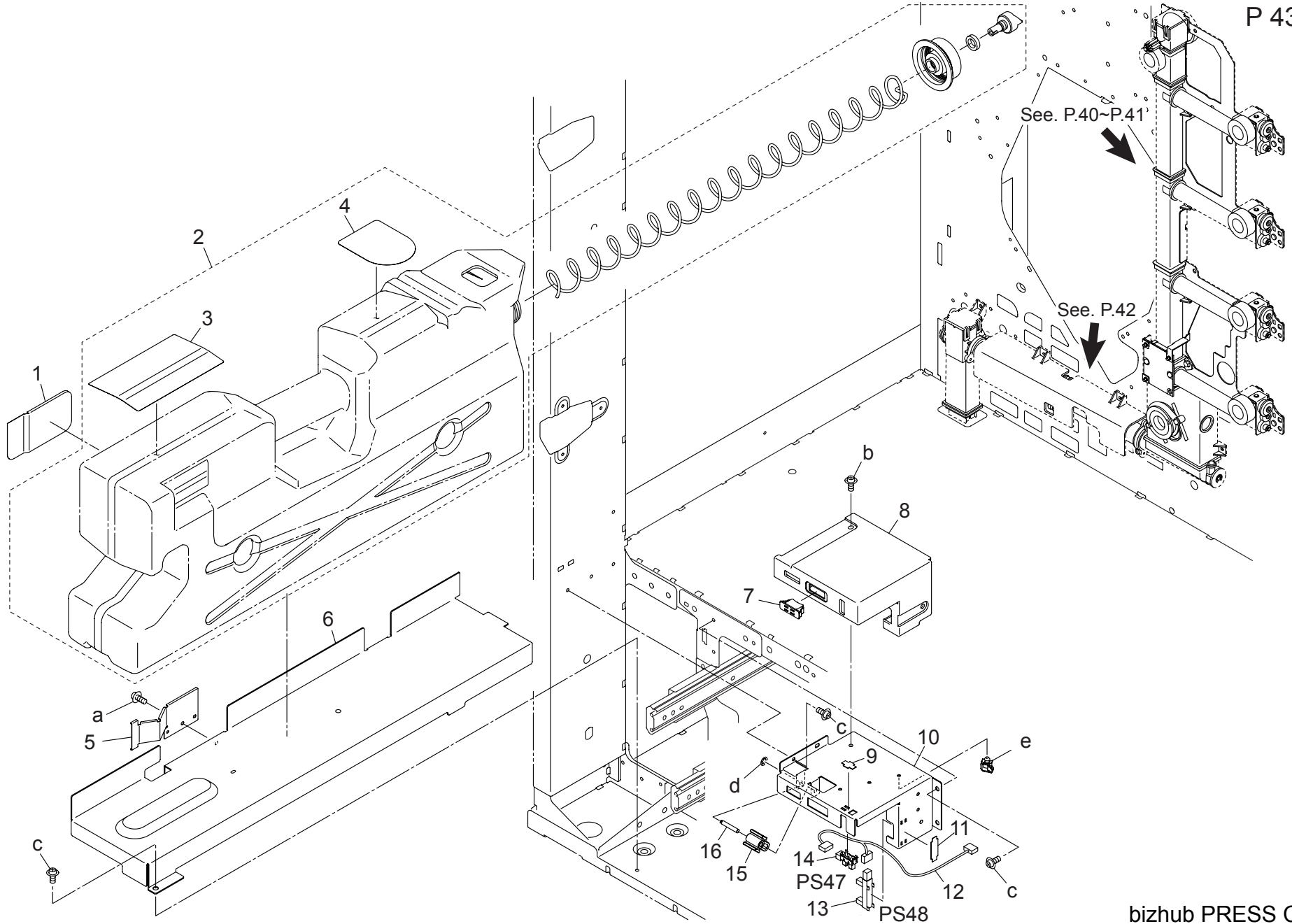
bizhub PRESS C8000

# TONER COLLECTING SECTION

Key	Part No.	Description	Destinations	Class	QTY	Standard parts
1	A1RF 3624 00	Collection Gear /2 14T		C	1	a-V118 0204 03 b-V146 0306 03 c-V153 0308 03 d-V217 0400 50 e-V237 2008 50
2	56AA 1753 1	PIN A D2X10		C	1	
3	40AA 3232 0	TONER SUPPLY SPACER		C	1	
4	65AA 7506 0	Toner Collecting Bushing /1		C	2	
5	65AA 2406 0	TONER COLLECTING SEAL 1		C	2	
6	A1RF 3688 00	Collection Gear 13T		C	1	
7	A1RF 3641 01	INSULATING COVER /RIGHT		D	1	
8	A1RF 3689 00	Collection Screw		D	1	
9	65AA 7797 0	TONER COLLECTING GEAR 5 24T		C	1	
10	65AA 2412 0	ROCKING CAM		C	1	
11	A1RF 3645 00	Connecting Cover		D	1	
12	A1RF 3646 00	Toner Collecting Seal /2		D	1	
13	65AA 2442 0	TONER COLLECTING SEAL 6		C	3	
14	A1RF 3652 00	Collection Joint /Left		D	1	
15	A1RF 3664 00	Collection Seal		D	1	
16	A1RF 3687 00	Swing Plate		D	1	
17	A1RF 3667 00	Swing Part		D	2	
18	65AA 2403 0	COLLECTING PIPE 1		C	2	
19	A1RF 3654 00	Collection Joint /Lower		D	1	
20	A1RF 3655 00	Collection Seal /A		D	1	
21	A1RF 3653 01	Collection Shutter /1		D	1	
22	A1RF 3659 00	Collection Shutter /2		D	1	
23	A1RF 3656 00	Collection Seal /B		D	1	
24	A1RF 3668 00	Collection Shutter /2		D	1	
25	A1RF 3660 00	Collection Spring		D	1	
26	A1RF 3651 01	Collection Joint /Upper		D	1	
27	A1RF 3657 00	Collection Seal /C		D	1	

# TONER COLLECTING SECTION

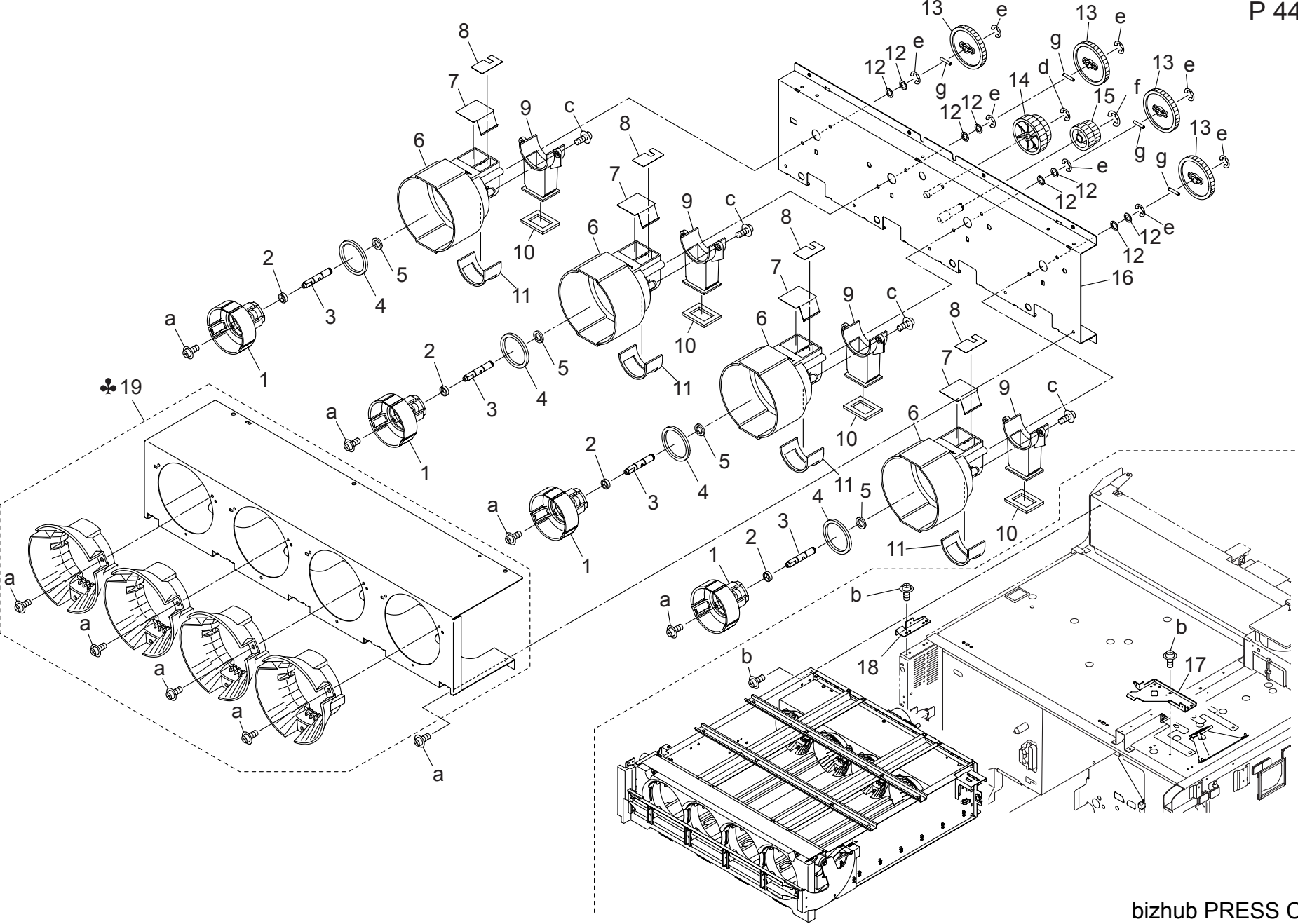
P 43



# TONER COLLECTING SECTION

Key	Part No.	Description	Destinations	Class	QTY	Standard parts
1	A1RF 3619 00	Collection Seal /Side		C	1	a-V121 0308 03 b-V121 0406 03 c-V146 0408 03 d-V217 0200 50 e-V500 0100 20
2	A1RF R700 00	Toner Collecting Box		A	1	
3	A1RF 9421 00	Caution Label /1		D	1	
4	A1RF 9449 00	Collection Label		D	1	
5	A1RF 3666 01	Regulating Plate Spring		D	1	
6	A1RF 1025 01	Support Plate /4		D	1	
7	56AA 1227 0	EXTERNAL LOCKING PART		C	1	
8	A1RF 3636 01	Cover		D	1	
9	4470 4024 01	STOPPER		D	1	
10	A1RF 3684 01	Cover /1		D	1	
11	4004 4573 01	Stopper		D	1	
12	A1RF N168 00	Toner Detection harness /Front		D	1	
13	9335 1400 51	SOLID STATE SWITCH		B	1	
14	9335 1500 21	SOLID STATE SWITCH		B	1	
15	A1RF 3638 00	Detecting Part /2		D	1	
16	A1RF 3662 00	Collection Shaft		D	1	

TONER SUPPLY SECTION:UPPER

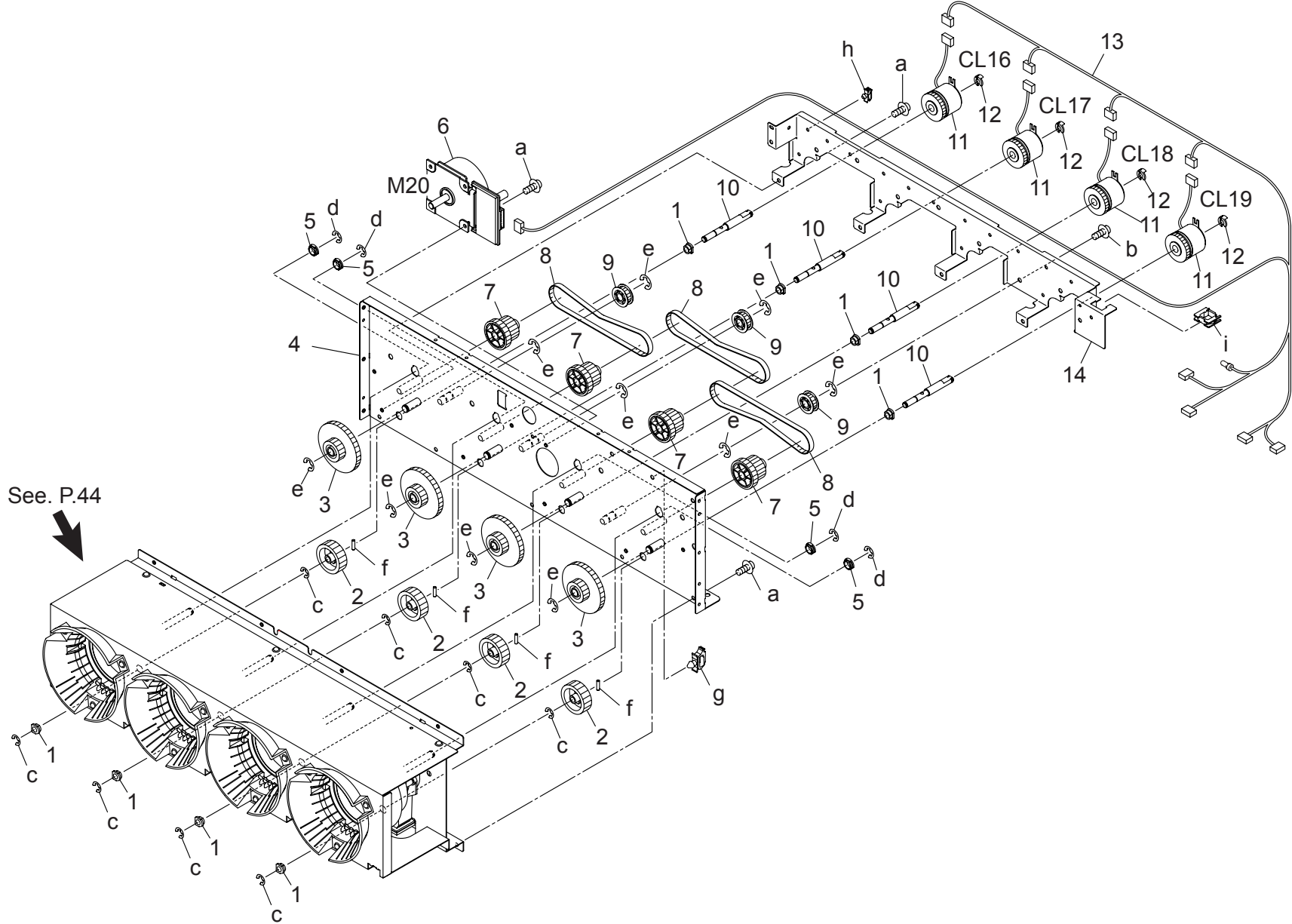




TONER SUPPLY SECTION:UPPER

Key	Part No.	Description	Destinations	Class	QTY	Standard parts
1	65AA 3262 0F	Toner Supply Holding Main Body		D	4	a-V121 0306 03
2	A1RF 4082 01	Guide Collar		D	4	b-V146 0408 03
3	A1RF 4052 02	Toner supply Shaft		D	4	c-V153 0308 03
4	65AA 3273 0	Toner Supply Holding Seal /A		D	4	d-V217 0400 50
5	65AA 3326 0	Toner Supply Holding Seal /B		D	4	e-V217 0500 50
6	65AA 3211 0	Toner Supply Guide Part /A		D	4	f-V217 0600 50
7	65AA 3276 1	Seal Part /H		D	4	g-V237 3016 50
8	65AA 3336 0	SEALING PART		D	4	
9	A1RF 4322 00	Connecting Part		D	4	
10	A1RF 4323 01	Toner Supply Seal		D	4	
11	65AA 3297 0	CONVEYING SEAL		C	4	
12	65AA 3328 0	TONER SUPPLY SPACER		D	8	
13	A1RF 4035 00	Toner Supply Gear /B 50T		C	4	
14	65AA 7738 0	TONER SUPPLY GEAR A 82T/34T		C	1	
15	A1RF 4040 00	Toner Supply Gear /3 24/28T		C	1	
16	A1RF R797 00	TONER SUPPLY UNIT PLATE/MIDDLE CALKING		D	1	
17	A1RF 4345 00	Fixing Plate /A		D	1	
18	A1RF 1635 00	Cover Leg		D	1	
19	A1RF R754 00	GUIDE PART ASSY	A	D	1	
19	A1RF R755 00	GUIDE PART ASSY	B,G1	D	1	
19	A1RF R756 00	GUIDE PART ASSY	C,D3	D	1	

TONER SUPPLY SECTION:UPPER



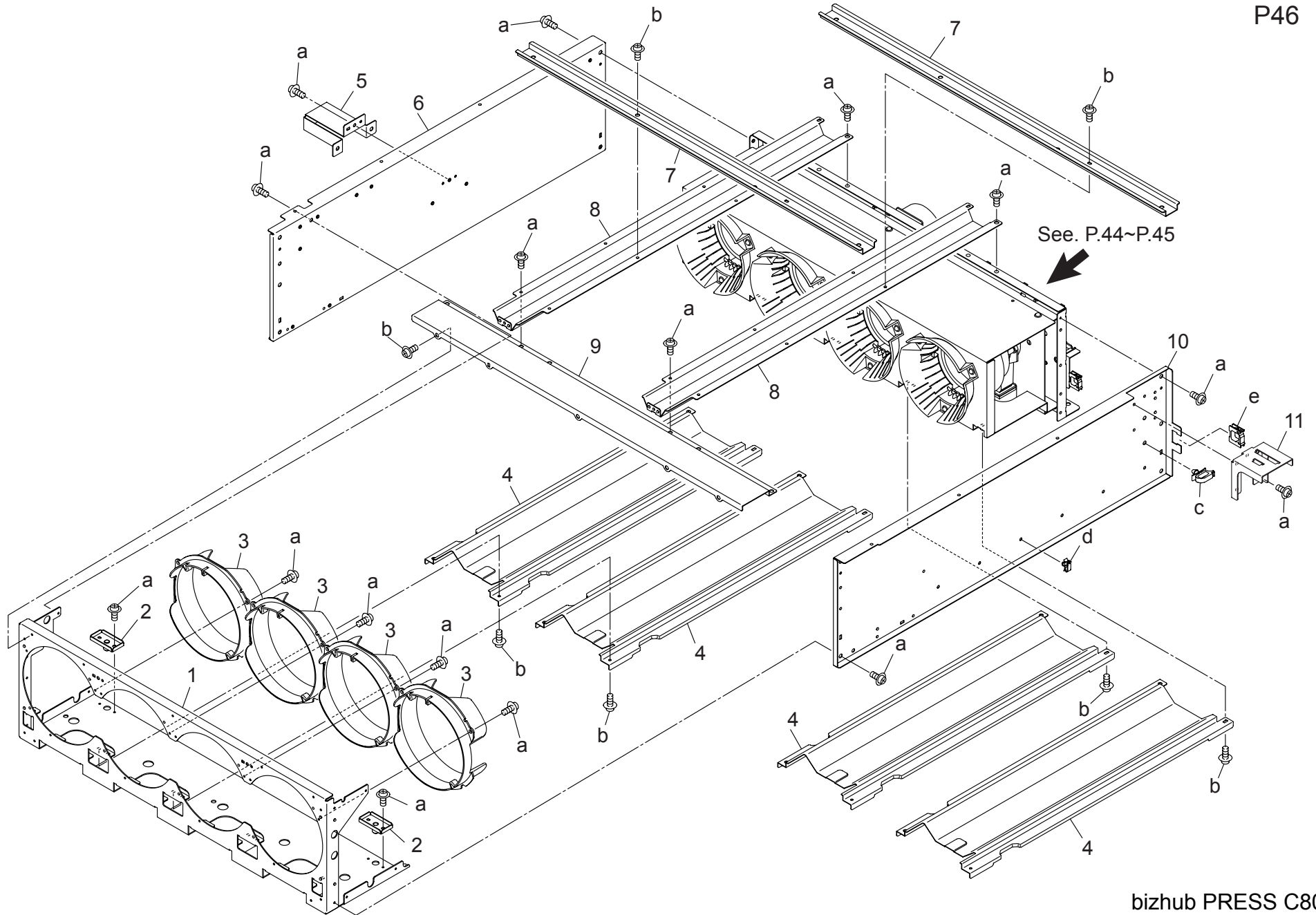
# TONER SUPPLY SECTION:UPPER

Key	Part No.	Description	Destinations	Class	QTY	Standard parts
1	3220 7601 0	PAPER LIFT UP LEVER SHAFT HOLDER		B	8	a-V121 0306 03
2	A1RF 4036 00	Gear 32T		C	4	b-V121 0308 03
3	A1RF 4034 00	Toner Supply Gear /A 22/55T		C	4	c-V217 0400 50
4	A1RF R796 00	TONER SUPPLY UNIT PLATE/REAR CALKING		D	1	d-V217 0500 50
5	26NA 3266 0	TONER SUPPLY SHAFT HOLDER		C	4	e-V217 0600 50
6	A0R5 M103 00	DC Brushless motor /30		B	1	f-V237 3012 50
7	A1RF 4041 00	Toner supply Pulley /1		C	4	g-V500 0100 03
8	A1RF 4042 00	Toner Supply Belt 327L		C	3	h-V500 0100 46
9	A1RF 4045 00	Toner supply Pulley /3		C	3	i-V570 0100 26
10	A1RF 4053 00	Toner supply Shaft		D	4	
11	56AA 8201 2	PAPER FEED DRIVING CLUTCH		B	4	
12	55VA 4212 0	SHAFT STOPPER		C	4	
13	A1RF N140 00	Toner Drive harness /5		D	1	
14	A1RF 4033 02	Wiring Plate		D	1	

bizhub PRESS C8000

# TONER SUPPLY SECTION:UPPER

P46

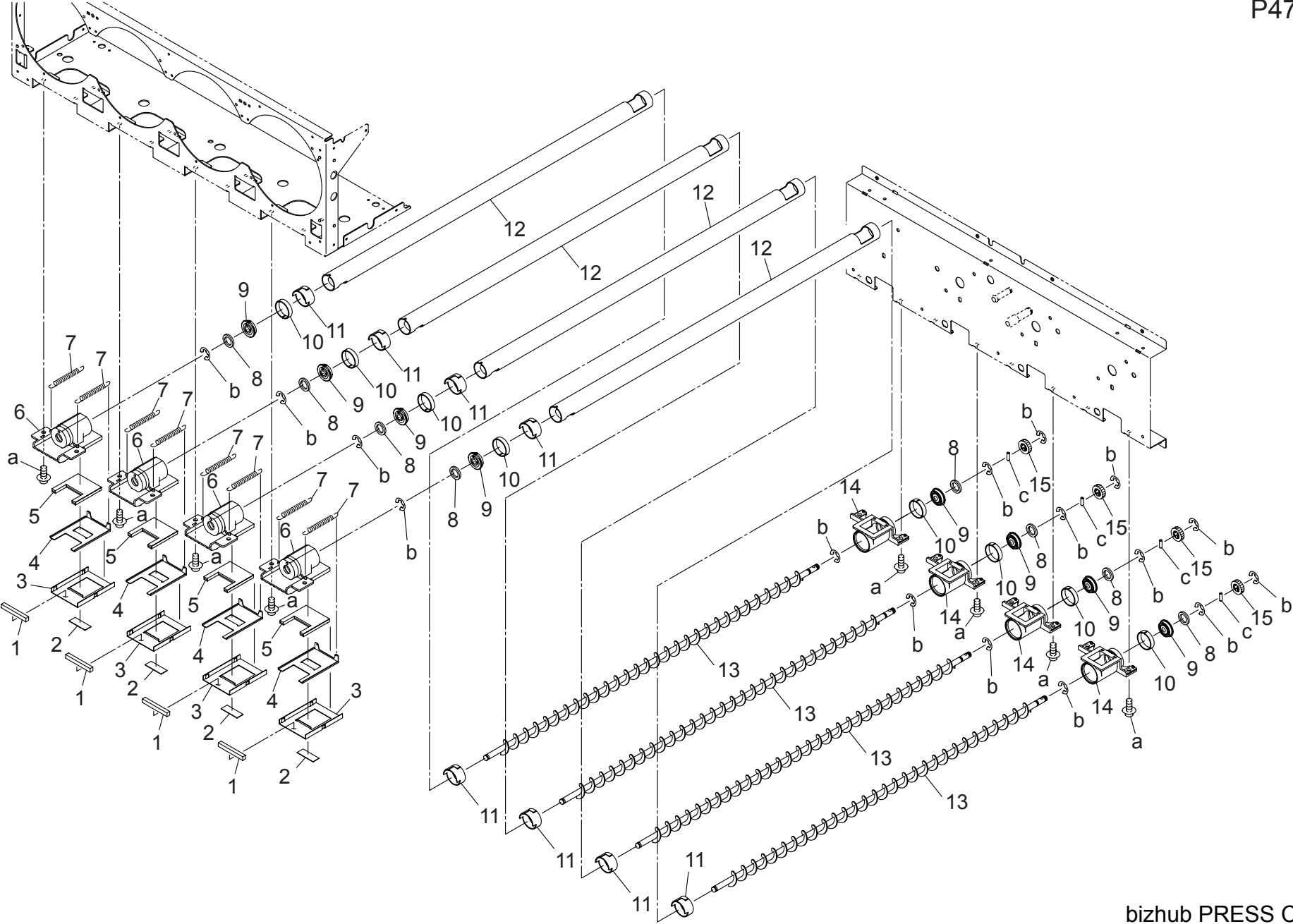


bizhub PRESS C8000

TONER SUPPLY SECTION:UPPER

Key	Part No.	Description	Destinations	Class	QTY	Standard parts
1	A1RF 4011 00	Toner supply Plate /Front		D	1	a-V121 0306 03 b-V127 0306 03 c-V500 0100 03 d-V500 0100 46 e-V570 0100 26
2	A1RF R792 00	TONER SUPPLY UNIT POSITIONING/UPPER CA LK		D	2	
3	A1RF 4324 00	Guide Part /Front		D	4	
4	A1RF 4013 00	Guide Plate		D	4	
5	A1RF 4020 00	Reinforce Plate		D	1	
6	A1RF 4018 01	Toner supply Plate /Left		D	1	
7	A1RF 4433 00	Reinforce Plate /Upper		D	2	
8	A1RF 4434 00	Reinforce Plate /Middle		D	2	
9	A1RF 4435 00	Reinforce Plate /Front		D	1	
10	A1RF 4017 00	Toner supply Plate /Right		D	1	
11	A1RF 4019 01	Mounting Plate		D	1	

TONER SUPPLY SECTION:UPPER

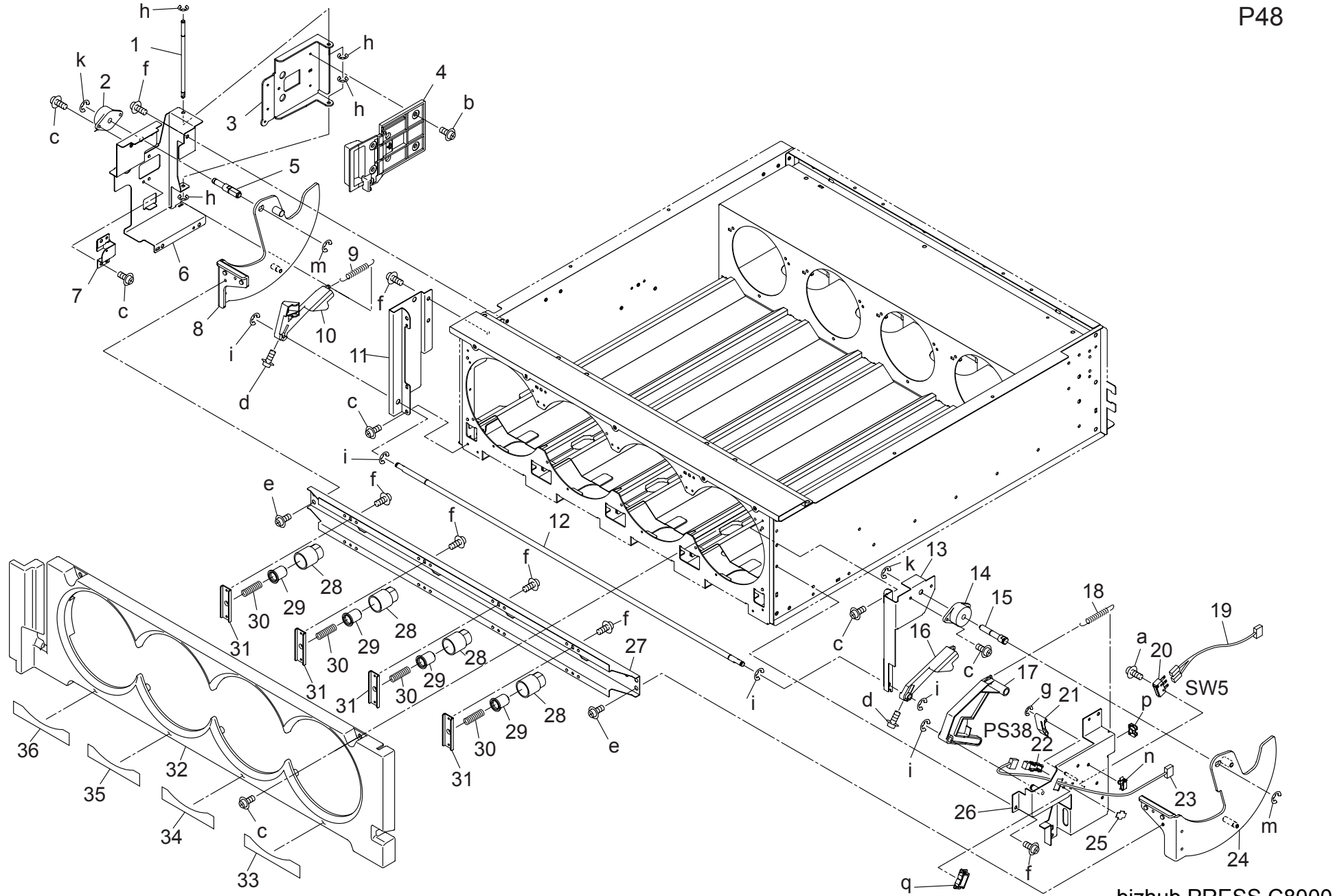


TONER SUPPLY SECTION:UPPER

Key	Part No.	Description	Destinations	Class	QTY	Standard parts
1	A1RF 4080 00	Toner Supply Seal		D	4	a-V127 0306 03 b-V217 0400 50 c-V237 3010 50
2	A1RF 4079 00	Shield Plate		D	4	
3	A1RF 4075 01	Open/close Cover		D	4	
4	A1RF 4076 01	Supply Shutter		D	4	
5	A1RF 4078 01	Toner Supply Seal		D	4	
6	A1RF 4073 01	Conveyance Joint /2		D	4	
7	A1RF 4077 00	Toner supply Spring		D	8	
8	A1RF 4136 01	Sealing Part		D	8	
9	A1RF 4081 00	Toner supply Bushing /1		C	8	
10	A1RF 4157 00	Toner Supply Seal		D	8	
11	A1RF 4139 00	Toner supply Seal		D	8	
12	A1RF 4074 01	Conveyance Pipe /A		D	4	
13	A1RF 4071 01	Conveyance Screw /1		D	4	
14	A1RF 4072 00	Conveyance Joint /1		D	4	
15	A1RF 4037 00	Toner Supply Gear /3 16T		C	4	

# TONER SUPPLY SECTION:UPPER

P48



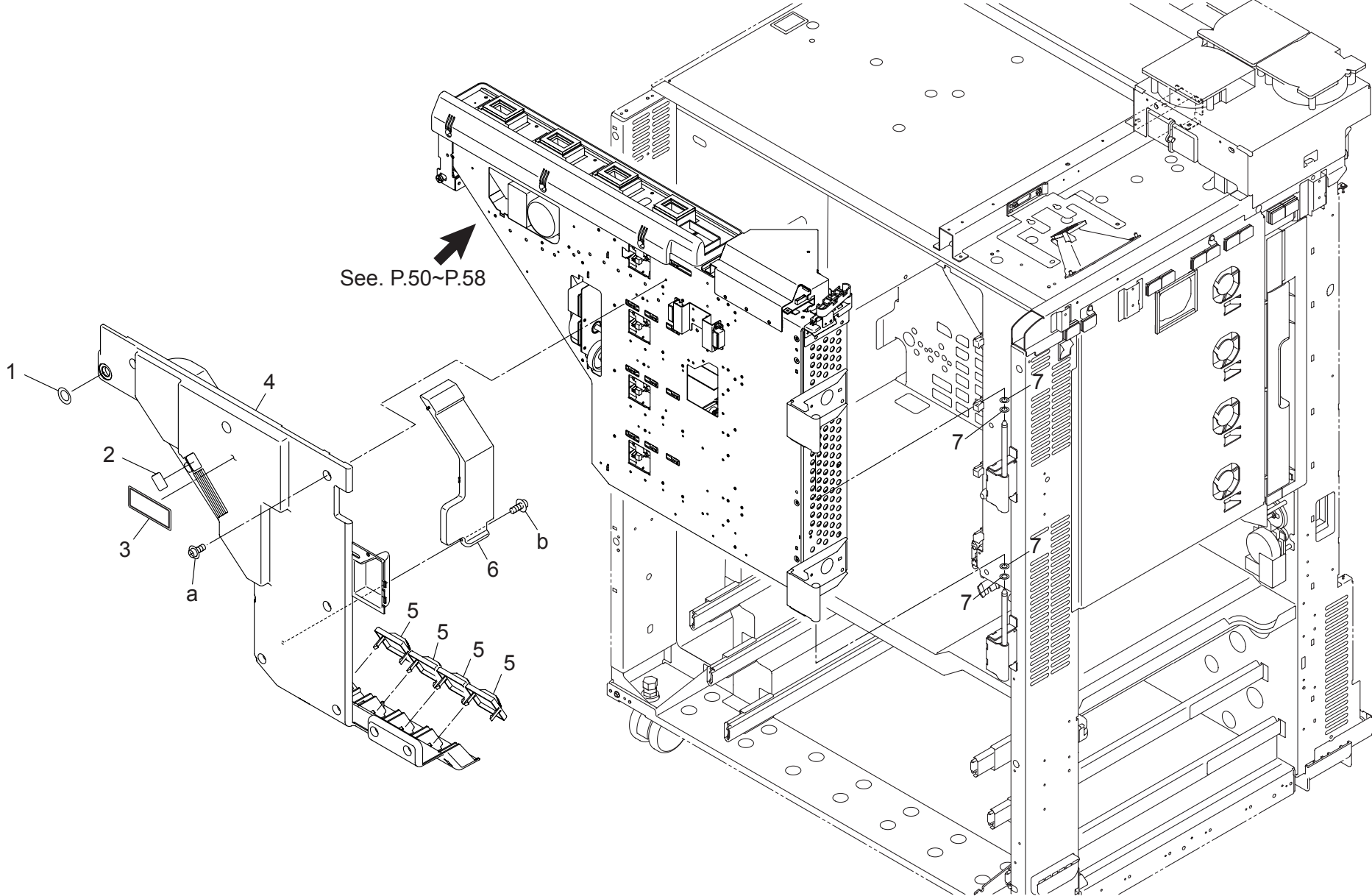
bizhub PRESS C8000



TONER SUPPLY SECTION:UPPER

Key	Part No.	Description	Destinations	Class	QTY	Standard parts
1	A1RF 4419 00	Lock Shaft		D	1	a-V118 0208 03
2	A1RF 4432 00	Limiter		D	1	b-V121 0304 03
3	A1RF 4461 00	Reinforce Plate		D	1	c-V121 0306 03
4	A1RF 4418 00	Release Button /Left front		D	1	d-V121 0314 03
5	A1RF 4423 00	Swing Shaft /Left		D	1	e-V121 0406 03
6	A1RF 4407 00	Open/close Plate		D	1	f-V127 0306 03
7	A1RF 4409 00	Regulating Plate		D	1	g-V217 0200 50
8	A1RF R793 00	LIFTING ARM/LEFT CALKING		D	1	h-V217 0300 50
9	A1RF 4429 00	Lock Spring		D	1	i-V217 0400 50
10	A1RF 4411 00	Lock Claw /Left		D	1	k-V217 0500 50
11	A1RF 4405 00	Support Plate /Left		D	1	m-V217 0600 50
12	A1RF 4421 00	Open/close Shaft		D	1	n-V500 0100 46
13	A1RF 4406 01	Support Plate /Right		D	1	p-V570 0100 21
14	A1RF 4430 00	Limiter		D	1	q-V570 0100 23
15	A1RF 4424 00	Swing Shaft /Right		D	1	
16	A1RF 4412 00	Lock Claw /Right		D	1	
17	A1RF 4417 01	Open/close Actuator		D	1	
18	A1RF 4431 00	Detecting Spring		D	1	
19	A1RF N190 01	Toner Drive Harness /7		D	1	
20	12QR 8601 1	Interlock Switch		B	1	
21	A03U 4021 00	SWITCH PLATE		D	1	
22	9335 1500 21	SOLID STATE SWITCH		B	1	
23	A1RF N149 00	Toner Drive harness /6		D	1	
24	A1RF R794 00	LIFTING ARM/RIGHT CALKING		D	1	
25	4470 4024 01	STOPPER		D	1	
26	A1RF R795 00	DETECTING PLATE CALKING		D	1	
27	A1RF 4401 01	Pressing Plate		D	1	
28	A1RF 4416 00	Pressing Part /Rear		D	4	
29	A1RF 4415 00	Pressing Part /Front		D	4	
30	A1RF 4426 00	Installing Spring		D	4	
31	A1RF 4402 01	Receiving Plate		D	4	
32	A1RF 4326 02	Guide Cover /Front		D	1	
33	A1RF 9443 00	Toner supply Label /Y		D	1	
34	A1RF 9444 00	Toner supply Label /M		D	1	
35	A1RF 9445 00	Toner supply Label /C		D	1	
36	A1RF 9446 00	Toner supply Label /K		D	1	

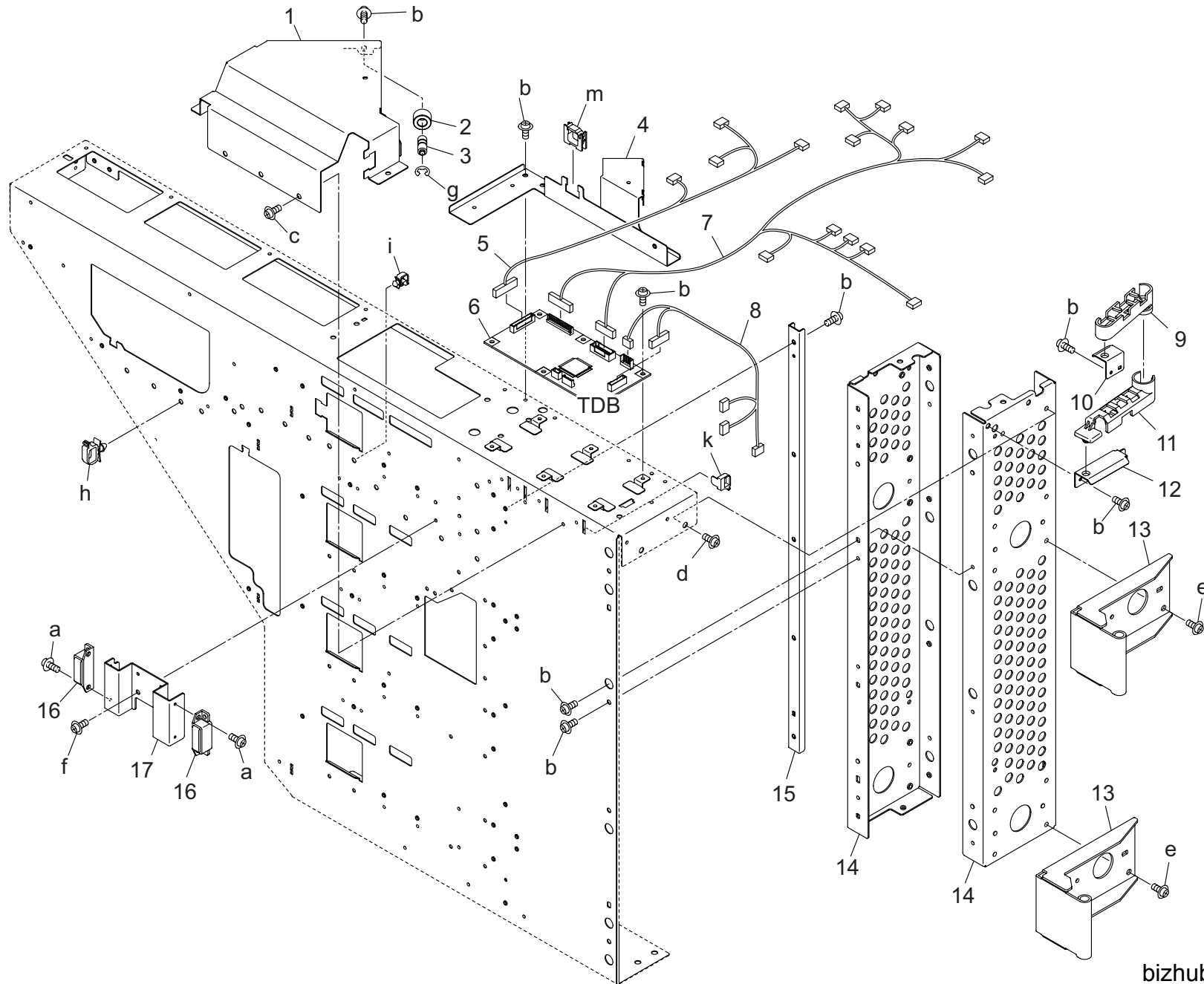
TONER SUPPLY SECTION:LOWER



TONER SUPPLY SECTION:LOWER

Key	Part No.	Description	Destinations	Class	QTY	Standard parts
1	A1RF 4070 00	Operation Label /2		D	1	a-V121 0306 03 b-V153 0308 03
2	A1RF 4069 00	Operation Label /1		D	1	
3	56UA 9730 0	Laser Caution Label /1		C	1	
4	A1RF 4451 02	Drive Cover		D	1	
5	A1RF 4390 00	Cover		D	4	
6	A1RF 4454 01	Cover		D	1	
7	12QV 4065 0	SPACER		B	4	

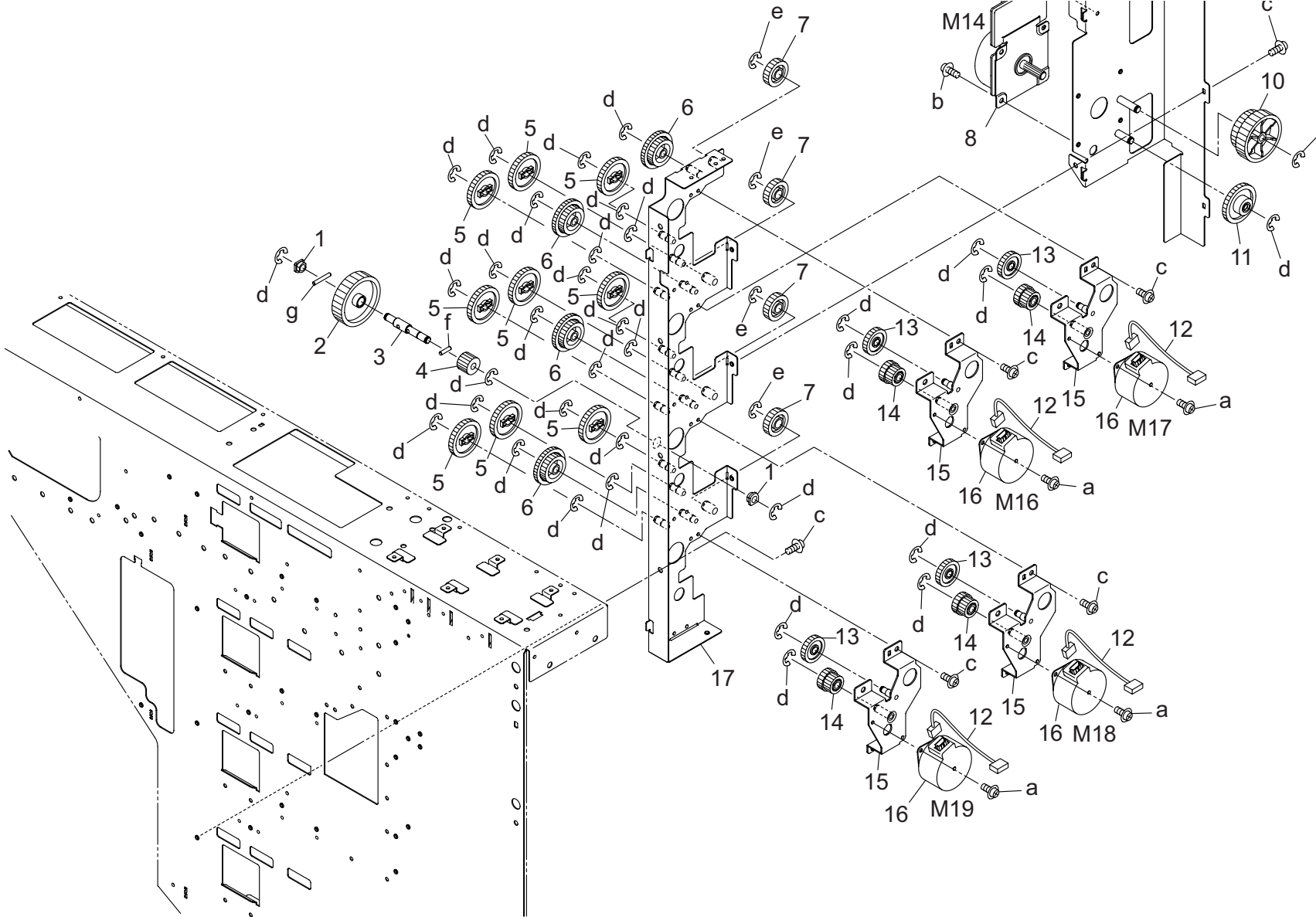
# TONER SUPPLY SECTION:LOWER



# TONER SUPPLY SECTION:LOWER

Key	Part No.	Description	Destinations	Class	QTY	Standard parts
1	A1RF 4344 01	Fixing Plate /C		D	1	a-V118 0305 03
2	A1RF 4355 00	Open/close Bushing Outside		C	1	b-V121 0306 03
3	A1RF 4343 00	Fixing Shaft /A		D	1	c-V121 0306 04
4	A1RF 4342 01	Fixing Plate /B		D	1	d-V121 0406 03
5	A1RF N142 01	Toner Drive Harness /1		D	1	e-V121 0408 03
6	A1RF H070 03	^Drive Board Assy		I	1	f-V127 0306 03
7	A1RF N143 01	Toner Drive Harness /2		D	1	g-V217 0600 50
8	A1RF N141 00	Toner Relay harness		D	1	h-V500 0100 05
9	A1RF 4349 00	Guide		D	1	i-V500 0100 20
10	A1RF 4348 00	Hold Plate		D	1	k-V500 0100 21
11	A1RF 4347 00	Guide		D	1	m-V570 0100 26
12	A1RF 4350 00	Hold Plate		D	1	
13	A1RF 4023 01	Toner Supply Hinge		D	2	
14	A1RF 4022 01	Reinforce Plate		D	2	
15	A1RF 4026 00	Reinforce Plate		D	1	
16	55FA 1210 1	MAGNET CATCH X		C	2	
17	A1RF 4453 01	Cover Plate		D	1	

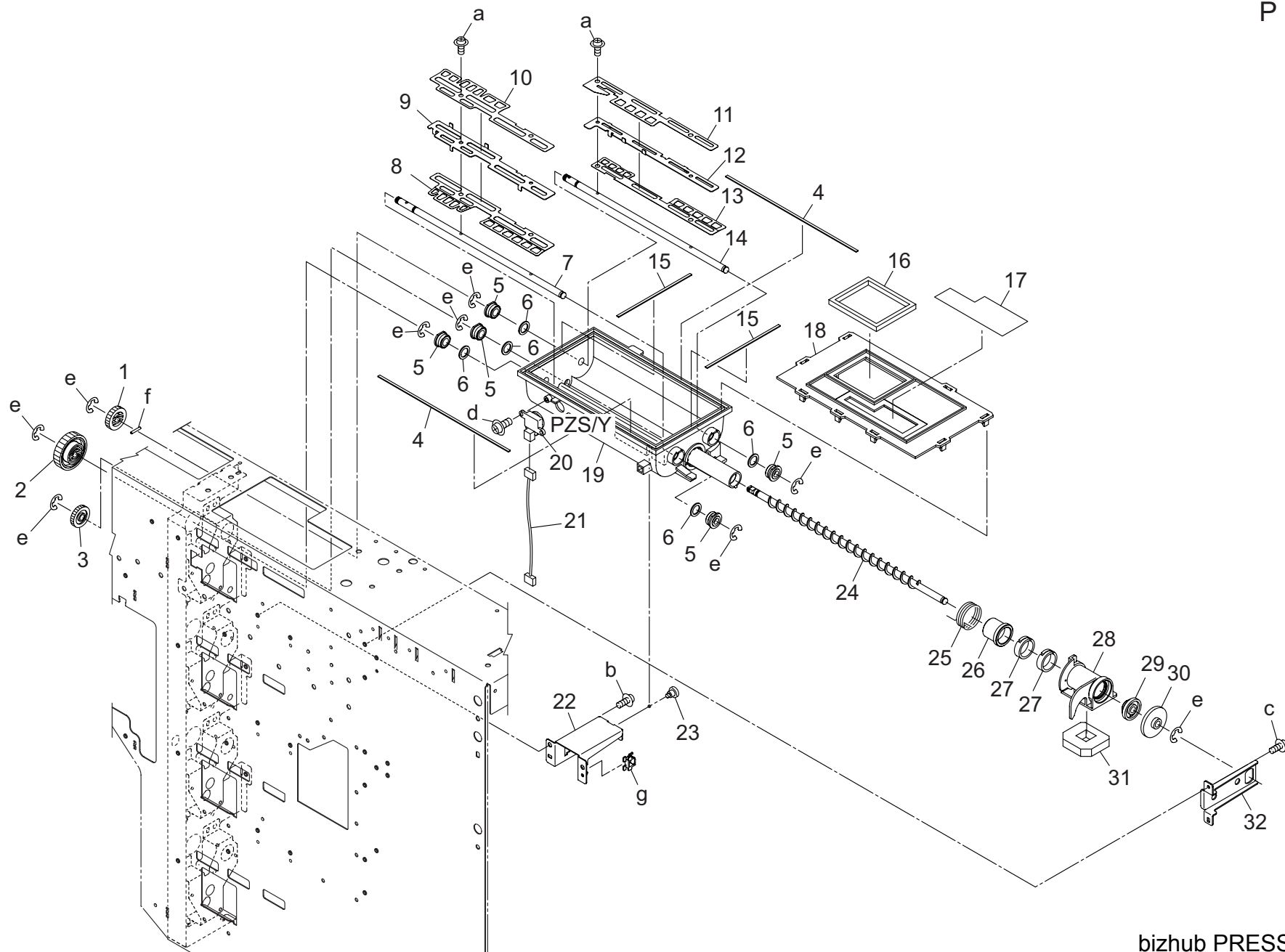
# TONER SUPPLY SECTION:LOWER



TONER SUPPLY SECTION:LOWER

Key	Part No.	Description	Destinations	Class	QTY	Standard parts
1	3220 7601 0	PAPER LIFT UP LEVER SHAFT HOLDER		B	2	a-V118 0306 03
2	56UA 7770 0	Toner Supply Drive Gear /A 45T		C	1	b-V121 0304 03
3	A1RF 4178 00	Drive Shaft /K		D	1	c-V121 0306 03
4	55VA 7796 0	SCREW GEAR 14T		B	1	d-V217 0400 50
5	56UA 7743 0	Toner Agitating Gear 32T		C	9	e-V217 0500 50
6	55VA 7793 1	IDLER GEAR C 32T 23T		C	4	f-V237 3012 50
7	26NA 4204 0	MANUAL FEED IDLER GEAR LOWER 22T		C	4	g-V237 3020 50
8	A0PN M102 00	DC Brushless motor /20		B	1	h-V500 0100 20
9	A1RF R7A0 00	AGITATING DRIVE PLATE CALKING		D	1	
10	65AA 7738 0	TONER SUPPLY GEAR A 82T/34T		C	1	
11	35EA 7715 1	BY-PASS IDLING GEAR 14/34T		C	1	
12	A1RF N144 00	Toner Drive harness /3		D	4	
13	08AA 7736 0	TONER SUPPLY GEAR F 24T		C	4	
14	A1RF 4162 00	Toner Supply Gear /C 22/31T		C	4	
15	A1RF R799 00	TONER HOPPER MOTOR CALKING		D	4	
16	A1RF R743 00	DRIVE MOTOR ASSY		C	4	
17	A1RF R798 00	TONER HOPPER DRIVE UNIT CALKING		D	1	

# TONER SUPPLY SECTION:LOWER

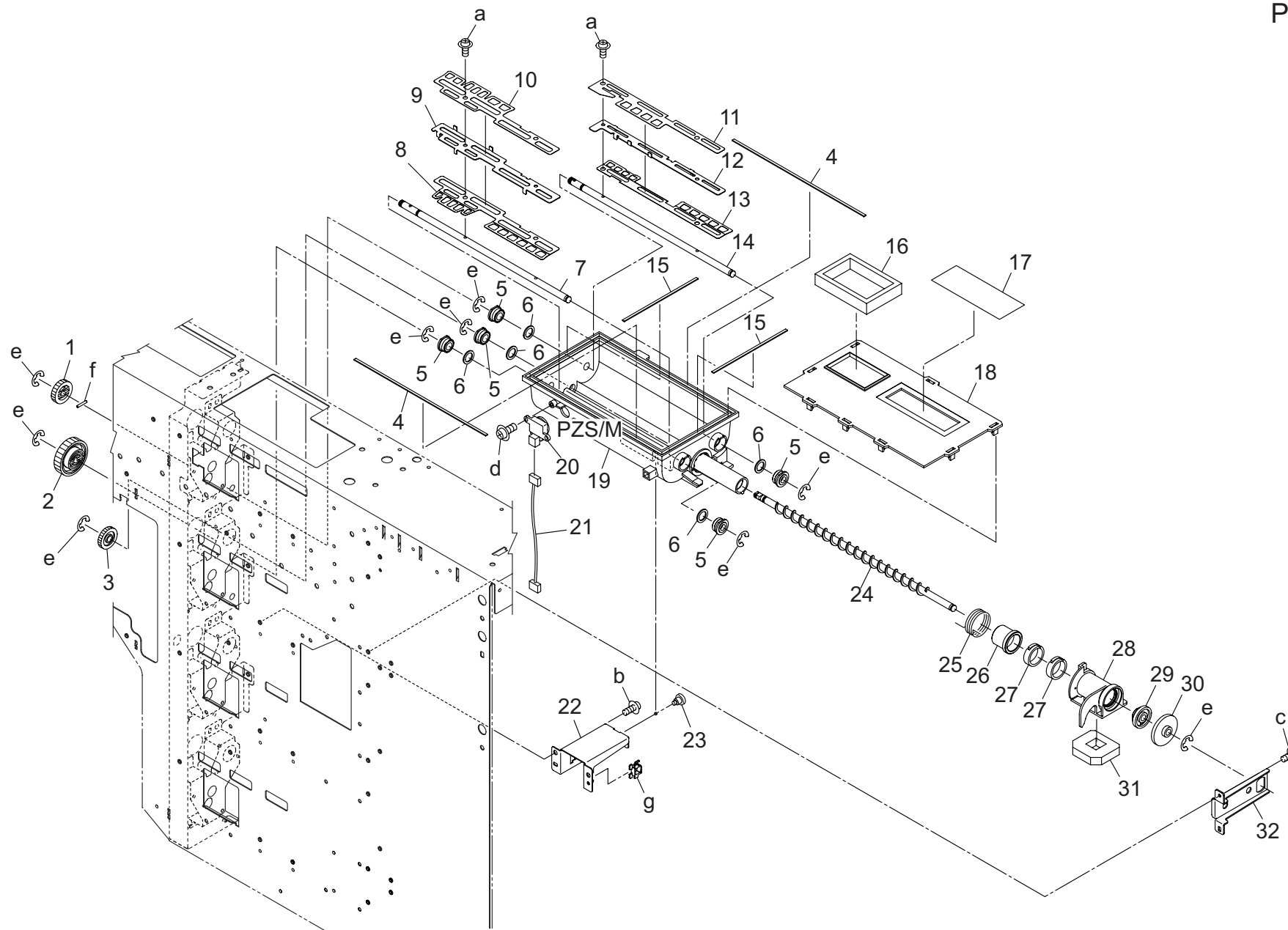




TONER SUPPLY SECTION:LOWER

Key	Part No.	Description	Destinations	Class	QTY	Standard parts
1	56AA 7794 0	IDLING GEAR G 20T		C	1	a-V116 0308 03
2	A1RF 4156 00	Toner Supply Gear 33T		D	1	b-V121 0306 03
3	40AA 7766 0	TONER SUPPLY GEAR F 28T		C	1	c-V127 0306 03
4	A1RF 4212 00	Toner supply Seal		D	2	d-V145 0306 03
5	A1RF 4241 02	Supply Bushing /B		C	5	e-V217 0400 50
6	A1RF 4218 00	Preventing Part		D	5	f-V237 2014 50
7	A1RF 4205 00	Agitating Shaft /Lower		D	1	g-V570 0100 25
8	A1RF 4213 00	Agitating Sheet /L		D	1	
9	A1RF 4207 00	Agitating Plate /L		D	1	
10	A1RF 4209 00	Agitating Sheet /L		D	1	
11	A1RF 4208 00	Agitating Sheet /M		D	1	
12	A1RF 4206 00	Agitating Plate /M		D	1	
13	A1RF 4210 00	Agitating Sheet /M		D	1	
14	A1RF 4204 00	Agitating Shaft /Upper		D	1	
15	A1RF 4211 00	Toner supply Seal		D	2	
16	A1RF 4233 00	Toner supply Seal		D	1	
17	A1RF 4219 00	Toner supply Sheet		D	1	
18	A1RF 4231 00	Toner supply Cover /Y		D	1	
19	A1RF 4201 02	Toner supply Main body		D	1	
20	40AA 8803 1	Level Detection Sensor		C	1	
21	A1RF N146 00	Toner Drive harness /4		D	1	
22	A1RF 4192 00	Lifting Plate		D	1	
23	55VA 2068 0	SEPARATION POSITIONING SCREW		C	1	
24	A1RF 4203 01	Conveyance Screw /5		D	1	
25	A1RF 4223 02	Open/close Spring		D	1	
26	A1RF 4220 00	Bushing		C	1	
27	A1RF 4224 00	Sealing Part		D	2	
28	A1RF 4221 01	Rotation Shutter		D	1	
29	A1RF 4242 02	Supply Bushing /D		C	1	
30	A1RF 4222 00	Stopper Roll		D	1	
31	A1RF 4225 01	Open/close Seal		D	1	
32	A1RF 4191 01	Receiving Plate		D	1	

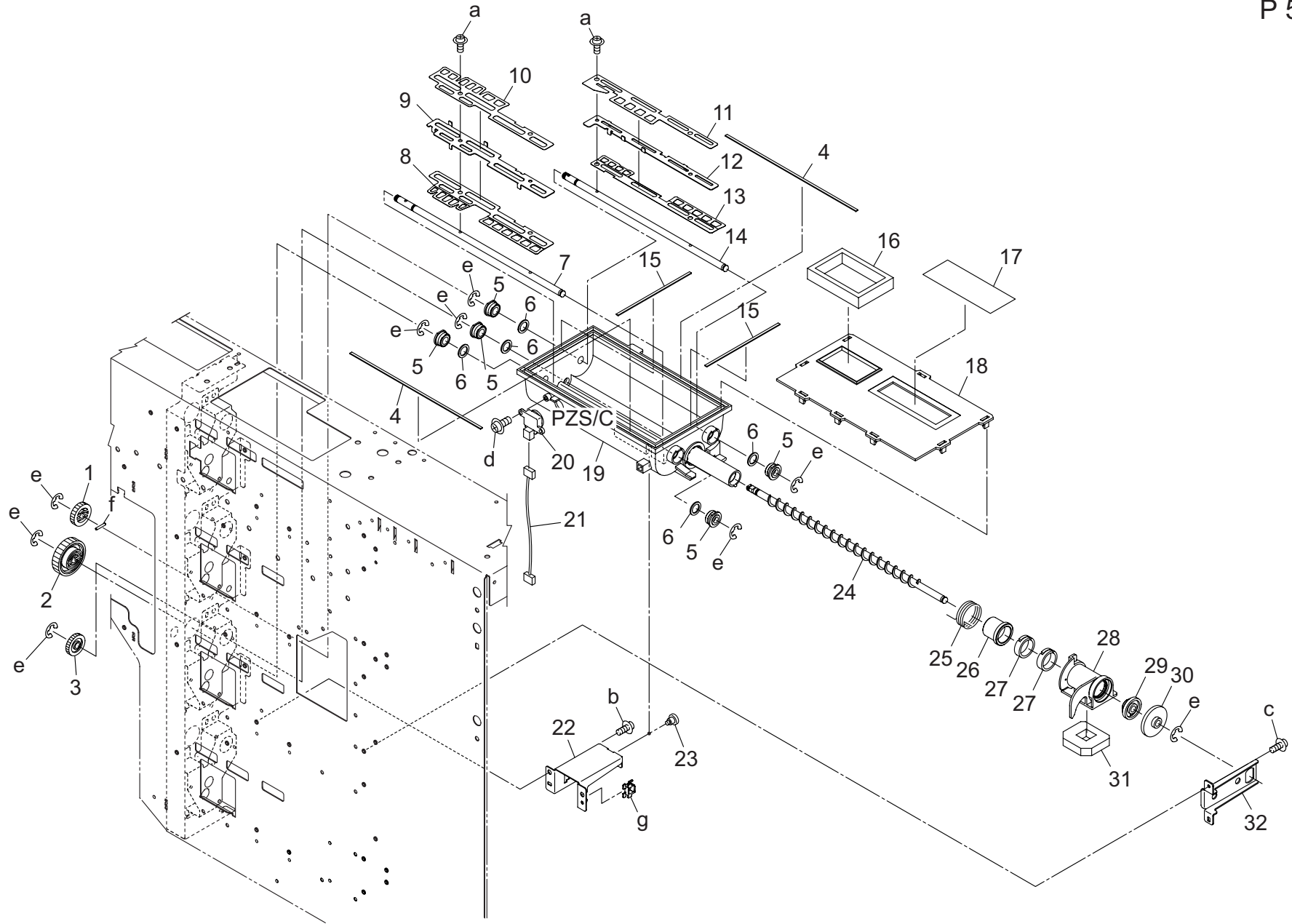
# TONER SUPPLY SECTION:LOWER



TONER SUPPLY SECTION:LOWER

Key	Part No.	Description	Destinations	Class	QTY	Standard parts
1	56AA 7794 0	IDLING GEAR G 20T		C	1	a-V116 0308 03
2	A1RF 4156 00	Toner Supply Gear 33T		D	1	b-V121 0306 03
3	40AA 7766 0	TONER SUPPLY GEAR F 28T		C	1	c-V127 0306 03
4	A1RF 4212 00	Toner supply Seal		D	2	d-V145 0306 03
5	A1RF 4241 02	Supply Bushing /B		C	5	e-V217 0400 50
6	A1RF 4218 00	Preventing Part		D	5	f-V237 2014 50
7	A1RF 4205 00	Agitating Shaft /Lower		D	1	g-V570 0100 25
8	A1RF 4213 00	Agitating Sheet /L		D	1	
9	A1RF 4207 00	Agitating Plate /L		D	1	
10	A1RF 4209 00	Agitating Sheet /L		D	1	
11	A1RF 4208 00	Agitating Sheet /M		D	1	
12	A1RF 4206 00	Agitating Plate /M		D	1	
13	A1RF 4210 00	Agitating Sheet /M		D	1	
14	A1RF 4204 00	Agitating Shaft /Upper		D	1	
15	A1RF 4211 00	Toner supply Seal		D	2	
16	A1RF 4143 01	Toner Supply Seal		D	1	
17	A1RF 4217 00	Toner supply Sheet		D	1	
18	A1RF 4202 00	Toner supply Cover		D	1	
19	A1RF 4201 02	Toner supply Main body		D	1	
20	40AA 8803 1	Level Detection Sensor		C	1	
21	A1RF N146 00	Toner Drive harness /4		D	1	
22	A1RF 4192 00	Lifting Plate		D	1	
23	55VA 2068 0	SEPARATION POSITIONING SCREW		C	1	
24	A1RF 4203 01	Conveyance Screw /5		D	1	
25	A1RF 4223 02	Open/close Spring		D	1	
26	A1RF 4220 00	Bushing		C	1	
27	A1RF 4224 00	Sealing Part		D	2	
28	A1RF 4221 01	Rotation Shutter		D	1	
29	A1RF 4242 02	Supply Bushing /D		C	1	
30	A1RF 4222 00	Stopper Roll		D	1	
31	A1RF 4225 01	Open/close Seal		D	1	
32	A1RF 4191 01	Receiving Plate		D	1	

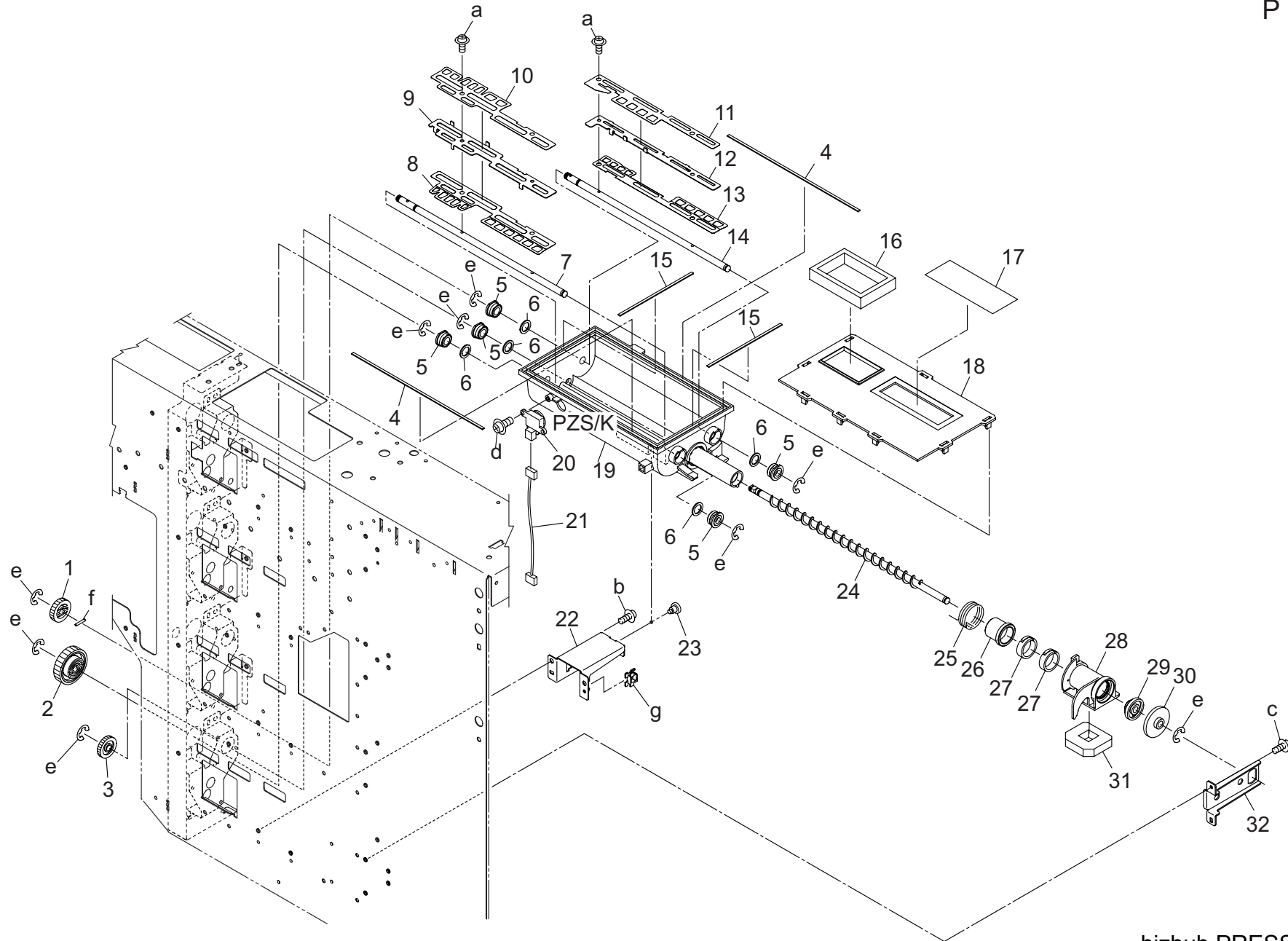
# TONER SUPPLY SECTION:LOWER



TONER SUPPLY SECTION:LOWER

Key	Part No.	Description	Destinations	Class	QTY	Standard parts
1	56AA 7794 0	IDLING GEAR G 20T		C	1	a-V116 0308 03 b-V121 0306 03 c-V127 0306 03 d-V145 0306 03 e-V217 0400 50 f-V237 2014 50 g-V570 0100 25
2	A1RF 4156 00	Toner Supply Gear 33T		D	1	
3	40AA 7766 0	TONER SUPPLY GEAR F 28T		C	1	
4	A1RF 4212 00	Toner supply Seal		D	2	
5	A1RF 4241 02	Supply Bushing /B		C	5	
6	A1RF 4218 00	Preventing Part		D	5	
7	A1RF 4205 00	Agitating Shaft /Lower		D	1	
8	A1RF 4213 00	Agitating Sheet /L		D	1	
9	A1RF 4207 00	Agitating Plate /L		D	1	
10	A1RF 4209 00	Agitating Sheet /L		D	1	
11	A1RF 4208 00	Agitating Sheet /M		D	1	
12	A1RF 4206 00	Agitating Plate /M		D	1	
13	A1RF 4210 00	Agitating Sheet /M		D	1	
14	A1RF 4204 00	Agitating Shaft /Upper		D	1	
15	A1RF 4211 00	Toner supply Seal		D	2	
16	A1RF 4143 01	Toner Supply Seal		D	1	
17	A1RF 4217 00	Toner supply Sheet		D	1	
18	A1RF 4202 00	Toner supply Cover		D	1	
19	A1RF 4201 02	Toner supply Main body		D	1	
20	40AA 8803 1	Level Detection Sensor		C	1	
21	A1RF N146 00	Toner Drive harness /4		D	1	
22	A1RF 4192 00	Lifting Plate		D	1	
23	55VA 2068 0	SEPARATION POSITIONING SCREW		C	1	
24	A1RF 4203 01	Conveyance Screw /5		D	1	
25	A1RF 4223 02	Open/close Spring		D	1	
26	A1RF 4220 00	Bushing		C	1	
27	A1RF 4224 00	Sealing Part		D	2	
28	A1RF 4221 01	Rotation Shutter		D	1	
29	A1RF 4242 02	Supply Bushing /D		C	1	
30	A1RF 4222 00	Stopper Roll		D	1	
31	A1RF 4225 01	Open/close Seal		D	1	
32	A1RF 4191 01	Receiving Plate		D	1	

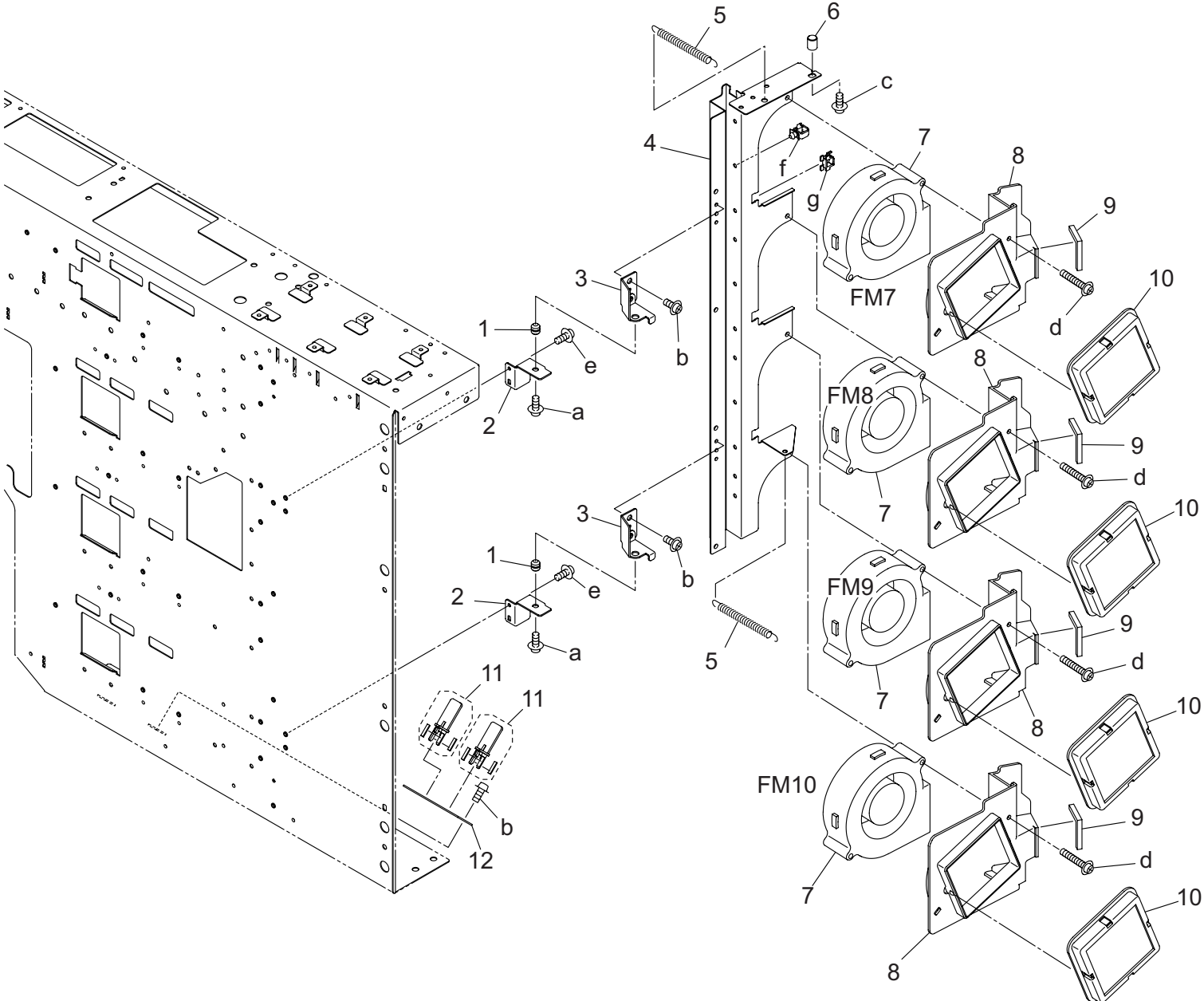
# TONER SUPPLY SECTION:LOWER



TONER SUPPLY SECTION:LOWER

Key	Part No.	Description	Destinations	Class	QTY	Standard parts
1	56AA 7794 0	IDLING GEAR G 20T		C	1	a-V116 0308 03
2	A1RF 4156 00	Toner Supply Gear 33T		D	1	b-V121 0306 03
3	40AA 7766 0	TONER SUPPLY GEAR F 28T		C	1	c-V127 0306 03
4	A1RF 4212 00	Toner supply Seal		D	2	d-V145 0306 03
5	A1RF 4241 02	Supply Bushing /B		C	5	e-V217 0400 50
6	A1RF 4218 00	Preventing Part		D	5	f-V237 2014 50
7	A1RF 4205 00	Agitating Shaft /Lower		D	1	g-V570 0100 25
8	A1RF 4213 00	Agitating Sheet /L		D	1	
9	A1RF 4207 00	Agitating Plate /L		D	1	
10	A1RF 4209 00	Agitating Sheet /L		D	1	
11	A1RF 4208 00	Agitating Sheet /M		D	1	
12	A1RF 4206 00	Agitating Plate /M		D	1	
13	A1RF 4210 00	Agitating Sheet /M		D	1	
14	A1RF 4204 00	Agitating Shaft /Upper		D	1	
15	A1RF 4211 00	Toner supply Seal		D	2	
16	A1RF 4143 01	Toner Supply Seal		D	1	
17	A1RF 4217 00	Toner supply Sheet		D	1	
18	A1RF 4202 00	Toner supply Cover		D	1	
19	A1RF 4201 02	Toner supply Main body		D	1	
20	40AA 8803 1	Level Detection Sensor		C	1	
21	A1RF N146 00	Toner Drive harness /4		D	1	
22	A1RF 4192 00	Lifting Plate		D	1	
23	55VA 2068 0	SEPARATION POSITIONING SCREW		C	1	
24	A1RF 4203 01	Conveyance Screw /5		D	1	
25	A1RF 4223 02	Open/close Spring		D	1	
26	A1RF 4220 00	Bushing		C	1	
27	A1RF 4224 00	Sealing Part		D	2	
28	A1RF 4221 01	Rotation Shutter		D	1	
29	A1RF 4242 02	Supply Bushing /D		C	1	
30	A1RF 4222 00	Stopper Roll		D	1	
31	A1RF 4225 01	Open/close Seal		D	1	
32	A1RF 4191 01	Receiving Plate		D	1	

TONER SUPPLY SECTION:LOWER



bizhub PRESS C8000



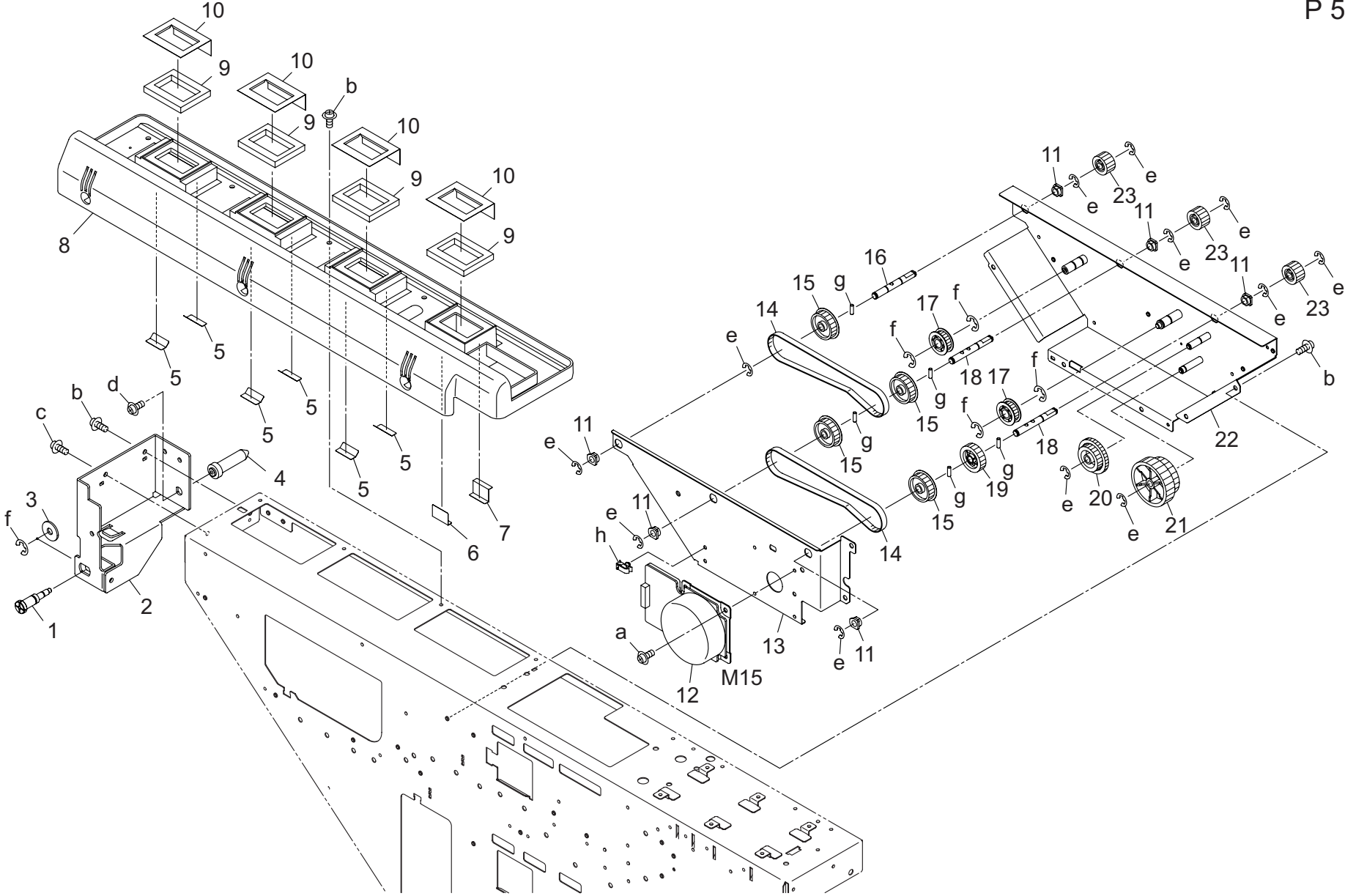


**TONER SUPPLY SECTION:LOWER**

Key	Part No.	Description	Destinations	Class	QTY	Standard parts
1	A1RF 4375 00	Cooling Shaft		D	2	a-V121 0304 03
2	A1RF 4382 00	Fixing Plate		D	2	b-V121 0306 03
3	A1RF 4067 00	Support Plate		D	2	c-V121 0406 03
4	A1RF 4371 01	Idler Plate		D	1	d-V121 0435 03
5	A1RF 4376 00	Cooling Spring		D	2	e-V127 0306 03
6	A1RF 4374 00	Stopper Shaft		D	1	f-V500 0100 20
7	9313 1000 72	FAN MOTOR		C	4	g-V570 0100 25
8	A1RF 4372 00	Cooling Plate		D	4	
9	A1RF 4379 00	Cooling Seal		D	4	
10	A1RF R703 00	Fancover Assy		A	4	
11	65AA R738 00	CHARGING CLEANING PART ASSY		B	2	
12	65AA 3331 0F	Mounting Plate /2		D	1	

bizhub PRESS C8000

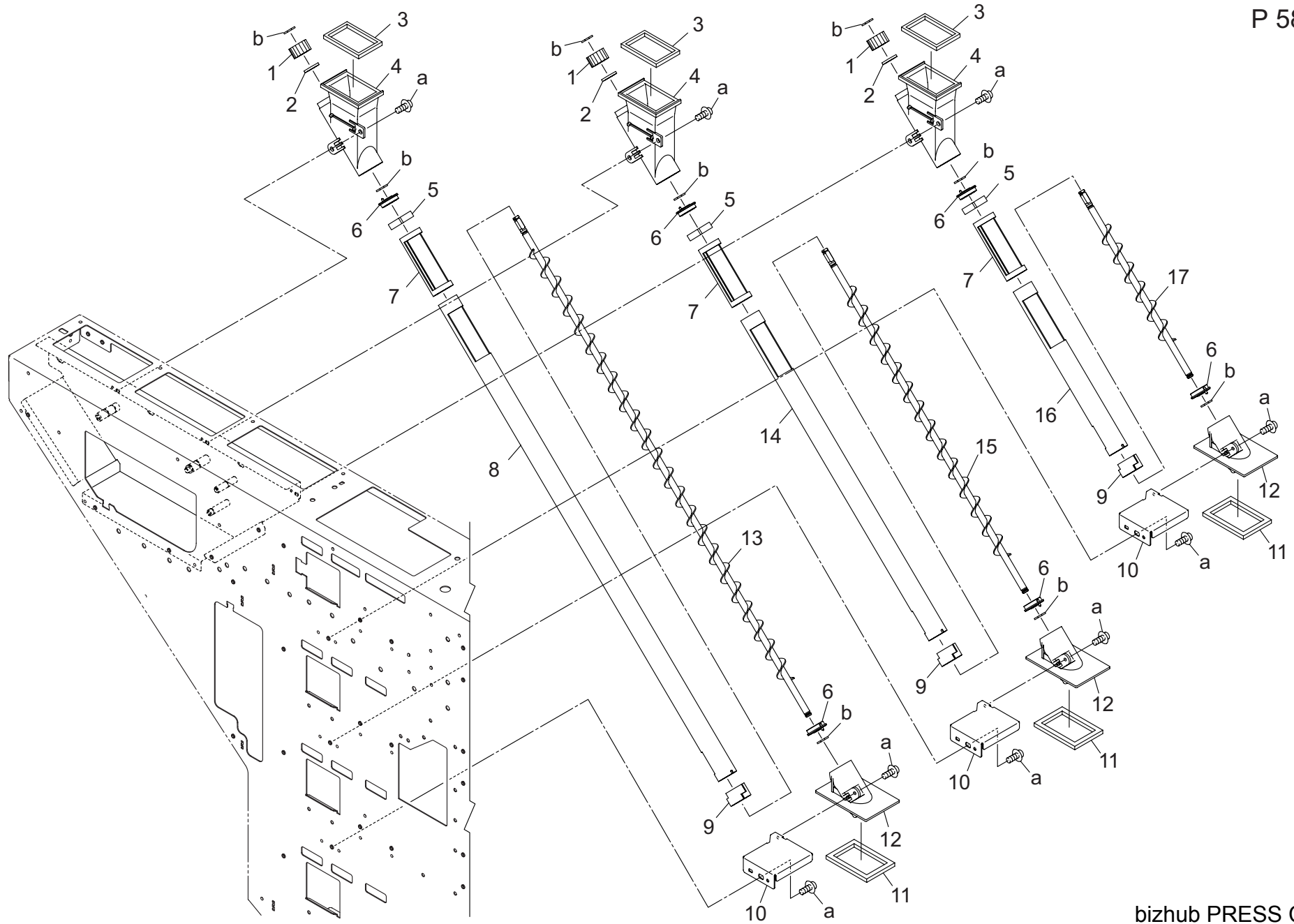
TONER SUPPLY SECTION:LOWER



TONER SUPPLY SECTION:LOWER

Key	Part No.	Description	Destinations	Class	QTY	Standard parts
1	A1RF 4352 00	Lock Screw /1		D	1	a-V121 0304 03
2	A1RF 4351 01	Lock Plate /1		D	1	b-V121 0306 03
3	A1RF 4353 00	Fixing Washer		D	1	c-V121 0308 03
4	A1RF 4359 00	Positioning Shaft /3		D	1	d-V121 0408 03
5	A1RF 4064 00	Sealing Part		D	6	e-V217 0400 50
6	A1RF 4066 00	Sealing Part		D	1	f-V217 0600 50
7	A1RF 4065 00	Sealing Part		D	1	g-V237 3010 50
8	A1RF 4025 01	Dust-proof Plate		D	1	h-V500 0100 46
9	A1RF 4141 00	Toner supply Seal		D	4	
10	A1RF 4142 02	Toner supply Sheet		D	4	
11	3220 7601 0	PAPER LIFT UP LEVER SHAFT HOLDER		B	6	
12	A0PN M102 00	DC Brushless motor /20		B	1	
13	A1RF 4101 01	Drive Plate		D	1	
14	A1RF 4042 00	Toner Supply Belt 327L		C	2	
15	A1RF 4111 00	Toner supply Pulley /2		C	4	
16	A1RF 4119 00	Drive Shaft /4		D	1	
17	A1RF 4045 00	Toner supply Pulley /3		C	2	
18	A1RF 4117 00	Drive Shaft /6		D	2	
19	55VA 7729 0	TONER CONVEYANCE GEAR B 24T		C	1	
20	55VA 7793 1	IDLER GEAR C 32T 23T		C	1	
21	65AA 7738 0	TONER SUPPLY GEAR A 82T/34T		C	1	
22	A1RF R7A1 00	SCREW DRIVE PLATE CALKING		D	1	
23	56AA 7733 0	SCREW GEAR 15T		C	3	

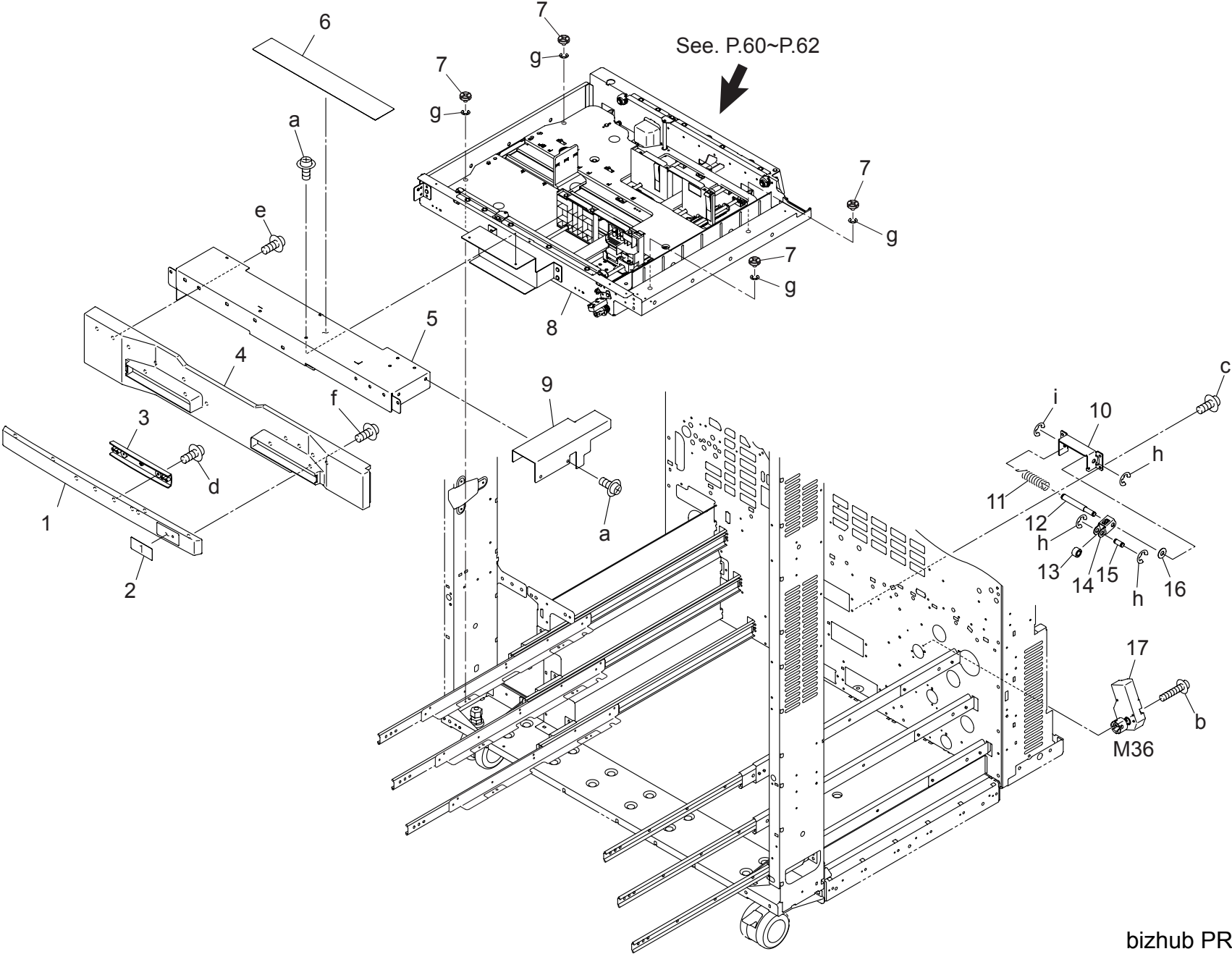
# TONER SUPPLY SECTION:LOWER



TONER SUPPLY SECTION:LOWER

Key	Part No.	Description	Destinations	Class	QTY	Standard parts
1	56AA 7733 0	SCREW GEAR 15T		C	3	a-V121 0306 03 b-V217 0400 50
2	A1RF 4136 01	Sealing Part		D	3	
3	A1RF 4234 01	Toner Supply Seal		D	3	
4	A1RF 4137 00	Conveyance Catch /Upper		D	3	
5	A1RF 4157 00	Toner Supply Seal		D	3	
6	A1RF 4081 00	Toner supply Bushing /1		C	6	
7	A1RF 4149 00	Toner supply Seal		D	3	
8	A1RF 4144 01	Conveyance Pipe /K		D	1	
9	A1RF 4139 00	Toner supply Seal		D	3	
10	A1RF 4193 01	Fixing Plate /C		D	3	
11	A1RF 4147 00	Toner Supply Seal		D	3	
12	A1RF 4138 00	Conveyance Catch /Lower		D	3	
13	A1RF 4131 01	Conveyance Screw /2		D	1	
14	A1RF 4145 01	Conveyance Pipe /C		D	1	
15	A1RF 4132 01	Conveyance Screw /3		D	1	
16	A1RF 4146 01	Conveyance Pipe /M		D	1	
17	A1RF 4133 01	Conveyance Screw /4		D	1	

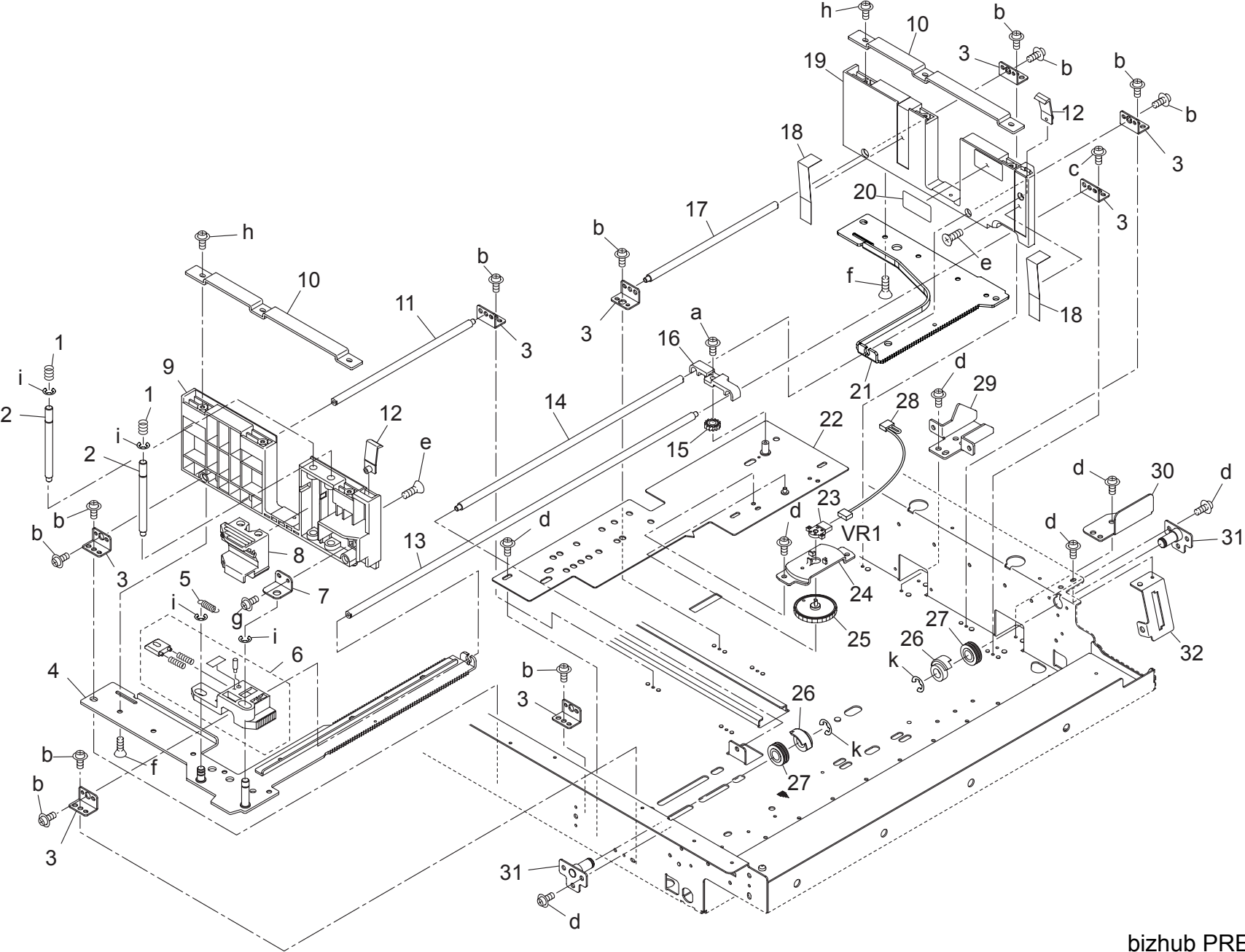
CASSETTE SECTION:UPPER



# CASSETTE SECTION:UPPER

Key	Part No.	Description	Destinations	Class	QTY	Standard parts
1	A0U0 1798 00	Paper feed Handle		C	1	a-V121 0304 03
2	A0U0 9454 01	Indicating Label /1		C	1	b-V121 0320 03
3	A03X 1702 01	PAPER FEED HANDLE /2		C	1	c-V146 0408 03
4	A1RF 1711 01	Paper feed Cover /Upper		D	1	d-V153 0308 03
5	A1RF 1710 01	Support Cover		D	1	e-V153 0406 03
6	A1RF 9442 00	Operation Label /1		D	1	f-V153 0412 03
7	65AA 4795 0	CASSETTE REGULATING SCREW		C	4	g-V217 0200 50
8	A03U R724 11	Cassette		S	1	h-V217 0600 50
9	A03U 6207 02	Wiring Cover		D	1	i-V217 0800 50
10	65AA 4737 0	FULCRUM PLATE		D	1	
11	65AA 4739 0	GUIDE SPRING		C	1	
12	65AA 4738 0	FULCRUM SHAFT		D	1	
13	0676 4258 1	TRAY LOCK PULLEY		C	1	
14	65AA 4771 0	LOCKING PLATE		D	1	
15	65AA 4736 0	CASSETTE LOCKING SHAFT		D	1	
16	65AA 4797 0	SPACER		C	1	
17	A0P0 M100 00	Brush Motor		B	1	

CASSETTE SECTION:UPPER

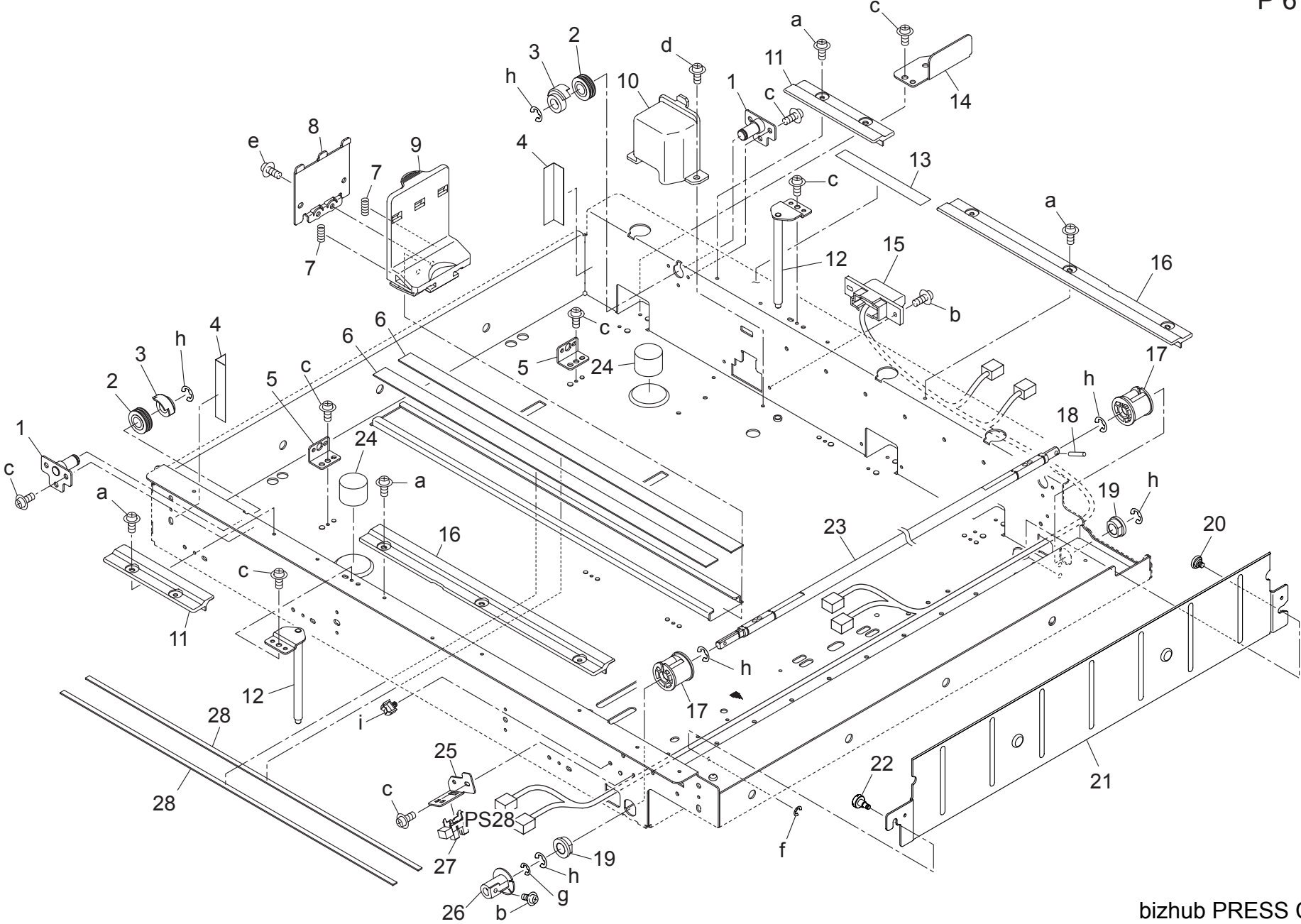




CASSETTE SECTION:UPPER

Key	Part No.	Description	Destinations	Class	QTY	Standard parts
1	65AA 4778 0	GUIDE SPRING 2		C	2	a-V116 0306 03
2	65AA 4719 0	PAPER POSITIONING PIN		D	2	b-V121 0304 03
3	65AA 4774 0	SHAFT MOUNTING PLATE		D	8	c-V121 0308 03
4	65AA -475 0	SIDE GUIDE RACK F CAULKING		D	1	d-V127 0305 16
5	65AA 4783 1	GUIDE SPRING 4		C	1	e-V147 0308 03
6	65AA R781 00	ROCK PART 2ASSY		D	1	f-V147 0310 03
7	65AA 4747 0D	Fulcrum Plate		D	1	g-V158 0308 03
8	65GE 4709 0	SIDE LOCKING PLATE		D	1	h-V158 0308 16
9	A03U 6210 00	GUIDE PLATE /FRONT		C	1	i-V217 0400 50
10	65AA 4749 0E	Side Supply Plate		D	2	k-V217 0600 50
11	65AA 4718 0	Positioning Shaft /3		D	1	
12	26NA 4707 0	PAPER REGULATING CLAW		C	2	
13	65AA 4717 0	Positioning Shaft /2		D	1	
14	65AA 4716 0	Positioning Shaft /1		D	1	
15	A03U 6204 00	PINION 14T		D	1	
16	65AA 4727 0	SHAFT SUPPORT PLATE		D	1	
17	65AA 4721 0	Positioning Shaft /4		D	1	
18	65AA 4742 0	PAPER REGULATING SHEET		C	2	
19	A03U 6211 00	GUIDE PLATE /REAR		C	1	
20	A03U 9453 00	Regulating Label /1		C	1	
21	65AA 4706 0E	Guide Rack /Rear		D	1	
22	A03U F621 00	Paper PS Plate Caulking		D	1	
23	56AA 8560 1	SIZE DETECTION VR		C	1	
24	65AA 4261 0	Mounting Plate		D	1	
25	65AA 4760 0E	Detecting Gear 45T		C	1	
26	65AA 4763 0	WIRE GUIDE PART		C	2	
27	65AA 4755 0	WIRE ROLLER		C	2	
28	65AA 9058 0	SIZE RELAY WIRING		D	1	
29	65AA 4734 0	FIXING CAM		D	1	
30	65AA 4714 0	CASSETTE POSITIONING PLATE 1		D	1	
31	65AA -481 0	PULLEY FULCRUM PLATE CAULKING		D	2	
32	65AA 4772 0D	Wiring Mounting Plate		D	1	

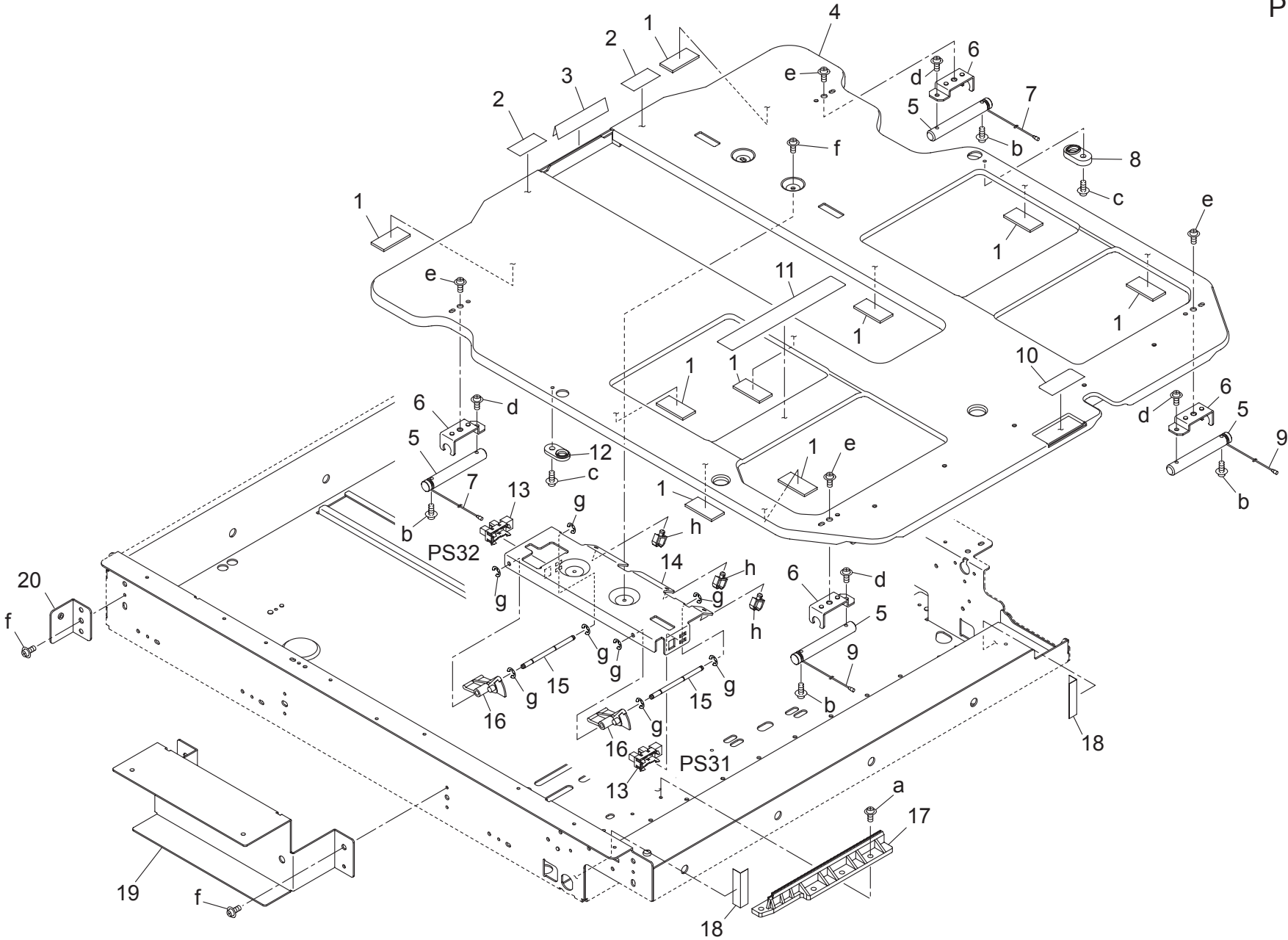
CASSETTE SECTION:UPPER



CASSETTE SECTION:UPPER

Key	Part No.	Description	Destinations	Class	QTY	Standard parts
1	65AA -481 0	PULLEY FULCRUM PLATE CAULKING		D	2	a-V121 0304 04
2	65AA 4755 0	WIRE ROLLER		C	2	b-V121 0306 03
3	65AA 4763 0	WIRE GUIDE PART		C	2	c-V127 0305 16
4	65AA 4762 0	PROTECTION SEAL 2		C	2	d-V123 0305 21
5	65AA 4774 0	SHAFT MOUNTING PLATE		D	2	e-V158 0308 03
6	65AA 4750 0	Slide Sheet		D	2	f-V217 0200 50
7	65AA 4779 0D	Guide Spring /3		D	2	g-V217 0400 50
8	65AA 4773 0E	Spring Support Part		D	1	h-V217 0600 50
9	65GE 4708 0	Paper Regulating Plate /Left		D	1	i-V500 0100 26
10	A03U 6212 00	GUIDE COVER		C	1	
11	A03U 6214 00	AUXILIARY COVER /S		C	2	
12	65AA -482 0	SHAFT FULCRUM PLATE CAULKING		D	2	
13	65GE 9749 0	CASSETTE GUIDE LABEL		D	1	
14	65AA 4714 0	CASSETTE POSITIONING PLATE 1		D	1	
15	65AA 9017 0E	CASSETTE SIGNAL WIRING		C	1	
16	A03U 6213 00	AUXILIARY COVER /L		C	2	
17	55VA 4060 0	Driving Up /Down Pulley		B	2	
18	65AA 4770 0D	Up/down Pin		D	1	
19	A03U 8128 00	Slide Shaft Holder		C	2	
20	55VA 4222 0	POSITIONING SCREW		C	1	
21	65AA 4707 0F	Paper Regulating Plate /Right		D	1	
22	A03U 6217 00	Holding Screw /Front		D	1	
23	65AA 4711 1	Lifting Shaft		D	1	
24	65AA 4782 0	REGULATING PART		C	2	
25	65AA 4790 0	MOUNTING PLATE 2		D	1	
26	65AA 4713 0	PAPER DETECTING ACTUATOR		C	1	
27	08AA 8551 2	Photo Sensor		B	1	
28	65AA 4780 0	GUIDE SHEET		C	2	

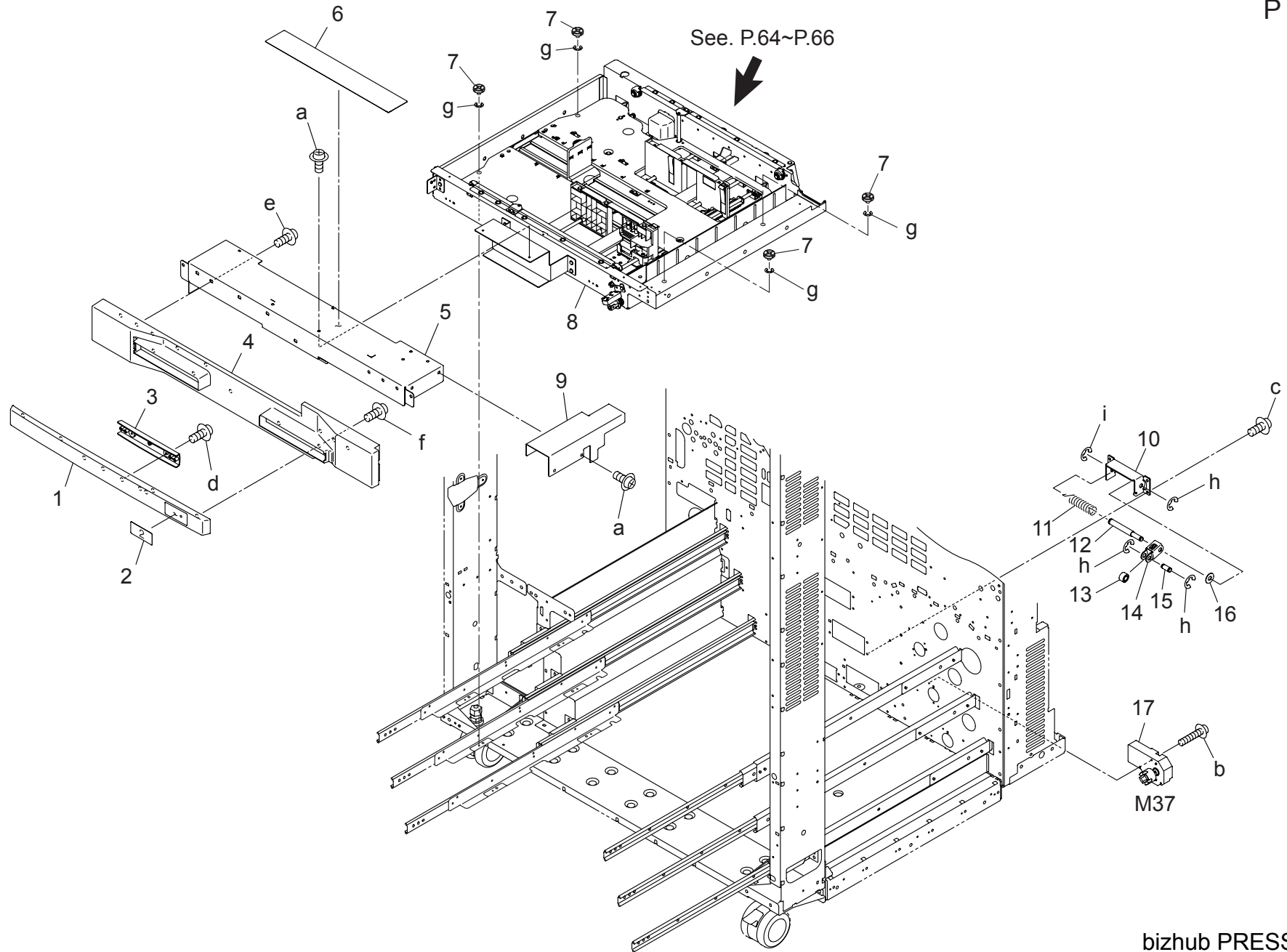
CASSETTE SECTION:UPPER



CASSETTE SECTION:UPPER

Key	Part No.	Description	Destinations	Class	QTY	Standard parts
1	65AA 4786 0	AUXILIARY SHEET		C	9	a-V116 0305 03
2	65AA 4745 0	PROTECTION SEAL /3		D	2	b-V121 0304 03
3	65AA 4748 0	Protection Sheet /Upper		C	1	c-V121 0304 16
4	65AA 4702 0D	Paper Lifting Plate		D	1	d-V121 0306 03
5	65AA 4766 0	WIRE FULCRUM SHAFT		D	4	e-V121 0406 16
6	65AA 4765 0	WIRE FULCRUM PLATE		D	4	f-V127 0305 16
7	65AA 4753 0	Up Down Wire /2		C	2	g-V217 0200 50
8	65AA 4758 0	GUIDE BUSHING /2		C	1	h-V500 0100 26
9	65AA 4752 0	Up Down Wire /1		C	2	
10	55VA 4093 0	DOUBLE FEED PREVENTIVE PLATE		C	1	
11	A1RF 9460 00	Paper feed Label /1		D	1	
12	65AA 4775 0	GUIDE BUSHING		C	1	
13	08AA 8551 2	Photo Sensor		B	2	
14	65AA 4712 0D	Mounting Plate		D	1	
15	65AA 4731 0E	PAPER DETECTING SHAFT		D	2	
16	65AA 4732 0	Paper Detecting Actuator		C	2	
17	65AA 4768 0	LOCKING PART		D	1	
18	65AA 4759 0	Protection Seal /1		D	2	
19	65AA 4741 0D	Auxiliary Plate /1		D	1	
20	65AA 4777 1E	Side Mounting Plate		D	1	

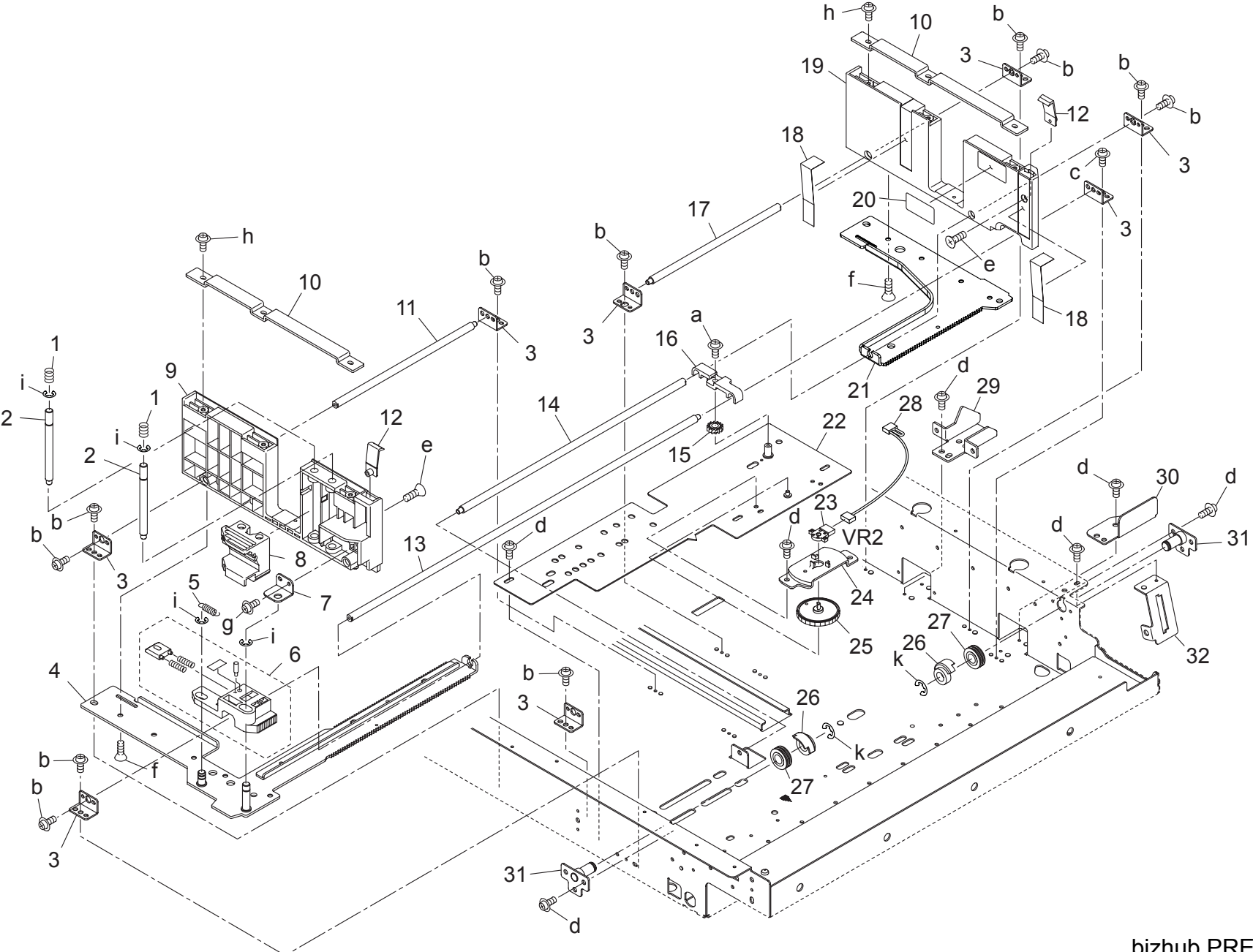
# CASSETTE SECTION:MIDDLE



# CASSETTE SECTION:MIDDLE

Key	Part No.	Description	Destinations	Class	QTY	Standard parts
1	A0U0 1798 00	Paper feed Handle		C	1	a-V121 0304 03
2	A0U0 9455 01	Indicating Label /2		C	1	b-V121 0320 03
3	A03X 1702 01	PAPER FEED HANDLE /2		C	1	c-V146 0408 03
4	A1RF 1712 01	Paper feed Cover /Middle		D	1	d-V153 0308 03
5	A1RF 1710 01	Support Cover		D	1	e-V153 0406 03
6	A1RF 9442 00	Operation Label /1		D	1	f-V153 0412 03
7	65AA 4795 0	CASSETTE REGULATING SCREW		C	4	g-V217 0200 50
8	A03U R724 11	Cassette		S	1	h-V217 0600 50
9	A03U 6207 02	Wiring Cover		D	1	i-V217 0800 50
10	65AA 4737 0	FULCRUM PLATE		D	1	
11	65AA 4739 0	GUIDE SPRING		C	1	
12	65AA 4738 0	FULCRUM SHAFT		D	1	
13	0676 4258 1	TRAY LOCK PULLEY		C	1	
14	65AA 4771 0	LOCKING PLATE		D	1	
15	65AA 4736 0	CASSETTE LOCKING SHAFT		D	1	
16	65AA 4797 0	SPACER		C	1	
17	A0P0 M100 00	Brush Motor		B	1	

CASSETTE SECTION:MIDDLE



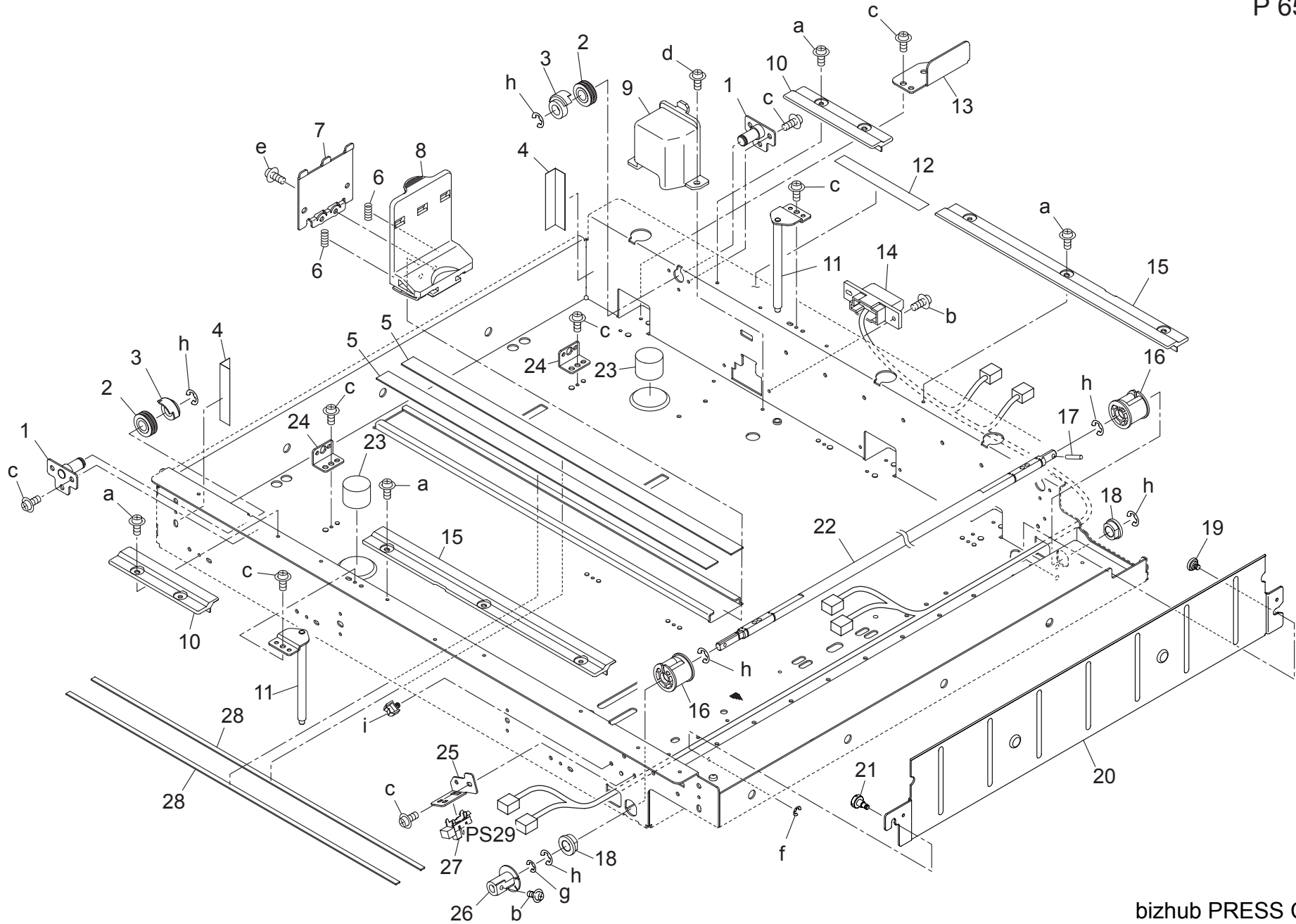


CASSETTE SECTION:MIDDLE

Key	Part No.	Description	Destinations	Class	QTY	Standard parts
1	65AA 4778 0	GUIDE SPRING 2		C	2	a-V116 0306 03
2	65AA 4719 0	PAPER POSITIONING PIN		D	2	b-V121 0304 03
3	65AA 4774 0	SHAFT MOUNTING PLATE		D	8	c-V121 0308 03
4	65AA -475 0	SIDE GUIDE RACK F CAULKING		D	1	d-V127 0305 16
5	65AA 4783 1	GUIDE SPRING 4		C	1	e-V147 0308 03
6	65AA R781 00	ROCK PART 2ASSY		D	1	f-V147 0310 03
7	65AA 4747 0D	Fulcrum Plate		D	1	g-V158 0308 03
8	65GE 4709 0	SIDE LOCKING PLATE		D	1	h-V158 0308 16
9	A03U 6210 00	GUIDE PLATE /FRONT		C	1	i-V217 0400 50
10	65AA 4749 0E	Side Supply Plate		D	2	k-V217 0600 50
11	65AA 4718 0	Positioning Shaft /3		D	1	
12	26NA 4707 0	PAPER REGULATING CLAW		C	2	
13	65AA 4717 0	Positioning Shaft /2		D	1	
14	65AA 4716 0	Positioning Shaft /1		D	1	
15	A03U 6204 00	PINION 14T		D	1	
16	65AA 4727 0	SHAFT SUPPORT PLATE		D	1	
17	65AA 4721 0	Positioning Shaft /4		D	1	
18	65AA 4742 0	PAPER REGULATING SHEET		C	2	
19	A03U 6211 00	GUIDE PLATE /REAR		C	1	
20	A03U 9453 00	Regulating Label /1		C	1	
21	65AA 4706 0E	Guide Rack /Rear		D	1	
22	A03U F621 00	Paper PS Plate Caulking		D	1	
23	56AA 8560 1	SIZE DETECTION VR		C	1	
24	65AA 4261 0	Mounting Plate		D	1	
25	65AA 4760 0E	Detecting Gear 45T		C	1	
26	65AA 4763 0	WIRE GUIDE PART		C	2	
27	65AA 4755 0	WIRE ROLLER		C	2	
28	65AA 9058 0	SIZE RELAY WIRING		D	1	
29	65AA 4734 0	FIXING CAM		D	1	
30	65AA 4714 0	CASSETTE POSITIONING PLATE 1		D	1	
31	65AA -481 0	PULLEY FULCRUM PLATE CAULKING		D	2	
32	65AA 4772 0D	Wiring Mounting Plate		D	1	

# CASSETTE SECTION:MIDDLE

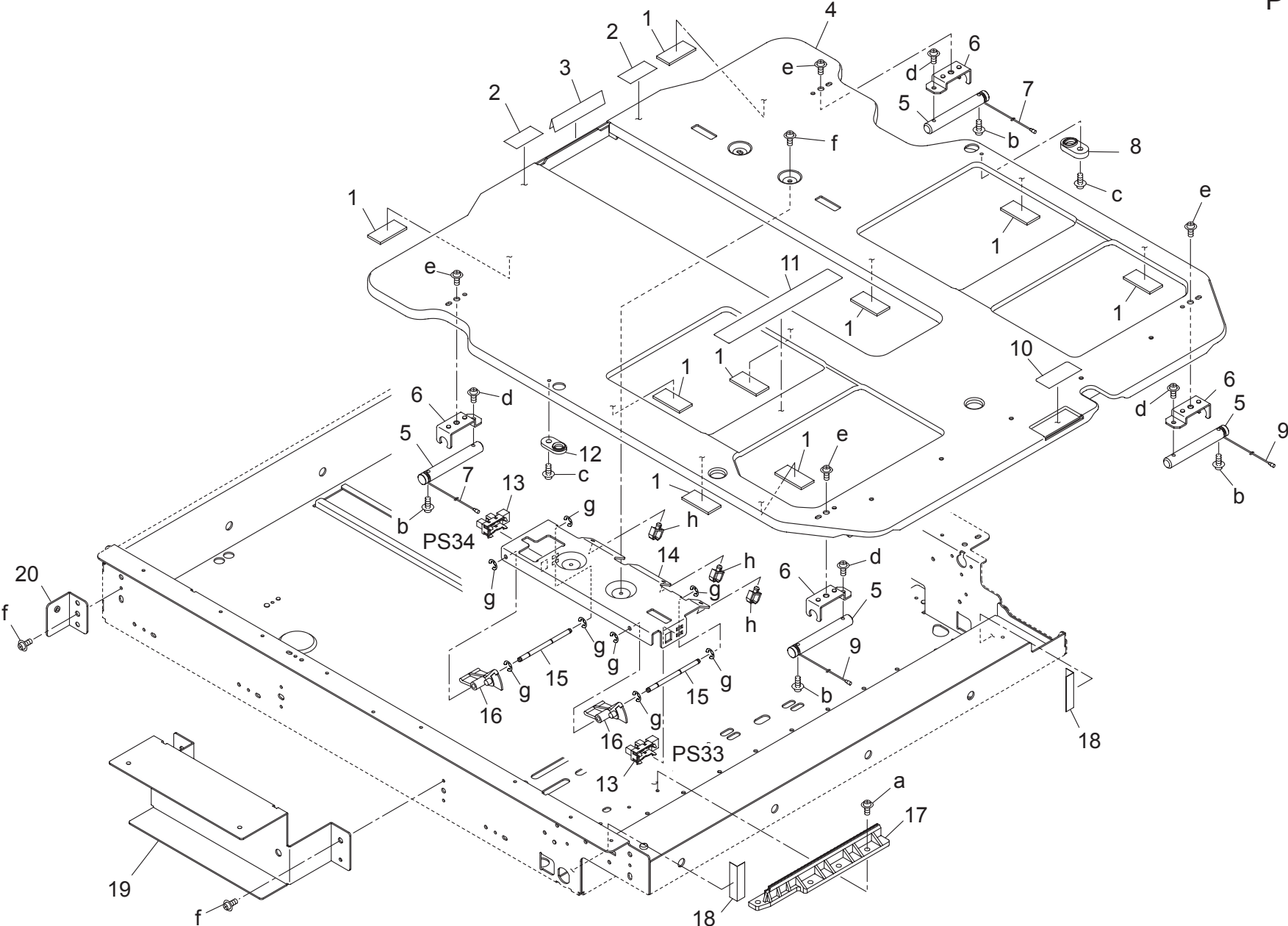
P 65



CASSETTE SECTION:MIDDLE

Key	Part No.	Description	Destinations	Class	QTY	Standard parts
1	65AA -481 0	PULLEY FULCRUM PLATE CAULKING		D	2	a-V121 0304 04
2	65AA 4755 0	WIRE ROLLER		C	2	b-V121 0306 03
3	65AA 4763 0	WIRE GUIDE PART		C	2	c-V127 0305 16
4	65AA 4762 0	PROTECTION SEAL 2		C	2	d-V123 0305 21
5	65AA 4750 0	Slide Sheet		D	2	e-V158 0308 03
6	65AA 4779 0D	Guide Spring /3		D	2	f-V217 0200 50
7	65AA 4773 0E	Spring Support Part		D	1	g-V217 0400 50
8	65GE 4708 0	Paper Regulating Plate /Left		D	1	h-V217 0600 50
9	A03U 6212 00	GUIDE COVER		C	1	i-V500 0100 26
10	A03U 6214 00	AUXILIARY COVER /S		C	2	
11	65AA -482 0	SHAFT FULCRUM PLATE CAULKING		D	2	
12	65GE 9749 0	CASSETTE GUIDE LABEL		D	1	
13	65AA 4714 0	CASSETTE POSITIONING PLATE 1		D	1	
14	65AA 9017 0E	CASSETTE SIGNAL WIRING		C	1	
15	A03U 6213 00	AUXILIARY COVER /L		C	2	
16	55VA 4060 0	Driving Up /Down Pulley		B	2	
17	65AA 4770 0D	Up/down Pin		D	1	
18	A03U 8128 00	Slide Shaft Holder		C	2	
19	55VA 4222 0	POSITIONING SCREW		C	1	
20	65AA 4707 0F	Paper Regulating Plate /Right		D	1	
21	A03U 6217 00	Holding Screw /Front		D	1	
22	65AA 4711 1	Lifting Shaft		D	1	
23	65AA 4782 0	REGULATING PART		C	2	
24	65AA 4774 0	SHAFT MOUNTING PLATE		D	2	
25	65AA 4790 0	MOUNTING PLATE 2		D	1	
26	65AA 4713 0	PAPER DETECTING ACTUATOR		C	1	
27	08AA 8551 2	Photo Sensor		B	1	
28	65AA 4780 0	GUIDE SHEET		C	2	

CASSETTE SECTION:MIDDLE

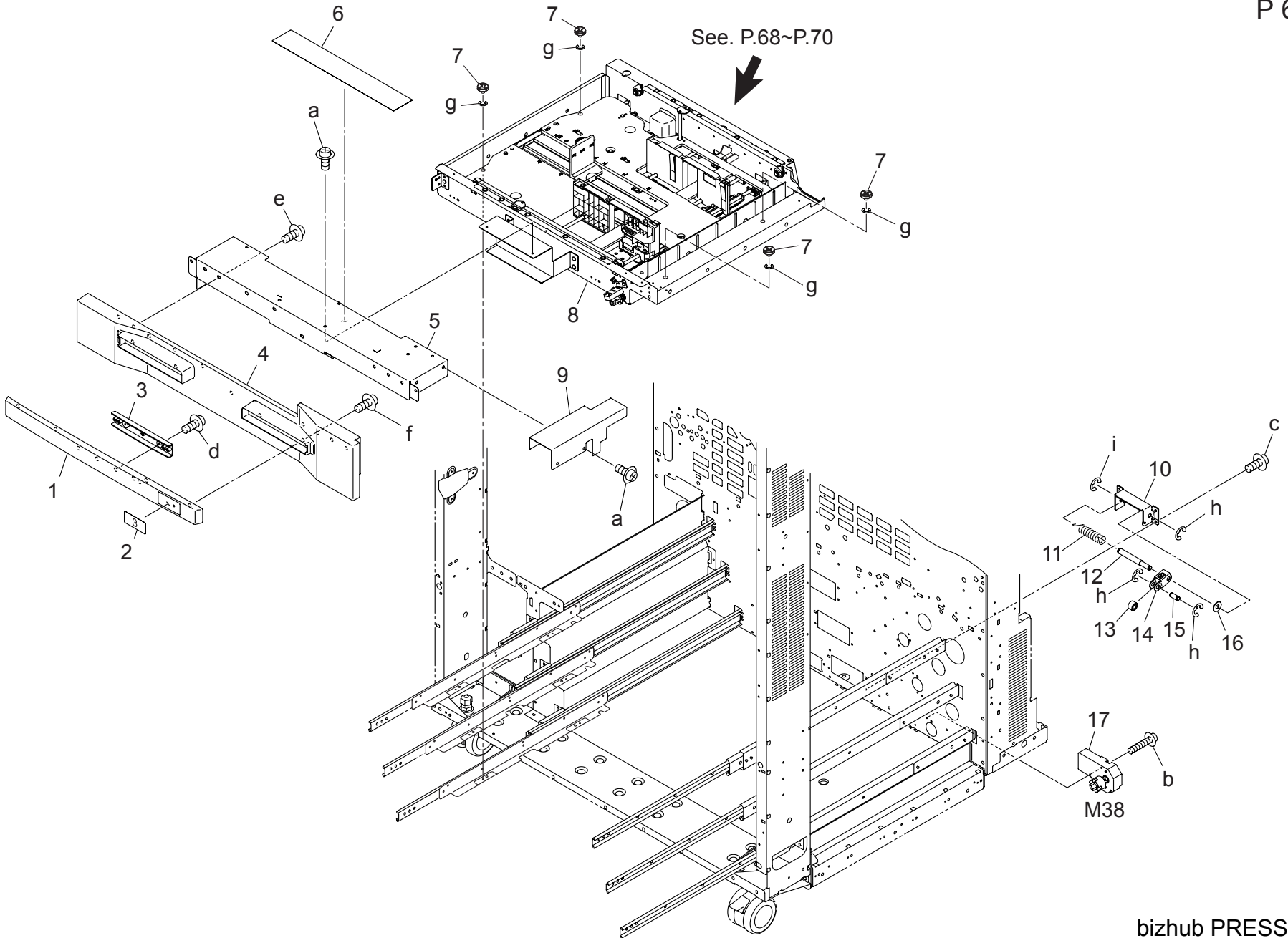


bizhub PRESS C8000

CASSETTE SECTION:MIDDLE

Key	Part No.	Description	Destinations	Class	QTY	Standard parts
1	65AA 4786 0	AUXILIARY SHEET		C	9	a-V116 0305 03
2	65AA 4745 0	PROTECTION SEAL /3		D	2	b-V121 0304 03
3	65AA 4748 0	Protection Sheet /Upper		C	1	c-V121 0304 16
4	65AA 4702 0D	Paper Lifting Plate		D	1	d-V121 0306 03
5	65AA 4766 0	WIRE FULCRUM SHAFT		D	4	e-V121 0406 16
6	65AA 4765 0	WIRE FULCRUM PLATE		D	4	f-V127 0305 16
7	65AA 4753 0	Up Down Wire /2		C	2	g-V217 0200 50
8	65AA 4758 0	GUIDE BUSHING /2		C	1	h-V500 0100 26
9	65AA 4752 0	Up Down Wire /1		C	2	
10	55VA 4093 0	DOUBLE FEED PREVENTIVE PLATE		C	1	
11	A1RF 9460 00	Paper feed Label /1		D	1	
12	65AA 4775 0	GUIDE BUSHING		C	1	
13	08AA 8551 2	Photo Sensor		B	2	
14	65AA 4712 0D	Mounting Plate		D	1	
15	65AA 4731 0E	PAPER DETECTING SHAFT		D	2	
16	65AA 4732 0	Paper Detecting Actuator		C	2	
17	65AA 4768 0	LOCKING PART		D	1	
18	65AA 4759 0	Protection Seal /1		D	2	
19	65AA 4741 0D	Auxiliary Plate /1		D	1	
20	65AA 4777 1E	Side Mounting Plate		D	1	

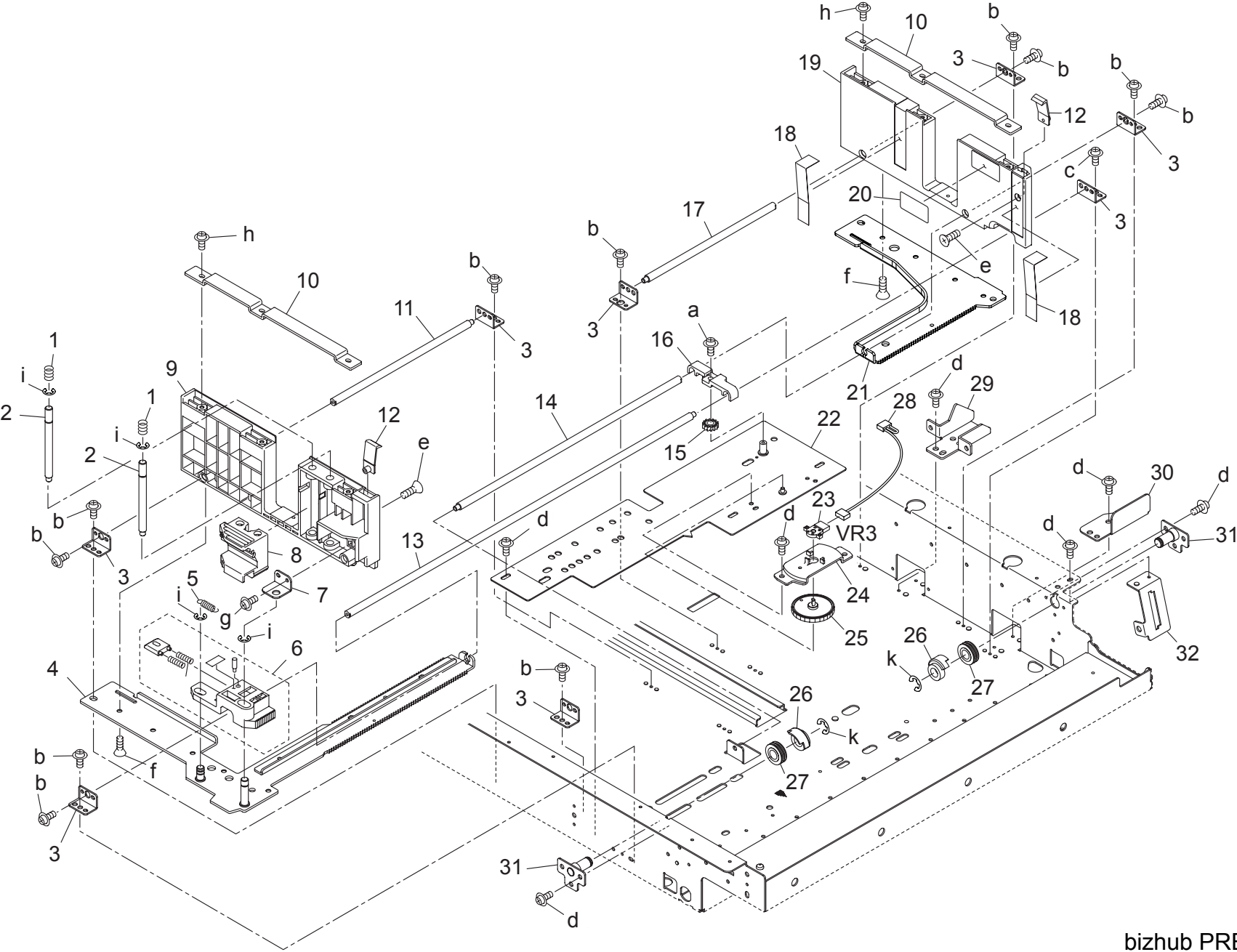
CASSETTE SECTION:LOWER



# CASSETTE SECTION:LOWER

Key	Part No.	Description	Destinations	Class	QTY	Standard parts
1	A0U0 1798 00	Paper feed Handle		C	1	a-V121 0304 03
2	A0U0 9456 01	Indicating Label /3		C	1	b-V121 0320 03
3	A03X 1702 01	PAPER FEED HANDLE /2		C	1	c-V146 0408 03
4	A1RF 1713 00	Paper feed Cover /Lower		D	1	d-V153 0308 03
5	A1RF 1710 01	Support Cover		D	1	e-V153 0406 03
6	A1RF 9442 00	Operation Label /1		D	1	f-V153 0412 03
7	65AA 4795 0	CASSETTE REGULATING SCREW		C	4	g-V217 0200 50
8	A03U R724 11	Cassette		S	1	h-V217 0600 50
9	A03U 6207 02	Wiring Cover		D	1	i-V217 0800 50
10	65AA 4737 0	FULCRUM PLATE		D	1	
11	65AA 4739 0	GUIDE SPRING		C	1	
12	65AA 4738 0	FULCRUM SHAFT		D	1	
13	0676 4258 1	TRAY LOCK PULLEY		C	1	
14	65AA 4771 0	LOCKING PLATE		D	1	
15	65AA 4736 0	CASSETTE LOCKING SHAFT		D	1	
16	65AA 4797 0	SPACER		C	1	
17	A0P0 M100 00	Brush Motor		B	1	

CASSETTE SECTION:LOWER

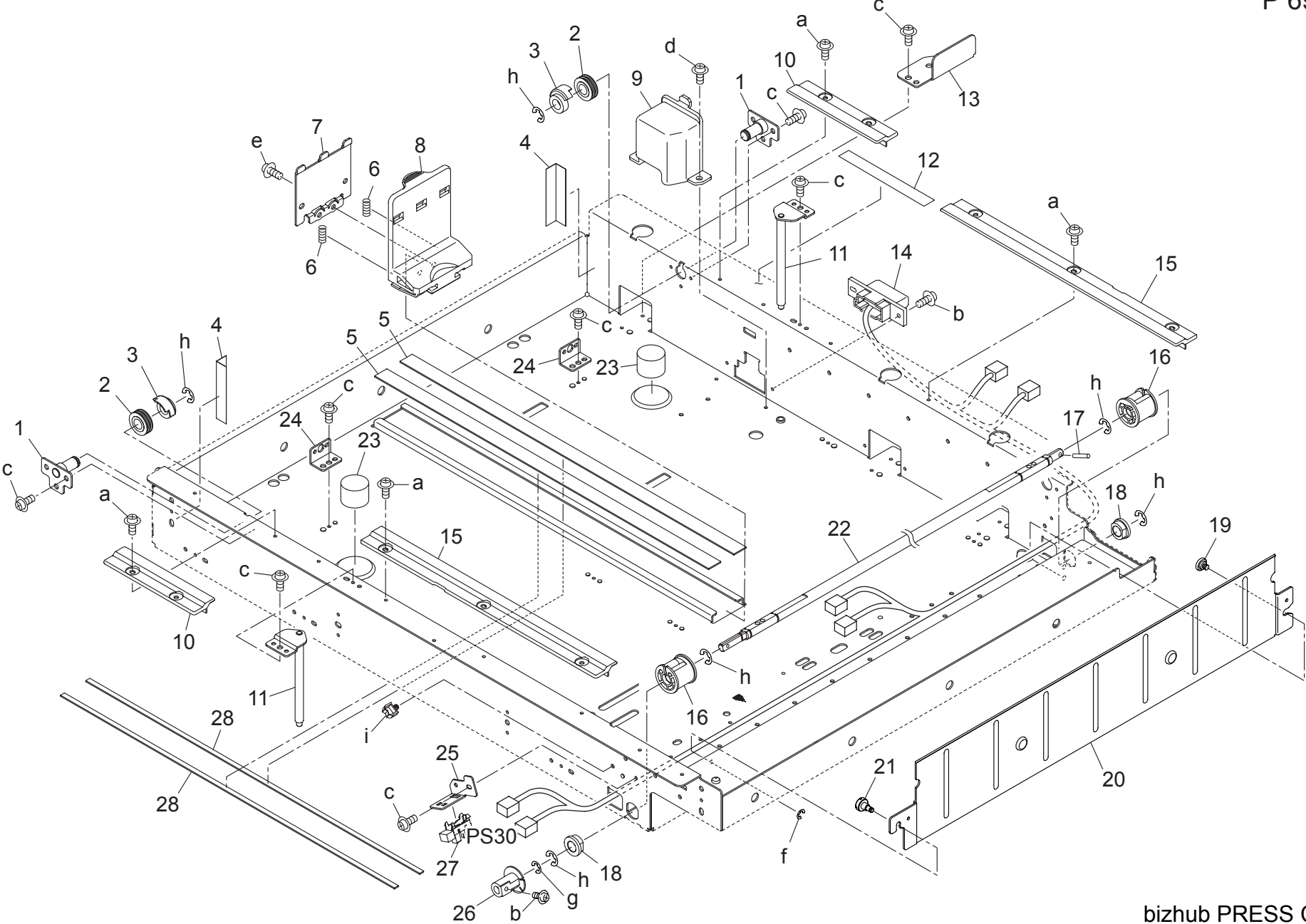




CASSETTE SECTION:LOWER

Key	Part No.	Description	Destinations	Class	QTY	Standard parts
1	65AA 4778 0	GUIDE SPRING 2		C	2	a-V116 0306 03
2	65AA 4719 0	PAPER POSITIONING PIN		D	2	b-V121 0304 03
3	65AA 4774 0	SHAFT MOUNTING PLATE		D	8	c-V121 0308 03
4	65AA -475 0	SIDE GUIDE RACK F CAULKING		D	1	d-V127 0305 16
5	65AA 4783 1	GUIDE SPRING 4		C	1	e-V147 0308 03
6	65AA R781 00	ROCK PART 2ASSY		D	1	f-V147 0310 03
7	65AA 4747 0D	Fulcrum Plate		D	1	g-V158 0308 03
8	65GE 4709 0	SIDE LOCKING PLATE		D	1	h-V158 0308 16
9	A03U 6210 00	GUIDE PLATE /FRONT		C	1	i-V217 0400 50
10	65AA 4749 0E	Side Supply Plate		D	2	k-V217 0600 50
11	65AA 4718 0	Positioning Shaft /3		D	1	
12	26NA 4707 0	PAPER REGULATING CLAW		C	2	
13	65AA 4717 0	Positioning Shaft /2		D	1	
14	65AA 4716 0	Positioning Shaft /1		D	1	
15	A03U 6204 00	PINION 14T		D	1	
16	65AA 4727 0	SHAFT SUPPORT PLATE		D	1	
17	65AA 4721 0	Positioning Shaft /4		D	1	
18	65AA 4742 0	PAPER REGULATING SHEET		C	2	
19	A03U 6211 00	GUIDE PLATE /REAR		C	1	
20	A03U 9453 00	Regulating Label /1		C	1	
21	65AA 4706 0E	Guide Rack /Rear		D	1	
22	A03U F621 00	Paper PS Plate Caulking		D	1	
23	56AA 8560 1	SIZE DETECTION VR		C	1	
24	65AA 4261 0	Mounting Plate		D	1	
25	65AA 4760 0E	Detecting Gear 45T		C	1	
26	65AA 4763 0	WIRE GUIDE PART		C	2	
27	65AA 4755 0	WIRE ROLLER		C	2	
28	65AA 9058 0	SIZE RELAY WIRING		D	1	
29	65AA 4734 0	FIXING CAM		D	1	
30	65AA 4714 0	CASSETTE POSITIONING PLATE 1		D	1	
31	65AA -481 0	PULLEY FULCRUM PLATE CAULKING		D	2	
32	65AA 4772 0D	Wiring Mounting Plate		D	1	

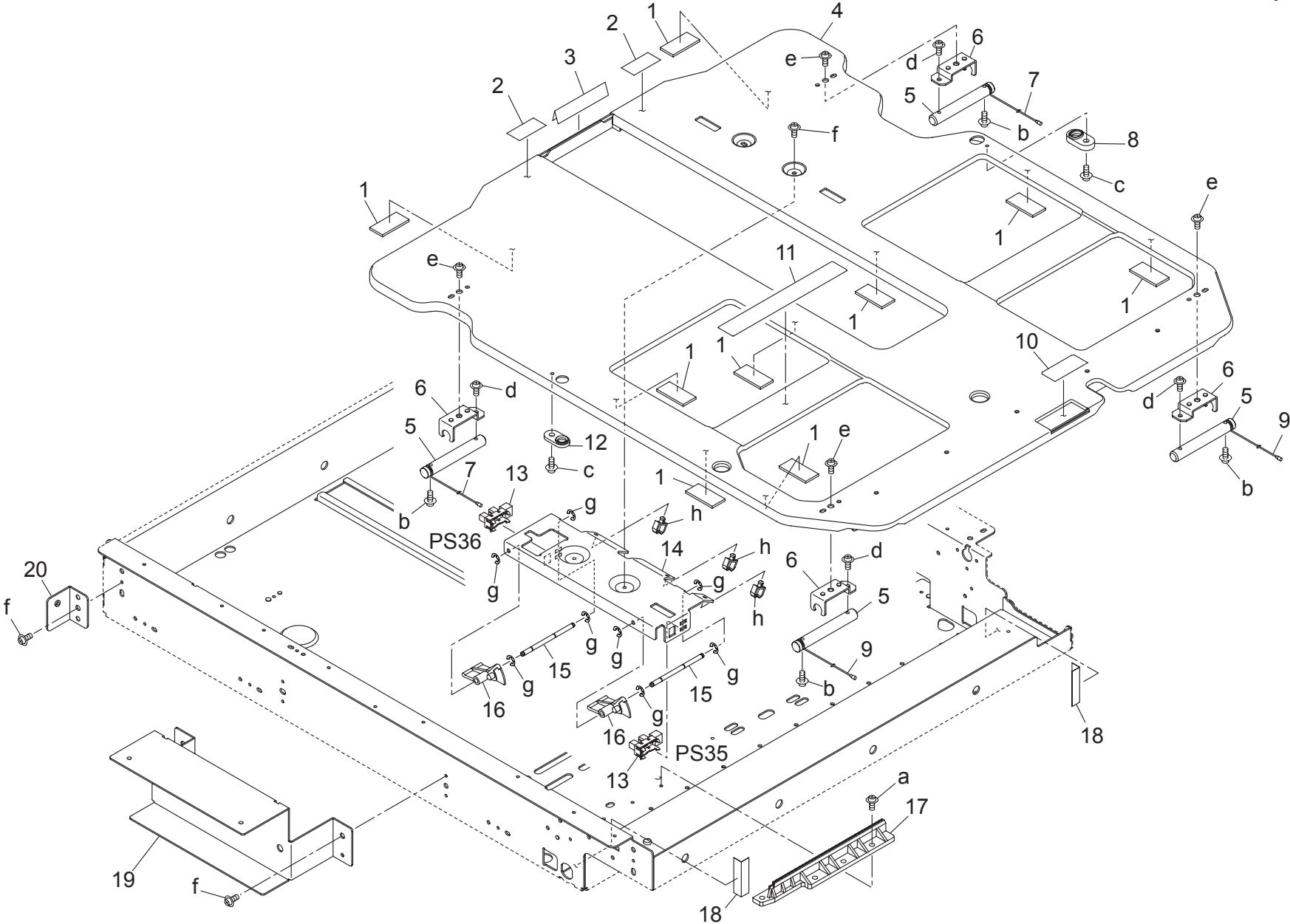
CASSETTE SECTION:LOWER



CASSETTE SECTION:LOWER

Key	Part No.	Description	Destinations	Class	QTY	Standard parts
1	65AA -481 0	PULLEY FULCRUM PLATE CAULKING		D	2	a-V121 0304 04
2	65AA 4755 0	WIRE ROLLER		C	2	b-V121 0306 03
3	65AA 4763 0	WIRE GUIDE PART		C	2	c-V127 0305 16
4	65AA 4762 0	PROTECTION SEAL 2		C	2	d-V123 0305 21
5	65AA 4750 0	Slide Sheet		D	2	e-V158 0308 03
6	65AA 4779 0D	Guide Spring /3		D	2	f-V217 0200 50
7	65AA 4773 0E	Spring Support Part		D	1	g-V217 0400 50
8	65GE 4708 0	Paper Regulating Plate /Left		D	1	h-V217 0600 50
9	A03U 6212 00	GUIDE COVER		C	1	i-V500 0100 26
10	A03U 6214 00	AUXILIARY COVER /S		C	2	
11	65AA -482 0	SHAFT FULCRUM PLATE CAULKING		D	2	
12	65GE 9749 0	CASSETTE GUIDE LABEL		D	1	
13	65AA 4714 0	CASSETTE POSITIONING PLATE 1		D	1	
14	65AA 9017 0E	CASSETTE SIGNAL WIRING		C	1	
15	A03U 6213 00	AUXILIARY COVER /L		C	2	
16	55VA 4060 0	Driving Up /Down Pulley		B	2	
17	65AA 4770 0D	Up/down Pin		D	1	
18	A03U 8128 00	Slide Shaft Holder		C	2	
19	55VA 4222 0	POSITIONING SCREW		C	1	
20	65AA 4707 0F	Paper Regulating Plate /Right		D	1	
21	A03U 6217 00	Holding Screw /Front		D	1	
22	65AA 4711 1	Lifting Shaft		D	1	
23	65AA 4782 0	REGULATING PART		C	2	
24	65AA 4774 0	SHAFT MOUNTING PLATE		D	2	
25	65AA 4790 0	MOUNTING PLATE 2		D	1	
26	65AA 4713 0	PAPER DETECTING ACTUATOR		C	1	
27	08AA 8551 2	Photo Sensor		B	1	
28	65AA 4780 0	GUIDE SHEET		C	2	

CASSETTE SECTION:LOWER



bizhub PRESS C8000

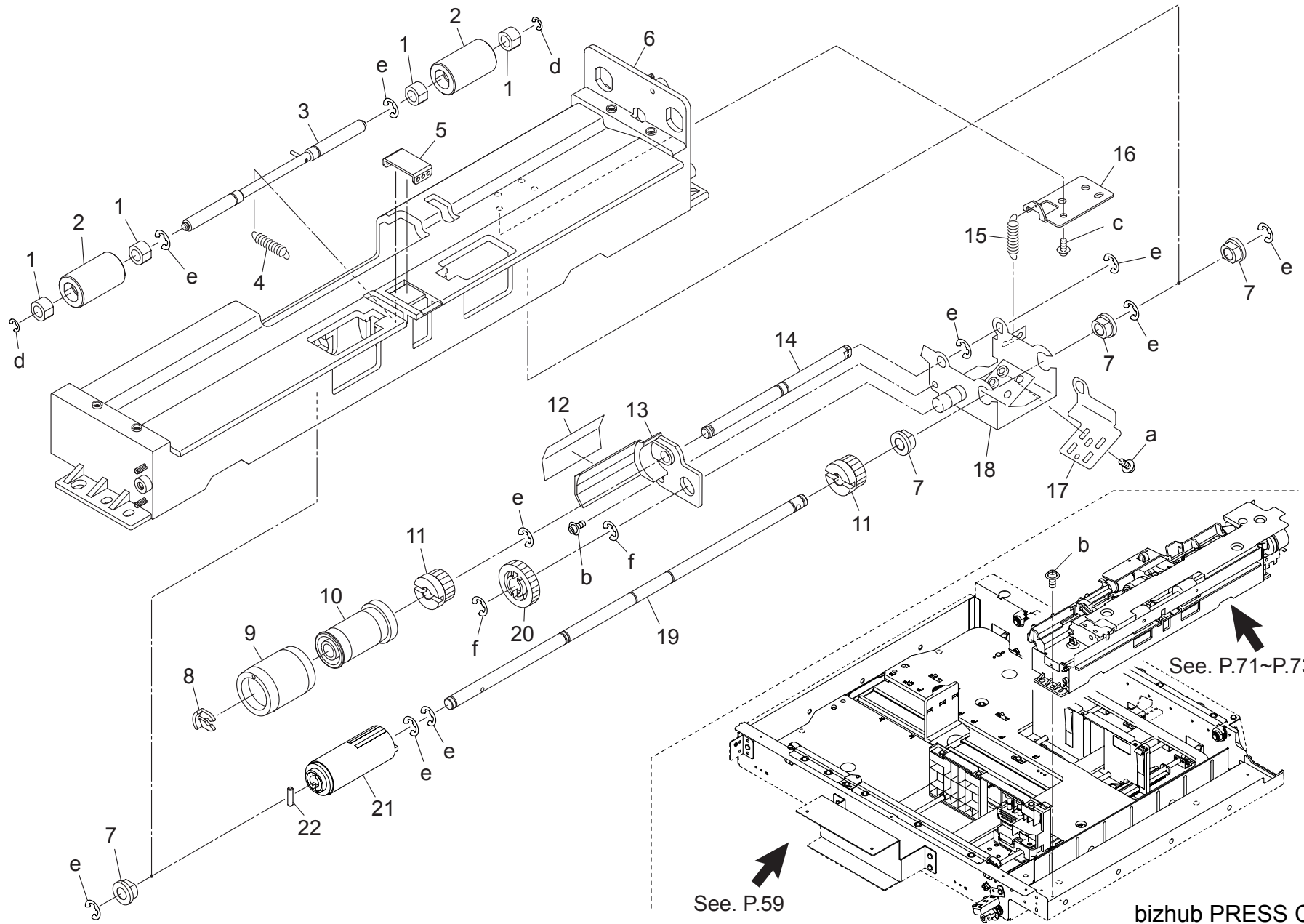


CASSETTE SECTION:LOWER

Key	Part No.	Description	Destinations	Class	QTY	Standard parts
1	65AA 4786 0	AUXILIARY SHEET		C	9	a-V116 0305 03
2	65AA 4745 0	PROTECTION SEAL /3		D	2	b-V121 0304 03
3	65AA 4748 0	Protection Sheet /Upper		C	1	c-V121 0304 16
4	65AA 4702 0D	Paper Lifting Plate		D	1	d-V121 0306 03
5	65AA 4766 0	WIRE FULCRUM SHAFT		D	4	e-V121 0406 16
6	65AA 4765 0	WIRE FULCRUM PLATE		D	4	f-V127 0305 16
7	65AA 4753 0	Up Down Wire /2		C	2	g-V217 0200 50
8	65AA 4758 0	GUIDE BUSHING /2		C	1	h-V500 0100 26
9	65AA 4752 0	Up Down Wire /1		C	2	
10	55VA 4093 0	DOUBLE FEED PREVENTIVE PLATE		C	1	
11	A1RF 9460 00	Paper feed Label /1		D	1	
12	65AA 4775 0	GUIDE BUSHING		C	1	
13	08AA 8551 2	Photo Sensor		B	2	
14	65AA 4712 0D	Mounting Plate		D	1	
15	65AA 4731 0E	PAPER DETECTING SHAFT		D	2	
16	65AA 4732 0	Paper Detecting Actuator		C	2	
17	65AA 4768 0	LOCKING PART		D	1	
18	65AA 4759 0	Protection Seal /1		D	2	
19	65AA 4741 0D	Auxiliary Plate /1		D	1	
20	65AA 4777 1E	Side Mounting Plate		D	1	

# PAPER FEED SECTION:UPPER

P 71



See. P.59

See. P.71~P.73

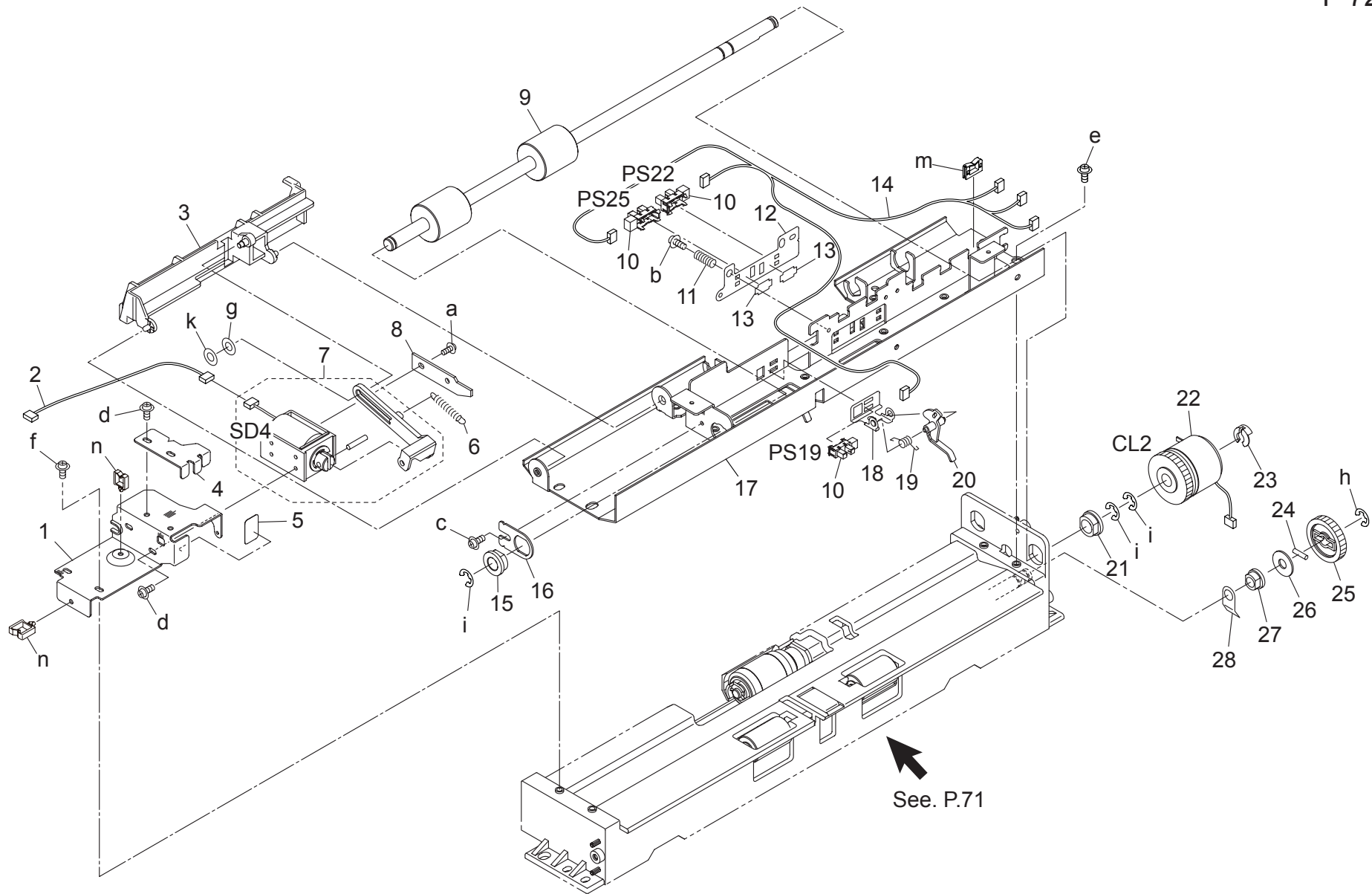
bizhub PRESS C8000

PAPER FEED SECTION:UPPER

Key	Part No.	Description	Destinations	Class	QTY	Standard parts
1	A03U 8501 01	Slide Bushing		C	4	a-V116 0306 03 b-V121 0306 03 c-V151 0308 03 d-V217 0300 50 e-V217 0400 50 f-V217 0600 50
2	26NA 4256 0	BY PASS FEED DRIVEN ROLLER		C	2	
3	56AA -409 0	Paper Feed Driven Shaft Assy		C	1	
4	56AA 4048 1	PAPERFEEDPRESSINGSRING		C	1	
5	56AA 4043 0	SPRING MOUNTING PLATE 1		D	1	
6	56AA 4001 0	Paper Feed Main Body		C	1	
7	08AA 7601 0	DRUM DRIVING SHAFT HOLDER		C	4	
8	A1RF 6203 01	Stopper Collar		D	1	
9	25SA 4096 0	DOUBLE FEED PREVENTION RUBBER		A	1	
10	56AA 4036 0	Reverse Roller		D	1	
11	55VA 7903 0	Paper Feed Reversal Gear C 14T		B	2	
12	56AA 4054 0	ENTRANCE GUIDE SHEET		C	1	
13	56AA 4053 0	ENTRANCE GUIDE PART		D	1	
14	56QA 4027 0	MULTI FEED REVERSE SHAFT		D	1	
15	56AA 4042 0	MULTI FEED PREVENTING SPRING		C	1	
16	56AA 4044 0	SPRING MOUNTING PLATE 2		D	1	
17	56QA 4055 0	MULTI FEED ADJUSTMENT PLATE		D	1	
18	56QA 4008 0	Multi-feed Preventing Plate		C	1	
19	56QA 4025 0	MULTI FEED SUPPORT SHAFT		D	1	
20	26NA 4206 1	BY PASS FEED CONVEYING GEAR 21T		B	1	
21	A03X 5656 11	Torque Limiter /A		B	1	
22	56AA 1751 0	PIN B		C	1	

# PAPER FEED SECTION:UPPER

P 72

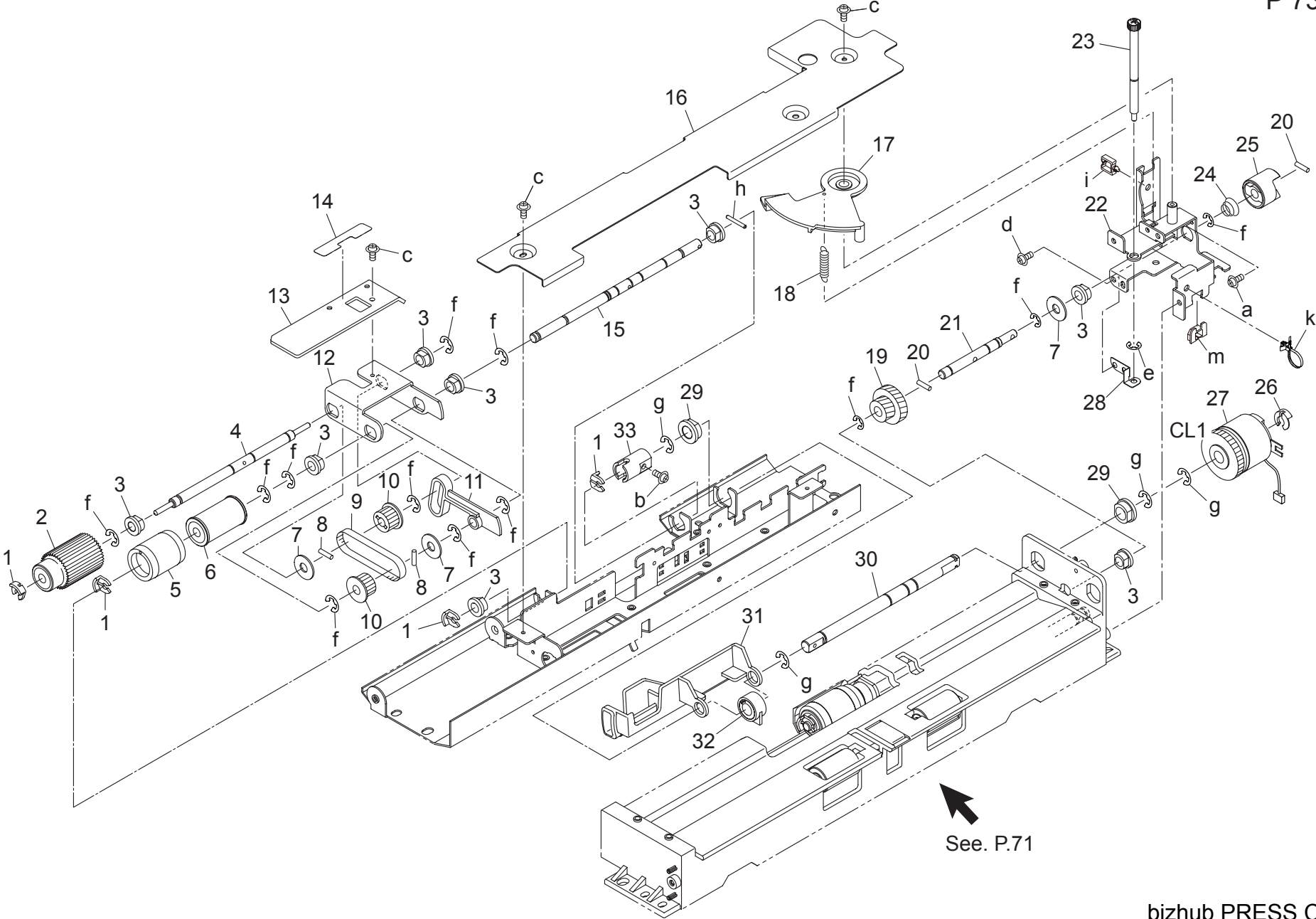




PAPER FEED SECTION:UPPER

Key	Part No.	Description	Destinations	Class	QTY	Standard parts
1	65AA 4002 0	SOLENOID MOUNTING PLATE		D	1	a-V118 0304 03
2	A1RF N260 00	Relay harness /C		D	1	b-V121 0304 03
3	65AA 4001 0	Regulating Plate		D	1	c-V121 0306 03
4	65AA 4009 0D	Solenoid Fixing Plate		D	1	d-V123 0305 21
5	65AA 4007 0	REGULATING SHEET		C	1	e-V151 0308 03
6	65AA 4006 0	RELEASE SPRING		C	1	f-V158 0308 16
7	A1RF F565 00	SOLENOID ASSY		C	1	g-V207 0300 03
8	65AA 4011 0	GUIDE PART		D	1	h-V217 0400 50
9	56AA 4023 0	PAPER FEED REGISTRATION ROLLER		C	1	i-V217 0600 50
10	08AA 8551 2	Photo Sensor		B	3	k-V226 0300 50
11	56AA 4052 0	EARTH SPRING		C	1	m-V570 0100 21
12	56AA 4046 0	ADJUSTMENT PLATE		D	1	n-V500 0100 24
13	4109 5530 01	STOPPER		C	2	
14	56AA 9061 0E	PAPER FEED WIRING /2		D	1	
15	A03U 8128 00	Slide Shaft Holder		C	1	
16	56AA 4037 0	ADJUSTING PLATE		D	1	
17	56AA 4003 2	PAPER FEED GUIDE PLATE UPPER		C	1	
18	56AA 4031 0	MOUNTING PLATE		D	1	
19	56AA 4019 0	PRESSING SPRING		C	1	
20	56AA 4017 1	PAPER FEED DETECTING ACTUATOR		C	1	
21	55VA 7554 0	PAPER FEED SHAFT HOLDER B		B	1	
22	56AA 8201 2	PAPER FEED DRIVING CLUTCH		B	1	
23	55VA 4212 0	SHAFT STOPPER		C	1	
24	56AA 1748 0	PIN B		C	1	
25	56AA 7773 0	PAPER FEED REVERSING GEAR 2 33T		C	1	
26	56AA 1776 0	COLLAR		C	1	
27	08AA 7601 0	DRUM DRIVING SHAFT HOLDER		C	1	
28	56AA 4050 0	SHAFT HOLDER EARTH PLATE		C	1	

PAPER FEED SECTION:UPPER

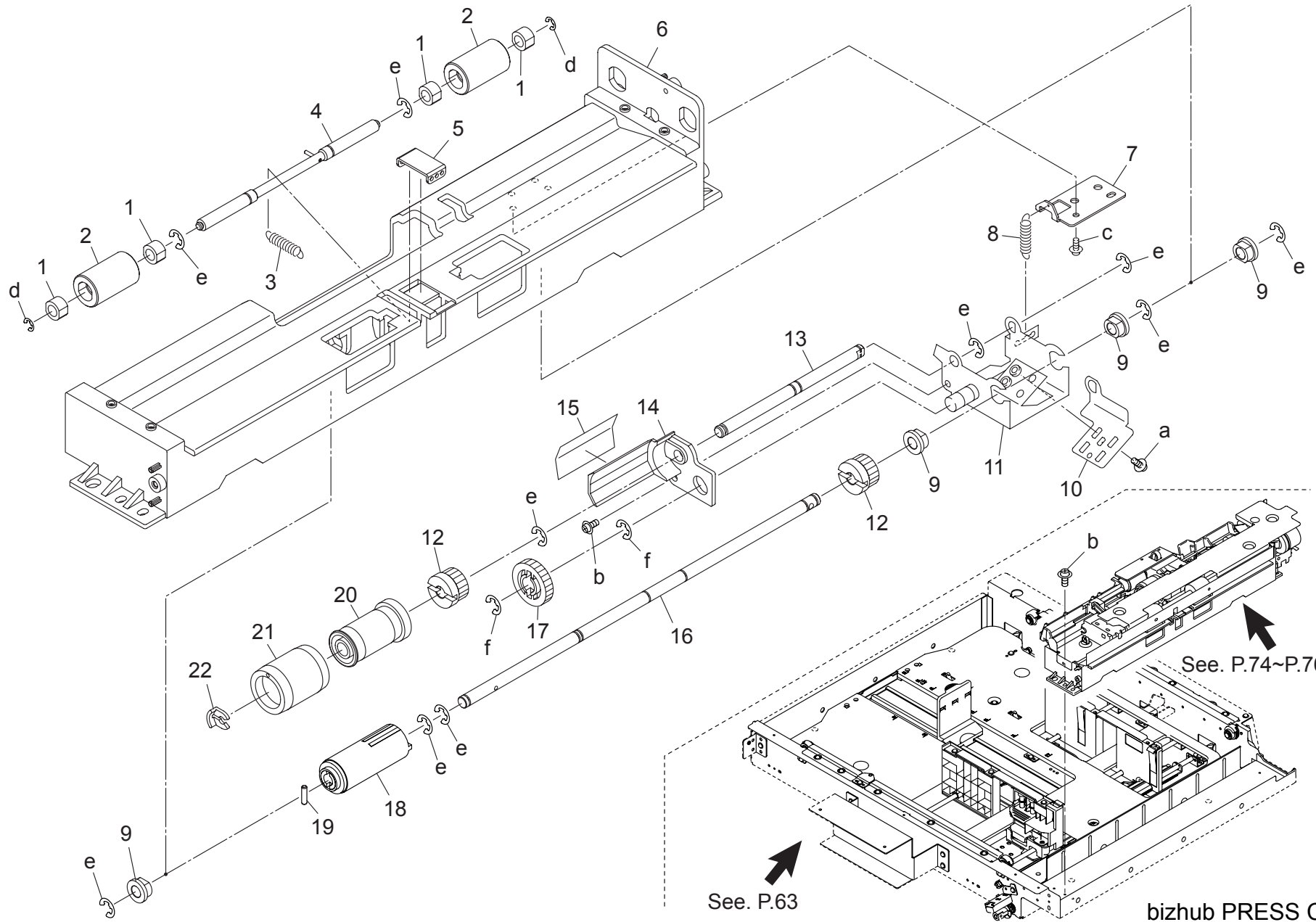


PAPER FEED SECTION:UPPER

Key	Part No.	Description	Destinations	Class	QTY	Standard parts
1	56AA 4049 0	SHAFT STOPPER 4		C	4	a-V111 0308 03
2	56AA R721 00	PAPER FEED OCILLATE ROLLER		B	1	b-V118 0306 03
3	08AA 7601 0	DRUM DRIVING SHAFT HOLDER		C	8	c-V121 0306 16
4	A03U 5602 00	Swing Shaft		D	1	d-V151 0308 03
5	25SA 4096 0	DOUBLE FEED PREVENTION RUBBER		A	1	e-V217 0300 50
6	25AA 4010 0	FEEDING ROLLER B		B	1	f-V217 0400 50
7	56AA 1776 0	COLLAR		C	3	g-V217 0600 50
8	56AA 1751 0	PIN B		C	2	h-V233 2014 50
9	56AA 7759 0	PAPER FEED ROCKING BELT 111L		C	1	i-V500 0100 29
10	0590 7651 0	PULLEY 1 15T		C	2	k-V501 0100 09
11	56AA 4030 0	PAPER QUANTITY ACTUATOR		C	1	m-V570 0100 21
12	56AA 4007 0	Paper feed Swing Plate		D	1	
13	65AA 4008 0E	Paper feed Auxiliary Plate		D	1	
14	65GE 9740 0	GUIDE LABEL /1		C	1	
15	A03U 5601 00	Feeding Shaft		D	1	
16	56AA 4010 0E	Wiring Protection Cover		D	1	
17	56AA 4039 0	CAM PLATE		C	1	
18	56AA 1712 1	SEPARATE SPRING UPPER		C	1	
19	56AA 7772 0	Paper Feed Reverse Gear /1 16/22T		C	1	
20	56AA 1748 0	PIN B		C	2	
21	56AA 4024 0	PAPER FEED INPUT SHAFT		D	1	
22	56AA 4009 0	DRIVE MOUNTING PLATE		D	1	
23	56AA 4012 0	PAPER FEED HOLDING SCREW		C	1	
24	56AA 4051 0	PRESSING SPRING		C	1	
25	56AA 4045 0	PAPER FEED COUPLING PART		C	1	
26	55VA 4212 0	SHAFT STOPPER		C	1	
27	56AA 8201 2	PAPER FEED DRIVING CLUTCH		B	1	
28	56AA 4047 0	SCREW EARTH PLATE		C	1	
29	A03U 8128 00	Slide Shaft Holder		C	2	
30	A03U 5603 00	DRIVE SHAFT		D	1	
31	A03U 5605 00	Regulating Plate /Rear		C	1	
32	56AA 4038 0	PAPER FEED REGULATING BLOCK		C	1	
33	55FA 4032 0	COUPLING		C	1	

# PAPER FEED SECTION:MIDDLE

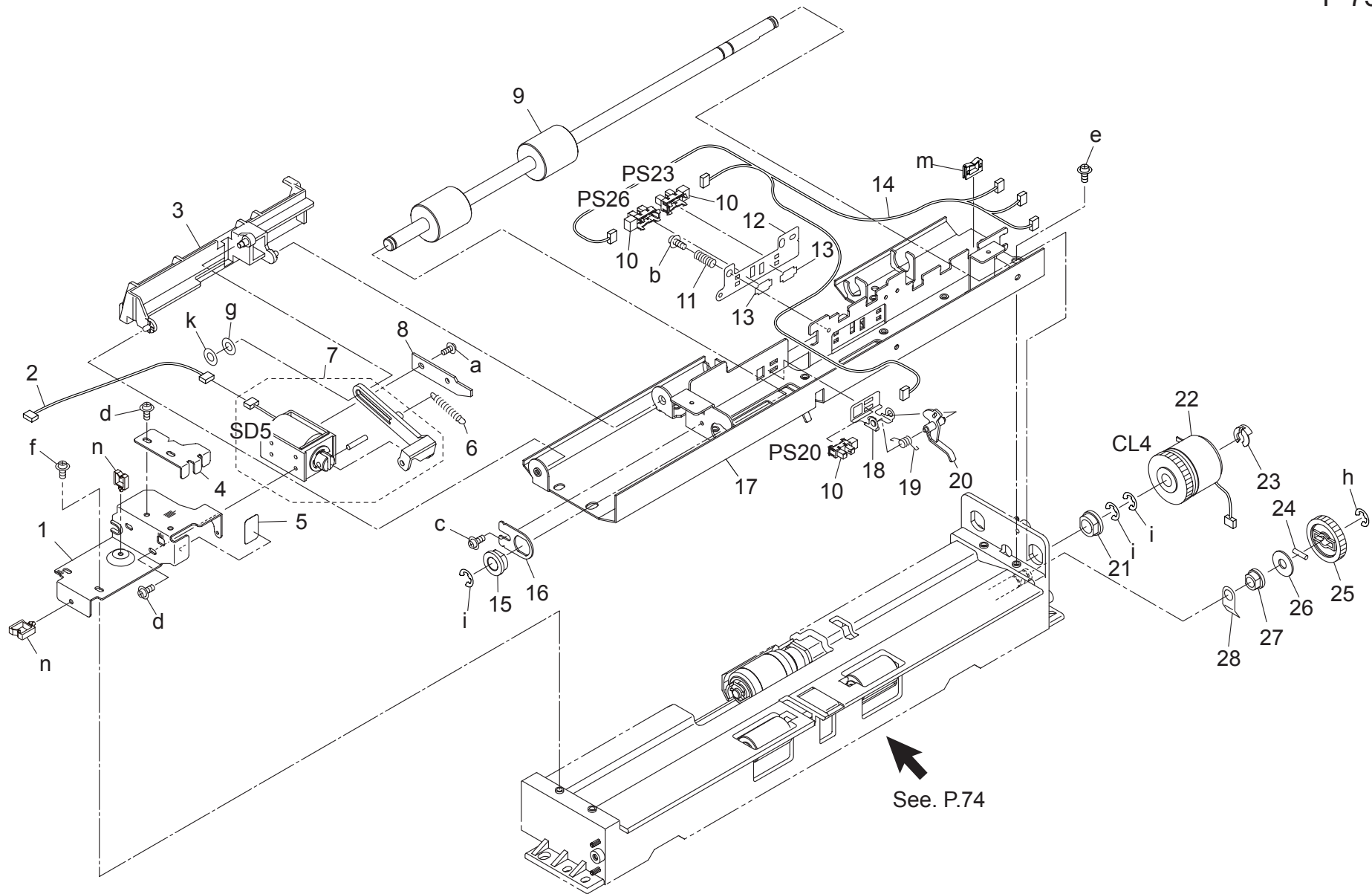
P 74



PAPER FEED SECTION:MIDDLE

Key	Part No.	Description	Destinations	Class	QTY	Standard parts
1	A03U 8501 01	Slide Bushing		C	4	a-V116 0306 03 b-V121 0306 03 c-V151 0308 03 d-V217 0300 50 e-V217 0400 50 f-V217 0600 50
2	26NA 4256 0	BY PASS FEED DRIVEN ROLLER		C	2	
3	56AA 4048 1	PAPERFEEDPRESSINGSRING		C	1	
4	56AA -409 0	Paper Feed Driven Shaft Assy		C	1	
5	56AA 4043 0	SPRING MOUNTING PLATE 1		D	1	
6	56AA 4001 0	Paper Feed Main Body		C	1	
7	56AA 4044 0	SPRING MOUNTING PLATE 2		D	1	
8	56AA 4042 0	MULTI FEED PREVENTING SPRING		C	1	
9	08AA 7601 0	DRUM DRIVING SHAFT HOLDER		C	4	
10	56QA 4055 0	MULTI FEED ADJUSTMENT PLATE		D	1	
11	56QA 4008 0	Multi-feed Preventing Plate		C	1	
12	55VA 7903 0	Paper Feed Reversal Gear C 14T		B	2	
13	56QA 4027 0	MULTI FEED REVERSE SHAFT		D	1	
14	56AA 4053 0	ENTRANCE GUIDE PART		D	1	
15	56AA 4054 0	ENTRANCE GUIDE SHEET		C	1	
16	56QA 4025 0	MULTI FEED SUPPORT SHAFT		D	1	
17	26NA 4206 1	BY PASS FEED CONVEYING GEAR 21T		B	1	
18	A03X 5656 11	Torque Limiter /A		B	1	
19	56AA 1751 0	PIN B		C	1	
20	56AA 4036 0	Reverse Roller		D	1	
21	25SA 4096 0	DOUBLE FEED PREVENTION RUBBER		A	1	
22	A1RF 6203 01	Stopper Collar		D	1	

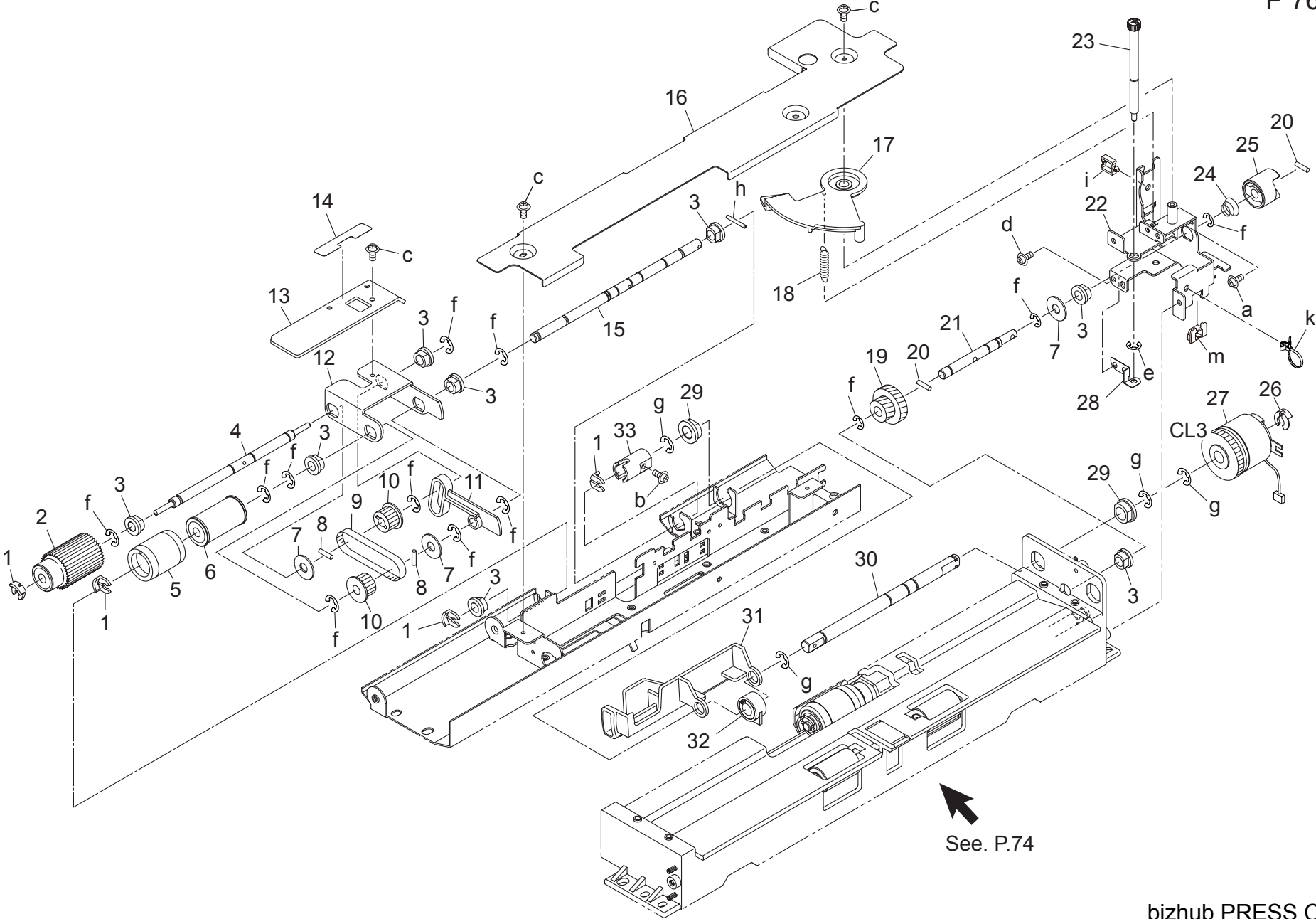
# PAPER FEED SECTION:MIDDLE



PAPER FEED SECTION:MIDDLE

Key	Part No.	Description	Destinations	Class	QTY	Standard parts
1	65AA 4002 0	SOLENOID MOUNTING PLATE		D	1	a-V118 0304 03
2	A1RF N260 00	Relay harness /C		D	1	b-V121 0304 03
3	65AA 4001 0	Regulating Plate		D	1	c-V121 0306 03
4	65AA 4009 0D	Solenoid Fixing Plate		D	1	d-V123 0305 21
5	65AA 4007 0	REGULATING SHEET		C	1	e-V151 0308 03
6	65AA 4006 0	RELEASE SPRING		C	1	f-V158 0308 16
7	A1RF F565 00	SOLENOID ASSY		C	1	g-V207 0300 03
8	65AA 4011 0	GUIDE PART		D	1	h-V217 0400 50
9	56AA 4023 0	PAPER FEED REGISTRATION ROLLER		C	1	i-V217 0600 50
10	08AA 8551 2	Photo Sensor		B	3	k-V226 0300 50
11	56AA 4052 0	EARTH SPRING		C	1	m-V570 0100 21
12	56AA 4046 0	ADJUSTMENT PLATE		D	1	n-V500 0100 24
13	4109 5530 01	STOPPER		C	2	
14	56AA 9061 0E	PAPER FEED WIRING /2		D	1	
15	A03U 8128 00	Slide Shaft Holder		C	1	
16	56AA 4037 0	ADJUSTING PLATE		D	1	
17	56AA 4003 2	PAPER FEED GUIDE PLATE UPPER		C	1	
18	56AA 4031 0	MOUNTING PLATE		D	1	
19	56AA 4019 0	PRESSING SPRING		C	1	
20	56AA 4017 1	PAPER FEED DETECTING ACTUATOR		C	1	
21	55VA 7554 0	PAPER FEED SHAFT HOLDER B		B	1	
22	56AA 8201 2	PAPER FEED DRIVING CLUTCH		B	1	
23	55VA 4212 0	SHAFT STOPPER		C	1	
24	56AA 1748 0	PIN B		C	1	
25	56AA 7773 0	PAPER FEED REVERSING GEAR 2 33T		C	1	
26	56AA 1776 0	COLLAR		C	1	
27	08AA 7601 0	DRUM DRIVING SHAFT HOLDER		C	1	
28	56AA 4050 0	SHAFT HOLDER EARTH PLATE		C	1	

PAPER FEED SECTION:MIDDLE



See. P.74

bizhub PRESS C8000



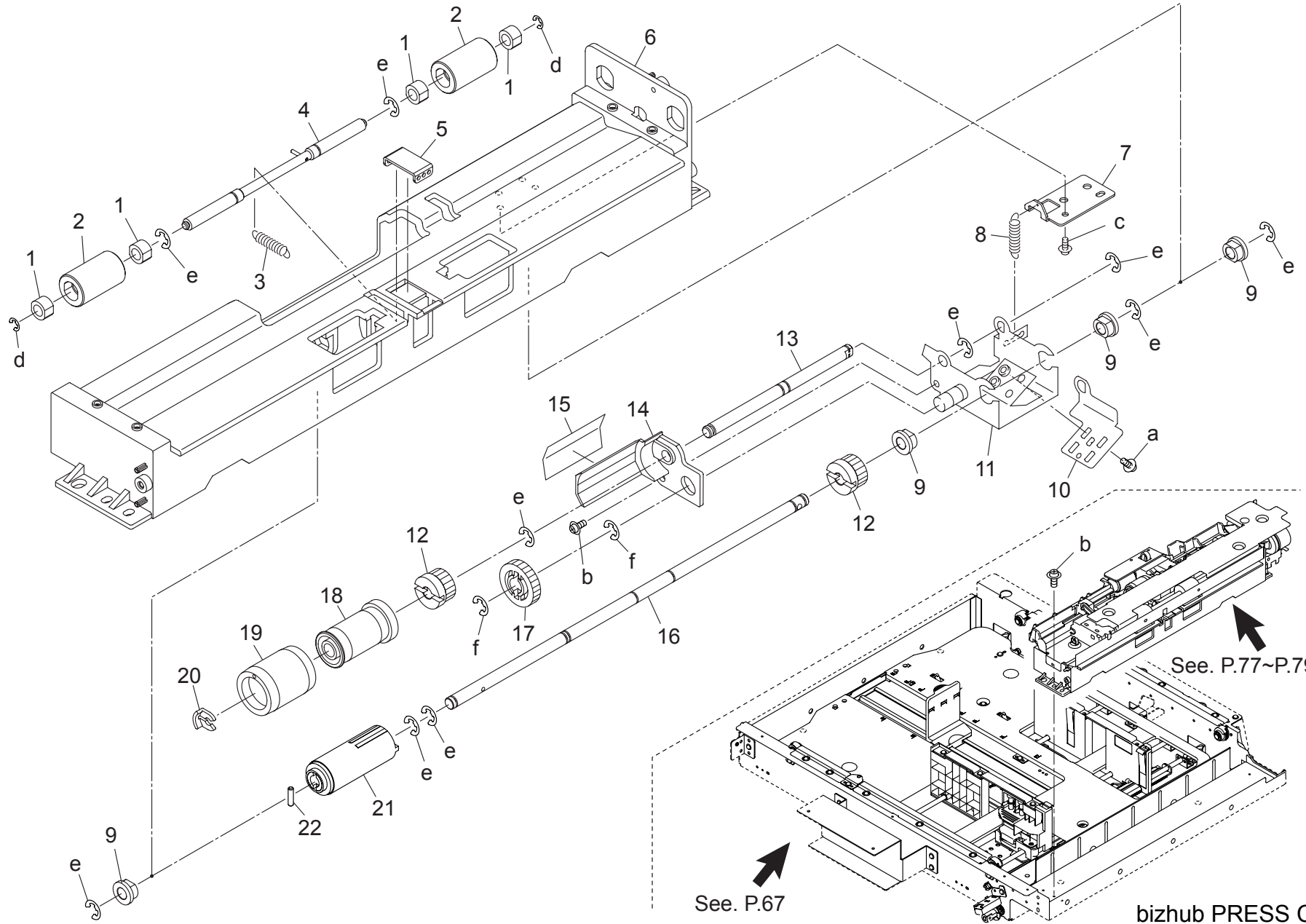


PAPER FEED SECTION:MIDDLE

Key	Part No.	Description	Destinations	Class	QTY	Standard parts
1	56AA 4049 0	SHAFT STOPPER 4		C	4	a-V111 0308 03
2	56AA R721 00	PAPER FEED OCILLATE ROLLER		B	1	b-V118 0306 03
3	08AA 7601 0	DRUM DRIVING SHAFT HOLDER		C	8	c-V121 0306 16
4	A03U 5602 00	Swing Shaft		D	1	d-V151 0308 03
5	25SA 4096 0	DOUBLE FEED PREVENTION RUBBER		A	1	e-V217 0300 50
6	25AA 4010 0	FEEDING ROLLER B		B	1	f-V217 0400 50
7	56AA 1776 0	COLLAR		C	3	g-V217 0600 50
8	56AA 1751 0	PIN B		C	2	h-V233 2014 50
9	56AA 7759 0	PAPER FEED ROCKING BELT 111L		C	1	i-V500 0100 29
10	0590 7651 0	PULLEY 1 15T		C	2	k-V501 0100 09
11	56AA 4030 0	PAPER QUANTITY ACTUATOR		C	1	m-V570 0100 21
12	56AA 4007 0	Paper feed Swing Plate		D	1	
13	65AA 4008 0E	Paper feed Auxiliary Plate		D	1	
14	65GE 9740 0	GUIDE LABEL /1		C	1	
15	A03U 5601 00	Feeding Shaft		D	1	
16	56AA 4010 0E	Wiring Protection Cover		D	1	
17	56AA 4039 0	CAM PLATE		C	1	
18	56AA 1712 1	SEPARATE SPRING UPPER		C	1	
19	56AA 7772 0	Paper Feed Reverse Gear /1 16/22T		C	1	
20	56AA 1748 0	PIN B		C	2	
21	56AA 4024 0	PAPER FEED INPUT SHAFT		D	1	
22	56AA 4009 0	DRIVE MOUNTING PLATE		D	1	
23	56AA 4012 0	PAPER FEED HOLDING SCREW		C	1	
24	56AA 4051 0	PRESSING SPRING		C	1	
25	56AA 4045 0	PAPER FEED COUPLING PART		C	1	
26	55VA 4212 0	SHAFT STOPPER		C	1	
27	56AA 8201 2	PAPER FEED DRIVING CLUTCH		B	1	
28	56AA 4047 0	SCREW EARTH PLATE		C	1	
29	A03U 8128 00	Slide Shaft Holder		C	2	
30	A03U 5603 00	DRIVE SHAFT		D	1	
31	A03U 5605 00	Regulating Plate /Rear		C	1	
32	56AA 4038 0	PAPER FEED REGULATING BLOCK		C	1	
33	55FA 4032 0	COUPLING		C	1	

# PAPER FEED SECTION:LOWER

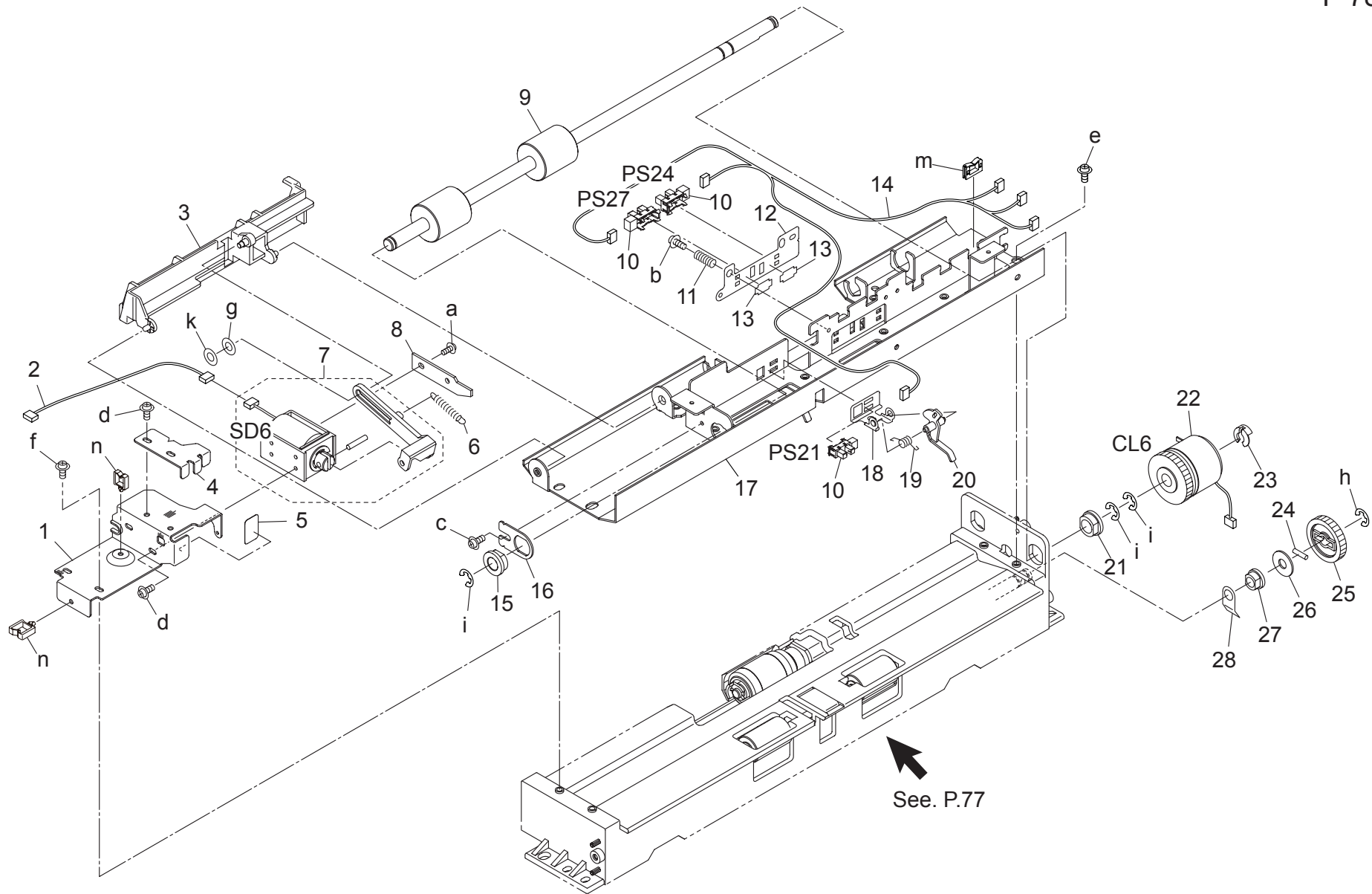
P 77



PAPER FEED SECTION:LOWER

Key	Part No.	Description	Destinations	Class	QTY	Standard parts
1	A03U 8501 01	Slide Bushing		C	4	a-V116 0306 03 b-V121 0306 03 c-V151 0308 03 d-V217 0300 50 e-V217 0400 50 f-V217 0600 50
2	26NA 4256 0	BY PASS FEED DRIVEN ROLLER		C	2	
3	56AA 4048 1	PAPERFEEDPRESSINGSRING		C	1	
4	56AA -409 0	Paper Feed Driven Shaft Assy		C	1	
5	56AA 4043 0	SPRING MOUNTING PLATE 1		D	1	
6	56AA 4001 0	Paper Feed Main Body		C	1	
7	56AA 4044 0	SPRING MOUNTING PLATE 2		D	1	
8	56AA 4042 0	MULTI FEED PREVENTING SPRING		C	1	
9	08AA 7601 0	DRUM DRIVING SHAFT HOLDER		C	4	
10	56QA 4055 0	MULTI FEED ADJUSTMENT PLATE		D	1	
11	56QA 4008 0	Multi-feed Preventing Plate		C	1	
12	55VA 7903 0	Paper Feed Reversal Gear C 14T		B	2	
13	56QA 4027 0	MULTI FEED REVERSE SHAFT		D	1	
14	56AA 4053 0	ENTRANCE GUIDE PART		D	1	
15	56AA 4054 0	ENTRANCE GUIDE SHEET		C	1	
16	56QA 4025 0	MULTI FEED SUPPORT SHAFT		D	1	
17	26NA 4206 1	BY PASS FEED CONVEYING GEAR 21T		B	1	
18	56AA 4036 0	Reverse Roller		D	1	
19	25SA 4096 0	DOUBLE FEED PREVENTION RUBBER		A	1	
20	A1RF 6203 01	Stopper Collar		D	1	
21	A03X 5656 11	Torque Limiter /A		B	1	
22	56AA 1751 0	PIN B		C	1	

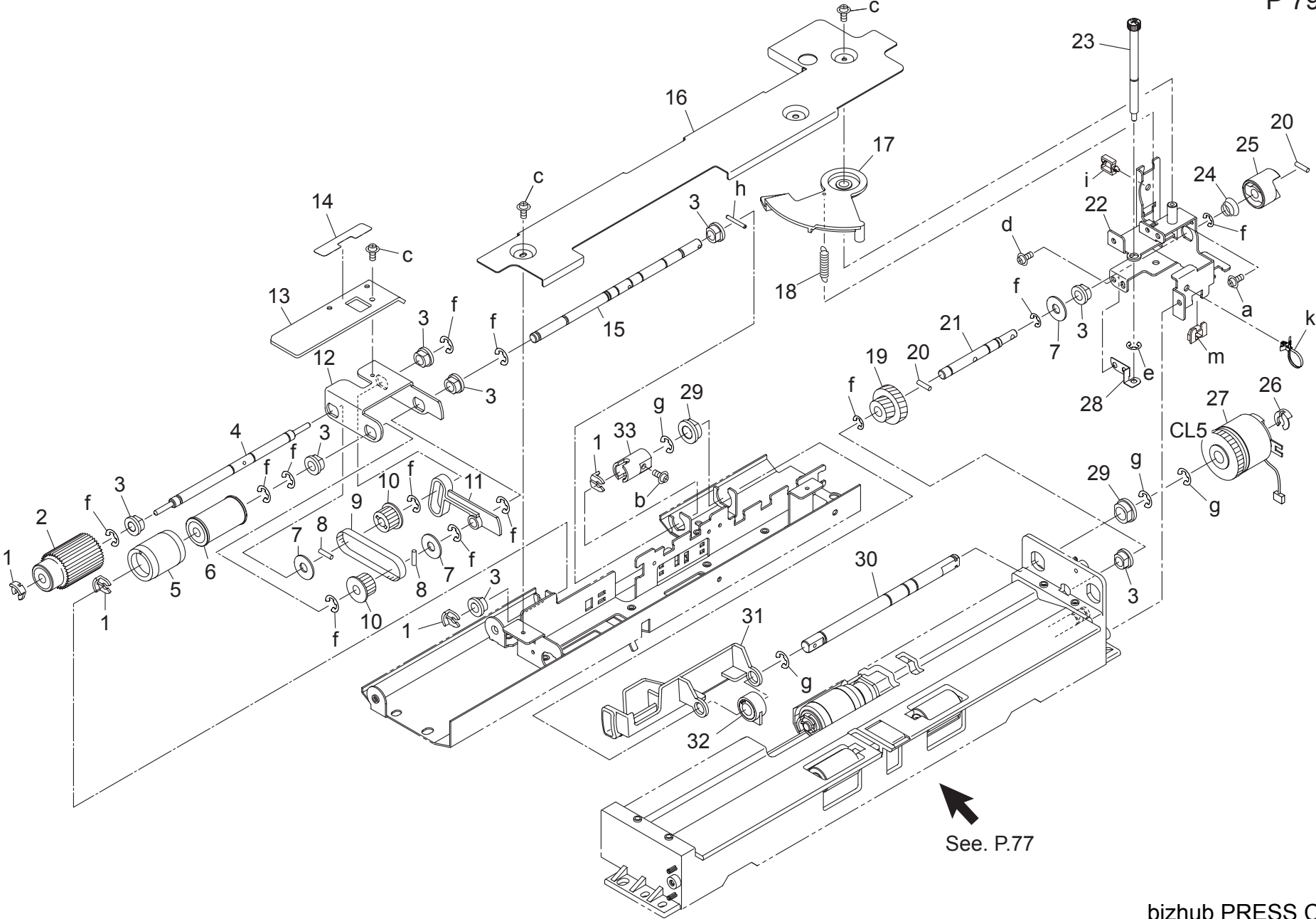
# PAPER FEED SECTION:LOWER



PAPER FEED SECTION:LOWER

Key	Part No.	Description	Destinations	Class	QTY	Standard parts
1	65AA 4002 0	SOLENOID MOUNTING PLATE		D	1	a-V118 0304 03
2	A1RF N260 00	Relay harness /C		D	1	b-V121 0304 03
3	65AA 4001 0	Regulating Plate		D	1	c-V121 0306 03
4	65AA 4009 0D	Solenoid Fixing Plate		D	1	d-V123 0305 21
5	65AA 4007 0	REGULATING SHEET		C	1	e-V151 0308 03
6	65AA 4006 0	RELEASE SPRING		C	1	f-V158 0308 16
7	A1RF F565 00	SOLENOID ASSY		C	1	g-V207 0300 03
8	65AA 4011 0	GUIDE PART		D	1	h-V217 0400 50
9	56AA 4023 0	PAPER FEED REGISTRATION ROLLER		C	1	i-V217 0600 50
10	08AA 8551 2	Photo Sensor		B	3	k-V226 0300 50
11	56AA 4052 0	EARTH SPRING		C	1	m-V570 0100 21
12	56AA 4046 0	ADJUSTMENT PLATE		D	1	n-V500 0100 24
13	4109 5530 01	STOPPER		C	2	
14	56AA 9061 0E	PAPER FEED WIRING /2		D	1	
15	A03U 8128 00	Slide Shaft Holder		C	1	
16	56AA 4037 0	ADJUSTING PLATE		D	1	
17	56AA 4003 2	PAPER FEED GUIDE PLATE UPPER		C	1	
18	56AA 4031 0	MOUNTING PLATE		D	1	
19	56AA 4019 0	PRESSING SPRING		C	1	
20	56AA 4017 1	PAPER FEED DETECTING ACTUATOR		C	1	
21	55VA 7554 0	PAPER FEED SHAFT HOLDER B		B	1	
22	56AA 8201 2	PAPER FEED DRIVING CLUTCH		B	1	
23	55VA 4212 0	SHAFT STOPPER		C	1	
24	56AA 1748 0	PIN B		C	1	
25	56AA 7773 0	PAPER FEED REVERSING GEAR 2 33T		C	1	
26	56AA 1776 0	COLLAR		C	1	
27	08AA 7601 0	DRUM DRIVING SHAFT HOLDER		C	1	
28	56AA 4050 0	SHAFT HOLDER EARTH PLATE		C	1	

PAPER FEED SECTION:LOWER

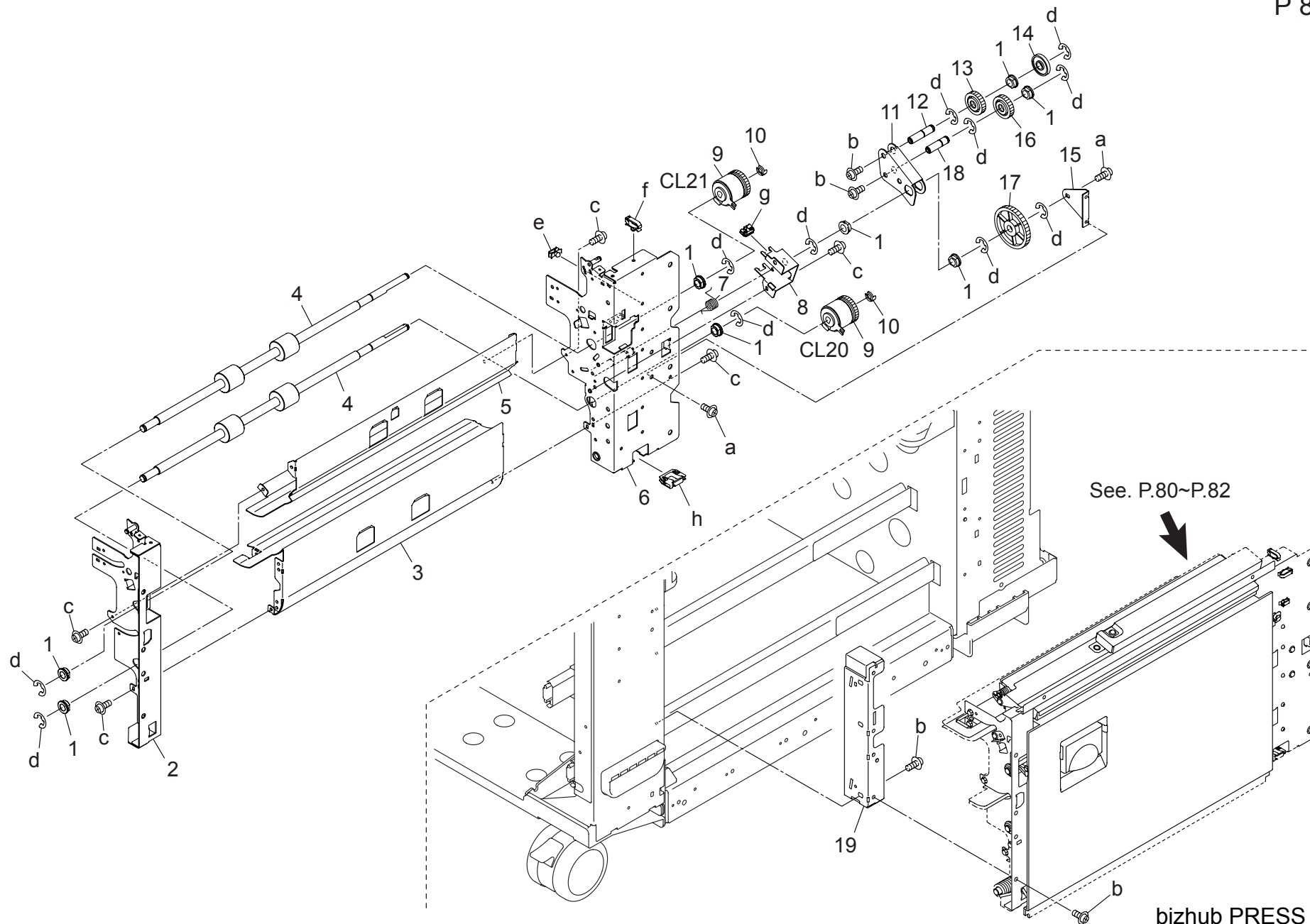


PAPER FEED SECTION:LOWER

Key	Part No.	Description	Destinations	Class	QTY	Standard parts
1	56AA 4049 0	SHAFT STOPPER 4		C	4	a-V111 0308 03
2	56AA R721 00	PAPER FEED OCILLATE ROLLER		B	1	b-V118 0306 03
3	08AA 7601 0	DRUM DRIVING SHAFT HOLDER		C	8	c-V121 0306 16
4	A03U 5602 00	Swing Shaft		D	1	d-V151 0308 03
5	25SA 4096 0	DOUBLE FEED PREVENTION RUBBER		A	1	e-V217 0300 50
6	25AA 4010 0	FEEDING ROLLER B		B	1	f-V217 0400 50
7	56AA 1776 0	COLLAR		C	3	g-V217 0600 50
8	56AA 1751 0	PIN B		C	2	h-V233 2014 50
9	56AA 7759 0	PAPER FEED ROCKING BELT 111L		C	1	i-V500 0100 29
10	0590 7651 0	PULLEY 1 15T		C	2	k-V501 0100 09
11	56AA 4030 0	PAPER QUANTITY ACTUATOR		C	1	m-V570 0100 21
12	56AA 4007 0	Paper feed Swing Plate		D	1	
13	65AA 4008 0E	Paper feed Auxiliary Plate		D	1	
14	65GE 9740 0	GUIDE LABEL /1		C	1	
15	A03U 5601 00	Feeding Shaft		D	1	
16	56AA 4010 0E	Wiring Protection Cover		D	1	
17	56AA 4039 0	CAM PLATE		C	1	
18	56AA 1712 1	SEPARATE SPRING UPPER		C	1	
19	56AA 7772 0	Paper Feed Reverse Gear /1 16/22T		C	1	
20	56AA 1748 0	PIN B		C	2	
21	56AA 4024 0	PAPER FEED INPUT SHAFT		D	1	
22	56AA 4009 0	DRIVE MOUNTING PLATE		D	1	
23	56AA 4012 0	PAPER FEED HOLDING SCREW		C	1	
24	56AA 4051 0	PRESSING SPRING		C	1	
25	56AA 4045 0	PAPER FEED COUPLING PART		C	1	
26	55VA 4212 0	SHAFT STOPPER		C	1	
27	56AA 8201 2	PAPER FEED DRIVING CLUTCH		B	1	
28	56AA 4047 0	SCREW EARTH PLATE		C	1	
29	A03U 8128 00	Slide Shaft Holder		C	2	
30	A03U 5603 00	DRIVE SHAFT		D	1	
31	A03U 5605 00	Regulating Plate /Rear		C	1	
32	56AA 4038 0	PAPER FEED REGULATING BLOCK		C	1	
33	55FA 4032 0	COUPLING		C	1	

# VERTICAL CONVEYANCE SECTION

P 80



bizhub PRESS C8000

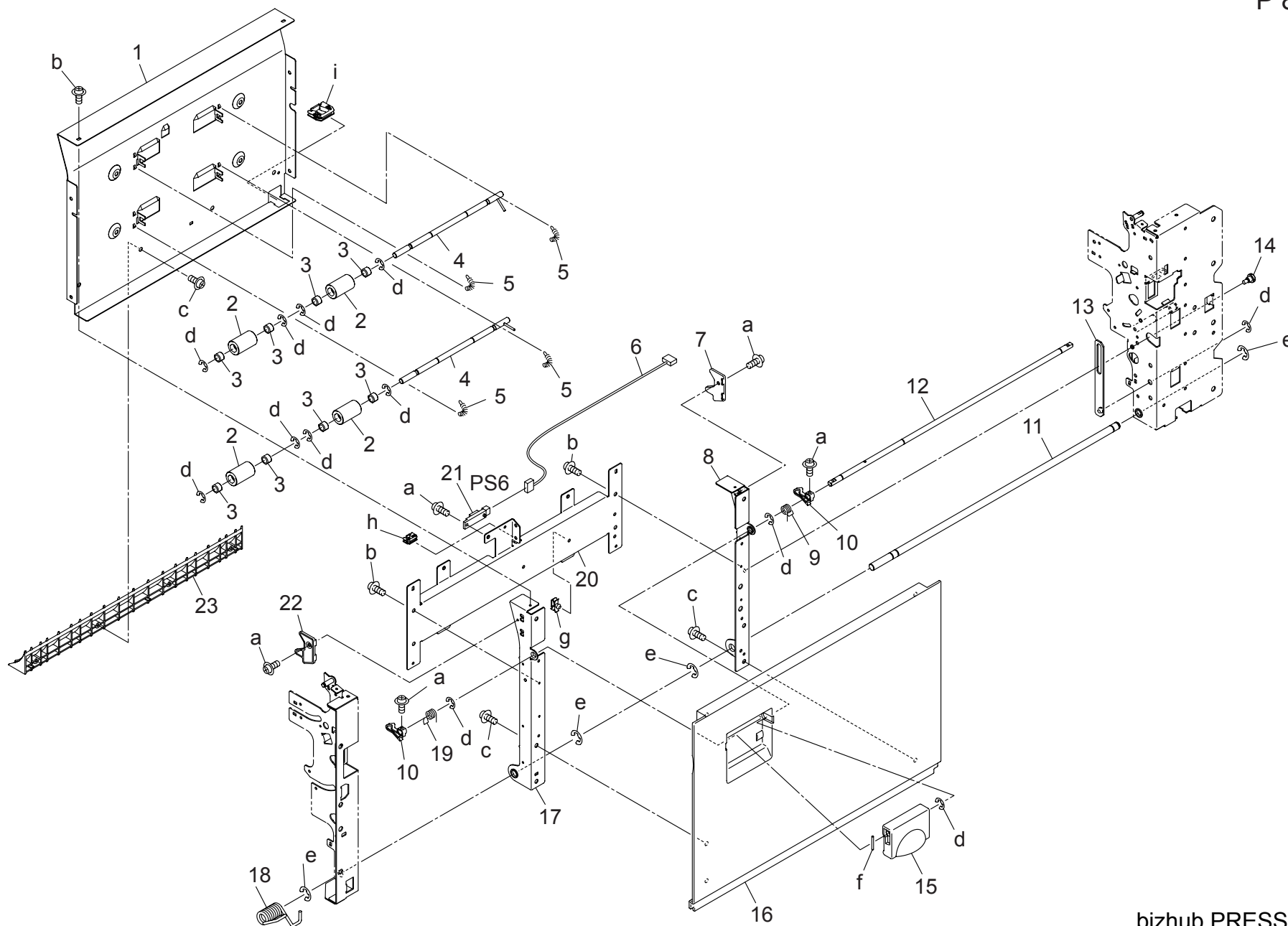


# VERTICAL CONVEYANCE SECTION

Key	Part No.	Description	Destinations	Class	QTY	Standard parts
1	A03U 8128 00	Slide Shaft Holder		C	8	a-V121 0306 03
2	A1RF 7012 00	Support Plate /Front		D	1	b-V121 0406 03
3	A1RF 7004 00	Guide Plate /7		D	1	c-V146 0306 03
4	A1RF 7001 00	Conveyance Roller /1		D	2	d-V217 0600 50
5	A1RF 7003 00	Guide Plate /6		D	1	e-V500 0100 46
6	A1RF F701 00	SUPPORT PLATE/REAR CALKING		D	1	f-V500 0100 61
7	A1RF 7040 00	Tension Spring /Front		D	1	g-V570 0100 56
8	A1RF 7035 00	Hold Leg		D	1	h-V570 0100 60
9	A03U M201 00	Clutch /1		B	2	
10	55VA 4212 0	SHAFT STOPPER		C	2	
11	A1RF 7022 01	Connecting Plate		D	1	
12	A1RF 7038 00	Connecting Shaft		D	1	
13	25AA 7772 0	CONVEYANCE IDLER LEFT 24T		C	1	
14	65AA 4435 0	STOPPER ROLLER		C	1	
15	A1RF 7050 00	Support Plate /G		D	1	
16	25AA 7773 0	CONVEYANCE IDLER RIGHT 24T		C	1	
17	A1RF 7099 00	Idling Gear 47T		C	1	
18	A1RF 7039 02	Support Shaft /2		D	1	
19	A1RF 7036 00	Mounting Plate /Front		D	1	

# VERTICAL CONVEYANCE SECTION

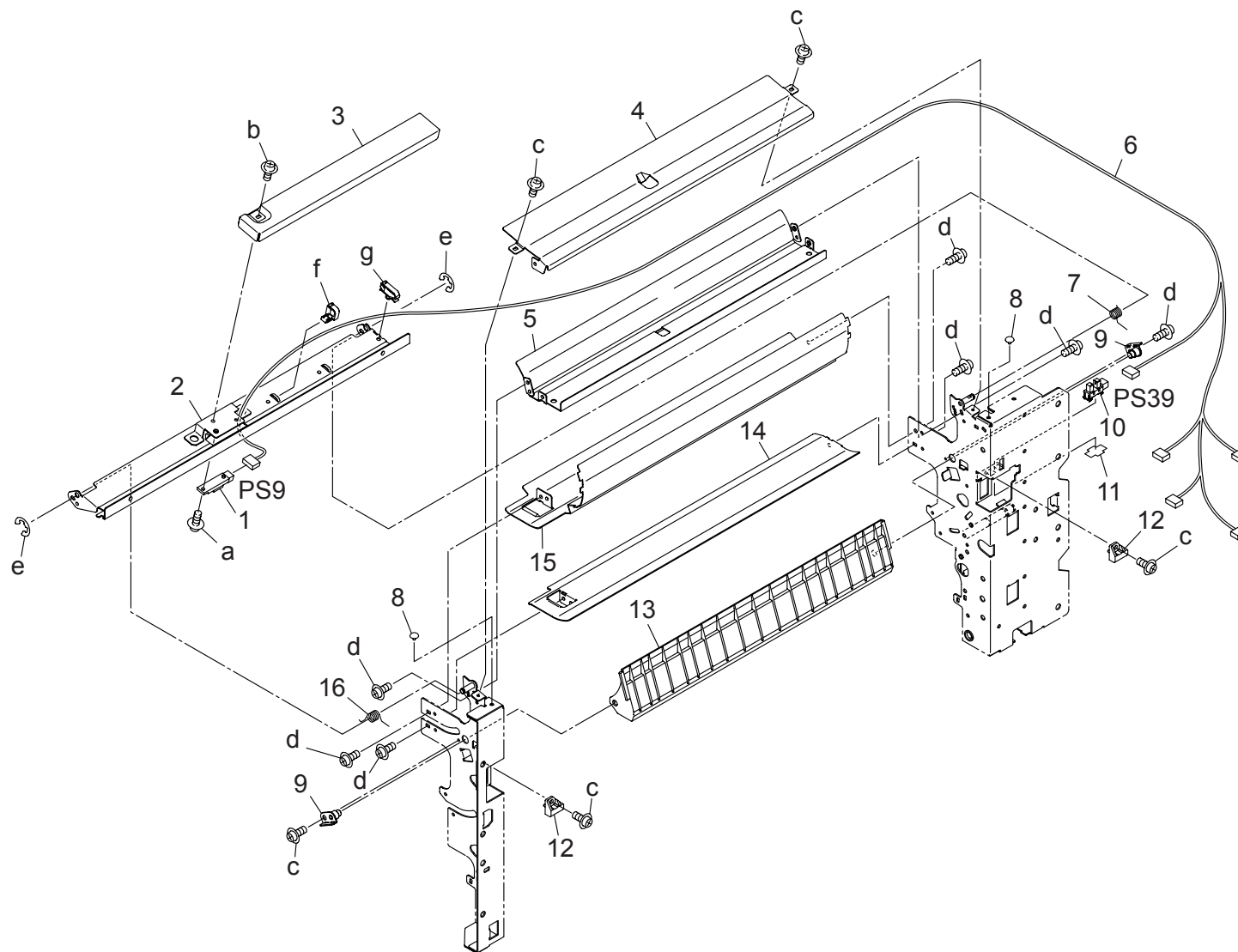
P 81



# VERTICAL CONVEYANCE SECTION

Key	Part No.	Description	Destinations	Class	QTY	Standard parts
1	A1RF 7007 00	Guide Plate /8		D	1	a-V118 0306 03
2	26NA 4256 0	BY PASS FEED DRIVEN ROLLER		C	4	b-V121 0306 03
3	A03U 8501 01	Slide Bushing		C	8	c-V153 0308 03
4	A1RF R767 00	IDLING SHAFT/1 ASSY		C	2	d-V217 0400 50
5	A1RF 7041 00	Driven Spring		D	4	e-V217 0600 50
6	A1RF N170 00	Paperfeed Wiring /2		D	1	f-V237 2018 50
7	A1RF 7030 00	Positioning Part /Rear		D	1	g-V500 0100 46
8	A1RF 7029 00	Cover Side plate /Rear		D	1	h-V570 0100 56
9	A1RF 7018 00	Lock Spring /Rear		D	1	i-V570 0100 60
10	A1RF 7032 00	Lock Claw		D	2	
11	A1RF 7033 00	Support Shaft /Lower		D	1	
12	A1RF 7015 00	Open/close Shaft /1		D	1	
13	A1RF R7C2 00	CONNECTION PLATE/1 CALKING		D	1	
14	A1RF 7024 00	Slide Pin		D	1	
15	A03U 7002 02	Conveyance Handle		C	1	
16	A1RF 7006 00	Cover Part /1		D	1	
17	A1RF 7028 00	Cover Side plate /Front		D	1	
18	A1RF 7037 00	Hold Spring /Front		D	1	
19	A1RF 7017 00	Lock Spring /Front		D	1	
20	A1RF 7014 00	Positioning Stay		D	1	
21	13QA 8551 1	Sensor 1		B	1	
22	A1RF 7034 00	Positioning Part /Front		D	1	
23	A1RF 7005 00	Guide Part /2		D	1	

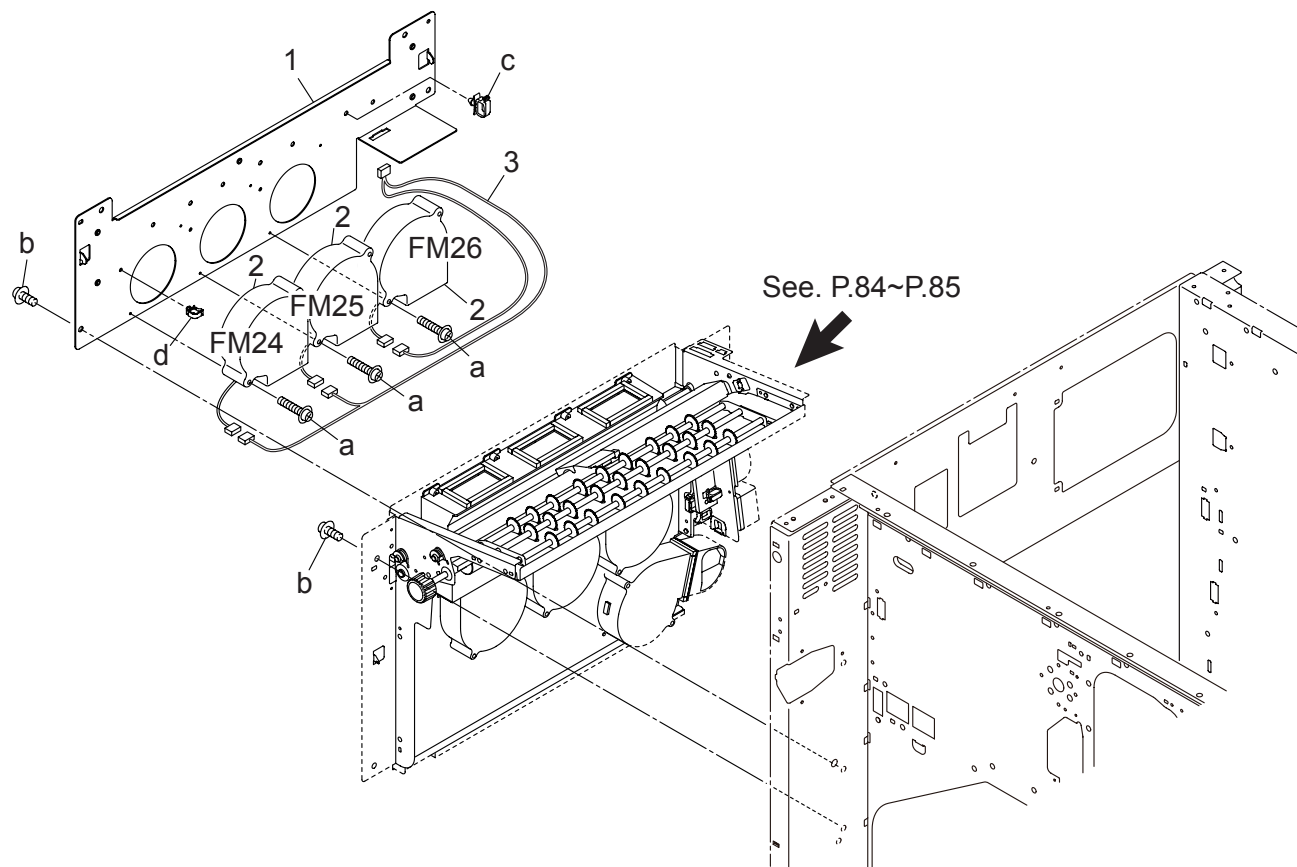
# VERTICAL CONVEYANCE SECTION



# VERTICAL CONVEYANCE SECTION

Key	Part No.	Description	Destinations	Class	QTY	Standard parts
1	13QA 8551 1	Sensor 1		B	1	a-V118 0306 03 b-V121 0304 03 c-V121 0306 03 d-V146 0306 03 e-V217 0400 50 f-V500 0100 57 g-V500 0100 61
2	A1RF 7011 01	Guide Plate /1		D	1	
3	A1RF 7044 00	Protection Plate /1		D	1	
4	A1RF 7008 00	Guide Plate /2		D	1	
5	A1RF 7027 01	Guide Plate /3		D	1	
6	A1RF N164 01	Paperfeed Wiring /1		D	1	
7	A1RF 7043 00	Lock Spring /Rear		D	1	
8	12AJ 4585 0	STOPPER RUBBER		C	2	
9	A1RF 7021 00	Fixing Part /A		D	2	
10	9335 1500 21	SOLID STATE SWITCH		B	1	
11	4470 4024 01	STOPPER		D	1	
12	65AA 4420 0	LOCKING PLATE		C	2	
13	A1RF 7009 00	Guide Part /1		D	1	
14	A1RF 7010 00	Guide Plate /5		D	1	
15	A1RF 7002 00	Guide Plate /4		D	1	
16	A1RF 7042 00	Entrance Spring /Front		D	1	

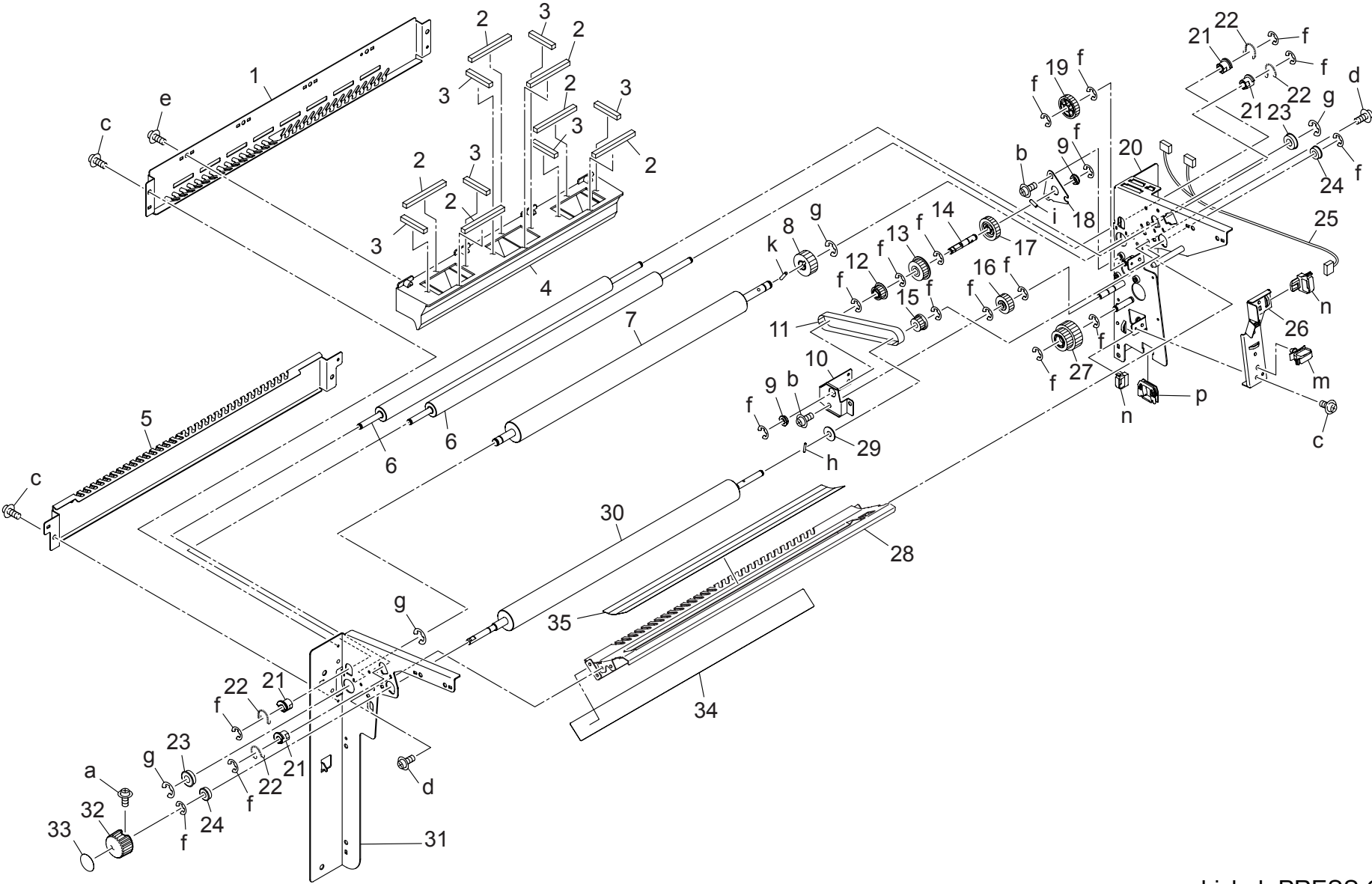
# PAPER EXIT SECTION



PAPER EXIT SECTION

Key	Part No.	Description	Destinations	Class	QTY	Standard parts
1	A1RF 8930 00	Side plate /Left		D	1	a-V121 0335 03 b-V121 0408 03 c-V500 0100 05 d-V500 0100 20
2	A03U M158 00	Main body Cooling Fan		C	3	
3	A1RF N145 00	Cooling Wiring /H		D	1	

PAPER EXIT SECTION

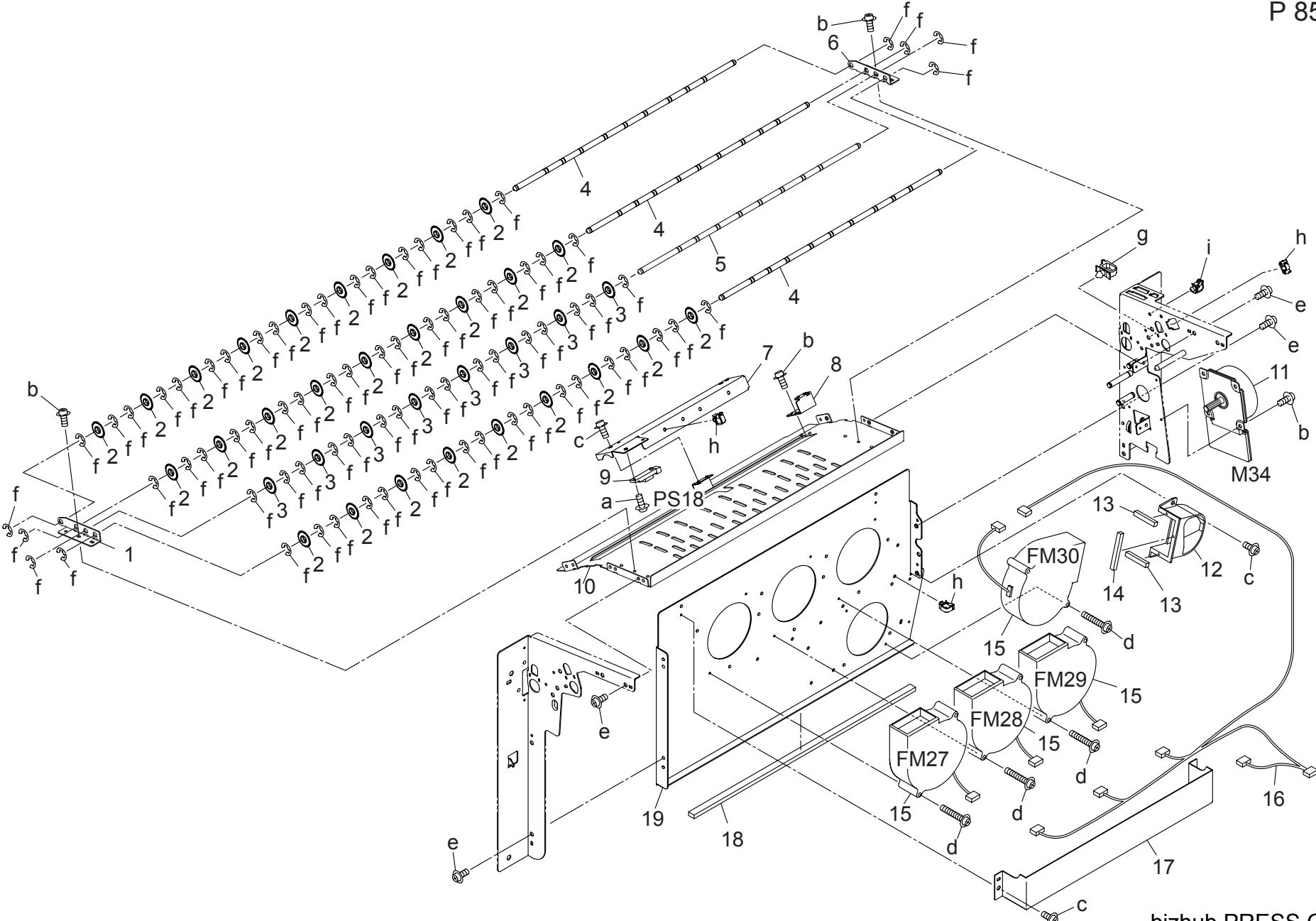




PAPER EXIT SECTION

Key	Part No.	Description	Destinations	Class	QTY	Standard parts
1	A1RF 8952 00	Guide Plate /Upper		D	1	a-V118 0306 03
2	A1RF 8944 00	Sealing Part /2		D	6	b-V121 0304 03
3	A1RF 8943 00	Sealing Part /1		D	6	c-V121 0306 03
4	A1RF 8913 00	Cooling Duct /1		D	1	d-V146 0306 03
5	A1RF 8917 00	Guide Plate /Lower		D	1	e-V153 0308 03
6	A1RF 8950 02	Idler Roller /E		B	2	f-V217 0400 50
7	A1RF 8902 00	Paper exit Roller		D	1	g-V217 0600 50
8	65AA 7764 0	Paper Exit Driving Gear /2 22T		C	1	h-V237 2012 50
9	A00J 6178 00	BALL BEARING		C	2	i-V237 3010 50
10	A1RF 8954 00	Fixing Plate /1		D	1	k-V237 3014 50
11	A1RF 9092 00	Paper Exit Timing Belt /1 219L		C	1	m-V500 0100 05
12	A1RF 9095 00	Paper Exit Pulley 16T		C	1	n-V500 0100 21
13	A1RF 9098 01	Drive Gear /5 19T		C	1	p-V570 0100 60
14	A1RF 8956 00	Drive Shaft		D	1	
15	A1RF 9094 00	Paper exit Pulley		C	1	
16	A1RF 9090 00	Drive Gear 17T		C	1	
17	A1RF 9093 00	Paper Exit Gear /2 22T		C	1	
18	A1RF 8955 00	Fixing Plate		D	1	
19	A1RF 9097 00	Paper Exit Gear /3 22T		C	1	
20	A1RF 8901 01	Paper Exit Plate /Rear		D	1	
21	A03U 7121 00	Registration Bushing		C	4	
22	A1RF 8951 01	Paper exit Spring /2		D	4	
23	A00V 2406 00	BALL BEARING		C	2	
24	A00J 2112 00	Ball Bearing		C	2	
25	A1RF N166 00	Drive Relay harness /4		D	1	
26	A1RF 8935 01	Bridge /M		D	1	
27	A1RF 9091 01	Paper Exit Gear /1 54/20T		C	1	
28	A1RF 8904 01	Guide Plate /Lower		D	1	
29	13GQ 4549 0	COLLAR B		C	1	
30	A1RF 8928 00	Paper exit Roller /2		D	1	
31	A1RF 8908 00	Paper exit Plate /Front		D	1	
32	14GE 4547 0	Rotation Knob		C	1	
33	A1RF 9437 00	Release Label /7		D	1	
34	A1RF 8978 00	Cover Sheet		D	1	
35	A1RF 8979 00	Guide Sheet		D	1	

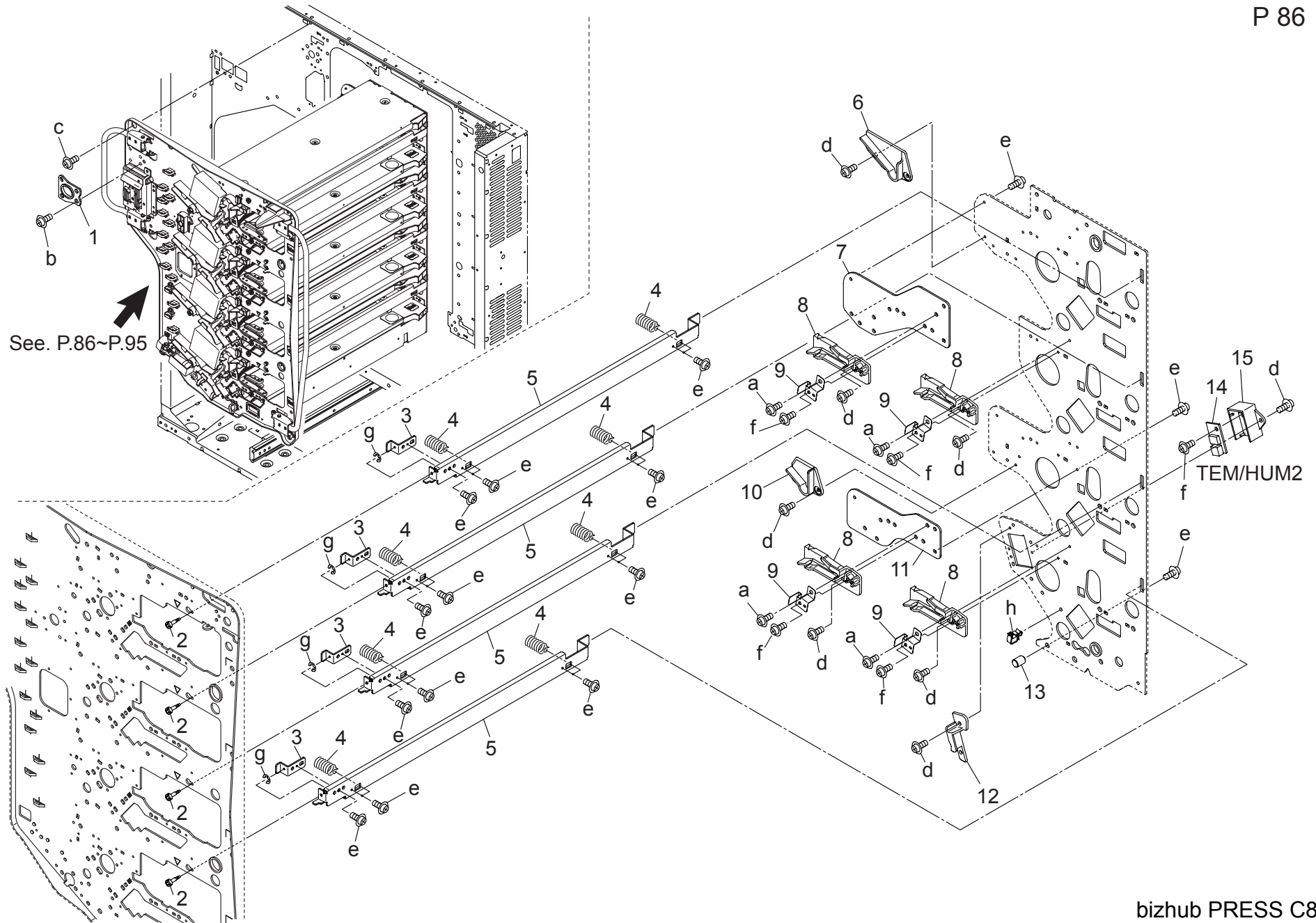
PAPER EXIT SECTION



bizhub PRESS C8000

Key	Part No.	Description	Destinations	Class	QTY	Standard parts
1	A1RF 8923 01	Fixing Plate /Front		D	1	a-V118 0306 03
2	65AA 4836 0	Paper Holding Part /1		C	27	b-V121 0304 03
3	65AA 4846 0	PAPER HOLDING PART 2		C	8	c-V121 0306 03
4	A1RF 8921 00	Fixing Shaft /1		D	3	d-V121 0335 03
5	A1RF 8920 00	Fixing Shaft /1		D	1	e-V146 0306 03
6	A1RF 8922 01	Fixing Plate /Rear		D	1	f-V217 0400 50
7	A1RF 8934 00	Mounting Plate /1		D	1	g-V500 0100 05
8	A1RF 8927 00	Fixing Plate /Rear		D	1	h-V500 0100 20
9	13QA 8552 1	Sensor 2		B	1	i-V570 0100 56
10	A1RF 8903 01	Guide Plate /Upper		D	1	
11	A0PN M102 00	DC Brushless motor /20		B	1	
12	A1RF 8931 00	Cooling Duct /2		D	1	
13	A1RF 8970 00	Sealing Part /3		D	2	
14	A1RF 8973 00	Sealing Part /4		D	1	
15	9313 1000 72	FAN MOTOR		C	4	
16	A1RF N167 00	Drive Relay Harness /5		D	1	
17	A1RF 8974 00	Cooling Duct /13		D	1	
18	A1RF 8975 00	Cooling Seal /10		D	1	
19	A1RF 8907 00	Paper exit Plate /Middle		D	1	

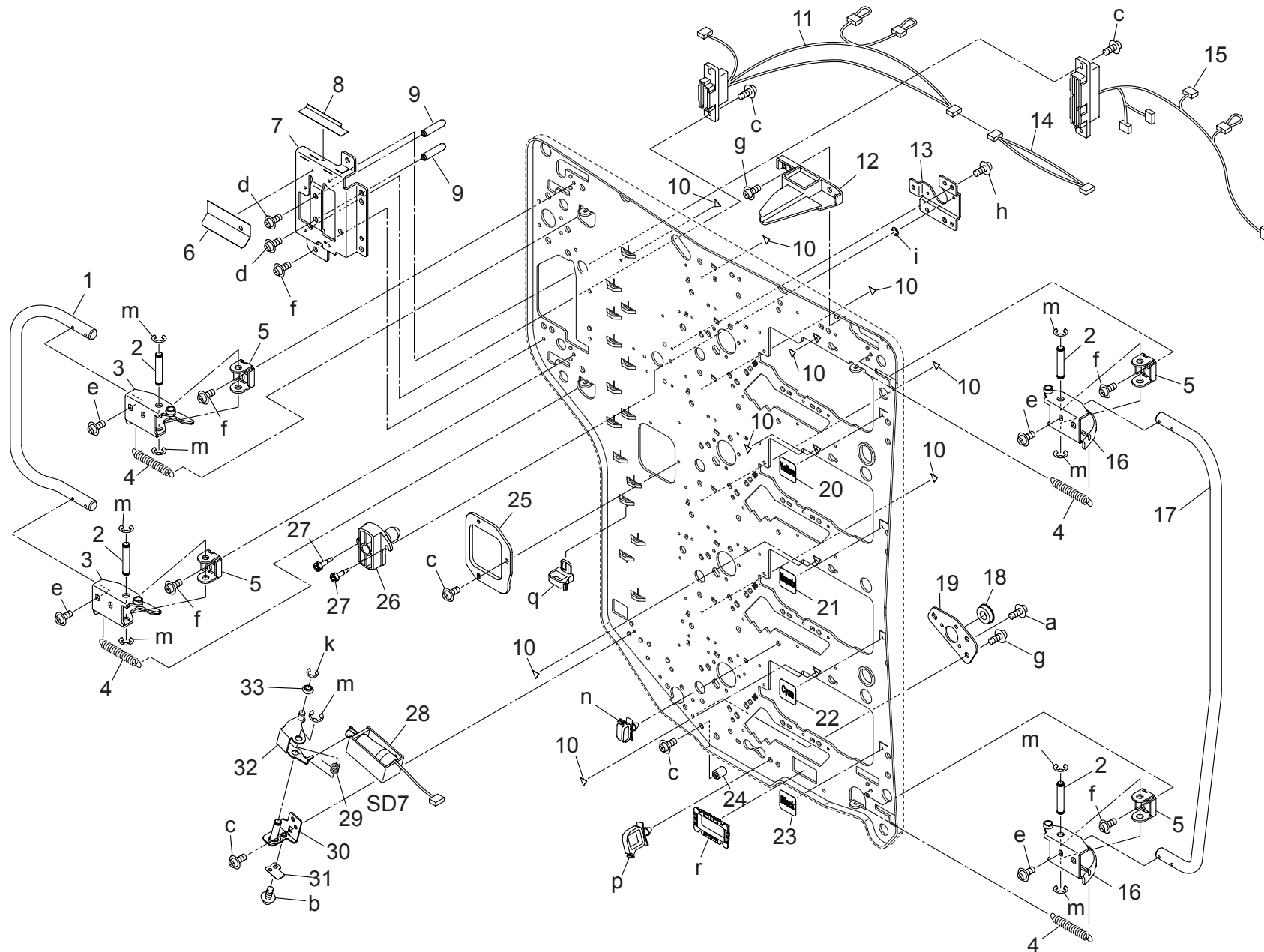
# PROCESS CARRIAGE SECTION



Key	Part No.	Description	Destinations	Class	QTY	Standard parts
1	A03U 3472 00	Carriage Positioning Plate /Left		D	1	a-V116 0306 03
2	A1RF 3491 01	Fixing Screw		D	4	b-V116 0408 03
3	A1RF 3493 02	Receiving Plate		D	4	c-V118 0406 03
4	A1RF 3479 00	Pressing Spring		D	8	d-V121 0304 03
5	A1RF 3478 00	Pressing Plate /3		D	4	e-V121 0306 03
6	A1RF 3442 00	Support Block /Rear		D	1	f-V153 0308 03
7	A1RF 3469 00	Reinforce Plate /A		D	1	g-V217 0200 50
8	A1RF 3422 00	Mounting Block /Rear		D	4	h-V500 0100 20
9	A1RF 3440 00	Photoconductor Spring /2		D	4	
10	A1RF 3467 00	Support Block /Rear		D	1	
11	A1RF 3470 00	Reinforce Plate /B		D	1	
12	A1RF 3468 00	Guide Block /Rear		D	1	
13	A1RF 3475 00	Guide Shaft /B		D	1	
14	27LA 8803 1	PROCESS SENSOR		B	1	
15	65AA 1130 0	SUPPORT PART		D	1	

# PROCESS CARRIAGE SECTION

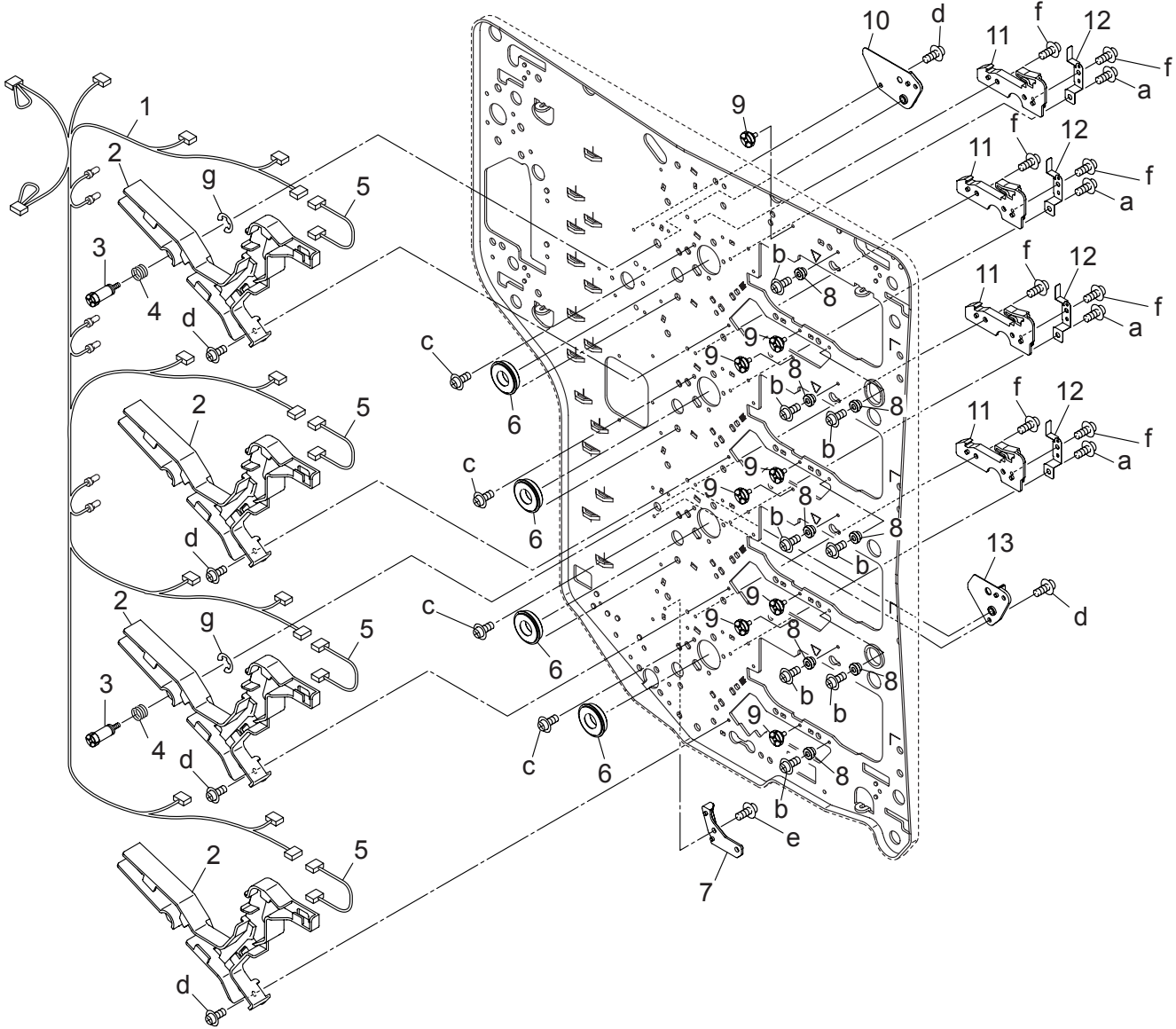
P87



PROCESS CARRIAGE SECTION

Key	Part No.	Description	Destinations	Class	QTY	Standard parts
1	A1RF 3414 00	Open/close Handle /Left		D	1	a-V118 0404 03
2	65AA 2210 0	CARRIGE LOCKING SHAFT UPPER		D	4	b-V121 0304 03
3	A1RF F346 00	Lock Plate/Left Calking		D	2	c-V121 0306 03
4	65AA 2229 0	LEVER OPEN SHUT SPRING		C	4	d-V121 0308 03
5	65AA 2226 0	HINGE PLATE A		D	4	e-V121 0312 03
6	A1RF 3501 00	Cover Sheet /2		D	1	f-V121 0404 03
7	A1RF 3446 00	Wiring Plate		D	1	g-V121 0406 03
8	A1RF 3499 00	Cover Sheet /1		D	1	h-V127 0306 03
9	A1RF 3412 00	Guide Shaft		D	2	i-V217 0200 50
10	A1RF 9451 00	Replacement Label /1		D	9	k-V217 0300 50
11	A1RF N148 00	Transfer Wiring /2		D	1	m-V217 0400 50
12	A1RF 4381 01	Guide Part		D	1	n-V500 0100 03
13	A1RF 3492 00	Fixing Plate		D	1	p-V500 0100 07
14	A1RF N154 00	Transfer Wiring /3		D	1	q-V500 0100 21
15	A1RF N147 00	Transfer Wiring /1		D	1	r-V570 0100 47
16	A1RF F345 00	Lock Plate/Right Calking		D	2	
17	A1RF 3413 00	Open/close Handle /Right		D	1	
18	A00V 2406 00	BALL BEARING		C	1	
19	A1RF 3473 00	Support Plate /A		D	1	
20	65AA 9744 0	Developing Exchanging Label /Y		D	1	
21	65AA 9745 0	Developing Exchanging Label /M		D	1	
22	65AA 9746 0	Developing Exchanging Label /C		D	1	
23	65AA 9747 0	Developing Exchanging Label /K		D	1	
24	A1RF 3475 00	Guide Shaft /B		D	1	
25	A1RF 3471 00	Wiring Cover		D	1	
26	65AA 2252 1	BELT POSITIONING SHAFT		D	1	
27	A1RF 3491 01	Fixing Screw		D	2	
28	A1RF R748 00	SOLENOID		B	1	
29	A1RF 3488 00	Release Spring		D	1	
30	A1RF R785 00	CAM FIXING PLATE CALKING		D	1	
31	65AA 2282 0	SOLENOID SUPPORT PLATE		D	1	
32	A1RF R784 00	SUPPORT PLATE CALKING		D	1	
33	65AA 2275 0	SEPARATION PRESSURE ROLLER		C	1	

PROCESS CARRIAGE SECTION

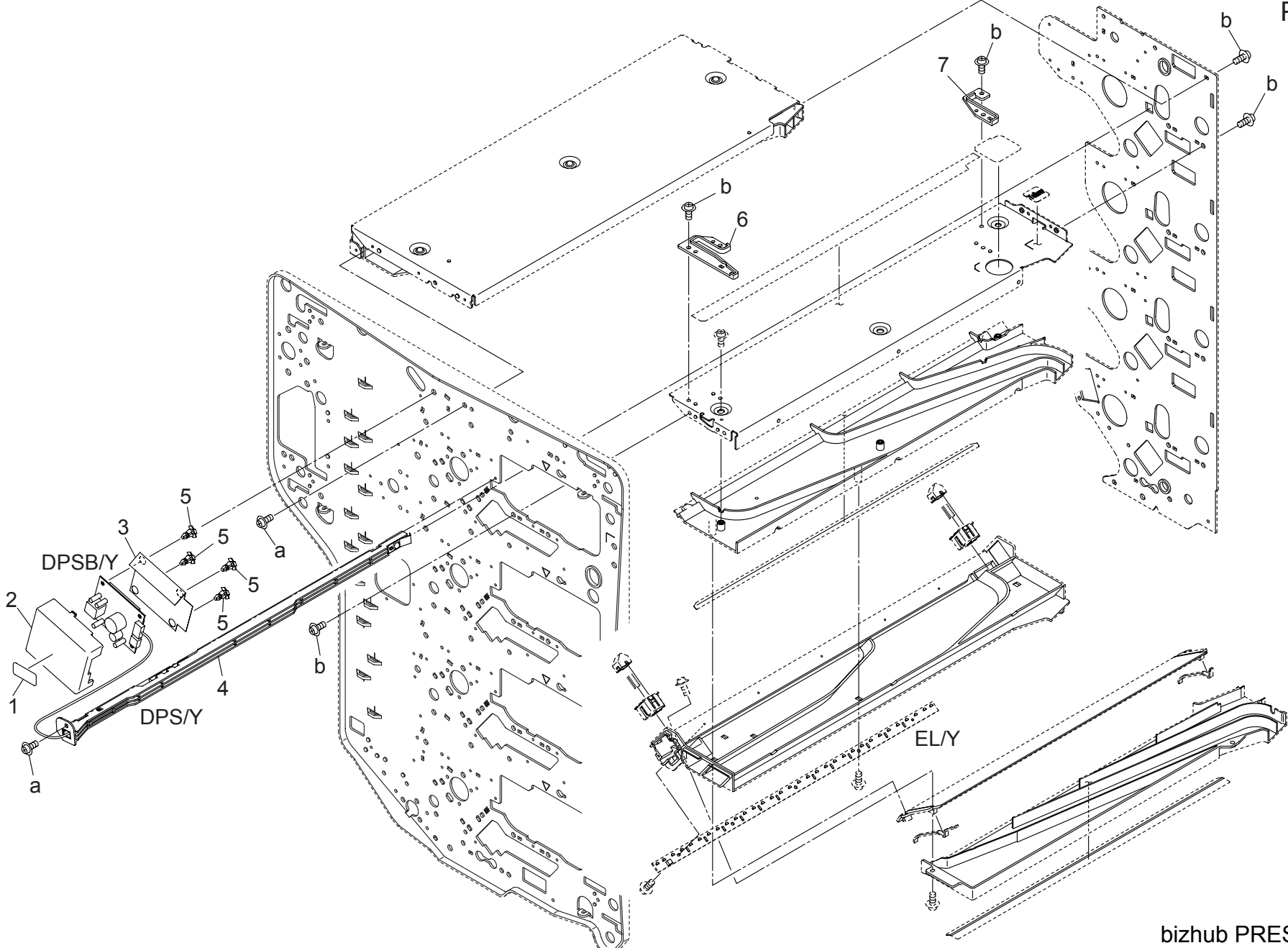




# PROCESS CARRIAGE SECTION

Key	Part No.	Description	Destinations	Class	QTY	Standard parts
1	A1RF N151 00	Toner Detection harness /1		D	1	a-V116 0306 03 b-V118 0308 03 c-V118 0404 03 d-V121 0304 03 e-V121 0306 03 f-V153 0308 03 g-V217 0600 50
2	A1RF 3480 00	Guide Cover		D	4	
3	A1RF 3458 00	Fixing Screw		D	2	
4	A1RF 3490 00	Release Spring		D	2	
5	A1RF N152 01	Toner Detection Harness /2		D	4	
6	65AA 7508 1	DRUM SUPPORT BEARING /2		C	4	
7	A1RF 3472 00	Guide Block /Front		D	1	
8	65AA 2283 0D	Mounting Spacer		D	8	
9	65AA 2268 0	CARTRIDGE SUPPORT SCREW		C	8	
10	A1RF 3441 01	Support Block /Front		D	1	
11	A1RF 3421 00	Mounting Block /Front		D	4	
12	A1RF 3439 00	Photoconductor Spring /1		D	4	
13	A1RF 3459 00	Support Block /Front		D	1	

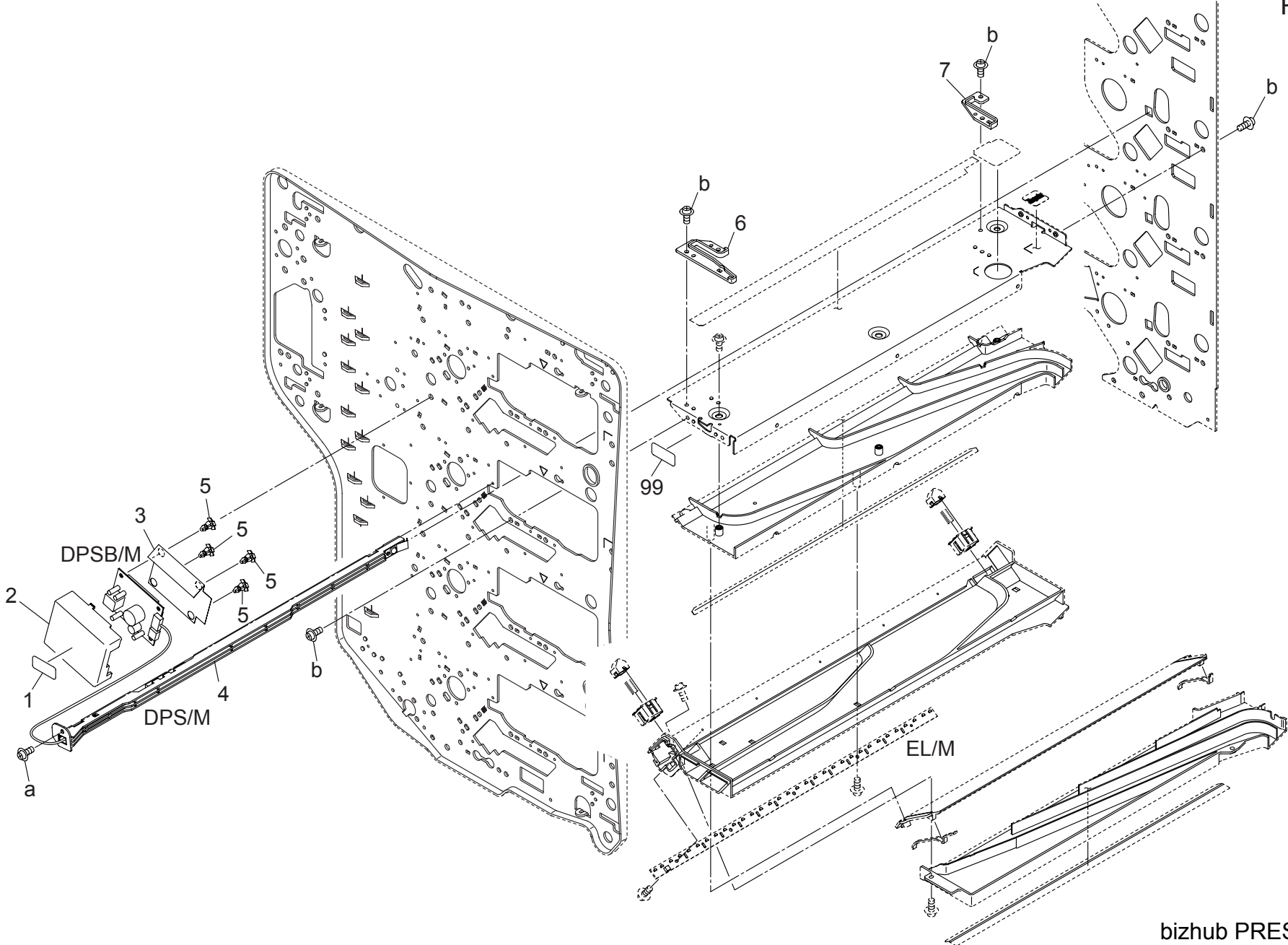
# PROCESS CARRIAGE SECTION



# PROCESS CARRIAGE SECTION

Key	Part No.	Description	Destinations	Class	QTY	Standard parts
1	56UA 9792 0	HIGE VOLTAGE CAUTION LABEL		C	1	a-V118 0304 03 b-V121 0306 03
2	A1RF 3481 01	Insulating Cover		D	1	
3	65AA 2281 0	BASE PLATE COVER		D	1	
4	A1RF R747 00	Surface Electric Potential Assy		C	1	
5	V502 0100 21	spacer		D	4	
6	A1RF 3476 00	Guide Block /Front		D	1	
7	A1RF 3477 00	Guide Block /Rear		D	1	

PROCESS CARRIAGE SECTION

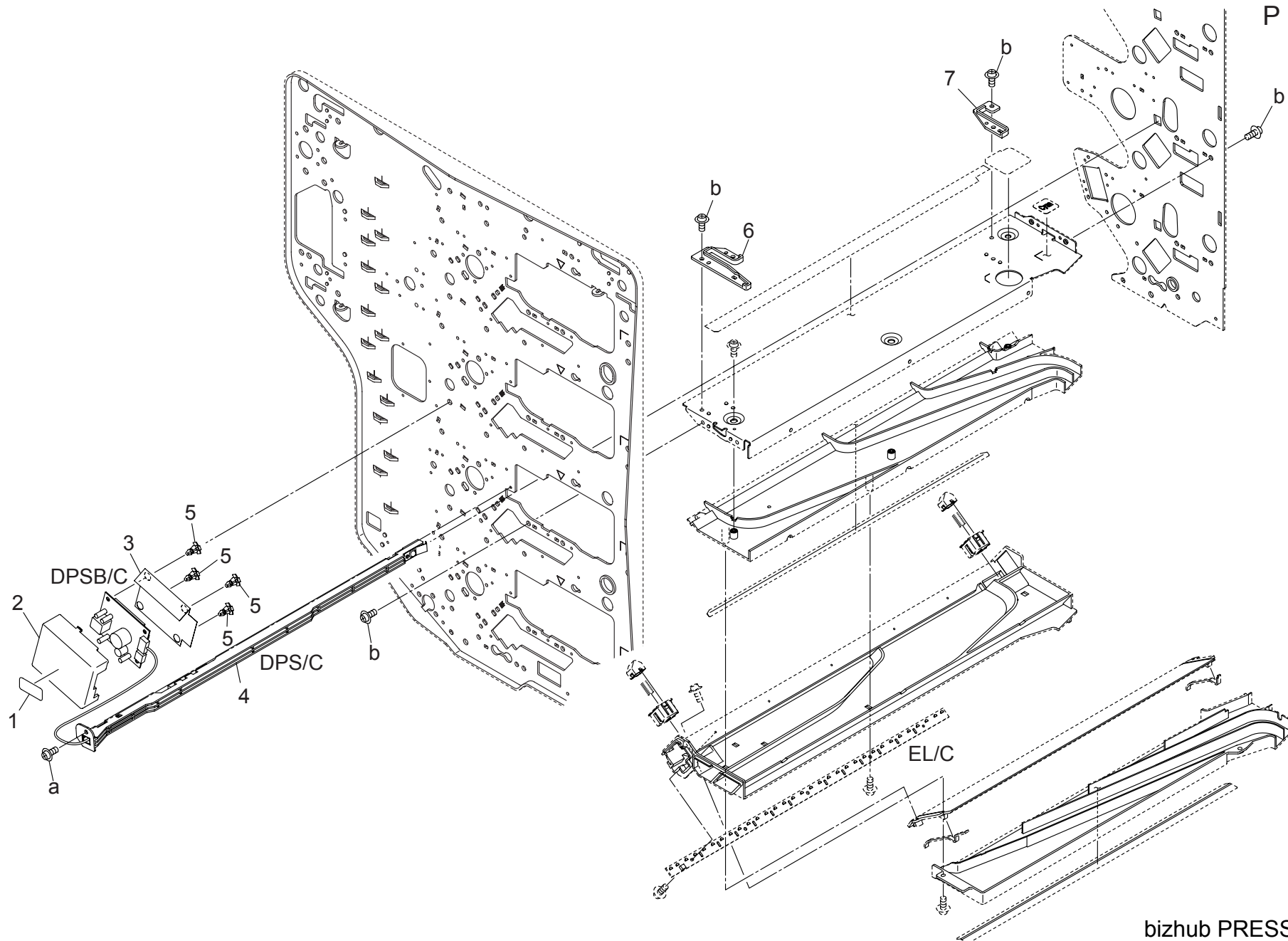


# PROCESS CARRIAGE SECTION

Key	Part No.	Description	Destinations	Class	QTY	Standard parts
1	56UA 9792 0	HIGE VOLTAGE CAUTION LABEL		C	1	a-V118 0304 03 b-V121 0306 03
2	A1RF 3481 01	Insulating Cover		D	1	
3	65AA 2281 0	BASE PLATE COVER		D	1	
4	A1RF R747 00	Surface Electric Potential Assy		C	1	
5	V502 0100 21	spacer		D	4	
6	A1RF 3476 00	Guide Block /Front		D	1	
7	A1RF 3477 00	Guide Block /Rear		D	1	

# PROCESS CARRIAGE SECTION

P 91

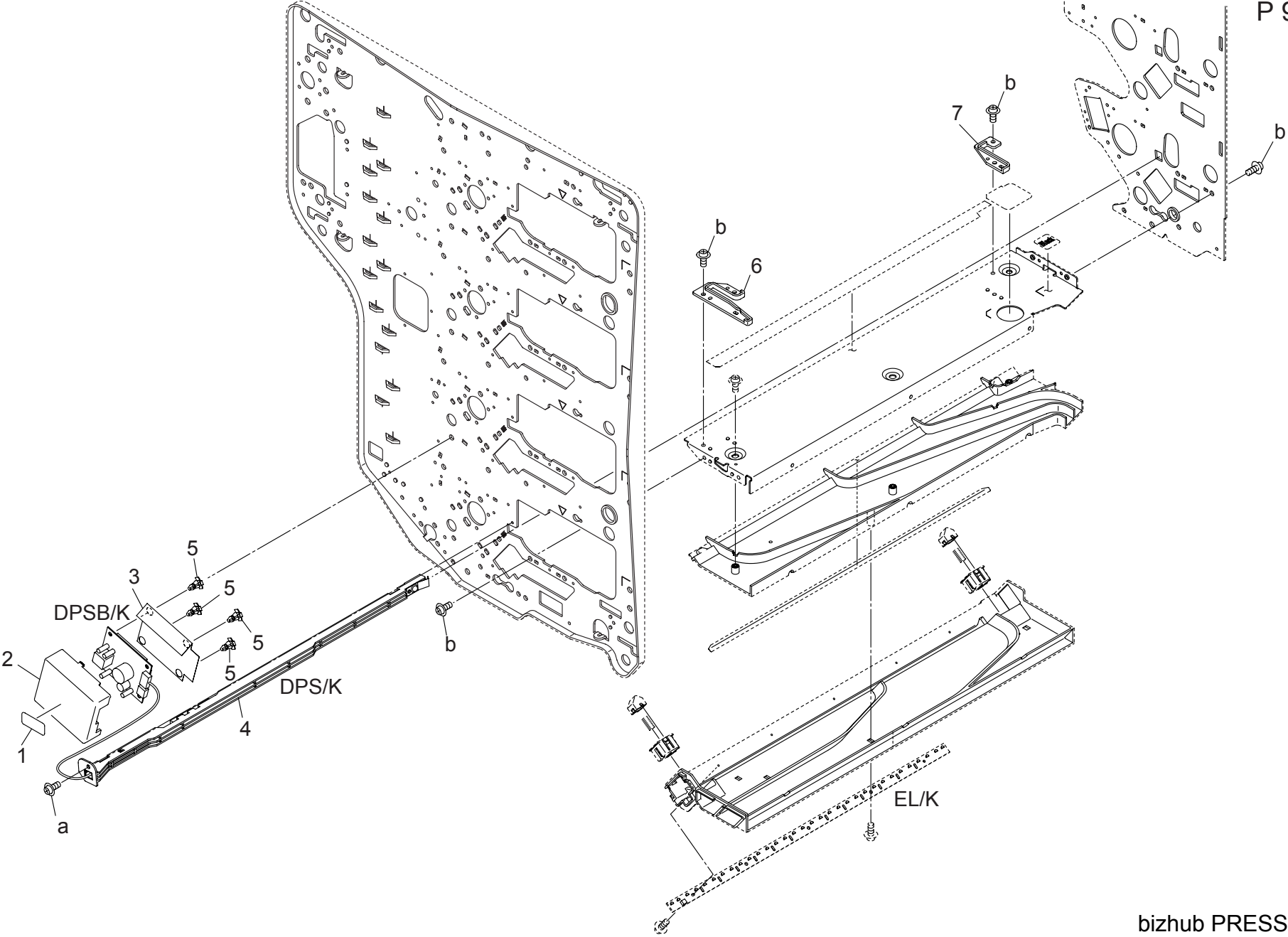


PROCESS CARRIAGE SECTION

Key	Part No.	Description	Destinations	Class	QTY	Standard parts
1	56UA 9792 0	HIGE VOLTAGE CAUTION LABEL		C	1	a-V118 0304 03 b-V121 0306 03
2	A1RF 3481 01	Insulating Cover		D	1	
3	65AA 2281 0	BASE PLATE COVER		D	1	
4	A1RF R747 00	Surface Electric Potential Assy		C	1	
5	V502 0100 21	spacer		D	4	
6	A1RF 3476 00	Guide Block /Front		D	1	
7	A1RF 3477 00	Guide Block /Rear		D	1	

# PROCESS CARRIAGE SECTION

P 92

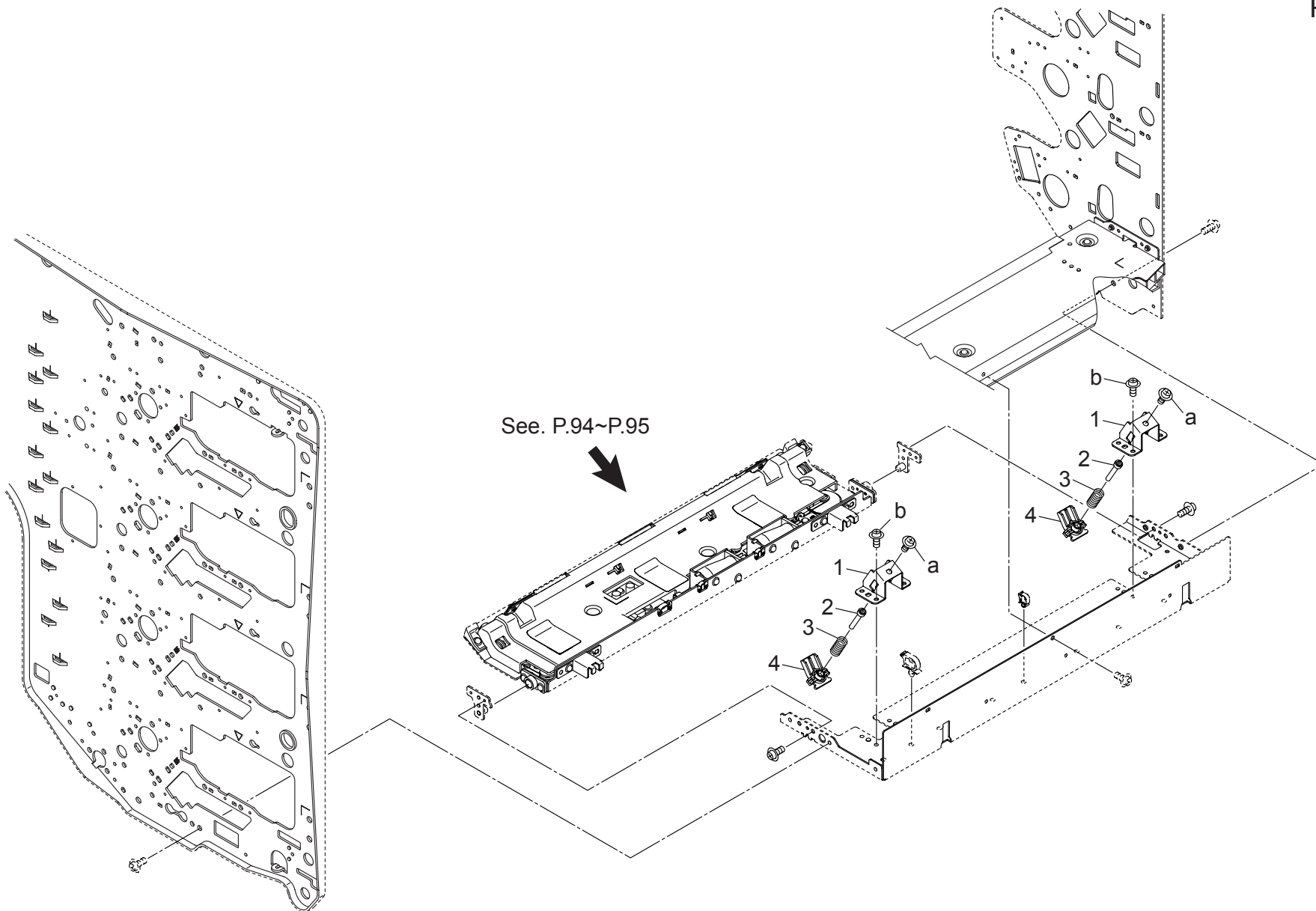




# PROCESS CARRIAGE SECTION

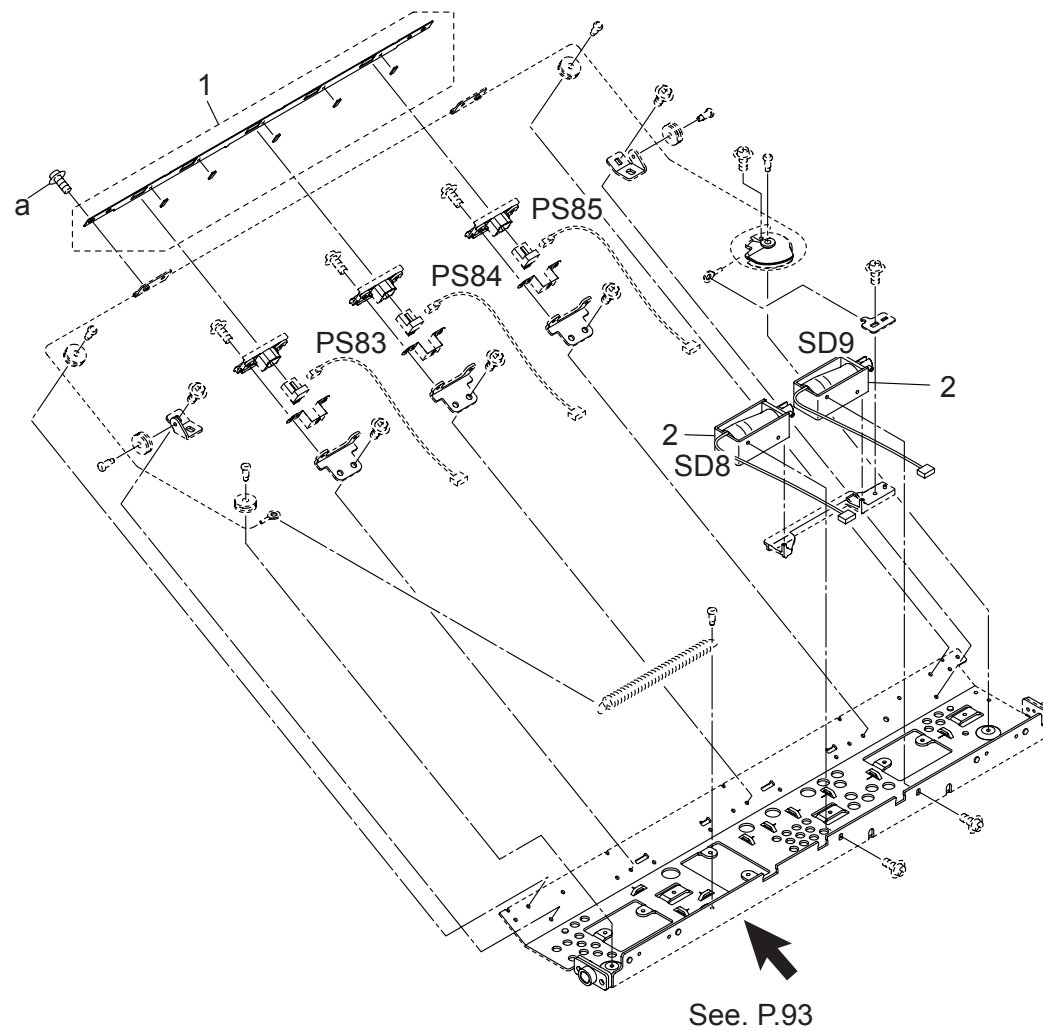
Key	Part No.	Description	Destinations	Class	QTY	Standard parts
1	56UA 9792 0	HIGE VOLTAGE CAUTION LABEL		C	1	a-V118 0304 03 b-V121 0306 03
2	A1RF 3481 01	Insulating Cover		D	1	
3	65AA 2281 0	BASE PLATE COVER		D	1	
4	A1RF R747 00	Surface Electric Potential Assy		C	1	
5	V502 0100 21	spacer		D	4	
6	A1RF 3476 00	Guide Block /Front		D	1	
7	A1RF 3477 00	Guide Block /Rear		D	1	

# PROCESS CARRIAGE SECTION



PROCESS CARRIAGE SECTION

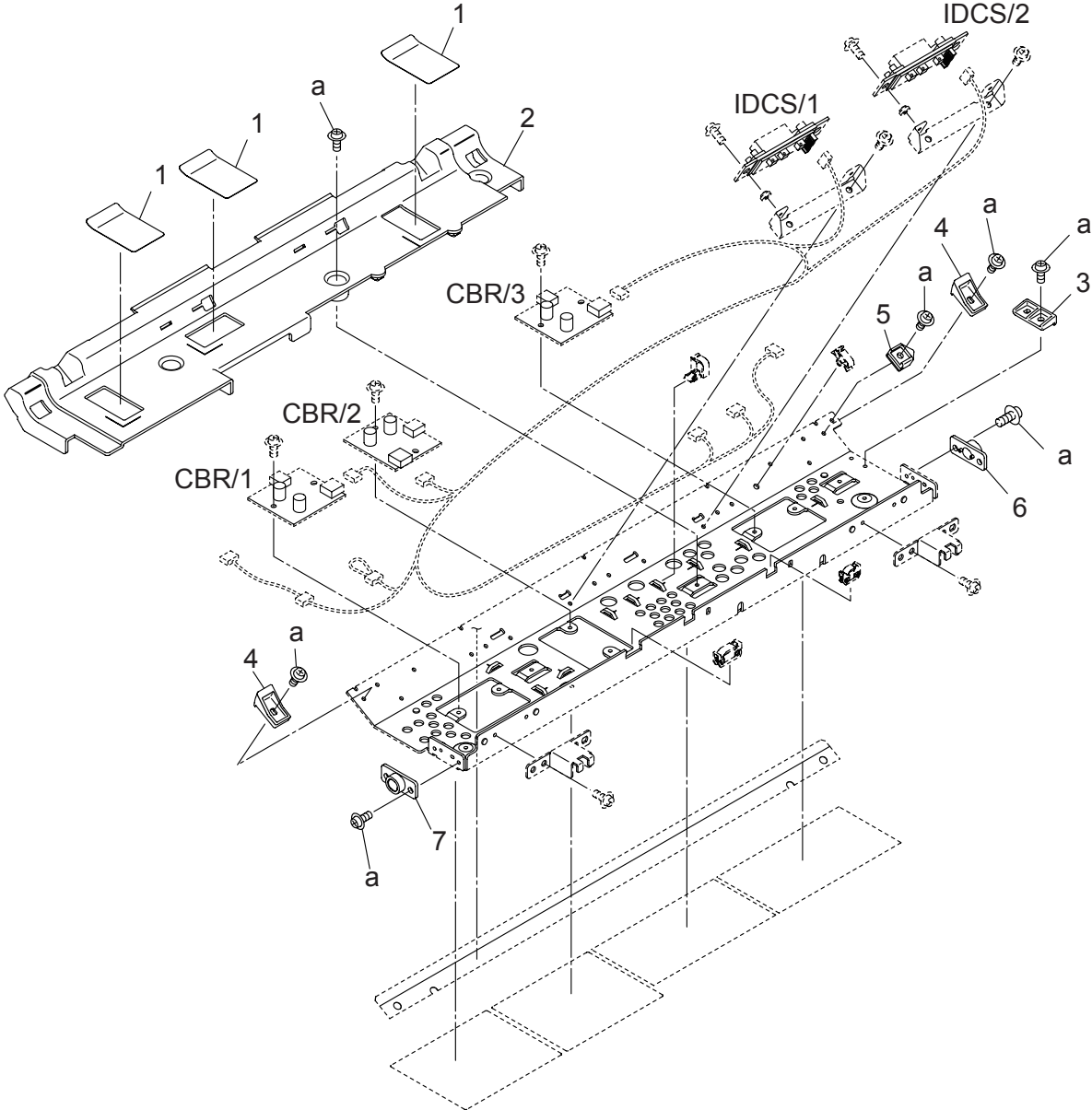
Key	Part No.	Description	Destinations	Class	QTY	Standard parts
1	A1RF 3483 00	Pressing Plate		D	2	a-V121 0306 03 b-V121 0304 03
2	A1RF 3484 00	Guide Shaft		D	2	
3	A1RF 3485 00	Pressing Spring		D	2	
4	A1RF 3486 00	Pressing Block		D	2	



**PROCESS CARRIAGE SECTION**

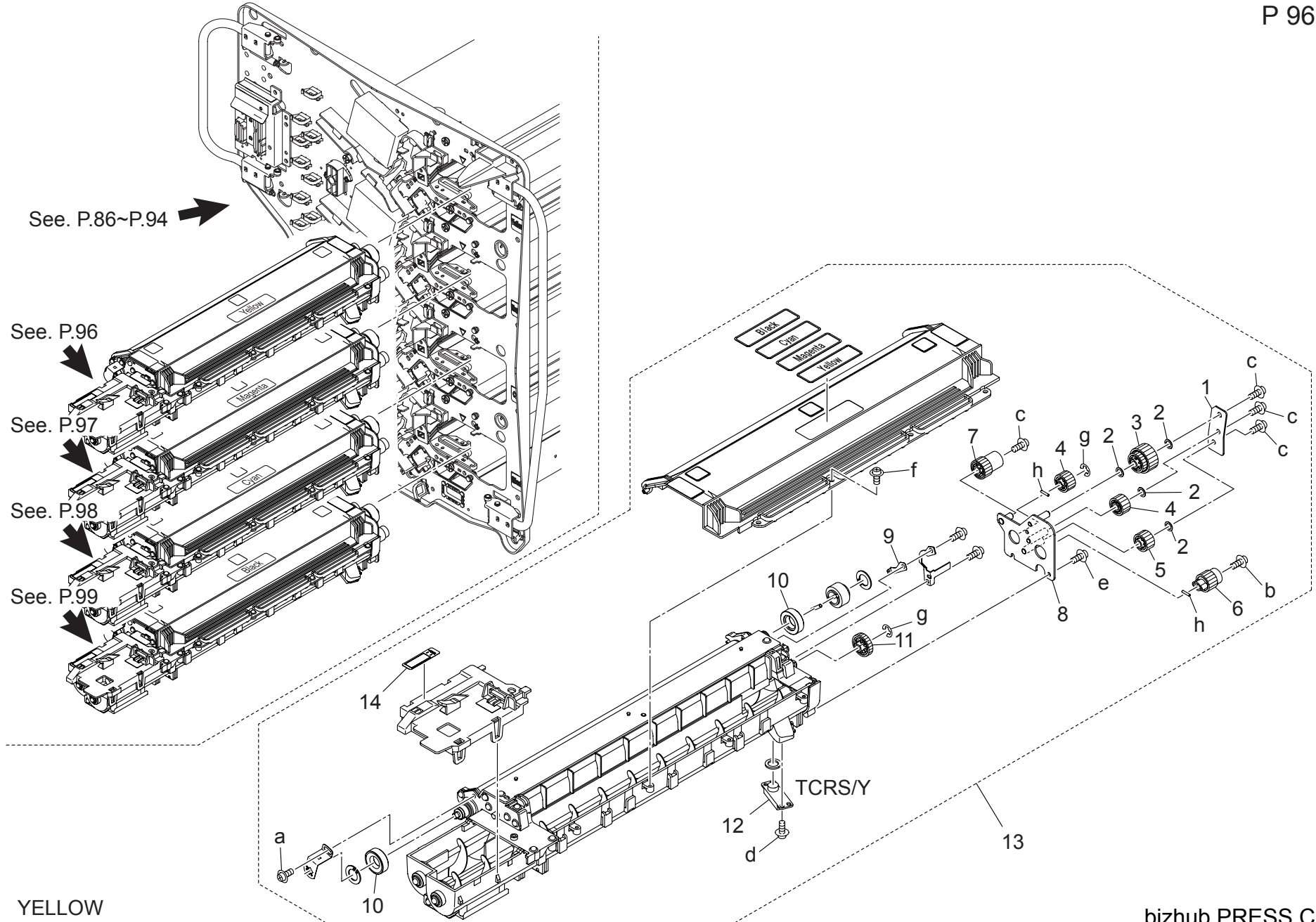
Key	Part No.	Description	Destinations	Class	QTY	Standard parts
1	A1RF R7F7 00	Replacement Shutter		B	1	a-V118 0304 04
2	A1RF R760 00	SL PIN ASSY		B	2	

PROCESS CARRIAGE SECTION



PROCESS CARRIAGE SECTION

Key	Part No.	Description	Destinations	Class	QTY	Standard parts
1	A1RF 3450 00	Cover Sheet		D	3	a-V121 0304 03
2	A1RF 3449 02	Cover		D	1	
3	A1RF 3496 00	Slide Guide /2		D	1	
4	A1RF 3407 00	Positioning Block		D	2	
5	A1RF 3495 00	Slide Guide /1		D	1	
6	A1RF 3498 01	Support Block /Rear		D	1	
7	A1RF 3448 00	Support Block /Front		D	1	



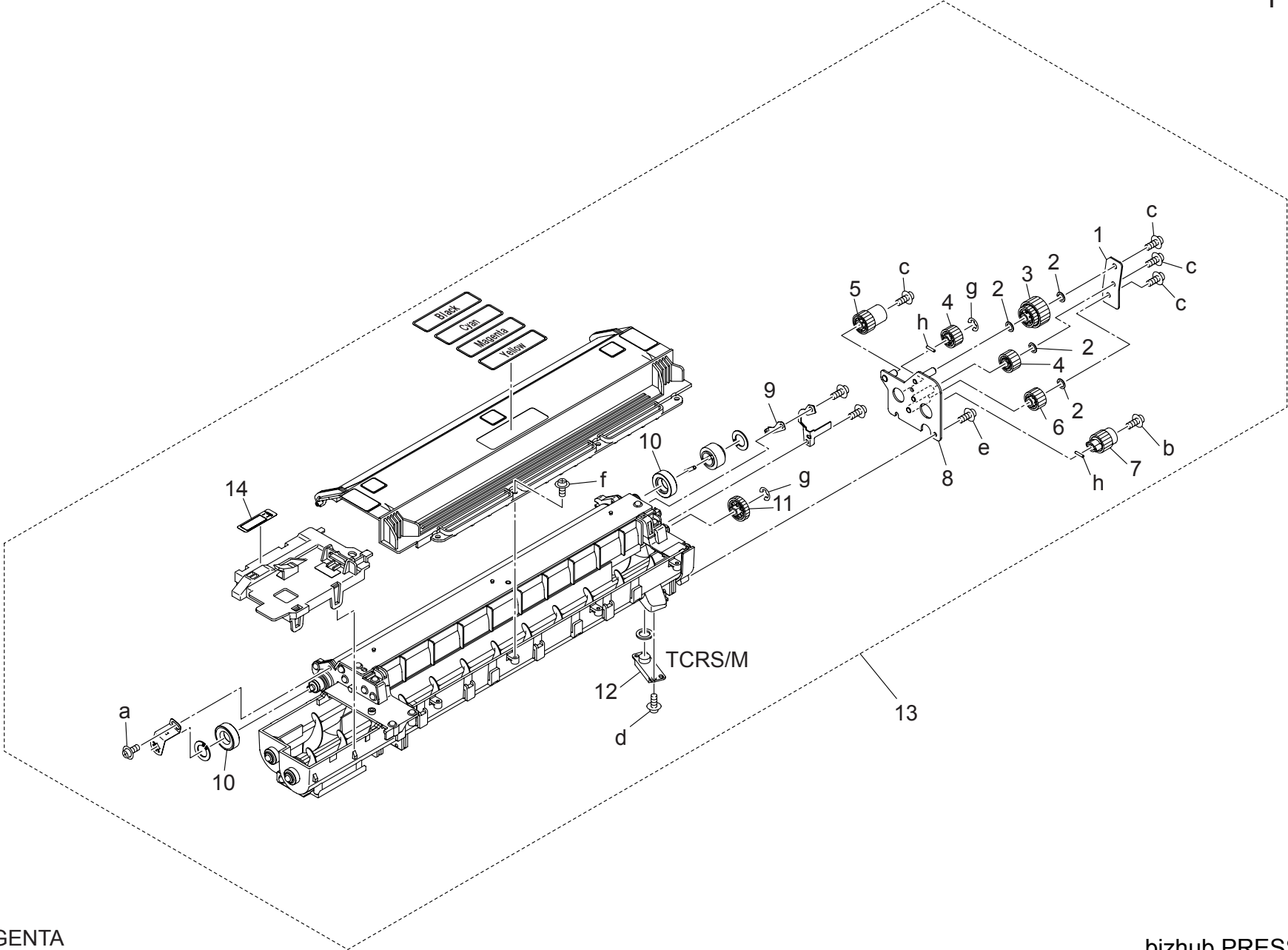
YELLOW

Order here  
8 (495) 646-0426  
www.km-shop.ru

bizhub PRESS C8000



Key	Part No.	Description	Destinations	Class	QTY	Standard parts
1	A1RF 3721 00	Support Plate /2		D	1	a-V116 0306 03 b-V121 0304 03 c-V121 0306 03 d-V145 0305 03 e-V145 0308 03 f-V153 0308 03 g-V217 0400 50 h-V237 2010 50
2	40AA 3232 0	TONER SUPPLY SPACER		C	4	
3	A1RF 3898 00	Idling Gear /Upper 23/38T		C	1	
4	A1RF 3892 00	Collection Gear /Right 19T		C	2	
5	A1RF 3893 00	Idling Gear /Left 19T		C	1	
6	A1RF 3723 00	Agitating Coupling /1		D	1	
7	A1RF 3727 00	Developing Coupling /1		D	1	
8	A1RF R791 00	SUPPORT PLATE/1 CALKING		D	1	
9	A03U 3719 00	Developing Power supply Plate /B		C	1	
10	A03U 3760 00	BEARING		C	2	
11	A1RF 3894 00	Supply Gear /1 26T		C	1	
12	A1RF M512 00	Toner Sensor		I	1	
13	A1RF R727 11	Developing Unit		B	1	
14	A1RF 9455 01	Replacement Label /5		D	1	



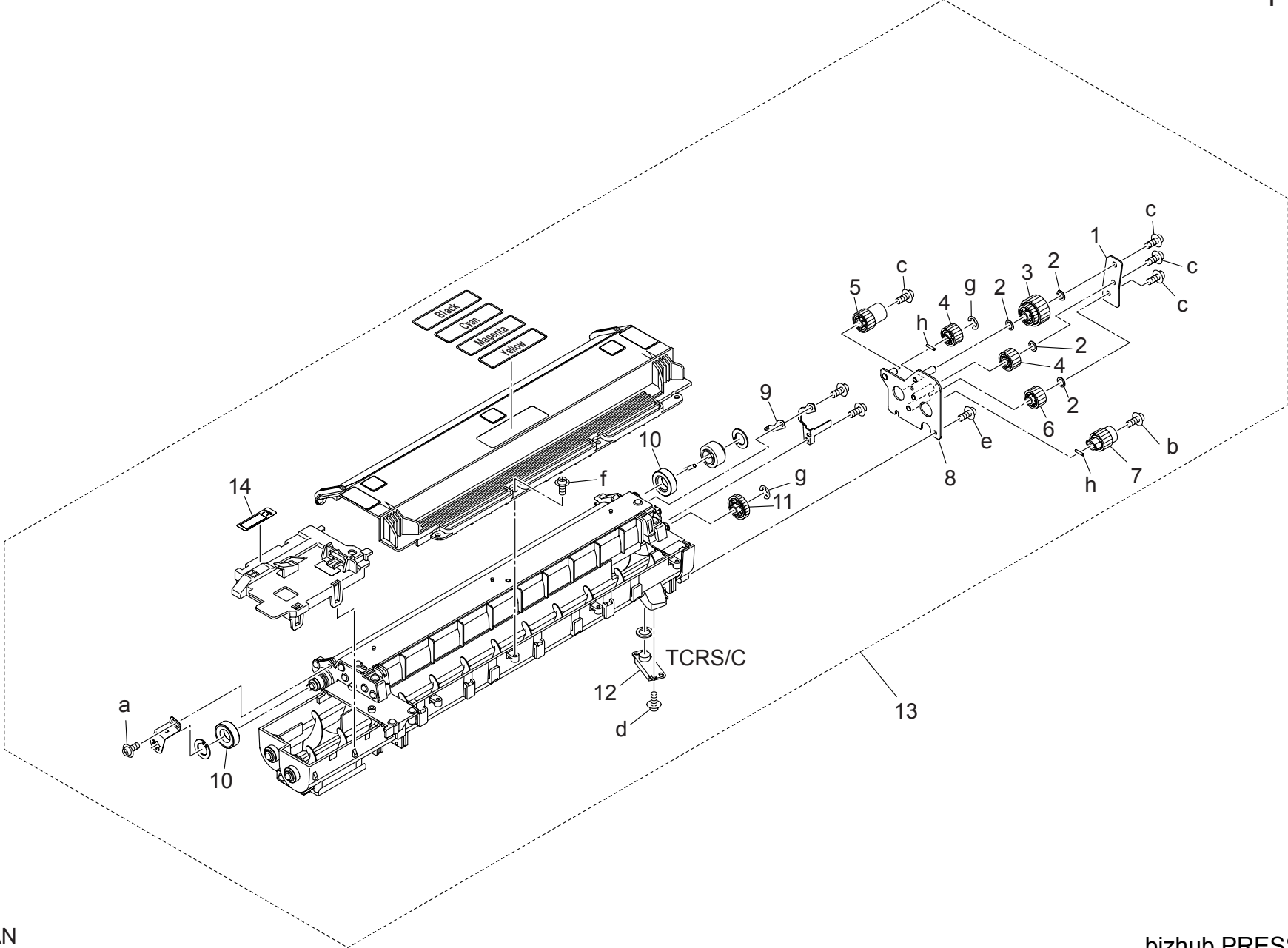
MAGENTA

Order here  
8 (495) 646-0426  
ПЯТЫЙ ПАРТНЕР www.km-shop.ru

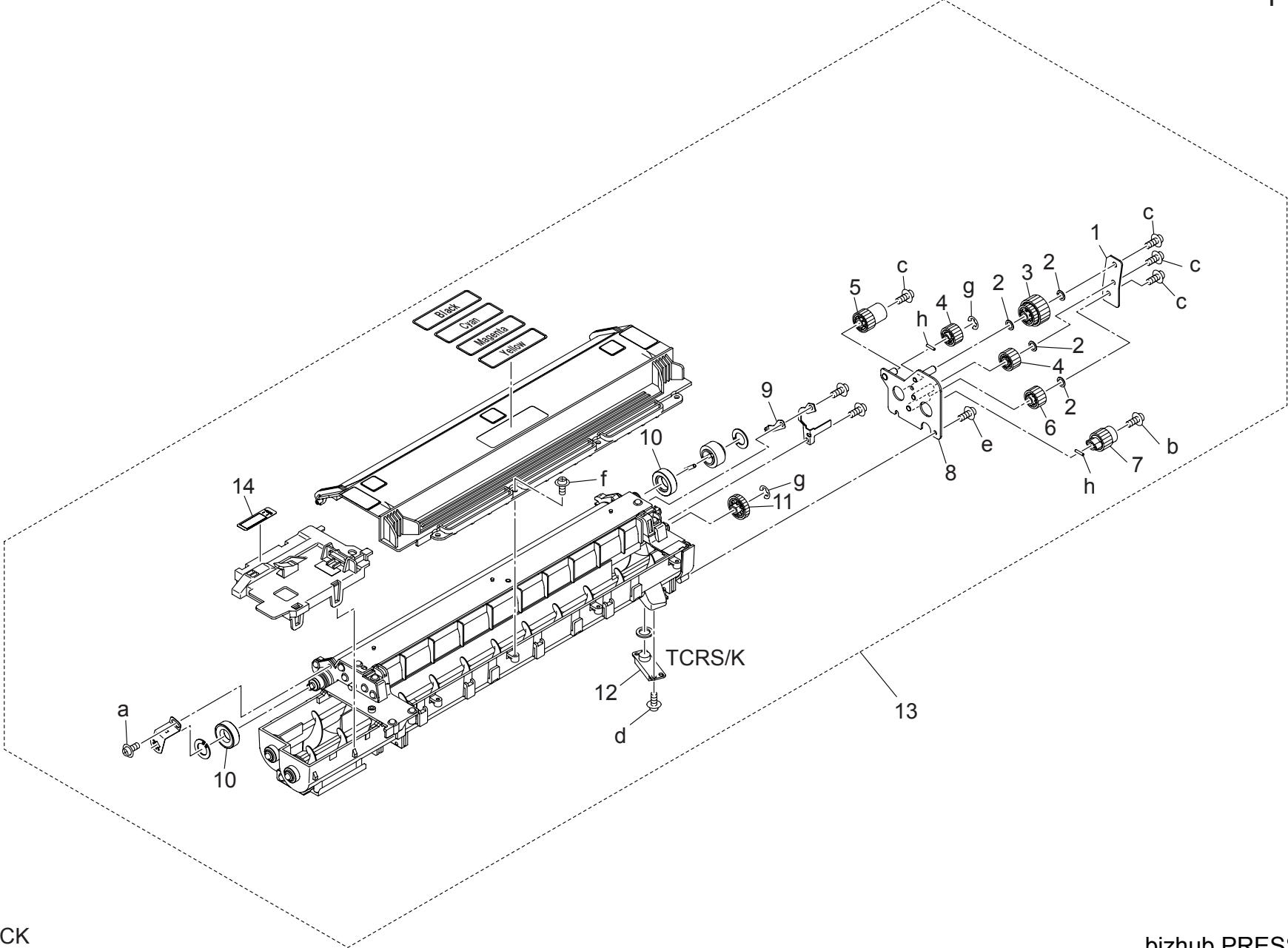
bizhub PRESS C8000

Key	Part No.	Description	Destinations	Class	QTY	Standard parts
1	A1RF 3721 00	Support Plate /2		D	1	a-V116 0306 03
2	40AA 3232 0	TONER SUPPLY SPACER		C	4	b-V121 0304 03
3	A1RF 3898 00	Idling Gear /Upper 23/38T		C	1	c-V121 0306 03
4	A1RF 3892 00	Collection Gear /Right 19T		C	2	d-V145 0305 03
5	A1RF 3727 00	Developing Coupling /1		D	1	e-V145 0308 03
6	A1RF 3893 00	Idling Gear /Left 19T		C	1	f-V153 0308 03
7	A1RF 3723 00	Agitating Coupling /1		D	1	g-V217 0400 50
8	A1RF R791 00	SUPPORT PLATE/1 CALKING		D	1	h-V237 2010 50
9	A03U 3719 00	Developing Power supply Plate /B		C	1	
10	A03U 3760 00	BEARING		C	2	
11	A1RF 3894 00	Supply Gear /1 26T		C	1	
12	A1RF M512 00	Toner Sensor		I	1	
13	A1RF R727 11	Developing Unit		B	1	
14	A1RF 9455 01	Replacement Label /5		D	1	





Key	Part No.	Description	Destinations	Class	QTY	Standard parts
1	A1RF 3721 00	Support Plate /2		D	1	a-V116 0306 03 b-V121 0304 03 c-V121 0306 03 d-V145 0305 03 e-V145 0308 03 f-V153 0308 03 g-V217 0400 50 h-V237 2010 50
2	40AA 3232 0	TONER SUPPLY SPACER		C	4	
3	A1RF 3898 00	Idling Gear /Upper 23/38T		C	1	
4	A1RF 3892 00	Collection Gear /Right 19T		C	2	
5	A1RF 3727 00	Developing Coupling /1		D	1	
6	A1RF 3893 00	Idling Gear /Left 19T		C	1	
7	A1RF 3723 00	Agitating Coupling /1		D	1	
8	A1RF R791 00	SUPPORT PLATE/1 CALKING		D	1	
9	A03U 3719 00	Developing Power supply Plate /B		C	1	
10	A03U 3760 00	BEARING		C	2	
11	A1RF 3894 00	Supply Gear /1 26T		C	1	
12	A1RF M512 00	Toner Sensor		I	1	
13	A1RF R727 11	Developing Unit		B	1	
14	A1RF 9455 01	Replacement Label /5		D	1	



BLACK

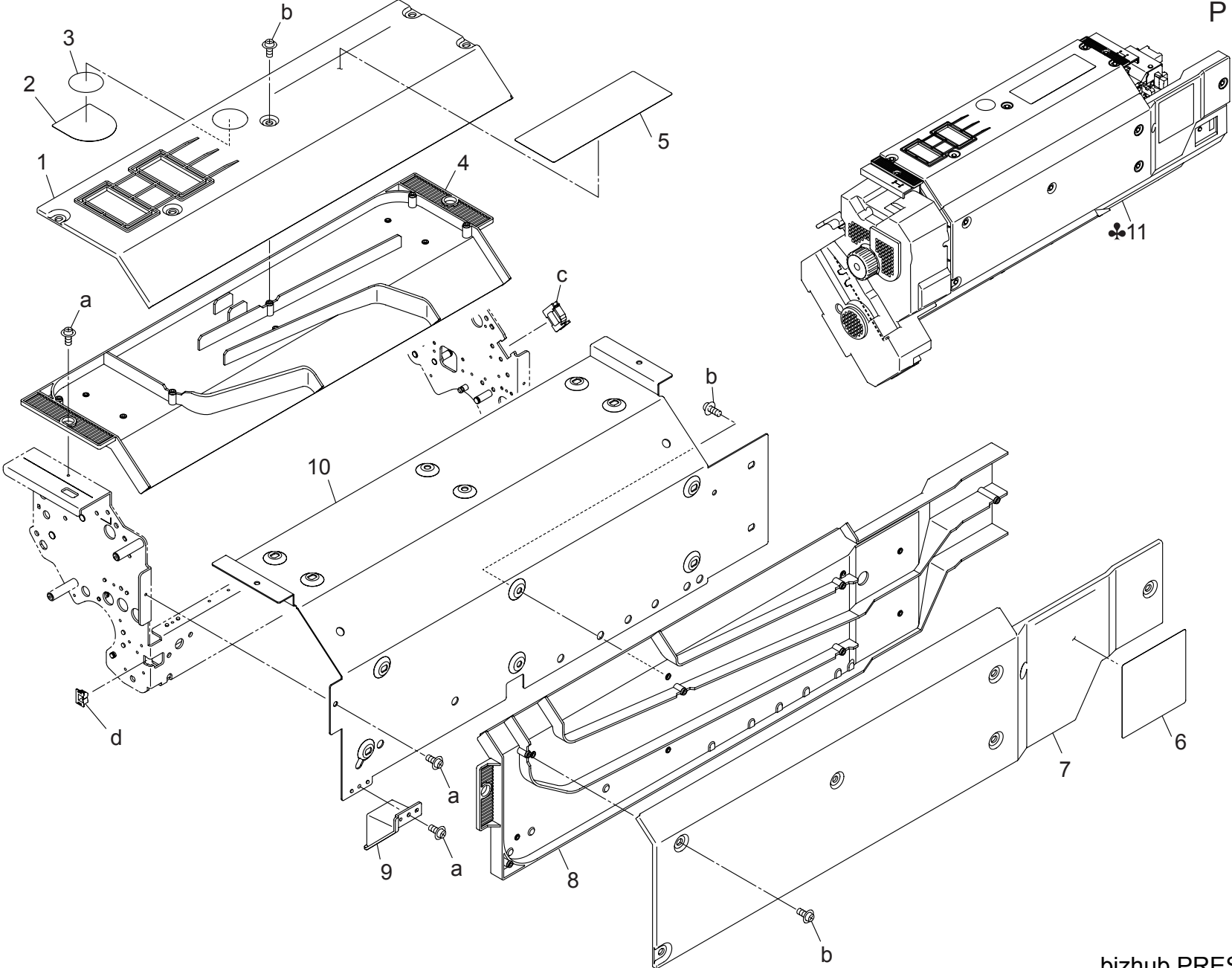
Order here  
8 (495) 646-0426  
ПЯТЫЙ ПАРТНЕР www.km-shop.ru

bizhub PRESS C8000

Key	Part No.	Description	Destinations	Class	QTY	Standard parts
1	A1RF 3721 00	Support Plate /2		D	1	a-V116 0306 03
2	40AA 3232 0	TONER SUPPLY SPACER		C	4	b-V121 0304 03
3	A1RF 3898 00	Idling Gear /Upper 23/38T		C	1	c-V121 0306 03
4	A1RF 3892 00	Collection Gear /Right 19T		C	2	d-V145 0305 03
5	A1RF 3727 00	Developing Coupling /1		D	1	e-V145 0308 03
6	A1RF 3893 00	Idling Gear /Left 19T		C	1	f-V153 0308 03
7	A1RF 3723 00	Agitating Coupling /1		D	1	g-V217 0400 50
8	A1RF R791 00	SUPPORT PLATE/1 CALKING		D	1	h-V237 2010 50
9	A03U 3719 00	Developing Power supply Plate /B		C	1	
10	A03U 3760 00	BEARING		C	2	
11	A1RF 3894 00	Supply Gear /1 26T		C	1	
12	A1RF M512 00	Toner Sensor		I	1	
13	A1RF R727 11	Developing Unit		B	1	
14	A1RF 9455 01	Replacement Label /5		D	1	

# FUSING SECTION

P 100



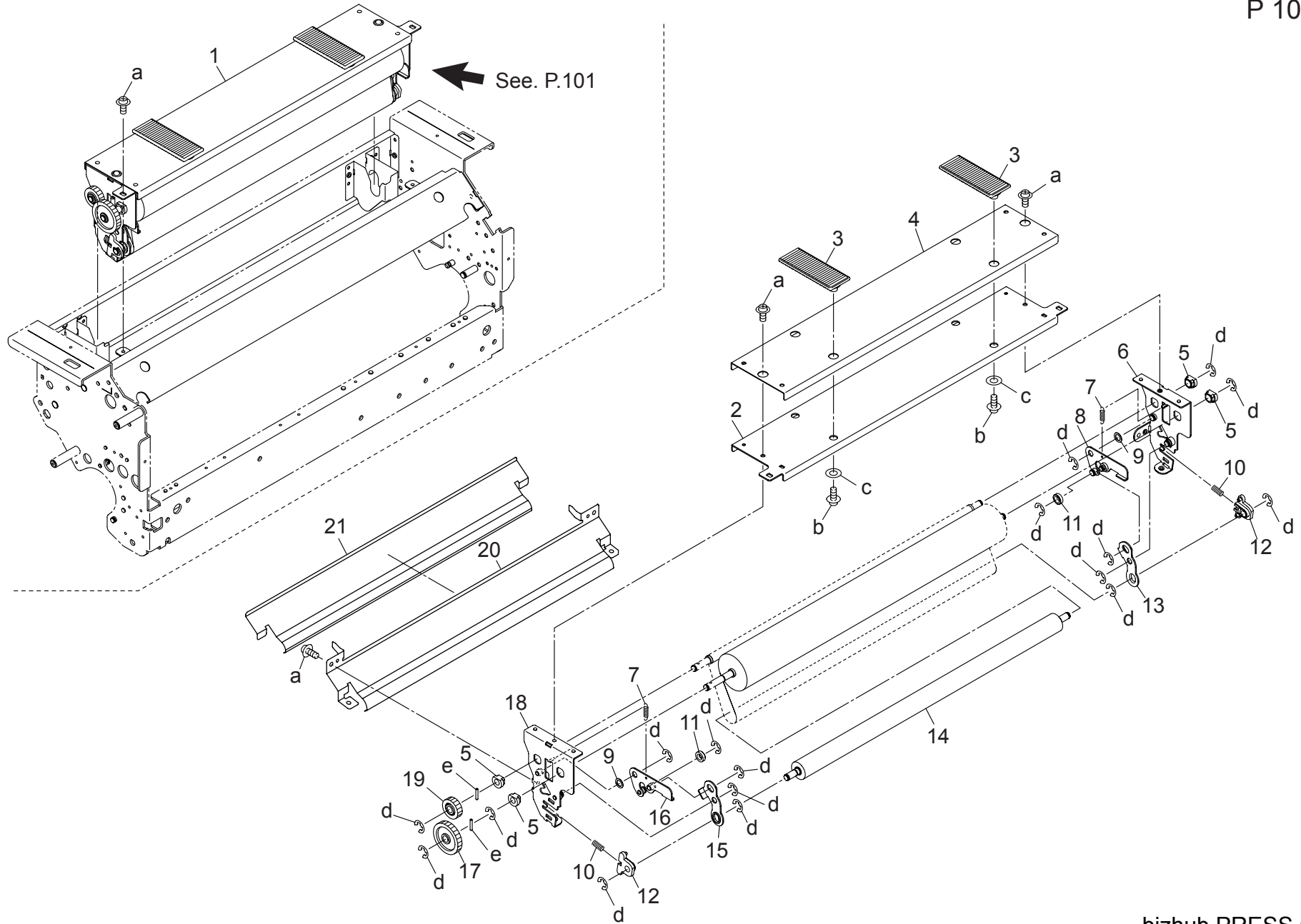


# FUSING SECTION

Key	Part No.	Description	Destinations	Class	QTY	Standard parts
1	A1RF 7293 00	Insulating Duct /3		D	1	a-V121 0306 03 b-V153 0308 03 c-V570 0100 34 d-V570 0100 53
2	A1RF 7382 00	Protection Sheet /E		D	1	
3	A1RF M701 00	Memory PWB assembly /R		D	1	
4	A1RF 7291 01	Insulating Duct /1		D	1	
5	A1RF 9424 00	Caution Label /4		D	1	
6	A1RF 9425 00	Caution Label /5		D	1	
7	A1RF 7294 00	Insulating Duct /4		D	1	
8	A1RF 7292 00	Insulating Duct /2		D	1	
9	A1RF 7342 00	Fusing Cover		D	1	
10	A1RF 7290 00	Fusing Top plate		D	1	
11	A1RF R724 22	FUSING UNIT	B,G1	I	1	
11	A1RF R725 22	FUSING UNIT	C,D3	I	1	
11	A1RF R726 22	FUSING UNIT	A	I	1	

# FUSING SECTION

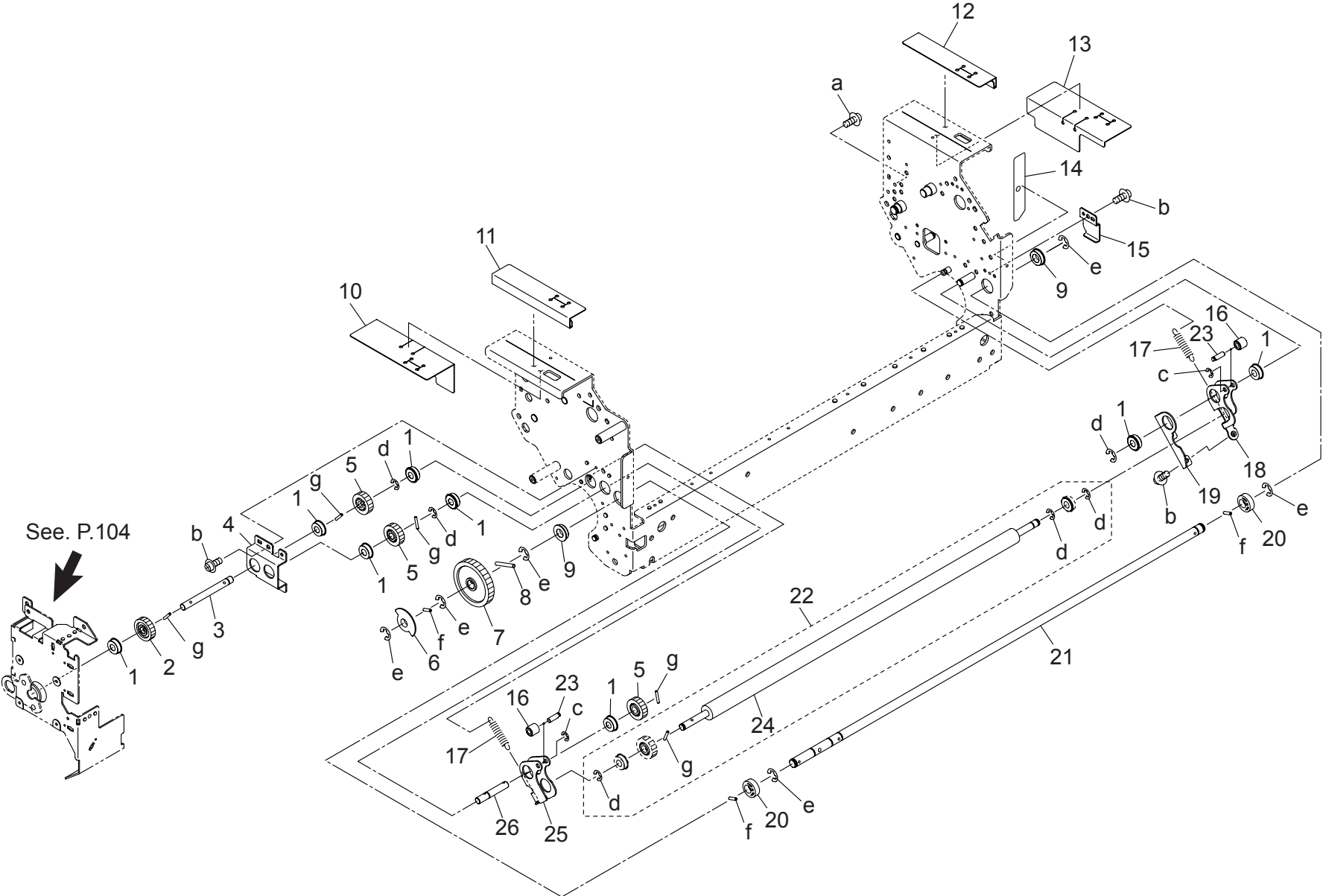
P 101



# FUSING SECTION

Key	Part No.	Description	Destinations	Class	QTY	Standard parts
1	A1RF R707 00	Cleaning Unit		A	1	a-V121 0306 03 b-V153 0308 03 c-V207 0400 03 d-V217 0400 50 e-V237 2012 50
2	A1RF 7246 00	Cleaning Top plate		D	1	
3	A1RF 7288 00	Cleaning Handle		D	2	
4	A1RF 7301 00	Insulating Sheet /Upper		D	1	
5	56UA 7609 00	Fixing Cleaning Bushing /C		B	4	
6	A1RF R7D2 00	CLEANING SIDE PLATE /REAR CALKING		D	1	
7	A1RF 7318 00	Pressing Spring /K		D	2	
8	A1RF R7D4 00	PRESSING ARM /REAR 3 CALKING		D	1	
9	1900 4141 0	PLYSLIDER 6		C	2	
10	A1RF 7287 00	Pressing Spring /2		D	2	
11	A1RF 7341 00	Regulating Collar		D	2	
12	A1RF 7286 00	Cleaning Bushing /1		C	2	
13	A1RF 7325 00	Release Arm /1		D	1	
14	A1RF 7210 01	Cleaning Roller /1		D	1	
15	A1RF 7326 00	Release Arm /2		D	1	
16	A1RF R7D3 00	PRESSING ARM /FRONT 3 CALKING		D	1	
17	A1RF 8072 00	Cleaning Gear /3 30T		C	1	
18	A1RF R7D1 00	CLEANING SIDE PLATE /FRONT CALKING		D	1	
19	A1RF 8071 00	Cleaning Gear /2 18T		C	1	
20	A1RF 7354 03	Reinforce Stay /A		D	1	
21	A1RF 7357 03	Insulating Sheet /A		D	1	

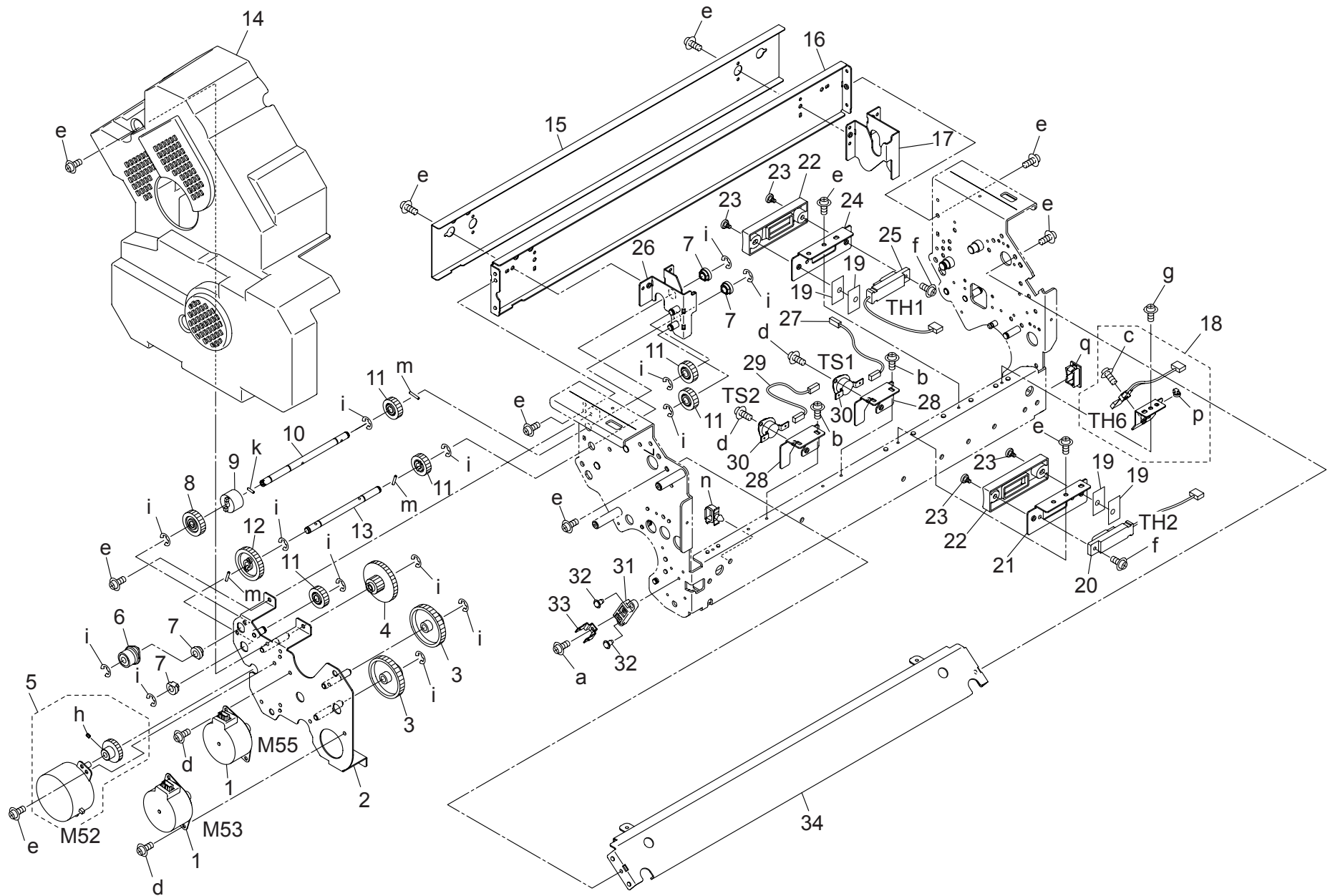
FUSING SECTION



# FUSING SECTION

Key	Part No.	Description	Destinations	Class	QTY	Standard parts
1	A00J 2112 00	Ball Bearing		C	8	a-V116 0406 03 b-V121 0306 03 c-V217 0250 50 d-V217 0400 50 e-V217 0600 50 f-V237 2008 50 g-V237 2012 50
2	A1RF 8068 00	Drive Gear /1 38T		C	1	
3	A1RF 7328 00	Drive Shaft /4		D	1	
4	A1RF 7319 00	Drive Side plate /1		D	1	
5	A1RF 8071 00	Cleaning Gear /2 18T		C	3	
6	A1RF 7244 00	Release Actuator		D	1	
7	A1RF 8075 00	Release Gear /2 42T		C	1	
8	56AA 1749 0	PIN		C	1	
9	A1RF 7109 00	Ball bearing /1		C	2	
10	A1RF 7373 01	Lifting Handle /A		D	1	
11	A1RF 7344 01	Lifting Handle /Front		D	1	
12	A1RF 7345 01	Lifting Handle /Rear		D	1	
13	A1RF 7374 01	Lifting Handle /B		D	1	
14	A1RF 7379 00	Protection Sheet /C		D	1	
15	A1RF 7267 00	Cover Plate		D	1	
16	A1RF 7331 00	Release Roll		D	2	
17	A1RF 7273 00	Stopper Spring		D	2	
18	A1RF 7315 00	Release Arm /Rear		D	1	
19	A1RF 7317 00	Holding Plate		D	1	
20	A1RF 7313 00	Release Cam /2		D	2	
21	A1RF 7312 00	Release Shaft /2		D	1	
22	A1RF R721 00	Cleaning Roller ASSY		B	1	
23	A1RF 7330 00	Support Shaft		D	2	
24	A1RF 7311 03	Cleaning Roller		D	1	
25	A1RF 7314 00	Release Arm /Front		D	1	
26	A1RF 7316 00	Drive Shaft /3		D	1	

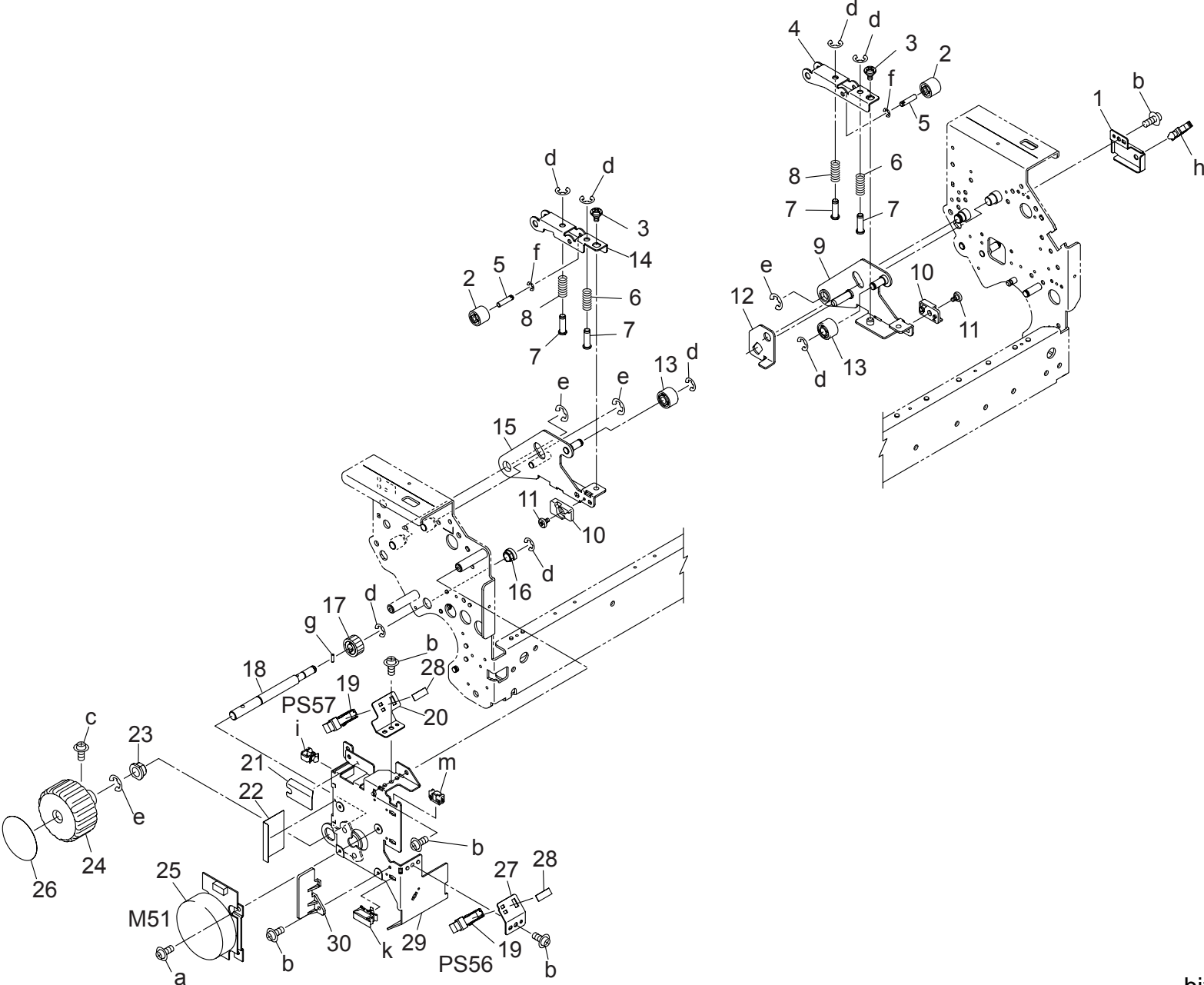
# FUSING SECTION



# FUSING SECTION

Key	Part No.	Description	Destinations	Class	QTY	Standard parts
1	A1RF R743 00	DRIVE MOTOR ASSY		C	2	a-V115 0306 03
2	A1RF R7D0 00	DRIVE SIDE PLATE /FRONT CALKING		D	1	b-V116 0306 03
3	A1RF 8074 00	Release Gear /1 14/80T		C	2	c-V116 0310 03
4	A1RF 7356 00	Idling Gear /11 13/38T		C	1	d-V118 0304 03
5	A1RF R735 00	REFRESH DRIVE MOTOR ASSY		B	1	e-V121 0306 03
6	A1RF 7240 01	Regulating Part		B	1	f-V121 0308 03
7	56UA 7609 00	Fixing Cleaning Bushing /C		B	4	g-V182 0306 03
8	A1RF 8070 00	Regulating Gear 22T		C	1	h-V193 0303 09
9	A1RF 7239 01	Torque limiter		B	1	i-V217 0400 50
10	A1RF 7236 00	Drive Shaft /1		D	1	k-V237 2008 50
11	A1RF 8071 00	Cleaning Gear /2 18T		C	5	m-V237 2012 50
12	A1RF 8072 00	Cleaning Gear /3 30T		C	1	n-V500 0100 73
13	A1RF 7237 00	Drive Shaft /2		D	1	p-V501 0100 14
14	A1RF 7324 00	Fusing Cover		D	1	q-V570 0100 08
15	A1RF 7298 01	Insulating Sheet /Left		D	1	
16	A1RF 7207 01	Hold Stay /Left		D	1	
17	A1RF 7279 00	Support Plate /Rear		D	1	
18	A1RF R734 00	Plate /3 Assy		B	1	
19	A1RF 7383 00	Protection Sheet /F		D	4	
20	A1RF M501 00	Temperature Sensor /1		I	1	
21	A1RF 7261 01	Plate /2		D	1	
22	A1RF 7381 00	Protection Cover		D	2	
23	A03U 7345 00	Support Screw /A		C	4	
24	A1RF 7361 01	Plate /B		D	1	
25	A1RF M502 00	Temperature Sensor /2		I	1	
26	A1RF 7378 00	Support Plate /Front		D	1	
27	A1RF N110 00	Fixing Wiring /3		D	1	
28	A1RF 7260 01	Mounting Plate /1		D	2	
29	A1RF N196 00	Fixing Wiring /10		D	1	
30	SP00 -017 1	Thermostat		A	2	
31	26NA 5377 0	TERMINAL PEDESTAL A		D	1	
32	26NA 5423 0	TERMINAL FIXING SCREW		C	2	
33	65AA 5359 0	TERMINAL PLATE B		C	1	
34	A1RF 7280 00	Stopper Stay		D	1	

# FUSING SECTION



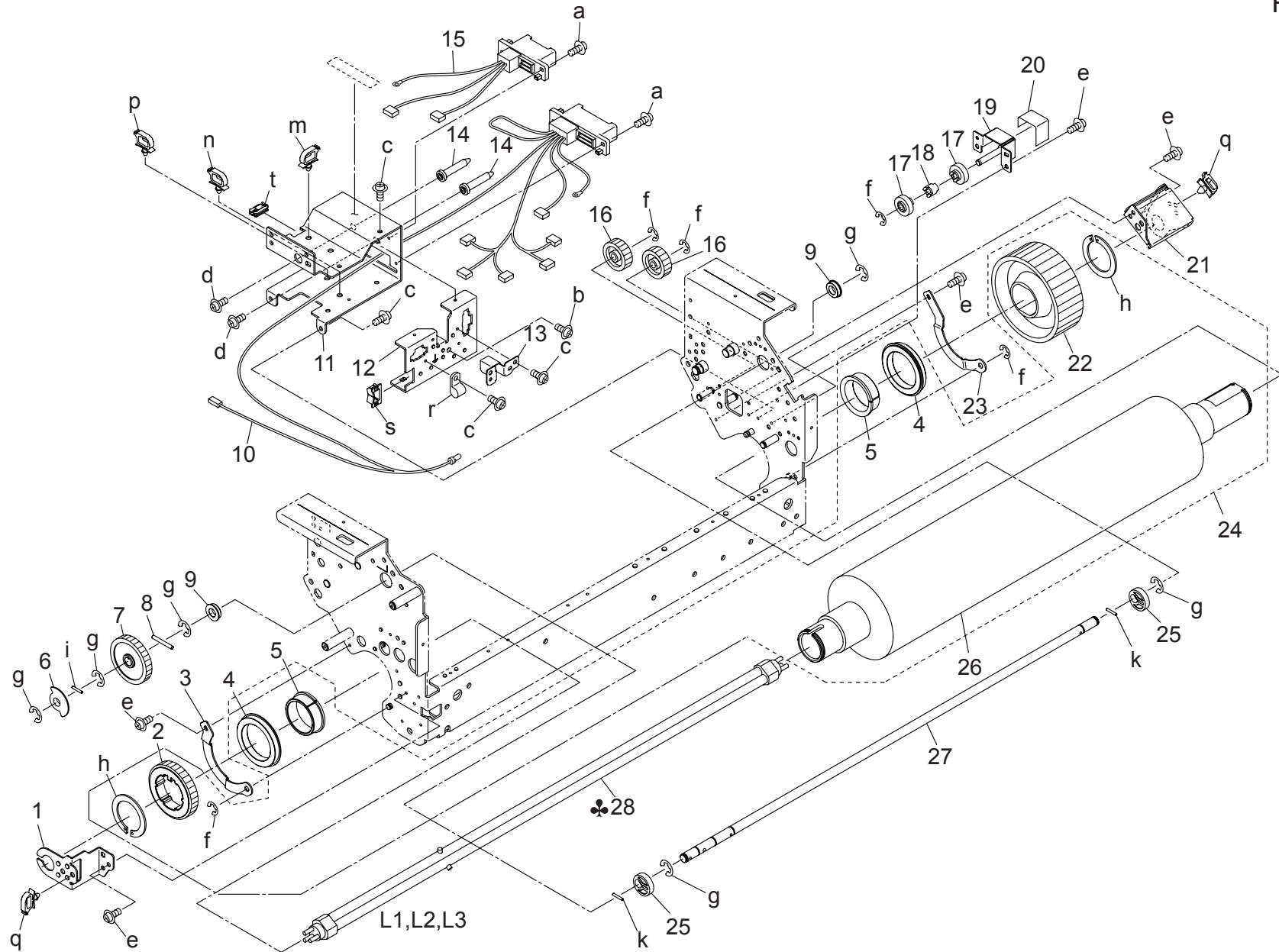


# FUSING SECTION

Key	Part No.	Description	Destinations	Class	QTY	Standard parts
1	A1RF 7368 00	Cover Plate /B		D	1	a-V121 0304 03
2	A1RF 7227 00	Pressing Roll		D	2	b-V121 0306 03
3	A1RF 7335 00	Pressing Screw		D	2	c-V121 0410 03
4	A1RF 7299 00	Pressing Arm /Rear		D	1	d-V217 0400 50
5	A1RF 7225 00	Pressing Pin		D	2	e-V217 0600 50
6	A1RF 7232 00	Pressing Spring /K		D	2	f-V217 0250 50
7	A1RF 7321 00	Pressing Shaft		D	4	g-V237 2008 50
8	A1RF 7322 00	Pressing Spring /T		D	2	h-V500 0100 03
9	A1RF F752 01	Release Arm /Rear Calking		D	1	i-V500 0100 20
10	A1RF 7380 00	Slide Spacer /I		D	2	k-V500 0100 32
11	A03U 7345 00	Support Screw /A		C	2	m-V570 0100 56
12	A1RF 7393 00	Holding Plate /Rear		D	1	
13	A1RF 7224 00	Lifting Roll		D	2	
14	A1RF 7226 00	Pressing Arm /Front		D	1	
15	A1RF F750 01	Release Arm /Front Calking		D	1	
16	56UA 7609 00	Fixing Cleaning Bushing /C		B	1	
17	56UA 7767 0	Drive Regulating Gear /B 15T		C	1	
18	A1RF 7268 00	Processing Shaft		D	1	
19	A1RF M510 00	Photointerrupter /H		C	2	
20	A1RF 7334 00	Plate /6		D	1	
21	A1RF 7364 01	Protection Sheet /B		D	1	
22	A1RF 7363 00	Protection Sheet /A		D	1	
23	13GQ 7603 0	SHAFT HOLDER B		C	1	
24	20AL 4847 0	Jam Release Knob		C	1	
25	A011 M101 01	BRUSHLESS MOTOR /20		B	1	
26	A1RF 9434 00	Release Label /4		D	1	
27	A1RF 7245 00	Plate /1		D	1	
28	4109 5530 01	STOPPER		C	2	
29	A1RF 7329 01	Drive Side Plate /2		D	1	
30	A1RF 7372 00	Protection Cover /B		D	1	

# FUSING SECTION

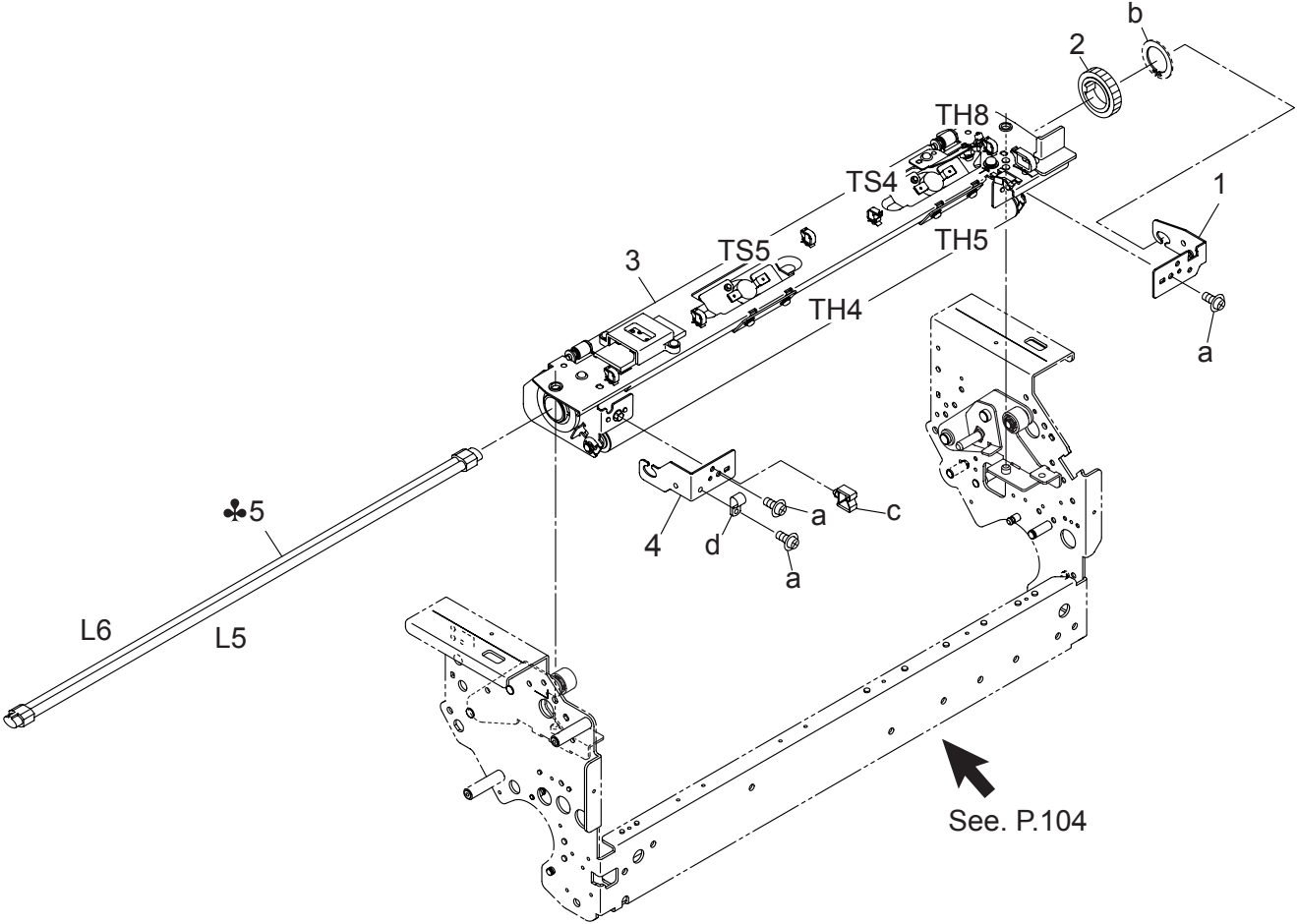
P 105



# FUSING SECTION

Key	Part No.	Description	Destinations	Class	QTY	Standard parts
1	A1RF 7256 00	Heater Holder /Front		D	1	a-V116 0310 03
2	5440 7720 1	FIXING DRIVE GEAR B 50T		B	1	b-V116 0406 03
3	A1RF 7250 00	Hold Plate /Front		D	1	c-V121 0306 03
4	A03U 8078 00	FUSING BEARING /UPPER		A	2	d-V121 0406 03
5	4540 5339 1	HEAT INSULATE SLEEVE		A	2	e-V182 0306 03
6	A1RF 7244 00	Release Actuator		D	1	f-V217 0400 50
7	A1RF 8075 00	Release Gear /2 42T		C	1	g-V217 0600 50
8	56AA 1749 0	PIN		C	1	h-V223 3000 09
9	A1RF 7109 00	Ball bearing /1		C	2	i-V237 2008 50
10	A1RF N108 01	Fixing Wiring /1		D	1	k-V237 2012 50
11	A1RF 7265 02	Mounting Plate /2		D	1	m-V500 0100 03
12	A1RF 7266 01	Mounting Plate /3		D	1	n-V500 0100 05
13	A1RF 7327 00	Fixing Plate		D	1	p-V500 0100 07
14	A03U 7242 00	Positioning Shaft		D	2	q-V500 0100 73
15	A1RF N115 00	Fixing Wiring /8		D	1	r-V500 0200 04
16	A1RF 8077 00	Idling Gear /3 25T		C	2	s-V570 0100 08
17	A1RF 8078 00	Idling Gear /1 16T		C	2	t-V570 0100 57
18	A1RF 7275 00	Set Collar		D	1	
19	A1RF R7C9 00	SUPPORT PLATE CALKING		D	1	
20	A1RF 7651 00	Protection Seal /B		D	1	
21	A1RF 7257 00	Heater Holder /Rear		D	1	
22	A1RF 8080 00	Fusing Gear /1 80T		C	1	
23	A1RF 7251 00	Hold Plate /Rear		D	1	
24	A1RF R712 00	Fusing Roller /Upper ASSY		A	1	
25	A1RF 7243 00	Release Cam		D	2	
26	A1RF 7201 01	Fusing Roller /Upper		A	1	
27	A1RF 7242 00	Release Shaft		D	1	
28	A1RF M31A 00	Fixing Heater /1	A	B	1	
28	A1RF M31E 00	Fixing Heater /1	B,G1	B	1	
28	A1RF M31F 00	Fixing Heater /1	C,D3	B	1	

FUSING SECTION

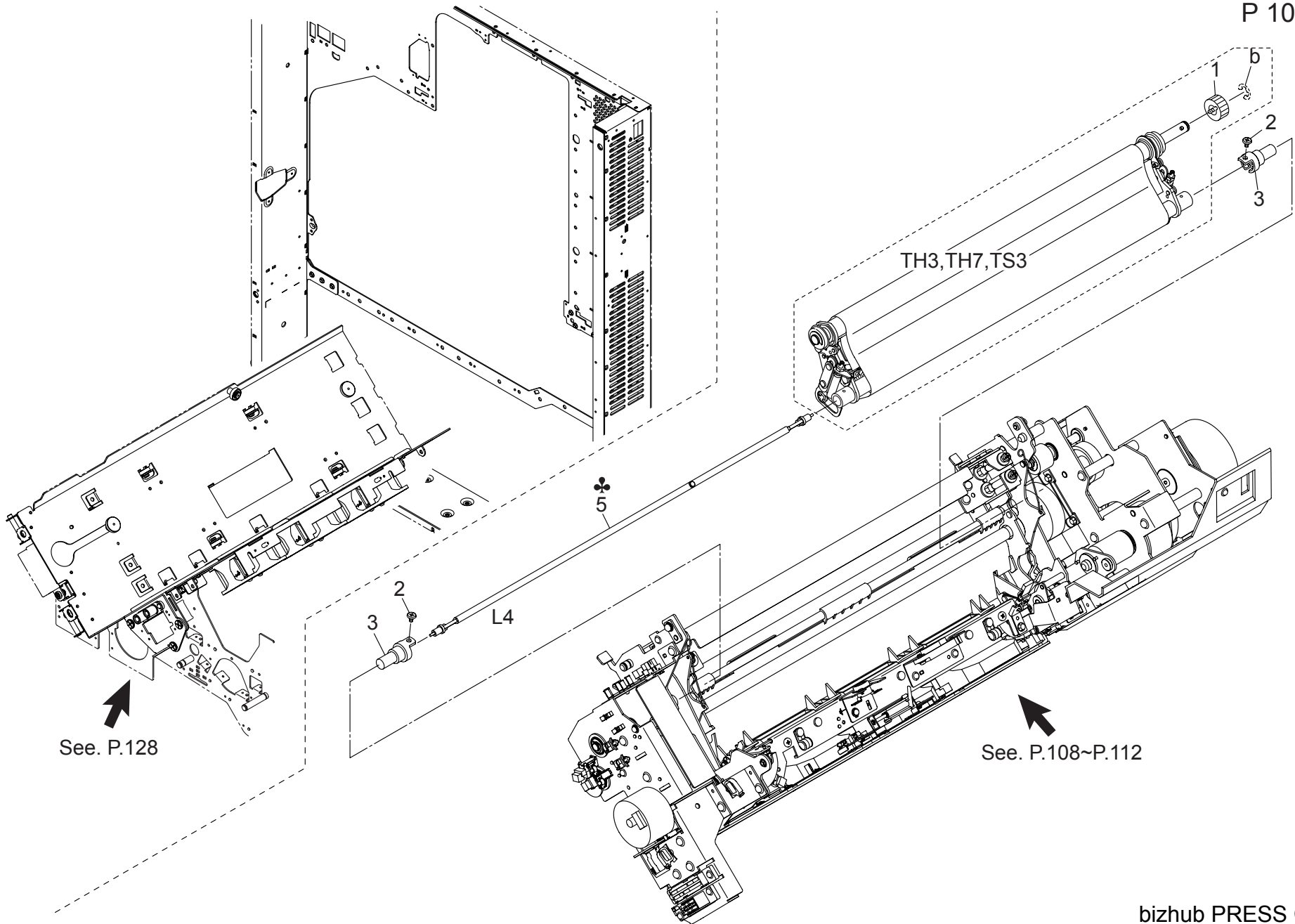


# FUSING SECTION

Key	Part No.	Description	Destinations	Class	QTY	Standard parts
1	A1RF 7259 01	Heater Holder /2		D	1	a-V182 0306 03 b-V223 2000 09 c-V500 0100 74 d-V500 0200 29
2	A1RF 8079 00	Fusing Gear /Upper 32T		D	1	
3	A1RF R708 00	Outside Heating Unit		A	1	
4	A1RF 7258 01	Heater Holder /1		D	1	
5	A1RF M35A 00	Fixing Heater /5	A	B	1	
5	A1RF M35E 00	Fixing Heater /5	B,G1	B	1	
5	A1RF M35F 00	Fixing Heater /5	C,D3	B	1	

# FUSING SECTION

P 107

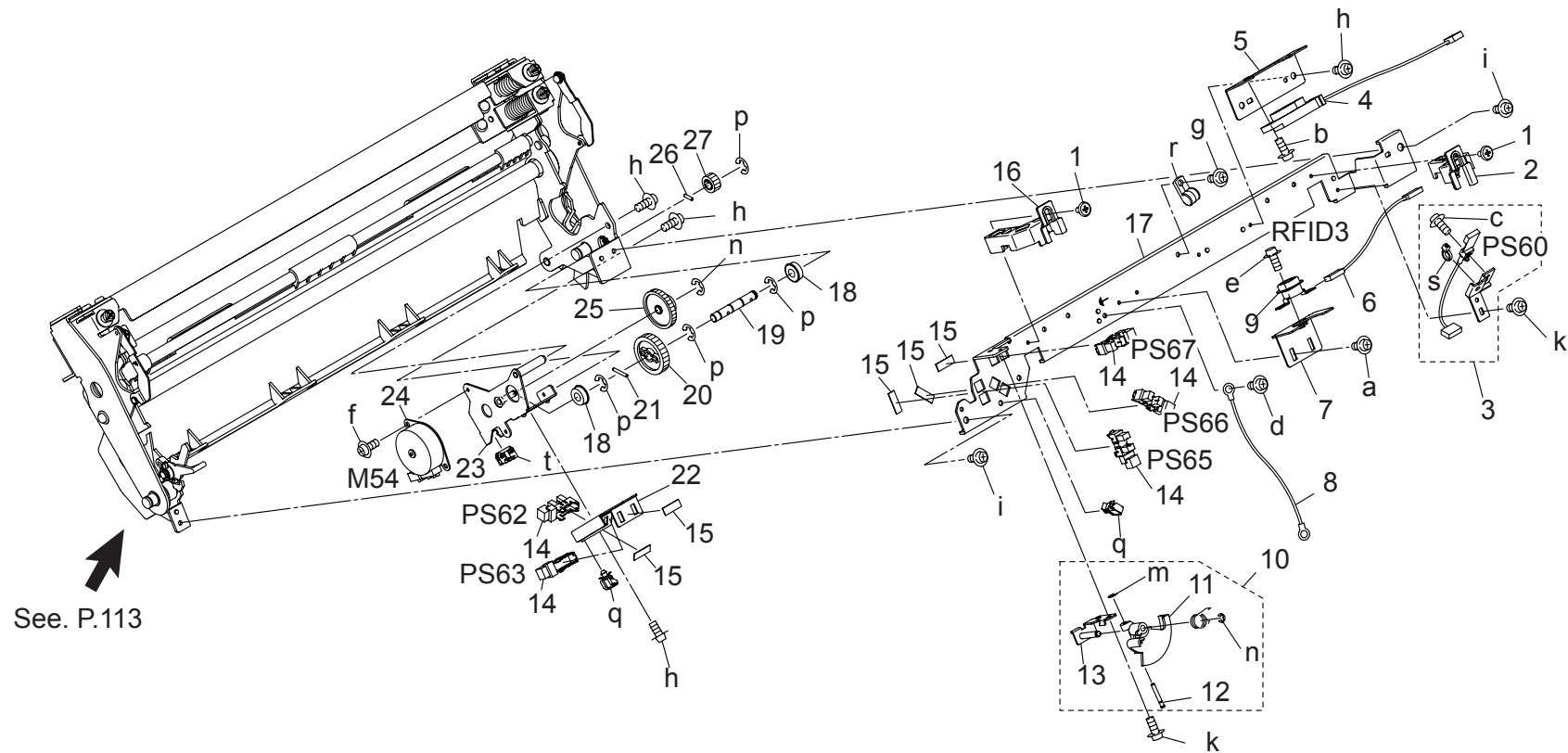


See. P.128

See. P.108~P.112

# FUSING SECTION

Key	Part No.	Description	Destinations	Class	QTY	Standard parts
1	A1RF 8087 00	Fusing Gear /5 20T		D	1	b-V217 0800 50
2	A03U 7345 00	Support Screw /A		C	2	
3	A1RF 7452 00	Heater Holder /Lower		D	2	
5	A1RF M34A 00	Fixing Heater /4	A	B	1	
5	A1RF M34E 00	Fixing Heater /4	B,G1	B	1	
5	A1RF M34F 00	Fixing Heater /4	C,D3	B	1	



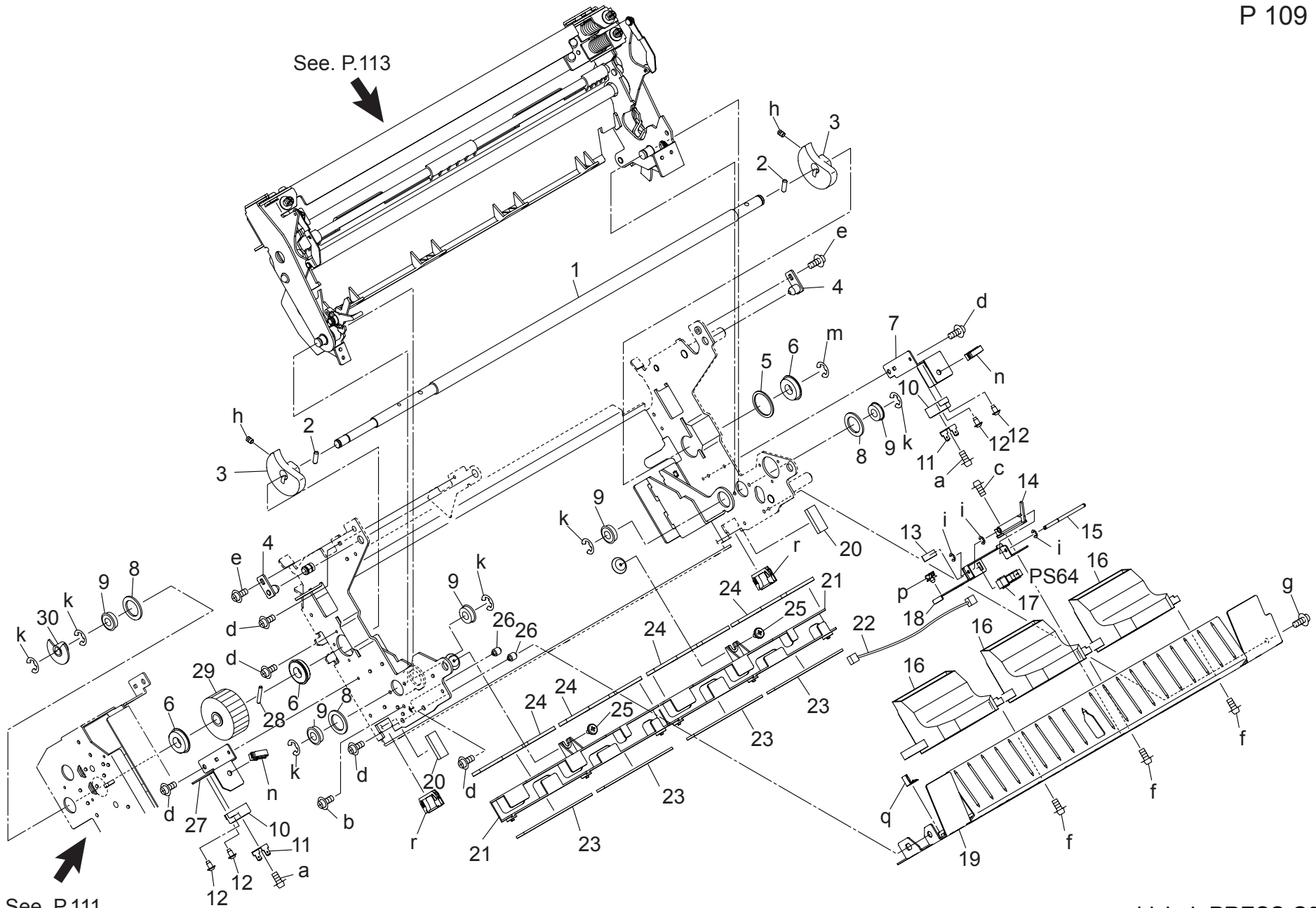


# FUSING SECTION

Key	Part No.	Description	Destinations	Class	QTY	Standard parts
1	A03U 7345 00	Support Screw /A		C	2	a-V116 0306 03
2	A1RF 7571 00	Wiring Guide /C		D	1	b-V116 0308 03
3	A1RF R731 00	MOUNTING PLATE /3 ASSY		B	1	c-V116 0310 03
4	A1RF M503 01	Temperature Sensor /3		I	1	d-V116 0408 03
5	A1RF 7456 00	Mounting Plate /2		D	1	e-V118 0204 03
6	A1RF N111 00	Fixing Wiring /4		D	1	f-V118 0304 03
7	A1RF 7455 01	Mounting Plate /1		D	1	g-V118 0406 03
8	A1RF N195 00	Fixing Wiring /11		D	1	h-V121 0306 03
9	SP00 -020 1	THERMOSTAT		A	1	i-V121 0406 03
10	A1RF R709 00	Swing Plate /B ASSY		A	1	k-V182 0306 03
11	A1RF 7473 01	Swing Actuator /A		D	1	m-V217 0200 50
12	A1RF 7479 00	Swing Shaft /1		D	1	n-V217 0300 50
13	A1RF R7C6 00	SWING PLATE /B CALKING		D	1	p-V217 0400 50
14	A1RF M510 00	Photointerrupter /H		C	5	q-V500 0100 20
15	4109 5530 01	STOPPER		C	5	r-V500 0200 31
16	A1RF 7588 00	Wiring Guide /D		D	1	s-V501 0100 14
17	A1RF 7424 00	Fusing Stay /A		D	1	t-V570 0100 56
18	A00J 2112 00	Ball Bearing		C	2	
19	A1RF 7468 00	Rotation Shaft /2		D	1	
20	A1RF 8092 00	Control Gear /1 35T		C	1	
21	56AA 1755 1	PIN A		C	1	
22	A1RF 7471 00	Detecting Plate /A		D	1	
23	A1RF R7C4 00	DRIVE PLATE /A CALKING		D	1	
24	A00J M121 00	Stepping motor		C	1	
25	A1RF 8093 00	Control Gear /2 16/71T		C	1	
26	56AA 1731 0	PIN		C	1	
27	A1RF 8083 00	Control Gear /3 14T		C	1	

# FUSING SECTION

P 109



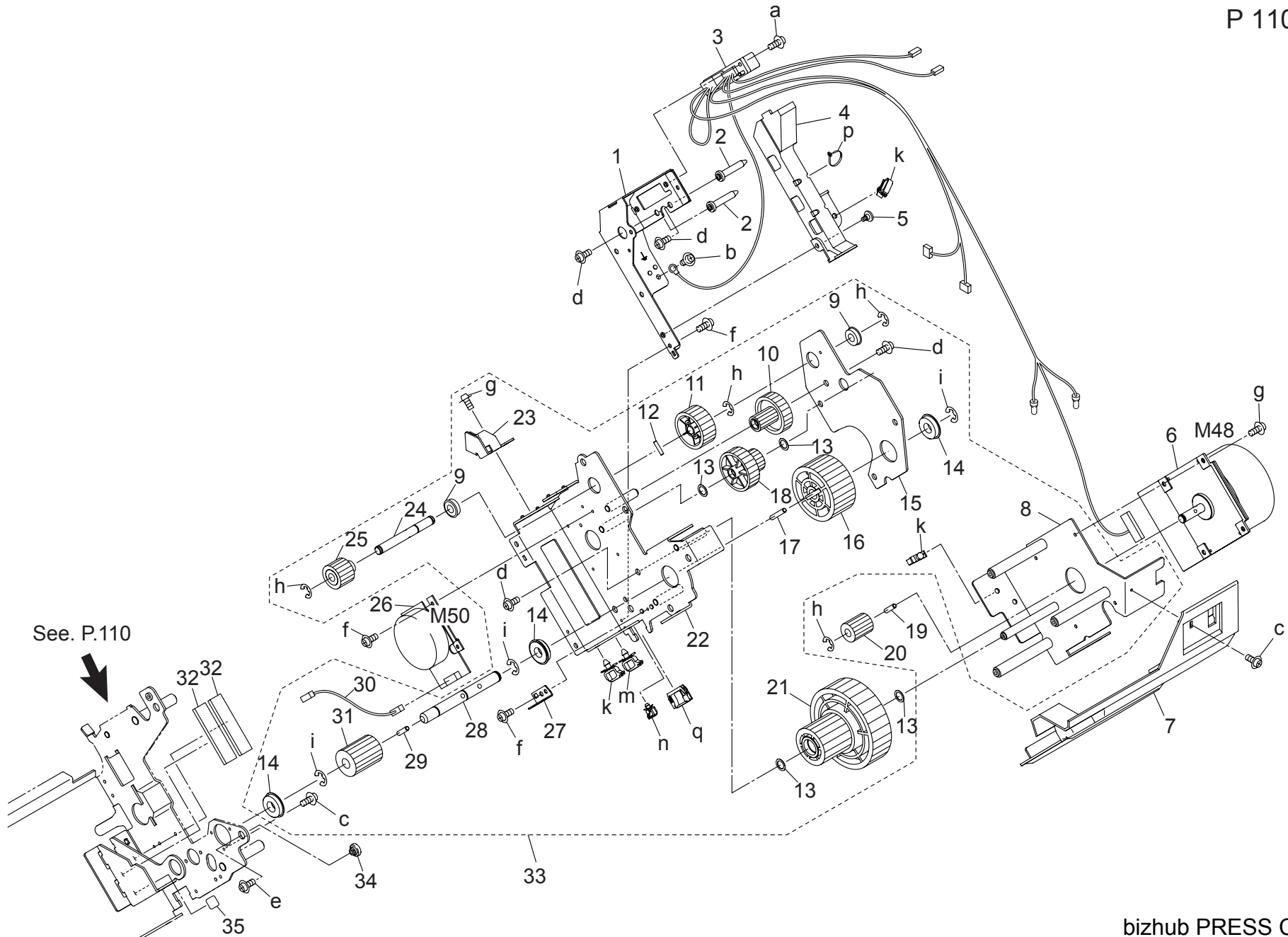
bizhub PRESS C8000

# FUSING SECTION

Key	Part No.	Description	Destinations	Class	QTY	Standard parts
1	A1RF 7425 00	Pressure Shaft /A		D	1	a-V116 0306 03
2	4540 7803 0	PARALLEL PIN		C	2	b-V116 0408 03
3	A1RF 7465 00	Pressure Cam		D	2	c-V121 0304 03
4	A1RF F805 00	OPEN/CLOSE PLATE CALKING		D	2	d-V121 0306 03
5	A1RF 7568 00	Pressure Spacer /A		D	1	e-V125 0410 01
6	5000 7501 0	BALL BEARING		C	3	f-V153 0308 03
7	A1RF 7488 01	Hold Plate /Rear		D	1	g-V182 0406 03
8	A1RF 7463 00	Spacer /1		D	3	h-V193 0303 04
9	A00V 2406 00	BALL BEARING		C	5	i-V217 0200 50
10	26NA 5378 0	TERMINAL PEDESTAL B		C	2	k-V217 0600 50
11	A1RF 7487 00	Power supply Plate		D	2	m-V217 0800 50
12	26NA 5423 0	TERMINAL FIXING SCREW		C	4	n-V500 0100 20
13	4109 5530 01	STOPPER		C	1	p-V500 0100 46
14	A1RF 7503 00	Actuator /2		D	1	q-V500 0100 57
15	A1RF 7504 00	Fixing Shaft /6		D	1	r-V570 0100 59
16	A1RF 7506 00	Cooling Duct /1		D	3	
17	A1RF M510 00	Photointerrupter /H		C	1	
18	A1RF 7505 00	Mounting Plate /D		D	1	
19	A1RF 7407 00	Entrance Plate /Lower		D	1	
20	A1RF 7623 00	Regulating Felt /1		D	2	
21	A1RF 7483 00	Wiring Guide /B		D	2	
22	A1RF N239 00	Fixing Drive harness /2		D	1	
23	A1RF 7626 00	Regulating Felt /4		D	4	
24	A1RF 7625 00	Regulating Felt /3		D	4	
25	A03U 7345 00	Support Screw /A		C	2	
26	A1RF 7592 00	Positioning Shaft /3		D	2	
27	A1RF 7486 01	Hold Plate /Front		D	1	
28	3040 7807 0	PIN C		C	1	
29	A1RF 8086 00	Pressure Gear /5 42T		C	1	
30	A1RF 7502 00	Release Actuator		D	1	

# FUSING SECTION

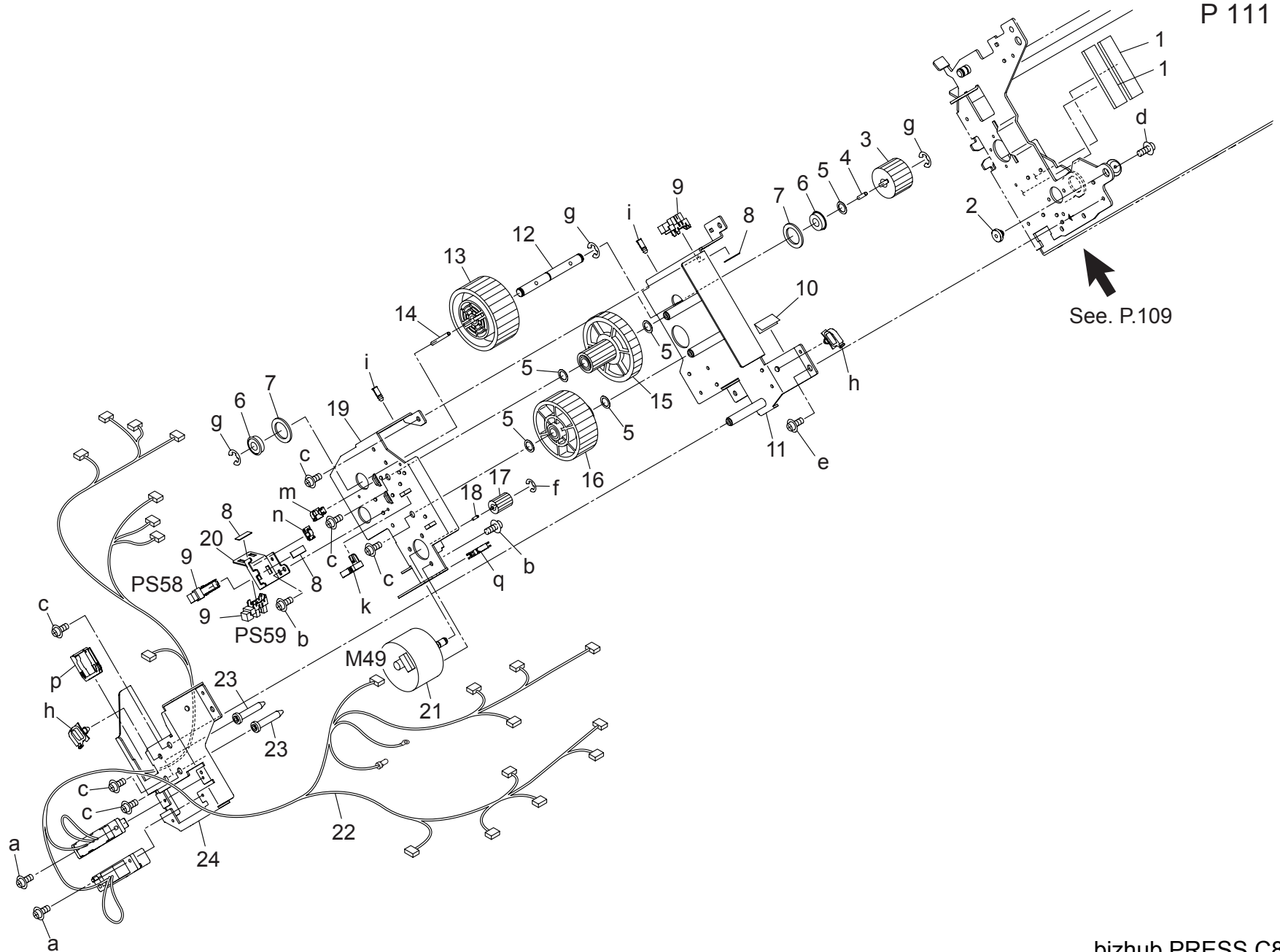
P 110



# FUSING SECTION

Key	Part No.	Description	Destinations	Class	QTY	Standard parts
1	A1RF 7569 00	Wiring Plate /A		D	1	a-V116 0310 03
2	A03U 7242 00	Positioning Shaft		D	2	b-V116 0408 03
3	A1RF N109 02	Fixing Wiring /2		D	1	c-V121 0306 03
4	A1RF 7482 01	Wiring Guide /A		D	1	d-V121 0406 03
5	A03U 7345 00	Support Screw /A		C	1	e-V121 0408 03
6	A1RF M106 00	DC Brushless motor /8		C	1	f-V182 0306 03
7	A1RF 7533 01	Fusing Cover /Rear		D	1	g-V182 0406 03
8	A1RF 7643 00	Drive Panel		D	1	h-V217 0600 50
9	A00V 2406 00	BALL BEARING		C	2	i-V217 0800 50
10	A1RF 8084 00	Release Gear /B 17/46T		C	1	k-V500 0100 05
11	A03U 8087 00	FIXING DRIVE GEAR /G 45T		B	1	m-V500 0100 07
12	56AA 1748 0	PIN B		C	1	n-V500 0100 20
13	56AA 4269 0	BY PASS FEED SPACER		C	4	p-V501 0100 14
14	5000 7501 0	BALL BEARING		C	3	q-V570 0100 59
15	A1RF 7422 01	Drive Panel /C		D	1	
16	A1RF 8097 00	Fusing Gear /3 54T		C	1	
17	A1RF 7496 00	Pin /1		D	1	
18	A1RF 8085 00	Release Gear /A 25/73T		C	1	
19	A1RF 7580 00	Pin /A		D	1	
20	A1RF 8099 00	Fusing Gear /6 16T		C	1	
21	A1RF 8098 00	Fusing Gear /2 36/76T		C	1	
22	A1RF R7C7 00	DRIVE PANEL /B CALKING		D	1	
23	A1RF 7599 00	Stopper Plate		D	1	
24	A1RF 7495 00	Drive Shaft /F		D	1	
25	65AA 7718 0	Fixing Driving Gear /C 22T		B	1	
26	A011 M101 01	BRUSHLESS MOTOR /20		B	1	
27	A1RF 7594 00	Receiving Plate /1		D	1	
28	A1RF 7430 00	Drive Shaft /A		D	1	
29	A1RF 7581 00	Pin /B		D	1	
30	A1RF N241 00	Fixing Drive harness /4		D	1	
31	A1RF 8096 00	Fusing Gear /4 25T		C	1	
32	A1RF 7624 00	Regulating Felt /2		D	2	
33	A1RF R7F2 00	Drive Unit / Rear ASSY		B	1	
34	A1RF 7582 00	Open/close Shaft		D	1	
35	A1RF 7627 00	Regulating Sheet		D	1	

# FUSING SECTION

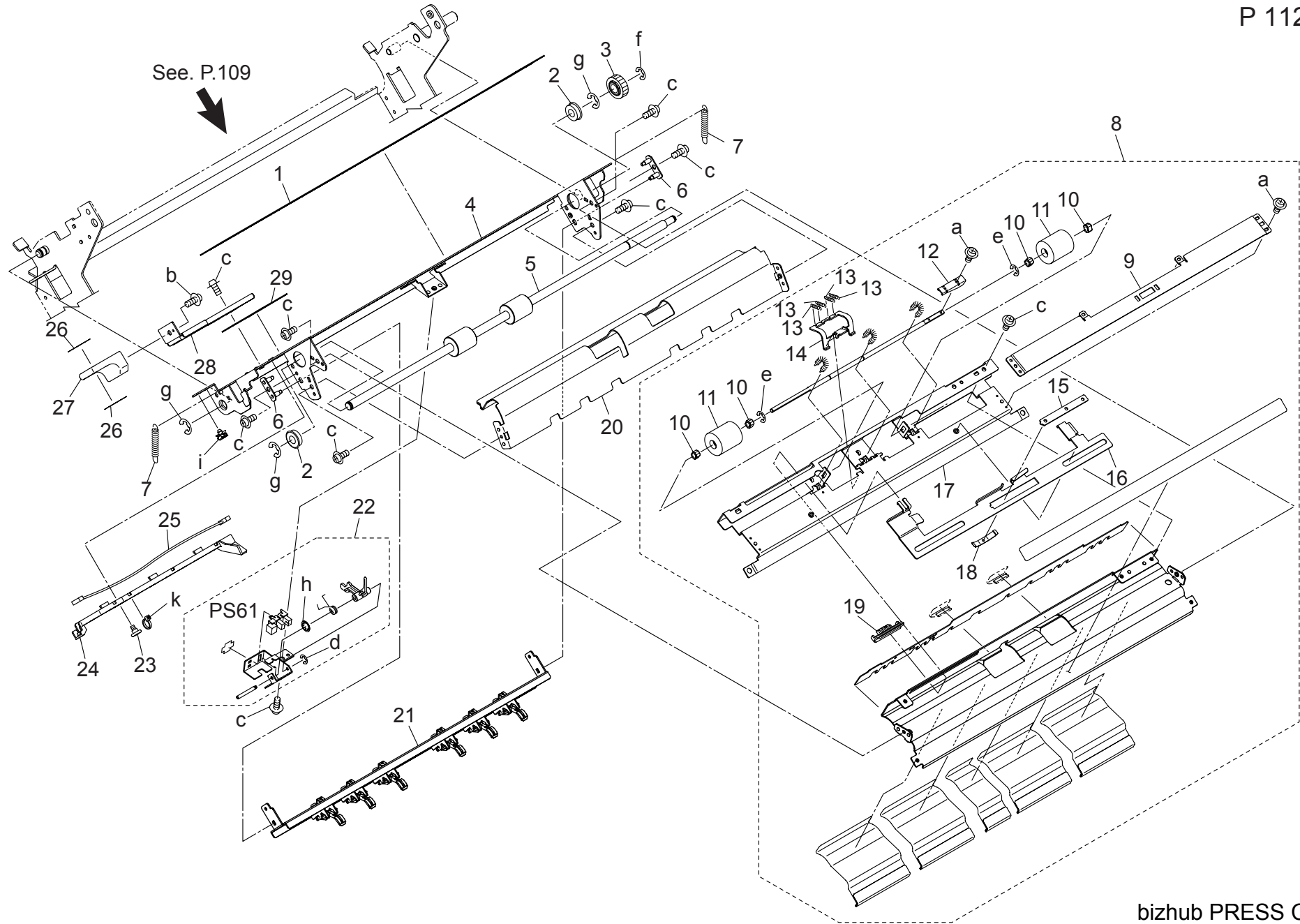


# FUSING SECTION

Key	Part No.	Description	Destinations	Class	QTY	Standard parts
1	A1RF 7624 00	Regulating Felt /2		D	2	a-V116 0310 03
2	A1RF 7582 00	Open/close Shaft		D	1	b-V121 0306 03
3	A1RF 8088 00	Pressure Gear /5 28T		C	1	c-V121 0406 03
4	56AA 1748 0	PIN B		C	1	d-V121 0408 03
5	56AA 4269 0	BY PASS FEED SPACER		C	5	e-V127 0406 03
6	A00V 2406 00	BALL BEARING		C	2	f-V217 0400 50
7	A1RF 7463 00	Spacer /1		D	2	g-V217 0600 50
8	4109 5530 01	STOPPER		C	3	h-V500 0100 05
9	A1RF M510 00	Photointerrupter /H		C	3	i-V500 0100 20
10	A1RF 7650 00	Protection Seal /A		D	1	k-V500 0100 22
11	A1RF R7C5 00	DRIVING UNIT PANEL/2 CALKING		D	1	m-V500 0100 57
12	A1RF 7499 00	Drive Shaft /2		D	1	n-V570 0100 56
13	A1RF 8089 00	Pressure Gear /4 60T		C	1	p-V570 0100 58
14	A1RF 7597 00	Pin /1		D	1	q-V570 0100 60
15	A1RF 8090 00	Pressure Gear /3 18/63T		C	1	
16	A1RF 8091 00	Pressure Gear /2 18/110T		C	1	
17	A1RF 8094 00	Pressure Gear /1 22T		C	1	
18	56AA 1751 0	PIN B		C	1	
19	A1RF 7423 00	Drive Panel /1		D	1	
20	A1RF 7501 00	Detecting Plate /C		D	1	
21	A11P M102 00	DC Brushless motor /12		C	1	
22	A1RF N238 01	Fixing Drive Harness /1		D	1	
23	A03U 7242 00	Positioning Shaft		D	2	
24	A1RF 7570 00	Wiring Plate /B		D	1	

# FUSING SECTION

P 112



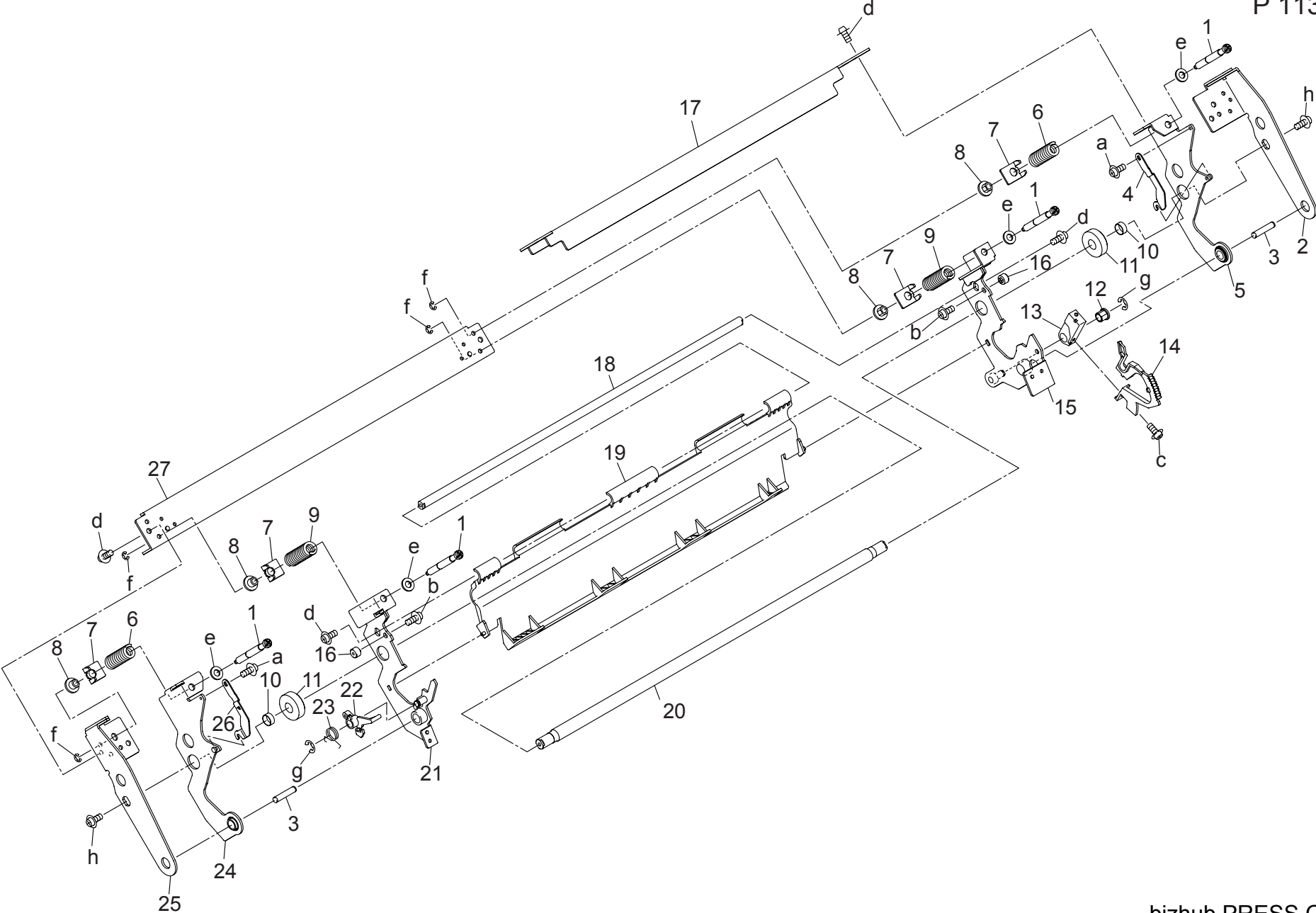


# FUSING SECTION

Key	Part No.	Description	Destinations	Class	QTY	Standard parts
1	A1RF 7521 00	Insulating Sheet /1		D	1	a-V118 0203 03
2	A00V 2406 00	BALL BEARING		C	2	b-V153 0408 03
3	26TA 5345 0	Conveyance Drive Gear 20T		B	1	c-V182 0306 03
4	A1RF 7514 01	Paper Exit Stay		D	1	d-V217 0200 50
5	A1RF 7517 03	Paper Exit Roller /Lower		B	1	e-V217 0300 50
6	A1RF F789 00	SEPARATING PLATE /2 CALKING		D	2	f-V217 0400 50
7	A1RF 7536 00	Open/close Spring		D	2	g-V217 0600 50
8	A1RF R710 00	Guide Plate /Upper ASSY		A	1	h-V226 0600 50
9	A1RF 7631 00	Holding Plate		D	1	i-V500 0100 46
10	65AA 5398 0	FIXING PAPER EXIT BUSHING		C	4	k-V501 0100 14
11	A1RJ 7264 01	Paper exit Roll		C	2	
12	A1RF 7634 00	Pressing Plate		D	1	
13	A1RF 7635 01	Pressing Spring		D	4	
14	A1RF 7633 00	Pressing Cam		D	1	
15	A03U 7349 00	Positioning Plate		D	1	
16	A1RF 7632 01	Slide Plate		D	1	
17	A1RF 7630 00	Fusing Guide /Upper		D	1	
18	A03U 7348 00	Positioning Plate spring /1		C	1	
19	A03U 7350 00	Slide Knob		C	1	
20	A1RF R7H1 00	Guide Plate /Lower Assy		A	1	
21	A1RF R713 00	Separating Plate /1 ASSY		A	1	
22	A1RF R732 00	PAPER EXIT ACTUATOR ASSY		B	1	
23	A03U 7345 00	Support Screw /A		C	1	
24	A1RF 7522 00	Guide Part		D	1	
25	A1RF N240 00	Fixing Drive harness /3		D	1	
26	A1RF 9436 00	Release Label /6		D	2	
27	65AA 5399 1	FIXING PAPER EXIT LEVER		C	1	
28	65AA 5357 0	Lever Mounting Plate		D	1	
29	A1RF 7604 00	Insulating Sheet /4		D	1	

# FUSING SECTION

P 113



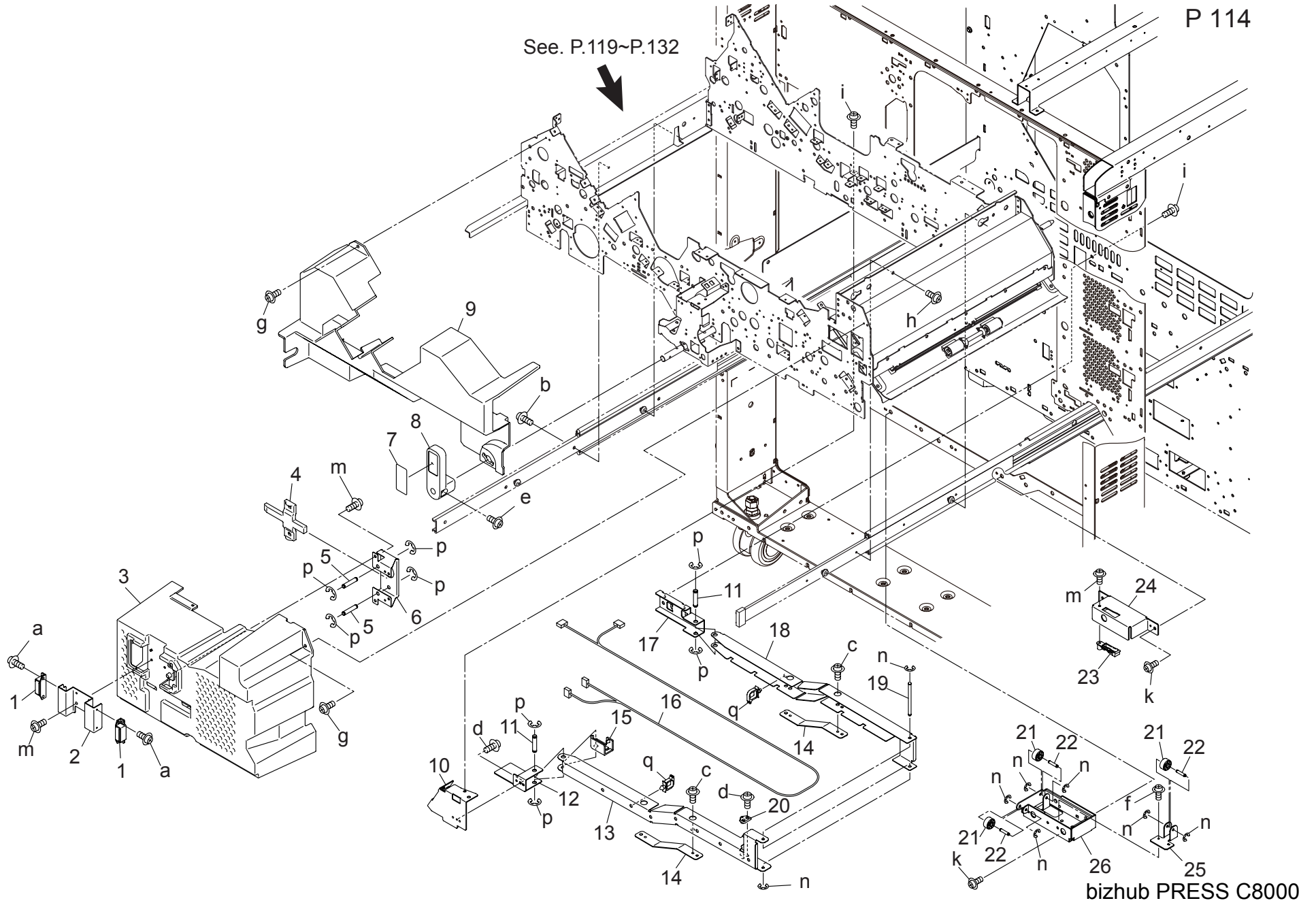
# FUSING SECTION

Key	Part No.	Description	Destinations	Class	QTY	Standard parts
1	A1RF 7526 01	Pressing Screw /A		D	4	a-V116 0306 03 b-V118 0304 03 c-V118 0308 03 d-V121 0406 03 e-V207 0600 03 f-V217 0250 50 g-V217 0400 50 h-V121 0408 03
2	A1RF 7410 01	Pressing Side Plate /Rear		D	1	
3	A1RF 7470 00	Support Shaft /A		D	2	
4	A1RF 7642 00	Holding Plate /Rear		D	1	
5	A1RF 7645 00	Separating Arm /Rear		D	1	
6	A1RF 7491 01	Pressure Spring /B		D	2	
7	A1RF 7513 00	Pressing Holder /A		D	4	
8	A1RF 7512 00	Pressing Shaft /1		D	4	
9	A1RF 7490 00	Pressure Spring /A		D	2	
10	A1RF 7476 00	Spacer /2		D	2	
11	A1RF 7586 00	Pressure Ball bearing		C	2	
12	A1RF 7591 00	Swing Bushing		C	1	
13	A1RF 7458 00	Support Part /1		D	1	
14	A1RF 7457 00	Swing Part /1		D	1	
15	A1RF F732 01	Pressing Arm /Rear 1 Calking		D	1	
16	A1RF 7590 00	Auxiliary Shaft		D	2	
17	A1RF 7436 01	Pressing Stay		D	1	
18	A1RF 7433 00	Fixing Shaft /A		D	1	
19	A1RF 7413 00	Cooling Duct		D	1	
20	A1RF 7429 00	Pressing Shaft /A		D	1	
21	A1RF F730 01	Pressing Arm /Front 1 Calking		D	1	
22	A1RF 7540 00	Actuator /5		D	1	
23	A1RF 7485 00	Swing Spring /2		D	1	
24	A1RF 7644 00	Separating Arm /Front		D	1	
25	A1RF 7409 02	Pressing Side Plate /Front		D	1	
26	A1RF 7641 00	Holding Plate /Front		D	1	
27	A1RF 7439 00	Pressure Stay		D	1	

# DUPLEX SECTION:ADU UNIT

P 114

See. P.119~P.132



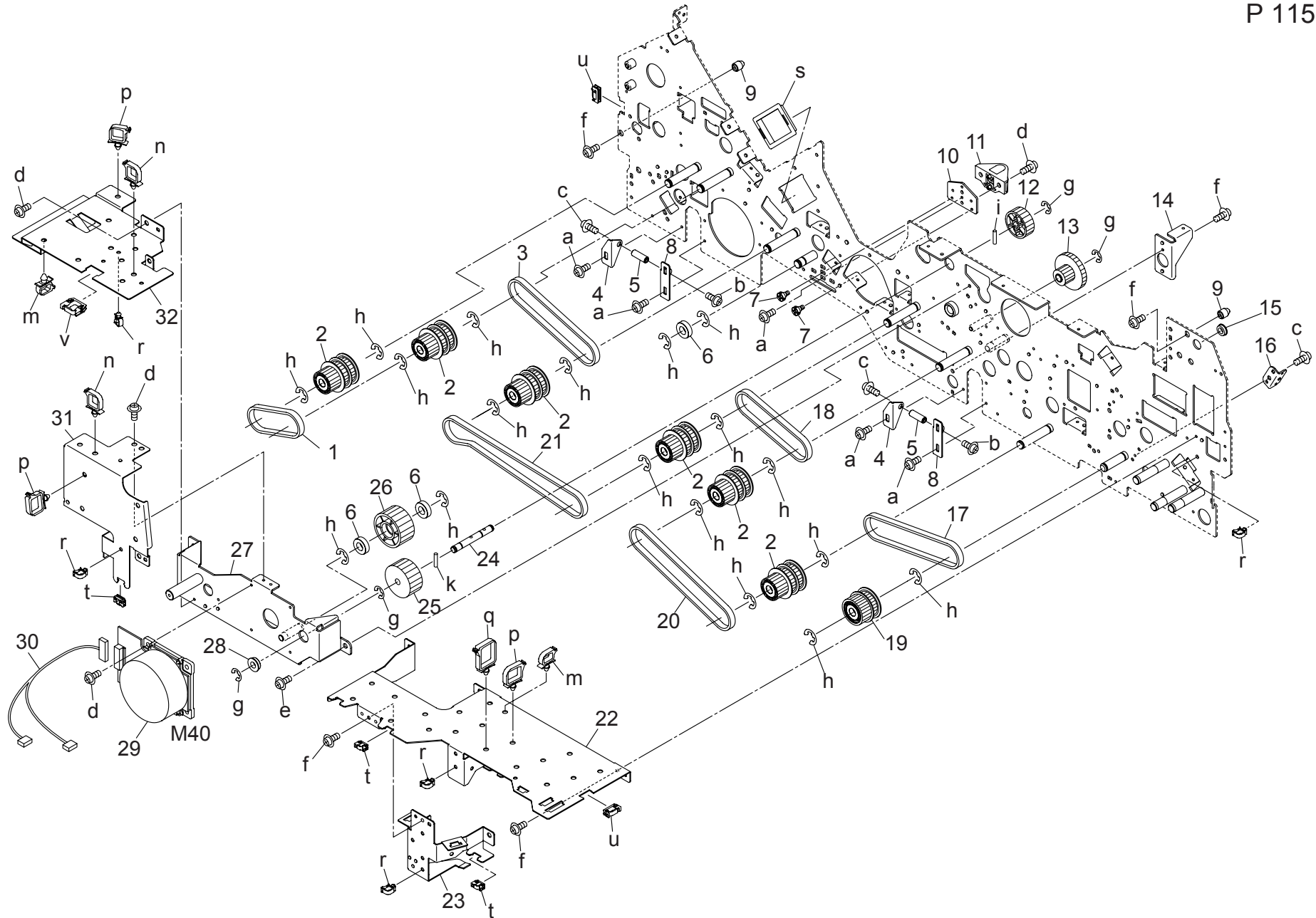
bizhub PRESS C8000

DUPLEX SECTION:ADU UNIT

Key	Part No.	Description	Destinations	Class	QTY	Standard parts
1	55FA 1210 1	MAGNET CATCH X		C	2	a-V118 0304 03
2	A1RF 4453 01	Cover Plate		D	1	b-V118 0406 03
3	A1RF 8172 01	Conveyance Cover /Right		D	1	c-V121 0304 03
4	A1RF 1644 01	Cover Lock /1		D	1	d-V121 0306 03
5	A1RF 1646 00	Cover Lock /3		D	2	e-V121 0410 03
6	A1RF 1645 01	Cover Lock /2		D	1	f-V127 0306 03
7	A1RF 9431 00	Release Label /1		D	1	g-V127 0306 04
8	57AA 5076 0	CARRIAGE PULLING LEVER		C	1	h-V127 0406 03
9	A1RF 8171 01	Conveyance Cover /Left		D	1	i-V146 0408 03
10	A1RF 8120 01	Power supply Plate /Right rear		D	1	k-V146 0414 04
11	65AA 5018 0	HINGE FULCRUM SHAFT 1		D	2	m-V153 0308 03
12	A1RF 8121 01	Support Plate /Front		D	1	n-V217 0300 50
13	A1RF 8119 01	Wiring Arm /Lower		D	1	p-V217 0400 50
14	A1RF 8225 00	Reinforce Plate		D	2	q-V500 0100 07
15	65AA 5074 0	WIRING COVER 1		C	1	
16	A1RF N205 00	ADU Control harness /1		D	1	
17	A1RF 8143 00	Support Plate /Rear		D	1	
18	A1RF 8118 01	Wiring Arm /Upper		D	1	
19	65AA 5075 0D	Hinge Fulcrum Shaft		D	1	
20	56AA 5038 1	HINGE LIFTING BLOCK		C	1	
21	13NG 4520 0	CONVEYANCE DRIVEN ROLLER		C	3	
22	65AA 5040 0	GUIDE SHAFT		D	3	
23	A1RF 8231 00	Fixing Part /B		D	1	
24	A1RF 8219 00	Fixing Part /A		D	1	
25	A1RF 8282 00	Receiving Plate /5		D	1	
26	A03U 8160 00	FIXING PLATE /FRONT		D	1	

# DUPLEX SECTION:ADU UNIT

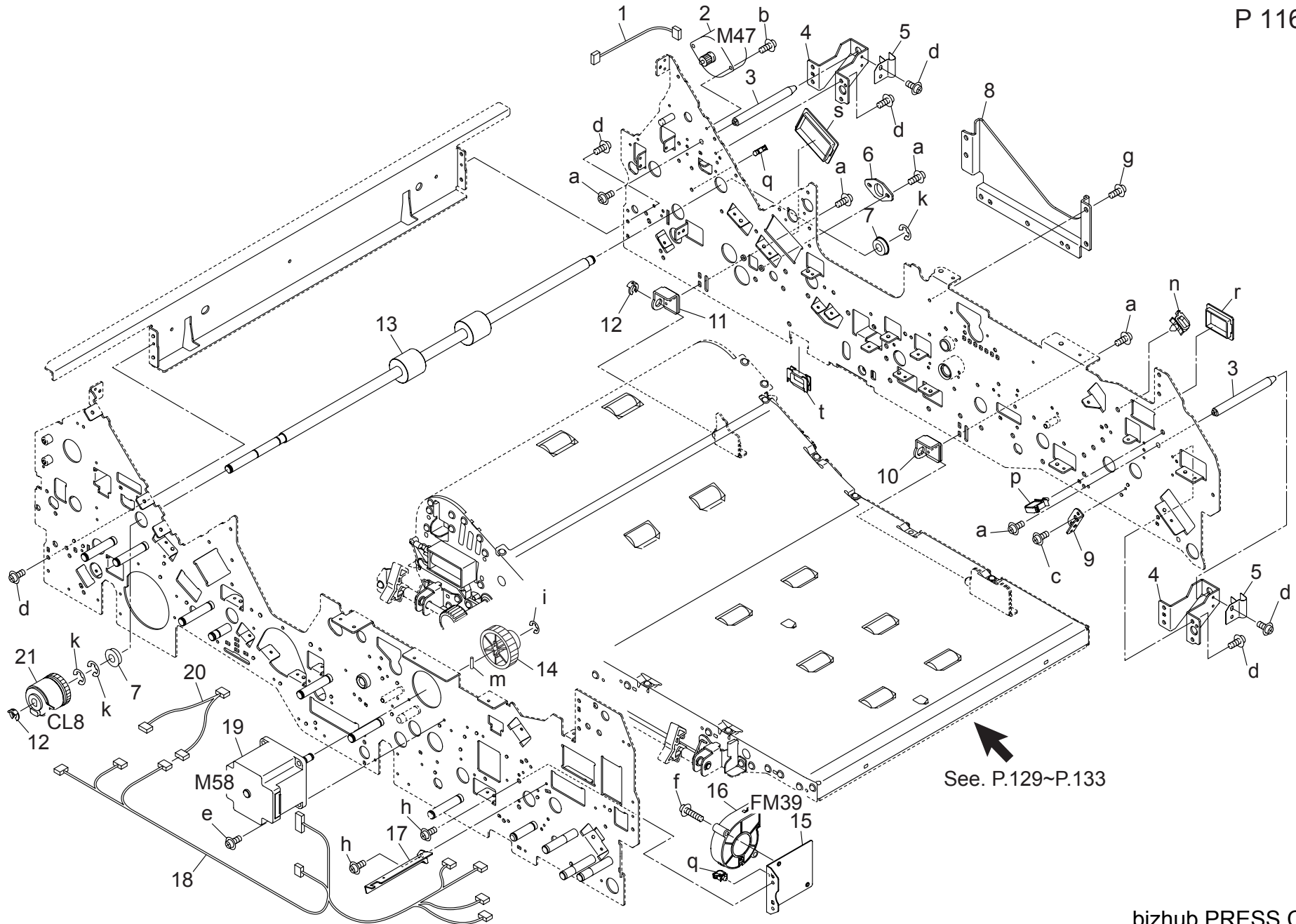
P 115



Key	Part No.	Description	Destinations	Class	QTY	Standard parts
1	A1RF 8391 00	Conveyance Belt /1 168L		C	1	a-V116 0306 03
2	A03U 8396 01	Drive Pulley /2 24/26T		C	6	b-V118 0304 03
3	A1RF 8392 00	Conveyance Belt /2 261L		C	1	c-V121 0304 03
4	A1RF 8507 00	Adjusting Plate /1		D	2	d-V121 0306 03
5	A1RF 8506 00	Adjusting Shaft /Front		D	2	e-V121 0404 03
6	A1RF 8200 00	Ball Bearing		C	3	f-V127 0306 03
7	65AA 4951 0F	FIXING SCREW /1		C	2	g-V217 0400 50
8	A1RF 8508 01	Adjusting Plate /2		D	2	h-V217 0600 50
9	A1RF 8149 00	Base Pin		D	2	i-V237 2012 50
10	A03U 8116 00	ADU Positioning Plate /1		D	1	k-V237 2014 50
11	A03U 8435 00	Positioning Part		D	1	m-V500 0100 05
12	A1RF 8298 00	Transfer Gear /B 30T		C	1	n-V500 0100 07
13	A1RF 8296 00	Transfer Gear /3 14/70T		C	1	p-V500 0100 08
14	A1RF 8128 01	Reinforce Plate /1		D	1	q-V500 0100 15
15	A07R 8137 01	Roller Bearing /B		C	1	r-V500 0100 20
16	A1RF 8443 00	Hold Plate /3		D	1	s-V570 0100 39
17	A1RF 8396 00	Conveyance Belt /6 276L		C	1	t-V570 0100 56
18	A1RF 8394 00	Conveyance Belt /4 219L		C	1	u-V570 0100 57
19	A1RF 8377 00	Conveyance Pulley 24T/26T		C	1	v-V570 0100 60
20	A1RF 8395 00	Conveyance Belt /5 303L		C	1	
21	A1RF 8393 00	Conveyance Belt /3 396L		C	1	
22	A1RF 8194 01	Wiring Guide /1		D	1	
23	A1RF 8195 00	Wiring Guide /2		D	1	
24	A1RF 8165 00	Drive Shaft /B		D	1	
25	A1RF 8299 00	Transfer Gear /A 60T		C	1	
26	A1RF 8297 00	Transfer Gear /C 64T		C	1	
27	A1RF R7E0 00	REINFORCE BLOCK/Front CALKING		D	1	
28	A0G6 2439 00	Ball Bearing		C	1	
29	A1RF M102 00	DC Brushless motor /B		C	1	
30	A1RF N132 00	Drive Relay harness /1		D	1	
31	A1RF 8197 02	Wiring Guide /3		D	1	
32	A1RF 8140 01	Wiring Plate /Middle		D	1	

# DUPLEX SECTION:ADU UNIT

P 116



See. P.129~P.133

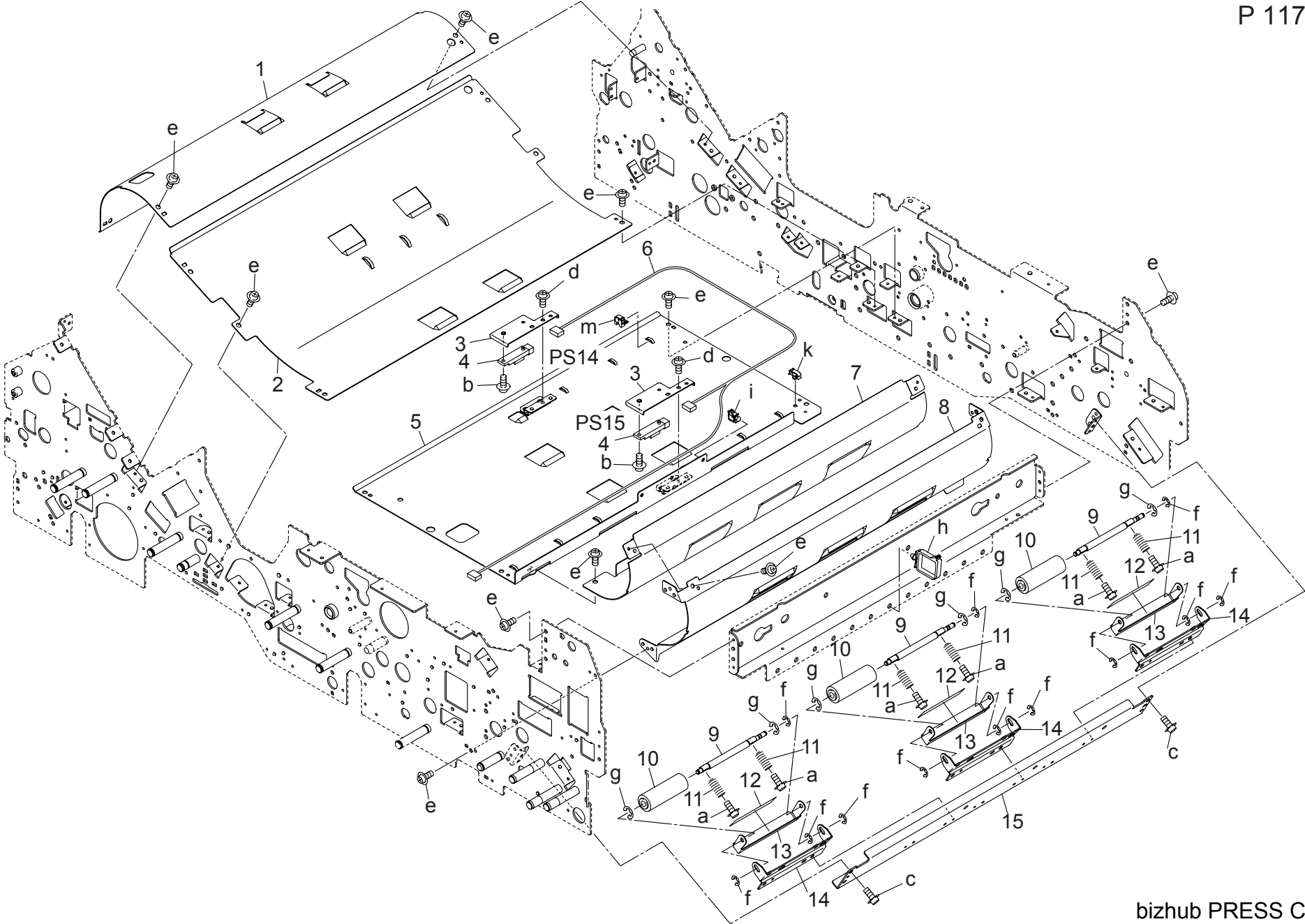
bizhub PRESS C8000



# DUPLEX SECTION:ADU UNIT

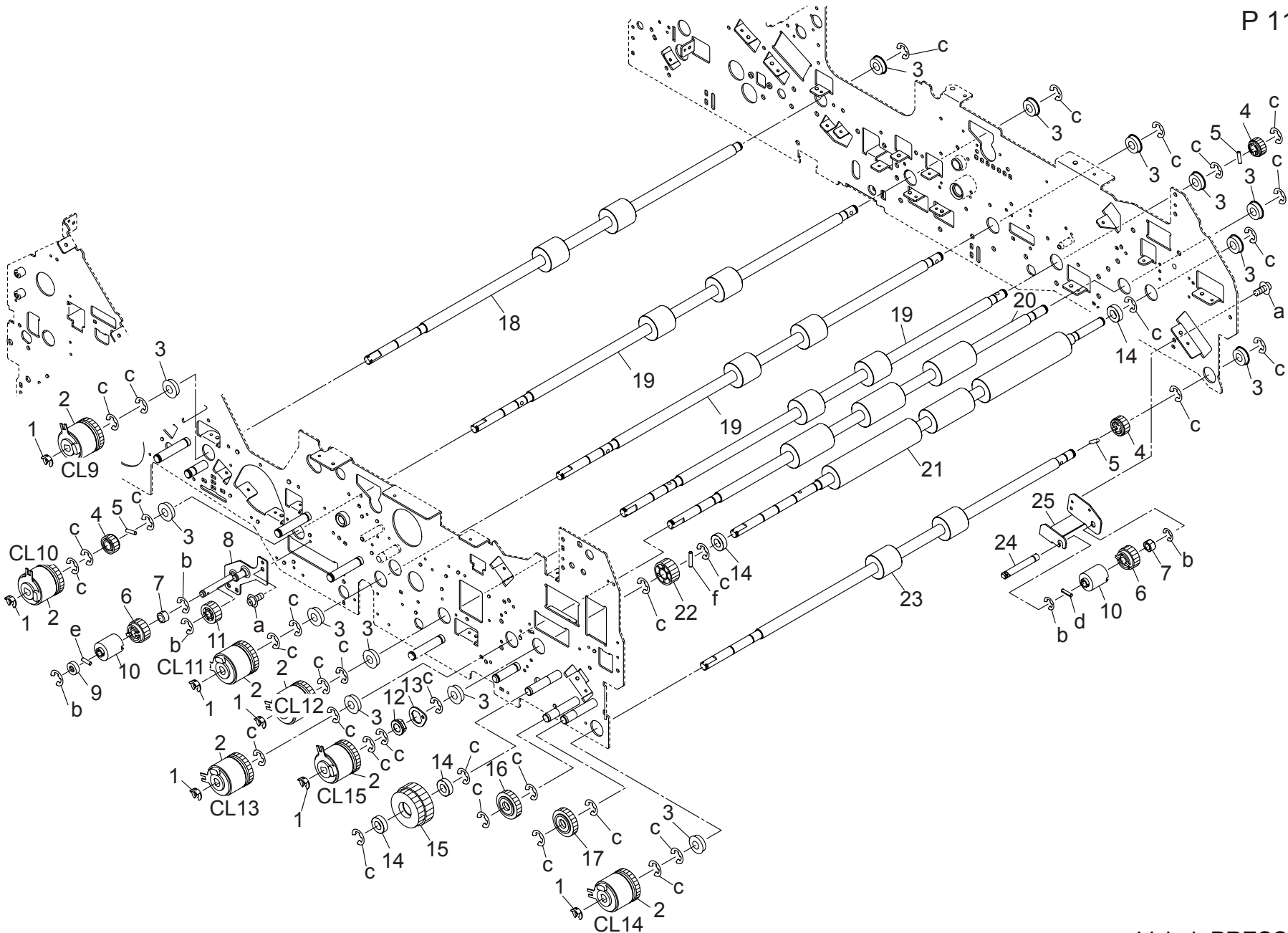
Key	Part No.	Description	Destinations	Class	QTY	Standard parts
1	A1RF N215 00	ADU Drive harness /2		D	1	a-V116 0308 03
2	A1RF R743 00	DRIVE MOTOR ASSY		C	1	b-V118 0306 03
3	65AA 5025 0	CARRIGE GUIDE PIN REAR		D	2	c-V121 0304 03
4	A1RF 8196 00	Guide Holder /Rear		D	2	d-V121 0306 03
5	A1RF 8236 00	Ground Plate		D	2	e-V121 0308 03
6	A03U 8118 00	ADU Positioning Plate /2		C	1	f-V121 0318 03
7	A00V 2406 00	BALL BEARING		C	2	g-V121 0404 03
8	A1RF 8112 00	Reinforce Part /Rear		D	1	h-V127 0306 03
9	A1RF 8443 00	Hold Plate /3		D	1	i-V217 0400 50
10	A1RF 8479 00	Support Plate /B		D	1	k-V217 0600 50
11	A1RF 8478 00	Support Plate /A		D	1	m-V237 3014 50
12	55VA 4212 0	SHAFT STOPPER		C	2	n-V500 0100 05
13	A1RF 8512 00	Roller /C		D	1	p-V500 0100 07
14	A1RF 7199 01	Registration Gear		C	1	q-V500 0100 20
15	A1RF 8245 00	Mounting Plate		D	1	r-V570 0100 38
16	A1RF M154 00	Fan motor /4		C	1	s-V570 0100 39
17	65AA 5128 0E	ADU Locking Plate		D	1	t-V570 0100 59
18	A1RF N214 00	ADU Drive harness /1		D	1	
19	A03U M111 00	HB Motor /50		B	1	
20	A1RF N232 00	Transfer Relay harness /6		D	1	
21	A03U M201 00	Clutch /1		B	1	

DUPLEX SECTION:ADU UNIT



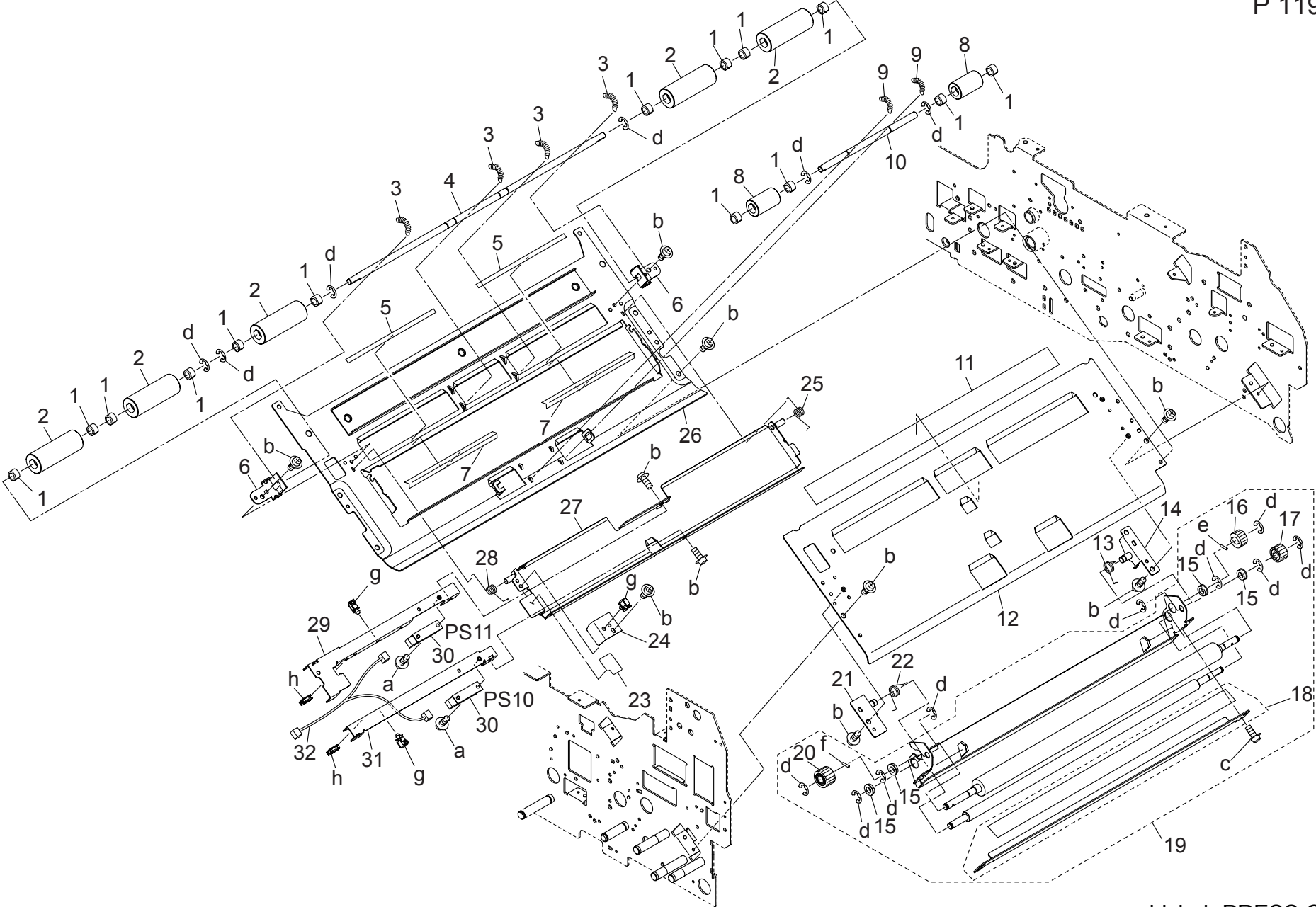
Key	Part No.	Description	Destinations	Class	QTY	Standard parts
1	A1RF 8510 03	Guide Plate /F		D	1	a-V118 0304 03
2	A1RF 8503 02	Guide Plate /C		D	1	b-V118 0306 03
3	A1RF 8432 00	Hold Plate /C		D	2	c-V121 0304 03
4	13QA 8551 1	Sensor 1		B	2	d-V121 0306 03
5	A1RF 8501 02	Guide Plate /A		D	1	e-V127 0306 03
6	A1RF N219 00	Relay Harness /3		D	1	f-V217 0300 50
7	A1RF 8515 00	Guide Plate /B		D	1	g-V217 0400 50
8	A1RF 8505 00	Guide Plate /E		D	1	h-V500 0100 15
9	A1RF 8523 00	Idler Shaft /B		D	3	i-V500 0100 20
10	A1RF 8416 02	Roller /4		D	3	k-V500 0100 46
11	A1RF 8455 00	Conveyance Spring /3		D	6	m-V500 0100 57
12	A1RF 8522 00	Cleaning Sheet /3		D	3	
13	A1RF 8521 00	Support Plate /B		D	3	
14	A1RF 8426 00	Hold Plate /1		D	3	
15	A1RF 8509 01	Hold Plate /D		D	1	

DUPLEX SECTION:ADU UNIT



Key	Part No.	Description	Destinations	Class	QTY	Standard parts
1	55VA 4212 0	SHAFT STOPPER		C	7	a-V127 0306 03 b-V217 0400 50 c-V217 0600 50 d-V233 2010 50 e-V237 2008 50 f-V237 3014 50
2	A03U M201 00	Clutch /1		B	7	
3	A00V 2406 00	BALL BEARING		C	14	
4	A03U 8389 00	BRAKE GEAR /2 24T		C	3	
5	56AA 1747 1	PIN B 3X12		C	3	
6	A1RF 8385 00	Brake Gear 24T		C	2	
7	A03U 8501 01	Slide Bushing		C	2	
8	A1RF 8229 00	Brake Plate /2		D	1	
9	A1RF 8244 00	Mounting Collar		D	1	
10	A03U 8157 00	TORQUE LIMITER		B	2	
11	3960 7706 0	PAPER FEED IDLER GEAR A 22T		C	1	
12	A03U 8128 00	Slide Shaft Holder		C	1	
13	A1RG 6814 00	Brake Plate /8		D	1	
14	A1RF 8200 00	Ball Bearing		C	4	
15	A1RF 8382 00	Conveyance Gear /2 33/36T		C	1	
16	A1RF 8375 00	Conveyance Gear /3 24T		C	1	
17	A1RF 8376 00	Conveyance Gear /4 24T		C	1	
18	A1RF 8512 00	Roller /C		D	1	
19	A1RF 8514 00	Roller /E		D	3	
20	A1RF 8513 00	Roller /D		D	1	
21	A1RF 8122 01	Roller /2		D	1	
22	A1RF 8241 00	Gear /2 25T		C	1	
23	A1RF 8123 00	Roller /2		D	1	
24	A1RF 8290 00	Brake Shaft		D	1	
25	A1RF 8237 00	Brake Plate		D	1	

DUPLEX SECTION

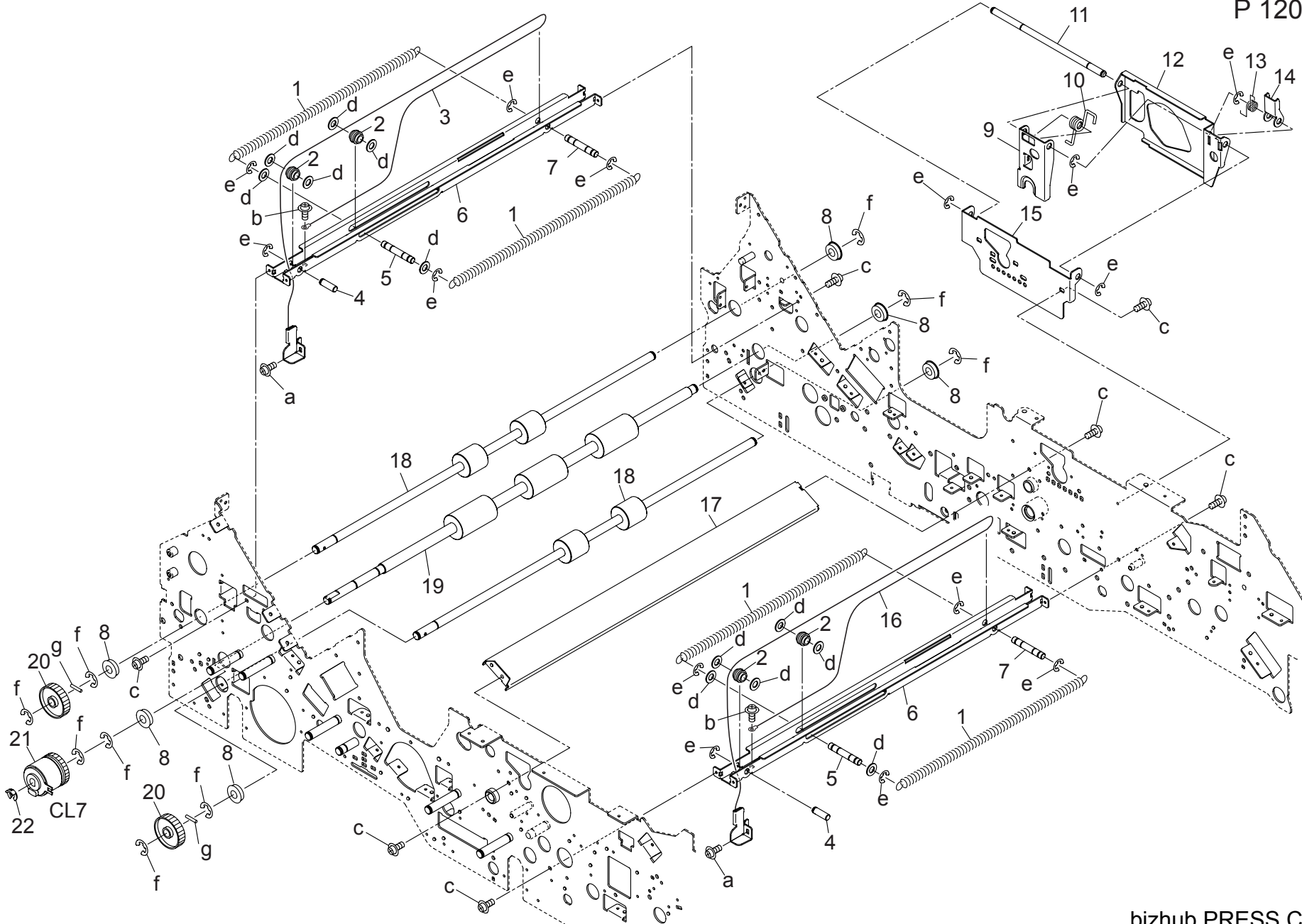


bizhub PRESS C8000

Key	Part No.	Description	Destinations	Class	QTY	Standard parts
1	A03U 8501 01	Slide Bushing		C	14	a-V118 0306 03 b-V121 0304 03 c-V121 0306 03 d-V217 0400 50 e-V237 2008 50 f-V237 2010 50 g-V500 0100 20 h-V570 0100 56
2	A1RF 8198 00	Roller /C		D	5	
3	65AA 5140 0	ADU SPRING A		C	4	
4	A1RF 8126 00	Shaft /A		D	1	
5	A1RF 8350 01	Conveyance Sheet /Upper		D	2	
6	A1RF 8151 00	Support Plate /Rear		D	2	
7	A1RF 8352 00	Cover Sheet /Upper		D	2	
8	26NA 4256 0	BY PASS FEED DRIVEN ROLLER		C	2	
9	A1RF 8240 00	Idler Spring /2		D	2	
10	65AA 5064 0	CONVEYANCE DRIVEN SHAFT 2		C	1	
11	A1RF 8351 01	Conveyance Sheet /Lower		D	1	
12	A1RF 8106 00	Conveyance Plate /Lower		D	1	
13	A1RF 8141 00	Pressing Spring /Rear		D	1	
14	A1RF 8332 00	Hold Plate /Rear		D	1	
15	A00J 6178 00	BALL BEARING		C	4	
16	55VA 7920 0	CLEANER DRIVING GEAR A 16T		B	1	
17	A1RF 8380 00	Gear 16T		C	1	
18	A1RF R7G4 00	Cleaning Sheet Assy		B	1	
19	A1RF R718 00	Cleaning Roller Assy		B	1	
20	A1RF 8379 00	Gear /1 15T		C	1	
21	A1RF 8334 00	Hold Plate /Front		D	1	
22	A1RF 8142 00	Pressing Spring /Front		D	1	
23	A1RF 9432 00	Release Label /2		D	1	
24	A1RF 8291 00	Cover Plate		D	1	
25	65AA 5015 0	Pressing Spring /Right		C	1	
26	A1RF 8251 01	Conveyance Plate /Upper		D	1	
27	A1RF 8144 03	Conveyance Plate /Middle		D	1	
28	65AA 5016 0	Pressing Spring /Left		C	1	
29	A1RF 8145 00	Cover /1		D	1	
30	13QA 8551 1	Sensor 1		B	2	
31	A1RF 8146 00	Cover /2		D	1	
32	A1RF N217 00	Relay Harness /1		D	1	

DUPLEX SECTION

P 120



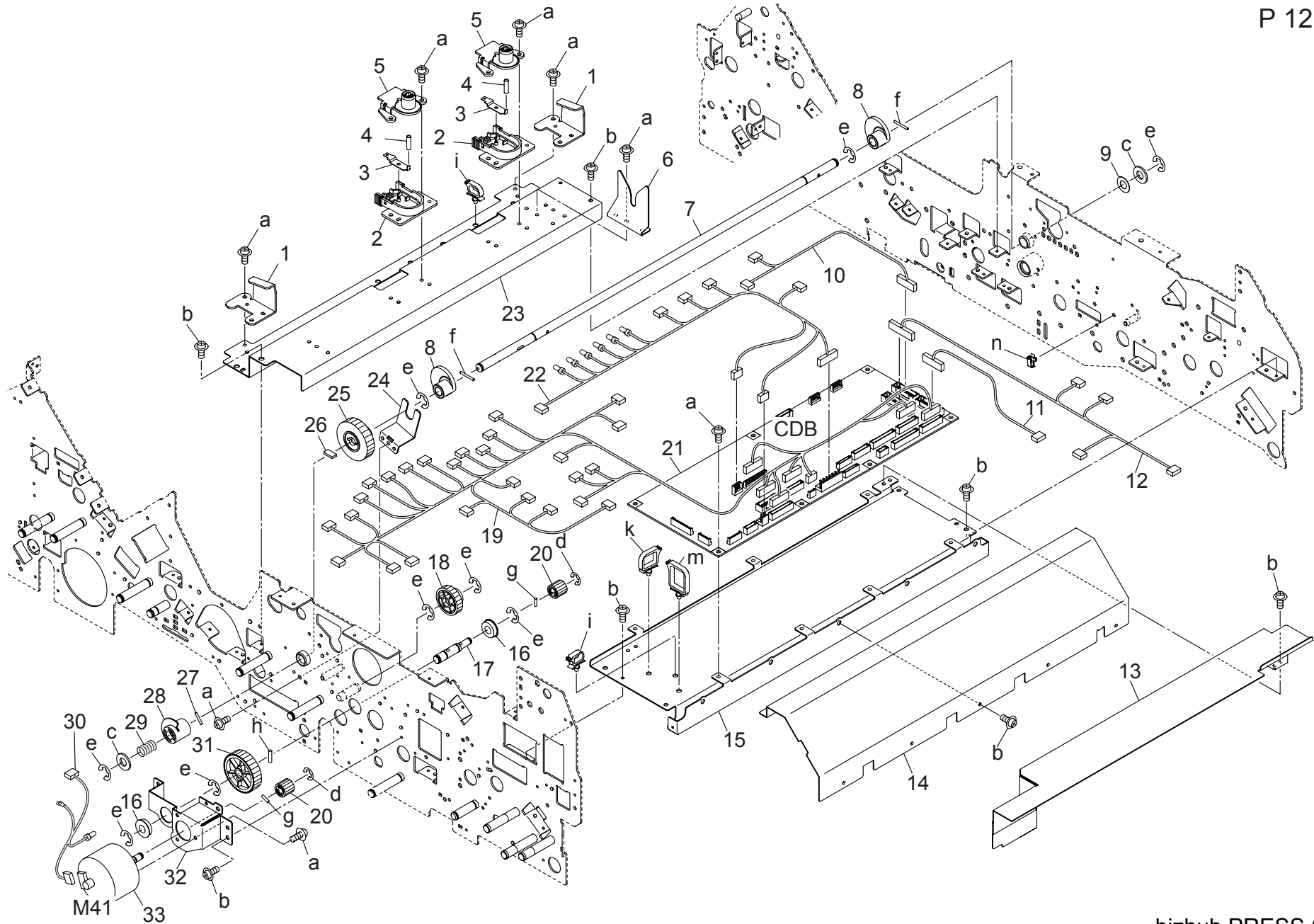


DUPLEX SECTION

Key	Part No.	Description	Destinations	Class	QTY	Standard parts
1	A1RF 8158 00	Open/close Spring		D	4	a-V121 0304 03 b-V121 0306 03 c-V127 0306 03 d-V207 0600 03 e-V217 0400 50 f-V217 0600 50 g-V237 2014 50
2	25AA 5008 0	WIRE PULLEY		C	4	
3	A1RF 8441 00	Wire /Left		D	1	
4	65AA 5151 0	ADU OPEN SHUT SHAFT 3		D	2	
5	A1RF 8233 00	ADU Open/shut Shaft /1		D	2	
6	65AA 5167 0D	ADU Open/shut Plate		D	2	
7	A1RF 8234 00	ADU Open/shut Shaft /2		D	2	
8	A00V 2406 00	BALL BEARING		C	6	
9	A1RF 8135 00	Release Plate /Left		D	1	
10	65AA 5061 0	CAM STOPPER SPRING 1		C	1	
11	A1RF 8138 00	Release Shaft /Rear		D	1	
12	A1RF 8137 00	Release Lever /Rear		D	1	
13	65AA 5063 0	CAM STOPPER SPRING 2		C	1	
14	A1RF 8139 01	Release Lever /Right		D	1	
15	A1RF 8136 00	Release Plate /Rear		D	1	
16	A1RF 8442 00	Wire /Right		D	1	
17	A1RF 8129 00	Reinforce Plate /2		D	1	
18	A1RF 8614 00	Conveyance Roller /2		D	2	
19	A1RF 8511 00	Roller /B		D	1	
20	A1RF 8697 00	Conveyance Gear /4 36T		C	2	
21	A03U M201 00	Clutch /1		B	1	
22	55VA 4212 0	SHAFT STOPPER		C	1	

# DUPLEX SECTION

P 121



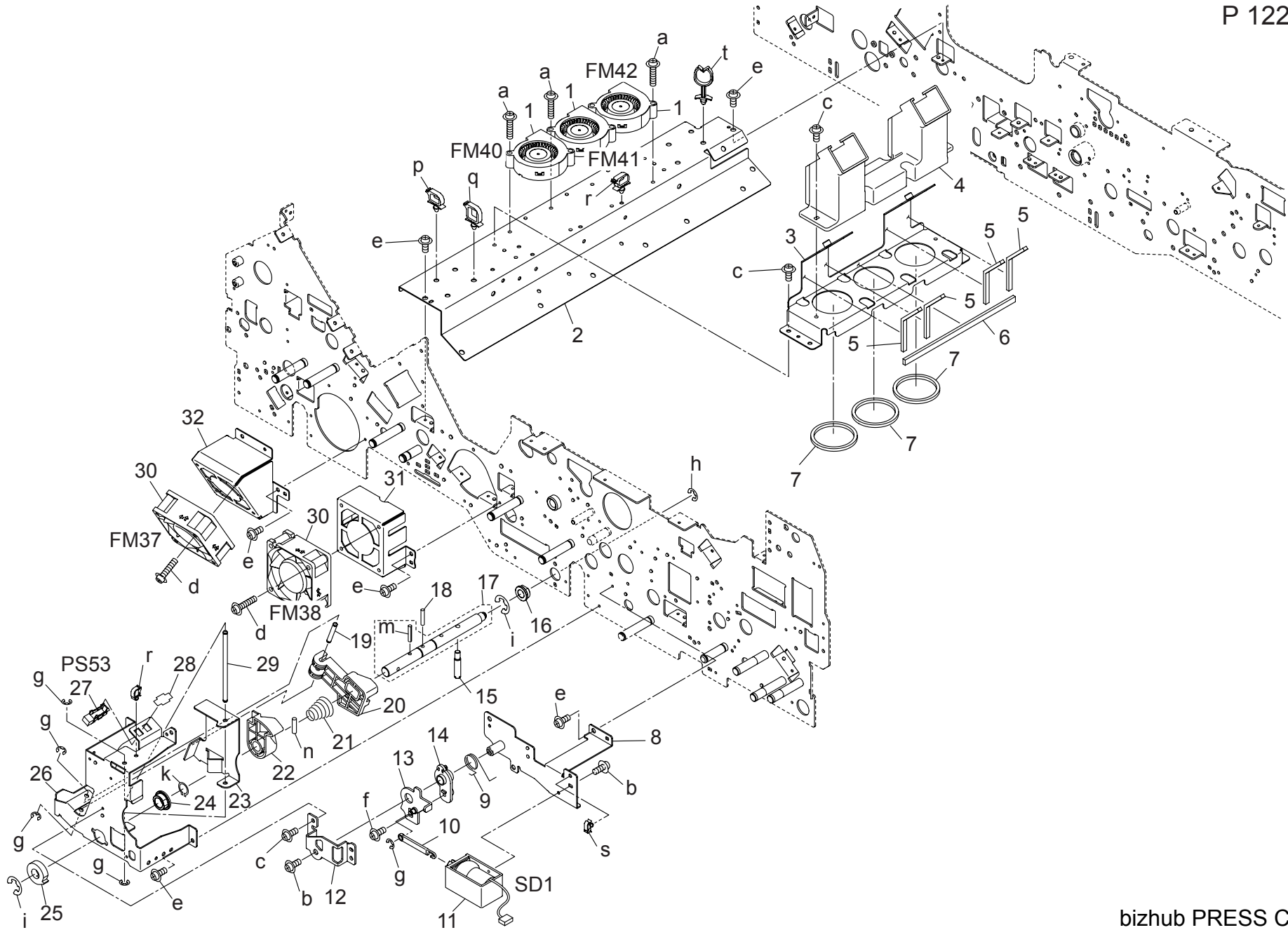
bizhub PRESS C8000

DUPLEX SECTION

Key	Part No.	Description	Destinations	Class	QTY	Standard parts
1	A1RF 8192 00	Stopper Plate		D	2	a-V121 0306 03
2	A1RF 8161 00	Power supply Block /A		D	2	b-V127 0306 03
3	A1RF 8163 00	Power supply Plate		D	2	c-V207 0800 03
4	A1RF 8164 00	Power supply Spring		D	2	d-V217 0400 50
5	A1RF 8162 00	Power supply Block /B		D	2	e-V217 0600 50
6	A1RF 8148 00	Mounting Guide		D	1	f-V237 2018 50
7	A1RF 8167 00	Release Shaft		D	1	g-V237 3010 50
8	A1RF 8168 00	Pressure Cam		D	2	h-V237 3014 50
9	55VA 3253 0	SPACER		C	1	i-V500 0100 05
10	A1RF N206 00	ADU Control harness /2		D	1	k-V500 0100 08
11	A1RF N212 00	ADU Wiring /3		D	1	m-V500 0100 15
12	A1RF N213 00	ADU Wiring /4		D	1	n-V500 0200 77
13	A1RF 8210 01	Wiring Cover /Left		D	1	
14	A1RF 8208 01	Wiring Cover /Right		D	1	
15	A1RF 8108 00	Conveyance Stay /Upper		D	1	
16	A00V 2406 00	BALL BEARING		C	2	
17	A1RF 8178 00	Idling Shaft		D	1	
18	A1RF 8388 00	Transfer Gear /4 26/28T		C	1	
19	A1RF N211 00	ADU Wiring /2		D	1	
20	A1RF 8693 00	Conveyance Gear /3 16T		C	2	
21	A1RF H060 03	Conveyance Drive Board Assy		I	1	
22	A1RF N207 00	ADU Power source harness /1		D	1	
23	A1RF 8109 01	Wiring Plate /Middle		D	1	
24	65AA 4524 1	GEAR REGULATING PLATE		D	1	
25	A1RF 8295 00	Transfer Gear /2 38T		C	1	
26	A03U 5240 00	Drive Plate /1		D	1	
27	56AA 1732 1	PIN A D2X12		B	1	
28	65AA 4522 0	Transfer Pressure Actuator		C	1	
29	A1RF 8193 00	Slide Spring		D	1	
30	A1RF N243 00	ADU Drive harness /6		D	1	
31	A1RF 8387 01	Transfer Gear /1 38T		C	1	
32	A1RF 8150 00	Drive Board		D	1	
33	A11P M102 00	DC Brushless motor /12		C	1	

# DUPLEX SECTION

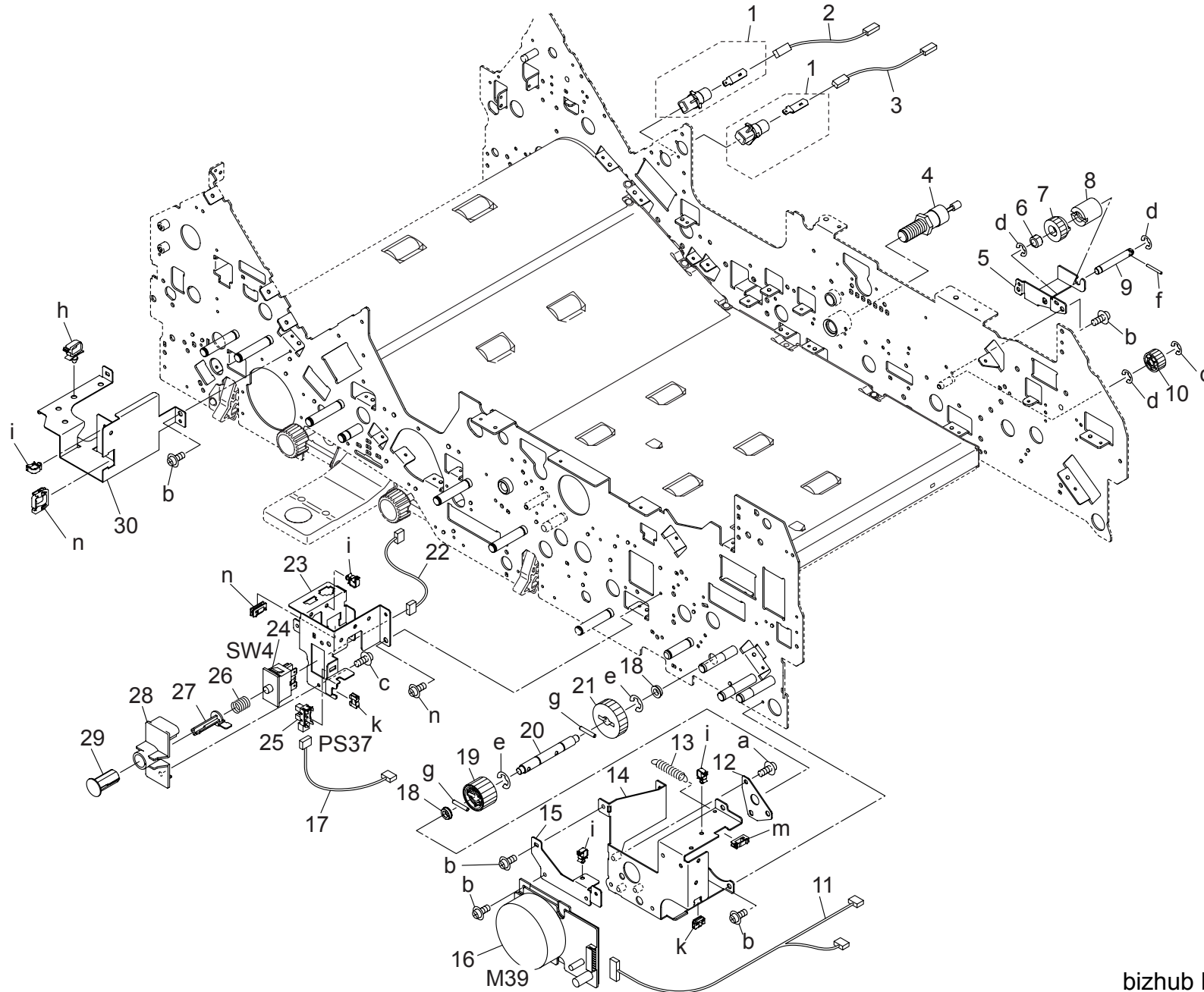
P 122



Key	Part No.	Description	Destinations	Class	QTY	Standard parts
1	A1RF M154 00	Fan motor /4		C	3	a-V121 0318 03
2	A1RF 8110 02	Wiring Plate /Middle		D	1	b-V121 0304 03
3	A1RF 8185 00	Suction Stay		D	1	c-V121 0306 03
4	A1RF 8184 00	Suction Duct /2		D	1	d-V121 0330 03
5	A1RF 8188 00	Suction Seal /3		D	4	e-V127 0306 03
6	A1RF 8189 00	Suction Seal /4		D	1	f-V153 0408 03
7	A1RF 8186 00	Suction Seal		D	3	g-V217 0300 50
8	A1RF R7D8 00	RELEASE BOX/RIGHT CALKING		D	1	h-V217 0400 50
9	65AA 5081 0	LOCKING SPRING RIGHT		C	1	i-V217 0800 50
10	56AA 5073 0	SOLENOID PULLING LEVER		C	1	k-V223 1500 09
11	A1RF R758 00	RELEASE SOLENOID PIN ASSY		C	1	m-V233 3018 50
12	A1RF 8201 00	Holding Plate		D	1	n-V237 3016 50
13	A1RF R7D9 00	LEVER LOCK PLATE CALKING		D	1	p-V500 0100 05
14	56AA 5070 0	LEVER LOCKING PART		C	1	q-V500 0100 07
15	65AA 5034 0E	LOCKING PIN		T	1	r-V500 0100 20
16	A03U 8128 00	Slide Shaft Holder		C	1	s-V500 0100 46
17	A1RF R759 00	PULLING SHAFT PIN ASSY		D	1	t-V500 0200 26
18	56AA 1746 1	PIN A		B	1	
19	65AA 5037 0D	Cam Fulcrum Shaft		D	1	
20	65AA 5032 0	LOCKING CAM		C	1	
21	65AA 5042 0	CAM HOLDING SPRING		C	1	
22	65AA 5035 0	RELEASE CAM		C	1	
23	A1RF 8116 00	Release Box /Middle		D	1	
24	4620 7601 0	DRIVING SLIDE SHAFT HOLDER A		C	1	
25	25AA 4750 0	CARRIAGE LOCK CLAW B		C	1	
26	A1RF 8113 01	Release Box Outside		D	1	
27	08AA 8551 2	Photo Sensor		B	1	
28	4470 4024 01	STOPPER		D	1	
29	A1RF 8127 00	Release Shaft /Front		D	1	
30	56QA 8057 0	INTERNAL COOLING FAN		C	2	
31	A1RF 8180 00	Cooling Duct /2		D	1	
32	A1RF 8117 01	Cooling Duct		D	1	

# DUPLEX SECTION

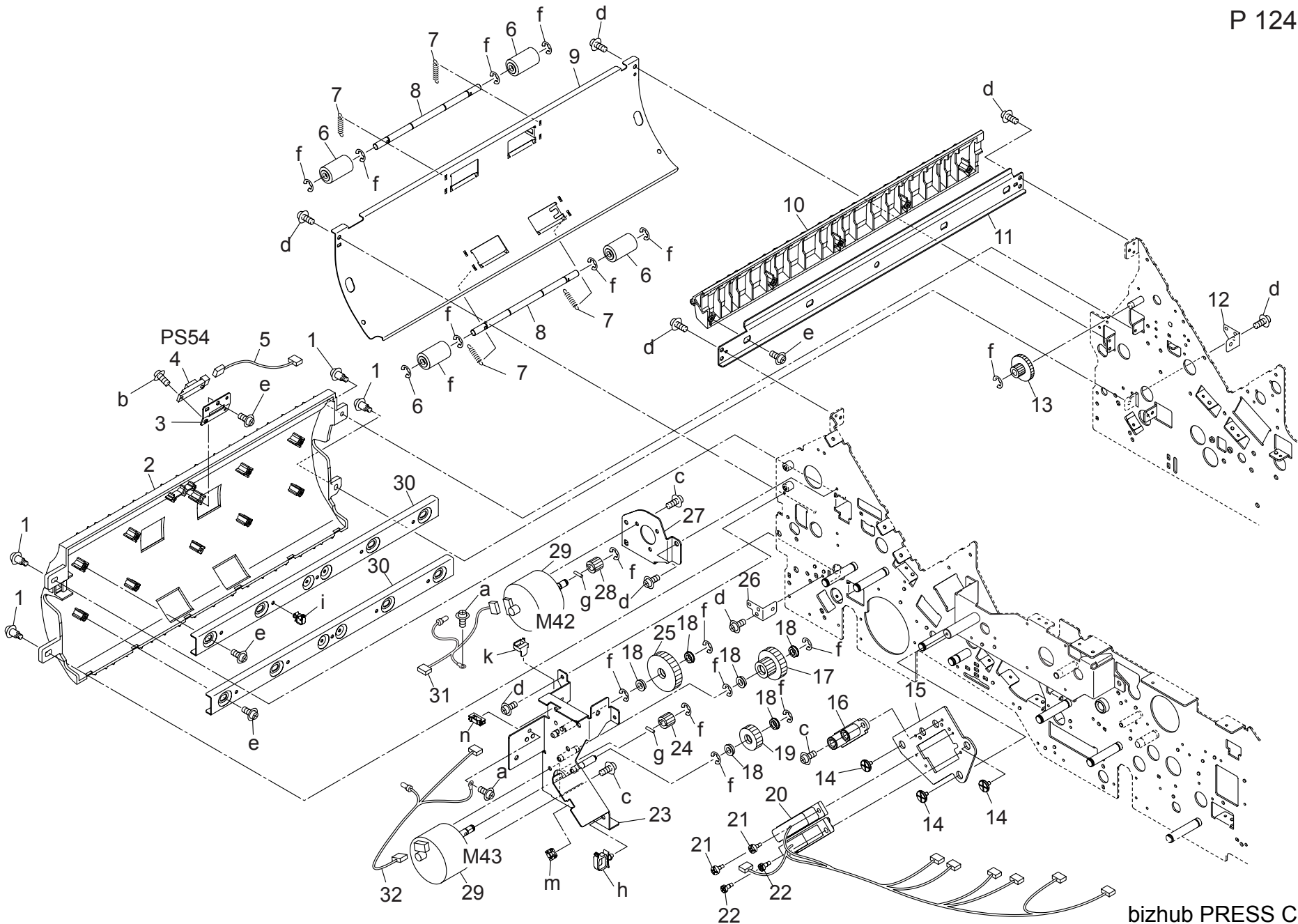
P 123



Key	Part No.	Description	Destinations	Class	QTY	Standard parts
1	65AA R746 00	POWERING BLOCK A ASSY		C	2	a-V121 0304 03
2	A1RF N201 00	HV Wiring /1		D	1	b-V127 0306 03
3	A1RF N203 00	HV Wiring /3		D	1	c-V153 0308 03
4	A03U 8153 00	Slide Dumper /2		C	1	d-V217 0400 50
5	A1RF 8147 00	Brake Plate		D	1	e-V217 0600 50
6	A03U 8501 01	Slide Bushing		C	1	f-V233 2010 50
7	A1RF 8385 00	Brake Gear 24T		C	1	g-V237 3018 50
8	A03U 8157 00	TORQUE LIMITER		B	1	h-V500 0100 05
9	A03U 8155 01	Brake Shaft		D	1	i-V500 0100 20
10	40LA 4409 0	IDLING GEAR 1 25T		C	1	k-V570 0100 56
11	A1RF N245 00	ADU Drive harness /8		D	1	m-V570 0100 57
12	A1RF 8249 00	Drive Plate /B		D	1	n-V570 0100 60
13	A1RF 8250 00	Pulling Spring /3		D	1	
14	A1RF 8115 00	Drive Plate /Front		D	1	
15	A1RF 8175 00	Auxiliary Plate		D	1	
16	A0R5 M103 00	DC Brushless motor /30		B	1	
17	A1RF N236 00	Relay Harness /4		D	1	
18	A00J 6178 00	BALL BEARING		C	2	
19	A1RF 8381 00	Conveyance Gear /1 46T		C	1	
20	A1RF 8174 00	Drive Shaft		D	1	
21	A1RF 8378 00	Conveyance Gear /1 30T		C	1	
22	A1RF N208 00	ADU Power source harness /2		D	1	
23	A1RF 8179 01	Hold Plate		D	1	
24	40AA 8501 1	Door Switch		B	1	
25	9335 1500 21	SOLID STATE SWITCH		B	1	
26	A1RF 8397 00	Cover Spring		D	1	
27	A1RF 8252 00	Pressing Actuator		C	1	
28	A1RG 1059 00	Guide Part		D	1	
29	A1RF 8253 00	Connecting Actuator		C	1	
30	A1RF 8211 00	Wiring Guide		D	1	

# DUPLEX SECTION

P 124



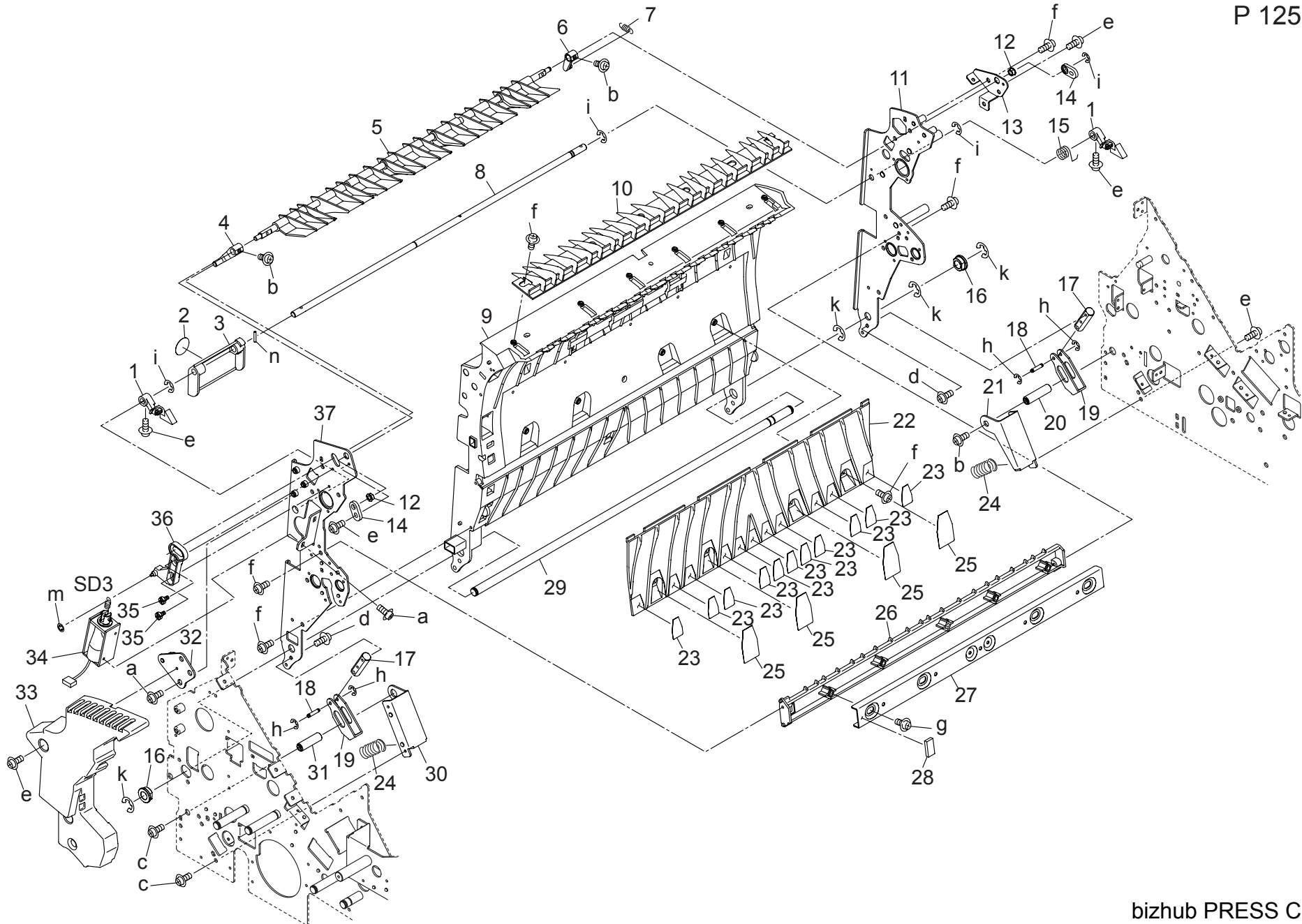
bizhub PRESS C8000



Key	Part No.	Description	Destinations	Class	QTY	Standard parts
1	26NA 5423 0	TERMINAL FIXING SCREW		C	4	a-V116 0306 03
2	A1RF 8601 00	Guide Plate /I		D	1	b-V118 0306 03
3	A1RF 8636 00	Plate		D	1	c-V121 0306 03
4	13QA 8552 1	Sensor 2		B	1	d-V127 0306 03
5	A1RF N234 00	ADU Relay harness /7		D	1	e-V153 0306 03
6	A03U 8459 01	Idler Roller /3		C	4	f-V217 0400 50
7	A1RF 8680 00	Conveyance Spring /1		D	4	g-V237 3010 50
8	A1RF 8622 00	Fixing Shaft /A		D	2	h-V500 0100 05
9	A1RF 8602 00	Conveyance Guide /Lower		D	1	i-V500 0100 20
10	A1RF 8603 00	Guide Plate /Upper		D	1	k-V500 0100 21
11	A1RF 8604 00	Guide Stay /Upper		D	1	m-V570 0100 56
12	A1RF 8616 00	Fixing Plate /Rear		D	1	n-V570 0100 57
13	A1RF 8699 00	Pressure Gear /1 14/70T		C	1	
14	A1RF 1034 00	Guide Screw		D	3	
15	A1RF 8177 01	Power supply Guide		D	1	
16	A03U 1190 00	Positioning Sleeve		C	1	
17	A1RF 8696 00	Conveyance Gear /2 15/29T		C	1	
18	A00J 6178 00	BALL BEARING		C	6	
19	A1RF 8692 00	Conveyance Gear /7 22T		C	1	
20	A1RF N210 00	ADU Wiring /1		D	1	
21	65AA 4722 0	MOUNTING SCREW		C	2	
22	57AA 1560 0	ELECTRIC MOUNTING SCREW		C	2	
23	A1RF F877 01	Drive Unit Plate /C Calking		D	1	
24	A1RF 8693 00	Conveyance Gear /3 16T		C	1	
25	A1RF 8691 00	Conveyance Gear /1 35T		C	1	
26	A1RF 8617 00	Fixing Plate /Front		D	1	
27	A1RF 8627 00	Drive Plate /Upper		D	1	
28	A1RF 8698 01	Conveyance Gear /1 16T		C	1	
29	A11P M102 00	DC Brushless motor /12		C	2	
30	65AA 4947 0	PAPER EXIT REINFORCE PLATE 5		D	2	
31	A1RF N244 00	ADU Drive harness /7		D	1	
32	A1RF N242 00	ADU Drive harness /5		D	1	

# DUPLEX SECTION

P 125

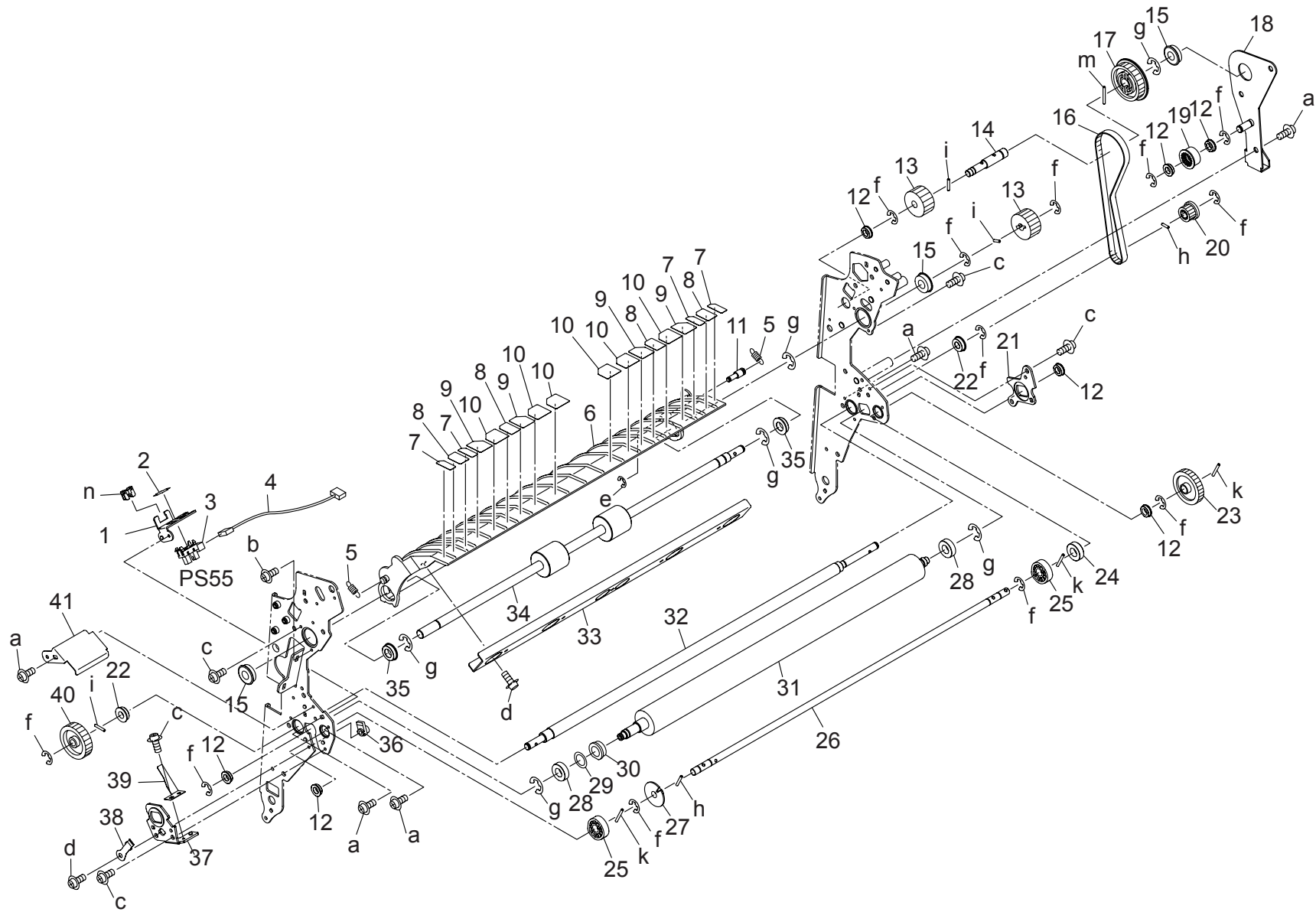


DUPLEX SECTION

Key	Part No.	Description	Destinations	Class	QTY	Standard parts
1	40AA 4626 1	LOCK CLAW F		B	2	a-V121 0304 03
2	A1RF 9435 00	Release Label /5		D	1	b-V121 0306 03
3	65AA 4941 0	PAPER EXIT HANDLE		C	1	c-V121 0308 03
4	A1RF 8795 00	Open /Close Guide /Rear		D	1	d-V121 0310 03
5	A1RF 8703 04	Guide Part /Upper		D	1	e-V127 0306 03
6	A1RF 8794 00	Open /Close Guide /Front		D	1	f-V153 0306 03
7	A1RF 8737 00	Swing Spring /1		D	1	g-V153 0308 03
8	A1RF 8722 00	Lock Shaft /Upper		D	1	h-V217 0200 50
9	A1RF 8704 03	Conveyance Guide		D	1	i-V217 0400 50
10	A1RF 8793 01	Auxiliary Guide /Upper		D	1	k-V217 0600 50
11	A1RF R7E7 00	CONVEYANCE UNIT PANEL/REAR CALKING		D	1	m-V226 0200 50
12	A1RF 8464 00	Bushing /A		C	2	n-V237 2012 50
13	A1RF 8713 00	Mounting Plate /3		D	1	
14	65AA 4952 0	PAPER EXIT MOUNTING SPACER		C	2	
15	A1RF 8738 00	Open/close Spring /Upper		D	1	
16	A03U 8128 00	Slide Shaft Holder		C	2	
17	A1RF 8733 00	Stopper Shaft		D	2	
18	A1RF 8735 00	Fixing Shaft /4		D	2	
19	A1RF 8734 00	Stopper Plate		D	2	
20	A1RF 8788 00	Stopper Shaft /B		D	1	
21	A1RF 8786 00	Stopper Plate /B		D	1	
22	A1RF 8792 01	Auxiliary Guide		D	1	
23	A1RF 8745 00	Guide Part /2		D	11	
24	A1RF 8744 00	Open/close Spring /4		D	2	
25	A1RF 8746 00	Guide Part /1		D	4	
26	A1RF 8707 00	Guide Plate /D		D	1	
27	65AA 4947 0	PAPER EXIT REINFORCE PLATE 5		D	1	
28	A1RF 8771 00	Ground Part		D	1	
29	A1RF 8721 00	Support Shaft		D	1	
30	A1RF 8785 00	Stopper Plate /A		D	1	
31	A1RF 8787 00	Stopper Shaft /A		D	1	
32	A1RF R7E8 00	SUPPORT PLATE/FRONT CALKING		D	1	
33	A1RF 8782 00	Protection Cover		D	1	
34	A1RF R742 00	SWING SOLENOID ASSY		C	1	
35	65AA 4951 0F	FIXING SCREW /1		C	2	
36	A1RF 8731 00	Swing Arm /Front		D	1	
37	A1RF R7E6 00	CONVEYANCE UNIT PANEL/FRONT CALKING		D	1	

# DUPLEX SECTION

P 126

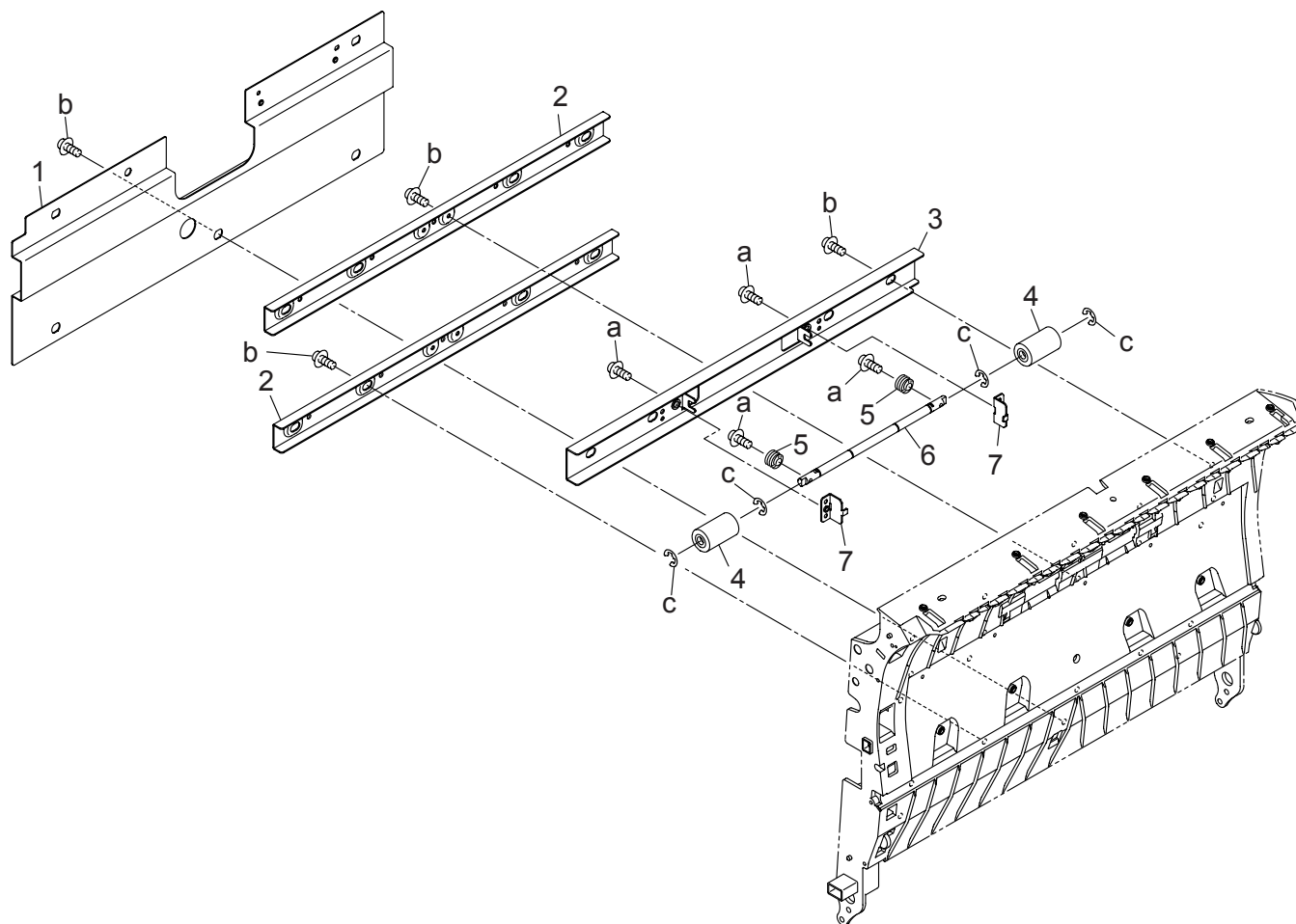


# DUPLEX SECTION

Key	Part No.	Description	Destinations	Class	QTY	Standard parts
1	A1RF 8732 00	Plate /Front		D	1	a-V121 0304 03
2	4470 4024 01	STOPPER		D	1	b-V121 0318 03
3	08AA 8551 2	Photo Sensor		B	1	c-V127 0306 03
4	A1RF N235 00	ADU Relay harness /8		D	1	d-V153 0308 03
5	A1RF 8742 00	Swing Spring /2		D	2	e-V217 0300 50
6	A1RF 8702 01	Guide Plate /F		D	1	f-V217 0400 50
7	A1RF 8751 01	Protection Sheet /1		D	4	g-V217 0600 50
8	A1RF 8752 01	Protection Sheet /2		D	4	h-V237 2008 50
9	A1RF 8753 01	Protection Sheet /3		D	4	i-V237 2012 50
10	A1RF 8754 01	Protection Sheet /4		D	6	k-V237 2014 50
11	A1RF 8724 00	Swing Shaft /2		D	1	m-V237 2018 50
12	A00J 6178 00	BALL BEARING		C	7	n-V570 0100 21
13	A03U 8899 00	RIVERSE/EXIT GEAR /1 22T		C	2	
14	A1RF 8727 00	Drive Shaft /D		D	1	
15	A00V 2406 00	BALL BEARING		C	3	
16	A1RF 8798 00	Conveyance Belt /2 297L		C	1	
17	A1RF 8796 01	Conveyance Pulley /A 36T		C	1	
18	A1RF R7E9 00	DRIVE PANEL/REAR CALKING		D	1	
19	A1RF 8719 02	Tension Pulley		C	1	
20	A1RF 8790 01	Conveyance Pulley /B 15T		C	1	
21	A1RF 8711 00	Support Plate /Rear		D	1	
22	A0G6 2439 00	Ball Bearing		C	2	
23	A1RF 8799 00	Positioning Gear /1 29T		C	1	
24	A1RF 8638 00	Collar		D	1	
25	A1RF 8784 01	Positioning Cam		D	2	
26	A1RF 8723 00	Regulating Shaft		D	1	
27	A1RF 8781 00	Positioning Roll		D	1	
28	A1RJ 8172 00	Ball bearing /8		C	2	
29	12QV 4065 0	SPACER		B	1	
30	A1RF 5305 00	Support Bushing		D	1	
31	A1RF 8605 01	Pressure Roller /A		B	1	
32	A1RF 8717 01	Conveyance Shaft		D	1	
33	65AA 4947 0	PAPER EXIT REINFORCE PLATE 5		D	1	
34	A1RF 8715 00	Conveyance Roller /1		D	1	
35	A1RF 7109 00	Ball bearing /1		C	2	
36	A1RF 8706 00	Fixing Part		D	1	
37	A1RF 8708 02	Support Plate /Front		D	1	
38	A1RF 8772 00	Ground Plate /2		D	1	
39	A1RF 8770 00	Ground Plate /1		D	1	
40	A1RF 8791 00	Conveyance Gear /5 29T		C	1	
41	A1RF 8789 00	Cover		D	1	

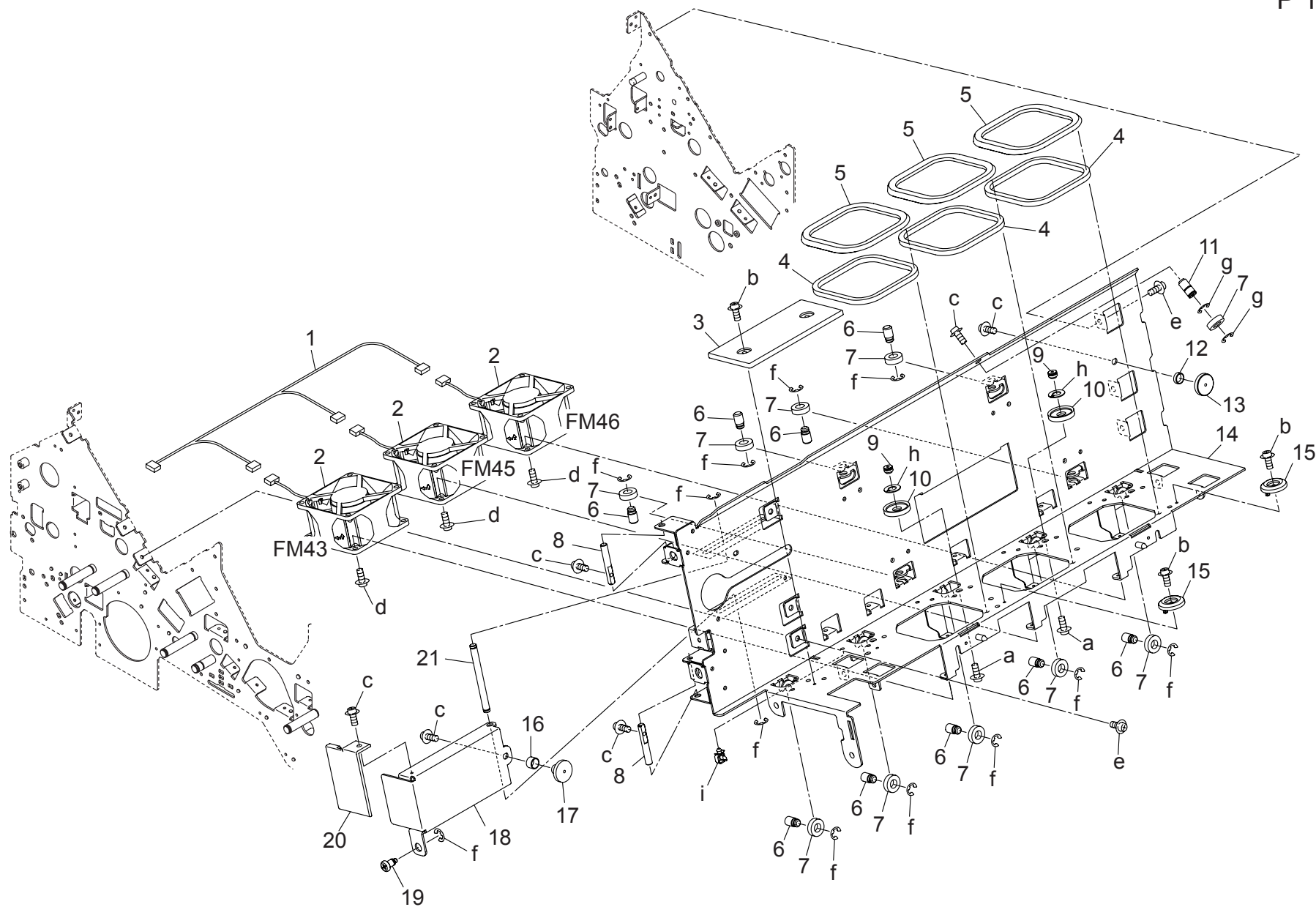
# DUPLEX SECTION

P 127



DUPLEX SECTION

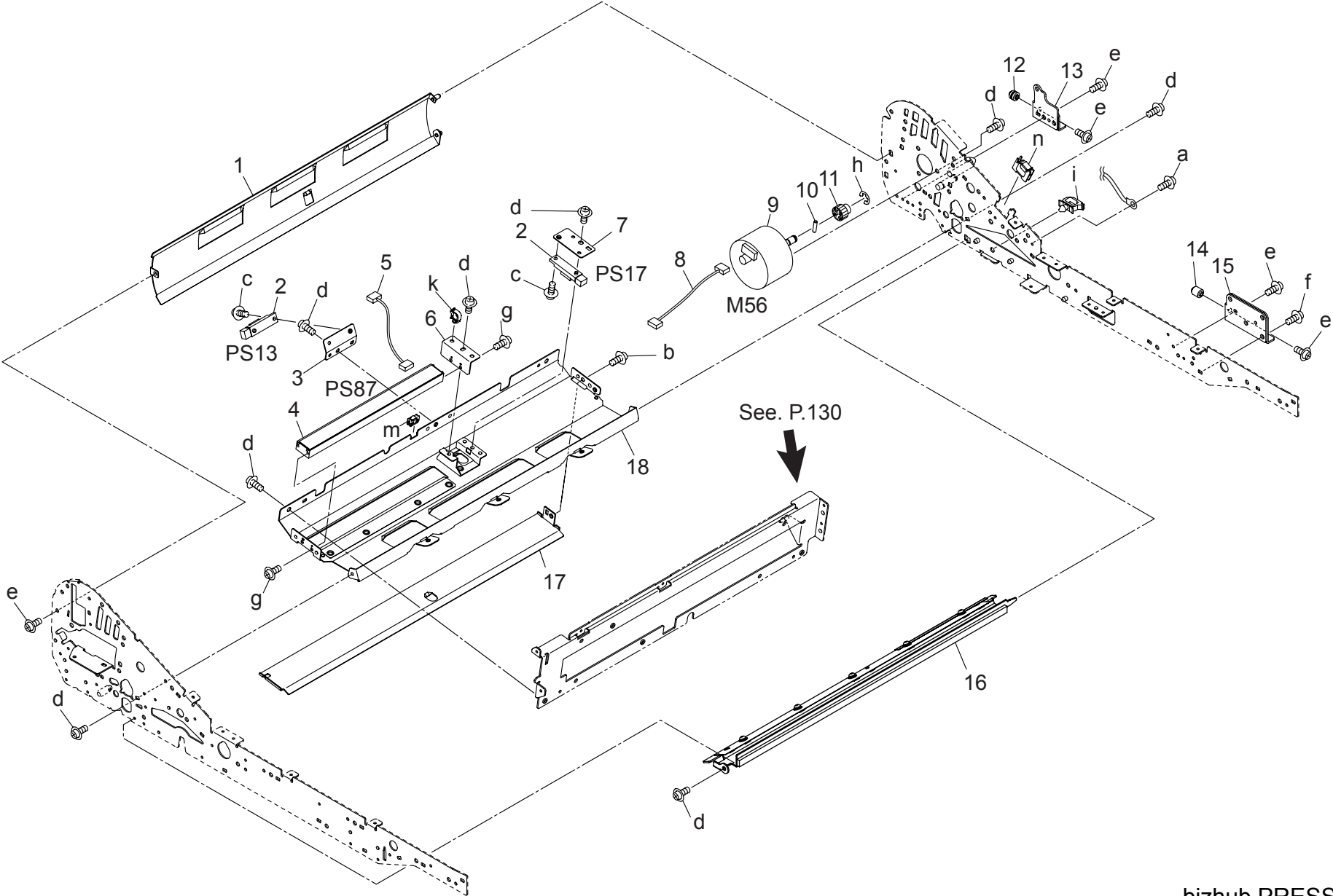
Key	Part No.	Description	Destinations	Class	QTY	Standard parts
1	A1RF 8714 00	Protection Plate		D	1	a-V121 0306 03 b-V153 0306 03 c-V217 0400 50
2	65AA 4947 0	PAPER EXIT REINFORCE PLATE 5		D	2	
3	A03U 8613 00	Positioning Plate /Lower		D	1	
4	A03U 8459 01	Idler Roller /3		C	2	
5	A1RF 8736 00	Pressing Spring /3		D	2	
6	A1RF 8720 00	Idler Shaft /B		D	1	
7	A03U 8615 00	Stopper Plate		D	2	





Key	Part No.	Description	Destinations	Class	QTY	Standard parts
1	A1RF N216 00	ADU Drive harness /3		D	1	a-V116 0306 03
2	A1RF M153 00	Fan motor /3		C	3	b-V118 0306 03
3	A1RF 8224 00	Positioning Spacer /2		D	1	c-V121 0306 03
4	A1RF 8153 00	Sealing Part		D	3	d-V121 0308 03
5	A1RF 8154 00	Sealing Plate		D	3	e-V121 0406 03
6	A1RF 8159 00	Positioning Shaft /2		D	9	f-V217 0400 50
7	A1RF 8200 00	Ball Bearing		C	10	g-V217 0600 50
8	A1RF 8247 00	Adjusting Shaft /Front		D	2	h-V223 0800 50
9	A1RF 8215 00	Positioning Shaft /Right		D	2	i-V500 0100 20
10	A1RF 8216 00	Positioning Roll /1		D	2	
11	A1RF 8160 00	Positioning Shaft /3		D	1	
12	A1RF 8209 00	Guide Pin Outside		D	1	
13	A1RF 8207 00	Guide Pin /Middle		D	1	
14	A1RF 8105 03	Fusing Rail		D	1	
15	A1RF 8217 00	Positioning Spacer /1		D	2	
16	A1RF 8203 00	Guide Pin Outside		D	1	
17	A1RF 8202 00	Guide Pin /Middle		D	1	
18	A1RF 8205 00	Positioning Plate /2		D	1	
19	26NA 2144 0	Cartridge Screw		C	1	
20	A1RF 8214 01	Positioning Plate /3		D	1	
21	A1RF 8206 00	Positioning Shaft /1		D	1	

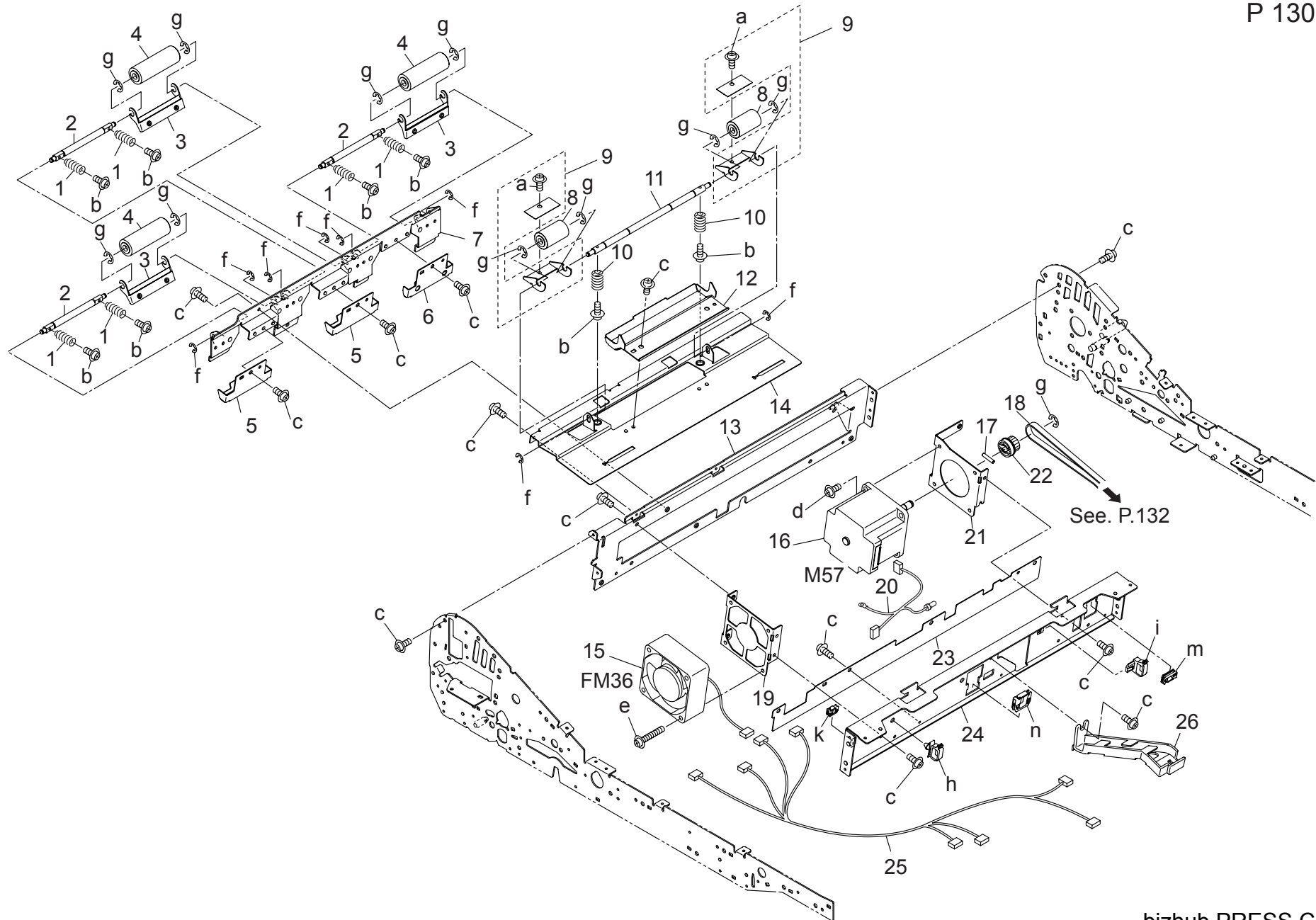
DUPLEX SECTION



Key	Part No.	Description	Destinations	Class	QTY	Standard parts
1	A1RF 8526 00	Guide Plate /8		D	1	a-V116 0306 03
2	13QA 8551 1	Sensor 1		B	2	b-V118 0304 03
3	A1RF 8524 01	Mounting Plate /A		D	1	c-V118 0306 03
4	A0Y5 M551 00	Compensating Sensor		C	1	d-V121 0304 03
5	A1RF N230 00	ADU Relay harness /3		D	1	e-V121 0306 03
6	A03U 8471 00	Mounting Plate /9		D	1	f-V121 0308 03
7	A03U 8470 00	Mounting Plate /8		D	1	g-V145 2605 03
8	A1RF N229 00	ADU Relay harness /2		D	1	h-V217 0400 50
9	A11P M102 00	DC Brushless motor /12		C	1	i-V500 0100 05
10	56AA 1747 1	PIN B 3X12		C	1	k-V500 0100 20
11	A1RF 8497 00	Gear /1 16T		C	1	m-V570 0100 56
12	A03U 8437 00	Support Shaft /Left		D	1	n-V570 0100 60
13	A03U 8436 01	Support Plate /Left		D	1	
14	A03U 8439 00	Support Shaft /Right		D	1	
15	A1RF 8434 00	Support Plate /1		D	1	
16	A1RF R7F4 00	Cleaning Sheet/4 Assy		B	1	
17	A03U 8410 00	Guide Plate /D		C	1	
18	A1RF 8403 03	Guide Plate /1		D	1	

# DUPLEX SECTION

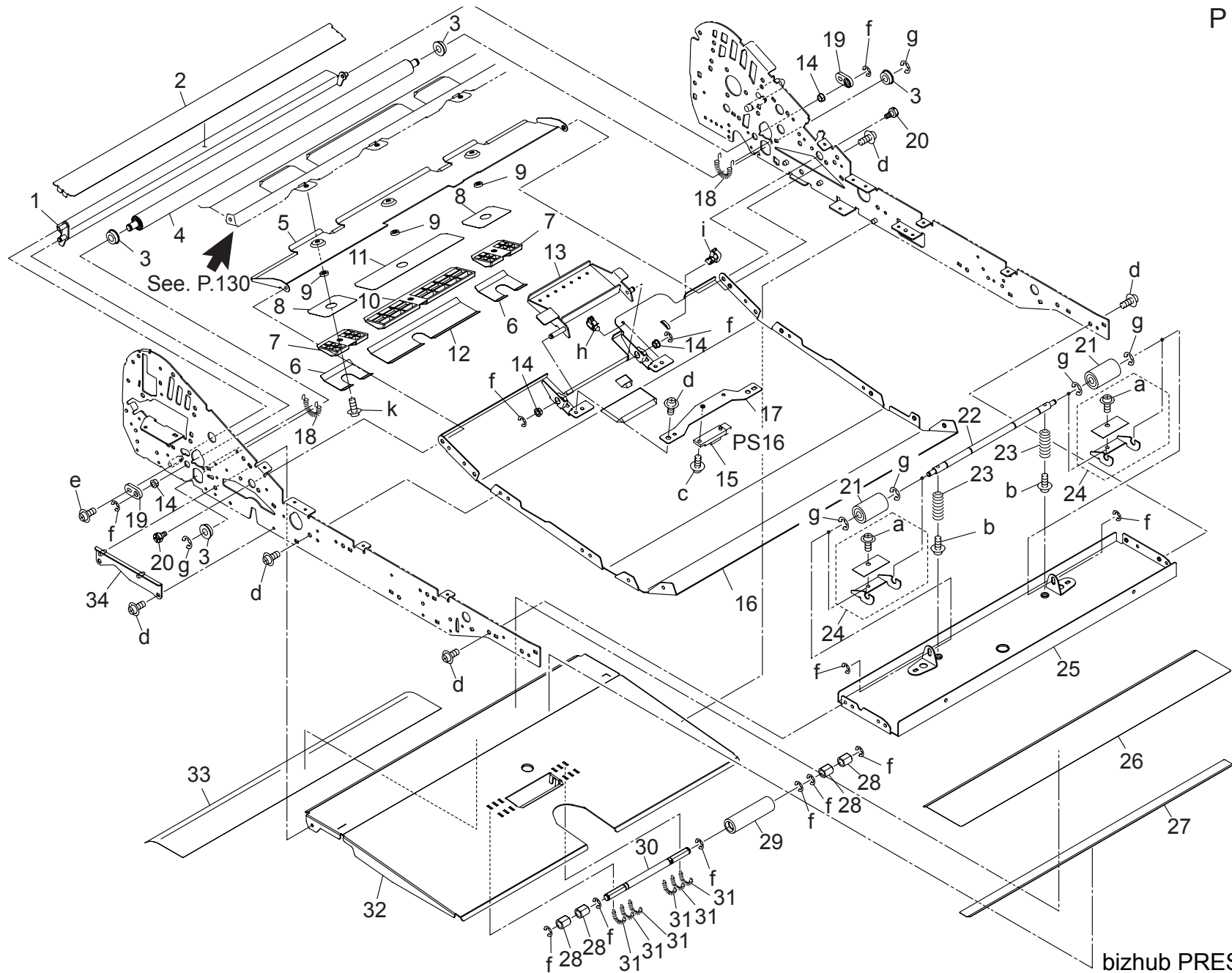
P 130



Key	Part No.	Description	Destinations	Class	QTY	Standard parts
1	A1RF 8455 00	Conveyance Spring /3		D	6	a-V116 0306 03
2	A1RF 8487 00	Idler Shaft /C		D	3	b-V118 0304 03
3	A1RF R7F5 00	Cleaning Sheet/1 Assy		B	3	c-V121 0304 03
4	A1RF 8416 02	Roller /4		D	3	d-V121 0308 03
5	A1RF 8489 00	Collection Plate /1		D	2	e-V121 0330 03
6	A1RF 8490 00	Collection Plate /2		D	1	f-V217 0300 50
7	A1RF 8525 01	Hold Plate /1		D	1	g-V217 0400 50
8	A03U 8459 01	Idler Roller /3		C	2	h-V500 0100 05
9	A1RF R7F6 00	Cleaning Sheet/2 Assy		B	2	i-V500 0100 21
10	A1RF 8456 00	Conveyance Spring /4		D	2	k-V570 0100 56
11	A1RF 8470 00	Idler Shaft /D		D	1	m-V570 0100 57
12	A1RF 8488 01	Cleaning Holder		D	1	n-V570 0100 60
13	A1RF 8527 01	Mounting Plate /2		D	1	
14	A1RF 8423 02	Mounting Plate /3		D	1	
15	56QA 8057 0	INTERNAL COOLING FAN		C	1	
16	A03U M111 00	HB Motor /50		B	1	
17	56AA 1748 0	PIN B		C	1	
18	A1RF 8496 00	Belt /1 399L		C	1	
19	A1RF 8483 00	Slide Plate /B		D	1	
20	A1RF N231 00	ADU Relay harness /4		D	1	
21	A1RF 8469 01	Hold Plate /2		D	1	
22	A03U 8596 00	PULLEY /3 16T		C	1	
23	A1RF 8435 01	Heat Blocking Plate /1		D	1	
24	A1RF 8421 02	Mounting Plate /1		D	1	
25	A1RF N228 00	ADU Relay harness /1		D	1	
26	A1RF 8424 00	Guide Part /1		D	1	

# DUPLEX SECTION

P 131

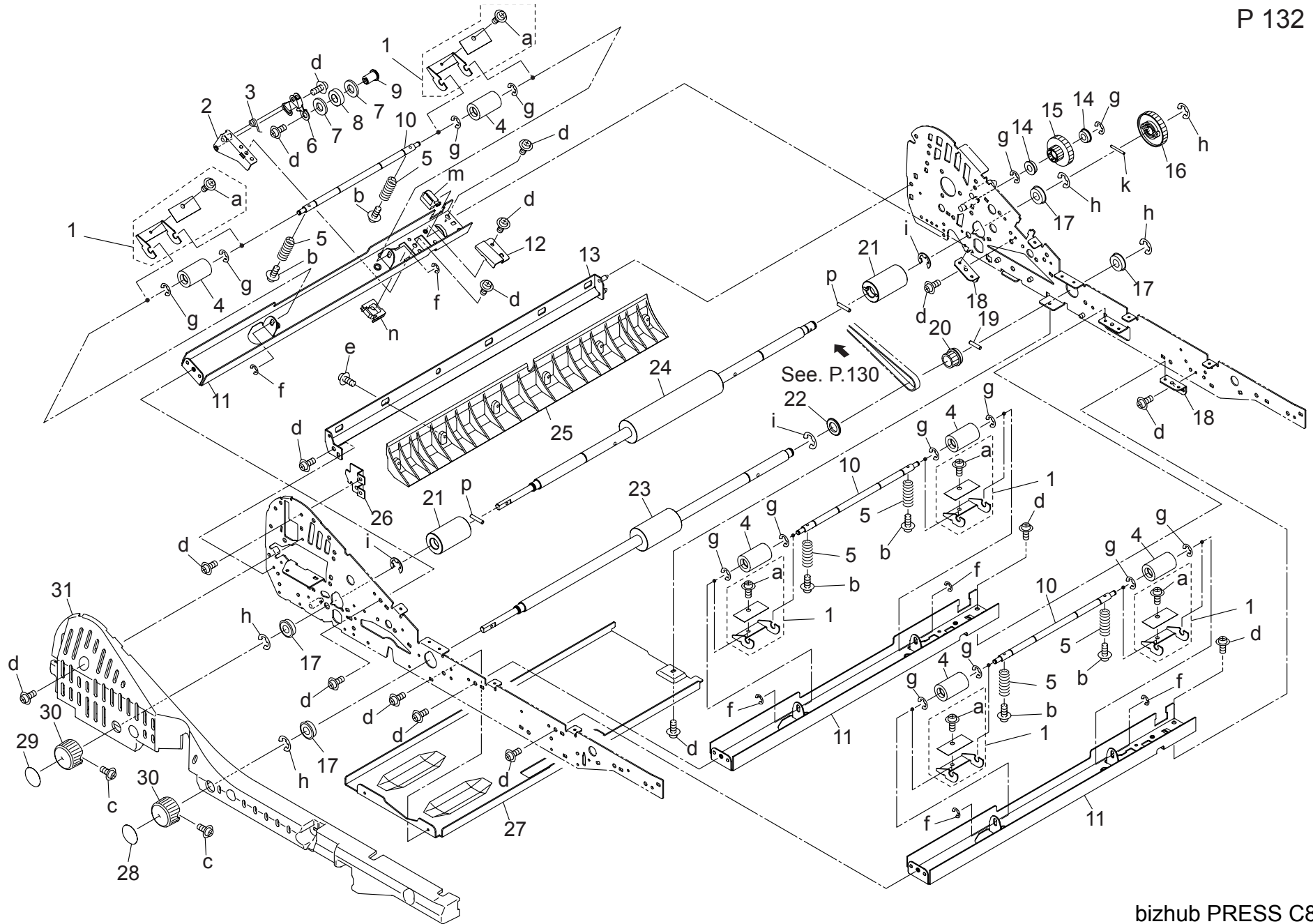


DUPLEX SECTION

Key	Part No.	Description	Destinations	Class	QTY	Standard parts
1	A03U 8409 01	Guide Plate /C		C	1	a-V116 0306 03
2	A1RF 8418 00	Guide Plate /G		D	1	b-V118 0304 03
3	A0G6 2439 00	Ball Bearing		C	4	c-V118 0306 03
4	A1RF 8415 00	Roller		D	1	d-V121 0304 03
5	A1RF 8461 00	Guide Plate /H		D	1	e-V121 0306 03
6	A1RF 8548 01	Protection Sheet /2		D	2	f-V217 0300 50
7	A1RF 8541 00	Guide Part /2		D	2	g-V217 0400 50
8	A1RF 8546 00	Sheet /2		D	2	h-V500 0100 20
9	A1RF 8544 00	Spacer		D	3	i-V500 0100 57
10	A1RF 8540 00	Guide Part /1		D	1	k-V118 0308 03
11	A1RF 8545 00	Sheet /1		D	1	
12	A1RF 8547 01	Protection Sheet /1		D	1	
13	A1RF 8502 00	Swing Plate		D	1	
14	A1RF 8464 00	Bushing /A		C	4	
15	13QA 8551 1	Sensor 1		B	1	
16	A1RF 8407 00	Guide Plate /5		D	1	
17	A1RF 8504 00	Plate /1		D	1	
18	A1RF 8453 00	Conveyance Spring /1		D	2	
19	65AA 4952 0	PAPER EXIT MOUNTING SPACER		C	2	
20	65AA 4951 0F	FIXING SCREW /1		C	2	
21	A03U 8459 01	Idler Roller /3		C	2	
22	A1RF 8470 00	Idler Shaft /D		D	1	
23	A1RF 8462 00	Conveyance Spring /7		D	2	
24	A1RF R7F6 00	Cleaning Sheet/2 Assy		B	2	
25	A1RF 8409 01	Guide Plate /6		D	1	
26	A1RF 8535 00	Holding Sheet /C		D	1	
27	A1RF 8534 00	Holding Sheet /D		D	1	
28	A03U 8452 00	Collar /1		C	4	
29	A03U 8453 01	Idler Roller /1		C	1	
30	A1RF 8520 00	Idler Shaft /A		D	1	
31	A1RF 8454 00	Conveyance Spring /2		D	6	
32	A1RF 8404 01	Guide Plate /2		D	1	
33	A1RF 8530 01	Cleaning Seal /5		D	1	
34	A1RF F843 00	MOUNTING PLATE/5 CALKING		D	1	

# DUPLEX SECTION

P 132



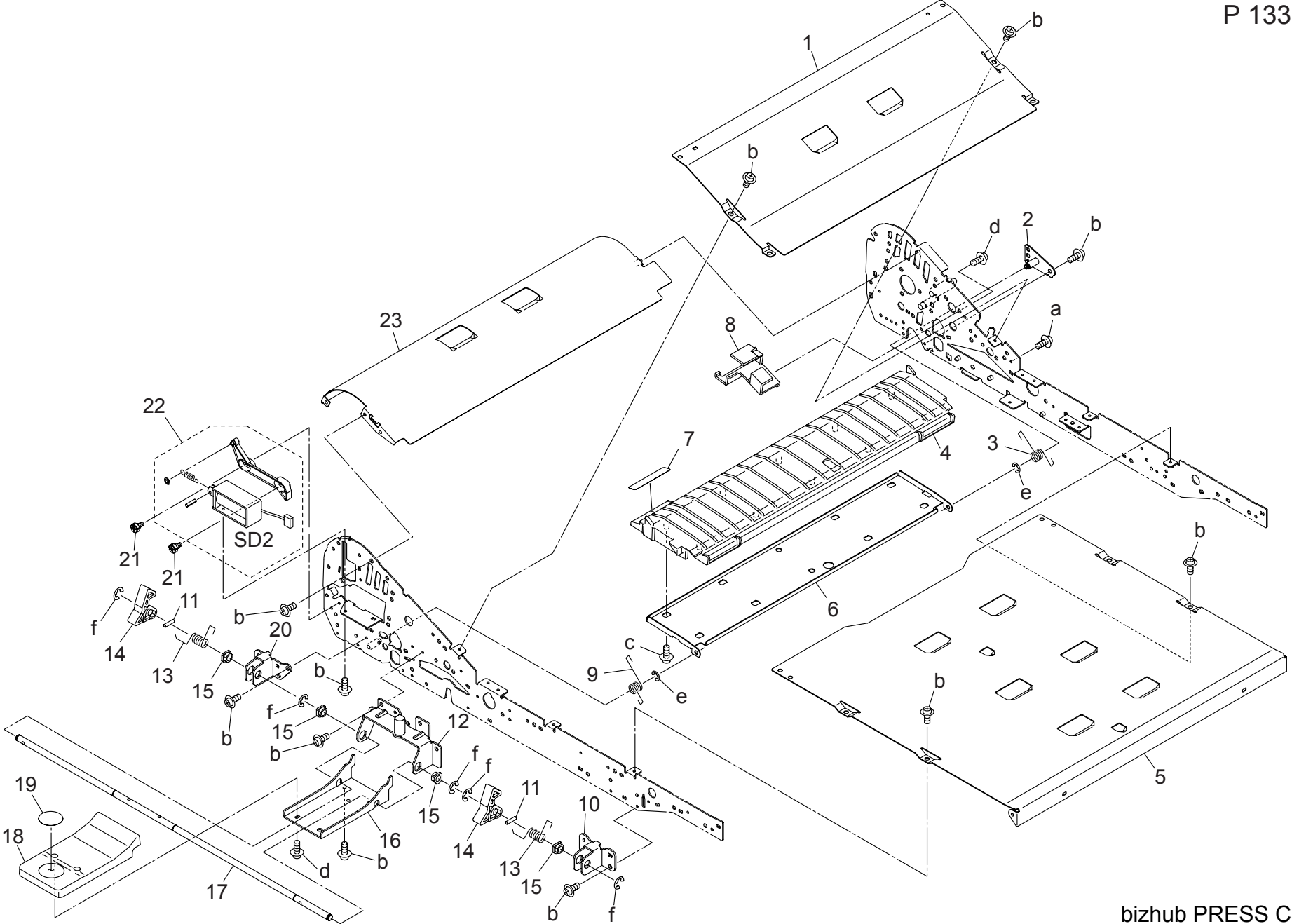
bizhub PRESS C8000



DUPLEX SECTION

Key	Part No.	Description	Destinations	Class	QTY	Standard parts
1	A1RF R7F6 00	Cleaning Sheet/2 Assy		B	6	a-V116 0306 03
2	A1RF F844 00	SUPPORT PLATE/B CALKING		D	1	b-V118 0304 03
3	A1RF 8468 00	Support Spring		D	1	c-V118 0306 03
4	A03U 8459 01	Idler Roller /3		C	6	d-V121 0304 03
5	A1RF 8457 00	Conveyance Spring /5		D	6	e-V153 0308 03
6	A1RF 8465 01	Hold Plate /4		D	1	f-V217 0300 50
7	A1RF 8531 00	Guide Collar		D	2	g-V217 0400 50
8	A1RJ 8172 00	Ball bearing /8		C	1	h-V217 0600 50
9	A1RF 8467 01	Swing Shaft /3		D	1	i-V217 0800 50
10	A1RF 8470 00	Idler Shaft /D		D	3	k-V237 2018 50
11	A1RF 8408 01	Support Plate /1		D	3	m-V500 0100 21
12	A1RF 8446 00	Protection Plate /1		D	1	n-V570 0100 60
13	A1RF 8481 00	Guide Plate /K		D	1	p-V237 3016 50
14	25SA 7504 0	BEARING		C	2	
15	A1RF 8498 00	Gear /2 17/32T		C	1	
16	A1RF 8499 00	Gear /3 37T		C	1	
17	A00V 2406 00	BALL BEARING		C	4	
18	A1RF 8443 00	Hold Plate /3		D	2	
19	56AA 1748 0	PIN B		C	1	
20	A03U 8597 00	PULLEY /4 16T		C	1	
21	A1RF 8458 00	Idler Roller /L		C	2	
22	A1RF 8471 00	Flange		D	1	
23	A1RF 8414 00	Roller /2		D	1	
24	A1RF 8413 01	Roller /1		D	1	
25	A1RF 8405 00	Guide Plate /3		D	1	
26	A1RF 8475 00	Hold Plate /C		D	1	
27	A1RF 8425 01	Reinforce Plate /1		D	1	
28	A1RF 9441 00	Release Label /11		D	1	
29	A1RF 9440 00	Release Label /10		D	1	
30	14GE 4547 0	Rotation Knob		C	2	
31	A1RF 8450 01	Cover /Front		D	1	

DUPLEX SECTION

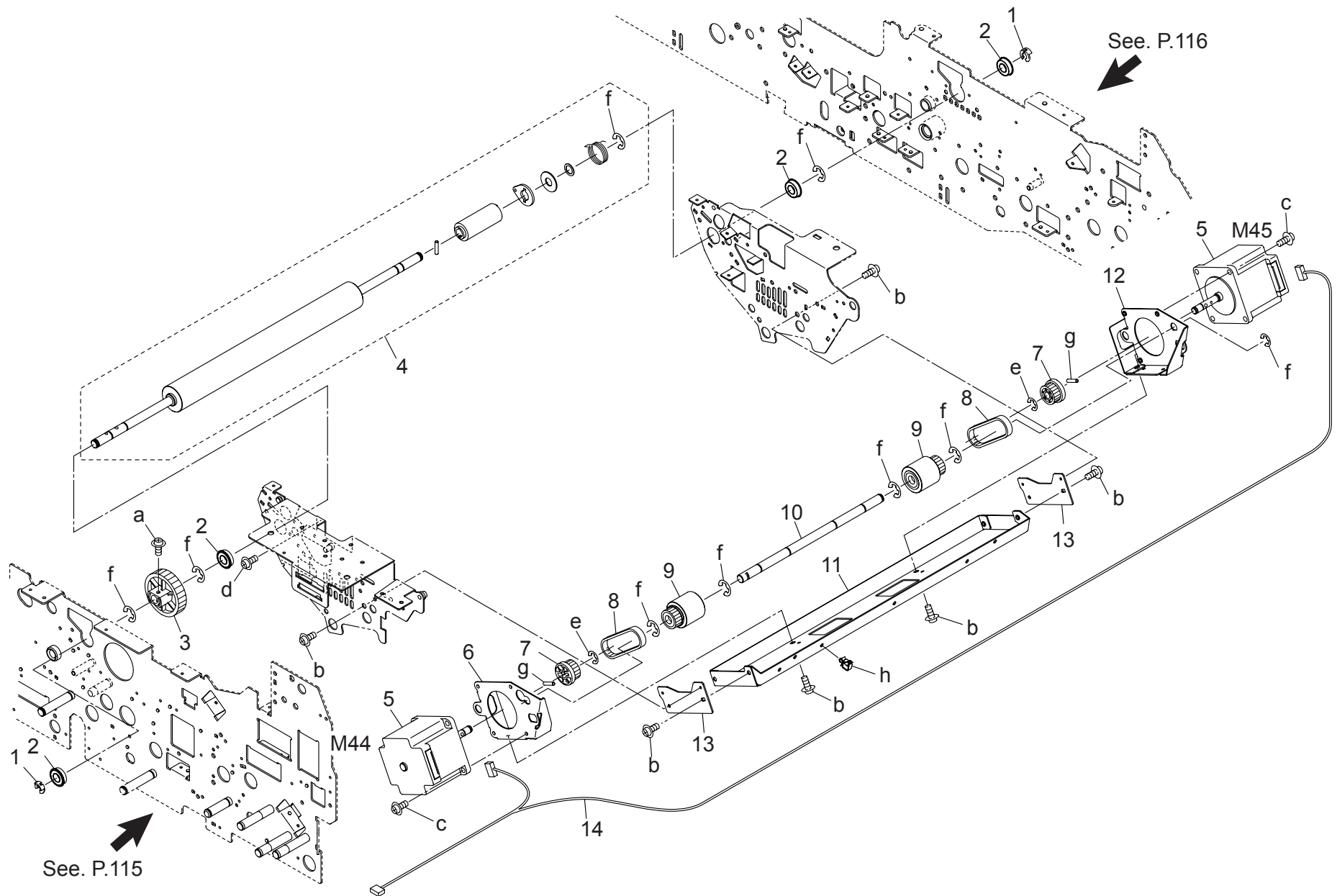


bizhub PRESS C8000



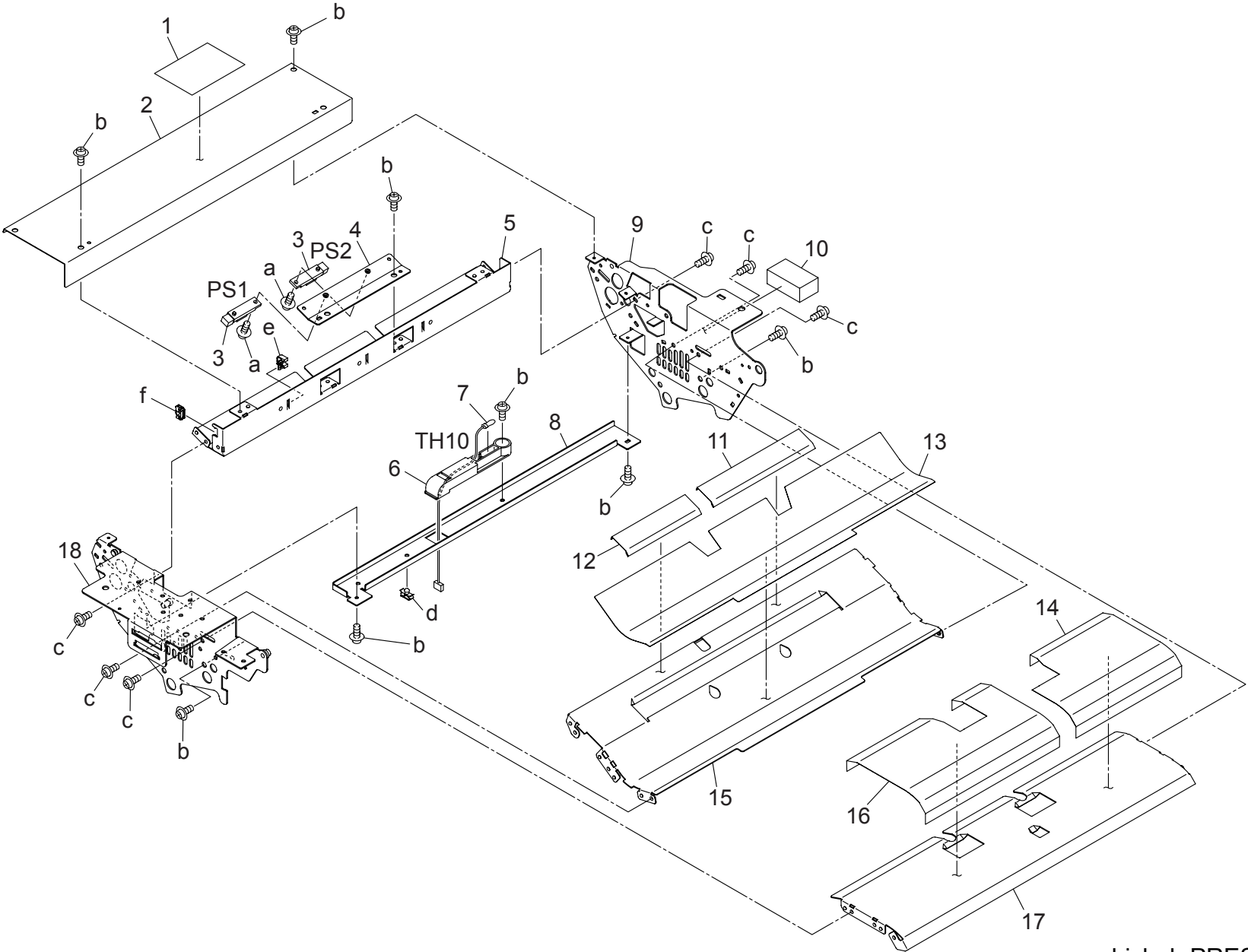
DUPLEX SECTION

Key	Part No.	Description	Destinations	Class	QTY	Standard parts
1	A1RF 8412 00	Guide Plate /9		D	1	a-V116 0306 03 b-V121 0304 03 c-V153 0306 03 d-V153 0308 03 e-V217 0300 50 f-V217 0400 50
2	A1RF F845 01	Fixing Plate/1 Calking		D	1	
3	A1RF 8452 00	Open/close Spring /4		D	1	
4	A1RF 8406 00	Guide Plate /4		D	1	
5	A1RF 8410 00	Guide Plate /7		D	1	
6	A03U 8482 00	Reinforce Plate /A		D	1	
7	A1RF 9439 00	Release Label /9		D	1	
8	A1RF 8440 00	Guide Part /2		D	1	
9	A1RF 8451 00	Open/close Spring /3		D	1	
10	A1RF 8445 00	Support Plate /3		D	1	
11	56AA 1747 1	PIN B 3X12		C	2	
12	A1RF R7E5 00	SUPPORT PLATE/4 CALKING		D	1	
13	A1RF 8449 01	Open/close Spring /1		D	2	
14	A1RF 8477 00	Lock Claw		D	2	
15	4660 7602 0	PAPER FEED SHAFT HOLDER		B	4	
16	A1RF 8448 00	Lever /Front		D	1	
17	A1RF 8419 00	Lock Shaft		D	1	
18	A1RF 8459 00	Open/close Lever		D	1	
19	A1RF 9438 01	Release Label /8		D	1	
20	A1RF 8444 00	Support Plate /2		D	1	
21	65AA 4951 0F	FIXING SCREW /1		C	2	
22	A1RF R741 00	ADU SOLENOID ASSY		C	1	
23	A1RF 8482 00	Guide Plate /10		D	1	



Key	Part No.	Description	Destinations	Class	QTY	Standard parts
1	55VA 4212 0	SHAFT STOPPER		C	2	a-V116 0306 03
2	A00V 2406 00	BALL BEARING		C	4	b-V121 0306 03
3	A1RF 7198 00	Conveyance Gear /40T		C	1	c-V121 0308 03
4	65LA -464 1	Registration Roller Assy		C	1	d-V146 0306 03
5	A03U M111 00	HB Motor /50		B	2	e-V217 0400 50
6	A1RF 7119 00	Hold Plate /Front		D	1	f-V217 0600 50
7	A1RF 7115 00	Pulley /1		C	2	g-V237 3014 50
8	A1RF 7117 00	Drive Belt /1 144L		C	2	h-V500 0100 20
9	A1RF 7108 01	Conveyance Roller /Assy		D	2	
10	A1RF 7116 01	Support Shaft /A		D	1	
11	A1RF 7112 00	Hold Stay		D	1	
12	A1RF 7118 00	Hold Plate /Rear		D	1	
13	A1RF 7141 00	Holding Plate /M		D	2	
14	A1RF N227 02	ADU Relay Harness /6		D	1	

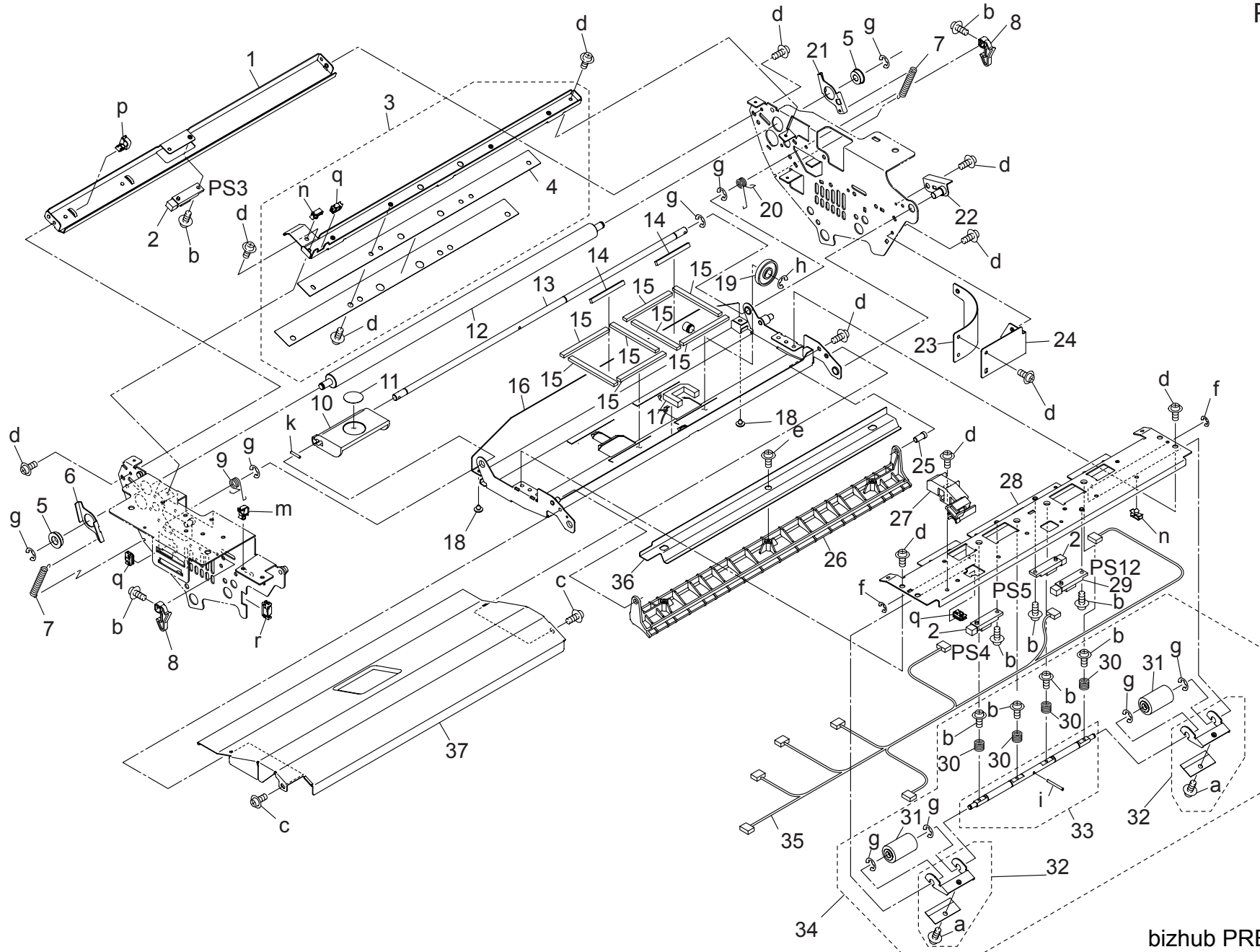
DUPLEX SECTION:RESIST



Key	Part No.	Description	Destinations	Class	QTY	Standard parts
1	A1RF 9422 00	Caution Label /2		D	1	a-V118 0306 03 b-V121 0306 03 c-V146 0306 03 d-V500 0100 46 e-V500 0100 57 f-V570 0100 56
2	A1RF 7136 00	Cover Plate /Left		D	1	
3	13QA 8551 1	Sensor 1		B	2	
4	A1RF 7111 00	Adjusting Plate		D	1	
5	A1RF 7110 00	Guide Plate /Middle		D	1	
6	A03X 6220 00	Detecting Cover		C	1	
7	A03U M505 00	Temperature Sensor /5		C	1	
8	A03U 7120 00	Mounting Stay /Lower		D	1	
9	A1RF 7105 00	Support Plate /Rear		D	1	
10	A1RF 7143 00	Cooling Seal /1		D	1	
11	A1RF 7165 01	Protection Sheet /3		D	1	
12	A1RF 7164 01	Protection Sheet /2		D	1	
13	A1RF 7163 00	Protection Sheet /1		D	1	
14	A1RF 7167 00	Protection Sheet /5		D	1	
15	A1RF 7101 00	Guide Plate /Lower		D	1	
16	A1RF 7166 00	Protection Sheet /4		D	1	
17	A1RF 7120 00	Guide Plate /1		D	1	
18	A1RF 7104 00	Support Plate /Front		D	1	

# DUPLEX SECTION:RESIST

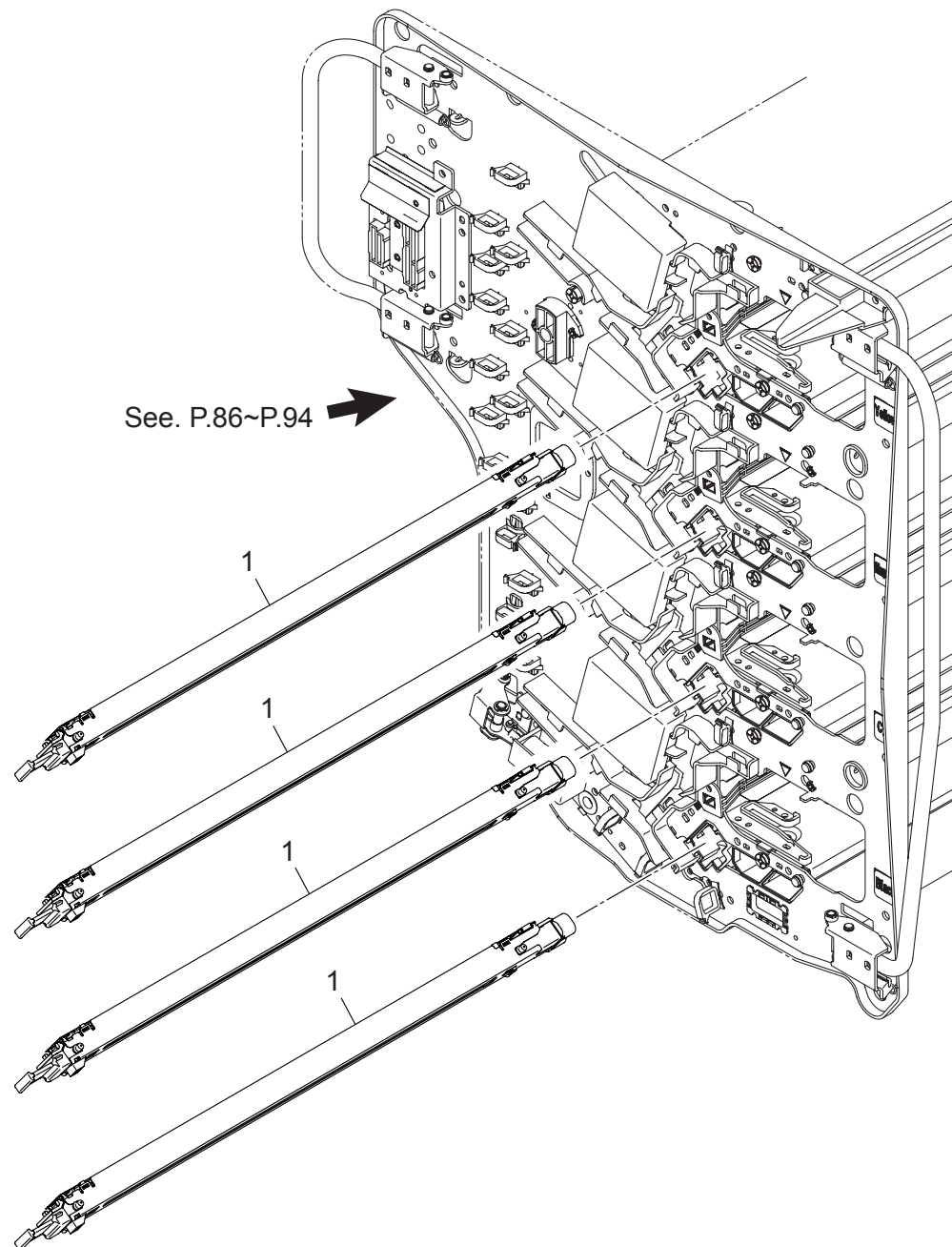
P 136





DUPLEX SECTION:RESIST

Key	Part No.	Description	Destinations	Class	QTY	Standard parts
1	A1RF 7102 00	Guide Plate /Left		D	1	a-V116 0306 03
2	13QA 8551 1	Sensor 1		B	3	b-V118 0306 03
3	A1RF R716 00	Cleaning Stay Assy		A	1	c-V121 0304 03
4	A1RF 7155 00	Mounting Plate		D	1	d-V121 0306 03
5	A00J 2112 00	Ball Bearing		C	2	e-V153 0308 03
6	A1RF 7121 00	Pressing Part /Front		D	1	f-V217 0300 50
7	A1RF 7113 00	Registration Spring /1		D	2	g-V217 0400 50
8	A1RF 7032 00	Lock Claw		D	2	h-V217 0600 50
9	A1RF 7127 00	Lock Spring /Front		D	1	i-V233 2020 50
10	65AA 4941 0	PAPER EXIT HANDLE		C	1	k-V237 2012 50
11	A1RF 9433 00	Release Label /3		D	1	m-V500 0100 20
12	A1RF 7114 00	Idler Roller		D	1	n-V500 0100 46
13	A1RF 7122 00	Lock Shaft		D	1	p-V500 0100 57
14	A1RF 7161 00	Scattering Prevention Seal /B		D	2	q-V570 0100 56
15	A1RF 7160 00	Scattering Prevention Seal /A		D	8	r-V570 0100 57
16	A1RF 7103 02	Guide Plate /Right		D	1	
17	A1RF 7162 00	Scattering Prevention Seal /C		D	1	
18	12AJ 4585 0	STOPPER RUBBER		C	2	
19	65AA 4435 0	STOPPER ROLLER		C	1	
20	A1RF 7125 00	Lock Spring /Rear		D	1	
21	A1RF 7142 00	Pressing Part /Rear		D	1	
22	A1RF R7C3 00	FIXING PART/REAR CALKING		D	1	
23	A1RF 7150 00	Cooling Plate /2		D	1	
24	A1RF 7151 00	Cooling Plate /1		D	1	
25	A1RF 7131 00	Support Shaft /A		D	1	
26	A1RF 7124 00	Guide Part /1		D	1	
27	A1RF 7133 00	Guide Bridge		D	1	
28	A1RF 7135 01	Reinforce Stay		D	1	
29	13QA 8552 1	Sensor 2		B	1	
30	A1RF 7128 02	Conveyance Spring /5		D	4	
31	A03U 8459 01	Idler Roller /3		C	2	
32	A1RF R7F6 00	Cleaning Sheet/2 Assy		B	2	
33	A1RF R768 00	IDLING SHAFT/1 ASSY		D	1	
34	A1RF R7F3 00	Idling Roller/3 Assy		B	1	
35	A1RF N226 00	ADU Relay harness /5		D	1	
36	A1RF 7139 00	Hold Stay /Right		D	1	
37	A1RF 7129 00	Cover Plate /Right		D	1	

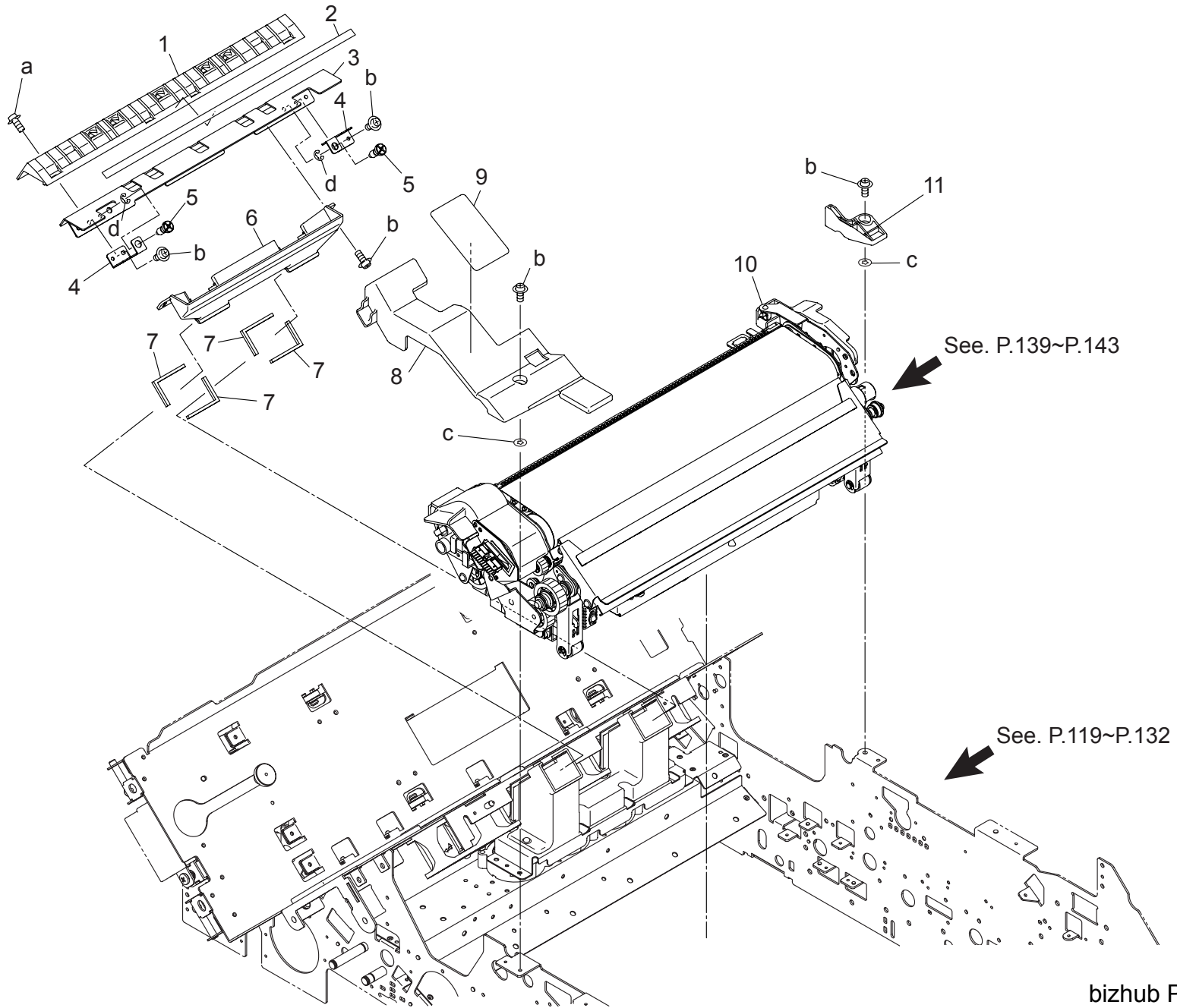


DUPLEX SECTION:RESIST

Key	Part No.	Description	Destinations	Class	QTY	Standard parts
1	A1RF R701 00	Charging Unit		A	4	

# SECONDARY TRANSFER SECTION

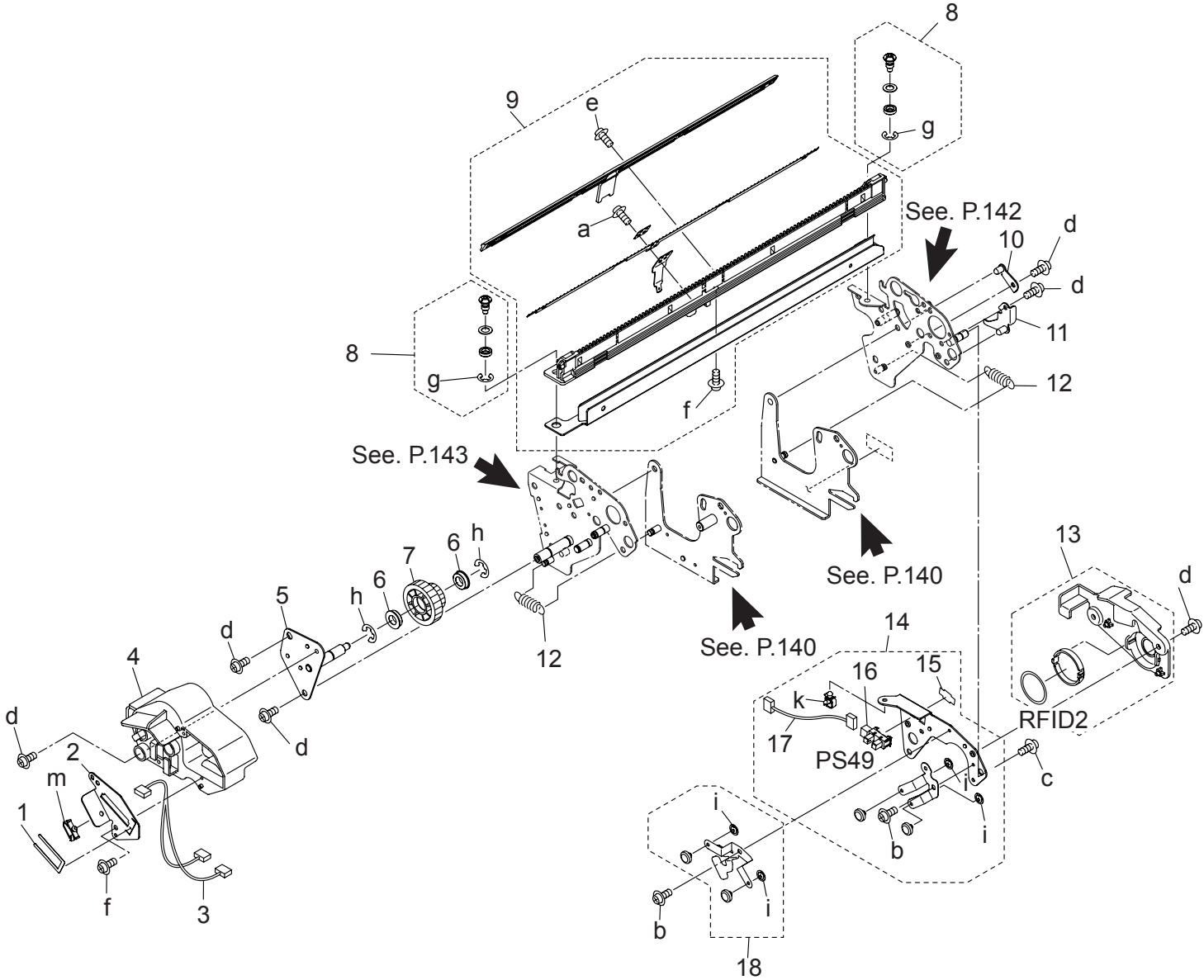
P 138



SECONDARY TRANSFER SECTION

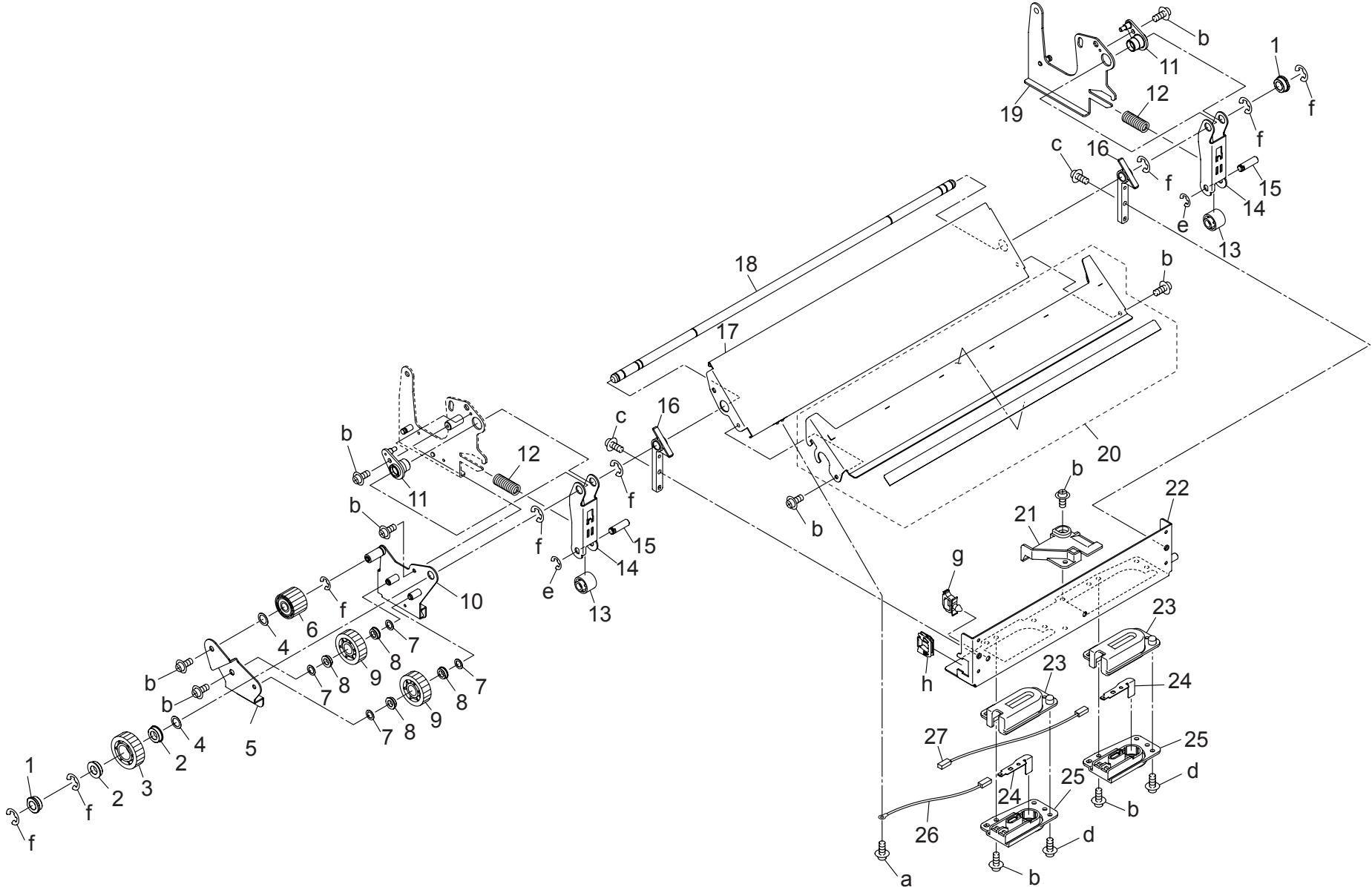
Key	Part No.	Description	Destinations	Class	QTY	Standard parts
1	A1RF 8182 02	Suction Part		D	1	a-V118 0306 03 b-V121 0306 03 c-V211 0300 80 d-V217 0400 50
2	A1RF 8255 00	Guide Sheet		D	1	
3	A1RF 8181 00	Suction Guide		D	1	
4	A1RF 8190 00	Holding Plate		D	2	
5	A1RF 8191 00	Mounting Shoulder screw		D	2	
6	A1RF 8183 00	Suction Duct /1		D	1	
7	A1RF 8187 01	Suction Seal /2		D	4	
8	A1RF 8173 00	Holding Cover /Front		D	1	
9	A1RF 9423 00	Caution Label /3		D	1	
10	A1RF R722 22	SECOND TRANSFER UNIT		I	1	
11	A1RF 8227 00	Holding Cover /Rear		D	1	

SECONDARY TRANSFER SECTION





SECONDARY TRANSFER SECTION



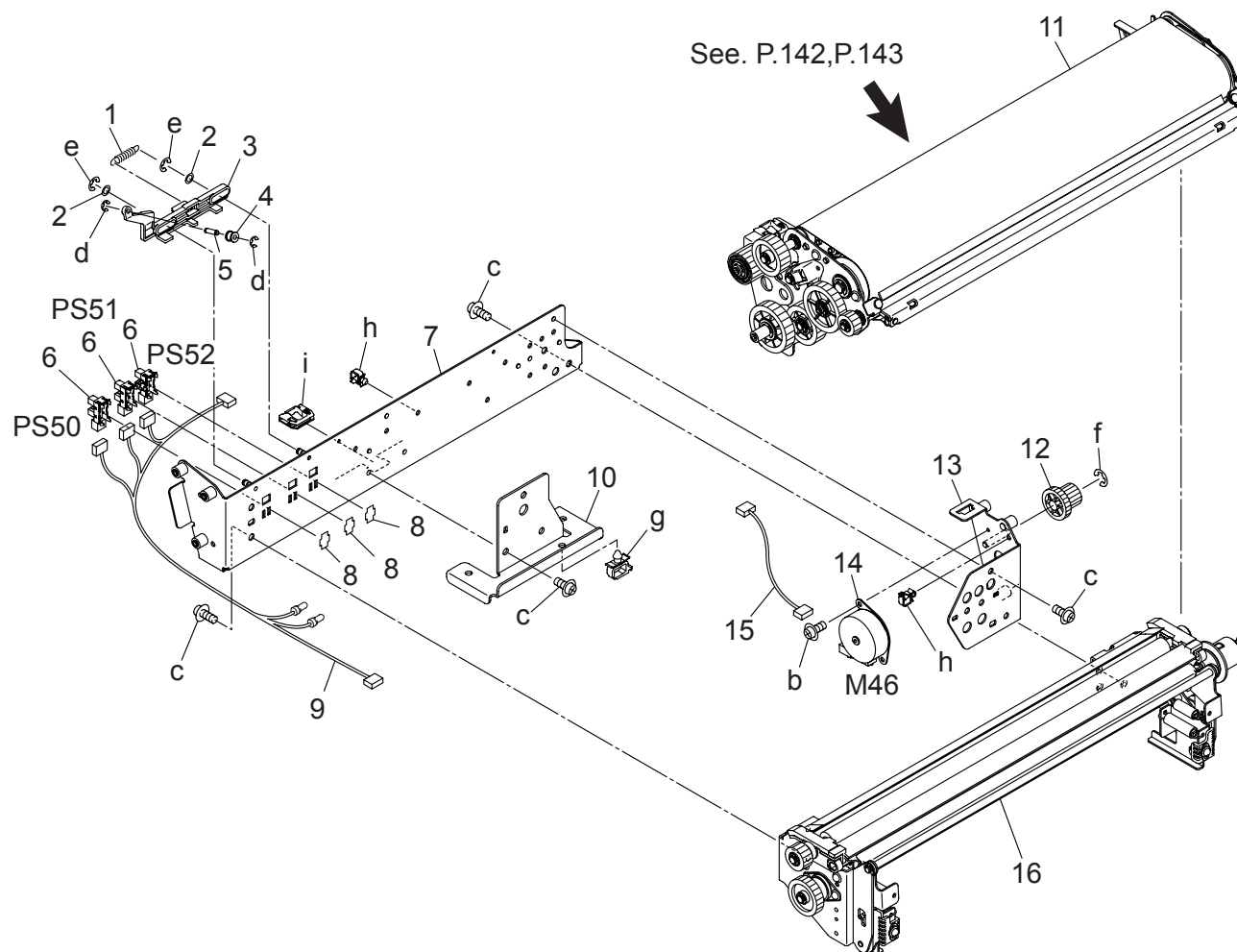


# SECONDARY TRANSFER SECTION

Key	Part No.	Description	Destinations	Class	QTY	Standard parts
1	A1RF 5305 00	Support Bushing		D	2	a-V116 0306 03
2	A1RF 7109 00	Ball bearing /1		C	2	b-V121 0306 03
3	A1RF 5299 00	Idling Gear /1 30T		D	1	c-V121 0308 03
4	56AA 4269 0	BY PASS FEED SPACER		C	2	d-V153 0308 03
5	A1RF 5313 00	Reinforce Plate		D	1	e-V217 0400 50
6	A1RF 5399 00	Idling Gear /4 26T		D	1	f-V217 0600 50
7	40AA 3232 0	TONER SUPPLY SPACER		C	4	g-V500 0100 05
8	A1RF 5291 00	Drive Ball bearing		D	4	h-V570 0100 60
9	A1RF 5298 00	Idling Gear /2 28T		D	2	
10	A1RF F532 01	Drive Plate Calking		D	1	
11	A1RF 5337 00	Support Guide		D	2	
12	A1RF 5265 00	Transfer Spring		D	2	
13	65AA 4518 0	TRANSFER PRESSURE ROLLER		C	2	
14	A1RF 5238 00	Pressure Lever		D	2	
15	65AA 4519 0D	Fulcrum Shaft /2		D	2	
16	A1RF 5232 01	Hold Stay		D	2	
17	A1RF 5209 01	Transfer Guide /Lower		D	1	
18	A1RF 5207 00	Transfer Shaft		D	1	
19	A1RF R7B7 00	TRANSFER SIDE PLATE/REAR CALKING		D	1	
20	A1RF R729 00	TRANSFER GUIDE /UPPER ASSY		A	1	
21	A1RF 5304 00	Protection Guide		D	1	
22	A1RF 5259 00	Power supply Stay		D	1	
23	A1RF 5260 00	Power supply Block /A		D	2	
24	A1RF 5262 00	Power supply Plate /2		D	2	
25	A1RF 5261 00	Power supply Block /B		D	2	
26	A1RF N204 00	HV Wiring /4		D	1	
27	A1RF N202 00	HV Wiring /2		D	1	

# SECONDARY TRANSFER SECTION

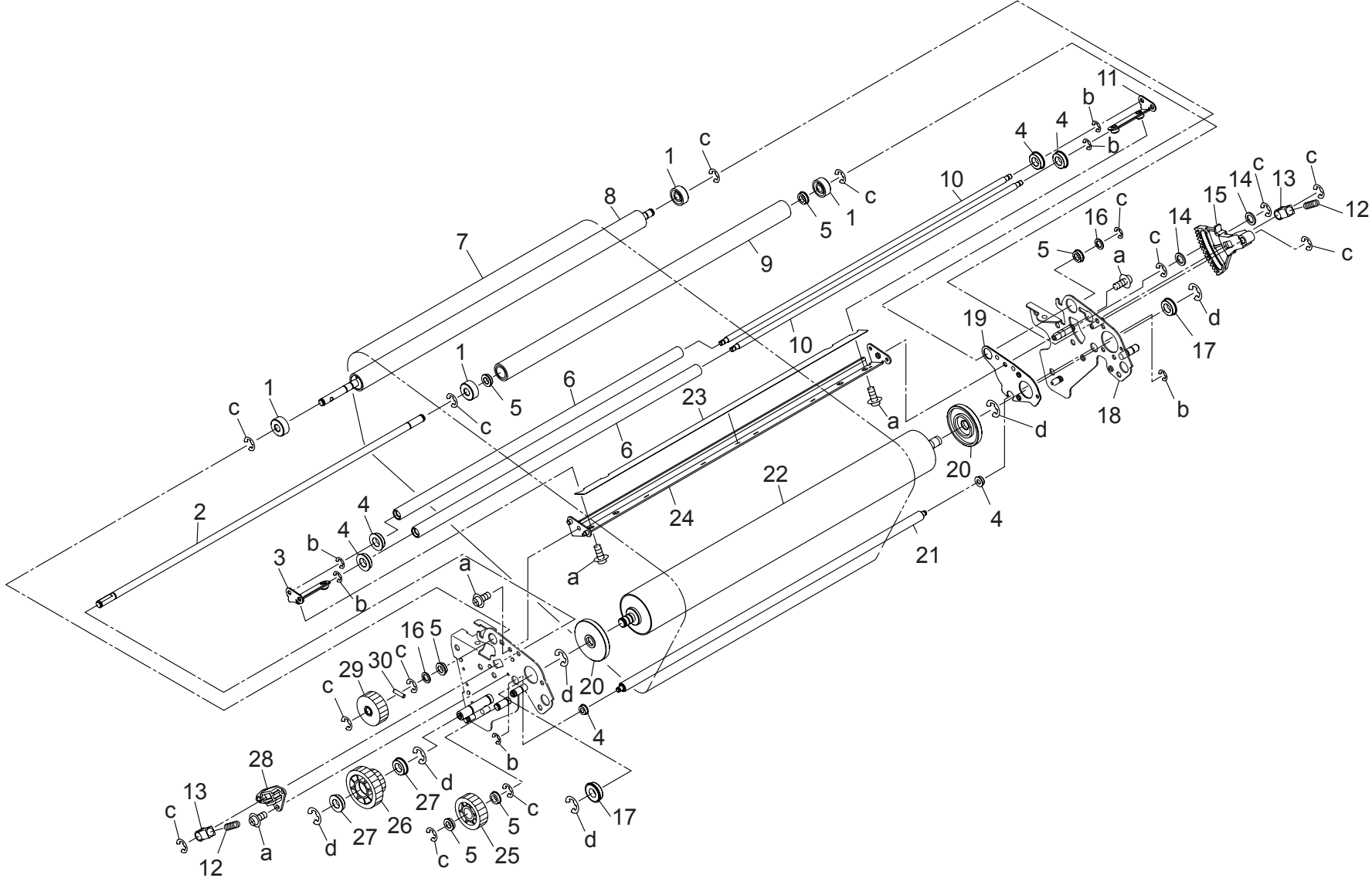
P 141



SECONDARY TRANSFER SECTION

Key	Part No.	Description	Destinations	Class	QTY	Standard parts
1	A1RF 5269 00	Detecting Spring		D	1	b-V118 0304 03 c-V121 0306 03 d-V217 0200 50 e-V217 0300 50 f-V217 0400 50 g-V500 0100 05 h-V500 0100 20 i-V570 0100 60
2	26NA 5092 0	REVERSAL SPACER		C	2	
3	A1RF 5224 00	Detecting Arm		D	1	
4	A1RF 5244 00	Roll		D	1	
5	A1RF 5243 00	Detecting Shaft /2		D	1	
6	08AA 8551 2	Photo Sensor		B	3	
7	A1RF R7B0 00	REINFORCE STAY CALKING		D	1	
8	4470 4024 01	STOPPER		D	3	
9	A1RF N224 00	Transfer Relay harness /4		D	1	
10	A1RF 5301 00	Reinforce Stay /2		D	1	
11	A1RF R715 00	Belt		A	1	
12	A1RF 5296 00	Control Gear 14/56T		D	1	
13	A1RF F522 02	Mounting Plate Caulking		D	1	
14	A00J M121 00	Stepping motor		C	1	
15	A1RF N223 00	Transfer Relay harness /3		D	1	
16	A1RF R714 00	Cleaner		A	1	

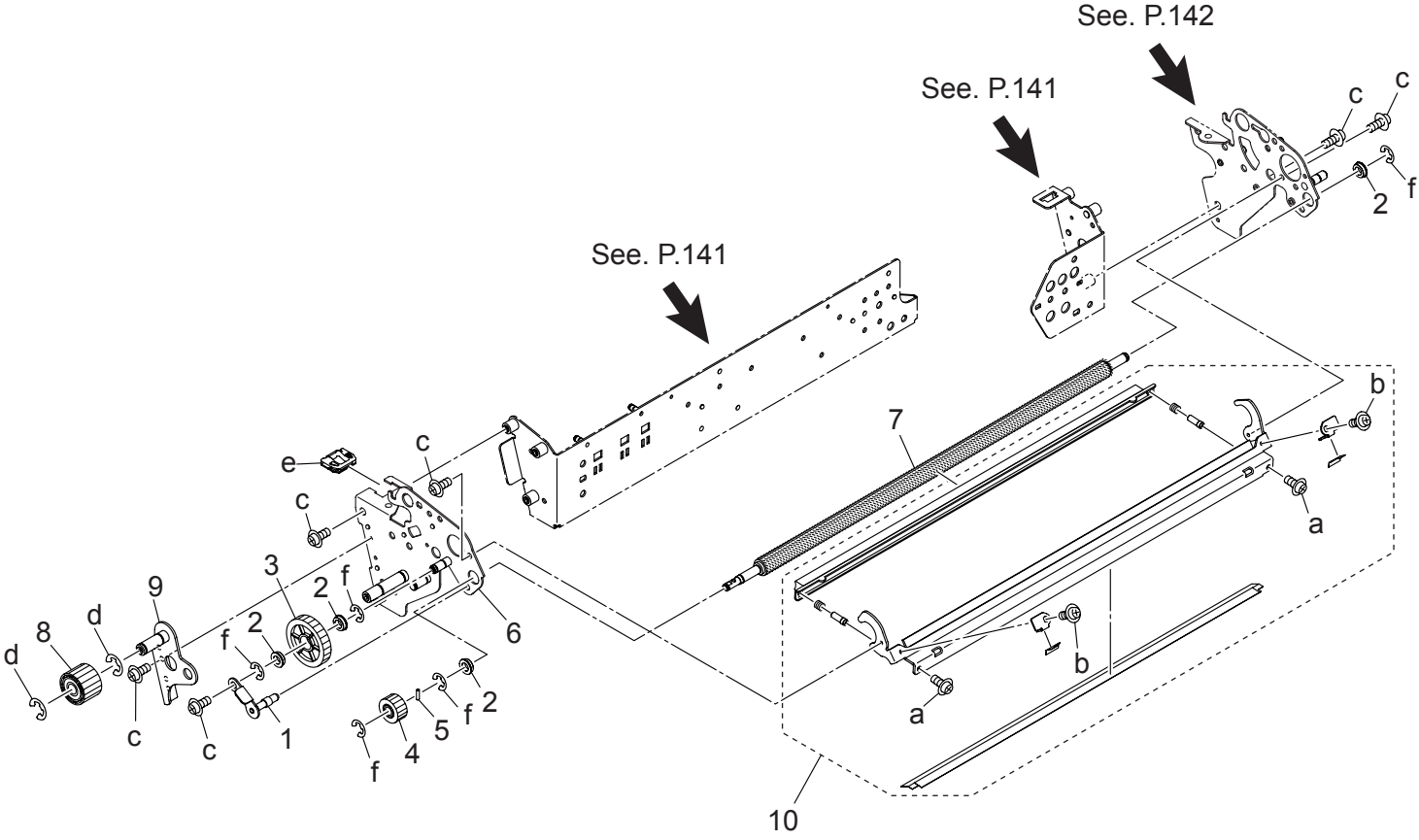
SECONDARY TRANSFER SECTION



SECONDARY TRANSFER SECTION

Key	Part No.	Description	Destinations	Class	QTY	Standard parts
1	A1RF 5317 00	Tension Collar		D	4	a-V121 0306 03 b-V217 0300 50 c-V217 0400 50 d-V217 0600 50
2	A1RF 5212 00	Tension Shaft		D	1	
3	A1RF R7B6 00	SUPPORT PLATE CALKING		D	1	
4	A1RF 5294 00	Guide Ball bearing		D	6	
5	A1RF 5291 00	Drive Ball bearing		D	6	
6	A03U 5133 00	Roller		D	2	
7	A1RF 5204 00	Transfer Belt		A	1	
8	A1RF 5202 00	Drive Roller		D	1	
9	A1RF 5203 00	Tension Roller		D	1	
10	A1RF 5321 00	Guide Shaft		D	2	
11	A1RF R7B5 00	SUPPORT PLATE/REAR CALKING		D	1	
12	A1RF 5267 00	Tension Spring		D	2	
13	A1RF 5271 00	Tension Block /1		D	2	
14	40AA 3232 0	TONER SUPPLY SPACER		C	2	
15	A1RF 5222 01	Control Arm		D	1	
16	13SU 1511 0	SPACER A		C	2	
17	A1RF 5293 00	Transfer Ball bearing		D	2	
18	A1RF F528 03	Mounting Plate/Rear Caulking		D	1	
19	A1RF 5234 01	Mounting Plate /Rear		D	1	
20	A1RF 5239 00	Transfer Collar		D	2	
21	A1RF 5236 00	Guide Roller		D	1	
22	A1RF 5201 00	Transfer Roller		D	1	
23	A1RF 5237 00	Transfer Scraper		D	1	
24	A1RF 5220 00	Connecting Stay		D	1	
25	A1RF 5298 00	Idling Gear /2 28T		D	1	
26	A1RF 5295 00	Idling Gear /3 20/34T		D	1	
27	A1RF 7109 00	Ball bearing /1		C	2	
28	A1RF 5272 00	Tension Block /2		D	1	
29	12VG 7712 0	DRIVING GEAR 1 26T		C	1	
30	56AA 1747 1	PIN B 3X12		C	1	

SECONDARY TRANSFER SECTION

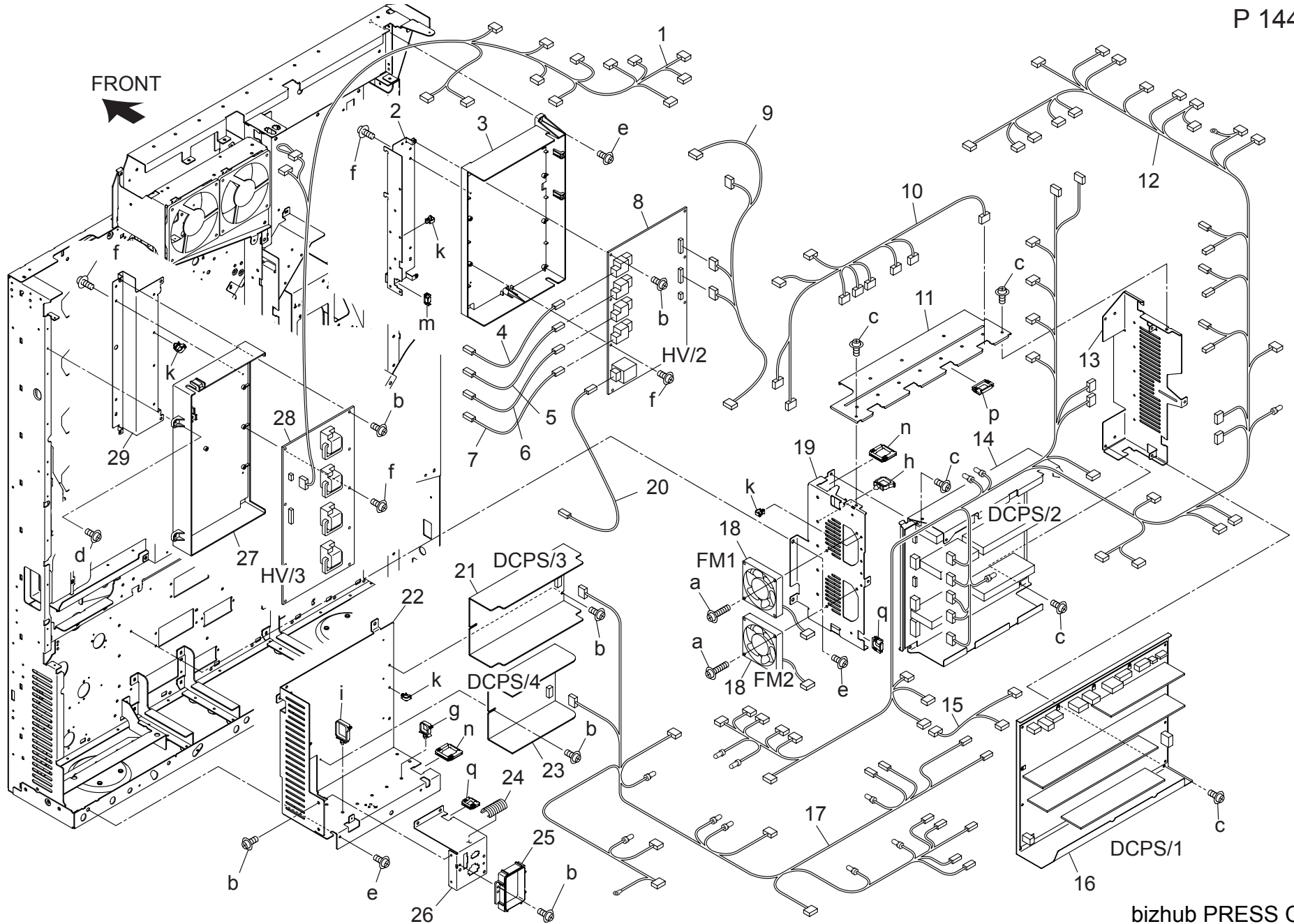


SECONDARY TRANSFER SECTION

Key	Part No.	Description	Destinations	Class	QTY	Standard parts
1	A1RF R7B1 00	POSITIONING PLATE/FRONT CALKING		D	1	a-V118 0206 03
2	A1RF 5291 00	Drive Ball bearing		D	4	b-V118 0304 03
3	A1RF 5398 00	Idling Gear /5		C	1	c-V121 0306 03
4	A1RF 5297 01	Cleaning Gear		C	1	d-V217 0600 50
5	56AA 1731 0	PIN		C	1	e-V570 0100 60
6	A1RF R7B4 00	MOUNTING PLATE/FRONT CALKING		D	1	f-V217 0400 50
7	A1RF 5328 00	Auxiliary Brush		A	1	
8	A1RF 5399 00	Idling Gear /4 26T		D	1	
9	A1RF R7A9 00	SUPPORT PLATE CALKING		D	1	
10	A1RF R7F8 00	Processing Blade Assy		A	1	

# ELECTRICAL COMPONENTS SECTION

P 144

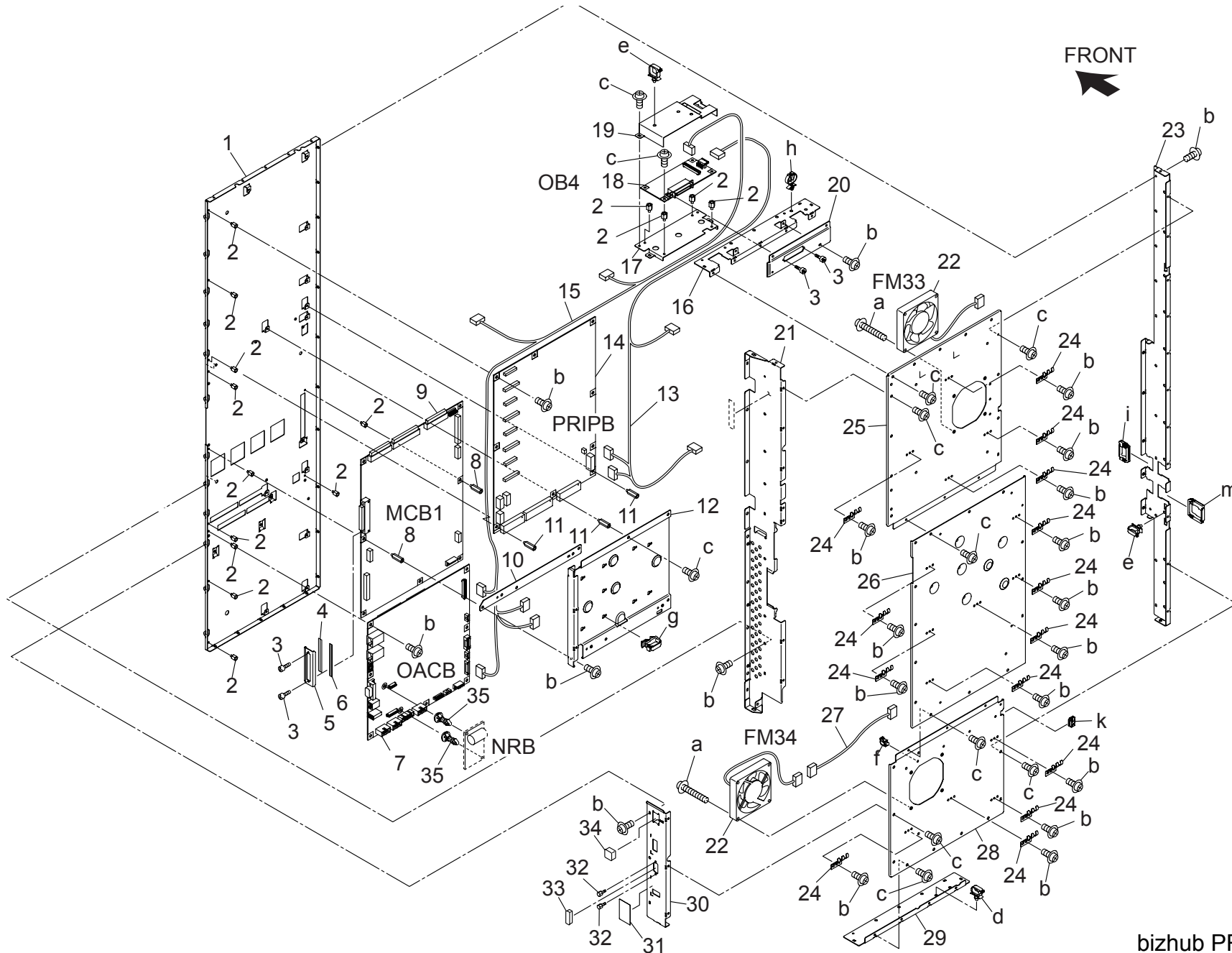




ELECTRICAL COMPONENTS SECTION

Key	Part No.	Description	Destinations	Class	QTY	Standard parts
1	A1RF N121 01	Main Body Wiring /1		D	1	a-V118 0420 03
2	A1RF 1316 00	Ground Plate /B		D	1	b-V121 0306 03
3	A1RF 1302 01	Support Case /2		D	1	c-V121 0406 03
4	A1RF N174 00	HV Wiring /8		D	1	d-V146 0306 03
5	A1RF N175 00	HV Wiring /9		D	1	e-V146 0408 03
6	A1RF N176 00	HV Wiring /10		D	1	f-V153 0308 03
7	A1RF N177 00	HV Wiring /11		D	1	g-V500 0100 07
8	A1RF M404 00	HV Power source /2		I	1	h-V500 0100 08
9	A1RF N186 00	HV Relay harness /1		D	1	i-V500 0100 15
10	A1RF N256 00	DC Power source harness /2		D	1	k-V500 0100 20
11	A1RF 1364 00	Guide Stay /2		D	1	m-V570 0100 57
12	A1RF N101 01	DC Power Source Harness /1		D	1	n-V570 0100 58
13	A1RF 1334 00	Mounting Plate /D		D	1	p-V570 0100 59
14	A03U M402 01	DC Power Source /2		I	1	q-V570 0100 60
15	A1RF N253 00	Drive Relay harness /6		D	1	
16	A1RF M401 01	DC Power source /1		I	1	
17	A1RF N103 00	AC Power source harness /2		D	1	
18	A1RF M151 00	Fan motor /1		C	2	
19	A1RF 1333 01	Mounting Plate /C		D	1	
20	A1RF N178 00	HV Wiring /12		D	1	
21	A0GD M451 11	DC Power Source		I	1	
22	A1RF 1341 00	Mounting Plate		D	1	
23	A0G6 M453 11	DC Power Source /3		I	1	
24	56AA R705 00	EARTH SPRING ASSY		C	1	
25	A1RG 1043 00	Protection Cover /Rear		D	1	
26	A1RF 1351 01	Connecting Panel		D	1	
27	A1RF 1303 01	Support Case /3		D	1	
28	A1RF M405 00	HV Power source /3		I	1	
29	A1RF 1317 00	Ground Plate /C		D	1	

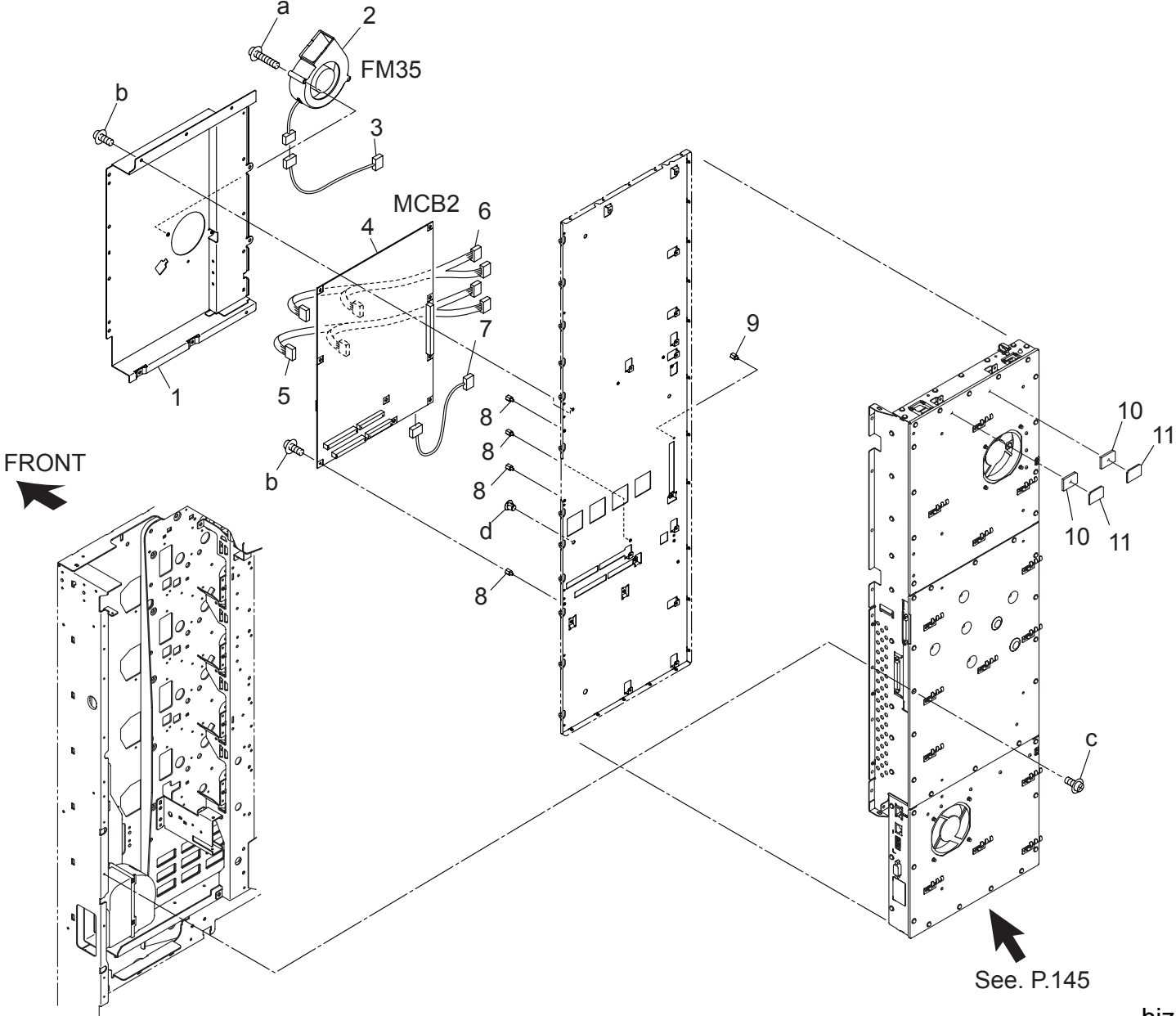
# ELECTRICAL COMPONENTS SECTION



# ELECTRICAL COMPONENTS SECTION

Key	Part No.	Description	Destinations	Class	QTY	Standard parts
1	A1RF 1304 00	Support Plate /A		D	1	a-V118 0420 03
2	A1RF 1322 00	Mounting Screw /B		D	15	b-V121 0304 03
3	A03U 1365 00	Set Screw /A		C	4	c-V121 0306 03
4	A1RF M904 00	Gasket /4		D	1	d-V500 0100 05
5	A1RF 1362 00	Cover Panel /1		D	1	e-V500 0100 07
6	A1RF M901 00	Gasket /1		D	1	f-V500 0100 20
7	A1RF H010 15	Control Board /S Assy		I	1	g-V500 0100 71
8	A1RF 1361 01	Mounting Screw /D		D	2	h-V500 0100 76
9	A1RF H020 02	Memory Control Board/1 ASSY		I	1	i-V570 0100 59
10	A1RF 1365 00	Mounting Spacer		D	1	k-V570 0100 56
11	A1RF 1347 00	Mounting Screw /C		D	3	m-V570 0100 58
12	A1RF 1329 00	Inner partition		D	1	
13	A1RF N117 00	ImageProcessing Power source harness		D	1	
14	A1RF H030 13	ImageProcessing Board /P ASSY		I	1	
15	A1RF N281 02	Ope.unit Control Harness /1		D	1	
16	A1RF 1310 00	Support Plate /C		D	1	
17	A1RF 1352 00	Mounting Plate /2		D	1	
18	A1RF H780 02	Operation Board /4 ASSY		I	1	
19	A1RF 1338 00	Shield Cover		D	1	
20	A1RF 1337 00	Mounting Plate		D	1	
21	A1RF 1306 00	Support Plate /F		D	1	
22	A1RF M151 00	Fan motor /1		C	2	
23	A1RF 1309 00	Support Plate /B		D	1	
24	65AA 1114 0	EARTH PLATE		D	14	
25	A1RF 1313 02	Mounting Cover /A		D	1	
26	A1RF 1328 00	Mounting Cover /C		D	1	
27	A1RF N292 00	ImageProcessing Relay harness /2		D	1	
28	A1RF 1330 02	Mounting Cover /D		D	1	
29	A1RF 1312 01	Support Plate /D		D	1	
30	A1RF 1363 00	Cover Panel /2		D	1	
31	A1RF 1367 00	Protection Sheet /1		D	1	
32	26NA 7357 0	CONTACT FIXING SCREW A		C	2	
33	13RN 7312 0	TERMINAL PROTECTION COVER 1		D	1	
34	40LA 7384 0	CONTACT PROTECTION COVER		D	1	
35	V502 0100 09	spacer		D	2	

ELECTRICAL COMPONENTS SECTION



See. P.145

bizhub PRESS C8000

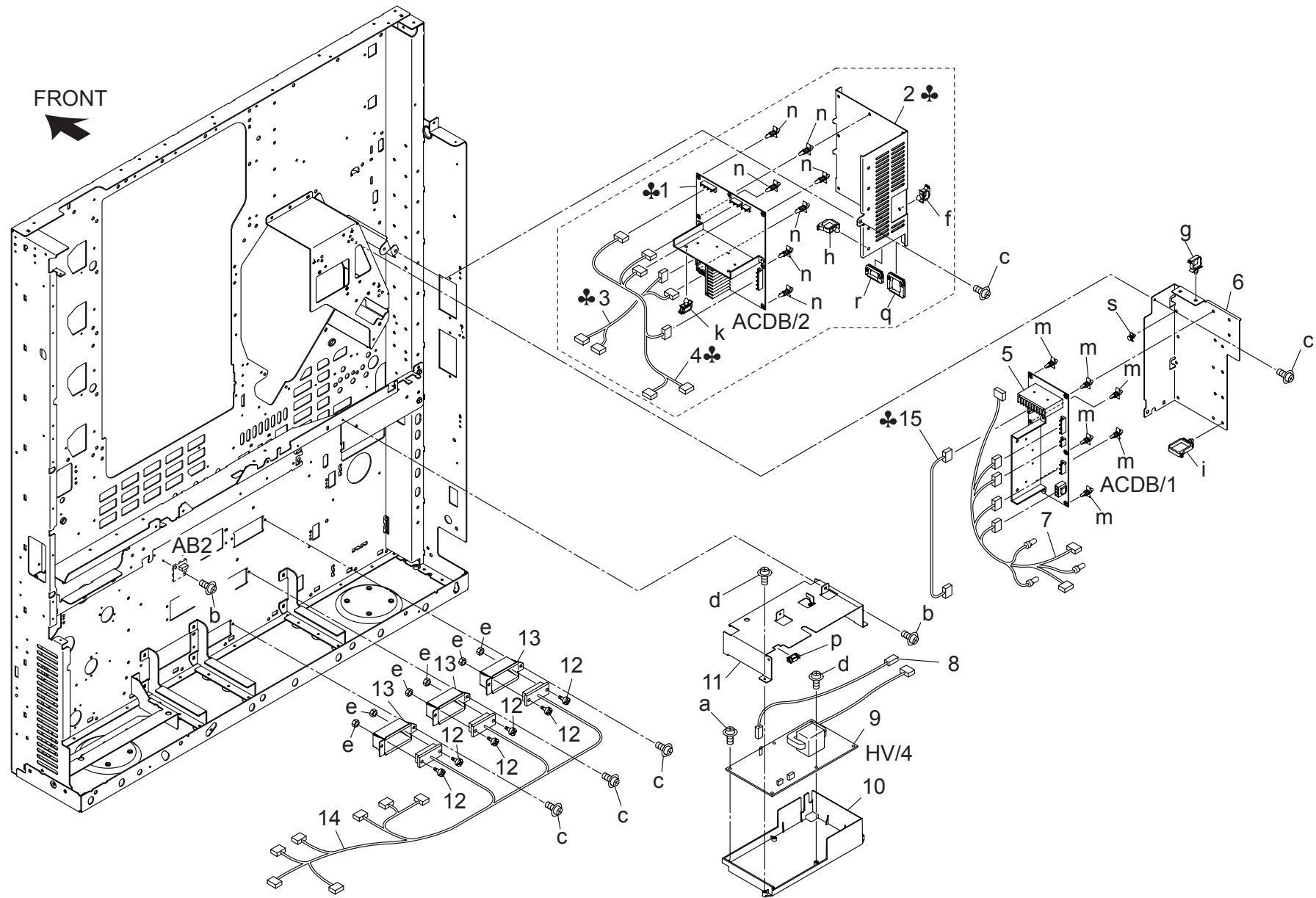


ELECTRICAL COMPONENTS SECTION

Key	Part No.	Description	Destinations	Class	QTY	Standard parts
1	A1RF 1314 00	Mounting Cover /B		D	1	a-V118 0435 03 b-V121 0304 03 c-V121 0306 03 d-V502 0100 60
2	A1RF M152 00	Fan motor /2		C	1	
3	A1RF N293 00	ImageProcessing Relay harness /3		D	1	
4	A1RF H040 02	Memory Control Board /2 Assy		I	1	
5	A1RF N271 00	Interface Cable /2		D	1	
6	A1RF N270 00	Interface Cable /1		D	1	
7	A1RF N118 00	Memory Power source harness		D	1	
8	A1RF 1322 00	Mounting Screw /B		D	4	
9	A1RF 1321 00	Support Screw /A		D	1	
10	A1RF 1660 00	Protection Rubber /2		D	2	
11	A1RF 1679 00	Protection Rubber /3		D	2	

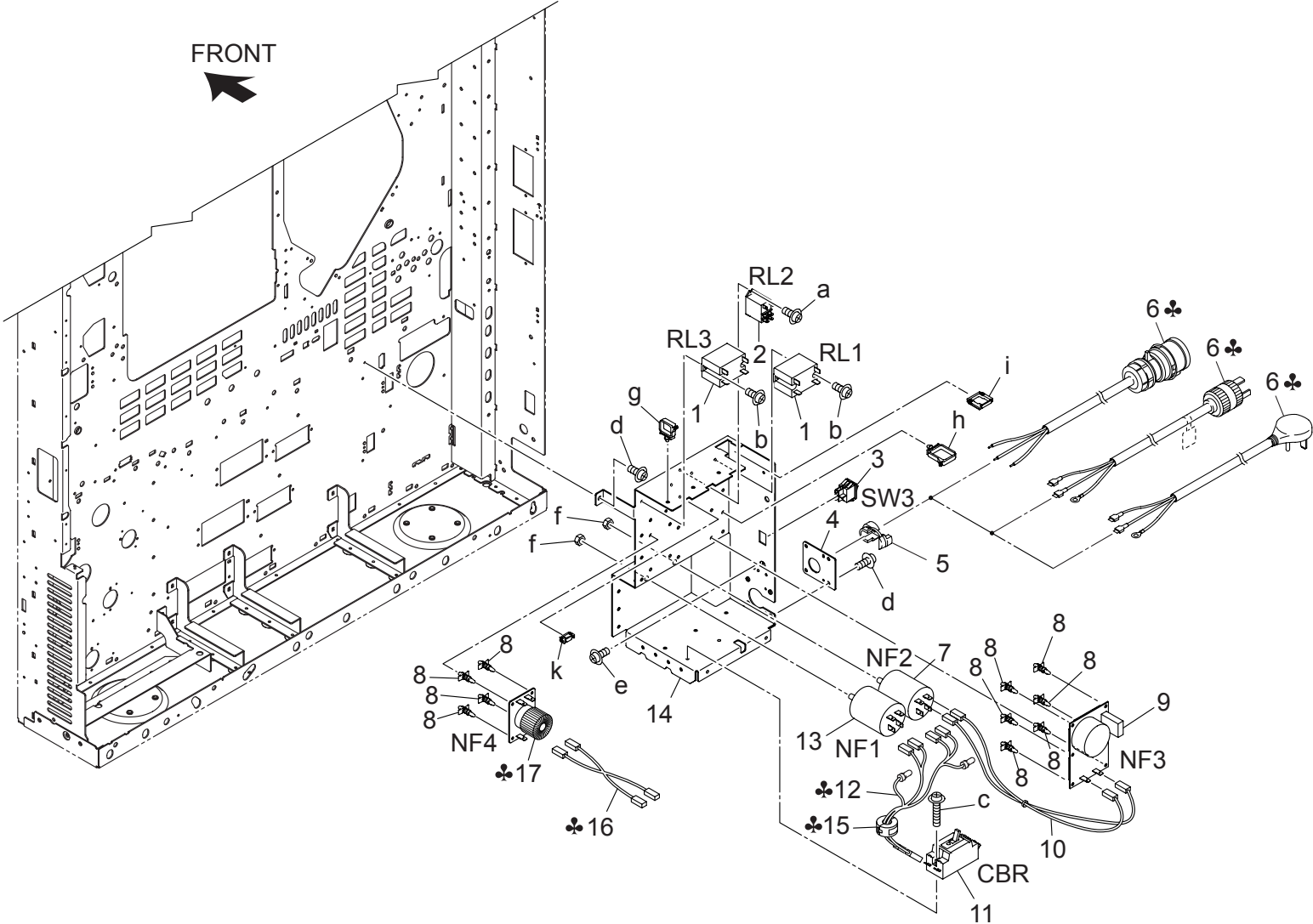
# ELECTRICAL COMPONENTS SECTION

P 147





ELECTRICAL COMPONENTS SECTION

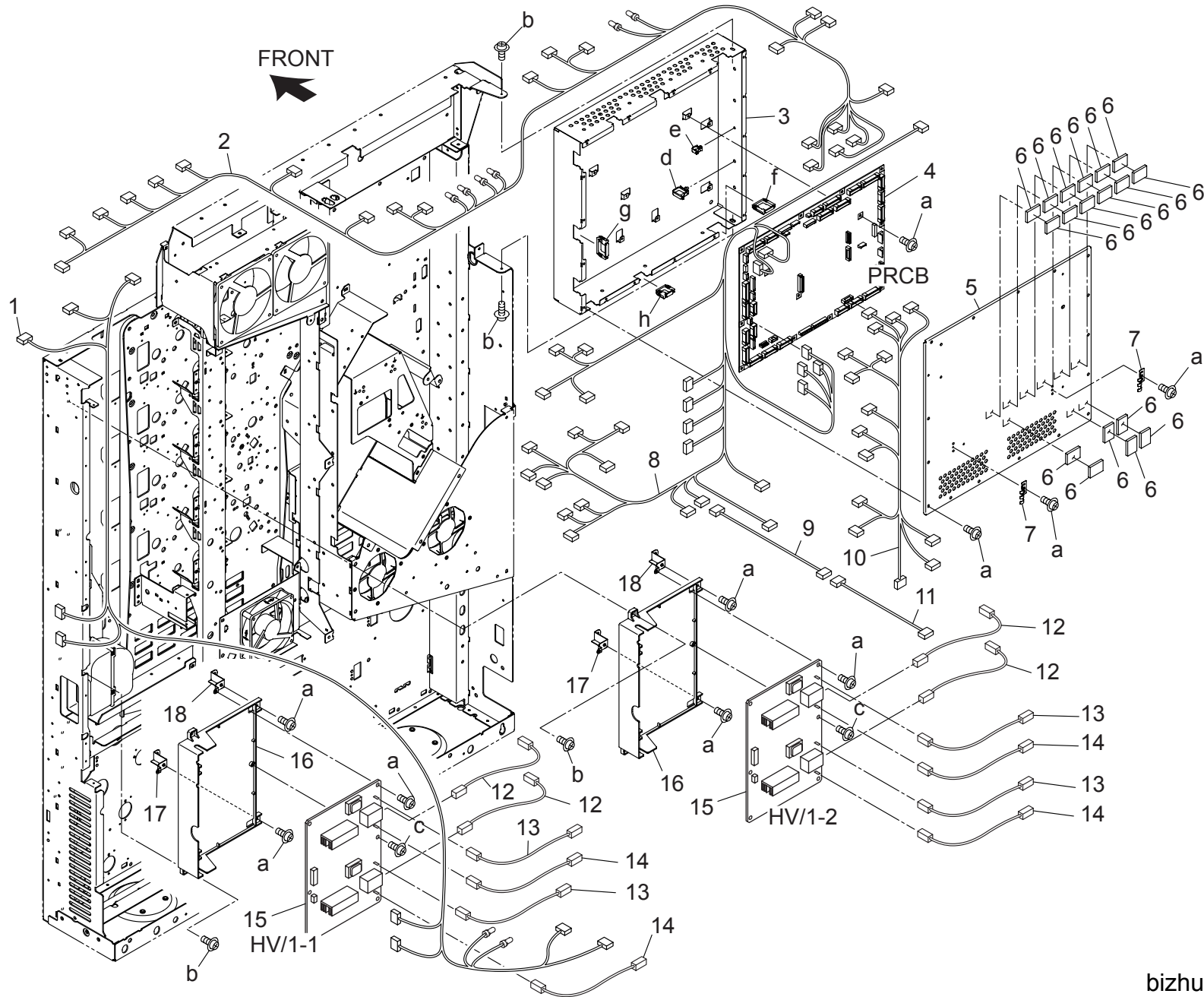




# ELECTRICAL COMPONENTS SECTION

Key	Part No.	Description	Destinations	Class	QTY	Standard parts
1	25SA 8846 1	MAIN RELAY		C	2	a-V111 0306 03
2	A0G6 M602 00	Power Source Relay /2		C	1	b-V111 0410 03
3	A00J M603 00	Rocker switch		C	1	c-V111 0420 03
4	A1RF 1308 00	Mounting Plate /D		D	1	d-V116 0410 03
5	A0G6 M70E 00	Power Source Code Holder		D	1	e-V116 0508 03
6	A0G6 N30A 00	Power Source Cord	A	D	3	f-V195 0800 03
6	A0G6 R7G9 00	Power Source Cord Assy	C	D	3	g-V500 0100 08
6	A0G6 R7H0 00	Power Source Cord Assy	D3	D	3	h-V500 0100 15
6	A1RF N30E 01	Power Source Cord	B,G1	D	3	i-V570 0100 58
7	5380 8826 1	NOISE FILTER		C	1	k-V570 0100 57
8	V502 0100 33	spacer		D	10	
9	A0G6 M454 00	Noise Filter		C	1	
10	A1RF N104 00	AC Power source harness /3		D	1	
11	A0G6 M604 00	Breaker		C	1	
12	A1RF N102 00	AC Power source harness /1	A,B,G1	D	2	
12	A1RF N10F 00	AC Power Source Harness /F	C,D3	D	1	
13	55TA 8456 1	NOISE FILTER		C	1	
14	A1RF 1307 01	Mounting Plate /C		D	1	
15	A1RF M931 00	Ferritecore		C,D3	1	
16	A1RF N255 00	AC Power source harness /7		C,D3	1	
17	56QF 8455 1	COIL 2		C,D3	1	

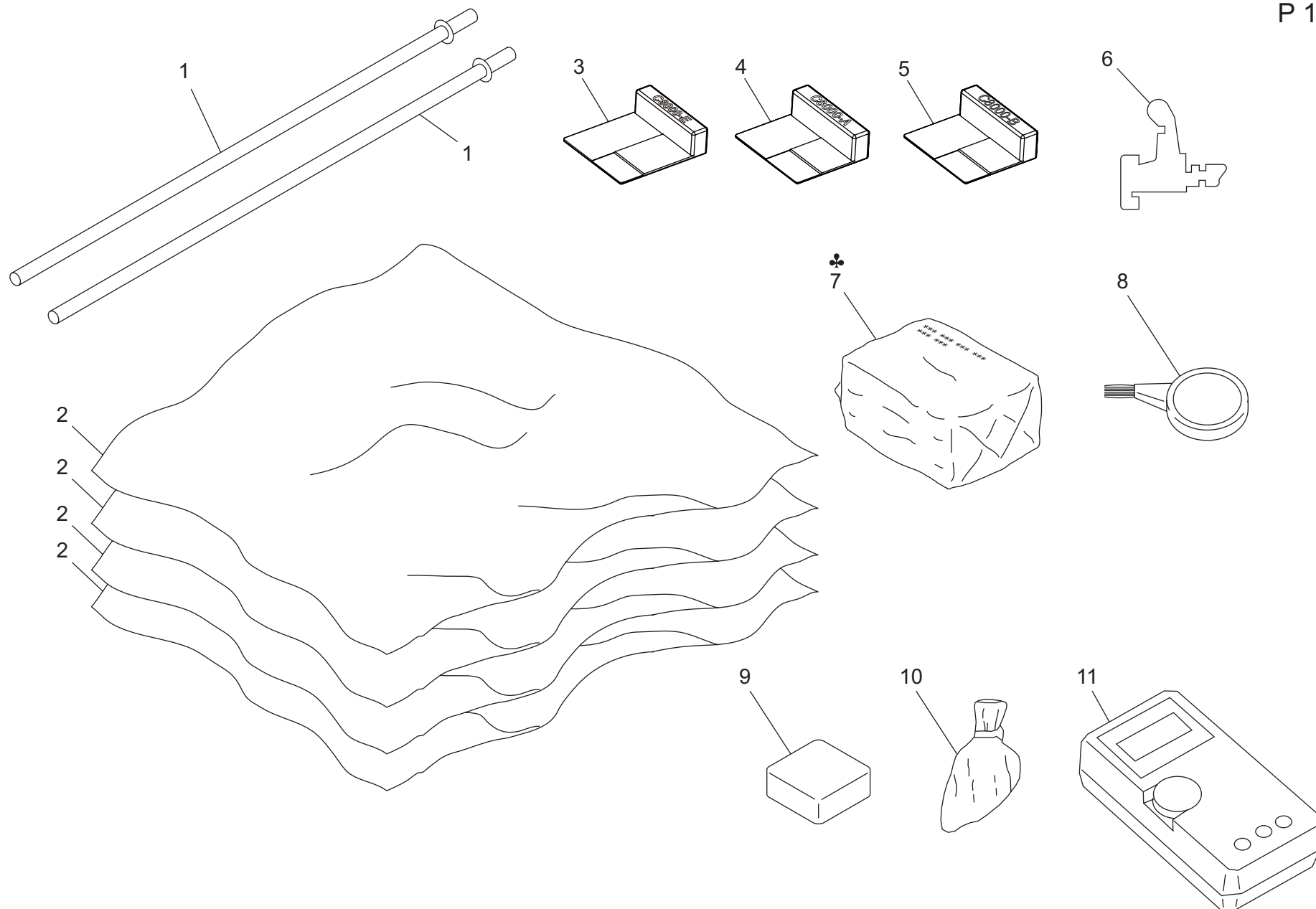
# ELECTRICAL COMPONENTS SECTION





# JIG AND MATERIAL

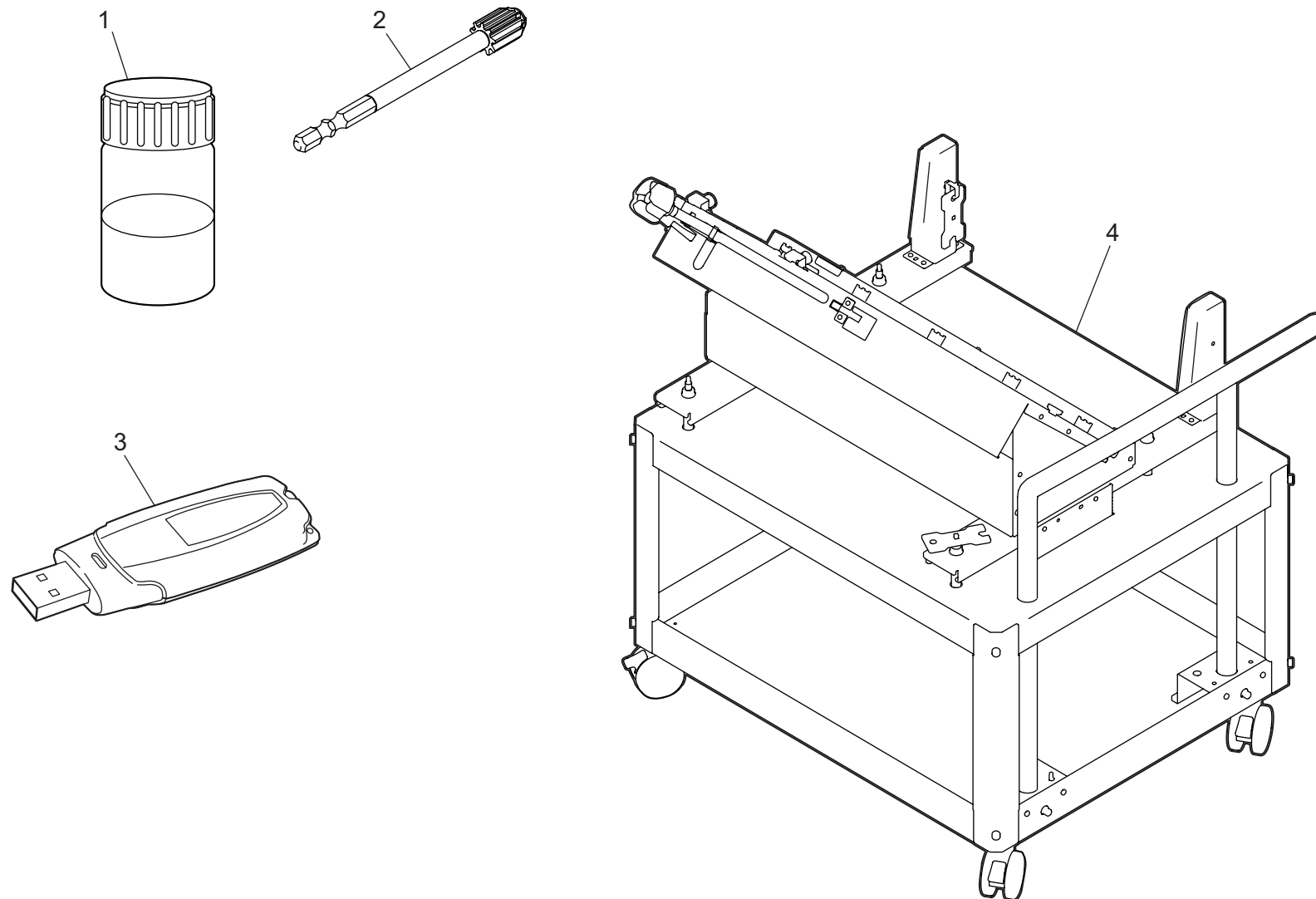
P 150



bizhub PRESS C8000

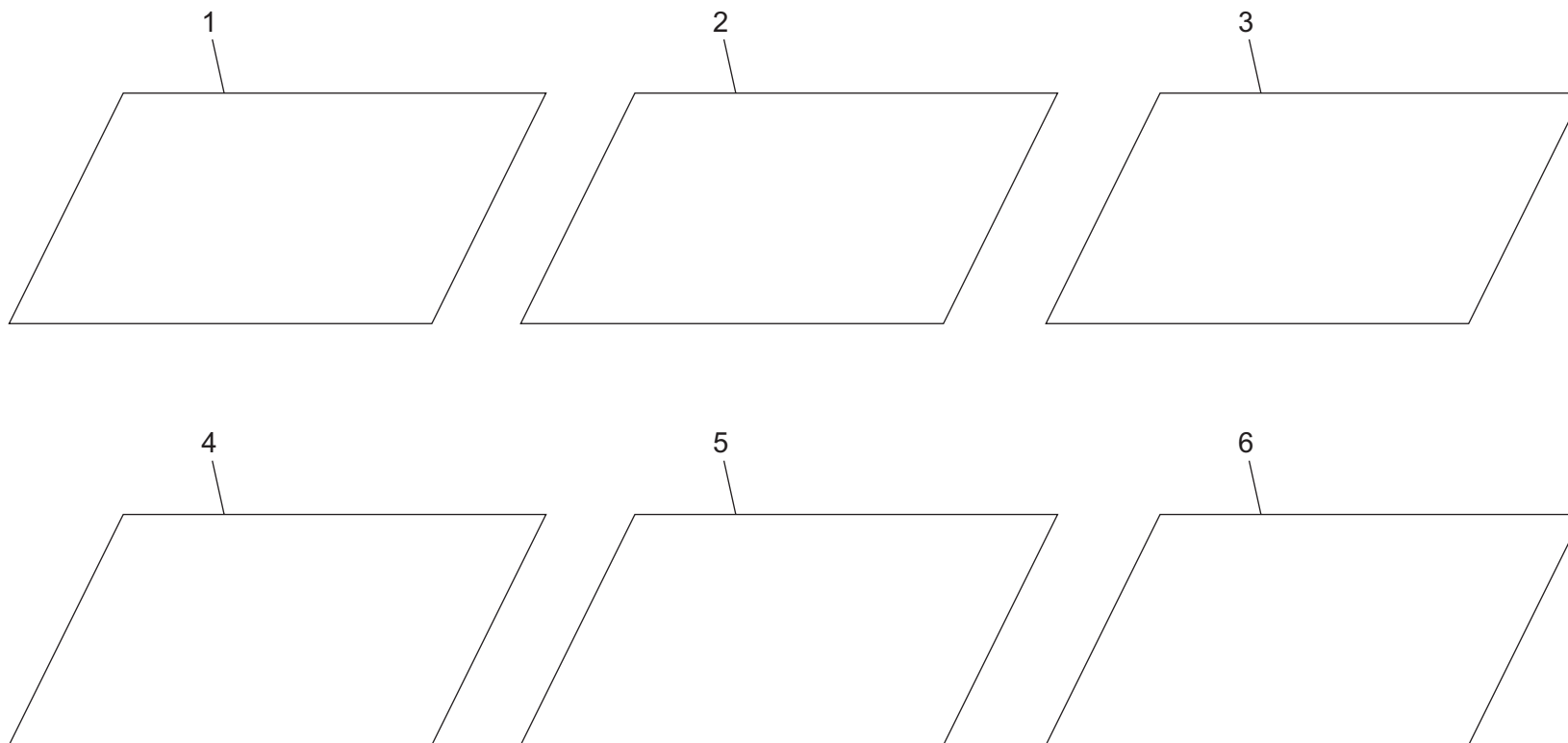
# JIG AND MATERIAL

Key	Part No.	Description	Destinations	Class	QTY	Standard parts
1	7050 K002 0	OPTICS PS GAUGE		S	2	
2	00VC -2-0 0	DRUM COVER		C	4	
3	A1RF PJG4 00	Adjusting Jig /E		S	1	
4	A1RJ PJG0 00	Adjusting Jig /A		S	1	
5	A1RJ PJG1 00	Adjusting Jig /B		S	1	
6	00M6 -2-0 0	DOOR SWITCH JIG 2/1SET		S	1	
7	000V -18- 1	CLEANING PAD	A,C,D3	A	1	
8	00VD -100 0	BLOWER BRUSH		B	1	
9	65AA -992 0	HYDROWIPE		D	1	
10	000V -19- 0	SETTING POWDER		A	1	
11	56UA PJG0 00	Tester		S	1	



# JIG AND MATERIAL

Key	Part No.	Description	Destinations	Class	QTY	Standard parts
1	A1RF PP00 00	Setting Toner		S	1	
2	A1RF RX01 01	Developer Ejection Jig		S	1	
3	A1RF PJG1 00	RFID Reader Writer		S	1	
4	A1RF RX00 01	Loading Wagon for Fusing Unit		S	1	



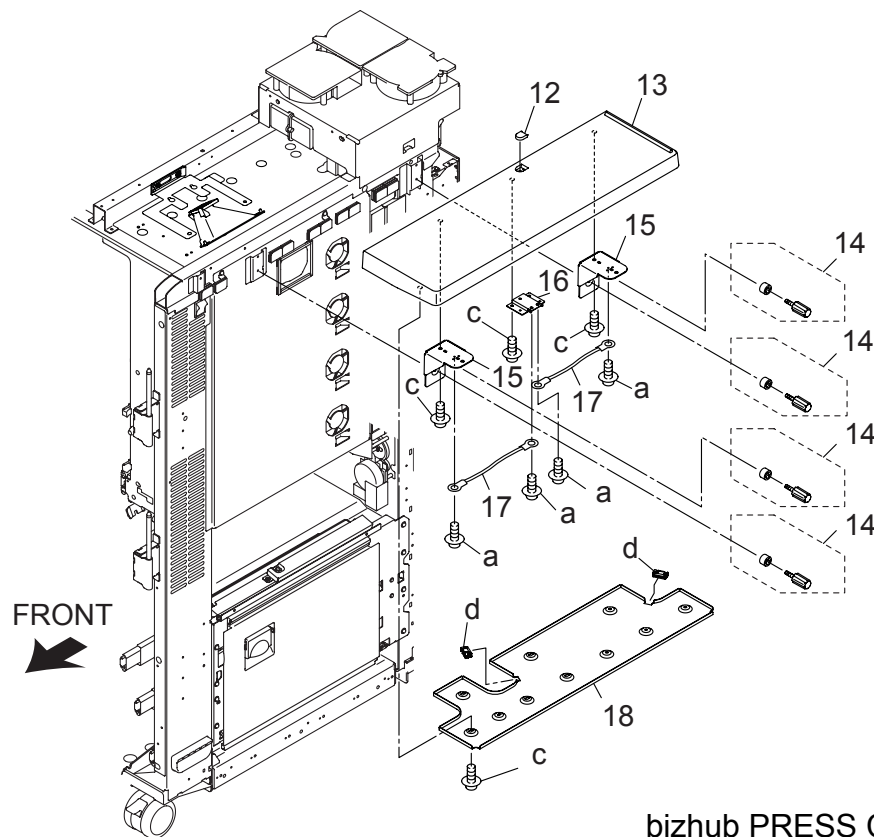
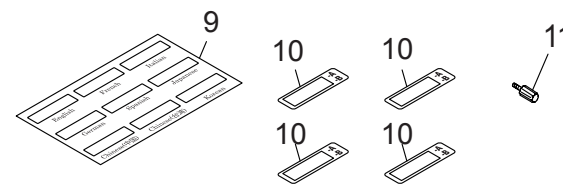
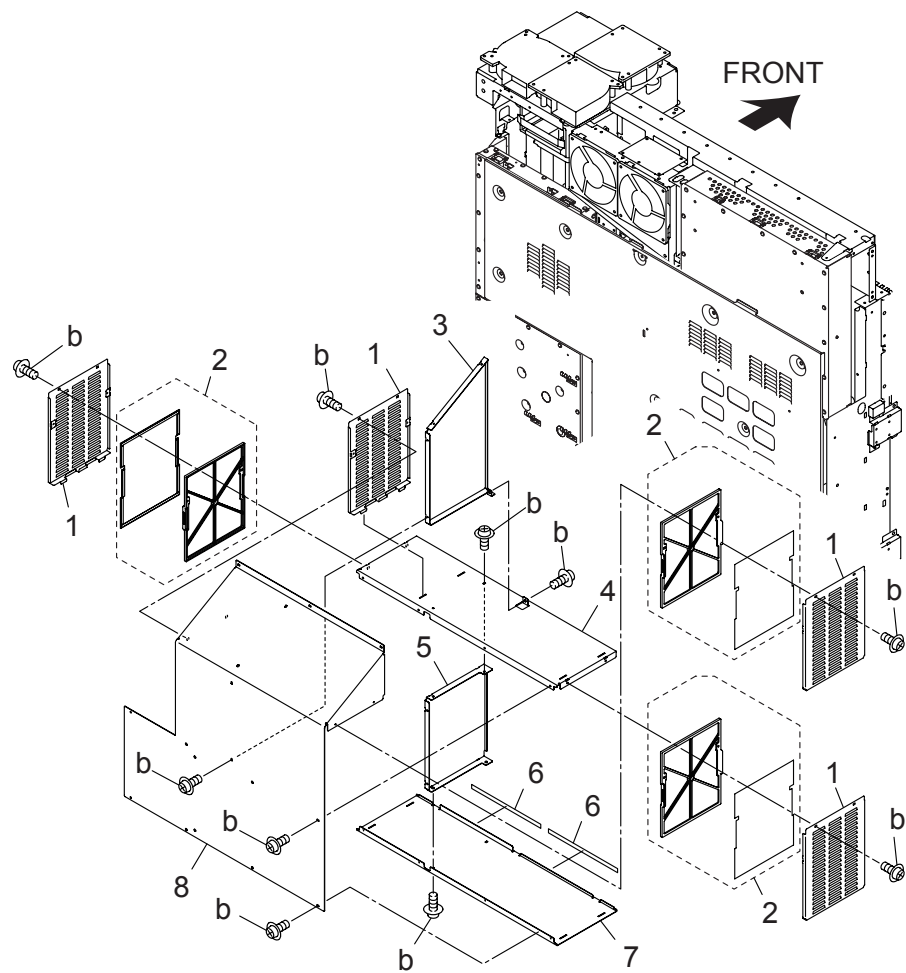


# JIG AND MATERIAL

Key	Part No.	Description	Destinations	Class	QTY	Standard parts
1	9J06 PJP1 00	Color chart/A3 size		C	1	
2	9J06 PJP2 00	Color chart/11x17size		D	1	
3	4040 PJP1 00	Test chart/A3 size		C	1	
4	4040 PJP2 00	Test chart/11x17 size		D	1	
5	120A 9711 0	Adjustment chart/For DF		B	1	
6	65AA 9950 0	AJUST PAPER FOR FIXING UNIT(16SHEETS)		S	4	

# ACCESSORY PARTS

P 153

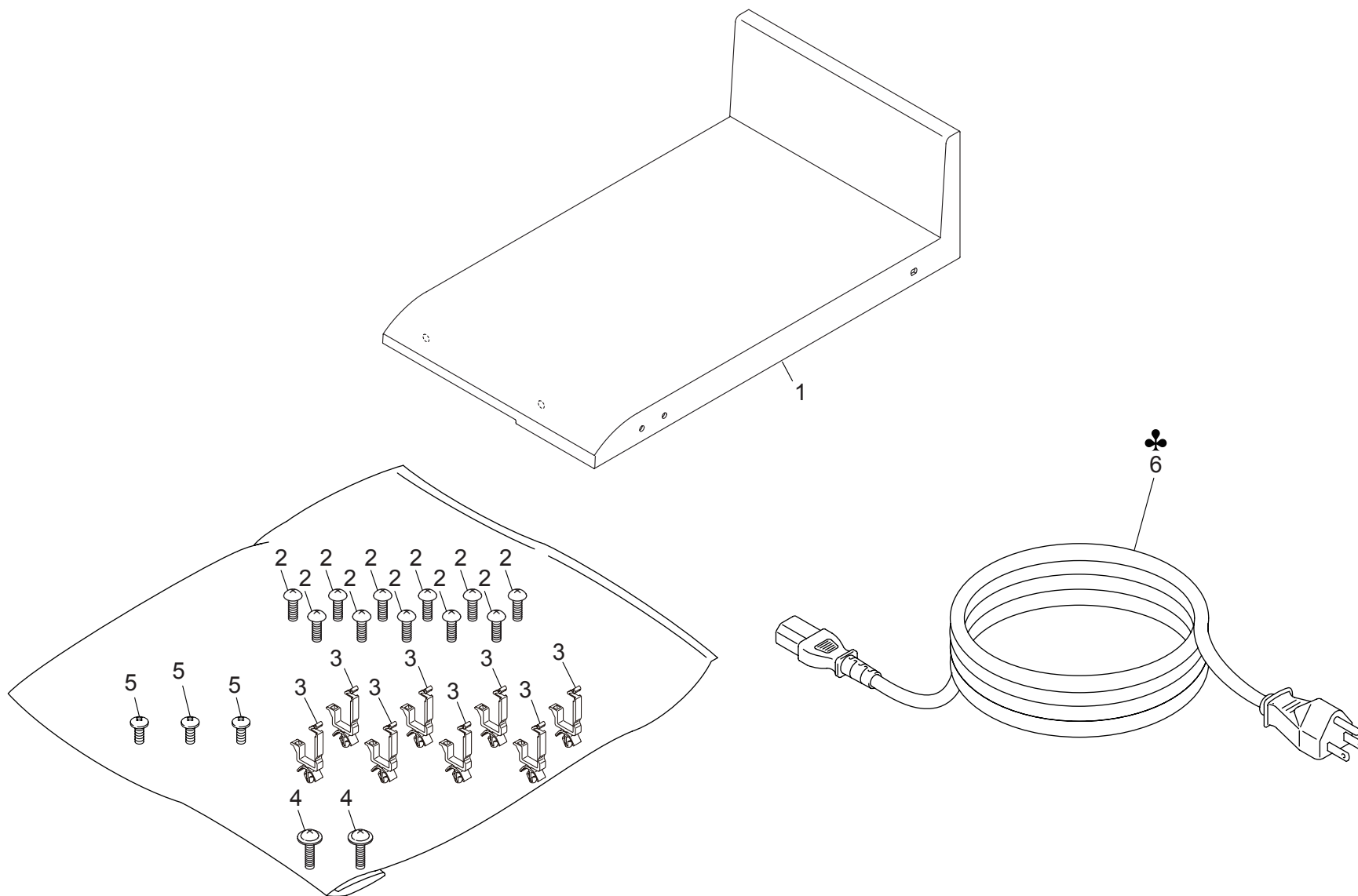


# ACCESSORY PARTS

Key	Part No.	Description	Destinations	Class	QTY	Standard parts
1	A1RF 1673 00	Cover Outer carton /5		D	4	a-V116 0305 04 b-V118 0306 04 c-V153 0308 04 d-V570 0100 57
2	A1RF R744 00	COVER FILTER/4		A	3	
3	A1RF 1672 00	Cover Outer carton /4		D	1	
4	A1RF 1671 00	Cover Outer carton /3		D	1	
5	A1RF 1676 00	Cover Outer carton /7		D	1	
6	A1RF M905 00	Gasket /5		D	2	
7	A1RF 1678 01	Cover Outer Carton /8		D	1	
8	A1RF 1631 01	Cover Outer Carton /1		D	1	
9	A1RF 9448 00	Input Label		D	1	
10	A1RF 9455 01	Replacement Label /5		D	4	
11	A03U 1656 01	External Mounting Cross sect.		D	1	
12	A1RF 1688 00	Click Cover		D	1	
13	A1RF 1681 01	Auxiliary Pedestal /Right		D	1	
14	A1RF R736 00	MOUNTING KNOB ASSY		C	4	
15	A1RF 1684 01	Mounting Plate /Right		D	2	
16	A1RF 1687 01	Fixing Plate		D	1	
17	A1RF N284 01	Ope.unit Wiring /2		D	2	
18	A1RF 1683 01	Reinforce Plate /Right		D	1	

# ACCESSORY PARTS

P 154



# ACCESSORY PARTS

Key	Part No.	Description	Destinations	Class	QTY	Standard parts
1	A1RF 1605 00	Cover Table		D	1	
2	V114 0408 04	screw		V	12	
3	V500 0100 07	saddle		D	8	
4	V121 0410 03	screw		V	2	
5	V118 0306 04	screw		V	3	
6	9381 4101 31	POWER CORD	B,G1	C	1	

# MAINTENANCE LIST

● The items with no Page/Key numbers are not handled as spare parts.

No.	Section	PM Parts Description	Maintenance Cycle (K=1,000)		Parts No.	Destinations	Page/Key	Note
			QTY	Replace				
1	External section	Ozone filter	1	300K	A1RF114400		P6-17	
2		Dust-Proof filter /A (right)	1	300K	A1RFR70200		P9-13	
3		Dust-Proof filter /B (back)	1	300K	A1RFR74500		P17-6	
4		Dust-Proof filter /C (left)	1	300K	A1RFR74400		P16-1	
5		Dust-Proof filter /C (rear 1)	1	300K	A1RFR74400		P153-2	
6		Dust-Proof filter /C (rear 2)	1	300K	A1RFR74400		P153-2	
7		Dust-Proof filter /C (rear 3)	1	300K	A1RFR74400		P153-2	
8	Photo conductor section	Drum unit /Y	1					
9		Drum unit /M	1					
10		Drum unit /C	1					
11		Drum unit /K	1					
12	Intermediate transfer section	Intermediate transfer belt	1	300K	A1RF500101		P37-18	
13		Toner collection sheet	1	150K	65AAR75600		P39-21	
14		Transfer belt cleaning blade	1	150K	A1RFR7F100		P39-2	
15		Transfer belt cleaning seal/Fr	1	150K	A1RF511202		P39-10	
16		Transfer belt cleaning seal/Rr	1	150K	A1RF511600		P39-25	
17		1st transfer roller /Y	1	300K	A03U501200		P37-13	
18		1st transfer roller /M	1	300K	A03U501200		P37-13	
19		1st transfer roller /C	1	300K	A03U501200		P37-13	
20		1st transfer roller /K	1	300K	A03U500400		P37-12	
21		2nd transfer roller /UP	1	300K	A1RF500400		P37-11	
22		Transfer belt seParation claw	3	600K	65AAR75300		P38-6	
23		Sensor shutter	1	300K	A1RFR7F700		P94-1	
24		Transfer belt cleaning unit	1	900K	A1RFR71700		P39-24	
25		Belt seParation claw solenoid (SD7)	1	3,000K	A1RFR74800		P87-28	
26	Transfer roller bearing	8	3,000K	65AA26380		P35-13		
27	Charging section	Charging corona /Y	1	150K	A1RFR70100		P137-1	
28		Charging corona /M	1	150K	A1RFR70100		P137-1	
29		Charging corona /C	1	150K	A1RFR70100		P137-1	
30		Charging corona /K	1	150K	A1RFR70100		P137-1	
31	2nd transfer section	2nd transfer belt	1	300K	A1RF520400		P142-7	
32		2nd transfer cleaning unit	1	150K	A1RFR71400		P141-16	
33		2nd transfer Process blade	1	150K	A1RFR7F800		P143-10	
34		2nd transfer cleaning brush	1	150K	A1RF532800		P143-7	
35		2nd transfer seParation discharging unit	1	300K	A1RFR70500		P139-9	
36		2nd transfer entrance guide /UP	1	600K	A1RFR72900		P140-20	
37		2nd transfer belt assy	1	600K	A1RFR71500		P141-11	
38		2nd transfer ground Plate /1	1	1,200K	A1RFR71900		P139-18	
39		2nd transfer ground Plate /2	1	1,200K	A1RFR72000		P139-14	
40	DeveloPing section	DeveloPer /Y	1					
41		DeveloPer /M	1					
42		DeveloPer /C	1					
43		DeveloPer /K	1					
44		DeveloPing unit /Y	1	1,200K	A1RFR72711		P96-13	
45		DeveloPing unit /M	1	1,200K	A1RFR72711		P96-13	
46		DeveloPing unit /C	1	1,200K	A1RFR72711		P96-13	
47	DeveloPing unit /K	1	1,200K	A1RFR72711		P96-13		
48	Toner Collecting Box	Toner Collecting Box	1	100K	A1RFR70000		P43-2	
49	Toner suPPly section	DeveloPing cooling filter /Y	1	300K	A1RFR70300		P56-10	
50		DeveloPing cooling filter /M	1	300K	A1RFR70300		P56-10	
51		DeveloPing cooling filter /C	1	300K	A1RFR70300		P56-10	
52		DeveloPing cooling filter /K	1	300K	A1RFR70300		P56-10	

No.	Section	PM Parts Description	Maintenance Cycle (K=1,000)		Parts No.	Destinations	Page/Key	Note
			QTY	Replace				
53	PaPer feed section	PaPer feed roller rubber (Tray 1)	1	125K	25SA40960		P73-5	
54		PaPer feed roller rubber (Tray 2)	1	125K	25SA40960		P76-5	
55		PaPer feed roller rubber (Tray 3)	1	125K	25SA40960		P79-5	
56		SeParation roller rubber (Tray 1)	1	125K	25SA40960		P71-9	
57		SeParation roller rubber (Tray 2)	1	125K	25SA40960		P74-21	
58		SeParation roller rubber (Tray 3)	1	125K	25SA40960		P77-19	
59		Pick uP roller (Tray 1)	1	800K	56AAR72100		P73-2	
60		Pick uP roller (Tray 2)	1	800K	56AAR72100		P76-2	
61		Pick uP roller (Tray 3)	1	800K	56AAR72100		P79-2	
62		PaPer feed clutch /1 (CL1), /2 (CL3)	2	2,000K	56AA82012		P73-27/P76-27	
62		PaPer feed clutch /3(CL5)	1	2,000K	56AA82012		P79-27	
63		Pre-registration clutch /1 (CL2), /2 (CL4)	2	2,000K	56AA82012		P72-22/P75-22	
63		Pre-registration clutch /3 (CL6)	1	2,000K	56AA82012		P78-22	
64	Vertical conveyance section	Vertical conveyance clutch /1 (CL20)	1	3,600K	A03UM20100		P80-9	
65		Vertical conveyance clutch /2 (CL21)	1	3,600K	A03UM20100		P80-9	
66	Registration section	Registration cleaning sheet	1	600K	A1RFR71600		P136-3	
67		LooP roller cleaning assy	1	600K	A1RFR7F300		P136-34	
68		Registration roller assy	1	1,500K	65LA-4641		P134-4	
69	DuPlex section	ADU conveyance roller cleaning jig /A	3	1,500K	A1RFR7F500		P130-3	
70		ADU conveyance roller cleaning jig /B	2	1,500K	A1RFR7F600		P130-9	
71		ADU reverse cleaning assy	1	1,500K	A1RFR7F400		P129-16	
72		De-curler roller	1	600K	A1RF860501		P126-31	
73		Intermediate conveyance roller cleaning stay	1	900K	A1RFR71800		P119-19	
74		Int. trans. roller clean brush	1	900K	A1RFR7G400		P119-18	
75		ADU conveyance clutch /1 (CL7)	1	3,600K	A03UM20100		P120-21	
75		ADU conveyance clutch /2 (CL8)	1	3,600K	A03UM20100		P116-21	
75		ADU conveyance clutch /3 (CL9),/4 (CL10)	2	3,600K	A03UM20100		P118-2	
75		ADU conveyance clutch /5 (CL11),/6 (CL12)	2	3,600K	A03UM20100		P118-2	
75	ADU conveyance clutch /7 (CL13)	1	3,600K	A03UM20100		P118-2		
76	Intermediate conveyance clutch /1(CL14), /2 (CL15)	2	3,600K	A03UM20100		P118-2		
77	PaPer exit section	Main body PaPer exit driven roller	1	3,000K	A1RF895002		P84-6	
78		Exit conveyance driven roller	1	3,000K	A1RF895002		P84-6	
79	Fusing section	Fusing web unit	1	450K	A1RFR70700		P101-1	
80		Fusing external heating unit	1	450K	A1RFR70800		P106-3	
81		Fusing swing shaft assy	1	450K	A1RFR70900		P108-10	
82		Fusing PaPer exit guide assy	1	450K	A1RFR71000		P112-8	
83		Fusing belt unit /Lw	1	450K				
84		Fusing roller assy	1	450K	A1RFR71200		P105-24	
85		Fusing claw unit	1	450K	A1RFR71300		P112-21	
86		Fusing web torque limiter	1	900K	A1RF723901		P103-9	
87		Fusing web Prevention Part	1	900K	A1RF724001		P103-6	
88		Fusing PaPer exit roller /Lw	1	1,350K	A1RF751703		P112-5	
89		Fusing refresh roller assy	1	1,350K	A1RFR72100		P102-22	
90		Fusing drive assy	1	2,250K	A1RFR7F200		P110-33	
91		Fusing temPerature sensor assy (lower belt)	1	2,700K	A1RFR73100		P108-3	
92		Fusing temPerature sensor (fusing roller)	1	2,700K	A1RFR73400		P103-18	
93		Fusing heater/1 (JaPan)	1	2,700K	A1RFM31A00	A	P105-28	
93		Fusing heater/1 (North America)	1	2,700K	A1RFM31E00	B,G1	P105-28	
93		Fusing heater/1 (EuroPe)	1	2,700K	A1RFM31F00	C,D3	P105-28	
94		Fusing heater/4 (JaPan)	1	2,700K	A1RFM34A00	A	P107-5	
94		Fusing heater/4 (North America)	1	2,700K	A1RFM34E00	B,G1	P107-5	
94		Fusing heater/4 (EuroPe)	1	2,700K	A1RFM34F00	C,D3	P107-5	
95	Fusing heater/5 (JaPan)	1	2,700K	A1RFM35A00	A	P106-5		
95	Fusing heater/5 (North America)	1	2,700K	A1RFM35E00	B,G1	P106-5		
95	Fusing heater/5 (EuroPe)	1	2,700K	A1RFM35F00	C,D3	P106-5		
96	Fusing actuator	1	2,700K	A1RFR73200		P112-22		
97	Web motor	1	7,500K	A1RFR73500		P103-5		
98	Guide Plate /Lower ASSY	1	450K	A1RFR7H100		P112-20		

bizhub PRESS C8000

## DESTINATION

Destination No.		Destinations		V	Hz	Model No.
A	A1	JAPAN		200	50/60	A1RF001
	A2	JAPAN		200	50/60	A1RF001
B		USA, CANADA		208-240	60	A1RF011
C		EUROPEAN TYPE		220-240	50/60	A1RF021
D	D1	S.E ASIA TYPE	THAILAND, SRI LANKA, SINGAPORE, MALAYSIA, HONG KONG, PAKISTAN, INDIA, BANGLADESH, INDONESIA			
	D3	OCEANIA TYPE	AUSTRALIA, NEW ZEALAND	220-240	50/60	A1RF042
E		PHILIPPINES				
F	F1	SAUDI ARABIA				
	F2	SAUDI ARABIA				
G	G1	C.S AMERICA		208-240	60	A1RF011
	G2	C.S AMERICA				
H		TAIWAN				
I		JORDAN, LEBANON, SYRIA, SOUTH AFRICA, IRAQ, IRAN, N.YEMEN, CAMEROON, UAE, BAHRAIN, OMAN, QATAR, KUWAIT, KENYA, TUNISIA, IVORY COAST, MOROCCO				
J		CHINA				
K		KOREA				

bizhub PRESS C8000