

KONICA MINOLTA

PARTS GUIDE MANUAL

DECEMBER 2017

bizhub PRO 1100
A799

INFORMATION FOR PARTS GUIDE MANUAL

To find correct Parts No., refer to the "HOW TO MAKE THE BEST USE OF THIS MANUAL" in the following page.

HOW TO MAKE THE BEST USE OF THIS MANUAL

- 1 When you order, please check the proper figures beforehand that are on Our Parts Guide Manual, and order with the appropriate figures.
- 2 For screws, Nuts, Washers, retaining rings and Pins which are used in this model, one letter is shown on the Standard parts column of Parts list and exploded diagrams.
- 3 In order to maintain safety of the product, some specific parts composed of this product are set up as "essential safety parts".
- 4 The assigned parts number for the "essential safety parts" is indicated as "SP00-****".
When replacing these parts, follow precautions for disassembling and installing which are listed in the Service Manual.
Do not use any parts that are not set up as
- 5 ♣ means that there are exclusive parts for each destination.
Please check the appropriate destination when you order.
- 6 Revision Mark
Marked as ▲ on the illustration shows that the revision has been made.
- 7 All rights reserved. (any reprints or quotations are prohibited.)
Use of this parts guide manual should be strictly supervised to avoid disclosure of confidential information.

パーツガイド マニュアルのご案内

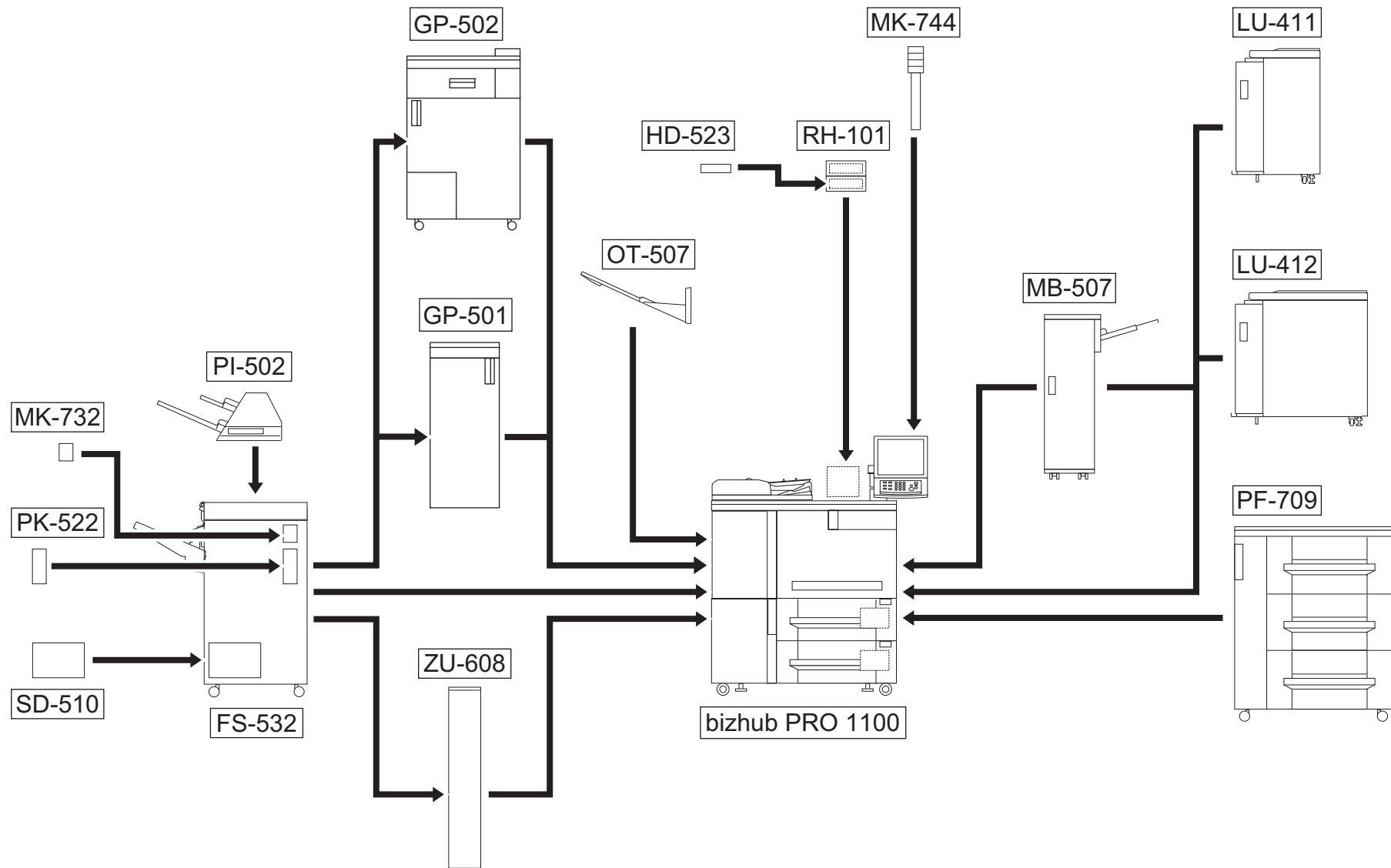
サービス部品をご発注の際には、下記に示す“パーツガイド マニュアルの活用にあたって”をご参照の上、正しい部品番号にてお願い致します。

パーツガイド マニュアルの活用にあたって

- 1 部品発注の際には、掲載されている部品番号の桁数を確認し、掲載されている桁数で発注願います。
- 2 この製品に使用されているネジ、ナット、ワッシャー、止め輪、ピンなどは、リストの右側の Standard parts 欄に a,b,c,…… で表示し、イラストにも a,b,c,…… 表示してあります。
- 3 製品の安全性を維持する為に、製品に使用される特定の部品を「重要保安部品」として設定しています。
- 4 重要保安部品の部品番号は、“SP00-****”と記載されていますので、部品交換時は、サービスマニュアル記載の分解・組み立ての注意事項に従って作業をして下さい。
また、指定以外の部品は一切使用しないで下さい。
- 5 本文に ♣ が表示されている部品は、仕向け地毎に専用部品がある事を意味しています。
オーダーされる時は、仕向け地を確認して下さい。
- 6 改訂記号について
イラスト上に ▲ 印が表示されている部分は、改訂された事を表します。
- 7 著作権所有（無断転載及び無断引用の禁止）
本パーツガイド マニュアルについては、機密保持等その扱いには十分注意して下さい。万一取り扱いを誤った場合には、法律で処罰されることがあります。

11/27/2015

System Configuration



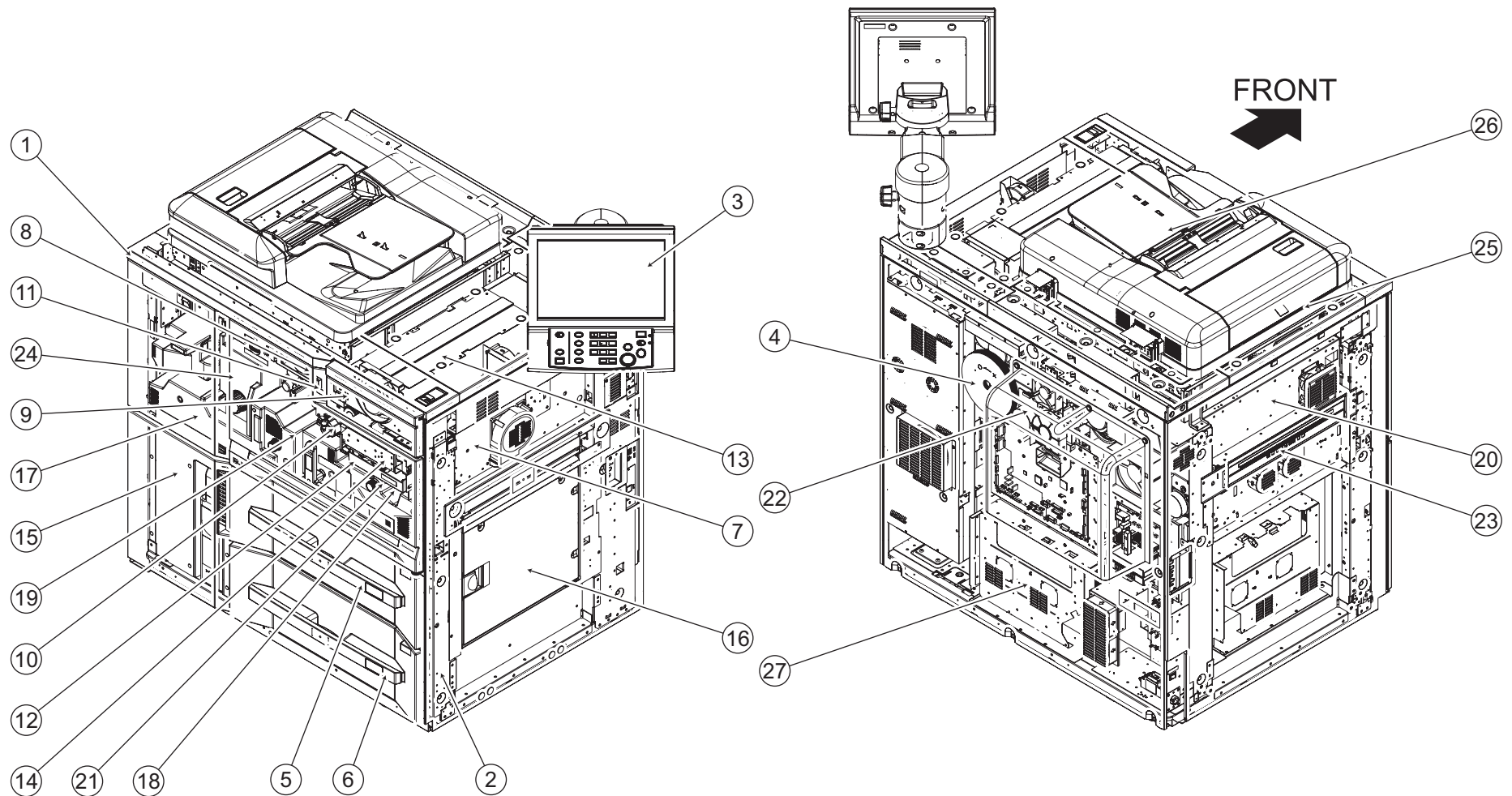
bizhub PRO 1100

GENERAL CONTENTS

No.	Description	Model
1	Digital MFP B/W	bizhub PRO 1100
2	Output Tray	OT-507
3	Paper Feeder	PF-709
4	Paper Feeder	LU-411
5	Paper Feeder	LU-412
6	Bypass Tray	MB-507
7	Mount Kit	MK-744/MK-744C
8	HDD	HD-523
9	HDD	RH-101
10	Finisher/Sorter	FS-532/FS-532 PK/SD
11	Saddle Unit	SD-510
12	Punch Unit	PK-522
13	Folding Unit	ZU-608
14	Post Inserter	PI-502
15	Punch Unit	GP-501
16	Ring Binder	GP-502
17	Mount Kit	MK-732

bizhub PRO 1100

Section Configuration



bizhub PRO 1100

CONTENTS

No.	DESCRIPTION	名称	PAGE No.
1	EXTERNAL PARTS	外装	P1 P2 P3
2	MAIN FRAME	骨格	P4 P5 P6 P7
3	OPERATION PANEL SECTION	操作部	P8 P9 P10
4	DRIVING SECTION	駆動部	P11 P12 P13 P14 P15 P16
5	TRAY 1	トレイ 1	P17 P18 P19 P20 P21 P22 P23 P24 P25
6	TRAY 2	トレイ 2	P26 P27 P28 P29 P30 P31 P32 P33 P34
7	DEVELOPING SUCTION	現像サクション部	P35
8	CHARGE UNIT	帯電極ユニット	P36 P37
9	WRITE SECTION	書き込み部(LPH)	P38
10	DRUM CARTRIDGE UNIT	ドラムカートリッジ部	P39 P40 P41 P42 P43 P44
11	DRUM CLEANING UNIT	ドラムクリーニングユニット	P45 P46 P47 P48
12	DEVELOPING UNIT	現像部	P49 P50
13	TONER SUPPLY PROTECTION UNIT	トナー補給ユニット	P51
14	TONER CONVEYANCE MAIN BODY UNIT	トナー搬送本体ユニット	P52
15	TONER COLLECTION SECTION	トナー回収部	P53 P54
16	VERTICAL CONVEYANCE UNIT	垂直搬送ユニット	P55 P56 P57 P58
17	ADU	ADU	P59 P60 P61 P62 P63 P64 P65 P66 P67 P68 P69 P70
18	ADU TRANSFER PRESSURE UNIT	ADU 転写圧着ユニット	P71 P72
19	ADU BELT CLEANER UNIT	ADU ベルトクリーナーユニット	P73 P74
20	ADU DECURLER UNIT	ADU デカーラユニット	P75 P76 P77 P78
21	ADU REGIST UNIT	ADU レジストユニット	P79 P80
22	TRANSFER BELT UNIT	転写ベルトユニット	P81 P82
23	MAIN BODY PAPER EXIT UNIT	本体排紙ユニット	P83
24	FUSER UNIT	定着部	P84 P85 P86 P87 P88 P89 P90
25	SCANNER SECTION	スキャナー部	P91 P92 P93 P94
26	DUAL SCAN ADF (DF-702)	1パス両面 ADF A s s y (D F - 7 0 2)	P95 P96 P97 P98 P99 P100 P101 P102 P103 P104 P105 P106 P107
27	ELECTRIC PARTS	電装	P108 P109 P110 P111
28	WIRING	束線	P112 P113
29	JIGS	治具	P114
30	ACCESSORY PARTS	同梱部品	P115 P116

INDEX

1/10

Parts No.	Page No.	Parts No.	Page No.	Parts No.	Page No.	Parts No.	Page No.	Parts No.	Page No.
000V-19-0	114-18	12QV40650	71-1	25AA10090	6-1	4025228301	108-3	45AA20400	37-2
00GR00020	114-5	12QV40650	76-1	25AA10090	7-1	4036172002	91-1	45AA20400	44-4
00GR00220	114-6	12QV40650	77-1	25AA20321	37-1	4036252401	71-2	45AA20400	81-1
00GR00260	114-4	12QV40650	82-1	25AA20321	44-2	4040M10000	61-1	462076010	67-4
00VC-2-00	114-1	13GQ77550	67-1	25AA29770	44-3	4040PJP100	114-7	4641341501	96-21
00VD-1000	114-17	13NT80511	111-1	25AA40120	24-3	4040PJP200	114-8	4641341702	96-15
029420640	49-1	13QA10330	17-13	25AA40120	33-3	40AA32290	41-4	4641343601	96-22
048610110	4-1	13QA10330	26-13	25AA44180	63-2	40AA32290	42-2	4641350301	96-3
059076510	25-1	13QA10330	79-2	25AA44180	70-1	40AA32290	77-4	4641351401	97-26
059076510	34-1	13QA17730	76-2	25AA47500	67-3	40AA88031	52-2	4643300701	97-8
066079020	14-1	13QA17730	77-2	25AA50080	70-2	40BA75520	17-17	4658351701	103-9
066079020	72-1	13QA40610	11-1	25AA53290	90-1	40BA75520	26-17	466076020	48-3
07BA12352	75-1	13QA40610	14-4	25AA75530	48-1	40LA73840	108-4	466076020	54-2
07BA15871	42-1	13QA40610	46-2	25BA32251	52-1	4131253701	100-17	466076020	56-4
08AA76060	68-1	13QA85511	21-1	25HA15210	46-3	4131253701	104-5	466076020	58-3
090020510	40-8	13QA85511	23-1	25SA15270	14-6	4139M10000	4-3	466076020	70-5
090020510	46-1	13QA85511	30-1	25SA15280	14-7	4139M10000	7-3	504097340	116-1
090076040	47-1	13QA85511	32-1	25SA15390	13-2	4139M10000	111-4	50BA40220	24-4
1033440203	97-11	13QA85511	57-2	25SA20150	14-8	4163529301	106-15	50BA40220	33-4
113620270	44-1	13QA85511	58-2	25SA43310	66-2	4469346501	97-12	540015162	14-2
1200312109	102-1	13QA85511	64-1	25SA43310	70-3	4470402401	3-1	554010550	14-3
1200312109	104-16	13QA85511	65-1	25SA43310	79-5	4470402401	21-2	55GA32220	52-3
120A97110	114-11	13QA85511	66-1	25SA88461	109-1	4470402401	22-1	55TA75020	13-3
129X48350	19-1	13QA85511	69-2	25SF88461	109-1	4470402401	30-2	55TA75020	14-9
129X48350	20-1	13QA85511	75-2	26AA53150	87-2	4470402401	31-1	55TA75020	42-3
129X48350	28-1	13QA85511	78-1	26MA74100	74-1	4470402401	45-1	55VA12460	2-1
129X48350	29-1	13QA85511	79-3	26TA30770	48-2	4470402401	61-2	55VA15190	11-2
129X48360	19-2	13QA85511	80-1	27LA80511	63-3	4470402401	72-2	55VA15541	13-4
129X48360	20-2	13QA85511	83-1	27LA80511	70-4	4470402401	91-2	55VA15541	15-1
129X48360	28-2	13RN73120	108-1	392010231	5-1	4470402401	100-3	55VA15570	11-3
129X48360	29-2	14GE45470	67-2	392010231	54-1	4470402401	102-5	55VA15570	14-10
12AJ45850	58-1	14GE45470	79-4	392010231	56-2	4470402401	104-2	55VA15570	72-3
12AJ45850	63-1	15AA80050	14-5	392014041	60-1	4470402401	106-10	55VA15580	14-11
12AJ45850	69-1	15AG57620	77-3	392015650	50-1	4470402401	107-3	55VA20310	5-2
12AJ45850	79-1	15AG77020	13-1	396040681	46-4	450053391	85-1	55VA20590	44-5
12QV40650	24-1	173030270	4-2	396040681	47-2	450053391	110-1	55VA20680	44-6
12QV40650	33-1	173030270	24-2	396040681	74-2	454053391	86-1	55VA20830	43-1
12QV40650	55-1	173030270	33-2	396076050	56-3	4581162501	91-3	55VA20850D	43-2
12QV40650	56-1	190040922E	80-2	4002145801	94-1	4581162501	92-1	55VA25110	37-3
12QV40650	57-1	20ER73110E	108-2	4004457301	53-1	45AA20400	36-2	55VA25140	36-3

Parts No.	Page No.	Parts No.	Page No.	Parts No.	Page No.	Parts No.	Page No.	Parts No.	Page No.
55VA25200	37-4	55VA46451	78-2	55VA55820	47-8	56AA17510	34-5	56UA10520	7-4
55VA25240	37-5	55VA46451	80-3	55VA70110D	3-2	56AA17510	45-3	56UA12240	2-3
55VA25270	37-6	55VA46490	66-3	55VA70110D	53-2	56AA17700	15-3	56UA12370	3-3
55VA25270	39-10	55VA46490	79-7	55VA73310	7-12	56AA17760	25-6	56UA12370	53-3
55VA29040	44-7	55VA47360	70-8	55VA76521E	67-8	56AA17760	34-6	56UA12560	22-3
55VA29050	44-8	55VA47371	70-9	55VA76530E	57-5	56AA25150	36-4	56UA12560	31-3
55VA29140	44-9	55VA47390	70-10	55VA77040	14-12	56AA40490	24-8	56UA12700	4-4
55VA29150	44-10	55VA47450	63-5	55VA77300E	50-2	56AA40490	25-7	56UA12770	115-1
55VA40130	25-2	55VA47450	64-2	55VA77570	44-11	56AA40490	33-8	56UA15220	11-5
55VA40130	34-2	55VA47450	65-2	55VA77652	23-3	56AA40490	34-7	56UA15420	11-6
55VA40260	25-3	55VA47701	70-11	55VA77652	32-3	56AA41340	18-5	56UA15420	13-6
55VA40260	34-3	55VA47710	70-12	55VA77850	85-2	56AA41340	21-6	56UA15510	16-2
55VA40380	21-3	55VA47762E	70-13	55VA77890	51-1	56AA41340	27-5	56UA15510	69-4
55VA40380	30-3	55VA47770	70-14	55VA79030	24-5	56AA41340	30-6	56UA15510	76-4
55VA40610	23-2	55VA47830	62-2	55VA79030	33-5	56AA41351E	21-7	56UA15540	4-5
55VA40610	32-2	55VA47830	67-5	55VA79050	24-6	56AA41351E	30-7	56UA15610E	11-7
55VA40910	18-1	55VA47840	68-2	55VA79050	33-6	56AA42690	65-4	56UA20160	5-4
55VA40910	27-1	55VA47850	57-4	55VA79140	24-7	56AA52700	79-8	56UA20380	40-6
55VA40920D	18-2	55VA47850	68-3	55VA79140	33-7	56AA54220	88-4	56UA20720	40-5
55VA40920D	27-2	55VA47910	70-15	55VA79210	56-7	56AA82012	25-8	56UA20730	40-4
55VA42111	21-4	55VA47970	70-16	55VA88061	87-4	56AA82012	34-8	56UA20740	40-3
55VA42111	30-4	55VA49050E	62-3	55VAJG021	114-20	56AA82012	56-8	56UA20750	40-2
55VA42120	25-4	55VA49080	67-6	55VAJG031	114-2	56AA82012	57-6	56UA25040	37-8
55VA42120	34-4	55VA49131	67-7	55VAJG041	114-3	56AA97140	109-8	56UA25050	37-9
55VA42120	56-5	55VA49240	66-4	55VB83042	87-5	56AE43090	21-8	56UA25090	37-10
55VA42120	57-3	55VA49260	66-5	56AA12400	2-2	56AE43090	30-8	56UA25280	36-5
55VA42120	79-6	55VA49440	65-3	56AA15460	109-3	56GA76600E	13-5	56UA29230	44-12
55VA42220	21-5	55VA53450	87-3	56AA15471	109-4	56GA76600E	14-13	56UA31030	35-2
55VA42220	30-5	55VA53742	88-2	56AA15521	109-5	56GA90890	61-3	56UA31060	35-6
55VA42330D	18-3	55VA53970	88-3	56AA17080	109-6	56HA12980	22-2	56UA375200	50-3
55VA42330D	27-3	55VA55130	47-3	56AA17090	11-4	56HA12980	31-2	56UA40051G	21-9
55VA42340	18-4	55VA55380	47-4	56AA17090	15-2	56QA46060	80-4	56UA40051G	30-9
55VA42340	27-4	55VA55400	46-5	56AA17090	69-3	56QA80570	62-4	56UA40070	21-10
55VA44120	56-6	55VA55490	45-2	56AA17090	76-3	56QE88261	109-9	56UA40070	30-10
55VA44150	58-4	55VA55641	48-4	56AA17140	37-7	56UA-1930	4-6	56UA40100	25-9
55VA44171F	58-5	55VA55660	48-5	56AA17140	39-6	56UA-4080	21-14	56UA40100	34-9
55VA44171F	70-6	55VA55670	47-5	56AA17300	58-7	56UA-4080	30-14	56UA40170	25-10
55VA46451	55-2	55VA55680	46-6	56AA17330	109-7	56UA-4321E	17-3	56UA40170	34-10
55VA46451	58-6	55VA55680	47-6	56AA17350	67-9	56UA-4321E	26-3	56UA40240	21-11
55VA46451	70-7	55VA55810	47-7	56AA17510	25-5	56UA10520	6-2	56UA40240	30-11

Parts No.	Page No.	Parts No.	Page No.	Parts No.	Page No.	Parts No.	Page No.	Parts No.	Page No.
56UA40250	25-11	56UA40670	30-13	56UA44070	55-3	56UA47600	75-4	56UA77190	55-8
56UA40250	34-11	56UA40680	19-3	56UA44160	55-4	56UA47890	66-9	56UA77200	56-15
56UA40270	22-4	56UA40680	28-3	56UA44170	56-9	56UA53070	87-6	56UA77230	56-16
56UA40270	31-4	56UA40690	25-20	56UA44500	55-5	56UA53320	87-7	56UA77270	15-5
56UA40280	25-12	56UA40690	34-20	56UA44500	58-8	56UA53530	84-1	56UA77290	44-14
56UA40280	34-12	56UA40700	116-2	56UA44660	55-6	56UA54160E	87-8	56UA77350	15-6
56UA40320	5-5	56UA41011E	23-4	56UA44660	58-9	56UA54430	84-2	56UA77400	54-3
56UA40330	5-6	56UA41011E	32-4	56UA44680	55-7	56UA54530	90-2	56UA77440	51-2
56UA40351	17-21	56UA41120E	18-8	56UA44680	58-10	56UA54540	90-3	56UA77450	51-3
56UA40351	26-21	56UA41120E	27-8	56UA44680	80-5	56UA54570	90-4	56UA77480	17-19
56UA40360	17-20	56UA41130	23-5	56UA45571E	83-2	56UA54600	90-5	56UA77480	26-19
56UA40360	26-20	56UA41130	32-5	56UA45600	83-3	56UA55220	48-6	56UA77530	18-10
56UA40400	25-13	56UA41140	23-6	56UA45820	64-3	56UA55230	48-7	56UA77530	27-10
56UA40400	34-13	56UA41140	32-6	56UA45820	70-17	56UA55550	48-8	56UA77560	79-12
56UA40420	18-6	56UA41150	23-7	56UA45880	109-10	56UA55740	48-9	56UA77600	23-11
56UA40420	27-6	56UA41150	32-7	56UA45960	44-13	56UA558300	47-9	56UA77600	32-11
56UA40450E	5-8	56UA41160	23-8	56UA45960	83-4	56UA70330	10-2	56UA77620	23-12
56UA40480	21-12	56UA41160	32-8	56UA46030F	79-9	56UA70600	9-1	56UA77620	32-12
56UA40480	30-12	56UA41230	19-4	56UA46061E	80-6	56UA70750	9-2	56UA77640F	17-16
56UA40490	24-9	56UA41230	20-3	56UA46100E	79-10	56UA70820	8-1	56UA77640F	26-16
56UA40490	25-14	56UA41230	28-4	56UA46110E	80-7	56UA73071	109-11	56UA77650E	17-15
56UA40490	33-9	56UA41230	29-3	56UA46140	63-6	56UA73500	111-5	56UA77650E	26-15
56UA40490	34-14	56UA41240	19-5	56UA46140	78-3	56UA75020	4-7	56UA77660	17-10
56UA40511E	18-7	56UA41240	28-5	56UA46170	79-11	56UA75030	25-21	56UA77660	26-10
56UA40511E	27-7	56UA41250	20-4	56UA46190	80-8	56UA75030	34-21	56UA77800	86-2
56UA40520	25-15	56UA41250	29-4	56UA46430D	60-2	56UA75050	62-6	56UA77930	15-7
56UA40520	34-15	56UA41340	23-9	56UA46480	64-4	56UA75050	67-11	56UA78030	11-9
56UA40530	25-16	56UA41340	32-9	56UA46480	65-5	56UA75050	68-4	56UA78060	63-10
56UA40530	34-16	56UA41400	23-10	56UA46480	66-6	56UA75070	87-9	56UA78080	62-7
56UA40540	25-17	56UA41400	32-10	56UA46480	70-18	56UA76030	56-10	56UA78090	57-7
56UA40540	34-17	56UA41490	19-6	56UA46570	62-5	56UA760900	84-3	56UA85010	3-4
56UA40600	25-18	56UA41490	20-5	56UA46921	59-1	56UA760900	85-3	56UA85010	53-4
56UA40600	34-18	56UA41490	28-6	56UA47031G	70-19	56UA77040E	11-8	56UA85010	55-9
56UA40610	24-10	56UA41490	29-5	56UA47040F	63-7	56UA77061E	12-1	56UA886100	70-21
56UA40610	33-10	56UA41530	18-9	56UA47121	66-7	56UA77061E	83-5	56UA886200	70-22
56UA40620	24-11	56UA41530	27-9	56UA47270	70-20	56UA77070F	15-4	56UA90350	21-17
56UA40620	33-11	56UA41540	19-7	56UA47330	66-8	56UA77070F	56-11	56UA90350	30-17
56UA40660	25-19	56UA41540	28-7	56UA47350	63-8	56UA77160	56-12	56UA90620	79-13
56UA40660	34-19	56UA42570	17-11	56UA47390	63-9	56UA77170E	56-13	56UA90650	64-5
56UA40670	21-13	56UA42570	26-11	56UA47390	67-10	56UA77180E	56-14	56UA90650	65-6

Parts No.	Page No.	Parts No.	Page No.	Parts No.	Page No.	Parts No.	Page No.	Parts No.	Page No.
56UA90650	66-10	9313100072	111-2	9J07420603	102-16	A00J663200	25-22	A07H570200	97-18
56UA90700	62-8	9313110033	75-3	9J07420801	102-12	A00J663200	34-22	A07H570400	97-22
56UA90700	67-12	9313110033	111-3	9J07420901	102-9	A00V240600	11-11	A07H570500	97-23
56UA90710	63-11	9313150021	100-1	9J07430201	107-14	A00V240600	13-7	A07H570600	97-21
56UA90830	57-8	9335140051	53-5	9J07431101	102-22	A00V240600	14-14	A07H570800	97-19
56UA90840	57-9	9335140061	91-4	9J07431502	101-5	A00V240600	15-8	A07H750200	99-20
56UA90880	64-6	9335140071	99-27	9J07441502	107-16	A00V240600	16-4	A07TM60100	109-13
56UA90880	80-9	9335191092	105-6	9J07491101	104-10	A00V240600	24-13	A0E7946700	108-21
56UA90890	83-6	9J06PJG100	114-12	9J07501901	100-6	A00V240600	33-13	A0ED275600	94-2
56UA97321G	2-4	9J06PJP100	114-9	9J07560000	96-27	A00V240600	50-5	A0ED276500	94-3
56UAR70500	5-3	9J06PJP200	114-10	9J07810300	107-2	A00V240600	62-9	A0FD892900	106-25
56UAR79500	21-15	9J07160200	95-13	9J07890000	104-13	A00V240600	67-13	A0G6102500	6-3
56UAR79500	22-5	9J07160302	101-1	9J07R71000	98-8	A00V240600	68-5	A0G6102500	7-6
56UAR79500	30-15	9J07200702	95-12	9J08210401	99-10	A00V240600	69-5	A0G6162000	1-6
56UAR79500	31-5	9J07200801	95-11	9J08210401	104-12	A00V240600	76-6	A0G6162100	1-7
56UAR79600	22-6	9J07210802	91-5	A00J167104	1-2	A00V240600	79-17	A0G6162200	1-8
56UAR79600	31-6	9J07210901	95-6	A00J167812	1-3	A00V240600	83-7	A0G6163100	2-5
56UAR79700	21-16	9J07300801	98-1	A00J169100	116-8	A00V240600	99-14	A0G6168101	8-2
56UAR79700	30-16	9J07301702	98-3	A00J265200	92-2	A00V240600	103-5	A0G6168500	2-7
57AA30260	1-1	9J07301902	98-5	A00J280200	91-6	A01H100300	95-19	A0G6168700	2-8
57AA30260	22-7	9J07302001	98-4	A00J563600	97-24	A01H100400	95-7	A0G6192400	10-3
57AA30260	31-7	9J07310313	96-28	A00J617800	17-4	A01H561100	96-11	A0G6192500	10-4
57AA30260	50-4	9J07310401	96-25	A00J617800	26-4	A01H561200	96-26	A0G6192700	10-5
57AA97211E	79-14	9J07310502	96-30	A00J617800	45-4	A01H565100	97-20	A0G6192900	10-6
57AA97221E	80-10	9J07310701	96-7	A00J617800	53-6	A03TM50000	97-17	A0G6193200	10-7
57AE88010	88-5	9J07330102	97-6	A00J617800	54-4	A03U168500	1-5	A0G6195000	10-8
57GA44300	55-10	9J07330201	97-9	A00J617800	56-17	A03U734500	84-4	A0G6205000	10-8
57GA47640	82-2	9J07330801	97-7	A00J617800	57-11	A03U734500	87-10	A0G6205100	10-8
57GA79430	55-11	9J07331801	98-9	A00J617800	79-15	A03U734500	88-6	A0G6205200	10-8
57GA79440	57-10	9J07331901	97-28	A00J617800	99-6	A03U812800	25-23	A0G6205300	10-8
65AA-9920	114-13	9J07332102	97-15	A00J617800	106-19	A03U812800	34-23	A0G6215200	14-15
65AA11300	4-8	9J07341102	96-13	A00J617900	12-2	A03UM11100	68-6	A0G6215300	14-16
65AA26890	74-3	9J07400601	101-12	A00J617900	24-12	A03UM15201	109-12	A0G6215400	14-17
65AA53991	81-2	9J07400803	99-16	A00J617900	33-12	A03UM15802	7-5	A0G6215500	13-8
65AA53991	90-6	9J07400902	99-15	A00J617900	55-12	A03UR70200	53-8	A0G6217500	13-9
65AA80021	11-10	9J07411601	101-11	A00J617900	56-18	A03X565611	24-14	A0G6217600	13-10
65AA80021	16-3	9J07420205	102-11	A00J617900	57-12	A03X565611	33-14	A0G6221100	14-18
9313100072	7-2	9J07420301	102-13	A00J617900	76-5	A04J709800	77-6	A0G6227300	14-19
9313100072	62-1	9J07420402	102-14	A00J617900	77-5	A04J719200	77-7	A0G6227400	14-20
9313100072	63-4	9J07420502	102-8	A00J617900	79-16	A07H570001	97-14	A0G6237100	11-12

Parts No.	Page No.	Parts No.	Page No.	Parts No.	Page No.	Parts No.	Page No.	Parts No.	Page No.
A0G6237201	16-5	A0G6374900	49-2	A0G6513300	73-4	A0G6561000	33-15	A0G6714600	80-15
A0G6237300	16-6	A0G6375211	50-3	A0G6514000	73-5	A0G6561000	34-24	A0G6714700	80-16
A0G6243900	100-5	A0G6375400	49-3	A0G6514100	73-6	A0G6561200	21-18	A0G6717100	80-17
A0G6247100	15-9	A0G6376000	75-5	A0G6514200	60-3	A0G6561200	30-18	A0G6725501	90-7
A0G6247200	15-10	A0G6377300	50-8	A0G6514900	73-7	A0G6570200	24-17	A0G6726000	86-3
A0G6247300	15-11	A0G6377400	50-9	A0G6515100	73-8	A0G6570200	33-17	A0G6727600	87-11
A0G6247400	15-12	A0G6378700	49-4	A0G6515900	73-9	A0G6570500	24-18	A0G6728000	90-8
A0G6247500	15-13	A0G6378800	49-5	A0G6516001	73-10	A0G6570500	33-18	A0G6731000	85-4
A0G6250500	12-3	A0G6394400	35-4	A0G6516100	73-11	A0G6571900	24-19	A0G6731102	84-5
A0G6250601	12-4	A0G6411200	3-5	A0G6520900	74-7	A0G6571900	33-19	A0G6731301	84-6
A0G6250700	12-5	A0G6411200	53-7	A0G6521000	74-8	A0G6572000	24-20	A0G6731400	84-7
A0G6331101	43-3	A0G6460101	37-11	A0G6521100	74-9	A0G6572000	33-20	A0G6732100	84-8
A0G6331301	42-4	A0G6460201	37-12	A0G6521400	73-12	A0G6601000	18-11	A0G6734100	84-9
A0G6332000	44-15	A0G6460600	37-13	A0G6521500	65-7	A0G6601000	27-11	A0G6734200	85-5
A0G6332600	40-1	A0G6462901	37-14	A0G6521600	65-8	A0G6601900	17-14	A0G6734500	84-10
A0G6333700	39-3	A0G6463200	36-6	A0G6521900	73-13	A0G6601900	26-14	A0G6741012	87-12
A0G6338113	44-16	A0G6463500	37-15	A0G6521900	74-10	A0G6602100	24-21	A0G6742200	85-6
A0G6338201	44-17	A0G6470800	39-8	A0G6523300	74-11	A0G6602100	33-21	A0G6745202	90-9
A0G6338411	44-18	A0G6500113	82-3	A0G6525600	37-22	A0G6602300	24-22	A0G6745500	90-10
A0G6338612	44-19	A0G6502300	82-4	A0G6530500	46-7	A0G6602300	33-22	A0G6746000	86-4
A0G6338911	44-20	A0G6503900	81-3	A0G6530800	47-10	A0G6606500	17-18	A0G6746200	90-11
A0G6339000	44-21	A0G6504000	62-10	A0G6531401	48-10	A0G6606500	26-18	A0G6746300	90-12
A0G6339400	44-22	A0G6504300	62-11	A0G6531500	46-8	A0G6615200	18-12	A0G6749700	90-13
A0G6339500	44-23	A0G6506500	71-3	A0G6531500	47-11	A0G6615200	27-12	A0G6810500	65-9
A0G6339600	44-24	A0G6506600	71-4	A0G6531600	47-12	A0G6620500	20-6	A0G6810600	65-10
A0G6339812	44-25	A0G6506700	71-5	A0G6531800	45-5	A0G6620500	29-6	A0G6810800	66-11
A0G6344501	39-2	A0G6507512	71-6	A0G6531900	45-6	A0G6620600	19-8	A0G6811101	70-23
A0G6344801	43-4	A0G6508600	67-14	A0G6532300	46-9	A0G6620600	28-8	A0G6811201	70-24
A0G6345111	44-26	A0G6509001	72-4	A0G6532500	47-13	A0G6690300	5-9	A0G6812200	5-10
A0G6345200	44-27	A0G6509101	72-5	A0G6532700	46-10	A0G6700100	56-19	A0G6813200	68-7
A0G6345311	44-28	A0G6509201	72-6	A0G6532800	48-11	A0G6700200	57-13	A0G6813300	68-8
A0G6345411	44-29	A0G6509301	72-7	A0G6532900	46-11	A0G6700300	57-14	A0G6814300	66-12
A0G6345600	44-30	A0G6509500	71-7	A0G6532900	48-12	A0G6710502	80-11	A0G6814400	66-13
A0G6345700	44-31	A0G6509800	71-8	A0G6533000	45-7	A0G6712100	79-18	A0G6815600	69-6
A0G6345800	44-32	A0G6510700	74-4	A0G6533100	45-8	A0G6712200	80-12	A0G6816200	6-4
A0G6346600	43-5	A0G6511312	74-5	A0G6533200	47-14	A0G6713200	79-19	A0G6816400	60-4
A0G6367400	54-5	A0G6511401	73-1	A0G6535000	47-15	A0G6713600	80-13	A0G6816500	60-5
A0G6367500	54-6	A0G6512400	73-2	A0G6535900	46-12	A0G6714100	79-20	A0G6816600	65-11
A0G6367900	54-7	A0G6512800	73-3	A0G6561000	24-15	A0G6714200	80-14	A0G6816701	65-12
A0G6373200	50-6	A0G6513211	74-6	A0G6561000	25-24	A0G6714300	79-21	A0G6816800	70-25

Parts No.	Page No.	Parts No.	Page No.	Parts No.	Page No.	Parts No.	Page No.	Parts No.	Page No.
A0G6818200	62-12	A0G6846800	75-15	A0HT704100	101-17	A0Y5162000	2-9	A108269900	103-11
A0G6818200	67-15	A0G6848500	77-9	A0HT704201	101-16	A0Y5227500	14-22	A108270200	106-3
A0G6818300	61-4	A0G6942500	75-16	A0HT890800	99-12	A0Y5227500	16-7	A108270601	106-1
A0G6818300	62-13	A0G6945400	59-6	A0HT891900	104-11	A0Y5227600	14-23	A108270700	106-16
A0G6818300	63-12	A0G6945700	78-6	A0HU250100	105-14	A0Y5351500	44-33	A108271103	107-10
A0G6818300	67-16	A0G6945800	60-7	A0HU250300	104-26	A0Y5373601	50-3	A108272000	107-12
A0G6818800	62-14	A0G6945900	90-14	A0HU250500	105-15	A0Y5601600	24-23	A108272101	107-15
A0G6818900	68-9	A0G6946000	70-26	A0HU250600	103-13	A0Y5601600	33-23	A108272200	107-17
A0G6819200	68-10	A0G6946100	67-17	A0HU250800	104-3	A0Y5713100	79-22	A108272300	107-11
A0G6819300	68-11	A0G6947300	59-7	A0HU260300	105-11	A0Y5M10400	51-5	A108272700	107-1
A0G6819400	61-5	A0G6950701	35-9	A0HU261000	105-5	A0Y5M15101	4-10	A108272900	106-17
A0G6819500	6-5	A0G6951101	37-24	A0HU261103	105-19	A0Y5M30800	37-16	A108561103	96-31
A0G6819600	6-6	A0G6H06000	10-9	A0HU261200	105-23	A0Y5M55100	80-18	A108561500	98-10
A0G6819700	6-7	A0G6J34000	43-7	A0HU261900	105-16	A0Y5M90101	51-6	A108561800	96-12
A0G6819800	6-8	A0G6M40101	111-6	A0HU300300	105-12	A108100801	95-17	A108563300	96-20
A0G6819900	6-9	A0G6M40400	111-7	A0HU300400	105-20	A108101200	98-6	A108563400	96-16
A0G6830101	59-2	A0G6M50801	49-6	A0HU300500	105-21	A108160002	95-15	A108563900	98-16
A0G6830200	60-6	A0G6M60300	3-6	A0HU300601	105-22	A108160102	95-1	A108564301	96-33
A0G6830301	59-3	A0G6M75501	10-10	A0HUM10000	106-21	A108210100	103-6	A108564500	96-36
A0G6835200	62-15	A0G6N17200	61-6	A0P0167202	1-9	A108213200	100-20	A108700200	103-10
A0G6835300	59-4	A0G6N18400	10-11	A0P0262201	91-7	A108214100	99-28	A108701001	101-9
A0G6836400	59-5	A0G6N19200	65-13	A0P0275500	94-4	A108216200	104-4	A108701200	101-4
A0G6840900	78-4	A0G6N19300	65-14	A0P0M50400	4-9	A108251000	103-12	A108701800	99-19
A0G6841300	76-7	A0G6N19400	65-15	A0P0M73100	10-1	A108260201	107-13	A108702104	101-2
A0G6841401	75-6	A0G6N20500	61-7	A0P0R71000	92-3	A108260501	107-8	A108702201	99-7
A0G6841501	75-7	A0G6N22202	67-18	A0PNM10200	12-6	A108260700	100-7	A108702500	99-8
A0G6842200	75-8	A0G6N22500	42-10	A0PNM10200	13-12	A108260700	106-9	A108703000	101-6
A0G6843800	76-8	A0G6N22600	111-8	A0PNM10200	14-21	A108262502	103-3	A108703100	99-25
A0G6843800	78-5	A0GC210401	13-11	A0PNM10200	15-14	A108262800	104-25	A108703400	101-10
A0G6844101	75-9	A0GY738300	83-8	A0PNM10200	51-4	A108264100	106-20	A108703600	99-18
A0G6844300	75-10	A0HT210700	103-4	A0PNM10200	54-8	A108264700	106-6	A108703700	101-7
A0G6844413	75-11	A0HT560200	96-6	A0PNM10200	77-10	A108264800	106-22	A108703800	101-8
A0G6844500	75-12	A0HT560813	97-1	A0R5M10300	13-13	A108265301	106-12	A108704500	99-5
A0G6844611	75-13	A0HT561202	98-15	A0R5M10300	65-16	A108265700	106-26	A108711100	99-1
A0G6844900	75-14	A0HT562200	97-4	A0TK397501	71-9	A108265800	106-23	A108713300	102-10
A0G6845100	76-9	A0HT562800	98-7	A0U0945401	17-1	A108265901	104-17	A108890200	104-8
A0G6845200	76-10	A0HT563100	96-17	A0U0945501	26-1	A108266300	107-9	A108890601	104-22
A0G6846100	77-8	A0HT563200	96-4	A0U4109000	6-10	A108266701	106-18	A108890800	104-6
A0G6846300	76-11	A0HT700400	103-14	A0U4109000	7-7	A108269200	103-15	A108891300	98-11
A0G6846600	76-12	A0HT700600	99-21	A0Y5162000	1-10	A108269600	107-7	A108940101	97-3

Parts No.	Page No.	Parts No.	Page No.	Parts No.	Page No.	Parts No.	Page No.	Parts No.	Page No.
A108M50000	96-9	A1UDM50100	96-32	A3CK271800	105-7	A3CK705400	101-14	A4EU112000	109-14
A108M50100	97-13	A1UDM50200	91-8	A3CK272001	102-3	A3CK705600	101-13	A4EU118300	7-10
A108M50100	98-2	A2X0265100	92-4	A3CK272100	102-6	A3CK705700	101-20	A4EU136100	109-15
A108M50100	99-9	A2X0281200	94-7	A3CK272301	102-4	A3CK705800	101-18	A4EU138000	108-6
A108M50100	104-9	A2X0M31000	93-1	A3CK272401	102-7	A3CK706600	101-19	A4EU166000	2-10
A108N10600	96-10	A2X0N14100	93-2	A3CK272600	102-2	A3CK710100	99-23	A4EU211300	13-16
A108N10700	97-16	A2X0N14200	94-9	A3CK281300	105-18	A3CK711200	99-11	A4EU218000	13-17
A108N10800	96-29	A2X0N14300	91-9	A3CK281400	105-17	A3CK713301	102-24	A4EU218100	13-18
A108N10900	95-10	A2X0N14400	91-10	A3CK281800	106-14	A3CK713400	102-23	A4EU222000	14-24
A108R70400	96-18	A2X0N14500	93-3	A3CK281900	105-10	A3CK713800	102-19	A4EU230800	16-9
A108R70800	96-19	A2X0R70711	101-3	A3CK282100	106-2	A3CK713900	102-21	A4EU235000	16-10
A161940602	1-11	A2X0R70A00	92-5	A3CK300001	105-9	A3CK714100	102-20	A4EU235200	16-11
A161M10A00	94-5	A2X0R70F00	100-19	A3CK300102	105-4	A3CK714900	102-17	A4EU238100	16-12
A161M50A00	94-6	A2X0R70G00	101-21	A3CK300102	106-11	A3CK714900	104-20	A4EU238200	16-13
A161M50A00	94-10	A2X0R70H11	102-18	A3CK300200	105-8	A3CK715000	99-17	A4EU239000	11-13
A1DUPJG100	114-14	A2X0R70K00	103-8	A3CK300200	106-7	A3CK892100	96-24	A4EU239100	11-14
A1DUR70W00	53-8	A2X0R70M00	104-27	A3CK300400	105-13	A3CK892201	96-35	A4EU239200	11-15
A1DUR70W00	53-8	A2X0R71611	96-34	A3CK300500	105-3	A3CK892500	104-14	A4EU252000	12-8
A1RF115301	110-2	A2X0R71800	95-3	A3CK560200	96-37	A3CK940000	107-6	A4EU265000	23-13
A1RF127600	51-7	A2X0R71900	100-4	A3CK560400	96-5	A3CK940100	96-1	A4EU265000	32-13
A1RF403400	51-8	A2X0R71A00	99-24	A3CK560500	96-2	A3CK940200	97-2	A4EU265000	67-19
A1RF441500	1-12	A2Y1718500	13-15	A3CK560700	96-23	A3CKH00102	95-2	A4EU346800	41-3
A1RF529100	73-14	A3CK100900	104-28	A3CK565100	98-18	A3CKH00200	105-2	A4EU362200	54-9
A1RF529100	74-12	A3CK130100	100-2	A3CK568200	98-17	A3CKM10200	103-1	A4EU375100	50-3
A1RF529300	82-5	A3CK160300	95-16	A3CK568300	98-12	A3CKM10300	104-1	A4EU375200	50-3
A1RF710900	13-14	A3CK160400	95-14	A3CK568601	98-19	A3CKM10400	104-18	A4EU377000	50-11
A1RFM15100	108-5	A3CK210700	100-8	A3CK568701	98-14	A3CKM20000	100-12	A4EU377100	50-12
A1RFM51000	90-15	A3CK210700	103-7	A3CK568800	98-13	A3CKN10000	95-8	A4EU377200	50-13
A1RFN28300	10-12	A3CK211900	100-13	A3CK568900	97-10	A3CKN10101	104-21	A4EU378200	50-7
A1RG101600	6-11	A3CK212100	100-10	A3CK569000	97-5	A3CKN10200	105-1	A4EU380300	50-10
A1RG101600	7-8	A3CK212700	100-11	A3CK569200	97-25	A3CKN10300	95-18	A4EU390800	35-8
A1TT211400	68-12	A3CK213400	100-16	A3CK569300	97-27	A3CKN10400	96-14	A4EU392600	35-5
A1TT214301	16-8	A3CK213500	100-18	A3CK700200	103-2	A3CKN10500	104-24	A4EU394600	35-3
A1TVM10100	12-7	A3CK213600	100-15	A3CK700600	95-4	A3CKN10600	104-15	A4EU394700	35-7
A1TVM10100	64-7	A3CK213900	100-14	A3CK701300	99-4	A3CKN10700	99-13	A4EU401900	43-6
A1TVM10311	52-4	A3CK260100	106-8	A3CK701900	99-22	A3CKN10800	104-19	A4EU463000	36-7
A1UDM50100	18-13	A3CK262100	106-13	A3CK702400	99-2	A3CKN10A12	104-23	A4EU464200	36-8
A1UDM50100	21-19	A3CK264500	107-5	A3CK702500	99-3	A4EU105100	6-12	A4EU465000	37-17
A1UDM50100	27-13	A3CK270001	106-5	A3CK705200	99-26	A4EU105100	7-9	A4EU500400	82-6
A1UDM50100	30-19	A3CK270100	106-4	A3CK705301	101-15	A4EU107000	4-11	A4EU500600	81-4

Parts No.	Page No.	Parts No.	Page No.	Parts No.	Page No.	Parts No.	Page No.	Parts No.	Page No.
A4EU505100	71-10	A4EU732300	84-12	A4EU848600	77-12	A4EUR70B00	82-7	A4EUR72J11	24-25
A4EU510600	74-13	A4EU732602	84-13	A4EU848800	77-13	A4EUR70C00	81-5	A4EUR72J11	33-25
A4EU512100	73-15	A4EU742800	85-7	A4EU848900	77-14	A4EUR70D44	73-16	A4EUR72K11	24-26
A4EU536100	47-16	A4EU747700	85-8	A4EU849300	78-8	A4EUR70F00	46-13	A4EUR72K11	33-26
A4EU536200	47-17	A4EU755600	90-16	A4EU992600	37-18	A4EUR70G00	47-18	A4EUR72M11	22-8
A4EU537900	45-9	A4EU810300	63-13	A4EUF33301	41-1	A4EUR70H00	47-19	A4EUR72M11	31-8
A4EU538200	45-10	A4EU810400	63-14	A4EUF33900	42-6	A4EUR70J00	45-14	A4EUR72N11	21-20
A4EU538300	45-11	A4EU810701	66-14	A4EUF60701	22-9	A4EUR70K00	47-22	A4EUR72N11	30-20
A4EU538400	45-12	A4EU810900	69-7	A4EUF60701	31-9	A4EUR70N00	56-22	A4EUR72Q11	17-22
A4EU538700	45-13	A4EU811000	65-17	A4EUH08001	69-10	A4EUR70T00	84-14	A4EUR72Q11	26-22
A4EU560000	4-12	A4EU811300	69-8	A4EUM10100	16-16	A4EUR70U00	87-15	A4EUR72R11	20-7
A4EU560200	4-13	A4EU812200	64-8	A4EUM60000	3-7	A4EUR71100	46-14	A4EUR72R11	29-7
A4EU565600	25-25	A4EU812500	64-9	A4EUM91300	1-14	A4EUR71200	46-15	A4EUR72S11	19-9
A4EU565600	34-25	A4EU813400	64-10	A4EUM92100	1-15	A4EUR71300	48-14	A4EUR72S11	28-9
A4EU603100	17-9	A4EU813801	64-11	A4EUN12301	3-8	A4EUR71411	24-27	A4EUR72T11	21-21
A4EU603100	26-9	A4EU814800	63-15	A4EUN12400	13-20	A4EUR71411	25-26	A4EUR72T11	30-21
A4EU603200	17-8	A4EU815100	69-9	A4EUN14304	37-20	A4EUR71411	33-27	A4EUR72U11	18-14
A4EU603200	26-8	A4EU817100	67-20	A4EUN14800	43-10	A4EUR71411	34-26	A4EUR72U11	27-14
A4EU603300	17-12	A4EU817200	67-21	A4EUN16400	72-8	A4EUR71511	25-27	A4EUR72V11	18-15
A4EU603300	26-12	A4EU817400	67-22	A4EUN16900	62-20	A4EUR71511	34-27	A4EUR72V11	27-15
A4EU603400	17-2	A4EU817500	68-13	A4EUN18800	64-12	A4EUR71600	57-16	A4EUR72W11	19-10
A4EU603400	26-2	A4EU817600	67-23	A4EUN19700	62-21	A4EUR71700	4-14	A4EUR72W11	28-10
A4EU603500	17-5	A4EU817700	62-16	A4EUN20100	67-29	A4EUR71900	5-11	A4EUR72X11	19-11
A4EU603500	26-5	A4EU817700	68-14	A4EUN20800	63-19	A4EUR71A11	5-12	A4EUR72X11	28-11
A4EU606100	17-7	A4EU817800	70-27	A4EUN20900	78-11	A4EUR71B00	5-13	A4EUR73000	57-15
A4EU606100	26-7	A4EU817900	66-15	A4EUN21000	75-17	A4EUR71F00	54-11	A4EUR73200	90-17
A4EU620200	23-14	A4EU818000	63-16	A4EUN21600	70-32	A4EUR71J00	52-7	A4EUR73600	87-14
A4EU620200	32-14	A4EU818000	65-18	A4EUN21700	69-11	A4EUR71N00	7-11	A4EUR73A00	71-11
A4EU701200	56-20	A4EU818000	70-28	A4EUN21700	69-11	A4EUR71S00	14-25	A4EUR73C00	71-13
A4EU701300	56-21	A4EU818000	79-25	A4EUN25200	57-17	A4EUR71T11	16-14	A4EUR73D00	73-17
A4EU710100	79-23	A4EU822100	67-24	A4EUN25300	46-18	A4EUR71U00	16-15	A4EUR73E00	73-19
A4EU710400	80-19	A4EU823100	55-14	A4EUN25500	46-19	A4EUR71Y00	15-15	A4EUR73F00	73-20
A4EU710800	79-24	A4EU823100	63-17	A4EUPP0000	114-19	A4EUR71Y00	15-15	A4EUR73G00	74-14
A4EU715400	80-20	A4EU824100	67-25	A4EUR70000	73-18	A4EUR72000	12-9	A4EUR73G00	74-14
A4EU715500	55-13	A4EU835600	62-17	A4EUR70100	67-28	A4EUR72800	81-6	A4EUR73H00	74-15
A4EU715500	76-13	A4EU835700	70-29	A4EUR70200	43-8	A4EUR72900	81-7	A4EUR73J00	74-16
A4EU715500	78-7	A4EU840700	76-14	A4EUR70411	35-1	A4EUR72A00	111-10	A4EUR73K00	74-17
A4EU715500	83-9	A4EU846100	77-11	A4EUR70500	52-5	A4EUR72B00	109-16	A4EUR73M00	74-18
A4EU727900	87-13	A4EU847000	76-15	A4EUR70600	52-6	A4EUR72C00	11-16	A4EUR73Q00	61-8
A4EU731500	84-11	A4EU847200	76-16	A4EUR70800	36-9	A4EUR72H11	24-24	A4EUR73Q00	63-18
				A4EUR70900	36-10	A4EUR72H11	33-24	A4EUR73Q00	67-27

Parts No.	Page No.	Parts No.	Page No.	Parts No.	Page No.	Parts No.	Page No.	Parts No.	Page No.
A4EUR73R11	67-26	A4EW733100	84-17	A5C1M50100	107-4	A799164700	1-28	A799197100	9-7
A4EUR73V00	66-16	A4EWM60401	109-22	A799110200	111-11	A799164800	2-17	A799215101	14-26
A4EUR73W00	62-19	A4EWN16300	80-24	A799110500	4-15	A799164901	1-29	A799217100	13-21
A4EUR73X00	62-18	A4EWN16800	65-20	A799112200	4-16	A799165100	22-11	A799217200	13-22
A4EUR74100	70-30	A4EWR70100	109-17	A799112300	115-2	A799165100	31-11	A799217400	13-23
A4EUR74300	65-19	A4EWR70200	109-17	A799113700	111-12	A799165300	22-12	A799217700	13-24
A4EUR74400	70-31	A4EWR70300	109-17	A799117800	5-7	A799165300	31-12	A799258300	54-12
A4EUR74500	80-22	A4EWR70900	87-16	A799130300	110-3	A799165400	22-13	A799300900	38-1
A4EUR74600	80-23	A4EWR70C00	109-17	A799130700	110-4	A799165400	31-13	A799301001	38-2
A4EUR74700	79-26	A4EWR70D00	109-17	A799131300	110-5	A799165600	1-30	A799301100	38-3
A4EUR74800	80-21	A4EWR70E00	87-17	A799132100	110-6	A799165700	1-31	A799301200	38-4
A4EUR74900	78-9	A4EWR70H00	109-17	A799132600	110-7	A799165801	1-32	A799330000	14-27
A4EUR74A00	78-10	A4EWR70J00	109-17	A799132700	110-8	A799166100	2-18	A799330900	39-4
A4EUR74B11	77-15	A4F3905000	17-6	A799133601	108-9	A799166200	8-6	A799332100	40-7
A4EUR74E00	1-13	A4F3905000	26-6	A799135600	109-23	A799166500	2-19	A799333800	39-5
A4EUR74J00	9-3	A50U133500	108-7	A799160101	1-17	A799166800	1-33	A799341600	41-2
A4EUR74K00	13-19	A50U133600	108-8	A799160202	2-11	A799167000	1-34	A799341700	43-11
A4EUR75C00	42-5	A50UM50400	88-8	A799160300	3-10	A799167300	1-35	A799345000	40-9
A4EUR75E00	43-9	A50UM55500	3-9	A799160400	3-11	A799167700	115-3	A799351000	53-9
A4EUR75F00	49-7	A50UM55500	21-22	A799160501	1-18	A799168000	8-7	A799361200	54-13
A4EUR75H00	49-8	A50UM55500	22-10	A799160600	1-19	A799168300	1-36	A799362900	54-14
A4EUR75J00	37-19	A50UM55500	30-22	A799160800	1-20	A799168400	1-37	A799363000	54-15
A4EUR75K00	39-9	A50UM55500	31-10	A799160900	1-21	A799168500	2-20	A799365400	53-10
A4EUR75M00	47-20	A50UM55500	37-21	A799161000	2-12	A799169400	2-21	A799403300	52-8
A4EUR75N00	47-21	A50UM55500	45-15	A799161101	1-22	A799169600	116-7	A799404000	52-9
A4EUR75P00	46-16	A50UM55500	61-9	A799161201	2-13	A799169701	1-39	A799404100	52-10
A4EUR75Q00	47-23	A50UM55500	72-9	A799161300	1-23	A799169801	1-40	A799404800	51-9
A4EUR75R00	46-17	A55D941100	1-16	A799161401	8-4	A799169901	1-41	A799407400	51-10
A4EUR75S00	48-13	A55V100300	95-5	A799161501	8-5	A799190100	10-13	A799407800	51-11
A4EUR75U11	39-1	A55V100400	95-9	A799161700	1-24	A799190200	10-14	A799409400	1-42
A4EUR76F00	83-10	A5AW745200	86-5	A799161800	2-14	A799190301	10-15	A799409500	1-43
A4EUR76G11	54-10	A5AWM60200	8-3	A799162600	1-25	A799190500	9-4	A799409600	52-11
A4EUR76P00	44-34	A5AWP00100	114-15	A799163200	1-26	A799190600	8-8	A799409900	52-12
A4EUR77300	71-12	A5AWP00100	114-16	A799163501	2-15	A799190700	8-9	A799463500	37-23
A4EUR90000	111-9	A5C1M50100	91-11	A799163600	3-12	A799190801	8-10	A799503400	82-8
A4EW570800	24-28	A5C1M50100	96-8	A799163800	3-13	A799190801	9-5	A799602000	22-14
A4EW570800	33-28	A5C1M50100	100-9	A799163900	3-14	A799190900	9-6	A799602000	31-14
A4EW570900	24-16	A5C1M50100	102-15	A799164000	58-11	A799191000	116-6	A799622100	25-28
A4EW570900	33-16	A5C1M50100	104-7	A799164400	1-27	A799194101	10-16	A799622100	34-28
A4EW732000	88-7	A5C1M50100	106-24	A799164501	2-16	A799196000	10-20	A799623400	25-29

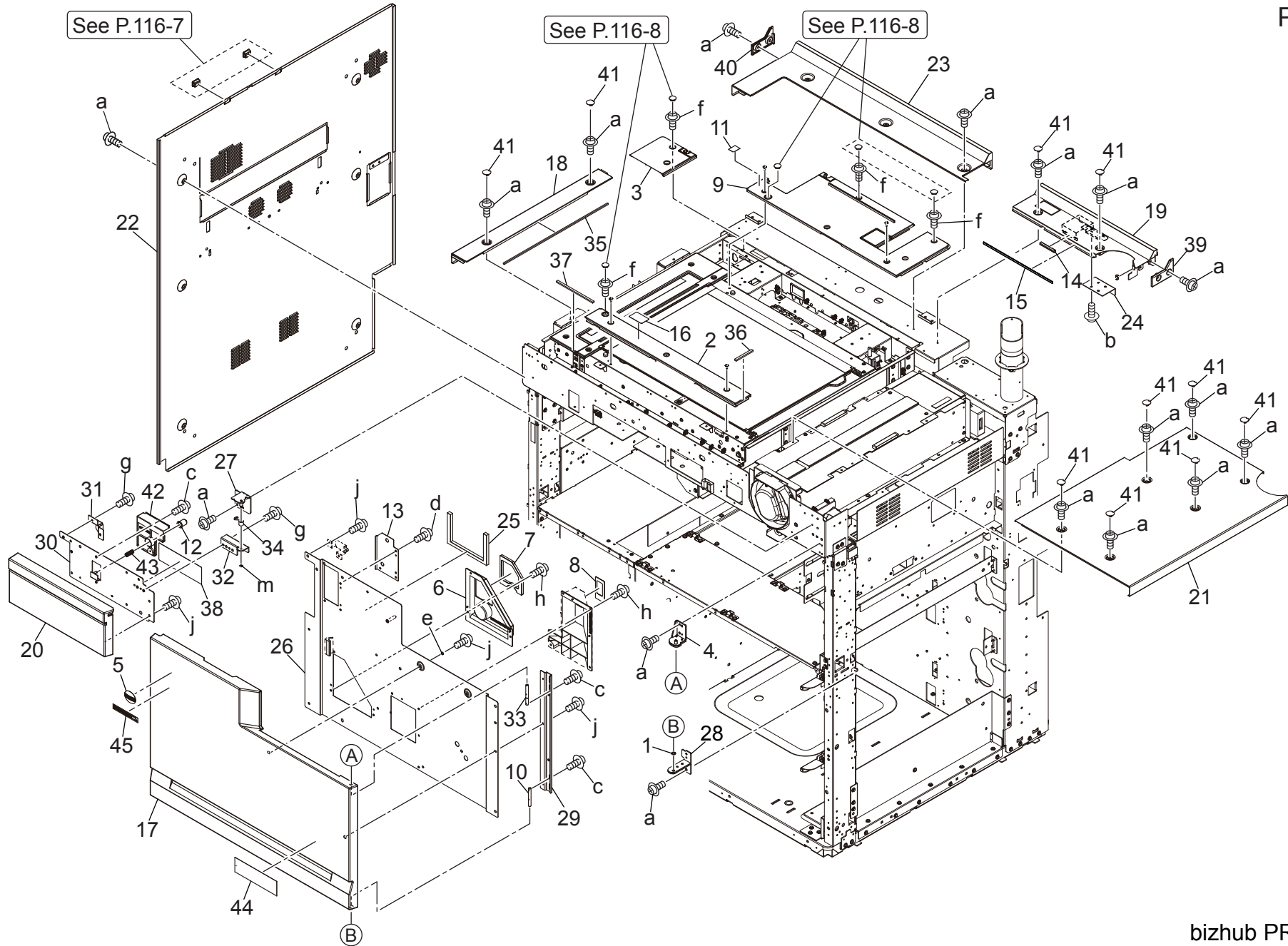
Parts No.	Page No.
A799623400	34-29
A799707400	58-12
A799725200	89-1
A799725400	89-2
A799726500	88-9
A799730400	86-6
A799731900	85-9
A799732500	84-15
A799736300	89-3
A799738600	88-10
A799738900	88-11
A799741500	89-4
A799741600	85-10
A799742100	88-12
A799743600	85-11
A799745300	89-5
A799747900	115-6
A799748600	87-18
A799778600	85-12
A799814600	64-13
A799815200	67-30
A799840600	76-17
A799846400	77-16
A799944100	1-44
A799944200	1-45
A799944502	116-3
A799947600	3-15
A799947900	1-38
A799H01101	108-10
A799H01A00	94-8
A799H02001	108-11
A799H04001	10-17
A799H05001	108-12
A799H07001	61-10
A799H31001	38-8
A799H51003	108-13
A799M33000	86-7
A799M33100	86-8
A799M40200	65-21
A799M45100	110-9

Parts No.	Page No.
A799M45200	110-10
A799M45300	109-24
A799M72000	108-15
A799M75400	10-18
A799M90200	51-14
A799N10101	109-25
A799N10202	110-11
A799N10300	110-12
A799N10400	109-26
A799N10500	3-16
A799N10600	88-13
A799N10700	109-27
A799N10800	88-14
A799N10900	88-15
A799N11001	112-1
A799N11100	5-14
A799N11200	109-21
A799N11301	109-20
A799N11500	112-2
A799N11700	12-10
A799N11800	8-11
A799N11900	109-19
A799N12000	109-2
A799N12100	6-13
A799N12600	113-1
A799N12800	113-2
A799N12900	51-15
A799N13100	5-15
A799N13300	22-15
A799N13300	31-15
A799N13400	23-15
A799N13400	32-15
A799N14100	42-9
A799N14200	43-12
A799N14400	43-13
A799N14500	53-13
A799N14700	52-14
A799N14901	52-15
A799N15000	4-17
A799N15100	38-9

Parts No.	Page No.
A799N15200	38-10
A799N16000	63-20
A799N16100	66-17
A799N18101	10-19
A799N18200	9-8
A799N18300	9-9
A799N18600	15-18
A799N20000	12-11
A799N20700	78-12
A799N21500	62-22
A799N22100	4-18
A799N25100	16-1
A799N25600	110-13
A799N29800	108-16
A799N29900	108-17
A799R70000	81-8
A799R70200	84-16
A799R70300	45-16
A799R70400	115-4
A799R70500	8-12
A799R70600	8-12
A799R70700	8-12
A799R70800	13-25
A799R70900	14-28
A799R70A00	11-17
A799R70B00	15-16
A799R70C00	15-17
A799R70D00	38-6
A799R70E11	39-7
A799R70F11	42-7
A799R70G00	53-11
A799R70H00	54-16
A799R70J00	53-12
A799R70K00	52-13
A799R70M00	51-12
A799R70N00	51-13
A799R70P00	51-13
A799R70Q00	51-13
A799R70R11	36-1
A799R70S11	25-30

Parts No.	Page No.
A799R70S11	34-30
A799R70T00	55-15
A799R70U00	79-27
A799R70V00	85-13
A799R70W00	68-15
A799R71000	75-18
A799R71100	42-8
A799R71200	2-22
A799R71300	2-23
A799R71400	2-24
A799R71700	38-7
A799R71D00	38-5
A799R71E00	1-4
A799R71F00	49-9
A799R71G00	93-4
A799R71H00	115-5
A799R71J00	8-12
A799R71K00	8-12
A799R71M00	8-12
A7W7163700	2-6
SP00-0022	88-1
SP00-0043	87-1
V121030803	116-4
V127030604	116-5
V502010007	69-12
V502010021	61-11
V502010029	108-20
V502010032	14-29
V502010032	108-19
V502010032	111-13
V502010033	108-18
V502010033	109-18
V502010033	111-14

EXTERNAL PARTS

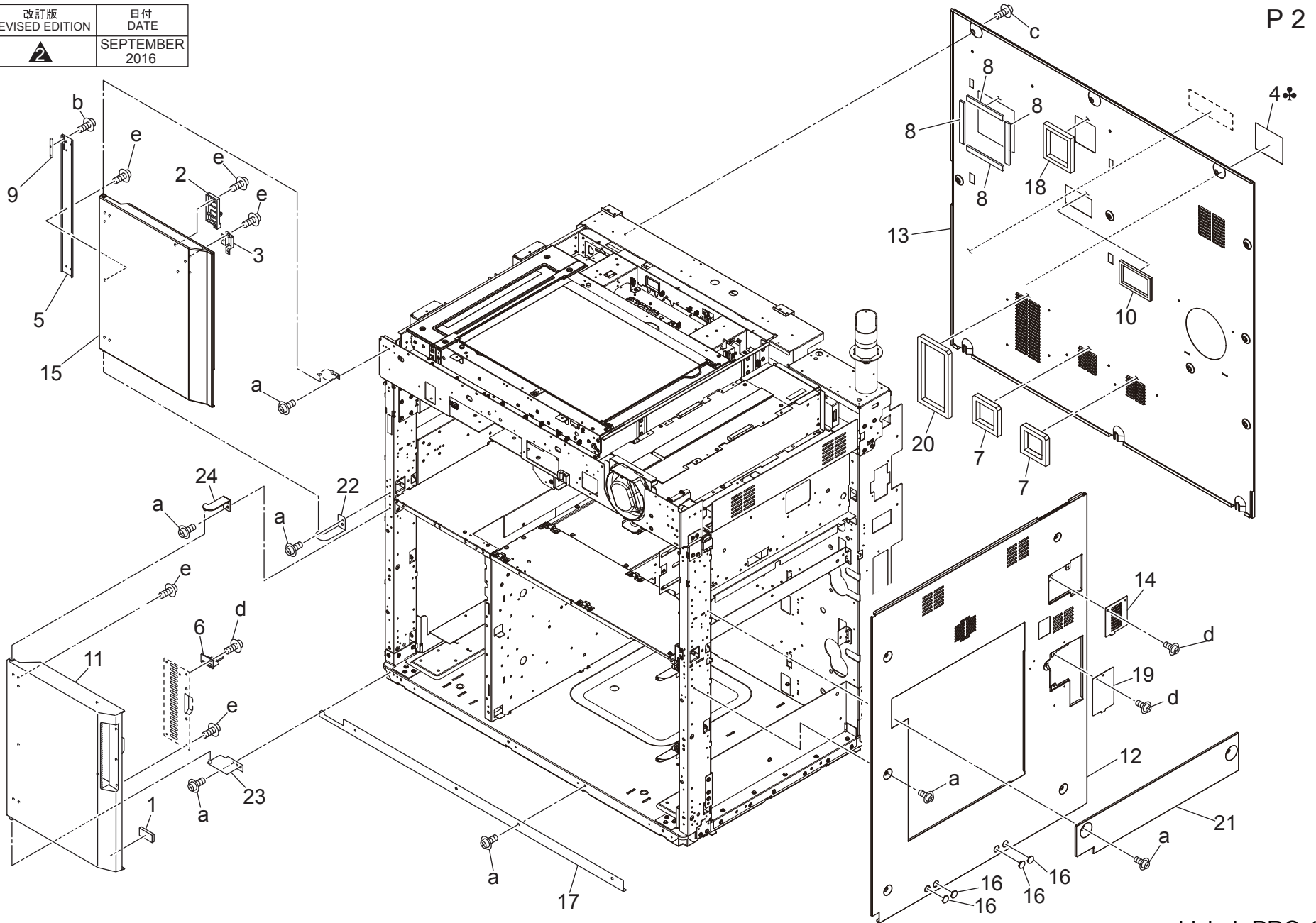


EXTERNAL PARTS

Key	Part No.	Description	Destinations	Class	QTY	Standard parts
1	57AA30260	Developing Agitating Spacer		C	1	a-V114040604
2	A00J167104	Read Cover /Upper		C	1	b-V118030403
3	A00J167812	Read Cover /Upper		C	1	c-V118030604
4	A799R71E00	Support Hinge /1 Assy		D	1	d-V121030404
5	A03U168500	Indicating Plate		C	1	e-V209030003
6	A0G6162000	Duct /Left Front		D	1	f-V121030804
7	A0G6162100	Sealing Cushion /Left		C	1	g-V121040604
8	A0G6162200	Sealing Cushion /Right		C	1	h-V127030604
9	A0P0167202	Read Cover /Upper		D	1	j-V151030804
10	A0Y5162000	Support Shaft		D	1	m-V217030001
11	A161940602	Label		D	1	
12	A1RF441500	Pressing Part /Front		D	1	
13	A4EUR74E00	Ground Plate Caulking		D	1	
14	A4EUM91300	Gasket		D	1	
15	A4EUM92100	Gasket		D	1	
16	A55D941100	Caution Label		D	1	
17	A799160101	Door /Right		D	1	
18	A799160501	Read Cover /Left		D	1	
19	A799160600	Cover /Rear		D	1	
20	A799160800	Cover Door		D	1	
21	A799160900	Read Cover /Right		D	1	
22	A799161101	Cover /Left		D	1	
23	A799161300	Read Cover /Rear		D	1	
24	A799161700	Cover		D	1	
25	A799162600	Sealing Part /Upper		D	1	
26	A799163200	Reinforce Door /Right		D	1	
27	A799164400	Support Hinge /Upper		D	1	
28	A799164700	Support Hinge /Lower		D	1	
29	A799164901	Mounting Hinge /2		D	1	
30	A799165600	Reinforce Plate		D	1	
31	A799165700	Stopper Plate		D	1	
32	A799165801	Cover Arm		D	1	
33	A799166800	Rotation Shaft		D	1	
34	A799167000	Toner supply Open/close Spring /A		C	1	
35	A799167300	Holding Cushion		D	1	
36	A799168300	Auxiliary Seal /1		D	1	
37	A799168400	Auxiliary Seal /2		D	1	
38	A799947900	Operation Label /F		D	1	
39	A799169701	Protection Cover /Right		D	1	
40	A799169801	Protection Cover /Left		D	1	
41	A799169901	Cover		D	10	
42	A799409400	Pressing Part /Rear		D	1	
43	A799409500	Lock Spring		C	1	
44	A799944100	Label /H (PRO 1100)		D	1	
45	A799944200	Label /K KONICA MINOLTA		D	1	

EXTERNAL PARTS

改訂版 REVISED EDITION	日付 DATE
	SEPTEMBER 2016



bizhub PRO 1100

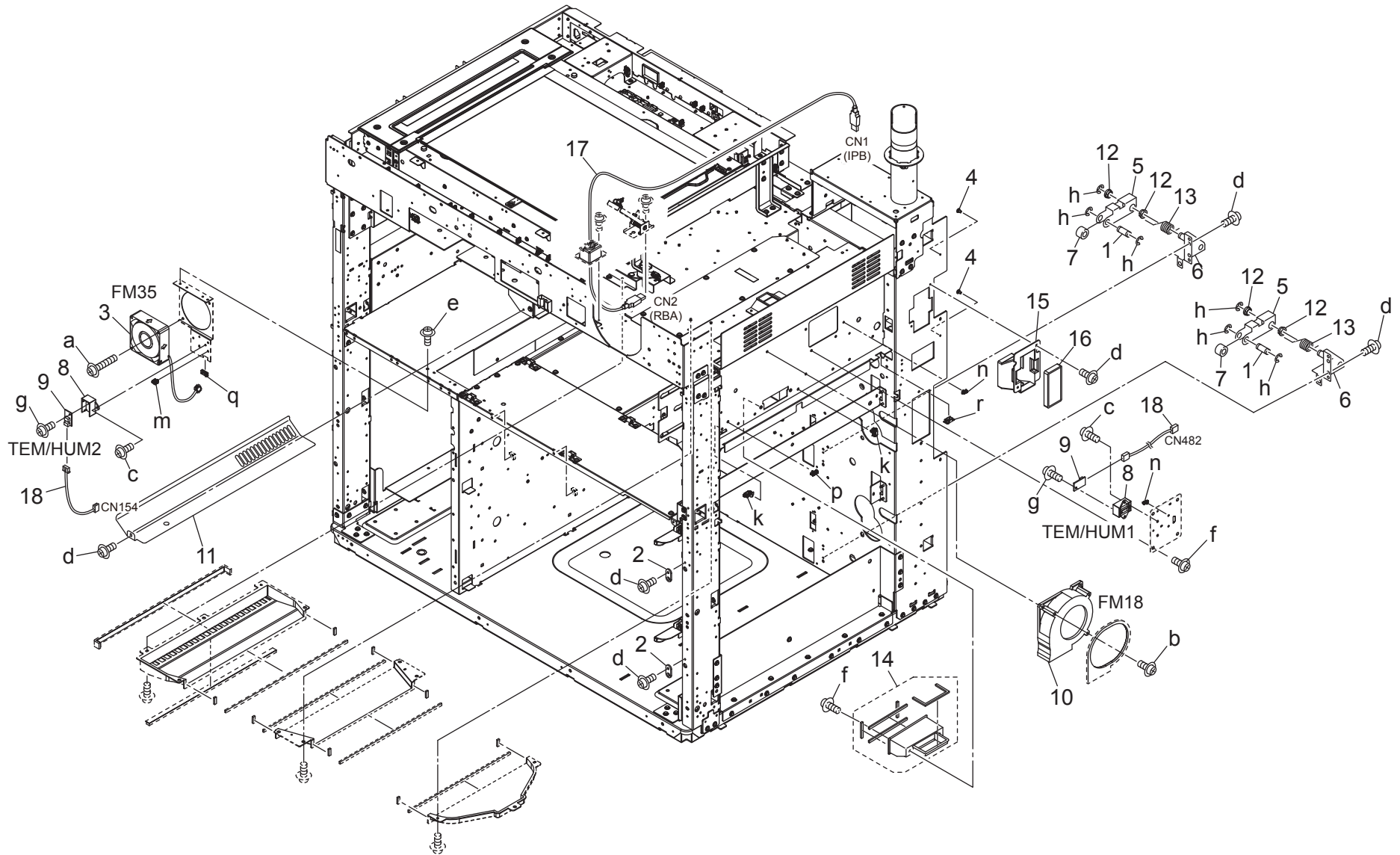
EXTERNAL PARTS

Key	Part No.	Description	Destinations	Class	QTY	Standard parts
1	55VA12460	Front Door Stopper Rubber		D	1	a-V114040604 b-V118030604 c-V121040604 d-V127030604 e-V151030804
2	56AA12400	EXTERNAL LOCKING COVER B		C	1	
3	56UA12240	Magnet Stopper Plate		D	1	
4	56UA97321G	Caution Label /A		D	1	
5	A0G6163100	Reinforce Plate /Left	C,I(SOUTH AFRICA)	D	1	
6	A7W7163700	Open/close Actuator		C	1	
7	A0G6168500	Seal /6		C	2	
8	A0G6168700	Seal /12		C	4	
9	A0Y5162000	Support Shaft		D	1	
10	A4EU166000	Heat blocking Seal /1		D	1	
11	A799160202	Collection Door		D	1	
12	A799161000	Cover /Right		D	1	
13	A799161201	Cover /Rear		D	1	
14	A799161800	Protection Plate		D	1	
15	A799163501	Door /Left		D	1	
16	A799164501	Auxiliary Cover /2		D	4	
17	A799164800	Cover /Lower		D	1	
18	A799166100	Heat blocking Seal /2		D	1	
19	A799166500	Protection Cover		D	1	
20	A799168500	Seal /6		D	1	
21	A799169400	Paper feed Cover /Right		D	1	
22	A799R71200	Support Hinge /3 Caulking		D	1	
23	A799R71300	Support Hinge /4 Caulking		D	1	
24	A799R71400	Support Hinge /5 Caulking		D	1	

EXTERNAL PARTS

Key	Part No.	Description	Destinations	Class	QTY	Standard parts
1	4470402401	Stopper		D	2	a-V114040604 b-V116030803 c-V118030603 d-V121040403 e-V217030001 g-V500010082 k-V570010028 n-V121040603
2	55VA70110D	Door Detection Shaft		D	3	
3	56UA12370	Door Detection Actuator		D	2	
4	56UA85010	Switch		C	1	
5	A0G6411200	Magnet /X		D	3	
6	A0G6M60300	Interlock Switch		C	2	
7	A4EUM60000	Power source Switch		C	1	
8	A4EUN12301	Interlock Detection harness		D	1	
9	A50UM55500	Photo Sensor		I	2	
10	A799160300	Auxiliary Cover		D	1	
11	A799160400	Cover /Front		D	1	
12	A799163600	Cover /2		D	1	
13	A799163800	Cover /Left		D	1	
14	A799163900	Cover /Right		D	1	
15	A799947600	Toner supply Label		D	1	
16	A799N10500	AC Wiring /4		D	1	

MAIN FRAME

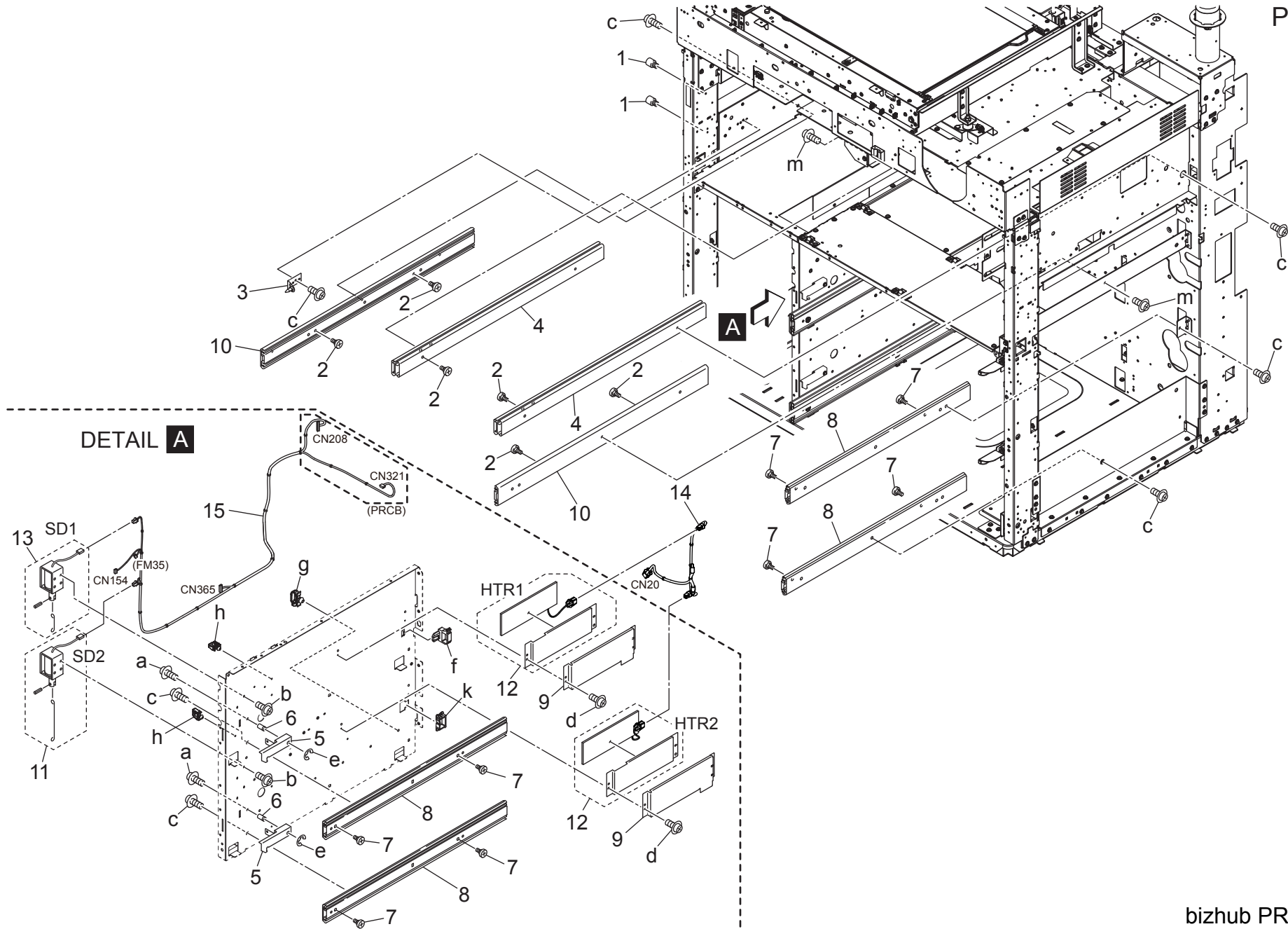


MAIN FRAME

Key	Part No.	Description	Destinations	Class	QTY	Standard parts
1	048610110	Lock Shaft /A		D	2	a-V118043003
2	173030270	Pin Holder A		C	2	b-V118040803
3	4139M10000	Fan motor		B	1	c-V121030603
4	56UA12700	Fixing Screw		C	2	d-V121040603
5	56UA15540	Lock Plate		D	2	e-V127030604
6	56UA-1930	Paper Feed Lock Panel Assy		D	2	f-V127040603
7	56UA75020	TRAY LOCK BUSHING		C	2	g-V149030803
8	65AA11300	SUPPORT PART		D	2	h-V217060001
9	A0P0M50400	Humidity sensor		C	2	k-V500010081
10	A0Y5M15101	Suction Fan motor		C	1	m-V500020098
11	A4EU107000	Suction Cover		D	1	n-V500020099
12	A4EU560000	Drive Bushing		C	4	p-V500020100
13	A4EU560200	Lock Spring		D	2	q-V570010046
14	A4EUR71700	Cooling Duct Assy		D	1	r-V570010063
15	A799110500	Suction Duct /1		D	1	
16	A799112200	Ozone Filter /2		B	1	
17	A799N15000	Relay harness /L		D	1	
18	A799N22100	Temperature Detection harness		D	2	

MAIN FRAME

P 5

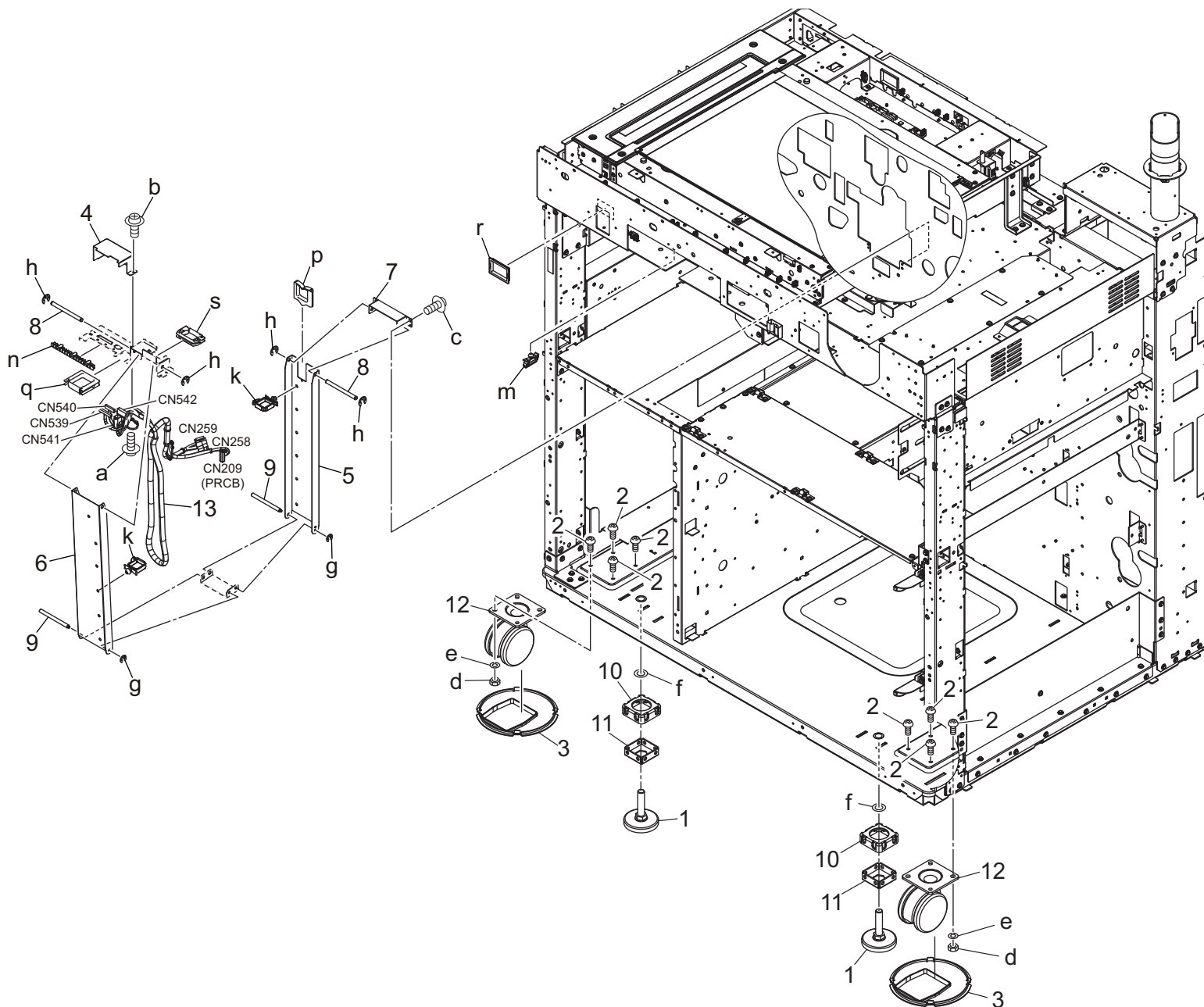


bizhub PRO 1100

Key	Part No.	Description	Destinations	Class	QTY	Standard parts
1	392010231	STOPPER PIN		C	2	a-V116030603 b-V121030403 c-V121040603 d-V127030604 e-V217040001 f-V500010021 g-V500010081 h-V500020098 k-V570010063 m-V121040503
2	55VA20310	POSITIONING SCREW		C	6	
3	56UAR70500	ADU POSITIONING PLATE LEFT		D	1	
4	56UA20160	CARRIAGE RAIL RIGHT		D	2	
5	56UA40320	TRAY LOCK PLATE		D	2	
6	56UA40330	Support Shaft /L		D	2	
7	A799117800	Positioning Screw		D	8	
8	56UA40450E	Tray Slide Rail		D	4	
9	A0G6690300	Heater Cover		D	2	
10	A0G6812200	Slide Rail /A		C	2	
11	A4EUR71900	Tray Connecting Solenoid		C	1	
12	A4EUR71A11	Heater Mounting Plate Assy		D	2	
13	A4EUR71B00	Tray Connecting Solenoid/2 Assy		C	1	
14	A799N11100	Heater Relay Harness		D	1	
15	A799N13100	Toner Relay harness /1		D	1	

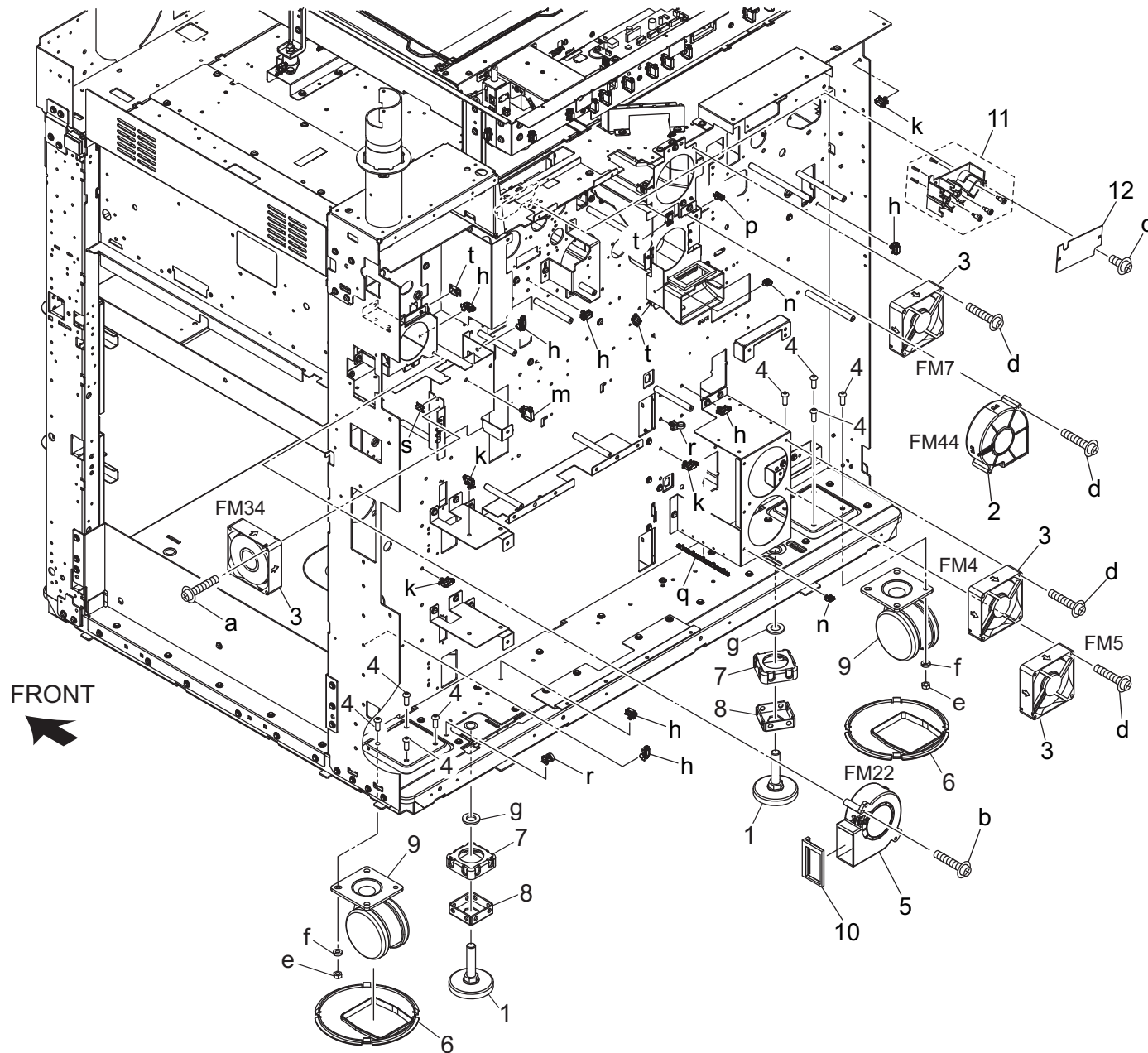
MAIN FRAME

P 6

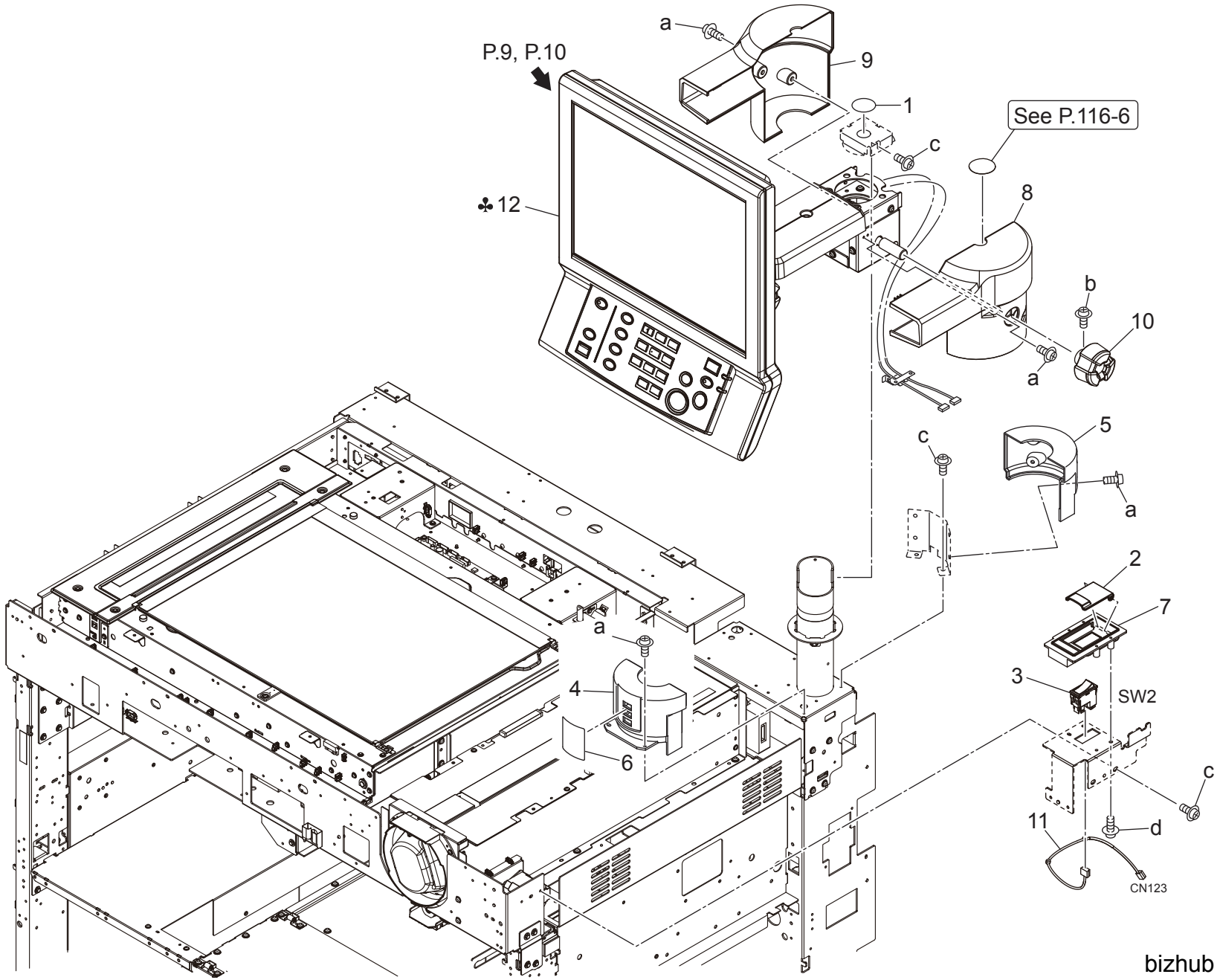


MAIN FRAME

P 7

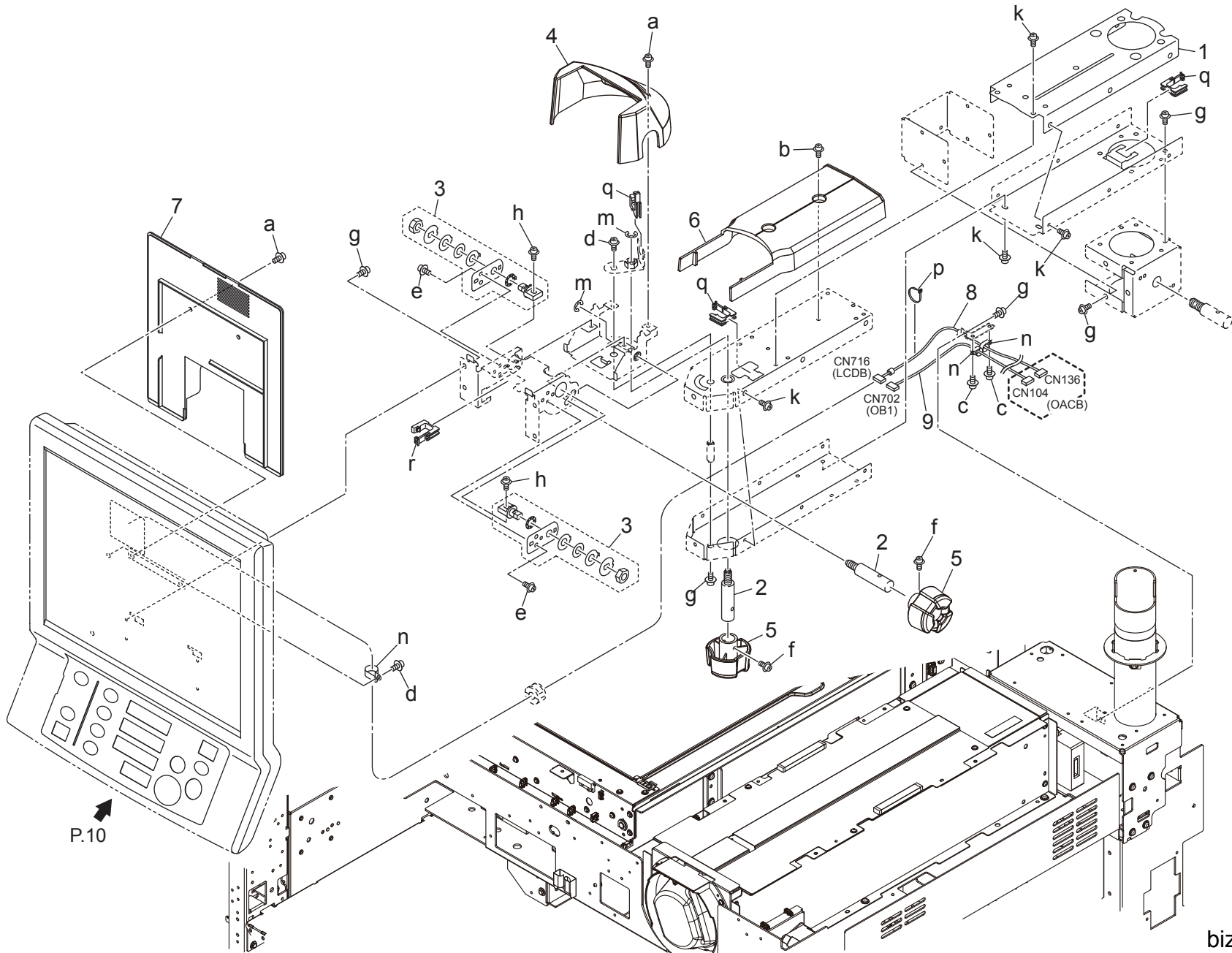


OPERATION PANEL SECTION



OPERATION PANEL SECTION

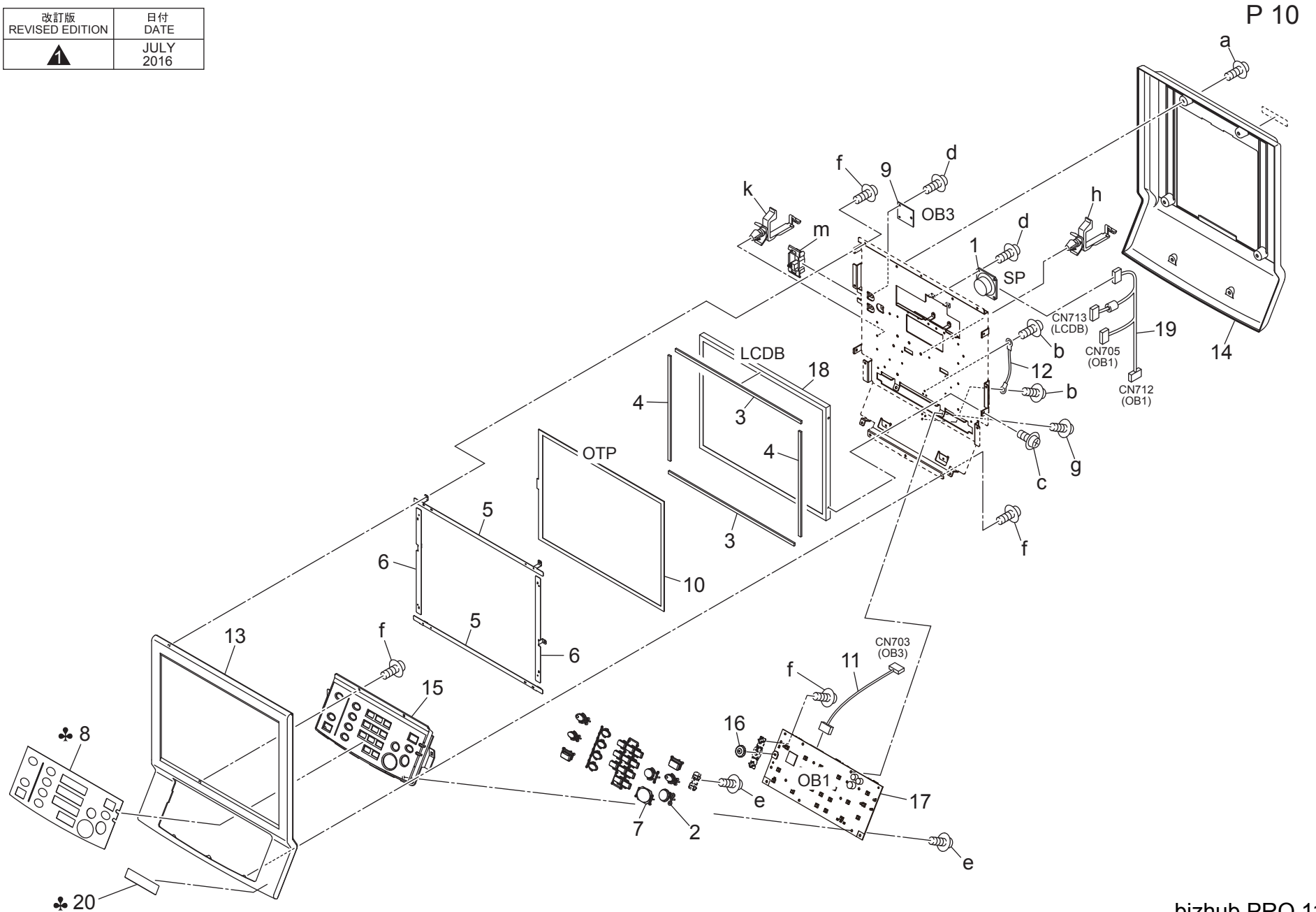
P 9



bizhub PRO 1100

OPERATION PANEL SECTION

改訂版 REVISED EDITION	日付 DATE
	JULY 2016

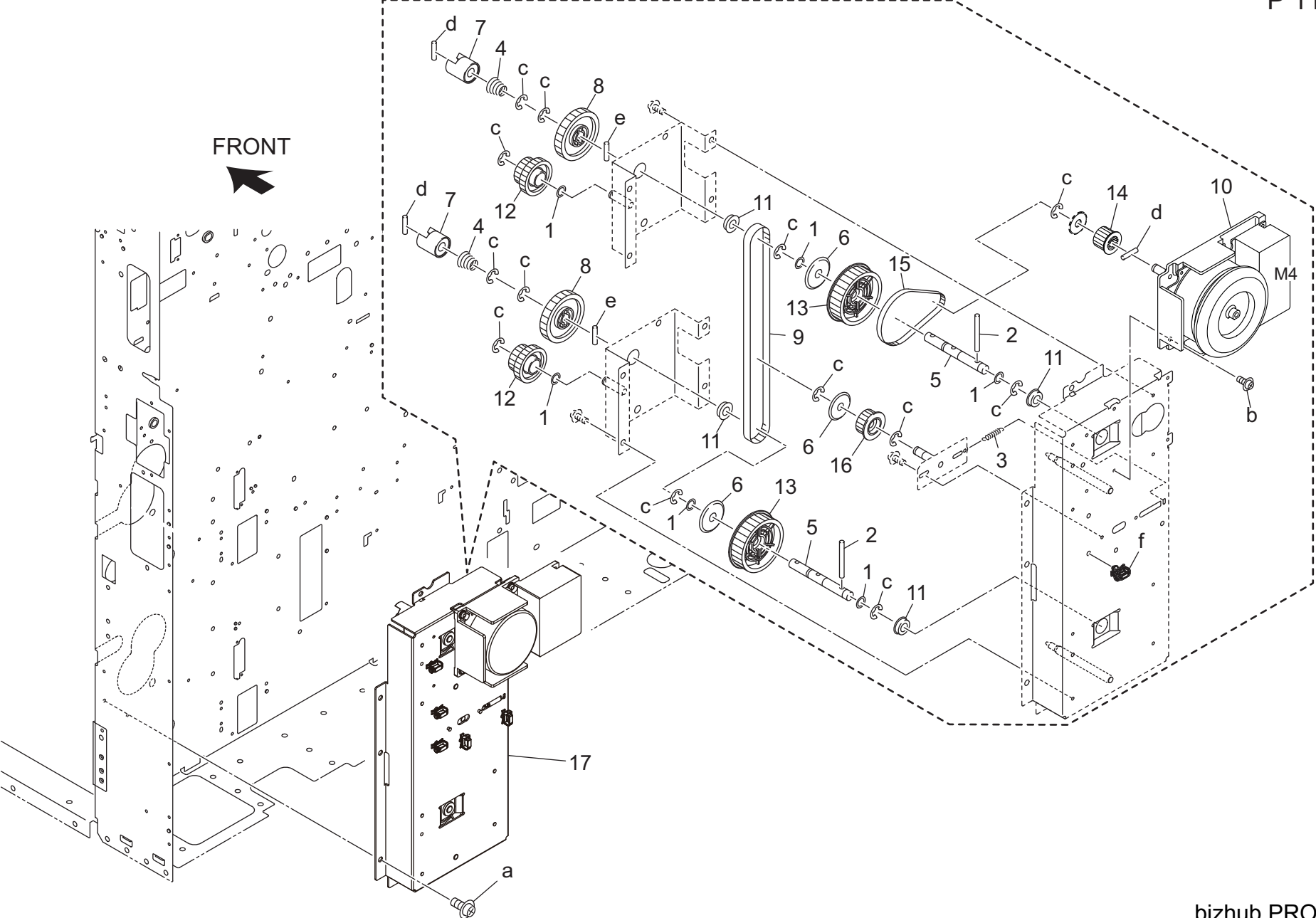


bizhub PRO 1100

OPERATION PANEL SECTION

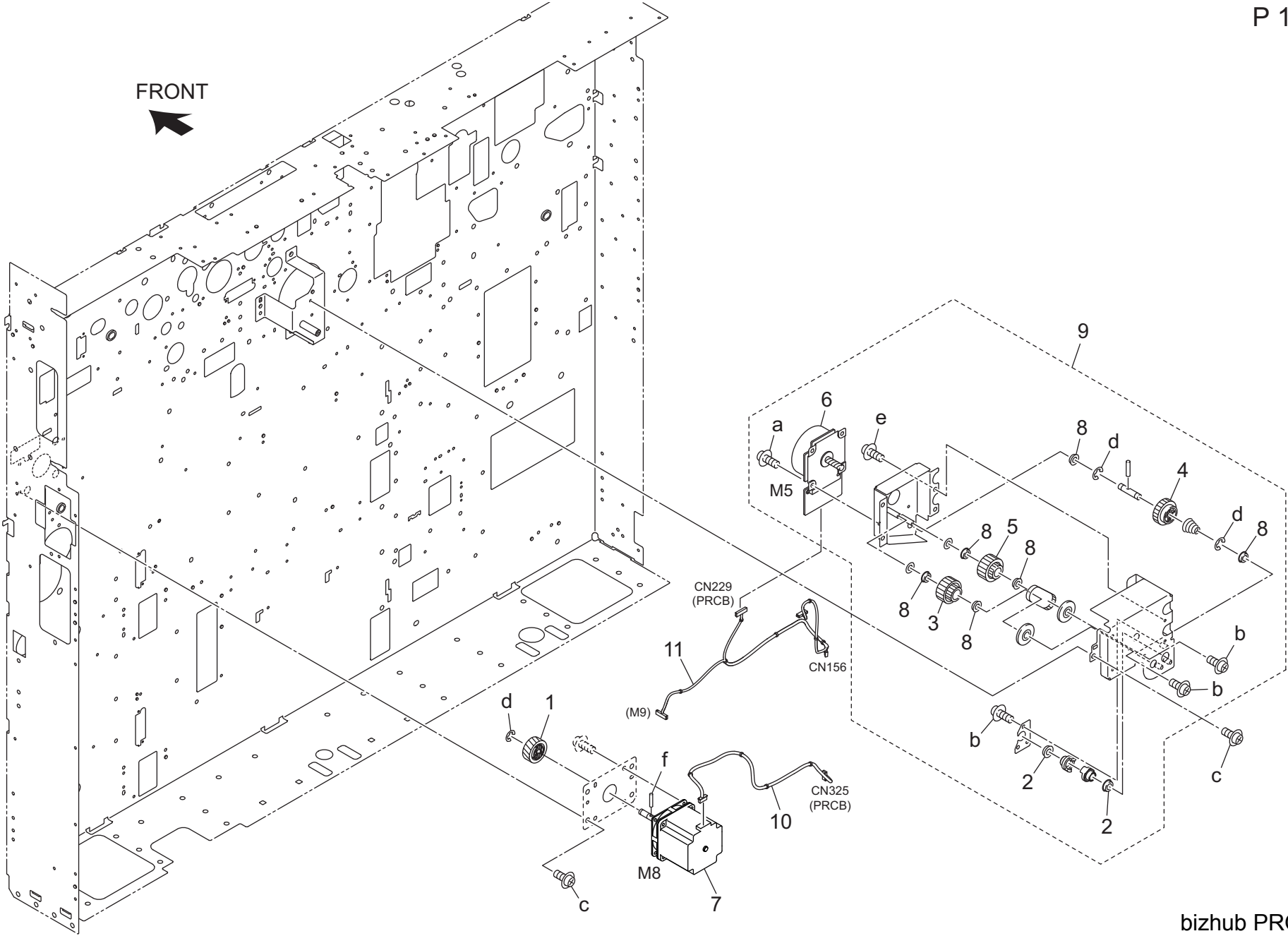
Key	Part No.	Description	Destinations	Class	QTY	Standard parts
1	A0P0M73100	Speaker		D	1	a-V114040604
2	56UA70330	OPERATION UNIT BUTTON S		C	1	b-V116040603
3	A0G6192400	Holding Cushion /Upper		C	2	c-V118030404
4	A0G6192500	Holding Cushion /Right		C	2	d-V118030603
5	A0G6192700	Ground Plate /1		D	2	e-V151030603
6	A0G6192900	Ground Plate /2		D	2	f-V151030803
7	A0G6193200	Operation Button /2		C	1	g-V151031003
8	A0G6195000	Operation Sheet	A	C	1	h-V500010082
8	A0G6205000	Operation Sheet	B,D1,D3,E,F2,G1,G2, I	C	1	k-V500020099
8	A0G6205100	Operation Sheet	J	C	1	m-V570010063
8	A0G6205200	Operation Sheet	H	C	1	
8	A0G6205300	Operation Sheet	K	C	1	
9	A0G6H06000	Operation Board /3 Assy		C	1	
10	A0G6M75501	Ope.Unit Touch Panel		C	1	
11	A0G6N18400	Ope.Unit Control Harness /3		D	1	
12	A1RFN28300	Ope.unit Wiring /1		D	1	
13	A799190100	Operation Cover /Front		D	1	
14	A799190200	Operation Cover /Rear		D	1	
15	A799190301	Operation Casing /1		D	1	
16	A799194101	Operation Knob /1		D	1	
17	A799H04001	Operation Board /1 ASSY		I	1	
18	A799M75400	Ope.unit LCD		I	1	
19	A799N18101	Ope.unit Wiring /S		D	1	
20	A799196000	Label	J	D	1	

DRIVING SECTION



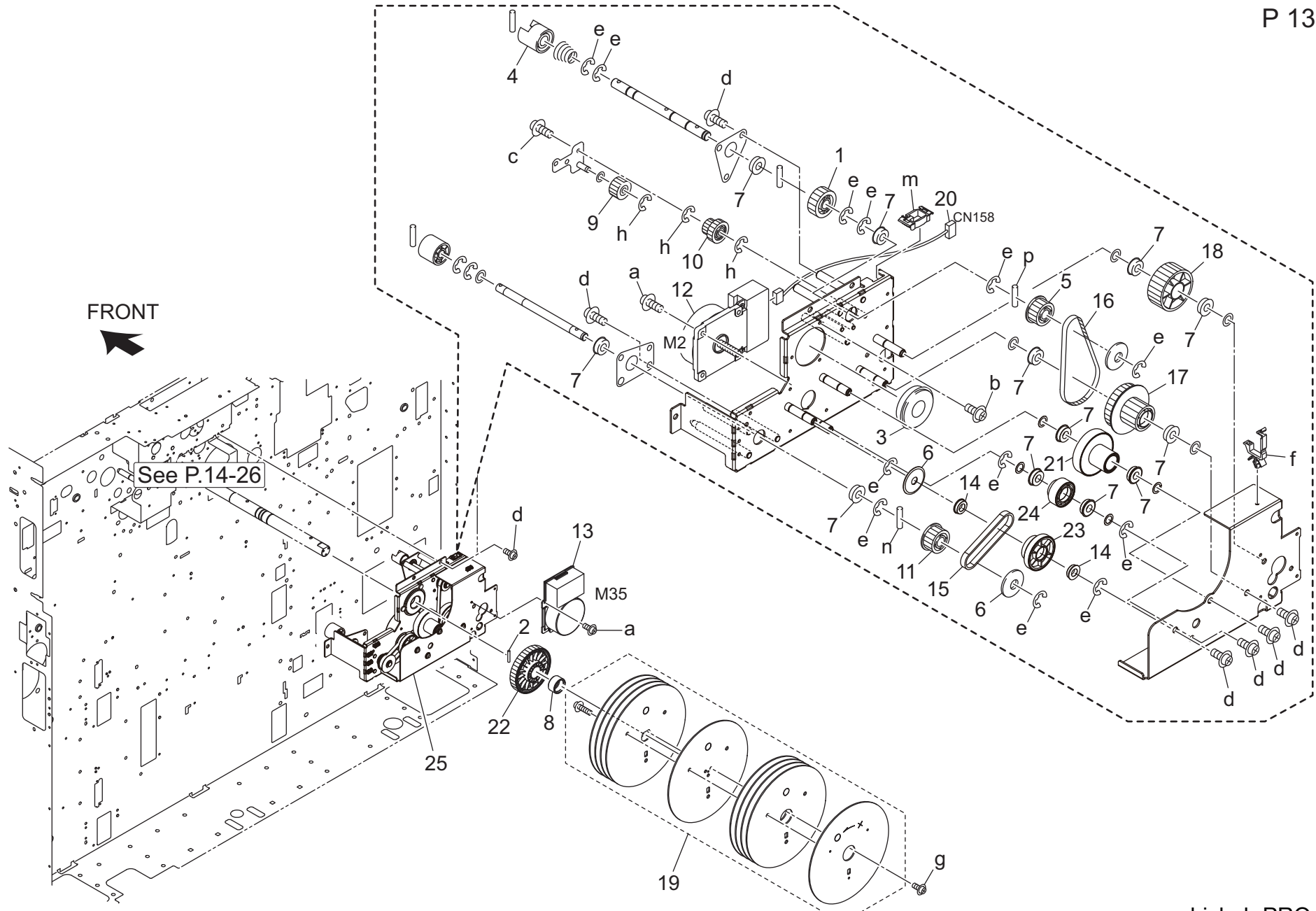
DRIVING SECTION

FRONT
←



DRIVING SECTION

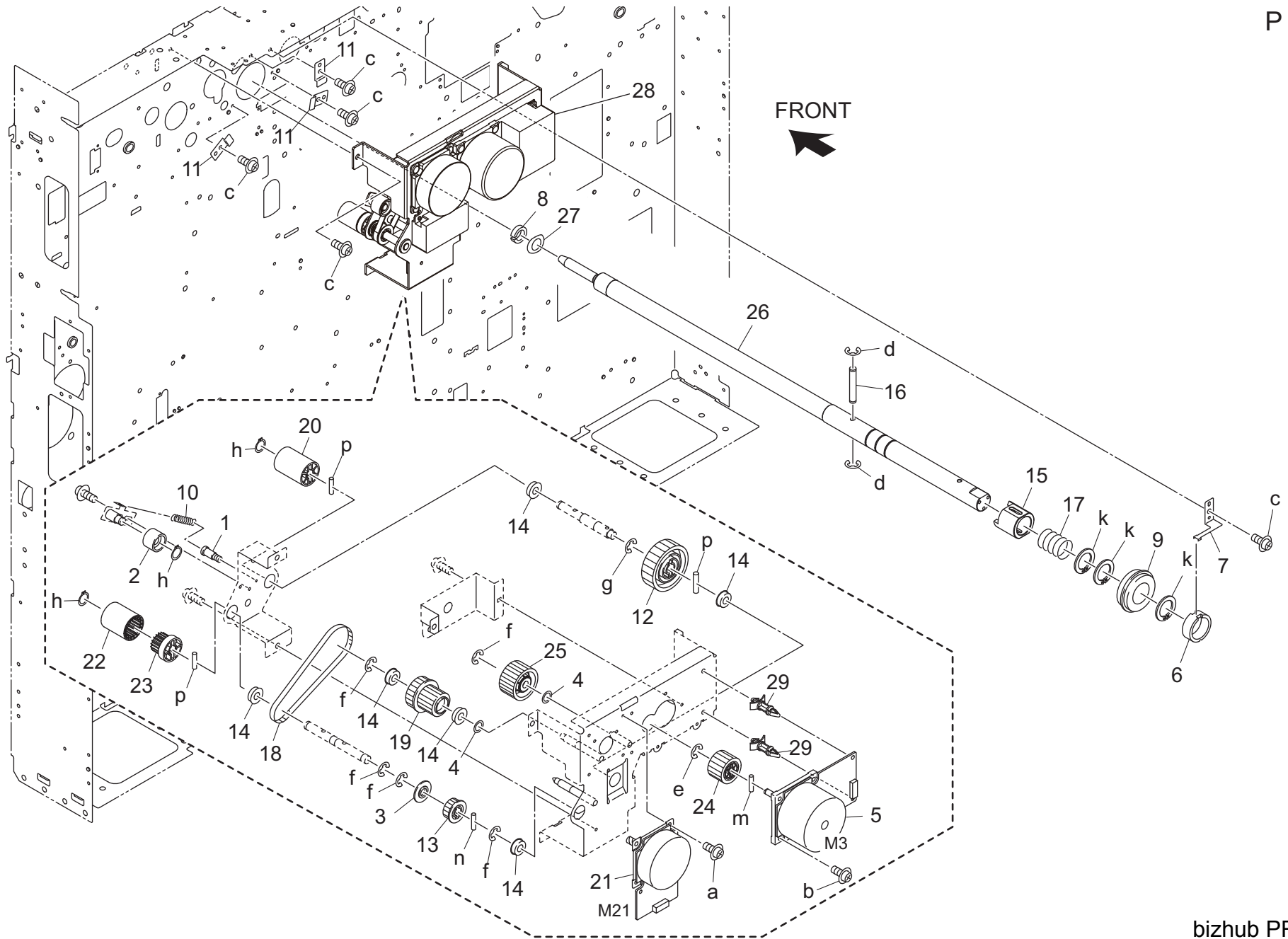
P 13



bizhub PRO 1100

DRIVING SECTION

P 14

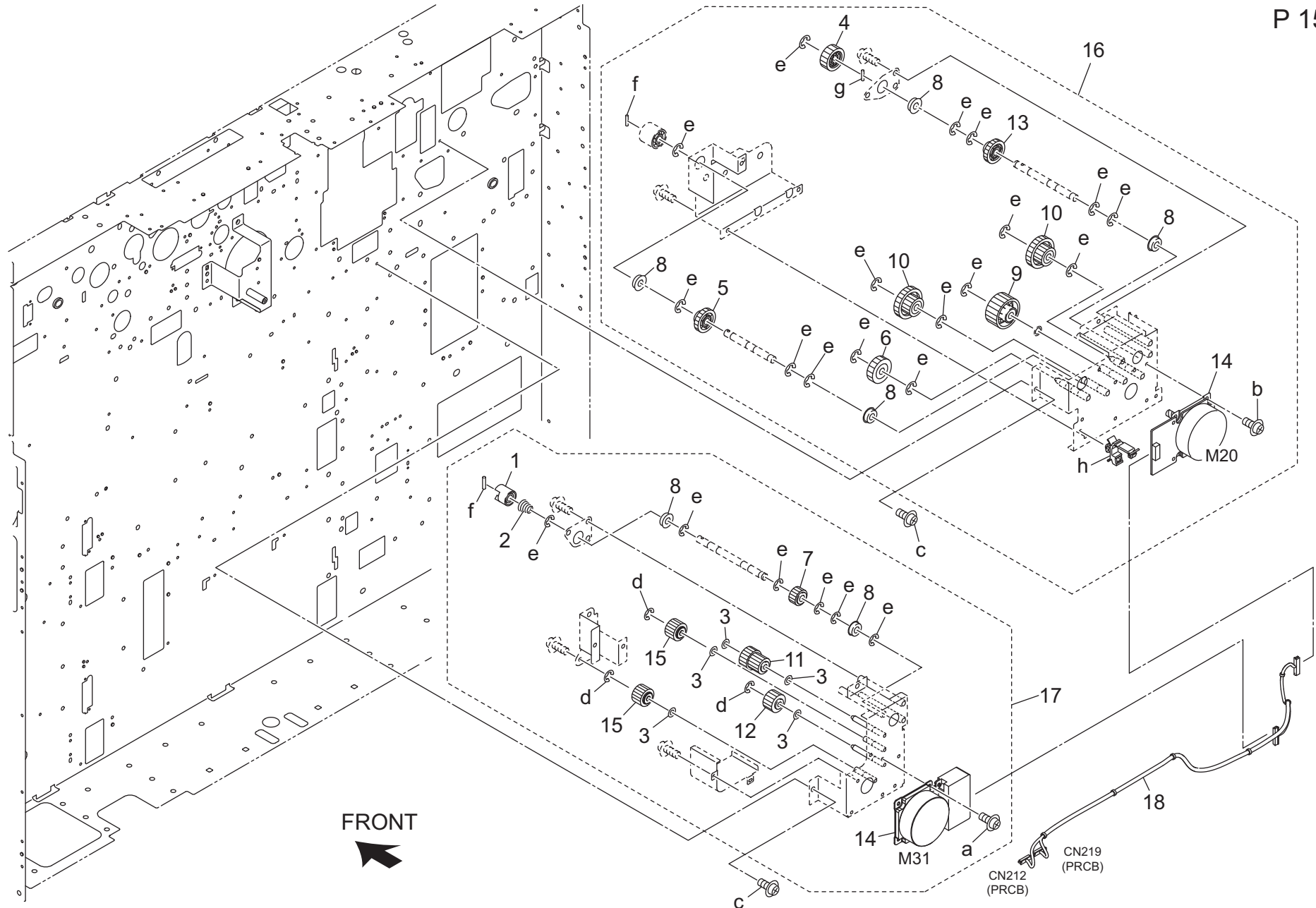


DRIVING SECTION

Key	Part No.	Description	Destinations	Class	QTY	Standard parts
1	066079020	DRAWER SCREW M3X10	ドロワーネジ M 3 X 1 0	C	1	a-V118040403
2	540015162	BELT TENSION ROLLER	ベルト テンションコロ	B	1	b-V118040803
3	554010550	Collar	カラー	C	1	c-V121040603
4	13QA40610	Gear Spacer	ギアスペーサー	C	2	d-V217030001
5	15AA80050	DC Brushless Motor /40	DC ブラシレスモータ /4 0	B	1	e-V217040001
6	25SA15270	EARTH SHAFT HOLDER	アース軸受	C	1	f-V217060001
7	25SA15280	DRUM EARTH SPRING	ドラムアースバネ	C	1	g-V217080001
8	25SA20150	SPRING POSITION COLLAR	バネ位置決めカラー	A	1	h-V223080050
9	55TA75020	Bearing	ドラム回転軸受	B	1	k-V223200004
10	55VA15570	PAPER EXIT TENSION SPRING	排紙テンションバネ	B	1	m-V234201850
11	55VA15580	Shaft Holder Holding Plate	軸受押え板	D	3	n-V234301450
12	55VA77040	Developing Drive Gear /B 46T	現像駆動歯車 / B 4 6 T	C	1	p-V234302050
13	56GA76600E	Cleaner Driving Pulley 21T	クリーナ駆動プーリ 2 1 T	C	1	
14	A00V240600	Ball Bearing	ボールベアリング	B	6	
15	A0G6215200	Coupling Part	カップリング部材	C	1	
16	A0G6215300	Coupling Pin	カップリングピン	C	1	
17	A0G6215400	Compressing Spring	圧縮ばね	C	1	
18	A0G6221100	Drive Belt 210L	駆動ベルト 2 1 0 L	C	1	
19	A0G6227300	Idling Pulley /3	アイドルプーリ /3	C	1	
20	A0G6227400	Coupling Part /1	カップリング部材 /1	D	1	
21	A0PNM10200	DC Brushless motor /20	DC ブラシレスモータ /2 0	B	1	
22	A0Y5227500	Coupling Part	カップリング部材	D	1	
23	A0Y5227600	Input Coupling	入力カップリング	D	1	
24	A4EU222000	Drive Gear /12 26T	駆動ギア /1 2 2 6 T	C	1	
25	A4EUR71S00	Developing Idling Gear Assy	現像アイドル歯車部組	C	1	
26	A799215101	Drive Shaft	駆動軸 (ドラム)	C	1	
27	A799330000	Fixing Spring	固定ばね	A	1	
28	A799R70900	Developing Driving Assy	現像駆動 A s s y	S	1	
29	V502010032	Circuit Board Spacer	サーキットボードスペーサー	D	2	

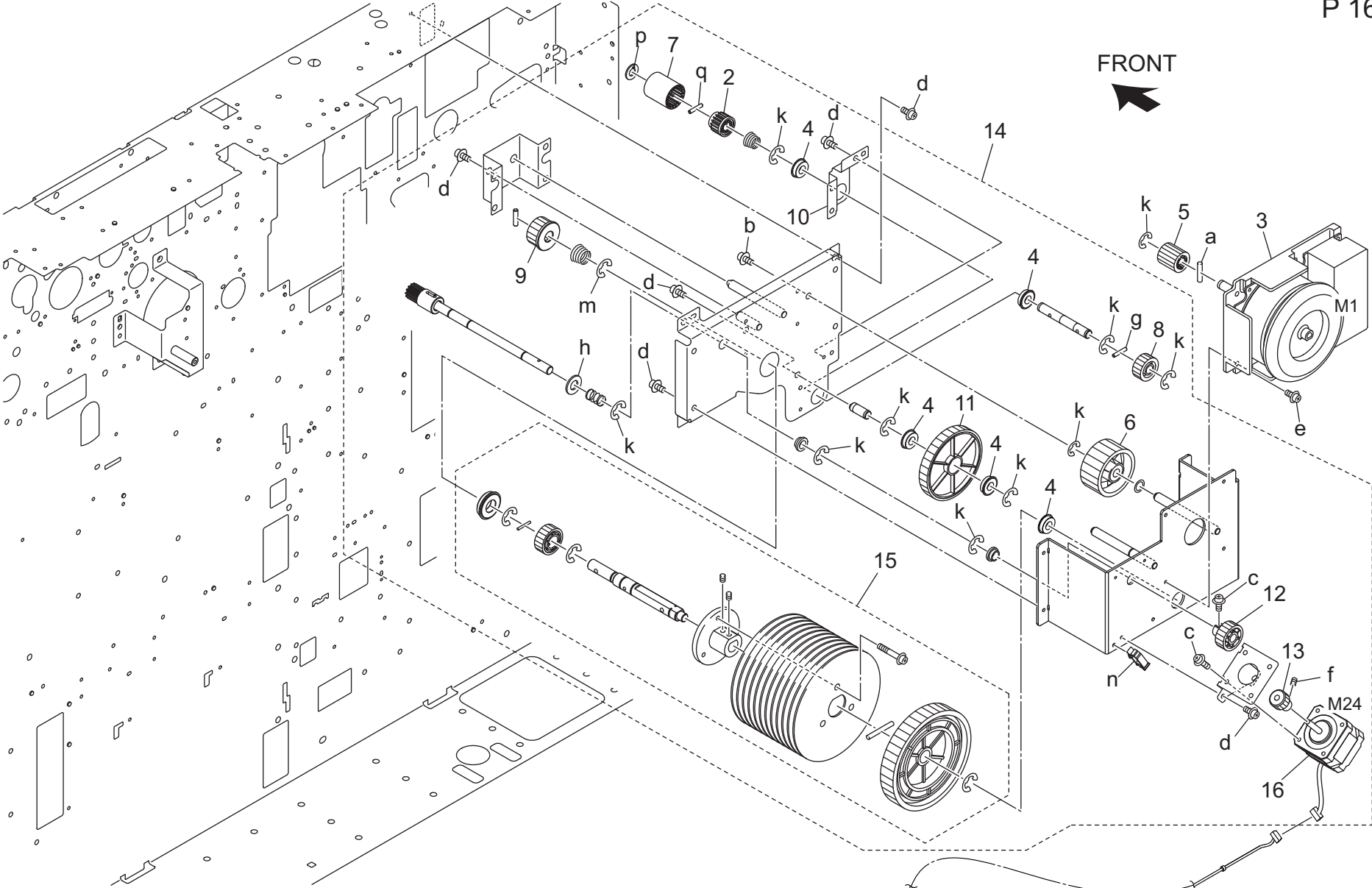
DRIVING SECTION

P 15



DRIVING SECTION

FRONT

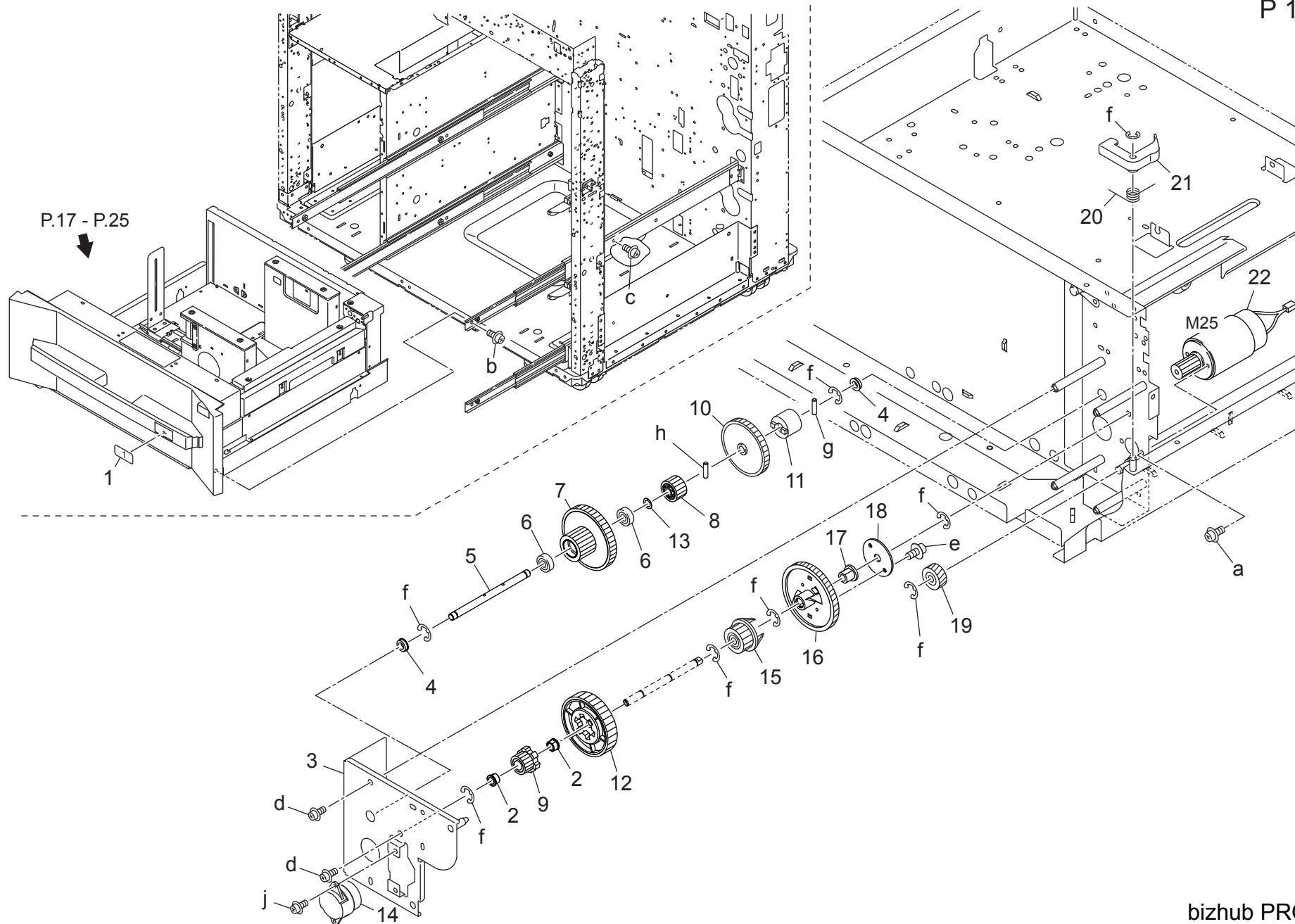


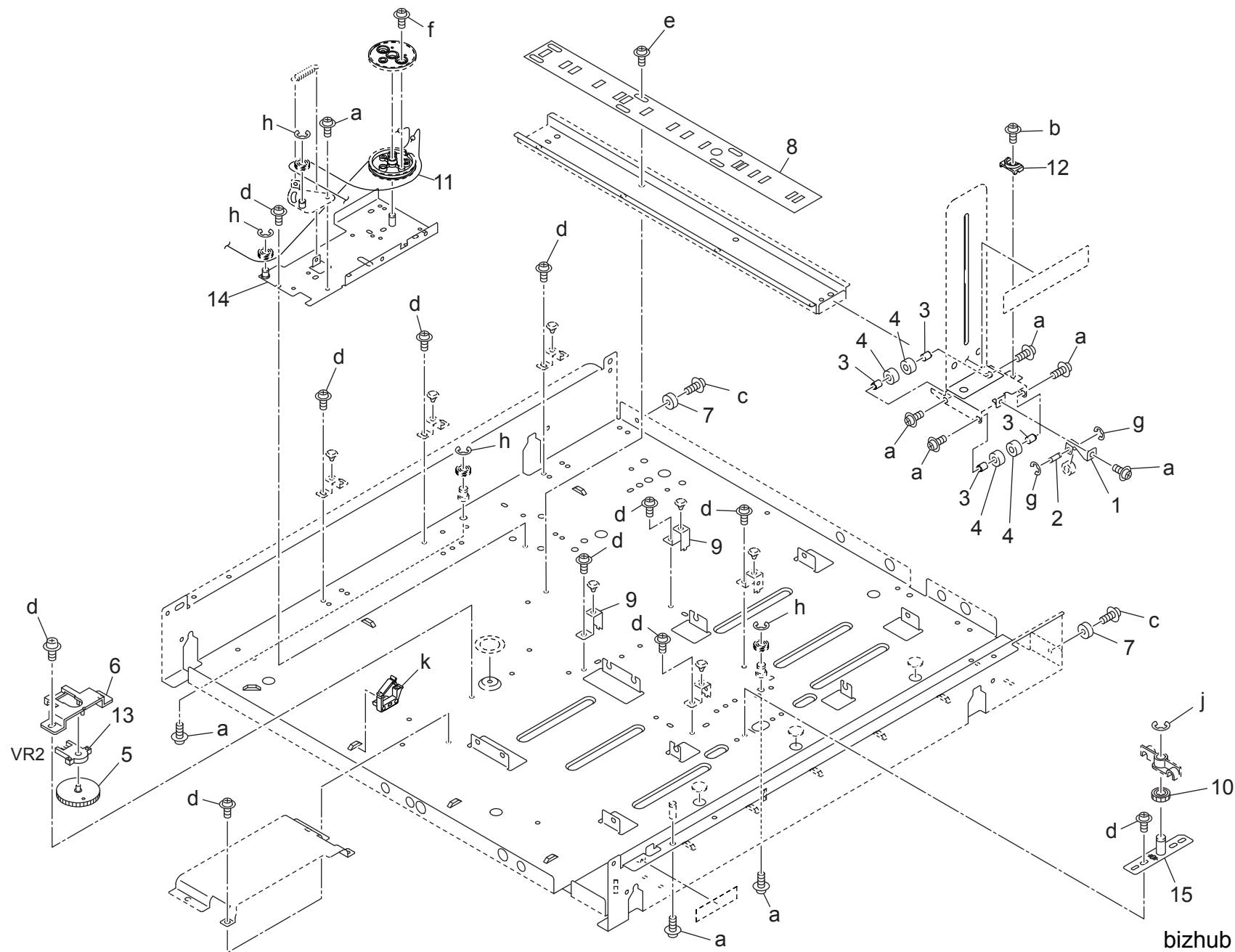
1
CN332
(PRCB)

bizhub PRO 1100

TRAY 1

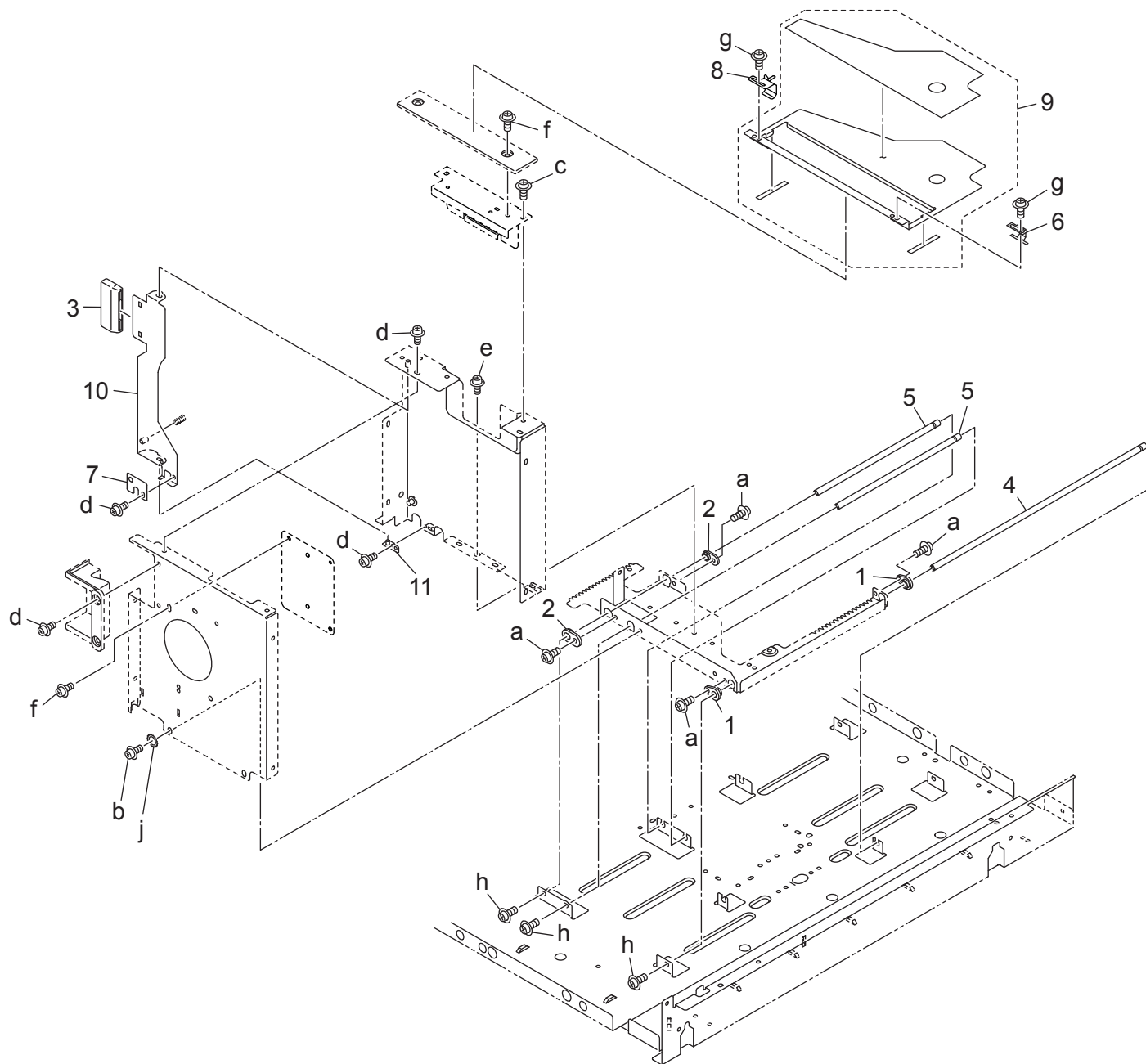
P 17





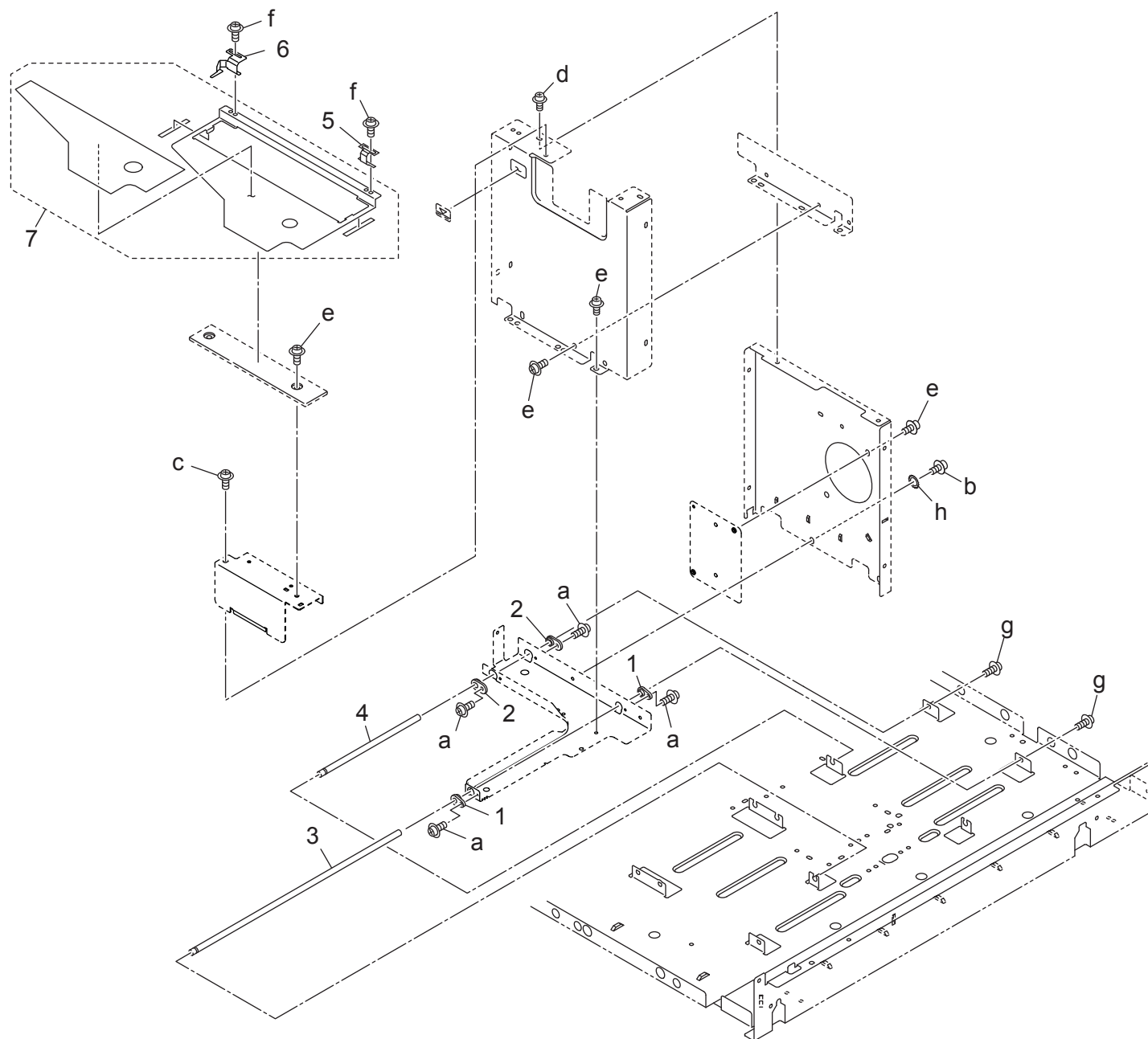
Key	Part No.	Description	Destinations	Class	QTY	Standard parts
1	55VA40910	PRESSURE PLATE A		D	1	a-V116030603 b-V116040803 c-V118030603 d-V127030516 e-V127030604 f-V151030603 g-V217030001 h-V217040001 j-V217060001 k-V500010021
2	55VA40920D	Support Shaft		D	1	
3	55VA42330D	GUIDE SHAFT /E		D	4	
4	55VA42340	Guide Roller		C	4	
5	56AA41340	Detecting Gear 35T		C	1	
6	56UA40420	DETECTION BOARD		D	1	
7	56UA40511E	Stopper Rubber /C		C	2	
8	56UA41120E	Guide Stopper		D	1	
9	56UA41530	Paper Feed Tray Support Pedestal /B		D	2	
10	56UA77530	CASSETTE PINION		C	1	
11	A0G6601000	Detection Wire		C	1	
12	A0G6615200	Holding Part		D	1	
13	A1UDM50100	VR		D	1	
14	A4EUR72U11	Detecting Board Caulking		D	1	
15	A4EUR72V11	Adjusting Plate Caulking		D	1	

TRAY 1



Key	Part No.	Description	Destinations	Class	QTY	Standard parts
1	129X48350	Guide Bearing /A		C	2	a-V116030603
2	129X48360	Guide Bearing /B		C	2	b-V116040803
3	56UA40680	Lever Cover		C	1	c-V118030403
4	56UA41230	Guide Shaft /L		D	1	d-V121030403
5	56UA41240	GUIDE SHAFT M		C	2	e-V121040404
6	56UA41490	PAPER FEED TRAY HOLDING COVER B		C	1	f-V121040603
7	56UA41540	Lock Plate		C	1	g-V127030516
8	A0G6620600	Holding Plate Spring /B		D	1	h-V127030604
9	A4EUR72S11	Paper Feed Tray Cover /B Unit		D	1	j-V209040003
10	A4EUR72W11	Locking Lever Caulking		D	1	
11	A4EUR72X11	Rocking Board Caulking		D	1	

TRAY 1

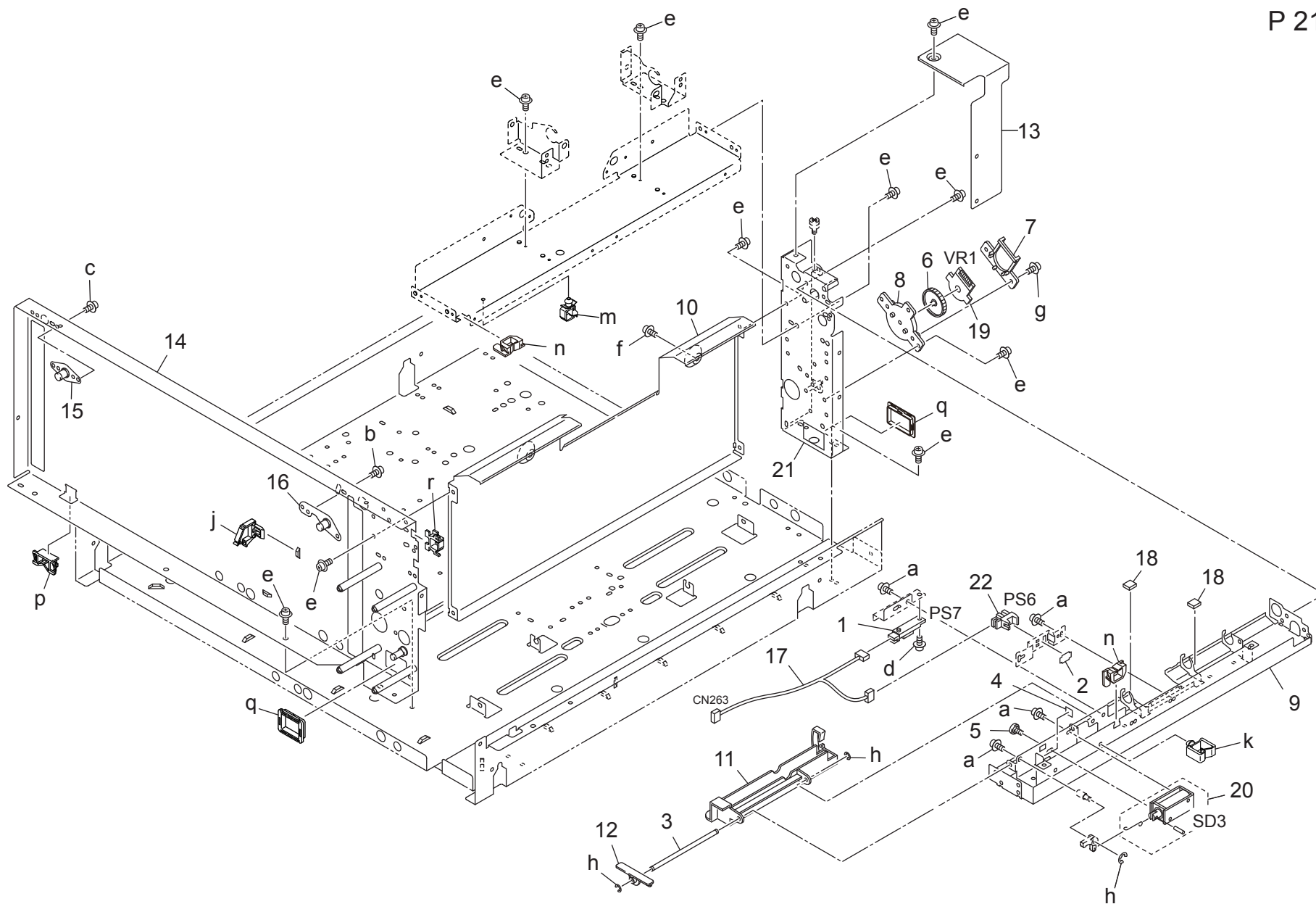


TRAY 1

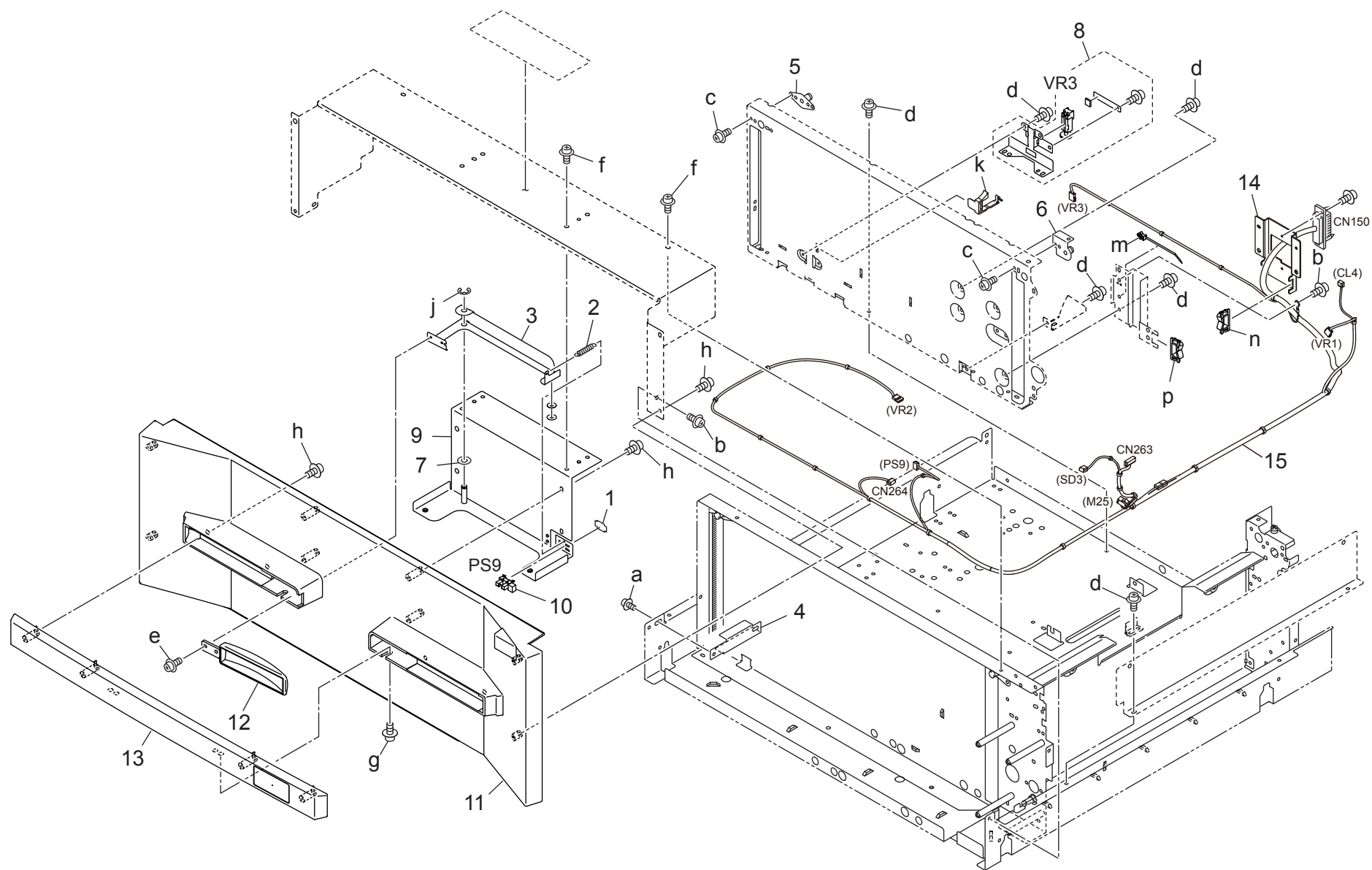
Key	Part No.	Description	Destinations	Class	QTY	Standard parts
1	129X48350	Guide Bearing /A		C	2	a-V116030603
2	129X48360	Guide Bearing /B		C	2	b-V116040803
3	56UA41230	Guide Shaft /L		D	1	c-V118030403
4	56UA41250	Guide Shaft /S		D	1	d-V121030403
5	56UA41490	PAPER FEED TRAY HOLDING COVER B		C	1	e-V121040603
6	A0G6620500	Holding Plate Spring /A		D	1	f-V127030516
7	A4EUR72R11	Paper Feed Tray Cover /A Unit		D	1	g-V127030604 h-V209040003

TRAY 1

P 21



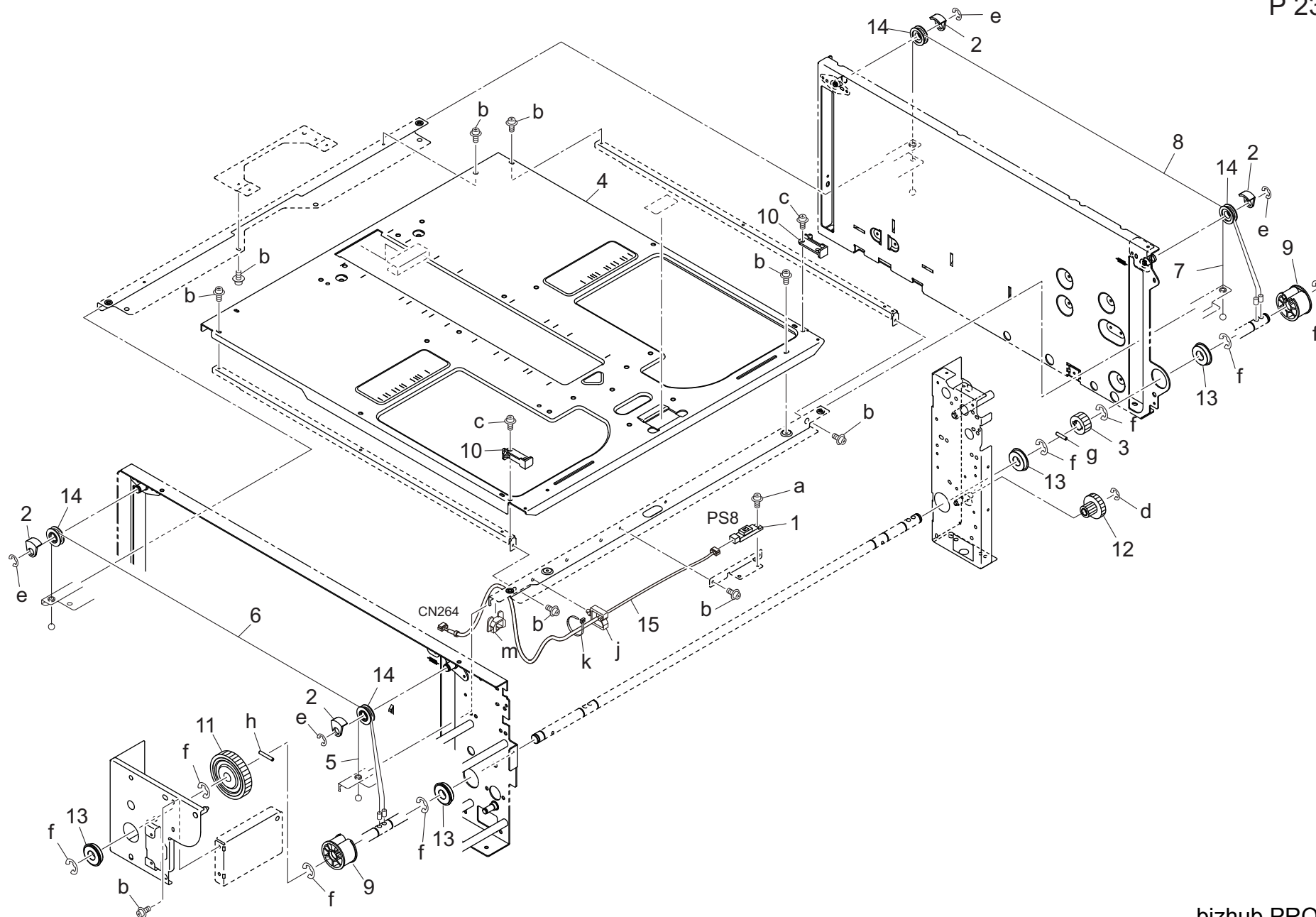
Key	Part No.	Description	Destinations	Class	QTY	Standard parts
1	13QA85511	Sensor 1		B	1	a-V116030503
2	4470402401	Stopper		D	1	b-V116030603
3	55VA40380	SUPPORT SHAFT A		D	1	c-V121030403
4	55VA42111	SOLENOID STOPPER SHEET		C	1	d-V126030603
5	55VA42220	POSITIONING SCREW		C	1	e-V127030516
6	56AA41340	Detecting Gear 35T		C	1	f-V127040603
7	56AA41351E	Detection Board		C	1	g-V151030803
8	56AE43090	Board Mounting Part		C	1	h-V217030001
9	56UA40051G	Paper Feed Guide Plate /Upper		D	1	j-V500010021
10	56UA40070	PAPER STOPPER PLATE		D	1	k-V500010029
11	56UA40240	Entrance Guide Plate /Front		C	1	m-V500020098
12	56UA40480	PAPER FEED LIFTING LEVER		D	1	n-V570010021
13	56UA40670	CLUTCH COVER		D	1	p-V570010023
14	56UA-4080	SIDE GUIDE/FRONT		D	1	q-V570010038
15	56UAR79500	WIRE SUPPORT PLATE A		D	1	r-V570010050
16	56UAR79700	WIRE SUPPORT PLATE C		C	1	
17	56UA90350	PAPER FEED CONTROL WIRING UPPER		D	1	
18	A0G6561200	Stopper Rubber		C	2	
19	A1UDM50100	VR		D	1	
20	A4EUR72N11	Pick Up Solenoid Pin Assy		C	1	
21	A4EUR72T11	Tray Driveside Guide Caulking		D	1	
22	A50UM55500	Photo Sensor		I	1	



Key	Part No.	Description	Destinations	Class	QTY	Standard parts
1	4470402401	Stopper		D	1	a-V116030603
2	56HA12980	Lever Spring		C	1	b-V116040603
3	56UA12560	Tray Lever		C	1	c-V121030403
4	56UA40270	TRAY POSITIONING PLATE /LEFT		D	1	d-V127030516
5	56UAR79500	WIRE SUPPORT PLATE A		D	1	e-V127030604
6	56UAR79600	WIRE SUPPORT PLATE B		C	1	f-V127040603
7	57AA30260	Developing Agitating Spacer		C	1	g-V127040803
8	A4EUR72M11	Sensor Board		C	1	h-V151041003
9	A4EUF60701	LEVER MOUNTING PLATE CAULKING		D	1	j-V217040001
10	A50UM55500	Photo Sensor		I	1	k-V500010021
11	A799165100	Paper feed Cover		D	1	m-V501010003
12	A799165300	Handle		D	1	n-V570010057
13	A799165400	Paper feed Handle		D	1	p-V570010063
14	A799602000	Wiring Plate /T		D	1	
15	A799N13300	Paperfeed Drive harness		D	1	

TRAY 1

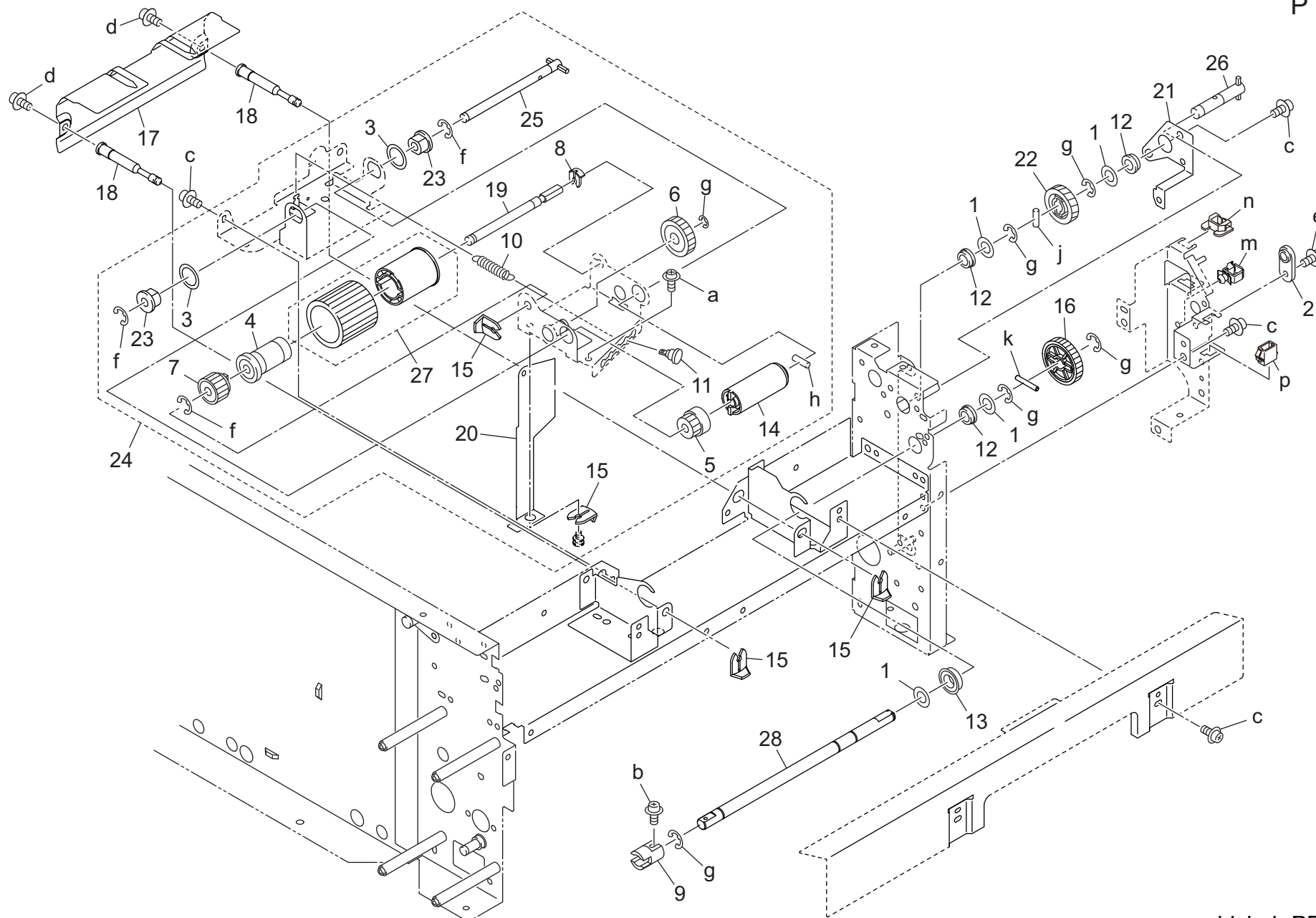
P 23



Key	Part No.	Description	Destinations	Class	QTY	Standard parts
1	13QA85511	Sensor 1		B	1	a-V126030603
2	55VA40610	Wire Holder /A		C	4	b-V127030516
3	55VA77652	ADU CONVEYANCE GEAR 2 19T		B	1	c-V127030604
4	56UA41011E	Paper feed Up/down Plate /M		D	1	d-V217040001
5	56UA41130	Up Down Wire /A		C	1	e-V217060001
6	56UA41140	Up Down Wire /B		C	1	f-V217080001
7	56UA41150	Up Down Wire /C		C	1	g-V234301450
8	56UA41160	Up Down Wire /D		C	1	h-V234302050
9	56UA41340	DRIVE UP DOWN PULLEY		C	2	j-V500010029
10	56UA41400	PAPER FEED TRAY SLIDE PART		D	2	k-V501010002
11	56UA77600	Up Down Gear /A 32T		C	1	m-V570010021
12	56UA77620	TRAY UP DOWN IDLER		C	1	
13	A4EU265000	Ball bearing		B	4	
14	A4EU620200	Roller Pulley Ball bearing Assy		C	4	
15	A799N13400	Paperfeed Detection harness		D	1	

TRAY 1

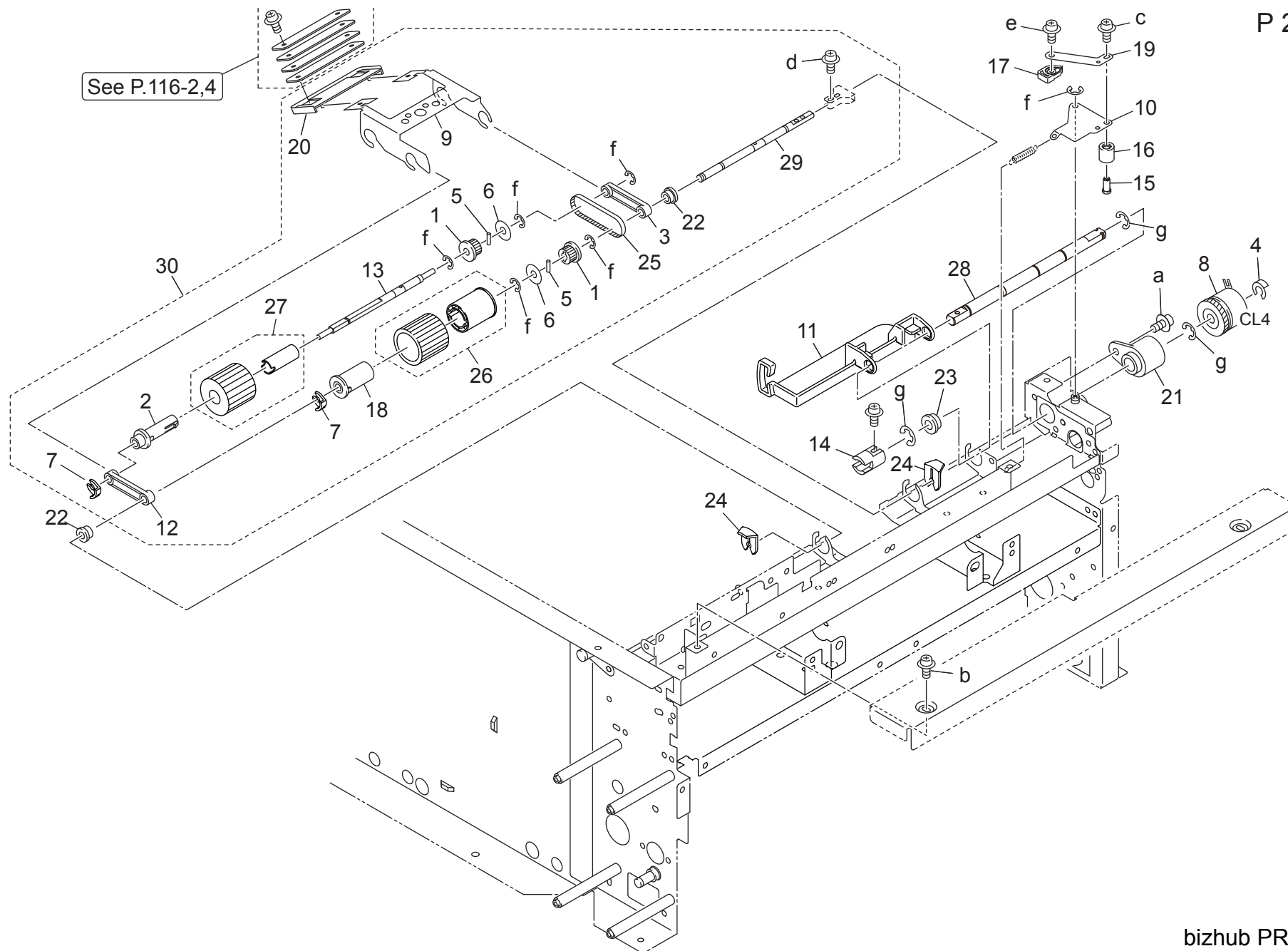
P 24



Key	Part No.	Description	Destinations	Class	QTY	Standard parts
1	12QV40650	Spacer		B	4	a-V116030603
2	173030270	Pin Holder A		C	1	b-V118030603
3	25AA40120	SPACER		C	2	c-V127030516
4	50BA40220	REVERSE ROLLER		C	1	d-V127030604
5	55VA79030	Paper Feed Reversal Gear /C 14T	給紙逆転歯車 / C 14 T	B	1	e-V127040603
6	55VA79050	Idler Gear /B 24T	アイドラー歯車 / B 24 T	C	1	f-V217040001
7	55VA79140	Paper Feed Reversal Gear /D 19T	給紙逆転歯車 / D 19 T	B	1	g-V217060001
8	56AA40490	SHAFT STOPPER 4	軸ストッパ 4	C	1	h-V234200850
9	56UA40490	COUPLING F	カップリング F	C	1	j-V234301450
10	56UA40610	REVERSE SPRING B	逆転バネ B	C	1	k-V234302050
11	56UA40620	SPRING ADJUSTMENT LEVER	バネ調整レバー	D	1	m-V500020098
12	A00J617900	Ball Bearing	ボールベアリング	B	3	n-V570010021
13	A00V240600	Ball Bearing	ボールベアリング	B	1	p-V651010001
14	A03X565611	Torque Limiter /A	トルクリミッタ / A	B	1	
15	A0G6561000	Stopper /E	ストッパ / E	C	4	
16	A4EW570900	Reverse Gear 30T	逆転ギア 30 T	C	1	
17	A0G6570200	Guide Plate	案内板	C	1	
18	A0G6570500	Positioning Shaft /B	位置決め軸 / B	D	2	
19	A0G6571900	Reverse Shaft /2	逆転軸 / 2	D	1	
20	A0G6572000	Protection Cover	保護カバー	B	1	
21	A0G6602100	Idling Panel	アイドラパネル	D	1	
22	A0G6602300	Input Gear 25T	入力ギア 25 T	B	1	
23	A0Y5601600	Bushing/6	すべり軸受 / 6	C	2	
24	A4EUR72H11	Separating Unit	捌きユニット	C	1	
25	A4EUR72J11	Revers Shaft/B	逆転軸 / B ピン打ち	D	1	
26	A4EUR72K11	Paper Feed Input Shaft	給紙入力軸ピン打ち	B	1	
27	A4EUR71411	Feeding Roller Unit/B	送り出しローラー部組 / B	A	1	
28	A4EW570800	Reverse Shaft	逆転軸	B	1	

TRAY 1

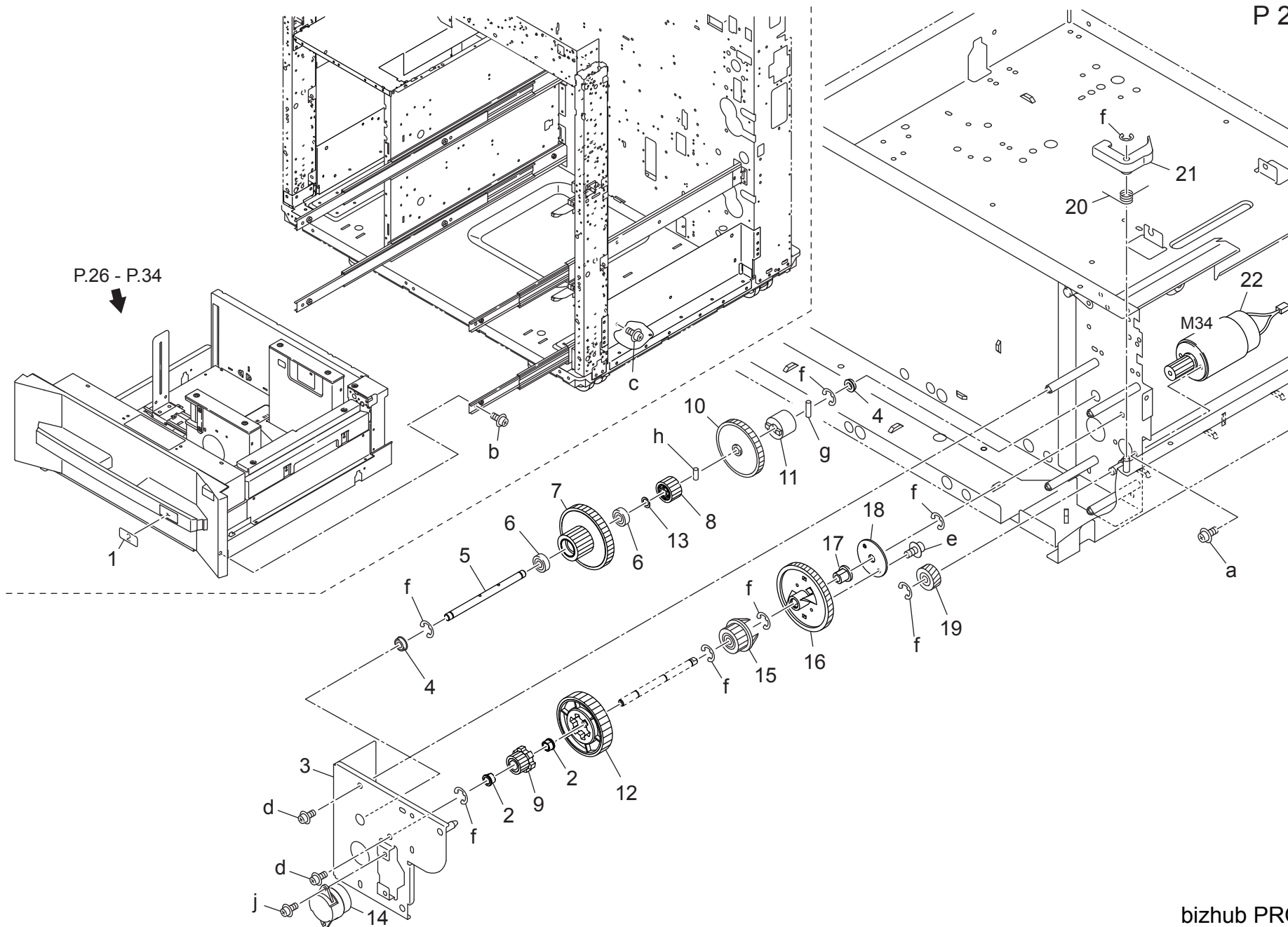
P 25



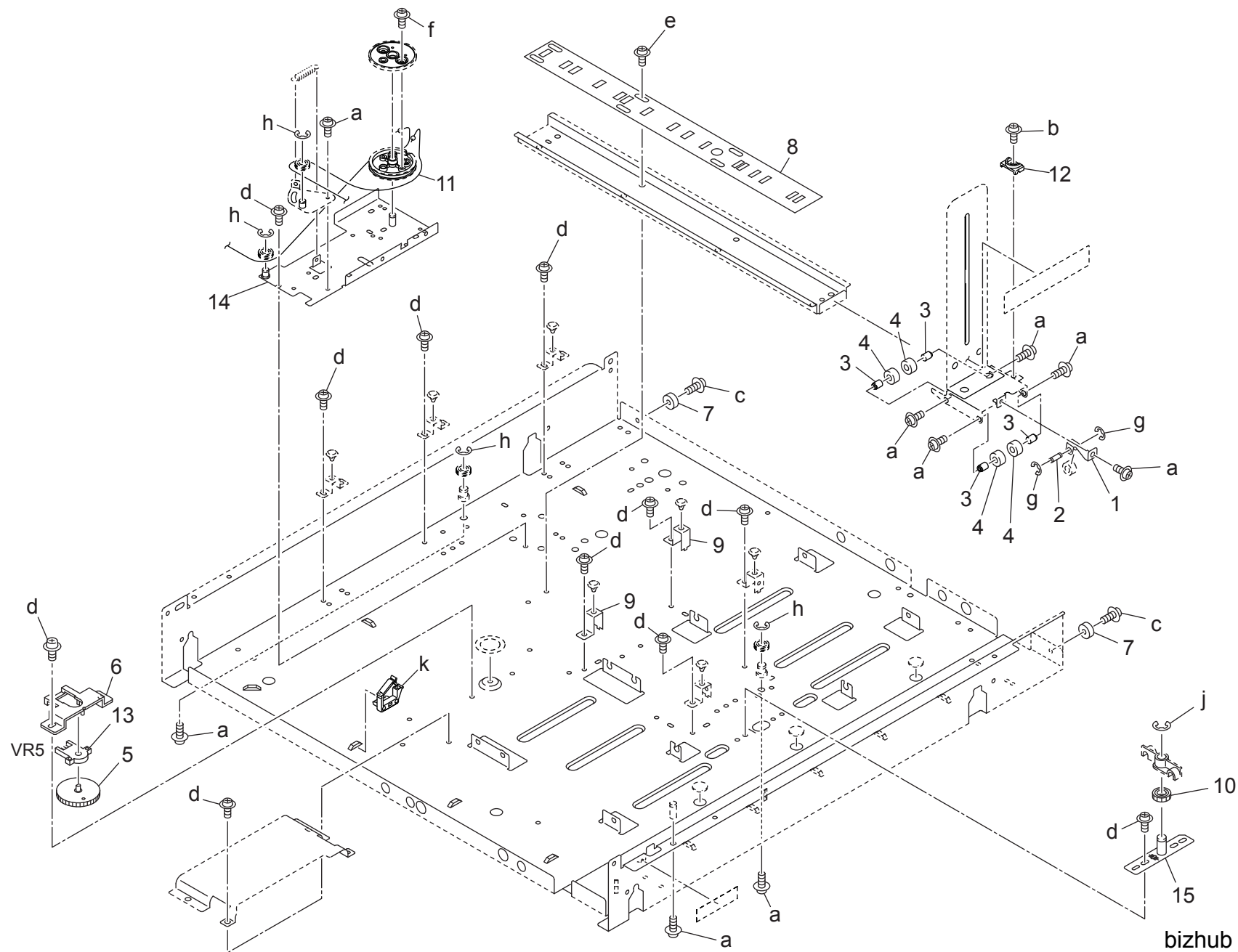
Key	Part No.	Description	Destinations	Class	QTY	Standard parts
1	059076510	PULLEY 1 15T		C	2	a-V116030603 b-V118030403 c-V127030516 d-V127030604 e-V151040603 f-V217040001 g-V217060001
2	55VA40130	Feeding Roller /A		C	1	
3	55VA40260	Paper Feeding Shaft Holder		C	1	
4	55VA42120	Shaft Stopper		C	1	
5	56AA17510	Pin /B		C	2	
6	56AA17760	COLLAR		C	2	
7	56AA40490	SHAFT STOPPER 4		C	2	
8	56AA82012	Paper Feed Drive Clutch		B	1	
9	56UA40100	Paper Feed Holding Plate /X		D	1	
10	56UA40170	Lock Lever /A		D	1	
11	56UA40250	ENTRANCE GUIDE PLATE REAR		C	1	
12	56UA40280	Paper Feed Feeding Bushing		C	1	
13	56UA40400	PAPER FEED SHAFT X		D	1	
14	56UA40490	COUPLING F		C	1	
15	56UA40520	Lock Shaft /B		D	1	
16	56UA40530	Release Roller		C	1	
17	56UA40540	Lever Auxiliary Part		D	1	
18	56UA40600	Multi-Feed Feeding Roller		C	1	
19	56UA40660	LEVER AUXILIARY SPRING		D	1	
20	56UA40690	Side Protection Cover /B		D	1	
21	56UA75030	Lock Bushing /A		C	1	
22	A00J663200	Bushing		C	2	
23	A03U812800	Slide Shaft Holder		B	1	
24	A0G6561000	Stopper /E		C	2	
25	A4EU565600	Drive Belt 126L		C	1	
26	A4EUR71411	Feeding Roller Unit/B		A	1	
27	A4EUR71511	Feeding Roller Unit/A		A	1	
28	A799622100	Supply Shaft /Upper		D	1	
29	A799623400	Paper feed Shaft /Upper		D	1	
30	A799R70S11	Pickup Unit		C	1	

TRAY 2

P 26

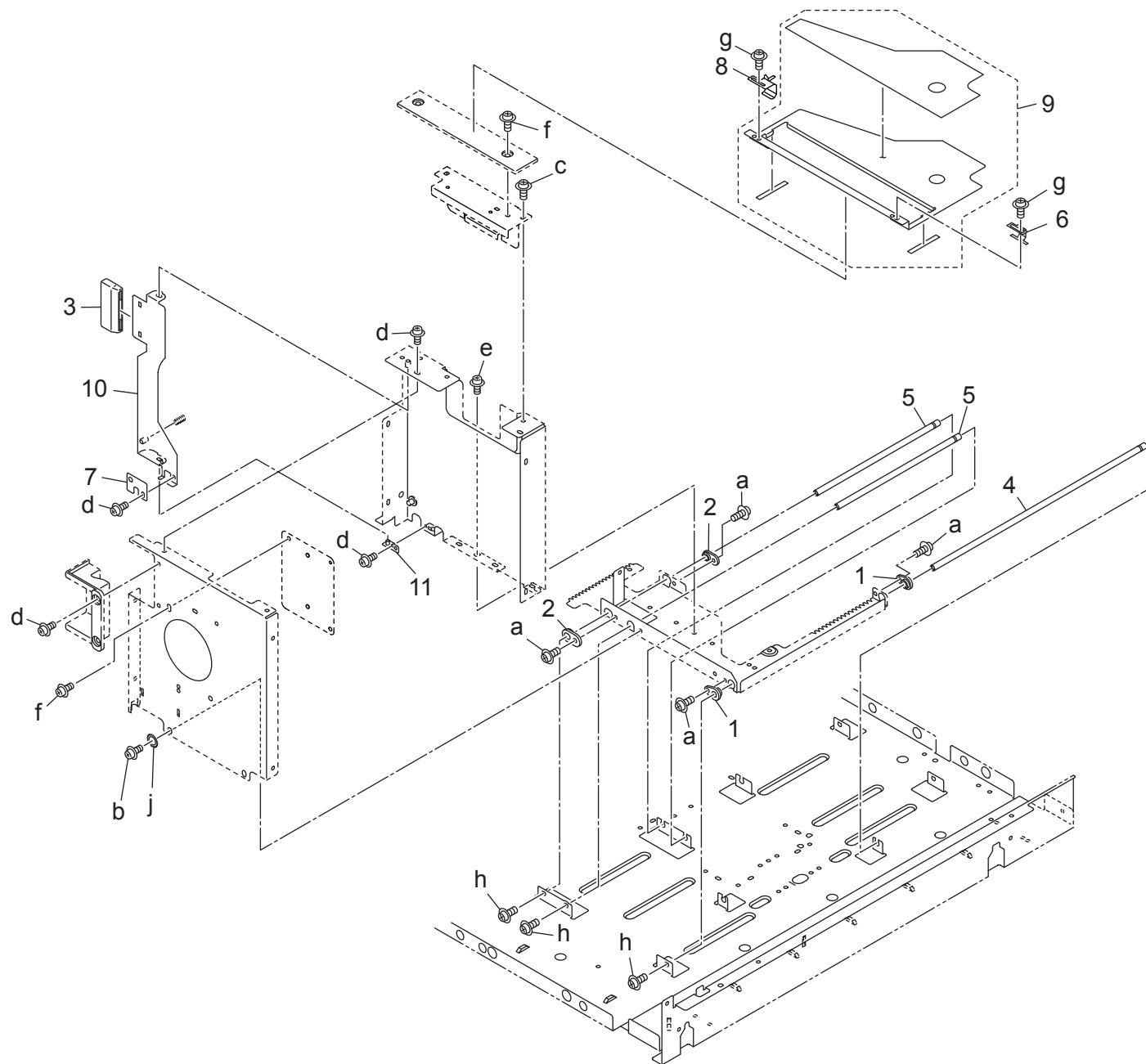


Key	Part No.	Description	Destinations	Class	QTY	Standard parts
1	A0U0945501	Indicating Label /2		C	1	a-V118030403
2	A4EU603400	Bushing		C	2	b-V118040803
3	56UA-4321E	DRIVE UP/DOWN BOARD		D	1	c-V121040603
4	A00J617800	Ball Bearing		B	2	d-V127030516
5	A4EU603500	Idling Shaft /A		D	1	e-V147030603
6	A4F3905000	Ball Bearing		D	2	f-V217040001
7	A4EU606100	Up/down Gear /B 14/55T		C	1	g-V234200850
8	A4EU603200	Gear 17T		C	1	h-V234201250
9	A4EU603100	Gear 15T		C	1	j-V121030403
10	56UA77660	Drive Regulating Gear /A 49T		C	1	
11	56UA42570	TORQUE LIMITER B		C	1	
12	A4EU603300	Gear 53T		C	1	
13	13QA10330	SHAFT SPACER		C	1	
14	A0G6601900	Up/Down Dumper		C	1	
15	56UA77650E	Control Gear 21T		C	1	
16	56UA77640F	Drive Connecting Gear/A 70T		C	1	
17	40BA75520	Paper Exit Bearing		C	1	
18	A0G6606500	Holding Part		C	1	
19	56UA77480	Lock Idler		C	1	
20	56UA40360	Lever Spring /1		C	1	
21	56UA40351	GUIDE LEVER		D	1	
22	A4EUR72Q11	Updown Motor		C	1	



TRAY 2

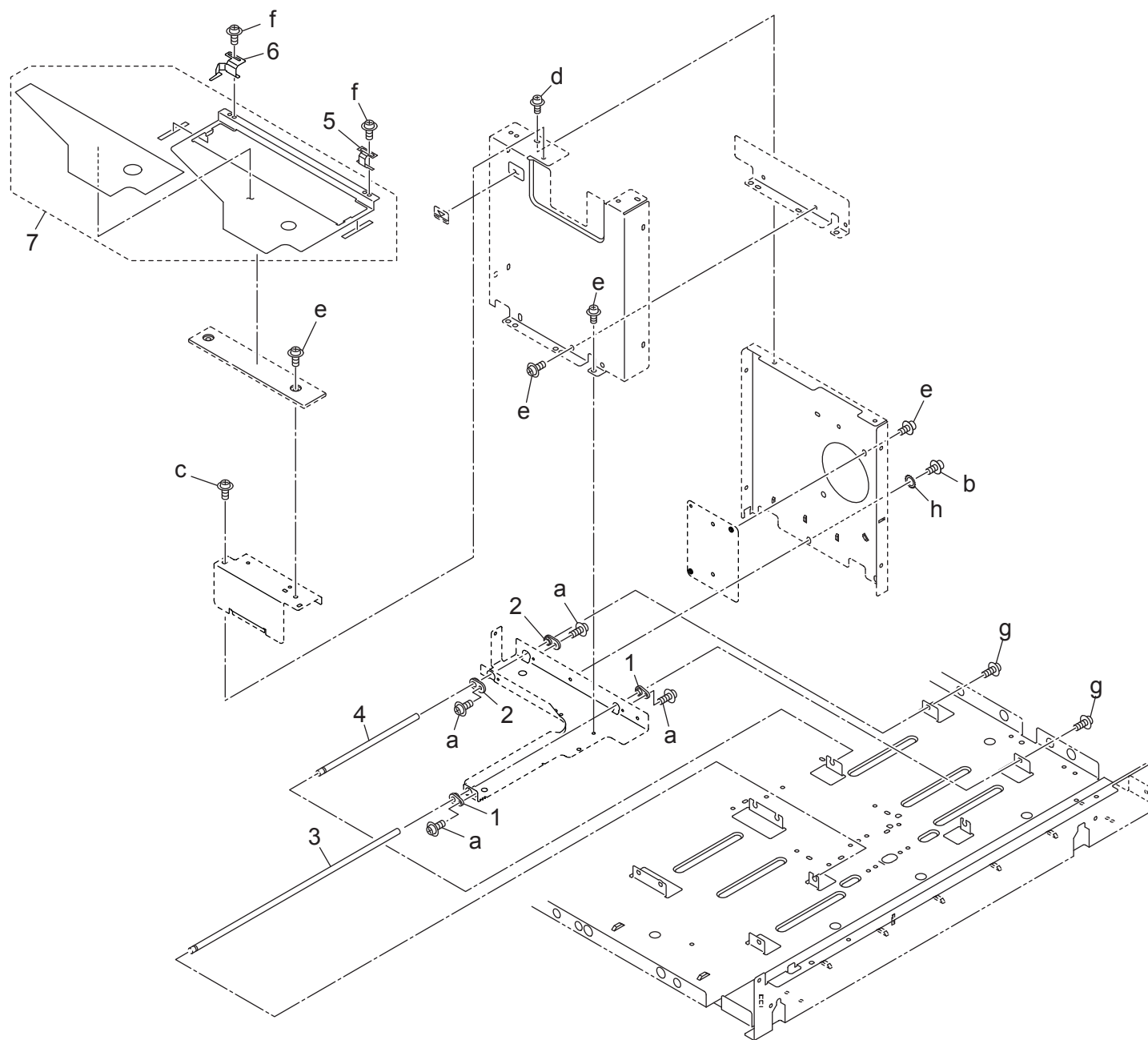
Key	Part No.	Description	Destinations	Class	QTY	Standard parts
1	55VA40910	PRESSURE PLATE A		D	1	a-V116030603
2	55VA40920D	Support Shaft		D	1	b-V116040803
3	55VA42330D	GUIDE SHAFT /E		D	4	c-V118030603
4	55VA42340	Guide Roller		C	4	d-V127030516
5	56AA41340	Detecting Gear 35T		C	1	e-V127030604
6	56UA40420	DETECTION BOARD		D	1	f-V151030603
7	56UA40511E	Stopper Rubber /C		C	2	g-V217030001
8	56UA41120E	Guide Stopper		D	1	h-V217040001
9	56UA41530	Paper Feed Tray Support Pedestal /B		D	2	j-V217060001
10	56UA77530	CASSETTE PINION		C	1	k-V500010021
11	A0G6601000	Detection Wire		C	1	
12	A0G6615200	Holding Part		D	1	
13	A1UDM50100	VR		D	1	
14	A4EUR72U11	Detecting Board Caulking		D	1	
15	A4EUR72V11	Adjusting Plate Caulking		D	1	



Key	Part No.	Description	Destinations	Class	QTY	Standard parts
1	129X48350	Guide Bearing /A		C	2	a-V116030603
2	129X48360	Guide Bearing /B		C	2	b-V116040803
3	56UA40680	Lever Cover		C	1	c-V118030403
4	56UA41230	Guide Shaft /L		D	1	d-V121030403
5	56UA41240	GUIDE SHAFT M		C	2	e-V121040404
6	56UA41490	PAPER FEED TRAY HOLDING COVER B		C	1	f-V121040603
7	56UA41540	Lock Plate		C	1	g-V127030516
8	A0G6620600	Holding Plate Spring /B		D	1	h-V127030604
9	A4EUR72S11	Paper Feed Tray Cover /B Unit		D	1	j-V209040003
10	A4EUR72W11	Locking Lever Caulking		D	1	
11	A4EUR72X11	Rocking Board Caulking		D	1	

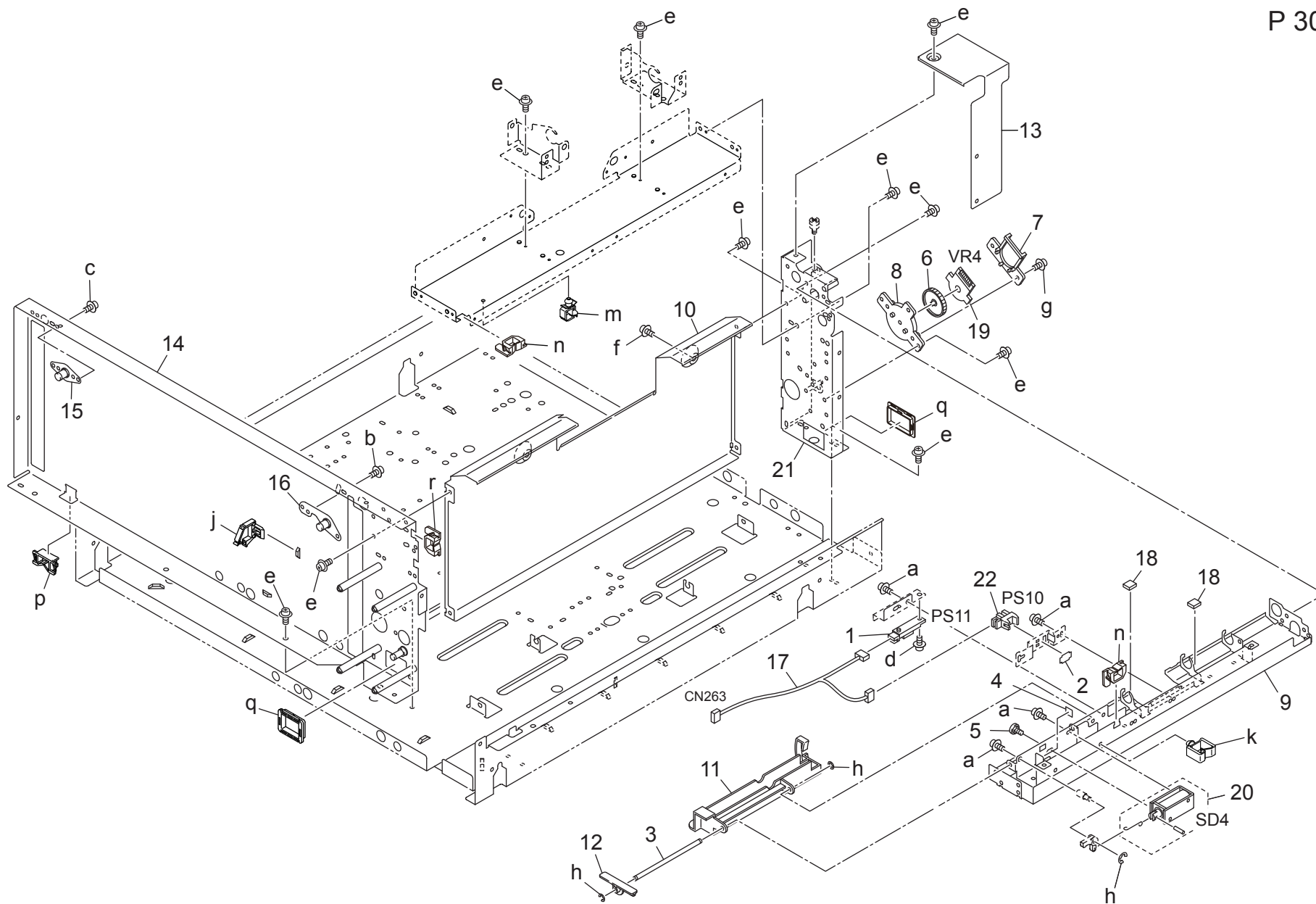
bizhub PRO 1100

TRAY 2

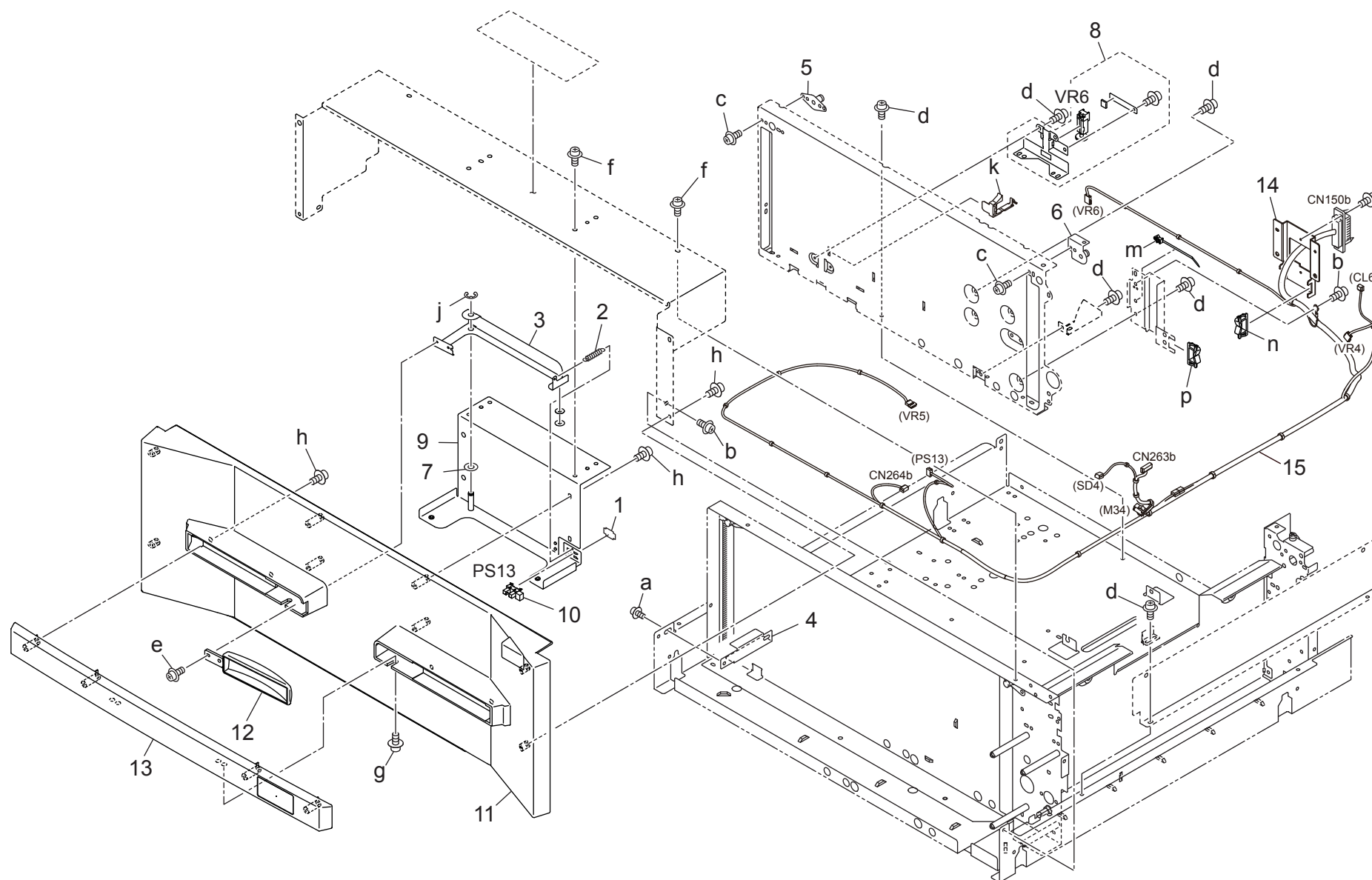


TRAY 2

Key	Part No.	Description	Destinations	Class	QTY	Standard parts
1	129X48350	Guide Bearing /A		C	2	a-V116030603
2	129X48360	Guide Bearing /B		C	2	b-V116040803
3	56UA41230	Guide Shaft /L		D	1	c-V118030403
4	56UA41250	Guide Shaft /S		D	1	d-V121030403
5	56UA41490	PAPER FEED TRAY HOLDING COVER B		D	1	e-V121040603
6	A0G6620500	Holding Plate Spring /A		C	1	f-V127030516
7	A4EUR72R11	Paper Feed Tray Cover /A Unit		D	1	g-V127030604
						h-V209040003



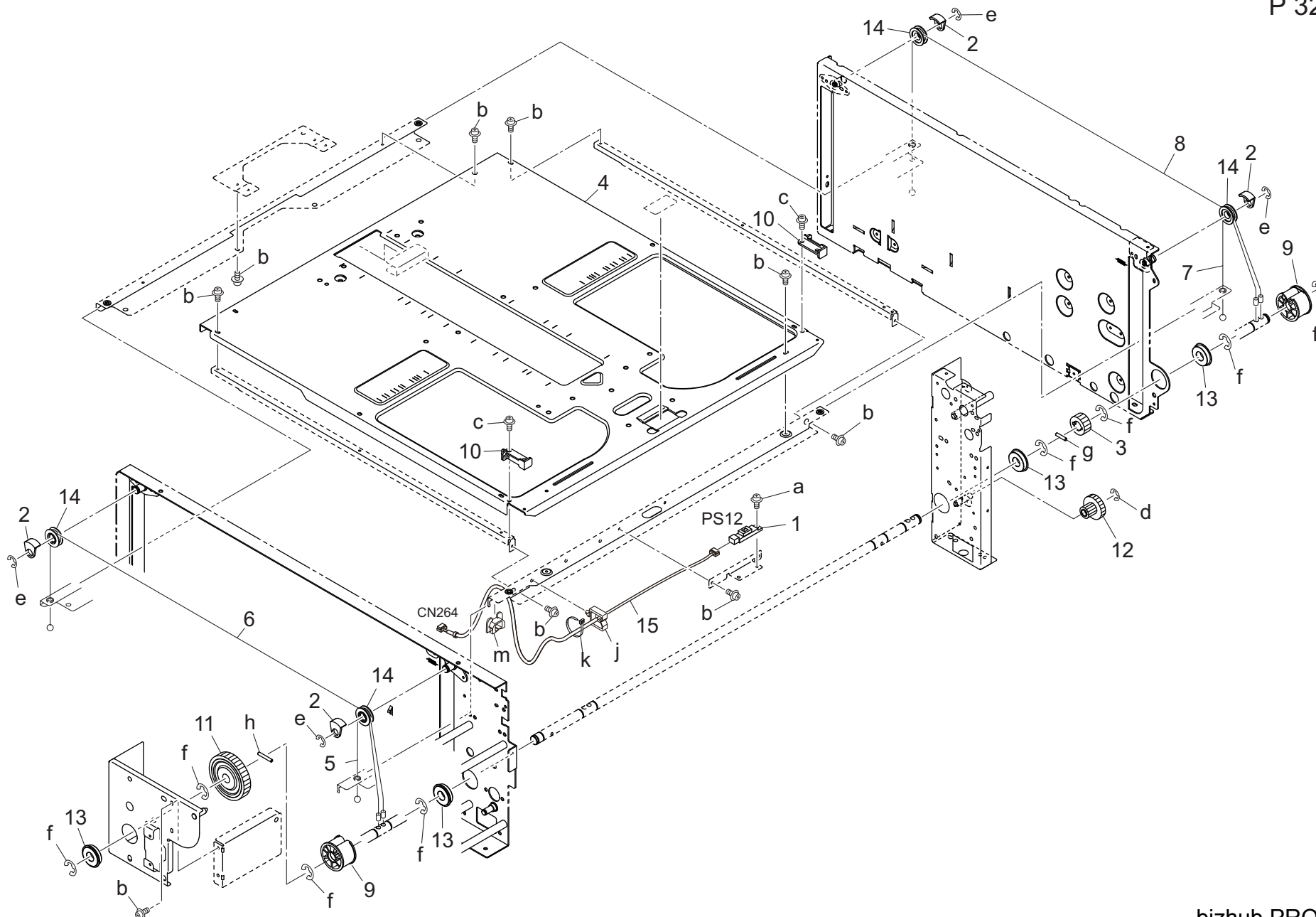
Key	Part No.	Description	Destinations	Class	QTY	Standard parts
1	13QA85511	Sensor 1		B	1	a-V116030503
2	4470402401	Stopper		D	1	b-V116030603
3	55VA40380	SUPPORT SHAFT A		D	1	c-V121030403
4	55VA42111	SOLENOID STOPPER SHEET		C	1	d-V126030603
5	55VA42220	POSITIONING SCREW		C	1	e-V127030516 f-V127040603
6	56AA41340	Detecting Gear 35T		C	1	g-V151030803
7	56AA41351E	Detection Board		C	1	h-V217030001
8	56AE43090	Board Mounting Part		C	1	j-V500010021
9	56UA40051G	Paper Feed Guide Plate /Upper		D	1	k-V500010029
10	56UA40070	PAPER STOPPER PLATE		D	1	m-V500020098 n-V570010021
11	56UA40240	Entrance Guide Plate /Front		C	1	p-V570010023
12	56UA40480	PAPER FEED LIFTING LEVER		D	1	q-V570010038
13	56UA40670	CLUTCH COVER		D	1	r-V570010050
14	56UA-4080	SIDE GUIDE/FRONT		D	1	
15	56UAR79500	WIRE SUPPORT PLATE A		D	1	
16	56UAR79700	WIRE SUPPORT PLATE C		C	1	
17	56UA90350	PAPER FEED CONTROL WIRING UPPER		D	1	
18	A0G6561200	Stopper Rubber		C	2	
19	A1UDM50100	VR		D	1	
20	A4EUR72N11	Pick Up Solenoid Pin Assy		C	1	
21	A4EUR72T11	Tray Driveside Guide Caulking		D	1	
22	A50UM55500	Photo Sensor		I	1	



Key	Part No.	Description	Destinations	Class	QTY	Standard parts
1	4470402401	Stopper		D	1	a-V116030603
2	56HA12980	Lever Spring		C	1	b-V116040603
3	56UA12560	Tray Lever		C	1	c-V121030403
4	56UA40270	TRAY POSITIONING PLATE /LEFT		D	1	d-V127030516
5	56UAR79500	WIRE SUPPORT PLATE A		D	1	e-V127030604
6	56UAR79600	WIRE SUPPORT PLATE B		C	1	f-V127040603
7	57AA30260	Developing Agitating Spacer		C	1	g-V127040803
8	A4EUR72M11	Sensor Board		C	1	h-V151041003
9	A4EUF60701	LEVER MOUNTING PLATE CAULKING		D	1	j-V217040001
10	A50UM55500	Photo Sensor		I	1	k-V500010021
11	A799165100	Paper feed Cover		D	1	m-V501010003
12	A799165300	Handle		D	1	n-V570010057
13	A799165400	Paper feed Handle		D	1	p-V570010063
14	A799602000	Wiring Plate /T		D	1	
15	A799N13300	Paperfeed Drive harness		D	1	

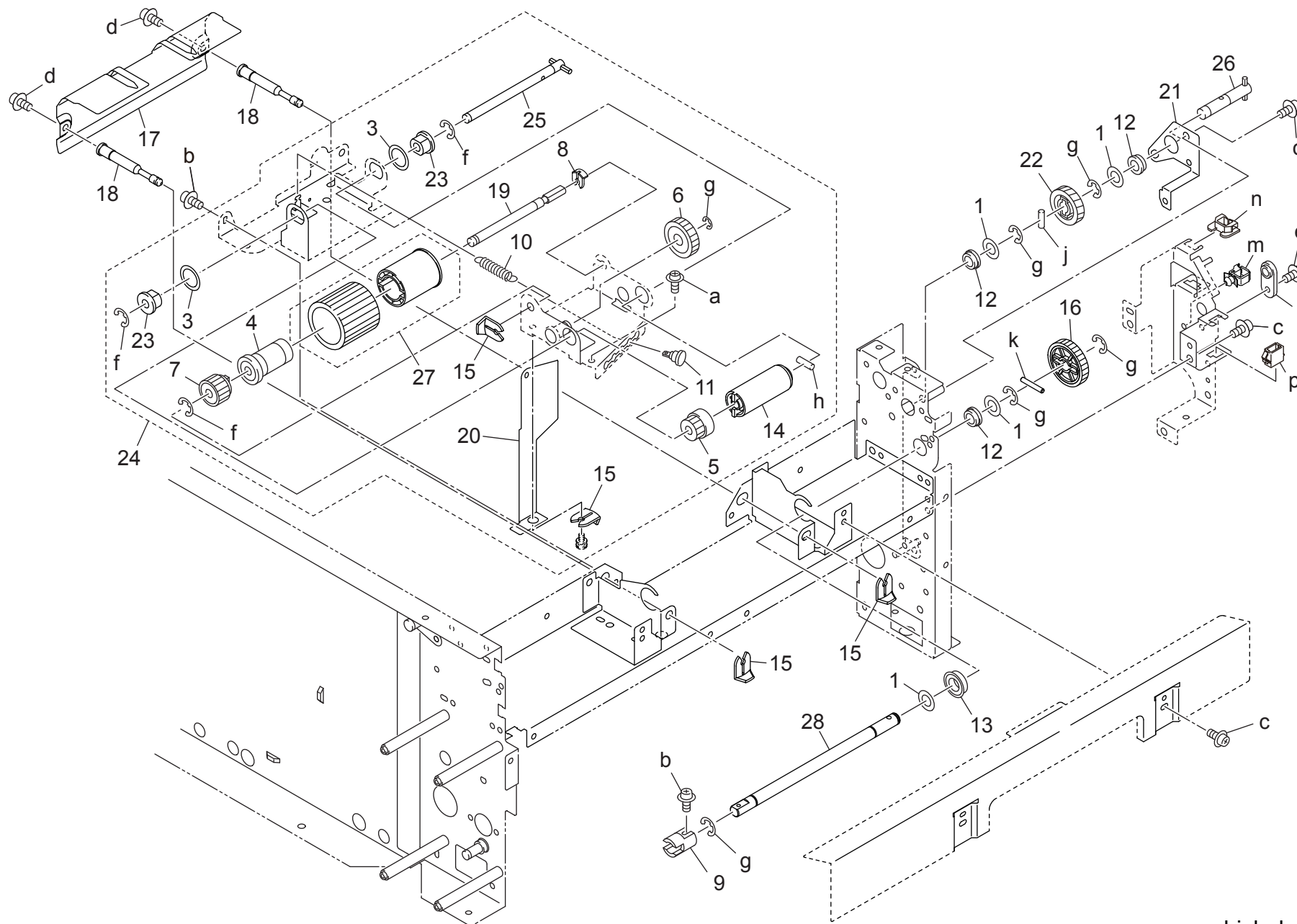
TRAY 2

P 32



Key	Part No.	Description	Destinations	Class	QTY	Standard parts
1	13QA85511	Sensor 1		B	1	a-V126030603
2	55VA40610	Wire Holder /A		C	4	b-V127030516
3	55VA77652	ADU CONVEYANCE GEAR 2 19T		B	1	c-V127030604
4	56UA41011E	Paper feed Up/down Plate /M		D	1	d-V217040001
5	56UA41130	Up Down Wire /A		C	1	e-V217060001
6	56UA41140	Up Down Wire /B		C	1	f-V217080001
7	56UA41150	Up Down Wire /C		C	1	g-V234301450
8	56UA41160	Up Down Wire /D		C	1	h-V234302050
9	56UA41340	DRIVE UP DOWN PULLEY		C	2	j-V500010029
10	56UA41400	PAPER FEED TRAY SLIDE PART		D	2	k-V501010002
11	56UA77600	Up Down Gear /A 32T		C	1	m-V570010021
12	56UA77620	TRAY UP DOWN IDLER		C	1	
13	A4EU265000	Ball bearing		B	4	
14	A4EU620200	Roller Pulley Ball bearing Assy		C	4	
15	A799N13400	Paperfeed Detection harness		D	1	

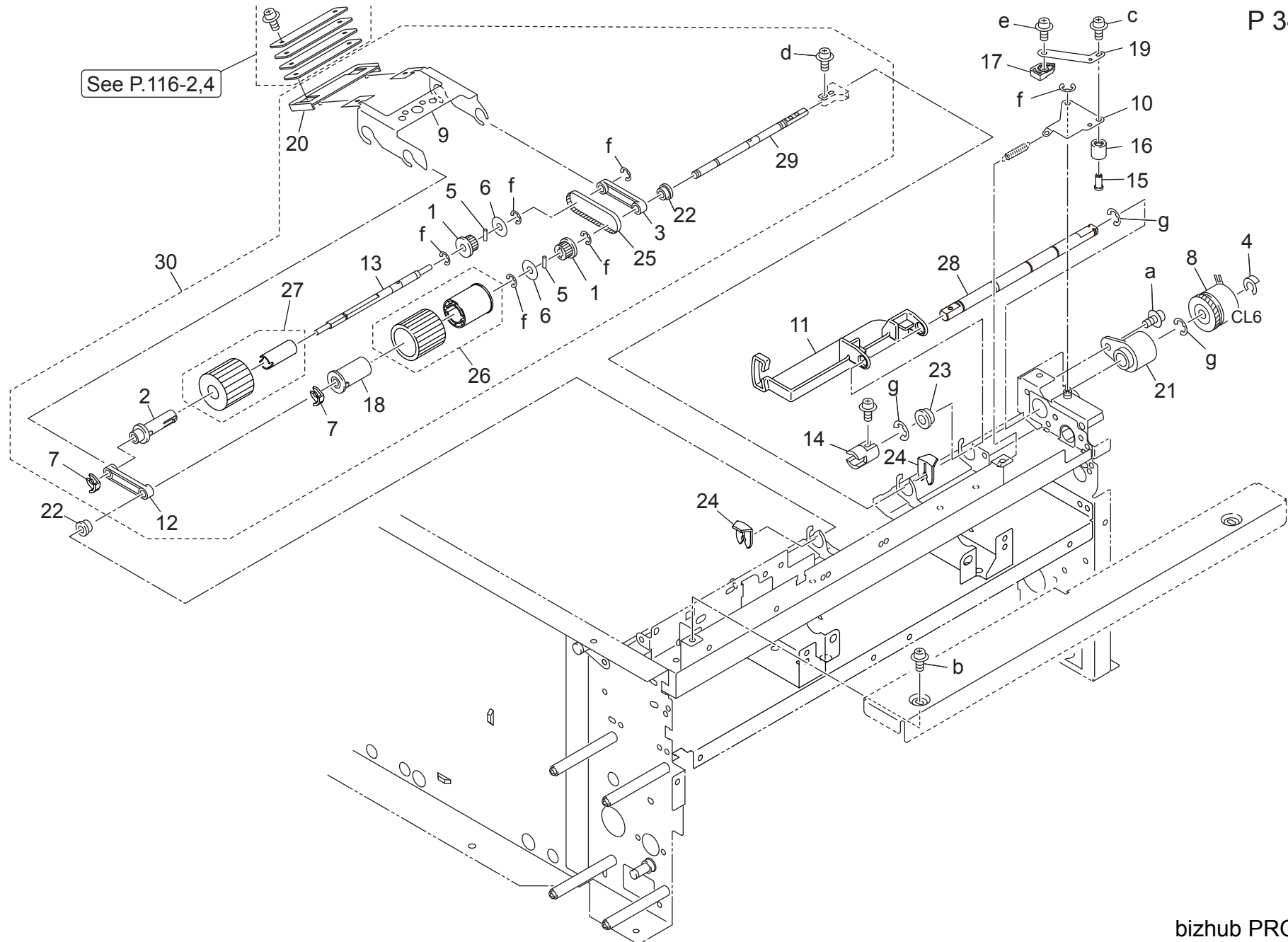
TRAY 2



Key	Part No.	Description	Destinations	Class	QTY	Standard parts
1	12QV40650	Spacer		B	4	a-V116030603
2	173030270	Pin Holder A		C	1	b-V118030603
3	25AA40120	SPACER		C	2	c-V127030516
4	50BA40220	REVERSE ROLLER		C	1	d-V127030604
5	55VA79030	Paper Feed Reversal Gear /C 14T	給紙逆転歯車 / C 14 T	B	1	e-V127040603
6	55VA79050	Idler Gear /B 24T	アイドラー歯車 / B 24 T	C	1	f-V217040001
7	55VA79140	Paper Feed Reversal Gear /D 19T	給紙逆転歯車 / D 19 T	B	1	g-V217060001
8	56AA40490	SHAFT STOPPER 4	軸ストッパ 4	C	1	h-V234200850
9	56UA40490	COUPLING F	カップリング F	C	1	j-V234301450
10	56UA40610	REVERSE SPRING B	逆転バネ B	C	1	k-V234302050
11	56UA40620	SPRING ADJUSTMENT LEVER	バネ調整レバー	D	1	m-V500020098
12	A00J617900	Ball Bearing	ボールベアリング	B	3	n-V570010021
13	A00V240600	Ball Bearing	ボールベアリング	B	1	p-V651010001
14	A03X565611	Torque Limiter /A	トルクリミッタ / A	B	1	
15	A0G6561000	Stopper /E	ストッパ / E	C	4	
16	A4EW570900	Reverse Gear 30T	逆転ギア 30 T	C	1	
17	A0G6570200	Guide Plate	案内板	C	1	
18	A0G6570500	Positioning Shaft /B	位置決め軸 / B	D	2	
19	A0G6571900	Reverse Shaft /2	逆転軸 / 2	D	1	
20	A0G6572000	Protection Cover	保護カバー	B	1	
21	A0G6602100	Idling Panel	アイドラパネル	D	1	
22	A0G6602300	Input Gear 25T	入力ギア 25 T	B	1	
23	A0Y5601600	Bushing/6	すべり軸受 / 6	C	2	
24	A4EUR72H11	Separating Unit	捌きユニット	C	1	
25	A4EUR72J11	Revers Shaft/B	逆転軸 / B	D	1	
26	A4EUR72K11	Paper Feed Input Shaft	給紙入力軸ピン打ち	B	1	
27	A4EUR71411	Feeding Roller Unit/B	送り出しローラー部組 / B	A	1	
28	A4EW570800	Reverse Shaft	逆転軸	B	1	

TRAY 2

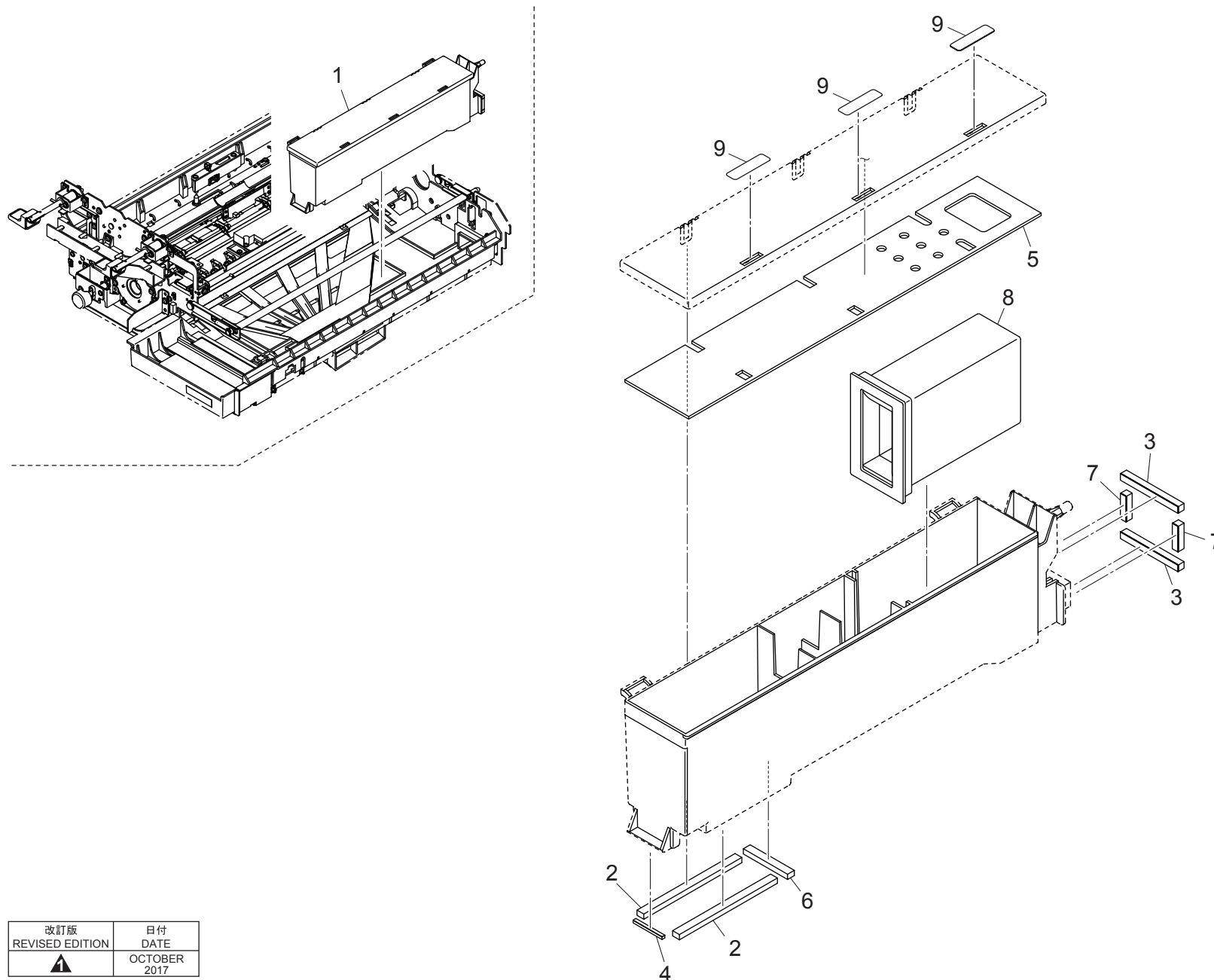
P 34



Key	Part No.	Description	Destinations	Class	QTY	Standard parts
1	059076510	PULLEY 1 15T		C	2	a-V116030603 b-V118030403 c-V127030516 d-V127030604 e-V151040603 f-V217040001 g-V217060001
2	55VA40130	Feeding Roller /A		C	1	
3	55VA40260	Paper Feeding Shaft Holder		C	1	
4	55VA42120	Shaft Stopper		C	1	
5	56AA17510	Pin /B		C	2	
6	56AA17760	COLLAR		C	2	
7	56AA40490	SHAFT STOPPER 4		C	2	
8	56AA82012	Paper Feed Drive Clutch		B	1	
9	56UA40100	Paper Feed Holding Plate /X		D	1	
10	56UA40170	Lock Lever /A		D	1	
11	56UA40250	ENTRANCE GUIDE PLATE REAR		C	1	
12	56UA40280	Paper Feed Feeding Bushing		C	1	
13	56UA40400	PAPER FEED SHAFT X		D	1	
14	56UA40490	COUPLING F		C	1	
15	56UA40520	Lock Shaft /B		D	1	
16	56UA40530	Release Roller		C	1	
17	56UA40540	Lever Auxiliary Part		D	1	
18	56UA40600	Multi-Feed Feeding Roller		C	1	
19	56UA40660	LEVER AUXILIARY SPRING		D	1	
20	56UA40690	Side Protection Cover /B		D	1	
21	56UA75030	Lock Bushing /A		C	1	
22	A00J663200	Bushing		C	2	
23	A03U812800	Slide Shaft Holder		B	1	
24	A0G6561000	Stopper /E		C	2	
25	A4EU565600	Drive Belt 126L		C	1	
26	A4EUR71411	Feeding Roller Unit/B		A	1	
27	A4EUR71511	Feeding Roller Unit/A		A	1	
28	A799622100	Supply Shaft /Upper		D	1	
29	A799623400	Paper feed Shaft /Upper		D	1	
30	A799R70S11	Pickup Unit		C	1	



DEVELOPING SUCTION



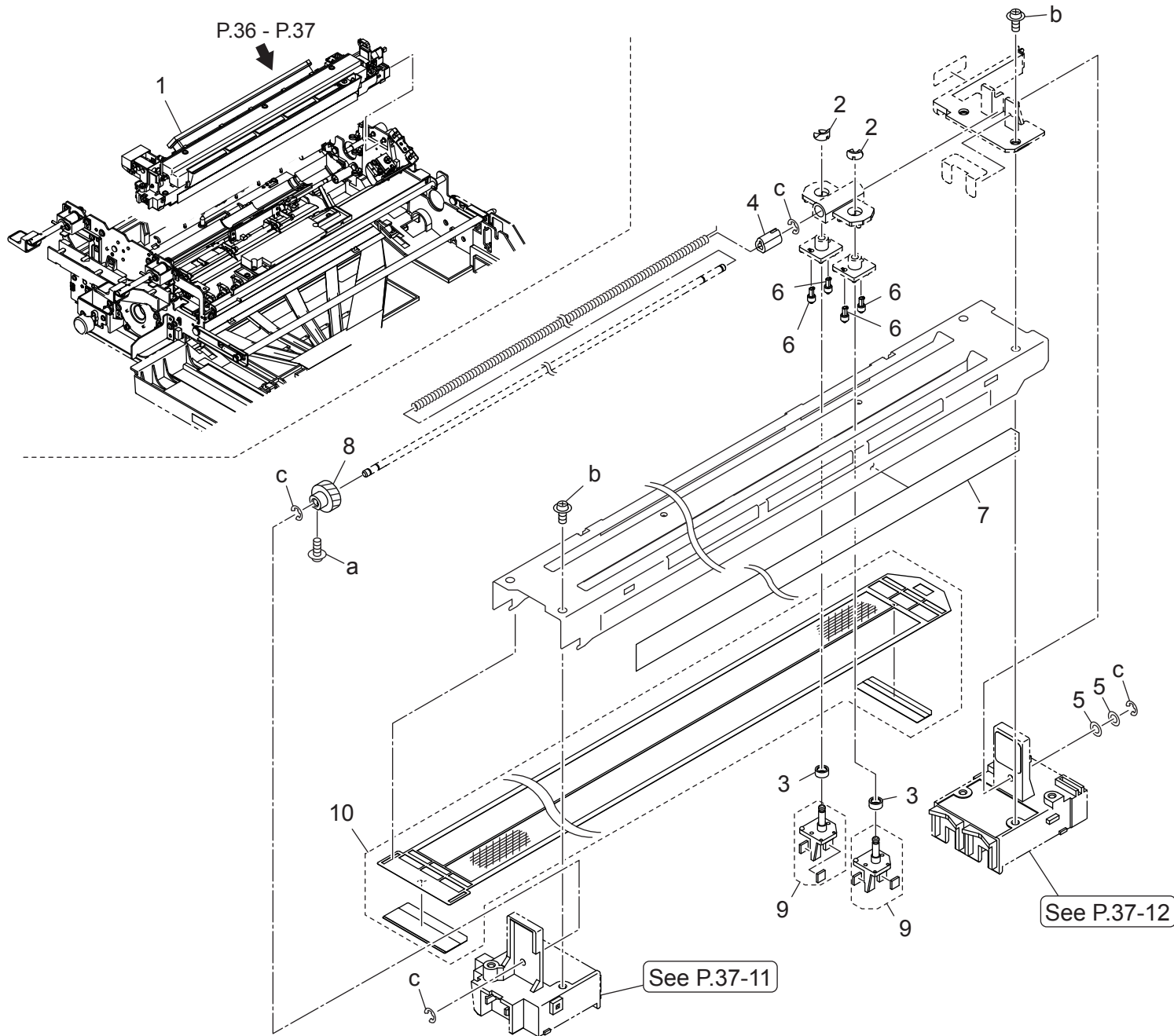
改訂版 REVISED EDITION	日付 DATE
▲	OCTOBER 2017

DEVELOPING SUCTION

Key	Part No.	Description	Destinations	Class	QTY	Standard parts
1	A4EUR70411	Developing Suction Assy		B	1	
2	56UA31030	Developing Suction Seal /2		B	2	
3	A4EU394600	Stopper Pad /1		B	2	
4	A0G6394400	Suction Pad /H		B	1	
5	A4EU392600	Suction Pad		D	1	
6	56UA31060	Developing Suction Seal /5		B	1	
7	A4EU394700	Stopper Pad /2		B	2	
8	A4EU390800	Suction Filter		A	1	
9	A0G6950701	Set Label /7		D	3	

CHARGE UNIT

P 36

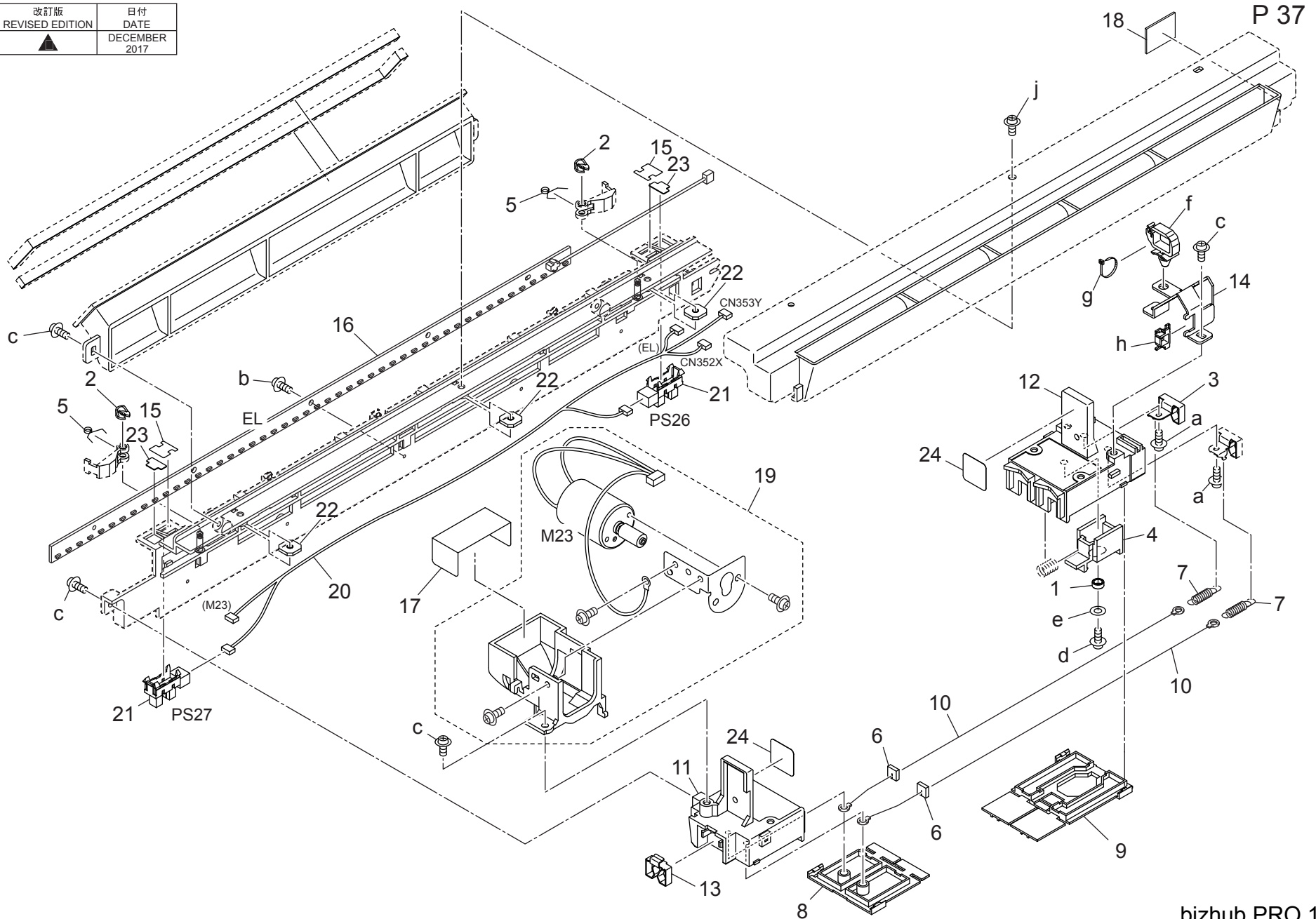


CHARGE UNIT

Key	Part No.	Description	Destinations	Class	QTY	Standard parts
1	A799R70R11	Charge Unit		B	1	a-V145020403 b-V151030803 c-V217020001
2	45AA20400	STOPPER PART	ストッパ部材	A	2	
3	55VA25140	CHARGING SLIDE COLLAR	帯電スライドカラー	C	2	
4	56AA25150	ELECTRODE CLEANING JOINT	電極清掃ジョイント	C	1	
5	56UA25280	Charge Cleaning Spacer	帯電清掃スペーサー	C	2	
6	A0G6463200	Guide Roll	ガイドころ	C	4	
7	A4EU463000	Scatteringprevention Sheet /T	飛散防止シート /T	D	1	
8	A4EU464200	Charging Gear 33T	帯電ギア 33 T	C	1	
9	A4EUR70800	Charge Cleaner Assy	帯電清掃部組	A	2	
10	A4EUR70900	Charge Plate Assy	帯電プレート 部組	A	1	

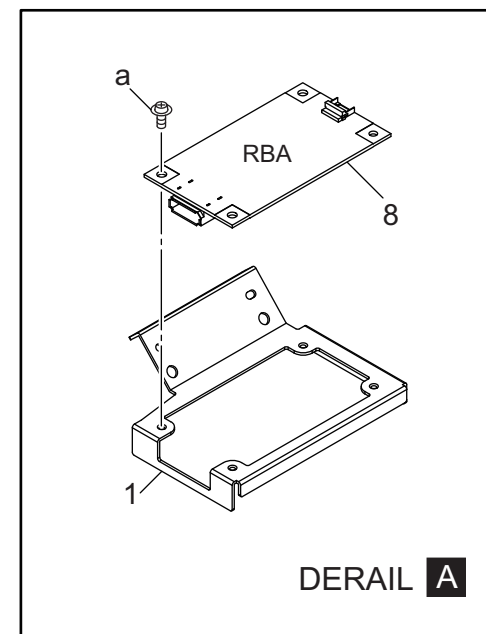
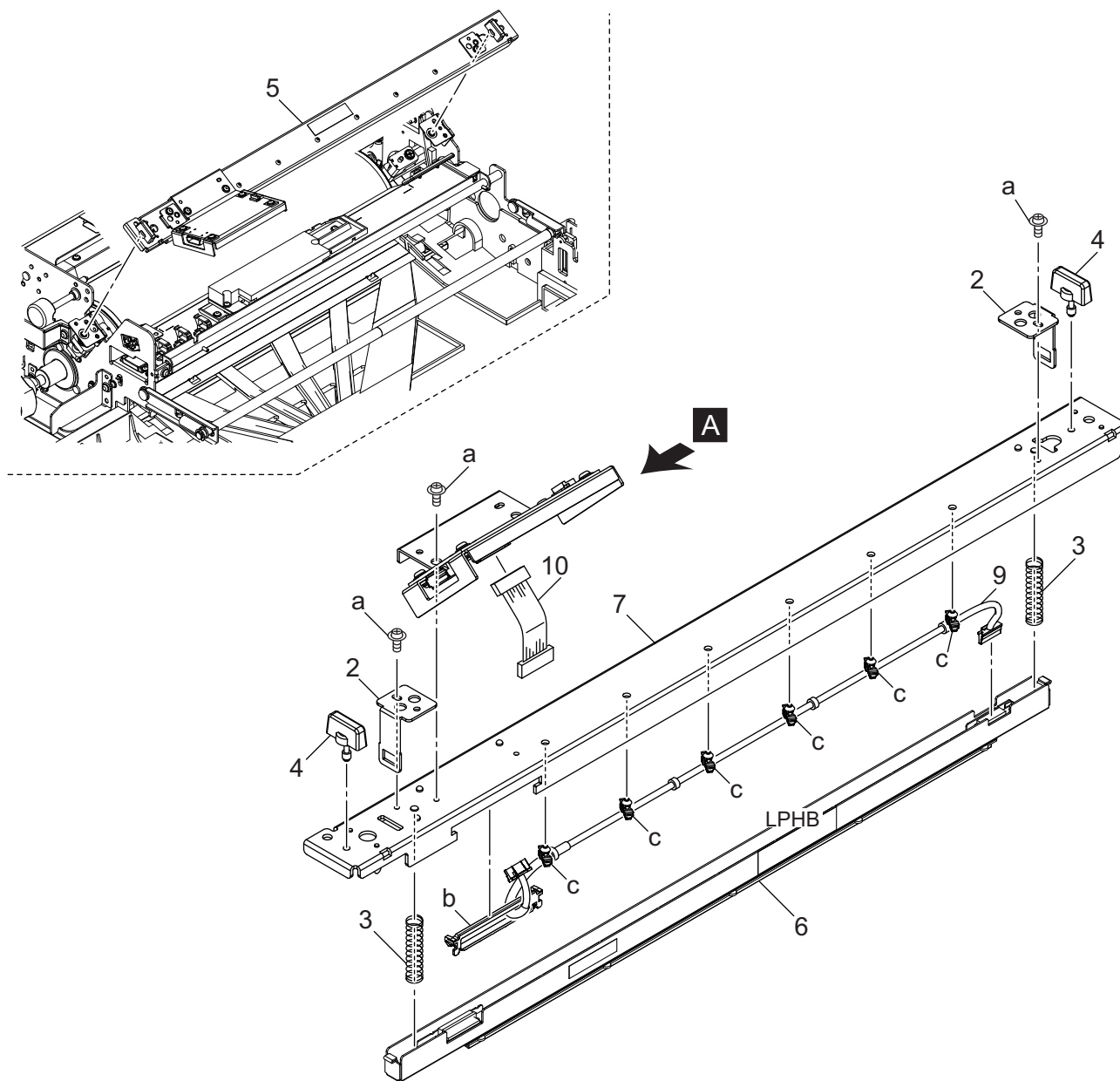
CHARGE UNIT

改訂版 REVISED EDITION	日付 DATE
▲	DECEMBER 2017



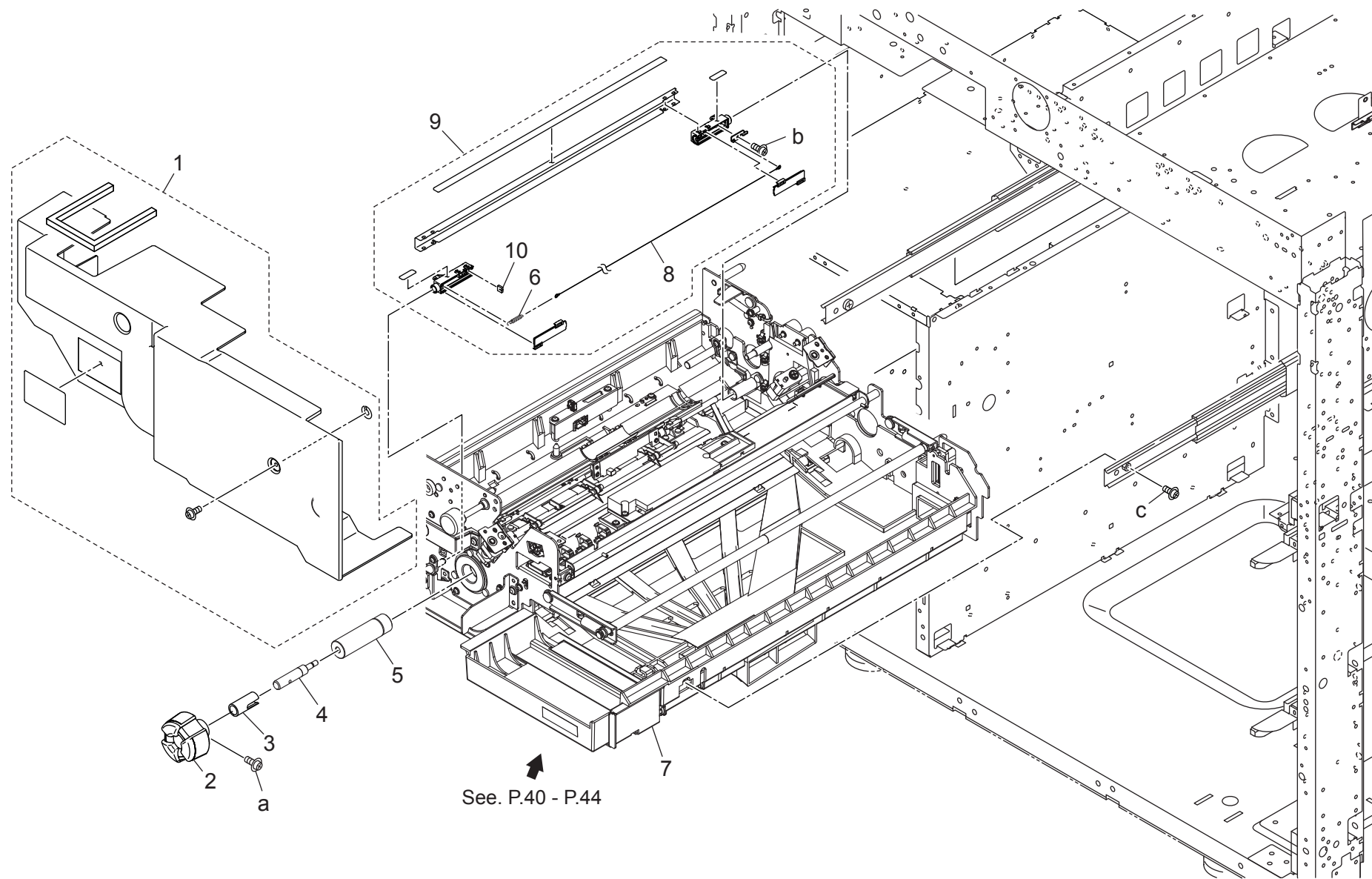
bizhub PRO 1100

Key	Part No.	Description	Destinations	Class	QTY	Standard parts
1	25AA20321	PTL SUPPORT SPACER	PTL 支持スペーサー	C	1	a-V145020403
2	45AA20400	STOPPER PART	ストッパ部材	A	2	b-V145020603
3	55VA25110	CHARGING FIXED SPRING LEFT	帯電固定バネ 左	C	1	c-V151030803
4	55VA25200	CHARGING TENSION KNOB	帯電テンションノブ	C	1	d-V151041003
5	55VA25240	CHARGING DETECT SPRING	帯電検知バネ	B	2	e-V207040003
6	55VA25270	Electrode Vibrating Rubber	電極振動ゴム	A	2	f-V500010067
7	56AA17140	WIRE TENSION SPRING	ワイヤーテンションバネ	C	2	g-V501010002
8	56UA25040	SPARK PREVENTING PLATE FRONT	落雷防止板 前	C	1	h-V570010050
9	56UA25050	Spark Preventing Plate /Rear	落雷防止板/奥	C	1	j-V127030803
10	56UA25090	CHARGING WIRE	帯電ワイヤー	A	2	
11	A0G6460101	Charging Block /Front	帯電ブロック/前	C	1	
12	A0G6460201	Charging Block /Rear	帯電ブロック/奥	C	1	
13	A0G6460600	Fixing Spring /Front	固定ばね/前	D	1	
14	A0G6462901	Charging Holder	帯電ホルダ	D	1	
15	A0G6463500	Fixing Sheet	固定シート	C	2	
16	A0Y5M30800	PCL	PCL	C	1	
17	A4EU465000	Drive Sheet	駆動シート	D	1	
18	A4EU992600	Preventing Sheet	防止シート	D	1	
19	A4EUR75J00	Charge Clemer Motor Assy	帯電清掃モーター一部組	C	1	
20	A4EUN14304	Chaging Relay harness	帯電中継束線	D	1	
21	A50UM55500	Photo Sensor	フォトセンサ(透過型)	I	2	
22	A0G6525600	Mounting Plate	取付板	D	3	
23	A799463500	Fixing Sheet	固定シート (フォトセンサ)	D	2	
24	A0G6951101	Set Label /11	セットラベル/11	C	2	



Key	Part No.	Description	Destinations	Class	QTY	Standard parts
1	A799300900	Hold Plate		D	1	a-V127030603 b-V500010080 c-V500020099
2	A799301001	Hold Plate		D	2	
3	A799301100	Pressing Spring		C	2	
4	A799301200	Lock Screw		D	2	
5	A799R71D00	LPH Support Stay Unit		I	1	
6	A799R70D00	LPH Assy		C	1	
7	A799R71700	Support Stay Caulking		D	1	
8	A799H31001	Relay Board /A ASSY		C	1	
9	A799N15100	Power source Wiring /L		D	1	
10	A799N15200	Control harness /L		D	1	

DRUM CARTRIDGE UNIT

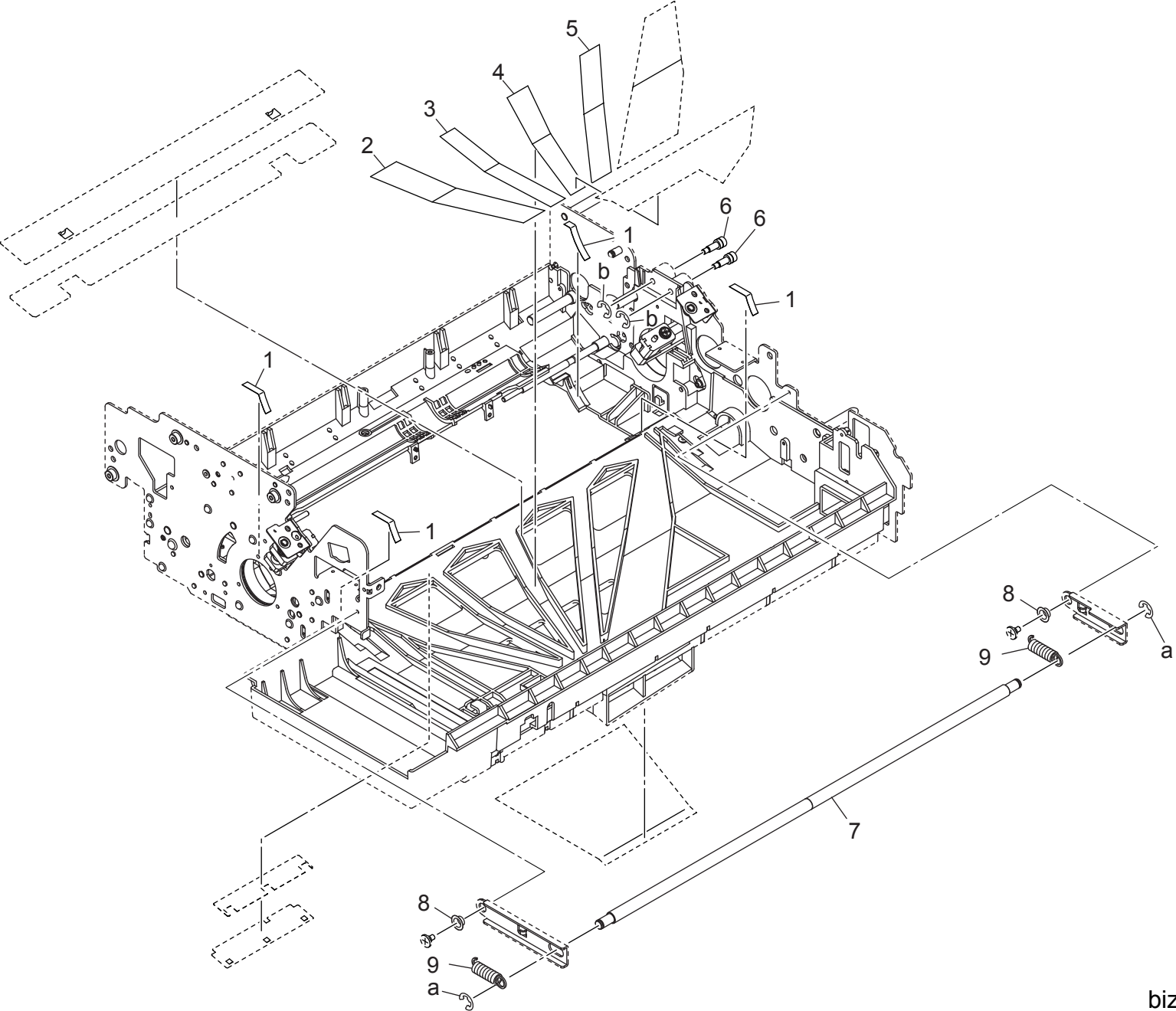


See. P.40 - P.44

DRUM CARTRIDGE UNIT

Key	Part No.	Description	Destinations	Class	QTY	Standard parts
1	A4EUR75U11	Drum Protect Cover Assy		D	1	a-V121040803 b-V151020503 c-V118030803
2	A0G6344501	Fixing Knob		C	1	
3	A0G6333700	Regulating Collar		C	1	
4	A799330900	Fixing Screw		D	1	
5	A799333800	Fixing Coupling		D	1	
6	56AA17140	WIRE TENSION SPRING		C	1	
7	A799R70E11	Drum Cartridge Assy		S	1	
8	A0G6470800	Discharge Wire		A	1	
9	A4EUR75K00	PCC Assy		B	1	
10	55VA25270	Electrode Vibrating Rubber		A	1	

DRUM CARTRIDGE UNIT

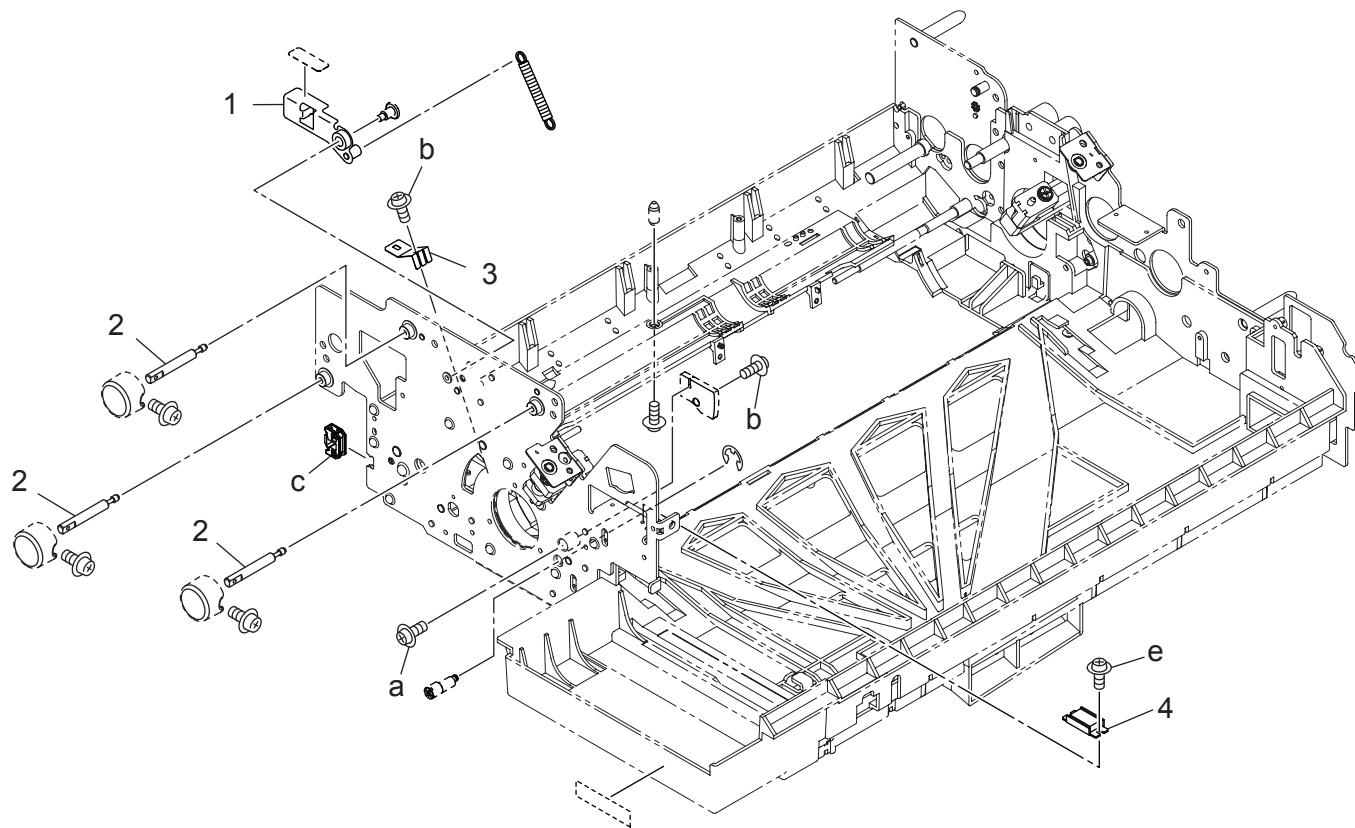


DRUM CARTRIDGE UNIT

Key	Part No.	Description		Destinations	Class	QTY	Standard parts
1	A0G6332600	Protection Seal /2	保護シール / 2		C	4	a-V217060001 b-V217030001
2	56UA20750	Developing Suction Cover /6	現像サクシヨ ン蓋 / 6		C	1	
3	56UA20740	Developing Suction Cover /5	現像サクシヨ ン蓋 / 5		D	1	
4	56UA20730	Developing Suction Cover /4	現像サクシヨ ン蓋 / 4		D	1	
5	56UA20720	Developing Suction Cover /3	現像サクシヨ ン蓋 / 3		D	1	
6	56UA20380	CHARGING SUPPORT SHAFT REAR	帯電支持軸 奥		D	2	
7	A799332100	Pressing Shaft	押圧軸 (現像器)		D	1	
8	090020510	CLEANER MOUNT LEVER COLLAR	クリーニング取り 付けレバ ーカラー		C	2	
9	A799345000	Pressing Spring	押圧ばね (現像)		C	2	

DRUM CARTRIDGE UNIT

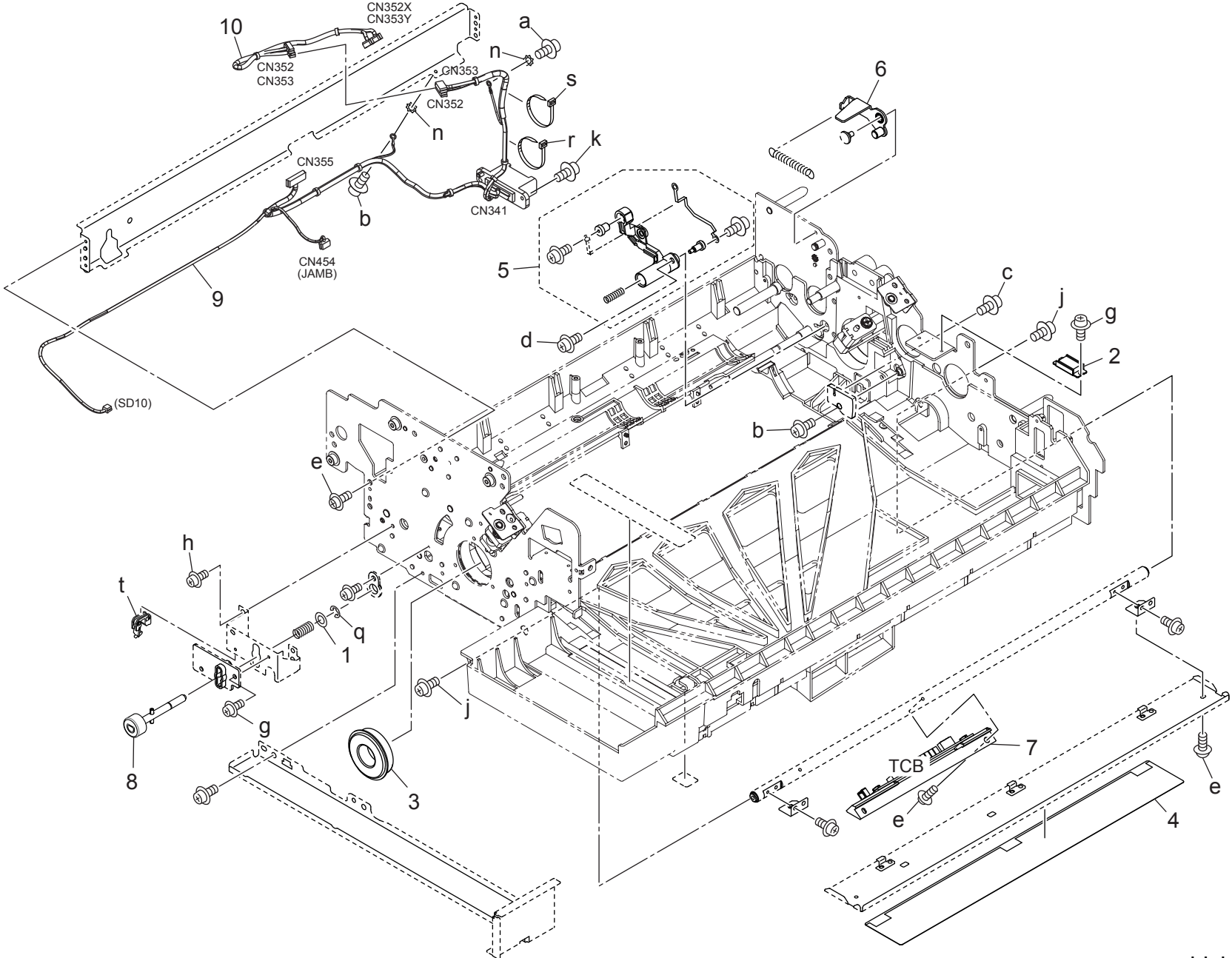
P 41



DRUM CARTRIDGE UNIT

Key	Part No.	Description	Destinations	Class	QTY	Standard parts
1	A4EUF33301	CLENER LEVER/F CAULKING		D	1	a-V116032003 b-V116030603 c-V570010056 e-V127030604
2	A799341600	Fixing Screw		D	3	
3	A4EU346800	Contact		D	1	
4	40AA32290	MAGNET CATCH		C	1	

DRUM CARTRIDGE UNIT

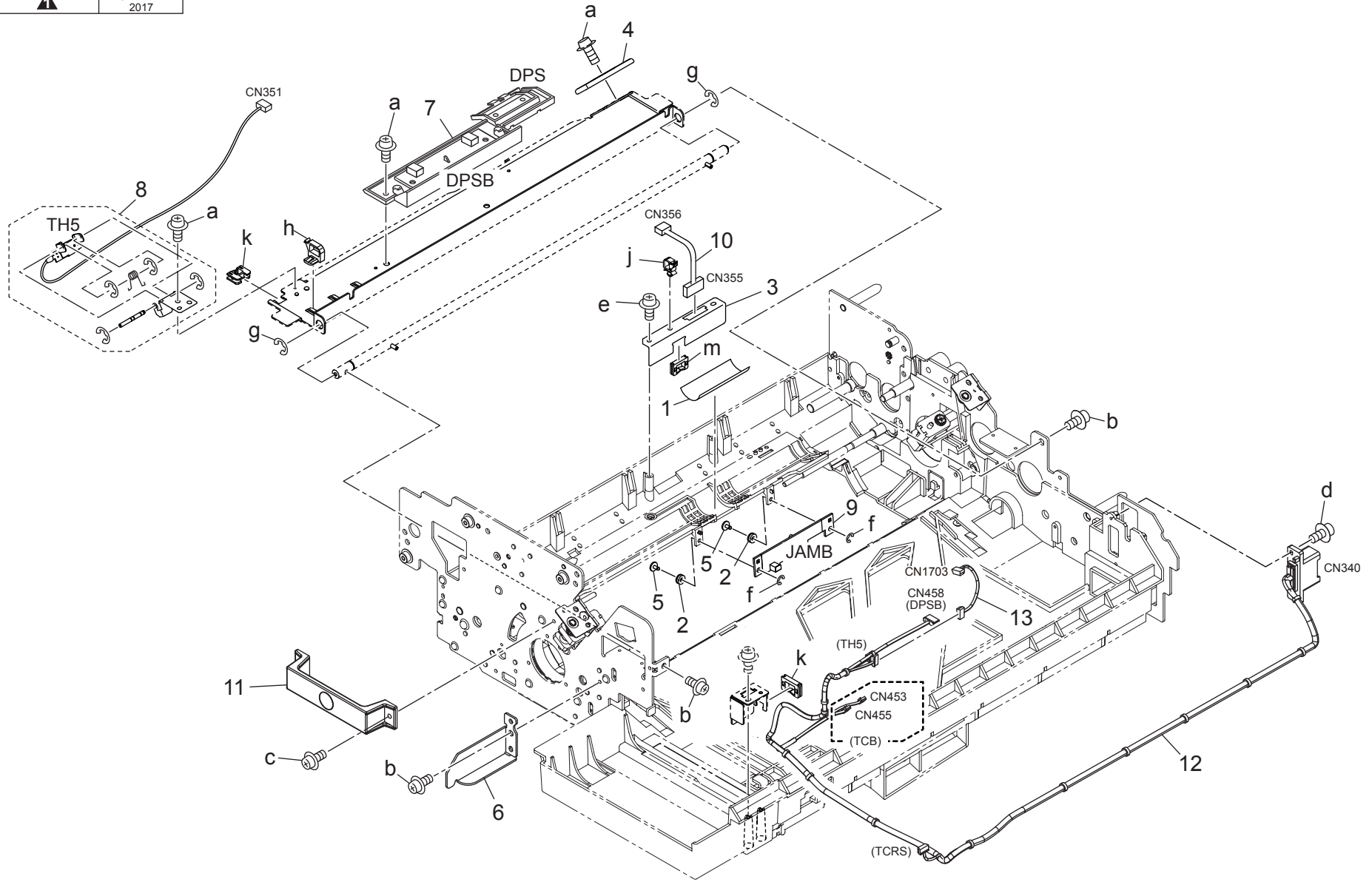


DRUM CARTRIDGE UNIT

Key	Part No.	Description	Destinations	Class	QTY	Standard parts
1	07BA15871	SPACER A		C	1	a-V116030503
2	40AA32290	MAGNET CATCH		C	1	b-V116030603
3	55TA75020	Bearing		B	1	c-V116031403
4	A0G6331301	Guide Sheet		C	1	d-V118040603
5	A4EUR75C00	Power Block Assy		D	1	e-V121030603
6	A4EUF33900	Clemer Rock Lever/R Caulking	クリーナーロックレバー/R カシメ	D	1	g-V127030604
7	A799R70F11	Toner Control Board Assy	トナー制御基板 A s s y	I	1	h-V127040603
8	A799R71100	Lock Axis Assy	ロック軸 A s s y	D	1	j-V127040803
9	A799N14100	Photoconductor Wiring /1	感光体束線 /1	D	1	k-V145031003
10	A0G6N22500	Photoconductor Relay Harness /4	感光体中継束線 /4	D	1	n-V209030003
						q-V217040001
						r-V501010002
						s-V501010003
						t-V570010056

DRUM CARTRIDGE UNIT

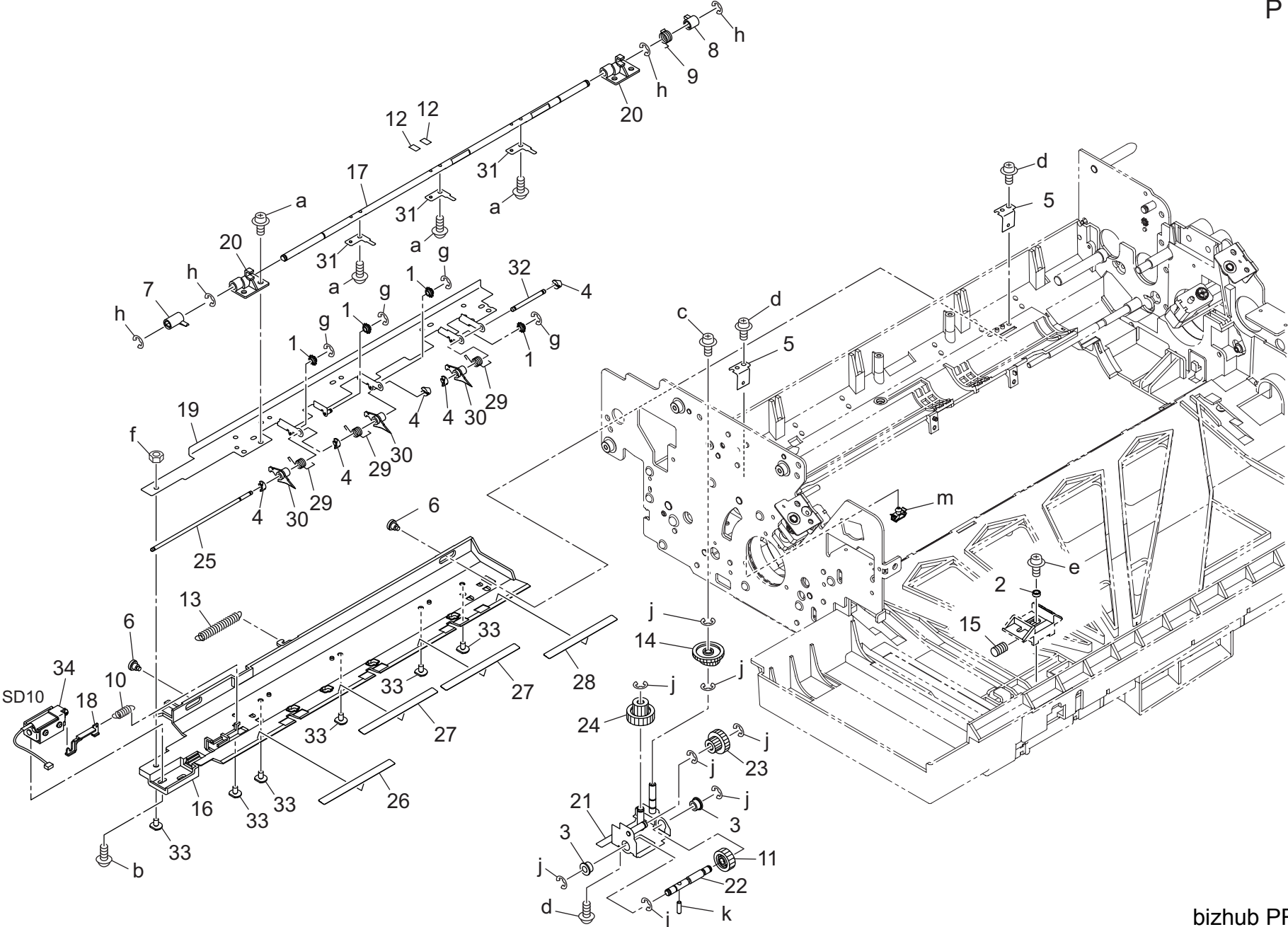
改訂版 REVISED EDITION	日付 DATE
	NOVEMBER 2017



DRUM CARTRIDGE UNIT

Key	Part No.	Description	Destinations	Class	QTY	Standard parts
1	55VA20830	WIRING GUIDE SHEET		C	1	a-V127030604
2	55VA20850D	Fixing Part		D	2	b-V127040603
3	A0G6331101	Power supply Plate		D	1	c-V127040803
4	A0G6344801	Fixing Knob		C	1	d-V145031003
5	A0G6346600	Pin		D	2	e-V151030803
6	A4EU401900	Positioning Panel /Middle		D	1	f-V217020001
7	A0G6J34000	High Voltage Detection Assy		D	1	g-V217060001
8	A4EUR70200	Drum Temperature Sensor Assy		D	1	h-V500010021
9	A4EUR75E00	Detecting Board Adjust Assy		B	1	j-V500020098
10	A4EUN14800	Photoconductor Relay harness /3		C	1	k-V570010050
				D	1	m-V570010063
11	A799341700	Handle		D	1	
12	A799N14200	Photoconductor Wiring /2		D	1	
13	A799N14400	Exposure Relay harness		D	1	

DRUM CARTRIDGE UNIT

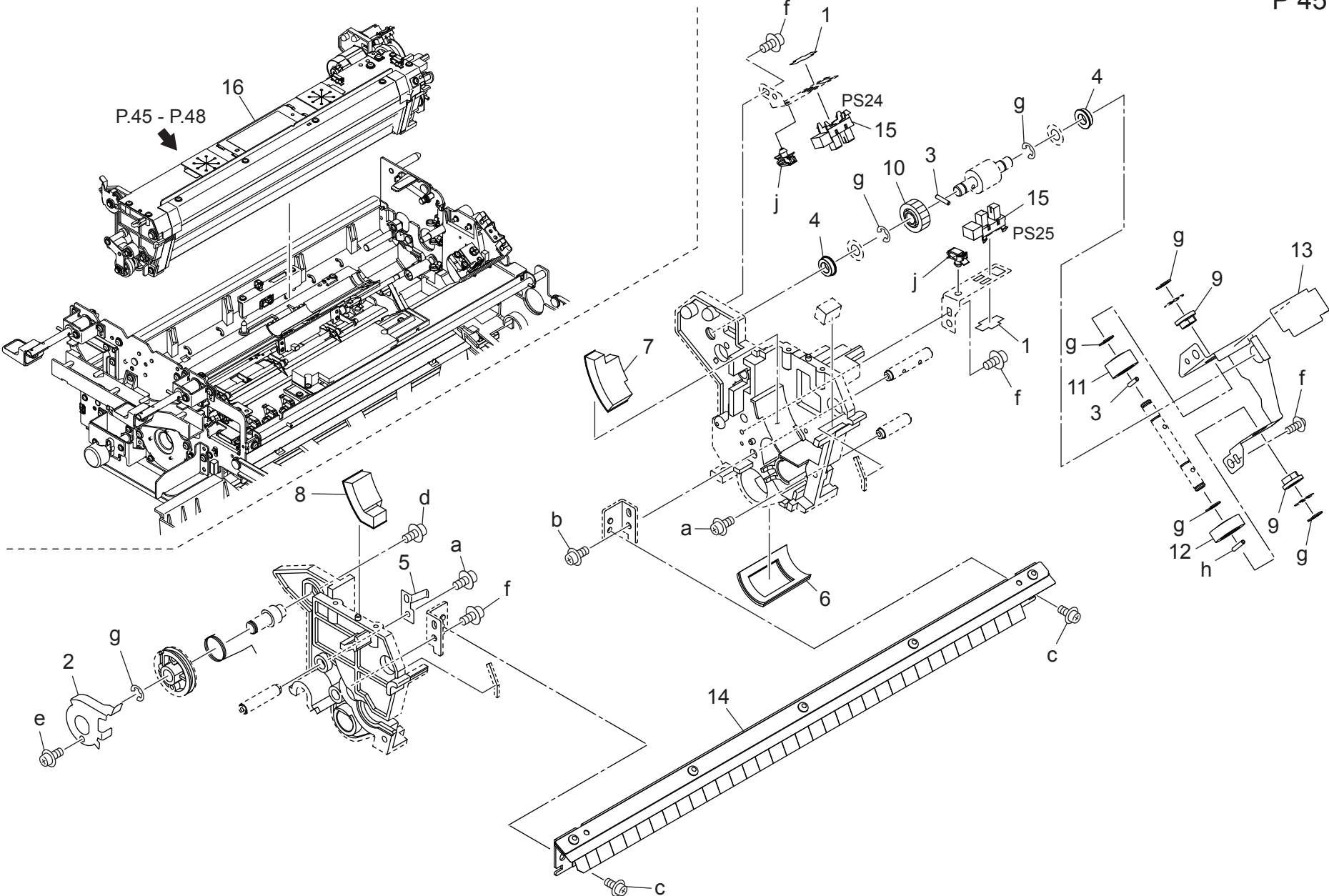


DRUM CARTRIDGE UNIT

Key	Part No.	Description	Destinations	Class	QTY	Standard parts
1	113620270	CLAW WHEEL	爪車	C	4	a-V118030403
2	25AA20321	PTL SUPPORT SPACER	P T L 支持スペーサー	C	1	b-V121030403
3	25AA29770	SEPARATE FULCRUM SHAFT HOLDER	分離支点軸受	C	2	c-V121030603
4	45AA20400	STOPPER PART	ストップ部品	A	5	d-V151030803
5	55VA20590	SEPARATION FIXING PLATE	分離固定板	D	2	e-V151041003
6	55VA20680	SEPARATION POSITIONING SCREW	分離位置決めネジ	C	2	f-V195030003
7	55VA29040	Separating Release Part /B	分離解除部材 / B	C	1	g-V217020001
8	55VA29050	Separating Release Part /C	分離解除部材 / C	C	1	h-V217030001
9	55VA29140	SOLENOID RELEASE SPRING	ソレノイド解除バネ	B	1	j-V217040001
10	55VA29150	RELEASE SPRING	解除バネ	B	1	k-V234301050
11	55VA77570	SEPARATE ROCKING GEAR B 32T	分離駆動歯車 B 32 T	C	1	m-V500020099
12	56UA29230	Separation Auxiliary Sheet	分離補助シート	C	2	
13	56UA45960	Paper Exit Pressing Spring	排紙押圧バネ	C	1	
14	56UA77290	SEPARATION SWING GEAR 40T	分離揺動歯車 40 T	C	1	
15	A0G6332000	Tension Spring	テンションばね	C	1	
16	A0G6338113	Separating Guide	分離ガイド	D	1	
17	A0G6338201	Release Shaft	解除軸	D	1	
18	A0G6338411	Release Part /A	解除部材 / A	D	1	
19	A0G6338612	Separating Plate	分離板	D	1	
20	A0G6338911	Support Block	支持ブロック	D	2	
21	A0G6339000	Swing Board	揺動基板	D	1	
22	A0G6339400	Swing Shaft /W	揺動軸 / W	D	1	
23	A0G6339500	Swing Gear /A 20/35T	揺動歯車 / A 20 / 35 T	C	1	
24	A0G6339600	Swing Gear /B 18/33T	揺動歯車 / B 18 / 33 T	C	1	
25	A0G6339812	Separating Shaft	分離軸	D	1	
26	A0G6345111	Cover Sheet /F	カバーシート / F	C	1	
27	A0G6345200	Cover Sheet /C	カバーシート / C	C	2	
28	A0G6345311	Cover Sheet /R	カバーシート / R	C	1	
29	A0G6345411	Separating Spring	分離ばね	C	3	
30	A0G6345600	Separating Claw /D	分離爪 / D	A	3	
31	A0G6345700	Release Plate	解除板	D	3	
32	A0G6345800	Separating Shaft /2	分離軸 / 2	D	1	
33	A0Y5351500	Fixing Screw	固定ねじ	C	6	
34	A4EUR76P00	Claw Separating Solenoid Assy	爪分離ソレノイド部組	D	1	

DRUM CLEANING UNIT

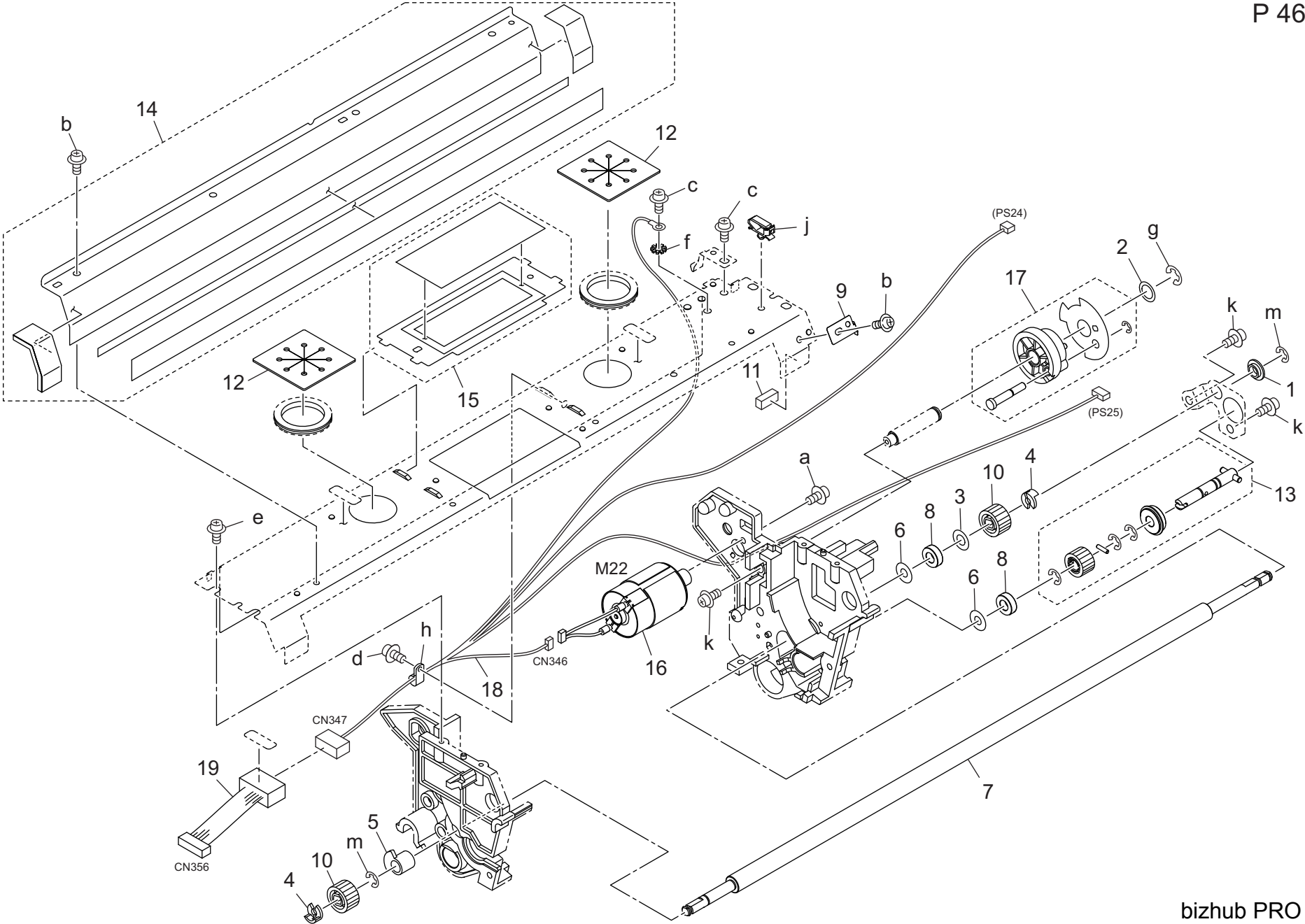
P 45



DRUM CLEANING UNIT

Key	Part No.	Description	Destinations	Class	QTY	Standard parts
1	4470402401	Stopper		D	2	a-V121030603 b-V121030803 c-V121040403 d-V121040603 e-V145030603 f-V151030803 g-V217040001 h-V234201250 j-V500020099
2	55VA55490	BLADE CHANGE LEVER		D	1	
3	56AA17510	Pin /B		C	2	
4	A00J617800	Ball Bearing		B	2	
5	A0G6531800	Ground Plate		D	1	
6	A0G6531900	Cleaning Seal /1		C	1	
7	A0G6533000	Cleaning Seal /3		C	1	
8	A0G6533100	Cleaning Seal /4		C	1	
9	A4EU537900	Bushing		C	2	
10	A4EU538200	Release Gear /2 26T		C	1	
11	A4EU538300	Release Gear /3 18T		C	1	
12	A4EU538400	Release Gear /4 15T		C	1	
13	A4EU538700	Scatteringprevention Filter		D	1	
14	A4EUR70J00	Guide Plate Assy		A	1	
15	A50UM55500	Photo Sensor		I	2	
16	A799R70300	Drum Cleaning Assy		I	1	

DRUM CLEANING UNIT

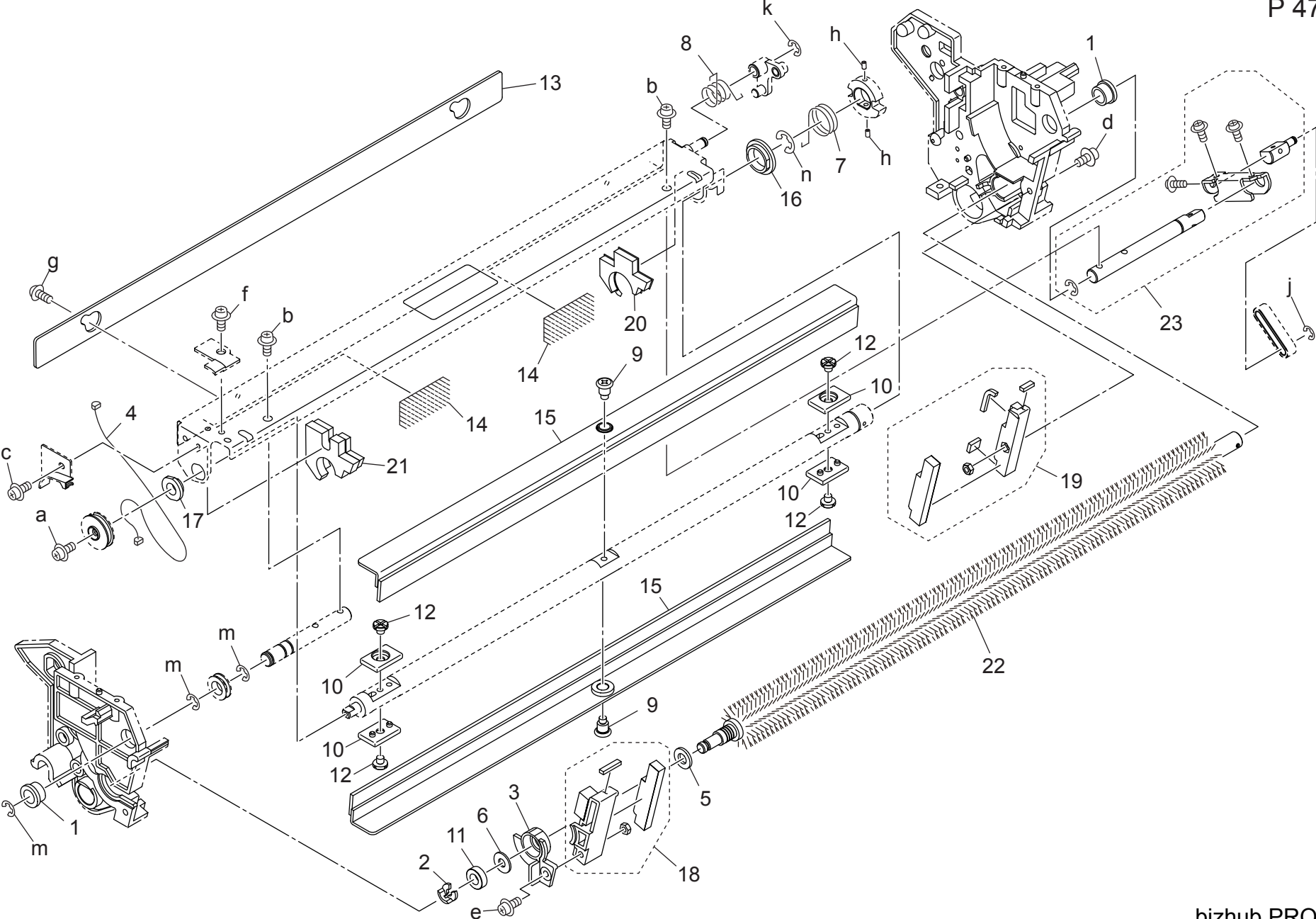


DRUM CLEANING UNIT

Key	Part No.	Description	Destinations	Class	QTY	Standard parts
1	090020510	CLEANER MOUNT LEVER COLLAR		C	1	a-V118260601
2	13QA40610	Gear Spacer		C	1	b-V121030403
3	25HA15210	SPACER E		C	1	c-V121040403
4	396040681	STOPPER RING		B	2	d-V121040603
5	55VA55400	Cleaner Shaft Holder		C	1	e-V151030803
6	55VA55680	SPEWING PREVENTIVE FELT		A	2	f-V209040050
7	A0G6530500	Guide Shaft		B	1	g-V217060001
8	A0G6531500	Cleaning Bearing		C	2	h-V500020038
9	A0G6532300	Ground Plate /A		D	1	j-V500020100
10	A0G6532700	Cleaning Gear/3 29T		B	2	k-V121030603
11	A0G6532900	Cleaning Seal /2		C	1	m-V217040001
12	A0G6535900	Cover Rubber		C	2	
13	A4EUR70F00	Cleaning Gear/2 Assy		B	1	
14	A4EUR71100	Drum Scraper Assy		A	1	
15	A4EUR71200	Scattering prevention Filter Assy		A	1	
16	A4EUR75P00	Blade Motor Assy		C	1	
17	A4EUR75R00	Caum Gear Assy		D	1	
18	A4EUN25300	Relay harness /B		D	1	
19	A4EUN25500	Wiring /B		D	1	

DRUM CLEANING UNIT

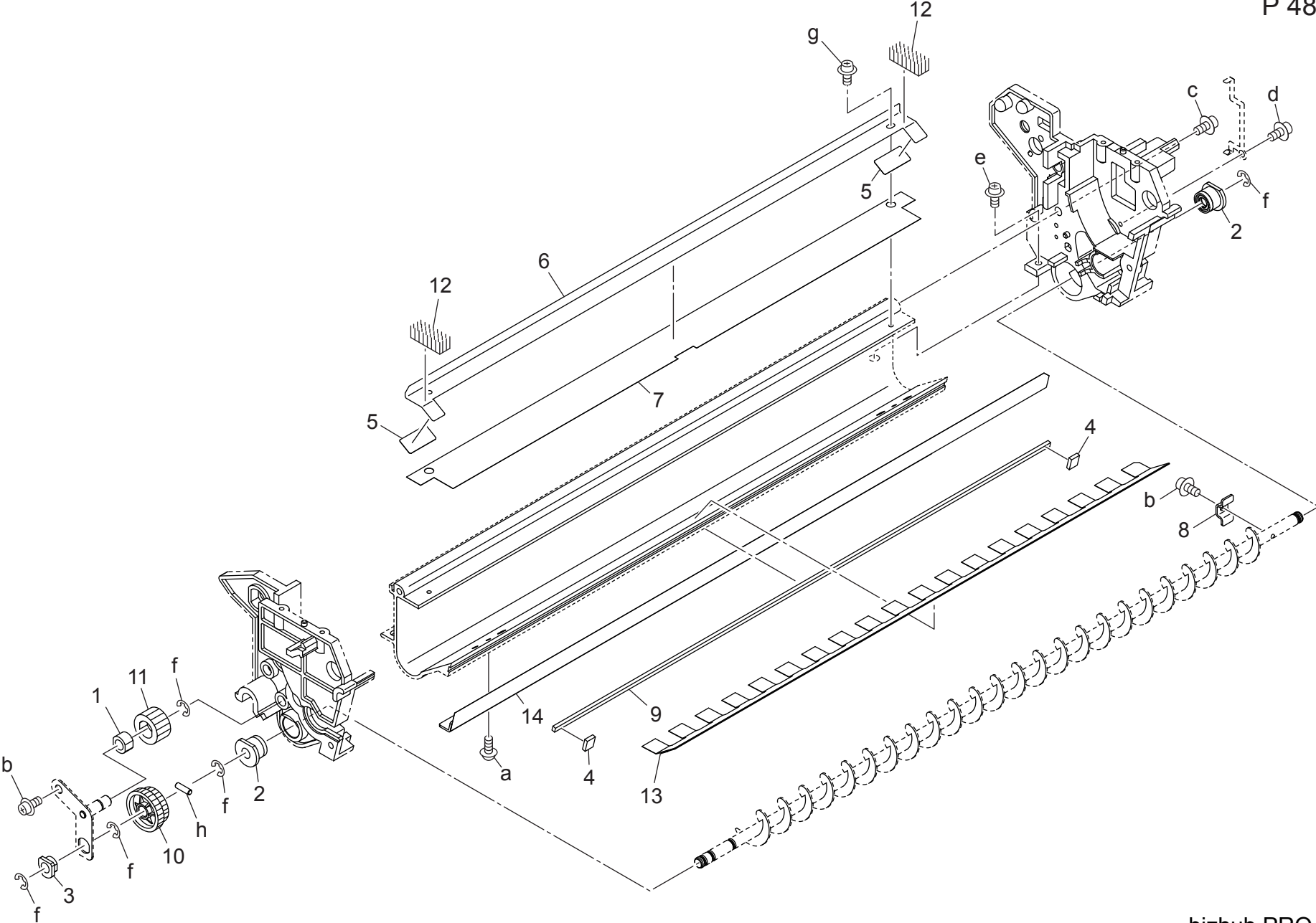
P 47



Key	Part No.	Description	Destinations	Class	QTY	Standard parts
1	090076040	SHAFT HOLDER		C	2	a-V112030603 b-V116041003 c-V121030403 d-V121031203 e-V121031803 f-V121040403 g-V121040603 h-V193030404 j-V217030001 k-V217040001 m-V217060001 n-V217090050
2	396040681	STOPPER RING		B	1	
3	55VA55130	Shaft Holder Fixed Part		C	1	
4	55VA55380	Blade Wire		C	1	
5	55VA55670	Toner Preventive Collar		C	1	
6	55VA55680	SPEWING PREVENTIVE FELT		A	1	
7	55VA55810	BLADE CHANGEABLE SPRING		B	1	
8	55VA55820	BLADE STOPPER SPRING		B	1	
9	56UA558300	POSITIONING SCREW		C	2	
10	A0G6530800	Regulating Part		D	4	
11	A0G6531500	Cleaning Bearing		C	1	
12	A0G6531600	Cleaning Screw		C	4	
13	A0G6532500	Pressing Plate		D	1	
14	A0G6533200	Cleaning Seal /5		C	2	
15	A0G6535000	Cleaning Blade		A	2	
16	A4EU536100	Bushing /A		C	1	
17	A4EU536200	Bushing /B		C	1	
18	A4EUR70G00	Sealing Plate/F Assy		A	1	
19	A4EUR70H00	Sealing Plate/R Assy		A	1	
20	A4EUR75M00	Side Sealing/R Assy		D	1	
21	A4EUR75N00	Side Sealing/F Assy		D	1	
22	A4EUR70K00	Toner Guide Brushe Assy		A	1	
23	A4EUR75Q00	Blade Release Arm Assy		D	1	

DRUM CLEANING UNIT

P 48

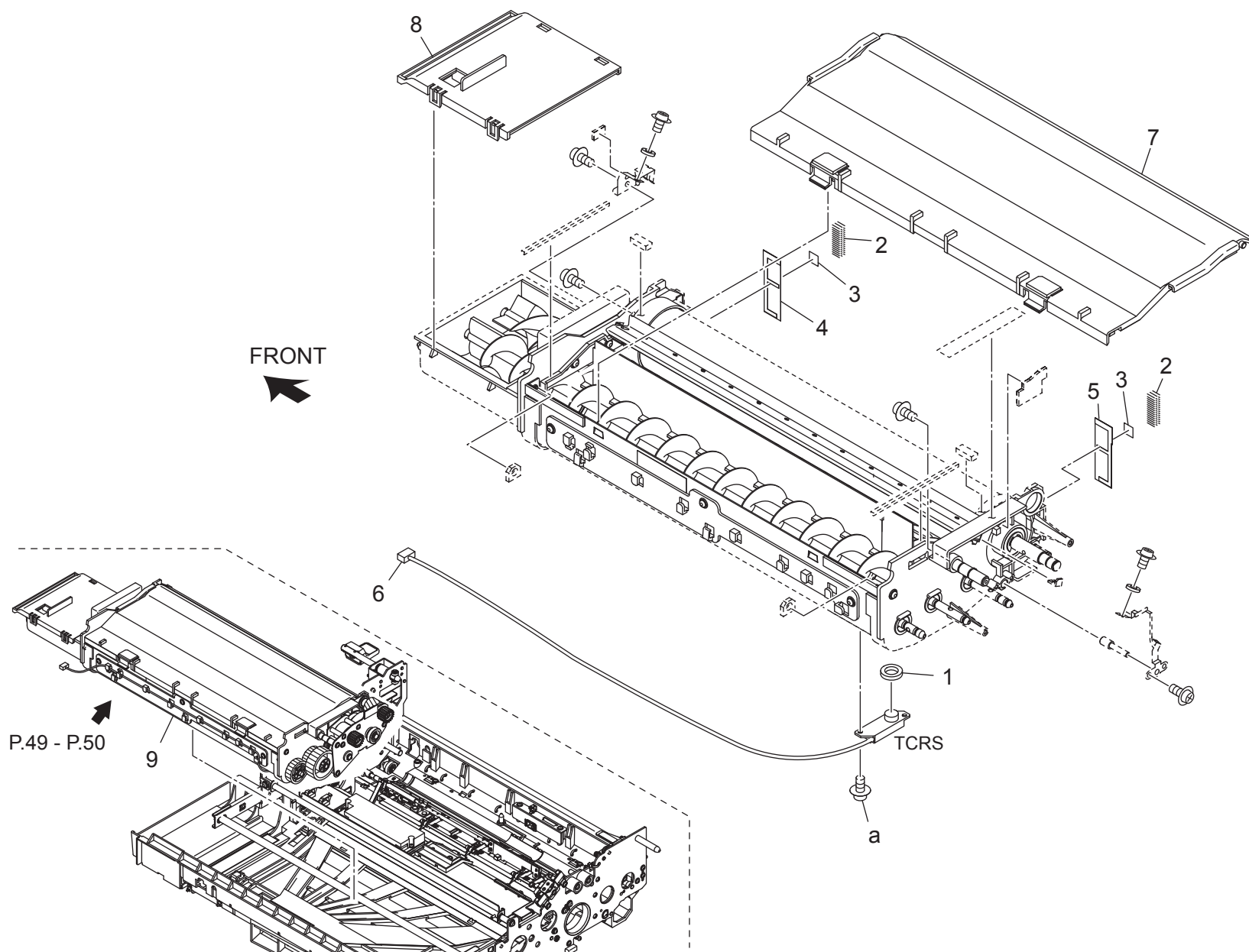


DRUM CLEANING UNIT

Key	Part No.	Description	Destinations	Class	QTY	Standard parts
1	25AA75530	SLIDE SHAFT HOLDER		C	1	a-V118030403
2	26TA30770	DEVELOPING SHAFT HOLDER A		C	2	b-V121030603
3	466076020	Paper Feed Feeding Bearing		B	1	c-V116041203
4	55VA55641	SEALING PART/1		C	2	d-V145030603
5	55VA55660	Sealing Part /3		C	2	e-V151040803
6	56UA55220	Blade Sealing Plate		D	1	f-V217040001
7	56UA55230	Blade Seal /A		C	1	g-V121030403
8	56UA55550	Toner Agitating Plate		D	1	h-V234301050
9	56UA55740	TONER GUIDE SEAL		D	1	
10	A0G6531401	Cleaning Gear /1 41/47T		C	1	
11	A0G6532800	Cleaning Gear /4 33T		C	1	
12	A0G6532900	Cleaning Seal /2		C	2	
13	A4EUR75S00	Sealing Assy		D	1	
14	A4EUR71300	Toner Sealing Plate Assy		B	1	

DEVELOPING UNIT

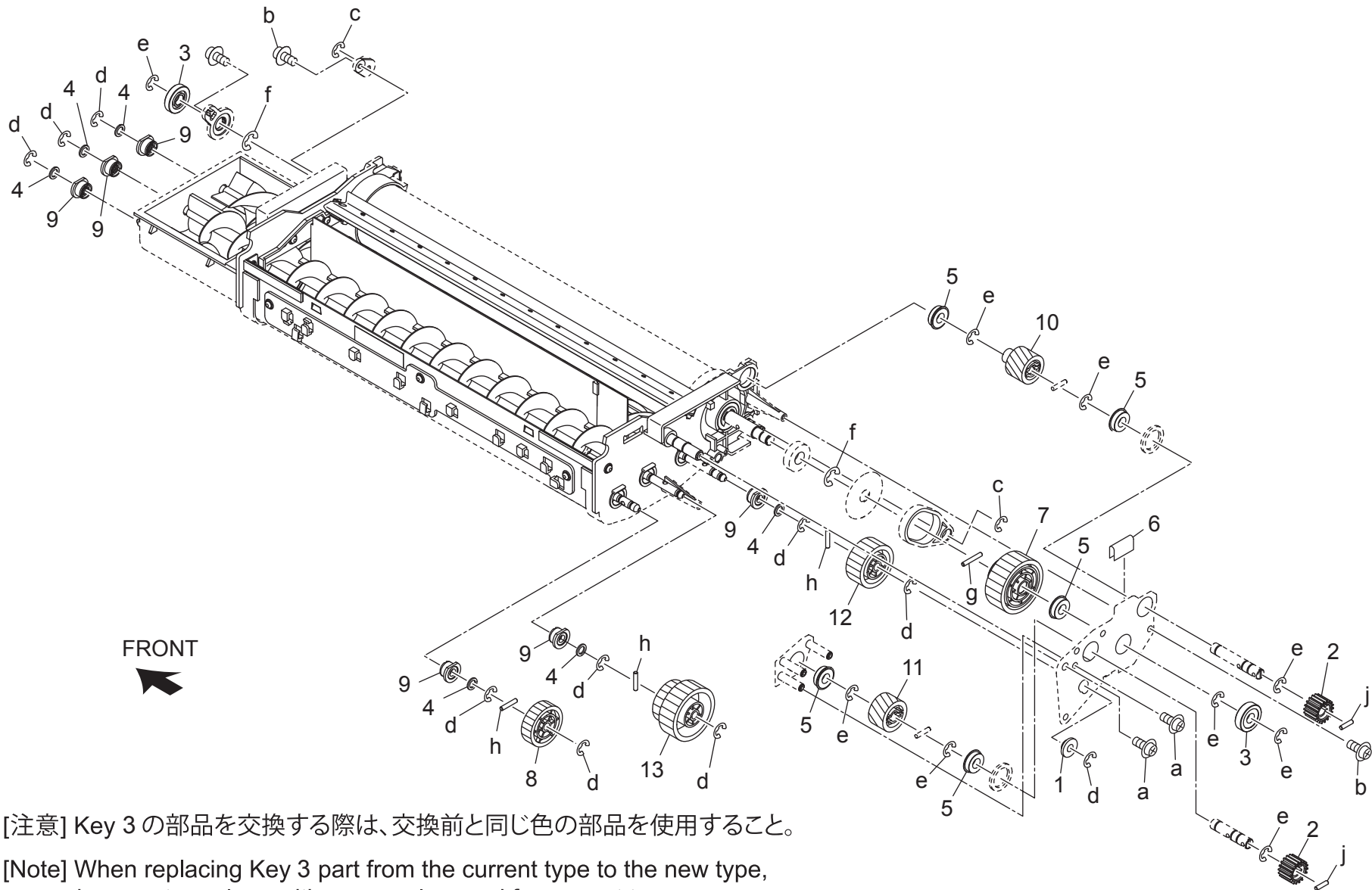
P 49



bizhub PRO 1100

DEVELOPING UNIT

Key	Part No.	Description	Destinations	Class	QTY	Standard parts
1	029420640	L DETECTING SEAL		C	1	a-V145030603
2	A0G6374900	Dust-Proof Packing /E		C	2	
3	A0G6375400	Stopper Spacer		C	2	
4	A0G6378700	Scatteringprevention Sheet /Front		C	1	
5	A0G6378800	Scatteringprevention Sheet /Rear		C	1	
6	A0G6M50801	Toner Sensor		C	1	
7	A4EUR75F00	Developing Cover Assy		D	1	
8	A4EUR75H00	Developing Cover Assy		D	1	
9	A799R71F00	Developing Unit		B	1	



[注意] Key 3 の部品を交換する際は、交換前と同じ色の部品を使用すること。

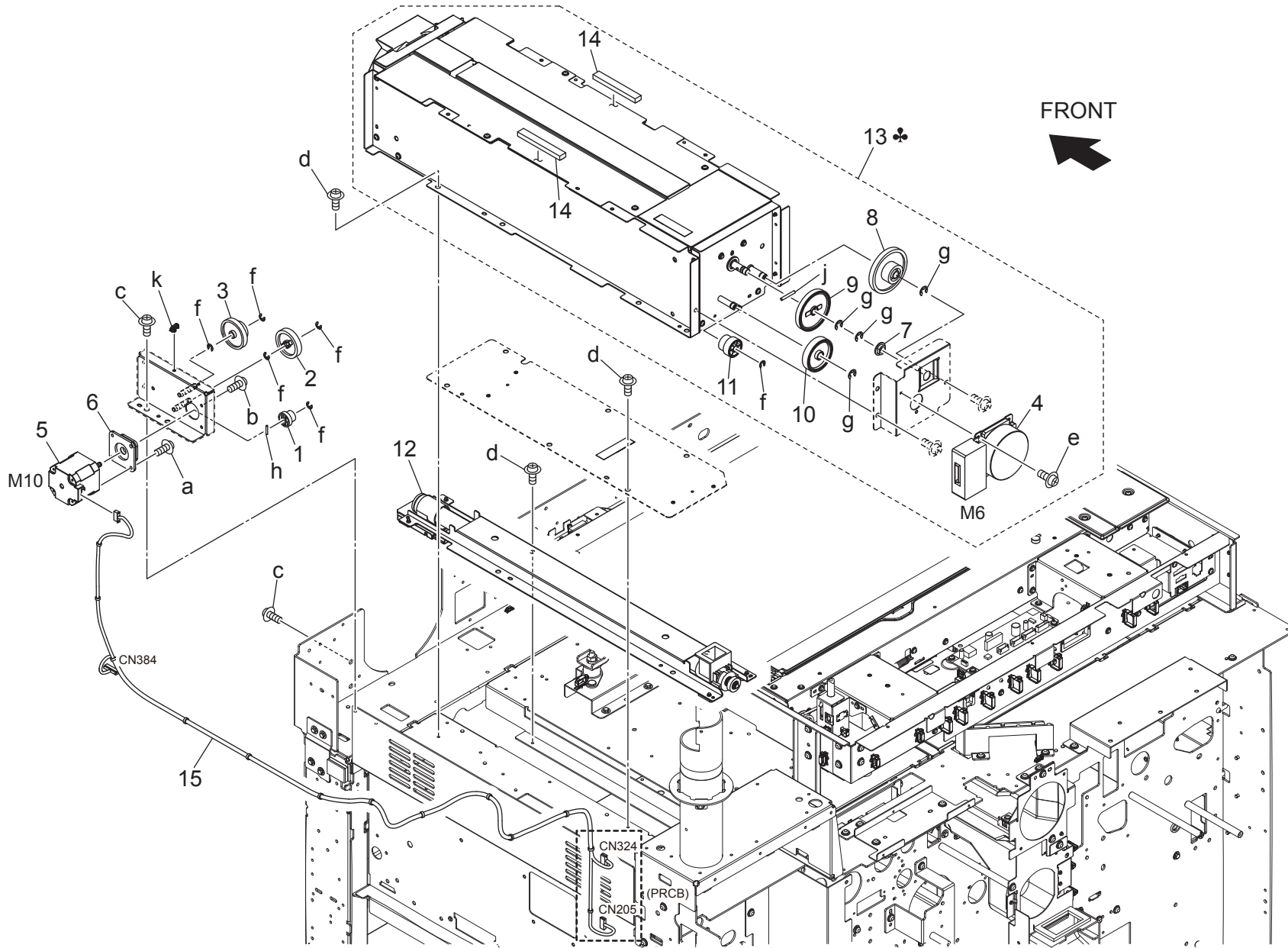
[Note] When replacing Key 3 part from the current type to the new type, be sure to replace with same color used for current type.

bizhub PRO 1100

Key	Part No.	Description	Destinations	Class	QTY	Standard parts
1	392015650	SLIDE BUSHING/C		C	1	a-V121030603 b-V151030803 c-V217030001 d-V217040001 e-V217060001 f-V217080001 g-V234302050 h-V234301650 j-V234301250
2	55VA77300E	Developing Input Coupling		B	2	
3	56UA375200	Stopper Roll /Rear		C	2	
3	A0G6375211	Stopper Roll /Rear	(D21.90mm Black)	C	2	
3	A0Y5373601	Stopper Roll /Rear	(D21.98mm Green)	C	2	
3	A4EU375100	Stopper Roll	(D22.06mm Yellow)	C	2	
3	A4EU375200	Stopper Roll	(D22.02mm White)	C	2	
4	57AA30260	Developing Agitating Spacer	(D21.94mm Blue)	C	2	
5	A00V240600	Ball Bearing		C	6	
6	A0G6373200	Slide Sheet		B	5	
7	A4EU378200	Drive Gear /No.2 67T		C	1	
8	A0G6377300	Agitating Gear 30T		C	1	
9	A0G6377400	Sealing Ball Bearing		C	6	
10	A4EU380300	Input Gear /2 33T		C	1	
11	A4EU377000	Input Gear /2 22T		C	1	
12	A4EU377100	Conveyance Gear /1 31T		C	1	
13	A4EU377200	Conveyance Gear /2 30T/39T		C	1	

TONER SUPPLY PROTECTION UNIT

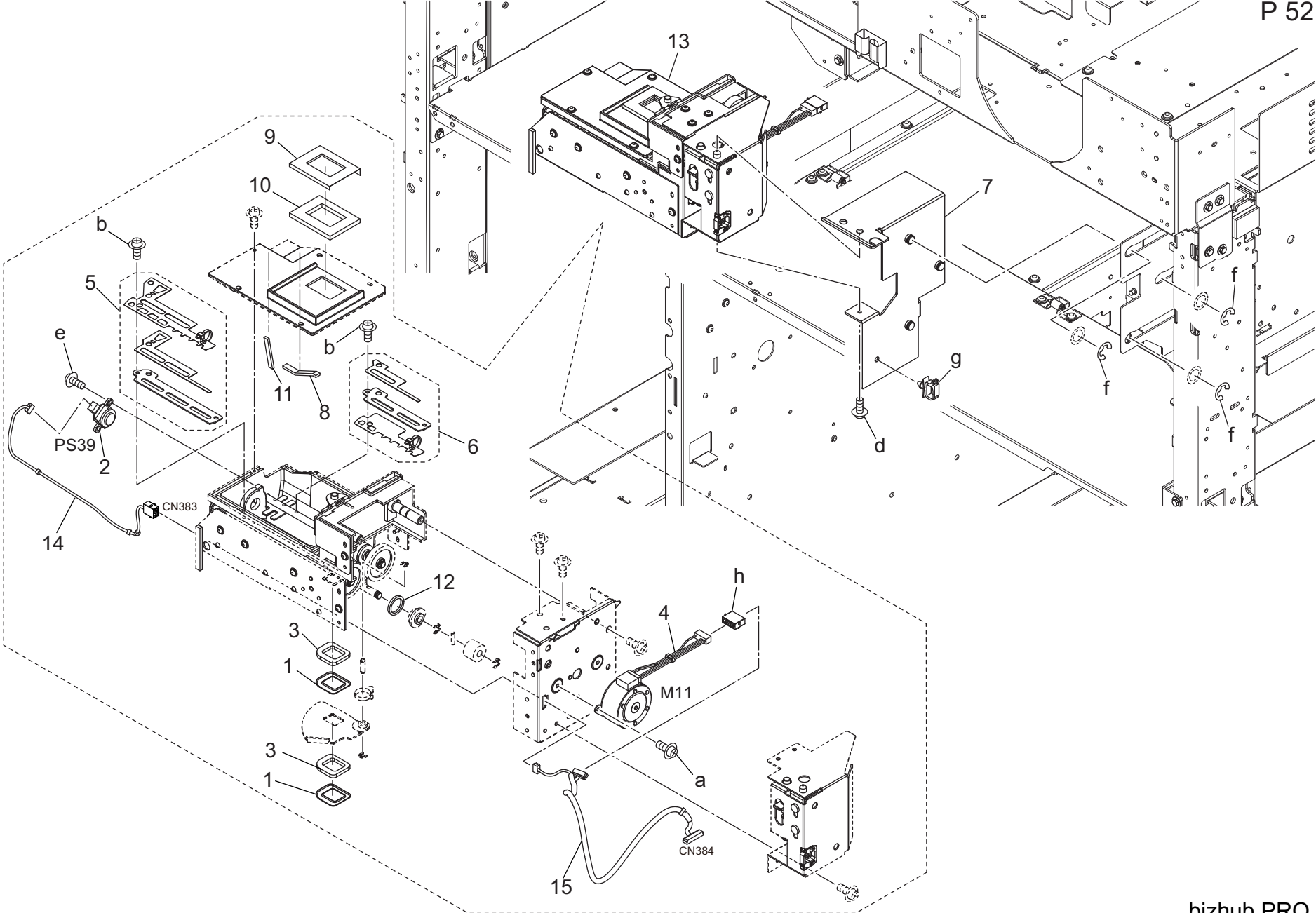
P 51



bizhub PRO 1100

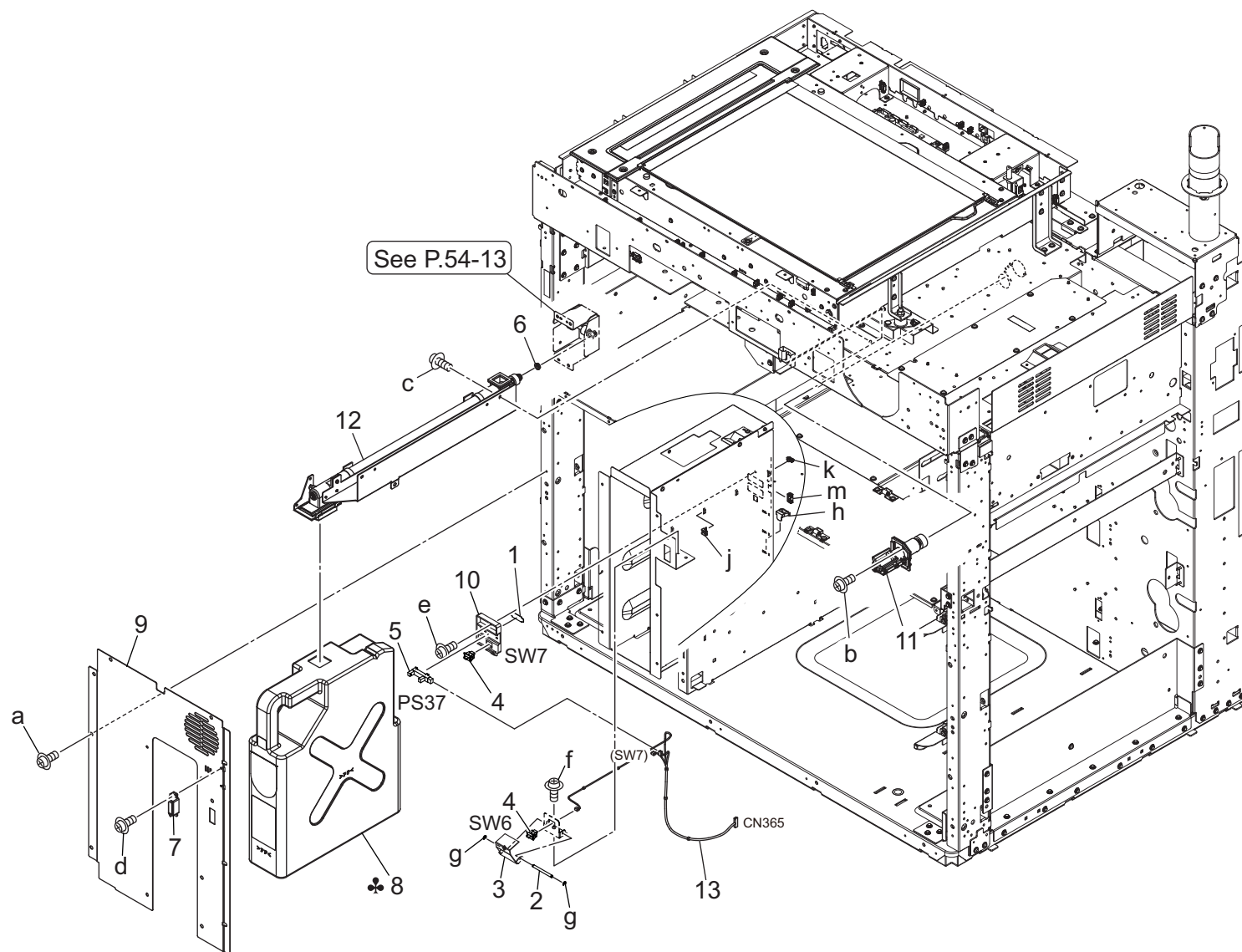
Key	Part No.	Description	Destinations	Class	QTY	Standard parts
1	55VA77890	Motor Gear 20T		B	1	a-V111030603
2	56UA77440	Toner Conveyance Gear 34T		C	1	b-V121030603
3	56UA77450	Idling Gear /B 20T /61T		C	1	c-V121040403
4	A0PNM10200	DC Brushless motor /20		B	1	d-V121040603
5	A0Y5M10400	HB Motor /40		B	1	e-V127030604
6	A0Y5M90101	HB Damper /40		D	1	f-V217040001
7	A1RF127600	Cleaning Spacer		D	1	g-V217060001
8	A1RF403400	Toner Supply Gear /A 22/55T		C	1	h-V234201250
9	A799404800	Toner Supply Gear /B 50T		C	1	j-V234302250
10	A799407400	Toner Supply Gear /1 40T		C	1	k-V500020099
11	A799407800	Toner Supply Gear /2 17/41T		C	1	
12	A799R70M00	Horizontal Conveyance Assy		I	1	
13	A799R70N00	Toner Supply Assy		I	1	
13	A799R70P00	Toner Supply Assy	A	I	1	
13	A799R70Q00	Toner Supply Assy	B,G2 C,D1,D3,E,F2,G1,H,I ,J,K	I	1	
14	A799M90200	Gasket /2		D	2	
15	A799N12900	Main body Wiring /4		D	1	

TONER CONVEYANCE MAIN BODY UNIT



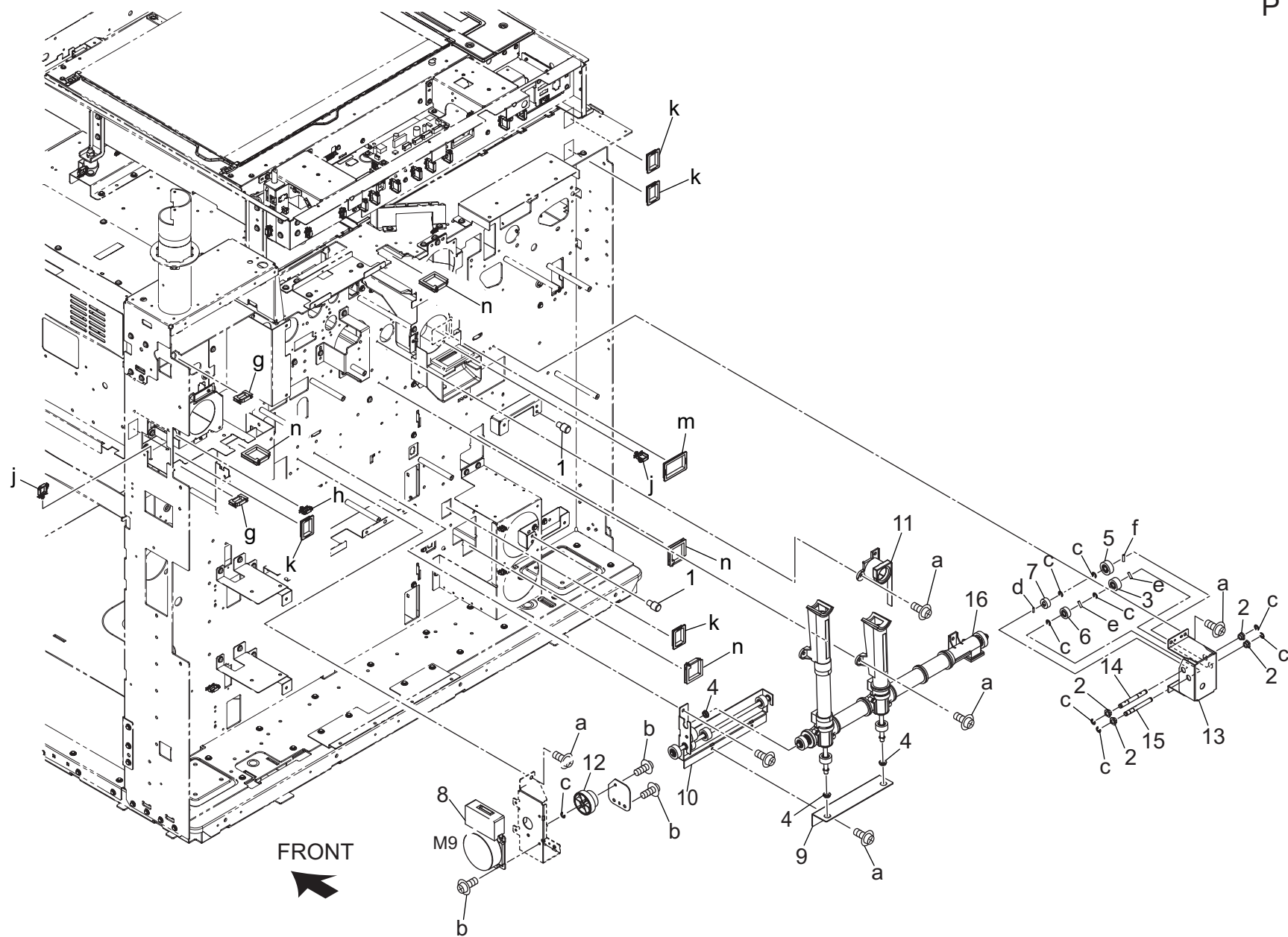
Key	Part No.	Description		Destinations	Class	QTY	Standard parts
1	25BA32251	COVER SEAL	カバーシール		C	2	a-V118030603
2	40AA88031	Level Detection Sensor	残量検知センサ		C	1	b-V121030603
3	55GA32220	OPEN CLOSE CUSHION	開閉クッション		C	2	d-V121040603
4	A1TVM10311	Stepping Motor /40	ステッピングモーター/40		B	1	e-V145030803
5	A4EUR70500	Agitating Plate /A 1 Assy	攪拌板/A 1 部組		A	1	f-V217060001
6	A4EUR70600	Agitating Plate /A 2 Assy	攪拌板/A 2 部組		A	1	g-V500010082
7	A4EUR71J00	Slide Hinge Caulking	スライドヒンジカシメ		D	1	h-V651010038
8	A799403300	Toner supply Seal /H	トナー補給シール/H		D	1	
9	A799404000	Toner supply Sheet	トナー補給シート		D	1	
10	A799404100	Toner supply Seal	トナー補給シール		D	1	
11	A799409600	Toner supply Seal /H	トナー補給シール/H		D	1	
12	A799409900	Toner supply Cushion /H	トナー補給クッション/H		D	1	
13	A799R70K00	Toner Conveyance Main Body Assy	トナー搬送本体ユニット		I	1	
14	A799N14700	Toner Relay harness /3	トナー中継束線/3		D	1	
15	A799N14901	Toner Relay harness /4	トナー中継束線/4		D	1	

TONER COLLECTION SECTION



Key	Part No.	Description	Destinations	Class	QTY	Standard parts
1	4004457301	Stopper		D	1	a-V114040604
2	55VA70110D	Door Detection Shaft		D	1	b-V118040603
3	56UA12370	Door Detection Actuator		D	1	c-V121040603
4	56UA85010	Switch		C	2	d-V126030603
5	9335140051	SOLID STATE SWITCH		B	1	e-V127030604
6	A00J617800	Ball Bearing		B	1	f-V127040803
7	A0G6411200	Magnet /X		D	1	g-V217030001
8	A1DUR70W00	Toner Collecting Box Assy	D1,D3,E,F2,G1,G2,H, J,K,I(Except SOUTH AFRICA)	A	1	h-V500010021
8	A03UR70200	TONER COLLECTING BOX ASSY	B,C,I(SOUTH AFRICA)	A	1	j-V500010057
8	A1DUR70W00	Toner Collecting Box Assy	A	A	1	k-V500020099
9	A799351000	Mounting Plate /1		D	1	m-V570010057
10	A799365400	Board		D	1	
11	A799R70G00	Connecting Pipe /5 Assy		C	1	
12	A799R70J00	Horizontal Conveyance /2 Assy		I	1	
13	A799N14500	Toner Relay harness /2		D	1	

TONER COLLECTION SECTION

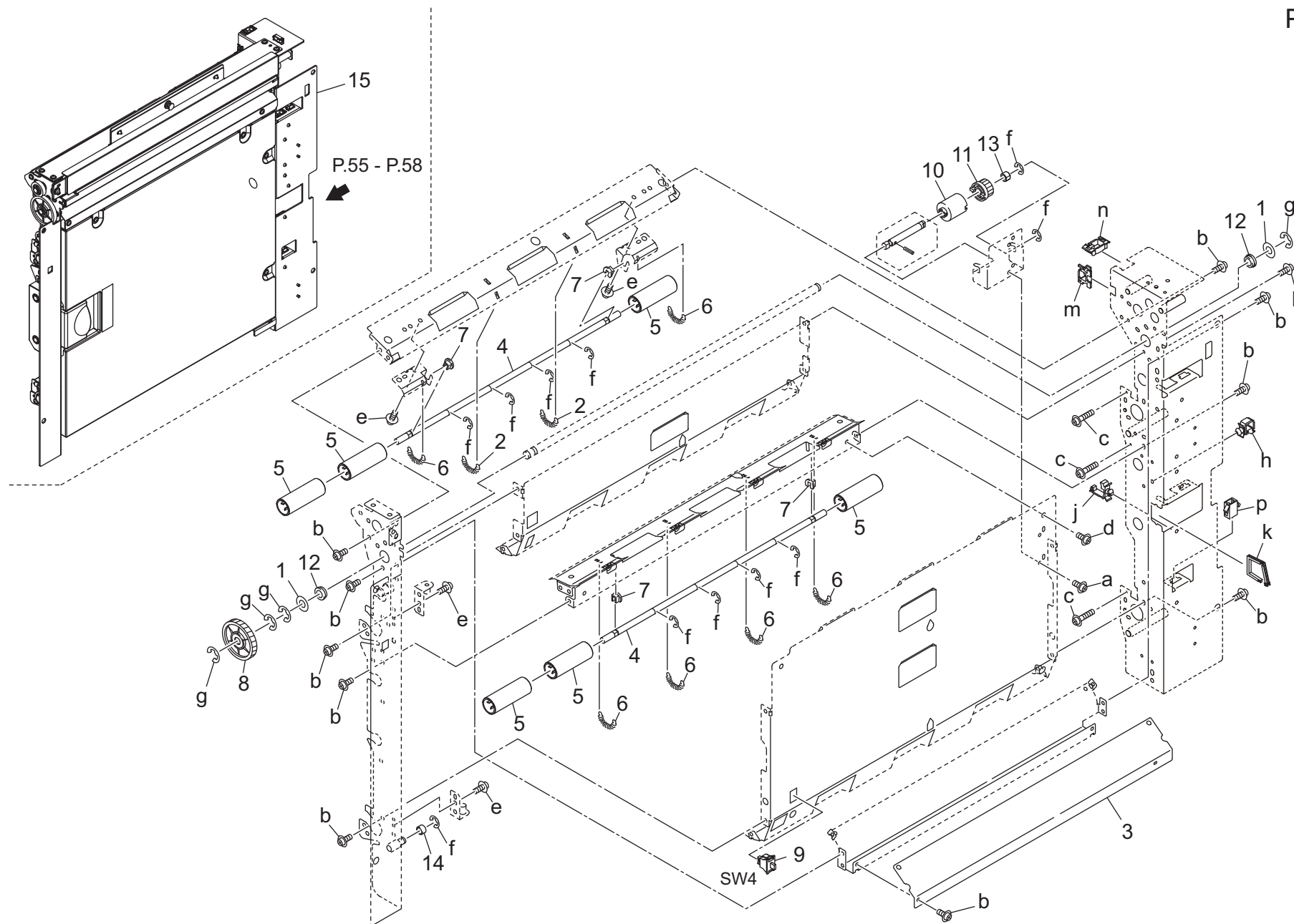


TONER COLLECTION SECTION

Key	Part No.	Description	Destinations	Class	QTY	Standard parts
1	392010231	STOPPER PIN		C	2	a-V121040603
2	466076020	Paper Feed Feeding Bearing		B	4	b-V127030604
3	56UA77400	Toner Conveyance Gear /C 15T		C	1	c-V217040001
4	A00J617800	Ball Bearing		B	3	d-V234200850
5	A0G6367400	Drive Gear /4 19T		C	1	e-V234301050
6	A0G6367500	Drive Gear /5 18T		C	1	f-V234301250
7	A0G6367900	Drive Gear /9 16T		C	1	g-V500010027
8	A0PNM10200	DC Brushless motor /20		B	1	h-V500010081
9	A4EU362200	Positioning Base Frame		D	1	j-V500010083
10	A4EUR76G11	Drive Board/1 Assy		D	1	k-V570010038
11	A4EUR71F00	Connecting Block/C Assy		D	1	m-V570010039
12	A799258300	Toner Supply Gear /2 25/68T		C	1	n-V570010048
13	A799361200	Drive Cover		D	1	
14	A799362900	Drive Shaft /1		D	1	
15	A799363000	Drive Shaft /2		D	1	
16	A799R70H00	Vertical Conveyance /1 Assy		I	1	

VERTICAL CONVEYANCE UNIT

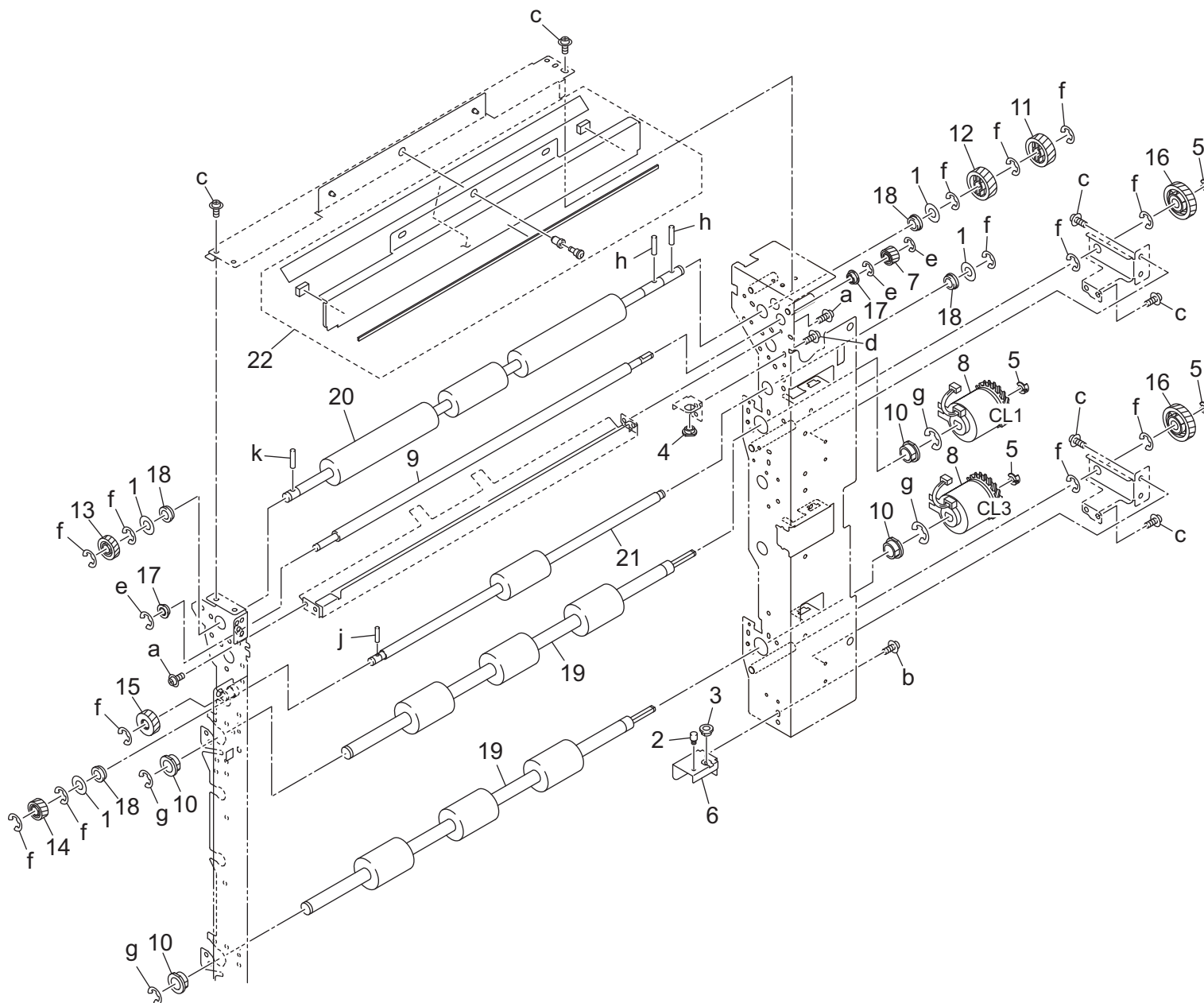
P 55



VERTICAL CONVEYANCE UNIT

Key	Part No.	Description	Destinations	Class	QTY	Standard parts
1	12QV40650	Spacer		B	2	a-V118030604
2	55VA46451	REGISTRATION FEEDING SPRING		B	2	b-V121030403
3	56UA44070	PFU Guide Plate /Lower		D	1	c-V121031803
4	56UA44160	Conveyance Idler Shaft /L		D	2	d-V133030603
5	56UA44500	Conveyance Idler Roller		C	6	e-V138030603
6	56UA44660	Registration Pressing Spring		C	6	f-V217040001
7	56UA44680	Idler Bushing		C	4	g-V217060001
8	56UA77190	Conveyance Idling Gear /A 50T		C	1	h-V500020098
9	56UA85010	Switch		C	1	j-V500020100
10	57GA44300	Torque Limiter		B	1	k-V570010013
11	57GA79430	Torque Gear /1 18T		C	1	m-V570010050
12	A00J617900	Ball Bearing		B	2	n-V570010063
13	A4EU715500	Bushing /No.1		C	1	p-V651010001
14	A4EU823100	Positioning Roll		D	1	
15	A799R70T00	Verticalconveyance Unit		I	1	

VERTICAL CONVEYANCE UNIT

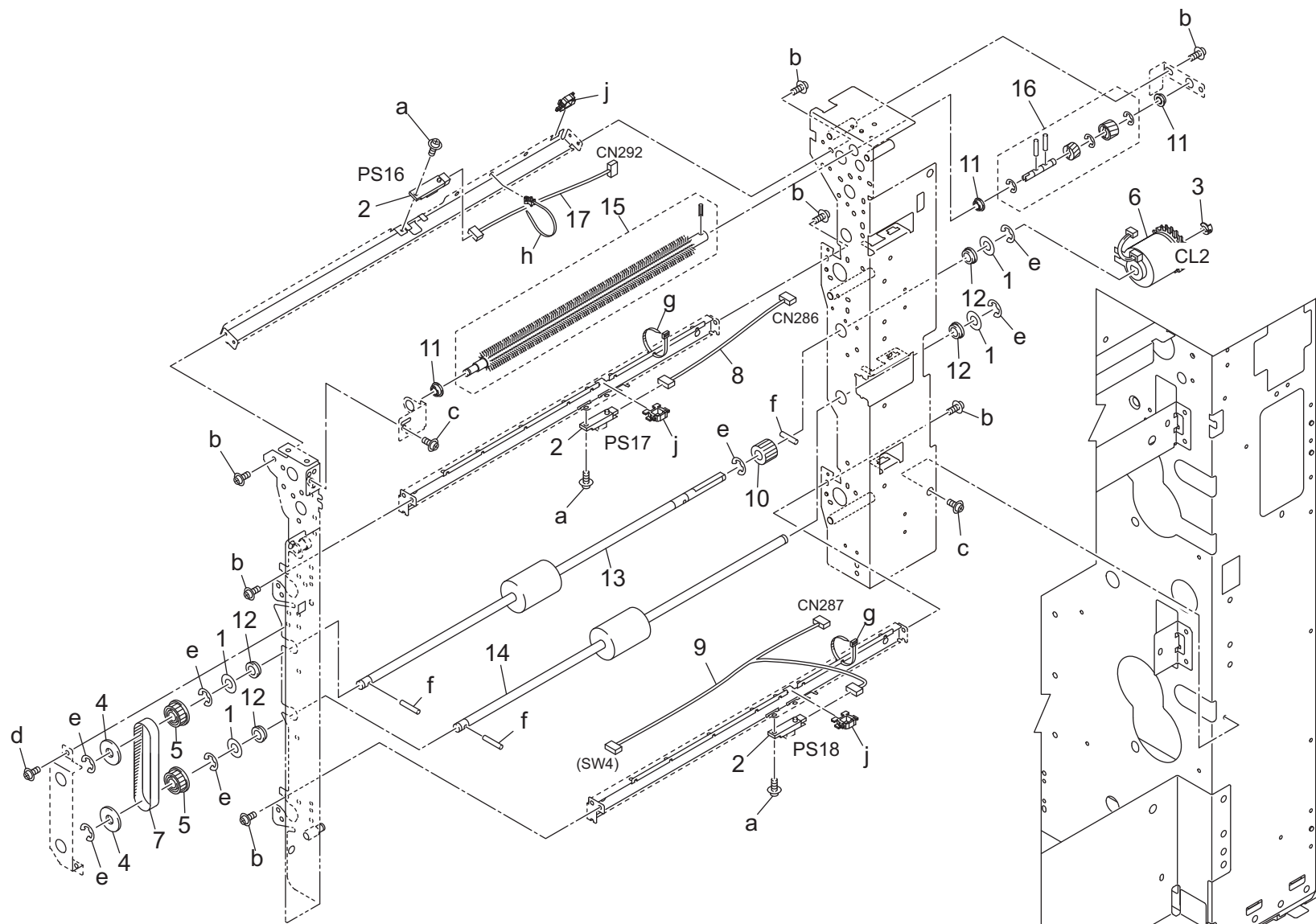


VERTICAL CONVEYANCE UNIT

Key	Part No.	Description	Destinations	Class	QTY	Standard parts
1	12QV40650	Spacer	スペーサー	B	4	a-V121030403 b-V121040403 c-V138030603 d-V138040603 e-V217040001 f-V217060001 g-V217100050 h-V234301650 j-V234301250 k-V234301450
2	392010231	STOPPER PIN	ストッパーピン	C	1	
3	396076050	PAPER FEED SHAFT HOLDER	給紙軸受	B	1	
4	466076020	Paper Feed Feeding Bearing	給紙送り出し軸受	B	1	
5	55VA42120	Shaft Stopper	軸ストッパー	C	4	
6	55VA44120	Hinge Support Plate /Lower	ヒンジ 支持板/下	D	1	
7	55VA79210	Cleaner Driving Gear /B 18T	クリーナー駆動ギア/ B 18 T	B	1	
8	56AA82012	Paper Feed Drive Clutch	給紙駆動クラッチ	B	2	
9	56UA44170	Shaft Scraper	軸スクレーパ	B	1	
10	56UA76030	Registration Bushing /B	レジスト 軸受/ B	B	4	
11	56UA77070F	Paper Exit Input Gear 25T	排紙入力歯車 25 T	B	1	
12	56UA77160	Paper Feed Cleaning Gear/B 26T	給紙清掃歯車/ B 26 T	B	1	
13	56UA77170E	Conveyance Drive Gear/A 24T	搬送駆動歯車/ A 24 T	B	1	
14	56UA77180E	Conveyance Drive Gear/B 20T	搬送駆動歯車/ B 20 T	B	1	
15	56UA77200	Conveyance Idling Gear /B 25T	搬送アイドル歯車/ B 25 T	C	1	
16	56UA77230	Paper feed Drive Gear /F 32T	給紙駆動歯車/ F 32 T	C	2	
17	A00J617800	Ball Bearing	ボールベアリング	B	2	
18	A00J617900	Ball Bearing	ボールベアリング	B	4	
19	A0G6700100	Regist Conveyance Roller	レジスト 搬送ローラ	B	2	
20	A4EU701200	Conveyance Roller /Upper	搬送ローラ/上	B	1	
21	A4EU701300	Conveyance Roller /Middle	搬送ローラ/中 (φ 20)	B	1	
22	A4EUR70N00	Cleaning Cause Assy	清掃ケース部組	B	1	

VERTICAL CONVEYANCE UNIT

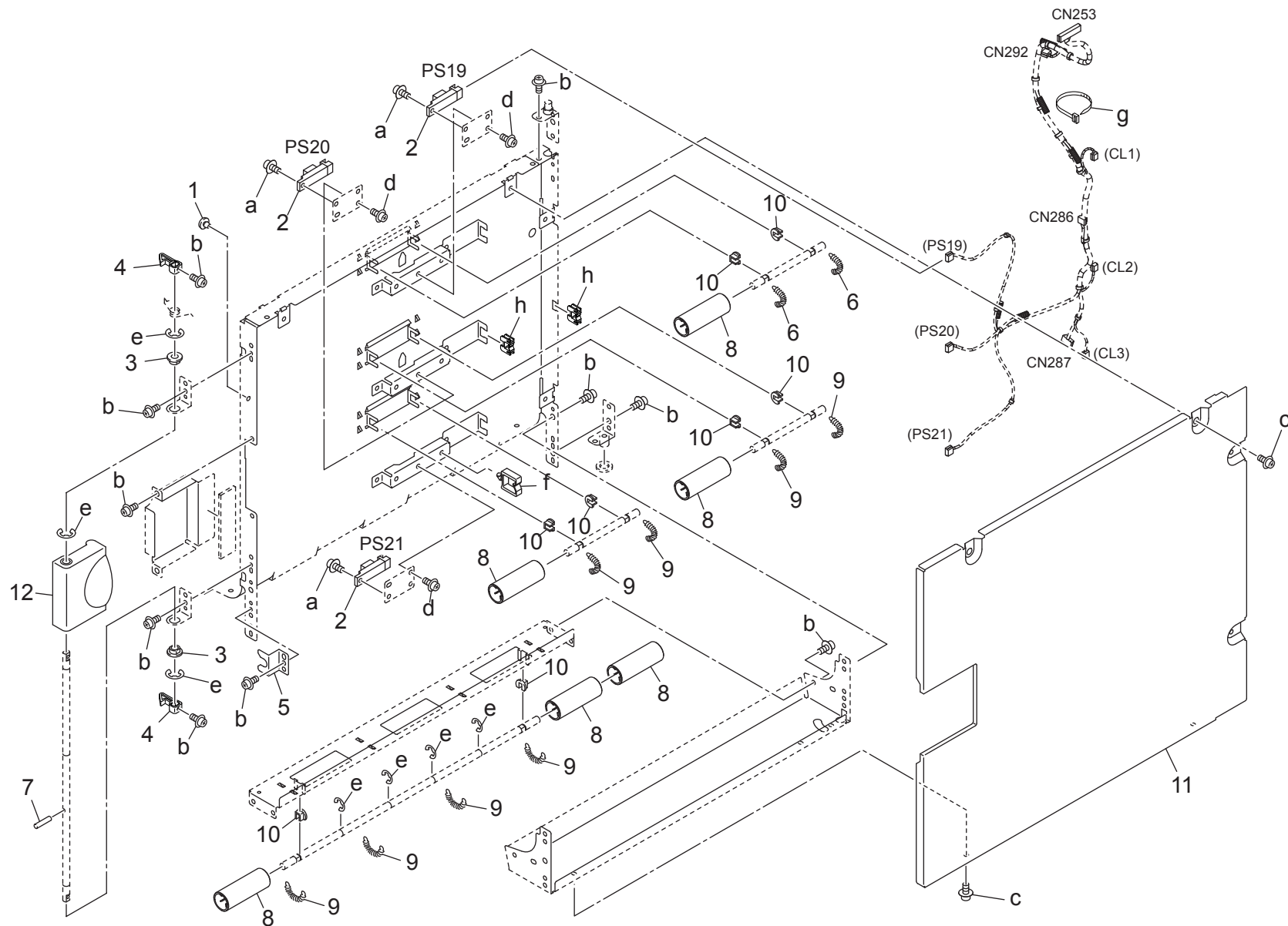
P 57



VERTICAL CONVEYANCE UNIT

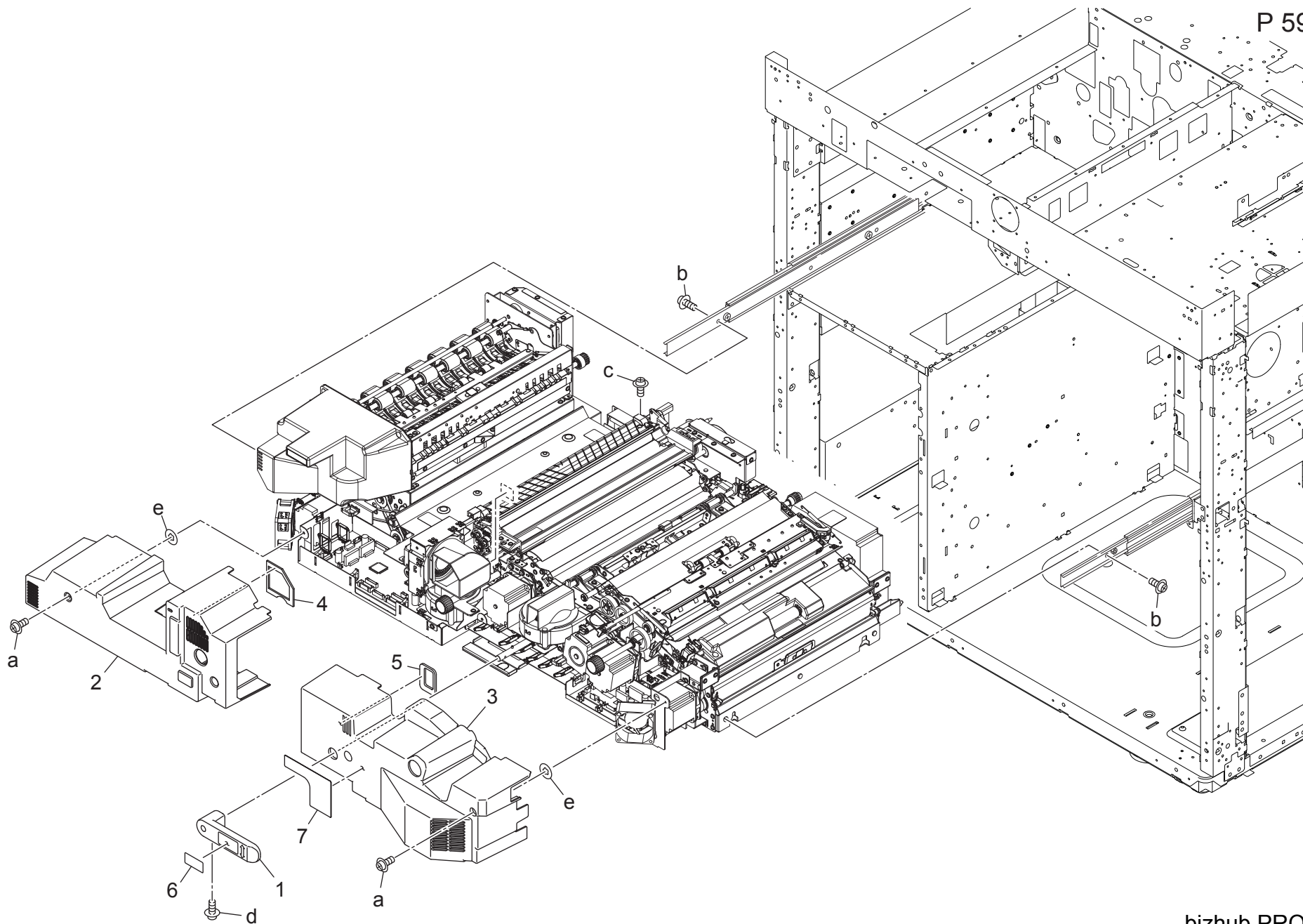
Key	Part No.	Description	Destinations	Class	QTY	Standard parts
1	12QV40650	Spacer		B	4	a-V118030603 b-V121030403 c-V121040603 d-V138030603 e-V217060001 f-V234301250 g-V501010002 h-V501010010 j-V570010050
2	13QA85511	Sensor 1		B	3	
3	55VA42120	Shaft Stopper		C	1	
4	55VA47850	Belt Holding Part /2		D	2	
5	55VA76530E	ADU Conveyance Pulley /3 19T		B	2	
6	56AA82012	Paper Feed Drive Clutch		B	1	
7	56UA78090	CONVEYANCE BELT/A 192L		B	1	
8	56UA90830	CONVEYANCE RELAY WIRING 1		D	1	
9	56UA90840	CONVEYANCE RELAY WIRING 2		D	1	
10	57GA79440	TORQUE GEAR/2 17T		C	1	
11	A00J617800	Ball Bearing		B	3	
12	A00J617900	Ball Bearing		B	4	
13	A0G6700200	Conveyance Roller /Lower		B	1	
14	A0G6700300	Conveyance Roller /A		B	1	
15	A4EUR73000	Toner Guide Brush		A	1	
16	A4EUR71600	Cleaner Drive Assy		B	1	
17	A4EUN25200	Conveyance Relay harness /3		D	1	

VERTICAL CONVEYANCE UNIT



VERTICAL CONVEYANCE UNIT

Key	Part No.	Description	Destinations	Class	QTY	Standard parts
1	12AJ45850	Stopper Rubber		C	1	a-V118030603 b-V121030603 c-V127030604 d-V138030603 e-V217040001 f-V500010024 g-V501010002 h-V570010050
2	13QA85511	Sensor 1		B	3	
3	466076020	Paper Feed Feeding Bearing		B	2	
4	55VA44150	Door Lock Claw		C	2	
5	55VA44171F	DOOR POSITIONING PLATE		D	1	
6	55VA46451	REGISTRATION FEEDING SPRING		B	2	
7	56AA17300	PIN		C	1	
8	56UA44500	Conveyance Idler Roller		C	6	
9	56UA44660	Registration Pressing Spring		C	8	
10	56UA44680	Idler Bushing		C	8	
11	A799164000	Open/close Cover		D	1	
12	A799707400	Open/close Lever		C	1	

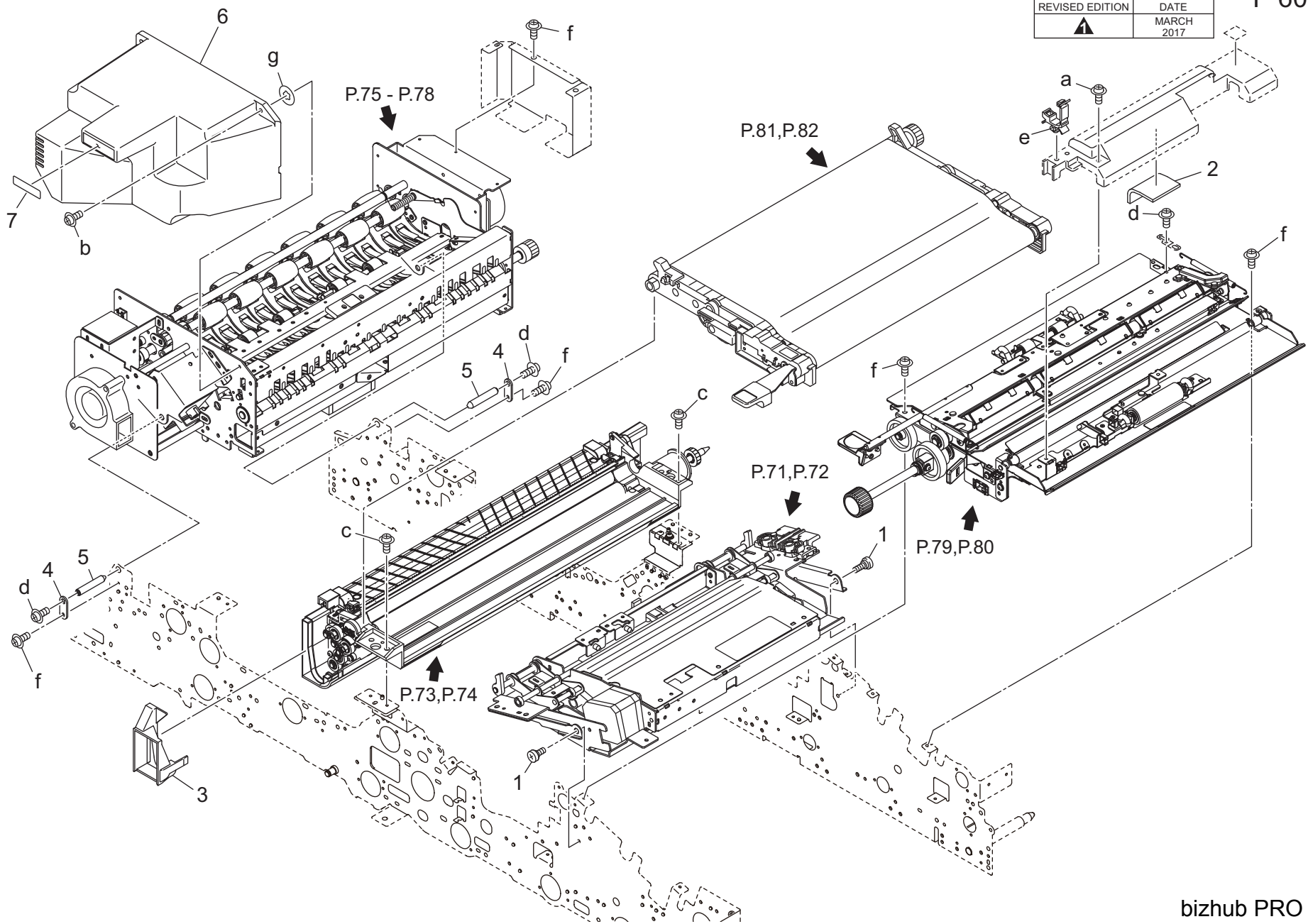


Key	Part No.	Description	Destinations	Class	QTY	Standard parts
1	56UA46921	CARRIGE PULLING LEVER		C	1	a-V114041004
2	A0G6830101	Duplex Cover /Left		C	1	b-V118040603
3	A0G6830301	Duplex Cover /Right		C	1	c-V121030603
4	A0G6835300	Pad /W		C	1	d-V121041203
5	A0G6836400	Pad /S		C	1	e-V211040080
6	A0G6945400	Label /4		C	1	
7	A0G6947300	Operation Label /A		C	1	

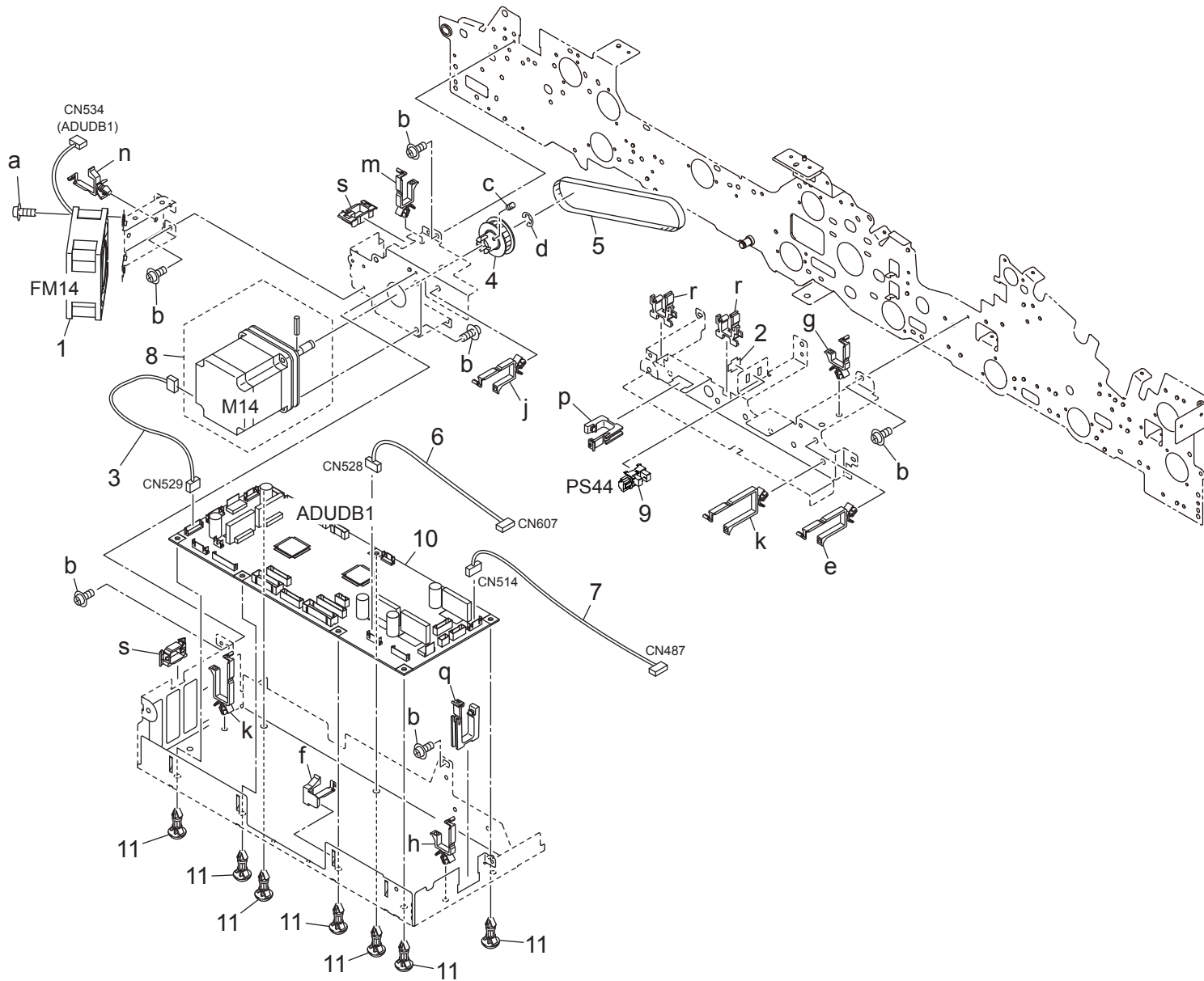
ADU

改訂版 REVISED EDITION	日付 DATE
▲	MARCH 2017

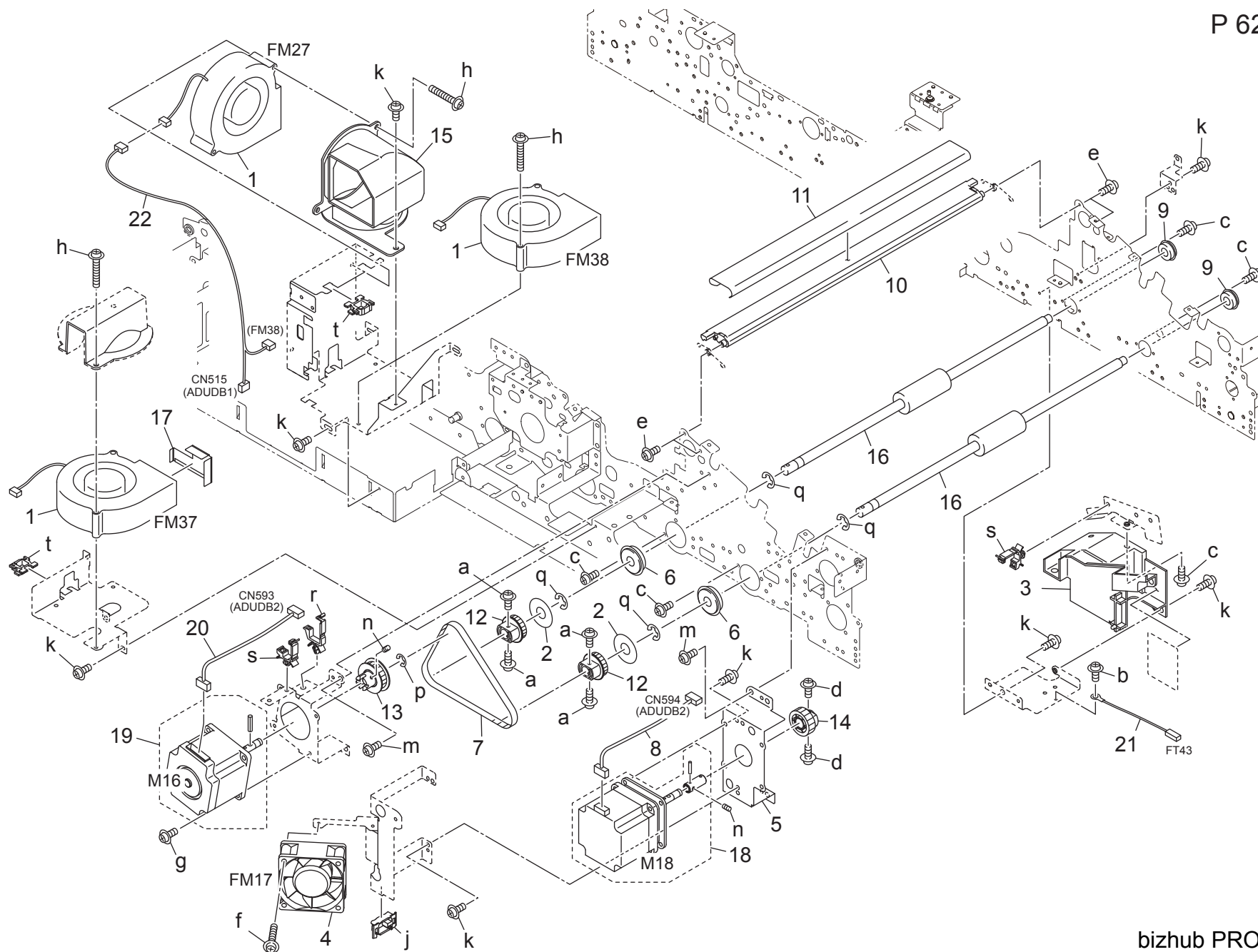
P 60



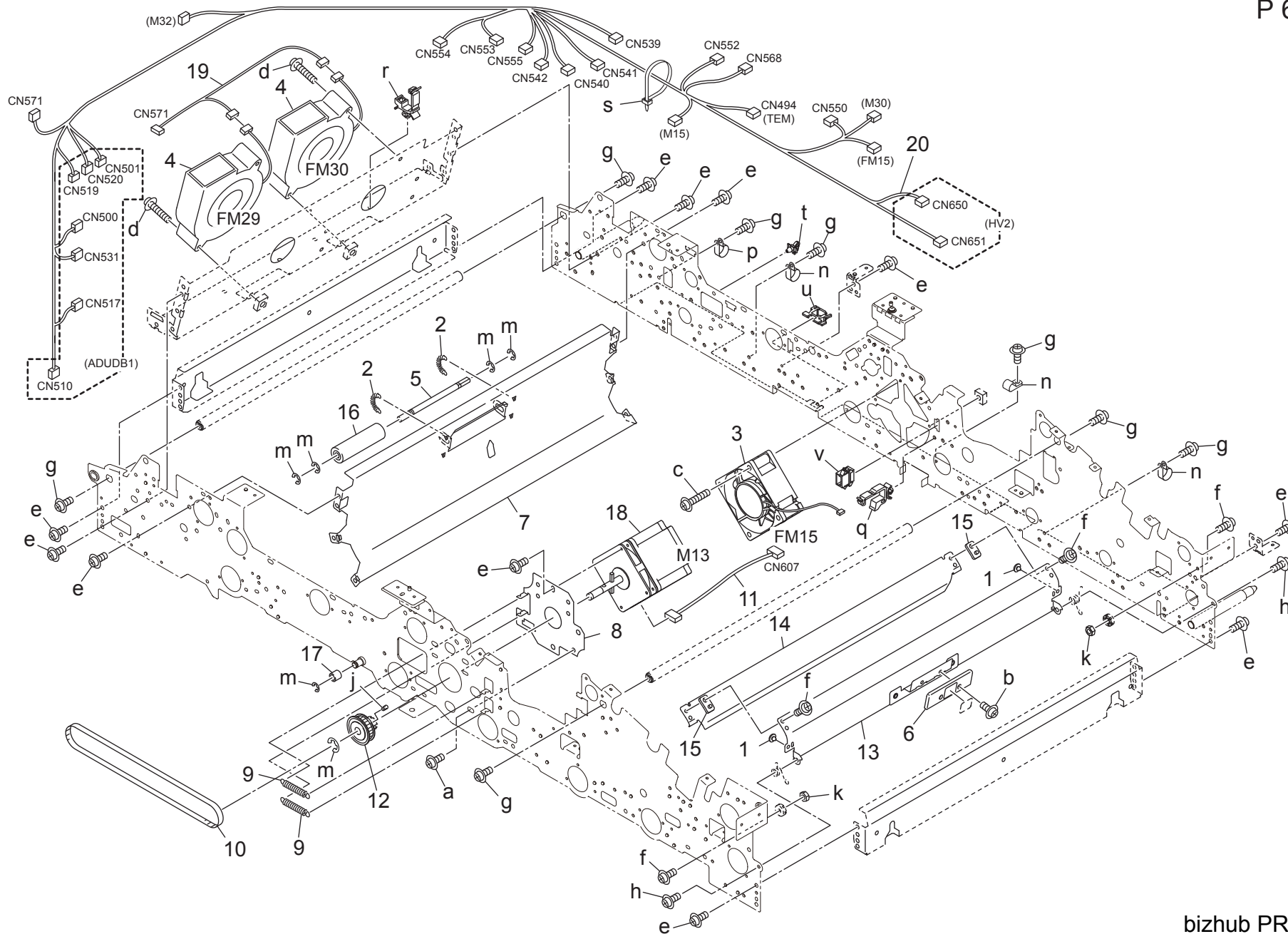
Key	Part No.	Description	Destinations	Class	QTY	Standard parts
1	392014041	PLATEN COVER MOUNT SCREW		C	2	a-V114040604
2	56UA46430D	Multi-Feed Cover Seal		D	1	b-V114041004
3	A0G6514200	Cooling Duct /Middle		D	1	c-V127030804
4	A0G6816400	Support Plate		D	2	d-V116030603
5	A0G6816500	Support Shaft		D	2	e-V500020100
6	A0G6830200	Reverse/Exit Cover		C	1	f-V127030604
7	A0G6945800	Label /8		C	1	g-V211040080



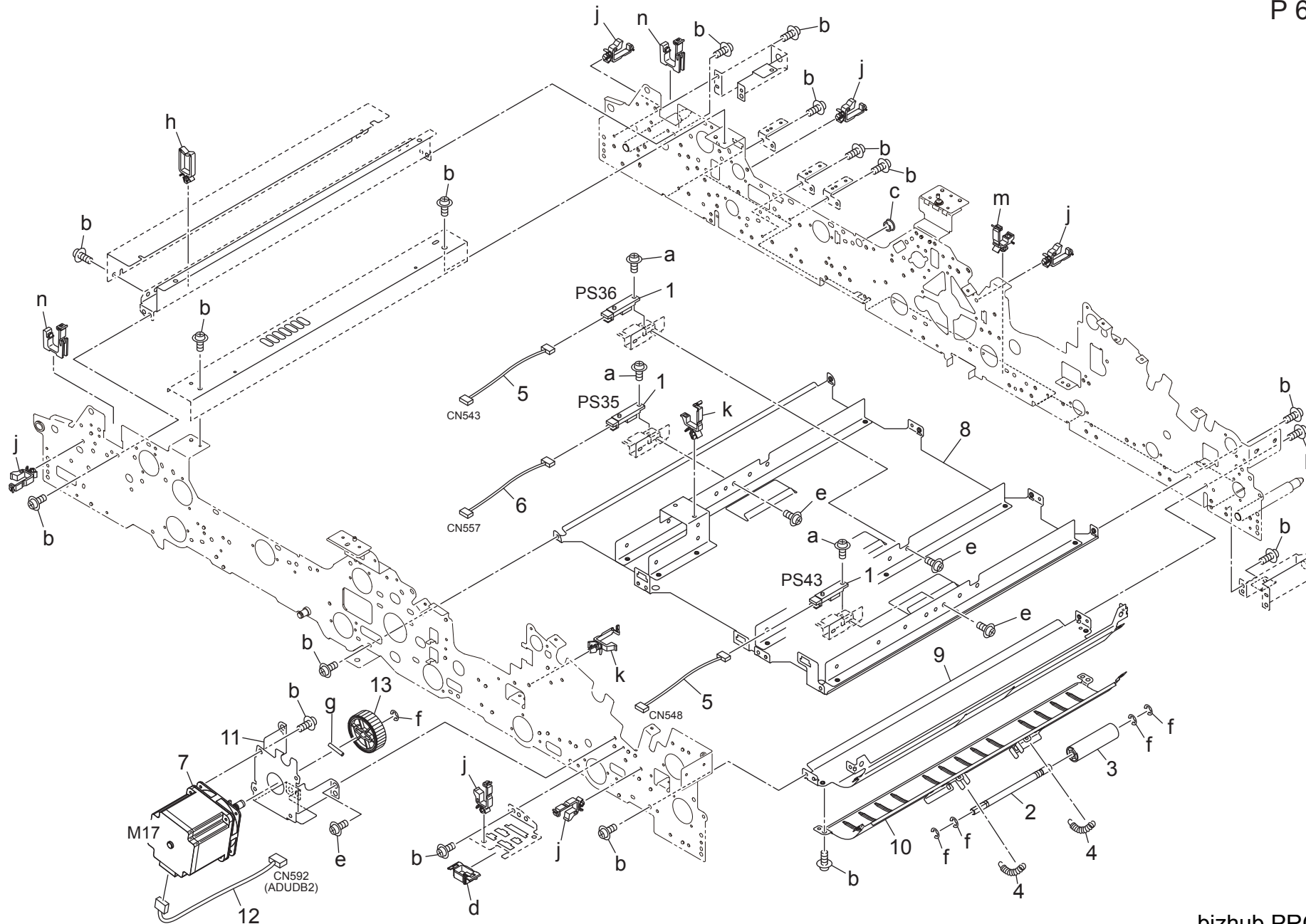
Key	Part No.	Description	Destinations	Class	QTY	Standard parts
1	4040M10000	FAN MOTOR		C	1	a-V118033003
2	4470402401	Stopper		D	1	b-V127030604
3	56GA90890	PAPER EXIT RELAY WIRING 2		D	1	c-V193030404
4	A0G6818300	Drive Pulley		C	1	d-V217040001
5	A0G6819400	Belt/A 324L		B	1	e-V500010013
6	A0G6N17200	ADU Drive Wiring /4		D	1	f-V500010022
7	A0G6N20500	ADU Drive Harness /5		D	1	g-V500010082
8	A4EUR73Q00	Motor /1 Pin Assy		B	1	h-V500010083
9	A50UM55500	Photo Sensor		I	1	j-V500010084
10	A799H07001	ADU Drive Board Assy		I	1	k-V500010085
11	V502010021	spacer		D	7	m-V500020098
						n-V500020099
						p-V570010026
						q-V570010028
						r-V570010050
						s-V570010063



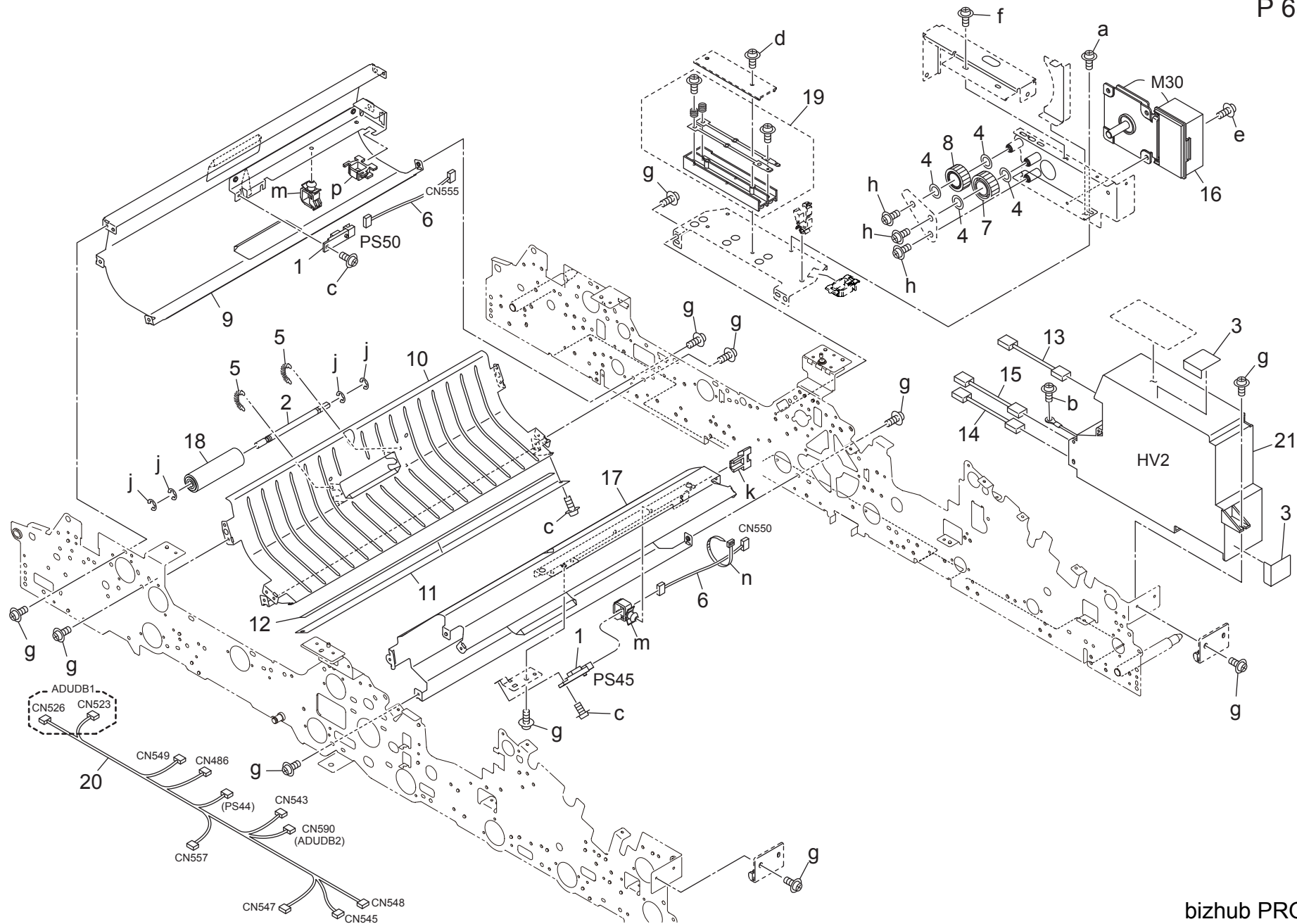
Key	Part No.	Description	Destinations	Class	QTY	Standard parts
1	9313100072	FAN MOTOR		C	3	a-V116030603
2	55VA47830	Belt Hold Part		B	2	b-V116040603
3	55VA49050E	Wiring Protection Cover		D	1	c-V118030403
4	56QA80570	Internal Cooling Fan		C	1	d-V118030603
5	56UA46570	Motor Mounting Plate /L		D	1	e-V118030803
6	56UA75050	ADU Roller Bearing	A D U 転がり軸受	C	2	f-V118033003
7	56UA78080	ADU DRIVE BELT/C 318L	A D U 駆動ベルト / C 318 L	B	1	g-V118040803
8	56UA90700	REGISTRATION DRIVE WIRING 2	レジスト 駆動束線 2	D	1	h-V118043503
9	A00V240600	Ball Bearing	ボールベアリング	B	2	j-V570010063
10	A0G6504000	Entrance Plate	進入板	C	1	k-V127030604
11	A0G6504300	Suction Sheet	吸着シート	C	1	m-V127040603
12	A0G6818200	Conveyance Pulley	搬送プーリ	B	2	n-V193030404
13	A0G6818300	Drive Pulley	駆動プーリ	C	1	p-V217040001
14	A0G6818800	Drive Gear /L 23T	駆動ギア / L 23 T	C	1	q-V217080001
15	A0G6835200	Duct /W	ダクト / W	D	1	r-V500010081
16	A4EU817700	Conveyance Roller /7	搬送ローラ / 7	B	2	s-V500020100
17	A4EU835600	Cover Film /S	カバーフィルム / S	D	1	t-V570010050
18	A4EUR73X00	Motor /2 Pin Assy	モータ 部組 / 2 ピン 打ち	B	1	
19	A4EUR73W00	Motor /4 Pin Assy	モータ 部組 / 4 ピン 打ち	B	1	
20	A4EUN16900	ADU Drive harness /R	A D U 駆動束線 / R	D	1	
21	A4EUN19700	Grounding Wire /T	アース線 / T	D	1	
22	A799N21500	ADU Drive harness /9	A D U 駆動束線 / 9	D	1	



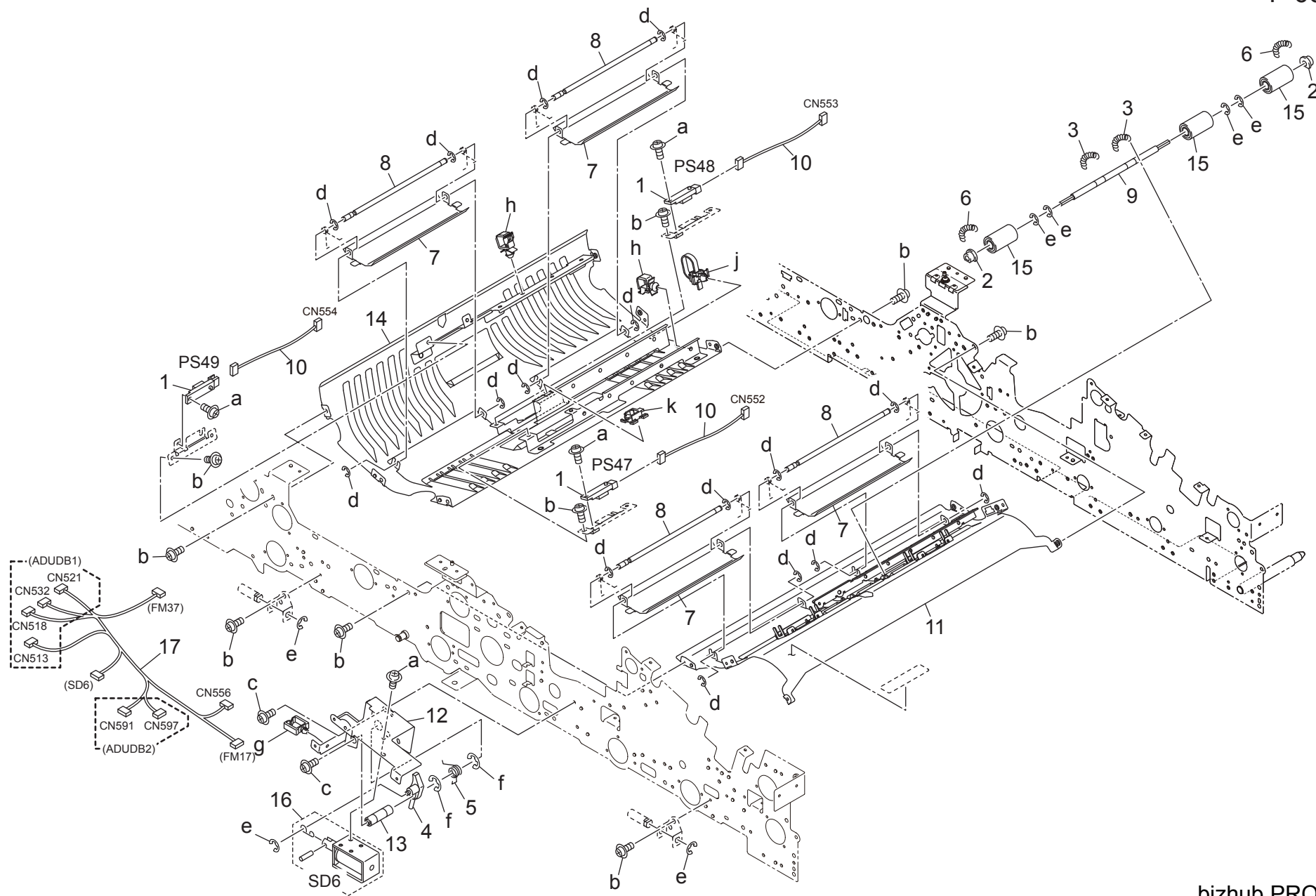
Key	Part No.	Description	Destinations	Class	QTY	Standard parts
1	12AJ45850	Stopper Rubber		C	2	a-V116040803
2	25AA44180	CONVEYANCE PRESSURE SPRING		C	2	b-V118030403
3	27LA80511	Main Body Fan Motor		A	1	c-V118033003
4	9313100072	FAN MOTOR		C	2	d-V118043503
5	55VA47450	ADU DRIVEN SHAFT /S		D	1	e-V127030604
6	56UA46140	TRANSFER FEEDING HANDLE		C	1	f-V127030803
7	56UA47040F	ADU Fixing Plate /1		D	1	g-V127040603
8	56UA47350	Motor Mounting Plate /2		D	1	h-V146041804
9	56UA47390	Motor Slide Spring		D	1	j-V193030404
10	56UA78060	ADU CONVEYANCE BELT/2 417L		C	2	k-V195030003
11	56UA90710	ADU DRIVE WIRING 3		B	1	m-V217040001
12	A0G6818300	Drive Pulley		D	1	n-V500020005
13	A4EU810300	Open/close Guide Outside		C	1	p-V500020007
14	A4EU810400	Open/close Guide /Inside		D	1	q-V500020098
15	A4EU814800	Guide Spacer /8		D	1	r-V500020100
16	A4EU818000	Idler Rubber /U		D	1	s-V501010002
17	A4EU823100	Positioning Roll		D	1	t-V501010009
18	A4EUR73Q00	Motor /1 Pin Assy		D	1	u-V570010050
19	A4EUN20800	ADU Drive harness /7		D	1	v-V651010002
20	A799N16000	ADU Control harness		D	1	



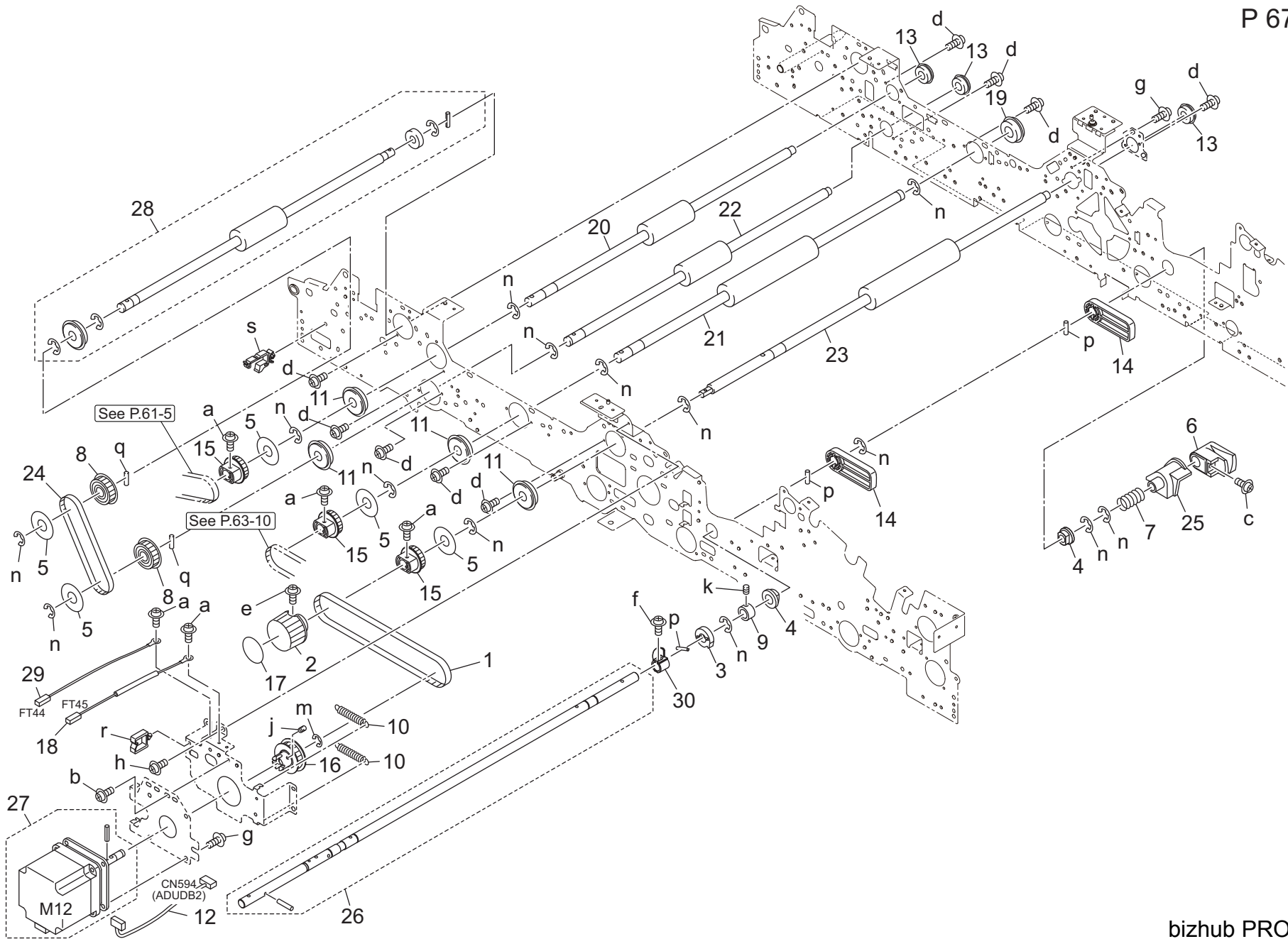
Key	Part No.	Description	Destinations	Class	QTY	Standard parts
1	13QA85511	Sensor 1		B	3	a-V118030403 b-V127030604 c-V570010055 d-V570010063 e-V127040603 f-V217040001 g-V234301650 h-V500010042 j-V500020098 k-V500020099 m-V500020100 n-V570010028
2	55VA47450	ADU DRIVEN SHAFT /S	ADU 従動軸 / S	D	1	
3	56UA45820	ADU IDLER ROLLER S	ADU 従動ローラ S	C	1	
4	56UA46480	REGIST PRESSING SPRING	レジスト 押圧バネ	C	2	
5	56UA90650	RELAY WIRING	センサ中継束線	D	2	
6	56UA90880	RELAY WIRING 3	センサ中継束線 3	D	1	
7	A1TVM10100	Stepping motor /50	ステッピングモータ /50	B	1	
8	A4EU812200	Conveyance Plate /A	搬送板 / A	D	1	
9	A4EU812500	Fixing Plate /8	固定板 /8	D	1	
10	A4EU813400	Fixing Plate /9	固定板 /9	D	1	
11	A4EU813801	Mounting Plate /5	取付板 /5	D	1	
12	A4EUN18800	ADU Relay harness /2	ADU 中継束線 /2	D	1	
13	A799814600	Registration Gear /A 35T	レジストギア / A 35 T	B	1	



Key	Part No.	Description	Destinations	Class	QTY	Standard parts
1	13QA85511	Sensor 1		B	2	a-V116030603
2	55VA47450	ADU DRIVEN SHAFT /S		D	1	b-V116040603
3	55VA49440	Power Source Cover Sheet		D	2	c-V118030403
4	56AA42690	BY-PASS SPACER		C	4	d-V118031603
5	56UA46480	REGIST PRESSING SPRING		C	2	e-V121030404
6	56UA90650	RELAY WIRING		D	2	f-V127030516
7	A0G6521500	Idling Gear /1 48T		C	1	g-V127030604
8	A0G6521600	Idling Gear /2 42T		C	1	h-V127040603
9	A0G6810500	Fixing Plate /2		D	1	j-V217040001
10	A0G6810600	Fixing Plate /3		D	1	k-V500020068
11	A0G6816600	Guide Plate /H		C	1	m-V500020098
12	A0G6816701	Riverse/Exit Tape /H		C	1	n-V501010002
13	A0G6N19200	HV Wire /T		D	1	p-V570010050
14	A0G6N19300	HV Wire /A		D	1	
15	A0G6N19400	HV Wire /B		D	1	
16	A0R5M10300	DC Brushless motor /30		B	1	
17	A4EU811000	Fixing Plate /7		D	1	
18	A4EU818000	Idler Rubber /U		B	1	
19	A4EUR74300	Power Block Assy		D	1	
20	A4EWN16800	ADU Relay harness /6		D	1	
21	A799M40200	HV Power source /2		I	1	

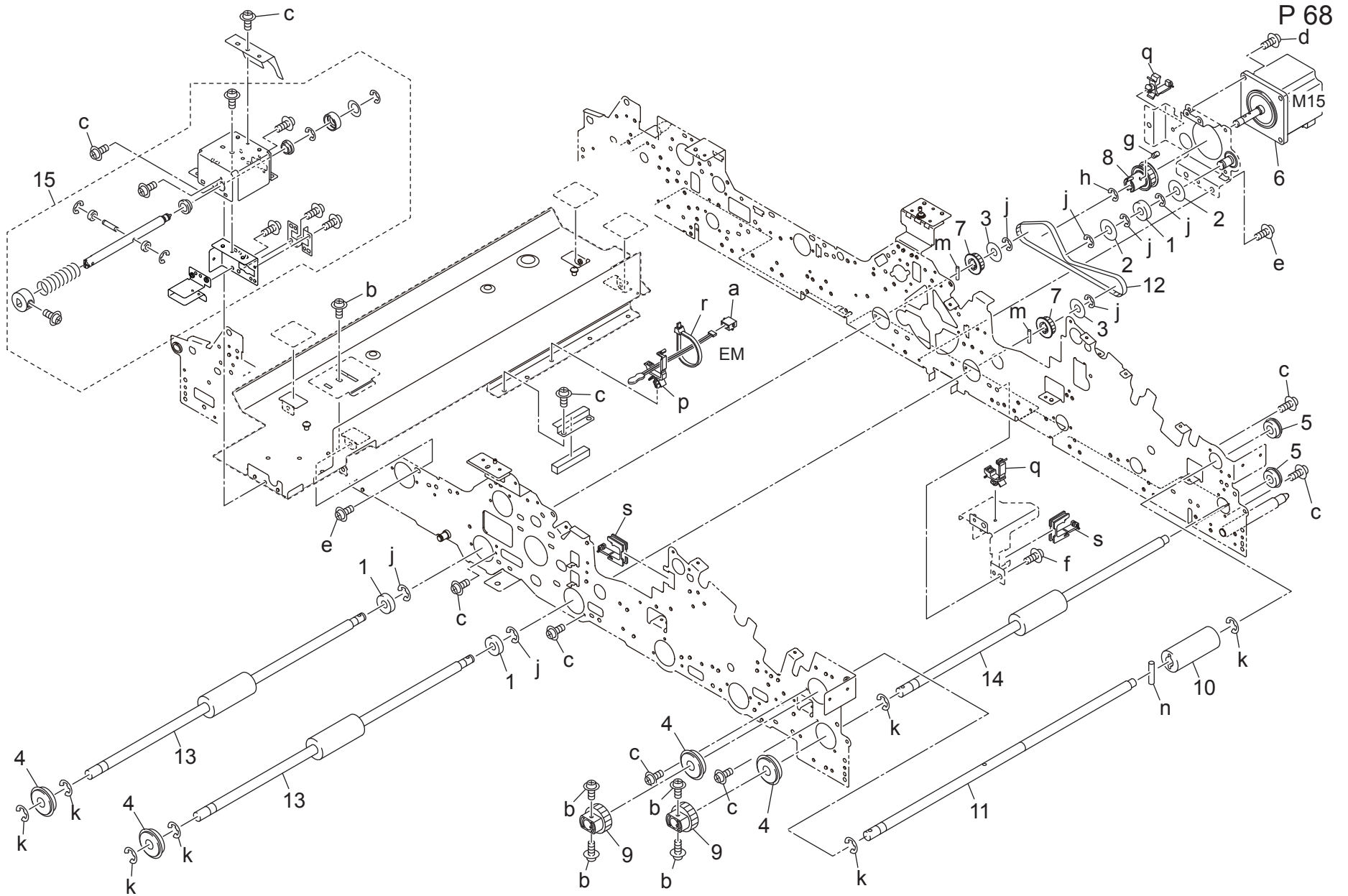


Key	Part No.	Description	Destinations	Class	QTY	Standard parts
1	13QA85511	Sensor 1		B	3	a-V118030403
2	25SA43310	DRIVEN SHAFT HOLDER		B	2	b-V127030604
3	55VA46490	Registration Pressure Spring		B	2	c-V127040603
4	55VA49240	Lever Lock Claw		C	1	d-V217030001
5	55VA49260	SOLENOID RELEASE SPRING		B	1	e-V217040001
6	56UA46480	REGIST PRESSING SPRING		C	2	f-V217080001
7	56UA47121	ADU Regulating Plate		C	4	g-V500010026
8	56UA47330	Swing Shaft		D	4	h-V500020098
9	56UA47890	ADU Idler Shaft /L		D	1	j-V501010009
10	56UA90650	RELAY WIRING		D	3	k-V570010050
11	A0G6810800	Fixing Plate /5		D	1	
12	A0G6814300	Guide Plate /S		D	1	
13	A0G6814400	Guide Shaft /S		D	1	
14	A4EU810701	Fixing Plate /4		D	1	
15	A4EU817900	Idler Rubber /S		D	3	
16	A4EUR73V00	Lever Locking Solenoid Pin Assy		C	1	
17	A799N16100	ADU Drive harness		D	1	



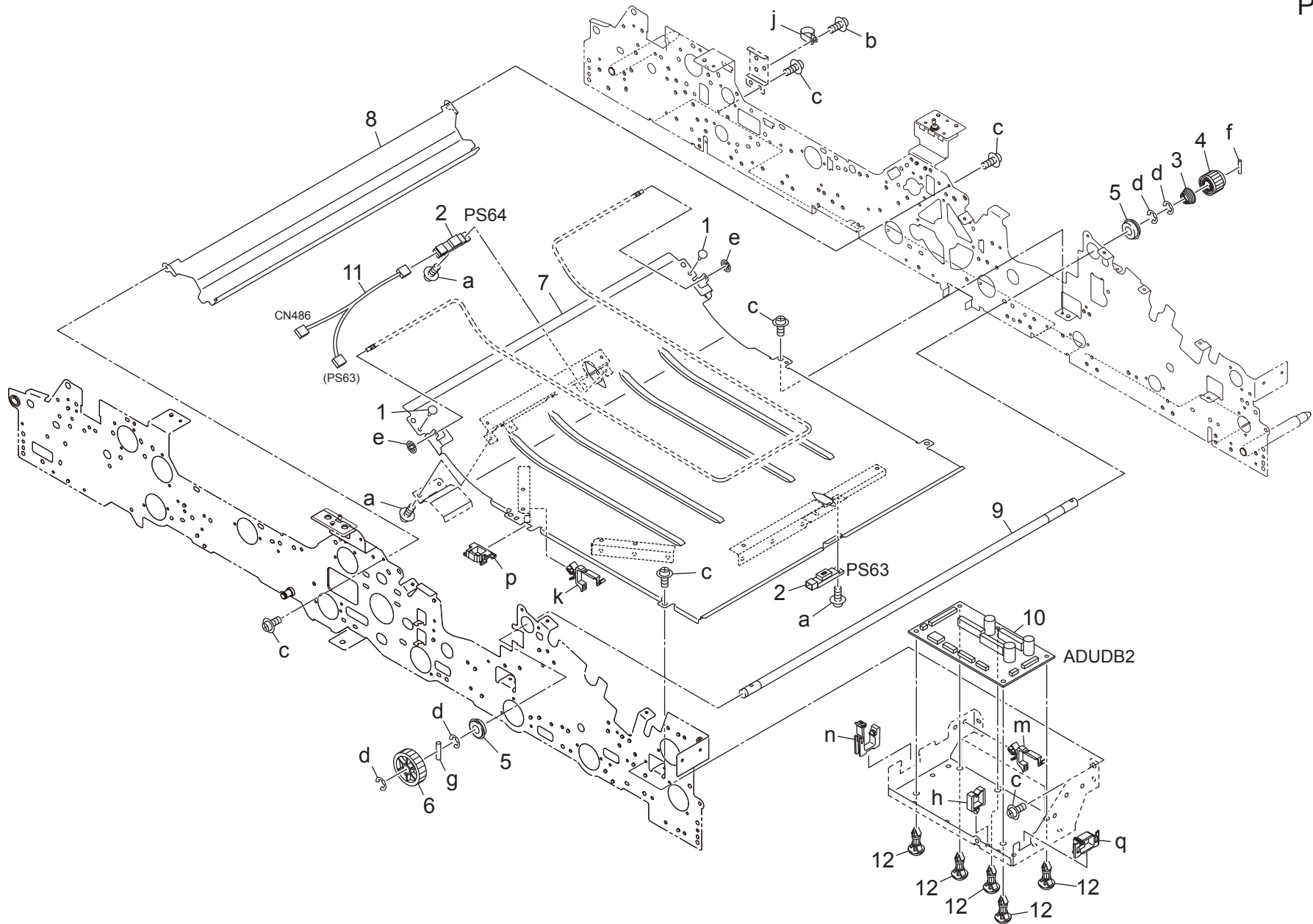
Key	Part No.	Description	Destinations	Class	QTY	Standard parts
1	13GQ77550	Drive Belt /E 195L		B	1	a-V116030603
2	14GE45470	Rotation Knob		C	1	b-V116040803
3	25AA47500	Carriage Lock Claw B		C	1	c-V116041803
4	462076010	Driving Slide Shaft Holder A		C	2	d-V118030403
5	55VA47830	Belt Hold Part		B	5	e-V118030603
6	55VA49080	Positioning Cam		C	1	f-V121030803
7	55VA49131	Positioning Spring		B	1	g-V127030604
8	55VA76521E	ADU Conveying Pulley /2 25T		C	2	h-V127040603
9	56AA17350	SHAFT POSITIONING PART		C	1	j-V193030404
10	56UA47390	Motor Slide Spring		C	2	k-V193040404
11	56UA75050	ADU Roller Bearing		C	4	m-V217040001
12	56UA90700	REGISTRATION DRIVE WIRING 2		D	1	n-V217080001
13	A00V240600	Ball Bearing		B	3	p-V234301650
14	A0G6508600	Pressing Cam		C	2	q-V234301850
15	A0G6818200	Conveyance Pulley		B	3	r-V500010026
16	A0G6818300	Drive Pulley		C	1	s-V500020098
17	A0G6946100	Label /11		C	1	
18	A0G6N22202	Grounding High-Volt. Resistor		D	1	
19	A4EU265000	Ball bearing		B	1	
20	A4EU817100	Conveyance Roller /1		B	1	
21	A4EU817200	Conveyance Roller /2		B	1	
22	A4EU817400	Conveyance Roller /4		B	1	
23	A4EU817600	Conveyance Roller /6		B	1	
24	A4EU822100	Conveyance Belt /No.1 210L		B	1	
25	A4EU824100	Holding Part /A		C	1	
26	A4EUR73R11	Caurrige Shaft Pin Assy		D	1	
27	A4EUR73Q00	Motor /1 Pin Assy		B	1	
28	A4EUR70100	Conveyance Roller /3 Assy		B	1	
29	A4EUN20100	Grounding Wire /C		D	1	
30	A799815200	Lock Actuator		D	1	

ADU

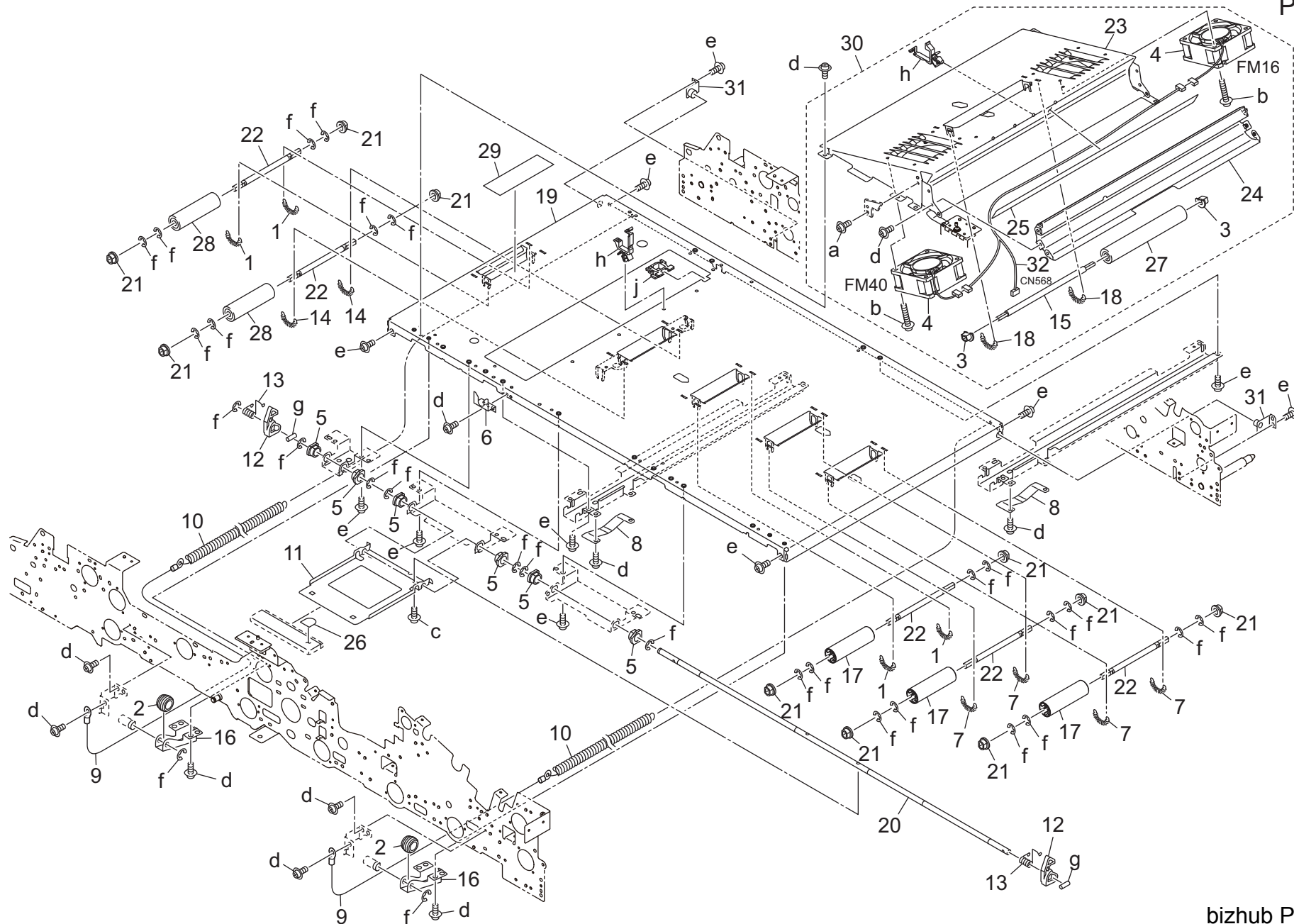


bizhub PRO 1100

Key	Part No.	Description	Destinations	Class	QTY	Standard parts
1	08AA76060	Fixing Bearing /Lower		B	3	a-V651010034
2	55VA47840	Belt Hold Part /3		D	2	b-V116030603
3	55VA47850	Belt Holding Part /2		D	2	c-V118030403
4	56UA75050	ADU Roller Bearing		C	4	d-V118040803
5	A00V240600	Ball Bearing		B	2	e-V127030604
6	A03UM11100	HB Motor /50		B	1	f-V127040603
7	A0G6813200	Conveyance Pulley /2		C	2	g-V193030404
8	A0G6813300	Drive Pulley /2		C	2	h-V217040001
9	A0G6818900	Conveyance Gear /L 23T		C	1	j-V217060001
10	A0G6819200	Feeding Roller /L		C	2	k-V217080001
11	A0G6819300	Feeding Shaft /L		C	1	m-V234301250
12	A1TT211400	Drive Belt /1 309L		D	1	n-V234301650
13	A4EU817500	Conveyance Roller /5		B	1	p-V500020099
14	A4EU817700	Conveyance Roller /7		B	2	q-V500020100
15	A799R70W00	Pressure Set Assy		B	1	r-V501010002
				C	1	s-V570010026



Key	Part No.	Description	Destinations	Class	QTY	Standard parts
1	12AJ45850	Stopper Rubber		C	2	a-V118030403
2	13QA85511	Sensor 1		B	2	b-V121040503
3	56AA17090	Pressing Spring		C	1	c-V127030604
4	56UA15510	Conveyance Coupling Part		B	1	d-V217060001
5	A00V240600	Ball Bearing		B	2	e-V226030050
6	A0G6815600	Connecting Gear /T 31T		C	1	f-V234301250
7	A4EU810900	Fixing Plate /6		D	1	g-V234301650
8	A4EU811300	Open/close Plate /2		D	1	h-V500010031
9	A4EU815100	Connecting Shaft /T		D	1	j-V500020037
10	A4EUH08001	ADU Drive Board/2 Assy		C	1	k-V500020098
11	A4EUN21700	Relay harness /7		D	1	m-V500020099
12	V502010007	spacer		D	5	n-V570010027
						p-V570010050
						q-V570010063

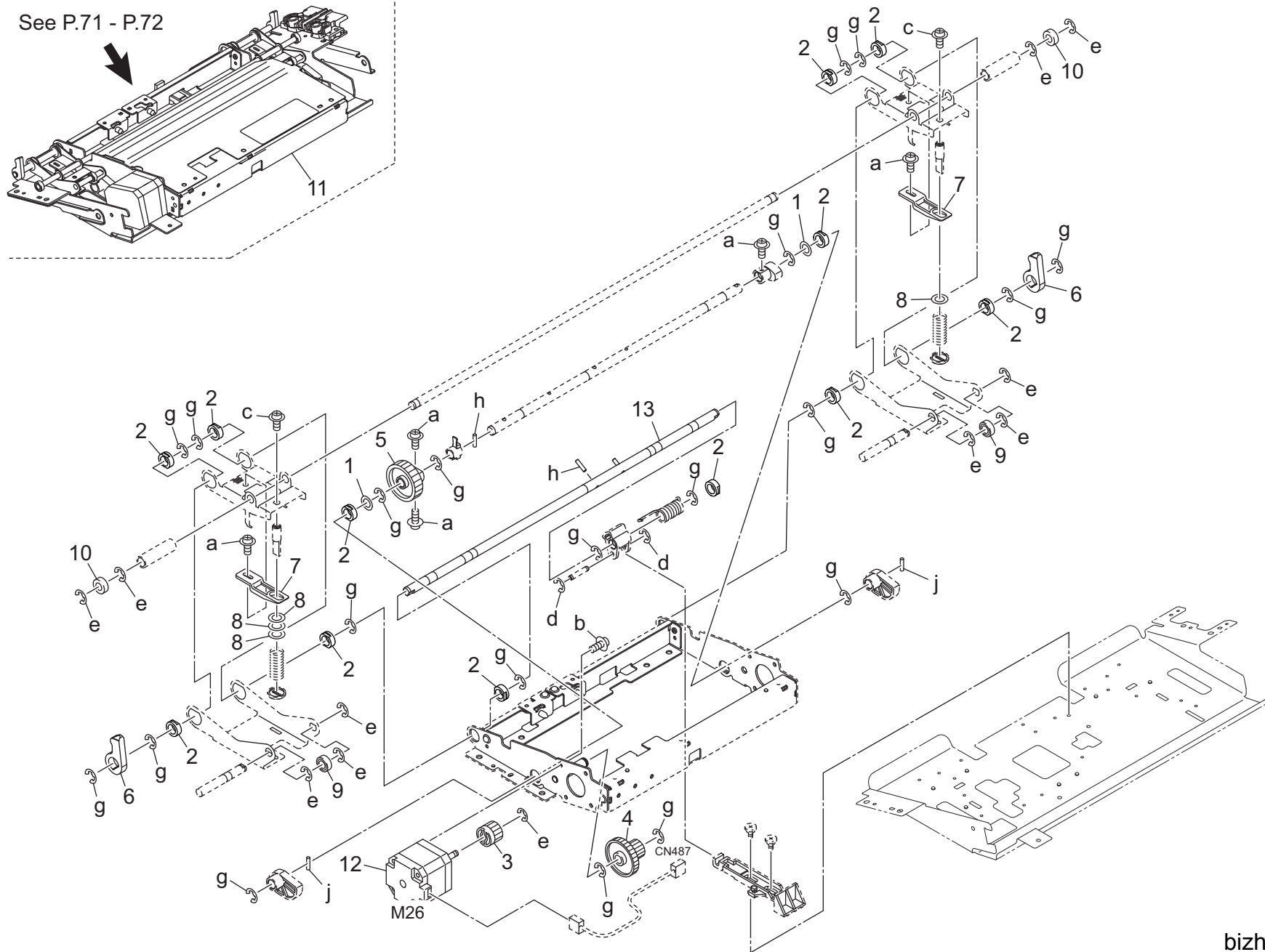


Key	Part No.	Description	Destinations	Class	QTY	Standard parts
1	25AA44180	CONVEYANCE PRESSURE SPRING	搬送圧着バネ	C	4	a-V118030403
2	25AA50080	WIRE PULLEY	ワイヤープーリ	C	2	b-V118033003
3	25SA43310	DRIVEN SHAFT HOLDER	従動軸受	B	2	c-V121030803
4	27LA80511	Main Body Fan Motor	本体 ファンモータ	A	2	d-V127030604
5	466076020	Paper Feed Feeding Bearing	給紙送り出し軸受	B	6	e-V127040603
6	55VA44171F	DOOR POSITIONING PLATE	ドア位置決め板	D	1	f-V217040001
7	55VA46451	REGISTRATION FEEDING SPRING	レジスト送り出しバネ	B	4	g-V234301250
8	55VA47360	BOTTOM PLATE LOCK SPRING	底板ロックバネ	C	2	h-V500020099
9	55VA47371	BOTTOM PLATE LIFT UP WIRE	底板持ち上げワイヤー	C	2	j-V570010050
10	55VA47390	BOTTOM PLATE LIFT UP SPRING	底板持ち上げバネ	B	2	
11	55VA47701	Bottom Plate Open Shut Handle	底板開閉把手	D	1	
12	55VA47710	Bottom Plate Locking Claw	底板ロック爪	C	2	
13	55VA47762E	Bottom plate Open/close Spring	底板開閉ばね	B	2	
14	55VA47770	ADU PRESSURE SPRING	A D U 押圧バネ	C	2	
15	55VA47910	ADU DRIVEN SHAFT /L	A D U 従動軸 / L	D	1	
16	55VA47970	WIRE FULCRUM PLATE	ワイヤー支点板	D	2	
17	56UA45820	ADU IDLER ROLLER S	A D U 従動ローラ S	C	3	
18	56UA46480	REGIST PRESSING SPRING	レジスト押圧バネ	C	2	
19	56UA47031G	ADU Open/close Plate /1	A D U 開閉板 / 1	D	1	
20	56UA47270	Bottom Plate Open/Close Shaft	底板開閉軸	D	1	
21	56UA886100	Idler Bushing /2	従動軸受 / 2	C	10	
22	56UA886200	Idler Shaft /2	従動軸 / 2	D	5	
23	A0G6811101	Open/Close Plate /A	開閉板 / A	D	1	
24	A0G6811201	Open/Close Plate /B	開閉板 / B	D	1	
25	A0G6816800	Guide Sheet /A	ガイドシート / A	C	1	
26	A0G6946000	Label /10	ラベル / 1 0 (J A M ラベル / 1 0)	C	1	
27	A4EU817800	Idler Rubber /L	従動ゴム / L	D	1	
28	A4EU818000	Idler Rubber /U	従動ゴム / U	B	2	
29	A4EU835700	Guide Sheet /1	ガイドシート / 1	D	1	
30	A4EUR74100	Bottom Plate Guide Plate Assy	底板ガイド板部組	D	1	
31	A4EUR74400	Support Panel Caulking	底板支点板カシメ	D	2	
32	A4EUN21600	ADU Drive harness /10	A D U 駆動束線 / 1 0	D	1	

ADU TRANSFER PRESSURE UNIT

See P.71 - P.72

P 71

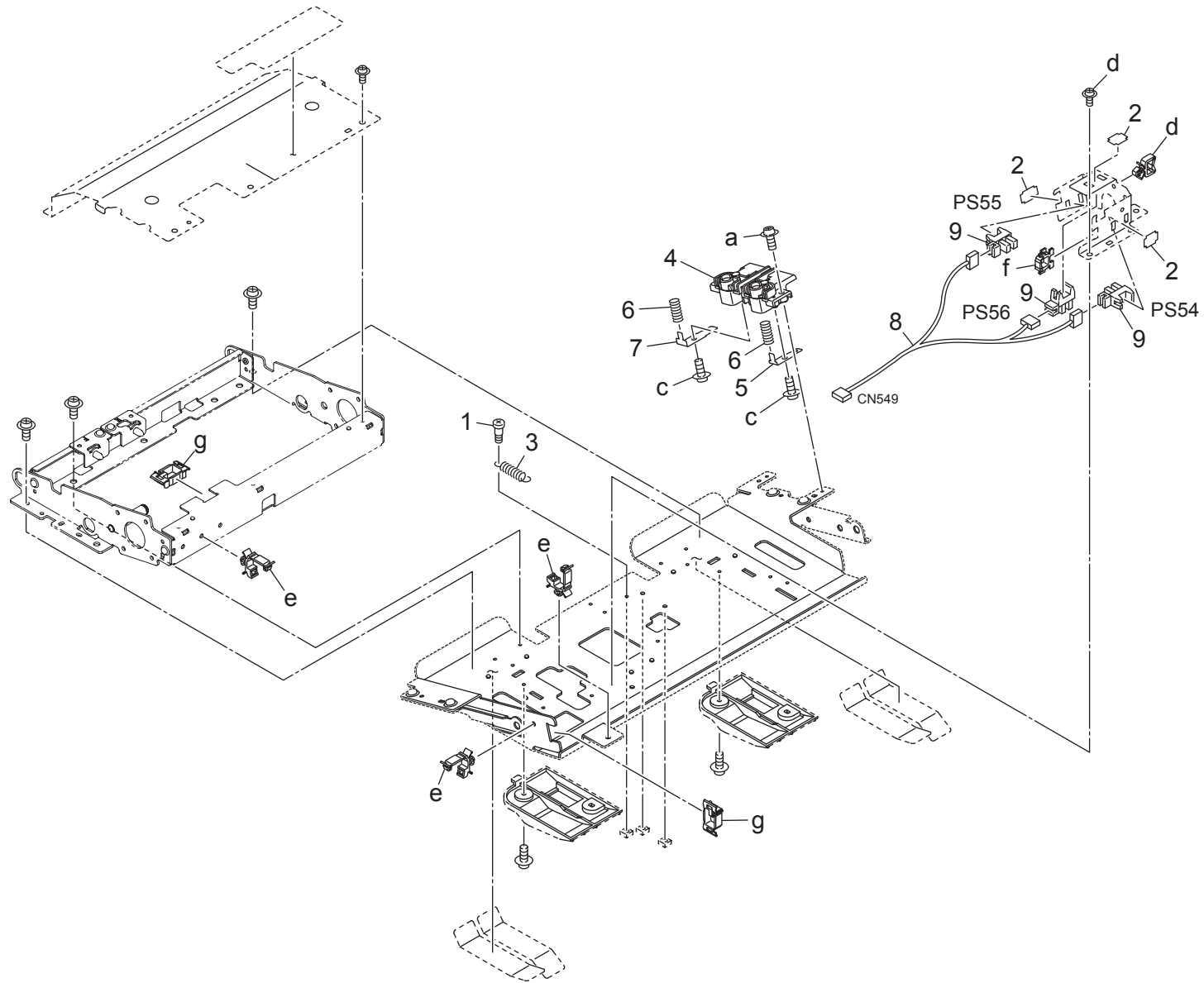


ADU TRANSFER PRESSURE UNIT

Key	Part No.	Description	Destinations	Class	QTY	Standard parts
1	12QV40650	Spacer		B	2	a-V116030603 b-V121030603 c-V127030604 d-V217030001 e-V217040001 g-V217060001 h-V234301250 j-V234301650
2	4036252401	BUSHING		C	12	
3	A0G6506500	Drive Gear 29T		C	1	
4	A0G6506600	Idling Gear 19/73T		C	1	
5	A0G6506700	Pressure Gear 45T		C	1	
6	A0G6507512	Release Lever		C	2	
7	A0G6509500	Adjusting Part		D	2	
8	A0G6509800	Spacer /A		C	4	
9	A0TK397501	Ball bearing		C	2	
10	A4EU505100	Bushing		C	2	
11	A4EUR73A00	Transfer Pressure Assy		D	1	
12	A4EUR77300	Transfer Belt Pressure Release Motor		B	1	
13	A4EUR73C00	Support Shaft Assy /P		D	1	

ADU TRANSFER PRESSURE UNIT

P 72



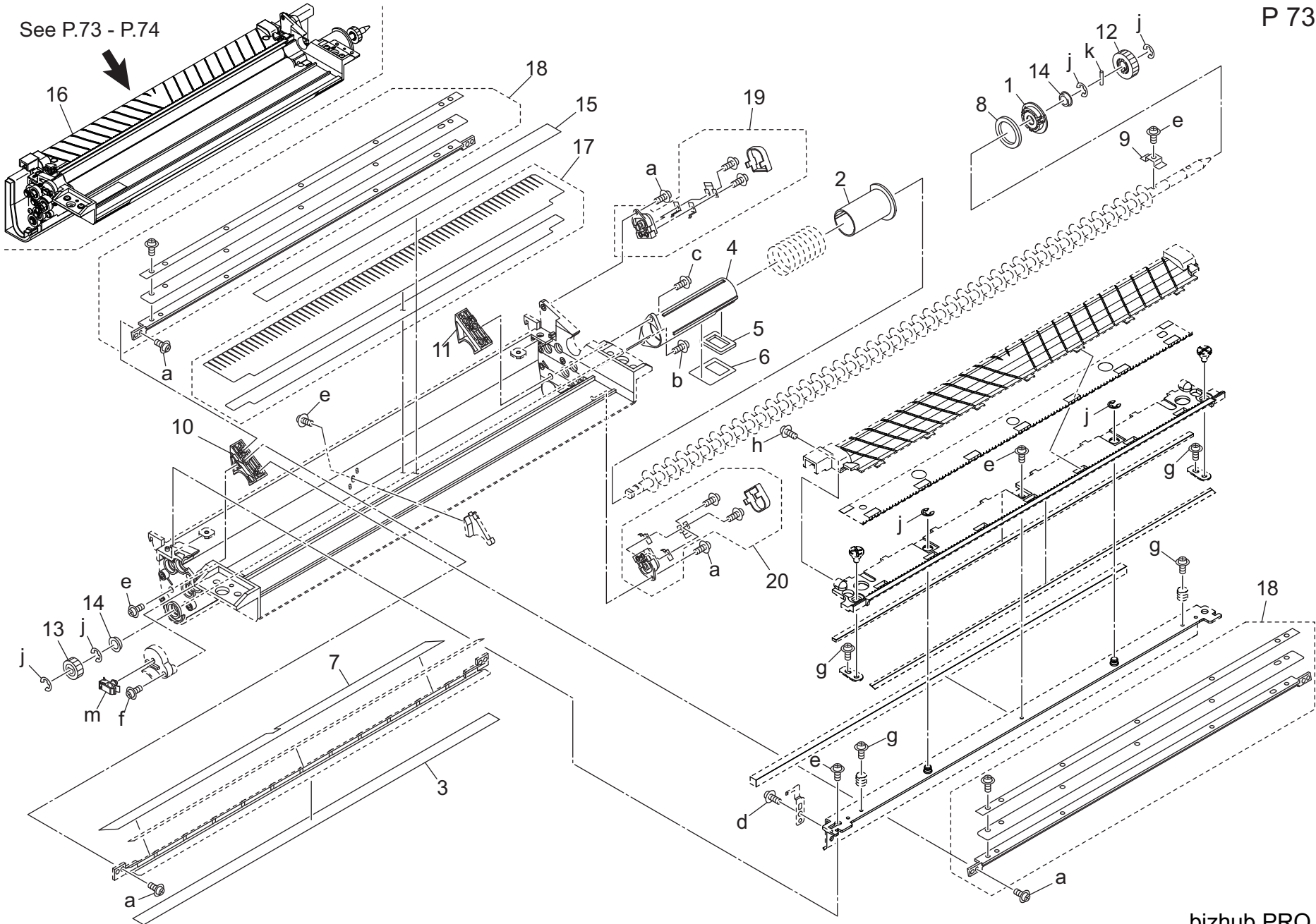
ADU TRANSFER PRESSURE UNIT

Key	Part No.	Description	Destinations	Class	QTY	Standard parts
1	066079020	DRAWER SCREW M3X10		C	1	a-V121031003 c-V151030603 d-V500010050 e-V500020100 f-V570010050 g-V570010063
2	4470402401	Stopper	ドロワーネジ M 3 X 1 0	D	3	
3	55VA15570	PAPER EXIT TENSION SPRING	ストッパー	B	1	
4	A0G6509001	Power supply Part	排紙テンションバネ	D	1	
5	A0G6509101	Power supply Terminal	給電部材	D	1	
6	A0G6509201	Power Supply Spring	給電端子	C	2	
7	A0G6509301	Power supply Terminal	給電ばね	D	1	
8	A4EUN16400	Transfer Drive harness	給電端子	D	1	
9	A50UM55500	Photo Sensor	転写駆動束線	I	3	
			フォトセンサ(透過型)			

ADU BELT CLEANER UNIT

See P.73 - P.74

P 73

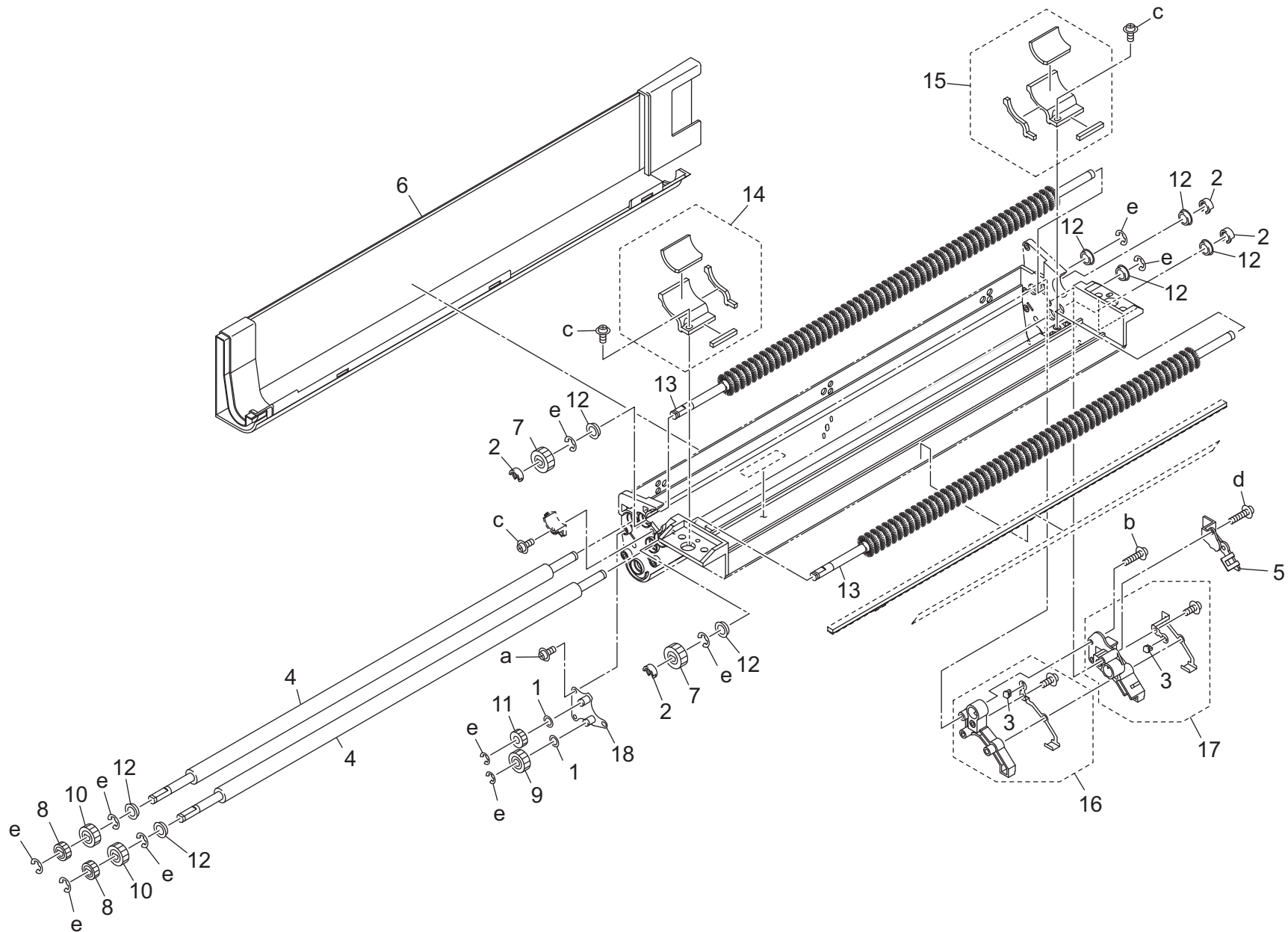


ADU BELT CLEANER UNIT

Key	Part No.	Description	Destinations	Class	QTY	Standard parts
1	A0G6511401	Cleaning Bushing		C	1	a-V111030604
2	A0G6512400	Slide Cover		D	1	b-V118030604
3	A0G6512800	Scatteringprevention Sheet /2		C	1	c-V118031003
4	A0G6513300	Cleaning Duct		D	1	d-V121030303
5	A0G6514000	Entrance Seal		C	1	e-V121030603
6	A0G6514100	Entrance Sheet		C	1	f-V121031203
7	A0G6514900	Cleaning Sheet /Lower		C	1	g-V122030403
8	A0G6515100	Toner Guide Seal		C	1	h-V151030803
9	A0G6515900	Toner Agitating Plate		D	1	j-V217040001
10	A0G6516001	Positioning Block /Front		D	1	k-V234201050
11	A0G6516100	Positioning Block /Rear		D	1	m-V500020099
12	A0G6521400	Collection Gear /A 16T		C	1	
13	A0G6521900	Drive Gear 28T		C	1	
14	A1RF529100	Drive Ball bearing		C	2	
15	A4EU512100	Scatteringprevention Sheet Outside		D	1	
16	A4EUR70D44	Belt Cleaner Assy		B	1	
17	A4EUR73D00	Cleaning Seet Assy		D	1	
18	A4EUR70000	Regurating Plate Assy		A	2	
19	A4EUR73E00	Power Bridge /Upper Assy		D	1	
20	A4EUR73F00	Power Bridge /Lower Assy		D	1	

ADU BELT CLEANER UNIT

P 74



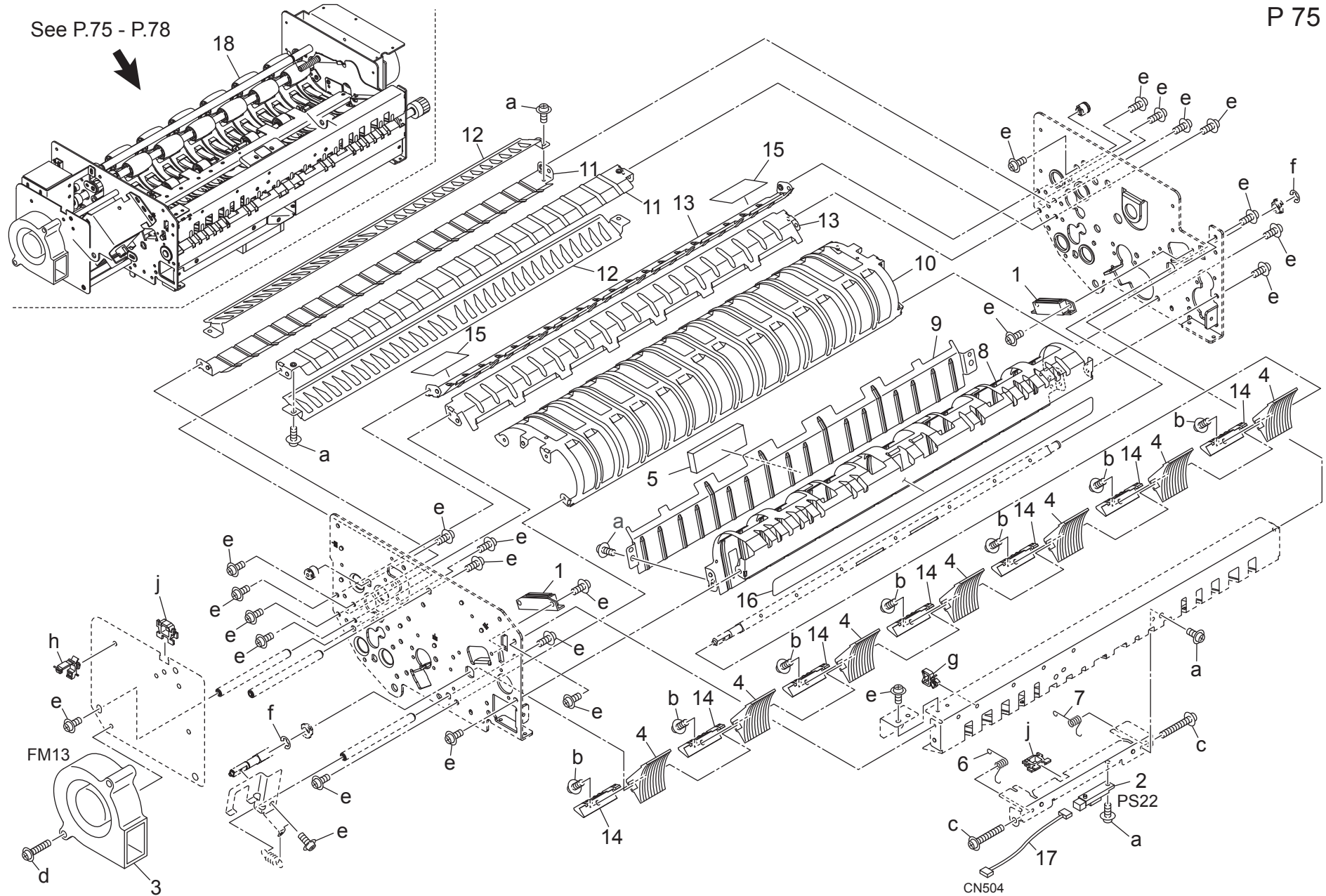
ADU BELT CLEANER UNIT

Key	Part No.	Description	Destinations	Class	QTY	Standard parts
1	26MA74100	SPECIAL WASHER		C	2	a-V111030404 b-V111031603 c-V118030604 d-V118031803 e-V217040001
2	396040681	STOPPER RING		B	4	
3	65AA26890	POWERING PART		B	2	
4	A0G6510700	Cleaning Shaft		B	2	
5	A0G6511312	Power Supply Cover		D	1	
6	A0G6513211	Cooling Duct /Middle		D	1	
7	A0G6520900	Drive Gear /A 30T		C	2	
8	A0G6521000	Drive Gear /B 18T		C	2	
9	A0G6521100	Idling Gear /L 30T		C	1	
10	A0G6521900	Drive Gear 28T		C	2	
11	A0G6523300	Idling Gear /S 20T		C	1	
12	A1RF529100	Drive Ball bearing		C	8	
13	A4EU510600	Cleaning Brush		B	2	
14	A4EUR73G00	Scattering Prevention Block /Rear Assy		C	1	
15	A4EUR73H00	Scattering Prevention Block /Front Assy		C	1	
16	A4EUR73J00	Power Block /Lower Assy		D	1	
17	A4EUR73K00	Power Block /Upper Assy		B	1	
18	A4EUR73M00	Reinforce Plate Caulking		D	1	

ADU DECURLER UNIT

See P.75 - P.78

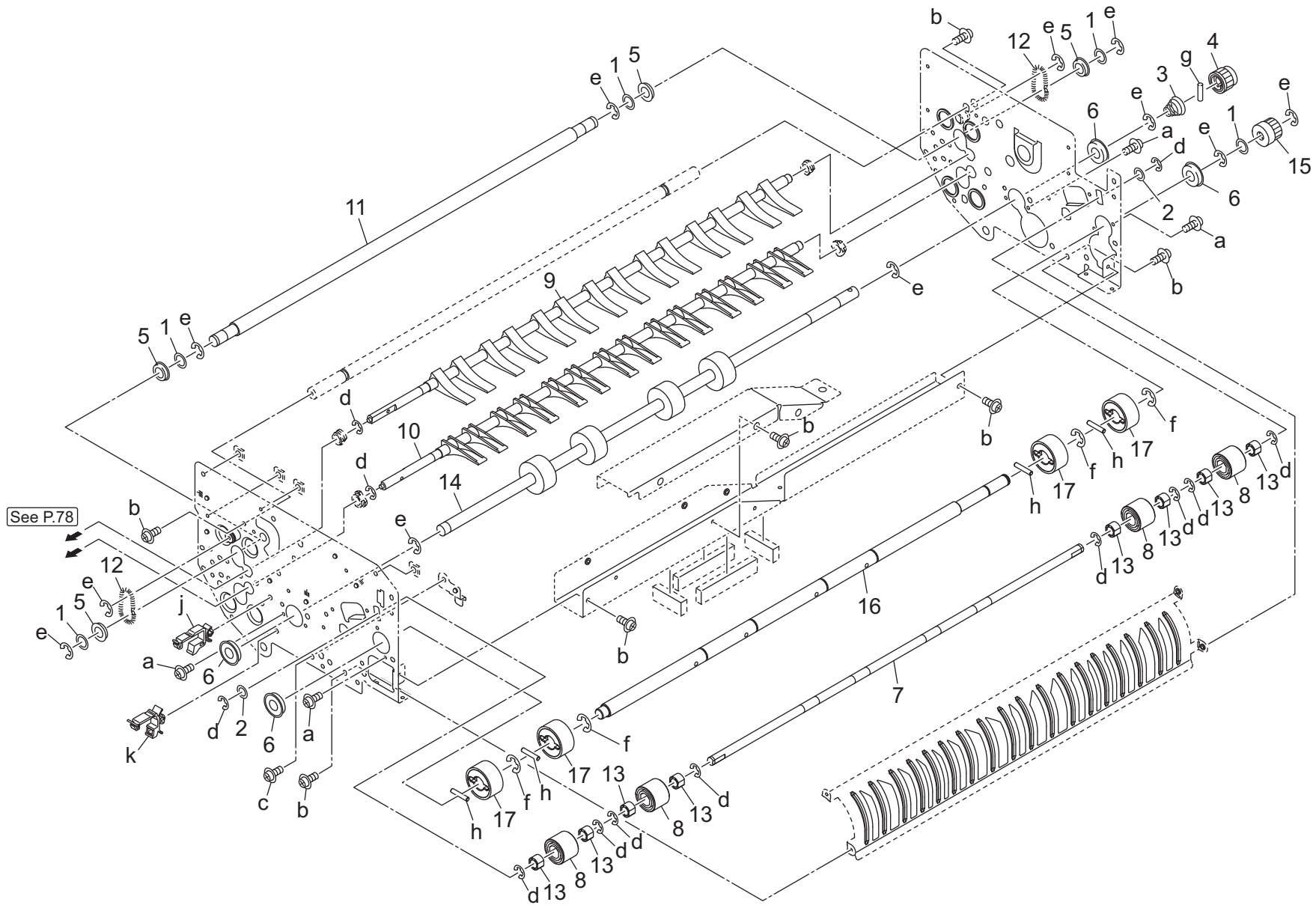
P 75



Key	Part No.	Description	Destinations	Class	QTY	Standard parts
1	07BA12352	Magnet Catch		C	2	a-V118030403
2	13QA85511	Sensor 1		B	1	b-V118030803
3	9313110033	FAN MOTOR		C	1	c-V118043003
4	56UA47600	Paper Guide Part		B	7	d-V118043503
5	A0G6376000	Scatteringprevention Pad /5		D	1	e-V127030604
6	A0G6841401	Paper Exit Spring /Front		C	1	f-V217040001
7	A0G6841501	Paper Exit Spring /Rear		C	1	g-V500010050
8	A0G6842200	Guide Plate /B		C	1	h-V500020098
9	A0G6844101	Guide Plate /E		C	1	j-V570010050
10	A0G6844300	Guide Plate /G		C	1	
11	A0G6844413	Guide Plate /H		C	2	
12	A0G6844500	Guide Plate /I		C	2	
13	A0G6844611	Guide Plate /J		C	2	
14	A0G6844900	Guide Part /2		C	7	
15	A0G6846800	Holding Sheet		C	2	
16	A0G6942500	Caution Label /A		D	1	
17	A4EUN21000	Relay harness /5		D	1	
18	A799R71000	Decurler Assy		I	1	

ADU DECURLER UNIT

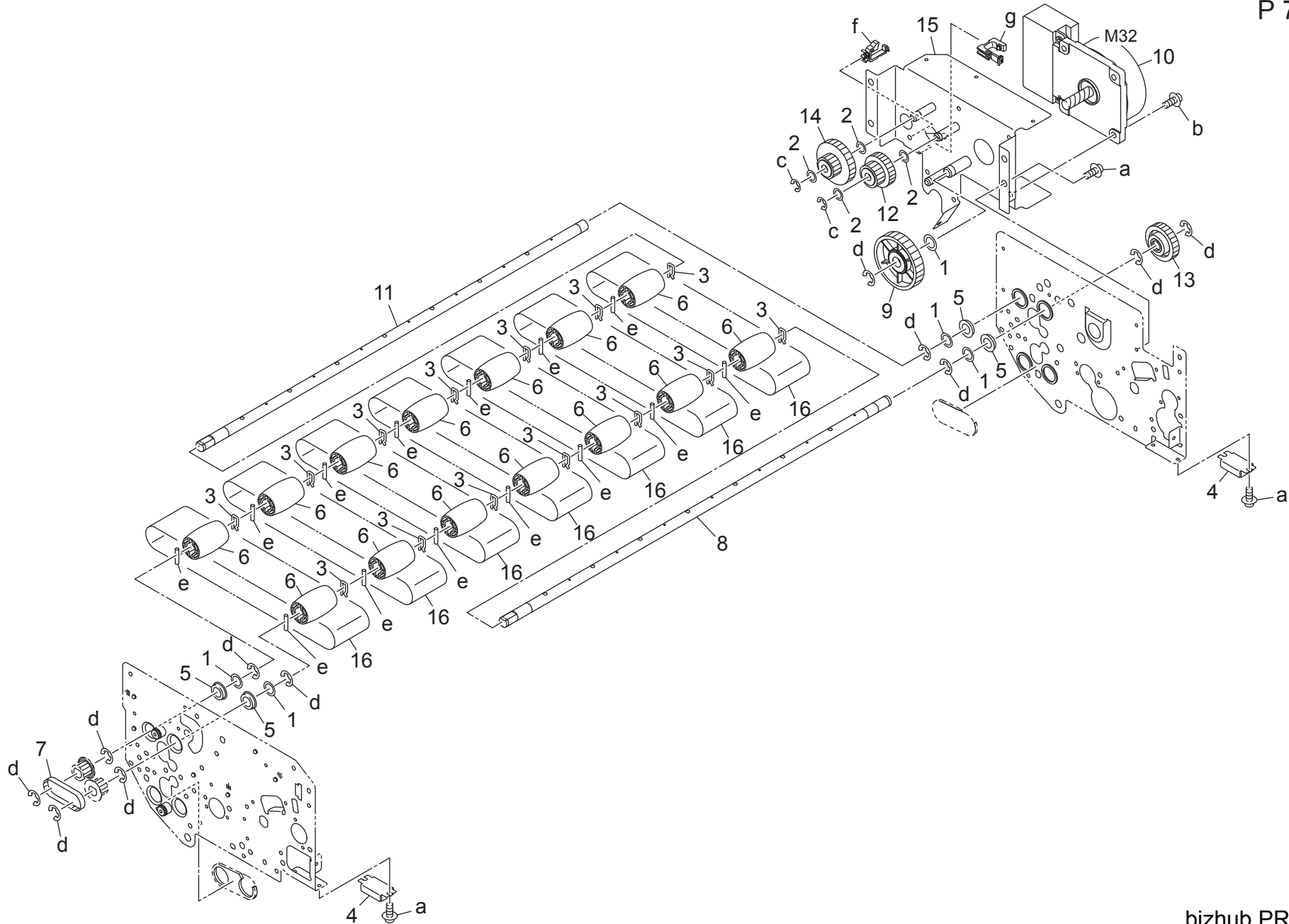
P 76



Key	Part No.	Description	Destinations	Class	QTY	Standard parts
1	12QV40650	Spacer		B	5	a-V118030403 b-V127030604 c-V127040603 d-V217040001 e-V217060001 f-V217080001 g-V234301250 h-V234301650 j-V500020098 k-V500020100
2	13QA17730	COLLAR 6		C	2	
3	56AA17090	Pressing Spring		C	1	
4	56UA15510	Conveyance Coupling Part		B	1	
5	A00J617900	Ball Bearing		B	4	
6	A00V240600	Ball Bearing		B	4	
7	A0G6841300	Idler Shaft /F		D	1	
8	A0G6843800	Idler Roll /D		C	4	
9	A0G6845100	Guide Part /Upper		B	1	
10	A0G6845200	Guide Part /Lower		B	1	
11	A0G6846300	Regulating Shaft		D	1	
12	A0G6846600	Pressing Spring /H		C	2	
13	A4EU715500	Bushing /No.1		C	8	
14	A4EU840700	Entrance Roller /D		B	1	
15	A4EU847000	Coupling Part		B	1	
16	A4EU847200	Drive Shaft /F		D	1	
17	A799840600	Paper exit Roller /1		B	4	

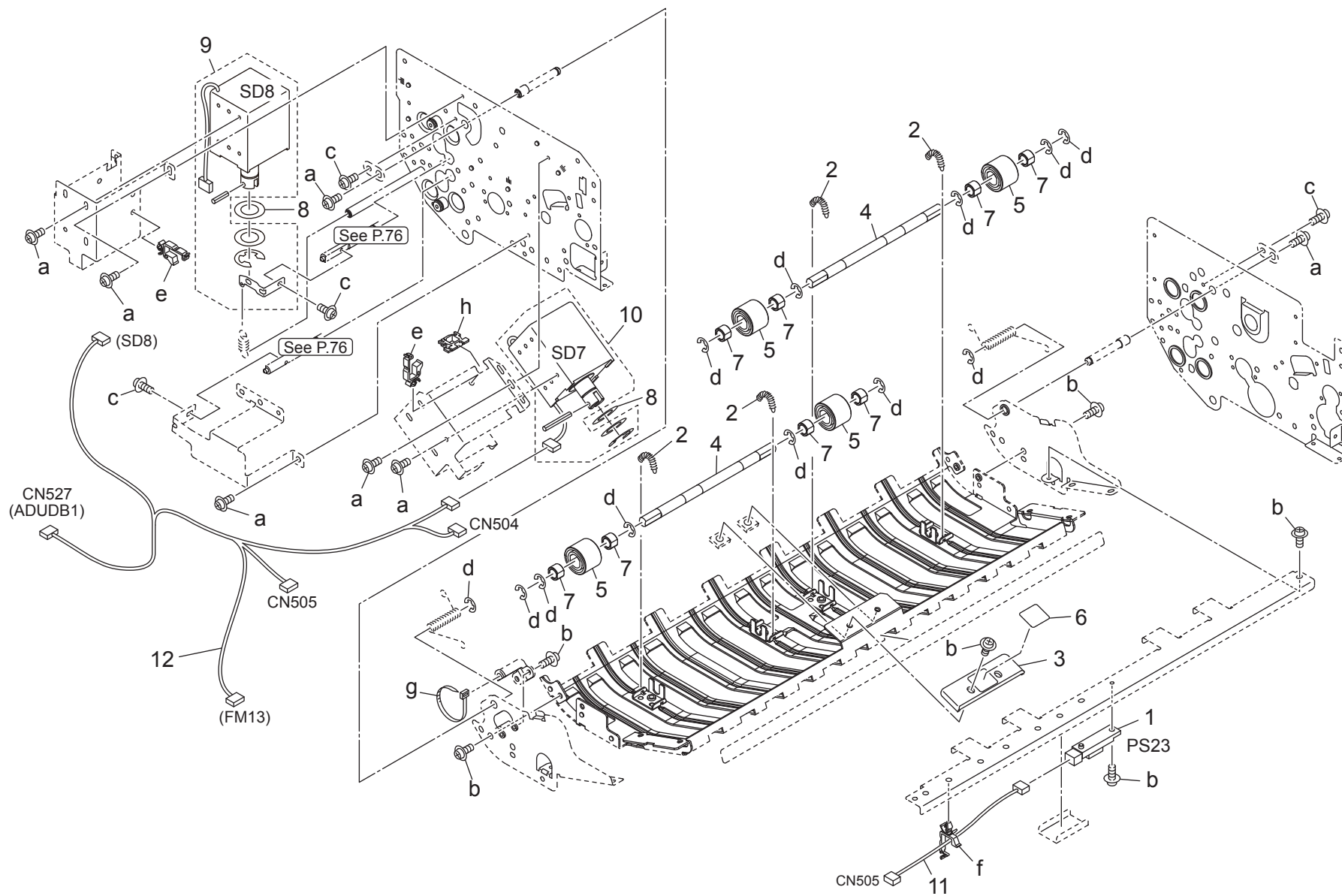
ADU DECURLER UNIT

P 77



ADU DECURLER UNIT

Key	Part No.	Description	Destinations	Class	QTY	Standard parts
1	12QV40650	Spacer		B	5	a-V118030403 b-V127040603 c-V217040001 d-V217060001 e-V234301450 f-V500020098 g-V570010046
2	13QA17730	COLLAR 6		C	4	
3	15AG57620	FIXING PART		C	14	
4	40AA32290	MAGNET CATCH		C	2	
5	A00J617900	Ball Bearing		B	4	
6	A04J709800	Regulating Roll		C	14	
7	A04J719200	BELT /6 91L		C	1	
8	A0G6846100	Drive Shaft /B		D	1	
9	A0G6848500	Idling Gear /1 78T		C	1	
10	A0PNM10200	DC Brushless motor /20		B	1	
11	A4EU846100	Drive Shaft /C		D	1	
12	A4EU848600	Idling Gear /2 26/26T		C	1	
13	A4EU848800	Drive Gear /W 26T		C	1	
14	A4EU848900	Idling Gear /4 32T		C	1	
15	A4EUR74B11	Mounting Plate /M Caulking		D	1	
16	A799846400	Regulating Belt /D 115L		B	7	

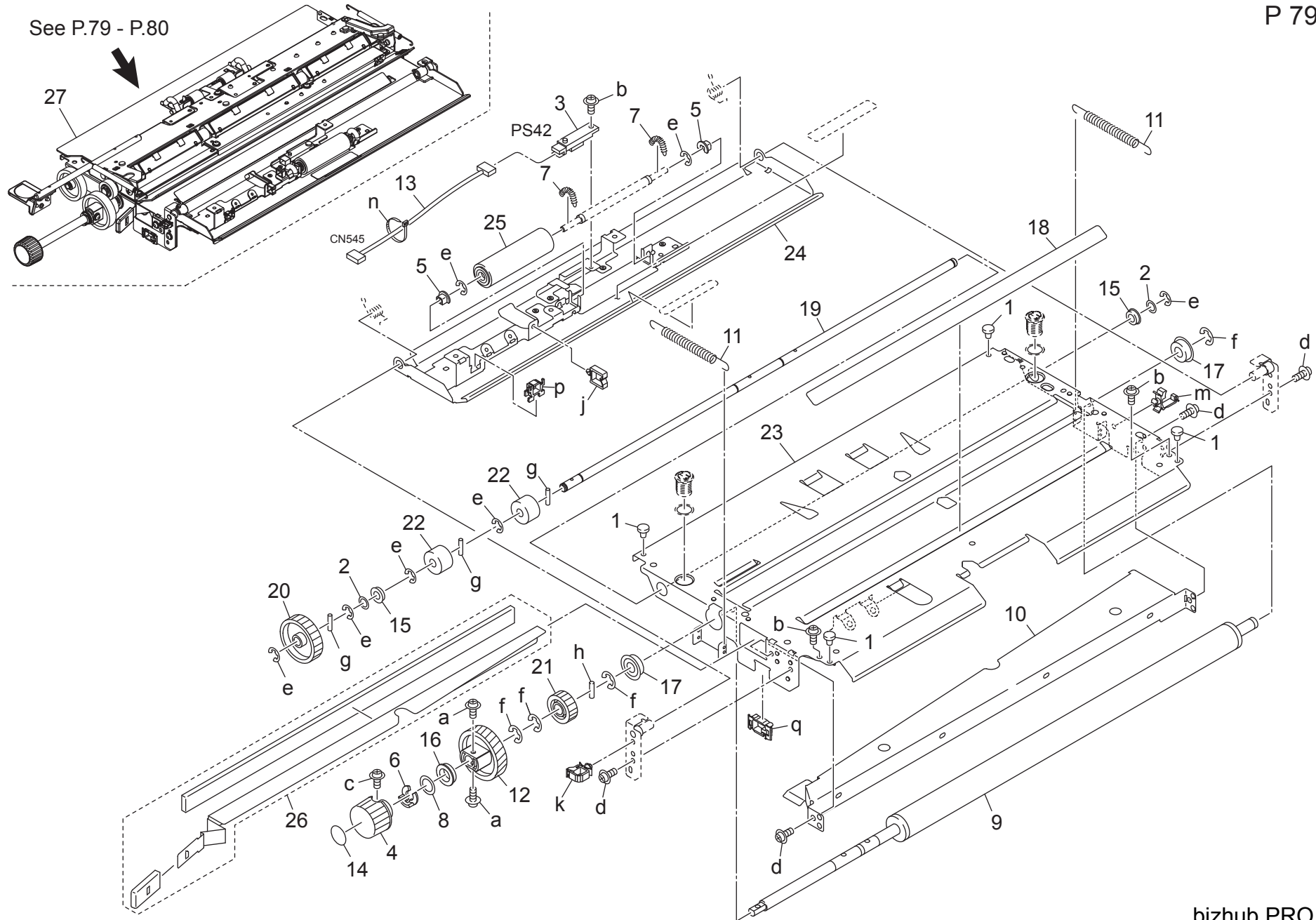


Key	Part No.	Description	Destinations	Class	QTY	Standard parts
1	13QA85511	Sensor 1		B	1	a-V116030603 b-V118030403 c-V127030604 d-V217040001 e-V500020098 f-V500020099 g-V501010002 h-V570010050
2	55VA46451	REGISTRATION FEEDING SPRING		B	4	
3	56UA46140	TRANSFER FEEDING HANDLE		C	1	
4	A0G6840900	Idler Shaft /D		D	2	
5	A0G6843800	Idler Roll /D		C	4	
6	A0G6945700	Label /7		C	1	
7	A4EU715500	Bushing /No.1		C	8	
8	A4EU849300	Spacer /12		D	2	
9	A4EUR74900	Solenoid /Upper Pin Assy		B	1	
10	A4EUR74A00	Solenoid /G Pin Assy		B	1	
11	A4EUN20900	Relay harness /6		D	1	
12	A799N20700	ADU Relay harness /4		D	1	

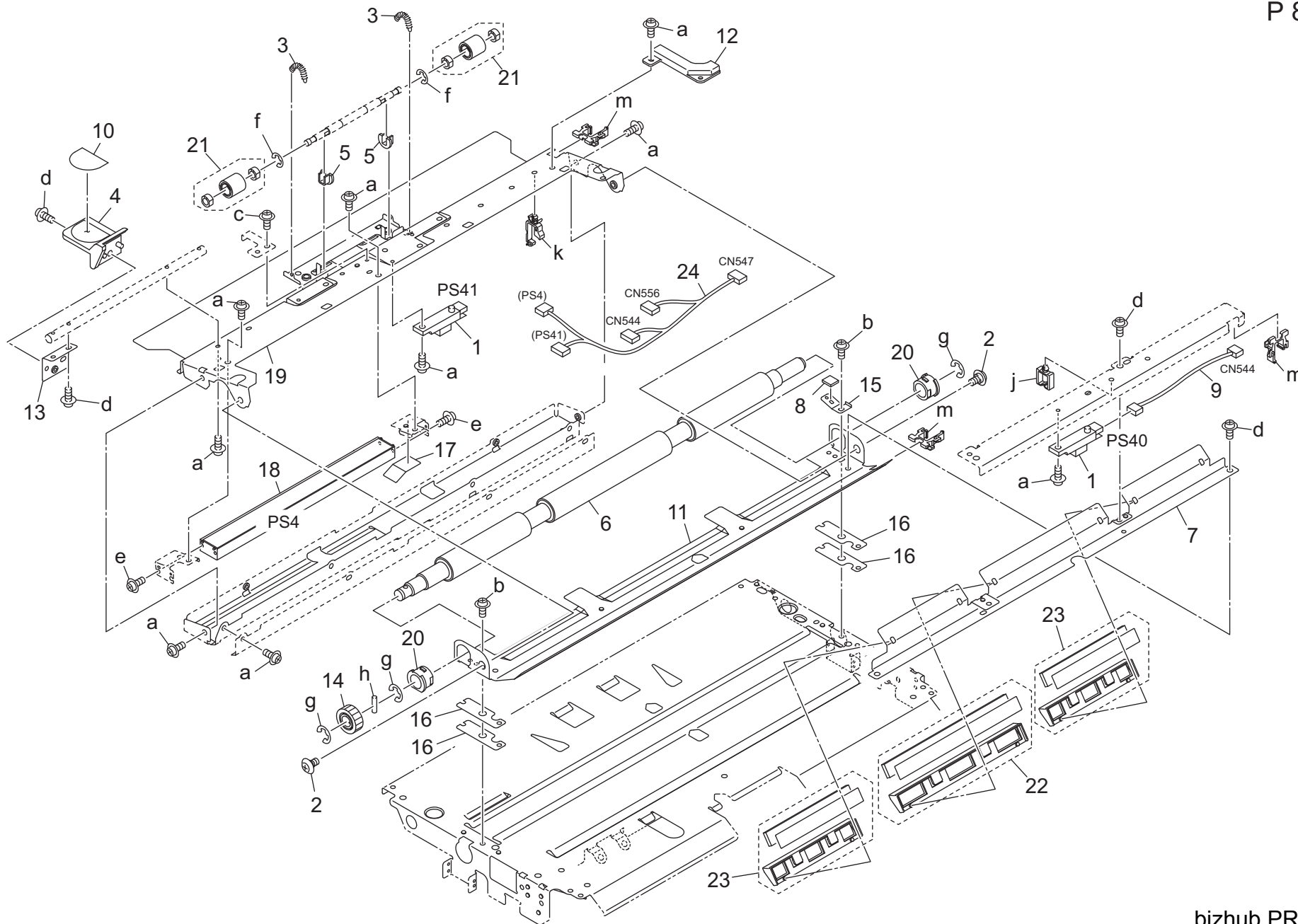
ADU REGIST UNIT

See P.79 - P.80

P 79



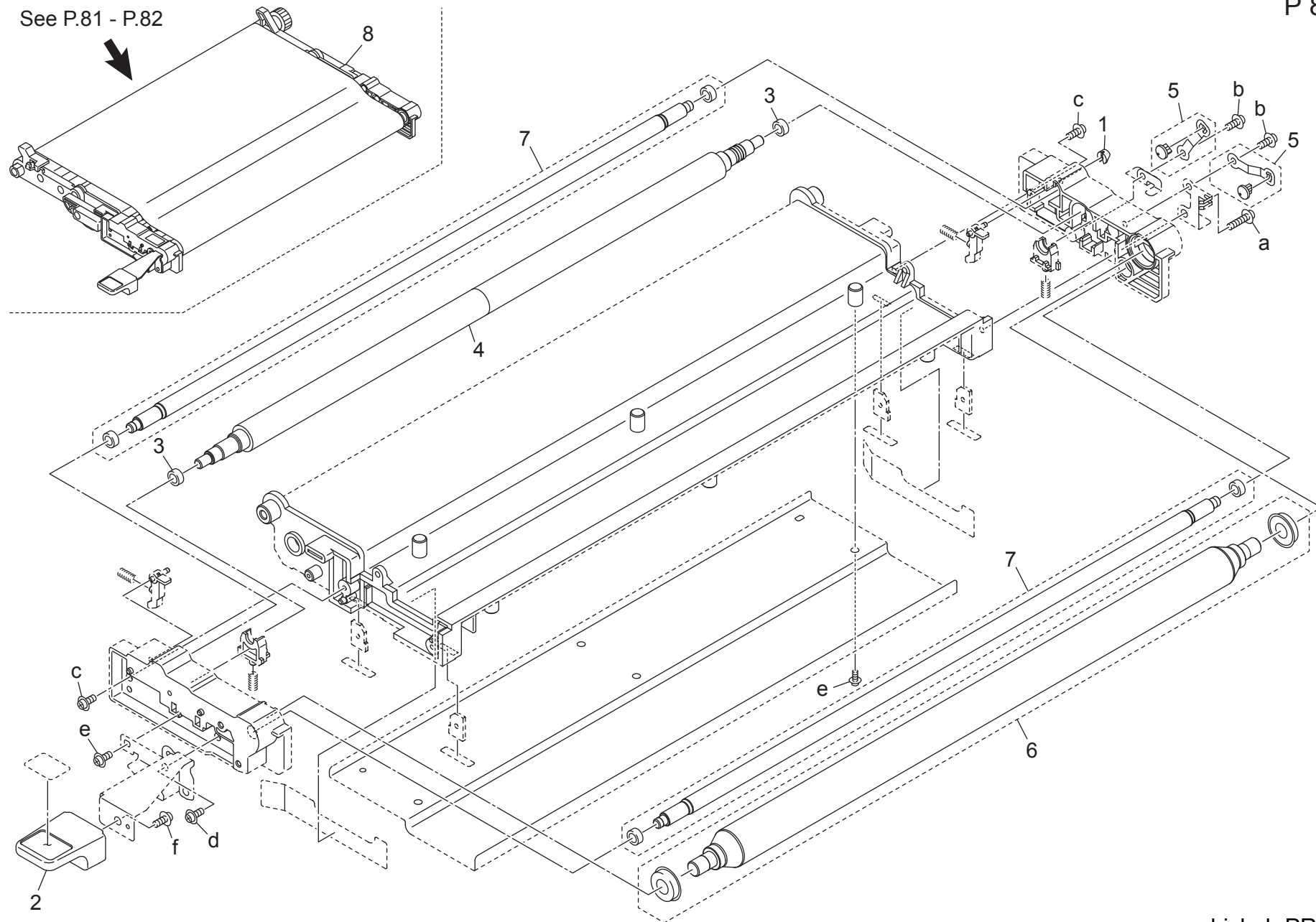
Key	Part No.	Description	Destinations	Class	QTY	Standard parts
1	12AJ45850	Stopper Rubber		C	4	a-V116030603
2	13QA10330	SHAFT SPACER		C	2	b-V118030403
3	13QA85511	Sensor 1		B	1	c-V118030603
4	14GE45470	Rotation Knob		C	1	d-V127030604
5	25SA43310	DRIVEN SHAFT HOLDER		B	2	e-V217040001
6	55VA42120	Shaft Stopper		C	1	f-V217060001
7	55VA46490	Registration Pressure Spring		B	2	g-V234201450
8	56AA52700	ADU COUPLING SPACER		C	1	h-V234301250
9	56UA46030F	Registration Roller /Lower		B	1	j-V500010024
10	56UA46100E	Roller Cleaning Rail		D	1	k-V500020098
11	56UA46170	Registration Pressing Spring		C	2	m-V500020100
12	56UA77560	Roller Gear/R 35T		B	1	n-V501010002
13	56UA90620	REGISTRATION WIRING 2		D	1	p-V570010050
14	57AA97211E	Jam Release Label /2		C	1	q-V570010063
15	A00J617800	Ball Bearing		B	2	
16	A00J617900	Ball Bearing		B	1	
17	A00V240600	Ball Bearing		B	2	
18	A0G6712100	Lifting Sheet		B	1	
19	A0G6713200	Drive Shaft /T		D	1	
20	A0G6714100	Drive Gear /T 31T		C	1	
21	A0G6714300	Registration Gear/Lower 20T		B	1	
22	A0Y5713100	Drive Roller /T		C	2	
23	A4EU710100	Registration Main body		D	1	
24	A4EU710800	Open/close Plate		D	1	
25	A4EU818000	Idler Rubber /U		B	1	
26	A4EUR74700	Regist Clener Assy/Lower		D	1	
27	A799R70U00	Regist Unit		I	1	



Key	Part No.	Description	Destinations	Class	QTY	Standard parts
1	13QA85511	Sensor 1		B	2	a-V118030403
2	190040922E	Fixing Screw		C	2	b-V121030603
3	55VA46451	REGISTRATION FEEDING SPRING		B	2	c-V127030516
4	56QA46060	Transfer Guide Handle		C	1	d-V127030604
5	56UA44680	Idler Bushing		C	2	e-V145260503
6	56UA46061E	REGIST ROLLER /UPPER		B	1	f-V217040001
7	56UA46110E	Guide Part		D	1	g-V217060001
8	56UA46190	Roller Conductive Pad		C	1	h-V234301250
9	56UA90880	RELAY WIRING 3		D	1	j-V500010024
10	57AA97221E	Jam Release Label /3		C	1	k-V500020098
11	A0G6710502	Registration Plate /Upper		D	1	m-V570010050
12	A0G6712200	Holding Holder		C	1	
13	A0G6713600	Open/Close Plate /Front		D	1	
14	A0G6714200	Registration Gear/Upper 18T		B	1	
15	A0G6714600	Ground Plate Spring /R		C	1	
16	A0G6714700	Registration Spacer		D	4	
17	A0G6717100	Protection Seal /Upper		D	1	
18	A0Y5M55100	Compensating Sensor		C	1	
19	A4EU710400	Registration Plate /T		D	1	
20	A4EU715400	Registration Bushing /Upper		B	2	
21	A4EUR74800	Idler Roller /T Assy		B	2	
22	A4EUR74500	Cleaning Brush /1 Assy		C	1	
23	A4EUR74600	Cleaning Brush /2 Assy		C	2	
24	A4EWN16300	Relay harness /4		D	1	

TRANSFER BELT UNIT

P 81

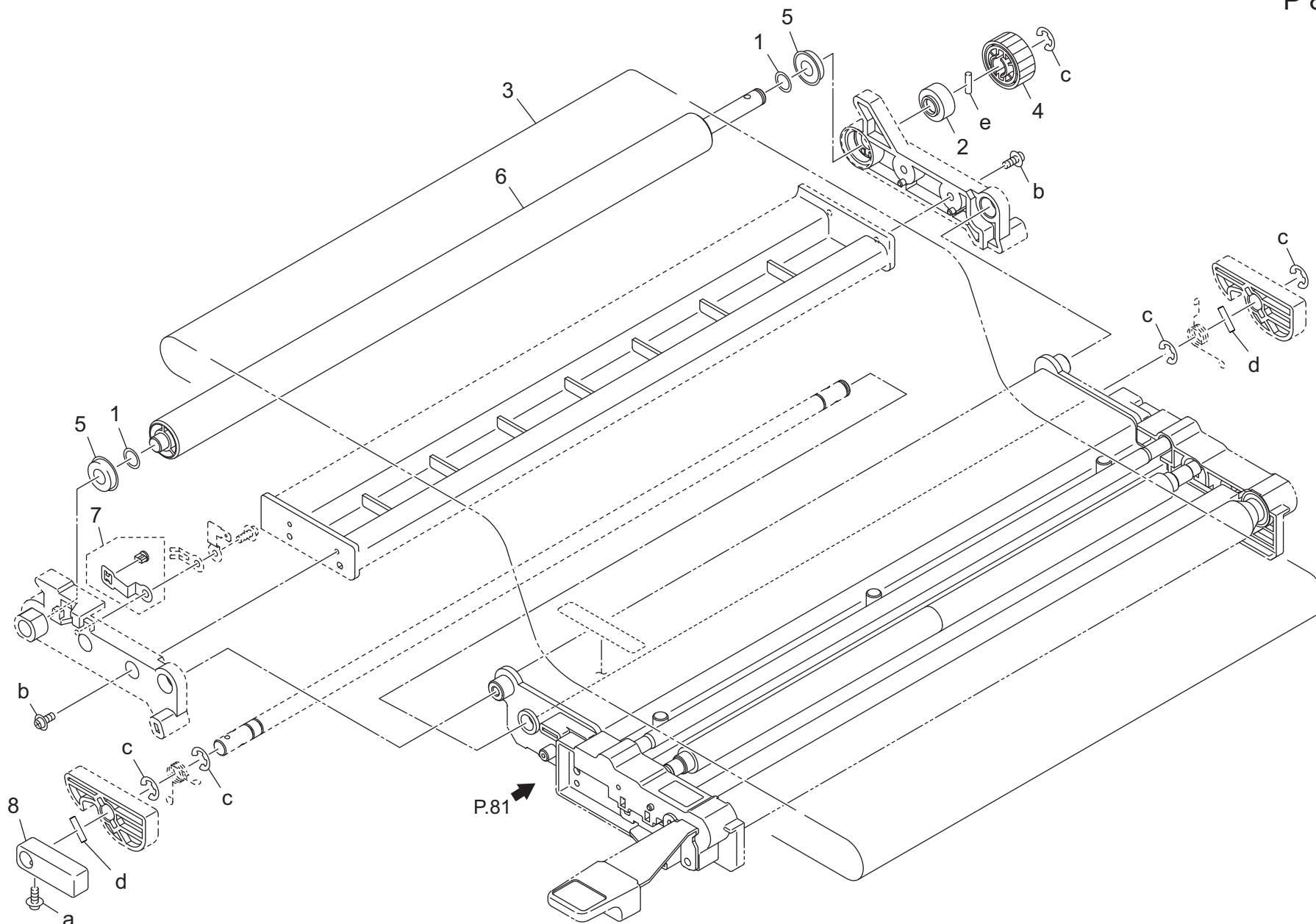


TRANSFER BELT UNIT

Key	Part No.	Description	Destinations	Class	QTY	Standard parts
1	45AA20400	STOPPER PART		A	1	a-V116031603 b-V121030403 c-V121031203 d-V121031603 e-V151030803 f-V151040803
2	65AA53991	Fixing Paper Exit Lever		C	1	
3	A0G6503900	Power supply Ball bearing		B	2	
4	A4EU500600	Transfer Roller		B	1	
5	A4EUR70C00	Transfer Electrode Assy		B	2	
6	A4EUR72800	Idler Roller Assy		C	1	
7	A4EUR72900	Nip Roller Assy		B	2	
8	A799R70000	Transfer Belt Unit		I	1	

TRANSFER BELT UNIT

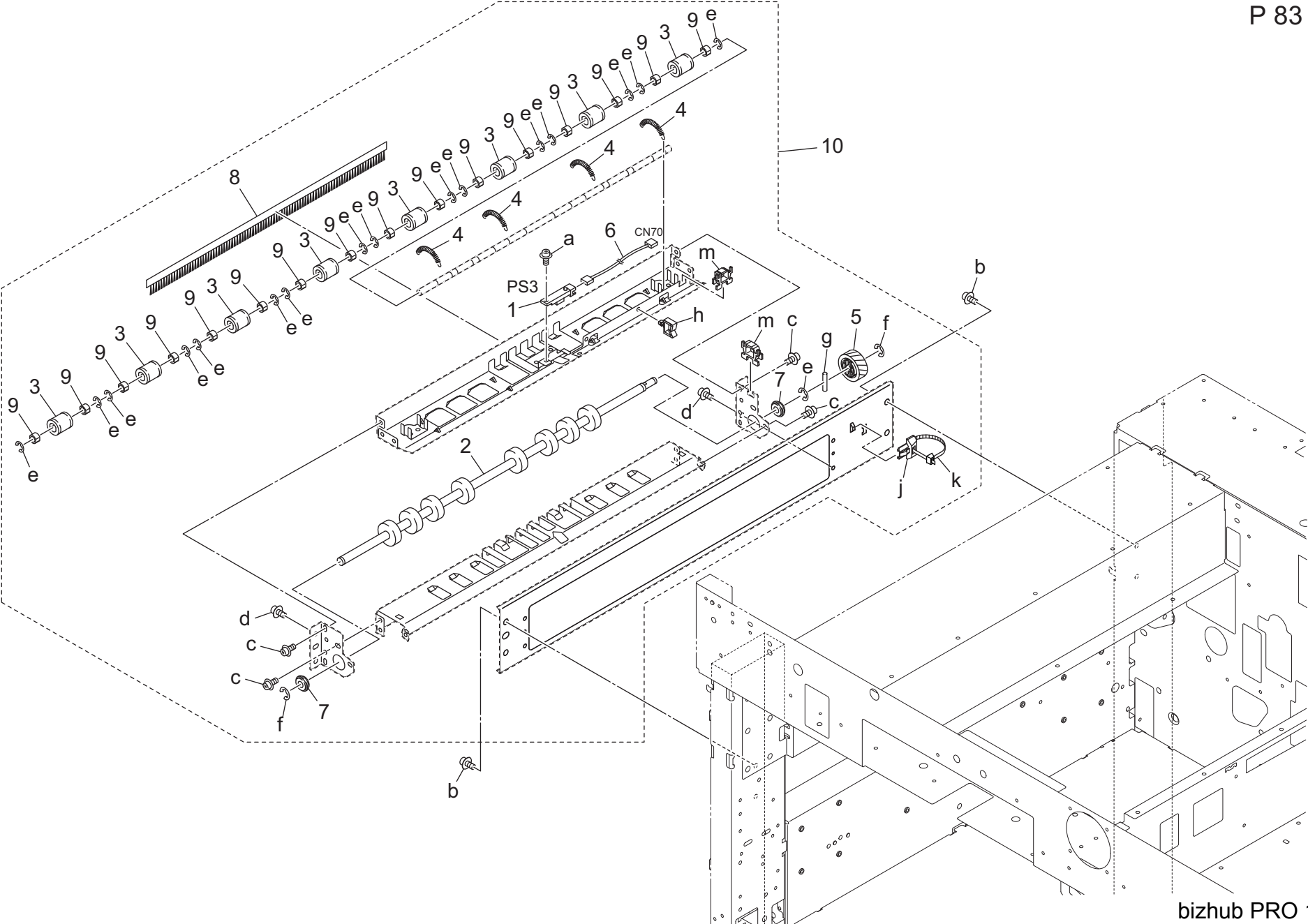
P 82



TRANSFER BELT UNIT

Key	Part No.	Description	Destinations	Class	QTY	Standard parts
1	12QV40650	Spacer		B	2	a-V121030603 b-V121030803 c-V217060001 d-V234301450 e-V234301650
2	57GA47640	BELT TENSION ROLLER		C	1	
3	A0G6500113	Transfer Belt		B	1	
4	A0G6502300	Drive Gear 48T		C	1	
5	A1RF529300	Ball bearing		C	2	
6	A4EU500400	Drive Roller		C	1	
7	A4EUR70B00	Earth Electrode Assy		B	1	
8	A799503400	Release Lever		D	1	

MAIN BODY PAPER EXIT UNIT



bizhub PRO 1100

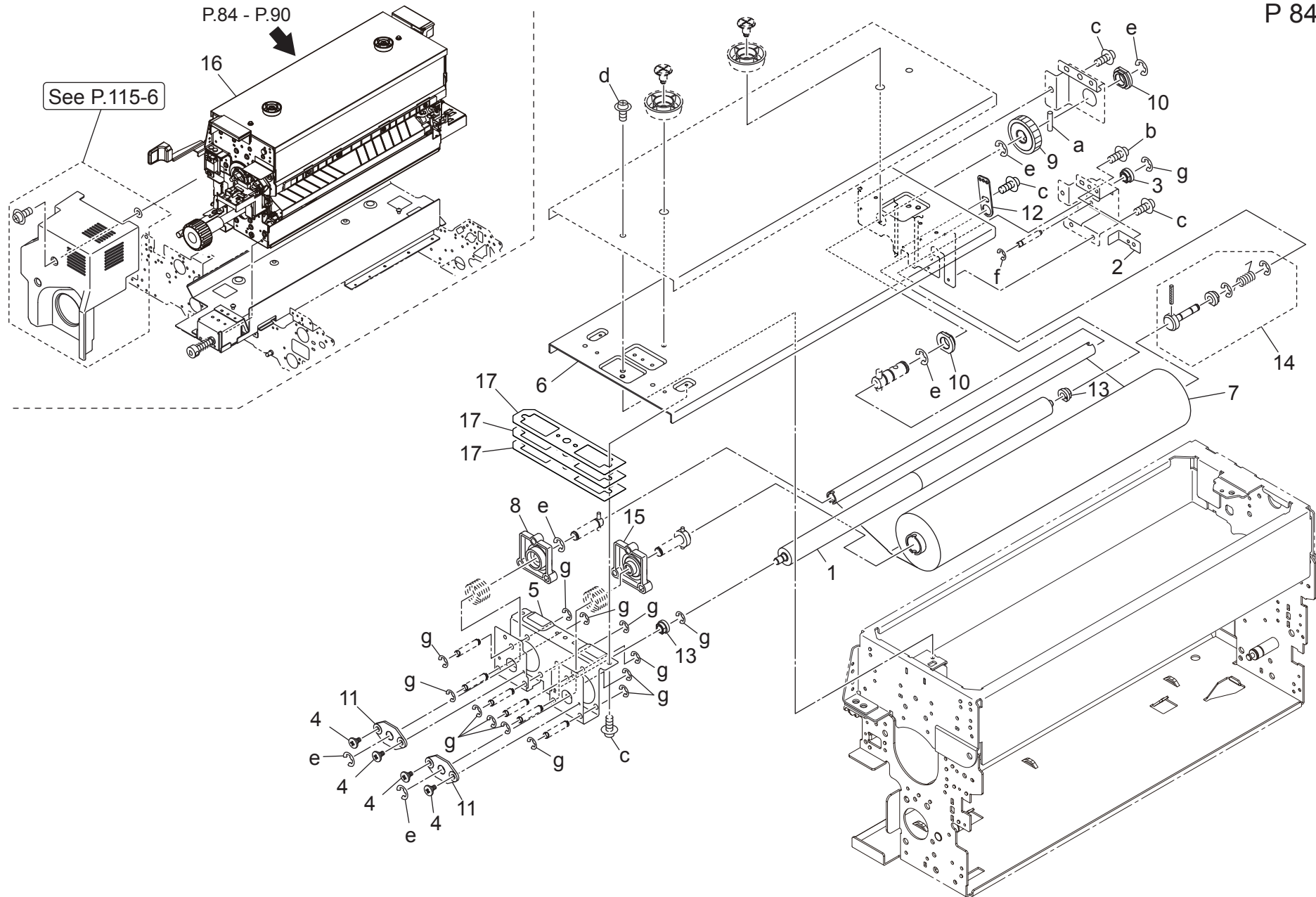
MAIN BODY PAPER EXIT UNIT

Key	Part No.	Description	Destinations	Class	QTY	Standard parts
1	13QA85511	Sensor 1		B	1	a-V118030403
2	56UA45571E	Paper exit Roller /2		B	1	b-V121040603
3	56UA45600	Paper Exit Idler Roller /2		C	8	c-V127030604
4	56UA45960	Paper Exit Pressing Spring		C	4	d-V127040603
5	56UA77061E	Paper Exit Drive Gear 25T		B	1	e-V217040001
6	56UA90890	PAPER EXIT RELAY WIRING		D	1	f-V217060001
7	A00V240600	Ball Bearing		B	2	g-V234301850
8	A0GY738300	Neutralizing Brush /C		D	1	h-V500010026
9	A4EU715500	Bushing /No.1		D	1	j-V500020068
10	A4EUR76F00	Main Body Paper Exit Assy		C	16	k-V501010002
				D	1	m-V570010050



FUSER UNIT

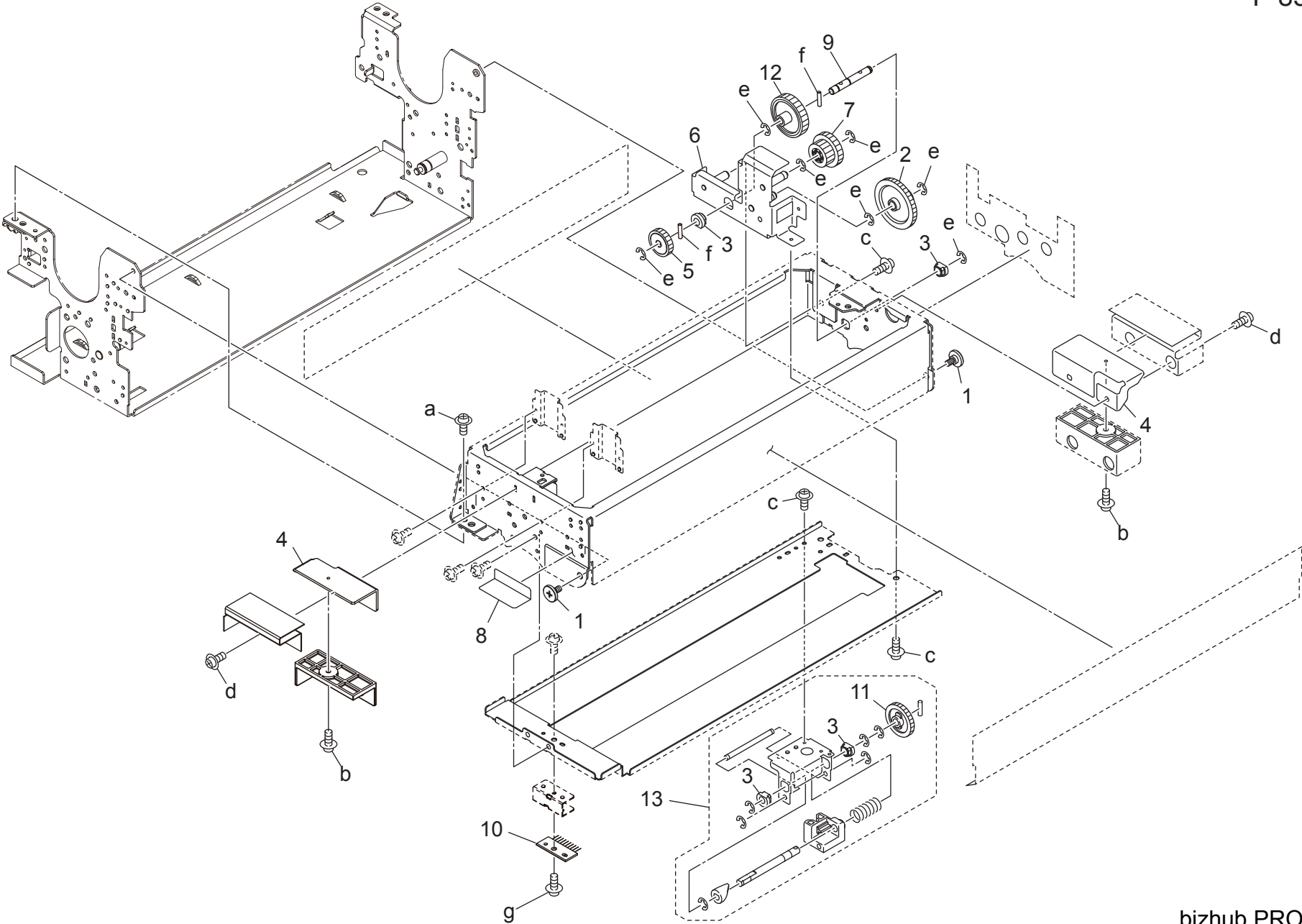
P 84



FUSER UNIT

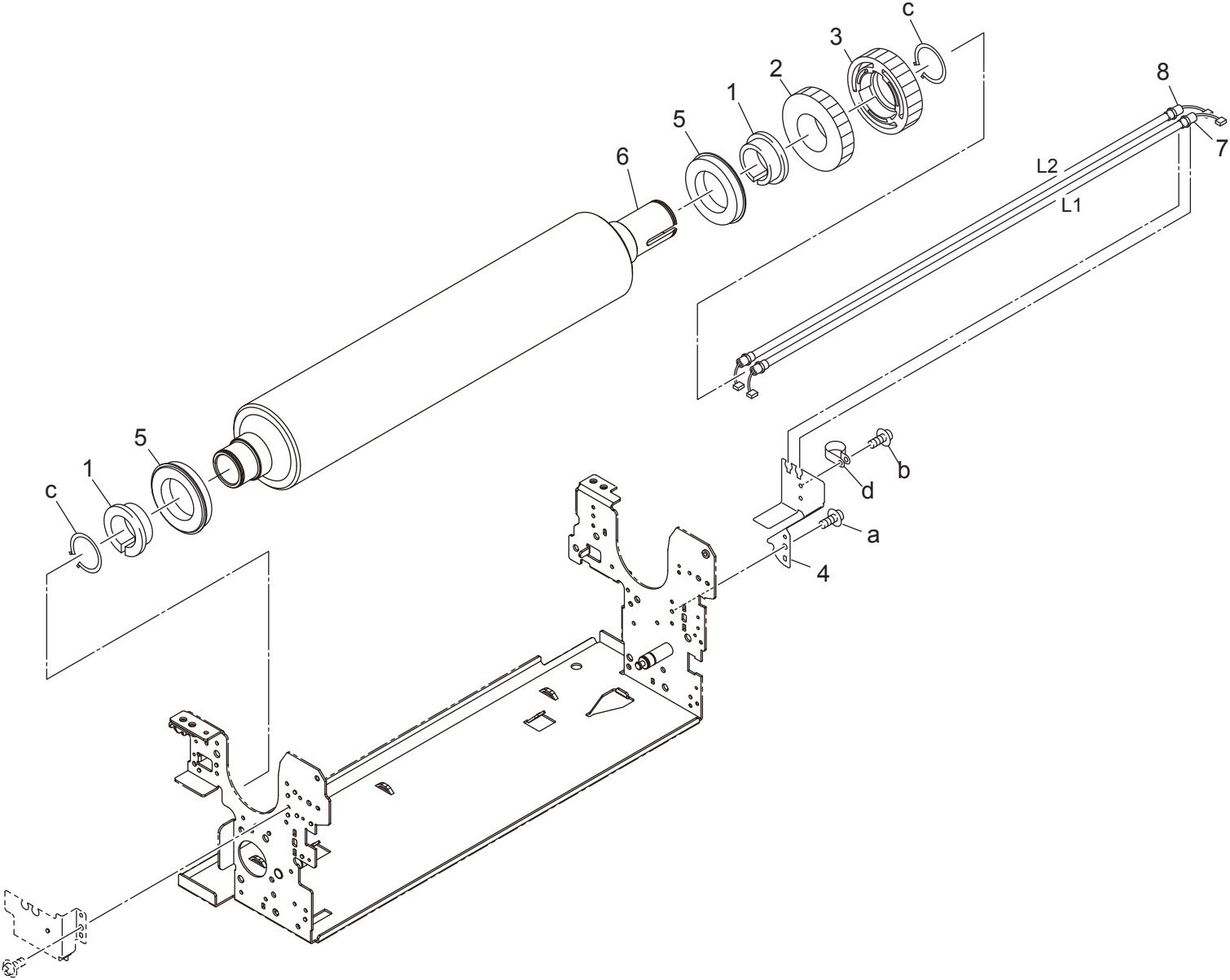
Key	Part No.	Description	Destinations	Class	QTY	Standard parts
1	56UA53530	FIXING CLEANING ROLLER		B	1	a-V234301450 b-V116030603 c-V127030516 d-V182040603 e-V217060001 f-V217030001 g-V217040001
2	56UA54430	ADJUSTMENT PLATE REAR		D	1	
3	56UA760900	Fixing Cleaning Bushing /C		B	1	
4	A03U734500	Support Screw /A		C	4	
5	A0G6731102	Stopper Plate /9		D	1	
6	A0G6731301	Fusing Plate /3		D	1	
7	A0G6731400	Web		A	1	
8	A0G6732100	Holding Part /Left		D	1	
9	A0G6734100	Cleaning Gear /1 22T		C	1	
10	A0G6734500	Cleaning Bushing /5		C	2	
11	A4EU731500	Stopper Bushing /5		C	2	
12	A4EU732300	Adjusting Plate		D	1	
13	A4EU732602	Bushing		B	2	
14	A4EUR70T00	Regulating Part Assy		B	1	
15	A799732500	Holding Part /Right		D	1	
16	A799R70200	Fusing Unit		I	1	
17	A4EW733100	Adjusting Spacer /2		D	3	

FUSER UNIT



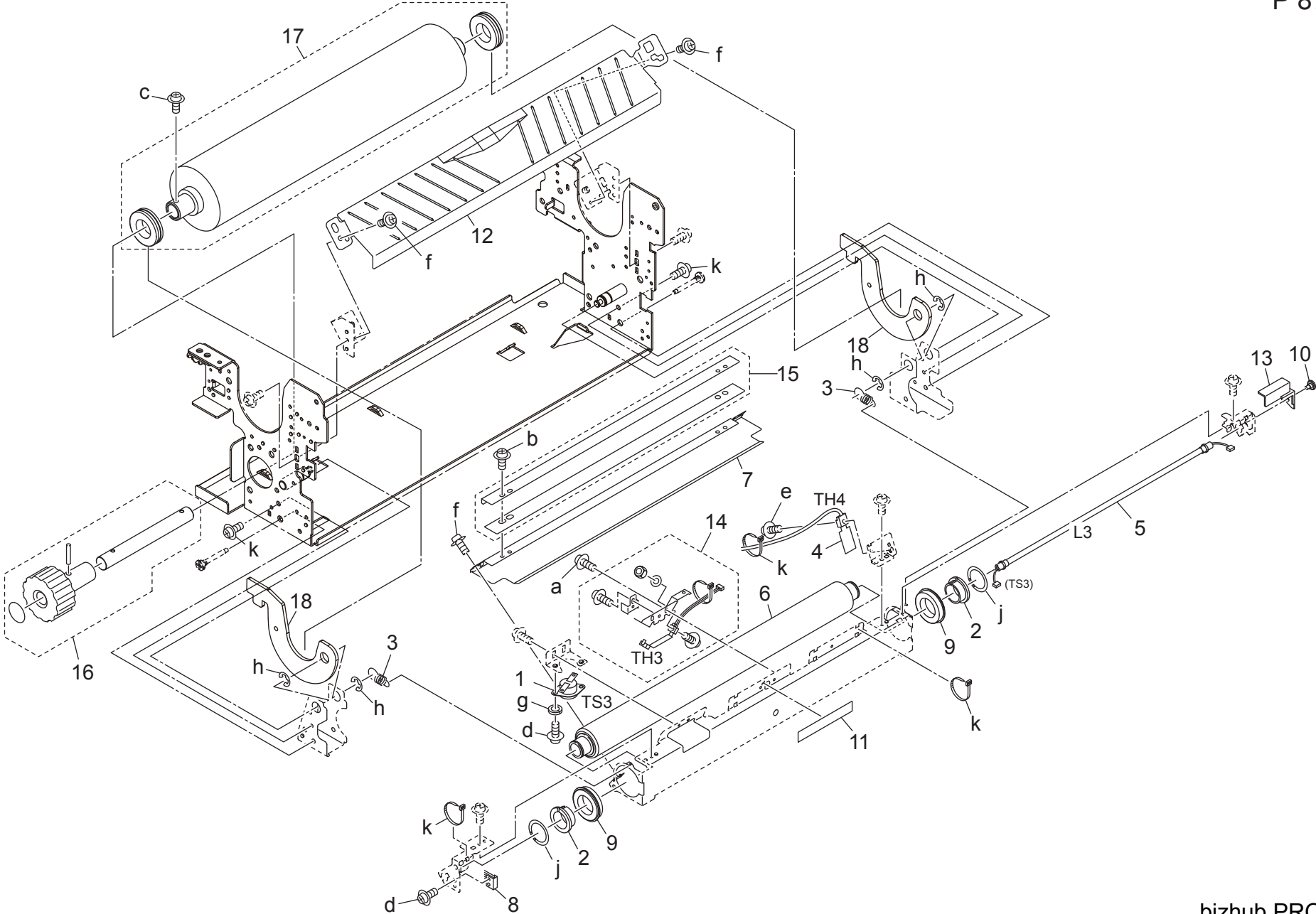
Key	Part No.	Description	Destinations	Class	QTY	Standard parts
1	450053391	EXIT GUIDEPLATE MOUNTING SCREW		C	2	a-V118041003 b-V121030403 c-V127030516 d-V127040603 e-V217040001 f-V234301450 g-V116030803
2	55VA77850	Fixing Cleaner Gear /2 38T/13T		B	1	
3	56UA760900	Fixing Cleaning Bushing /C		B	4	
4	A0G6731000	Fusing Handle /Rear		D	2	
5	A0G6734200	Cleaning Gear /2 23T		C	1	
6	A0G6742200	Drive Plate		D	1	
7	A4EU742800	Cleaning Gear Outside 18/26T		C	1	
8	A4EU747700	Preventing Cover		D	1	
9	A799731900	Drive Shaft /4		C	1	
10	A799741600	Neutralizing Brush /2		B	1	
11	A799743600	Swing Gear 31T		C	1	
12	A799778600	Connecting Gear 39T		C	1	
13	A799R70V00	Swing Caum Assy		B	1	

FUSER UNIT



Key	Part No.	Description	Destinations	Class	QTY	Standard parts
1	454053391	HEAT INSULATE SLEEVE		A	2	a-V127040603 b-V182040603 c-V223300004 d-V500020030
2	56UA77800	FIXING DRIVING GEAR 60T		B	1	
3	A0G6726000	Fusing Gear/2 60T		B	1	
4	A0G6746000	Heater Stay /Rear		D	1	
5	A5AW745200	Fusing Bearing/2		B	2	
6	A799730400	Fusing Roller /Upper		B	1	
7	A799M33000	Fusing Heater /1		B	1	
8	A799M33100	Fusing Heater /2		B	1	

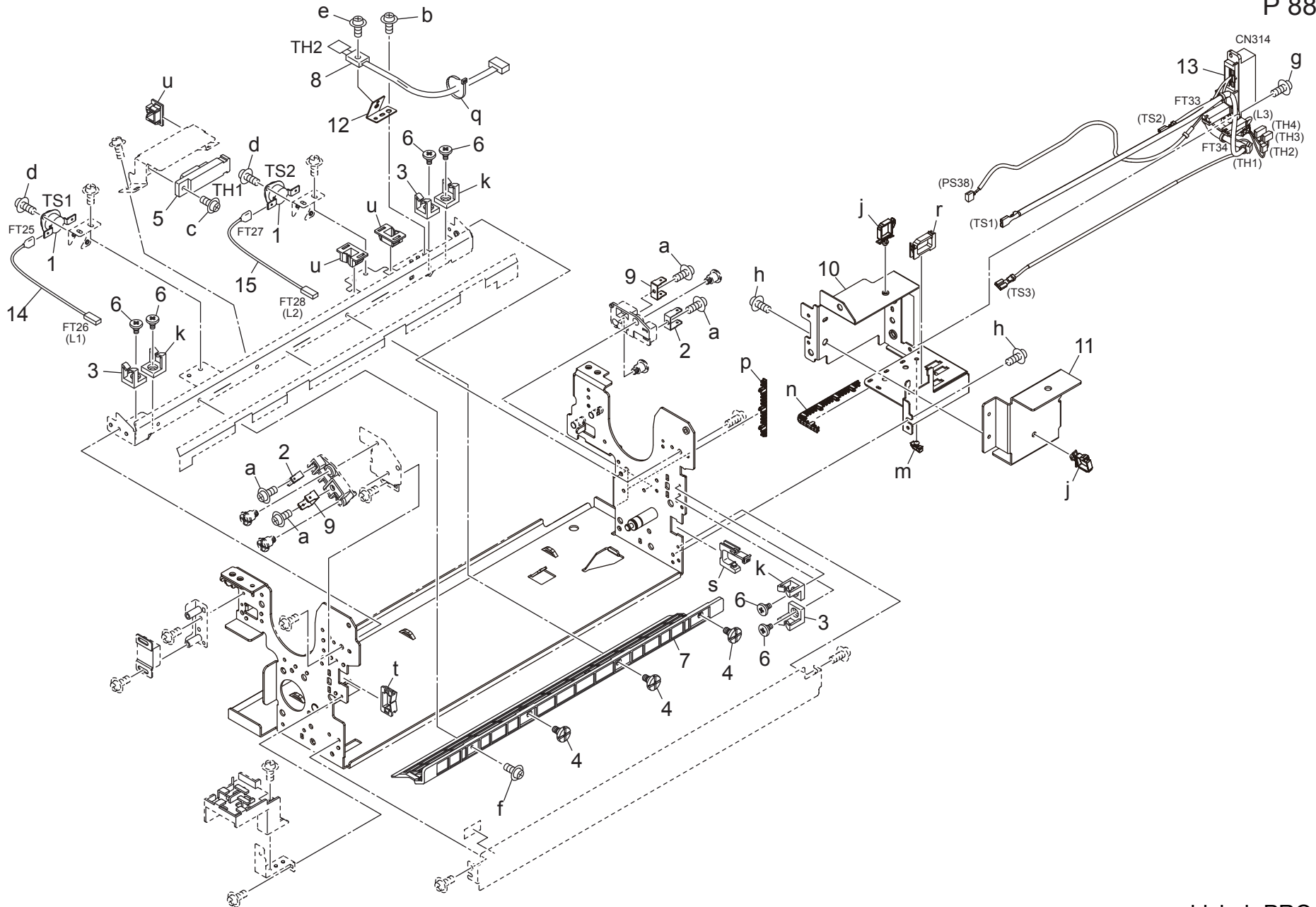
FUSER UNIT



Key	Part No.	Description	Destinations	Class	QTY	Standard parts
1	SP00-0043	THERMOSTAT 3		A	1	a-V116030403
2	26AA53150	HEAT INSULATING SLEEVE FRONT		B	2	b-V116030603
3	55VA53450	PRESSURE SPRING		B	2	c-V116041203
4	55VA88061	Temperature Sensor /4		B	1	d-V118030403
5	55VB83042	Fixing Heater /3		A	1	e-V118030803
6	56UA53070	FIXING AUXILIARY ROLLER		B	1	f-V182030603
7	56UA53320	FIXING CLEANING PLATE /1		D	1	g-V205030003
8	56UA54160E	Neutralizing Brush /B		B	1	h-V217080001
9	56UA75070	FIXING BEARING		A	2	j-V223170004
10	A03U734500	Support Screw /A		C	1	k-V501010014
11	A0G6727600	Protection Sheet /Lower		C	1	
12	A0G6741012	Guide Plate /Lower		C	1	
13	A4EU727900	Protection Cover /1		D	1	
14	A4EUR73600	Roller Temperature Control Sensor Assy		C	1	
15	A4EUR70U00	Fixing Cleaning Sheet Assy		A	1	
16	A4EWR70900	Paper Exit Knob Assy		D	1	
17	A4EWR70E00	Lower Roller Assy		A	1	
18	A799748600	Pressure Lever		D	2	

FUSER UNIT

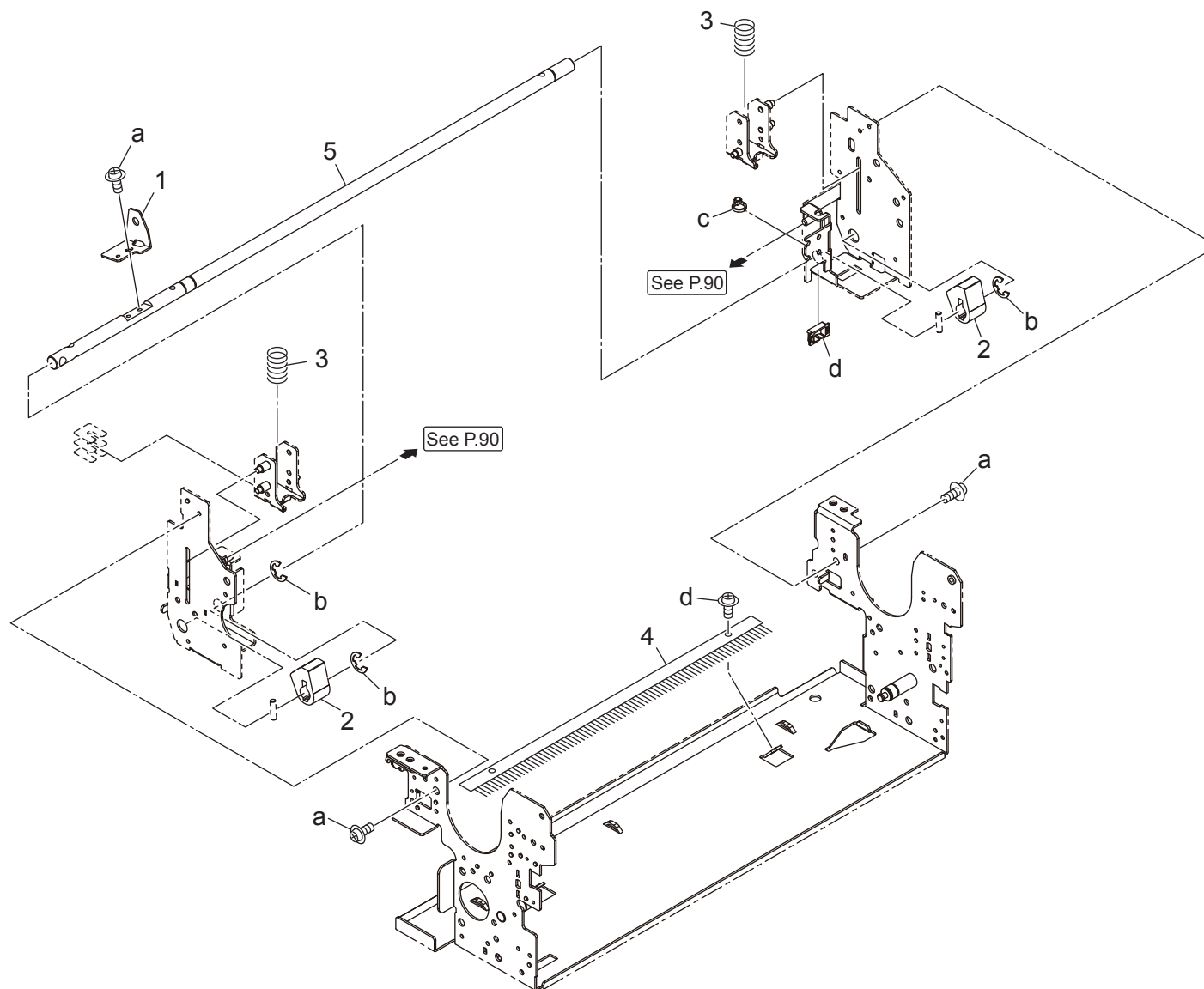
P 88



Key	Part No.	Description	Destinations	Class	QTY	Standard parts
1	SP00-0022	THERMOSTAT		A	2	a-V115030603
2	55VA53742	TERMINAL PLATE 2		C	2	b-V116030603
3	55VA53970	Wiring Holder Part		D	3	c-V116030803
4	56AA54220	FIXING SCREW 2		C	3	d-V118030403
5	57AE88010	TEMPERATURE SENSOR C		B	1	e-V118030803
6	A03U734500	Support Screw /A		C	6	f-V127030604
7	A4EW732000	Guide Plate Outside		D	1	g-V127030803
8	A50UM50400	Temperature Sensor /4		B	1	h-V127040603
9	A799726500	Power supply Plate /2		D	2	j-V500010083
10	A799738600	Power supply Plate		D	1	k-V500010086
11	A799738900	Ground Plate		D	1	m-V500020099
12	A799742100	Plate /Rear		D	1	n-V500030001
13	A799N10600	Fixing Wiring /1		D	1	p-V500030002
14	A799N10800	Fixing Wiring /3		D	1	q-V501010014
15	A799N10900	Fixing Wiring /4		D	1	r-V570010027
						s-V570010053
						t-V570010064
						u-V570010065

FUSER UNIT

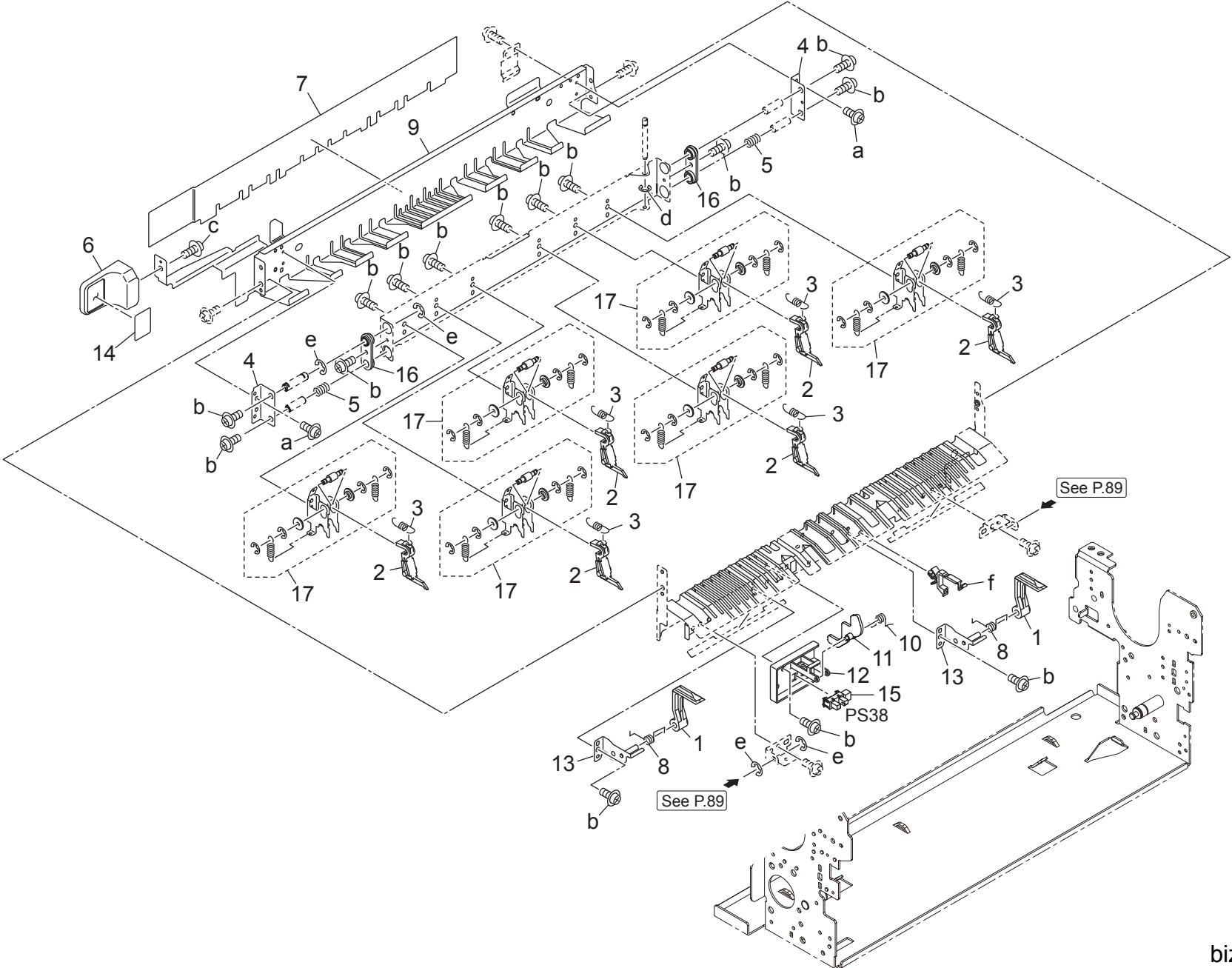
P 89



FUSER UNIT

Key	Part No.	Description	Destinations	Class	QTY	Standard parts
1	A799725200	Pressure Guide		D	1	a-V127040603 b-V217080001 c-V501010014 d-V570010064
2	A799725400	Pressure Cam		D	2	
3	A799736300	Pressure Spring		C	2	
4	A799741500	Neutralizing Brush		C	1	
5	A799745300	Pressure Shaft		D	1	

FUSER UNIT

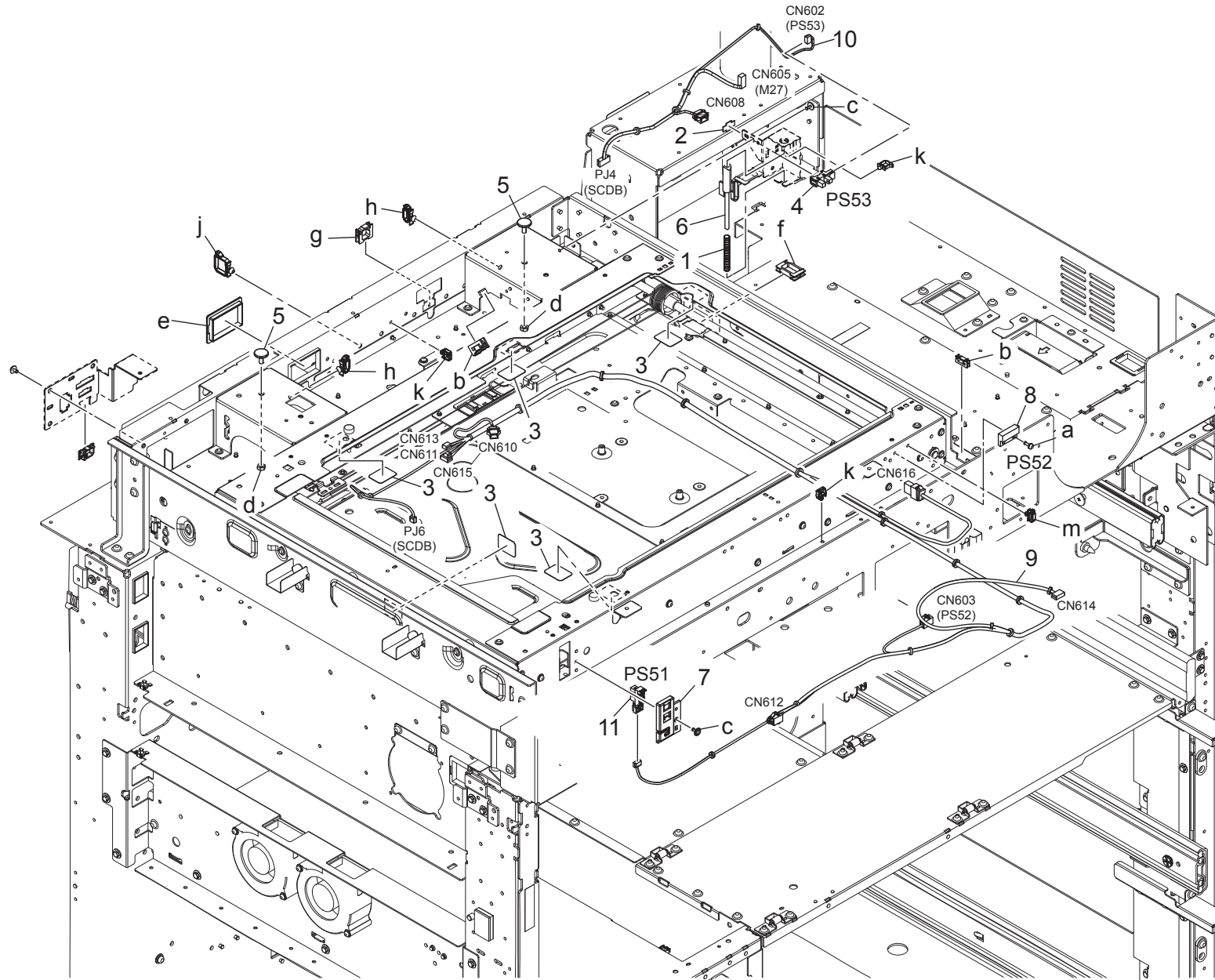


FUSER UNIT

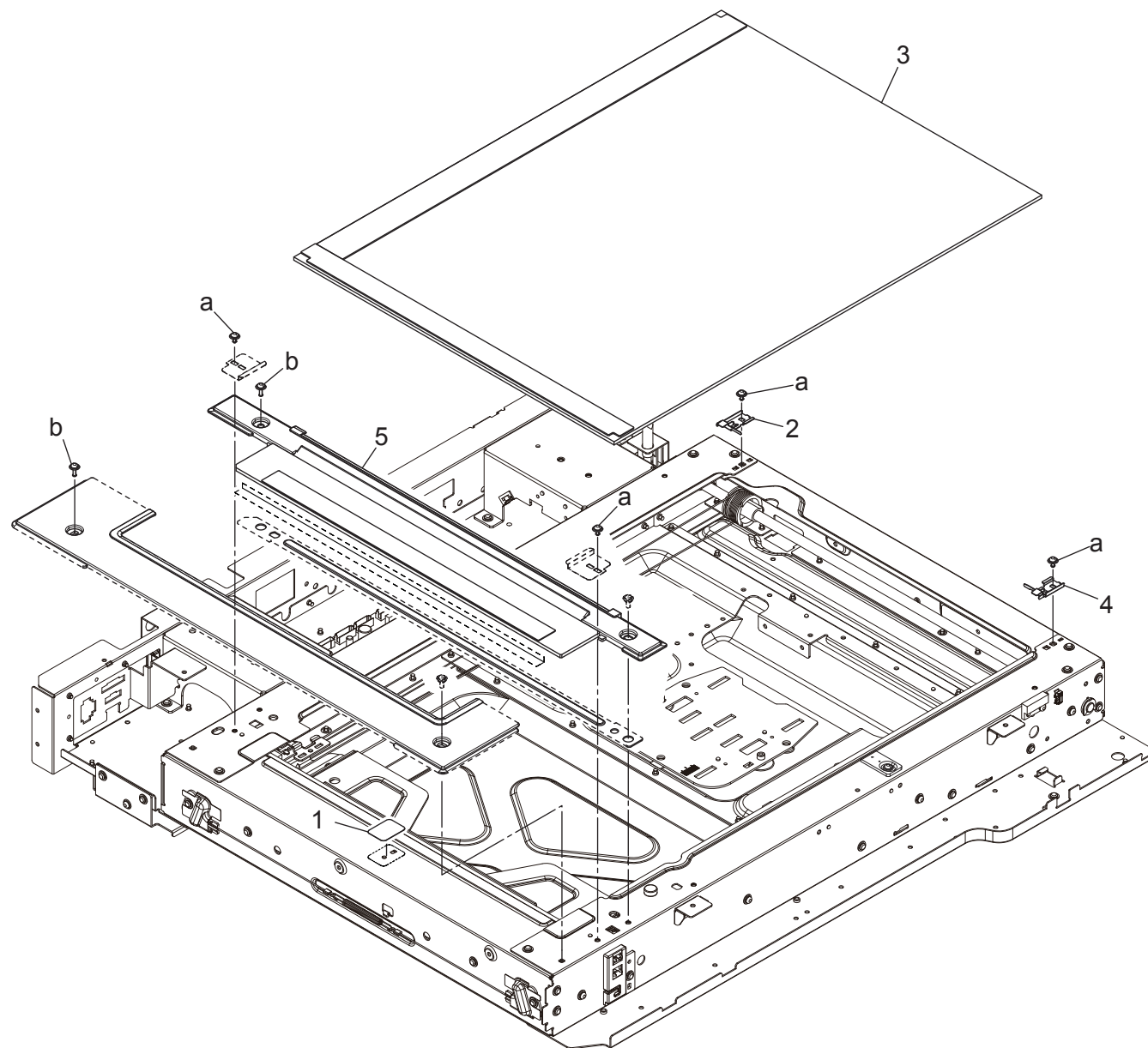
Key	Part No.	Description	Destinations	Class	QTY	Standard parts
1	25AA53290	FIXING CLAW LOWER		A	2	a-V118030403 b-V127030604 c-V151040803 d-V217030001 e-V217040001 f-V500020099
2	56UA54530	FIXING CLAW UPPER		A	6	
3	56UA54540	HOLDING SPRING		C	6	
4	56UA54570	Swing Stopper		D	2	
5	56UA54600	SWING SPRING 1		C	2	
6	65AA53991	Fixing Paper Exit Lever		C	1	
7	A0G6725501	Insulating Cover /B		C	1	
8	A0G6728000	Spring		C	2	
9	A0G6745202	Guide Plate /Upper		C	1	
10	A0G6745500	Holding Spring		C	1	
11	A0G6746200	Paper Exit Actuator		C	1	
12	A0G6746300	Plate /Middle		D	1	
13	A0G6749700	Separating Holder /Lower		D	2	
14	A0G6945900	Label /9		C	1	
15	A1RFM51000	Photointerrupter /H		C	1	
16	A4EU755600	Swing Bushing		C	2	
17	A4EUR73200	Exit Plate Assy		B	6	



SCANNER SECTION



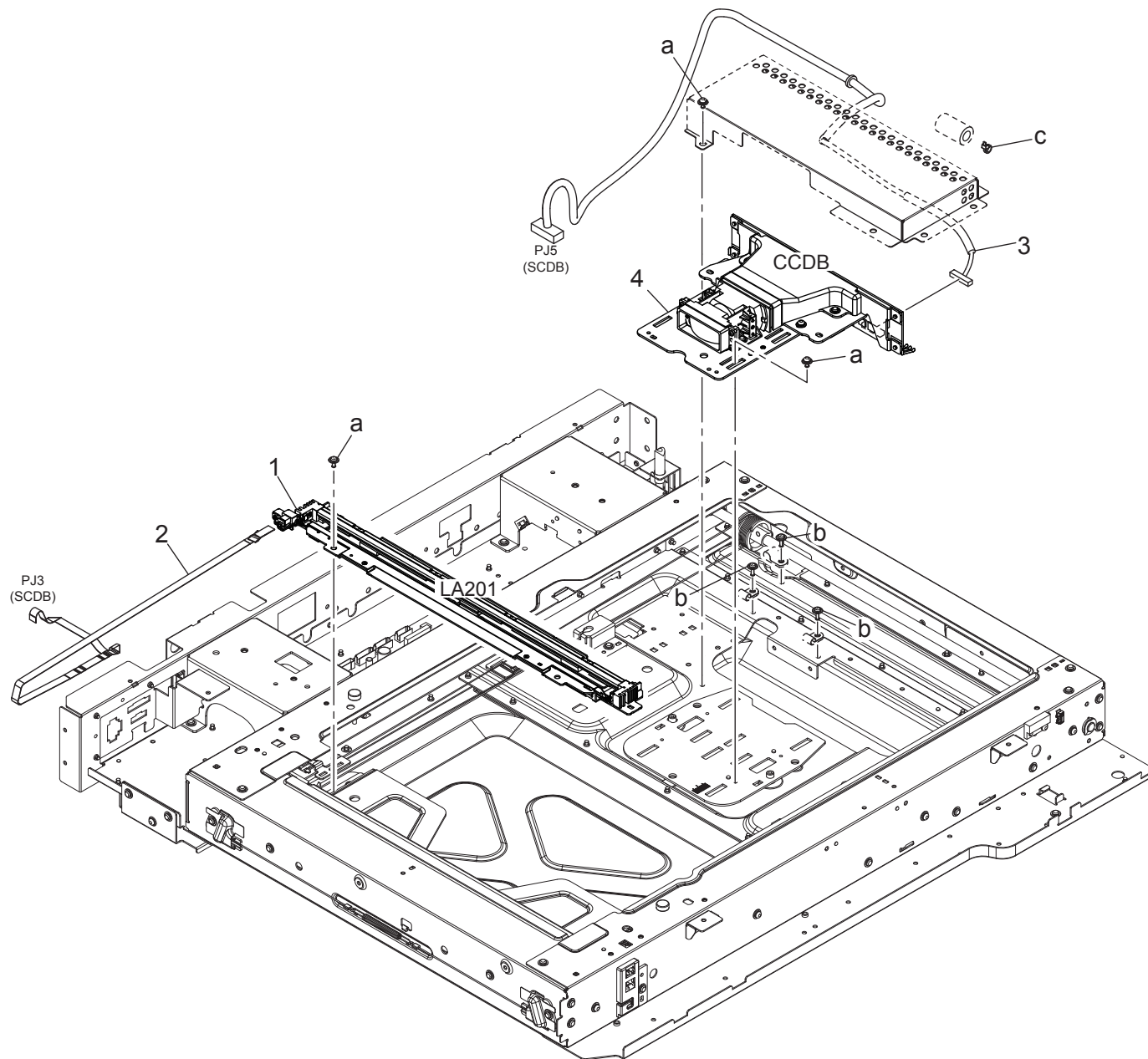
SCANNER SECTION



SCANNER SECTION

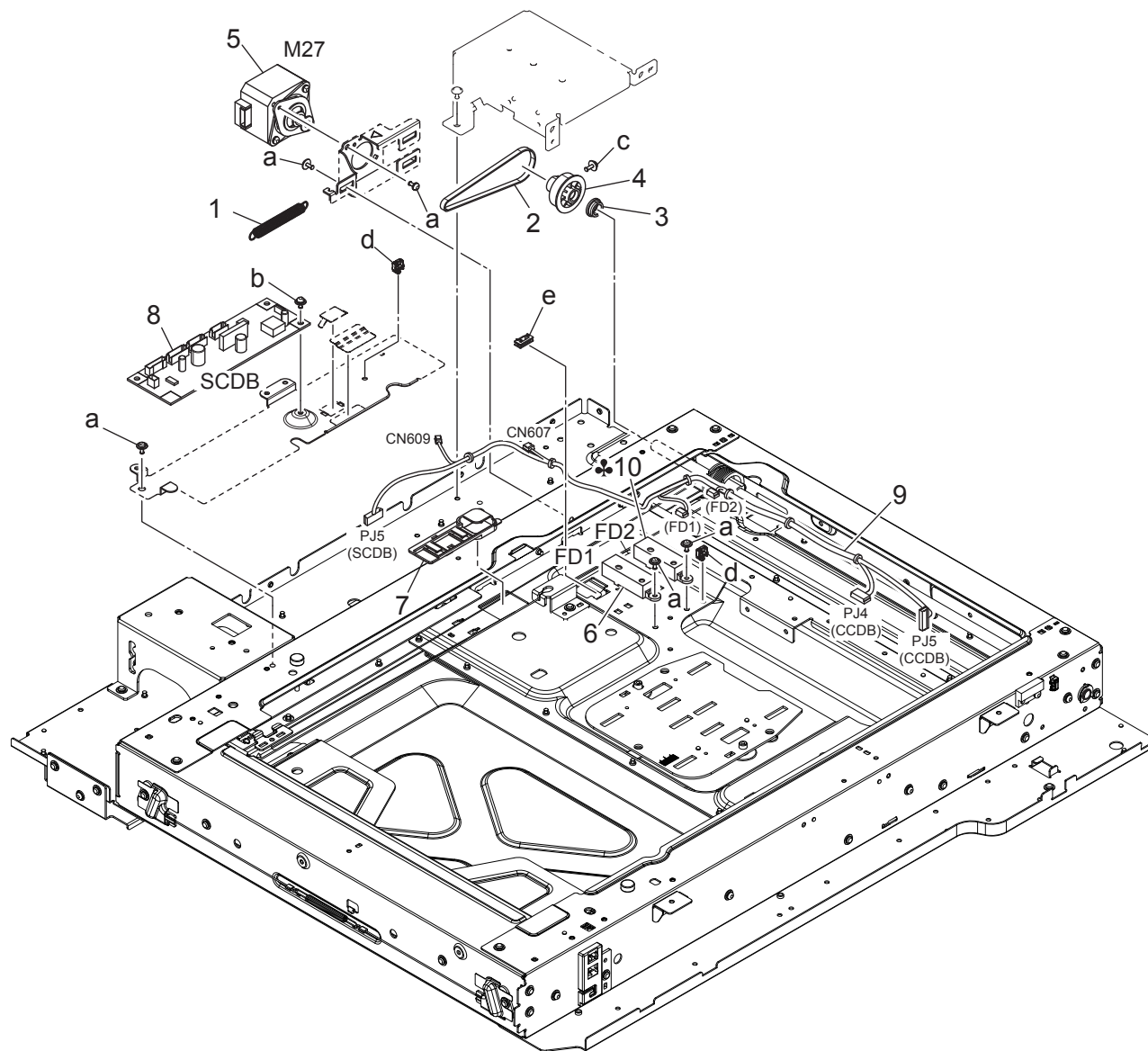
Key	Part No.	Description	Destinations	Class	QTY	Standard parts
1	4581162501	SEAL		C	1	a-V127030604 b-V121030804
2	A00J265200	Holding Plate		C	1	
3	A0P0R71000	Manuscript glass assy		C	1	
4	A2X0265100	Holding Plate		C	1	
5	A2X0R70A00	Slit Glass Assy		C	1	

SCANNER SECTION



SCANNER SECTION

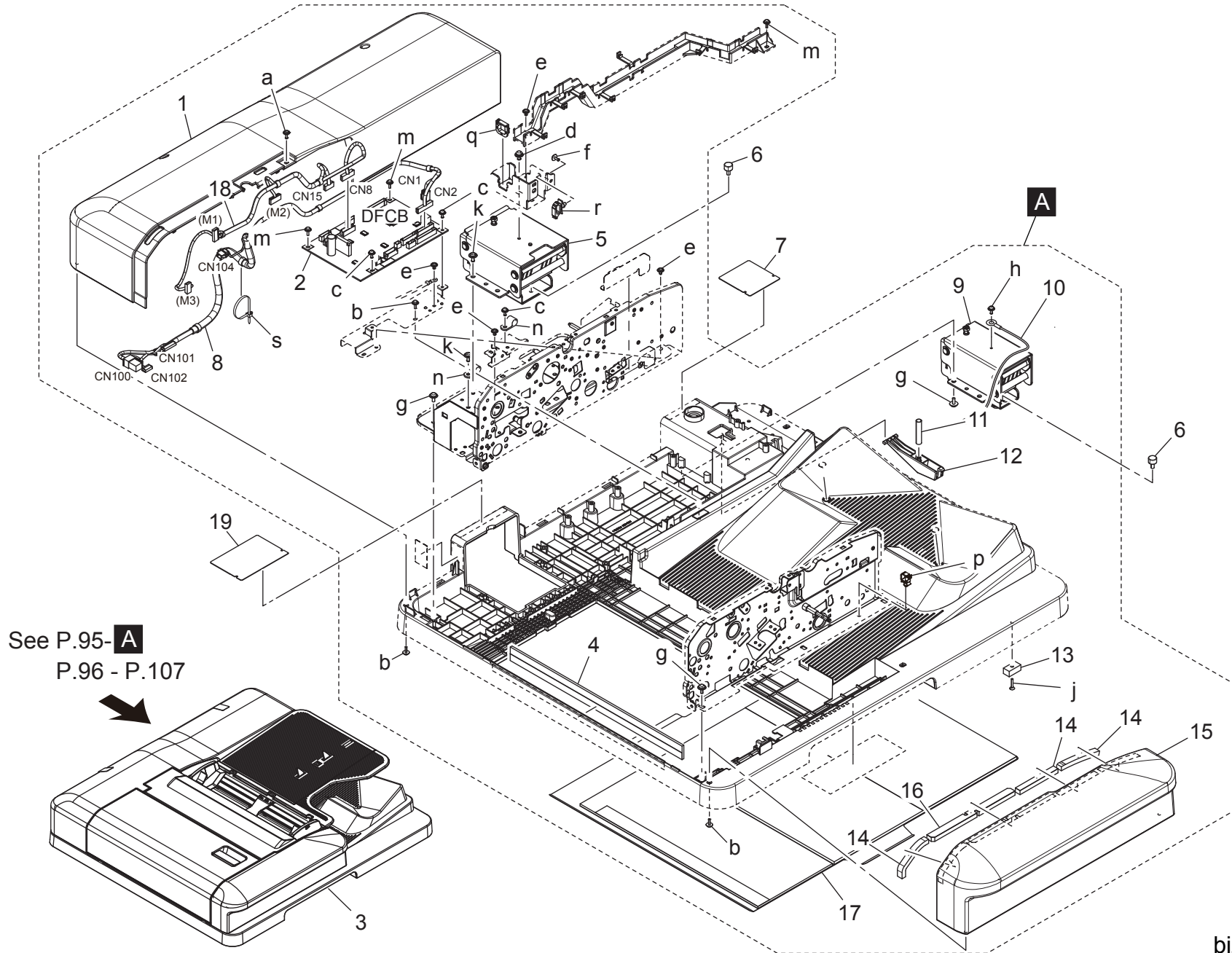
Key	Part No.	Description	Destinations	Class	QTY	Standard parts
1	A2X0M31000	Lamp		C	1	a-V137030603 b-V137030803 c-V501010002
2	A2X0N14100	Scanner Wiring /1		D	1	
3	A2X0N14500	CCD Cable		D	1	
4	A799R71G00	CCD Unit		I	1	



SCANNER SECTION

Key	Part No.	Description	Destinations	Class	QTY	Standard parts
1	4002145801	TENSION SPRING		C	1	a-V115030603 b-V116030603 c-V116030803 d-V500020098 e-V570010046
2	A0ED275600	Belt 210L		C	1	
3	A0ED276500	Bearing		C	1	
4	A0P0275500	Pulley 84T		D	1	
5	A161M10A00	Stepping motor		C	1	
6	A161M50A00	APS Photoreflector		C	1	
7	A2X0281200	Guide		C	1	
8	A799H01A00	Scanner Drive Board Assy		I	1	
9	A2X0N14200	Scanner Wiring /2		D	1	
10	A161M50A00	APS Photoreflector	D1,E,F2,G1,I(Except SOUTH AFRICA)	C	1	

DUAL SCAN ADF (DF-702)

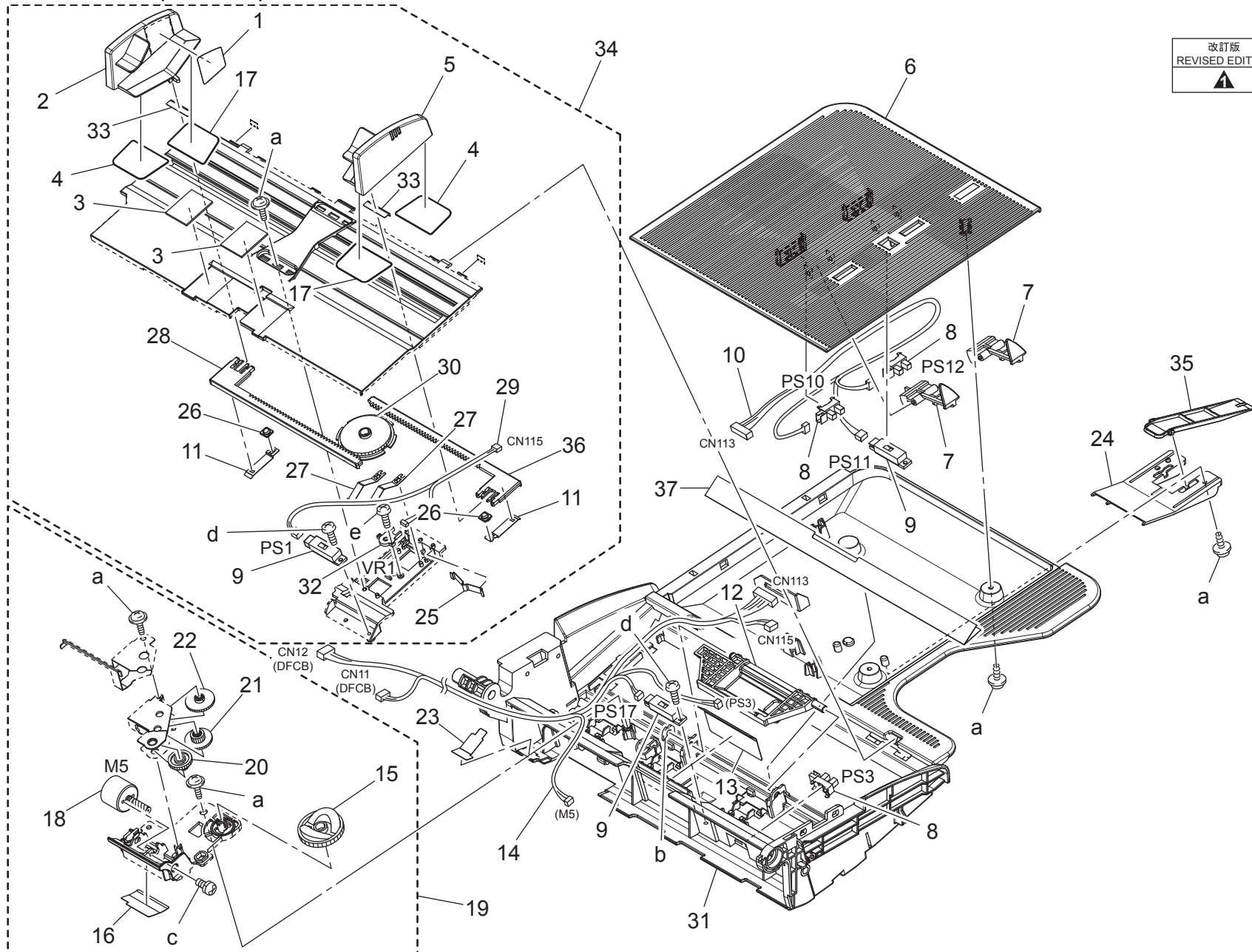


Key	Part No.	Description		Destinations	Class	QTY	Standard parts
1	A108160102	Cover	カバー (後)		D	1	a-V137030803
2	A3CKH00102	PWB Assembly(PWB-ADF Assy)	基板 Ass y (PWB - ADF Ass y)		I	1	b-V153030803
3	A2X0R71800	Dual Scan ADF	1パス両面 ADF Ass y		D	1	c-V116030803
4	A3CK700600	Seal	シール (左カバー)		C	1	d-V116040803
5	A55V100300	Hinge /Left	ヒンジ/左		D	1	e-V144030603
6	9J07210901	Shoulder Screw	段ねじ		C	2	f-V144030803
7	A01H100400	GUIDE	ガイド (右ヒンジ)		C	1	g-V153040803
8	A3CKN10000	ADF Wiring	ADF 束線 (本体接続部)		D	1	h-V116030603
9	A55V100400	Hinge /Right	ヒンジ/右		D	1	j-V147031403
10	A108N10900	ADF Wiring	ADF 束線 (基板アース線)		D	1	k-V137040803
11	9J07200801	PRESSURE SPRING	圧縮コイルばね		C	1	m-V153030804
12	9J07200702	Lever	レバー		C	1	n-V500020039
13	9J07160200	MAGNET	マグネット		D	1	p-V500020098
14	A3CK160400	Seal	シール		C	3	q-V570010031
15	A108160002	Cover	カバー (前)		C	1	r-V500010081
16	A3CK160300	Seal	シール		C	1	s-V501010018
17	A108100801	Holding Mat /1	押さえマット /1		C	1	
18	A3CKN10300	ADF Wiring	ADF 束線 (搬送モータ部)		D	1	
19	A01H100300	GUIDE	ガイド (左ヒンジ)		C	1	

DUAL SCAN ADF (DF-702)

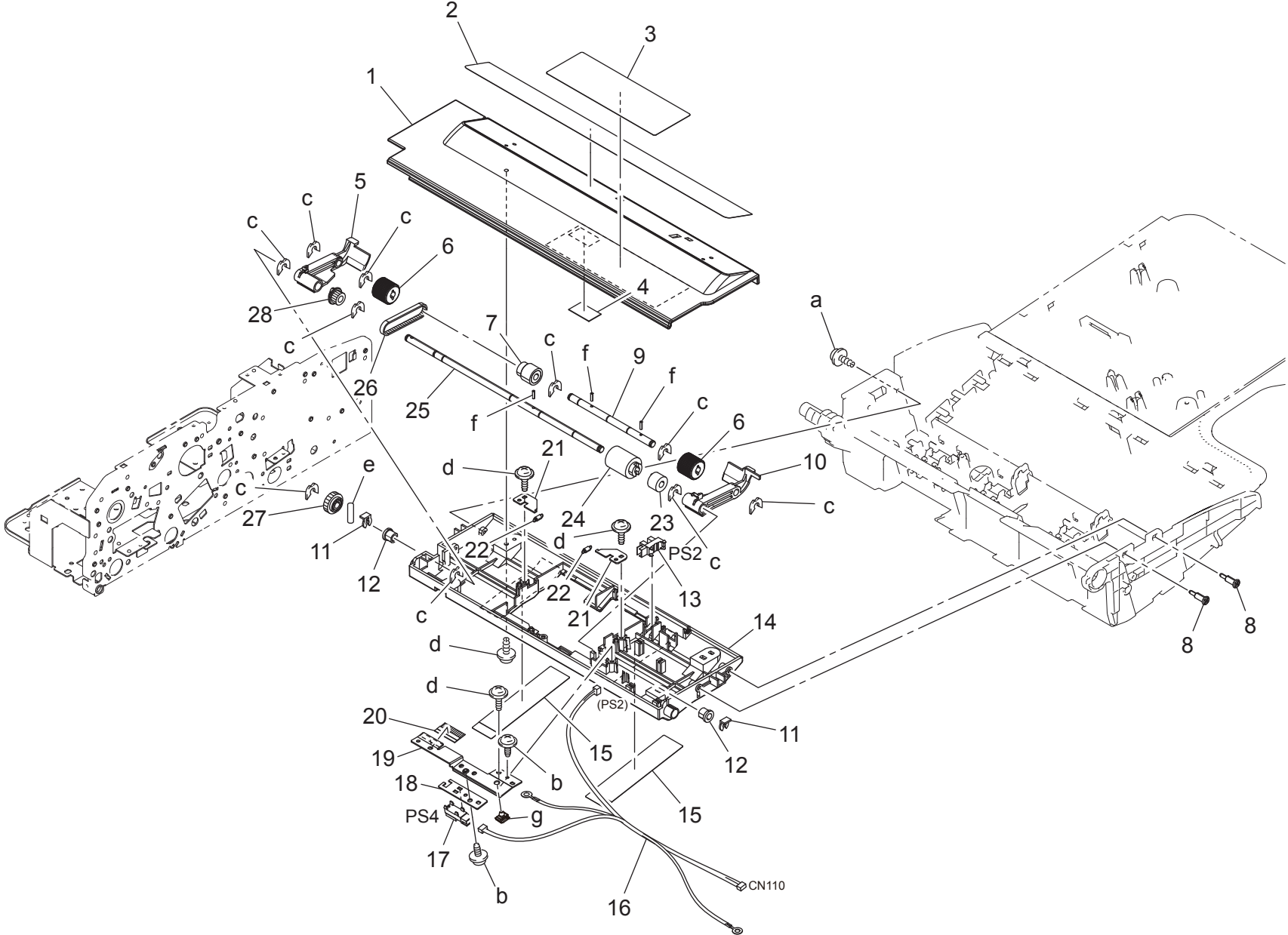
P 96

改訂版 REVISED EDITION	日付 DATE
▲	SEPTEMBER 2017

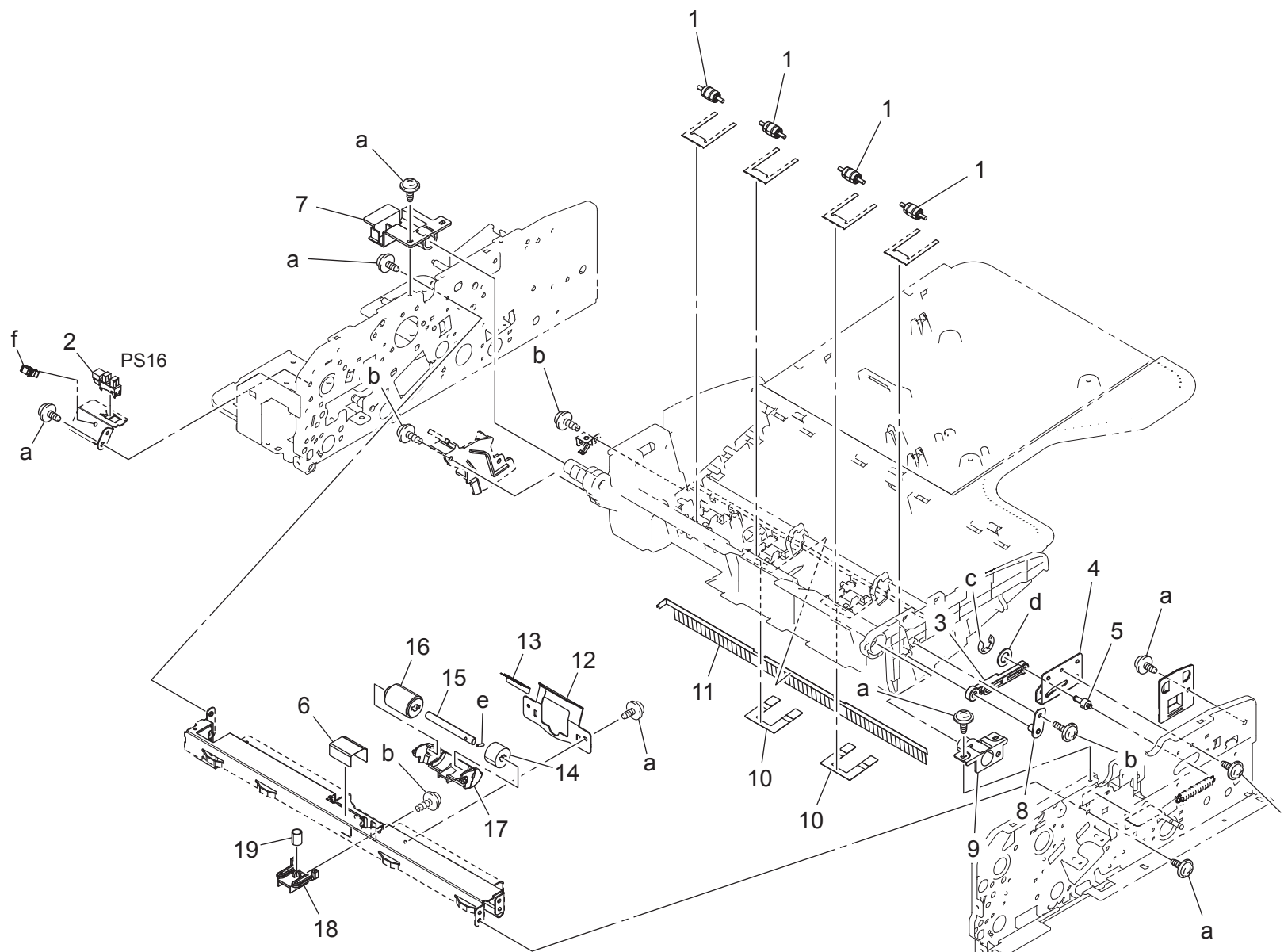


bizhub PRO 1100

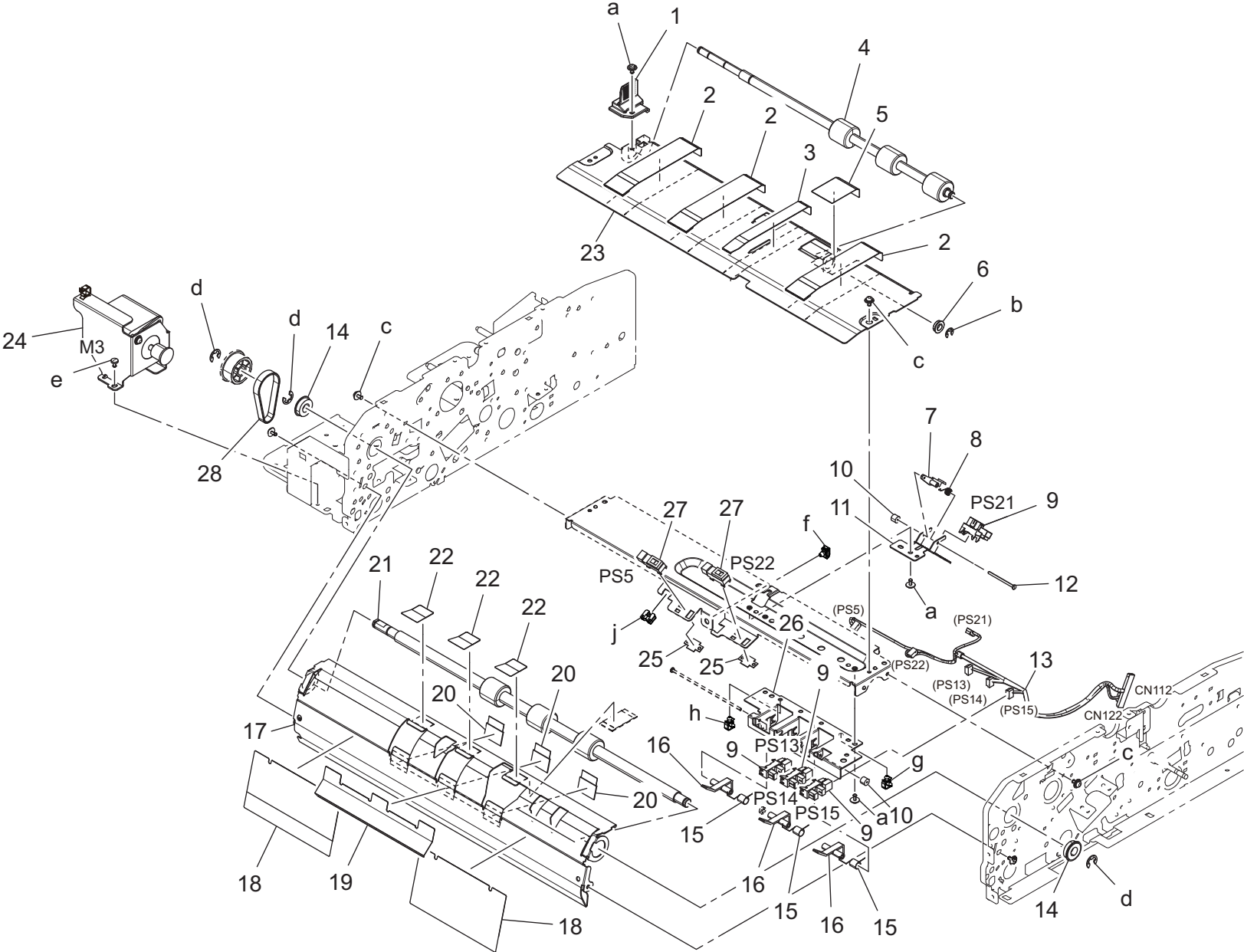
Key	Part No.	Description	Destinations	Class	QTY	Standard parts
1	A3CK940100	Label	ラベル (MAX 表示)	C	1	a-V153030803 b-V218040086 c-V115260403 d-V145030803 e-V166170504
2	A3CK560500	Regulating Plate /Rear	規制板/後	C	1	
3	4641350301	SEAL	シール	C	2	
4	A0HT563200	Slide Sheet /2	すべりシート /2	C	2	
5	A3CK560400	Regulating Plate /Front	規制板/前	C	1	
6	A0HT560200	Bracket	取付板	C	1	
7	9J07310701	ACTUATOR	アクチュエータ	C	2	
8	A5C1M50100	Photointerrupter	透過型センサ	B	3	
9	A108M50000	Photoreflector	反射型センサ	B	3	
10	A108N10600	ADF Wiring	A D F 束線 (原稿トレイ内センサ部)	D	1	
11	A01H561100	Plate spring	板ばね	D	2	
12	A108561800	Lever	レバー (リフトアップ)	D	1	
13	9J07341102	GUIDE	ガイド (前さばき)	D	1	
14	A3CKN10400	ADF Wiring	A D F 束線 (原稿トレイ内部)	D	1	
15	4641341702	CAM	カム	C	1	
16	A108563400	Guide	ガイド (モータ下)	D	1	
17	A0HT563100	Slide Sheet /1	すべりシート /1	C	2	
18	A108R70400	Lifting Motor Assy	リフトアップモーター A S S Y	C	1	
19	A108R70800	Lifting Motor Assy	リフトアップモーター A S S Y	C	1	
20	A108563300	Gear 14/37T	ギア 14 / 37 T	D	1	
21	4641341501	GEAR 13/28T	ギア 13 / 28 T	C	1	
22	4641343601	GEAR 30T	ギア 30 T	C	1	
23	A3CK560700	Guide	ガイド (ハーネス)	D	1	
24	A3CK892100	Holder	ホルダ	C	1	
25	9J07310401	STOPPER	ストッパ	C	1	
26	A01H561200	GUIDE	ガイド	C	2	
27	9J07560000	PLATE SPRING	板ばね	D	2	
28	9J07310313	Rack	ラック	C	1	
29	A108N10800	ADF Wiring	A D F 束線 (規制板部)	D	1	
30	9J07310502	GEAR 40T	ギア 40 T	C	1	
31	A108561103	Tray	トレイ (給紙)	D	1	
32	A1UDM50100	VR	ボリューム	D	1	
33	A108564301	Spacer /A	スペーサ / A	C	2	
34	A2X0R71611	Push Up Plate Assy	押上板 A s s y	D	1	
35	A3CK892201	Lever	レバー	C	1	
36	A108564500	Rack	ラック	C	1	
37	A3CK560200	Guide	ガイド (マイラー)	D	1	



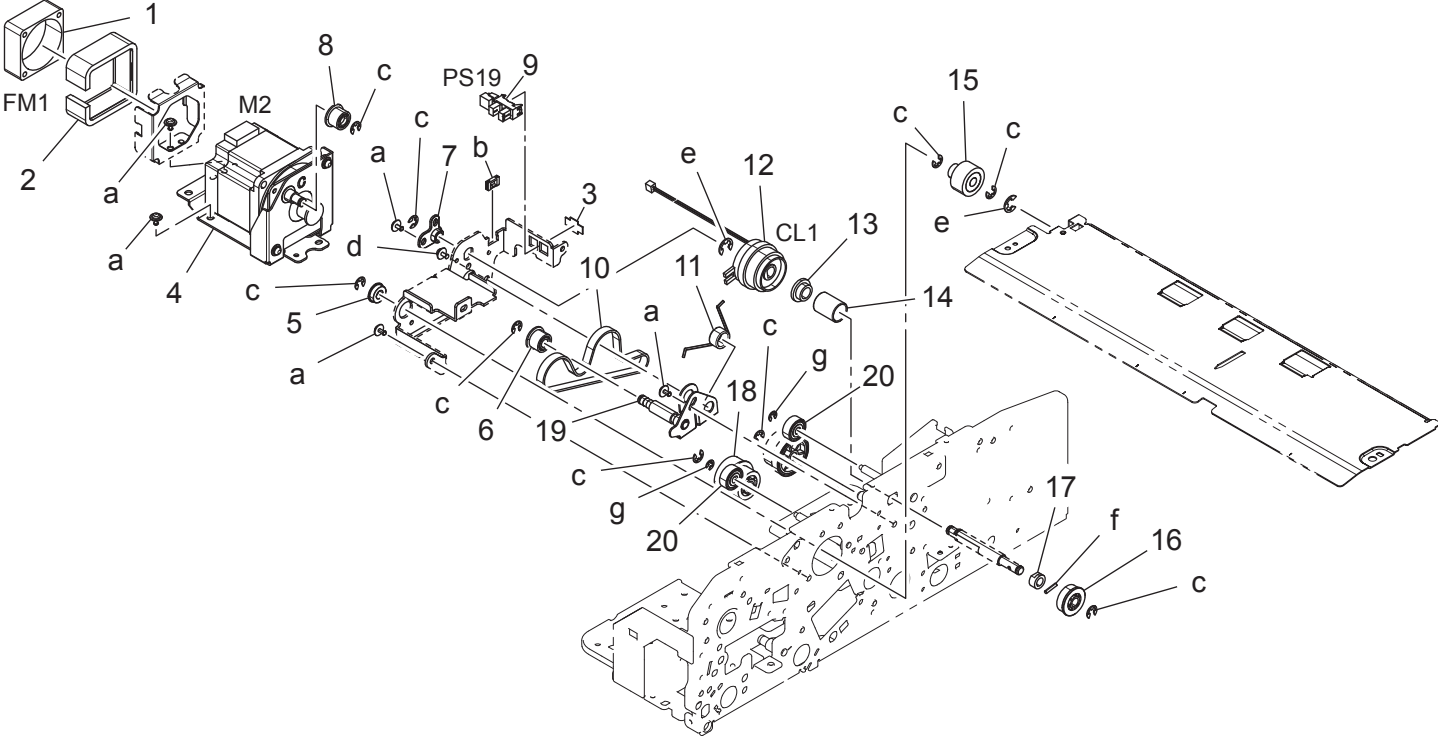
Key	Part No.	Description	Destinations	Class	QTY	Standard parts
1	A0HT560813	Cover Upper		C	1	a-V153031003 b-V144030603 c-V218040086 d-V153030803 e-V234201050 f-V234200850 g-V500020011
2	A3CK940200	Label	カバー (上)	C	1	
3	A108940101	Label	ラベル (原稿サイズ)	C	1	
4	A0HT562200	Light blocking Part	ラベル (JAM処理・給紙)	C	1	
5	A3CK569000	Arm /Rear	遮光材	D	1	
6	9J07330102	Roller	アーム/後	C	1	
7	9J07330801	Pulley 21T	ローラ	A	2	
8	4643300701	SHOULDER SCREW	プーリ 21 T	C	1	
9	9J07330201	SHAFT	段ねじ	C	2	
10	A3CK568900	Arm /Front	シャフト	D	1	
11	1033440203	STOPPER RING	アーム/前	C	1	
12	4469346501	BUSHING	トメリング	C	2	
13	A108M50100	Photointerrupter	軸受	C	2	
14	A07H570001	Guide	透過型センサ	B	1	
15	9J07332102	GUIDE	ガイド (給紙上)	C	1	
16	A108N10700	ADF Wiring	ガイド	C	2	
17	A03TM50000	Photoreflector	ADF 束線 (ピックアップ内部)	D	1	
18	A07H570200	Bracket	反射型センサ	I	1	
19	A07H570800	Bracket	取付板 (センサー)	D	1	
20	A01H565100	NEUTRALIZING BRUSH	取付板 (ブラシ)	D	1	
21	A07H570600	Bracket	除電ブラシ (給紙)	D	1	
22	A07H570400	Tension spring	取付板 (SP)	D	2	
23	A07H570500	Clutch	引張コイルばね	C	2	
24	A00J563600	Roller	クラッチ	C	1	
25	A3CK569200	Paper feed Shaft	ローラ	A	1	
26	4641351401	TIMING BELT 122L	給紙軸	D	1	
27	A3CK569300	Gear 16T	タイミングベルト 122 L	C	1	
28	9J07331901	Pulley 19T	ギア 16 T	C	1	
			プーリ 19 T	C	1	



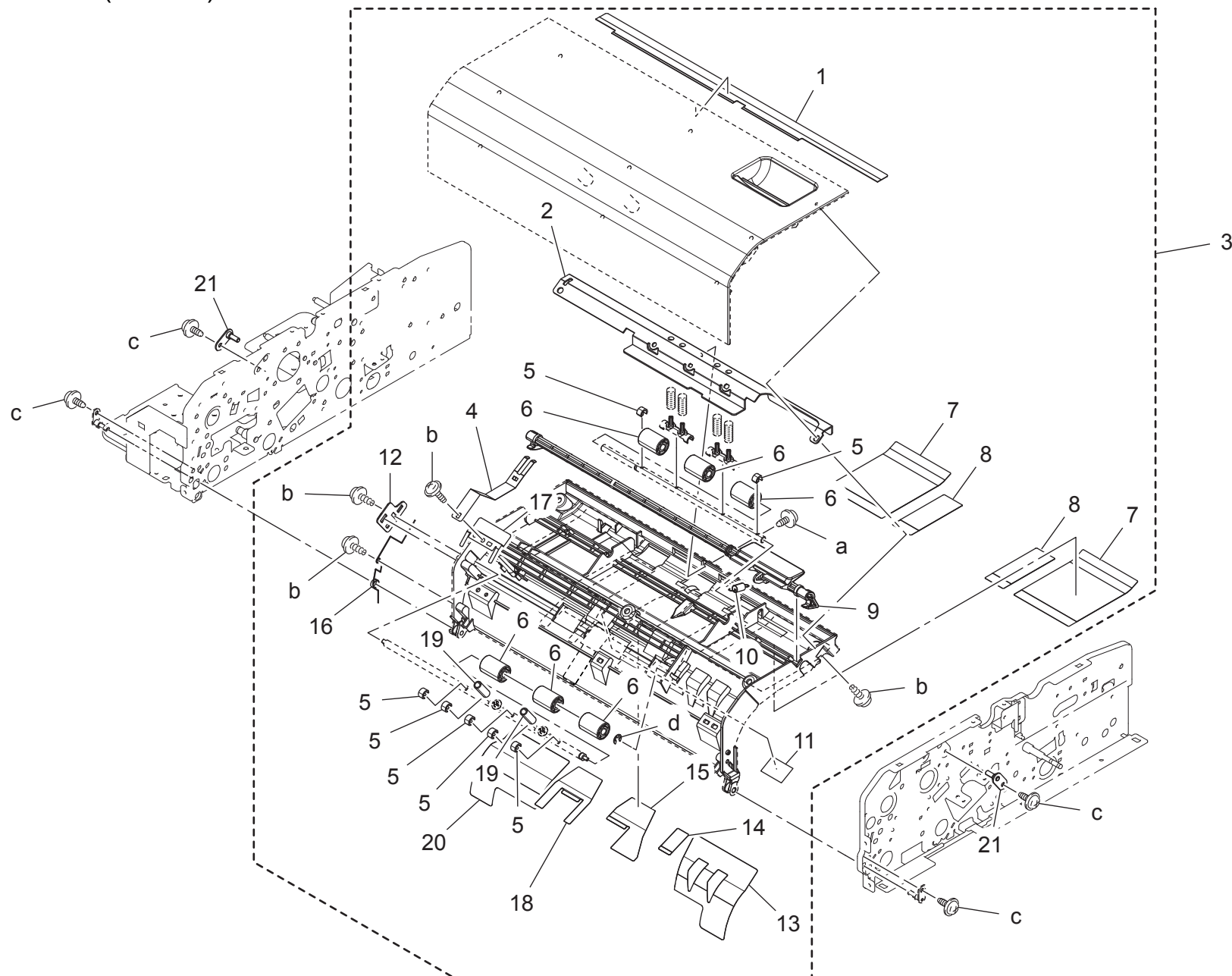
Key	Part No.	Description	Destinations	Class	QTY	Standard parts
1	9J07300801	ROLL		C	4	a-V144030603 b-V153030803 c-V217030001 d-V206040001 e-V234200850 f-V500020099
2	A108M50100	Photointerrupter		B	1	
3	9J07301702	ARM		C	1	
4	9J07302001	BRACKET		D	1	
5	9J07301902	SHAFT		D	1	
6	A108101200	Guide		D	1	
7	A0HT562800	Holder		C	1	
8	9J07R71000	BRACKET ASSY		D	1	
9	9J07331801	BRACKET		D	1	
10	A108561500	Guide		D	2	
11	A108891300	Neutralizing Brush		C	1	
12	A3CK568300	Guide		D	1	
13	A3CK568800	Neutralizing Brush		C	1	
14	A3CK568701	Torque limiter		B	1	
15	A0HT561202	Shaft		C	1	
16	A108563900	Roller		A	1	
17	A3CK568200	Holder		C	1	
18	A3CK565100	Holder		D	1	
19	A3CK568601	Spring		C	1	



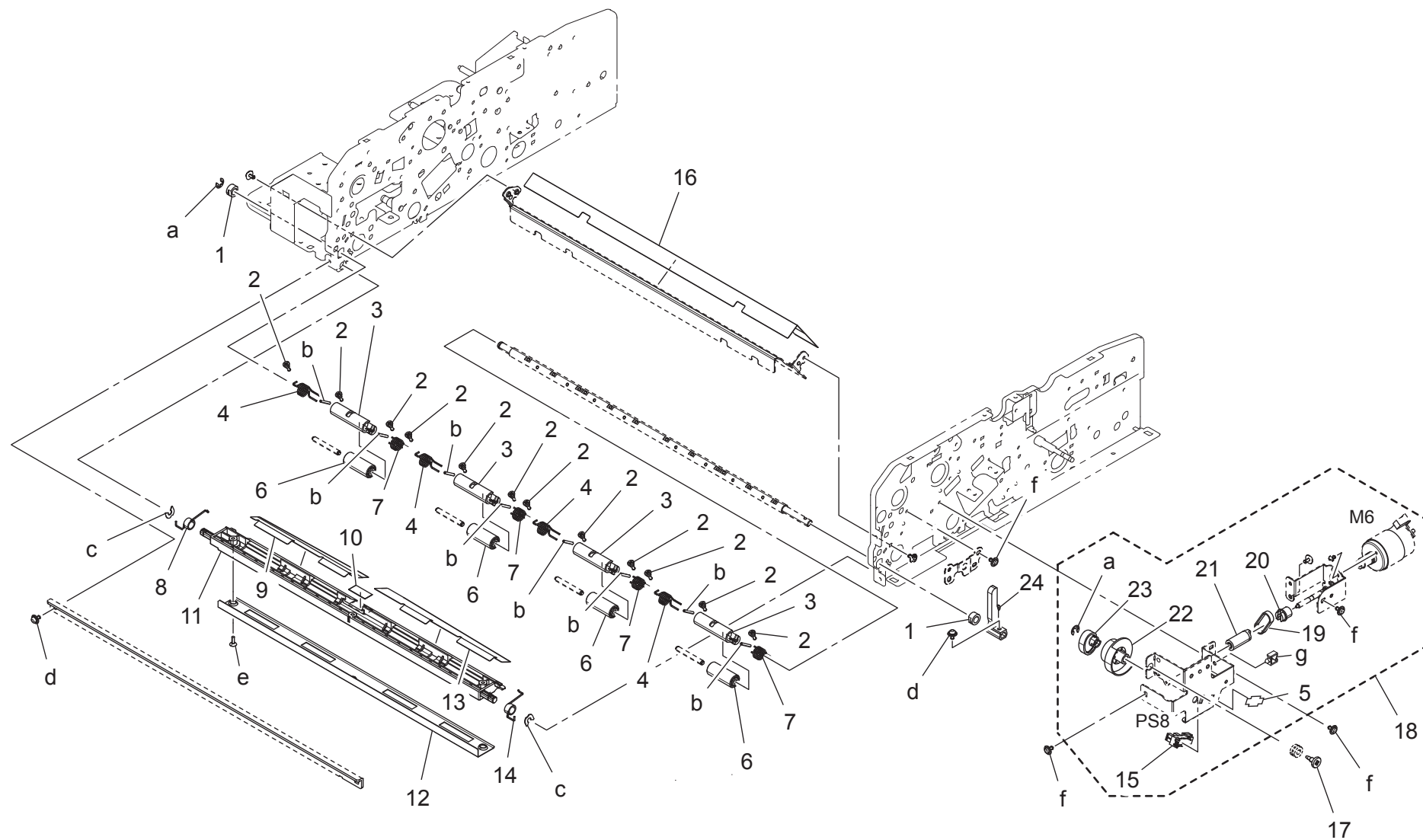
Key	Part No.	Description	Destinations	Class	QTY	Standard parts
1	A108711100	Handle /Rear		D	1	a-V144030603
2	A3CK702400	Guide		D	3	b-V217040001
3	A3CK702500	Guide		D	1	c-V116030603
4	A3CK701300	Roller		C	1	d-V217060001
5	A108704500	Guide Sheet		C	1	e-V143030603
6	A00J617800	Ball Bearing		B	1	f-V500010081
7	A108702201	Detecting Plate		D	1	g-V500020098
8	A108702500	Torsion Coil spring		D	1	h-V500020099
9	A108M50100	Photointerrupter		B	4	j-V570010021
10	9J08210401	COLLAR		C	2	
11	A3CK711200	Sensor Holder		D	1	
12	A0HT890800	Shaft		D	1	
13	A3CKN10700	ADF Wiring	ADF 束線 (レジスト 内部)	D	1	
14	A00V240600	Ball Bearing	ボールベアリング	B	2	
15	9J07400902	TORSION SPRING	ねじりコイルばね	C	3	
16	9J07400803	Lever	レバー (アクチュエータ・混載)	C	3	
17	A3CK715000	Guide	ガイド (レジスト 後・下)	C	1	
18	A108703600	Guide	ガイド (開閉シート 2)	C	2	
19	A108701800	Guide	ガイド (開閉シート)	C	1	
20	A07H750200	Neutralizing brush	除電ブラシ (レジスト ローラ)	C	3	
21	A0HT700600	Roller	ローラ (レジスト)	D	1	
22	A3CK701900	Guide	ガイド (レジスト 前)	C	3	
23	A3CK710100	Guide	ガイド (レジスト 前・下)	D	1	
24	A2X0R71A00	Registration Lower Motor Assy	レジスト モーター A s s y	C	1	
25	A108703100	Stopper	ストップパ (センサー)	D	2	
26	A3CK705200	Mounting Plate	取付板 (混載)	D	1	
27	9335140071	Solid State Switch	反射型フォトスイッチ	B	2	
28	A108214100	Timing belt 122L	タイミングベルト 1 2 2 L	D	1	



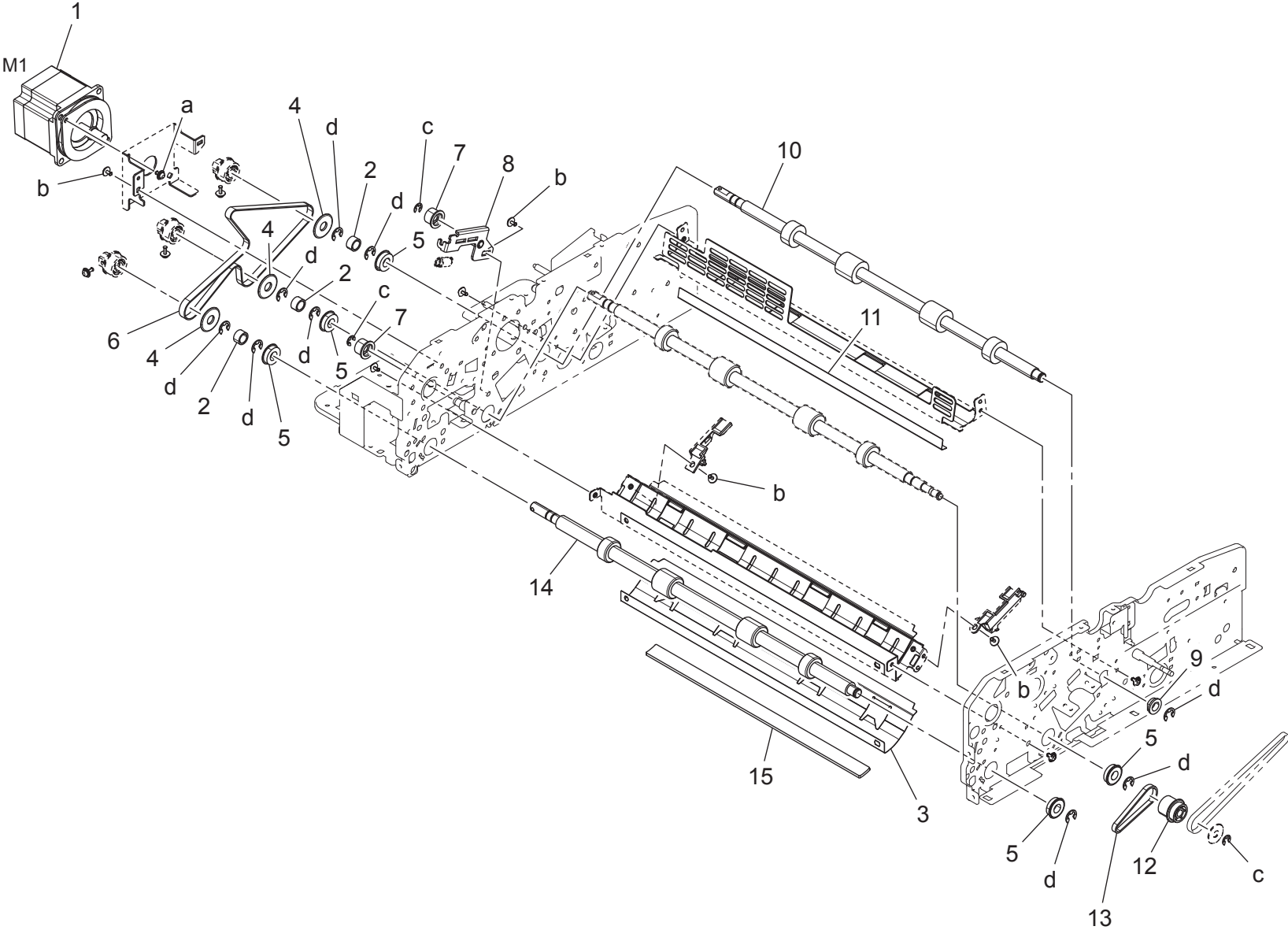
Key	Part No.	Description	Destinations	Class	QTY	Standard parts
1	9313150021	FAN MOTOR		C	1	a-V144030603 b-V570010021 c-V217040001 d-V116030603 e-V217060001 f-V234201050 g-V217030001
2	A3CK130100	Vibrationproof Sheet		C	1	
3	4470402401	Stopper		D	1	
4	A2X0R71900	Paper Feed Motor Assy		C	1	
5	A0G6243900	Ball Bearing		C	1	
6	9J07501901	ROLL		C	1	
7	A108260700	Bushing		D	1	
8	A3CK210700	Roll		C	1	
9	A5C1M50100	Photointerrupter		B	1	
10	A3CK212100	Timing Belt 268L		C	1	
11	A3CK212700	Torsion Coil spring		C	1	
12	A3CKM20000	Clutch		C	1	
13	A3CK211900	Holding Plate		C	1	
14	A3CK213900	Compressing Coil spring		C	1	
15	A3CK213600	Pulley 24T		C	1	
16	A3CK213400	Gear 16T		C	1	
17	4131253701	BUSHING		C	1	
18	A3CK213500	Pulley 24/40T		C	1	
19	A2X0R70F00	Tension Plate (B) Assy		D	1	
20	A108213200	Gear 18T		D	2	



Key	Part No.	Description	Destinations	Class	QTY	Standard parts
1	9J07160302	SEAL		C	1	a-V137030804 b-V153030803 c-V144030603 d-V217040001
2	A108702104	Mounting Plate		D	1	
3	A2X0R70711	Left Cover Assy		D	1	
4	A108701200	Ground Plate		D	1	
5	9J07431502	Stopper		C	7	
6	A108703000	Idler Roll		D	6	
7	A108703700	Guide		D	2	
8	A108703800	Guide		D	2	
9	A108701001	Lever		D	1	
10	A108703400	Pulling Coil spring		C	1	
11	9J07411601	SHIELD PLATE		C	1	
12	9J07400601	BRACKET		D	1	
13	A3CK705600	Guide		C	1	
14	A3CK705400	Guide /2		C	1	
15	A3CK705301	Guide /1		C	1	
16	A0HT704201	Torsion Coil spring		D	1	
17	A0HT704100	Plate spring		D	1	
18	A3CK705800	Guide		C	1	
19	A3CK706600	Spring		C	2	
20	A3CK705700	Guide		C	1	
21	A2X0R70G00	Lock Shaft Assy		D	2	

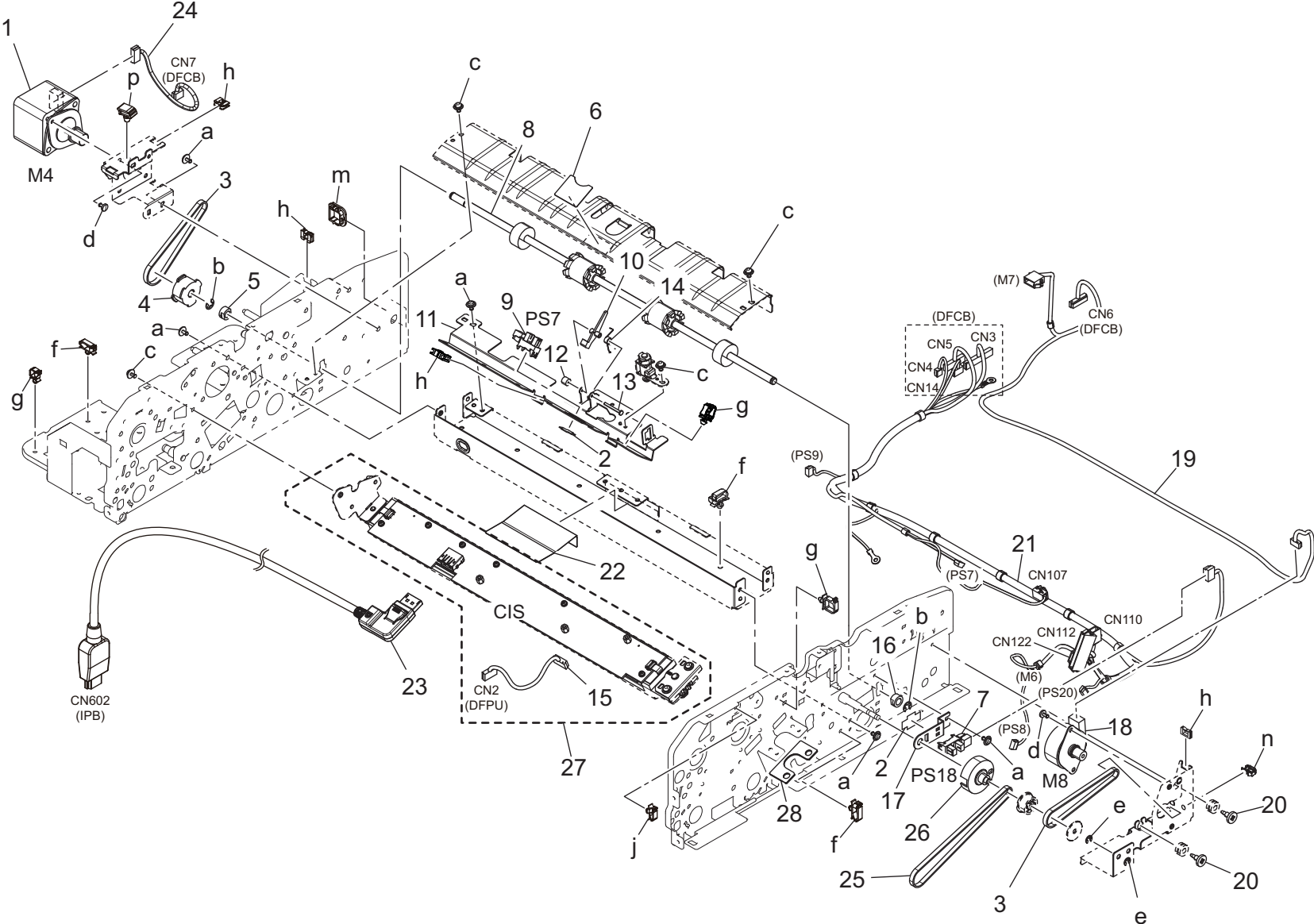


Key	Part No.	Description	Destinations	Class	QTY	Standard parts
1	1200312109	BUSHING		C	2	a-V217040001 b-V234201450 c-V218040086 d-V116030603 e-V147030803 f-V144030603 g-V500020099
2	A3CK272600	Shoulder screw		C	12	
3	A3CK272001	Lever		C	4	
4	A3CK272301	Torsion Coil spring		C	4	
5	4470402401	Stopper		D	1	
6	A3CK272100	Roll		C	4	
7	A3CK272401	Torsion Coil spring		C	4	
8	9J07420502	TORSION SPRING		C	1	
9	9J07420901	GUIDE		C	1	
10	A108713300	Seal		C	1	
11	9J07420205	Guide		C	1	
12	9J07420801	COVER		D	1	
13	9J07420301	GUIDE		C	1	
14	9J07420402	TORSION SPRING		C	1	
15	A5C1M50100	Photointerrupter		B	1	
16	9J07420603	Guide		C	1	
17	A3CK714900	Shoulder screw		C	1	
18	A2X0R70H11	Pressure/Release Motor Assy		D	1	
19	A3CK713800	Timing Belt 66L		C	1	
20	A3CK714100	Pulley 15T		C	1	
21	A3CK713900	Worm		C	1	
22	9J07431101	GEAR 26T		C	1	
23	A3CK713400	Cam		C	1	
24	A3CK713301	Lever		C	1	



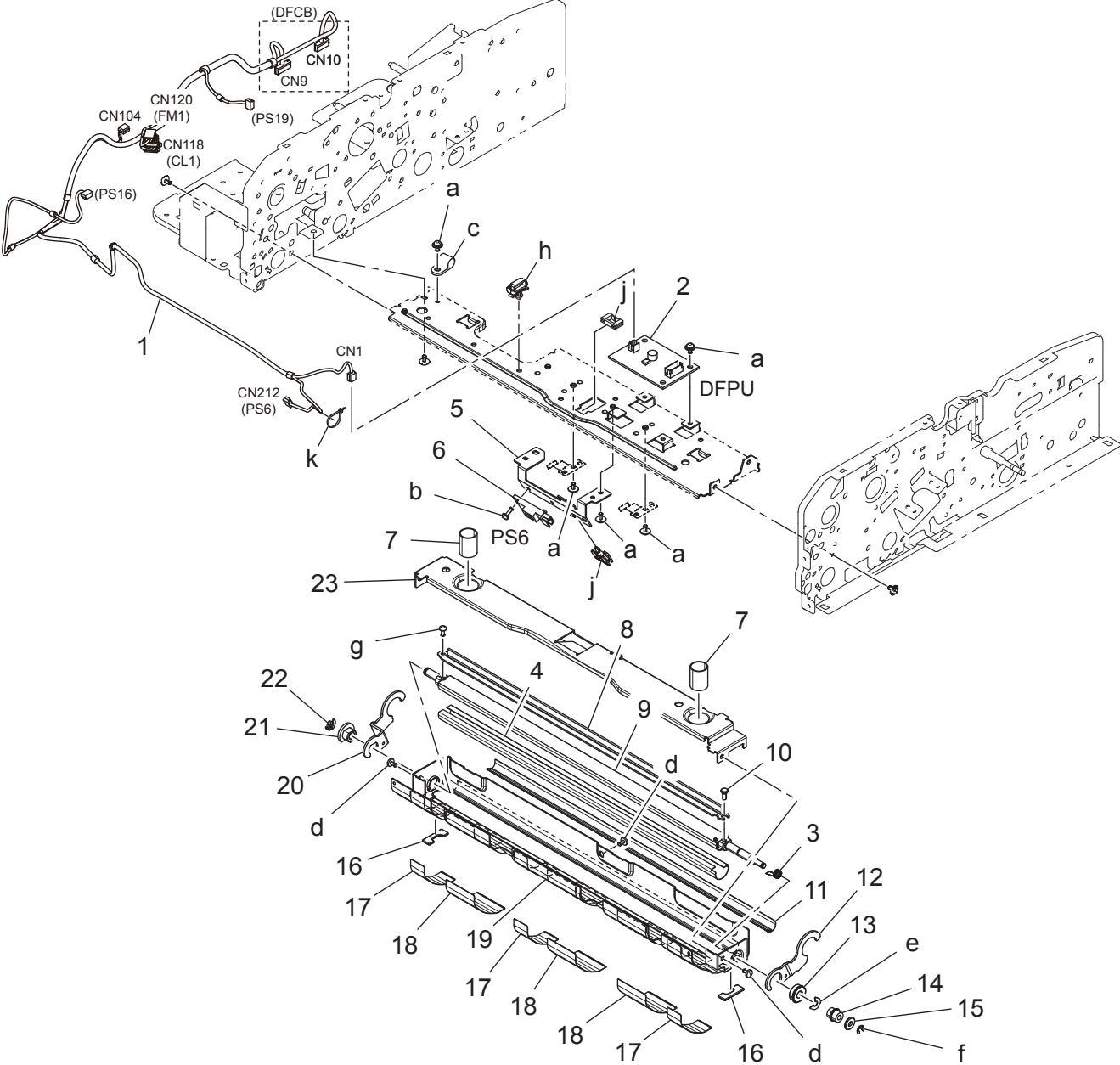
Key	Part No.	Description	Destinations	Class	QTY	Standard parts
1	A3CKM10200	Stepping motor		C	1	a-V116040803 b-V144030603 c-V217040001 d-V217060001
2	A3CK700200	Collar		C	3	
3	A108262502	Guide Sheet /C		D	1	
4	A0HT210700	Flange		D	3	
5	A00V240600	Ball Bearing		B	5	
6	A108210100	Timing belt		C	1	
7	A3CK210700	Roll		C	2	
8	A2X0R70K00	Tension Plate (A) Assy		D	1	
9	4658351701	BUSHING		C	1	
10	A108700200	Roller		D	1	
11	A108269900	Guide Sheet		D	1	
12	A108251000	Pulley 27/27T		D	1	
13	A0HU250600	Timing belt 120L		D	1	
14	A0HT700400	Roller		C	1	
15	A108269200	Guide		C	1	

DUAL SCAN ADF (DF-702)

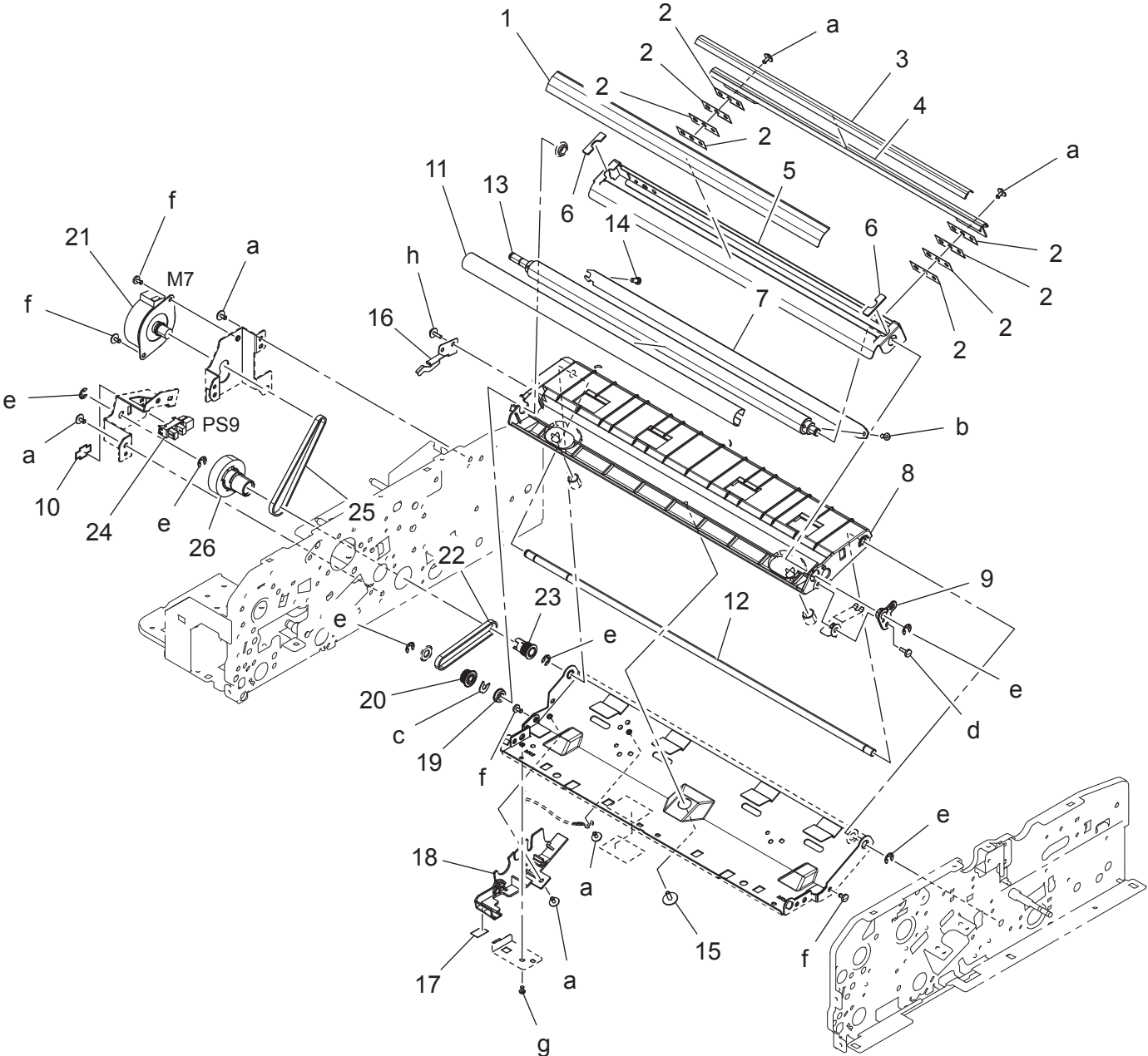


Key	Part No.	Description	Destinations	Class	QTY	Standard parts
1	A3CKM10300	Stepping motor		C	1	a-V144030603
2	4470402401	Stopper		D	2	b-V217040001
3	A0HU250800	Timing belt		C	2	c-V116030603
4	A108216200	Pulley 34T		D	1	d-V143030603
5	4131253701	BUSHING		C	1	e-V217030001
6	A108890800	Guide		D	1	f-V500020100
7	A5C1M50100	Photointerrupter		B	1	g-V500020098
8	A108890200	Paper exit Roller		C	1	h-V570010021
9	A108M50100	Photointerrupter		B	1	j-V500020099
10	9J07491101	LEVER		C	1	m-V570010031
11	A0HT891900	Bracket		D	1	n-V500020077
12	9J08210401	COLLAR		C	1	p-V500020011
13	9J07890000	SHAFT		D	1	
14	A3CK892500	TORSION SPRING		C	1	
15	A3CKN10600	ADF Wiring		D	1	
16	1200312109	BUSHING		C	1	
17	A108265901	Mounting Plate		D	1	
18	A3CKM10400	Stepping motor		C	1	
19	A3CKN10800	ADF Wiring		D	1	
20	A3CK714900	Shoulder screw		C	2	
21	A3CKN10101	ADF Wiring		D	1	
22	A108890601	Guide		D	1	
23	A3CKN10A12	ADF Cable		C	1	
24	A3CKN10500	ADF Wiring		D	1	
25	A108262800	Belt 260L		D	1	
26	A0HU250300	Pulley		D	1	
27	A2X0R70M00	CIS Unit		I	1	
28	A3CK100900	Guide		C	1	

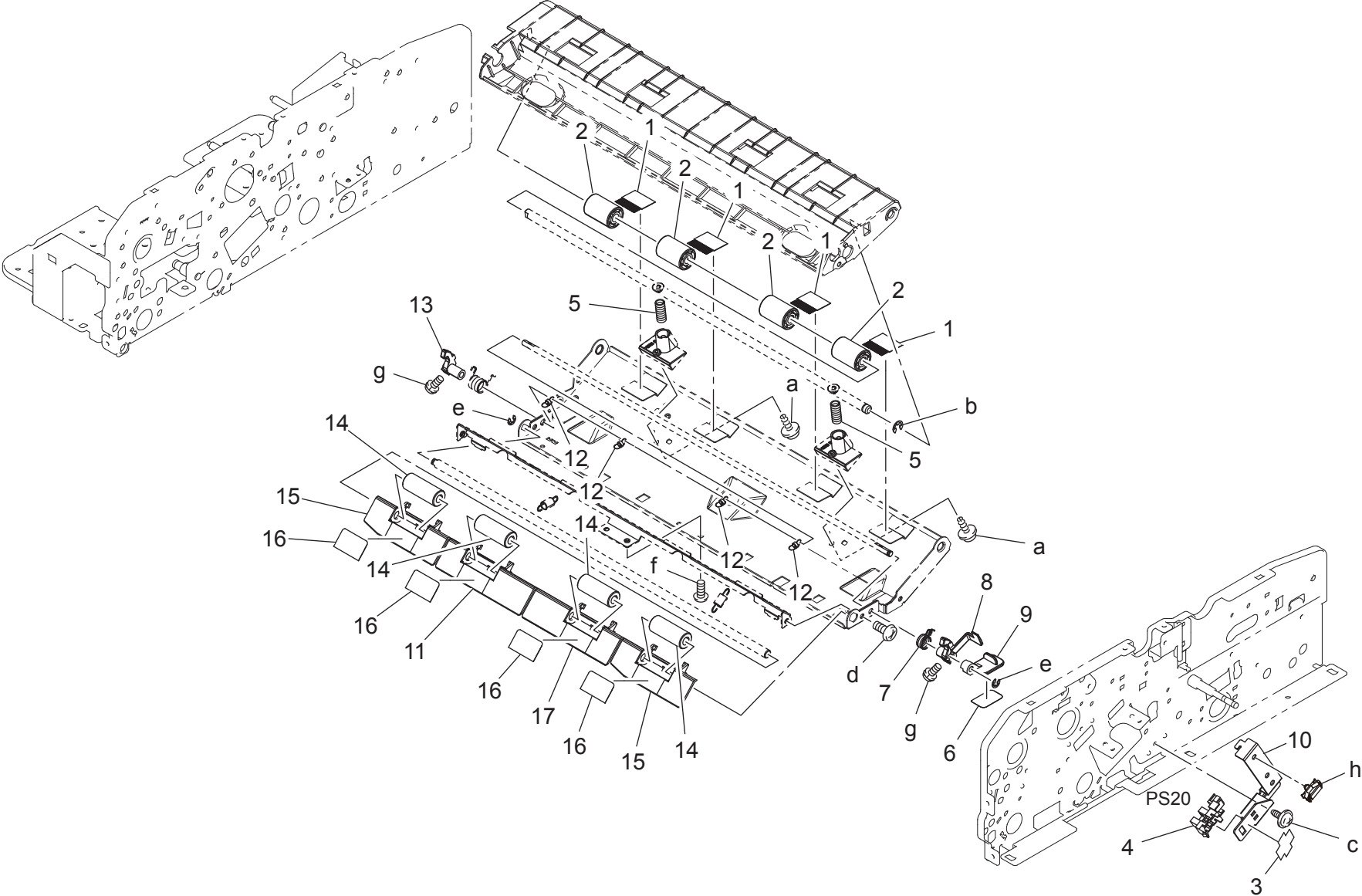
DUAL SCAN ADF (DF-702)



Key	Part No.	Description	Destinations	Class	QTY	Standard parts
1	A3CKN10200	ADF Wiring		D	1	a-V116030603
2	A3CKH00200	PWB Assembly(PWB-DC Assy)	A D F 束線 (後フレーム部) 基板 A s s y (P W B - D C)	I	1	b-V115030803
3	A3CK300500	Contact	接点	C	1	c-V500020035
4	A3CK300102	Sheet	シート (清掃軸)	C	1	d-V143030603
5	A0HU261000	Mounting Plate	取付板 (読取前センサ)	D	1	e-V218040086
6	9335191092	SOLID STATE SWITCH	反射型フォトスイッチ	B	1	f-V217030001
7	A3CK271800	Compressing Coil spring	圧縮コイルばね	C	2	g-V145030803
8	A3CK300200	Brush	ブラシ (清掃)	C	1	h-V500020099
9	A3CK300001	Shaft	軸 (清掃軸表面)	D	1	j-V570010021
10	A3CK281900	Shoulder screw	段ねじ (B タイト)	C	1	k-V501010001
11	A0HU260300	Slide Part	すべり材	C	1	
12	A0HU300300	Arm	アーム (前)	D	1	
13	A3CK300400	Bushing	すべり軸受	C	1	
14	A0HU250100	Pulley	プーリ (軸)	D	1	
15	A0HU250500	Flange	フランジ	D	1	
16	A0HU261900	Spacer	スペーサ (高さ規制)	D	2	
17	A3CK281400	Sheet	シート (読取前 B)	D	3	
18	A3CK281300	Sheet	シート (読取前 A)	D	3	
19	A0HU261103	Guide	ガイド (清掃)	C	1	
20	A0HU300400	Arm	アーム (後)	D	1	
21	A0HU300500	Bushing	すべり軸受	D	1	
22	A0HU300601	Fixing Ring	固定リング	C	1	
23	A0HU261200	Mounting Plate	取付板 (清掃・蓋)	D	1	

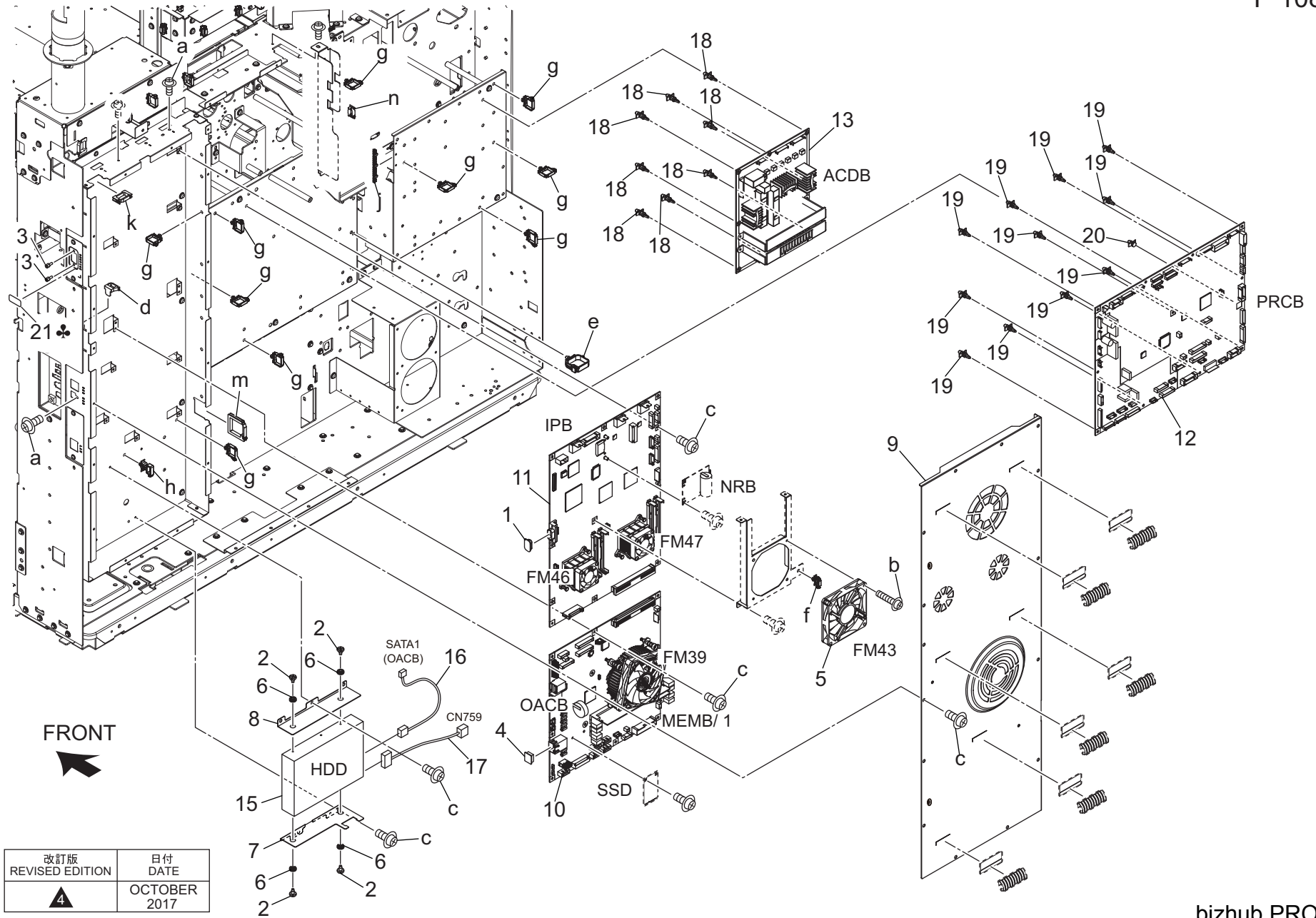


Key	Part No.	Description	Destinations	Class	QTY	Standard parts
1	A108270601	Sheet		D	1	a-V144030603 b-V111030603 c-V218040086 d-V149030803 e-V217040001 f-V143030603 g-V111260403 h-V153030803
2	A3CK282100	Spacer		C	8	
3	A108270200	Slide Part		D	1	
4	A3CK270100	Guide		D	1	
5	A3CK270001	Guide		D	1	
6	A108264700	Spacer		D	2	
7	A3CK300200	Brush		C	1	
8	A3CK260100	Conveyance Guide		D	1	
9	A108260700	Bushing		D	1	
10	4470402401	Stopper		D	1	
11	A3CK300102	Sheet		C	1	
12	A108265301	Shaft		D	1	
13	A3CK262100	Shaft		D	1	
14	A3CK281800	Shoulder screw		C	1	
15	4163529301	SCREW		C	1	
16	A108270700	Plate spring		D	1	
17	A108272900	Slide Part		D	1	
18	A108266701	Cover		D	1	
19	A00J617800	Ball Bearing		B	1	
20	A108264100	Pulley		D	1	
21	A0HUM10000	Stepping motor		C	1	
22	A108264800	Timing belt 146L		D	1	
23	A108265800	Pulley		D	1	
24	A5C1M50100	Photointerrupter		B	1	
25	A0FD892900	Timing belt 190L		C	1	
26	A108265700	Pulley 25L		D	1	



Key	Part No.	Description	Destinations	Class	QTY	Standard parts
1	A108272700	Neutralizing Brush		D	4	a-V153030803
2	9J07810300	ROLL		C	4	b-V217040001
3	4470402401	Stopper		D	1	c-V144030603
4	A5C1M50100	Photointerrupter		B	1	d-V143030603
5	A3CK264500	Compressing Coil spring		C	2	e-V217030001
6	A3CK940000	Label		C	1	f-V111260403
7	A108269600	Torsion Spring /Front		D	1	g-V115260503
8	A108260501	Lock Part /Front		D	1	h-V500020100
9	A108266300	Lock Lever		C	1	
10	A108271103	Mounting Plate		D	1	
11	A108272300	Guide Plate		D	1	
12	A108272000	Pulling Coil spring		D	4	
13	A108260201	Lock Part /Rear		D	1	
14	9J07430201	ROLL		C	4	
15	A108272101	Guide Plate		D	2	
16	9J07441502	GUIDE		C	4	
17	A108272200	Guide Plate		D	1	

ELECTRIC PARTS



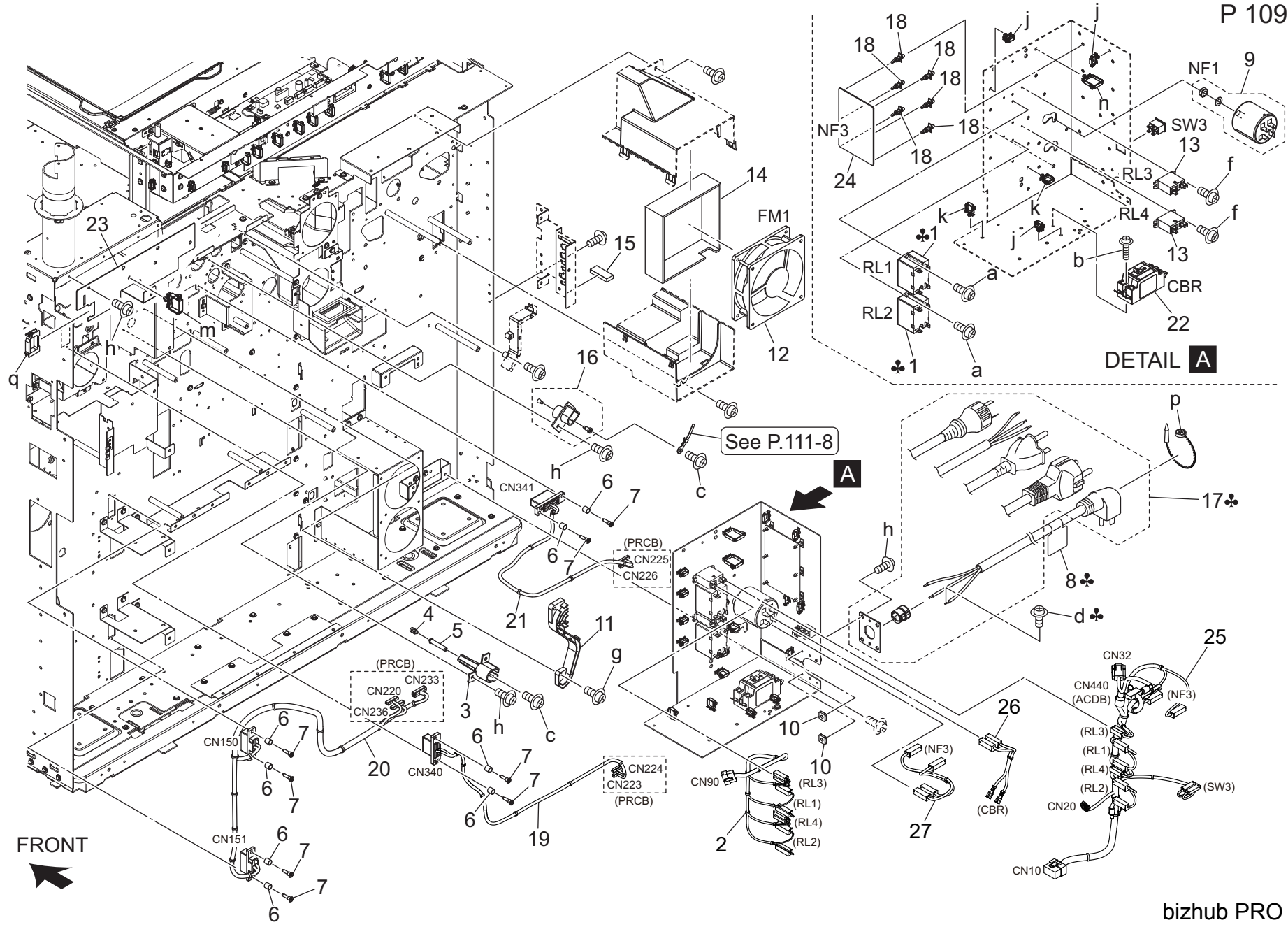
改訂版 REVISED EDITION	日付 DATE
▲	OCTOBER 2017

Order here
8 (495) 646-0426
ПЯТЫЙ ПАРТНЕР www.km-shop.ru

Key	Part No.	Description	Destinations	Class	QTY	Standard parts
1	13RN73120	Terminal Protection Cover /1		D	1	a-V111030603
2	20ER73110E	Board Fixing Screw		D	4	b-V121031803
3	4025228301	SCREW		D	2	c-V127030603
4	40LA73840	Contact Protection Cover		D	1	d-V500010021
5	A1RFM15100	Fan motor /1		C	1	e-V500010063
6	A4EU138000	Support Rubber		D	4	f-V500010081
7	A50U133500	Mounting Plate /B		D	1	g-V500010084
8	A50U133600	Mounting Plate /A		D	1	h-V500020108
9	A799133601	Cover /A		D	1	j-V500030002
10	A799H01101	Main Body Control Assy		I	1	k-V570010027
11	A799H02001	Image Processing Board ASSY		I	1	m-V570010048
12	A799H05001	Printer Control Board Assy		I	1	n-V570010063
13	A799H51003	AC DRIVE BOARD ASSY		I	1	
15	A799M72000	HDD		I	1	
16	A799N29800	Signal Cable /H		D	1	
17	A799N29900	Power source Cable /H		D	1	
18	V502010033	Circuit Board Spacer		D	8	
19	V502010032	Circuit Board Spacer		D	11	
20	V502010029	spacer		D	1	
21	A0E7946700	Caution Label	H	C	1	

ELECTRIC PARTS

P 109

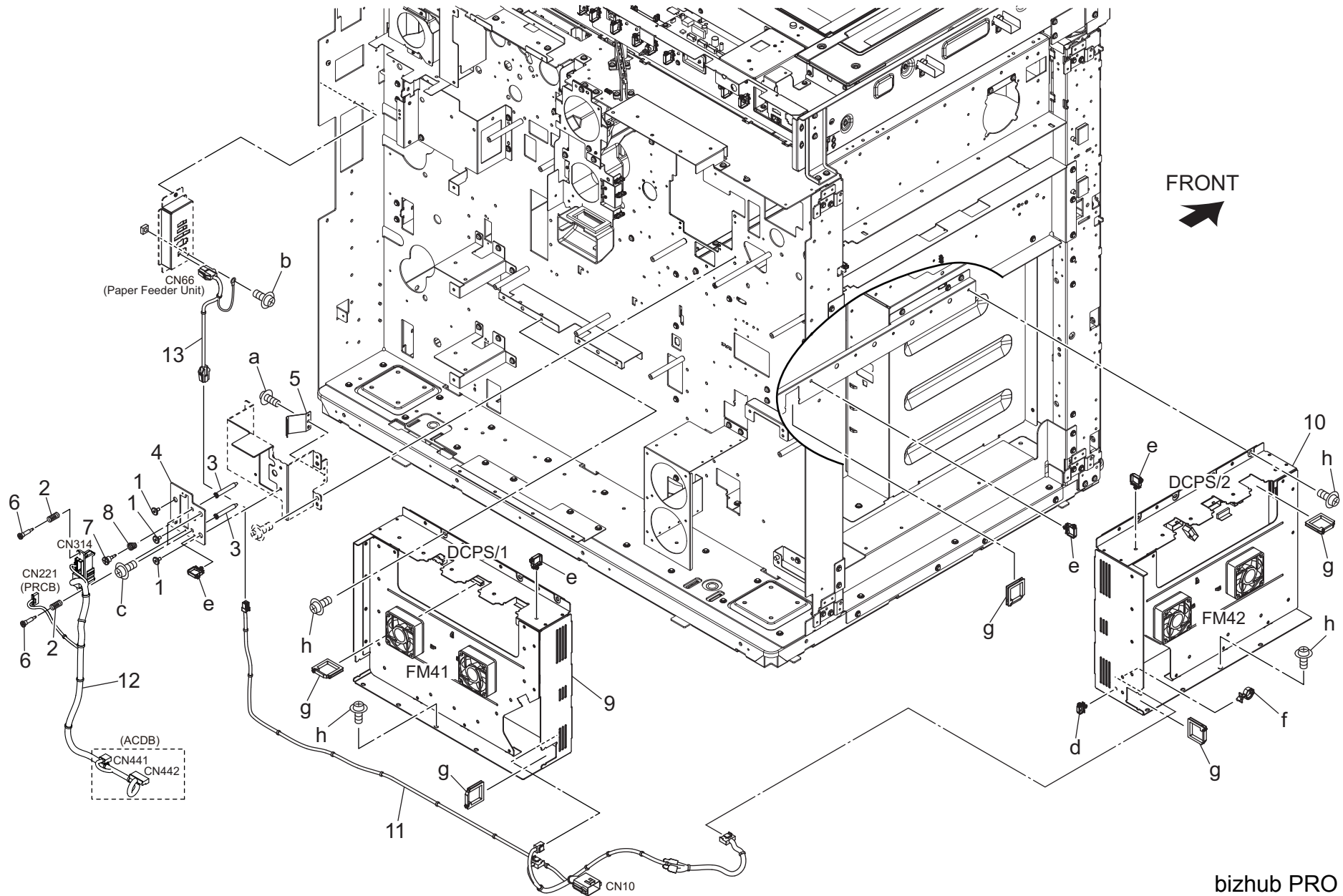


bizhub PRO 1100

Key	Part No.	Description	Destinations	Class	QTY	Standard parts
1	25SA88461	Main Relay	A,B,G2	C	2	a-V111040603
1	25SF88461	Main Relay	C,D1,D3,E,F2,G1,H,I,J,K	C	2	b-V111042003
2	A799N12000	Circuit Relay harness		D	1	c-V116030603
3	56AA15460	HIGH VOLTAGE GUIDE PART		C	1	d-V116040803
4	56AA15471	CONTACT SPRING		C	1	d-V116050803
5	56AA15521	CONTACT SHAFT		D	1	f-V118030603
6	56AA17080	TERMINAL ROCKING SPRING		C	8	g-V118041203
7	56AA17330	Slide Shaft		C	8	h-V121040603
8	56AA97140	CORD LABEL	B,G2	D	1	j-V500010082
9	56QE88261	NOISE FILTER		D	1	k-V500010083
10	56UA45880	Screw Protection Cushion		C	2	m-V500010084
11	56UA73071	HV GUIDE RAIL LEFT		D	1	n-V500010085
12	A03UM15201	Main body Fan motor		B	1	p-V501010013
13	A07TM60100	Power source Relay		C	2	q-V570010027
14	A4EU112000	Heat sink Seal		D	1	
15	A4EU136100	Protection Cushion /3		D	1	
16	A4EUR72B00	Chageg Powering Block		D	1	
17	A4EWR70100	Power Supply Code Assy(JP)	A	D	1	
17	A4EWR70200	Power Supply Code Assy(USA)	B,G2	D	1	
17	A4EWR70300	Power Supply Code Assy(EU)	C,I(SOUTH AFRICA),K	D	1	
17	A4EWR70C00	Power Supply Code Assy(AUS)	D3	D	1	
17	A4EWR70D00	Power Supply Code Assy(AP)	D1,E,F2,G1,I(Except SOUTH AFRICA)	D	1	
17	A4EWR70H00	Power Supply Code Assy(TAIWAN)	H	D	1	
17	A4EWR70J00	Power Supply Code Assy(CHINA)	J	D	1	
18	V502010033	Circuit Board Spacer		D	6	
19	A799N11900	Photoconductor Relay harness /2		D	1	
20	A799N11301	Paperfeed Wiring /1		D	1	
21	A799N11200	Photoconductor Relay harness /1		D	1	
22	A4EWM60401	Breaker		D	1	
23	A799135600	Protection Cover /Rear		D	1	
24	A799M45300	Noise filter		D	1	
25	A799N10101	AC Wiring /1		D	1	
26	A799N10400	AC Wiring /2		D	1	
27	A799N10700	AC Wiring /3		D	1	

ELECTRIC PARTS

P 110

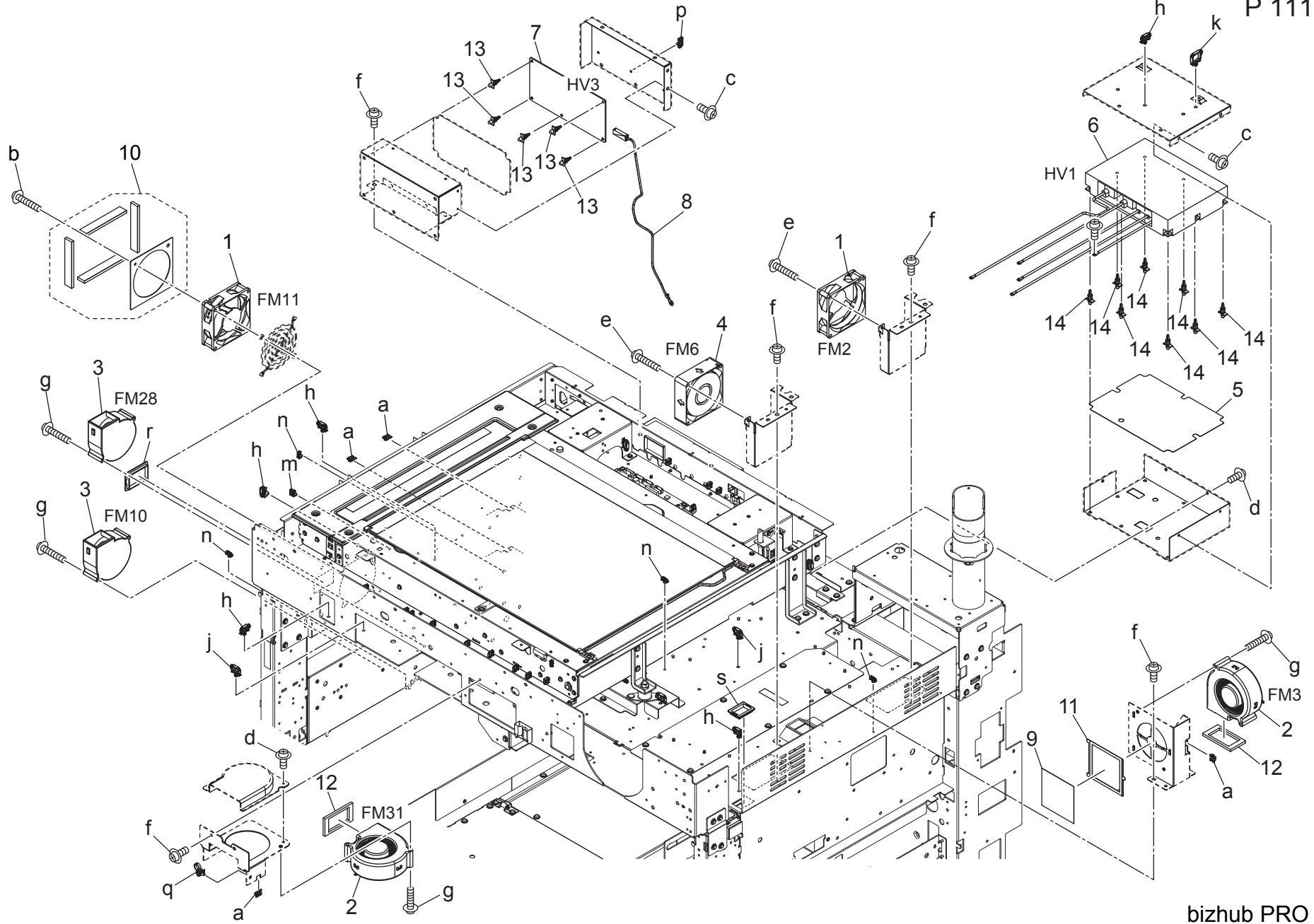


ELECTRIC PARTS

Key	Part No.	Description	Destinations	Class	QTY	Standard parts
1	450053391	EXIT GUIDEPLATE MOUNTING SCREW		C	3	a-V116030603
2	A1RF115301	Pressing Spring /D		D	2	b-V116040603
3	A799130300	Positioning Shaft		D	2	c-V121040603
4	A799130700	Power supply Plate /T		D	1	d-V500010082
5	A799131300	Ground Plate spring		D	1	e-V500010084
6	A799132100	Fixing Shoulder screw /1		D	2	f-V500020064
7	A799132600	Fixing Shoulder screw /2		D	1	g-V570010048
8	A799132700	Compressing Coil spring		C	1	h-V127040603
9	A799M45100	DC Power source /1		I	1	
10	A799M45200	DC Power source /2		I	1	
11	A799N10202	AC Power source harness		D	1	
12	A799N10300	Fixing Power source harness		D	1	
13	A799N25600	Heater Relay Harness /2		D	1	

ELECTRIC PARTS

P 111

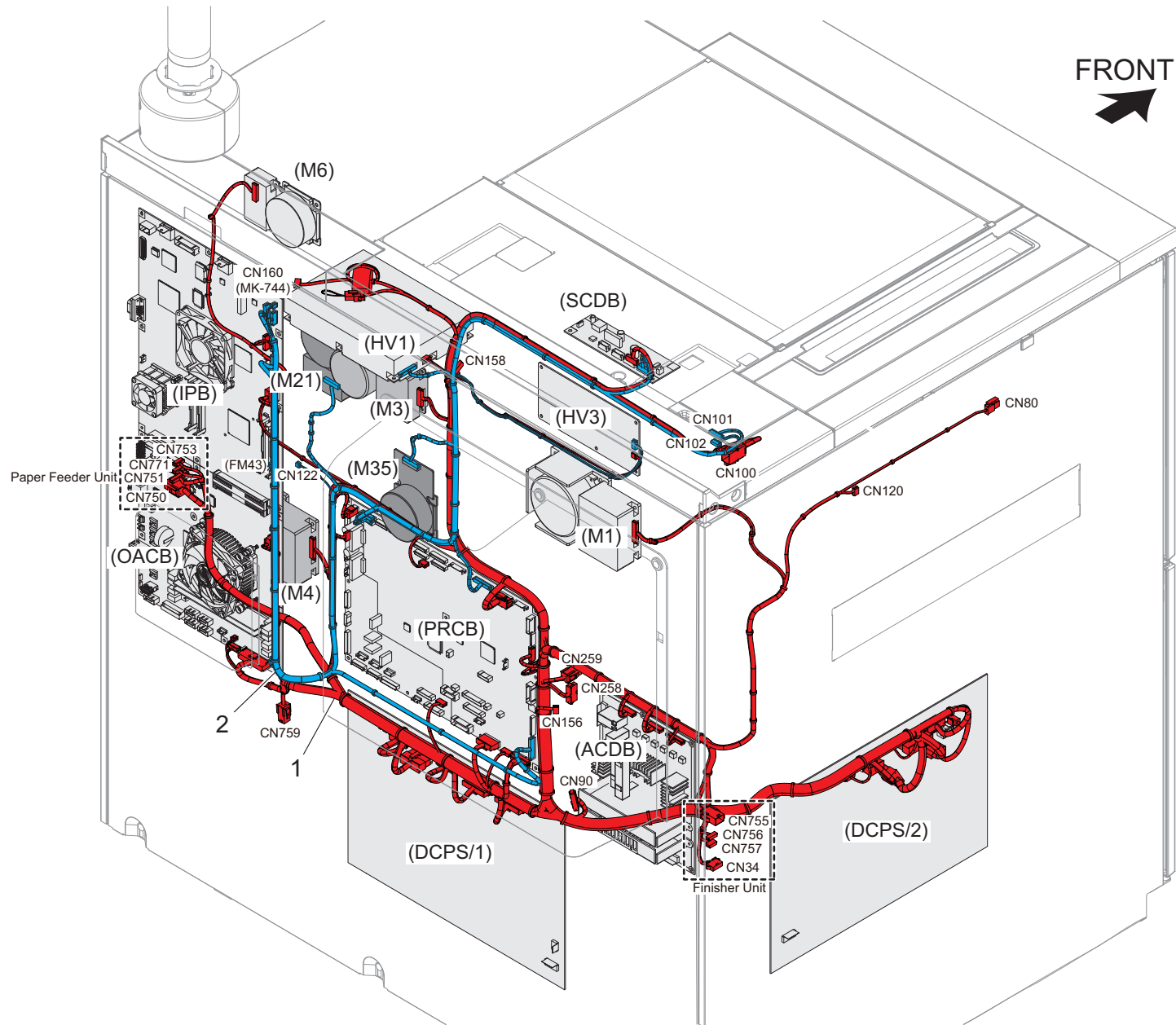


ELECTRIC PARTS

Key	Part No.	Description	Destinations	Class	QTY	Standard parts
1	13NT80511	Fan Motor /1		C	2	a-V570010050
2	9313100072	FAN MOTOR		C	2	b-V118043003
3	9313110033	FAN MOTOR		C	2	c-V121030403
4	4139M10000	Fan motor		B	1	d-V121030603
5	56UA73500	HV Protection Sheet		C	1	e-V121033003
6	A0G6M40101	HV Power Source /1		I	1	f-V121040603
7	A0G6M40400	HV Power Source /3		I	1	g-V125033503
8	A0G6N22600	HV Wire /C		D	1	h-V500010081
9	A4EUR90000	Charging Filter Kit		B	1	j-V500010082
10	A4EUR72A00	Fan Sealing Part/1 Assy		D	1	k-V500010084
11	A799110200	Filter Plate		B	1	m-V500020098
12	A799113700	Cooling Seal /1		D	2	n-V500020099
13	V502010032	Circuit Board Spacer		D	5	p-V500020100
14	V502010033	Circuit Board Spacer		D	8	q-V501010018
						r-V570010039
						s-V570010038

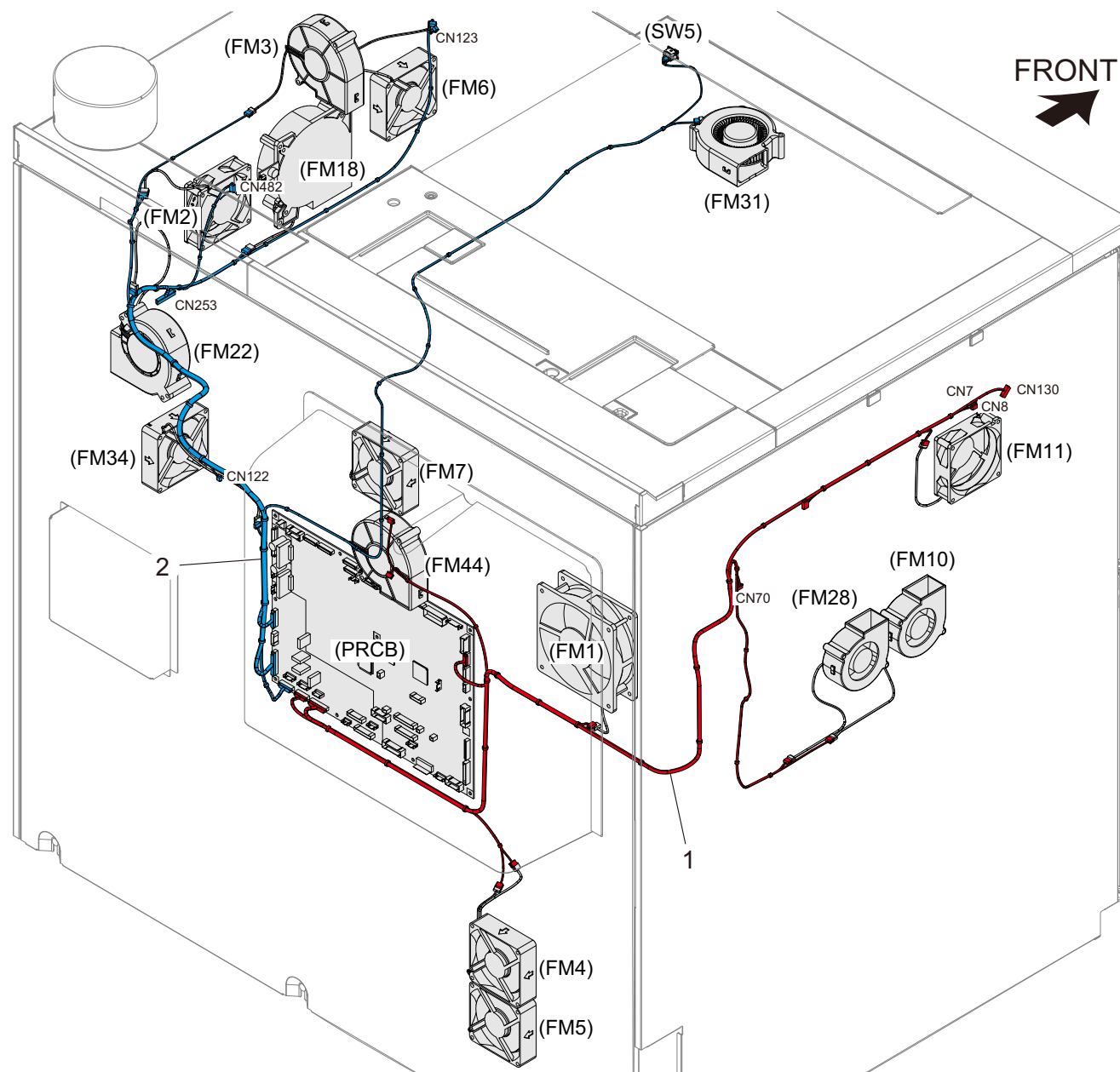
WIRING

P 112



WIRING

Key	Part No.	Description	Destinations	Class	QTY	Standard parts
1	A799N11001	DC Power source harness		D	1	
2	A799N11500	Main body Wiring /1		D	1	

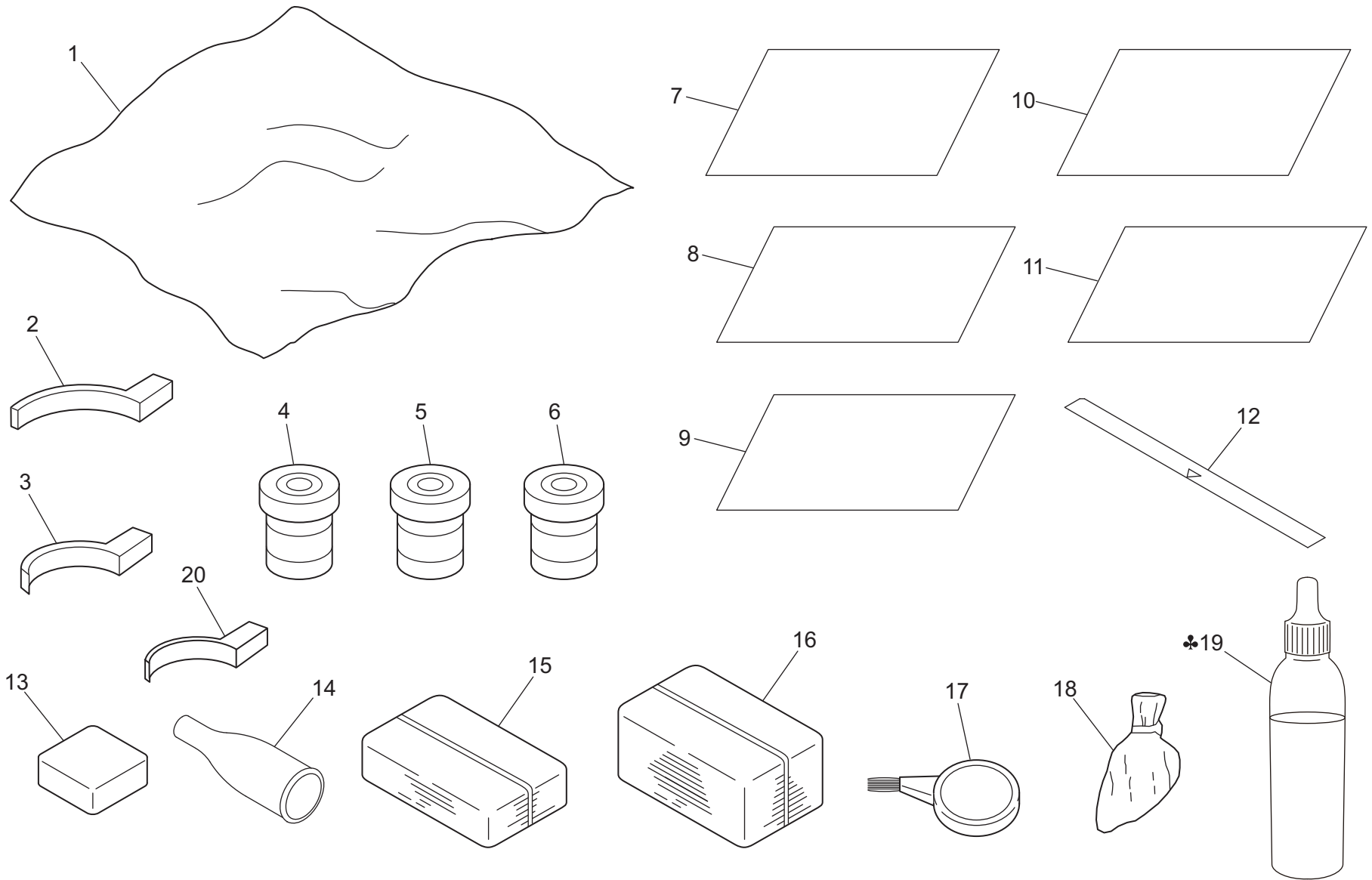


Key	Part No.	Description	Destinations	Class	QTY	Standard parts
1	A799N12600	Cooling Wiring /2		D	1	
2	A799N12800	Cooling Wiring /1		D	1	

JIGS

改訂版 REVISED EDITION	日付 DATE
	MARCH 2016

P 114



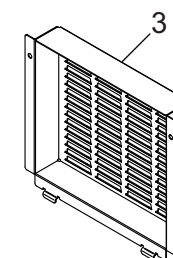
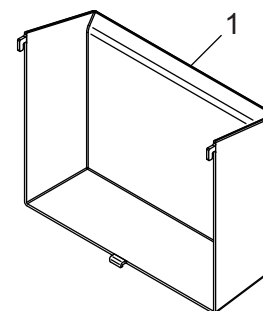
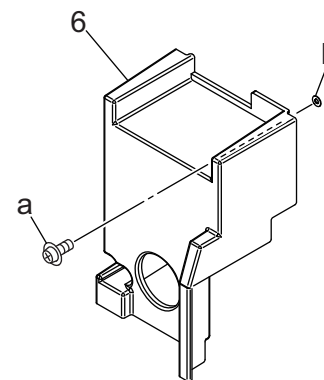
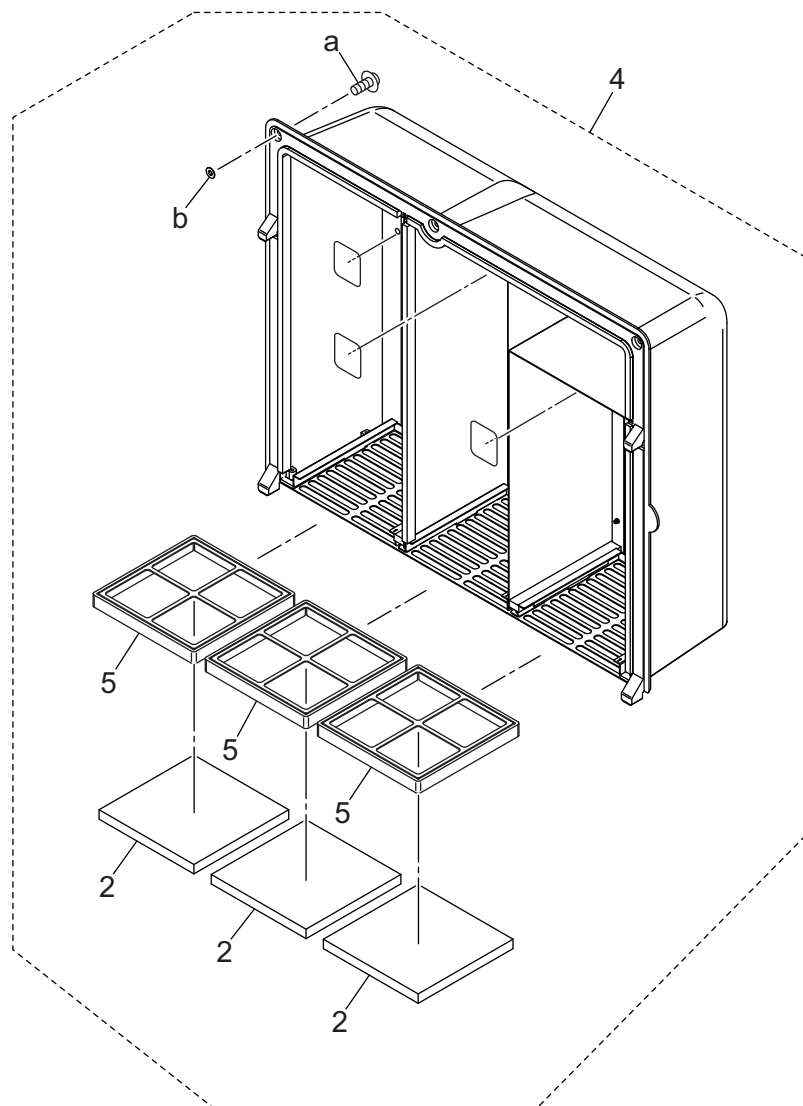
bizhub PRO 1100

Key	Part No.	Description	Destinations	Class	QTY	Standard parts
1	00VC-2-00	Drum Cover		S	1	
2	55VAJG031	Thermostat positioning jig/A		S	1	
3	55VAJG041	Thermostat positioning jig/B		S	1	
4	00GR00260	Multemp Grease FF-RM		C	1	
5	00GR00020	Plas Guard No.1		B	1	
6	00GR00220	Molykote EM-30L Grease		C	1	
7	4040PJP100	Test chart/A3 size		S	1	
8	4040PJP200	Test chart/11x17 size		S	1	
9	9J06PJP100	Color chart/A3 size		S	1	
10	9J06PJP200	Color chart/11x17size		S	1	
11	120A97110	Adjustment chart/For DF		S	1	
12	9J06PJP100	DF reading chart		S	1	
13	65AA-9920	HYDROWIPE		D	1	
14	A1DUPJG100	Cleaning Jig		S	1	
15	A5AWP00100	Cleaning Pad		S	1	
16	A5AWP00100	Cleaning Pad		S	1	
17	00VD-1000	Blower Brush		S	1	
18	000V-19-0	Setting Powder		A	1	
19	A4EUPP0000	MHSURF FT-240		S	1	
20	55VAJG021	Temperature sensor positioning jig/ B		S	1	

ACCESSORY PARTS

改訂版 REVISED EDITION	日付 DATE
▲	MAY 2017

P 115

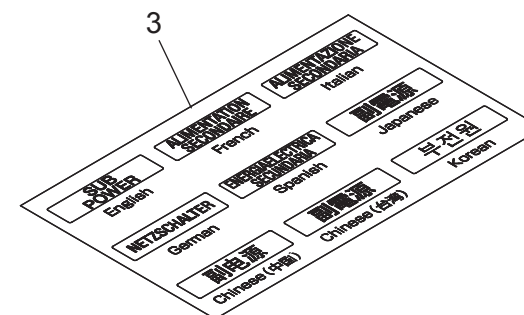
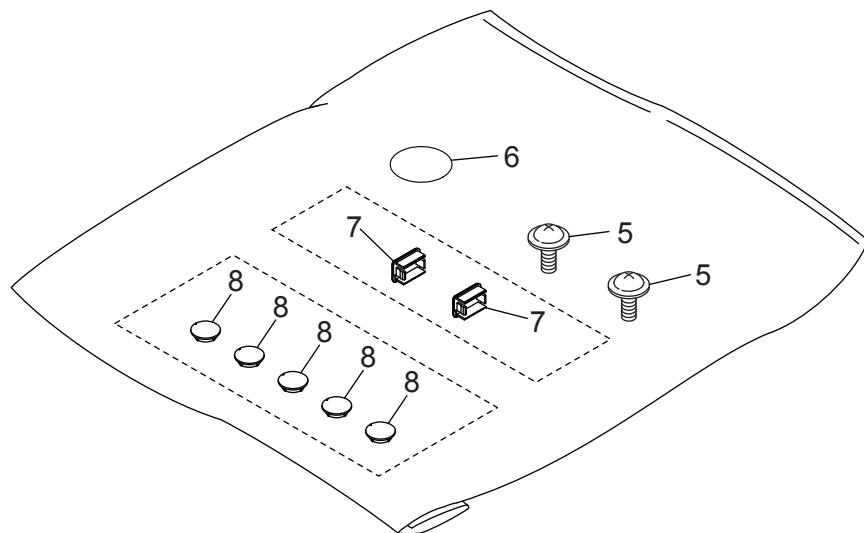
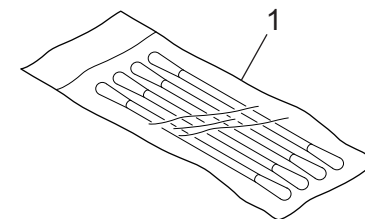
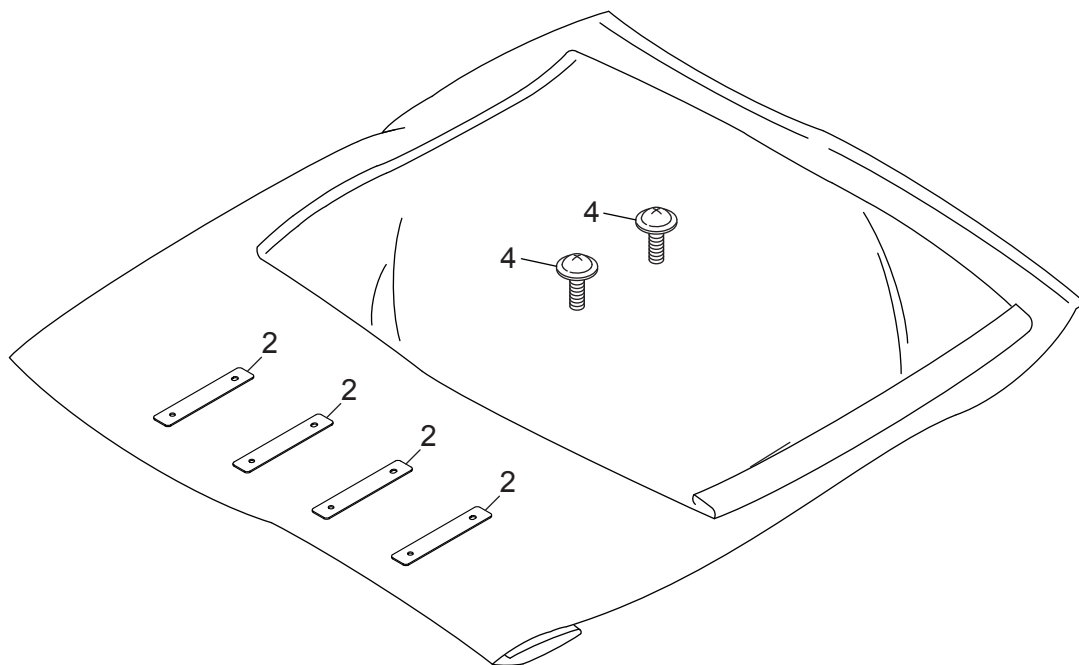


ACCESSORY PARTS

Key	Part No.	Description	Destinations	Class	QTY	Standard parts
1	56UA12770	ACCESSARIES HOLDING PANEL		C	1	a-V114041004 b-V211040080
2	A799112300	Ozone Filter /1		B	3	
3	A799167700	Cooling Cover		C	1	
4	A799R70400	Wind Exit Cover Assy		C	1	
5	A799R71H00	Reinforce Plate /1 Assy		D	3	
6	A799747900	Fusing Cover		C	1	

ACCESSORY PARTS

P 116



Key	Part No.	Description	Destinations	Class	QTY	Standard parts
1	504097340	CLEANING MATERIAL		D	1	
2	56UA40700	ADJUSTMENT PLATE P		C	4	
3	A799944502	Indicating Label /2		D	1	
4	V121030803	Screw		V	2	
5	V127030604	Screw		V	2	
6	A799191000	Seal		C	1	
7	A799169600	Cover Part		C	2	
8	A00J169100	Cover		D	5	

MAINTENANCE LIST

● The items with no Page/Key numbers are not handled as spare parts.

No.	Section	PM Parts Description	Maintenance Cycle (K=1,000)		Parts No.	Destinations	Page/Key	Note
			QTY	Replace				
1	Main body	Charging filter	1	2700K	A4EUR90000		P111-9	
2		Filter plate	1	2700K	A799110200		P111-11	
3		Ozone filter/1	3	4500K	A799112300		P115-2	
4		Ozone filter/2	1	4500K	A799112200		P4-16	
5		Waste toner box	1	600K	A03UR70200	B,C,I	P53-8	
5	Waste toner box	1	600K	A1DUR70W00	A,D1,D3,E,F2,G1,G2,	P53-8		
6	Photo conductor section	Drum	1					
7		Drum separation claws	3	900K	A0G6345600		P44-30	
8		Drum fixing spring	1	900K	A799330000		P14-27	
9		Drum positioning collar	1	900K	25SA20150		P14-8	
10		Drum temperature sensor (TH5)	1	2700K	A4EUR70200		P43-8	
11	Transfer separation section	Transfer electrode plate	2	4000K	A4EUR70C00		P81-5	
12		Transfer ground plate	1	4000K	A4EUR70B00		P82-7	
13		Cleaning shaft electrode plate	2	4000K	65AA26890		P74-3	
14		Transfer belt	1	5000K	A0G6500113		P82-3	
15		Transfer belt cleaning brush	2	5000K	A4EU510600		P74-13	
16		Transfer roller	1	5000K	A4EU500600		P81-4	
17		Transfer roller bearing	2	5000K	A0G6503900		P81-3	
18		Regulating plate Assy	2	5000K	A4EUR70000		P73-18	
19		Transfer belt cleaning shaft	2	5000K	A0G6510700		P74-4	
20		Transfer belt cleaning unit	1	10000K	A4EUR70D44		P73-16	
21	Charging corona	Charger cleaning Assy	2	900K	A4EUR70800		P36-9	
22		Charger control plate	1	900K	A4EUR70900		P36-10	
23		Charging wire	2	900K	56UA25090		P37-10	
24		Vibration proof rubber	2	900K	55VA25270		P37-6	
25		C-clip	2	900K	45AA20400		P36-2	
26		Charger unit	1	7200K	A799R70R11		P36-1	
27	Developing section	Developer	1					
28		Developing suction filter	1	1800K	A4EU390800		P35-8	
29		Developing suction seal/2	2	7200K	56UA31030		P35-2	
30		Developing suction seal/5	1	7200K	56UA31060		P35-6	
31		Stopper pad/1	2	7200K	A4EU394600		P35-3	
32		Suction pad/H	1	7200K	A0G6394400		P35-4	
33		Stopper pad/2	2	7200K	A4EU394700		P35-7	
34		Developing unit	1	7200K	A799R71F00		P49-9	
35	Cleaning section	Discharging wire	1	900K	A0G6470800		P39-8	
36		Drum cleaning blade	2	900K	A0G6535000		P47-15	
37		Drum scraper Assy	1	900K	A4EUR71100		P46-14	
38		Vibration proof rubber	1	900K	55VA25270		P39-10	
39		Drum cleaning brush	1	1800K	A4EUR70K00		P47-22	
40		Scattering prevention felt	1	1800K	55VA55680		P46-6	
41		Scatter preventive filter	1	18000K	A4EUR71200		P46-15	
42		Cleaning guide Assy	1	3600K	A4EUR71300		P48-14	
43		Side plate Assy/Fr	1	*1 10800K	A4EUR70G00		P47-18	
43			1	*2 3600K	A4EUR70G00		P47-18	
44		Side plate Assy/Rr	1	*1 10800K	A4EUR70H00		P47-19	
44			1	*2 3600K	A4EUR70H00		P47-19	
45		Drum cleaning shaft scraper Assy	1	*1 7200K	A4EUR70J00		P45-14	
45			1	*2 3600K	A4EUR70J00		P45-14	
46	Discharging unit	1	5400K	A4EUR75K00		P39-9		
47	Drum cleaning shaft	1	*1 14400K	A0G6530500		P46-7		
47		1	*2 10800K	A0G6530500		P46-7		
48	Drum cleaning gear Assy/Rr	1	10800K	A4EUR70F00		P46-13		

No.	Section	PM Parts Description	Maintenance Cycle (K=1,000)		Parts No.	Destinations	Page/Key	Note
			QTY	Replace				
49	Cleaning section	Drum cleaning gear/3	2	23400K	A0G6532700		P46-10	
50	Toner supply section	Agitator plate Assy/1	1	1800K	A4EUR70500		P52-5	
51		Agitator plate Assy/2	1	1800K	A4EUR70600		P52-6	
52		Hopper Agitator motor (M10)	1	36000K	A0Y5M10400		P51-5	
53		Intermediate hopper motor (M11)	1	36000K	A1TVM10311		P52-4	
54		Toner bottle motor (M6)	1	36000K	A0PNM10200		P51-4	
55	Paper feed section	Pick-up roller/1, pick-up roller/2	2	500K	A4EUR71511		P25-27/P34-27	
56		Paper feed roller/1, /2	2	500K	A4EUR71411		P25-26/P34-26	
57		Separation roller/1, /2	2	500K	A4EUR71411		P24-27/P33-27	
58		Paper feed clutch/1 (CL4)	1	2000K	56AA82012		P25-8	
59		Paper feed clutch/2 (CL6)	1	2000K	56AA82012		P34-8	
60		Torque limiter/1, /2	2	6000K	A03X565611		P24-14/P33-14	
61		Cover/1, /2	2	6000K	A0G6572000		P24-20/P33-20	
62		Input gear/1, /2	2	6000K	A0G6602300		P24-22/P33-22	
63		Bearing/D	6	21600K	A00J617900		P24-12/P33-12	
64		Bearing/C	2	21600K	A00V240600		P24-13/P33-13	
65		Reverse rotation shaft	2	21600K	A4EW570800		P24-28/P33-28	
66	Paper feed input shaft	2	21600K	A4EUR72K11		P24-26/P33-26		
67	Vertical conveyance section	Pre-registration clutch/1 (CL1)	1	2000K	56AA82012		P56-8	
68		Pre-registration clutch/2 (CL3)	1	2000K	56AA82012		P56-8	
69		Vertical conveyance clutch (CL2)	1	2000K	56AA82012		P57-6	
70		Paper fur brush	1	3000K	A4EUR73000		P57-15	
71		Vertical conveyance torque limiter	1	6000K	57GA44300		P55-10	
72		Conveyance roller/2	1	6000K	A0G6700300		P57-14	
73		Conveyance roller/3	1	6000K	A0G6700200		P57-13	
74		Pre-registration roller/1, /2	2	6000K	A0G6700100		P56-19	
75		Pre-registration bearing/1, /2	4	6000K	56UA76030		P56-10	
76		Paper dust removing brush shaft Assy	1	12000K	A4EUR71600		P57-16	
77		Vertical conveyance exit roller	1	12000K	A4EU701200		P56-20	
78		Vertical conveyance roller/1	1	12000K	A4EU701300		P56-21	
79	Conveyance pulley	2	21600K	55VA76530E		P57-5		
80	Conveyance belt/A	1	21600K	56UA78090		P57-7		
81	Bearing/E	5	21600K	A00J617800		P56-17/P57-11		
82	Cleaning gear/B	1	21600K	55VA79210		P56-7		
83	Scraper bearing	1	21600K	56UA44170		P56-9		
84	Paper dust removing brush holder	1	24000K	A4EUR70N00		P56-22		
85	Paper feed cleaning gear/B	1	36000K	56UA77160		P56-12		
86	Paper feed gear/A	1	36000K	56UA77170E		P56-13		
87	Paper feed gear/B	1	36000K	56UA77180E		P56-14		
88	Paper exit input gear	1	36000K	56UA77070F		P56-11		
89	Registration section	Registration roller gear	1	6000K	56UA77560		P79-12	
90		Registration roller/Up	1	6000K	56UA46061E		P80-6	
91		Registration roller bearing/Up	2	6000K	A4EU715400		P80-20	
92		Registration gear/Up	1	6000K	A0G6714200		P80-14	
93		Registration gear/Lw	1	6000K	A0G6714300		P79-21	
94		Paper lift sheet	1	18000K	A0G6712100		P79-18	
95		Loop driven roller	1	18000K	A4EU818000		P79-25	
96	Duplex section	Registration motor gear	1	6000K	A799814600		P64-13	
97		Paper exit conveyance roller/1	1	12000K	A4EU817400		P67-22	
98		Paper exit conveyance roller Assy/2	1	12000K	A4EUR70100		P67-28	
99		ADU Accelerate roller	1	12000K	A4EU817100		P67-20	
100		Reverse exit roller	1	12000K	A4EU817200		P67-21	
101		ADU reverse roller	1	12000K	A4EU817600		P67-23	
102		ADU conveyance roller/1	1	12000K	A4EU817500		P68-13	
103		ADU conveyance roller/2	1	12000K	A4EU817500		P68-13	
104		ADU conveyance roller/3	1	12000K	A4EU817700		P62-16	
105		ADU conveyance roller/4	1	12000K	A4EU817700		P62-16	
106		ADU conveyance roller/5	1	12000K	A4EU817700		P68-14	

bizhub PRO 1100

No.	Section	PM Parts Description	Maintenance Cycle (K=1,000)		Parts No.	Destinations	Page/Key	Note
			QTY	Replace				
107	Duplex section	Registration motor (M17)	1	36000K	A1TVM10100		P64-7	
108		ADU conveyance motor belt/2	1	36000K	56UA78080		P62-7	
109		ADU conveyance motor/2 (M16)	1	36000K	A4EUR73W00		P62-19	
110		ADU reverse motor belt	1	36000K	13GQ77550		P67-1	
111		ADU reverse motor (M12)	1	36000K	A4EUR73Q00		P67-27	
112		Transfer belt pressure release motor (M26)	1	36000K	A4EUR77300		P71-12	
113		Reverse exit motor belt	1	36000K	56UA78060		P63-10	
114		Reverse exit motor (M13)	1	36000K	A4EUR73Q00		P63-18	
115		ADU Accelerate motor belt	1	36000K	A0G6819400		P61-5	
116		ADU paper exit roller belt	1	36000K	A4EU822100		P67-24	
117		ADU Accelerate motor (M14)	1	36000K	A4EUR73Q00		P61-8	
118		Loop motor (M18)	1	36000K	A4EUR73X00		P62-18	
119	Transfer belt motor (M30)	1	36000K	A0R5M10300		P65-16		
120	ADU conveyance motor/1 belt	1	36000K	A1TT211400		P68-12		
121	ADU conveyance motor/1 (M15)	1	36000K	A03UM11100		P68-6		
122	Fusing section	Fusing cleaning web	1	900K	A0G6731400		P84-7	
123		Fusing roller/Up	1	1800K	A799730400		P86-6	
124		Heat insulating sleeve/Up	2	1800K	454053391		P86-1	
125		Fusing bearing/Up	2	1800K	A5AW745200		P86-5	
126		Fusing roller Assy/Lw	1	1800K	A4EWR70E00		P87-17	
127		Fusing separating claw/Up	6	1800K	56UA54530		P90-2	
128		Fusing separating claw/Lw	2	1800K	25AA53290		P90-1	
129		Fusing cleaning sheet Assy	1	*1 3600K	A4EUR70U00		P87-15	
129			1	*2 1800K	A4EUR70U00		P87-15	
130		Fusing temperature sensor/2 (TH2)	1	1800K	A50UM50400		P88-8	
131		Fusing heater lamp/1 (L1)	1	*1 9000K	A799M33000		P86-7	
131			1	*2 3600K	A799M33000		P86-7	
132		Fusing heater lamp/2 (L2)	1	*1 9000K	A799M33100		P86-8	
132			1	*2 3600K	A799M33100		P86-8	
133		Fusing heater lamp/3 (L3)	1	*1 9000K	55VB83042		P87-5	
133			1	*2 3600K	55VB83042		P87-5	
134		Neutralizing brush/2	1	3600K	A799741600		P85-10	
135		Fusing heating roller	1	*1 9000K	56UA53070		P87-6	
135			1	*2 3600K	56UA53070		P87-6	
136		Heat roller bearing	2	*1 9000K	56UA75070		P87-9	
136			2	*2 3600K	56UA75070		P87-9	
137		Heat insulating sleeve/Lw	2	*1 9000K	26AA53150		P87-2	
137			2	*2 3600K	26AA53150		P87-2	
138		Fusing temperature sensor/4 (TH4)	1	3600K	55VA88061		P87-4	
139	Fusing gear/2	1	7200K	A0G6726000		P86-3		
140	Fusing cleaning roller	1	12600K	56UA53530		P84-1		
141	Fusing cleaning roller bearing	2	12600K	A4EU732602		P84-13		
142	Fusing oscillation cam Assy	1	21600K	A799R70V00		P85-13		
143	Fusing claws installation Assy	6	21600K	A4EUR73200		P90-17		
144	Web regulating spring Assy	1	21600K	A4EUR70T00		P84-14		
145	Bearing/G	1	21600K	56UA760900		P84-3		
146	De-curler section	Fusing exit roller	4	6000K	A799840600		P76-17	
147		De-curler belt/Up	7	6000K	A799846400		P77-16	
148		Guide/Up	1	6000K	A0G6845100		P76-9	
149		De-curler entrance roller	1	12000K	A4EU840700		P76-14	
150		Reverse gate	7	12000K	56UA47600		P75-4	
151		Coupling	1	12000K	A4EU847000		P76-15	
152		Reverse exit solenoid (SD7)	1	36000K	A4EUR74A00		P78-10	
153		De-curler solenoid/Up (SD8)	1	36000K	A4EUR74900		P78-9	
154		De-curler motor (M32)	1	36000K	A0PNM10200		P77-10	
155	Paper exit section	Main body paper exit roller	1	6000K	56UA45571E		P83-2	
156	Main body rear side	Paper feed motor (M4)	1	36000K	65AA80021		P11-10	
157		Paper feed gear	1	36000K	A4EU239100		P11-14	

bizhub PRO 1100

No.	Section	PM Parts Description	Maintenance Cycle (K=1,000)		Parts No.	Destinations	Page/Key	Note
			QTY	Replace				
158	Main body rear side	Vertical conveyance motor (M8)	1	36000K	A1TVM10100		P12-7	
159		Conveyance gear	1	36000K	56UA77061E		P12-1	
160		Developing screw motor (M21)	1	36000K	A0PNM10200		P14-21	
161		Fusing gear	1	36000K	A0G6237201		P16-5	
162		Transfer belt cleaning motor (M5)	1	36000K	A0PNM10200		P12-6	
163		Paper exit conveyance motor (M31)	1	36000K	A0PNM10200		P15-14	
164		Paper exit motor (M20)	1	36000K	A0PNM10200		P15-14	
165		Fusing motor (M1)	1	36000K	65AA80021		P16-3	
166		Drum motor (M2)	1	36000K	A0PNM10200		P13-12	
167		Developing motor (M3)	1	36000K	15AA80050		P14-5	
168		Waste toner motor (M9)	1	36000K	A0PNM10200		P54-8	
169	Belt cleaning gear	1	36000K	A0G6250601		P12-4		
170	Drum cleaner motor (M35)	1	36000K	A0R5M10300		P13-13		
171	DF-702	Pick-up roller	2	200K	9J07330102		P97-6	Spotted replacement parts
172		Paper feed roller	1	200K	A00J563600		P97-24	Spotted replacement parts
173		Separation roller	1	200K	A108563900		P98-16	Spotted replacement parts

Note

The replacement cycle of the specified periodically replaced parts differs according to the setting of DIPSW.

*1 DIPSW55-3=1

*2 DIPSW55-3=0 (Default)

メンテナンスリスト

● ページ / キーナンバーのないものは、アフターサービス部品ではありません。

No.	区分	P M 部品名称	サイクル (K=1,000)		部品番号	仕向地	頁 / キー	備考
			員数	交換				
1	本体	帯電フィルター	1	2700K	A4EUR90000	B,C,I A,D1,D3,E,F2,G1,G2,H,J	P111-9	
2		フィルタープレート	1	2700K	A799110200		P111-11	
3		オゾンフィルター /1	3	4500K	A799112300		P115-2	
4		オゾンフィルター /2	1	4500K	A799112200		P4-16	
5		廃棄トナーボックス	1	600K	A03UR70200		P53-8	
5		廃棄トナーボックス	1	600K	A1DUR70W00		P53-8	
6	感光体部	ドラム	1					
7		ドラム分離爪	3	900K	A0G6345600		P44-30	
8		ドラム固定スプリング	1	900K	A799330000		P14-27	
9		ドラム位置決めカラー	1	900K	25SA20150		P14-8	
10		ドラム温度センサー (TH5)	1	2700K	A4EUR70200		P43-8	
11	転写 / 分離部	転写電極板	2	4000K	A4EUR70C00		P81-5	
12		転写アース板	1	4000K	A4EUR70B00		P82-7	
13		クリーニング軸電極板	2	4000K	65AA26890		P74-3	
14		転写ベルト	1	5000K	A0G6500113		P82-3	
15		転写ベルト クリーニングブラシ	2	5000K	A4EU510600		P74-13	
16		転写ローラー	1	5000K	A4EU500600		P81-4	
17		転写ローラー軸受	2	5000K	A0G6503900		P81-3	
18		規制板 Assy	2	5000K	A4EUR70000		P73-18	
19		転写ベルト クリーニング軸	2	5000K	A0G6510700		P74-4	
20		転写ベルト クリーニングユニット	1	10000K	A4EUR70D44		P73-16	
21	帯電極	帯電清掃 Assy	2	900K	A4EUR70800		P36-9	
22		帯電制御プレート	1	900K	A4EUR70900		P36-10	
23		帯電ワイヤー	2	900K	56UA25090		P37-10	
24		防振ゴム	2	900K	55VA25270		P37-6	
25		Cクリップ	2	900K	45AA20400		P36-2	
26		帯電極ユニット	1	7200K	A799R70R11		P36-1	
27	現像部	現像剤	1					
28		現像サクシオンフィルター	1	1800K	A4EU390800		P35-8	
29		現像サクシオンシール /2	2	7200K	56UA31030		P35-2	
30		現像サクシオンシール /5	1	7200K	56UA31060		P35-6	
31		突き当てパッド /1	2	7200K	A4EU394600		P35-3	
32		サクシオンパッド /H	1	7200K	A0G6394400		P35-4	
33		突き当てパッド /2	2	7200K	A4EU394700		P35-7	
34		現像ユニット	1	7200K	A799R71F00		P49-9	
35	クリーニング部	放電ワイヤー	1	900K	A0G6470800		P39-8	
36		ドラムクリーニングブレード	2	900K	A0G6535000		P47-15	
37		ドラムスクレーパー Assy	1	900K	A4EUR71100		P46-14	
38		防振ゴム	1	900K	55VA25270		P39-10	
39		ドラムクリーニングブラシ	1	1800K	A4EUR70K00		P47-22	
40		飛散防止フェルト	1	1800K	55VA55680		P46-6	
41		飛散防止フィルター Assy	1	18000K	A4EUR71200		P46-15	
42		クリーニングガイド	1	3600K	A4EUR71300		P48-14	
43		サイドプレート Assy/Fr	1	*1 10800K	A4EUR70G00		P47-18	
43			1	*2 3600K	A4EUR70G00		P47-18	
44		サイドプレート Assy/Rr	1	*1 10800K	A4EUR70H00		P47-19	
44			1	*2 3600K	A4EUR70H00		P47-19	
45		ドラムクリーニング軸スクレーパー Assy	1	*1 7200K	A4EUR70J00		P45-14	
45			1	*2 3600K	A4EUR70J00		P45-14	
46	放電ユニット	1	5400K	A4EUR75K00		P39-9		
47	ドラムクリーニング軸	1	*1 14400K	A0G6530500		P46-7		
47		1	*2 10800K	A0G6530500		P46-7		
48	ドラムクリーニングギア Assy/Rr	1	10800K	A4EUR70F00		P46-13		

No.	区分	P M 部品名称	サイクル (K=1,000)		部品番号	仕向地	頁 / キー	備考
			員数	交換				
49	クリーニング部	ドラムクリーニングギア /3	2	23400K	A0G6532700		P46-10	
50	トナー補給部	攪拌板 Assy/1	1	1800K	A4EUR70500		P52-5	
51		攪拌板 Assy/2	1	1800K	A4EUR70600		P52-6	
52		ホッパー攪拌モーター (M10)	1	36000K	A0Y5M10400		P51-5	
53		中間ホッパーモーター (M11)	1	36000K	A1TVM10311		P52-4	
54		トナーボトルモーター (M6)	1	36000K	A0PNM10200		P51-4	
55	給紙部	給紙部ピックアップローラー /1、/2	2	500K	A4EUR71511		P25-27/P34-27	
56		給紙ローラー /1、/2	2	500K	A4EUR71411		P25-26/P34-26	
57		分離ローラー /1、/2	2	500K	A4EUR71411		P24-27/P33-27	
58		給紙クラッチ /1 (CL4)	1	2000K	56AA82012		P25-8	
59		給紙クラッチ /2 (CL6)	1	2000K	56AA82012		P34-8	
60		トルクリミッター /1、/2	2	6000K	A03X565611		P24-14/P33-14	
61		カバー /1、/2	2	6000K	A0G6572000		P24-20/P33-20	
62		入力ギア /1、/2	2	6000K	A0G6602300		P24-22/P33-22	
63		軸受 /D	6	21600K	A00J617900		P24-12/P33-12	
64		軸受 /C	2	21600K	A00V240600		P24-13/P33-13	
65		逆転軸	2	21600K	A4EW570800		P24-28/P33-28	
66		給紙入力軸	2	21600K	A4EUR72K11		P24-26/P33-26	
67	垂直搬送部	垂直搬送部プレジストクラッチ /1 (CL1)	1	2000K	56AA82012		P56-8	
68		プレジストクラッチ /2 (CL3)	1	2000K	56AA82012		P56-8	
69		垂直搬送クラッチ (CL2)	1	2000K	56AA82012		P57-6	
70		紙粉取りブラシ	1	3000K	A4EUR73000		P57-15	
71		垂直搬送トルクリミッター	1	6000K	57GA44300		P55-10	
72		搬送ローラー /2	1	6000K	A0G6700300		P57-14	
73		搬送ローラー /3	1	6000K	A0G6700200		P57-13	
74		プレジストローラー /1、/2	2	6000K	A0G6700100		P56-19	
75		プレジスト軸受 /1、/2	4	6000K	56UA76030		P56-10	
76		紙粉取りブラシ軸 Assy	1	12000K	A4EUR71600		P57-16	
77		垂直搬送出口ローラー	1	12000K	A4EU701200		P56-20	
78		垂直搬送ローラー /1	1	12000K	A4EU701300		P56-21	
79		搬送ブリー	2	21600K	55VA76530E		P57-5	
80		搬送ベルト /A	1	21600K	56UA78090		P57-7	
81		軸受 /E	5	21600K	A00J617800		P56-17/P57-11	
82		クリーニングギア /B	1	21600K	55VA79210		P56-7	
83		スクレーパー軸	1	21600K	56UA44170		P56-9	
84		紙粉取りブラシホルダー	1	24000K	A4EUR70N00		P56-22	
85	給紙清掃ギア /B	1	36000K	56UA77160		P56-12		
86	給紙ギア /A	1	36000K	56UA77170E		P56-13		
87	給紙ギア /B	1	36000K	56UA77180E		P56-14		
88	排紙入力ギア	1	36000K	56UA77070F		P56-11		
89	レジスト部	レジストローラーギア	1	6000K	56UA77560		P79-12	
90		レジストローラー /Up	1	6000K	56UA46061E		P80-6	
91		レジストローラー軸受 /Up	2	6000K	A4EU715400		P80-20	
92		レジストギア /Up	1	6000K	A0G6714200		P80-14	
93		レジストギア /Lw	1	6000K	A0G6714300		P79-21	
94		用紙持ち上げシート	1	18000K	A0G6712100		P79-18	
95	ループ従動ローラー	1	18000K	A4EU818000		P79-25		
96	両面部	レジストモーターギア	1	6000K	A799814600		P64-13	
97		排紙搬送ローラー /1	1	12000K	A4EU817400		P67-22	
98		排紙搬送ローラー Assy/2	1	12000K	A4EUR70100		P67-28	
99		ADU 加速ローラー	1	12000K	A4EU817100		P67-20	
100		反転排紙ローラー	1	12000K	A4EU817200		P67-21	
101		ADU 反転ローラー	1	12000K	A4EU817600		P67-23	
102		ADU 搬送ローラー /1	1	12000K	A4EU817500		P68-13	
103		ADU 搬送ローラー /2	1	12000K	A4EU817500		P68-13	
104		ADU 搬送ローラー /3	1	12000K	A4EU817700		P62-16	
105		ADU 搬送ローラー /4	1	12000K	A4EU817700		P62-16	
106		ADU 搬送ローラー /5	1	12000K	A4EU817700		P68-14	

No.	区分	P M 部品名称	サイクル (K=1,000)		部品番号	仕向地	頁 / キー	備考
			員数	交換				
107	両面部	レジスト モーター (M17)	1	36000K	A1TVM10100		P64-7	
108		ADU 搬送モーターベルト /2	1	36000K	56UA78080		P62-7	
109		ADU 搬送モーター /2 (M16)	1	36000K	A4EUR73W00		P62-19	
110		ADU 反転モーターベルト	1	36000K	13GQ77550		P67-1	
111		ADU 反転モーター (M12)	1	36000K	A4EUR73Q00		P67-27	
112		転写ベルト 圧着解除モーター (M26)	1	36000K	A4EUR77300		P71-12	
113		反転排紙モーターベルト	1	36000K	56UA78060		P63-10	
114		反転排紙モーター (M13)	1	36000K	A4EUR73Q00		P63-18	
115		ADU 加速モーターベルト A0G68194	1	36000K	A0G6819400		P61-5	
116		ADU 排紙ローラーベルト	1	36000K	A4EU822100		P67-24	
117		ADU 加速モーター (M14)	1	36000K	A4EUR73Q00		P61-8	
118		ループモーター (M18)	1	36000K	A4EUR73X00		P62-18	
119	転写ベルト モーター (M30)	1	36000K	A0R5M10300		P65-16		
120	ADU 搬送モーター /1 ベルト	1	36000K	A1TT211400		P68-12		
121	ADU 搬送モーター /1 (M15)	1	36000K	A03UM11100		P68-6		
122	定着部	定着クリーニングウェブ	1	900K	A0G6731400		P84-7	
123		定着ローラー /Up	1	1800K	A799730400		P86-6	
124		断熱スリーブ /Up	2	1800K	454053391		P86-1	
125		定着軸受 /Up	2	1800K	A5AW745200		P86-5	
126		定着ローラー Assy/Lw	1	1800K	A4EWR70E00		P87-17	
127		定着分離爪 /Up	6	1800K	56UA54530		P90-2	
128		定着分離爪 /Lw	2	1800K	25AA53290		P90-1	
129		定着清掃シート Assy	1	*1 3600K	A4EUR70U00		P87-15	
129			1	*2 1800K	A4EUR70U00		P87-15	
130		定着温度センサー /2 (TH2)	1	1800K	A50UM50400		P88-8	
131		定着ヒーターランプ /1 (L1)	1	*1 9000K	A799M33000		P86-7	
131			1	*2 3600K	A799M33000		P86-7	
132		定着ヒーターランプ /1 (L2)	1	*1 9000K	A799M33100		P86-8	
132			1	*2 3600K	A799M33100		P86-8	
133		定着ヒーターランプ /3 (L3)	1	*1 9000K	55VB83042		P87-5	
133			1	*2 3600K	55VB83042		P87-5	
134		除電ブラシ /2	1	3600K	A799741600		P85-10	
135		定着加熱ローラー	1	*1 9000K	56UA53070		P87-6	
135			1	*2 3600K	56UA53070		P87-6	
136		加熱ローラー軸受	2	*1 9000K	56UA75070		P87-9	
136			2	*2 3600K	56UA75070		P87-9	
137		断熱スリーブ /Lw	2	*1 9000K	26AA53150		P87-2	
137			2	*2 3600K	26AA53150		P87-2	
138		定着温度センサー /4 (TH4)	1	3600K	55VA88061		P87-4	
139	定着ギア /2	1	7200K	A0G6726000		P86-3		
140	定着清掃ローラー	1	12600K	56UA53530		P84-1		
141	定着清掃ローラー軸受	2	12600K	A4EU732602		P84-13		
142	定着揺動カム Assy	1	21600K	A799R70V00		P85-13		
143	定着爪取り 付け Assy	6	21600K	A4EUR73200		P90-17		
144	ウェブ規制バネ Assy	1	21600K	A4EUR70T00		P84-14		
145	軸受 /G	1	21600K	56UA760900		P84-3		
146	デカーラー部	定着出口ローラー	4	6000K	A799840600		P76-17	
147		デカーラーベルト /Up	7	6000K	A799846400		P77-16	
148		ガイド /Up	1	6000K	A0G6845100		P76-9	
149		デカーラー入口ローラー	1	12000K	A4EU840700		P76-14	
150		反転ゲート	7	12000K	56UA47600		P75-4	
151		カップリング	1	12000K	A4EU847000		P76-15	
152		反転排紙ソレノイド (SD7)	1	36000K	A4EUR74A00		P78-10	
153		デカーラーソレノイド /Up (SD8)	1	36000K	A4EUR74900		P78-9	
154	デカーラーモーター (M32)	1	36000K	A0PNM10200		P77-10		
155	排紙部	本体排紙ローラー	1	6000K	56UA45571E		P83-2	
156	本体背面	給紙モーター (M4)	1	36000K	65AA80021		P11-10	
157		給紙ギア	1	36000K	A4EU239100		P11-14	

No.	区分	P M 部品名称	サイクル (K=1,000)		部品番号	仕向地	頁 / キー	備考
			員数	交換				
158	本体背面	垂直搬送モーター (M8)	1	3600K	A1TVM10100		P12-7	
159		搬送ギア	1	3600K	56UA77061E		P12-1	
160		現像スクリーモーター (M21)	1	3600K	A0PNM10200		P14-21	
161		定着ギア	1	3600K	A0G6237201		P16-5	
162		転写ベルト 清掃モーター (M5)	1	3600K	A0PNM10200		P12-6	
163		排紙搬送モーター (M31)	1	3600K	A0PNM10200		P15-14	
164		排紙モーター (M20)	1	3600K	A0PNM10200		P15-14	
165		定着モーター (M1)	1	3600K	65AA80021		P16-3	
166		ドラムモーター (M2)	1	3600K	A0PNM10200		P13-12	
167		現像モーター (M3)	1	3600K	15AA80050		P14-5	
168		廃トナーモーター (M9)	1	3600K	A0PNM10200		P54-8	
169		ベルトクリーニングギア	1	3600K	A0G6250601		P12-4	
170	ドラムクリーナーモーター (M35)	1	3600K	A0R5M10300		P13-13		
171	DF-702	ピックアップローラー	2	200K	9J07330102		P97-6	スポット 交換部品
172		給紙ローラー	1	200K	A00J563600		P97-24	スポット 交換部品
173		分離ローラー	1	200K	A108563900		P98-16	スポット 交換部品

注記

特定の定期交換部品は、DIPSW の設定により交換サイクルが異なる。

*1 DIPSW55-3=1

*2 DIPSW55-3=0 (デフォルト)

DESTINATION

Destination No.		Destinations		V	Hz	Model No.
A	A1	JAPAN		200	50/60	A799001
	A2	JAPAN		200	50/60	A799001
B		USA, CANADA		208-240	60	A799011/ A799012
C		EUROPEAN TYPE		220-240	50/60	A799021
D	D1	S.E ASIA TYPE	THAILAND, SRI LANKA, SINGAPORE, MALAYSIA, HONG KONG, PAKISTAN, INDIA, BANGLADESH, INDONESIA	220-240	50/60	A799041
	D3	OCEANIA TYPE	AUSTRALIA, NEW ZEALAND	220-240	50/60	A799051
E		PHILIPPINES		220-240	50/60	A799041
F	F1	SAUDI ARABIA				
	F2	SAUDI ARABIA		220-240	50/60	A799041
G	G1	C.S AMERICA		220-240	50/60	A799041
	G2	C.S AMERICA		208-240	60	A799011
H		TAIWAN		220	60	A799071
I		JORDAN, LEBANON, SYRIA, SOUTH AFRICA, IRAQ, IRAN, N.YEMEN, CAMEROON, UAE, BAHRAIN, OMAN, QATAR, KUWAIT, KENYA, TUNISIA, IVORY COAST, MOROCCO		220-240	50/60	A799021/ A799041
J		CHINA		220-240	60	A799081
K		KOREA		220-240	50/60	A799091

bizhub PRO 1100