

KONICA MINOLTA

# *PARTS GUIDE MANUAL*

---

*MAY 2013*

*bizhub PRO 1200P*  
*A0GA*

## INFORMATION FOR PARTS GUIDE MANUAL

To find correct Parts No., refer to the "HOW TO MAKE THE BEST USE OF THIS MANUAL" in the following page.

### HOW TO MAKE THE BEST USE OF THIS MANUAL

- 1 When you order, please check the proper figures beforehand that are on Our Parts Guide Manual, and order with the appropriate figures.
- 2 For screws, Nuts, Washers, retaining rings and Pins which are used in this model, one letter is shown on the Standard parts column of Parts list and exploded diagrams.
- 3 In order to maintain safety of the product, some specific parts composed of this product are set up as "essential safety parts".
- 4 The assigned parts number for the "essential safety parts" is indicated as "SP00-\*\*\*\*".  
When replacing these parts, follow precautions for disassembling and installing which are listed in the Service Manual.  
Do not use any parts that are not set up as
- 5 ♣ means that there are exclusive parts for each destination.  
Please check the appropriate destination when you order.
- 6 Revision Mark  
Marked as ▲ on the illustration shows that the revision has been made.
- 7 All rights reserved. (any reprints or quotations are prohibited.)  
Use of this parts guide manual should be strictly supervised to avoid disclosure of confidential information.

## パーツガイドマニュアルのご案内

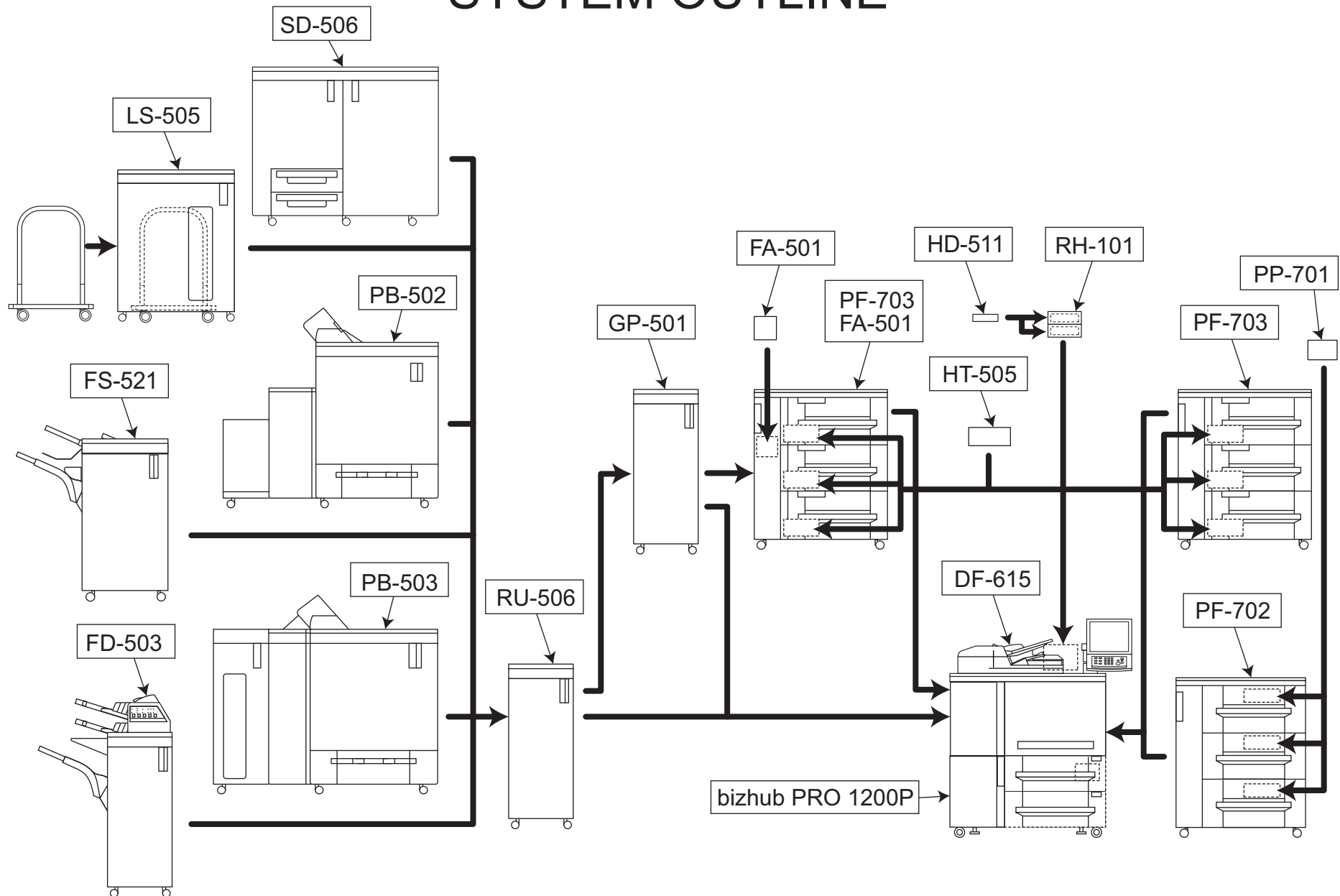
サービス部品をご発注の際には、下記に示す“パーツガイドマニュアルの活用にあたって”をご参照の上、正しい部品番号にてお願い致します。

### パーツガイドマニュアルの活用にあたって

- 1 部品発注の際には、掲載されている部品番号の桁数を確認し、掲載されている桁数で発注願います。
- 2 この製品に使用されているネジ、ナット、ワッシャー、止め輪、ピンなどは、リストの右側の Standard parts 欄に a,b,c,……で表示し、イラストにも a,b,c,……表示してあります。
- 3 製品の安全性を維持する為に、製品に使用される特定の部品を「重要保安部品」として設定しています。
- 4 重要保安部品の部品番号は、“SP00-\*\*\*\*”と記載されていますので、部品交換時は、サービスマニュアル記載の分解・組み立ての注意事項に従って作業をして下さい。  
また、指定以外の部品は一切使用しないで下さい。
- 5 本文に ♣ が表示されている部品は、仕向け地毎に専用部品がある事を意味しています。  
オーダーされる時は、仕向け地を確認して下さい。
- 6 改訂記号について  
イラスト上に ▲ 印が表示されている部分は、改訂された事を表します。
- 7 著作権所有（無断転載及び無断引用の禁止）  
本パーツガイドマニュアルについては、機密保持等その扱いには十分注意して下さい。万一取り扱いを誤った場合には、法律で処罰されることがあります。

06/26/2009

# SYSTEM OUTLINE

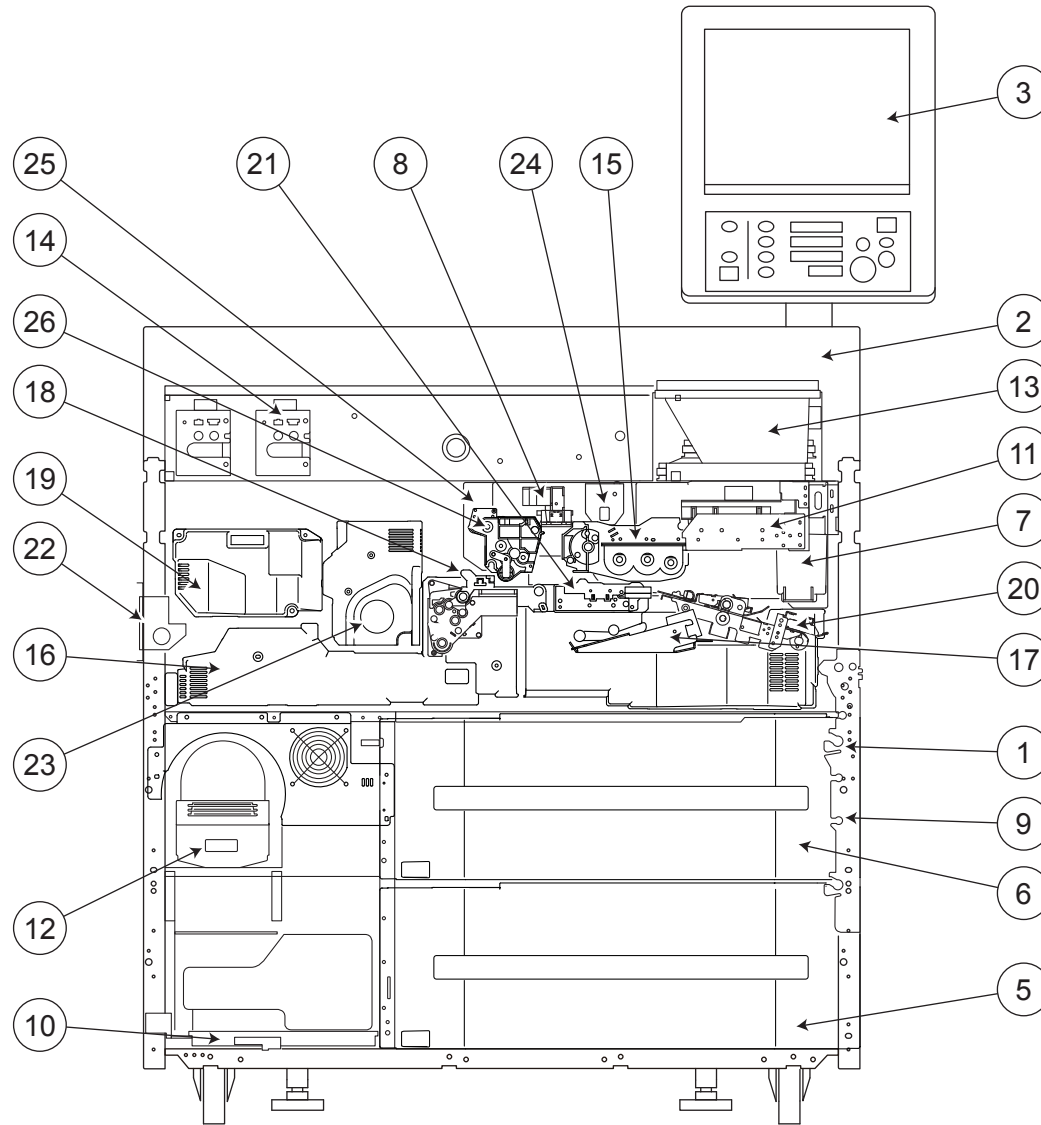


bizhub PRO 1200P

# GENERAL CONTENTS

No.	Description	Model
1	DIGITAL MFP B/W	bizhub PRO 1200P
2	PAPER FEEDER	PP-701
3	PAPER FEEDER	PF-702
4	PAPER FEEDER	PF-703
5	OTHER OPTION	RU-506
6	OTHER OPTION	FA-501
7	SORTER/FINISHER	FS-521
8	OTHER OPTION	FD-503
9	STACKER	LS-505
10	OTHER OPTION	SD-506
11	DOCUMENT FEEDER	DF-615
12	PUNCH UNIT	GP-501
13	OTHER OPTION	PB-502
14	OTHER OPTION	HD-511
15	OTHER OPTION	RH-101
16	OTHER OPTION	HT-505
17	OTHER OPTION	PB-503

# DIAGRAMS OF MAIN PARTS SECTION



bizhub PRO 1200P

# CONTENTS

No.	DESCRIPTION	名称	PAGE No.
1	MAIN FRAME	骨格	P1 P2 P3 P4 P5 P6 P7 P8
2	EXTERNAL PARTS	外装	P9 P10 P11
3	OPERATION UNIT	操作部	P12 P13 P14
4	DRIVING SECTION	駆動部	P15 P16 P17 P18 P19 P20
5	TRAY 1	トレイ1	P21 P22 P23 P24 P25 P26 P27 P28 P29
6	TRAY 2	トレイ2	P30 P31 P32 P33 P34 P35 P36 P37 P38
7	DEVELOPING SUCTION	現像サククション部	P39
8	CHARGE UNIT	帯電極ユニット	P40 P41
9	VERTICAL CONVEYANCE UNIT	垂直搬送ユニット	P42 P43 P44 P45
10	SWING TRAY UNIT	揺動トレイユニット	P46 P47
11	TONER CONVEYANCE MAIN BODY UNIT	トナー搬送本体ユニット	P48 P49
12	TONER SUPPLY PROTECTION UNIT	トナー補給ユニット	P50 P51 P52 P53
13	TONER SUPPLY MAIN BODY UPPER UNIT	トナー補給本体上ユニット	P54 P55
14	TONER PUMP UNIT	トナーポンプ部組	P56 P57
15	DEVELOPING UNIT	現像部	P58 P59
16	ADU	ADU	P60 P61 P62 P63 P64 P65 P66 P67 P68 P69 P70 P71
17	ADU TRANSFER PRESSURE UNIT	ADU 転写圧着ユニット	P72 P73
18	ADU BELT CLEANER UNIT	ADU ベルトクリーナーユニット	P74 P75
19	ADU DECURLER UNIT	ADU デカーラユニット	P76 P77 P78 P79
20	ADU REGIST UNIT	ADU レジストユニット	P80 P81
21	TRANSFER BELT UNIT	転写ベルトユニット	P82 P83
22	MAIN BODY PAPER EXIT UNIT	本体排紙ユニット	P84
23	FUSER UNIT	定着部	P85 P86 P87 P88 P89 P90 P91
24	SUPPORT STAY UNIT	支持ステー	P92
25	DRUM CARTRIDGE UNIT	ドラムカートリッジ部	P93 P94 P95 P96 P97 P98
26	DRUM CLEANING UNIT	ドラムクリーニングユニット	P99 P100 P101 P102
27	ELECTRIC PARTS	電装	P103 P104 P105 P106 P107 P108
28	JIG AND SERVICE MATERIAL	治具・サービス資材	P109
29	ACCESSORY PARTS	同梱部品	P110 P111

# INDEX

Parts No.	Page No.	Parts No.	Page No.	Parts No.	Page No.	Parts No.	Page No.	Parts No.	Page No.
000V-18-1	109-3	090076040	101-1	13QA85511	44-14	25AA40120	37-4	25SA66840D	46-20
000V-18-2	109-3	113620270	98-7	13QA85511	45-1	25AA40460	29-20	25SA77180	49-7
00M6-2-00	109-4	129X48350	23-14	13QA85511	61-28	25AA40460	38-20	25SA77180	54-5
00VC-2-00	109-2	129X48350	24-10	13QA85511	62-2	25AA40870	25-23	25SA88461	103-13
00VD-1000	109-5	129X48350	32-14	13QA85511	63-7	25AA40870	34-23	25SF88461	103-13
029420640	58-16	129X48350	33-10	13QA85511	68-4	25AA44180	60-7	26AA53150	87-19
048046040	42-26	129X48360	23-16	13QA85511	76-20	25AA44180	64-15	26MA74100	47-31
048046040	60-22	129X48360	24-11	13QA85511	79-20	25AA47500	65-17	26MA74100	75-20
048075010	23-6	129X48360	32-16	13QA85511	80-7	25AA47551	23-24	26NA73570	104-3
048075010	24-15	129X48360	33-11	13QA85511	81-13	25AA47551	32-24	26TA30770	102-6
048075010	32-6	12AJ45850	45-26	13QA85511	84-7	25AA47810	65-18	27LA73990	106-5
048075010	33-15	12AJ45850	63-11	13RJ10390	111-11	25AA50080	64-36	27LA80511	60-12
048610110	7-17	12AJ45850	68-8	13RN73120	104-1	25AA53290	88-21	27LA80511	64-4
048644480	85-23	12AJ45850	80-16	13RN73120	106-2	25AA53441	8-12	27LA80511	67-2
059076510	29-10	12QV40650	28-23	13SU15110	11-26	25AA53600	8-15	27LA80511	108-18
059076510	38-10	12QV40650	37-23	13SU15110	26-19	25AA55151	86-14	304078070	19-20
065075060	15-30	12QV40650	42-16	13SU15110	35-19	25AA55161	101-21	304078070	27-25
066079020	8-10	12QV40650	43-2	14GE45470	65-26	25AA55341	101-4	304078070	36-25
066079020	15-22	12QV40650	44-8	14GE45470	80-31	25AA55350	101-2	304078070	59-6
066079020	19-35	12QV40650	83-4	15AA80050	19-12	25AA55360	99-3	322076010	76-24
066079020	73-5	12QV75010	72-1	15AG57620	78-8	25AA55390	99-5	392010231	2-8
066079020	107-5	12VG40640	47-9	15AG77020	15-8	25AA55420	99-4	392010231	43-20
07BA12352	76-10	13GQ77550	65-25	15AJ50460	77-2	25AA55460	100-3	392010231	107-18
07BA15871	96-28	13GQ80032	49-17	15AJ50460	78-3	25AA55720	101-8	392010231	111-4
08AA76060	66-36	13KK73060	56-18	15BA10310	111-10	25AA75530	102-14	392014041	70-8
08AA76060	85-6	13KK73060	57-16	15BY160200	2-9	25AA77890	51-23	392015650	59-21
08AA85512	4-12	13NK50220	84-1	15SF75010	91-15	25AA80091	41-27	392053360	85-20
08AA85512	9-11	13NT80511	2-6	173030270	3-20	25AA85020	103-12	392053360	91-13
08AA85512	25-19	13NT80511	3-12	173030270	28-28	25AE89081	107-17	396040681	75-8
08AA85512	34-19	13NT80511	50-2	173030270	37-28	25BA32251	48-14	396040681	100-16
08AA85512	41-2	13NT80511	105-3	190040922E	81-28	25HA15210	100-18	396040681	101-33
08AA85512	47-23	13NT80511	107-32	20ER73110E	106-31	25SA10200	2-10	396076050	43-21
08AA85512	55-15	13NT80511	108-39	20ER73110E	108-12	25SA15270	19-11	396076050	100-10
08AA85512	56-14	13QA10330	80-20	20ER73120	106-32	25SA15280	19-10	4040M40100	12-10
08AA85512	57-12	13QA17730	77-27	20ER73120	108-11	25SA15390	15-38	4040PJP100	109-8
08AA85512	73-17	13QA17730	78-12	25AA10090	1-20	25SA20110	94-20	4040PJP200	109-9
08AA85512	99-16	13QA85511	25-13	25AA20321	41-18	25SA20150	19-2	40AA32290	78-5
090020510	94-17	13QA85511	27-20	25AA20321	98-24	25SA43310	62-15	40AA32290	95-19
090020510	100-11	13QA85511	34-13	25AA29770	98-30	25SA43310	64-8	40AA32290	96-12
090076040	46-12	13QA85511	36-20	25AA40120	28-4	25SA66840D	10-4	40AA53151	85-11

Parts No.	Page No.	Parts No.	Page No.	Parts No.	Page No.	Parts No.	Page No.	Parts No.	Page No.
40AA88031	48-1	554010550	19-29	55VA20830	97-4	55VA42111	25-16	55VA47830	69-22
40AA88031	51-6	554010900	15-26	55VA25060E	41-23	55VA42111	34-16	55VA47840	66-27
40BA75520	21-17	554010900	16-9	55VA25100	41-12	55VA42120	28-30	55VA47850	44-7
40BA75520	30-17	554010900	18-7	55VA25110	41-11	55VA42120	29-25	55VA47850	66-23
40LA73840	104-2	554010900	19-23	55VA25140	40-15	55VA42120	37-30	55VA47891	62-19
40LA73840	106-1	554010900	20-9	55VA25150	41-26	55VA42120	38-25	55VA47910	64-11
4470402401	25-17	55FA80521	104-10	55VA25200	41-17	55VA42120	43-27	55VA47970	64-35
4470402401	34-17	55FU20140	19-3	55VA25222G	41-28	55VA42120	44-21	55VA47980	64-29
4470402401	73-18	55GA32220	48-13	55VA25240	41-5	55VA42220	25-15	55VA47990	62-18
4470402401	85-25	55GA86010	9-13	55VA25270	41-22	55VA42220	34-15	55VA48500	17-20
450053391	89-14	55GA97250	106-4	55VA29040	98-1	55VA42330D	22-11	55VA48500	65-22
454053391	91-3	55TA75020	15-25	55VA29050	98-5	55VA42330D	31-11	55VA48500	84-10
45AA20400	40-7	55TA75020	19-9	55VA29140	98-4	55VA42340	22-10	55VA49050E	69-12
45AA20400	41-6	55TA75020	96-19	55VA29150	98-17	55VA42340	31-10	55VA49070	65-13
45AA20400	98-9	55TA84561	103-8	55VA30270D	49-6	55VA42420	25-5	55VA49080	65-12
462076010	65-15	55VA-2040	96-6	55VA30390D	59-5	55VA42420	34-5	55VA49131	65-14
466076020	4-22	55VA-5761	101-22	55VA30970	59-10	55VA44120	43-22	55VA49240	62-21
466076020	43-15	55VA12460	10-22	55VA30981	58-12	55VA44150	45-20	55VA49260	62-20
466076020	45-18	55VA15080	16-18	55VA32080	52-3	55VA44170	45-16	55VA49440	61-16
466076020	64-21	55VA15190	18-15	55VA32150	52-9	55VA44170	64-23	55VA53290	86-11
466076020	102-18	55VA15190	91-18	55VA32160	48-15	55VA46451	42-7	55VA53300	86-6
466078010	74-17	55VA15541	15-2	55VA32171	48-17	55VA46451	64-27	55VA53360	87-6
4960-3970	8-22	55VA15541	16-19	55VA32330D	48-16	55VA46451	79-10	55VA53450	87-10
496041890	8-14	55VA15570	15-18	55VA32430	52-22	55VA46451	81-7	55VA53650	88-18
496041930	8-21	55VA15570	18-18	55VA32530	3-19	55VA46490	62-12	55VA53721E	86-15
496041950	8-19	55VA15570	19-36	55VA32530	95-20	55VA46490	63-16	55VA53742	86-13
496041960	8-16	55VA15570	73-6	55VA40130	29-7	55VA47360	64-25	55VA53770	88-3
496076210	8-23	55VA15580	19-1	55VA40130	38-7	55VA47371	64-38	55VA53900	87-22
4960R70100	8-20	55VA15610	45-10	55VA40260	29-16	55VA47390	64-31	55VA53910	87-24
500075010	27-14	55VA20101E	94-21	55VA40260	38-16	55VA47450	60-8	55VA53970	86-8
500075010	36-14	55VA20290	94-19	55VA40380	25-26	55VA47450	61-25	55VA55101	101-18
500075010	65-4	55VA20310	3-22	55VA40380	34-26	55VA47450	63-14	55VA55110	101-3
504097340	111-9	55VA20310	6-27	55VA40460	25-24	55VA47450	80-8	55VA55130	101-30
50BA40220	28-7	55VA20370D	94-28	55VA40460	34-24	55VA47701	64-32	55VA55160	100-8
50BA40220	37-7	55VA20520	72-29	55VA40610	27-10	55VA47710	64-19	55VA55181	101-17
538088261	103-9	55VA20520	94-18	55VA40610	36-10	55VA47750	66-14	55VA55351	99-9
540015162	15-24	55VA20520	96-4	55VA40910	22-15	55VA47762E	64-18	55VA55361	99-11
540015162	19-38	55VA20590	98-35	55VA40910	31-15	55VA47770	64-16	55VA55380	101-6
540076090	51-19	55VA20630D	95-18	55VA40920D	22-17	55VA47800	64-39	55VA55400	100-21
554010550	15-20	55VA20680	98-15	55VA40920D	31-17	55VA47830	65-20	55VA55411D	100-6



Parts No.	Page No.	Parts No.	Page No.	Parts No.	Page No.	Parts No.	Page No.	Parts No.	Page No.
55VA55430	99-15	55VA79050	37-14	56AA17300	17-4	56AA17471	80-29	56AA32610	53-3
55VA55440	55-16	55VA79140	28-6	56AA17300	19-15	56AA17471	81-22	56AA32620	53-4
55VA55470	100-7	55VA79140	37-6	56AA17300	45-21	56AA17480	15-1	56AA32630	53-15
55VA55480	101-5	55VA79200	44-26	56AA17310	4-19	56AA17480	16-17	56AA32640	53-14
55VA55490	99-2	55VA79210	43-25	56AA17310	6-8	56AA17480	17-20	56AA32650	48-2
55VA55641	102-7	55VA80131	100-19	56AA17310	21-12	56AA17480	18-1	56AA32650	51-12
55VA55660	102-1	55VA85521	85-27	56AA17310	28-21	56AA17480	19-27	56AA32650	54-3
55VA55670	101-28	55VA85521	86-18	56AA17310	30-12	56AA17480	20-6	56AA32710	53-8
55VA55680	100-15	55VA85521	88-26	56AA17310	37-21	56AA17480	27-16	56AA32751	53-10
55VA55680	101-31	55VA88041	86-10	56AA17310	44-24	56AA17480	28-24	56AA32761	53-9
55VA55810	101-20	55VA88051	87-21	56AA17321	55-6	56AA17480	36-16	56AA40490	28-9
55VA55820	101-16	55VA88061	87-18	56AA17330	107-21	56AA17480	37-24	56AA40490	29-5
55VA70110D	9-5	55VA90380	55-14	56AA17350	65-16	56AA17480	43-10	56AA40490	37-9
55VA73160	107-7	55VA97750	110-1	56AA17361	64-37	56AA17480	59-9	56AA40490	38-5
55VA73170	106-23	55VAJG031	109-6	56AA17390	94-12	56AA17480	78-6	56AA41340	22-33
55VA73170	107-8	55VAJG041	109-7	56AA17461	15-7	56AA17480	83-11	56AA41340	25-8
55VA73310	107-14	55VAR70100	64-1	56AA17461	16-2	56AA17480	84-10	56AA41340	31-33
55VA73400	107-16	55VAR72400	97-5	56AA17461	18-5	56AA17500	52-6	56AA41340	34-8
55VA76020	89-11	55VAR74400	25-22	56AA17461	43-11	56AA17510	21-9	56AA41351E	25-7
55VA76521	65-23	55VAR74400	34-22	56AA17461	59-24	56AA17510	29-11	56AA41351E	34-7
55VA76530	44-10	55VAR76300	44-1	56AA17461	65-10	56AA17510	30-9	56AA42690	61-8
55VA77040	19-21	55VAR76600	106-24	56AA17461	66-31	56AA17510	38-11	56AA45510	95-3
55VA77230	41-25	55VB83042	87-13	56AA17461	68-15	56AA17520	4-23	56AA54220	86-27
55VA77240	40-2	55VE32080	52-3	56AA17461	72-25	56AA17520	5-17	56AA80112	17-19
55VA77260	100-9	564A116100	108-35	56AA17461	77-16	56AA17520	54-6	56AA85511	26-15
55VA77300	59-17	564A116200	108-33	56AA17461	83-7	56AA17520	98-34	56AA85511	35-15
55VA77570	98-32	564A116300	108-37	56AA17471	4-20	56AA17520	102-15	56AA85511	67-8
55VA77652	27-15	564A116600	108-36	56AA17471	5-27	56AA17531	44-23	56AA85521	44-5
55VA77652	36-15	56AA-8000	56-12	56AA17471	6-18	56AA17531	85-16	56AA85521	81-14
55VA77820	85-19	56AA-8000	57-10	56AA17471	43-18	56AA17551	80-35	56AA85601	22-32
55VA77850	89-9	56AA12400	10-33	56AA17471	44-19	56AA17700	4-9	56AA85601	31-32
55VA77870	85-22	56AA15460	107-11	56AA17471	48-22	56AA17700	15-11	56AA97140	103-6
55VA77890	55-7	56AA15471	107-9	56AA17471	51-22	56AA17700	16-29	56AAR70500	3-3
55VA77940	54-27	56AA15521	107-10	56AA17471	54-11	56AA17700	17-9	56AE43090	25-9
55VA77960	48-24	56AA17080	107-20	56AA17471	55-12	56AA17760	29-12	56AE43090	34-9
55VA77960	54-13	56AA17090	15-3	56AA17471	59-18	56AA17760	38-12	56AF84521	103-10
55VA77960	55-13	56AA17090	16-20	56AA17471	64-20	56AA25150	40-5	56AF84540	103-1
55VA79030	28-19	56AA17090	18-3	56AA17471	66-21	56AA32440	53-17	56GA76030	42-13
55VA79030	37-19	56AA17090	77-25	56AA17471	72-14	56AA32450	53-13	56GA76030	77-19
55VA79050	28-14	56AA17140	41-15	56AA17471	77-24	56AA32521	53-5	56GA76030	79-12

Parts No.	Page No.	Parts No.	Page No.	Parts No.	Page No.	Parts No.	Page No.	Parts No.	Page No.
56GA76030	84-2	56UA11220	105-18	56UA20200	5-6	56UA32700	54-23	56UA34100	51-25
56GA76600	15-19	56UA11290	108-4	56UA20200	6-2	56UA32730	6-7	56UA34121E	52-15
56GA76600	19-28	56UA12131E	6-22	56UA20380	94-11	56UA32730	54-10	56UA34160	51-17
56GA80171	89-12	56UA12150	11-8	56UA20720	94-8	56UA32740	54-26	56UA34180	51-5
56GA85531	61-3	56UA12160	11-3	56UA20730	94-7	56UA32800	54-8	56UA34190	51-2
56GA85531	62-10	56UA12170	11-11	56UA20740	94-6	56UA32830	54-2	56UA34220	51-4
56GA90890	67-11	56UA12180	10-19	56UA20750	94-5	56UA32840	48-4	56UA34230	53-6
56HA12980	26-16	56UA12200	9-7	56UA20760	94-23	56UA32850	48-7	56UA34240	53-18
56HA12980	35-16	56UA12210E	9-8	56UA227100	18-11	56UA33060	56-29	56UA34290	51-9
56NE32510	53-2	56UA12240	10-32	56UA25040	41-21	56UA33060	57-27	56UA34300	51-3
56QA46060	81-2	56UA12270	11-29	56UA25050	41-20	56UA33090	56-26	56UA34390	51-8
56QA75060	17-3	56UA12280	11-13	56UA25090	41-16	56UA33090	57-24	56UA34452	52-12
56QA80570	69-27	56UA12290	11-14	56UA25110	40-4	56UA33100	56-11	56UA34460	52-11
56UA-1770	18-16	56UA12310	11-24	56UA25120	40-3	56UA33100	57-9	56UA34610	52-10
56UA-1780	18-13	56UA12340	10-13	56UA25280	40-14	56UA33110	56-24	56UA34710	51-18
56UA-1930	7-16	56UA12370	9-4	56UA29230	98-11	56UA33110	57-22	56UA34730	51-16
56UA-3861	63-20	56UA12460	11-4	56UA30251	59-16	56UA33140	56-25	56UA34800	51-24
56UA-4080	25-29	56UA12460	111-16	56UA31030	39-17	56UA33140	57-23	56UA40011E	22-30
56UA-4080	34-29	56UA12530	29-33	56UA31060	39-14	56UA33150	56-17	56UA40011E	31-30
56UA-4321E	21-3	56UA12530	38-33	56UA32010E	48-12	56UA33150	57-15	56UA40020E	26-5
56UA-4321E	30-3	56UA12570	26-21	56UA32150	48-20	56UA33180	56-20	56UA40020E	35-5
56UA-4590	26-18	56UA12570	35-21	56UA32200	48-21	56UA33180	57-18	56UA40051G	25-21
56UA-4590	35-18	56UA12610	10-15	56UA32210	54-15	56UA33190	56-8	56UA40051G	34-21
56UA-4620	42-15	56UA12660	11-23	56UA32260	48-6	56UA33190	57-6	56UA40070	25-4
56UA-4640	43-8	56UA12670	10-14	56UA32270	48-5	56UA33200	56-28	56UA40070	34-4
56UA-4680	42-25	56UA12710	10-3	56UA32300	49-19	56UA33200	57-26	56UA40100	29-3
56UA-4681E	42-25	56UA12720	10-1	56UA32310	49-18	56UA33210	56-19	56UA40100	38-3
56UA-5550	101-10	56UA12730	7-2	56UA32320	49-1	56UA33210	57-17	56UA40130E	28-29
56UA-7660	50-14	56UA12770	110-2	56UA32330	56-3	56UA33220	56-15	56UA40130E	37-29
56UA-7680	50-23	56UA15220	18-14	56UA32330	57-3	56UA33220	57-13	56UA40140	26-11
56UA-7831	56-16	56UA15230	17-21	56UA32370	54-14	56UA33230	56-9	56UA40140	35-11
56UA-7831	57-14	56UA15320	20-1	56UA32380	48-3	56UA33230	57-7	56UA40150	26-9
56UA-8401E	80-12	56UA15420	18-10	56UA32380	54-20	56UA33260	56-30	56UA40150	35-9
56UA10260	108-32	56UA15450	20-3	56UA32520	54-1	56UA33260	57-28	56UA40160	26-8
56UA10290	2-7	56UA15460	20-11	56UA32580	54-19	56UA33270	56-21	56UA40160	35-8
56UA10300	2-19	56UA15510	77-23	56UA32590	54-7	56UA33270	57-19	56UA40170	29-22
56UA10320	2-13	56UA15540	7-14	56UA32620	54-25	56UA33280	56-4	56UA40170	38-22
56UA10370	1-17	56UA15610E	18-2	56UA32650	55-11	56UA33280	57-4	56UA40210	29-28
56UA10420	6-14	56UA20160	3-23	56UA32690	51-11	56UA34020	50-22	56UA40210	38-28
56UA10520	1-12	56UA20160	6-28	56UA32690	54-4	56UA34071	53-16	56UA40240	25-25

Parts No.	Page No.	Parts No.	Page No.	Parts No.	Page No.	Parts No.	Page No.	Parts No.	Page No.
56UA40240	34-25	56UA40520	29-24	56UA41070	32-15	56UA41340	36-13	56UA41661	33-22
56UA40250	29-29	56UA40520	38-24	56UA41090	23-21	56UA41350	21-5	56UA41670	23-22
56UA40250	38-29	56UA40530	29-23	56UA41090	32-21	56UA41350	30-5	56UA41670	32-22
56UA40260	26-13	56UA40530	38-23	56UA41110	22-9	56UA41360	21-14	56UA41690	22-16
56UA40260	35-13	56UA40540	29-19	56UA41110	31-9	56UA41360	30-14	56UA41690	31-16
56UA40270	26-14	56UA40540	38-19	56UA41120E	22-8	56UA41400	27-7	56UA41710	24-7
56UA40270	35-14	56UA40570	27-27	56UA41120E	31-8	56UA41400	36-7	56UA41710	33-7
56UA40280	29-6	56UA40570	36-27	56UA41130	27-24	56UA41470	22-25	56UA41750	24-21
56UA40280	38-6	56UA40580E	26-12	56UA41130	36-24	56UA41470	31-25	56UA41750	33-21
56UA40310	2-16	56UA40580E	35-12	56UA41140	27-23	56UA41490	23-11	56UA41810	23-7
56UA40320	2-23	56UA40600	29-13	56UA41140	36-23	56UA41490	24-2	56UA41810	24-20
56UA40330	2-22	56UA40600	38-13	56UA41150	27-12	56UA41490	32-11	56UA41810	32-7
56UA40340	29-17	56UA40610	28-11	56UA41150	36-12	56UA41490	33-2	56UA41810	33-20
56UA40340	38-17	56UA40610	37-11	56UA41160	27-11	56UA41500	22-22	56UA41820	23-4
56UA40351	21-21	56UA40620	28-15	56UA41160	36-11	56UA41500	31-22	56UA41820	24-16
56UA40351	30-21	56UA40620	37-15	56UA41210	27-18	56UA41520	22-29	56UA41820	32-4
56UA40360	21-20	56UA40660	29-21	56UA41210	36-18	56UA41520	31-29	56UA41820	33-16
56UA40360	30-20	56UA40660	38-21	56UA41220	22-19	56UA41530	22-26	56UA42570	21-11
56UA40371	22-27	56UA40670	25-6	56UA41220	31-19	56UA41530	31-26	56UA42570	30-11
56UA40371	31-27	56UA40670	34-6	56UA41230	23-13	56UA41540	23-23	56UA44030	45-4
56UA40390	2-18	56UA40680	23-26	56UA41230	24-13	56UA41540	32-23	56UA44040E	42-21
56UA40400	29-9	56UA40680	32-26	56UA41230	32-13	56UA41550	24-5	56UA44050	42-9
56UA40400	38-9	56UA40690	29-2	56UA41230	33-13	56UA41550	33-5	56UA44060	43-17
56UA40420	22-31	56UA40690	38-2	56UA41240	23-12	56UA41580	23-2	56UA44070	42-18
56UA40420	31-31	56UA40700	111-1	56UA41240	32-12	56UA41580	24-17	56UA44080	42-19
56UA40450E	2-17	56UA40760	22-28	56UA41250	24-14	56UA41580	32-2	56UA44090	44-4
56UA40460	27-19	56UA40760	31-28	56UA41250	33-14	56UA41580	33-17	56UA44100	44-13
56UA40460	36-19	56UA408100	48-19	56UA41260	22-34	56UA41620	23-5	56UA44120	43-12
56UA40470	25-12	56UA408200	55-9	56UA41260	31-34	56UA41620	24-19	56UA44130	43-16
56UA40470	34-12	56UA41011E	27-4	56UA41270	27-21	56UA41620	32-5	56UA44150	45-6
56UA40480	25-27	56UA41011E	36-4	56UA41270	36-21	56UA41620	33-19	56UA44160	42-6
56UA40480	34-27	56UA41020	24-6	56UA41281E	27-2	56UA41630	27-9	56UA44160	45-14
56UA40490	28-35	56UA41020	33-6	56UA41281E	36-2	56UA41630	36-9	56UA44170	43-13
56UA40490	29-32	56UA41030	23-20	56UA41300	23-8	56UA41640	27-5	56UA44200	44-25
56UA40490	37-35	56UA41030	32-20	56UA41300	32-8	56UA41640	36-5	56UA44250	43-14
56UA40490	38-32	56UA41040	24-4	56UA41310	23-3	56UA41650	27-8	56UA44260	44-29
56UA40500	29-18	56UA41040	33-4	56UA41310	24-18	56UA41650	36-8	56UA44270	45-22
56UA40500	38-18	56UA41060	24-12	56UA41310	32-3	56UA41661	23-1	56UA44280	45-17
56UA40511E	22-18	56UA41060	33-12	56UA41310	33-18	56UA41661	24-22	56UA44290	45-24
56UA40511E	31-18	56UA41070	23-15	56UA41340	27-13	56UA41661	32-1	56UA44301F	44-3

Parts No.	Page No.	Parts No.	Page No.	Parts No.	Page No.	Parts No.	Page No.	Parts No.	Page No.
56UA44310	42-23	56UA45960	84-4	56UA47270	64-28	56UA70570	13-22	56UA73490	4-14
56UA44320	45-15	56UA45960	98-18	56UA47310	62-5	56UA70590	13-24	56UA73500	108-24
56UA44330	45-2	56UA45970	64-34	56UA47320	62-7	56UA70600	13-23	56UA73550	106-30
56UA44340	45-13	56UA45991	64-9	56UA47330	62-6	56UA70610E	13-18	56UA73550	108-13
56UA44370	43-28	56UA46030F	80-25	56UA47350	60-21	56UA70620E	13-13	56UA73570	7-8
56UA44380	45-25	56UA46090E	80-3	56UA47380E	65-31	56UA70650	13-9	56UA73570	11-20
56UA44390	45-19	56UA46100E	80-23	56UA47390	60-24	56UA70670	13-14	56UA73600	6-23
56UA44400	45-12	56UA46110E	81-32	56UA47390	65-28	56UA70720	13-10	56UA73610	106-20
56UA44410E	42-1	56UA46140	60-16	56UA47600	76-14	56UA70730	14-5	56UA75020	7-18
56UA44420	42-4	56UA46140	79-18	56UA47670	63-2	56UA70740	14-2	56UA75030	29-27
56UA44430	42-2	56UA46170	80-13	56UA47750	63-1	56UA70750	13-17	56UA75030	38-27
56UA44440	42-8	56UA46190	81-27	56UA47810	61-2	56UA70760	13-16	56UA75040	21-6
56UA44500	42-5	56UA46310	80-2	56UA47890	62-13	56UA70760	14-6	56UA75040	30-6
56UA44500	45-7	56UA46320	80-9	56UA47920	68-2	56UA70790G	13-11	56UA75050	65-2
56UA44660	42-22	56UA46440	80-24	56UA53070	87-20	56UA70800	13-26	56UA75050	66-34
56UA44660	45-8	56UA46460	80-4	56UA53320	87-23	56UA70820	14-3	56UA75050	69-21
56UA44680	42-3	56UA46480	61-27	56UA53530	90-17	56UA70820	111-14	56UA75060	19-8
56UA44680	45-5	56UA46480	62-11	56UA53750	86-31	56UA73040E	107-4	56UA75070	87-14
56UA44680	81-9	56UA46480	64-10	56UA54160E	87-27	56UA73060	104-26	56UA76030	43-7
56UA44700	44-11	56UA46510E	63-10	56UA54430	90-9	56UA73071	107-12	56UA76060	51-7
56UA44740E	45-23	56UA46520	63-12	56UA54530	88-16	56UA73080	107-15	56UA76070	101-19
56UA45500	84-15	56UA46530	63-13	56UA54540	88-15	56UA73090	104-25	56UA760900	89-4
56UA45510	84-8	56UA46540	60-17	56UA54550F	88-11	56UA73120	107-19	56UA760900	90-8
56UA45520	84-11	56UA46570	69-18	56UA54570	88-6	56UA73130	7-7	56UA77030	18-20
56UA45540	84-16	56UA46610E	68-14	56UA54580	88-8	56UA73160	8-13	56UA77040	18-4
56UA45550	84-12	56UA46631F	63-17	56UA54590	88-7	56UA73170	8-18	56UA77060	17-22
56UA45571E	84-9	56UA46650E	60-18	56UA54600	88-9	56UA73180E	108-5	56UA77060	84-14
56UA45600	84-3	56UA46660E	60-14	56UA54610	88-12	56UA73250	104-6	56UA77061E	17-22
56UA45610	84-5	56UA46740	69-9	56UA55220	102-3	56UA73260	1-14	56UA77061E	84-14
56UA45780	62-9	56UA46770	63-4	56UA55230	102-4	56UA73270	104-19	56UA77070E	16-1
56UA45801	62-14	56UA46921	71-7	56UA55550	5-25	56UA73280	1-15	56UA77070E	43-24
56UA45820	61-26	56UA47031G	64-17	56UA55550	6-5	56UA73300	7-4	56UA77100	20-2
56UA45820	63-15	56UA47040F	60-9	56UA55550	102-8	56UA73320	107-23	56UA77150	44-27
56UA45820	64-26	56UA47121	62-8	56UA55740	102-11	56UA73340	107-26	56UA77160	43-23
56UA45830	80-5	56UA47170	60-5	56UA558300	101-13	56UA73370	108-23	56UA77170E	43-1
56UA45880	103-16	56UA47190	68-6	56UA61450	7-3	56UA73390	1-1	56UA77180E	43-6
56UA45880	105-6	56UA47200	60-4	56UA61460	7-1	56UA73400	108-19	56UA77190	42-27
56UA45910	69-14	56UA47240	64-30	56UA70330	12-19	56UA73420	106-6	56UA77200	43-5
56UA45940	80-6	56UA47250E	64-24	56UA70540	7-10	56UA73430	106-9	56UA77230	43-26
56UA45950	77-17	56UA47260	64-22	56UA70560	13-25	56UA73440	106-7	56UA77270	16-15

Parts No.	Page No.	Parts No.	Page No.	Parts No.	Page No.	Parts No.	Page No.	Parts No.	Page No.
56UA77290	98-27	56UA77770	50-19	56UA90880	81-31	56UAR79500	26-3	65AA88080	3-8
56UA77311	59-8	56UA77800	91-4	56UA90890	84-6	56UAR79500	34-30	65AA88080	50-6
56UA77350	16-13	56UA77840	89-10	56UA97160	80-11	56UAR79500	35-3	7050K0020	109-1
56UA77400	4-25	56UA77860	89-5	56UA97210	22-14	56UAR79600	26-7	9313100072	23-18
56UA77400	5-29	56UA77930	16-23	56UA97210	31-14	56UAR79600	35-7	9313100072	24-8
56UA77420	49-10	56UA78030	18-12	56UA97220	24-3	56UAR79700	25-28	9313100072	32-18
56UA77430	48-23	56UA78060	60-25	56UA97220	33-3	56UAR79700	34-28	9313100072	33-8
56UA77430	54-12	56UA78080	69-24	56UA97320	10-9	56UAR7A100	45-3	9313100072	60-2
56UA77440	55-17	56UA78090	44-12	56UA97420	51-15	56UAR7A200	45-9	9313100072	69-1
56UA77450	55-3	56UA80510	106-13	56UA97420	56-22	56UAR7A400	26-17	9313100072	108-34
56UA77460	49-11	56UA85010	9-9	56UA97420	92-5	56UAR7A400	35-17	9313110033	2-3
56UA77470	49-9	56UA85010	42-20	56UA97430	55-1	56UAR7C100	87-7	9313110033	76-1
56UA77480	21-19	56UA85530	62-16	56UA97430	56-23	56UAR7D700	51-1	9313110033	106-27
56UA77480	30-19	56UA886100	64-12	56UA97430	92-8	56UAR7E000	56-27	9335140051	47-15
56UA77510	77-28	56UA886200	64-14	56UA97440	55-2	56UAR7E000	57-25	A00J617800	4-28
56UA77530	22-20	56UA90160	9-6	56UA97440	57-20	56UF97280	10-10	A00J617800	5-5
56UA77530	31-20	56UA90250E	45-11	56UA97450	51-10	56VAR70000	14-4	A00J617800	5-30
56UA77560	80-30	56UA90340	27-22	56UA97450	57-21	57AA30260	59-1	A00J617800	6-1
56UA77570	63-19	56UA90340	36-22	56UAR70200	3-24	57AA97211E	80-32	A00J617800	21-4
56UA77600	27-26	56UA90350	25-14	56UAR70500	2-4	57AA97221E	81-1	A00J617800	30-4
56UA77600	36-26	56UA90350	34-14	56UAR70600	2-15	57AE88010	86-4	A00J617800	43-4
56UA77610	21-7	56UA90360	23-19	56UAR71300	2-5	57AF73620	3-1	A00J617800	44-2
56UA77610	30-7	56UA90360	32-19	56UAR71300	3-13	57GA29190	98-12	A00J617800	80-19
56UA77620	27-17	56UA90370	24-9	56UAR71300	105-4	57GA44300	42-11	A00J617900	17-15
56UA77620	36-17	56UA90370	33-9	56UAR71400	2-1	57GA47640	83-6	A00J617900	28-22
56UA77640E	21-16	56UA90390	56-13	56UAR73500	18-17	57GA61560	73-10	A00J617900	37-22
56UA77640E	30-16	56UA90390	57-11	56UAR74000	7-12	57GA79430	42-12	A00J617900	42-17
56UA77650	21-15	56UA90620	80-1	56UAR76700	49-22	57GA79440	44-16	A00J617900	43-3
56UA77650	30-15	56UA90650	61-4	56UAR77100	55-4	57GA82010	28-31	A00J617900	44-9
56UA77660	21-10	56UA90650	62-3	56UAR77300	48-18	57GA82010	29-26	A00J617900	72-2
56UA77660	30-10	56UA90650	63-8	56UAR77800	80-33	57GA82010	37-31	A00J617900	77-1
56UA77700	50-21	56UA90700	65-32	56UAR77900	80-27	57GA82010	38-26	A00J617900	78-4
56UA77700	52-14	56UA90700	69-20	56UAR78000	80-22	57GA82010	43-29	A00J663200	29-4
56UA77710	50-17	56UA90710	60-19	56UAR78100	80-26	57GA82010	44-22	A00J663200	38-4
56UA77720	50-20	56UA90750	80-37	56UAR78500	70-5	65AA11300	3-9	A00J663200	55-8
56UA77730	50-18	56UA90770	44-6	56UAR79000	22-21	65AA11300	50-5	A00V240600	15-5
56UA77740	50-16	56UA90830	44-15	56UAR79000	31-21	65AA26890	75-12	A00V240600	16-4
56UA77750	51-20	56UA90840	44-20	56UAR79300	23-17	65AA53991	82-21	A00V240600	18-9
56UA77760	50-15	56UA90850	17-18	56UAR79300	32-17	65AA53991	88-4	A00V240600	19-19
56UA77760	51-21	56UA90880	63-9	56UAR79500	25-30	65AA75100	91-10	A00V240600	28-33

Parts No.	Page No.	Parts No.	Page No.	Parts No.	Page No.	Parts No.	Page No.	Parts No.	Page No.
A00V240600	37-33	A0G6110600	104-30	A0G6117600	8-25	A0G6137400	105-21	A0G6168101	14-18
A00V240600	59-7	A0G6110700	104-27	A0G6117700	8-26	A0G6139200	104-22	A0G6168500	10-12
A00V240600	65-3	A0G6110800	8-30	A0G6117800	8-28	A0G6139500	105-14	A0G6168600	11-21
A00V240600	66-29	A0G6111401	4-5	A0G6118000	108-31	A0G6160100	11-32	A0G6168700	10-5
A00V240600	68-3	A0G6111500	4-2	A0G6118100	108-30	A0G6160202	10-25	A0G6168800	3-6
A00V240600	69-10	A0G6111600	4-3	A0G6118300	1-3	A0G6160400	9-1	A0G6168900	3-5
A00V240600	77-26	A0G6112300	110-4	A0G6118400	1-2	A0G6160602	11-7	A0G6169400	10-8
A00V240600	80-21	A0G6112400	1-16	A0G6118500	108-2	A0G6161000	10-17	A0G6190101	12-1
A00V240600	84-13	A0G6112600	104-33	A0G6118600	108-1	A0G6161102	11-1	A0G6190200	12-12
A011M10000	4-7	A0G6112800	105-7	A0G6118700	108-3	A0G6161200	10-6	A0G6190403	12-8
A011M10000	47-2	A0G6112901	2-12	A0G6118800	108-26	A0G6161403	14-12	A0G6191600	12-17
A03U168500	11-30	A0G6113000	104-8	A0G6119000	3-25	A0G6161502	14-7	A0G6192400	12-5
A03U191600	13-6	A0G6113100	106-28	A0G6119100	107-35	A0G6161600	14-8	A0G6192500	12-6
A03U191700	13-5	A0G6113500	3-15	A0G6130201	108-27	A0G6162000	11-16	A0G6192700	12-3
A03U191800	13-4	A0G6114301	4-1	A0G6130600	107-25	A0G6162100	11-15	A0G6192900	12-2
A03U191900	13-7	A0G6114400	105-1	A0G6130711	8-11	A0G6162200	11-27	A0G6193100	12-21
A03U192000	13-3	A0G6114500	105-2	A0G6130912	8-9	A0G6162400	11-19	A0G6193200	12-20
A03U192100	13-8	A0G6114900	108-29	A0G6131211	9-14	A0G6162600	11-17	A0G6193400	12-22
A03U263601	2-11	A0G6115000	4-31	A0G6131300	14-10	A0G6162700	11-28	A0G6193800	12-18
A03U734500	86-7	A0G6115500	6-24	A0G6131401	108-17	A0G6163100	10-26	A0G6193900	12-24
A03U734500	90-26	A0G6115600	6-25	A0G6131500	7-6	A0G6163201	11-22	A0G6194000	12-23
A03U812800	29-30	A0G6115700	2-14	A0G6131900	7-5	A0G6163500	10-34	A0G6194101	12-16
A03U812800	38-30	A0G6115900	104-28	A0G6132201	104-4	A0G6163600	10-24	A0G6197101	13-1
A03U946500	14-24	A0G6116000	107-31	A0G6132300	108-21	A0G6163700	10-27	A0G6210400	15-6
A03UM111100	66-25	A0G6116011	107-31	A0G6132400	108-22	A0G6163813	9-2	A0G6210900	15-15
A03UM50500	66-19	A0G6116100	107-28	A0G6133201	14-21	A0G6163911	9-3	A0G6211000	15-4
A03X565611	28-20	A0G6116111	107-28	A0G6133500	106-8	A0G6164000	9-16	A0G6211300	15-21
A03X565611	37-20	A0G6116200	1-11	A0G6133600	106-16	A0G6164100	10-31	A0G6211400	15-28
A04J709800	78-7	A0G6116300	1-10	A0G6133900	106-26	A0G6164300	10-2	A0G6211500	15-31
A04J719200	78-1	A0G6116400	1-4	A0G6134100	105-11	A0G6164800	50-10	A0G6211600	15-16
A04J719800	78-2	A0G6116500	1-5	A0G6134400	56-6	A0G6165100	26-20	A0G6212100	15-33
A0G6101701	7-11	A0G6116600	1-6	A0G6134800	105-16	A0G6165100	35-20	A0G6212200	15-34
A0G6102500	1-19	A0G6116700	1-8	A0G6135100	105-12	A0G6165200	26-2	A0G6212300	15-35
A0G6105100	1-18	A0G6116800	107-29	A0G6135201	104-12	A0G6165200	35-2	A0G6215100	19-4
A0G6106000	3-11	A0G6116811	107-29	A0G6135600	7-9	A0G6165400	26-22	A0G6215200	19-6
A0G6110100	105-9	A0G6116900	107-30	A0G6136400	13-21	A0G6165400	35-22	A0G6215300	19-5
A0G6110200	104-9	A0G6117000	104-29	A0G6137000	106-21	A0G6165900	111-12	A0G6215400	19-7
A0G6110300	105-8	A0G6117200	104-31	A0G6137100	105-23	A0G6166500	10-20	A0G6215500	15-36
A0G6110400	8-27	A0G6117300	104-32	A0G6137200	105-19	A0G6166500	11-2	A0G6217100	15-32
A0G6110500	105-17	A0G6117500	1-7	A0G6137300	105-20	A0G6168000	14-19	A0G6217200	15-37

Parts No.	Page No.	Parts No.	Page No.	Parts No.	Page No.	Parts No.	Page No.	Parts No.	Page No.
A0G6217400	15-29	A0G6257100	4-10	A0G6336900	6-20	A0G6346101	96-21	A0G6357400	47-11
A0G6217500	4-27	A0G6301001	92-2	A0G6337002	6-21	A0G6346300	96-22	A0G6357500	6-12
A0G6217500	15-12	A0G6301100	92-3	A0G6337100	6-16	A0G6346400	96-26	A0G6357600	6-13
A0G6217600	15-13	A0G6301800	92-1	A0G6338102	98-20	A0G6346500	96-27	A0G6358200	47-17
A0G6217700	15-27	A0G6302500	95-9	A0G6338113	98-20	A0G6346800	96-24	A0G6358301	47-19
A0G6220500	19-22	A0G6302500	96-9	A0G6338201	98-3	A0G6347100	96-29	A0G6358401	47-10
A0G6220600	19-30	A0G6302600	92-4	A0G6338400	98-16	A0G6350400	47-20	A0G6358500	46-2
A0G6220700	19-25	A0G6302700	95-10	A0G6338411	98-16	A0G6350500	47-17	A0G6358600	47-29
A0G6220800	19-32	A0G6302700	96-8	A0G6338601	98-8	A0G6350700	47-8	A0G6358700	46-13
A0G6221100	19-31	A0G6302800	95-11	A0G6338612	98-8	A0G6350800	47-14	A0G6358800	47-5
A0G6227111	19-16	A0G6302800	96-11	A0G6338900	98-2	A0G6350900	6-10	A0G6358901	47-11
A0G6227300	19-26	A0G6302900	96-10	A0G6338911	98-2	A0G6351300	47-19	A0G6360800	5-26
A0G6227400	19-39	A0G6330401	97-11	A0G6339000	98-31	A0G6351400	47-16	A0G6360900	6-6
A0G6230600	20-13	A0G6330700	96-17	A0G6339400	98-33	A0G6351600	47-10	A0G6361000	6-11
A0G6237100	18-6	A0G6330900	93-4	A0G6339500	98-29	A0G6351700	46-19	A0G6361100	4-16
A0G6237201	20-5	A0G6331101	97-3	A0G6339600	98-28	A0G6351800	46-8	A0G6361200	4-15
A0G6237300	20-10	A0G6331202	96-14	A0G6339801	98-13	A0G6351900	46-7	A0G6362900	4-18
A0G6240200	16-16	A0G6331301	96-15	A0G6339812	98-13	A0G6352000	47-18	A0G6363000	4-26
A0G6240300	16-3	A0G6331500	95-8	A0G6342200	95-15	A0G6352100	46-6	A0G6363301	6-30
A0G6240800	16-6	A0G6331601	95-7	A0G6342400	95-14	A0G6352200	46-2	A0G6363500	6-32
A0G6240900	16-14	A0G6331700	95-5	A0G6343000	96-13	A0G6352300	6-29	A0G6363600	6-31
A0G6243200	16-24	A0G6331902	98-25	A0G6343200	94-10	A0G6352500	47-13	A0G6364001	5-14
A0G6243301	16-21	A0G6332000	98-26	A0G6343300	94-9	A0G6352700	46-1	A0G6364101	5-15
A0G6243500	16-22	A0G6332100	94-22	A0G6343401	94-1	A0G6353100	5-3	A0G6364301	5-21
A0G6243700	16-28	A0G6332600	94-3	A0G6343900	95-6	A0G6353700	47-21	A0G6364400	5-13
A0G6247100	16-8	A0G6332900	96-18	A0G6344200	94-2	A0G6353800	4-4	A0G6364500	5-12
A0G6247200	16-7	A0G6333000	96-2	A0G6344300	94-27	A0G6354000	46-9	A0G6364801	5-1
A0G6247300	16-26	A0G6333100	97-1	A0G6344500	93-2	A0G6354100	46-11	A0G6364900	5-19
A0G6247400	16-27	A0G6333500	94-25	A0G6344600	95-2	A0G6354200	5-4	A0G6365000	4-29
A0G6247500	16-5	A0G6333600	94-15	A0G6344800	97-10	A0G6354301	5-11	A0G6365300	47-27
A0G6250500	17-10	A0G6333700	93-3	A0G6345100	98-21	A0G6354301	6-9	A0G6365400	47-22
A0G6250601	17-6	A0G6333800	93-5	A0G6345111	98-21	A0G6354700	5-2	A0G6365700	47-26
A0G6250700	17-13	A0G6333901	94-26	A0G6345200	98-22	A0G6354800	46-10	A0G6365800	47-24
A0G6250800	17-12	A0G6334100	95-1	A0G6345300	98-23	A0G6355000	5-7	A0G6365900	47-25
A0G6250900	17-5	A0G6334201	97-15	A0G6345311	98-23	A0G6355000	6-3	A0G6366000	47-32
A0G6251000	17-11	A0G6335200	96-5	A0G6345400	98-10	A0G6355100	4-13	A0G6367000	4-30
A0G6251200	17-7	A0G6335501	94-28	A0G6345411	98-10	A0G6356001	10-28	A0G6367300	5-24
A0G6251301	17-16	A0G6336300	6-17	A0G6345600	98-12	A0G6356101	47-1	A0G6367400	4-21
A0G6251400	17-14	A0G6336701	6-15	A0G6345700	98-6	A0G6356200	5-9	A0G6367400	5-18
A0G6253300	4-11	A0G6336801	6-19	A0G6345800	98-36	A0G6357100	47-6	A0G6367500	4-24

Parts No.	Page No.	Parts No.	Page No.	Parts No.	Page No.	Parts No.	Page No.	Parts No.	Page No.
A0G6367900	4-17	A0G6390900	39-7	A0G6415000	52-24	A0G6502200	83-18	A0G6508101	72-24
A0G6368001	5-16	A0G6391002	39-8	A0G6416100	53-3	A0G6502300	83-8	A0G6508201	73-7
A0G6368200	5-8	A0G6391301	39-3	A0G6460101	41-24	A0G6502600	83-19	A0G6508500	72-22
A0G6368600	5-28	A0G6392600	39-6	A0G6460201	41-13	A0G6502702	82-19	A0G6508600	65-11
A0G6368700	5-20	A0G6393100	39-2	A0G6460600	41-23	A0G6502802	82-13	A0G6508800	72-26
A0G6368800	6-33	A0G6393200	39-1	A0G6460700	40-9	A0G6503100	82-12	A0G6508900	72-15
A0G6369500	47-28	A0G6394200	39-5	A0G6461300	40-6	A0G6503200	82-10	A0G6509001	73-11
A0G6369700	46-21	A0G6394300	39-12	A0G6461700	41-19	A0G6503300	82-15	A0G6509101	73-14
A0G6369901	47-30	A0G6394400	39-16	A0G6462100	40-11	A0G6503400	83-15	A0G6509201	73-12
A0G6372701	58-21	A0G6394500	39-15	A0G6462300	41-7	A0G6503500	82-14	A0G6509301	73-13
A0G6373000	59-15	A0G6394600	39-4	A0G6462600	41-1	A0G6503600	82-18	A0G6509400	72-10
A0G6373200	59-14	A0G6394700	39-9	A0G6462611	41-1	A0G6503800	82-6	A0G6509500	72-5
A0G6373300	58-20	A0G6394800	39-10	A0G6462800	41-9	A0G6503900	82-1	A0G6509600	73-9
A0G6373400	58-15	A0G6400202	48-9	A0G6462811	41-9	A0G6504000	69-7	A0G6509700	73-1
A0G6373500	59-20	A0G6400300	49-14	A0G6462901	41-10	A0G6504100	69-6	A0G6509800	72-6
A0G6374300	58-19	A0G6400500	3-18	A0G6463001	40-13	A0G6504200	69-8	A0G6510128	74-5
A0G6374900	58-7	A0G6400600	49-21	A0G6463200	40-12	A0G6504300	69-5	A0G6510302	74-27
A0G6375100	59-3	A0G6401800	49-13	A0G6463400	40-10	A0G6504700	73-3	A0G6510601	75-16
A0G6375111	59-3	A0G6401901	97-14	A0G6463500	41-4	A0G6504900	73-4	A0G6510700	75-23
A0G6375200	59-19	A0G6402300	54-16	A0G6463800	40-8	A0G6505300	72-27	A0G6510900	74-20
A0G6375211	59-19	A0G6403000	49-3	A0G6470800	93-8	A0G6505500	72-9	A0G6511312	75-10
A0G6375400	58-6	A0G6403100	49-2	A0G6500113	83-1	A0G6505600	72-16	A0G6511401	74-15
A0G6375700	58-18	A0G6405100	49-5	A0G6500200	82-4	A0G6505800	72-8	A0G6511602	74-32
A0G6375900	58-4	A0G6405400	55-10	A0G6500211	82-4	A0G6506000	72-4	A0G6511901	74-33
A0G6376300	58-3	A0G6407100	49-15	A0G6500300	83-3	A0G6506102	72-11	A0G6512001	74-28
A0G6376400	58-10	A0G6407200	48-8	A0G6500500	82-16	A0G6506300	73-19	A0G6512100	74-2
A0G6377000	59-22	A0G6407300	48-11	A0G6500600	82-3	A0G6506500	72-32	A0G6512200	74-22
A0G6377100	59-23	A0G6407400	48-10	A0G6500700	82-2	A0G6506600	72-23	A0G6512300	74-8
A0G6377200	59-26	A0G6407500	54-21	A0G6500801	83-16	A0G6506700	72-12	A0G6512400	74-9
A0G6377300	59-27	A0G6407600	54-18	A0G6500901	83-9	A0G6506801	72-3	A0G6512501	61-30
A0G6377400	59-2	A0G6410511	50-1	A0G6501000	82-23	A0G6507000	73-2	A0G6512800	74-23
A0G6378100	59-12	A0G6410600	52-20	A0G6501100	82-20	A0G6507100	72-20	A0G6512900	75-6
A0G6378200	59-13	A0G6410611	52-20	A0G6501200	82-24	A0G6507200	73-8	A0G6513000	75-5
A0G6378700	58-5	A0G6410700	52-17	A0G6501300	83-13	A0G6507300	73-15	A0G6513211	75-1
A0G6378800	58-11	A0G6410800	52-18	A0G6501400	83-12	A0G6507400	72-19	A0G6513300	74-10
A0G6379400	59-4	A0G6411000	50-4	A0G6501500	83-14	A0G6507511	72-7	A0G6513701	75-17
A0G6379700	58-17	A0G6411111	53-11	A0G6501600	83-10	A0G6507600	72-30	A0G6513801	74-35
A0G6379900	58-2	A0G6411200	9-10	A0G6501700	82-8	A0G6507700	72-17	A0G6514000	74-12
A0G6390101	39-13	A0G6411200	50-7	A0G6501800	82-7	A0G6507800	72-21	A0G6514100	74-11
A0G6390800	39-11	A0G6414000	52-21	A0G6501900	82-5	A0G6507900	72-13	A0G6514200	70-13



Parts No.	Page No.
A0G6514300	75-3
A0G6514800	61-5
A0G6514900	74-21
A0G6515100	74-14
A0G6515200	74-31
A0G6515800	75-2
A0G6515900	74-19
A0G6516001	74-4
A0G6516100	74-6
A0G6516211	74-26
A0G6516300	74-25
A0G6516400	74-30
A0G6516500	74-29
A0G6516611	74-34
A0G6516711	74-41
A0G6517100	75-4
A0G6518600	74-24
A0G6519900	75-26
A0G6520500	61-11
A0G6520900	75-18
A0G6521000	75-25
A0G6521100	75-21
A0G6521201	61-7
A0G6521400	74-18
A0G6521500	61-12
A0G6521600	61-9
A0G6521900	74-36
A0G6521900	75-24
A0G6523102	61-10
A0G6523300	75-22
A0G6525600	74-38
A0G6525700	74-39
A0G6530300	102-9
A0G6530400	101-27
A0G6530500	100-20
A0G6530701	100-12
A0G6530800	101-25
A0G6531000	99-18
A0G6531200	99-6
A0G6531300	99-13

Parts No.	Page No.
A0G6531401	102-16
A0G6531500	100-14
A0G6531500	101-32
A0G6531600	101-24
A0G6531800	99-8
A0G6531900	99-12
A0G6532001	101-12
A0G6532101	99-14
A0G6532201	100-1
A0G6532300	100-4
A0G6532500	101-15
A0G6532700	100-17
A0G6532800	102-13
A0G6532900	100-22
A0G6532900	102-2
A0G6533000	99-17
A0G6533100	99-7
A0G6533200	101-11
A0G6534200	102-5
A0G6535000	101-12
A0G6535600	100-25
A0G6535900	100-26
A0G6561000	28-13
A0G6561000	29-31
A0G6561000	37-13
A0G6561000	38-31
A0G6561200	25-20
A0G6561200	34-20
A0G6561300	25-18
A0G6561300	34-18
A0G6570101	25-3
A0G6570101	34-3
A0G6570200	28-1
A0G6570200	37-1
A0G6570400	28-5
A0G6570400	37-5
A0G6570500	28-2
A0G6570500	37-2
A0G6570600	25-1
A0G6570600	34-1

Parts No.	Page No.
A0G6570700	25-2
A0G6570700	34-2
A0G6570800	28-34
A0G6570800	37-34
A0G6571600	28-32
A0G6571600	37-32
A0G6571900	28-10
A0G6571900	37-10
A0G6572000	28-17
A0G6572000	37-17
A0G6572100	28-18
A0G6572100	37-18
A0G6600700	22-6
A0G6600700	31-6
A0G6600800	22-5
A0G6600800	31-5
A0G6600900	22-2
A0G6600900	31-2
A0G6601000	22-7
A0G6601000	31-7
A0G6601300	22-23
A0G6601300	31-23
A0G6601500	22-3
A0G6601500	31-3
A0G6601600	22-1
A0G6601600	31-1
A0G6601700	22-24
A0G6601700	31-24
A0G6601900	21-2
A0G6601900	30-2
A0G6602100	28-26
A0G6602100	37-26
A0G6602300	28-25
A0G6602300	37-25
A0G6602400	25-31
A0G6602400	26-4
A0G6602400	34-31
A0G6602400	35-4
A0G6603100	21-13
A0G6603100	30-13

Parts No.	Page No.
A0G6603200	21-8
A0G6603200	30-8
A0G6606500	21-18
A0G6606500	30-18
A0G6615100	22-12
A0G6615100	31-12
A0G6615200	22-13
A0G6615200	31-13
A0G6620300	27-1
A0G6620300	36-1
A0G6620400	27-3
A0G6620400	36-3
A0G6620500	24-1
A0G6620500	33-1
A0G6620600	23-9
A0G6620600	32-9
A0G6621100	27-6
A0G6621100	36-6
A0G6690300	2-21
A0G6700100	43-19
A0G6700200	44-17
A0G6700300	44-18
A0G6700700	42-14
A0G6710201	81-19
A0G6710400	81-15
A0G6710500	81-25
A0G6711500	81-29
A0G6712100	80-15
A0G6712200	81-11
A0G6712301	81-16
A0G6712400	81-20
A0G6712701	81-18
A0G6712800	80-18
A0G6712900	80-17
A0G6713200	80-14
A0G6713400	81-8
A0G6713600	81-3
A0G6713700	81-4
A0G6713800	81-5
A0G6714000	81-10

Parts No.	Page No.
A0G6714100	80-34
A0G6714200	81-21
A0G6714300	80-28
A0G6714600	81-26
A0G6714700	81-30
A0G6717100	81-35
A0G6725001	87-5
A0G6725200	66-16
A0G6725400	85-17
A0G6725501	88-1
A0G6725600	89-18
A0G6725700	90-3
A0G6725900	89-1
A0G6726000	91-5
A0G6727201	87-28
A0G6727301	87-12
A0G6727401	87-17
A0G6727500	87-25
A0G6727600	87-15
A0G6727700	86-34
A0G6727700	87-33
A0G6727801	86-23
A0G6728000	88-22
A0G6730311	87-16
A0G6730411	91-1
A0G6731000	89-16
A0G6731101	90-24
A0G6731300	90-4
A0G6731301	90-4
A0G6731400	90-16
A0G6731800	90-15
A0G6731900	89-6
A0G6732000	86-26
A0G6732100	90-21
A0G6732200	90-22
A0G6732400	90-23
A0G6732500	90-19
A0G6732700	90-6
A0G6732900	89-13
A0G6733000	86-12

Parts No.	Page No.	Parts No.	Page No.	Parts No.	Page No.	Parts No.	Page No.	Parts No.	Page No.
A0G6734100	90-5	A0G6741300	87-4	A0G6748811	87-11	A0G6813900	67-4	A0G6830101	71-1
A0G6734200	89-3	A0G6741411	86-24	A0G6748900	87-8	A0G6814000	69-16	A0G6830200	70-2
A0G6734300	90-11	A0G6742001	86-9	A0G6749100	85-8	A0G6814100	60-11	A0G6830301	71-5
A0G6734500	90-7	A0G6742200	89-8	A0G6749200	85-10	A0G6814200	66-20	A0G6835100	69-4
A0G6734600	91-2	A0G6743100	90-10	A0G6749300	85-9	A0G6814300	62-23	A0G6835200	69-3
A0G6735000	89-15	A0G6743600	89-20	A0G6749400	86-29	A0G6814400	62-22	A0G6835300	71-2
A0G6736300	85-4	A0G6743800	86-33	A0G6749500	86-30	A0G6814700	67-7	A0G6835500	71-3
A0G6736400	66-7	A0G6744100	90-14	A0G6749600	88-19	A0G6815600	68-16	A0G6836101	69-32
A0G6736500	66-5	A0G6744300	91-19	A0G6749700	88-20	A0G6815900	65-5	A0G6836200	69-34
A0G6736600	66-12	A0G6744600	85-34	A0G6749800	89-2	A0G6816100	8-8	A0G6836300	69-33
A0G6736700	66-1	A0G6744700	85-31	A0G6749900	90-1	A0G6816200	8-1	A0G6836400	71-4
A0G6736800	89-27	A0G6744900	85-18	A0G6755200	88-14	A0G6816400	70-10	A0G6840400	77-12
A0G6736900	89-25	A0G6745000	91-17	A0G6810500	61-29	A0G6816500	70-11	A0G6840500	77-11
A0G6737000	66-4	A0G6745100	91-16	A0G6810600	61-24	A0G6816600	61-22	A0G6840800	77-6
A0G6737100	66-2	A0G6745202	88-2	A0G6810700	62-4	A0G6816701	61-23	A0G6840900	79-11
A0G6737200	89-22	A0G6745300	85-3	A0G6810800	62-17	A0G6816800	64-5	A0G6841200	77-15
A0G6737400	66-3	A0G6745500	88-23	A0G6810900	68-7	A0G6816900	69-13	A0G6841300	77-18
A0G6737500	66-11	A0G6745700	85-29	A0G6811000	61-1	A0G6817100	65-7	A0G6841401	76-18
A0G6737600	66-9	A0G6745800	87-32	A0G6811101	64-2	A0G6817301	64-3	A0G6841501	76-17
A0G6737700	66-10	A0G6745901	91-21	A0G6811201	64-6	A0G6818200	65-21	A0G6841700	77-10
A0G6737800	66-13	A0G6746000	91-7	A0G6811300	68-1	A0G6818200	69-23	A0G6841800	79-23
A0G6737900	89-24	A0G6746101	88-17	A0G6811400	66-15	A0G6818300	60-23	A0G6841900	79-15
A0G6738000	89-23	A0G6746200	88-24	A0G6811401	66-15	A0G6818300	65-29	A0G6842100	76-16
A0G6738100	66-8	A0G6746300	88-25	A0G6811501	67-14	A0G6818300	67-5	A0G6842200	76-6
A0G6738500	86-16	A0G6746400	85-26	A0G6811600	63-3	A0G6818300	69-25	A0G6842300	79-17
A0G6738611	86-19	A0G6746500	85-30	A0G6811700	63-6	A0G6818400	70-14	A0G6842500	76-12
A0G6738711	86-25	A0G6746600	85-28	A0G6811800	62-1	A0G6818500	70-12	A0G6842600	76-25
A0G6738800	86-32	A0G6746700	85-5	A0G6812100	60-3	A0G6818600	68-9	A0G6842700	79-25
A0G6738900	85-21	A0G6746800	85-7	A0G6812200	6-26	A0G6818800	69-17	A0G6842800	76-15
A0G6739111	86-17	A0G6746900	90-2	A0G6812300	67-1	A0G6818900	66-35	A0G6842900	79-9
A0G6739300	66-6	A0G6747001	91-11	A0G6812400	69-26	A0G6819000	66-18	A0G6843000	79-8
A0G6739400	89-21	A0G6747600	85-12	A0G6812700	61-18	A0G6819100	66-17	A0G6843101	76-2
A0G6739600	89-26	A0G6747901	85-1	A0G6812800	60-13	A0G6819200	66-30	A0G6843200	76-22
A0G6739700	85-14	A0G6748100	91-8	A0G6812900	63-5	A0G6819300	66-32	A0G6843301	79-6
A0G6739800	89-17	A0G6748200	85-13	A0G6813100	66-26	A0G6819400	67-6	A0G6843401	79-1
A0G6739900	86-3	A0G6748311	86-21	A0G6813200	66-22	A0G6819500	8-5	A0G6843501	79-4
A0G6740102	85-24	A0G6748400	85-15	A0G6813300	66-24	A0G6819600	8-7	A0G6843600	79-19
A0G6741012	87-3	A0G6748500	87-30	A0G6813600	65-30	A0G6819700	8-4	A0G6843700	76-19
A0G6741112	86-28	A0G6748600	87-9	A0G6813700	69-29	A0G6819800	8-3	A0G6843800	77-20
A0G6741200	87-2	A0G6748711	87-29	A0G6813800	63-18	A0G6819900	8-6	A0G6843800	79-13

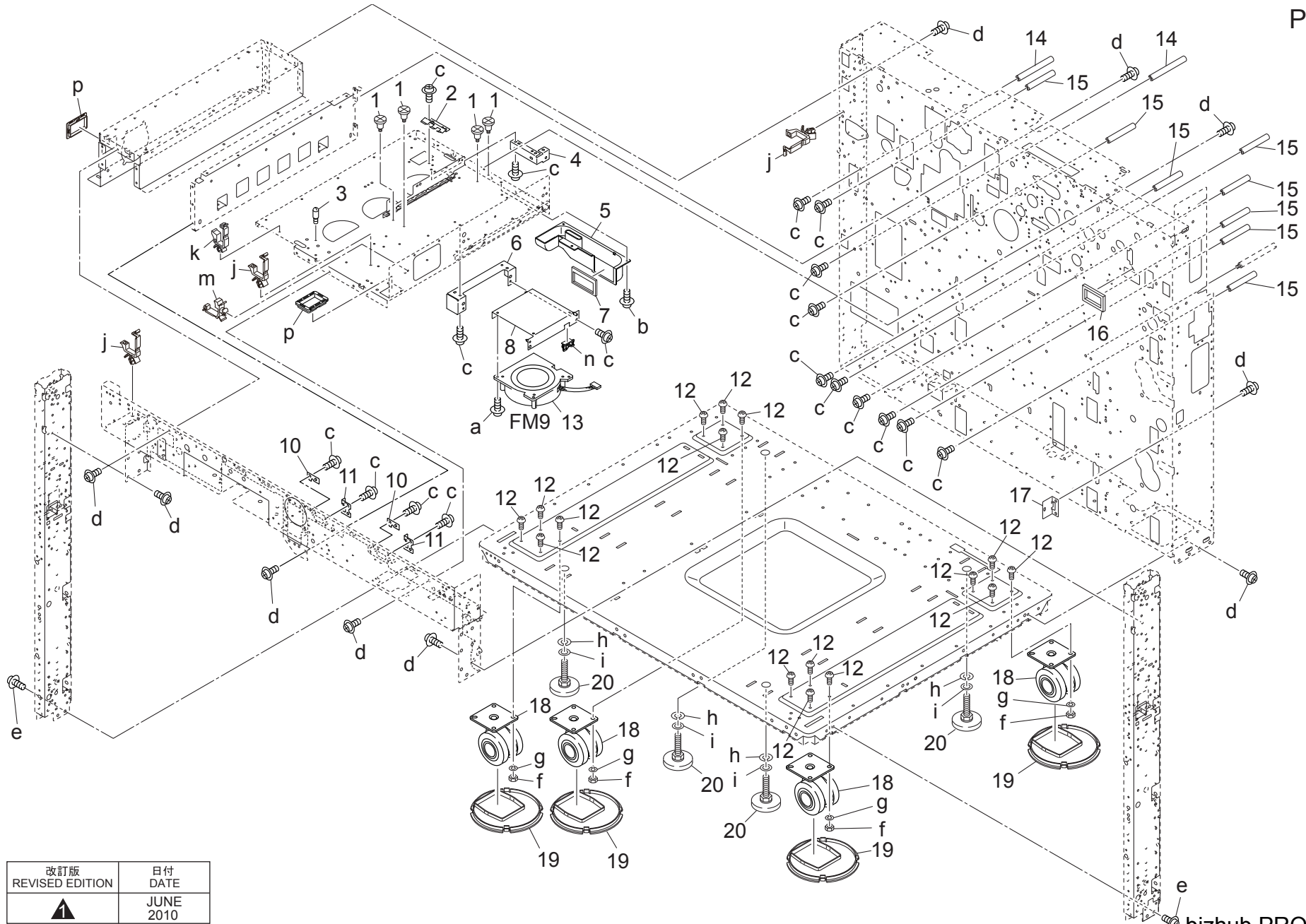
Parts No.	Page No.	Parts No.	Page No.	Parts No.	Page No.	Parts No.	Page No.	Parts No.	Page No.
A0G6843900	79-21	A0G6945800	70-1	A0G6M10100	18-21	A0G6N10500	107-6	A0G6N15101	92-9
A0G6844101	76-5	A0G6945900	88-5	A0G6M10100	20-7	A0G6N10603	86-20	A0G6N15201	14-13
A0G6844200	77-21	A0G6946000	64-33	A0G6M33000	91-6	A0G6N10700	103-2	A0G6N15303	92-11
A0G6844300	76-11	A0G6946100	65-27	A0G6M35200	12-11	A0G6N10801	86-1	A0G6N15404	14-9
A0G6844402	76-4	A0G6946200	60-15	A0G6M40101	108-28	A0G6N10903	86-2	A0G6N15500	107-1
A0G6844500	76-3	A0G6947300	71-6	A0G6M40200	61-17	A0G6N11004	104-14	A0G6N15700	108-8
A0G6844600	76-9	A0G6947400	10-23	A0G6M40400	105-22	A0G6N11100	107-24	A0G6N15800	108-7
A0G6844700	79-26	A0G6947411	10-23	A0G6M45100	104-24	A0G6N11200	107-3	A0G6N16001	60-10
A0G6844800	79-14	A0G6947501	50-11	A0G6M45200	105-10	A0G6N11300	107-22	A0G6N16100	62-25
A0G6844900	76-13	A0G6947600	53-1	A0G6M45311	105-13	A0G6N11401	8-24	A0G6N16301	81-12
A0G6845100	77-7	A0G6947800	26-1	A0G6M45400	103-3	A0G6N11501	104-17	A0G6N16400	73-16
A0G6845200	77-8	A0G6947800	35-1	A0G6M50801	58-22	A0G6N11600	56-7	A0G6N16802	61-31
A0G6845500	76-26	A0G6947900	52-23	A0G6M60200	103-14	A0G6N11600	105-15	A0G6N16900	69-30
A0G6845600	79-3	A0G6948000	111-17	A0G6M60300	9-12	A0G6N11700	104-15	A0G6N17200	67-10
A0G6845700	77-4	A0G6950400	58-9	A0G6M60400	103-18	A0G6N11801	14-23	A0G6N17600	19-13
A0G6845700	79-24	A0G6950500	49-4	A0G6M75400	12-7	A0G6N11900	107-27	A0G6N18101	12-13
A0G6845900	77-5	A0G6950500	100-2	A0G6M75501	12-4	A0G6N12000	103-15	A0G6N18201	13-20
A0G6846100	78-10	A0G6950600	94-24	A0G6M91100	106-19	A0G6N12101	8-2	A0G6N18300	13-19
A0G6846300	77-3	A0G6950700	94-16	A0G6M91200	106-17	A0G6N12201	104-11	A0G6N18400	12-14
A0G6846400	78-9	A0G6950800	92-6	A0G6M91300	10-16	A0G6N12300	9-15	A0G6N18500	16-12
A0G6846500	76-23	A0G6950800	95-13	A0G6M91300	11-9	A0G6N12400	15-9	A0G6N18600	16-31
A0G6846600	77-22	A0G6950800	96-7	A0G6M91400	11-10	A0G6N12600	2-2	A0G6N18800	63-21
A0G6846800	76-8	A0G6951000	82-9	A0G6M91500	11-12	A0G6N12800	3-17	A0G6N19100	107-33
A0G6848400	70-3	A0G6951100	41-14	A0G6M91600	106-10	A0G6N12900	3-16	A0G6N19200	61-19
A0G6848500	78-11	A0G6F21100	15-17	A0G6M91700	10-7	A0G6N13002	86-22	A0G6N19300	61-21
A0G6848600	78-13	A0G6F23700	18-19	A0G6M91800	14-16	A0G6N13100	2-26	A0G6N19400	61-20
A0G6848700	78-16	A0G6H01003	108-16	A0G6M92000	10-18	A0G6N13300	26-10	A0G6N19600	106-18
A0G6848800	78-17	A0G6H02002	104-18	A0G6M92100	11-6	A0G6N13300	35-10	A0G6N19700	69-15
A0G6849100	77-14	A0G6H03004	104-5	A0G6M92100	108-10	A0G6N13801	50-25	A0G6N19800	70-6
A0G6849200	77-13	A0G6H04000	12-15	A0G6M92400	3-2	A0G6N13A00	52-16	A0G6N19900	68-11
A0G6942500	76-7	A0G6H06000	12-9	A0G6M92500	3-4	A0G6N13E00	52-16	A0G6N20000	17-17
A0G6942600	61-15	A0G6H07004	67-12	A0G6M92500	94-14	A0G6N14101	96-1	A0G6N20100	65-36
A0G6942800	50-12	A0G6H08000	68-12	A0G6M92600	14-15	A0G6N14201	97-8	A0G6N20200	65-34
A0G6942900	10-11	A0G6H11000	104-7	A0G6M92700	108-6	A0G6N14300	41-3	A0G6N20500	67-9
A0G6943100	103-11	A0G6H15000	97-7	A0G6M93100	13-15	A0G6N14400	47-3	A0G6N20600	72-31
A0G6944500	111-15	A0G6H16000	97-7	A0G6M93200	104-16	A0G6N14500	47-12	A0G6N20700	77-29
A0G6945100	80-10	A0G6H31002	14-17	A0G6N10101	103-7	A0G6N14701	49-12	A0G6N20800	60-1
A0G6945400	71-8	A0G6H32000	14-11	A0G6N10202	104-23	A0G6N14800	97-2	A0G6N20900	79-22
A0G6945500	82-22	A0G6H51001	104-13	A0G6N10301	8-17	A0G6N14902	49-20	A0G6N21000	76-21
A0G6945700	79-16	A0G6J34000	97-12	A0G6N10400	103-17	A0G6N15003	107-2	A0G6N21400	69-31

Parts No.	Page No.	Parts No.	Page No.	Parts No.	Page No.	Parts No.	Page No.	Parts No.	Page No.
A0G6N21500	69-35	A0G6R75300	17-8	A0G6R7A800	98-14	A0GA195000	12-26	A0Y5742800	89-7
A0G6N21600	64-7	A0G6R75400	17-2	A0G6R7A900	26-6	A0GA205000	12-26	A0Y5835400	69-2
A0G6N21701	68-5	A0G6R75600	47-4	A0G6R7A900	35-6	A0GA944100	11-33	A0Y5944200	11-31
A0G6N22100	3-7	A0G6R75700	49-16	A0G6R7B200	59-25	A0GAR70000	14-1	A0Y5H10001	106-11
A0G6N22202	65-35	A0G6R75800	49-8	A0G6R7B433	99-1	A0GAR70100	14-1	A0Y5H12001	106-15
A0G6N22300	50-3	A0G6R75900	52-19	A0G6R7B700	102-17	A0GAR70200	14-1	A0Y5J04000	55-5
A0G6N22401	106-25	A0G6R76000	28-16	A0G6R7B800	106-3	A0GD642100	96-20	A0Y5M15100	1-13
A0G6N22500	94-13	A0G6R76000	37-16	A0G6R7B900	106-3	A0PNM10200	16-11	A0Y5M15100	3-14
A0G6N22600	106-22	A0G6R76100	25-11	A0G6R7C000	110-3	A0PNM10200	17-1	A0Y5M15100	4-6
A0G6R70000	43-9	A0G6R76100	34-11	A0G6R7C100	5-23	A0PNM10200	19-17	A0Y5M15100	8-29
A0G6R70100	40-16	A0G6R76200	22-4	A0G6R7C100	6-4	A0PNM10200	50-24	A0Y5M15100	105-5
A0G6R70400	40-1	A0G6R76200	31-4	A0G6R7C200	5-22	A0PNM10200	78-15	A0Y5M30800	41-8
A0G6R70411	40-1	A0G6R76500	91-20	A0G6R7C300	5-10	A0R5M10300	15-14	A0Y5M55100	81-17
A0G6R70522	58-23	A0G6R76600	72-28	A0G6R7C600	92-10	A0R5M10300	61-14	A0Y5M60100	14-20
A0G6R70700	82-11	A0G6R76700	75-19	A0G6R7C700	20-12	A0U0945401	21-1	A0Y5N13500	14-22
A0G6R71200	60-20	A0G6R77011	78-14	A0G6R7C800	103-5	A0U0945501	30-1	A1RF529100	74-16
A0G6R71200	65-33	A0G6R77100	61-13	A0G6R7C900	103-5	A0Y5132000	106-14	A1RF529100	75-7
A0G6R71200	67-3	A0G6R77200	14-14	A0G6R7D000	103-5	A0Y5133700	106-12	A1RF529300	82-17
A0G6R71300	69-19	A0G6R77300	10-30	A0G6R7D100	11-18	A0Y5134500	106-33	A1RF529300	83-5
A0G6R71822	85-2	A0G6R77400	10-21	A0G6R7D400	74-1	A0Y5134500	108-14	A1TT211400	66-28
A0G6R71944	50-9	A0G6R77500	10-29	A0G6R7D600	97-5	A0Y5134700	106-34	A1UDM50100	25-10
A0G6R72044	50-9	A0G6R77600	92-7	A0G6R7D700	96-25	A0Y5134700	108-15	A1UDM50100	34-10
A0G6R72144	50-9	A0G6R77700	95-12	A0G6R7D800	96-23	A0Y5162000	10-35	A4EU400800	53-7
A0G6R72500	70-4	A0G6R78300	28-8	A0G6R7E000	93-1	A0Y5162000	11-25	A4EU413300	51-13
A0G6R72644	70-9	A0G6R78300	37-8	A0G6R7E500	52-8	A0Y5196300	13-12	A4EU414700	52-7
A0G6R72700	70-7	A0G6R78400	21-22	A0G6R7E700	100-23	A0Y5196400	13-2	A4EU430700	56-10
A0G6R73011	101-26	A0G6R78400	30-22	A0G6R7E800	100-24	A0Y5227500	19-34	A4EU430700	57-8
A0G6R73700	101-29	A0G6R78500	42-10	A0G6R7F600	54-28	A0Y5227600	19-33	A4EU500400	83-2
A0G6R73800	101-23	A0G6R78600	90-12	A0G6R7G600	107-34	A0Y5344900	95-16	A4EU536200	101-7
A0G6R73811	101-23	A0G6R78911	87-31	A0G6R7H100	99-1	A0Y5344900	96-3	A4EU560000	7-13
A0G6R73900	28-27	A0G6R79000	72-33	A0G6R7H400	108-9	A0Y5351200	98-6	A4EU560200	7-15
A0G6R73900	37-27	A0G6R79100	72-18	A0G6R7H500	106-29	A0Y5351500	98-19	A4EU565600	29-15
A0G6R74000	4-8	A0G6R79700	65-19	A0G6R7H600	106-29	A0Y5371600	58-13	A4EU565600	38-15
A0G6R74100	3-21	A0G6R79800	68-10	A0G6R7H900	6-36	A0Y5371700	58-14	A4EU710600	81-24
A0G6R74200	15-10	A0G6R79900	61-6	A0G6R7J000	4-33	A0Y5378600	59-11	A4EU715400	81-23
A0G6R74300	15-23	A0G6R7A300	57-2	A0G6R7J100	4-32	A0Y5406400	52-13	A4EU731500	90-25
A0G6R74500	19-37	A0G6R7A422	93-7	A0G6R7J200	5-31	A0Y5532400	100-5	A4EU732300	90-27
A0G6R74700	20-8	A0G6R7A500	95-4	A0G6R7J400	6-35	A0Y5601600	28-3	A4EU732600	90-28
A0G6R74800	20-4	A0G6R7A600	97-9	A0GA160101	11-5	A0Y5601600	37-3	A4EU747100	91-14
A0G6R75000	18-8	A0G6R7A700	96-16	A0GA190301	12-25	A0Y5713100	80-36	A4EU747200	85-35

Parts No.	Page No.	Parts No.	Page No.	Parts No.	Page No.
A4EU747300	85-32	A4EUR71900	2-24	A4EUR74500	81-34
A4EU755600	88-10	A4EUR71A00	2-20	A4EUR74600	81-33
A4EU817200	65-8	A4EUR71B00	2-25	A4EUR74800	81-6
A4EU817400	65-6	A4EUR71F00	5-32	A4EUR74900	79-2
A4EU817500	66-37	A4EUR71G00	6-34	A4EUR74A00	79-7
A4EU817600	65-9	A4EUR71N00	107-13	A4EUR74C00	108-20
A4EU817700	66-33	A4EUR71S00	19-24	A4EUR74R00	79-5
A4EU817700	69-11	A4EUR71Y00	16-25	A4EUR74V00	56-1
A4EU818000	60-6	A4EUR72100	47-4	A4EUR74X00	56-2
A4EU818000	64-13	A4EUR72400	54-17	A4EUR74Y00	57-1
A4EU821400	66-38	A4EUR72500	54-22	A4EUR75F00	58-8
A4EU822100	65-24	A4EUR72600	54-24	A4EUR75H00	58-1
A4EU840700	77-9	A4EUR72700	54-9	A4EUR75K00	93-9
A4EUF22100	19-18	A4EUR72D00	52-4	A4EUR75M00	101-14
A4EUF24100	16-10	A4EUR72E00	51-14	A4EUR75N00	101-9
A4EUF24600	16-30	A4EUR72G00	53-12	A4EUR75S00	102-10
A4EUR70100	65-1	A4EUR72H00	28-36	A4EUR75V11	50-13
A4EUR70200	97-13	A4EUR72H00	37-36	A4EUR75X00	111-2
A4EUR70500	48-25	A4EUR72P00	29-1	A4EUR76B00	91-9
A4EUR70900	40-17	A4EUR72P00	38-1	A4EUR76D00	85-36
A4EUR70B00	83-17	A4EUR72R00	24-23	A4EUR76E00	85-33
A4EUR70F00	100-13	A4EUR72R00	33-23	SP00-0022	86-5
A4EUR70G00	101-29	A4EUR72S00	23-10	SP00-0043	87-26
A4EUR70J00	99-10	A4EUR72S00	32-10	V114040604	111-6
A4EUR70P00	91-12	A4EUR72W00	23-25	V118040804	111-7
A4EUR70T00	90-13	A4EUR72W00	32-25	V121030603	111-13
A4EUR70V00	87-1	A4EUR73100	42-24	V121030803	111-5
A4EUR70W00	52-1	A4EUR73200	88-13	V121040603	111-8
A4EUR70X00	52-2	A4EUR73400	90-20	V127030603	111-3
A4EUR70Y00	56-5	A4EUR73500	90-18	V502010007	68-13
A4EUR71000	57-5	A4EUR73700	89-19	V502010014	104-21
A4EUR71300	102-12	A4EUR73D00	74-3	V502010015	19-14
A4EUR71400	28-12	A4EUR73E00	74-7	V502010015	105-24
A4EUR71400	29-14	A4EUR73F00	74-13	V502010015	108-25
A4EUR71400	37-12	A4EUR73J00	75-13	V502010016	103-4
A4EUR71400	38-14	A4EUR73K00	75-11	V502010021	67-13
A4EUR71500	29-8	A4EUR73N00	75-9	V502010029	104-20
A4EUR71500	38-8	A4EUR73P00	75-15		
A4EUR71600	44-28	A4EUR73V00	62-24		
A4EUR71700	3-10	A4EUR73W00	69-28		

# MAIN FRAME

P 1



bizhub PRO 1200P

改訂版 REVISED EDITION	日付 DATE
▲	JUNE 2010

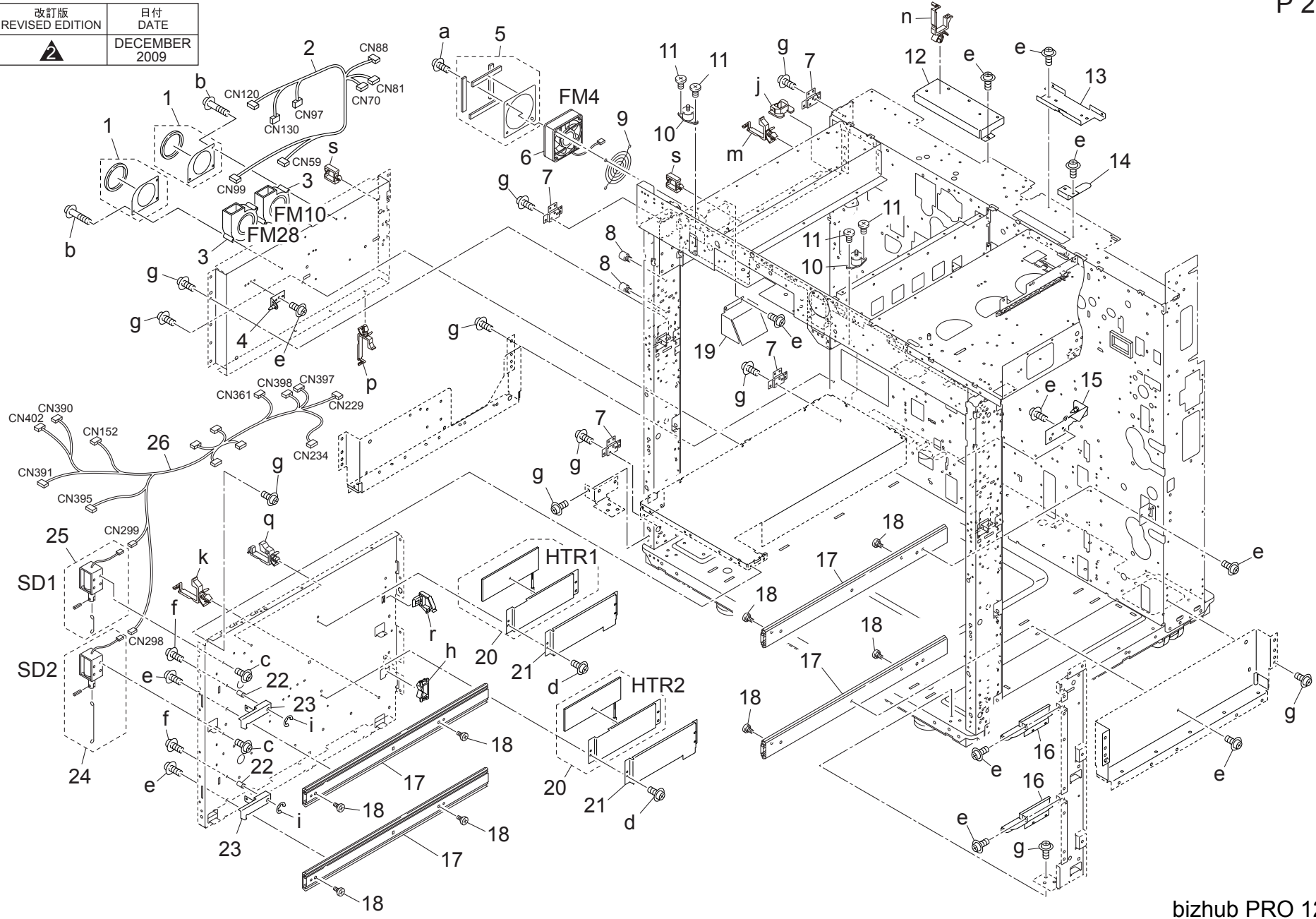
Order here  
8 (495) 646-0426  
ПЯТЫЙ ПАРТНЕР www.km-shop.ru

# MAIN FRAME

Key	Part No.	Description	Destinations	Class	QTY	Standard parts
1	56UA73390	Positioning Pin		C	4	a-V118040803
2	A0G6118400	Holding Plate Spring		C	1	b-V121030603
3	A0G6118300	Base Shaft /F		D	1	c-V121040603
4	A0G6116400	Receiving Plate /L		D	1	d-V140040803
5	A0G6116500	Suction Duct /Upper		D	1	e-V140041403
6	A0G6116600	Receiving Plate /R		D	1	f-V195060003
7	A0G6117500	Suction Seal /Upper		C	1	g-V205060003
8	A0G6116700	Mounting Plate /F		D	1	h-V205120003
10	A0G6116300	Lock Plate /Left		D	2	i-V207120003
11	A0G6116200	Lock Plate /Right		D	2	j-V500010003
12	56UA10520	ROLLER MOUNTING SCREW		C	16	k-V500010020
13	A0Y5M15100	Suction Fan motor		C	1	m-V500010061
14	56UA73260	Board Support Leg /A		D	2	n-V570010023
15	56UA73280	Board Support Leg /B		D	8	p-V570010039
16	A0G6112400	Suction Seal /1		C	1	
17	56UA10370	MAIN BODY AUXILIARY PLATE A		D	1	
18	A0G6105100	Castor		D	4	
19	A0G6102500	Protection Cover		D	4	
20	25AA10090	Mainbody Fixing Stopper		C	4	

# MAIN FRAME

改訂版 REVISED EDITION	日付 DATE
	DECEMBER 2009



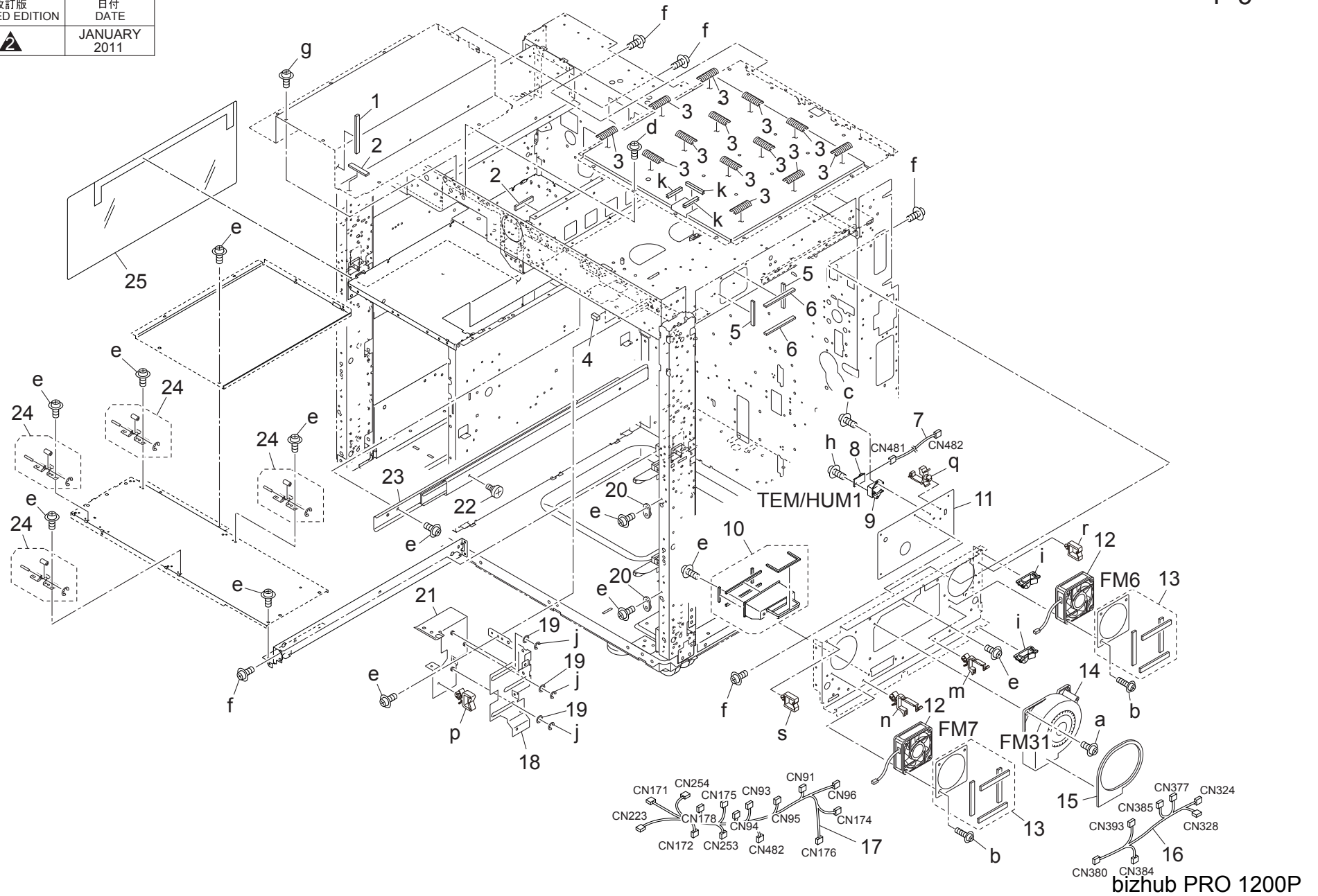
bizhub PRO 1200P





# MAIN FRAME

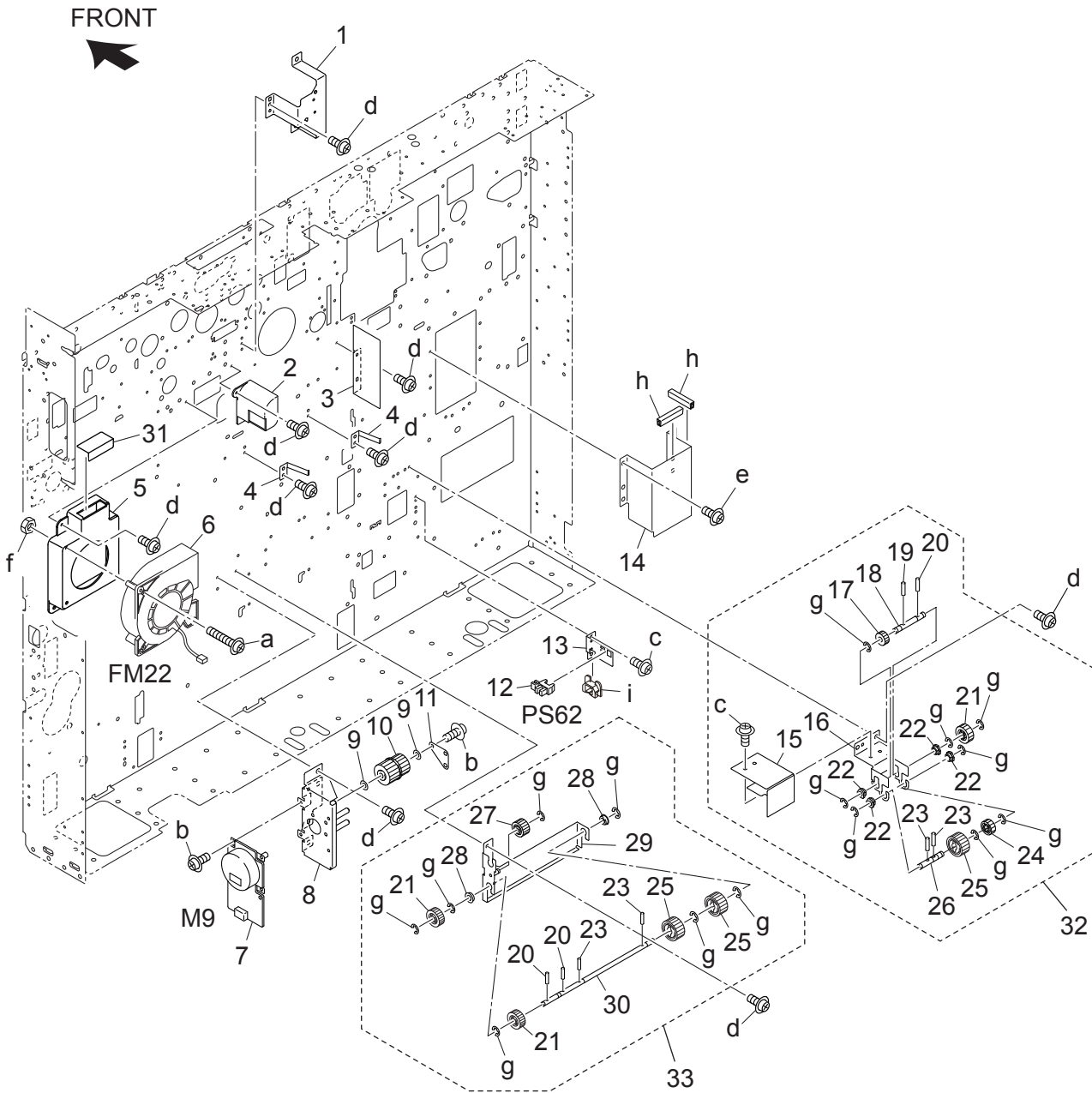
改訂版 REVISED EDITION	日付 DATE
	JANUARY 2011





# MAIN FRAME

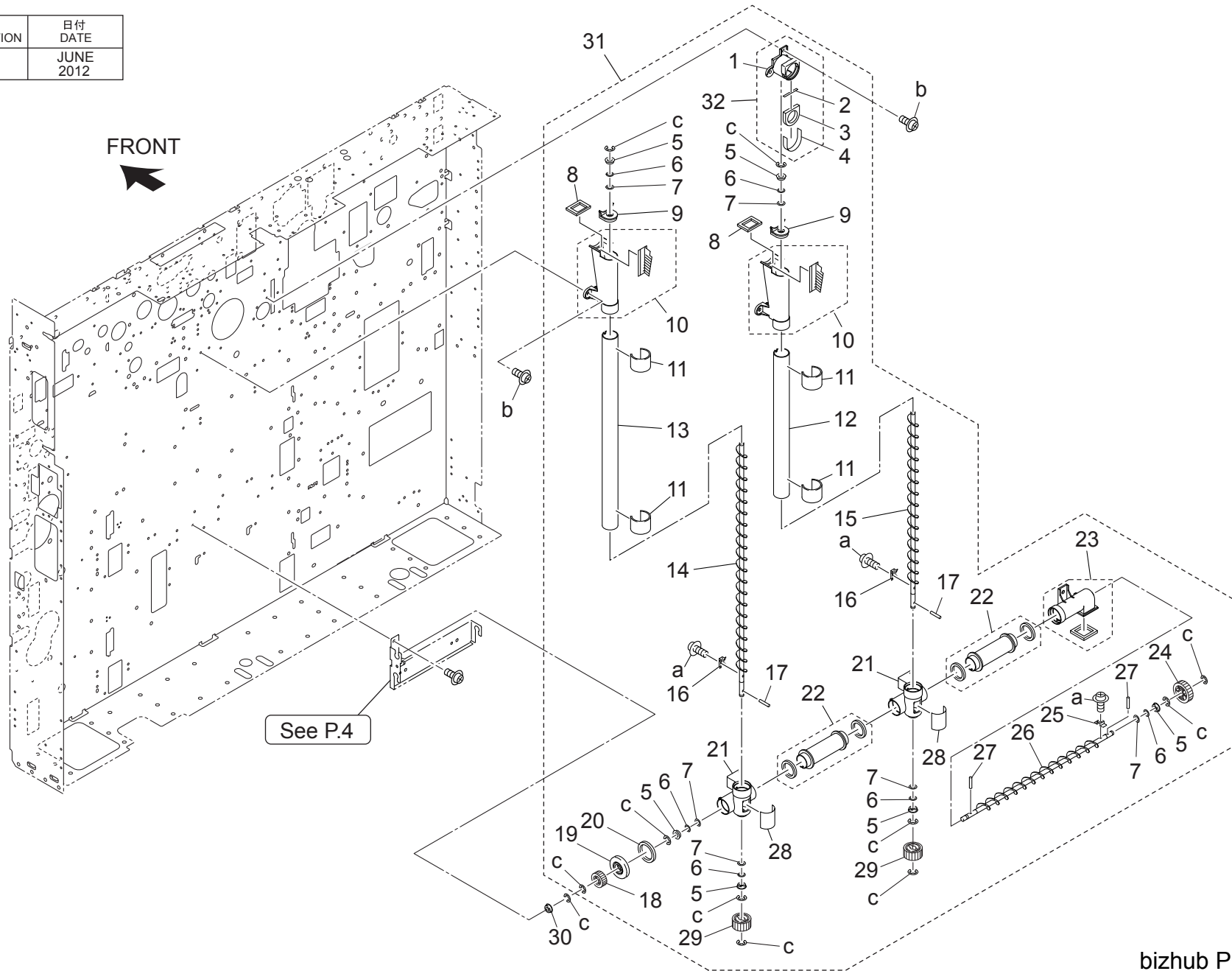
改訂版 REVISED EDITION	日付 DATE
	JUNE 2012



Key	Part No.	Description	Destinations	Class	QTY	Standard parts
1	A0G6114301	Lifting Plate /Middle		D	1	a-V118044503
2	A0G6111500	Cooling Duct /D	冷却ダクト / D	D	1	b-V121030403
3	A0G6111600	Heat Blocking Plate	遮熱板	D	1	c-V121030603
4	A0G6353800	Ground Plate /P	アースプレート / P	D	2	d-V121040603
5	A0G6111401	Cooling Duct /A	冷却ダクト / A	D	1	e-V140040803
6	A0Y5M15100	Suction Fan motor	サククションファンモータ	C	1	f-V195040003
7	A011M10000	BRUSHLESS MOTOR	ブラシレスモータ / 10	B	1	g-V217040050
8	A0G6R74000	Toner Collection Panel Assy	トナー回収パネルカシメ	D	1	h-V360200000
9	56AA17700	SPACER B	スペーサー B	C	2	i-V570010021
10	A0G6257100	Idling Gear 23/48T	アイドラギア 23 / 48 T	C	1	
11	A0G6253300	Reinforce Plate	補強板	D	1	
12	08AA85512	Photo Sensor	フォトセンサ	B	1	
13	A0G6355100	Board /4	センサ基板 / 4	D	1	
14	56UA73490	Motor Cover /Rear	モータカバー / 奥	D	1	
15	A0G6361200	Drive Cover	駆動カバー	D	1	
16	A0G6361100	Drive Plate /1	駆動板 / 1	D	1	
17	A0G6367900	Drive Gear /9 16T	駆動ギア / 9 16 T	C	1	
18	A0G6362900	Drive Shaft /1	駆動軸 / 1	D	1	
19	56AA17310	PIN	ピン	C	1	
20	56AA17471	PIN B 3X12	ピン B 3 X 12	C	3	
21	A0G6367400	Drive Gear /4 19T	駆動ギア / 4 19 T	C	3	
22	466076020	PAPER FEED SHAFT HOLDER	給紙送り出し軸受	B	4	
23	56AA17520	PIN A D3X10	ピン A D 3 X 10	C	4	
24	A0G6367500	Drive Gear /5 18T	駆動ギア / 5 18 T	C	1	
25	56UA77400	Toner Conveyance Gear /C 15T	トナー搬送ギア / C 15 T	C	3	
26	A0G6363000	Drive Shaft /2	駆動軸 / 2	D	1	
27	A0G6217500	Drive Gear /7 20T	駆動ギア / 7 20 T	C	1	
28	A00J617800	BALL BEARING	ボールベアリング	C	2	
29	A0G6365000	Drive Board /1	駆動基板 / 1	D	1	
30	A0G6367000	Drive Shaft /3	駆動軸 / 3	D	1	
31	A0G6115000	Cooling Seal /Rear	冷却シール / 奥	D	1	
32	A0G6R7J100	Drive Plate/1 Assy	駆動板 / 1 部組	D	1	
33	A0G6R7J000	Drive Board/1 Assy	駆動基板 / 1 部組	D	1	

# MAIN FRAME

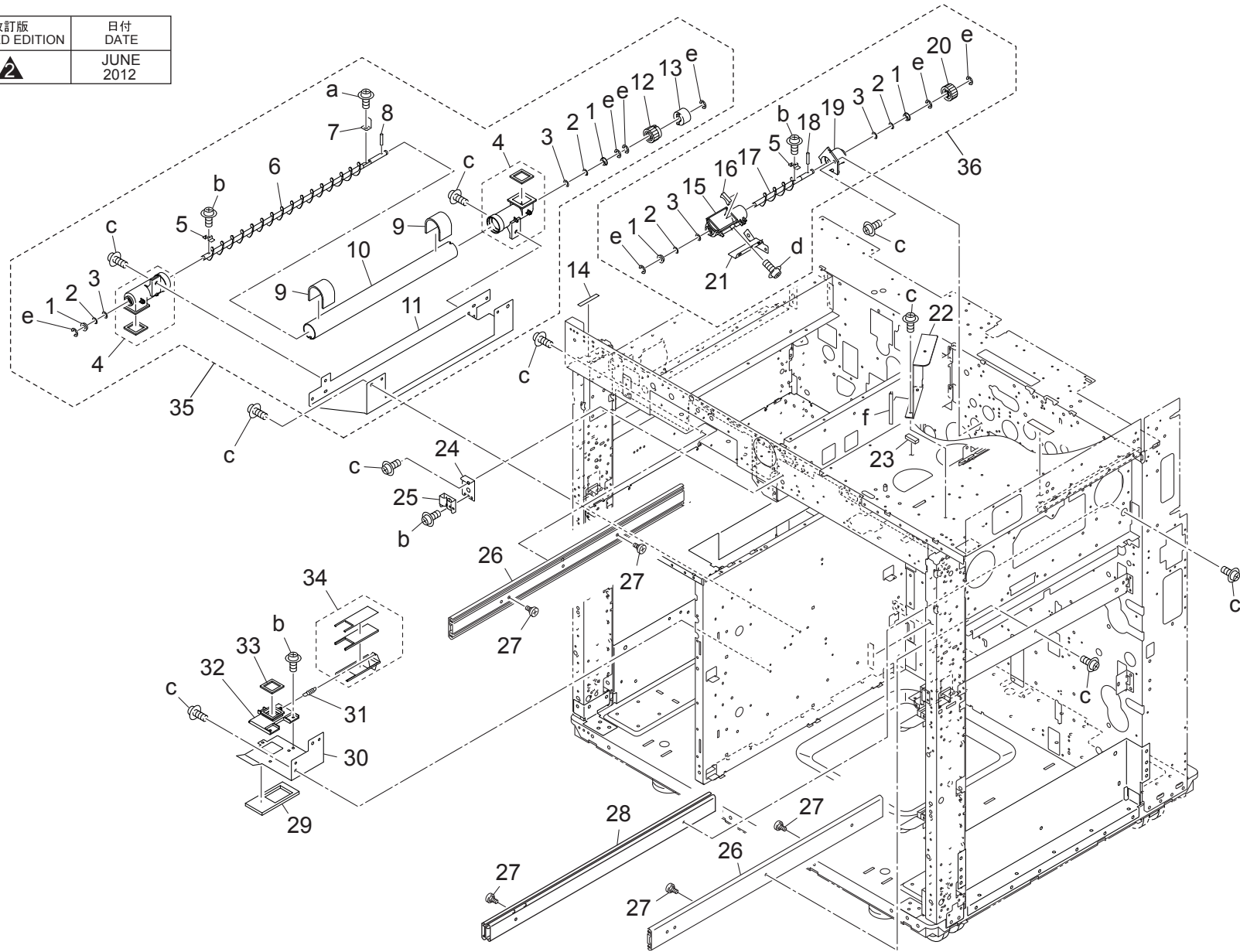
改訂版 REVISED EDITION	日付 DATE
	JUNE 2012



Key	Part No.	Description	Destinations	Class	QTY	Standard parts
1	A0G6364801	Connecting Block /C	連結ブロック / C	C	1	a-V118030603 b-V121040603 c-V217040050
2	A0G6354700	Duplex Tape /T	両面テープ / T	C	1	
3	A0G6353100	Transfer Seal /1	転写シール / 1	C	1	
4	A0G6354200	Dust-Proof Sheet /B	防塵シート / B	C	1	
5	A00J617800	BALL BEARING	ボールベアリング	C	6	
6	56UA20200	Spacer /1	スペーサー / 1	C	6	
7	A0G6355000	Scatteringprevention Felt	飛散防止フェルト	C	6	
8	A0G6368200	Connecting Seal /2	連結シール / 2	C	2	
9	A0G6356200	Connecting Block /3	連結ブロック / 3	C	2	
10	A0G6R7C300	Connecting Block /1 Assy	連結ブロック / 1 部組	D	2	
11	A0G6354301	Connecting Seal /6	連結シール / 6	C	4	
12	A0G6364500	Connecting Pipe /2	連結パイプ / 2	D	1	
13	A0G6364400	Connecting Pipe /1	連結パイプ / 1	D	1	
14	A0G6364001	Collection Screw /3	回収スクリュー / 3	C	1	
15	A0G6364101	Collection Screw /4	回収スクリュー / 4	C	1	
16	A0G6368001	Agitating Plate	攪拌プレート	D	2	
17	56AA17520	PIN A D3X10	ピン A D 3 X 1 0	C	2	
18	A0G6367400	Drive Gear /4 19T	駆動ギア / 4 1 9 T	C	1	
19	A0G6364900	Positioning Cover	位置決め蓋	C	1	
20	A0G6368700	Connecting Seal /4	連結シール / 4	C	1	
21	A0G6364301	Connecting Block /2	連結ブロック / 2	C	2	
22	A0G6R7C200	Connecting Pipe /3 Assy	連結パイプ / 3 部組	D	2	
23	A0G6R7C100	Connecting Pipe /4 Assy	連結パイプ / 4 部組	D	1	
24	A0G6367300	Drive Gear /3 24T	駆動ギア / 3 2 4 T	C	1	
25	56UA55550	Toner Agitating Plate	トナー攪拌プレート	D	1	
26	A0G6360800	Collection Screw /1	回収スクリュー / 1	C	1	
27	56AA17471	PIN B 3X12	ピン B 3 X 1 2	C	2	
28	A0G6368600	Dust-Proof Sheet /A	防塵シート / A	C	2	
29	56UA77400	Toner Conveyance Gear /C 15T	トナー搬送ギア / C 1 5 T	C	2	
30	A00J617800	BALL BEARING	ボールベアリング	C	1	
31	A0G6R7J200	Vertical Conveyance/1 Assy	縦搬送 / 1 部組	D	1	
32	A4EUR71F00	Connecting Block/C Assy	連結ブロック / C 部組	D	1	

# MAIN FRAME

改訂版 REVISED EDITION	日付 DATE
	JUNE 2012

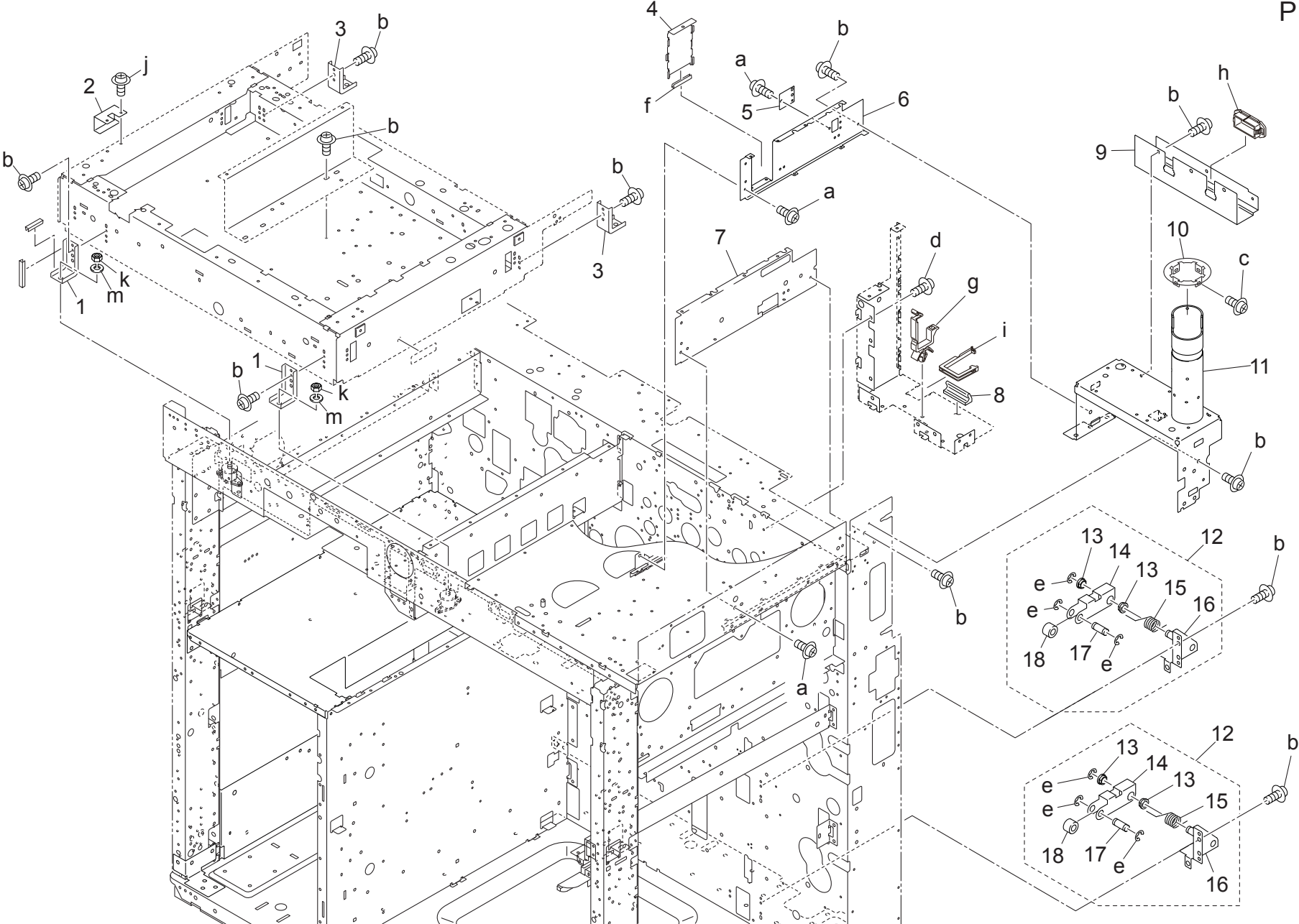




Key	Part No.	Description	Destinations	Class	QTY	Standard parts
1	A00J617800	BALL BEARING		C	4	a-V118030603 b-V121030603 c-V121040603 d-V151030603 e-V217040050 f-V360400000
2	56UA20200	Spacer /1	ボールベアリング Spacer / 1	C	4	
3	A0G6355000	Scatteringprevention Felt	飛散防止フェルト	C	4	
4	A0G6R7C100	Connecting Pipe /4 Assy	連結パイプ / 4 部組	D	2	
5	56UA55550	Toner Agitating Plate	トナー攪拌プレート	D	2	
6	A0G6360900	Collection Screw /2	回収スクリュー / 2	C	1	
7	56UA32730	Drive Detection Actuator	駆動検知アクチュエタ	D	1	
8	56AA17310	PIN	ピン	C	1	
9	A0G6354301	Connecting Seal /6	連結シール / 6	C	2	
10	A0G6350900	Connecting Pipe /7	連結パイプ / 7	D	1	
11	A0G6361000	Positioning Plate	位置決め板	D	1	
12	A0G6357500	Connecting Gear 15T	連結ギア 15 T	C	1	
13	A0G6357600	Torque Limiter	トルクリミッタ	C	1	
14	56UA10420	Wiring Protection Sheet /1	束線保護シート 1	C	1	
15	A0G6336701	Connecting Pipe /5	連結パイプ / 5	D	1	
16	A0G6337100	Cleaning Seal /2	クリーニングシール / 2	C	1	
17	A0G6336300	Cleaning Screw /A	クリーニングスクリュー / A	C	1	
18	56AA17471	PIN B 3X12	ピン B 3 X 1 2	C	1	
19	A0G6336801	Connecting Pipe /6	連結パイプ / 6	D	1	
20	A0G6336900	Cleaning Gear /2 20T	クリーニングギア / 2 20 T	C	1	
21	A0G6337002	Reinforce Plate	補強板	D	1	
22	56UA12131E	EXTERNAL REINFORCE PLATE	外装補強板	D	1	
23	56UA73600	Earth Cushion /D	アースクッション / D	C	1	
24	A0G6115500	Ground Plate /1	アース板 / 1	D	1	
25	A0G6115600	Ground Plate /2	アース板 / 2	D	1	
26	A0G6812200	Slide Rail /A	スライドレール / A	C	2	
27	55VA20310	POSITIONING SCREW	位置決めネジ	C	5	
28	56UA20160	CARRIAGE RAIL RIGHT	架台レール 右	D	1	
29	A0G6352300	Slide Seal	スライドシール	C	1	
30	A0G6363301	Slide Board	スライド基板	D	1	
31	A0G6363600	Slide Spring	スライドばね	C	1	
32	A0G6363500	Slide Joint	スライドジョイント	D	1	
33	A0G6368800	Connecting Seal /5	連結シール / 5	C	1	
34	A4EUR71G00	Shutter Assy	シャッター部組	D	1	
35	A0G6R7J400	Horizontal Conveyance/2 Assy	水平搬送 / 2 部組	D	1	
36	A0G6R7H900	Connecting Pipe/5 Assy	連結パイプ / 5 部組	D	1	

MAIN FRAME

P 7

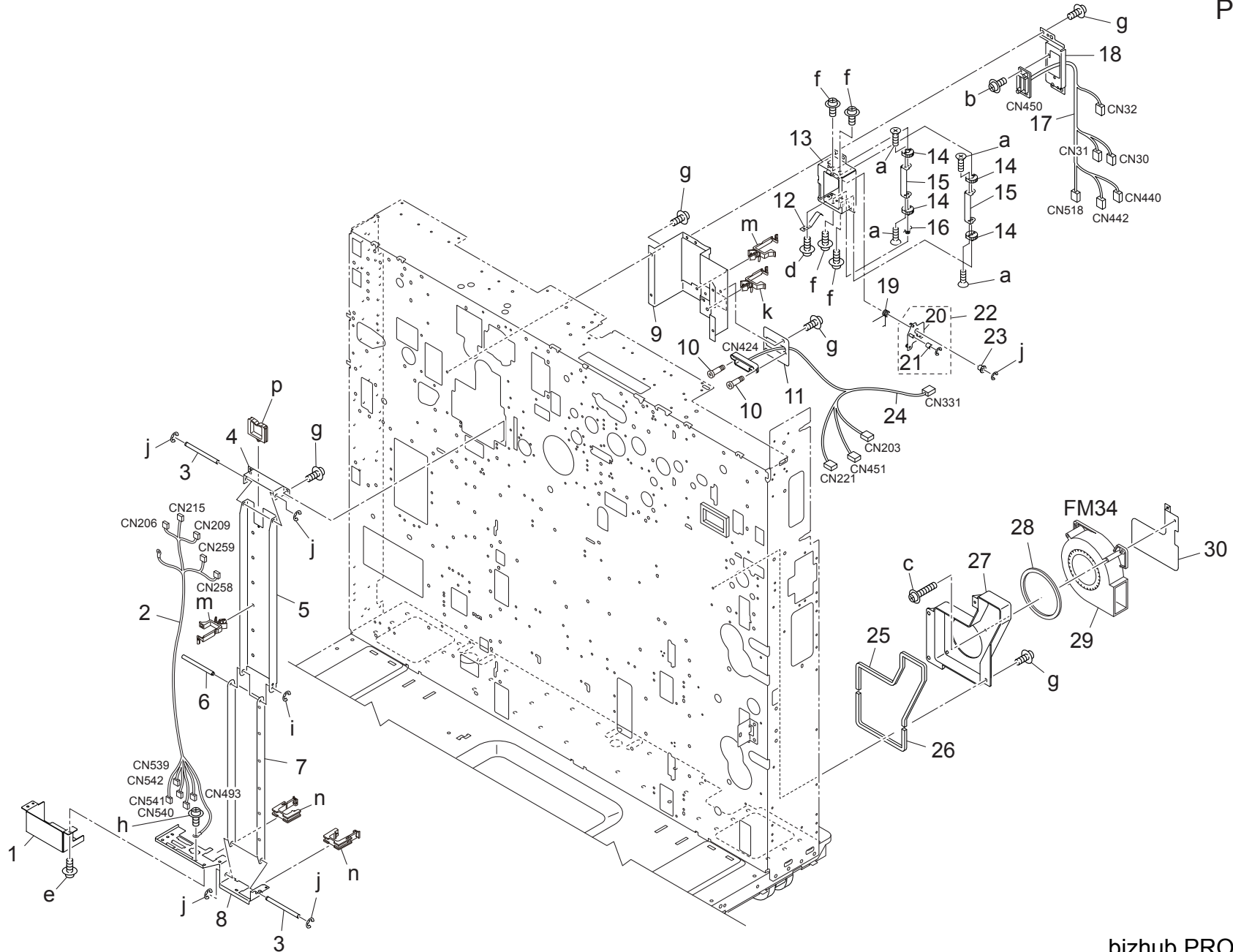


bizhub PRO 1200P



# MAIN FRAME

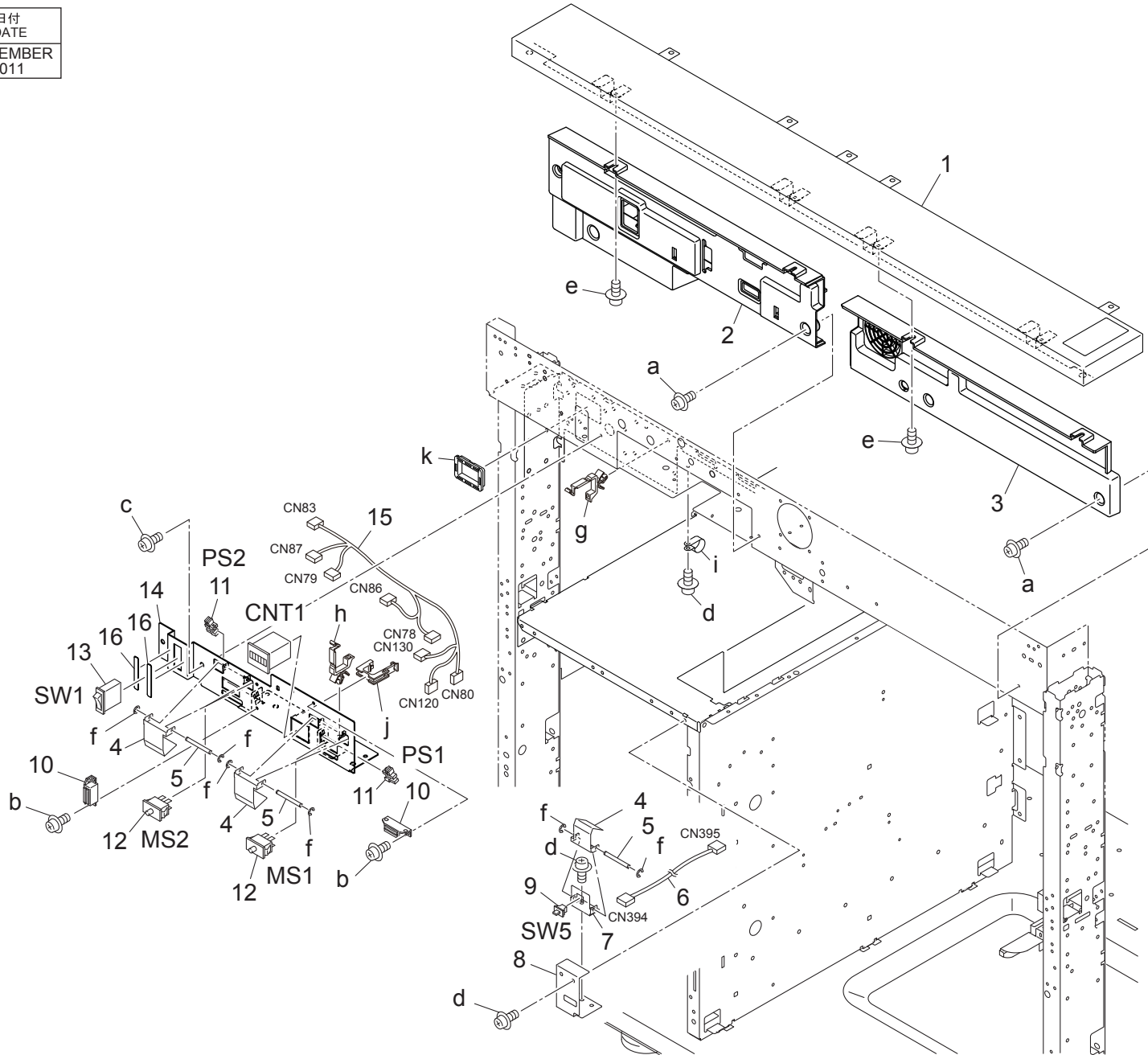
P 8



Key	Part No.	Description	Destinations	Class	QTY	Standard parts
1	A0G6816200	Power Supply Cover		D	1	a-V112020603
2	A0G6N12101	ADU Relay harness /5		D	1	b-V118041003
3	A0G6819800	Support Shaft /1		D	2	c-V118044503
4	A0G6819700	Power Supply Stay /M		D	1	d-V121030403
5	A0G6819500	Power Supply Arm /M		D	1	e-V121030603
6	A0G6819900	Support Shaft /2		D	1	f-V121031003
7	A0G6819600	Power Supply Arm /A		D	1	g-V121040603
8	A0G6816100	Power Supply Stay /A		D	1	h-V123040603
9	A0G6130912	Power Supply Plate /Lower		D	1	i-V217030050
10	066079020	DRAWER SCREW M3X10		C	2	j-V217040050
11	A0G6130711	Power Supply Plate /T		D	1	k-V500010003
12	25AA53441	EARTH SPRING		C	1	m-V500010007
13	56UA73160	CORD MOUNTING PLATE B		C	1	n-V570010028
14	496041890	Connector Gear /11T		C	4	p-V570010012
15	25AA53600	CORD COVER		D	2	
16	496041960	CONNECTOR COVER SPRING B		C	1	
17	A0G6N10301	Fixing Power Source Harness		D	1	
18	56UA73170	Cord Mounting Plate /C		D	1	
19	496041950	CONNECTOR COVER SPRING A		C	1	
20	4960R70100	CONNECTOR ARM		D	1	
21	496041930	CONNECTOR COLLAR A		C	1	
22	4960-3970	CONNECTOR ARM		C	1	
23	496076210	SLIDE SHAFT HOLDER D6		C	1	
24	A0G6N11401	Fixing Control Harness		D	1	
25	A0G6117600	Suction Seal /A		C	1	
26	A0G6117700	Suction Seal /B		C	1	
27	A0G6110400	Suction Duct /1		D	1	
28	A0G6117800	Suction Seal /C		C	1	
29	A0Y5M15100	Suction Fan motor		C	1	
30	A0G6110800	Suction Plate /B		D	1	

# EXTERNAL PARTS

改訂版 REVISED EDITION	日付 DATE
	DECEMBER 2011

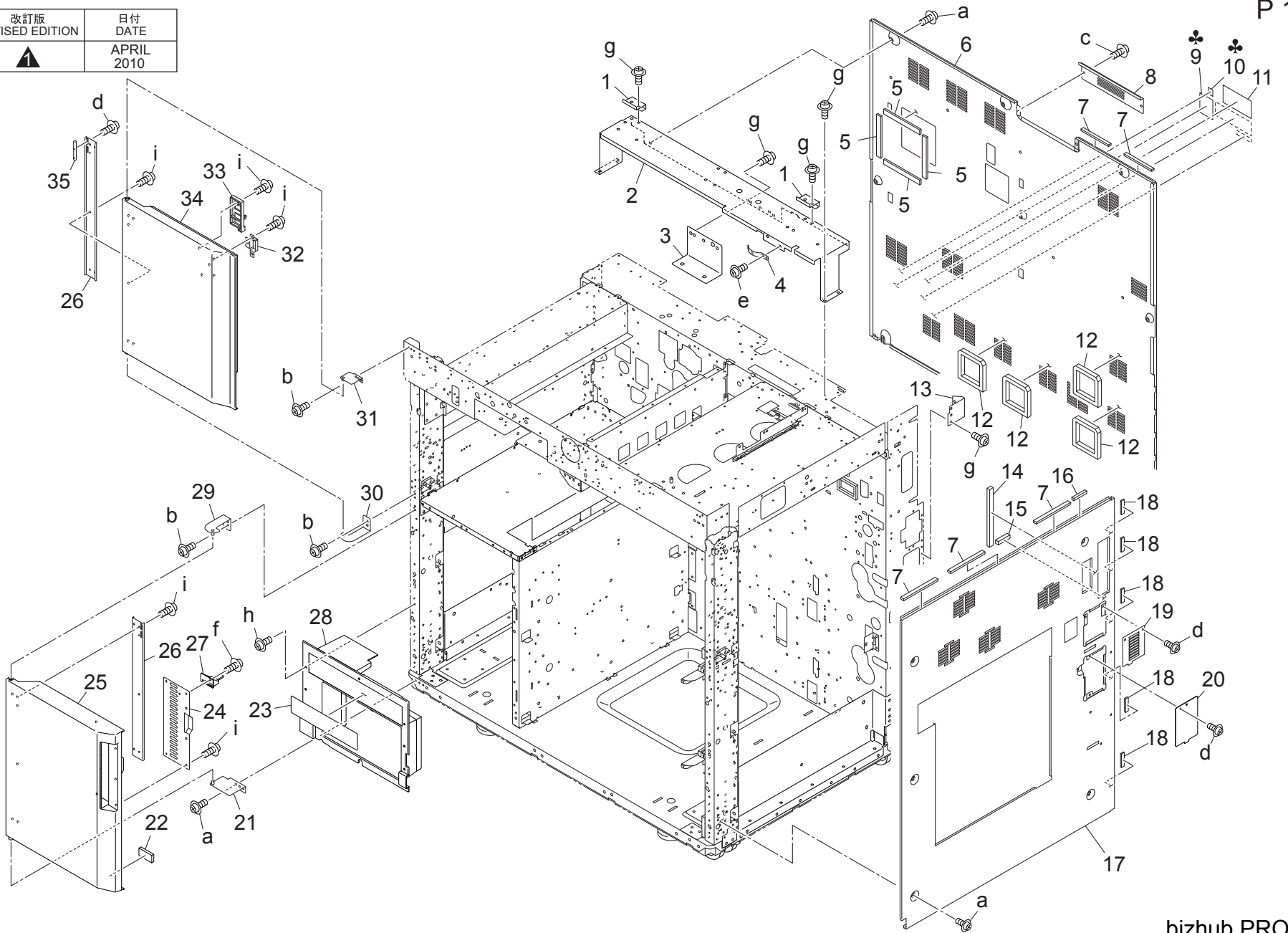





# EXTERNAL PARTS

P 10

改訂版 REVISED EDITION	日付 DATE
	APRIL 2010




 Order here  
 8 (495) 646-0426  
 ПЯТЫЙ ПАРТНЕР www.km-shop.ru

bizhub PRO 1200P

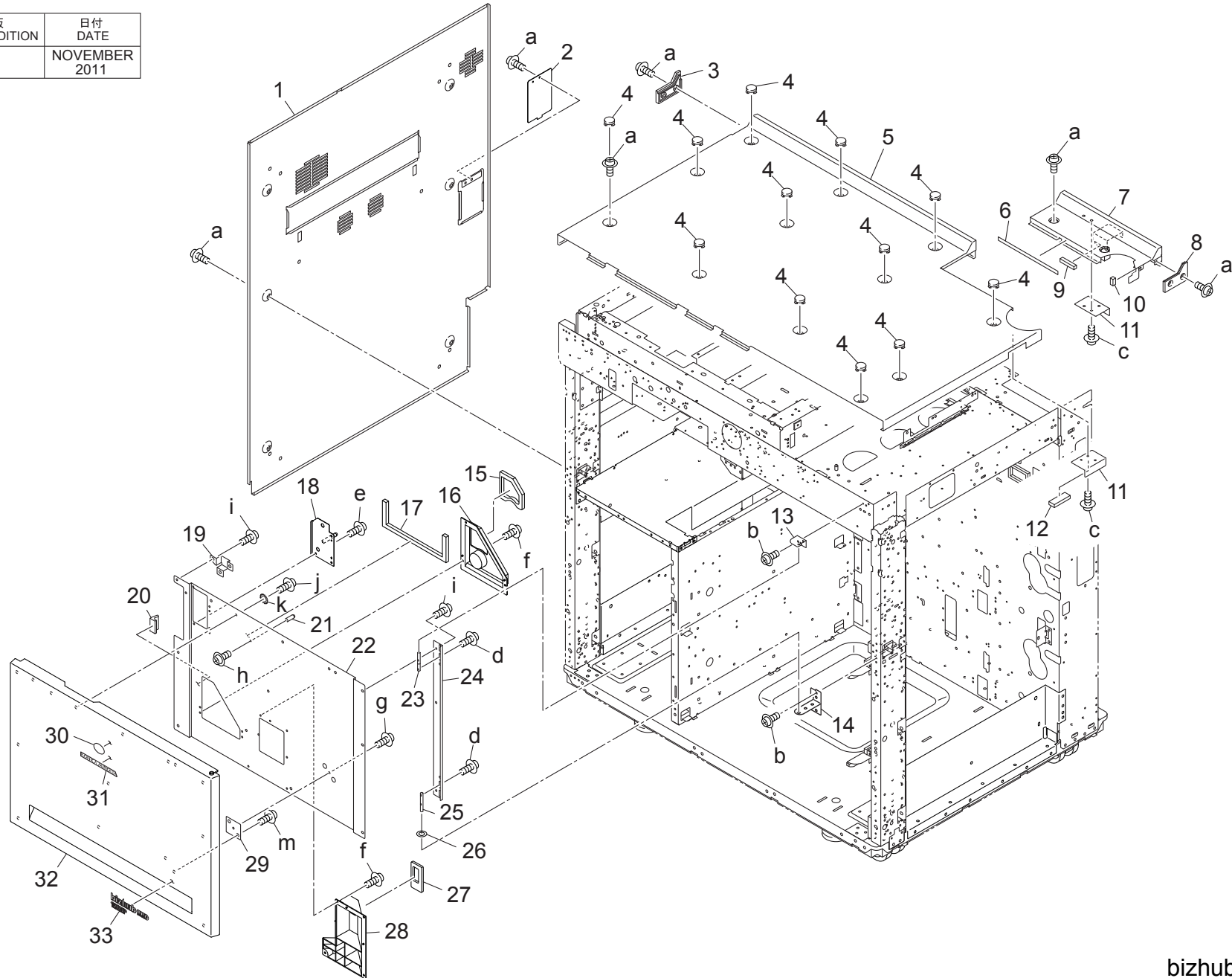


## EXTERNAL PARTS

Key	Part No.	Description	Destinations	Class	QTY	Standard parts
1	56UA12720	External Reinforce Plate /3		D	2	a-V114040604
2	A0G6164300	Mounting Plate /3		D	1	b-V114040616
3	56UA12710	External Reinforce Plate /2		D	1	c-V118030404
4	25SA66840D	Write Cover Spring		C	1	d-V118030604
5	A0G6168700	Seal /12		C	4	e-V121030603
6	A0G6161200	Cover /Rear		C	1	f-V121030604
7	A0G6M91700	Gasket /G		C	5	g-V121040603
8	A0G6169400	Filter Cover		C	1	h-V121040604
9	56UA97320	CAUTION LABEL/A	C	D	1	i-V151030804
10	56UF97280	SEPARATION PROCESSING LABEL	C	D	1	
11	A0G6942900	Caution Label /E		C	1	
12	A0G6168500	Seal /6		C	4	
13	56UA12340	External Mounting Plate /2		D	1	
14	56UA12670	Earth Cushion /1		C	1	
15	56UA12610	Electric Protection Cushion /1		C	1	
16	A0G6M91300	Gasket /C		C	1	
17	A0G6161000	Side Cover /Right		C	1	
18	A0G6M92000	Gasket /J		C	5	
19	56UA12180	Filter Protection Plate		D	1	
20	A0G6166500	Protection Cover		C	1	
21	A0G6R77400	Front Door Hinge Assy /2		D	1	
22	55VA12460	Front Door Stopper Rubber		D	1	
23	A0G6947400Old	Operation Label /B		C	1	
23	A0G6947411	Operation Label /B		C	1	
24	A0G6163600	Auxiliary Cover		D	1	
25	A0G6160202	Toner Supply Door		C	1	
26	A0G6163100	Reinforce Plate /Left		D	2	
27	A0G6163700	Open/Close Actuator		C	1	
28	A0G6356001	Protection Cover /1		C	1	
29	A0G6R77500	Front Door Hinge Assy /3		D	1	
30	A0G6R77300	Front Door Hinge Assy /1		D	1	
31	A0G6164100	Holding Hinge /Upper		C	1	
32	56UA12240	Magnet Stopper Plate		D	1	
33	56AA12400	EXTERNAL LOCKING COVER B		C	1	
34	A0G6163500	Door /Left		C	1	
35	A0Y5162000	Support Shaft		D	1	

# EXTERNAL PARTS

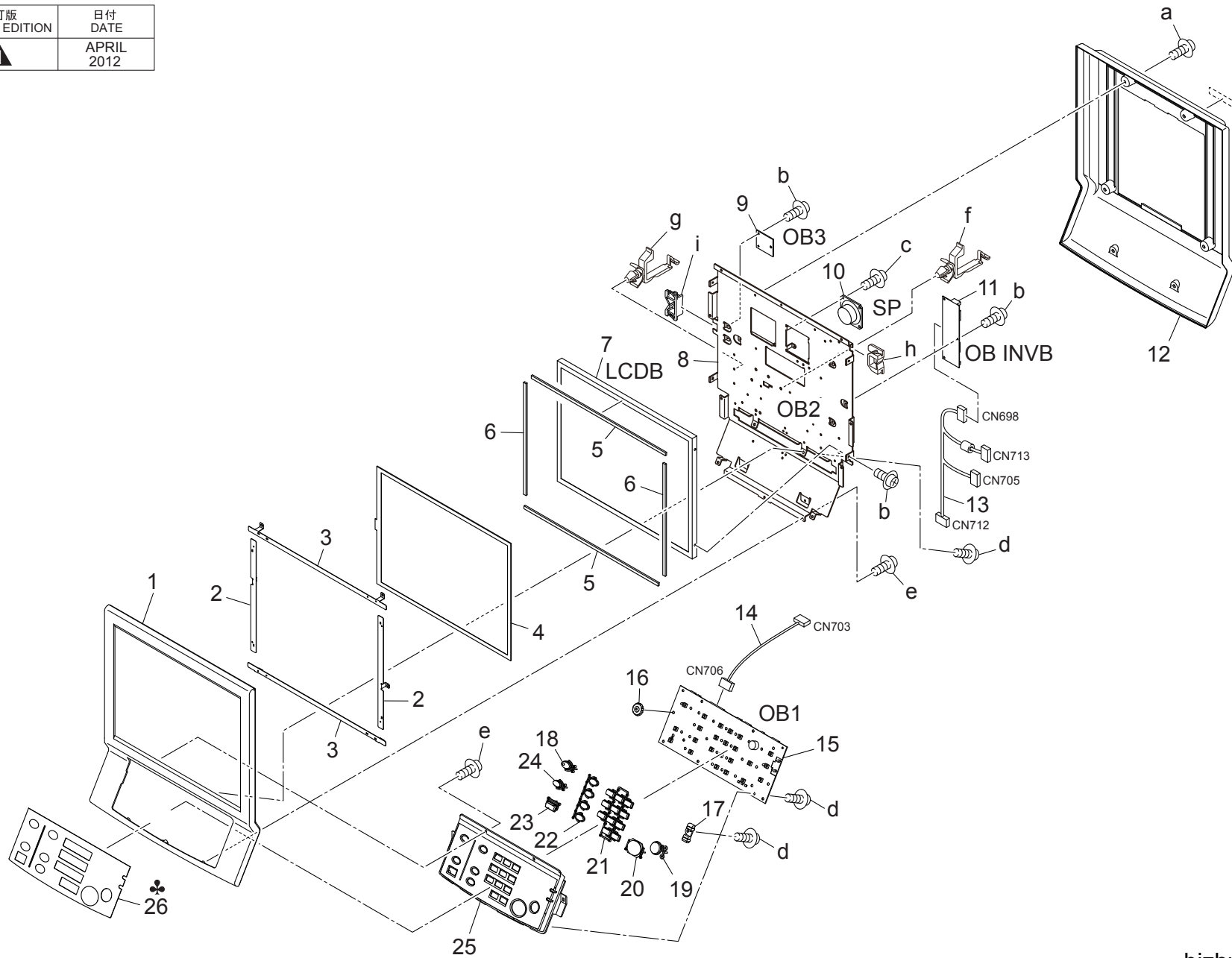
改訂版 REVISED EDITION	日付 DATE
	NOVEMBER 2011



Key	Part No.	Description	Destinations	Class	QTY	Standard parts
1	A0G6161102	Cover /Left		C	1	a-V114040604
2	A0G6166500	Protection Cover		C	1	b-V114040616
3	56UA12160	Side Protection Cover /Left		C	1	c-V118030403
4	56UA12460	Screw Cover		C	12	d-V118030604
5	A0GA160101	Cover Top plate		C	1	e-V121030404
6	A0G6M92100	Gasket /K		C	1	f-V121030604
7	A0G6160602	Ope. unit Cover /Rear		C	1	g-V121040604
8	56UA12150	Side Protection Cover /Right		C	1	h-V123030603
9	A0G6M91300	Gasket /C		C	1	i-V151030804
10	A0G6M91400	Gasket /D		C	1	j-V151040804
11	56UA12170	Wiring Cover		D	2	k-V209040050
12	A0G6M91500	Gasket /E		C	1	m-V151040604
13	56UA12280	FRONT DOOR HINGE 2		D	1	
14	56UA12290	FRONT DOOR HINGE 3		D	1	
15	A0G6162100	Sealing Cushion /Left		C	1	
16	A0G6162000	Duct /Left Front		D	1	
17	A0G6162600	Sealing Part /Upper		C	1	
18	A0G6R7D100	Ground Plate Assy		D	1	
19	A0G6162400	Suction Plate		D	1	
20	56UA73570	Earth Cushion /B		C	1	
21	A0G6168600	Ground Shaft		D	1	
22	A0G6163201	Reinforce Door /Right		D	1	
23	56UA12660	Hinge Shaft		D	1	
24	56UA12310	Hinge Mounting Plate /2		D	1	
25	A0Y5162000	Support Shaft		D	1	
26	13SU15110	SPACER A		C	1	
27	A0G6162200	Sealing Cushion /Right		C	1	
28	A0G6162700	Duct /Right Front		D	1	
29	56UA12270	Front Door Reinforce Plate /2		D	1	
30	A03U168500	Indicating Plate		C	1	
31	A0Y5944200	Label /K		C	1	
32	A0G6160100	Door /Right		C	1	
33	A0GA944100	Label /H		C	1	

# OPERATION UNIT

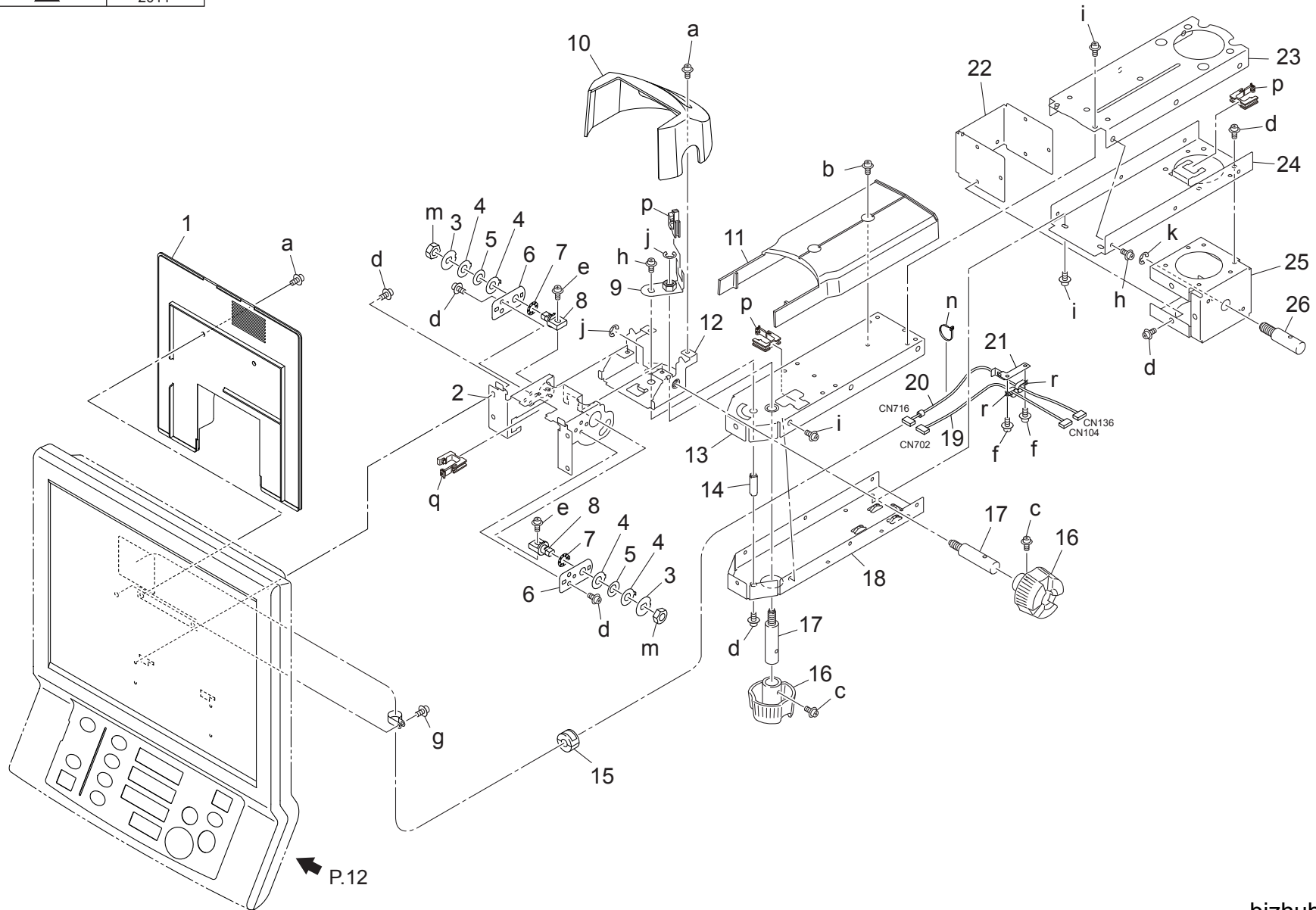
改訂版 REVISED EDITION	日付 DATE
	APRIL 2012





# OPERATION UNIT

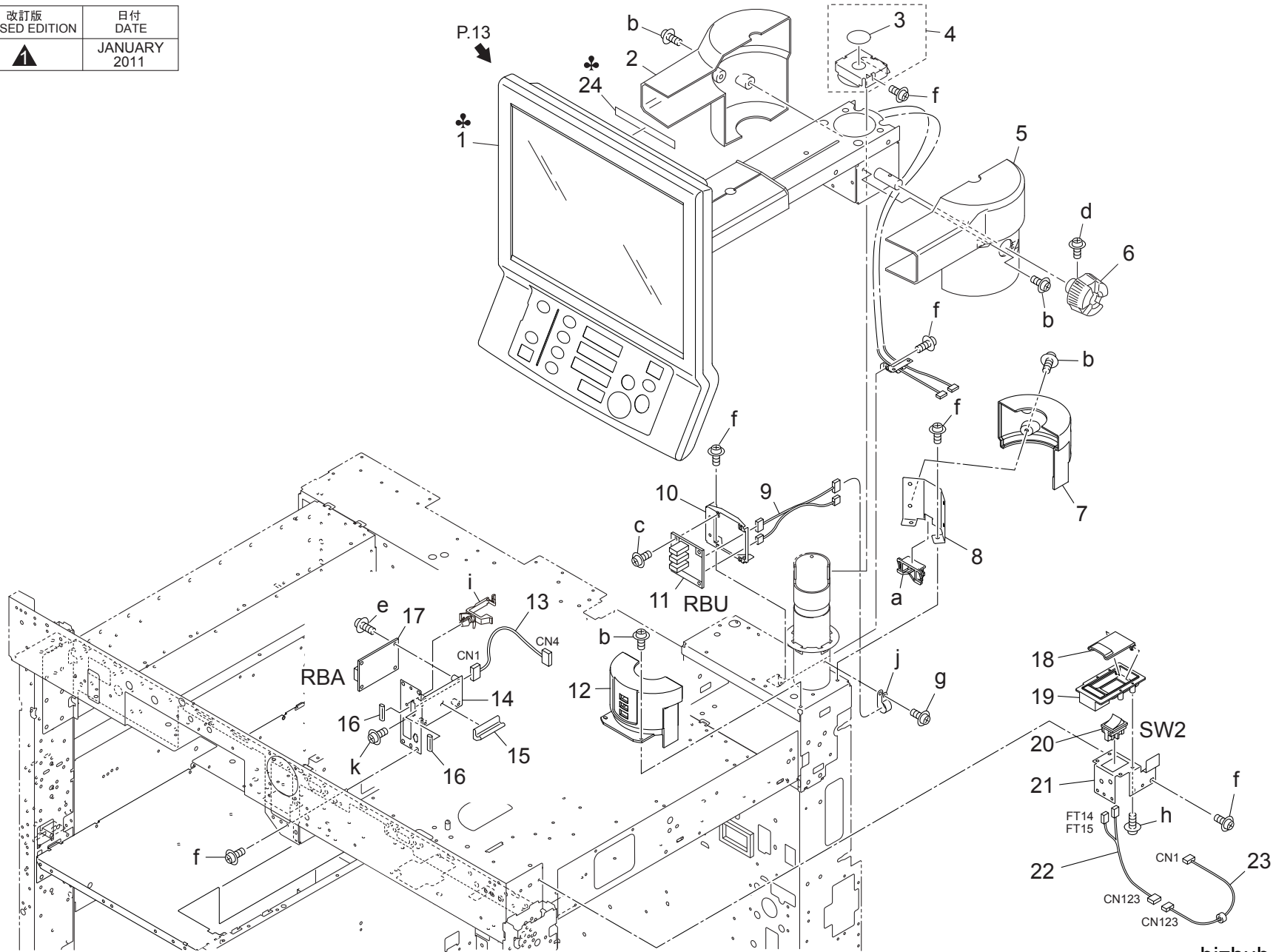
改訂版 REVISED EDITION	日付 DATE
	JANUARY 2011





# OPERATION UNIT

改訂版 REVISED EDITION	日付 DATE
	JANUARY 2011



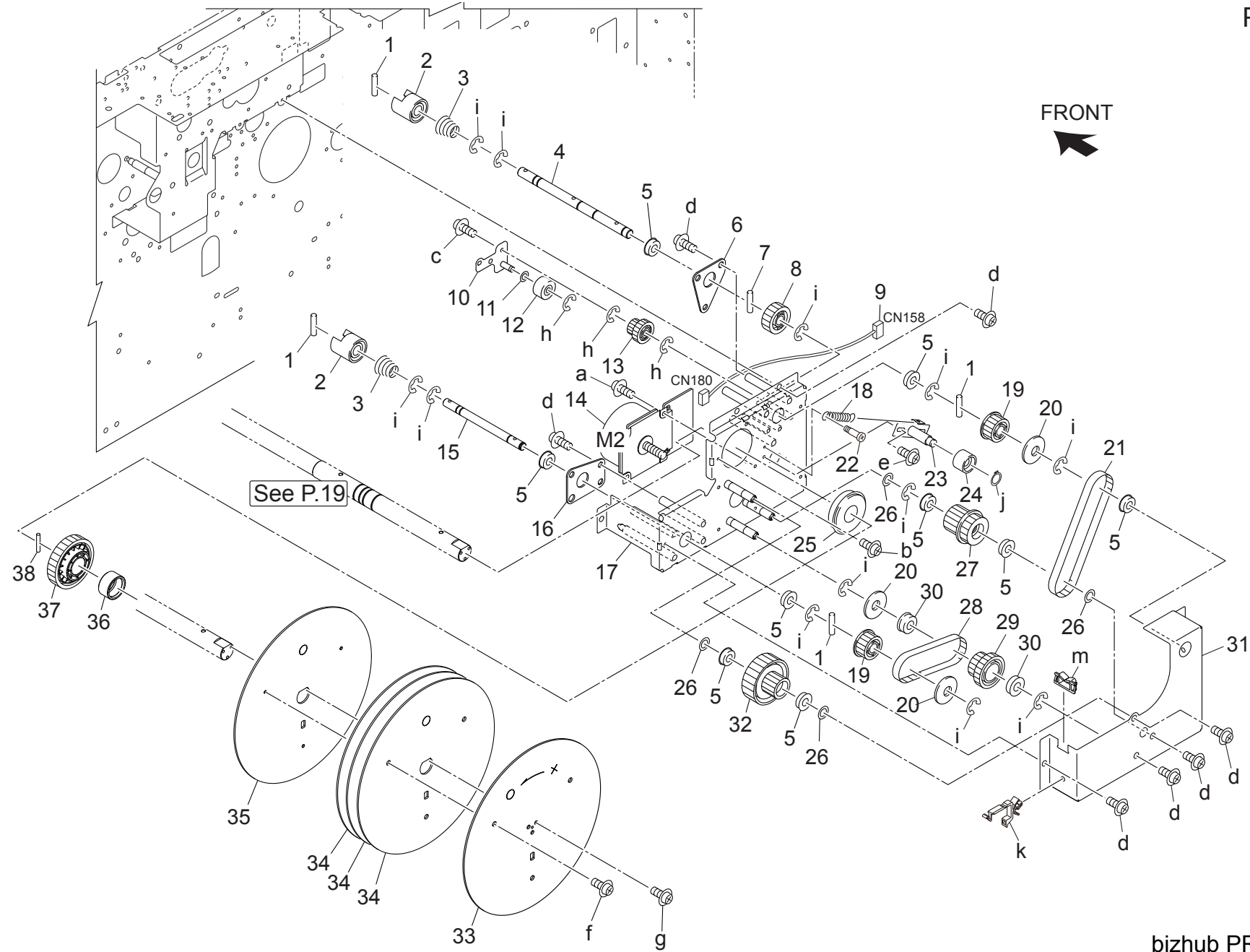
bizhub PRO 1200P



# OPERATION UNIT

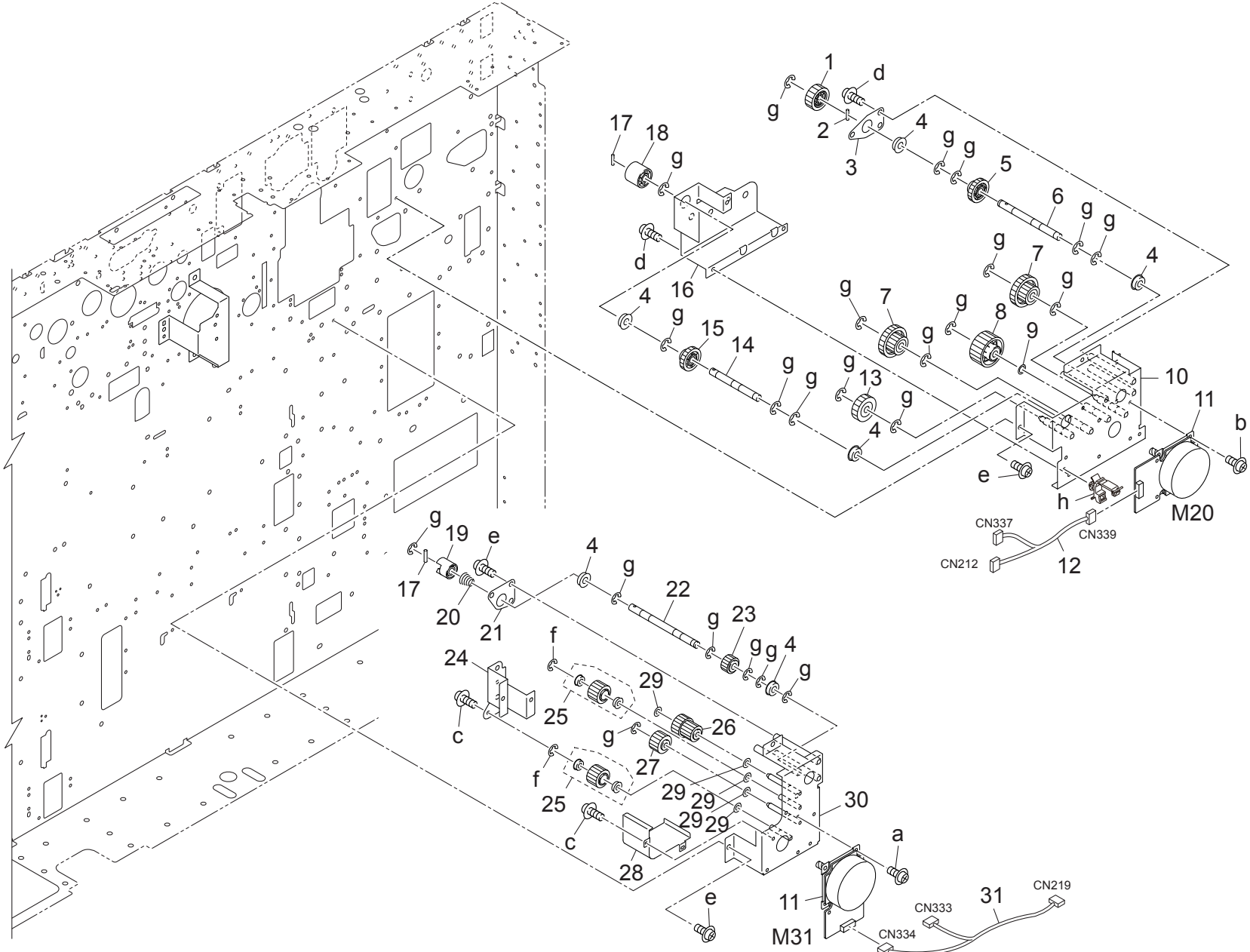
Key	Part No.	Description	Destinations	Class	QTY	Standard parts
1	A0GAR70000	Ope.unit		I	1	a-V570010023
1	A0GAR70100	Ope.unit (US)	A	I	1	b-V114040604
1	A0GAR70200	Ope.unit (EU)	C	I	1	c-V118030603
2	56UA70740	Operation Unit Support Cover / Left		C	1	d-V118040804
3	56UA70820	OPERATION UNIT SEAL		C	1	e-V121030403
4	56VAR70000	Positioning Plate Upper /Assy		D	1	f-V121040603
5	56UA70730	Operation Unit Support Cover Right		C	1	g-V127040603
6	56UA70760	Operation Unit Fixing Knob		C	1	h-V151030803
7	A0G6161502	Cover /Rear		C	1	i-V500010046
8	A0G6161600	Fixing Plate		D	1	j-V500020020
9	A0G6N15404	Relay harness /U		D	1	k-V111250803
10	A0G6131300	Mounting Plate /U		D	1	
11	A0G6H32000	Relay Board /U Assy		C	1	
12	A0G6161403	Cover /Front		C	1	
13	A0G6N15201	Power Source Relay Harness /L		D	1	
14	A0G6R77200	Power Supply Panel Assy		D	1	
15	A0G6M92600	Gasket /P		D	1	
16	A0G6M91800	Gasket /H		C	2	
17	A0G6H31002	Relay Board /A Assy		C	1	
18	A0G6168101	Protection Cover		C	1	
19	A0G6168000	Operation Casing		C	1	
20	A0Y5M60100	Power Source Switch		C	1	
21	A0G6133201	Operation Plate		D	1	
22	A0Y5N13500	Power source Wiring		D	1	
23	A0G6N11801	Power Source Detection Harness		D	1	
24	A03U946500	Regulating Label	B	D	1	

# DRIVING SECTION



Key	Part No.	Description	Destinations	Class	QTY	Standard parts
1	56AA17480	PIN B	ピン B	C	4	a-V118040403
2	55VA15541	CLEANER COUPLING PART	クリーナーカップリング部材	C	2	b-V118040603
3	56AA17090	PRESSURE SPRING	押圧バネ	C	2	c-V121030603
4	A0G6211000	Drive Shaft /1	駆動軸 / 1	D	1	d-V121040603
5	A00V240600	BALL BEARING	ボールベアリング	C	9	e-V123040603
6	A0G6210400	Support Plate	支持板	D	1	f-V123041403
7	56AA17461	PIN A	ピン A	B	1	g-V185041003
8	15AG77020	Drive Connecting Gear/ 1 22T	駆動連結ギア / 1 22 T	C	1	h-V217040050
9	A0G6N12400	Photoconductor Drive Harness	感光体駆動束線	D	1	i-V217060050
10	A0G6R74200	Drive Connecting Panel Assy	駆動連結パネルカシメ	D	1	j-V223080050
11	56AA17700	SPACER B	スペーサー B	C	1	k-V500010003
12	A0G6217500	Drive Gear /7 20T	駆動ギア / 7 20 T	C	1	m-V570010023
13	A0G6217600	Drive Gear /8 15/22T	駆動ギア / 8 15 / 22 T	C	1	
14	A0R5M10300	DC Brushless motor /30	D C ブラシレスモータ / 30	B	1	
15	A0G6210900	Drive Shaft /2	駆動軸 / 2	D	1	
16	A0G6211600	Support Plate	支持板	D	1	
17	A0G6F21100	Drum Panel Assy	ドラムパネルカシメ	D	1	
18	55VA15570	PAPER EXIT TENSION SPRING	排紙テンションバネ	B	1	
19	56GA76600	CLEANER DRIVING PULLEY 21T	クリーナー駆動プーリ 21 T	C	2	
20	554010550	COLLAR	カラー	C	3	
21	A0G6211300	Drive Belt /A 264L	駆動ベルト / A 264 L	C	1	
22	066079020	DRAWER SCREW M3X10	ドロワーネジ M 3 X 10	C	1	
23	A0G6R74300	Drum Belt Tension Plate Assy	ドラムベルトテンション板カシメ	D	1	
24	540015162	BELT TENSION ROLLER	ベルトテンションコロ	B	1	
25	55TA75020	Bearing	ドラム回転軸受	B	1	
26	554010900	Drive Spacer	駆動スペーサー	C	4	
27	A0G6217700	Idling Pulley /1	アイドラプーリ / 1	C	1	
28	A0G6211400	Drive Belt /B 186L	駆動ベルト / B 186 L	C	1	
29	A0G6217400	Idling Pulley /2	アイドラプーリ / 2	C	1	
30	065075060	SEPARATOR DRIVING BEARING	分離駆動ベアリング	C	2	
31	A0G6211500	Reinforce Panel	補強パネル	D	1	
32	A0G6217100	Idling Gear 24/89T	アイドラ歯車 24 / 89 T	C	1	
33	A0G6212100	Rotation Plate /1	回転板 / 1	D	1	
34	A0G6212200	Rotary Plate /2	回転板 / 2	D	3	
35	A0G6212300	Rotation Plate /3	回転板 / 3	D	1	
36	A0G6215500	Stopper Part	突当て部材	D	1	
37	A0G6217200	Drive Gear 67T	駆動ギア 67 T	C	1	
38	25SA15390	DRIVE POSITION PIN D4X33	駆動位置決めピン D 4 X 33	C	1	

DRIVING SECTION

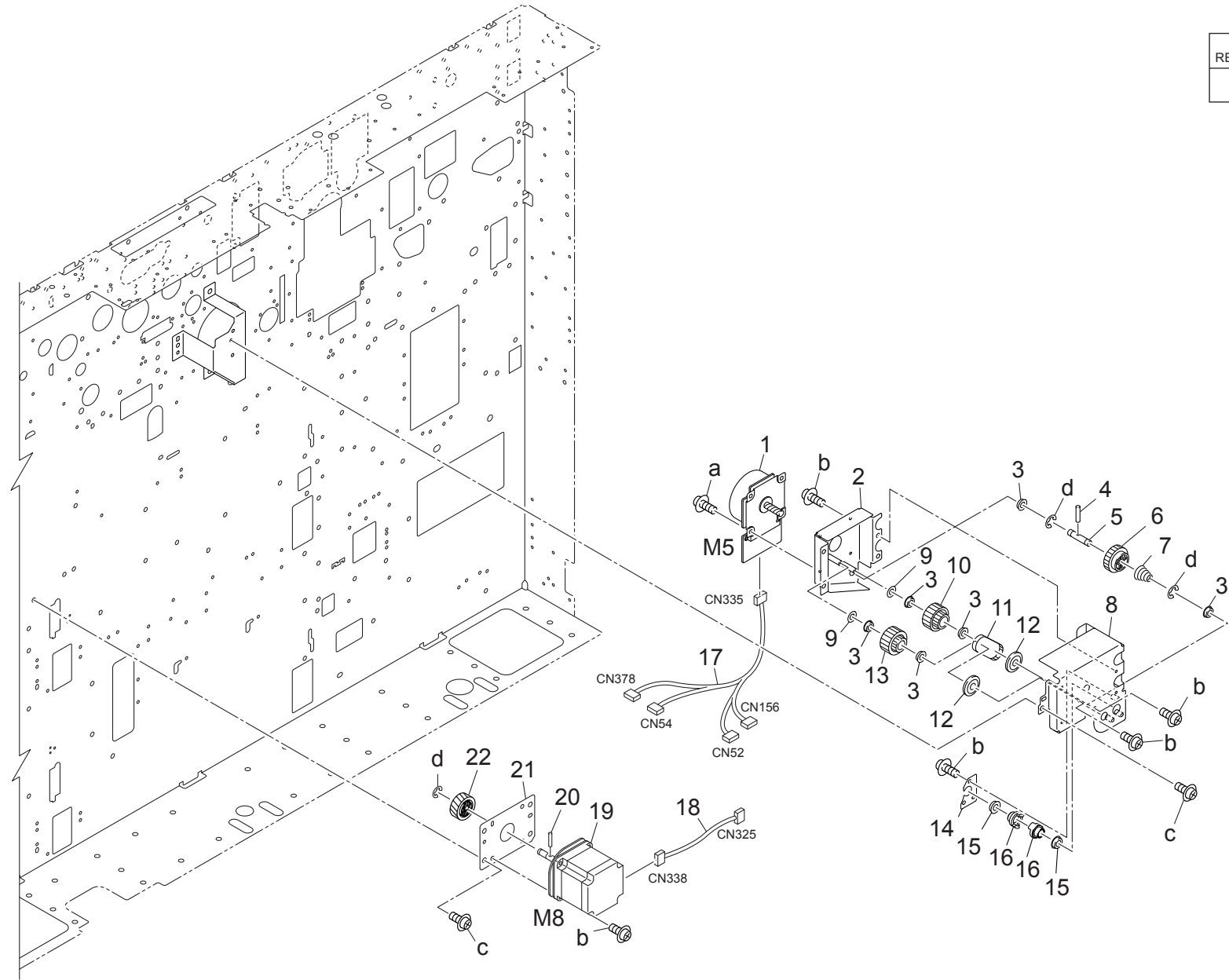




# DRIVING SECTION

P 17

改訂版 REVISED EDITION	日付 DATE
	SEPTEMBER 2010

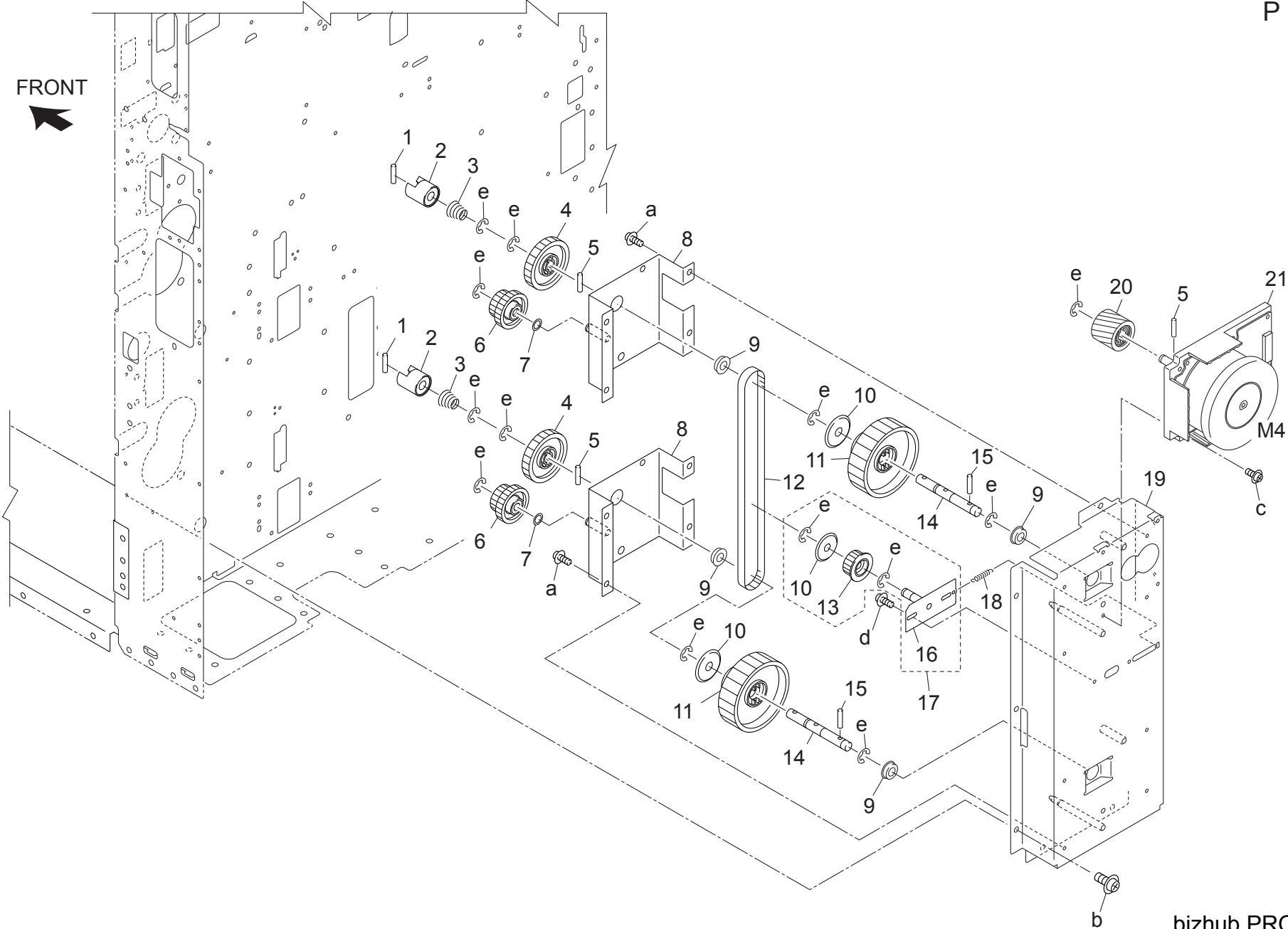


bizhub PRO 1200P



DRIVING SECTION

FRONT  
←



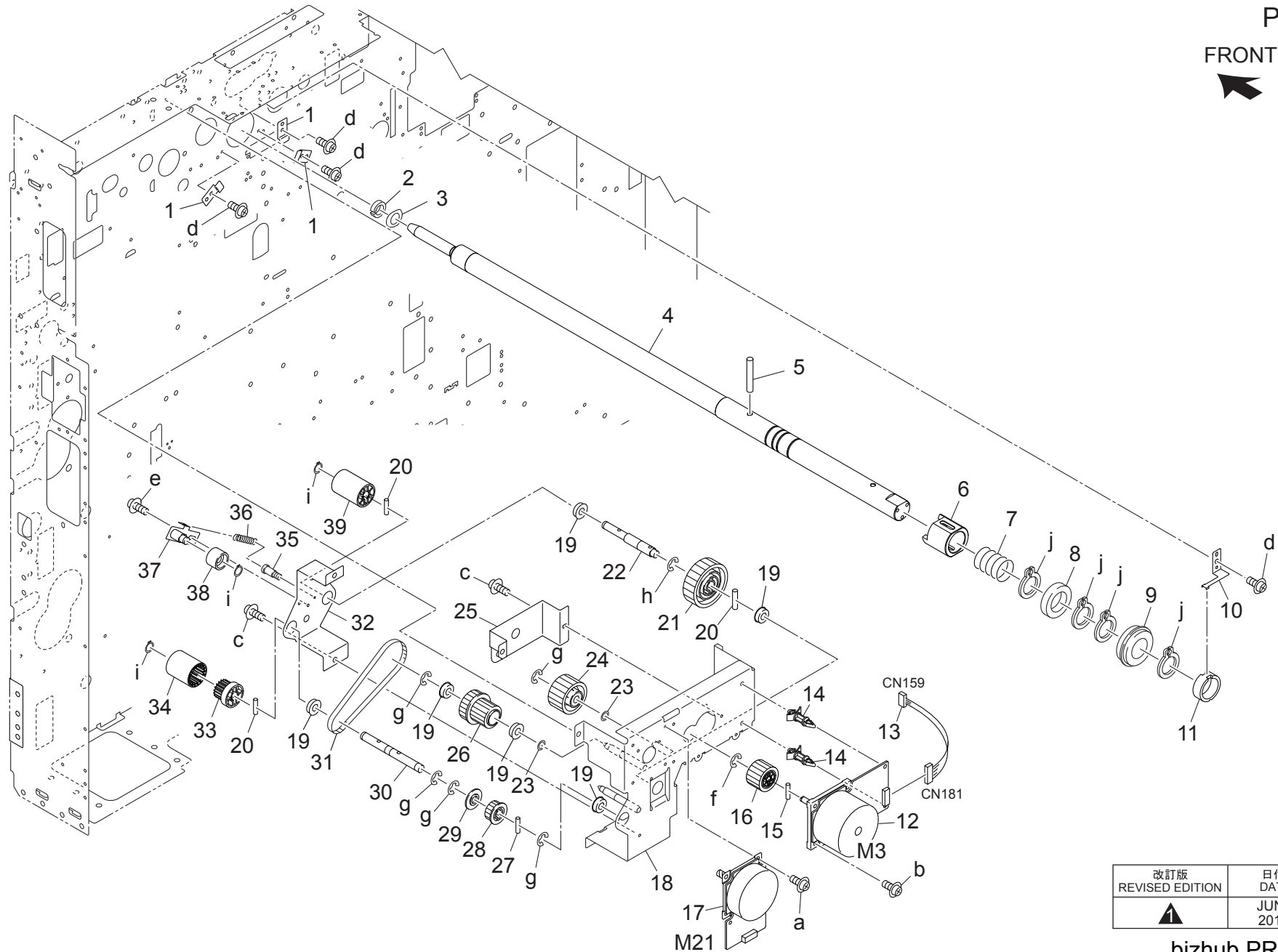




# DRIVING SECTION

P 19

FRONT



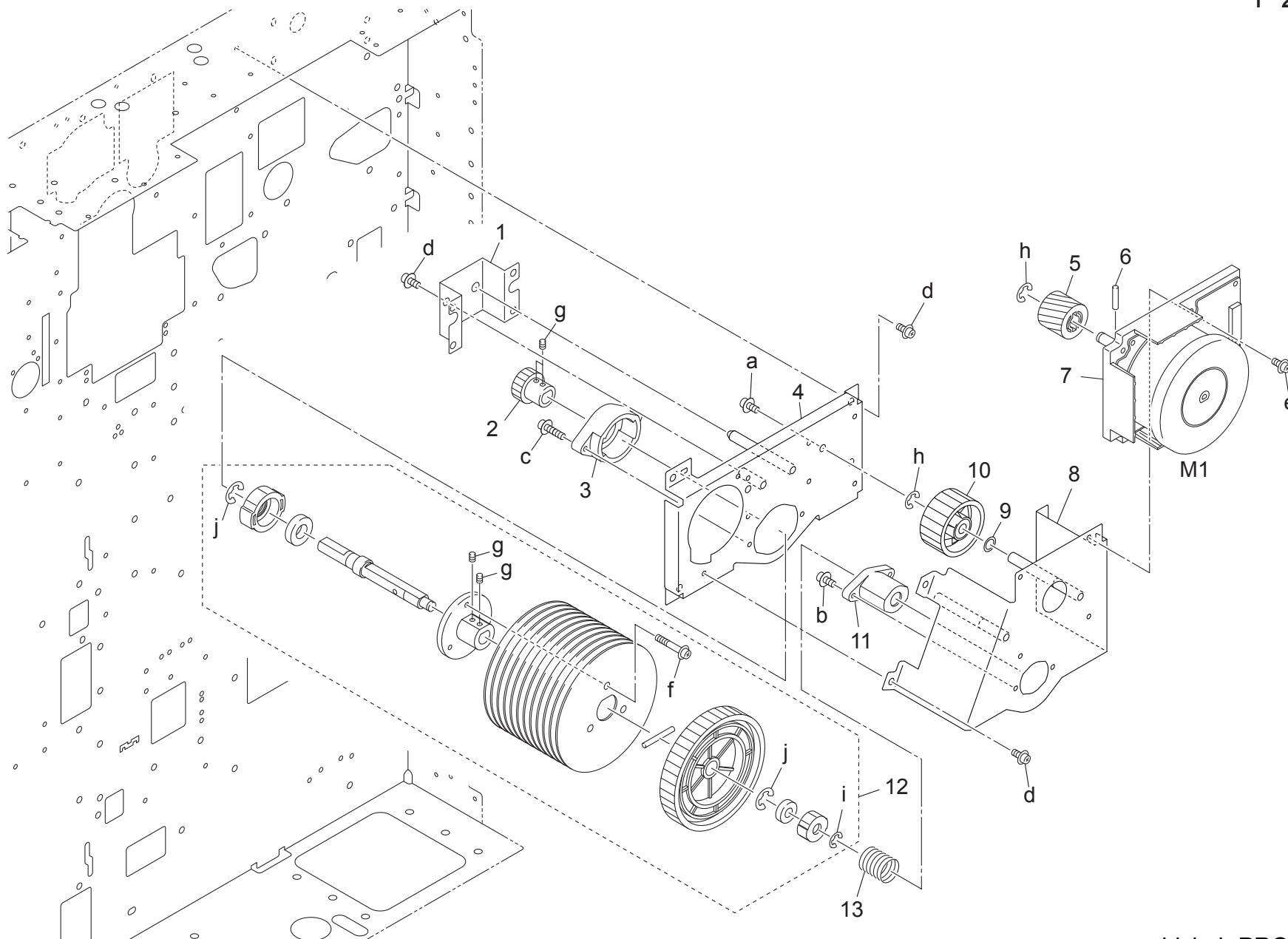
改訂版 REVISED EDITION	日付 DATE
	JUNE 2010

bizhub PRO 1200P

Key	Part No.	Description	Destinations	Class	QTY	Standard parts
1	55VA15580	Shaft Holder Holding Plate		D	3	a-V118040403
2	25SA20150	SPRING POSITION COLLAR		A	1	b-V118040803
3	55FU20140	DRUM FIXED SPRING		A	1	c-V121040403
4	A0G6215100	Rotation Shaft /D		D	1	d-V121040603
5	A0G6215300	Coupling Pin		C	1	e-V123040803
6	A0G6215200	Coupling Part		C	1	f-V217040050
7	A0G6215400	Compressing Spring		C	1	g-V217060050
8	56UA75060	Base Bearing		C	1	h-V217070050
9	55TA75020	Bearing		B	1	i-V223060050
10	25SA15280	DRUM EARTH SPRING		C	1	j-V223200004
11	25SA15270	EARTH SHAFT HOLDER		C	1	
12	15AA80050	DC Brushless Motor /40		B	1	
13	A0G6N17600	Developing Drive Harness /1		D	1	
14	V502010015	support		D	2	
15	56AA17300	PIN		C	1	
16	A0G6227111	Drive Gear /2 26T		C	1	
17	A0PNM10200	DC Brushless motor /20		B	1	
18	A4EUF22100	DEVELOPING PANEL CAULKING		D	1	
19	A00V240600	BALL BEARING		C	6	
20	304078070	PIN C		C	3	
21	55VA77040	Developing Drive Gear /B 46T		C	1	
22	A0G6220500	Drive Shaft /3		D	1	
23	554010900	Drive Spacer		C	2	
24	A4EUR71S00	Developing Idling Gear Assy		C	1	
25	A0G6220700	Fixing Plate		D	1	
26	A0G6227300	Idling Pulley /3		C	1	
27	56AA17480	PIN B		C	1	
28	56GA76600	CLEANER DRIVING PULLEY 21T		C	1	
29	554010550	COLLAR		C	1	
30	A0G6220600	Drive Shaft /4		D	1	
31	A0G6221100	Drive Belt 210L		C	1	
32	A0G6220800	Fixing Plate /2		D	1	
33	A0Y5227600	Input Coupling		D	1	
34	A0Y5227500	Coupling Part		D	1	
35	066079020	DRAWER SCREW M3X10		C	1	
36	55VA15570	PAPER EXIT TENSION SPRING		B	1	
37	A0G6R74500	Development Belt Tension Plate Assy		D	1	
38	540015162	BELT TENSION ROLLER		B	1	
39	A0G6227400	Coupling Part /1		D	1	

# DRIVING SECTION

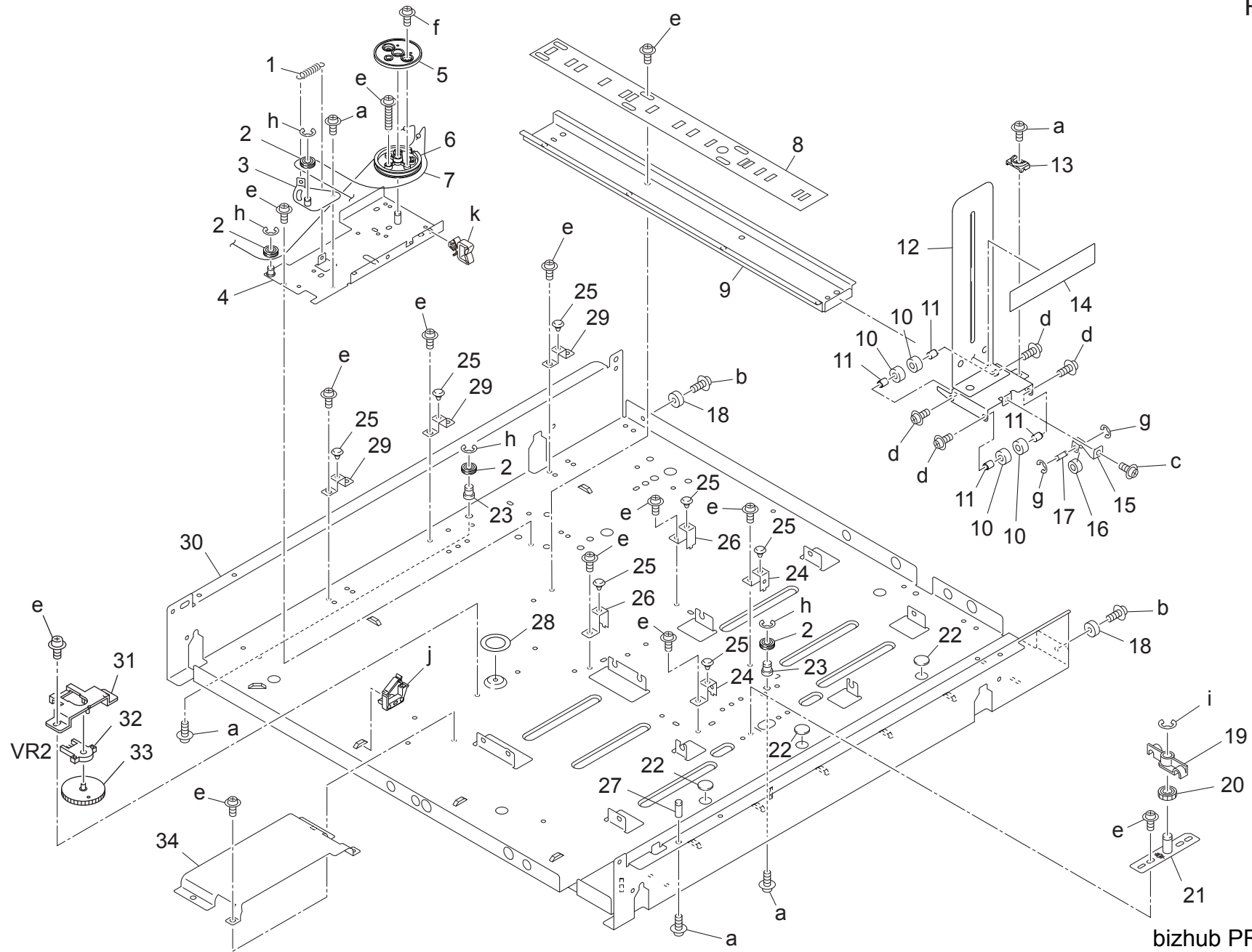
P 20





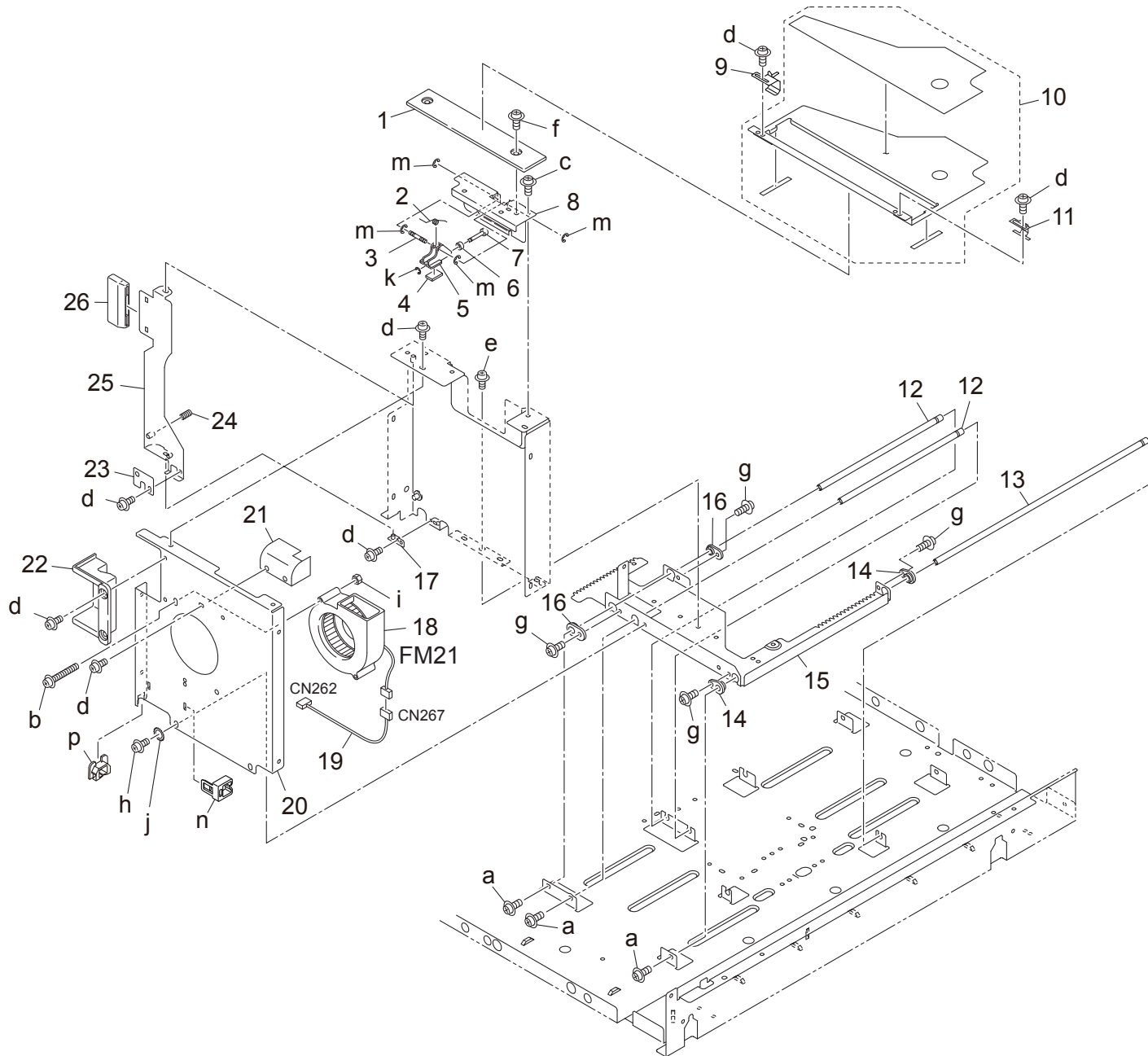






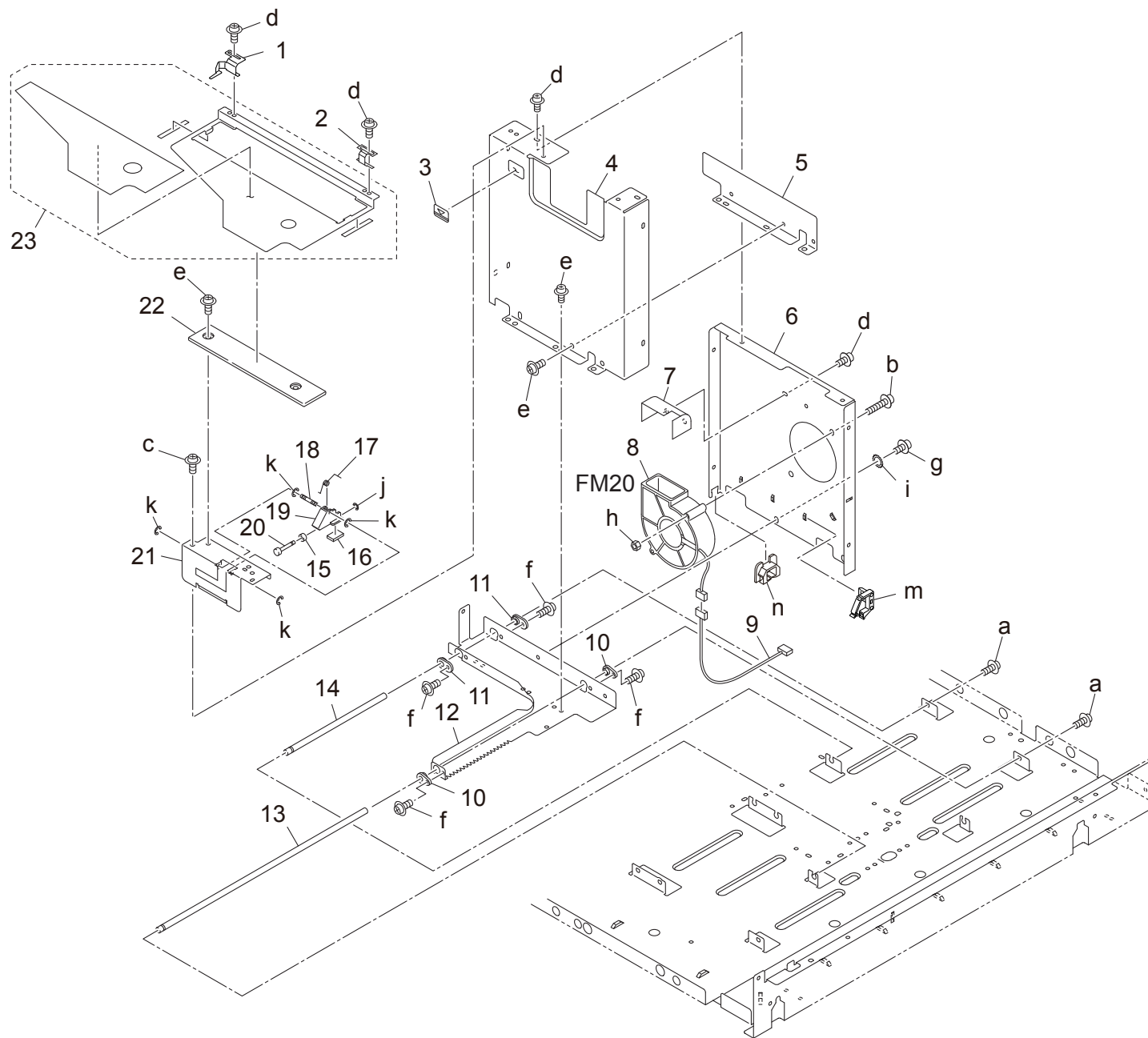


Key	Part No.	Description	Destinations	Class	QTY	Standard parts
1	A0G6601600	Tension Spring		C	1	a-V116030603
2	A0G6600900	Idling Pulley /A	アイドラプーリ / A	C	4	b-V118030603
3	A0G6601500	Tension Arm	テンションアーム	D	1	c-V121030403
4	A0G6R76200	Detection Board	検知基板	D	1	d-V123030603
5	A0G6600800	Detecting Gear 90T	検出ギア 90 T	C	1	e-V127030516
6	A0G6600700	Pulley	プーリ	C	1	f-V151030603
7	A0G6601000	Detection Wire	検知ワイヤ	C	1	g-V217030050
8	56UA41120E	Guide Stopper	ガイドストッパ	D	1	h-V217040050
9	56UA41110	GUIDE RAIL	ガイドレール	D	1	i-V217060050
10	55VA42340	Guide Roller	ガイドコロ	C	4	j-V500010021
11	55VA42330D	GUIDE SHAFT /E	ガイド軸 / E	D	4	k-V500010051
12	A0G6615100	Guide Part /Rear	ガイド部材 / 後	D	1	
13	A0G6615200	Holding Part	押さえ部材	D	1	
14	56UA97210	Operation Auxiliary Seal	操作補助シール	D	1	
15	55VA40910	PRESSURE PLATE A	押圧板 A	D	1	
16	56UA41690	Tray Lock Roller	トレイロックコロ	C	1	
17	55VA40920D	Support Shaft	支持軸	D	1	
18	56UA40511E	STOPPER RUBBER /C	ストッパゴム / C	C	2	
19	56UA41220	SHAFT POSITIONING PART	軸位置決め部材	D	1	
20	56UA77530	CASSETTE PINION	カセットピニオン	C	1	
21	56UAR79000	ADJUSTING PLATE	片寄り調整板	D	1	
22	56UA41500	Stopper Rubber /B	ストッパゴム / B	C	3	
23	A0G6601300	Idling Shaft /2	アイドラ軸 / 2	D	2	
24	A0G6601700	Support Pedestal	支持台	D	2	
25	56UA41470	Stopper Rubber	ストッパゴム	C	7	
26	56UA41530	Paper Feed Tray Support Pedestal /B	給紙皿支持台 / B	D	2	
27	56UA40371	Lever Support Shaft /A	レバー支点軸 / A	D	1	
28	56UA40760	Gear Spacer	ギア スペーサー	C	1	
29	56UA41520	Paper Feed Tray Support Pedestal /A	給紙皿支持台 / A	D	3	
30	56UA40011E	Tray Bottom Plate	トレイ 底板	D	1	
31	56UA40420	DETECTION BOARD	検知基板	D	1	
32	56AA85601	SIZE DETECTION VR	サイズ検知ボリューム	C	1	
33	56AA41340	DETECTING GEAR 35T	検知ギア 35 T	C	1	
34	56UA41260	BOARD PROTECTION COVER	基板保護カバー	D	1	





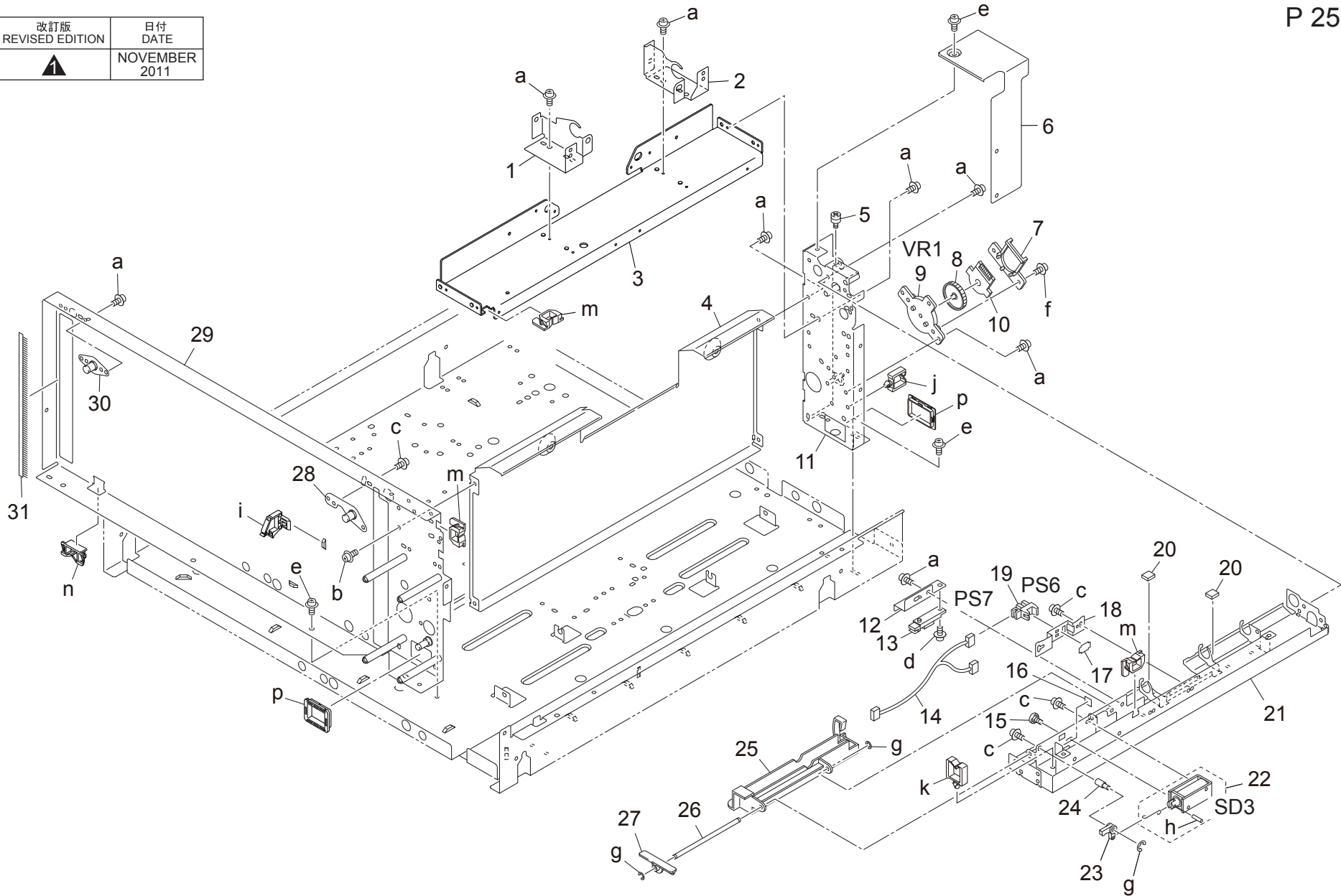
# TRAY 1





# TRAY 1

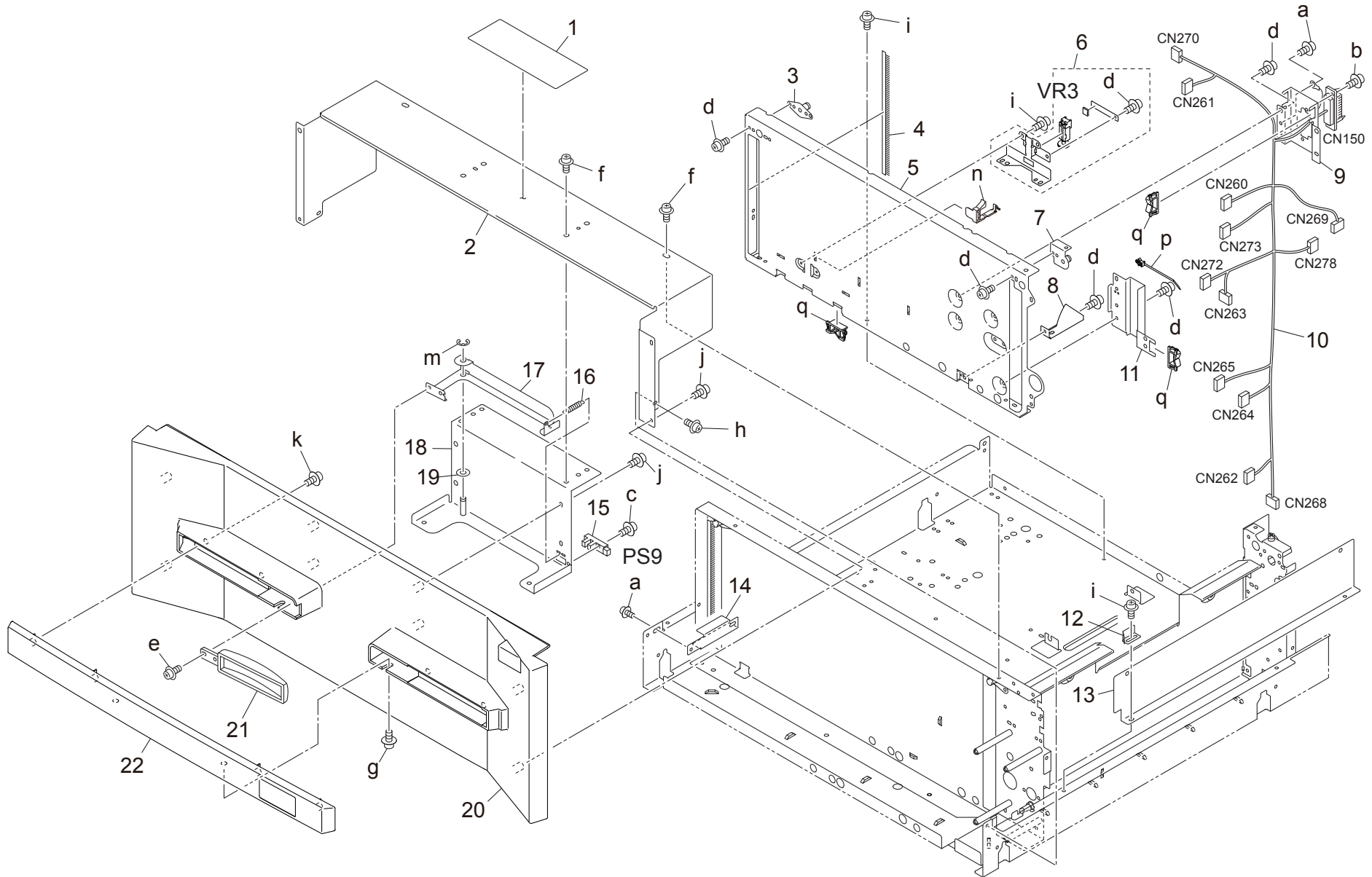
改訂版 REVISED EDITION	日付 DATE
	NOVEMBER 2011





# TRAY 1

P 26



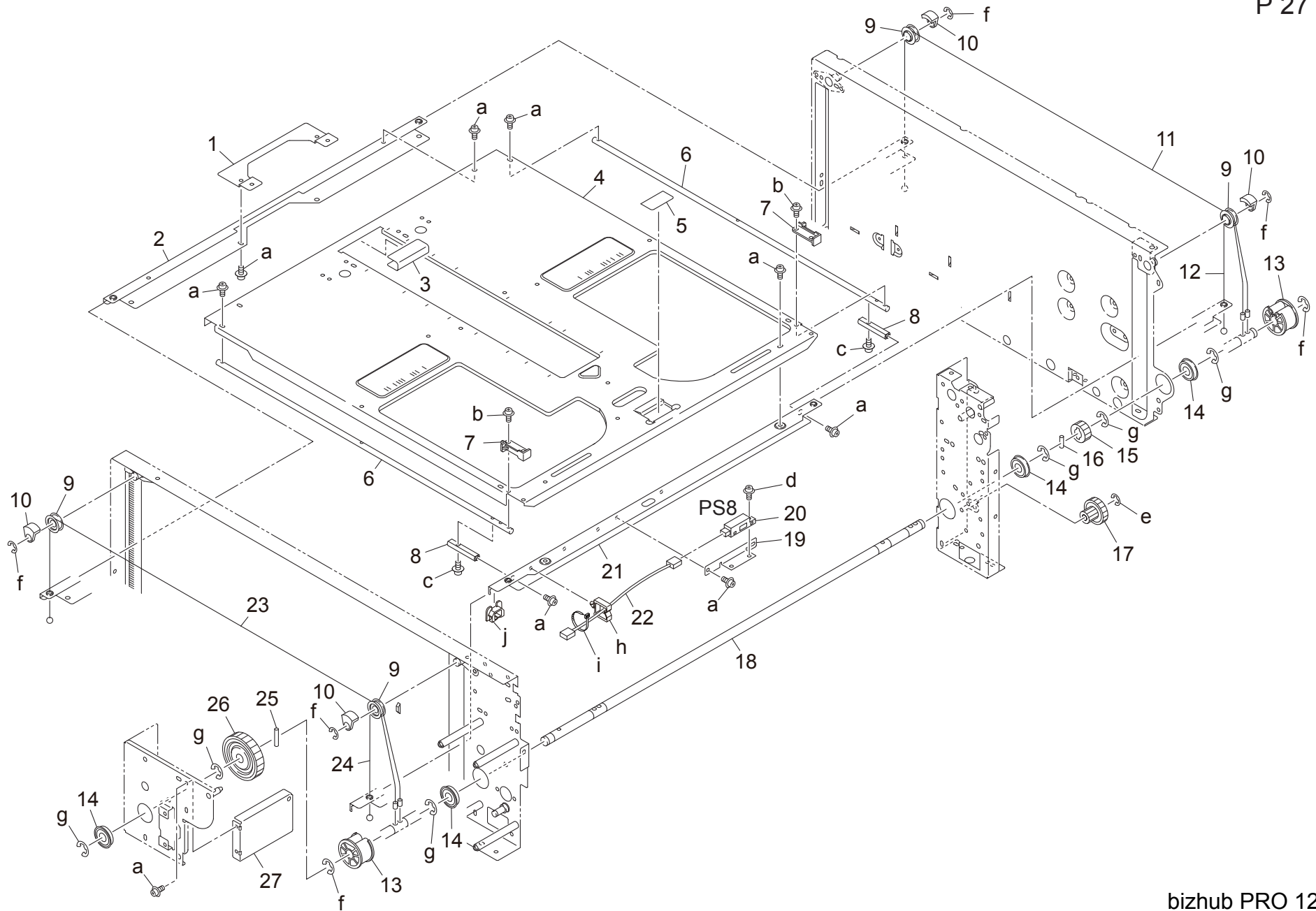
bizhub PRO 1200P





# TRAY 1

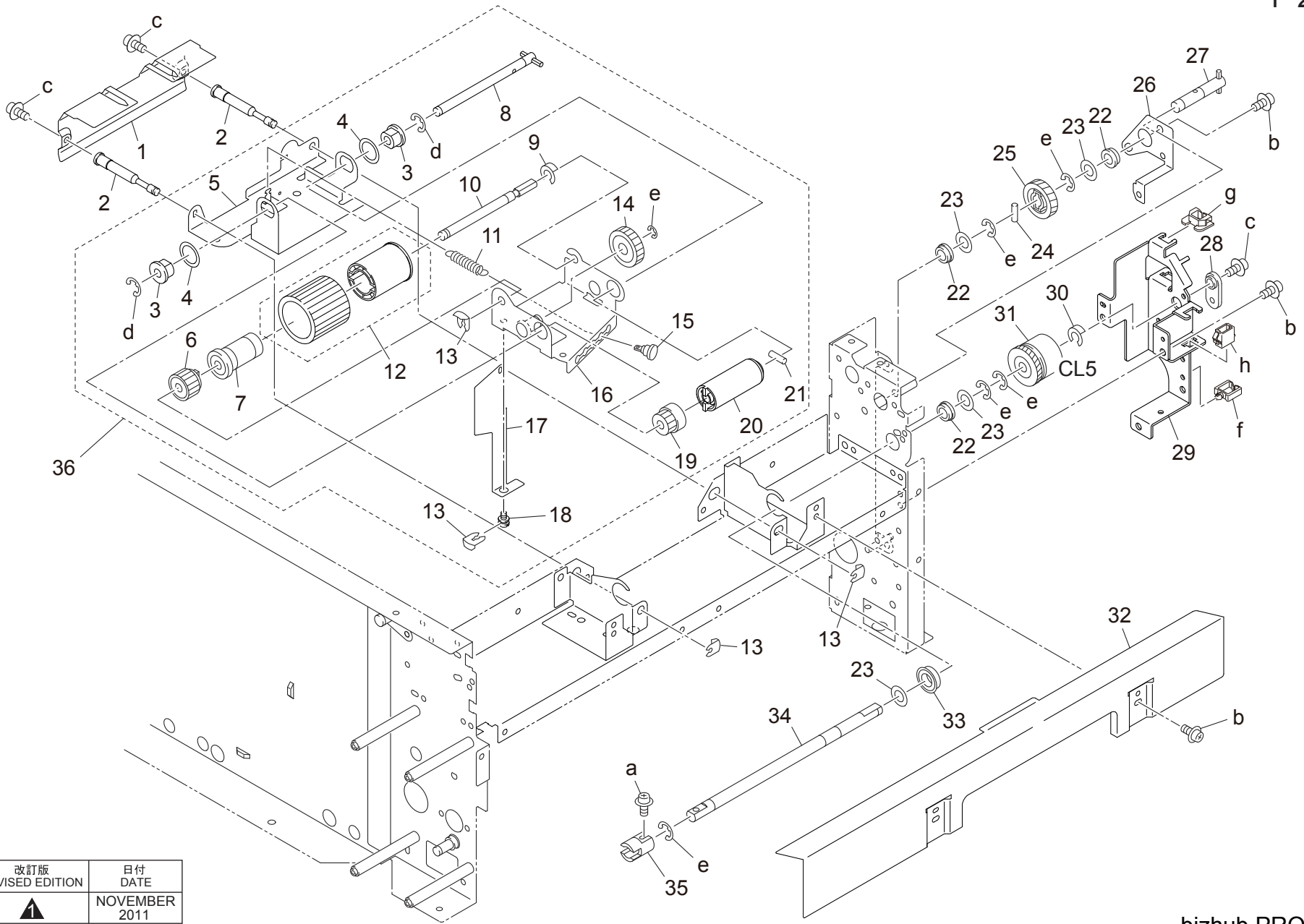
P 27






# TRAY 1

P 28



改訂版 REVISED EDITION	日付 DATE
	NOVEMBER 2011

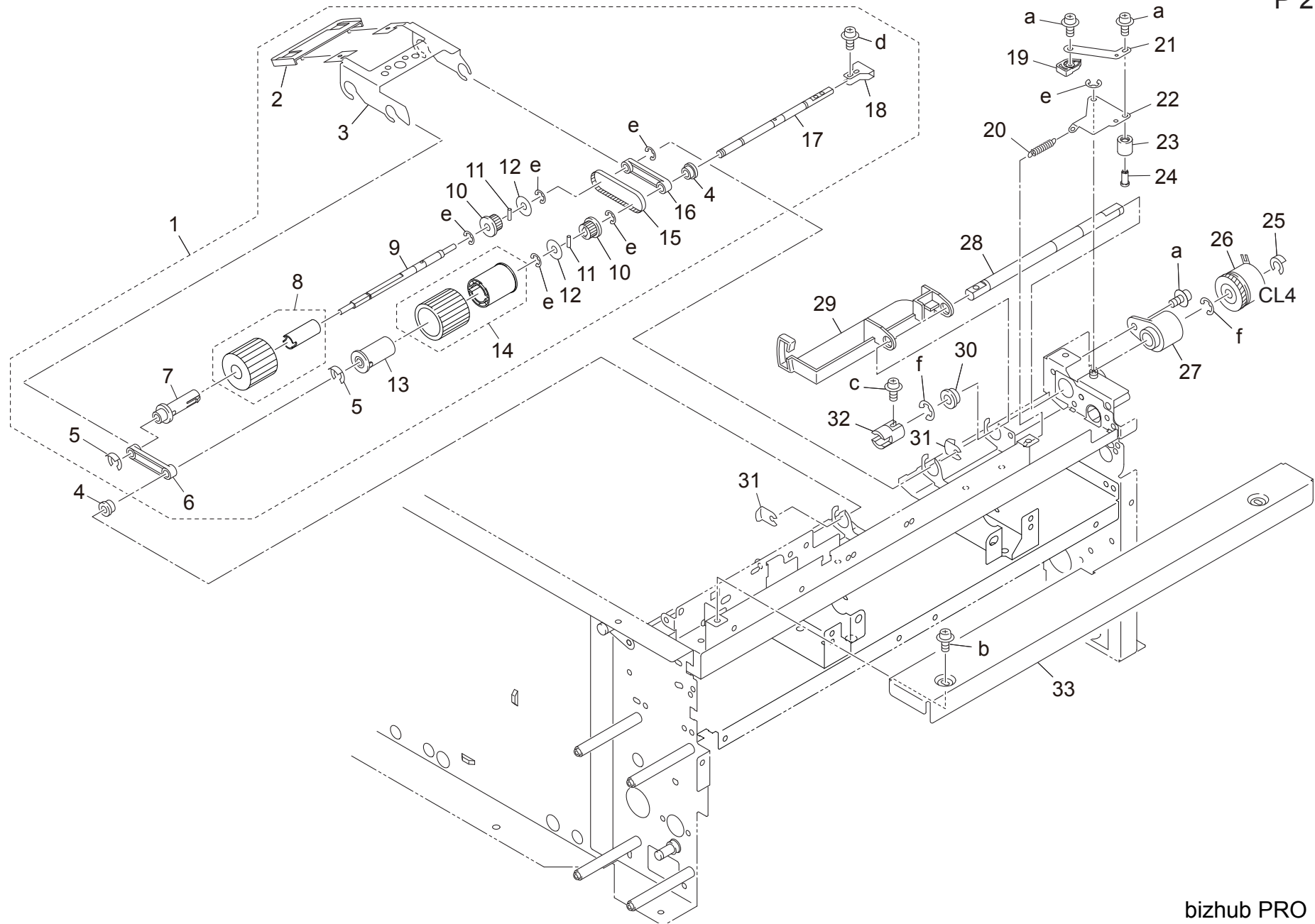
Order here  
8 (495) 646-0426  
ПЯТЫЙ ПАРТНЕР www.km-shop.ru

bizhub PRO 1200P

Key	Part No.	Description	Destinations	Class	QTY	Standard parts
1	A0G6570200	Guide Plate		C	1	a-V118030603
2	A0G6570500	Positioning Shaft /B		D	2	b-V121030403
3	A0Y5601600	Bushing/6		C	2	c-V121040603
4	25AA40120	SPACER		C	2	d-V217040050
5	A0G6570400	Holding Plate /Lower		D	1	e-V217060050
6	55VA79140	Paper Feed Reversal Gear /D 19T		B	1	f-V500010029
7	50BA40220	REVERSE ROLLER		C	1	g-V570010021
8	A0G6R78300	Revers Shaft /B		D	1	h-V651010001
9	56AA40490	SHAFT STOPPER 4		C	1	
10	A0G6571900	Reverse Shaft /2		D	1	
11	56UA40610	REVERSE SPRING B		C	1	
12	A4EUR71400	Feeding Roller Unit/B		A	1	
13	A0G6561000	Stopper /E		C	3	
14	55VA79050	Idler Gear /B 24T		C	1	
15	56UA40620	SPRING ADJUSTMENT LEVER		D	1	
16	A0G6R76000	Reverse Frame /A Arm		D	1	
17	A0G6572000	Protection Cover		B	1	
18	A0G6572100	Guide Screw		C	1	
19	55VA79030	Paper Feed Reversal Gear /C 14T		B	1	
20	A03X565611	Torque Limiter /A		B	1	
21	56AA17310	PIN		C	1	
22	A00J617900	Ball Bearing		B	3	
23	12QV40650	SPACER		B	4	
24	56AA17480	PIN B		C	1	
25	A0G6602300	Input Gear 25T		B	1	
26	A0G6602100	Idling Panel		D	1	
27	A0G6R73900	Paper Feed Input Shaft Pin Assy		B	1	
28	173030270	PIN HOLDER A		C	1	
29	56UA40130E	Positioning Plate /Rear		D	1	
30	55VA42120	SHAFT STOPPER		C	1	
31	57GA82010	Clutch /1		B	1	
32	A0G6571600	Guide Plate /Lower		C	1	
33	A00V240600	BALL BEARING		C	1	
34	A0G6570800	Reverse Shaft		B	1	
35	56UA40490	COUPLING F		C	1	
36	A4EUR72H00	Separating Unit		C	1	

# TRAY 1

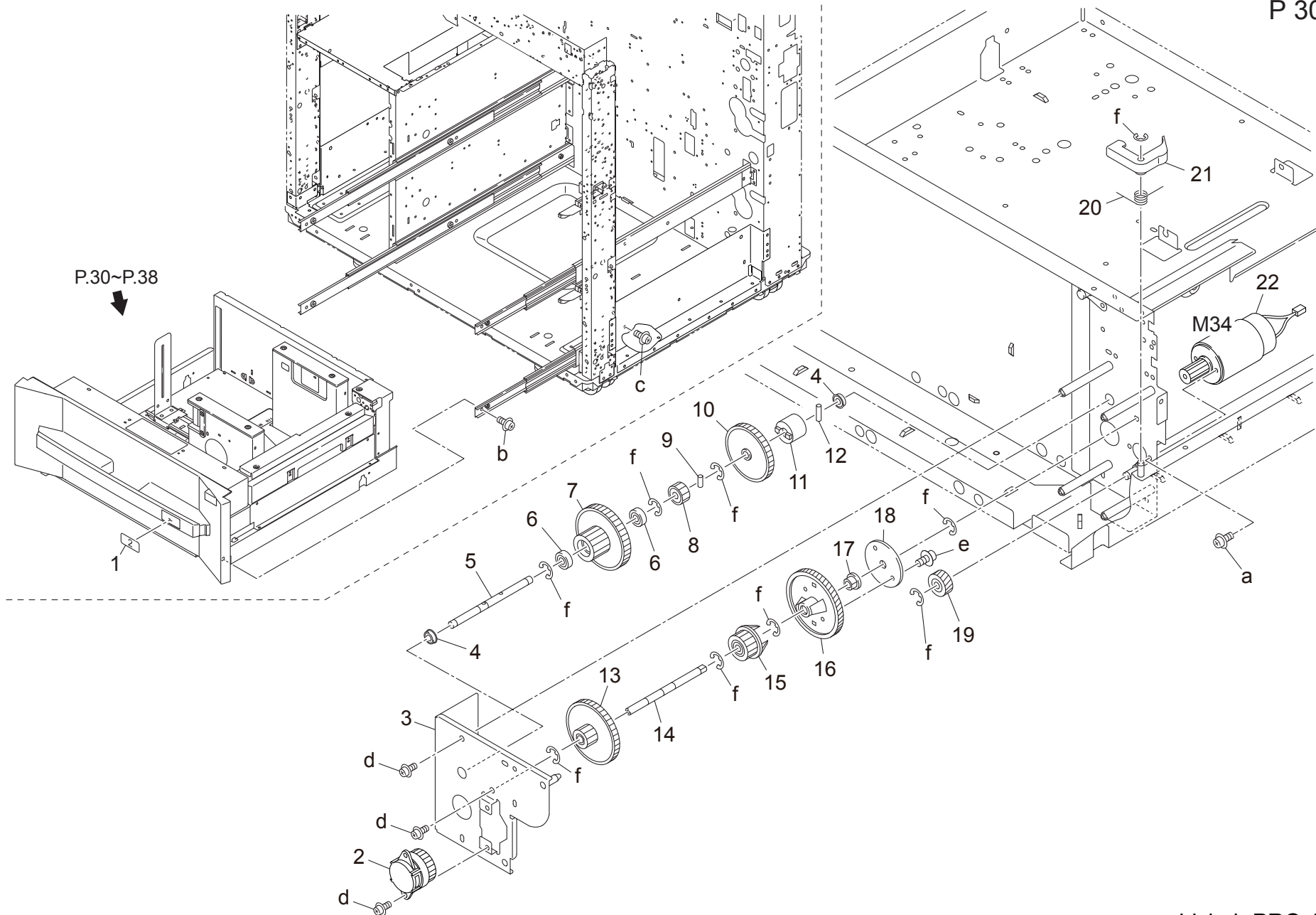
P 29



Key	Part No.	Description	Destinations	Class	QTY	Standard parts
1	A4EUR72P00	Pickup Unit		S	1	a-V116030603
2	56UA40690	Side Protection Cover /B		D	1	b-V118030403
3	56UA40100	Paper Feed Holding Plate /X		D	1	c-V118030603
4	A00J663200	Bushing		C	2	d-V121030403
5	56AA40490	SHAFT STOPPER 4		C	2	e-V217040050
6	56UA40280	Paper Feed Feeding Bushing		C	1	f-V217060050
7	55VA40130	Feeding Roller /A		C	1	
8	A4EUR71500	Feeding Roller Unit/A		A	1	
9	56UA40400	PAPER FEED SHAFT X		D	1	
10	059076510	PULLEY 1 15T		C	2	
11	56AA17510	PIN B		C	2	
12	56AA17760	COLLAR		C	2	
13	56UA40600	Multi-Feed Feeding Roller		C	1	
14	A4EUR71400	Feeding Roller Unit/B		A	1	
15	A4EU565600	Drive Belt 126L		C	1	
16	55VA40260	Paper Feeding Shaft Holder		C	1	
17	56UA40340	FEEDING SHAFT X		D	1	
18	56UA40500	COUPLING LEVER F		D	1	
19	56UA40540	Lever Auxiliary Part		D	1	
20	25AA40460	LOCK SPRING 2		C	1	
21	56UA40660	LEVER AUXILIARY SPRING		D	1	
22	56UA40170	Lock Lever /A		D	1	
23	56UA40530	Release Roller		C	1	
24	56UA40520	Lock Shaft /B		D	1	
25	55VA42120	SHAFT STOPPER		C	1	
26	57GA82010	Clutch /1		B	1	
27	56UA75030	Lock Bushing /A		C	1	
28	56UA40210	Papaer Feed Drive Shaft		D	1	
29	56UA40250	ENTRANCE GUIDE PLATE REAR		C	1	
30	A03U812800	Slide Shaft Holder		B	1	
31	A0G6561000	Stopper /E		C	2	
32	56UA40490	COUPLING F		C	1	
33	56UA12530	FEEDING COVER		D	1	

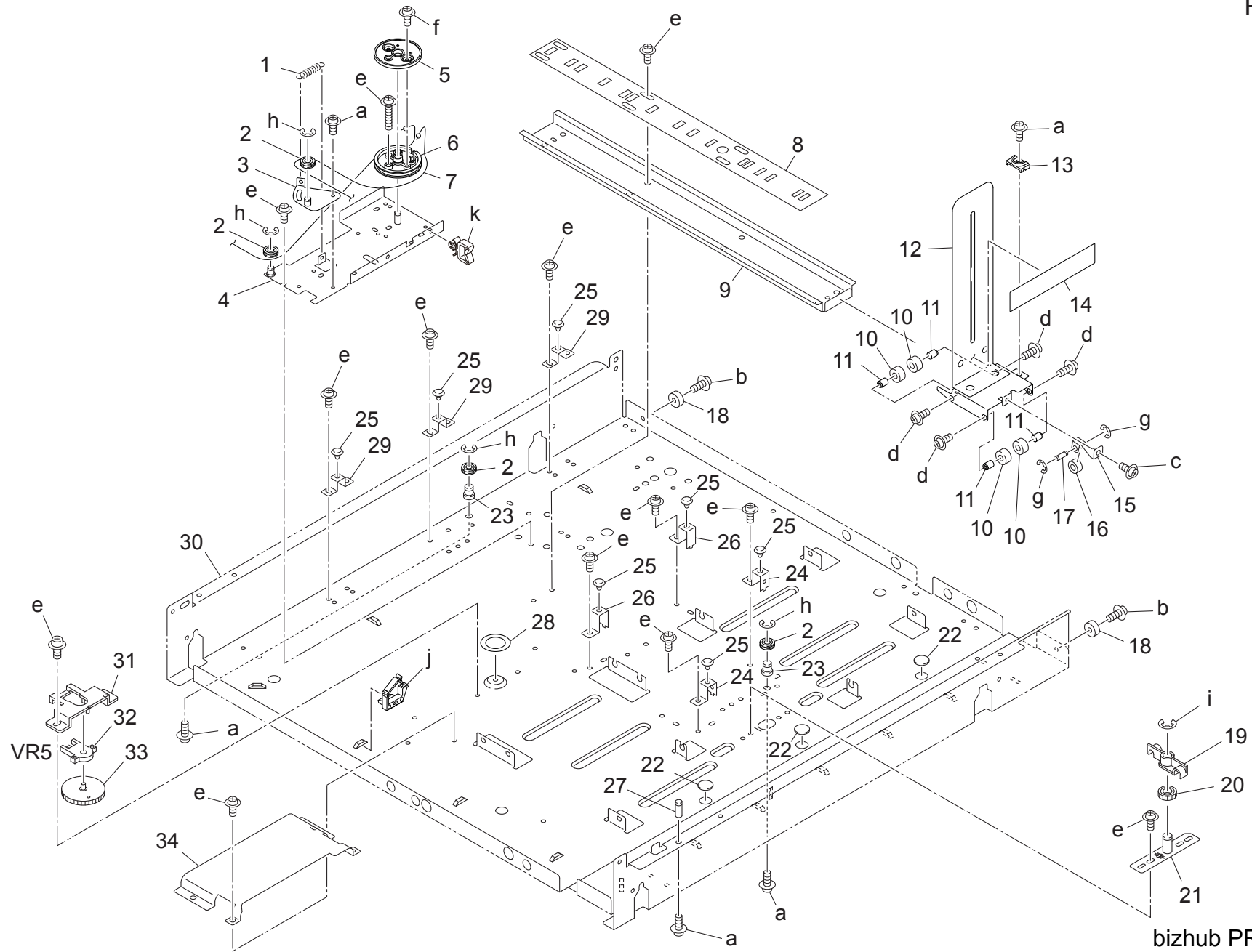
# TRAY 2

P 30



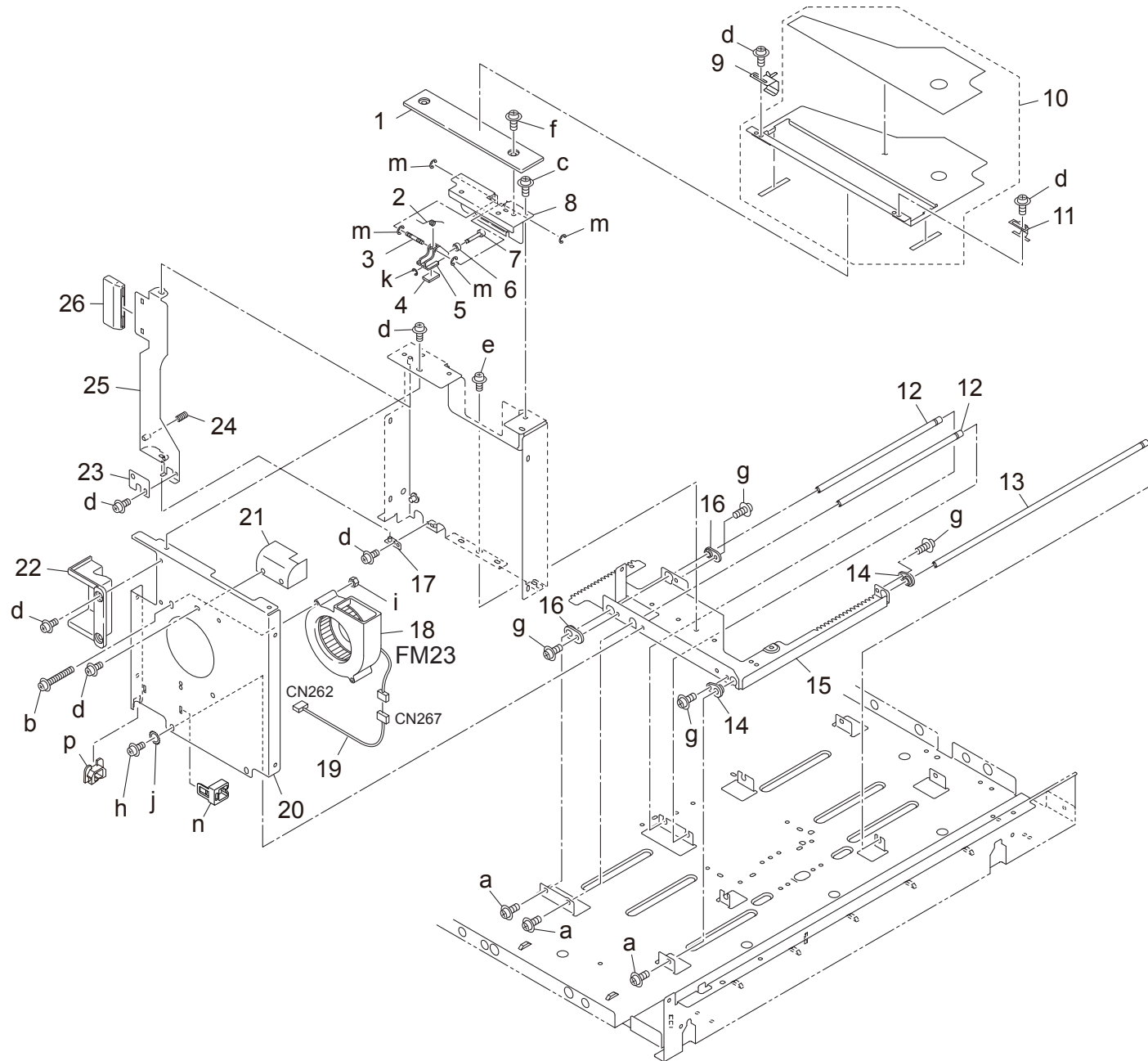




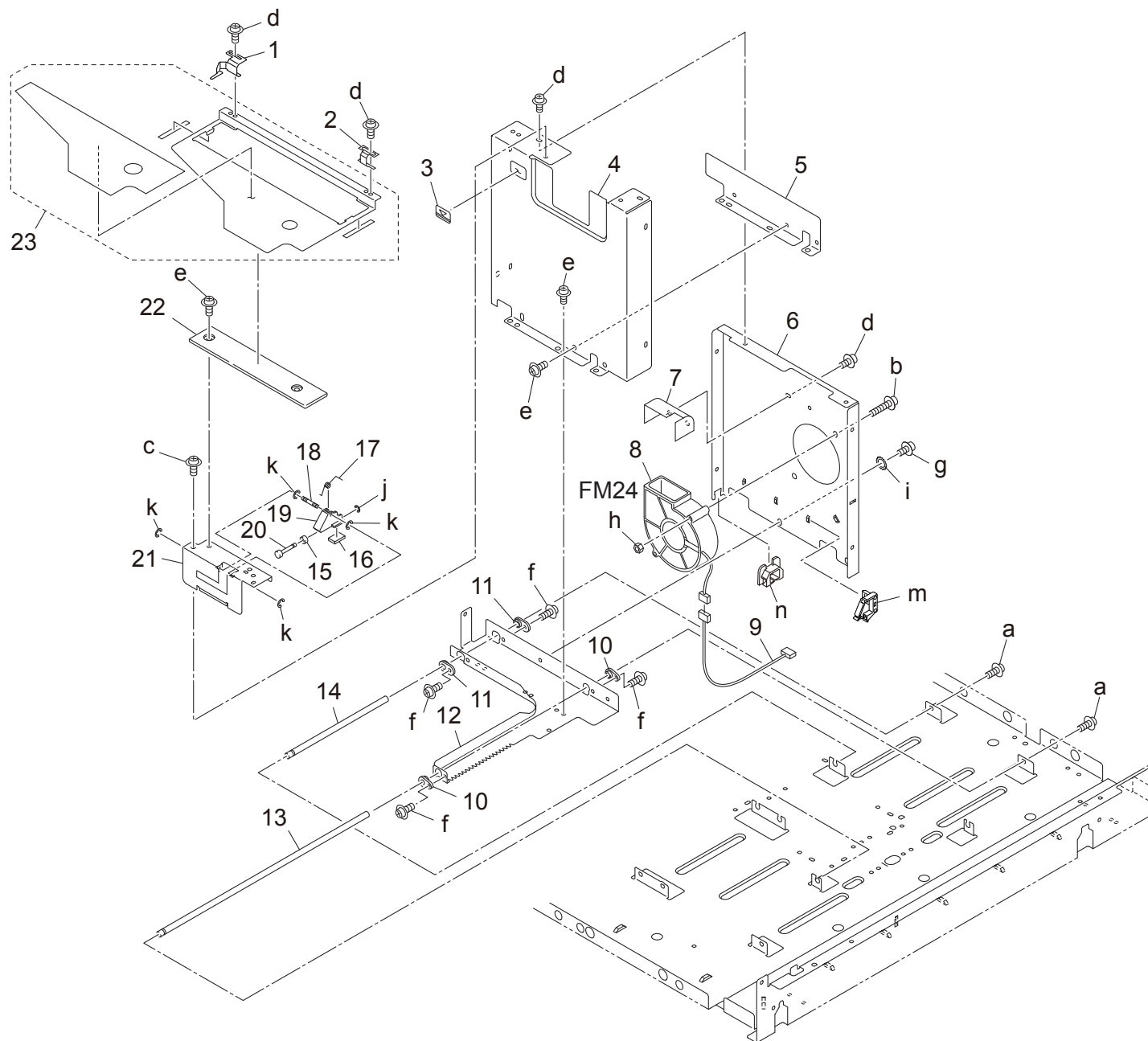


bizhub PRO 1200P

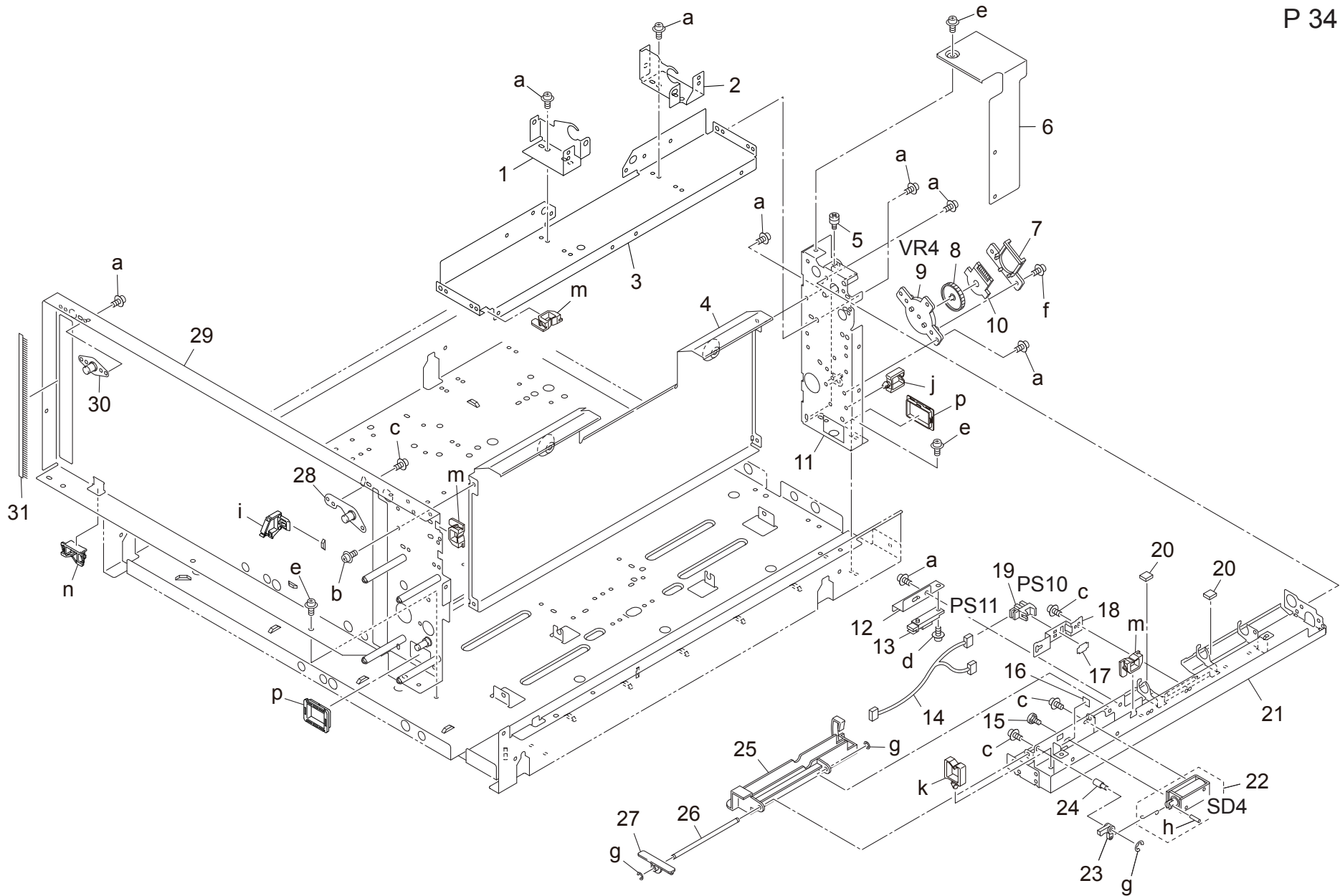
Key	Part No.	Description	Destinations	Class	QTY	Standard parts
1	A0G6601600	Tension Spring		C	1	a-V116030603
2	A0G6600900	Idling Pulley /A	アイドラプーリ / A	C	4	b-V118030603
3	A0G6601500	Tension Arm	テンションアーム	D	1	c-V121030403
4	A0G6R76200	Detection Board	検知基板	D	1	d-V123030603
5	A0G6600800	Detecting Gear 90T	検出ギア 90 T	C	1	e-V127030516
6	A0G6600700	Pulley	プーリ	C	1	f-V151030603
7	A0G6601000	Detection Wire	検知ワイヤ	C	1	g-V217030050
8	56UA41120E	Guide Stopper	ガイドストッパ	D	1	h-V217040050
9	56UA41110	GUIDE RAIL	ガイドレール	D	1	i-V217060050
10	55VA42340	Guide Roller	ガイドコロ	C	4	j-V500010021
11	55VA42330D	GUIDE SHAFT /E	ガイド軸 / E	D	4	k-V500010051
12	A0G6615100	Guide Part /Rear	ガイド部材 / 後	D	1	
13	A0G6615200	Holding Part	押さえ部材	D	1	
14	56UA97210	Operaion Auxiliary Seal	操作補助シール	D	1	
15	55VA40910	PRESSURE PLATE A	押圧板 A	D	1	
16	56UA41690	Tray Lock Roller	トレイロックコロ	C	1	
17	55VA40920D	Support Shaft	支持軸	D	1	
18	56UA40511E	STOPPER RUBBER /C	ストッパゴム / C	C	2	
19	56UA41220	SHAFT POSITIONING PART	軸位置決め部材	D	1	
20	56UA77530	CASSETTE PINION	カセットピニオン	C	1	
21	56UAR79000	ADJUSTING PLATE	片寄り調整板	D	1	
22	56UA41500	Stopper Rubber /B	ストッパゴム / B	C	3	
23	A0G6601300	Idling Shaft /2	アイドラ軸 / 2	D	2	
24	A0G6601700	Support Pedestal	支持台	D	2	
25	56UA41470	Stopper Rubber	ストッパゴム	C	7	
26	56UA41530	Paper Feed Tray Support Pedestal /B	給紙皿支持台 / B	D	2	
27	56UA40371	Lever Support Shaft /A	レバー支点軸 / A	D	1	
28	56UA40760	Gear Spacer	ギア スペーサー	C	1	
29	56UA41520	Paper Feed Tray Support Pedestal /A	給紙皿支持台 / A	D	3	
30	56UA40011E	Tray Bottom Plate	トレイ 底板	D	1	
31	56UA40420	DETECTION BOARD	検知基板	D	1	
32	56AA85601	SIZE DETECTION VR	サイズ検知ボリューム	C	1	
33	56AA41340	DETECTING GEAR 35T	検知ギア 35 T	C	1	
34	56UA41260	BOARD PROTECTION COVER	基板保護カバー	D	1	









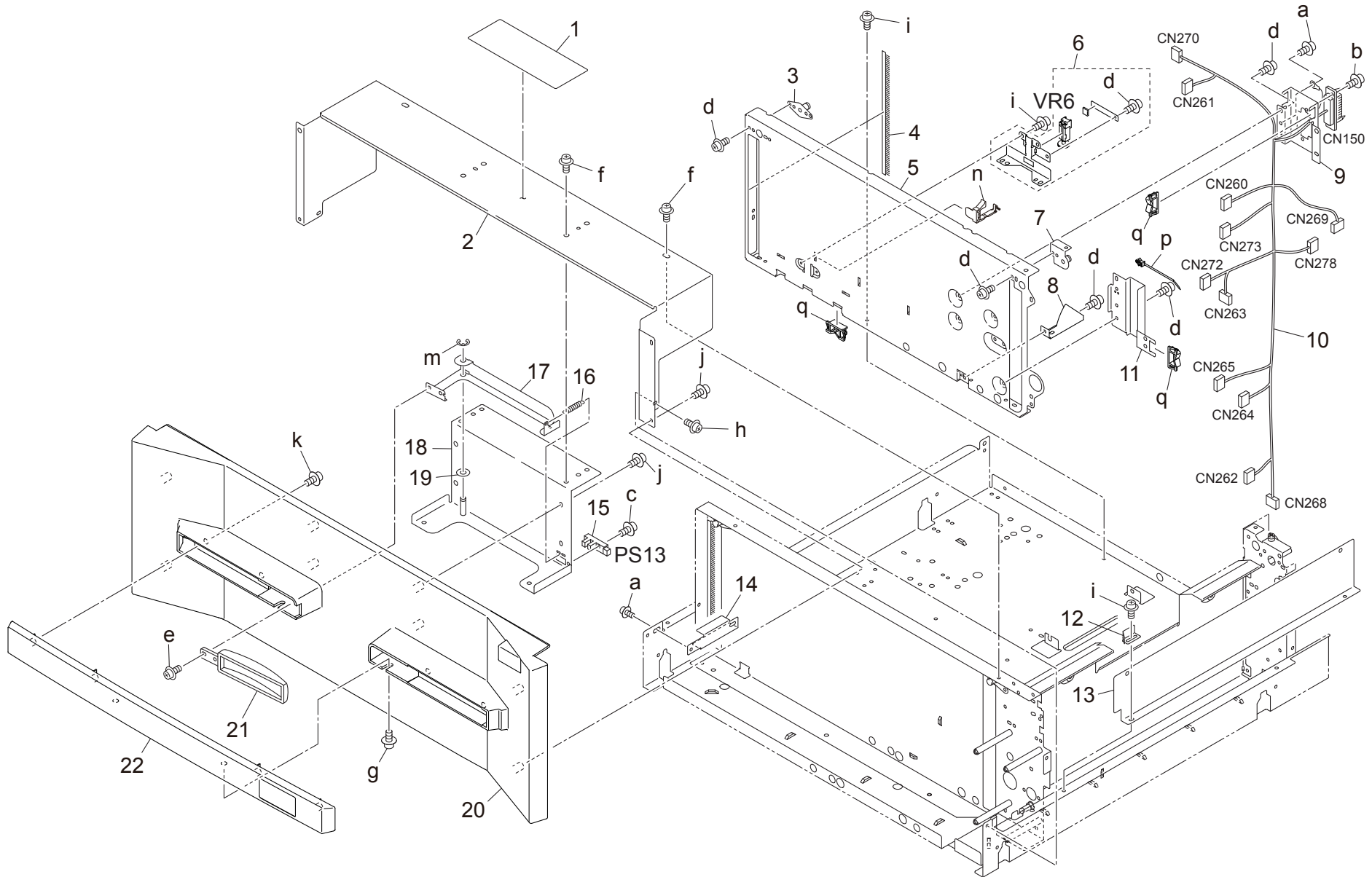






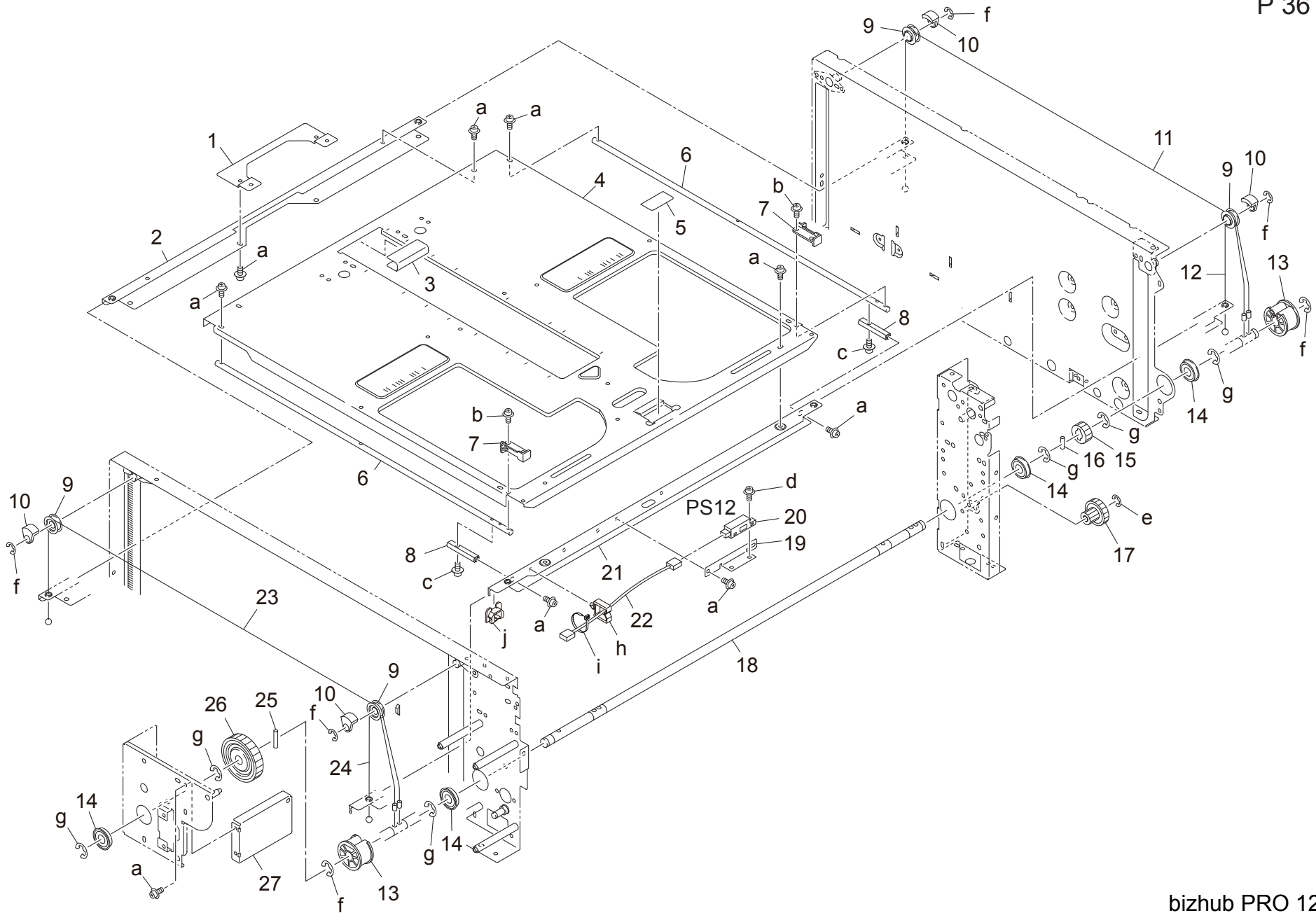
# TRAY 2

P 35



bizhub PRO 1200P

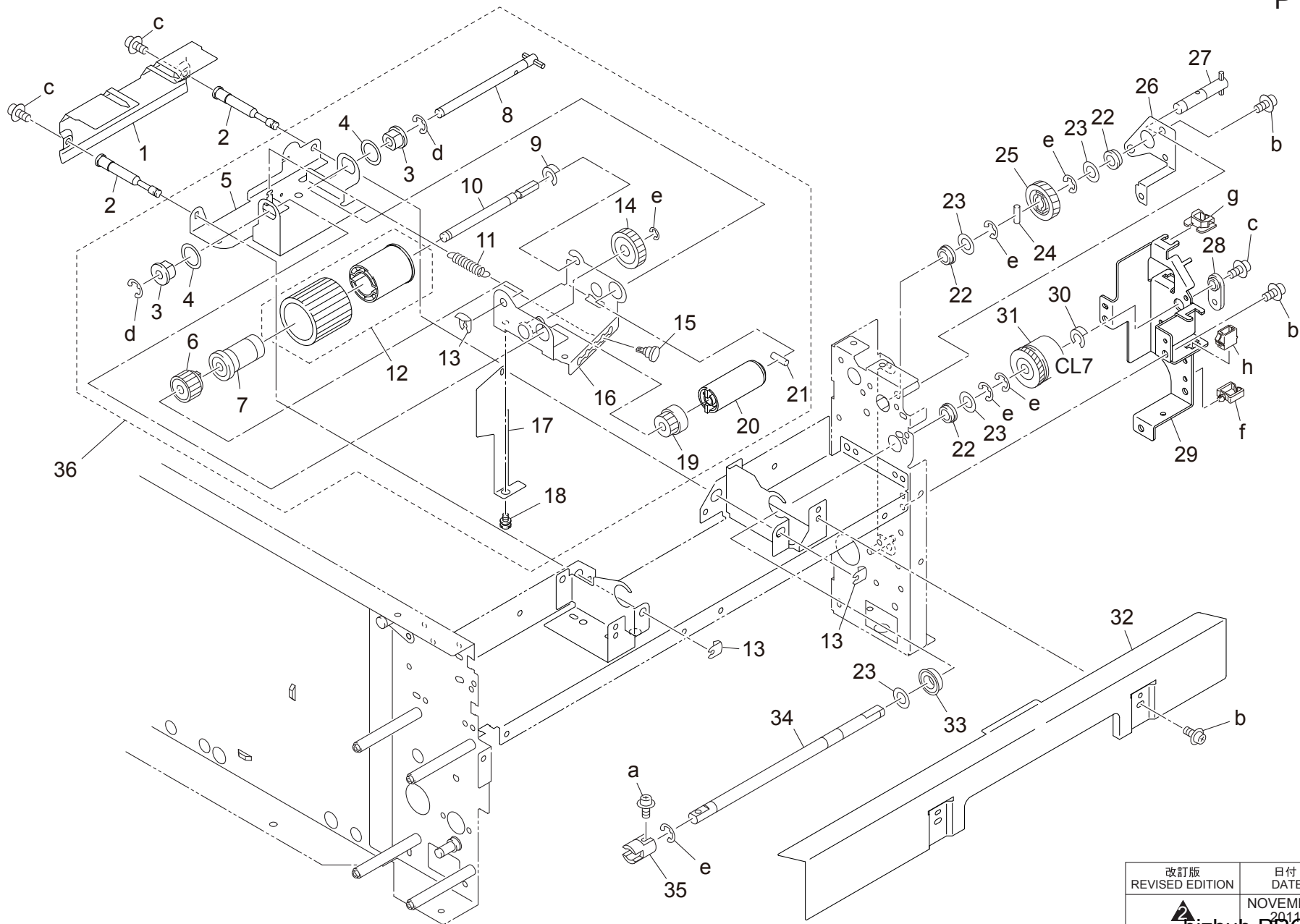






# TRAY 2

P 37



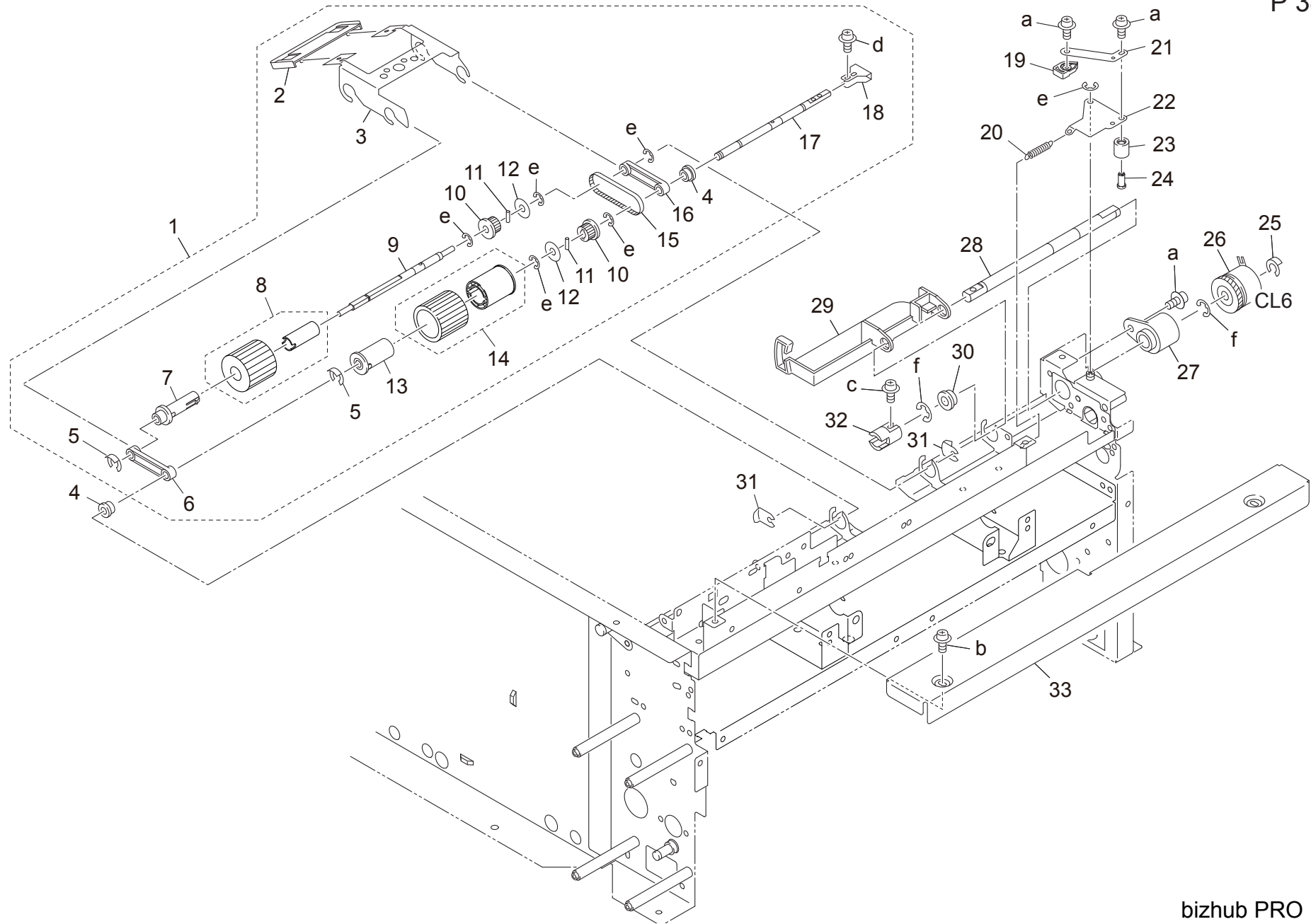
改訂版 REVISED EDITION	日付 DATE
	NOVEMBER 2011

bizhub PRO 1200P

Key	Part No.	Description	Destinations	Class	QTY	Standard parts
1	A0G6570200	Guide Plate		C	1	a-V118030603
2	A0G6570500	Positioning Shaft /B		D	2	b-V121030403
3	A0Y5601600	Bushing/6		C	2	c-V121040603
4	25AA40120	SPACER		C	2	d-V217040050
5	A0G6570400	Holding Plate /Lower		D	1	e-V217060050
6	55VA79140	Paper Feed Reversal Gear /D 19T		B	1	f-V500010029
7	50BA40220	REVERSE ROLLER		C	1	g-V570010021
8	A0G6R78300	Revers Shaft /B		D	1	h-V651010001
9	56AA40490	SHAFT STOPPER 4		C	1	
10	A0G6571900	Reverse Shaft /2		D	1	
11	56UA40610	REVERSE SPRING B		C	1	
12	A4EUR71400	Feeding Roller Unit/B		A	1	
13	A0G6561000	Stopper /E		C	3	
14	55VA79050	Idler Gear /B 24T		C	1	
15	56UA40620	SPRING ADJUSTMENT LEVER		D	1	
16	A0G6R76000	Reverse Frame /A Arm		D	1	
17	A0G6572000	Protection Cover		B	1	
18	A0G6572100	Guide Screw		C	1	
19	55VA79030	Paper Feed Reversal Gear /C 14T		B	1	
20	A03X565611	Torque Limiter /A		B	1	
21	56AA17310	PIN		C	1	
22	A00J617900	Ball Bearing		B	3	
23	12QV40650	SPACER		B	4	
24	56AA17480	PIN B		C	1	
25	A0G6602300	Input Gear 25T		B	1	
26	A0G6602100	Idling Panel		D	1	
27	A0G6R73900	Paper Feed Input Shaft Pin Assy		B	1	
28	173030270	PIN HOLDER A		C	1	
29	56UA40130E	Positioning Plate /Rear		D	1	
30	55VA42120	SHAFT STOPPER		C	1	
31	57GA82010	Clutch /1		B	1	
32	A0G6571600	Guide Plate /Lower		C	1	
33	A00V240600	BALL BEARING		C	1	
34	A0G6570800	Reverse Shaft		B	1	
35	56UA40490	COUPLING F		C	1	
36	A4EUR72H00	Separating Unit		C	1	

# TRAY 2

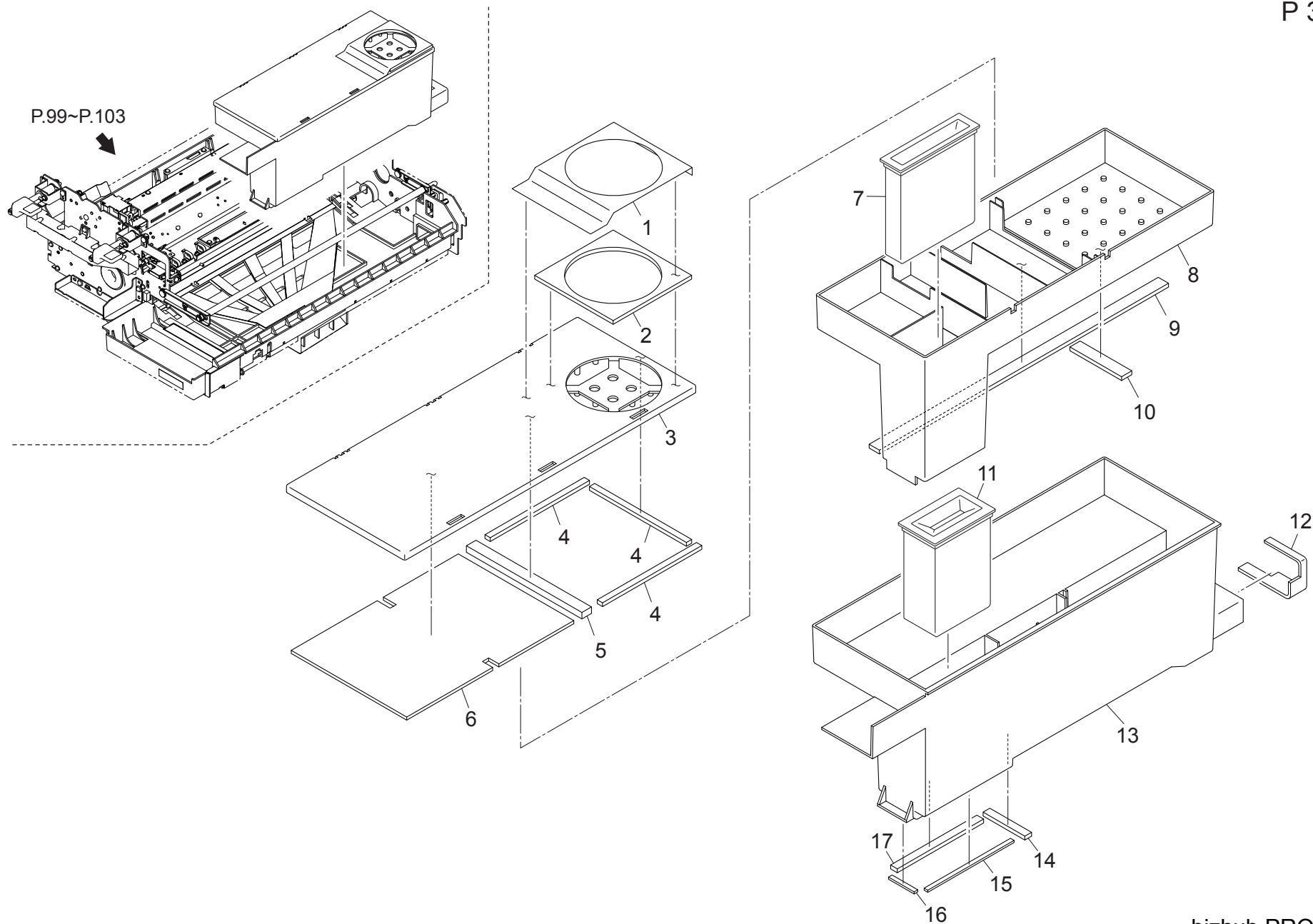
P 38





Key	Part No.	Description	Destinations	Class	QTY	Standard parts
1	A4EUR72P00	Pickup Unit		S	1	a-V116030603
2	56UA40690	Side Protection Cover /B		D	1	b-V118030403
3	56UA40100	Paper Feed Holding Plate /X		D	1	c-V118030603
4	A00J663200	Bushing		C	2	d-V121030403
5	56AA40490	SHAFT STOPPER 4		C	2	e-V217040050
6	56UA40280	Paper Feed Feeding Bushing		C	1	f-V217060050
7	55VA40130	Feeding Roller /A		C	1	
8	A4EUR71500	Feeding Roller Unit/A		A	1	
9	56UA40400	PAPER FEED SHAFT X		D	1	
10	059076510	PULLEY 1 15T		C	2	
11	56AA17510	PIN B		C	2	
12	56AA17760	COLLAR		C	2	
13	56UA40600	Multi-Feed Feeding Roller		C	1	
14	A4EUR71400	Feeding Roller Unit/B		A	1	
15	A4EU565600	Drive Belt 126L		C	1	
16	55VA40260	Paper Feeding Shaft Holder		C	1	
17	56UA40340	FEEDING SHAFT X		D	1	
18	56UA40500	COUPLING LEVER F		D	1	
19	56UA40540	Lever Auxiliary Part		D	1	
20	25AA40460	LOCK SPRING 2		C	1	
21	56UA40660	LEVER AUXILIARY SPRING		D	1	
22	56UA40170	Lock Lever /A		D	1	
23	56UA40530	Release Roller		C	1	
24	56UA40520	Lock Shaft /B		D	1	
25	55VA42120	SHAFT STOPPER		C	1	
26	57GA82010	Clutch /1		B	1	
27	56UA75030	Lock Bushing /A		C	1	
28	56UA40210	Papaer Feed Drive Shaft		D	1	
29	56UA40250	ENTRANCE GUIDE PLATE REAR		C	1	
30	A03U812800	Slide Shaft Holder		B	1	
31	A0G6561000	Stopper /E		C	2	
32	56UA40490	COUPLING F		C	1	
33	56UA12530	FEEDING COVER		D	1	

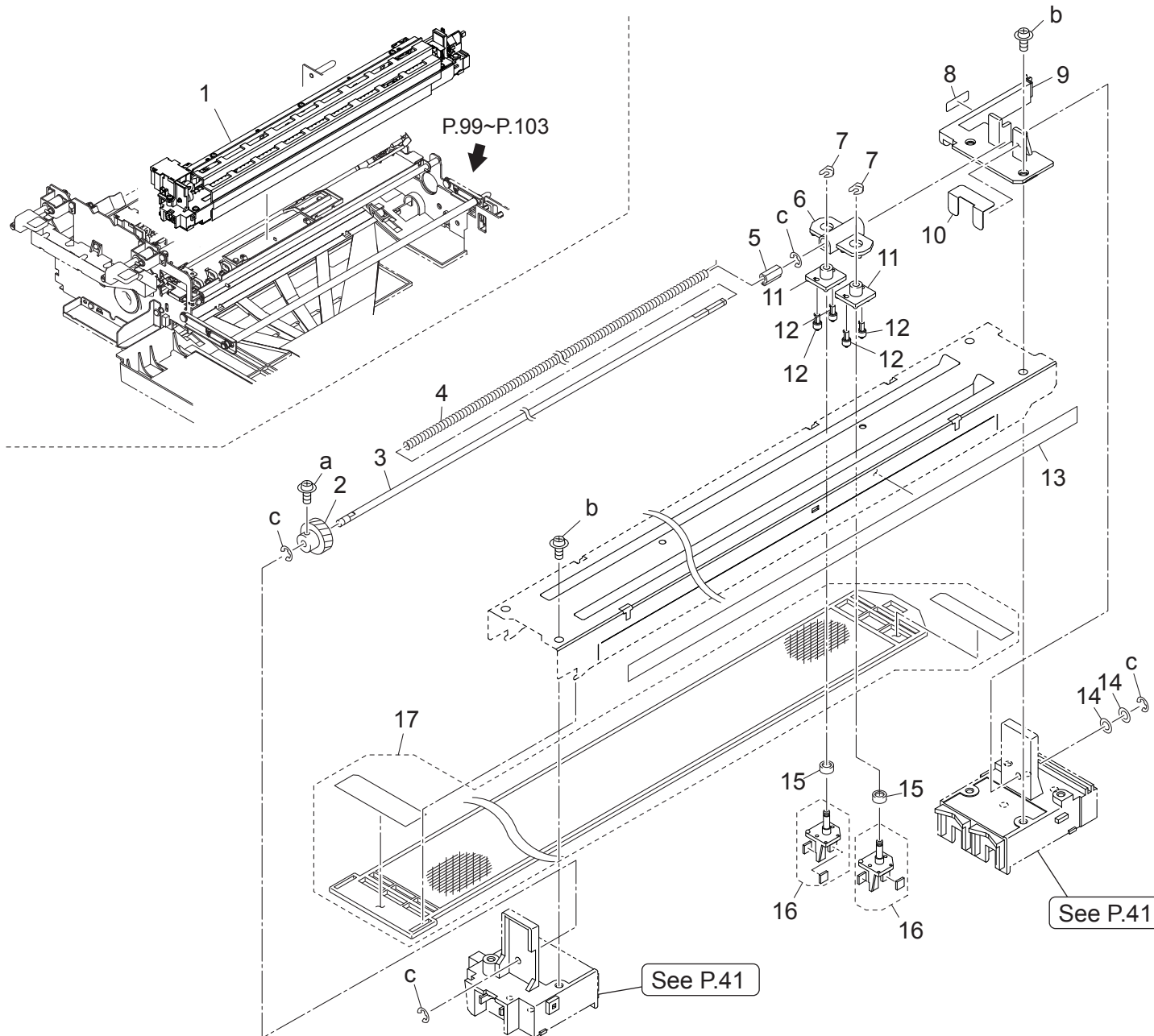
# DEVELOPING SUCTION





# CHARGE UNIT

P 40



改訂版 REVISED EDITION	日付 DATE
▲	JUNE 2010

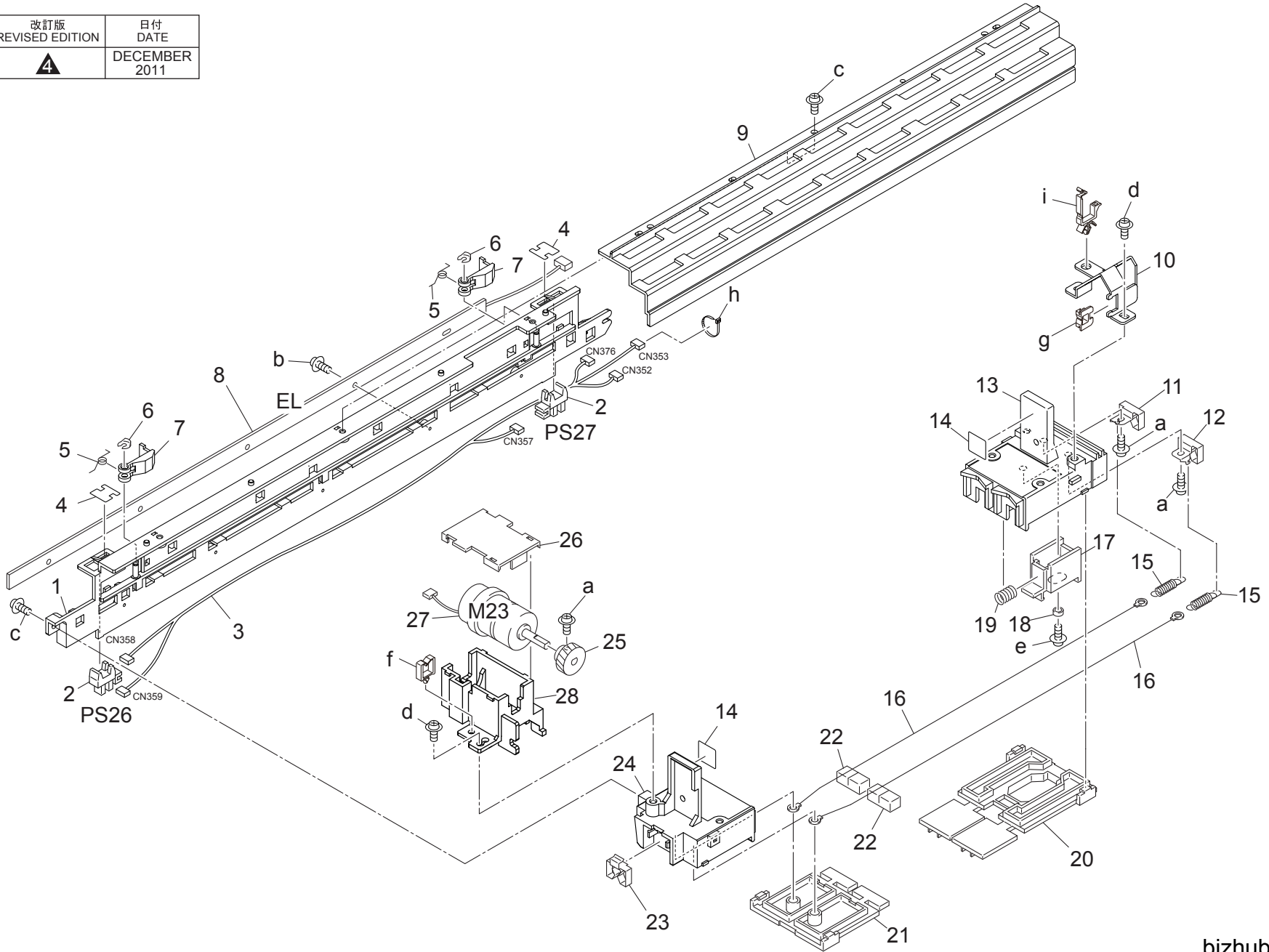
bizhub PRO 1200P

# CHARGE UNIT

Key	Part No.	Description	Destinations	Class	QTY	Standard parts
1	A0G6R70400Old	Charge Assy		B	1	a-V145020403 b-V151030803 c-V217020050
1	A0G6R70411	Charge Assy		B	1	
2	55VA77240	CHARGE CLEANING GEAR 2 17T		C	1	
3	56UA25120	Charging Cleaning Shaft		D	1	
4	56UA25110	Charging Cleaning Spring		C	1	
5	56AA25150	ELECTRODE CLEANING JOINT		C	1	
6	A0G6461300	Slide Part		D	1	
7	45AA20400	STOPPER PART		A	2	
8	A0G6463800	Protection Sheet /3		C	1	
9	A0G6460700	Power Supply Part /T		D	1	
10	A0G6463400	Holding Sheet		C	1	
11	A0G6462100	Friction Board		C	2	
12	A0G6463200	Guide Roll		C	4	
13	A0G6463001	Scatteringprevention Sheet /T		C	1	
14	56UA25280	Charge Cleaning Spacer		C	2	
15	55VA25140	CHARGING SLIDE COLLAR		C	2	
16	A0G6R70100	Charge Cleaner Assy		A	2	
17	A4EUR70900	Charge Plate Assy		A	1	

# CHARGE UNIT

改訂版 REVISED EDITION	日付 DATE
	DECEMBER 2011



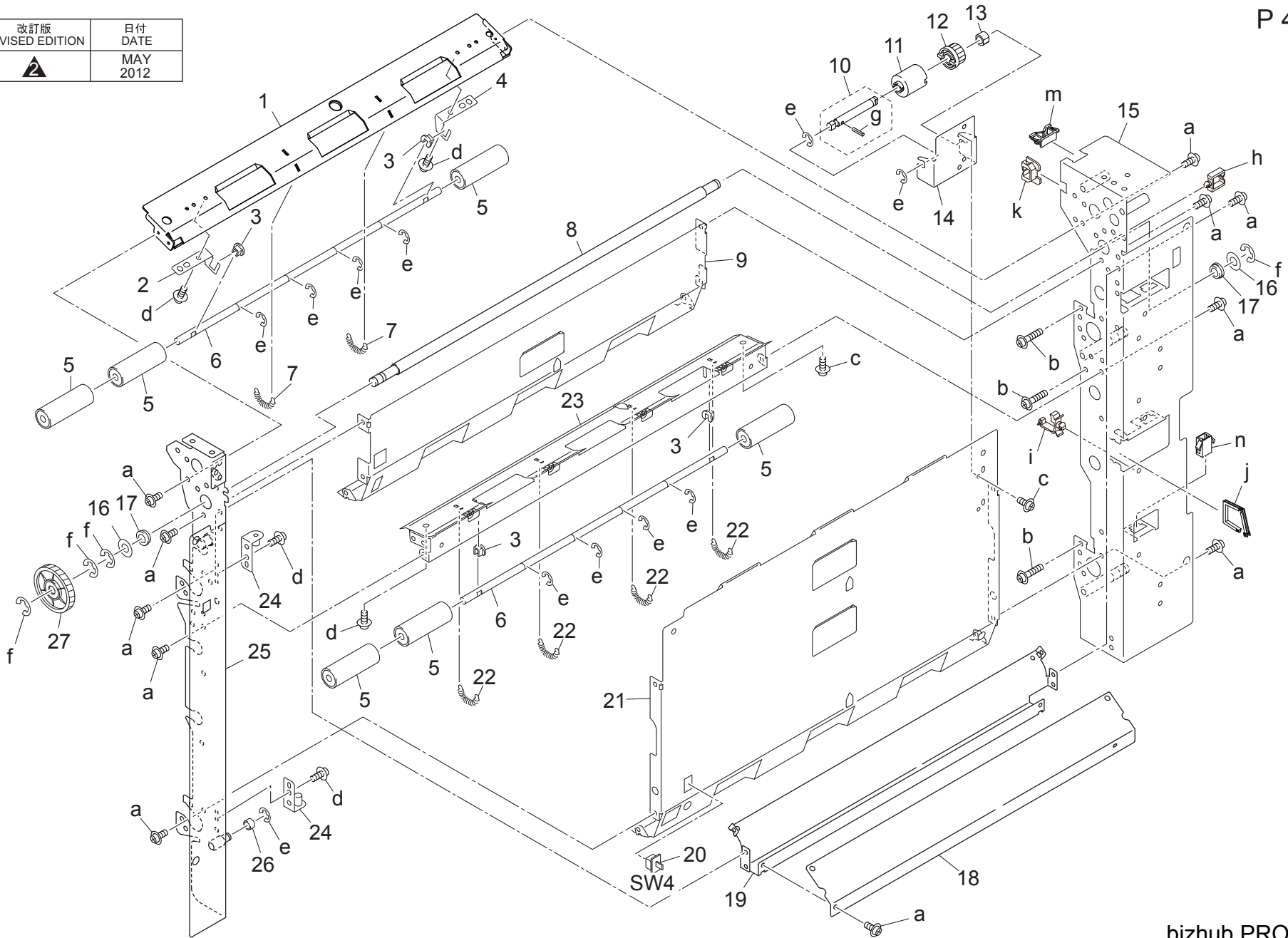
# CHARGE UNIT

Key	Part No.	Description	Destinations	Class	QTY	Standard parts
1	A0G6462600Old	Wiring Part /T		D	1	a-V145020403
1	A0G6462611	Wiring Part /T		D	1	b-V145020603
2	08AA85512	Photo Sensor		B	2	c-V151030603
3	A0G6N14300	Charging Relay Harness		D	1	d-V151030803
4	A0G6463500	Fixing Sheet		C	2	e-V151040803
5	55VA25240	CHARGING DETECT SPRING		B	2	f-V500010026
6	45AA20400	STOPPER PART		A	2	g-V570010021
7	A0G6462300	Charging Actuator		C	2	h-V501010002
8	A0Y5M30800	PCL		C	1	i-V500010067
9	A0G6462800Old	Charging Duct		D	1	
9	A0G6462811	Charging Duct		D	1	
10	A0G6462901	Charging Holder		D	1	
11	55VA25110	CHARGING FIXED SPRING LEFT		C	1	
12	55VA25100	CHARGING FIXED SPRING RIGHT		C	1	
13	A0G6460201	Charging Block /Rear		C	1	
14	A0G6951100	Set Label /11		C	2	
15	56AA17140	WIRE TENSION SPRING		C	2	
16	56UA25090	CHARGING WIRE		A	2	
17	55VA25200	CHARGING TENSION KNOB		C	1	
18	25AA20321	PTL SUPPORT SPACER		C	1	
19	A0G6461700	Tension Spring		C	1	
20	56UA25050	Spark Preventing Plate /Rear		C	1	
21	56UA25040	SPARK PREVENTING PLATE FRONT		C	1	
22	55VA25270	Electrode Vibrating Rubber		A	2	
23	55VA25060EOld	Charging Fixing Spring /Front		B	1	
23	A0G6460600	Fixing Spring /Front		D	1	
24	A0G6460101	Charging Block /Front		C	1	
25	55VA77230	CHARGE CLEANING GEAR 1 17T		B	1	
26	55VA25150	Motor Cover		C	1	
27	25AA80091	CHARGING MOTOR		C	1	
28	55VA25222G	Charging Cleaning Block		C	1	

# VERTICAL CONVEYANCE UNIT

P 42

改訂版 REVISED EDITION	日付 DATE
	MAY 2012



bizhub PRO 1200P

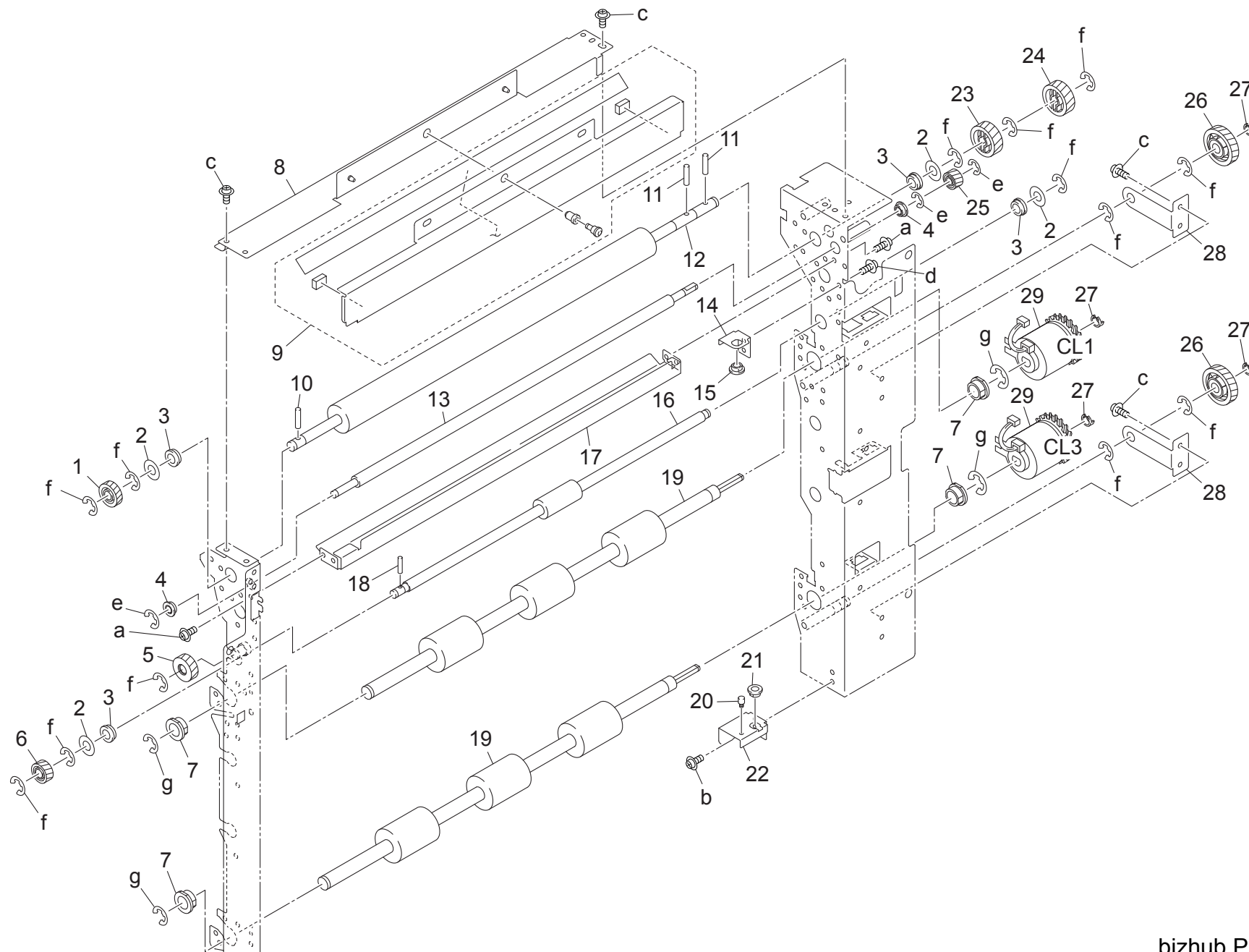


# VERTICAL CONVEYANCE UNIT

Key	Part No.	Description	Destinations	Class	QTY	Standard parts
1	56UA44410E	EXIT GUIDE PLATE /LOWER	出口ガイド板 / 下	D	1	a-V121030403
2	56UA44430	ROLLER SUPPORT PLATE FRONT	ローラ支持板 前	D	1	b-V121031803
3	56UA44680	Idler Bushing	従動軸受	C	4	c-V133030603
4	56UA44420	ROLLER SUPPORT PLATE REAR	ローラ支持板 奥	D	1	d-V138030603
5	56UA44500	Conveyance Idler Roller	搬送従動ローラ	C	6	e-V217040050
6	56UA44160	Conveyance Idler Shaft /L	搬送従動軸 / L	D	2	f-V217060050
7	55VA46451	REGISTRATION FEEDING SPRING	レジスト送り出しバネ	B	2	g-V233301050
8	56UA44440	Exit Guide Shaft	出口ガイド軸	D	1	h-V500010030
9	56UA44050	PAPER FEED CONVEYANCE PLATE UPPER	給紙搬送板 上	D	1	i-V500010061
10	A0G6R78500	Brake Shaft Assy	ブレーキ軸部組	D	1	j-V570010013
11	57GA44300	Torque Limiter	トルクリミッタ	B	1	k-V570010021
12	57GA79430	Torque Gear /1 18T	トルク ギア / 1 18 T	C	1	m-V570010023
13	56GA76030	SLIDE SHAFT HOLDER	滑り軸受	C	1	n-V651010001
14	A0G6700700	Brake Plate	ブレーキ板	D	1	
15	56UA-4620	Side Plate /Rear	側板 / 奥カシメ	D	1	
16	12QV40650	SPACER	スペーサー	B	2	
17	A00J617900	Ball Bearing	ボールベアリング	B	2	
18	56UA44070	PFU Guide Plate /Lower	P F U ガイド板 / 下	D	1	
19	56UA44080	Side Guide Plate /Upper	側面ガイド板 / 上	D	1	
20	56UA85010	Switch	スイッチ	C	1	
21	56UA44040E	Paper feed Conveyance Plate /Lower	給紙搬送板 / 下	D	1	
22	56UA44660	Registration Pressing Spring	レジスト押圧バネ	C	4	
23	56UA44310	ROLLER MOUNTING PLATE UPPER	ローラ取付け板 上	D	1	
24	A4EUR73100	Door Stopper Caulking	ドアストッパーカシメ	D	2	
25	56UA-4680Old	Side Plate /Front	側板 / 前カシメ	D	1	
25	56UA-4681E	SIDE PLATE /FRONT	側板 / 前カシメ	D	1	
26	048046040	ROLLER	コロ	C	1	
27	56UA77190	Conveyance Idling Gear /A 50T	搬送アイドル歯車 / A 50 T	C	1	

# VERTICAL CONVEYANCE UNIT

P 43



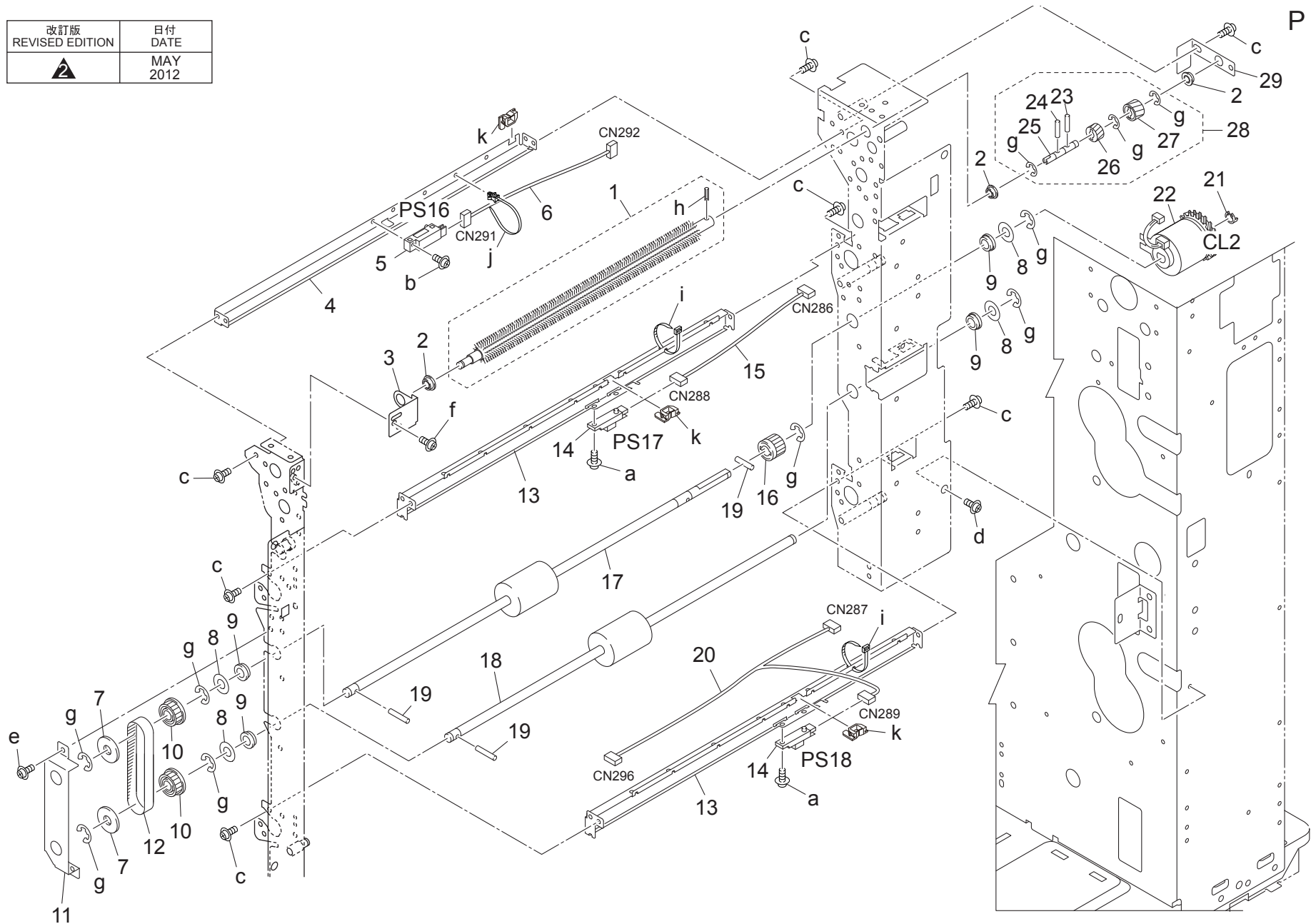
# VERTICAL CONVEYANCE UNIT

Key	Part No.	Description	Destinations	Class	QTY	Standard parts
1	56UA77170E	Conveyance Drive Gear/A 24T	搬送駆動歯車 / A 24 T	B	1	a-V121030403
2	12QV40650	SPACER	スペーサー	B	4	b-V121040403
3	A00J617900	Ball Bearing	ボールベアリング	B	4	c-V138030603
4	A00J617800	BALL BEARING	ボールベアリング	C	2	d-V138040603
5	56UA77200	Conveyance Idling Gear /B 25T	搬送アイドル歯車 / B 25 T	C	1	e-V217040050
6	56UA77180E	Conveyance Drive Gear/B 20T	搬送駆動歯車 / B 20 T	B	1	f-V217060050
7	56UA76030	Registration Bushing /B	レジスト軸受 / B	B	4	g-V217100050
8	56UA-4640	PAPER CLEANING BOARD	紙清掃基板カシメ	D	1	
9	A0G6R70000	Cleaning Case Assy	清掃ケース部組	B	1	
10	56AA17480	PIN B	ピン B	C	1	
11	56AA17461	PIN A	ピン A	B	2	
12	56UA44120	Conveyance Roller /Upper	搬送ローラ / 上	B	1	
13	56UA44170	Shaft Scraper	軸スクレーパ	B	1	
14	56UA44250	HINGE SUPPORT PLATE UPPER	ヒンジ支持板 上	D	1	
15	466076020	PAPER FEED SHAFT HOLDER	給紙送り出し軸受	B	1	
16	56UA44130	Conveyance Roller /Middle	搬送ローラ / 中	B	1	
17	56UA44060	PFU Guide Plate /Upper	P F U ガイド板 / 上	D	1	
18	56AA17471	PIN B 3X12	ピン B 3 X 1 2	C	1	
19	A0G6700100	Regist Conveyance Roller	レジスト搬送ローラ	B	2	
20	392010231	STOPPER PIN	ストッパーピン	C	1	
21	396076050	PAPER FEED SHAFT HOLDER	給紙軸受	B	1	
22	55VA44120	Hinge Support Plate /Lower	ヒンジ 支持板 / 下	D	1	
23	56UA77160	Paper Feed Cleaning Gear/B 26T	給紙清掃歯車 / B 26 T	B	1	
24	56UA77070E	Paper Exit Input Gear 25T	排紙入力歯車 25 T	B	1	
25	55VA79210	Cleaner Driving Gear /B 18T	クリーナー駆動ギア / B 18 T	B	1	
26	56UA77230	Paper feed Drive Gear /F 32T	給紙駆動歯車 / F 32 T	C	2	
27	55VA42120	SHAFT STOPPER	軸ストッパー	C	4	
28	56UA44370	SHAFT REINFORCE PLATE	軸補強板	D	2	
29	57GA82010	Clutch /1	クラッチ / 1	B	2	

# VERTICAL CONVEYANCE UNIT

P 44

改訂版 REVISED EDITION	日付 DATE
	MAY 2012



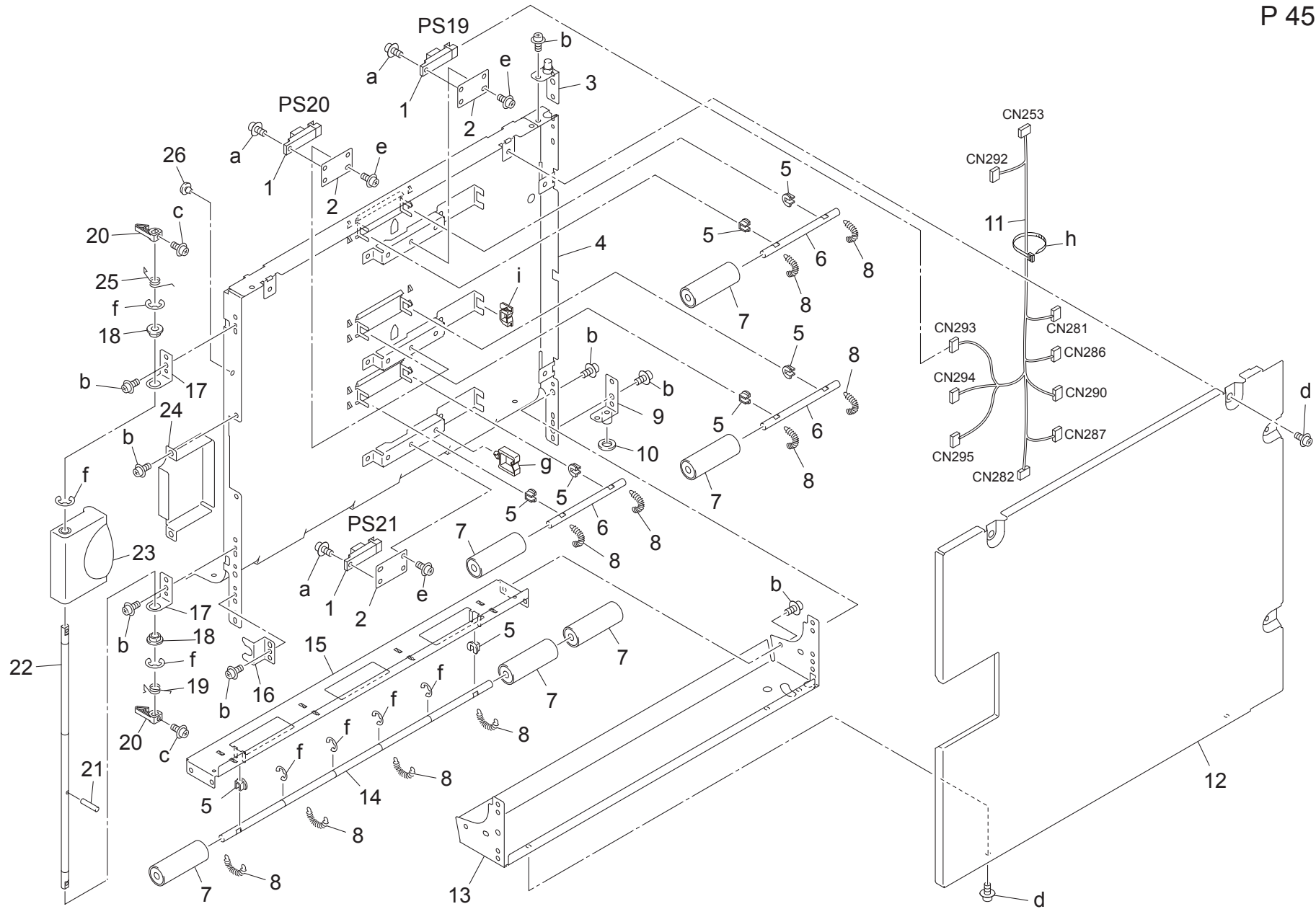
bizhub PRO 1200P

# VERTICAL CONVEYANCE UNIT

Key	Part No.	Description	Destinations	Class	QTY	Standard parts
1	55VAR76300	TONER GUIDE BRUSH ASSY	トナーガイドブラシ部組	A	1	a-V118030603
2	A00J617800	BALL BEARING	ボールベアリング	C	3	b-V118031003
3	56UA44301F	CLEANER SUPPORT PLATE /FRONT	クリーナー支持板/前	D	1	c-V121030403
4	56UA44090	Exit Guide Plate /Upper	出口ガイド板/上	D	1	d-V121040603
5	56AA85521	Conveyance Photo Sensor	搬送フォトセンサ	B	1	e-V138030603
6	56UA90770	CONVEYANCE RELAY WIRING 3	搬送中継束線 3	D	1	f-V121040603
7	55VA47850	Belt Holding Part /2	ベルト押さえ部材/2	D	2	g-V217060050
8	12QV40650	SPACER	スペーサー	B	4	h-V233201050
9	A00J617900	Ball Bearing	ボールベアリング	B	4	i-V501010002
10	55VA76530	ADU Conveyance Pulley /3 19T	A D U 搬送プーリ/3 19 T	B	2	j-V501010010
11	56UA44700	PULLEY COVER	プーリカバー	D	1	k-V570010021
12	56UA78090	CONVEYANCE BELT/A 192L	搬送ベルト/A 192 L	B	1	
13	56UA44100	ENTRANCE GUIDE STAY	入り口案内ステー	D	2	
14	13QA85511	Sensor 1	センサ 1	B	2	
15	56UA90830	CONVEYANCE RELAY WIRING 1	搬送中継束線 1	D	1	
16	57GA79440	TORQUE GEAR/2 17T	トルクギア/2 17 T	C	1	
17	A0G6700200	Conveyance Roller /Lower	搬送ローラ/下	B	1	
18	A0G6700300	Conveyance Roller /A	搬送ローラ/A	B	1	
19	56AA17471	PIN B 3X12	ピン B 3 X 1 2	C	3	
20	56UA90840	CONVEYANCE RELAY WIRING 2	搬送中継束線 2	D	1	
21	55VA42120	SHAFT STOPPER	軸ストッパー	C	1	
22	57GA82010	Clutch /1	クラッチ/1	B	1	
23	56AA17531	PIN A D2X10	ピン A D 2 X 1 0	C	1	
24	56AA17310	PIN	ピン	C	1	
25	56UA44200	Drive Shaft /1	駆動軸/1	D	1	
26	55VA79200	Cleaner Driving Gear /A 16T	クリーナー駆動ギア/A 16 T	B	1	
27	56UA77150	Paper Feed Cleaning Gear /A 14T	給紙清掃歯車/A 14 T	B	1	
28	A4EUR71600	Cleaner Drive Assy	クリーナー駆動部組	B	1	
29	56UA44260	Shaft Support Plate	軸支持板	D	1	

# VERTICAL CONVEYANCE UNIT

P 45





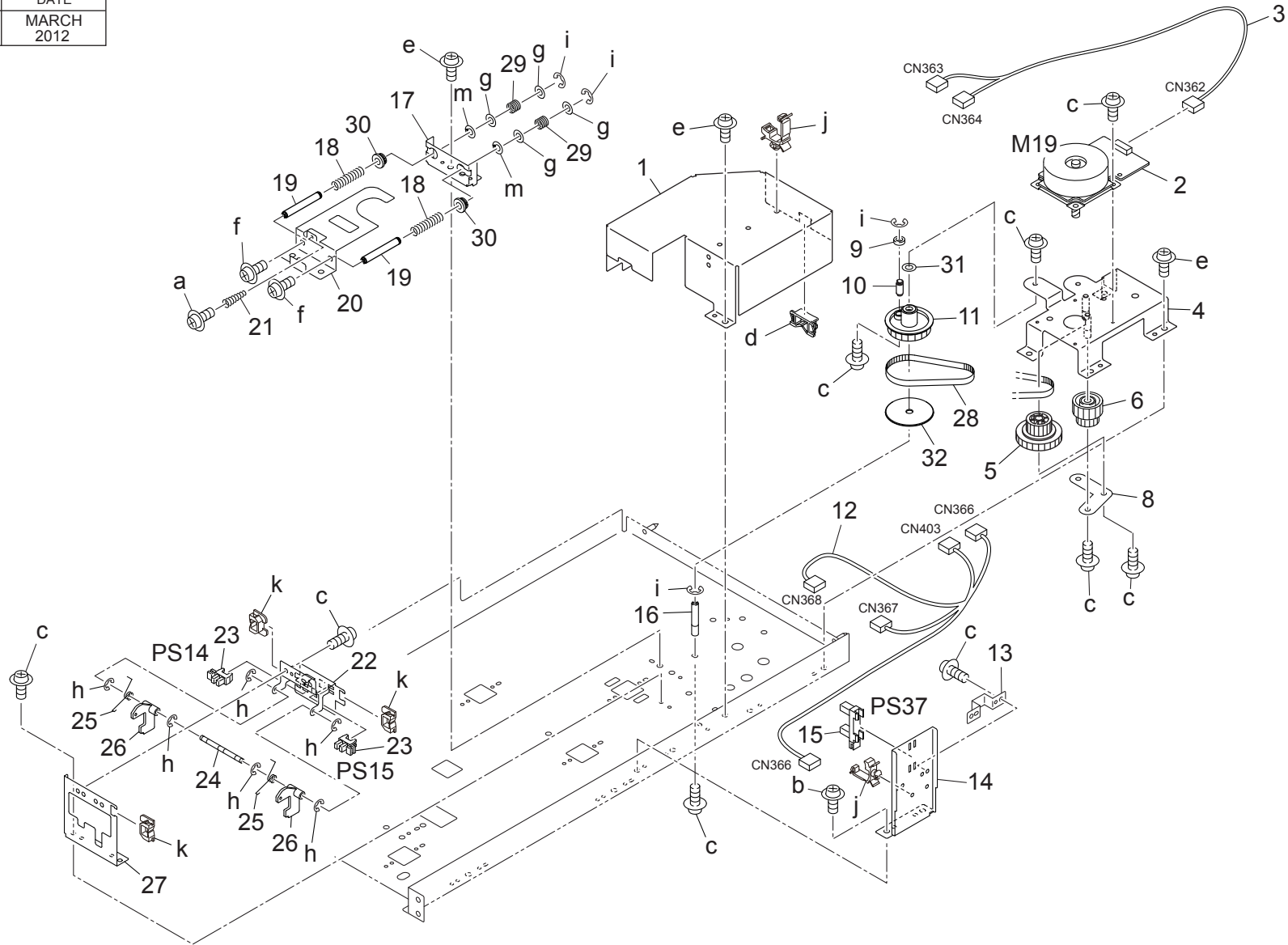






# SWING TRAY UNIT

改訂版 REVISED EDITION	日付 DATE
	MARCH 2012



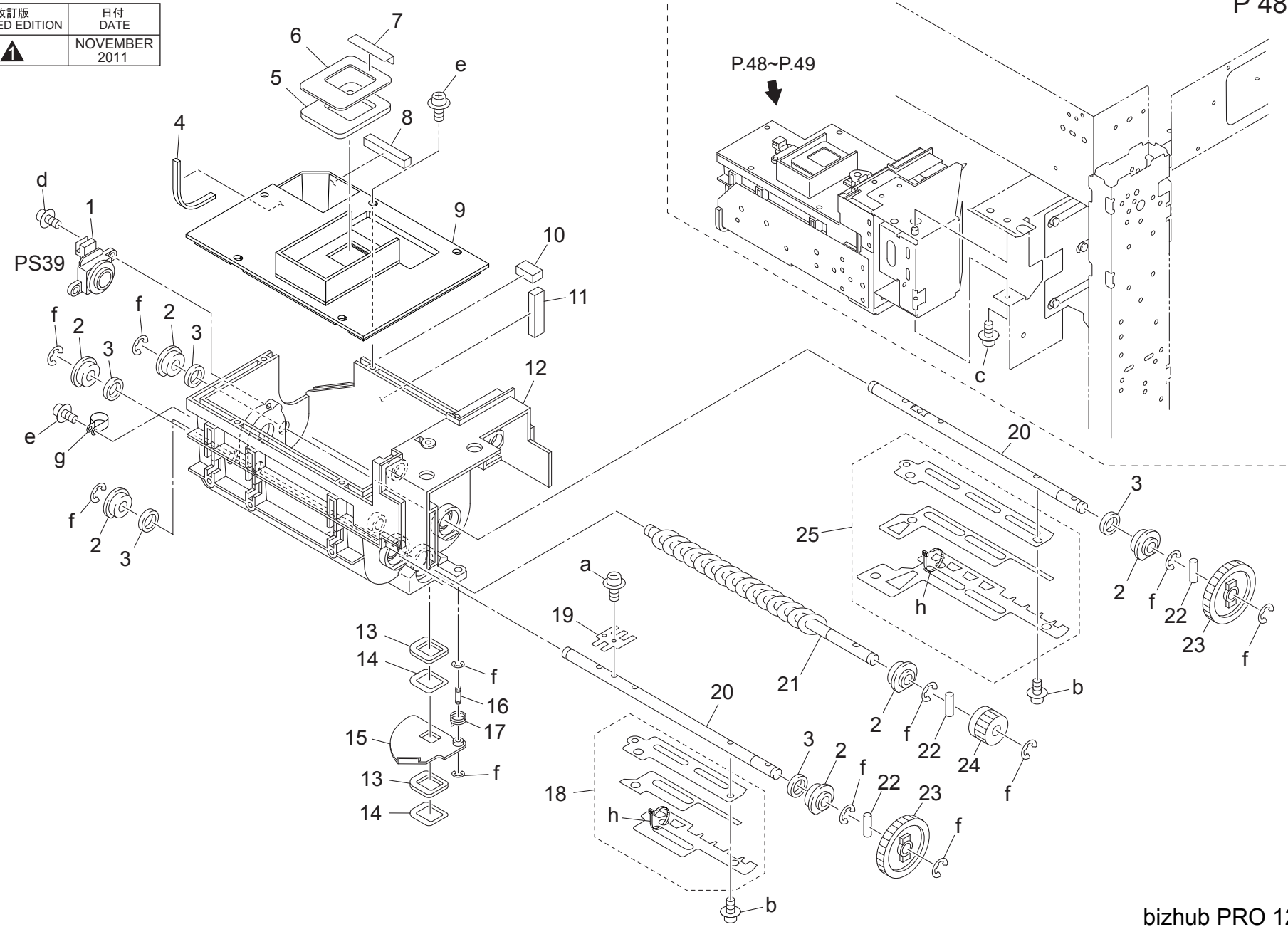
# SWING TRAY UNIT

Key	Part No.	Description	Destinations	Class	QTY	Standard parts
1	A0G6356101	Protection Cover /2		D	1	a-V111030603
2	A011M10000	BRUSHLESS MOTOR		B	1	b-V118040603
3	A0G6N14400	Toner Relay Harness /3		D	1	c-V121030603
4	A0G6R75600Old	Drive Board /2 Assy		D	1	d-V570010023
4	A4EUR72100	Drive Board /2 Caulking		D	1	e-V121040603
5	A0G6358800	Swing Pulley /2 38 /24T		C	1	f-V123030803
6	A0G6357100	Swing Gear /1 18/48T		C	1	g-V207060003
8	A0G6350700	Reinforce Plate /4		D	1	h-V217020050
9	12VG40640	BEARING		C	1	i-V217040050
10	A0G6351600Old	Swing Pin		C	1	j-V500010061
10	A0G6358401	Swing Pin		D	1	k-V570010021
11	A0G6357400Old	Swing Cam		C	1	m-V223080050
11	A0G6358901	Swing Pulley 40T		C	1	
12	A0G6N14500	Toner Relay Harness		D	1	
13	A0G6352500	Electrostatic Proof Cover /1		D	1	
14	A0G6350800	Board /3		D	1	
15	9335140051	SOLID STATE SWITCH		B	1	
16	A0G6351400	Swing Shaft /1		D	1	
17	A0G6350500Old	Base Plate /1		D	1	
17	A0G6358200	Base Plate /1		D	1	
18	A0G6352000	Swing Spring		C	2	
19	A0G6351300Old	Guide Shaft /2		D	2	
19	A0G6358301	Guide Shaft /2		D	2	
20	A0G6350400	Swing Board /2		D	1	
21	A0G6353700	Fixing Spring		C	1	
22	A0G6365400	Board /2		D	1	
23	08AA85512	Photo Sensor		B	2	
24	A0G6365800	Support Shaft		D	1	
25	A0G6365900	Set Spring		C	2	
26	A0G6365700	Set Actuator		C	2	
27	A0G6365300	Board /1		D	1	
28	A0G6369500	Swing Belt 186L		C	1	
29	A0G6358600	Stopper Spring		D	2	
30	A0G6369901	Swing Bushing		C	2	
31	26MA74100	SPECIAL WASHER		C	1	
32	A0G6366000	Swing Collar		C	1	

# TONER CONVEYANCE MAIN BODY UNIT

P 48

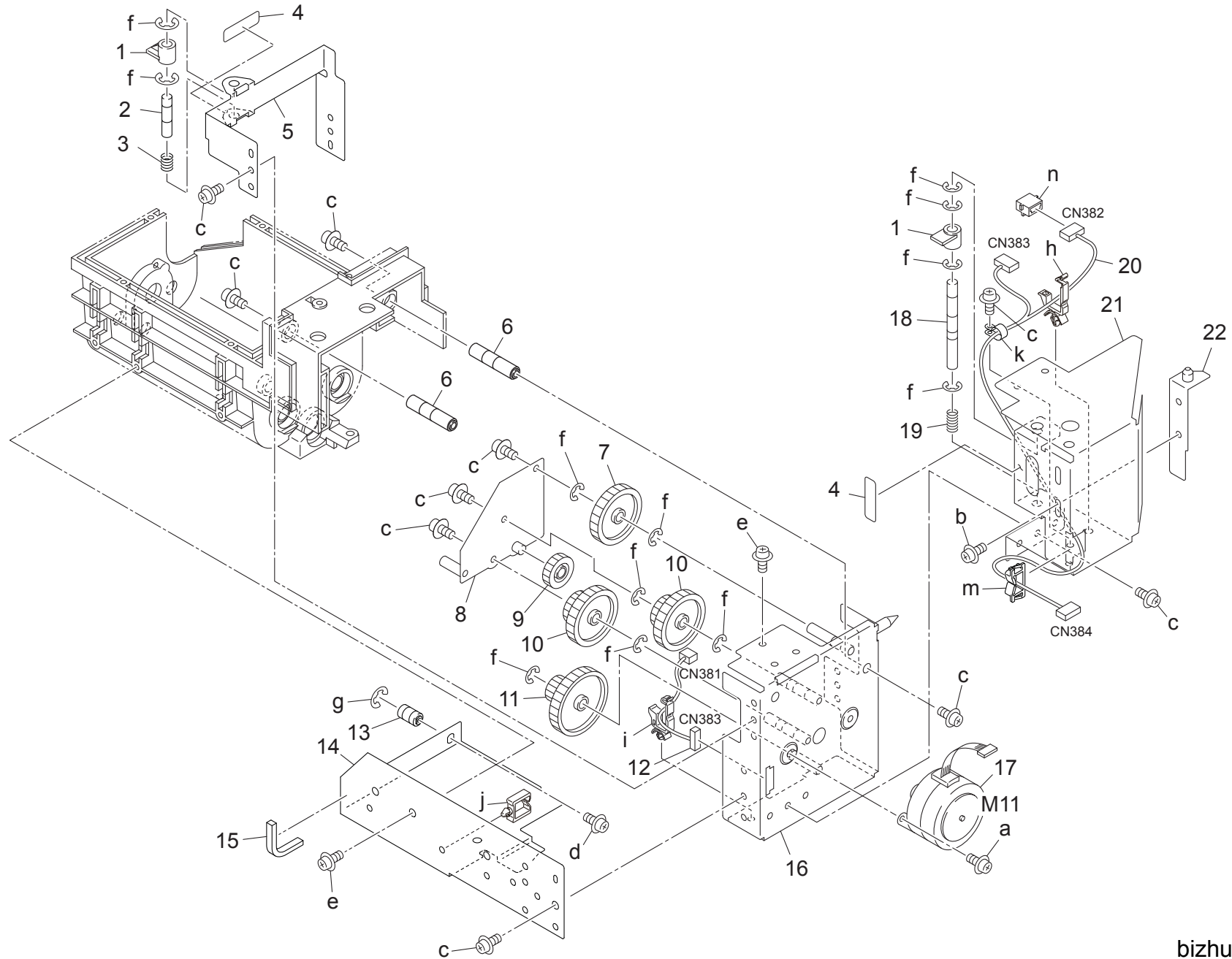
改訂版 REVISED EDITION	日付 DATE
	NOVEMBER 2011



# TONER CONVEYANCE MAIN BODY UNIT

Key	Part No.	Description	Destinations	Class	QTY	Standard parts
1	40AA88031	Level Detection Sensor		C	1	a-V116030803
2	56AA32650	TONER CONVEYING SHAFT HOLDER		C	6	b-V121030603
3	56UA32380	Toner Agitating Seal		C	5	c-V121040603
4	56UA32840	Toner Separating Seal /E		C	1	d-V145030803
5	56UA32270	Open/Close Cushion		C	1	e-V158030803
6	56UA32260	Cover Seal		C	1	f-V217040050
7	56UA32850	Toner Separating Seal /F		C	1	g-V500020001
8	A0G6407200	Toner Supply Seal /1		C	1	h-V501010002
9	A0G6400202	Toner supply Cover /Middle		D	1	
10	A0G6407400	Toner Supply Seal /3		C	1	
11	A0G6407300	Toner Supply Seal /2		C	1	
12	56UA32010E	Toner Conveyance Main Body		D	1	
13	55GA32220	OPEN CLOSE CUSHION		C	2	
14	25BA32251	COVER SEAL		C	2	
15	55VA32160	Slide Cover		C	1	
16	55VA32330D	Open/close Shaft		D	1	
17	55VA32171	Open Close Spring		C	1	
18	56UAR77300	AGITATING PLATE A 2 ASSY		A	1	
19	56UA408100	AGITATING PLATE /1		C	1	
20	56UA32150	Agitating Shaft		D	2	
21	56UA32200	TONER CONVEYANCE SCREW /LOWER		D	1	
22	56AA17471	PIN B 3X12		C	3	
23	56UA77430	Toner Agitating Gear 32T		C	2	
24	55VA77960	SCREW GEAR 14T		B	1	
25	A4EUR70500	Agitating Plate /A 1 Assy		A	1	

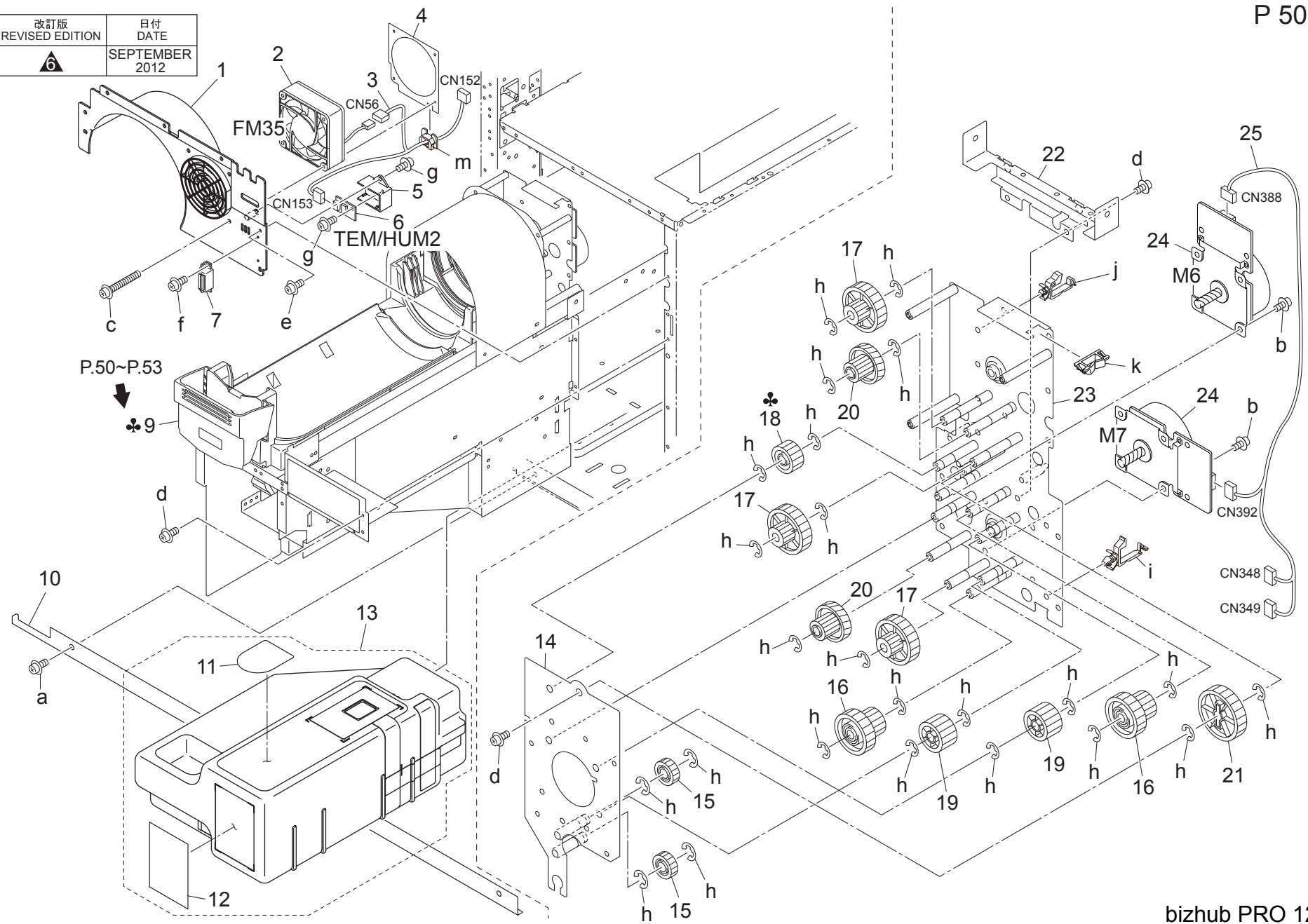
# TONER CONVEYANCE MAIN BODY UNIT





# TONER SUPPLY PROTECTION UNIT

改訂版 REVISED EDITION	日付 DATE
	SEPTEMBER 2012

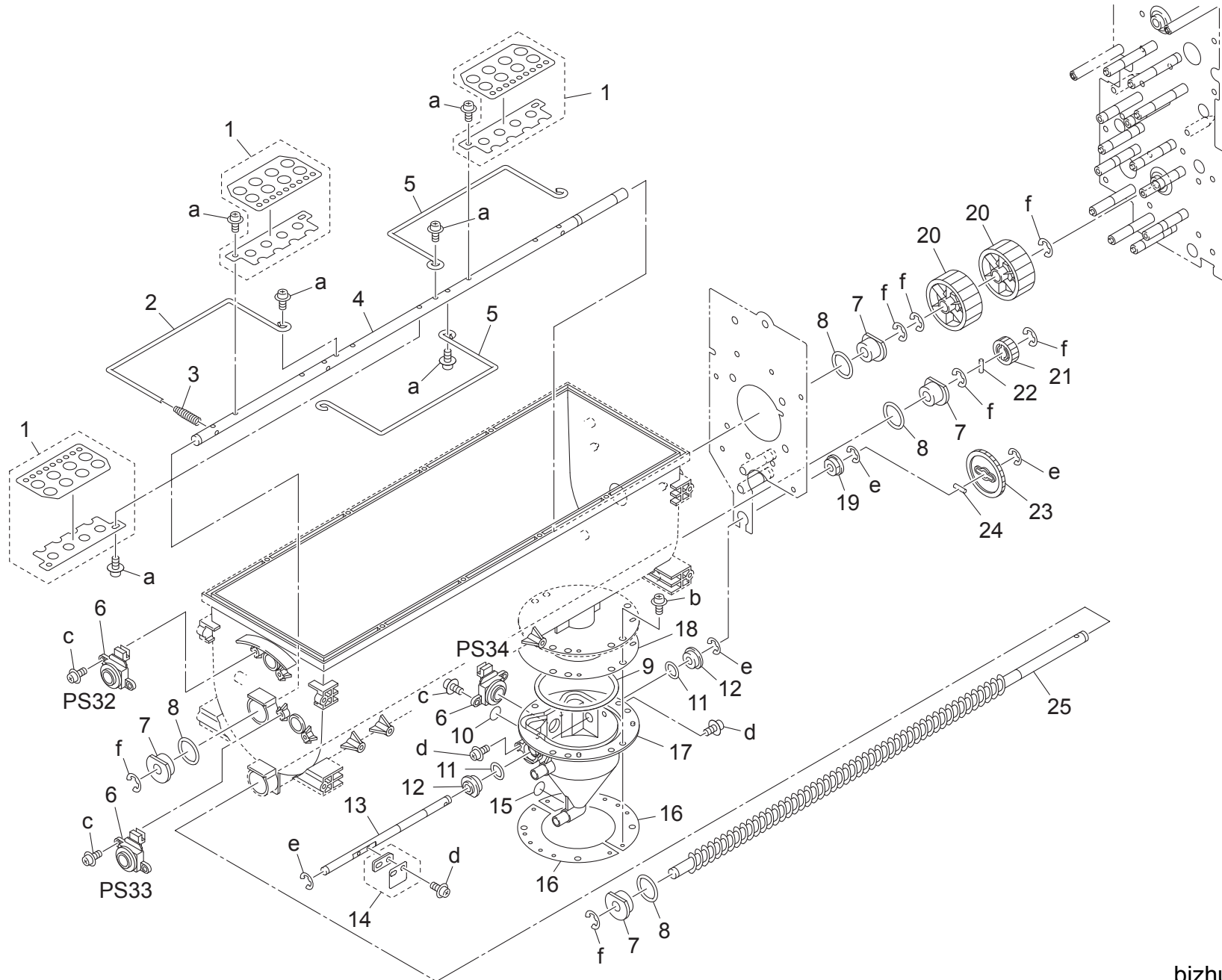




Key	Part No.	Description	Destinations	Class	QTY	Standard parts
1	A0G6410511	Toner Supply Cover /Upper		D	1	a-V114040604
2	13NT80511	FAN MOTOR 1		C	1	b-V118040403
3	A0G6N22300	Temperature Detection Harness /2		D	1	c-V118043503
4	A0G6411000	Fixing Plate /F		D	1	d-V121040603
5	65AA11300	SUPPORT PART		D	1	e-V121040604
6	65AA88080	Process Sensor		C	1	f-V145030803
7	A0G6411200	Magnet /X		D	1	g-V149030803
9	A0G6R71944	Toner Supply Assy	A	I	1	h-V217060050
9	A0G6R72044	Toner Supply Assy	B	I	1	i-V500010005
9	A0G6R72144	Toner Supply Assy	C	I	1	j-V500010020
10	A0G6164800	Cover /Lower		D	1	k-V570010023
11	A0G6947501	Operation Label /C		C	1	m-V570010021
12	A0G6942800	Caution Label /D		C	1	
13	A4EUR75V11	Collection Box Assy		A	1	
14	56UA-7660	DRIVE PLATE/C ASSY		D	1	
15	56UA77760	Toner Supply Drive Gear /G 18T		C	2	
16	56UA77740	Toner Supply Drive Gear /E 22/36T		C	2	
17	56UA77710	TONER SUPPLY DRIVE GEAR /B 16/40T		C	3	
18	56UA77730	Toner Supply Drive Gear /D 23T	B,C	C	1	
19	56UA77770	Toner Supply Drive Gear /H 26T		C	2	
20	56UA77720	TONER SUPPLY DRIVE GEAR /C 16/62T		C	2	
21	56UA77700	Toner Supply Drive Gear /A 45T		C	1	
22	56UA34020	Toner Supply Fixing Panel /Rear		D	1	
23	56UA-7680	DRIVE PLATE/B ASSY		D	1	
24	A0PNM10200	DC Brushless motor /20		B	2	
25	A0G6N13801	Toner Wiring /3		D	1	

# TONER SUPPLY PROTECTION UNIT

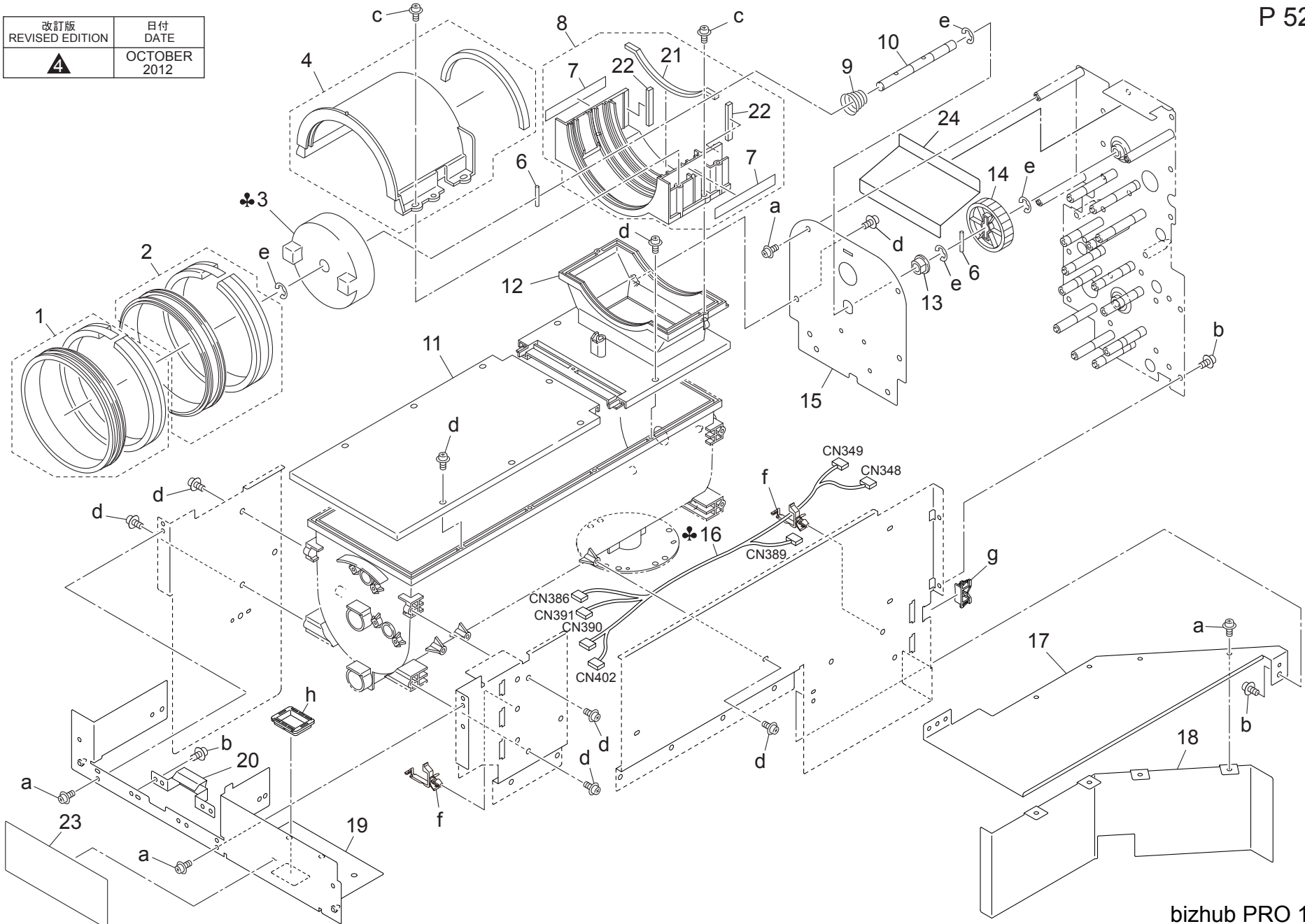
P 51





# TONER SUPPLY PROTECTION UNIT

改訂版 REVISED EDITION	日付 DATE
	OCTOBER 2012



bizhub PRO 1200P

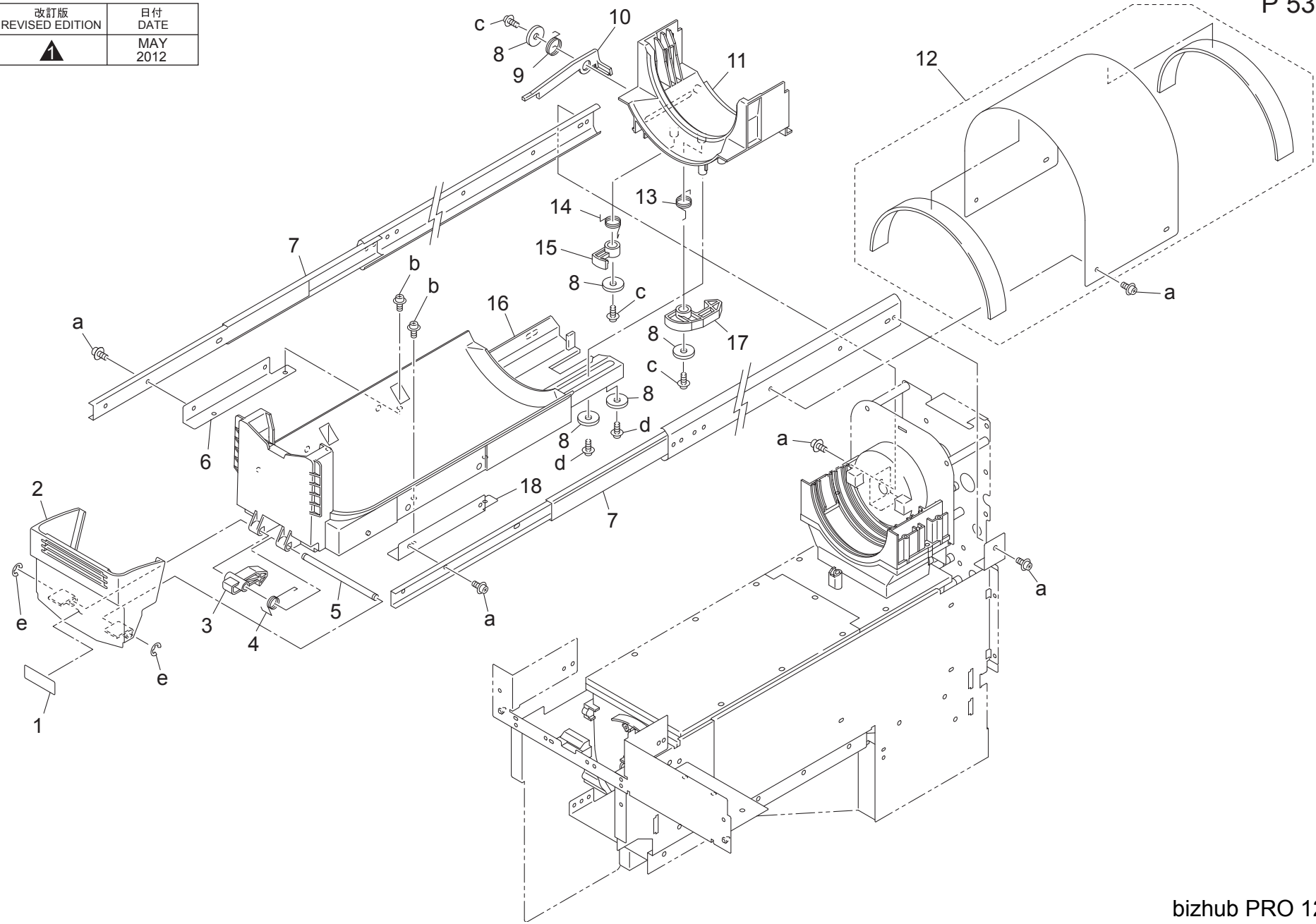
TONER SUPPLY PROTECTION UNIT

Key	Part No.	Description	Destinations	Class	QTY	Standard parts
1	A4EUR70W00	Sleeve/1		B	1	a-V121030603
2	A4EUR70X00	Sleeve/2		B	1	b-V121040603
3	55VA32080	Cartridge Driving Part	A,C	C	1	c-V151030803
3	55VE32080	CARTRIDGE DRIVING PART	B	C	1	d-V151040803
4	A4EUR72D00	Cover /Upper Assy		D	1	e-V217060050
6	56AA17500	PIN		C	2	f-V500010004
7	A4EU414700	Seal		D	2	g-V570010023
8	A0G6R7E500	Seal Assy		D	1	h-V570010038
9	55VA32150	Driving Release Spring		B	1	
10	56UA34610	Cartridge Drive Shaft		D	1	
11	56UA34460	Toner Supply Cover /2		D	1	
12	56UA34452	Toner Supply Cover /1		D	1	
13	A0Y5406400	Slide Bushing/8		C	1	
14	56UA77700	Toner Supply Drive Gear /A 45T		C	1	
15	56UA34121E	Cartridge Drive Plate /A		D	1	
16	A0G6N13A00	Toner Wiring /1	A	D	1	
16	A0G6N13E00	Toner Wiring /1	B,C	D	1	
17	A0G6410700	Toner Supply Cover /1		D	1	
18	A0G6410800	Toner Supply Cover /2		D	1	
19	A0G6R75900	Base Panel /Front		D	1	
20	A0G6410600Old	Toner Supply Lock		D	1	
20	A0G6410611	Toner Supply Lock		D	1	
21	A0G6414000	Sealing Part /R		D	1	
22	55VA32430	Toner Sealing Part/3		D	2	
23	A0G6947900	Operation Label /F		C	1	
24	A0G6415000	Toner supply Sheet		D	1	

# TONER SUPPLY PROTECTION UNIT

P 53

改訂版 REVISED EDITION	日付 DATE
	MAY 2012



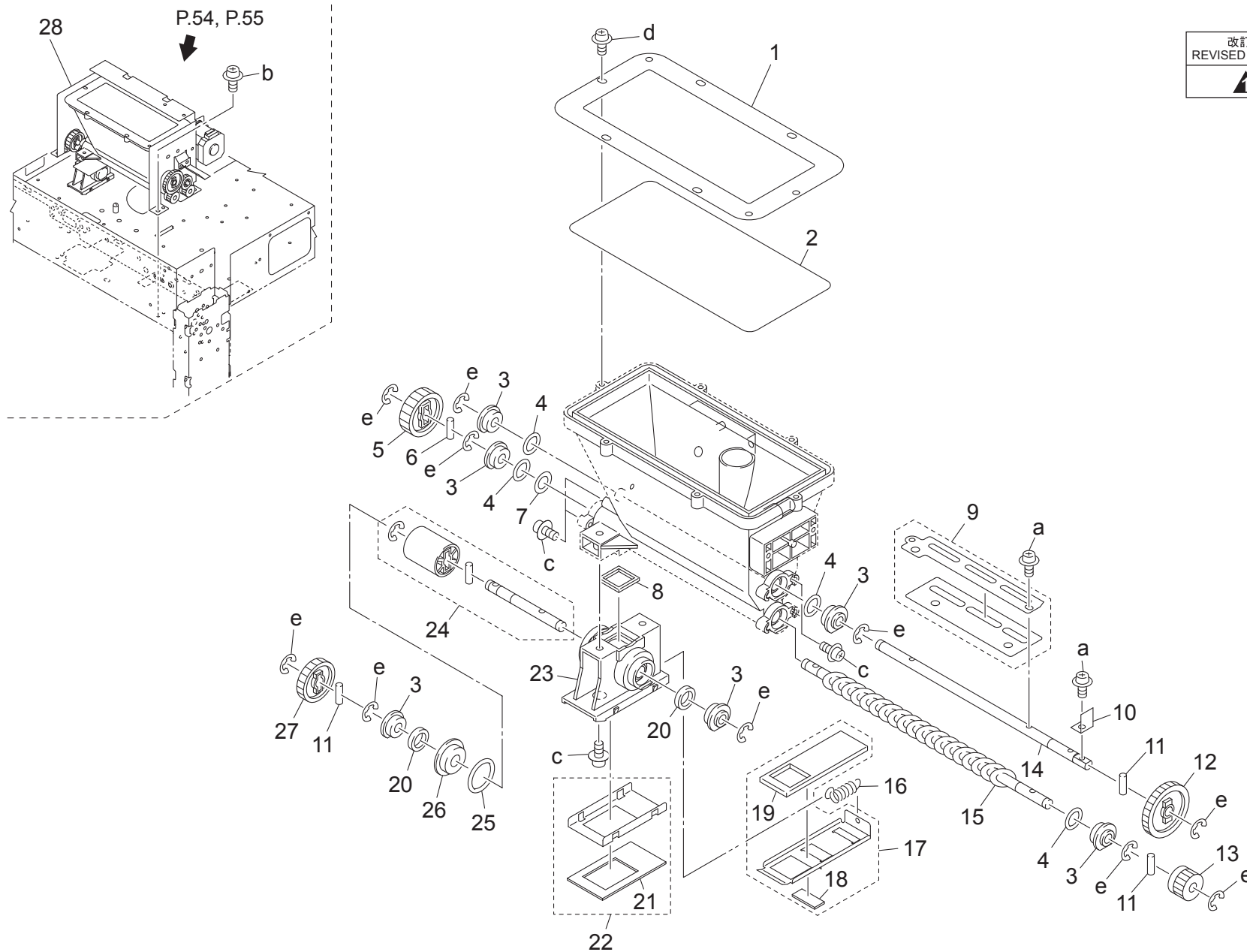
# TONER SUPPLY PROTECTION UNIT

Key	Part No.	Description	Destinations	Class	QTY	Standard parts
1	A0G6947600	Toner Supply Label		D	1	a-V118040403 b-V127040603 c-V145030803 d-V151030803 e-V217040050
2	56NE32510	Lever		C	1	
3	56AA32610Old	TONER SUPPLY LOCKING PART		C	1	
3	A0G6416100	Toner Supply Part		C	1	
4	56AA32620	TONER SUPPLY LOCKING SPRING		C	1	
5	56AA32521	LEVER SHAFT		D	1	
6	56UA34230	Cartridge Support Plate /Left		D	1	
7	A4EU400800	Slide Rail		D	2	
8	56AA32710	GUIDE SPACER		C	5	
9	56AA32761	LOCKING SPRING C		C	1	
10	56AA32751	LOCKING PART C		C	1	
11	A0G6411111	Toner supply Cover /A		D	1	
12	A4EUR72G00	Toner Supply Plate Assy		D	1	
13	56AA32450	LOCKING SPRING A		C	1	
14	56AA32640	LOCKING SPRING B		C	1	
15	56AA32630	Locking Part /B		C	1	
16	56UA34071	Cartridge Pressing Part		D	1	
17	56AA32440	LOCKING PART A		C	1	
18	56UA34240	Cartridge Support Plate /Right		D	1	

# TONER SUPPLY MAIN BODY UPPER UNIT

P 54

改訂版 REVISED EDITION	日付 DATE
	AUGUST 2011

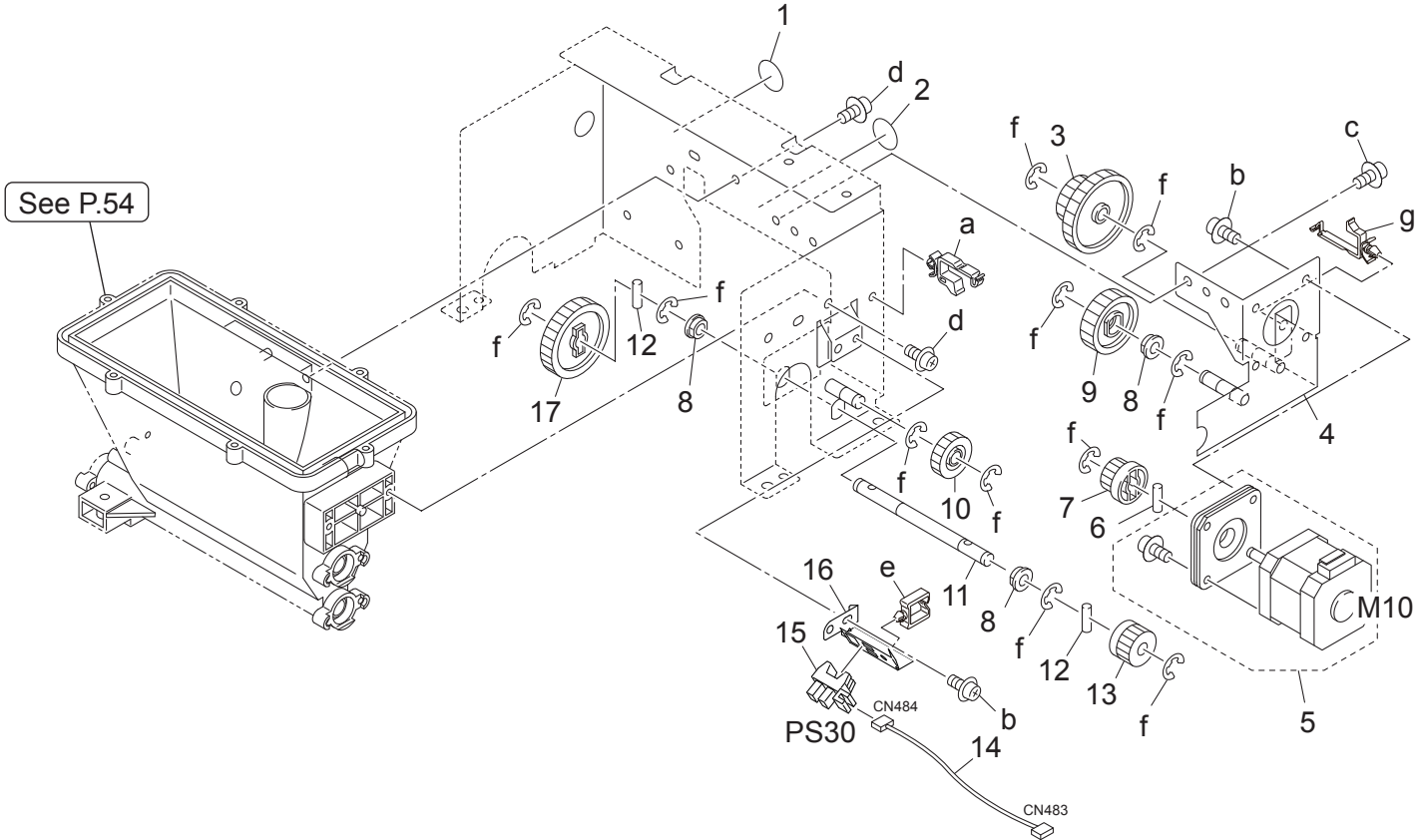




TONER SUPPLY MAIN BODY UPPER UNIT

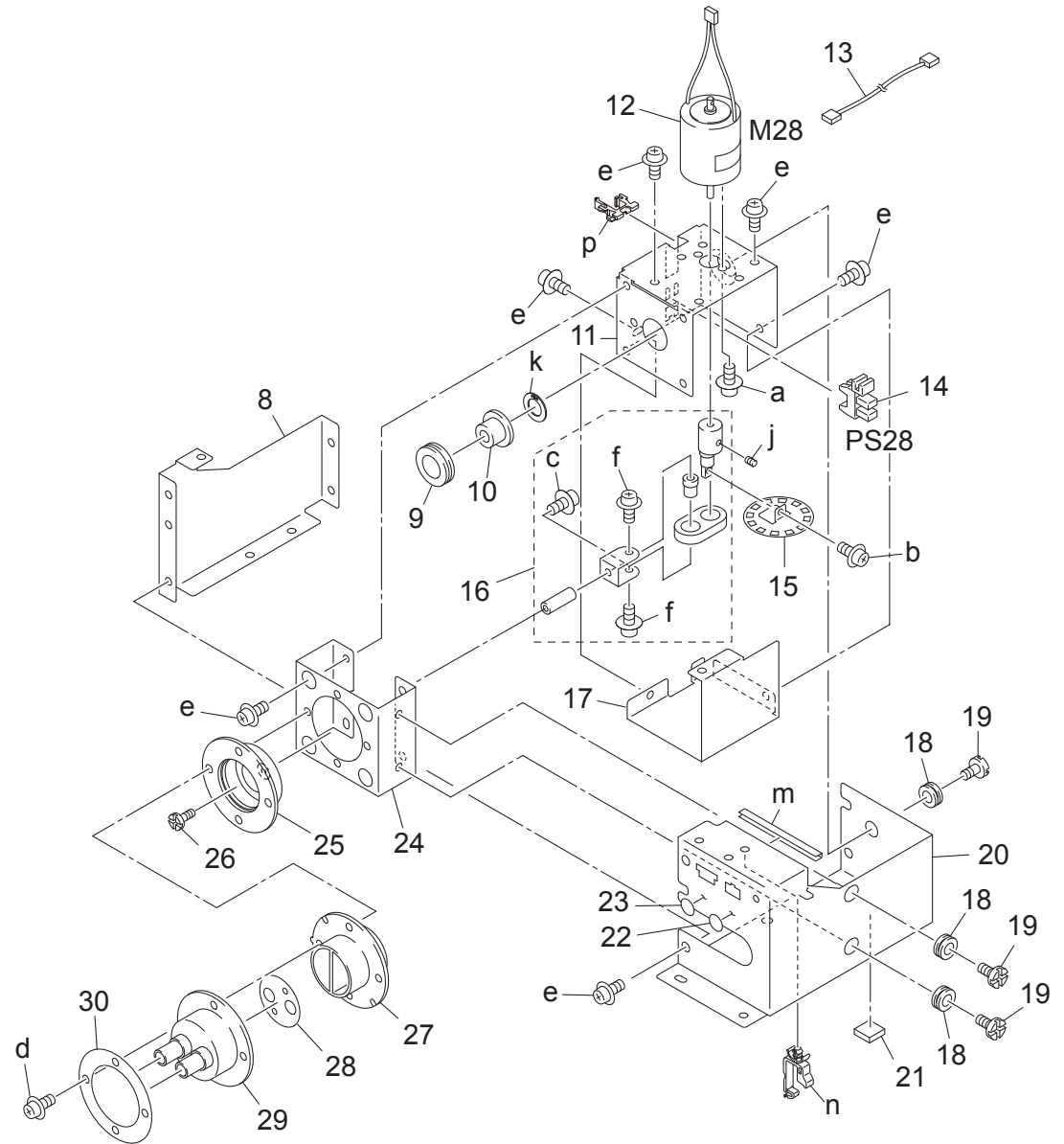
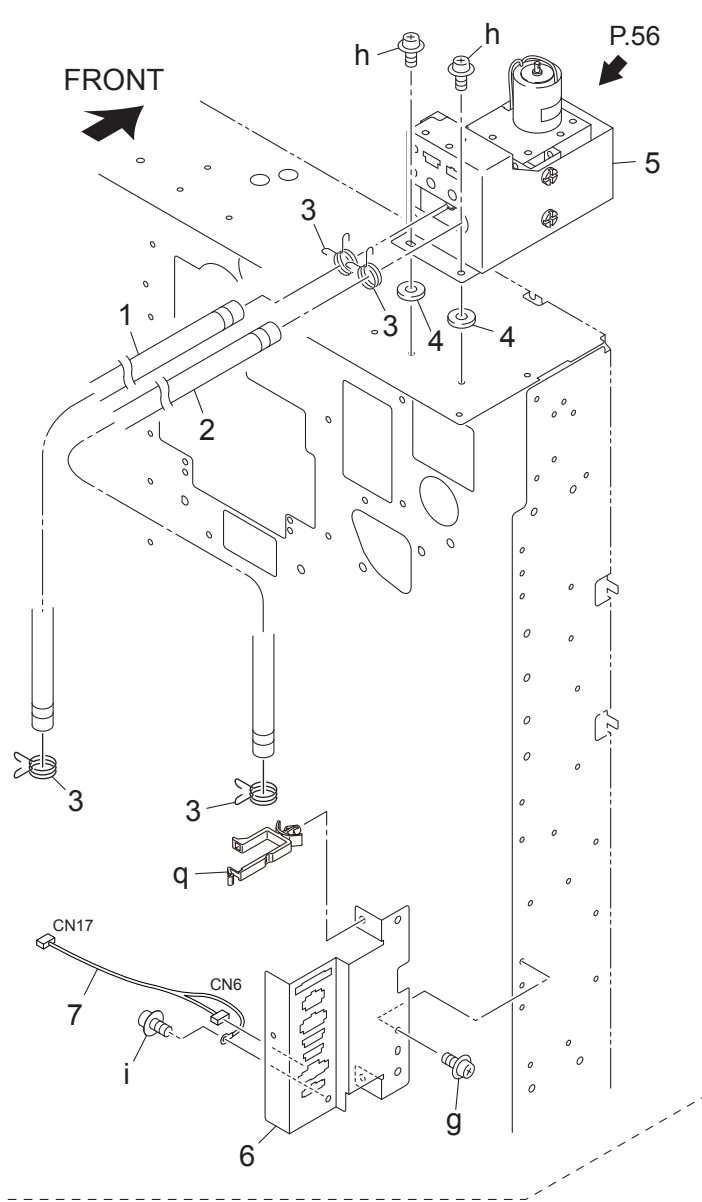
Key	Part No.	Description	Destinations	Class	QTY	Standard parts
1	56UA32520	Toner Supply Cover /Upper	トナー補給 蓋/上	D	1	a-V121030603 b-V121040403 c-V151030603 d-V151030804 e-V217040050
2	56UA32830	TONER SEPARATING SEAL D	トナー分離シール D	C	1	
3	56AA32650	TONER CONVEYING SHAFT HOLDER	トナー搬送軸受	C	6	
4	56UA32690	Toner Supply Sealing Rubber/B	トナー補給シールゴム / B	C	4	
5	25SA77180	TONER CONVEYANCE GEAR B 26T	トナー搬送歯車 B 26 T	C	1	
6	56AA17520	PIN A D3X10	ピン A D 3 X 1 0	C	1	
7	56UA32590	Toner Sealing Plate	トナーシールプレート	C	1	
8	56UA32800	Toner Separating Seal /C	トナー分離シール / C	C	1	
9	A4EUR72700	Agitating Plate /A 3 Assy	攪拌板 / A 3 部組	D	1	
10	56UA32730	Drive Detection Actuator	駆動検知アクチュエタ	D	1	
11	56AA17471	PIN B 3X12	ピン B 3 X 1 2	C	3	
12	56UA77430	Toner Agitating Gear 32T	トナー攪拌歯車 3 2 T	C	1	
13	55VA77960	SCREW GEAR 14T	スクリュー歯車 1 4 T	B	1	
14	56UA32370	Toner Agitating Shaft /Upper	トナー攪拌軸 / 上	D	1	
15	56UA32210	TONER CONVEYANCE SCREW /UPPER	トナー搬送スクリュー / 上	D	1	
16	A0G6402300	Toner Supply Spring /Upper	トナー補給ばね / 上	C	1	
17	A4EUR72400	Toner Supply Open/Close Plate	トナー補給開閉板部組	D	1	
18	A0G6407600	Toner Supply Seal /B	トナー補給シール / B	C	1	
19	56UA32580	Toner Supply Open /Close Sheet	トナー補給開閉シート	C	1	
20	56UA32380	Toner Agitating Seal	トナー攪拌シール	C	2	
21	A0G6407500	Toner Supply Seal /A	トナー補給シール / A	C	1	
22	A4EUR72500	Toner Supply Open/Close Cover Assy	トナー補給開閉カバー部組	D	1	
23	56UA32700	Toner Supply Control Main Body /Upper	トナー補給制御本体 / 上	D	1	
24	A4EUR72600	Toner Control Shaft Assy	トナー制御軸部組	D	1	
25	56UA32620	Toner Supply Sealing Rubber /A	トナー補給シールゴム / A	C	1	
26	56UA32740	Toner Supply Control Side Plate	トナー補給制御側板	C	1	
27	55VA77940	AGITATE GEAR A 23T	攪拌歯車 A 2 3 T	B	1	
28	A0G6R7F600	Toner Supply Main Body /Upper	トナー補給本体 / 上ユニット	D	1	

TONER SUPPLY MAIN BODY UPPER UNIT





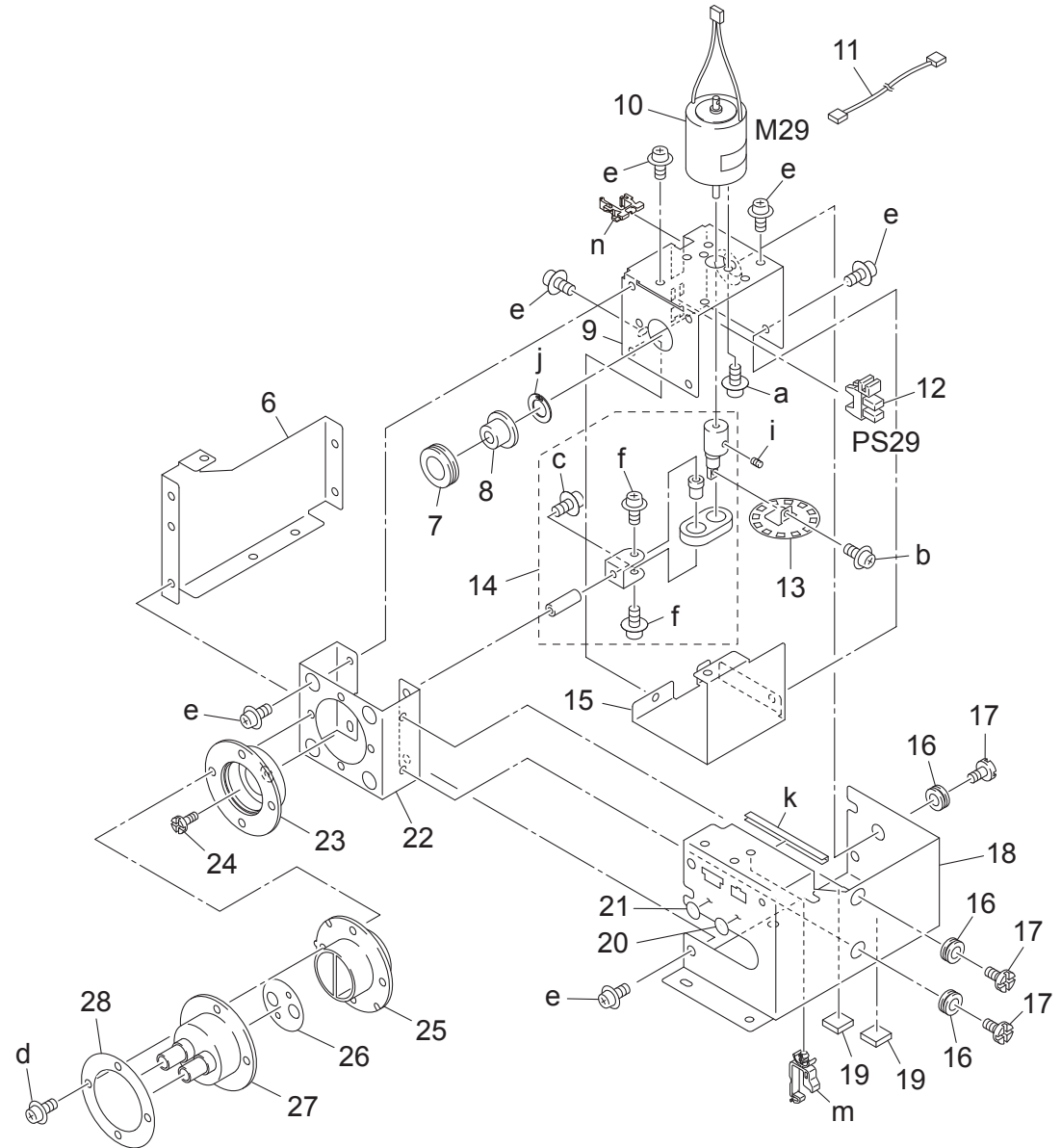
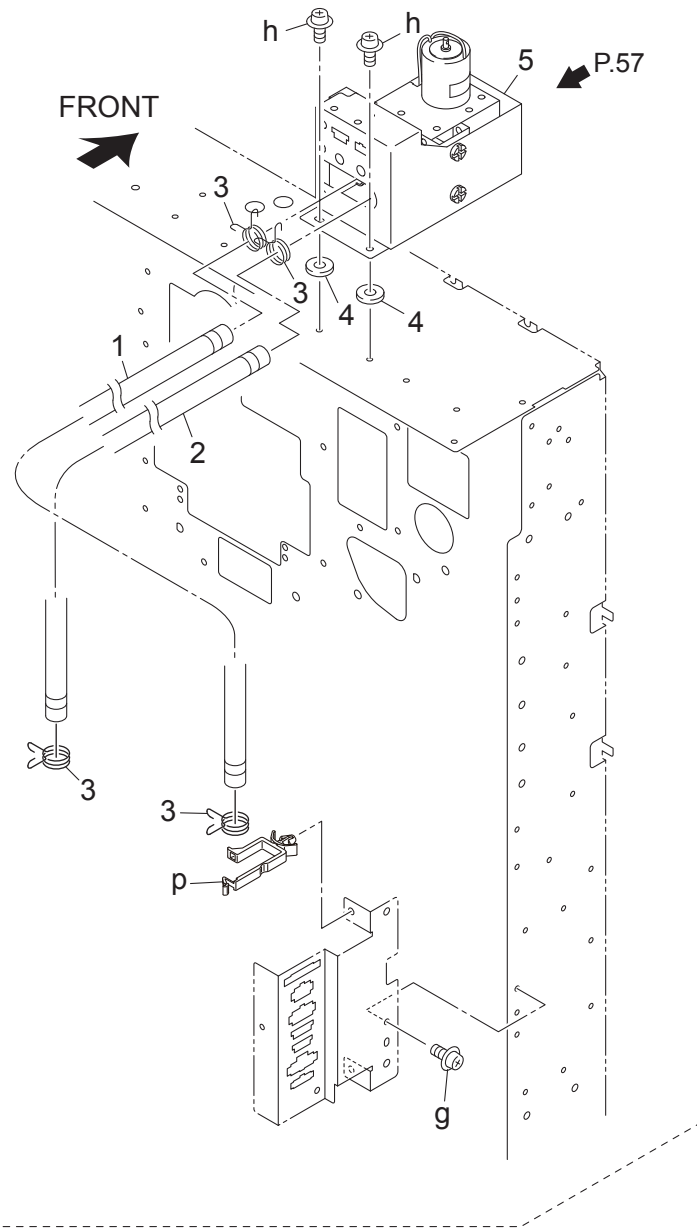
# TONER PUMP UNIT



Key	Part No.	Description	Destinations	Class	QTY	Standard parts
1	A4EUR74V00	Toner Pipe Assy/2	トナーパイプ部組 / 2	D	1	a-V111260403
2	A4EUR74X00	Toner Pipe Assy/1	トナーパイプ部組 / 1	D	1	b-V118030403
3	56UA32330	Toner Supply Dust Proof Spring	トナー補給防塵バネ	C	4	c-V118030803
4	56UA33280	TONER SUPPLY HOLDING PLATE	トナー補給押え板	D	2	d-V118031003
5	A4EUR70Y00	Toner Pump Assy	トナーポンプ部組	B	1	e-V121030403
6	A0G6134400	Mounting Plate /4	取付板 / 4	D	1	f-V121030603
7	A0G6N11600	AC Relay Harness	A C 中継束線	D	1	g-V121040603
8	56UA33190	Cam Drive Cover	カム駆動蓋	D	1	h-V121040803
9	56UA33230	TONER SUPPLY RUBBER	トナー補給ゴム	D	1	i-V123040803
10	A4EU430700	Conveyance Bushing	搬送すべり軸受	C	1	j-V193030404
11	56UA33100	CAM PROTECTION COVER	カム保護カバー	D	1	k-V223120004
12	56AA-8000	UP DOWN MOTOR ASSY	昇降モータ部組	D	1	m-V360100000
13	56UA90390	TONER DETECTION WIRING	トナー検知束線	D	1	n-V500010020
14	08AA85512	Photo Sensor	フォトセンサ	B	1	p-V570010050
15	56UA33220	DETECTION ACTUATOR	センサ検知アクチュエータ	D	1	q-V500010013
16	56UA-7831	CAM ASSY	カム部組	D	1	
17	56UA33150	Side Cover Plate	側面カバー板	D	1	
18	13KK73060	Base Plate Support Rubber	基板支持ゴム	C	3	
19	56UA33210	Board Fixing Screw	基板固定ネジ	C	3	
20	56UA33180	Cam Drive Box	カム駆動箱	D	1	
21	56UA33270	Positioning Cushion	位置決めクッション	C	1	
22	56UA97420	Toner Supply Installing Label /1	トナー補給設置ラベル / 1	D	1	
23	56UA97430	Toner Supply Installing Label /2	トナー補給設置ラベル / 2	D	1	
24	56UA33110	Cam Set Pedestal	カムセット台	D	1	
25	56UA33140	Toner Feeding Rubber	トナー送り出しゴム	D	1	
26	56UA33090	Toner Pressing Screw	トナー押圧ネジ	D	1	
27	56UAR7E000	CONVEYANCE JOINT 1	搬送ジョイント部組 1	D	1	
28	56UA33200	TONER FEEDING SEAL A	トナー送り出しシール A	D	1	
29	56UA33060	Toner Conveyance Joint /2	トナー搬送ジョイント / 2	D	1	
30	56UA33260	Toner Supply Holding Plate	トナー補給押え板	D	1	

# TONER PUMP UNIT

P 57

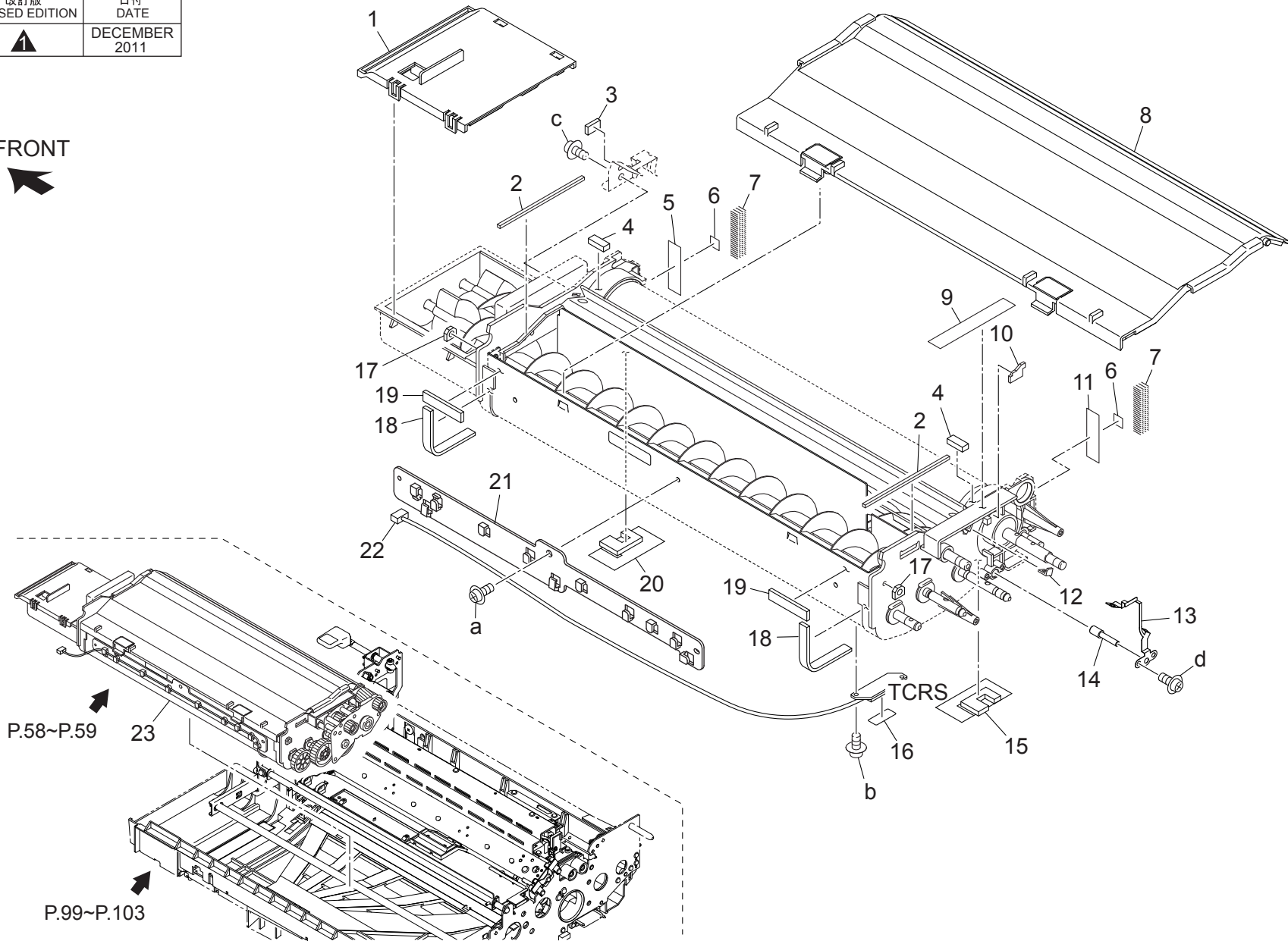


Key	Part No.	Description	Destinations	Class	QTY	Standard parts
1	A4EUR74Y00	Toner Pipe Assy/4	トナーパイプ部組 / 4	D	1	a-V111260403
2	A0G6R7A300	Toner Pipe Assy /3	トナーパイプ部組 / 3	D	1	b-V118030403
3	56UA32330	Toner Supply Dust Proof Spring	トナー補給防塵バネ	C	4	c-V118030803
4	56UA33280	TONER SUPPLY HOLDING PLATE	トナー補給押え板	D	2	d-V118031003
5	A4EUR71000	Toner Pump Assy/2	トナーポンプ部組 / 2	B	1	e-V121030403
6	56UA33190	Cam Drive Cover	カム駆動蓋	D	1	f-V121030603
7	56UA33230	TONER SUPPLY RUBBER	トナー補給ゴム	D	1	g-V121040603
8	A4EU430700	Conveyance Bushing	搬送すべり軸受	C	1	h-V121040803
9	56UA33100	CAM PROTECTION COVER	カム保護カバー	D	1	i-V193030404
10	56AA-8000	UP DOWN MOTOR ASSY	昇降モータ部組	D	1	j-V223120004
11	56UA90390	TONER DETECTION WIRING	トナー検知束線	D	1	k-V360100000
12	08AA85512	Photo Sensor	フォトセンサ	B	1	m-V500010020
13	56UA33220	DETECTION ACTUATOR	センサ検知アクチュエタ	D	1	n-V570010050
14	56UA-7831	CAM ASSY	カム部組	D	1	p-V500010013
15	56UA33150	Side Cover Plate	側面カバー板	D	1	
16	13KK73060	Base Plate Support Rubber	基板支持ゴム	C	3	
17	56UA33210	Board Fixing Screw	基板固定ネジ	C	3	
18	56UA33180	Cam Drive Box	カム駆動箱	D	1	
19	56UA33270	Positioning Cushion	位置決めクッション	C	2	
20	56UA97440	Toner Supply Installing Label /3	トナー補給設置ラベル / 3	D	1	
21	56UA97450	Toner Supply Installing Label /4	トナー補給設置ラベル / 4	D	1	
22	56UA33110	Cam Set Pedestal	カムセット台	D	1	
23	56UA33140	Toner Feeding Rubber	トナー送り出しゴム	D	1	
24	56UA33090	Toner Pressing Screw	トナー押圧ネジ	D	1	
25	56UAR7E000	CONVEYANCE JOINT 1	搬送ジョイント部組 1	D	1	
26	56UA33200	TONER FEEDING SEAL A	トナー送り出しシール A	D	1	
27	56UA33060	Toner Conveyance Joint /2	トナー搬送ジョイント / 2	D	1	
28	56UA33260	Toner Supply Holding Plate	トナー補給押え板	D	1	

# DEVELOPING UNIT

改訂版 REVISED EDITION	日付 DATE
	DECEMBER 2011

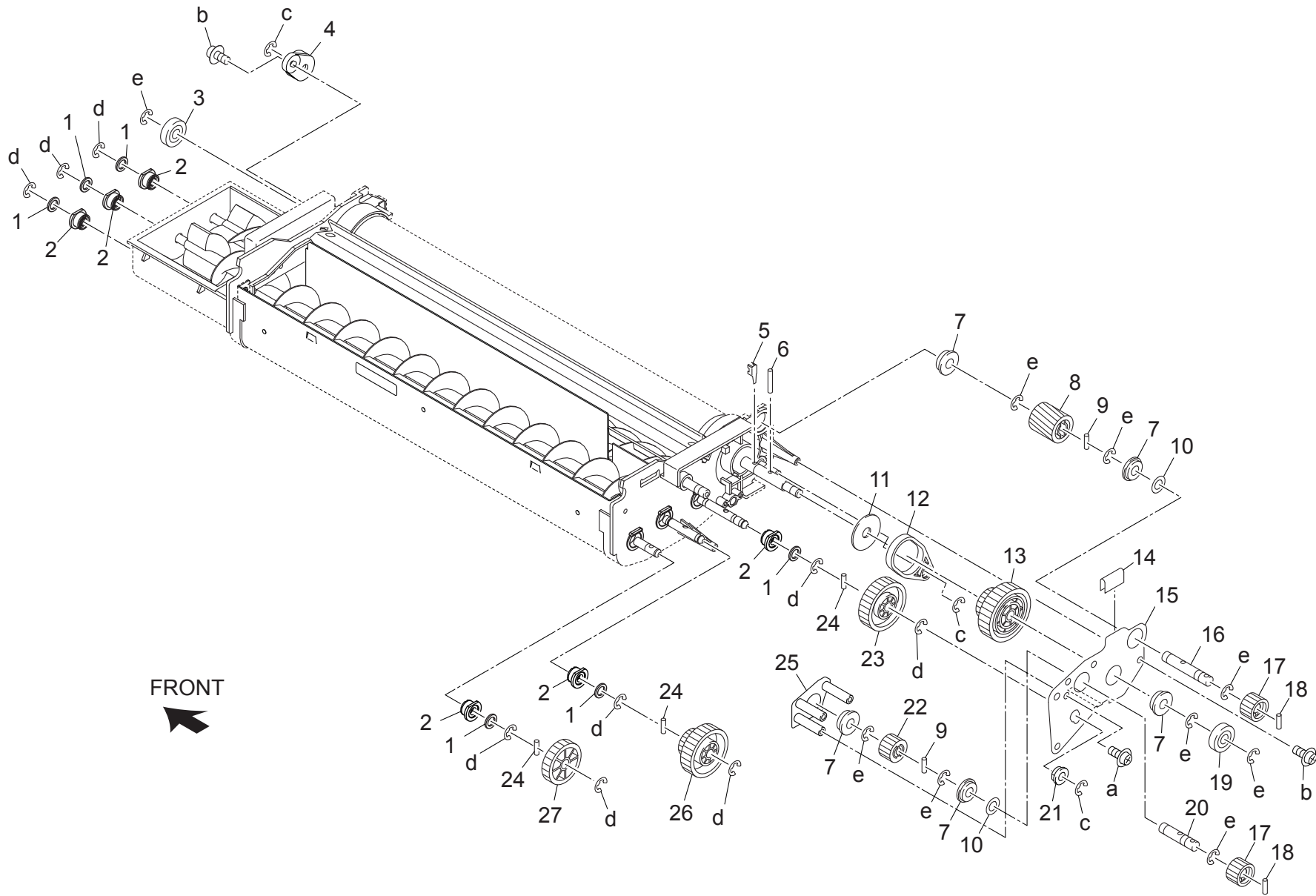
FRONT





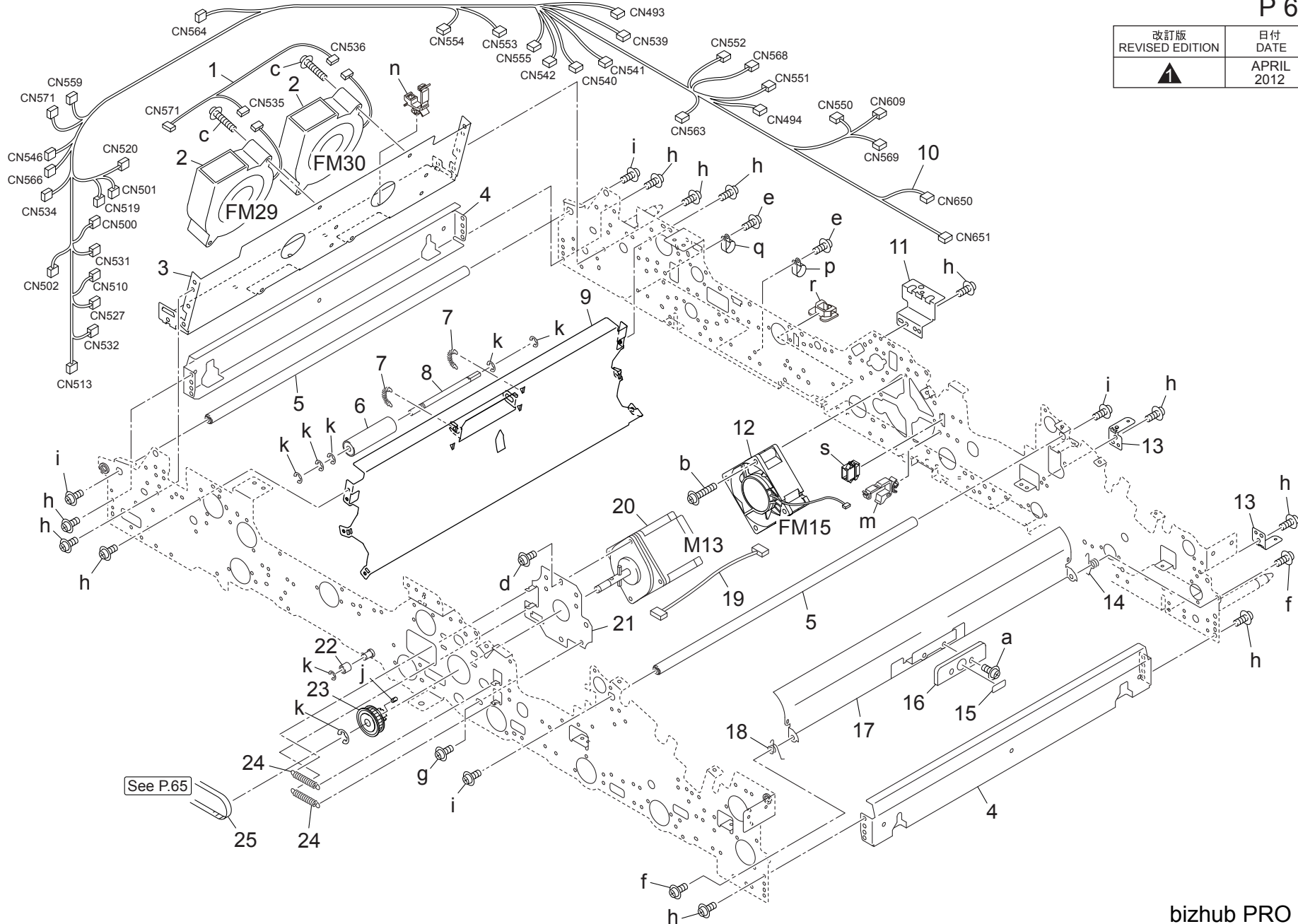
Key	Part No.	Description	Destinations	Class	QTY	Standard parts
1	A4EUR75H00	Developing Cover Assy		D	1	a-V121030603 b-V145030603 c-V151030603 d-V151030803
2	A0G6379900	Scatteringprevention Seal /Upper		C	2	
3	A0G6376300	Scatteringprevention Pad /8		C	1	
4	A0G6375900	Scatteringprevention Pad /4		C	2	
5	A0G6378700	Scatteringprevention Sheet /Front		C	1	
6	A0G6375400	Stopper Spacer		C	2	
7	A0G6374900	Dust-Proof Packing /E		C	2	
8	A4EUR75F00	Developing Cover Assy		D	1	
9	A0G6950400	Set Label /4		D	1	
10	A0G6376400	Scatteringprevention Pad /9		C	1	
11	A0G6378800	Scatteringprevention Sheet /Rear		C	1	
12	55VA30981	Toner Brush Connecting Plate		D	1	
13	A0Y5371600	Bias Spring /Rear		D	1	
14	A0Y5371700	Bias Pin		D	1	
15	A0G6373400	Sealing Part /Rear		C	1	
16	029420640	L DETECTING SEAL		C	1	
17	A0G6379700	Developing Cushion		C	2	
18	A0G6375700	Scatteringprevention Pad /Lower		C	2	
19	A0G6374300	Scatteringprevention Pad /Upper		C	2	
20	A0G6373300	Sealing Part /Front		C	1	
21	A0G6372701	Wiring Rail		C	1	
22	A0G6M50801	Toner Sensor		C	1	
23	A0G6R70522	Developing Assy		B	1	

# DEVELOPING UNIT




Key	Part No.	Description	Destinations	Class	QTY	Standard parts
1	57AA30260	DEVELOPING AGITATING SPACER		C	6	a-V121030603 b-V151030803 c-V217030050 d-V217040050 e-V217060050
2	A0G6377400	Sealing Ball Bearing		C	6	
3	A0G6375100Old	Stopper Roll /Front		C	1	
3	A0G6375111	Stopper Roll /Front		C	1	
4	A0G6379400	Swing Holder /2		C	1	
5	55VA30390D	Bias Pin /A		D	1	
6	304078070	PIN C		C	1	
7	A00V240600	BALL BEARING		C	5	
8	56UA77311	Developing Input Gear 20T		B	1	
9	56AA17480	PIN B		C	2	
10	55VA30970	Collar /A		C	2	
11	A0Y5378600	Rotation Collar		C	1	
12	A0G6378100	Swing Holder		C	1	
13	A0G6378200	Drive Gear /No.2 40T		C	1	
14	A0G6373200	Slide Sheet		C	1	
15	A0G6373000	Drive Plate /1		D	1	
16	56UA30251	Developing Input Shaft		D	1	
17	55VA77300	DEVELOPING INPUT COUPLING		B	2	
18	56AA17471	PIN B 3X12		C	2	
19	A0G6375200Old	Stopper Roll /Rear		C	1	
19	A0G6375211	Stopper Roll /Rear		C	1	
20	A0G6373500	Input Shaft /2		D	1	
21	392015650	SLIDE BUSHING/C		C	1	
22	A0G6377000	Input Gear /2 18T		C	1	
23	A0G6377100	Conveyance Gear /1 35T		C	1	
24	56AA17461	PIN A		B	3	
25	A0G6R7B200	Drive Plate /2 Assy		D	1	
26	A0G6377200	Conveyance Gear /2 30/35T		C	1	
27	A0G6377300	Agitating Gear 30T		C	1	

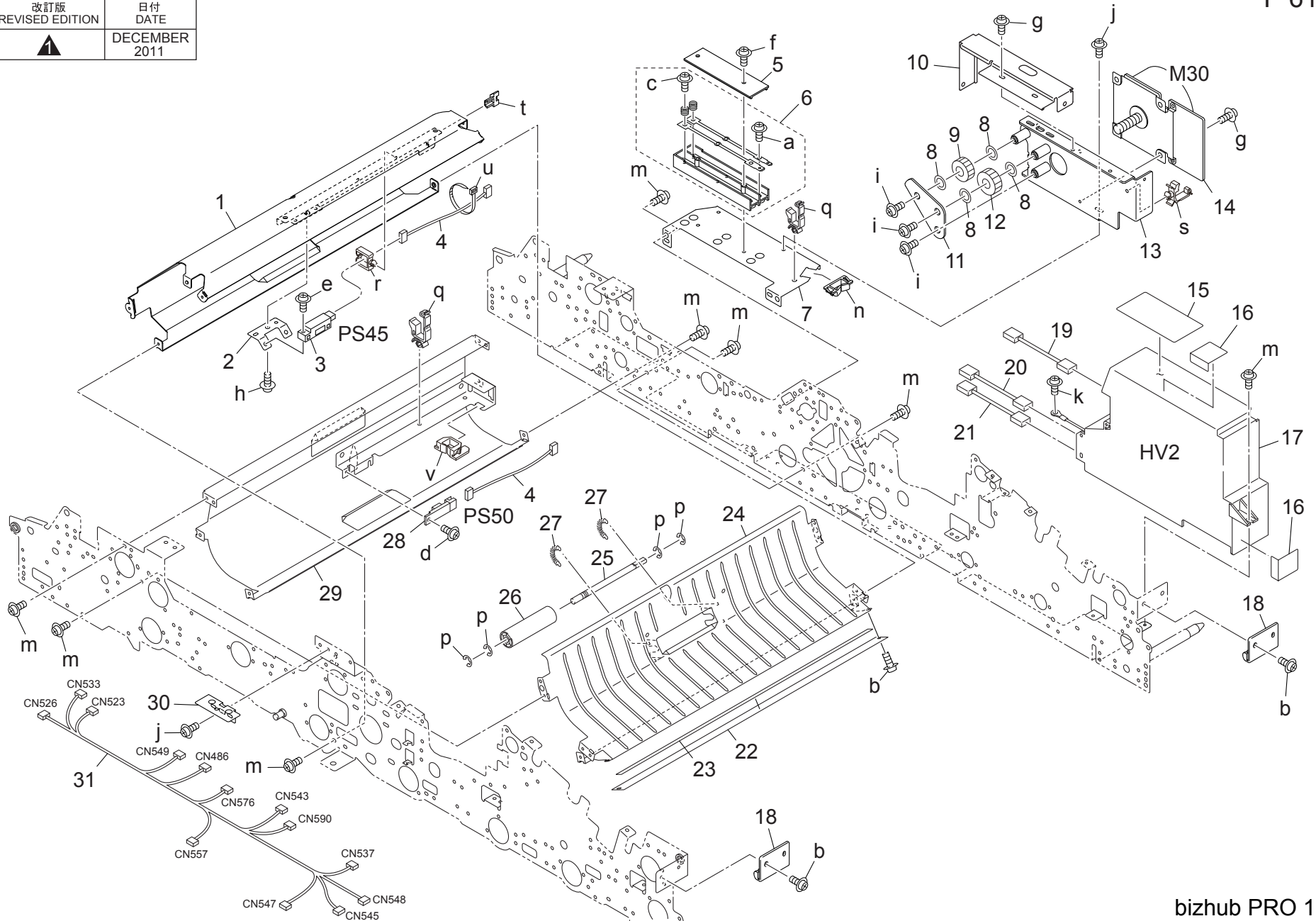
改訂版 REVISED EDITION	日付 DATE
	APRIL 2012



See P.65

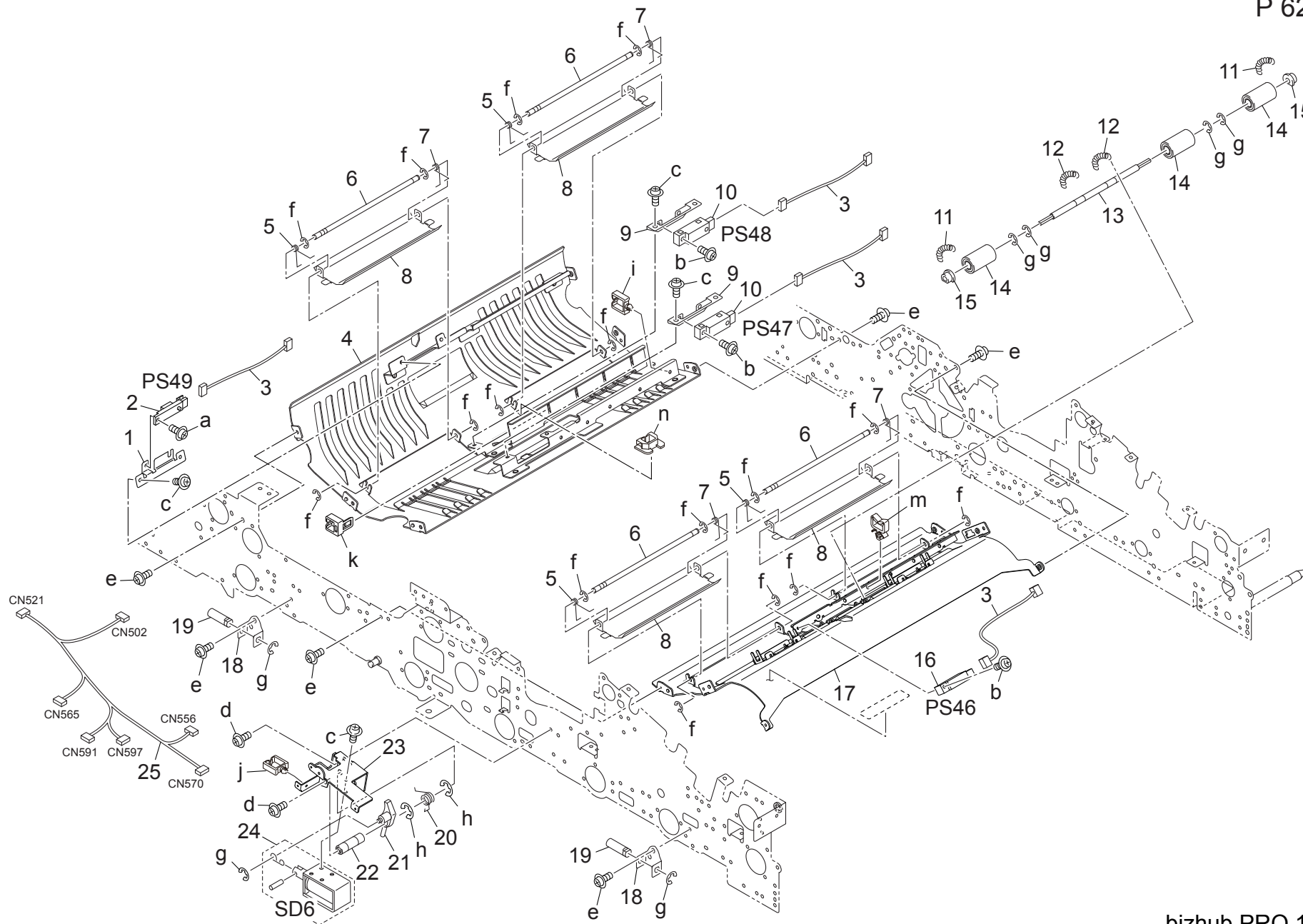
Key	Part No.	Description	Destinations	Class	QTY	Standard parts
1	A0G6N20800	ADU Drive Harness /7	A D U 駆動束線 / 7	D	1	a-V118030603
2	9313100072	FAN MOTOR	ファンモータ	C	2	b-V118033003
3	A0G6812100	Cooling Stay	冷却ステー	D	1	c-V118043503
4	56UA47200	ADU FIXING STAY	A D U 固定ステー	D	2	d-V121030603
5	56UA47170	Carriage Lifting Stay	架台持ち上げステー	D	2	e-V121040603
6	A4EU818000	Idler Rubber /U	従動ゴム / U	B	1	f-V121041603
7	25AA44180	CONVEYANCE PRESSURE SPRING	搬送圧着バネ	C	2	g-V123040603
8	55VA47450	ADU DRIVEN SHAFT /S	A D U 従動軸 / S	D	1	h-V127030603
9	56UA47040F	ADU Fixing Plate /1	A D U 固定板 / 1	D	1	i-V127040603
10	A0G6N16001	ADU Control Harness	A D U 制御束線	D	1	j-V193030304
11	A0G6814100	Receiving Plate /Rear	受け板 / 奥	D	1	k-V217040050
12	27LA80511	Main Body Fan Motor	本体 ファンモータ	A	1	m-V500010020
13	A0G6812800	Mounting Plate /H	取付板 / H	D	2	n-V500010061
14	56UA46660E	Side Open/close Spring /Rear	側面開閉ばね / 奥	C	1	p-V500020005
15	A0G6946200	Label /12	ラベル / 1 2 (J A M ラベル / 1 2)	C	1	q-V500020007
16	56UA46140	TRANSFER FEEDING HANDLE	転写送り出し把手	C	1	r-V570010021
17	56UA46540	Side Open/close Plate	側面開閉板	C	1	s-V651010002
18	56UA46650E	Side Open/close Spring /Front	側面開閉ばね / 前	C	1	
19	56UA90710	ADU DRIVE WIRING 3	A D U 駆動束線 3	D	1	
20	A0G6R71200	Motor Assy /1	モータ部組 / 1	B	1	
21	56UA47350	Motor Mounting Plate /2	モータ取り付け板 / 2	D	1	
22	048046040	ROLLER	コロ	C	1	
23	A0G6818300	Drive Pulley	駆動プーリ	C	1	
24	56UA47390	Motor Slide Spring	モータスライドバネ	C	2	
25	56UA78060	ADU CONVEYANCE BELT/2 417L	A D U 搬送ベルト / 2 4 1 7 L	B	1	

改訂版 REVISED EDITION	日付 DATE
	DECEMBER 2011



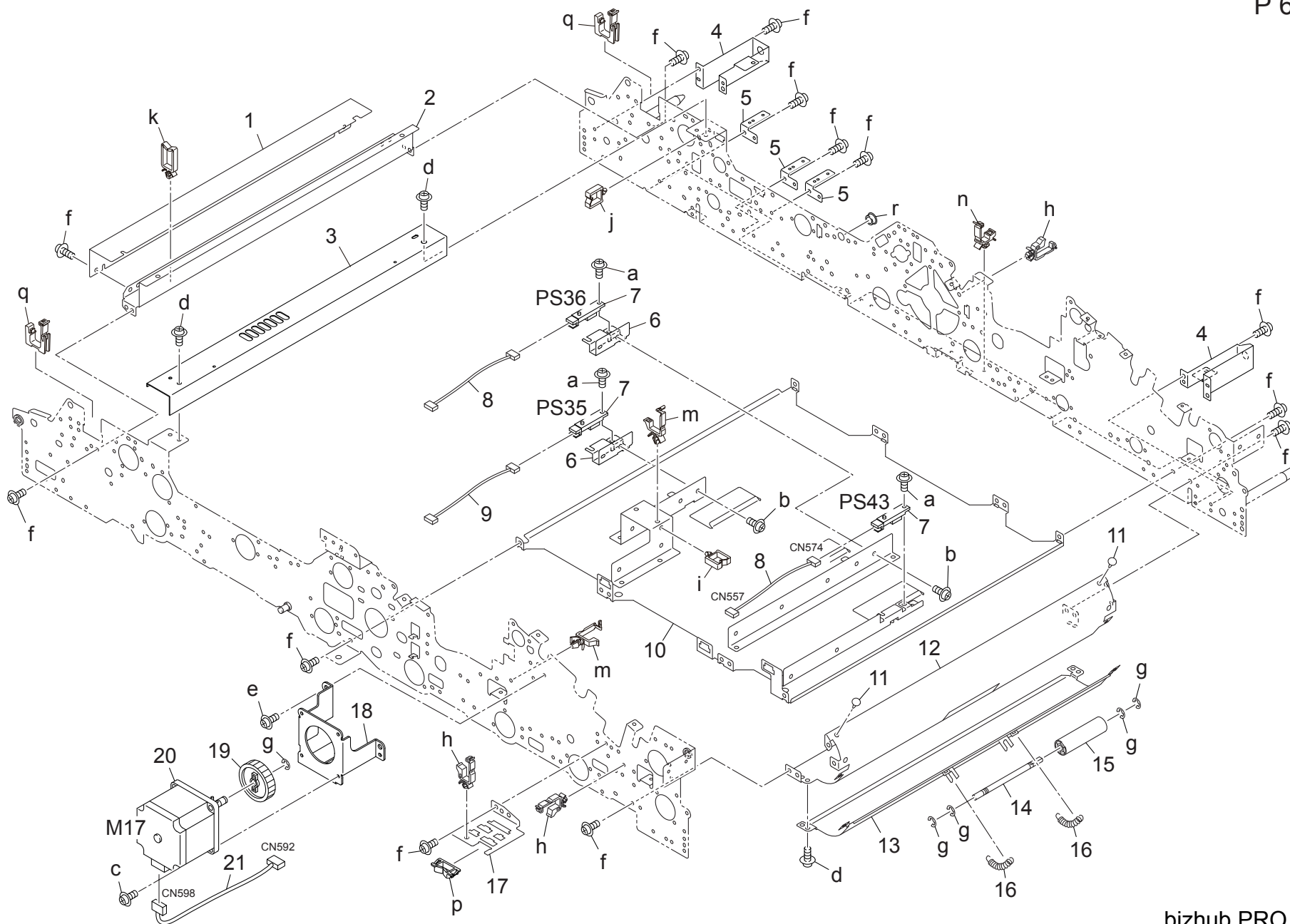
bizhub PRO 1200P

Key	Part No.	Description	Destinations	Class	QTY	Standard parts
1	A0G6811000	Fixing Plate /7		D	1	a-V116030604
2	56UA47810	MOUNTING PLATE	固定板 /7	D	1	b-V118030403
3	56GA85531	Photo Sensor /3	センサ取付け板	C	1	c-V118030404
4	56UA90650	RELAY WIRING	フォトセンサ /3	D	2	d-V118030603
5	A0G6514800	Power Supply Cover /Lower	センサ中継束線	D	1	e-V118031003
6	A0G6R79900	Power Block Assy	給電カバー /下	D	1	f-V118031603
7	A0G6521201	Drive Base frame	給電ブロック部組	D	1	g-V121030404
8	56AA42690	BY PASS FEED SPACER	駆動台板	D	1	h-V121030603
9	A0G6521600	Idling Gear /2 42T	手差しスペーサー	C	4	i-V121040404
10	A0G6523102	Protection Cover /Rear	アイドル歯車 /2 42 T	C	1	j-V123030603
11	A0G6520500	Drive Holder	保護カバー /奥	D	1	k-V123040603
12	A0G6521500	Idling Gear /1 48T	駆動ホルダ	D	1	m-V127030603
13	A0G6R77100	Drive Plate Assy	アイドル歯車 /1 48 T	C	1	n-V570010023
14	A0R5M10300	DC Brushless motor /30	駆動板カンメ	D	1	p-V217040050
15	A0G6942600	Caution Label /B	D C ブラシレスモータ /30	B	1	q-V500010020
16	55VA49440	Power Source Cover Sheet	注意ラベル / B	D	1	r-V500010024
17	A0G6M40200	HV Power Source /2	電源カバーシート	D	2	s-V500010061
18	A0G6812700	Lifting Handle	高圧電源 /2	I	1	t-V500020068
19	A0G6N19200	HV Wire /T	持ち上げ取手	C	2	u-V501010002
20	A0G6N19400	HV Wire /B	高圧線 / T	D	1	v-V570010021
21	A0G6N19300	HV Wire /A	高圧線 / B	D	1	
22	A0G6816600	Guide Plate /H	高圧線 / A	D	1	
23	A0G6816701	Riverse/Exit Tape /H	ガイド板 / H	C	1	
24	A0G6810600	Fixing Plate /3	反転排紙テープ / H	C	1	
25	55VA47450	ADU DRIVEN SHAFT /S	固定板 /3	D	1	
26	56UA45820	ADU IDLER ROLLER S	ADU 従動軸 / S	D	1	
27	56UA46480	REGIST PRESSING SPRING	ADU 従動ローラ S	C	1	
28	13QA85511	Sensor 1	レジスト押圧バネ	C	2	
29	A0G6810500	Fixing Plate /2	センサ 1	B	1	
30	A0G6512501	Adjusting Plate /1	固定板 /2	D	1	
31	A0G6N16802	ADU Relay Harness /6	調整板 /1	D	1	
			ADU 中継束線 /6	D	1	







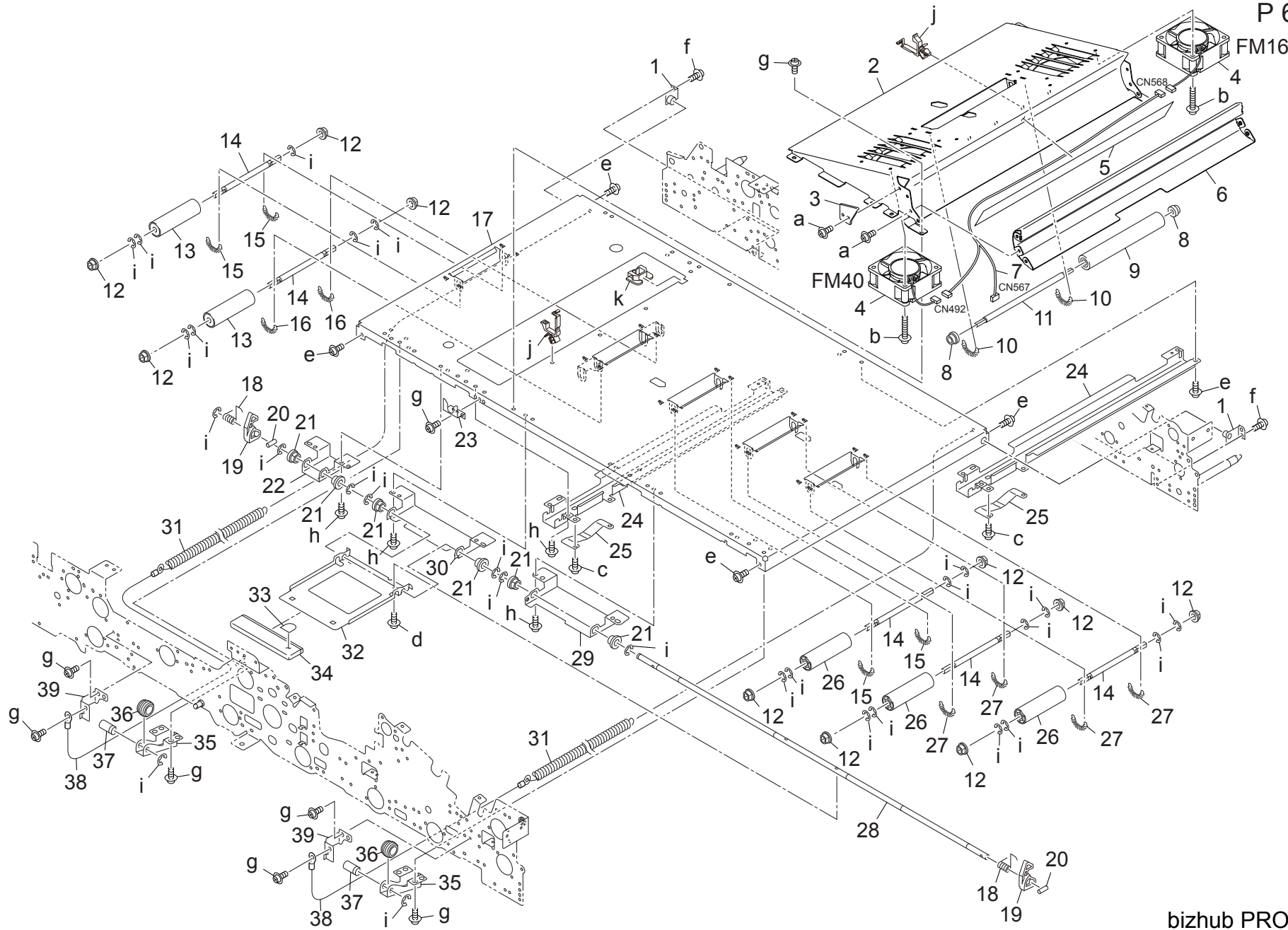


Key	Part No.	Description	Destinations	Class	QTY	Standard parts
1	56UA47750	WIRING COVER PLATE		D	1	a-V118030603
2	56UA47670	Wiring Guide Stay		D	1	b-V118040603
3	A0G6811600	Protection Plate /S		D	1	c-V118040803
4	56UA46770	ADU Positioning Plate /Rear		D	2	d-V121030403
5	A0G6812900	Mounting Plate /A		D	3	e-V121040603
6	A0G6811700	Plate		D	2	f-V127030603
7	13QA85511	Sensor 1		B	3	g-V217040050
8	56UA90650	RELAY WIRING		D	2	h-V500010020
9	56UA90880	RELAY WIRING 3		D	1	i-V500010024
10	56UA46510E	ADU Conveyance Plate		D	1	j-V500010028
11	12AJ45850	STOPPER RUBBER		C	2	k-V500010042
12	56UA46520	Side Fixing Plate		C	1	m-V500010046
13	56UA46530	Side Guide Plate		C	1	n-V500010061
14	55VA47450	ADU DRIVEN SHAFT /S		D	1	p-V570010023
15	56UA45820	ADU IDLER ROLLER S		C	1	q-V570010028
16	55VA46490	Registration Pressure Spring		B	2	r-V570010055
17	56UA46631F	Wiring Connecting Plate		D	1	
18	A0G6813800	Mounting Plate /5		D	1	
19	56UA77570	Motor Gear/R 35T		B	1	
20	56UA-3861	REGIST MOTOR		B	1	
21	A0G6N18800	ADU Relay Wiring /2		D	1	



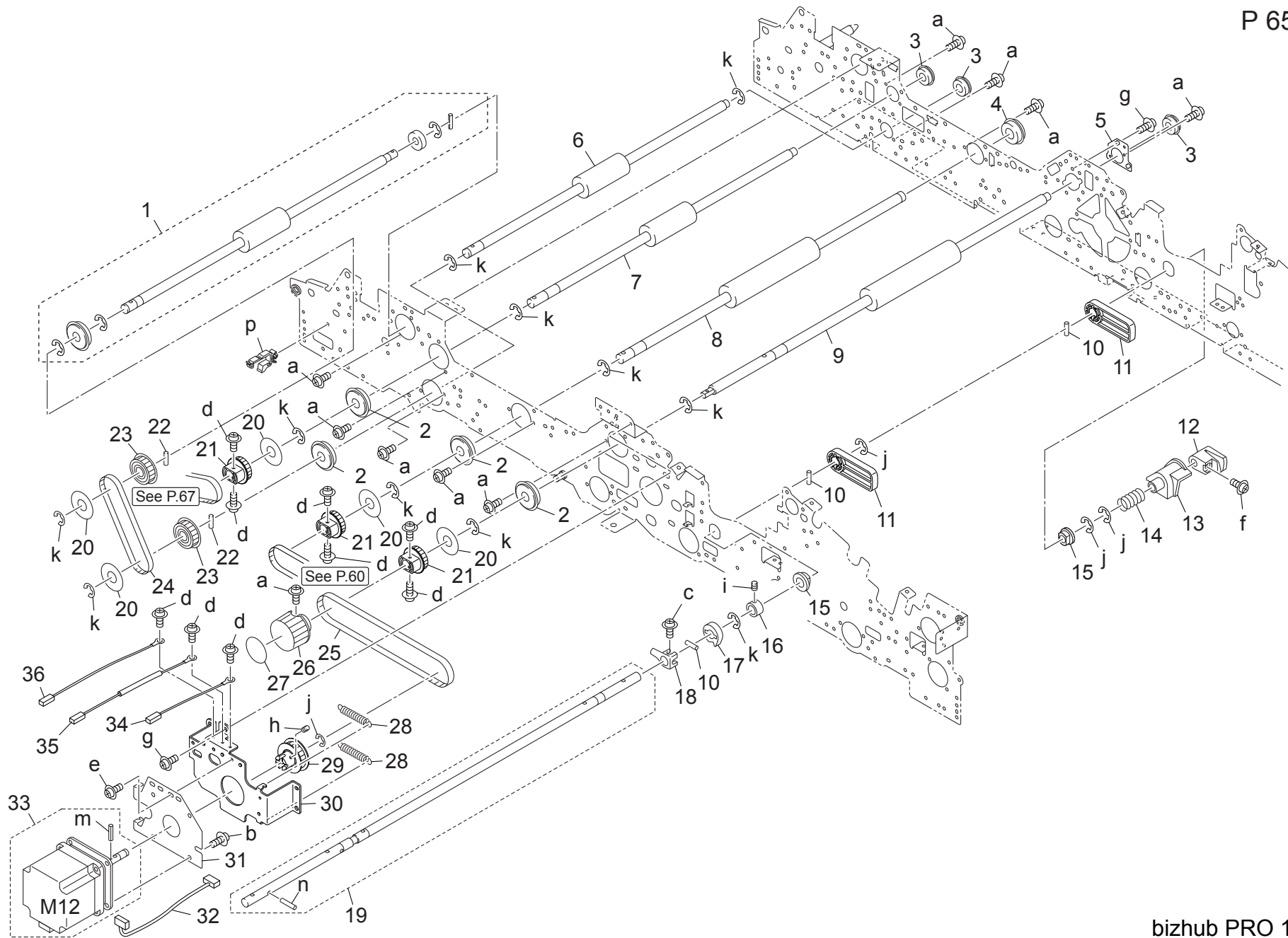
ADU

P 64



bizhub PRO 1200P

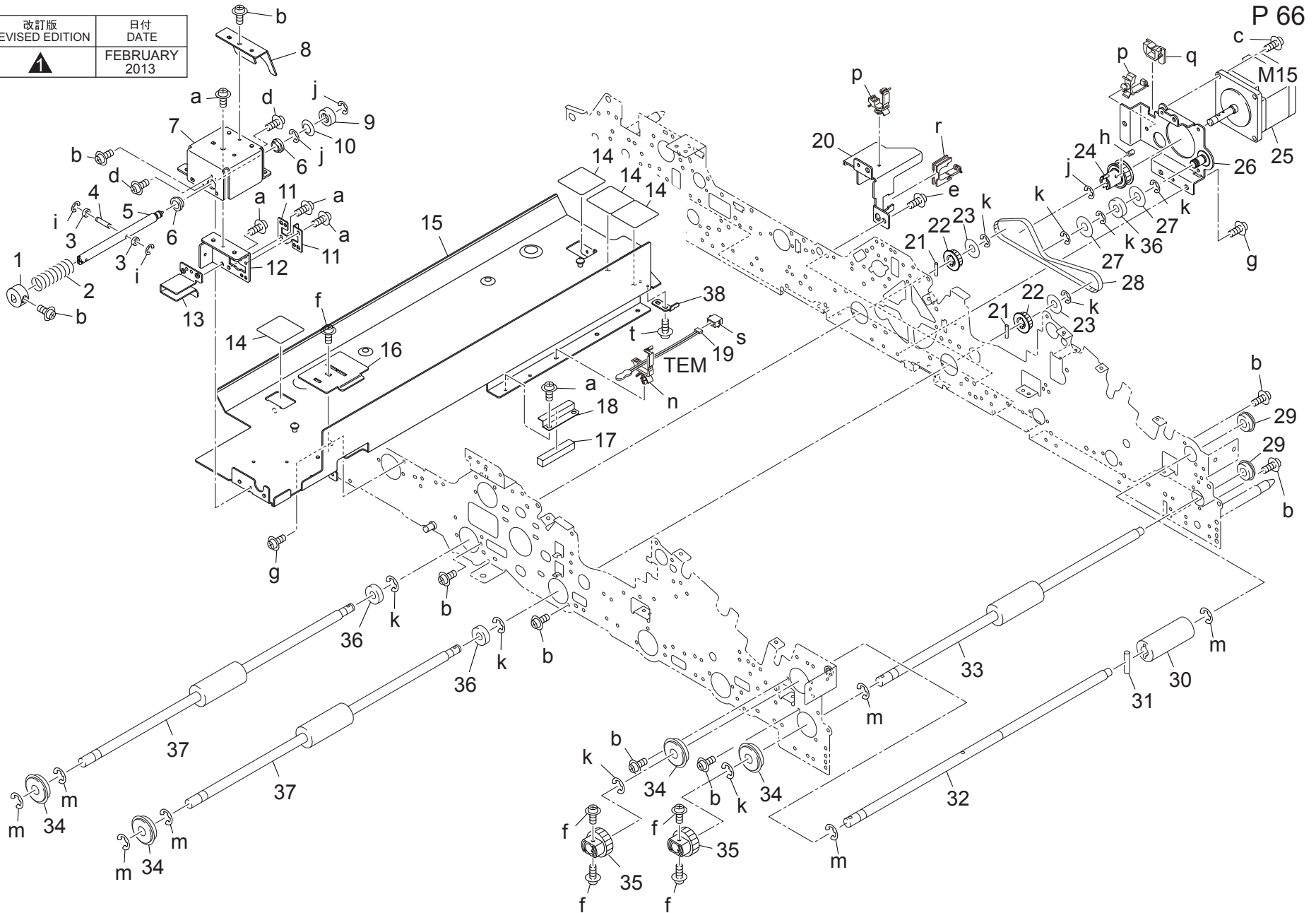
Key	Part No.	Description	Destinations	Class	QTY	Standard parts
1	55VAR70100	SUPPORT PANEL		D	2	a-V118030603
2	A0G6811101	Open/Close Plate /A		D	1	b-V118033003
3	A0G6817301	Conveyance Cover		D	1	c-V121030603
4	27LA80511	Main Body Fan Motor		A	2	d-V121030803
5	A0G6816800	Guide Sheet /A		C	1	e-V121040403
6	A0G6811201	Open/Close Plate /B		D	1	f-V121040603
7	A0G6N21600	ADU Drive Harness /10		D	1	g-V127030603
8	25SA43310	DRIVEN SHAFT HOLDER		B	2	h-V127040603
9	56UA45991	Idler Rubber /L		C	1	i-V217040050
10	56UA46480	REGIST PRESSING SPRING		C	2	j-V500010046
11	55VA47910	ADU DRIVEN SHAFT /L		D	1	k-V570010021
12	56UA886100	Idler Bushing /2		C	10	
13	A4EU818000	Idler Rubber /U		B	2	
14	56UA886200	Idler Shaft /2		D	5	
15	25AA44180	CONVEYANCE PRESSURE SPRING		C	4	
16	55VA47770	ADU PRESSURE SPRING		C	2	
17	56UA47031G	ADU Open/close Plate /1		D	1	
18	55VA47762E	Bottom plate Open/close Spring		B	2	
19	55VA47710	Bottom Plate Locking Claw		C	2	
20	56AA17471	PIN B 3X12		C	2	
21	466076020	PAPER FEED SHAFT HOLDER		B	6	
22	56UA47260	BOTTOM PLATE OPEN CLOSE PART LEFT		D	1	
23	55VA44170	Door Positioning Plate		D	1	
24	56UA47250E	Bottom plate Lifting Stay		D	2	
25	55VA47360	BOTTOM PLATE LOCK SPRING		C	2	
26	56UA45820	ADU IDLER ROLLER S		C	3	
27	55VA46451	REGISTRATION FEEDING SPRING		B	4	
28	56UA47270	Bottom Plate Open/Close Shaft		D	1	
29	55VA47980	BOTTOM OPEN CLOSE PART RIGHT		D	1	
30	56UA47240	Bottom Plate Open Close Part /Middle		D	1	
31	55VA47390	BOTTOM PLATE LIFT UP SPRING		B	2	
32	55VA47701	Bottom Plate Open Shut Handle		D	1	
33	A0G6946000	Label /10		C	1	
34	56UA45970	Lever Cover		C	1	
35	55VA47970	WIRE FULCRUM PLATE		D	2	
36	25AA50080	WIRE PULLEY		C	2	
37	56AA17361	WIRE ROTARY SHAFT		C	2	
38	55VA47371	BOTTOM PLATE LIFT UP WIRE		C	2	
39	55VA47800	Wire Mounting Plate /Left		D	2	



Key	Part No.	Description	Destinations	Class	QTY	Standard parts
1	A4EUR70100	Conveyance Roller /3 Assy	搬送ローラ / 3 部組	B	1	a-V118030603
2	56UA75050	ADU Roller Bearing	A D U 転がり軸受	C	4	b-V121030603
3	A00V240600	BALL BEARING	ボールベアリング	C	3	c-V121040603
4	500075010	BALL BEARING	読み取り駆動軸受	C	1	d-V123030603
5	A0G6815900	Adjusting Plate	調整板	D	1	e-V123040603
6	A4EU817400	Conveyance Roller /4	搬送ローラ / 4	B	1	f-V123041803
7	A0G6817100	Conveyance Roller /1	搬送ローラ / 1	B	1	g-V127030603
8	A4EU817200	Conveyance Roller /2	搬送ローラ / 2	B	1	h-V193030304
9	A4EU817600	Conveyance Roller /6	搬送ローラ / 6	B	1	i-V193040404
10	56AA17461	PIN A	ピン A	B	3	j-V217040050
11	A0G6508600	Pressing Cam	押圧カム	C	2	k-V217080050
12	55VA49080	Positioning Cam	位置決めカム	C	1	m-V233201250
13	55VA49070	Cam Hold Part	カム押さえ部材	C	1	n-V233301650
14	55VA49131	Positioning Spring	位置決めバネ	B	1	p-V500010020
15	462076010	DRIVING SLIDE SHAFT HOLDER A	駆動滑り軸受 A	C	2	
16	56AA17350	SHAFT POSITIONING PART	軸位置決め部材	C	1	
17	25AA47500	CARRIAGE LOCK CLAW B	架台ロック爪 B	C	1	
18	25AA47810	ACTUATOR	アクチュエータ	D	1	
19	A0G6R79700	Carrige Shaft Assy	架台引っ張り軸部組	D	1	
20	55VA47830	Belt Hold Part	ベルト押さえ部材	D	5	
21	A0G6818200	Conveyance Pulley	搬送プーリ	C	3	
22	55VA48500	PARALLEL PIN D3X18	平行ピン D 3 X 1 8	D	2	
23	55VA76521	ADU Conveying Pulley /2 25T	A D U 搬送プーリ / 2 2 5 T	C	2	
24	A4EU822100	Conveyance Belt /No.1 210L	搬送ベルト / 1 号 2 1 0 L	C	1	
25	13GQ77550	Drive Belt /E 195L	駆動ベルト / E 1 9 5 L	B	1	
26	14GE45470	Rotation Knob	回転ノブ	C	1	
27	A0G6946100	Label /11	ラベル / 1 1 ( J A M ラベル / 1 1 )	C	1	
28	56UA47390	Motor Slide Spring	モータスライドバネ	C	2	
29	A0G6818300	Drive Pulley	駆動プーリ	C	1	
30	A0G6813600	Mounting Plate /3	取付板 / 3	D	1	
31	56UA47380E	Motor Slide Plate	モータスライド板	D	1	
32	56UA90700	REGISTRATION DRIVE WIRING 2	レジスト駆動束線 2	D	1	
33	A0G6R71200	Motor Assy /1	モータ部組 / 1	B	1	
34	A0G6N20200	Grounding Wire /J	アース線 / J	D	1	
35	A0G6N22202	Grounding High-Volt. Resistor	アース高圧抵抗	D	1	
36	A0G6N20100	Grounding Wire /C	アース線 / C	D	1	

# ADU

改訂版 REVISED EDITION	日付 DATE
	FEBRUARY 2013

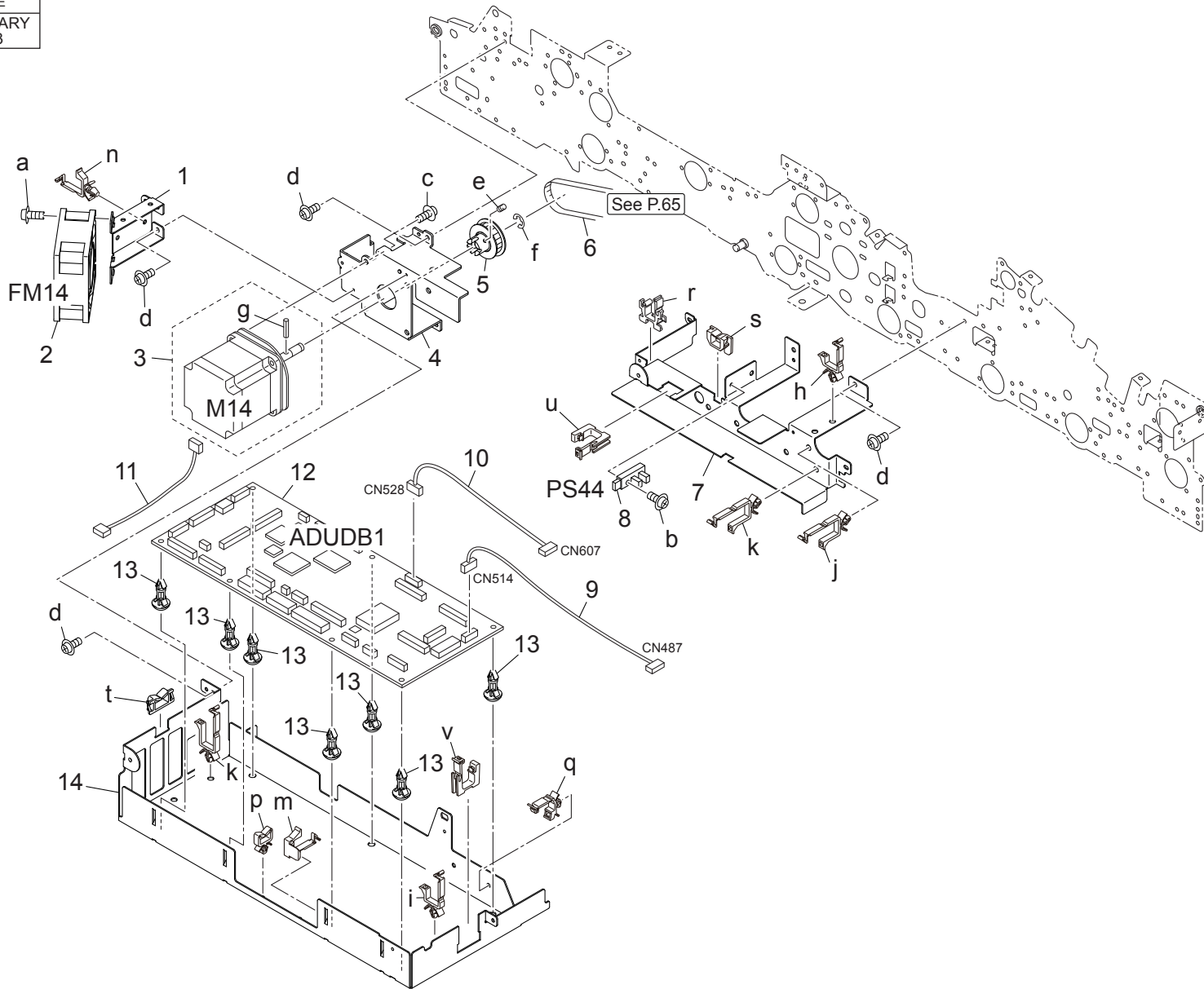


bizhub PRO 1200P

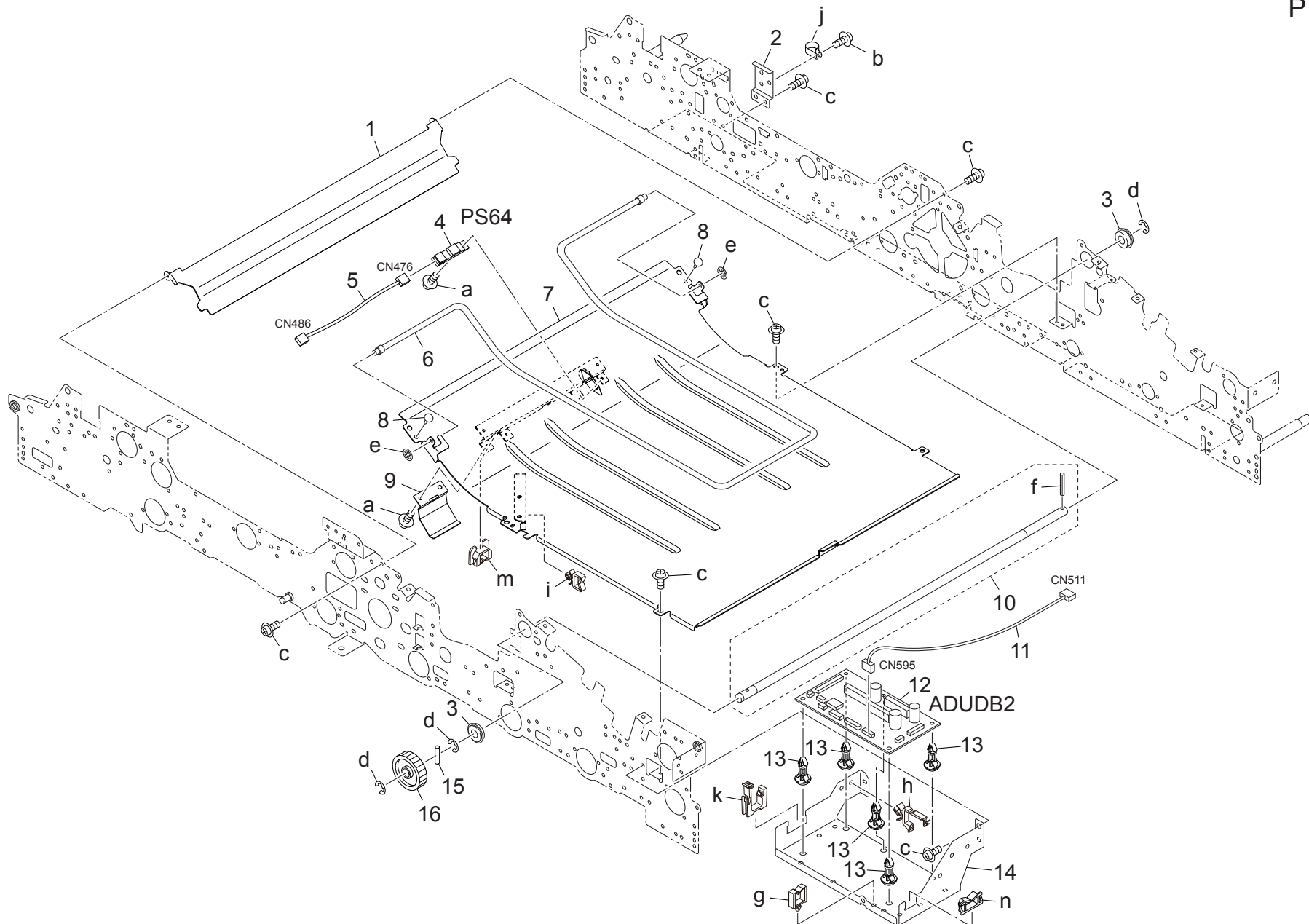


Key	Part No.	Description	Destinations	Class	QTY	Standard parts
1	A0G6736700	Operation Knob /1		C	1	a-V118030403
2	A0G6737100	Operation Spring /1		C	1	b-V118030603
3	A0G6737400	Operation Bushing /1		C	2	c-V118040803
4	A0G6737000	Operation Shaft /2		D	1	d-V121030603
5	A0G6736500	Operation Shaft /1		D	1	e-V121040603
6	A0G6739300	Operation Bushing /Front		C	2	f-V123030603
7	A0G6736400	Operation Plate /A		D	1	g-V127030603
8	A0G6738100	Entrance Rail		D	1	h-V193030304
9	A0G6737600	Operation Spacer		C	1	i-V217020050
10	A0G6737700	Holding Plate Spring /1		C	1	j-V217040050
11	A0G6737500	Guide Plate /C		D	2	k-V217060050
12	A0G6736600	Operation Plate /B		D	1	m-V217080050
13	A0G6737800	Operation Stopper /1		D	1	n-V500010046
14	55VA47750	Heat Insulating Sheet		C	4	p-V500010061
15	A0G6811400Old	Guide Plate /F		D	1	q-V570010021
15	A0G6811401	Guide Plate /F		D	1	r-V570010026
16	A0G6725200	Regulating Plate		C	1	s-V651010034
17	A0G6819100	Holding Part		C	1	t-V121030303
18	A0G6819000	Holding Plate		D	1	
19	A03UM50500	Temperature Sensor /5		C	1	
20	A0G6814200	Holding Plate /C		D	1	
21	56AA17471	PIN B 3X12		C	2	
22	A0G6813200	Conveyance Pulley /2		C	2	
23	55VA47850	Belt Holding Part /2		D	2	
24	A0G6813300	Drive Pulley /2		C	1	
25	A03UM11100	HB Motor /50		B	1	
26	A0G6813100	Mounting Plate /2		D	1	
27	55VA47840	Belt Hold Part /3		D	2	
28	A1TT211400	Drive Belt /1 309L		C	1	
29	A00V240600	BALL BEARING		C	2	
30	A0G6819200	Feeding Roller /L		C	1	
31	56AA17461	PIN A		B	1	
32	A0G6819300	Feeding Shaft /L		D	1	
33	A4EU817700	Conveyance Roller /7		B	1	
34	56UA75050	ADU Roller Bearing		C	4	
35	A0G6818900	Conveyance Gear /L 23T		C	2	
36	08AA76060	Fixing Bearing /Lower		B	3	
37	A4EU817500	Conveyance Roller /5		B	2	
38	A4EU821400	Positioning Spacer /12		D	1	

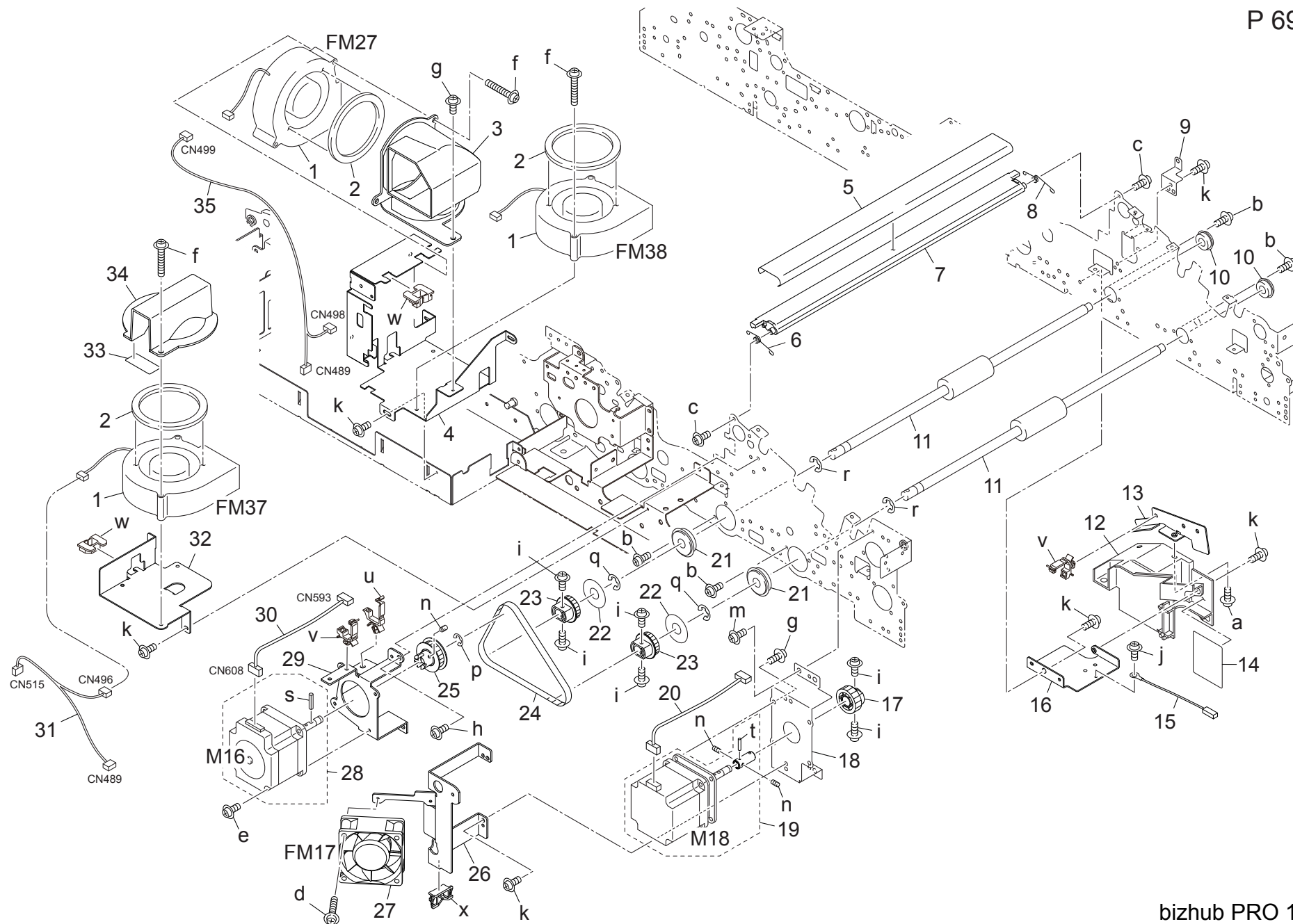
改訂版 REVISED EDITION	日付 DATE
	FEBRUARY 2013



Key	Part No.	Description	Destinations	Class	QTY	Standard parts
1	A0G6812300	Cooling Plate /Left		D	1	a-V118033003
2	27LA80511	Main Body Fan Motor		A	1	b-V118041003
3	A0G6R71200	Motor Assy /1		B	1	c-V121030603
4	A0G6813900	Mounting Plate /6		D	1	d-V127030603
5	A0G6818300	Drive Pulley		C	1	e-V193030304
6	A0G6819400	Belt/A 324L		B	1	f-V217040050
7	A0G6814700	Wiring Plate		D	1	g-V233201250
8	56AA85511	Photo Sensor		B	1	h-V500010005
9	A0G6N20500	ADU Drive Harness /5		D	1	i-V500010007
10	A0G6N17200	ADU Drive Wiring /4		D	1	j-V500010013
11	56GA90890	PAPER EXIT RELAY WIRING 2		D	1	k-V500010015
12	A0G6H07004	ADU Drive Board Assy		I	1	m-V500010022
13	V502010021	spacer		D	7	n-V500010046
14	A0G6811501	Installing Pedestal /1		D	1	p-V500010050
						q-V500010061
						r-V570010050
						s-V570010021
						t-V570010023
						u-V570010026
						v-V570010028

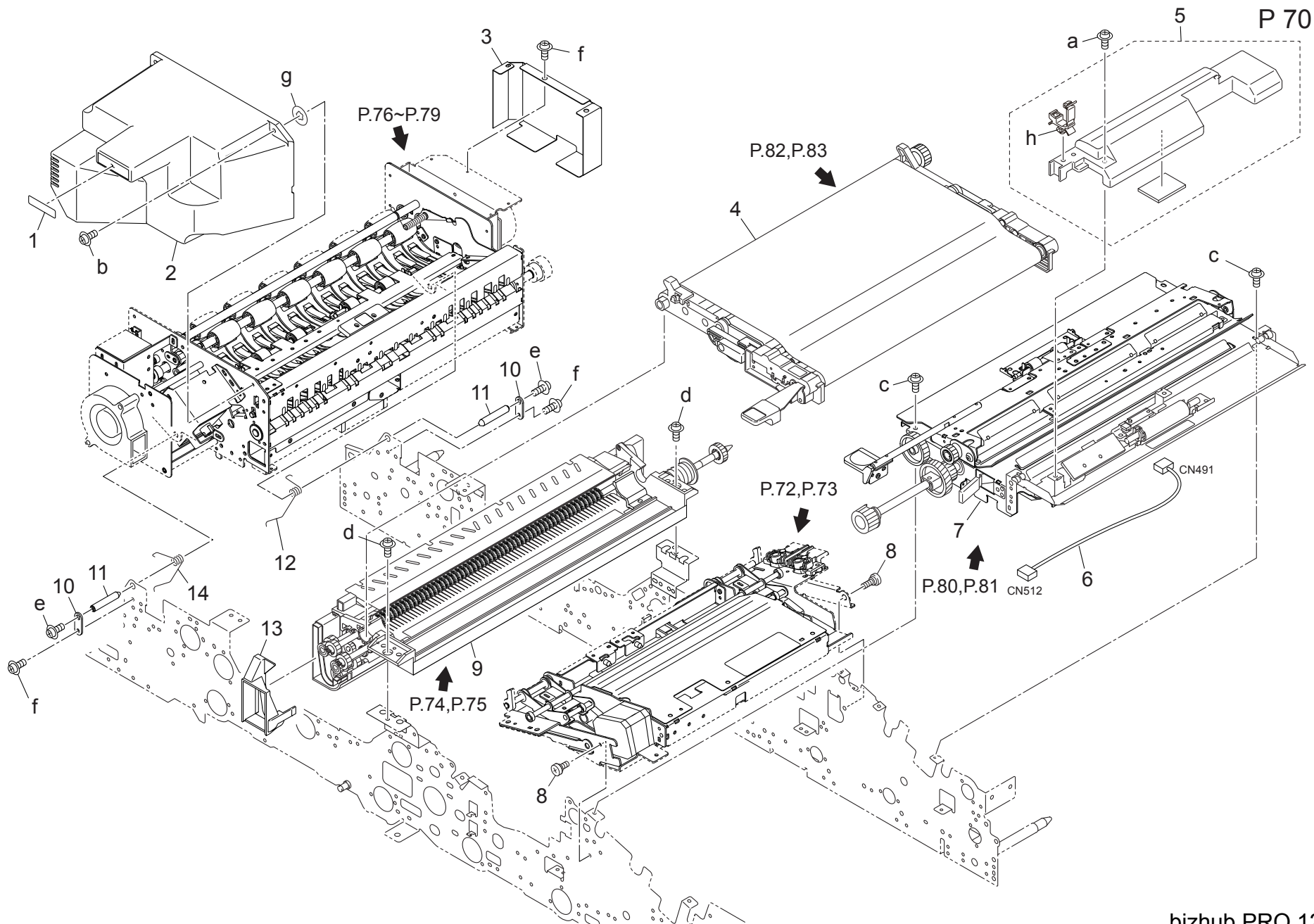


Key	Part No.	Description	Destinations	Class	QTY	Standard parts
1	A0G6811300	Open/Close Plate /2		D	1	a-V118030603
2	56UA47920	Wiring Guide Plate		D	1	b-V121040603
3	A00V240600	BALL BEARING		C	2	c-V127030603
4	13QA85511	Sensor 1		B	1	d-V217060050
5	A0G6N21701	Relay Harness /7		D	1	e-V226030050
6	56UA47190	Paper Guide Shaft		D	1	f-V233301650
7	A0G6810900	Fixing Plate /6		D	1	g-V500010031
8	12AJ45850	STOPPER RUBBER		C	2	h-V500010046
9	A0G6818600	Holding Plate		D	1	i-V500010050
10	A0G6R79800	Connecting Shaft /T Assy		D	1	j-V500020037
11	A0G6N19900	Paper Feed Detection Wiring /2		D	1	k-V570010027
12	A0G6H08000	ADU Drive Board /2 Assy		I	1	m-V570010021
13	V502010007	spacer		D	5	n-V570010023
14	56UA46610E	Board Mounting Plate /R		D	1	
15	56AA17461	PIN A		B	1	
16	A0G6815600	Connecting Gear /T 31T		C	1	



Key	Part No.	Description	Destinations	Class	QTY	Standard parts
1	9313100072	FAN MOTOR		C	3	a-V118030403
2	A0Y5835400	Pad /62		C	3	b-V118030603
3	A0G6835200	Duct /W		D	1	c-V118030803
4	A0G6835100	Cooling Plate /W		D	1	d-V118033003
5	A0G6504300	Suction Sheet		C	1	e-V118040603
6	A0G6504100	Rotation Spring /Front		C	1	f-V118043503
7	A0G6504000	Entrance Plate		C	1	g-V121030603
8	A0G6504200	Rotation Spring /Rear		C	1	h-V121040603
9	56UA46740	Wiring Protection Plate		D	1	i-V123030603
10	A00V240600	BALL BEARING		C	2	j-V123040603
11	A4EU817700	Conveyance Roller /7		B	2	k-V127030603
12	55VA49050E	Wiring Protection Cover		D	1	m-V127040603
13	A0G6816900	Wiring Plate /Rear		D	1	n-V193030304
14	56UA45910	Wiring Protection Sheet		C	1	p-V217040050
15	A0G6N19700	Grounding Wire /T		D	1	q-V217060050
16	A0G6814000	Mounting Plate /D		D	1	r-V217080050
17	A0G6818800	Drive Gear /L 23T		C	1	s-V233201250
18	56UA46570	Motor Mounting Plate /L		D	1	t-V233301050
19	A0G6R71300	Motor Assy /2		B	1	u-V500010005
20	56UA90700	REGISTRATION DRIVE WIRING 2		D	1	v-V500010061
21	56UA75050	ADU Roller Bearing		C	2	w-V570010021
22	55VA47830	Belt Hold Part		D	2	x-V570010023
23	A0G6818200	Conveyance Pulley		C	2	
24	56UA78080	ADU DRIVE BELT/C 318L		B	1	
25	A0G6818300	Drive Pulley		C	1	
26	A0G6812400	Cooling Plate /Right		D	1	
27	56QA80570	INTERNAL COOLING FAN		C	1	
28	A4EUR73W00	Motor /4 Pin Assy		B	1	
29	A0G6813700	Mounting Plate /4		D	1	
30	A0G6N16900	Registration Drive Wiring		D	1	
31	A0G6N21400	ADU Drive Harness /8		D	1	
32	A0G6836101	Cooling Plate /S		D	1	
33	A0G6836300	Sheet /S		C	1	
34	A0G6836200	Duct /S		D	1	
35	A0G6N21500	ADU Drive Harness /9		D	1	

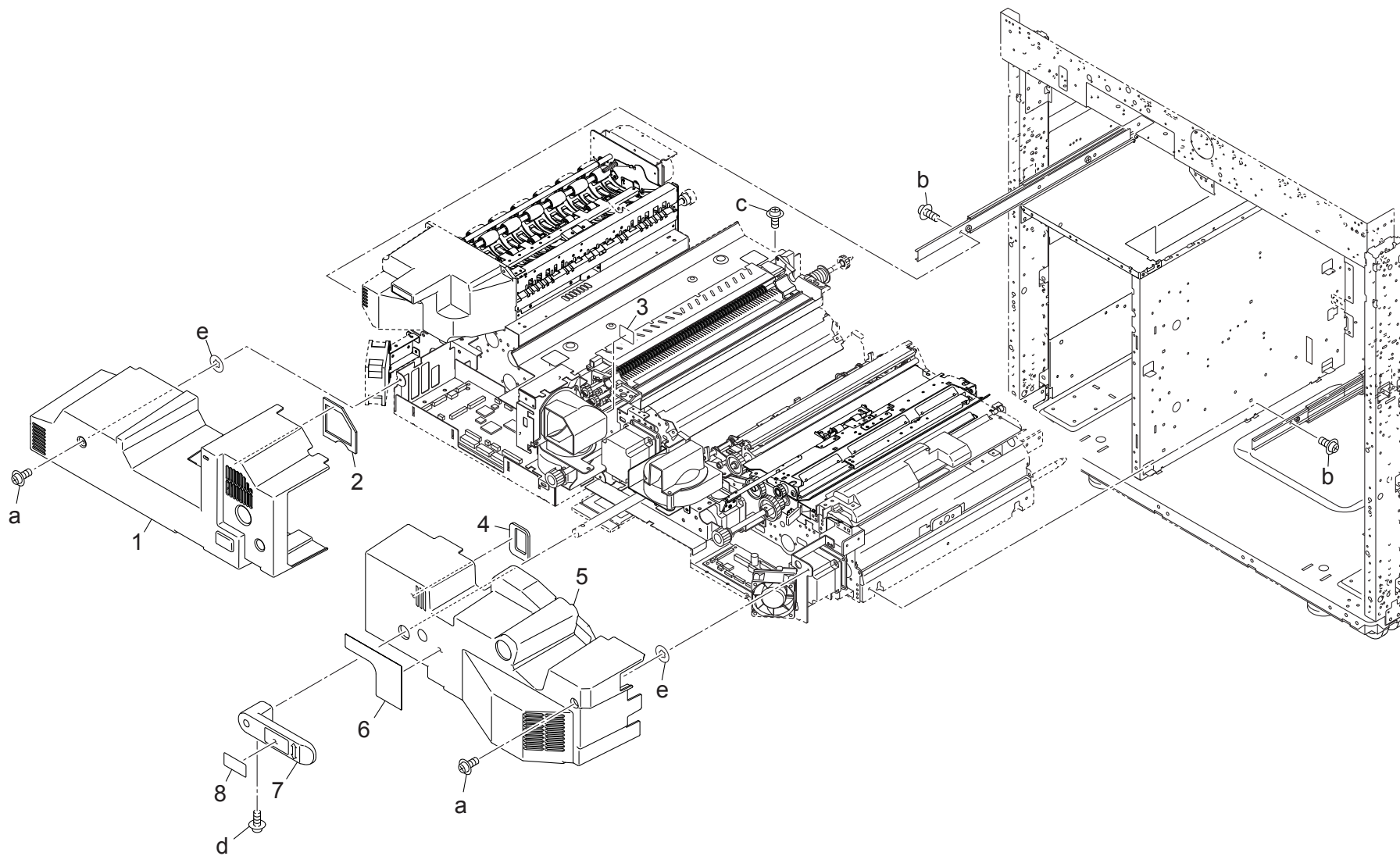
ADU



bizhub PRO 1200P




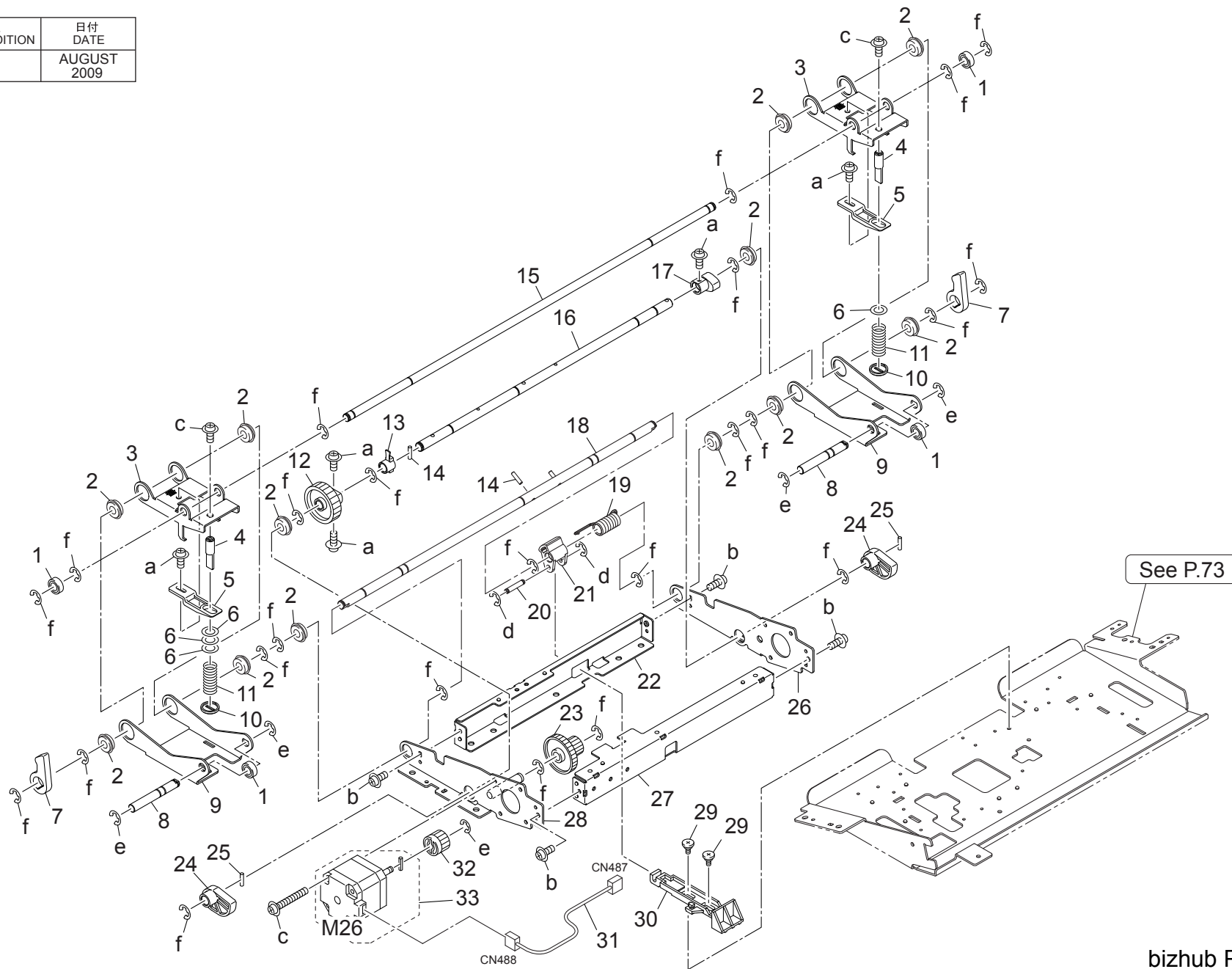






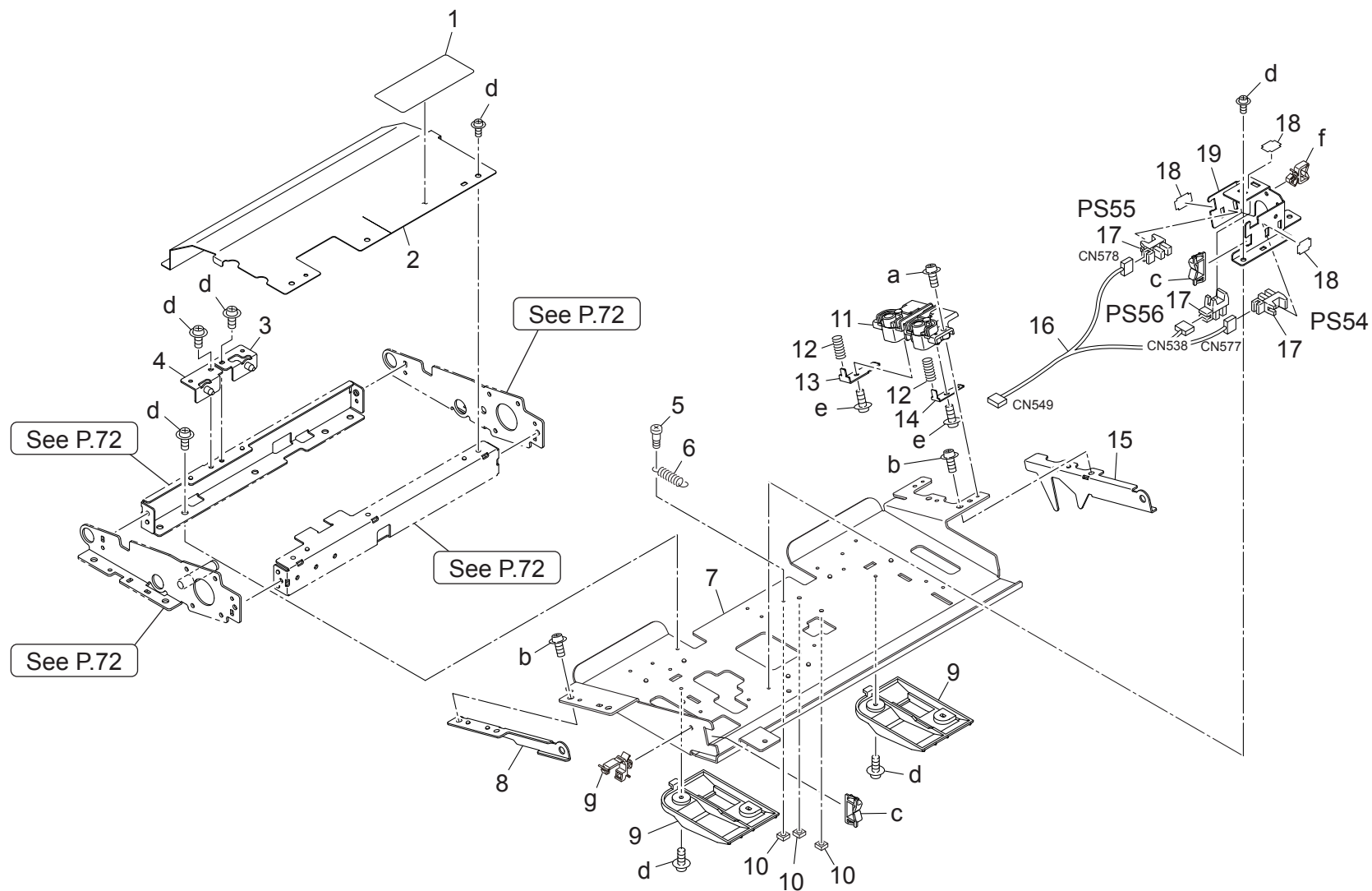
# ADU TRANSFER PRESSURE UNIT

改訂版 REVISED EDITION	日付 DATE
	AUGUST 2009



Key	Part No.	Description	Destinations	Class	QTY	Standard parts
1	12QV75010	BALL BEARING		B	4	a-V116030603 b-V127030516 c-V127030603 d-V217030001 e-V217040050 f-V217060050
2	A00J617900	Ball Bearing		B	12	
3	A0G6506801	Pressing Plate		D	2	
4	A0G6506000	Guide Shaft		D	2	
5	A0G6509500	Adjusting Part		D	2	
6	A0G6509800	Spacer /A		C	4	
7	A0G6507511	Release Lever		C	2	
8	A0G6505800	Pressure Shaft /2		D	2	
9	A0G6505500	Lifting Plate		D	2	
10	A0G6509400	Slide Part		D	2	
11	A0G6506102	Compressing Spring		C	2	
12	A0G6506700	Pressure Gear 45T		C	1	
13	A0G6507900	Part		D	1	
14	56AA17471	PIN B 3X12		C	2	
15	A0G6508900	Pressure Shaft		D	1	
16	A0G6505600	Pressure Shaft		D	1	
17	A0G6507700	Slide Cam		C	1	
18	A0G6R79100	Support Shaft Assy /P		D	1	
19	A0G6507400	Spring		C	1	
20	A0G6507100	Support Pin		C	1	
21	A0G6507800	Connecting Part		D	1	
22	A0G6508500	Support Stay /2		D	1	
23	A0G6506600	Idling Gear 19/73T		C	1	
24	A0G6508101	Pressure Cam		C	2	
25	56AA17461	PIN A		B	2	
26	A0G6508800	Pressure Side Plate /Rear		D	1	
27	A0G6505300	Support Stay		D	1	
28	A0G6R76600	Driving Panel Assy		D	1	
29	55VA20520	Cleaner Locking Screw		C	2	
30	A0G6507600	Slide Part		D	1	
31	A0G6N20600	ADU Drive Harness /6		D	1	
32	A0G6506500	Drive Gear 29T		C	1	
33	A0G6R79000	Motor Assy /P		D	1	

# ADU TRANSFER PRESSURE UNIT

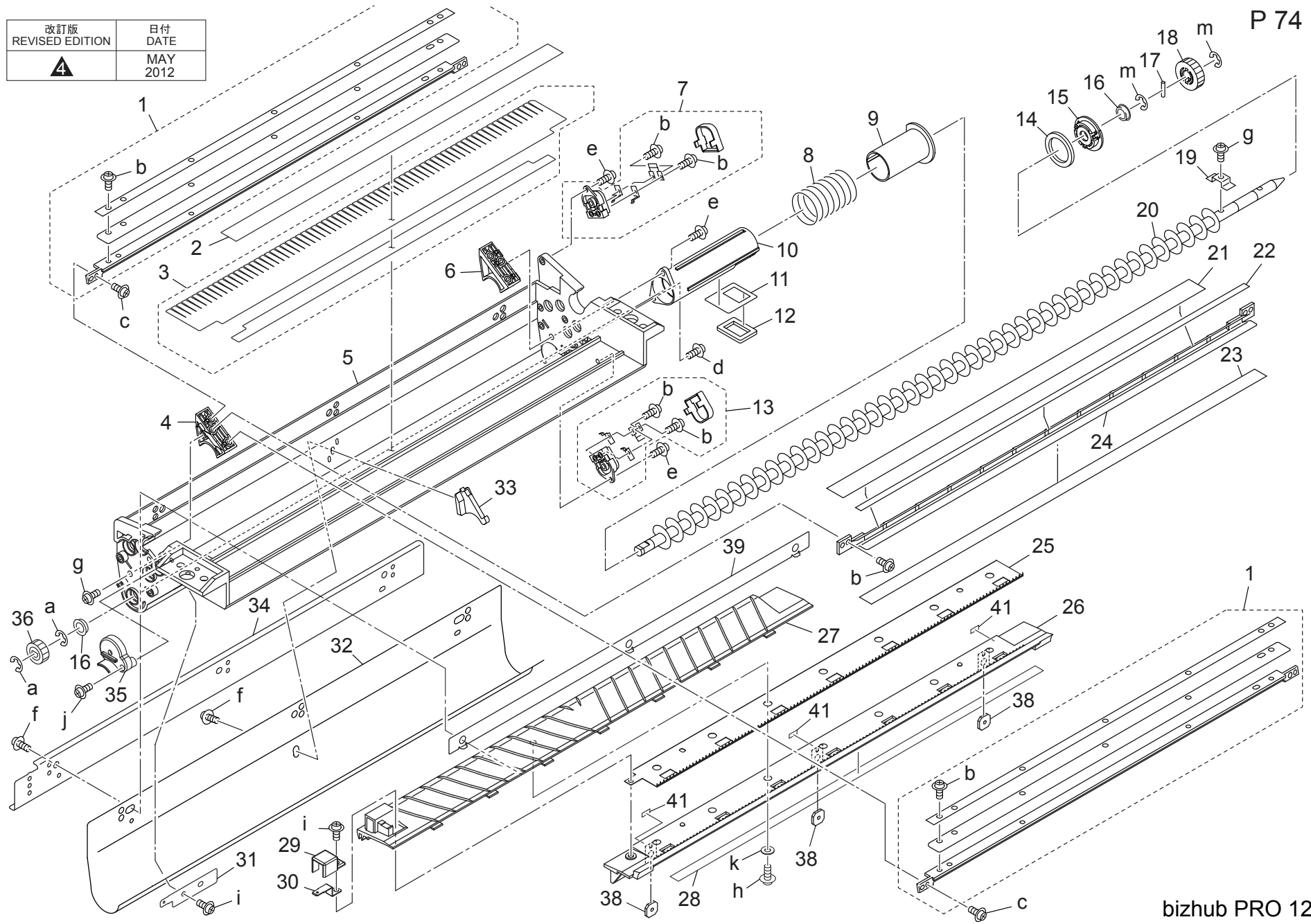




# ADU BELT CLEANER UNIT

改訂版 REVISED EDITION	日付 DATE
	MAY 2012

P 74





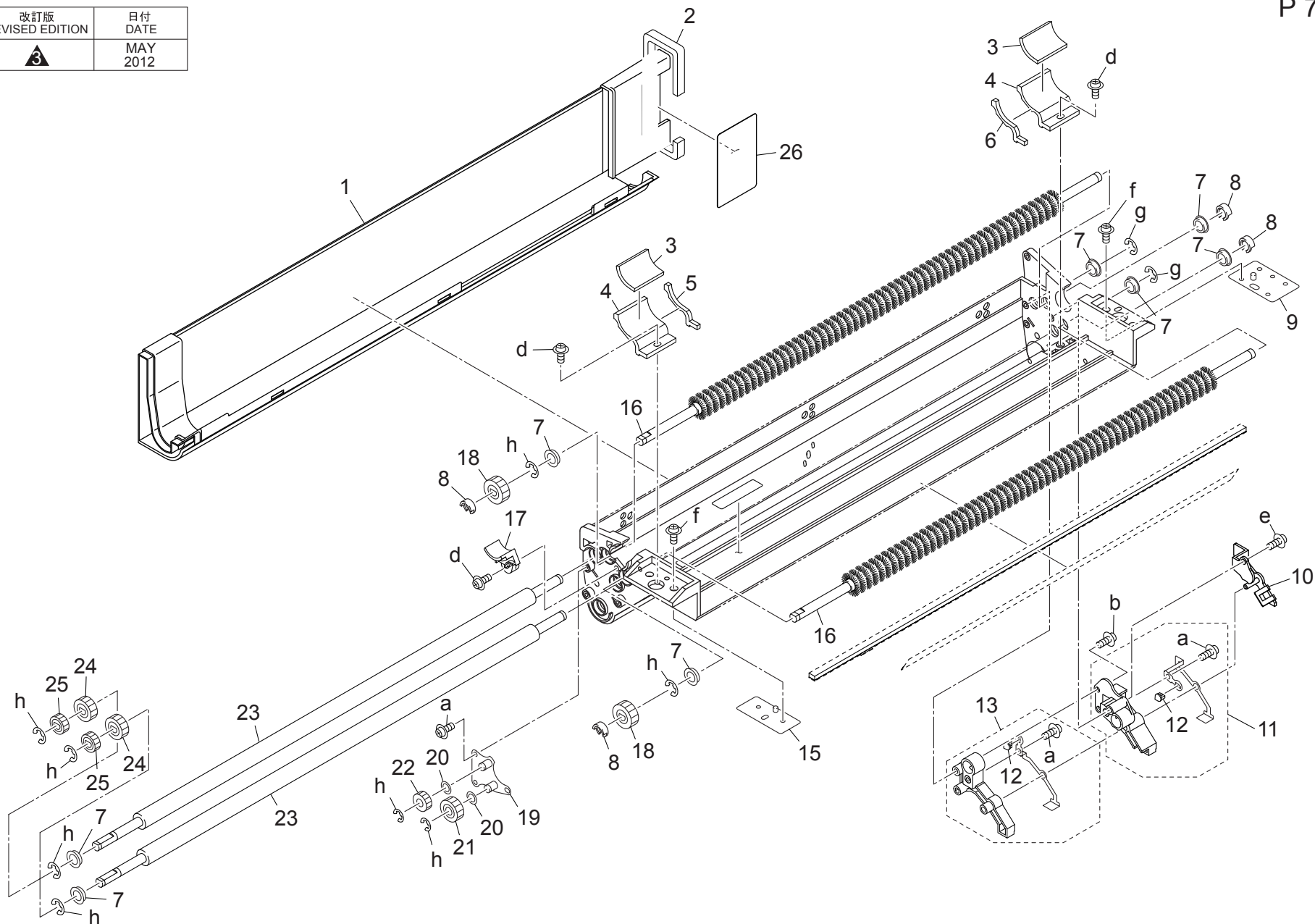
# ADU BELT CLEANER UNIT

Key	Part No.	Description	Destinations	Class	QTY	Standard parts
1	A0G6R7D400	Regurating Plate Assy	規制板部組	A	2	a-V217040050
2	A0G6512100	Scatteringprevention Sheet Outside	飛散防止シート／外	C	1	b-V111030404
3	A4EUR73D00	Cleaning Seet Assy	清掃シート部組	D	1	c-V111030604
4	A0G6516001	Positioning Block /Front	位置決めブロック／前	D	1	d-V118030604
5	A0G6510128	Cleaning Casing	クリーニングケーシング	D	1	e-V118031003
6	A0G6516100	Positioning Block /Rear	位置決めブロック／奥	D	1	f-V121030603
7	A4EUR73E00	Power Bridge /Upper Assy	給電ブリッジ／上部組	D	1	g-V121030604
8	A0G6512300	Compressing Spring	圧縮ばね	C	1	h-V151020503
9	A0G6512400	Slide Cover	スライドカバー	D	1	i-V151030603
10	A0G6513300	Cleaning Duct	クリーニングダクト	D	1	j-V151030803
11	A0G6514100	Entrance Sheet	入りロシート	C	1	k-V207030003
12	A0G6514000	Entrance Seal	入りロシール	C	1	m-V217040001
13	A4EUR73F00	Power Bridge /Lower Assy	給電ブリッジ／下部組	D	1	
14	A0G6515100	Toner Guide Seal	トナーガイドシール	C	1	
15	A0G6511401	Cleaning Bushing	クリーニングすべり軸受	C	1	
16	A1RF529100	Drive Ball bearing	駆動ボールベアリング	C	2	
17	466078010	PIN A D2X10	ピン A D 2 X 1 0	B	1	
18	A0G6521400	Collection Gear /A 16T	回収ギア／ A 1 6 T	C	1	
19	A0G6515900	Toner Agitating Plate	トナー攪拌プレート	D	1	
20	A0G6510900	Recycle Screw	リサイクルスクリュー	C	1	
21	A0G6514900	Cleaning Sheet /Lower	清掃シート／下	C	1	
22	A0G6512200	Scatteringprevention Sheet /1	飛散防止シート／1	C	1	
23	A0G6512800	Scatteringprevention Sheet /2	飛散防止シート／2	C	1	
24	A0G6518600	Scatteringprevention Plate	飛散防止板	C	1	
25	A0G6516300	Neutralizing Part	除電部材	D	1	
26	A0G6516211	Separating Cover /Lower	分離カバー／下	D	1	
27	A0G6510302	Separating Cover /Upper	分離カバー／上	D	1	
28	A0G6512001	Scatteringprevention Sheet /Upper	飛散防止シート／上	C	1	
29	A0G6516500	Protection Cover	保護カバー	C	1	
30	A0G6516400	Neutralizing Plate	除電板	D	1	
31	A0G6515200	Ground Plate /Front	アース板／前	D	1	
32	A0G6511602	Cooling Plate	冷却板	C	1	
33	A0G6511901	Reinforce Block	補強ブロック	D	1	
34	A0G6516611	Reinforce Plate	補強板	D	1	
35	A0G6513801	Fixing Cover	固定カバー	D	1	
36	A0G6521900	Drive Gear 28T	駆動ギア 2 8 T	C	1	
38	A0G6525600	Mounting Plate	取付板	D	3	
39	A0G6525700	Receiving Plate	受け板	D	1	
41	A0G6516711	Adjusting Sheet /1	調整シート／1	C	3	

# ADU BELT CLEANER UNIT

P 75

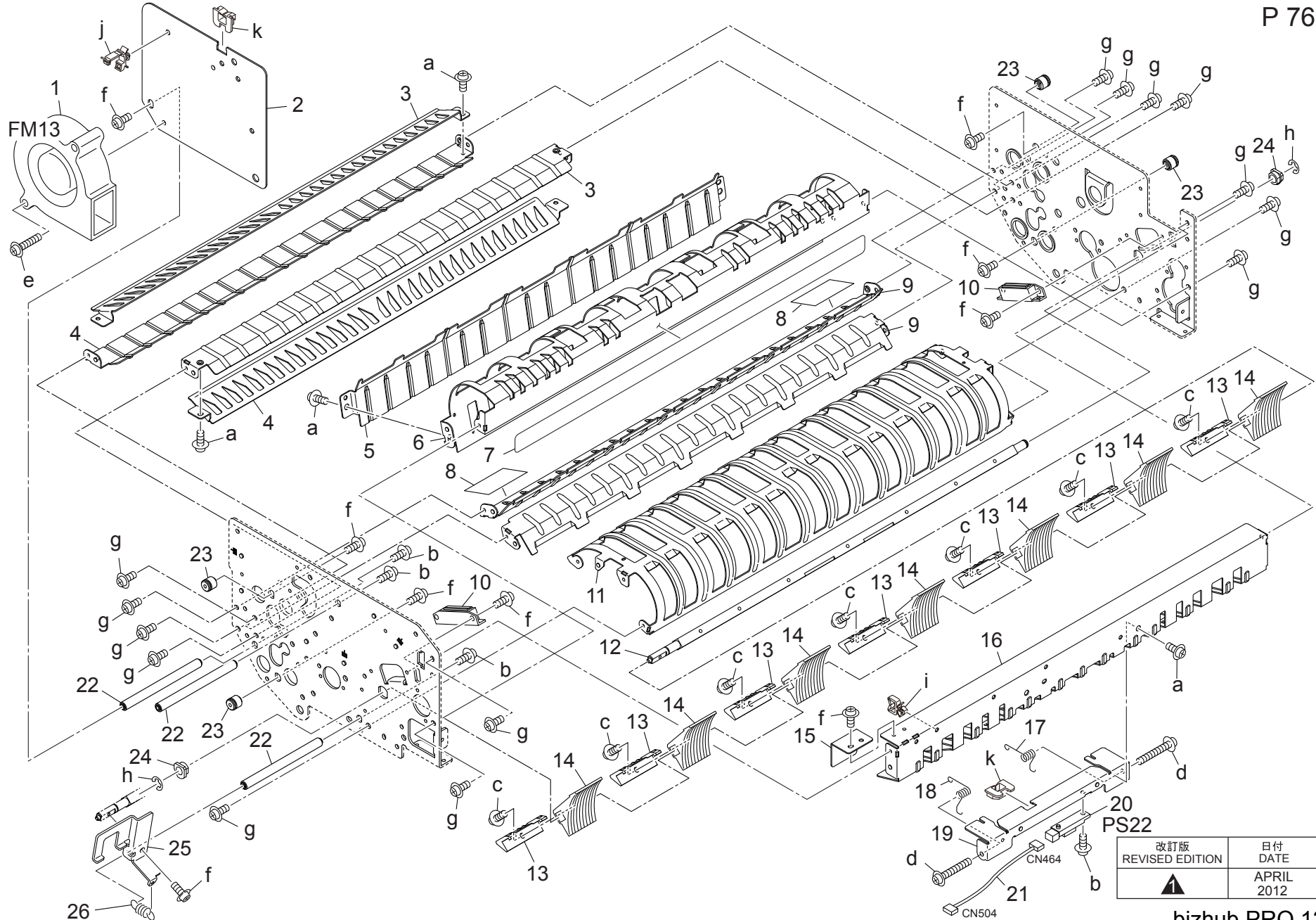
改訂版 REVISED EDITION	日付 DATE
	MAY 2012





# ADU DECURLER UNIT

P 76



改訂版 REVISED EDITION	日付 DATE
▲	APRIL 2012

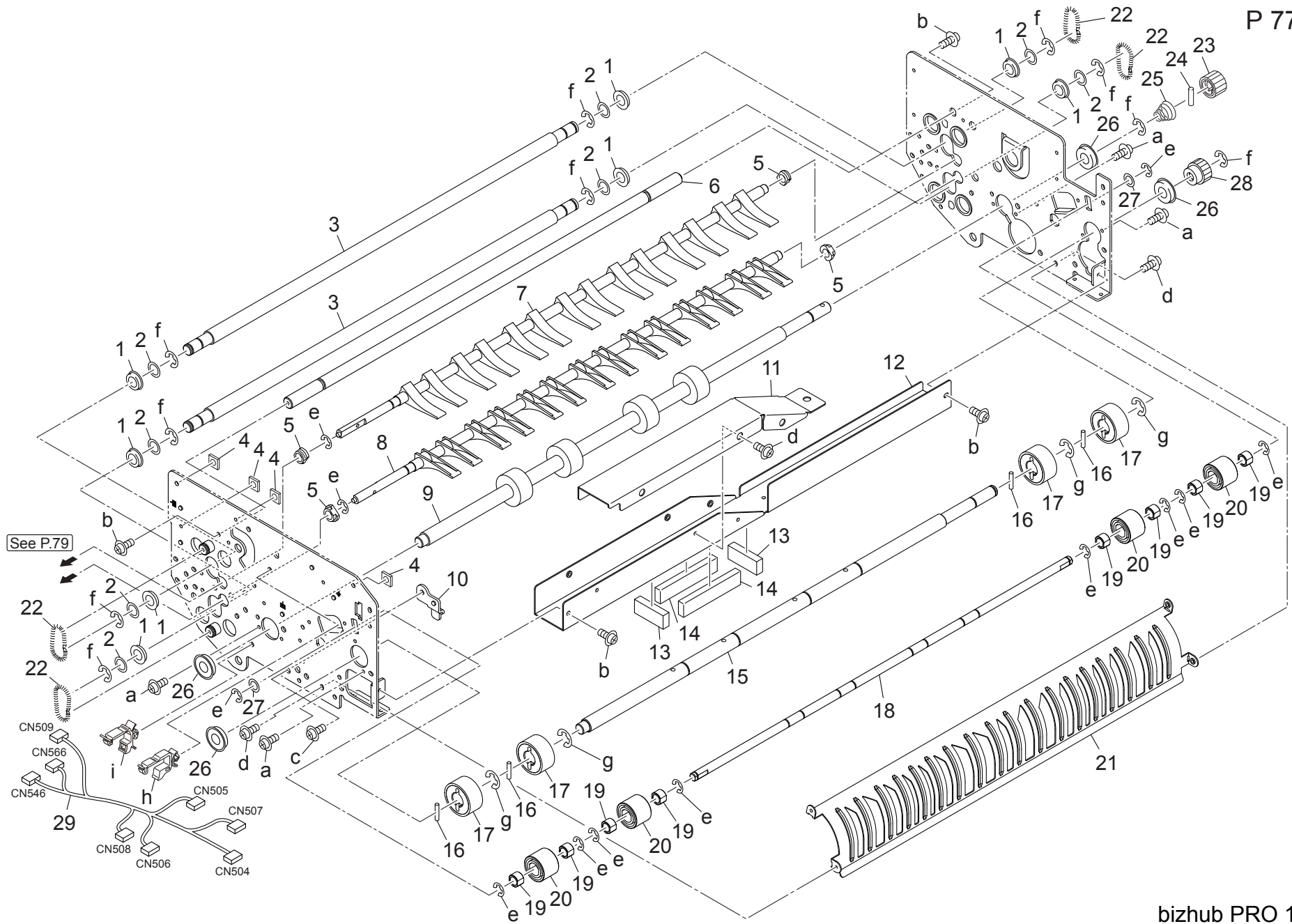
Order here  
8 (495) 646-0426  
ПЯТЫЙ ПАРТНЕР www.km-shop.ru

bizhub PRO 1200P

Key	Part No.	Description	Destinations	Class	QTY	Standard parts
1	9313110033	FAN MOTOR		C	1	a-V118030403
2	A0G6843101	Mounting Plate /F	取付板 / F	D	1	b-V118030603
3	A0G6844500	Guide Plate /I	ガイド板 / I	C	2	c-V118030803
4	A0G6844402	Guide Plate /H	ガイド板 / H	C	2	d-V118043003
5	A0G6844101	Guide Plate /E	ガイド板 / E	C	1	e-V118043503
6	A0G6842200	Guide Plate /B	ガイド板 / B	C	1	f-V121030603
7	A0G6942500	Caution Label /A	注意ラベル / A	D	1	g-V127030603
8	A0G6846800	Holding Sheet	押さえシート	C	2	h-V217040050
9	A0G6844600	Guide Plate /J	ガイド板 / J	C	2	i-V500010050
10	07BA12352	Magnet Catch	マグネットキャッチ	C	2	j-V500010061
11	A0G6844300	Guide Plate /G	ガイド板 / G	C	1	k-V570010021
12	A0G6842500	Guide Shaft	案内軸	D	1	
13	A0G6844900	Guide Part /2	ガイド部材 / 2	C	7	
14	56UA47600	Paper Guide Part	紙案内部材	B	7	
15	A0G6842800	Protection Plate /D	保護板 / D	D	1	
16	A0G6842100	Guide Plate /A	ガイド板 / A	C	1	
17	A0G6841501	Paper Exit Spring /Rear	排紙ばね / 奥	C	1	
18	A0G6841401	Paper Exit Spring /Front	排紙ばね / 前	C	1	
19	A0G6843700	Plate /F	センサ板 / F	D	1	
20	13QA85511	Sensor 1	センサ 1	B	1	
21	A0G6N21000	Relay Harness /5	センサ中継束線 / 5	D	1	
22	A0G6843200	Mounting Shaft /F	取付軸 / F	D	3	
23	A0G6846500	Mounting Shaft	取付軸	D	4	
24	322076010	PAPER LIFT UP LEVER SHAFT HOLDER	ペーパー押上レバー軸受け	B	2	
25	A0G6842600	Guide Plate	案内板	D	1	
26	A0G6845500	Guide Spring /G	案内ばね / G	C	1	

# ADU DECURLER UNIT

P 77



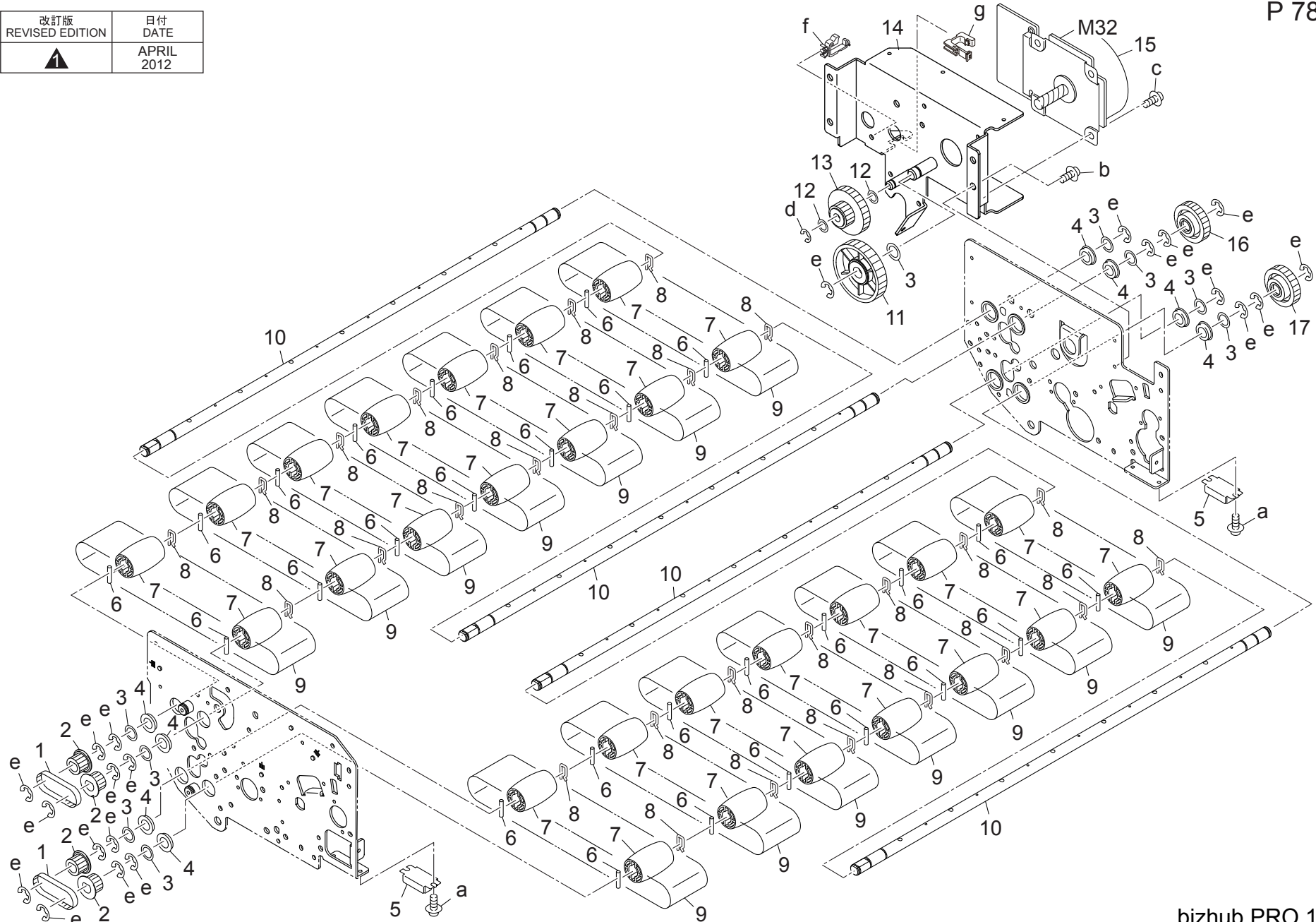
bizhub PRO 1200P



# ADU DECURLER UNIT

P 78

改訂版 REVISED EDITION	日付 DATE
	APRIL 2012



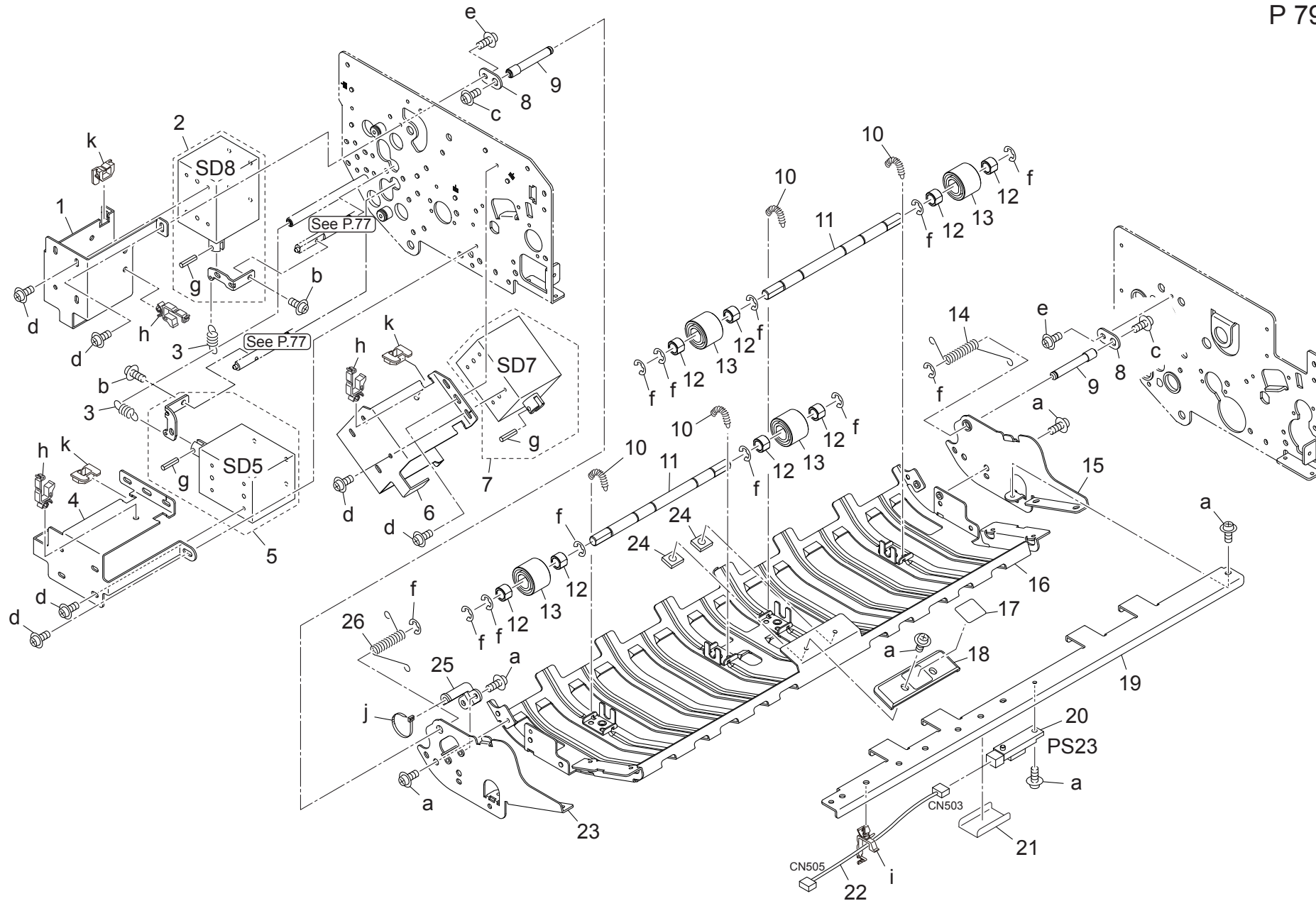
bizhub PRO 1200P



Key	Part No.	Description	Destinations	Class	QTY	Standard parts
1	A04J719200	BELT /6 91L		C	2	a-V118030403 b-V121030403 c-V121040403 d-V217040050 e-V217060050 f-V500010020 g-V570010046
2	A04J719800	DRIVE PULLEY /B 20T		C	4	
3	15AJ50460	Punch Spacer		D	9	
4	A00J617900	Ball Bearing		B	8	
5	40AA32290	MAGNET CATCH		C	2	
6	56AA17480	PIN B		C	28	
7	A04J709800	Regulating Roll		C	28	
8	15AG57620	FIXING PART		C	28	
9	A0G6846400	Regulating Belt		B	14	
10	A0G6846100	Drive Shaft /B		D	4	
11	A0G6848500	Idling Gear /1 78T		C	1	
12	13QA17730	COLLAR 6		C	2	
13	A0G6848600	Idling Gear /2 30/30T		C	1	
14	A0G6R77011	Mounting Plate/M Caulking		D	1	
15	A0PNM10200	DC Brushless motor /20		B	1	
16	A0G6848700	Drive Gear /B 26T		C	1	
17	A0G6848800	Drive Gear /W 26T		C	1	

# ADU DECURLER UNIT

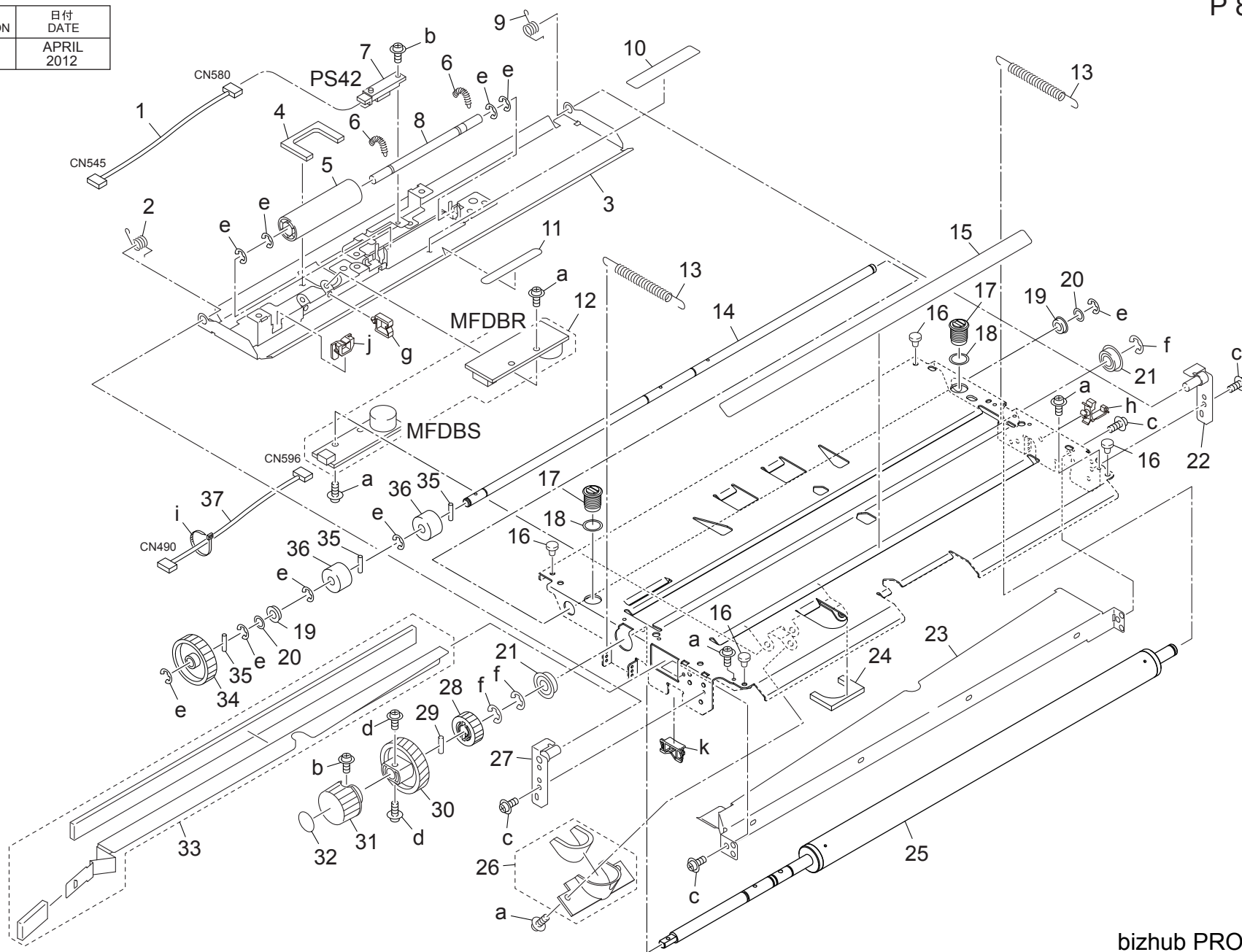
P 79



Key	Part No.	Description	Destinations	Class	QTY	Standard parts
1	A0G6843401	Mounting Plate /Upper		D	1	a-V118030403 b-V121030603 c-V121030604 d-V123030603 e-V127030603 f-V217040050 g-V233301250 h-V500010020 i-V500010046 j-V501010002 k-V570010021
2	A4EUR74900	Solenoid /Upper Pin Assy	ソレノイド / 上ピン打ち	B	1	
3	A0G6845600	Guide Spring /Middle	案内ばね / 中	C	2	
4	A0G6843501	Mounting Plate /Lower	取付板 / 下	D	1	
5	A4EUR74R00	Solenoid /Lower Pin Assy	ソレノイド / 下ピン打ち	B	1	
6	A0G6843301	Mounting Plate /G	取付板 / G	D	1	
7	A4EUR74A00	Solenoid /G Pin Assy	ソレノイド / G ピン打ち	B	1	
8	A0G6843000	Fixing Plate	固定板	D	2	
9	A0G6842900	Guide Shaft	ガイド軸	D	2	
10	55VA46451	REGISTRATION FEEDING SPRING	レジスト送り出しバネ	B	4	
11	A0G6840900	Idler Shaft /D	従動軸 / D	D	2	
12	56GA76030	SLIDE SHAFT HOLDER	滑り軸受	C	8	
13	A0G6843800	Idler Roll /D	従動ころ / D	C	4	
14	A0G6844800	Open/Close Spring /Rear	開閉ばね / 奥	C	1	
15	A0G6841900	Guide Side Plate /Rear	ガイド側板 / 奥	D	1	
16	A0G6945700	Label /7	ラベル / 7 (JAM ラベル / 7)	C	1	
17	A0G6842300	Guide Plate /C	ガイド板 / C	C	1	
18	56UA46140	TRANSFER FEEDING HANDLE	転写送り出し把手	C	1	
19	A0G6843600	Plate /D	センサ板 / D	D	1	
20	13QA85511	Sensor 1	センサ 1	B	1	
21	A0G6843900	Protection Sheet	保護シート	C	1	
22	A0G6N20900	Relay Harness /6	センサ中継束線 / 6	D	1	
23	A0G6841800	Guide Side Plate /Front	ガイド側板 / 前	D	1	
24	A0G6845700	Protection Pad /2	保護パッド / 2	C	2	
25	A0G6842700	Wiring Part	配線部材	D	1	
26	A0G6844700	Open/Close Spring /Front	開閉ばね / 前	C	1	

# ADU REGIST UNIT

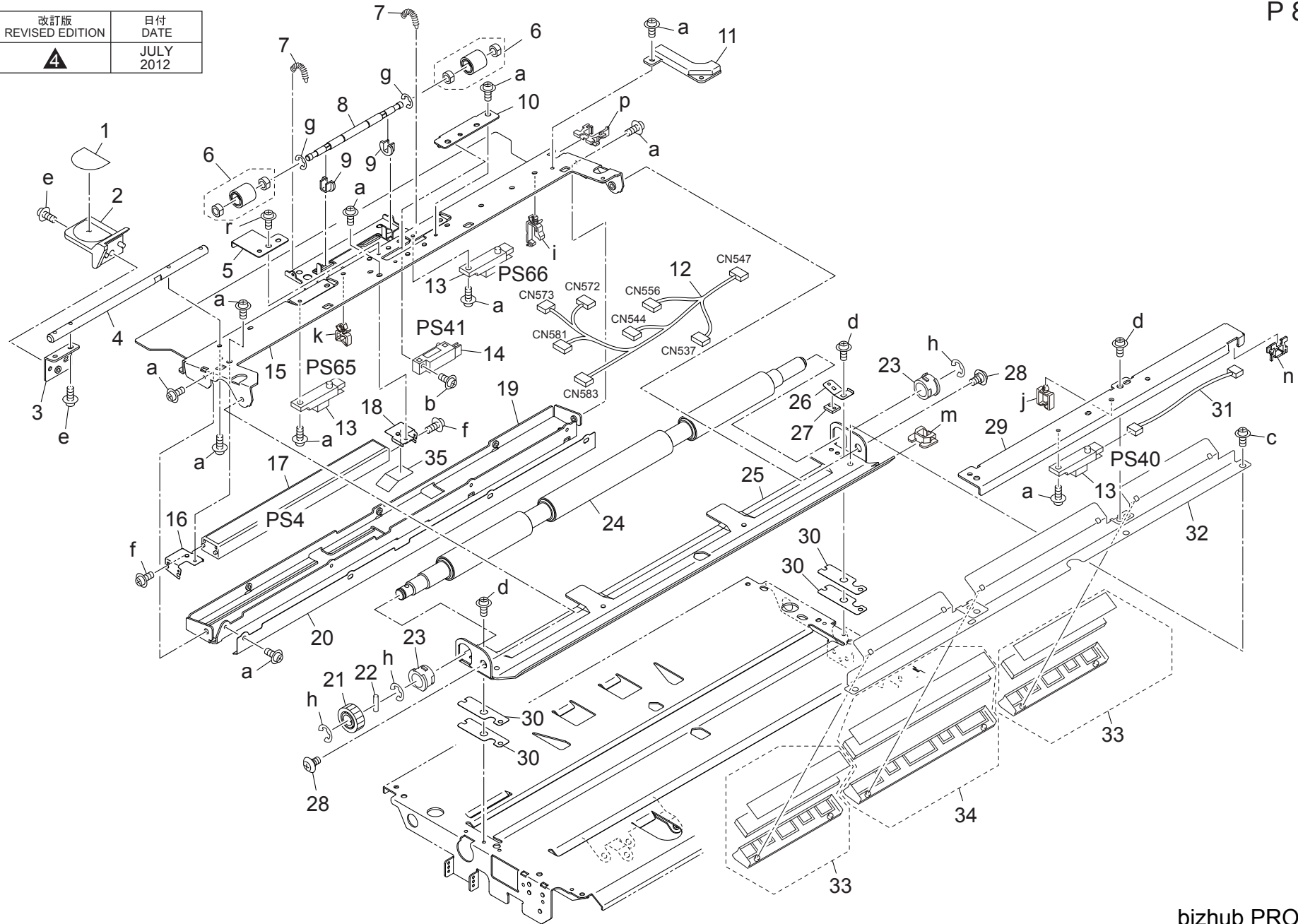
改訂版 REVISED EDITION	日付 DATE
	APRIL 2012



Key	Part No.	Description	Destinations	Class	QTY	Standard parts
1	56UA90620	REGISTRATION WIRING 2	レジスト束線 2	D	1	a-V118030403
2	56UA46310	Entrance Open Close Spring /Front	入口開閉バネ/前	C	1	b-V118030603
3	56UA46090E	Entrance Open/close Plate	入口開閉板	D	1	c-V121030603
4	56UA46460	Multifeed Seal /B	重送シール/ B	D	1	d-V123030603
5	56UA45830	Idler Rubber /S	従動ゴム/ S	B	1	e-V217040050
6	56UA45940	Registration Entrance Spring	レジスト進入バネ	C	2	f-V217060050
7	13QA85511	Sensor 1	センサ 1	B	1	g-V500010024
8	55VA47450	ADU DRIVEN SHAFT /S	A D U 従動軸/ S	D	1	h-V500010061
9	56UA46320	Entrance Open Close Spring /Rear	入口開閉バネ/奥	C	1	i-V501010002
10	A0G6945100	Label /1	ラベル/1 (J A M ラベル/1)	C	1	j-V570010021
11	56UA97160	Jam Release Label /F	ジャム解除ラベル/ F	D	1	k-V570010023
12	56UA-8401E	Multi-Feed Assy	重送センサ部組	I	1	
13	56UA46170	Registration Pressing Spring	レジスト押圧バネ	C	2	
14	A0G6713200	Drive Shaft /T	駆動軸/ T	D	1	
15	A0G6712100	Lifting Sheet	持ち上げシート	B	1	
16	12AJ45850	STOPPER RUBBER	ストッパーゴム	C	4	
17	A0G6712900	Suction Catch /Black	吸着キャッチ/黒	C	2	
18	A0G6712800	Suction Spacer	吸着スペーサ	C	2	
19	A00J617800	BALL BEARING	ボールベアリング	C	2	
20	13QA10330	SHAFT SPACER	軸スペーサー	C	2	
21	A00V240600	BALL BEARING	ボールベアリング	C	2	
22	56UAR78000	SUPPORT SHAFT REAR	支点軸カンメ 奥	D	1	
23	56UA46100E	Roller Cleaning Rail	ローラ清掃レール	D	1	
24	56UA46440	MULTI FEED SEAL A	重送シール A	C	1	
25	56UA46030F	Registration Roller /Lower	レジスト ローラ/下	B	1	
26	56UAR78100	MULTI FEED COVER ASSY	重送カバー部組	D	1	
27	56UAR77900	SUPPORT SHAFT FRONT	支点軸カンメ 前	D	1	
28	A0G6714300	Registration Gear/Lower 20T	レジストギア/下 20 T	B	1	
29	56AA17471	PIN B 3X12	ピン B 3 X 1 2	C	1	
30	56UA77560	Roller Gear/R 35T	ローラギア/ R 35 T	B	1	
31	14GE45470	Rotation Knob	回転ノブ	C	1	
32	57AA97211E	Jam Release Label /2	ジャム解除ラベル/ 2	C	1	
33	56UAR77800	REGIST CLEANER ASSY LOWER	レジスト清掃部組 下	C	1	
34	A0G6714100	Drive Gear /T 31T	駆動ギア/ T 31 T	C	1	
35	56AA17551	PIN A	ピン A	C	3	
36	A0Y5713100	Drive Roller /T	駆動ローラ/ T	C	2	
37	56UA90750	PAPER FEED DETECTION WIRING	給紙検知束線	D	1	

# ADU REGIST UNIT

改訂版 REVISED EDITION	日付 DATE
	JULY 2012

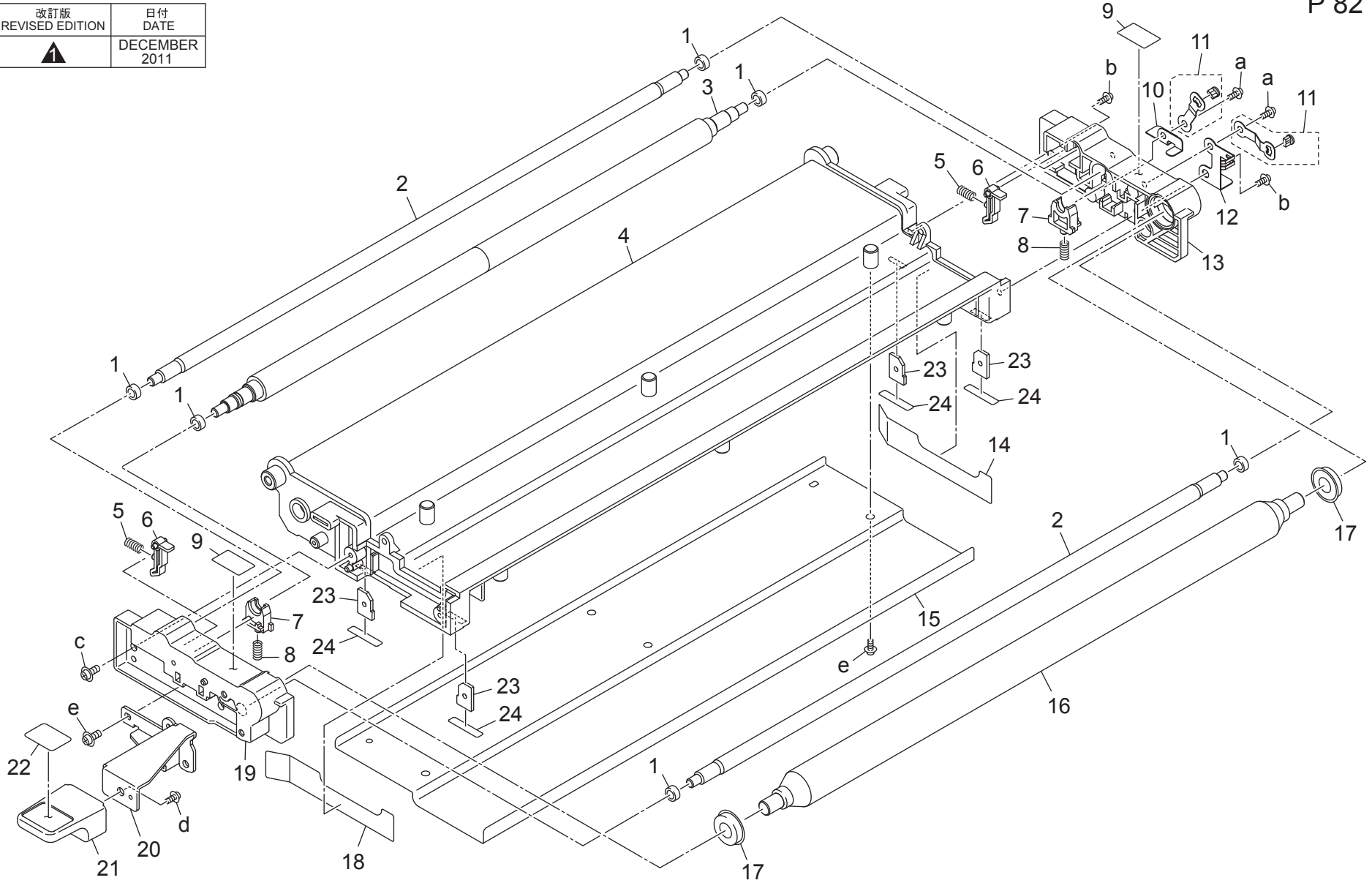


Key	Part No.	Description	Destinations	Class	QTY	Standard parts
1	57AA97221E	Jam Release Label /3		C	1	a-V118030403
2	56QA46060	Transfer Guide Handle		C	1	b-V118031003
3	A0G6713600	Open/Close Plate /Front		D	1	c-V121030403
4	A0G6713700	Open/Close Shaft /Front		D	1	d-V121030603
5	A0G6713800	Wiring Plate		D	1	e-V127030603
6	A4EUR74800	Idler Roller /T Assy		B	2	f-V145260503
7	55VA46451	REGISTRATION FEEDING SPRING		B	2	g-V217040050
8	A0G6713400	Idler Shaft /T		D	1	h-V217060050
9	56UA44680	Idler Bushing		C	2	i-V500010020
10	A0G6714000	Plate /T		D	1	j-V500010024
11	A0G6712200	Holding Holder		C	1	k-V500010050
12	A0G6N16301	Relay Harness /4		D	1	m-V570010021
13	13QA85511	Sensor 1		B	3	n-V570010050
14	56AA85521	Conveyance Photo Sensor		B	1	p-V570010050
15	A0G6710400	Feeding Plate /T		D	1	r-V127030516
16	A0G6712301	Plate /Front		D	1	
17	A0Y5M55100	Compensating Sensor		C	1	
18	A0G6712701	Plate /Rear		D	1	
19	A0G6710201	Guide Casing		D	1	
20	A0G6712400	Guide Plate /R		C	1	
21	A0G6714200	Registration Gear/Upper 18T		B	1	
22	56AA17471	PIN B 3X12		C	1	
23	A4EU715400	Registration Bushing /Upper		B	2	
24	A4EU710600	Registration Roller /Upper		B	1	
25	A0G6710500	Registration Plate /Upper		D	1	
26	A0G6714600	Ground Plate Spring /R		C	1	
27	56UA46190	Roller Conductive Pad		C	1	
28	190040922E	Fixing Screw		C	2	
29	A0G6711500	Holding Part /R		D	1	
30	A0G6714700	Registration Spacer		D	4	
31	56UA90880	RELAY WIRING 3		D	1	
32	56UA46110E	Guide Part		D	1	
33	A4EUR74600	Cleaning Brush /2 Assy		C	2	
34	A4EUR74500	Cleaning Brush /1 Assy		C	1	
35	A0G6717100	Protection Seal /Upper		D	1	

# TRANSFER BELT UNIT

P 82

改訂版 REVISED EDITION	日付 DATE
	DECEMBER 2011



bizhub PRO 1200P

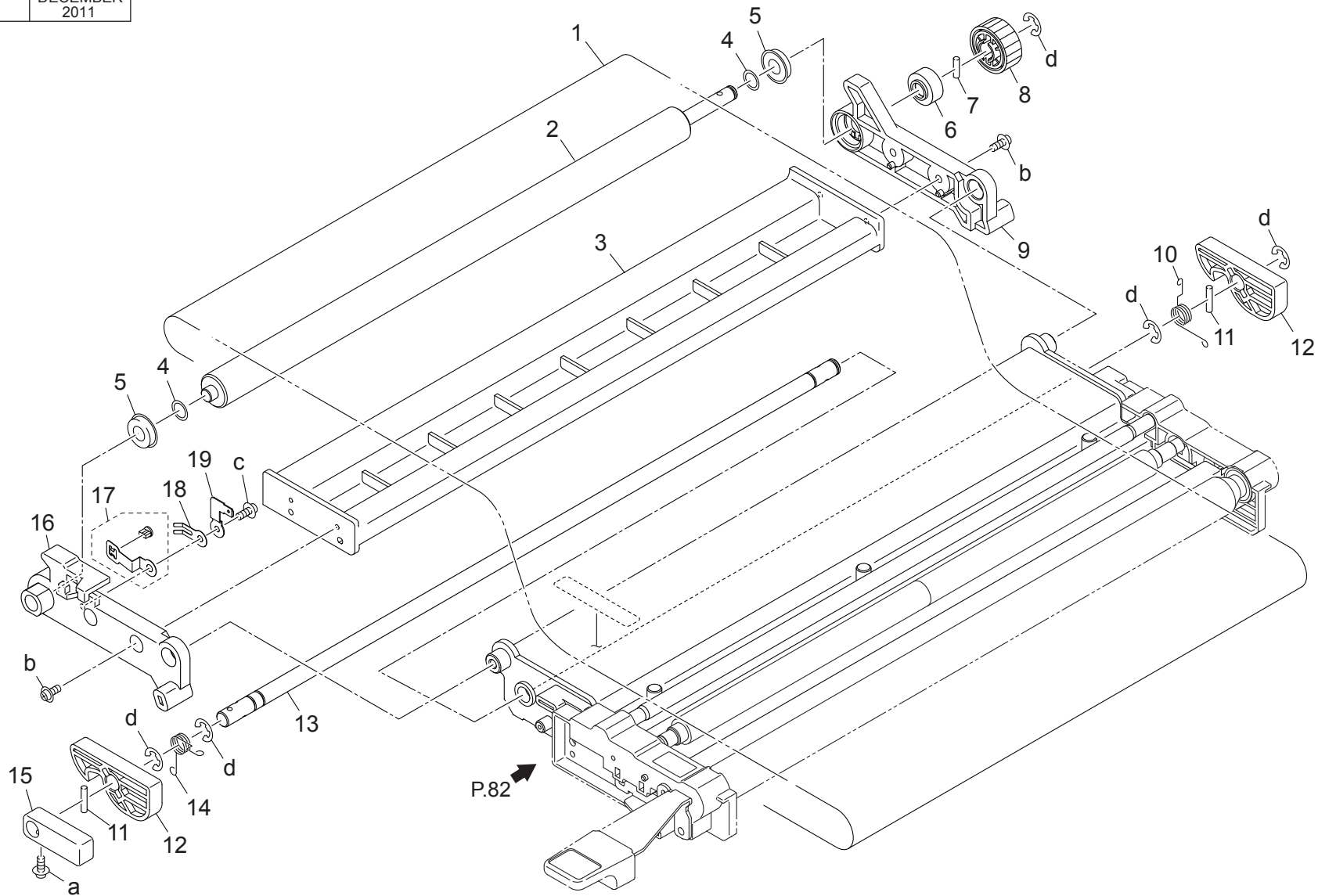


# TRANSFER BELT UNIT

Key	Part No.	Description	Destinations	Class	QTY	Standard parts
1	A0G6503900	Power supply Ball bearing	給電ボールベアリング	B	6	a-V121030403 b-V121030603 c-V121030803 d-V145040803 e-V151030803
2	A0G6500700	Roller	ローラ	C	2	
3	A0G6500600	Transfer Roller	転写ローラ	B	1	
4	A0G6500200Old	Transfer Bottom Plate /1	転写底板 / 1	D	1	
4	A0G6500211	Transfer Bottom Plate /1	転写底板 / 1	D	1	
5	A0G6501900	Pressure Spring	圧着ばね	C	2	
6	A0G6503800	Release Part	解除部材	D	2	
7	A0G6501800	Receiving Part	受け部材	D	2	
8	A0G6501700	Pressure Spring	圧着ばね	C	2	
9	A0G6951000	Set Label /10	セットラベル / 10	D	2	
10	A0G6503200	Power Supply Plate	給電板	D	1	
11	A0G6R70700	Transfer Electrode Assy	転写電極部組	B	2	
12	A0G6503100	Ground Plate	アース板	D	1	
13	A0G6502802	Fixing Part /Rear	固定部材 / 奥	D	1	
14	A0G6503500	Protection Sheet /Rear	保護シート / 奥	C	1	
15	A0G6503300	Reinforce Plate /Lower	補強板 / 下	D	1	
16	A0G6500500	Idler Roller	従動ローラ	C	1	
17	A1RF529300	Ball bearing	ボールベアリング	C	2	
18	A0G6503600	Protection Sheet /Front	保護シート / 前	C	1	
19	A0G6502702	Fixing Part /Front	固定部材 / 前	D	1	
20	A0G6501100	Open/Close Lever	開閉レバー	C	1	
21	65AA53991	Fixing Paper Exit Lever	定着排紙レバー	C	1	
22	A0G6945500	Label /5	ラベル / 5 ( J A M ラベル / 5 )	C	1	
23	A0G6501000	Receiving Plate /1	受け板 / 1	D	4	
24	A0G6501200	Holding Film	押さえフィルム	D	4	

# TRANSFER BELT UNIT

改訂版 REVISED EDITION	日付 DATE
	DECEMBER 2011

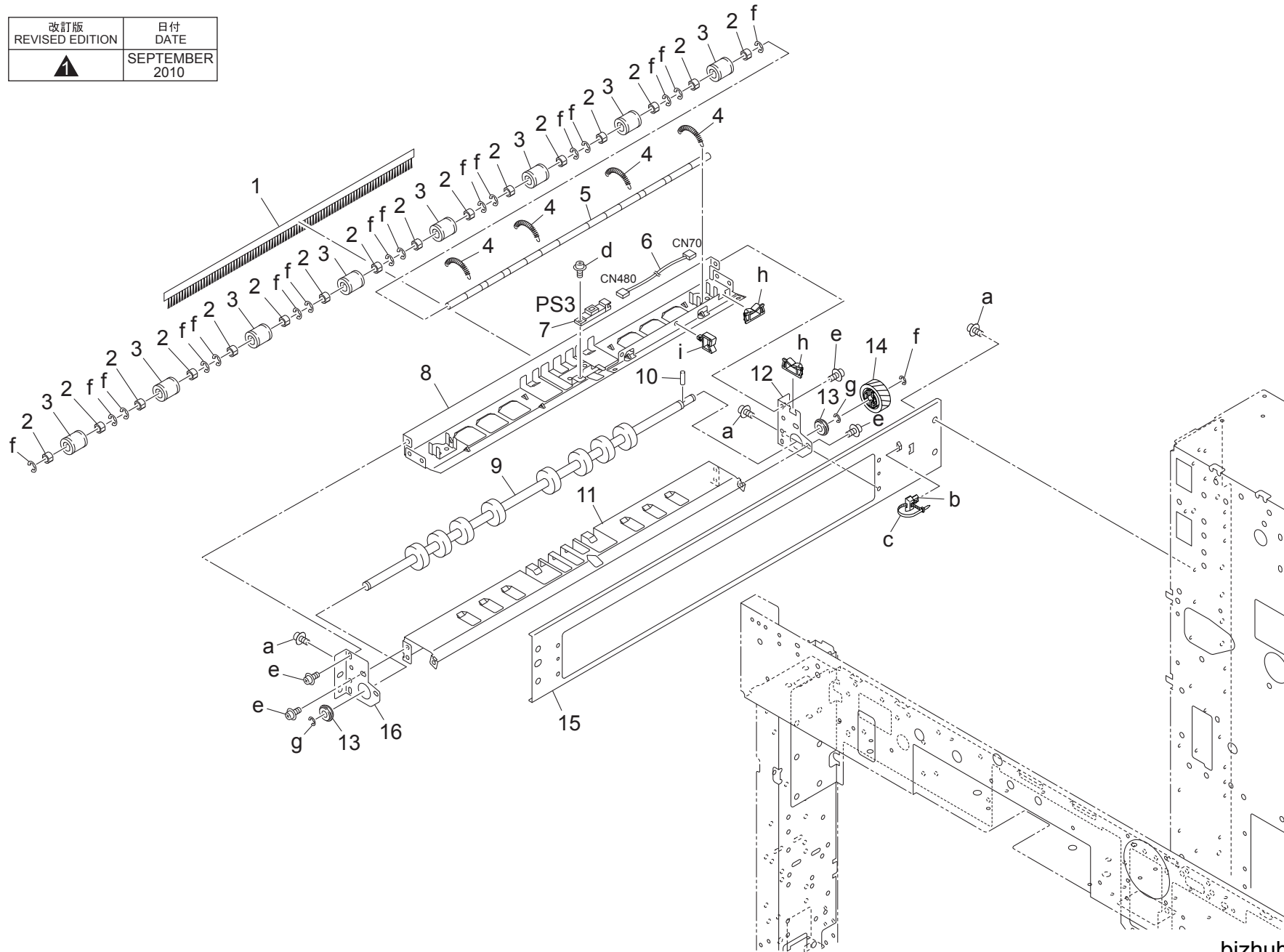


# TRANSFER BELT UNIT

Key	Part No.	Description	Destinations	Class	QTY	Standard parts
1	A0G6500113	Transfer Belt		B	1	a-V121030603 b-V121030803 c-V145030803 d-V217060050
2	A4EU500400	Drive Roller		C	1	
3	A0G6500300	Transfer Bottom Plate /2		D	1	
4	12QV40650	SPACER		B	2	
5	A1RF529300	Ball bearing		C	2	
6	57GA47640	BELT TENSION ROLLER		C	1	
7	56AA17461	PIN A		B	1	
8	A0G6502300	Drive Gear 48T		C	1	
9	A0G6500901	Hold Side plate /Rear		D	1	
10	A0G6501600	Lock Spring /Rear		C	1	
11	56AA17480	PIN B		C	2	
12	A0G6501400	Release Cam		C	2	
13	A0G6501300	Rotation Shaft		D	1	
14	A0G6501500	Lock Spring /Front		C	1	
15	A0G6503400	Release Lever		C	1	
16	A0G6500801	Hold Side plate /Front		D	1	
17	A4EUR70B00	Earth Electrode Assy		B	1	
18	A0G6502200	Ground Plate /2		D	1	
19	A0G6502600	Ground Plate /3		D	1	

# MAIN BODY PAPER EXIT UNIT

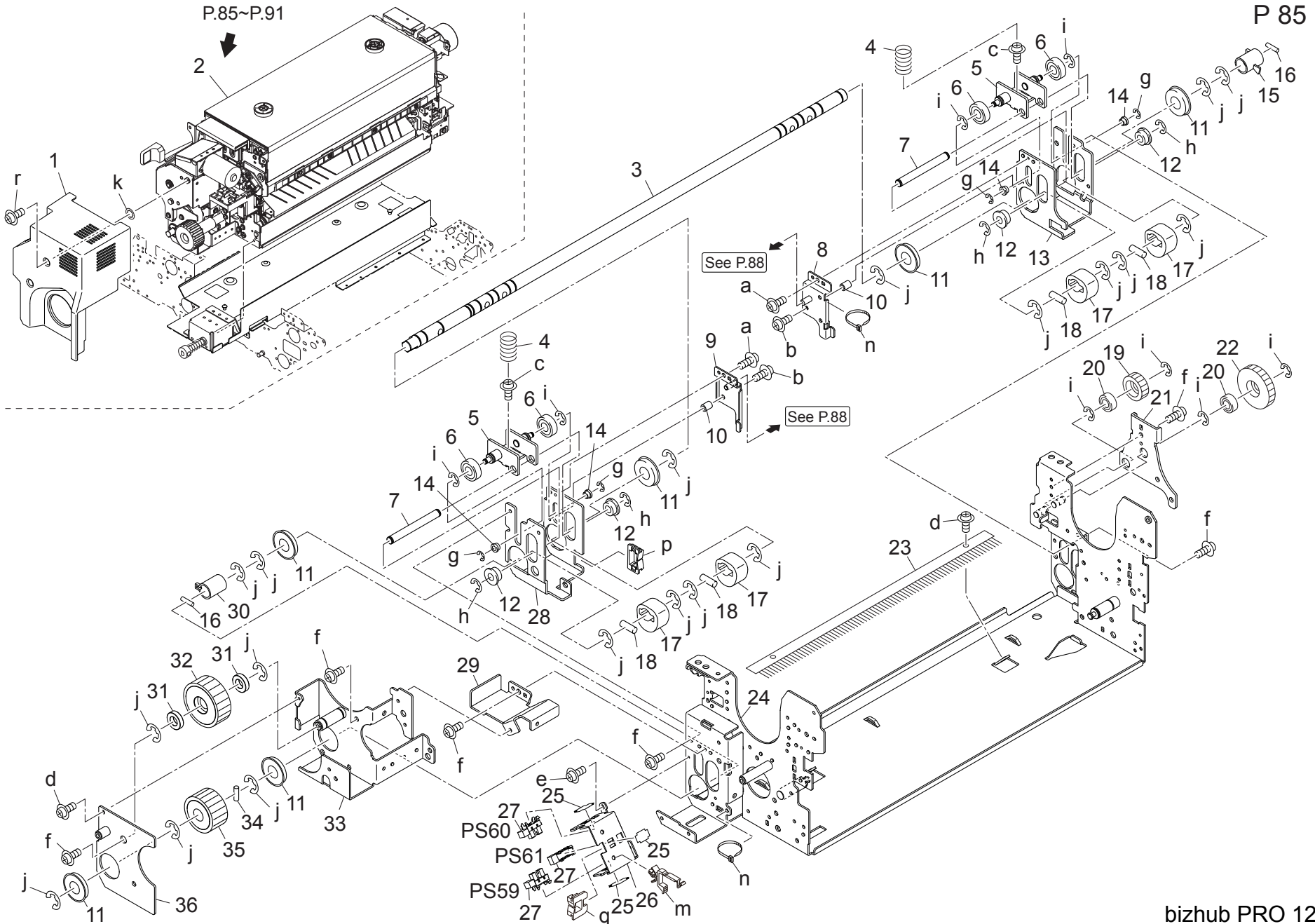
改訂版 REVISED EDITION	日付 DATE
	SEPTEMBER 2010



bizhub PRO 1200P

Key	Part No.	Description	Destinations	Class	QTY	Standard parts
1	13NK50220	NEUTRALIZING BRUSH A		C	1	a-V121040603
2	56GA76030	SLIDE SHAFT HOLDER		C	16	b-V500020068
3	56UA45600	Paper Exit Idler Roller /2		C	8	c-V501010002
4	56UA45960	Paper Exit Pressing Spring		C	4	d-V118030603
5	56UA45610	Paper Exit Idler Shaft /2		D	1	e-V121030603
6	56UA90890	PAPER EXIT RELAY WIRING		D	1	f-V217040050
7	13QA85511	Sensor 1		B	1	g-V217060050
8	56UA45510	Paper Exit Guide Plate /Upper		D	1	h-V570010021
9	56UA45571E	Paper exit Roller /2		B	1	i-V500010026
10	56AA17480Old	PIN B		C	1	
10	55VA48500	PARALLEL PIN D3X18		D	1	
11	56UA45520	Paper Exit Guide Plate /Lower		D	1	
12	56UA45550	Paper Exit Guide Side Plate /Rear		D	1	
13	A00V240600	BALL BEARING		C	2	
14	56UA77060Old	Paper Exit Drive Gear 25T		B	1	
14	56UA77061E	Paper Exit Drive Gear 25T		B	1	
15	56UA45500	PAPER EXIT SUPPORT PANEL		D	1	
16	56UA45540	Paper Exit Guide Side Plate /Front		D	1	

# FUSER UNIT



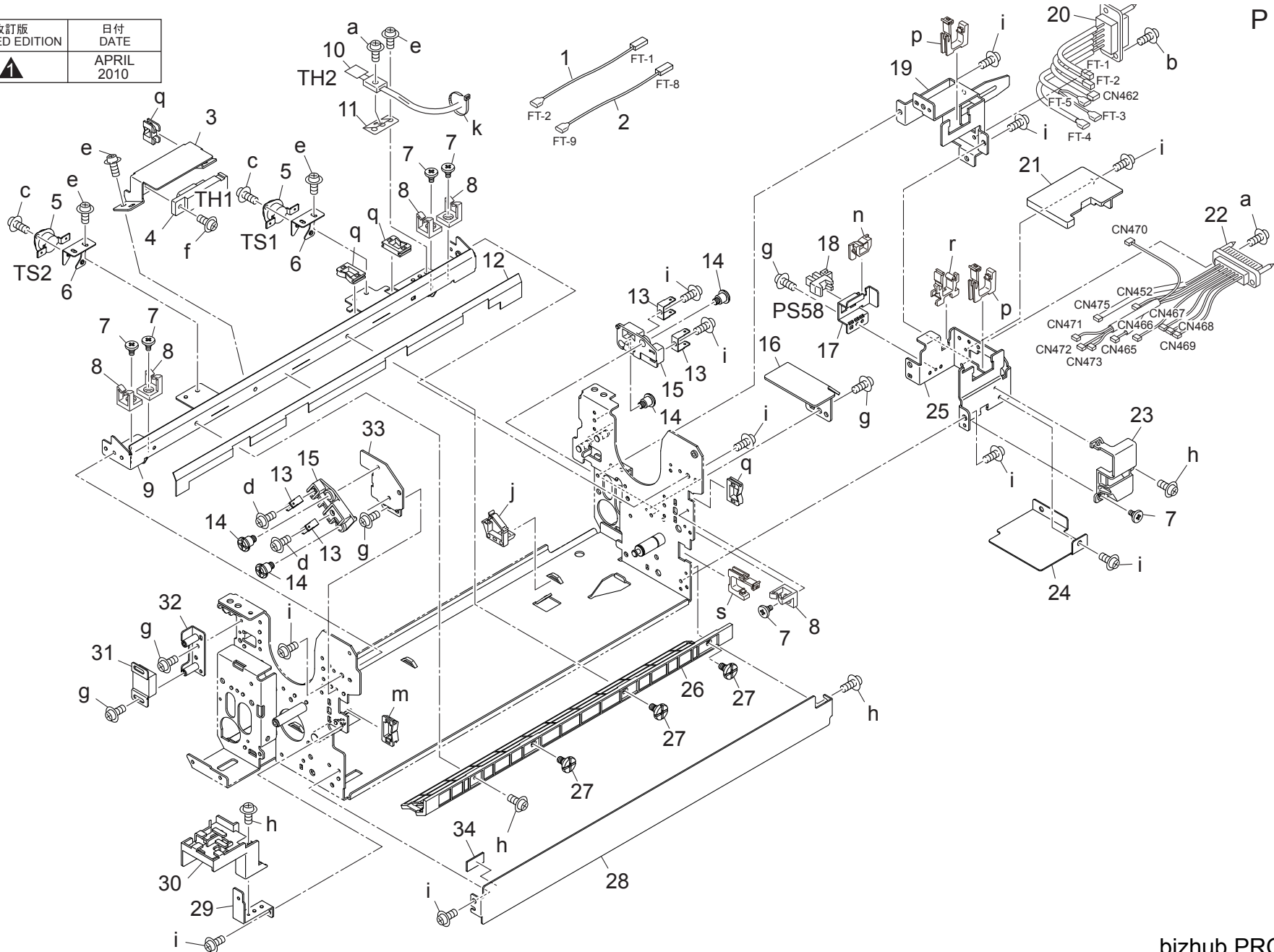
bizhub PRO 1200P

# FUSER UNIT

Key	Part No.	Description	Destinations	Class	QTY	Standard parts
1	A0G6747901	Fusing Cover		C	1	a-V118030403
2	A0G6R71822	Fuser Unit		I	1	b-V118031003
3	A0G6745300	Pressure Shaft /A		D	1	c-V118040403
4	A0G6736300	Pressure Spring		C	2	d-V127030603
5	A0G6746700	Pressing Part /A		D	2	e-V127030516
6	08AA76060	Fixing Bearing /Lower		B	4	f-V127040603
7	A0G6746800	Guide Shaft /1		D	2	g-V217030050
8	A0G6749100	Paper Exit Stopper /Rear		D	1	h-V217040050
9	A0G6749300	Paper Exit Stopper /Front		D	1	i-V217060050
10	A0G6749200	Support Shaft /Lower		D	2	j-V217100050
11	40AA53151	Fixing Roller Bearing /Lower		B	6	k-V211040080
12	A0G6747600	Guide Ball Bearing /1		C	4	m-V500010046
13	A0G6748200	Stable Holder /Rear		D	1	n-V501010014
14	A0G6739700	Guide Bearing /Lower		C	4	p-V570010008
15	A0G6748400	Pressure Actuator /Rear		C	1	q-V570010021
16	56AA17531	PIN A D2X10		C	2	r-V114040804
17	A0G6725400	Pressure Cam /1		C	4	
18	A0G6744900	Rotation Pin /1		C	4	
19	55VA77820	Fixing Idler Gear /2 23T		B	1	
20	392053360	ROLLER BEARING		B	2	
21	A0G6738900	Reinforce Plate /Rear		D	1	
22	55VA77870	FIXING IDLER GEAR 4 38T		B	1	
23	048644480	NEUTRALIZING BRUSH		B	1	
24	A0G6740102	Fusing Main body /Lower		D	1	
25	4470402401	STOPPER		D	3	
26	A0G6746400	Plate /1		D	1	
27	55VA85521	PHOTO SENSOR		C	3	
28	A0G6746600	Stable Holder /Front		D	1	
29	A0G6745700	Support Plate /S		D	1	
30	A0G6746500	Pressure Actuator /Front		C	1	
31	A0G6744700	Drive Ball Bearing /H		C	2	
32	A4EU747300	Release Gear /C 32T		C	1	
33	A4EUR76E00	Pressure Panel Caulking		D	1	
34	A0G6744600	Drive Pin /A		C	1	
35	A4EU747200	Release Gear /B 22T		C	1	
36	A4EUR76D00	Pressure Panel / 3 Caulking		D	1	

# FUSER UNIT

改訂版 REVISED EDITION	日付 DATE
	APRIL 2010

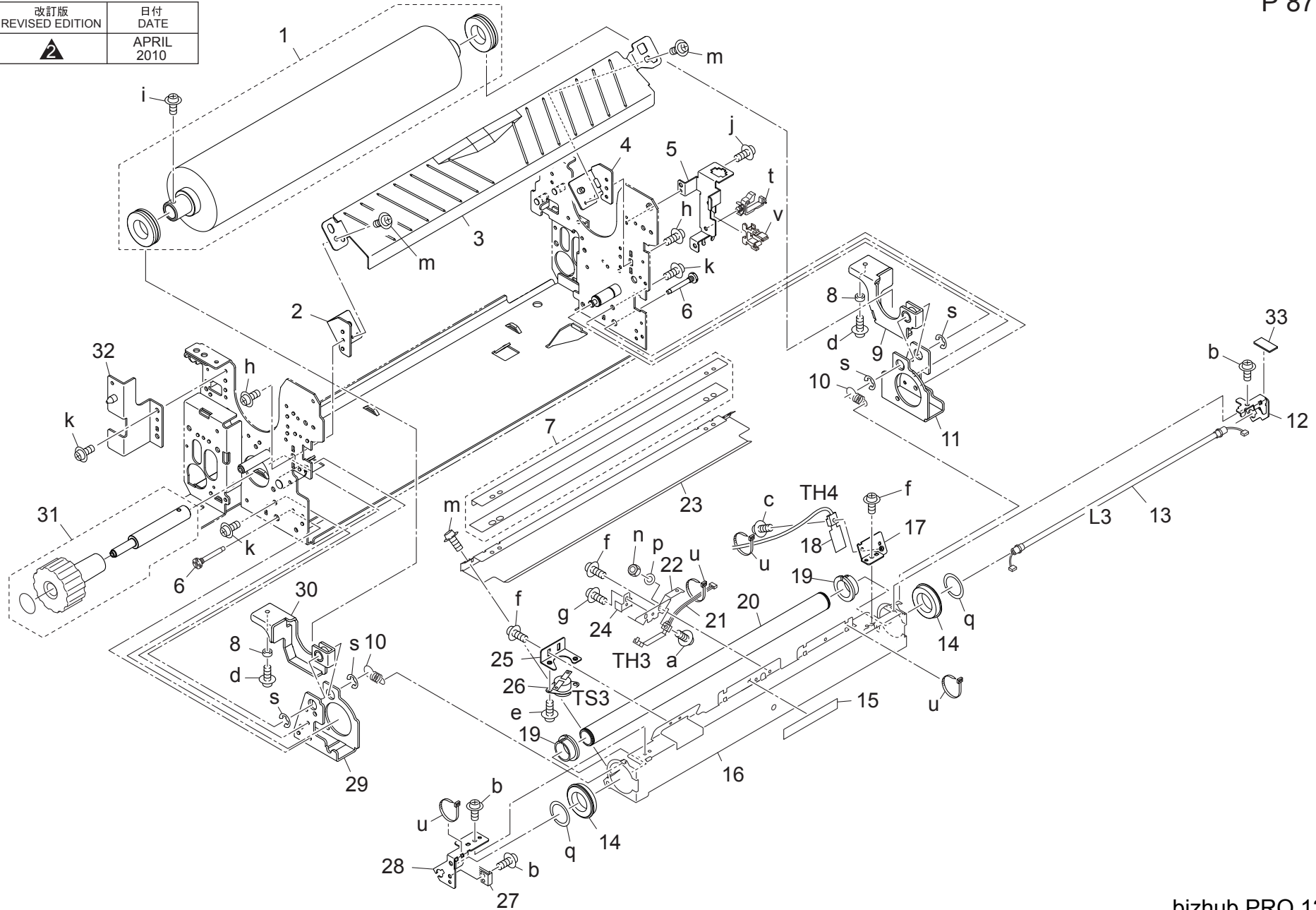




Key	Part No.	Description	Destinations	Class	QTY	Standard parts
1	A0G6N10801	Fixing Wiring /3		D	1	a-V118030803
2	A0G6N10903	Fixing Wiring /4		D	1	b-V118040803
3	A0G6739900	Plate /N		D	1	c-V122030403
4	57AE88010	TEMPERATURE SENSOR C		B	1	d-V122030603
5	SP00-0022	THERMOSTAT		A	2	e-V123030603
6	55VA53300	FUSE MOUNT PLATE UPPER		D	2	f-V123030803
7	A03U734500	Support Screw /A		C	6	g-V127030516
8	55VA53970	Wiring Holder Part		D	5	h-V127030603
9	A0G6742001	Guide Plate /C		C	1	i-V127040603
10	55VA88041	Temperature Sensor /2		B	1	j-V500010021
11	55VA53290	Mounting Plate /2		D	1	k-V501010014
12	A0G6733000	Insulating Cover /C		C	1	m-V570010008
13	55VA53742	TERMINAL PLATE 2		C	4	n-V570010021
14	25AA55151	BLADE POSITIONING SCREW		C	4	p-V570010027
15	55VA53721E	Terminal Pedestal		C	2	q-V570010034
16	A0G6738500	Power Supply Inner Partition /Rear		D	1	r-V570010050
17	A0G6739111	Power Supply /Middle		D	1	
18	55VA85521	PHOTO SENSOR		C	1	
19	A0G6738611	Power Supply Plate /1		D	1	
20	A0G6N10603	Fixing Wiring /1		D	1	
21	A0G6748311	Scatteringprevention Plate /Rear		C	1	
22	A0G6N13002	Fixing Wiring /2		D	1	
23	A0G6727801	Protection Plate /Rear		D	1	
24	A0G6741411	Power Supply Bottom Plate /1		D	1	
25	A0G6738711	Power Supply Plate /2		D	1	
26	A0G6732000	Guide Plate Outside		C	1	
27	56AA54220	FIXING SCREW 2		C	3	
28	A0G6741112	Fusing Stay /1		D	1	
29	A0G6749400	Slide Stay /Front		D	1	
30	A0G6749500	Insulating Plate /Front		D	1	
31	56UA53750	MAGNET CATCH		D	1	
32	A0G6738800	Suction Plate /1		D	1	
33	A0G6743800	Power Supply Plate /3		D	1	
34	A0G6727700	Protection Sheet /Rear		D	1	

# FUSER UNIT

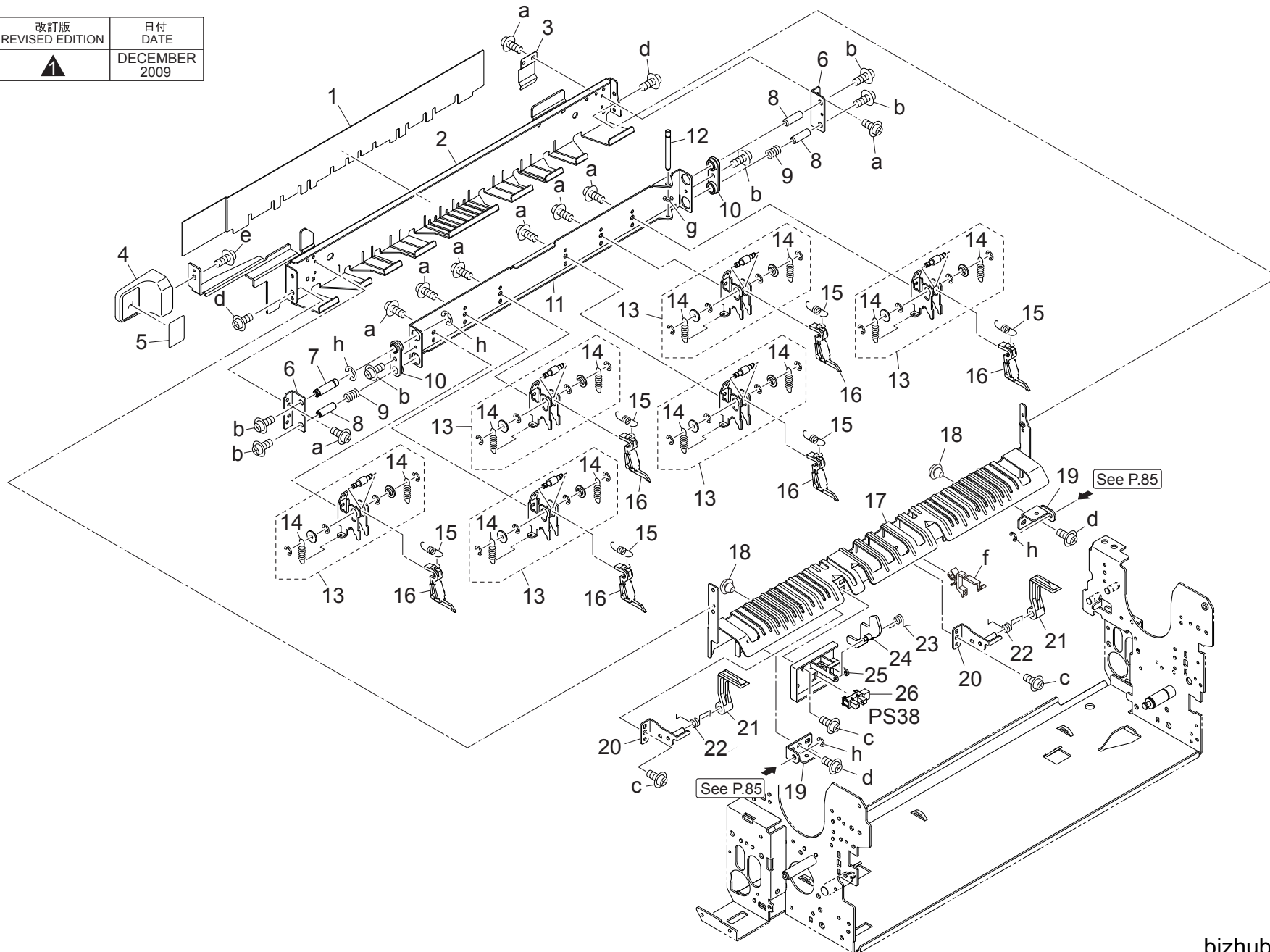
改訂版 REVISED EDITION	日付 DATE
	APRIL 2010



Key	Part No.	Description	Destinations	Class	QTY	Standard parts
1	A4EUR70V00	Lower Roller Assy		A	1	a-V111031003
2	A0G6741200	Entrance Bin /Front	下ローラ部組 入りロビン／前	C	1	b-V118030403
3	A0G6741012	Guide Plate /Lower	ガイド板／下	C	1	c-V118030803
4	A0G6741300	Entrance Pin /Rear	入りロビン／奥	C	1	d-V121040603
5	A0G6725001	Fusing Plate /Rear	定着板／奥	D	1	e-V122030403
6	55VA53360	Fulcrum Screw	支点ネジ	C	2	f-V123030403
7	56UAR7C100	FIXING CLEANING SHEET ASSY	定着清掃シート部組	A	1	g-V123030603
8	A0G6748900	Stable Roll	安定ころ	C	2	h-V123040603
9	A0G6748600	Pressure Lever /Rear	圧着レバー／奥	C	1	i-V123041203
10	55VA53450	PRESSURE SPRING	押圧バネ	B	2	j-V127030516
11	A0G6748811	Support Plate /Rear	支点板／奥	D	1	k-V127040603
12	A0G6727301	Heater Side Plate /Rear	ヒータ側板／奥	D	1	m-V182030603
13	55VB83042	Fixing Heater /3	定着 ヒーター／3	A	1	n-V195030003
14	56UA75070	FIXING BEARING	定着軸受	A	2	p-V205030003
15	A0G6727600	Protection Sheet /Lower	保護シート／下	C	1	q-V223170004
16	A0G6730311	Auxiliary Stay /1	補助ステー／1	D	1	r-V233402050
17	A0G6727401	Mounting Plate /Rear	取付板／奥	D	1	s-V217080050
18	55VA88061	Temperature Sensor /4	温度センサ／4	B	1	t-V500010020
19	26AA53150	HEAT INSULATING SLEEVE FRONT	断熱スリーブ 前	B	2	u-V501010014
20	56UA53070	FIXING AUXILIARY ROLLER	定着補助ローラ	B	1	v-V570010050
21	55VA88051	Temperature Sensor /3	温度センサ／3	B	1	
22	55VA53900	SUPPORT PART 2	センサ支持部材 2	D	1	
23	56UA53320	FIXING CLEANING PLATE /1	定着清掃板／1	D	1	
24	55VA53910	HOLDER PART	センサ押さえ部材	D	1	
25	A0G6727500	Mounting Plate /Front	取付板／前	D	1	
26	SP00-0043	THERMOSTAT 3	サーモスタット 3	A	1	
27	56UA54160E	Neutralizing Brush /B	除電ブラシ／B	B	1	
28	A0G6727201	Heater Side Plate /Front	ヒータ側板／前	D	1	
29	A0G6748711	Support Plate /Front	支点板／前	D	1	
30	A0G6748500	Pressure Lever /Front	圧着レバー／前	C	1	
31	A0G6R78911	Paper Exit Knob Assy	排紙ノブ部組	D	1	
32	A0G6745800	Pressure Part	圧着部材	D	1	
33	A0G6727700	Protection Sheet /Rear	保護シート／奥	D	1	

# FUSER UNIT

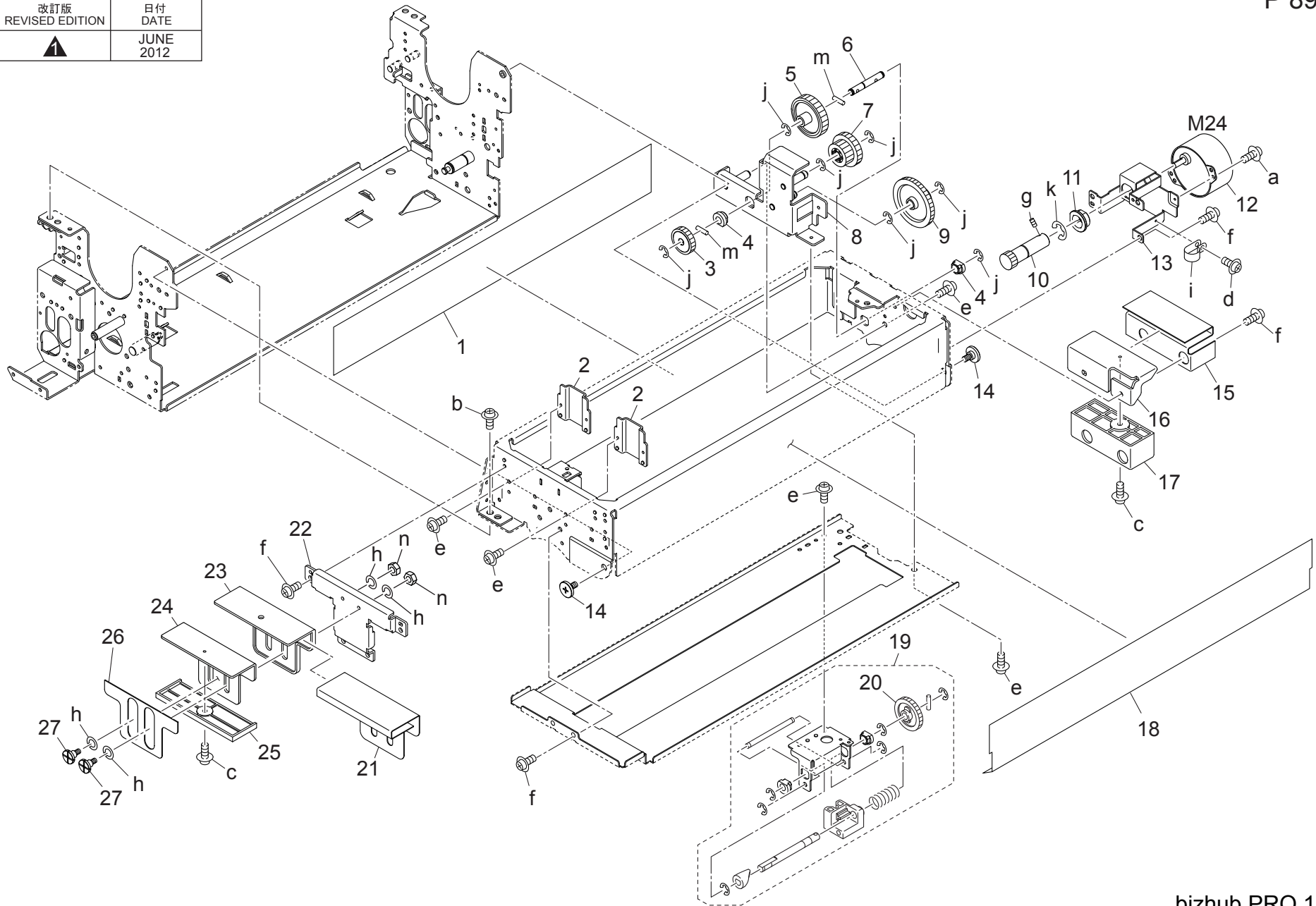
改訂版 REVISED EDITION	日付 DATE
	DECEMBER 2009





# FUSER UNIT

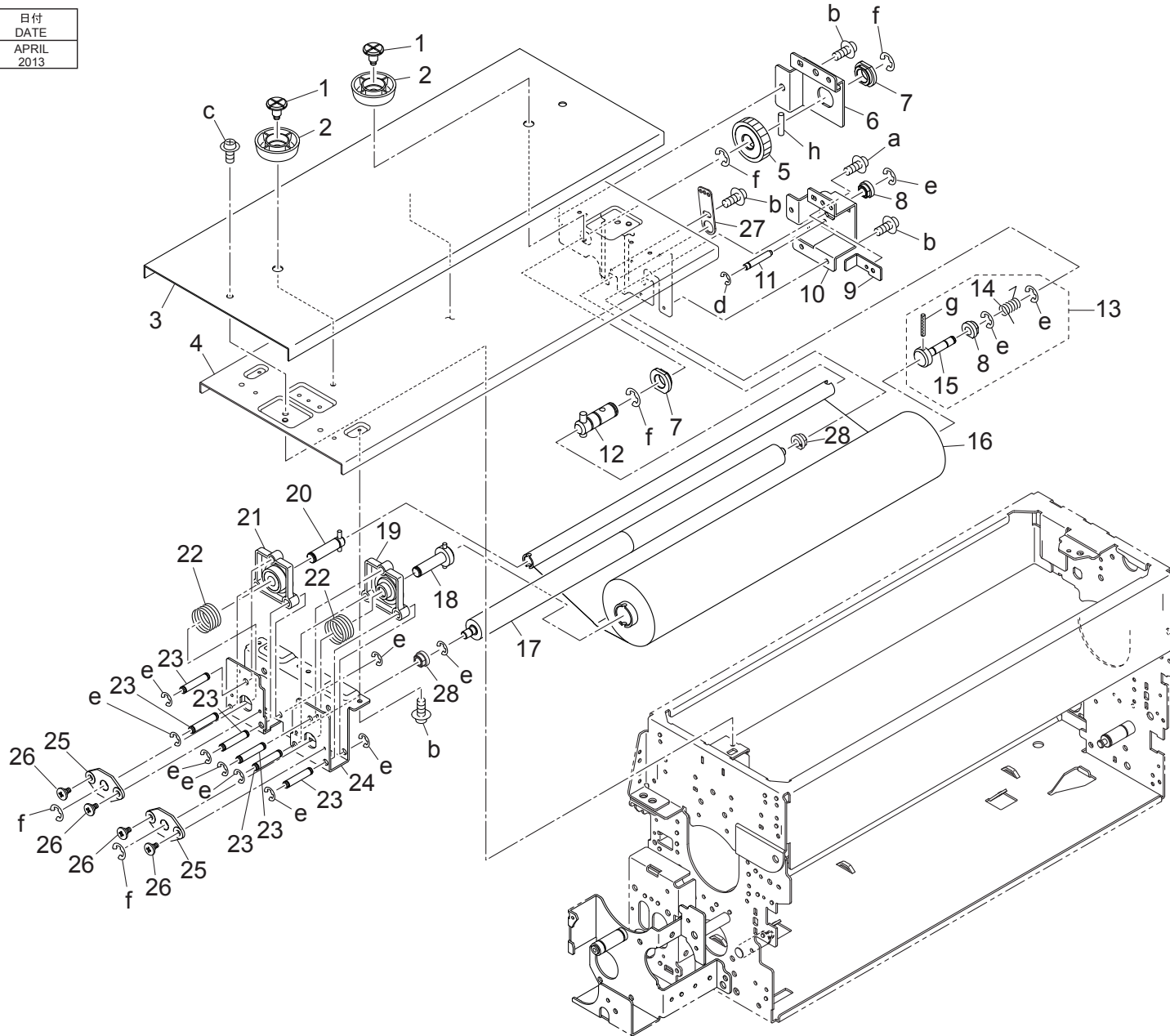
改訂版 REVISED EDITION	日付 DATE
▲	JUNE 2012





# FUSER UNIT

改訂版 REVISED EDITION	日付 DATE
	APRIL 2013

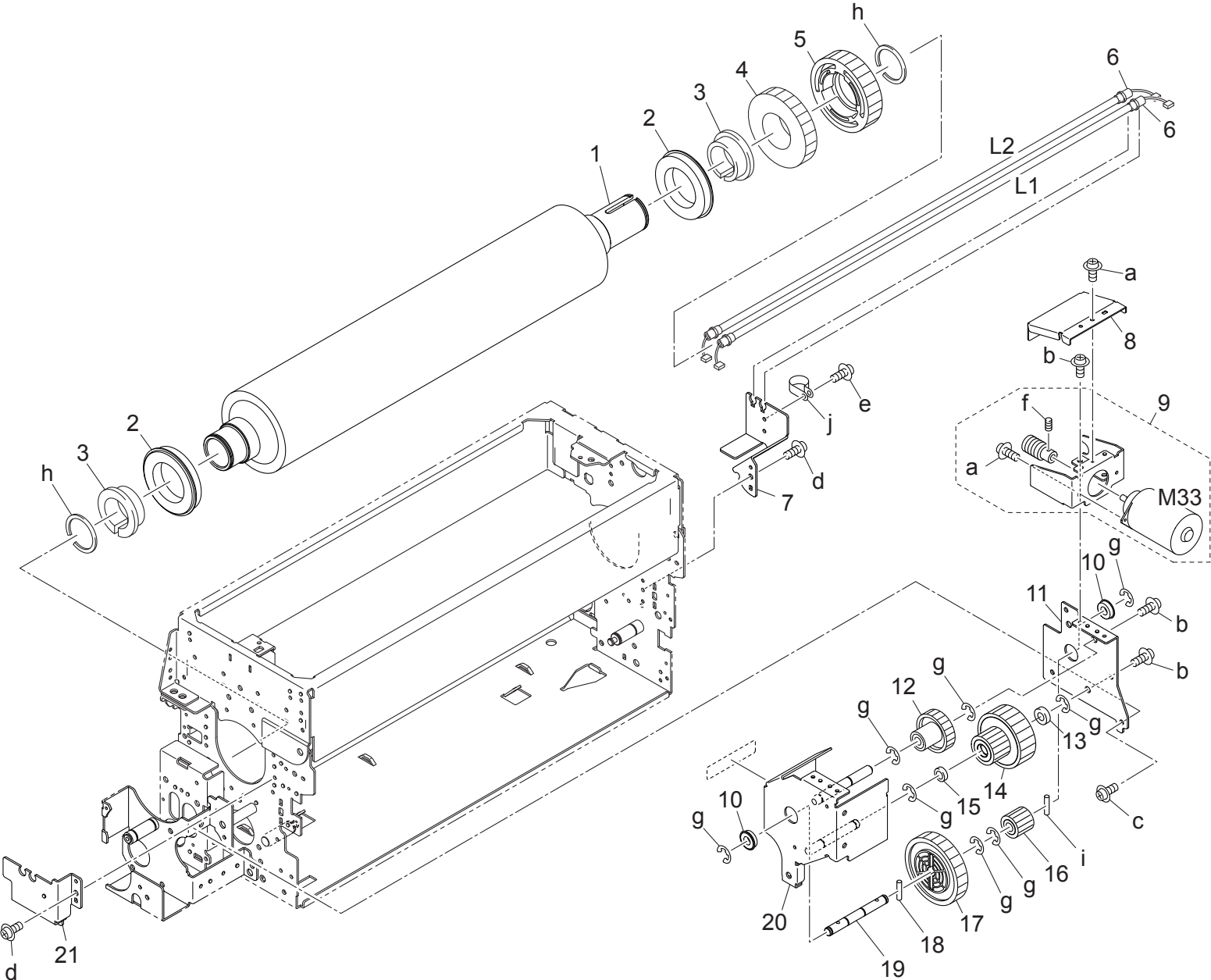




# FUSER UNIT

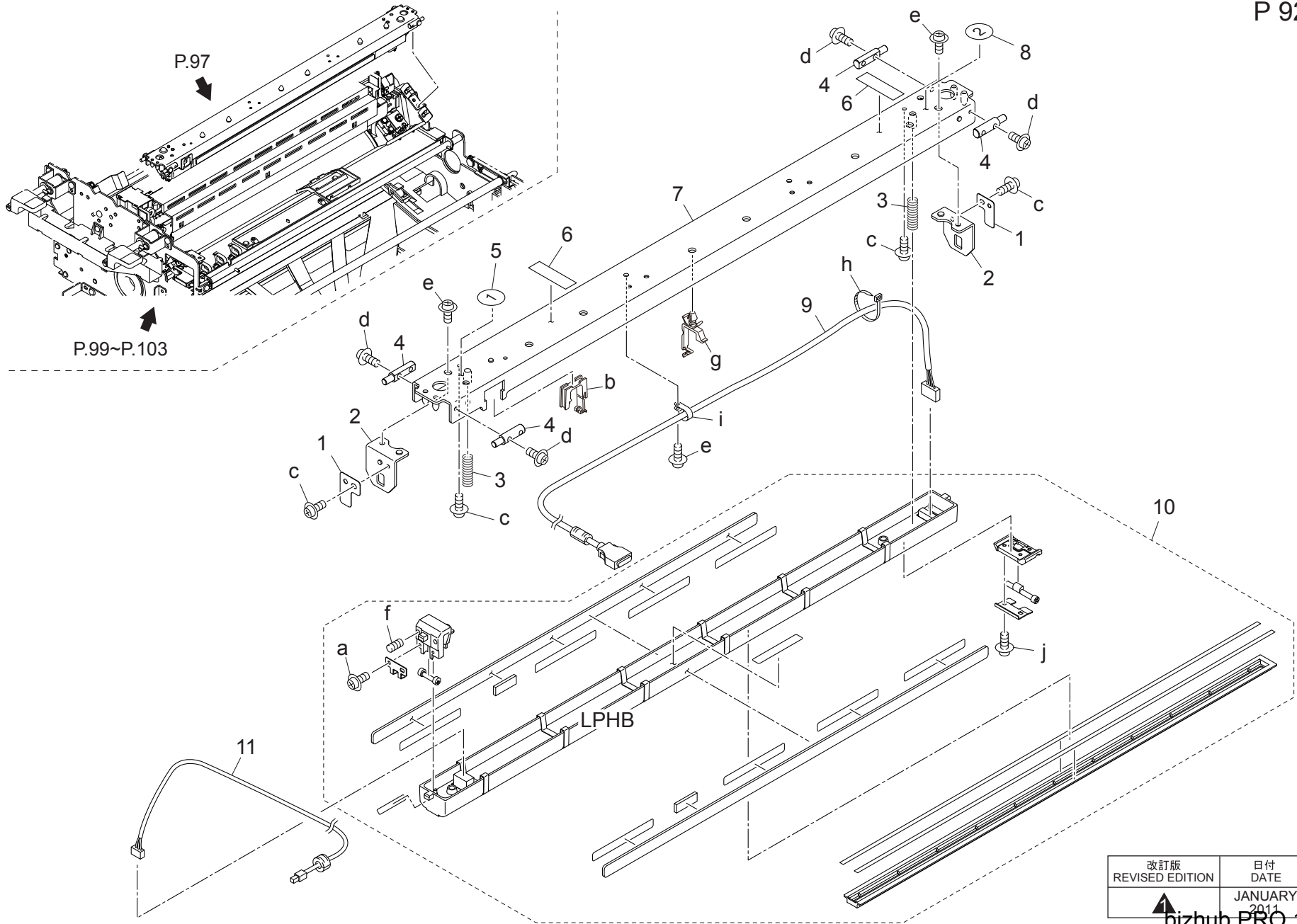
Key	Part No.	Description	Destinations	Class	QTY	Standard parts
1	A0G6749900	Click Screw		C	2	a-V123030603
2	A0G6746900	Lifting Part /1		D	2	b-V127030516
3	A0G6725700	Insulating Cover /F		C	1	c-V182040603
4	A0G6731300Old	Fusing Plate /3		D	1	d-V217030050
4	A0G6731301	Fusing Plate /3		D	1	e-V217040050
5	A0G6734100	Cleaning Gear /1 22T		C	1	f-V217060050
6	A0G6732700	Cleaning Plate /1		D	1	g-V233302050
7	A0G6734500	Cleaning Bushing /5		C	2	h-V237301450
8	56UA760900	Fixing Cleaning Bushing /C		B	2	
9	56UA54430	ADJUSTMENT PLATE REAR		D	1	
10	A0G6743100	Drive Plate /3		D	1	
11	A0G6734300	Drive Stopper /1		C	1	
12	A0G6R78600	Cleaning Drive Assy		D	1	
13	A4EUR70T00	Regulating Part Assy		B	1	
14	A0G6744100	Regulating Spring		C	1	
15	A0G6731800	Regulating Shaft /1		D	1	
16	A0G6731400	Web		A	1	
17	56UA53530	FIXING CLEANING ROLLER		B	1	
18	A4EUR73500	Holding Shaft / Right Assy		D	1	
19	A0G6732500	Holding Part /Right		D	1	
20	A4EUR73400	Holding Shaft / Left Assy		D	1	
21	A0G6732100	Holding Part /Left		D	1	
22	A0G6732200	Pressing Spring /Front		C	2	
23	A0G6732400	Guide Shaft /Front		D	6	
24	A0G6731101	Stopper Plate /9		D	1	
25	A4EU731500	Stopper Bushing /5		C	2	
26	A03U734500	Support Screw /A		C	4	
27	A4EU732300	Adjusting Plate		D	1	
28	A4EU732600	Bushing		C	2	

FUSER UNIT





# SUPPORT STAY UNIT



改訂版 REVISED EDITION	日付 DATE
▲	JANUARY 2011

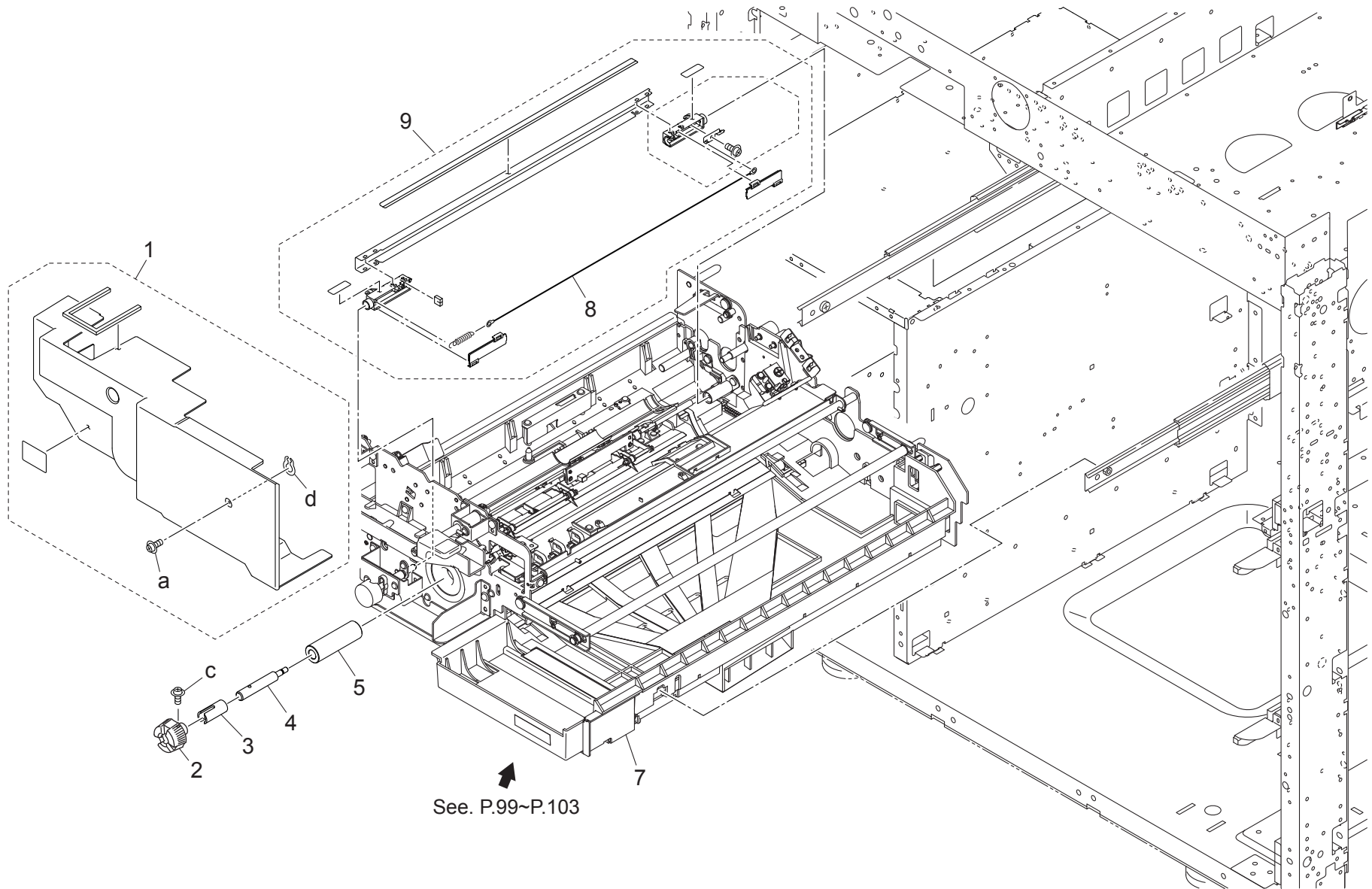
▲ bizhub PRO 1200P





# DRUM CARTRIDGE UNIT

改訂版 REVISED EDITION	日付 DATE
	NOVEMBER 2009



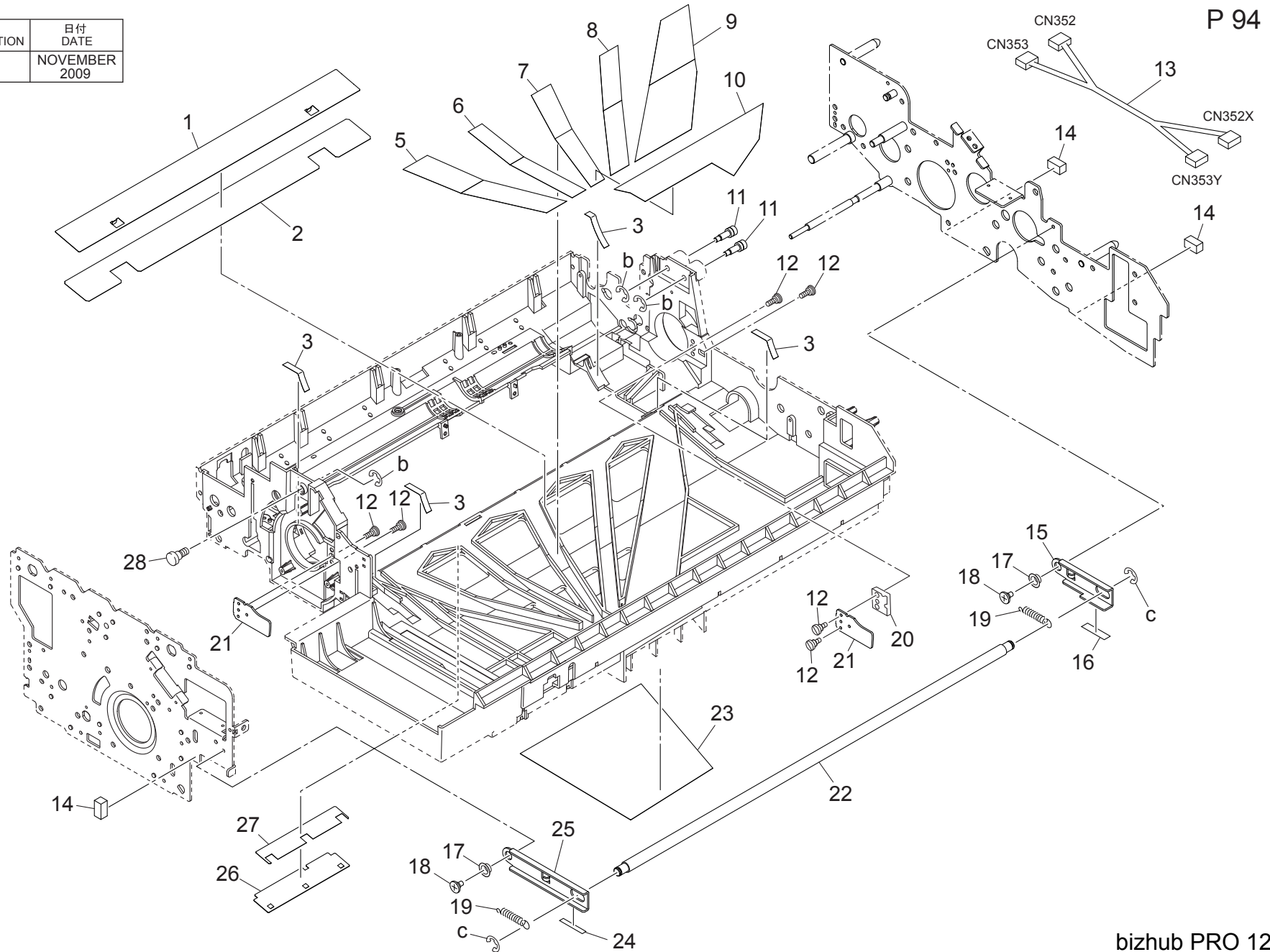
bizhub PRO 1200P



# DRUM CARTRIDGE UNIT

改訂版 REVISED EDITION	日付 DATE
	NOVEMBER 2009

P 94



bizhub PRO 1200P

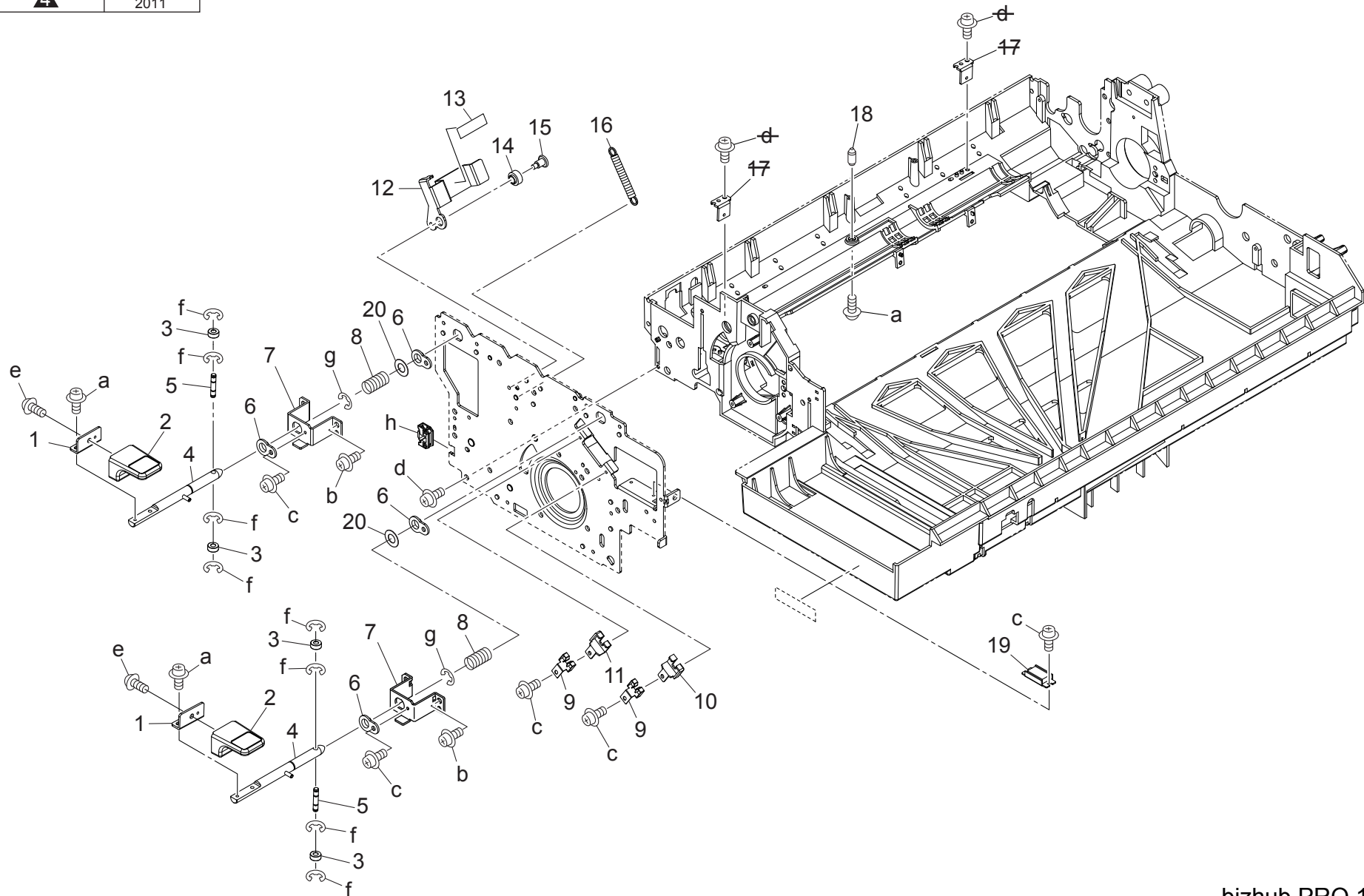


# DRUM CARTRIDGE UNIT

Key	Part No.	Description	Destinations	Class	QTY	Standard parts
1	A0G6343401	Suction Plate	サククション板	D	1	b-V217030050 c-V217060050
2	A0G6344200	Sealing Part /G	シール部材 / G	C	1	
3	A0G6332600	Protection Seal /2	保護シール / 2	C	4	
5	56UA20750	Developing Suction Cover /6	現像サククション蓋 / 6	C	1	
6	56UA20740	Developing Suction Cover /5	現像サククション蓋 / 5	D	1	
7	56UA20730	Developing Suction Cover /4	現像サククション蓋 / 4	D	1	
8	56UA20720	Developing Suction Cover /3	現像サククション蓋 / 3	D	1	
9	A0G6343300	Suction Cover /2	サククション蓋 / 2	C	1	
10	A0G6343200	Suction Cover	サククション蓋	C	1	
11	56UA20380	CHARGING SUPPORT SHAFT REAR	帯電支持軸 奥	D	2	
12	56AA17390	STANDARD SCREW	基準ネジ	C	6	
13	A0G6N22500	Photoconductor Relay Harness /4	感光体中継束線 / 4	D	1	
14	A0G6M92500	Gasket /O	ガスケット / O	C	3	
15	A0G6333600	Developing Lever /Rear	現像レバー / 奥	C	1	
16	A0G6950700	Set Label /7	セットラベル / 7	D	1	
17	090020510	CLEANER MOUNT LEVER COLLAR	クリーニング取り付けレバーカラー	C	2	
18	55VA20520	Cleaner Locking Screw	クリーナーロックネジ	C	2	
19	55VA20290	DEVELOPING PRESSURE SPRING	現像押圧バネ	B	2	
20	25SA20110	BASE PLATE/B	基準板 / B	D	1	
21	55VA20101E	Base Plate /Front	基準板 / 前	D	2	
22	A0G6332100	Release Shaft	解除軸	D	1	
23	56UA20760	Developing Suction Cover /7	現像サククション蓋 / 7	D	1	
24	A0G6950600	Set Label /6	セットラベル / 6	D	1	
25	A0G6333500	Developing Lever /Front	現像レバー / 前	C	1	
26	A0G6333901	Cover Plate	カバープレート	D	1	
27	A0G6344300	Sealing Part /J	シール部材 / J	C	1	
28	55VA20370DOld	Charging Support Shaft /Front	帯電支持軸 / 前	D	1	
28	A0G6335501	Support Shaft /Front	支持軸 / 前	D	1	

# DRUM CARTRIDGE UNIT

改訂版 REVISED EDITION	日付 DATE
	DECEMBER 2011



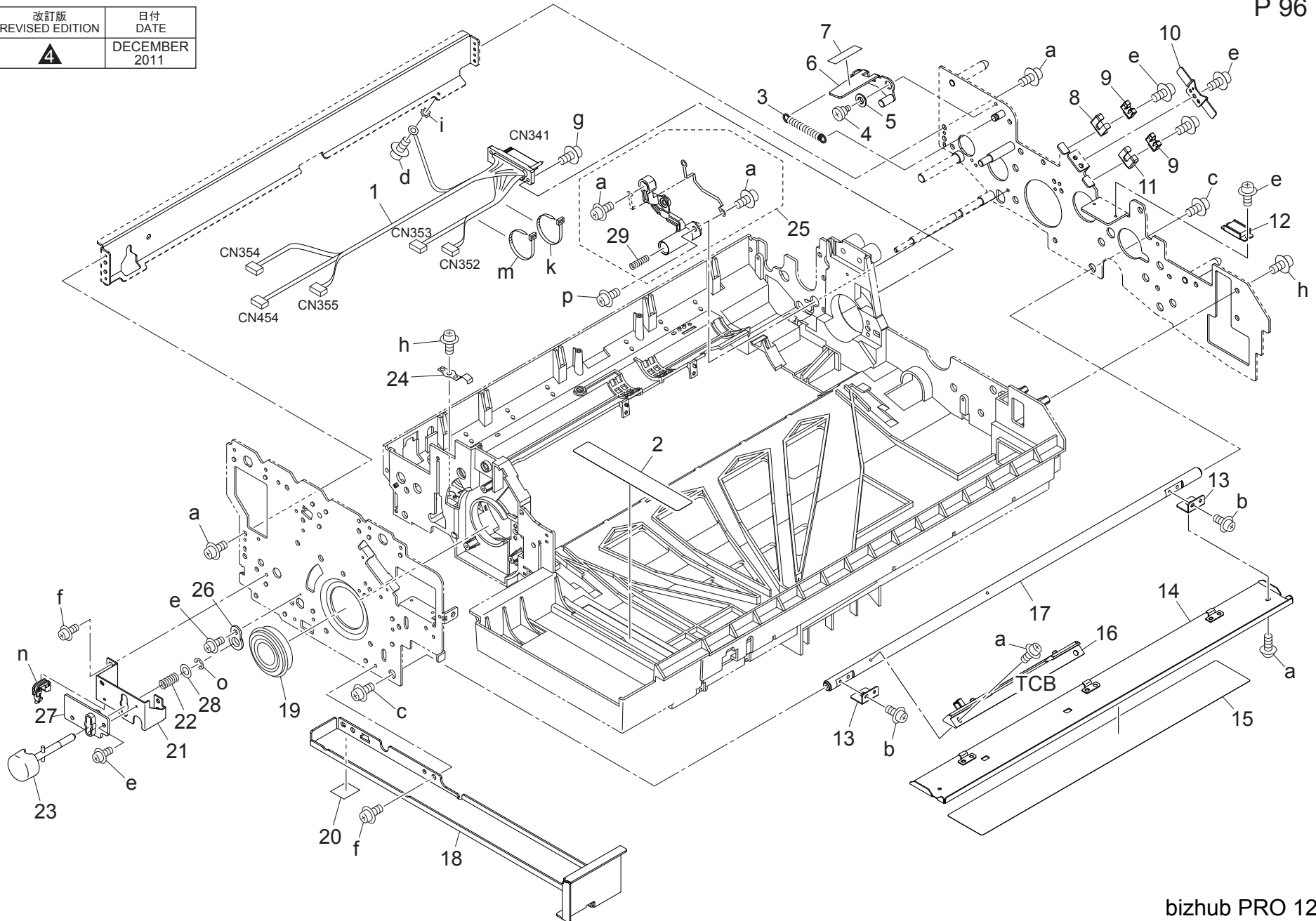
# DRUM CARTRIDGE UNIT

Key	Part No.	Description	Destinations	Class	QTY	Standard parts
1	A0G6334100	Support Plate /T		D	2	a-V121030603 b-V126041003 c-V127030603 d-V151030803 e-V151040803 f-V217030050 g-V217060050 h-V570010056
2	A0G6344600	Paper Exit Lever		C	2	
3	56AA45510	Conveyance Idler Bearing		C	4	
4	A0G6R7A500	Pulling Shaft Assy		D	2	
5	A0G6331700	Rotation Shaft /R		D	2	
6	A0G6343900	Slide Collar		C	4	
7	A0G6331601	Support Plate /R		D	2	
8	A0G6331500	Pulling Spring		C	2	
9	A0G6302500	Fixing Plate Spring		C	2	
10	A0G6302700	Guide Cover /Right		D	1	
11	A0G6302800	Guide Cover /Left		D	1	
12	A0G6R77700	Cleener Lever /F Assy		D	1	
13	A0G6950800	Set Label /8		D	1	
14	A0G6342400	Lock Collar /Front		C	1	
15	A0G6342200	Lock Screw		C	1	
16	A0Y5344900	Lock Spring		C	1	
18	55VA20630D	Cleener Base Shaft		D	1	
19	40AA32290	MAGNET CATCH		C	1	
20	55VA32530	SPACER		C	2	

# DRUM CARTRIDGE UNIT

P 96

改訂版 REVISED EDITION	日付 DATE
	DECEMBER 2011



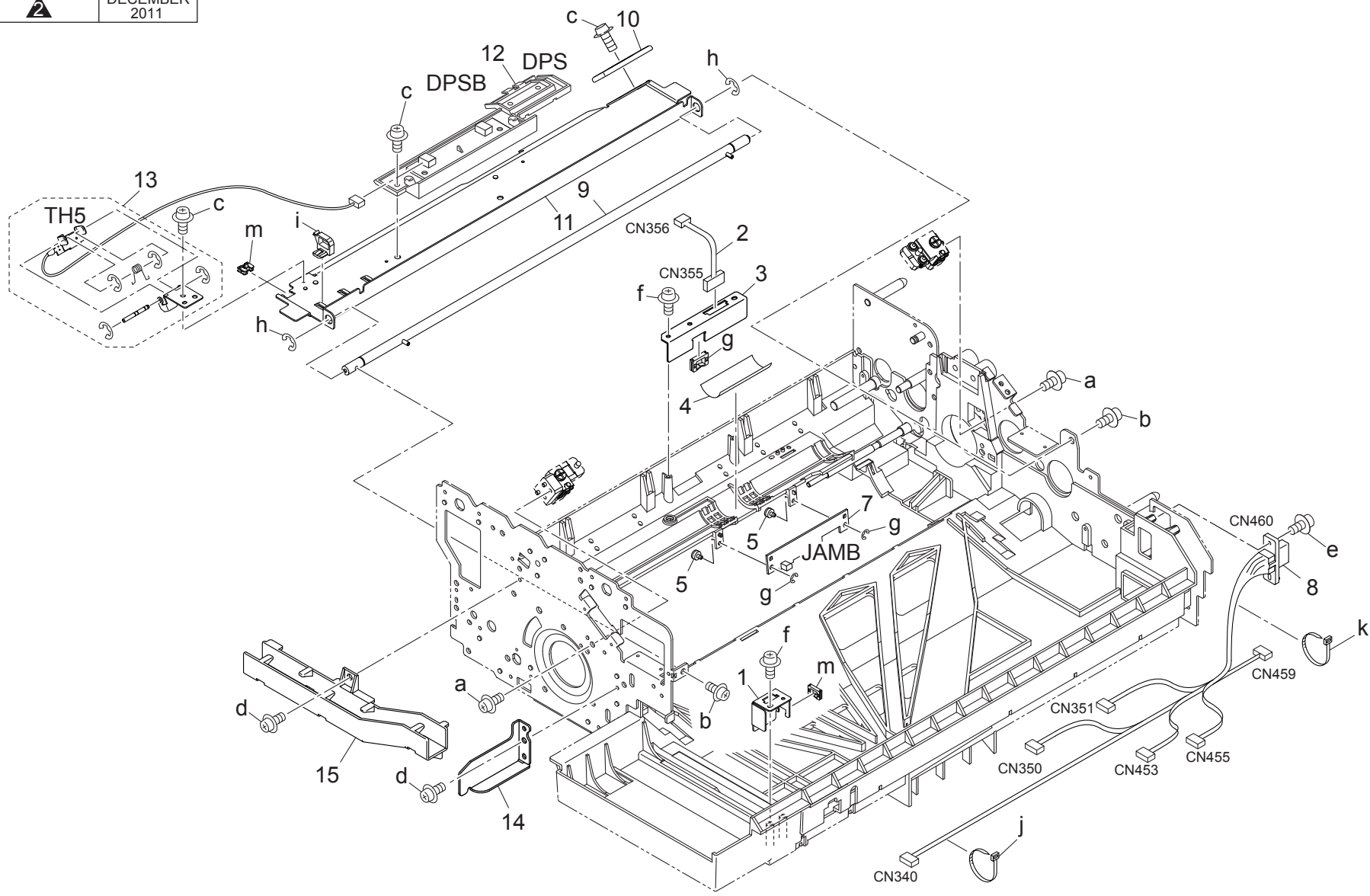
bizhub PRO 1200P

# DRUM CARTRIDGE UNIT

Key	Part No.	Description	Destinations	Class	QTY	Standard parts
1	A0G6N14101	Photoconductor Wiring /1		D	1	a-V121030603
2	A0G6333000	Protection Cover		C	1	b-V121030803
3	A0Y5344900	Lock Spring		C	1	c-V121040803
4	55VA20520	Cleaner Locking Screw		C	1	d-V123030603
5	A0G6335200	Lock Collar /Rear		C	1	e-V127030603
6	55VA-2040	CLENER ROCK LEVER R		C	1	f-V127040603
7	A0G6950800	Set Label /8		D	1	g-V145031003
8	A0G6302700	Guide Cover /Right		D	1	h-V151030803
9	A0G6302500	Fixing Plate Spring		D	1	i-V209030003
10	A0G6302900	Holding Plate		D	1	j-V500010003
11	A0G6302800	Guide Cover /Left		D	1	k-V501010002
12	40AA32290	MAGNET CATCH		C	1	m-V501010003
13	A0G6343000	Support Part /T		D	2	n-V570010056
14	A0G6331202	Guide Part /T		D	1	o-V217040050
15	A0G6331301	Guide Sheet		C	1	p-V118040603
16	A0G6R7A700	Toner Control Board Assy		D	1	
17	A0G6330700	Developing Stay		D	1	
18	A0G6332900	Reinforce Stay /Front		D	1	
19	55TA75020	Bearing		B	1	
20	A0GD642100	Regulating Sheet /1		C	1	
21	A0G6346101	Lock Plate		D	1	
22	A0G6346300	Lock Spring		C	1	
23	A0G6R7D800	Rock Shaft Assy		D	1	
24	A0G6346800	Ground Plate		D	1	
25	A0G6R7D700	Power Supply Block Assy		D	1	
26	A0G6346400	Slide Collar		C	1	
27	A0G6346500	Guide Block /2		D	1	
28	07BA15871	SPACER A		C	1	
29	A0G6347100	Power Supply Spring		C	1	

# DRUM CARTRIDGE UNIT

改訂版 REVISED EDITION	日付 DATE
	DECEMBER 2011

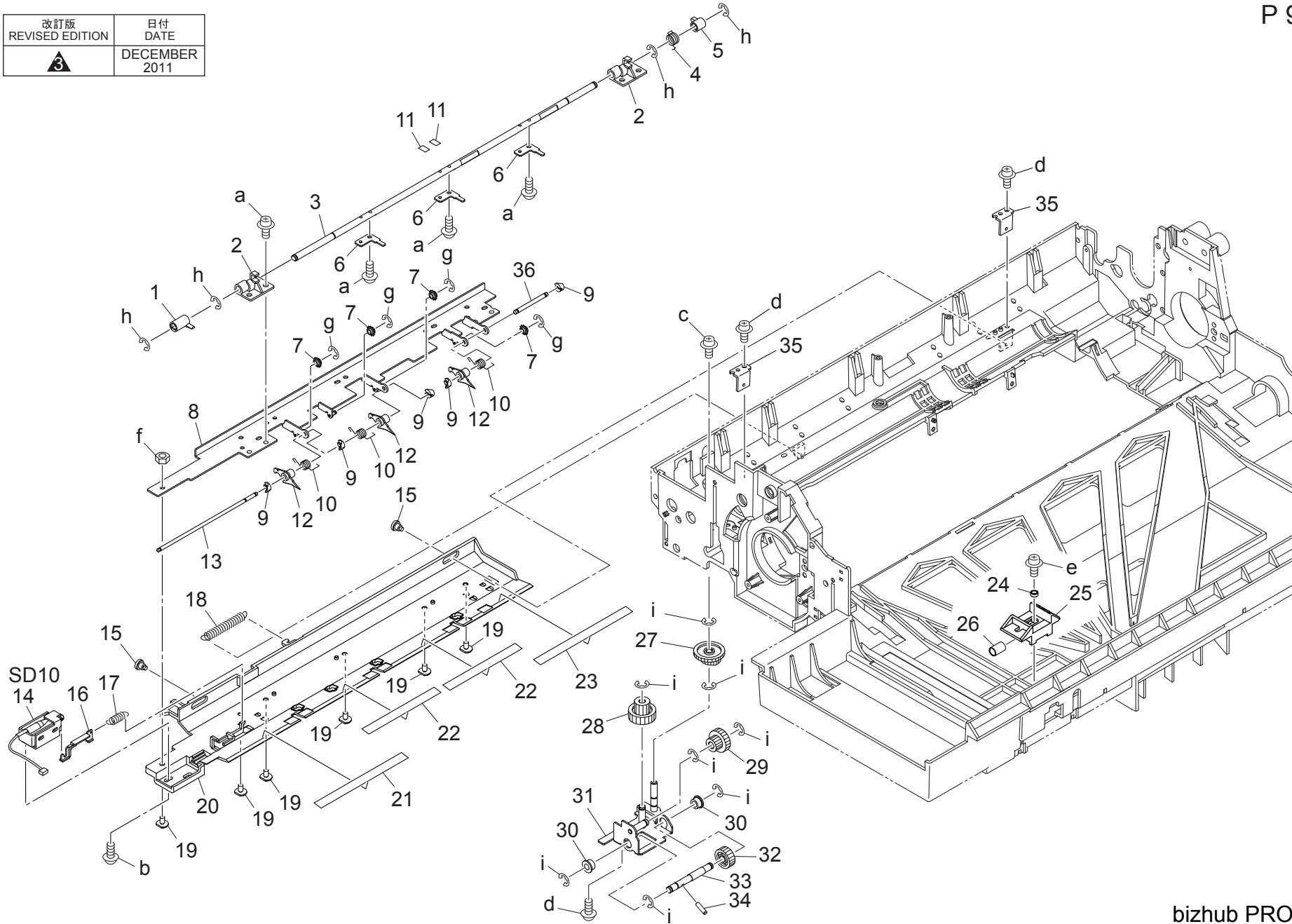


# DRUM CARTRIDGE UNIT

Key	Part No.	Description	Destinations	Class	QTY	Standard parts
1	A0G6333100	Power Supply Plate /D		D	1	a-V121040603
2	A0G6N14800	Photoconductor Relay Harness /3		D	1	b-V121040803
3	A0G6331101	Power supply Plate		D	1	c-V127030603
4	55VA20830	WIRING GUIDE SHEET		C	1	d-V127040603
5	55VAR72400Old	SENSOR FIXING PIN ASSY		D	2	e-V145031003
5	A0G6R7D600	Pin Assy		D	2	f-V151030803
7	A0G6H15000Old	Detecting Board Assy		C	1	g-V570010023
7	A0G6H16000	Detecting Board Assy		C	1	h-V217060050
8	A0G6N14201	Photoconductor Wiring /2		D	1	i-V500010021
9	A0G6R7A600	Support Shaft /D Assy		D	1	j-V501010002
10	A0G6344800	Fixing Knob		C	1	k-V501010003
11	A0G6330401	Mounting Stay		D	1	m-V570010021
12	A0G6J34000	High Voltage Detection Assy		D	1	
13	A4EUR70200	Drum Temperature Sensor Assy		B	1	
14	A0G6401901	Positioning Panel /Middle		D	1	
15	A0G6334201	Bridge		C	1	

# DRUM CARTRIDGE UNIT

改訂版 REVISED EDITION	日付 DATE
	DECEMBER 2011





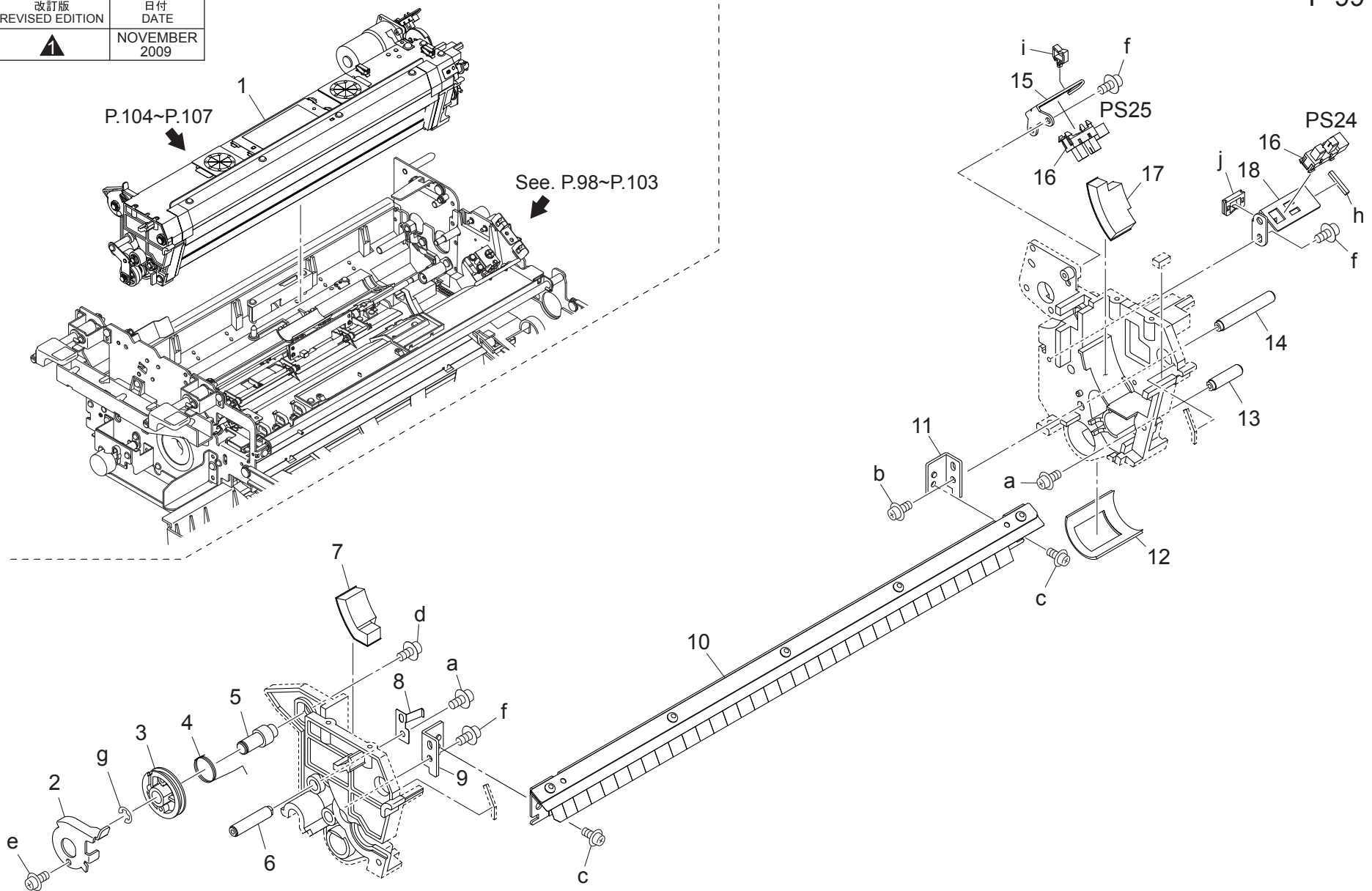
# DRUM CARTRIDGE UNIT

Key	Part No.	Description	Destinations	Class	QTY	Standard parts
1	55VA29040	Separating Release Part /B		C	1	a-V118030403
2	A0G6338900Old	Support Block		D	2	b-V121030403
2	A0G6338911	Support Block		D	2	c-V121030803
3	A0G6338201	Release Shaft		D	1	d-V151030803
4	55VA29140	SOLENOID RELEASE SPRING		B	1	e-V151040803
5	55VA29050	Separating Release Part /C		C	1	f-V195030003
6	A0Y5351200Old	Release Plate		D	3	g-V217020050
6	A0G6345700	Release Plate		D	3	h-V217030050
7	113620270	CLAW WHEEL		C	4	i-V217040050
8	A0G6338601Old	Separating Plate		D	1	
8	A0G6338612	Separating Plate		D	1	
9	45AA20400	STOPPER PART		A	5	
10	A0G6345400Old	Separating Spring		C	3	
10	A0G6345411	Separating Spring		C	3	
11	56UA29230	Separation Auxiliary Sheet		C	2	
12	57GA29190Old	DRUM SEPARATING CLAW		A	3	
12	A0G6345600	Separating Claw /D		A	3	
13	A0G6339801Old	Separating Shaft		D	1	
13	A0G6339812	Separating Shaft		D	1	
14	A0G6R7A800	Claw Separating Solenoid Assy		D	1	
15	55VA20680	SEPARATION POSITIONING SCREW		C	2	
16	A0G6338400Old	Release Part /A		D	1	
16	A0G6338411	Release Part /A		D	1	
17	55VA29150	RELEASE SPRING		B	1	
18	56UA45960	Paper Exit Pressing Spring		C	1	
19	A0Y5351500	Fixing Screw		C	6	
20	A0G6338102Old	Separating Guide		D	1	
20	A0G6338113	Separating Guide		D	1	
21	A0G6345100Old	Cover Sheet /F		C	1	
21	A0G6345111	Cover Sheet /F		C	1	
22	A0G6345200	Cover Sheet /C		C	2	
23	A0G6345300Old	Cover Sheet /R		C	1	
23	A0G6345311	Cover Sheet /R		C	1	
24	25AA20321	PTL SUPPORT SPACER		C	1	
25	A0G6331902	Slide Stopper		C	1	
26	A0G6332000	Tension Spring		C	1	
27	56UA77290	SEPARATION SWING GEAR 40T		C	1	
28	A0G6339600	Swing Gear /B 18/33T		C	1	
29	A0G6339500	Swing Gear /A 20/35T		C	1	
30	25AA29770	SEPARATE FULCRUM SHAFT HOLDER		C	2	
31	A0G6339000	Swing Board		D	1	
32	55VA77570	SEPARATE ROCKING GEAR B 32T		C	1	
33	A0G6339400	Swing Shaft /W		D	1	
34	56AA17520	PIN A D3X10		C	1	
35	55VA20590	SEPARATION FIXING PLATE		D	2	
36	A0G6345800	Separating Shaft /2		D	1	

# DRUM CLEANING UNIT

P 99

改訂版 REVISED EDITION	日付 DATE
	NOVEMBER 2009

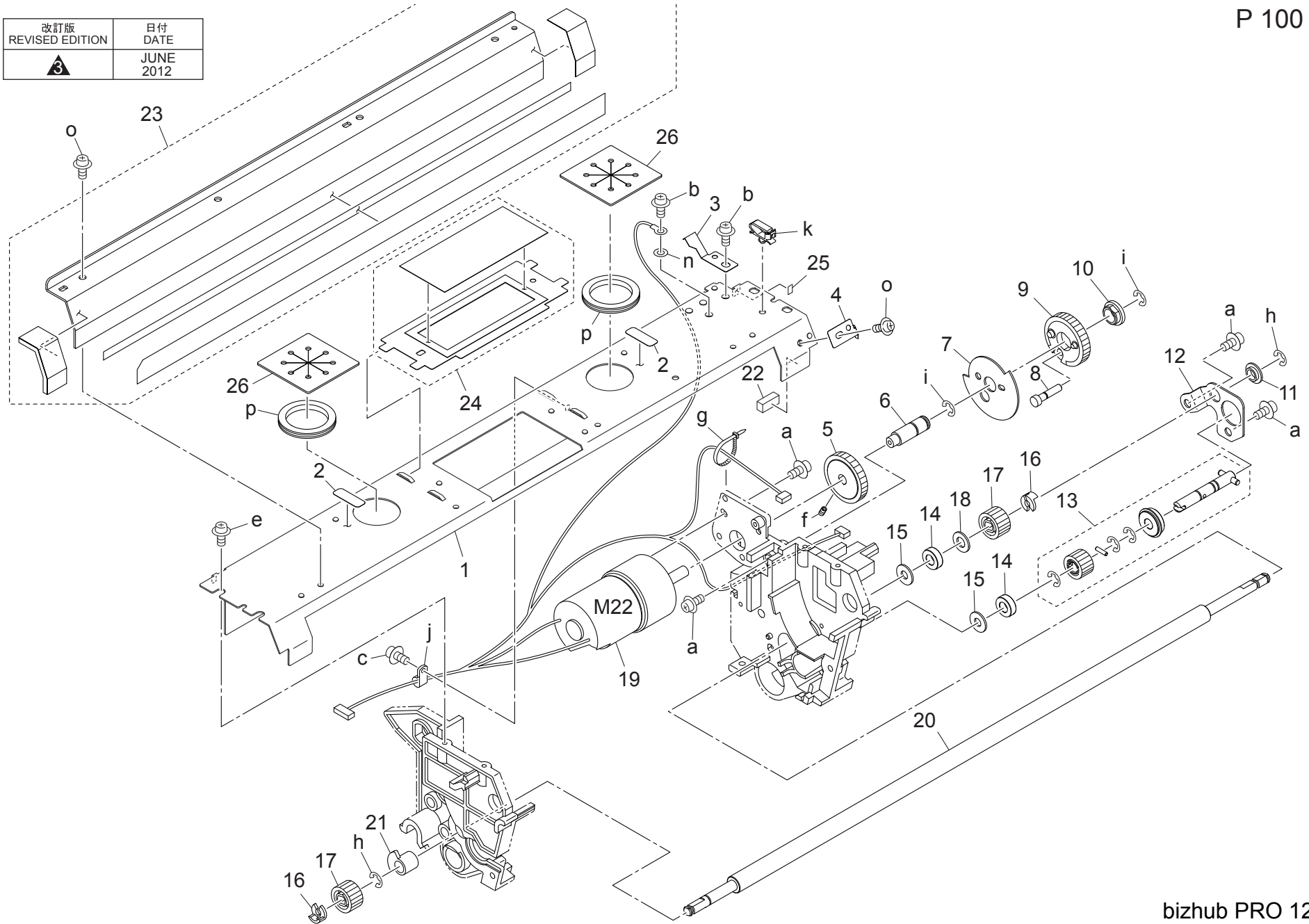




# DRUM CLEANING UNIT

P 100

改訂版 REVISED EDITION	日付 DATE
	JUNE 2012



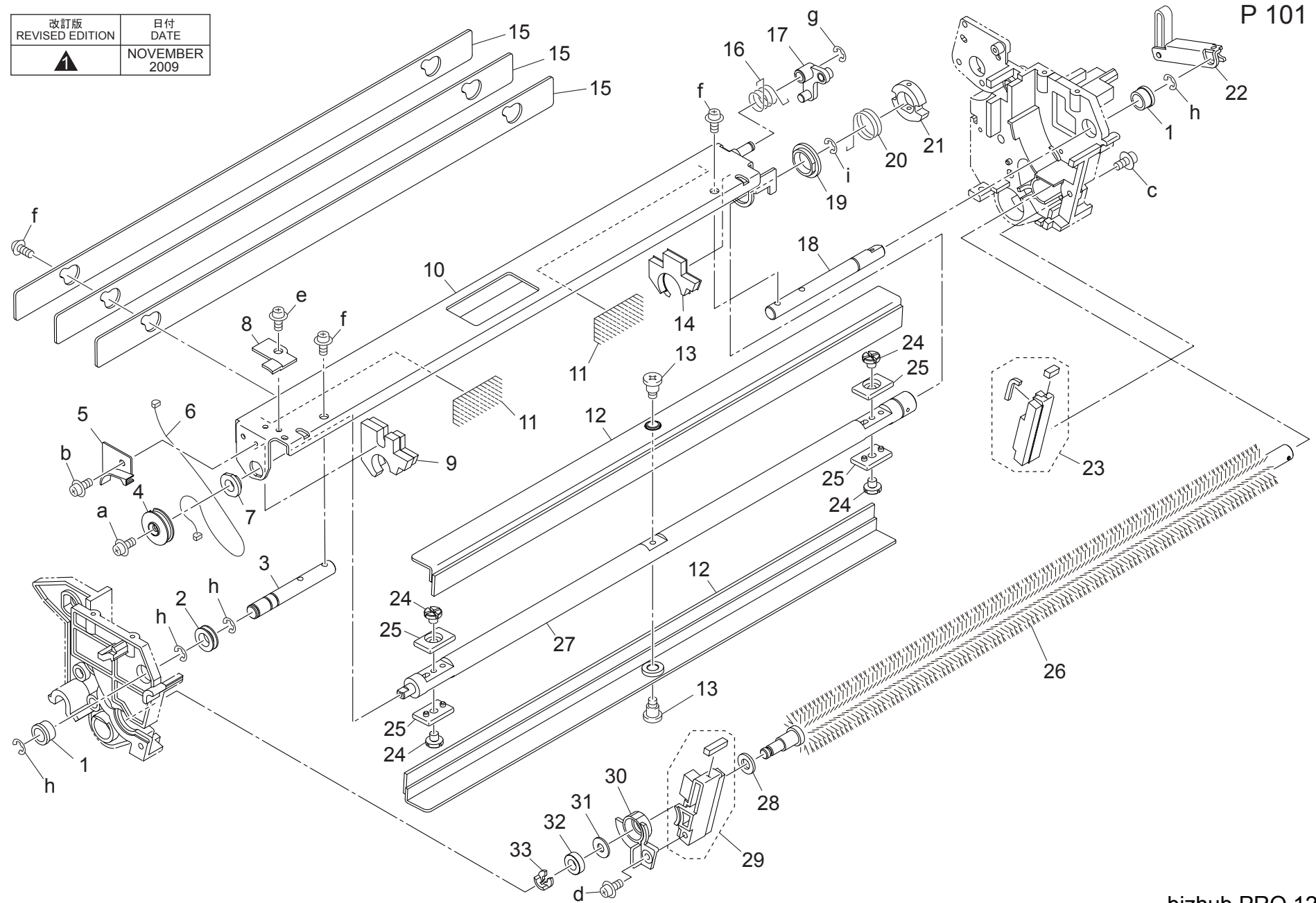
# DRUM CLEANING UNIT

Key	Part No.	Description	Destinations	Class	QTY	Standard parts
1	A0G6532201	Cleaning Cover	クリーニングカバー	D	1	a-V121030603
2	A0G6950500	Set Label /5	セットラベル / 5	D	2	b-V121040403
3	25AA55460	CLEANER EARTH PLATE B	クリーナーアースプレート B	D	1	c-V121040603
4	A0G6532300	Ground Plate /A	アースプレート / A	D	1	d-V123030603
5	A0Y5532400	Blade Release Gear 27T	ブレード解除ギア 27 T	C	1	e-V151030803
6	55VA55411D	Mounting Shaft	センサ取付軸	D	1	f-V193030404
7	55VA55470	Blade Detecting Actuator	ブレード検知アクチュエータ	C	1	g-V501010002
8	55VA55160	CAM FULCRUM PIN	カム支点ピン	C	1	h-V217040050
9	55VA77260	Cam Gear 22T	カムギア 22 T	B	1	i-V217060050
10	396076050	PAPER FEED SHAFT HOLDER	給紙軸受	B	1	j-V500020038
11	090020510	CLEANER MOUNT LEVER COLLAR	クリーニング取り付けレバーカラー	C	1	k-V500010061
12	A0G6530701	Reinforce Plate /R	補強板 / R	D	1	n-V209040050
13	A4EUR70F00	Cleaning Gear/2 Assy	クリーニングギア / 2 部組	B	1	o-V121030403
14	A0G6531500	Cleaning Bearing	クリーニング軸受	C	2	p-V360500000
15	55VA55680	SPEWING PREVENTIVE FELT	飛散防止フェルト	A	2	
16	396040681	STOPPER RING	止め輪	B	2	
17	A0G6532700	Cleaning Gear/3 29T	クリーニングギア / 3 29 T	B	2	
18	25HA15210	SPACER E	スペーサー E	C	1	
19	55VA80131	Blade Motor	ブレードモータ	B	1	
20	A0G6530500	Guide Shaft	ガイド軸	B	1	
21	55VA55400	Cleaner Shaft Holder	クリーナー軸受	C	1	
22	A0G6532900	Cleaning Seal /2	クリーニングシール / 2	C	1	
23	A0G6R7E700	DRUM Scraper Assy	ドラムスクレーパ部組	A	1	
24	A0G6R7E800	Scatteringprevention Filter Assy	飛散防止フィルタ部組	A	1	
25	A0G6535600	Spacer /C	スペーサ / C	C	1	
26	A0G6535900	Cover Rubber	カバーゴム	C	1	

# DRUM CLEANING UNIT

P 101

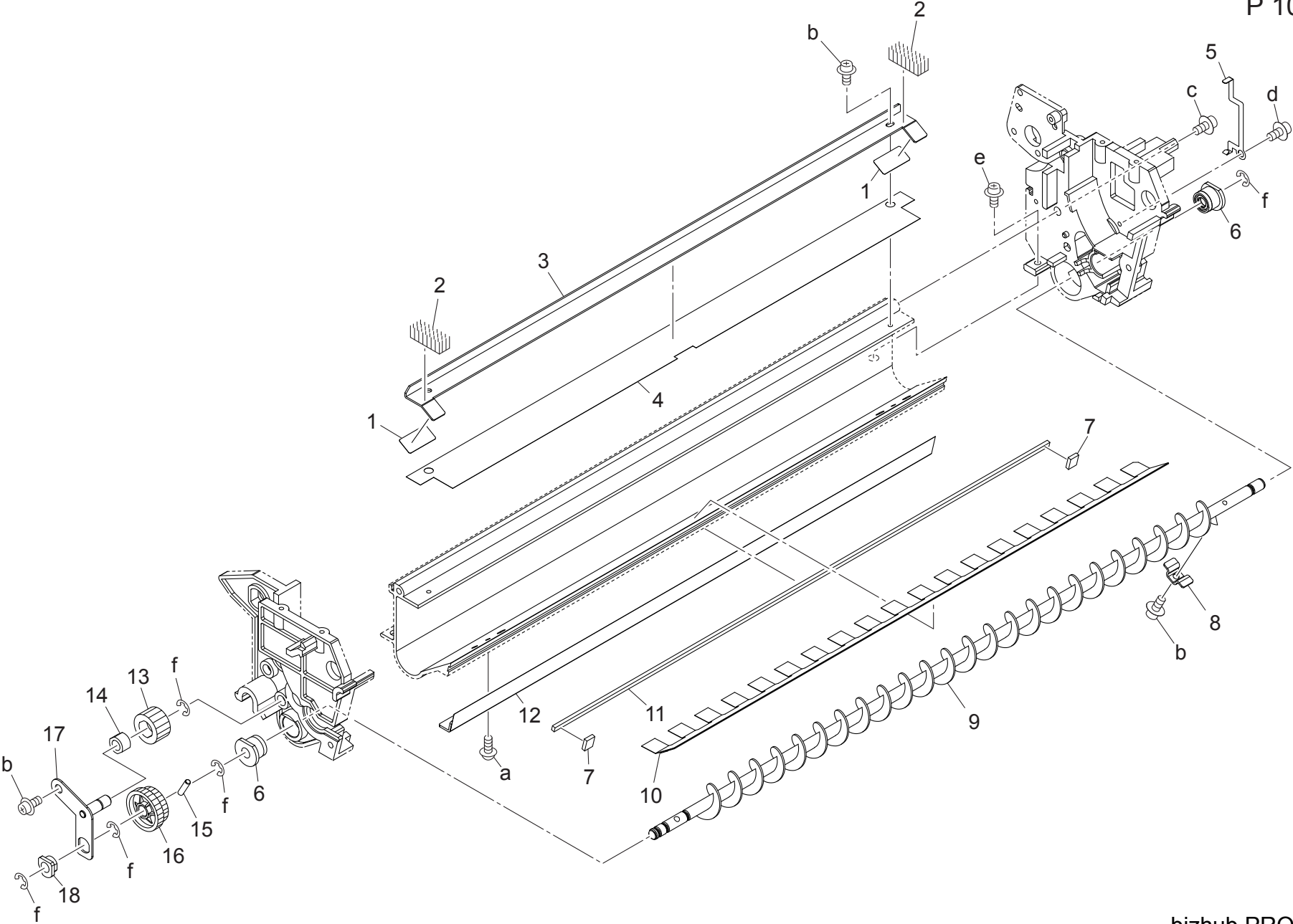
改訂版 REVISED EDITION	日付 DATE
	NOVEMBER 2009



Key	Part No.	Description	Destinations	Class	QTY	Standard parts
1	090076040	SHAFT HOLDER		C	2	a-V112030603
2	25AA55350	BLADE PULLEY B		C	1	b-V121030403
3	55VA55110	Blade Support Shaft /Front		D	1	c-V121031203
4	25AA55341	BLADE PULLEY A		C	1	d-V121031803
5	55VA55480	Wire Cover		D	1	e-V121040403
6	55VA55380	Blade Wire		C	1	f-V121040803
7	A4EU536200	Bushing /B		C	1	g-V217040050
8	25AA55720	Wire Cover /Upper		C	1	h-V217060050
9	A4EUR75N00	Side Sealing/F Assy		D	1	i-V217090050
10	56UA-5550	BLADE MOUNTING PLATE		D	1	
11	A0G6533200	Cleaning Seal /5		C	2	
12	A0G6532001Old	Cleaning Blade		A	2	
12	A0G6535000	Cleaning Blade		A	2	
13	56UA558300	POSITIONING SCREW		C	2	
14	A4EUR75M00	Side Sealing/R Assy		D	1	
15	A0G6532500	Pressing Plate		D	3	
16	55VA55820	BLADE STOPPER SPRING		B	1	
17	55VA55181	Blade Stopper		C	1	
18	55VA55101	Blade Support Shaft /Rear		D	1	
19	56UA76070	Cleaner Bushing /A		C	1	
20	55VA55810	BLADE CHANGEABLE SPRING		B	1	
21	25AA55161	BLADE RATCHET		C	1	
22	55VA-5761	BLADE RELEASE ARM		D	1	
23	A0G6R73800Old	Sealing Plate/R Assy		A	1	
23	A0G6R73811	Sealing Plate /R Assy		A	1	
24	A0G6531600	Cleaning Screw		C	4	
25	A0G6530800	Regulating Part		D	4	
26	A0G6R73011	Toner Guide Brush Assy		A	1	
27	A0G6530400	Support Shaft		D	1	
28	55VA55670	Toner Preventive Collar		C	1	
29	A0G6R73700Old	Sealing Plate/F Assy		A	1	
29	A4EUR70G00	Sealing Plate/F Assy		A	1	
30	55VA55130	Shaft Holder Fixed Part		C	1	
31	55VA55680	SPEWING PREVENTIVE FELT		A	1	
32	A0G6531500	Cleaning Bearing		C	1	
33	396040681	STOPPER RING		B	1	

# DRUM CLEANING UNIT

P 102



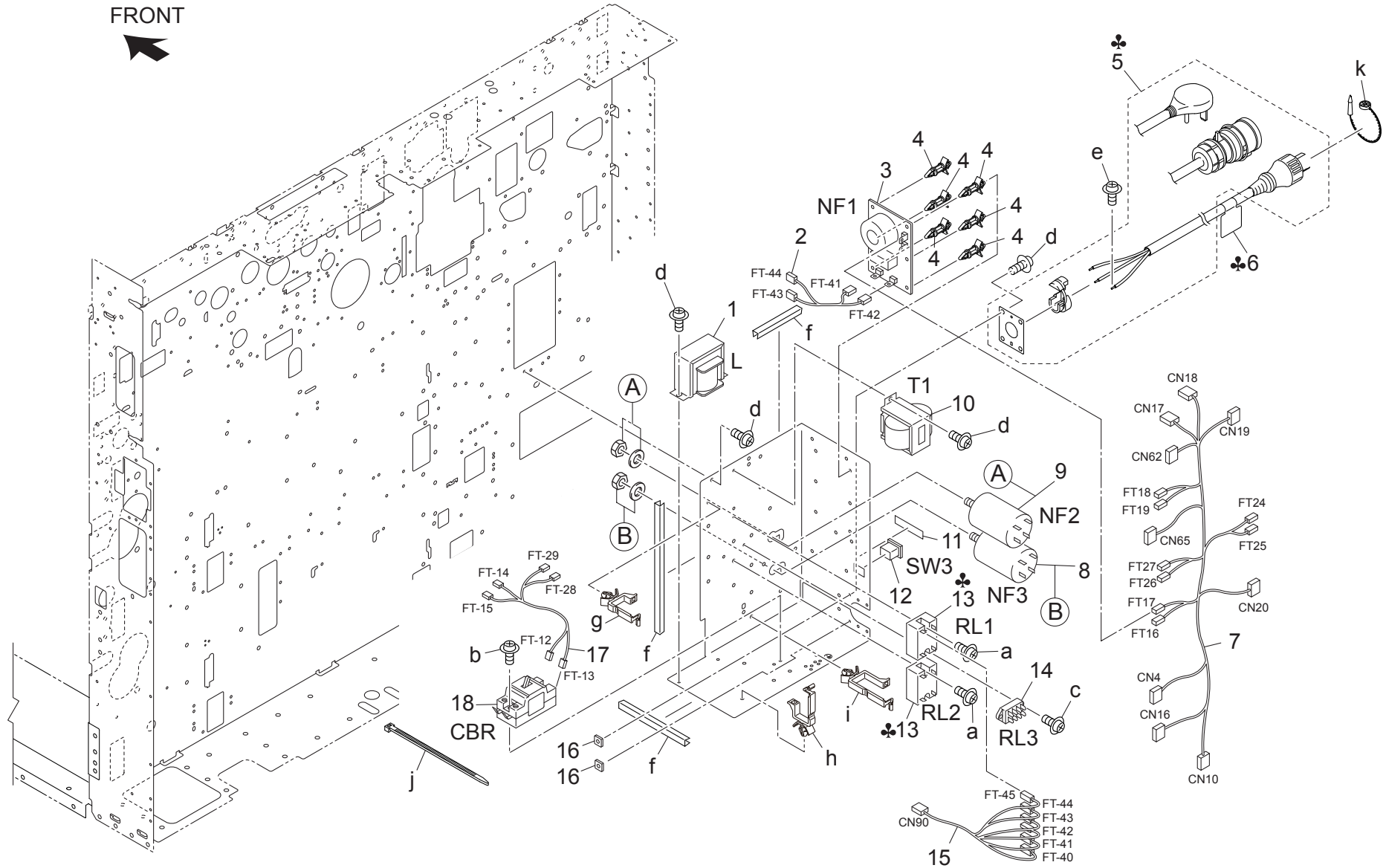


# DRUM CLEANING UNIT

Key	Part No.	Description	Destinations	Class	QTY	Standard parts
1	55VA55660	Sealing Part /3		C	2	a-V118030403 b-V121030603 c-V123041203 d-V145030603 e-V151040803 f-V217040050
2	A0G6532900	Cleaning Seal /2		C	2	
3	56UA55220	Blade Sealing Plate		D	1	
4	56UA55230	Blade Seal /A		C	1	
5	A0G6534200	Ground Plate /B		D	1	
6	26TA30770	DEVELOPING SHAFT HOLDER A		C	2	
7	55VA55641	SEALING PART/1		C	2	
8	56UA55550	Toner Agitating Plate		D	1	
9	A0G6530300	Cleaning Screw		C	1	
10	A4EUR75S00	Sealing Assy		D	1	
11	56UA55740	TONER GUIDE SEAL		D	1	
12	A4EUR71300	Toner Sealing Plate Assy		B	1	
13	A0G6532800	Cleaning Gear /4 33T		C	1	
14	25AA75530	SLIDE SHAFT HOLDER		C	1	
15	56AA17520	PIN A D3X10		C	1	
16	A0G6531401	Cleaning Gear /1 41/47T		C	1	
17	A0G6R7B700	Reinforce Plate /F		D	1	
18	466076020	PAPER FEED SHAFT HOLDER		B	1	

# ELECTRIC PARTS

P 103



bizhub PRO 1200P

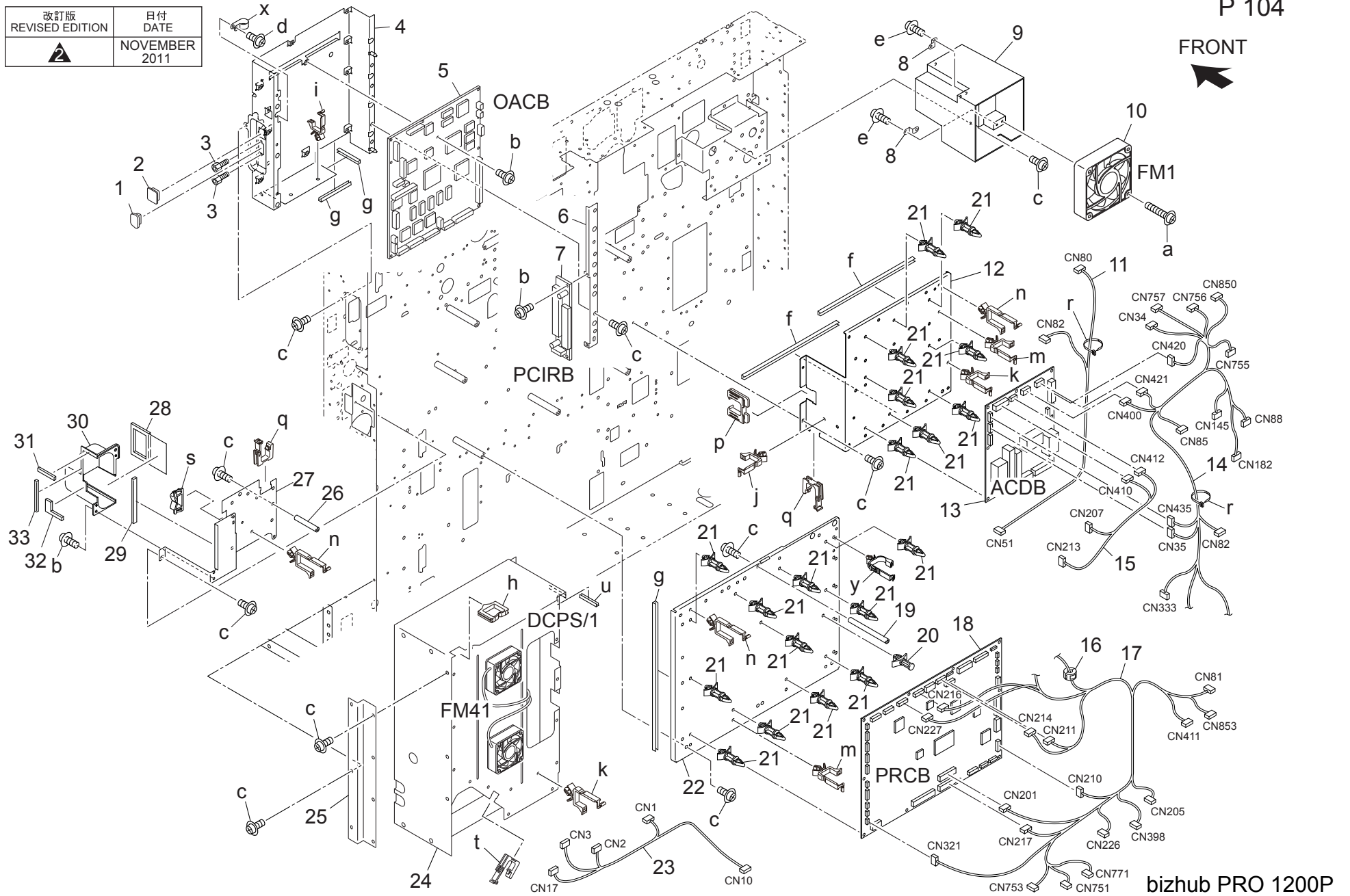


# ELECTRIC PARTS

FRONT



改訂版 REVISED EDITION	日付 DATE
	NOVEMBER 2011

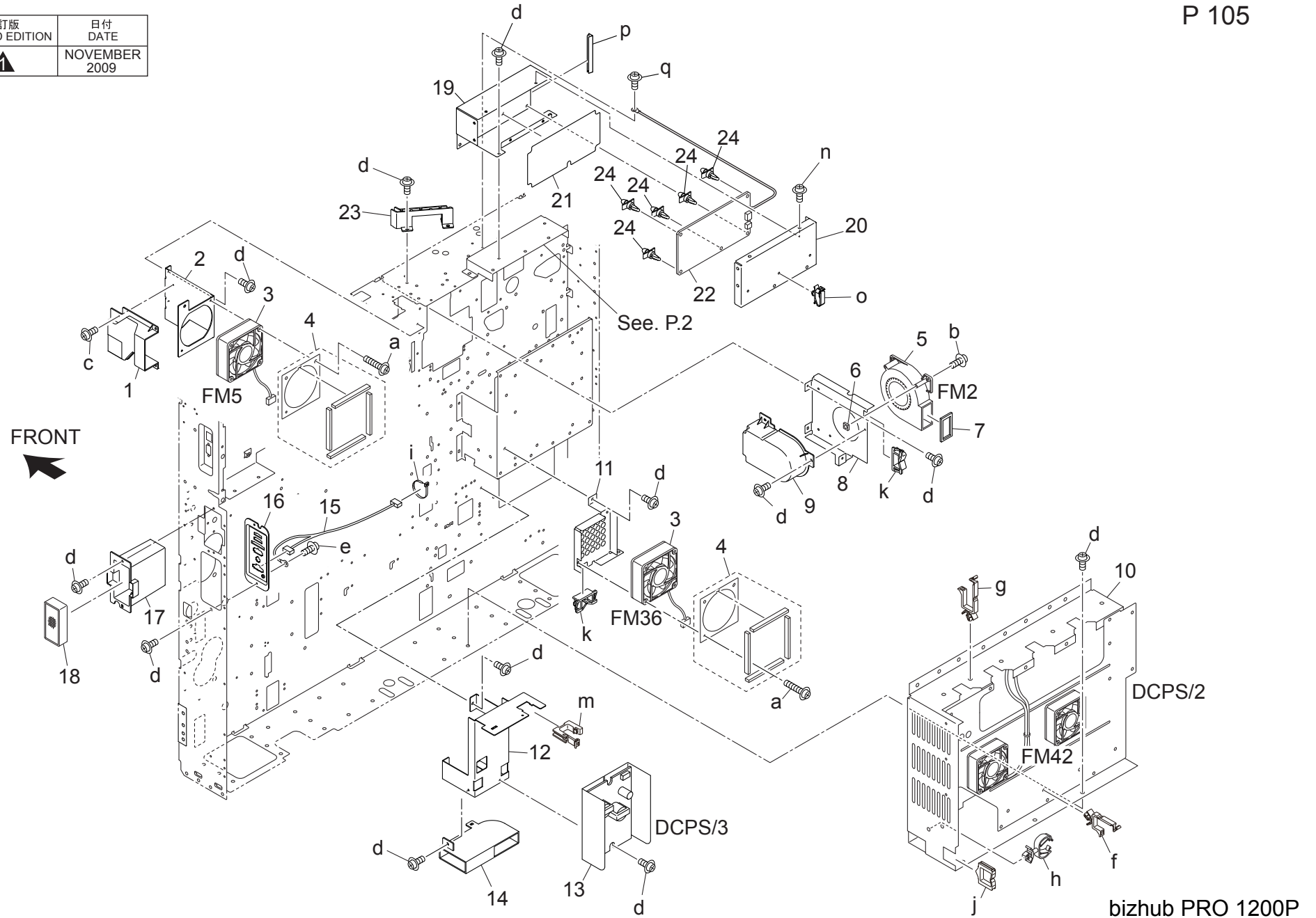


bizhub PRO 1200P

Key	Part No.	Description	Destinations	Class	QTY	Standard parts
1	13RN73120	Terminal Protection Cover /1	端子保護カバー / 1	D	1	a-V118044503
2	40LA73840	Contact Protection Cover	接点保護カバー	D	1	b-V121030603
3	26NA73570	Contact Fixing Screw /A	接点固定ネジ / A	C	2	c-V121040603
4	A0G6132201	Mounting Plate /Rear	取付板 / 奥	D	1	d-V123040803
5	A0G6H03004	Main Body Control Board Assy	本体制御基板 A S S Y	I	1	e-V151040803
6	56UA73250	Board Mounting Plate /Right	基板取り付け板 / 右	D	1	f-V360100000
7	A0G6H11000	PCI Relay Board Assy	P C I 中継基板 A S S Y	C	1	g-V360200000
8	A0G6113000	Auxiliary Plate	補助プレート	D	2	h-V570010015
9	A0G6110200	Heat Sink Duct Outside	放熱ダクト / 外	D	1	i-V500010003
10	55FA80521	Main Fan Motor	本体ファンモータ	B	1	j-V500010005
11	A0G6N12201	Interlock Wiring	インターロック束線	D	1	k-V500010007
12	A0G6135201	Board Panel /Right	基板 パネル / 右	D	1	m-V500010008
13	A0G6H51001	AC Driving Base Panel Assy	A C 駆動基板 A S S Y	I	1	n-V500010015
14	A0G6N11004	DC Power Source Harness	D C 電源束線	D	1	p-V570010049
15	A0G6N11700	AC Drive Harness /1	A C 駆動束線 / 1	D	1	q-V570010027
16	A0G6M93200	Ferritecore	フェライトコア	D	1	r-V501010002
17	A0G6N11501	Main Body Wiring /2	本体束線 / 2	D	1	s-V570010023
18	A0G6H02002	Printer Control Board Assy	プリンタ制御基板 A S S Y	I	1	t-V570010026
19	56UA73270	External Support Leg	外装支持脚	D	1	u-V360400000
20	V502010029	spacer	サポートスペーサー	D	1	x-V500020069
21	V502010014	support	ロッキングサーキットボードサポート	D	19	y-V500010063
22	A0G6139200	Board Panel /Middle	基板 パネル / 中	D	1	
23	A0G6N10202	AC Power Source Harness	A C 電源束線	D	1	
24	A0G6M45100	DC Power Source /1	D C 電源 / 1	I	1	
25	56UA73090	POWER SOURCE FIXING PLATE	電源固定板	D	1	
26	56UA73060	External Support Leg	外装支持脚	D	1	
27	A0G6110700	Suction Plate	サクシオン板	D	1	
28	A0G6115900	Suction Seal /O	サクシオンシール / O	C	1	
29	A0G6117000	Suction Seal /5	サクシオンシール / 5	C	1	
30	A0G6110600	Suction Duct /3	サクシオンダクト / 3	D	1	
31	A0G6117200	Suction Seal /7	サクシオンシール / 7	C	1	
32	A0G6117300	Suction Seal /8	サクシオンシール / 8	C	1	
33	A0G6112600	Suction Seal /3	サクシオンシール / 3	C	1	

# ELECTRIC PARTS

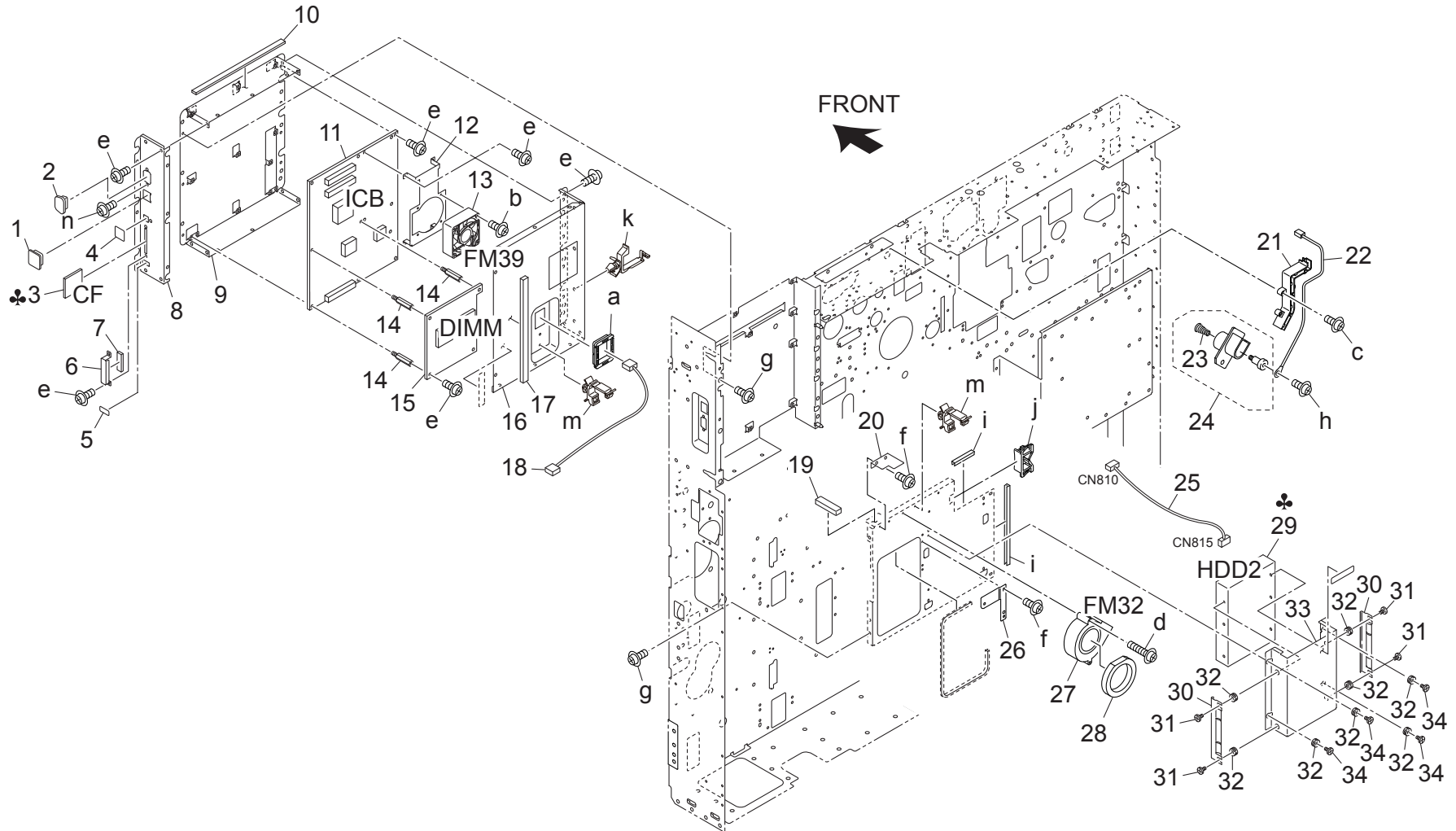
改訂版 REVISED EDITION	日付 DATE
	NOVEMBER 2009





# ELECTRIC PARTS

改訂版 REVISED EDITION	日付 DATE
	JANUARY 2011

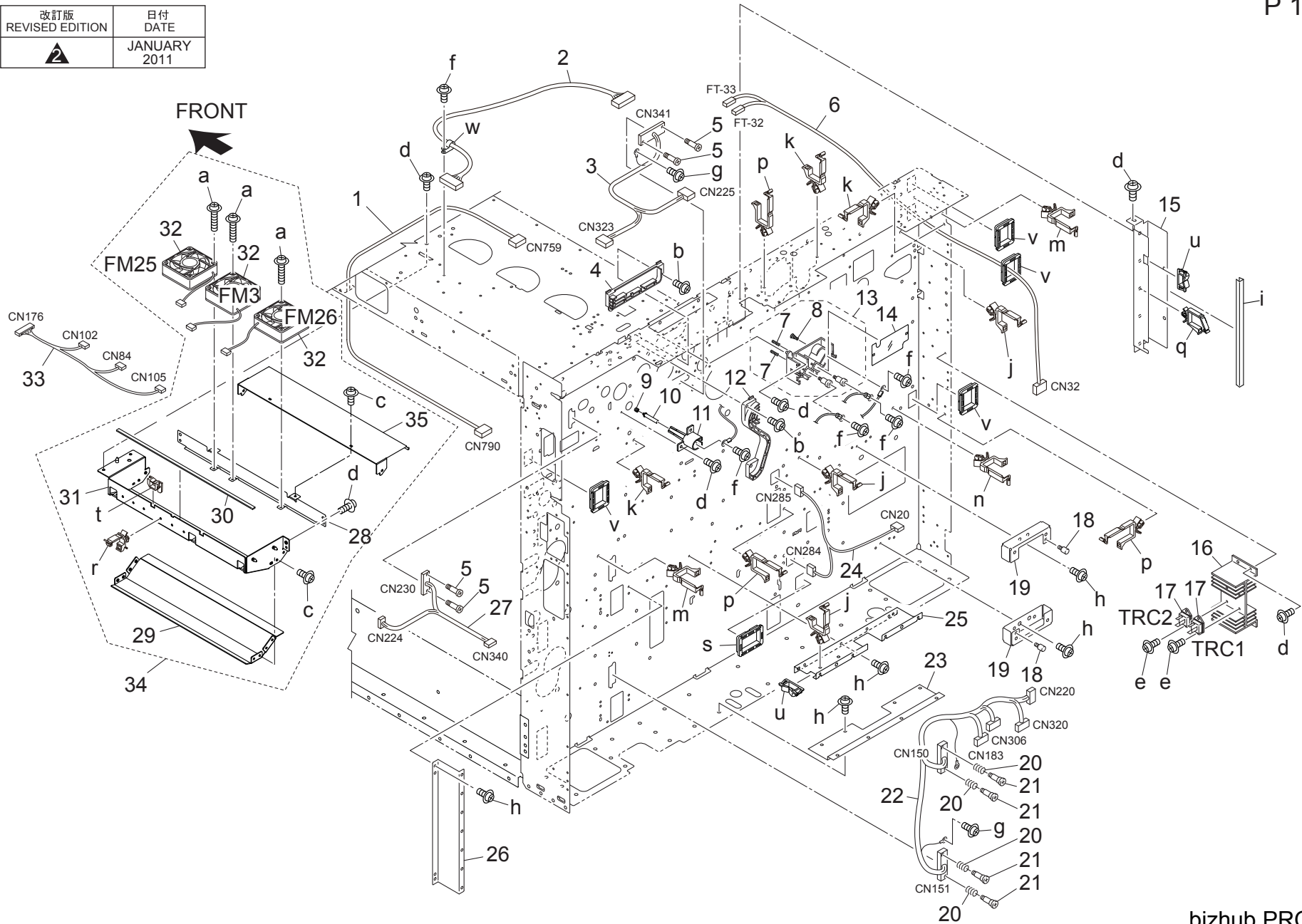




Key	Part No.	Description	Destinations	Class	QTY	Standard parts
1	40LA73840	Contact Protection Cover		D	1	a-V570010038
2	13RN73120	Terminal Protection Cover /1		D	1	b-V118033003
3	A0G6R7B800	CF Assy	A	C	1	c-V118041003
3	A0G6R7B900	CF Assy	B,C	C	1	d-V118043503
4	55GA97250	CONTACT PROTECT SEAL		D	1	e-V121030403
5	27LA73990	CONTACT PROTECTION SEAL		C	1	f-V121030603
6	56UA73420	BOARD FIXING COVER		D	1	g-V121040603
7	56UA73440	Cushion /B		D	1	h-V123030803
8	A0G6133500	Board Cover /B		D	1	i-V360200000
9	56UA73430	Board Mounting Plate		D	1	j-V570010023
10	A0G6M91600	Gasket /F		C	1	k-V500010003
11	A0Y5H10001	Controller Control Board Assy		I	1	m-V500010061
12	A0Y5133700	Support Plate /A		D	1	n-V111030821
13	56UA80510	Controller Cooling Fan		B	1	
14	A0Y5132000	Board Fixing Screw /A		C	3	
15	A0Y5H12001	Control Board /S ASSY		C	1	
16	A0G6133600	Board Cover /A		D	1	
17	A0G6M91200	Gasket /B		C	1	
18	A0G6N19600	Interface Cable /2		D	1	
19	A0G6M91100	Gasket /A		C	1	
20	56UA73610	Rear Sealing Plate		D	1	
21	A0G6137000	Power Supply Rail /Rear		D	1	
22	A0G6N22600	HV Wire /C		D	1	
23	55VA73170	TERMINAL ELECTRIFY SPRING B		C	1	
24	55VAR76600	DEVELOPING POWERING BLOCK		C	1	
25	A0G6N22401	Power Source Wiring /H		D	1	
26	A0G6133900	Mounting Plate /Lower		D	1	
27	9313110033	FAN MOTOR		C	1	
28	A0G6113100	Cooling Seal /Rear		C	1	
29	A0G6R7H500	IP HDD Data ASSY	A	I	1	
29	A0G6R7H600	IP HDD Data ASSY	B,C	I	1	
30	56UA73550	Earth Plate		D	2	
31	20ER73110E	Board Fixing Screw		D	4	
32	20ER73120	BOARD SUPPORT RUBBER		D	8	
33	A0Y5134500	Hold Plate		D	1	
34	A0Y5134700	Board Fixing Screw		C	4	

# ELECTRIC PARTS

改訂版 REVISED EDITION	日付 DATE
	JANUARY 2011

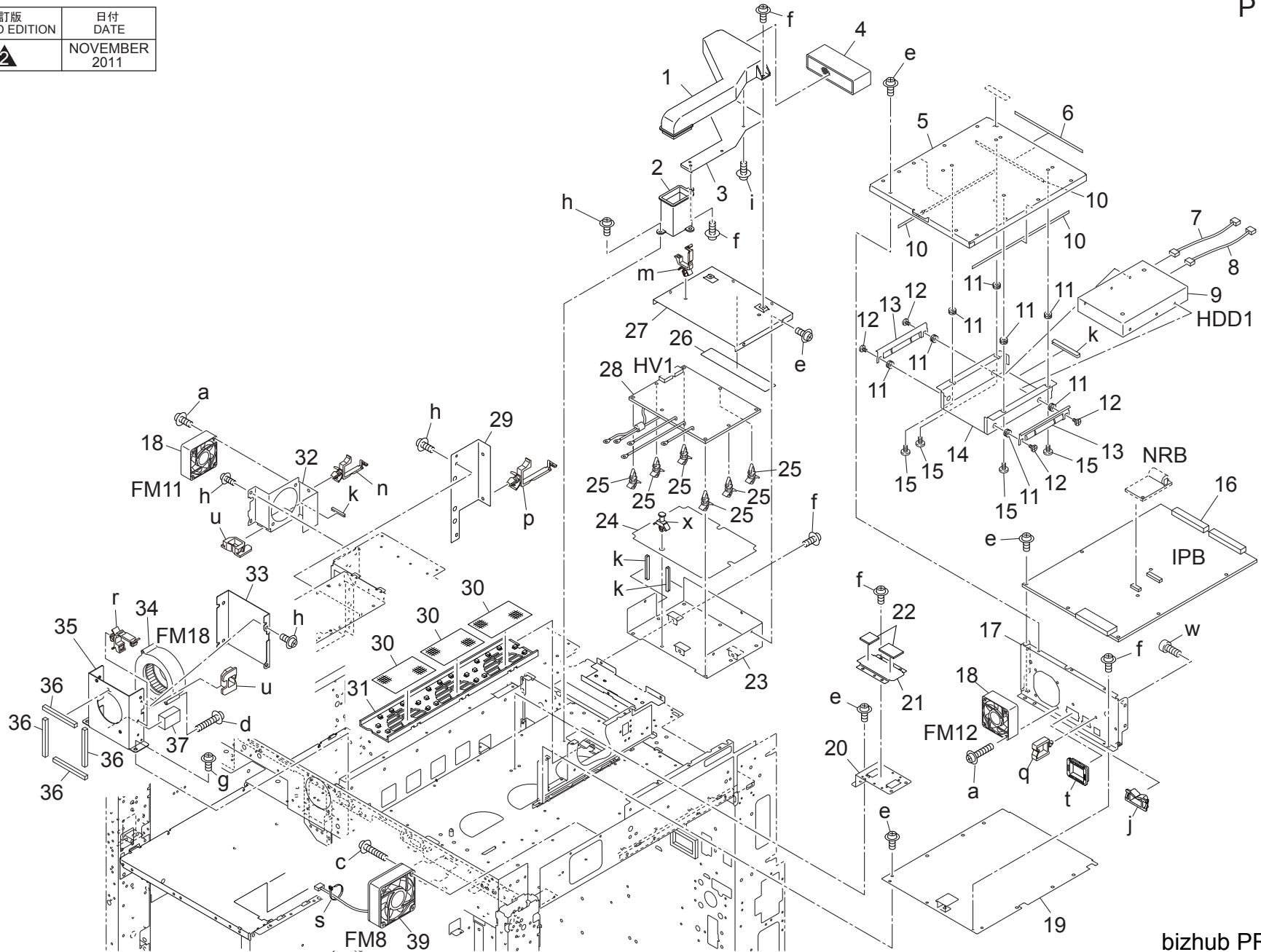


Key	Part No.	Description	Destinations	Class	QTY	Standard parts
1	A0G6N15500	Power Source Relay Harness /A	電源中継束線 / A	D	1	a-V118033003
2	A0G6N15003	Relay Wiring /A	中継束線 / A	D	1	b-V118041203
3	A0G6N11200	Photoconductor Relay Harness /1	感光体中継束線 / 1	D	1	c-V121030603
4	56UA73040E	HV Guide Rail /Right	高圧ガイドレール / 右	D	1	d-V121040603
5	066079020	DRAWER SCREW M3X10	ドロワーネジ M 3 X 1 0	C	4	e-V122040803
6	A0G6N10500	Ac Wiring /4	A C 束線 / 4	D	1	f-V123030603
7	55VA73160	TERMINAL ELECTRIFY SPRING A	端子給電バネ A	C	2	g-V123040603
8	55VA73170	TERMINAL ELECTRIFY SPRING B	端子給電バネ B	C	1	h-V140040803
9	56AA15471	CONTACT SPRING	接点バネ	C	1	i-V360100000
10	56AA15521	CONTACT SHAFT	接点軸	D	1	j-V500010003
11	56AA15460	HIGH VOLTAGE GUIDE PART	高圧ガイド部材	C	1	k-V500010005
12	56UA73071	HV GUIDE RAIL LEFT	高圧ガイドレール 左	D	1	m-V500010007
13	A4EUR71N00	Chageg Powering Block	帯電給電ブロック	D	1	n-V500010008
14	55VA73310	Terminal Protect Cover	端子保護カバー	D	1	p-V500010013
15	56UA73080	WIRING GUIDE PLATE /MIDDLE	束線ガイド板 / 中	D	1	q-V500010015
16	55VA73400	Cooling Plate /1	冷却板 / 1	D	1	r-V500010061
17	25AE89081	AC Switch	A C スイッチ	C	2	s-V570010039
18	392010231	STOPPER PIN	ストッパーピン	C	2	t-V570010021
19	56UA73120	TERMINAL MOUNTING PLATE	端子取付け板	D	2	u-V570010023
20	56AA17080	TERMINAL ROCKING SPRING	端子揺動バネ	C	4	v-V570010038
21	56AA17330	SLIDE SHAFT	スライド軸	C	4	w-V500020069
22	A0G6N11300	Paperfeed Wiring /1	給紙束線 / 1	D	1	
23	56UA73320	Power Source Fixing Plate	電源固定板	D	1	
24	A0G6N11100	Heater Relay Wiring	ヒーター中継束線	D	1	
25	A0G6130600	Mounting Plate /I	取付け板 / I	D	1	
26	56UA73340	POWER SOURCE MOUNTING PLATE /1	電源取り付け板 / 1	D	1	
27	A0G6N11900	Photoconductor Relay Harness /2	感光体中継束線 / 2	D	1	
28	A0G6116100Old	Cooling Duct /2	冷却ダクト / 2	D	1	
28	A0G6116111	Cooling Duct /2	冷却ダクト / 2	D	1	
29	A0G6116800Old	Cooling Duct /3	冷却ダクト / 3	D	1	
29	A0G6116811	Cooling Duct /3	冷却ダクト / 3	D	1	
30	A0G6116900	Sealing Part	シール部材	C	1	
31	A0G6116000Old	Cooling Duct /1	冷却ダクト / 1	D	1	
31	A0G6116011	Cooling Duct /1	冷却ダクト / 1	D	1	
32	13NT80511	FAN MOTOR 1	ファンモーター 1	C	3	
33	A0G6N19100	Cooling Relay Harness /L	冷却中継束線 / L	D	1	
34	A0G6R7G600	LPH Fan Assy	L P H ファン部組	C	1	
35	A0G6119100	Cooling Duct /4	冷却ダクト / 4	D	1	

# ELECTRIC PARTS

P 108

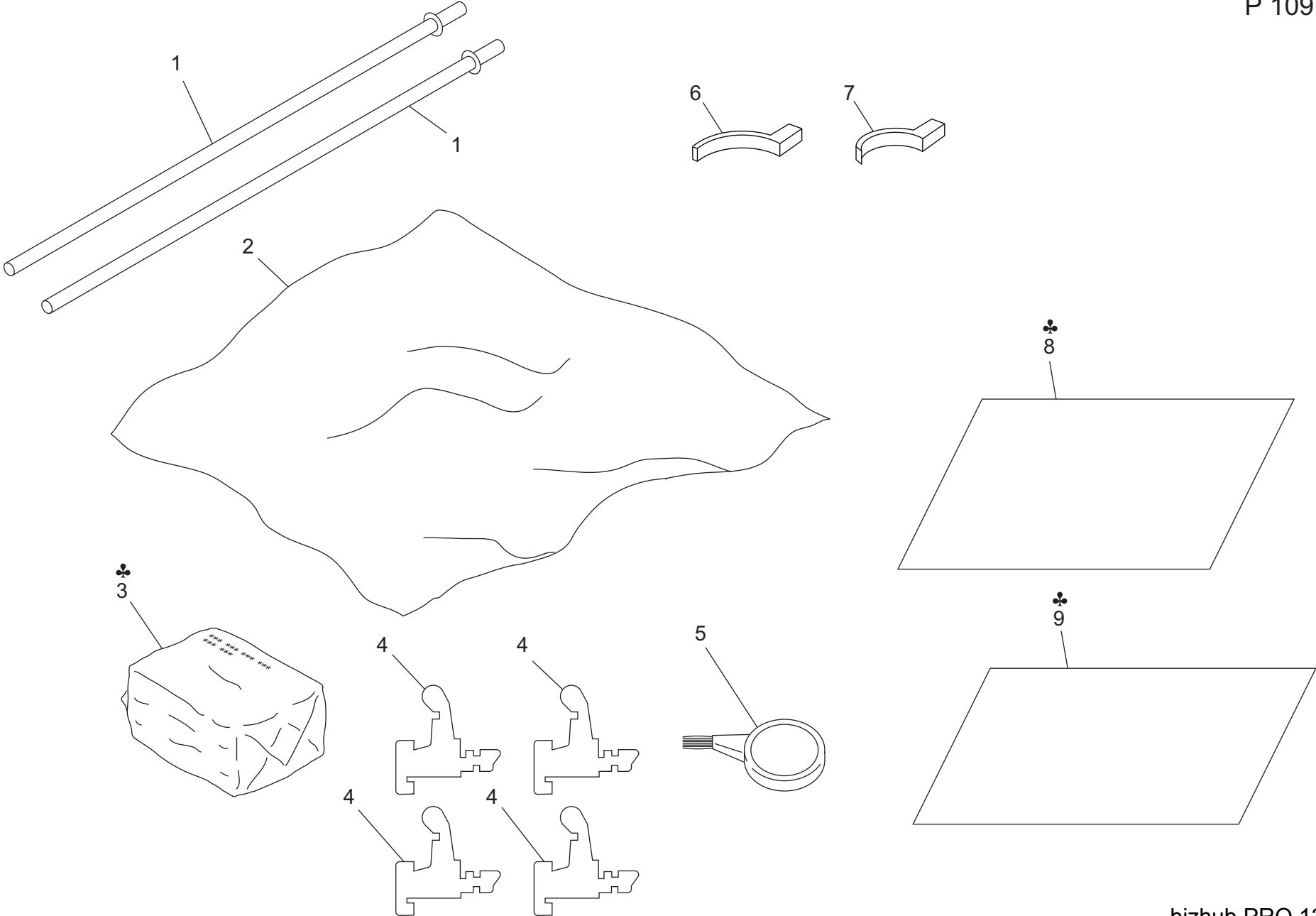
改訂版 REVISED EDITION	日付 DATE
	NOVEMBER 2011



bizhub PRO 1200P

Key	Part No.	Description	Destinations	Class	QTY	Standard parts
1	A0G6118600	Suction Duct /5		D	1	a-V118033003
2	A0G6118500	Suction Duct /4		D	1	c-V118043003
3	A0G6118700	Cover Plate		D	1	d-V118043503
4	56UA11290	Conveyance Suction Filter		B	1	e-V121030403
5	56UA73180E	Board Cover		D	1	f-V121030603
6	A0G6M92700	Gasket /Q		C	1	g-V121040403
7	A0G6N15800	Power Source Relay Harness /S		D	1	h-V121040603
8	A0G6N15700	I/F Wiring /S		D	1	i-V151030603
9	A0G6R7H400	HDD Data ASSY		I	1	j-V570010023
10	A0G6M92100	Gasket /K		C	3	k-V360200000
11	20ER73120	BOARD SUPPORT RUBBER		D	8	m-V500010003
12	20ER73110E	Board Fixing Screw		D	4	n-V500010007
13	56UA73550	Earth Plate		D	2	p-V500010013
14	A0Y5134500	Hold Plate		D	1	q-V500010029
15	A0Y5134700	Board Fixing Screw		C	4	r-V500010061
16	A0G6H01003	Image Processing Board Assy		I	1	s-V501010002
17	A0G6131401	Mounting Plate /G		D	1	t-V570010037
18	27LA80511	Main Body Fan Motor		A	2	u-V570010021
19	56UA73400	Board Bottom Plate		D	1	w-V188040404
20	A4EUR74C00	Guide Bridge Assy		D	1	x-V502010010
21	A0G6132300	Cover Plate /F		D	1	
22	A0G6132400	Cover Pad /F		C	1	
23	56UA73370	Board Protection Box		D	1	
24	56UA73500	HV Protection Sheet		C	1	
25	V502010015	support		D	6	
26	A0G6118800	Dust-Proof Sheet		C	1	
27	A0G6130201	Protection Cover		D	1	
28	A0G6M40101	HV Power Source /1		I	1	
29	A0G6114900	Mounting Plate /Left Rear		D	1	
30	A0G6118100	Dust-proof Filter		B	3	
31	A0G6118000	Filter Plate /2		C	1	
32	56UA10260	Rear Cooling Duct /A		D	1	
33	564A116200	FIXING PLATE /2		D	1	
34	9313100072	FAN MOTOR		C	1	
35	564A116100	FIXING PLATE		D	1	
36	564A116600	GROUND CUSHION /1		D	4	
37	564A116300	SEALING PART /1		C	1	
39	13NT80511	FAN MOTOR 1		C	1	

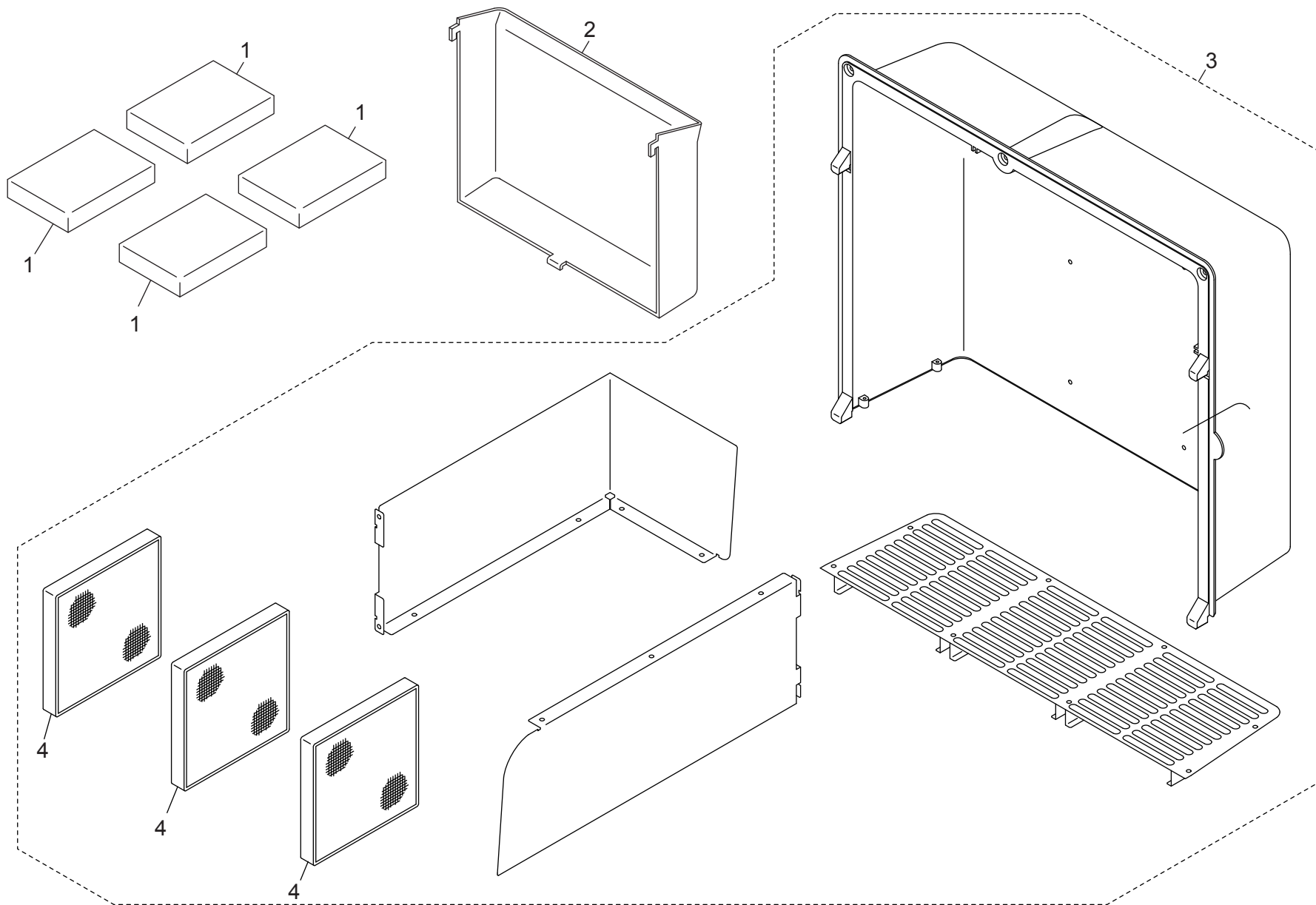
JIG AND SERVICE MATERIAL





# ACCESSORY PARTS

P 110



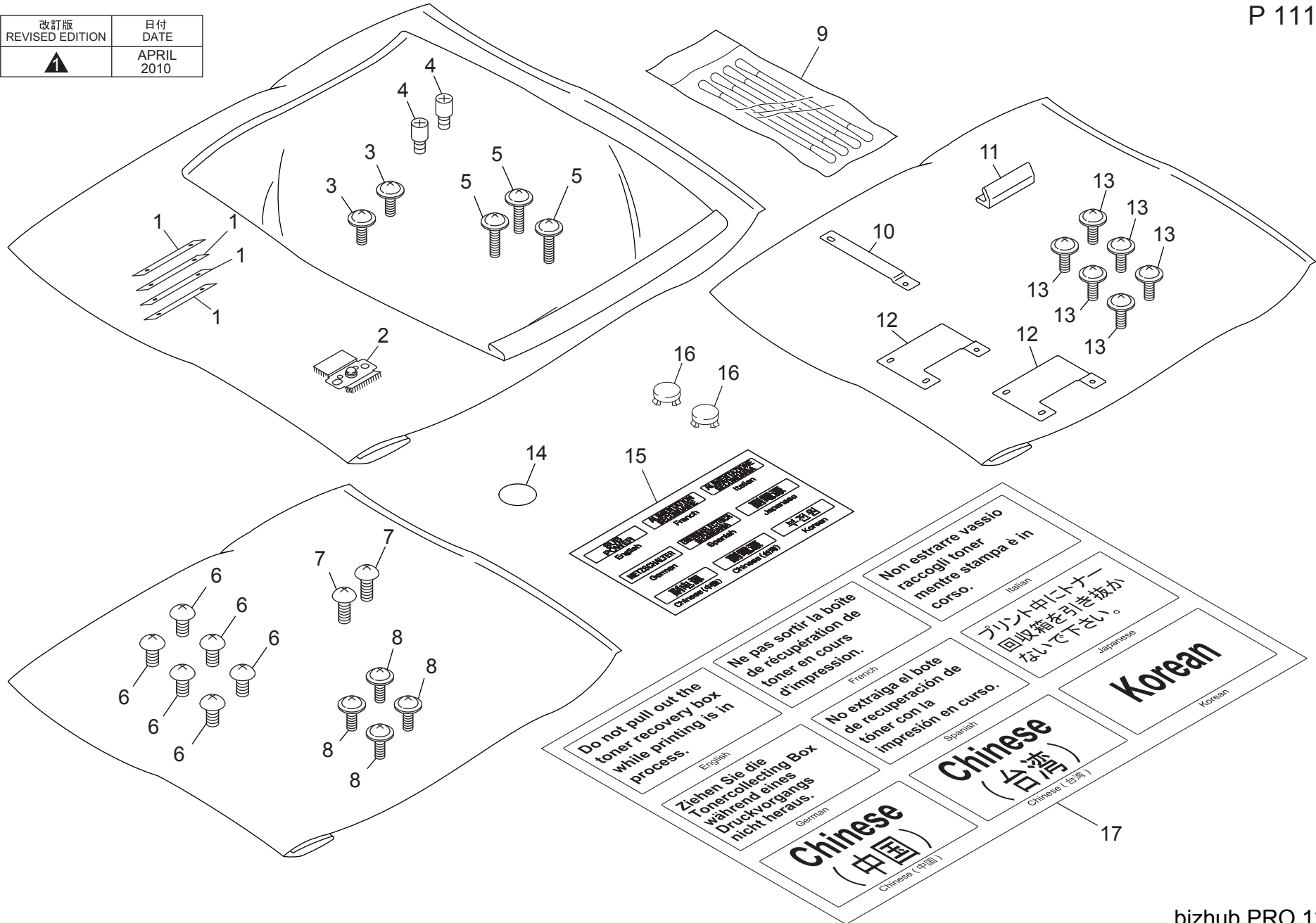




# ACCESSORY PARTS

P 111

改訂版 REVISED EDITION	日付 DATE
	APRIL 2010



# ACCESSORY PARTS

Key	Part No.	Description	Destinations	Class	QTY	Standard parts
1	56UA40700	ADJUSTMENT PLATE P		C	4	
2	A4EUR75X00	Paper Feed Brush		C	1	
3	V127030603	screw		V	2	
4	392010231	STOPPER PIN		C	2	
5	V121030803	SCREW		V	3	
6	V114040604	Screw		V	6	
7	V118040804	screw		D	2	
8	V121040603	screw		V	4	
9	504097340	CLEANING MATERIAL		D	1	
10	15BA10310	Earth Plate		D	1	
11	13RJ10390	EXTERNAL EARTH CUSHION		D	1	
12	A0G6165900	Ground Plate /B		D	2	
13	V121030603	screw		V	6	
14	56UA70820	OPERATION UNIT SEAL		C	1	
15	A0G6944500	Indicating Label /2		C	1	
16	56UA12460	Screw Cover		C	2	
17	A0G6948000	Operation Label /G		C	1	

# MAINTENANCE LIST

● The items with no Page/Key numbers are not handled as spare parts.

No.	Section	PM Parts Description	Maintenance Cycle (K=1,000)		Parts No.	Destinations	Page/Key	Note
			QTY	Replace				
1	Main body	Dust-proof filter	3	3000K	A0G6118100		P108-30	
2		Ozone filter /12	3	4500K	A0G6112300		P110-4	
3		Conveyance suction filter	1	4500K	56UA11290		P108-4	
4		Develop suction filter	1	4500K	56UA11220		P105-18	
5	Photo conductor section	Drum	1	1000K				
6		Drum claw	3	1000K	A0G6345600		P98-12	
7		Drum fixing spring	1	1000K	55FU20140		P19-3	
8		Drum positioning collar	1	1000K	25SA20150		P19-2	
9		Drum temperature sensor (TH5)	1	3000K	A4EUR70200		P97-13	
10	Charging corona	Charger control plate	1	750K	A4EUR70900		P40-17	
11		Charging wire	2	750K	56UA25090		P41-16	
12		Charger rubber vibration isolator	2	750K	55VA25270		P41-22	
13		Charging cleaning unit	2	750K	A0G6R70100		P40-16	
14		C-clip	2	750K	45AA20400		P98-9	
15		Charging corona	1	6000K	A0G6R70411		P40-1	
16	Developing section	Developer	1	1500K				
17		Suction filter /Up	1	1500K	A0G6390900		P39-7	
18		Suction filter /Lw	1	1500K	A0G6390800		P39-11	
19		Developing suction seal/2	1	6000K	56UA31030		P39-17	
20		Developing suction seal/5	1	6000K	56UA31060		P39-14	
21		Stopper pad	1	6000K	A0G6394300		P39-12	
22		Suction pad /H	1	6000K	A0G6394400		P39-16	
23		Suction pad /I	1	6000K	A0G6394500		P39-15	
24		Developing unit	1	6000K	A0G6R70522		P58-23	
25	Toner supply section	Toner supply sleeve 1	1	3000K	A4EUR70W00		P52-1	
26		Toner supply sleeve /2	1	3000K	A4EUR70X00		P52-2	
27		Stirring plate /1 assy	1	1500K	A4EUR70500		P48-25	
28		Stirring plate /2 assy	1	1500K	56UAR77300		P48-18	
29		Pump unit /Rt	1	10500K	A4EUR70Y00		P56-5	
30		Pump unit /Lt	1	10500K	A4EUR71000		P57-5	
31		Air separation motor (M10)	1	30000K	A0Y5J04000		P55-5	
32		Intermediate hopper motor (M11)	1	30000K	13GQ80032		P49-17	
33		Toner bottle motor (M6)	1	3000K	A0PNM10200		P50-24	
34		Toner hopper motor (M7)	1	3000K	A0PNM10200		P50-24	
35		Waste toner box swing motor (M19)	1	30000K	A011M10000		P47-2	
36	Cleaning section	Waste toner box	1	750K	A4EUR75V11		P50-13	
37		Cleaning blade	2	750K	A0G6535000		P101-12	
38		Discharging wire		750K	A0G6470800		P93-8	
39		Drum scraper assy		750K	A0G6R7E700		P100-23	
40		Scattering prevention filter assy		750K	A0G6R7E800		P100-24	
41		Toner guide brush assembly	1	1500K	A0G6R73011		P101-26	
42		Scattering prevention felt	1	1500K	55VA55680		P100-15	
43		Seal plate /Fr	1	1500K	A4EUR70G00		P101-29	
44		Seal plate /Rr	1	1500K	A0G6R73811		P101-23	
45		Guide plate assy	1	1500K	A4EUR70J00		P99-10	
46		Guide shaft	1	6000K	A0G6530500		P100-20	
47		PCC unit	1	6000K	A0G6R7D500		P98-9	
48		Toner seal board	1	3000K	A4EUR71300		P102-12	
49		Cleaning gear /A assy	1	10500K	A4EUR70F00		P100-13	
50			Cleaning gear /B	2	20250K	A0G6532700		P100-17





No.	Section	PM Parts Description	Maintenance Cycle (K=1,000)		Parts No.	Destinations	Page/Key	Note
			QTY	Replace				
146	Duplex section	Output convey roller /1	1	10500K	A4EU817400		P65-6	
147		Output convey roller /2 assy	1	10500K	A4EUR70100		P65-1	
148		ADU accelerator roller	1	10500K	A0G6817100		P65-7	
149		Reversal output roller	1	10500K	A4EU817200		P65-8	
150		ADU reversal roller	1	10500K	A4EU817600		P65-9	
151		ADU conveyance roller /1	1	10500K	A4EU817500		P66-37	
152		ADU conveyance roller /2	1	10500K	A4EU817500		P66-37	
153		ADU conveyance roller /3	1	10500K	A4EU817700		P69-11	
154		ADU conveyance roller /4	1	10500K	A4EU817700		P69-11	
155		ADU exit roller	1	10500K	A4EU817700		P66-33	
156		Motor gear /Rt	1	20250K	56UA77570		P63-19	
157		Registration motor (M17)	1	30000K	56UA-3861		P63-20	
158		Removing/installing of the ADU conveyance motor	1	30000K	56UA78080		P69-24	
159		ADU conveyance motor /2 (M16)	1	30000K	A4EUR73W00		P69-28	
160		ADU reverse motor belt	1	30000K	13GQ77550		P65-25	
161		ADU reverse motor (M12)	1	30000K	A0G6R71200		P65-33	
162		Transfer belt pressure release motor (M26)	1	30000K	A0G6R79000		P72-33	
163		reverse/exit motor belt	1	30000K	56UA78060		P60-25	
164		Reverse/exit motor (M13)	1	30000K	A0G6R71200		P60-20	
165		ADU accelerate motor belt	1	30000K	A0G6819400		P67-6	
166		ADU paper exit roller belt	1	30000K	A4EU822100		P65-24	
167	ADU accelerate motor (M14)	1	30000K	A0G6R71200		P67-3		
168	Loop motor (M18)	1	30000K	A0G6R71300		P69-19		
169	Transfer belt motor (M30)	1	30000K	A0R5M10300		P61-14		
170	ADU conveyance motor /1 belt	1	30000K	A1TT211400		P66-28		
171	ADU conveyance motor /1 (M15)	1	30000K	A03UM11100		P66-25		
172	Main body rear side	Paper feed gear	1	30000K	56UA77030		P18-20	
173		Vertical conveyance motor (M8)	1	30000K	56AA80112		P17-19	
174		Conveyance roller	1	30000K	56UA77061E		P17-22	
175		Developing screw motor (M21)	1	30000K	A0PNM10200		P19-17	
176		Fusing gear	1	30000K	A0G6237201		P20-5	
177		Transfer belt cleaning motor (M5)	1	30000K	A0PNM10200		P17-1	
178		Paper exit conveyance motor (M31)	1	30000K	A0PNM10200		P16-11	
179		Paper exit motor (M20)	1	30000K	A0PNM10200		P16-11	
180		Paper feed motor (M4)	1	30000K	A0G6M10100		P18-21	
181		Fusing motor (M1)	1	30000K	A0G6M10100		P20-7	
182		Drum motor (M2)	1	30000K	A0R5M10300		P15-14	
183		Developing motor (M3)	1	30000K	15AA80050		P19-12	
184		Waste toner motor (M9)	1	30000K	A011M10000		P4-7	
185		Belt cleaning gear	1	30000K	A0G6250601		P17-6	

# メンテナンスリスト

● ページ / キーナンバーのないものは、アフターサービス部品ではありません。

No.	区分	PM 部品名称	サイクル (K=1,000)		部品番号	仕向地	頁 / キー	備考
			員数	交換				
1	本体	防塵フィルター	3	3000K	A0G6118100		P108-30	
2		オゾンフィルター /12	3	4500K	A0G6112300		P110-4	
3		搬送サクシオンフィルター	1	4500K	56UA11290		P108-4	
4		現像サクシオンフィルター	1	4500K	56UA11220		P105-18	
5	感光体部	ドラム	1	1000K				
6		ドラム爪	3	1000K	A0G6345600		P98-12	
7		ドラム固定バネ	1	1000K	55FU20140		P19-3	
8		バネ位置決めカラー	1	1000K	25SA20150		P19-2	
9		ドラム温度センサー (TH5)	1	3000K	A4EUR70200		P97-13	
10	帯電極	帯電制御プレート	1	750K	A4EUR70900		P40-17	
11		帯電ワイヤー	2	750K	56UA25090		P41-16	
12		帯電防振ゴム	2	750K	55VA25270		P41-22	
13		帯電清掃ユニット	2	750K	A0G6R70100		P40-16	
14		Cクリップ	2	750K	45AA20400		P98-9	
15		帯電極	1	6000K	A0G6R70411		P40-1	
16	現像部	現像剤	1	1500K				
17		サクシオンフィルター /Up	1	1500K	A0G6390900		P39-7	
18		サクシオンフィルター /Lw	1	1500K	A0G6390800		P39-11	
19		現像サクシオンシール /2	1	6000K	56UA31030		P39-17	
20		現像サクシオンシール /5	1	6000K	56UA31060		P39-14	
21		突き当てパッド	1	6000K	A0G6394300		P39-12	
22		サクシオンパッド /H	1	6000K	A0G6394400		P39-16	
23		サクシオンパッド /I	1	6000K	A0G6394500		P39-15	
24		現像ユニット	1	6000K	A0G6R70522		P58-23	
25	トナー補給部	トナー補給スリーブ /1	1	3000K	A4EUR70W00		P52-1	
26		トナー補給スリーブ /2	1	3000K	A4EUR70X00		P52-2	
27		攪拌板 /1Assy	1	1500K	A4EUR70500		P48-25	
28		攪拌板 /2Assy	1	1500K	56UAR77300		P48-18	
29		ポンプユニット /Rt	1	10500K	A4EUR70Y00		P56-5	
30		ポンプユニット /Lt	1	10500K	A4EUR71000		P57-5	
31		エアー分離モーター (M10)	1	30000K	A0Y5J04000		P55-5	
32		中間ホッパーモーター (M11)	1	30000K	13GQ80032		P49-17	
33		トナーボトルモーター (M6)	1	30000K	A0PNM10200		P50-24	
34		トナーホッパーモーター (M7)	1	30000K	A0PNM10200		P50-24	
35		廃トナー BOX 揺動モーター (M19)	1	30000K	A011M10000		P47-2	
36	クリーニング部	廃棄トナーボックス	1	750K	A4EUR75V11		P50-13	
37		クリーニングブレード	2	750K	A0G6535000		P101-12	
38		放電ワイヤー	1	750K	A0G6470800		P93-8	
39		ドラムスクレーパー Assy	1	750K	A0G6R7E700		P100-23	
40		飛散防止フィルター Assy	1	750K	A0G6R7E800		P100-24	
41		トナーガイドブラシ Assy	1	1500K	A0G6R73011		P101-26	
42		飛散防止フェルト	1	1500K	55VA55680		P100-15	
43		シールプレート /Fr	1	1500K	A4EUR70G00		P101-29	
44		シールプレート /Rr	1	1500K	A0G6R73811		P101-23	
45		ガイドプレート Assy	1	1500K	A4EUR70J00		P99-10	
46		ガイド軸	1	6000K	A0G6530500		P100-20	
47		PCC ユニット	1	6000K	A4EUR75K00		P93-9	
48		トナーシール基板	1	3000K	A4EUR71300		P102-12	
49		クリーニングギア /A Assy	1	10500K	A4EUR70F00		P100-13	
50		クリーニングギア /B	2	20250K	A0G6532700		P100-17	



No.	区分	PM 部品名称	サイクル (K=1,000)		部品番号	仕向地	頁/キー	備考
			員数	交換				
51	定着部	定着クリーニングウェブ	1	750K	A0G6731400		P90-16	
52		定着ローラー /Up	1	1500K	A0G6730411		P91-1	
53		断熱スリーブ	2	1500K	454053391		P91-3	
54		定着軸受 /Up	2	1500K	A0G6734600		P91-2	
55		定着ローラー /Lw Assy	1	1500K	A4EUR70V00		P87-1	
56		定着爪 /Up	6	1500K	56UA54530		P88-16	
57		定着爪 /Lw	2	1500K	25AA53290		P88-21	
58		定着清掃シート Assy	1	1500K	56UAR7C100		P87-7	
59		定着ヒーターランプ /1 (L1)	2	3000K	A0G6M33000		P91-6	
60		定着ヒーターランプ /2 (L2)	2	3000K	A0G6M33000		P91-6	
61		定着ヒーターランプ /3 (L3)	1	3000K	55VB83042		P87-13	
62		定着加熱ローラー	1	3000K	56UA53070		P87-20	
63		加熱ローラー軸受	2	3000K	56UA75070		P87-14	
64		断熱スリーブ /Lw	2	3000K	26AA53150		P87-19	
65		定着温度センサー /2 (TH2)	1	3000K	55VA88041		P86-10	
66		定着温度センサー /4 (TH4)	1	3000K	55VA88061		P87-18	
67		定着ギア	1	6000K	A0G6726000		P91-5	
68		定着アイドルギア /2	1	6000K	55VA77820		P85-19	
69		ウェブモーター (M24)	1	6000K	56GA80171		P89-12	
70		定着清掃ローラー	1	10500K	56UA53530		P90-17	
71		軸受 /G	2	10500K	56UA760900		P90-8	
72		定着揺動カム Assy	1	20250K	A4EUR73700		P89-19	
73		軸受 /A	2	20250K	392053360		P85-20	
74		定着爪取り付け Assy	6	20250K	A4EUR73200		P88-13	
75		ウェブ規制部材 Assy	1	20250K	A4EUR70T00		P90-13	
76		軸受 /G	1	20250K	56UA760900		P89-4	
77		圧着ウオーム Assy	1	30000K	A4EUR76B00		P91-9	
78	圧着ホイール Assy	1	30000K	A4EUR70P00		P91-12		
79	軸受 /F	1	30000K	55VA76020		P89-11		
80	給紙部	ピックアップローラー	2	500K	A4EUR71500		P29-8/P38-8	
81		給紙ローラー	2	500K	A4EUR71400		P28-12/P37-12	
82		分離ローラー	2	500K	A4EUR71400		P29-14/P38-14	
83		給紙クラッチ /1 (CL4)	1	3000K	57GA82010		P29-26	
84		給紙クラッチ /2 (CL6)	1	3000K	57GA82010		P38-26	
85		分離クラッチ /1 (CL5)	1	3000K	57GA82010		P28-31	
86		分離クラッチ /2 (CL7)	1	3000K	57GA82010		P37-31	
87		トルクリミッター /A	2	10500K	A03X565611		P28-20/P37-20	
88		カバー	2	10500K	A0G6572000		P28-17/P37-17	
89		軸受 /D	4	20250K	A00J617900		P28-22/P37-22	
90		逆転軸	2	20250K	A0G6570800		P28-34/P37-34	
91		軸受 /C	2	20250K	A00V240600		P28-33/P37-33	
92		給紙入力軸	2	20250K	A0G6R73900		P28-27/P37-27	
93		転写ベルト部	規制板 Assy	2	1500K	A0G6R7D400		P74-1
94	清掃ブラシ		2	3000K	A0G6510601		P75-16	
95	転写ベルト		1	3000K	A0G6500113		P83-1	
96	転写ローラー		1	3000K	A0G6500600		P82-3	
97	軸受 /H		1	3000K	A0G6503900		P82-1	
98	転写接点 /Rr		2	3000K	A0G6R70700		P82-11	
99	転写接点 /Fr		1	3000K	A4EUR70B00		P83-17	
100	給電部材		2	3000K	65AA26890		P75-12	
101	クリーニング軸		2	6000K	A0G6510700		P75-23	
102	ベルトクリーニングユニット		1	10500K	A0G6R72644		P70-9	

bizhub PRO 1200P



No.	区分	PM 部品名称	サイクル (K=1,000)		部品番号	仕向地	頁 / キー	備考
			員数	交換				
146	両面部	排紙搬送ローラー /1	1	10500K	A4EU817400		P65-6	
147		排紙搬送ローラー /2 Assy	1	10500K	A4EUR70100		P65-1	
148		ADU 加速ローラー	1	10500K	A0G6817100		P65-7	
149		反転排紙ローラー	1	10500K	A4EU817200		P65-8	
150		ADU 反転ローラー	1	10500K	A4EU817600		P65-9	
151		ADU 搬送ローラー /1	1	10500K	A4EU817500		P66-37	
152		ADU 搬送ローラー /2	1	10500K	A4EU817500		P66-37	
153		ADU 搬送ローラー /3	1	10500K	A4EU817700		P69-11	
154		ADU 搬送ローラー /4	1	10500K	A4EU817700		P69-11	
155		ADU 出口ローラー	1	10500K	A4EU817700		P66-33	
156		モーターギア /Rt	1	20250K	56UA77570		P63-19	
157		レジストモーター (M17)	1	30000K	56UA-3861		P63-20	
158		ADU 搬送モーターベルト /2	1	30000K	56UA78080		P69-24	
159		ADU 搬送モーター /2 (M16)	1	30000K	A4EUR73W00		P69-28	
160		ADU 反転モーターベルト	1	30000K	13GQ77550		P65-25	
161		ADU 反転モーター (M12)	1	30000K	A0G6R71200		P65-33	
162		転写ベルト圧着解除モーター (M26)	1	30000K	A0G6R79000		P72-33	
163	反転排紙モーターベルト	1	30000K	56UA78060		P60-25		
164	反転排紙モーター (M13)	1	30000K	A0G6R71200		P60-20		
165	ADU 加速モーターベルト	1	30000K	A0G6819400		P67-6		
166	ADU 排紙ローラーベルト	1	30000K	A4EU822100		P65-24		
167	ADU 加速モーター (M14)	1	30000K	A0G6R71200		P67-3		
168	ループモーター (M18)	1	30000K	A0G6R71300		P69-19		
169	転写ベルトモーター (M30)	1	30000K	A0R5M10300		P61-14		
170	ADU 搬送モーター /1 ベルト	1	30000K	A1TT211400		P66-28		
171	ADU 搬送モーター /1 (M15)	1	30000K	A03UM11100		P66-25		
172	本体背面	給紙ギア	1	30000K	56UA77030		P18-20	
173		垂直搬送モーター (M8)	1	30000K	56AA80112		P17-19	
174		搬送ギア	1	30000K	56UA77061E		P17-22	
175		現像スクリュウモーター (M21)	1	30000K	A0PNM10200		P19-17	
176		定着ギア	1	30000K	A0G6237201		P20-5	
177		転写ベルト清掃モーター (M5)	1	30000K	A0PNM10200		P17-1	
178		排紙搬送モーター (M31)	1	30000K	A0PNM10200		P16-11	
179		排紙モーター (M20)	1	30000K	A0PNM10200		P16-11	
180		給紙モーター (M4)	1	30000K	A0G6M10100		P18-21	
181		定着モーター (M1)	1	30000K	A0G6M10100		P20-7	
182		ドラムモーター (M2)	1	30000K	A0R5M10300		P15-14	
183		現像モーター (M3)	1	30000K	15AA80050		P19-12	
184		廃トナーモーター (M9)	1	30000K	A011M10000		P4-7	
185		ベルトクリーニングギア	1	30000K	A0G6250601		P17-6	

## DESTINATION

Destination No.		Destinations		V	Hz	Model No.
A	A1	JAPAN		200	50/60	A0GA001
	A2	JAPAN		200	50/60	A0GA001
B		USA, CANADA		208-240	60	A0GA011
C		EUROPEAN TYPE		230	50/60	A0GA021
D	D1	S.E ASIA TYPE	THAILAND, SRI LANKA, SINGAPORE, MALAYSIA, HONG KONG, PAKISTAN, INDIA, BANGLADESH, INDONESIA			
	D3	OCEANIA TYPE	AUSTRALIA, NEW ZEALAND			
E		PHILIPPINES				
F	F1	SAUDI ARABIA				
	F2	SAUDI ARABIA				
G	G1	C.S AMERICA				
	G2	C.S AMERICA				
H		TAIWAN				
I		JORDAN, LEBANON, SYRIA, SOUTH AFRICA, IRAQ, IRAN, N.YEMEN, CAMEROON, UAE, BAHRAIN, OMAN, QATAR, KUWAIT, KENYA, TUNISIA, IVORY COAST, MOROCCO				
J		CHINA				
K		KOREA				

bizhub PRO 1200P