

KONICA MINOLTA

PARTS GUIDE MANUAL

DECEMBER 2007

bizhub 920
bizhub PRO 920
57GA

INFORMATION FOR PARTS GUIDE MANUAL

To find correct Parts No., refer to the "HOW TO MAKE THE BEST USE OF THIS MANUAL" in the following page.

HOW TO MAKE THE BEST USE OF THIS MANUAL

- 1 When you order, please check the proper figures beforehand that are on Our Parts Guide Manual, and order with the appropriate figures.
- 2 For screws, Nuts, Washers, retaining rings and Pins which are used in this model, one letter is shown on the Standard parts column of Parts list and exploded diagrams.
- 3 In order to maintain safety of the product, some specific parts composed of this product are set up as "essential safety parts".
- 4 The assigned parts number for the "essential safety parts" is indicated as "SP00-****".
When replacing these parts, follow precautions for disassembling and installing which are listed in the Service Manual.
Do not use any parts that are not set up as
- 5 ♣ means that there are exclusive parts for each destination.
Please check the appropriate destination when you order.
- 6 Revision Mark
Marked as ▲ on the illustration shows that the revision has been made.
- 7 All rights reserved. (any reprints or quotations are prohibited.)
Use of this parts guide manual should be strictly supervised to avoid disclosure of confidential information.

パーツガイドマニュアルのご案内

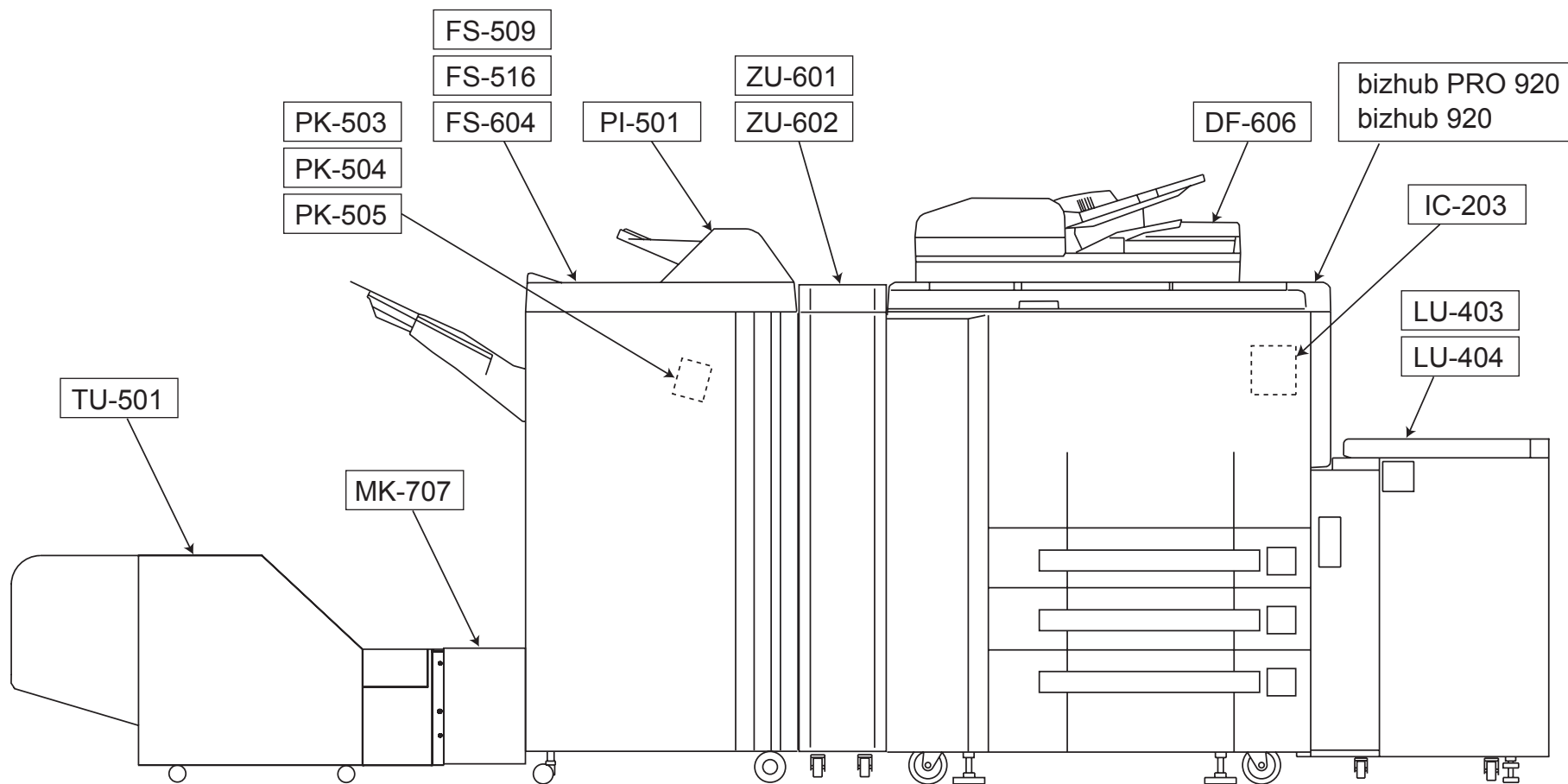
サービス部品をご発注の際には、下記に示す“パーツガイドマニュアルの活用にあたって”をご参照の上、正しい部品番号にてお願い致します。

パーツガイドマニュアルの活用にあたって

- 1 部品発注の際には、掲載されている部品番号の桁数を確認し、掲載されている桁数で発注願います。
- 2 この製品に使用されているネジ、ナット、ワッシャー、止め輪、ピンなどは、リストの右側の Standard parts 欄に a,b,c,……で表示し、イラストにも a,b,c,……表示してあります。
- 3 製品の安全性を維持する為に、製品に使用される特定の部品を「重要保安部品」として設定しています。
- 4 重要保安部品の部品番号は、“SP00-****”と記載されていますので、部品交換時は、サービスマニュアル記載の分解・組み立ての注意事項に従って作業をして下さい。
また、指定以外の部品は一切使用しないで下さい。
- 5 本文に ♣ が表示されている部品は、仕向け地毎に専用部品がある事を意味しています。
オーダーされる時は、仕向け地を確認して下さい。
- 6 改訂記号について
イラスト上に ▲ 印が表示されている部分は、改訂された事を表します。
- 7 著作権所有（無断転載及び無断引用の禁止）
本パーツガイドマニュアルについては、機密保持等その扱いには十分注意して下さい。万一取り扱いを誤った場合には、法律で処罰されることがあります。

06/17/2005

SYSTEM OUTLINE



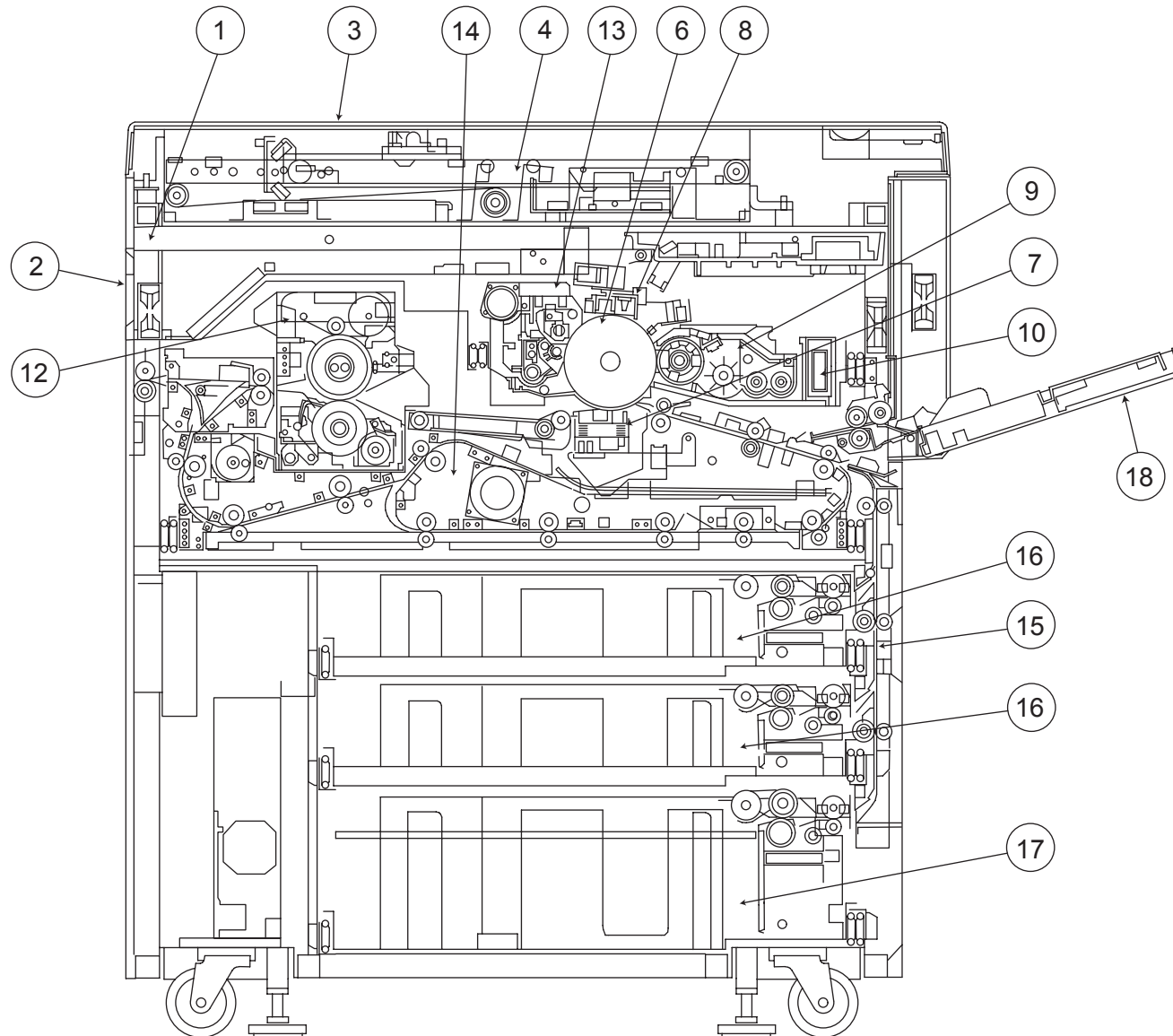
bizhub 920/bizhub PRO 920

GENERAL CONTENTS

No.	Description	Model
1	DIGITAL MFP B/W	bizhub 920/bizhub PRO 920
2	DOCUMENT FEEDER	DF-606
3	SORTER/FINISHER	FS-509
4	SORTER/FINISHER	FS-516
5	SORTER/FINISHER	FS-604
6	OTHER OPTION	PI-501
7	OTHER OPTION	TU-501
8	OTHER OPTION	ZU-601
9	OTHER OPTION	ZU-602
10	PAPER FEEDER	LU-403
11	PAPER FEEDER	LU-404
12	PRINT CONTROLLER	IC-203
13	OTHER OPTION	MK-707
14	PUNCH UNIT	PK-503
15	PUNCH UNIT	PK-504
16	PUNCH UNIT	PK-505

bizhub 920/bizhub PRO 920

DIAGRAMS OF MAIN PARTS SECTION



bizhub 920/bizhub PRO 920

CONTENTS

No.	DESCRIPTION	名称	PAGE No.
1	MAIN FRAME	骨格	P1 P2
2	EXTERNAL PARTS	外装	P3 P4
3	OPERATION UNIT	操作部	P5 P6
4	OPTICS UNIT	光学部	P7 P8 P9 P10 P11
5	DRIVING UNIT	駆動部	P12 P13 P14 P15 P16
6	DRUM CARTRIDGE	ドラムカートリッジ	P17 P18 P19 P20
7	TRANSFER SEPARATOR CORONA UNIT	転写分離極	P21
8	CHARGING UNIT	帯電極	P22
9	DEVELOPING UNIT	現像ユニット	P23
10	DEVELOPING SUCTION UNIT	現像サクシオンユニット	P24
11	TONER SUPPLY UNIT	トナー補給部	P25 P26 P27
12	FIXING UNIT	定着部	P28 P29 P30 P31
13	CLEANER UNIT	クリーナーユニット	P32 P33 P34
14	ADU	ADU	P35 P36 P37 P38 P39 P40 P41 P42 P43 P44 P45
15	VERTICAL CONVEYANCE UNIT	垂直搬送ユニット	P46 P47
16	500 SHEET TRAY	500 枚トレイ	P48 P49 P50 P51 P52 P53
17	1000 SHEET TRAY	1000 枚トレイ	P54 P55 P56 P57 P58 P59
18	MANUAL FEED UNIT	手差しユニット	P60 P61 P62
19	ELECTRIC PARTS	電装	P63 P64 P65
20	WIRING	束線	P66 P67 P68 P69 P70 P71 P72 P73 P74 P75 P76 P77 P78 P79
21	WIRING ACCESSORY AND JIGS	配線部品 治具	P80 P81
22	ACCESSORY PARTS	同梱部品	P82

INDEX

1/10

Parts No.	Page No.
000V -18- 1	81-11
000V -18- 2	81-11
000V 1001 0	81-12
000V 1002 0	81-13
000V 1003 0	81-14
000V 1004 0	81-15
000V 1005 0	81-16
0084 7861 0	50-15
0084 7861 0	56-15
0084 7864 0	26-7
00M6 -2-0 0	81-6
00VC -2-0 0	81-7
00VD -100 0	81-8
00Z1 4414 3	82-4
00Z9 2001 3	80-1
00Z9 2001 5	80-2
00Z9 2001 6	80-3
00Z9 2001 7	80-4
00Z9 2001 9	80-35
00Z9 2002 0	80-5
00Z9 2002 1	80-6
00Z9 2002 2	80-7
00Z9 2002 5	80-8
00Z9 2002 6	80-9
00Z9 2002 7	80-10
00Z9 2006 6	80-11
00Z9 2006 7	80-12
00Z9 2007 4	80-13
00Z9 2009 1	80-14
00Z9 2009 4	80-15
00Z9 2009 6	80-16
00Z9 2110 3	80-17
00Z9 2110 4	80-18
00Z9 2110 5	80-19
00Z9 2137 0	80-20
00Z9 2193 0	80-21
00Z9 2193 1	80-22
00Z9 2194 1	80-23
00Z9 2231 0	80-24
00Z9 2241 0	80-25

Parts No.	Page No.
00Z9 2241 5	80-26
00Z9 2244 0	80-27
00Z9 2510 3	80-28
00Z9 2510 6	80-29
00Z9 2625 1	80-30
00Z9 2625 7	80-31
00Z9 2625 9	80-32
00Z9 3000 1	80-33
00Z9 3000 2	80-34
0200 9706 0	25-16
0480 4604 0	47-11
0480 4604 0	53-19
0480 4604 0	59-25
0486 1011 0	16-26
0486 4448 0	28-4
0590 7651 0	51-10
0590 7651 0	57-10
0660 7902 0	1-7
0660 7902 0	15-24
0660 7902 0	63-1
08AA 7606 0	43-16
08AA 8551 2	22-8
08AA 8551 2	34-4
08AA 8551 2	48-7
08AA 8551 2	49-21
08AA 8551 2	52-19
08AA 8551 2	54-7
08AA 8551 2	55-21
08AA 8551 2	58-19
08AA 8551 2	61-13
08AA 8551 2	62-6
0900 2051 0	18-1
0900 2051 0	32-16
0900 5318 0	30-8
0900 7553 0	47-21
0900 7553 0	52-11
0900 7553 0	53-15
0900 7553 0	58-11
0900 7553 0	59-15
0900 7553 0	61-25

Parts No.	Page No.
0900 7553 0	62-17
0900 7604 0	33-27
1136 2027 0	19-6
1136 2067 0	44-1
120A 1052 1	81-9
129X 4835 0	49-8
129X 4835 0	55-8
129X 4836 0	49-7
129X 4836 0	55-7
12AA 7556 0	13-8
12AA 7556 0	42-11
12AJ 4033 0	46-2
12AJ 7706 1	62-19
12BF 4348 0	51-21
12BF 4348 0	57-19
12EJ 1509 1	12-11
12EJ 1510 0	12-12
1310 7551 0	51-2
1310 7551 0	57-2
1310 7551 0	62-15
13GL 4669 0	13-11
13GQ 4551 1	61-29
13NT 8051 1	11-9
13QA -901 2E	49-10
13QA -901 2E	55-10
13QA -901 2E	60-15
13QA 1773 0	51-38
13QA 1773 0	57-41
13QE JG01 0	81-10
13QJ 7552 0	16-31
13RJ 7907 0	57-24
13RJ 7908 0	57-23
13RL 1213 0	49-1
13RL 1213 0	55-1
13RN 7312 0	63-26
13SU 1511 0	48-24
13SU 1511 0	54-24
15BA 7755 0	45-25
15JN 1214 0	4-14
15JN 1214 0	82-5

Parts No.	Page No.
1730 3027 0	1-20
1730 3027 0	48-15
1730 3027 0	54-15
1900 4092 2E	39-14
1900 4142 0	16-25
20ER 7311 0	63-33
20ER 7312 0	63-34
25AA 1009 0	1-8
25AA 1342 0	42-29
25AA 1523 1	16-9
25AA 1538 0	16-24
25AA 2032 1	22-24
25AA 2977 0	19-22
25AA 4012 0	50-21
25AA 4012 0	56-21
25AA 4046 0	51-18
25AA 4046 0	57-18
25AA 4057 0	49-6
25AA 4057 0	55-6
25AA 4074 2	52-1
25AA 4074 2	58-1
25AA 4087 0	52-7
25AA 4087 0	58-7
25AA 4132 2	48-3
25AA 4132 2	54-3
25AA 4151 0	48-20
25AA 4151 0	54-20
25AA 4196 3	1-13
25AA 4257 0	53-2
25AA 4257 0	59-2
25AA 4418 0	40-16
25AA 4418 0	42-9
25AA 4418 0	44-28
25AA 4418 0	47-14
25AA 4420 0	46-19
25AA 4433 1	1-19
25AA 4433 1	46-8
25AA 4433 1	61-31
25AA 4750 0	36-15
25AA 4755 1	49-9

Parts No.	Page No.
25AA 4755 1	55-9
25AA 4767 0	35-18
25AA 4781 0	36-13
25AA 4824 2	13-7
25AA 4824 2	42-10
25AA 5008 0	37-9
25AA 5329 0	30-7
25AA 5344 1	63-9
25AA 5347 2	63-7
25AA 5360 0	63-16
25AA 5515 1	29-26
25AA 5516 1	33-28
25AA 5534 1	33-21
25AA 5535 0	33-17
25AA 5536 0	33-18
25AA 5539 0	33-29
25AA 5542 0	33-16
25AA 5546 0	34-2
25AA 5572 0	33-15
25AA 7509 0	47-9
25AA 7509 0	51-22
25AA 7509 0	57-22
25AA 7553 0	32-4
25AA 7556 0	62-2
25AA 7747 0	53-14
25AA 7747 0	59-17
25AA 7777 1	12-7
25AA 8009 1	22-2
25AA 8058 4	43-2
25AA 8502 0	65-8
25AA 8846 2	65-11
25AA R701 00	16-20
25AA R702 00	53-21
25AA R702 00	59-21
25AA R706 00	63-17
25AE 8908 1	63-5
25BA 3225 1	25-9
25HA 3215 2	27-8
25HA 3234 0	27-7
25HE 9707 0	65-3

bizhub 920/bizhub PRO 920

Parts No.	Page No.	Parts No.	Page No.	Parts No.	Page No.	Parts No.	Page No.	Parts No.	Page No.
25QA 8846 1	65-11	25SA 8846 1	65-9	3960 7605 0	46-22	4960 7621 0	63-10	55GA 3231 0	27-12
25SA -620 1	7-2	25SF 8846 1	65-9	3960 7704 0	62-8	4960 R701 00	63-12	55GA 4221 0	60-9
25SA 1020 0	1-16	26AA 5315 0	29-4	3960 7724 0	61-28	5000 7501 0	7-7	55GA 7503 1	32-17
25SA 1527 0	2-12	26AA 5316 0	29-3	40AA 3027 0	61-23	5000 7501 0	45-30	55GA 7655 0	21-9
25SA 1528 0	2-11	26NA 7357 0	63-27	40AA 3229 0	39-17	5080 5341 0	23-12	55GA 8601 0	6-6
25SA 1539 0	15-5	26NA 7383 1	63-23	40AA 3229 0	42-12	50BA 4003 0	62-5	55GA 9725 0	63-25
25SA 2011 0	17-22	26TA 3077 0	23-4	40AA 4716 0	49-14	50BA 4022 0	50-13	55JE 1501 0	15-17
25SA 2015 0	15-1	26TA 3077 0	32-8	40AA 4716 0	55-14	50BA 4022 0	56-13	55TA 6111 0	9-1
25SA 4330 0	39-26	27LA 8051 1	11-5	40AA 8501 1	6-3	5380 8826 1	65-10	55TA 6112 0	9-6
25SA 4330 0	41-9	27LA 8051 1	35-4	40AA 8803 1	26-14	5400 1516 2	15-20	55TA 6113 0	9-5
25SA 4330 0	44-9	27LA 8352 1	5-2	40BA 7552 0	53-24	5400 1516 2	16-21	55TA 6115 1	8-13
25SA 4331 0	13-9	27LA 8752 0	5-24	40BA 7552 0	59-24	5400 3014 1	23-5	55TA 6116 1	8-20
25SA 4331 0	40-9	27LA 8754 0	5-26	40LA 7384 0	63-24	5400 4032 1	30-12	55TA 6132 0	8-11
25SA 4331 0	41-3	3000 7749 0	27-6	4500 5339 1	31-14	5400 4046 1	61-1	55TA 6134 1	10-7
25SA 5028 0	46-17	3020 7707 0	27-1	4500 5339 1	42-21	5400 4212 0	60-8	55TA 7502 0	15-3
25SA 5050 2	40-4	3040 7807 0	14-3	4540 5339 1	30-18	5400 4237 2	61-2	55TA 7502 0	17-8
25SA 5050 2	41-12	3180 4055 0	44-14	4540 7504 0	30-19	5400 7605 0	12-8	55VA -196 0	13-16
25SA 5368 0	31-10	3180 4144 0	46-21	4540 7507 0	42-4	5400 7605 0	13-3	55VA -204 0	18-17
25SA 5369 1	31-13	3180 6123 0	49-16	4540 7507 0	43-17	5400 7605 0	14-1	55VA -205 0	18-18
25SA 6142 0	9-8	3180 6123 0	55-16	4540 7803 0	28-6	5400 7605 0	15-18	55VA -208 1	17-13
25SA 6142 0	10-2	3180 7609 0	23-21	4540 7805 0	20-5	5400 7605 0	16-2	55VA -257 1	22-19
25SA 6146 0	9-13	3220 7601 0	42-24	4540 7805 0	32-9	5400 7605 0	43-14	55VA -310 0	23-31
25SA 6147 0	9-3	3235 8453 1	65-10	45AA 2040 0	19-23	5400 7605 0	44-10	55VA -434 0	49-34
25SA 6154 0	10-5	3260 2028 0	43-15	45AA 2040 0	21-26	5400 7605 0	47-8	55VA -447 0	48-26
25SA 6155 0	10-9	3920 1023 1	46-23	45AA 2040 0	22-15	5400 7605 0	50-4	55VA -447 0	54-26
25SA 6165 0	7-10	3920 1404 1	36-9	4600 4532 0	49-3	5400 7605 0	56-4	55VA -451 0	48-4
25SA 6170 0	7-4	3920 1565 0	62-21	4600 4532 0	55-3	5400 7609 0	31-12	55VA -451 0	54-4
25SA 6171 0	7-3	3920 4015 0	27-9	4620 7601 0	36-17	5400 7705 2	61-22	55VA -469 0	53-17
25SA 6186 1	8-3	3920 5336 0	30-26	4660 7602 0	20-3	5400 R701 00	61-3	55VA -469 0	59-20
25SA 6188 0	8-4	3960 4061 1	60-5	4660 7602 0	38-13	5540 1055 0	15-16	55VA -474 0	55-35
25SA 6207 0	9-11	3960 4068 1	32-14	4660 7602 0	46-13	5540 1090 0	15-15	55VA -476 0	56-23
25SA 6208 0	9-10	3960 4068 1	47-16	4660 7602 0	52-21	5540 1090 0	16-18	55VA -516 1	60-25
25SA 6216 0	10-4	3960 4068 1	47-25	4660 7602 0	58-21	55FA 5819 1E	50-18	55VA -543 1	30-32
25SA 7502 0	15-23	3960 4068 1	50-16	4660 7602 0	61-21	55FA 5819 1E	56-18	55VA -916 0	35-3
25SA 7502 0	17-7	3960 4068 1	51-1	4660 7713 0	60-7	55FA 6113 0	10-6	55VA -951 2E	17-11
25SA 7713 0	53-10	3960 4068 1	56-16	4660 7722 0	61-27	55FA 6114 0	10-8	55VA 1003 0	1-3
25SA 7713 0	59-10	3960 4068 1	57-1	4960 4189 0	63-15	55FA 8052 1	2-1	55VA 1004 0	1-5
25SA 7719 0	20-8	3960 4068 1	61-7	4960 4193 0	63-11	55FU 2014 0	15-19	55VA 1018 1	1-2
25SA 7756 1	51-12	3960 4068 1	62-1	4960 4195 0	63-13	55FU 2014 0	17-9	55VA 1101 0	2-4
25SA 7756 1	57-12	3960 7605 0	33-6	4960 4196 0	63-14	55GA 3222 0	25-8	55VA 1103 0	1-4

Parts No.	Page No.	Parts No.	Page No.	Parts No.	Page No.	Parts No.	Page No.	Parts No.	Page No.
55VA 1212 2	3-9	55VA 2004 1	17-12	55VA 2523 0	22-31	55VA 3220 0	27-19	55VA 4040 0	52-6
55VA 1213 1	3-5	55VA 2007 1	17-18	55VA 2524 0	22-6	55VA 3225 0	26-18	55VA 4040 0	58-6
55VA 1213 1	26-5	55VA 2010 1E	17-23	55VA 2526 0	22-7	55VA 3233 0D	25-17	55VA 4041 1	50-1
55VA 1214 1	3-8	55VA 2019 0D	18-15	55VA 2527 0	22-32	55VA 3234 0	25-5	55VA 4042 0	52-22
55VA 1215 0	3-17	55VA 2020 0D	18-16	55VA 2613 0	21-6	55VA 3246 0	25-4	55VA 4042 0	58-22
55VA 1218 0	3-7	55VA 2021 0	17-16	55VA 2622 1	21-11	55VA 3248 0	25-7	55VA 4044 0	52-20
55VA 1225 0	3-1	55VA 2022 0	17-6	55VA 2901 3	19-25	55VA 3253 0	26-16	55VA 4044 0	58-20
55VA 1226 0	3-6	55VA 2024 0D	17-19	55VA 2903 0	19-10	55VA 4005 1	51-33	55VA 4045 0	52-3
55VA 1227 0	3-18	55VA 2029 0	18-5	55VA 2904 0	19-4	55VA 4005 1	57-33	55VA 4045 0	58-13
55VA 1228 0	3-2	55VA 2031 0	18-6	55VA 2905 0	19-2	55VA 4006 2	50-2	55VA 4046 0	52-24
55VA 1229 1	3-22	55VA 2031 0	48-18	55VA 2906 0	19-26	55VA 4008 0	48-19	55VA 4046 0	58-24
55VA 1232 0	3-19	55VA 2031 0	54-18	55VA 2908 0	19-14	55VA 4008 0	54-19	55VA 4047 1	53-1
55VA 1238 0	3-27	55VA 2033 0	18-4	55VA 2910 0	19-27	55VA 4009 0	48-5	55VA 4047 1	59-1
55VA 1245 0	4-11	55VA 2034 0	18-9	55VA 2911 0	19-28	55VA 4009 0	54-5	55VA 4054 0	49-15
55VA 1246 0	3-23	55VA 2037 0D	18-21	55VA 2914 0	19-1	55VA 4010 0	48-13	55VA 4054 0	55-15
55VA 1247 0	48-12	55VA 2039 0	18-8	55VA 2915 0	19-9	55VA 4013 0	51-6	55VA 4055 1	53-8
55VA 1247 0	54-12	55VA 2043 1	17-3	55VA 3005 1	23-25	55VA 4013 0	57-6	55VA 4055 1	59-8
55VA 1247 0	65-5	55VA 2052 0	18-3	55VA 3016 0	23-3	55VA 4016 0	51-20	55VA 4056 0	53-5
55VA 1254 1	51-8	55VA 2054 0	18-2	55VA 3024 0	23-16	55VA 4016 0	57-20	55VA 4057 0	53-4
55VA 1254 1	57-8	55VA 2059 0	19-21	55VA 3025 0D	23-26	55VA 4019 1	50-14	55VA 4058 0	53-7
55VA 1271 0	4-33	55VA 2063 0D	18-22	55VA 3026 0D	23-27	55VA 4019 1	56-14	55VA 4059 0	53-6
55VA 1275 0	1-14	55VA 2064 0	18-7	55VA 3027 0D	23-28	55VA 4022 0	51-3	55VA 4060 0	53-25
55VA 1503 0	15-14	55VA 2068 0	19-3	55VA 3038 1	23-29	55VA 4023 0	51-15	55VA 4060 0	59-22
55VA 1508 0	12-1	55VA 2069 0	17-17	55VA 3096 1	18-19	55VA 4023 0	57-15	55VA 4061 0	53-3
55VA 1515 0	15-26	55VA 2080 0	17-20	55VA 3096 1	23-24	55VA 4024 0	51-41	55VA 4061 0	59-3
55VA 1519 0	14-4	55VA 2086 0	17-4	55VA 3097 0	23-15	55VA 4024 0	57-42	55VA 4063 0	53-16
55VA 1524 1	16-19	55VA 2501 1	22-10	55VA 3098 1	23-30	55VA 4026 0	51-4	55VA 4063 0	59-16
55VA 1533 0	12-16	55VA 2502 0	22-25	55VA 3101 0	24-1	55VA 4026 0	57-4	55VA 4067 0	48-23
55VA 1535 0	12-18	55VA 2506 0	22-11	55VA 3102 0	24-2	55VA 4030 0	50-22	55VA 4067 0	54-23
55VA 1536 1	12-20	55VA 2507 0	22-14	55VA 3103 0	24-3	55VA 4030 0	56-22	55VA 4069 1	53-26
55VA 1543 0	13-2	55VA 2509 1	22-26	55VA 3110 0	24-4	55VA 4031 0	50-8	55VA 4069 1	59-28
55VA 1547 0	16-13	55VA 2510 0	22-29	55VA 3202 1	26-17	55VA 4031 0	56-8	55VA 4070 1	53-27
55VA 1549 0	15-4	55VA 2511 0	22-27	55VA 3204 0	25-12	55VA 4033 0	51-42	55VA 4070 1	59-29
55VA 1554 1	15-6	55VA 2513 0	22-16	55VA 3208 0	26-8	55VA 4034 0	51-37	55VA 4072 0	48-25
55VA 1554 1	51-27	55VA 2514 0	22-18	55VA 3210 0	26-4	55VA 4036 1	52-2	55VA 4072 0	54-25
55VA 1554 1	57-27	55VA 2515 0	22-1	55VA 3212 0	25-6	55VA 4037 0	52-12	55VA 4074 0	49-27
55VA 1557 0	13-10	55VA 2517 0	22-22	55VA 3213 0	25-2	55VA 4038 0	52-23	55VA 4074 0	55-27
55VA 1557 0	15-21	55VA 2520 0	22-23	55VA 3215 0	26-15	55VA 4038 0	58-23	55VA 4075 0	49-25
55VA 1558 0	1-9	55VA 2521 0	22-17	55VA 3216 0	25-10	55VA 4039 0	52-9	55VA 4075 0	55-25
55VA 1561 0	14-7	55VA 2522 1	22-3	55VA 3217 1	25-11	55VA 4039 0	58-9	55VA 4076 0	49-30

Parts No.	Page No.	Parts No.	Page No.	Parts No.	Page No.	Parts No.	Page No.	Parts No.	Page No.
55VA 4076 0	55-31	55VA 4206 1	56-6	55VA 4309 0	61-14	55VA 4513 0	44-5	55VA 4704 2	41-2
55VA 4077 0	49-31	55VA 4207 0	48-14	55VA 4310 0	61-12	55VA 4603 0	39-28	55VA 4705 2	40-6
55VA 4077 0	55-32	55VA 4207 0	54-14	55VA 4311 0	60-21	55VA 4605 1	39-13	55VA 4706 2	41-5
55VA 4081 0	49-22	55VA 4211 1	52-13	55VA 4314 1D	62-23	55VA 4607 0	39-34	55VA 4707 1	41-8
55VA 4081 0	55-22	55VA 4211 1	58-2	55VA 4316 1	61-32	55VA 4608 0	39-33	55VA 4708 2	40-14
55VA 4082 0	49-4	55VA 4212 0	39-23	55VA 4317 0	61-33	55VA 4615 1	39-16	55VA 4709 1	40-10
55VA 4082 0	55-4	55VA 4212 0	45-14	55VA 4322 0	61-34	55VA 4616 0	39-7	55VA 4710 2	43-1
55VA 4083 0	53-9	55VA 4212 0	47-19	55VA 4327 0	61-10	55VA 4619 0	39-27	55VA 4711 1	41-4
55VA 4083 0	59-9	55VA 4212 0	51-30	55VA 4328 0	60-22	55VA 4622 1	37-15	55VA 4712 2	44-3
55VA 4091 0	49-5	55VA 4212 0	52-15	55VA 4332 0	62-10	55VA 4622 1	39-20	55VA 4713 0	41-14
55VA 4091 0	55-5	55VA 4212 0	57-30	55VA 4333 0	61-17	55VA 4623 1	39-15	55VA 4718 0	43-25
55VA 4092 0D	49-32	55VA 4212 0	58-15	55VA 4334 0	61-4	55VA 4632 3E	45-23	55VA 4719 0	43-24
55VA 4092 0D	55-33	55VA 4222 0	52-5	55VA 4335 0	61-19	55VA 4634 1	43-10	55VA 4720 0	35-5
55VA 4093 0	53-13	55VA 4222 0	58-5	55VA 4358 0	60-19	55VA 4636 0	45-29	55VA 4721 0	35-9
55VA 4093 0	59-13	55VA 4224 0	48-21	55VA 4359 1	60-14	55VA 4643 0	44-24	55VA 4725 0	38-9
55VA 4097 0	53-20	55VA 4224 0	54-21	55VA 4360 0	60-11	55VA 4644 0	44-26	55VA 4730 0	42-26
55VA 4097 0	59-26	55VA 4225 0	50-3	55VA 4361 0D	60-24	55VA 4645 1	39-4	55VA 4731 0	42-27
55VA 4098 0	59-27	55VA 4225 0	56-3	55VA 4362 0	60-12	55VA 4645 1	40-15	55VA 4732 0	42-30
55VA 4099 1	51-14	55VA 4227 1	48-17	55VA 4363 0	62-22	55VA 4649 0	39-12	55VA 4735 0	35-13
55VA 4099 1	57-14	55VA 4227 1	54-17	55VA 4364 0	60-16	55VA 4649 0	40-7	55VA 4736 0	37-6
55VA 4106 2	56-2	55VA 4228 0	48-8	55VA 4404 3	47-7	55VA 4649 0	41-1	55VA 4737 1	37-3
55VA 4110 0	54-13	55VA 4228 0	54-8	55VA 4405 2	47-3	55VA 4649 0	47-13	55VA 4739 0	37-4
55VA 4122 0	57-3	55VA 4229 1	52-4	55VA 4406 1	46-5	55VA 4649 0	51-34	55VA 4745 0	39-18
55VA 4133 0	57-43	55VA 4229 1	58-4	55VA 4407 2	46-3	55VA 4649 0	57-34	55VA 4745 0	40-22
55VA 4134 0	57-37	55VA 4230 0	48-22	55VA 4408 0	46-4	55VA 4651 1	45-13	55VA 4745 0	44-31
55VA 4136 2	58-3	55VA 4230 0	54-22	55VA 4409 0	47-5	55VA 4653 0	39-6	55VA 4745 0	47-26
55VA 4137 1	58-12	55VA 4233 0D	49-33	55VA 4410 0	47-1	55VA 4653 0	40-2	55VA 4750 2	42-13
55VA 4141 1	56-1	55VA 4233 0D	55-34	55VA 4412 0	46-24	55VA 4654 0	45-16	55VA 4753 1	42-3
55VA 4156 0	59-5	55VA 4234 0	49-2	55VA 4413 0	46-18	55VA 4671 1	44-23	55VA 4754 0	42-8
55VA 4157 0	59-4	55VA 4234 0	55-2	55VA 4414 0	46-7	55VA 4672 1	44-27	55VA 4756 0	42-22
55VA 4158 0	59-7	55VA 4235 1	51-36	55VA 4415 0	46-10	55VA 4674 1	44-25	55VA 4757 0	42-5
55VA 4159 0	59-6	55VA 4235 1	57-9	55VA 4417 0	47-12	55VA 4685 0	43-13	55VA 4758 1	42-31
55VA 4202 1	48-16	55VA 4241 0	48-1	55VA 4420 1	46-25	55VA 4688 0	39-5	55VA 4760 0	42-18
55VA 4202 1	54-16	55VA 4241 0	54-1	55VA 4422 0	46-12	55VA 4689 0	39-11	55VA 4761 1	42-6
55VA 4203 1	48-11	55VA 4242 0	51-16	55VA 4423 0	46-11	55VA 4690 0	38-5	55VA 4762 1	42-20
55VA 4203 1	54-11	55VA 4242 0	57-16	55VA 4502 0	44-30	55VA 4691 0	38-3	55VA 4763 0	42-17
55VA 4204 0	1-18	55VA 4303 0	60-17	55VA 4504 0	44-4	55VA 4692 0	38-17	55VA 4765 0D	42-32
55VA 4205 0	51-31	55VA 4304 1	61-11	55VA 4505 0	44-20	55VA 4693 0	38-18	55VA 4766 0	42-14
55VA 4205 0	57-31	55VA 4306 1	61-18	55VA 4507 0	44-15	55VA 4695 0	38-4	55VA 4768 0	40-20
55VA 4206 1	50-6	55VA 4307 0	62-12	55VA 4512 0	44-13	55VA 4703 1	37-7	55VA 4768 0	41-15

Parts No.	Page No.	Parts No.	Page No.	Parts No.	Page No.	Parts No.	Page No.	Parts No.	Page No.
55VA 4770 1	38-19	55VA 4944 0	35-20	55VA 5372 1	29-25	55VA 5550 1	34-1	55VA 7713 0	16-14
55VA 4771 0	38-12	55VA 5302 2	31-26	55VA 5373 0	29-24	55VA 5564 1	34-16	55VA 7715 0	61-24
55VA 4772 1	35-14	55VA 5307 0	29-6	55VA 5374 2	29-23	55VA 5567 0	32-5	55VA 7716 0	12-14
55VA 4773 0	35-16	55VA 5308 0	30-25	55VA 5375 0	29-1	55VA 5568 0	32-20	55VA 7717 0	12-3
55VA 4775 0	37-11	55VA 5309 0	30-13	55VA 5377 0	30-4	55VA 5581 0	33-23	55VA 7718 1	12-5
55VA 4776 2	38-11	55VA 5310 1	31-15	55VA 5379 1	37-12	55VA 5582 0	33-24	55VA 7719 0	12-10
55VA 4777 0	40-19	55VA 5311 1	29-18	55VA 5380 1	31-4	55VA 5701 0	20-9	55VA 7719 0	47-18
55VA 4780 0	37-8	55VA 5312 1	30-3	55VA 5383 0	30-11	55VA 5703 1E	20-13	55VA 7720 0	13-5
55VA 4783 0	45-19	55VA 5313 1	30-5	55VA 5384 0	31-16	55VA 5704 0	20-11	55VA 7722 0	13-4
55VA 4784 0	43-21	55VA 5314 0	29-27	55VA 5385 0	29-22	55VA 5707 0	20-4	55VA 7723 0	22-4
55VA 4785 0	43-18	55VA 5315 0	28-16	55VA 5388 0	29-28	55VA 5708 0	20-21	55VA 7724 0	22-5
55VA 4788 0	37-5	55VA 5316 0	28-7	55VA 5390 0	29-8	55VA 6193 1	8-14	55VA 7726 0	33-4
55VA 4789 1	37-17	55VA 5317 0	28-9	55VA 5391 0	29-7	55VA 6202 0	7-11	55VA 7727 0	32-10
55VA 4791 0	40-21	55VA 5318 2	28-15	55VA 5393 2	30-1	55VA 6654 0	11-7	55VA 7729 0	20-1
55VA 4792 0	42-7	55VA 5319 3E	28-17	55VA 5394 0	31-25	55VA 6657 0	18-12	55VA 7730 0	23-14
55VA 4793 0	38-14	55VA 5320 3E	28-5	55VA 5395 1	31-22	55VA 7003 2	6-9	55VA 7731 0	23-18
55VA 4795 0	38-8	55VA 5321 0	30-14	55VA 5396 1	31-24	55VA 7006 0	6-1	55VA 7732 0	23-11
55VA 4796 0	40-13	55VA 5323 0	28-11	55VA 5397 0	30-6	55VA 7010 0	6-5	55VA 7733 0	23-17
55VA 4797 0	37-13	55VA 5327 0	30-17	55VA 5397 0	31-20	55VA 7011 0D	6-13	55VA 7734 0	23-10
55VA 4798 0	38-6	55VA 5329 0	31-23	55VA 5398 0	31-28	55VA 7014 0	6-11	55VA 7735 0	23-8
55VA 4799 0	37-1	55VA 5330 0	31-19	55VA 5507 0	33-26	55VA 7307 1	2-6	55VA 7740 0	21-29
55VA 4804 0	39-19	55VA 5333 0	30-31	55VA 5511 0	33-30	55VA 7309 0	63-6	55VA 7741 0	21-24
55VA 4820 0	37-14	55VA 5334 1	31-29	55VA 5513 0	32-2	55VA 7311 0	63-2	55VA 7742 0	36-32
55VA 4850 0	45-21	55VA 5336 0	29-2	55VA 5516 0	33-5	55VA 7316 0	64-1	55VA 7743 0	36-31
55VA 4903 0	36-28	55VA 5337 0	28-8	55VA 5518 1	33-25	55VA 7317 0	64-2	55VA 7747 0	60-13
55VA 4905 0	35-6	55VA 5338 0	30-10	55VA 5525 1	34-14	55VA 7331 0	64-6	55VA 7752 0	44-16
55VA 4907 0	36-19	55VA 5340 1	29-12	55VA 5530 0	34-15	55VA 7340 0	63-4	55VA 7756 0	19-20
55VA 4908 0	36-21	55VA 5341 0	29-9	55VA 5533 0	32-23	55VA 7501 0	23-32	55VA 7757 0	19-24
55VA 4909 0	36-14	55VA 5342 0	29-15	55VA 5535 1	34-12	55VA 7502 0	32-19	55VA 7758 0	20-6
55VA 4913 1	36-20	55VA 5343 0	29-14	55VA 5536 1	34-13	55VA 7554 0	51-28	55VA 7760 0	42-16
55VA 4914 0	36-29	55VA 5344 1	28-10	55VA 5538 0	33-10	55VA 7554 0	57-28	55VA 7769 0	43-9
55VA 4915 0	35-7	55VA 5345 0	28-18	55VA 5540 0	32-12	55VA 7555 0	45-9	55VA 7770 0	45-26
55VA 4916 0	36-26	55VA 5346 0	30-15	55VA 5541 1D	33-31	55VA 7602 0	31-27	55VA 7771 0	44-2
55VA 4917 0	36-27	55VA 5347 2	29-29	55VA 5543 0	34-7	55VA 7602 0	39-25	55VA 7772 0	44-18
55VA 4918 0	36-22	55VA 5361 1	29-11	55VA 5544 0	34-5	55VA 7652 1	45-20	55VA 7773 0	44-19
55VA 4924 0	36-7	55VA 5364 1	35-22	55VA 5545 0	34-3	55VA 7653 0	43-19	55VA 7774 0	61-16
55VA 4925 0	36-4	55VA 5365 0	30-30	55VA 5546 1	34-8	55VA 7662 0	16-10	55VA 7779 0	43-4
55VA 4926 0	36-6	55VA 5366 0	29-19	55VA 5547 0	33-7	55VA 7670 0	7-12	55VA 7780 1	30-23
55VA 4941 0	36-3	55VA 5367 1	29-20	55VA 5548 0	33-11	55VA 7671 0	7-8	55VA 7781 0	30-27
55VA 4942 0	35-8	55VA 5368 0	29-21	55VA 5549 0	33-1	55VA 7703 0	12-2	55VA 7782 0	30-28

Parts No.	Page No.	Parts No.	Page No.	Parts No.	Page No.	Parts No.	Page No.	Parts No.	Page No.
55VA 7785 0	31-8	55VA 7924 0	33-8	55VA R704 00	35-21	55VA R739 00	50-20	55VB 8303 3	30-21
55VA 7786 1	31-3	55VA 7930 0	27-18	55VA R705 00	36-8	55VA R739 00	56-20	55VB 8304 2	29-5
55VA 7787 0	30-16	55VA 8002 2	15-2	55VA R706 00	36-18	55VA R740 00	51-19	55VB 9006 0	29-30
55VA 7789 0	27-5	55VA 8012 2	7-13	55VA R707 00	35-17	55VA R740 00	57-32	55VB 9006 0	76-2
55VA 7791 0	26-11	55VA 8013 1	33-2	55VA R708 00	35-10	55VA R741 00	53-12	55VE 3208 0	26-8
55VA 7792 0	26-10	55VA 8201 0	39-24	55VA R709 00	38-2	55VA R741 00	59-12	55VF 8302 1	30-20
55VA 7793 1	26-12	55VA 8201 0	45-15	55VA R710 00	2-8	55VA R742 00	52-18	55VF 8303 2	30-21
55VA 7794 0	27-14	55VA 8302 1	30-20	55VA R711 00	2-5	55VA R742 00	58-18	55VF 8304 1	29-5
55VA 7795 0	27-17	55VA 8303 2	30-21	55VA R712 00	1-12	55VA R743 00	51-17	55WA 6115 0	9-12
55VA 7796 0	27-13	55VA 8308 3	36-10	55VA R713 00	15-9	55VA R744 00	52-8	55XA 1505 0	15-25
55VA 7797 0	27-10	55VA 8453 2	1-17	55VA R714 00	12-9	55VA R744 00	58-8	56AA -626 1	10-10
55VA 7798 0	27-15	55VA 8552 1	30-9	55VA R715 00	16-3	55VA R745 00	50-12	56AA -627 1	10-11
55VA 7799 0	27-11	55VA 8804 1	31-21	55VA R716 00	16-11	55VA R745 00	51-35	56AA 1701 1	14-5
55VA 7801 0	16-15	55VA 8805 1	29-10	55VA R717 00	16-12	55VA R745 00	61-5	56AA 1702 0	21-25
55VA 7802 0	16-16	55VA 8806 1	29-17	55VA R718 00	16-22	55VA R745 00	62-9	56AA 1707 1	36-23
55VA 7804 0	45-24	55VA 8841 1	65-12	55VA R719 00	16-5	55VA R746 00	51-7	56AA 1708 0	16-23
55VA 7805 0	43-3	55VA 8908 1	63-5	55VA R720 00	12-19	55VA R746 00	62-3	56AA 1709 0	15-8
55VA 7806 0	43-22	55VA 9006 0	29-30	55VA R721 00	12-17	55VA R747 00	49-11	56AA 1709 0	51-26
55VA 7807 0	43-8	55VA 9006 0	76-4	55VA R722 00	13-1	55VA R748 00	58-10	56AA 1709 0	57-26
55VA 7811 0	7-9	55VA 9007 0	31-17	55VA R723 00	15-7	55VA R749 00	56-12	56AA 1714 0	21-5
55VA 7901 0	50-9	55VA 9007 0	76-3	55VA R724 00	17-5	55VA R749 00	57-35	56AA 1714 0	22-28
55VA 7901 0	56-9	55VA 9038 0	76-6	55VA R725 00	19-7	55VA R750 00	57-7	56AA 1731 0	50-19
55VA 7902 0	50-11	55VA 9043 0	22-21	55VA R726 00	19-12	55VA R751 00	55-11	56AA 1731 0	56-19
55VA 7903 0	50-17	55VA 9043 0	77-1	55VA R727 00	19-8	55VA R752 00	47-4	56AA 1731 0	61-9
55VA 7903 0	56-17	55VA 9045 0	76-5	55VA R728 00	22-20	55VA R753 00	62-4	56AA 1732 1	13-12
55VA 7903 0	61-26	55VA 9069 0E	77-2	55VA R729 00	26-1	55VA R754 00	62-16	56AA 1732 1	27-3
55VA 7904 0	50-7	55VA 9076 0	77-3	55VA R730 00	26-2	55VA R755 00	62-13	56AA 1732 1	61-8
55VA 7905 0	56-7	55VA 9079 0	77-8	55VA R731 00	26-3	55VA R756 00	31-9	56AA 1733 0	16-8
55VA 7909 0	53-23	55VA 9080 0	77-5	55VA R732 00	57-17	55VA R757 00	31-2	56AA 1735 0	36-16
55VA 7909 0	59-23	55VA 9084 0	3-29	55VA R733 00	49-17	55VA R758 00	33-9	56AA 1736 1	37-10
55VA 7912 0	49-13	55VA 9084 0	77-9	55VA R733 00	55-17	55VA R759 00	34-10	56AA 1739 0	17-10
55VA 7912 0	55-13	55VA 9086 0	77-6	55VA R734 00	53-18	55VA R760 00	33-12	56AA 1746 1	12-21
55VA 7913 0	59-14	55VA 9090 0	77-12	55VA R734 00	59-18	55VA R761 00	33-14	56AA 1746 1	16-30
55VA 7914 0	56-11	55VA JG01 1	81-1	55VA R735 00	49-24	55VA R762 00	33-22	56AA 1746 1	36-12
55VA 7915 0	49-23	55VA JG02 1	81-2	55VA R735 00	55-24	55VA R764 00	25-14	56AA 1746 1	61-15
55VA 7915 0	55-23	55VA JG03 1	81-3	55VA R736 00	52-10	55VA R765 00	64-3	56AA 1747 1	12-15
55VA 7920 0	32-18	55VA JG04 1	81-4	55VA R737 00	53-11	55VA R766 00	64-7	56AA 1747 1	23-13
55VA 7921 0	32-15	55VA R701 00	37-16	55VA R737 00	59-11	55VA R767 00	65-4	56AA 1747 1	27-4
55VA 7922 0	32-3	55VA R702 00	42-19	55VA R738 00	50-5	55VA R767 00	76-1	56AA 1747 1	38-1
55VA 7923 0	32-21	55VA R703 00	42-15	55VA R738 00	56-5	55VB 8302 2	30-20	56AA 1747 1	43-20

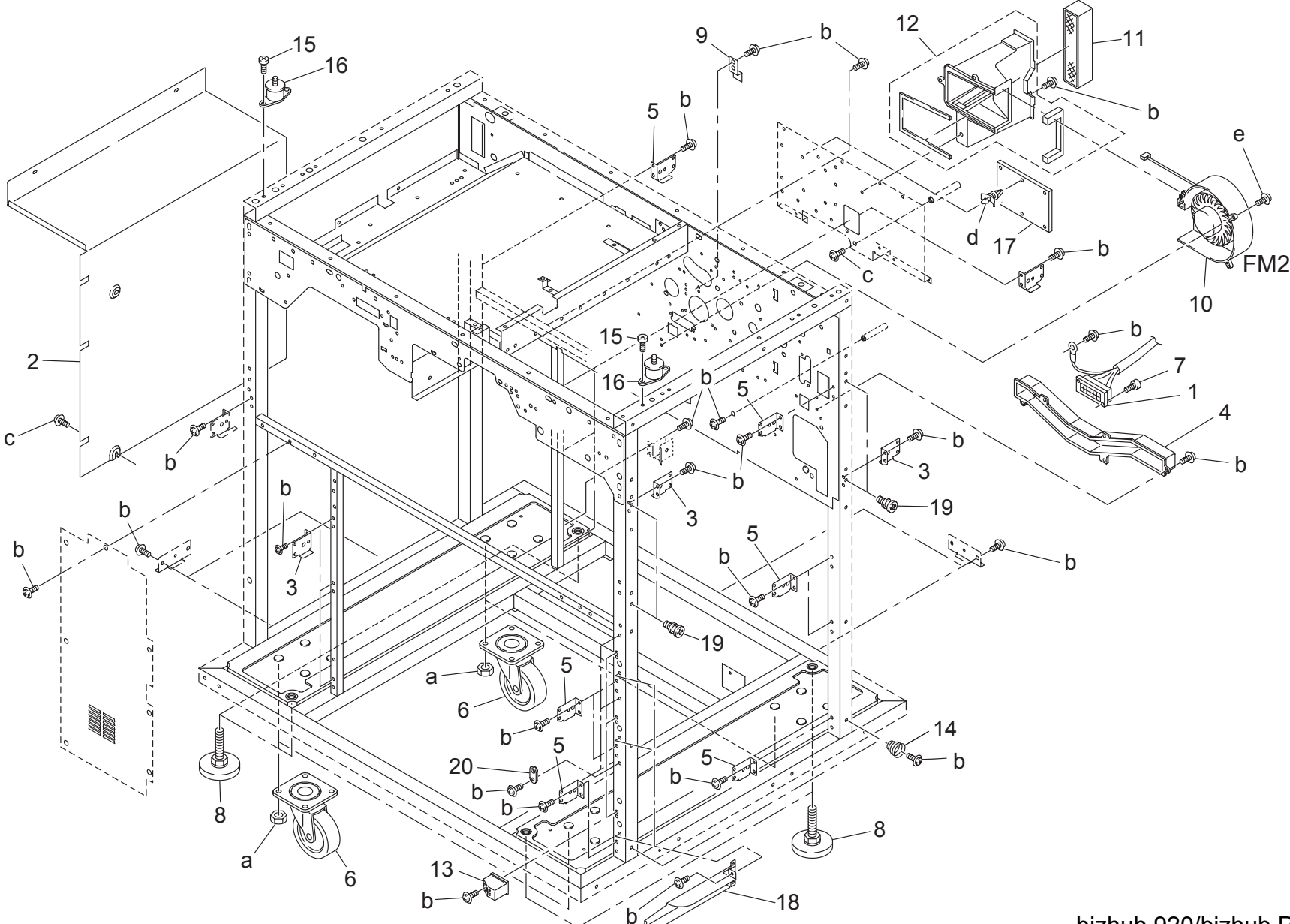
Parts No.	Page No.	Parts No.	Page No.	Parts No.	Page No.	Parts No.	Page No.	Parts No.	Page No.
56AA 1747 1	44-6	56AA 6156 1	8-23	56GA -070 3	36-24	56GA 4744 0	40-17	56GA 8006 2	43-7
56AA 1747 1	62-14	56AA 6157 0	7-5	56GA -073 0	36-34	56GA 4744 0	44-17	56GA 8017 1	31-5
56AA 1748 0	12-4	56AA 6158 0	8-12	56GA -470 0	55-30	56GA 4744 0	47-17	56GA 8553 1	13-14
56AA 1748 0	15-22	56AA 6812 1	11-11	56GA -512 0	61-6	56GA 4749 0	40-5	56GA 8553 1	40-12
56AA 1748 0	16-29	56AA 8011 2	12-13	56GA -545 0	29-34	56GA 4749 0	41-13	56GA 8553 1	41-6
56AA 1748 0	23-7	56AA 8011 2	45-4	56GA -556 0	32-24	56GA 4749 0	46-26	56GA 8553 1	45-12
56AA 1748 0	47-2	56AA 8054 1	11-6	56GA -557 0	32-25	56GA 4782 0	40-3	56GA 9012 0	1-1
56AA 1748 0	50-10	56AA 8054 1	63-21	56GA -908 2E	64-10	56GA 4782 0	41-11	56GA 9012 0	78-5
56AA 1748 0	51-25	56AA 8055 1	8-8	56GA -909 2E	7-14	56GA 4782 0	46-20	56GA 9017 0	79-4
56AA 1748 0	56-10	56AA 8055 1	11-2	56GA 1209 0	3-21	56GA 4902 1	36-25	56GA 9023 0	79-6
56AA 1748 0	57-25	56AA 8452 0	65-7	56GA 1248 0	4-34	56GA 4923 0	36-5	56GA 9025 1E	79-7
56AA 1750 0	26-9	56AA 8551 1	6-10	56GA 2511 0	22-33	56GA 4931 0	36-33	56GA 9030 0E	29-31
56AA 1750 0	45-22	56AA 8551 1	7-6	56GA 2608 0	21-2	56GA 5303 0	29-13	56GA 9030 0E	78-4
56AA 1751 0	51-11	56AA 8551 1	36-1	56GA 2609 0	21-23	56GA 5332 0	29-33	56GA 9034 0E	78-2
56AA 1751 0	57-11	56AA 8551 1	40-1	56GA 2610 0	21-28	56GA 5354 1	31-6	56GA 9035 0	79-2
56AA 1752 0	19-11	56AA 8551 1	41-10	56GA 2617 0	21-16	56GA 5531 0	32-13	56GA 9036 0	79-3
56AA 1752 0	20-2	56AA 8551 1	46-6	56GA 2618 0	21-7	56GA 5532 0	32-22	56GA 9060 0E	78-1
56AA 1752 0	53-22	56AA 8551 1	48-2	56GA 2619 0	21-18	56GA 5577 0	33-32	56GA 9064 0	76-8
56AA 1752 0	59-19	56AA 8551 1	54-2	56GA 2620 0	21-27	56GA 7343 1	13-13	56GA 9065 0E	76-9
56AA 1753 1	43-6	56AA 8551 1	62-18	56GA 2621 0	21-10	56GA 7343 1	27-16	56GA 9066 0E	77-10
56AA 1753 1	46-15	56AA 8552 1	39-21	56GA 2641 0	21-4	56GA 7343 1	43-23	56GA 9067 0E	76-7
56AA 1753 1	62-7	56AA 8552 1	44-21	56GA 2643 0	21-15	56GA 7601 0	39-2	56GA 9068 0E	79-5
56AA 1758 0	21-17	56AA 8552 1	46-1	56GA 2913 0	19-16	56GA 7603 0	39-29	56GA 9070 0E	79-8
56AA 1759 0	19-29	56AA 8552 1	52-17	56GA 3029 0	23-22	56GA 7603 0	40-18	56GA 9071 0E	78-3
56AA 1770 0	20-18	56AA 8552 1	58-17	56GA 3070 0	23-20	56GA 7603 0	44-29	56GA 9088 0	77-11
56AA 1770 0	36-35	56AA 8552 1	60-10	56GA 3071 0	23-19	56GA 7603 0	47-15	56GA 9089 0	77-13
56AA 1776 0	51-13	56AA 8553 1	8-9	56GA 4020 0	51-5	56GA 7660 0	15-10	56GA 9093 0	77-4
56AA 1776 0	57-13	56AA R705 00	2-3	56GA 4020 0	57-5	56GA 7702 0	15-13	56GA 9094 0	77-7
56AA 1783 0	21-30	56AA R705 00	5-27	56GA 4048 0	49-28	56GA 7714 0	16-4	56GA R701 00	15-12
56AA 2515 0	21-8	56AA R705 00	6-8	56GA 4096 0	49-20	56GA 7736 0	23-9	56GA R702 00	16-7
56AA 2515 0	22-34	56AA R705 00	11-8	56GA 4096 0	55-20	56GA 7737 0	23-6	56GA R703 00	17-1
56AA 6104 2	9-14	56AA R705 00	63-22	56GA 4148 0	55-28	56GA 7744 0	36-30	56GA R704 00	21-12
56AA 6108 2	8-15	56AA R726 00	9-7	56GA 4226 1	49-18	56GA 7777 0	45-28	56GA R705 00	21-13
56AA 6109 2	8-16	56AA R726 00	10-3	56GA 4226 1	55-18	56GA 7784 0	31-7	56GA R706 00	21-19
56AA 6111 1	7-17	56AA R727 00	8-7	56GA 4411 2	47-6	56GA 7790 0	26-13	56GA R707 00	21-20
56AA 6115 1	8-17	56AA R728 00	8-5	56GA 4427 0	46-16	56GA 7810 0	15-11	56GA R709 00	51-24
56AA 6118 0	9-2	56AA R730 00	49-19	56GA 4506 0	44-8	56GA 7906 0	51-23	56GA R709 00	57-36
56AA 6129 0	7-1	56AA R730 00	55-19	56GA 4509 0	44-7	56GA 7940 0	47-20	56GA R710 00	29-32
56AA 6129 0	10-1	56AF 8452 1	65-7	56GA 4675 0	39-9	56GA 8006 2	13-6	56GA R711 00	34-6
56AA 6133 0	8-1	56AF 8454 0	65-2	56GA 4744 0	39-3	56GA 8006 2	27-2	56GB -908 2E	64-10

Parts No.	Page No.	Parts No.	Page No.	Parts No.	Page No.	Parts No.	Page No.	Parts No.	Page No.
56HA 1203 1	3-20	56UA 4597 0	38-15	56UA 8301 0	9-9	57GA -498 0	47-23	57GA 1254 0	3-15
56HA 1234 1	4-16	56UA 4599 1	40-8	56UA 8303 0	30-21	57GA -520 0	28-1	57GA 1255 0	3-11
56HA 1252 0	3-12	56UA 4614 0	39-35	56UA 8351 0	9-4	57GA -550 3	32-1	57GA 1257 0	3-31
56HA 1256 0	3-13	56UA 4692 1	36-11	56UA 8402 1	35-23	57GA -568 1	34-9	57GA 1262 0	61-20
56HA 1260 0	4-29	56UA 4798 0	43-26	56UA 8451 1	65-1	57GA -630 2E	8-10	57GA 1265 0	4-15
56HA 1261 0	4-28	56UA 4798 0	45-11	56UA 8551 0E	39-37	57GA -650 0	11-1	57GA 1267 0	4-4
56HA 1298 0	48-6	56UA 5583 00	33-3	56UA 9057 0	73-2	57GA -655 0	11-10	57GA 1268 0	4-8
56HA 1298 0	54-6	56UA 6102 1	7-18	56UA 9704 0	3-33	57GA -700 0	6-12	57GA 1269 0	4-7
56HA 4353 1	60-20	56UA 6107 0	9-15	56UA 9726 0	42-33	57GA -733 0	65-6	57GA 1270 0	4-13
56HA R701 00	82-2	56UA 6124 0	8-18	56UA 9730 0	11-3	57GA -741 0	63-31	57GA 1270 0	82-3
56QA 6113 0	7-16	56UA 6125 0	8-19	56UA 9792 0	21-1	57GA -901 2E	63-18	57GA 1280 0	4-37
56QA 6114 0	7-15	56UA 6144 0	9-16	56UA R751 00	19-30	57GA -902 1E	64-11	57GA 1514 0	14-13
56QA 6167 0	10-12	56UA 6613 0	11-12	56UA R7A4 00	48-9	57GA -903 1F	5-14	57GA 1567 0	2-13
56QA 6168 0	10-13	56UA 6657 0	11-4	56UA R7A4 00	54-9	57GA -904 1E	5-23	57GA 1995 00	5-3
56QA 8454 0	65-2	56UA 7031 0	5-4	56UA R7C3 00	32-11	57GA -907 2E	35-12	57GA 1996 00	5-1
56RE 1203 0	4-6	56UA 7032 1	5-16	56UA R7C4 00	32-7	57GA -PM5 0	82-6	57GA 2016 0	18-11
56RE 9741 0	82-7	56UA 7035 0	5-13	56UA R7D2 00	8-2	57GA 1030 0	2-7	57GA 2017 0	18-10
56UA -920 1E	63-28	56UA 7037 0	5-10	56UA R7D3 00	8-6	57GA 1128 0	2-2	57GA 2071 0	20-15
56UA 1051 0	1-6	56UA 7039 0	5-21	56UF 9726 0	42-33	57GA 1129 0	1-11	57GA 2081 1E	18-14
56UA 1240 1	4-10	56UA 7040 0	5-20	57AA 1252 0	4-5	57GA 1202 0	3-4	57GA 2082 1E	18-13
56UA 1270 0	4-32	56UA 7042 0	5-15	57AA 1254 0	82-1	57GA 1204 0	4-12	57GA 2508 0	22-9
56UA 1554 0	16-32	56UA 7307 1	64-5	57AA 1280 0	4-1	57GA 1205 0	4-26	57GA 2916 0	19-15
56UA 1573 0	14-10	56UA 7345 0	63-32	57AA 6128 0	8-21	57GA 1206 0	4-27	57GA 2919 0	19-17
56UA 2031 0	18-20	56UA 7355 0	63-20	57AA 6176 0	8-22	57GA 1208 0	4-18	57GA 3108 0	24-5
56UA 2058 0	17-21	56UA 7357 0	64-12	57AA 7062 0	5-19	57GA 1210 0	4-35	57GA 3214 0	25-3
56UA 2315 0	20-14	56UA 7502 0	16-27	57AA 7065 0	5-5	57GA 1214 0	4-30	57GA 3352 00	20-20
56UA 2504 0	22-12	56UA 7503 0	52-16	57AA 7066 0	5-22	57GA 1220 0	3-3	57GA 3701 00	23-23
56UA 2505 0	22-30	56UA 7503 0	58-16	57AA 7067 0	5-11	57GA 1222 0	4-2	57GA 4351 0	60-6
56UA 2528 0	22-35	56UA 7505 0	45-1	57AA 7068 0	5-6	57GA 1223 0	4-20	57GA 4352 0	60-18
56UA 2618 0	21-3	56UA 7607 0	33-19	57AA 8008 0	26-6	57GA 1224 0	4-36	57GA 4354 0	60-3
56UA 4060 0	51-32	56UA 7608 0	33-20	57AA 8008 0	45-27	57GA 1225 0	4-22	57GA 4356 0	60-1
56UA 4060 0	57-21	56UA 7653 0	45-2	57AA 9790 1	48-27	57GA 1226 0	4-24	57GA 4357 0	60-2
56UA 4060 0	62-11	56UA 7708 0	14-9	57AF 8871 0	5-25	57GA 1227 0	4-21	57GA 4403 0	46-9
56UA 4068 0	49-12	56UA 7729 0	19-18	57GA -077 0	35-15	57GA 1231 0	4-23	57GA 4421 0	46-14
56UA 4068 0	55-12	56UA 7730 0	19-19	57GA -159 0	14-12	57GA 1232 0	4-25	57GA 4625 0	39-22
56UA 4069 0	51-9	56UA 7783 0	30-24	57GA -200 4	20-12	57GA 1233 0	4-19	57GA 4625 0	45-18
56UA 4069 0	57-38	56UA 7805 0	45-17	57GA -209 0	20-19	57GA 1235 0	4-9	57GA 4681 0	43-11
56UA 4576 1	42-1	56UA 8052 0	2-9	57GA -300 2	23-1	57GA 1244 0	3-14	57GA 4682 0	45-10
56UA 4584 0	40-11	56UA 8053 0	1-10	57GA -301 0	23-2	57GA 1245 0	3-16	57GA 4726 0	38-10
56UA 4584 0	41-7	56UA 8053 0	3-30	57GA -320 0	25-1	57GA 1251 0	3-10	57GA 4727 0	38-7

Parts No.	Page No.	Parts No.	Page No.	Parts No.	Page No.	Parts No.	Page No.	Parts No.	Page No.
57GA 4740 0	45-5	57GA 7616 00	20-7	57GA 9026 0	68-3	57GA 9727 0	57-39	57GA R724 00	28-2
57GA 4741 0	45-7	57GA 7656 0	43-5	57GA 9027 0	69-3	57GA 9728 0	60-23	57GA R727 00	32-6
57GA 4748 0	45-6	57GA 7707 0	14-6	57GA 9028 0	66-11	57GA 9731 0	39-32	57GA R728 00	34-11
57GA 4755 0	42-2	57GA 7709 0	14-2	57GA 9029 0	70-6	57GA 9732 0	39-30	57GA R729 00	25-15
57GA 4764 0	45-3	57GA 7711 0	16-1	57GA 9031 0	70-4	57GA 9733 0	39-31	57GA R730 00	4-3
57GA 4767 0	45-8	57GA 7944 0	47-24	57GA 9032 0	67-2	57GA 9734 0	36-2	57GB -733 0	65-6
57GA 4779 0	37-2	57GA 8201 0	47-10	57GA 9037 0	70-2	57GA 9735 0	44-12	57GB 1202 0	3-4
57GA 4812 0	35-2	57GA 8201 0	51-29	57GA 9041 0	17-14	57GA 9736 0	28-13	57GB 5304 0	30-22
57GA 4813 0	35-1	57GA 8201 0	52-14	57GA 9041 0	67-1	57GA 9737 0	42-25	57GB 8452 0	65-13
57GA 5304 0	30-22	57GA 8201 0	57-29	57GA 9042 0	17-15	57GA 9738 0	42-28	57GB 9003 0	63-8
57GA 5353 0	31-11	57GA 8201 0	58-14	57GA 9042 0	70-3	57GA 9739 0	30-29	57GB 9003 0	72-2
57GA 5381 0	30-33	57GA 8304 0	29-5	57GA 9048 0	67-3	57GA 9740 0	45-31	57GB R701 00	28-1
57GA 5382 0	30-34	57GA 8401 0	64-9	57GA 9054 0	70-5	57GA 9741 0	38-16	57GE -320 0	25-1
57GA 5383 0	30-35	57GA 8451 0	65-1	57GA 9056 1	68-4	57GA 9742 0	44-22	57GE -520 0	28-1
57GA 5384 0	30-36	57GA 8452 0	65-13	57GA 9058 0	67-6	57GA 9745 0	49-29	57GE -700 0	6-12
57GA 5392 0	31-1	57GA 9001 0	72-1	57GA 9061 0	69-2	57GA 9745 0	55-29	57GE -733 0	65-6
57GA 5601 1	33-13	57GA 9002 0	66-1	57GA 9062 0	70-1	57GA 9746 0	25-13	57GE 5392 0	31-1
57GA 5702 0	20-10	57GA 9003 0	63-8	57GA 9063 0	68-2	57GA 9747 0	28-14	57GE 7005 0	5-3
57GA 5703 0	20-16	57GA 9003 0	72-2	57GA 9065 0	73-3	57GA R701 00	43-12	57GE 7006 0	5-1
57GA 5704 0	20-17	57GA 9004 0	66-2	57GA 9075 0	66-9	57GA R702 00	35-19	57GE 9037 0	70-2
57GA 7001 0	5-18	57GA 9005 0	66-3	57GA 9076 0	67-4	57GA R703 00	42-23	57GF -700 0	6-12
57GA 7002 0	6-2	57GA 9008 0	66-4	57GA 9077 0	67-5	57GA R704 00	3-28	57GF 5392 0	31-1
57GA 7003 0	5-17	57GA 9009 0	66-5	57GA 9078 0	73-1	57GA R705 00	4-31	57GF R701 00	25-1
57GA 7005 0	5-3	57GA 9012 0	71-1	57GA 9087 0	66-10	57GA R706 00	4-17	57GF R702 00	28-1
57GA 7006 0	5-1	57GA 9013 0	69-1	57GA 9710 0	35-24	57GA R707 00	14-8	57GF R703 00	65-6
57GA 7007 0	5-28	57GA 9014 0	63-3	57GA 9711 0	35-11	57GA R708 00	16-17	57GG -700 0	6-12
57GA 7010 0	5-29	57GA 9014 0	75-2	57GA 9712 0	3-32	57GA R710 00	24-6	57GG -733 0	65-6
57GA 7011 0	6-4	57GA 9015 0	75-1	57GA 9713 0	6-7	57GA R711 00	19-13	57GG 7005 0	5-3
57GA 7014 0	5-30	57GA 9016 0	16-6	57GA 9716 0	4-39	57GA R712 00	17-2	57GG 7006 0	5-1
57GA 7021 0	5-9	57GA 9016 0	67-7	57GA 9717 0	19-5	57GA R713 00	22-13	57GK -520 0	28-1
57GA 7022 0	5-8	57GA 9018 0	68-1	57GA 9721 0	3-24	57GA R714 00	21-22	57GK -700 0	6-12
57GA 7023 0	5-7	57GA 9019 0	2-10	57GA 9722 0	3-25	57GA R715 00	21-14	57GK -733 1	65-6
57GA 7033 0	5-12	57GA 9019 0	66-6	57GA 9723 0	3-26	57GA R717 00	39-1	57GK 7005 0	5-3
57GA 7315 0	63-30	57GA 9020 0	74-1	57GA 9724 0	49-26	57GA R718 00	39-10	57GK 7006 0	5-1
57GA 7316 0	63-29	57GA 9021 0	74-2	57GA 9724 0	55-26	57GA R719 00	39-8	57GL -733 0	65-6
57GA 7321 0	64-8	57GA 9022 0	74-3	57GA 9725 0	48-10	57GA R719 00	47-22	57GN -520 0	28-1
57GA 7325 0	64-4	57GA 9023 0	66-7	57GA 9725 0	54-10	57GA R720 00	39-36	57GN -733 0	65-6
57GA 7351 0	4-38	57GA 9024 0	66-8	57GA 9726 0	51-40	57GA R721 00	60-4	57GN 5392 0	31-1
57GA 7353 0	5-32	57GA 9025 0	13-15	57GA 9726 0	57-40	57GA R722 00	28-12	57GN 9718 0	42-33
57GA 7503 0	62-20	57GA 9025 0	79-1	57GA 9727 0	51-39	57GA R723 00	28-3	57GU -700 0	6-12

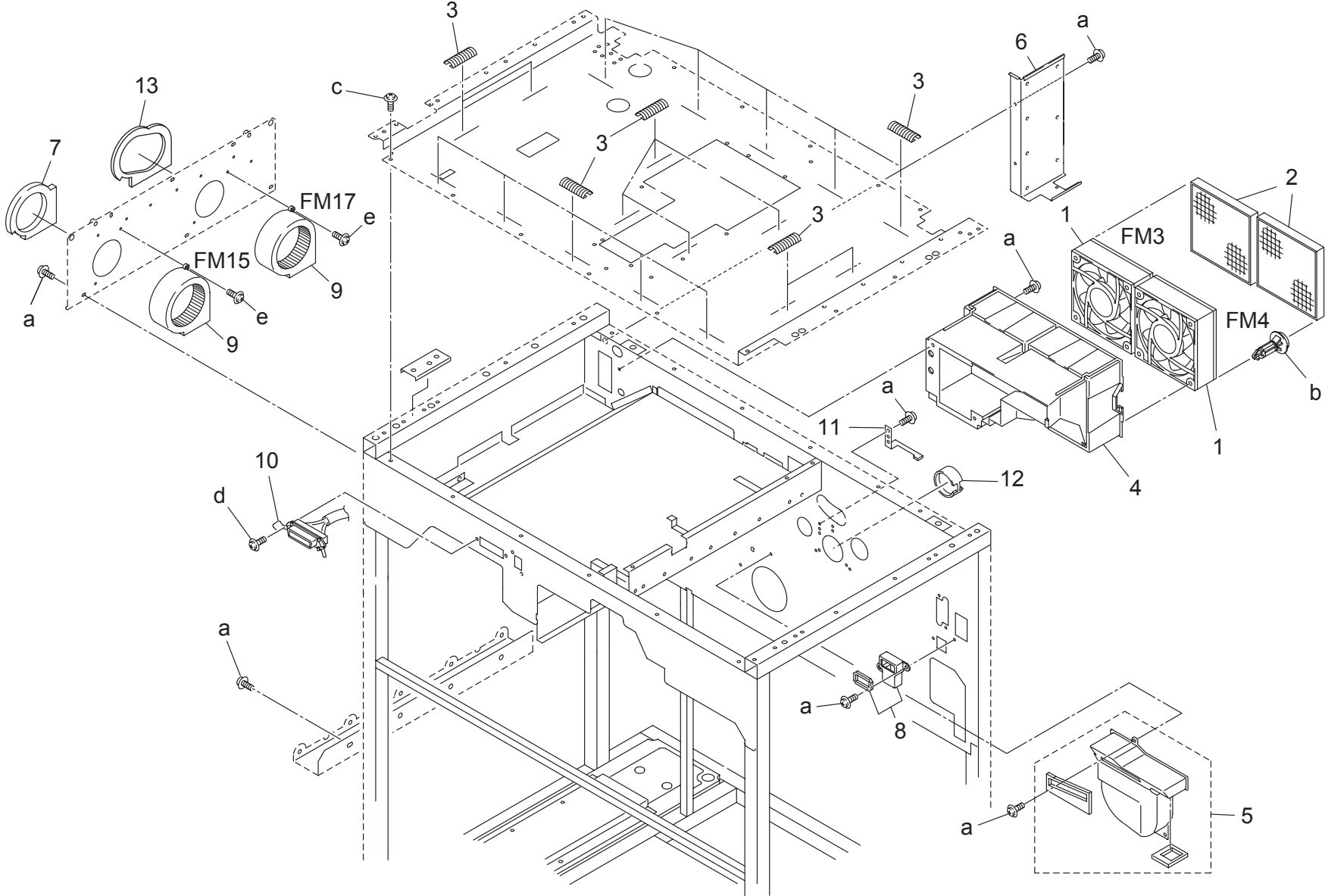
Parts No.	Page No.
57GU -733 0	65-6
65AA 5399 1	30-2
65AA 5399 1	44-11
65AA 8002 1	12-6
65AA 8002 1	14-11
65AA 8002 1	16-28
65AA 8603 0	5-31
7050 K002 0	81-5
A03U 2636 01	1-15
SP00 -002 2	31-18
SP00 -004 3	29-16

MAIN FRAME



bizhub 920/bizhub PRO 920

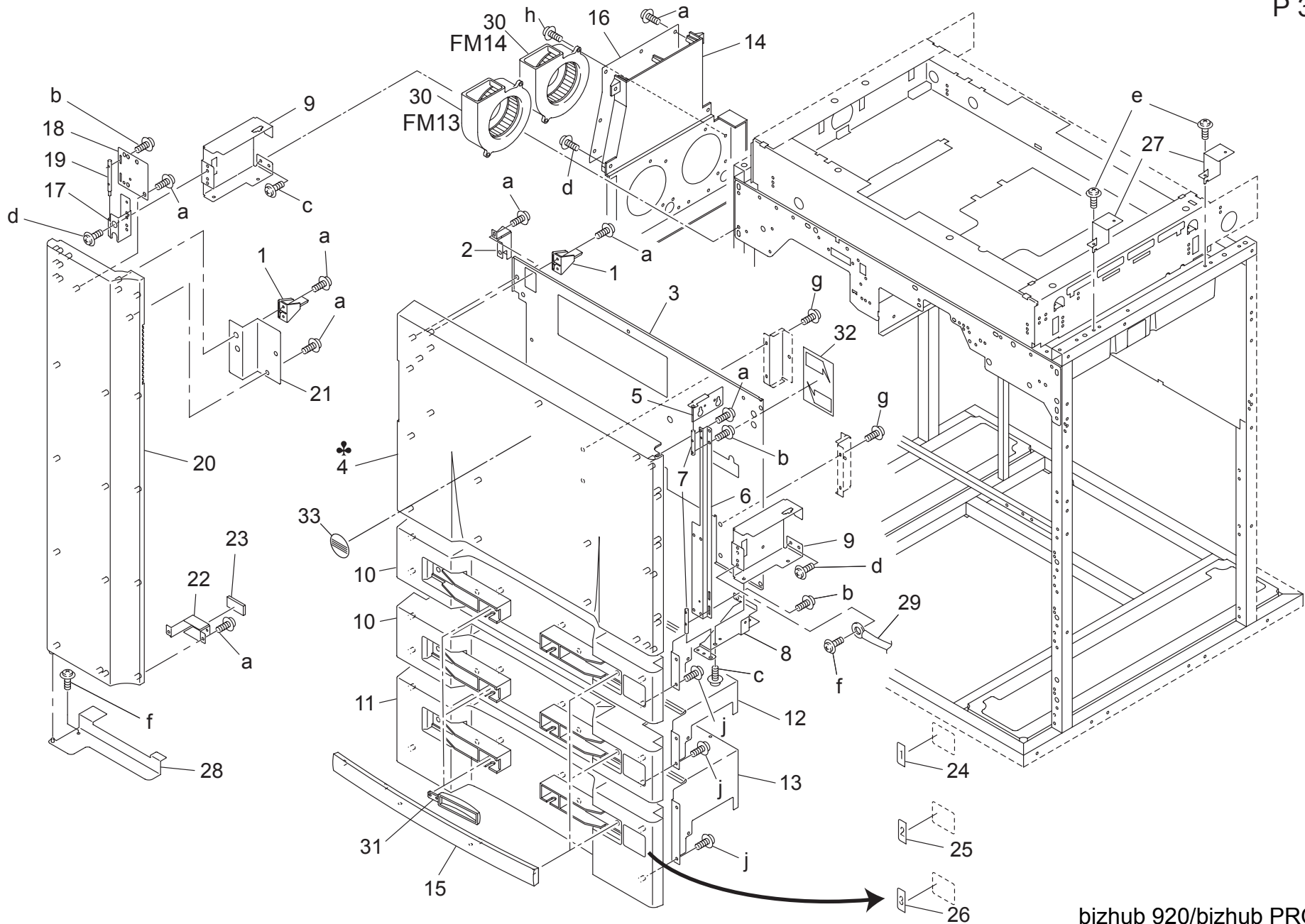
MAIN FRAME



bizhub 920/bizhub PRO 920

EXTERNAL PARTS

P 3



EXTERNAL PARTS

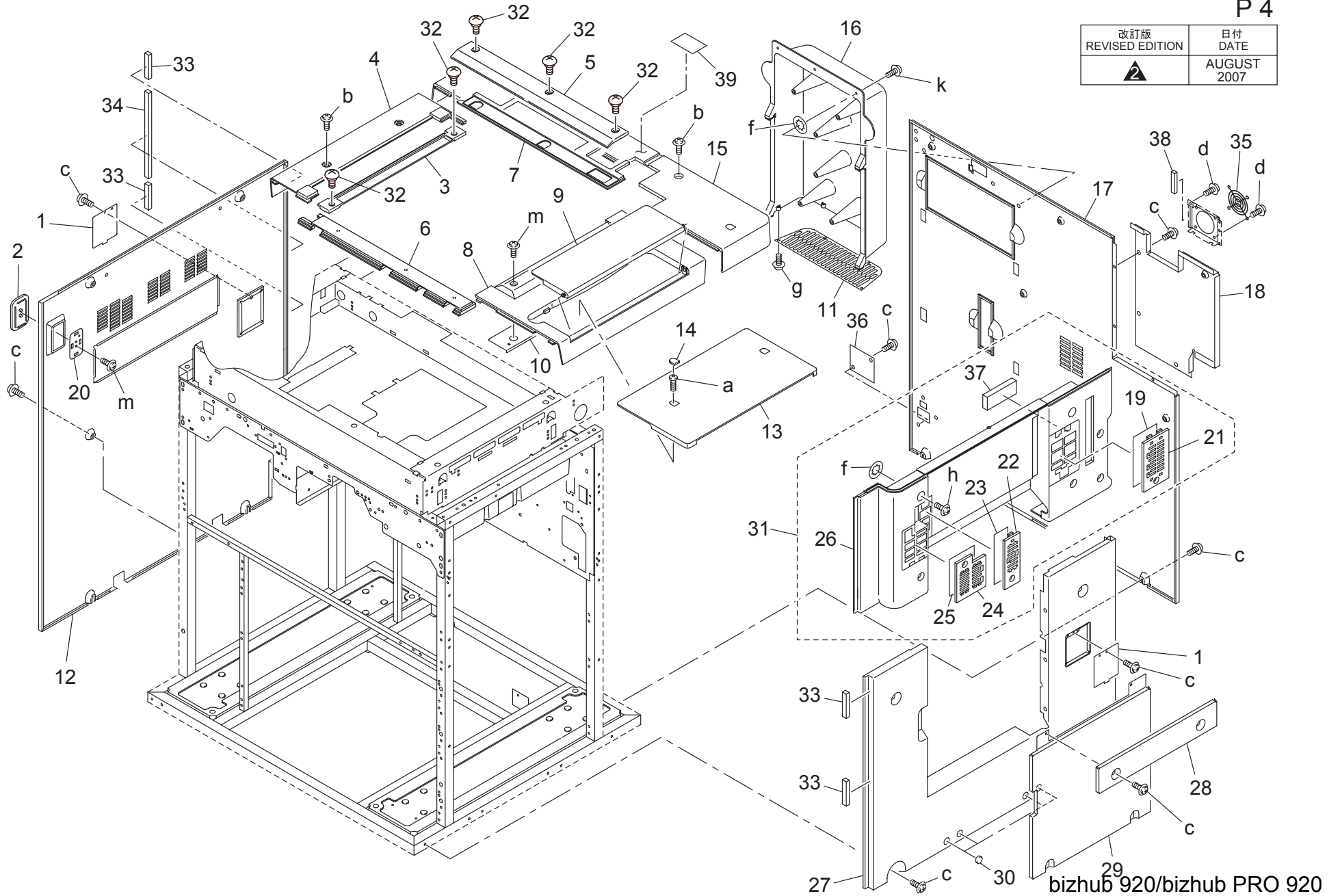
Key	Part No.	Description	Destinations	Class	QTY	Standard parts
1	55VA 1225 0	FRONT DOOR ACTUATOR	前扉アクチュエータ	C	2	a-00Z2 5408 3
2	55VA 1228 0	MAGNET MOUNT PLATE RIGHT	マグネット取り付け板 右	D	1	b-00Z1 8306 2
3	57GA 1220 0	FRONT DOOR REINFORCE PLATE RIGHT	前扉補強板 右	D	1	c-00Z1 9408 1
4	57GA 1202 0	FRONT DOOR RIGHT	前面扉 右	C	1	d-00Z1 9406 1
4	57GB 1202 0	FRONT DOOR RIGHT	前面扉 右	C	1	e-00Z1 9306 1
			A(100V) A(200V),B,C,D1,D3,F1,F 2,G1,G2,H,I,J,K			f-00Z1 9406 2
5	55VA 1213 1	FRONT DOOR HINGE A	前扉ヒンジ A	C	1	g-00Z1 9406 3
6	55VA 1226 0	HINGE MOUNT PLATE RIGHT	ヒンジ取付板 右	D	1	h-00Z1 8410 1
7	55VA 1218 0	HINGE SHAFT	ヒンジ軸	D	2	j-00Z2 5408 1
8	55VA 1214 1	FRONT DOOR HINGE B	前扉ヒンジ B	C	1	
9	55VA 1212 2	FRONT DOOR MOUNT PLATE	前扉取り付け板	D	2	
10	57GA 1251 0	PAPER FEED COVER U	給紙カバー U	C	2	
11	57GA 1255 0	PAPER FEED COVER L	給紙カバー L	C	1	
12	56HA 1252 0	EXTERNAL AUXILIARY COVER U	外装補助カバー U	D	2	
13	56HA 1256 0	EXTERNAL AUXILIARY COVER L	外装補助カバー L	D	1	
14	57GA 1244 0	FAN MOUNTING DUCT	ファン取付けダクト	D	1	
15	57GA 1254 0	TRAY HANDLE	トレイ取手	C	3	
16	57GA 1245 0	DUCT COVER PLATE	ダクトカバー板	D	1	
17	55VA 1215 0	FRONT DOOR HINGE C	前扉ヒンジ C	C	1	
18	55VA 1227 0	HINGE MOUNT PLATE LEFT	ヒンジ取り付け板 左	D	1	
19	55VA 1232 0	HINGE SHAFT C	ヒンジ軸 C	D	1	
20	56HA 1203 1	FRONT DOOR LEFT	前面扉 左	C	1	
21	56GA 1209 0	FRONT DOOR PRESSURE PLATE	前扉圧着板	D	1	
22	55VA 1229 1	MAGNET MOUNT PLATE LEFT	マグネット取り付け板 左	D	1	
23	55VA 1246 0	FRONT DOOR STOPPER RUBBER	前扉ストッパーゴム	D	1	
24	57GA 9721 0	PAPER FEED INDICATING LABEL 1	給紙表示ラベル 1	D	1	
25	57GA 9722 0	PAPER FEED INDICATING LABEL 2	給紙表示ラベル 2	D	1	
26	57GA 9723 0	PAPER FEED INDICATING LABEL 3	給紙表示ラベル 3	D	1	
27	55VA 1238 0	EXTERNAL MOUNT PLATE	外装取り付け板	D	2	
28	57GA R704 00	FRONT DOOR HINGE LEFT ASSY	前扉ヒンジ 左部組	D	1	
29	55VA 9084 0	MAIN EARTH WIRE	本体アース線	D	1	
30	56UA 8053 0	SUCTION FAN MOTOR 2	サクシジョンファンモータ 2	B	2	
31	57GA 1257 0	LEVER HANDLE	レバー取手	C	3	
32	57GA 9712 0	TONER SUPPLY GUIDE LABEL	トナー補給案内ラベル	C	1	
33	56UA 9704 0	LABEL	ラベル	C	1	

bizhub 920/bizhub PRO 920

EXTERNAL PARTS

P 4

改訂版 REVISED EDITION	日付 DATE
	AUGUST 2007



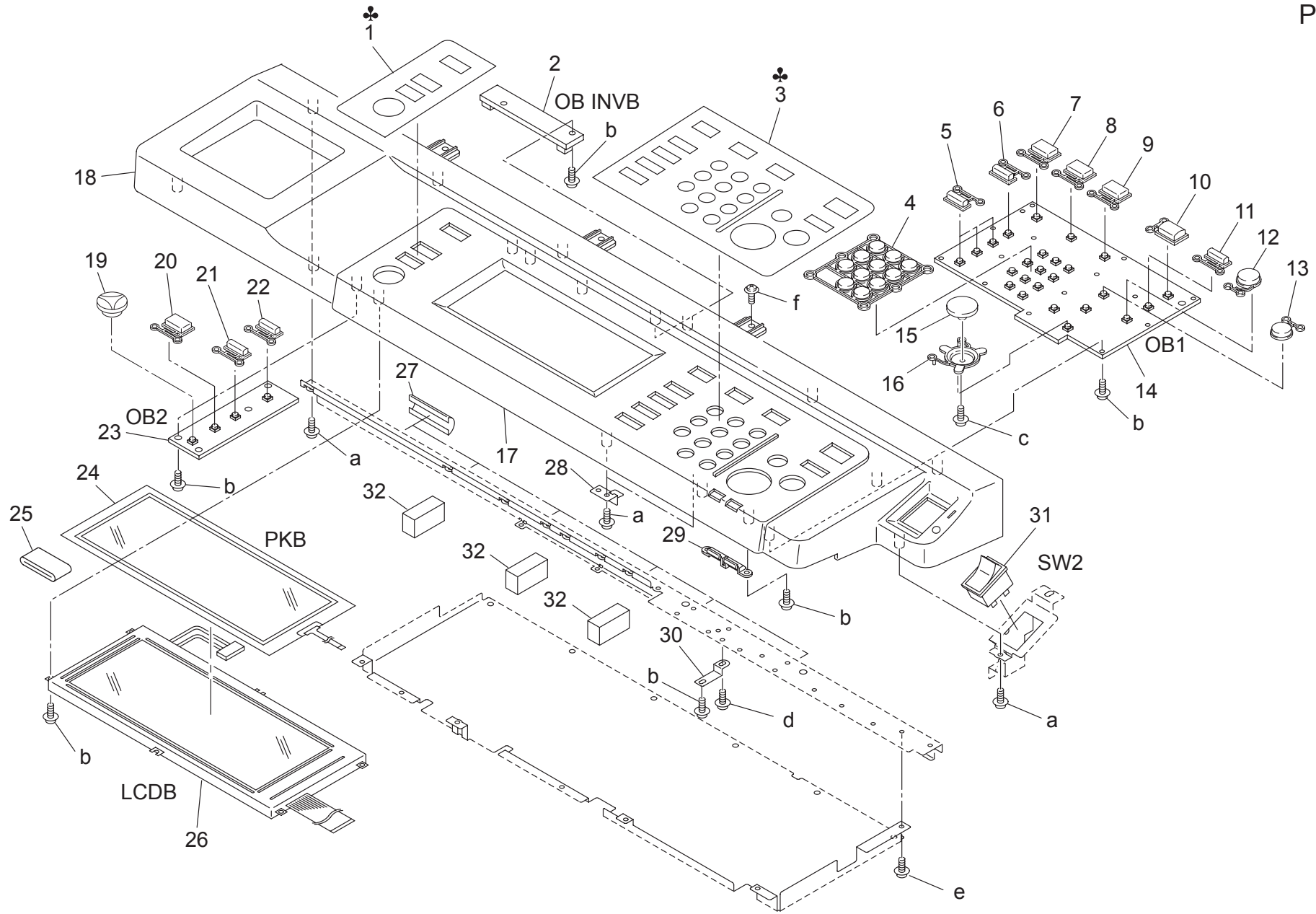
bizhub 920/bizhub PRO 920

EXTERNAL PARTS

Key	Part No.	Description	Destinations	Class	QTY	Standard parts
1	57AA 1280 0	SIDE COVER	側面蓋	C	2	a-00Z1 4414 3
2	57GA 1222 0	SIDE COVER LEFT FRONT	側面カバー 左前	C	1	b-00Z1 4406 3
3	57GA R730 00	ORIGINAL STOPPER PLATE LEFT A	原稿突き当て板 左部組	C	1	c-00Z1 4406 2
4	57GA 1267 0	READ COVER LEFT	読み取りカバー 左	D	1	d-00Z1 9306 1
5	57AA 1252 0	ORIGINAL STOPPER PLATE REAR	原稿突き当て板 奥	C	1	e-00Z1 9406 1
6	56RE 1203 0	READ COVER /FRONT	ヨミトリ カバー /マエ	C	1	f-00ZA B000 1
7	57GA 1269 0	READ COVER MIDDLE	読み取りカバー 中	D	1	g-00Z2 5308 1
8	57GA 1268 0	READ COVER RIGHT	読み取りカバー 右	D	1	h-00Z1 4410 2
9	57GA 1235 0	PAPER INSTALLING PEDESTAL	紙設置台	D	1	j-00Z6 0040 6
10	56UA 1240 1	GLASS STOPPER PLATE RIGHT	ガラス突き当て板	D	1	k-00Z1 4408 2
11	55VA 1245 0	REAR SIDE PROTECT PANEL	背面保護パネル	C	1	m-00Z1 4408 3
12	57GA 1204 0	SIDE COVER LEFT	側面カバー 左	C	1	
13	57GA 1270 0	PAPER INSTALLING COVER	紙設置カバー	D	1	
14	15JN 1214 0	SCREW COVER	ネジカバー	C	2	
15	57GA 1265 0	READ COVER REAR	読み取りカバー 奥	D	1	
16	56HA 1234 1	COOLING COVER	冷却カバー	C	1	
17	57GA R706 00	REAR COVER ASSY	背面カバー部組	D	1	
18	57GA 1208 0	REAR COVER UPPER	背面カバー 上	C	1	
19	57GA 1233 0	DUST PROOF FILTER 3	防塵フィルタ 3	C	1	
20	57GA 1223 0	SIDE HOLDING PART	側面押え部材	D	1	
21	57GA 1227 0	FILTER MOUNTING PLATE 3	フィルタ取付け板 3	C	1	
22	57GA 1225 0	FILTER MOUNTING PLATE 1	フィルタ取付け板 1	C	1	
23	57GA 1231 0	DUST PROOF FILTER 1	防塵フィルタ 1	C	1	
24	57GA 1226 0	FILTER MOUNTING PLATE 2	フィルタ取付け板 2	C	1	
25	57GA 1232 0	DUST PROOF FILTER 2	防塵フィルタ 2	C	1	
26	57GA 1205 0	SIDE COVER RIGHT	側面カバー 右	C	1	
27	57GA 1206 0	SIDE COVER LOWER	側面 カバー 下	C	1	
28	56HA 1261 0	DOOR OPEN CLOSE PLATE UPPER	ドア開閉扉 上	C	1	
29	56HA 1260 0	CONVEYANCE OPEN CLOSE COVER	搬送開閉カバー	C	1	
30	57GA 1214 0	SCREW COVER PART	ネジカバー部材	C	1	
31	57GA R705 00	SIDE COVER RIGHT ASSY	側面カバー 右部組	C	1	
32	56UA 1270 0	FIXING SCREW	固定ネジ	C	5	
33	55VA 1271 0	EARTH CUSHION A	アースクッション A	C	4	
34	56GA 1248 0	EARTH CUSHION E	アースクッション E	D	1	
35	57GA 1210 0	FAN COVER 2	ファン カバー 2	C	1	
36	57GA 1224 0	POWER SOURCE PROTECTION COVER	電源保護カバー	D	1	
37	57GA 1280 0	SIDE SEALING PART 1	側面シール部材 1	D	1	
38	57GA 7351 0	EARTH CUSHION 1	アースクッション 1	D	1	
39	57GA 9716 0	CAUTION LABEL REAR	注意ラベル 奥	D	1	

OPERATION UNIT

P 5



bizhub 920/bizhub PRO 920

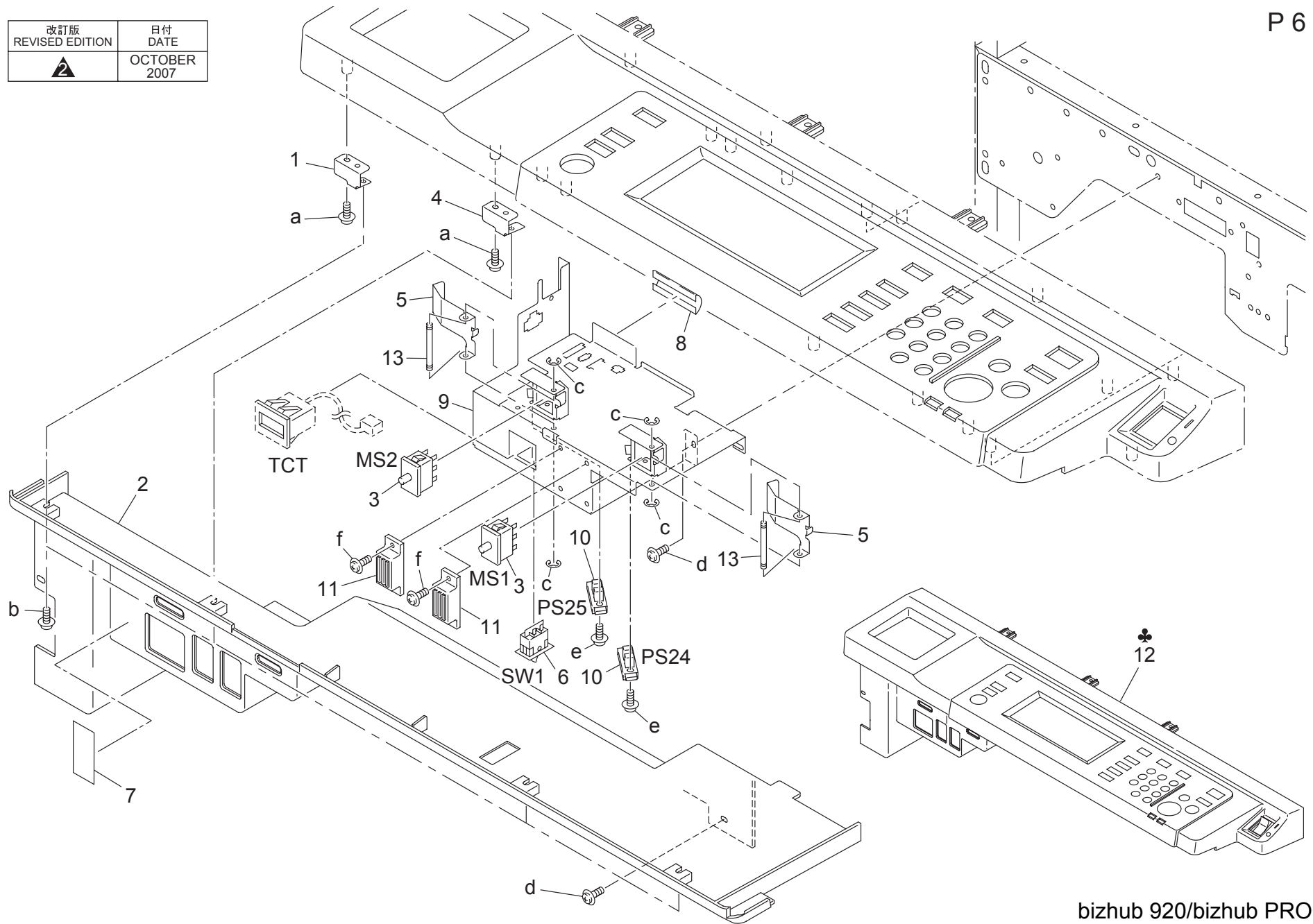
OPERATION UNIT

Key	Part No.	Description	Destinations	Class	QTY	Standard parts
1	57GA 7006 0	OPERATION UNIT SHEET LEFT	操作部シート 左	A	1	a-00Z2 5408 1
1	57GE 7006 0	OPERATION UNIT SHEET LEFT	操作部シート 左	B,D1,D3,F1,F2,G1,G2,I	1	b-00Z2 5308 1
1	57GG 7006 0	OPERATION UNIT SHEET LEFT	操作部シート 左	J	1	c-00Z2 5306 1
1	57GK 7006 0	OPERATION SHEET LEFT	操作部シート 左	H	1	d-00Z1 9306 1
1	57GA 1996 00	OPE. UNIT SHEET /LEFT	操作部 シート/左	K	1	e-00Z1 9304 1
2	27LA 8352 1	INDICATING STARTER	表示点灯器		1	f-00Z1 9408 1
3	57GA 7005 0	OPERATION UNIT SHEET RIGHT	操作部シート 右	A	1	
3	57GE 7005 0	OPERATION UNIT SHEET RIGHT	操作部シート 右	B,D1,D3,F1,F2,G1,G2,I	1	
3	57GG 7005 0	OPERATION UNIT SHEET RIGHT	操作部シート 右	J	1	
3	57GK 7005 0	OPERATION SHEET RIGHT	操作部シート 右	H	1	
3	57GA 1995 00	OPE. UNIT SHEET /RIGHT	操作部 シート/右	K	1	
4	56UA 7031 0	OPERATION UNIT BUTTON T	操作部ボタン T	C	1	
5	57AA 7065 0	OPERATION UNIT BUTTON J	操作部ボタン J	C	3	
6	57AA 7068 0	OPERATION UNIT BUTTON K	操作部ボタン K	C	1	
7	57GA 7023 0	OPERATION UNIT BUTTON 3	操作部ボタン 3	C	1	
8	57GA 7022 0	OPERATION UNIT BUTTON 2	操作部ボタン 2	C	1	
9	57GA 7021 0	OPERATION UNIT BUTTON 1	操作部ボタン 1	C	1	
10	56UA 7037 0	OPERATION UNIT BUTTON R	操作部ボタン R	C	1	
11	57AA 7067 0	OPERATION UNIT BUTTON I	操作部ボタン I	C	1	
12	57GA 7033 0	OPERATION UNIT BUTTON S	操作部ボタン S	C	1	
13	56UA 7035 0	OPERATION UNIT BUTTON P	操作部ボタン P	C	1	
14	57GA -903 1F	OPERATION BOARD /1 ASSY	操作基板/1部組	I	1	
15	56UA 7042 0	OPERATION UNIT BUTTON D	操作部ボタン D	C	1	
16	56UA 7032 1	OPE UNIT BUTTON C	操作部ボタン C	C	1	
17	57GA 7003 0	SWITCH POSITIONING COVER	スイッチ位置決めカバー	D	1	
18	57GA 7001 0	OPERATION UNIT MAIN BODY UPPER	操作部本体 上	D	1	
19	57AA 7062 0	OPERATION UNIT BUTTON B	操作部ボタン B	C	1	
20	56UA 7040 0	OPERATION UNIT BUTTON U	操作部ボタン U	C	1	
21	56UA 7039 0	OPERATION UNIT BUTTON H	操作部ボタン H	C	1	
22	57AA 7066 0	OPERATION UNIT BUTTON E	操作部ボタン E	C	1	
23	57GA -904 1E	OPERATION BOARD /2 ASSY	操作基板/2部組	I	1	
24	27LA 8752 0	TOUCH KEY BOARD	タッチキー基板	C	1	
25	57AF 8871 0	OPERATION FERRITE CORE	操作 フェライトコア	D	1	
26	27LA 8754 0	INDICATING BOARD	表示基板	I	1	
27	56AA R705 00	EARTH SPRING ASSY	アースバネ部組	C	6	
28	57GA 7007 0	OPERATION UNIT POSITIONING PLATE	操作部位置決め板	D	2	
29	57GA 7010 0	POWER SOURCE INDICATING PART	電源表示部材	C	1	
30	57GA 7014 0	OPERATION UNIT EARTH PLATE	操作部アース板	D	1	
31	65AA 8603 0	POWER SOURCE SWITCH	電源スイッチ	C	1	
32	57GA 7353 0	EARTH CUSHION 3	アースクッション 3	D	3	

OPERATION UNIT

P 6

改訂版 REVISED EDITION	日付 DATE
	OCTOBER 2007

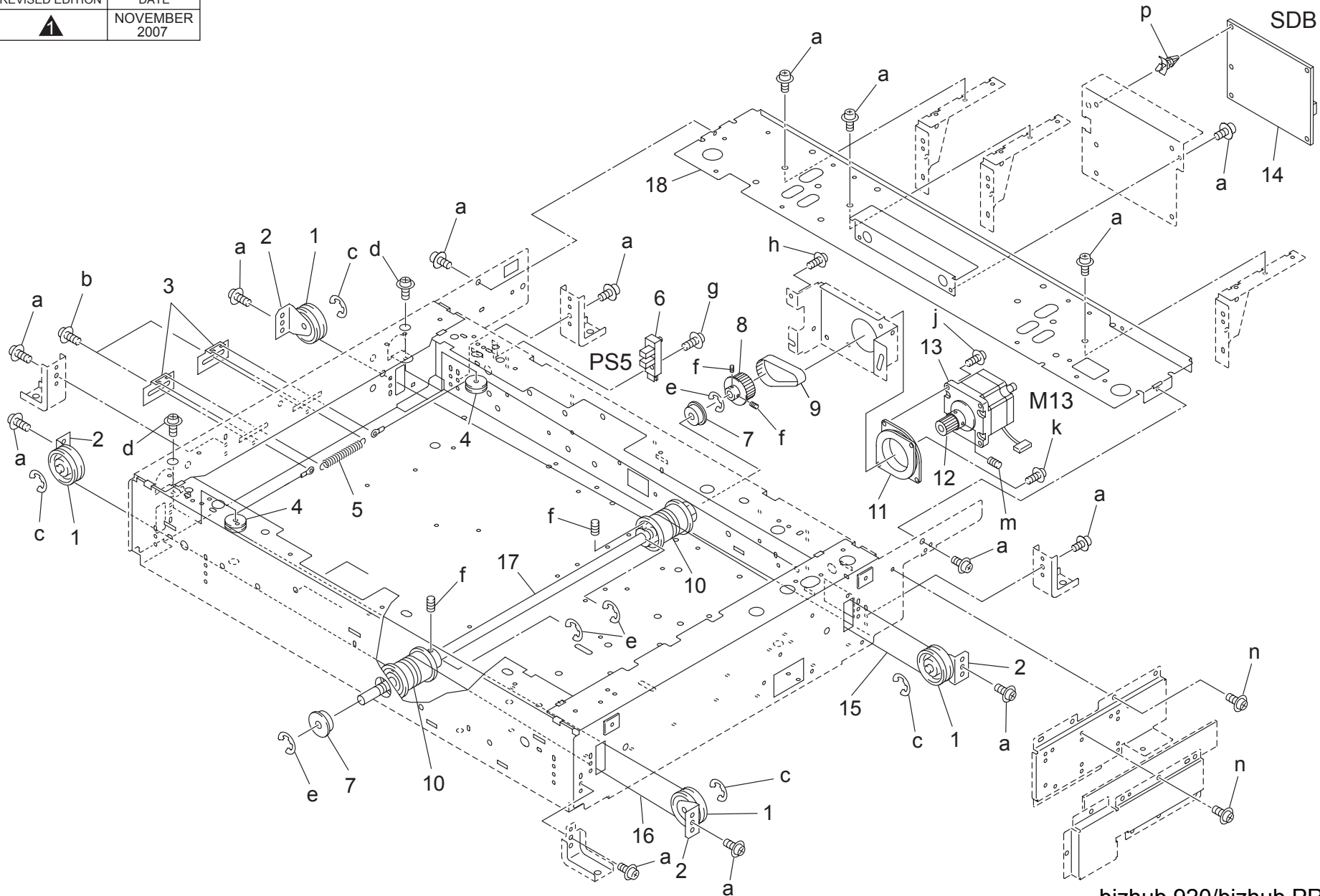


bizhub 920/bizhub PRO 920

OPTICS UNIT

P 7

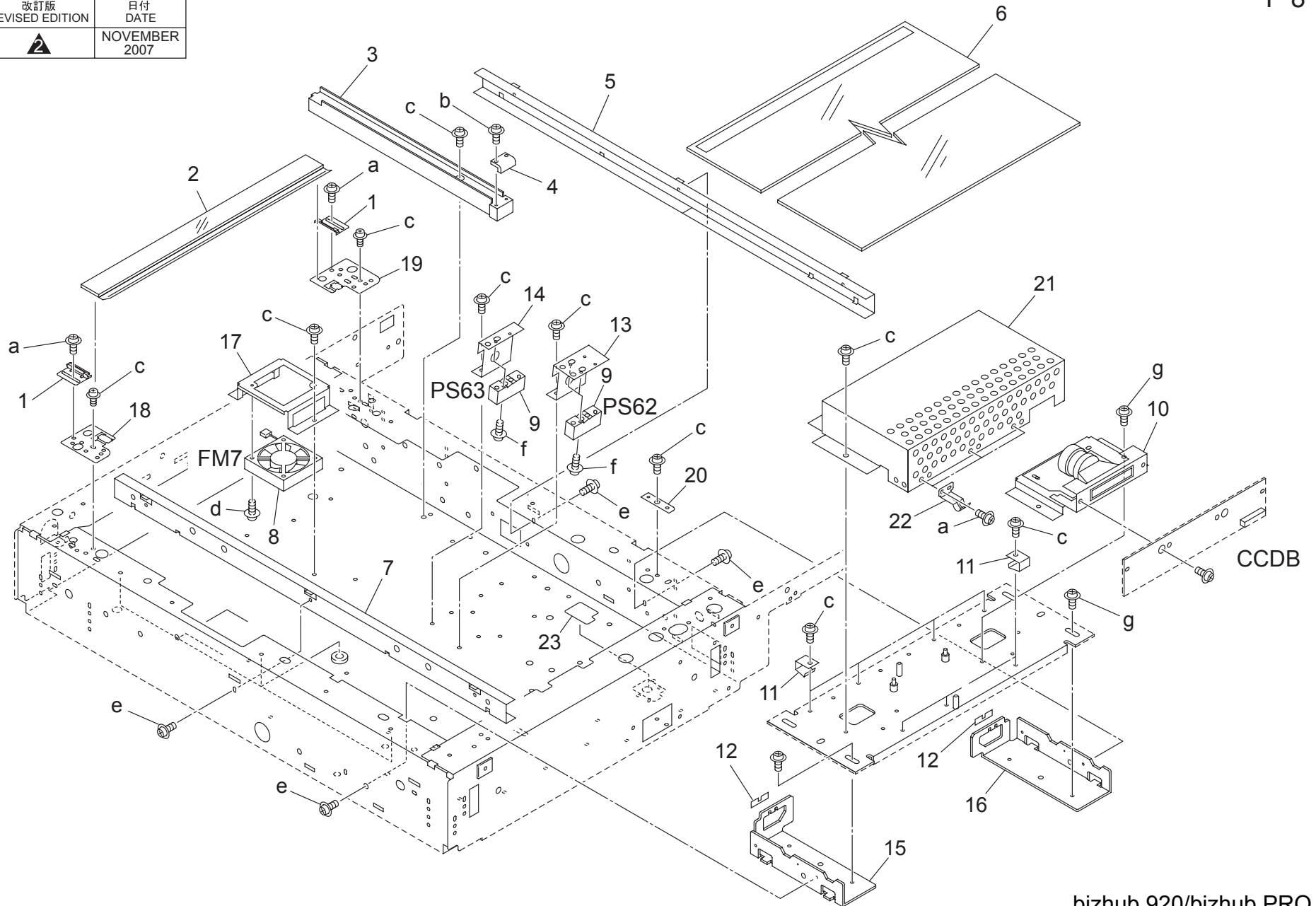
改訂版 REVISED EDITION	日付 DATE
	NOVEMBER 2007



bizhub 920/bizhub PRO 920


OPTICS UNIT

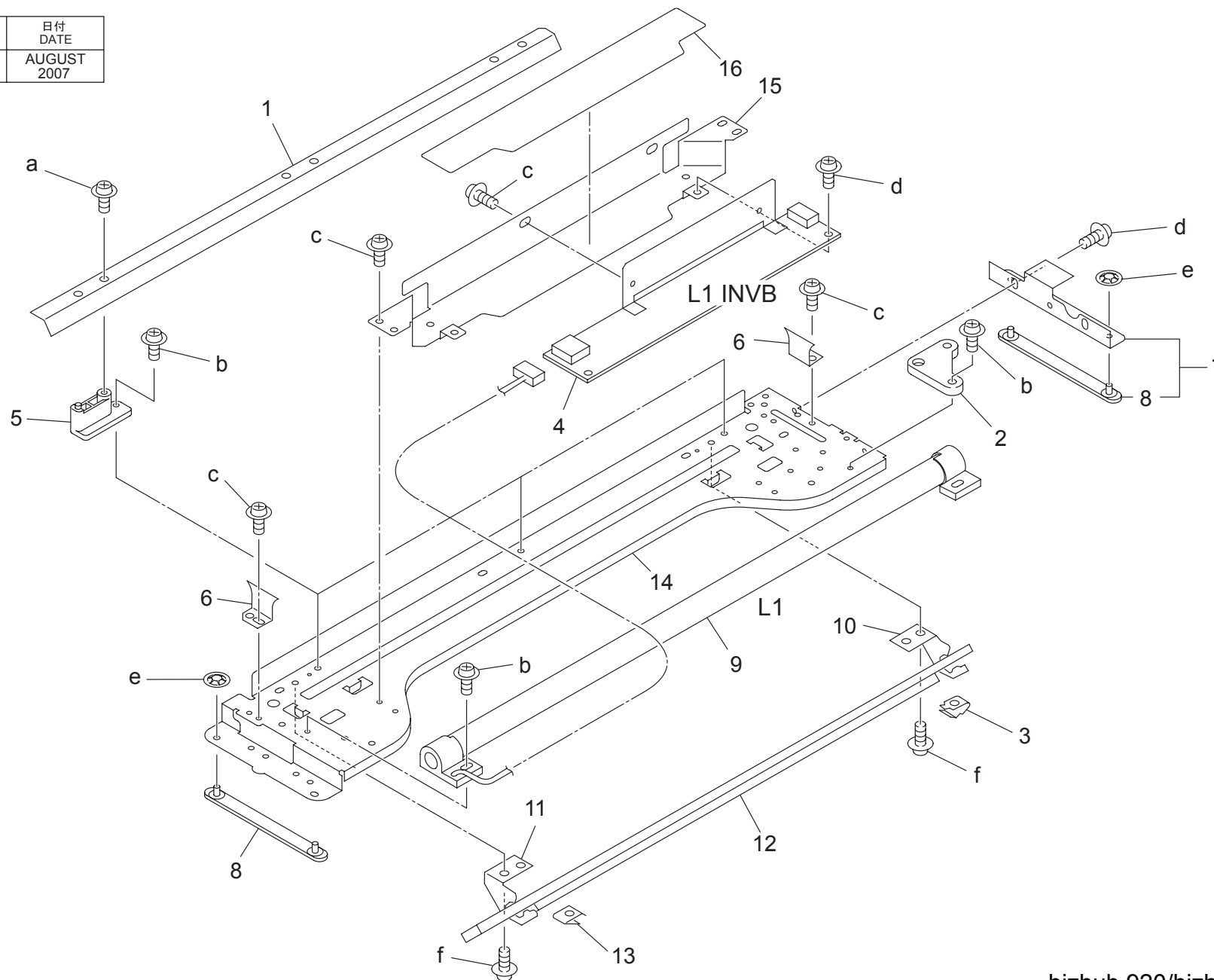
改訂版 REVISED EDITION	日付 DATE
	NOVEMBER 2007



bizhub 920/bizhub PRO 920

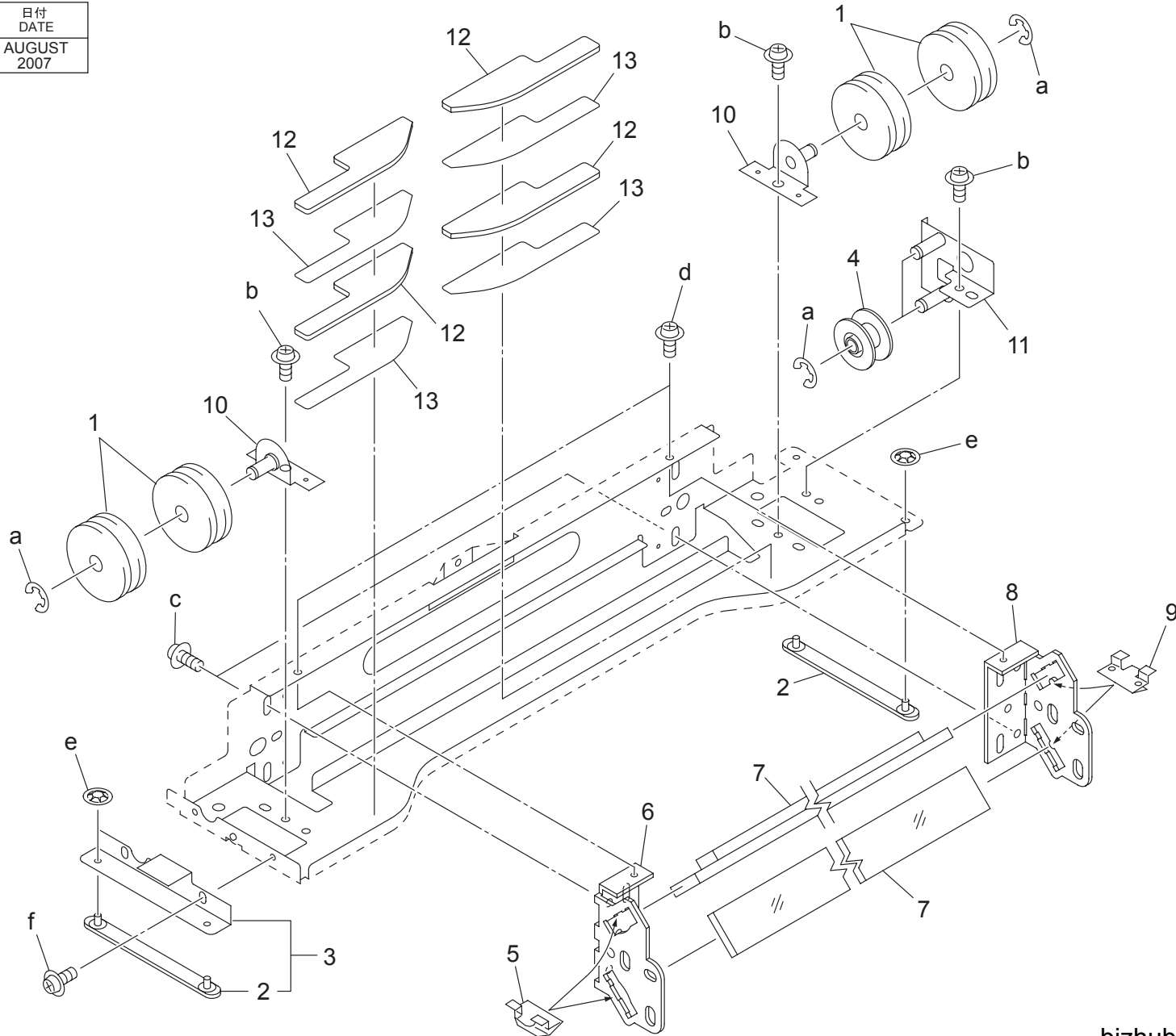
OPTICS UNIT

改訂版 REVISED EDITION	日付 DATE
	AUGUST 2007



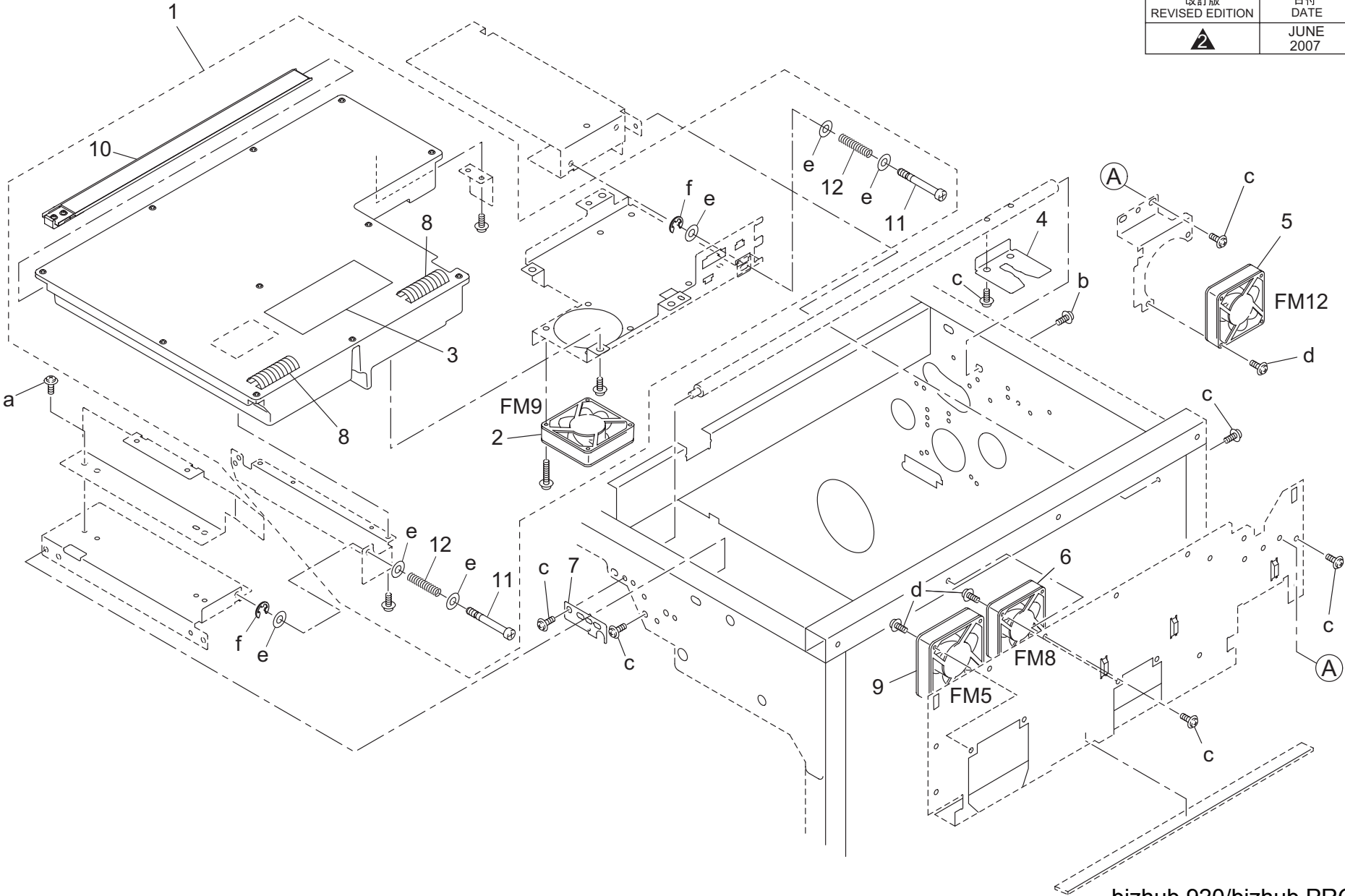
OPTICS UNIT

改訂版 REVISED EDITION	日付 DATE
	AUGUST 2007



OPTICS UNIT

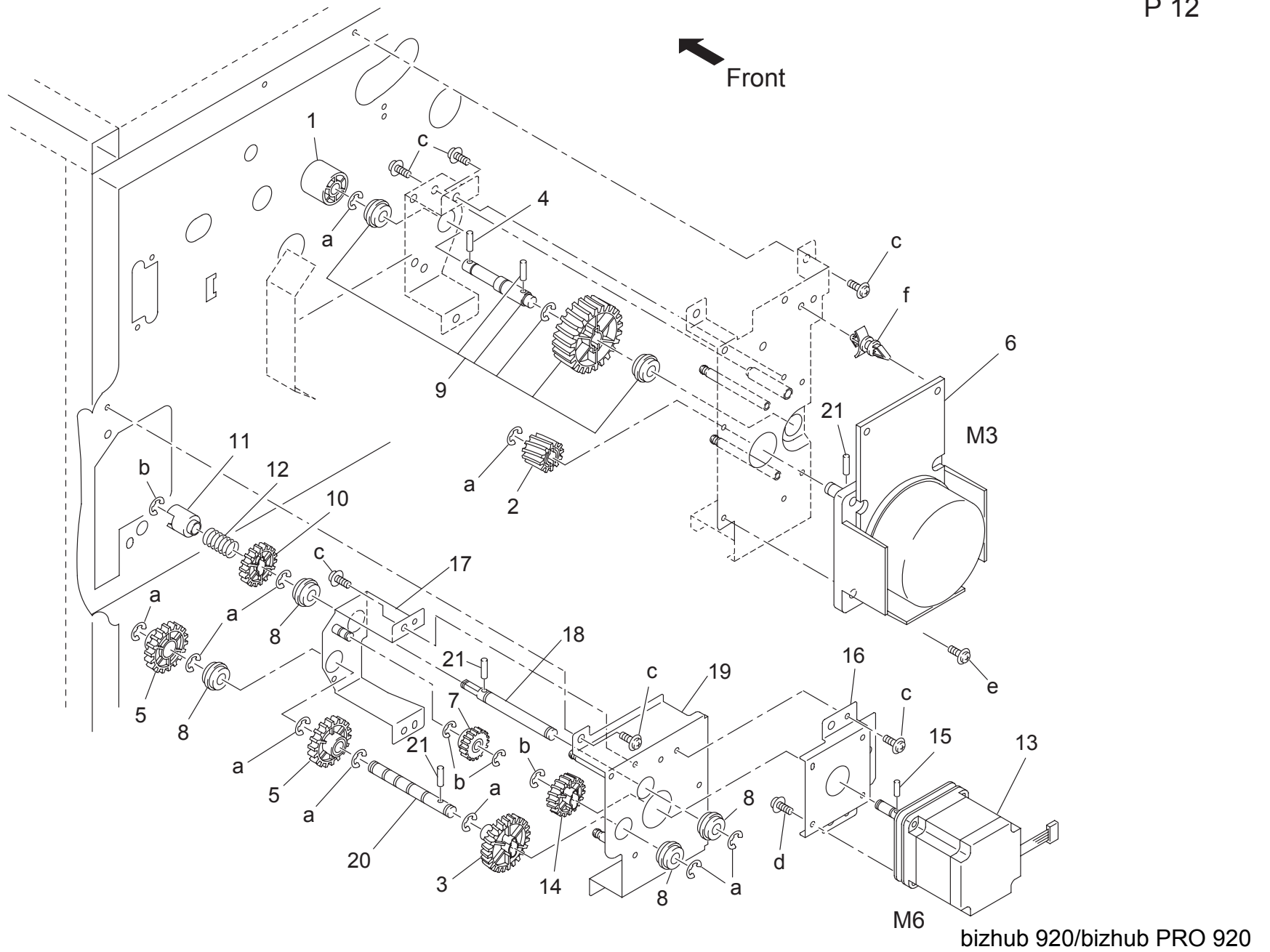
改訂版 REVISED EDITION	日付 DATE
	JUNE 2007



bizhub 920/bizhub PRO 920



DRIVING UNIT

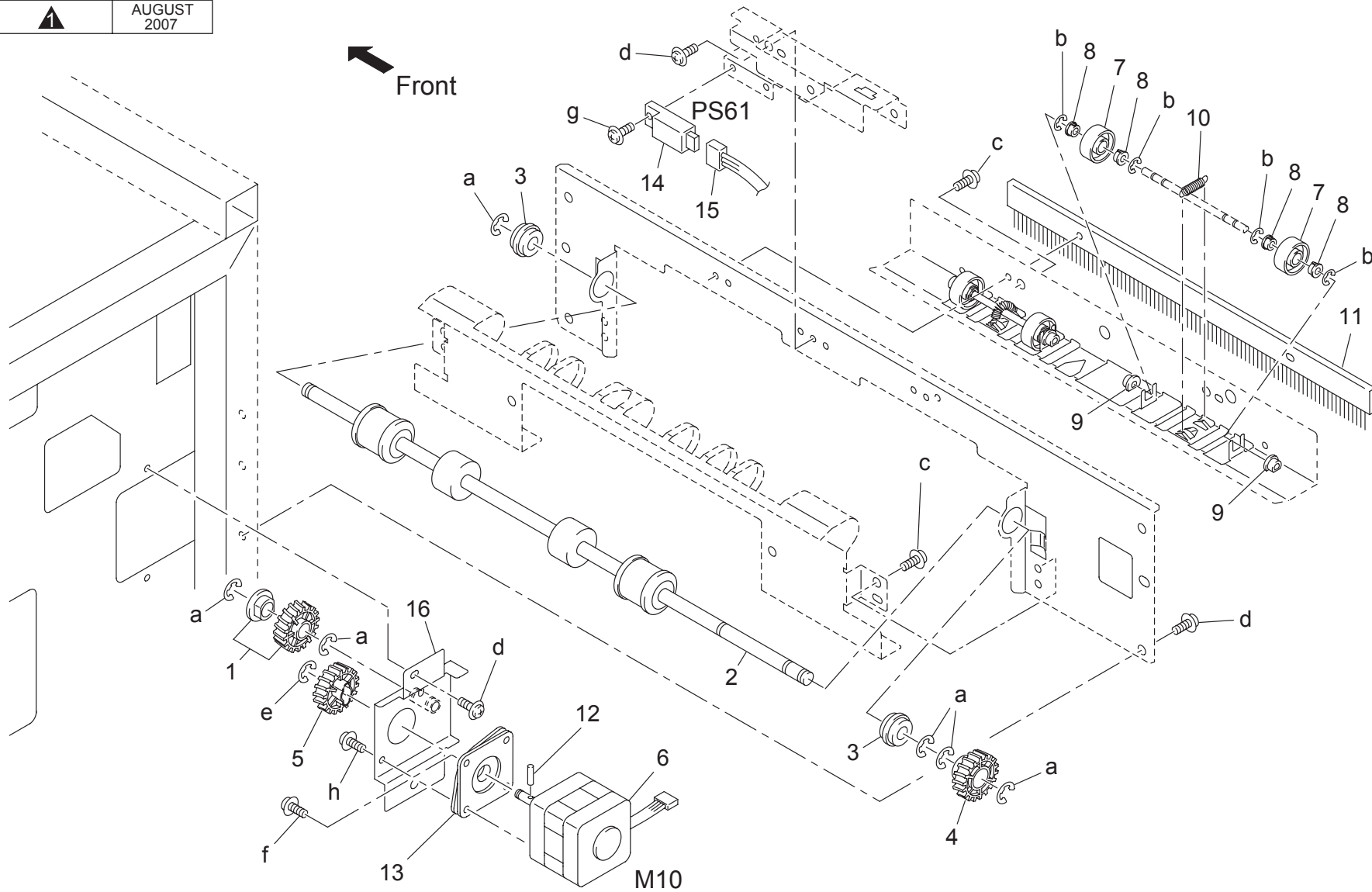


DRIVING UNIT

Key	Part No.	Description	Destinations	Class	QTY	Standard parts
1	55VA 1508 0	DEVELOPING COUPLING PART	現像カップリング部材	C	1	a-00Z6 7060 6 b-00Z6 7040 6 c-00Z1 9406 1 d-00Z1 9304 1 e-00Z1 9408 1 f-00Z9 2011 8
2	55VA 7703 0	DEVELOPING DRIVE GEAR A 19T	現像駆動歯車 A 19 T	C	1	
3	55VA 7717 0	MANUAL FEED DRIVING GEAR B 36T	手差し駆動歯車 B 36 T	B	1	
4	56AA 1748 0	PIN B	ピン B	C	1	
5	55VA 7718 1	MANUAL FEED DRIVING GEAR C 33T	手差し駆動歯車 C 33 T	B	2	
6	65AA 8002 1	DC BRUSHLESS MOTOR 50	D C ブラシレスモータ 50	B	1	
7	25AA 7777 1	ROCKING GEAR A 20T	揺動歯車 A 20 T	C	1	
8	5400 7605 0	BALL BEARING	駆動軸受	B	4	
9	55VA R714 00	DEVELOPING DRIVING SHAFT	現像駆動軸部組	C	1	
10	55VA 7719 0	MANUAL FEED DRIVING GEAR D 28T	手差し駆動歯車 D 28 T	B	1	
11	12EJ 1509 1	DRIVE CONNECTION COUPLING	駆動連結カップリング	C	1	
12	12EJ 1510 0	COUPLING SPRING	カップリングバネ	C	1	
13	56AA 8011 2	PAPER EXIT DRIVE MOTOR	排紙駆動モータ	B	1	
14	55VA 7716 0	MANUAL FEED DRIVING GEAR A 23T	手差し駆動歯車 A 23 T	B	1	
15	56AA 1747 1	PIN B 3X12	ピン B 3 X 12	C	1	
16	55VA 1533 0	MOTOR MOUNT PLATE	モータ取り付け板	D	1	
17	55VA R721 00	SHAFT SUPPORT PANEL F	軸補強パネル F カシメ	D	1	
18	55VA 1535 0	CONVEYANCE COUPLING SHAFT	搬送カップリング軸	D	1	
19	55VA R720 00	BY-PASS FEED DRIVING PANEL ASSY	手差し駆動パネル部組	D	1	
20	55VA 1536 1	MANUAL FEED DRIVING SHAFT	手差し駆動軸	D	1	
21	56AA 1746 1	PIN A	ピン A	C	3	

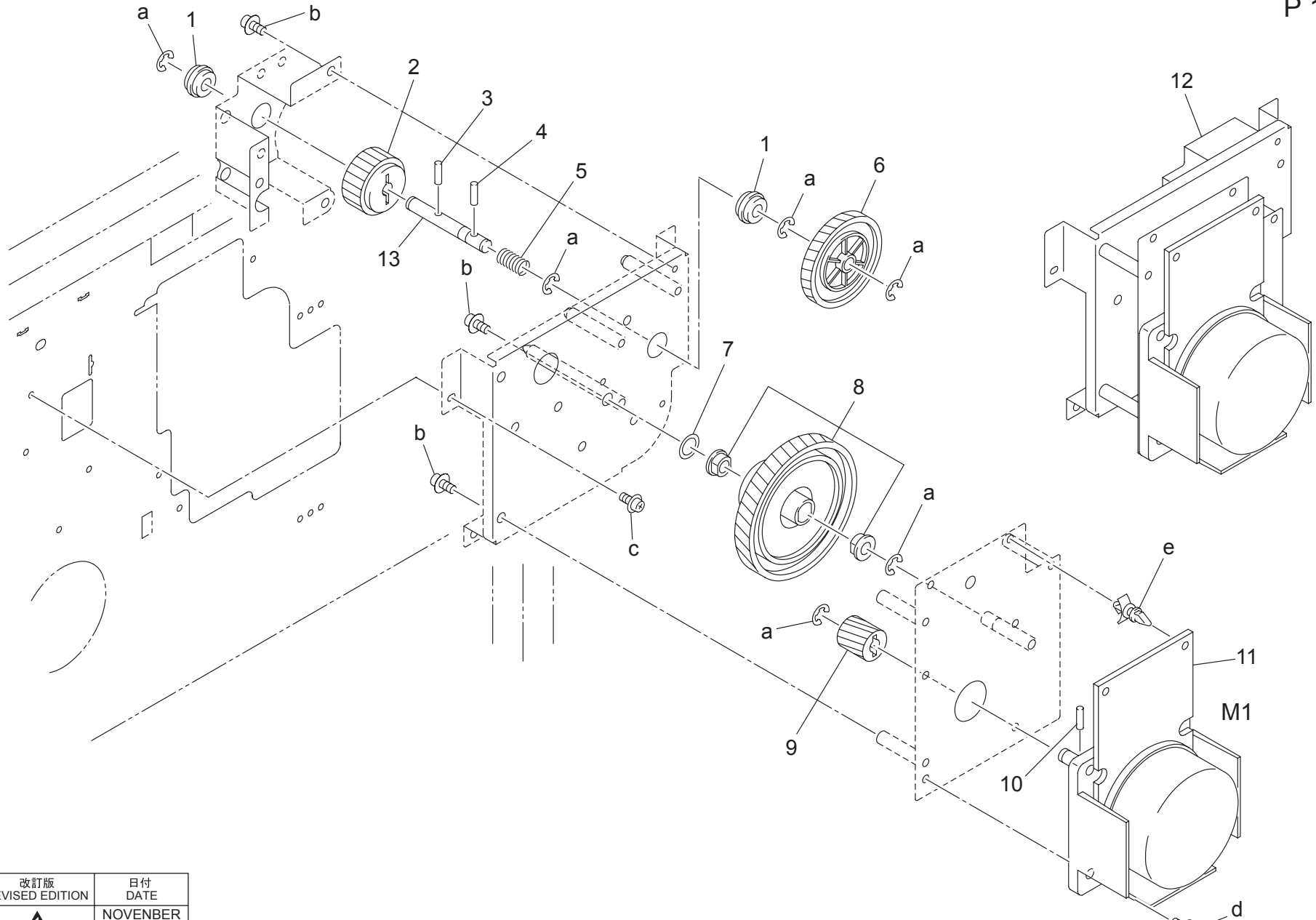
DRIVING UNIT

改訂版 REVISED EDITION	日付 DATE
	AUGUST 2007



DRIVING UNIT

P 14



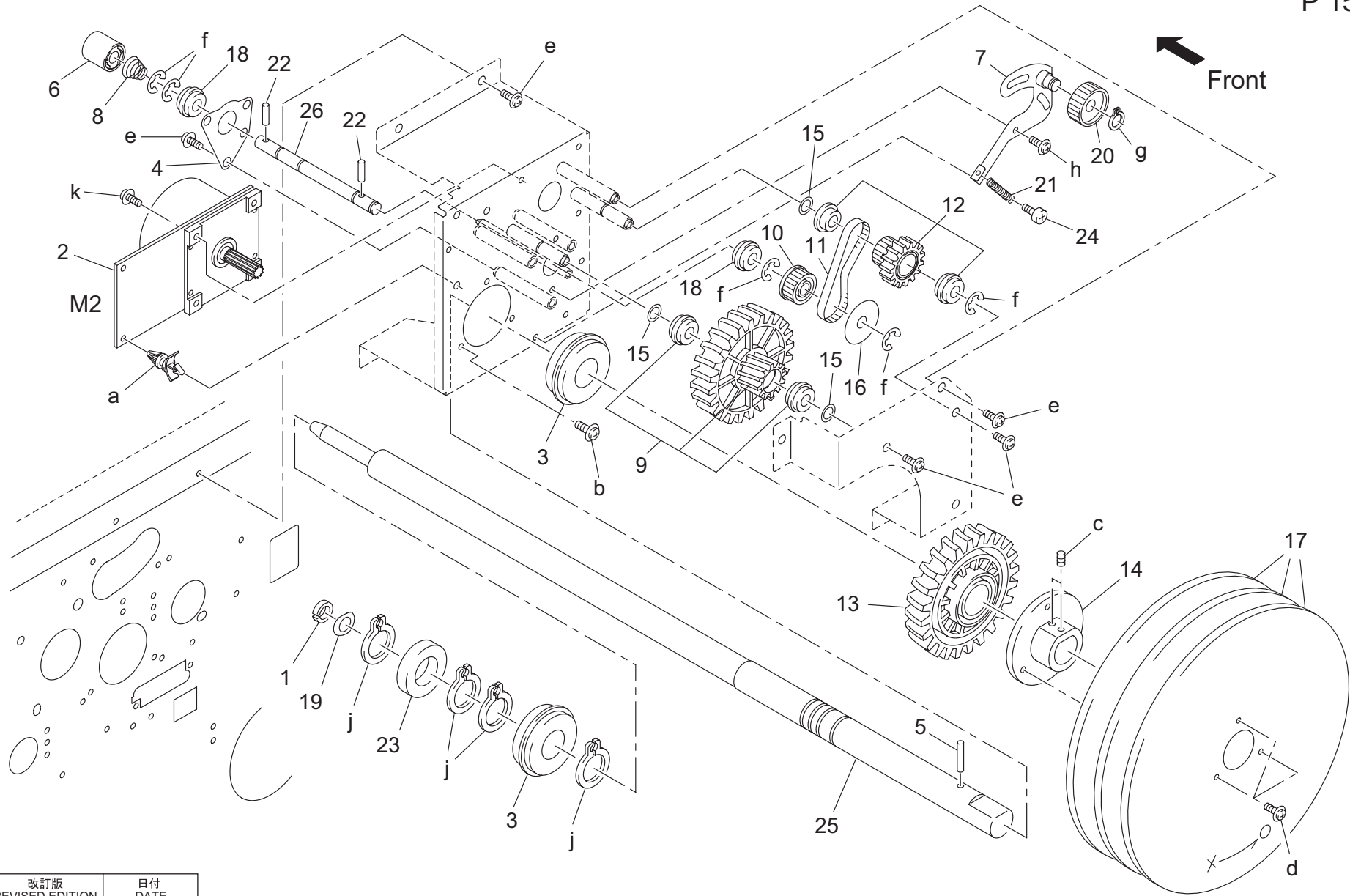
bizhub 920/bizhub PRO 920


改訂版 REVISED EDITION	日付 DATE
▲	NOVEMBER 2007

Order here
8 (495) 646-0426
ПЯТЫЙ ПАРТНЕР www.km-shop.ru

DRIVING UNIT

P 15

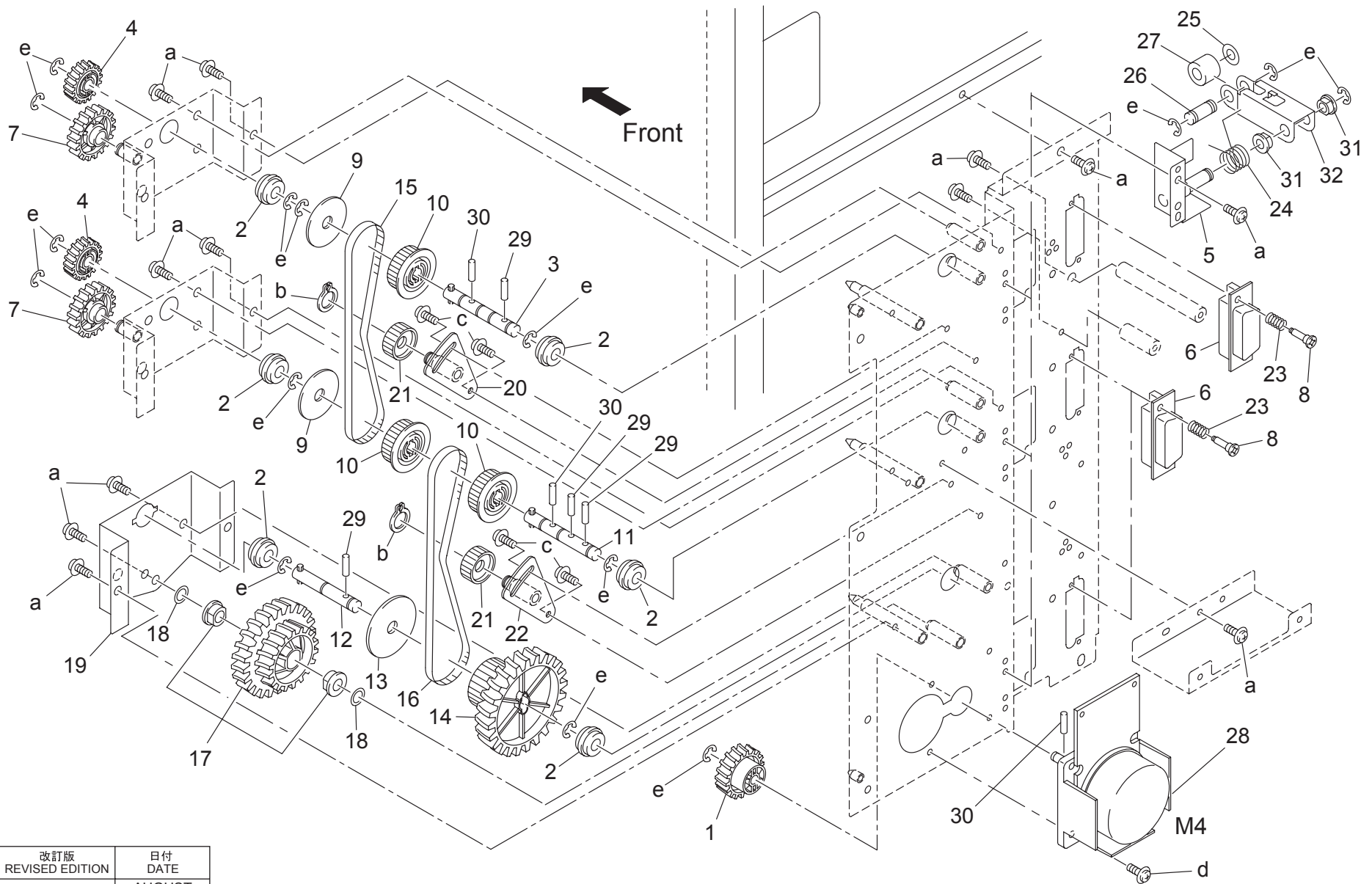



改訂版 REVISED EDITION	日付 DATE
	AUGUST 2007

Order here
8 (495) 646-0426
ПЯТЫЙ ПАРТНЕР www.km-shop.ru

bizhub 920/bizhub PRO 920

DRIVING UNIT



改訂版 REVISED EDITION	日付 DATE
	AUGUST 2007

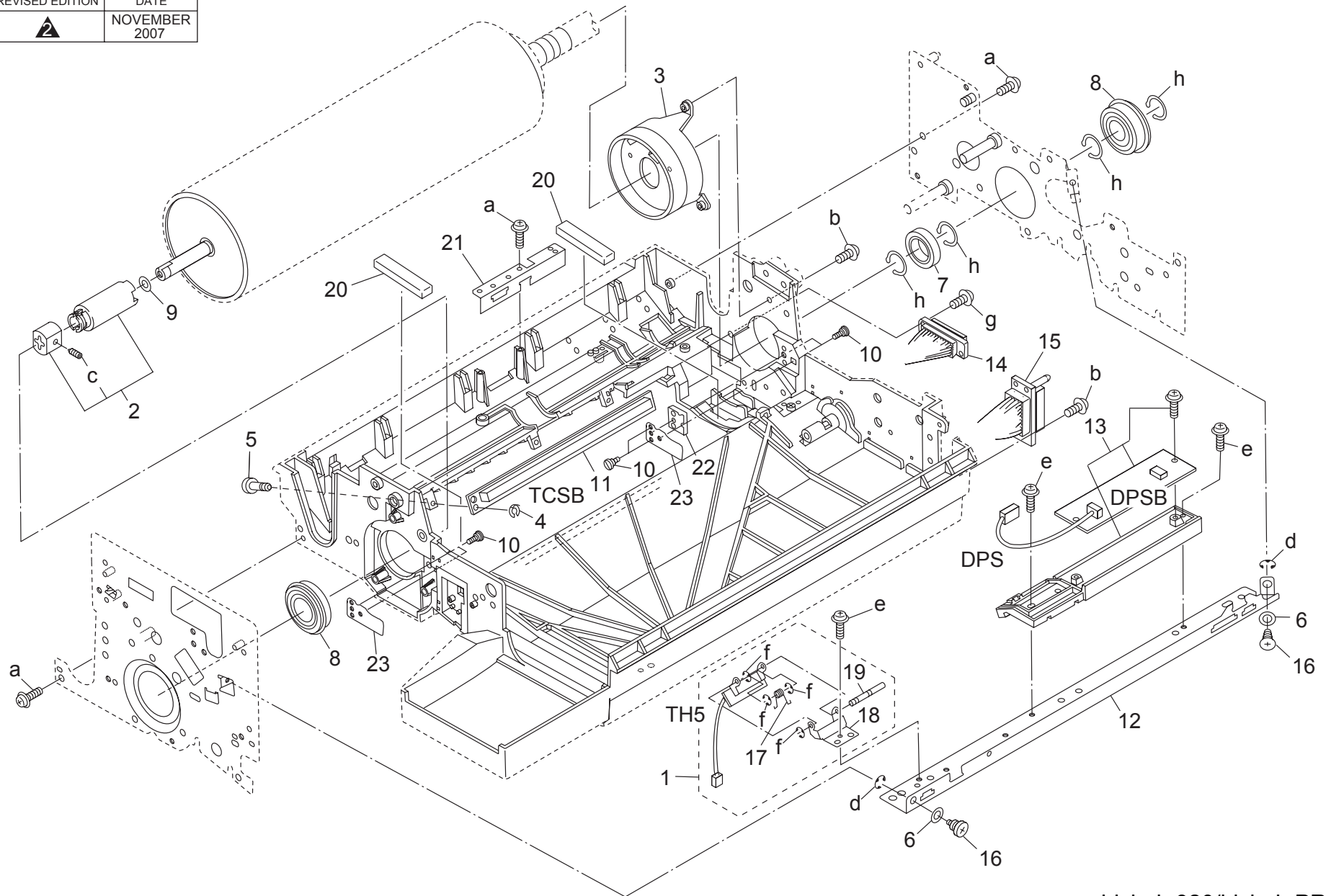
Order here
8 (495) 646-0426
ПЯТЫЙ ПАРТНЕР www.km-shop.ru

bizhub 920/bizhub PRO 920

Key	Part No.	Description	Destinations	Class	QTY	Standard parts
1	57GA 7711 0	PAPER FEED DRIVE GEAR A 35T	給紙駆動歯車 A 35 T	C	1	a-00Z1 9406 1 b-00Z6 8080 6 c-00Z1 6406 1 d-00Z1 9408 1 e-00Z6 7060 6
2	5400 7605 0	BALL BEARING	駆動軸受	B	6	
3	55VA R715 00	TRY1 SHAFT ASSY	トレー1入力軸部組	D	1	
4	56GA 7714 0	PAPER FEED DRIVING GEAR D 25T	給紙駆動歯車 D 25 T	C	2	
5	55VA R719 00	LOCK PLATE	ロック板カシメ	D	3	
6	57GA 9016 0	PAPER FEED WIRING	給紙束線	D	3	
7	56GA R702 00	PAPER FEED DRIVING GAER E	給紙駆動歯車 E 部組	C	2	
8	56AA 1733 0	SLIDE SHAFT	スライド軸	C	6	
9	25AA 1523 1	BELT GUIDE PLATE	ベルトガイドプレート	C	2	
10	55VA 7662 0	CONVEYANCE DRIVING PULLEY	搬送駆動プーリー	C	3	
11	55VA R716 00	TRY2 SHAFT ASSY	トレー2入力軸部組	D	1	
12	55VA R717 00	TRY3 SHAFT ASSY	トレー3入力軸部組	D	1	
13	55VA 1547 0	BELT GUIDE PLATE	ベルトガイドプレート	C	1	
14	55VA 7713 0	PAPER FEED DRIVING GEAR C 63T 36T	給紙駆動歯車 C 63 T 36 T	B	1	
15	55VA 7801 0	PAPER FEED DRIVING BELT A 330L	給紙駆動ベルト A 330 L	C	1	
16	55VA 7802 0	PAPER FEED DRIVING BELT B 342L	給紙駆動ベルト B 342 L	C	1	
17	57GA R708 00	PAPER FEED DRIVING GEAR B ASSY	給紙駆動歯車 B 部組	C	1	
18	5540 1090 0	DRIVE SPACER	駆動スペーサー	C	2	
19	55VA 1524 1	SHAFT REINFORCE PLATE E	軸補強板 E	D	1	
20	25AA R701 00	BELT TENSION PLATE ASSY	ベルトテンション板カシメ	C	1	
21	5400 1516 2	BELT TENSION ROLLER	ベルトテンションコロ	B	2	
22	55VA R718 00	TENSION PLATE	テンション板カシメ	C	1	
23	56AA 1708 0	TERMINAL ROCKING SPRING	端子揺動バネ	C	6	
24	25AA 1538 0	PAPER FEED LOCKING SPRING	給紙ロックバネ	C	3	
25	1900 4142 0	POLYSLIDER 8	ポリスライダ 8	C	3	
26	0486 1011 0	LOCK SHAFT A	ロック軸 A	D	3	
27	56UA 7502 0	TRAY LOCK BEARING	トレイロック軸受	C	3	
28	65AA 8002 1	DC BRUSHLESS MOTOR 50	DC ブラシレスモータ 50	B	1	
29	56AA 1748 0	PIN B	ピン B	C	4	
30	56AA 1746 1	PIN A	ピン A	C	3	
31	13QJ 7552 0	DRIVING SHAFT HOLDER	駆動軸受	C	6	
32	56UA 1554 0	LOCK PLATE	ロック板	D	3	

DRUM CARTRIDGE

改訂版 REVISED EDITION	日付 DATE
	NOVEMBER 2007

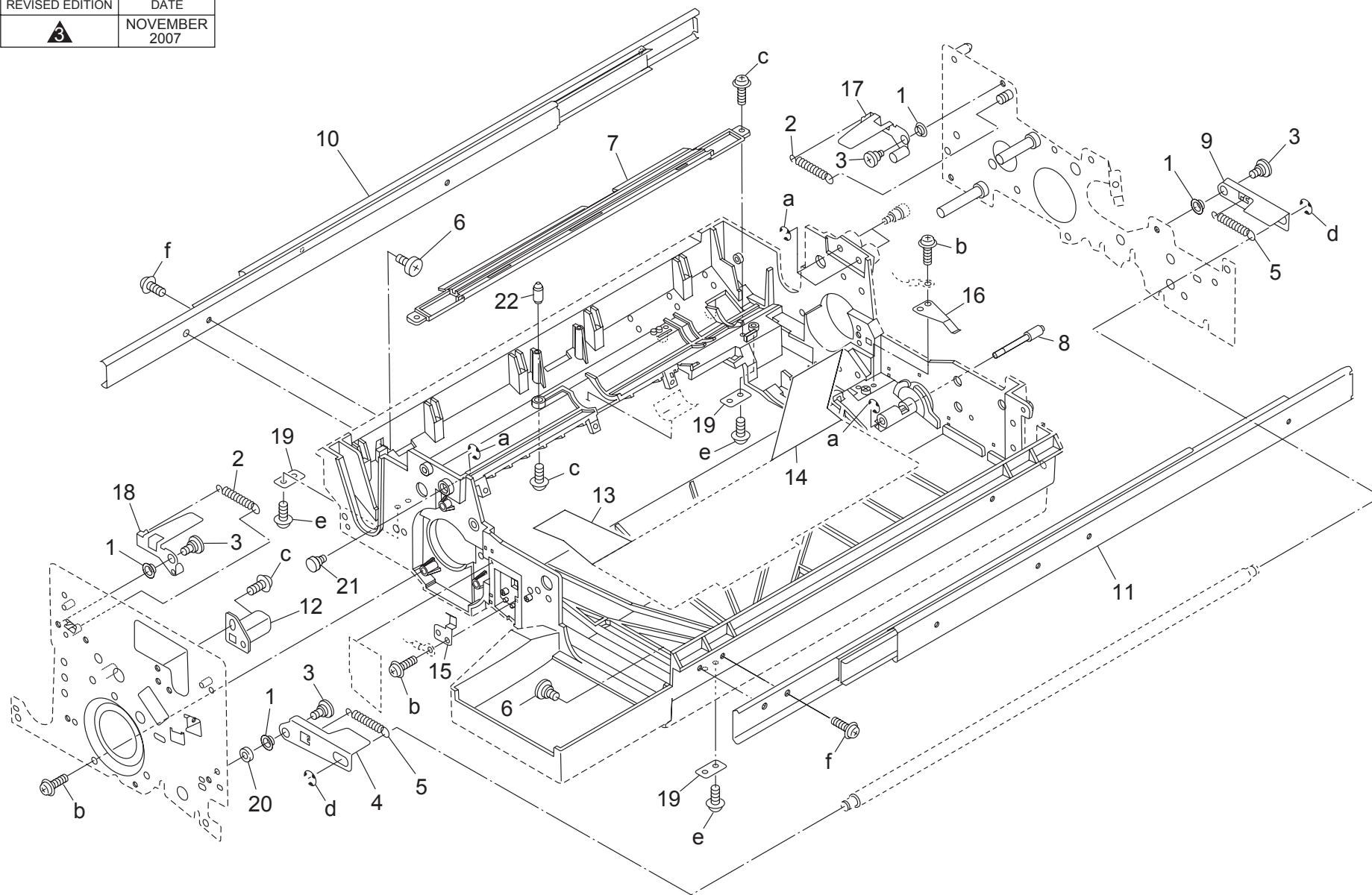


DRUM CARTRIDGE

Key	Part No.	Description	Destinations	Class	QTY	Standard parts
1	56GA R703 00	DRUM TEMP SENSOR ASSY	ドラム温度センサー部組	C	1	a-00Z2 5308 1
2	57GA R712 00	DRUM FIXING COUPLING ASSY	ドラム固定カップリング部組	D	1	b-00Z2 5310 1
3	55VA 2043 1	CONTACT FIXED PLATE	接点固定台	C	1	c-00Z4 7304 3
4	55VA 2086 0	STOPPER PART	ストッパー部材	D	1	d-00Z6 7040 6
5	55VA R724 00	SENSOR FIXING PIN ASSY	センサ固定部材部組	D	1	e-00Z1 9304 1
6	55VA 2022 0	SPRING	バネ	B	2	f-00Z6 7020 6
7	25SA 7502 0	BASE SHAFT HOLDER	基準軸受	C	1	g-00Z2 4310 1
8	55TA 7502 0	DRUM ROTARY SHAFT HOLDER	ドラム回転軸受	B	2	h-00Z6 1030 1
9	55FU 2014 0	DRUM FIXED SPRING	ドラム固定バネ	C	1	
10	56AA 1739 0	STANDARD SCREW	基準ネジ	C	6	
11	55VA -951 2E	TONER CONTROL BASE PLATE ASSY	トナー制御基板部組	B	1	
12	55VA 2004 1	SENSOR MOUNT STAY	センサ取り付けステー	D	1	
13	55VA -208 1	POTENTION METER ASSY	電位計部組	I	1	
14	57GA 9041 0	DRUM WIRING 1	ドラム束線 1	D	1	
15	57GA 9042 0	DRUM WIRING 2	ドラム束線 2	D	1	
16	55VA 2021 0	SENSOR TENSION SCREW	センサテンションネジ	C	2	
17	55VA 2069 0	SENSOR PRESSURE SPRING	センサ押圧バネ	B	1	
18	55VA 2007 1	SENSOR MOUNT PLATE	センサ取り付け板	D	1	
19	55VA 2024 0D	SUPPORT SHAFT	センサ支持軸	D	1	
20	55VA 2080 0	DRUM SEAL	ドラムシール	D	2	
21	56UA 2058 0	CLEANER POWER SUPPLY PLATE	クリーナー給電板	D	1	
22	25SA 2011 0	BASE PLATE/B	基準板 / B	D	1	
23	55VA 2010 1E	Base Plate /Front	基準板 / 前	D	2	

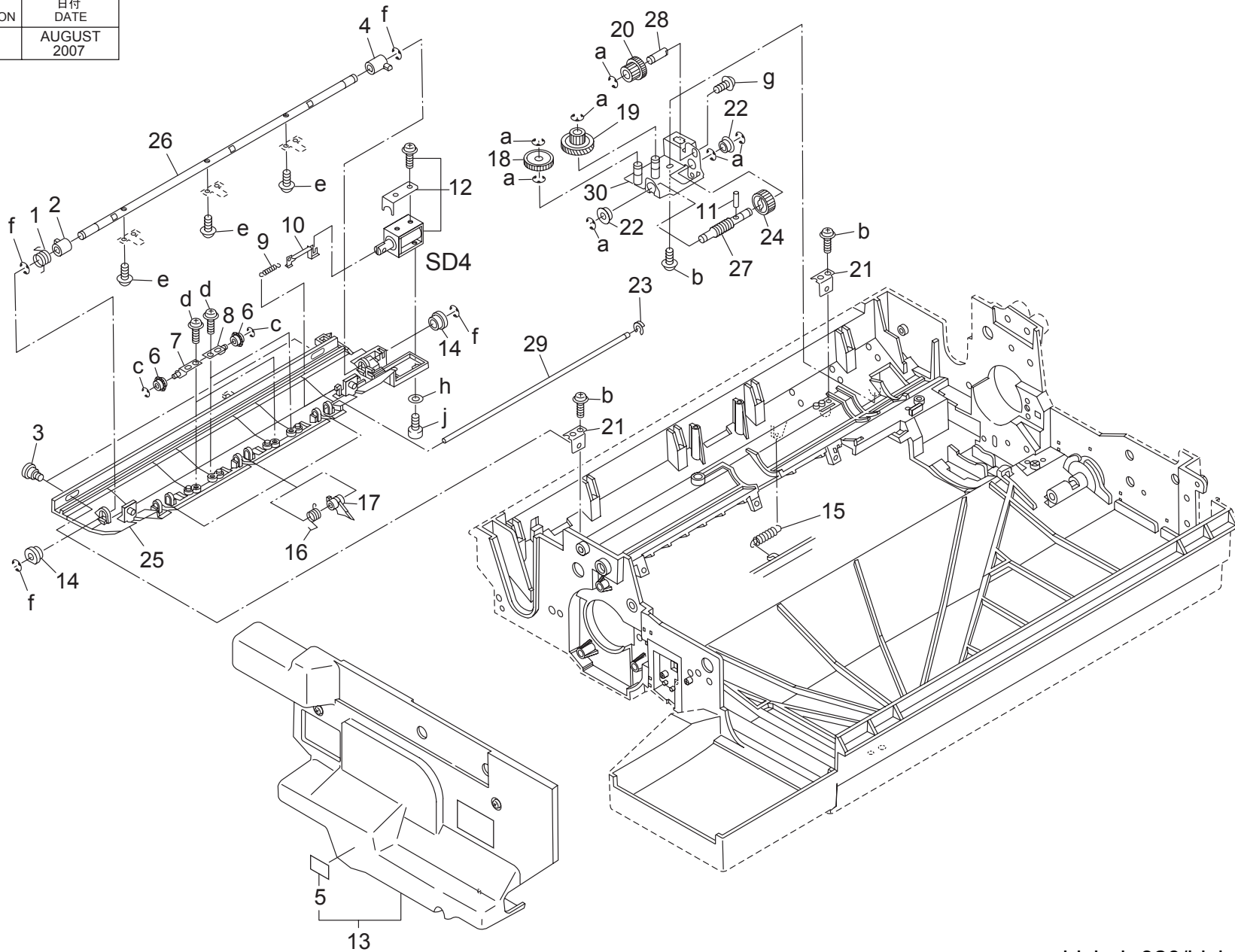
DRUM CARTRIDGE

改訂版 REVISED EDITION	日付 DATE
	NOVEMBER 2007



DRUM CARTRIDGE

改訂版 REVISED EDITION	日付 DATE
	AUGUST 2007

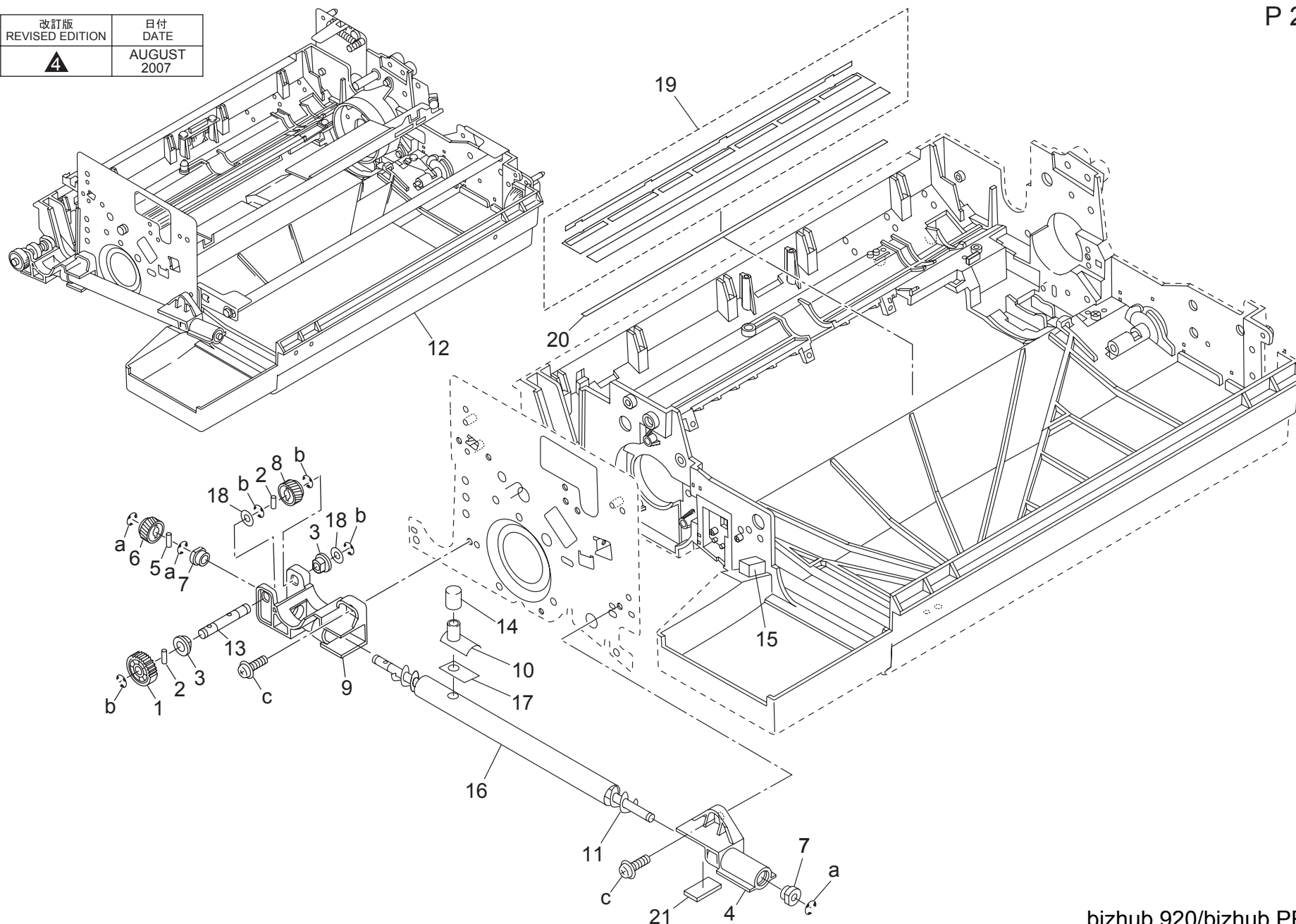


DRUM CARTRIDGE

Key	Part No.	Description	Destinations	Class	QTY	Standard parts
1	55VA 2914 0	SOLENOID RELEASE SPRING	ソレノイド解除バネ	B	1	a-00Z6 7040 6
2	55VA 2905 0	SEPARATING RELEASE PART C	分離解除部材 C	C	1	b-00Z2 5308 1
3	55VA 2068 0	SEPARATION POSITIONING SCREW	分離位置決めネジ	C	2	c-00Z6 7020 6
4	55VA 2904 0	SEPARATING RELEASE PART B	分離解除部材 B	C	1	d-00Z2 6306 1
5	57GA 9717 0	DRUM CAUTION LABEL	ドラム注意ラベル	D	1	e-00Z1 8304 1
6	1136 2027 0	CLAW WHEEL	爪車	C	4	f-00Z6 7030 6
7	55VA R725 00	SUPPORT PANEL A	支持板 A カシメ	D	2	g-00Z1 9306 1
8	55VA R727 00	SUPPORT PANEL B	支持板 B カシメ	D	2	h-00Z6 1030 1
9	55VA 2915 0	RELEASE SPRING	解除バネ	B	1	j-00Z4 6305 3
10	55VA 2903 0	SEPARATING RELEASE PART A	分離解除部材 A	D	1	
11	56AA 1752 0	PIN A D3X10	ピン A D 3 X 1 0	C	1	
12	55VA R726 00	CLAW SEPARATING SOLENOID ASSY	爪分離ソレノイド部組	C	1	
13	57GA R711 00	DRUM PROTECT COVER ASSY	ドラム保護カバー部組	D	1	
14	55VA 2908 0	SEPARATING FULCRUM SHAFT HOLDER	分離支点軸受	C	2	
15	57GA 2916 0	SEPARATION SWING SPRING	分離揺動バネ	C	1	
16	56GA 2913 0	SEPARATING PRESSURE SPRING	分離押圧バネ	B	3	
17	57GA 2919 0	DRUM SEPARATING CLAW	ドラム分離爪	A	3	
18	56UA 7729 0	SEPARATION SWING GEAR 40T	分離揺動歯車 4 0 T	C	1	
19	56UA 7730 0	SEPARATION SWING GEAR C 18T 33T	分離揺動歯車 C 1 8 T 3 3 T	C	1	
20	55VA 7756 0	SEPARATE ROCKING GEAR A 30T 20T	分離駆動歯車 A 3 0 T 2 0 T	C	1	
21	55VA 2059 0	SEPARATION FIXING PLATE	分離固定板	D	2	
22	25AA 2977 0	SEPARATE FULCRUM SHAFT HOLDER	分離支点軸受	C	2	
23	45AA 2040 0	STOPPER PART	ストッパ部材	A	1	
24	55VA 7757 0	SEPARATE ROCKING GEAR B 32T	分離駆動歯車 B 3 2 T	C	1	
25	55VA 2901 3	SEPARATING CLAW ASSY	分離ガイド板	D	1	
26	55VA 2906 0	RELEASE SHAFT	解除軸	D	1	
27	55VA 2910 0	ROCKING SHAFT /A	揺動軸 / A	D	1	
28	55VA 2911 0	SWING SHAFT /B	揺動軸 / B	D	1	
29	56AA 1759 0	SEPARATION FULCRUM SHAFT	分離支点軸	D	1	
30	56UA R751 00	SEPARATING BASE PLATE	分離揺動基板 カシメ	D	1	

DRUM CARTRIDGE

改訂版 REVISED EDITION	日付 DATE
	AUGUST 2007

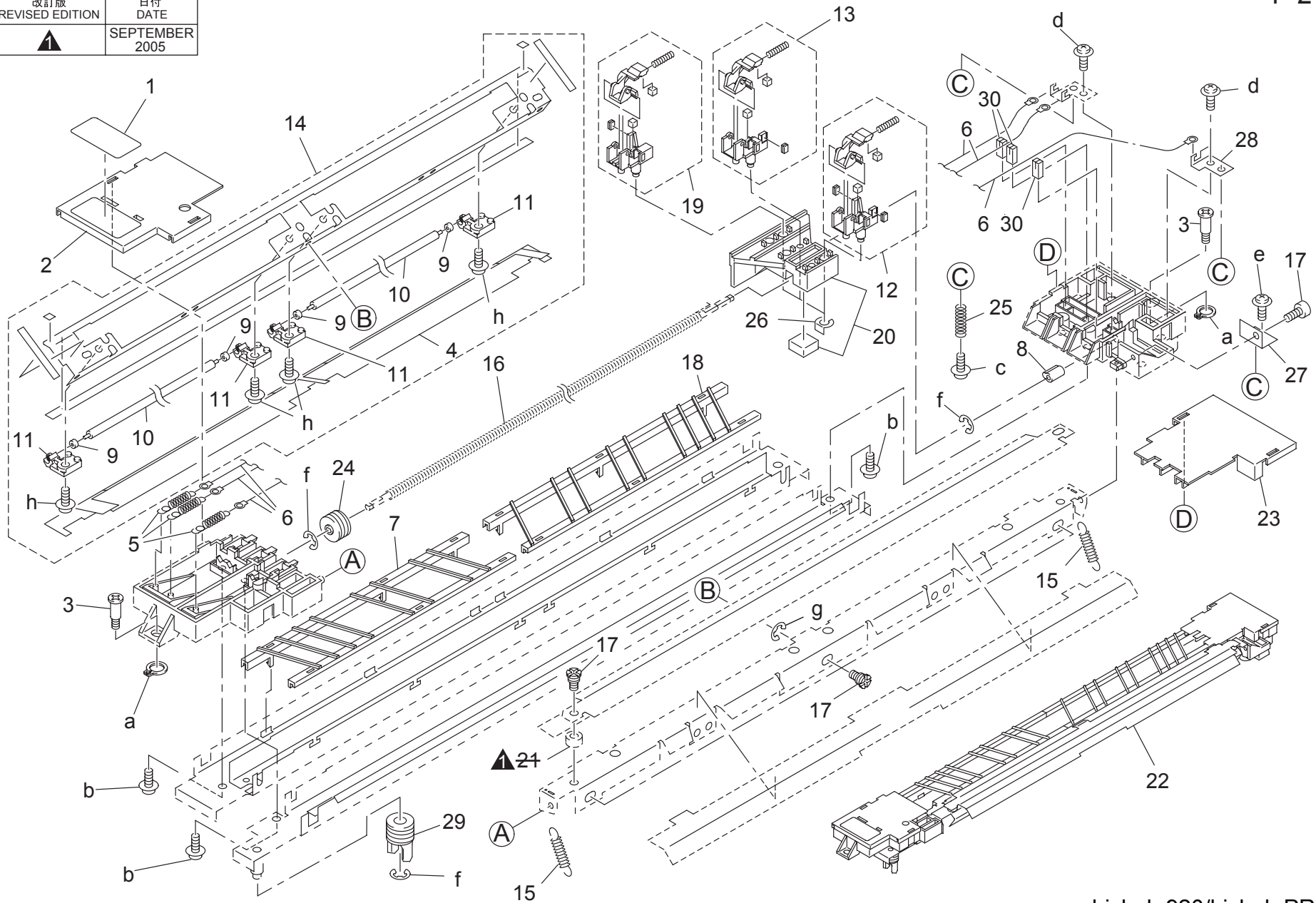


DRUM CARTRIDGE

Key	Part No.	Description	Destinations	Class	QTY	Standard parts
1	55VA 7729 0	TONER CONVEYANCE GEAR B 24T	トナー搬送ギア B 24 T	C	1	a-00Z6 7040 6 b-00Z6 7050 6 c-00Z1 9406 1
2	56AA 1752 0	PIN A D3X10	ピン A D 3 X 1 0	C	2	
3	4660 7602 0	PAPER FEED SHAFT HOLDER	給紙送り出し軸受	B	2	
4	55VA 5707 0	RECYCLE BLOCK RIGHT	リサイクルブロック 右	D	1	
5	4540 7805 0	PIN CLEANER A	ピン クリーナー A	C	1	
6	55VA 7758 0	TONER CONVEYANCE GEAR D 15T	トナー搬送ギア D 15 T	C	1	
7	57GA 7616 00	Toner Recycle Bearing	トナーリサイクル軸受	C	2	
8	25SA 7719 0	TONER CONVEYANCE GEAR C 15T	トナー搬送歯車 C 15 T	C	1	
9	55VA 5701 0	RECYCLE BLOCK LEFT	リサイクルブロック 左	C	1	
10	57GA 5702 0	RECYCLE PIPE	リサイクルパイプ	C	1	
11	55VA 5704 0	RECYCLE SCREW	リサイクルスクリュー	C	1	
12	57GA -200 4	DRUM CARRIGE ASSY	ドラムカートリッジ部組	C	1	
13	55VA 5703 1E	CONVEYANCE IDLING SHAFT	搬送アイドル軸	C	1	
14	56UA 2315 0	TONER REGULATING COVER	トナー規制カバー	D	1	
15	57GA 2071 0	TONER STOPPER CUSHION	トナーストップパ クッション	D	1	
16	57GA 5703 0	RECYCLE PIPE 2	リサイクルパイプ 2	C	1	
17	57GA 5704 0	ATTACHING SHEET	貼りシート	C	1	
18	56AA 1770 0	SPACER B	スペーサー B	C	2	
19	57GA -209 0	SUCTION ASSY	サククション部組	C	1	
20	57GA 3352 00	PREVENTING SHEET	防止シート	C	1	
21	55VA 5708 0	SCATTER PREVENTING PART	飛散防止部材	D	1	

TRANSFER SEPARATOR CORONA UNIT

改訂版 REVISED EDITION	日付 DATE
	SEPTEMBER 2005



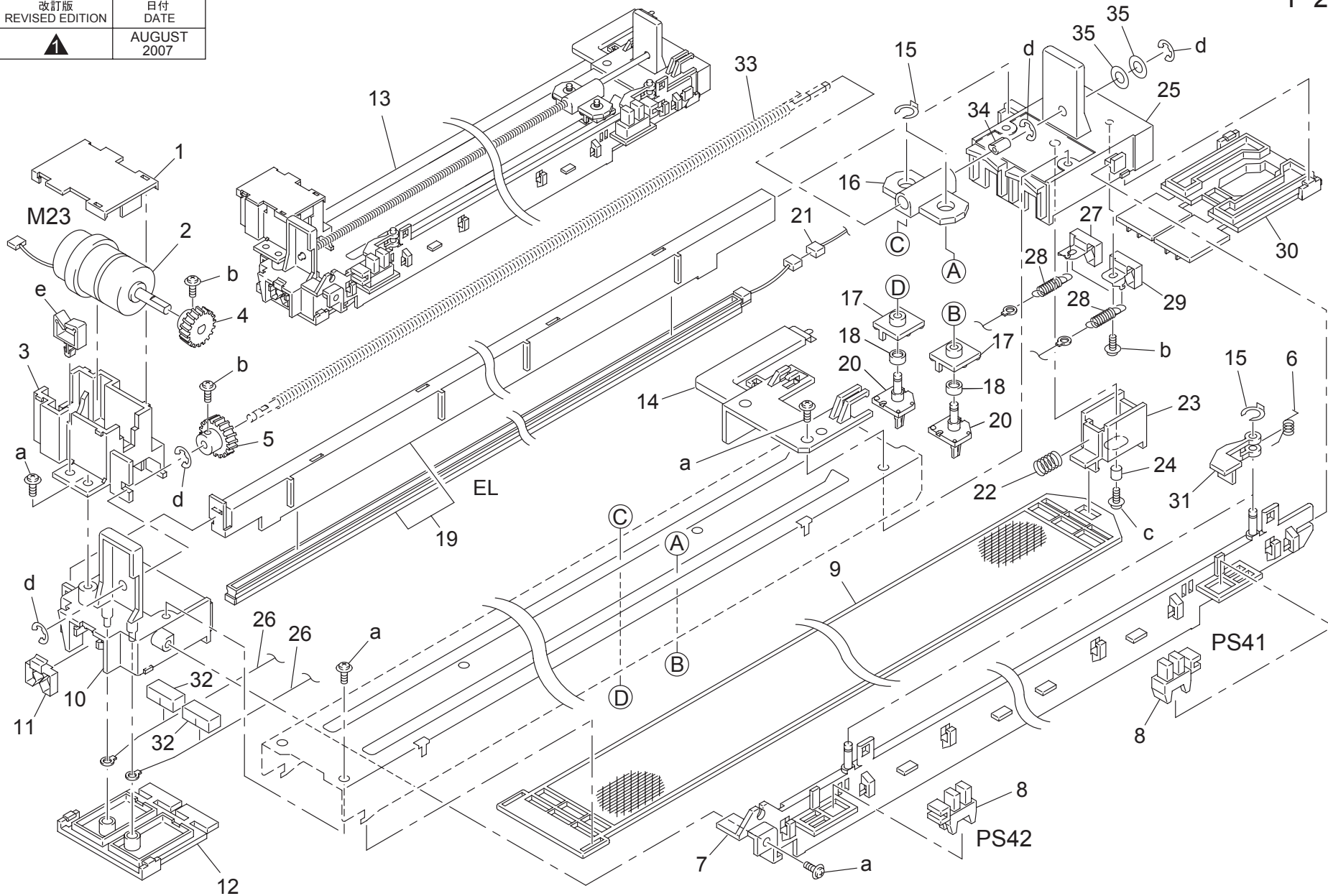
bizhub 920/bizhub PRO 920

TRANSFER SEPARATOR CORONA UNIT

Key	Part No.	Description	Destinations	Class	QTY	Standard parts
1	56UA 9792 0	HIGE VOLTAGE CAUTION LABEL	高圧注意ラベル	C	1	a-00Z6 0050 6 b-00Z2 5308 1 c-00Z1 1204 1 d-00Z2 5306 1 e-00Z2 4308 1 f-00Z6 7020 6 g-00Z6 7030 6 h-00Z1 6308 1
2	56GA 2608 0	SPARK ARRESTER PREVENTIVE PLATE FRONT	落雷防止板 前	B	1	
3	56UA 2618 0	ELECTRODE FIXING SCREW	電極固定ネジ	C	1	
4	56GA 2641 0	SPARK ARRESTER PREVENTIVE SHEET 2	落雷防止シート 2	D	1	
5	56AA 1714 0	WIRE TENSION SPRING	ワイヤーテンションバネ	C	3	
6	55VA 2613 0	CHARGING WIRE	放電ワイヤー	A	3	
7	56GA 2618 0	SEPARATION BRIDGE FRONT	分離ブリッジ 前	C	1	
8	56AA 2515 0	ELECTRODE CLEANING JOINT	電極清掃ジョイント	C	1	
9	55GA 7655 0	TRANSFER GUIDE SHAFT HOLDER 2	転写ガイド軸受 2	C	4	
10	56GA 2621 0	TRANSFER GUIDE ROLLER	転写ガイドコロ	C	2	
11	55VA 2622 1	TRANSFER GUIDE BEARING	テンシャカイトシクウケ GN (0	C	4	
12	56GA R704 00	TRANSFER CLEANING ASSY	転写清掃部組	A	1	
13	56GA R705 00	SEPARATE CLEANING ASSY 1	分離清掃部組 1	A	1	
14	57GA R715 00	TRANSFER GUIDE PLATE A ASSY	転写ガイド板 A 部組	D	1	
15	56GA 2643 0	TRANSFER GUIDE SPRING	転写ガイドバネ	C	2	
16	56GA 2617 0	ELECTRODE CLEANING SPRING	電極清掃バネ	C	1	
17	56AA 1758 0	ADJUSTING SCREW	調整ネジ	C	6	
18	56GA 2619 0	SEPARATION BRIDGE REAR	分離ブリッジ 奥	C	1	
19	56GA R706 00	SEPARATE CLEANING ASSY 2	分離清掃部組 2	A	1	
20	56GA R707 00	SLIDE BLOCK ASSY	スライドブロック部組	D	1	
22	57GA R714 00	SEPARATING ASSY	転写分離極ユニット	B	1	
23	56GA 2609 0	SPARK ARRESTER PREVENTIVE PLATE REAR	落雷防止板 奥	B	1	
24	55VA 7741 0	CLEANING GEAR 2 14T	清掃歯車 2 14 T	B	1	
25	56AA 1702 0	ELECTRIFY SPRING	給電バネ	C	3	
26	45AA 2040 0	STOPPER PART	ストッパ部材	A	3	
27	56GA 2620 0	FULCRUM PLATE	支点板	D	1	
28	56GA 2610 0	TRANSFER ELECTRIFY PLATE	転写給電板	D	1	
29	55VA 7740 0	CLEANING GEAR 1 14T	清掃歯車 1 14 T	B	1	
30	56AA 1783 0	TRANSFER HOLDING RUBBER	転写押えゴム	A	3	

CHARGING UNIT

改訂版 REVISED EDITION	日付 DATE
	AUGUST 2007



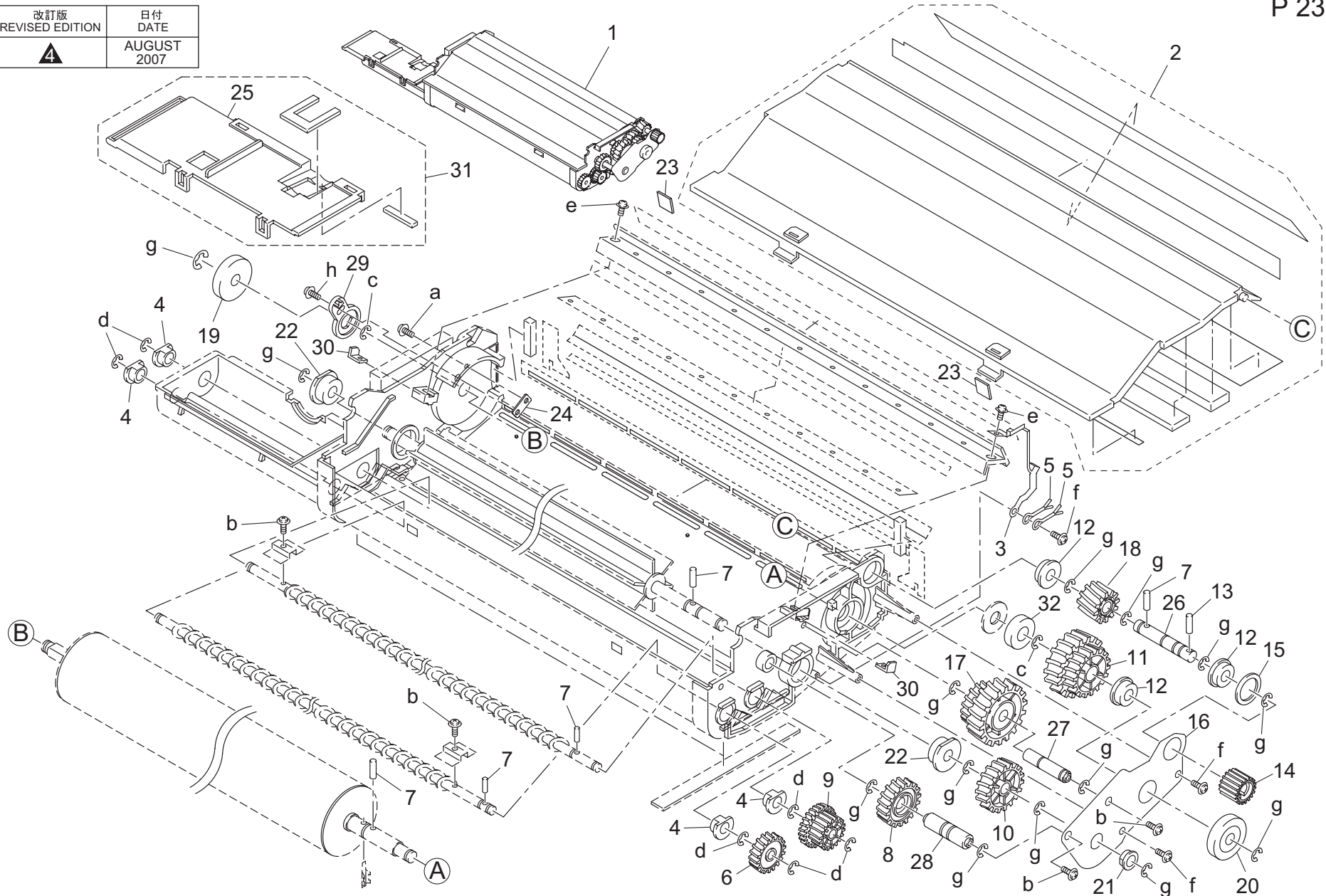
bizhub 920/bizhub PRO 920

CHARGING UNIT

Key	Part No.	Description	Destinations	Class	QTY	Standard parts
1	55VA 2515 0	MOTOR COVER		C	1	a-00Z2 5308 1 b-00Z2 4204 1 c-00Z2 5408 1 d-00Z6 7020 6 e-00Z9 2193 1
2	25AA 8009 1	CHARGING MOTOR		C	1	
3	55VA 2522 1	CHARGE CLEANING BLOCK		C	1	
4	55VA 7723 0	CHARGE CLEANING GEAR 1 17T		B	1	
5	55VA 7724 0	CHARGE CLEANING GEAR 2 17T		C	1	
6	55VA 2524 0	CHARGING DETECT SPRING		B	2	
7	55VA 2526 0	CHARGING WIRE		D	1	
8	08AA 8551 2	PHOTO SENSOR		B	2	
9	57GA 2508 0	CHARGING CONTROL PLATE		A	1	
10	55VA 2501 1	CHARGE BLOCK /FRONT		D	1	
11	55VA 2506 0	CHARGING FIXED SPRING FRONT		B	1	
12	56UA 2504 0	SPARK PREVENTING PLATE FRONT		C	1	
13	57GA R713 00	CHARGING ASSY		B	1	
14	55VA 2507 0	CONTACT POSITIONING PART		D	1	
15	45AA 2040 0	STOPPER PART		A	4	
16	55VA 2513 0	CHARGING SLIDE PART		D	1	
17	55VA 2521 0	CHARGING CLEANER PLATE		D	2	
18	55VA 2514 0	CHARGING SLIDE COLLAR		C	2	
19	55VA -257 1	PCL ASSY		B	1	
20	55VA R728 00	CHARGE CLEANER ASSY		A	2	
21	55VA 9043 0	CHARGING RELAY WIRING		D	1	
22	55VA 2517 0	CHARGING TENSION SPRING		C	1	
23	55VA 2520 0	CHARGING TENSION KNOB		C	1	
24	25AA 2032 1	PTL SUPPORT SPACER		C	1	
25	55VA 2502 0	CHARGING BLOCK REAR		D	1	
26	55VA 2509 1	CHARGING WIRE		A	2	
27	55VA 2511 0	CHARGING FIXED SPRING LEFT		C	1	
28	56AA 1714 0	WIRE TENSION SPRING		C	2	
29	55VA 2510 0	CHARGING FIXED SPRING RIGHT		C	1	
30	56UA 2505 0	SPARK PREVENTING PLATE REAR		C	1	
31	55VA 2523 0	CHARGING CLEANER ACTUATOR		C	2	
32	55VA 2527 0	ELECTRODE VIBRATING RUBBER		A	2	
33	56GA 2511 0	CHARGE CLEANING SPRING		C	1	
34	56AA 2515 0	ELECTRODE CLEANING JOINT		C	1	
35	56UA 2528 0	CHARGE CLEANING SPACER		C	2	

DEVELOPING UNIT

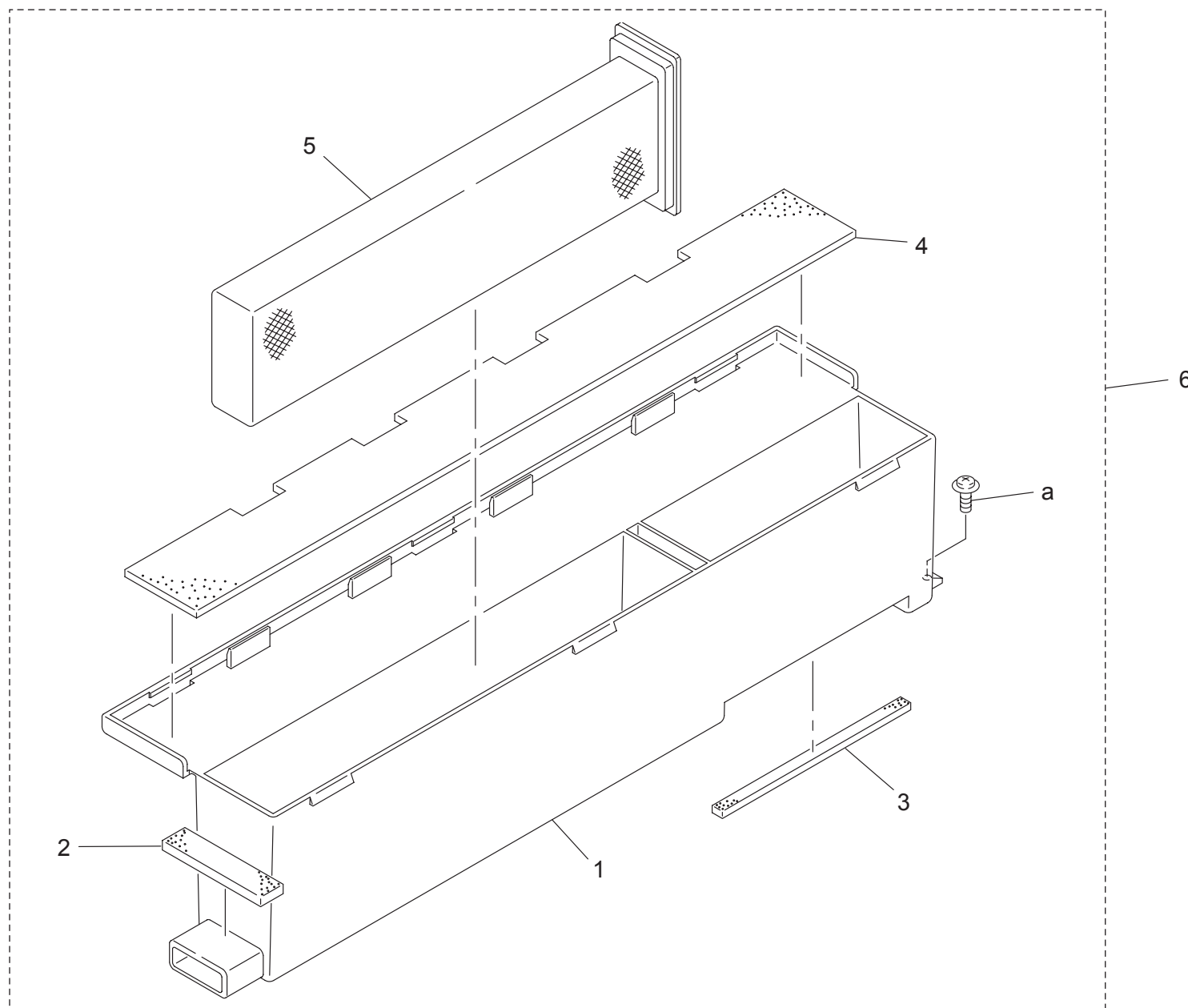
改訂版 REVISED EDITION	日付 DATE
	AUGUST 2007



bizhub 920/bizhub PRO 920

DEVELOPING SUCTION UNIT

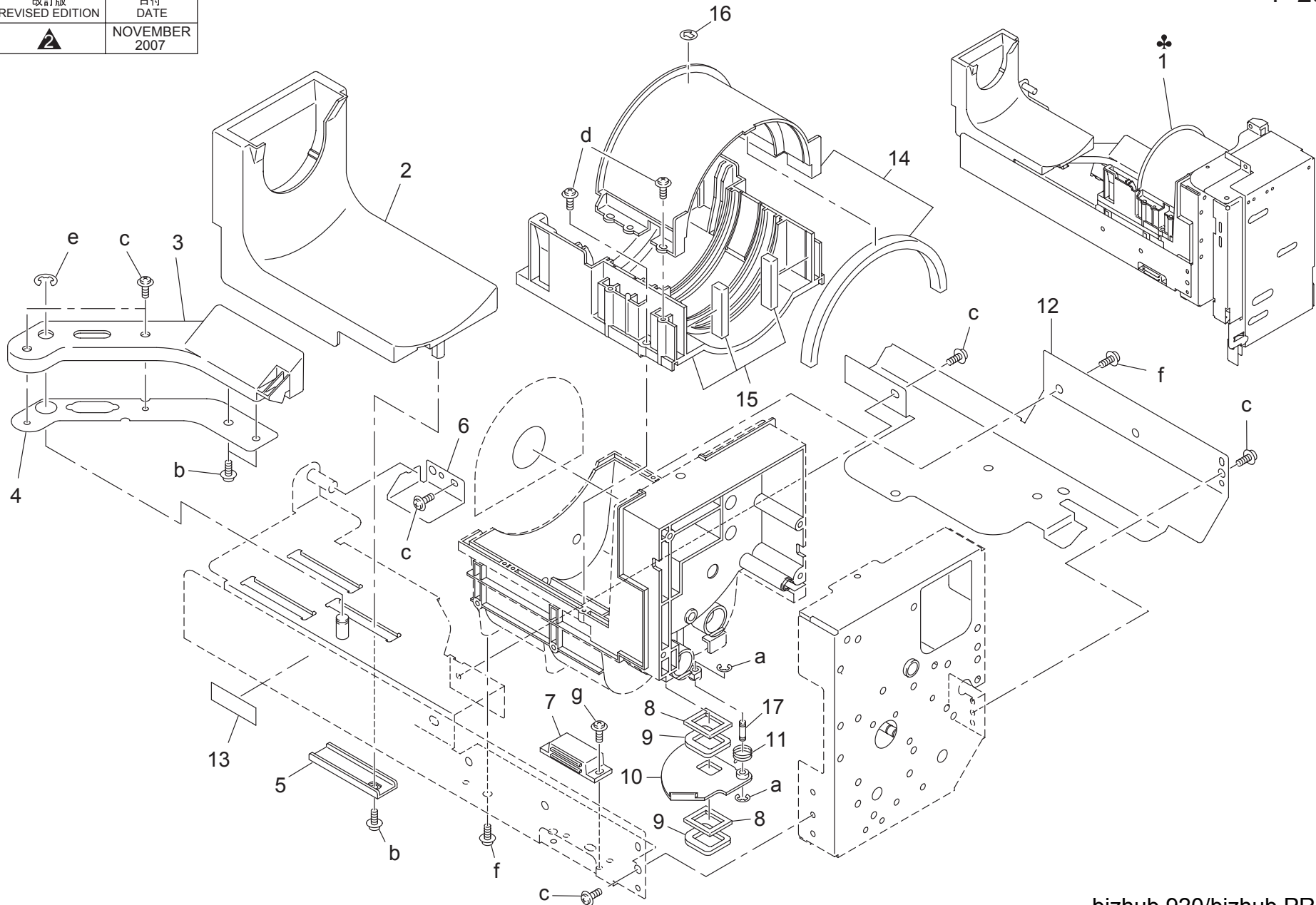
P 24




bizhub 920/bizhub PRO 920

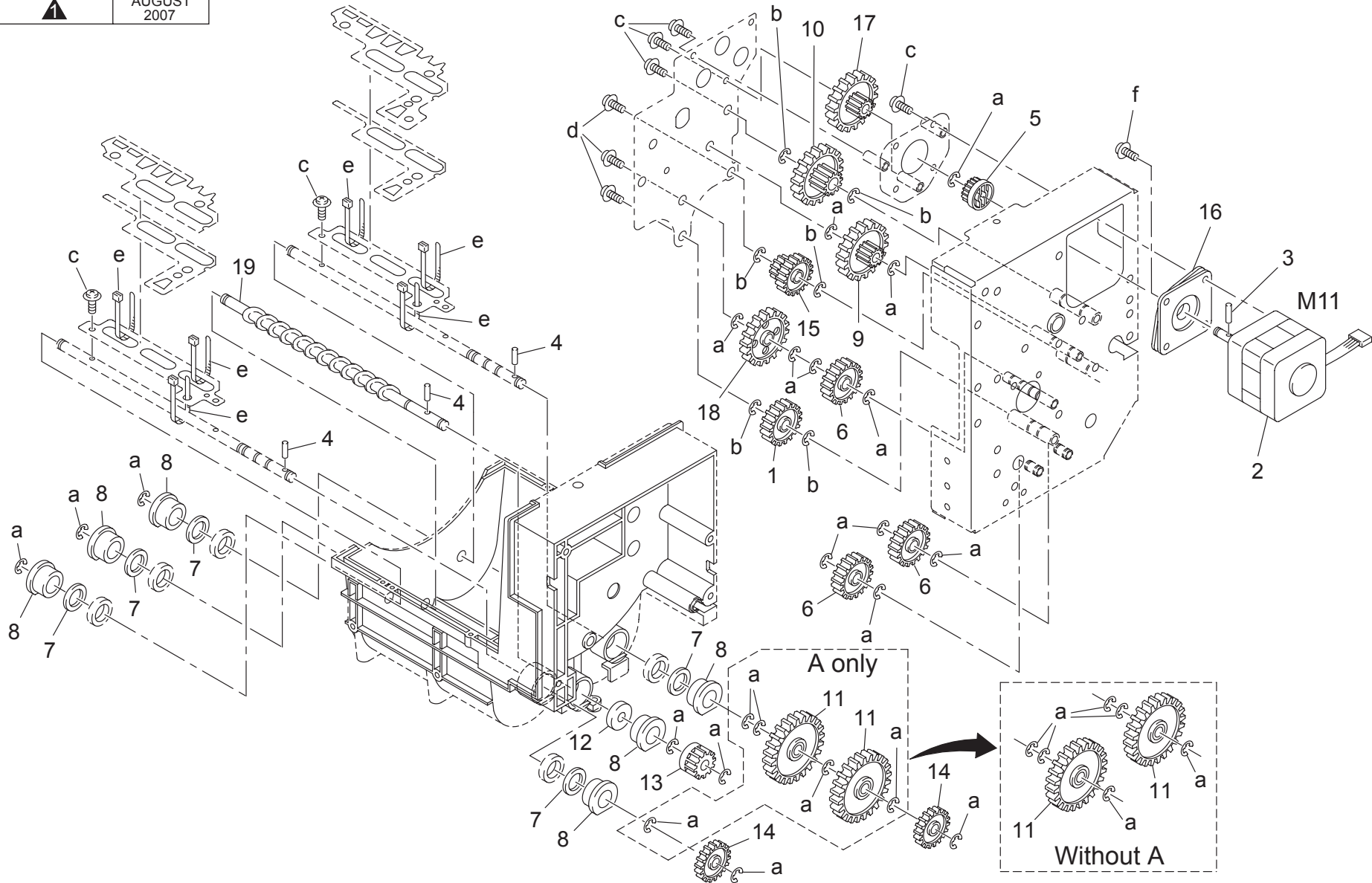
TONER SUPPLY UNIT

改訂版 REVISED EDITION	日付 DATE
	NOVEMBER 2007



TONER SUPPLY UNIT

改訂版 REVISED EDITION	日付 DATE
	AUGUST 2007

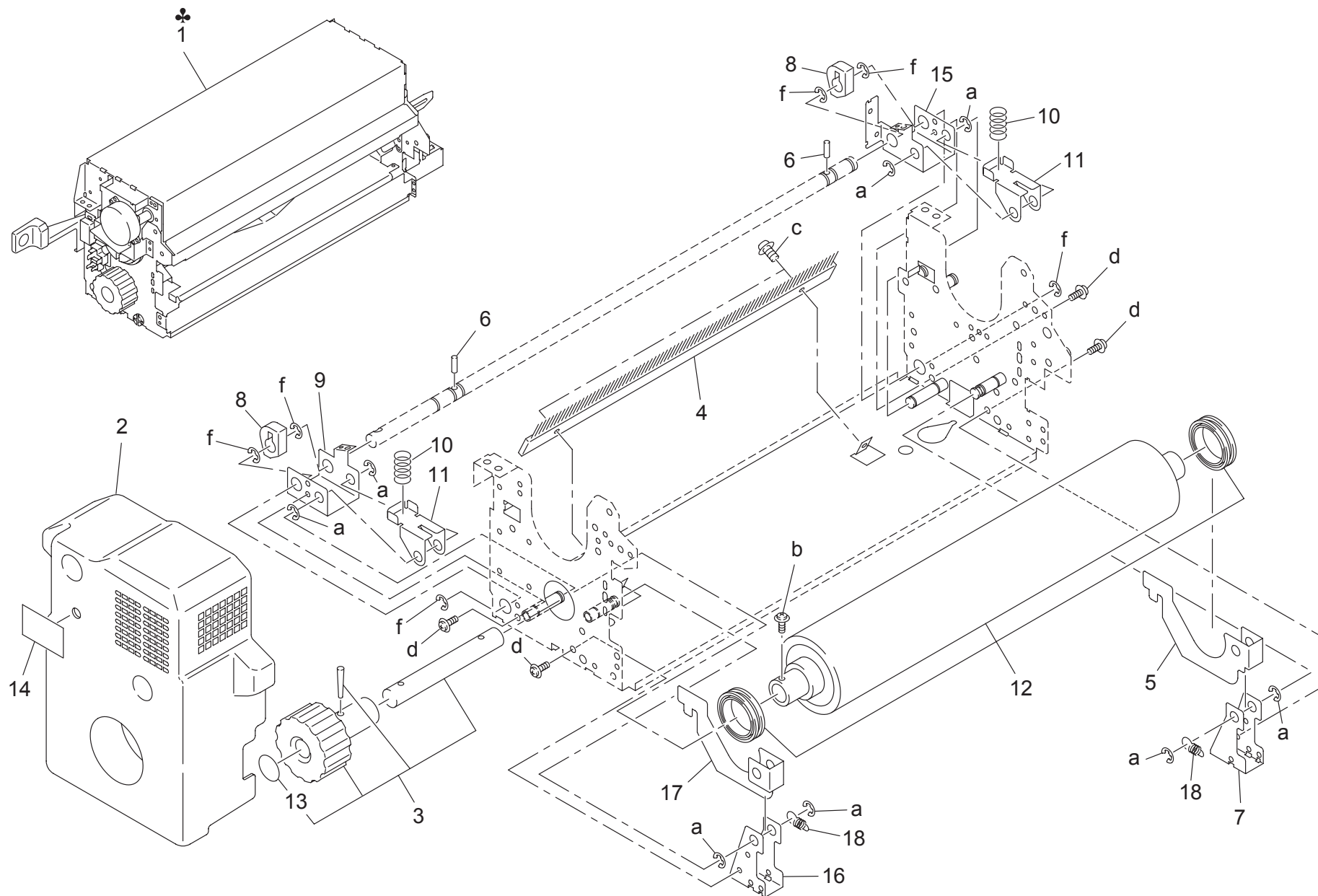


bizhub 920/bizhub PRO 920

TONER SUPPLY UNIT

Key	Part No.	Description	Destinations	Class	QTY	Standard parts
1	3020 7707 0	GEAR G	歯車 G	B	1	a-00Z6 7040 6 b-00Z6 7060 6 c-00Z1 9306 1 d-00Z1 9406 1 e-00Z9 2241 0 f-00Z1 1305 1
2	56GA 8006 2	HB MOTOR 40	HB モータ 40	B	1	
3	56AA 1732 1	PIN A D2X12	ピン A D 2 X 12	C	1	
4	56AA 1747 1	PIN B 3X12	ピン B 3 X 12	C	3	
5	55VA 7789 0	MOTOR GEAR 20T	モータ歯車 20 T	B	1	
6	3000 7749 0	GEAR Y 24T	歯車 Y 24 T	C	3	
7	25HA 3234 0	FELT C	フェルト C	C	5	
8	25HA 3215 2	TONER CONVEYANCE SHAFT HOLDER A	トナー搬送軸受 A	C	6	
9	3920 4015 0	PAPER FEED IDLER GEAR A 26T 39T	給紙アイドルギヤ A 26 T 39 T	C	1	
10	55VA 7797 0	IDLER GEAR I 16T 46T	アイドル歯車 I 16 T 46 T	C	1	
11	55VA 7799 0	AGITATE GEAR B 42T	攪拌歯車 B 42 T	B	2	
12	55GA 3231 0	SHAFT HOLDER SEAL B	軸受シール B	C	1	
13	55VA 7796 0	SCREW GEAR 14T	スクリュー歯車 14 T	B	1	
14	55VA 7794 0	AGITATE GEAR A 23T	攪拌歯車 A 23 T	B	2	
15	55VA 7798 0	IDLER GEAR K 15T 22T	アイドル歯車 K 15 T 22 T	C	1	
16	56GA 7343 1	MOTOR FIXING PART /1	モータ固定部材 /1	C	1	
17	55VA 7795 0	IDLER GEAR H 61T 14T	アイドル歯車 H 61 T 14 T	C	1	
18	55VA 7930 0	IDLER GEAR L 38T	アイドル歯車 L 38 T	C	1	
19	55VA 3220 0	TONER CONVEYING SCREW	トナー搬送スクリュー	D	1	

FIXING UNIT

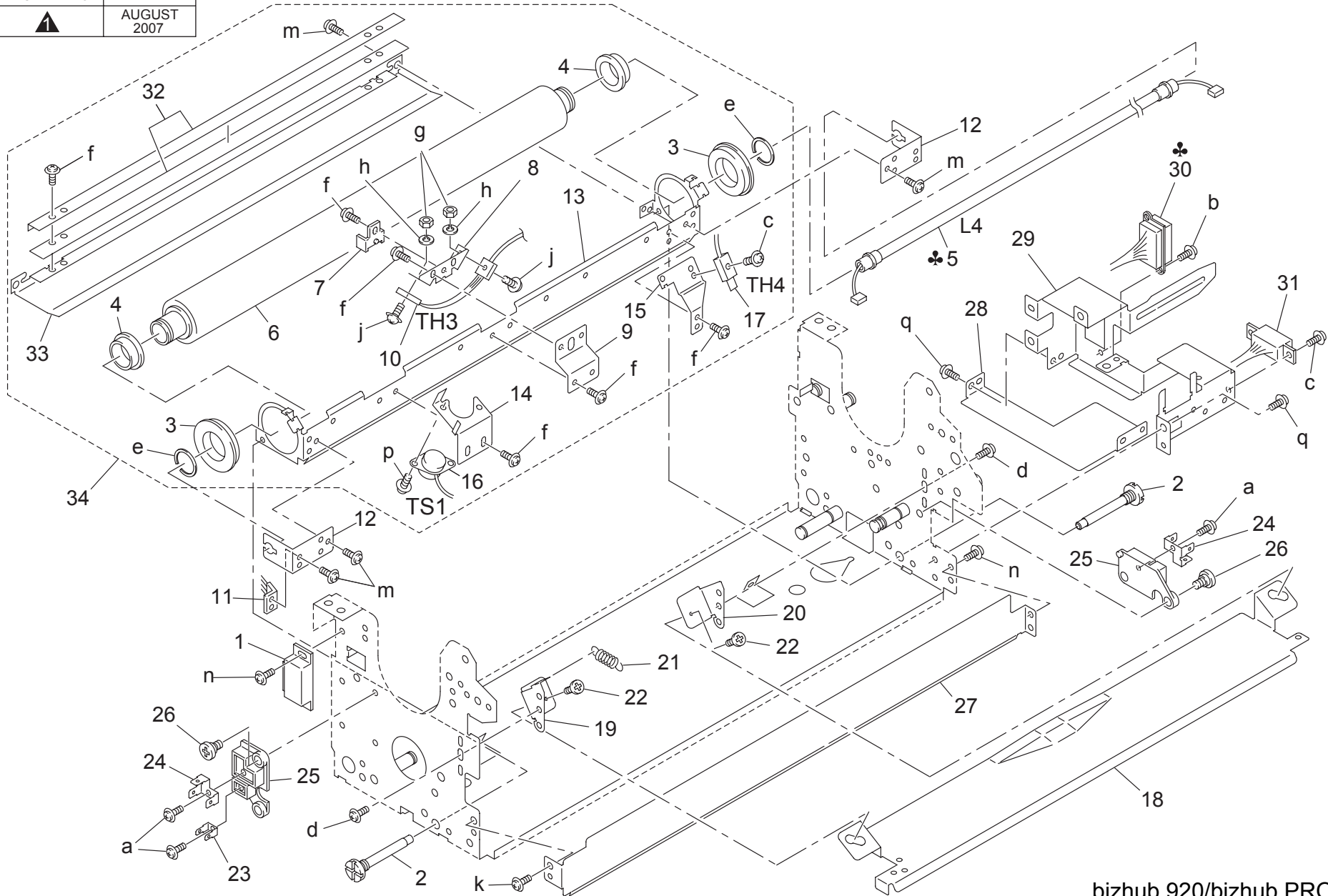


FIXING UNIT

Key	Part No.	Description	Destinations	Class	QTY	Standard parts
1	57GA -520 0	FIXING ASSY	定着ユニット	A(100V)	1	a-00Z6 7060 6 b-00Z1 6412 1 c-00Z1 9306 1 d-00Z1 8406 1 f-00Z6 7080 6
1	57GB R701 00	FIXING ASSY	定着ユニット	A(200V)	1	
1	57GE -520 0	FIXING ASSY	定着ユニット	B,G1	1	
1	57GF R702 00	FIXING ASSY	定着ユニット	C	1	
1	57GK -520 0	FIXING UNIT	定着ユニット	H	1	
1	57GN -520 0	FIXING UNIT	定着ユニット	D1,D3,F1,F2,G2,I,J,K	1	
2	57GA R724 00	FIXING COVER ASSY	定着カバー部組	D	1	
3	57GA R723 00	PAPER EXIT KNOB ASSY	排紙ノブ部組	C	1	
4	0486 4448 0	NEUTRALIZING BRUSH	除電ブラシ	B	1	
5	55VA 5320 3E	PRESSURE LEVER /REAR	圧着レバー／奥	C	1	
6	4540 7803 0	PARALLEL PIN	平行ピン	C	2	
7	55VA 5316 0	FULCRUM PLATE REAR	支点板 奥	C	1	
8	55VA 5337 0	PRESSURE CAM	圧着カム	C	2	
9	55VA 5317 0	RELEASE PLATE FRONT	解除板 前	C	1	
10	55VA 5344 1	PRESSURE SPRING	圧着バネ	B	2	
11	55VA 5323 0	SPRING SUPPORT PLATE	バネ支持板	C	2	
12	57GA R722 00	LOWER ROLLER ASSY	下ローラ部組	B	1	
13	57GA 9736 0	JAM LABEL 6	ジャムラベル 6	D	1	
14	57GA 9747 0	FIXING LABEL	定着ラベル	D	1	
15	55VA 5318 2	RELEASE PLATE REAR	解除板 奥	C	1	
16	55VA 5315 0	FULCRUM PLATE FRONT	支点板 前	C	1	
17	55VA 5319 3E	PRESSURE LEVER /FRONT	圧着レバー／前	C	1	
18	55VA 5345 0	PRESSURE SPRING	押圧バネ	B	2	

FIXING UNIT

改訂版 REVISED EDITION	日付 DATE
	AUGUST 2007

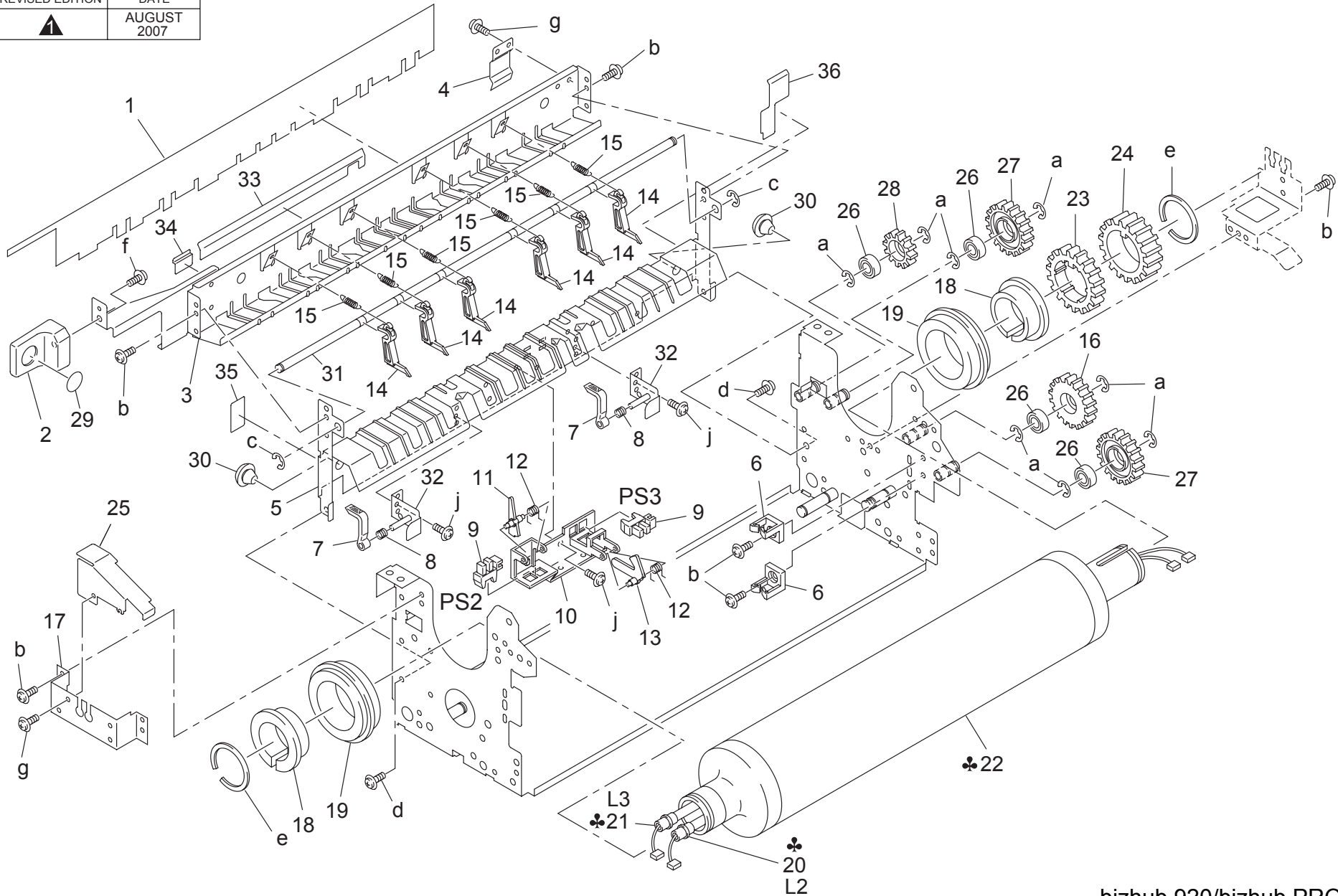


bizhub 920/bizhub PRO 920

Key	Part No.	Description	Destinations	Class	QTY	Standard parts
1	55VA 5375 0	MAGNET CATCH		C	1	a-00Z1 5306 1
2	55VA 5336 0	FULCRUM SCREW		C	2	b-00Z1 8408 1
3	26AA 5316 0	BALL BEARING		A	2	c-00Z1 8308 1
4	26AA 5315 0	HEAT INSULATING SLEEVE FRONT		B	2	d-00Z1 6406 1
5	57GA 8304 0	FIXING HEATER 3	A(100V)	I	1	e-00Z6 8170 3 f-00Z1 6306 1
5	55VB 8304 2	FIXING HEATER/3	A(200V),B,G1	A	1	g-00Z5 1030 1
5	55VF 8304 1	FIXING HEATER 3	C,D1,D3,F1,F2,G2,H,I,J ,K	A	1	h-00Z6 2030 1 j-00Z1 1310 1 k-00Z1 8404 1
6	55VA 5307 0	FIXING AUXILIARY ROLLER		A	1	m-00Z1 8304 1
7	55VA 5391 0	SENSOR HOLDER PART		D	1	n-00Z1 8306 1
8	55VA 5390 0	SENSOR SUPPORT PART 2		D	1	p-00Z1 5304 1 q-00Z1 8406 1
9	55VA 5341 0	SENSOR MOUNT PLATE 3		D	1	
10	55VA 8805 1	TEMPERATURE SENSOR/3		B	1	
11	55VA 5361 1	NEUTRALIZING BRUSH		C	1	
12	55VA 5340 1	HEATER MOUNT PLATE C		D	2	
13	56GA 5303 0	FIXING AUXILIARY BASE		D	1	
14	55VA 5343 0	FUSE MOUNT PLATE LOWER		D	1	
15	55VA 5342 0	SENSOR MOUNT PLATE 4		D	1	
16	SP00 -004 3	THERMOSTAT 3		A	1	
17	55VA 8806 1	TEMPERATURE SENSOR/4		B	1	
18	55VA 5311 1	ENTRANCE GUIDE PLATE LOWER		D	1	
19	55VA 5366 0	ENTRANCE SUPPORT PLATE F		C	1	
20	55VA 5367 1	ENTRANCE SUPPORT PLATE/R		C	1	
21	55VA 5368 0	ENTRANCE PRESSURE SPRING		B	1	
22	55VA 5385 0	ENTRANCE GUIDE SCREW		C	2	
23	55VA 5374 2	TERMINAL PLATE 2		C	1	
24	55VA 5373 0	TERMINAL PLATE 1		C	2	
25	55VA 5372 1	TERMINAL PEDESTAL		C	2	
26	25AA 5515 1	BLADE POSITIONING SCREW		C	4	
27	55VA 5314 0	MAIN STAY		D	1	
28	55VA 5388 0	WIRING HOLDING PLATE		C	1	
29	55VA 5347 2	TERMINAL MOUNT PLATE		D	1	
30	55VA 9006 0	FIXING WIRING 1		D	1	
30	55VB 9006 0	FIXING WIRING 1	A(100V)	D	1	
31	56GA 9030 0E	FIXING WIRING /2	A(200V),B,C,D1,D3,F1,F 2,G1,G2,H,I,J,K	C	1	
32	56GA R710 00	FIXING CLEANING SHEET ASSY		C	1	
33	56GA 5332 0	FIXING CLEANING PLATE 1		D	1	
34	56GA -545 0	FIXING SUB BODY ASSY		D	1	

FIXING UNIT

改訂版 REVISED EDITION	日付 DATE
	AUGUST 2007

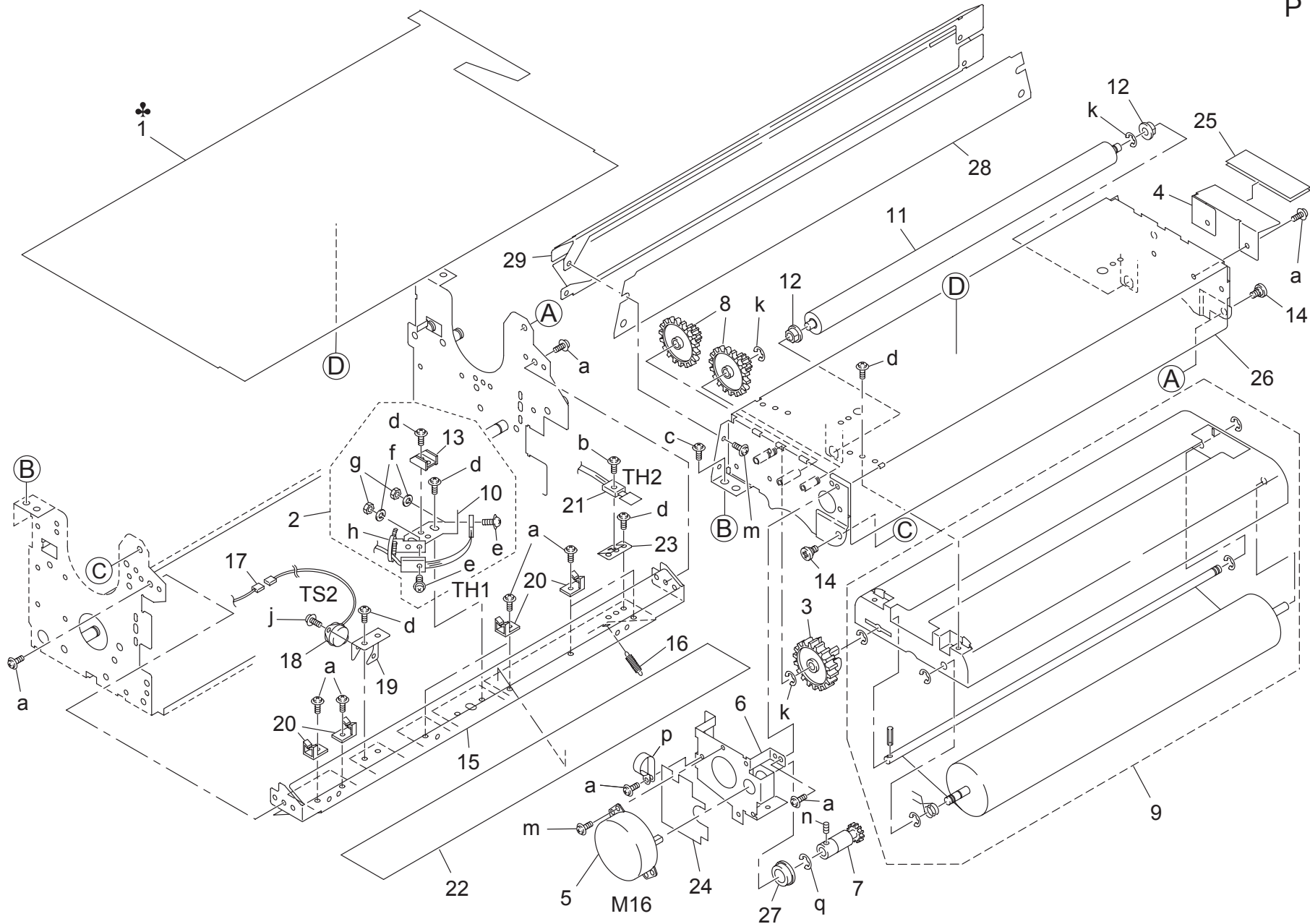


bizhub 920/bizhub PRO 920

Key	Part No.	Description	Destinations	Class	QTY	Standard parts
1	55VA 5393 2	HEAT INSULATING COVER B	断熱カバー B	D	1	a-00Z6 7060 6
2	65AA 5399 1	FIXING PAPER EXIT LEVER	定着排紙レバー	C	1	b-00Z1 8406 1
3	55VA 5312 1	PAPER EXIT GUIDE PLATE UPPER	出口ガイド板 上	D	1	c-00Z6 7040 6
4	55VA 5377 0	PAPER EXIT PRESSURE PLATE	排紙押圧板	C	1	d-00Z1 8412 1
5	55VA 5313 1	PAPER EXIT GUIDE PLATE LOWER	出口ガイド板 下	D	1	e-00Z6 8300 3
6	55VA 5397 0	WIRING HOLDER PART	束線ホルダー部材	D	2	f-00Z2 5408 1
7	25AA 5329 0	FIXING CLAW LOWER	定着爪 下	A	2	g-00Z1 8304 1
8	0900 5318 0	CLAW OPERATION SPRING	爪作動バネ	C	2	j-00Z1 8404 1
9	55VA 8552 1	PHOTO SENSOR	フォトセンサ	C	2	
10	55VA 5338 0	SENSOR FIXED PART	センサ固定部材	D	1	
11	55VA 5383 0	PAPER INDEX ACTUATOR	紙指標アクチュエタ	B	1	
12	5400 4032 1	HOLDER SPRING MIDDLE	押えバネ 中	C	2	
13	55VA 5309 0	PAPER DETECTING ACTUATOR	紙検知アクチュエタ	C	1	
14	55VA 5321 0	FIXING CLAW UPPER	定着爪 上	A	6	
15	55VA 5346 0	HOLDER SPRING	ホルダーバネ	B	6	
16	55VA 7787 0	FIXING IDLER GEAR 4 38T	定着アイドル歯車 4 38 T	B	1	
17	55VA 5327 0	HEATER MOUNT PLATE A	ヒーター取り付け板 A	D	1	
18	4540 5339 1	HEAT INSULATE SLEEVE	断熱スリーブ	A	2	
19	4540 7504 0	BALL BEARING	ボールベアリング	A	2	
20	55VA 8302 1	FIXING HEATER 1	定着ヒーター 1	A(100V)	1	
20	55VB 8302 2	FIXING HEATER/1	定着 ヒーター / 1	A(200V),B,G1	1	
20	55VF 8302 1	FIXING HEATER 1	定着ヒーター 1	C,D1,D3,F1,F2,G2,H,I,J,K	1	
21	55VA 8303 2	FIXING HEATER 2	定着ヒータ 2	A(100V)	1	
21	55VB 8303 3	FIXING HEATER 2	定着ヒータ 2	B,G1	1	
21	55VF 8303 2	FIXING HEATER 2	定着ヒータ 2	C,D1,D3,F1,F2,G2,H,I,J,K	1	
21	56UA 8303 0	FIXING HEATER 2	定着ヒーター 2	A(200V)	1	
22	57GA 5304 0	FIXING ROLLER UPPER	定着ローラ 上	B	1	
22	57GB 5304 0	FIXING ROLLER UPPER	定着ローラ 上	A(200V),B,C,D1,D3,F1,F2,G1,G2,H,I,J,K	1	
23	55VA 7780 1	FIXING DRIVE GEAR 48T	定着駆動歯車 48 T	B	1	
24	56UA 7783 0	FIXING DRIVING GEAR 2 60T	定着駆動歯車 2 60 T	B	1	
25	55VA 5308 0	LAMP LIGHT SEALED PLATE	ランプ遮光板	C	1	
26	3920 5336 0	ROLLER BEARING	転がり軸受	B	4	
27	55VA 7781 0	FIXING IDLER GEAR 1 38T	定着アイドル歯車 1 38 T	B	2	
28	55VA 7782 0	FIXING IDLER GEAR 2 23T	定着アイドル歯車 2 23 T	B	1	
29	57GA 9739 0	JAM LABEL 9	ジャムラベル 9	D	1	
30	55VA 5365 0	STOPPER RUBBER	ストッパーゴム	C	2	
31	55VA 5333 0	HOLDING SHAFT/UPPER	ホルダー軸 / 上	D	1	
32	55VA -543 1	HOLDING PLATE UNIT ASSY	ホルダー板カシメ部組	D	2	
33	57GA 5381 0	INSULATING SHEET UPPER	断熱シート 上	D	1	
34	57GA 5382 0	INSULATING SHEET FRONT	断熱シート 前	D	1	
35	57GA 5383 0	INSULATING SHEET LOWER	断熱シート 下	D	1	
36	57GA 5384 0	INSULATING SHEET REAR	断熱シート 奥	D	1	

FIXING UNIT

P 31

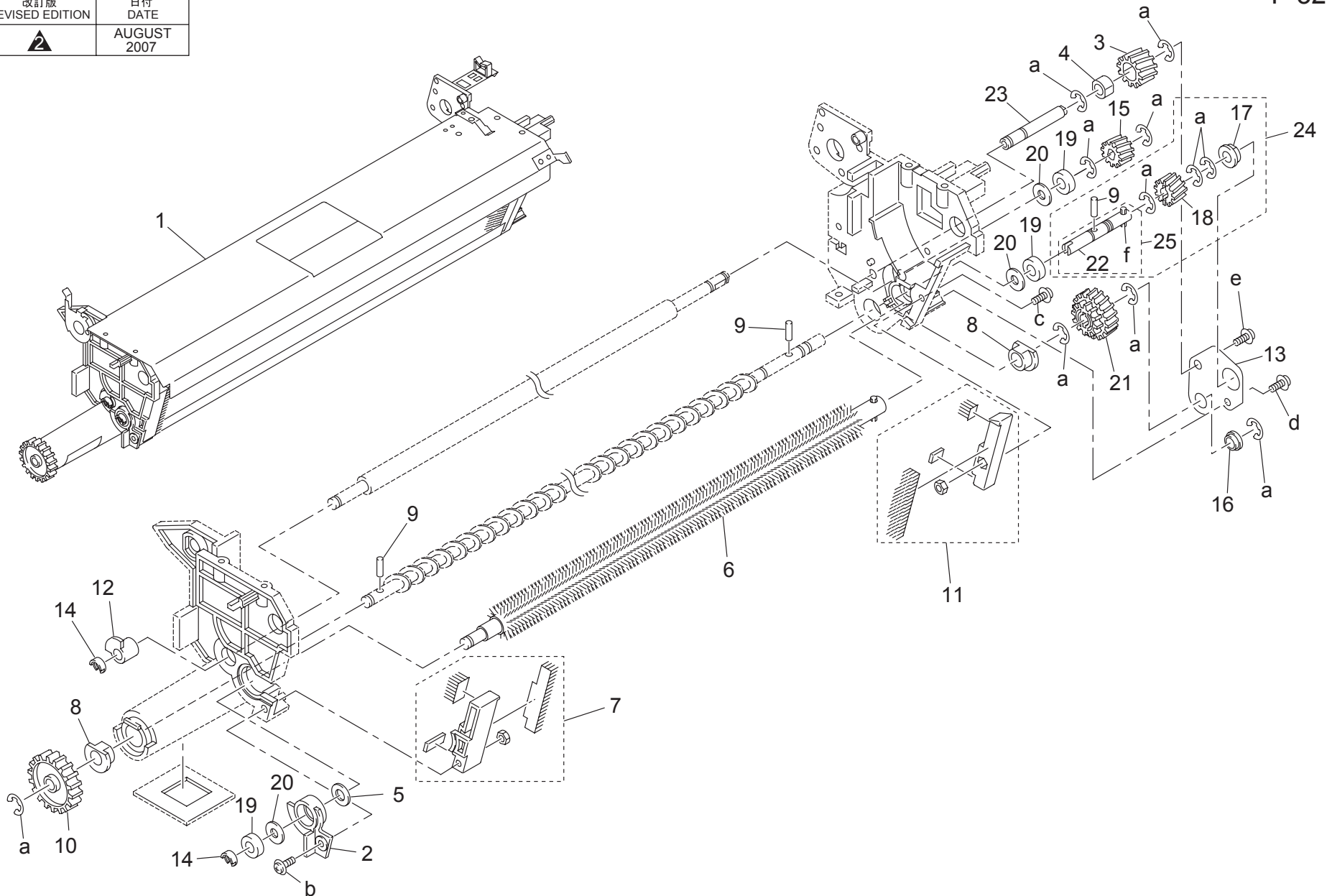


bizhub 920/bizhub PRO 920

Key	Part No.	Description	Destinations	Class	QTY	Standard parts
1	57GA 5392 0	INSULATING COVER A	断熱カバー A	A	1	a-00Z1 8406 1
1	57GE 5392 0	INSULATING COVER A	断熱カバー A	B,G1,H	1	b-00Z1 8308 1
1	57GF 5392 0	INSULATING COVER A	断熱カバー A	C	1	c-00Z1 8410 1
1	57GN 5392 0	INSULATING COVER A	断熱カバー A	D1,D3,F1,F2,G2,I,J,K	1	d-00Z1 6306 1
2	55VA R757 00	UPPER ROLLER CONTROL SENSOR ASS	上ローラ温度制御センサ部組	B	1	e-00Z1 1310 1
3	55VA 7786 1	FIXING CLEANER GEAR 3 39T	定着清掃歯車 3 39 T	B	1	f-00Z6 2030 1
4	55VA 5380 1	FIXING KNOB	定着把手	C	1	g-00Z5 1030 1
5	56GA 8017 1	WEB DRIVE MOTOR	ウェブ駆動モータ	B	1	h-00Z9 2232 0
6	56GA 5354 1	MOTOR MOUNT PLATE	モータ取り付け板	D	1	j-00Z1 5304 1
7	56GA 7784 0	FIXING CLEANER GEAR 1 13T	定着清掃歯車 1 13 T	C	1	k-00Z6 7040 6
8	55VA 7785 0	FIXING CLEANER GEAR 2 38T 13T	定着清掃歯車 2 38 T 13 T	B	2	m-00Z1 8304 1
9	55VA R756 00	WEB ASSY	ウェブ組み込み	A	1	n-00Z4 7404 3
10	25SA 5368 0	SENSOR SUPPORT PART 2	センサ支持部材 2	C	1	p-00Z9 2116 3
11	57GA 5353 0	FIXING CLEANING ROLLER	定着清掃ローラ	B	1	q-00Z6 7080 6
12	5400 7609 0	FIXING CLEANER SHAFT HOLDER C	定着清掃軸受 C	B	2	
13	25SA 5369 1	SENSOR HOLDER PART	センサ押さえ部材	C	1	
14	4500 5339 1	EXITGUIDEPLATEMTSCREW	出口ガイド板取付けネジ	C	2	
15	55VA 5310 1	ENTRANCE GUIDE PLATE UPPER	入り口ガイド板 上	D	1	
16	55VA 5384 0	ENTRANCE PRESSURE SPRING REAR	入口押圧バネ 奥	B	1	
17	55VA 9007 0	FIXING RELAY WIRING A	定着中継束線 A	D	1	
18	SP00 -002 2	THERMOSTAT	サーモスタット	A	1	
19	55VA 5330 0	FUSE MOUNT PLATE UPPER	ヒューズ取り付け板 上	D	1	
20	55VA 5397 0	WIRING HOLDER PART	束線ホルダー部材	D	6	
21	55VA 8804 1	TEMPERATURE SENSOR/2	オント`センサ/2	B	1	
22	55VA 5395 1	HEAT INSULATING COVER C	断熱カバー C	D	1	
23	55VA 5329 0	SENSOR MOUNT PLATE 2	センサ取り付け板 2	D	1	
24	55VA 5396 1	HEAT INSULATING COVER E	断熱カバー E	D	1	
25	55VA 5394 0	HEAT INSULATING COVER D	断熱カバー D	D	1	
26	55VA 5302 2	FIXING BASE UPPER	定着本体 上	D	1	
27	55VA 7602 0	REGISTRATION SHAFT HOLDER	レジスト軸受	B	1	
28	55VA 5398 0	HEART INSULATING COVER F	断熱カバー F	D	1	
29	55VA 5334 1	FIXING COOLING COVER	定着冷却カバー	C	1	

CLEANER UNIT

改訂版 REVISED EDITION	日付 DATE
	AUGUST 2007

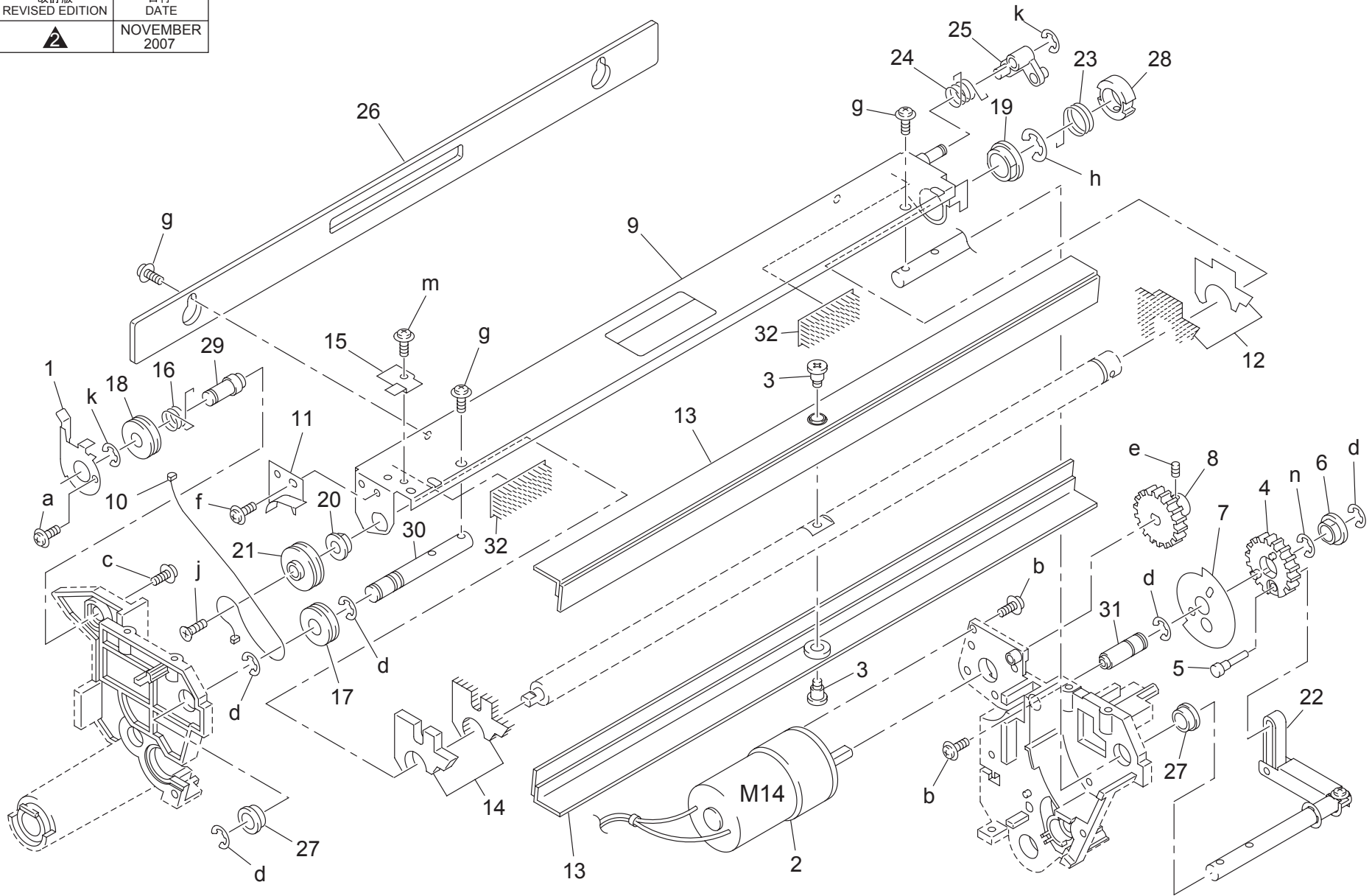


CLEANER UNIT

Key	Part No.	Description	Destinations	Class	QTY	Standard parts
1	57GA -550 3	CLEANER ASSY	クリーニングユニット	S	1	a-00Z6 7040 6
2	55VA 5513 0	SHAFT HOLDER FIXED PART	軸受固定部材	C	1	b-00Z1 9318 1
3	55VA 7922 0	CLEANER IDLER GEAR 20T	クリーナーアイドルギア 20 T	C	1	c-00Z1 9312 1
4	25AA 7553 0	SLIDE SHAFT HOLDER	滑り軸受	C	1	d-00Z2 5308 1
5	55VA 5567 0	TONER PREVENTIVE COLLAR	トナー防止カラー	C	1	e-00Z1 9306 1
6	57GA R727 00	TONER GUIDE BRUSH ASSY	トナーガイドブラシ部組	A	1	f-00Z7 1316 6
7	56UA R7C4 00	SEALING PLATE F ASSY	シールプレート F 部組	A	1	
8	26TA 3077 0	DEVELOPING SHAFT HOLDER A	現像軸受 A	C	2	
9	4540 7805 0	PIN CLEANER A	ピン クリーナー A	C	3	
10	55VA 7727 0	TONER CONVEYANCE GEAR A 30T	トナー搬送ギア A 30 T	B	1	
11	56UA R7C3 00	SEALING PLATE R ASSY	シールプレート R 部組	A	1	
12	55VA 5540 0	CLEANER SHAFT HOLDER	クリーナー軸受	C	1	
13	56GA 5531 0	DRIVE REINFORCING PLATE	駆動補強板	D	1	
14	3960 4068 1	STOPPER RING	止め輪	B	2	
15	55VA 7921 0	CLEANER DRIVING GEAR B 18T	クリーナー駆動ギア B 18 T	B	1	
16	0900 2051 0	CLEANER MOUNT LEVER COLLAR	クリーニング取り付けレバーカラー	C	1	
17	55GA 7503 1	BALL BEARING	軸受	A	1	
18	55VA 7920 0	CLEANER DRIVING GEAR A 16T	クリーナー駆動ギア A 16 T	B	1	
19	55VA 7502 0	CLEANER SHAFT HOLDER	クリーナーころがり軸受	B	3	
20	55VA 5568 0	SPEWING PREVENTIVE FELT	飛散防止フェルト	A	3	
21	55VA 7923 0	CLEANER DRIVING GEAR C 29T 35T	クリーナー駆動ギア C 29 T 35 T	B	1	
22	56GA 5532 0	DRIVE SHAFT	駆動軸	C	1	
23	55VA 5533 0	DRIVING IDLING SHAFT	駆動アイドル軸	D	1	
24	56GA -556 0	CLEANING DRIVING GEAR A ASSY	クリーナー駆動ギア A 部組	C	1	
25	56GA -557 0	DRIVING SHAFT ASSY	駆動軸部組	D	1	

CLEANER UNIT

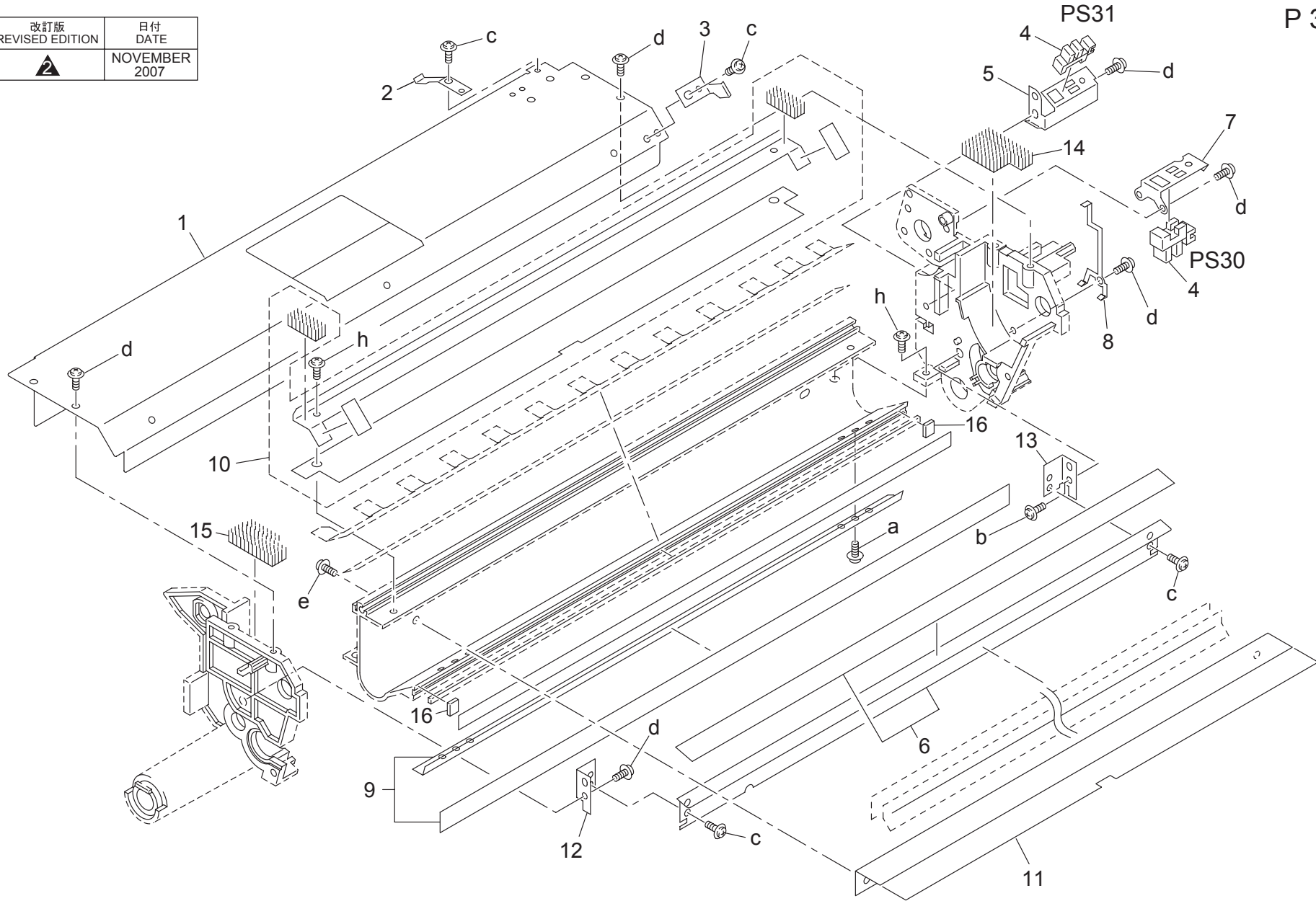
改訂版 REVISED EDITION	日付 DATE
	NOVEMBER 2007




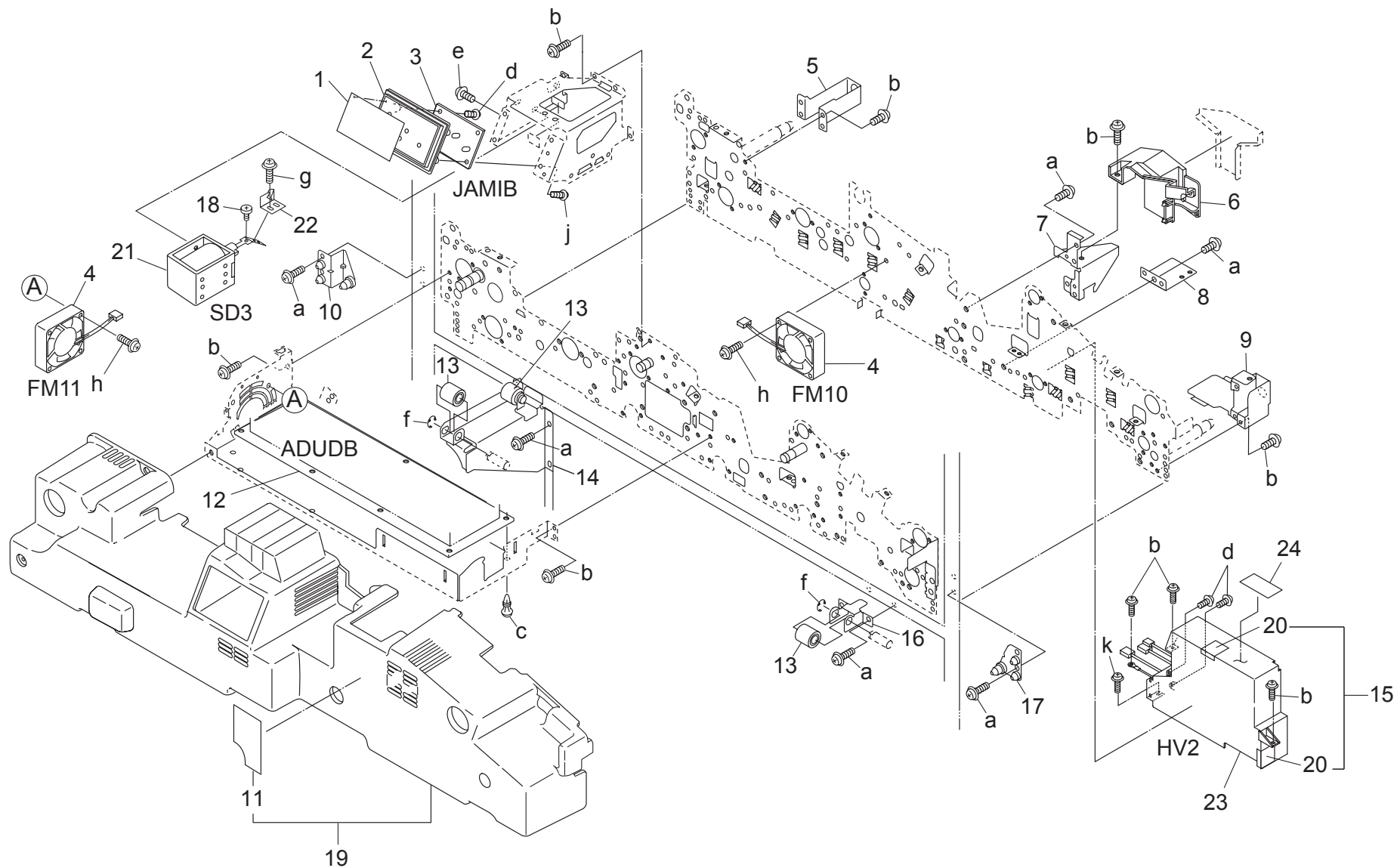
bizhub 920/bizhub PRO 920

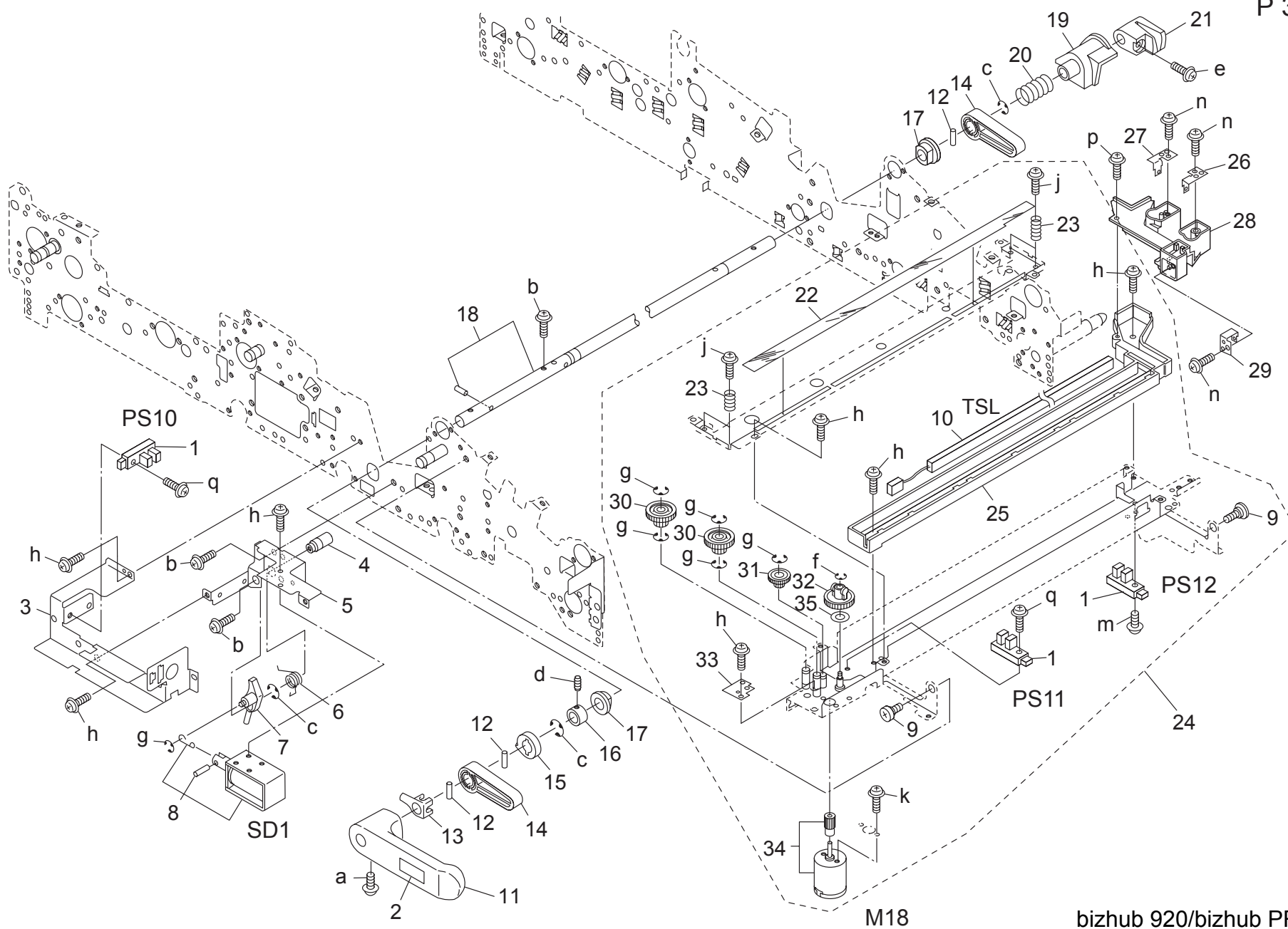
CLEANER UNIT

改訂版 REVISED EDITION	日付 DATE
	NOVEMBER 2007




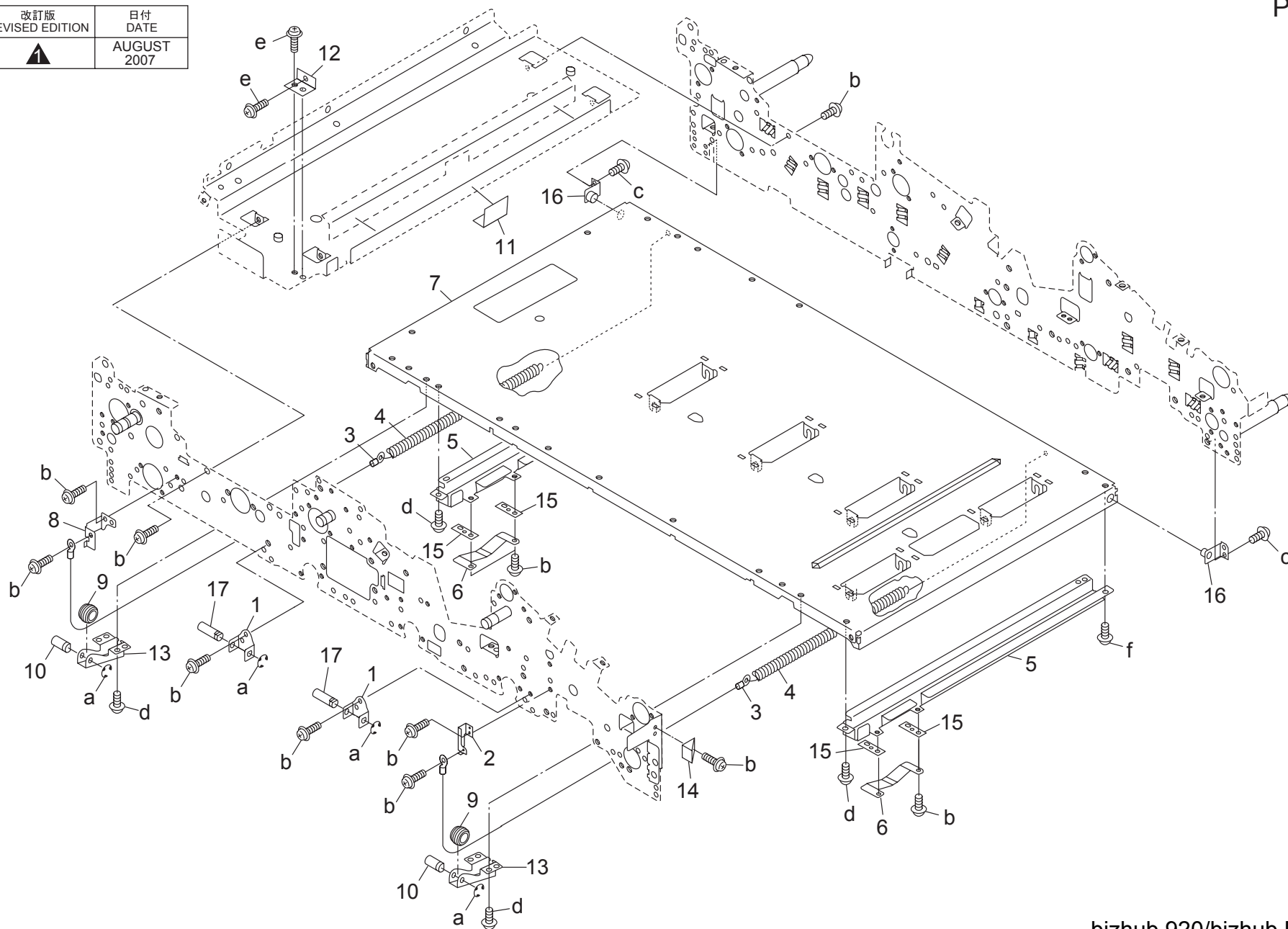
改訂版 REVISED EDITION	日付 DATE
	AUGUST 2007




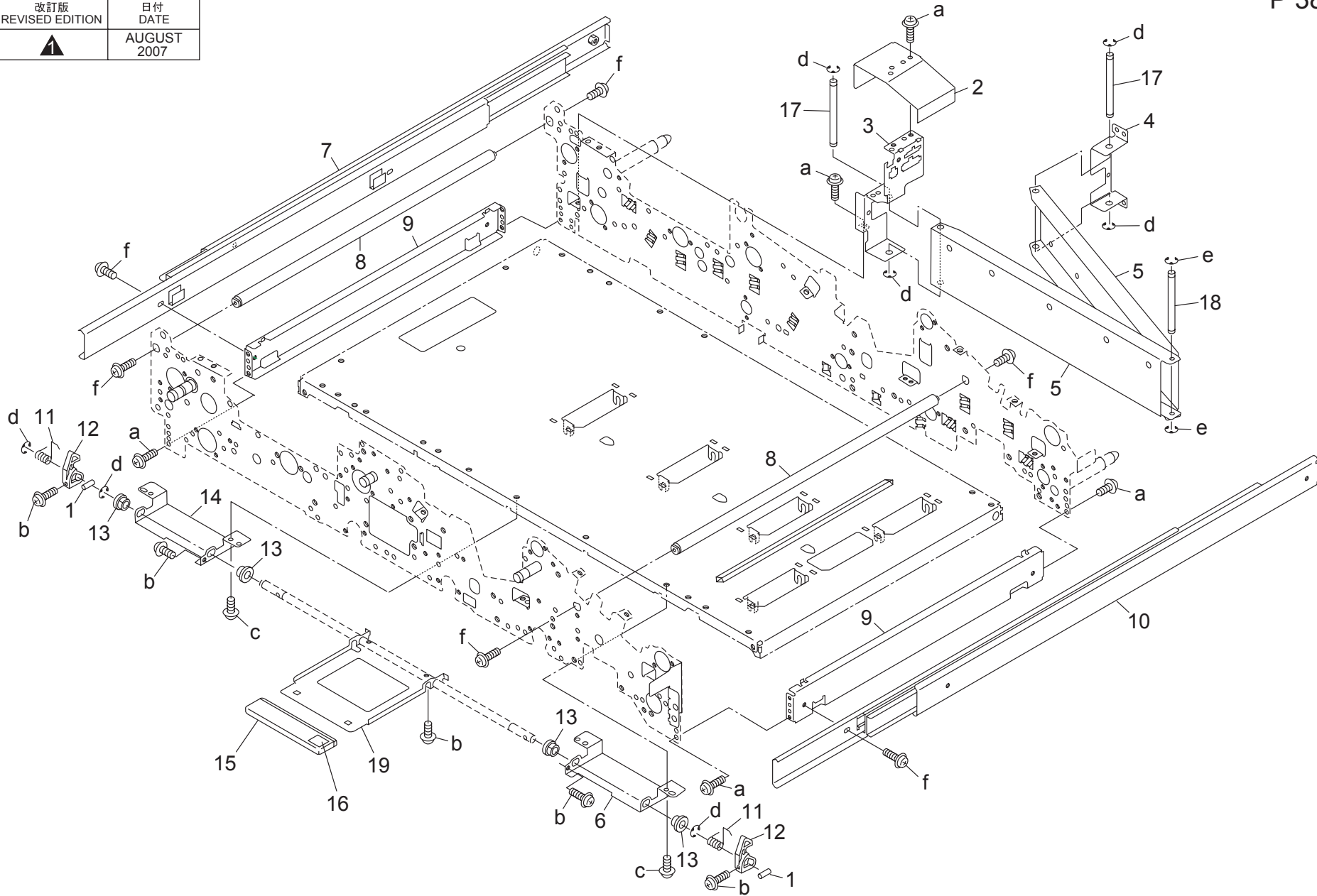


Key	Part No.	Description	Destinations	Class	QTY	Standard parts
1	56AA 8551 1	PHOTO SENSOR	フォトセンサ	B	1	a-00Z1 6416 1
2	57GA 9734 0	JAM LABEL 4	ジャムラベル 4	D	1	b-00Z1 9406 1
3	55VA 4941 0	WIRING GUIDE PLATE	束線ガイド板	D	1	c-00Z6 7080 6
4	55VA 4925 0	SOLENOID GUIDE SHAFT	ソレノイド案内軸	C	1	d-00Z4 7404 3
5	56GA 4923 0	SOLENOID MOUNT PLATE	ソレノイド取り付け板	D	1	e-00Z1 9414 1
6	55VA 4926 0	SOLENOID RELEASE SPRING	ソレノイド解除バネ	B	1	f-00Z6 7020 6
7	55VA 4924 0	LEVER LOCK CLAW	レバーロック爪	C	1	g-00Z6 7040 6
8	55VA R705 00	LEVER LOCKING SOLENOID ASSY	レバーロックソレノイド部組	C	1	h-00Z1 9306 1
9	3920 1404 1	PLATEN COVER MOUNT SCREW	原稿カバー取り付けネジ	C	2	j-00Z1 8306 1
10	55VA 8308 3	LED LAMP	LED ランプ	B	1	k-00Z1 1B04 1
11	56UA 4692 1	CARRIGE PULLING LEVER	架台引張りレバー	C	1	m-00Z1 9312 1
12	56AA 1746 1	PIN A	ピン A	C	3	n-00Z2 5308 1
13	25AA 4781 0	ACTUATOR	アクチュエタ	D	1	p-00Z2 5306 3
14	55VA 4909 0	ELECTRODE PRESSURE CAM	電極押圧カム	C	2	q-00Z1 8412 1
15	25AA 4750 0	CARRIAGE LOCK CLAW B	架台ロック爪 B	C	1	
16	56AA 1735 0	SHAFT POSITIONING PART	軸位置決め部材	C	1	
17	4620 7601 0	DRIVING SLIDE SHAFT HOLDER A	駆動滑り軸受 A	C	2	
18	55VA R706 00	CARRIGE SHAFT ASSY	架台引張り軸部組	C	1	
19	55VA 4907 0	CAM HOLD PART	カム押さえ部材	C	1	
20	55VA 4913 1	POSITIONING SPRING	位置決めバネ	B	1	
21	55VA 4908 0	POSITIONING CAM	位置決めカム	C	1	
22	55VA 4918 0	LAMP DUST PROOF SEAL	ランプ防塵シール	C	1	
23	56AA 1707 1	ELECTRODE LIFT UP SPRING	電極持ち上げバネ	C	2	
24	56GA -070 3	ELECTRODE RAIL ASSY	デンキョクレールブクミ	I	1	
25	56GA 4902 1	ELECTRODE SUCTION CASING	電極サククションケーシング	D	1	
26	55VA 4916 0	TRANSFER ELECTRIFY PLATE	転写給電板	C	1	
27	55VA 4917 0	SEPARATE ELECTRIFY PLATE	分離給電板	C	1	
28	55VA 4903 0	ELECTRODE CONNECTOR	電極コネクタ	D	1	
29	55VA 4914 0	ENTRANCE ELECTRIFY PLATE	入口給電板	C	1	
30	56GA 7744 0	CLEANING GEAR BEARING/5 20T/46T	清掃歯車 / 5 20 T / 46 T	C	2	
31	55VA 7743 0	CLEANING GEAR 4 33T 17T	清掃歯車 4 33 T 17 T	B	1	
32	55VA 7742 0	CLEANING GEAR 3 38T	清掃歯車 3 38 T	B	1	
33	56GA 4931 0	ELECTRODE FIXED PLATE	電極固定板	D	1	
34	56GA -073 0	TRANSFER SEPARATOR MOTOR ASSY	転分モーター部組	C	1	
35	56AA 1770 0	SPACER B	スペーサー B	C	1	

改訂版 REVISED EDITION	日付 DATE
	AUGUST 2007

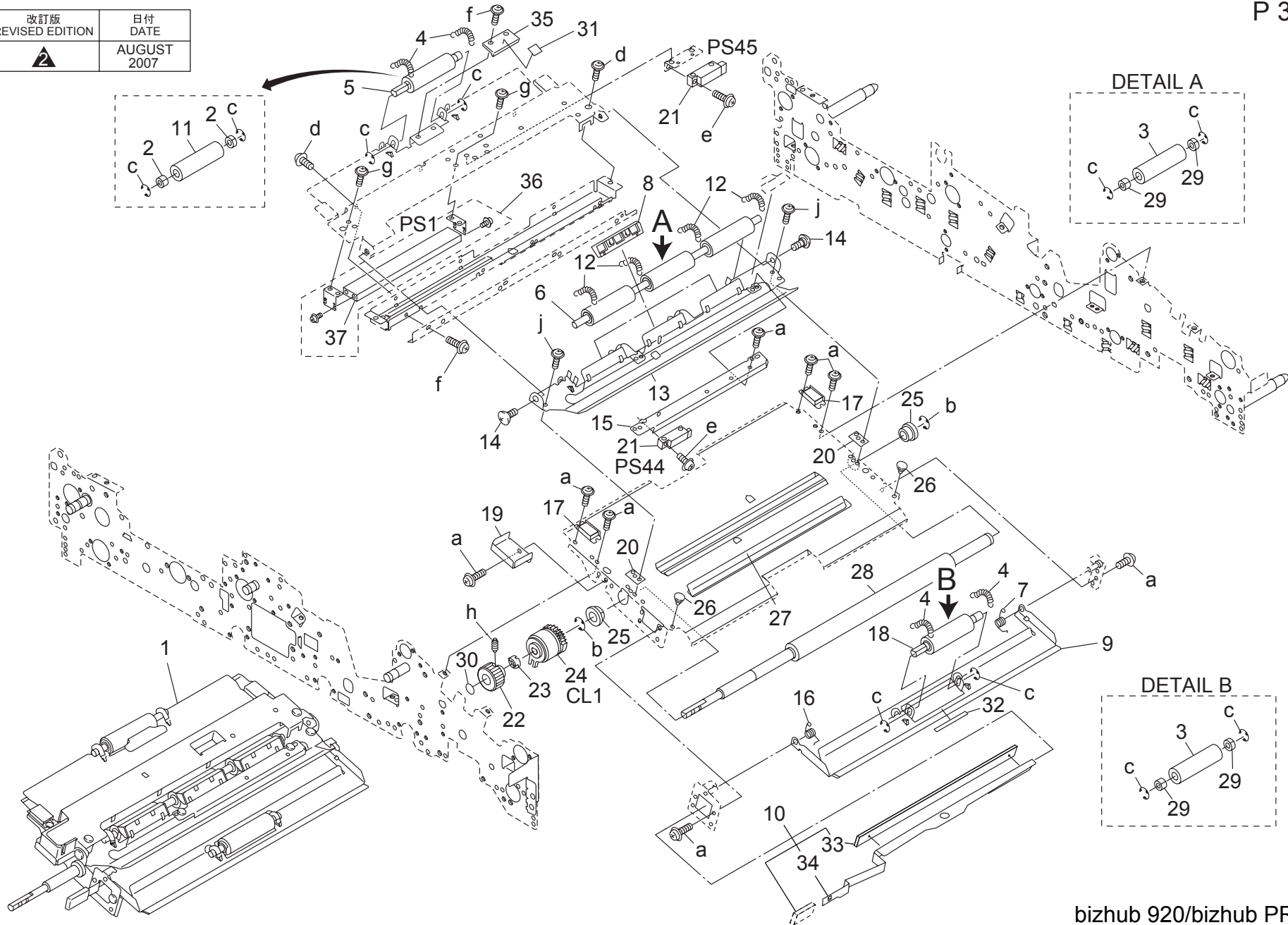


改訂版 REVISED EDITION	日付 DATE
	AUGUST 2007



bizhub 920/bizhub PRO 920

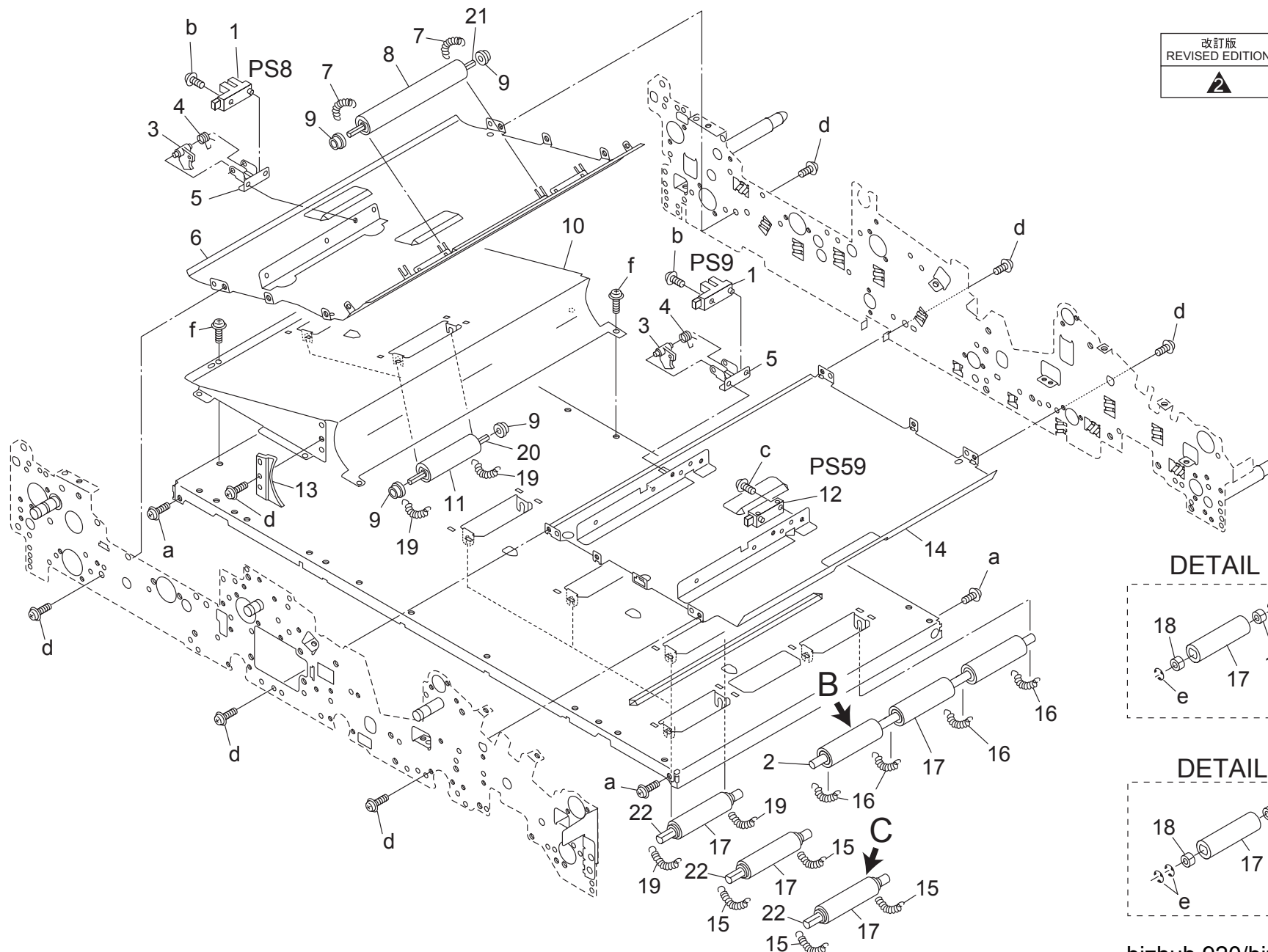
改訂版 REVISED EDITION	日付 DATE
	AUGUST 2007



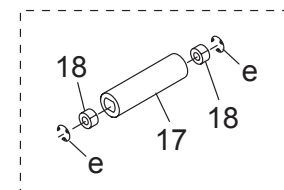
bizhub 920/bizhub PRO 920

Key	Part No.	Description	Destinations	Class	QTY	Standard parts
1	57GA R717 00	REGISTRATION ASSY		C	1	a-00Z1 9306 1
2	56GA 7601 0	SLIDE SHAFT HOLDER 2		C	2	b-00Z6 7100 6
3	56GA 4744 0	ADU DRIVEN ROLLER S		B	4	c-00Z6 7040 6
4	55VA 4645 1	REGISTRATION FEEDING SPRING		B	4	d-00Z1 9406 1
5	55VA 4688 0	REGISTRATION DRIVEN SHAFT S		D	1	e-00Z1 8310 1
6	55VA 4653 0	REGISTRATION DRIVEN SHAFT		D	1	f-00Z1 8304 1
7	55VA 4616 0	ENTRANCE OPEN CLOSE SPRING REAR		B	1	g-00Z1 8306 1
8	57GA R719 00	REGISTRATION CLEANER ASSY		B	1	h-00Z4 7405 3
9	56GA 4675 0	ENTRANCE OPEN CLOSE PLATE		D	1	j-00Z1 9308 1
10	57GA R718 00	REGISTRATION CLEANER ASSY LOWER		C	1	
11	55VA 4689 0	DRIVEN RUBBER		B	1	
12	55VA 4649 0	REGISTRATION PRESSURE SPRING		B	4	
13	55VA 4605 1	REGISTRATION ENTER PLATE		D	1	
14	1900 4092 2E	Fixing Screw		C	2	
15	55VA 4623 1	HOLDER PART		D	1	
16	55VA 4615 1	ENTRANCE OPEN CLOSE SPRING FRONT		B	1	
17	40AA 3229 0	MAGNET CATCH		C	2	
18	55VA 4745 0	ADU DRIVEN SHAFT /S		D	1	
19	55VA 4804 0	REGISTRATION COVER PLATE		C	1	
20	55VA 4622 1	SPACER		C	2	
21	56AA 8552 1	CONVEYANCE PHOTO SENSOR		B	2	
22	57GA 4625 0	REGISTRATION KNOB		C	1	
23	55VA 4212 0	SHAFT STOPPER		C	1	
24	55VA 8201 0	PAPER FEED CLUTCH		B	1	
25	55VA 7602 0	REGISTRATION SHAFT HOLDER		B	2	
26	25SA 4330 0	STOPPER RUBBER		C	2	
27	55VA 4619 0	PAPER LIFT UP SHEET		D	1	
28	55VA 4603 0	REGISTRATION ROLLER UPPER		B	1	
29	56GA 7603 0	SLIDE SHAFT HOLDER		C	8	
30	57GA 9732 0	JAM LABEL 2		D	1	
31	57GA 9733 0	JAM LABEL 3		D	1	
32	57GA 9731 0	JAM LABEL 1		D	1	
33	55VA 4608 0	REGISTRATION CLEANING PART LOWER		C	1	
34	55VA 4607 0	REGISTRATION CLEANING BOARD LOWER		D	1	
35	56UA 4614 0	TRANSFER FEEDING HANDLE		C	1	
36	57GA R720 00	SENSOR ASSY		C	1	
37	56UA 8551 0E	Paper Compensating Sensor		C	1	

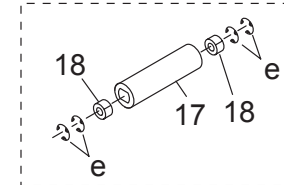
改訂版 REVISED EDITION	日付 DATE
	NOVEMBER 2007




DETAIL B

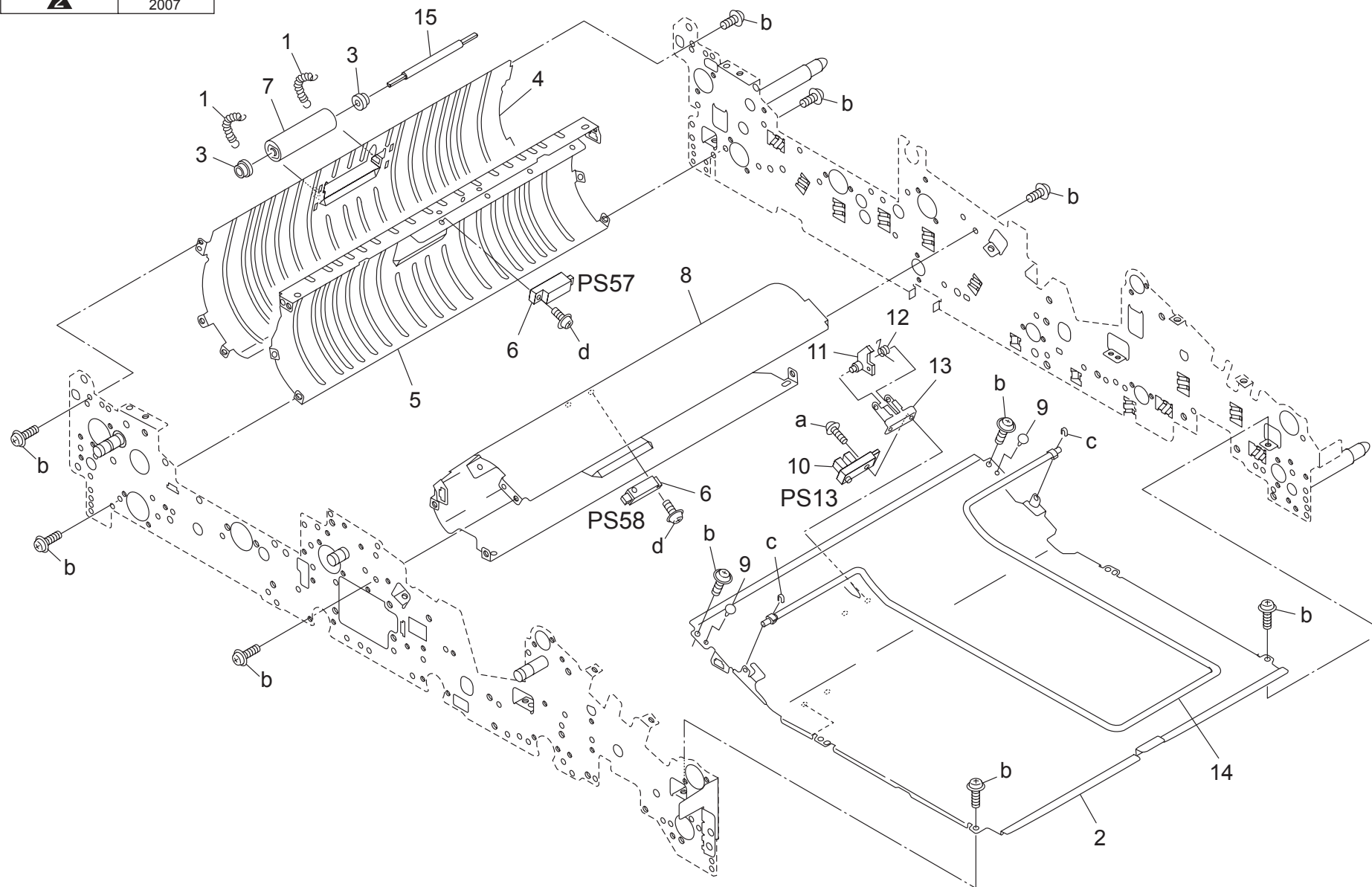


DETAIL C




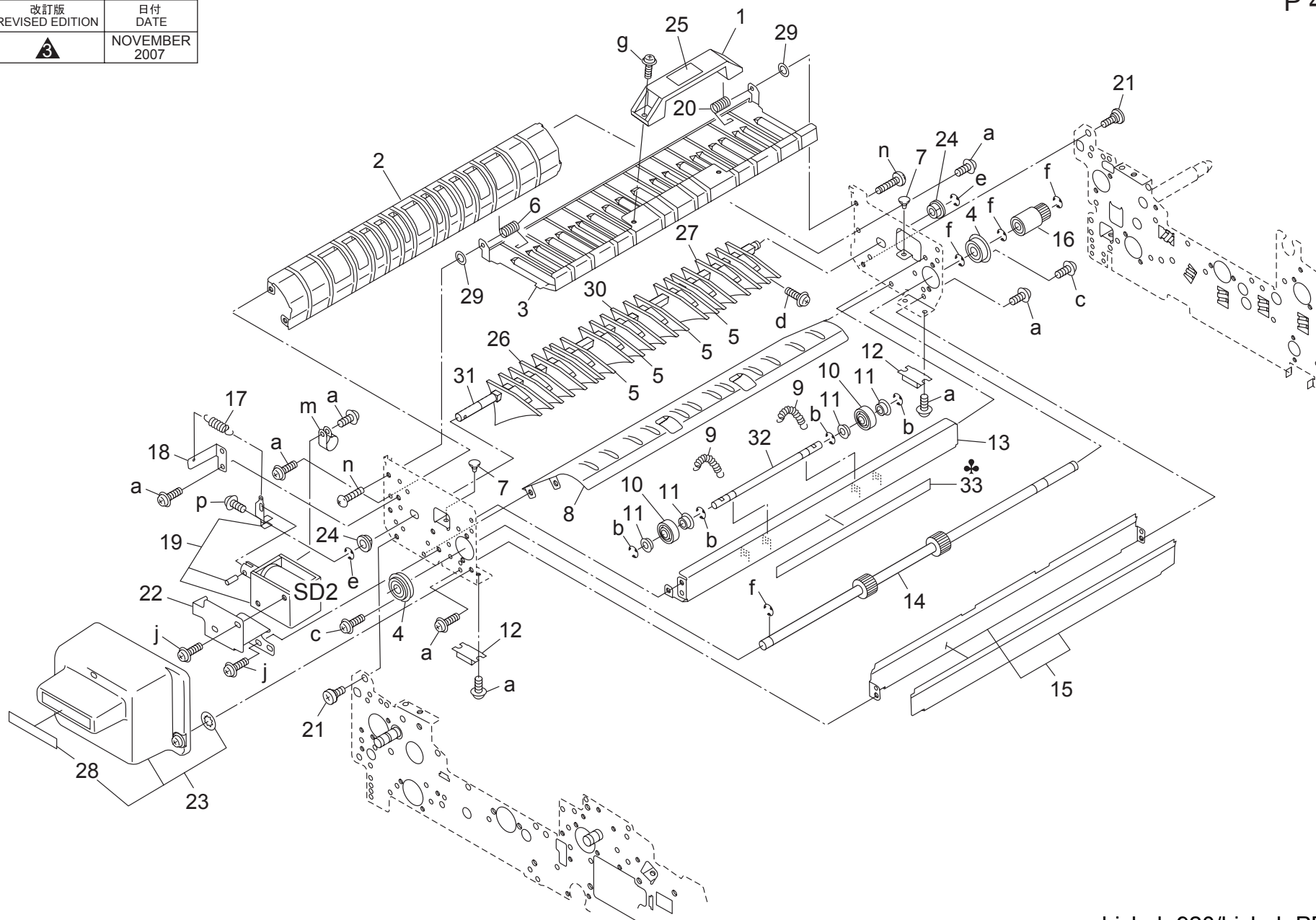
bizhub 920/bizhub PRO 920

改訂版 REVISED EDITION	日付 DATE
	AUGUST 2007

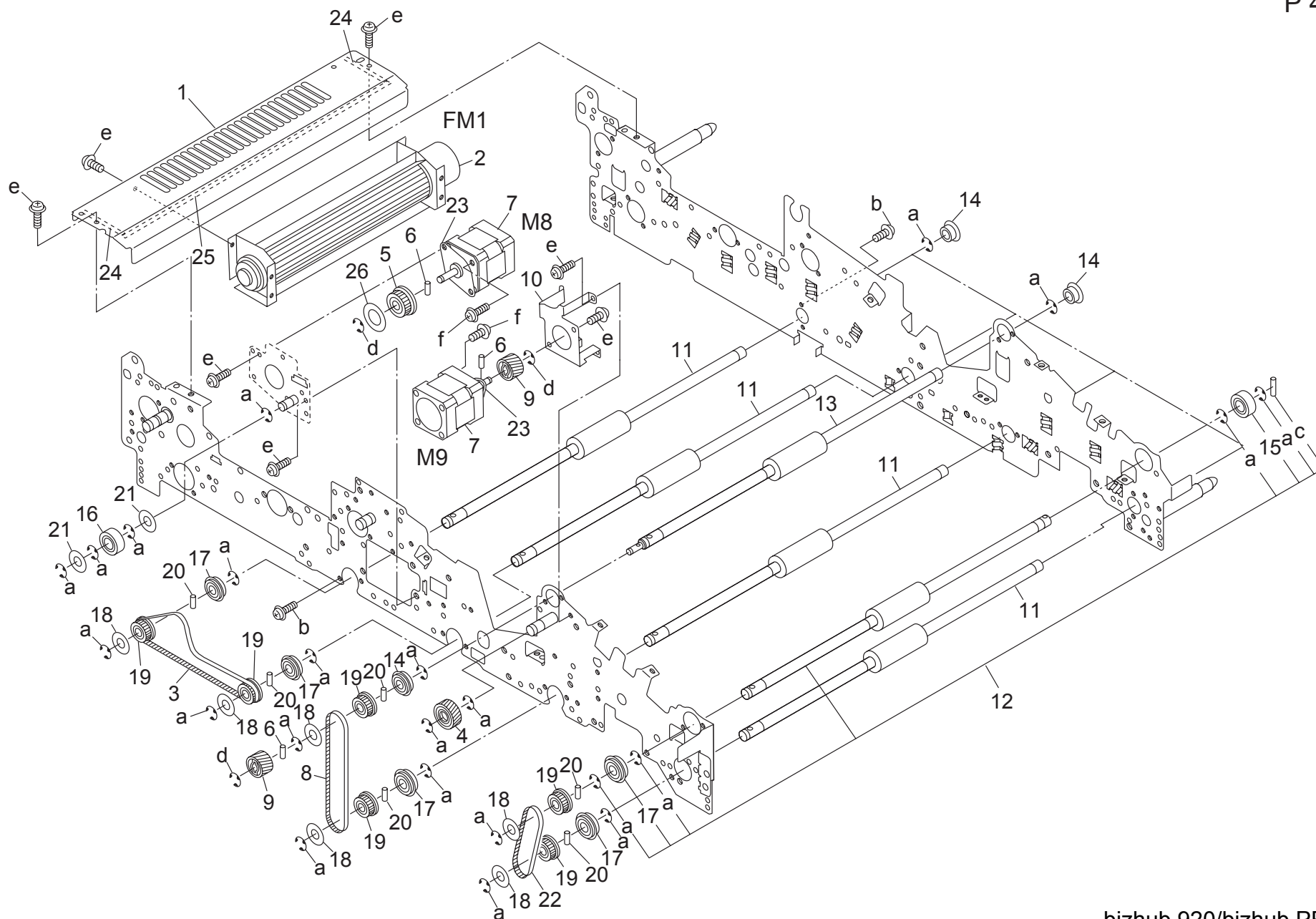



bizhub 920/bizhub PRO 920

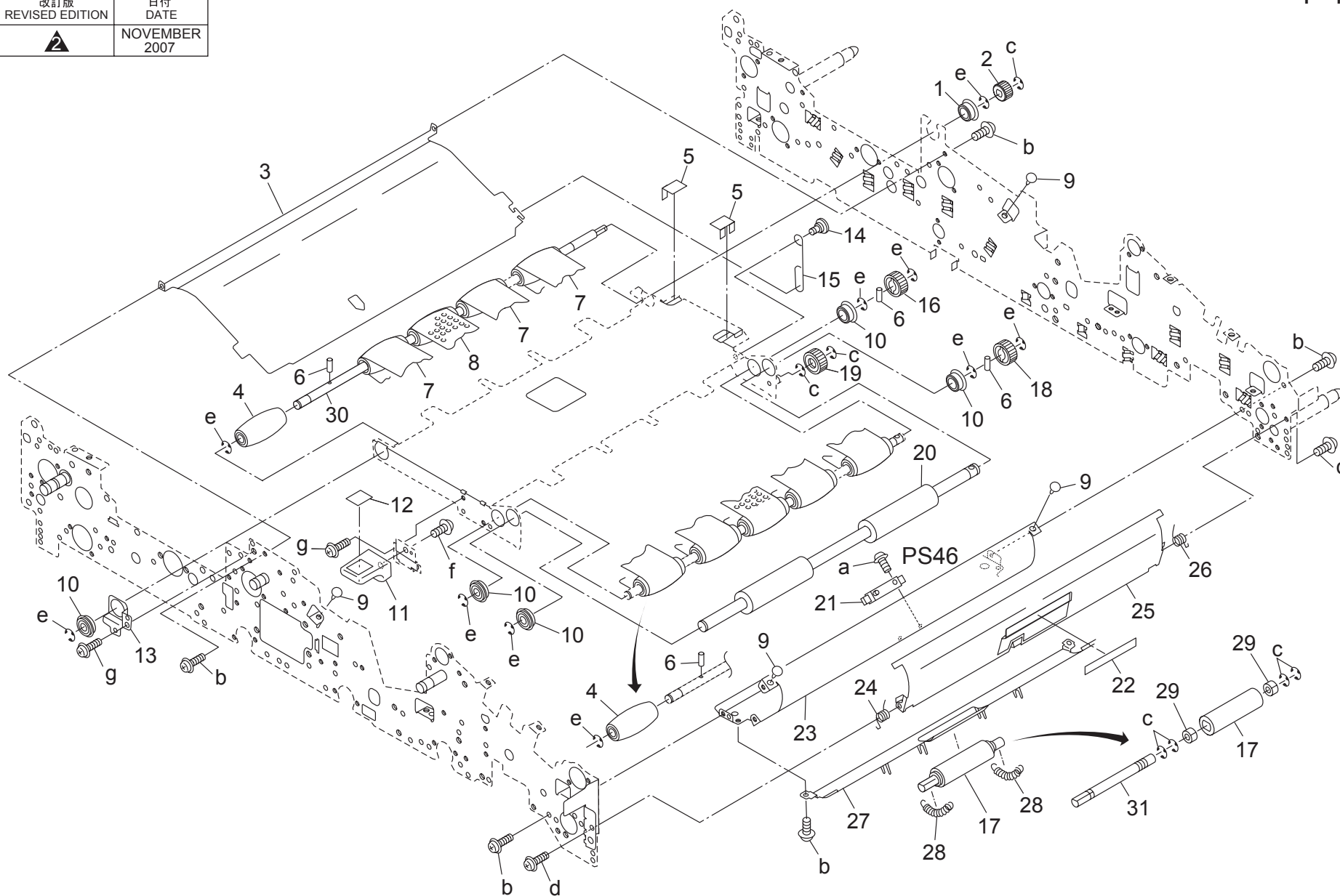
改訂版 REVISED EDITION	日付 DATE
	NOVEMBER 2007



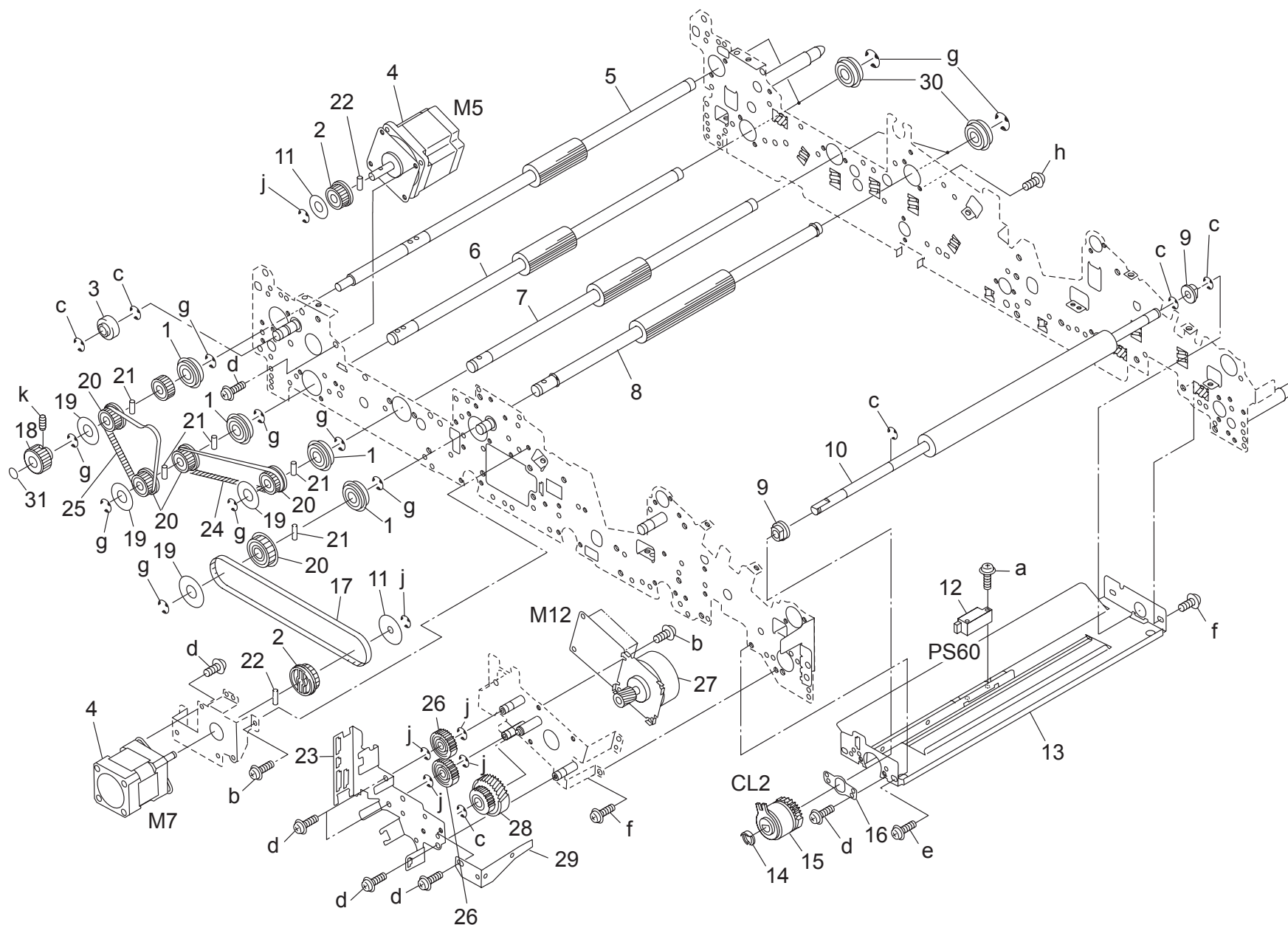
Key	Part No.	Description	Destinations	Class	QTY	Standard parts
1	56UA 4576 1	HANDLE		C	1	a-00Z1 9306 1
2	57GA 4755 0	FIXING PLATE 2		D	1	b-00Z6 7030 6
3	55VA 4753 1	PAPER EXIT OPEN COLSE PLATE		D	1	c-00Z1 8306 1
4	4540 7507 0	BALL BEARING CONVEYANCE		C	2	d-00Z1 8406 1
5	55VA 4757 0	GUIDE PART		C	4	e-00Z6 7040 6
6	55VA 4761 1	PRESSURE SPRING FRONT		B	1	f-00Z6 7060 6
7	55VA 4792 0	STOPPER RUBBER		C	2	g-00Z1 9406 1
8	55VA 4754 0	FIXED PLATE 1		D	1	j-00Z1 6306 1
9	25AA 4418 0	CONVEYANCE PRESSURE SPRING		C	2	m-00Z9 2110 2
10	25AA 4824 2	DRIVEN ROLLER A		C	2	n-00Z1 9425 1
11	12AA 7556 0	DRIVEN SHAFT HOLDER		C	2	p-00Z1 9308 1
12	40AA 3229 0	MAGNET CATCH		C	2	
13	55VA 4750 2	GUIDE KNOB		D	1	
14	55VA 4766 0	CONVEYANCE ROLLER 1		C	1	
15	55VA R703 00	FAN PANEL ASSY		D	1	
16	55VA 7760 0	ADU LOCK GEAR 1 13T		B	1	
17	55VA 4763 0	SOLENOID LIFT UP SPRING		B	1	
18	55VA 4760 0	SPRING FIXED PLATE		D	1	
19	55VA R702 00	SOLENOID ASSY		C	1	
20	55VA 4762 1	PRESSURE SPRING REAR		B	1	
21	4500 5339 1	EXITGUIDEPLATEMTSCREW		C	2	
22	55VA 4756 0	SOLENOID MOUNT PLATE		D	1	
23	57GA R703 00	PAPER EXIT PROTECTION COVER		D	1	
24	3220 7601 0	PAPER LIFT UP LEVER SHAFT HOLDER		B	2	
25	57GA 9737 0	JAM LABEL 7		D	1	
26	55VA 4730 0	GUIDE PART FRONT		C	1	
27	55VA 4731 0	GUIDE PART REAR		C	1	
28	57GA 9738 0	JAM LABEL 8		D	1	
29	25AA 1342 0	CONVEYANCE SPACER		D	2	
30	55VA 4732 0	GUIDE PART MIDDLE		D	1	
31	55VA 4758 1	GUIDE SHAFT		D	1	
32	55VA 4765 0D	CONVEYANCE IDLER SHAFT /1		D	1	
33	56UA 9726 0	HIGH TEMP CAUTION LABEL2		C	1	A,B,G1,H
33	56UF 9726 0	HIGH TEMP CAUTION LABEL2		C	1	C
33	57GN 9718 0	HIGH TEMP CAUTION LABEL/2		D	1	D1,D3,F1,F2,G2,I,J,K



改訂版 REVISED EDITION	日付 DATE
	NOVEMBER 2007



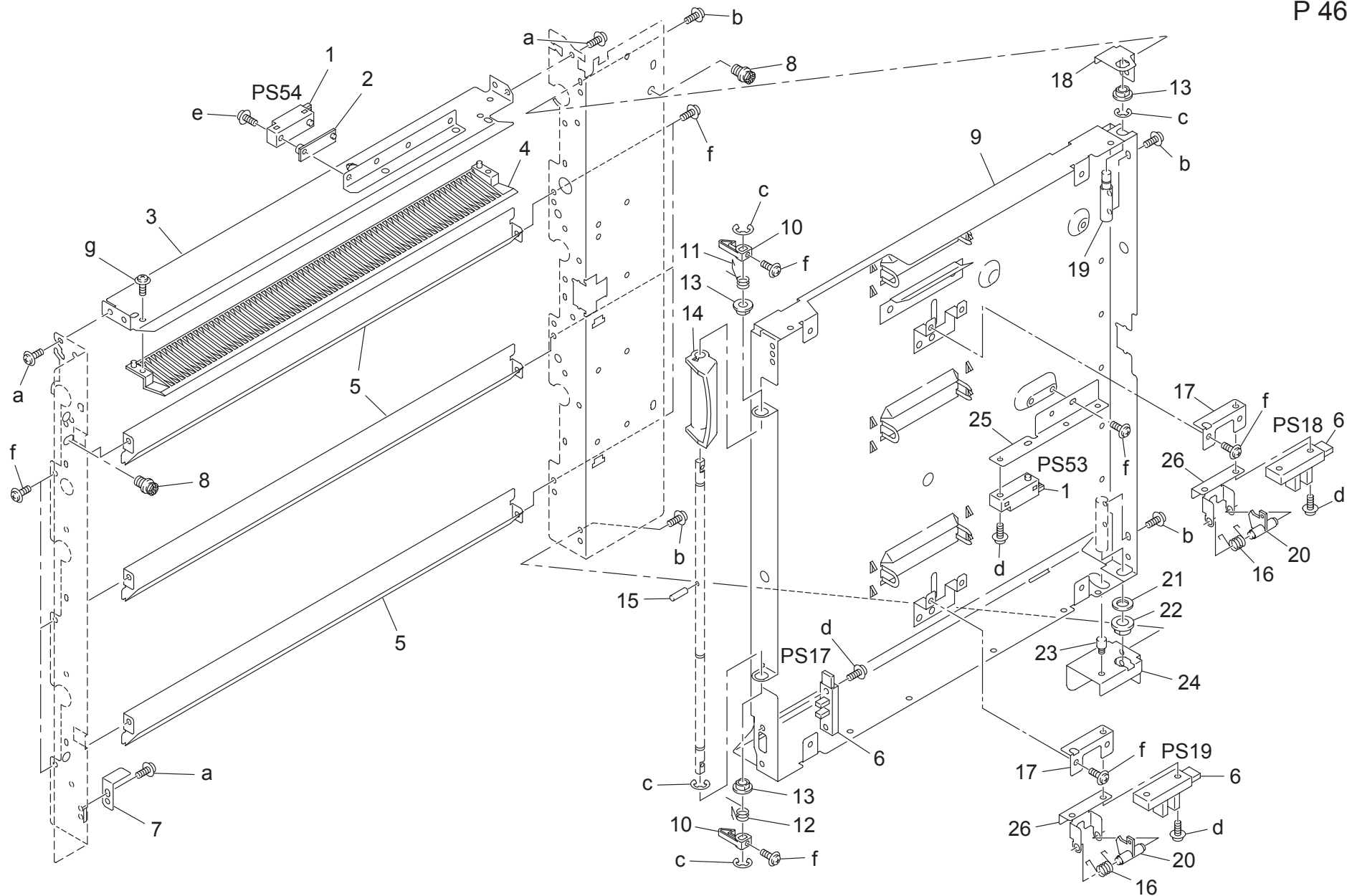
bizhub 920/bizhub PRO 920



Key	Part No.	Description	Destinations	Class	QTY	Standard parts
1	56UA 7505 0	ADU ROLLER BEARING	A D U 転がり軸受	C	3	a-00Z1 9312 1
2	56UA 7653 0	ADU DRIVE PULLEY 25T	A D U 駆動プーリ 2 5 T	C	1	b-00Z1 9304 1
3	57GA 4764 0	BELT TENSION ROLLER	ベルトテンションコロ	C	1	c-00Z6 7060 6
4	56AA 8011 2	PAPER EXIT DRIVE MOTOR	排紙駆動モータ	B	2	d-00Z1 9306 1
5	57GA 4740 0	CONVEYANCE ROLLER 2	搬送ローラ 2	C	1	e-00Z1 6406 1
6	57GA 4748 0	CONVEYANCE ROLLER 3	搬送ローラ 3	C	1	f-00Z1 9406 1
7	57GA 4741 0	CONVEYANCE ROLLER 4	搬送ローラ 4	C	1	g-00Z6 7080 6
8	57GA 4767 0	CONVEYANCE ROLLER 5	搬送ローラ 5	C	1	h-00Z1 8306 1
9	55VA 7555 0	REGISTRATION SHAFT HOLDER FRONT	レジスト軸受 前	B	2	j-00Z6 7040 6
10	57GA 4682 0	REGISTRATION ROLLER FRONT	レジストローラ 前	C	1	k-00Z4 7405 3
11	56UA 4798 0	BELT HOLDING PART M	ベルト押え部材 M	D	2	
12	56GA 8553 1	PHOTO SENSOR 3	フォトセンサ 3	C	1	
13	55VA 4651 1	REGISTRATION GUIDE PLATE FRONT	レジストガイド板 前	D	1	
14	55VA 4212 0	SHAFT STOPPER	軸ストッパー	C	1	
15	55VA 8201 0	PAPER FEED CLUTCH	給紙クラッチ	B	1	
16	55VA 4654 0	SHAFT HOLDER HOLDING PLATE FRONT	軸受押さえ板 前	C	1	
17	56UA 7805 0	ADU CONVEYANCE BELT 1 240L	A D U 搬送ベルト 1 2 4 0 L	C	1	
18	57GA 4625 0	REGISTRATION KNOB	レジストノブ	C	1	
19	55VA 4783 0	BELT HOLD PART	ベルト押さえ部材	D	3	
20	55VA 7652 1	ADU CONVEYING PULLEY/2	A D U 搬送プーリ/2	C	4	
21	55VA 4850 0	PARALLEL PIN D3X18	平行ピン D 3 X 1 8	D	4	
22	56AA 1750 0	PIN	ピン	C	2	
23	55VA 4632 3E	REGIST LOCK PLATE	レジストロック板	I	1	
24	55VA 7804 0	ADU CONVEYANCE BELT 2 312L	A D U 搬送ベルト 2 3 1 2 L	C	1	
25	15BA 7755 0	CONVEYANCE DRIVE BELT C 168L	搬送駆動ベルト C 1 6 8 L	C	1	
26	55VA 7770 0	REGIST DRIVING GEAR C 24T	レジスト駆動歯車 C 2 4 T	C	2	
27	57AA 8008 0	DC BRUSHLESS MOTOR 15	D C ブラシレスモータ 1 5	C	1	
28	56GA 7777 0	REGISTRATION IDLER GEAR 61T 28T	レジストアイドル歯車 6 1 T 2 8 T	C	1	
29	55VA 4636 0	WIRING FIXED PART	束線固定部材	D	1	
30	5000 7501 0	BALL BEARING	読み取り駆動軸受	C	2	
31	57GA 9740 0	JAM LABEL A	ジャムラベル A	D	1	

VERTICAL CONVEYANCE UNIT

P 46



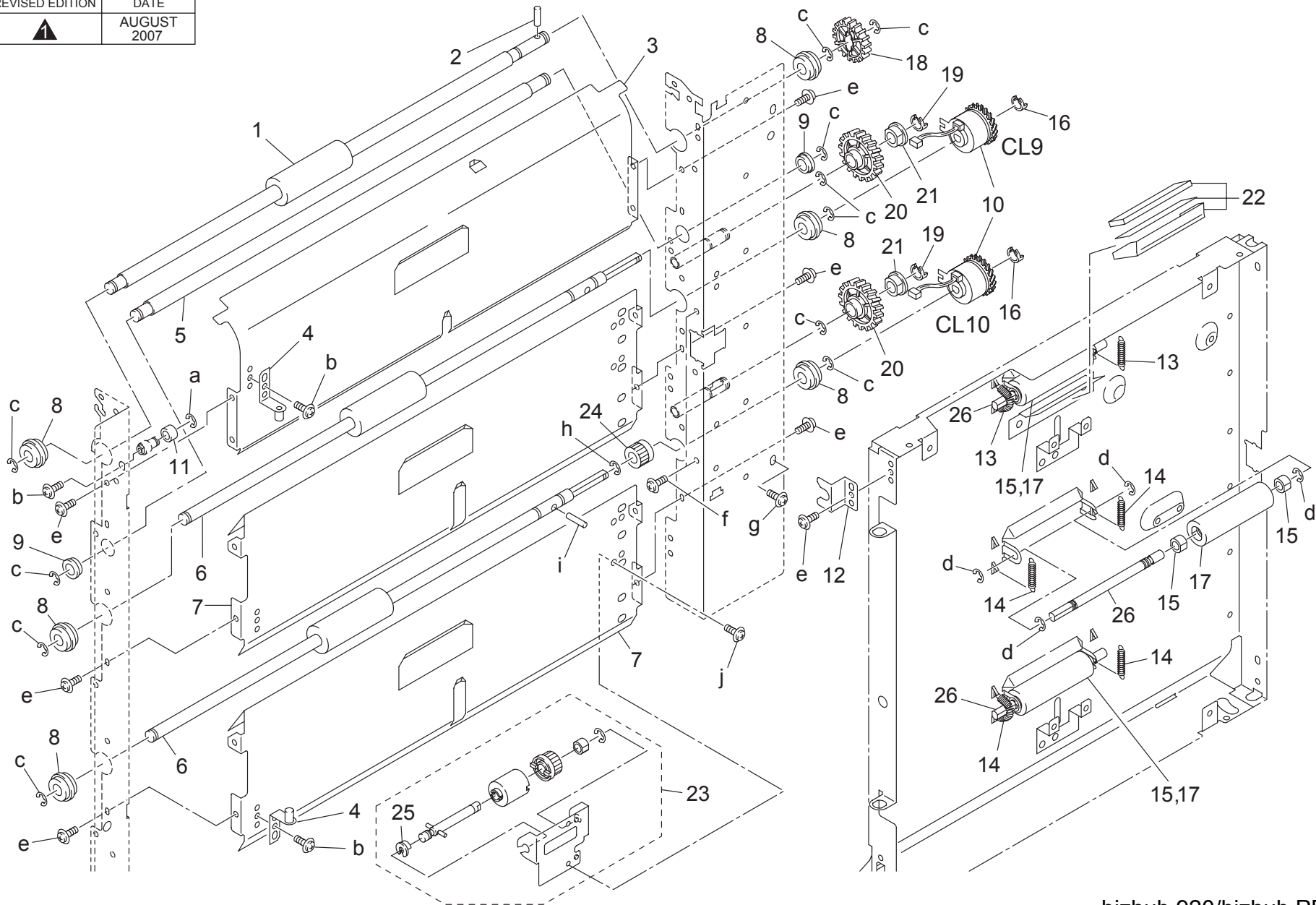
bizhub 920/bizhub PRO 920

VERTICAL CONVEYANCE UNIT

Key	Part No.	Description	Destinations	Class	QTY	Standard parts
1	56AA 8552 1	CONVEYANCE PHOTO SENSOR	搬送フォトセンサ	B	2	a-00Z1 9306 1 b-00Z1 9406 1 c-00Z6 7040 6 d-00Z1 8310 1 e-00Z1 8316 1 f-00Z1 9304 1 g-00Z2 5308 1
2	12AJ 4033 0	SWITCH SPACER	スイッチスペーサー	D	1	
3	55VA 4407 2	PAPER EXIT CONVEYANCE PLATE UPPER	出口搬送板 上	D	1	
4	55VA 4408 0	LCT GUIDE PART	LCT 案内部材	D	1	
5	55VA 4406 1	ENTRANCE GUIDE PLATE 1	入口ガイド板 1	D	3	
6	56AA 8551 1	PHOTO SENSOR	フォトセンサ	B	3	
7	55VA 4414 0	DETECTING PLATE	センサ検知板	C	1	
8	25AA 4433 1	STOPPER PIN	ストッパーピン	C	2	
9	57GA 4403 0	PAPER FEED CONVEYANCE DOOR	給紙搬送扉	D	1	
10	55VA 4415 0	DOOR LOCK CLAW	ドアロック爪	C	2	
11	55VA 4423 0	LEVER LOCK SPRING UPPER	レバーロックバネ 上	C	1	
12	55VA 4422 0	LEVER LOCK SPRING LOWER	レバーロックバネ 下	C	1	
13	4660 7602 0	PAPER FEED SHAFT HOLDER	給紙送り出し軸受	B	3	
14	57GA 4421 0	DOOR OPEN CLOSE LEVER	ドア開閉レバー	C	1	
15	56AA 1753 1	PIN A D2X10	ピン A D 2 X 1 0	C	1	
16	56GA 4427 0	SENSOR PRESSURE SPRING A	センサ押圧バネ A	C	2	
17	25SA 5028 0	SENSOR MOUNTING PLATE C	センサ取付板 C	C	2	
18	55VA 4413 0	HINGE SUPPORT PLATE UPPER	ヒンジ支持板 上	D	1	
19	25AA 4420 0	FULCRUM SHAFT UPPER	支点軸 上	D	1	
20	56GA 4782 0	PAPER DETECTING ACTUATOR B	紙検知アクチュエータ B	C	2	
21	3180 4144 0	COLLAR B	カラー B	C	1	
22	3960 7605 0	PAPER FEED SHAFT HOLDER	給紙軸受	B	1	
23	3920 1023 1	STOPPERPIN	ストッパーピン	C	1	
24	55VA 4412 0	HINGE SUPPORT PLATE LOWER	ヒンジ支持板 下	D	1	
25	55VA 4420 1	SENSOR MOUNT PLATE	センサ取り付けプレート	D	1	
26	56GA 4749 0	FIXING PLATE C	センサ固定板 C	D	2	

VERTICAL CONVEYANCE UNIT

改訂版 REVISED EDITION	日付 DATE
	AUGUST 2007



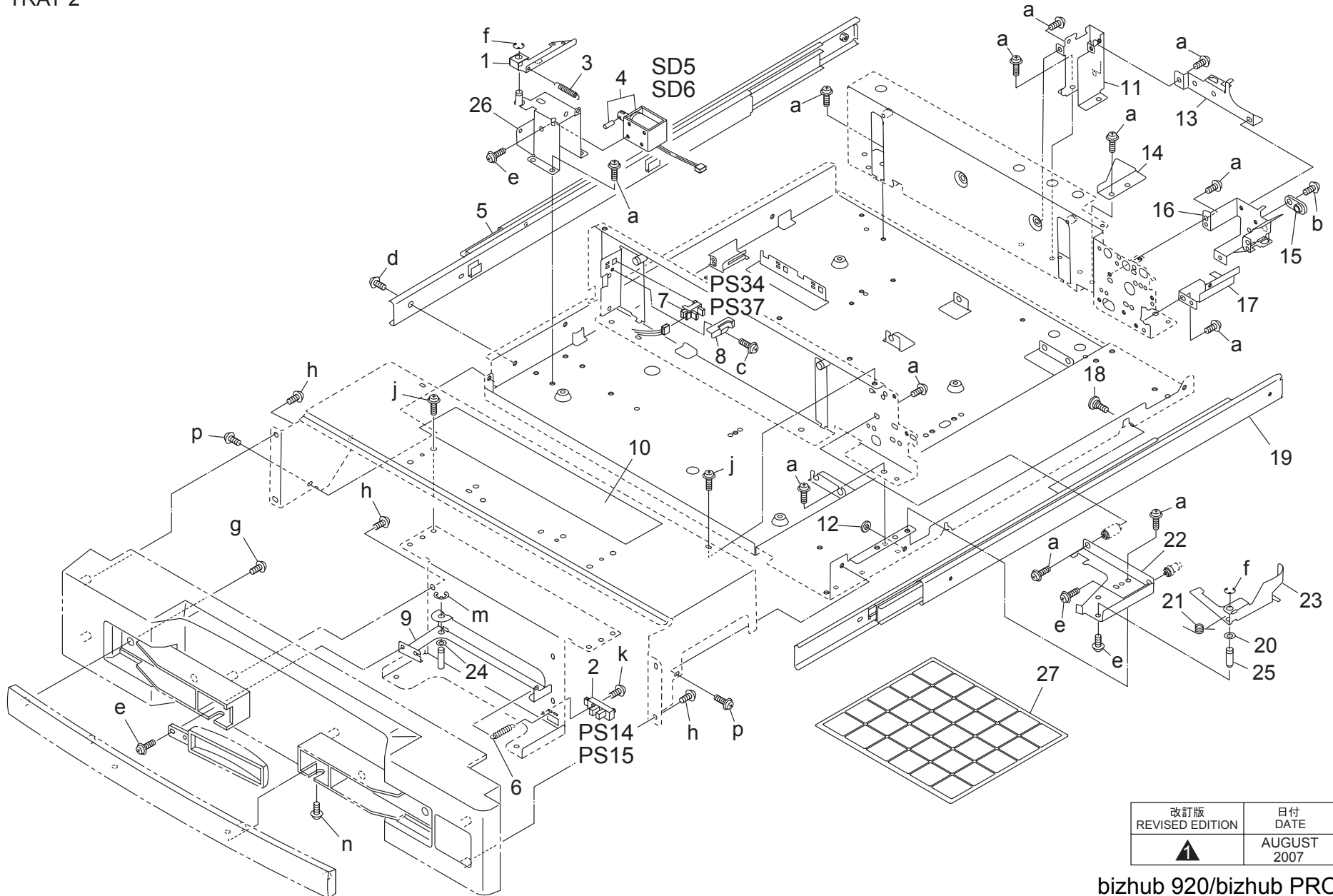
bizhub 920/bizhub PRO 920

VERTICAL CONVEYANCE UNIT

Key	Part No.	Description	Destinations	Class	QTY	Standard parts
1	55VA 4410 0	PAPER FEED CONVEYANCE ROLLER UPPER	紙搬送ローラ 上	B	1	a-00Z6 7030 6 b-00Z1 9306 1 c-00Z6 7060 6 d-00Z6 7040 6 e-00Z1 9304 1 f-00Z1 9318 1 g-00Z1 9406 1 h-56AA 1747 1 i-00Z6 7050 6 j-00Z1 8306 1
2	56AA 1748 0	PIN B	ピン B	C	1	
3	55VA 4405 2	PAPER FEED CONVEYANCE PLATE UPPER	給紙搬送板 上	D	1	
4	55VA R752 00	DOOR ROCK ASSY	ドアロック軸板	D	2	
5	55VA 4409 0	ENTRANCE GUIDE ROLLER	入口ガイドローラ	D	1	
6	56GA 4411 2	PAPER CONVEYING ROLLER LOWER	紙搬送ローラ 下	C	2	
7	55VA 4404 3	PAPER FEED CONVEYING PALTE L	給紙搬送板 下	D	2	
8	5400 7605 0	BALL BEARING	駆動軸受	B	6	
9	25AA 7509 0	BALL BEARING	給紙転がり軸受	C	2	
10	57GA 8201 0	CLUTCH 1	クラッチ 1	C	2	
11	0480 4604 0	ROLLER	コロ	C	1	
12	55VA 4417 0	DOOR POSITIONING PLATE	ドア一位置決め板	D	1	
13	55VA 4649 0	REGISTRATION PRESSURE SPRING	レジスト押圧バネ	B	2	
14	25AA 4418 0	CONVEYANCE PRESSURE SPRING	搬送圧着バネ	C	4	
15	56GA 7603 0	SLIDE SHAFT HOLDER	滑り軸受	C	6	
16	3960 4068 1	STOPPER RING	止め輪	B	2	
17	56GA 4744 0	ADU DRIVEN ROLLER S	A D U 従動ローラ S	B	3	
18	55VA 7719 0	MANUAL FEED DRIVING GEAR D 28T	手差し駆動歯車 D 28 T	B	1	
19	55VA 4212 0	SHAFT STOPPER	軸ストッパー	C	2	
20	56GA 7940 0	PAPER FEED DRIVING GEAR F 32T	給紙駆動歯車 F 32 T	C	2	
21	0900 7553 0	BUSHING	軸受	B	2	
22	57GA R719 00	REGISTRATION CLEANER ASSY	レジスト清掃部組 上	B	1	
23	57GA -498 0	TORQUE LIMITER ASSY	トルクリミッタ部組	C	1	
24	57GA 7944 0	TORQUE GEAR/2 17T	トルクギア/2 17 T	C	1	
25	3960 4068 1	STOPPER RING	止め輪	B	1	
26	55VA 4745 0	ADU DRIVEN SHAFT /S	A D U 従動軸 / S	D	3	

500 SHEET TRAY

TRAY 1
TRAY 2



改訂版 REVISED EDITION	日付 DATE
	AUGUST 2007

bizhub 920/bizhub PRO 920

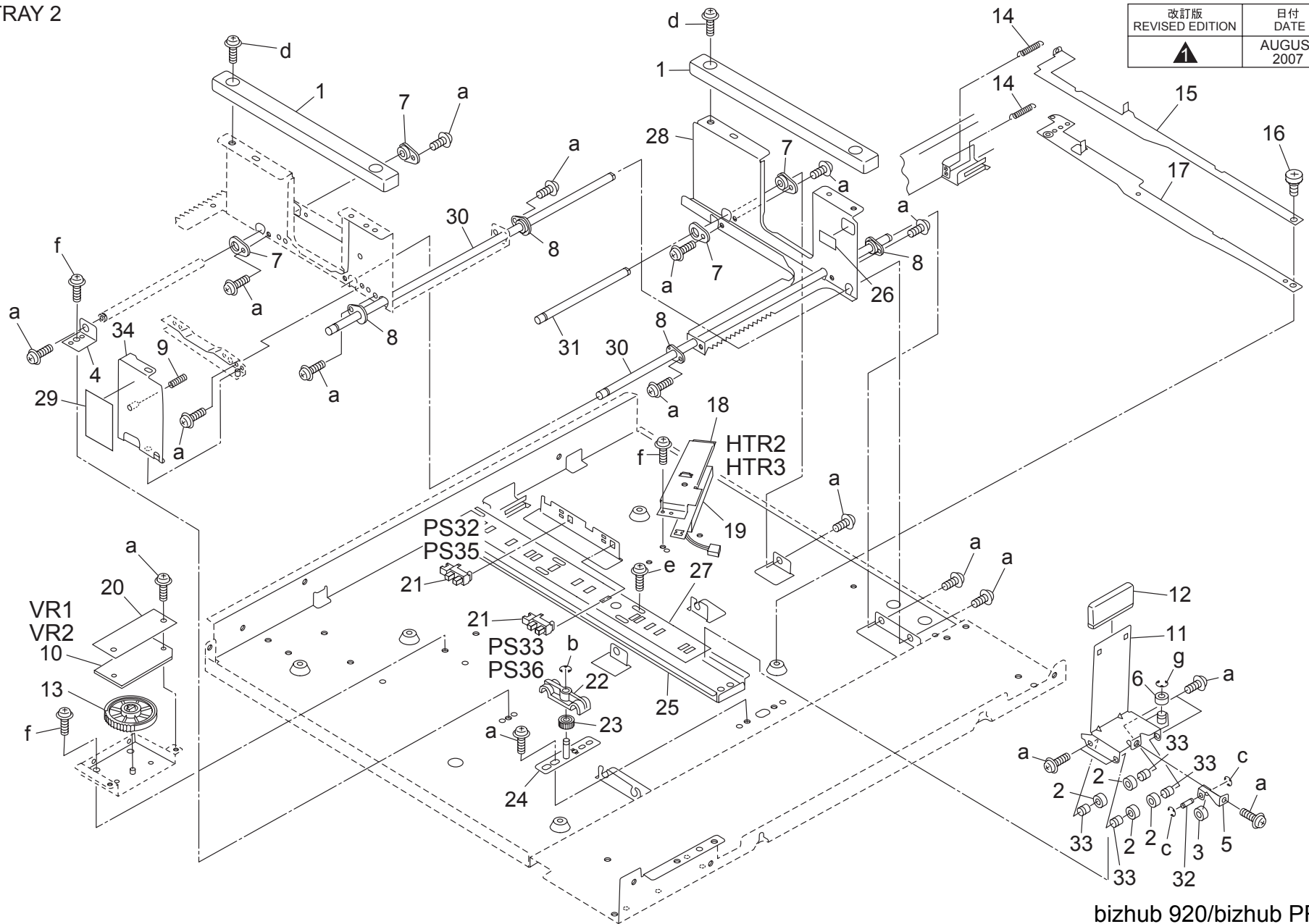
Key	Part No.	Description	Destinations	Class	QTY	Standard parts
1	55VA 4241 0	TRAY LOCK PLATE		D	1	a-00Z1 9404 1
2	56AA 8551 1	PHOTO SENSOR		B	1	b-00Z1 9406 1
3	25AA 4132 2	SPRING A		D	1	c-00Z1 9304 1
4	55VA -451 0	CONNECTING SOLENOID		C	1	d-00Z1 8406 1
5	55VA 4009 0	RAIL LEFT		C	1	e-00Z1 9306 1
6	56HA 1298 0	LEVER SPRING		C	1	f-00Z6 7040 6
7	08AA 8551 2	PHOTO SENSOR		B	1	g-00Z2 5410 1
8	55VA 4228 0	SENSOR COVER		D	1	h-00Z2 5408 1
9	56UA R7A4 00	TRAY LEVER		D	1	j-00Z1 4406 2
10	57GA 9725 0	PAPER SUPPLY LABEL		D	1	k-00Z1 8310 1
11	55VA 4203 1	WIRING MOUNT PLATE		D	1	m-00Z6 7040 6
12	55VA 1247 0	SCREW PROTECT CUSHION		D	1	n-00Z1 9408 1
13	55VA 4010 0	WIRING GUIDE PLATE		D	1	p-00Z1 6406 1
14	55VA 4207 0	MAIN LOCK PLATE A		D	1	
15	1730 3027 0	PIN HOLDER A		C	1	
16	55VA 4202 1	POSITIONING PLATE REAR		D	1	
17	55VA 4227 1	WIRING COVER		D	1	
18	55VA 2031 0	POSITIONING SCREW		C	1	
19	55VA 4008 0	PAPER FEED RAIL RIGHT		D	1	
20	25AA 4151 0	SPACER		D	1	
21	55VA 4224 0	LEVER SPRING 1		B	1	
22	55VA 4230 0	POSITIONING PLATE FRONT		D	1	
23	55VA 4067 0	GUIDE LEVER		C	1	
24	13SU 1511 0	SPACER A		C	1	
25	55VA 4072 0	FULCRUM SHAFT		D	1	
26	55VA -447 0	SOLENOID MOUNT PLATE COMBINED		D	1	
27	57AA 9790 1	PAPER FEED INDICATING SHEET		C	1	

500 SHEET TRAY

TRAY 1
TRAY 2

P 49

改訂版 REVISED EDITION	日付 DATE
	AUGUST 2007



bizhub 920/bizhub PRO 920

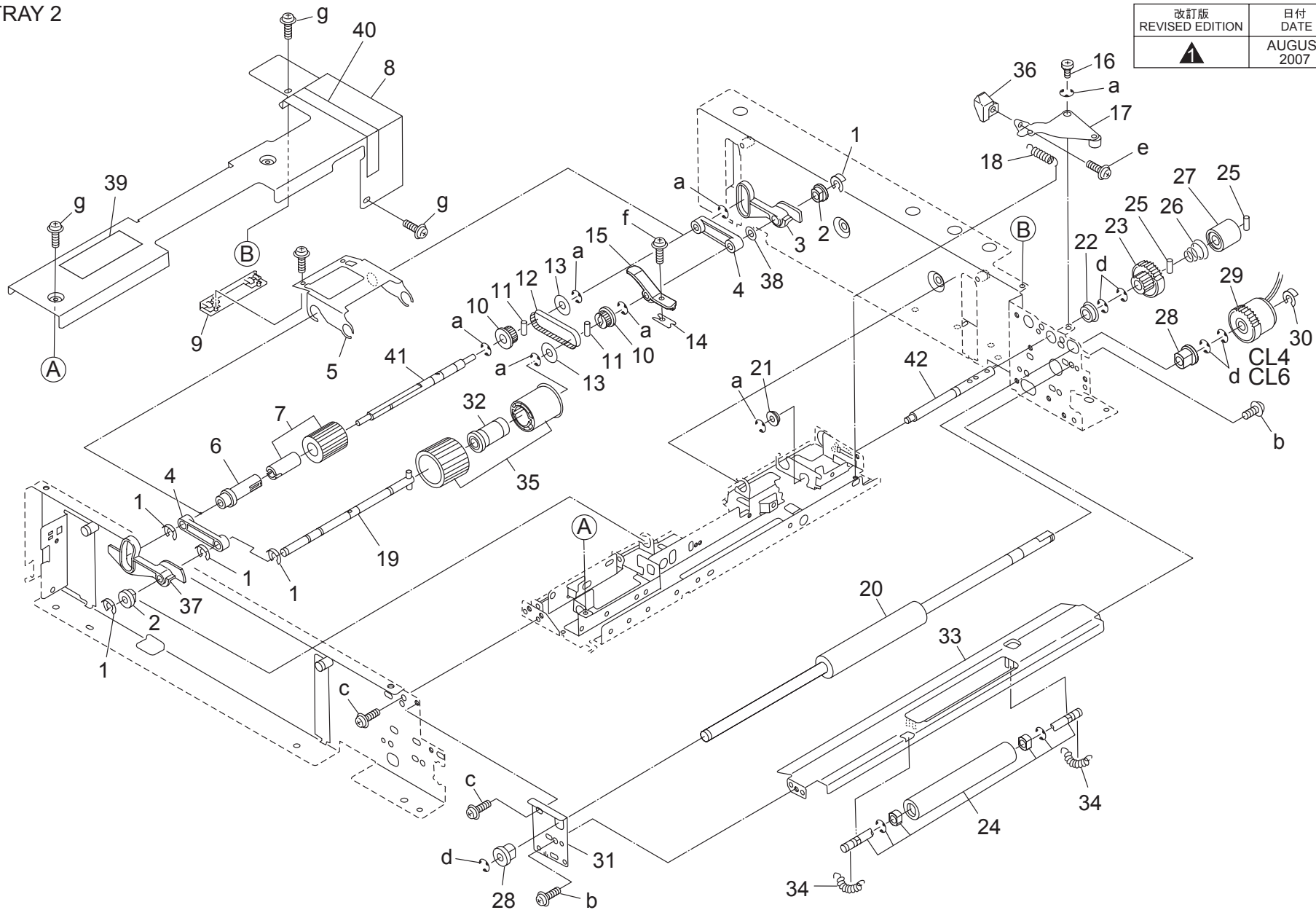
Key	Part No.	Description	Destinations	Class	QTY	Standard parts
1	13RL 1213 0	PAPER GUIDE HANDLE	カミカ`イト`トッテ ?	C	2	a-00Z1 9304 1 b-00Z6 7040 6 c-00Z6 7030 6 d-00Z1 4406 2 e-00Z1 9406 1 f-00Z1 9404 1 g-00Z6 7060 6
2	55VA 4234 0	GUIDE ROLLER	ガイドコロ	C	4	
3	4600 4532 0	SPACER	スペーサー	C	1	
4	55VA 4082 0	SHAFT HOLDER PLATE	軸受板	D	1	
5	55VA 4091 0	PRESSURE PLATE A	押圧板 A	D	1	
6	25AA 4057 0	PRESSURE ROLLER	突き当てコロ	C	1	
7	129X 4836 0	GUIDE SHAFT HOLDER B	ガイド軸受 B	C	4	
8	129X 4835 0	GUIDE SHAFT HOLDER A	ガイド軸受 A	C	4	
9	25AA 4755 1	LIFT UP SPRING REAR	持ち上げバネ 奥	C	1	
10	13QA -901 2E	SIZEDetect BOAD ASSY	サイズ検知基板部組	B	1	
11	55VA R747 00	PAPER GUIDE LEFT5	紙ガイド 左カシメ5	D	1	
12	56UA 4068 0	LEVER COVER	レバーカバー	C	1	
13	55VA 7912 0	PINION 44 T	ピニオン 44 T	C	1	
14	40AA 4716 0	PAPER DETECTING SPRING	紙検知バネ	C	2	
15	55VA 4054 0	DETECTING CAM UPPER	検知カム 上	C	1	
16	3180 6123 0	REFLECTOR PLATE STOPPER SCREW	反射板止めネジ	C	1	
17	55VA R733 00	DETECTING CAM LOWER	検知カム 下	C	1	
18	56GA 4226 1	HEATER COVER	ヒーターカバー	D	1	
19	56AA R730 00	HEATER MOUNTING PLATE ASSY	ヒーター取り付け板部組	B	1	
20	56GA 4096 0	BOARD PROTECT SHEET	基板保護シート	D	1	
21	08AA 8551 2	PHOTO SENSOR	フォトセンサ	B	2	
22	55VA 4081 0	SHAFT POSITIONING PART	軸位置決め部材	C	1	
23	55VA 7915 0	CASSETTE PINION 14T	カセットピニオン 14 T	C	1	
24	55VA R735 00	ADJUSTING PLATE	片寄り調整板	D	1	
25	55VA 4075 0	GUIDE RAIL	ガイドレール	D	1	
26	57GA 9724 0	TRAY REGULATING LABEL	トレイ規制ラベル	D	1	
27	55VA 4074 0	GUIDE STOPPER	ガイドストッパー	C	1	
28	56GA 4048 0	PAPER GUIDE SIDE PLATE REAR	紙ガイド側板 奥	D	1	
29	57GA 9745 0	TONER SUPPLY LABEL	トナー補給ラベル	D	1	
30	55VA 4076 0	GUIDE SHAFT X	ガイド軸 X	D	2	
31	55VA 4077 0	GUIDE SHAFT/M	ガイド軸 / M	D	1	
32	55VA 4092 0D	Support Shaft	支持軸	D	1	
33	55VA 4233 0D	GUIDE SHAFT /E	ガイド軸 / E	D	4	
34	55VA -434 0	ROCK PLATE	ロック板カシメ	D	1	

500 SHEET TRAY

TRAY 1
TRAY 2

P 51

改訂版 REVISED EDITION	日付 DATE
	AUGUST 2007



bizhub 920/bizhub PRO 920

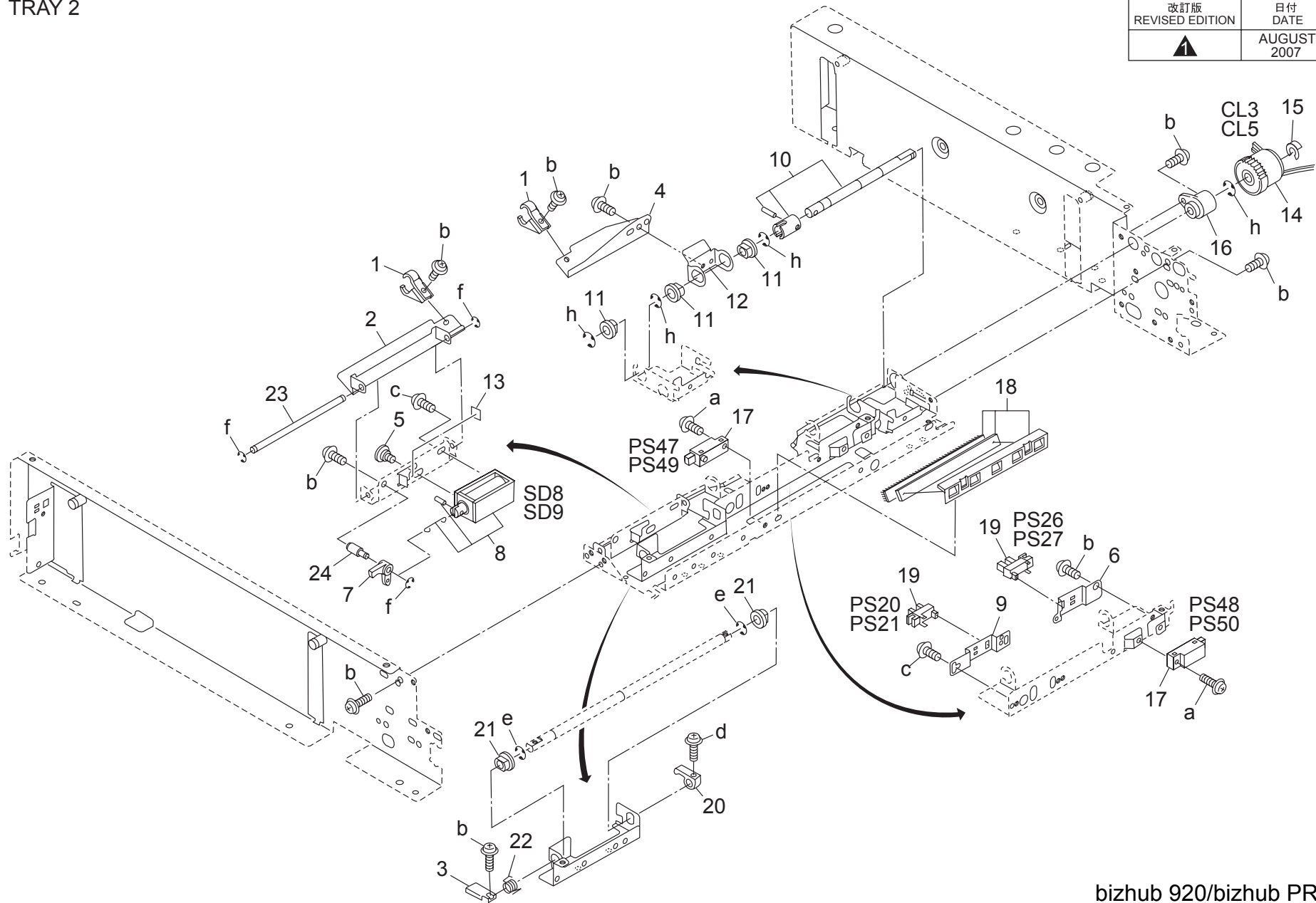
Key	Part No.	Description	Destinations	Class	QTY	Standard parts
1	3960 4068 1	STOPPER RING	止め輪	B	5	a-00Z6 7040 6
2	1310 7551 0	OIL LESS METAL A	オイルレスメタル A	C	2	b-00Z1 9304 1
3	55VA 4022 0	PAPER FEED STANDARD ACTUATOR	給紙基準アクチュエータ	C	1	c-00Z1 9404 1
4	55VA 4026 0	PAPER FEEDING SHAFT HOLDER	給紙送り出し軸受	C	2	d-00Z6 7060 6
5	56GA 4020 0	PAPER FEED HOLDING PLATE C	給紙ホルダー板 C	D	1	e-00Z2 5406 1
6	55VA 4013 0	FEEDING ROLLER A	送り出しローラ A	C	1	f-00Z1 8304 1
7	55VA R746 00	FEEDING ROLLER ASSY A5	送り出しローラ部組 A 5	A	1	g-00Z1 8306 2
8	55VA 1254 1	FEEDING COVER	送り出しカバー	C	1	
9	56UA 4069 0	SIDE PROTECTION COVER B	側面保護カバー B	D	1	
10	0590 7651 0	PULLEY 1 15T	プーリー 1 15 T	C	2	
11	56AA 1751 0	PIN B	ピン B	C	2	
12	25SA 7756 1	PAPER FEED DRIVE BELT 126L	給紙駆動ベルト 1 2 6 L	A	1	
13	56AA 1776 0	COLLAR	カラー	C	2	
14	55VA 4099 1	LEVER AUXILIARY PLATE	レバー補助プレート	C	1	
15	55VA 4023 0	PAPER FEED LIFT UP LEVER	給紙持ち上げレバー	C	1	
16	55VA 4242 0	LEVER SUPPORT SCREW	レバー支点ネジ	C	1	
17	55VA R743 00	LOCKING LEVER ASSY	ロックレバー部組	C	1	
18	25AA 4046 0	LOCK SPRING 2	ロックバネ 2	C	1	
19	55VA R740 00	FEEDING SHAFT B	送り出し軸 B	C	1	
20	55VA 4016 0	PAPER CONVEYANCE ROLLER	紙搬送ローラ	C	1	
21	12BF 4348 0	BY PASS FEED SHAFT HOLDER	手差し転がり軸受	C	1	
22	25AA 7509 0	BALL BEARING	給紙転がり軸受	C	1	
23	56GA 7906 0	PAPER FEED DRIVING GEAR A 25T 25T	給紙駆動歯車 A 2 5 T 2 5 T	C	1	
24	56GA R709 00	DRIVEN ROLLER	従動ローラ	C	1	
25	56AA 1748 0	PIN B	ピン B	C	2	
26	56AA 1709 0	PRESSURE SPRING	押圧バネ	C	1	
27	55VA 1554 1	CLEANER COUPLING PART	クリーナーカップリング部材	C	1	
28	55VA 7554 0	PAPER FEED SHAFT HOLDER B	給紙軸受 B	B	2	
29	57GA 8201 0	CLUTCH 1	クラッチ 1	C	1	
30	55VA 4212 0	SHAFT STOPPER	軸ストッパー	C	1	
31	55VA 4205 0	ADJUSTING PLATE	調整板	D	1	
32	56UA 4060 0	MULTI FEED FEEDING ROLLER	重送送り出しローラ	C	1	
33	55VA 4005 1	PAPER FEED GUIDE PLATE LOWER	給紙ガイド板 下	D	1	
34	55VA 4649 0	REGISTRATION PRESSURE SPRING	レジスト押圧バネ	B	2	
35	55VA R745 00	FEEDING ROLLER ASSY B5	送り出しローラ部組 B 5	A	1	
36	55VA 4235 1	LEVER SUPPORT PART	レバー補助部材	D	1	
37	55VA 4034 0	PAPER FEED STANDARD ACTUATOR U 500	給紙基準アクチュエータ U 5 0 0	C	1	
38	13QA 1773 0	COLLAR 6	カラー 6	C	1	
39	57GA 9727 0	TRAY TAKING OUT LABEL 2	トレイ取り出し方ラベル 2	D	1	
40	57GA 9726 0	TRAY TAKING OUT LABEL	トレイ取り出し方ラベル	D	1	
41	55VA 4024 0	PAPER FEED SHAFT	給紙軸	D	1	
42	55VA 4033 0	PAPER FEED INPUT SHAFT	給紙入力軸	D	1	

500 SHEET TRAY

TRAY 1
TRAY 2

P 52

改訂版 REVISED EDITION	日付 DATE
	AUGUST 2007



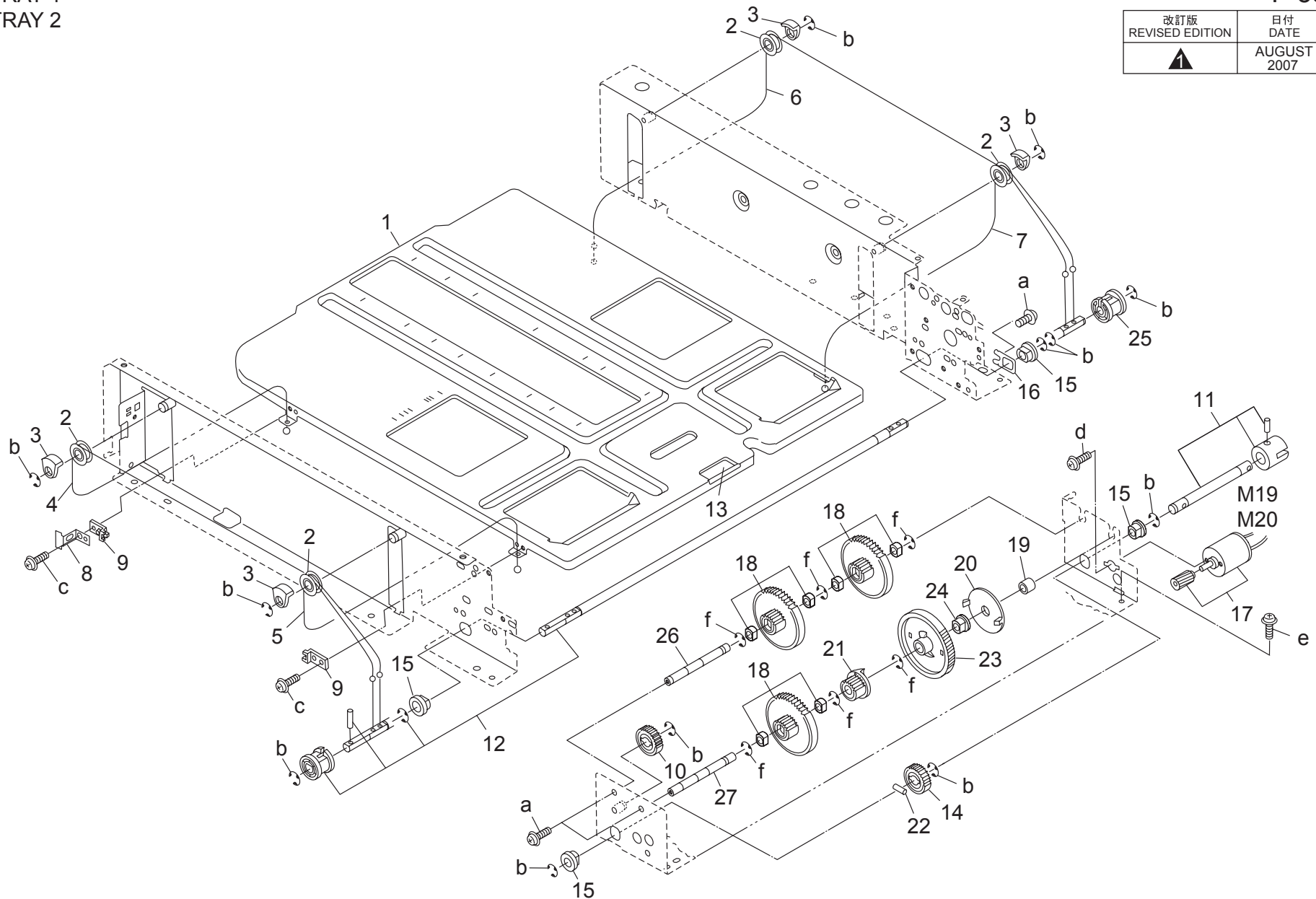
bizhub 920/bizhub PRO 920

500 SHEET TRAY

TRAY 1
TRAY 2

P 53

改訂版 REVISED EDITION	日付 DATE
	AUGUST 2007

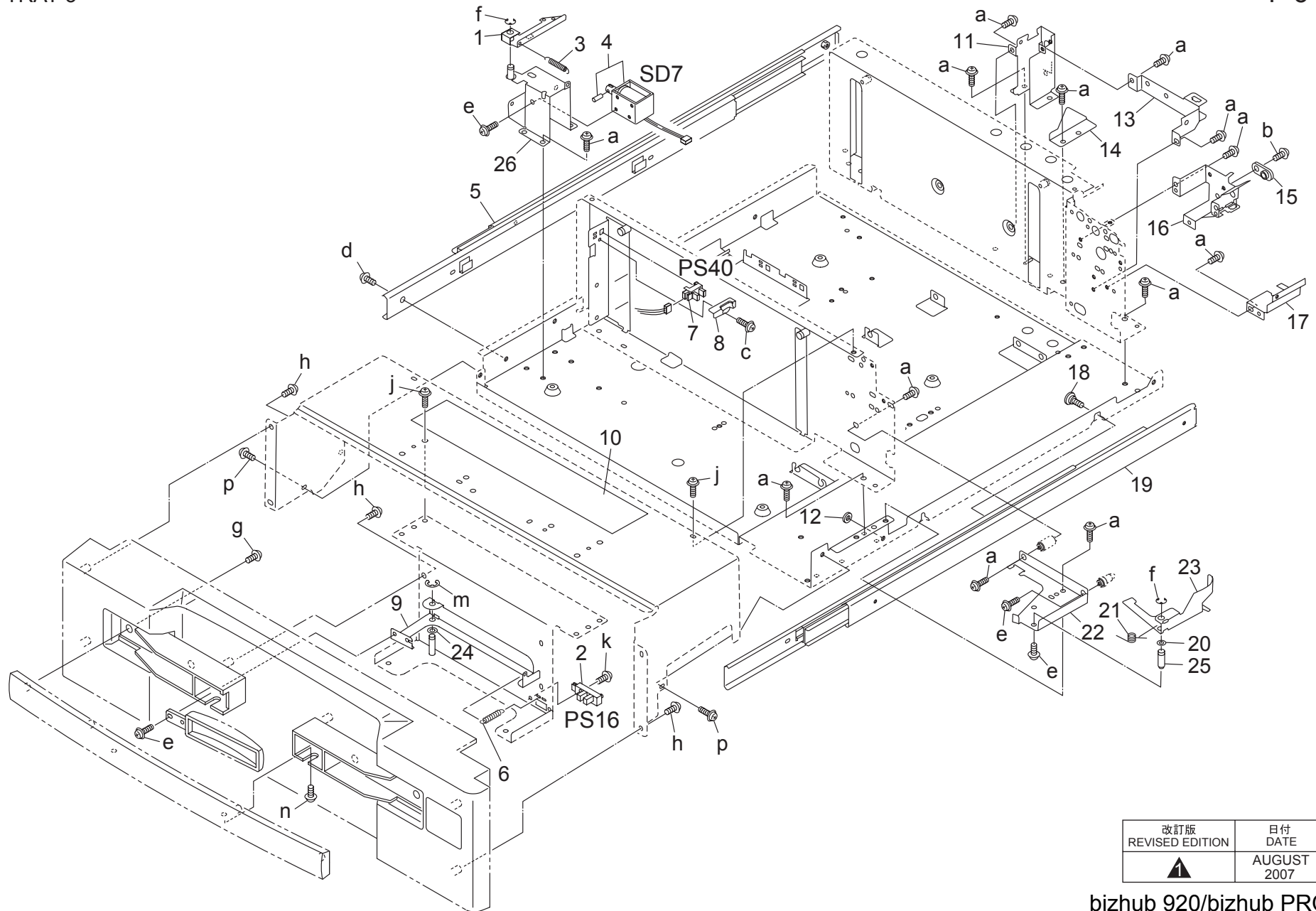


bizhub 920/bizhub PRO 920

1000 SHEET TRAY

TRAY 3

P 54



改訂版 REVISED EDITION	日付 DATE
▲	AUGUST 2007

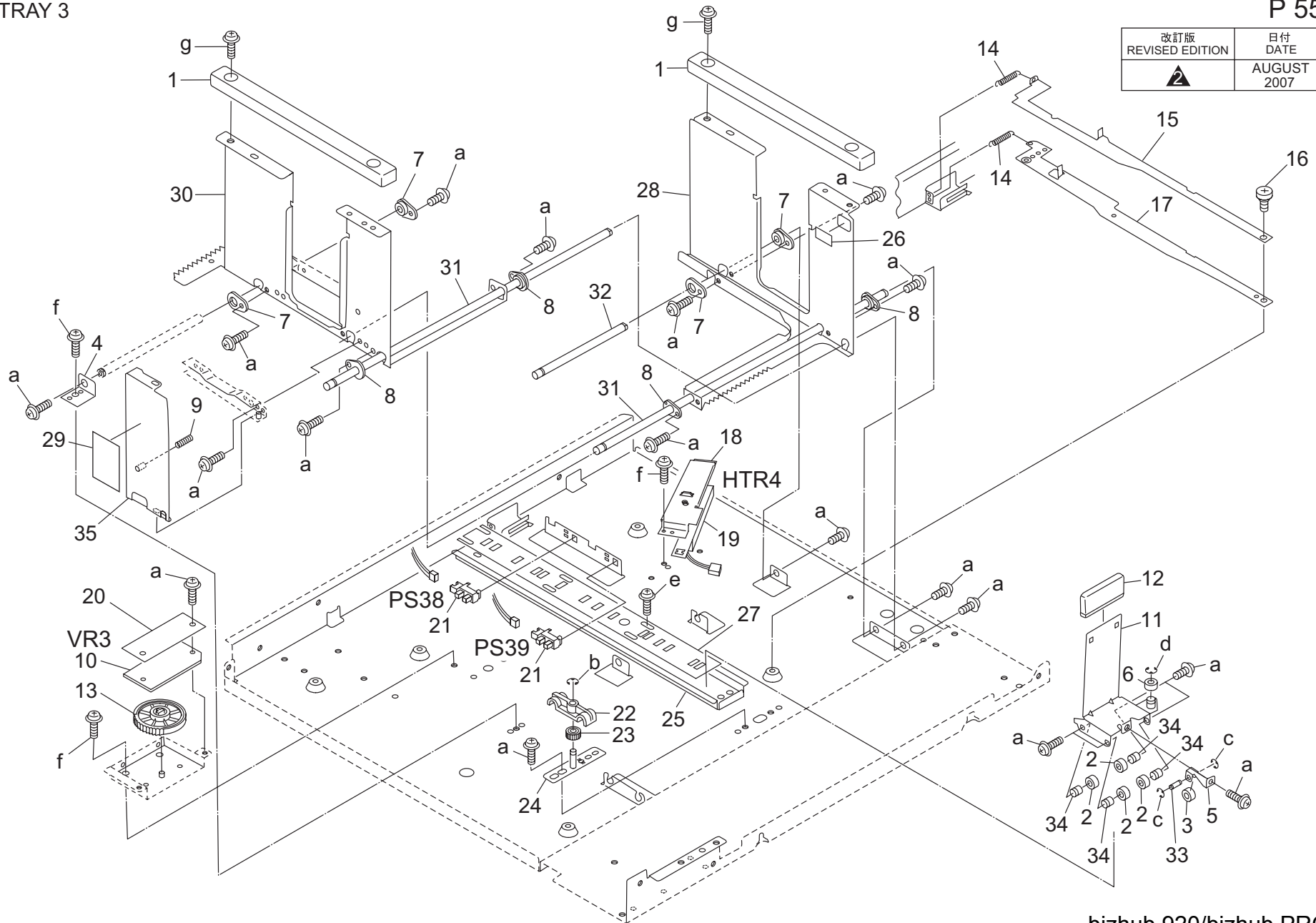
bizhub 920/bizhub PRO 920

1000 SHEET TRAY

TRAY 3

P 55

改訂版 REVISED EDITION	日付 DATE
	AUGUST 2007



bizhub 920/bizhub PRO 920

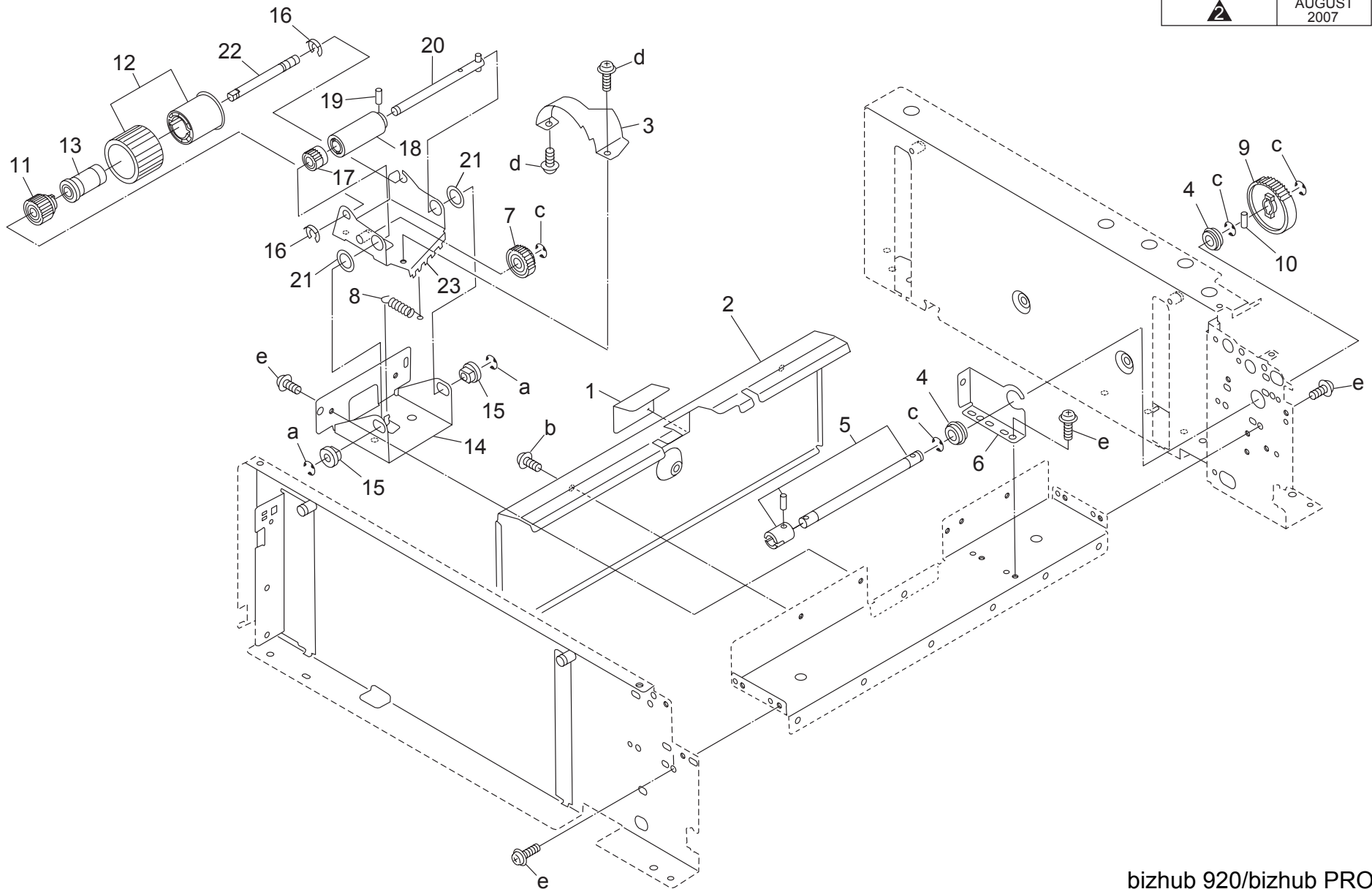
Key	Part No.	Description	Destinations	Class	QTY	Standard parts
1	13RL 1213 0	PAPER GUIDE HANDLE	カミカイトトッテ ?	C	2	a-00Z1 9304 1 b-00Z6 7040 6 c-00Z6 7030 6 d-00Z6 7060 6 e-00Z1 9406 1 f-00Z1 9404 1 g-00Z1 4406 2
2	55VA 4234 0	GUIDE ROLLER	ガイドコロ	C	4	
3	4600 4532 0	SPACER	スペーサー	C	1	
4	55VA 4082 0	SHAFT HOLDER PLATE	軸受板	D	1	
5	55VA 4091 0	PRESSURE PLATE A	押圧板 A	D	1	
6	25AA 4057 0	PRESSURE ROLLER	突き当てコロ	C	1	
7	129X 4836 0	GUIDE SHAFT HOLDER B	ガイド軸受 B	C	4	
8	129X 4835 0	GUIDE SHAFT HOLDER A	ガイド軸受 A	C	4	
9	25AA 4755 1	LIFT UP SPRING REAR	持ち上げバネ 奥	C	1	
10	13QA -901 2E	SIZEDetect BOAD ASSY	サイズ検知基板部組	B	1	
11	55VA R751 00	PAPER GUIDE LEFT 10	紙ガイド 左カシメ 1 0	D	1	
12	56UA 4068 0	LEVER COVER	レバーカバー	C	1	
13	55VA 7912 0	PINION 44T	ピニオン 4 4 T	C	1	
14	40AA 4716 0	PAPER DETECTING SPRING	紙検知バネ	C	2	
15	55VA 4054 0	DETECTING CAM UPPER	検知カム 上	C	1	
16	3180 6123 0	REFLECTOR PLATE STOPPER SCREW	反射板止めネジ	C	1	
17	55VA R733 00	DETECTING CAM LOWER	検知カム 下	C	1	
18	56GA 4226 1	HEATER COVER	ヒーターカバー	D	1	
19	56AA R730 00	HEATER MOUNTING PLATE ASSY	ヒーター取り付け板部組	B	1	
20	56GA 4096 0	BOARD PROTECT SHEET	基板保護シート	D	1	
21	08AA 8551 2	PHOTO SENSOR	フォトセンサ	B	2	
22	55VA 4081 0	SHAFT POSITIONING PART	軸位置決め部材	C	1	
23	55VA 7915 0	CASSETTE PINION 14T	カセットピニオン 1 4 T	C	1	
24	55VA R735 00	ADJUSTING PLATE	片寄り調整板	D	1	
25	55VA 4075 0	GUIDE RAIL	ガイドレール	D	1	
26	57GA 9724 0	TRAY REGULATING LABEL	トレイ規制ラベル	D	1	
27	55VA 4074 0	GUIDE STOPPER	ガイドストッパー	C	1	
28	56GA 4148 0	PAPER GUIDE SIDE PLATE REAR	紙ガイド側板 奥	D	1	
29	57GA 9745 0	TONER SUPPLY LABEL	トナー補給ラベル	D	1	
30	56GA -470 0	PAPER GUIDE/Front CAULKING 10	紙ガイド/前カシメ 1 0	D	1	
31	55VA 4076 0	GUIDE SHAFT X	ガイド軸 X	D	2	
32	55VA 4077 0	GUIDE SHAFT/M	ガイド軸/M	D	1	
33	55VA 4092 0D	Support Shaft	支持軸	D	1	
34	55VA 4233 0D	GUIDE SHAFT/E	ガイド軸/E	D	4	
35	55VA -474 0	LOCK PLATE COMBINED 10	ロック板カシメ 1 0	D	1	

1000 SHEET TRAY

TRAY 3

P 56

改訂版 REVISED EDITION	日付 DATE
	AUGUST 2007



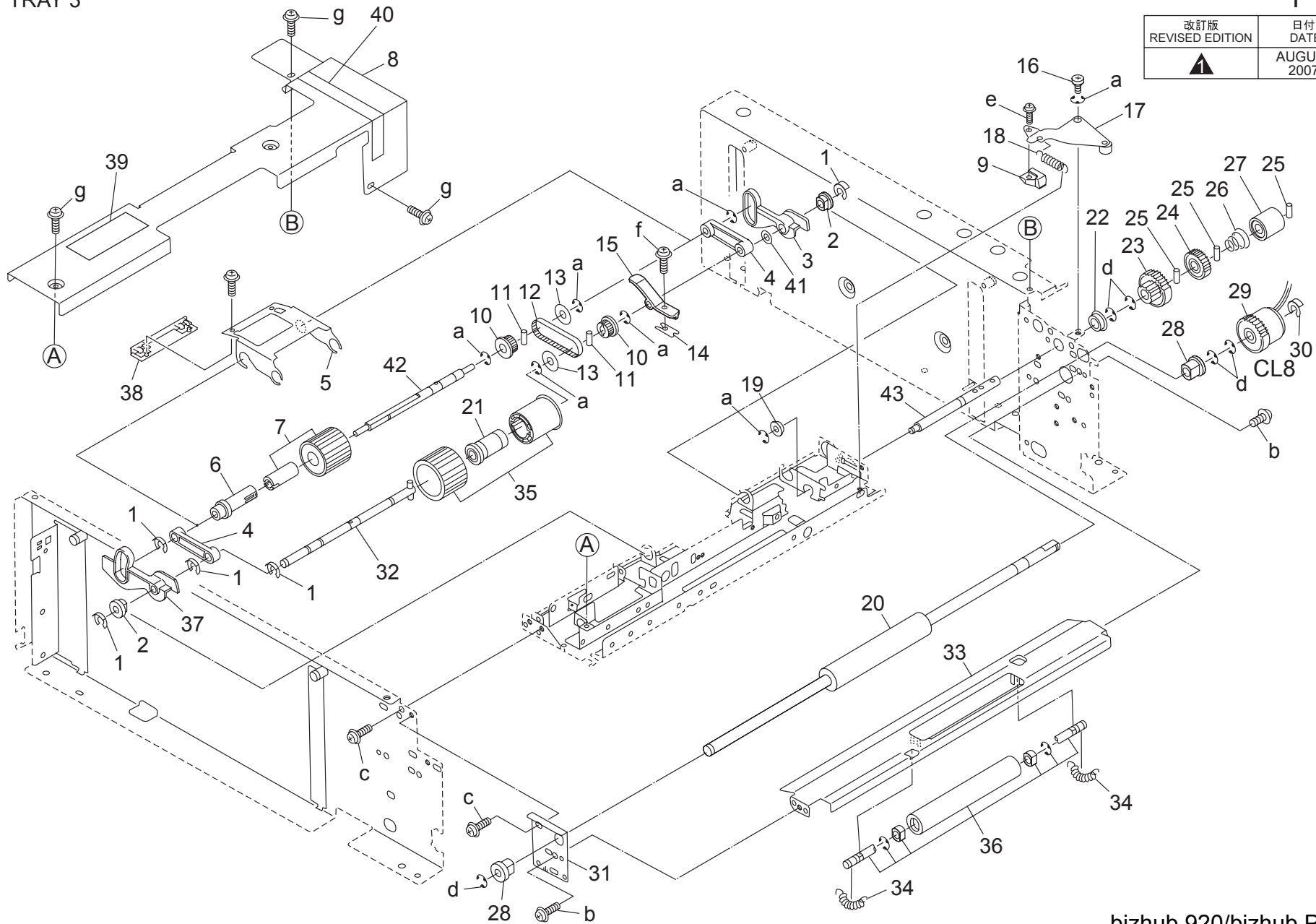
Key	Part No.	Description	Destinations	Class	QTY	Standard parts
1	55VA 4141 1	ENTRANCE GUIDE SHEET	入口ガイドシート	C	1	a-00Z6 7040 6 b-00Z1 4406 2 c-00Z6 7060 6 d-00Z1 6306 1 e-00Z1 9404 1
2	55VA 4106 2	PAPER PRESSURE PLATE	紙突き当て板	C	1	
3	55VA 4225 0	PAPER FEED DRIVING COVER 2	給紙駆動カバー 2	C	1	
4	5400 7605 0	BALL BEARING	駆動軸受	B	2	
5	55VA R738 00	REVERSING SHAFT	給紙逆転軸	D	1	
6	55VA 4206 1	SHAFT SUPPORT PLATE	軸支持板	D	1	
7	55VA 7905 0	IDLER GEAR B 24T	アイドルー歯車 B 24 T	C	1	
8	55VA 4031 0	REVERSING SPRING B	逆転バネ B	B	1	
9	55VA 7901 0	PAPER FEED REVERSAL GEAR A 60T	給紙逆転歯車 A 60 T	B	1	
10	56AA 1748 0	PIN B	ピン B	C	1	
11	55VA 7914 0	PAPER FEED REVERSAL GEAR D 19T	給紙逆転歯車 D 19 T	B	1	
12	55VA R749 00	FEEDING ROLLER ASSY B	送り出しローラ部組 B	A	1	
13	50BA 4022 0	REVERSE ROLLER	逆転ローラ	B	1	
14	55VA 4019 1	PAPER FEED HOLDER PLATE LOWER	給紙ホルダー板 下	D	1	
15	0084 7861 0	OIL LESS METAL	オイルレスメタル	B	2	
16	3960 4068 1	STOPPER RING	止め輪	B	2	
17	55VA 7903 0	PAPER FEED REVERSAL GEAR C 14T	給紙逆転歯車 C 14 T	B	1	
18	55FA 5819 1E	TORQUE LIMITER	トルク リミッタ	B	1	
19	56AA 1731 0	PIN	ピン	C	1	
20	55VA R739 00	DRIVING SHAFT	トルク駆動軸	D	1	
21	25AA 4012 0	SPACER	スペーサー	C	2	
22	55VA 4030 0	REVERSING SHAFT	逆転軸	D	1	
23	55VA -476 0	SEPARATING FLAME 10	サバキ部フレームカシメ 10	D	1	

1000 SHEET TRAY

TRAY 3

P 57

改訂版 REVISED EDITION	日付 DATE
	AUGUST 2007



bizhub 920/bizhub PRO 920

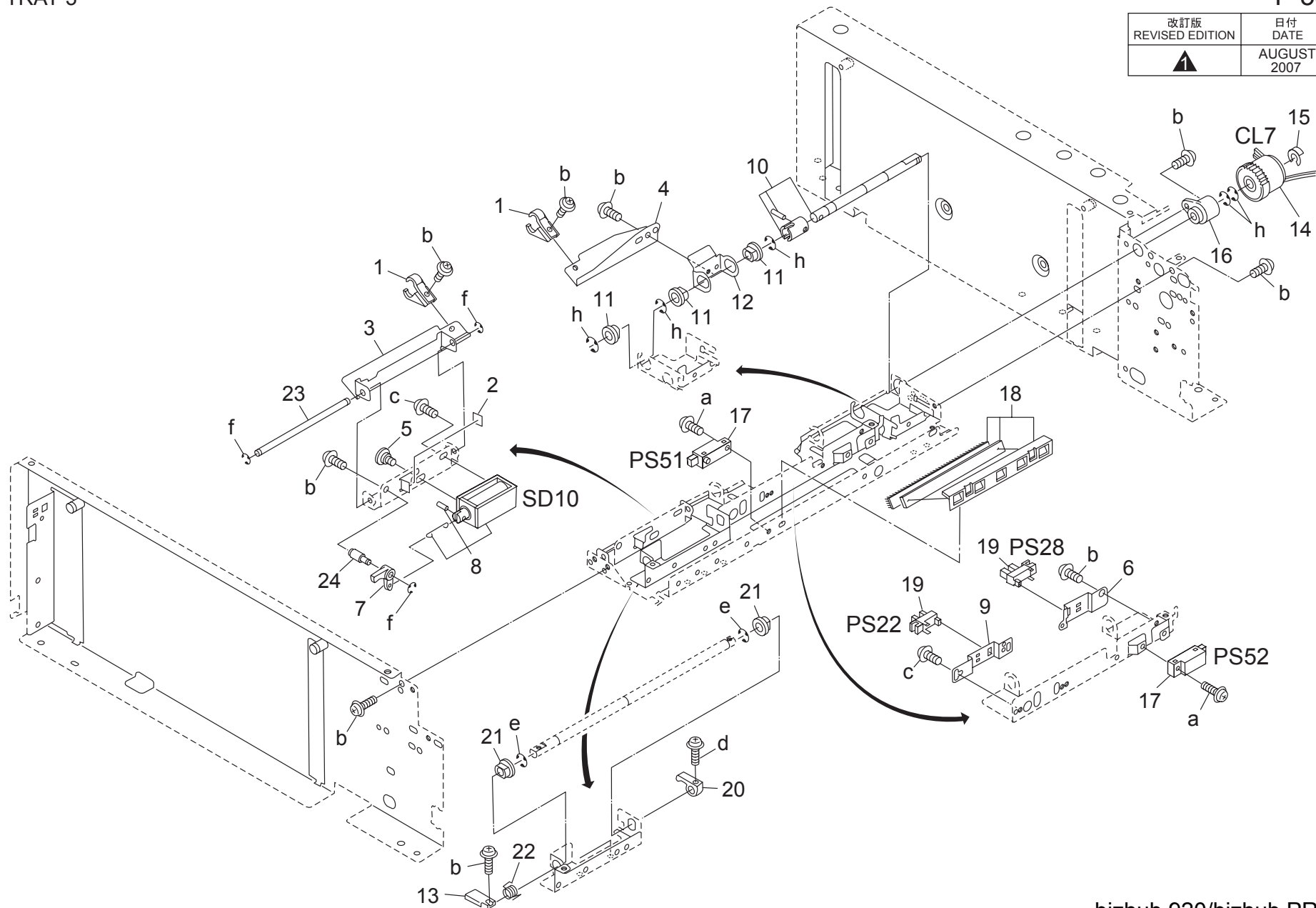
Key	Part No.	Description	Destinations	Class	QTY	Standard parts
1	3960 4068 1	STOPPER RING	止め輪	B	5	a-00Z6 7040 6
2	1310 7551 0	OIL LESS METAL A	オイルレスメタル A	C	2	b-00Z1 9304 1
3	55VA 4122 0	PAPER FEED STANDARD ACTUATOR	給紙基準アクチュエタ	C	1	c-00Z1 9404 1
4	55VA 4026 0	PAPER FEEDING SHAFT HOLDER	給紙送り出し軸受	C	2	d-00Z6 7060 6
5	56GA 4020 0	PAPER FEED HOLDING PLATE C	給紙ホルダー板 C	D	1	e-00Z2 5406 1
6	55VA 4013 0	FEEDING ROLLER A	送り出しローラ A	C	1	f-00Z1 8304 1
7	55VA R750 00	FEEDING ROLLER ASSY A	送り出しローラ部組 A	A	1	g-00Z1 8306 2
8	55VA 1254 1	FEEDING COVER	送り出しカバー	C	1	
9	55VA 4235 1	LEVER SUPPORT PART	レバー補助部材	D	1	
10	0590 7651 0	PULLEY 1 15T	プーリー 1 15 T	C	2	
11	56AA 1751 0	PIN B	ピン B	C	2	
12	25SA 7756 1	PAPER FEED DRIVE BELT 126L	給紙駆動ベルト 126 L	A	1	
13	56AA 1776 0	COLLAR	カラー	C	2	
14	55VA 4099 1	LEVER AUXILIARY PLATE	レバー補助プレート	C	1	
15	55VA 4023 0	PAPER FEED LIFT UP LEVER	給紙持ち上げレバー	C	1	
16	55VA 4242 0	LEVER SUPPORT SCREW	レバー支点ネジ	C	1	
17	55VA R732 00	LOCKING LEVER ASSY 10	ロックレバー部組 10	C	1	
18	25AA 4046 0	LOCK SPRING 2	ロックバネ 2	C	1	
19	12BF 4348 0	BY PASS FEED SHAFT HOLDER	手差し転がり軸受	C	1	
20	55VA 4016 0	PAPER CONVEYANCE ROLLER	紙搬送ローラ	C	1	
21	56UA 4060 0	MULTI FEED FEEDING ROLLER	重送送り出しローラ	C	1	
22	25AA 7509 0	BALL BEARING	給紙転がり軸受	C	1	
23	13RJ 7908 0	PAPER FEED DRIVING GEAR C 22T	給紙駆動歯車 C 22 T	C	1	
24	13RJ 7907 0	PAPER FEED DRIVING GEAR B 22T 30T	給紙駆動歯車 B 22 T 30 T	C	1	
25	56AA 1748 0	PIN B	ピン B	C	3	
26	56AA 1709 0	PRESSURE SPRING	押圧バネ	C	1	
27	55VA 1554 1	CLEANER COUPLING PART	クリーナーカップリング部材	C	1	
28	55VA 7554 0	PAPER FEED SHAFT HOLDER B	給紙軸受 B	B	2	
29	57GA 8201 0	CLUTCH 1	クラッチ 1	C	1	
30	55VA 4212 0	SHAFT STOPPER	軸ストッパー	C	1	
31	55VA 4205 0	ADJUSTING PLATE	調整板	D	1	
32	55VA R740 00	FEEDING SHAFT B	送り出し軸 B	C	1	
33	55VA 4005 1	PAPER FEED GUIDE PLATE LOWER	給紙ガイド板 下	D	1	
34	55VA 4649 0	REGISTRATION PRESSURE SPRING	レジスト押圧バネ	B	2	
35	55VA R749 00	FEEDING ROLLER ASSY B	送り出しローラ部組 B	A	1	
36	56GA R709 00	DRIVEN ROLLER	従動ローラ	C	1	
37	55VA 4134 0	PAPER FEED STANDARD ACTUATOR U 1000	給紙基準アクチュエタ U 1000	C	1	
38	56UA 4069 0	SIDE PROTECTION COVER B	側面保護カバー B	D	1	
39	57GA 9727 0	TRAY TAKING OUT LABEL 2	トレイ取り出し方ラベル 2	D	1	
40	57GA 9726 0	TRAY TAKING OUT LABEL	トレイ取り出し方ラベル	D	1	
41	13QA 1773 0	COLLAR 6	カラー 6	C	1	
42	55VA 4024 0	PAPER FEED SHAFT	給紙軸	D	1	
43	55VA 4133 0	PAPER FEED INPUT SHAFT	給紙入力軸	D	1	

1000 SHEET TRAY

TRAY 3

P 58

改訂版 REVISED EDITION	日付 DATE
	AUGUST 2007



bizhub 920/bizhub PRO 920

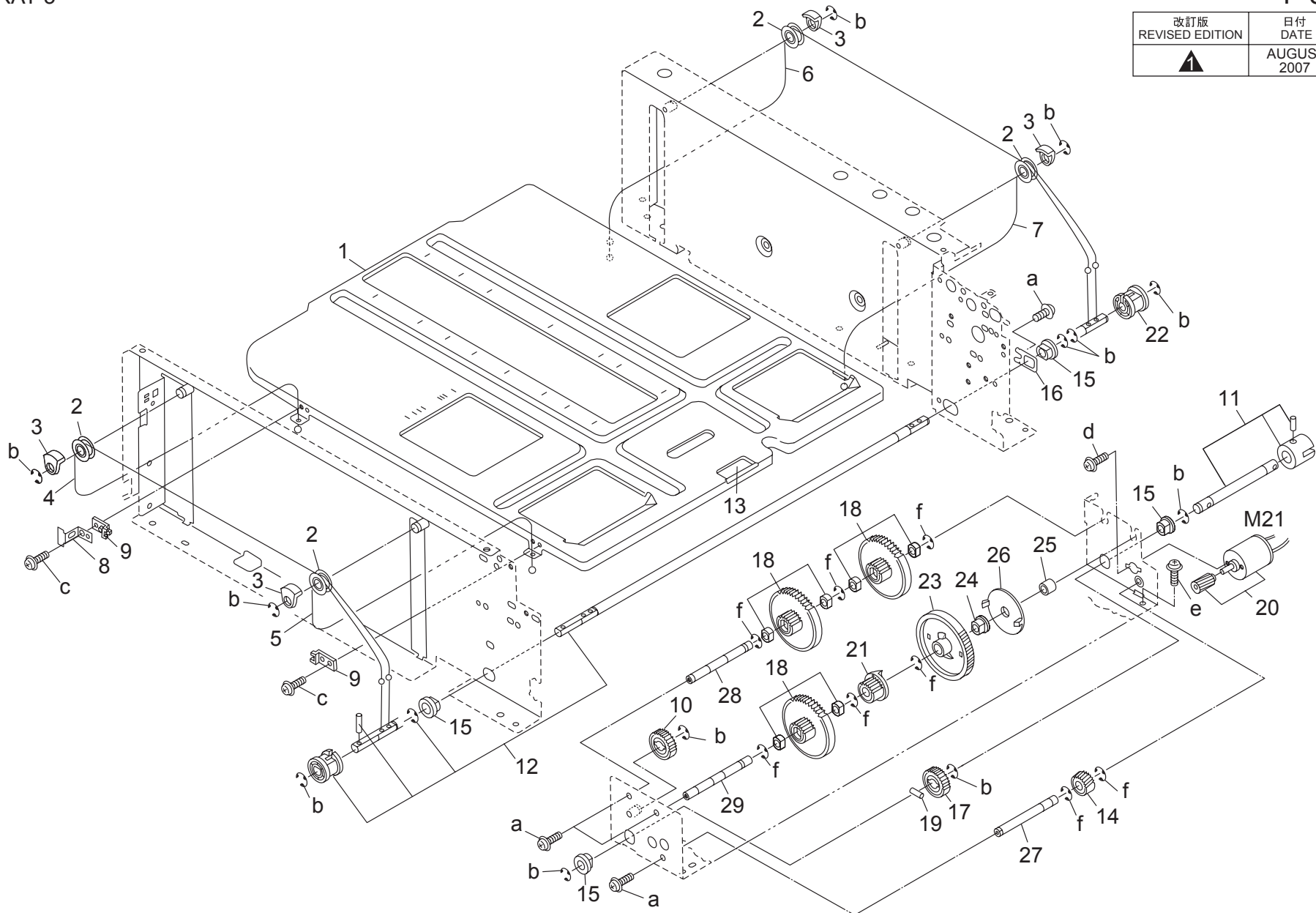
Key	Part No.	Description	Destinations	Class	QTY	Standard parts
1	25AA 4074 2	CONNECTING PART A	連結部材 A	B	2	a-00Z1 8310 1
2	55VA 4211 1	SOLENOID STOPPER SHEET	ソレノイドストップシート	C	1	b-00Z1 9304 1
3	55VA 4136 2	ENTRANCE GUIDE PLATE FRONT	入口ガイド板 前	D	1	c-00Z1 6306 1
4	55VA 4229 1	ENTRANCE GUIDE PLATE A	入口ガイド板 A	D	1	d-00Z1 9306 1
5	55VA 4222 0	POSITIONING SCREW	位置決めネジ	C	1	e-00Z6 7040 6
6	55VA 4040 0	SENSOR MOUNT PLATE O	センサ取り付け板 O	D	1	f-00Z6 7030 6
7	25AA 4087 0	SWITCH LEVER 1	スイッチレバー 1	C	1	h-00Z6 7060 6
8	55VA R744 00	PICK UP SOLENOID	ピックアップソレノイド	C	1	
9	55VA 4039 0	SENSOR MOUNT PLATE A	センサ取り付け板 A	D	1	
10	55VA R748 00	PAPER FEED DRIVING SHAFT 10	給紙駆動軸 1 O	C	1	
11	0900 7553 0	BUSHING	軸受	B	3	
12	55VA 4137 1	ENTRANCE GUIDE PLATE REAR	入口ガイド板 奥	D	1	
13	55VA 4045 0	PRESSURE PLATE C	押圧板 C	C	1	
14	57GA 8201 0	CLUTCH 1	クラッチ 1	C	1	
15	55VA 4212 0	SHAFT STOPPER	軸ストッパー	C	1	
16	56UA 7503 0	LOCK BEARING A	ロック軸受 A	C	1	
17	56AA 8552 1	CONVEYANCE PHOTO SENSOR	搬送フォトセンサ	B	2	
18	55VA R742 00	PAPER FEED CLEANER	紙粉取り	C	1	
19	08AA 8551 2	PHOTO SENSOR	フォトセンサ	B	2	
20	55VA 4044 0	PRESSURE PLATE B	押圧板 B	C	1	
21	4660 7602 0	PAPER FEED SHAFT HOLDER	給紙送り出し軸受	B	2	
22	55VA 4042 0	LEVER SPRING	レバーバネ	B	1	
23	55VA 4038 0	SUPPORT SHAFT A	支点軸 A	D	1	
24	55VA 4046 0	FULCRUM SHAFT C	支点軸 C	D	1	

1000 SHEET TRAY

TRAY 3

P 59

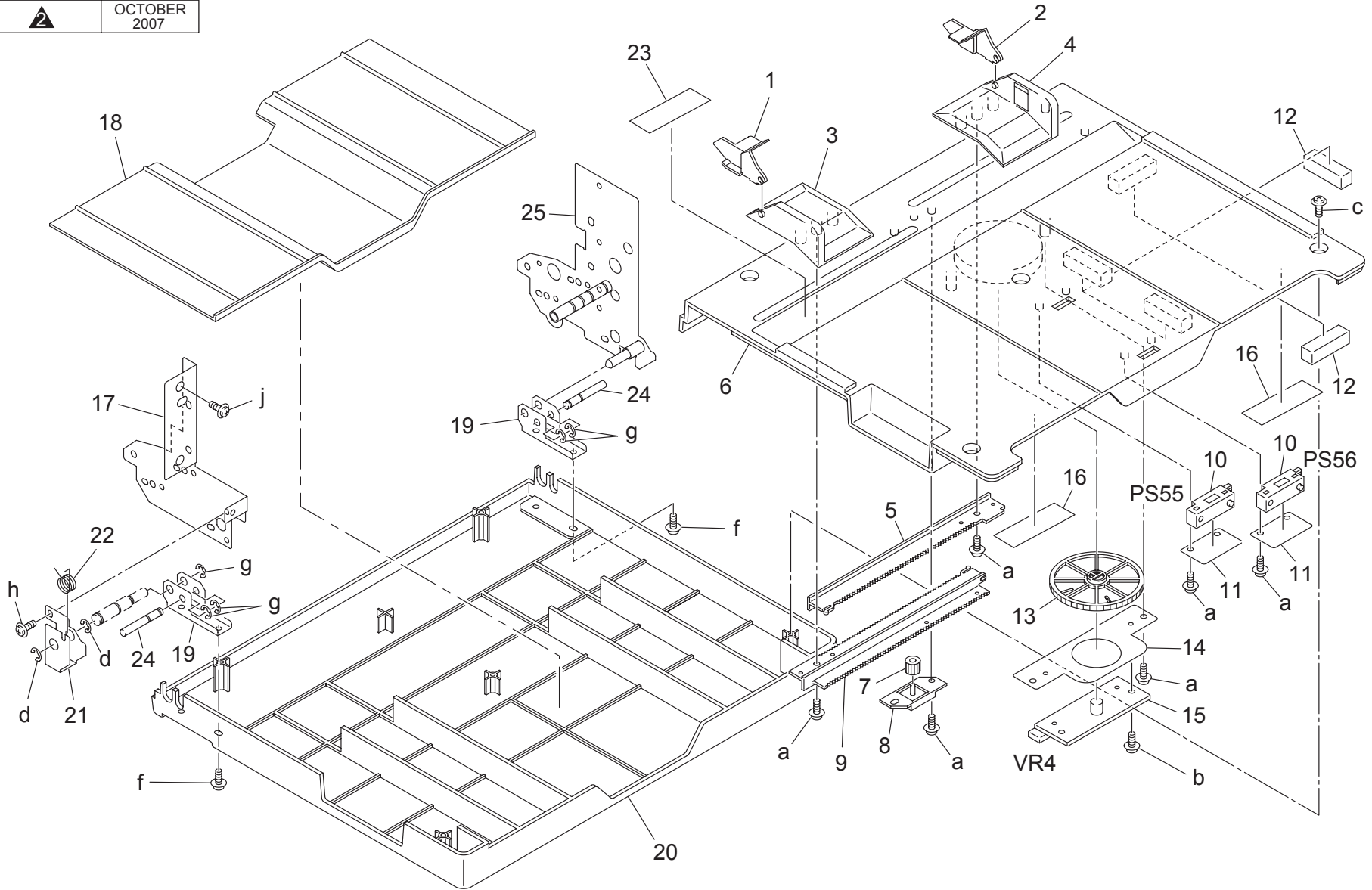
改訂版 REVISED EDITION	日付 DATE
	AUGUST 2007



Key	Part No.	Description	Destinations	Class	QTY	Standard parts
1	55VA 4047 1	PAPER FEED UP DOWN PLATE	給紙昇降板	C	1	a-00Z1 9304 1 b-00Z6 7060 6 c-00Z1 9306 1 d-00Z1 1B04 1 e-00Z1 9404 1 f-00Z6 7040 6
2	25AA 4257 0	WIRE PULLEY	ワイヤープーリ	C	4	
3	55VA 4061 0	WIRE HOLDER A	ワイヤー押え A	C	4	
4	55VA 4157 0	UP DOWN WIRE F	昇降ワイヤー F	C	1	
5	55VA 4156 0	UP DOWN WIRE E	昇降ワイヤー E	C	1	
6	55VA 4159 0	UP DOWN WIRE H	昇降ワイヤー H	C	1	
7	55VA 4158 0	UP DOWN WIRE G	昇降ワイヤー G	C	1	
8	55VA 4055 1	DETECTING LEVER	検知レバー	D	1	
9	55VA 4083 0	SLIDE PART A	スライド部材 A	C	2	
10	25SA 7713 0	PAPER EXIT IDLER GEAR B 24T	排紙アイドル歯車 B 24 T	C	1	
11	55VA R737 00	CONNVERTING SHAFT ASSY	連結軸部組	C	1	
12	55VA R741 00	UP DOWN SHAFT	昇降軸	D	1	
13	55VA 4093 0	DOUBLE FEED PREVENTIVE PLATE	重送防止板	C	1	
14	55VA 7913 0	LOCK IDLER 33T	ロックアイドル 33 T	C	1	
15	0900 7553 0	BUSHING	軸受	B	4	
16	55VA 4063 0	WIRE ADJUSTING PLATE	ワイヤー調整板	C	1	
17	25AA 7747 0	TONER SUPPLY DRIVING GEAR 25T	トナー補給駆動ギア 25 T	C	1	
18	55VA R734 00	DRIVING GEAR A	駆動昇降歯車 A	B	3	
19	56AA 1752 0	PIN A D3X10	ピン A D 3 X 10	C	1	
20	55VA -469 0	MOTOR ASSY	モータ部組	B	1	
21	25AA R702 00	CONTROL GEAR B	制御歯車 B 16 T	C	1	
22	55VA 4060 0	DRIVING UP DOWN PULLEY	駆動昇降プーリ	B	1	
23	55VA 7909 0	DRIVE CONNECTING GEAR A 111T	駆動連結歯車 A 111 T	B	1	
24	40BA 7552 0	PAPER EXIT SHAFT HOLDER	排紙軸受	C	1	
25	0480 4604 0	ROLLER	コロ	C	1	
26	55VA 4097 0	SHAFT HOLDING PART	軸受押さえ部材	C	1	
27	55VA 4098 0	IDLER SHAFT D	アイドル軸 D	D	1	
28	55VA 4069 1	IDLER SHAFT B	アイドル軸 B	D	1	
29	55VA 4070 1	IDLER SHAFT C	アイドル軸 C	D	1	

MANUAL FEED UNIT

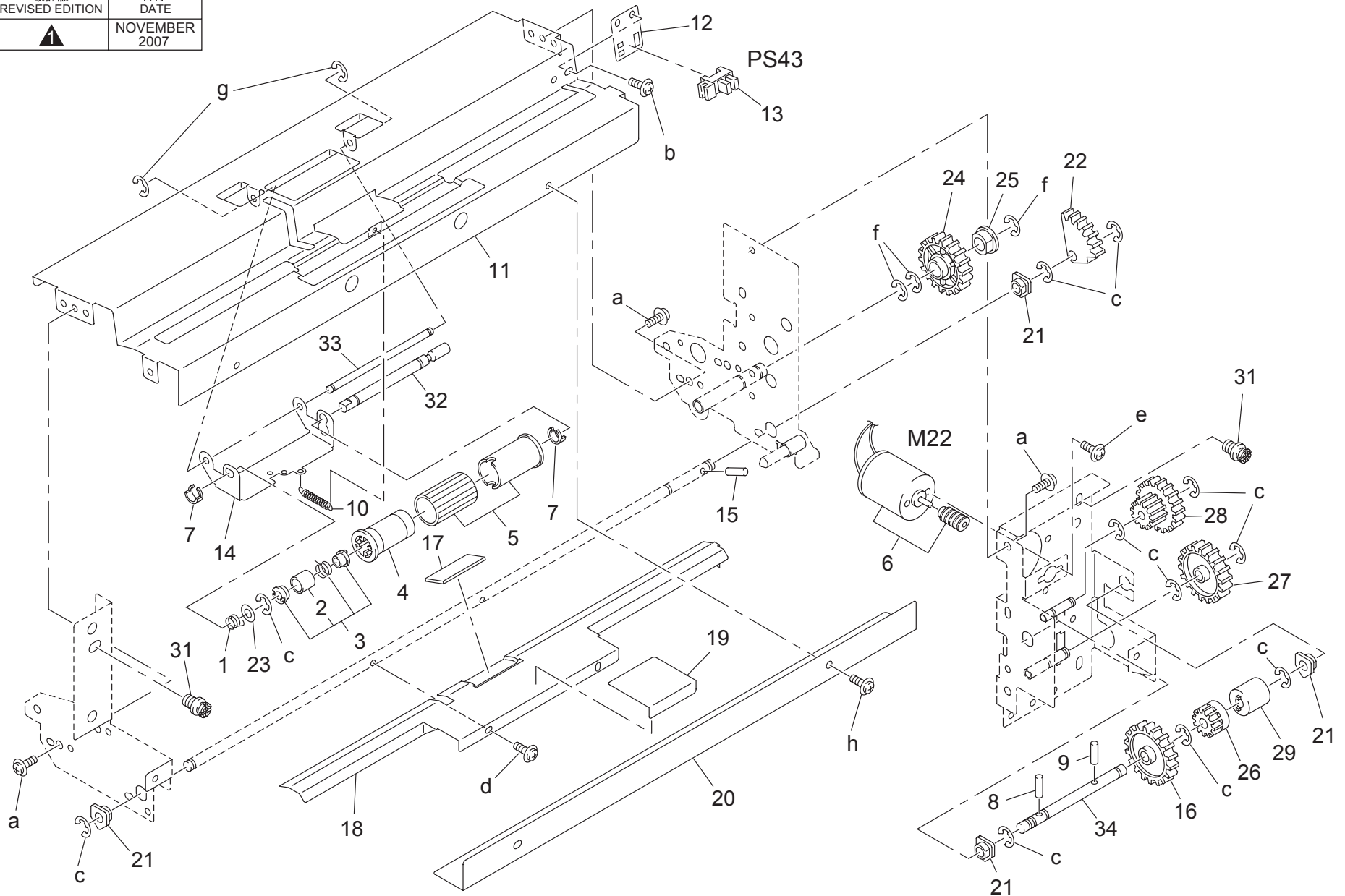
改訂版 REVISED EDITION	日付 DATE
	OCTOBER 2007



Key	Part No.	Description	Destinations	Class	QTY	Standard parts
1	57GA 4356 0	PAPER GUIDE SIDE PLATE FRONT		C	1	a-00Z2 5308 1
2	57GA 4357 0	PAPER GUIDE SIDE PLATE REAR		C	1	b-00Z1 9304 1
3	57GA 4354 0	SLIDE SIDE PLATE FRONT		D	1	c-00Z2 5308 2
4	57GA R721 00	BY PASS FEED REGULATING ASSY		D	1	d-00Z6 7060 6
5	3960 4061 1	RACK 45T		C	1	f-00Z1 4406 2
6	57GA 4351 0	BY PASS PAPER FEED TRAY UPPER		D	1	g-00Z6 7050 6
7	4660 7713 0	PINION 14T		C	1	h-00Z1 9404 1
8	5400 4212 0	SLIDE HOLDER		C	1	
9	55GA 4221 0	RACK		C	1	
10	56AA 8552 1	CONVEYANCE PHOTO SENSOR		B	2	
11	55VA 4360 0	SENSOR FIXED PLATE		D	2	
12	55VA 4362 0	WIRING STOPPER PART		D	3	
13	55VA 7747 0	MANUAL FEED PINION 124T		C	1	
14	55VA 4359 1	BOARD MOUNT PLATE		D	1	
15	13QA -901 2E	SIZEDTECT BOAD ASSY		B	1	
16	55VA 4364 0	PAPER FEED TRAY SLIDE SHEET		D	2	
17	55VA 4303 0	MANUAL FEED SIDE PLATE FRONT		D	1	
18	57GA 4352 0	BY PASS PAPER FEED TRAY MIDDLE		D	1	
19	55VA 4358 0	HINGE FIXED PLATE		D	2	
20	56HA 4353 1	MANUAL FEED TRAY LOWER		D	1	
21	55VA 4311 0	HINGE PLATE		C	1	
22	55VA 4328 0	MANUAL FEED OPEN CLOSE SPRING		B	1	
23	57GA 9728 0	BY PASS LABEL		D	1	
24	55VA 4361 0D	BY-PASS SUPPORT SHAFT		D	2	
25	55VA -516 1	SIDE PLATE ASSY		D	1	

MANUAL FEED UNIT

改訂版 REVISED EDITION	日付 DATE
	NOVEMBER 2007

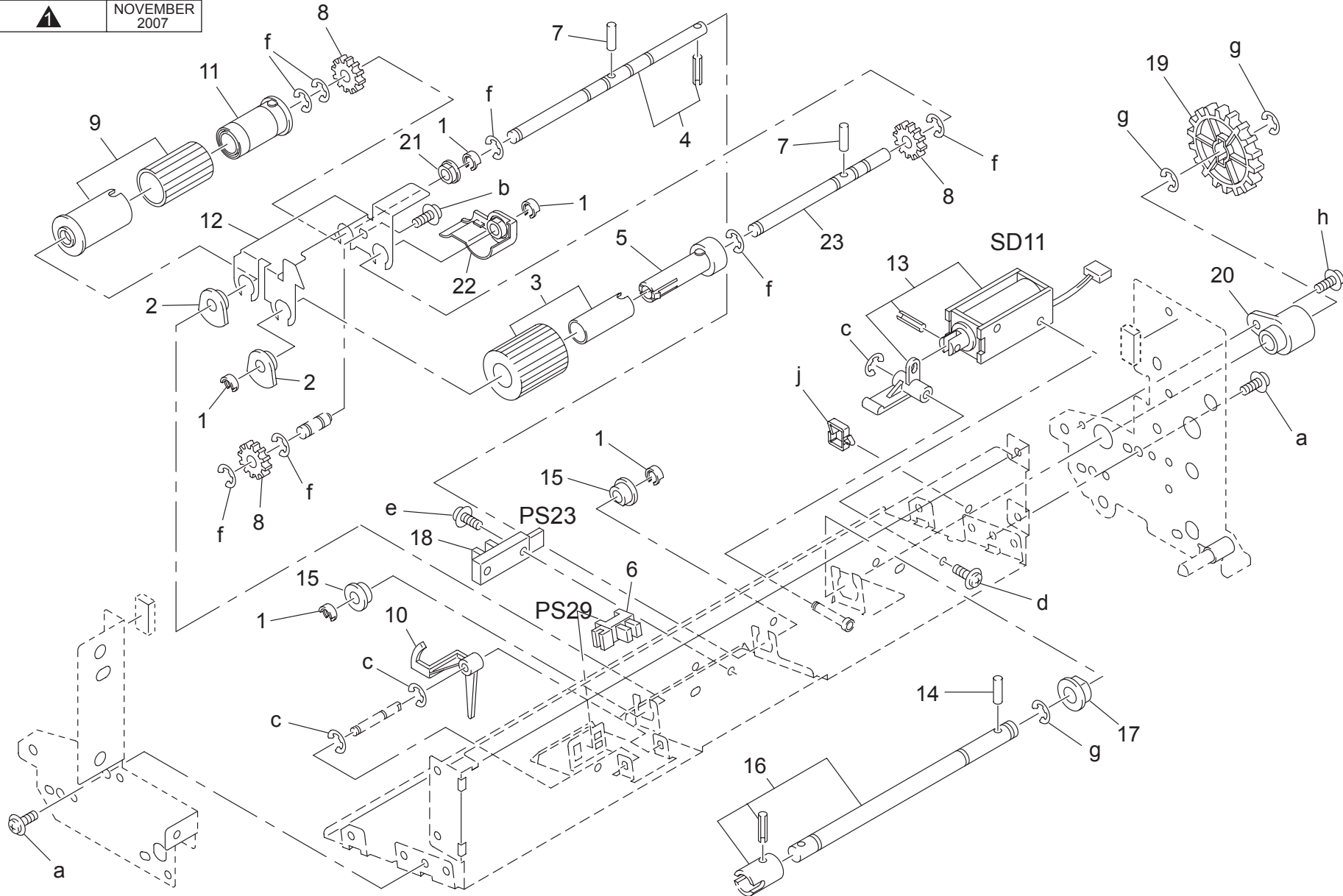


bizhub 920/bizhub PRO 920

Key	Part No.	Description	Destinations	Class	QTY	Standard parts
1	5400 4046 1	DOUBLE FEED REVERSE SPRING	重送逆転バネ	B	1	a-00Z1 9404 1
2	5400 4237 2	SPRING PROTECT COLLAR A	バネ保護カラー A	C	1	b-00Z1 8304 2
3	5400 R701 00	TORQUE LIMITTER BY-PASS FEED	トルクリミッタ 手差し	A	1	c-00Z6 7040 6
4	55VA 4334 0	DOUBLE FEED PREVENTIVE ROLLER	重送防止ローラ	C	1	d-00Z1 9306 1
5	55VA R745 00	FEEDING ROLLER ASSY B5	送り出しローラ部組 B 5	A	1	e-00Z1 1B04 1
6	56GA -512 0	MOTOR ASSY	モータ部組	B	1	f-00Z6 7060 6
7	3960 4068 1	STOPPER RING	止め輪	B	2	g-00Z6 7030 6
8	56AA 1732 1	PIN A D2X12	ピン A D 2 X 1 2	C	1	h-00Z1 4406 2
9	56AA 1731 0	PIN	ピン	C	1	
10	55VA 4327 0	PRESSURE SPRING	押圧バネ	B	1	
11	55VA 4304 1	MANUAL FEED GUIDE PLATE LOWER	手差しガイド板 下	D	1	
12	55VA 4310 0	SENSOR MOUNT PLATE	センサ取り付け板	D	1	
13	08AA 8551 2	PHOTO SENSOR	フォトセンサ	B	1	
14	55VA 4309 0	SHAFT COVER	軸カバー	D	1	
15	56AA 1746 1	PIN A	ピン A	C	1	
16	55VA 7774 0	MANUAL FEED UP DOWN GEAR A 45T	手差し昇降歯車 A 4 5 T	B	1	
17	55VA 4333 0	DOUBLE FEED PREVENTIVE RUBBER	重送防止ゴム	C	1	
18	55VA 4306 1	PAPER LIFT UP PLATE	紙持ち上げ板	C	1	
19	55VA 4335 0	MANUAL FEED SHEET	手差し給紙シート	C	1	
20	57GA 1262 0	BY PASS COVER LOWER	手差し カバー 下	D	1	
21	4660 7602 0	PAPER FEED SHAFT HOLDER	給紙送り出し軸受	B	4	
22	5400 7705 2	PAPER LIFT UP GEAR A 12T	紙持ち上げ歯車 A 1 2 T	B	1	
23	40AA 3027 0	DEVELOPING SPACER	現像スペーサー	C	1	
24	55VA 7715 0	PAPER FEED DRIVING GEAR E 32T	給紙駆動歯車 E 3 2 T	B	1	
25	0900 7553 0	BUSHING	軸受	B	1	
26	55VA 7903 0	PAPER FEED REVERSAL GEAR C 14T	給紙逆転歯車 C 1 4 T	B	1	
27	4660 7722 0	DOUBLE STEPPED GEAR 34T 17T	2段歯車 3 4 T 1 7 T	C	1	
28	3960 7724 0	TONER SUPPLY GEAR A 42T 13T	トナー補給歯車 A 4 2 T 1 3 T	C	1	
29	13GQ 4551 1	TORQUE LIMITTER	トルクリミッタ	C	1	
31	25AA 4433 1	STOPPER PIN	ストッパーピン	C	2	
32	55VA 4316 1	MULTI-FEED PREVENTING SHAFT	重送防止軸	D	1	
33	55VA 4317 0	SUPPORT SHAFT /A	支持軸 / A	D	1	
34	55VA 4322 0	DRIVE CONTROL SHAFT	駆動制御軸	D	1	

MANUAL FEED UNIT

改訂版 REVISED EDITION	日付 DATE
	NOVEMBER 2007

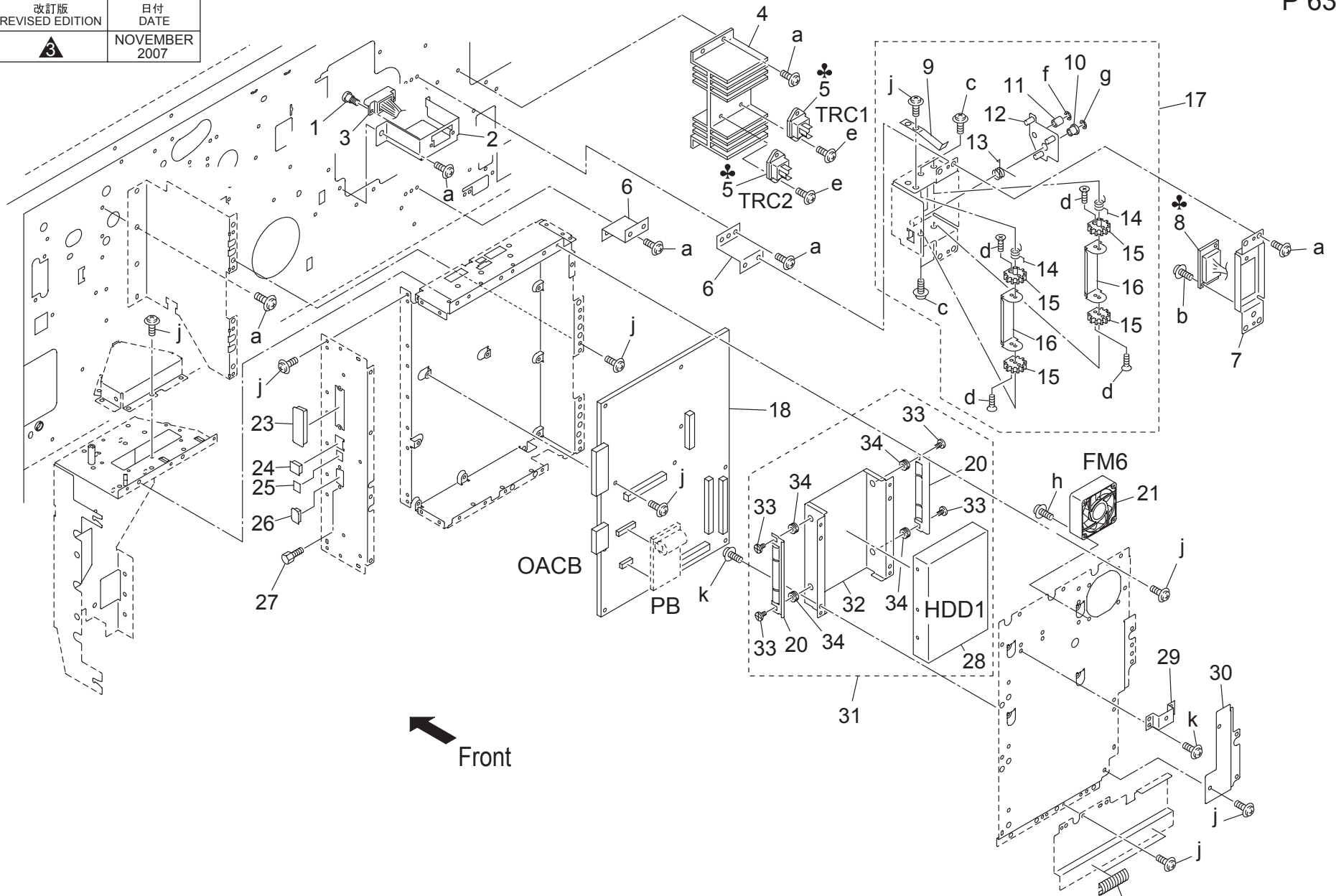


bizhub 920/bizhub PRO 920

Key	Part No.	Description	Destinations	Class	QTY	Standard parts
1	3960 4068 1	STOPPER RING		B	5	a-00Z1 9404 1
2	25AA 7556 0	SLIDE SHAFT HOLDER BLACK		C	2	b-00Z1 9304 1
3	55VA R746 00	FEEDING ROLLER ASSY A5		A	1	c-00Z6 7030 6
4	55VA R753 00	PAPER CONVEYING SHAFT PIN		D	1	d-00Z1 8304 1
5	50BA 4003 0	FEEDING ROLLER A		B	1	e-00Z1 8410 1
6	08AA 8551 2	PHOTO SENSOR		B	1	f-00Z6 7040 6
7	56AA 1753 1	PIN A D2X10		C	1	g-00Z6 7060 6
8	3960 7704 0	FEED GEAR A 18T		C	3	h-00Z1 9306 1
9	55VA R745 00	FEEDING ROLLER ASSY B5		A	1	j-00Z9 2193 1
10	55VA 4332 0	MANUAL FEED ACTUATOR		C	1	
11	56UA 4060 0	MULTI FEED FEEDING ROLLER		C	1	
12	55VA 4307 0	SHAFT LIFT UP COVER		D	1	
13	55VA R755 00	SOLENOID ASSY		B	1	
14	56AA 1747 1	PIN B 3X12		C	2	
15	1310 7551 0	OIL LESS METAL A		C	2	
16	55VA R754 00	CUOPLING SHAFT		D	1	
17	0900 7553 0	BUSHING		B	1	
18	56AA 8551 1	PHOTO SENSOR		B	1	
19	12AJ 7706 1	GEAR 4 42T		C	1	
20	57GA 7503 0	LOCK BEARING B		C	1	
21	3920 1565 0	SLIDE BUSHING/C		C	1	
22	55VA 4363 0	DRIVING PROTECT SHAFT HOLDER		C	1	
23	55VA 4314 1D	Paper Feeding Shaft		D	1	

ELECTRIC PARTS

改訂版 REVISED EDITION	日付 DATE
	NOVEMBER 2007

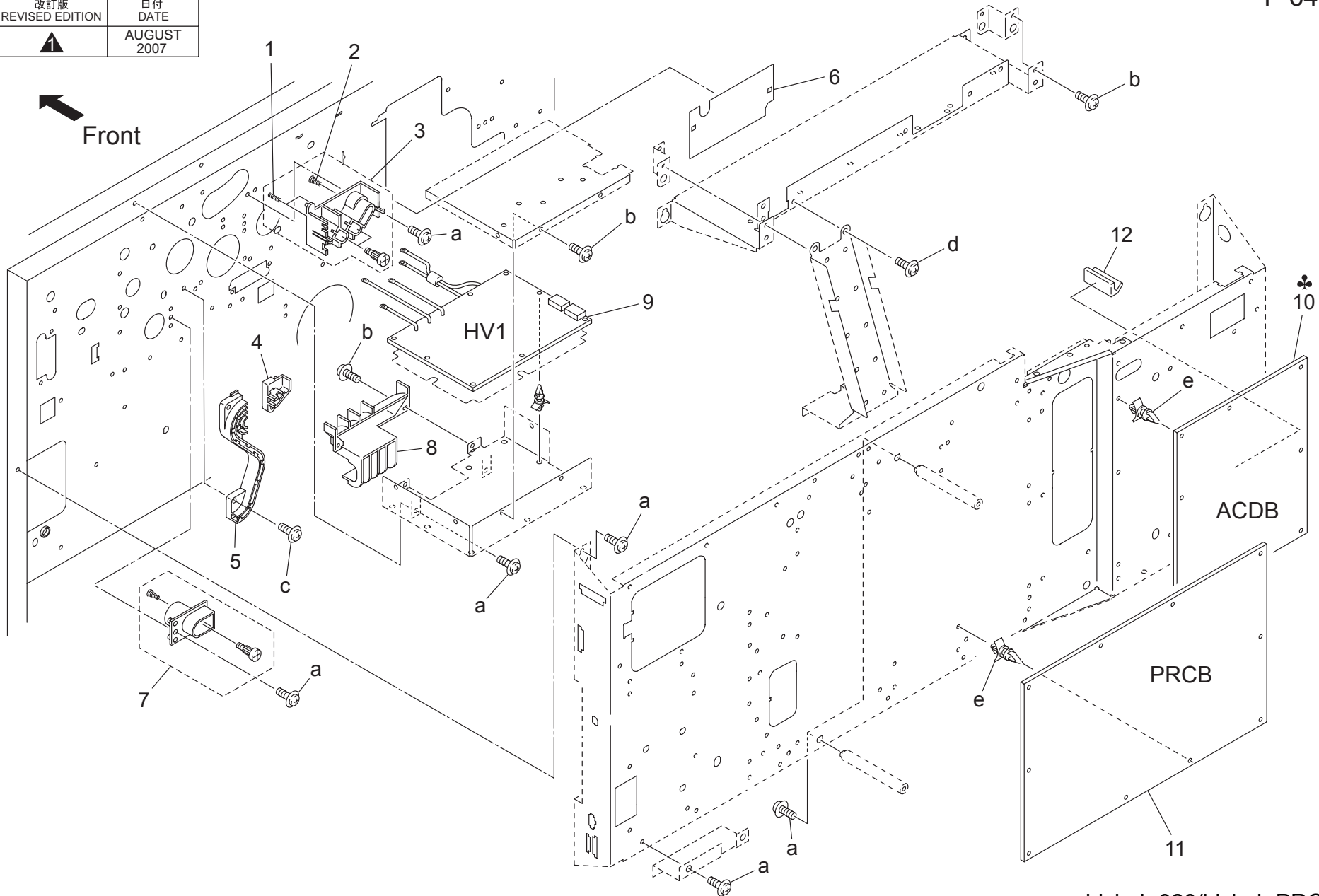


22 bizhub 920/bizhub PRO 920

Key	Part No.	Description	Destinations	Class	QTY	Standard parts
1	0660 7902 0	DRAWER SCREW M3X10		C	2	a-00Z1 9406 1
2	55VA 7311 0	TERMINAL MOUNT PLATE		C	1	b-00Z1 8410 1
3	57GA 9014 0	FIXING CONTROL WIRING		D	1	c-00Z1 9410 1
4	55VA 7340 0	COOLING PLATE 1		D	1	d-00Z1 2206 1
5	55VA 8908 1	AC SWITCH	A(100V)	C	2	e-00Z1 5408 1
5	25AE 8908 1	AC SWITCH	A(200V),B,C,D1,D3,F1,F 2,G1,G2,H,I,J,K	C	1	f-00Z6 7030 6
6	55VA 7309 0	TERMINAL MOUNT FOOT		C	2	g-00Z6 7040 6
7	25AA 5347 2	CORD MOUNTING PLATE C		C	1	h-00Z1 8330 1
8	57GA 9003 0	FIXING POWER SOURCE WIRING	A(100V)	D	1	j-00Z1 9304 1
8	57GB 9003 0	FIXING POWER SOURCE WIRING	A(200V),B,C,D1,D3,F1,F 2,G1,G2,H,I,J,K	D	1	k-00Z1 9306 1
9	25AA 5344 1	EARTH SPRING		C	1	
10	4960 7621 0	SLIDE SHAFT HOLDER D6		C	1	
11	4960 4193 0	CONNECTOR COLLAR A		C	1	
12	4960 R701 00	CONNECTOR ARM		D	1	
13	4960 4195 0	CONNECTOR COVER SPRING A		C	1	
14	4960 4196 0	CONNECTOR COVER SPRING B		C	2	
15	4960 4189 0	CONNECTOR GEAR 11T		C	4	
16	25AA 5360 0	CORD COVER		D	2	
17	25AA R706 00	CORD MT PLATE B		C	1	
18	57GA -901 2E	IMAGE CONTROL BOARD ASSY		I	1	
20	56UA 7355 0	EARTH PLATE		D	2	
21	56AA 8054 1	FAN MOTOR 1		B	1	
22	56AA R705 00	EARTH SPRING ASSY		C	2	
23	26NA 7383 1	CONTACT PROTECTION COVER/1		D	1	
24	40LA 7384 0	CONTACT PROTECTION COVER		D	1	
25	55GA 9725 0	CONTACT PROTECT SEAL		D	1	
26	13RN 7312 0	TERMINAL PROTECTION COVER 1		D	1	
27	26NA 7357 0	CONTACT FIXING SCREW A		C	1	
28	56UA -920 1E	HDD DATA UNIT		I	1	
29	57GA 7316 0	EXTERNAL MOUNTING PLATE		D	1	
30	57GA 7315 0	INPUT COVER		D	1	
31	57GA -741 0	HDD ASSY		S	1	
32	56UA 7345 0	BOARD SUPPORT PLATE		D	1	
33	20ER 7311 0	BOARD FIXING SCREW		D	4	
34	20ER 7312 0	BOARD SUPPORT RUBBER		D	4	

ELECTRIC PARTS

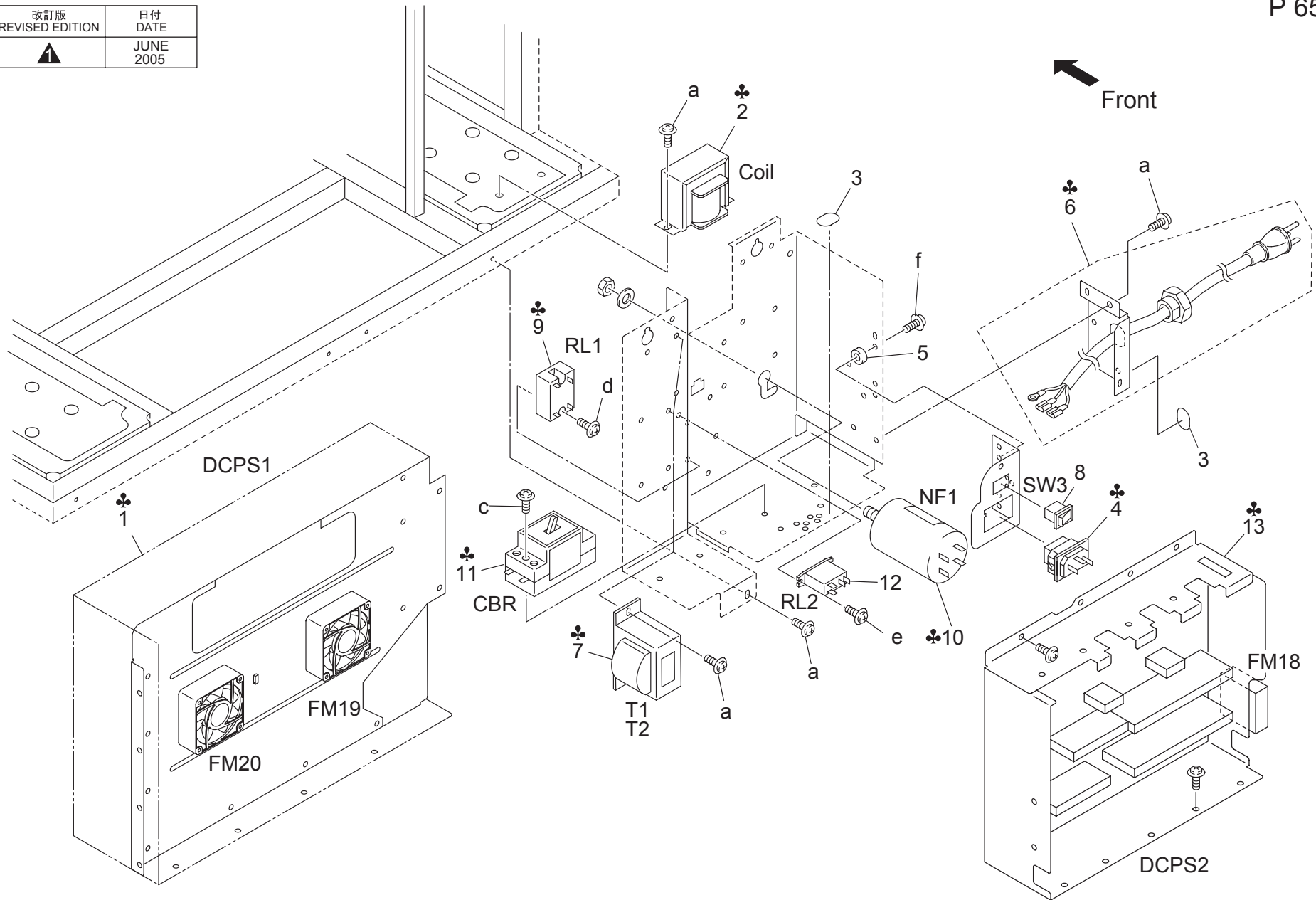
改訂版 REVISED EDITION	日付 DATE
▲	AUGUST 2007



bizhub 920/bizhub PRO 920

ELECTRIC PARTS

改訂版 REVISED EDITION	日付 DATE
	JUNE 2005

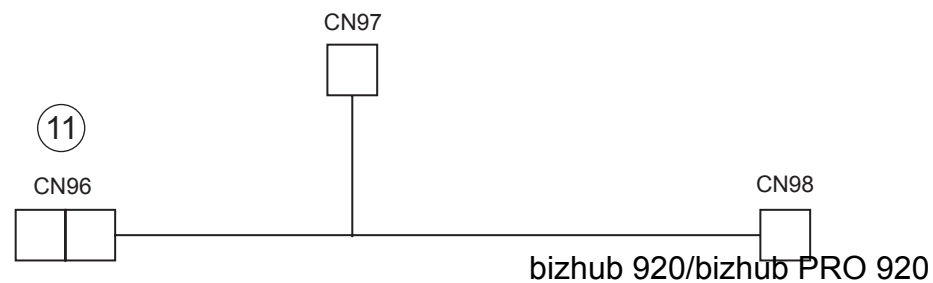
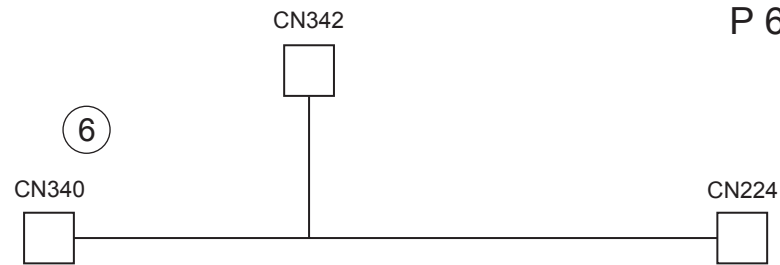
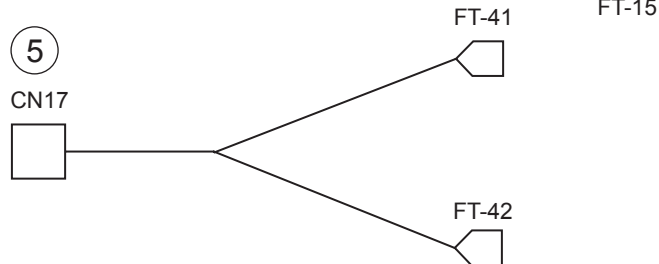
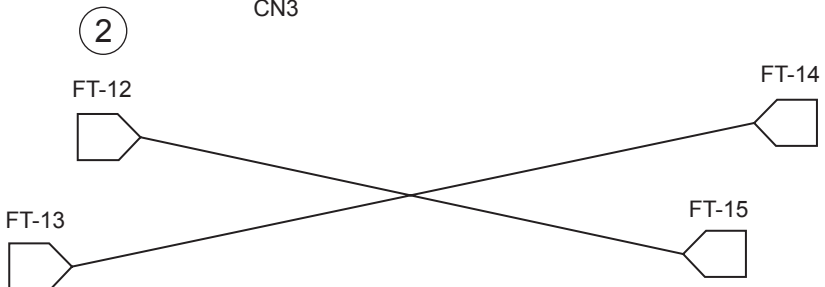
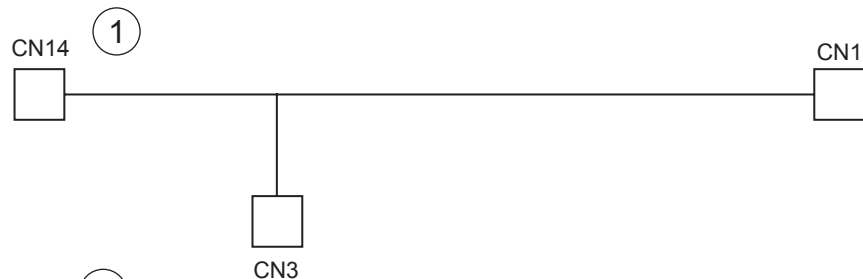


bizhub 920/bizhub PRO 920

Key	Part No.	Description	Destinations	Class	QTY	Standard parts
1	57GA 8451 0	DC POWER SOURCE 1	A(100V)	I	1	a-00Z1 9406 1 c-00Z1 1420 1 d-00Z1 1406 1 e-00Z1 8306 1 f-00Z1 9206 1
1	56UA 8451 1	DC POWER SOURCE 1	A(200V),B,C,D1,D3,F1,F 2,G1,G2,H,I,J,K	I	1	
2	56QA 8454 0	COIL	A(100V)	C	1	
2	56AF 8454 0	COIL	A(200V),B,C,D1,D3,F1,F 2,G1,G2,H,I,J,K	C	1	
3	25HE 9707 0	EARTH LABEL		C	2	
4	55VA R767 00	POWER SOURCE WIRING ASSY	A(200V),B,C,D1,D3,F1,F 2,G1,G2,H,I,J,K	C	1	
5	55VA 1247 0	SCREW PROTECT CUSHION		D	1	
6	57GA -733 0	CORD PANEL ASSY	A(100V)	C	1	
6	57GB -733 0	CORD PANEL ASSY	A(200V)	C	1	
6	57GE -733 0	CORD PANEL ASSY	B,G1	C	1	
6	57GF R703 00	CORD PANEL ASSY	C	C	1	
6	57GG -733 0	CORD PANEL ASSY	J	C	1	
6	57GK -733 1	CORD PANEL ASSY	H	C	1	
6	57GN -733 0	CORD PANEL ASSY	D1,F1,F2,G2,I	C	1	
6	57GL -733 0	CORD PANEL ASSY	D1,D3,F1,F2,G2,I	C	1	
6	57GU -733 0	CORD PANEL ASSY	K	C	1	
7	56AA 8452 0	POWER SOURCE TRANSFORMER	A(100V)	C	2	
7	56AF 8452 1	POWER SOURCE TRANSFORMER	A(200V),B,C,D1,D3,F1,F 2,G1,G2,H,I,J,K	C	1	
8	25AA 8502 0	HEATER SWITCH		C	1	
9	25SA 8846 1	MAIN RELAY	A,B,G1	C	1	
9	25SF 8846 1	MAIN RELAY	C,D1,D3,F1,F2,G2,H,I,J ,K	C	1	
10	5380 8826 1	NOISE FILTER	A(100V),B,G1	C	1	
10	3235 8453 1	NOISE FILTER	A(200V),B,C,D1,D3,F1,F 2,G1,G2,H,I,J,K	C	1	
11	25AA 8846 2	CIRCUIT BREAKER	A(200V),B,C,D1,D3,F1,F 2,G1,G2,H,I,J,K	C	1	
11	25QA 8846 1	CIRCUIT BREAKER	A(100V)	C	1	
12	55VA 8841 1	POWER SOURCE RELAY		C	2	
13	57GA 8452 0	DC POWER SOURCE 2	A(100V)	I	1	
13	57GB 8452 0	DC POWER SOURCE 2	A(200V),B,C,D1,D3,F1,F 2,G1,G2,H,I,J,K	I	1	

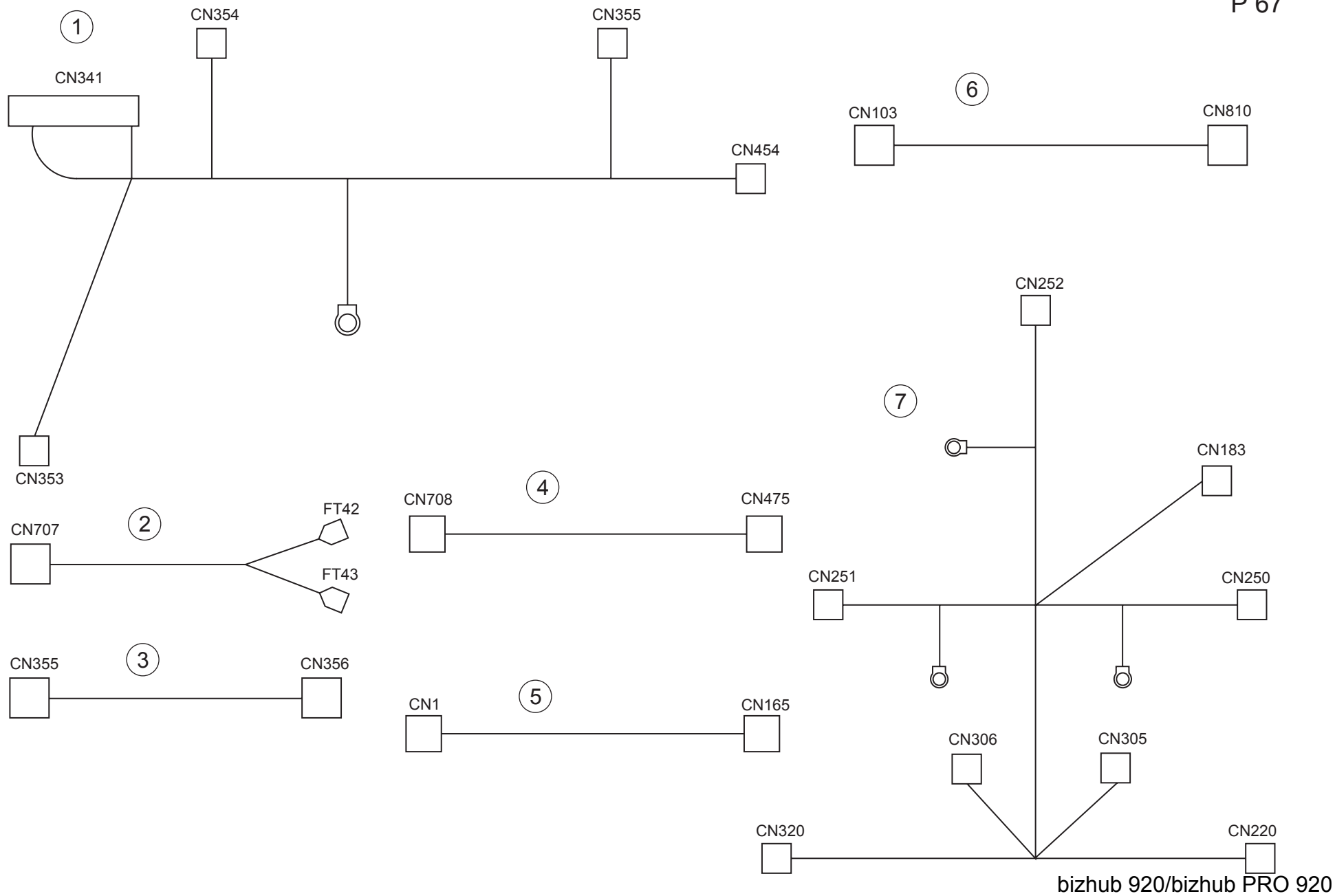
WIRING

P 66



WIRING

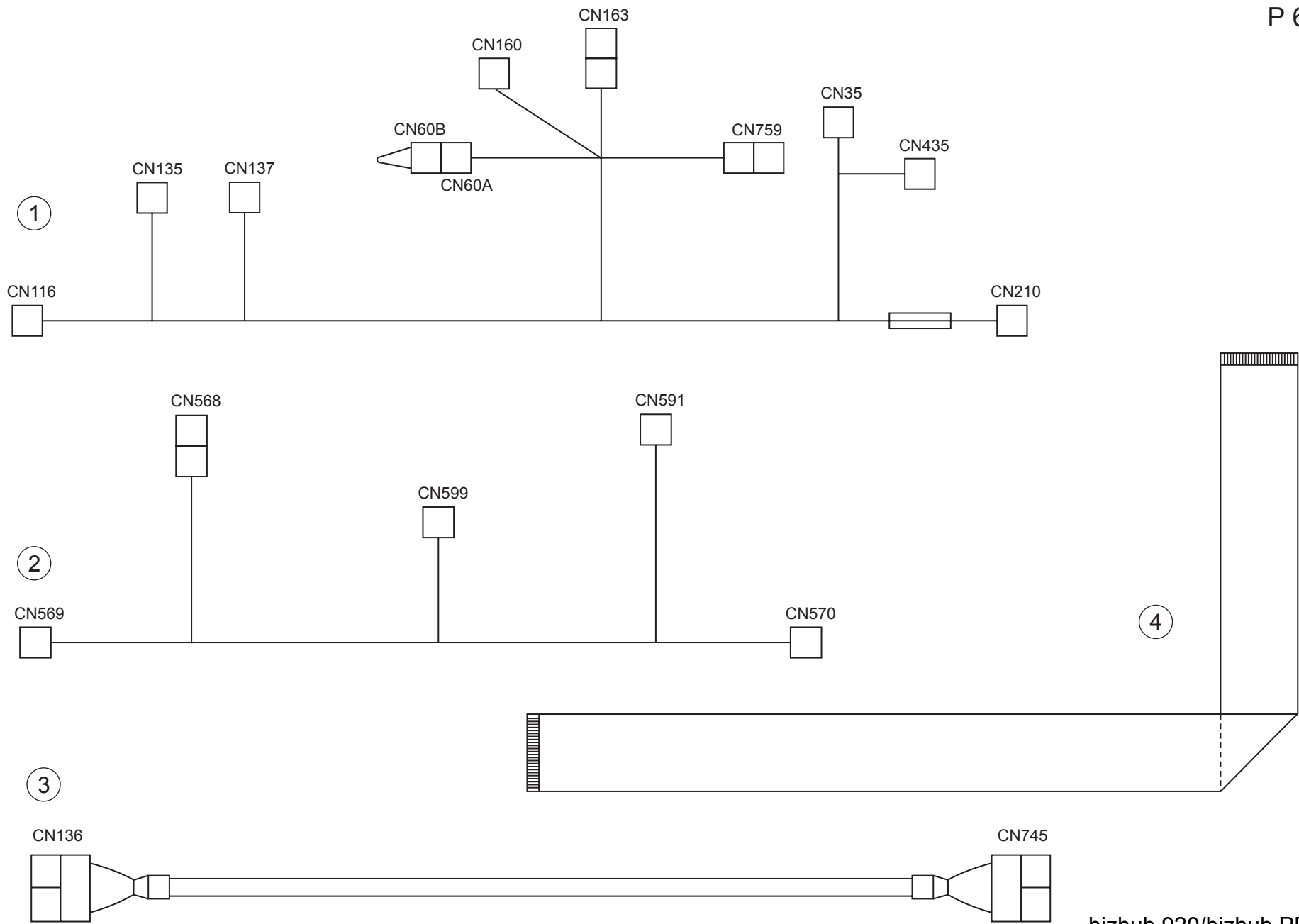
P 67



Key	Part No.	Description	Destinations	Class	QTY	Standard parts
1	57GA 9041 0	DRUM WIRING 1		D	1	
2	57GA 9032 0	OPERATION UNIT POWER SOURCE WIRING		D	1	
3	57GA 9048 0	CLEANER RELAY WIRING		D	1	
4	57GA 9076 0	OPERATION UNIT WIRING 2		D	1	
5	57GA 9077 0	OPERATION UNIT WIRING 3		D	1	
6	57GA 9058 0	HDD POWER SOURCE WIRING		D	1	
7	57GA 9016 0	PAPER FEED WIRING		D	1	

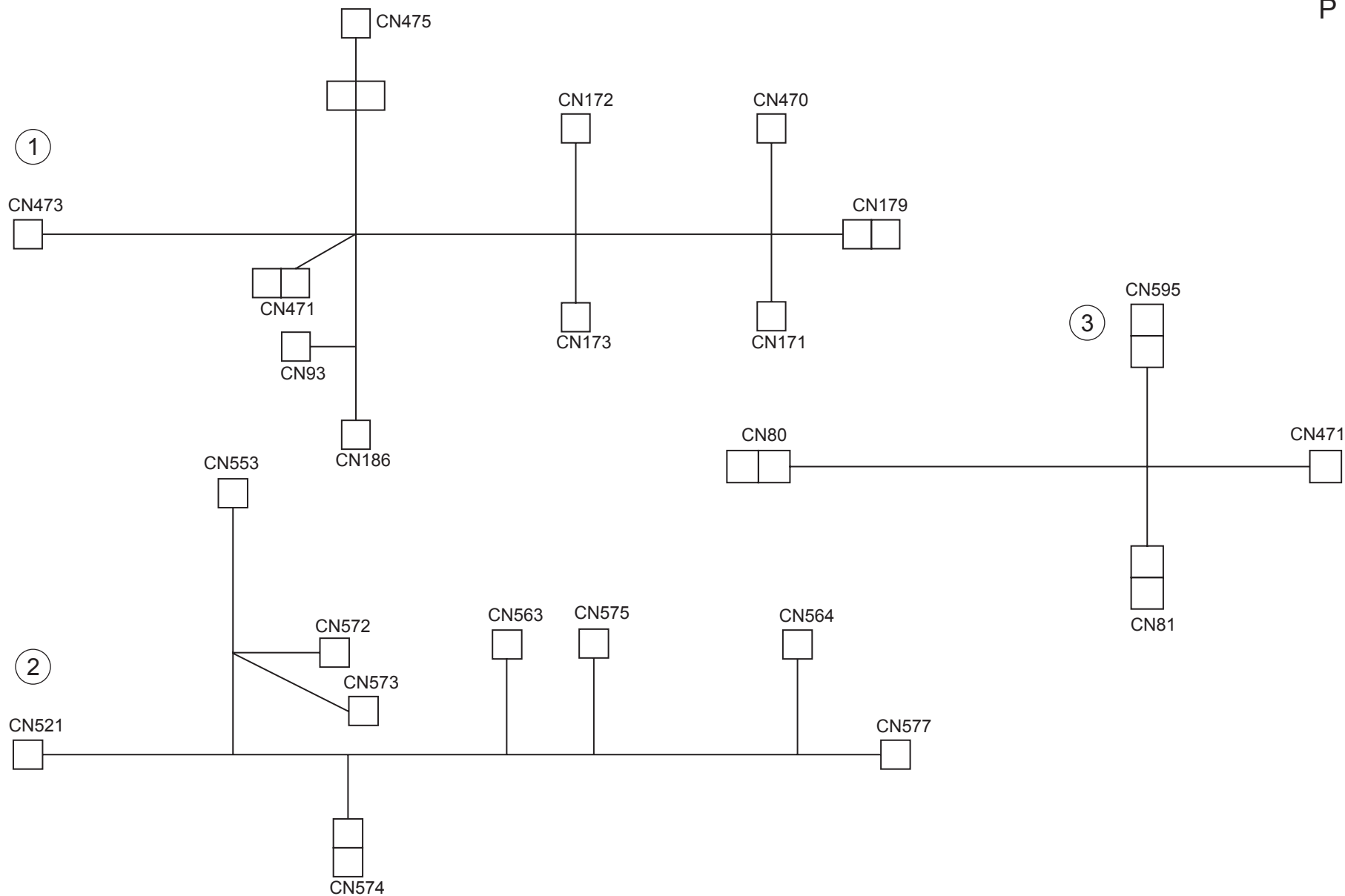
bizhub 920/bizhub PRO 920

WIRING



Key	Part No.	Description		Destinations	Class	QTY	Standard parts
1	57GA 9018 0	INTERNAL SIGNAL WIRING	機内信号束線		D	1	
2	57GA 9063 0	REGISTRATION WIRING	レジスト束線		D	1	
3	57GA 9026 0	OPERATION UNIT RELAY WIRING	操作部中継束線		D	1	
4	57GA 9056 1	AD WIRING	A D 束線		D	1	

WIRING

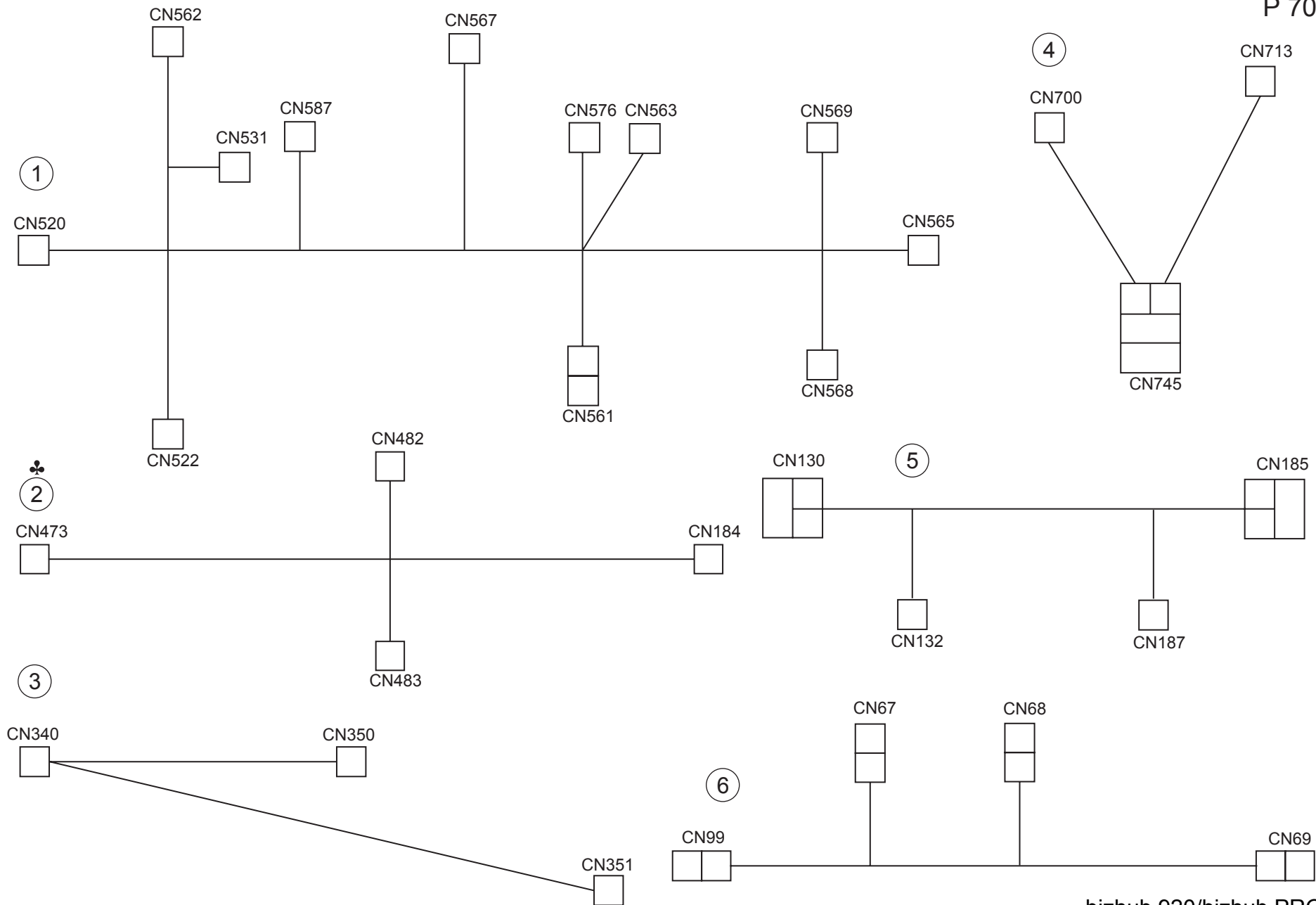


Key	Part No.	Description	Destinations	Class	QTY	Standard parts
1	57GA 9013 0	TONER RELAY WIRING		D	1	
2	57GA 9061 0	ADU DRIVE WIRING		D	1	
3	57GA 9027 0	POLYGON RELAY WIRING		D	1	

bizhub 920/bizhub PRO 920

WIRING

P 70

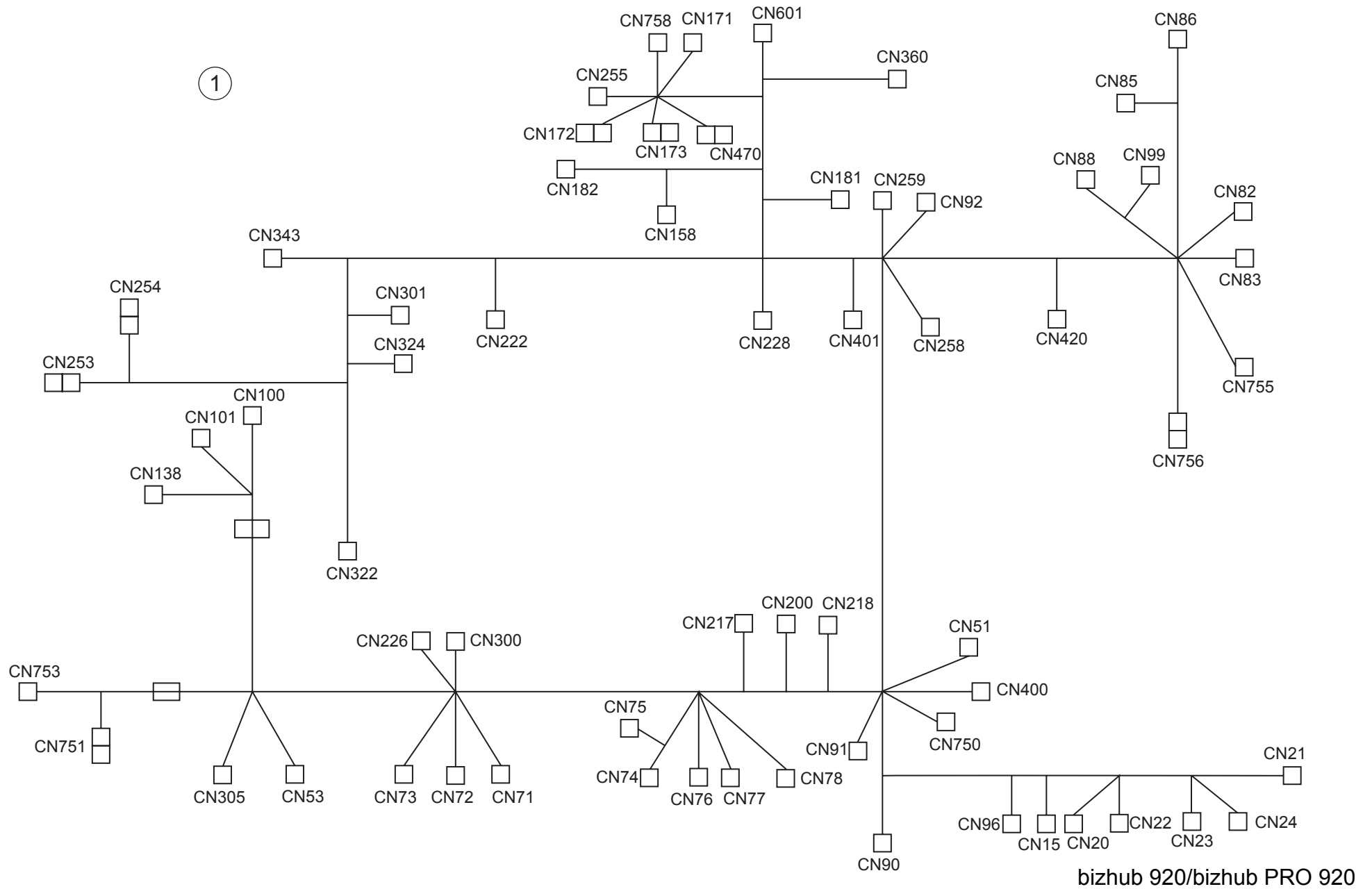


bizhub 920/bizhub PRO 920

Key	Part No.	Description	Destinations	Class	QTY	Standard parts
1	57GA 9062 0	ADU SIGNAL WIRING	A D U 信号束線	D	1	
2	57GE 9037 0	TONER CONTROL WIRING	トナー制御束線	D	1	
2	57GA 9037 0	TONER CONTROL WIRING	トナー制御束線	D	1	
3	57GA 9042 0	DRUM WIRING 2	ドラム束線 2	D	1	
4	57GA 9031 0	OPERATION UNIT SIGNAL WIRING	操作部信号束線	D	1	
5	57GA 9054 0	LASER CONTROL WIRING	レーザー制御束線	D	1	
6	57GA 9029 0	PAPER EXIT COOLING WIRING UPPER	排紙冷却束線 上	D	1	

WIRING

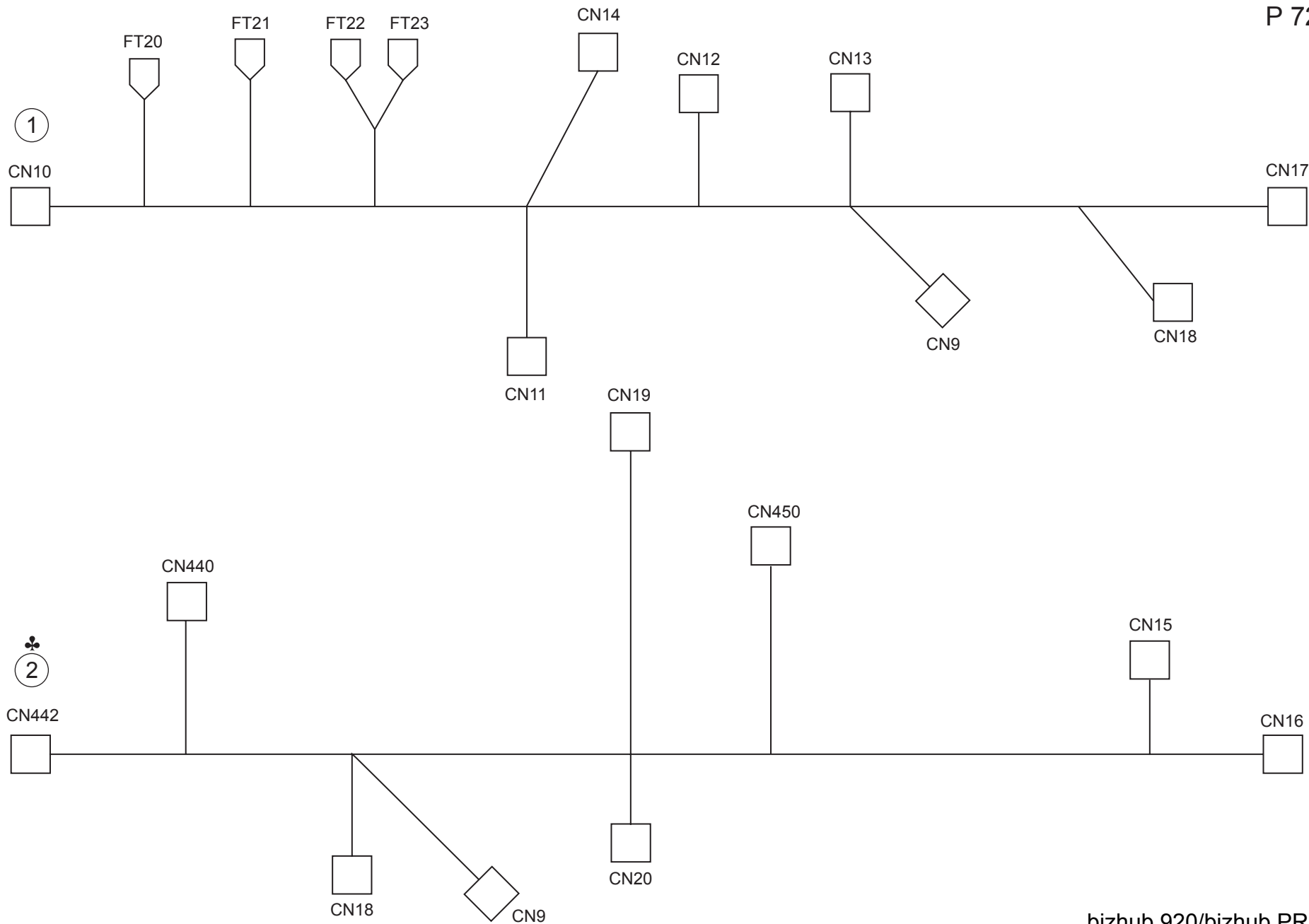
P 71



Key	Part No.	Description		Destinations	Class	QTY	Standard parts
1	57GA 9012 0	DC POWER SOURCE WIRING	D C 電源束線		D	1	

WIRING


P 72

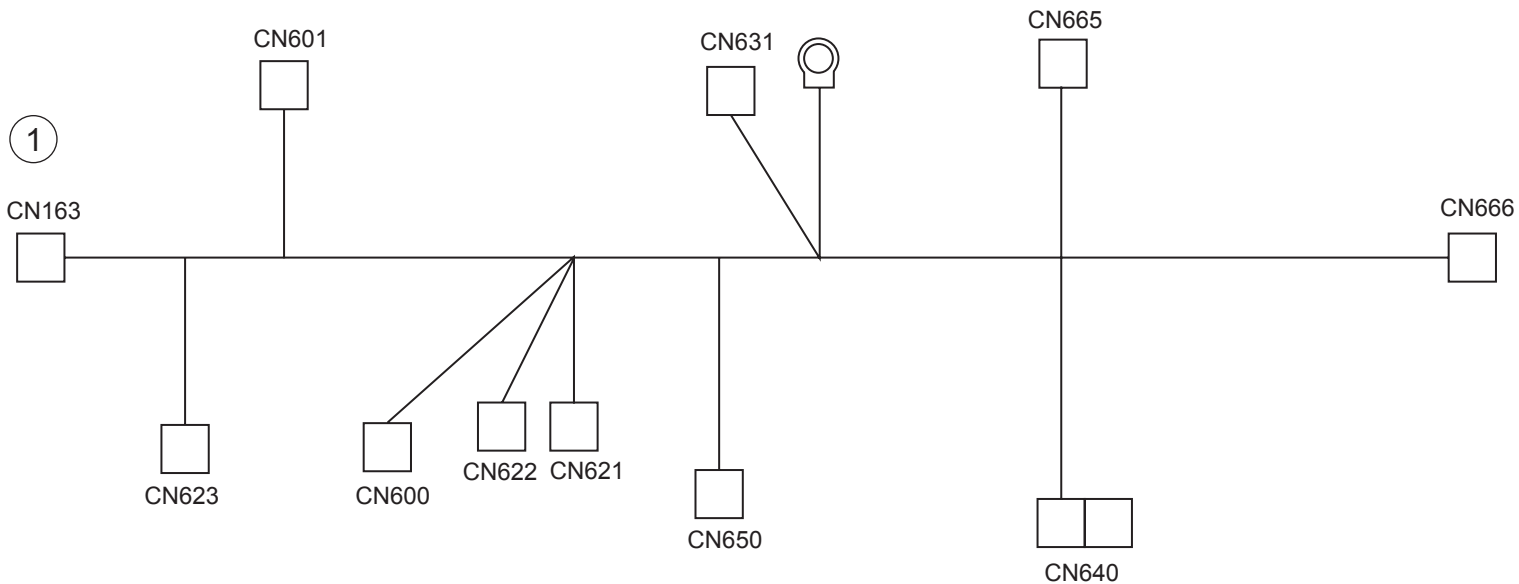


Key	Part No.	Description	Destinations	Class	QTY	Standard parts
1	57GA 9001 0	AC WIRING	A C 束線	D	1	
2	57GA 9003 0	FIXING POWER SOURCE WIRING	定着電源束線	D	1	
2	57GB 9003 0	FIXING POWER SOURCE WIRING	定着電源束線	D	1	

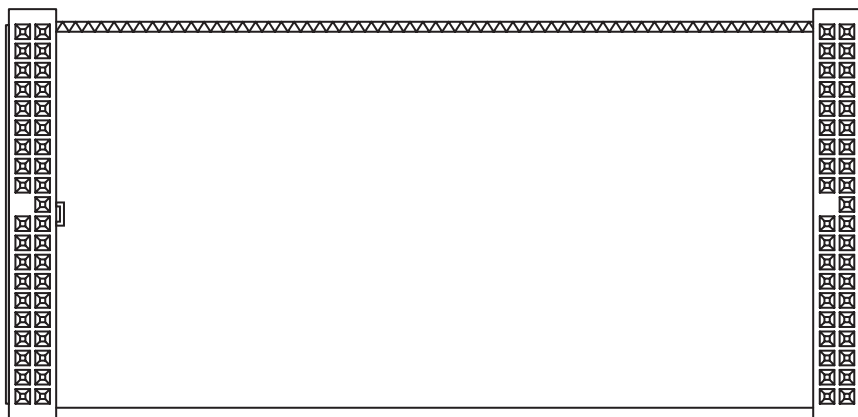
bizhub 920/bizhub PRO 920

WIRING

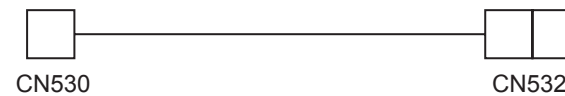
改訂版 REVISED EDITION	日付 DATE
	AUGUST 2007



2

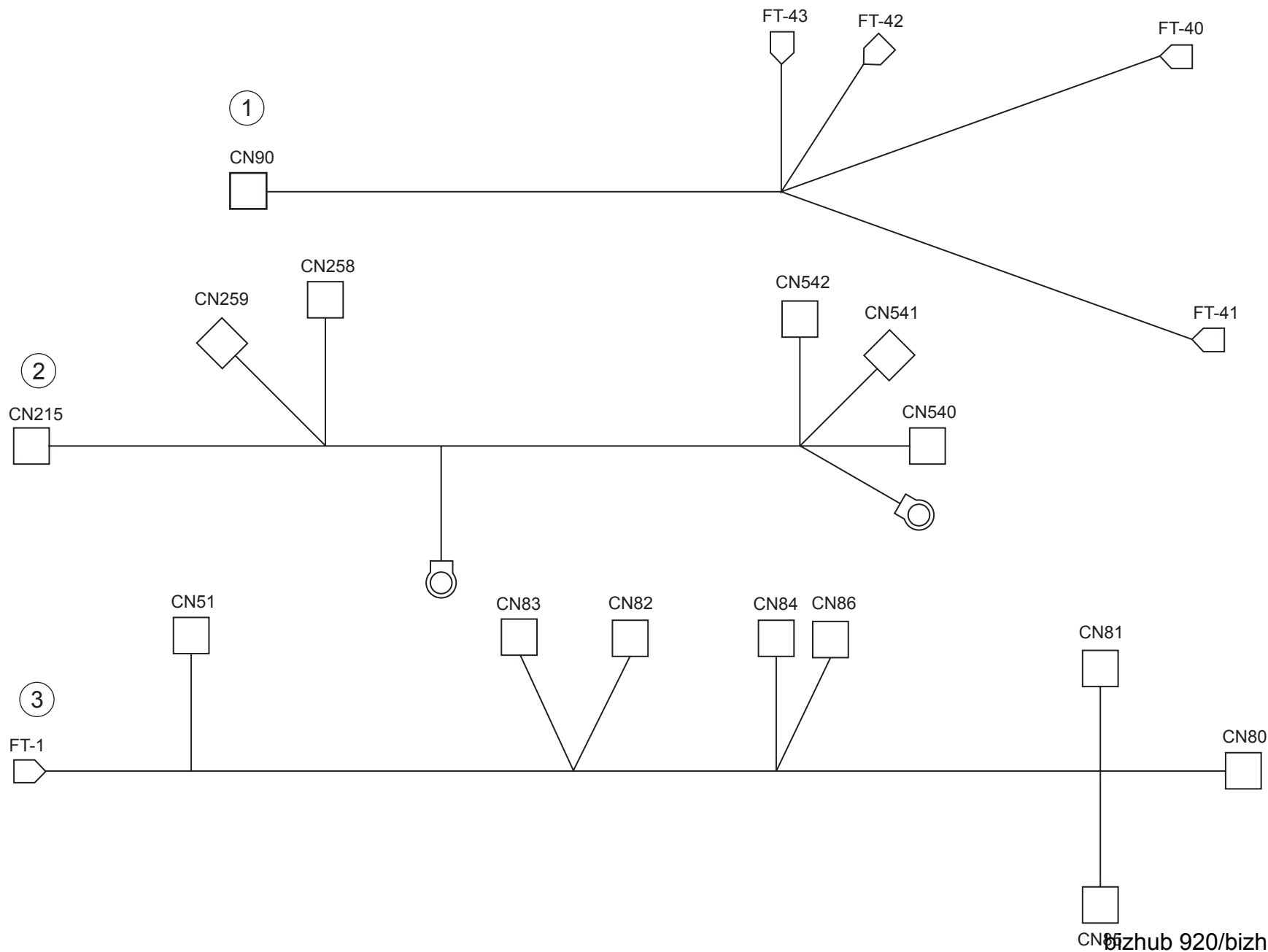


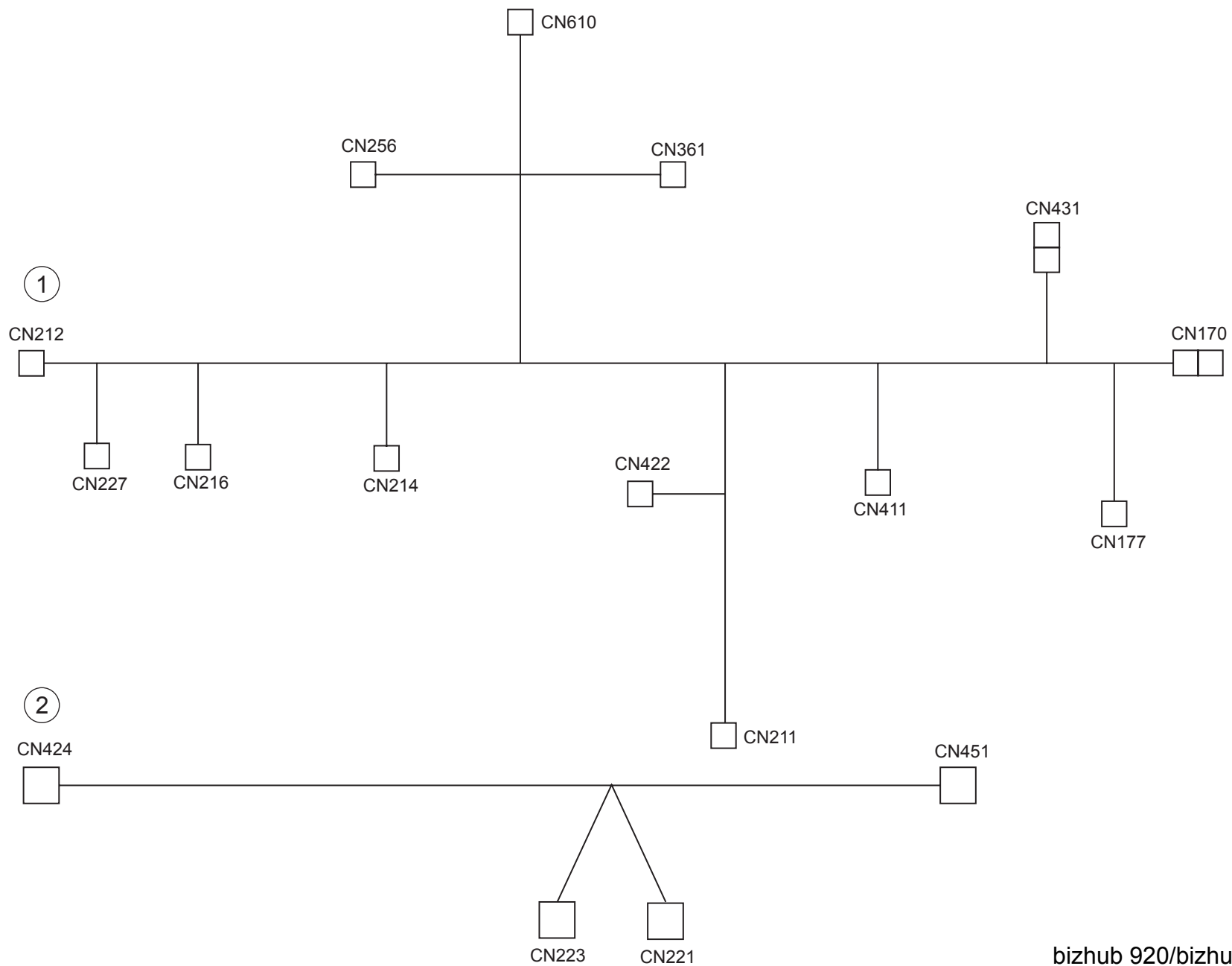
3



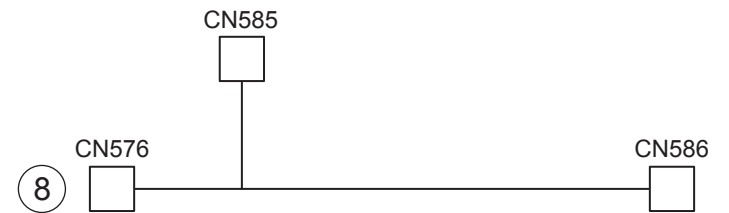
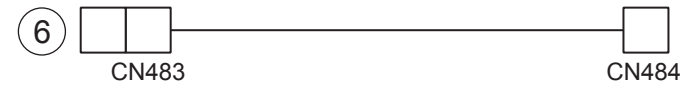
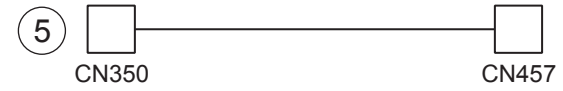
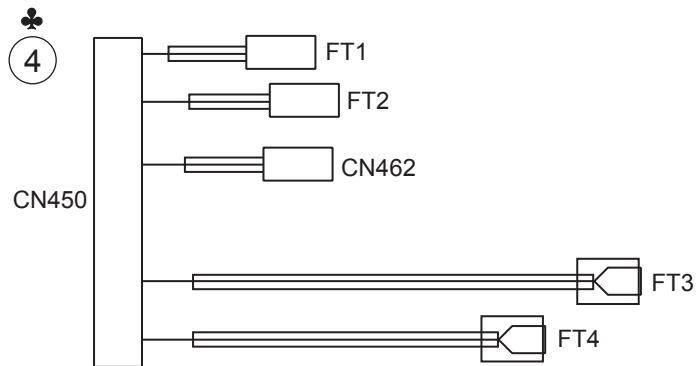
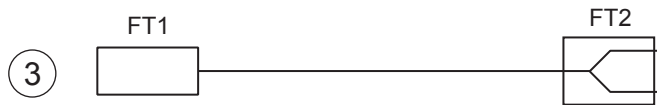
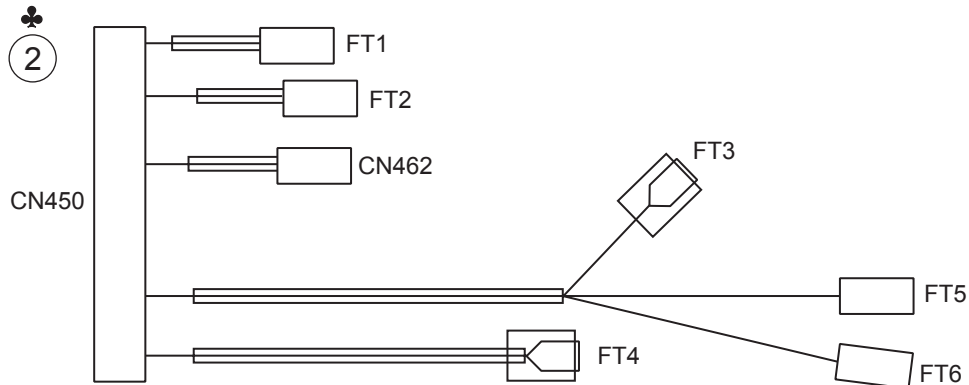
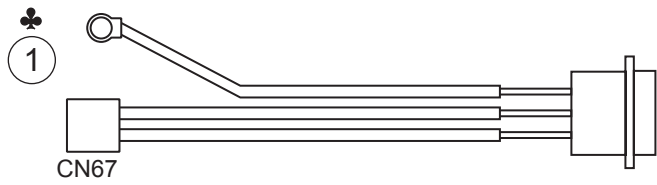
Key	Part No.	Description	Destinations	Class	QTY	Standard parts
1	57GA 9078 0	APS WIRING		D	1	
2	56UA 9057 0	HDD I F WIRING		D	1	
3	57GA 9065 0	ADU COOLING WIRING		D	1	

WIRING



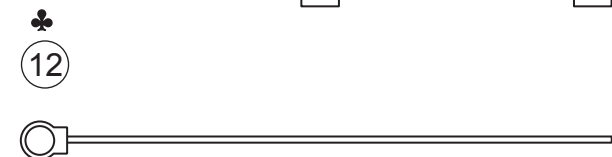
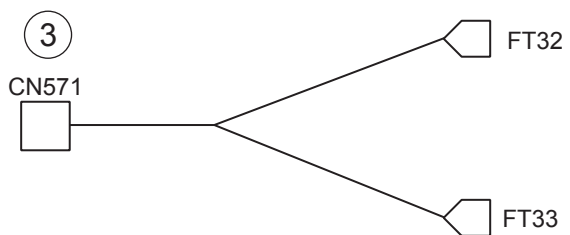
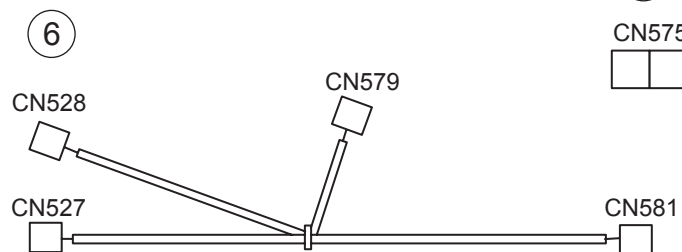
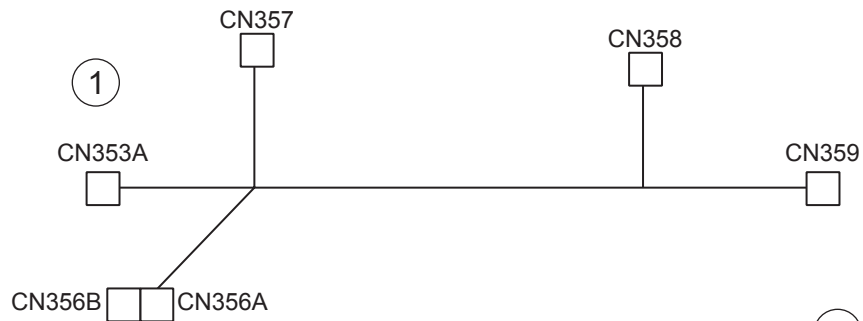


WIRING



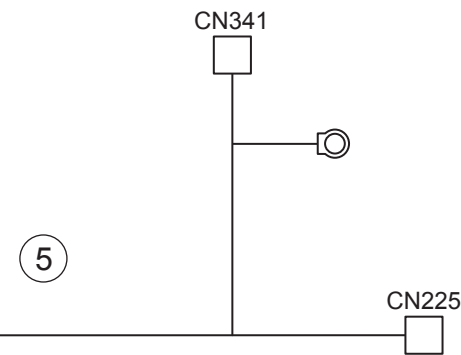
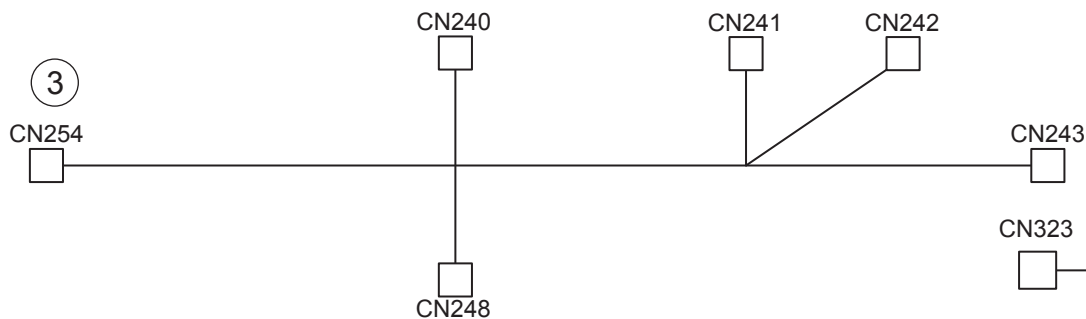
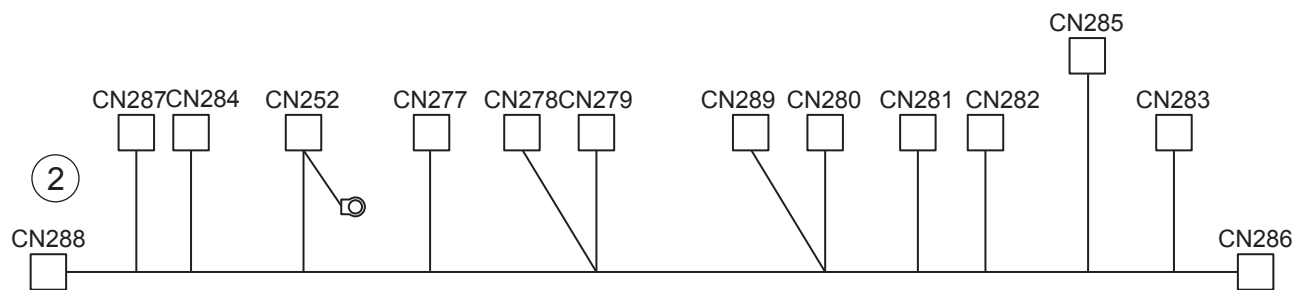
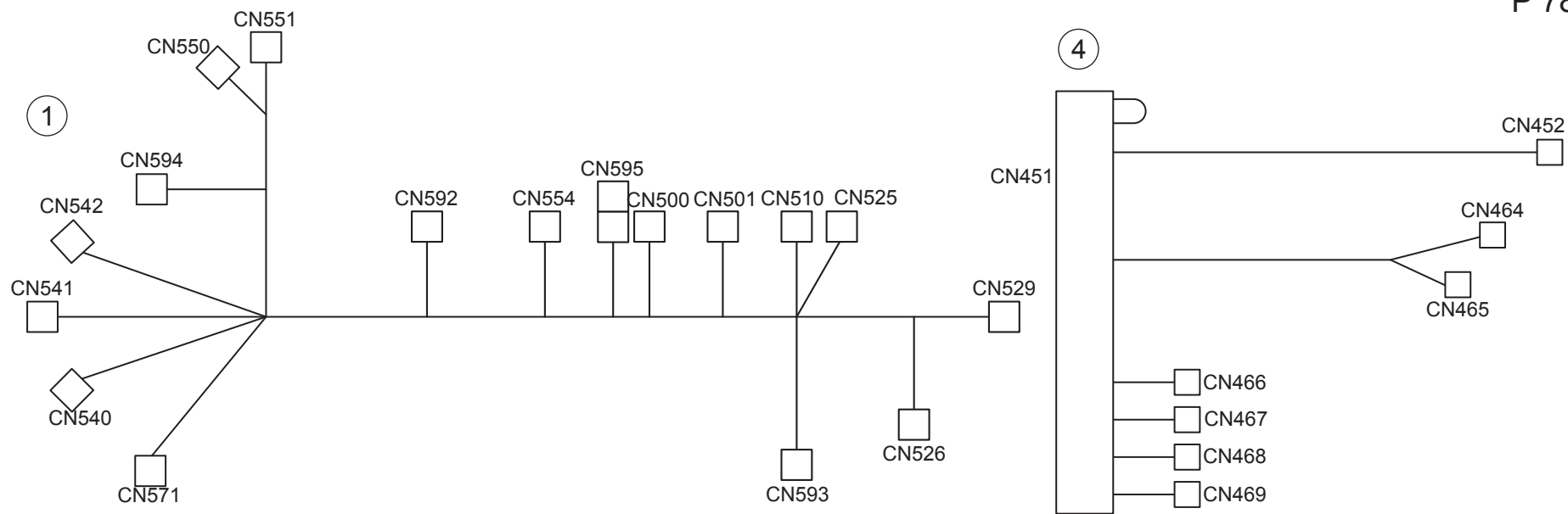
WIRING

P 77



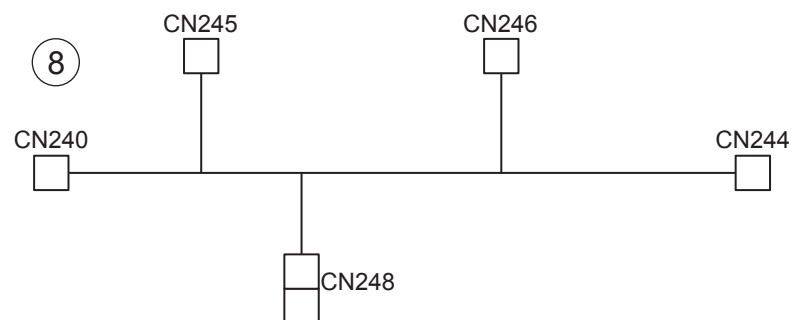
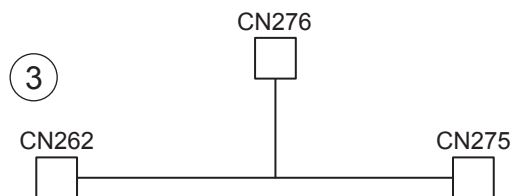
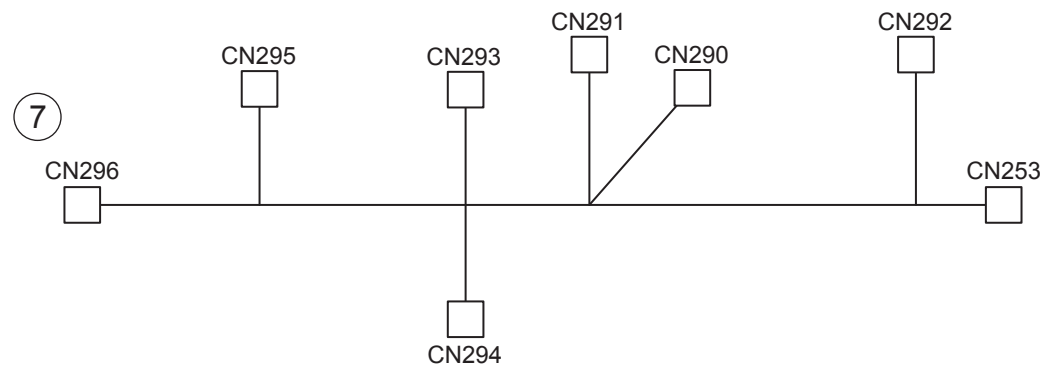
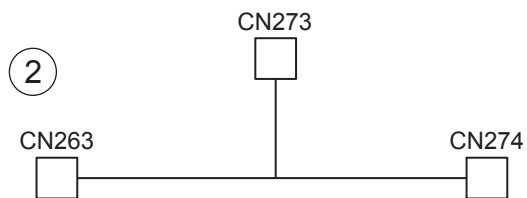
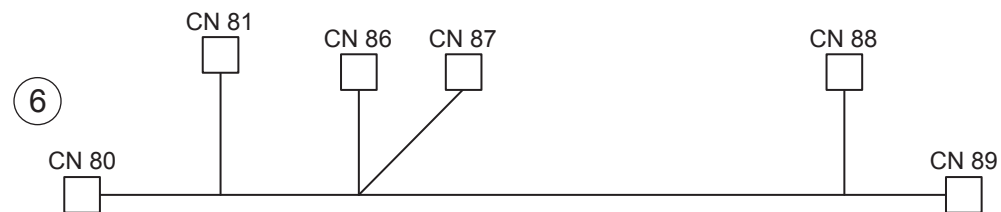
WIRING

P 78



bizhub 920/bizhub PRO 920

WIRING



WIRING ACCESSORY AND JIGS

P 80


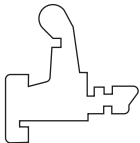

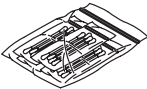


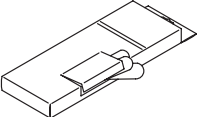

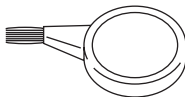
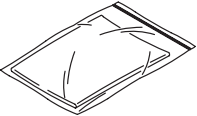


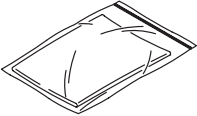
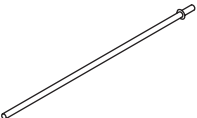
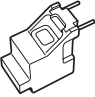
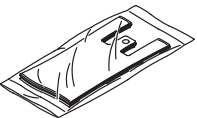
							改訂版 REVISED EDITION	日付 DATE
							▲	JUNE 2006
1 	6 	11 	16 	21 	26 	31 		
2 	7 	12 	17 	22 	27 	32 		
3 	8 	13 	18 	23 	28 	33 		
4 	9 	14 	19 	24 	29 	34 		
5 	10 	15 	20 	25 	30 	35▲ 		

bizhub 920/bizhub PRO 920

Key	Part No.	Description	Destinations	Class	QTY	Standard parts
1	00Z9 2001 3	SUPER SADDLE MSS-2 10/1	ミニスパーサドル MSS-2	D	1	
2	00Z9 2001 5	LOCKING WIRE SADDLE LWSS-1M	ロックンクワイヤーサドル LWSS 1 M	C	1	
3	00Z9 2001 6	WIRE SADDLE LWSS-2N 10/1	ワイヤーサドル LWSS-2 N	D	1	
4	00Z9 2001 7	WIRE SADDLE LWS-2218D 10/1	ワイヤーサドル LWS-2 2 1 8 D	D	1	
5	00Z9 2002 0	WIRE SADDLE LWS-1211Z 10/1	ワイヤーサドル LWS-1 2 1 1 Z	D	1	
6	00Z9 2002 1	WIRE SADDLE LWS-0711 10/1	ワイヤーサドル LWS-0 7 1 1	D	1	
7	00Z9 2002 2	WIRE SADDLE LWS-0511 10/1	ワイヤーサドル LWS-0 5 1 1	D	1	
8	00Z9 2002 5	BUSHING SB-4025	フッシク SB-4 0 2 5	D	1	
9	00Z9 2002 6	BUSHING SB-2718	スクウエアフッシュ (SB-2 7 1 8)	C	1	
10	00Z9 2002 7	BUSHING SB-1909 10/1	フッシク SB-1 9 0 9	D	1	
11	00Z9 2006 6	WIRE SADDLE WS-1N-V0 10/1	ワイヤーサドル (WS-1 N-V0)	D	1	
12	00Z9 2006 7	WIRE SADDLE WS-2N-V0 10/1	ワイヤーサドル (WS-2 N-V0)	D	1	
13	00Z9 2007 4	NYLON CLAMP	ナイロンクランプ	D	1	
14	00Z9 2009 1	EDDGE SADDLE	エッジサドル	D	1	
15	00Z9 2009 4	ROCKING EDDGE SADDLE	ロックンクエッジサドル	D	1	
16	00Z9 2009 6	LOCKING EDDGE SADDLE	ロックンクエッジサドル	D	1	
17	00Z9 2110 3	NYLON CLAMP	ナイロンクランプ (HP-3 N) HEYM	C	1	
18	00Z9 2110 4	NYLON CLAMP	ナイロンクランプ (HP-4 N)	C	1	
19	00Z9 2110 5	NYLON CLAMP	ナイロン クランプ NK-5 N	C	1	
20	00Z9 2137 0	EDGE SADDLE 10/1SET	エッジサドル (D-8 2 0)	C	1	
21	00Z9 2193 0	MINI CLAMP	ミニクランプ	C	1	
22	00Z9 2193 1	MINI CLAMP MSB-1607 10/1SET	ミニ クランプ (MSB-1 6 0 7)	C	1	
23	00Z9 2194 1	MINI CLAMP MSC-1609 10/1SET	ミニ クランプ (MSC-1 6 0 9)	C	1	
24	00Z9 2231 0	SK BINDER	SK ハイター (SKB-1 3 1 PW)	C	1	
25	00Z9 2241 0	WIRING BAND	結束バンド	B	1	
26	00Z9 2241 5	WIRING BAND	結束バンド (CV-1 5 0)	C	1	
27	00Z9 2244 0	WIRING BAND CV-100 I 10/1SET	結束バンド (CV-1 0 0 I)	C	1	
28	00Z9 2510 3	LOCKING CIRCUIT BOARD SUPPORT	ロックンクサポート KGLS-0 3	C	1	
29	00Z9 2510 6	LOCKING CIRCUIT BOARD SUPPORT	ロックンクサポート KGLS-0 6	C	1	
30	00Z9 2625 1	EDGE SUDDLE EDS-1	エッジ サドル (EDS-1)	C	1	
31	00Z9 2625 7	EDGE SUDDLE EDS-1717U	(EDS-1 7 1 7 U) エッジ サドル	C	1	
32	00Z9 2625 9	EDGE SUDDLE EDS-2323U	(EDS-2 3 2 3 U) エッジ サドル	C	1	
33	00Z9 3000 1	RELAY CONNECTOR 175694-2 10/1	チュウケイコネクタ 1 7 5 6 9 4-2	D	1	
34	00Z9 3000 2	RELAY CONNECTOR 175694-3 10/1	チュウケイコネクタ 1 7 5 6 9 4-3	D	1	
35	00Z9 2001 9	WIRE SADDLE LWS-1316Z 10/1	ワイヤーサドル LWS-1 3 1 6 Z	D	1	

WIRING ACCESSORY AND JIGS

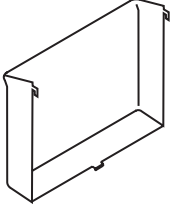
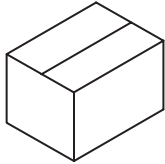

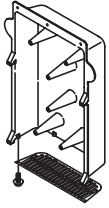
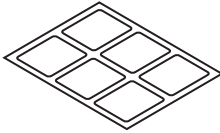
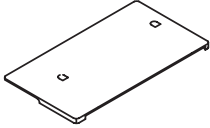


P 81

							改訂版 REVISED EDITION	日付 DATE
							▲	October 2005
1 	6 	11 ♣ ▲ 	16 ♣ ▲ 					
2 	7 	12 ▲ 						
3 	8 	13 ▲ 						
4 	9 	14 ▲ 						
5 	10 	15 ▲ 						

bizhub 920/bizhub PRO 920

ACCESSORY PARTS

P 82

1 	6 							改訂版 REVISED EDITION 	日付 DATE AUGUST 2007
2 	7 								
3 									
4 									
5 									

bizhub 920/bizhub PRO 920

MAINTENANCE LIST

● The items with no Page/Key numbers are not handled as spare parts.

No.	Section	PM Parts Description	Maintenance Cycle (K=1,000)		Parts No.	Destinations	Page/Key	Note
			QTY	Replace				
1	EXTERNAL SECTION	OZONE FILTER	2	3000K	57GA11280		P2-2	
2		SUCTION FILTER	1	3000K	57GA11290		P1-11	
3		WRITING UNIT FILTER 1	1	3000K	57GA12310		P4-23	
4		WRITING UNIT FILTER 2	1	3000K	57GA12320		P4-25	
5		WRITING UNIT FILTER 3	1	3000K	57GA12330		P4-19	
6	PHOTO CONDUCTOR SEC-	CLEANER BLADE	2	500K	57GA56011		P33-13	
7		TONER GUIDE BLUSH ASSY	1	500K	57GAR72700		P32-6	
8		SCATTER PREVENTING FELT	1	500K	55VA55680		P32-20	
9		DRUM SEPARATING LAW	3	500K	57GA29190		P19-17	
10		DRUM FIXED SPRING	1	1000K	55FU20140		P17-9	
11		SPRING POSITION COLLAR	1	1000K	25SA20150		P15-1	
12		DRUM TEPM SENSOR ASSY	1	3000K	56GAR70300		P17-1	
13		DRUM	1	500K	-			
14		SEALING PLATE F ASSY	1	1000K	56UAR7C400		P32-7	
15		SEALING PLATE R ASSY	1	1000K	56UAR7C300		P32-11	
16		CLEANER DRIVING GEAR /A	1	15000K	55VA79200		P32-18	
17		CLEANER DRIVING GEAR /B	1	15000K	55VA79210		P32-15	
18	TONER SUPPLY SECTION	SLEEVE 1	1	3000K	55VAR73000		P26-2	
19		SLEEVE 2	1	3000K	55VAR73100		P26-3	
20		TONER SEALING PLATE ASSY	1	3000K	57GA-5681		P34-9	
21		GUIDE PLATE ASSY	1	3000K	56GAR71100		P34-6	
22	CHARGING SECTION	CHARGING WIRE	2	500K	55VA25091		P22-26	
23		ELECTRODE VIBRATING RUBBER	2	500K	55VA25270		P22-32	
24		CHARGING CONTROL PLATE	1	500K	57GA25080		P22-9	
25		CHARGING CLEANER ASSY	2	500K	55VAR72800		P22-20	
26		STOPPER PART	2	500K	45AA20400		P21-26/P22-15	
27		CHARGING ASSY	1	6000K	57GAR71300		P22-13	
28		PCL ASSY	1	6000K	55VA-2571		P22-19	
29	DEVELOPING SECTION	DEVELOPING ASSY	1	6000K	57GA-3002		P23-1	
30		DEVELOPING SUCTION ASSY	1	6000K	57GA-2150		P24-6	
31		DEVELOPER	1	500K	-			
32		FILTER	1	500K	57GA31080		P24-5	
33	PAPER FEED SECTION	FEEDING ROLLER ASSY A5	2	1000K	55VAR74600		P51-7	
34		FEEDING ROLLER ASSY B5	2	1000K	55VAR74500		P50-12	
35		FEEDING ROLLER ASSY B5	2	1000K	55VAR74500		P51-35	
36		FEEDING ROLLER ASSY A	1	1000K	55VAR75000		P57-7	
37		FEEDING ROLLER ASSY B	1	1000K	55VAR74900		P56-12	
38		FEEDING ROLLER ASSY B	1	1000K	55VAR74900		P57-35	
39		CLUTCH 1	3	4500K	57GA82010		P51-29/P57-29	
40		CLUTCH 1	3	4500K	57GA82010		P52-14/P58-14	
41		PAPER FEED DRIVE GEAR A	1	15000K	57GA77110		P16-1	
42		PAPER CONVEYING ROLLER	1	10000K	55VA40160		P51-20	
43		PAPER CONVEYING ROLLER	1	10000K	55VA40160		P51-20	
44		PAPER CONVEYING ROLLER	1	10000K	55VA40160		P57-20	
45	BYPASS TRAY SECTION	FEEDING ROLLER ASSY A5	1	1000K	55VAR74600		P62-3	
46		FEEDING ROLLER ASSY B5	1	1000K	55VAR74500		P61-5	
47		FEEDING ROLLER ASSY B5	1	1000K	55VAR74500		P62-9	
48	VERTICAL CONVEYANCE	CLUTCH 1	2	6000K	57GA82010		P47-10	
49		PAPER CONVEYING ROLLER /UPPER	1	6000K	55VA44100		P47-1	
50		PAPER FEED CONVEYANCE ROLLER LOWER	1	10000K	56GA44110		P47-6	
51		PAPER FEED CONVEYANCE ROLLER LOWER	1	10000K	56GA44110		P47-6	

No.	Section	PM Parts Description	Maintenance Cycle (K=1,000)		Parts No.	Destinations	Page/Key	Note	
			QTY	Replace					
52	TRANSFER/SEPARATION	CHARGING WIRE	3	500K	55VA26130		P21-6		
53		TRNSFER CLEANING ASSY	1	500K	56GAR70400		P21-12		
54		SEPARATE CLEANING ASSY 1	1	500K	56GAR70500		P21-13		
55		SEPARATE CLEANING ASSY 2	1	500K	56GAR70600		P21-19		
56		TRANSFER HOLDING RUBBER	3	500K	56AA17830		P21-30		
57		STOPPER PART	3	500K	45AA20400		P21-26		
58		SEPARATING ASSY	1	6000K	57GAR71400		P21-22		
59		LED LAMP	1	6000K	55VA83083		P36-10		
60		REGISTRATION SECTION	REGIST ROLLER /UPPER	1	3000K	55VA46030		P39-28	
61	REGISTRATION SHAFT HOLDER		2	3000K	55VA76020		P39-25		
62	LOOP ROLLER ASSY		1	3000K	57GAR70100		P43-12		
63	PAPER FEED CLUTCH		1	3000K	55VA82010		P45-15		
64	ADU	CONVEYING ROLLER /2	1	3000K	57GA47400		P45-5		
65		REGISTRATION SHAFT HOLDER FRONT	2	6000K	55VA75550		P45-9		
66		REGISTRATION AUXILIARY ROLLER FRONT	1	6000K	57GA46810		P43-11		
67		REGISTRATION AUXILIARY ROLLER FRONT	1	6000K	57GA46810		P43-11		
68		CONVEYING ROLLER /1	1	6000K	55VA47660		P42-14		
69		CONVEYING ROLLER /3	1	6000K	57GA47480		P45-6		
70		CONVEYING ROLLER /4	1	6000K	57GA47410		P45-7		
71		CONVEYANCE ROLLER 5	1	6000K	57GA47670		P45-8		
72		REGISTRATION AUXILIARY ROLLER FRONT	1	6000K	57GA46810		P43-11		
73		REGISTRATION AUXILIARY ROLLER FRONT	1	6000K	57GA46810		P43-11		
74		PAPER FEED CLUTCH	1	6000K	55VA82010		P39-24		
75		PAPER DETECTION ACTUATOR /B	3	10000K	56GA47820		P40-3/P41-11		
76		FUSING SECTION	FIXING ROLLER UPPER	1	1500K	57GA53040	A(100V)	P30-22	
77	FIXING ROLLER UPPER		1	1500K	57GB53040	A(200V),B,C,G1,J,H,D	P30-22		
78	LOWER ROLLER ASSY		1	1500K	57GAR72200		P28-12		
79	FIXING CLAW /UPPER		6	1500K	55VA53210		P30-14		
80	FIXING CLAW LOWER		2	1500K	25AA53290		P30-7		
81	HEAT INSULATING SLEEVE		2	1500K	454053391		P30-18		
82	BALL BEARING		2	1500K	454075040		P30-19		
83	FIXING CLEANING SHEET ASSY		1	1500K	56GAR71000		P29-32		
84	HEAT INSULATING SLEEVE FRONT		2	3000K	26AA53150		P29-4		
85	FIXING SHAFT HOLDER		2	3000K	26AA53160		P29-3		
86	TEMPERATURE SENSOR 2		1	3000K	55VA88041		P31-21		
87	TEMPERATURE SENSOR 4		1	3000K	55VA88061		P29-17		
88	FIXING AUXILIARY ROLLER		1	3000K	55VA53070		P29-6		
89	PAPER INDEX ACTUATOR		1	3000K	55VA53830		P30-11		
90	FIXING HEATER/1		1	3000K	55VA83021	A(100V)	P30-20		
91			1	3000K	55VB83022	A(200V),B,G1	P30-20		
92			1	3000K	55VF83021	C,J,H,D1,F1,F2,G2,I,D	P30-20		
93	FIXING HEATER 2			1	3000K	55VA83032	A(100V)	P30-21	
94				1	3000K	55VB83033	B,G1	P30-21	
95			1	3000K	55VF83032	C,J,H,D1,F1,F2,G2,I,D	P30-21		
96			1	3000K	56UA83030	A(200V)	P30-21		
97	FIXING HEATER 3			1	3000K	57GA83040	A(100V)	P29-5	
98			1	3000K	55VB83042	A(200V),B,G1	P29-5		
99			1	3000K	55VF83041	C,J,H,D1,F1,F2,G2,I,D	P29-5		
100			1	500K	55VAR75600		P31-9		
101		FIXING DRIVING GEAR 2 60T	1	6000K	56UA77830		P30-24		
102		WEB DRIVING MOTOR	1	6000K	56GA80171		P31-5		
103	PAPER EXIT SECTION	GUIDE PART /FRONT	1	10000K	55VA47300		P42-26		
104		GUIDE PART /REAR	1	10000K	55VA47310		P42-27		
105		GUIDE PART	4	10000K	55VA47570		P42-5		

メンテナンスリスト

● ページ / キーナンバーのないものは、アフターサービス部品ではありません。

No.	区分	PM 部品名称	サイクル (K=1,000)		部品番号	仕向地	頁 / キー	備考
			員数	交換				
1	外装部	オゾンフィルタ	2	3000K	57GA11280		P2-2	
2		サクシヨンフィルタ	1	3000K	57GA11290		P1-11	
3		書き込み部フィルタ /1	1	3000K	57GA12310		P4-23	
4		書き込み部フィルタ /2	1	3000K	57GA12320		P4-25	
5		書き込み部フィルタ /3	1	3000K	57GA12330		P4-19	
6	感光体部	クリーナーブレード	2	500K	57GA56011		P33-13	
7		トナーガイドブラシ部組	1	500K	57GAR72700		P32-6	
8		飛散防止フェルト	1	500K	55VA55680		P32-20	
9		ドラム分離爪	3	500K	57GA29190		P19-17	
10		ドラム固定バネ	1	1000K	55FU20140		P17-9	
11		バネ位置決めカラー	1	1000K	25SA20150		P15-1	
12		ドラム温度センサー部組	1	3000K	56GAR70300		P17-1	
13		ドラム	1	500K	-			
14		シールプレート /F 部組	1	1000K	56UAR7C400		P32-7	
15		シールプレート /R 部組	1	1000K	56UAR7C300		P32-11	
16		クリーナー駆動ギア /A	1	15000K	55VA79200		P32-18	
17		クリーナー駆動ギア /B	1	15000K	55VA79210		P32-15	
18	トナー補給部	スリーブ /1	1	3000K	55VAR73000		P26-2	
19		スリーブ /2	1	3000K	55VAR73100		P26-3	
20		トナーシール基板部組	1	3000K	57GA-5681		P34-9	
21		ガイドプレート部組	1	3000K	56GAR71100		P34-6	
22	帯電部	帯電ワイヤー	2	500K	55VA25091		P22-26	
23		電極振動ゴム	2	500K	55VA25270		P22-32	
24		帯電制御プレート	1	500K	57GA25080		P22-9	
25		帯電清掃部組	2	500K	55VAR72800		P22-20	
26		ストッパ部材	2	500K	45AA20400		P21-26/P22-15	
27		帯電極ユニット	1	6000K	57GAR71300		P22-13	
28		P C L 部組	1	6000K	55VA-2571		P22-19	
29		現像部	現像ユニット	1	6000K	57GA-3002		P23-1
30	現像サクシヨン部組		1	6000K	57GA-2150		P24-6	
31	現像剤		1	500K	-			
32	フィルタ		1	500K	57GA31080		P24-5	
33	給紙部	送り出しローラ部組 /A5	2	1000K	55VAR74600		P51-7	
34		送り出しローラ部組 /B5	2	1000K	55VAR74500		P50-12	
35		送り出しローラ部組 /B5	2	1000K	55VAR74500		P51-35	
36		送り出しローラ部組 /A	1	1000K	55VAR75000		P57-7	
37		送り出しローラ部組 /B	1	1000K	55VAR74900		P56-12	
38		送り出しローラ部組 /B	1	1000K	55VAR74900		P57-35	
39		クラッチ /1	3	4500K	57GA82010		P51-29/P57-29	
40		クラッチ /1	3	4500K	57GA82010		P52-14/P58-14	
41		給紙駆動歯車 /A	1	15000K	57GA77110		P16-1	
42		紙搬送ローラ	1	10000K	55VA40160		P51-20	
43		紙搬送ローラ	1	10000K	55VA40160		P51-20	
44		紙搬送ローラ	1	10000K	55VA40160		P57-20	
45	手差しトレイ部	送り出しローラ部組 /A5	1	1000K	55VAR74600		P62-3	
46		送り出しローラ部組 /B5	1	1000K	55VAR74500		P61-5	
47		送り出しローラ部組 /B5	1	1000K	55VAR74500		P62-9	
48	垂直搬送部	クラッチ /1	2	6000K	57GA82010		P47-10	
49		紙搬送ローラ /上	1	6000K	55VA44100		P47-1	
50		紙搬送ローラ /下	1	10000K	56GA44110		P47-6	
51		紙搬送ローラ /下	1	10000K	56GA44110		P47-6	

No.	区分	PM 部品名称	サイクル (K=1,000)		部品番号	仕向地	頁 / キー	備考
			員数	交換				
52	転写/分離部	放電ワイヤー	3	500K	55VA26130		P21-6	
53		転写清掃部組	1	500K	56GAR70400		P21-12	
54		分離清掃部組 /1	1	500K	56GAR70500		P21-13	
55		分離清掃部組 /2	1	500K	56GAR70600		P21-19	
56		転写押えゴム	3	500K	56AA17830		P21-30	
57		ストッパ部材	3	500K	45AA20400		P21-26	
58		転写分離極ユニット	1	6000K	57GAR71400		P21-22	
59		LED ランプ	1	6000K	55VA83083		P36-10	
60		レジスト部	レジストローラ / 上	1	3000K	55VA46030		P39-28
61	レジスト軸受		2	3000K	55VA76020		P39-25	
62	ループローラ部組		1	3000K	57GAR70100		P43-12	
63	給紙クラッチ		1	3000K	55VA82010		P45-15	
64	ADU 部	搬送ローラ /2	1	3000K	57GA47400		P45-5	
65		レジスト軸受 / 前	2	6000K	55VA75550		P45-9	
66		レジスト補助ローラ / 前	1	6000K	57GA46810		P43-11	
67		レジスト補助ローラ / 前	1	6000K	57GA46810		P43-11	
68		搬送ローラ /1	1	6000K	55VA47660		P42-14	
69		搬送ローラ /3	1	6000K	57GA47480		P45-6	
70		搬送ローラ /4	1	6000K	57GA47410		P45-7	
71		搬送ローラ /5	1	6000K	57GA47670		P45-8	
72		レジスト補助ローラ / 前	1	6000K	57GA46810		P43-11	
73		レジスト補助ローラ / 前	1	6000K	57GA46810		P43-11	
74		給紙クラッチ	1	6000K	55VA82010		P39-24	
75		紙検知アクチュエタ /B	3	10000K	56GA47820		P40-3/P41-11	
76		定着部	定着ローラ / 上	1	1500K	57GA53040	A(100V)	P30-22
77	定着ローラ / 上		1	1500K	57GB53040	A(200V),B,C,G1,J,H,D1,F	P30-22	
78	下ローラ部組		1	1500K	57GAR72200		P28-12	
79	定着爪 / 上		6	1500K	55VA53210		P30-14	
80	定着爪 / 下		2	1500K	25AA53290		P30-7	
81	断熱スリーブ		2	1500K	454053391		P30-18	
82	軸受 / 上		2	1500K	454075040		P30-19	
83	定着清掃シート部組		1	1500K	56GAR71000		P29-32	
84	断熱スリーブ / 前		2	3000K	26AA53150		P29-4	
85	定着軸受		2	3000K	26AA53160		P29-3	
86	温度センサ /2		1	3000K	55VA88041		P31-21	
87	温度センサ /4		1	3000K	55VA88061		P29-17	
88	定着補助ローラ		1	3000K	55VA53070		P29-6	
89	紙指標アクチュエタ		1	3000K	55VA53830		P30-11	
90	定着ヒーター /1		1	3000K	55VA83021	A(100V)	P30-20	
91			1	3000K	55VB83022	A(200V),B,G1	P30-20	
92			1	3000K	55VF83021	C,J,H,D1,F1,F2,G2,I,D3	P30-20	
93	定着ヒーター /2		1	3000K	55VA83032	A(100V)	P30-21	
94			1	3000K	55VB83033	B,G1	P30-21	
95			1	3000K	55VF83032	C,J,H,D1,F1,F2,G2,I,D3	P30-21	
96			1	3000K	56UA83030	A(200V)	P30-21	
97	定着ヒーター /3		1	3000K	57GA83040	A(100V)	P29-5	
98		1	3000K	55VB83042	A(200V),B,G1	P29-5		
99		1	3000K	55VF83041	C,J,H,D1,F1,F2,G2,I,D3	P29-5		
100	ウェブ組込み	1	500K	55VAR75600		P31-9		
101	定着駆動歯車 /2	1	6000K	56UA77830		P30-24		
102	ウェブ駆動モータ	1	6000K	56GA80171		P31-5		
103	排紙部	案内部材 / 前	1	10000K	55VA47300		P42-26	
104		案内部材 / 奥	1	10000K	55VA47310		P42-27	
105		案内部材	4	10000K	55VA47570		P42-5	

DESTINATION

Destination No.		Destinations		V	Hz	Model No.
A	A1	JAPAN		100	50/60	57GA
	A2	JAPAN		200	50/60	57GB
B		USA, CANADA		208-240	60	57GE,57GJ
C		EUROPEAN TYPE		220-240	50/60	57GF
D	D1	S.E ASIA TYPE	THAILAND, SRI LANKA, SINGAPORE, MALAYSIA, HONG KONG, PAKISTAN, INDIA, BANGLADESH, INDONESIA	220-240	50/60	57GL
	D3	OCEANIA TYPE	AUSTRALIA, NEW ZEALAND	220-240	50/60	57GN
E		PHILIPPINES				
F	F1	SAUDI ARABIA		220-240	50/60	57GL
	F2	SAUDI ARABIA		220-240	50/60	57GL
G	G1	C.S AMERICA		208-240	60	57GE
	G2	C.S AMERICA		220-240	50/60	57GL
H		TAIWAN		220	60	57GK
I		JORDAN, LEBANON, SYRIA, SOUTH AFRICA, IRAQ, IRAN, N.YEMEN, CAMEROON, UAE, BAHRAIN, OMAN, QATAR, KUWAIT, KENYA, TUNISIA, IVORY COAST, MOROCCO		220-240	50/60	57GL
J		CHINA		220-240	50/60	57GG
K		KOREA		220	60	57GU

bizhub 920/bizhub PRO 920