

KONICA MINOLTA

PARTS GUIDE MANUAL

APRIL 2016

bizhub PRO 950
A0Y5

INFORMATION FOR PARTS GUIDE MANUAL

To find correct Parts No., refer to the "HOW TO MAKE THE BEST USE OF THIS MANUAL" in the following page.

HOW TO MAKE THE BEST USE OF THIS MANUAL

- 1 When you order, please check the proper figures beforehand that are on Our Parts Guide Manual, and order with the appropriate figures.
- 2 For screws, Nuts, Washers, retaining rings and Pins which are used in this model, one letter is shown on the Standard parts column of Parts list and exploded diagrams.
- 3 In order to maintain safety of the product, some specific parts composed of this product are set up as "essential safety parts".
- 4 The assigned parts number for the "essential safety parts" is indicated as "SP00-****".
When replacing these parts, follow precautions for disassembling and installing which are listed in the Service Manual.
Do not use any parts that are not set up as
- 5 ♣ means that there are exclusive parts for each destination.
Please check the appropriate destination when you order.
- 6 Revision Mark
Marked as ▲ on the illustration shows that the revision has been made.
- 7 All rights reserved. (any reprints or quotations are prohibited.)
Use of this parts guide manual should be strictly supervised to avoid disclosure of confidential information.

パーツガイド マニュアルのご案内

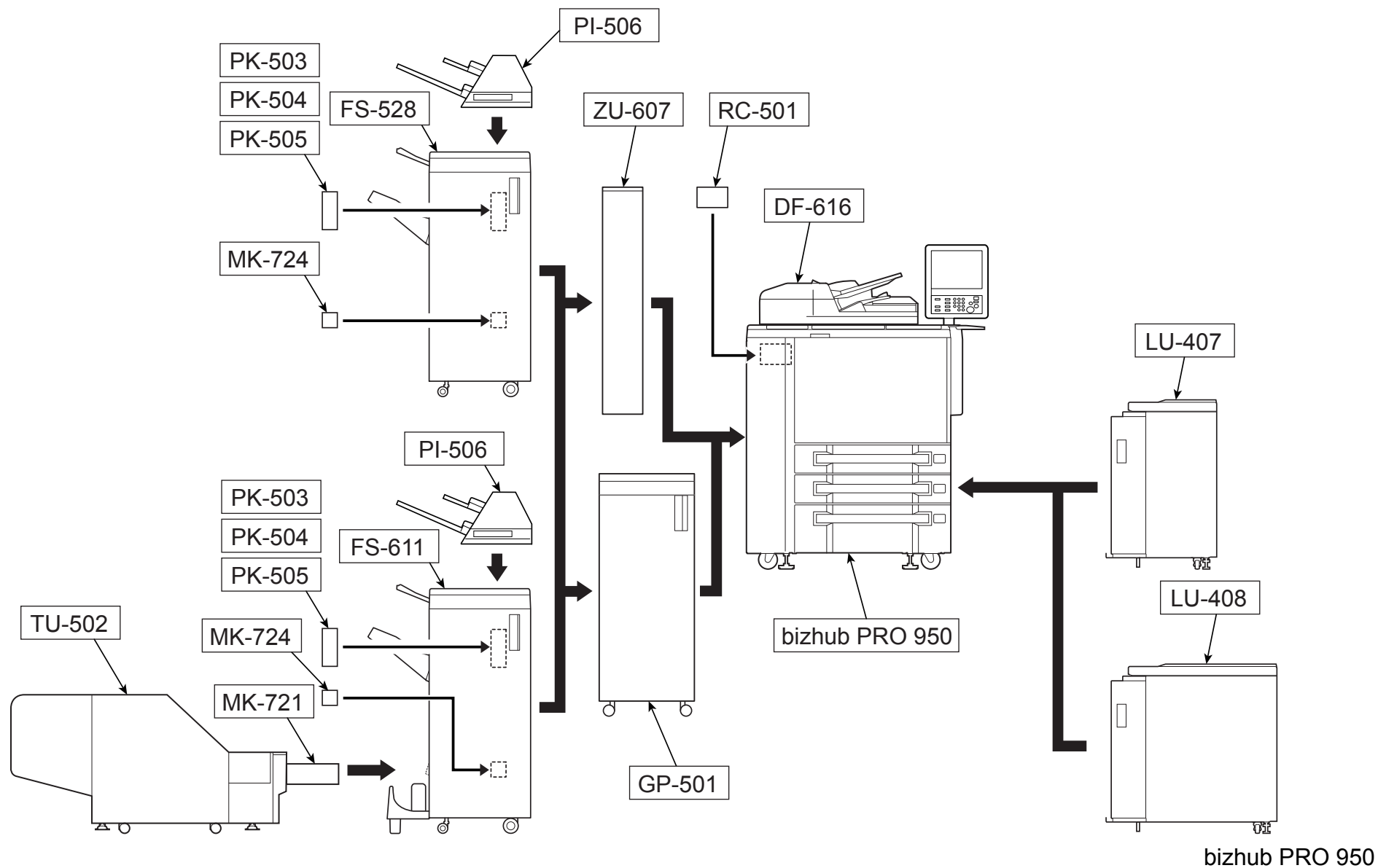
サービス部品をご発注の際には、下記に示す“パーツガイド マニュアルの活用にあたって”をご参照の上、正しい部品番号にてお願い致します。

パーツガイド マニュアルの活用にあたって

- 1 部品発注の際には、掲載されている部品番号の桁数を確認し、掲載されている桁数で発注願います。
- 2 この製品に使用されているネジ、ナット、ワッシャー、止め輪、ピンなどは、リストの右側の Standard parts 欄に a,b,c,…… で表示し、イラストにも a,b,c,…… 表示してあります。
- 3 製品の安全性を維持する為に、製品に使用される特定の部品を「重要保安部品」として設定しています。
- 4 重要保安部品の部品番号は、“SP00-****”と記載されていますので、部品交換時は、サービスマニュアル記載の分解・組み立ての注意事項に従って作業をして下さい。
また、指定以外の部品は一切使用しないで下さい。
- 5 本文に ♣ が表示されている部品は、仕向け地毎に専用部品がある事を意味しています。
オーダーされる時は、仕向け地を確認して下さい。
- 6 改訂記号について
イラスト上に ▲ 印が表示されている部分は、改訂された事を表します。
- 7 著作権所有（無断転載及び無断引用の禁止）
本パーツガイド マニュアルについては、機密保持等その扱いには十分注意して下さい。万一取り扱いを誤った場合には、法律で処罰されることがあります。

12/26/2008

SYSTEM OUTLINE

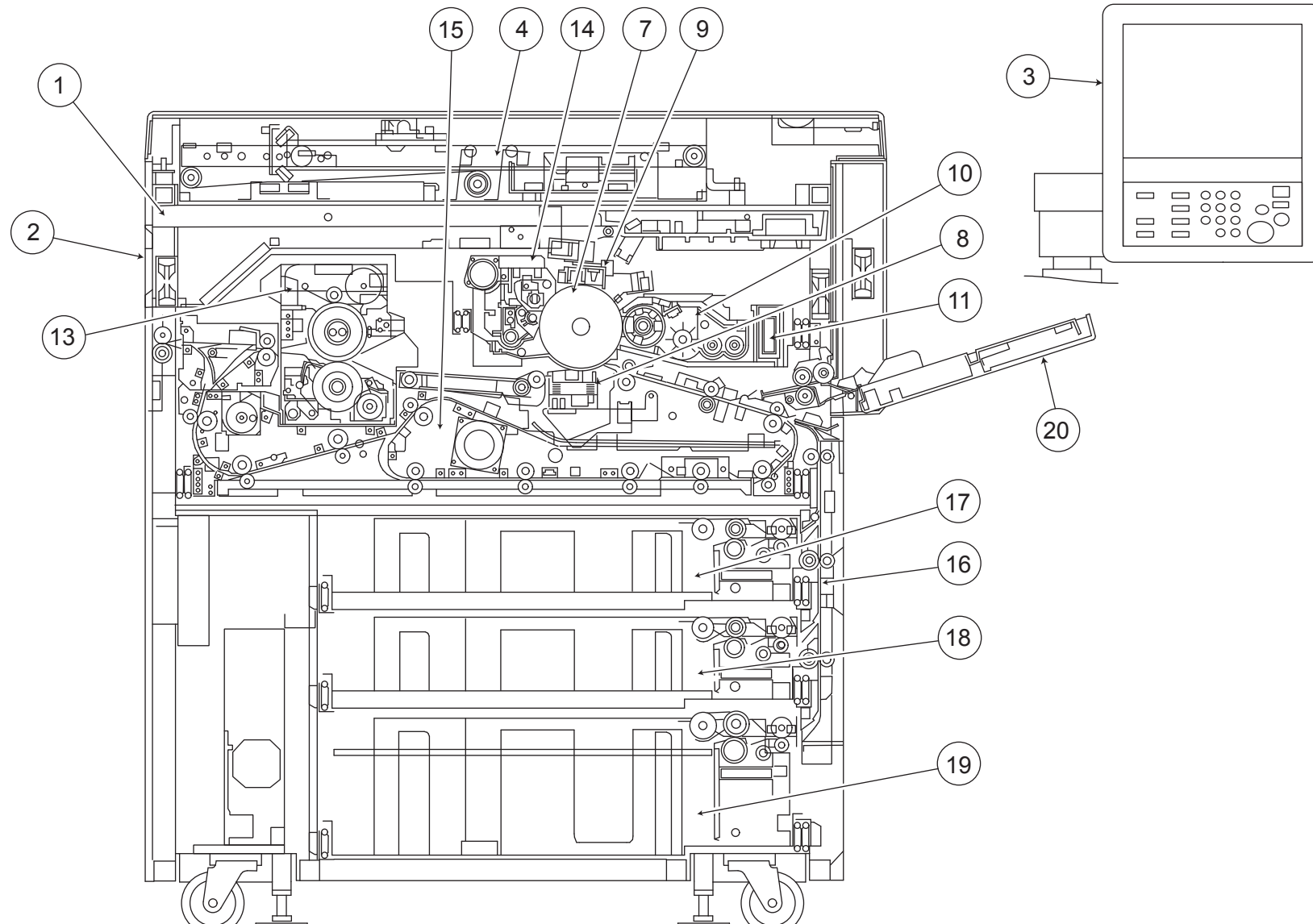


GENERAL CONTENTS

No.	Description	Model
1	Digital MFP B/W	bizhub PRO 950
2	Document Feeder	DF-616
3	Finisher/Sorter	FS-528
4	Finisher/Sorter	FS-611
5	Folding Unit	ZU-607
6	Other Option	TU-502
7	Punch Unit	PK-503
8	Punch Unit	PK-504
9	Punch Unit	PK-505
10	Post Inserter	PI-506
11	Paper Feeder	LU-407
12	Paper Feeder	LU-408
13	Mount Kit	MK-721
14	Other Option	RC-501
15	Punch Unit	GP-501
16	Mount Kit	MK-724

bizhub PRO 950

DIAGRAMS OF MAIN PARTS SECTION



CONTENTS

No.	DESCRIPTION	名称	PAGE No.
1	MAIN FRAME	骨格	P1 P2 P3 P4 P5
2	EXTERNAL PARTS	外装	P6 P7 P8 P9
3	OPERATION UNIT	操作部	P10 P11 P12
4	OPTICS UNIT	光学部	P13 P14 P15 P16 P17
5	DRIVING UNIT	駆動部	P18 P19 P20 P21
6	PAPER EXIT SECTION	排紙部	P22
7	DRUM CARTRIDGE	ドラムカートリッジ	P23 P24 P25 P26
8	TRANSFER SEPARATOR CORONA UNIT	転写分離極	P27 P28
9	CHARGING UNIT	帯電極	P29
10	DEVELOPING UNIT	現像ユニット	P30 P31
11	DEVELOPING SUCTION UNIT	現像サクションユニット	P32
12	TONER SUPPLY UNIT	トナー補給部	P33 P34 P35
13	FIXING UNIT	定着部	P36 P37 P38 P39 P40 P41
14	CLEANER UNIT	クリーナーユニット	P42 P43 P44
15	AUTO DUPLEX SECTION	自動両面部	P45 P46 P47 P48 P49 P50 P51 P52 P53 P54 P55 P56 P57
16	VERTICAL CONVEYANCE UNIT	垂直搬送ユニット	P58 P59
17	500 SHEET TRAY 1	500 枚トレイ 1	P60 P61 P62 P63 P64 P65 P66
18	500 SHEET TRAY 2	500 枚トレイ 2	P67 P68 P69 P70 P71 P72 P73
19	1000 SHEET TRAY	1000 枚トレイ	P74 P75 P76 P77 P78 P79 P80
20	MANUAL FEED UNIT	手差しユニット	P81 P82 P83
21	ELECTRIC PARTS	電装	P84 P85 P86 P87 P88 P89
22	WIRING	束線	P90 P91 P92 P93 P94 P95 P96 P97 P98 P99 P100
23	WIRING ACCESSORY AND JIGS	配線部品治具	P101 P102
24	JIGS	治具	P103
25	ACCESSORY PARTS	同梱部品	P104 P105

INDEX

Parts No.	Page No.	Parts No.	Page No.	Parts No.	Page No.	Parts No.	Page No.	Parts No.	Page No.
000V-18-1	103-3	090075530	66-7	13QA-9012E	81-22	25AA40460	77-6	25AA48242	54-27
000V-18-2	103-3	090075530	70-30	13QA17730	64-19	25AA40570	61-22	25AA50080	48-16
00VC-2-00	103-2	090075530	73-7	13QA17730	71-19	25AA40570	68-22	25AA53290	38-4
00VD-1000	103-5	090075530	77-26	13QA17730	78-19	25AA40570	75-26	25AA53441	84-7
020097060	33-6	090075530	80-7	13QA85511	53-11	25AA40742	63-26	25AA53472	84-16
048046040	52-20	090075530	83-29	13QJ75520	21-20	25AA40742	65-3	25AA53600	84-15
048046040	59-5	090076040	43-20	13RJ79070	77-14	25AA40742	70-26	25AA55151	37-21
048046040	66-11	113620270	26-9	13RJ79080	77-15	25AA40742	72-3	25AA55161	43-10
048046040	73-11	129H10220	7-6	13RN73120	85-7	25AA40742	77-22	25AA55341	43-28
048046040	80-15	129X48350	61-8	13RN73120	86-2	25AA40742	79-3	25AA55350	43-25
048610110	21-17	129X48350	68-8	13SU15110	60-8	25AA40870	65-9	25AA55360	43-33
048644480	36-8	129X48350	75-12	13SU15110	67-8	25AA40870	72-9	25AA55390	43-31
059076510	64-12	129X48360	61-9	13SU15110	74-8	25AA40870	79-9	25AA55420	43-32
059076510	71-12	129X48360	68-9	14GE45470	50-13	25AA40900	65-10	25AA55460	44-2
059076510	78-13	129X48360	75-13	15AJ50460	55-9	25AA40900	72-10	25AA55720	43-30
065075060	20-17	12AA75560	22-4	15AS10351	7-7	25AA40900	79-10	25AA75530	42-3
066079020	2-11	12AA75560	54-26	15RA-9111E	85-31	25AA41322	60-17	25AA75560	83-5
066079020	20-14	12AJ40330	58-3	15RA10030	85-32	25AA41322	67-17	25AA77470	66-18
066079020	84-1	12AJ45850	50-15	173030270	2-14	25AA41322	74-17	25AA77470	73-18
08AA76060	57-30	12AJ45850	53-14	173030270	60-24	25AA41510	60-31	25AA77470	80-13
08AA85512	29-29	12AJ45850	56-19	173030270	67-24	25AA41510	67-31	25AA77771	18-21
08AA85512	44-5	12AJ77061	83-16	173030270	74-22	25AA41510	74-29	25AA80091	29-2
08AA85512	60-12	12BF43480	63-19	190040922E	51-20	25AA41963	2-13	25AA85020	89-13
08AA85512	61-32	12BF43480	70-19	190041420	21-19	25AA42570	66-2	25AAR70100	21-14
08AA85512	65-16	12BF43480	77-19	190041420	59-19	25AA42570	73-2	25AAR70200	66-17
08AA85512	67-12	12EJ15091	18-26	20ER73110E	85-21	25AA42570	80-2	25AAR70200	73-17
08AA85512	68-32	12EJ15100	18-25	20ER73110E	88-6	25AA44180	48-9	25AAR70200	80-21
08AA85512	72-16	131075510	64-4	20ER73120	85-20	25AA44180	54-29	25AAR70600	84-6
08AA85512	74-14	131075510	71-4	20ER73120	88-5	25AA44180	56-31	25AE89081	84-5
08AA85512	75-36	131075510	78-4	25AA10090	1-14	25AA44180	59-29	25BA32251	33-14
08AA85512	79-16	131075510	83-20	25AA13420	54-4	25AA44200	58-16	25HA32152	35-5
08AA85512	82-3	13GA10200	7-10	25AA15231	21-7	25AA44331	1-4	25HA32340	35-6
08AA85512	83-21	13GA10212E	13-11	25AA15380	21-22	25AA47500	46-10	25HA97340	7-8
090020510	25-4	13GL46690	22-13	25AA20321	29-25	25AA47551	61-5	25HE97070	89-10
090020510	42-15	13GQ45511	82-25	25AA29770	26-25	25AA47551	68-5	25SA-6201	13-3
090053180	38-8	13GQ80032	47-24	25AA40120	62-11	25AA47551	75-9	25SA10200	1-3
090075530	19-10	13NT80511	17-19	25AA40120	69-11	25AA47580	47-21	25SA15270	5-12
090075530	21-2	13QA-9012E	61-37	25AA40120	76-10	25AA47670	45-4	25SA15280	5-11
090075530	59-23	13QA-9012E	68-37	25AA40460	63-7	25AA47810	46-7	25SA15390	20-27
090075530	63-30	13QA-9012E	75-4	25AA40460	70-7	25AA48242	22-5	25SA20110	24-7

Parts No.	Page No.	Parts No.	Page No.	Parts No.	Page No.	Parts No.	Page No.	Parts No.	Page No.
25SA20150	20-31	27LA73990	85-11	40AA32290	54-25	496041890	84-14	55TA61130	15-2
25SA25150E	29-28	27LA80511	17-15	40AA32320	40-7	496041930	84-10	55TA61151	14-13
25SA43310	22-3	27LA80511	45-14	40AA32320	50-6	496041950	84-12	55TA61161	14-15
25SA43310	49-4	300077490	35-21	40AA47160	61-16	496041960	84-13	55TA61320	14-20
25SA43310	52-7	302077070	35-20	40AA47160	68-16	496076210	84-9	55TA61341	16-10
25SA43310	53-2	304078070	18-3	40AA47160	75-20	4960R70100	84-11	55TA75020	20-20
25SA50280	58-19	304078070	19-5	40AA85011	10-4	500075010	13-20	55TA75020	24-18
25SA50502	52-4	318040550	56-7	40AA88031	34-19	500075010	57-7	55VA-1661	19-8
25SA50502	53-17	318041440	58-24	40BA75520	66-13	504097340	105-1	55VA-1780	21-5
25SA61420	15-5	318061230	61-18	40BA75520	73-13	50BA40030	83-11	55VA-2040	25-16
25SA61420	16-9	318061230	68-18	40BA75520	80-17	50BA40220	62-2	55VA-2050	25-3
25SA61460	15-13	318061230	75-23	40LA73840	85-4	50BA40220	69-2	55VA-2081	24-9
25SA61470	15-11	318076090	30-29	40LA73840	86-4	50BA40220	76-2	55VA-3100	31-3
25SA61540	16-12	322076010	54-16	450053391	41-9	538088261	89-15	55VA-3230	35-2
25SA61550	16-7	323584531	89-15	450053391	54-17	540015162	20-12	55VA-3240	35-1
25SA61650	13-25	326020280	55-16	454053391	38-6	540015162	21-10	55VA-3360	34-11
25SA61700	13-5	392010231	58-26	454075040	38-7	540040321	38-12	55VA-3370	35-12
25SA61710	13-4	392014041	47-14	454075070	54-18	540040461	82-14	55VA-3680	50-19
25SA61861	14-9	392015650	83-8	454075070	55-17	540042120	81-27	55VA-4060	60-19
25SA61881	14-8	392040150	35-17	454078030	36-6	540077052	82-21	55VA-4060	67-19
25SA62070	15-14	392053360	38-16	454078050	23-6	5400R70100	82-12	55VA-4070	60-14
25SA62080	15-9	396040611	81-24	454078050	42-11	554010550	20-22	55VA-4070	67-14
25SA62160	16-5	396040681	42-24	45AA20400	26-12	554010900	20-16	55VA-4210	66-24
25SA75020	20-29	396040681	59-10	45AA20400	27-17	554010900	21-35	55VA-4210	73-24
25SA76030	36-10	396040681	62-5	45AA20400	29-11	55FA61130	16-11	55VA-4210	80-25
25SA77130	66-21	396040681	64-3	45AA20400	47-22	55FA61140	16-8	55VA-4341	61-2
25SA77130	73-21	396040681	69-5	460045320	61-25	55FA80521	5-9	55VA-4341	68-2
25SA77130	80-24	396040681	71-3	460045320	68-25	55FA97200	17-3	55VA-4360	62-12
25SA77190	23-2	396040681	76-5	460045320	75-29	55FU20140	20-30	55VA-4360	69-12
25SA77561	64-14	396040681	78-3	462076010	46-12	55GA32220	33-13	55VA-4470	60-15
25SA77561	71-14	396040681	82-6	466076020	23-8	55GA32310	35-25	55VA-4470	67-15
25SA77561	78-15	396040681	83-6	466076020	48-13	55GA42210	81-25	55VA-4470	74-15
25SA88461	89-4	396076050	43-16	466076020	58-11	55GA75031	42-8	55VA-4760	76-14
25SF88461	89-4	396076050	58-25	466076020	65-19	55GA76550	28-4	55VA-5150	83-25
26AA53150	37-4	396077040	83-3	466076020	72-19	55GA86010	10-6	55VA-5161	81-10
26AA53160	37-5	396077240	82-22	466076020	79-19	55GA97250	85-5	55VA-5431	38-9
26NA73570	85-6	4040PJP100	103-10	466076020	82-15	55GA97250	86-5	55VA-5761	43-18
26NA73570	86-3	4040PJP200	103-11	466077130	81-26	55JE15010	20-26	55VA10030	1-10
26TA30770	30-3	40AA30270	82-13	466077220	82-23	55TA61110	15-1	55VA10040	1-5
26TA30770	42-17	40AA32290	50-5	4960-3970	84-8	55TA61120	15-15	55VA10171	1-11

Parts No.	Page No.	Parts No.	Page No.	Parts No.	Page No.	Parts No.	Page No.	Parts No.	Page No.
55VA10181	2-1	55VA15190	19-6	55VA25091	29-34	55VA32031D	34-12	55VA40191	69-16
55VA10191	2-3	55VA15241	21-36	55VA25100	29-21	55VA32040	33-9	55VA40191	76-16
55VA10250D	1-17	55VA15330	18-14	55VA25110	29-16	55VA32080	34-21	55VA40230	64-18
55VA11010	5-10	55VA15350	18-19	55VA25130	29-17	55VA32100	34-10	55VA40230	71-18
55VA11110	1-1	55VA15361D	18-20	55VA25140	29-19	55VA32120	1-18	55VA40230	78-18
55VA12122	6-6	55VA15430	22-19	55VA25150	29-1	55VA32130	33-3	55VA40240	64-11
55VA12131E	34-16	55VA15470	21-32	55VA25170	29-22	55VA32150	34-20	55VA40240	71-11
55VA12141	6-17	55VA15490	20-3	55VA25200	29-24	55VA32160	33-15	55VA40240	78-11
55VA12151E	6-3	55VA15541	20-1	55VA25210	29-18	55VA32171	33-12	55VA40260	64-6
55VA12221	88-3	55VA15541	63-12	55VA25222G	29-3	55VA32181D	35-4	55VA40260	71-6
55VA12250	6-7	55VA15541	70-12	55VA25230	29-26	55VA32200	35-3	55VA40260	78-6
55VA12260	6-18	55VA15541	77-12	55VA25240	29-23	55VA32250	34-3	55VA40300	62-4
55VA12270	6-1	55VA15550	22-7	55VA25260	29-30	55VA32330D	33-11	55VA40300	69-4
55VA12280	6-9	55VA15570	20-13	55VA25270	29-35	55VA32340	33-17	55VA40300	76-4
55VA12291	6-26	55VA15580	1-6	55VA26130	27-9	55VA32380	35-7	55VA40310	62-13
55VA12320	6-2	55VA15610	19-17	55VA26221	28-5	55VA32460	33-1	55VA40310	69-13
55VA12380	7-11	55VA20071	24-13	55VA26240	28-11	55VA32480	33-16	55VA40310	76-11
55VA12410	8-6	55VA20210	24-11	55VA26370D	28-8	55VA32520	33-4	55VA40321D	63-28
55VA12420	8-5	55VA20220	24-10	55VA29040	26-7	55VA32530	34-15	55VA40321D	70-28
55VA12430	8-7	55VA20240D	24-14	55VA29050	26-2	55VA40042	63-20	55VA40330	63-17
55VA12450	104-6	55VA20290	25-18	55VA29100	26-28	55VA40042	70-20	55VA40330	70-17
55VA12460	6-25	55VA20310	3-4	55VA29110	26-24	55VA40051	63-25	55VA40340E	64-5
55VA12470	60-26	55VA20330	25-21	55VA29140	26-1	55VA40051	70-25	55VA40340E	71-5
55VA12470	67-26	55VA20340	25-17	55VA29150	26-18	55VA40051	77-24	55VA40361	65-4
55VA12470	74-12	55VA20351	25-19	55VA30051	31-4	55VA40062	62-18	55VA40361	72-4
55VA12470	87-7	55VA20370D	25-7	55VA30170	30-12	55VA40062	69-18	55VA40370	63-31
55VA12470	89-16	55VA20380D	25-15	55VA30241E	30-26	55VA40071	62-24	55VA40370	70-31
55VA12541	63-2	55VA20520	25-5	55VA30371	31-8	55VA40071	69-24	55VA40380	65-5
55VA12541	70-2	55VA20590	26-30	55VA30381	30-8	55VA40071	76-22	55VA40380	72-5
55VA12541	77-2	55VA20630D	25-13	55VA30390D	30-11	55VA40080	3-6	55VA40380	79-5
55VA12710	8-27	55VA20640E	25-1	55VA30440	31-10	55VA40090	3-8	55VA40390	65-18
55VA12710	9-3	55VA20680	26-14	55VA30961	17-2	55VA40100	60-21	55VA40390	72-18
55VA12750	1-13	55VA20690	24-15	55VA30961	25-9	55VA40100	67-21	55VA40390	79-18
55VA12810	8-11	55VA20800	24-2	55VA30970	30-18	55VA40130	64-7	55VA40400	65-17
55VA12821	8-13	55VA20830	25-12	55VA30981	30-6	55VA40130	71-7	55VA40400	72-17
55VA12831	8-12	55VA20860	26-31	55VA31010	32-5	55VA40130	78-7	55VA40400	79-17
55VA12840	17-17	55VA25011	29-36	55VA31020	32-6	55VA40160	63-18	55VA40411	62-17
55VA12850	83-18	55VA25020	29-14	55VA31030	32-4	55VA40160	70-18	55VA40411	69-17
55VA15030	20-25	55VA25060E	29-37	55VA31100	32-3	55VA40160	77-21	55VA40420	65-22
55VA15150	20-9	55VA25070	29-32	55VA32021	34-17	55VA40191	62-16	55VA40420	72-22

Parts No.	Page No.	Parts No.	Page No.	Parts No.	Page No.	Parts No.	Page No.	Parts No.	Page No.
55VA40420	79-22	55VA40641	73-23	55VA40910	61-24	55VA42061	76-21	55VA42311	74-26
55VA40430	65-20	55VA40670	60-30	55VA40910	68-24	55VA42070	60-22	55VA42330D	61-23
55VA40430	72-20	55VA40670	67-30	55VA40910	75-28	55VA42070	67-22	55VA42330D	68-23
55VA40430	79-20	55VA40670	74-28	55VA40920D	61-26	55VA42070	74-21	55VA42330D	75-27
55VA40440	65-21	55VA40691	66-22	55VA40920D	68-26	55VA42111	65-7	55VA42340	61-27
55VA40440	72-21	55VA40691	73-22	55VA40920D	75-31	55VA42111	72-7	55VA42340	68-27
55VA40440	79-21	55VA40691	80-22	55VA40930	66-16	55VA42111	79-7	55VA42340	75-30
55VA40450	65-23	55VA40701	66-20	55VA40930	73-16	55VA42120	59-21	55VA42351	63-4
55VA40450	72-23	55VA40701	73-20	55VA40930	80-20	55VA42120	63-8	55VA42351	70-4
55VA40450	79-23	55VA40701	80-23	55VA40970	66-12	55VA42120	70-8	55VA42351	77-7
55VA40460	65-8	55VA40720	60-33	55VA40970	73-12	55VA42120	77-10	55VA42410	60-16
55VA40460	72-8	55VA40720	67-33	55VA40970	80-16	55VA42140	65-13	55VA42410	67-16
55VA40460	79-8	55VA40720	74-30	55VA40980	80-12	55VA42140	72-13	55VA42410	74-16
55VA40472F	66-1	55VA40730D	60-29	55VA40991	64-17	55VA42140	79-13	55VA42420	63-5
55VA40472F	73-1	55VA40730D	67-29	55VA40991	71-17	55VA42152	65-14	55VA42420	70-5
55VA40472F	80-1	55VA40730D	74-27	55VA40991	78-17	55VA42152	72-14	55VA42420	77-4
55VA40540	61-17	55VA40740	61-30	55VA41042	77-20	55VA42152	79-14	55VA43021D	82-24
55VA40540	68-17	55VA40740	68-30	55VA41062	76-18	55VA42220	65-6	55VA43030	81-2
55VA40540	75-21	55VA40740	75-34	55VA41100	74-20	55VA42220	72-6	55VA43041	82-1
55VA40551	66-28	55VA40750	61-31	55VA41330	77-18	55VA42220	79-6	55VA43061	82-17
55VA40551	73-28	55VA40750	68-31	55VA41340E	78-5	55VA42240	60-32	55VA43071E	83-4
55VA40551	80-29	55VA40750	75-35	55VA41362	79-4	55VA42240	67-32	55VA43090	82-11
55VA40560	66-27	55VA40760	61-12	55VA41371	77-27	55VA42240	74-31	55VA43100	82-2
55VA40560	73-27	55VA40760	68-12	55VA41411	76-17	55VA42250	62-10	55VA43110	81-5
55VA40570	66-29	55VA40760	75-16	55VA41560	80-28	55VA42250	69-10	55VA43121D	83-26
55VA40570	73-29	55VA40770	61-13	55VA41570	80-30	55VA42250	76-12	55VA43141D	83-14
55VA40580	66-5	55VA40770	68-13	55VA41580	80-5	55VA42271	60-25	55VA43150D	83-7
55VA40580	73-5	55VA40770	75-17	55VA41590	80-4	55VA42271	67-25	55VA43161	82-5
55VA40590	66-4	55VA40780	61-1	55VA42021	60-23	55VA42271	74-25	55VA43170	82-4
55VA40590	73-4	55VA40780	68-1	55VA42021	67-23	55VA42280	60-13	55VA43180	82-16
55VA40600	66-6	55VA40780	75-11	55VA42021	74-23	55VA42280	67-13	55VA43190D	83-24
55VA40600	73-6	55VA40810	61-33	55VA42031	60-20	55VA42280	74-13	55VA43220	82-30
55VA40600	80-6	55VA40810	68-33	55VA42031	67-20	55VA42291	63-27	55VA43260D	81-4
55VA40610	66-3	55VA40810	75-37	55VA42031	74-19	55VA42291	70-27	55VA43280	81-3
55VA40610	73-3	55VA40820	61-3	55VA42040	2-12	55VA42291	77-23	55VA43320	83-23
55VA40610	80-3	55VA40820	68-3	55VA42050	63-21	55VA42300	60-28	55VA43330	82-8
55VA40630	66-8	55VA40820	75-10	55VA42050	70-21	55VA42300	67-28	55VA43340	82-9
55VA40630	73-8	55VA40830	66-26	55VA42050	77-31	55VA42300	74-32	55VA43350	82-19
55VA40630	80-8	55VA40830	73-26	55VA42061	62-21	55VA42311	60-27	55VA43580	81-7
55VA40641	66-23	55VA40830	80-27	55VA42061	69-21	55VA42311	67-27	55VA43591	81-21

Parts No.	Page No.	Parts No.	Page No.	Parts No.	Page No.	Parts No.	Page No.	Parts No.	Page No.
55VA43600	81-20	55VA46440	56-22	55VA47450	56-29	55VA47990	52-21	55VA53401	37-16
55VA43610D	81-6	55VA46451	48-8	55VA47450	59-28	55VA48040	46-15	55VA53410	37-11
55VA43620	81-17	55VA46451	50-17	55VA47502	54-21	55VA48200	52-16	55VA53420	37-12
55VA43630	83-9	55VA46451	51-3	55VA47511	54-31	55VA48500	57-13	55VA53430	37-10
55VA43640	81-18	55VA46490	22-6	55VA47521	54-20	55VA49030	47-9	55VA53441	36-5
55VA44043	59-9	55VA46490	51-16	55VA47531	54-5	55VA49050E	45-11	55VA53450	36-13
55VA44052	59-18	55VA46490	52-9	55VA47540	54-30	55VA49060	46-14	55VA53472	37-18
55VA44061	58-5	55VA46490	53-1	55VA47560	54-35	55VA49070	46-17	55VA53611	37-31
55VA44072	58-1	55VA46490	63-22	55VA47570	54-8	55VA49080	46-16	55VA53650	38-2
55VA44080	58-4	55VA46490	70-22	55VA47581	54-7	55VA49090	46-9	55VA53660	37-30
55VA44090	59-2	55VA46490	77-28	55VA47600	54-33	55VA49131	46-18	55VA53671	37-27
55VA44100	59-1	55VA46530	51-17	55VA47611	54-3	55VA49140	47-13	55VA53680	37-29
55VA44120	58-27	55VA46711	56-27	55VA47621	54-13	55VA49150	45-9	55VA53721E	37-24
55VA44130	58-15	55VA46721	56-25	55VA47630	54-32	55VA49160	47-8	55VA53730	37-22
55VA44140	58-6	55VA46741	56-23	55VA47650D	54-28	55VA49170	47-7	55VA53742	37-23
55VA44150	58-13	55VA46880	51-4	55VA47660	54-24	55VA49180	47-1	55VA53750	37-32
55VA44160	58-8	55VA46890	51-1	55VA47680	49-7	55VA49240	46-25	55VA53770	39-5
55VA44170	49-8	55VA46900	3-11	55VA47680	53-4	55VA49250	46-20	55VA53791	46-4
55VA44170	59-30	55VA46920	3-9	55VA47701	48-18	55VA49260	46-24	55VA53801	41-8
55VA44190D	59-6	55VA46930	3-12	55VA47710	48-11	55VA49420	45-12	55VA53830	38-11
55VA44201	58-17	55VA46951	3-10	55VA47721	2-19	55VA49440	47-10	55VA53840	40-23
55VA44220	58-28	55VA47042	53-20	55VA47730	2-17	55VA53070	37-6	55VA53850	37-33
55VA44230	58-12	55VA47052	52-6	55VA47740	2-16	55VA53080	38-1	55VA53880	37-19
55VA44260	58-18	55VA47062	53-6	55VA47750	46-3	55VA53090	38-14	55VA53900	37-14
55VA45020	56-3	55VA47071	53-12	55VA47762E	48-12	55VA53111	37-25	55VA53910	37-7
55VA45030	56-21	55VA47082	52-14	55VA47770	48-6	55VA53131	38-3	55VA53940	41-7
55VA45040	56-2	55VA47091	49-1	55VA47770	49-6	55VA53140	37-26	55VA53951	40-25
55VA45060	56-17	55VA47122	56-1	55VA47800	52-23	55VA53150	36-15	55VA53961	41-15
55VA45070	56-8	55VA47130	53-19	55VA47830	57-15	55VA53160	36-12	55VA53970	40-18
55VA45090	56-16	55VA47200	45-7	55VA47840	57-29	55VA53170	36-3	55VA55070	43-1
55VA45120	56-15	55VA47250	52-12	55VA47850	55-21	55VA53182	36-9	55VA55101	43-19
55VA45130	56-10	55VA47300	54-6	55VA47880	49-9	55VA53193E	36-16	55VA55110	43-26
55VA46051	51-21	55VA47310	54-10	55VA47891	52-22	55VA53203E	36-11	55VA55130	42-23
55VA46151	50-25	55VA47320	54-9	55VA47910	52-10	55VA53230	36-4	55VA55140	43-12
55VA46160	50-21	55VA47350	2-18	55VA47920	54-15	55VA53270	38-5	55VA55160	43-21
55VA46190	50-10	55VA47360	49-11	55VA47930	48-22	55VA53290	40-22	55VA55181	43-7
55VA46221	49-10	55VA47371	48-3	55VA47950	52-11	55VA53300	40-19	55VA55251	44-6
55VA46221	51-22	55VA47390	48-4	55VA47960	49-2	55VA53341	41-2	55VA55300	44-15
55VA46231	51-23	55VA47450	48-5	55VA47970	48-15	55VA53360	37-20	55VA55330	42-2
55VA46430	56-26	55VA47450	50-18	55VA47980	48-14	55VA53380	38-13	55VA55351	44-14

Parts No.	Page No.	Parts No.	Page No.	Parts No.	Page No.	Parts No.	Page No.	Parts No.	Page No.
55VA55361	44-10	55VA73400	84-4	55VA77740	82-27	55VA79120	75-3	55VAR71600	21-16
55VA55380	43-34	55VA75010	30-21	55VA77801	38-19	55VA79130	80-11	55VAR71700	21-33
55VA55400	42-25	55VA75020	42-6	55VA77810	38-18	55VA79140	76-1	55VAR71800	21-15
55VA55411D	43-22	55VA75540	63-15	55VA77820	38-17	55VA79150	61-34	55VAR71900	21-23
55VA55430	44-7	55VA75540	70-15	55VA77850	41-3	55VA79150	68-34	55VAR72000	18-16
55VA55440	44-4	55VA75540	77-16	55VA77861	41-11	55VA79150	75-38	55VAR72100	18-23
55VA55450	44-3	55VA76020	41-14	55VA77870	38-22	55VA79200	42-10	55VAR72200	19-9
55VA55461	44-8	55VA76521	57-14	55VA77890	35-13	55VA79210	42-7	55VAR72300	20-11
55VA55470	43-14	55VA76530	55-19	55VA77910	34-4	55VA79220	42-4	55VAR72400	26-33
55VA55480	43-29	55VA76620	21-9	55VA77920	34-6	55VA79230	42-16	55VAR72800	29-27
55VA55490	43-35	55VA76700	13-21	55VA77931	34-7	55VA79300	35-19	55VAR72900	34-14
55VA55501	44-1	55VA76710	13-9	55VA77940	35-23	55VA80022	20-4	55VAR73200	77-5
55VA55641	42-18	55VA77030	18-6	55VA77950	35-11	55VA80122	13-17	55VAR73300	61-19
55VA55641	44-9	55VA77130	21-30	55VA77960	35-24	55VA80131	43-23	55VAR73300	68-19
55VA55670	42-22	55VA77150	83-30	55VA77970	35-10	55VA84532F	2-10	55VAR73300	75-22
55VA55680	42-5	55VA77160	18-17	55VA77980	35-18	55VA85521	38-10	55VAR73400	66-15
55VA55710	42-26	55VA77170	18-18	55VA77990	35-22	55VA88041	40-21	55VAR73400	73-15
55VA55810	43-9	55VA77190	18-24	55VA78010	21-8	55VA88051	37-8	55VAR73400	80-19
55VA55820	43-6	55VA77190	59-20	55VA78020	21-31	55VA88061	37-15	55VAR73500	61-35
55VA57010	23-11	55VA77230	29-4	55VA78040	57-19	55VA90070	40-15	55VAR73500	68-35
55VA57031E	23-10	55VA77240	29-5	55VA78050	55-23	55VA90380	33-10	55VAR73500	75-39
55VA57041G	23-16	55VA77260	43-15	55VA78060	55-20	55VA90430	29-8	55VAR73600	63-29
55VA57070	23-18	55VA77270	42-27	55VA78110	13-19	55VA90760	10-14	55VAR73600	70-29
55VA57080	23-17	55VA77290	23-9	55VA79010	62-22	55VA90800	100-4	55VAR73700	66-9
55VA61931	14-12	55VA77300	30-27	55VA79010	69-22	55VA90840	6-16	55VAR73700	73-9
55VA62020	13-22	55VA77310	30-14	55VA79010	76-23	55VA97390	85-3	55VAR73700	80-9
55VA66540	17-10	55VA77340	30-30	55VA79020	62-1	55VAJG011	103-6	55VAR73800	62-19
55VA66570	25-6	55VA77350	30-31	55VA79020	69-1	55VAJG021	103-7	55VAR73800	69-19
55VA70032	10-5	55VA77400	28-23	55VA79030	62-7	55VAJG031	103-8	55VAR73800	76-19
55VA70100	10-1	55VA77410	27-22	55VA79030	69-7	55VAJG041	103-9	55VAR73900	62-9
55VA70110D	10-2	55VA77420	47-30	55VA79030	76-8	55VAR70100	48-2	55VAR73900	69-9
55VA70140	10-3	55VA77430	47-31	55VA79030	82-26	55VAR70200	54-34	55VAR73900	76-7
55VA73072E	5-7	55VA77470	81-23	55VA79040	62-14	55VAR70300	54-23	55VAR74000	64-9
55VA73090	84-3	55VA77560	26-23	55VA79040	69-14	55VAR70600	46-13	55VAR74000	71-9
55VA73110	84-2	55VA77570	26-29	55VA79050	76-13	55VAR70700	2-15	55VAR74000	78-9
55VA73160	87-1	55VA77580	23-5	55VA79090	66-14	55VAR70900	3-14	55VAR74100	66-25
55VA73170	87-2	55VA77600	54-19	55VA79090	73-14	55VAR71100	5-13	55VAR74100	73-25
55VA73310	87-6	55VA77690	50-12	55VA79090	80-18	55VAR71200	2-5	55VAR74100	80-26
55VA73321	1-7	55VA77690	55-8	55VA79120	61-38	55VAR71300	20-21	55VAR74200	65-15
55VA73331	2-9	55VA77710	56-5	55VA79120	68-38	55VAR71500	21-13	55VAR74200	72-15

Parts No.	Page No.	Parts No.	Page No.	Parts No.	Page No.	Parts No.	Page No.	Parts No.	Page No.
55VAR74200	79-15	55VF83032	38-25	56AA17471	55-18	56AA17840	28-2	56AA85521	72-12
55VAR74300	63-6	55VF83041	37-17	56AA17471	56-4	56AA25150	27-15	56AA85521	79-12
55VAR74300	70-6	55WA61150	15-12	56AA17471	59-15	56AA25150	29-12	56AA85521	81-19
55VAR74400	65-11	55XA15050	20-28	56AA17471	83-28	56AA61042	15-8	56AA85531	14-14
55VAR74400	72-11	564AM15300	7-2	56AA17480	20-8	56AA61082	14-25	56AA97140	89-8
55VAR74400	79-11	56AA-6261	16-2	56AA17480	21-12	56AA61092	14-24	56AAR70500	5-6
55VAR74500	62-3	56AA-6271	16-6	56AA17480	30-15	56AA61111	13-26	56AAR70500	10-8
55VAR74500	64-10	56AA-8000	47-28	56AA17480	59-17	56AA61151	14-4	56AAR70500	17-6
55VAR74500	69-3	56AA15471	87-18	56AA17480	62-23	56AA61180	15-6	56AAR70500	85-33
55VAR74500	71-10	56AA15521	87-17	56AA17480	63-11	56AA61290	13-2	56AAR72700	14-27
55VAR74500	82-7	56AA17011	19-7	56AA17480	69-23	56AA61290	16-1	56AAR72800	14-10
55VAR74500	83-1	56AA17020	27-13	56AA17480	70-11	56AA61330	14-2	56AAR73000	61-28
55VAR74600	64-8	56AA17040	27-2	56AA17480	76-24	56AA61461	13-7	56AAR73000	68-28
55VAR74600	71-8	56AA17071	47-2	56AA17480	77-11	56AA61561	14-26	56AAR73000	75-32
55VAR74600	83-10	56AA17080	21-24	56AA17500	30-20	56AA61570	13-6	56AF84521	89-7
55VAR74700	61-21	56AA17090	20-2	56AA17500	34-2	56AA61580	14-23	56AF84540	89-5
55VAR74700	68-21	56AA17090	63-13	56AA17500	57-3	56AA68121	17-9	56GA-0730	47-27
55VAR74800	77-25	56AA17090	70-13	56AA17510	64-13	56AA80112	18-12	56GA-1510	20-10
55VAR75100	75-25	56AA17090	77-13	56AA17510	71-13	56AA80112	19-14	56GA-3390	34-18
55VAR75200	59-3	56AA17140	27-25	56AA17510	78-14	56AA80112	57-4	56GA-4280	61-39
55VAR75300	83-13	56AA17140	29-20	56AA17520	23-3	56AA80541	17-18	56GA-4280	68-39
55VAR75400	83-27	56AA17310	62-6	56AA17520	26-27	56AA80541	85-24	56GA-4280	75-2
55VAR75500	83-15	56AA17310	69-6	56AA17520	66-19	56AA80551	14-28	56GA-4300	61-10
55VAR75800	43-2	56AA17310	76-6	56AA17520	73-19	56AA80551	17-11	56GA-4300	68-10
55VAR75900	44-16	56AA17310	82-28	56AA17520	80-14	56AA85511	10-7	56GA-4700	75-14
55VAR76000	43-11	56AA17321	35-15	56AA17531	40-9	56AA85511	13-8	56GA-4710	61-7
55VAR76100	43-24	56AA17321	82-29	56AA17531	50-11	56AA85511	28-25	56GA-4710	68-7
55VAR76200	43-17	56AA17330	21-25	56AA17531	55-6	56AA85511	46-22	56GA-4710	75-8
55VAR76400	33-5	56AA17350	46-11	56AA17531	57-24	56AA85511	47-25	56GA-5120	82-31
55VAR76700	89-12	56AA17361	48-17	56AA17531	58-9	56AA85511	52-1	56GA-5450	37-1
55VAR76911	41-10	56AA17390	24-5	56AA17531	83-12	56AA85511	53-15	56GA-5560	42-9
55VAR77000	60-18	56AA17461	18-9	56AA17551	50-4	56AA85511	58-21	56GA-5570	42-12
55VAR77000	67-18	56AA17461	19-13	56AA17580	28-9	56AA85511	60-11	56GA-5770	44-11
55VAR77000	74-18	56AA17461	21-11	56AA17700	23-4	56AA85511	67-11	56GA-9092E	13-15
55VB83022	38-24	56AA17461	46-8	56AA17700	28-21	56AA85511	74-11	56GA10101	1-19
55VB83033	38-25	56AA17461	82-20	56AA17700	47-16	56AA85511	83-22	56GA10311	17-14
55VB83042	37-17	56AA17471	18-13	56AA17760	64-15	56AA85521	51-10	56GA12090	6-8
55VB90060	90-2	56AA17471	30-17	56AA17760	71-15	56AA85521	56-20	56GA12480	9-4
55VE32080	34-21	56AA17471	35-8	56AA17760	78-16	56AA85521	58-2	56GA15021	20-23
55VF83021	38-24	56AA17471	48-10	56AA17830	27-8	56AA85521	65-12	56GA25110	29-9

Parts No.	Page No.	Parts No.	Page No.	Parts No.	Page No.	Parts No.	Page No.	Parts No.	Page No.
56GA25120D	29-10	56GA47820	52-3	56GA90340E	99-2	56QA61130	13-27	56UA40600	78-12
56GA26080	27-24	56GA47820	53-16	56GA90350	65-1	56QA61140	13-24	56UA40600	83-2
56GA26090	27-6	56GA47820	58-22	56GA90350	72-1	56QA61670	16-4	56UA40680	61-20
56GA26100	27-11	56GA47870	46-2	56GA90350	79-1	56QA61680	16-3	56UA40680	68-20
56GA26160D	27-18	56GA49042	47-3	56GA90360	65-2	56QA61690	14-29	56UA40680	75-24
56GA26170	27-20	56GA49231E	46-21	56GA90360	72-2	56UA-0860	47-23	56UA40690	64-1
56GA26180	27-21	56GA49310	47-29	56GA90360	79-2	56UA-2870	27-12	56UA40690	71-1
56GA26190	27-19	56GA53030	37-13	56GA90650E	52-2	56UA-3861	57-33	56UA40690	78-1
56GA26200	27-10	56GA53260	36-7	56GA90650E	53-9	56UA-7040	11-8	56UA40700	105-3
56GA26210	28-6	56GA53320	37-3	56GA90650E	56-18	56UA-9051E	11-17	56UA45040	56-11
56GA26400	28-3	56GA55310	42-14	56GA90660E	52-13	56UA10510	1-15	56UA45820	48-7
56GA26430	28-7	56GA55320	42-13	56GA90670E	53-8	56UA11510	104-5	56UA45840	49-5
56GA29130D	26-11	56GA55770	43-5	56GA90680E	51-12	56UA12080	9-18	56UA45840	53-3
56GA30290	30-7	56GA76010	51-2	56GA90700E	83-19	56UA12180	8-9	56UA45960	26-16
56GA32411	35-9	56GA76030	50-24	56GA90710E	81-28	56UA12401	9-17	56UA45970	48-20
56GA40171	63-23	56GA76030	51-14	56GA90890	18-11	56UA12570	60-6	56UA45991	52-8
56GA40171	70-23	56GA76030	56-28	56GA90890	57-5	56UA12570	67-6	56UA46140	54-11
56GA40171	77-30	56GA76030	59-13	56GA90940	100-5	56UA12570	74-5	56UA46480	59-26
56GA40202E	64-2	56GA76600	20-18	56GA98110	1-12	56UA12640	9-15	56UA46921	46-6
56GA40202E	71-2	56GA77020	20-24	56GA98120	1-16	56UA12700	9-12	56UA47980	57-1
56GA40202E	78-2	56GA77140	21-1	56GAR70100	20-15	56UA12770	104-3	56UA49050	47-18
56GA40480E	61-14	56GA77150	21-3	56GAR70200	21-4	56UA15540	21-21	56UA49070	47-17
56GA40480E	68-14	56GA77360	30-32	56GAR70300	24-16	56UA15730	19-22	56UA49100	47-15
56GA40960	61-36	56GA77370	30-33	56GAR70400	27-5	56UA20310	25-22	56UA49220	47-26
56GA40960	68-36	56GA77440	47-32	56GAR70500	27-4	56UA23150	23-12	56UA54511	39-16
56GA40960	75-5	56GA77840D	41-13	56GAR70600	27-3	56UA25040	29-38	56UA54521	39-13
56GA41480E	75-18	56GA77900	34-5	56GAR70700	27-16	56UA25050	29-15	56UA54530	39-18
56GA42261	61-29	56GA78100	20-19	56GAR70900	63-24	56UA25280	29-13	56UA54540	39-17
56GA42261	68-29	56GA79060	63-14	56GAR70900	70-24	56UA26110	27-7	56UA54580	39-7
56GA42261	75-33	56GA79060	70-14	56GAR70900	77-29	56UA26120	28-19	56UA54590	39-8
56GA44112	59-8	56GA79400	59-24	56GAR71000	37-2	56UA26180	27-14	56UA54600	39-9
56GA44270	58-23	56GA80171	41-16	56GAR71100	44-12	56UA26540	28-18	56UA54610	39-12
56GA46750	50-20	56GA85531	22-8	56GB-9082E	88-16	56UA26620	28-22	56UA54640	40-4
56GA47440	50-23	56GA85531	52-15	56HA12520	60-2	56UA26630	28-27	56UA54710	36-5
56GA47440	51-13	56GA85531	53-7	56HA12520	67-2	56UA26800	28-26	56UA558300	43-4
56GA47440	56-30	56GA90120	99-5	56HA12560	74-2	56UA26820	28-29	56UA61021	13-10
56GA47440	59-27	56GA90170	97-1	56HA12980	60-9	56UA26830	28-10	56UA61030	14-21
56GA47490	52-5	56GA90230	10-13	56HA12980	67-9	56UA29230	26-5	56UA61070	15-4
56GA47490	53-18	56GA90251E	58-7	56HA12980	74-9	56UA40600	64-16	56UA61240	14-3
56GA47490	58-20	56GA90330E	97-2	56QA46060	51-7	56UA40600	71-16	56UA61250	14-7

Parts No.	Page No.	Parts No.	Page No.	Parts No.	Page No.	Parts No.	Page No.	Parts No.	Page No.
56UA61400	14-22	56UA75030	63-10	56UAR7A400	60-7	57GA15130	19-2	57GA53920E	41-1
56UA61440	15-3	56UA75030	70-10	56UAR7A400	67-7	57GA15140	19-4	57GA56011	43-3
56UA66130	17-8	56UA75030	77-8	56UAR7A400	74-7	57GA15390	22-17	57GA57020	23-13
56UA66570	17-13	56UA75050	57-12	56UAR7C300	42-19	57GA15410E	22-14	57GA57030	23-15
56UA70150D	11-11	56UA76070	43-8	56UAR7C400	42-21	57GA15420E	22-18	57GA57040	23-14
56UA70310	11-28	56UA760900	40-6	56UAR7D200	14-5	57GA15560	22-10	57GA61040	13-13
56UA70321	11-27	56UA760900	41-5	56UAR7D300	14-11	57GA15620	21-26	57GA61470	13-12
56UA70330	11-25	56UA76530	57-2	56UF97280	8-34	57GA15630	22-1	57GA61480	13-18
56UA70340	11-29	56UA77080	19-23	57AA30260	30-36	57GA15640	22-15	57GA61500D	13-1
56UA70350	11-26	56UA77270	22-16	57AA61280	14-17	57GA15650	22-12	57GA61510D	13-28
56UA70360	11-30	56UA77290	26-21	57AA61760	14-19	57GA15660	22-11	57GA61520	13-23
56UA70370	11-23	56UA77300	26-22	57AA77170	40-8	57GA20160	3-5	57GA61560	13-16
56UA70380	11-24	56UA77410	47-20	57AE88010	40-20	57GA20170	3-3	57GA66140	17-5
56UA70390	11-31	56UA77560	50-14	57GA-1440	60-10	57GA20710	24-17	57GA66190	17-7
56UA70400	11-32	56UA77570	57-31	57GA-1440	67-10	57GA25080	29-31	57GA73020E	89-6
56UA70420	11-33	56UA77830	38-20	57GA-1440	74-10	57GA29190	26-10	57GA73040	89-14
56UA70540	12-10	56UA78050	57-18	57GA-1610	19-19	57GA31080	32-2	57GA73060	87-8
56UA70560	12-8	56UA78090	57-20	57GA-2860	27-26	57GA32140	33-2	57GA73090	87-5
56UA70570	12-3	56UA80510	86-12	57GA-4980	59-14	57GA44030	58-14	57GA73130E	85-28
56UA70590	12-7	56UA80530	2-7	57GA-5681	44-13	57GA44300	59-12	57GA73160	85-29
56UA70600	12-6	56UA83010	15-10	57GA-6302E	14-18	57GA44320	59-11	57GA73170E	85-30
56UA70610E	12-20	56UA83030	38-25	57GA-6550	17-1	57GA46020E	51-18	57GA73210	87-13
56UA70620E	12-21	56UA83510	15-7	57GA10080	5-2	57GA46060	51-11	57GA73220	87-12
56UA70650	12-30	56UA83521	11-12	57GA10090E	2-4	57GA46240D	51-19	57GA73230	87-4
56UA70670	12-22	56UA84021	47-12	57GA10260E	5-5	57GA46250	57-16	57GA73240	87-10
56UA70720	104-1	56UA87550	11-7	57GA11280	5-8	57GA46810	55-12	57GA73250	87-14
56UA70730	12-11	56UA90460	14-6	57GA11290	2-6	57GA47260	3-7	57GA73310	5-15
56UA70740	12-1	56UA90790	11-19	57GA12100	2-21	57GA47270	3-2	57GA73320	5-16
56UA70750	12-19	56UA90801	11-10	57GA12100	8-16	57GA47380	55-1	57GA73430	85-15
56UA70760	12-12	56UA90810	11-20	57GA12150	8-8	57GA47400	57-6	57GA73510	8-15
56UA70790G	12-2	56UA90870	28-24	57GA12201E	6-11	57GA47410	57-9	57GA73520	7-12
56UA70800	12-9	56UA90920	11-21	57GA12210D	6-12	57GA47480	57-10	57GA75030	83-17
56UA70820	12-4	56UA91600	27-27	57GA12280	8-10	57GA47550	54-2	57GA761600	23-7
56UA70820	105-4	56UA97300	7-14	57GA12310	8-22	57GA47640	57-11	57GA76560	55-24
56UA73071	87-15	56UA97300	17-4	57GA12320	8-24	57GA47670	57-8	57GA76560	57-23
56UA73420	85-9	56UA97310E	8-32	57GA12330	8-19	57GA47790	52-17	57GA77070	19-16
56UA73440	85-10	56UA97321F	8-33	57GA12440E	7-4	57GA47800	55-2	57GA77090	19-3
56UA73550	85-22	56UA97920	27-23	57GA12450	7-3	57GA47940D	54-1	57GA77110	21-29
56UA73550	88-7	56UAR71000	47-19	57GA12660D	7-5	57GA53280D	38-21	57GA79440	59-16
56UA75020	21-18	56UAR71600	104-4	57GA12800	8-14	57GA53530	41-6	57GA82010	59-22

Parts No.	Page No.	Parts No.	Page No.	Parts No.	Page No.	Parts No.	Page No.	Parts No.	Page No.
57GA82010	63-9	57GA97400	57-17	57HER70200	33-7	A03U191800	12-24	A0Y5111300	1-9
57GA82010	70-9	57GA97410	48-19	65AA11300	17-23	A03U191900	12-27	A0Y5111400	6-5
57GA82010	77-9	57GA97420	56-24	65AA42860	57-34	A03U192000	12-23	A0Y5111700	17-24
57GA84010	87-9	57GA97450	33-18	65AA53991	39-2	A03U192100	12-28	A0Y5112200	4-7
57GA90010	95-1	57GA97450	61-4	65AA53991	56-13	A03U192600	11-2	A0Y5120200	4-4
57GA90020	89-19	57GA97450	68-4	65AA54190	36-18	A03U192700	11-6	A0Y5120300	4-1
57GA90040	89-21	57GA97450	75-1	65AA80021	18-10	A03U192800	11-3	A0Y5121300	85-8
57GA90050	92-4	57GAR70100	55-15	65AA80021	19-21	A03U192900	11-4	A0Y5130101	88-11
57GA90080	89-18	57GAR70400	6-27	65AA80021	21-28	A03U193000	11-5	A0Y5130200	88-15
57GA90090	89-20	57GAR70700	19-18	65AA80112	57-35	A03U194600	11-16	A0Y5130300	88-1
57GA90160	90-4	57GAR70800	21-34	65AA88080	17-22	A03U194700	11-15	A0Y5130400	85-2
57GA90180	91-1	57GAR71000	32-1	7050K0020	103-1	A03U205000	11-35	A0Y5130500	88-14
57GA90190	92-3	57GAR71200	24-1	9313100072	5-3	A03U205100	11-35	A0Y5130600	12-17
57GA90200	89-22	57GAR71900	51-15	9313100072	45-25	A03U205200	11-35	A0Y5130700	88-2
57GA90220	97-3	57GAR71900	59-25	9313110033	55-4	A03U263601	1-2	A0Y5130900	89-3
57GA90230	10-15	57GAR72200	36-14	A00J617800	50-7	A03U734500	40-17	A0Y5131500	10-11
57GA90240	20-5	57GAR72300	36-17	A00J617900	59-7	A03U946500	11-14	A0Y5132000	86-11
57GA90250	22-9	57GAR72700	42-20	A00J617900	63-16	A03UH11000	11-9	A0Y5132100	85-13
57GA90270	17-20	57GAR73300	19-24	A00J617900	70-16	A03UM11100	57-21	A0Y5132400	85-12
57GA90420	93-2	57GAR73500	42-1	A00J617900	77-17	A03UM15800	4-5	A0Y5133100	86-1
57GA90480	24-4	57GAR73700	17-12	A00V240600	18-15	A03X565611	62-8	A0Y5133200	86-14
57GA90540	93-5	57GAR73800	23-19	A00V240600	19-1	A03X565611	69-8	A0Y5133500	86-8
57GA90561	91-3	57GB53040	38-23	A00V240600	20-7	A03X565611	76-9	A0Y5133700	86-10
57GA90780	96-1	57GB84520	89-11	A00V240600	21-6	A07TM60100	89-17	A0Y5134500	85-23
57GA97100E	47-11	57GB90030	95-2	A00V240600	22-2	A093M70000	12-13	A0Y5134500	88-9
57GA97130	9-9	57GB97030	8-2	A00V240600	30-13	A093M70000	17-21	A0Y5134700	85-19
57GA97170E	7-15	57GBR70200	89-9	A00V240600	50-8	A0G6375400	31-6	A0Y5134700	88-8
57GA97240	61-15	57GE-7330	89-9	A00V240600	55-14	A0PNM10200	34-9	A0Y5135200	4-2
57GA97240	68-15	57GE53920E	41-1	A00V240600	56-9	A0U0195000	11-35	A0Y5160101	9-11
57GA97240	75-19	57GE97030	8-2	A00V240600	59-4	A0U0205301	11-35	A0Y5160203	9-22
57GA97260	63-3	57GF-7331	89-9	A00V240600	62-20	A0U0945401	60-5	A0Y5160302	9-20
57GA97260	70-3	57GF53921F	41-1	A00V240600	69-20	A0U0945501	67-5	A0Y5160400	9-23
57GA97260	77-3	57GF97030	8-2	A00V240600	76-20	A0U0945601	74-6	A0Y5160500	9-10
57GA97290	81-14	57GG-7330	89-9	A03U166800	9-16	A0U0H04001	11-22	A0Y5160600	6-21
57GA97310	50-22	57GK-7331	89-9	A03U168500	6-23	A0Y5110500	2-20	A0Y5160701	8-1
57GA97340	46-5	57GK97030	8-2	A03U190100	11-1	A0Y5110900	1-8	A0Y5160800	9-2
57GA97350	56-14	57GL-7330	89-9	A03U190201	11-13	A0Y5110900	6-4	A0Y5161001	8-18
57GA97360	36-19	57GN-7330	89-9	A03U190300	11-34	A0Y5111000	4-3	A0Y5161100	10-9
57GA97380	54-37	57GN53920E	41-1	A03U191600	12-26	A0Y5111100	87-16	A0Y5161200	9-21
57GA97390	39-3	57GU-7330	89-9	A03U191700	12-25	A0Y5111200	12-16	A0Y5161400	6-10

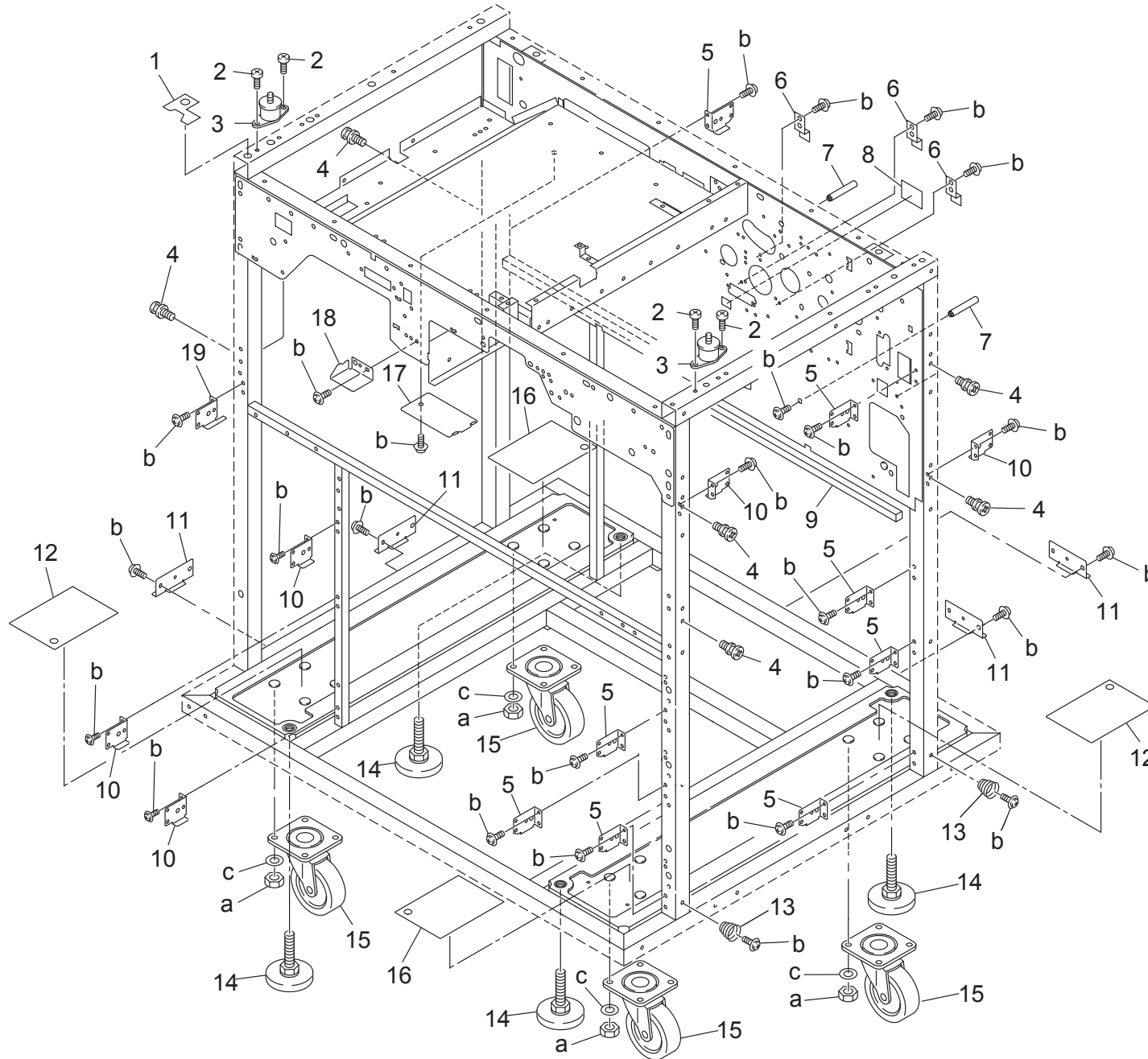
Parts No.	Page No.	Parts No.	Page No.	Parts No.	Page No.	Parts No.	Page No.	Parts No.	Page No.
A0Y5161500	6-15	A0Y5330700	24-12	A0Y5406400	34-1	A0Y5710300	50-16	A0Y5814700	45-10
A0Y5161600	6-14	A0Y5331000	24-6	A0Y5461601	29-33	A0Y5710400	51-8	A0Y5815100	53-13
A0Y5161700	9-25	A0Y5332000	25-20	A0Y5470500	28-15	A0Y5713100	50-3	A0Y5815200	46-19
A0Y5161800	9-26	A0Y5332100	25-14	A0Y5470600	28-13	A0Y5713200	50-2	A0Y5815300	45-15
A0Y5161900	9-24	A0Y5332200	25-11	A0Y5470700	28-12	A0Y5713300	51-5	A0Y5816200	45-8
A0Y5162000	6-19	A0Y5332300	25-10	A0Y5473800	28-16	A0Y5716100	56-12	A0Y5816400	45-17
A0Y5162100	9-7	A0Y5332500	24-19	A0Y5474100	28-1	A0Y5730401	38-23	A0Y5816500	45-1
A0Y5162200	9-6	A0Y5333000	24-3	A0Y5475800	28-30	A0Y5731000	40-24	A0Y5816600	45-2
A0Y5162300	9-5	A0Y5334200	26-36	A0Y5476400	28-17	A0Y5731201	39-4	A0Y5816800	45-18
A0Y5162400	5-1	A0Y5340101	7-13	A0Y5478400	28-14	A0Y5732000	40-1	A0Y5817100	55-13
A0Y5162400	9-8	A0Y5343100	26-35	A0Y5532400	43-13	A0Y5733700	36-2	A0Y5817800	48-21
A0Y5170300	6-24	A0Y5344900	25-8	A0Y5591200	82-10	A0Y5735000	39-15	A0Y5818000	45-6
A0Y5170500	8-25	A0Y5350100	26-17	A0Y5595100	81-9	A0Y5735400	41-12	A0Y5818100	45-5
A0Y5170600	8-26	A0Y5350200	26-13	A0Y5595200	81-1	A0Y5735500	39-11	A0Y5819100	3-13
A0Y5170900	8-17	A0Y5350800	26-19	A0Y5595300	81-8	A0Y5735700	39-6	A0Y5819300	49-3
A0Y5171100	8-3	A0Y5350900	26-3	A0Y5595400	81-13	A0Y5736200	40-12	A0Y5819500	45-20
A0Y5171400	8-30	A0Y5351000	26-4	A0Y5595500	81-16	A0Y5736300	40-3	A0Y5819800	52-19
A0Y5172500	8-21	A0Y5351100	26-8	A0Y5595600	81-12	A0Y5736500	40-13	A0Y5819900	52-18
A0Y5172600	8-23	A0Y5351200	26-6	A0Y5595700	81-15	A0Y5736600	40-5	A0Y5830101	7-18
A0Y5172700	8-20	A0Y5351500	26-15	A0Y5600600	64-20	A0Y5736700	40-2	A0Y5830200	54-36
A0Y5176000	8-31	A0Y5371500	30-4	A0Y5600600	71-20	A0Y5736800	40-11	A0Y5835400	45-24
A0Y5176100	8-29	A0Y5371600	30-34	A0Y5601000	61-6	A0Y5738700	40-10	A0Y5836100	45-26
A0Y5176201	82-18	A0Y5371700	30-35	A0Y5601000	68-6	A0Y5739300	39-1	A0Y5836200	45-23
A0Y5176301	9-19	A0Y5371901	31-2	A0Y5601000	75-7	A0Y5739901	40-14	A0Y5836300	7-16
A0Y5176700	9-13	A0Y5372100	30-9	A0Y5601300	61-11	A0Y5742800	41-4	A0Y5841100	54-14
A0Y5178000	8-28	A0Y5372200	30-22	A0Y5601300	68-11	A0Y5810300	48-1	A0Y5850200	47-4
A0Y5178000	9-1	A0Y5372301	30-10	A0Y5601300	75-15	A0Y5811000	55-3	A0Y5852101	28-28
A0Y5178300	8-4	A0Y5372800	31-5	A0Y5601500	74-24	A0Y5811100	53-5	A0Y5942100	7-9
A0Y5190500	12-5	A0Y5373000	30-16	A0Y5601600	62-15	A0Y5811500	45-22	A0Y5942300	54-22
A0Y5196300	12-29	A0Y5373100	30-25	A0Y5601600	69-15	A0Y5811600	57-25	A0Y5944100	6-20
A0Y5196400	12-31	A0Y5373501	30-2	A0Y5601600	76-15	A0Y5811700	57-22	A0Y5944200	6-22
A0Y5200100	104-2	A0Y5373601	30-28	A0Y5650600	78-20	A0Y5812100	45-13	A0Y5944400	105-2
A0Y5210200	19-11	A0Y5374000	30-19	A0Y5680100	60-3	A0Y5813100	57-32	A0Y5945200	50-27
A0Y5210500	18-22	A0Y5374101	30-24	A0Y5680100	67-3	A0Y5813200	45-16	A0Y5945300	51-6
A0Y5210700	18-4	A0Y5374500	30-32	A0Y5680200	74-3	A0Y5813400	55-5	A0Y5945700	54-12
A0Y5227500	18-1	A0Y5374600	30-33	A0Y5685400	60-4	A0Y5813500	55-25	A0Y5947100	7-19
A0Y5227600	18-2	A0Y5376500	31-7	A0Y5685400	67-4	A0Y5813700	55-11	A0Y5947400	6-13
A0Y5265000	14-1	A0Y5376600	31-9	A0Y5685400	74-4	A0Y5813800	55-22	A0Y5947600	33-19
A0Y5330400	25-23	A0Y5376900	30-5	A0Y5702100	58-10	A0Y5813901	55-10	A0Y5948100	60-34
A0Y5330600	25-2	A0Y5378600	30-23	A0Y5710100	50-9	A0Y5814100	46-23	A0Y5948100	67-34

Parts No.	Page No.	Parts No.	Page No.	Parts No.	Page No.	Parts No.	Page No.	Parts No.	Page No.
A0Y5948100	74-33	A0Y5N12800	7-1	A0Y5R71100	11-18	A0Y5R75700	27-1	V500010030	101-17
A0Y5948200	63-1	A0Y5N12900	5-4	A0Y5R71200	11-18	A0Y5R75800	27-1	V500010031	102-4
A0Y5948200	70-1	A0Y5N13001	99-4	A0Y5R71300	11-18	A0Y5R75900	27-1	V500010037	102-5
A0Y5948200	77-1	A0Y5N13200	100-2	A0Y5R71400	9-14	A0Y5R76200	85-25	V500010039	101-7
A0Y5948401	81-11	A0Y5N13301	12-14	A0Y5R71500	7-17	A0Y5R76300	88-4	V500010040	102-28
A0Y5A26212	14-18	A0Y5N13400	99-3	A0Y5R71600	5-14	A0Y5R76400	88-4	V500010046	102-7
A0Y5F21000	18-7	A0Y5N13500	10-12	A0Y5R71700	3-1	A0Y5R76600	2-2	V500010047	102-8
A0Y5F60100	75-6	A0Y5N13601	12-15	A0Y5R71800	4-8	A1RF820000	56-6	V500010050	102-9
A0Y5F71100	50-26	A0Y5N13A01	34-13	A0Y5R71900	4-6	A4EU536200	43-27	V500010061	102-10
A0Y5F81100	46-1	A0Y5N13E01	34-13	A0Y5R72000	18-5	A4EU755600	39-10	V500020001	101-13
A0Y5H01002	85-18	A0Y5N14100	99-1	A0Y5R72100	26-20	A4EU757200	39-14	V500020002	102-12
A0Y5H02003	88-13	A0Y5N14500	24-8	A0Y5R72200	66-10	A4EUR70W00	34-23	V500020003	102-13
A0Y5H07002	45-21	A0Y5N15200	85-14	A0Y5R72200	73-10	A4EUR70X00	34-22	V500020005	102-14
A0Y5H10001	86-9	A0Y5N15600	85-26	A0Y5R72200	80-10	A4EUR71400	76-3	V500020019	102-30
A0Y5H12001	86-13	A0Y5N16000	96-2	A0Y5R72300	51-9	A4EUR71400	78-10	V500020020	102-15
A0Y5H15000	26-32	A0Y5N16100	90-1	A0Y5R72400	50-28	A4EUR71500	78-8	V500020027	102-16
A0Y5M10400	35-16	A0Y5N16201	98-1	A0Y5R72500	45-3	A4EUR71N00	87-3	V500020030	102-17
A0Y5M10400	55-7	A0Y5N16300	93-4	A0Y5R72700	60-1	A4EUR73V00	46-26	V500020031	102-18
A0Y5M10400	57-27	A0Y5N16401	93-1	A0Y5R72700	67-1	SP00-0022	40-16	V500020037	102-19
A0Y5M15100	4-9	A0Y5N16700	51-24	A0Y5R72800	74-1	SP00-0043	37-9	V500020043	102-32
A0Y5M30700	47-5	A0Y5N18301	91-2	A0Y5R72900	86-6	V114040604	105-5	V500020050	102-20
A0Y5M30800	29-6	A0Y5N18400	100-1	A0Y5R73000	86-6	V121040603	105-6	V501010002	101-19
A0Y5M45100	89-1	A0Y5N18700	57-28	A0Y5R73200	47-6	V360100000	102-25	V501010003	102-22
A0Y5M60100	10-10	A0Y5N18900	100-3	A0Y5R73300	28-20	V360200000	102-26	V501010004	101-20
A0Y5M60200	89-2	A0Y5N19000	19-15	A0Y5R73400	28-20	V500010002	101-30	V501010011	102-23
A0Y5M90101	35-14	A0Y5N19300	53-10	A0Y5R73511	23-1	V500010003	34-8	V501010013	101-31
A0Y5M90101	57-26	A0Y5N19600	85-27	A0Y5R73700	31-1	V500010003	101-6	V501010014	101-18
A0Y5M91100	85-17	A0Y5N19600	86-7	A0Y5R74100	19-12	V500010005	101-5	V501010015	102-24
A0Y5M91200	85-16	A0Y5N19700	85-34	A0Y5R74200	26-26	V500010007	101-33	V502010007	45-19
A0Y5M91300	12-18	A0Y5R70000	36-1	A0Y5R74300	26-34	V500010008	101-4	V502010007	101-32
A0Y5M91400	85-1	A0Y5R70100	36-1	A0Y5R74400	36-1	V500010012	101-35	V502010009	101-34
A0Y5M91500	88-10	A0Y5R70200	36-1	A0Y5R74800	36-1	V500010013	101-36	V502010014	20-6
A0Y5M91600	17-16	A0Y5R70311	30-1	A0Y5R74900	11-18	V500010014	102-27	V502010014	88-12
A0Y5M91700	14-16	A0Y5R70400	29-7	A0Y5R75000	11-18	V500010015	101-3	V502010014	101-22
A0Y5N11202	94-1	A0Y5R70500	33-8	A0Y5R75100	11-18	V500010020	101-38	V502010016	2-8
A0Y5N11300	98-2	A0Y5R70600	33-8	A0Y5R75200	27-1	V500010021	101-2	V502010016	13-14
A0Y5N11400	93-3	A0Y5R70700	33-8	A0Y5R75300	27-1	V500010022	101-39	V502010016	101-23
A0Y5N11501	90-3	A0Y5R70800	27-1	A0Y5R75400	27-1	V500010024	101-15	V502010049	102-1
A0Y5N11601	92-2	A0Y5R70900	27-1	A0Y5R75500	27-1	V500010026	101-16	V502010050	18-8
A0Y5N12100	92-1	A0Y5R71000	50-1	A0Y5R75600	27-1	V500010028	102-2	V502010050	19-20

Parts No.	Page No.
V502010050	21-27
V502010050	102-3
V502010052	87-11
V502010055	101-37
V570010007	101-14
V570010009	101-40
V570010012	101-25
V570010013	101-21
V570010014	101-24
V570010015	101-26
V570010016	102-6
V570010021	101-8
V570010023	101-10
V570010025	102-31
V570010026	101-11
V570010027	102-33
V570010028	101-12
V570010033	101-1
V570010037	102-11
V570010038	102-35
V570010039	102-36
V570010048	101-9
V570010053	102-21
V570010065	102-34
V651010001	101-27
V651010002	102-29
V651010003	102-37
V651010005	101-28
V651010006	101-29

MAIN FRAME

P 1

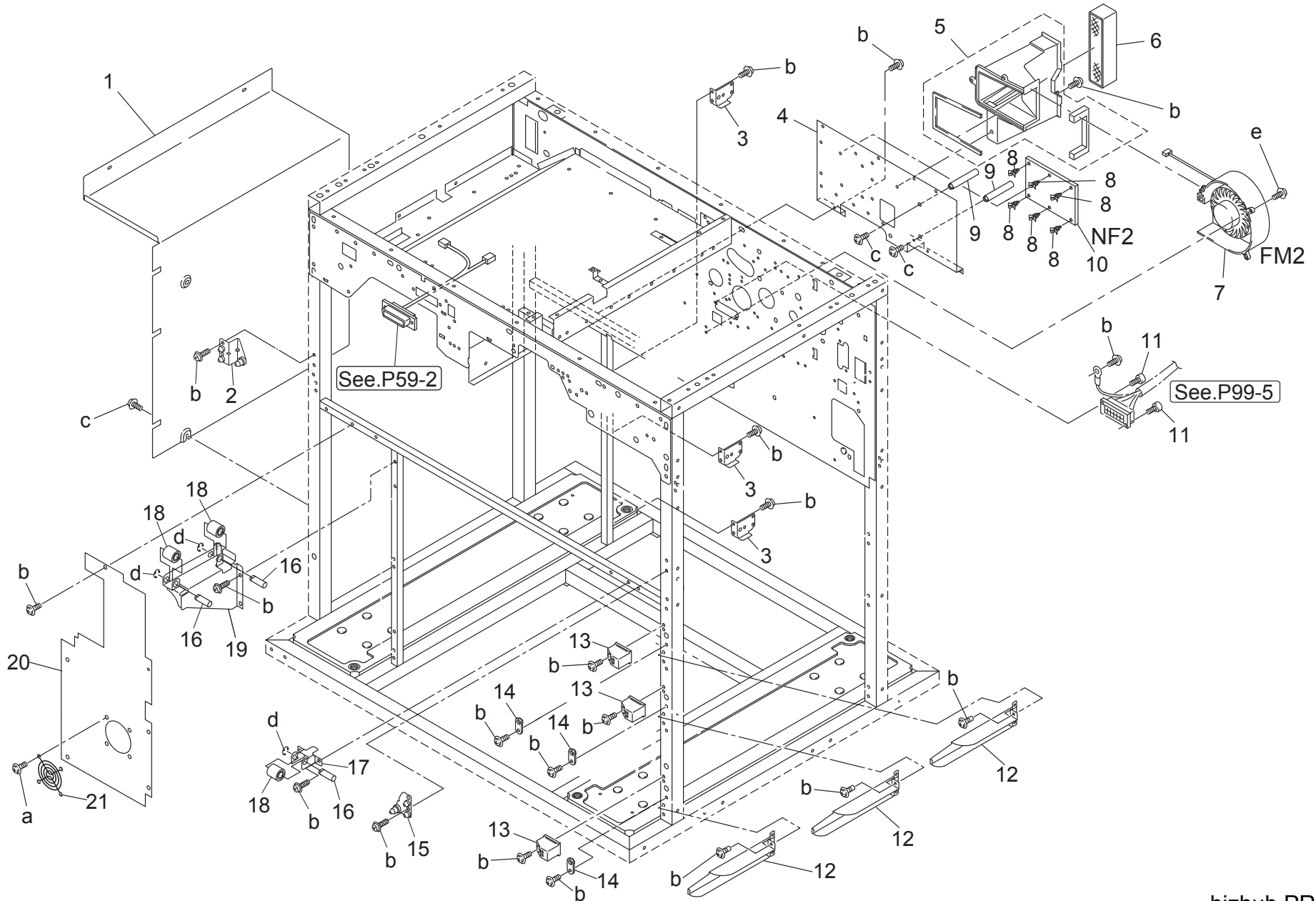


MAIN FRAME

Key	Part No.	Description	Destinations	Class	QTY	Standard parts
1	55VA11110	WIRING PROTECTION SHEET		C	1	a-V195060003 b-V121040603 c-V205060003
2	A03U263601	Optical Screw		C	4	
3	25SA10200	READ SUPPORT RUBBER		D	2	
4	25AA44331	STOPPER PIN		C	6	
5	55VA10040	AUXILIARY STAY/B		D	8	
6	55VA15580	Shaft Holder Holding Plate		D	3	
7	55VA73321	BOARD SUPPORT LEG /A		D	2	
8	A0Y5110900	Sealing Sheet		C	1	
9	A0Y5111300	Separating Seal /Rear		C	1	
10	55VA10030	AUXILIARY STAY A		D	5	
11	55VA10171	SIDE CONNECTING PLATE		D	4	
12	56GA98110	MAIN BODY PROTECTION SEAL /A		C	2	
13	55VA12750	EARTH SPRING E		C	2	
14	25AA10090	Mainbody Fixing Stopper		C	4	
15	56UA10510	MAIN BODY SLIDE ROLLER		C	4	
16	56GA98120	MAIN BODY PROTECTION SEAL /B		C	2	
17	55VA10250D	Main body Cover		D	1	
18	55VA32120	MAIN POSITIONING PLATE		C	1	
19	56GA10101	AUXILIARY STAY /E		D	1	

MAIN FRAME

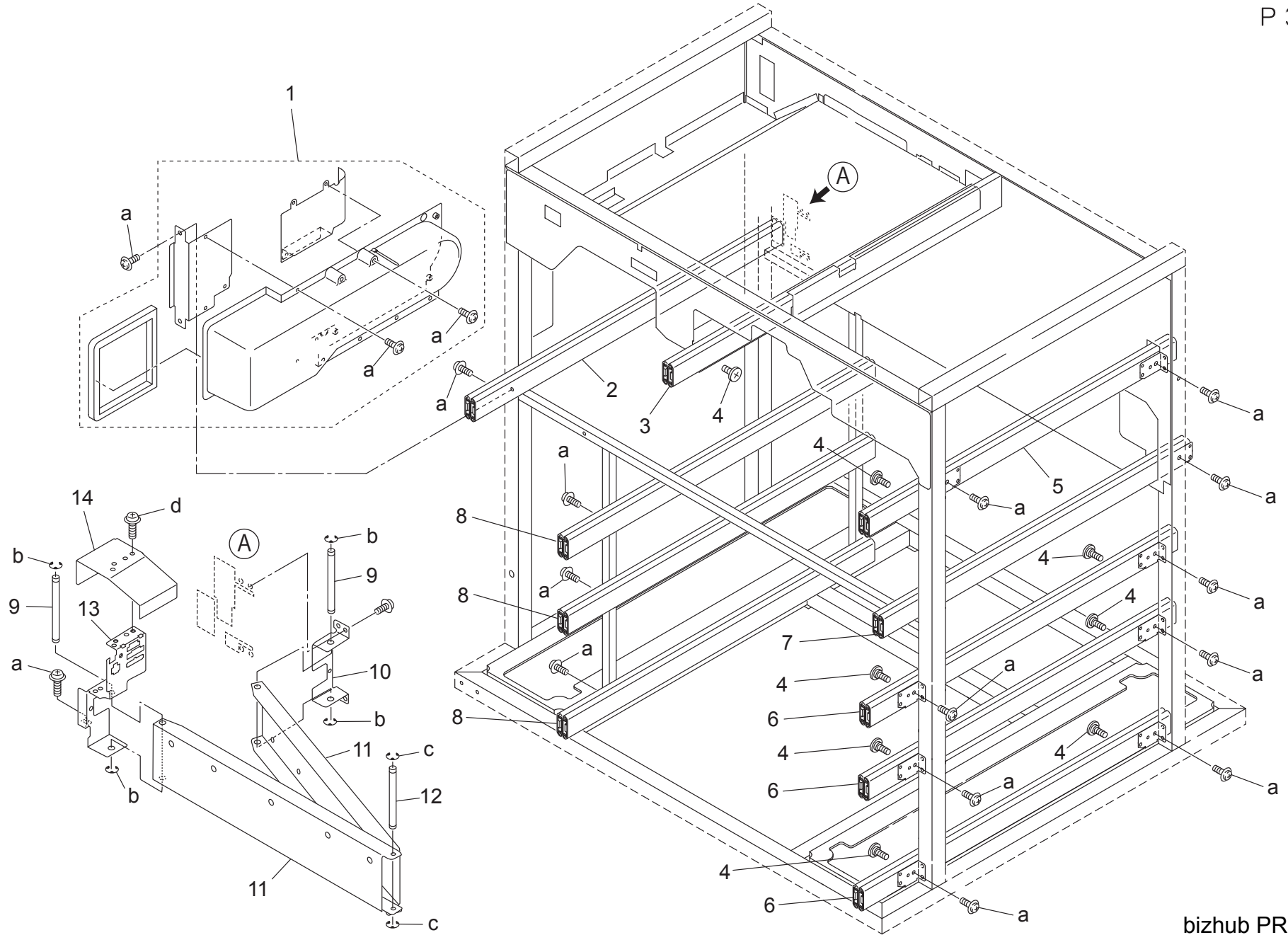
P 2



bizhub PRO 950

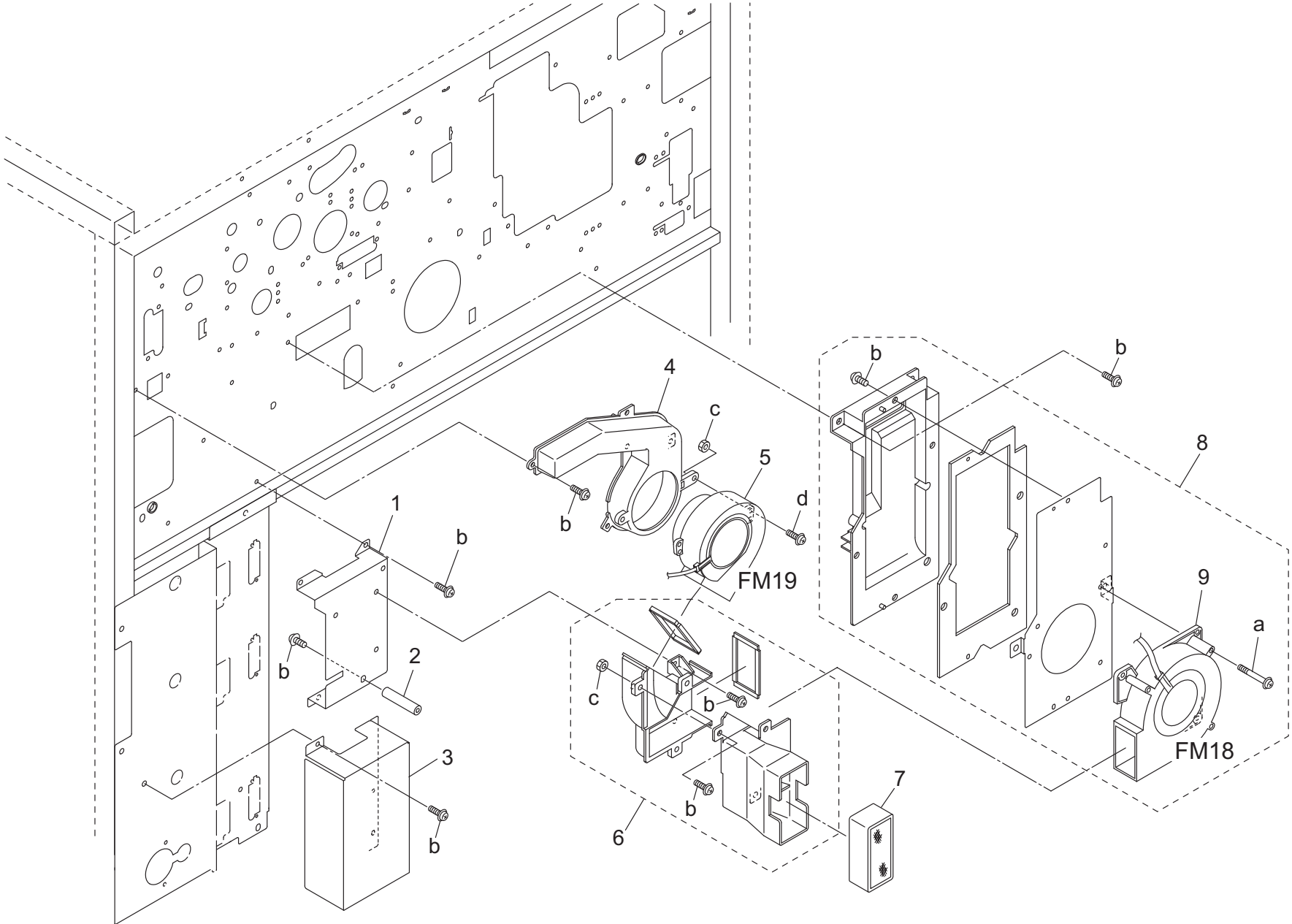
MAIN FRAME

P 3

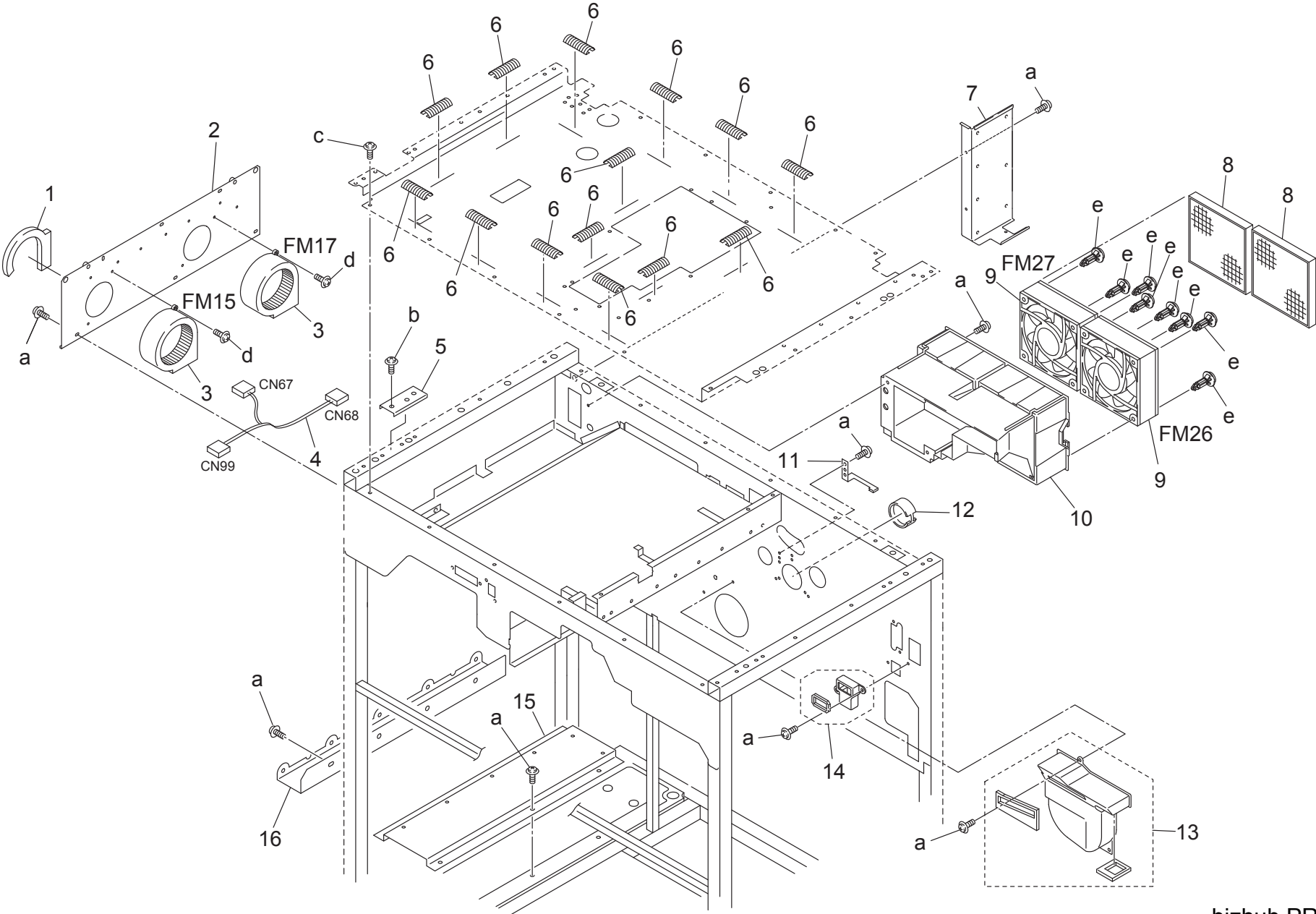


bizhub PRO 950

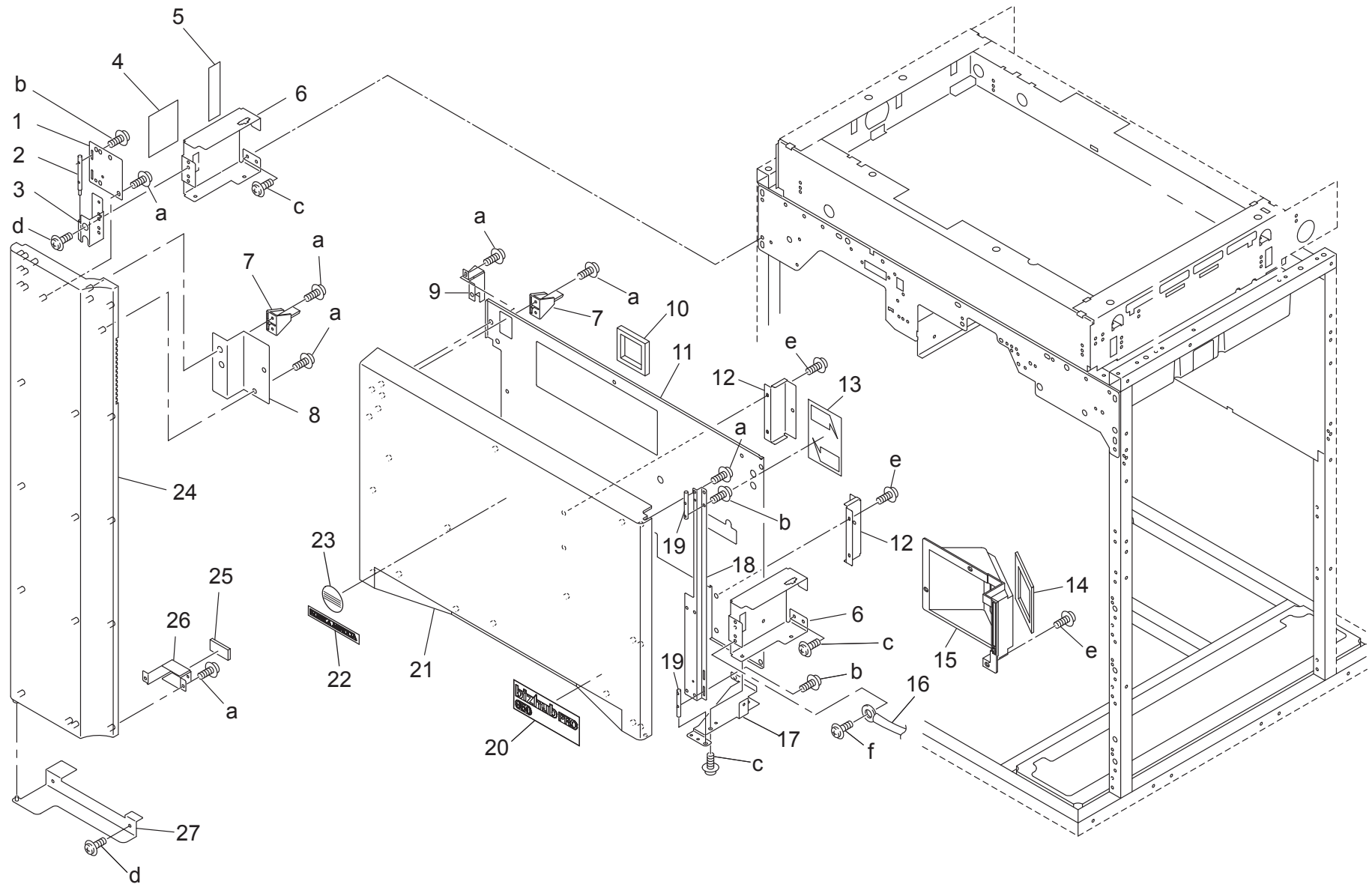
MAIN FRAME



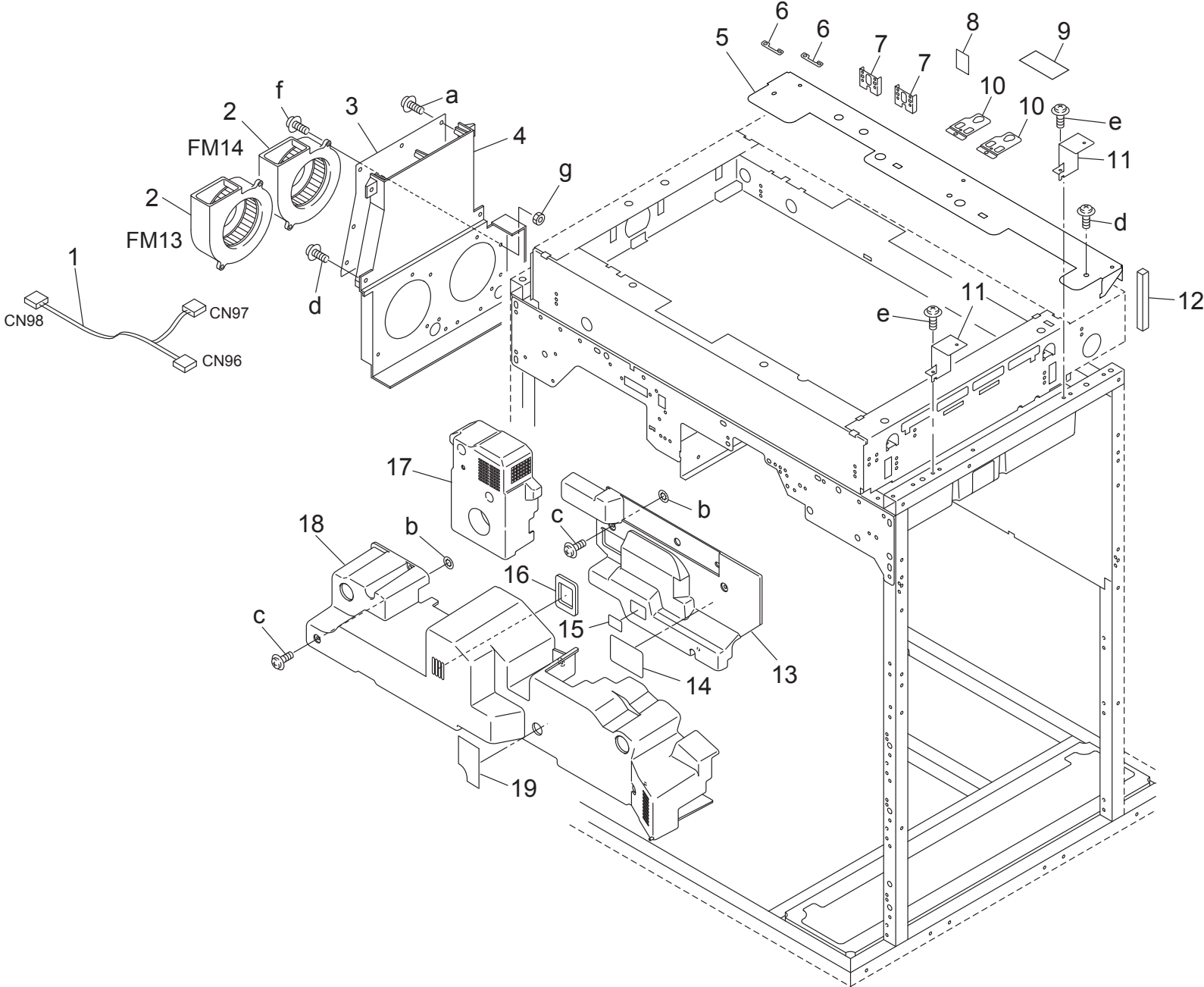
MAIN FRAME



EXTERNAL PARTS



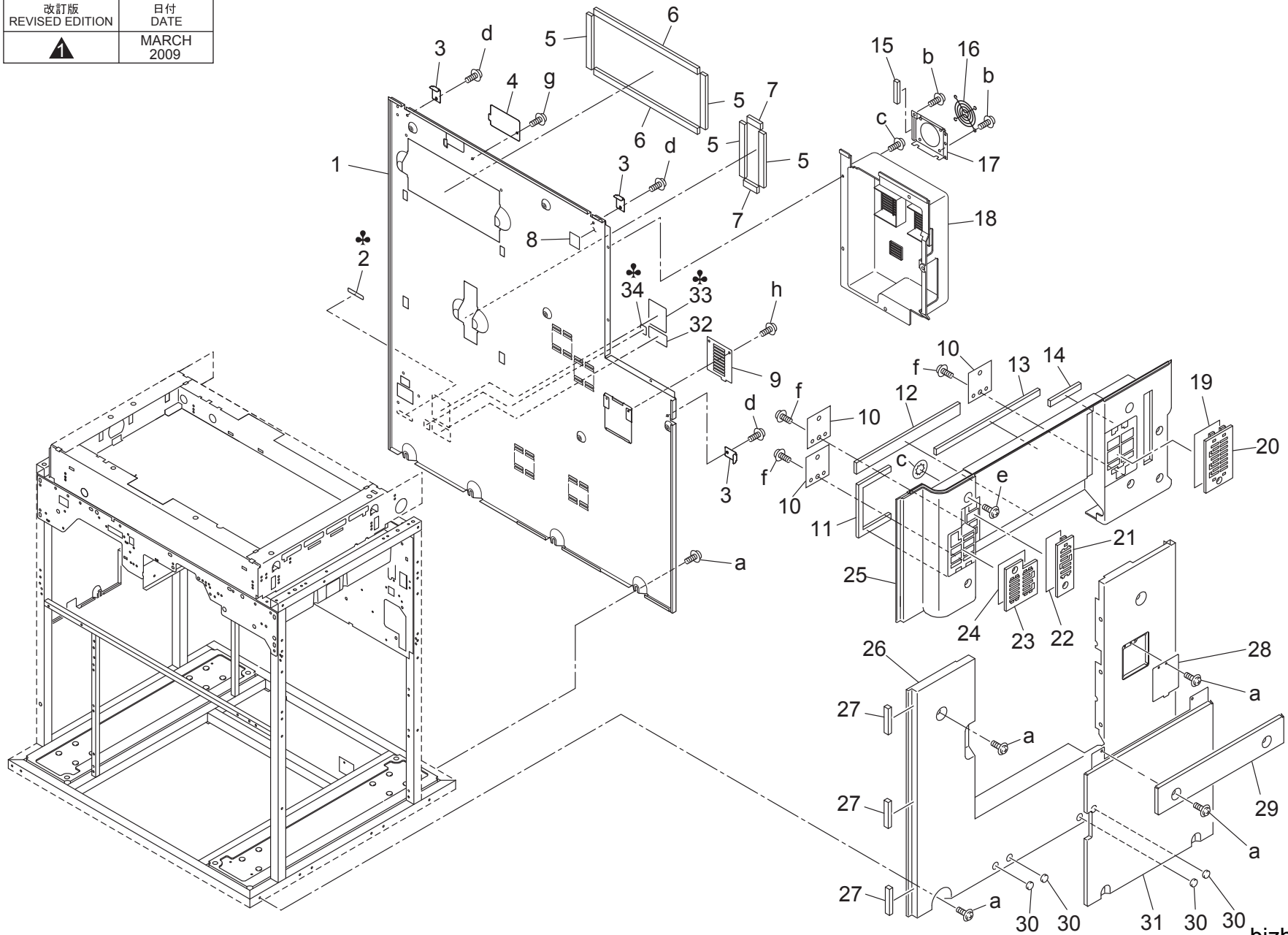
EXTERNAL PARTS



Key	Part No.	Description	Destinations	Class	QTY	Standard parts
1	A0Y5N12800	Cooling Wiring /Lower		D	1	a-V151040803 b-V211040080 c-V114040816 d-V121040603 e-V121030603 f-V118041203 g-V195040003
2	564AM15300	SUCTION FAN MOTOR		C	2	
3	57GA12450	DUCT COVER PLATE		D	1	
4	57GA12440E	Fan Mounting Duct		D	1	
5	57GA12660D	External Mounting Plate /Rear		D	1	
6	129H10220	FIXED PLATE REAR		D	2	
7	15AS10351	Stopper Plate		D	2	
8	25HA97340	BLADE LOCK SHEET		D	1	
9	A0Y5942100	Caution Label /Upper		C	1	
10	13GA10200	BRACKET F40		D	2	
11	55VA12380	EXTERNAL MOUNT PLATE		D	2	
12	57GA73520	EARTH CUSHION /2		C	1	
13	A0Y5340101	Protection Cover /D		C	1	
14	56UA97300	Laser Caution Label /1		C	1	
15	57GA97170E	Drum Caution Label		D	1	
16	A0Y5836300	Pad /A		C	1	
17	A0Y5R71500	FIXING COVER ASSY		C	1	
18	A0Y5830101	Duplex Cover		C	1	
19	A0Y5947100	Operation Label /A		C	1	

EXTERNAL PARTS

改訂版 REVISED EDITION	日付 DATE
	MARCH 2009

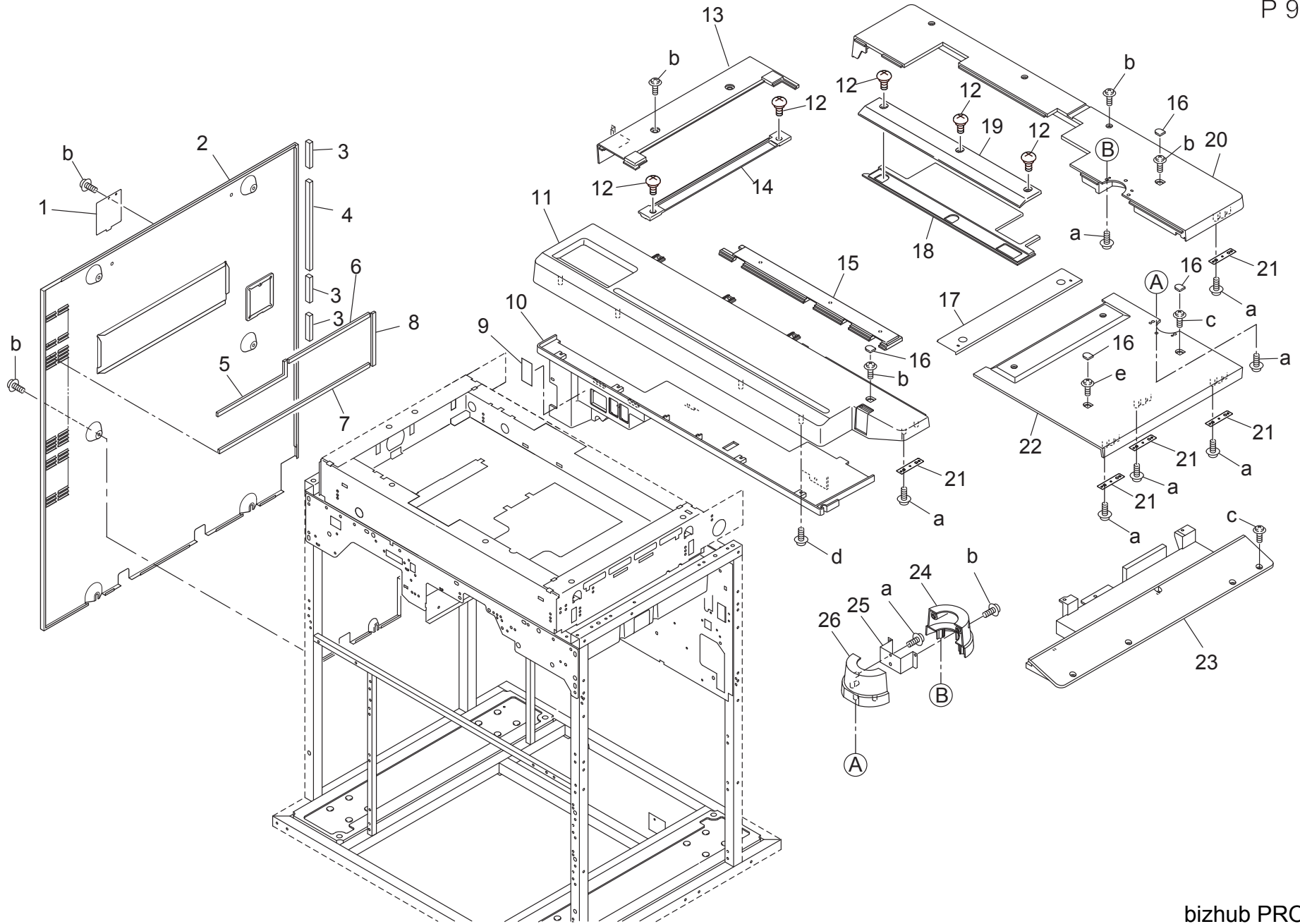


bizhub PRO 950

EXTERNAL PARTS

Key	Part No.	Description	Destinations	Class	QTY	Standard parts
1	A0Y5160701	Rear Cover		D	1	a-V114040616
2	57GB97030	POWER SOURCE LABEL	背面 カバー	C	1	b-V118040603
2	57GE97030	POWER SOURCE LABEL	電源 ラベル	C	1	c-V211040080
2	57GF97030	POWER SOURCE LABEL	電源 ラベル	C	1	d-V121040404
2	57GK97030	Power Source Label	電源 ラベル	C	1	e-V114041004
3	A0Y5171100	Auxiliary Cover /1	電源 ラベル	C	1	f-V151040804
4	A0Y5178300	Auxiliary Cover /4	補助カバー/1	C	1	g-V118040604
5	55VA12420	REAR COVER SEAL /B	補助カバー/4	C	1	h-V114040604
6	55VA12410	REAR COVER SEAL /A	背面カバーシール/B	C	4	
7	55VA12430	REAR COVER SEAL /C	背面カバーシール/A	C	2	
8	57GA12150	REAR INSULATING SHEET	背面カバーシール/C	C	2	
9	56UA12180	Filter Protection Plate	背面絶縁シート	C	1	
10	57GA12280	EXTERNAL MOUNTING PLATE	フィルタ 保護板	D	1	
11	55VA12810	SIDE SEALING PART /2	外装取り付け板	D	3	
12	55VA12831	SIDE SEALING PART/4	側面シール部材/2	C	1	
13	55VA12821	SIDE SEALING PART /3	側面シール部材/4	C	1	
14	57GA12800	SIDE SEALING PART 1	側面シール部材/3	C	1	
15	57GA73510	EARTH CUSHION 1	側面シール部材 1	D	1	
16	57GA12100	FAN COVER /2	アースクッション 1	D	1	
17	A0Y5170900	Heat sink Cover	ファンカバー/2	C	1	
18	A0Y5161001	Board Cover	放熱カバー	D	1	
19	57GA12330	DUST PROOF FILTER/3	基板 カバー	C	1	
20	A0Y5172700	Filter Cover /3	防塵フィルタ/3	B	1	
21	A0Y5172500	Filter Cover /1	フィルタカバー/3	C	1	
22	57GA12310	DUST PROOF FILTER/1	フィルタカバー/1	C	1	
23	A0Y5172600	Filter Cover /2	防塵フィルタ/1	B	1	
24	57GA12320	DUST PROOF FILTER/2	フィルタカバー/2	C	1	
25	A0Y5170500	Cover /Right	防塵フィルタ/2	B	1	
26	A0Y5170600	Cover /Lower	カバー/右	C	1	
27	55VA12710	EARTH CUSHION A	カバー/下	D	1	
28	A0Y5178000	Auxiliary Cover /3	アースクッション A	C	3	
29	A0Y5176100	Conveyance Cover /Upper	補助カバー/3	D	1	
30	A0Y5171400	Auxiliary Cover /2	搬送カバー/上	D	1	
31	A0Y5176000	Conveyance Cover /Lower	補助カバー/2	C	4	
32	56UA97310E	LASER INDICATING LABEL	搬送カバー/下	D	1	
33	56UA97321F	Caution Label /A	レーザー表示ラベル	D	1	
34	56UF97280	SEPARATION PROCESSING LABEL	注意ラベル/A	D	1	
			分離処理ラベル	C	1	

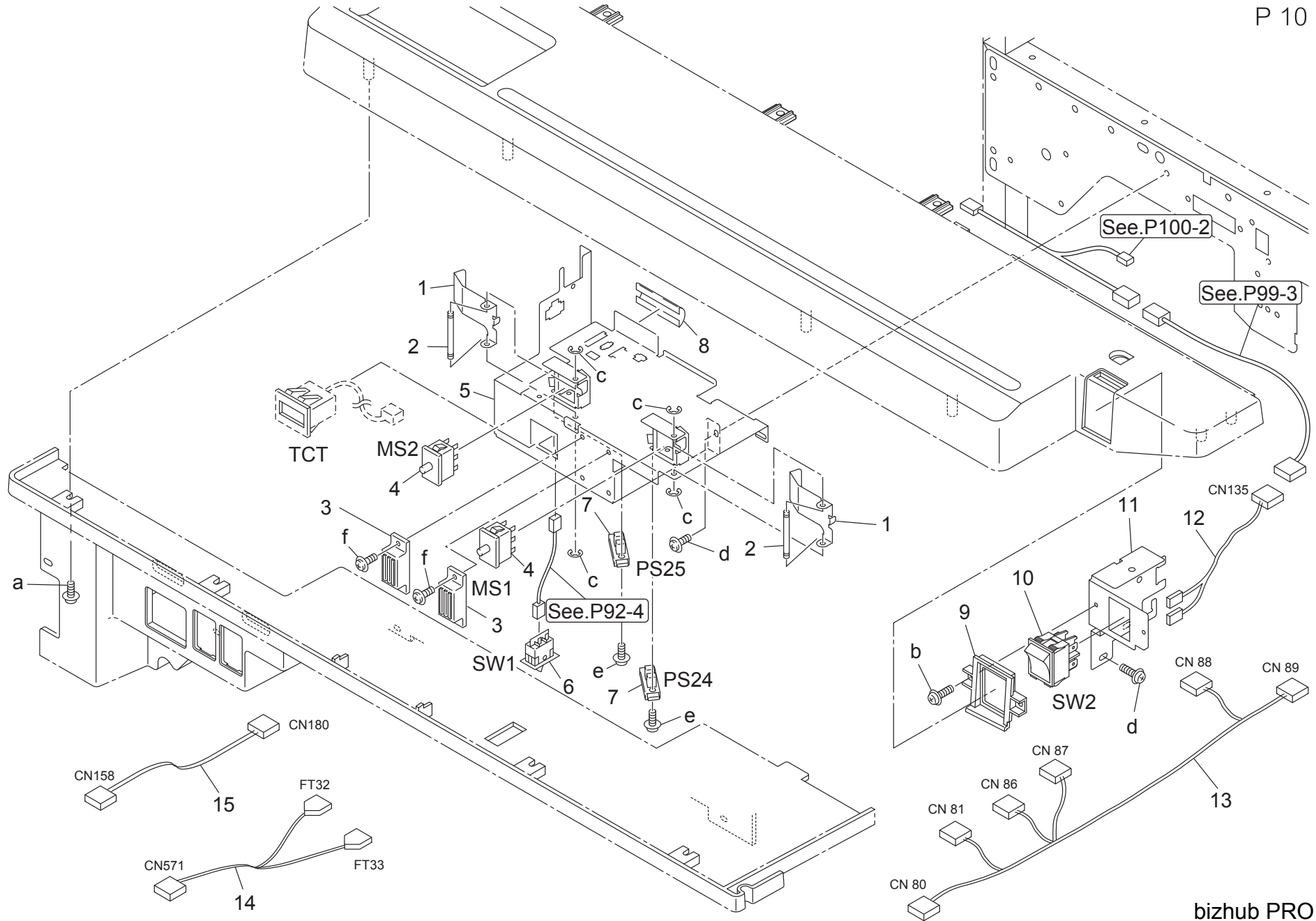
EXTERNAL PARTS



Key	Part No.	Description	Destinations	Class	QTY	Standard parts
1	A0Y5178000	Auxiliary Cover /3		D	1	a-V151040804 b-V114040604 c-V121040603 d-V151030804 e-V114040804
2	A0Y5160800	Cover /Left		D	1	
3	55VA12710	EARTH CUSHION A		C	3	
4	56GA12480	EARTH CUSHION E		D	1	
5	A0Y5162300	Cover Seal /3		C	1	
6	A0Y5162200	Cover Seal /2		C	1	
7	A0Y5162100	Cover Seal /1		C	1	
8	A0Y5162400	Cover Seal /4		C	1	
9	57GA97130	POWER SOURCE INDICATING LABEL		D	1	
10	A0Y5160500	Cover /Front		C	1	
11	A0Y5160101	Read Cover /Front		C	1	
12	56UA12700	Fixing Screw		C	5	
13	A0Y5176700	Read Cover /Left		C	1	
14	A0Y5R71400	ORIGINAL STOPPER PLATE /LEFT A		C	1	
15	56UA12640	Read Cover /Front		C	1	
16	A03U166800	Click Cover		C	4	
17	56UA12401	GLASS STOPPER PLATE RIGHT		D	1	
18	56UA12080	Read Cover /Middle		D	1	
19	A0Y5176301	Index Plate /Rear		C	1	
20	A0Y5160302	Read Cover /Rear		C	1	
21	A0Y5161200	Mounting Plate		D	5	
22	A0Y5160203	Read Cover /Right		C	1	
23	A0Y5160400	Read Cover /Lower		C	1	
24	A0Y5161900	Support Cover /Rear		C	1	
25	A0Y5161700	Mounting Plate /2		D	1	
26	A0Y5161800	Support Cover /Front		C	1	

OPERATION UNIT

P 10

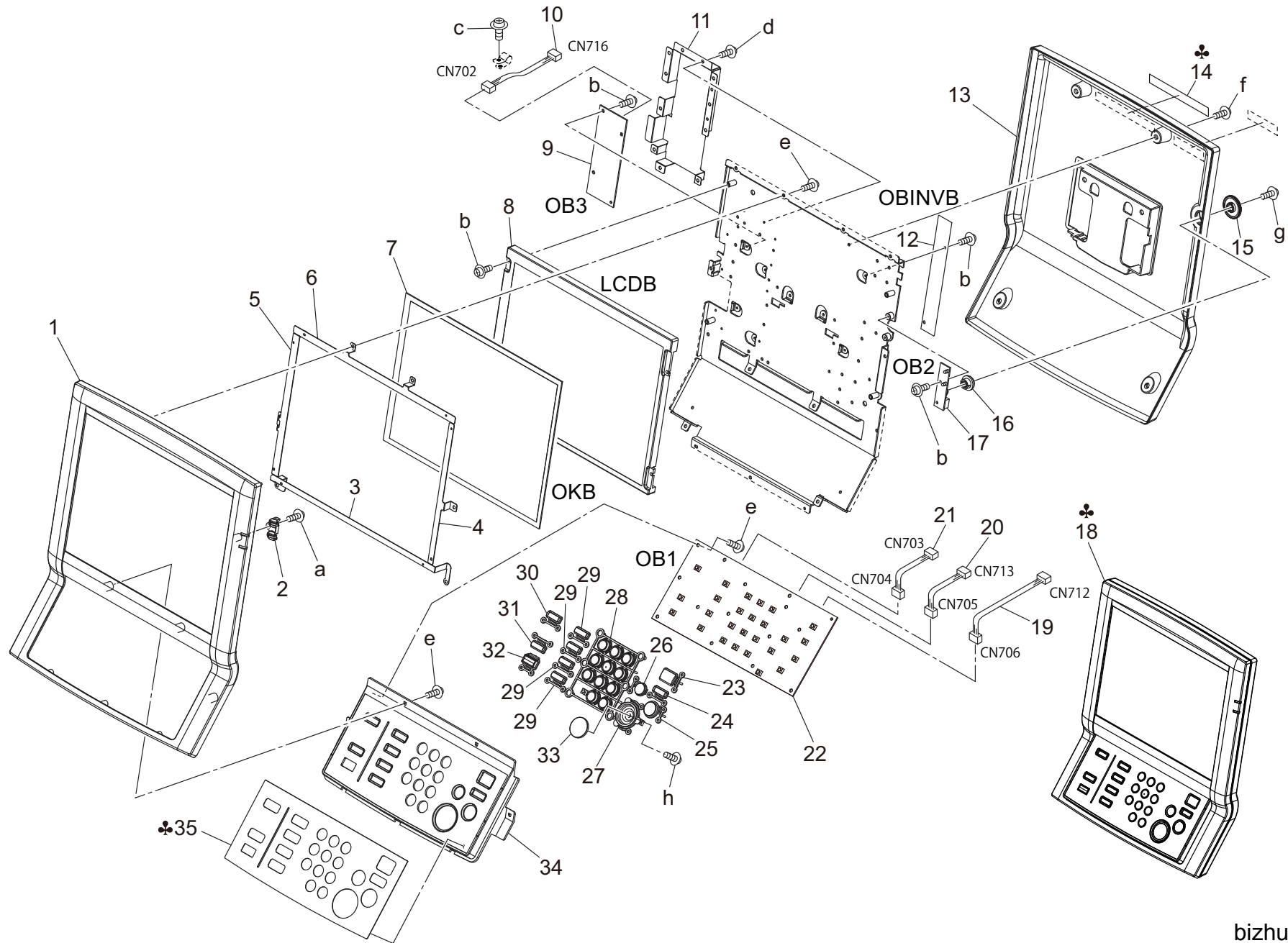


bizhub PRO 950

Key	Part No.	Description	Destinations	Class	QTY	Standard parts
1	55VA70100	DOOR DETECTING ACTUATOR		C	2	a-V151030804 b-V121030603 c-V217030050 d-V121040603 e-V118031203 f-V118030603
2	55VA70110D	Door Detection Shaft		D	2	
3	55VA70140	MAGNET CATCH		C	2	
4	40AA85011	Door Switch		B	2	
5	55VA70032	SWITCH MOUNT PLATE		D	1	
6	55GA86010	Power Source Switch		B	1	
7	56AA85511	Photo Sensor		B	2	
8	56AAR70500	EARTH SPRING ASSY		C	1	
9	A0Y5161100	Auxiliary Cover /S		C	1	
10	A0Y5M60100	Power Source Switch		C	1	
11	A0Y5131500	Mounting Plate /S		D	1	
12	A0Y5N13500	Power source Wiring		D	1	
13	56GA90230	DOOR DETECTING WIRING		C	1	
14	55VA90760	SYSTEM POWER SOURCE WIRING		D	1	
15	57GA90230	TOTAL COUNTER RELAY WIRING		D	1	

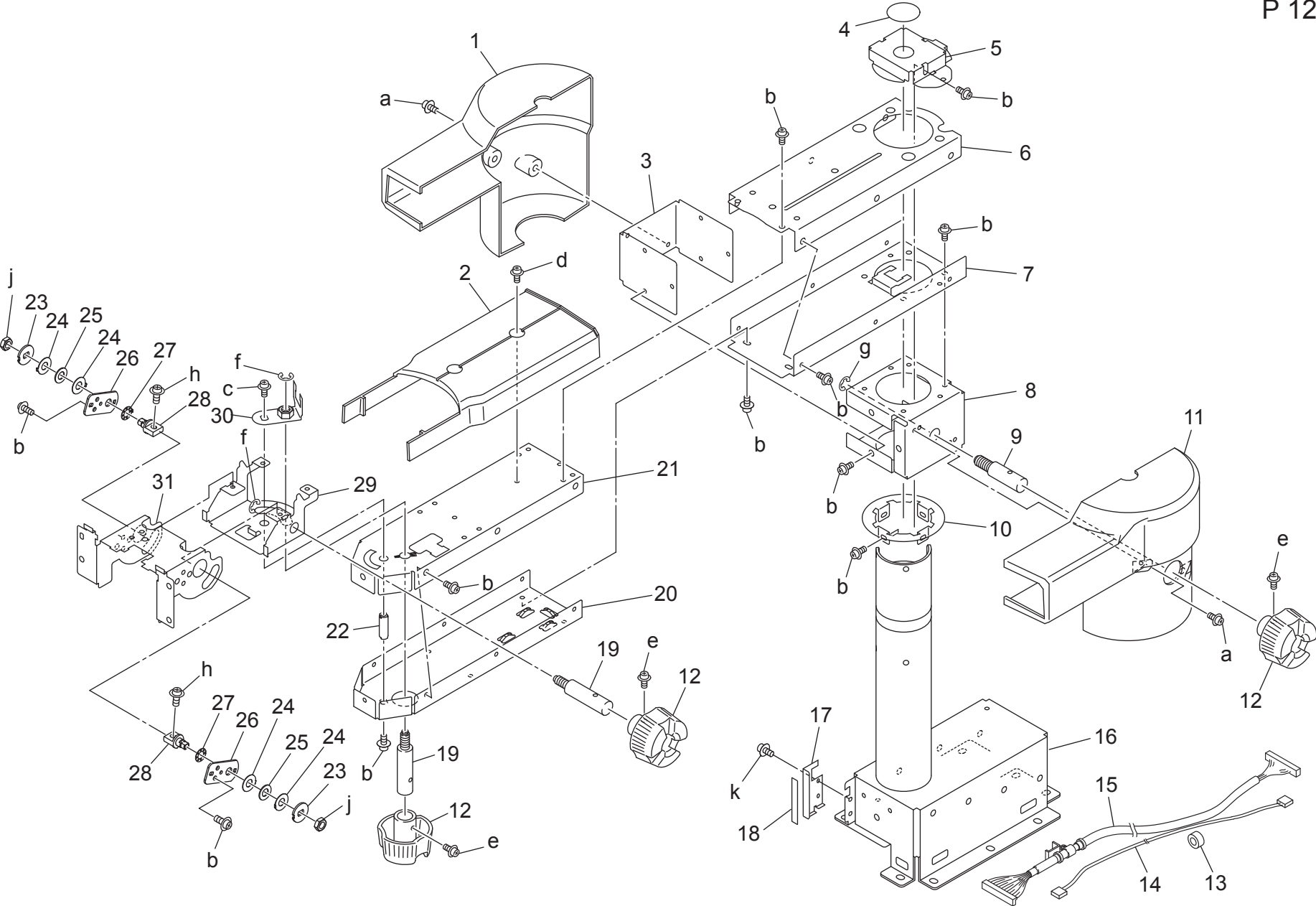
OPERATION UNIT

P 11



Key	Part No.	Description	Destinations	Class	QTY	Standard parts
1	A03U190100	Indicating Cover /Front		D	1	a-V158030603
2	A03U192600	Indicating Part		D	1	b-V118030603
3	A03U192800	Ground Plate /Lower		D	1	c-V123040803
4	A03U192900	Ground Plate /Right		D	1	d-V121030403
5	A03U193000	Ground Plate /Left		D	1	e-V158030803
6	A03U192700	Ground Plate /Upper		D	1	f-V114040604
7	56UA87550	TOUCH KEY BOARD		I	1	g-V154030604
8	56UA-7040	LCD ASSY		I	1	h-V151030603
9	A03UH11000	Operating Board Assy		C	1	
10	56UA90801	OPERATION UNIT WIRING 2		D	1	
11	56UA70150D	Board Sealing Plate		D	1	
12	56UA83521	Indicating Starter		I	1	
13	A03U190201	Indicating Cover /Rear		D	1	
14	A03U946500	Regulating Label	B,G1	D	1	
15	A03U194700	Adjusting Knob /A		D	1	
16	A03U194600	Connecting Knob		D	1	
17	56UA-9051E	OPERATION BOARD /2 ASSY		I	1	
18	A0Y5R71100	OPE UNIT MAIN BODY	A	I	1	
18	A0Y5R71200	OPE UNIT MAIN BODY(US)	B,D1,D3,F2,G1,I	I	1	
18	A0Y5R71300	OPE UNIT MAIN BODY	C	I	1	
18	A0Y5R75000	OPE UNIT MAIN BODY	K	I	1	
18	A0Y5R74900	OPE UNIT MAIN BODY	H	I	1	
18	A0Y5R75100	Ope Unit Main Body	J	I	1	
19	56UA90790	OPERATION UNIT WIRING 1		D	1	
20	56UA90810	OPERATION UNIT WIRING 3		D	1	
21	56UA90920	Operation Unit Wiring /4		D	1	
22	A0U0H04001	Operation Board /1 Assy		I	1	
23	56UA70370	OPERATION UNIT BUTTON R		C	1	
24	56UA70380	Operation Unit Button /I		C	1	
25	56UA70330	OPERATION UNIT BUTTON S		C	1	
26	56UA70350	OPERATION UNIT BUTTON P		C	1	
27	56UA70321	OPE UNIT BUTTON C		C	1	
28	56UA70310	OPERATION UNIT BUTTON T		C	1	
29	56UA70340	OPERATION UNIT BUTTON J		C	4	
30	56UA70360	Operation Unit Button /E		C	1	
31	56UA70390	OPERATION UNIT BUTTON H		C	1	
32	56UA70400	OPERATION UNIT BUTTON U		C	1	
33	56UA70420	OPERATION UNIT BUTTON D		C	1	
34	A03U190300	Positioning Cover /S		C	1	
35	A03U205000	Operation Sheet	B,D1,D3,F2,G1,I	C	1	
35	A0U0195000	Operation Sheet	A	C	1	
35	A0U0205301	Operation Sheet	K	C	1	
35	A03U205200	OPERATION SHEET	H	C	1	
35	A03U205100	OPERATION SHEET	J	C	1	

OPERATION UNIT

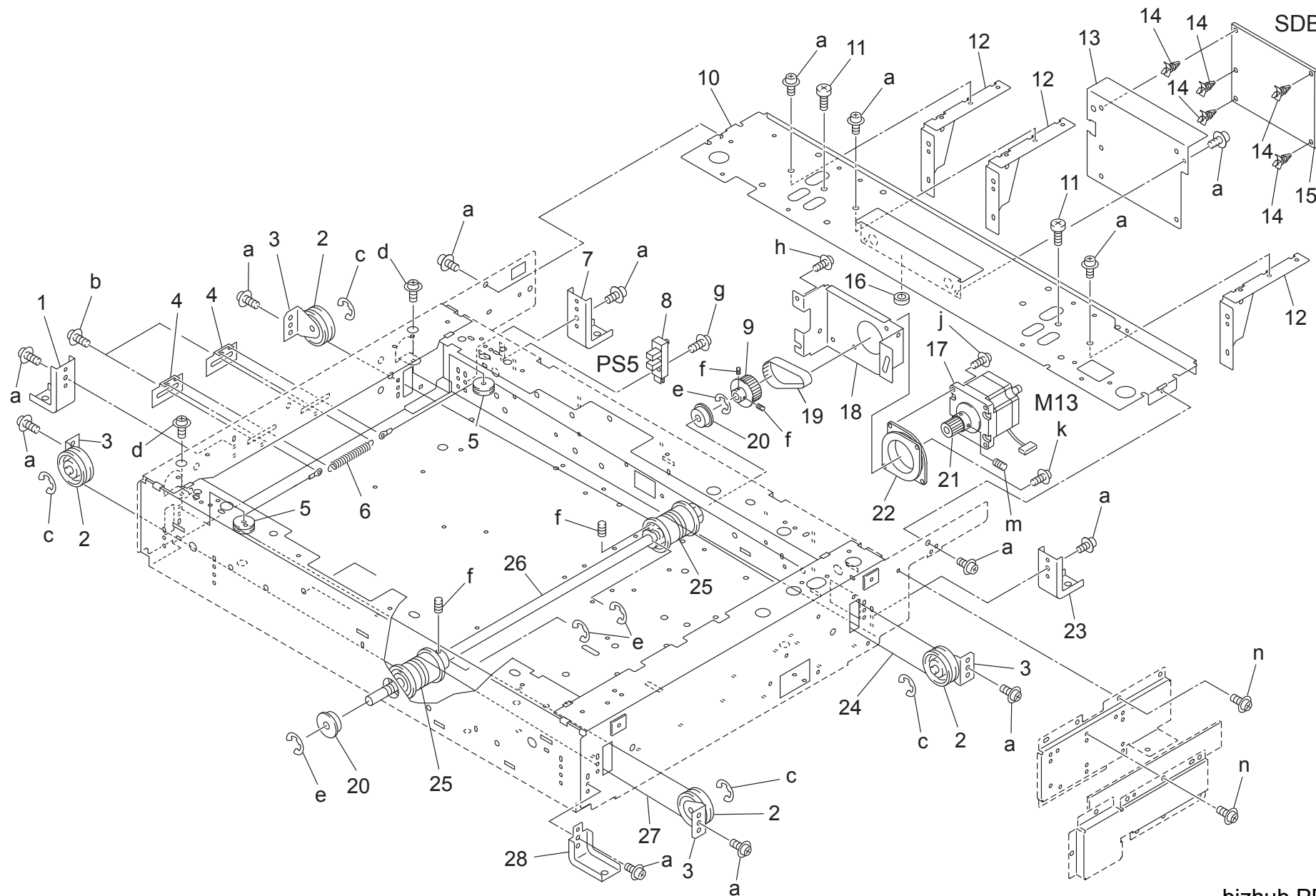


OPERATION UNIT

Key	Part No.	Description	Destinations	Class	QTY	Standard parts
1	56UA70740	Operation Unit Support Cover / Left	操作部支点カバー／左	C	1	a-V114040604
2	56UA70790G	Cover /A	カバー／A	C	1	b-V121040603
3	56UA70570	Ope Unit Rotation Plate /2	操作部回転板／2	D	1	c-V123040803
4	56UA70820	OPERATION UNIT SEAL	操作部シール	C	1	d-V114040804
5	A0Y5190500	Operation Stopper	操作ストッパ	D	1	e-V118040804
6	56UA70600	Ope Unit Support Arm /Upper	操作部支点アーム／上	D	1	f-V217040050
7	56UA70590	Ope Unit Support Arm /Lower	操作部支点アーム／下	D	1	g-V217060050
8	56UA70560	OPE UNIT ROTATION PLATE /1	操作部回転板／1	D	1	h-V188051604
9	56UA70800	OPERATION UNIT FIXING SCREW 2	操作部固定ネジ 2	D	1	j-V196080003
10	56UA70540	Ope Unit Positioning Plate /L	操作部位置決め板／下	D	1	k-V121030403
11	56UA70730	Operation Unit Support Cover Right	操作部支点カバー／右	C	1	
12	56UA70760	Operation Unit Fixing Knob	操作部固定ノブ	C	3	
13	A093M70000	Ferritecore	フェライトコア	D	1	
14	A0Y5N13301	Ope.unit Power source harness	操作部電源束線	D	1	
15	A0Y5N13601	Ope.Unit Relay Harness	操作部中継束線	D	1	
16	A0Y5111200	Operation Pipe	操作パイプ	D	1	
17	A0Y5130600	Shield Part	シールド 部材	D	1	
18	A0Y5M91300	Gasket /C	ガスケット／C	D	1	
19	56UA70750	OPERATION UNIT FIXING SCREW	操作部固定ネジ	D	2	
20	56UA70610E	Ope. unit Slide Arm /Lower	操作部スライドアーム／下	D	1	
21	56UA70620E	Ope. unit Slide Arm /Upper	操作部スライドアーム／上	D	1	
22	56UA70670	Ope Unit Rotation Shaft	操作部回転軸	D	1	
23	A03U192000	Fixing Part /T	固定部材／T	D	2	
24	A03U191800	Rotation Spacer /1	回転スペーサ／1	D	4	
25	A03U191700	Rotation Spring /T	回転ばね／T	D	2	
26	A03U191600	Mounting Plate /T	取付板／T	D	2	
27	A03U191900	Rotation Spacer /2	回転スペーサ／2	D	2	
28	A03U192100	Fixing Shaft /U	固定軸／U	D	2	
29	A0Y5196300	Operation Stay /Lower	操作ステー／下	D	1	
30	56UA70650	Operation Unit Fixing Plate	操作部固定板	D	1	
31	A0Y5196400	Fixing Stay /1	固定ステー／1	D	1	

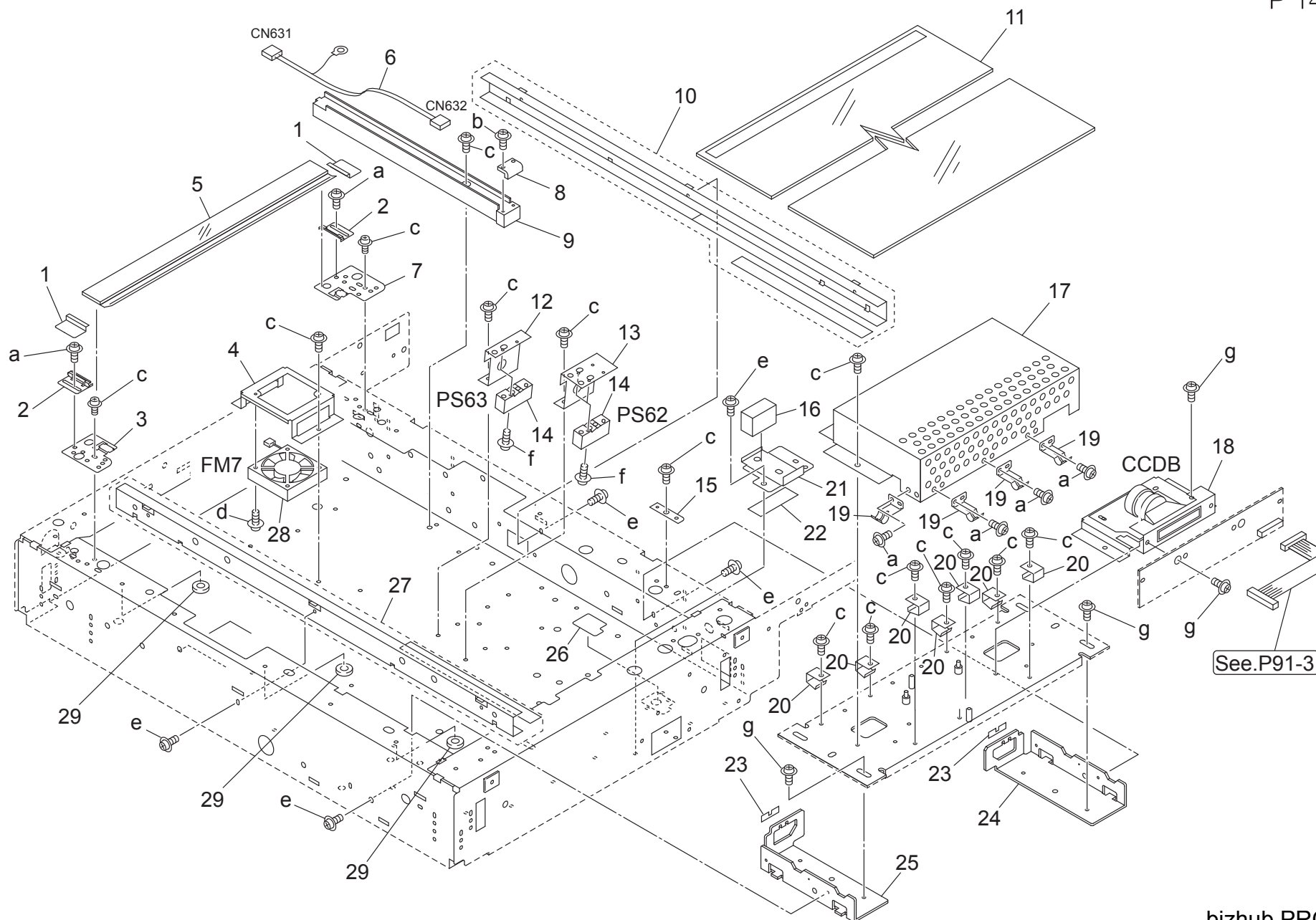
OPTICS UNIT

P 13



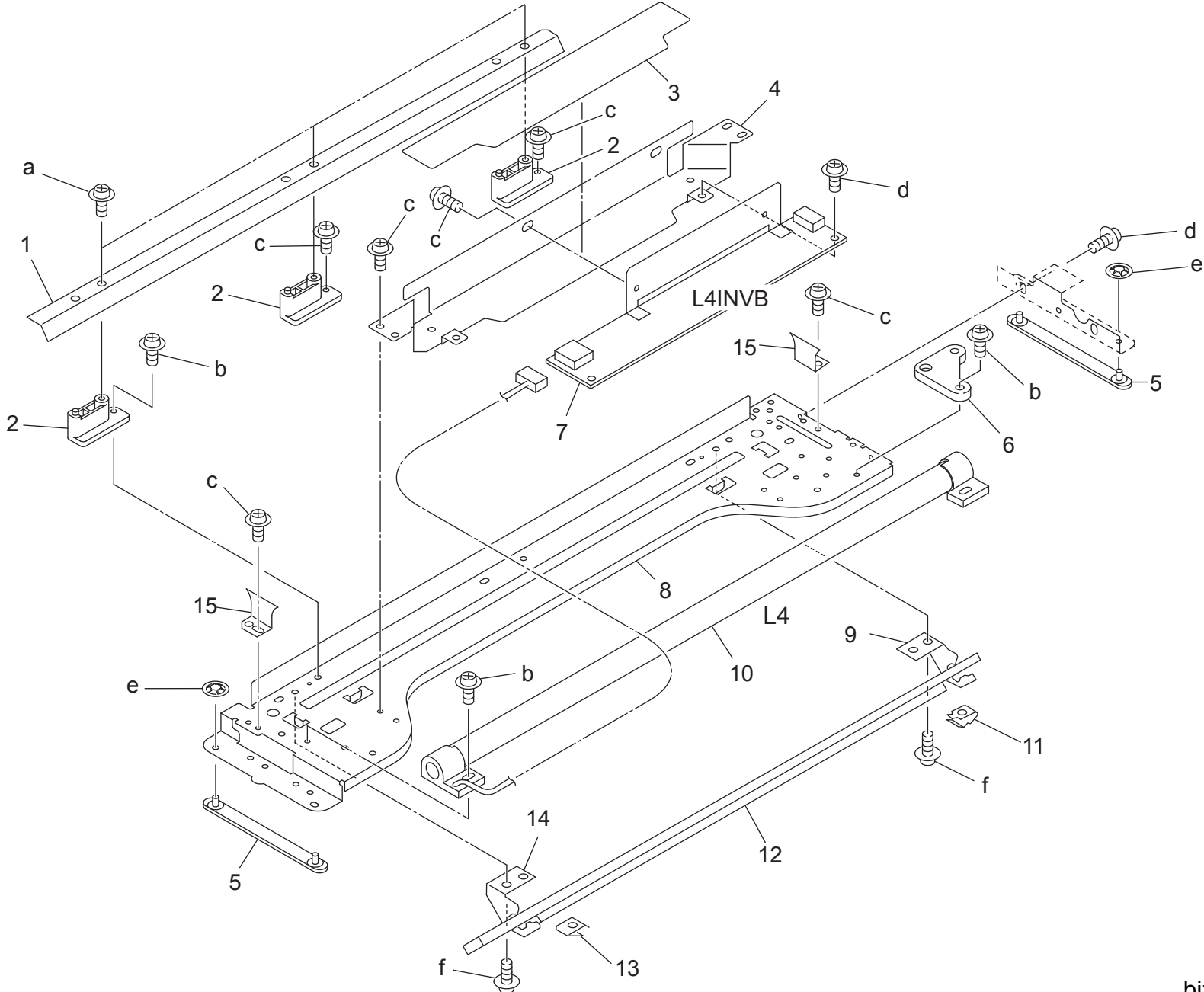
Key	Part No.	Description	Destinations	Class	QTY	Standard parts
1	57GA61500D	Read Support Part/Left front		D	1	a-V121040603
2	56AA61290	BUSHING		C	4	b-V123040803
3	25SA-6201	Pulley MT Plate /F Unit		D	4	c-V217040050
4	25SA61710	SPRING FIXING PLATE		D	2	d-V121040803
5	25SA61700	WIRE GUIDE ROLLER		C	2	e-V217090050
6	56AA61570	WIRE TENSION SPRING		C	1	f-V193040604
7	56AA61461	READ SUPPORT PART		D	1	g-V118041203
8	56AA85511	Photo Sensor		B	1	h-V123040603
9	55VA76710	Read Drive Pulley /2 76T		B	1	j-V118041003
10	56UA61021	HINGE MOUNTING PLATE		D	1	k-V121040503
11	13GA10212E	HINGE SCREW		C	2	m-V193040804
12	57GA61470	READ REINFORCE PLATE /P		D	3	n-V121030403
13	57GA61040	BOARD MOUNTING PLATE		D	1	
14	V502010016	support		D	5	
15	56GA-9092E	SCANNER DRIVING BASE PLATE ASS		B	1	
16	57GA61560	SCREW PROTECTION CUSHION/1		C	1	
17	55VA80122	Optical Drive Motor		B	1	
18	57GA61480	MOTOR SUPPORT PLATE		D	1	
19	55VA78110	READING DRIVE BELT 174L		C	1	
20	500075010	BALL BEARING		B	2	
21	55VA76700	Read Drive Pulley /1 38T		C	1	
22	55VA62020	MOTOR FIXING PART		C	1	
23	57GA61520	READ SUPPORT PART/RIGHT REA		D	1	
24	56QA61140	Read Drive Wire /Rear		C	1	
25	25SA61650	DRIVE PULLEY		C	2	
26	56AA61111	READ DRIVE SHAFT		D	1	
27	56QA61130	Read Drive Wire/ Front		C	1	
28	57GA61510D	Read Support Part/Right front		D	1	

OPTICS UNIT



Key	Part No.	Description	Destinations	Class	QTY	Standard parts
1	A0Y5265000	Cover Sheet		C	2	a-V121030403
2	56AA61330	GLASS HOLDER		C	2	b-V151031003
3	56UA61240	Glass Stopper Plate /Front		D	1	c-V121040403
4	56AA61151	FAN SUPPORT PLATE		D	1	d-V118031603
5	56UAR7D200	ORIGINAL GLASS 1 ASSY		C	1	e-V121040603
6	56UA90460	LAMP RELAY WIRING		D	1	f-V118031803
7	56UA61250	Glass Stopper Plate /Rear		D	1	g-V123040803
8	25SA61881	CORD HOLDER		D	1	
9	25SA61861	CORD GUIDE PART		D	1	
10	56AAR72800	Guide Rail /R Assy		D	1	
11	56UAR7D300	Original Glass Assy		C	1	
12	55VA61931	Mounting Plate		D	1	
13	55TA61151	Mounting Plate		D	1	
14	56AA85531	APS Sensor /2		B	2	
15	55TA61161	READ POSITIONING PLATE		D	1	
16	A0Y5M91700	Gasket /G		D	1	
17	57AA61280	LENS LIGHT BLOCKING COVER		D	1	
18	57GA-6302EOld	CCD UNIT		I	1	
18	A0Y5A26212	CCD UNIT		I	1	
19	57AA61760	BOARD EARTH PLATE /B		D	4	
20	55TA61320	LENS EARTH SPRING		C	7	
21	56UA61030	WIRING HOLDING PLATE		D	1	
22	56UA61400	Earth Cushion		D	1	
23	56AA61580	WIRE REGURATION SHEET		C	2	
24	56AA61092	BOARD FIXING PLATE /REAR		D	1	
25	56AA61082	BOARD FIXING PLATE /FRONT		D	1	
26	56AA61561	READ DUST-PROOF SHEET /LOWER		C	1	
27	56AAR72700	GUIDE RAIL F ASSY		D	1	
28	56AA80551	Fan Motor /2		B	1	
29	56QA61690	CORD PROTECTION SHEET /UPPER		D	3	

OPTICS UNIT

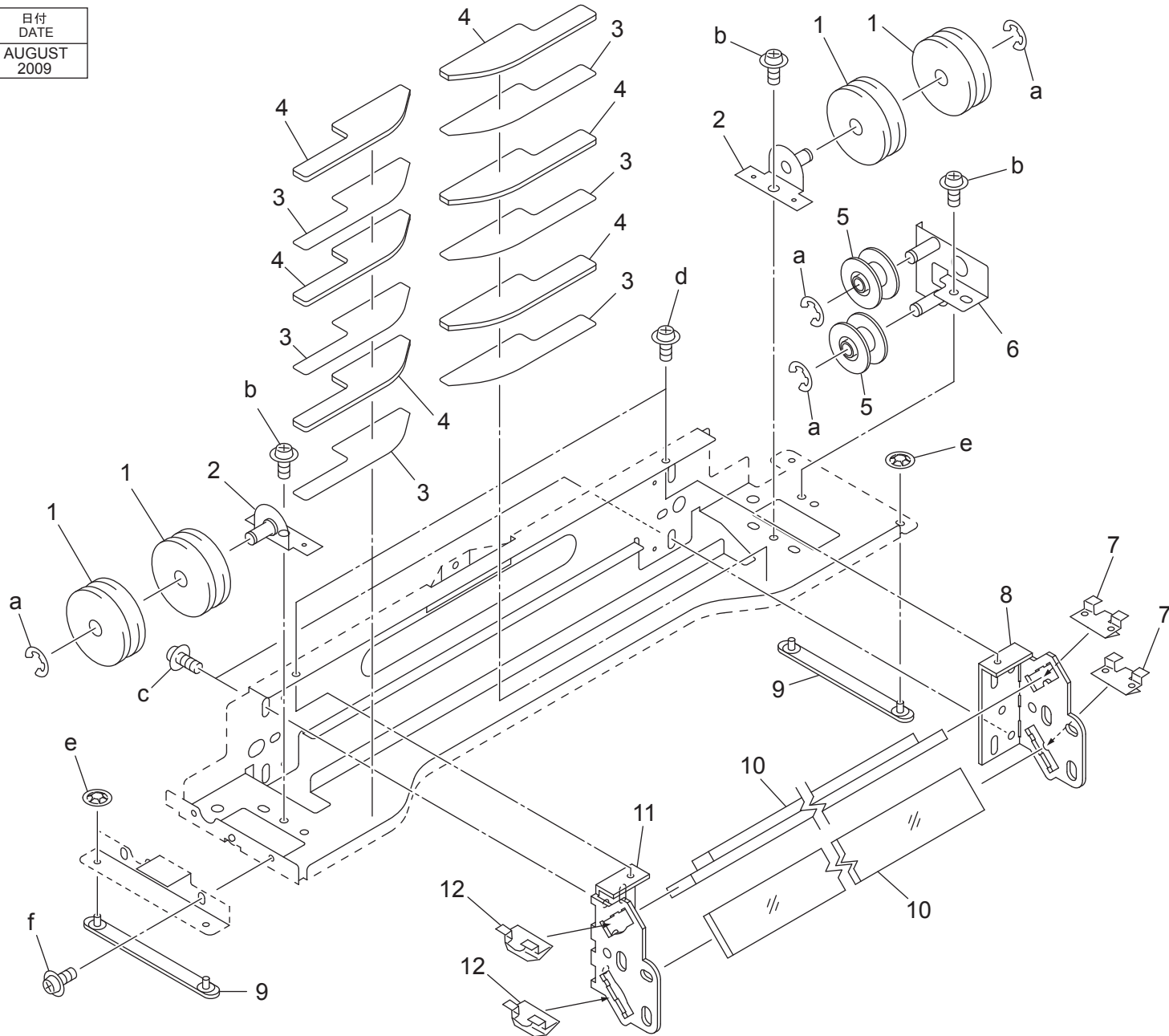


OPTICS UNIT

Key	Part No.	Description	Destinations	Class	QTY	Standard parts
1	55TA61110	REFLECT MIRROR 1		D	1	a-V151031004 b-V121030603 c-V121030403 d-V123030603 e-V201030004 f-V121030303
2	55TA61130	MIRROR SUPPORT PART		D	3	
3	56UA61440	Power Source Protection Sheet		C	1	
4	56UA61070	POWER SOURCE MOUNTING PLATE		D	1	
5	25SA61420	OPTICS SLIDE PART		C	2	
6	56AA61180	CORD HOLDER PART B		C	1	
7	56UA83510	Lamp Starter	(TOSHIBA)	I	1	
8	56AA61042	MIRROR MOUNTING PLATE/1		D	1	
9	25SA62080	MIRROR POSITIONING PLATE 4		D	1	
10	56UA83010	EXPOSURE LAMP	(TOSHIBA)	I	1	
11	25SA61470	MIRROR HOLDER 2		C	1	
12	55WA61150	READ MIRROR 1		C	1	
13	25SA61460	MIRROR HOLDER 1		D	1	
14	25SA62070	MIRROR POSITIONING PLATE 3		D	1	
15	55TA61120	REFLECT MIRROR 2		D	2	

OPTICS UNIT

改訂版 REVISED EDITION	日付 DATE
	AUGUST 2009

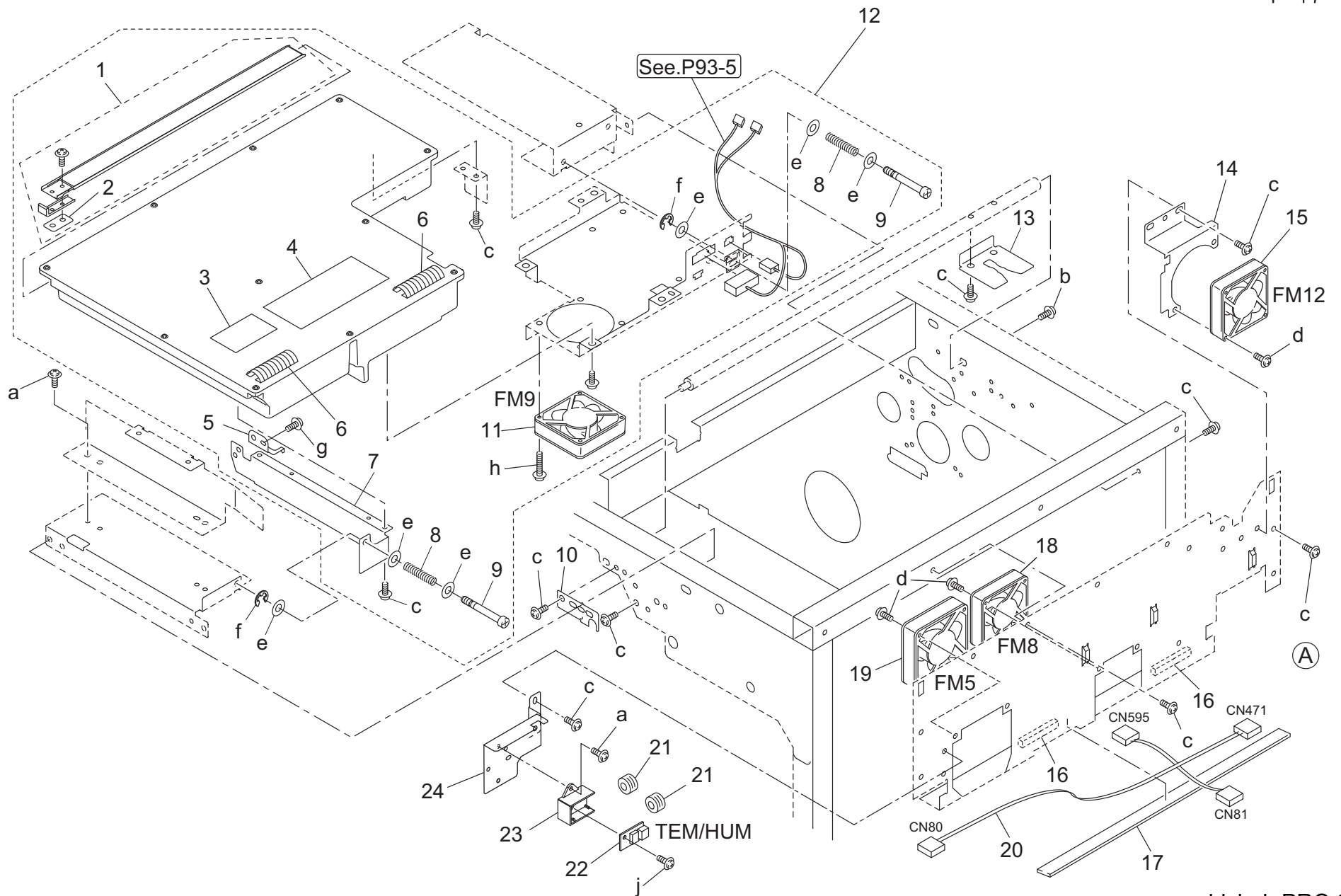


OPTICS UNIT

Key	Part No.	Description		Destinations	Class	QTY	Standard parts
1	56AA61290	BUSHING	光学アイドラープーリ		C	4	a-V217040050 b-V121040403 c-V123040603 d-V121031203 e-V201030004 f-V123030603
2	56AA-6261	Pulley Support Plate /A Caulking	プーリ 支持板 / A カシメ		D	2	
3	56QA61680	OPTICAL REINFORCE SEAL /V	光学補強シール / V		D	6	
4	56QA61670	OPTICAL REINFORCE PLATE /V	光学補強板 / V		D	6	
5	25SA62160	CORD GUIDE PULLEY 2	コードガイドプーリ 2		C	2	
6	56AA-6271	Pulley Support Plate /B Caulking	プーリ 支持板 / B カシメ		D	1	
7	25SA61550	MIRROR HOLDER 4	ミラー押え 4		C	2	
8	55FA61140	MIRROR POSITION PLATE 2	ミラー位置決め板 2		D	1	
9	25SA61420	OPTICS SLIDE PART	光学スライド 部材		C	2	
10	55TA61341	READING MIRROR 2	読取ミラー 2		C	2	
11	55FA61130	MIRROR POSITION PLATE	ミラー位置決め板		D	1	
12	25SA61540	MIRROR HOLDER 3	ミラー押え 3		C	2	

OPTICS UNIT

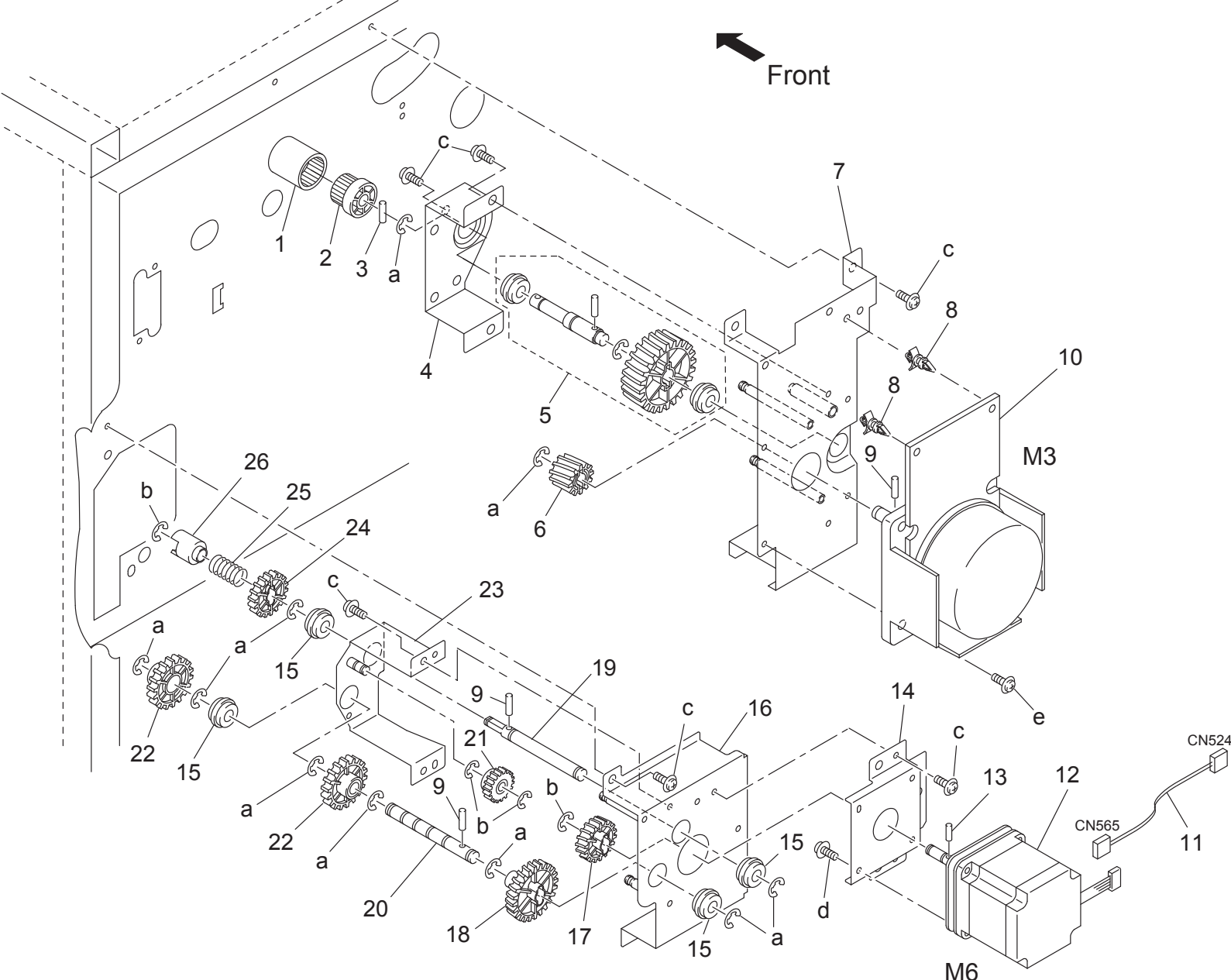
P 17



bizhub PRO 950

Key	Part No.	Description	Destinations	Class	QTY	Standard parts
1	57GA-6550	DUST PROOF GLASS ASSY	防塵ガラス	C	1	a-V121030603
2	55VA30961	Developing Connecting Plate	現像連結板	D	1	b-V121050803
3	55FA97200	ELECTRIC INDICATING LABEL	電装表示ラベル	D	1	c-V121040603
4	56UA97300	Laser Caution Label /1	レーザー注意ラベル/1	C	1	d-V121043003
5	57GA66140	DUCT EARTH PLATE	ダクトアース板	D	1	e-V207050003
6	56AAR70500	EARTH SPRING ASSY	アースバネ部組	C	2	f-V217040050
7	57GA66190	WRITE POSITIONING PLATE /FRONT	書込み位置決め板/前	D	1	g-V121030403
8	56UA66130	WRITE FIXING SPRING	書込み固定バネ	C	2	h-V118031803
9	56AA68121	WRITE FIXING SHAFT	書込み固定軸	D	2	j-V151030803
10	55VA66540	WRITE ADJUSTING PLATE	書込み調整板	D	1	
11	56AA80551	Fan Motor /2	ファンモータ/2	B	1	
12	57GAR73700	Writing Assy	書き込みユニット	I	1	
13	56UA66570	WRITE GUIDE PLATE	書込み案内板	D	1	
14	56GA10311	FAN FIXING PLATE /RIGHT	ファン固定板/右	D	1	
15	27LA80511	Main Body Fan Motor	本体 ファンモータ	A	1	
16	A0Y5M91600	Gasket /F	ガスケット/F	D	2	
17	55VA12840	SIDE SEALING PART /5	側面シール部材/5	C	1	
18	56AA80541	FAN MOTOR 1	ファンモータ 1	B	1	
19	13NT80511	FAN MOTOR 1	ファンモータ 1	C	1	
20	57GA90270	POLYGON RELAY WIRING	ポリゴン中継束線	D	1	
21	A093M70000	Ferritecore	フェライトコア	D	2	
22	65AA88080	Process Sensor	プロセスセンサ	C	1	
23	65AA11300	SUPPORT PART	センサ支持部材	D	1	
24	A0Y5111700	Holder	センサホルダ	D	1	

DRIVING UNIT



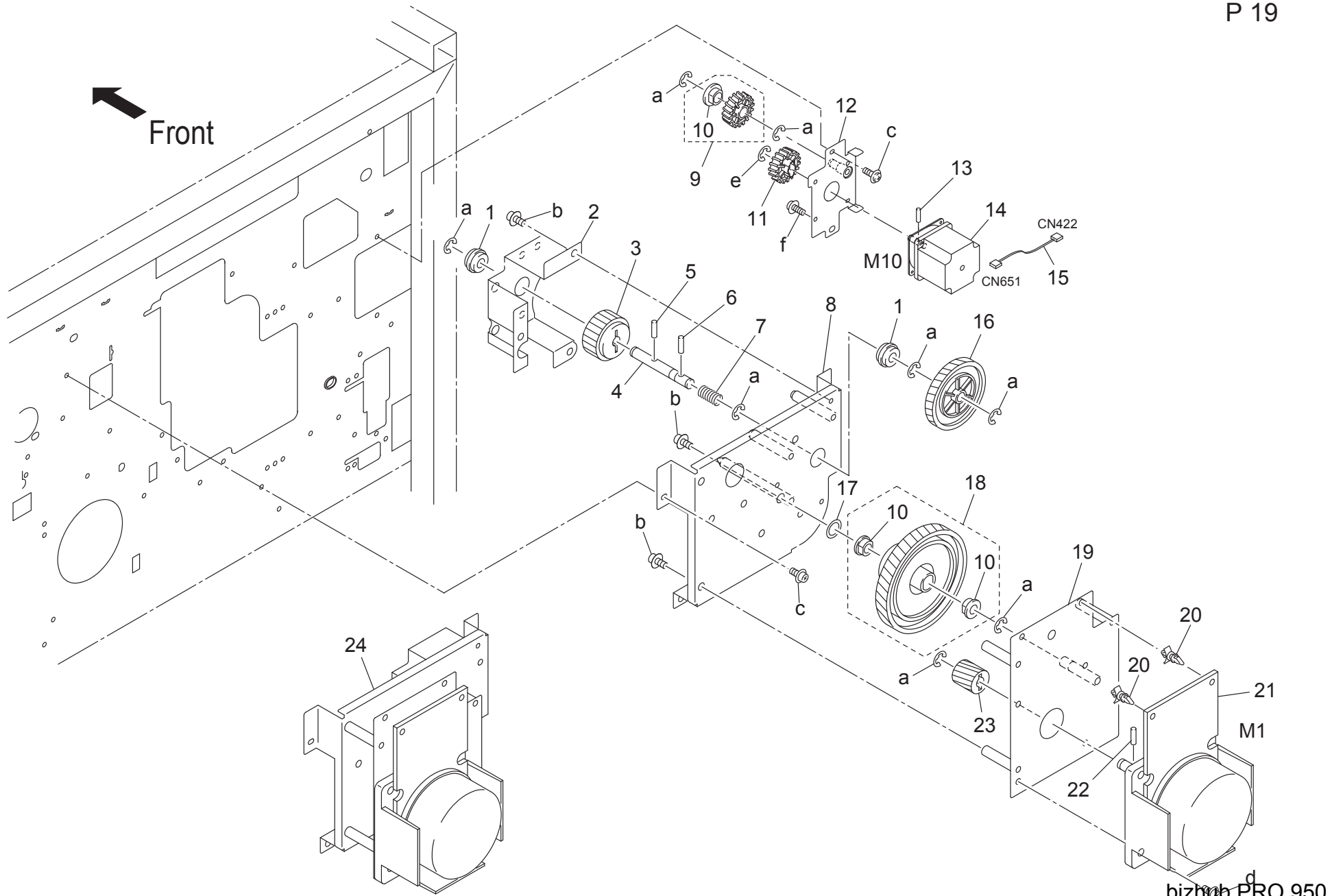
bizhub PRO 950



Key	Part No.	Description	Destinations	Class	QTY	Standard parts
1	A0Y5227500	Coupling Part	カップリング部材	D	1	a-V217060050 b-V217040050 c-V121040603 d-V121030403 e-V121040803
2	A0Y5227600	Input Coupling	入力カップリング	D	1	
3	304078070	PIN C	ピン C	C	1	
4	A0Y5210700	Reinforce Plate /B	補強板 /B	D	1	
5	A0Y5R72000	DEVELOPING DRIVING SHAFT	現像駆動軸部組	D	1	
6	55VA77030	DEVELOPING DRIVE GEAR A 19T	現像駆動歯車 A 19 T	C	1	
7	A0Y5F21000	Developing Driving Panel	現像駆動パネルカシメ	D	1	
8	V502010050	support	ロッキングサーキットボードサポート	D	2	
9	56AA17461	PIN A	ピン A	B	3	
10	65AA80021	DC Brushless Motor /50	DC ブラシレスモータ /50	B	1	
11	56GA90890	PAPER EXIT RELAY WIRING 2	排紙中継束線 2	D	1	
12	56AA80112	Paper Exit Drive Motor	排紙駆動モータ	B	1	
13	56AA17471	PIN B 3X12	ピン B 3 X 1 2	B	1	
14	55VA15330	MOTOR MOUNT PLATE	モータ取り付け板	D	1	
15	A00V240600	BALL BEARING	ボールベアリング	B	4	
16	55VAR72000	BY-PASS FEED DIRVING PANEL ASSY	手差し駆動パネル部組	D	1	
17	55VA77160	MANUAL FEED DRIVING GEAR A 23T	手差し駆動歯車 A 23 T	B	1	
18	55VA77170	MANUAL FEED DRIVING GEAR B 36T	手差し駆動歯車 B 36 T	B	1	
19	55VA15350	CONVEYANCE COUPLING SHAFT	搬送カップリング軸	D	1	
20	55VA15361D	By-pass Drive Shaft	手差し駆動軸	D	1	
21	25AA77771	ROCKING GEAR /A 20T	揺動歯車 / A 20 T	C	1	
22	A0Y5210500	Bypass Gear 33T	手差しギア 33 T	C	2	
23	55VAR72100	Shaft Reinforcing Panel /F Combined	軸補強パネル /F カシメ	D	1	
24	55VA77190	MANUAL FEED DRIVING GEAR D 28T	手差し駆動歯車 D 28 T	B	1	
25	12EJ15100	COUPLING SPRING	カップリングバネ	C	1	
26	12EJ15091	DRIVE CONNECTION COUPLING	駆動連結カップリング	C	1	

DRIVING UNIT

P 19



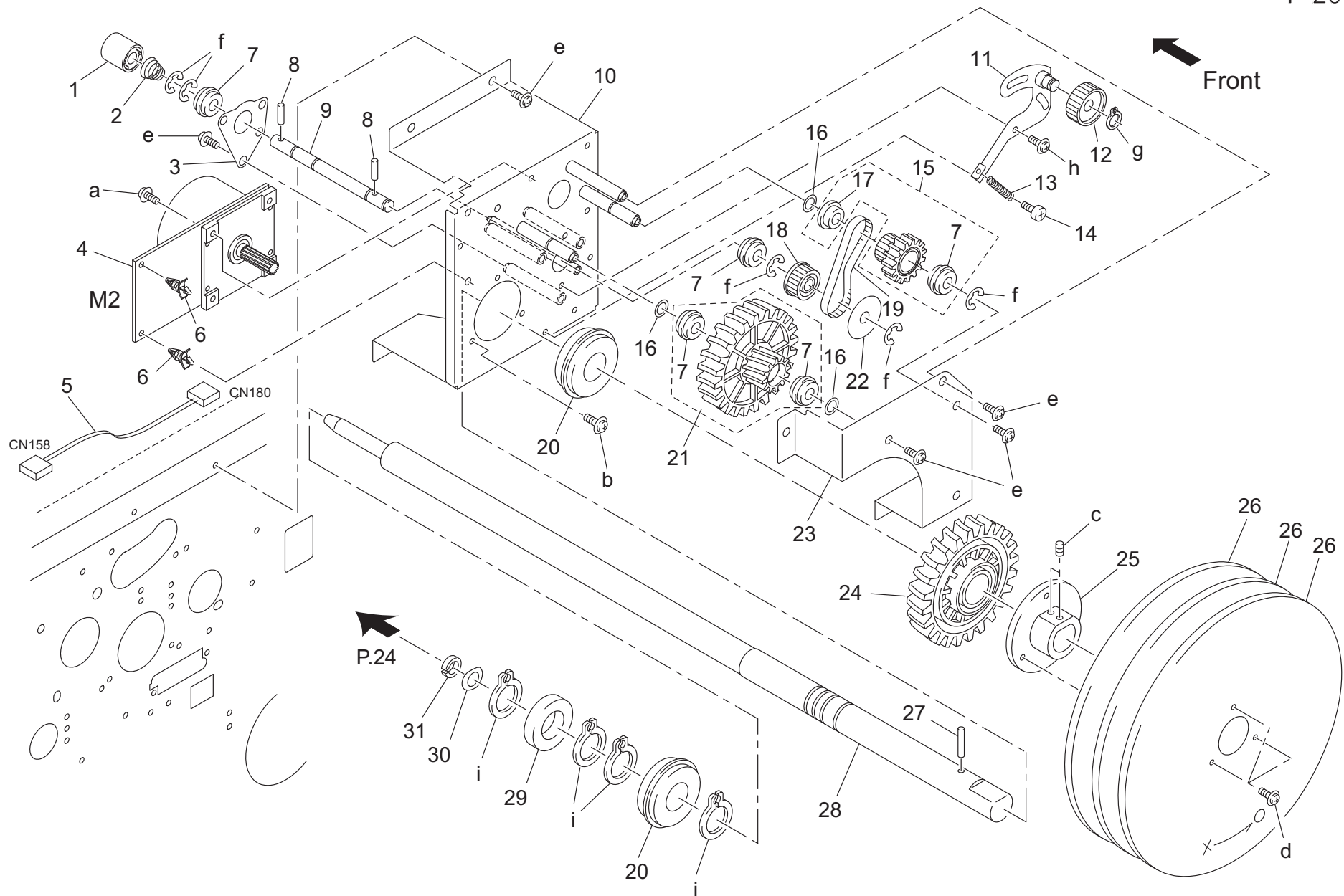
DRIVING UNIT

Key	Part No.	Description	Destinations	Class	QTY	Standard parts
1	A00V240600	BALL BEARING		B	2	a-V217060050 b-V217030050 c-V114040616 d-V121040603 e-V118031003 f-V121030603
2	57GA15130	SHAFT REINFORCE PLATE /C		D	1	
3	57GA77090	FIXING DRIVE GEAR E 35T		C	1	
4	57GA15140	FIXING DRIVE SHAFT		D	1	
5	304078070	PIN C		C	1	
6	55VA15190	FIXING DRIVE PIN		B	1	
7	56AA17011	FIXING COUPLING SPRING		C	1	
8	55VA-1661	Fuzer Driving Panel		D	1	
9	55VAR72200	PAPER EXIT DRIVING GEAR B ASSY		B	1	
10	090075530	BUSHING		B	3	
11	A0Y5210200	Paper exit Gear /A 25T		C	1	
12	A0Y5R74100	PAPER EXIT DRIVING PANEL		D	1	
13	56AA17461	PIN A		B	1	
14	56AA80112	Paper Exit Drive Motor		B	1	
15	A0Y5N19000	Drive Relay harness /6		D	1	
16	57GA77070	FIXING DRIVE GEAR C 54T		C	1	
17	55VA15610	Driving Spacer		C	1	
18	57GAR70700	FIXING IDLER GEAR ASSY		C	1	
19	57GA-1610	SHAFT SUPPORT PANEL		D	1	
20	V502010050	support		D	2	
21	65AA80021	DC Brushless Motor /50		B	1	
22	56UA15730	PIN B		D	1	
23	56UA77080	MOTOR DRIVE GEAR 17T		C	1	
24	57GAR73300	Main Driving Assy		C	1	



DRIVING UNIT

P 20



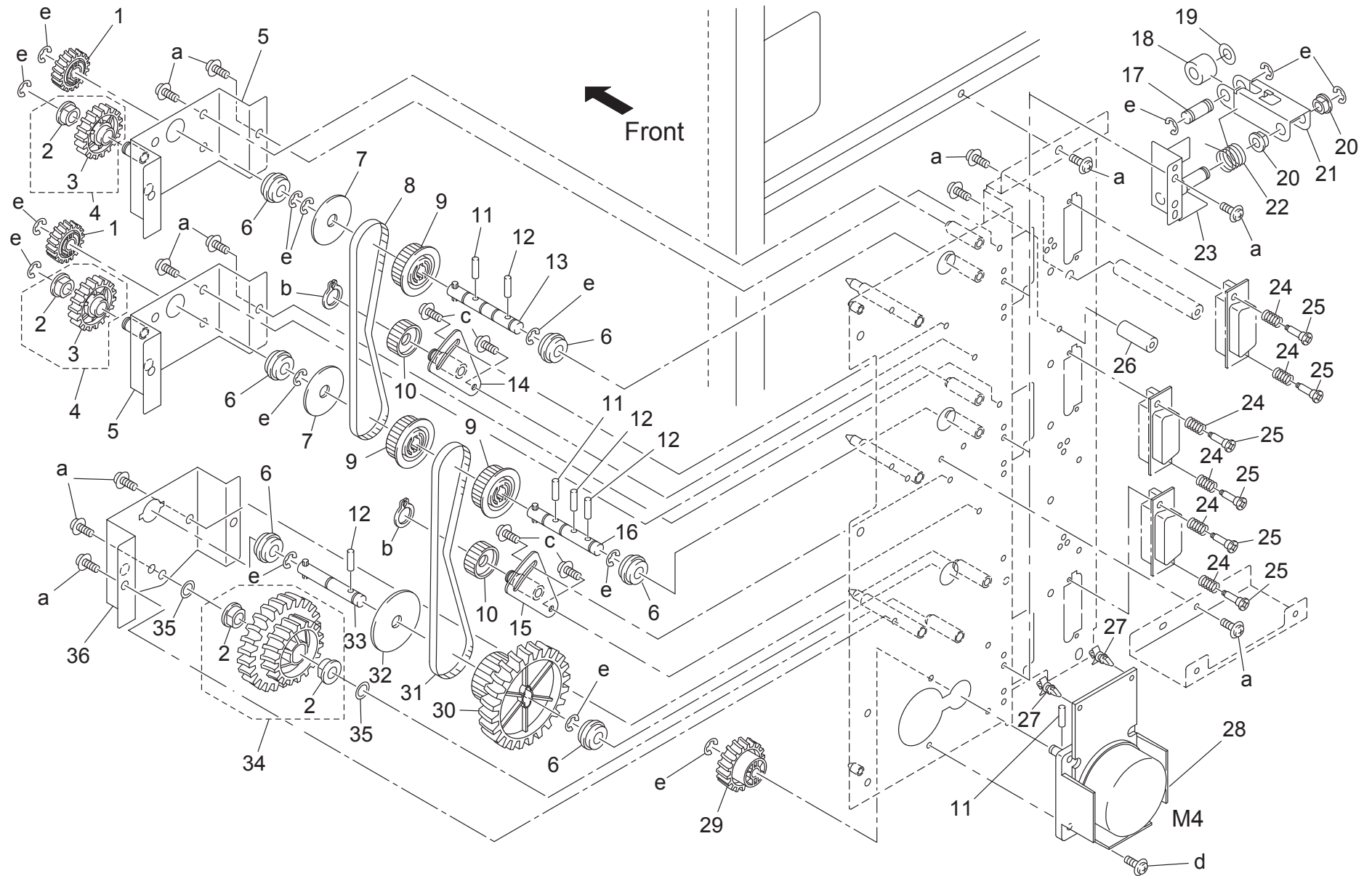
bizhub PRO 950

DRIVING UNIT

Key	Part No.	Description	Destinations	Class	QTY	Standard parts
1	55VA15541	CLEANER COUPLING PART	クリーナーカップリング部材	C	1	a-V217060050
2	56AA17090	PRESSURE SPRING	押圧バネ	C	1	b-V121040403
3	55VA15490	DRIVING SUPPORT PLATE	駆動支持板	C	1	c-V121040603
4	55VA80022	Drum Drive Motor	ドラム駆動モータ	B	1	d-V121040803
5	57GA90240	DRUM DRIVE WIRING	ドラム駆動束線	D	1	e-V217040050
6	V502010014	support	ロッキングサーキットボードサポート	V	2	f-V121030603
7	A00V240600	BALL BEARING	ボールベアリング	B	5	g-V223080004
8	56AA17480	PIN B	ピン B	C	2	h-V123040803
9	55VA15150	Cleaner Driving Shaft	クリーナー駆動軸	D	1	i-V223200004
10	56GA-1510	DRUM DRIVING PANEL	ドラム駆動パネルカシメ	D	1	
11	55VAR72300	TENSION PLATE	ベルトテンション板カシメ	D	1	
12	540015162	BELT TENSION ROLLER	ベルトテンションコロ	B	1	
13	55VA15570	PAPER EXIT TENSION SPRING	排紙テンションバネ	B	1	
14	066079020	DRAWER SCREW M3X10	ドロワーネジ M 3 X 1 0	C	1	
15	56GAR70100	CLENER IDLER GEAR ASSY	クリーナーアイドラー歯車部組 4 1 T	C	1	
16	554010900	Drive Spacer	駆動スペーサー	C	3	
17	065075060	SEPARATOR DRIVING BEARING	分離駆動ベアリング	C	1	
18	56GA76600	CLEANER DRIVING PULLEY 21T	クリーナー駆動プーリ 2 1 T	C	1	
19	56GA78100	CLEANER DRIVING BELT 162L	クリーナー駆動ベルト 1 6 2 L	C	1	
20	55TA75020	Bearing	ドラム回転軸受	B	2	
21	55VAR71300	DRUM IDLER GEAR ASSY	ドラムアイドラー歯車部組	C	1	
22	554010550	COLLAR	カラー	C	1	
23	56GA15021	SHAFT REINFORCE PLATE /A	軸補強板 / A	D	1	
24	56GA77020	DRUM DRIVING GEAR B 91T	ドラム駆動歯車 B 9 1 T	C	1	
25	55VA15030	SUPPORT PART	支持部材	D	1	
26	55JE15010	DRUM ROTARY PLATE	ドラム回転プレート	C	3	
27	25SA15390	DRIVE POSITION PIN D4X33	駆動位置決めピン D 4 X 3 3	C	1	
28	55XA15050	DRUM ROTARY SHAFT	ドラム回転軸	D	1	
29	25SA75020	Base Bearing	基準軸受	C	1	
30	55FU20140	DRUM FIXED SPRING	ドラム固定バネ	A	1	
31	25SA20150	SPRING POSITION COLLAR	バネ位置決めカラー	A	1	

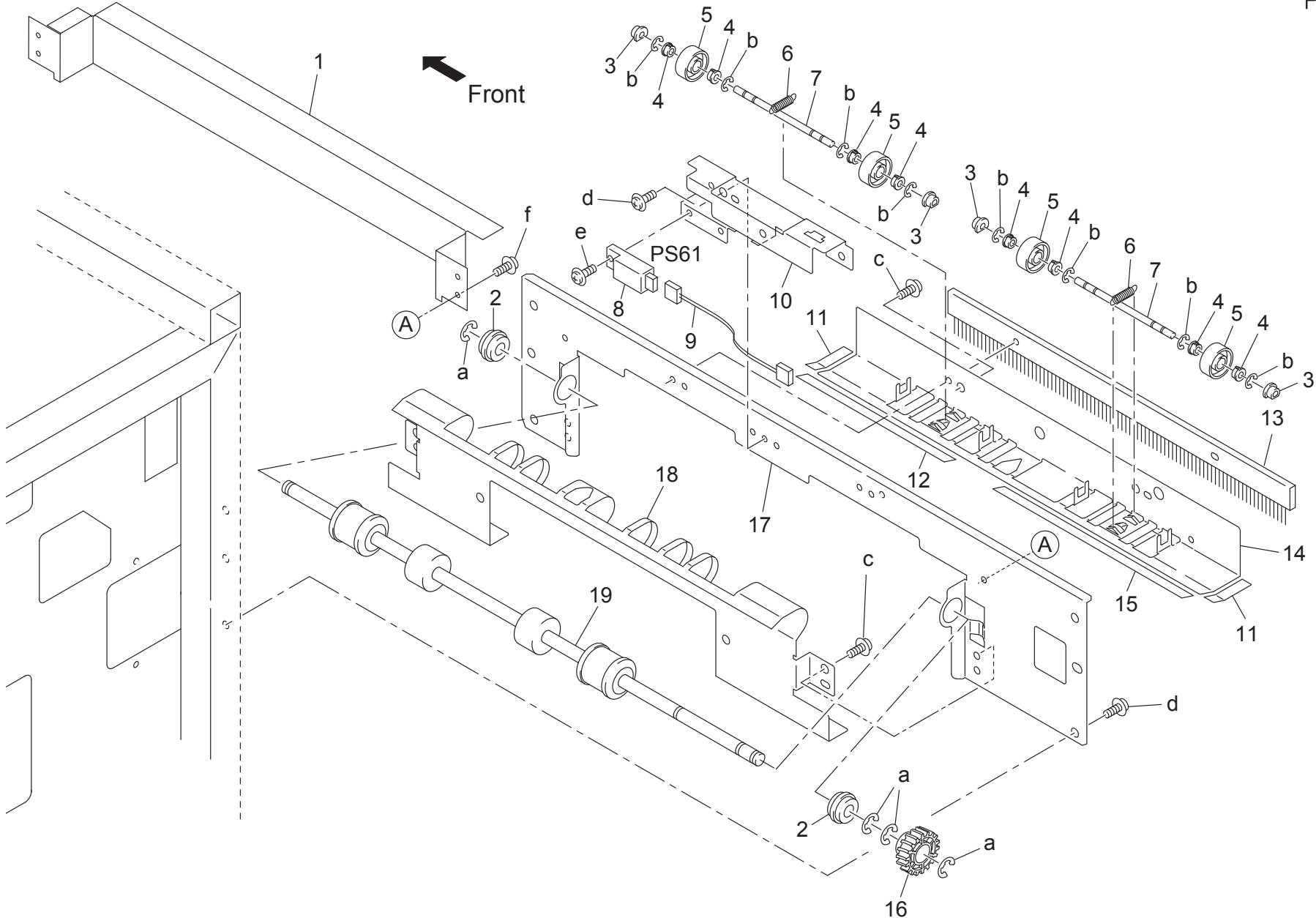
DRIVING UNIT

P 21



Key	Part No.	Description	Destinations	Class	QTY	Standard parts
1	56GA77140	PAPER FEED DRIVING GEAR D 25T	給紙駆動歯車 D 25 T	C	2	a-V118041003 b-V118040603 c-V193040404 d-V123041603 e-V121040603
2	090075530	BUSHING	軸受	B	4	
3	56GA77150	PAPER FEED DRIVE GEAR E 32T	給紙駆動歯車 E 32 T	C	2	
4	56GAR70200	PAPER FEED DRIVING GAER E	給紙駆動歯車 E 部組	C	2	
5	55VA-1780	SHAFT SUPPORT PANEL/D	軸補強板 / D カシメ	D	2	
6	A00V240600	BALL BEARING	ボールベアリング	B	6	
7	25AA15231	BELT GUIDE PLATE	ベルト ガイドプレート	C	2	
8	55VA78010	PAPER FEED DRIVING BELT A 330L	給紙駆動ベルト A 330 L	C	1	
9	55VA76620	CONVEYANCE DRIVING PULLEY	搬送駆動プーリー	C	3	
10	540015162	BELT TENSION ROLLER	ベルト テンションコロ	B	2	
11	56AA17461	PIN A	ピン A	B	3	
12	56AA17480	PIN B	ピン B	C	4	
13	55VAR71500	TRY1 SHAFT ASSY	トレー1 入力軸部組	D	1	
14	25AAR70100	BELT TENSION PLATE ASSY	ベルト テンション板カシメ	C	1	
15	55VAR71800	TENSION PLATE	テンション板カシメ	C	1	
16	55VAR71600	TRY2 SHAFT ASSY	トレー2 入力軸部組	D	1	
17	048610110	LOCK SHAFT A	ロック軸 A	D	1	
18	56UA75020	TRAY LOCK BUSHING	トレイロック軸受	C	1	
19	190041420	POLYSLIDER 8	ポリスライダ 8	C	1	
20	13QJ75520	DRIVING SHAFT HOLDER	駆動軸受	C	2	
21	56UA15540	LOCK PLATE	ロック板	D	1	
22	25AA15380	PAPER FEED LOCKING SPRING	給紙ロックバネ	C	1	
23	55VAR71900	LOCK PLATE	ロック板カシメ	D	1	
24	56AA17080	TERMINAL ROCKING SPRING	端子揺動バネ	C	6	
25	56AA17330	SLIDE SHAFT	スライド軸	C	6	
26	57GA15620	POWER SOURCE MOUNTING SHAFT	電源取り付け軸	D	1	
27	V502010050	support	ロッキングサーキットボードサポート	D	2	
28	65AA80021	DC Brushless Motor /50	DC ブラシレスモータ /50	B	1	
29	57GA77110	PAPER FEED DRIVE GEAR /A 35T	給紙駆動歯車 / A 35 T	B	1	
30	55VA77130	PAPER FEED DRIVE GEAR /C 36/63T	給紙駆動歯車 / C 36 /63 T	B	1	
31	55VA78020	PAPER FEED DRIVING BELT B 342L	給紙駆動ベルト B 342 L	C	1	
32	55VA15470	BELT GUIDE PLATE	ベルト ガイドプレート	C	1	
33	55VAR71700	TRY3 SHAFT ASSY	トレー3 入力軸部組	D	1	
34	57GAR70800	PAPER FEED DRIVING GEAR B ASSY	給紙駆動歯車 B 部組	C	1	
35	554010900	Drive Spacer	駆動スペーサー	C	2	
36	55VA15241	SHAFT REINFORCE PLATE E	軸補強板 E	D	1	

PAPER EXIT SECTION

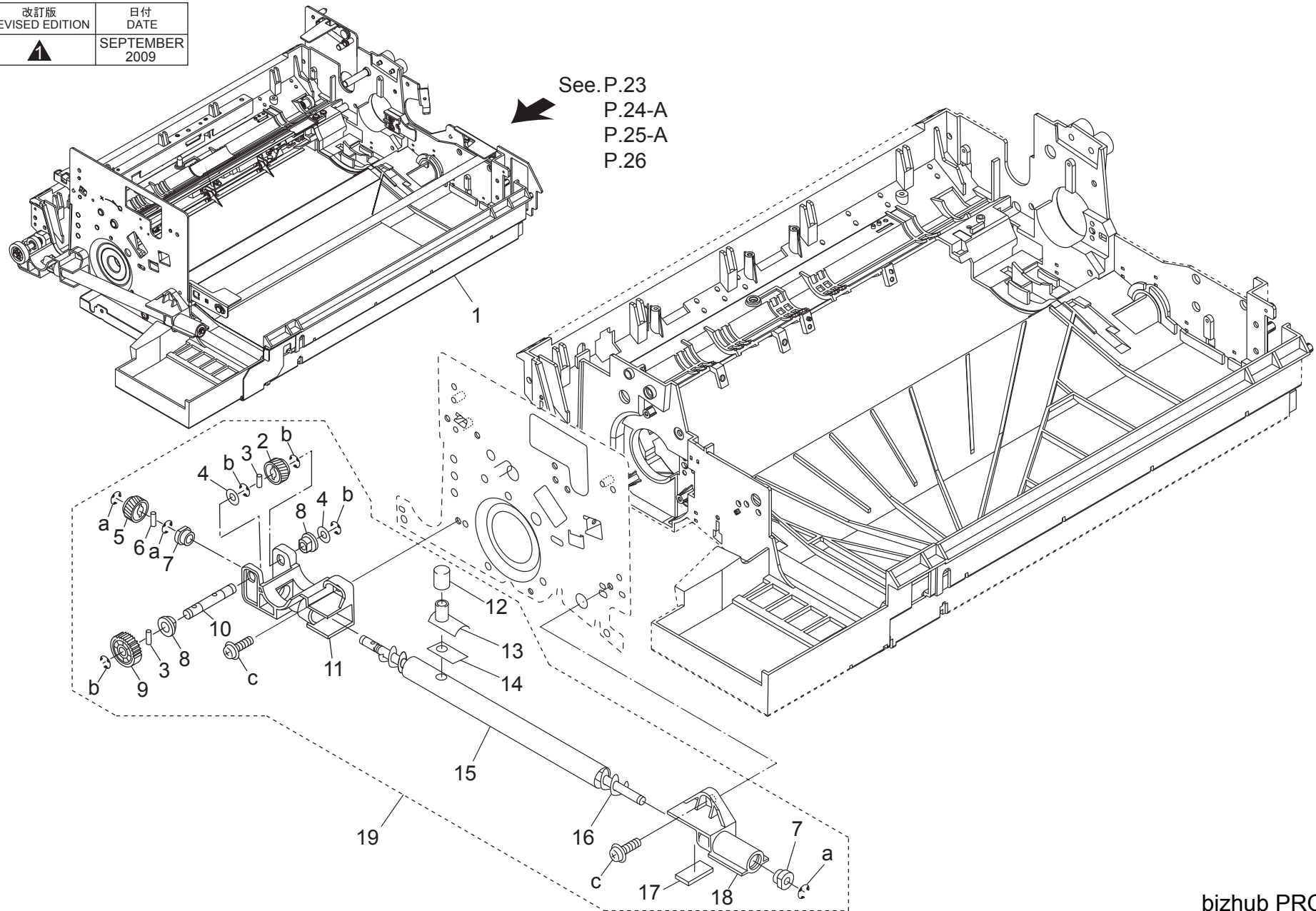


PAPER EXIT SECTION

Key	Part No.	Description	Destinations	Class	QTY	Standard parts
1	57GA15630	PAPER EXIT COVER PLATE		D	1	a-V121040603
2	A00V240600	BALL BEARING		B	2	b-V223080004
3	25SA43310	DRIVEN SHAFT HOLDER		B	4	c-V123040603
4	12AA75560	DRIVEN SHAFT HOLDER		C	8	d-V121040803
5	25AA48242	DRIVEN ROLLER A		C	4	e-V217060050
6	55VA46490	Registration Pressure Spring		B	2	f-V121030603
7	55VA15550	PAPER EXIT TENSION SHAFT		D	2	
8	56GA85531	Photo Sensor /3		C	1	
9	57GA90250	PAPER EXIT WIRING		D	1	
10	57GA15560	MOUNTING PLATE		D	1	
11	57GA15660	PAPER EXIT SEALING PART /3		C	2	
12	57GA15650	PAPER EXIT SEALING PART /2		C	1	
13	13GL46690	NEUTRALIZING BRUSH		C	1	
14	57GA15410E	Paper exit Guide Plate /Upper		C	1	
15	57GA15640	PAPER EXIT SEALING PART /1		C	1	
16	56UA77270	PAPER EXIT DRIVE GEAR C 25T		C	1	
17	57GA15390	PAPER EXIT SUPPORT PANEL		D	1	
18	57GA15420E	Paper exit Guide Plate /Lower		C	1	
19	55VA15430	Paper Exit Feeding Roller		B	1	

DRUM CARTRIDGE

改訂版 REVISED EDITION	日付 DATE
	SEPTEMBER 2009

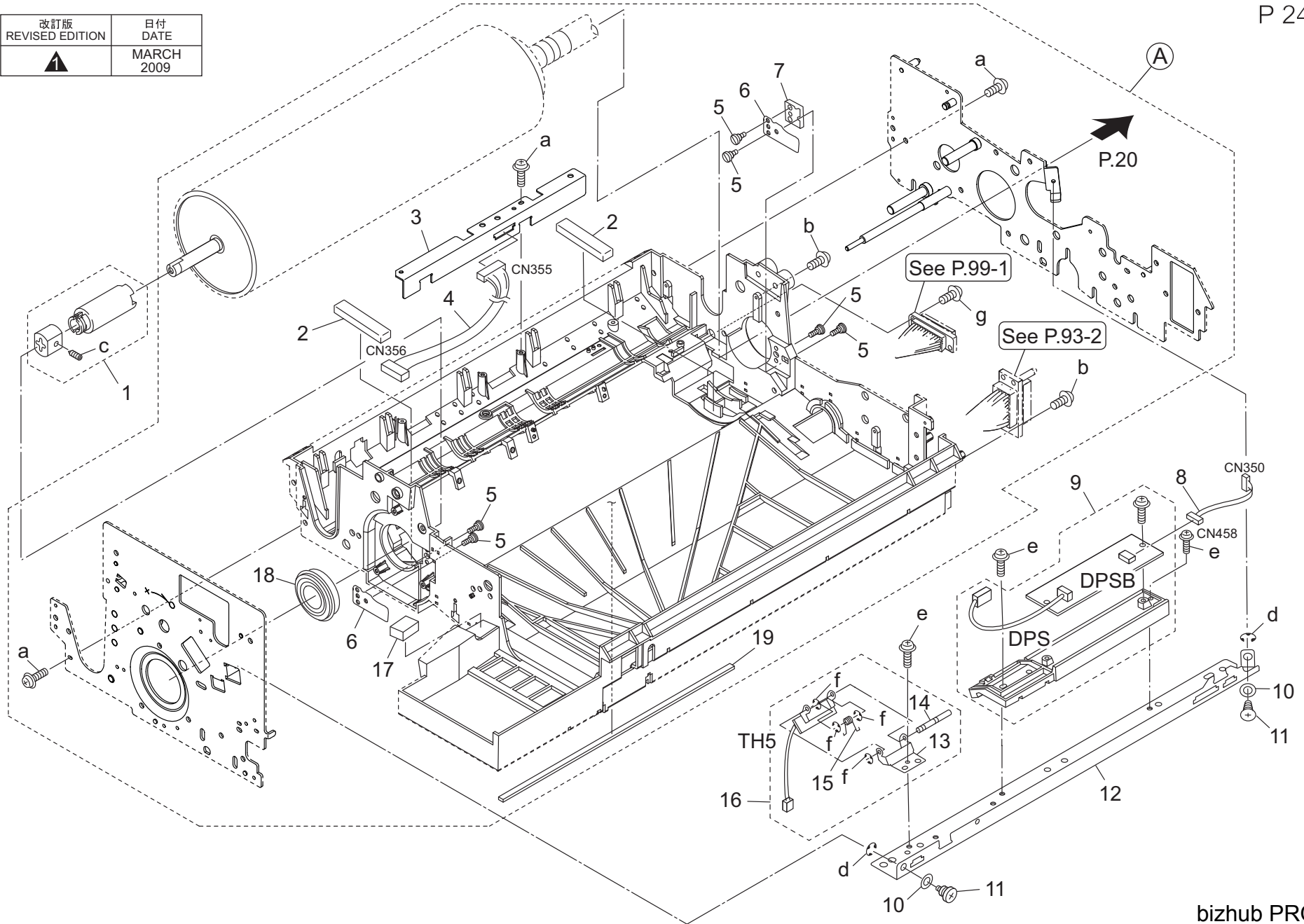


DRUM CARTRIDGE

Key	Part No.	Description	Destinations	Class	QTY	Standard parts
1	A0Y5R73511	Drum Cartridge Assy		C	1	a-V217040050 b-V217050050 c-V121040603
2	25SA77190	TONER CONVEYANCE GEAR C 15T	トナー搬送歯車 C 15 T	C	1	
3	56AA17520	PIN A D3X10	ピン A D 3 X 1 0	C	2	
4	56AA17700	SPACER B	スペーサー B	C	2	
5	55VA77580	TONER CONVEYANCE GEAR D 15T	トナー搬送ギア D 15 T	C	1	
6	454078050	PIN CLEANER A	ピン クリーナー A	C	1	
7	57GA761600	Toner Recycle Bearing	トナーリサイクル軸受	C	2	
8	466076020	PAPER FEED SHAFT HOLDER	給紙送り出し軸受	B	2	
9	55VA77290	TONER CONVEYANCE GEAR B 24T	トナー搬送ギア B 24 T	C	1	
10	55VA57031E	CONVEYANCE IDLING SHAFT	搬送アイドル軸	C	1	
11	55VA57010	Recycle Block /Left	リサイクルブロック/左	C	1	
12	56UA23150	TONER REGULATING COVER	トナー規制カバー	D	1	
13	57GA57020	RECYCLE PIPE	リサイクルパイプ	C	1	
14	57GA57040	ATTACHING SHEET	貼りシート	C	1	
15	57GA57030	RECYCLE PIPE 2	リサイクルパイプ 2	C	1	
16	55VA57041G	Recycle Screw	リサイクルスクリュー	C	1	
17	55VA57080	SCATTER PREVENTING PART	飛散防止部材	D	1	
18	55VA57070	RECYCLE BLOCK RIGHT	リサイクルブロック 右	D	1	
19	57GAR73800	Recycling Assy	リサイクルユニット	C	1	

DRUM CARTRIDGE

改訂版 REVISED EDITION	日付 DATE
	MARCH 2009

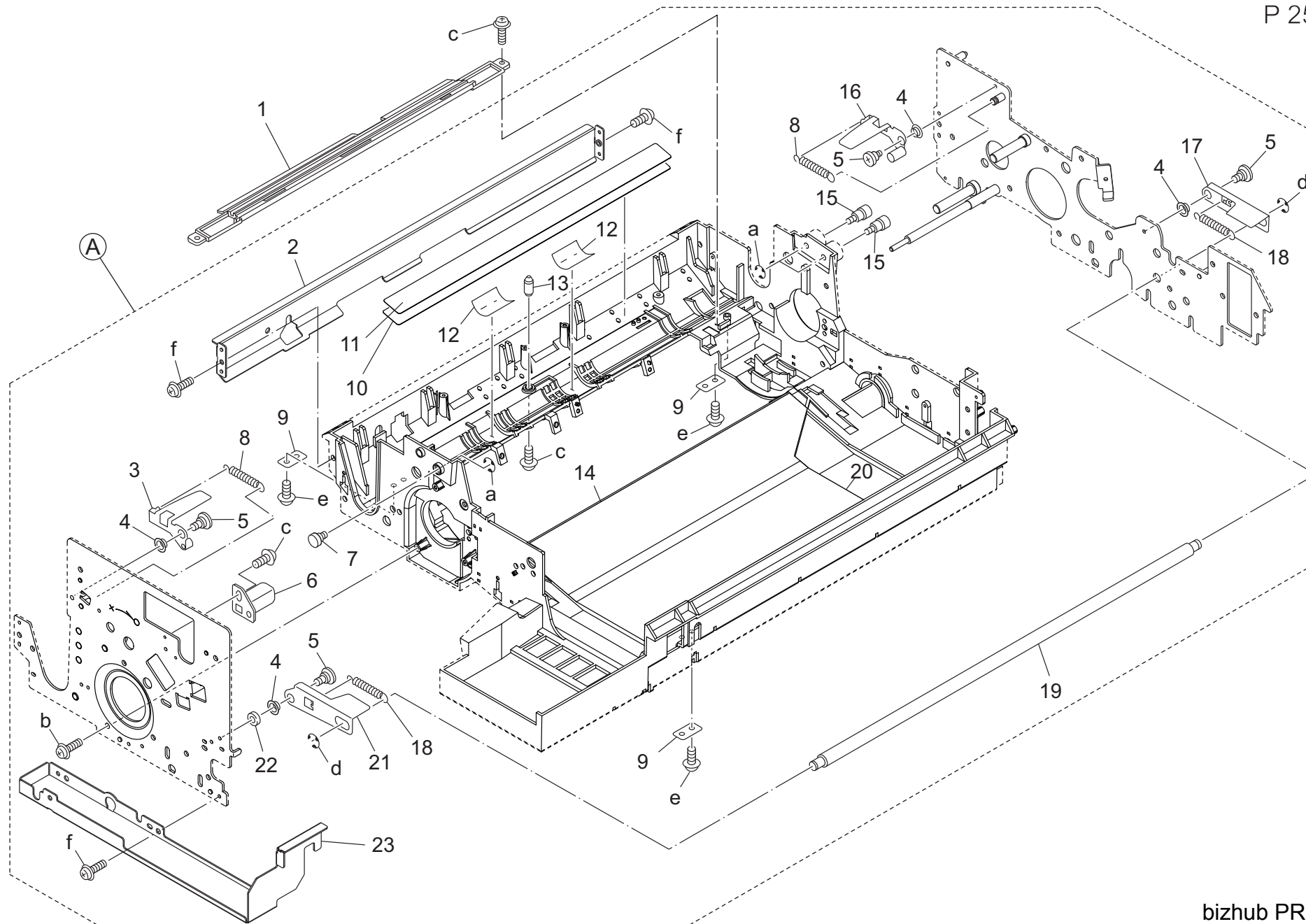


DRUM CARTRIDGE

Key	Part No.	Description	Destinations	Class	QTY	Standard parts
1	57GAR71200	DRUM FIXING COUPLING ASSY		C	1	a-V151030803 b-V151031003 c-V193030404 d-V217040050 e-V121030403 f-V217020050 g-V145031003
2	55VA20800	DRUM SEAL		D	2	
3	A0Y5333000	Power supply Plate		D	1	
4	57GA90480	CLEANER RELAY WIRING		D	1	
5	56AA17390	STANDARD SCREW		C	6	
6	A0Y5331000	Base Plate /Front		D	2	
7	25SA20110	BASE PLATE/B		D	1	
8	A0Y5N14500	Sensor Relay harness /1		D	1	
9	55VA-2081	Potention Meter Assy		I	1	
10	55VA20220	SPRING		B	2	
11	55VA20210	Tension Screw		C	2	
12	A0Y5330700	Relay harness/1		D	1	
13	55VA20071	MOUNT PLATE		D	1	
14	55VA20240D	SUPPORT SHAFT		D	1	
15	55VA20690	PRESSURE SPRING		B	1	
16	56GAR70300	DRUM TEMP SENSOR ASSY		B	1	
17	57GA20710	TONER STOPPER CUSHION		D	1	
18	55TA75020	Bearing		B	1	
19	A0Y5332500	Sealing Part /D		C	1	

DRUM CARTRIDGE

P 25

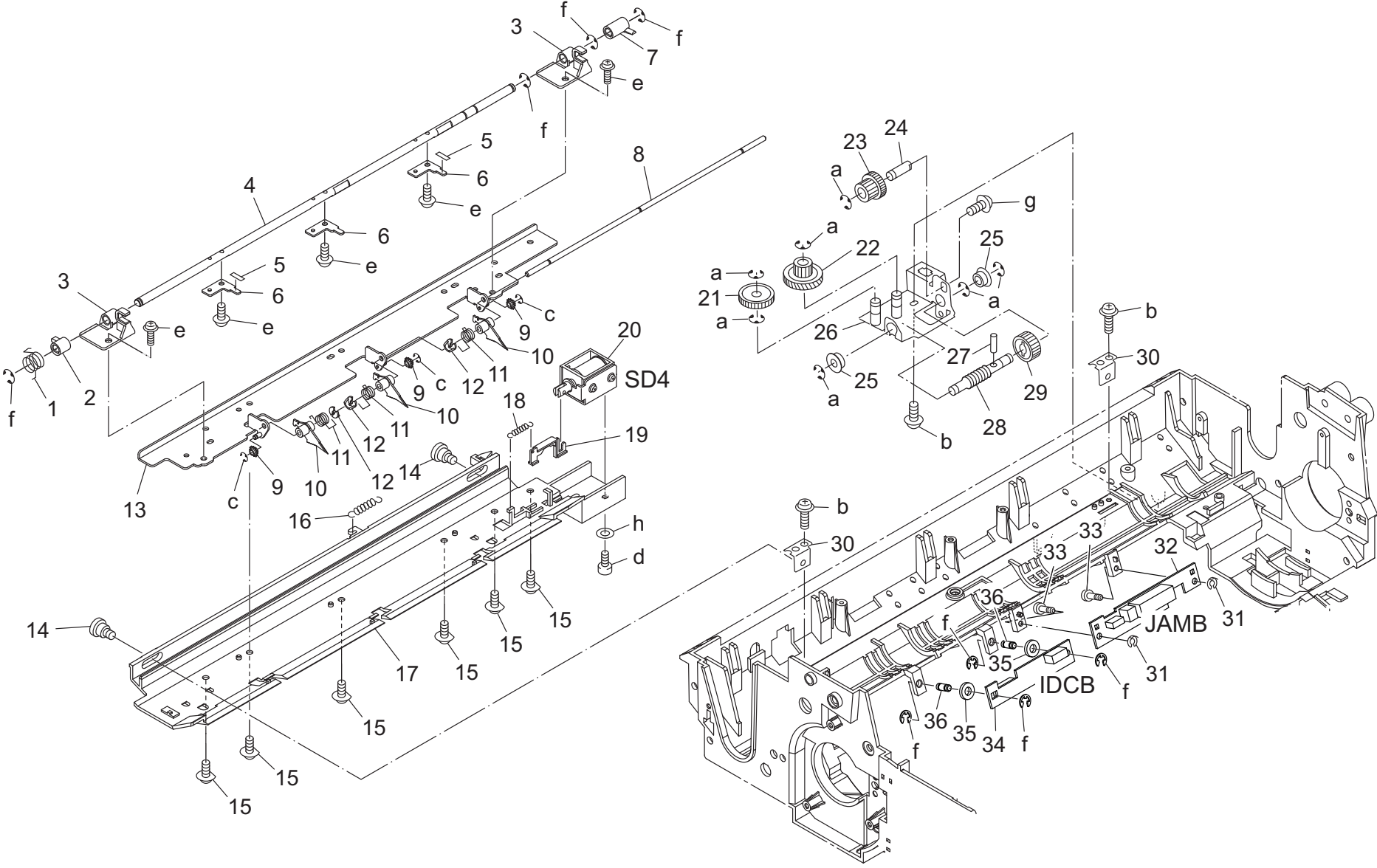


bizhub PRO 950

DRUM CARTRIDGE

Key	Part No.	Description	Destinations	Class	QTY	Standard parts
1	55VA20640E	Toner Catch		D	1	a-V217030050 b-V151030803 c-V121030603 d-V217060050 e-V121030804 f-V121040603
2	A0Y5330600	Reinforce Stay /Left		D	1	
3	55VA-2050	CLENER ROCK LEVER F		C	1	
4	090020510	CLEANER MOUNT LEVER COLLAR		C	4	
5	55VA20520	Cleaner Locking Screw		C	4	
6	55VA66570	WRITING HOLD BLOCK		D	1	
7	55VA20370D	Charging Support Shaft /Front		D	1	
8	A0Y5344900	Lock Spring		C	2	
9	55VA30961	Developing Connecting Plate		D	3	
10	A0Y5332300	Sealing Part /S		C	1	
11	A0Y5332200	Suction Plate		D	1	
12	55VA20830	WIRING GUIDE SHEET		C	2	
13	55VA20630D	Cleaner Base Shaft		D	1	
14	A0Y5332100	Suction Cover /2		C	1	
15	55VA20380D	Charging Support Shaft /Rear		D	2	
16	55VA-2040	CLENER ROCK LEVER R		C	1	
17	55VA20340	DEVELOPING RELEASE LEVER/REAR		D	1	
18	55VA20290	DEVELOPING PRESSURE SPRING		B	2	
19	55VA20351	DEVELOPING RELEASE SHAFT /MIDD		D	1	
20	A0Y5332000	Suction Cover		C	1	
21	55VA20330	DEVELOPING RELEASE LEVER FRONT		D	1	
22	56UA20310	DRUM SUPPORT SPACER		C	1	
23	A0Y5330400	Reinforce Stay /Front		D	1	

DRUM CARTRIDGE

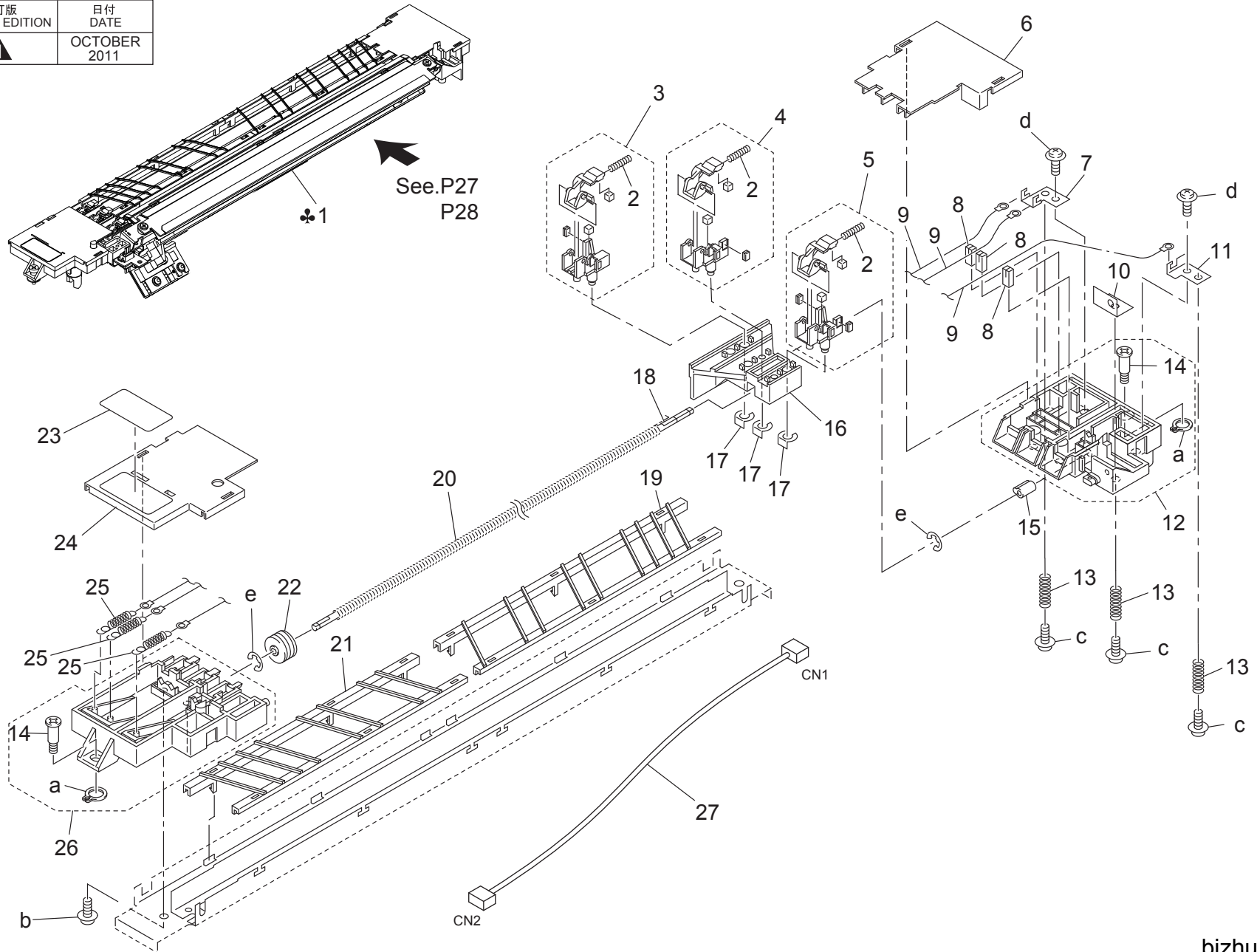


DRUM CARTRIDGE

Key	Part No.	Description	Destinations	Class	QTY	Standard parts
1	55VA29140	SOLENOID RELEASE SPRING	ソレノイド 解除バネ	B	1	a-V217040050
2	55VA29050	Separating Release Part /C	分離解除部材 / C	C	1	b-V151030803
3	A0Y5350900	Support Block	支持ブロック	D	2	c-V217020050
4	A0Y5351000	Release Shaft	解除軸	D	1	d-V188030504
5	56UA29230	Separation Auxiliary Sheet	分離補助シート	C	2	e-V118030403
6	A0Y5351200	Release Plate	解除板	D	3	f-V217030050
7	55VA29040	Separating Release Part /B	分離解除部材 . / B	C	1	g-V121030603
8	A0Y5351100	Separating Shaft	分離軸	D	1	h-V207030003
9	113620270	CLAW WHEEL	爪車	C	3	
10	57GA29190	DRUM SEPARATING CLAW	ドラム分離爪	A	3	
11	56GA29130D	Separation Pressing Spring	分離押圧ばね	C	3	
12	45AA20400	STOPPER PART	ストッパ部材	A	3	
13	A0Y5350200	Reinforce Plate	補強板	D	1	
14	55VA20680	SEPARATION POSITIONING SCREW	分離位置決めネジ	C	2	
15	A0Y5351500	Fixing Screw	固定ねじ	C	6	
16	56UA45960	Paper Exit Pressing Spring	排紙押圧バネ	C	1	
17	A0Y5350100	Separating Guide	分離ガイド	D	1	
18	55VA29150	RELEASE SPRING	解除バネ	B	1	
19	A0Y5350800	Release Part	解除部材	C	1	
20	A0Y5R72100	CLAW SEPARATING SOLENOID ASSY	爪分離ソレノイド 部組	C	1	
21	56UA77290	SEPARATION SWING GEAR 40T	分離揺動歯車 40 T	C	1	
22	56UA77300	SEPARATION SWING GEAR C 18T 33T	分離揺動歯車 C 18 T 33 T	C	1	
23	55VA77560	SEPARATE ROCKING GEAR A 30T 20T	分離駆動歯車 A 30 T 20 T	C	1	
24	55VA29110	SWING SHAFT /B	揺動軸 / B	D	1	
25	25AA29770	SEPARATE FULCRUM SHAFT HOLDER	分離支点軸受	C	2	
26	A0Y5R74200	SEPARATING BASE PLATE	分離揺動基板 / カシメ	D	1	
27	56AA17520	PIN A D3X10	ピン A D 3 X 10	C	1	
28	55VA29100	ROCKING SHAFT /A	揺動軸 / A	D	1	
29	55VA77570	SEPARATE ROCKING GEAR B 32T	分離駆動歯車 B 32 T	C	1	
30	55VA20590	SEPARATION FIXING PLATE	分離固定板	D	2	
31	55VA20860	Stopper Part	ストッパ部材	D	2	
32	A0Y5H15000	DETECTING BOARD	検知基板 A S S Y	C	1	
33	55VAR72400	SENSOR FIXING PIN ASSY	センサ固定部材部組	D	2	
34	A0Y5R74300	TONER CONTROL BOARD ADJUSTMENT	トナー制御基板調整	C	1	
35	A0Y5343100	Fixing Part	固定部材	D	2	
36	A0Y5334200	Mounting Shaft /I	取付軸 / I	D	2	

TRANSFER SEPARATOR CORONA UNIT

改訂版 REVISED EDITION	日付 DATE
	OCTOBER 2011



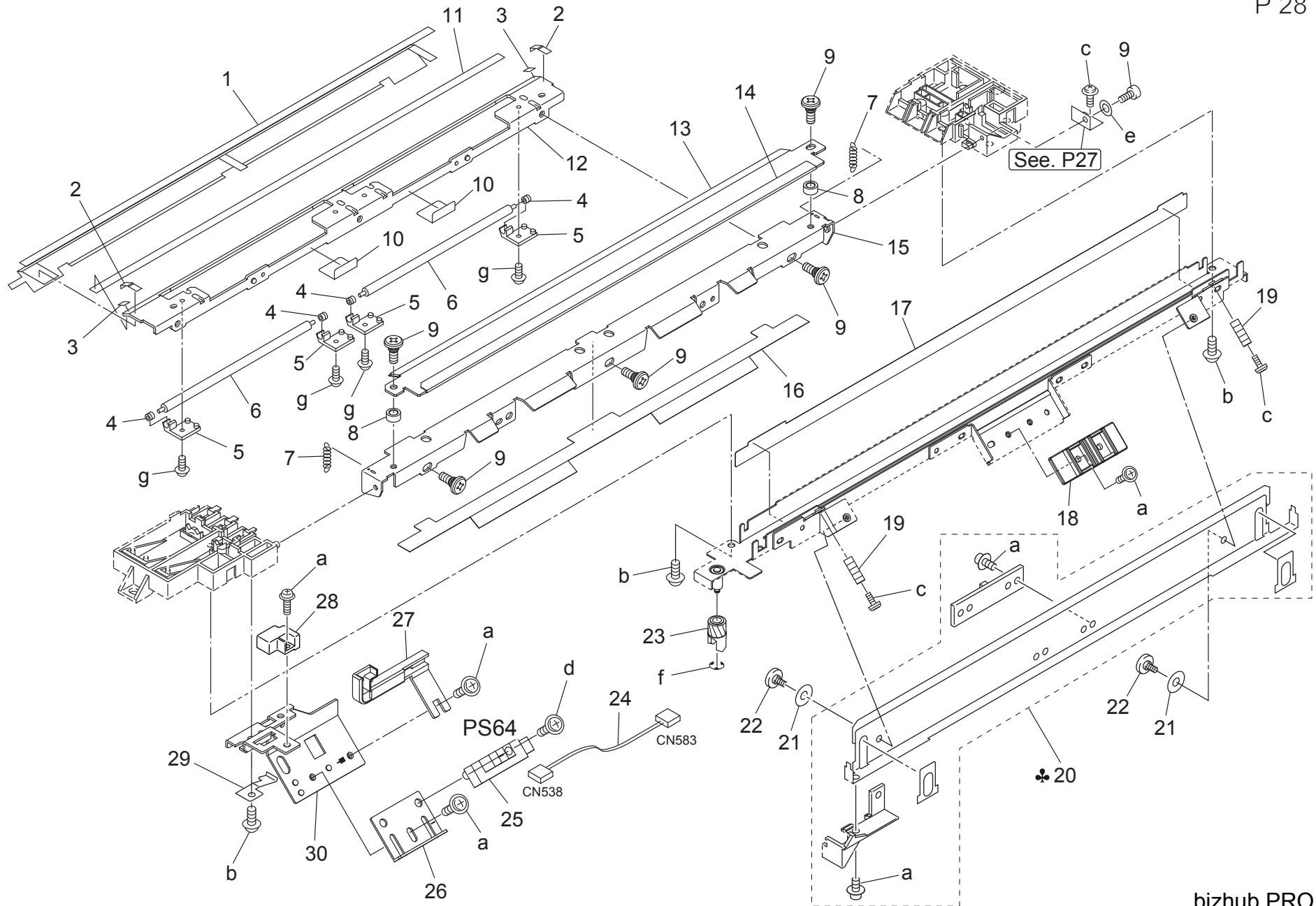
See.P27
P28

TRANSFER SEPARATOR CORONA UNIT

Key	Part No.	Description	Destinations	Class	QTY	Standard parts
1	A0Y5R70800	SEPARATING ASSY 転写分離極ユニット	A,C,D1,D3,F2,H,I,J, K	B	1	a-V221050050 b-V151030803 c-V111020403 d-V151030603 e-V217020050
1	A0Y5R70900	SEPARATING ASSY 転写分離極ユニット	B,G1	B	1	
1	A0Y5R75200	Separating Assy /1 転写分離極ユニット /1	(A3,A4)	B	1	
1	A0Y5R75300	Separating Assy /2 転写分離極ユニット /2	(11inch)	B	1	
1	A0Y5R75400	Separating Assy /3 転写分離極ユニット /3	(8K,16K)	B	1	
1	A0Y5R75500	Separating Assy /4 転写分離極ユニット /4	(B4,B5)	B	1	
1	A0Y5R75600	Separating Assy /5 転写分離極ユニット /5	(8.5inch)	B	1	
1	A0Y5R75700	Separating Assy /6 転写分離極ユニット /6	(A4R,A5)	B	1	
1	A0Y5R75800	Separating Assy /7 転写分離極ユニット /7	(8.25inch,8.125inch .8inch)	B	1	
1	A0Y5R75900	Separating Assy /8 転写分離極ユニット /8	(B5R)	B	1	
2	56AA17040	WIRE CLEANING SPRING ワイヤー清掃パネ		C	3	
3	56GAR70600	SEPARATE CLEANING ASSY 2 分離清掃部組 2		A	1	
4	56GAR70500	SEPARATE CLEANING ASSY 1 分離清掃部組 1		A	1	
5	56GAR70400	TRANSFER CLEANING ASSY 転写清掃部組		A	1	
6	56GA26090	SPARK ARRESTER PREVENTIVE PLATE REAR 落雷防止板 奥		B	1	
7	56UA26110	SEPARATION POWER SUPPLY PLATE 分離給電板		D	1	
8	56AA17830	TRANSFER HOLDING RUBBER 転写押えゴム		A	3	
9	55VA26130	DISCHARGE WIRE 放電ワイヤー		A	3	
10	56GA26200	FULCRUM PLATE 支点板		D	1	
11	56GA26100	TRANSFER ELECTRIFY PLATE 転写給電板		D	1	
12	56UA-2870	TRANSFER SEPARATE BLOCK /REAR 転写分離ブロック /奥部組		C	1	
13	56AA17020	ELECTRIFY SPRING 給電パネ		C	3	
14	56UA26180	ELECTRODE FIXING SCREW 電極固定ネジ		C	2	
15	56AA25150	ELECTRODE CLEANING JOINT 電極清掃ジョイント		C	1	
16	56GAR70700	SLIDE BLOCK ASSY スライドブロック部組		D	1	
17	45AA20400	STOPPER PART ストッパ部材		A	3	
18	56GA26160D	Electrode Cleaning Shaft 電極清掃軸		D	1	
19	56GA26190	SEPARATION BRIDGE REAR 分離ブリッジ 奥		C	1	
20	56GA26170	ELECTRODE CLEANING SPRING 電極清掃パネ		C	1	
21	56GA26180	SEPARATION BRIDGE FRONT 分離ブリッジ 前		C	1	
22	55VA77410	CLEANING GEAR 2 14T 清掃歯車 2 14 T		B	1	
23	56UA97920	HIGE VOLTAGE CAUTION LABEL 高圧注意ラベル		C	1	
24	56GA26080	SPARK ARRESTER PREVENTIVE PLATE FRONT 落雷防止板 前		B	1	
25	56AA17140	WIRE TENSION SPRING ワイヤーテンションパネ		C	3	
26	57GA-2860	TRANSFER SEPARATE BLOCK /FRONT 転写分離ブロック /前部組		C	1	
27	56UA91600	TRANSFER RELAY WIRING 転写紙中継束線		C	1	

TRANSFER SEPARATOR CORONA UNIT

P 28

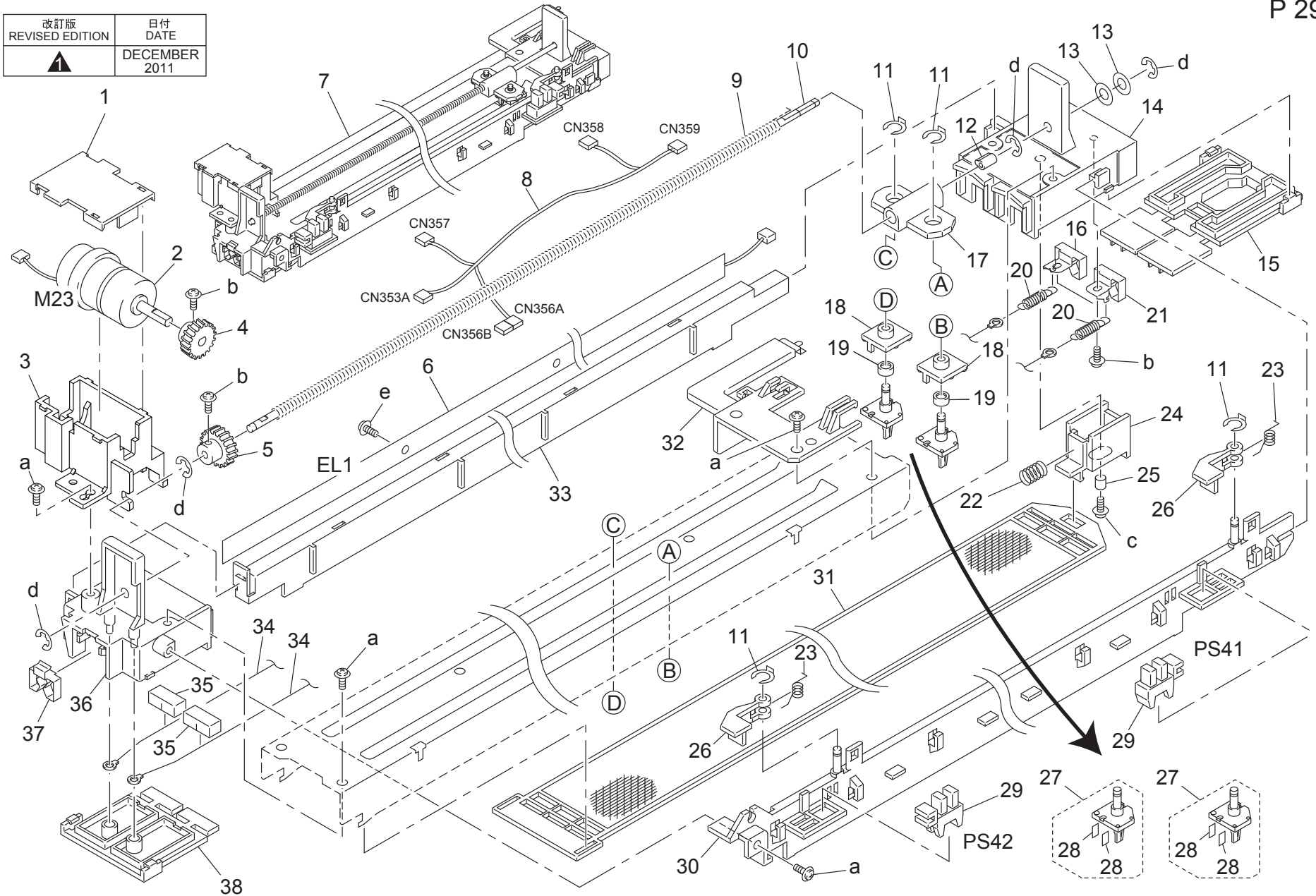


TRANSFER SEPARATOR CORONA UNIT

Key	Part No.	Description	Destinations	Class	QTY	Standard parts
1	A0Y5474100	Preventing Sheet /2		C	1	a-V121030603 b-V151030803 c-V111020403 d-V118041203 e-V205040003 f-V217020050 g-V116030803
2	56AA17840	DRUM PROTECTION SHEET		C	2	
3	56GA26400	DRUM PROTECTION SHEET/LOWER		C	2	
4	55GA76550	Transfer Guide Bearing /2		C	4	
5	55VA26221	TRANSFER GUIDE BUSHING		C	4	
6	56GA26210	TRANSFER GUIDE ROLLER		C	2	
7	56GA26430	TRANSFER GUIDE SPRING		C	2	
8	55VA26370D	Positioning Shaft		D	2	
9	56AA17580	ADJUSTING SCREW		C	6	
10	56UA26830	TRANSFER GUIDE SHEET		C	2	
11	55VA26240	SPARK PREVENTING SHEET		C	1	
12	A0Y5470700	Transfer Guide /A		C	1	
13	A0Y5470600	Guide Plate /Upper		C	1	
14	A0Y5478400	Guide Sheet/Upper		C	1	
15	A0Y5470500	Guide Plate/Lower		C	1	
16	A0Y5473800	Guide Sheet/Front		C	1	
17	A0Y5476400	Preventing Sheet /3		C	1	
18	56UA26540	SLIDE PART B		D	1	
19	56UA26120	TRANSFER PRESSING SPRING		C	2	
20	A0Y5R73300	TRANSFER AUXILIARY BOARD ASSY	A,C,D1,D3,F2,H,I,J, K	B	1	
20	A0Y5R73400	TRANSFER AUXILIARY BOARD ASSY	B,G1	B	1	
21	56AA17700	SPACER B		C	2	
22	56UA26620	BOARD SLIDE SCREW		C	2	
23	55VA77400	CLEANING GEAR 1 14T		B	1	
24	56UA90870	RELAY WIRING 2		D	1	
25	56AA85511	Photo Sensor		B	1	
26	56UA26800	ADJUSTMENT PLATE		D	1	
27	56UA26630	WIRING PROTECTION COVER		D	1	
28	A0Y5852101	Power supply Cover		C	1	
29	56UA26820	TRANSFER EARTH PLATE		D	1	
30	A0Y5475800	Plate		D	1	

CHARGING UNIT

改訂版 REVISED EDITION	日付 DATE
	DECEMBER 2011

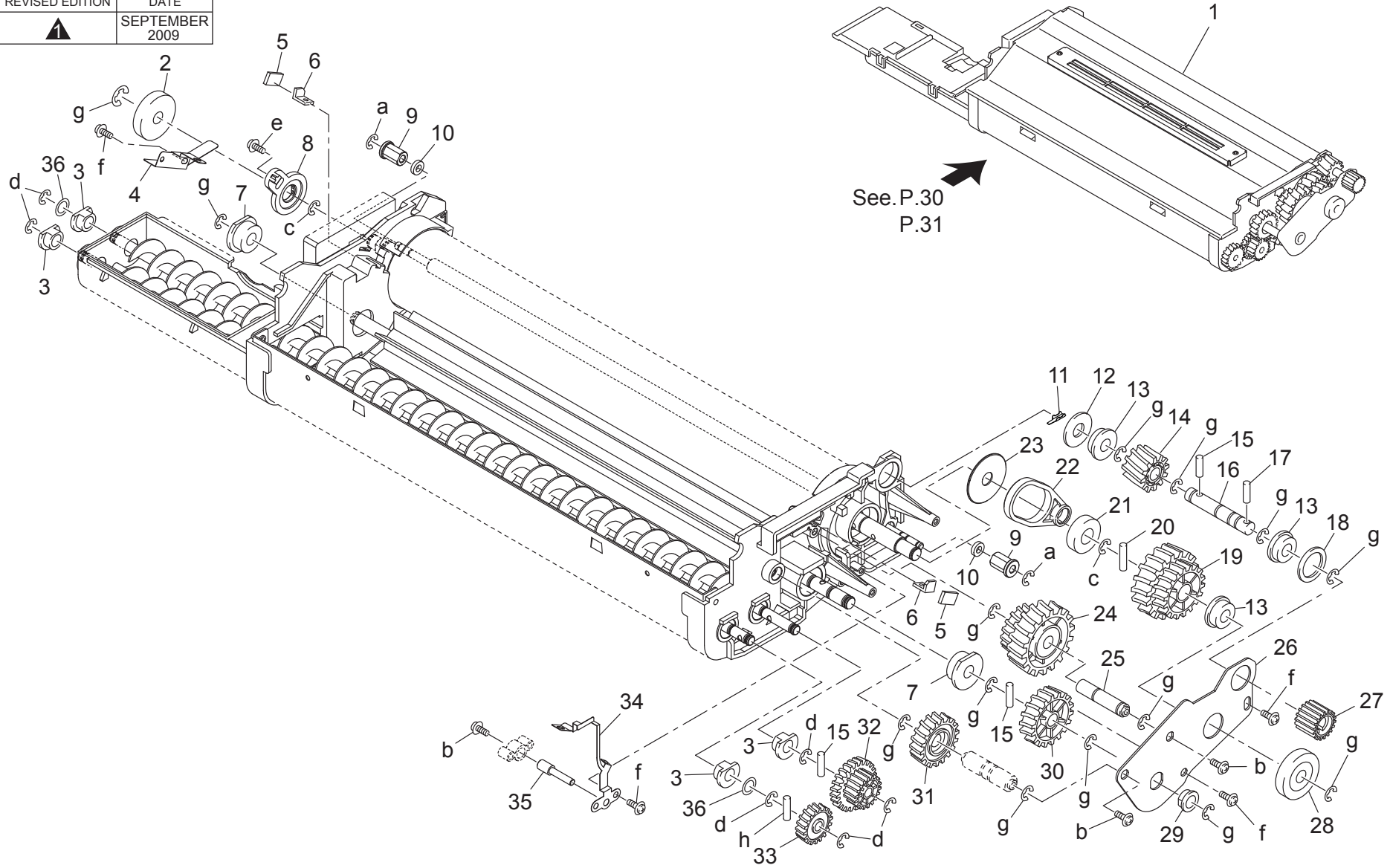


CHARGING UNIT

Key	Part No.	Description	Destinations	Class	QTY	Standard parts
1	55VA25150	Motor Cover		C	1	a-V151030803 b-V145020403 c-V151040803 d-V217020050 e-V151020603
2	25AA80091	CHARGING MOTOR		C	1	
3	55VA25222G	Charging Cleaning Block		C	1	
4	55VA77230	CHARGE CLEANING GEAR 1 17T		B	1	
5	55VA77240	CHARGE CLEANING GEAR 2 17T		C	1	
6	A0Y5M30800	PCL		C	1	
7	A0Y5R70400	CHARGING ASSY		B	1	
8	55VA90430	Charging Relay Wiring		D	1	
9	56GA25110	CHARGE CLEANING SPRING		C	1	
10	56GA25120D	Charging Cleaning Shaft		D	1	
11	45AA20400	STOPPER PART		A	4	
12	56AA25150	ELECTRODE CLEANING JOINT		C	1	
13	56UA25280	Charge Cleaning Spacer		C	2	
14	55VA25020	CHARGING BLOCK REAR		D	1	
15	56UA25050	Spark Preventing Plate /Rear		C	1	
16	55VA25110	CHARGING FIXED SPRING LEFT		C	1	
17	55VA25130	CHARGING SLIDE PART		D	1	
18	55VA25210	CHARGING CLEANER PLATE		D	2	
19	55VA25140	CHARGING SLIDE COLLAR		C	2	
20	56AA17140	WIRE TENSION SPRING		C	2	
21	55VA25100	CHARGING FIXED SPRING RIGHT		C	1	
22	55VA25170	CHARGING TENSION SPRING		C	1	
23	55VA25240	CHARGING DETECT SPRING		B	2	
24	55VA25200	CHARGING TENSION KNOB		C	1	
25	25AA20321	PTL SUPPORT SPACER		C	1	
26	55VA25230	Charging Cleaning Actuator		C	2	
27	55VAR72800	CHARGE CLEANER ASSY		A	2	
28	25SA25150E	Charging Cleaning Sheet /B		D	4	
29	08AA85512	Photo Sensor		B	2	
30	55VA25260	CHARGING WIRE		D	1	
31	57GA25080	Charging Control Plate		A	1	
32	55VA25070	CONTACT POSITIONING PART		D	1	
33	A0Y5461601	Protection Cover /T		C	1	
34	55VA25091	CHARGING WIRE		A	2	
35	55VA25270	Electrode Vibrating Rubber		A	2	
36	55VA25011	CHARGE BLOCK /FRONT		D	1	
37	55VA25060E	Charging Fixing Spring /Front		B	1	
38	56UA25040	SPARK PREVENTING PLATE FRONT		C	1	

DEVELOPING UNIT

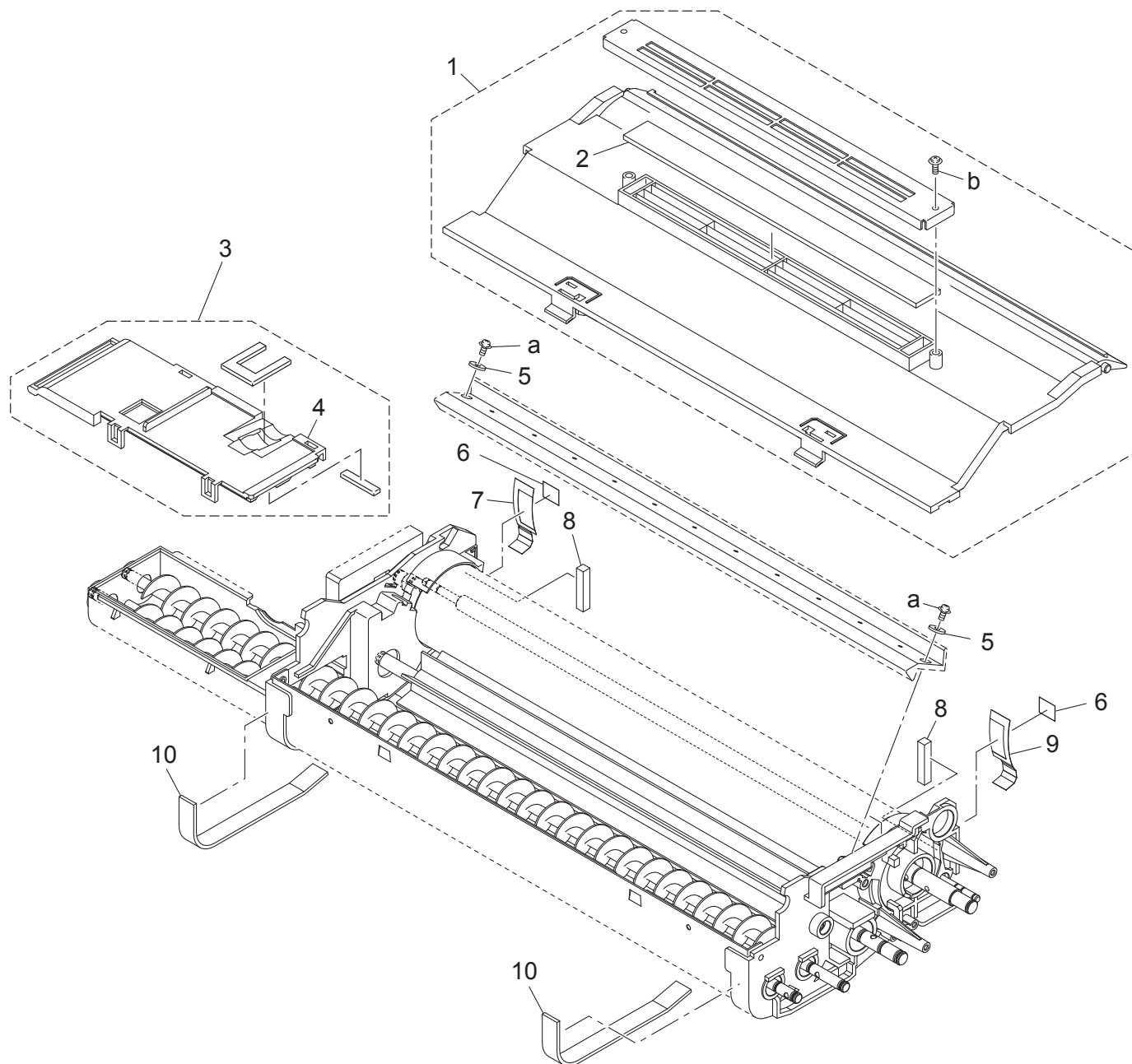
改訂版 REVISED EDITION	日付 DATE
	SEPTEMBER 2009



Key	Part No.	Description	Destinations	Class	QTY	Standard parts
1	A0Y5R70311	Developing Assy		B	1	a-V217030050
2	A0Y5373501	Stopper Roll /Front	現像ユニット	C	1	b-V121030603
3	26TA30770	DEVELOPING SHAFT HOLDER A	突当てころ／前	C	4	c-V217080050
4	A0Y5371500	Bias Spring /Front	現像軸受 A	D	1	d-V217040050
5	A0Y5376900	Sealing Cushion /Side	バイアスばね／前	C	2	e-V123031403
6	55VA30981	Toner Brush Connecting Plate	シールクッション／サイド	D	2	f-V151030803
7	56GA30290	Developing Shaft Holder /B	穂立連結板	C	2	g-V217060050
8	55VA30381	MAGNET ADJUSTMENT PART	現像軸受 /B	D	1	h-V237301250
9	A0Y5372100	Collection Bushing	マグネット 調整部材	C	2	
10	A0Y5372301	Collection Seal	回収すべり軸受	C	2	
11	55VA30390D	Bias Pin /A	回収シール	D	1	
12	55VA30170	SCATTER PREVENTING FELT	バイアスピンのA	C	1	
13	A00V240600	BALL BEARING	飛散防止フェルト	B	3	
14	55VA77310	DEVELOPING INPUT GEAR 20T	ボールベアリング	B	1	
15	56AA17480	PIN B	現像入力歯車 20 T	C	3	
16	A0Y5373000	Input Shaft	ピン B	D	1	
17	56AA17471	PIN B 3X12	入力軸	B	1	
18	55VA30970	Collar /A	ピン B 3 X 1 2	C	1	
19	A0Y5374000	Drive Gear/1 40T/30T	カラー/A	C	1	
20	56AA17500	PIN	駆動ギア/1 40 T /30 T	C	1	
21	55VA75010	Developing Roller Bearing /Rear	ピン	D	1	
22	A0Y5372200	Swing Holder	現像ころがり軸受/奥	D	1	
23	A0Y5378600	Rotation Collar	揺動ホルダ	C	1	
24	A0Y5374101	Idling Gear/1 39T/22T	回転カラー	C	1	
25	A0Y5373100	Idling Shaft /1	アイドルギア/1 39 T /22 T	D	1	
26	55VA30241E	Drive Reinforce Plate	アイドル軸/1	D	1	
27	55VA77300	DEVELOPING INPUT COUPLING	駆動補強板	B	1	
28	A0Y5373601	Stopper Roll /Rear	現像入力カップリング	C	1	
29	318076090	SHAFT HOLDER D8 POM	突当てころ/奥	C	1	
30	55VA77340	DEVELOPING AGITATE GEAR 31T	軸受 D 8 外	C	1	
31	55VA77350	DEVELOPING IDLER GEAR 2 28T	現像攪拌歯車 31 T	C	1	
32	56GA77360Old	SCREW GEAR LEFT 20T 27T	現像アイドラー歯車 2 28 T	C	1	
32	A0Y5374500	Conveyance Gear /Left 20/33T	スクリュー歯車 左 20 T 27 T	C	1	
33	56GA77370Old	SCREW GEAR RIGHT 22T	搬送ギア/左 20 /33 T	C	1	
33	A0Y5374600	Conveyance Gear /Right 16T	スクリュー歯車 右 22 T	C	1	
34	A0Y5371600	Bias Spring /Rear	搬送ギア/右 16 T	D	1	
35	A0Y5371700	Bias Pin	バイアスばね/奥	D	1	
36	57AA30260	DEVELOPING AGITATING SPACER	バイアスピン	C	2	
			現像攪拌スペーサー			

DEVELOPING UNIT

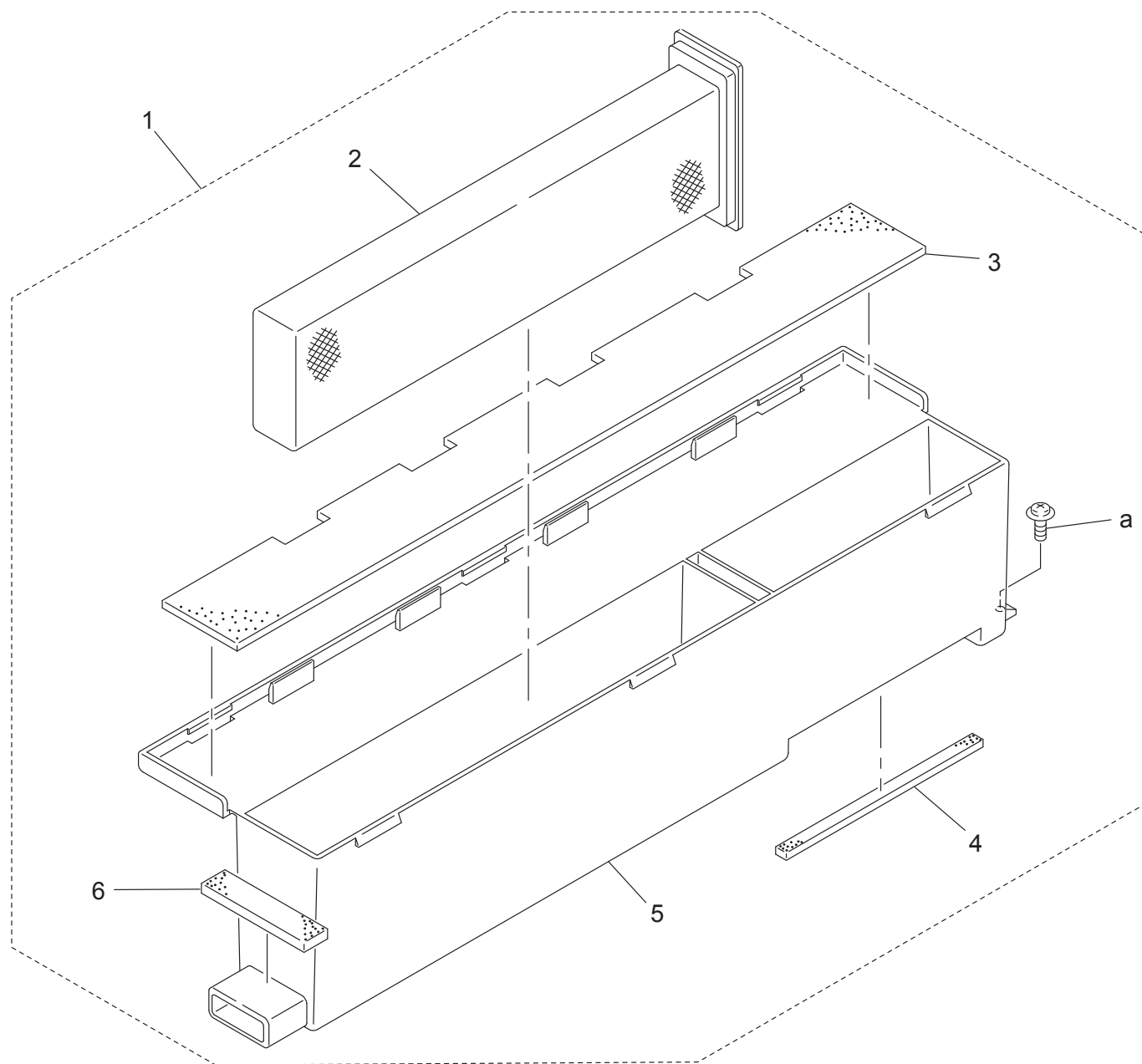
P 31



Key	Part No.	Description	Destinations	Class	QTY	Standard parts
1	A0Y5R73700	DEVELOPING COVER ASSY		C	1	a-V123031003 b-V121030603
2	A0Y5371901	Scatteringprevention Filter		A	1	
3	55VA-3100	DEVELOPING COVER ASSY		D	1	
4	55VA30051	DEVELOPING COVER PART		D	1	
5	A0Y5372800	Spacer		D	2	
6	A0G6375400	Stopper Spacer		C	2	
7	A0Y5376500	Scatteringprevention Sheet/Front		C	1	
8	55VA30371	DUST PROOF PACKING /E		C	2	
9	A0Y5376600	Scatteringprevention Sheet /Rear		C	1	
10	55VA30440	SCATTER PREVENTING PAD /LOWER		C	2	

DEVELOPING SUCTION UNIT

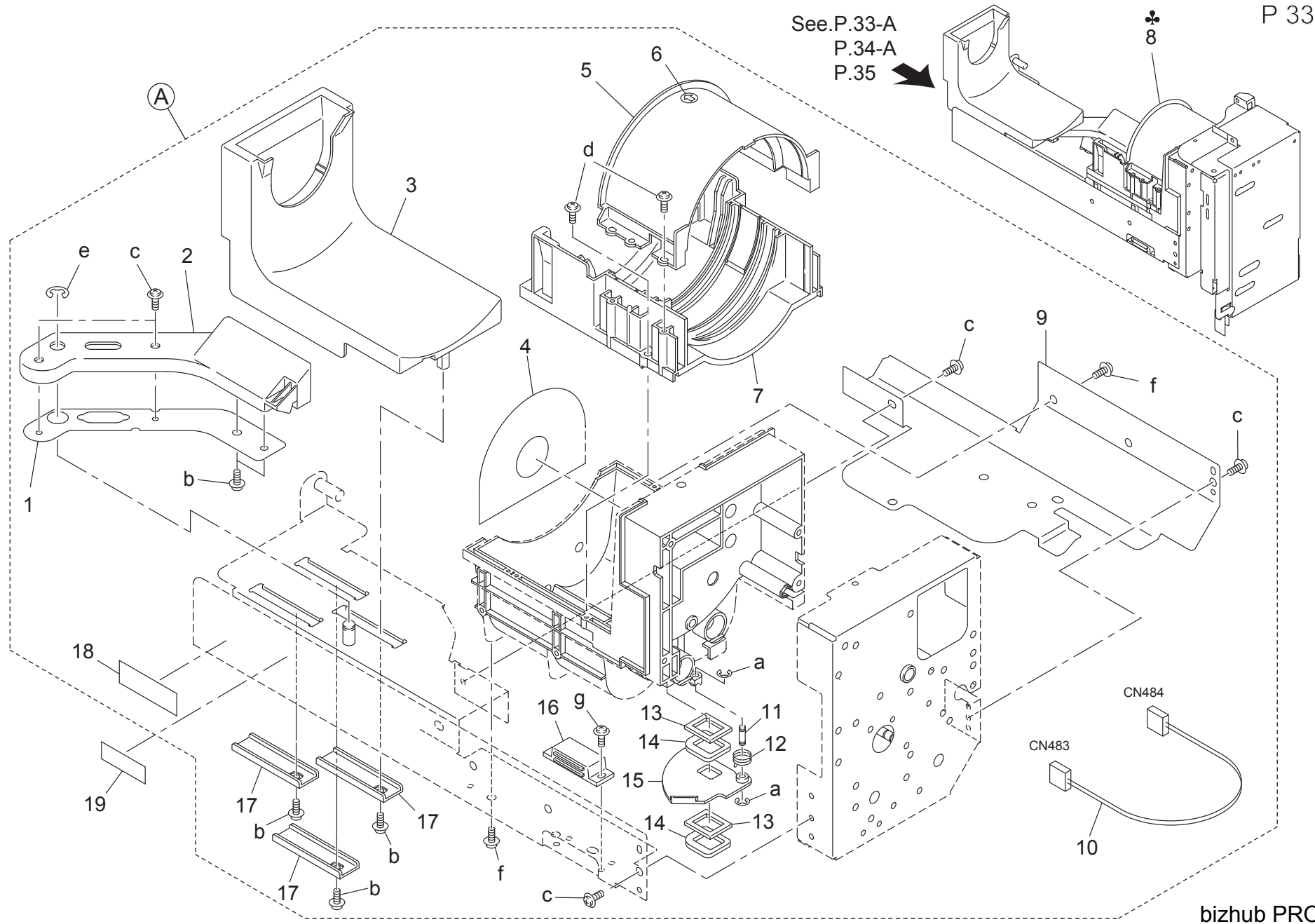
P 32



DEVELOPING SUCTION UNIT

Key	Part No.	Description	Destinations	Class	QTY	Standard parts
1	57GAR71000	Developing Suction Assy		B	1	a-V121030603
2	57GA31080	FILTER		A	1	
3	55VA31100	SEAL A		D	1	
4	55VA31030	DEVELOPING SUCTION SEAL 2		D	1	
5	55VA31010	FILTER HOLDER BOX		D	1	
6	55VA31020	DEVELOPING SUCTION SEAL 1		D	1	

TONER SUPPLY UNIT



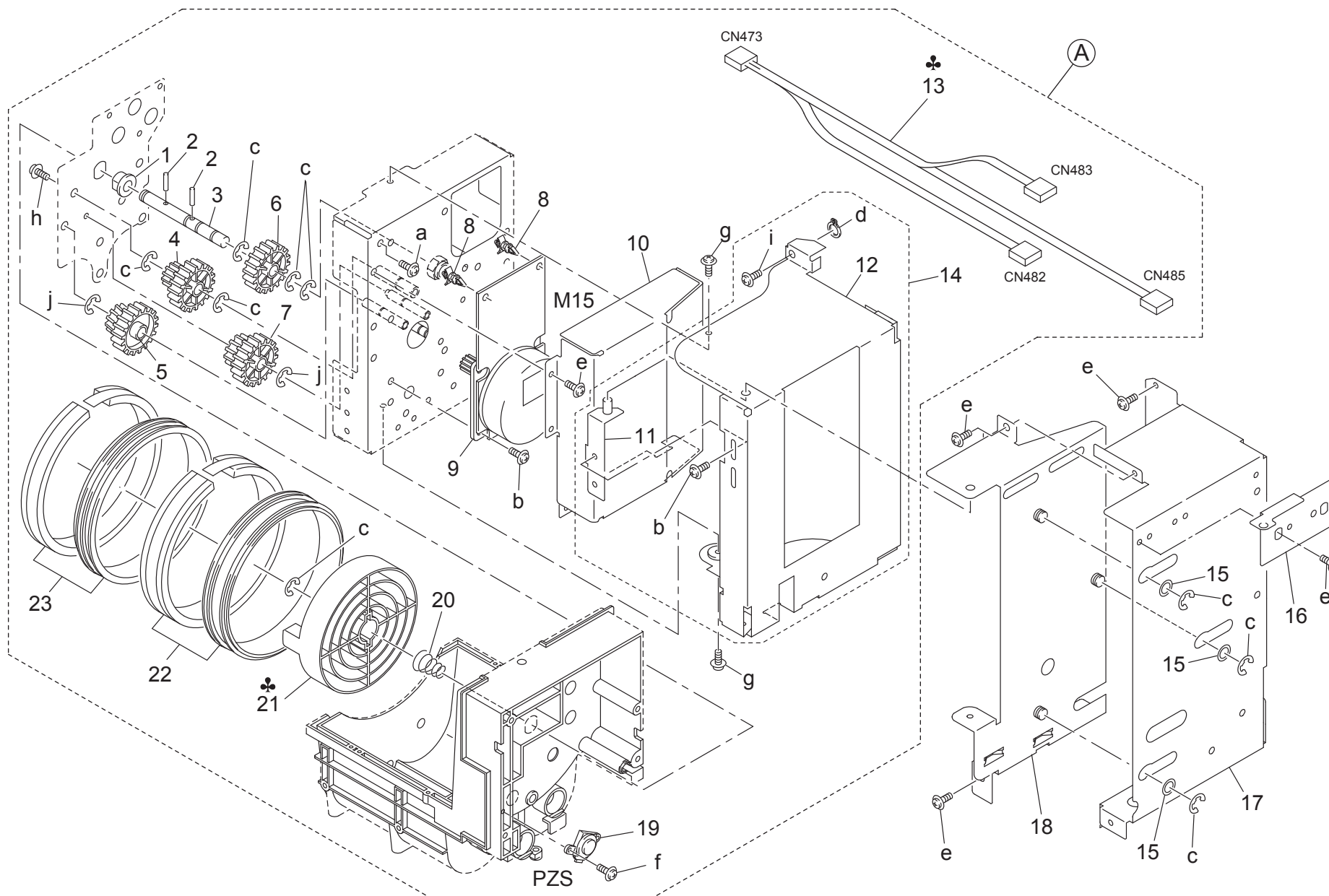
bizhub PRO 950

TONER SUPPLY UNIT

Key	Part No.	Description	Destinations	Class	QTY	Standard parts
1	55VA32460	LEVER REINFORCING PLATE		D	1	a-V217030050 b-V151041003 c-V121040603 d-V151030803 e-V217080050 f-V151040803 g-V118030603
2	57GA32140	PRESSING LEVER		C	1	
3	55VA32130	PRESSURE PART		D	1	
4	55VA32520	TONER SEALING SHEET		C	1	
5	55VAR76400	COVER UPPER ASSY		C	1	
6	020097060	ARROW LABEL		C	1	
7	57HER70200	COVER ASSY		D	1	
8	A0Y5R70500	TONER SUPPLY ASSY	A	I	1	
8	A0Y5R70600	TONER SUPPLY ASSY	B,G1	I	1	
8	A0Y5R70700	TONER SUPPLY ASSY	C,D1,D3,F2,H,I,J,K	I	1	
9	55VA32040	REINFORCING PLATE		D	1	
10	55VA90380	TONER SIGNAL WIRING		D	1	
11	55VA32330D	Open/close Shaft		D	1	
12	55VA32171	Open Close Spring		C	1	
13	55GA32220	OPEN CLOSE CUSHION		C	2	
14	25BA32251	COVER SEAL		C	2	
15	55VA32160	Slide Cover		C	1	
16	55VA32480	MAGNET CATCH		C	1	
17	55VA32340	SLIDE SPACER		C	3	
18	57GA97450	TONER SUPPLY LABEL		D	1	
19	A0Y5947600	Toner supply Label /2		C	1	



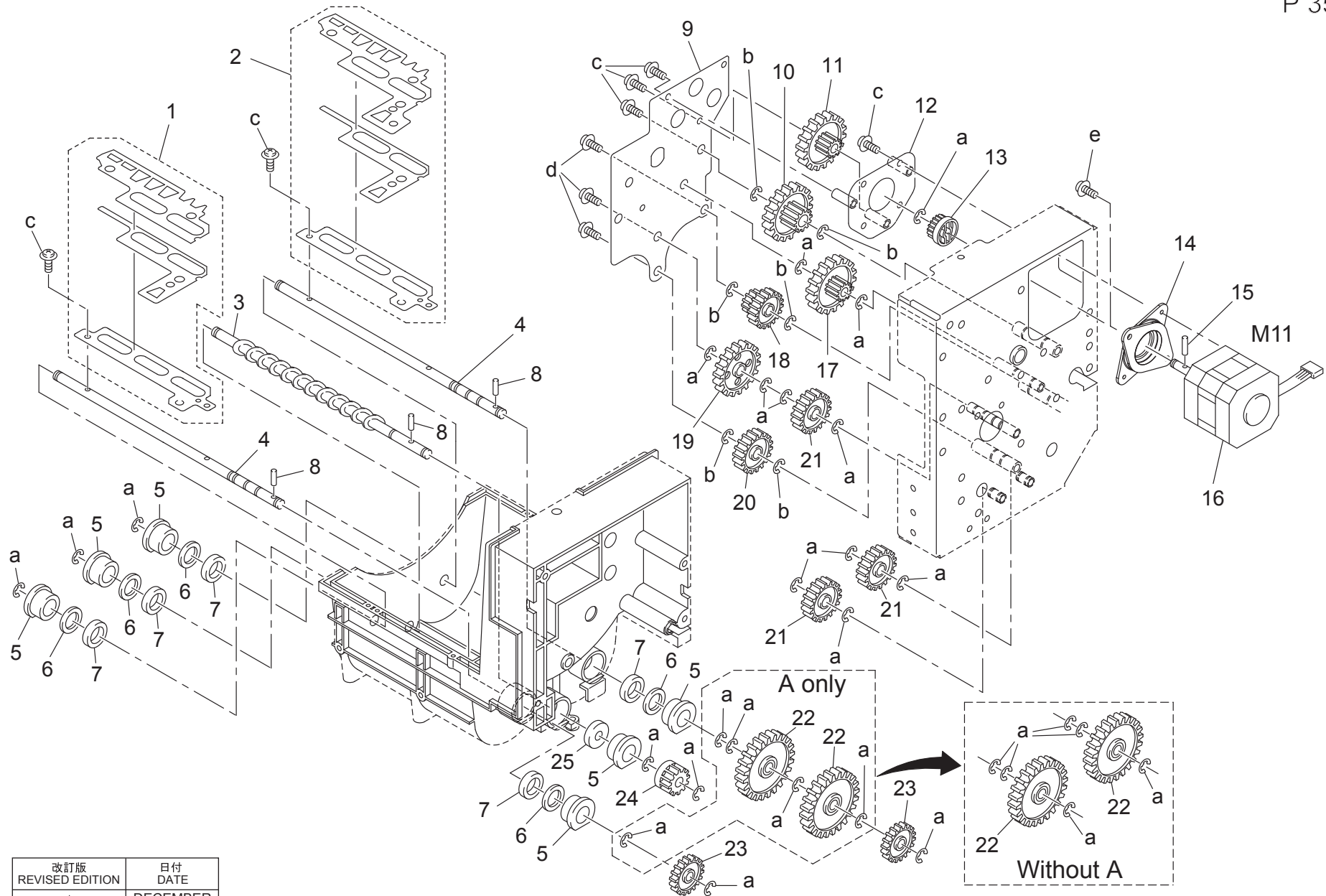
TONER SUPPLY UNIT



TONER SUPPLY UNIT

Key	Part No.	Description	Destinations	Class	QTY	Standard parts
1	A0Y5406400	Slide Bushing/8		C	1	a-V151040803 b-V118040803 c-V217060050 d-V221040050 e-V121040603 f-V151030803 g-V121041003 h-V121030603 i-V118041403 j-V217040050
2	56AA17500	PIN		C	2	
3	55VA32250	CARTRIDGE DRIVING SHAFT		D	1	
4	55VA77910	Idling Gear /B 15/30T		C	1	
5	56GA77900	IDLER GEAR A 62T 16T		C	1	
6	55VA77920	CARTRIDGE GEAR 35T		C	1	
7	55VA77931	IDLER GEAR C 32T 23T		C	1	
8	V500010003	Saddle		D	2	
9	A0PNM10200	DC Brushless motor /20		B	1	
10	55VA32100	MOTOR COVER		C	1	
11	55VA-3360	MOTER FIXING PLATE		D	1	
12	55VA32031D	Rotation Hinge		D	1	
13	A0Y5N13A01	Toner Control harness /A	A,C,D1,D3,F2,H,I,J, K	D	1	
13	A0Y5N13E01	Toner Control harness /A	B,G1	D	1	
14	55VAR72900	ROTARY HINGE ASSY		C	1	
15	55VA32530	SPACER		C	3	
16	55VA12131E	Front door Hinge /A		C	1	
17	55VA32021	MAIN BODY HINGE		D	1	
18	56GA-3390	SLIDE HINGE ASSY		C	1	
19	40AA88031	Level Detection Sensor		C	1	
20	55VA32150	Driving Release Spring		B	1	
21	55VA32080	Cartridge Driving Part	B,C,D1,D3,F2,G1,H,I J,K	C	1	
21	55VE32080	CARTRIDGE DRIVING PART	A	C	1	
22	A4EUR70X00	Sleeve/2		B	1	
23	A4EUR70W00	Sleeve/1		B	1	

TONER SUPPLY UNIT



改訂版 REVISED EDITION	日付 DATE
▲	DECEMBER 2015

TONER SUPPLY UNIT

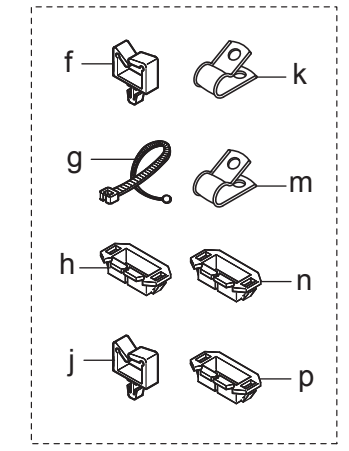
Key	Part No.	Description	Destinations	Class	QTY	Standard parts
1	55VA-3240	AGITATING PLATE/2		D	1	a-V217040050 b-V217060050 c-V121030603 d-V121040603 e-V111030603
2	55VA-3230	AGITATING PLATE/1		D	1	
3	55VA32200	TONER CONVEYING SCREW		D	1	
4	55VA32181D	Agitating Shaft		D	2	
5	25HA32152	TONER CONVEYANCE SHAFT HOLDER A		C	6	
6	25HA32340	FELT C		C	5	
7	55VA32380	SHAFT HOLDER SEALING PART		C	5	
8	56AA17471	PIN B 3X12		B	3	
9	56GA32411	DRIVE REINFORCE PANEL		D	1	
10	55VA77970	IDLER GEAR I 16T 46T		C	1	
11	55VA77950	IDLER GEAR H 61T 14T		C	1	
12	55VA-3370	MOTER FIXING PLATE		D	1	
13	55VA77890	Motor Gear 20T		B	1	
14	A0Y5M90101	HB Damper /40		D	1	
15	56AA17321	PIN A D2X12		B	1	
16	A0Y5M10400	HB Motor /40		B	1	
17	392040150	PAPER FEED IDLER GEAR A 26T 39T		C	1	
18	55VA77980	IDLER GEAR K 15T 22T		C	1	
19	55VA79300	IDLER GEAR L 38T		C	1	
20	302077070	Gear /G 27T		B	1	
21	300077490	GEAR Y 24T		C	3	
22	55VA77990	AGITATE GEAR B 42T		B	2	
23	55VA77940	AGITATE GEAR A 23T		B	2	
24	55VA77960	SCREW GEAR 14T		B	1	
25	55GA32310	SHAFT HOLDER SEAL B		C	1	

FIXING UNIT

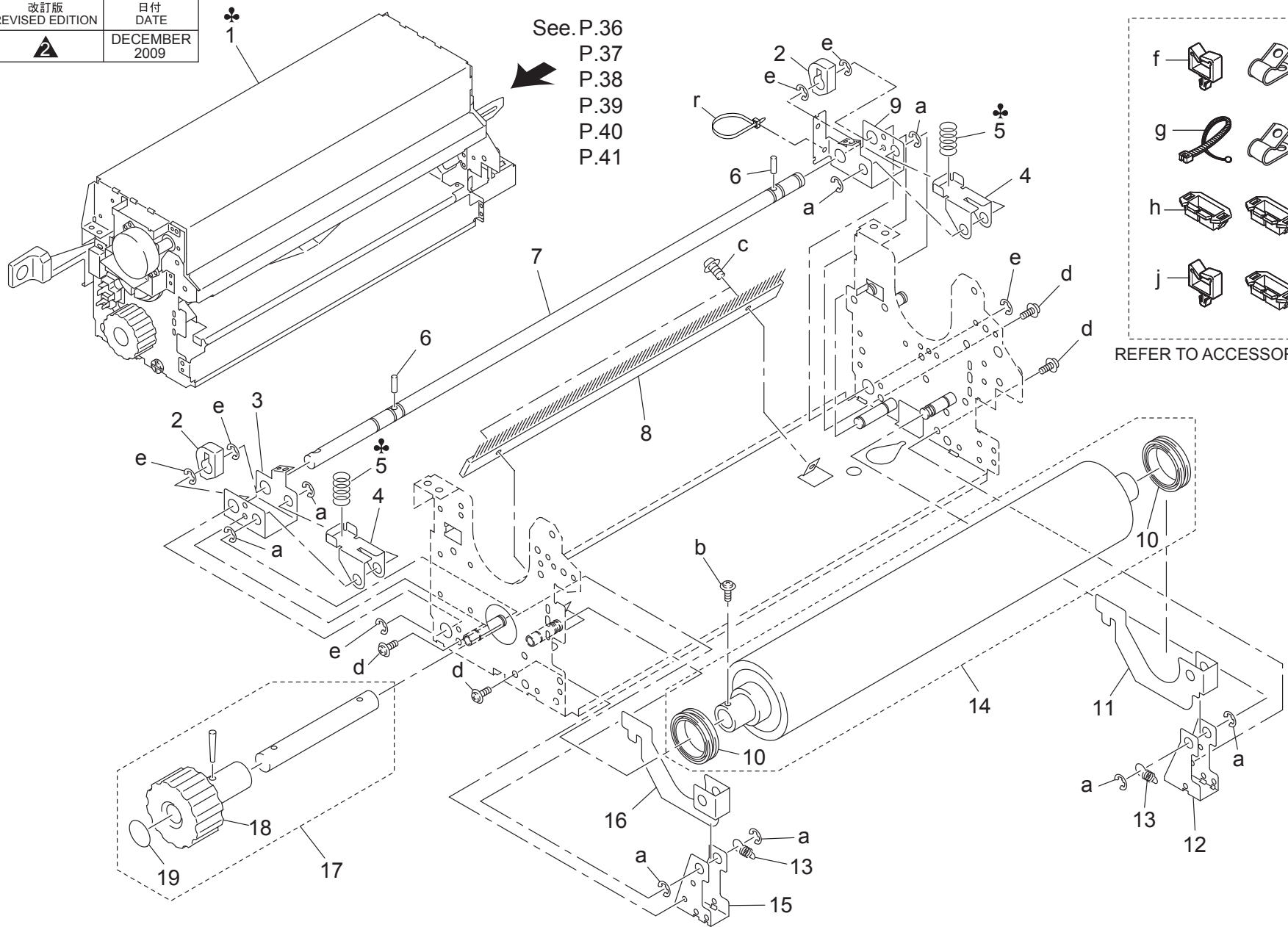
P 36

改訂版 REVISED EDITION	日付 DATE
	DECEMBER 2009

See. P.36
P.37
P.38
P.39
P.40
P.41



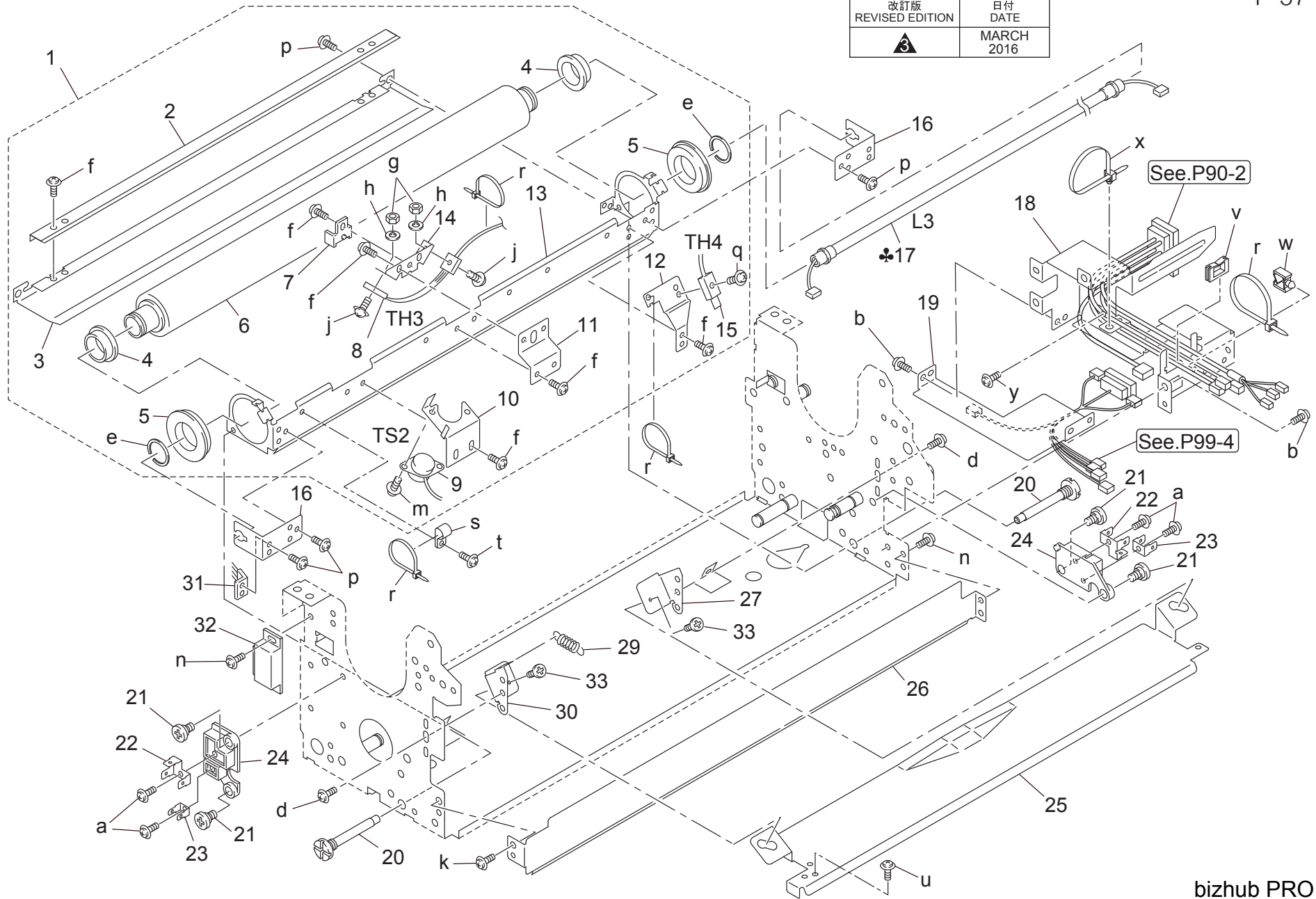
REFER TO ACCESSORY PAGE



Key	Part No.	Description	Destinations	Class	QTY	Standard parts
1	A0Y5R70000	FUZER ASSY	定着ユニット	A	1	a-V217060050
1	A0Y5R70100	FUZER ASSY	定着ユニット	B,G1	1	b-V123041203
1	A0Y5R70200	FUZER ASSY	定着ユニット	C	1	c-V121030603
1	A0Y5R74400	FUZER ASSY	定着ユニット	D1,D3,F2,I,J,K	1	d-V118040603
1	A0Y5R74800	FUZER ASSY	定着ユニット	H	1	e-V217080050
2	A0Y5733700	Pressure Cam	圧着カム		2	f-V500010026
3	55VA53170	RELEASE PLATE FRONT	解除板 前		1	g-V501010014
4	55VA53230	SPRING SUPPORT PLATE	バネ支持板		2	h-V570010053
5	55VA53441	PRESSURE SPRING	圧着バネ	(HARD ROLLER)	2	j-V500010031
5	56UA54710	PRESSING SPRING	圧着バネ	(SOFT ROLLER)	2	k-V500020030
6	454078030	PARALLEL PIN	平行ピン		2	m-V500020031
7	56GA53260	Fixing Release Shaft	定着解除軸		1	n-V570010009
8	048644480	NEUTRALIZING BRUSH	除電ブラシ		1	p-V570010065
9	55VA53182	RELEASE PLATE REAR	解除板 奥		1	r-V501010014
10	25SA76030	FUSING ROLLING BEARING	定着転がり軸受		2	
11	55VA53203E	PRESSURE LEVER /REAR	圧着レバー/奥		1	
12	55VA53160	FULCRUM PLATE REAR	支点板 奥		1	
13	55VA53450	PRESSURE SPRING	押圧バネ		2	
14	57GAR72200	LOWER ROLLER ASSY	下ローラ部組		1	
15	55VA53150	FULCRUM PLATE FRONT	支点板 前		1	
16	55VA53193E	PRESSURE LEVER /FRONT	圧着レバー/前		1	
17	57GAR72300	PAPER EXIT KNOB ASSY	排紙ノブ部組		1	
18	65AA54190	FIXING PAPER EXIT HANDLE	定着排紙ノブ		1	
19	57GA97360	JAM LABEL 6	ジャムラベル 6		1	

FIXING UNIT

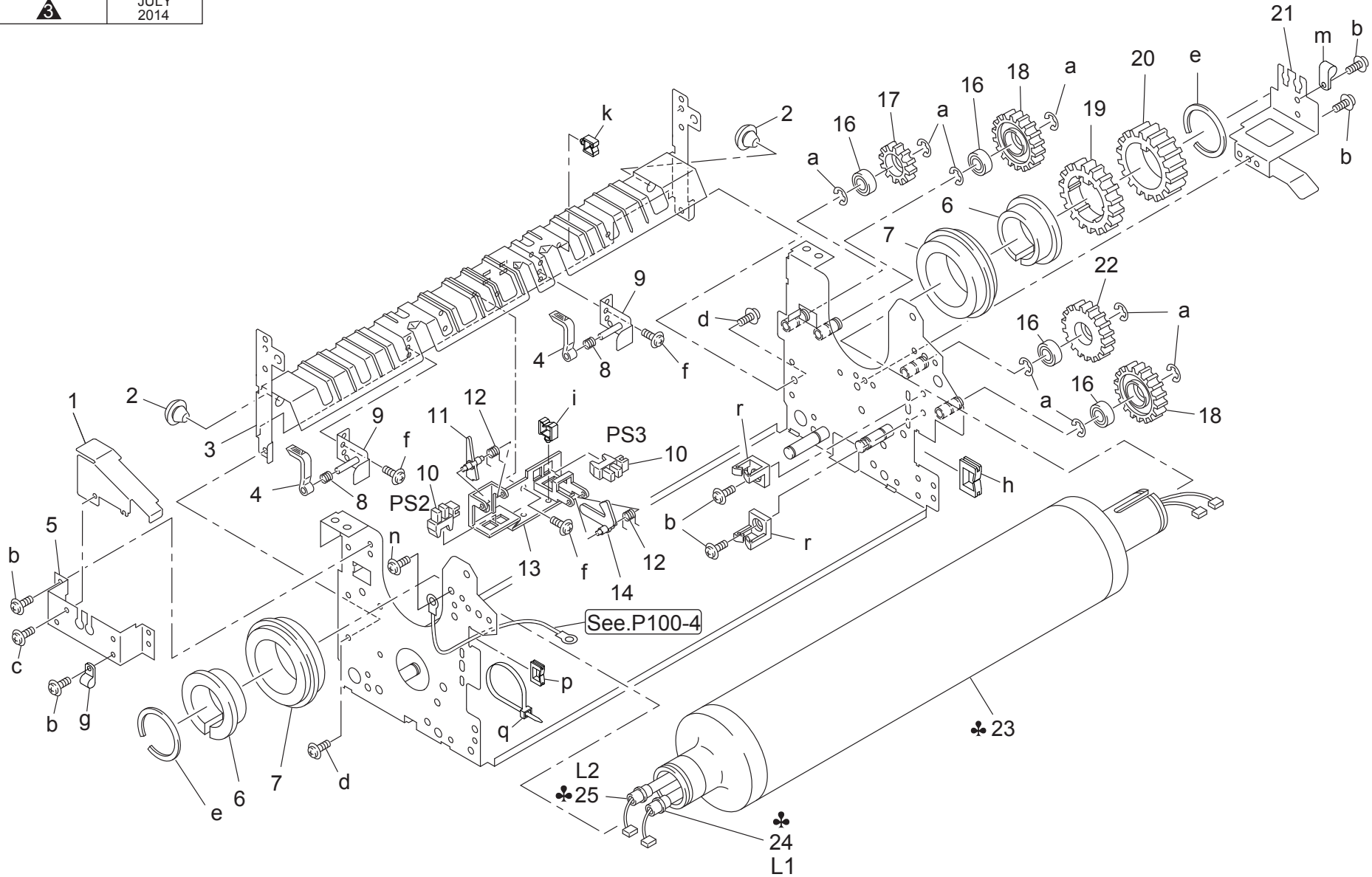
改訂版 REVISED EDITION	日付 DATE
	MARCH 2016



Key	Part No.	Description	Destinations	Class	QTY	Standard parts
1	56GA-5450	FIXING SUB BODY ASSY		C	1	a-V122030603
2	56GAR71000	FIXING CLEANING SHEET ASSY		B	1	b-V118040603
3	56GA53320	FIXING CLEANING PLATE 1		D	1	d-V123040603
4	26AA53150	HEAT INSULATING SLEEVE FRONT		B	2	e-V223170004
5	26AA53160	BALL BEARING		A	2	f-V123030603
6	55VA53070	FIXING AUXILIARY ROLLER		A	1	g-V195030003
7	55VA53910	HOLDER PART		D	1	h-V205030003
8	55VA88051	Temperature Sensor /3		B	1	j-V111031003
9	SP00-0043	THERMOSTAT 3		A	1	k-V118040403
10	55VA53430	FUSE MOUNT PLATE LOWER		D	1	m-V122030403
11	55VA53410	MOUNT PLATE 3		D	1	n-V118030603
12	55VA53420	MOUNT PLATE 4		D	1	p-V118030403
13	56GA53030	FIXING AUXILIARY BASE		D	1	q-V118030803
14	55VA53900	SUPPORT PART 2		D	1	r-V501010014
15	55VA88061	Temperature Sensor /4		B	1	s-V500020031
16	55VA53401	HEATER MOUNT PLATE C		D	2	t-V121030603
17	55VB83042	Fixing Heater /3	A,B,G1	A	1	u-V123040803
17	55VF83041	FIXING HEATER 3	C,D1,D3,F2,H,I,J,K	A	1	v-V570010009
18	55VA53472	TERMINAL MOUNT PLATE		D	1	w-V500010031
19	55VA53880	WIRING HOLDING PLATE		C	1	x-V501010011
20	55VA53360	Fulcrum Screw		C	2	y-V118040803
21	25AA55151	BLADE POSITIONING SCREW		C	4	
22	55VA53730	TERMINAL PLATE 1		C	2	
23	55VA53742	TERMINAL PLATE 2		C	2	
24	55VA53721E	Terminal Pedestal		C	2	
25	55VA53111	ENTRANCE GUIDE PLATE LOWER		D	1	
26	55VA53140	MAIN STAY		D	1	
27	55VA53671	ENTRANCE SUPPORT PLATE/R		C	1	
29	55VA53680	ENTRANCE PRESSURE SPRING		B	1	
30	55VA53660	ENTRANCE SUPPORT PLATE F		C	1	
31	55VA53611	NEUTRALIZING BRUSH		C	1	
32	55VA53750	MAGNET CATCH		C	1	
33	55VA53850	ENTRANCE GUIDE SCREW		C	2	

FIXING UNIT

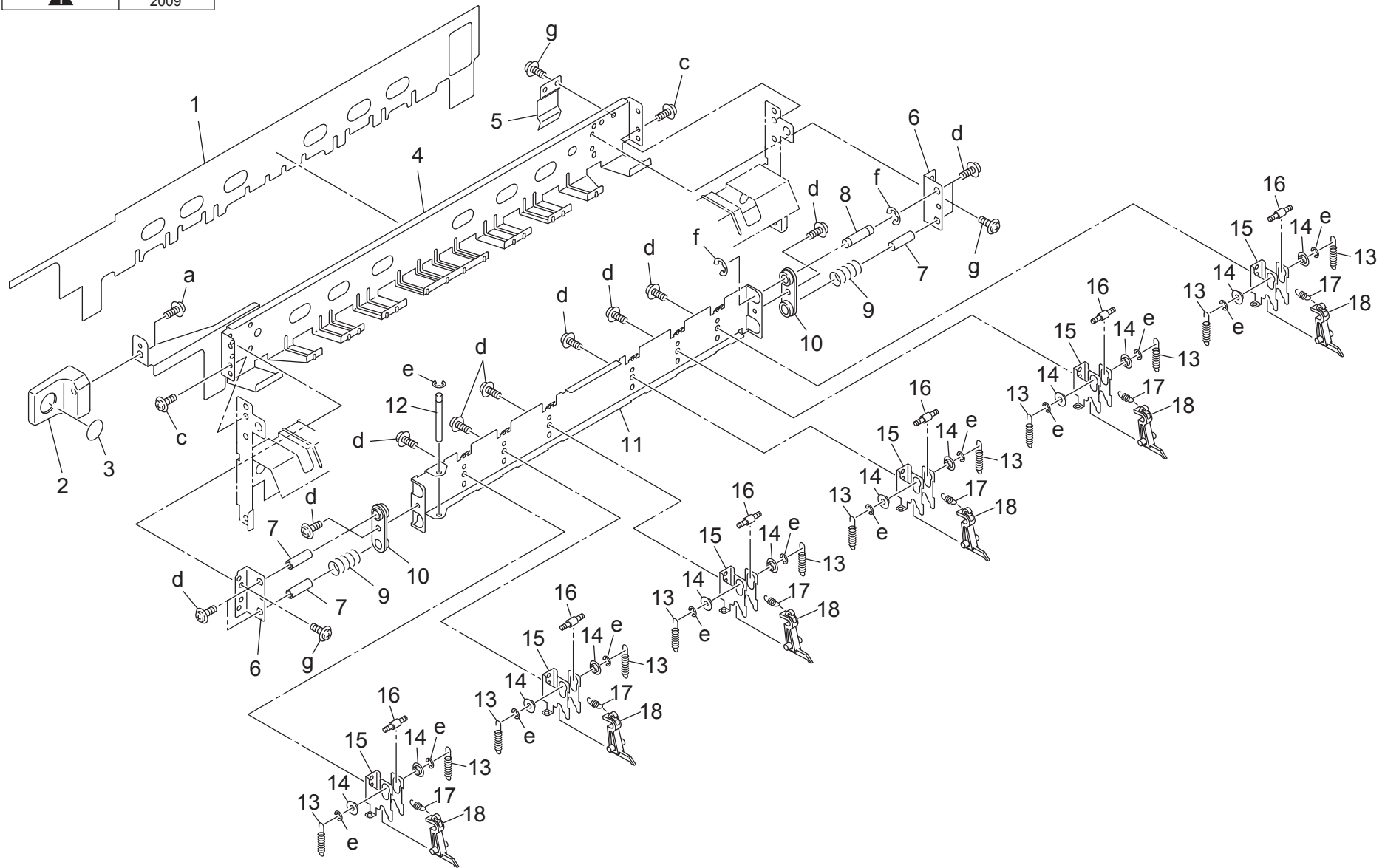
改訂版 REVISED EDITION	日付 DATE
	JULY 2014



Key	Part No.	Description	Destinations	Class	QTY	Standard parts
1	55VA53080	LAMP LIGHT SEALED PLATE	ランプ遮光板	C	1	a-V217060050
2	55VA53650	STOPPER RUBBER	ストッパーゴム	C	2	b-V118040603
3	55VA53131	PAPER EXIT GUIDE PLATE LOWER	出口ガイド板 下	D	1	c-V118030403
4	25AA53290	FIXING CLAW LOWER	定着爪 下	A	2	d-V118041203
5	55VA53270	HEATER MOUNT PLATE A	ヒーター取り付け板 A	D	1	e-V223300004
6	454053391	HEAT INSULATE SLEEVE	断熱スリーブ	A	2	f-V118040403
7	454075040	BALL BEARING	ボールベアリング	A	2	g-V500020031
8	090053180	CLAW OPERATION SPRING	爪作動バネ	A	2	h-V570010009
9	55VA-5431	HOLDING PLATE UNIT ASSY	ホルダー板カシメ部組	C	2	i-V500010026
10	55VA85521	PHOTO SENSOR	フォトセンサ	D	2	k-V500010029
11	55VA53830	PAPER INDEX ACTUATOR	紙指標アクチュエータ	C	2	m-V500020030
12	540040321	HOLDER SPRING MIDDLE	押えバネ 中	B	1	n-V123040803
13	55VA53380	FIXED PART	センサ固定部材	C	2	p-V570010053
14	55VA53090	Paper Detecting Actuator	紙検知アクチュエータ	D	1	q-V501010014
16	392053360	ROLLER BEARING	転がり軸受	C	2	r-V500010086
17	55VA77820	Fixing Idler Gear /2 23T	定着アイドラー歯車 /2 23 T	B	1	
18	55VA77810	FIXING IDLER GEAR 1 38T	定着アイドラー歯車 1 38 T	B	2	
19	55VA77801	FIXING DRIVE GEAR 48T	定着駆動歯車 48 T	B	1	
20	56UA77830	FIXING DRIVING GEAR 2 60T	定着駆動歯車 2 60 T	B	1	
21	57GA53280D	Heater Mounting Plate /B	ヒーター取付板 / B	D	1	
22	55VA77870	FIXING IDLER GEAR 4 38T	定着アイドラー歯車 4 38 T	B	1	
23	57GB53040	FIXING ROLLER UPPER	定着ローラ 上	(HARD ROLLER) B	1	
23	A0Y5730401	Fusing Roller /Upper	定着ローラ /上	(SOFT ROLLER) B	1	
24	55VB83022	FIXING HEATER/1	定着 ヒーター /1	A,B,G1	1	
24	55VF83021	FIXING HEATER 1	定着ヒーター 1	C,D1,D3,F2,H,I,J,K	A	1
25	55VB83033	FIXING HEATER 2	定着ヒータ 2	B,G1	A	1
25	55VF83032	FIXING HEATER 2	定着ヒータ 2	C,D1,D3,F2,H,I,J,K	A	1
25	56UA83030	FIXING HEATER/2	定着ヒーター /2	A	A	1

FIXING UNIT

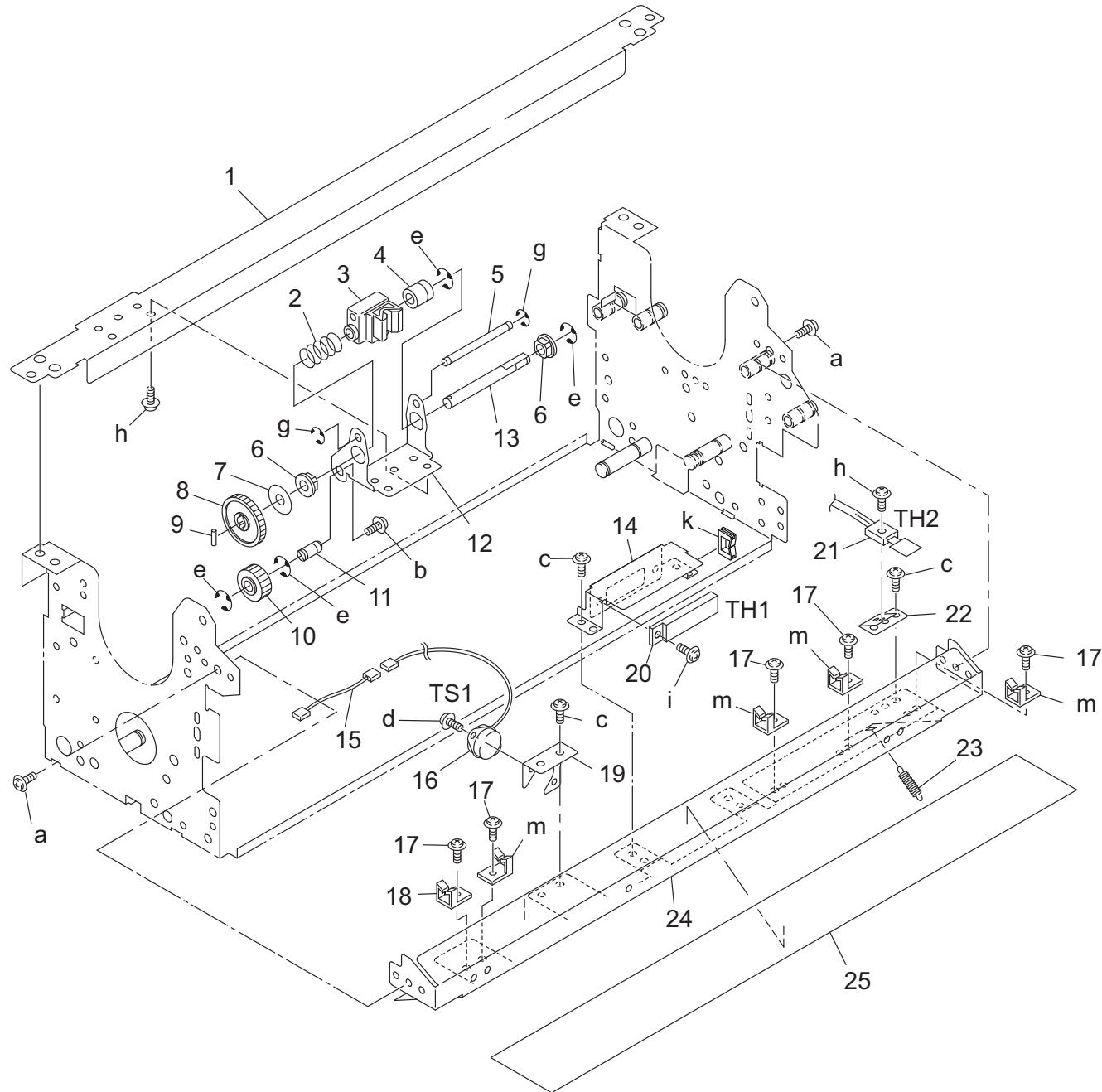
改訂版 REVISED EDITION	日付 DATE
	DECEMBER 2009



Key	Part No.	Description	Destinations	Class	QTY	Standard parts
1	A0Y5739300	Insulating Cover /B		C	1	a-V151040803 c-V118040603 d-V121030603 e-V217030050 f-V217040050 g-V118030403
2	65AA53991	Fixing Papaer Exit Lever		C	1	
3	57GA97390	JAM LABEL 9		D	1	
4	A0Y5731201	Paper exit Guide /Upper		C	1	
5	55VA53770	PAPER EXIT PRESSURE PLATE		C	1	
6	A0Y5735700	Swing Stopper		D	2	
7	56UA54580	SWING SHAFT/3		D	3	
8	56UA54590	SWING SHAFT/6		D	1	
9	56UA54600	SWING SPRING 1		C	2	
10	A4EU755600	Swing Bushing		C	2	
11	A0Y5735500	Swing Plate		D	1	
12	56UA54610	SWING SHAFT/4		D	1	
13	56UA54521	PRESSING SPRING		C	12	
14	A4EU757200	Support Roll		C	12	
15	A0Y5735000	Hold Plate		D	6	
16	56UA54511	Exit Fixing Shaft /1		D	6	
17	56UA54540	HOLDING SPRING		C	6	
18	56UA54530	FIXING CLAW UPPER		A	6	

FIXING UNIT

改訂版 REVISED EDITION	日付 DATE
	JULY 2014

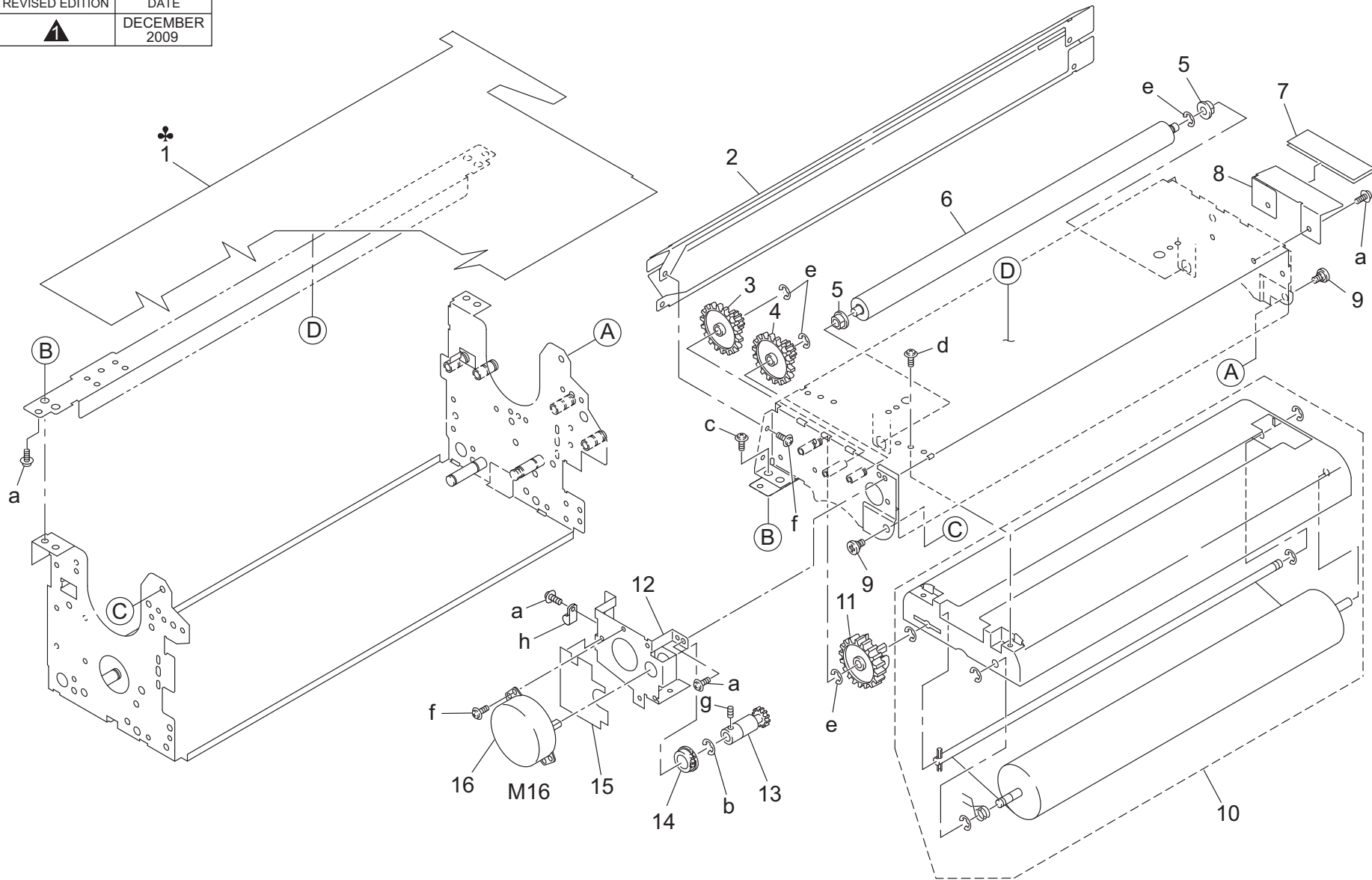


FIXING UNIT

Key	Part No.	Description	Destinations	Class	QTY	Standard parts
1	A0Y5732000	Hold Stay		D	1	a-V118040603
2	A0Y5736700	Swing Spring /2		C	1	b-V121030603
3	A0Y5736300	Swing Part		C	1	c-V123030603
4	56UA54640	Fixing Swing Cam		C	1	d-V122030403
5	A0Y5736600	Swing Shaft /2		D	1	e-V217040050
6	56UA760900	Fixing Cleaning Bushing /C		B	2	g-V217030050
7	40AA32320	TONER SUPPLY SPACER		C	1	h-V118030403
8	57AA77170	FIXING CLEANING GEAR G 27T		B	1	i-V116030803
9	56AA17531	PIN /A D2X10		C	1	k-V570010065
10	A0Y5738700	Swing Gear 16T		C	1	m-V500010086
11	A0Y5736800	Swing Shaft /5		D	1	
12	A0Y5736200	Mounting Plate /Y		D	1	
13	A0Y5736500	Swing Shaft /1		D	1	
14	A0Y5739901	Plate /N		D	1	
15	55VA90070	FIXING RELAY WIRING A		D	1	
16	SP00-0022	THERMOSTAT		A	1	
17	A03U734500	Support Screw /A		C	5	
18	55VA53970	Wiring Holder Part		D	1	
19	55VA53300	FUSE MOUNT PLATE UPPER		D	1	
20	57AE88010	TEMPERATURE SENSOR C		B	1	
21	55VA88041	Temperature Sensor /2		B	1	
22	55VA53290	Mounting Plate /2		D	1	
23	55VA53840	ENTRANCE PRESSURE SPRING REAR		B	1	
24	A0Y5731000	Entrance Guide /Upper		C	1	
25	55VA53951	Heat Insulating Cover /C		D	1	

FIXING UNIT

改訂版 REVISED EDITION	日付 DATE
	DECEMBER 2009

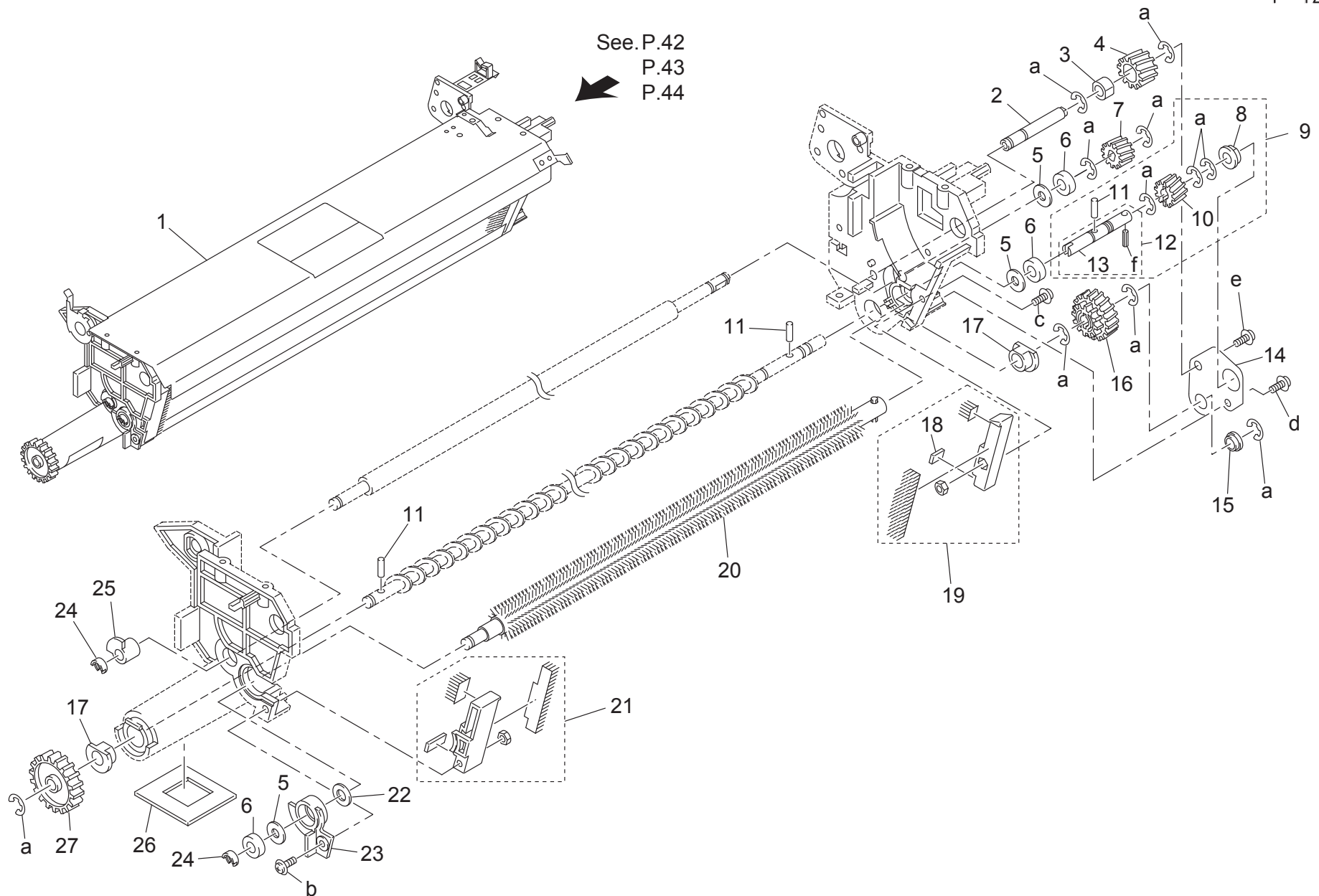


FIXING UNIT

Key	Part No.	Description	Destinations	Class	QTY	Standard parts
1	57GA53920E	Insulating Cover /A	A	D	1	a-V118040603 b-V217080050 c-V118041003 d-V123030603 e-V217040050 f-V118030403 g-V193040404 h-V500020031
1	57GE53920E	Insulating Cover /A	B,G1,H	D	1	
1	57GF53921F	Insulating Cover /A	C	D	1	
1	57GN53920E	Insulating Cover /A	D1,D3,F2,I,J,K	D	1	
2	55VA53341	FIXING COOLING COVER		C	1	
3	55VA77850	Fixing Cleaner Gear /2 38T/13T		B	1	
4	A0Y5742800	Cleaning Gear Outside 26T/18T		C	1	
5	56UA760900	Fixing Cleaning Bushing /C		B	2	
6	57GA53530	FIXING CLEANING ROLLER		B	1	
7	55VA53940	Heat Insulating Cover /D		D	1	
8	55VA53801	FIXING KNOB		C	1	
9	450053391	EXIT GUIDEPLATE MOUNTING SCREW		C	2	
10	55VAR76911	Web Assy		A	1	
11	55VA77861	FIXING CLEANER GEAR 3 39T		B	1	
12	A0Y5735400	Mounting Plate /M		D	1	
13	56GA77840D	Fixing Cleaning Gear /1 13T		C	1	
14	55VA76020	REGISTRATION SHAFT HOLDER		B	1	
15	55VA53961	Heat Insulating Cover /E		D	1	
16	56GA80171	Web Drive Motor		B	1	

CLEANER UNIT

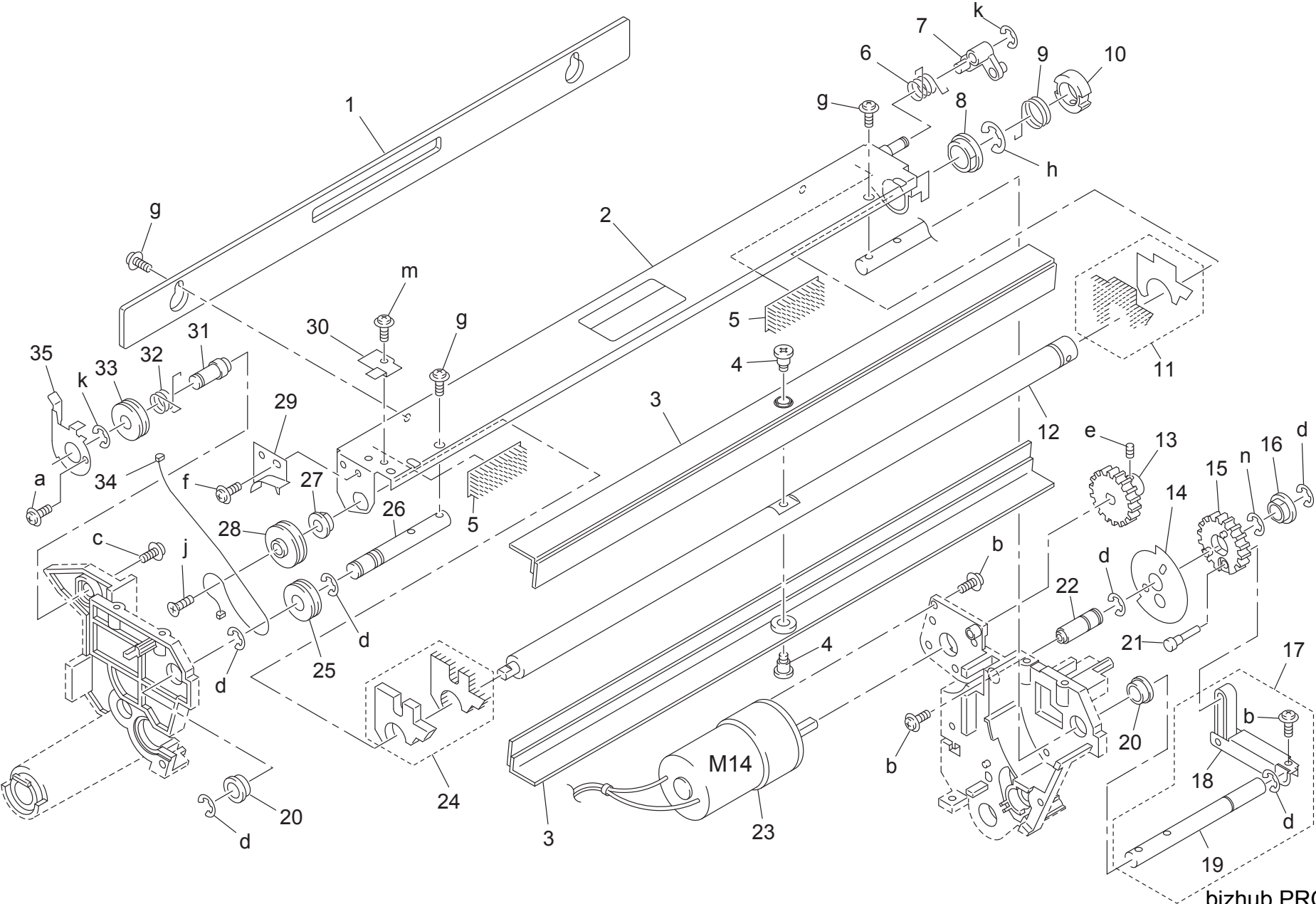
P 42



CLEANER UNIT

Key	Part No.	Description	Destinations	Class	QTY	Standard parts
1	57GAR73500	Cleaner Assy		S	1	a-V217040050
2	55VA55330	DRIVING IDLING SHAFT	クリーニングユニット 駆動アイドル軸	D	1	b-V121031803
3	25AA75530	SLIDE SHAFT HOLDER	滑り軸受	C	1	c-V121031203
4	55VA79220	CLEANER IDLER GEAR 20T	クリーナーアイドルギア 20 T	C	1	d-V151030803
5	55VA55680	SPEWING PREVENTIVE FELT	飛散防止フェルト	A	3	e-V121030603
6	55VA75020	Cleaner Roller Bearing	クリーナーころがり軸受	B	3	f-V233301650
7	55VA79210	Cleaner Driving Gear /B 18T	クリーナー駆動ギア / B 18 T	B	1	
8	55GA75031	BALL BEARING	軸受	A	1	
9	56GA-5560	CLEANING DRIVING GEAR/A ASSY	クリーナー駆動ギア / A 部組	B	1	
10	55VA79200	Cleaner Driving Gear /A 16T	クリーナー駆動ギア / A 16 T	B	1	
11	454078050	PIN CLEANER A	ピン クリーナー A	C	3	
12	56GA-5570	DRIVING SHAFT ASSY	駆動軸部組	D	1	
13	56GA55320	DRIVE SHAFT	駆動軸	C	1	
14	56GA55310	DRIVE REINFORCING PLATE	駆動補強板	D	1	
15	090020510	CLEANER MOUNT LEVER COLLAR	クリーニング取り付けレバーカラー	C	1	
16	55VA79230	CLEANER DRIVING GEAR C 29T 35T	クリーナー駆動ギア C 29 T 35 T	B	1	
17	26TA30770	DEVELOPING SHAFT HOLDER A	現像軸受 A	C	2	
18	55VA55641	SEALING PART/1	シール部材 / 1	C	1	
19	56UAR7C300	SEALING PLATE R ASSY	シールプレート R 部組	A	1	
20	57GAR72700	TONER GUIDE BRUSH ASSY	トナーガイドブラシ部組	A	1	
21	56UAR7C400	SEALING PLATE F ASSY	シールプレート F 部組	A	1	
22	55VA55670	Toner Preventive Collar	トナー防止カラー	C	1	
23	55VA55130	Shaft Holder Fixed Part	軸受固定部材	C	1	
24	396040681	STOPPER RING	止め輪	B	2	
25	55VA55400	Cleaner Shaft Holder	クリーナー軸受	C	1	
26	55VA55710	CLEANER CONNECTING SEAL	クリーナー連結シール	C	1	
27	55VA77270	TONER CONVEYANCE GEAR A 30T	トナー搬送ギア A 30 T	B	1	

CLEANER UNIT

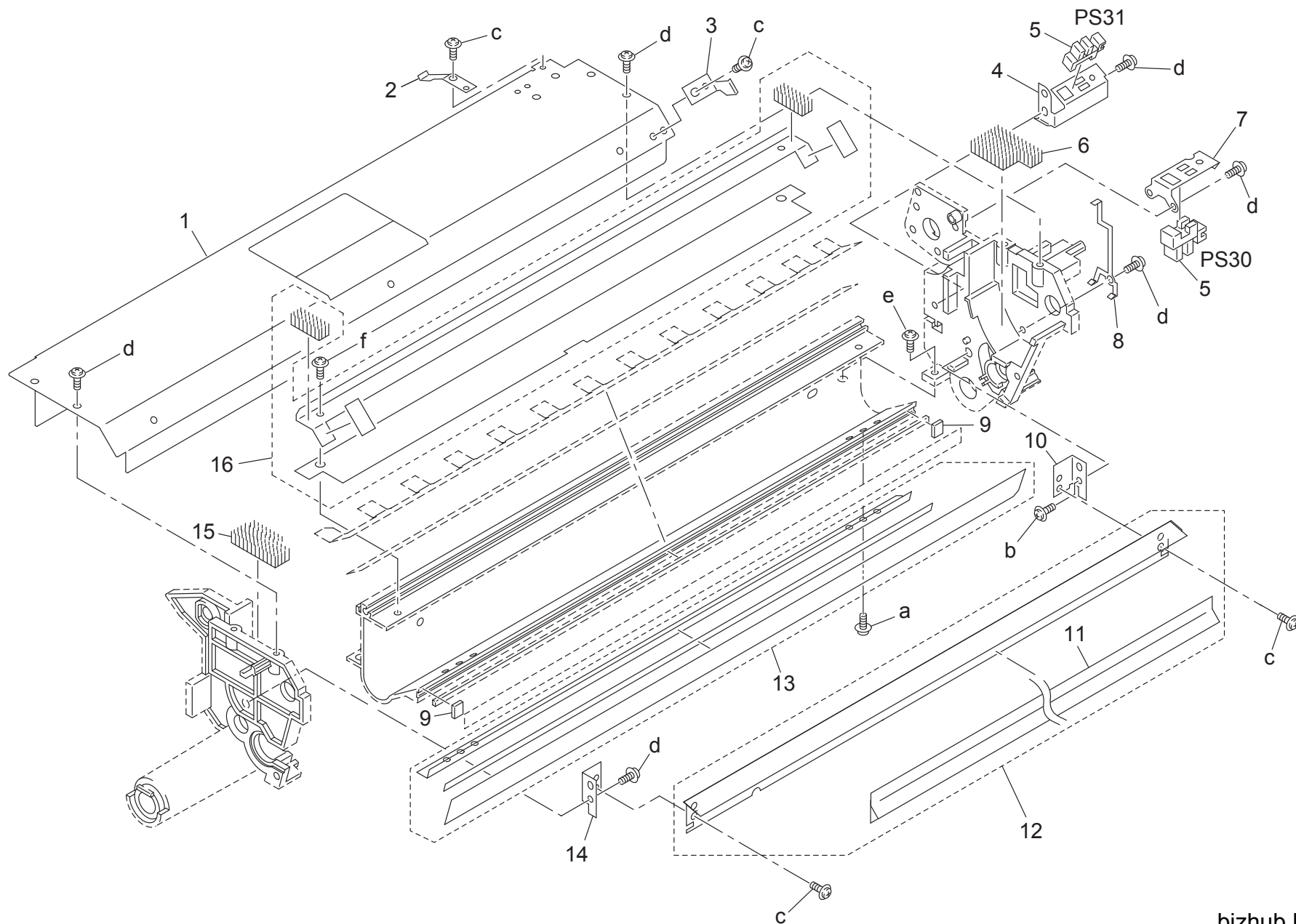


CLEANER UNIT

Key	Part No.	Description	Destinations	Class	QTY	Standard parts
1	55VA55070	BLADE PRESSURE PLATE		D	1	a-V145030603
2	55VAR75800	BLADE MOUNTING PLATE		D	1	b-V121030603
3	57GA56011	CLEANER BLADE		A	2	c-V121040603
4	56UA558300	POSITIONING SCREW		C	2	d-V217060050
5	56GA55770	Blade Seal /E		C	2	e-V193030404
6	55VA55820	BLADE STOPPER SPRING		B	1	f-V121030403
7	55VA55181	Blade Stopper		C	1	g-V121040803
8	56UA76070	Cleaner Bushing /A		C	1	h-V217090050
9	55VA55810	BLADE CHANGEABLE SPRING		B	1	j-V112030603
10	25AA55161	BLADE RATCHET		C	1	k-V217040050
11	55VAR76000	SEIDE SEALING R ASSY		C	1	m-V121040403
12	55VA55140	BLADE ROTATION SHAFT		D	1	n-V118033003
13	A0Y5532400	Blade Release Gear 27T		C	1	
14	55VA55470	Blade Detecting Actuator		C	1	
15	55VA77260	Cam Gear 22T		B	1	
16	396076050	PAPER FEED SHAFT HOLDER		B	1	
17	55VAR76200	BLADE RELEASE ARM ASSY		D	1	
18	55VA-5761	BLADE RELEASE ARM		D	1	
19	55VA55101	Blade Support Shaft /Rear		D	1	
20	090076040	SHAFT HOLDER		C	2	
21	55VA55160	CAM FULCRUM PIN		C	1	
22	55VA55411D	Mounting Shaft		D	1	
23	55VA80131	Blade Motor		B	1	
24	55VAR76100	SEIDE SEALING F ASSY		C	1	
25	25AA55350	BLADE PULLEY B		C	1	
26	55VA55110	Blade Support Shaft /Front		D	1	
27	A4EU536200	Bushing /B		C	1	
28	25AA55341	BLADE PULLEY A		C	1	
29	55VA55480	Wire Cover		D	1	
30	25AA55720	Wire Cover /Upper		C	1	
31	25AA55390	Wire Rotary Shaft		D	1	
32	25AA55420	WIRE TENSION SPRING		C	1	
33	25AA55360	Blade Pulley /C		C	1	
34	55VA55380	Blade Wire		C	1	
35	55VA55490	BLADE CHANGE LEVER		D	1	

CLEANER UNIT

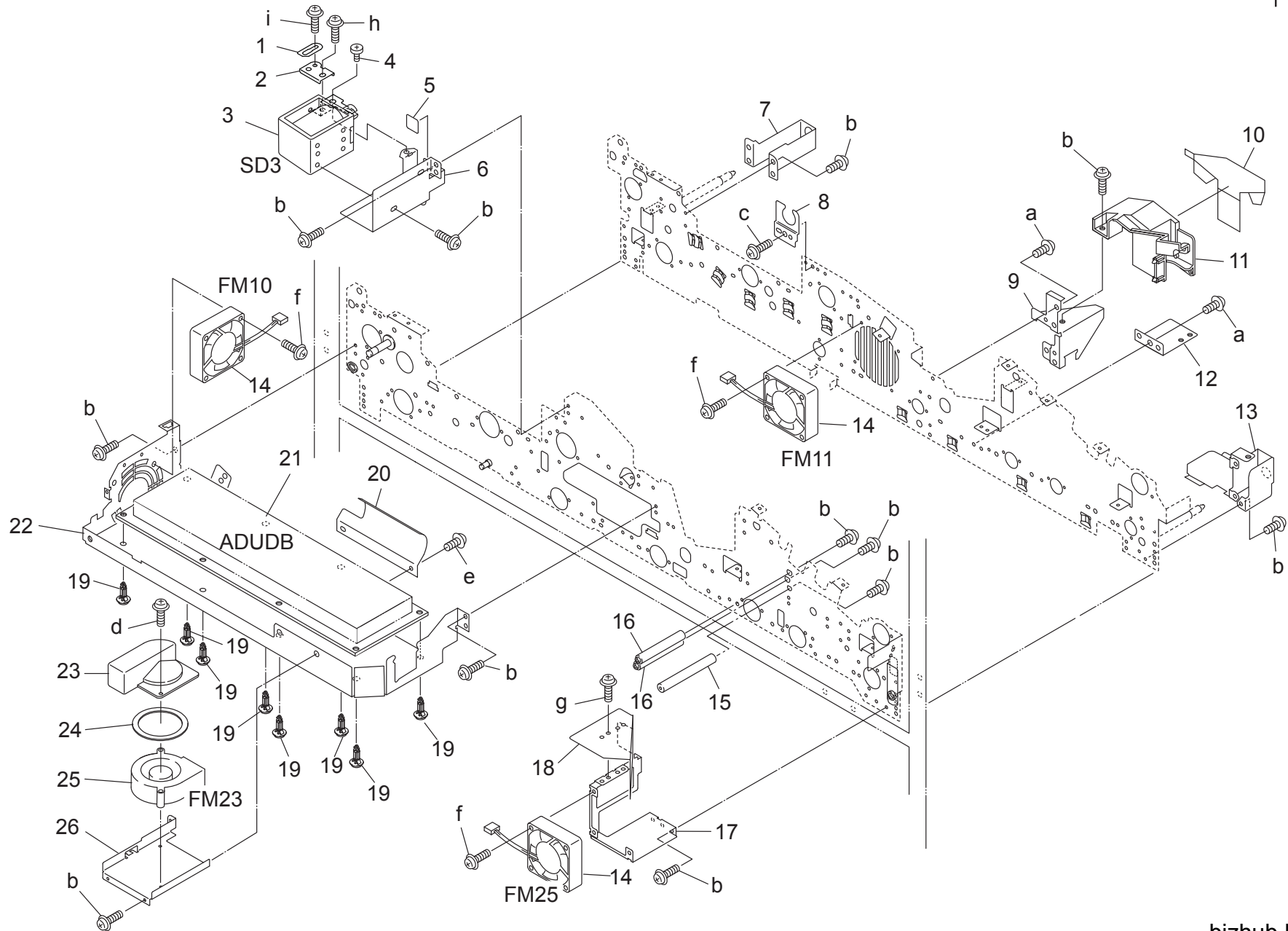
P 44



CLEANER UNIT

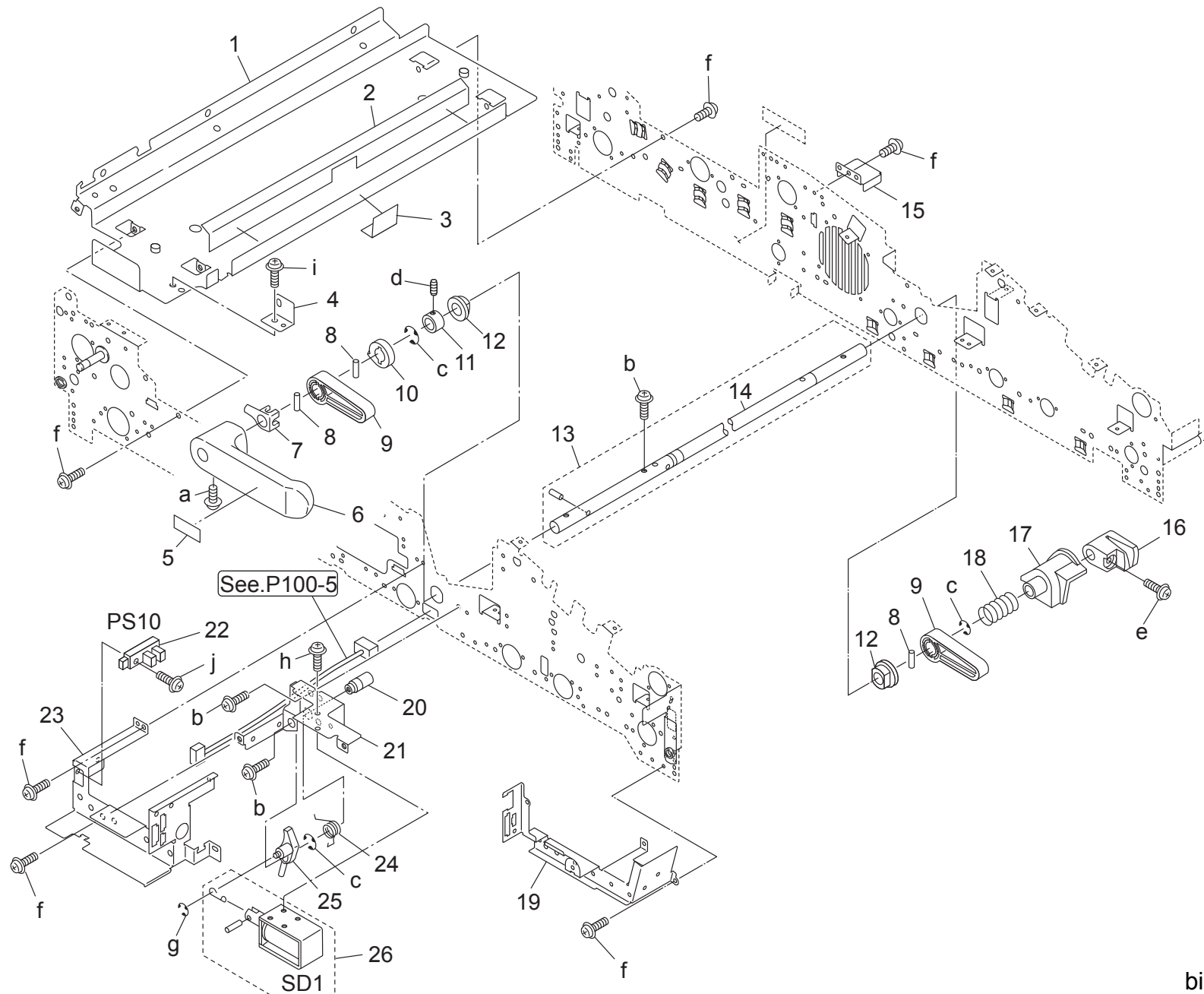
Key	Part No.	Description	Destinations	Class	QTY	Standard parts
1	55VA55501	CLEANER COVER		D	1	a-V118030403 b-V121030803 c-V121040403 d-V151030803 e-V151040803 f-V121030603
2	25AA55460	CLEANER EARTH PLATE B		D	1	
3	55VA55450	CLEANER EARTH PLATE A		D	1	
4	55VA55440	Mounting Plate /B		D	1	
5	08AA85512	Photo Sensor		B	2	
6	55VA55251	Blade Seal /C		C	1	
7	55VA55430	MOUNT PLATE A		D	1	
8	55VA55461	CLEANER EARTH PLATE C		D	1	
9	55VA55641	SEALING PART/1		C	2	
10	55VA55361	Mouting Plate /R		D	1	
11	56GA-5770	SEALING /CASSY		C	1	
12	56GAR71100	GUIDE PLATE ASSY		B	1	
13	57GA-5681	TONER SEALING PLATE ASSY		B	1	
14	55VA55351	Mouting Plate /F		D	1	
15	55VA55300	Blade Seal /D		C	1	
16	55VAR75900	BLADE SEALING A ASSY		C	1	

AUTO DUPLEX SECTION



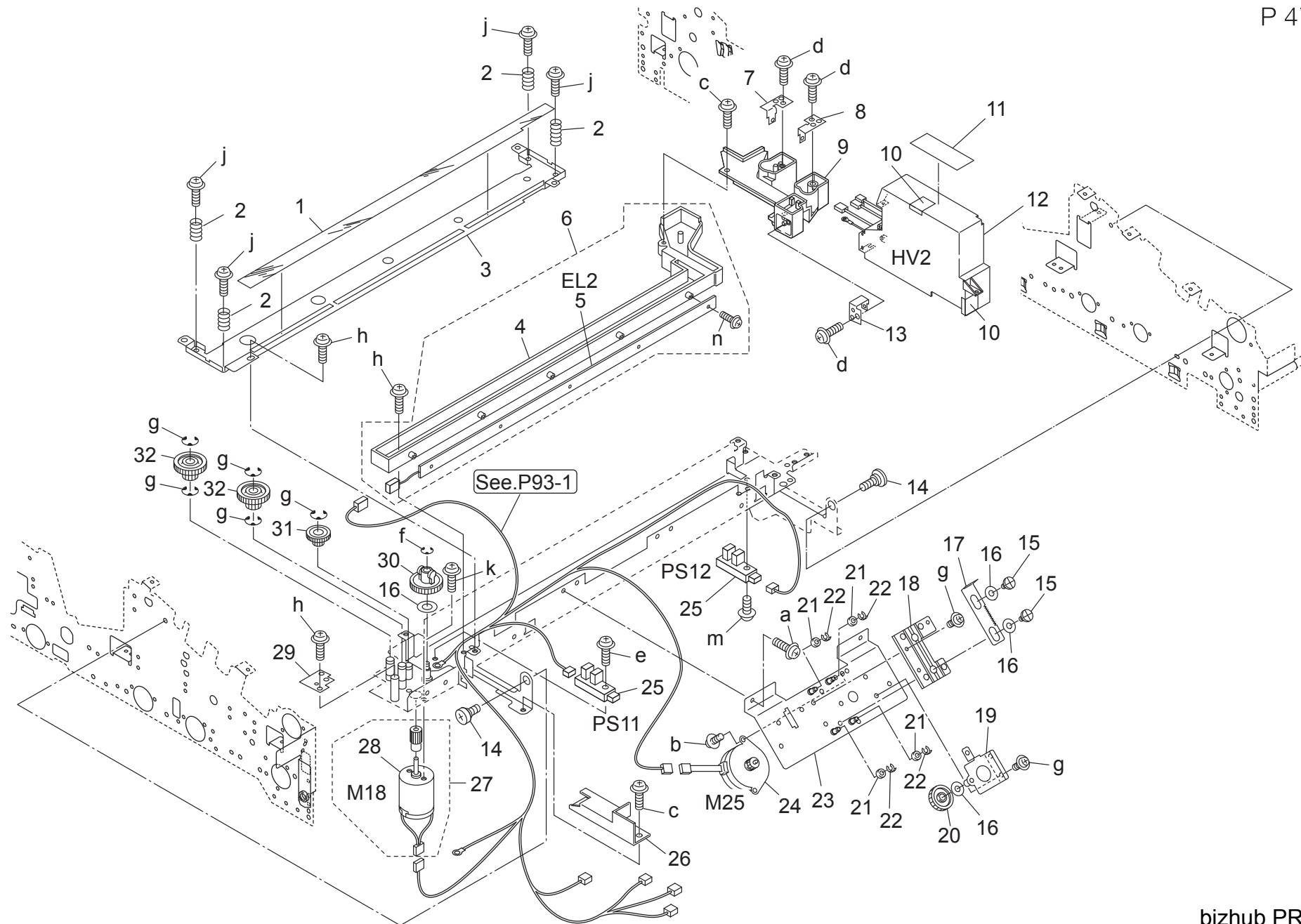
Key	Part No.	Description	Destinations	Class	QTY	Standard parts
1	A0Y5816500	Pressing Lever		C	1	a-V127040603
2	A0Y5816600	Positioning Lever		C	1	b-V127030603
3	A0Y5R72500	FIXING SOLENOID		C	1	c-V121040603
4	25AA47670	Guide Screw		C	1	d-V118040503
5	A0Y5818100	Stopper Sheet /S		C	1	e-V118030403
6	A0Y5818000	Mounting Plate /S		D	1	f-V118033003
7	55VA47200	CARRIAGE POSITIONING PLATE LEFT		D	1	g-V118030603
8	A0Y5816200	Support Plate /Rear		D	1	h-V123040803
9	55VA49150	CAM HOLD PLATE		D	1	i-V116040803
10	A0Y5814700	Protection Sheet /Rear		C	1	
11	55VA49050E	Wiring Protection Cover		D	1	
12	55VA49420	POWER SOURCE MOUNT PLATE		D	1	
13	A0Y5812100	Positioning Plate/Right rear		D	1	
14	27LA80511	Main Body Fan Motor		A	3	
15	A0Y5815300	Mounting Shaft /Middle		D	1	
16	A0Y5813200	Mounting Shaft /R		D	2	
17	A0Y5816400	Cooling Plate /Right		D	1	
18	A0Y5816800	Cooling Duct /Right		D	1	
19	V502010007	spacer		D	8	
20	A0Y5819500	Cooling Guide		D	1	
21	A0Y5H07002	ADU Drive Board Assy		I	1	
22	A0Y5811500	Installing Pedestal /1		D	1	
23	A0Y5836200	Duct /A		D	1	
24	A0Y5835400	Pad /62		C	1	
25	9313100072	FAN MOTOR		C	1	
26	A0Y5836100	Cooling Plate /A		D	1	

AUTO DUPLEX SECTION



Key	Part No.	Description	Destinations	Class	QTY	Standard parts
1	A0Y5F81100	Fixing Guide Rail Caulking		D	1	a-V123041403 b-V121040603 c-V217080050 d-V193040404 e-V123041803 f-V127030603 g-V217040050 h-V121030603 i-V123040803 j-V118041203
2	56GA47870	ADU INSULATING SHEET		C	1	
3	55VA47750	Heat Insulating Sheet		C	1	
4	55VA53791	FIXING POSITIONING PLATE		D	1	
5	57GA97340	JAM LABEL 4		D	1	
6	56UA46921	CARRIGE PULLING LEVER		C	1	
7	25AA47810	ACTUATOR		D	1	
8	56AA17461	PIN A		B	3	
9	55VA49090	ELECTRODE PRESSURE CAM		C	2	
10	25AA47500	CARRIAGE LOCK CLAW B		C	1	
11	56AA17350	SHAFT POSITIONING PART		C	1	
12	462076010	DRIVING SLIDE SHAFT HOLDER A		C	2	
13	55VAR70600	CARRIGE SHAFT ASSY		C	1	
14	55VA49060	CARRIAGE PULLING SHAFT		D	1	
15	55VA48040	REGISTRATION COVER PLATE		C	1	
16	55VA49080	Positioning Cam		C	1	
17	55VA49070	Cam Hold Part		C	1	
18	55VA49131	Positioning Spring		B	1	
19	A0Y5815200	Wiring Plate /Right		D	1	
20	55VA49250	SOLENOID GUIDE SHAFT		C	1	
21	56GA49231E	Solenoid Mounting Plate		D	1	
22	56AA85511	Photo Sensor		B	1	
23	A0Y5814100	Wiring Plate /Middle		D	1	
24	55VA49260	SOLENOID RELEASE SPRING		B	1	
25	55VA49240	Lever Lock Claw		C	1	
26	A4EUR73V00	Lever Locking Solenoid Pin Assy		C	1	

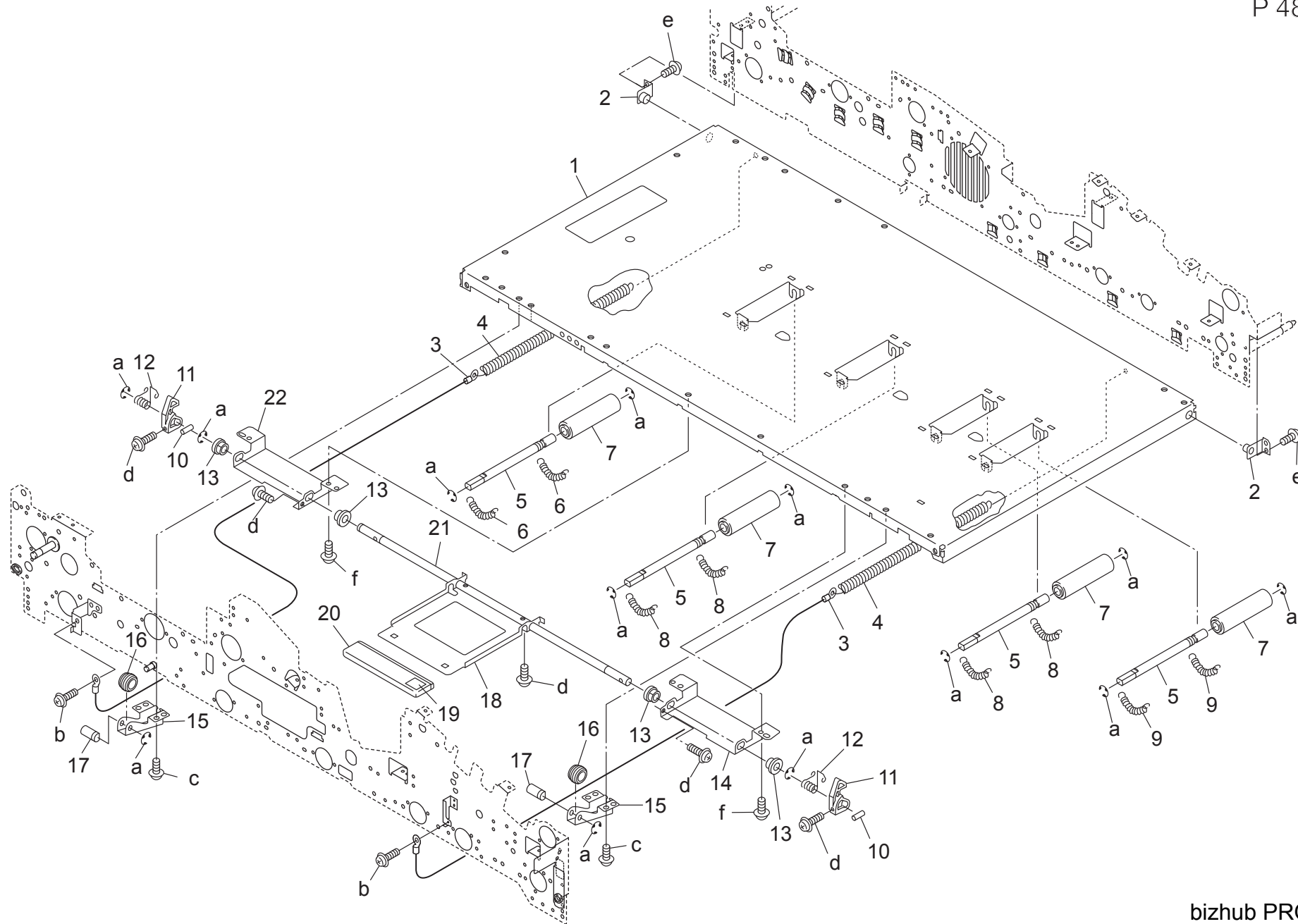
AUTO DUPLEX SECTION



Key	Part No.	Description	Destinations	Class	QTY	Standard parts
1	55VA49180	LAMP DUST PROOF SEAL		C	1	a-V121030403
2	56AA17071	ELECTRODE LIFT UP SPRING		C	4	b-V111030603
3	56GA49042	SEPARATION SUCTION COVER		D	1	c-V127030603
4	A0Y5850200	Suction Casing /D		D	1	d-V151030803
5	A0Y5M30700	Transfer LED array		C	1	e-V118041203
6	A0Y5R73200	SUCTION CASING ASSY		B	1	f-V217020050
7	55VA49170	SEPARATE ELECTRIFY PLATE		C	1	g-V217040050
8	55VA49160	TRANSFER ELECTRIFY PLATE		C	1	h-V121030603
9	55VA49030	ELECTRODE CONNECTOR		C	1	j-V118030603
10	55VA49440	Power Source Cover Sheet		D	2	k-V111260403
11	57GA97100E	ADU Caution Label /Rear		D	1	m-V121031203
12	56UA84021	HIGH VOLTAGE POWER SOURCE 2		I	1	n-V151020603
13	55VA49140	ENTRANCE ELECTRIFY PLATE		C	1	
14	392014041	PLATEN COVER MOUNT SCREW		C	2	
15	56UA49100	DRIVE FIXING SCREW		C	2	
16	56AA17700	SPACER B		C	4	
17	56UA49070	PRESSING PLATE A		D	1	
18	56UA49050	HOLDING PART		D	1	
19	56UAR71000	GEAR MOUNTING PLATE CAULKING		D	1	
20	56UA77410	IDLING GEAR 20T 44T		C	1	
21	25AA47580	STOPPER ROLLER		C	4	
22	45AA20400	STOPPER PART		A	4	
23	56UA-0860	MOTOR MOUNTING PLATE CAULKING		D	1	
24	13GQ80032	FNS Motor /1		B	1	
25	56AA85511	Photo Sensor		B	2	
26	56UA49220	WIRING GUIDE COVER		D	1	
27	56GA-0730	TRANSFER SEPARATOR MOTOR ASSY		C	1	
28	56AA-8000	UP DOWN MOTOR ASSY		D	1	
29	56GA49310	ELECTRODE FIXED PLATE		D	1	
30	55VA77420	CLEANING GEAR 3 38T		B	1	
31	55VA77430	CLEANING GEAR 4 33T 17T		B	1	
32	56GA77440	CLEANING GEAR BEARING/5 20T/46T		C	2	

AUTO DUPLEX SECTION

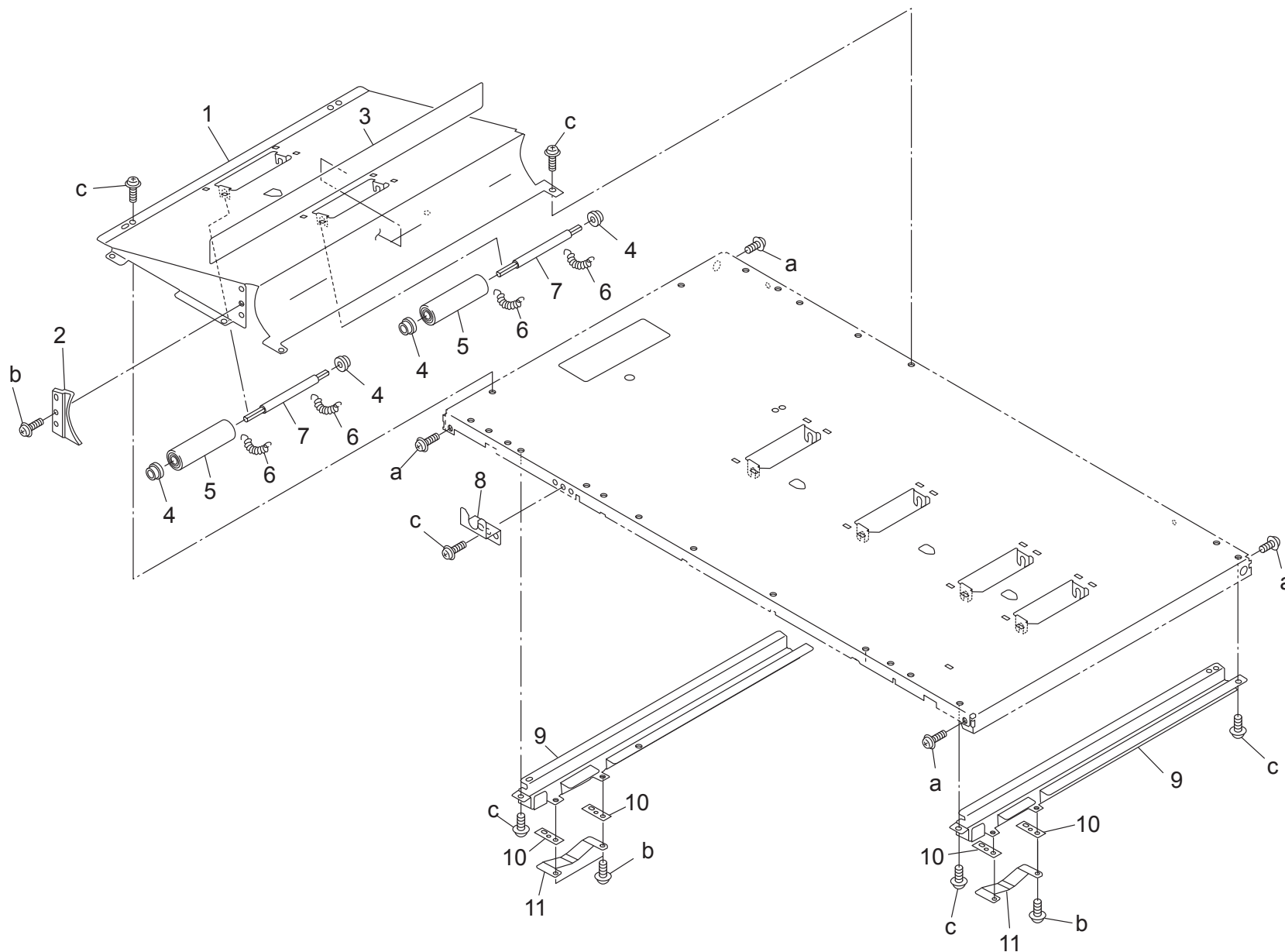
P 48



AUTO DUPLEX SECTION

Key	Part No.	Description	Destinations	Class	QTY	Standard parts
1	A0Y5810300	Open/close Plate /Lower		D	1	a-V217040050
2	55VAR70100	SUPPORT PANEL		D	2	b-V121040604
3	55VA47371	BOTTOM PLATE LIFT UP WIRE		C	2	c-V121030403
4	55VA47390	BOTTOM PLATE LIFT UP SPRING		B	2	d-V121030803
5	55VA47450	ADU DRIVEN SHAFT /S		D	4	e-V127040603
6	55VA47770	ADU PRESSURE SPRING		C	2	f-V217030050
7	56UA45820	ADU IDLER ROLLER S		C	4	
8	55VA46451	REGISTRATION FEEDING SPRING		B	4	
9	25AA44180	CONVEYANCE PRESSURE SPRING		C	2	
10	56AA17471	PIN B 3X12		B	2	
11	55VA47710	Bottom Plate Locking Claw		C	2	
12	55VA47762E	Bottom plate Open/close Spring		B	2	
13	466076020	PAPER FEED SHAFT HOLDER		B	4	
14	55VA47980	BOTTOM OPEN CLOSE PART RIGHT		D	1	
15	55VA47970	WIRE FULCRUM PLATE		D	2	
16	25AA50080	WIRE PULLEY		C	2	
17	56AA17361	WIRE ROTARY SHAFT		C	2	
18	55VA47701	Bottom Plate Open Shut Handle		D	1	
19	57GA97410	JAM LABEL B		D	1	
20	56UA45970	Lever Cover		C	1	
21	A0Y5817800	Open/close Shaft /Lower		D	1	
22	55VA47930	BOTTOM OPEN CLOSE PART LEFT		D	1	

AUTO DUPLEX SECTION

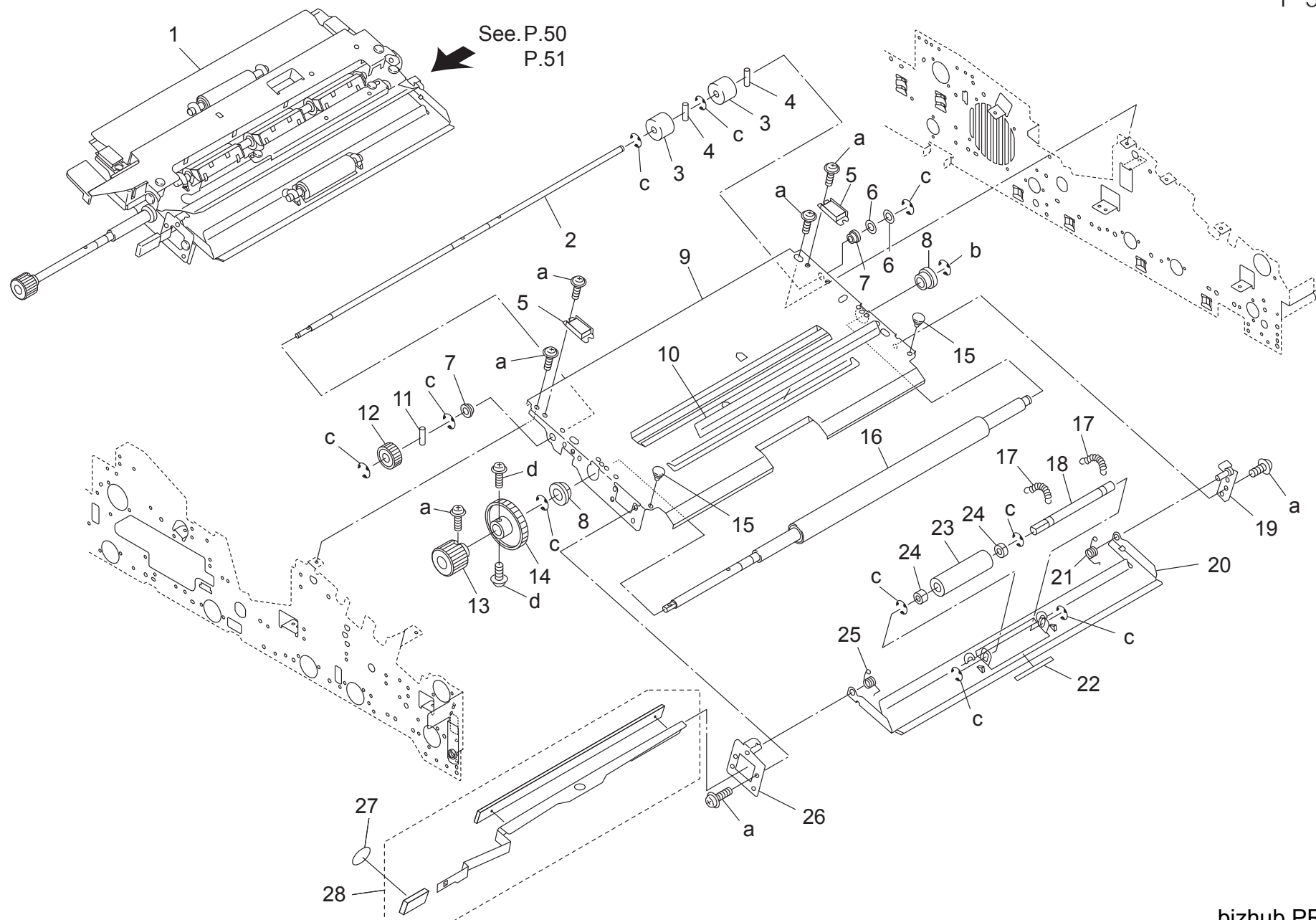


AUTO DUPLEX SECTION

Key	Part No.	Description	Destinations	Class	QTY	Standard parts
1	55VA47091	CONVEYANCE GUIDE PLATE		D	1	a-V121040403 b-V121040604 c-V121030403
2	55VA47960	CONVEYANCE COVER		D	1	
3	A0Y5819300	Guide Sheet /A		C	1	
4	25SA43310	DRIVEN SHAFT HOLDER		B	4	
5	56UA45840	Idler Rubber /U		C	2	
6	55VA47770	ADU PRESSURE SPRING		C	4	
7	55VA47680	ADU DRIVEN SHAFT /H		D	2	
8	55VA44170	Door Positioning Plate		D	1	
9	55VA47880	Bottom Plate Lock Stay		D	2	
10	55VA46221	SPACER		C	4	
11	55VA47360	BOTTOM PLATE LOCK SPRING		C	2	

AUTO DUPLEX SECTION

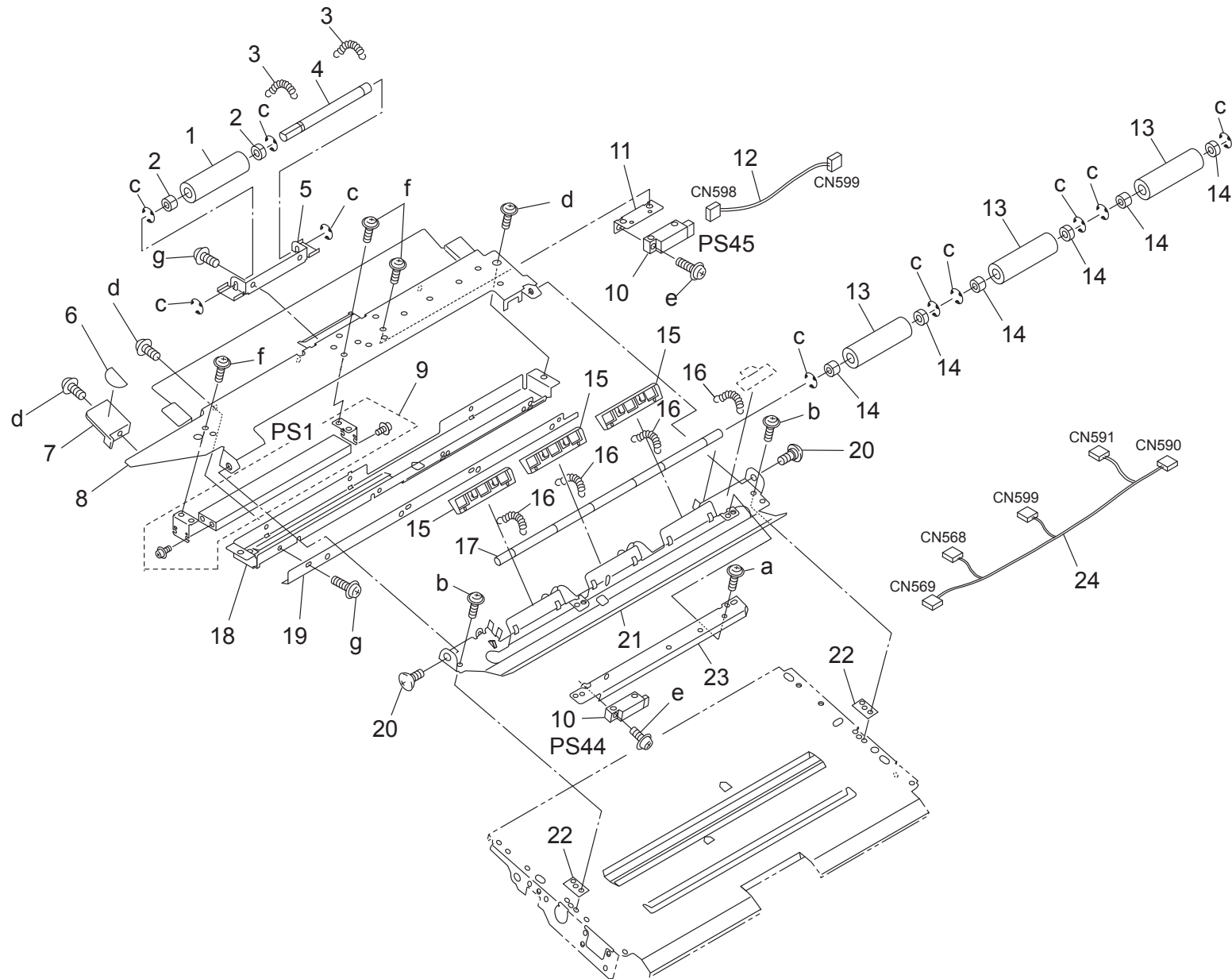
P 50



AUTO DUPLEX SECTION

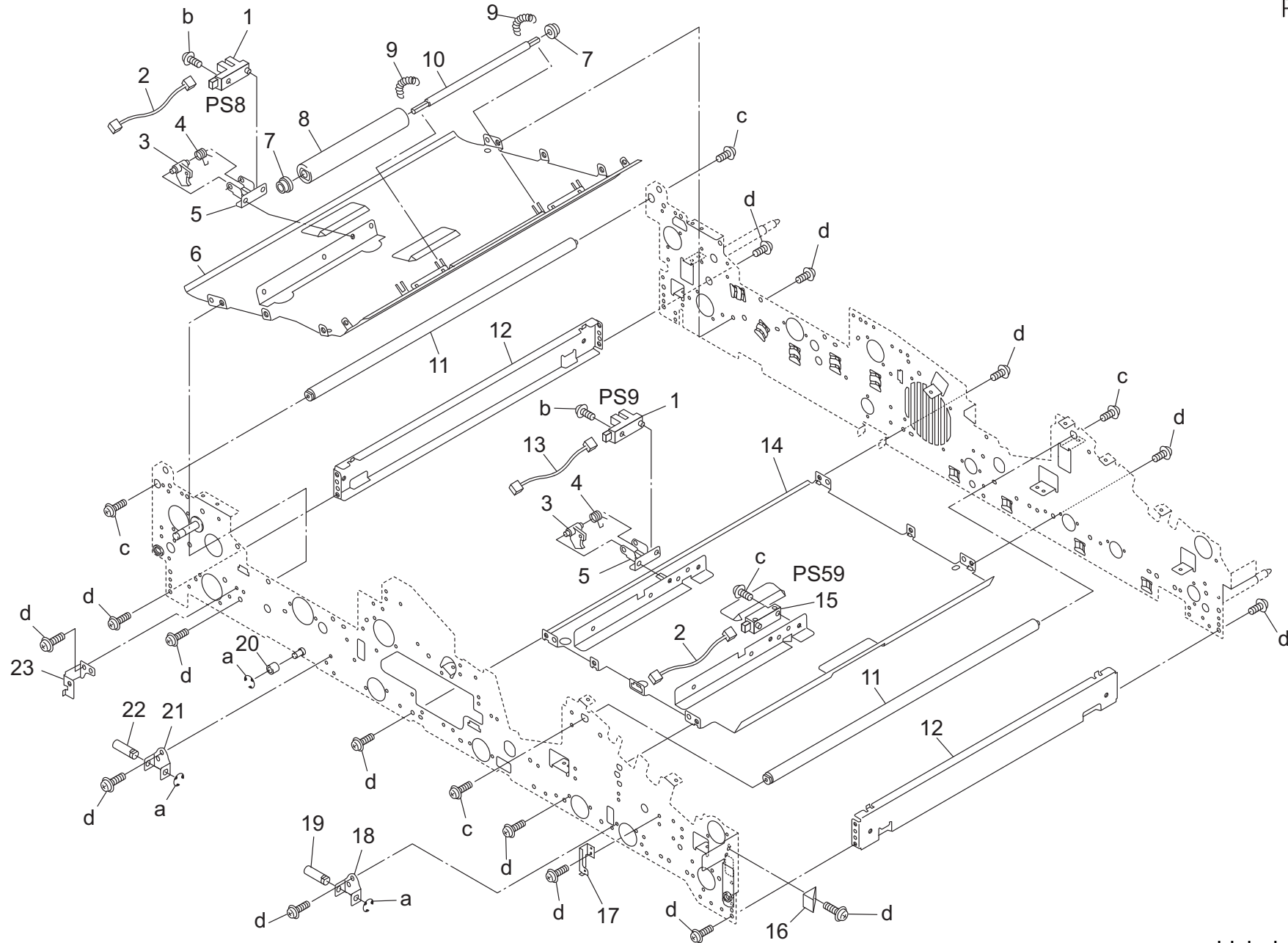
Key	Part No.	Description	Destinations	Class	QTY	Standard parts
1	A0Y5R71000	REGISTRATION ASSY	レジストユニット	S	1	a-V121030603 b-V217060050 c-V217040050 d-V123030603
2	A0Y5713200	Drive Shaft /T	駆動軸 / T	D	1	
3	A0Y5713100	Drive Roller /T	駆動ローラ / T	C	2	
4	56AA17551	PIN A	ピン A	C	2	
5	40AA32290	MAGNET CATCH	マグネット キャッチ	C	2	
6	40AA32320	TONER SUPPLY SPACER	トナー補給スペーサー	C	2	
7	A00J617800	BALL BEARING	ボールベアリング	B	2	
8	A00V240600	BALL BEARING	ボールベアリング	B	2	
9	A0Y5710100	Registration Main body	レジスト 本体	D	1	
10	55VA46190	PAPER LIFT UP SHEET	紙持ち上げシート	D	1	
11	56AA17531	PIN /A D2X10	ピン / A D 2 X 1 0	C	1	
12	55VA77690	REGIST CONVEYANCE GEAR 22T	レジスト 搬送歯車 2 2 T	B	1	
13	14GE45470	Rotation Knob	回転ノブ	C	1	
14	56UA77560	Roller Gear/R 35T	ローラギア / R 3 5 T	B	1	
15	12AJ45850	STOPPER RUBBER	ストッパーゴム	C	2	
16	A0Y5710300	Registration Roller /Lower	レジストローラ / 下	B	1	
17	55VA46451	REGISTRATION FEEDING SPRING	レジスト 送り出しバネ	B	2	
18	55VA47450	ADU DRIVEN SHAFT /S	A D U 従動軸 / S	D	1	
19	55VA-3680	SUPPORT SHAFT/REAR	支点軸カシメ / 奥	D	1	
20	56GA46750	ENTRANCE OPEN CLOSE PLATE	入口開閉板	D	1	
21	55VA46160	ENTRANCE OPEN CLOSE SPRING REAR	入口開閉バネ 奥	B	1	
22	57GA97310	JAM LABEL 1	ジャムラベル 1	D	1	
23	56GA47440	ADU DRIVEN ROLLER S	A D U 従動ローラ S	B	1	
24	56GA76030	SLIDE SHAFT HOLDER	滑り軸受	C	2	
25	55VA46151	ENTRANCE OPEN CLOSE SPRING FRONT	入口開閉バネ 前	B	1	
26	A0Y5F71100	Support Shaft/Front Caulking	支点軸 / 前 カシメ	D	1	
27	A0Y5945200	Label /2	ラベル / 2	C	1	
28	A0Y5R72400	REGIST CLENER ASSY/LOWER	レジスト 清掃部組 / 下	C	1	

AUTO DUPLEX SECTION



Key	Part No.	Description	Destinations	Class	QTY	Standard parts
1	55VA46890	Driven Rubber		B	1	a-V127030603
2	56GA76010	SLIDE SHAFT HOLDER 2		C	2	b-V121030803
3	55VA46451	REGISTRATION FEEDING SPRING		B	2	c-V217040050
4	55VA46880	REGISTRATION DRIVEN SHAFT S		D	1	d-V121030603
5	A0Y5713300	Mounting Plate /T		D	1	e-V118031003
6	A0Y5945300	Label /3		C	1	f-V118030403
7	56QA46060	Transfer Guide Handle		C	1	g-V118030603
8	A0Y5710400	Feeding Plate /T		D	1	
9	A0Y5R72300	SENSOR ASSY		C	1	
10	56AA85521	Conveyance Photo Sensor		B	2	
11	57GA46060	MOUNTING PLATE /2		D	1	
12	56GA90680E	CONTROL WIRING		D	1	
13	56GA47440	ADU DRIVEN ROLLER S		B	3	
14	56GA76030	SLIDE SHAFT HOLDER		C	6	
15	57GAR71900	REGISTRATION CLEANER ASSY		B	3	
16	55VA46490	Registration Pressure Spring		B	4	
17	55VA46530	REGISTRATION DRIVEN SHAFT		D	1	
18	57GA46020E	Casing		D	1	
19	57GA46240D	Paper Guide Plate		D	1	
20	190040922E	Fixing Screw		C	2	
21	55VA46051	REGISTRATION ENTER PLATE		D	1	
22	55VA46221	SPACER		C	2	
23	55VA46231	HOLDER PART		D	1	
24	A0Y5N16700	ADU Relay harness /2		D	1	

AUTO DUPLEX SECTION

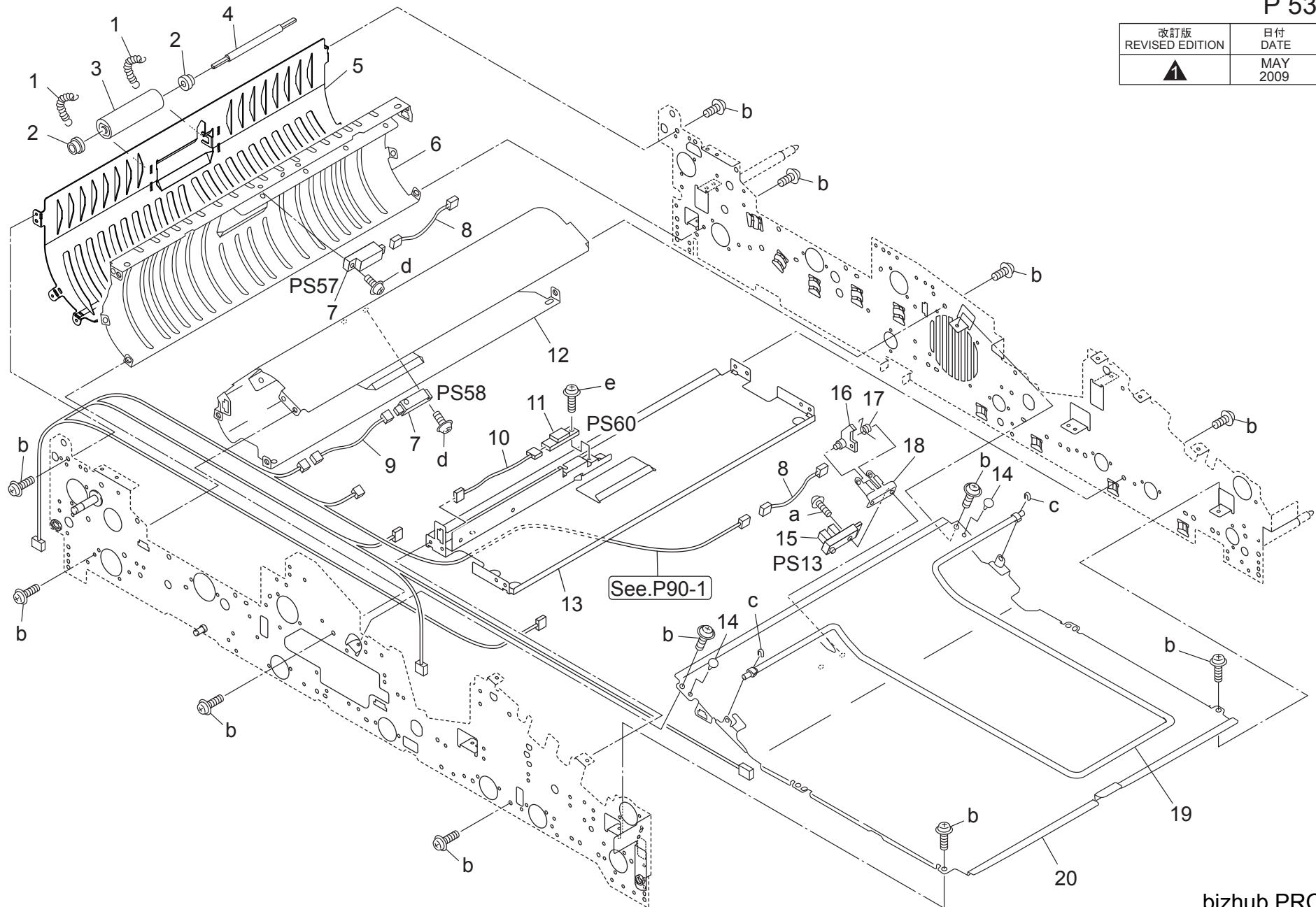


Key	Part No.	Description	Destinations	Class	QTY	Standard parts
1	56AA85511	Photo Sensor	フォトセンサ	B	2	a-V217040050 b-V118041203 c-V127040603 d-V121030603
2	56GA90650E	RELAY WIRING /3	センサ中継束線/3	D	2	
3	56GA47820	PAPER DETECTING ACTUATOR B	紙検知アクチュエータ B	B	2	
4	25SA50502	PRESSURE SPRING A	センサー押圧バネ A	C	2	
5	56GA47490	FIXING PLATE C	センサ固定板 C	D	2	
6	55VA47052	ADU FIXED PLATE 3	A D U 固定板 3	D	1	
7	25SA43310	DRIVEN SHAFT HOLDER	従動軸受	B	2	
8	56UA45991	Idler Rubber /L	従動ゴム/L	C	1	
9	55VA46490	Registration Pressure Spring	レジスト 押圧バネ	B	2	
10	55VA47910	ADU DRIVEN SHAFT /L	A D U 従動軸/L	D	1	
11	55VA47950	CARRIAGE LIFT UP STAY	架台持ち上げステー	D	2	
12	55VA47250	ADU FIXED STAY	A D U 固定ステー	D	2	
13	56GA90660E	RELAY WIRING /4	センサ中継束線/4	D	1	
14	55VA47082	ADU FIXED PLATE 6	A D U 固定板 6	D	1	
15	56GA85531	Photo Sensor /3	フォトセンサ/3	C	1	
16	55VA48200	DOOR GUIDE PART	ドアガイド部材	D	1	
17	57GA47790	WIRE MOUNTING PLATE RIGHT	ワイヤー取付板 右	D	1	
18	A0Y5819900	Lock Plate /Lower	ロック板/下	D	1	
19	A0Y5819800	Lock Shaft /Lower	ロック軸/下	D	1	
20	048046040	ROLLER	コロ	C	1	
21	55VA47990	Bottom Plate Locking Plate	底板ロック板	D	1	
22	55VA47891	Bottom Plate Locking Shaft	底板ロック軸	D	1	
23	55VA47800	Wire Mounting Plate /Left	ワイヤー取付板/左	D	1	

AUTO DUPLEX SECTION

P 53

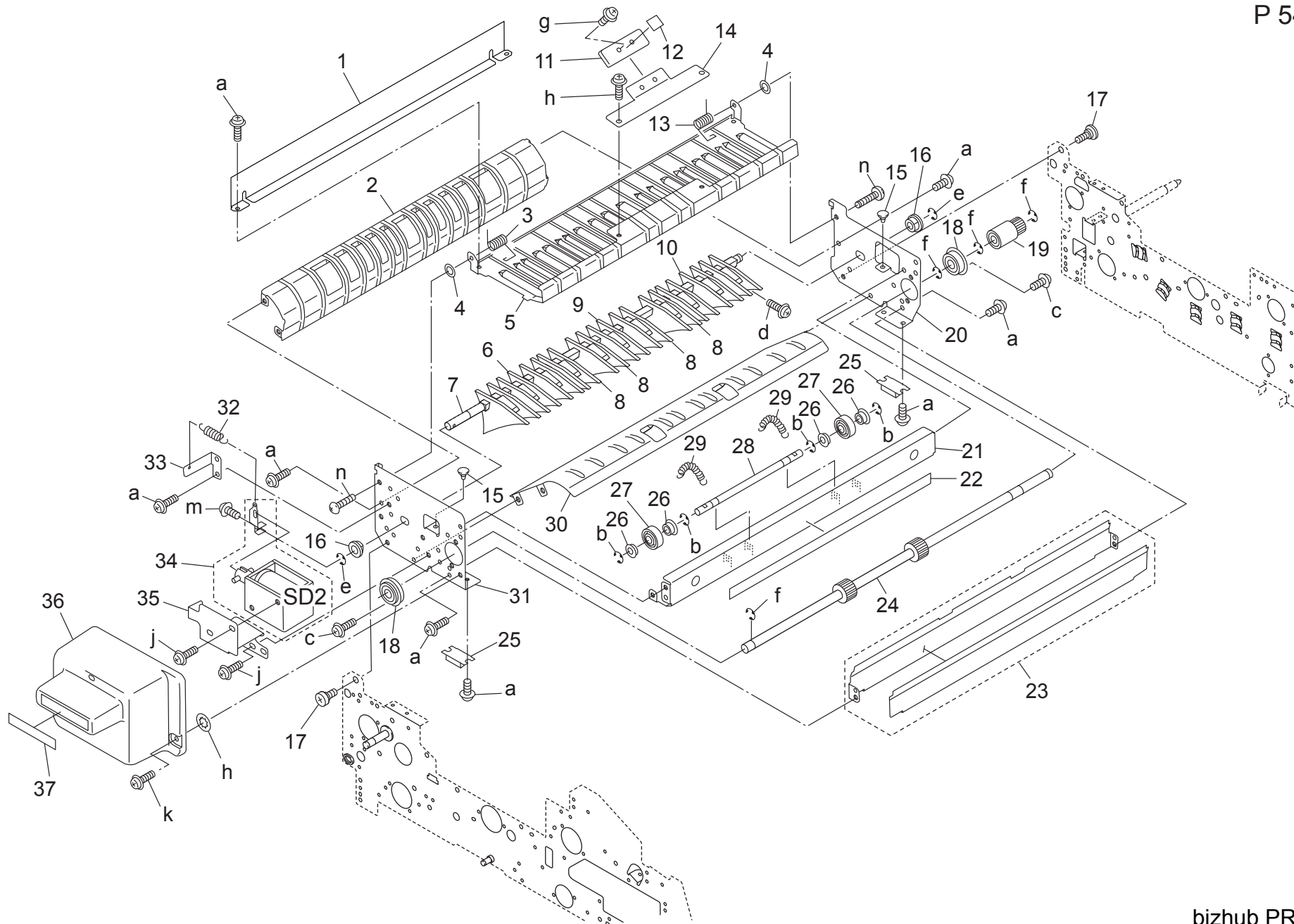
改訂版 REVISED EDITION	日付 DATE
	MAY 2009



Key	Part No.	Description	Destinations	Class	QTY	Standard parts
1	55VA46490	Registration Pressure Spring		B	2	a-V118041203 b-V121030603 c-V226030050 d-V118031203 e-V118030603
2	25SA43310	DRIVEN SHAFT HOLDER		B	2	
3	56UA45840	Idler Rubber /U		C	1	
4	55VA47680	ADU DRIVEN SHAFT /H		D	1	
5	A0Y5811100	Fixing Plate /2		C	1	
6	55VA47062	ADU FIXED PLATE 1		D	1	
7	56GA85531	Photo Sensor /3		C	2	
8	56GA90670E	RELAY WIRING /U		D	2	
9	56GA90650E	RELAY WIRING /3		D	1	
10	A0Y5N19300	ADU Control harness		D	1	
11	13QA85511	Sensor 1		B	1	
12	55VA47071	ADU FIXED PLATE 5		D	1	
13	A0Y5815100	Guide Plate /Middle		D	1	
14	12AJ45850	STOPPER RUBBER		C	2	
15	56AA85511	Photo Sensor		B	1	
16	56GA47820	PAPER DETECTING ACTUATOR B		B	1	
17	25SA50502	PRESSURE SPRING A		C	1	
18	56GA47490	FIXING PLATE C		D	1	
19	55VA47130	PAPER GUIDE PART		D	1	
20	55VA47042	ADU FIXED PLATE 4		D	1	

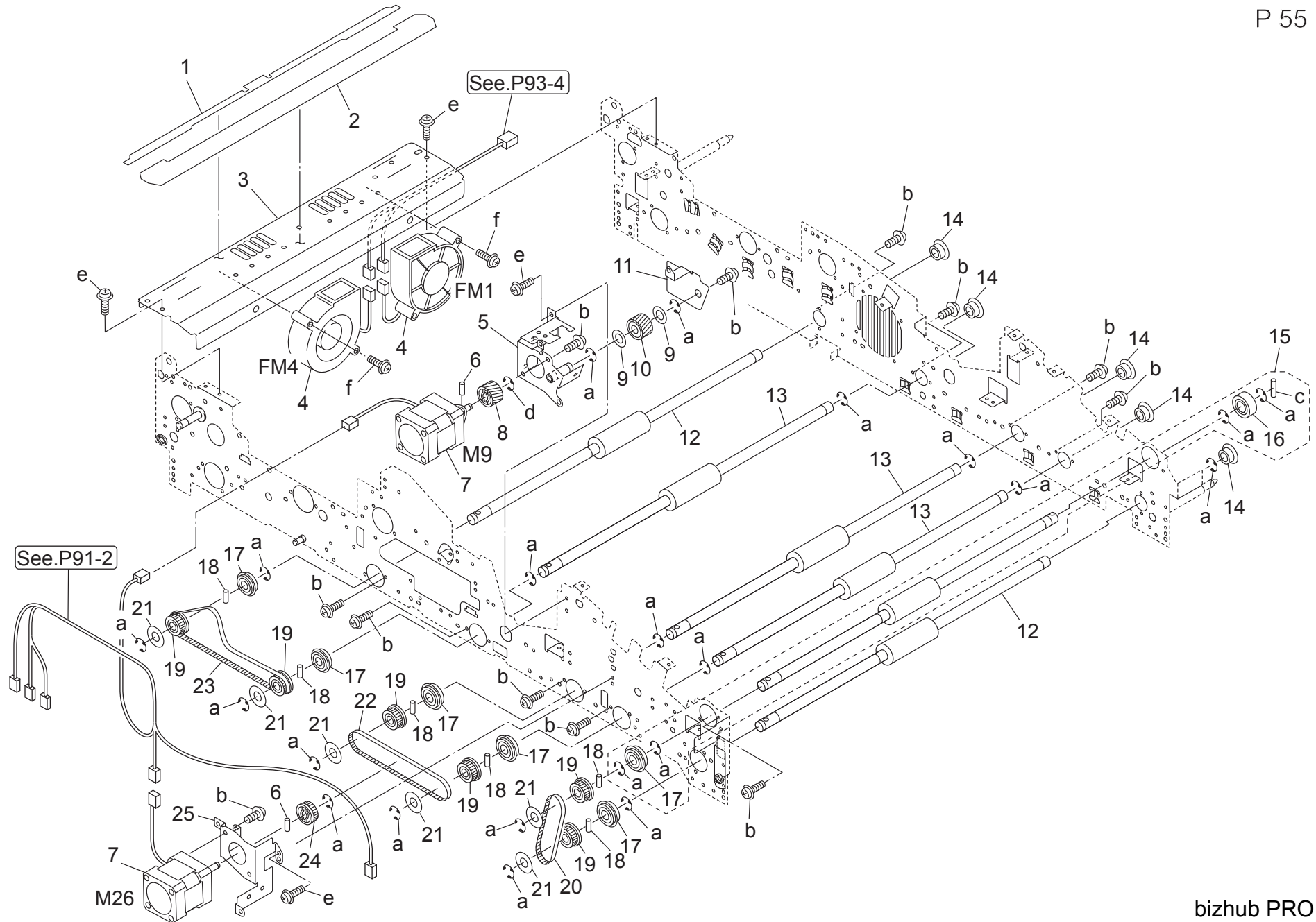
AUTO DUPLEX SECTION

P 54



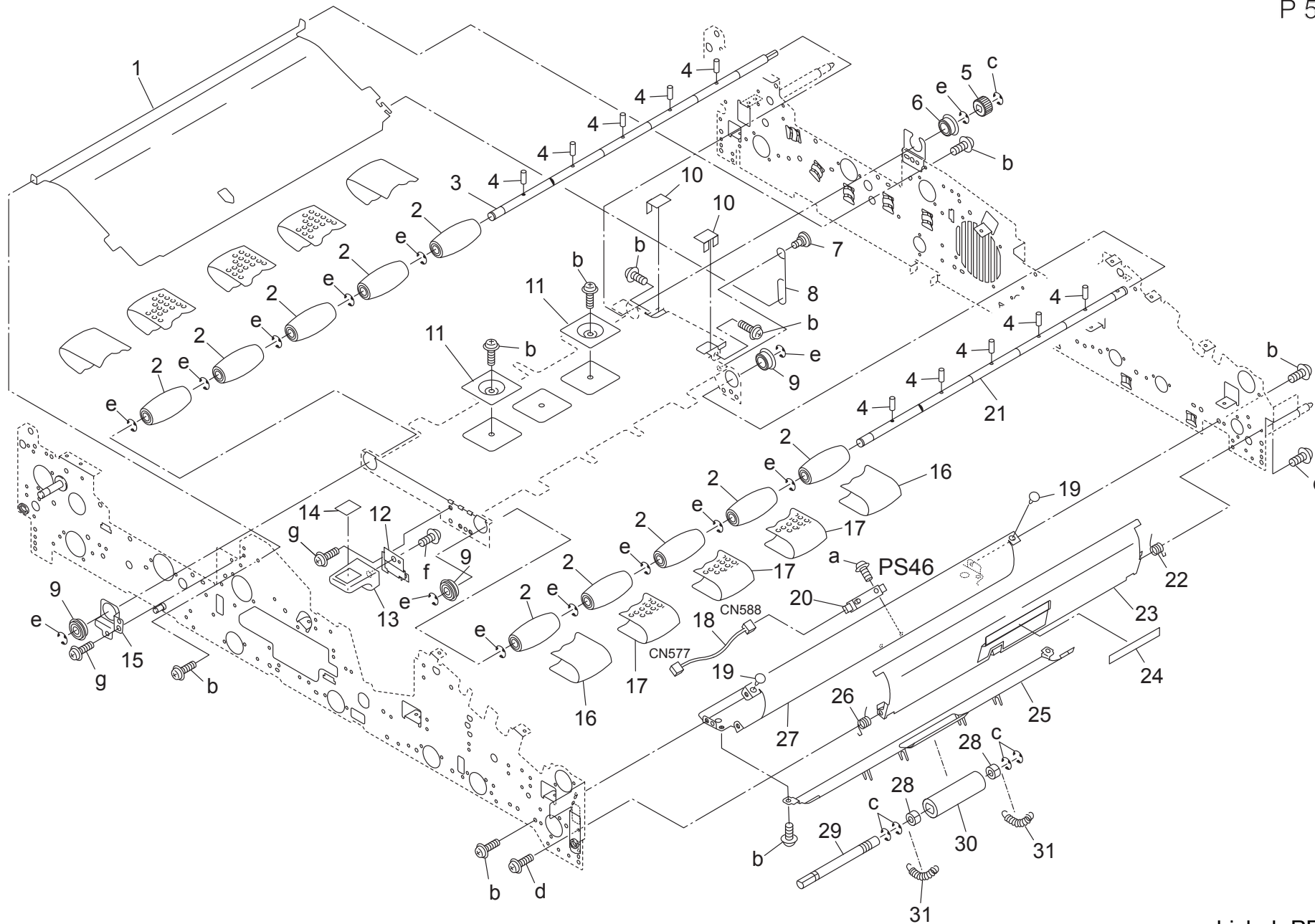
Key	Part No.	Description	Destinations	Class	QTY	Standard parts
1	57GA47940D	ADU Insulating Plate	A D U 断熱板	D	1	a-V121030603
2	57GA47550	Fixing Plate /2	固定板 /2	D	1	b-V217030050
3	55VA47611	PRESSURE SPRING FRONT	押圧バネ 前	B	1	c-V118030603
4	25AA13420	CONVEYANCE SPACER	搬送スパーサー	D	2	d-V118040603
5	55VA47531	PAPER EXIT OPEN COLSE PLATE	排紙閉開板	D	1	e-V217040050
6	55VA47300	GUIDE PART FRONT	案内部材 前	B	1	f-V217060050
7	55VA47581	Guide Shaft	案内軸	D	1	g-V118030403
8	55VA47570	GUIDE PART	案内部材	B	4	h-V211040080
9	55VA47320	GUIDE PART MIDDLE	案内部材 中	D	1	j-V123030603
10	55VA47310	GUIDE PART REAR	案内部材 奥	B	1	k-V114041004
11	56UA46140	TRANSFER FEEDING HANDLE	転写送り出し 把手	C	1	m-V121030803
12	A0Y5945700	Label /7	ラベル /7	C	1	n-V121042503
13	55VA47621	PRESSURE SPRING REAR	押圧バネ 奥	B	1	
14	A0Y5841100	Lifting Plate	持ち上げ板	D	1	
15	55VA47920	STOPPER RUBBER	ストッパーゴム	C	2	
16	322076010	PAPER LIFT UP LEVER SHAFT HOLDER	ペーパー押しレバー軸受け	B	2	
17	450053391	EXIT GUIDEPLATE MOUNTING SCREW	出口ガイド板 取付けネジ	C	2	
18	454075070	BALL BEARING CONVEYANCE	ボールベアリング 搬送	C	2	
19	55VA77600	ADU LOCK GEAR 1 13T	A D U ロック歯車 1 13 T	B	1	
20	55VA47521	SIDE PLATE /REAR	側板 /奥	D	1	
21	55VA47502	GUIDE KNOB	ガイド 把手	D	1	
22	A0Y5942300	Caution Label /A	注意ラベル / A	D	1	
23	55VAR70300	FAN PANEL ASSY	ファン規制板部組	D	1	
24	55VA47660	Conveyance Roller /1	搬送ローラ /1	B	1	
25	40AA32290	MAGNET CATCH	マグネット キャッチ	C	2	
26	12AA75560	DRIVEN SHAFT HOLDER	従動軸受	C	4	
27	25AA48242	DRIVEN ROLLER A	従動ローラ A	C	2	
28	55VA47650D	CONVEYANCE IDLER SHAFT /1	搬送従動軸 /1	D	1	
29	25AA44180	CONVEYANCE PRESSURE SPRING	搬送圧着バネ	C	2	
30	55VA47540	FIXED PLATE 1	固定板 1	D	1	
31	55VA47511	SIDE PLATE /FRONT	側板 /前	D	1	
32	55VA47630	SOLENOID LIFT UP SPRING	ソレノイド 持ち上げバネ	B	1	
33	55VA47600	SPRING FIXED PLATE	バネ固定板	D	1	
34	55VAR70200	SOLENOID ASSY	反転ソレノイド 部組	C	1	
35	55VA47560	SOLENOID MOUNT PLATE	ソレノイド 取り付け板	D	1	
36	A0Y5830200	Riverse/exit Cover	反転排紙カバー	C	1	
37	57GA97380	JAM LABEL 8	ジャムラベル 8	D	1	

AUTO DUPLEX SECTION



Key	Part No.	Description	Destinations	Class	QTY	Standard parts
1	57GA47380	Conveyance Auxiliary Sheet		C	1	a-V217060050
2	57GA47800	Fixing Insulating Sheet		C	1	b-V118030603
3	A0Y5811000	Cooling Cover		D	1	c-V233301650
4	9313110033	FAN MOTOR		C	2	d-V217040050
5	A0Y5813400	Mounting Plate /T		D	1	e-V121030603
6	56AA17531	PIN /A D2X10		C	2	f-V118043503
7	A0Y5M10400	HB Motor /40		B	2	
8	55VA77690	REGIST CONVEYANCE GEAR 22T		B	1	
9	15AJ50460	Punch Spacer		D	2	
10	A0Y5813901	Gear /T 20T		C	1	
11	A0Y5813700	Protection Plate /T		D	1	
12	57GA46810	Registration Auxiliary Roller /Front		B	2	
13	A0Y5817100	Conveyance Roller /Middle		B	3	
14	A00V240600	BALL BEARING		B	5	
15	57GAR70100	LOOP ROLLER ASSY		B	1	
16	326020280	Bearing		C	1	
17	454075070	BALL BEARING CONVEYANCE		C	6	
18	56AA17471	PIN B 3X12		B	6	
19	55VA76530	ADU Conveyance Pulley /3 19T		B	6	
20	55VA78060	REGISTRATION DRIVING BELT 1 174L		C	1	
21	55VA47850	Belt Holding Part /2		D	6	
22	A0Y5813800	Belt/H 216L		C	1	
23	55VA78050	ADU CONVEYANCE BELT 3 351L		C	1	
24	57GA76560	ADU DRIVE PULLEY 1 22T		C	1	
25	A0Y5813500	Mounting Plate /H		D	1	

AUTO DUPLEX SECTION

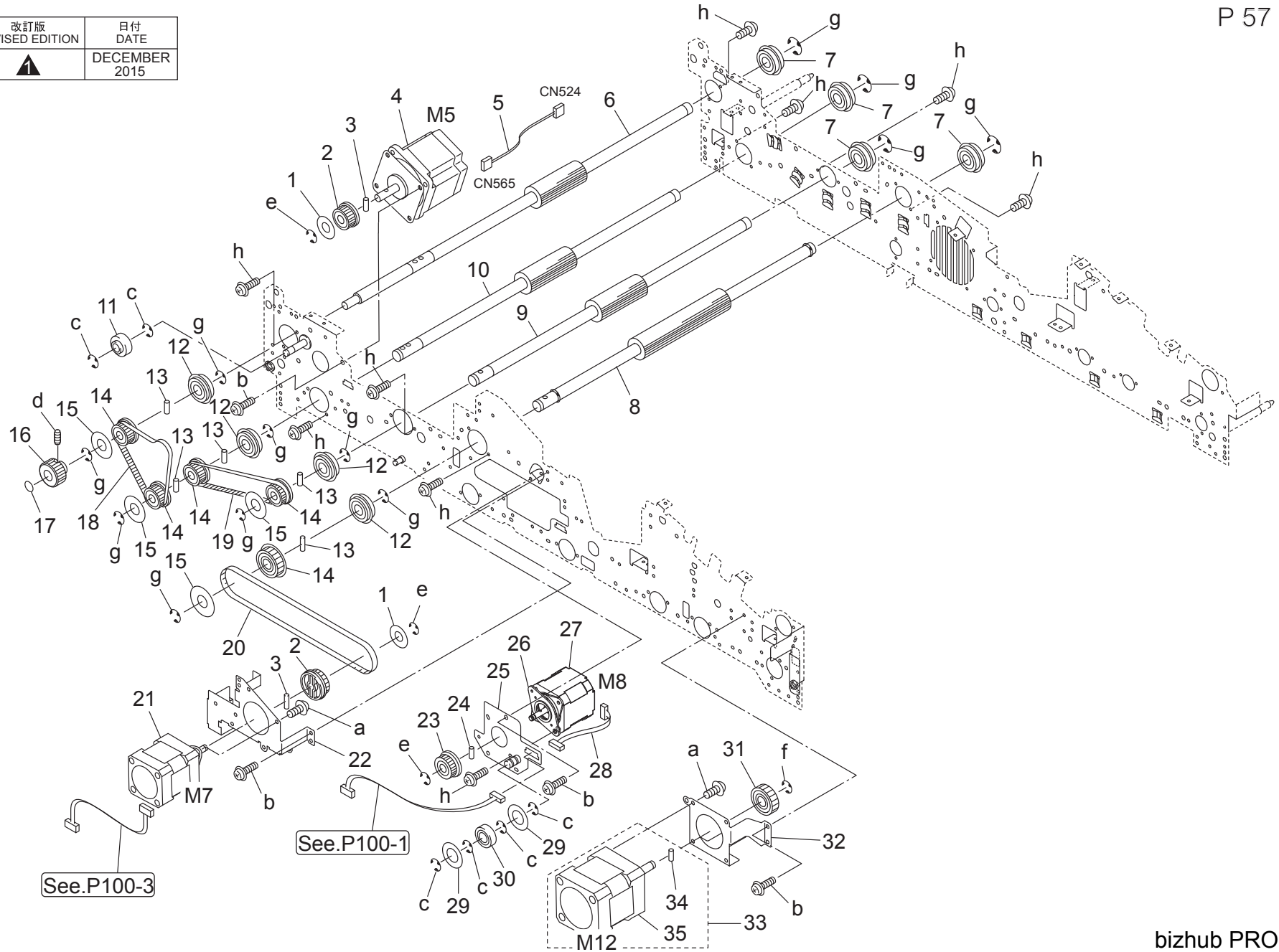


AUTO DUPLEX SECTION

Key	Part No.	Description	Destinations	Class	QTY	Standard parts
1	55VA47122	ADU FIXED PLATE 3	A D U 開閉板 3	C	1	a-V121031203
2	55VA45040	CONVEYANCE DRIVING ROLLER	搬送駆動ローラ	C	10	b-V121030603
3	55VA45020	Conveyance Driving Shaft	搬送駆動軸	D	1	c-V217040050
4	56AA17471	PIN B 3X12	ピン B 3 X 1 2	B	10	d-V121031403
5	55VA77710	CONVEYANCE DRIVING GEAR 13T	搬送駆動歯車 13 T	C	1	e-V217060050
6	A1RF820000	Ball Bearing	ボールベアリング	C	1	f-V151040803
7	318040550	RAIL FULCRUM SCREW	レール支点ネジ	D	1	g-V121040603
8	55VA45070	CONNECTING SPRING	連結バネ	C	1	
9	A00V240600	BALL BEARING	ボールベアリング	B	3	
10	55VA45130	CONVEYANCE PROTECT SHEET	搬送保護シート	C	2	
11	56UA45040	DUCT COVER PLATE	ダクトカバー板	C	2	
12	A0Y5716100	Mounting Plate /L	取付板 / L	D	1	
13	65AA53991	Fixing Paper Exit Lever	定着排紙レバー	C	1	
14	57GA97350	JAM LABEL 5	ジャムラベル 5	D	1	
15	55VA45120	CONVEYANCE MOUNT PLATE	搬送取り付け板	D	1	
16	55VA45090	CONVEYANCE BELT 2 352.3L	搬送ベルト 2 3 5 2 . 3 L	B	2	
17	55VA45060	CONVEYANCE BELT 352.3L	搬送ベルト 3 5 2 . 3 L	B	3	
18	56GA90650E	RELAY WIRING /3	センサ中継束線 / 3	D	1	
19	12AJ45850	STOPPER RUBBER	ストッパーゴム	C	2	
20	56AA85521	Conveyance Photo Sensor	搬送フォトセンサ	B	1	
21	55VA45030	Conveyance idler shaft	搬送従動軸	D	1	
22	55VA46440	SIDE PLATE OPEN CLOSE SPRING REAR	側面開閉バネ 奥	B	1	
23	55VA46741	SIDE OPEN LOSE PLATE	側面開閉板	C	1	
24	57GA97420	JAM LABEL C	ジャムラベル C	D	1	
25	55VA46721	SIDE GUIDE PLATE	側面案内板	D	1	
26	55VA46430	SIDE PLATE OPEN CLOSE SPRING FRONT	側面開閉バネ 前	B	1	
27	55VA46711	SIDE FIXED PLATE	側面固定板	D	1	
28	56GA76030	SLIDE SHAFT HOLDER	滑り軸受	C	2	
29	55VA47450	ADU DRIVEN SHAFT /S	A D U 従動軸 / S	D	1	
30	56GA47440	ADU DRIVEN ROLLER S	A D U 従動ローラ S	B	1	
31	25AA44180	CONVEYANCE PRESSURE SPRING	搬送圧着バネ	C	2	

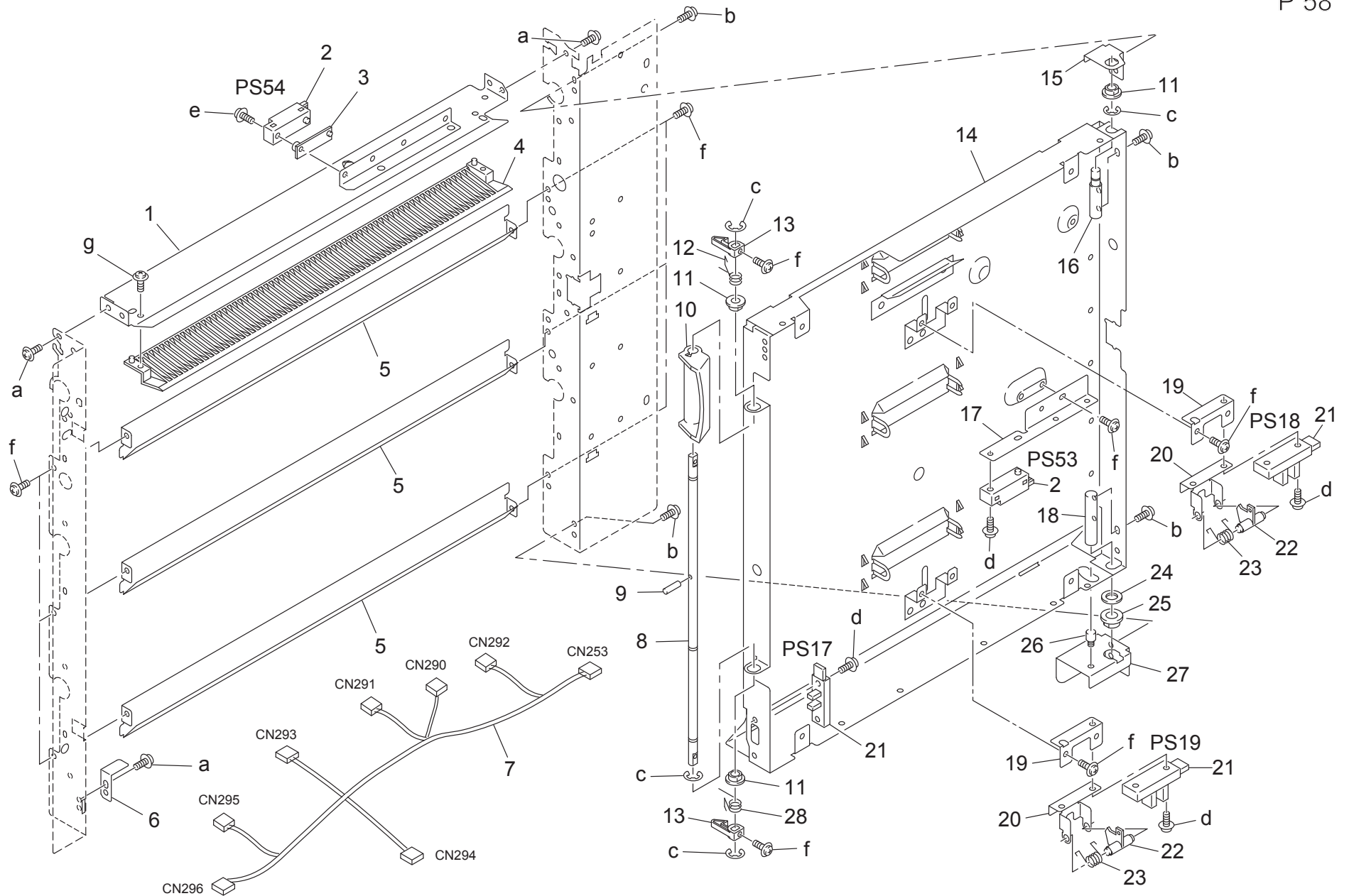
AUTO DUPLEX SECTION

改訂版 REVISED EDITION	日付 DATE
	DECEMBER 2015



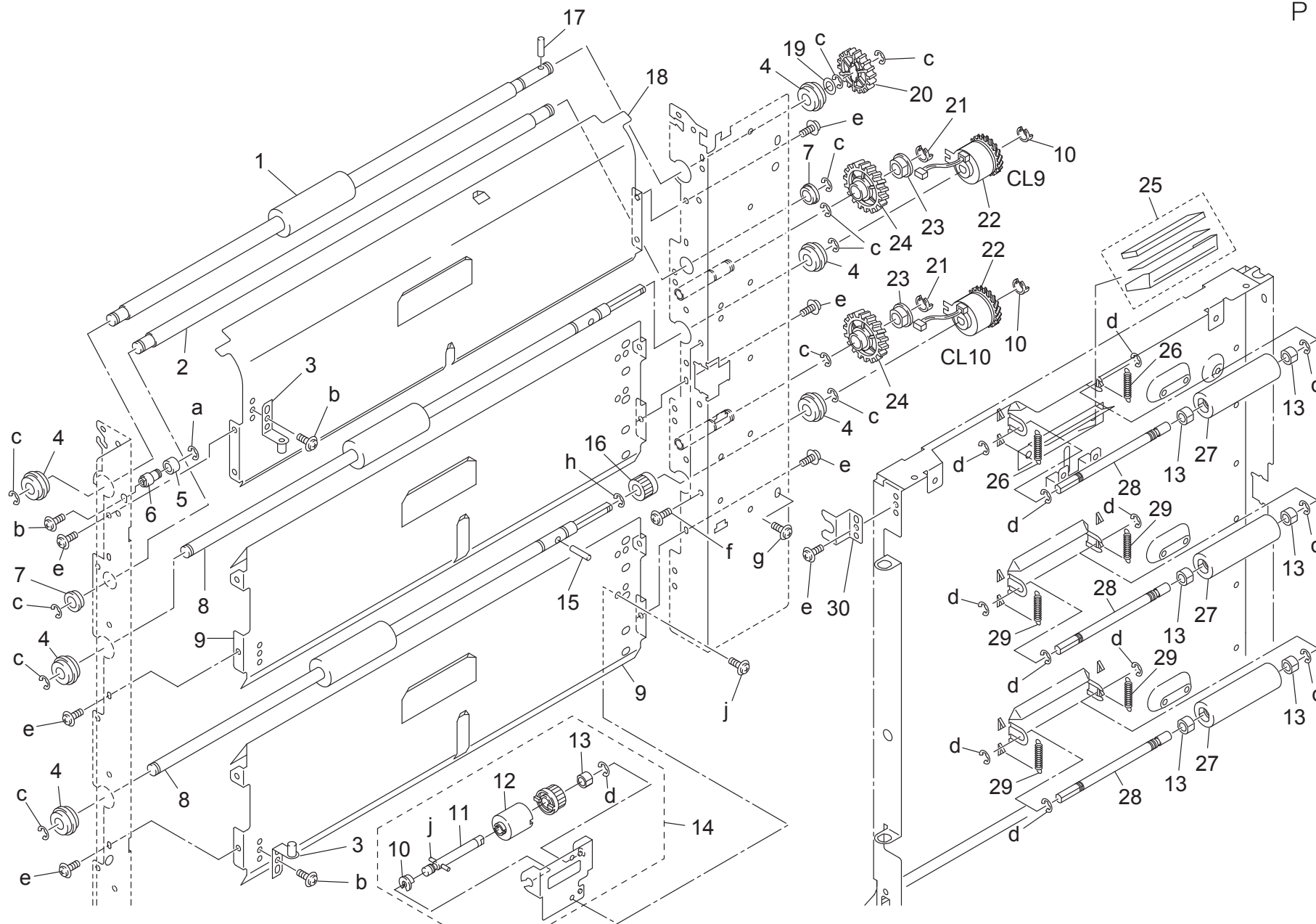
Key	Part No.	Description	Destinations	Class	QTY	Standard parts
1	56UA47980	Belt Holding Part /M		D	2	a-V118040803 b-V127030603 c-V217060050 d-V193040504 e-V217040050 f-V217040001 g-V217080050 h-V118030603
2	56UA76530	ADU DRIVE PULLEY 25T		C	2	
3	56AA17500	PIN		C	2	
4	56AA80112	Paper Exit Drive Motor		B	1	
5	56GA90890	PAPER EXIT RELAY WIRING 2		D	1	
6	57GA47400	Conveyance Roller /2		B	1	
7	500075010	BALL BEARING		B	4	
8	57GA47670	Conveyance Roller /5		B	1	
9	57GA47410	Conveyance Roller /4		B	1	
10	57GA47480	Conveyance Roller /3		B	1	
11	57GA47640	BELT TENSION ROLLER		C	1	
12	56UA75050	ADU Roller Bearing		C	4	
13	55VA48500	PARALLEL PIN D3X18		D	5	
14	55VA76521	ADU Conveying Pulley /2 25T		C	5	
15	55VA47830	Belt Hold Part		B	4	
16	57GA46250	REGISTRATION KNOB		C	1	
17	57GA97400	JAM LABEL A		D	1	
18	56UA78050	ADU CONVEYANCE BELT 1 240L		C	1	
19	55VA78040	ADU CONVEYANCE BELT 2 312L		C	1	
20	56UA78090	CONVEYANCE BELT/A 192L		B	1	
21	A03UM11100	HB Motor /50		B	1	
22	A0Y5811700	Mounting Plate /2		D	1	
23	57GA76560	ADU DRIVE PULLEY 1 22T		C	1	
24	56AA17531	PIN /A D2X10		C	1	
25	A0Y5811600	Mounting Plate /1		D	1	
26	A0Y5M90101	HB Damper /40		D	1	
27	A0Y5M10400	HB Motor /40		B	1	
28	A0Y5N18700	Drive Wiring /3		D	1	
29	55VA47840	Belt Hold Part /3		D	2	
30	08AA76060	Fixing Bearing /Lower		B	1	
31	56UA77570	Motor Gear/R 35T		B	1	
32	A0Y5813100	Mounting Plate /R		D	1	
33	56UA-3861	REGIST MOTOR		B	1	
34	65AA42860	BY PASS UP DOWN PIN		C	1	
35	65AA80112	HB Motor /50		B	1	

VERTICAL CONVEYANCE UNIT



Key	Part No.	Description	Destinations	Class	QTY	Standard parts
1	55VA44072	PAPER EXIT CONVEYANCE PLATE UPPER	出口搬送板 上	D	1	a-V121030603 b-V121040603 c-V217040050 d-V118031003 e-V118031603 f-V121030403 g-V151030803
2	56AA85521	Conveyance Photo Sensor	搬送フォト センサ	B	2	
3	12AJ40330	SWITCH SPACER	スイッチスペーサー	D	1	
4	55VA44080	LCT GUIDE PART	LCT 案内部材	D	1	
5	55VA44061	ENTRANCE GUIDE PLATE 1	入口ガイド板 1	D	3	
6	55VA44140	DETECTING PLATE	センサー検知板	C	1	
7	56GA90251E	CONVEYANCE WIRING	搬送 束線	D	1	
8	55VA44160	DOOR RELEASE SHAFT	ドア解除軸	D	1	
9	56AA17531	PIN /A D2X10	ピン/A D2X10	C	1	
10	A0Y5702100	Open/close Lever	開閉レバー	C	1	
11	466076020	PAPER FEED SHAFT HOLDER	給紙送り出し軸受	B	3	
12	55VA44230	LEVER LOCK SPRING UPPER	レバーロックバネ 上	C	1	
13	55VA44150	DOOR LOCK CLAW	ドアロック爪	C	2	
14	57GA44030	PAPER FEED CONVEYANCE DOOR	給紙搬送扉	D	1	
15	55VA44130	HINGE SUPPORT PLATE UPPER	ヒンジ支持板 上	D	1	
16	25AA44200	FULCRUM SHAFT UPPER	支点軸 上	D	1	
17	55VA44201	MOUNT PLATE	センサー取り付けプレート	D	1	
18	55VA44260	DOOR SUPPORT SHAFT /LOWER	ドア-支点軸/下	D	1	
19	25SA50280	MOUNTING PLATE C	センサー取付板 C	C	2	
20	56GA47490	FIXING PLATE C	センサー固定板 C	D	2	
21	56AA85511	Photo Sensor	フォト センサ	B	3	
22	56GA47820	PAPER DETECTING ACTUATOR B	紙検知アクチュエタ B	B	2	
23	56GA44270	PRESSURE SPRING A	センサー押圧バネ A	C	2	
24	318041440	COLLAR B	カラー B	C	1	
25	396076050	PAPER FEED SHAFT HOLDER	給紙軸受	B	1	
26	392010231	STOPPER PIN	ストッパーピン	C	1	
27	55VA44120	Hinge Support Plate /Lower	ヒンジ 支持板/下	D	1	
28	55VA44220	LEVER LOCK SPRING LOWER	レバーロックバネ 下	C	1	

VERTICAL CONVEYANCE UNIT



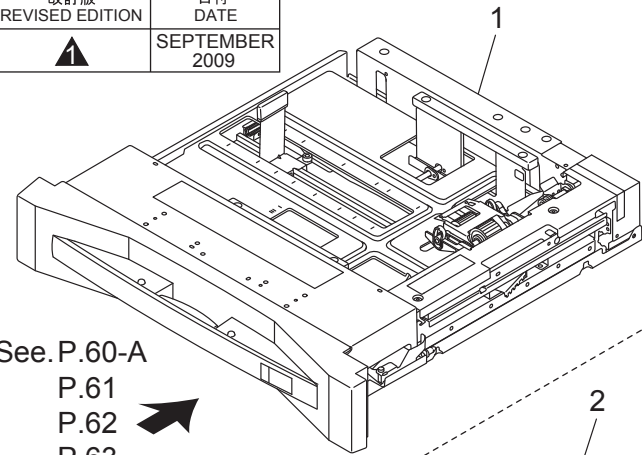
VERTICAL CONVEYANCE UNIT

Key	Part No.	Description	Destinations	Class	QTY	Standard parts
1	55VA44100	Paper Feed Conveyance Roller /Upper	紙搬送ローラ／上	B	1	a-V217030050
2	55VA44090	ENTRANCE GUIDE ROLLER	入口ガイドローラ	D	1	b-V121030603
3	55VAR75200	DOOR ROCK ASSY	ドアロック軸板	D	2	c-V217060050
4	A00V240600	BALL BEARING	ボールベアリング	B	6	d-V217040050
5	048046040	ROLLER	コロ	C	1	e-V121030403
6	55VA44190D	Door Lock Shaft	ドアロック軸	D	1	f-V121031803
7	A00J617900	Ball Bearing	ボールベアリング	B	2	g-V121040603
8	56GA44112	Paper Conveying Roller /Lower	紙搬送ローラ／下	B	2	h-V217050050
9	55VA44043	PAPER FEED CONVEYING PALTE L	給紙搬送板 下	D	2	j-V233201250
10	396040681	STOPPER RING	止め輪	B	3	
11	57GA44320	TORQUE FIXING SHAFT	トルク固定軸	D	1	
12	57GA44300	Torque Limiter	トルクリミッタ	B	1	
13	56GA76030	SLIDE SHAFT HOLDER	滑り軸受	C	7	
14	57GA-4980	TORQUE LIMITER ASSY	トルクリミッタ部組	C	1	
15	56AA17471	PIN B 3X12	ピン B 3 X 1 2	B	1	
16	57GA79440	TORQUE GEAR/2 17T	トルクギア／2 17 T	C	1	
17	56AA17480	PIN B	ピン B	C	1	
18	55VA44052	PAPER FEED CONVEYANCE PLATE UPPER	給紙搬送板 上	D	1	
19	190041420	POLYSLIDER 8	ポリスライダ 8	C	1	
20	55VA77190	MANUAL FEED DRIVING GEAR D 28T	手差し駆動歯車 D 28 T	B	1	
21	55VA42120	SHAFT STOPPER	軸ストッパー	C	2	
22	57GA82010	Clutch /1	クラッチ／1	B	2	
23	090075530	BUSHING	軸受	B	2	
24	56GA79400	PAPER FEED DRIVING GEAR F 32T	給紙駆動歯車 F 32 T	C	2	
25	57GAR71900	REGISTRATION CLEANER ASSY	レジスト 清掃部組 上	B	1	
26	56UA46480	REGIST PRESSING SPRING	レジスト 押圧バネ	C	2	
27	56GA47440	ADU DRIVEN ROLLER S	A D U 従動ローラ S	B	3	
28	55VA47450	ADU DRIVEN SHAFT /S	A D U 従動軸／S	D	3	
29	25AA44180	CONVEYANCE PRESSURE SPRING	搬送圧着バネ	C	4	
30	55VA44170	Door Positioning Plate	ドア位置決め板	D	1	


500 SHEET TRAY 1

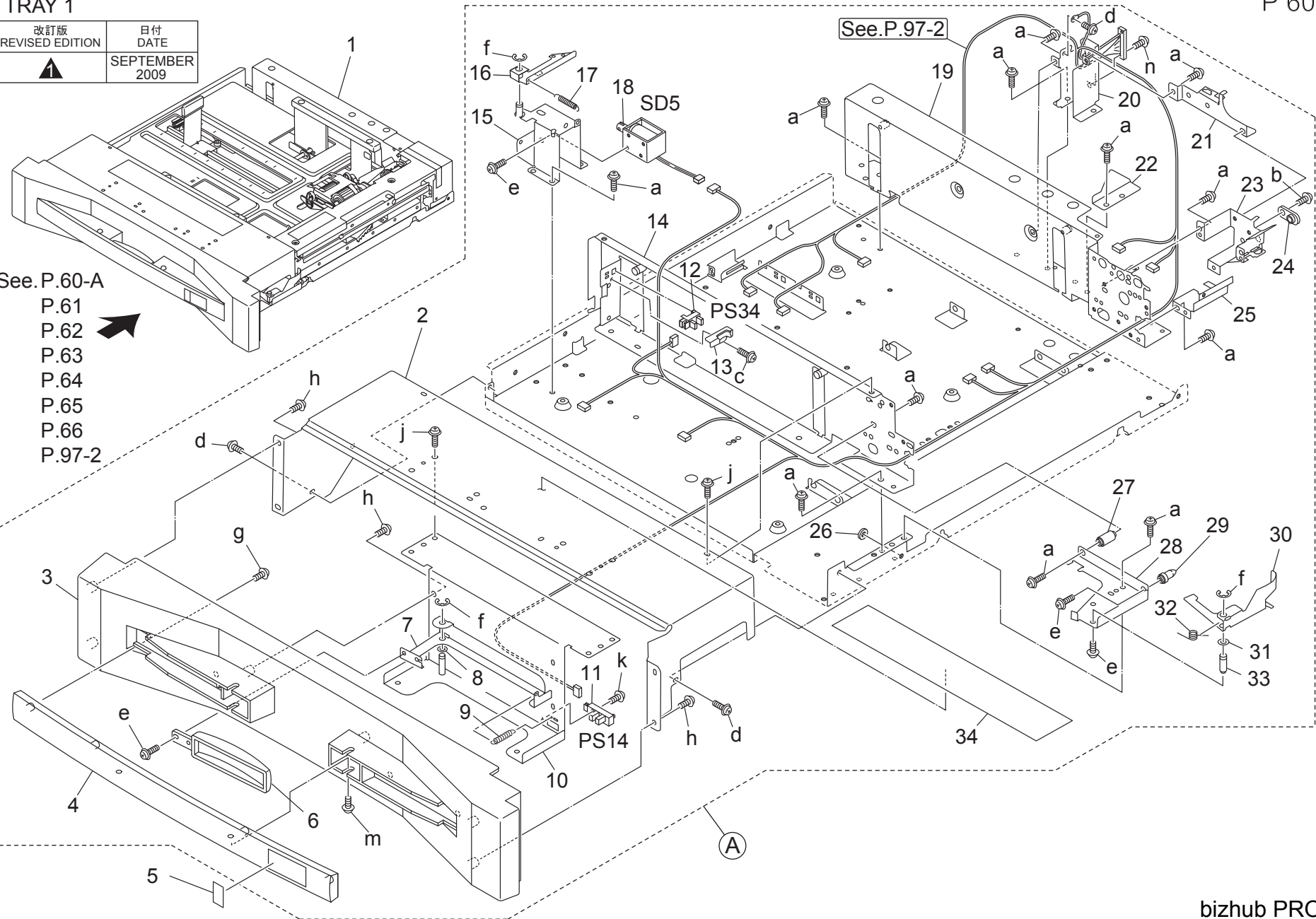
TRAY 1

改訂版 REVISED EDITION	日付 DATE
	SEPTEMBER 2009



See.P.60-A

- P.61
- P.62 
- P.63
- P.64
- P.65
- P.66
- P.97-2

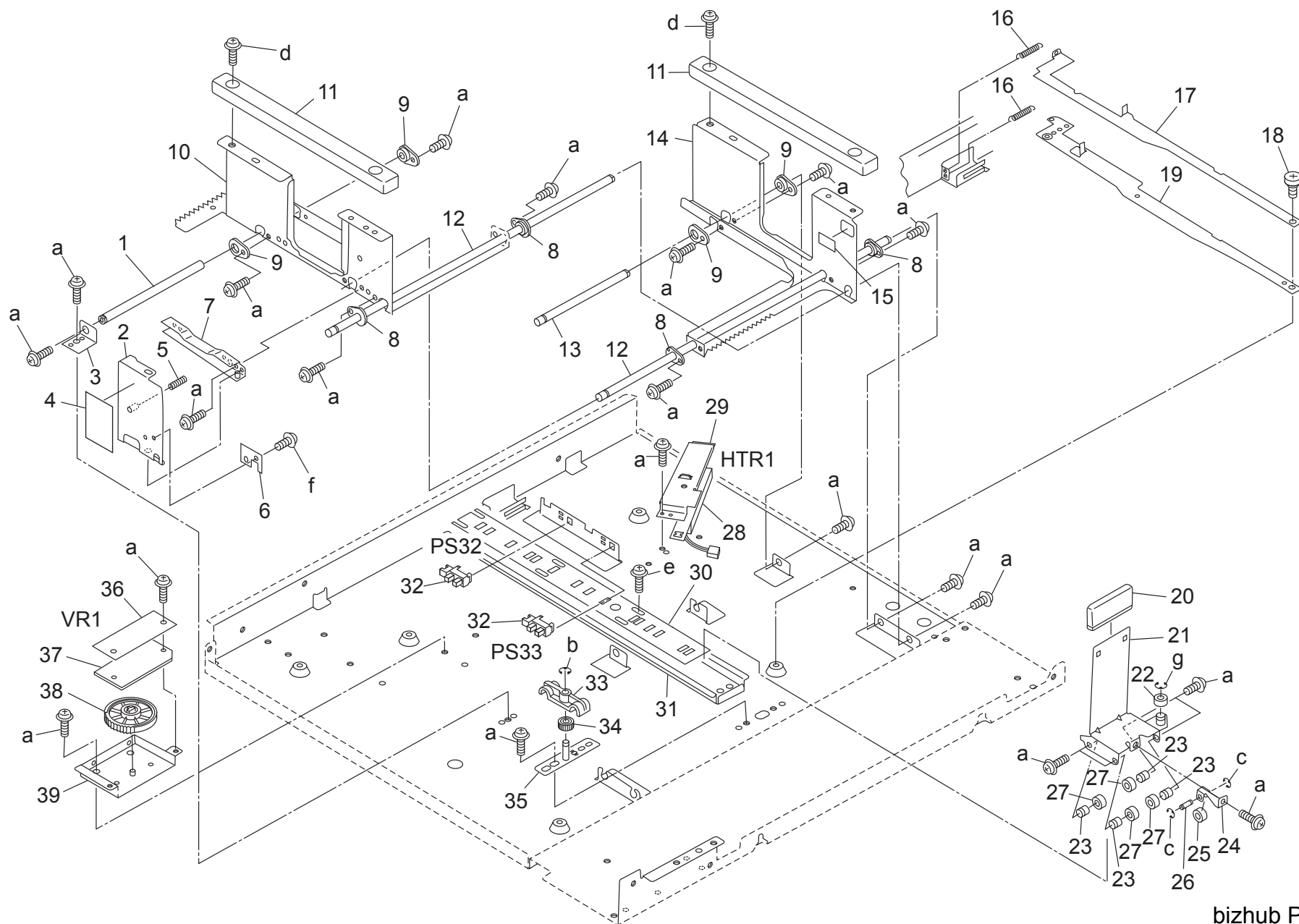


Key	Part No.	Description	Destinations	Class	QTY	Standard parts
1	A0Y5R72700	500SHEETS TRAY	500枚トレイ	S	1	a-V121040403
2	56HA12520	EXTERNAL AUXILIARY COVER U	外装補助カバー U	D	1	b-V121040603
3	A0Y5680100	Paper feed Cover /Upper	給紙カバー/上	C	1	c-V121030403
4	A0Y5685400	Paper feed Handle	給紙把手	C	1	d-V123040603
5	A0U0945401	Indicating Label /1	表示ラベル/1	C	1	e-V121030603
6	56UA12570	Lever Handle	レバー把手	C	1	f-V217040050
7	56UAR7A400	TRAY LEVER	トレイレバー	D	1	g-V151041003
8	13SU15110	SPACER A	スペーサー A	C	1	h-V151040803
9	56HA12980	LEVER SPRING	レバーバネ	C	1	j-V114040616
10	57GA-1440	LEVER MOUNTING PLATE ASSY	レバー取り付け板部組	D	1	k-V118031003
11	56AA85511	Photo Sensor	フォトセンサ	B	1	m-V121040803
12	08AA85512	Photo Sensor	フォトセンサ	B	1	n-V118030803
13	55VA42280	COVER	センサカバー	D	1	
14	55VA-4070	SIDE PLATE FRONT/5	側板前カシメ/5	D	1	
15	55VA-4470	SOLENOID MOUNT PLATE COMBINED	ソレノイド取り付け板カシメ	D	1	
16	55VA42410	TRAY LOCK PLATE	トレイロック板	D	1	
17	25AA41322	SPRING A	バネ A	D	1	
18	55VAR77000	Connecting Solenoid	連結ソレノイド	B	1	
19	55VA-4060	SIDE PLATE REAR/5	側板奥カシメ/5	D	1	
20	55VA42031	WIRING MOUNT PLATE	束線取り付け板	D	1	
21	55VA40100	WIRING GUIDE PLATE	束線ガイド板	D	1	
22	55VA42070	MAIN LOCK PLATE A	本体ロック板 A	D	1	
23	55VA42021	POSITIONING PLATE REAR	位置決め板 奥	D	1	
24	173030270	PIN HOLDER A	ピン受 A	C	1	
25	55VA42271	WIRING COVER	束線カバー	D	1	
26	55VA12470	SCREW PROTECT CUSHION	ネジ保護クッション	D	1	
27	55VA42311	SUPPORT SHAFT /A	支持軸/A	D	1	
28	55VA42300	POSITIONING PLATE FRONT	位置決め板 前	D	1	
29	55VA40730D	Positioning Pin	位置決めピン	D	1	
30	55VA40670	GUIDE LEVER	ガイドレバー	C	1	
31	25AA41510	SPACER	スペーサー	D	1	
32	55VA42240	LEVER SPRING 1	レバーバネ 1	B	1	
33	55VA40720	FULCRUM SHAFT	支点軸	D	1	
34	A0Y5948100	Supply Label /1	補給ラベル/1	C	1	

500 SHEET TRAY 1

TRAY 1

P 61

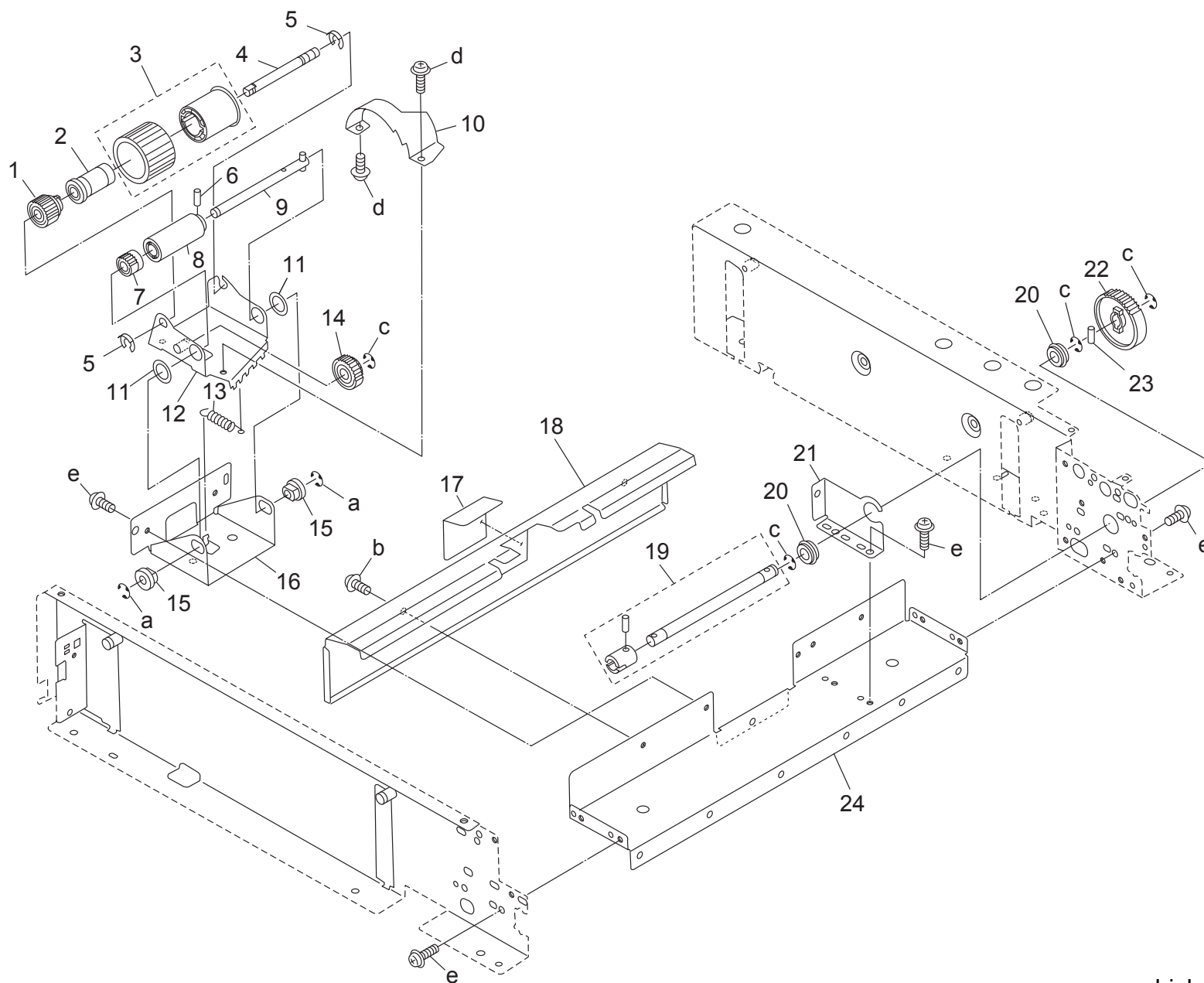


Key	Part No.	Description	Destinations	Class	QTY	Standard parts
1	55VA40780	GUIDE SHAFT /S		D	1	a-V121030403
2	55VA-4341	ROCK PLATE		D	1	b-V217040050
3	55VA40820	SHAFT HOLDER PLATE		D	1	c-V217030050
4	57GA97450	TONER SUPPLY LABEL		D	1	d-V114040616
5	25AA47551	LIFT UP SPRING REAR		C	1	e-V121040603
6	A0Y5601000	Lock Claw		D	1	f-V127030516
7	56GA-4710	ROCK PLATE FULCRUM		D	1	g-V217060050
8	129X48350	GUIDE SHAFT HOLDER A		C	4	
9	129X48360	GUIDE SHAFT HOLDER B		C	4	
10	56GA-4300	PAPER GUIDE/FRONT5		D	1	
11	A0Y5601300	Guide Handle		C	2	
12	55VA40760	GUIDE SHAFT X		D	2	
13	55VA40770	GUIDE SHAFT /M		D	1	
14	56GA40480E	Paper Guide Side plate /Rear		D	1	
15	57GA97240	TRAY REGULATING LABEL		D	1	
16	40AA47160	PAPER DETECTING SPRING		C	2	
17	55VA40540	DETECTING CAM UPPER		C	1	
18	318061230	REFLECTOR PLATE STOPPER SCREW		C	1	
19	55VAR73300	DETECTING CAM LOWER		C	1	
20	56UA40680	LEVER COVER		C	1	
21	55VAR74700	PAPER GUIDE LEFT5		D	1	
22	25AA40570	PRESSURE ROLLER		C	1	
23	55VA42330D	GUIDE SHAFT /E		D	4	
24	55VA40910	PRESSURE PLATE A		D	1	
25	460045320	SPACER		C	1	
26	55VA40920D	Support Shaft		D	1	
27	55VA42340	Guide Roller		C	4	
28	56AAR73000	HEATER MOUNTING PLATE ASSY		B	1	
29	56GA42261	HEATER COVER		D	1	
30	55VA40740	GUIDE STOPPER		C	1	
31	55VA40750	GUIDE RAIL		D	1	
32	08AA85512	Photo Sensor		B	2	
33	55VA40810	SHAFT POSITIONING PART		C	1	
34	55VA79150	CASSETTE PINION 14T		C	1	
35	55VAR73500	ADJUSTING PLATE		D	1	
36	56GA40960	BOARD PROTECT SHEET		D	1	
37	13QA-9012E	SIZEDETECT BOAD ASSY		B	1	
38	55VA79120	PINION 44T		C	1	
39	56GA-4280	BASE PLATE MOUNTING PLATE		D	1	

500 SHEET TRAY 1

TRAY 1

P 62

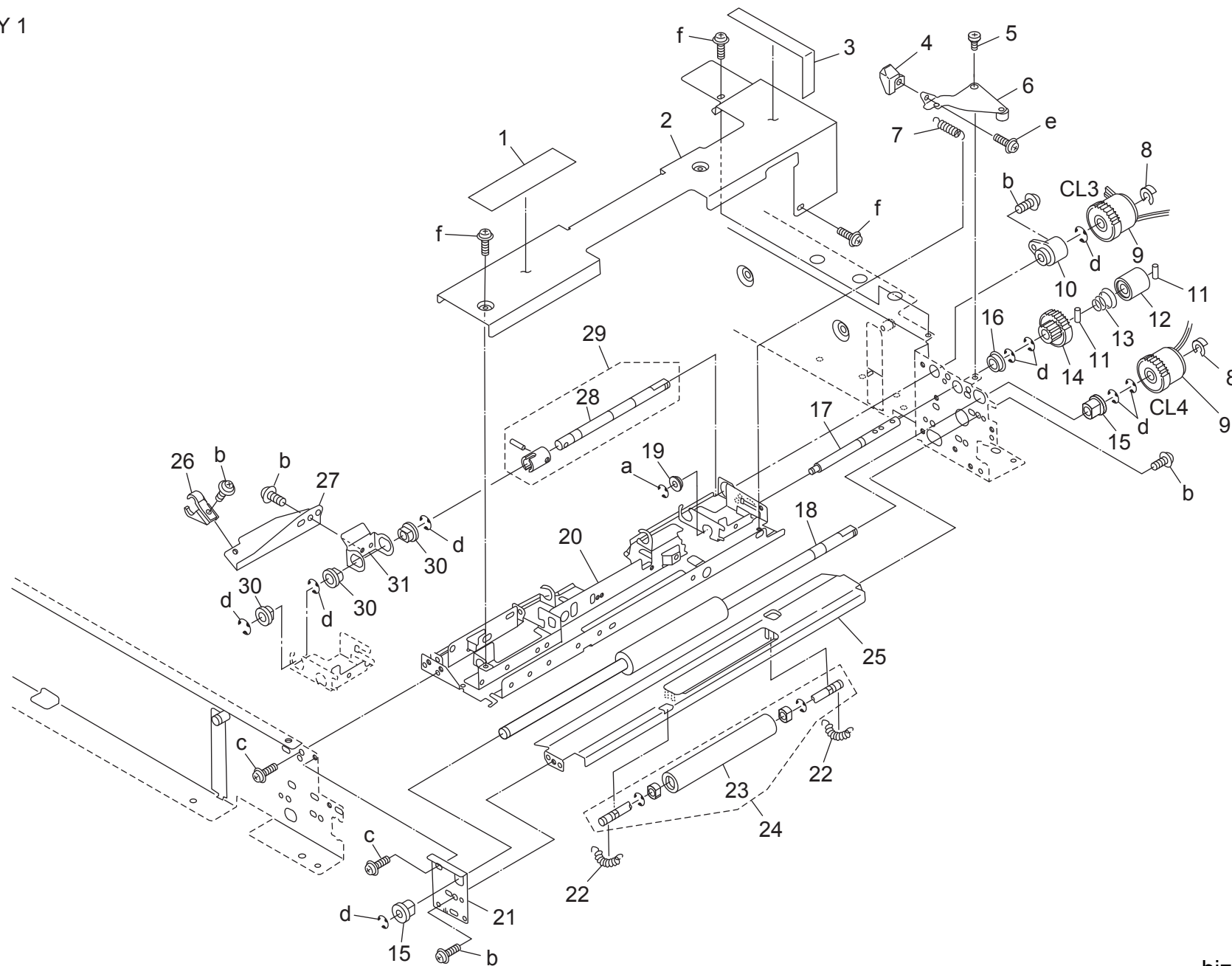


Key	Part No.	Description	Destinations	Class	QTY	Standard parts
1	55VA79020	PAPER FEED REVERSAL GEAR B 14T	給紙逆転歯車 B 14 T	B	1	a-V217040050 b-V114040616 c-V217060050 d-V123030603 e-V121040403
2	50BA40220	REVERSE ROLLER	逆転ローラ	C	1	
3	55VAR74500	FEEDING ROLLER ASSY B5	送り出しローラ部組 B 5	A	1	
4	55VA40300	REVERSING SHAFT	逆転軸	C	1	
5	396040681	STOPPER RING	止め輪	B	2	
6	56AA17310	PIN	ピン	C	1	
7	55VA79030	Paper Feed Reversal Gear /C 14T	給紙逆転歯車 / C 14 T	B	1	
8	A03X565611	Torque Limiter /A	トルクリミッタ / A	B	1	
9	55VAR73900	DRIVING SHAFT	トルク駆動軸	D	1	
10	55VA42250	PAPER FEED DRIVING COVER 2	給紙駆動カバー 2	C	1	
11	25AA40120	SPACER	スペーサー	C	2	
12	55VA-4360	SEPARATING FLAME/5	サバキ部フレームカシメ /5	D	1	
13	55VA40310	REVERSING SPRING B	逆転バネ B	B	1	
14	55VA79040	Idling Gear /A 30T	アイドル歯車 / A 30 T	C	1	
15	A0Y5601600	Bushing/6	すべり軸受 /6	C	2	
16	55VA40191	PAPER FEED HOLDER PLATE LOWER	給紙ホルダー板 下	D	1	
17	55VA40411	ENTRANCE GUIDE SHEET	入口ガイドシート	D	1	
18	55VA40062	PAPER PRESSURE PLATE	紙突き当て板	D	1	
19	55VAR73800	REVERSING SHAFT	給紙逆転軸	D	1	
20	A00V240600	BALL BEARING	ボールベアリング	B	2	
21	55VA42061	SHAFT SUPPORT PLATE	軸支持板	D	1	
22	55VA79010	PAPER FEED REVERSAL GEAR A 60T	給紙逆転歯車 A 60 T	B	1	
23	56AA17480	PIN B	ピン B	C	1	
24	55VA40071	PAPER FEED STAY	給紙 ステア	D	1	

500 SHEET TRAY 1

TRAY 1

P 63

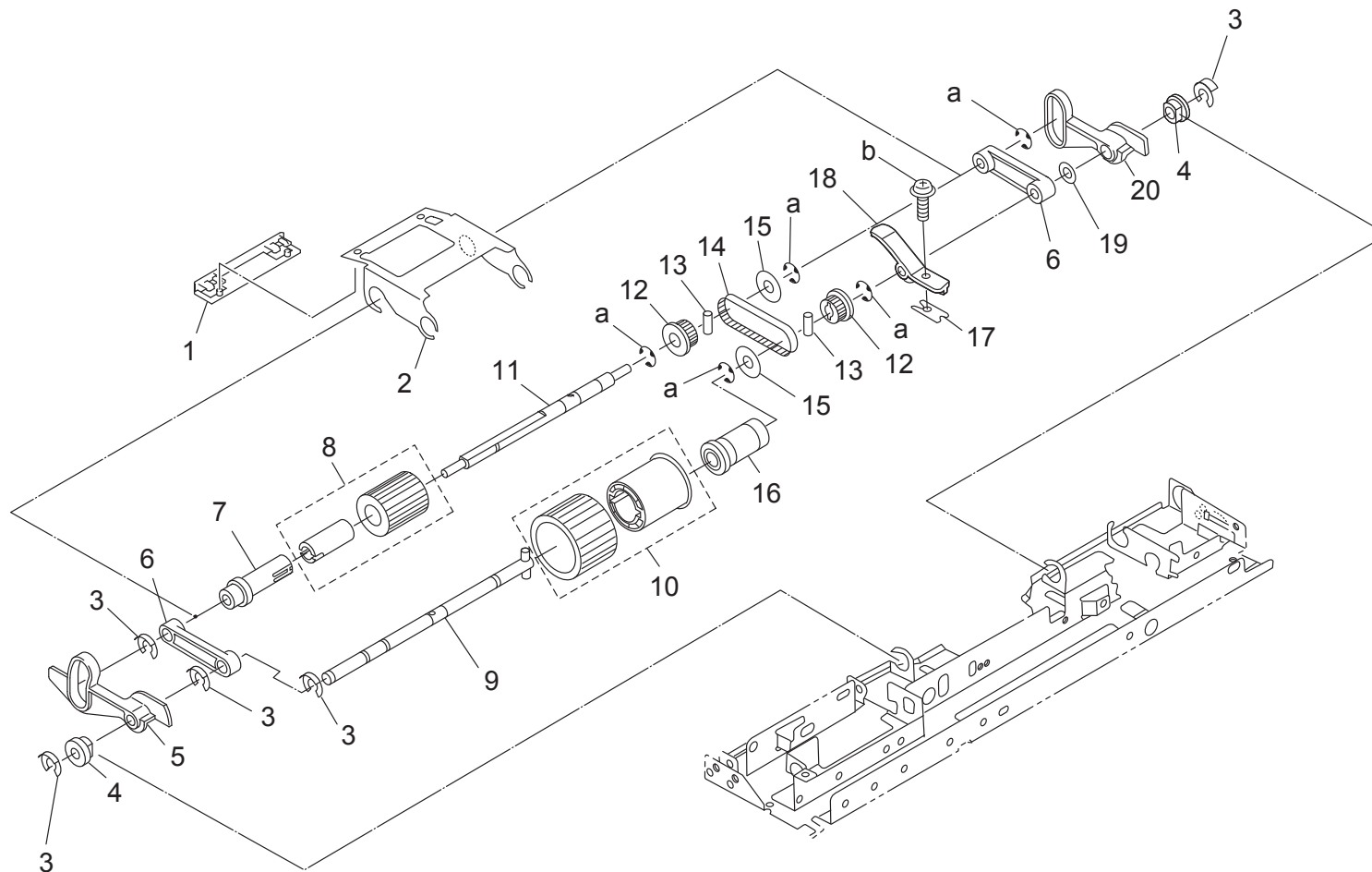


Key	Part No.	Description	Destinations	Class	QTY	Standard parts
1	A0Y5948200	Supply Label /2		C	1	a-V217040050
2	55VA12541	FEEDING COVER	補給ラベル／2	C	1	b-V121030403
3	57GA97260	TRAY TAKING OUT LABEL	送り出しカバー	D	1	c-V121040403
4	55VA42351	LEVER SUPPORT PART	トレイ取り出し方ラベル	D	1	d-V217060050
5	55VA42420	Lever Support Screw	レバー補助部材	C	1	e-V151040603
6	55VAR74300	LOCKING LEVER ASSY	レバー支点ネジ	C	1	f-V118030603
7	25AA40460	LOCK SPRING 2	ロックレバー部組	C	1	
8	55VA42120	SHAFT STOPPER	ロックバネ 2	C	1	
9	57GA82010	Clutch /1	軸ストッパー	C	2	
10	56UA75030	Lock Bushing /A	クラッチ／1	B	2	
11	56AA17480	PIN B	ロック軸受／A	C	1	
12	55VA15541	CLEANER COUPLING PART	ピン B	C	2	
13	56AA17090	PRESSURE SPRING	クリーナーカップリング部材	C	1	
14	56GA79060	PAPER FEED DRIVING GEAR A 25T 25T	押圧バネ	C	1	
15	55VA75540	PAPER FEED SHAFT HOLDER B	給紙駆動歯車 A 25 T 25 T	C	1	
16	A00J617900	Ball Bearing	給紙軸受 B	B	2	
17	55VA40330	Paper Feed Input Shaft	ボールベアリング	B	1	
18	55VA40160	Paper Conveyance Roller	給紙入力軸	D	1	
19	12BF43480	By Pass Roller Bearing	紙搬送ローラ	B	1	
20	55VA40042	PAPER FEED GUIDE PLATE /UPPER	手差し 転がり 軸受	C	1	
21	55VA42050	ADJUSTING PLATE	給紙ガイド板／上	C	1	
22	55VA46490	Registration Pressure Spring	調整板	D	1	
23	56GA40171	CONVEYANCE DRIVEN ROLLER	レジスト 押圧バネ	B	2	
24	56GAR70900	DRIVEN ROLLER	搬送従動ローラー	C	1	
25	55VA40051	PAPER FEED GUIDE PLATE LOWER	従動ローラ	C	1	
26	25AA40742	CONNECTING PART A	給紙ガイド板 下	D	1	
27	55VA42291	ENTRANCE GUIDE PLATE A	連結部材 A	B	1	
28	55VA40321D	Paper feed Drive Shaft	入口ガイド板 A	D	1	
29	55VAR73600	PAPER FEED DRIVING SHAFT 5	給紙駆動軸	D	1	
30	090075530	BUSHING	給紙駆動軸 5	D	1	
31	55VA40370	ENTRANCE GUIDE PLATE REAR	軸受	B	3	
			入口ガイド板 奥	D	1	

500 SHEET TRAY 1

TRAY 1

P 64

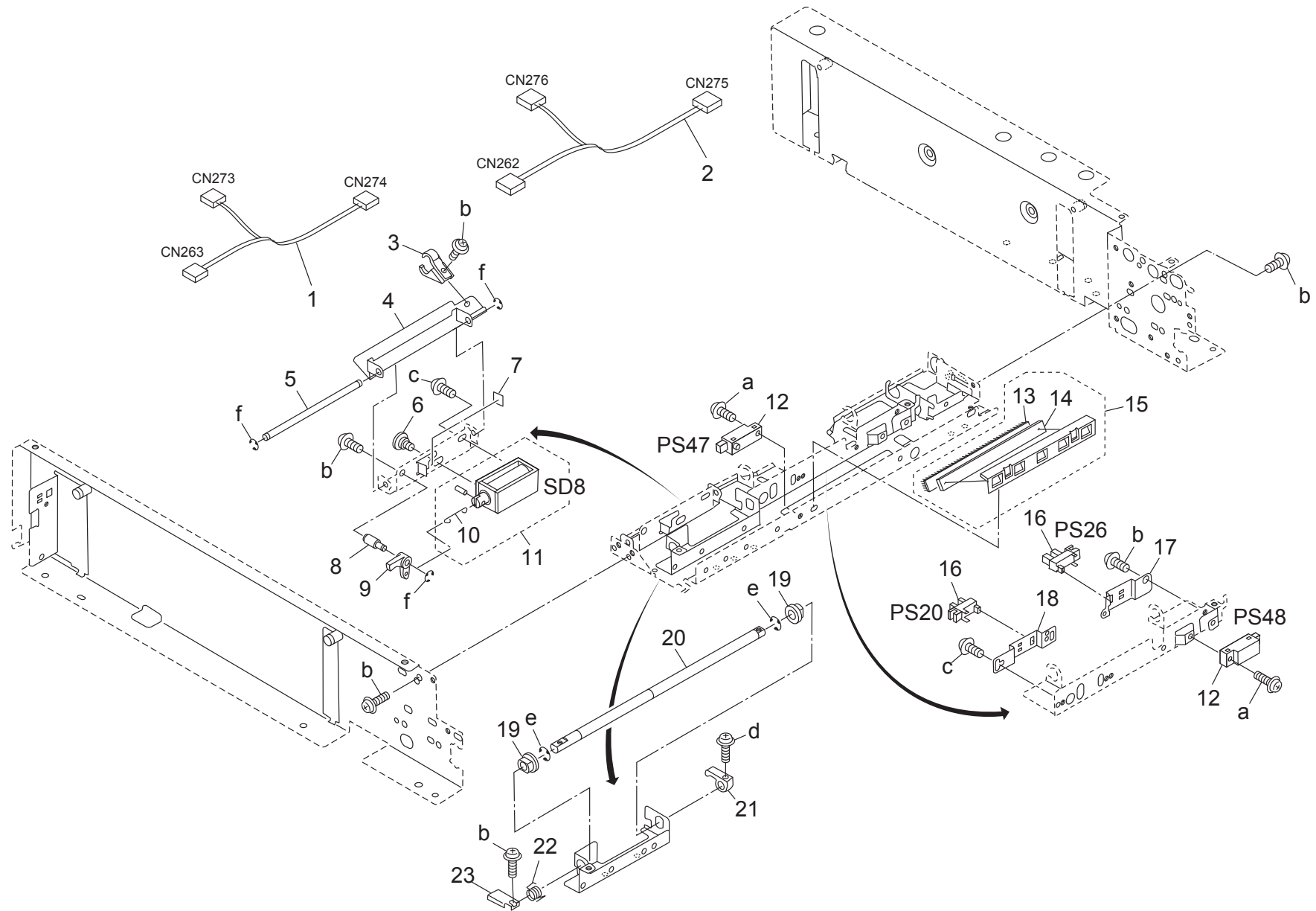


Key	Part No.	Description	Destinations	Class	QTY	Standard parts
1	56UA40690	Side Protection Cover /B		D	1	a-V217040050 b-V118030403
2	56GA40202E	Paper feed Holding Plate /C		D	1	
3	396040681	STOPPER RING		B	5	
4	131075510	OIL LESS METAL A		C	2	
5	55VA40340E	Paper feed Base Actuator/U 500		C	1	
6	55VA40260	Paper Feeding Shaft Holder		C	2	
7	55VA40130	Feeding Roller /A		C	1	
8	55VAR74600	FEEDING ROLLER ASSY A5		A	1	
9	55VAR74000	FEEDING SHAFT B		C	1	
10	55VAR74500	FEEDING ROLLER ASSY B5		A	1	
11	55VA40240	Paper Feed Shaft		D	1	
12	059076510	PULLEY 1 15T		C	2	
13	56AA17510	PIN B		C	2	
14	25SA77561	PAPER FEED DRIVE BELT 126L		A	1	
15	56AA17760	COLLAR		C	2	
16	56UA40600	Multi-Feed Feeding Roller		C	1	
17	55VA40991	LEVER AUXILIARY PLATE		C	1	
18	55VA40230	PAPER FEED LIFT UP LEVER		C	1	
19	13QA17730	COLLAR 6		C	1	
20	A0Y5600600	Level Actuator /12		C	1	

500 SHEET TRAY 1

TRAY 1

P 65



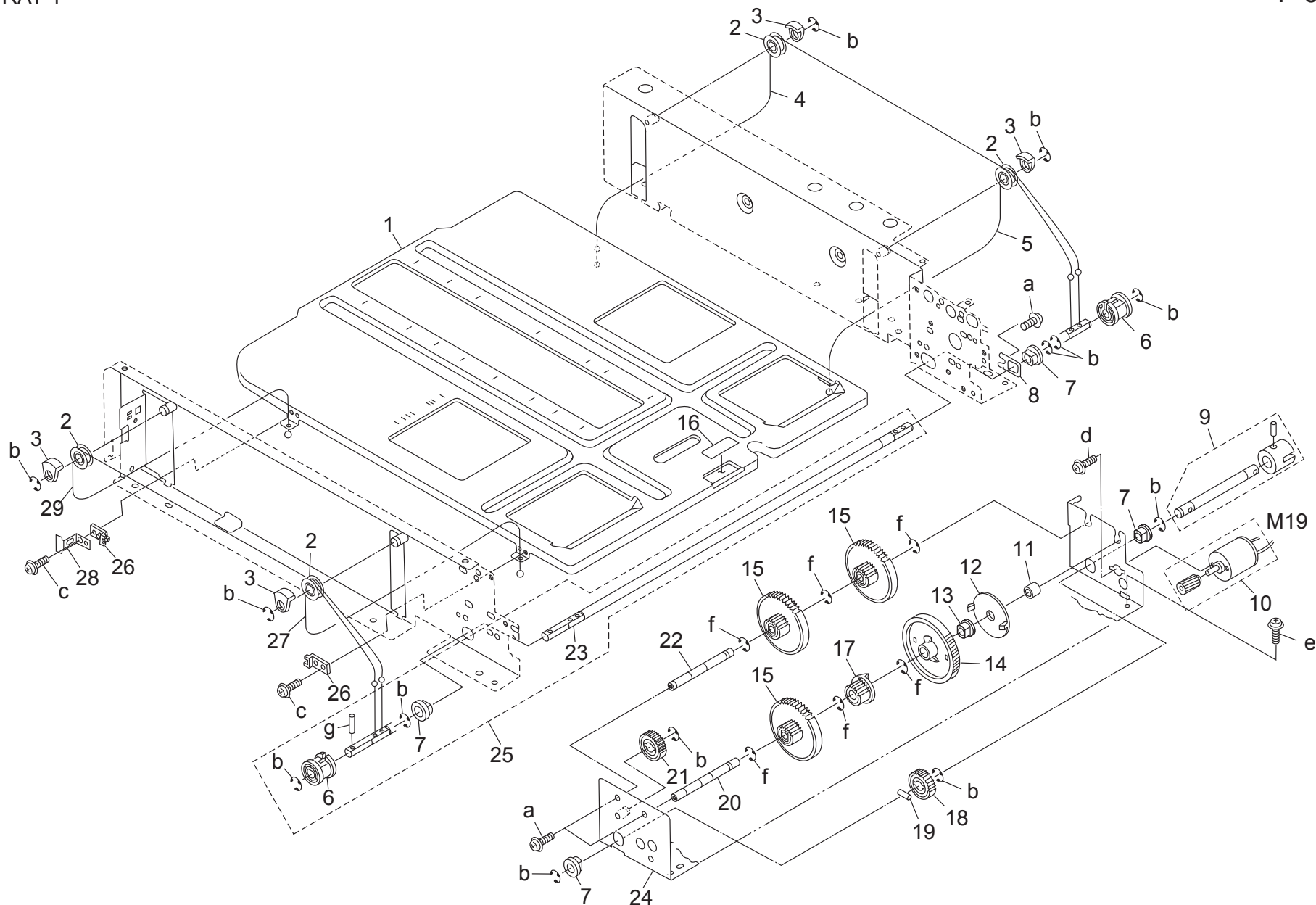
Key	Part No.	Description	Destinations	Class	QTY	Standard parts
1	56GA90350	PAPER FEED CONTROL WIRING FRONT		D	1	a-V118031003
2	56GA90360	PAPER FEED CONTROL WIRING REAR		D	1	b-V121030403
3	25AA40742	CONNECTING PART A		B	1	c-V123030603
4	55VA40361	ENTRANCE GUIDE PLATE FRONT		D	1	d-V121030603
5	55VA40380	SUPPORT SHAFT A		D	1	e-V217040050
6	55VA42220	POSITIONING SCREW		C	1	f-V217030050
7	55VA42111	SOLENOID STOPPER SHEET		C	1	
8	55VA40460	FULCRUM SHAFT C		D	1	
9	25AA40870	SWITCH LEVER 1		C	1	
10	25AA40900	LEVER HOLDING SPRING /1		D	1	
11	55VAR74400	PICK UP SOLENOID		C	1	
12	56AA85521	Conveyance Photo Sensor		B	2	
13	55VA42140	CLEANING BRUSH		D	1	
14	55VA42152	AUXILIARY PLATE		D	1	
15	55VAR74200	PAPER FEED CLEANER		C	1	
16	08AA85512	Photo Sensor		B	2	
17	55VA40400	MOUNT PLATE O		D	1	
18	55VA40390	MOUNT PLATE A		D	1	
19	466076020	PAPER FEED SHAFT HOLDER		B	2	
20	55VA40430	SUPPORT SHAFT /B		D	1	
21	55VA40440	PRESSURE PLATE B		C	1	
22	55VA40420	LEVER SPRING		B	1	
23	55VA40450	PRESSURE PLATE C		C	1	



500 SHEET TRAY 1

TRAY 1

P 66



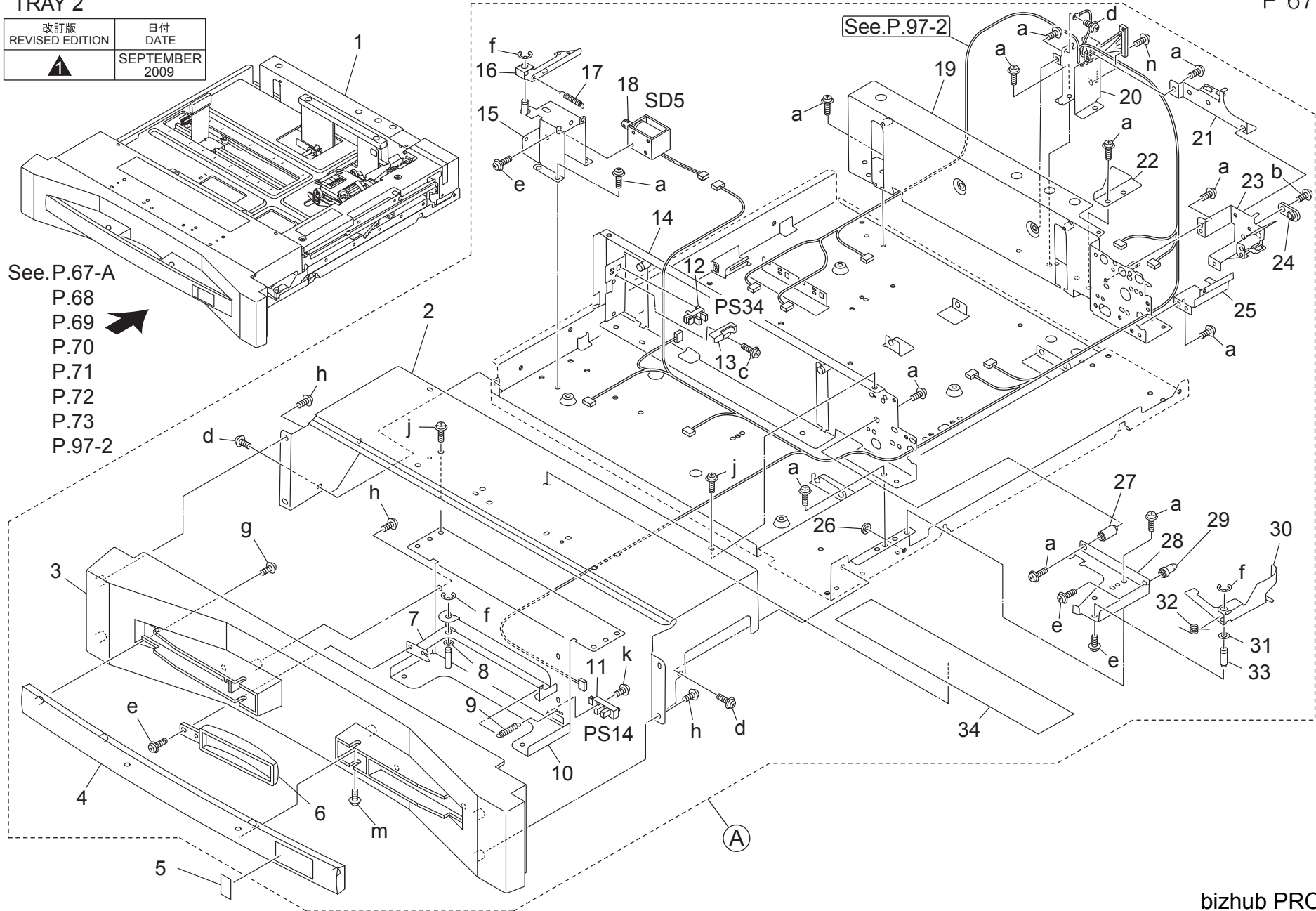
Key	Part No.	Description	Destinations	Class	QTY	Standard parts
1	55VA40472F	Paper feed Up/down Plate		C	1	a-V121030403
2	25AA42570	Wire Pulley		C	4	b-V217060050
3	55VA40610	WIRE HOLDER A		C	4	c-V121030603
4	55VA40590	UP DOWN WIRE D		C	1	d-V111260403
5	55VA40580	UP DOWN WIRE C		C	1	e-V121040403
6	55VA40600	Driving Up /Down Pulley		B	2	f-V217040050
7	090075530	BUSHING		B	4	g-V233301650
8	55VA40630	WIRE ADJUSTING PLATE		C	1	
9	55VAR73700	CONNEVTING SHAFT ASSY		C	1	
10	A0Y5R72200	MOTER ASSY		C	1	
11	048046040	ROLLER		C	1	
12	55VA40970	SHAFT HOLDING PART		C	1	
13	40BA75520	PAPER EXIT SHAFT HOLDER		C	1	
14	55VA79090	DRIVE CONNECTING GEAR A 111T		B	1	
15	55VAR73400	DRIVING GEAR A		B	3	
16	55VA40930	DOUBLE FEED PREVENTIVE PLATE		C	1	
17	25AAR70200	CONTROL GEAR B		C	1	
18	25AA77470	TONER SUPPLY DRIVING GEAR 25T		C	1	
19	56AA17520	PIN A D3X10		C	1	
20	55VA40701	IDLER SHAFT C		D	1	
21	25SA77130	PAPER EXIT IDLER GEAR B 24T		C	1	
22	55VA40691	IDLER SHAFT B		D	1	
23	55VA40641	Up/Down Shaft		D	1	
24	55VA-4210	UP/DOWN BASE PLATE		D	1	
25	55VAR74100	UP DOWN SHAFT		D	1	
26	55VA40830	SLIDE PART A		C	2	
27	55VA40560	UP DOWN WIRE A		C	1	
28	55VA40551	DETECTING LEVER		D	1	
29	55VA40570	UP DOWN WIRE B		C	1	

500 SHEET TRAY 2

TRAY 2

改訂版 REVISED EDITION	日付 DATE
	SEPTEMBER 2009

P 67



See.P.67-A

P.68

P.69

P.70

P.71

P.72

P.73

P.97-2

See.P.97-2

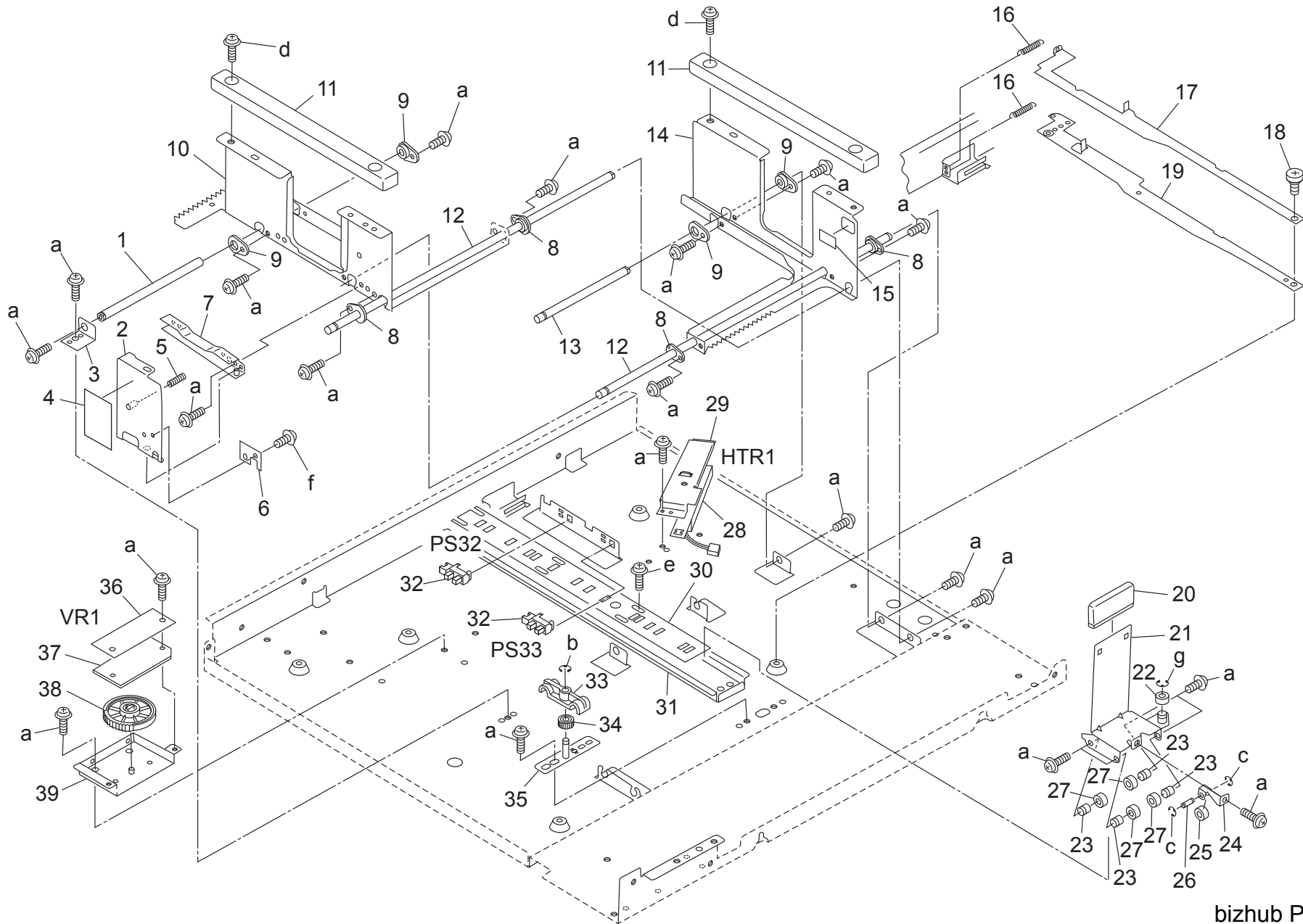
A

Key	Part No.	Description	Destinations	Class	QTY	Standard parts
1	A0Y5R72700	500SHEETS TRAY	500枚トレイ	S	1	a-V121040403
2	56HA12520	EXTERNAL AUXILIARY COVER U	外装補助カバー U	D	1	b-V121040603
3	A0Y5680100	Paper feed Cover /Upper	給紙カバー/上	C	1	c-V121030403
4	A0Y5685400	Paper feed Handle	給紙把手	C	1	d-V123040603
5	A0U0945501	Indicating Label /2	表示ラベル/2	C	1	e-V121030603
6	56UA12570	Lever Handle	レバー把手	C	1	f-V217040050
7	56UAR7A400	TRAY LEVER	トレイレバー	D	1	g-V151041003
8	13SU15110	SPACER A	スペーサー A	C	1	h-V151040803
9	56HA12980	LEVER SPRING	レバーバネ	C	1	j-V114040616
10	57GA-1440	LEVER MOUNTING PLATE ASSY	レバー取り付け板部組	D	1	k-V118031003
11	56AA85511	Photo Sensor	フォトセンサ	B	1	m-V121040803
12	08AA85512	Photo Sensor	フォトセンサ	B	1	n-V118030803
13	55VA42280	COVER	センサカバー	D	1	
14	55VA-4070	SIDE PLATE FRONT/5	側板前カシメ/5	D	1	
15	55VA-4470	SOLENOID MOUNT PLATE COMBINED	ソレノイド取り付け板カシメ	D	1	
16	55VA42410	TRAY LOCK PLATE	トレイロック板	D	1	
17	25AA41322	SPRING A	バネ A	D	1	
18	55VAR77000	Connecting Solenoid	連結ソレノイド	B	1	
19	55VA-4060	SIDE PLATE REAR/5	側板奥カシメ/5	D	1	
20	55VA42031	WIRING MOUNT PLATE	束線取り付け板	D	1	
21	55VA40100	WIRING GUIDE PLATE	束線ガイド板	D	1	
22	55VA42070	MAIN LOCK PLATE A	本体ロック板 A	D	1	
23	55VA42021	POSITIONING PLATE REAR	位置決め板 奥	D	1	
24	173030270	PIN HOLDER A	ピン受 A	C	1	
25	55VA42271	WIRING COVER	束線カバー	D	1	
26	55VA12470	SCREW PROTECT CUSHION	ネジ保護クッション	D	1	
27	55VA42311	SUPPORT SHAFT /A	支持軸/A	D	1	
28	55VA42300	POSITIONING PLATE FRONT	位置決め板 前	D	1	
29	55VA40730D	Positioning Pin	位置決めピン	D	1	
30	55VA40670	GUIDE LEVER	ガイドレバー	C	1	
31	25AA41510	SPACER	スペーサー	D	1	
32	55VA42240	LEVER SPRING 1	レバーバネ 1	B	1	
33	55VA40720	FULCRUM SHAFT	支点軸	D	1	
34	A0Y5948100	Supply Label /1	補給ラベル/1	C	1	

500 SHEET TRAY 2

TRAY 2

P 68

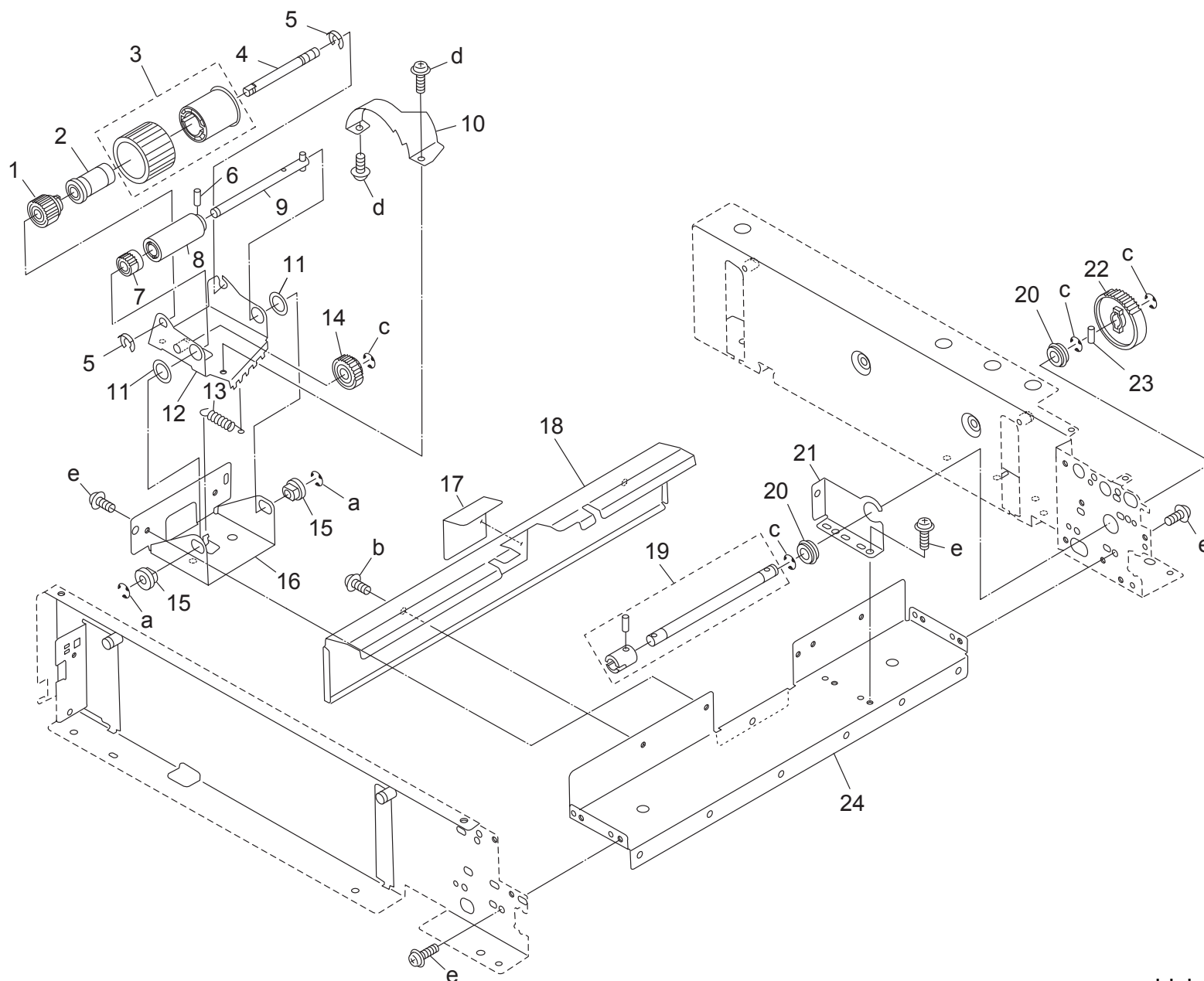


Key	Part No.	Description	Destinations	Class	QTY	Standard parts
1	55VA40780	GUIDE SHAFT /S		D	1	a-V121030403
2	55VA-4341	ROCK PLATE		D	1	b-V217040050
3	55VA40820	SHAFT HOLDER PLATE		D	1	c-V217030050
4	57GA97450	TONER SUPPLY LABEL		D	1	d-V114040616
5	25AA47551	LIFT UP SPRING REAR		C	1	e-V121040603
6	A0Y5601000	Lock Claw		D	1	f-V127030516
7	56GA-4710	ROCK PLATE FULCRUM		D	1	g-V217060050
8	129X48350	GUIDE SHAFT HOLDER A		C	4	
9	129X48360	GUIDE SHAFT HOLDER B		C	4	
10	56GA-4300	PAPER GUIDE/FRONT5		D	1	
11	A0Y5601300	Guide Handle		C	2	
12	55VA40760	GUIDE SHAFT X		D	2	
13	55VA40770	GUIDE SHAFT /M		D	1	
14	56GA40480E	Paper Guide Side plate /Rear		D	1	
15	57GA97240	TRAY REGULATING LABEL		D	1	
16	40AA47160	PAPER DETECTING SPRING		C	2	
17	55VA40540	DETECTING CAM UPPER		C	1	
18	318061230	REFLECTOR PLATE STOPPER SCREW		C	1	
19	55VAR73300	DETECTING CAM LOWER		C	1	
20	56UA40680	LEVER COVER		C	1	
21	55VAR74700	PAPER GUIDE LEFT5		D	1	
22	25AA40570	PRESSURE ROLLER		C	1	
23	55VA42330D	GUIDE SHAFT /E		D	4	
24	55VA40910	PRESSURE PLATE A		D	1	
25	460045320	SPACER		C	1	
26	55VA40920D	Support Shaft		D	1	
27	55VA42340	Guide Roller		C	4	
28	56AAR73000	HEATER MOUNTING PLATE ASSY		B	1	
29	56GA42261	HEATER COVER		D	1	
30	55VA40740	GUIDE STOPPER		C	1	
31	55VA40750	GUIDE RAIL		D	1	
32	08AA85512	Photo Sensor		B	2	
33	55VA40810	SHAFT POSITIONING PART		C	1	
34	55VA79150	CASSETTE PINION 14T		C	1	
35	55VAR73500	ADJUSTING PLATE		D	1	
36	56GA40960	BOARD PROTECT SHEET		D	1	
37	13QA-9012E	SIZEDETECT BOAD ASSY		B	1	
38	55VA79120	PINION 44T		C	1	
39	56GA-4280	BASE PLATE MOUNTING PLATE		D	1	

500 SHEET TRAY 2

TRAY 2

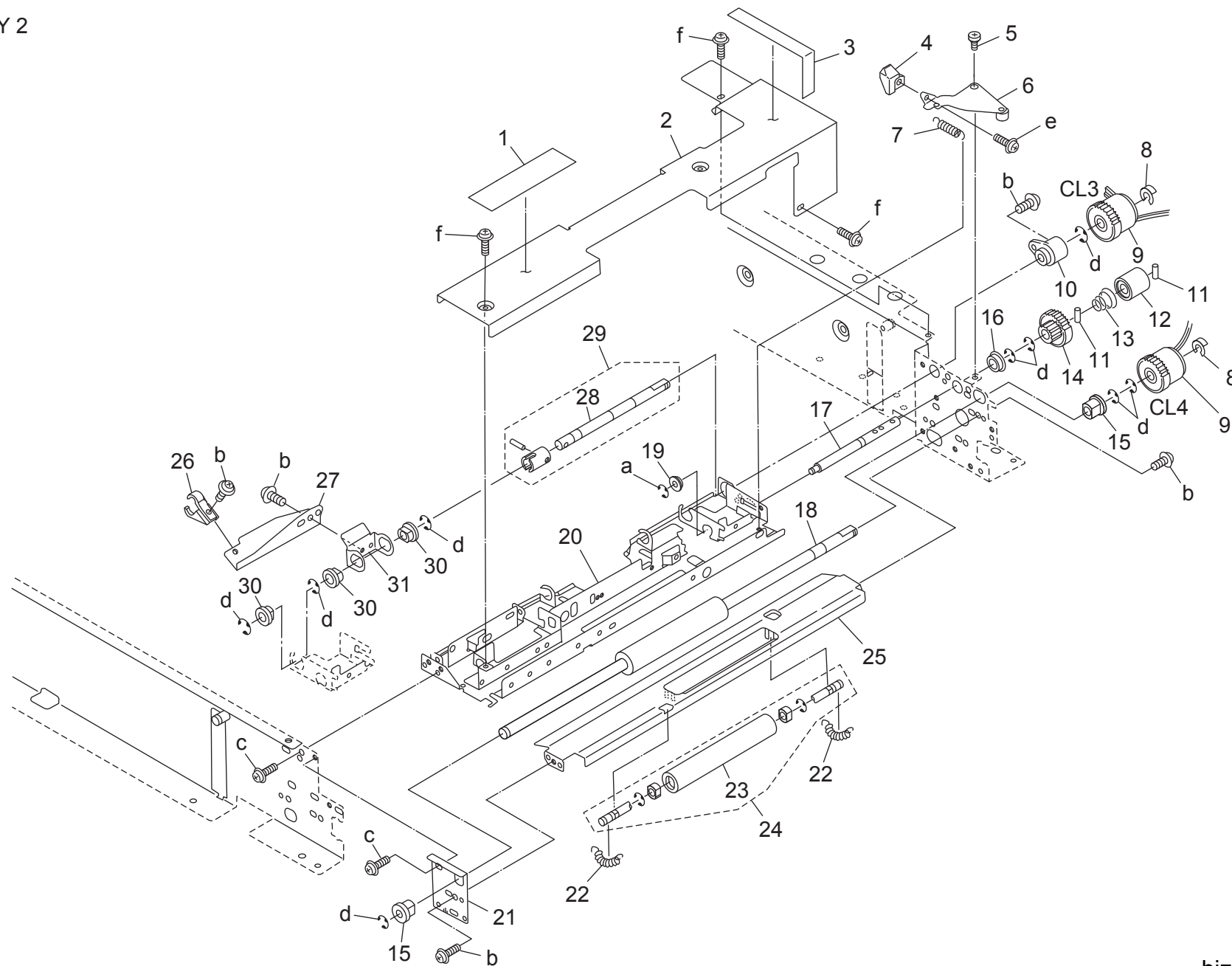
P 69



500 SHEET TRAY 2

TRAY 2

P 70

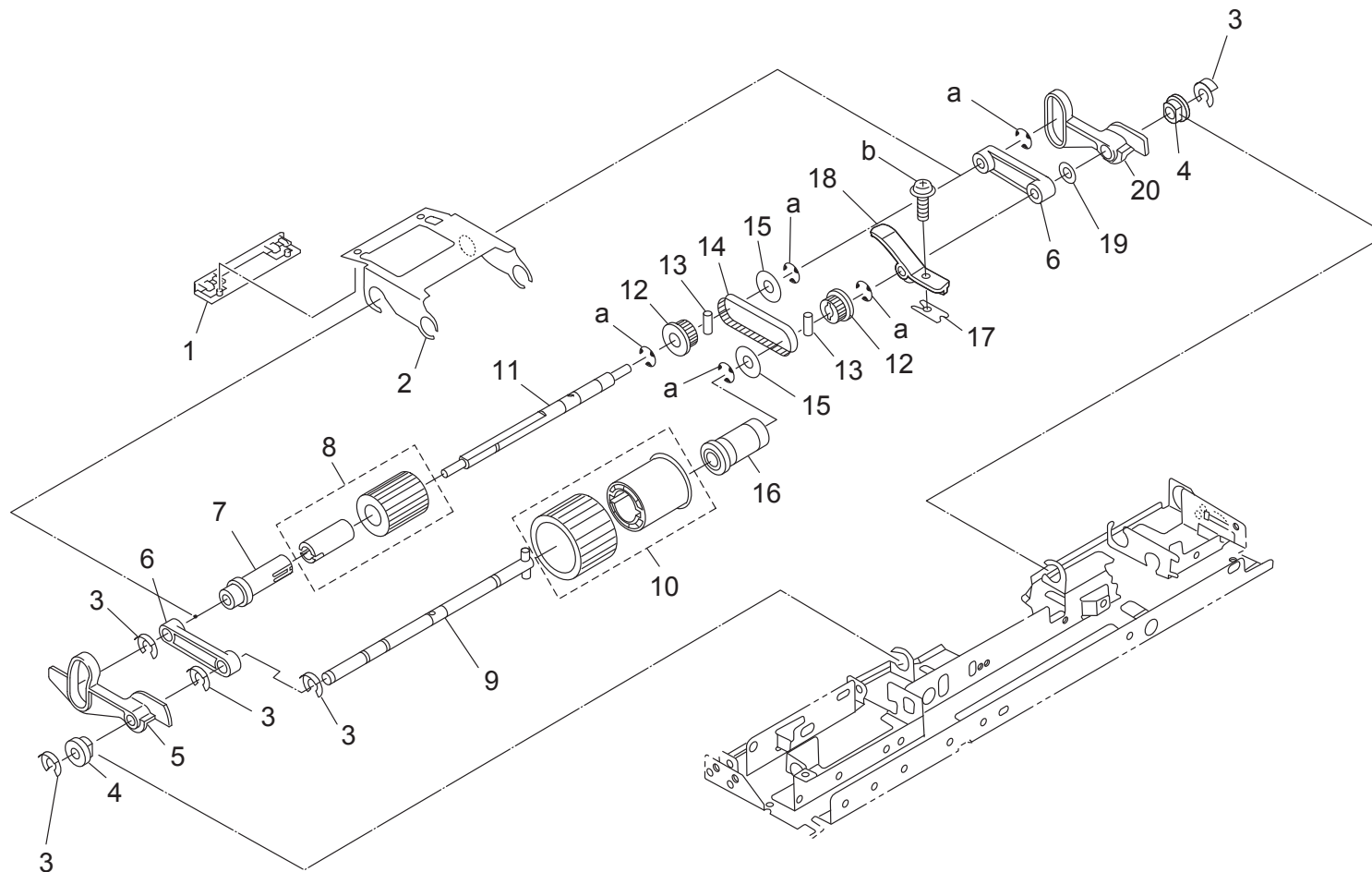


Key	Part No.	Description	Destinations	Class	QTY	Standard parts
1	A0Y5948200	Supply Label /2		C	1	a-V217040050
2	55VA12541	FEEDING COVER	送り出しカバー	C	1	b-V121030403
3	57GA97260	TRAY TAKING OUT LABEL	トレイ取り出し方ラベル	D	1	c-V121040403
4	55VA42351	LEVER SUPPORT PART	レバー補助部材	D	1	d-V217060050
5	55VA42420	Lever Support Screw	レバー支点ネジ	C	1	e-V151040603
6	55VAR74300	LOCKING LEVER ASSY	ロックレバー部組	C	1	f-V118030603
7	25AA40460	LOCK SPRING 2	ロックバネ 2	C	1	
8	55VA42120	SHAFT STOPPER	軸ストッパー	C	2	
9	57GA82010	Clutch /1	クラッチ /1	B	2	
10	56UA75030	Lock Bushing /A	ロック軸受 /A	C	1	
11	56AA17480	PIN B	ピン B	C	2	
12	55VA15541	CLEANER COUPLING PART	クリーナーカップリング部材	C	1	
13	56AA17090	PRESSURE SPRING	押圧バネ	C	1	
14	56GA79060	PAPER FEED DRIVING GEAR A 25T 25T	給紙駆動歯車 A 25 T 25 T	C	1	
15	55VA75540	PAPER FEED SHAFT HOLDER B	給紙軸受 B	B	2	
16	A00J617900	Ball Bearing	ボールベアリング	B	1	
17	55VA40330	Paper Feed Input Shaft	給紙入力軸	D	1	
18	55VA40160	Paper Conveyance Roller	紙搬送ローラ	B	1	
19	12BF43480	By Pass Roller Bearing	手差し転がり軸受	C	1	
20	55VA40042	PAPER FEED GUIDE PLATE /UPPER	給紙ガイド板 /上	C	1	
21	55VA42050	ADJUSTING PLATE	調整板	D	1	
22	55VA46490	Registration Pressure Spring	レジスト押圧バネ	B	2	
23	56GA40171	CONVEYANCE DRIVEN ROLLER	搬送従動ローラー	C	1	
24	56GAR70900	DRIVEN ROLLER	従動ローラ	C	1	
25	55VA40051	PAPER FEED GUIDE PLATE LOWER	給紙ガイド板 下	D	1	
26	25AA40742	CONNECTING PART A	連結部材 A	B	1	
27	55VA42291	ENTRANCE GUIDE PLATE A	入口ガイド板 A	D	1	
28	55VA40321D	Paper feed Drive Shaft	給紙駆動軸	D	1	
29	55VAR73600	PAPER FEED DRIVING SHAFT 5	給紙駆動軸 5	D	1	
30	090075530	BUSHING	軸受	B	3	
31	55VA40370	ENTRANCE GUIDE PLATE REAR	入口ガイド板 奥	D	1	

500 SHEET TRAY 2

TRAY 2

P 71

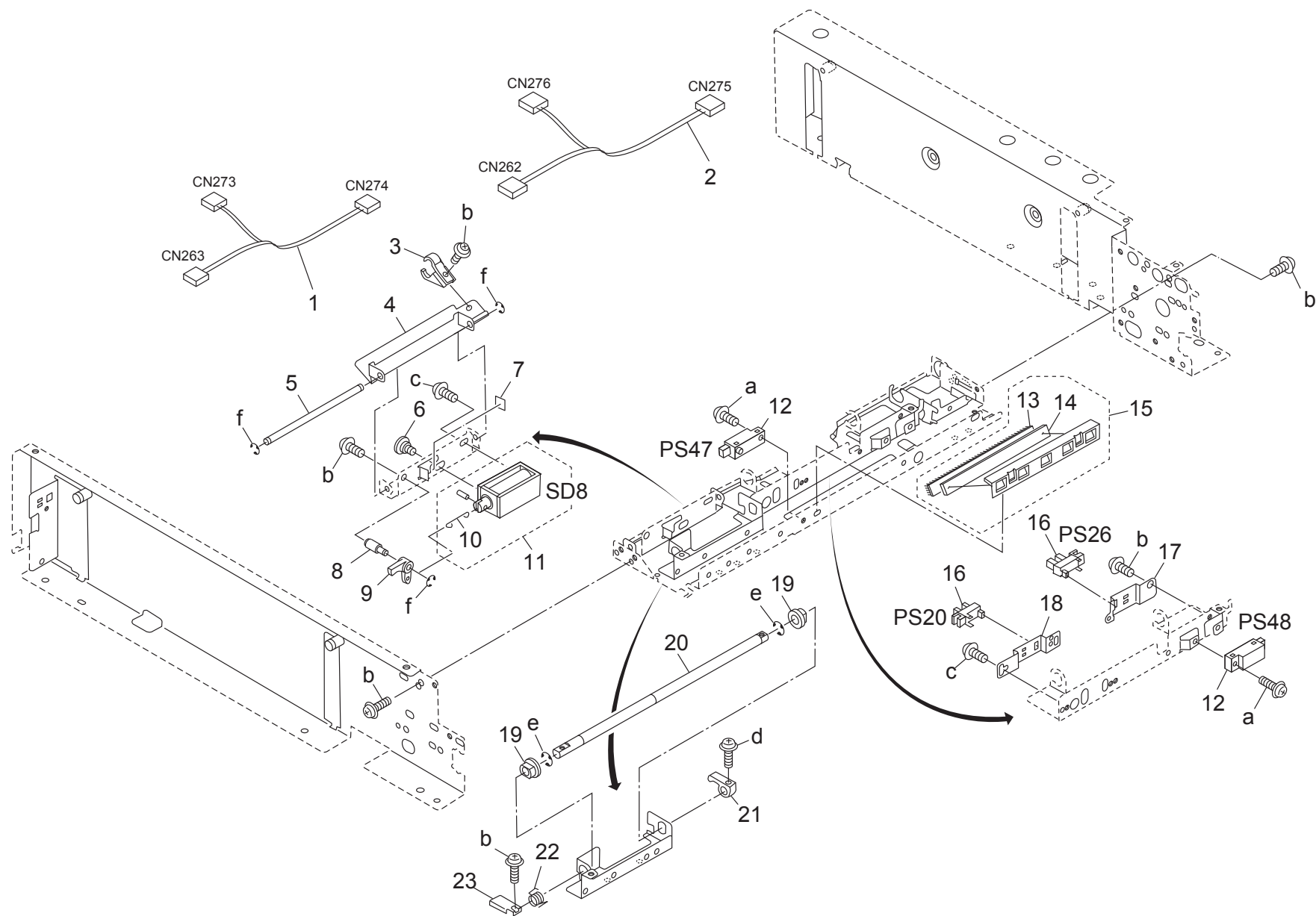


Key	Part No.	Description	Destinations	Class	QTY	Standard parts
1	56UA40690	Side Protection Cover /B		D	1	a-V217040050 b-V118030403
2	56GA40202E	Paper feed Holding Plate /C		D	1	
3	396040681	STOPPER RING		B	5	
4	131075510	OIL LESS METAL A		C	2	
5	55VA40340E	Paper feed Base Actuator/U 500		C	1	
6	55VA40260	Paper Feeding Shaft Holder		C	2	
7	55VA40130	Feeding Roller /A		C	1	
8	55VAR74600	FEEDING ROLLER ASSY A5		A	1	
9	55VAR74000	FEEDING SHAFT B		C	1	
10	55VAR74500	FEEDING ROLLER ASSY B5		A	1	
11	55VA40240	Paper Feed Shaft		D	1	
12	059076510	PULLEY 1 15T		C	2	
13	56AA17510	PIN B		C	2	
14	25SA77561	PAPER FEED DRIVE BELT 126L		A	1	
15	56AA17760	COLLAR		C	2	
16	56UA40600	Multi-Feed Feeding Roller		C	1	
17	55VA40991	LEVER AUXILIARY PLATE		C	1	
18	55VA40230	PAPER FEED LIFT UP LEVER		C	1	
19	13QA17730	COLLAR 6		C	1	
20	A0Y5600600	Level Actuator /12		C	1	

500 SHEET TRAY 2

TRAY 2

P 72

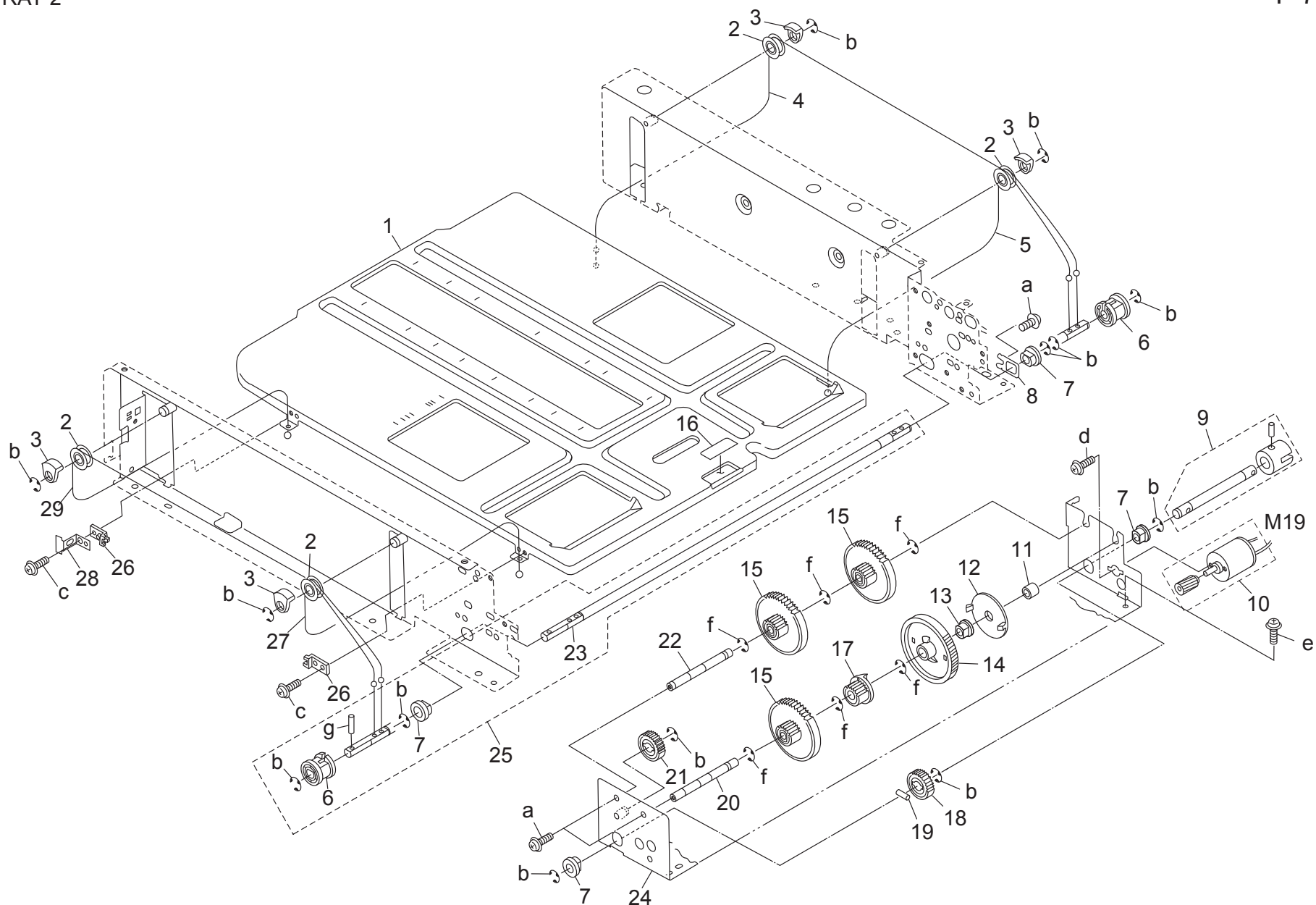


Key	Part No.	Description	Destinations	Class	QTY	Standard parts
1	56GA90350	PAPER FEED CONTROL WIRING FRONT	給紙制御束線 前	D	1	a-V118031003 b-V121030403 c-V123030603 d-V121030603 e-V217040050 f-V217030050
2	56GA90360	PAPER FEED CONTROL WIRING REAR	給紙制御束線 奥	D	1	
3	25AA40742	CONNECTING PART A	連結部材 A	B	1	
4	55VA40361	ENTRANCE GUIDE PLATE FRONT	入口ガイド板 前	D	1	
5	55VA40380	SUPPORT SHAFT A	支点軸 A	D	1	
6	55VA42220	POSITIONING SCREW	位置決めネジ	C	1	
7	55VA42111	SOLENOID STOPPER SHEET	ソレノイドストップシート	C	1	
8	55VA40460	FULCRUM SHAFT C	支点軸 C	D	1	
9	25AA40870	SWITCH LEVER 1	スイッチレバー 1	C	1	
10	25AA40900	LEVER HOLDING SPRING /1	レバー押さえバネ/1	D	1	
11	55VAR74400	PICK UP SOLENOID	ピックアップソレノイド	C	1	
12	56AA85521	Conveyance Photo Sensor	搬送フォトセンサ	B	2	
13	55VA42140	CLEANING BRUSH	清掃ブラシ	D	1	
14	55VA42152	AUXILIARY PLATE	補助板	D	1	
15	55VAR74200	PAPER FEED CLEANER	紙粉取り	C	1	
16	08AA85512	Photo Sensor	フォトセンサ	B	2	
17	55VA40400	MOUNT PLATE O	センサ取り付け板 O	D	1	
18	55VA40390	MOUNT PLATE A	センサ取り付け板 A	D	1	
19	466076020	PAPER FEED SHAFT HOLDER	給紙送り出し軸受	B	2	
20	55VA40430	SUPPORT SHAFT /B	支点軸/B	D	1	
21	55VA40440	PRESSURE PLATE B	押圧板 B	C	1	
22	55VA40420	LEVER SPRING	レバーバネ	B	1	
23	55VA40450	PRESSURE PLATE C	押圧板 C	C	1	

500 SHEET TRAY 2

TRAY 2

P 73

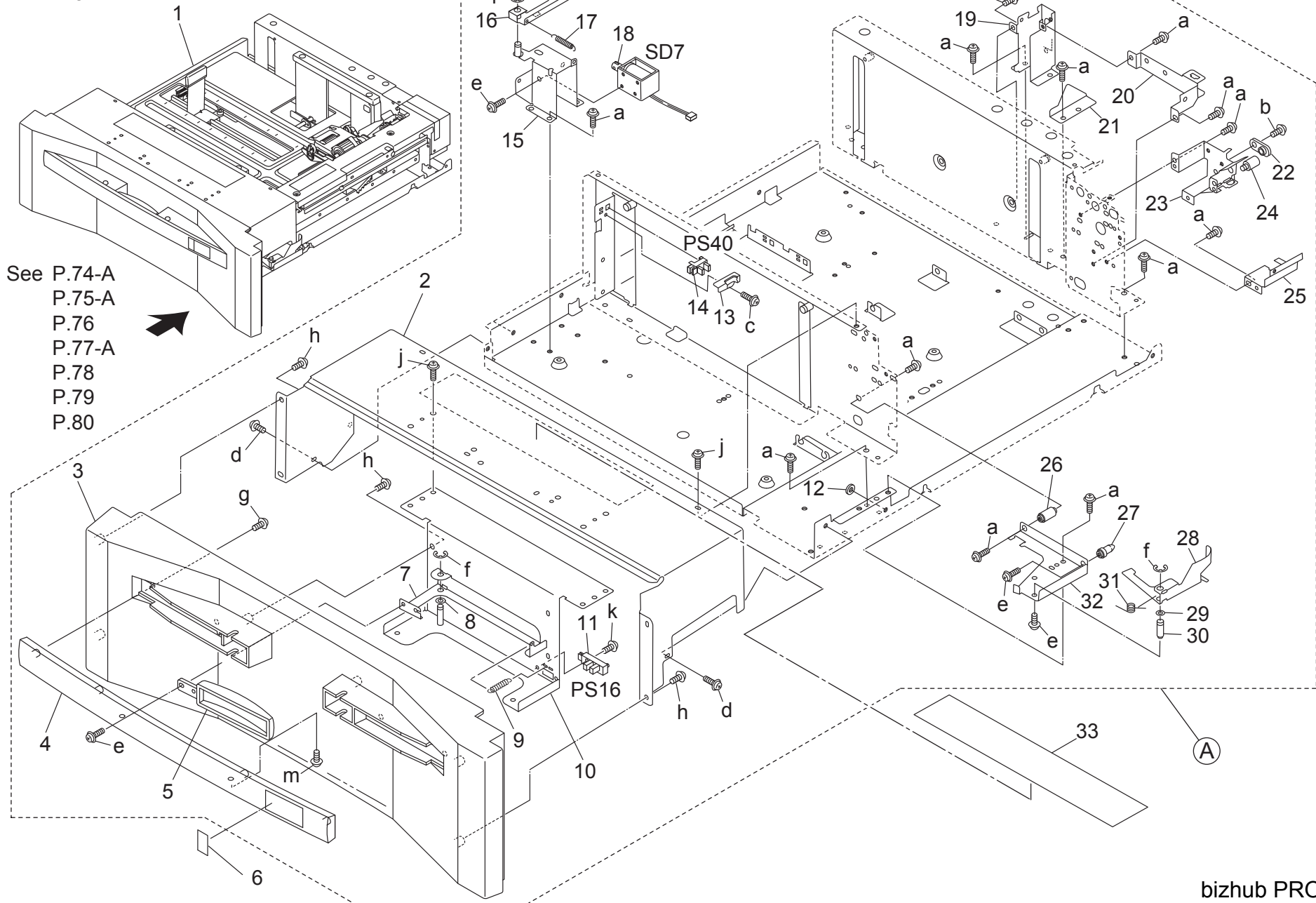


Key	Part No.	Description	Destinations	Class	QTY	Standard parts
1	55VA40472F	Paper feed Up/down Plate		C	1	a-V121030403
2	25AA42570	Wire Pulley		C	4	b-V217060050
3	55VA40610	WIRE HOLDER A		C	4	c-V121030603
4	55VA40590	UP DOWN WIRE D		C	1	d-V111260403
5	55VA40580	UP DOWN WIRE C		C	1	e-V121040403
6	55VA40600	Driving Up /Down Pulley		B	2	f-V217040050
7	090075530	BUSHING		B	4	g-V233301650
8	55VA40630	WIRE ADJUSTING PLATE		C	1	
9	55VAR73700	CONNEVTING SHAFT ASSY		C	1	
10	A0Y5R72200	MOTER ASSY		C	1	
11	048046040	ROLLER		C	1	
12	55VA40970	SHAFT HOLDING PART		C	1	
13	40BA75520	PAPER EXIT SHAFT HOLDER		C	1	
14	55VA79090	DRIVE CONNECTING GEAR A 111T		B	1	
15	55VAR73400	DRIVING GEAR A		B	3	
16	55VA40930	DOUBLE FEED PREVENTIVE PLATE		C	1	
17	25AAR70200	CONTROL GEAR B		C	1	
18	25AA77470	TONER SUPPLY DRIVING GEAR 25T		C	1	
19	56AA17520	PIN A D3X10		C	1	
20	55VA40701	IDLER SHAFT C		D	1	
21	25SA77130	PAPER EXIT IDLER GEAR B 24T		C	1	
22	55VA40691	IDLER SHAFT B		D	1	
23	55VA40641	Up/Down Shaft		D	1	
24	55VA-4210	UP/DOWN BASE PLATE		D	1	
25	55VAR74100	UP DOWN SHAFT		D	1	
26	55VA40830	SLIDE PART A		C	2	
27	55VA40560	UP DOWN WIRE A		C	1	
28	55VA40551	DETECTING LEVER		D	1	
29	55VA40570	UP DOWN WIRE B		C	1	

1000 SHEET TRAY

TRAY 3

P 74



See P.74-A
P.75-A
P.76
P.77-A
P.78
P.79
P.80

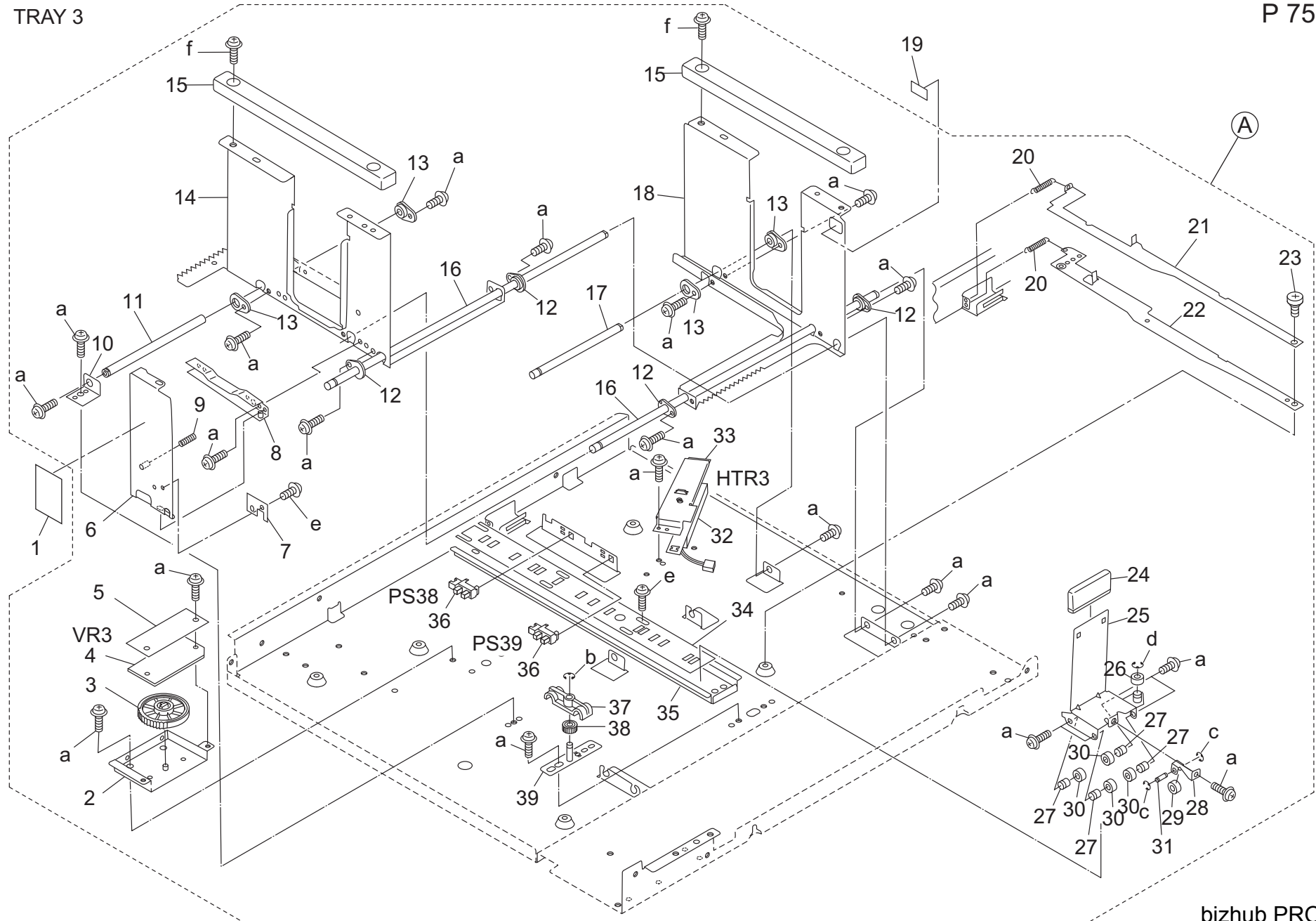
bizhub PRO 950

Key	Part No.	Description	Destinations	Class	QTY	Standard parts
1	A0Y5R72800	1000SHEETS TRAY		S	1	a-V121040403
2	56HA12560	EXTERNAL AUXILIARY COVER L	1000 枚トレイ 外装補助カバー L	D	1	b-V121040603
3	A0Y5680200	Paper feed Cover /Lower	給紙カバー/下	C	1	c-V121030403
4	A0Y5685400	Paper feed Handle	給紙把手	C	1	d-V123040603
5	56UA12570	Lever Handle	レバー把手	C	1	e-V121030603
6	A0U0945601	Indicating Label /3	表示ラベル/3	C	1	f-V217040050
7	56UAR7A400	TRAY LEVER	トレイレバー	D	1	g-V151041003
8	13SU15110	SPACER A	スペーサー A	C	1	h-V151040803
9	56HA12980	LEVER SPRING	レバーバネ	C	1	j-V114040616
10	57GA-1440	LEVER MOUNTING PLATE ASSY	レバー取り 付け板部組	D	1	k-V118031003
11	56AA85511	Photo Sensor	フォトセンサ	B	1	m-V121040803
12	55VA12470	SCREW PROTECT CUSHION	ネジ保護クッション	D	1	
13	55VA42280	COVER	センサカバー	D	1	
14	08AA85512	Photo Sensor	フォトセンサ	B	1	
15	55VA-4470	SOLENOID MOUNT PLATE COMBINED	ソレノイド 取り 付け板カシメ	D	1	
16	55VA42410	TRAY LOCK PLATE	トレイロック板	D	1	
17	25AA41322	SPRING A	バネ A	D	1	
18	55VAR77000	Connecting Solenoid	連結ソレノイド	B	1	
19	55VA42031	WIRING MOUNT PLATE	束線取り 付け板	D	1	
20	55VA41100	WIRING GUIDE PLATE	束線ガイド板	D	1	
21	55VA42070	MAIN LOCK PLATE A	本体ロック板 A	D	1	
22	173030270	PIN HOLDER A	ピン受 A	C	1	
23	55VA42021	POSITIONING PLATE REAR	位置決め板 奥	D	1	
24	A0Y5601500	Support Shaft	支持軸	D	1	
25	55VA42271	WIRING COVER	束線カバー	D	1	
26	55VA42311	SUPPORT SHAFT /A	支持軸 / A	D	1	
27	55VA40730D	Positioning Pin	位置決めピン	D	1	
28	55VA40670	GUIDE LEVER	ガイドレバー	C	1	
29	25AA41510	SPACER	スペーサー	D	1	
30	55VA40720	FULCRUM SHAFT	支点軸	D	1	
31	55VA42240	LEVER SPRING 1	レバーバネ 1	B	1	
32	55VA42300	POSITIONING PLATE FRONT	位置決め板 前	D	1	
33	A0Y5948100	Supply Label /1	補給ラベル/1	C	1	

1000 SHEET TRAY

TRAY 3

P 75



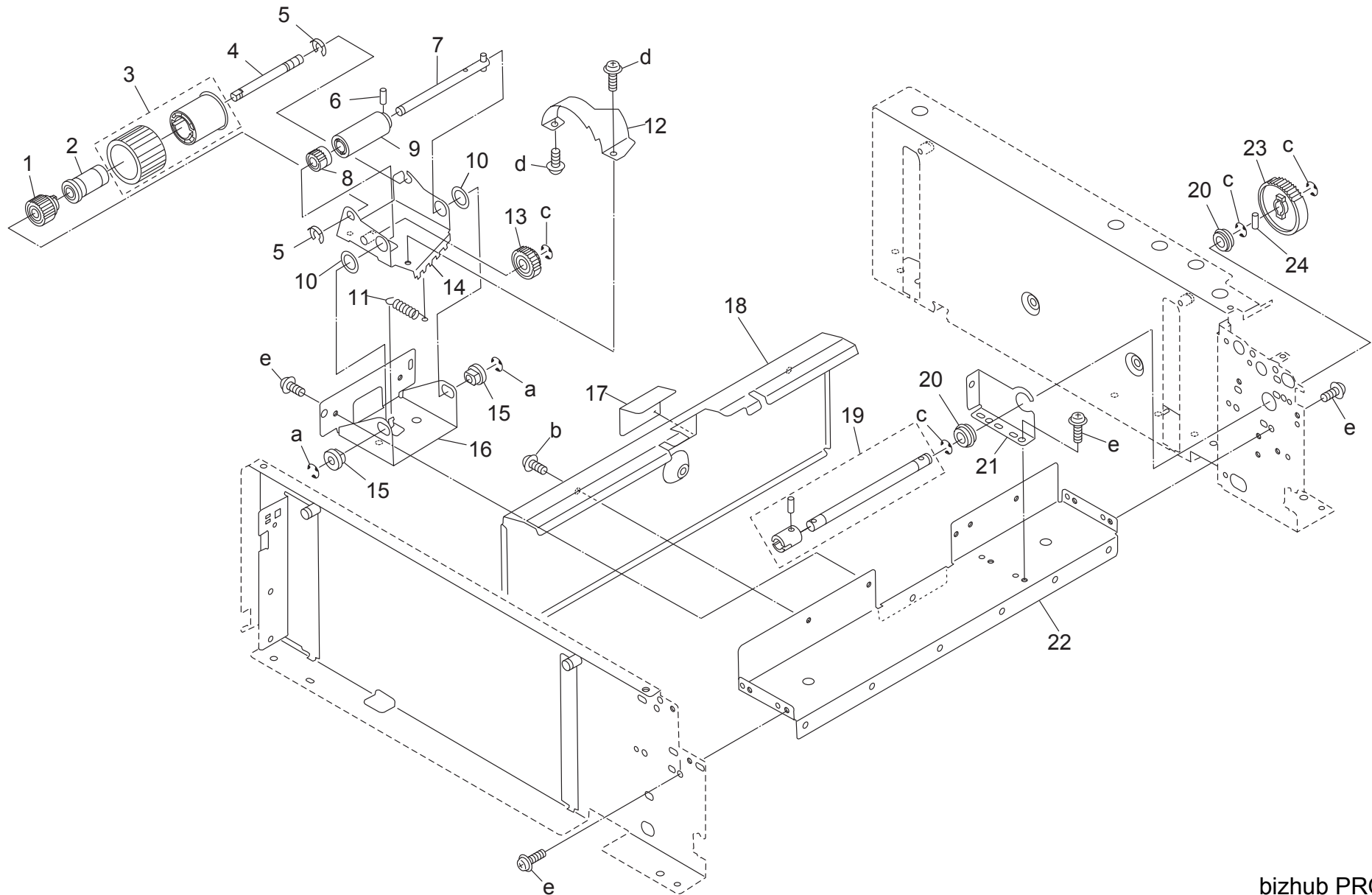
bizhub PRO 950

Key	Part No.	Description	Destinations	Class	QTY	Standard parts
1	57GA97450	TONER SUPPLY LABEL		D	1	a-V121030403
2	56GA-4280	BASE PLATE MOUNTING PLATE		D	1	b-V217040050
3	55VA79120	PINION 44T		C	1	c-V217030050
4	13QA-9012E	SIZEDETECT BOAD ASSY		B	1	d-V217060050
5	56GA40960	BOARD PROTECT SHEET		D	1	e-V127030516
6	A0Y5F60100	Rock Plate /10 Caulking		D	1	f-V114040616
7	A0Y5601000	Lock Claw		D	1	
8	56GA-4710	ROCK PLATE FULCRUM		D	1	
9	25AA47551	LIFT UP SPRING REAR		C	1	
10	55VA40820	SHAFT HOLDER PLATE		D	1	
11	55VA40780	GUIDE SHAFT /S		D	1	
12	129X48350	GUIDE SHAFT HOLDER A		C	4	
13	129X48360	GUIDE SHAFT HOLDER B		C	4	
14	56GA-4700	PAPER GUIDE/FRONT CAULKING 10		D	1	
15	A0Y5601300	Guide Handle		C	2	
16	55VA40760	GUIDE SHAFT X		D	2	
17	55VA40770	GUIDE SHAFT /M		D	1	
18	56GA41480E	Paper Guide Side plate /Rear		D	1	
19	57GA97240	TRAY REGULATING LABEL		D	1	
20	40AA47160	PAPER DETECTING SPRING		C	2	
21	55VA40540	DETECTING CAM UPPER		C	1	
22	55VAR73300	DETECTING CAM LOWER		C	1	
23	318061230	REFLECTOR PLATE STOPPER SCREW		C	1	
24	56UA40680	LEVER COVER		C	1	
25	55VAR75100	PAPER GUIDE LEFT 10		D	1	
26	25AA40570	PRESSURE ROLLER		C	1	
27	55VA42330D	GUIDE SHAFT /E		D	4	
28	55VA40910	PRESSURE PLATE A		D	1	
29	460045320	SPACER		C	1	
30	55VA42340	Guide Roller		C	4	
31	55VA40920D	Support Shaft		D	1	
32	56AAR73000	HEATER MOUNTING PLATE ASSY		B	1	
33	56GA42261	HEATER COVER		D	1	
34	55VA40740	GUIDE STOPPER		C	1	
35	55VA40750	GUIDE RAIL		D	1	
36	08AA85512	Photo Sensor		B	2	
37	55VA40810	SHAFT POSITIONING PART		C	1	
38	55VA79150	CASSETTE PINION 14T		C	1	
39	55VAR73500	ADJUSTING PLATE		D	1	

1000 SHEET TRAY

TRAY 3

P 76

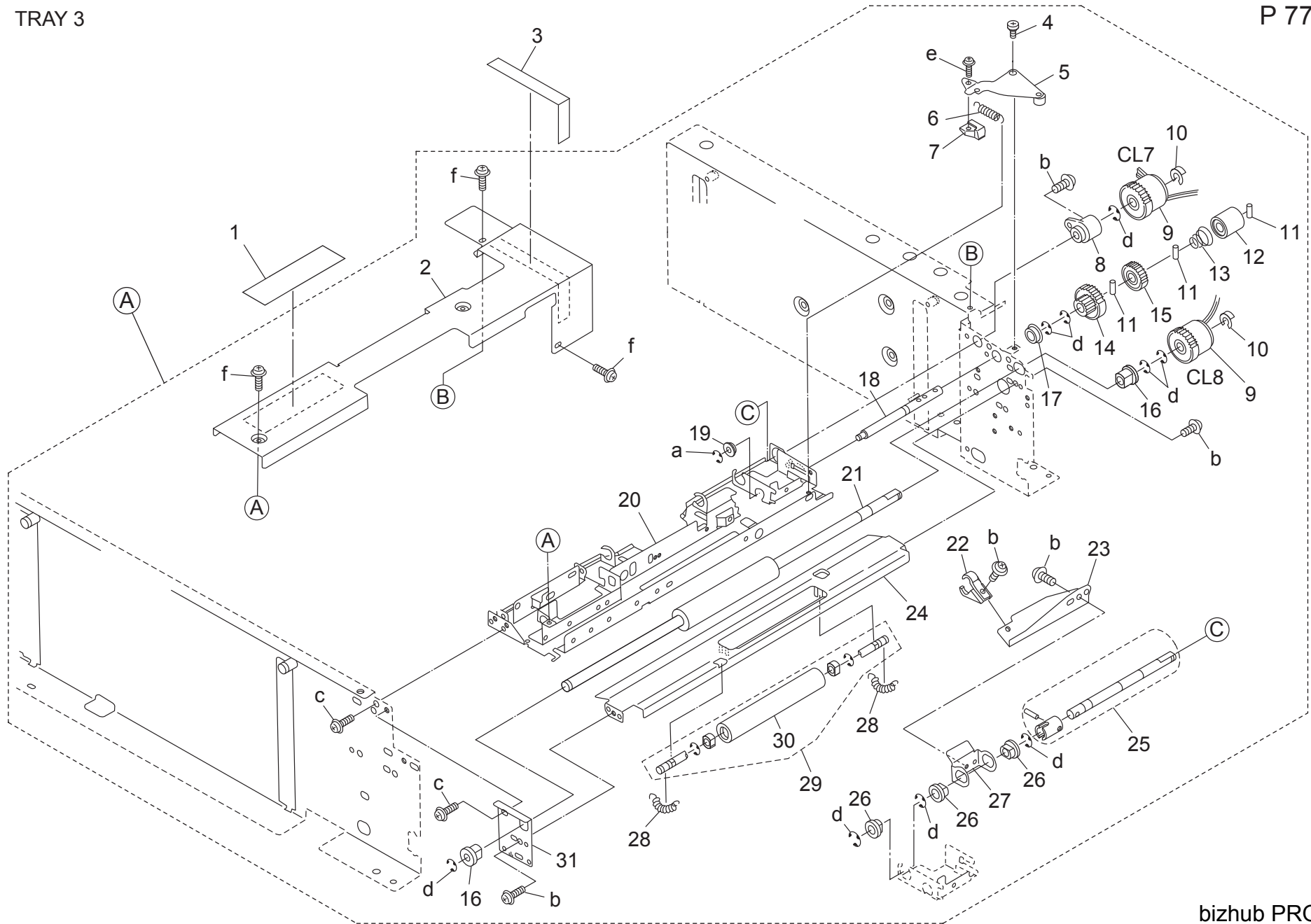


Key	Part No.	Description	Destinations	Class	QTY	Standard parts
1	55VA79140	Paper Feed Reversal Gear /D 19T	給紙逆転歯車 / D 19 T	B	1	a-V217040050 b-V114040616 c-V217060050 d-V123030603 e-V121040403
2	50BA40220	REVERSE ROLLER	逆転ローラ	C	1	
3	A4EUR71400	Feeding Roller Unit/B	送り出しローラ部組 / B	A	1	
4	55VA40300	REVERSING SHAFT	逆転軸	C	1	
5	396040681	STOPPER RING	止め輪	B	2	
6	56AA17310	PIN	ピン	C	1	
7	55VAR73900	DRIVING SHAFT	トルク駆動軸	D	1	
8	55VA79030	Paper Feed Reversal Gear /C 14T	給紙逆転歯車 / C 14 T	B	1	
9	A03X565611	Torque Limiter /A	トルクリミッタ / A	B	1	
10	25AA40120	SPACER	スペーサー	C	2	
11	55VA40310	REVERSING SPRING B	逆転バネ B	B	1	
12	55VA42250	PAPER FEED DRIVING COVER 2	給紙駆動カバー 2	C	1	
13	55VA79050	Idler Gear /B 24T	アイドル歯車 / B 24 T	C	1	
14	55VA-4760	SEPARATING FLAME 10	サバキ部フレームカシメ 10	D	1	
15	A0Y5601600	Bushing/6	すべり軸受 / 6	C	2	
16	55VA40191	PAPER FEED HOLDER PLATE LOWER	給紙ホルダー板 下	D	1	
17	55VA41411	ENTRANCE GUIDE SHEET	入口ガイドシート	C	1	
18	55VA41062	PAPER PRESSURE PLATE	紙突き当て板	C	1	
19	55VAR73800	REVERSING SHAFT	給紙逆転軸	D	1	
20	A00V240600	BALL BEARING	ボールベアリング	B	2	
21	55VA42061	SHAFT SUPPORT PLATE	軸支持板	D	1	
22	55VA40071	PAPER FEED STAY	給紙ステー	D	1	
23	55VA79010	PAPER FEED REVERSAL GEAR A 60T	給紙逆転歯車 A 60 T	B	1	
24	56AA17480	PIN B	ピン B	C	1	

1000 SHEET TRAY

TRAY 3

P 77

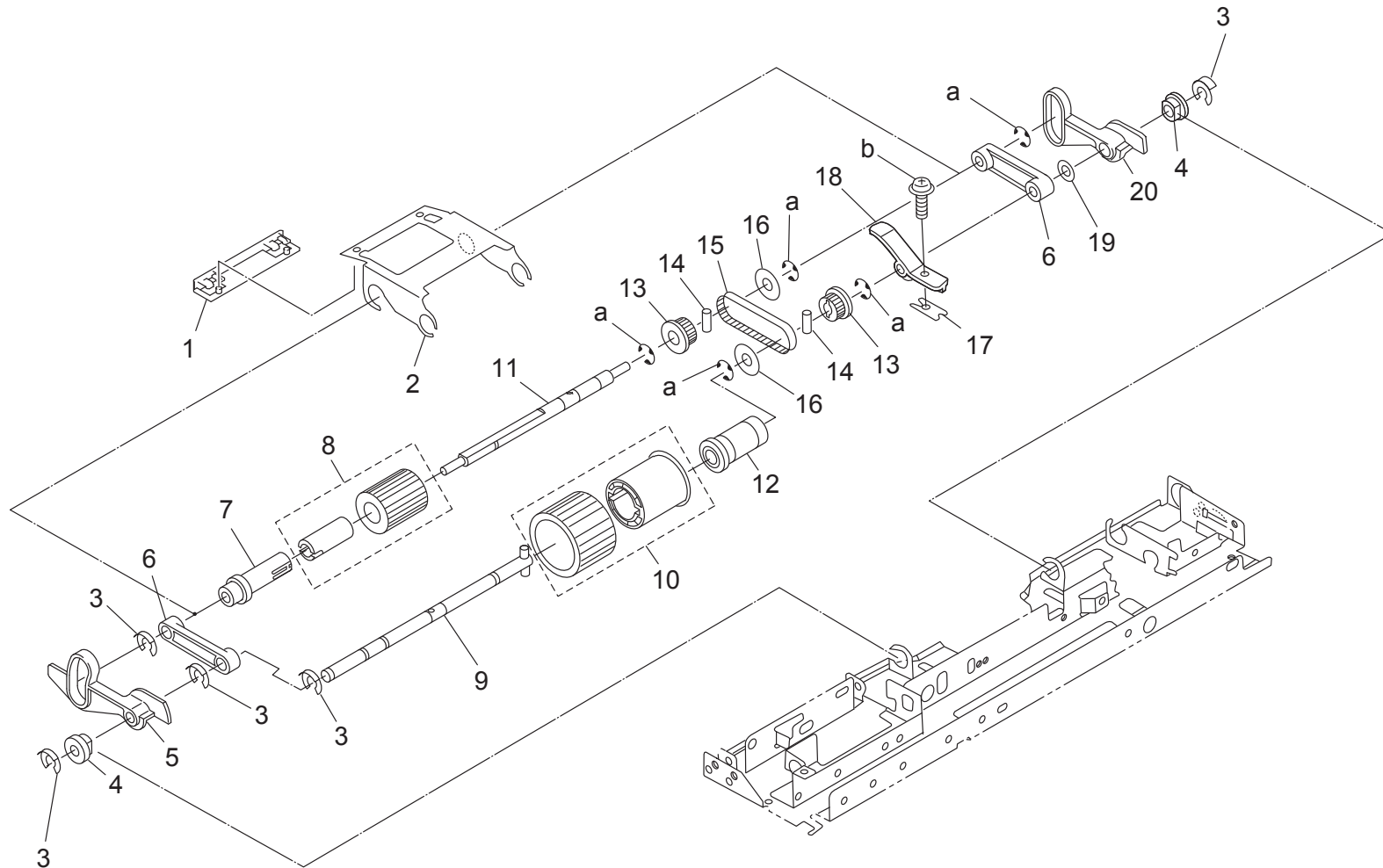


bizhub PRO 950

1000 SHEET TRAY

TRAY 3

P 78

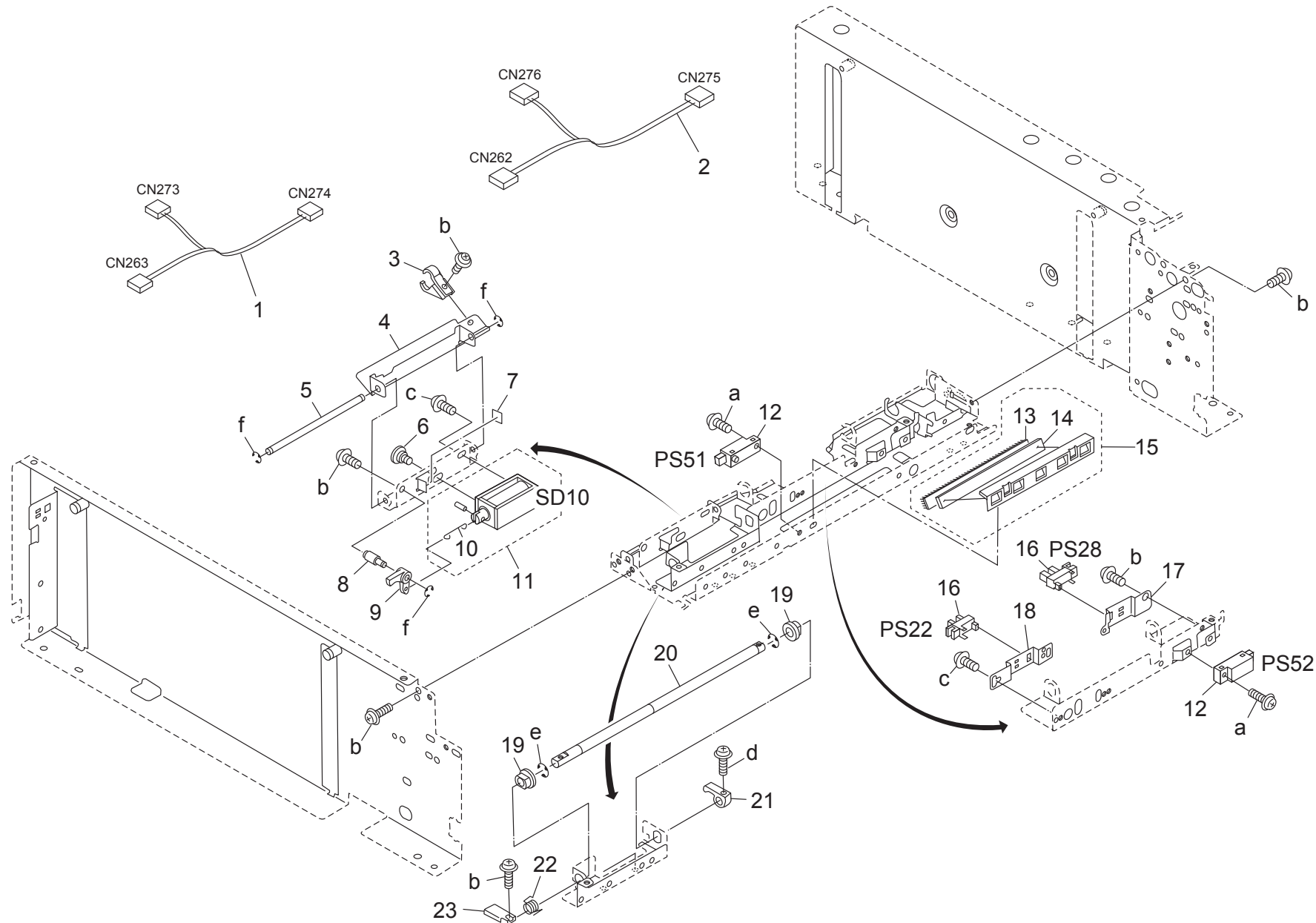


Key	Part No.	Description	Destinations	Class	QTY	Standard parts
1	56UA40690	Side Protection Cover /B		D	1	a-V217040050 b-V118030403
2	56GA40202E	Paper feed Holding Plate /C		D	1	
3	396040681	STOPPER RING		B	5	
4	131075510	OIL LESS METAL A		C	2	
5	55VA41340E	Paper feed Base Actuator/U 1000		C	1	
6	55VA40260	Paper Feeding Shaft Holder		C	2	
7	55VA40130	Feeding Roller /A		C	1	
8	A4EUR71500	Feeding Roller Unit/A		A	1	
9	55VAR74000	FEEDING SHAFT B		C	1	
10	A4EUR71400	Feeding Roller Unit/B		A	1	
11	55VA40240	Paper Feed Shaft		D	1	
12	56UA40600	Multi-Feed Feeding Roller		C	1	
13	059076510	PULLEY 1 15 T		C	2	
14	56AA17510	PIN B		C	2	
15	25SA77561	PAPER FEED DRIVE BELT 126L		A	1	
16	56AA17760	COLLAR		C	2	
17	55VA40991	LEVER AUXILIARY PLATE		C	1	
18	55VA40230	PAPER FEED LIFT UP LEVER		C	1	
19	13QA17730	COLLAR 6		C	1	
20	A0Y5650600	Level Actuator /3		C	1	

1000 SHEET TRAY

TRAY 3

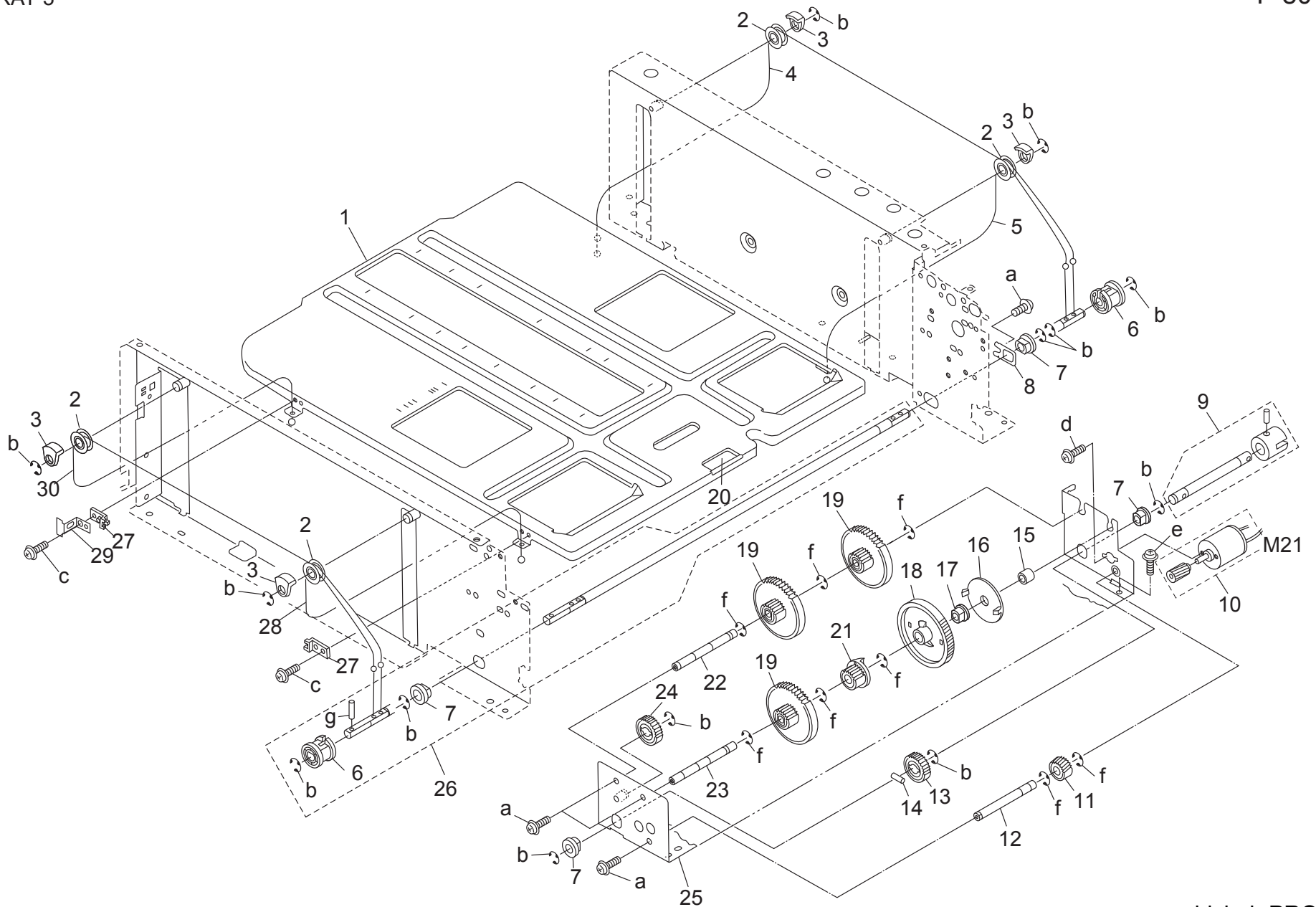
P 79



1000 SHEET TRAY

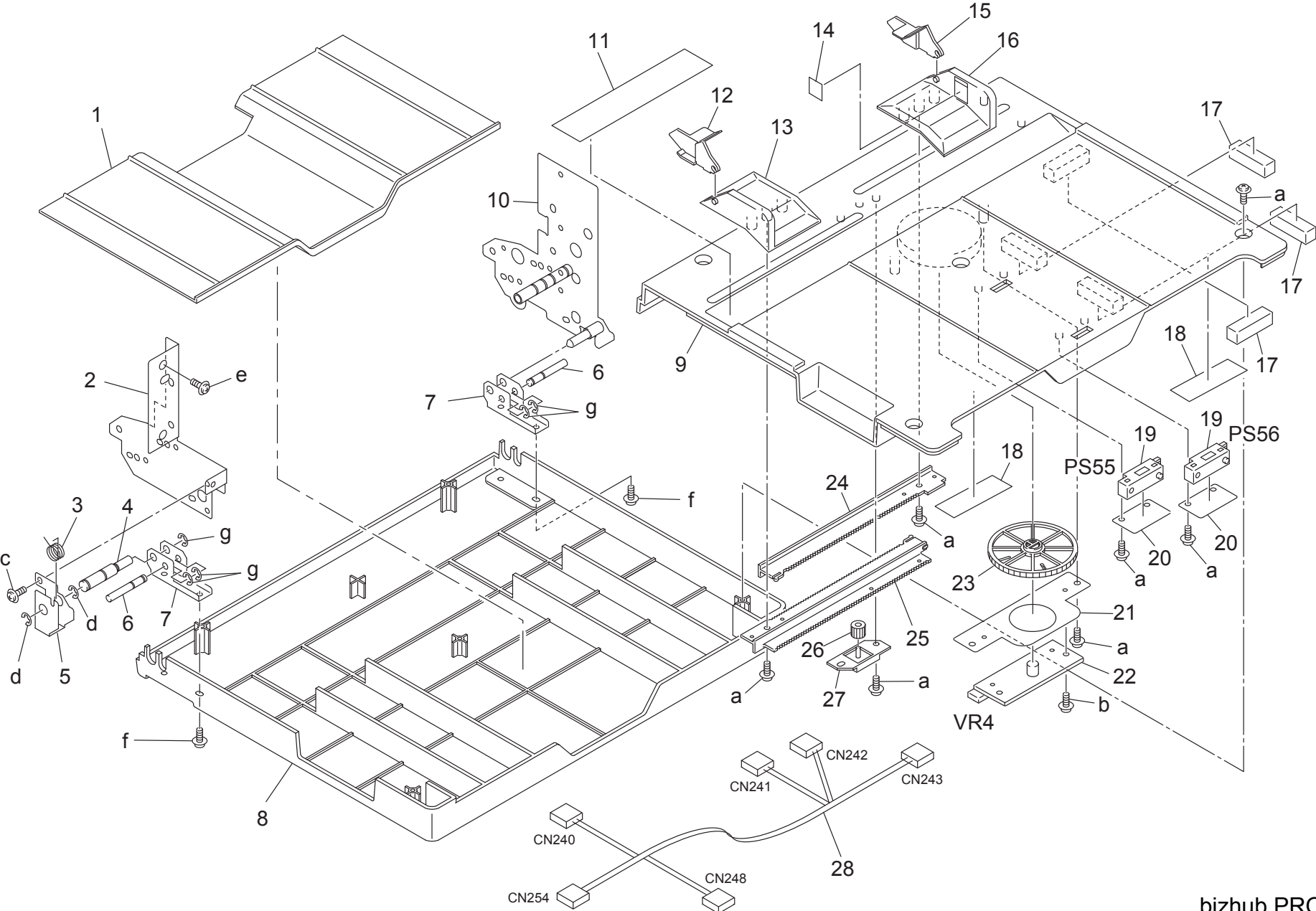
TRAY 3

P 80



Key	Part No.	Description	Destinations	Class	QTY	Standard parts
1	55VA40472F	Paper feed Up/down Plate		C	1	a-V121030403
2	25AA42570	Wire Pulley		C	4	b-V217060050
3	55VA40610	WIRE HOLDER A		C	4	c-V121030603
4	55VA41590	UP DOWN WIRE H		C	1	d-V111260403
5	55VA41580	UP DOWN WIRE G		C	1	e-V121040403
6	55VA40600	Driving Up /Down Pulley		B	2	f-V217040050
7	090075530	BUSHING		B	4	g-V233301650
8	55VA40630	WIRE ADJUSTING PLATE		C	1	
9	55VAR73700	CONNEVTING SHAFT ASSY		C	1	
10	A0Y5R72200	MOTER ASSY		C	1	
11	55VA79130	LOCK IDLER 33T		C	1	
12	55VA40980	IDLER SHAFT D		D	1	
13	25AA77470	TONER SUPPLY DRIVING GEAR 25T		C	1	
14	56AA17520	PIN A D3X10		C	1	
15	048046040	ROLLER		C	1	
16	55VA40970	SHAFT HOLDING PART		C	1	
17	40BA75520	PAPER EXIT SHAFT HOLDER		C	1	
18	55VA79090	DRIVE CONNECTING GEAR A 111T		B	1	
19	55VAR73400	DRIVING GEAR A		B	3	
20	55VA40930	DOUBLE FEED PREVENTIVE PLATE		C	1	
21	25AAR70200	CONTROL GEAR B		C	1	
22	55VA40691	IDLER SHAFT B		D	1	
23	55VA40701	IDLER SHAFT C		D	1	
24	25SA77130	PAPER EXIT IDLER GEAR B 24T		C	1	
25	55VA-4210	UP/DOWN BASE PLATE		D	1	
26	55VAR74100	UP DOWN SHAFT		D	1	
27	55VA40830	SLIDE PART A		C	2	
28	55VA41560	UP DOWN WIRE E		C	1	
29	55VA40551	DETECTING LEVER		D	1	
30	55VA41570	UP DOWN WIRE F		C	1	

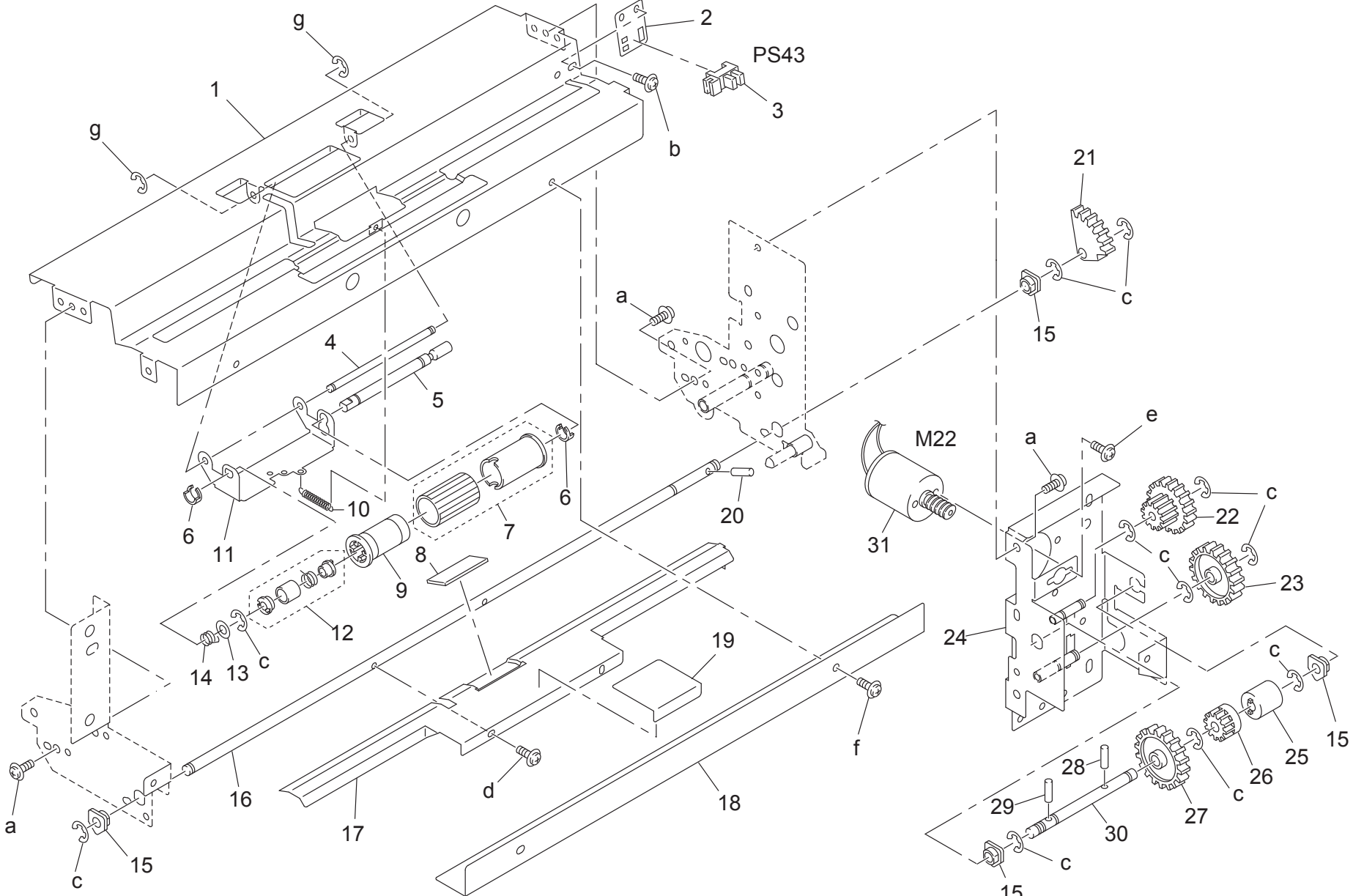
MANUAL FEED UNIT



Key	Part No.	Description	Destinations	Class	QTY	Standard parts
1	A0Y5595200	Bypass Tray /Middle		C	1	a-V151030803 b-V121030403 c-V121040403 d-V217060050 e-V121040603 f-V114040604 g-V217050050
2	55VA43030	MANUAL FEED SIDE PLATE FRONT		D	1	
3	55VA43280	MANUAL FEED OPEN CLOSE SPRING		B	1	
4	55VA43260D	By-pass Support Shaft /Front		D	1	
5	55VA43110	HINGE PLATE		C	1	
6	55VA43610D	BY-PASS SUPPORT SHAFT		D	2	
7	55VA43580	HINGE FIXED PLATE		D	2	
8	A0Y5595300	Bypass Tray /Lower		C	1	
9	A0Y5595100	Bypass Tray /Upper		C	1	
10	55VA-5161	SIDE PLATE ASSY		D	1	
11	A0Y5948401	Positioning Label /B		C	1	
12	A0Y5595600	Guide Side plate /Front		C	1	
13	A0Y5595400	Slide Side plate /Front		C	1	
14	57GA97290	BY-PASS REGULATING LABEL		C	1	
15	A0Y5595700	Guide Side plate /Rear		C	1	
16	A0Y5595500	Slide Side plate /Rear		C	1	
17	55VA43620	Wiring Stopper Part		D	3	
18	55VA43640	PAPER FEED TRAY SLIDE SHEET		D	2	
19	56AA85521	Conveyance Photo Sensor		B	2	
20	55VA43600	FIXED PLATE		D	2	
21	55VA43591	BOARD MOUNT PLATE		D	1	
22	13QA-9012E	SIZEDETECT BOAD ASSY		B	1	
23	55VA77470	MANUAL FEED PINION 124T		C	1	
24	396040611	RACK 45T		C	1	
25	55GA42210	RACK		C	1	
26	466077130	PINION 14T		C	1	
27	540042120	SLIDE HOLDER		C	1	
28	56GA90710E	BY-PASS SIGNAL WIRING /UPPER		D	1	



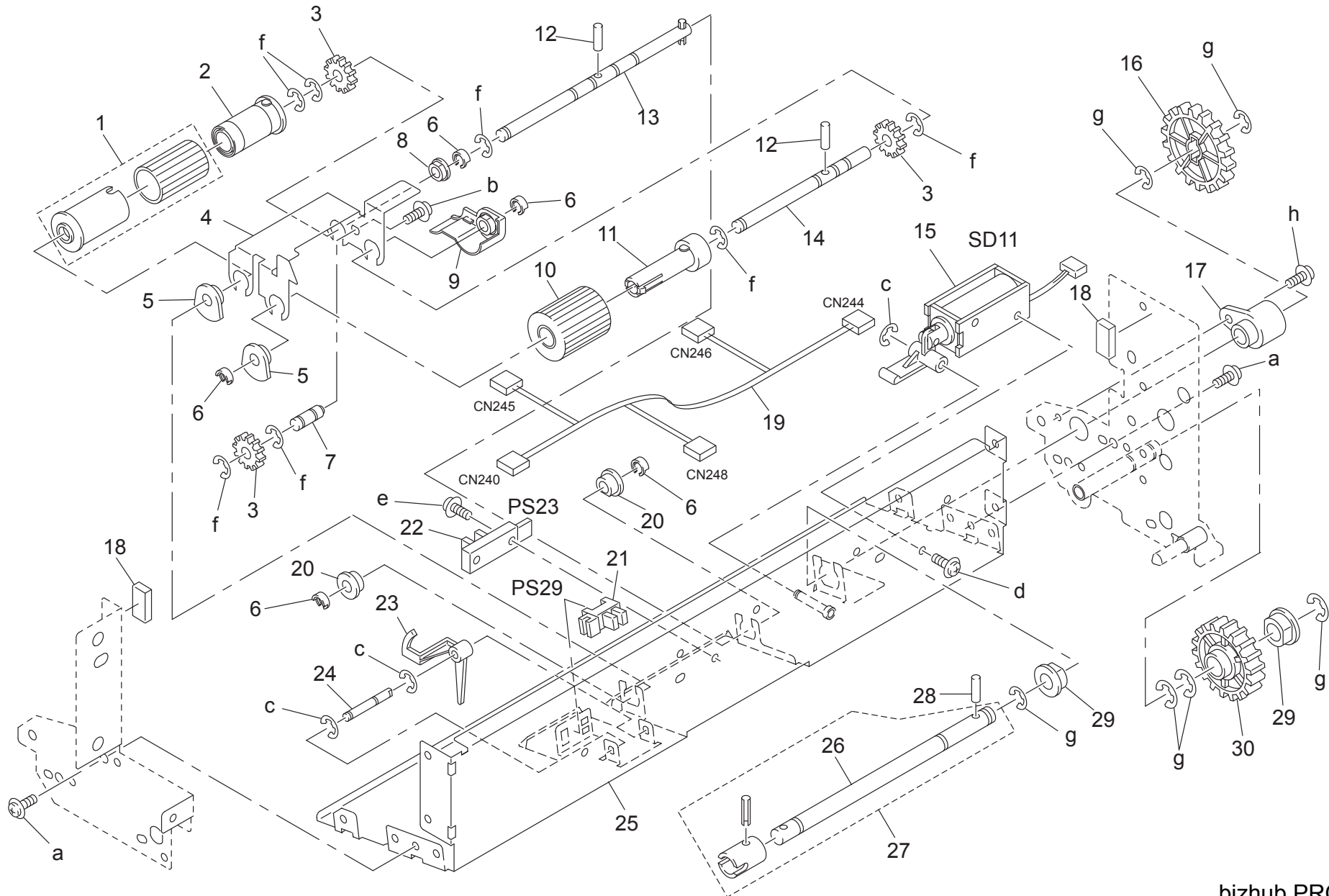
MANUAL FEED UNIT



Key	Part No.	Description	Destinations	Class	QTY	Standard parts
1	55VA43041	MANUAL FEED GUIDE PLATE LOWER	手差しガイド板 下	D	1	a-V121040403
2	55VA43100	MOUNT PLATE	センサ取り付け板	D	1	b-V118030416
3	08AA85512	Photo Sensor	フォトセンサ	B	1	c-V217040050
4	55VA43170	SUPPORT SHAFT /A	支持軸 / A	D	1	d-V121030603
5	55VA43161	MULTI-FEED PREVENTING SHAFT	重送防止軸	D	1	e-V111260403
6	396040681	STOPPER RING	止め輪	B	2	f-V114040616
7	55VAR74500	FEEDING ROLLER ASSY B5	送り出しローラ部組 B 5	A	1	g-V217030050
8	55VA43330	DOUBLE FEED PREVENTIVE RUBBER	重送防止ゴム	C	1	
9	55VA43340	DOUBLE FEED PREVENTIVE ROLLER	重送防止ローラ	C	1	
10	A0Y5591200	Bypass Spring	手差しばね	C	1	
11	55VA43090	SHAFT COVER	軸カバー	D	1	
12	5400R70100	TORQUE LIMITTER BY-PASS FEED	トルクリミッタ 手差し	A	1	
13	40AA30270	DEVELOPING SPACER	現像スペーサー	C	1	
14	540040461	DOUBLE FEED REVERSE SPRING	重送逆転バネ	B	1	
15	466076020	PAPER FEED SHAFT HOLDER	給紙送り出し軸受	B	4	
16	55VA43180	Paper Lifting Shaft	紙持ち上げ軸	D	1	
17	55VA43061	PAPER LIFT UP PLATE	紙持ち上げ板	C	1	
18	A0Y5176201	Bypass Cover /Lower	手差しカバー /下	D	1	
19	55VA43350	MANUAL FEED SHEET	手差し給紙シート	C	1	
20	56AA17461	PIN A	ピン A	B	1	
21	540077052	PAPER LIFT UP GEAR A 12T	紙持ち上げ歯車 A 12 T	B	1	
22	396077240	TONER SUPPLY GEAR A 42T 13T	トナー補給歯車 A 42 T 13 T	C	1	
23	466077220	DOUBLE STEPPED GEAR 34T 17T	2段歯車 34 T 17 T	C	1	
24	55VA43021D	By-pass Mounting Plate	手差し取付板	D	1	
25	13GQ45511	TORQUE LIMITTER	トルクリミッタ	C	1	
26	55VA79030	Paper Feed Reversal Gear /C 14T	給紙逆転歯車 / C 14 T	B	1	
27	55VA77740	MANUAL FEED UP DOWN GEAR A 45T	手差し昇降歯車 A 45 T	B	1	
28	56AA17310	PIN	ピン	C	1	
29	56AA17321	PIN A D2X12	ピン A D 2 X 12	B	1	
30	55VA43220	Drive Control Shaft	駆動制御軸	D	1	
31	56GA-5120	MOTOR ASSY	モータ部組	B	1	

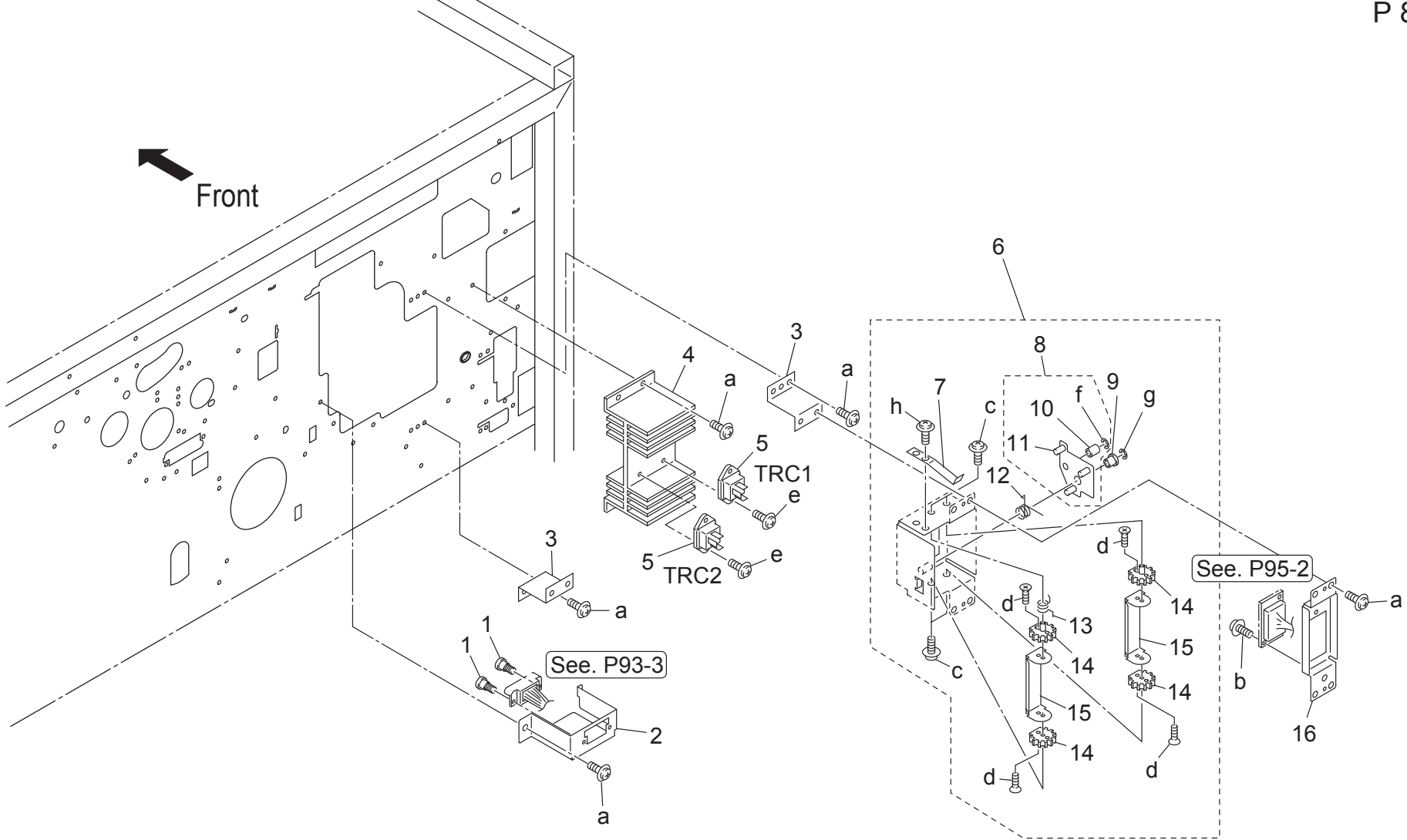
MANUAL FEED UNIT

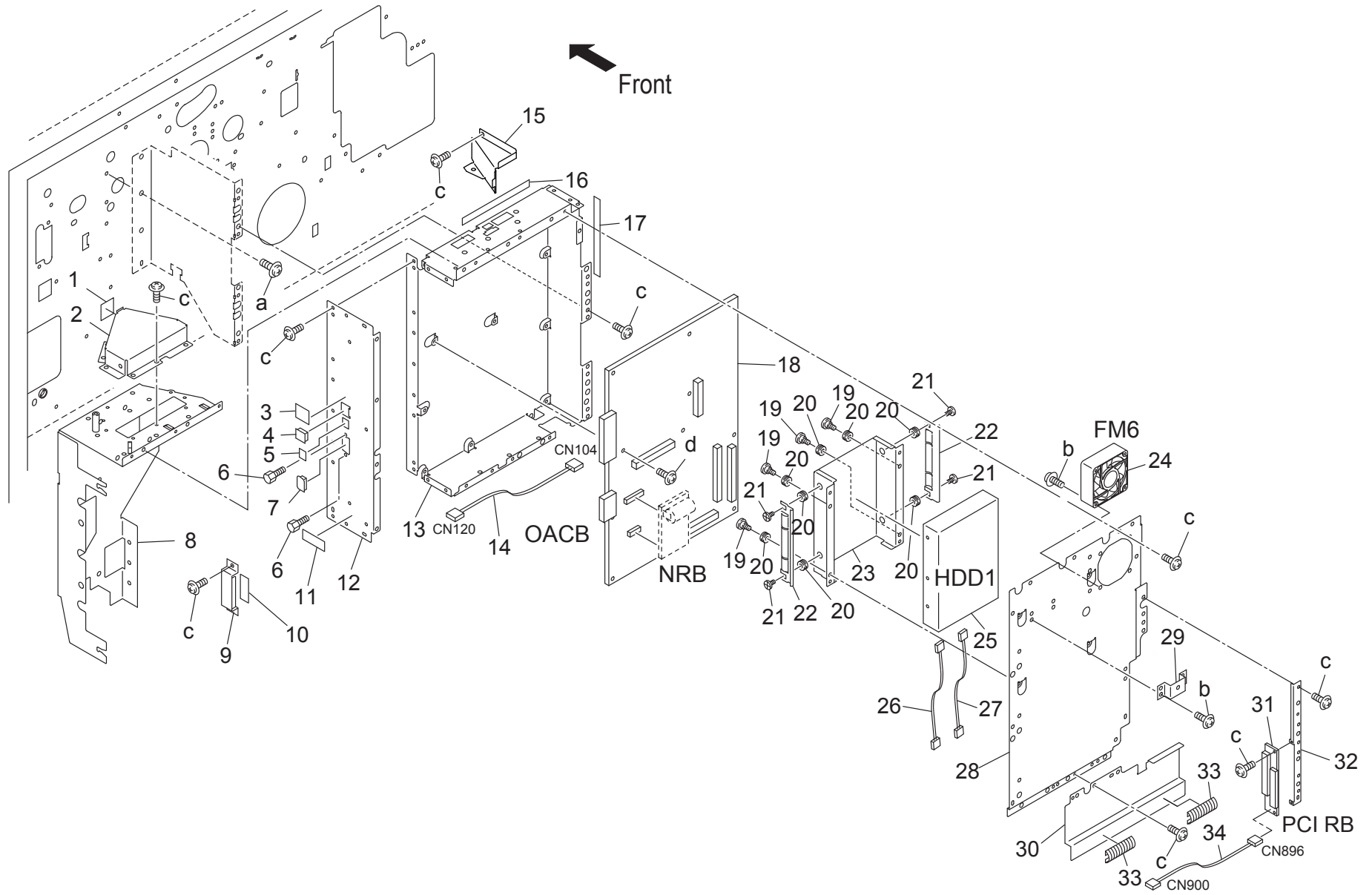
P 83



Key	Part No.	Description	Destinations	Class	QTY	Standard parts
1	55VAR74500	FEEDING ROLLER ASSY B5	送り出しローラ部組 B 5	A	1	a-V121040403
2	56UA40600	Multi-Feed Feeding Roller	重送送り出しローラ	C	1	b-V121030403
3	396077040	FEED GEAR A 18T	送り出しギヤ A 18 T	C	3	c-V217030050
4	55VA43071E	By-pass Lifting Cover	手差し持ち上げカバー	D	1	d-V118030403
5	25AA75560	SLIDE SHAFT HOLDER BLACK	滑り軸受 黒	C	2	e-V118041003
6	396040681	STOPPER RING	止め輪	B	5	f-V217040050
7	55VA43150D	Idling Shaft /A	アイドル軸 / A	D	1	g-V217060050
8	392015650	SLIDE BUSHING/C	滑り軸受 / C	C	1	h-V121030603
9	55VA43630	DRIVING PROTECT SHAFT HOLDER	駆動保護軸受	C	1	
10	55VAR74600	FEEDING ROLLER ASSY A5	送り出しローラ部組 A 5	A	1	
11	50BA40030	FEEDING ROLLER A	送り出しローラ A	B	1	
12	56AA17531	PIN /A D2X10	ピン / A D 2 X 1 0	C	2	
13	55VAR75300	PAPER CONVEYING SHAFT PIN	紙搬送軸ピン打ち	D	1	
14	55VA43141D	Paper Feeding Shaft	紙送り出し軸	D	1	
15	55VAR75500	SOLENOID ASSY	ソレノイド部組	B	1	
16	12AJ77061	Gear 4 42T	歯車 4 4 2 T	C	1	
17	57GA75030	LOCK BEARING B	ロック軸受 B	C	1	
18	55VA12850	BY-PASS SEALING PART	手差しシール部材	C	2	
19	56GA90700E	BY-PASS SIGNAL WIRING /LOWER	手差し信号束線 / 下	D	1	
20	131075510	OIL LESS METAL A	オイルレスメタル A	C	2	
21	08AA85512	Photo Sensor	フォトセンサ	B	1	
22	56AA85511	Photo Sensor	フォトセンサ	B	1	
23	55VA43320	BY-Pass Feed Actuator	手差し給紙アクチュエータ	C	1	
24	55VA43190D	Support Shaft /B	支持軸 / B	D	1	
25	55VA-5150	UPPER GUIDE PANEL ASSY	上ガイド板カシメ部組	D	1	
26	55VA43121D	Drive Connecting Shaft	駆動連結軸	D	1	
27	55VAR75400	CUOPLING SHAFT	カップリング軸	D	1	
28	56AA17471	PIN B 3X12	ピン B 3 X 1 2	B	1	
29	090075530	BUSHING	軸受	B	2	
30	55VA77150	PAPER FEED DRIVING GEAR E 32T	給紙駆動歯車 E 3 2 T	B	1	

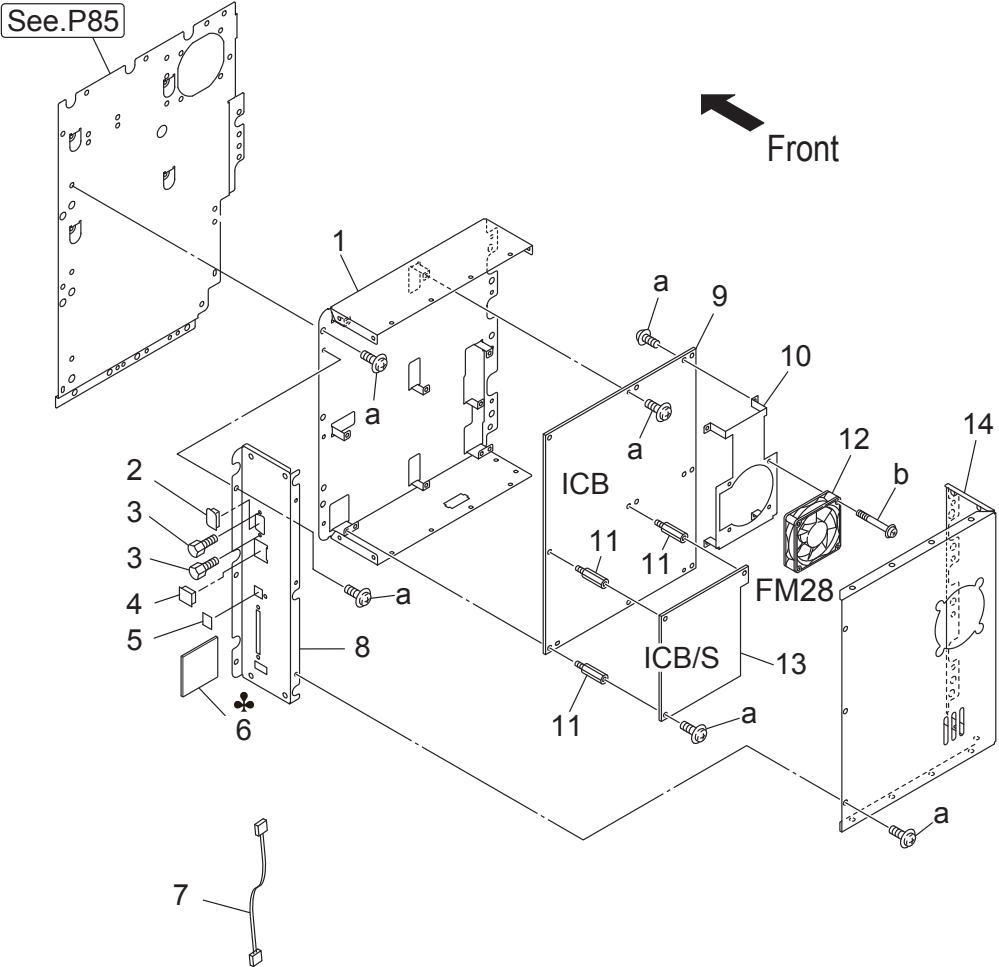
ELECTRIC PARTS





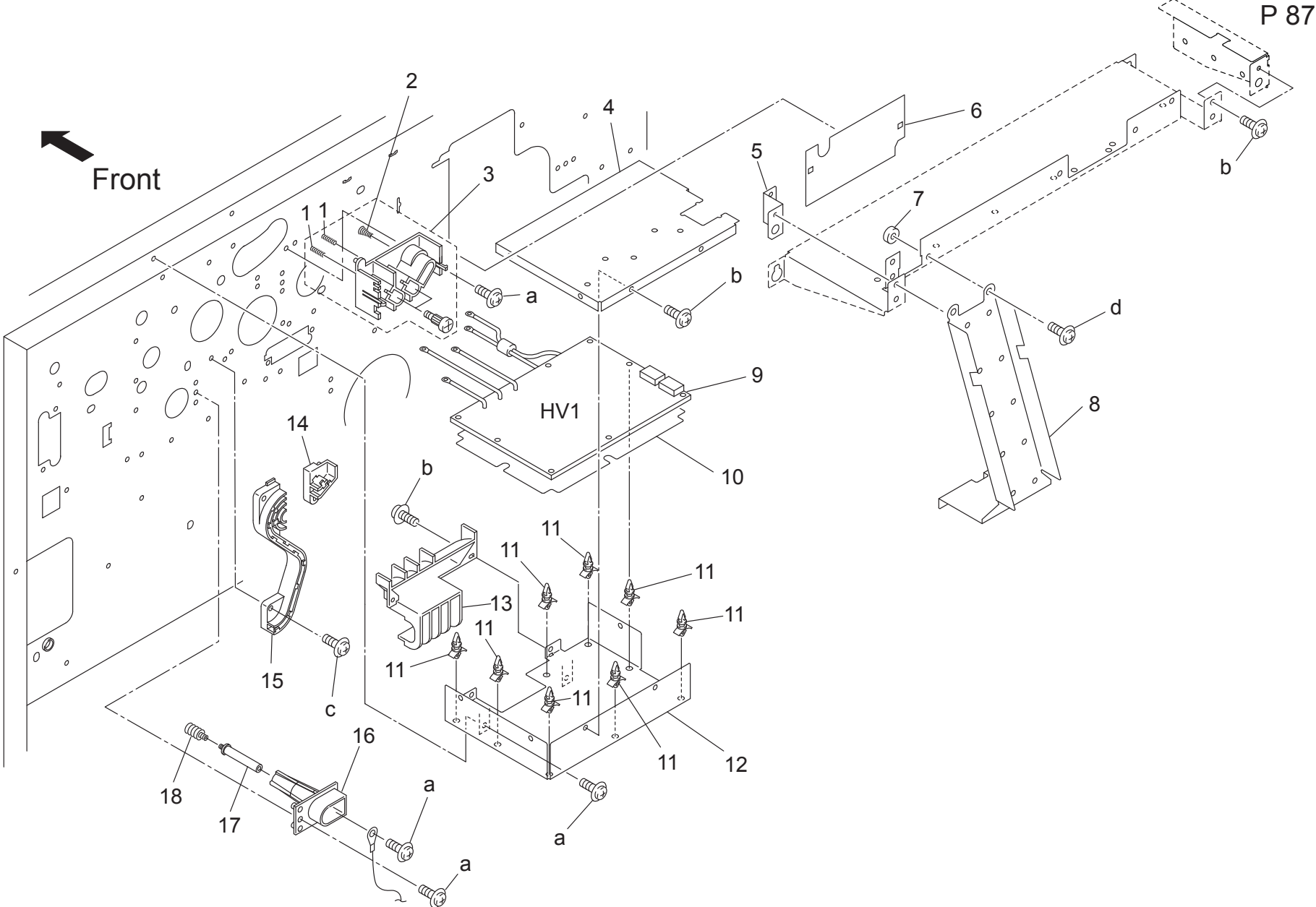
ELECTRIC PARTS

Key	Part No.	Description	Destinations	Class	QTY	Standard parts
1	A0Y5M91400	Gasket /D	ガスケット / D	D	1	a-V121040603 b-V118033003 c-V121030403 d-V121030603
2	A0Y5130400	Shield Cover	シールドカバー	D	1	
3	55VA97390	REAR SIDE INDICATION LABEL	背面表示ラベル	D	1	
4	40LA73840	Contact Protection Cover	接点保護カバー	D	1	
5	55GA97250	CONTACT PROTECT SEAL	接点保護シール	D	1	
6	26NA73570	Contact Fixing Screw /A	接点固定ネジ / A	C	2	
7	13RN73120	Terminal Protection Cover /1	端子保護カバー / 1	D	1	
8	A0Y5121300	Reinforce Plate /Left	補強板 / 左	D	1	
9	56UA73420	BOARD FIXING COVER	基板固定カバー	D	1	
10	56UA73440	Cushion /B	クッション / B	D	1	
11	27LA73990	CONTACT PROTECTION SEAL	接点保護シール	C	1	
12	A0Y5132400	Input Panel /S	入力パネル / S	D	1	
13	A0Y5132100	Mounting Box /S	取付箱 / S	D	1	
14	A0Y5N15200	ImageProcessing Relay harness /3	画像処理中継束線 / 3	D	1	
15	57GA73430	CCD WIRING PLATE/REAR	C C D 配線板 / 奥	D	1	
16	A0Y5M91200	Gasket /B	ガスケット / B	D	1	
17	A0Y5M91100	Gasket /A	ガスケット / A	D	1	
18	A0Y5H01002	Image Processing Board Assy	画像処理基板 A S S Y	I	1	
19	A0Y5134700	Board Fixing Screw	基板固定ネジ	C	4	
20	20ER73120	BOARD SUPPORT RUBBER	基板支持ゴム	D	8	
21	20ER73110E	Board Fixing Screw	基板固定ネジ	D	4	
22	56UA73550	Earth Plate	アース板	D	2	
23	A0Y5134500	Hold Plate	保持板	D	1	
24	56AA80541	FAN MOTOR 1	ファンモータ 1	B	1	
25	A0Y5R76200	HDD Data ASSY	H D D データ A S S Y	I	1	
26	A0Y5N15600	Power source Relay harness /S	電源中継束線 / S	D	1	
27	A0Y5N19600	Interface Cable /2	インターフェースケーブル / 2	D	1	
28	57GA73130E	Board Cover	基板 蓋	D	1	
29	57GA73160	EXTERNAL MOUNTING PLATE	外装取付板	D	1	
30	57GA73170E	Board Ground Part	基板アース部材	D	1	
31	15RA-9111E	PCI RELAY BOARD ASSY	P C I 中継基板部組	C	1	
32	15RA10030	BOARD BASE PLATE	基板基準板	C	1	
33	56AAR70500	EARTH SPRING ASSY	アースバネ部組	C	2	
34	A0Y5N19700	HDD Power source Wiring /1	H D D 電源束線 / 1	D	1	



Key	Part No.	Description	Destinations	Class	QTY	Standard parts
1	A0Y5133100	Mounting Plate /C		D	1	a-V121030403 b-V118033003
2	13RN73120	Terminal Protection Cover /1		D	1	
3	26NA73570	Contact Fixing Screw /A		C	2	
4	40LA73840	Contact Protection Cover		D	1	
5	55GA97250	CONTACT PROTECT SEAL		D	1	
6	A0Y5R72900	CF ASSY	A	C	1	
6	A0Y5R73000	CF ASSY	B,C,D1,D3,F2,G1,H,I ,J,K	C	1	
7	A0Y5N19600	Interface Cable /2		D	1	
8	A0Y5133500	Mounting Cover /C		D	1	
9	A0Y5H10001	Controller Control Board Assy		I	1	
10	A0Y5133700	Support Plate /A		D	1	
11	A0Y5132000	Board Fixing Screw /A		C	3	
12	56UA80510	Controller Cooling Fan		B	1	
13	A0Y5H12001	Control Board /S ASSY		C	1	
14	A0Y5133200	Mounting Cover /C		D	1	

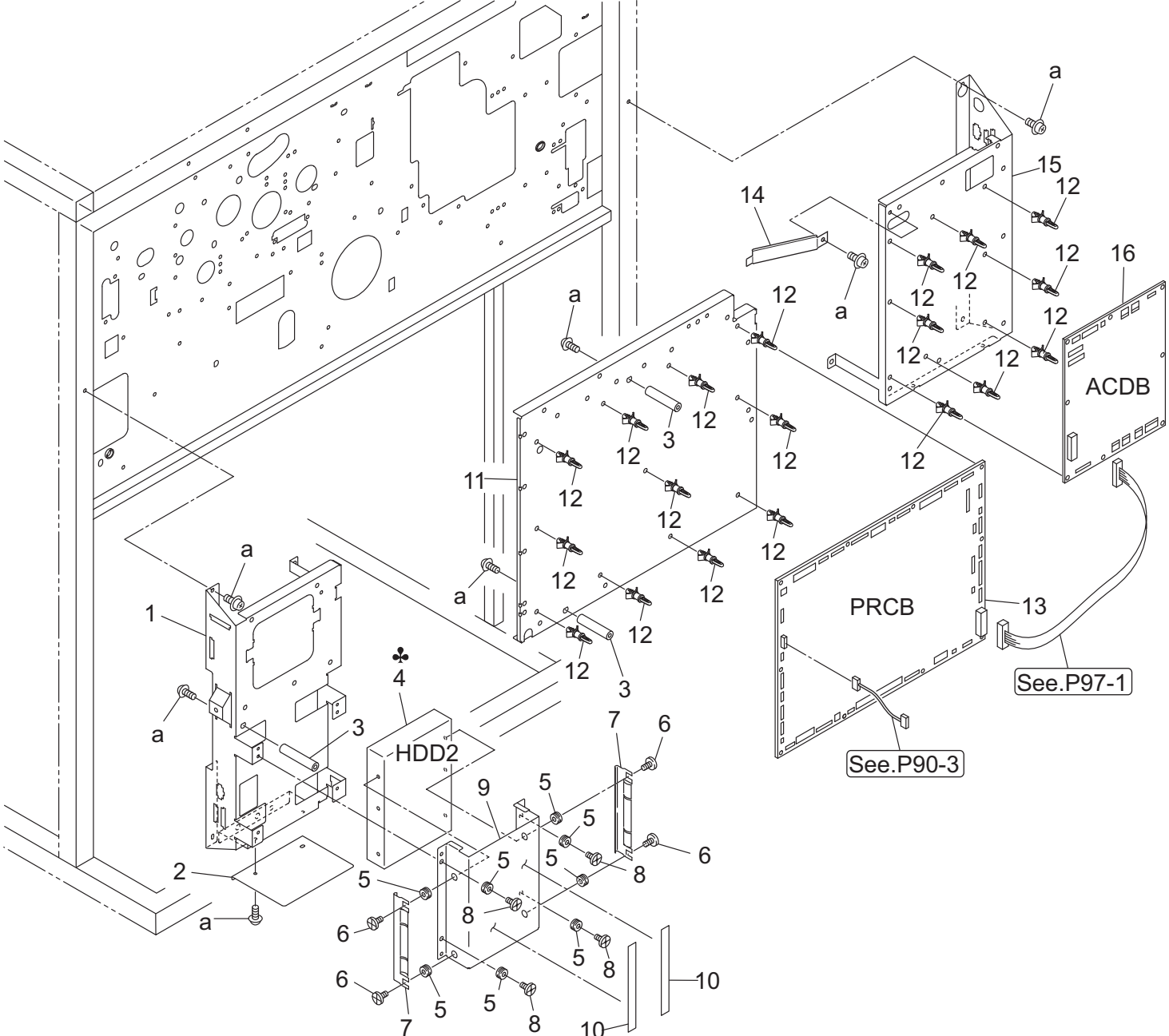
ELECTRIC PARTS

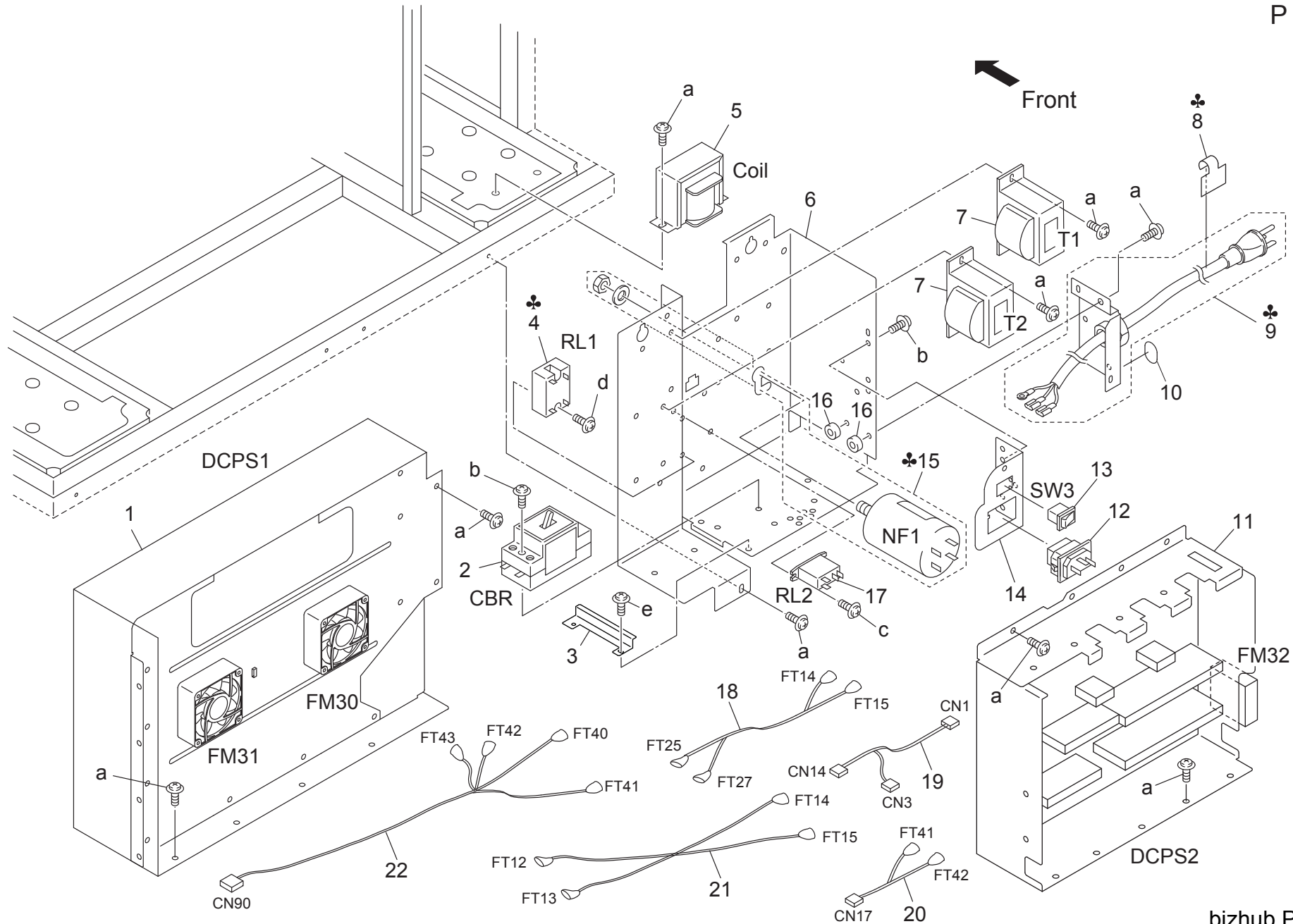


ELECTRIC PARTS

Key	Part No.	Description	Destinations	Class	QTY	Standard parts
1	55VA73160	TERMINAL ELECTRIFY SPRING A		C	2	a-V121040603 b-V121030603 c-V118041203 d-V121040403
2	55VA73170	TERMINAL ELECTRIFY SPRING B		C	1	
3	A4EUR71N00	Chageg Powering Block		D	1	
4	57GA73230	BOARD PROTECTION COVER		D	1	
5	57GA73090	ELECTRIC REINFORCE PLATE /LEFT		D	1	
6	55VA73310	Terminal Protect Cover		D	1	
7	55VA12470	SCREW PROTECT CUSHION		D	1	
8	57GA73060	WIRING WIRING PLATE		D	1	
9	57GA84010	HV Power Souce /1		I	1	
10	57GA73240	HV PROTECTION SHEET		C	1	
11	V502010052	Locking Card Spacer		D	8	
12	57GA73220	BOARD PROTECTION BOX		D	1	
13	57GA73210	HV GUIDE RAIL UPPER		D	1	
14	57GA73250	HV GUIDE RAIL RIGHT		D	1	
15	56UA73071	HV GUIDE RAIL LEFT		D	1	
16	A0Y5111100	Power supply Block /B		C	1	
17	56AA15521	CONTACT SHAFT		D	1	
18	56AA15471	CONTACT SPRING		C	1	

ELECTRIC PARTS

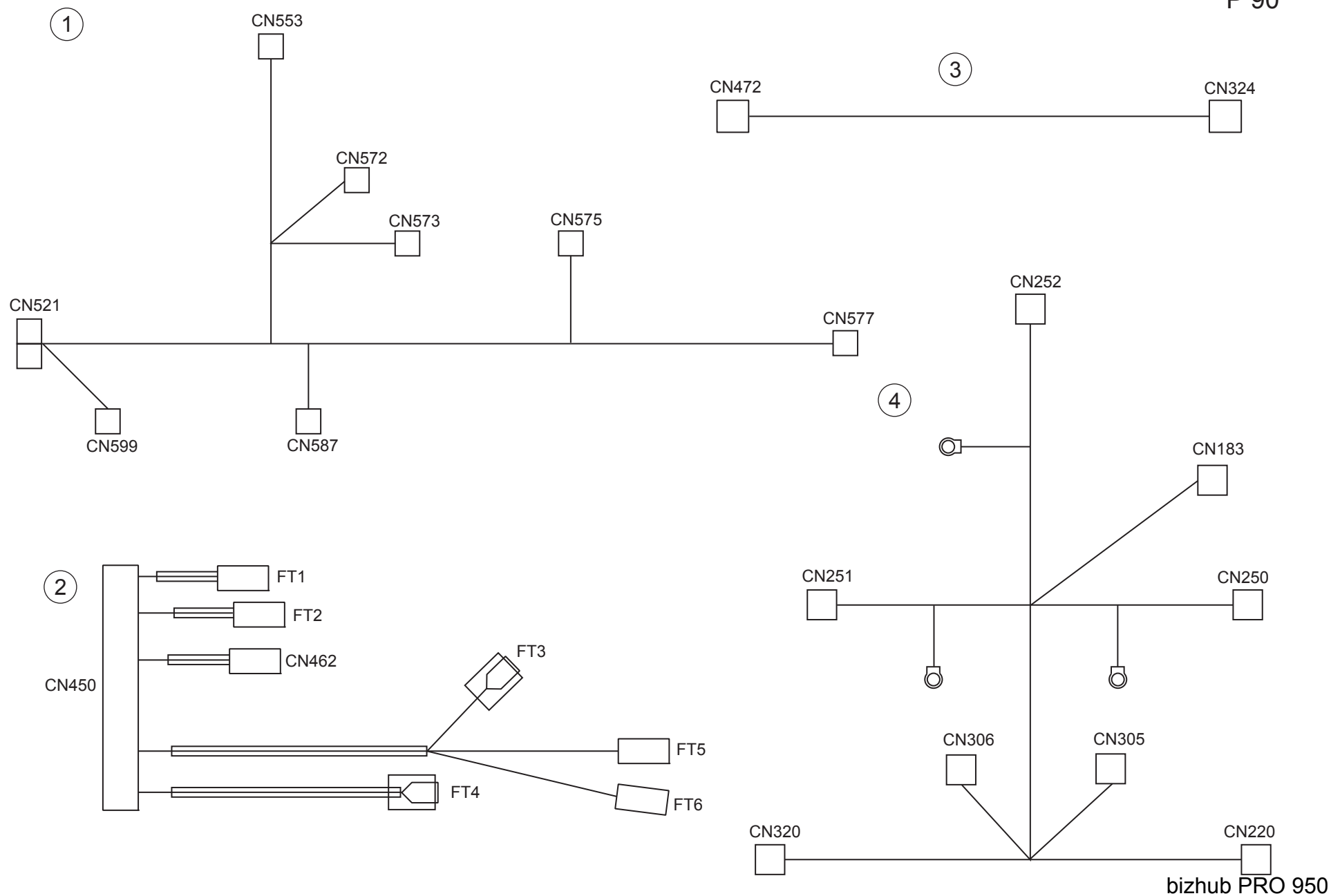


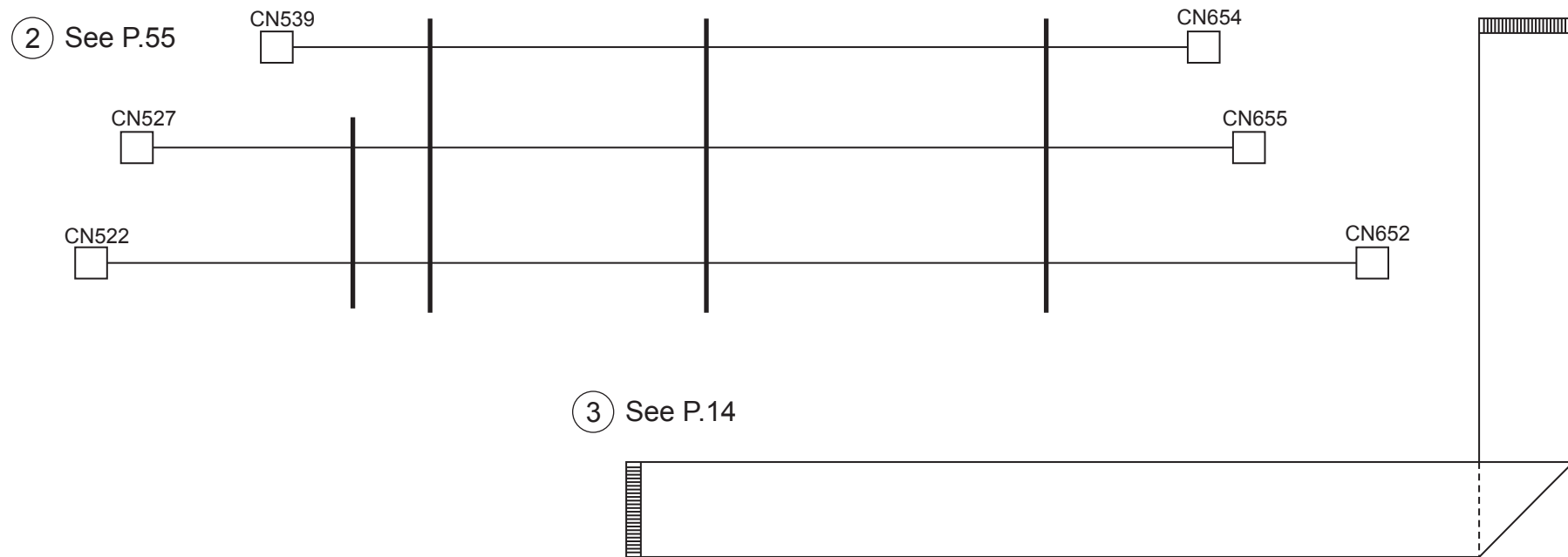
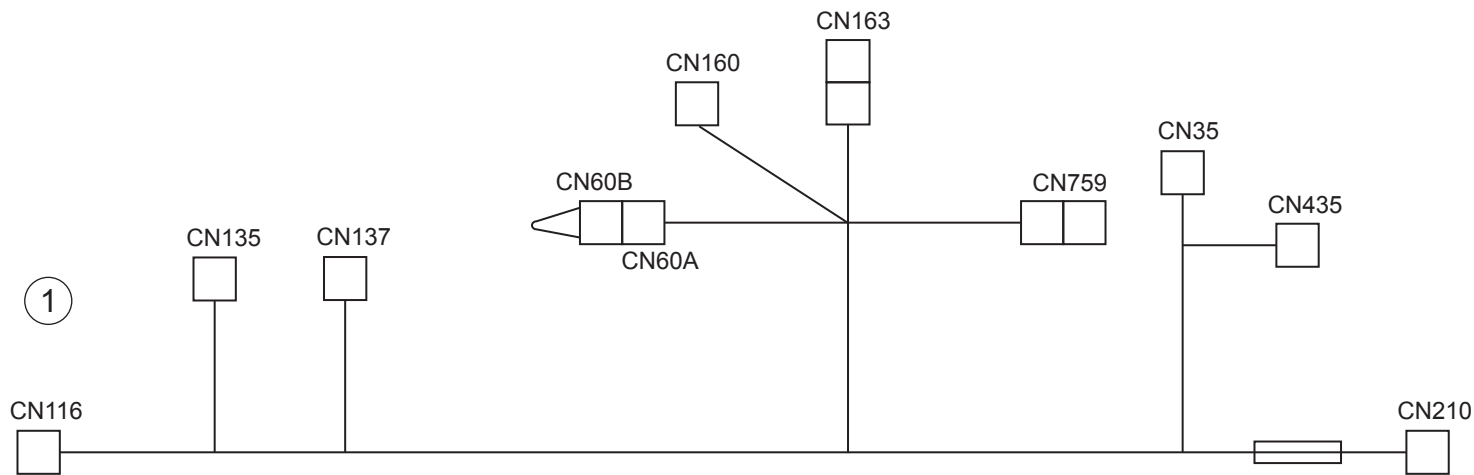


Key	Part No.	Description	Destinations	Class	QTY	Standard parts
1	A0Y5M45100	DC Power Source /1		I	1	a-V121040603 b-V111042003 c-V118030603 d-V111040603 e-V121030403
2	A0Y5M60200	Breaker		C	1	
3	A0Y5130900	Protection Cover		D	1	
4	25SA88461	Main Relay	A,B,G1	C	1	
4	25SF88461	Main Relay	C,D1,D3,F2,H,I,J,K	C	1	
5	56AF84540	Coil		C	1	
6	57GA73020E	Terminal Pedestal		D	1	
7	56AF84521	Power Source Transfomer		C	2	
8	56AA97140	CORD LABEL	B,G1	D	1	
9	57GBR70200	Cord Panel Assy	A	C	1	
9	57GE-7330	CORD PANEL ASSY	B,G1	C	1	
9	57GF-7331	CORD PANEL ASSY	C	C	1	
9	57GL-7330	CORD PANEL ASSY	D1,F2,I	C	1	
9	57GN-7330	CORD PANEL ASSY	D3	C	1	
9	57GU-7330	CORD PANEL ASSY	K	C	1	
9	57GK-7331	CORD PANEL ASSY	H	C	1	
9	57GG-7330	CORD PANEL ASSY	J	C	1	
10	25HE97070	EARTH LABEL		C	1	
11	57GB84520	DC Power Source /2		I	1	
12	55VAR76700	POWER SOURCE WIRING ASSY		C	1	
13	25AA85020	Heater Switch		C	1	
14	57GA73040	SWITCH MOUNTING PLATE		D	1	
15	323584531	Noise filter	A,C,D1,D3,F2,H,I,J, K	C	1	
15	538088261	Noise Filter	B,G1	C	1	
16	55VA12470	SCREW PROTECT CUSHION		D	2	
17	A07TM60100	Power source Relay		C	1	
18	57GA90080	POWER SOURCE WIRING		D	1	
19	57GA90020	AC POWER SOURCE WIRING		D	1	
20	57GA90090	HEATER CONTROL WIRING		D	1	
21	57GA90040	BREAKER WIRING		D	1	
22	57GA90200	RELAY RELAY WIRING		D	1	

WIRING

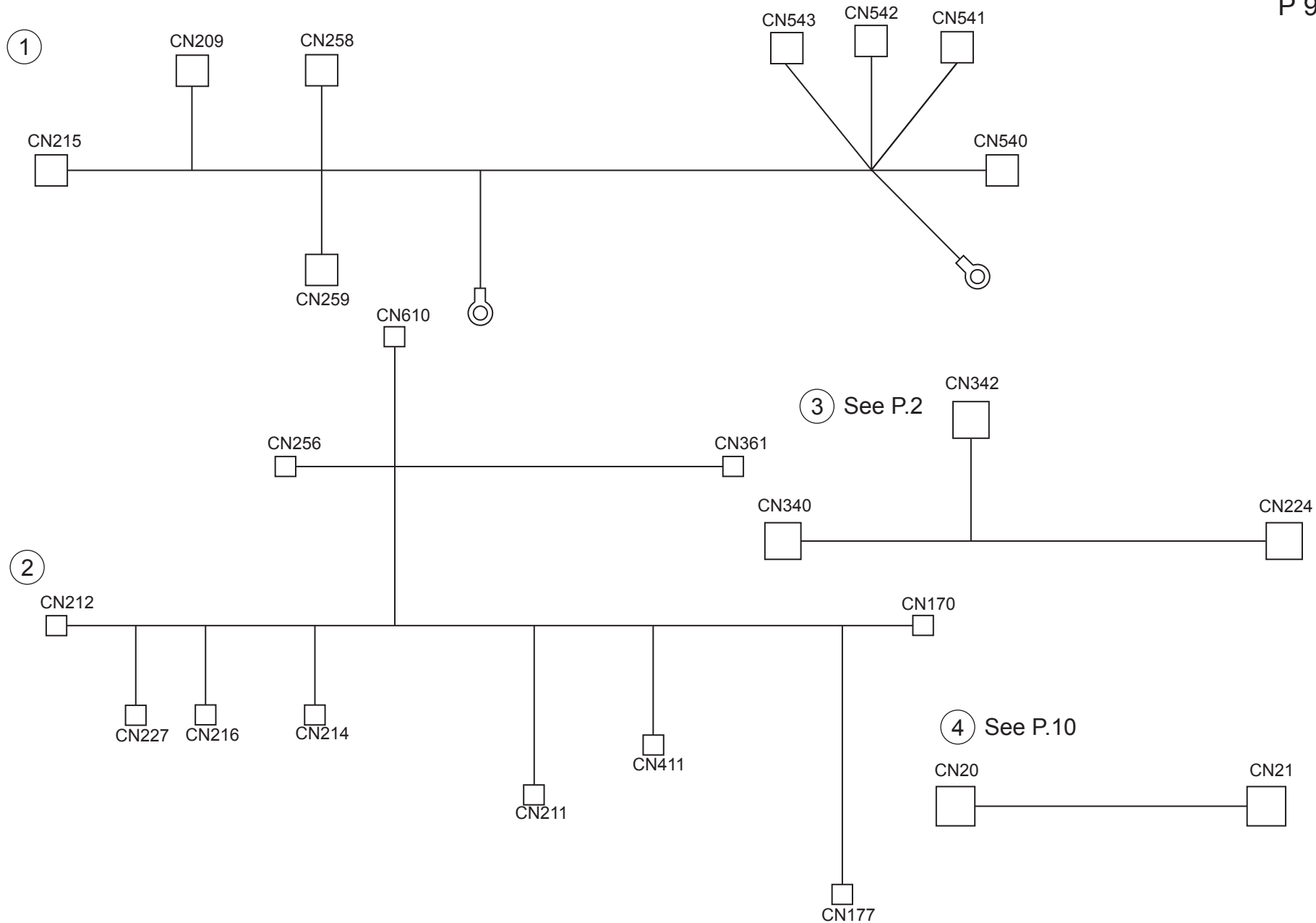
P 90



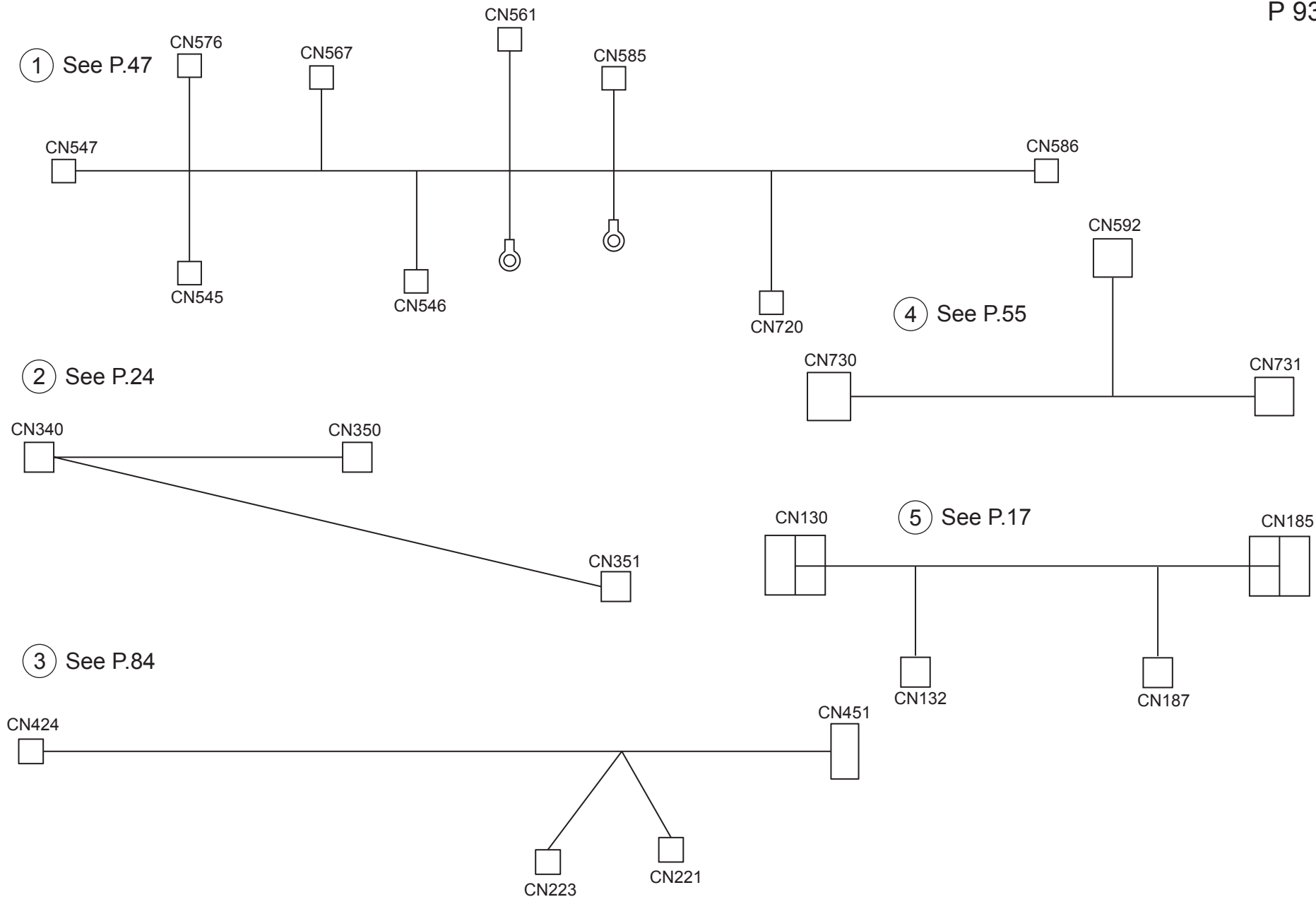


WIRING

P 92



WIRING



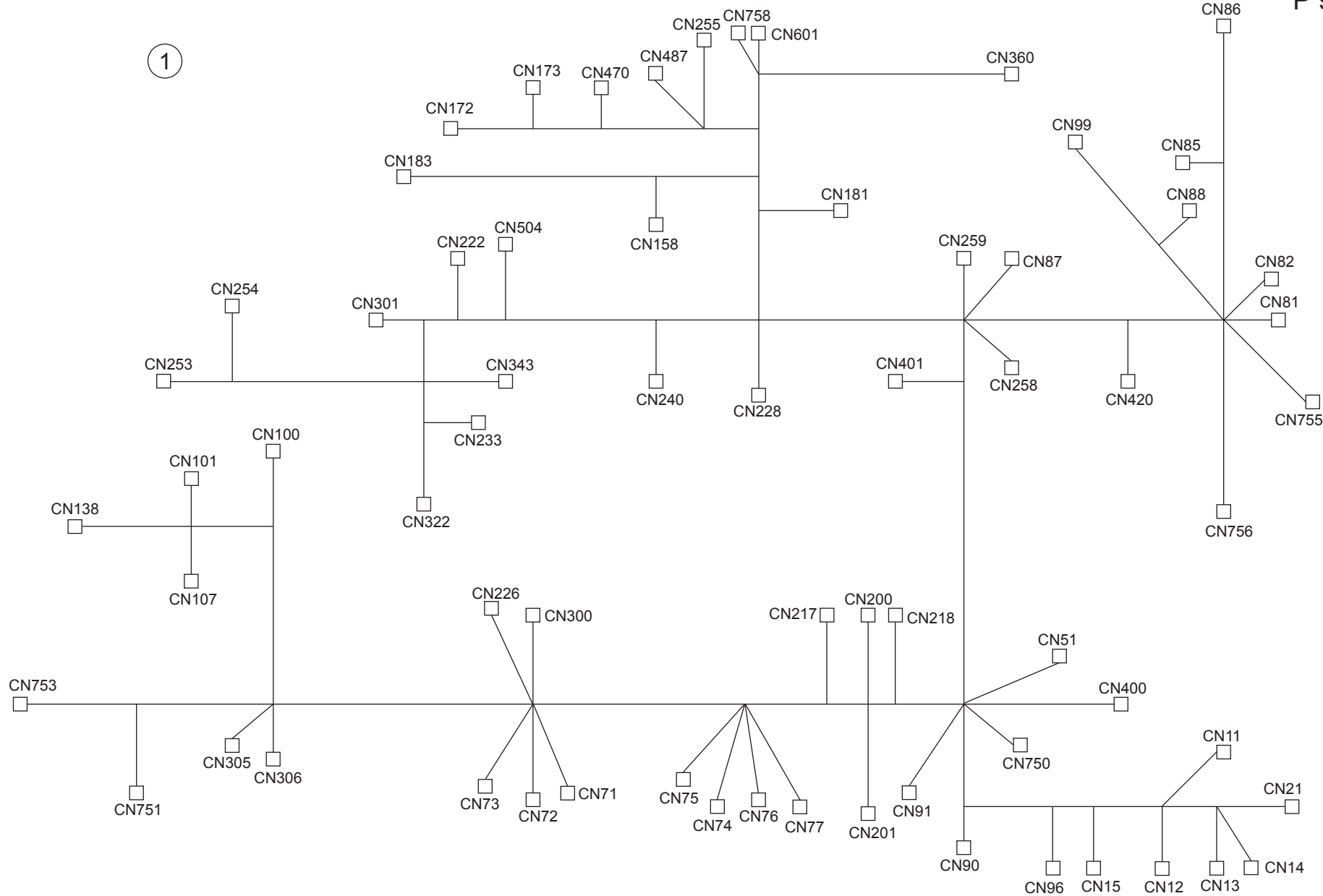
WIRING

Key	Part No.	Description	Destinations	Class	QTY	Standard parts
1	A0Y5N16401	ADU Relay harness /1		D	1	
2	57GA90420	DRUM WIRING 2		D	1	
3	A0Y5N11400	Fixing Control harness		D	1	
4	A0Y5N16300	ADU Control harness		D	1	
5	57GA90540	LASER CONTROL WIRING		D	1	

WIRING

P 94

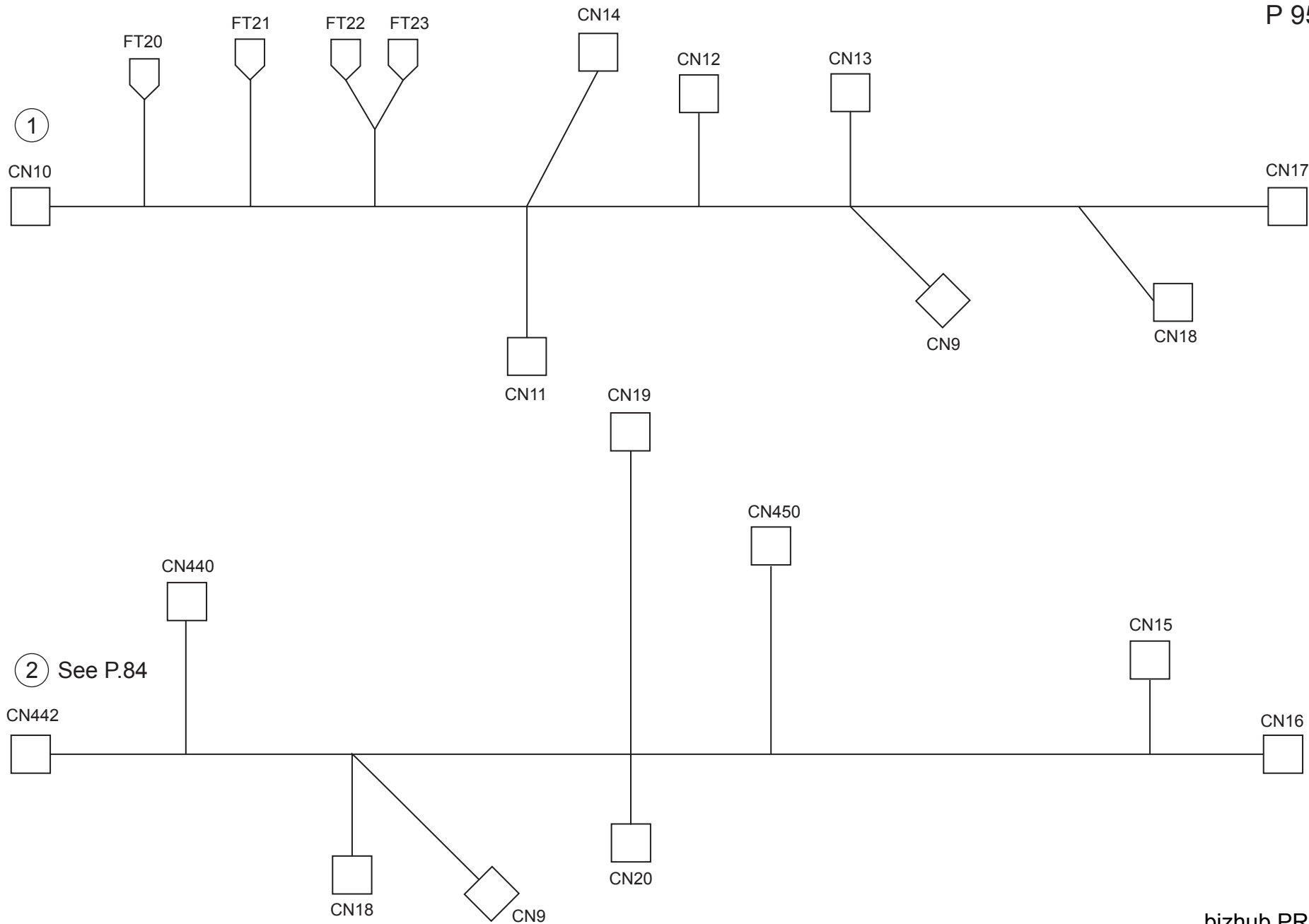
1



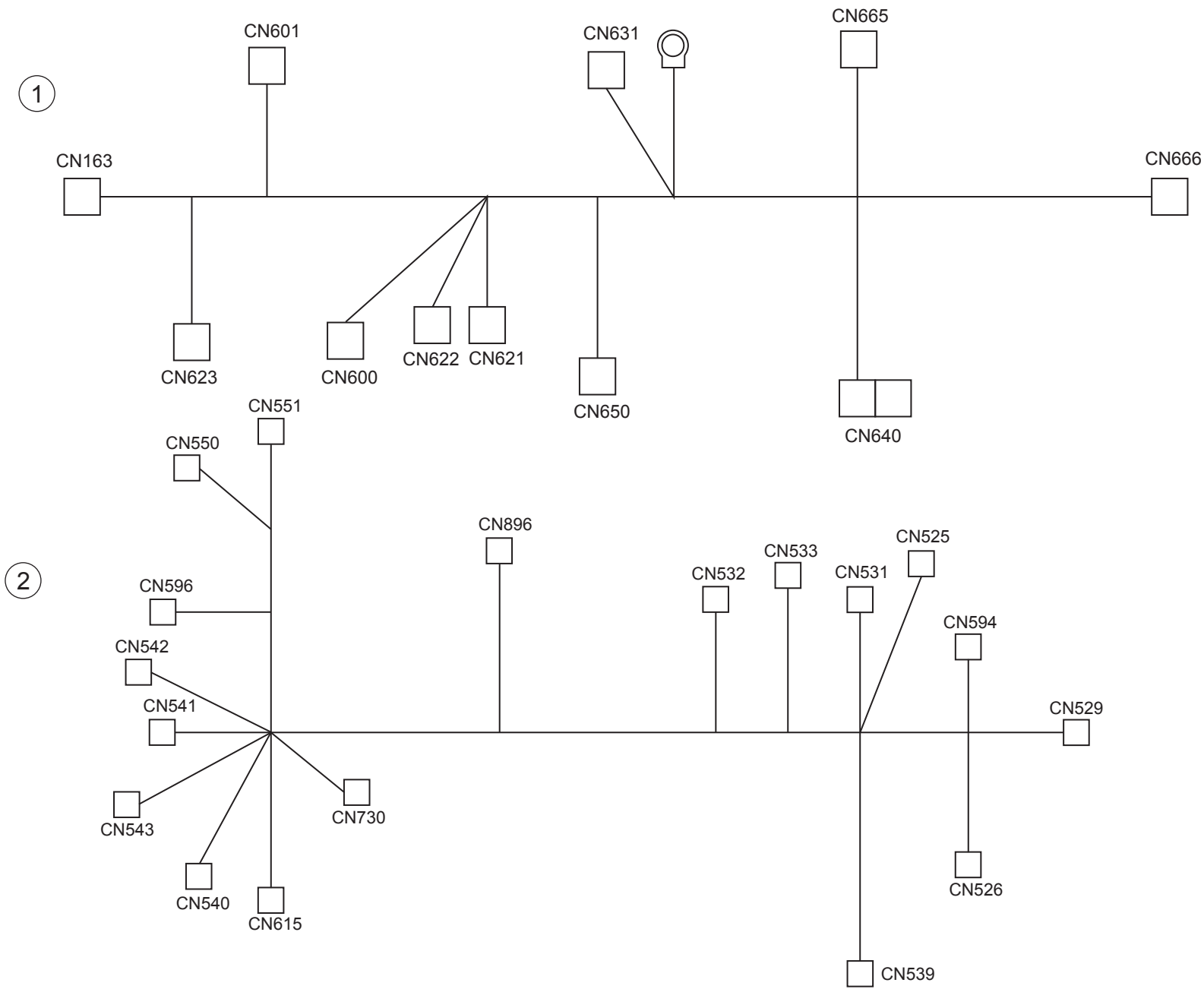
bizhub PRO 950

WIRING

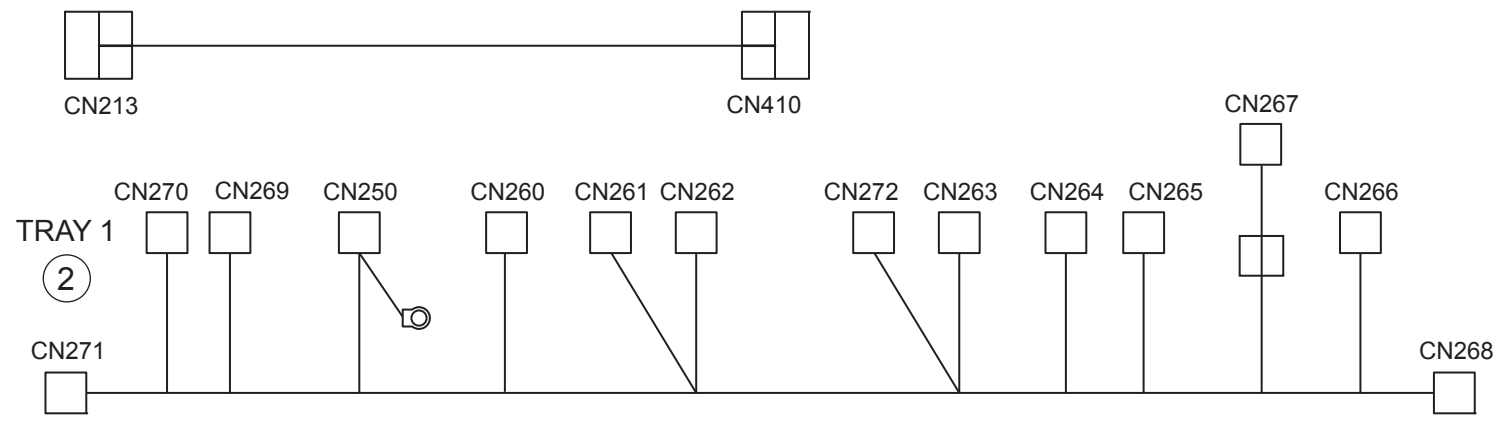
P 95



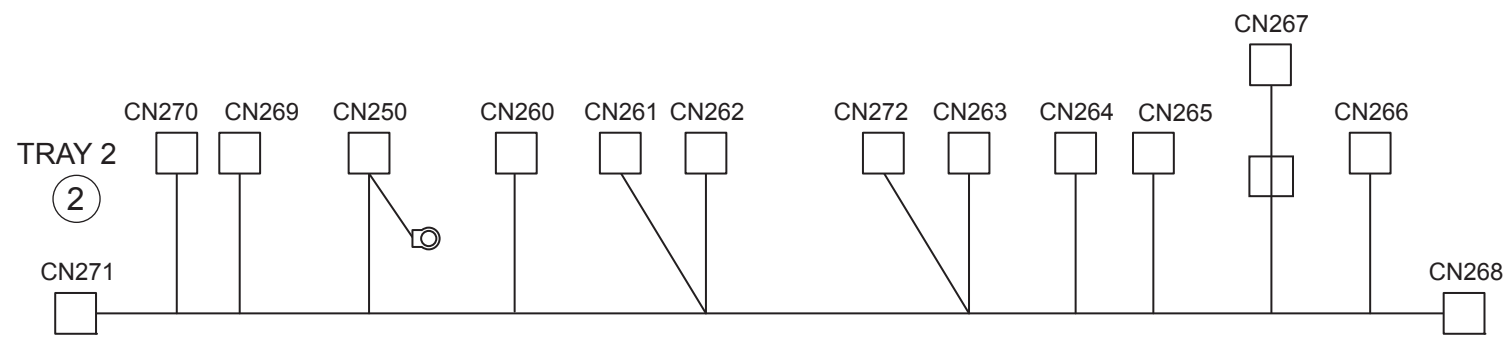
WIRING



① See P.88

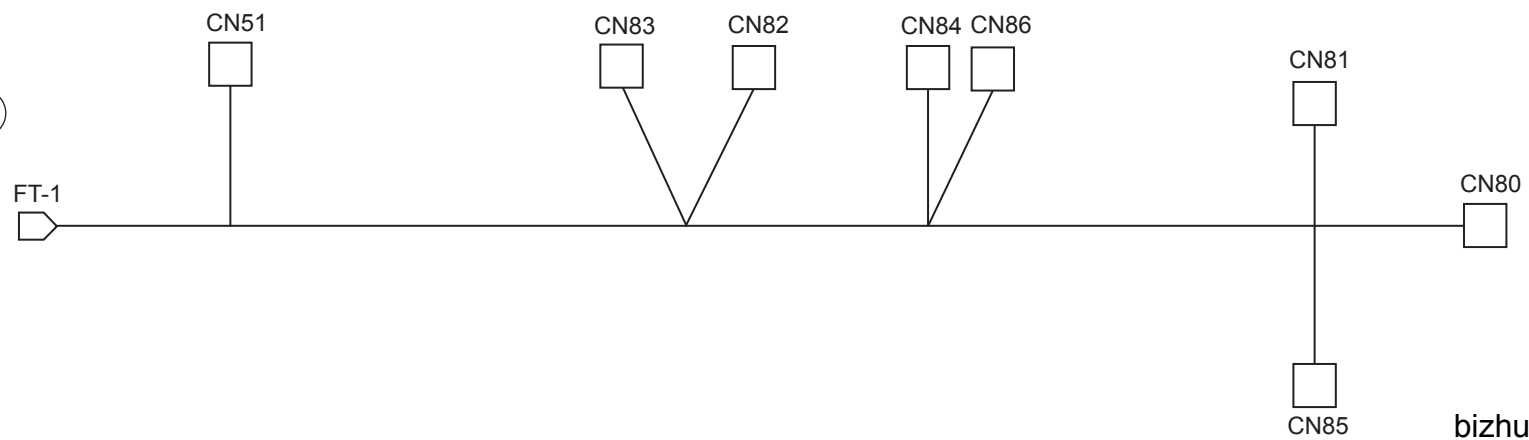


②



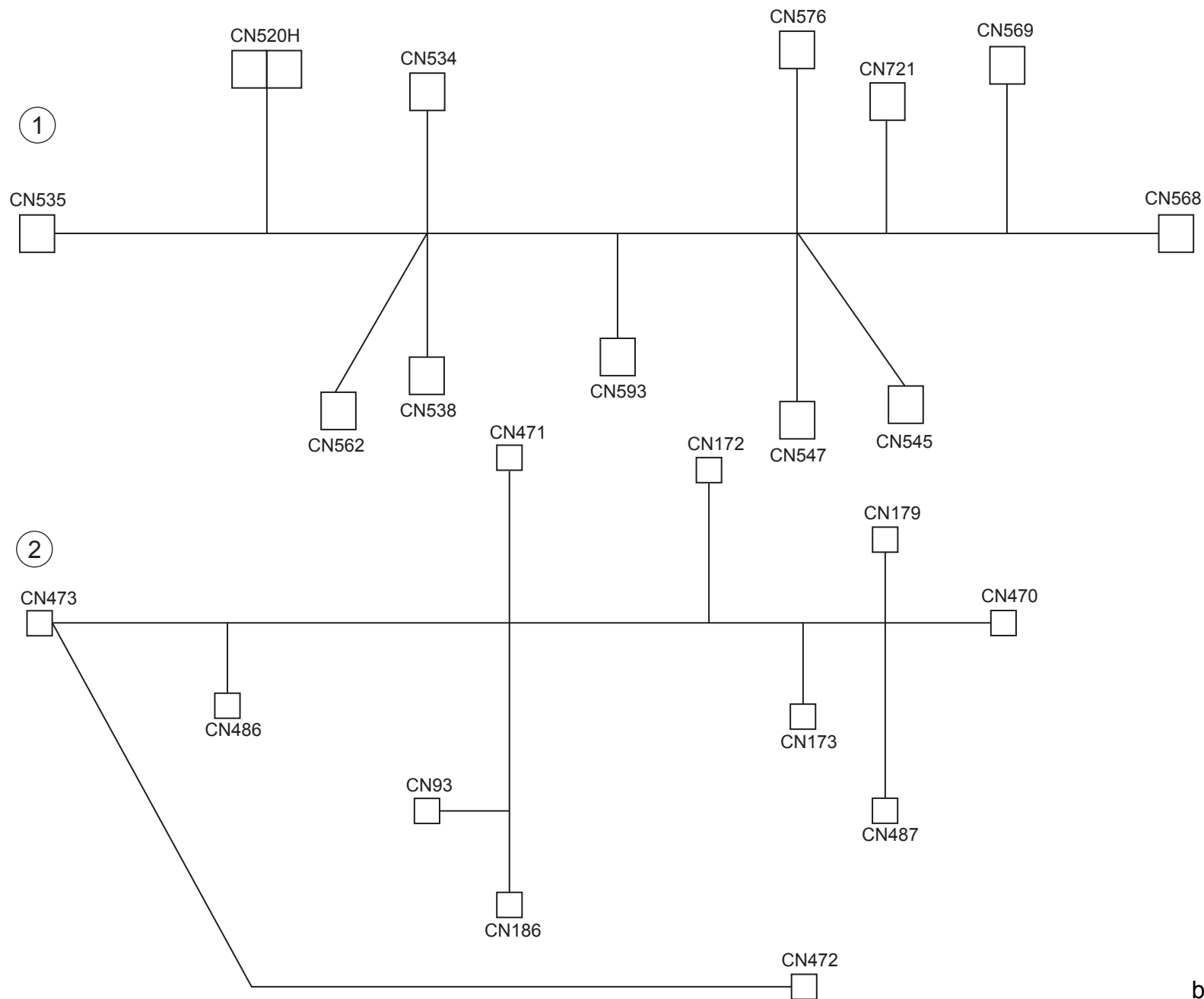
②

③



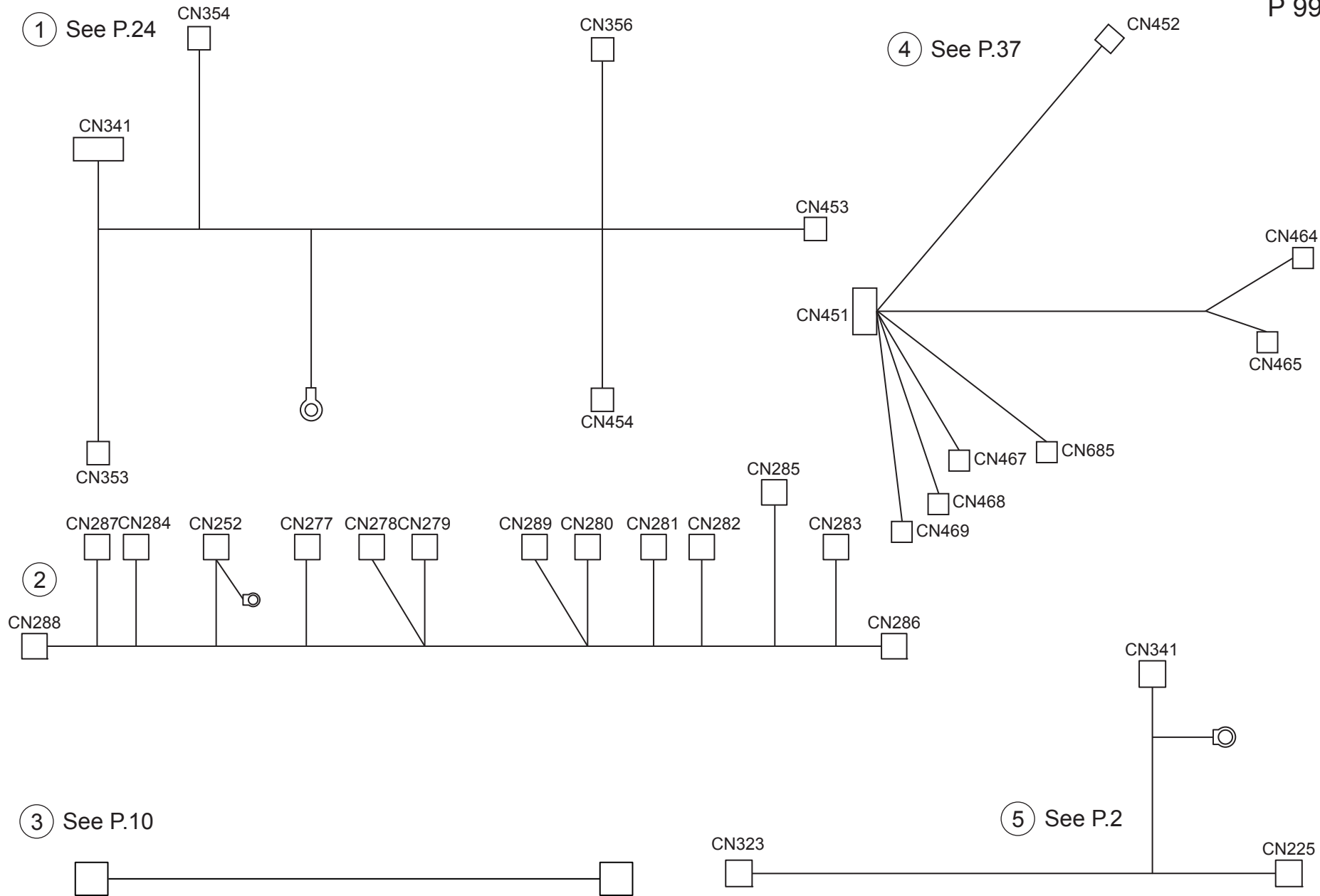
WIRING

P 98



WIRING

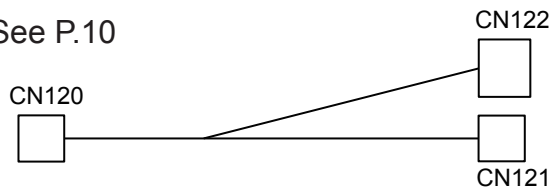
P 99



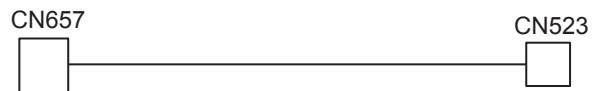
① See P.57



② See P.10



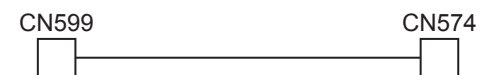
③ See P.57



④ See P.38

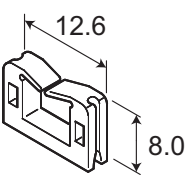
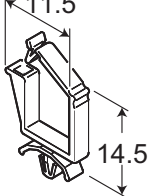
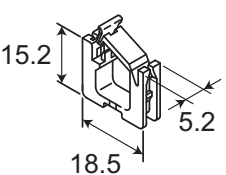
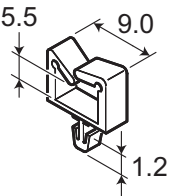
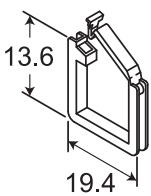
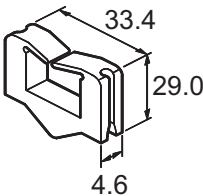

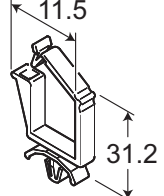
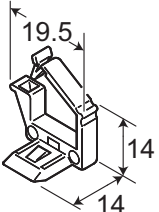
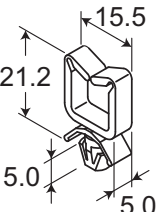
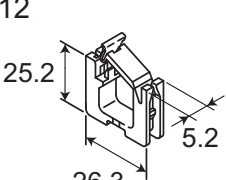
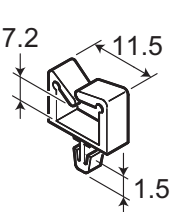
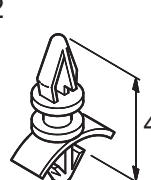
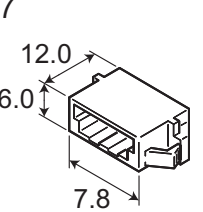
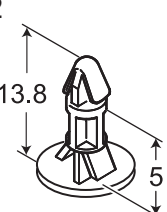
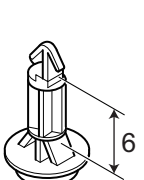
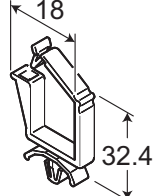
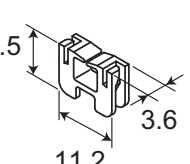
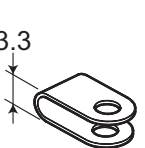
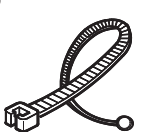

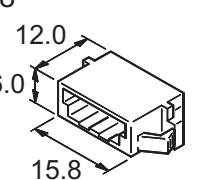
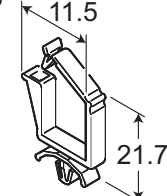
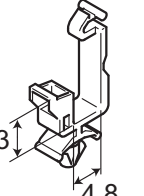
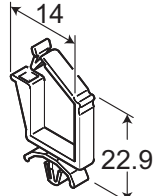
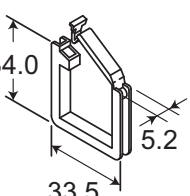
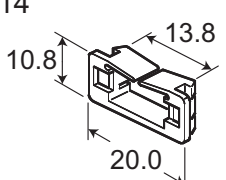
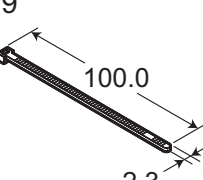
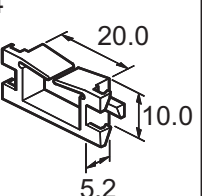
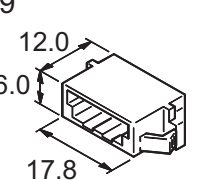
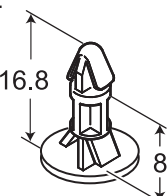
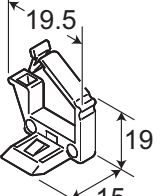
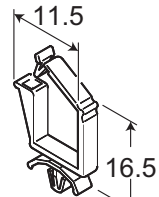
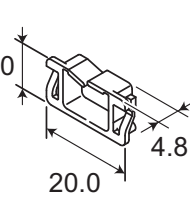
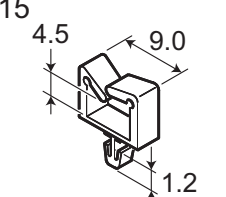
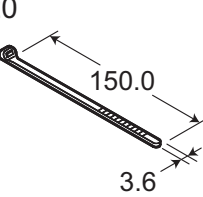
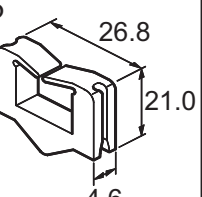
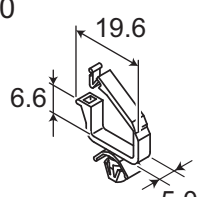
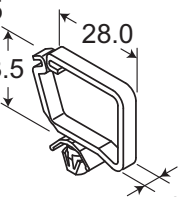
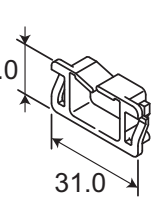


⑤ See P.46



WIRING ACCESSORY AND JIGS

P 101

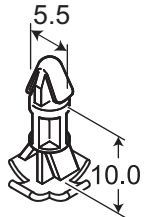
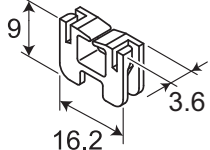
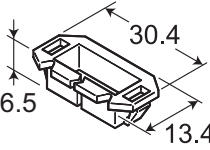
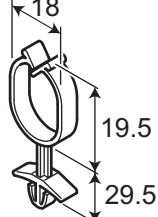
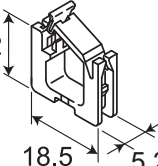
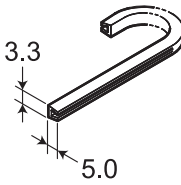
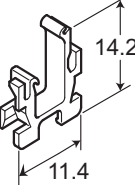
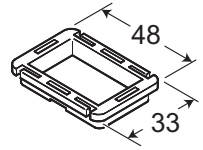
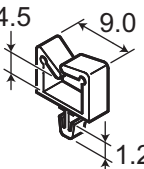
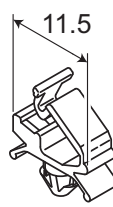

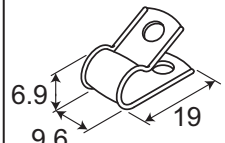
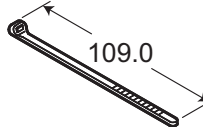
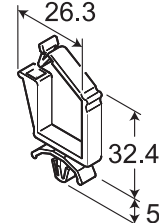
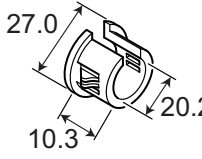
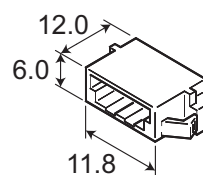
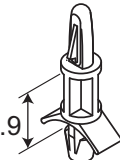
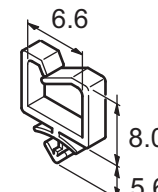

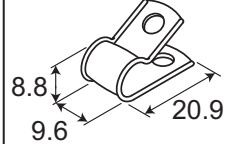
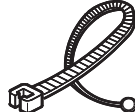
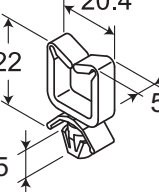
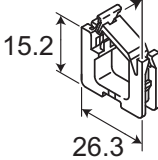
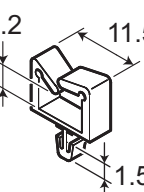
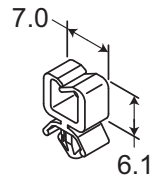
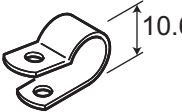
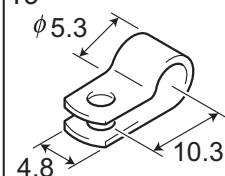

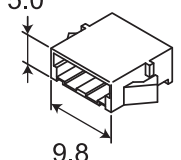
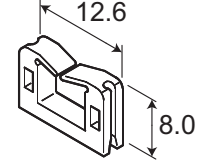
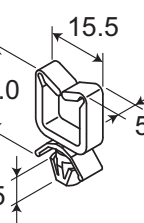
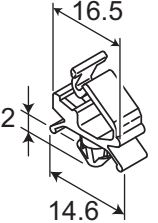
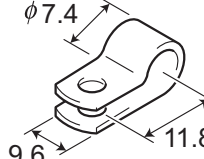
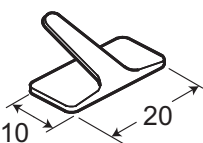
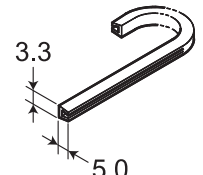
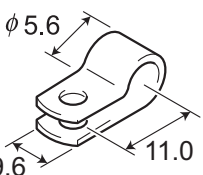
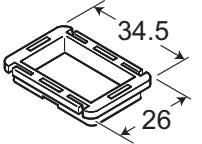
1  12.6 8.0	6  11.5 14.5	11  15.2 18.5 5.2	16  5.5 9.0 1.2	21  13.6 19.4	26  33.4 29.0 4.6	31  L=186	36  11.5 31.2
2  19.5 14 14	7  15.5 21.2 5.0 5.0	12  25.2 26.3 5.2	17  7.2 11.5 1.5	22  4.8	27  12.0 6.0 7.8	32  13.8 5	37  6
3  18 32.4	8  8.5 11.2 3.6	13  3.3	18  L=80	23  9.5	28  12.0 6.0 15.8	33  11.5 21.7	38  7.3 4.8
4  14 22.9	9  34.0 33.5 5.2	14  10.8 13.8 20.0	19  100.0 2.3	24  20.0 10.0 5.2	29  12.0 6.0 17.8	34  16.8 8	39  19.5 19 15
5  11.5 16.5	10  10.0 20.0 4.8	15  4.5 9.0 1.2	20  150.0 3.6	25  26.8 21.0 4.6	30  19.6 6.6 5.0	35  28.0 23.5 5.0	40  19.0 31.0

bizhub PRO 950

Key	Part No.	Description	Destinations	Class	QTY	Standard parts
1	V570010033	saddle	スーパーサドル	D		
2	V500010021	saddle	ロッキングワイヤーサドル	D		
3	V500010015	saddle	ロッキングワイヤーサドル	D		
4	V500010008	saddle	ロッキングワイヤーサドル	D		
5	V500010005	saddle	ロッキングワイヤーサドル	D		
6	V500010003	Saddle	ロッキングワイヤーサドル	D		
7	V500010039	saddle	ワイヤーサドル	D		
8	V570010021	Saddle	エッジサドル	D		
9	V570010048	SADDLE	エッジカバー	D		
10	V570010023	saddle	エッジサドル	D		
11	V570010026	saddle	ロッキングエッジサドル	D		
12	V570010028	saddle	ロッキングエッジサドル	D		
13	V500020001	clamp	ナイロンクランプ	D		
14	V570010007	saddle	スーパーサドル	D		
15	V500010024	saddle	ミニサドル	D		
16	V500010026	saddle	ミニサドル	D		
17	V500010030	saddle	ミニサドル	D		
18	V501010014	binder	SK バインダー	D		
19	V501010002	band	結束バンド	D		
20	V501010004	band	結束バンド	D		
21	V570010013	saddle	ロック付エッジサドル	D		
22	V502010014	support	ロッキングサーキットボードサポート	V		
23	V502010016	support	ロッキングサーキットボードサポート	D		
24	V570010014	saddle	エッジサドル	D		
25	V570010012	saddle	エッジサドル	D		
26	V570010015	saddle	エッジサドル	D		
27	V651010001	connector	Wt o Wコネクタ	D		
28	V651010005	CONNECTOR	Wt o Wコネクタ	D		
29	V651010006	connector	Wt o Wコネクタ	D		
30	V500010002	saddle	ロッキングワイヤーサドル	D		
31	V501010013	binder	SK バインダー	D		
32	V502010007	spacer	ロッキングカードスペーサー	D		
33	V500010007	saddle	ロッキングワイヤーサドル	D		
34	V502010009	spacer	ロッキングカードスペーサー	D		
35	V500010012	saddle	ロッキングワイヤーサドル	D		
36	V500010013	saddle	ロッキングワイヤーサドル	D		
37	V502010055	spacer	ロッキングカードスペーサー	D		
38	V500010020	Saddle	ミニロッキングワイヤーサドル	D		
39	V500010022	saddle	ロッキングワイヤーサドル	D		
40	V570010009	saddle	コーナーサドル	D		

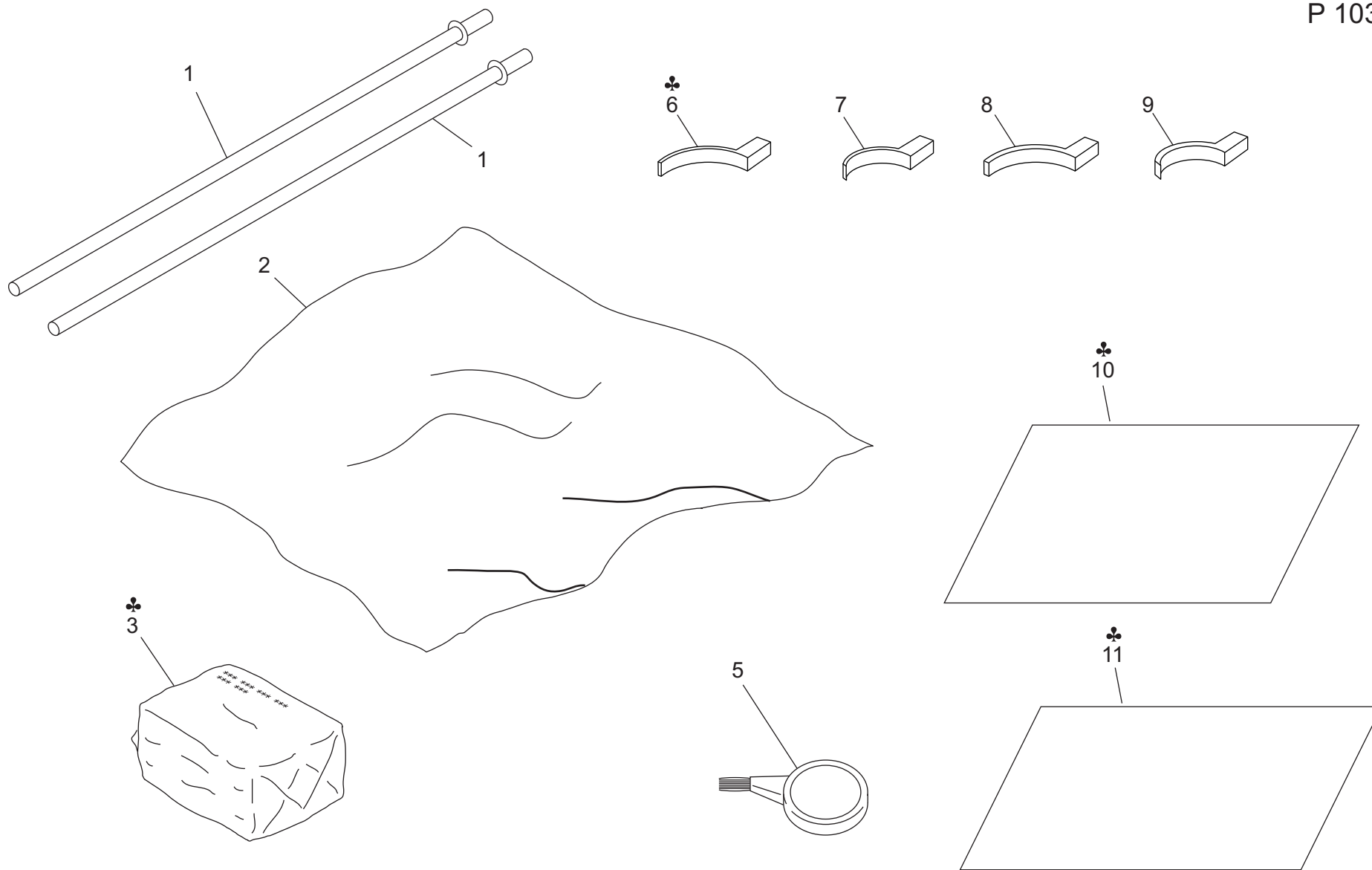
WIRING ACCESSORY AND JIGS

P 102

1  5.5 10.0	6  9 16.2 3.6	11  6.5 30.4 13.4	16  18 19.5 29.5	21  15.2 18.5 5.2	26  3.3 5.0	31  14.2 11.4	36  48 33
2  4.5 9.0 1.2	7  11.5	12  5.3	17  6.9 9.6 19	22  109.0	27  26.3 32.4 5	32  27.0 10.3 20.2	37  12.0 6.0 11.8
3  7.9	8  6.6 8.0 5.6	13  6.8	18  8.8 9.6 20.9	23  L=130	28  20.4 22 5 5	33  15.2 26.3 5.2	38
4  9.2 11.5 1.5	9  7.0 6.1	14  10.6	19  $\phi 5.3$ 4.8 10.3	24  L=80	29  5.0 9.8	34  12.6 8.0	39
5  15.5 16.0 5 5	10  16.5 2 14.6	15  $\phi 7.4$ 9.6 11.8	20  10 20	25  3.3 5.0	30  $\phi 5.6$ 9.6 11.0	35  34.5 26	40

bizhub PRO 950

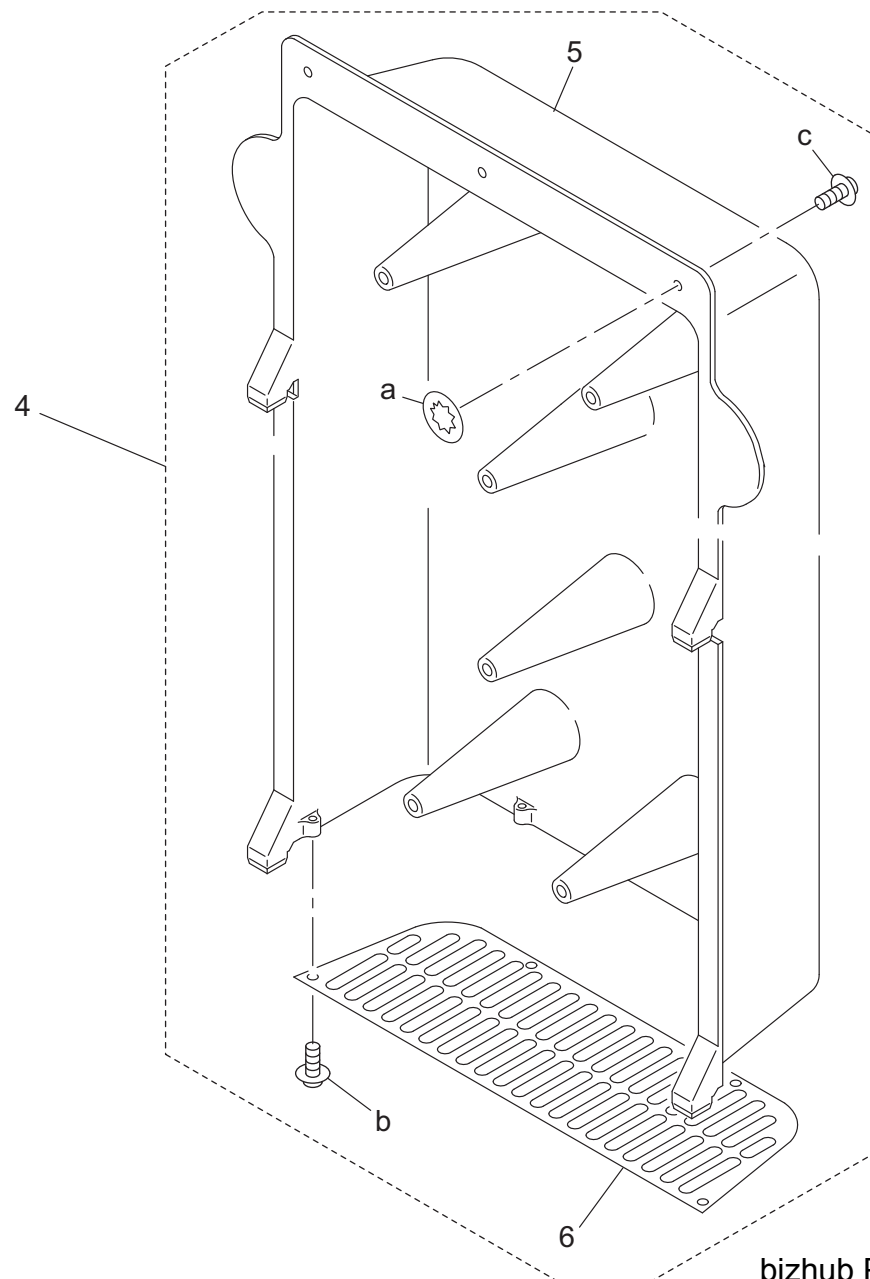
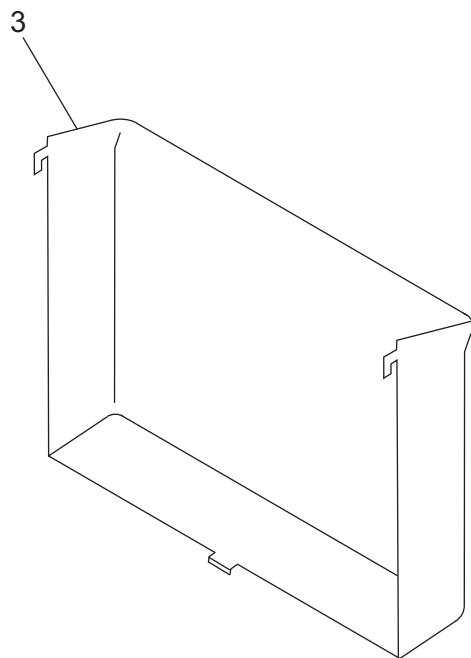
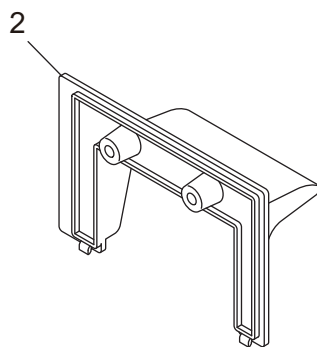
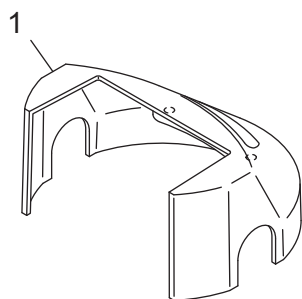
Key	Part No.	Description	Destinations	Class	QTY	Standard parts
1	V502010049	spacer	ロッキングキャップスペーサー	D		
2	V500010028	saddle	ミニサドル	D		
3	V502010050	support	ロッキングサーキット ボード サポート	D		
4	V500010031	saddle	ミニサドル	D		
5	V500010037	saddle	ワイヤーサドル	D		
6	V570010016	saddle	エッジサドル	D		
7	V500010046	saddle	ミニロッキングワイヤーサドル	D		
8	V500010047	saddle	ミニサドル	D		
9	V500010050	saddle	ミニサドル	D		
10	V500010061	saddle	ミニロッキングワイヤーサドル	D		
11	V570010037	bushing	スクウェアブッシュ	D		
12	V500020002	clamp	ナイロンクランプ	D		
13	V500020003	clamp	ナイロンクランプ	D		
14	V500020005	clamp	ナイロンクランプ	C		
15	V500020020	clamp	導電クランプ	D		
16	V500020027	lifter	ハーネスリフター	D		
17	V500020030	clamp	耐熱クランプ	D		
18	V500020031	clamp	耐熱クランプ	D		
19	V500020037	clamp	ナイロンクランプ	D		
20	V500020050	cord keep	コードキープ	D		
21	V570010053	Locking Edge Saddle	ロッキングエッジサドル	D		
22	V501010003	band	結束バンド	D		
23	V501010011	binder	S K バインダー	V		
24	V501010015	band	結束バンド	D		
25	V360100000	EDGING	エッジング	D		
26	V360200000	EDGING	エッジング	D		
27	V500010014	saddle	ロッキングワイヤーサドル	D		
28	V500010040	saddle	ワイヤーサドル	D		
29	V651010002	connector	Wt o W コネクタ	D		
30	V500020019	clamp	導電クランプ	D		
31	V570010025	saddle	ロッキングエッジサドル	D		
32	V500020043	bushing	オープンクローズドブッシング	D		
33	V570010027	saddle	ロッキングエッジサドル	D		
34	V570010065	Edge Saddle	エッジサドル	V		
35	V570010038	bushing	スクウェアブッシュ	D		
36	V570010039	bushing	スクウェアブッシュ	D		
37	V651010003	CONNECTOR	Wt o W コネクタ	D		



改訂版 REVISED EDITION	日付 DATE
	AUGUST 2014

ACCESSORY PARTS

P 104



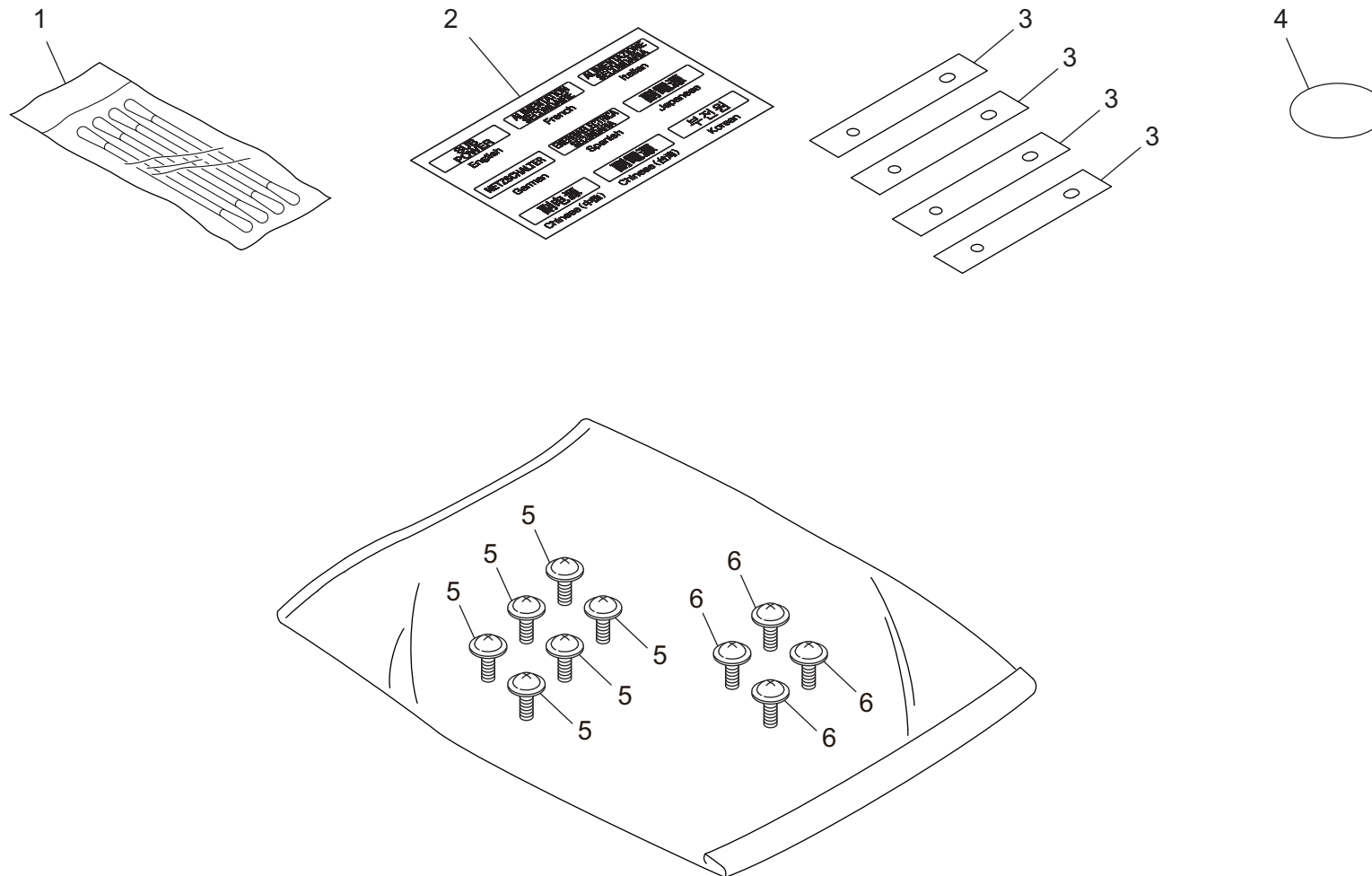
bizhub PRO 950

ACCESSORY PARTS

Key	Part No.	Description	Destinations	Class	QTY	Standard parts
1	56UA70720	Operation Unit Rotation Cover		C	1	a-V211040080 b-V151030803 c-V114040816
2	A0Y5200100	Swing Cover		C	1	
3	56UA12770	ACCESSARIES HOLDING PANEL		C	1	
4	56UAR71600	WIND EXIT COVER ASSY		C	1	
5	56UA11510	Cooling Cover		C	1	
6	55VA12450	Paper Protection Panel		C	1	

ACCESSORY PARTS

P 105



MAINTENANCE LIST

● The items with no Page/Key numbers are not handled as spare parts.

No.	Section	PM Parts Description	Maintenance Cycle (K=1,000)		Parts No.	Destinations	Page/Key	Note
			QTY	Replace				
1	External section	Ozone filter /1	2	3000K	57GA11280		P5-8	
2		Ozone filter /2	1	3000K	57GA11290		P2-6	
3		Ozone filter /3	1	3000K	A0Y5112200		P4-7	
4		Dust-proof filter /1	1	3000K	57GA12310		P8-22	
5		Dust-proof filter /2	1	3000K	57GA12320		P8-24	
6		Dust-proof filter /3	1	3000K	57GA12330		P8-19	
7	Photo conductor section	Cleaning blade	2	500K	57GA56011		P43-3	
8		Toner guide brush assembly	1	1000K	57GAR72700		P42-20	
9		Scattering prevention felt	1	1000K	55VA55680		P42-5	
10		Drum claw	3	500K	57GA29190		P26-10	
11		Drum fixing spring	1	1000K	55FU20140		P20-30	
12		Drum positioning collar	1	1000K	25SA20150		P20-31	
13		Drum temperature sensor (TH5)	1	3000K	56GAR70300		P24-16	
14		Drum	1	1000K	-			
15		Seal plate /Fr	1	1000K	56UAR7C400		P42-21	
16		Seal plate /Rr	1	1000K	56UAR7C300		P42-19	
17		Toner seal plate assembly	1	3000K	57GA-5681		P44-13	
18		Toner guide plate assembly	1	3000K	56GAR71100		P44-12	
19		Cleaning gear /A assembly	1	6000K	56GA-5560		P42-9	
20		Cleaning gear /B	1	15000K	55VA79210		P42-7	
21	Toner supply section	Toner supply sleeve /1	1	3000K	A4EUR70W00		P34-23	
22		Toner supply sleeve /2	1	3000K	A4EUR70X00		P34-22	
23	Charge section	Charge wire	2	500K	55VA25091		P29-34	
24		Vibration-proof rubber	2	500K	55VA25270		P29-35	
25		Charge control plate	1	500K	57GA25080		P29-31	
26		Charge cleaning unit	2	500K	55VAR72800		P29-27	
27		C-clip	2	500K	45AA20400		P29-11	
28		Charge unit	1	6000K	A0Y5R70400		P29-7	
29	Developing section	Developing unit	1	6000K	A0Y5R70311		P30-1	
30		Developing suction assembly	1	6000K	57GAR71000		P32-1	
31		Developer	1	1000K	-			
32		Suction filter	1	500K	57GA31080		P32-2	
33		Developing cover filter	1	500K	A0Y5371901		P31-2	
34	Paper feed section	Pick-up roller	1	1000K	55VAR74600		P64-8	TRAY 1
34		Pick-up roller	1	1000K	55VAR74600		P71-8	TRAY 2
35		Feed roller	1	1000K	55VAR74500		P64-10	TRAY 1
35		Feed roller	1	1000K	55VAR74500		P71-10	TRAY 2
36		Separation roller	1	1000K	55VAR74500		P62-3	TRAY 1
36		Separation roller	1	1000K	55VAR74500		P69-3	TRAY 2
37		Pick-up roller	1	1000K	A4EUR71500		P78-8	TRAY 3
38		Feed roller	1	1000K	A4EUR71400		P78-10	TRAY 3
39		Separation roller	1	1000K	A4EUR71400		P76-3	TRAY 3
40		Paper feed clutch	1	4500K	57GA82010		P63-9	TRAY 1
40		Paper feed clutch	1	4500K	57GA82010		P70-9	TRAY 2
40		Paper feed clutch	1	4500K	57GA82010		P77-9	TRAY 3
41		Pre-registration clutch	1	4500K	57GA82010		P63-9	TRAY 1
41		Pre-registration clutch	1	4500K	57GA82010		P70-9	TRAY 2
41		Pre-registration clutch	1	4500K	57GA82010		P77-9	TRAY 3
42		Feed input gear	1	15000K	57GA77110		P21-29	
43		Pre-registration roller /1	1	10000K	55VA40160		P63-18	TRAY 1
44		Pre-registration roller /2	1	10000K	55VA40160		P70-18	TRAY 2
45	Pre-registration roller /3	1	10000K	55VA40160		P77-21	TRAY 3	

No.	Section	PM Parts Description	Maintenance Cycle (K=1,000)		Parts No.	Destinations	Page/Key	Note
			QTY	Replace				
46	Bypass tray section	Pick-up roller	1	1000K	55VAR74600		P83-10	
47		Feed roller	1	1000K	55VAR74500		P83-1	
48		Separation roller	1	1000K	55VAR74500		P82-7	
49	Vertical conveyance section	Vertical conveyance clutch	2	6000K	57GA82010		P59-22	
50		Conveyance roller /1	1	6000K	55VA44100		P59-1	
51		Vertical conveyance roller /2	1	10000K	56GA44112		P59-8	
52		Vertical conveyance roller /3	1	10000K	56GA44112		P59-8	
53	Transfer/separation section	Transfer/separation wire	3	500K	55VA26130		P27-9	
54		Transfer cleaning assembly	1	500K	56GAR70400		P27-5	
55		Separation cleaning assembly /1	1	500K	56GAR70500		P27-4	
56		Separation cleaning assembly /2	1	500K	56GAR70600		P27-3	
57		Vibration-proof rubber	3	500K	56AA17830		P27-8	
58		C-clip	3	500K	45AA20400		P27-17	
59		Transfer/separation unit	1	6000K	A0Y5R70800	A,C,D1,D3,F2,H,I,J,K	P27-1	
59		Transfer/separation unit	1	6000K	A0Y5R70900	B,G1	P27-1	
60		Transfer assist sheet assembly	1	1500K	A0Y5R73300	A,C,D1,D3,F2,H,I,J,K	P28-20	
60		Transfer assist sheet assembly	1	1500K	A0Y5R73400	B,G1	P28-20	
61	Transfer exposure lamp (EL2)	1	6000K	A0Y5R73200		P47-6		
62	Registration section	Registration roller	1	3000K	A0Y5710300		P50-16	
63		Loop roller	1	6000K	57GAR70100		P55-15	
64	Duplex section	Reverse/exit roller /1	1	6000K	57GA47400		P57-6	
65		ADU pre-registration roller	1	6000K	A0Y5817100		P55-13	
66		ADU pre-registration loop roller	1	6000K	A0Y5817100		P55-13	
67		ADU exit roller	1	6000K	57GA46810		P55-12	
68		Reverse/exit entrance roller	1	6000K	55VA47660		P54-24	
69		Reverse/exit roller /2	1	6000K	57GA47480		P57-10	
70		Reverse/exit roller /3	1	6000K	57GA47410		P57-9	
71		ADU reverse roller	1	6000K	57GA47670		P57-8	
72		ADU conveyance roller /1	1	6000K	57GA46810		P55-12	
73		ADU conveyance roller /2	1	6000K	A0Y5817100		P55-13	
74		Sensor actuator	2	10000K	56GA47820		P52-3	
74		Sensor actuator	1	10000K	56GA47820		P53-16	
75		Fusing section	Fusing roller /Up	1	10000K	57GB53040	(HARD ROLLER)	P38-23
76	Fusing roller /Lw assembly		1	1500K	57GAR72200		P36-14	
77	Fusing claw /Up		6	1500K	56UA54530		P39-18	
78	Fusing claw /Lw		2	1500K	25AA53290		P38-4	
79	Heat insulating sleeve /Up		2	1500K	454053391		P38-6	
80	Bearing /Up		2	1500K	454075040		P38-7	
81	Fusing cleaning sheet assembly		1	1500K	56GAR71000		P37-2	
82	Heat insulating sleeve /Lw		2	3000K	26AA53150		P37-4	
83	Heat roller bearing		2	3000K	26AA53160		P37-5	
84	Fusing temperature sensor /2 (TH2)		1	3000K	55VA88041		P40-21	
85	Fusing temperature sensor /4 (TH4)		1	3000K	55VA88061		P37-15	
86	Fusing heat roller		1	3000K	55VA53070		P37-6	
87	Fusing actuator		1	3000K	55VA53830		P38-11	
88	Fusing heater lamp /1 (L1)		1	3000K	55VB83022	A,B,G1	P38-24	
88	Fusing heater lamp /1 (L1)		1	3000K	55VF83021	C,D1,D3,F2,H,I,J,K	P38-24	
89	Fusing heater lamp /2 (L2)		1	3000K	56UA83030	A	P38-25	
89	Fusing heater lamp /2 (L2)		1	3000K	55VB83033	B,G1	P38-25	
89	Fusing heater lamp /2 (L2)		1	3000K	55VF83032	C,D1,D3,F2,H,I,J,K	P38-25	
90	Fusing heater lamp /3 (L3)	1	3000K	55VB83042	A,B,G1	P37-17		
90	Fusing heater lamp /3 (L3)	1	3000K	55VF83041	C,D1,D3,F2,H,I,J,K	P37-17		
91	Cleaning web	1	500K	55VAR76911		P41-10		
92	Fusing gear	1	6000K	56UA77830		P38-20		
93	Web motor (M16)	1	6000K	56GA80171		P41-16		
94	Paper exit section	Reverse/exit guide /Fr	1	10000K	55VA47300		P54-6	
95		Reverse/exit guide /Rr	1	10000K	55VA47310		P54-10	
96		Reverse/exit guide	4	10000K	55VA47570		P54-8	

bizhub PRO 950

メンテナンスリスト

● ページ / キーナンバーのないものは、アフターサービス部品ではありません。

No.	区分	P M 部品名称	サイクル (K=1,000)		部品番号	仕向地	頁 / キー	備考
			員数	交換				
1	外装部	オゾンフィルター /1	2	3000K	57GA11280		P5-8	
2		オゾンフィルター /2	1	3000K	57GA11290		P2-6	
3		オゾンフィルター /3	1	3000K	A0Y5112200		P4-7	
4		書き込み部フィルタ /1	1	3000K	57GA12310		P8-22	
5		書き込み部フィルタ /2	1	3000K	57GA12320		P8-24	
6		書き込み部フィルタ /3	1	3000K	57GA12330		P8-19	
7	感光体部	クリーニングブレード	2	500K	57GA56011		P43-3	
8		トナーガイドブラシ部組	1	1000K	57GAR72700		P42-20	
9		飛散防止フェルト	1	1000K	55VA55680		P42-5	
10		ドラム爪	3	500K	57GA29190		P26-10	
11		ドラム固定スプリング	1	1000K	55FU20140		P20-30	
12		パネ位置決めカラー	1	1000K	25SA20150		P20-31	
13		ドラム温度センサー (TH5)	1	3000K	56GAR70300		P24-16	
14		ドラム	1	1000K	-			
15		シールプレート /Fr	1	1000K	56UAR7C400		P42-21	
16		シールプレート /Rr	1	1000K	56UAR7C300		P42-19	
17		トナーシール板部組	1	3000K	57GA-5681		P44-13	
18		トナーガイドプレート 部組	1	3000K	56GAR71100		P44-12	
19		クリーニングギア /A 部組	1	6000K	56GA-5560		P42-9	
20		クリーニングギア /B	1	15000K	55VA79210		P42-7	
21	トナー補給部	トナー補給スリーブ /1	1	3000K	A4EUR70W00		P34-23	
22		トナー補給スリーブ /2	1	3000K	A4EUR70X00		P34-22	
23	帯電部	帯電ワイヤー	2	500K	55VA25091		P29-34	
24		振動ゴム	2	500K	55VA25270		P29-35	
25		帯電制御プレート	1	500K	57GA25080		P29-31	
26		帯電清掃ユニット	2	500K	55VAR72800		P29-27	
27		Cクリップ	2	500K	45AA20400		P29-11	
28		帯電極ユニット	1	6000K	A0Y5R70400		P29-7	
29	現像部	現像ユニット	1	6000K	A0Y5R70311		P30-1	
30		現像サクシオン部組	1	6000K	57GAR71000		P32-1	
31		現像剤	1	1000K	-			
32		サクシオンフィルター	1	500K	57GA31080		P32-2	
33		現像ふたフィルター	1	500K	A0Y5371901		P31-2	
34	給紙部	ピックアップローラー	1	1000K	55VAR74600		P64-8	TRAY 1
34		ピックアップローラー	1	1000K	55VAR74600		P71-8	TRAY 2
35		給紙ローラー	1	1000K	55VAR74500		P64-10	TRAY 1
35		給紙ローラー	1	1000K	55VAR74500		P71-10	TRAY 2
36		分離ローラー	1	1000K	55VAR74500		P62-3	TRAY 1
36		分離ローラー	1	1000K	55VAR74500		P69-3	TRAY 2
37		ピックアップローラー	1	1000K	A4EUR71500		P78-8	TRAY 3
38		給紙ローラー	1	1000K	A4EUR71400		P78-10	TRAY 3
39		分離ローラー	1	1000K	A4EUR71400		P76-3	TRAY 3
40		給紙クラッチ	1	4500K	57GA82010		P63-9	TRAY 1
40		給紙クラッチ	1	4500K	57GA82010		P70-9	TRAY 2
40		給紙クラッチ	1	4500K	57GA82010		P77-9	TRAY 3
41		プレレジストクラッチ	1	4500K	57GA82010		P63-9	TRAY 1
41		プレレジストクラッチ	1	4500K	57GA82010		P70-9	TRAY 2
41		プレレジストクラッチ	1	4500K	57GA82010		P77-9	TRAY 3
42		給紙入力ギア	1	15000K	57GA77110		P21-29	
43		プレレジストローラー /1	1	10000K	55VA40160		P63-18	TRAY 1
44		プレレジストローラー /2	1	10000K	55VA40160		P70-18	TRAY 2
45	プレレジストローラー /3	1	10000K	55VA40160		P77-21	TRAY 3	

No.	区分	P M 部品名称	サイクル (K=1,000)		部品番号	仕向地	頁 / キー	備考
			員数	交換				
46	手差しトレイ部	ピックアップローラー	1	1000K	55VAR74600		P83-10	
47		給紙ローラー	1	1000K	55VAR74500		P83-1	
48		分離ローラー	1	1000K	55VAR74500		P82-7	
49	垂直搬送部	垂直搬送クラッチ	2	6000K	57GA82010		P59-22	
50		搬送ローラー /1	1	6000K	55VA44100		P59-1	
51		垂直搬送ローラー /2	1	10000K	56GA44112		P59-8	
52		垂直搬送ローラー /3	1	10000K	56GA44112		P59-8	
53	転写 / 分離部	転写 / 分離ワイヤー	3	500K	55VA26130		P27-9	
54		転写清掃部組	1	500K	56GAR70400		P27-5	
55		分離清掃部組 /1	1	500K	56GAR70500		P27-4	
56		分離清掃部組 /2	1	500K	56GAR70600		P27-3	
57		防振ゴム	3	500K	56AA17830		P27-8	
58		Cクリップ	3	500K	45AA20400		P27-17	
59		転写 / 分離極ユニット	1	6000K	A0Y5R70800	A,C,D1,D3,F2,H,I,J,K	P27-1	
59		転写 / 分離極ユニット	1	6000K	A0Y5R70900	B,G1	P27-1	
60		転写アシストシート 部組	1	1500K	A0Y5R73300	A,C,D1,D3,F2,H,I,J,K	P28-20	
60		転写アシストシート 部組	1	1500K	A0Y5R73400	B,G1	P28-20	
61	転写露光ランプ (EL2)	1	6000K	A0Y5R73200		P47-6		
62	レジスト 部	レジストローラー	1	3000K	A0Y5710300		P50-16	
63		ループローラー	1	6000K	57GAR70100		P55-15	
64	両面部	反転排紙ローラー	1	6000K	57GA47400		P57-6	
65		AUD プレレジスト ローラー	1	6000K	A0Y5817100		P55-13	
66		ADU 搬送ローラー /3	1	6000K	A0Y5817100		P55-13	
67		ADU 出口ローラー	1	6000K	57GA46810		P55-12	
68		反転排紙入口ローラー	1	6000K	55VA47660		P54-24	
69		反転排紙ローラー /2	1	6000K	57GA47480		P57-10	
70		反転排紙ローラー /3	1	6000K	57GA47410		P57-9	
71		ADU 反転ローラー	1	6000K	57GA47670		P57-8	
72		ADU 搬送ローラー /1	1	6000K	57GA46810		P55-12	
73		ADU 搬送ローラー /2	1	6000K	A0Y5817100		P55-13	
74		センサーアクチュエーター	2	10000K	56GA47820		P52-3	
74		センサーアクチュエーター	1	10000K	56GA47820		P53-16	
75		定着部	定着ローラー /Up	1	10000K	57GB53040	(HARD ROLLER)	P38-23
76	定着ローラー /Lw 部組		1	1500K	57GAR72200		P36-14	
77	定着爪 /Up		6	1500K	56UA54530		P39-18	
78	定着爪 /Lw		2	1500K	25AA53290		P38-4	
79	断熱スリーブ /Up		2	1500K	454053391		P38-6	
80	軸受 /Up		2	1500K	454075040		P38-7	
81	定着清掃シート 部組		1	1500K	56GAR71000		P37-2	
82	断熱スリーブ /Lw		2	3000K	26AA53150		P37-4	
83	加熱ローラー軸受		2	3000K	26AA53160		P37-5	
84	定着温度センサー /2 (TH2)		1	3000K	55VA88041		P40-21	
85	定着温度センサー /4 (TH4)		1	3000K	55VA88061		P37-15	
86	定着加熱ローラー		1	3000K	55VA53070		P37-6	
87	定着アクチュエーター		1	3000K	55VA53830		P38-11	
88	定着ヒーターランプ /1 (L1)		1	3000K	55VB83022	A,B,G1	P38-24	
88			1	3000K	55VF83021	C,D1,D3,F2,H,I,J,K	P38-24	
89	定着ヒーターランプ /2 (L2)		1	3000K	56UA83030	A	P38-25	
89			1	3000K	55VB83033	B,G1	P38-25	
89			1	3000K	55VF83032	C,D1,D3,F2,H,I,J,K	P38-25	
90	定着ヒーターランプ /3 (L3)		1	3000K	55VB83042	A,B,G1	P37-17	
90			1	3000K	55VF83041	C,D1,D3,F2,H,I,J,K	P37-17	
91	クリーニングウェブ	1	500K	55VAR76911		P41-10		
92	定着ギア	1	6000K	56UA77830		P38-20		
93	ウェブモーター (M6)	1	6000K	56GA80171		P41-16		
94	排紙部	反転ゲート /Fr	1	10000K	55VA47300		P54-6	
95		反転ゲート /Rr	1	10000K	55VA47310		P54-10	
96		反転ゲート	4	10000K	55VA47570		P54-8	

DESTINATION

Destination No.		Destinations		V	Hz	Model No.
A	A1	JAPAN		200	50	A0Y5001
	A2	JAPAN		200	60	A0Y5001
B		USA, CANADA		208-240	50/60	A0Y5011/ A0Y5012
C		EUROPEAN TYPE		220-240	50/60	A0Y5021
D	D1	S.E ASIA TYPE	THAILAND, SRI LANKA, SINGAPORE, MALAYSIA, HONG KONG, PAKISTAN, INDIA, BANGLADESH, INDONESIA	220-240	50/60	A0Y5041
	D3	OCEANIA TYPE	AUSTRALIA, NEW ZEALAND	220-240	50/60	A0Y5042
E		PHILIPPINES				
F	F1	SAUDI ARABIA				
	F2	SAUDI ARABIA		220-240	50/60	A0Y5041
G	G1	C.S AMERICA		208-240	50/60	A0Y5011
	G2	C.S AMERICA				
H		TAIWAN		220	50/60	A0Y5071
I		JORDAN, LEBANON, SYRIA, SOUTH AFRICA, IRAQ, IRAN, N.YEMEN, CAMEROON, UAE, BAHRAIN, OMAN, QATAR, KUWAIT, KENYA, TUNISIA, IVORY COAST, MOROCCO		220-240	50/60	A0Y5041
J		CHINA		220-240	50/60	A0Y5081
K		KOREA		220-240	50/60	A0Y5091

bizhub PRO 950