

KONICA MINOLTA

PARTS GUIDE MANUAL

MARCH 2012

bizhub PRO 951
A4EW

INFORMATION FOR PARTS GUIDE MANUAL

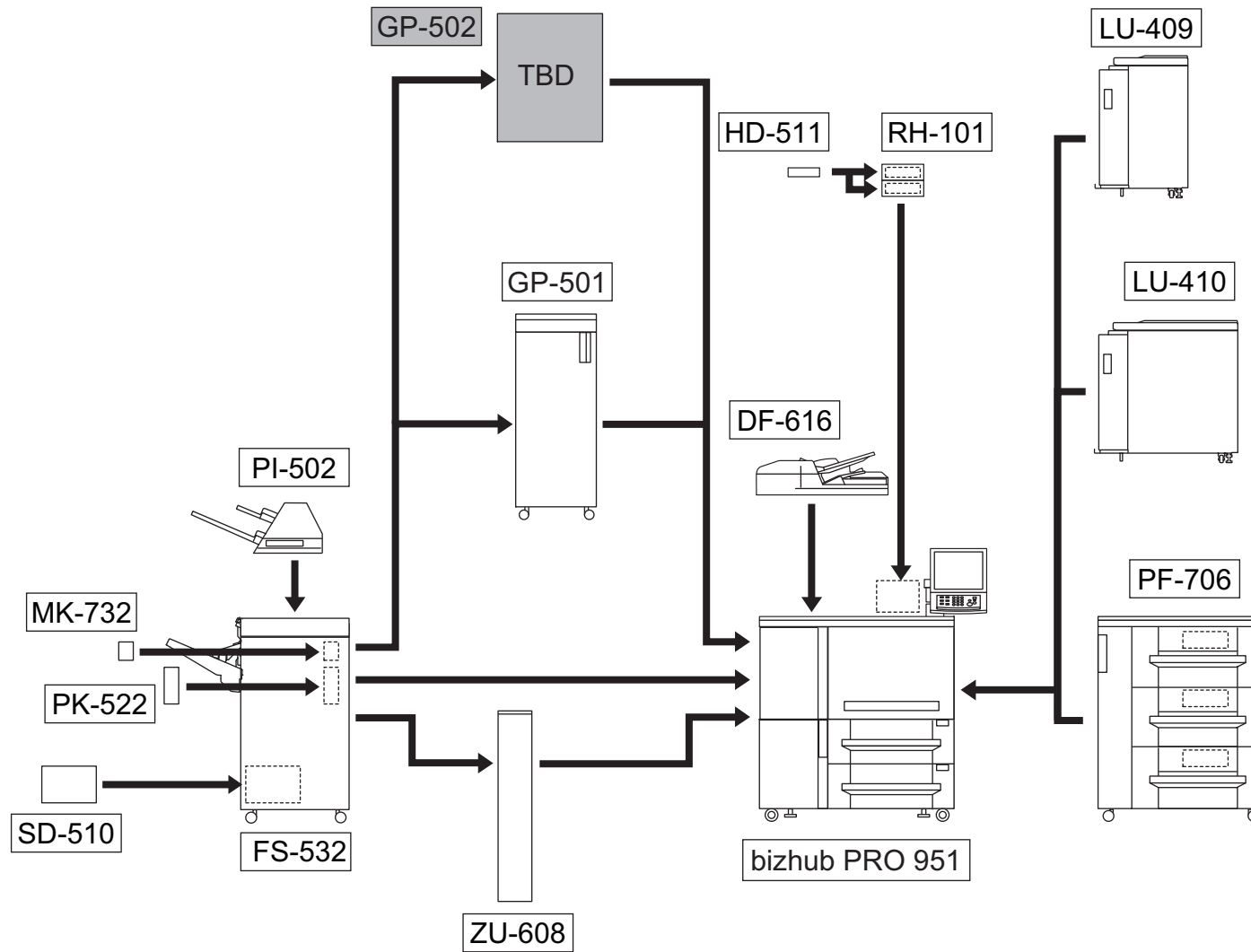
To find correct Parts No., refer to the "HOW TO MAKE THE BEST USE OF THIS MANUAL" in the following page.

HOW TO MAKE THE BEST USE OF THIS MANUAL

- 1 When you order, please check the proper figures beforehand that are on Our Parts Guide Manual, and order with the appropriate figures.
- 2 For screws, Nuts, Washers, retaining rings and Pins which are used in this model, one letter is shown on the Standard parts column of Parts list and exploded diagrams.
- 3 In order to maintain safety of the product, some specific parts composed of this product are set up as "essential safety parts".
- 4 The assigned parts number for the "essential safety parts" is indicated as "SP00-****".
When replacing these parts, follow precautions for disassembling and installing which are listed in the Service Manual.
Do not use any parts that are not set up as
- 5 ♣ means that there are exclusive parts for each destination.
Please check the appropriate destination when you order.
- 6 Revision Mark
Marked as ▲ on the illustration shows that the revision has been made.
- 7 All rights reserved. (any reprints or quotations are prohibited.)
Use of this parts guide manual should be strictly supervised to avoid disclosure of confidential information.

03/14/2012

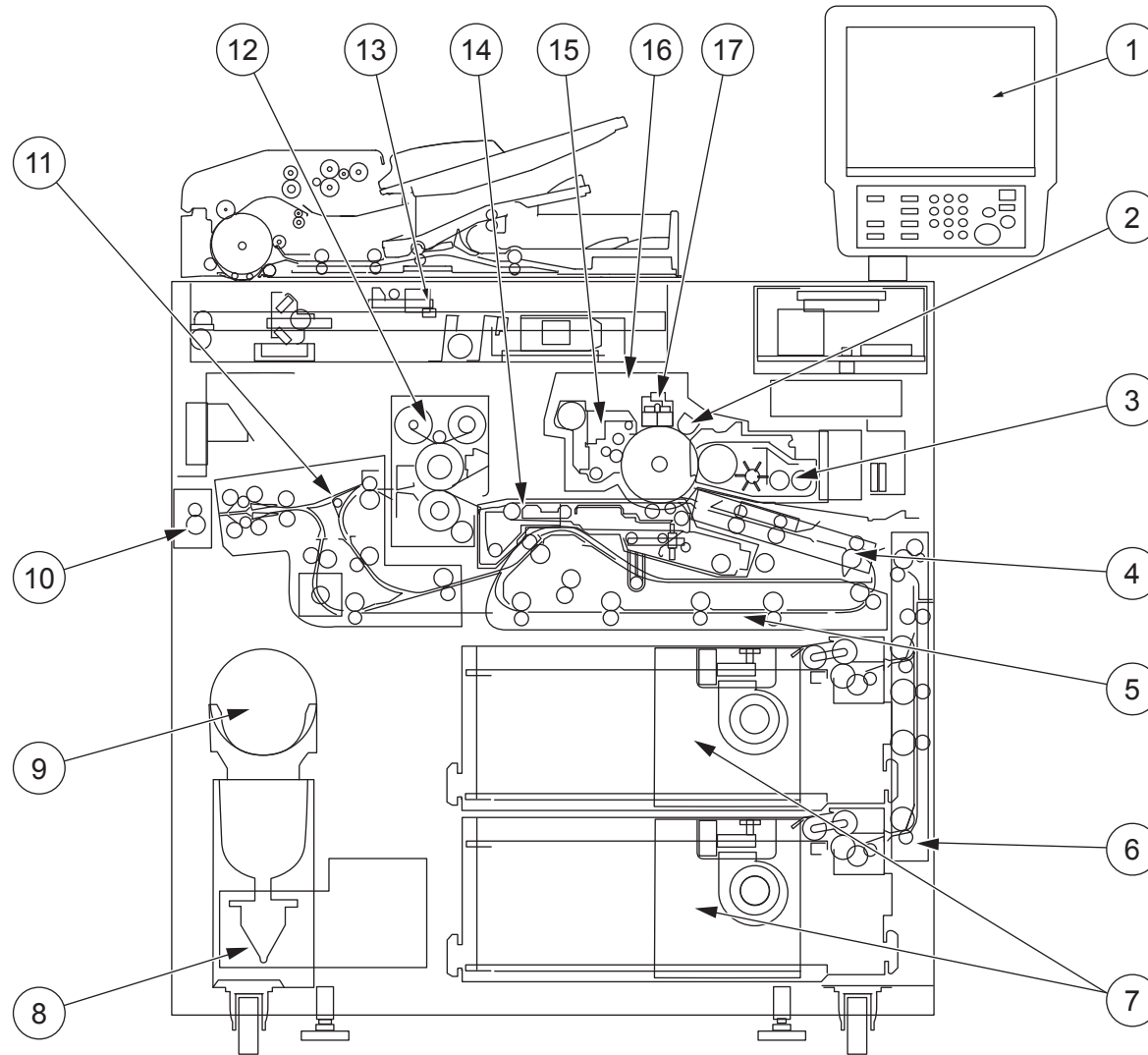
SYSTEM OUTLINE



GENERAL CONTENTS

No.	Description	Model
1	DIGITAL MFP B/W	bizhub PRO 951
2	DOCUMENT FEEDER	DF-616
3	SORTER/FINISHER	FS-532
4	OTHER OPTION	SD-510
5	PUNCH UNIT	PK-522
6	OTHER OPTION	ZU-608
7	OTHER OPTION	PI-502
8	PUNCH UNIT	GP-501
9	PAPER FEEDER	PF-706
10	PAPER FEEDER	LU-409
11	PAPER FEEDER	LU-410
12	OTHER OPTION	MK-732
13	OTHER OPTION	HD-511
14	OTHER OPTION	RH-101

DIAGRAMS OF MAIN PARTS SECTION



CONTENTS

No.	DESCRIPTION	PAGE No.
1	EXTERNAL PARTS	P1 P2 P3
2	MAIN FRAME	P4 P5 P6 P7 P8 P9 P10 P11
3	OPERATION UNIT	P12 P13 P14
4	DRIVING SECTION	P15 P16 P17 P18 P19 P20
5	TRAY 1	P21 P22 P23 P24 P25 P26 P27 P28 P29
6	TRAY 2	P30 P31 P32 P33 P34 P35 P36 P37 P38
7	DEVELOPING SUCTION	P39
8	CHARGE UNIT	P40 P41
9	VERTICAL CONVEYANCE UNIT	P42 P43 P44 P45
10	SWING TRAY UNIT	P46 P47
11	TONER SUPPLY PROTECTION UNIT	P48 P49 P50 P51
12	TONER SUPPLY MAIN BODY UPPER UNIT	P52 P53
13	TONER CONVEYANCE MAIN BODY UNIT	P54 P55
14	TONER PUMP UNIT	P56 P57
15	DEVELOPING UNIT	P58 P59
16	ADU	P60 P61 P62 P63 P64 P65 P66 P67 P68 P69 P70 P71
17	ADU TRANSFER PRESSURE UNIT	P72 P73
18	ADU BELT CLEANER UNIT	P74 P75
19	ADU DECURLER UNIT	P76 P77 P78 P79
20	ADU REGIST UNIT	P80 P81
21	TRANSFER BELT UNIT	P82 P83
22	MAIN BODY PAPER EXIT UNIT	P84
23	FUSER UNIT	P85 P86 P87 P88 P89 P90 P91
24	OPTICS UNIT	P92 P93 P94 P95
25	SUPPORT STAY UNIT	P96
26	DRUM CARTRIDGE UNIT	P97 P98 P99 P100 P101 P102
27	DRUM CLEANING UNIT	P103 P104 P105 P106
28	ELECTRIC PARTS	P107 P108 P109 P110 P111 P112 P113
29	JIGS	P114
30	ACCESSORY PARTS	P115 P116

INDEX

Parts No.	Page No.
000V-18-1	114-13
000V-18-2	114-13
000V-19-0	114-9
00M6-2-00	114-5
00VC-2-00	114-2
00VD-1000	114-10
020097060	50-5
029420640	58-16
048610110	5-14
048644480	90-19
059076510	29-10
059076510	38-10
066079020	8-10
066079020	18-35
066079020	73-5
066079020	112-5
07BA12352	76-10
07BA15871	100-28
08AA76060	69-9
08AA76060	90-6
08AA85512	3-11
08AA85512	11-12
08AA85512	25-19
08AA85512	34-19
08AA85512	41-2
08AA85512	47-23
08AA85512	53-15
08AA85512	56-12
08AA85512	57-12
08AA85512	73-17
08AA85512	103-16
090020510	98-17
090020510	104-11
090076040	46-12
090076040	105-1
113620270	102-7
129X48350	23-14
129X48350	24-10
129X48350	32-14
129X48350	33-10

Parts No.	Page No.
129X48360	23-16
129X48360	24-11
129X48360	32-16
129X48360	33-11
12AJ45850	45-26
12AJ45850	80-16
12QV40650	28-23
12QV40650	37-23
12QV40650	42-16
12QV40650	43-2
12QV40650	44-8
12QV40650	72-34
12QV40650	83-4
12VG40640	47-9
13GQ77550	68-25
13GQ80032	55-17
13NT80511	4-12
13NT80511	6-6
13NT80511	48-2
13QA10330	11-43
13QA10330	21-13
13QA10330	30-13
13QA10330	80-20
13QA17730	77-27
13QA17730	78-12
13QA85511	25-13
13QA85511	27-20
13QA85511	34-13
13QA85511	36-20
13QA85511	44-14
13QA85511	45-1
13QA85511	65-7
13QA85511	66-3
13QA85511	67-2
13QA85511	70-4
13QA85511	76-20
13QA85511	79-20
13QA85511	80-7
13QA85511	81-13
13QA85511	84-7

Parts No.	Page No.
13RN73120	109-1
13RN73120	111-1
13SU15110	1-29
13SU15110	26-19
13SU15110	35-19
14GE45470	68-26
14GE45470	80-31
15AA80050	18-12
15AG57620	78-8
15AG77020	17-8
15AJ50460	77-2
15AJ50460	78-3
15BA10310	116-4
15BA77530	69-11
15BY160200	6-9
173030270	4-20
173030270	28-28
173030270	37-28
190040922E	81-28
20ER73110E	111-19
20ER73110E	113-12
20ER73120	111-21
20ER73120	113-11
25AA10090	7-20
25AA20321	41-18
25AA20321	102-24
25AA29770	102-14
25AA40120	28-4
25AA40120	37-4
25AA40460	29-20
25AA40460	38-20
25AA40870	25-23
25AA40870	34-23
25AA44180	64-7
25AA44180	71-15
25AA47500	68-17
25AA47551	23-5
25AA47551	32-5
25AA47810	68-18
25AA50080	71-36

Parts No.	Page No.
25AA53290	91-21
25AA53441	8-12
25AA53600	8-15
25AA55151	89-14
25AA55161	105-21
25AA55341	105-4
25AA55350	105-2
25AA55360	103-3
25AA55390	103-5
25AA55420	103-4
25AA55720	105-8
25AA75530	106-14
25AA77890	49-23
25AA85020	107-12
25AE89081	112-17
25BA32251	54-14
25HA15210	104-18
25SA-6201	92-6
25SA10200	6-10
25SA15270	18-11
25SA15280	18-10
25SA20150	18-2
25SA43300	64-26
25SA43300	70-8
25SA43310	67-15
25SA43310	71-8
25SA43310	80-4
25SA61420	94-7
25SA61460	94-24
25SA61470	94-25
25SA61540	94-19
25SA61550	94-20
25SA61650	92-9
25SA61700	92-3
25SA61710	92-7
25SA61861	93-8
25SA61881	93-10
25SA62070	94-23
25SA62080	94-9
25SA62160	94-18

Parts No.	Page No.
25SA66420	7-2
25SA66840D	2-4
25SA66840D	46-5
25SA77180	52-5
25SA77180	55-7
25SA88461	107-13
25SA88461	107-13
25SF88461	107-13
26AA53150	88-19
26MA74100	47-31
26MA74100	75-20
26NA73570	109-3
26TA30770	106-6
27LA73990	111-5
27LA80511	64-12
27LA80511	71-4
304078070	18-20
304078070	27-25
304078070	28-31
304078070	36-25
304078070	37-31
304078070	59-6
392010231	6-8
392010231	43-20
392010231	112-18
392014041	61-8
392015650	59-21
396040681	75-8
396040681	104-16
396040681	105-33
396076050	43-21
4025228301	111-6
4036252401	72-2
4040M10000	62-2
4040M10000	113-18
4040M40100	14-10
4040PJP100	114-6
4040PJP200	114-7
40AA32290	78-5
40AA32290	99-19

Parts No.	Page No.	Parts No.	Page No.	Parts No.	Page No.	Parts No.	Page No.	Parts No.	Page No.
40AA32290	100-12	540015162	18-32	55VA20520	100-4	55VA42111	25-16	55VA47800	71-11
40AA88031	49-6	540076090	49-19	55VA20590	102-3	55VA42111	34-16	55VA47830	63-22
40AA88031	54-1	554010550	17-20	55VA20630D	99-18	55VA42120	29-25	55VA47830	68-20
40BA75520	21-17	554010550	18-29	55VA20680	102-15	55VA42120	38-25	55VA47840	69-8
40BA75520	30-17	554010900	15-7	55VA20830	101-4	55VA42120	43-27	55VA47850	44-7
40LA73840	109-2	554010900	17-6	55VA20850D	101-6	55VA42120	44-21	55VA47850	69-6
40LA73840	111-2	554010900	18-23	55VA25100	41-12	55VA42120	80-12	55VA47891	67-19
4139M10000	4-5	554010900	19-9	55VA25110	41-11	55VA42220	25-15	55VA47910	71-6
4470402401	3-16	554010900	20-9	55VA25140	40-15	55VA42220	34-15	55VA47970	71-35
4470402401	11-47	55FA61130	94-12	55VA25200	41-17	55VA42330D	22-11	55VA47980	71-29
4470402401	25-17	55FA61140	94-21	55VA25240	41-5	55VA42330D	31-11	55VA47990	67-18
4470402401	34-17	55FU20140	18-3	55VA25270	41-22	55VA42340	22-10	55VA48500	16-20
4470402401	47-32	55GA32220	54-13	55VA25270	97-10	55VA42340	31-10	55VA48500	68-22
4470402401	53-19	55GA97250	111-4	55VA29150	102-17	55VA42390	26-23	55VA48500	84-10
4470402401	62-15	55TA61110	94-2	55VA30270D	55-6	55VA42390	35-23	55VA49050E	63-12
4470402401	73-15	55TA61120	94-8	55VA30390D	59-5	55VA42400	26-4	55VA49080	68-12
4470402401	103-28	55TA61130	94-1	55VA30970	59-10	55VA42400	35-4	55VA49131	68-14
450053391	86-14	55TA61151	93-13	55VA30981	58-12	55VA42420	25-5	55VA49240	67-21
454053391	87-3	55TA61161	93-23	55VA32080	50-3	55VA42420	34-5	55VA49260	67-20
45AA20400	40-7	55TA61320	93-24	55VA32150	50-9	55VA44120	43-22	55VA49440	66-16
45AA20400	41-6	55TA61341	94-22	55VA32160	54-15	55VA44150	45-20	55VA53290	89-11
45AA20400	82-17	55TA75020	17-25	55VA32171	54-17	55VA44170	45-16	55VA53300	89-6
45AA20400	102-9	55TA75020	18-9	55VA32330D	54-16	55VA44170	71-23	55VA53360	88-6
462076010	68-15	55TA75020	100-19	55VA32430	50-22	55VA46451	42-22	55VA53450	88-10
466076020	11-22	55TA84561	107-8	55VA32530	4-19	55VA46451	45-27	55VA53650	91-18
466076020	43-15	55VA12460	2-22	55VA32530	99-20	55VA46451	71-27	55VA53721E	89-15
466076020	45-18	55VA15080	17-2	55VA40130	29-7	55VA46451	79-10	55VA53742	89-13
466076020	71-21	55VA15080	19-10	55VA40130	38-7	55VA46451	81-7	55VA53770	91-3
466076020	106-18	55VA15190	15-15	55VA40260	29-16	55VA46490	67-12	55VA53970	89-8
466078010	74-17	55VA15541	17-32	55VA40260	38-16	55VA46490	80-6	55VA55110	105-3
496041890	8-14	55VA15541	19-19	55VA40380	25-26	55VA47360	71-25	55VA55130	105-30
496041930	8-21	55VA15570	15-18	55VA40380	34-26	55VA47371	71-10	55VA55181	105-17
496041950	8-19	55VA15570	18-25	55VA40460	25-24	55VA47390	71-31	55VA55351	103-9
496041960	8-16	55VA15570	73-6	55VA40460	34-24	55VA47450	64-8	55VA55361	103-11
496076210	8-23	55VA15580	18-1	55VA40610	27-10	55VA47450	65-14	55VA55380	105-6
4960R70100	8-20	55VA15610	45-10	55VA40610	36-10	55VA47450	66-25	55VA55400	104-21
504097340	116-3	55VA20290	98-19	55VA40910	22-15	55VA47701	71-32	55VA55440	53-16
50BA40220	28-7	55VA20310	9-14	55VA40910	31-15	55VA47710	71-19	55VA55480	105-5
50BA40220	37-7	55VA20520	72-29	55VA40920D	22-17	55VA47762E	71-18	55VA55490	103-2
538088261	107-9	55VA20520	98-18	55VA40920D	31-17	55VA47770	71-16	55VA55641	105-22

Parts No.	Page No.	Parts No.	Page No.	Parts No.	Page No.	Parts No.	Page No.	Parts No.	Page No.
55VA55641	106-7	55VAJG041	114-4	56AA17461	68-10	56AA17510	103-19	56AA61151	93-5
55VA55660	106-1	55VB83042	88-13	56AA17461	69-14	56AA17520	10-4	56AA61180	94-6
55VA55670	105-28	55VE32080	50-3	56AA17461	70-15	56AA17520	11-23	56AA61290	92-1
55VA55680	104-15	55WA61150	94-26	56AA17461	72-25	56AA17520	52-6	56AA61290	94-16
55VA55680	105-31	564A116100	113-1	56AA17461	77-16	56AA17520	102-4	56AA61330	93-2
55VA55810	105-20	564A116200	113-26	56AA17461	83-7	56AA17520	106-15	56AA61481	92-23
55VA55820	105-16	564A116300	113-4	56AA17471	9-7	56AA17551	80-35	56AA61561	92-27
55VA61931	93-11	564A116600	113-3	56AA17471	10-8	56AA17700	16-9	56AA61570	92-5
55VA62020	92-22	56AA-6261	94-15	56AA17471	11-20	56AA17700	17-11	56AA61580	93-7
55VA70110D	3-5	56AA-6271	94-17	56AA17471	20-8	56AA17700	19-18	56AA61720	93-16
55VA73310	112-14	56AA12400	2-33	56AA17471	43-18	56AA17760	29-12	56AA80551	93-6
55VA73400	112-16	56AA15460	112-11	56AA17471	44-19	56AA17760	38-12	56AA85531	93-12
55VA76521	68-23	56AA15471	112-9	56AA17471	49-22	56AA25150	40-5	56AA97140	107-6
55VA76530	44-10	56AA15521	112-10	56AA17471	52-11	56AA32440	51-17	56AE43090	25-9
55VA76700	92-21	56AA17080	112-20	56AA17471	53-12	56AA32450	51-13	56AE43090	34-9
55VA76710	92-25	56AA17090	15-3	56AA17471	54-22	56AA32521	51-5	56GA-9092E	92-18
55VA77040	18-21	56AA17090	17-3	56AA17471	59-18	56AA32620	51-4	56GA30290	49-27
55VA77300	59-17	56AA17090	19-20	56AA17471	69-4	56AA32630	51-15	56GA76600	17-19
55VA77570	102-6	56AA17090	20-13	56AA17471	70-11	56AA32640	51-14	56GA76600	18-28
55VA77652	27-15	56AA17090	70-17	56AA17471	71-20	56AA32650	49-12	56GA90890	62-11
55VA77652	36-15	56AA17090	77-25	56AA17471	72-14	56AA32650	52-3	56HA12980	26-16
55VA77850	86-9	56AA17140	41-15	56AA17471	77-24	56AA32650	54-2	56HA12980	35-16
55VA77890	53-7	56AA17140	97-11	56AA17471	80-29	56AA32710	51-8	56NE32510	51-2
55VA77940	52-10	56AA17300	16-4	56AA17471	81-22	56AA32751	51-10	56QA46060	81-2
55VA77960	52-13	56AA17300	45-21	56AA17480	15-1	56AA32761	51-9	56QA61130	92-10
55VA77960	53-13	56AA17310	9-6	56AA17480	17-1	56AA40490	28-9	56QA61140	92-12
55VA77960	54-24	56AA17310	11-19	56AA17480	18-27	56AA40490	29-5	56QA61281	93-17
55VA78110	92-24	56AA17310	28-21	56AA17480	19-16	56AA40490	37-9	56QA61670	94-13
55VA79030	28-19	56AA17310	37-21	56AA17480	20-6	56AA40490	38-5	56QA61680	94-14
55VA79030	37-19	56AA17310	104-8	56AA17480	27-16	56AA41340	22-33	56QA61690	92-4
55VA79050	28-14	56AA17321	53-6	56AA17480	28-24	56AA41340	25-8	56QA80570	63-27
55VA79050	37-14	56AA17330	112-21	56AA17480	36-16	56AA41340	31-33	56UA-1770	15-16
55VA79140	28-6	56AA17350	68-16	56AA17480	37-24	56AA41340	34-8	56UA-1930	5-13
55VA79140	37-6	56AA17361	71-37	56AA17480	43-10	56AA41351E	25-7	56UA-4080	25-29
55VA79210	43-25	56AA17461	15-5	56AA17480	59-9	56AA41351E	34-7	56UA-4080	34-29
55VA80122	92-20	56AA17461	17-7	56AA17480	78-6	56AA42690	66-8	56UA-4321E	21-3
55VA88041	89-10	56AA17461	19-2	56AA17480	83-11	56AA51810	15-19	56UA-4321E	30-3
55VA88061	88-18	56AA17461	20-27	56AA17500	50-6	56AA52700	80-26	56UA-4640	43-8
55VA90380	53-14	56AA17461	43-11	56AA17510	29-11	56AA54220	89-27	56UA-4681E	42-25
55VAJG031	114-3	56AA17461	59-24	56AA17510	38-11	56AA61111	92-11	56UA-5550	105-10

Parts No.	Page No.	Parts No.	Page No.	Parts No.	Page No.	Parts No.	Page No.	Parts No.	Page No.
56UA-7660	48-14	56UA15220	15-14	56UA32580	52-19	56UA40020E	26-5	56UA40400	29-9
56UA-7680	48-23	56UA15230	16-8	56UA32590	52-7	56UA40020E	35-5	56UA40400	38-9
56UA10260	113-30	56UA15320	20-1	56UA32620	52-25	56UA40051G	25-21	56UA40420	22-31
56UA10290	6-7	56UA15420	15-10	56UA32650	53-11	56UA40051G	34-21	56UA40420	31-31
56UA10320	6-13	56UA15510	20-14	56UA32690	49-11	56UA40070	25-4	56UA40450E	6-17
56UA10370	7-17	56UA15510	70-18	56UA32690	52-4	56UA40070	34-4	56UA40460	27-19
56UA10420	9-10	56UA15510	77-23	56UA32700	52-23	56UA40130E	28-29	56UA40460	36-19
56UA10520	7-12	56UA15540	5-11	56UA32740	52-14	56UA40130E	37-29	56UA40470	25-12
56UA11220	11-35	56UA15610E	15-2	56UA32800	52-8	56UA40140	26-11	56UA40470	34-12
56UA11350D	6-27	56UA20160	9-15	56UA32830	52-2	56UA40140	35-11	56UA40480	25-27
56UA12080	95-5	56UA20200	9-2	56UA32840	54-4	56UA40150	26-9	56UA40480	34-27
56UA12131E	9-12	56UA20200	10-6	56UA32850	54-7	56UA40150	35-9	56UA40490	28-16
56UA12150	1-9	56UA20380	98-11	56UA33100	56-9	56UA40160	26-8	56UA40490	29-32
56UA12160	1-4	56UA20720	98-8	56UA33100	57-9	56UA40160	35-8	56UA40490	37-16
56UA12170	1-11	56UA20730	98-7	56UA33230	56-7	56UA40170	29-22	56UA40490	38-32
56UA12200	3-7	56UA20740	98-6	56UA33230	57-7	56UA40170	38-22	56UA40500	29-18
56UA12210E	3-8	56UA20750	98-5	56UA33280	56-4	56UA40210	29-28	56UA40500	38-18
56UA12240	2-32	56UA25040	41-21	56UA33280	57-4	56UA40210	38-28	56UA40511E	22-18
56UA12270	1-32	56UA25050	41-20	56UA34020	48-22	56UA40240	25-25	56UA40511E	31-18
56UA12280	1-16	56UA25090	41-16	56UA34060	50-8	56UA40240	34-25	56UA40520	29-24
56UA12290	1-17	56UA25110	40-4	56UA34071	51-16	56UA40250	29-29	56UA40520	38-24
56UA12310	1-27	56UA25120	40-3	56UA34100	49-25	56UA40250	38-29	56UA40530	29-23
56UA12370	3-4	56UA25280	40-14	56UA34121E	50-15	56UA40260	26-13	56UA40530	38-23
56UA12401	95-7	56UA29230	102-11	56UA34160	49-17	56UA40260	35-13	56UA40540	29-19
56UA12460	1-7	56UA30251	59-16	56UA34180	49-5	56UA40270	26-14	56UA40540	38-19
56UA12460	116-12	56UA31030	39-2	56UA34190	49-2	56UA40270	35-14	56UA40570	27-8
56UA12530	29-3	56UA31060	39-7	56UA34220	49-4	56UA40280	29-6	56UA40570	36-8
56UA12530	38-3	56UA32010E	54-12	56UA34230	51-6	56UA40280	38-6	56UA40580E	26-12
56UA12560	26-17	56UA32200	54-21	56UA34240	51-18	56UA40310	6-16	56UA40580E	35-12
56UA12560	35-17	56UA32210	52-15	56UA34290	49-9	56UA40320	6-23	56UA40600	29-13
56UA12570	26-21	56UA32260	54-6	56UA34300	49-3	56UA40330	6-22	56UA40600	38-13
56UA12570	35-21	56UA32270	54-5	56UA34390	49-8	56UA40340	29-17	56UA40610	28-11
56UA12640	95-6	56UA32300	55-19	56UA34452	50-12	56UA40340	38-17	56UA40610	37-11
56UA12660	1-26	56UA32310	55-18	56UA34460	50-11	56UA40351	21-21	56UA40620	28-15
56UA12670	2-14	56UA32320	55-1	56UA34610	50-10	56UA40351	30-21	56UA40620	37-15
56UA12700	95-2	56UA32330	56-3	56UA34710	49-18	56UA40360	21-20	56UA40660	29-21
56UA12710	2-3	56UA32330	57-3	56UA34730	49-16	56UA40360	30-20	56UA40660	38-21
56UA12720	2-1	56UA32380	52-20	56UA34800	49-24	56UA40371	22-27	56UA40670	25-6
56UA12730	92-8	56UA32380	54-3	56UA40011E	22-30	56UA40371	31-27	56UA40670	34-6
56UA12770	115-1	56UA32520	52-1	56UA40011E	31-30	56UA40390	6-18	56UA40680	23-3

Parts No.	Page No.	Parts No.	Page No.	Parts No.	Page No.	Parts No.	Page No.	Parts No.	Page No.
56UA40680	32-3	56UA41240	23-12	56UA41690	22-16	56UA45610	84-5	56UA47330	67-6
56UA40690	29-2	56UA41240	32-12	56UA41690	31-16	56UA45820	65-15	56UA47350	64-21
56UA40690	38-2	56UA41250	24-14	56UA42570	21-11	56UA45820	71-26	56UA47380E	68-31
56UA40700	116-1	56UA41250	33-14	56UA42570	30-11	56UA45880	107-16	56UA47390	64-24
56UA40760	22-28	56UA41260	22-34	56UA44030	45-4	56UA45910	63-14	56UA47390	68-28
56UA40760	31-28	56UA41260	31-34	56UA44040E	42-21	56UA45950	77-17	56UA47600	76-14
56UA408100	54-19	56UA41270	27-21	56UA44050	42-9	56UA45960	84-4	56UA47670	65-2
56UA408200	53-9	56UA41270	36-21	56UA44070	42-18	56UA45960	102-18	56UA47750	65-1
56UA41011E	27-4	56UA41281E	27-2	56UA44080	42-19	56UA45970	71-34	56UA47890	67-13
56UA41011E	36-4	56UA41281E	36-2	56UA44100	44-13	56UA46030F	80-25	56UA47920	70-2
56UA41020	24-6	56UA41340	27-13	56UA44150	45-6	56UA46061E	81-24	56UA53040	87-1
56UA41020	33-6	56UA41340	36-13	56UA44160	42-6	56UA46100E	80-23	56UA53070	88-20
56UA41030	23-18	56UA41400	27-7	56UA44160	45-14	56UA46110E	81-32	56UA53320	88-23
56UA41030	32-18	56UA41400	36-7	56UA44170	43-13	56UA46140	64-16	56UA53530	85-17
56UA41040	24-4	56UA41470	22-25	56UA44170	43-14	56UA46140	79-18	56UA53750	89-31
56UA41040	33-4	56UA41470	31-25	56UA44250	43-14	56UA46170	80-13	56UA54160E	88-27
56UA41060	24-12	56UA41490	23-11	56UA44260	44-5	56UA46190	81-27	56UA54430	85-9
56UA41060	33-12	56UA41490	24-2	56UA44270	45-22	56UA46310	80-2	56UA54530	91-16
56UA41070	23-15	56UA41490	32-11	56UA44280	45-17	56UA46320	80-9	56UA54540	91-15
56UA41070	32-15	56UA41490	33-2	56UA44301F	44-3	56UA46320	80-9	56UA54550F	91-11
56UA41110	22-9	56UA41500	22-22	56UA44310	42-23	56UA46430D	61-12	56UA54550F	91-11
56UA41110	31-9	56UA41500	22-22	56UA44320	45-15	56UA46480	65-16	56UA54570	91-6
56UA41120E	22-8	56UA41500	31-22	56UA44330	45-2	56UA46480	66-27	56UA54580	91-8
56UA41120E	31-8	56UA41520	22-29	56UA44340	45-13	56UA46480	67-11	56UA54590	91-7
56UA41130	27-24	56UA41520	31-29	56UA44410E	42-1	56UA46480	71-5	56UA54600	91-9
56UA41130	36-24	56UA41530	22-26	56UA44500	42-5	56UA46570	63-19	56UA54610	91-12
56UA41140	27-23	56UA41530	31-26	56UA44500	45-7	56UA46610E	70-14	56UA55220	106-3
56UA41140	36-23	56UA41540	23-6	56UA44660	42-7	56UA46631F	65-17	56UA55230	106-4
56UA41150	27-12	56UA41540	32-6	56UA44660	45-8	56UA46740	63-9	56UA55550	106-8
56UA41150	36-12	56UA41550	24-5	56UA44680	42-3	56UA46770	65-4	56UA55740	106-11
56UA41160	27-11	56UA41550	33-5	56UA44680	45-5	56UA46921	60-7	56UA558300	105-13
56UA41160	36-11	56UA41630	27-9	56UA44680	81-9	56UA47031G	71-17	56UA61030	93-21
56UA41210	27-18	56UA41630	36-9	56UA44700	44-11	56UA47040F	64-9	56UA61040	92-16
56UA41210	36-18	56UA41640	27-5	56UA44740E	45-23	56UA47121	67-8	56UA61070	94-4
56UA41220	22-19	56UA41640	36-5	56UA45500	84-15	56UA47190	70-6	56UA61400	93-22
56UA41220	31-19	56UA41661	23-1	56UA45510	84-8	56UA47240	71-30	56UA61440	94-3
56UA41230	23-13	56UA41661	24-9	56UA45520	84-11	56UA47250E	71-24	56UA61450	92-13
56UA41230	24-13	56UA41661	32-1	56UA45540	84-16	56UA47260	71-22	56UA61460	92-2
56UA41230	32-13	56UA41661	33-9	56UA45550	84-12	56UA47270	71-28	56UA61470	92-15
56UA41230	33-13	56UA41670	23-7	56UA45571E	84-9	56UA47310	67-5	56UA70330	14-21
		56UA41670	32-7	56UA45600	84-3	56UA47320	67-7	56UA70540	5-7

Parts No.	Page No.	Parts No.	Page No.	Parts No.	Page No.	Parts No.	Page No.	Parts No.	Page No.
56UA70550	12-4	56UA73570	5-5	56UA77620	27-17	56UA90650	66-4	56UAR7A200	45-9
56UA70560	13-7	56UA73600	9-11	56UA77620	36-17	56UA90650	67-3	57AA30260	59-1
56UA70570	13-4	56UA73600	109-21	56UA77640E	21-16	56UA90700	63-20	57AA97211E	80-32
56UA70590	13-6	56UA75020	5-15	56UA77640E	30-16	56UA90700	68-32	57AA97221E	81-1
56UA70600	13-5	56UA75030	29-27	56UA77650	21-15	56UA90710	64-19	57AE88010	89-4
56UA70610E	13-18	56UA75030	38-27	56UA77650	30-15	56UA90780	93-15	57AF73620	4-1
56UA70620E	13-13	56UA75070	88-14	56UA77660	21-10	56UA90830	44-15	57GA44300	42-11
56UA70650	13-9	56UA76030	43-7	56UA77660	30-10	56UA90840	44-20	57GA47640	83-6
56UA70670	13-14	56UA76060	49-7	56UA77700	48-21	56UA90850	16-18	57GA61560	4-23
56UA70720	13-10	56UA760900	85-8	56UA77700	50-14	56UA90880	65-9	57GA61560	64-29
56UA70730	12-6	56UA760900	86-4	56UA77710	48-17	56UA90880	81-31	57GA61560	73-10
56UA70740	12-2	56UA77040	15-4	56UA77720	48-20	56UA90890	84-6	57GA61560	110-14
56UA70750	13-17	56UA77061E	16-21	56UA77730	48-18	56UA97160	80-11	57GA79430	42-12
56UA70760	12-7	56UA77061E	84-14	56UA77740	48-16	56UA97210	22-14	57GA79440	44-16
56UA70760	13-16	56UA77070E	19-1	56UA77750	49-20	56UA97210	31-14	57GA82010	29-26
56UA70790G	13-11	56UA77070E	43-24	56UA77760	48-15	56UA97220	24-3	57GA82010	38-26
56UA70800	13-8	56UA77160	43-23	56UA77760	49-21	56UA97220	33-3	57GA82010	43-29
56UA70820	12-3	56UA77170E	43-1	56UA77770	48-19	56UA97320	2-11	57GA82010	44-22
56UA70820	116-10	56UA77180E	43-6	56UA77800	87-4	56UA97420	49-15	65AA-9920	114-12
56UA73040E	112-4	56UA77190	42-15	56UA77860	86-5	56UA97420	56-10	65AA11300	4-9
56UA73071	112-12	56UA77200	43-5	56UA77930	19-23	56UA97420	96-5	65AA11300	48-5
56UA73090	108-9	56UA77230	43-26	56UA78030	15-12	56UA97430	53-1	65AA26890	75-12
56UA73120	112-19	56UA77270	19-15	56UA78060	64-25	56UA97430	56-11	65AA53991	82-21
56UA73130	5-4	56UA77290	102-21	56UA78080	63-24	56UA97430	96-8	65AA53991	91-4
56UA73160	8-13	56UA77350	19-13	56UA78090	44-12	56UA97440	53-2	65AA80021	15-21
56UA73170	8-18	56UA77400	10-7	56UA85010	3-9	56UA97440	57-10	65AA80021	20-7
56UA73180E	113-5	56UA77400	11-25	56UA85010	42-20	56UA97450	49-10	65AA88080	4-8
56UA73260	7-14	56UA77420	55-10	56UA886100	71-12	56UA97450	57-11	65AA88080	48-6
56UA73270	109-7	56UA77430	52-12	56UA886200	71-14	56UAPJG000	114-11	65AA99500	114-8
56UA73280	7-15	56UA77430	54-23	56UA90160	3-6	56UAR70500	6-4	7050K0020	114-1
56UA73300	5-1	56UA77440	53-17	56UA90250E	45-11	56UAR77100	53-4	9313100072	63-1
56UA73320	112-23	56UA77450	53-3	56UA90340	27-22	56UAR79500	25-30	9313100072	64-2
56UA73340	112-8	56UA77460	55-11	56UA90340	36-22	56UAR79500	26-3	9313100072	113-2
56UA73370	113-23	56UA77470	55-9	56UA90350	25-14	56UAR79500	34-30	9313110033	6-3
56UA73390	7-1	56UA77480	21-19	56UA90350	34-14	56UAR79500	35-3	9313110033	76-1
56UA73400	113-19	56UA77480	30-19	56UA90390	56-6	56UAR79600	26-7	9335140051	47-15
56UA73490	11-14	56UA77530	22-20	56UA90390	57-6	56UAR79600	35-7	9335150021	26-15
56UA73500	113-24	56UA77530	31-20	56UA90460	93-9	56UAR79700	25-28	9335150021	35-15
56UA73550	113-13	56UA77600	27-26	56UA90620	80-1	56UAR79700	34-28	9335150021	62-8
56UA73570	1-23	56UA77600	36-26	56UA90650	65-8	56UAR7A100	45-3	A00J617800	9-1

Parts No.	Page No.	Parts No.	Page No.	Parts No.	Page No.	Parts No.	Page No.	Parts No.	Page No.
A00J617800	10-5	A03U812800	29-30	A0G6119000	4-25	A0G6165200	35-2	A0G6220500	18-22
A00J617800	11-28	A03U812800	38-30	A0G6130201	113-27	A0G6165400	26-22	A0G6220600	18-30
A00J617800	21-4	A03UM11100	69-10	A0G6130600	112-7	A0G6165400	35-22	A0G6221100	18-31
A00J617800	30-4	A03UM15200	108-3	A0G6130711	8-11	A0G6165900	116-5	A0G6227300	18-26
A00J617800	43-4	A03UM15800	7-13	A0G6131001	107-1	A0G6168000	12-11	A0G6227400	18-8
A00J617800	44-2	A03UM15800	11-36	A0G6131500	5-3	A0G6168101	12-10	A0G6237100	15-6
A00J617800	80-19	A03UM15800	110-5	A0G6131900	5-2	A0G6168500	2-12	A0G6237201	20-5
A00J617800	103-29	A03X565611	28-20	A0G6132300	113-21	A0G6168600	1-24	A0G6237300	20-10
A00J617900	16-15	A03X565611	37-20	A0G6132400	113-22	A0G6168700	2-5	A0G6240300	19-3
A00J617900	28-22	A04J709800	78-7	A0G6133201	12-20	A0G6190101	14-1	A0G6240800	19-6
A00J617900	37-22	A04J719200	78-1	A0G6134400	56-13	A0G6190200	14-12	A0G6240900	19-14
A00J617900	42-17	A04J719800	78-2	A0G6135201	108-6	A0G6190301	14-27	A0G6243301	19-21
A00J617900	43-3	A0G6101701	5-8	A0G6136400	13-21	A0G6191600	14-19	A0G6243500	19-22
A00J617900	44-9	A0G6102500	7-19	A0G6137000	111-26	A0G6192400	14-5	A0G6247100	19-8
A00J617900	77-1	A0G6105100	7-18	A0G6137100	110-1	A0G6192500	14-6	A0G6247200	19-7
A00J617900	78-4	A0G6106000	4-11	A0G6137200	110-2	A0G6192700	14-3	A0G6247300	19-24
A00J617900	80-24	A0G6110400	8-27	A0G6137300	110-12	A0G6192900	14-2	A0G6247400	19-17
A00J663200	29-4	A0G6110500	110-13	A0G6137400	110-3	A0G6193100	14-23	A0G6247500	19-5
A00J663200	38-4	A0G6110600	109-19	A0G6139200	109-10	A0G6193200	14-22	A0G6250500	16-10
A00J663200	53-8	A0G6110700	109-16	A0G6160400	3-1	A0G6193400	14-24	A0G6250601	16-6
A00V240600	15-9	A0G6110800	8-30	A0G6160602	1-8	A0G6193500	14-17	A0G6250700	16-13
A00V240600	17-5	A0G6111401	11-5	A0G6160900	1-15	A0G6193700	14-18	A0G6250800	16-12
A00V240600	18-19	A0G6112400	7-16	A0G6161403	12-13	A0G6193800	14-20	A0G6250900	16-5
A00V240600	19-4	A0G6112600	109-15	A0G6161502	12-8	A0G6193900	14-26	A0G6251200	16-7
A00V240600	20-16	A0G6112901	6-12	A0G6161600	12-9	A0G6194000	14-25	A0G6251301	16-16
A00V240600	28-33	A0G6113500	4-15	A0G6162000	1-19	A0G6195000	14-11	A0G6251400	16-14
A00V240600	37-33	A0G6114301	11-1	A0G6162100	1-18	A0G6197101	13-1	A0G6260200	92-19
A00V240600	59-7	A0G6114900	113-29	A0G6162200	1-30	A0G6205000	14-11	A0G6301001	96-2
A00V240600	63-10	A0G6115500	9-16	A0G6162400	1-22	A0G6210400	17-26	A0G6301100	96-3
A00V240600	68-3	A0G6115600	9-17	A0G6162600	1-20	A0G6215200	18-6	A0G6301800	96-1
A00V240600	69-12	A0G6115700	6-14	A0G6162700	1-31	A0G6215300	18-5	A0G6302500	99-9
A00V240600	70-3	A0G6115900	109-17	A0G6163100	2-26	A0G6215400	18-7	A0G6302500	100-9
A00V240600	77-26	A0G6116200	7-11	A0G6163201	1-25	A0G6215500	17-27	A0G6302600	96-4
A00V240600	80-21	A0G6116300	7-10	A0G6163600	2-24	A0G6217100	17-10	A0G6302700	99-10
A00V240600	84-13	A0G6117000	109-18	A0G6163700	2-27	A0G6217200	17-28	A0G6302700	100-8
A03U168500	1-33	A0G6117200	109-20	A0G6163813	3-2	A0G6217400	17-23	A0G6302800	99-11
A03U263601	6-11	A0G6117300	109-14	A0G6163911	3-3	A0G6217500	11-27	A0G6302800	100-11
A03U734500	85-15	A0G6117600	8-25	A0G6164100	2-31	A0G6217500	17-12	A0G6302900	100-5
A03U734500	88-22	A0G6117700	8-26	A0G6164800	1-2	A0G6217600	17-13	A0G6330401	101-11
A03U734500	89-7	A0G6117800	8-28	A0G6165200	26-2	A0G6217700	17-16	A0G6330700	100-17

Parts No.	Page No.	Parts No.	Page No.	Parts No.	Page No.	Parts No.	Page No.	Parts No.	Page No.
A0G6330900	97-4	A0G6346101	100-21	A0G6362900	11-18	A0G6400202	54-9	A0G6470800	97-8
A0G6331101	101-3	A0G6346300	100-22	A0G6363000	11-26	A0G6400300	55-14	A0G6500113	83-1
A0G6331202	100-14	A0G6346400	100-26	A0G6363301	9-19	A0G6400500	4-18	A0G6500211	82-4
A0G6331301	100-15	A0G6346500	100-27	A0G6363500	9-20	A0G6400600	55-16	A0G6500300	83-3
A0G6331500	99-8	A0G6346600	101-5	A0G6363600	9-21	A0G6401800	55-13	A0G6500801	83-16
A0G6331601	99-7	A0G6346900	100-25	A0G6365000	11-29	A0G6401901	101-14	A0G6500901	83-9
A0G6331700	99-5	A0G6347100	100-23	A0G6365300	47-27	A0G6402300	52-16	A0G6501000	82-23
A0G6331902	102-23	A0G6350400	47-20	A0G6365400	47-22	A0G6403000	55-3	A0G6501100	82-20
A0G6332000	102-22	A0G6350700	47-8	A0G6365700	47-26	A0G6403100	55-2	A0G6501200	82-24
A0G6332100	98-22	A0G6350800	47-14	A0G6365800	47-24	A0G6405100	55-5	A0G6501300	83-13
A0G6332600	98-3	A0G6351400	47-16	A0G6365900	47-25	A0G6405400	53-10	A0G6501400	83-12
A0G6333000	100-2	A0G6351700	46-13	A0G6366000	47-30	A0G6407100	55-15	A0G6501500	83-14
A0G6333100	101-1	A0G6351800	46-8	A0G6367000	11-30	A0G6407200	54-8	A0G6501600	83-10
A0G6333500	98-20	A0G6351900	46-7	A0G6367300	10-9	A0G6407300	54-11	A0G6501700	82-8
A0G6333600	98-15	A0G6352000	47-18	A0G6367400	10-3	A0G6407400	54-10	A0G6501800	82-7
A0G6333700	97-3	A0G6352100	46-6	A0G6367400	11-21	A0G6407500	52-21	A0G6501900	82-5
A0G6333901	98-12	A0G6352300	9-18	A0G6367500	11-24	A0G6407600	52-18	A0G6502200	83-18
A0G6334100	99-1	A0G6352500	47-13	A0G6367900	11-17	A0G6410511	48-1	A0G6502300	83-8
A0G6334201	101-15	A0G6352700	46-1	A0G6369500	47-7	A0G6410611	50-20	A0G6502600	83-19
A0G6336900	9-8	A0G6353700	47-21	A0G6369700	46-4	A0G6410700	50-17	A0G6502702	82-19
A0G6338411	102-16	A0G6353800	11-4	A0G6369901	47-28	A0G6410800	50-18	A0G6502802	82-13
A0G6339000	102-8	A0G6354000	46-9	A0G6373000	59-15	A0G6411000	48-4	A0G6503100	82-12
A0G6339400	102-5	A0G6354100	46-11	A0G6373200	59-14	A0G6411200	3-10	A0G6503200	82-10
A0G6339500	102-19	A0G6354800	46-10	A0G6373500	59-20	A0G6411200	48-7	A0G6503300	82-15
A0G6339600	102-20	A0G6355100	11-13	A0G6374900	58-7	A0G6414000	50-21	A0G6503400	83-15
A0G6339812	102-13	A0G6356001	2-28	A0G6375111	59-3	A0G6415000	50-19	A0G6503500	82-14
A0G6342200	99-15	A0G6356101	47-1	A0G6375211	59-19	A0G6416100	51-3	A0G6503600	82-18
A0G6343000	100-13	A0G6357100	47-6	A0G6375400	58-6	A0G6460101	41-24	A0G6503900	82-2
A0G6343200	98-10	A0G6357500	9-4	A0G6375900	58-4	A0G6460201	41-13	A0G6504000	63-7
A0G6343300	98-9	A0G6357600	9-5	A0G6376300	58-3	A0G6460600	41-23	A0G6504100	63-6
A0G6343401	98-1	A0G6358200	47-17	A0G6376400	58-10	A0G6460700	40-9	A0G6504200	63-8
A0G6343900	99-6	A0G6358301	47-19	A0G6377300	59-13	A0G6461300	40-6	A0G6504300	63-5
A0G6344200	98-2	A0G6358401	47-10	A0G6377400	59-2	A0G6461700	41-19	A0G6504700	73-3
A0G6344300	98-4	A0G6358500	46-2	A0G6378100	59-12	A0G6462100	40-11	A0G6504900	73-2
A0G6344500	97-2	A0G6358600	47-29	A0G6378700	58-5	A0G6462300	41-7	A0G6505300	72-27
A0G6344600	99-2	A0G6358700	46-3	A0G6378800	58-11	A0G6462901	41-10	A0G6505800	72-8
A0G6344800	101-10	A0G6358800	47-5	A0G6379400	59-4	A0G6463200	40-12	A0G6506000	72-4
A0G6345411	102-10	A0G6358901	47-11	A0G6379700	58-13	A0G6463400	40-10	A0G6506102	72-11
A0G6345600	102-12	A0G6361100	11-16	A0G6379900	58-2	A0G6463500	41-4	A0G6506300	73-8
A0G6345800	102-2	A0G6361200	11-15	A0G6394400	39-5	A0G6463800	40-8	A0G6506500	72-32

Parts No.	Page No.	Parts No.	Page No.	Parts No.	Page No.	Parts No.	Page No.	Parts No.	Page No.
A0G6506600	72-23	A0G6514900	74-21	A0G6532800	106-13	A0G6600900	31-2	A0G6712400	81-20
A0G6506700	72-12	A0G6515100	74-14	A0G6532900	104-22	A0G6601000	22-7	A0G6712701	81-18
A0G6507000	73-1	A0G6515900	74-19	A0G6532900	106-2	A0G6601000	31-7	A0G6712800	80-18
A0G6507100	72-20	A0G6516211	74-26	A0G6533000	103-17	A0G6601300	22-23	A0G6712900	80-17
A0G6507400	72-19	A0G6516300	74-25	A0G6533100	103-7	A0G6601300	31-23	A0G6713200	80-14
A0G6507511	72-7	A0G6516400	74-30	A0G6533200	105-11	A0G6601500	22-3	A0G6713600	81-3
A0G6507600	72-30	A0G6516500	74-29	A0G6534200	106-5	A0G6601500	31-3	A0G6714100	80-34
A0G6507700	72-17	A0G6516611	74-34	A0G6535000	105-12	A0G6601600	22-1	A0G6714200	81-21
A0G6507800	72-21	A0G6518600	74-24	A0G6535900	104-9	A0G6601600	31-1	A0G6714300	80-28
A0G6507900	72-13	A0G6520500	66-11	A0G6561000	28-13	A0G6601700	22-24	A0G6714600	81-26
A0G6508101	72-24	A0G6520900	75-18	A0G6561000	29-31	A0G6601700	31-24	A0G6714700	81-30
A0G6508201	73-7	A0G6521000	75-6	A0G6561000	37-13	A0G6602100	28-26	A0G6717100	81-14
A0G6508500	72-22	A0G6521100	75-21	A0G6561000	38-31	A0G6602100	37-26	A0G6725001	88-5
A0G6508600	68-11	A0G6521201	66-7	A0G6561200	25-20	A0G6602300	28-25	A0G6725501	91-1
A0G6509001	73-4	A0G6521400	74-18	A0G6561200	34-20	A0G6602300	37-25	A0G6725600	86-18
A0G6509101	73-14	A0G6521500	66-12	A0G6561300	25-18	A0G6606500	21-18	A0G6725900	86-1
A0G6509201	73-12	A0G6521600	66-9	A0G6561300	34-18	A0G6606500	30-18	A0G6726000	87-5
A0G6509301	73-13	A0G6521900	74-6	A0G6570101	25-3	A0G6615100	22-12	A0G6727201	88-28
A0G6509400	72-10	A0G6521900	75-5	A0G6570101	34-3	A0G6615100	31-12	A0G6727301	88-12
A0G6509500	72-5	A0G6523102	66-10	A0G6570200	28-1	A0G6615200	22-13	A0G6727401	88-17
A0G6509600	73-9	A0G6523300	75-14	A0G6570200	37-1	A0G6615200	31-13	A0G6727500	88-25
A0G6509800	72-6	A0G6525200	100-29	A0G6570500	28-2	A0G6620300	27-1	A0G6727600	88-15
A0G6510302	74-27	A0G6525600	74-5	A0G6570500	37-2	A0G6620300	36-1	A0G6727700	89-17
A0G6510700	75-16	A0G6525700	74-31	A0G6570600	25-1	A0G6620400	27-3	A0G6727801	89-23
A0G6511312	75-10	A0G6530500	104-20	A0G6570600	34-1	A0G6620400	36-3	A0G6728000	91-22
A0G6511401	74-15	A0G6530701	104-12	A0G6570700	25-2	A0G6620500	24-1	A0G6730311	88-16
A0G6511901	74-33	A0G6530800	105-25	A0G6570700	34-2	A0G6620500	33-1	A0G6731000	86-16
A0G6512001	74-28	A0G6531200	103-6	A0G6571600	28-32	A0G6620600	23-9	A0G6731101	85-24
A0G6512200	74-22	A0G6531300	103-13	A0G6571600	37-32	A0G6620600	32-9	A0G6731300	85-4
A0G6512300	74-8	A0G6531401	106-16	A0G6571900	28-10	A0G6690300	6-21	A0G6731900	86-6
A0G6512400	74-9	A0G6531500	104-14	A0G6571900	37-10	A0G6700100	43-19	A0G6732100	85-21
A0G6512800	74-23	A0G6531500	105-32	A0G6572000	28-17	A0G6700200	44-17	A0G6732200	85-22
A0G6513211	75-1	A0G6531600	105-24	A0G6572000	37-17	A0G6700300	44-18	A0G6732400	85-23
A0G6513300	74-10	A0G6531800	103-8	A0G6572100	28-18	A0G6700700	42-14	A0G6732500	85-19
A0G6513701	75-17	A0G6531900	103-12	A0G6572100	37-18	A0G6710201	81-19	A0G6732700	85-6
A0G6513801	74-7	A0G6532101	103-14	A0G6600700	22-6	A0G6710500	81-25	A0G6733000	89-12
A0G6514000	74-12	A0G6532201	104-1	A0G6600700	31-6	A0G6711500	81-29	A0G6734100	85-5
A0G6514100	74-11	A0G6532300	104-4	A0G6600800	22-5	A0G6712100	80-15	A0G6734200	86-3
A0G6514200	61-13	A0G6532500	105-15	A0G6600800	31-5	A0G6712200	81-11	A0G6734300	85-11
A0G6514800	66-5	A0G6532700	104-17	A0G6600900	22-2	A0G6712301	81-16	A0G6734500	85-7

Parts No.	Page No.	Parts No.	Page No.	Parts No.	Page No.	Parts No.	Page No.	Parts No.	Page No.
A0G6734600	87-2	A0G6748600	88-9	A0G6816100	8-8	A0G6841501	76-17	A0G6846500	76-23
A0G6735000	86-15	A0G6748711	88-29	A0G6816200	8-1	A0G6841700	77-10	A0G6846600	77-22
A0G6736300	90-4	A0G6748811	88-11	A0G6816400	61-10	A0G6841800	79-23	A0G6846800	76-8
A0G6736800	86-12	A0G6748900	88-8	A0G6816500	61-11	A0G6841900	79-15	A0G6848400	61-3
A0G6736900	86-25	A0G6749100	90-8	A0G6816600	66-22	A0G6842200	76-6	A0G6848500	78-11
A0G6737200	86-22	A0G6749200	90-10	A0G6816701	66-23	A0G6842300	79-17	A0G6849100	77-14
A0G6737900	86-24	A0G6749300	90-9	A0G6816900	63-13	A0G6842500	76-12	A0G6849200	77-13
A0G6738000	86-23	A0G6749400	89-29	A0G6817301	71-3	A0G6842600	76-25	A0G6942500	76-7
A0G6738500	89-16	A0G6749500	89-30	A0G6818200	63-23	A0G6842700	79-25	A0G6942600	66-15
A0G6738611	89-19	A0G6749600	91-19	A0G6818200	68-21	A0G6842800	76-15	A0G6942800	48-12
A0G6738711	89-25	A0G6749700	91-20	A0G6818300	62-5	A0G6842900	79-9	A0G6943100	107-11
A0G6738800	89-32	A0G6749800	86-2	A0G6818300	63-25	A0G6843000	79-8	A0G6944500	116-11
A0G6739300	20-22	A0G6749900	85-1	A0G6818300	64-23	A0G6843101	76-2	A0G6945100	80-10
A0G6739400	86-21	A0G6810500	66-29	A0G6818300	68-29	A0G6843200	76-22	A0G6945400	60-8
A0G6739600	86-13	A0G6810600	66-24	A0G6818600	70-9	A0G6843301	79-6	A0G6945500	82-22
A0G6739800	86-17	A0G6810800	67-17	A0G6818800	63-17	A0G6843401	79-1	A0G6945601	88-34
A0G6739900	89-3	A0G6811500	62-14	A0G6818900	69-18	A0G6843600	79-19	A0G6945700	79-16
A0G6741012	88-3	A0G6811600	65-3	A0G6819200	69-13	A0G6843800	77-20	A0G6945800	61-1
A0G6741112	89-28	A0G6811700	65-6	A0G6819300	69-15	A0G6843800	79-13	A0G6945900	91-5
A0G6741200	88-2	A0G6811800	67-1	A0G6819400	62-6	A0G6843900	79-21	A0G6946000	71-33
A0G6741300	88-4	A0G6812100	64-3	A0G6819500	8-5	A0G6844101	76-5	A0G6946100	68-27
A0G6741411	89-24	A0G6812200	9-13	A0G6819600	8-7	A0G6844200	77-21	A0G6946200	64-15
A0G6742001	89-9	A0G6812300	62-1	A0G6819700	8-4	A0G6844300	76-11	A0G6947300	60-6
A0G6742200	86-8	A0G6812400	63-26	A0G6819800	8-3	A0G6844402	76-4	A0G6947411	2-23
A0G6743100	85-10	A0G6812700	66-18	A0G6819900	8-6	A0G6844500	76-3	A0G6947501	48-11
A0G6743600	86-20	A0G6812800	64-13	A0G6830101	60-1	A0G6844600	76-9	A0G6947800	26-1
A0G6743800	89-18	A0G6812900	65-5	A0G6830200	61-2	A0G6844700	79-26	A0G6947800	35-1
A0G6744900	90-18	A0G6813100	69-3	A0G6830301	60-5	A0G6844800	79-14	A0G6948000	116-13
A0G6745202	91-2	A0G6813200	69-5	A0G6835100	63-4	A0G6844900	76-13	A0G6950500	12-19
A0G6745300	90-3	A0G6813300	69-7	A0G6835200	63-3	A0G6845100	77-7	A0G6950500	55-4
A0G6745500	91-23	A0G6813600	68-30	A0G6835300	60-2	A0G6845200	77-8	A0G6950500	97-6
A0G6745700	90-14	A0G6813700	63-29	A0G6835500	60-3	A0G6845500	76-26	A0G6950500	104-2
A0G6745901	87-8	A0G6813900	62-4	A0G6835500	100-10	A0G6845600	79-3	A0G6950600	98-21
A0G6746000	87-7	A0G6814000	63-16	A0G6836101	63-32	A0G6845700	77-4	A0G6950700	98-16
A0G6746200	91-24	A0G6814100	64-11	A0G6836200	63-34	A0G6845700	79-24	A0G6950800	96-6
A0G6746300	91-25	A0G6814200	69-19	A0G6836300	63-33	A0G6845900	76-24	A0G6950800	99-13
A0G6746900	85-2	A0G6814300	67-23	A0G6836400	60-4	A0G6845900	77-5	A0G6950800	100-7
A0G6747901	85-25	A0G6814400	67-22	A0G6840900	79-11	A0G6846100	78-10	A0G6951000	82-9
A0G6748311	89-21	A0G6815600	70-16	A0G6841300	77-18	A0G6846300	77-3	A0G6951100	41-14
A0G6748500	88-30	A0G6815900	68-5	A0G6841401	76-18	A0G6846400	78-9	A0G6H06000	14-9

Parts No.	Page No.	Parts No.	Page No.	Parts No.	Page No.	Parts No.	Page No.	Parts No.	Page No.
A0G6J34000	101-12	A0G6N15500	112-1	A0Y5227500	18-34	A4EU106000	6-1	A4EU133400	111-14
A0G6M40101	113-28	A0G6N15600	93-19	A0Y5227500	20-15	A4EU107000	4-22	A4EU133500	111-8
A0G6M40200	66-17	A0G6N15700	113-8	A0Y5227600	18-33	A4EU109600	11-32	A4EU133601	111-16
A0G6M40400	110-11	A0G6N15800	113-7	A0Y5265000	93-3	A4EU109700	11-33	A4EU133700	111-9
A0G6M45400	107-3	A0G6N17200	62-10	A0Y5344900	99-16	A4EU109800	11-3	A4EU133800	111-13
A0G6M50801	58-9	A0G6N18201	13-20	A0Y5344900	100-3	A4EU109900	11-31	A4EU134800	110-16
A0G6M60200	107-14	A0G6N18300	13-19	A0Y5378600	59-11	A4EU110100	110-9	A4EU136000	111-7
A0G6M60300	3-12	A0G6N18400	14-14	A0Y5406400	50-13	A4EU110200	108-4	A4EU136100	56-14
A0G6M75500	14-4	A0G6N19200	66-19	A0Y5601600	28-3	A4EU110301	110-8	A4EU160100	1-35
A0G6M91300	1-12	A0G6N19300	66-21	A0Y5601600	37-3	A4EU111900	108-1	A4EU160200	2-25
A0G6M91400	1-10	A0G6N19400	66-20	A0Y5713100	80-36	A4EU112000	108-2	A4EU160300	2-13
A0G6M91500	1-14	A0G6N20500	62-9	A0Y5835400	63-2	A4EU112300	115-2	A4EU160500	1-3
A0G6M91700	2-7	A0G6N20600	72-31	A0Y5942100	1-5	A4EU112501	11-48	A4EU160700	2-15
A0G6M91800	12-17	A0G6N21400	63-31	A0Y5A26212	93-18	A4EU112800	110-6	A4EU161000	2-17
A0G6M92000	2-18	A0G6N21500	63-35	A0Y5M10400	53-5	A4EU116000	7-8	A4EU161101	1-1
A0G6M92100	1-13	A0G6N22202	68-35	A0Y5M10400	72-33	A4EU116100	7-5	A4EU161201	2-6
A0G6M92100	113-10	A0G6N22500	98-13	A0Y5M15100	4-14	A4EU117002	11-34	A4EU161301	1-6
A0G6M92400	4-2	A0G6N22600	111-25	A0Y5M15100	8-29	A4EU117101	11-2	A4EU161800	2-19
A0G6M92500	4-4	A0GY738300	84-1	A0Y5M15100	11-6	A4EU117200	11-46	A4EU163500	2-34
A0G6M92500	98-14	A0PNM10200	16-1	A0Y5M30800	41-8	A4EU117900	5-16	A4EU164300	2-2
A0G6M92600	12-16	A0PNM10200	17-14	A0Y5M55100	81-17	A4EU118200	7-6	A4EU164500	2-9
A0G6M92700	113-6	A0PNM10200	18-17	A0Y5M60100	12-12	A4EU118300	7-7	A4EU165100	26-20
A0G6M93100	13-15	A0PNM10200	19-11	A0Y5M72012	113-9	A4EU118300	110-7	A4EU165100	35-20
A0G6M93200	109-12	A0PNM10200	48-10	A0Y5M90100	53-18	A4EU118501	4-6	A4EU166000	2-16
A0G6N10500	112-6	A0PNM10200	78-15	A0Y5M91700	12-5	A4EU118900	5-17	A4EU166100	2-8
A0G6N10603	89-20	A0R5M10300	17-29	A0Y5M91700	93-20	A4EU119100	7-9	A4EU190401	14-8
A0G6N10801	89-1	A0R5M10300	66-14	A0Y5N13500	12-21	A4EU119200	5-6	A4EU194100	14-16
A0G6N10903	89-2	A0TK397501	72-1	A0Y5N19600	111-17	A4EU119400	7-4	A4EU194200	14-28
A0G6N11200	112-3	A0U0945401	21-1	A1RF529100	74-16	A4EU119500	11-37	A4EU210900	17-15
A0G6N12000	107-15	A0U0945501	30-1	A1RF529100	75-7	A4EU119600	7-3	A4EU211000	17-4
A0G6N13300	26-10	A0WJM10000	11-7	A1RF529300	83-5	A4EU119700	11-38	A4EU211300	17-21
A0G6N13300	35-10	A0WJM10000	47-2	A1RF710900	17-24	A4EU119800	11-39	A4EU211400	17-17
A0G6N13801	48-8	A0Y5134500	113-14	A1RFM15100	111-12	A4EU119900	11-40	A4EU215101	18-4
A0G6N13A00	50-16	A0Y5134700	111-22	A1RFM51000	91-26	A4EU130400	111-20	A4EU218000	17-18
A0G6N13E00	50-16	A0Y5134700	113-15	A1TT214300	20-2	A4EU130500	111-15	A4EU218100	17-22
A0G6N14500	47-12	A0Y5162000	1-28	A1TVM10100	16-19	A4EU130801	112-15	A4EU222000	18-16
A0G6N15003	112-2	A0Y5162000	2-35	A1UDM50100	22-32	A4EU130900	8-9	A4EU230800	20-20
A0G6N15101	96-9	A0Y5176301	95-4	A1UDM50100	25-10	A4EU131200	3-14	A4EU230900	20-19
A0G6N15201	12-14	A0Y5196300	13-12	A1UDM50100	31-32	A4EU131400	113-17	A4EU231000	20-21
A0G6N15303	96-11	A0Y5196400	13-2	A1UDM50100	34-10	A4EU132201	109-4	A4EU235000	20-11

Parts No.	Page No.	Parts No.	Page No.	Parts No.	Page No.	Parts No.	Page No.	Parts No.	Page No.
A4EU235200	20-17	A4EU414700	50-7	A4EU538600	104-3	A4EU715000	61-6	A4EU817400	68-6
A4EU235400	20-18	A4EU415100	49-28	A4EU538700	103-27	A4EU715400	81-23	A4EU817500	69-17
A4EU235500	20-3	A4EU430700	56-8	A4EU560000	5-10	A4EU715500	42-27	A4EU817600	68-9
A4EU235700	20-24	A4EU430700	57-8	A4EU560200	5-12	A4EU715500	77-19	A4EU817700	63-11
A4EU238100	20-25	A4EU462800	41-9	A4EU565600	29-15	A4EU715500	79-12	A4EU817700	69-16
A4EU238200	20-4	A4EU463000	40-13	A4EU565600	38-15	A4EU715500	84-2	A4EU817800	71-9
A4EU239000	15-11	A4EU464000	40-18	A4EU603100	21-9	A4EU716100	61-5	A4EU817900	67-14
A4EU239100	15-20	A4EU464200	40-2	A4EU603100	30-9	A4EU718100	80-27	A4EU818000	64-6
A4EU239200	15-8	A4EU464700	41-1	A4EU603200	21-8	A4EU718200	80-22	A4EU818000	66-26
A4EU251000	16-11	A4EU465000	41-26	A4EU603200	30-8	A4EU725700	85-3	A4EU818000	71-13
A4EU252000	16-3	A4EU500400	83-2	A4EU603300	21-12	A4EU725800	86-10	A4EU818000	80-5
A4EU258200	11-11	A4EU500600	82-3	A4EU603300	30-12	A4EU727900	88-33	A4EU820400	64-5
A4EU258300	11-10	A4EU503800	82-6	A4EU603400	21-2	A4EU731200	90-2	A4EU821100	64-18
A4EU258400	11-9	A4EU505100	72-35	A4EU603400	30-2	A4EU731500	85-14	A4EU821200	64-14
A4EU258500	11-42	A4EU505500	72-9	A4EU603500	21-5	A4EU742800	86-7	A4EU822100	68-24
A4EU258600	11-41	A4EU505600	72-16	A4EU603500	30-5	A4EU746101	91-17	A4EU823100	42-26
A4EU263100	92-28	A4EU506800	72-3	A4EU603600	21-14	A4EU747400	91-27	A4EU823100	64-22
A4EU265000	27-14	A4EU508800	72-26	A4EU603600	30-14	A4EU747500	91-14	A4EU824100	68-13
A4EU265000	36-14	A4EU508900	72-15	A4EU606100	21-7	A4EU747700	86-11	A4EU835600	63-21
A4EU265000	68-4	A4EU510600	75-3	A4EU606100	30-7	A4EU755600	91-10	A4EU835700	71-38
A4EU265000	92-26	A4EU510900	74-20	A4EU621100	27-6	A4EU810300	64-17	A4EU840400	77-12
A4EU332900	100-18	A4EU512100	74-2	A4EU621100	36-6	A4EU810400	64-27	A4EU840500	77-11
A4EU333800	97-5	A4EU515200	74-32	A4EU700600	43-17	A4EU810701	67-4	A4EU840700	77-9
A4EU341000	100-30	A4EU519200	73-11	A4EU700900	44-4	A4EU810900	70-7	A4EU840800	77-6
A4EU341100	98-23	A4EU519300	72-36	A4EU701200	43-12	A4EU811000	66-1	A4EU842100	76-16
A4EU346800	99-14	A4EU525500	66-13	A4EU701300	43-16	A4EU811300	70-1	A4EU843700	76-19
A4EU349100	99-3	A4EU530300	106-9	A4EU703700	43-28	A4EU811900	67-9	A4EU846100	78-19
A4EU349200	99-21	A4EU530400	105-27	A4EU703800	45-19	A4EU812000	66-2	A4EU847000	77-15
A4EU349300	99-17	A4EU531000	103-18	A4EU704200	42-4	A4EU812200	65-10	A4EU848600	78-20
A4EU377000	59-22	A4EU536100	105-19	A4EU704300	42-2	A4EU812500	65-12	A4EU848800	78-16
A4EU380300	59-8	A4EU536200	105-7	A4EU704400	42-8	A4EU813000	64-4	A4EU848900	78-13
A4EU390100	39-8	A4EU537000	103-15	A4EU705700	45-25	A4EU813400	65-13	A4EU849300	79-5
A4EU390800	39-10	A4EU537400	104-6	A4EU710100	80-37	A4EU813801	65-18	A4EU944200	1-34
A4EU391300	39-3	A4EU537700	103-26	A4EU710400	81-15	A4EU814600	65-19	A4EU947900	50-23
A4EU392600	39-6	A4EU537800	103-24	A4EU710800	80-3	A4EU814700	62-7	A4EUF33300	99-12
A4EU394600	39-4	A4EU537900	103-25	A4EU713400	81-8	A4EU814800	64-28	A4EUF33900	100-6
A4EU394700	39-9	A4EU538000	103-20	A4EU713500	80-8	A4EU814900	64-30	A4EUF60700	26-18
A4EU400800	51-7	A4EU538200	103-21	A4EU713700	81-4	A4EU815100	70-10	A4EUF60700	35-18
A4EU413300	49-13	A4EU538300	103-22	A4EU713800	81-5	A4EU817100	68-7	A4EUH02001	109-11
A4EU413900	49-26	A4EU538400	103-23	A4EU714400	80-30	A4EU817200	68-8	A4EUH03000	109-5

Parts No.	Page No.	Parts No.	Page No.	Parts No.	Page No.	Parts No.	Page No.	Parts No.	Page No.
A4EUH04000	14-15	A4EUN16002	64-10	A4EUR70F00	104-13	A4EUR71R00	18-18	A4EUR72R00	33-8
A4EUH07000	62-12	A4EUN16100	67-16	A4EUR70G00	105-29	A4EUR71S00	18-24	A4EUR72S00	23-10
A4EUH08000	70-12	A4EUN16400	73-16	A4EUR70H00	105-23	A4EUR71T00	20-28	A4EUR72S00	32-10
A4EUH11000	111-18	A4EUN16900	63-30	A4EUR70J00	103-10	A4EUR71U00	20-12	A4EUR72T00	25-11
A4EUH31000	12-18	A4EUN17100	111-23	A4EUR70K00	105-26	A4EUR71V00	20-23	A4EUR72T00	34-11
A4EUH51000	108-10	A4EUN17600	18-13	A4EUR70N00	43-9	A4EUR71W00	19-27	A4EUR72U00	22-4
A4EUM10100	20-26	A4EUN18100	14-13	A4EUR70T00	85-13	A4EUR71X00	19-28	A4EUR72U00	31-4
A4EUM30100	94-11	A4EUN18500	19-12	A4EUR70U00	88-7	A4EUR71Y00	19-25	A4EUR72V00	22-21
A4EUM40100	94-5	A4EUN18800	65-11	A4EUR70V00	88-1	A4EUR72000	16-2	A4EUR72V00	31-21
A4EUM45101	108-12	A4EUN19700	63-15	A4EUR70W00	50-1	A4EUR72100	47-4	A4EUR72W00	23-4
A4EUM45200	110-10	A4EUN20000	16-17	A4EUR70X00	50-2	A4EUR72200	54-20	A4EUR72W00	32-4
A4EUM50100	92-14	A4EUN20100	68-2	A4EUR70Y00	56-5	A4EUR72300	52-26	A4EUR72X00	23-17
A4EUM60000	3-13	A4EUN20200	68-34	A4EUR71000	57-5	A4EUR72400	52-17	A4EUR72X00	32-17
A4EUM75400	14-7	A4EUN20800	64-1	A4EUR71100	104-23	A4EUR72500	52-22	A4EUR72Y00	42-10
A4EUM77000	111-10	A4EUN20900	79-22	A4EUR71200	104-24	A4EUR72600	52-24	A4EUR73000	44-1
A4EUN10300	8-17	A4EUN21000	76-21	A4EUR71300	106-12	A4EUR72700	52-9	A4EUR73100	42-24
A4EUN10401	107-17	A4EUN21600	71-7	A4EUR71400	28-12	A4EUR72800	82-16	A4EUR73200	91-13
A4EUN10700	107-2	A4EUN21700	70-5	A4EUR71400	29-14	A4EUR72900	82-1	A4EUR73300	85-12
A4EUN11001	108-8	A4EUN22100	4-7	A4EUR71400	37-12	A4EUR72A00	6-5	A4EUR73400	85-20
A4EUN11100	112-24	A4EUN22300	48-3	A4EUR71400	38-14	A4EUR72B00	111-24	A4EUR73500	85-18
A4EUN11300	112-22	A4EUN25101	109-22	A4EUR71500	29-8	A4EUR72C00	15-13	A4EUR73600	88-21
A4EUN11400	8-24	A4EUN25200	44-6	A4EUR71500	38-8	A4EUR72D00	50-4	A4EUR73700	86-19
A4EUN11501	109-13	A4EUN25300	104-5	A4EUR71600	44-23	A4EUR72E00	49-14	A4EUR73800	90-1
A4EUN11801	12-22	A4EUN25500	104-7	A4EUR71700	4-10	A4EUR72F00	49-1	A4EUR73900	90-5
A4EUN11900	8-22	A4EUN25600	110-15	A4EUR71800	4-13	A4EUR72G00	51-12	A4EUR73A00	61-14
A4EUN12101	8-2	A4EUR70000	74-1	A4EUR71900	6-24	A4EUR72H00	28-5	A4EUR73B00	72-28
A4EUN12200	108-7	A4EUR70100	68-1	A4EUR71A00	6-20	A4EUR72H00	37-5	A4EUR73C00	72-18
A4EUN12301	3-15	A4EUR70200	101-13	A4EUR71B00	6-25	A4EUR72J00	28-8	A4EUR73D00	74-3
A4EUN12400	17-9	A4EUR70300	58-14	A4EUR71C00	11-8	A4EUR72J00	37-8	A4EUR73E00	74-4
A4EUN12600	6-2	A4EUR70400	39-1	A4EUR71D00	9-9	A4EUR72K00	28-27	A4EUR73F00	74-13
A4EUN12800	4-16	A4EUR70500	54-25	A4EUR71E00	10-1	A4EUR72K00	37-27	A4EUR73G00	75-2
A4EUN12900	4-17	A4EUR70600	54-18	A4EUR71F00	10-2	A4EUR72M00	26-6	A4EUR73H00	75-4
A4EUN13100	6-26	A4EUR70700	40-1	A4EUR71G00	9-22	A4EUR72M00	35-6	A4EUR73J00	75-13
A4EUN14100	100-1	A4EUR70800	40-16	A4EUR71H00	9-3	A4EUR72N00	25-22	A4EUR73K00	75-11
A4EUN14200	101-8	A4EUR70900	40-17	A4EUR71J00	4-21	A4EUR72N00	34-22	A4EUR73M00	75-19
A4EUN14302	41-3	A4EUR70A00	61-4	A4EUR71K00	4-3	A4EUR72P00	29-1	A4EUR73N00	75-9
A4EUN14400	47-3	A4EUR70B00	83-17	A4EUR71M00	4-24	A4EUR72P00	38-1	A4EUR73P00	75-15
A4EUN14700	55-12	A4EUR70C00	82-11	A4EUR71N00	112-13	A4EUR72Q00	21-22	A4EUR73Q00	62-3
A4EUN14800	101-2	A4EUR70D11	61-9	A4EUR71P00	6-15	A4EUR72Q00	30-22	A4EUR73Q00	64-20
A4EUN14900	55-8	A4EUR70E00	103-1	A4EUR71Q00	17-31	A4EUR72R00	24-8	A4EUR73Q00	65-20

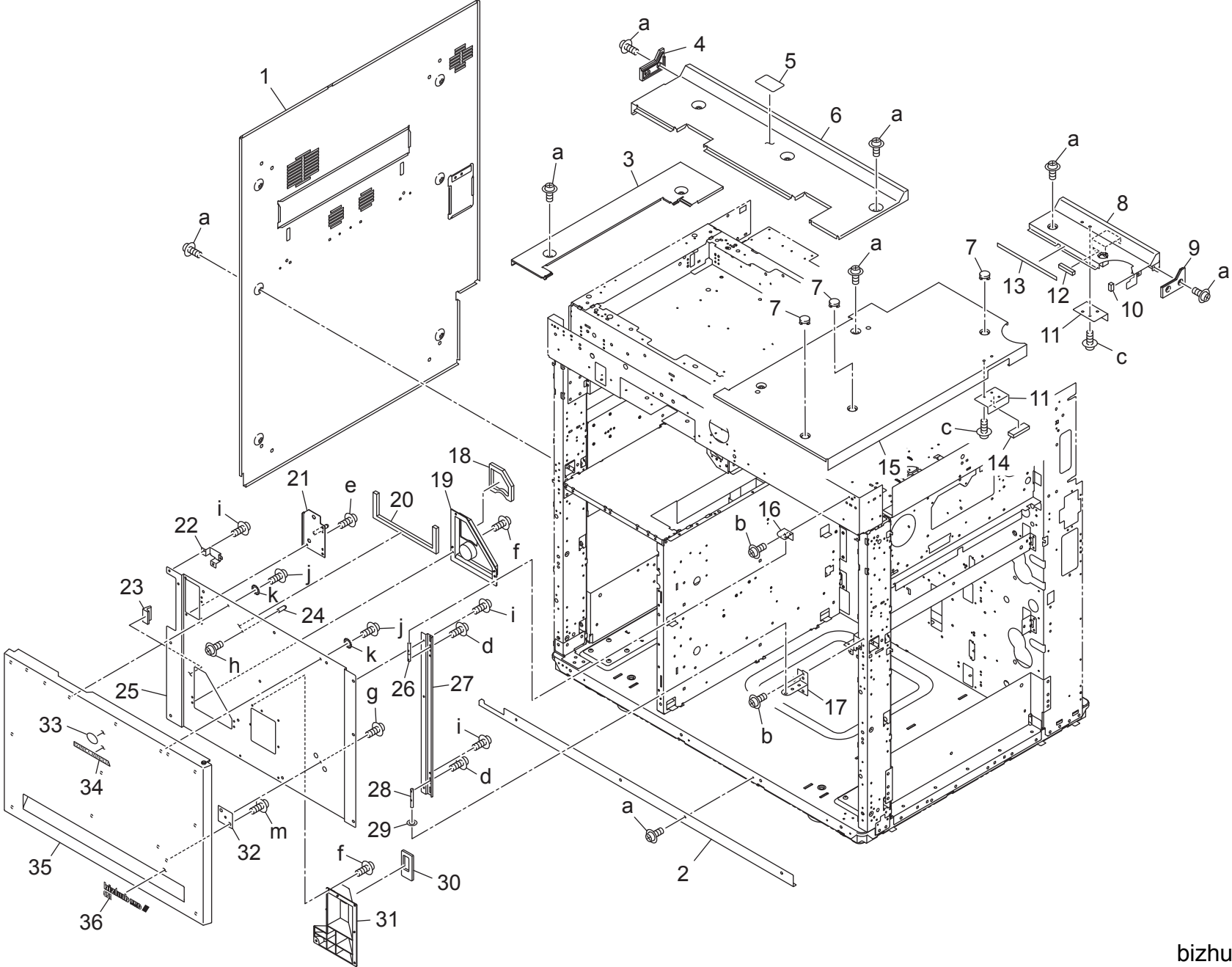
Parts No.	Page No.
A4EUR73Q00	68-33
A4EUR73R00	68-19
A4EUR73S00	69-2
A4EUR73T00	69-1
A4EUR73V00	67-10
A4EUR73W00	63-28
A4EUR73X00	63-18
A4EUR74100	71-2
A4EUR74300	66-6
A4EUR74400	71-1
A4EUR74500	81-10
A4EUR74600	81-33
A4EUR74700	80-33
A4EUR74800	81-6
A4EUR74900	79-2
A4EUR74A00	79-7
A4EUR74B00	78-14
A4EUR74C00	113-20
A4EUR74D00	12-15
A4EUR74E00	1-21
A4EUR74F00	12-1
A4EUR74G00	12-1
A4EUR74H00	12-1
A4EUR74J00	13-3
A4EUR74K00	17-30
A4EUR74M00	94-10
A4EUR74N00	93-1
A4EUR74P00	93-14
A4EUR74S00	93-4
A4EUR74T00	95-3
A4EUR74U00	95-1
A4EUR74V00	56-1
A4EUR74W00	57-2
A4EUR74X00	56-2
A4EUR74Y00	57-1
A4EUR75000	2-30
A4EUR75100	2-21
A4EUR75200	2-29
A4EUR75300	96-10
A4EUR75400	96-7

Parts No.	Page No.
A4EUR75600	97-7
A4EUR75700	99-4
A4EUR75800	101-9
A4EUR75900	100-16
A4EUR75B00	102-1
A4EUR75C00	100-20
A4EUR75D00	100-24
A4EUR75E00	101-7
A4EUR75F00	58-8
A4EUR75G00	59-23
A4EUR75H00	58-1
A4EUR75J00	41-25
A4EUR75K00	97-9
A4EUR75M00	105-14
A4EUR75N00	105-9
A4EUR75P00	104-19
A4EUR75Q00	105-18
A4EUR75R00	104-10
A4EUR75S00	106-10
A4EUR75T00	106-17
A4EUR75U00	97-1
A4EUR75V00	48-13
A4EUR75W00	115-3
A4EUR76G00	11-44
A4EUR76H00	11-45
A4EUR76J00	96-12
A4EUR90000	5-9
A4EURA1E00	111-11
A4EURA2E00	111-3
A4EW103000	6-19
A4EW164000	45-12
A4EW164400	2-10
A4EW166200	12-23
A4EW166500	2-20
A4EW411100	51-11
A4EW570800	28-34
A4EW570800	37-34
A4EW570900	28-30
A4EW570900	37-30
A4EW610000	23-2

Parts No.	Page No.
A4EW610000	24-7
A4EW610000	32-2
A4EW610000	33-7
A4EW613000	23-8
A4EW613000	32-8
A4EW617500	24-15
A4EW617500	33-15
A4EW705400	45-24
A4EW725200	90-13
A4EW725300	90-15
A4EW725400	90-17
A4EW725800	90-16
A4EW731400	85-16
A4EW731500	90-11
A4EW732000	89-26
A4EW745401	90-12
A4EW745800	88-32
A4EW745900	88-24
A4EW789601	90-7
A4EW843500	79-4
A4EW845700	78-17
A4EW845800	78-18
A4EW845900	79-27
A4EW944100	1-36
A4EW947600	51-1
A4EWH01002	113-16
A4EWM33000	87-6
A4EWM60400	107-10
A4EWN10101	107-7
A4EWN10201	108-11
A4EWN13001	89-22
A4EWN16300	81-12
A4EWN16800	66-28
A4EWN18600	19-26
A4EWN20700	79-28
A4EWR70000	85-26
A4EWR70100	107-5
A4EWR70200	107-5
A4EWR70300	107-5
A4EWR70400	15-17

Parts No.	Page No.
A4EWR70500	48-9
A4EWR70600	48-9
A4EWR70700	48-9
A4EWR70800	42-13
A4EWR70900	88-31
A4EWR70A00	61-7
A4EWR70B00	61-15
A4F3905000	21-6
A4F3905000	30-6
SP00-0022	89-5
SP00-0043	88-26
V114040604	116-9
V118040804	116-7
V121030603	116-6
V121030803	116-2
V121040603	116-8
V233201250	72-37
V237201850	18-15
V502010007	70-13
V502010009	109-6
V502010015	18-14
V502010015	109-9
V502010015	110-4
V502010016	92-17
V502010016	107-4
V502010016	108-5
V502010016	113-25
V502010021	62-13
V502010029	109-8

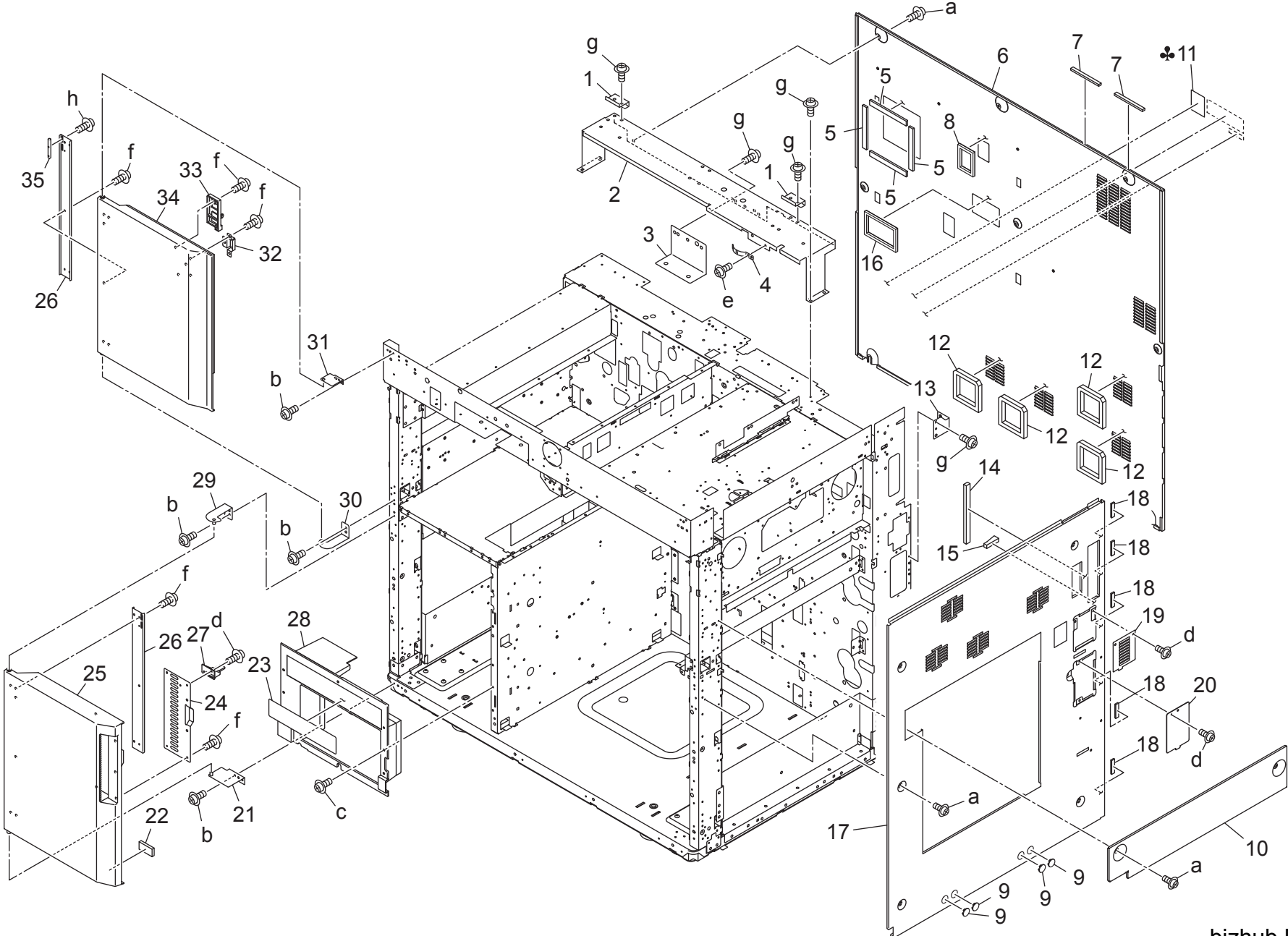
EXTERNAL PARTS



EXTERNAL PARTS

Key	Part No.	Description	Destinations	Class	QTY	Standard parts
1	A4EU161101	Cover /Left		C	1	a-V114040604
2	A0G6164800	Cover /Lower		D	1	b-V114040616
3	A4EU160500	Read Cover /Left		D	1	c-V118030403
4	56UA12160	Side Protection Cover /Left		C	1	d-V118030604
5	A0Y5942100	Caution Label /Upper		C	1	e-V121030404
6	A4EU161301	Read Cover /Rear		D	1	f-V121030604
7	56UA12460	Screw Cover		C	3	g-V121040604
8	A0G6160602	Ope. unit Cover /Rear		C	1	h-V121030603
9	56UA12150	Side Protection Cover /Right		C	1	i-V151030804
10	A0G6M91400	Gasket /D		C	1	j-V151040804
11	56UA12170	Wiring Cover		D	2	k-V209040050
12	A0G6M91300	Gasket /C		C	1	m-V151040604
13	A0G6M92100	Gasket /K		C	1	
14	A0G6M91500	Gasket /E		C	1	
15	A0G6160900	Read Cover /Right		C	1	
16	56UA12280	FRONT DOOR HINGE 2		D	1	
17	56UA12290	FRONT DOOR HINGE 3		D	1	
18	A0G6162100	Sealing Cushion /Left		C	1	
19	A0G6162000	Duct /Left Front		D	1	
20	A0G6162600	Sealing Part /Upper		C	1	
21	A4EUR74E00	Ground Plate Caulking		D	1	
22	A0G6162400	Suction Plate		D	1	
23	56UA73570	Earth Cushion /B		C	1	
24	A0G6168600	Ground Shaft		D	1	
25	A0G6163201	Reinforce Door /Right		D	1	
26	56UA12660	Hinge Shaft		D	1	
27	56UA12310	HINGE MOUNTING PLATE 2		D	1	
28	A0Y5162000	Support Shaft		D	1	
29	13SU15110	SPACER A		C	1	
30	A0G6162200	Sealing Cushion /Right		C	1	
31	A0G6162700	Duct /Right Front		D	1	
32	56UA12270	Front Door Reinforce Plate /2		D	1	
33	A03U168500	Indicating Plate		C	1	
34	A4EU944200	Label /K		D	1	
35	A4EU160100	Door /Right		D	1	
36	A4EW944100	Label /H (PRO 951)		D	1	

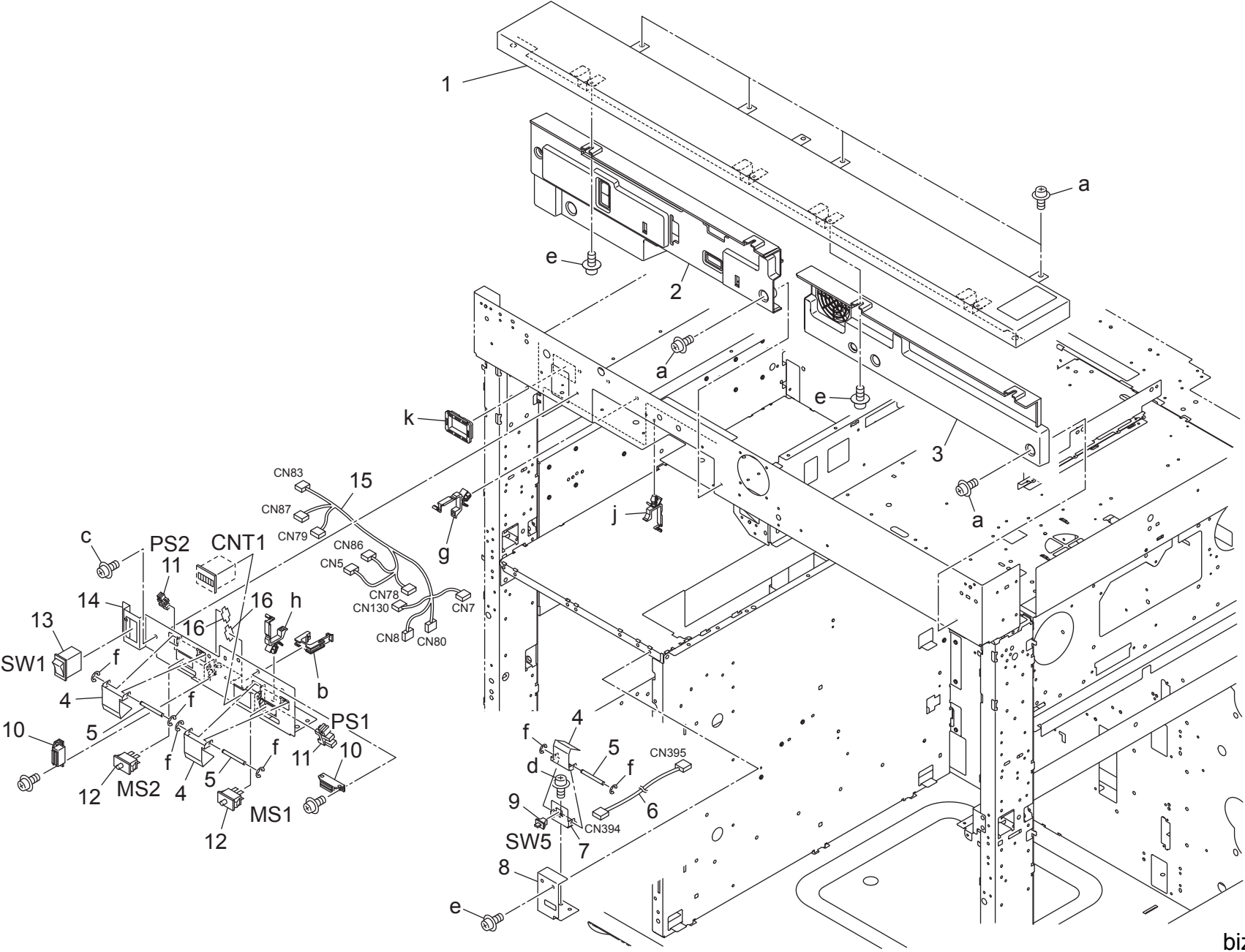
EXTERNAL PARTS



EXTERNAL PARTS

Key	Part No.	Description	Destinations	Class	QTY	Standard parts
1	56UA12720	External Reinforce Plate /3		D	2	a-V114040604 b-V114040616 c-V121040604 d-V121030604 e-V121030603 f-V151030804 g-V121040603 h-V118030604
2	A4EU164300	Mounting Plate /3		D	1	
3	56UA12710	External Reinforce Plate /2		D	1	
4	25SA66840D	Write Cover Spring		C	1	
5	A0G6168700	Seal /12		C	4	
6	A4EU161201	Cover /Rear		D	1	
7	A0G6M91700	Gasket /G		C	2	
8	A4EU166100	Heat blocking Seal /2		D	1	
9	A4EU164500	Auxiliary Cover /2		D	4	
10	A4EW164400	Paper feed Cover /Right		D	1	
11	56UA97320	CAUTION LABEL/A	C	D	1	
12	A0G6168500	Seal /6		C	4	
13	A4EU160300	Mounting Plate /2		D	1	
14	56UA12670	Earth Cushion /1		C	1	
15	A4EU160700	Protection Cushion /1		D	1	
16	A4EU166000	Heat blocking Seal /1		D	1	
17	A4EU161000	Cover /Right		D	1	
18	A0G6M92000	Gasket /J		C	5	
19	A4EU161800	Protection Plate		D	1	
20	A4EW166500	Protection Cover		D	1	
21	A4EUR75100	Front Door Hinge Caulking/2		D	1	
22	55VA12460	Front Door Stopper Rubber		D	1	
23	A0G6947411	Operation Label /B		C	1	
24	A0G6163600	Auxiliary Cover		D	1	
25	A4EU160200	Toner supply Door		D	1	
26	A0G6163100	Reinforce Plate /Left		D	2	
27	A0G6163700	Open/Close Actuator		C	1	
28	A0G6356001	Protection Cover /1		C	1	
29	A4EUR75200	Front Door Hinge Caulking/3		D	1	
30	A4EUR75000	Front Door Hinge Caulking/1		D	1	
31	A0G6164100	Holding Hinge /Upper		C	1	
32	56UA12240	Magnet Stopper Plate		D	1	
33	56AA12400	EXTERNAL LOCKING COVER B		C	1	
34	A4EU163500	Door /Left		D	1	
35	A0Y5162000	Support Shaft		D	1	

EXTERNAL PARTS

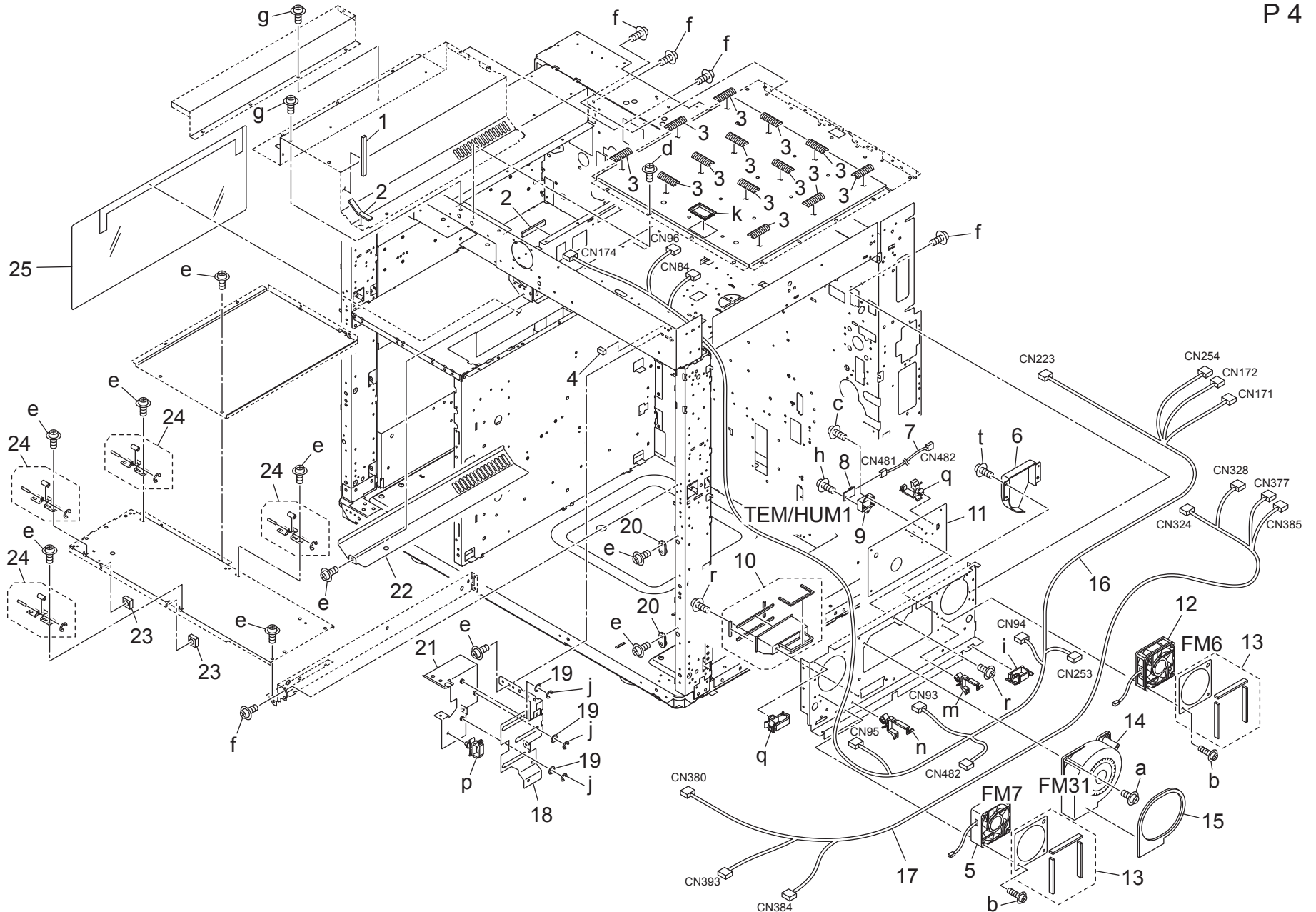


EXTERNAL PARTS

Key	Part No.	Description	Destinations	Class	QTY	Standard parts
1	A0G6160400	Front Cover		C	1	a-V114040604
2	A0G6163813	Cover /Left		C	1	b-V570010028
3	A0G6163911	Cover /Right		C	1	c-V121040403
4	56UA12370	Door Detection Actuator		D	3	d-V121040603
5	55VA70110D	Door Detection Shaft		D	3	e-V121040604
6	56UA90160	DOOR DETECTION WIRING 2		D	1	f-V217030050
7	56UA12200	SWITCH FIXING PLATE		D	1	g-V500010003
8	56UA12210E	Switch Mounting Plate /2		D	1	h-V500010005
9	56UA85010	Switch		C	1	j-V500010061
10	A0G6411200	Magnet /X		D	2	k-V570010039
11	08AA85512	Photo Sensor		B	2	
12	A0G6M60300	Interlock Switch		C	2	
13	A4EUM60000	Power source Switch		C	1	
14	A4EU131200	Wiring Plate /Front		D	1	
15	A4EUN12301	Interlock Detection harness		D	1	
16	4470402401	STOPPER		D	2	

MAIN FRAME

P 4

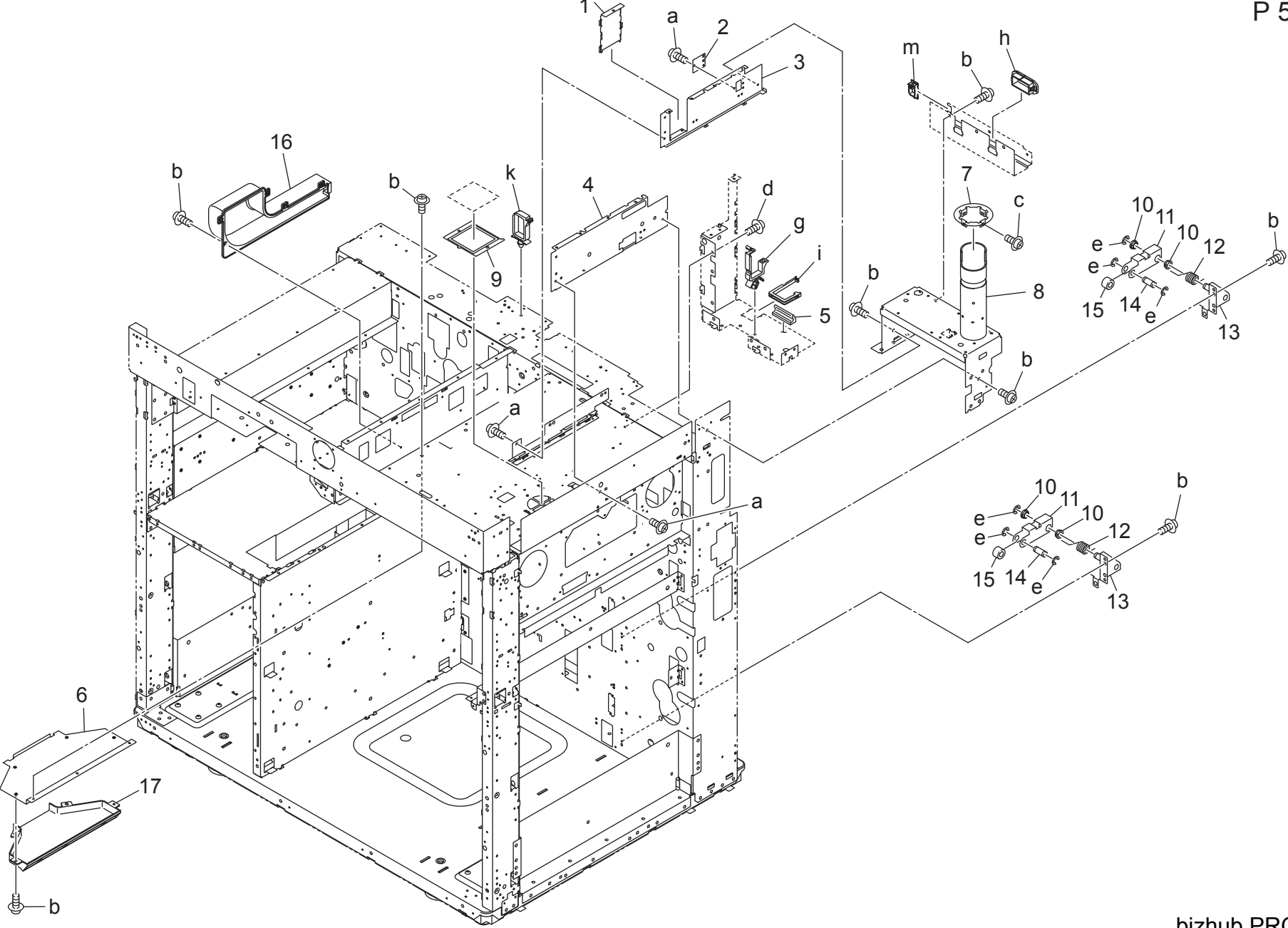


bizhub PRO 951

MAIN FRAME

Key	Part No.	Description	Destinations	Class	QTY	Standard parts
1	57AF73620	External Earth Part /Lower		D	1	a-V118040803
2	A0G6M92400	Gasket /N		C	2	b-V118043003
3	A4EUR71K00	Earth Spring Assy		D	13	c-V121030603
4	A0G6M92500	Gasket /O		C	1	d-V121040403
5	4139M10000	FAN MOTOR		B	1	e-V121040603
6	A4EU118501	Cooling Duct /Right rear		D	1	f-V140040803
7	A4EUN22100	Temperature Detection harness		D	1	g-V141040803
8	65AA88080	Process Sensor		C	1	h-V149030803
9	65AA11300	SUPPORT PART		D	1	i-V570010063
10	A4EUR71700	Cooling Duct Assy		D	1	j-V217060050
11	A0G6106000	Cover Plate /Right		D	1	k-V570010039
12	13NT80511	FAN MOTOR 1		C	1	m-V500010003
13	A4EUR71800	Fan Sealing Part/2 Assy		C	2	n-V500010007
14	A0Y5M15100	Suction Fan motor		C	1	p-V500010005
15	A0G6113500	Cooling Seal /Middle		C	1	q-V500010061
16	A4EUN12800	Cooling Wiring /1		D	1	r-V127040603
17	A4EUN12900	Toner Relay harness /1		D	1	t-V127030603
18	A0G6400500	Fixing Hinge		C	1	
19	55VA32530	SPACER		C	3	
20	173030270	PIN HOLDER A		C	2	
21	A4EUR71J00	Slide Hinge Caulking		D	1	
22	A4EU107000	Suction Cover		D	1	
23	57GA61560	SCREW PROTECTION CUSHION/1		C	2	
24	A4EUR71M00	Bottom Plate Lifting Part Assy		D	4	
25	A0G6119000	Scatteringprevention Sheet		C	1	

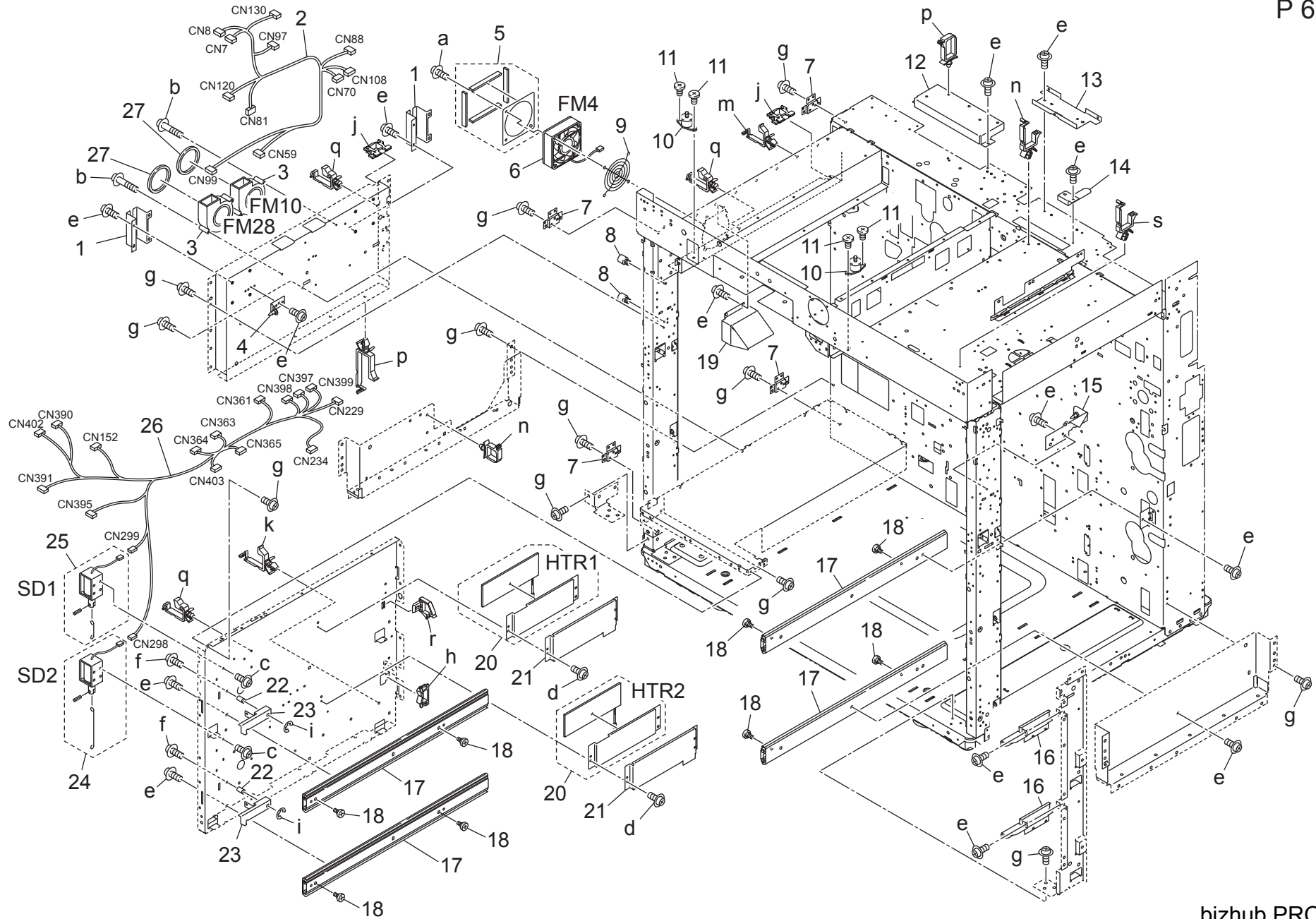
MAIN FRAME



Key	Part No.	Description	Destinations	Class	QTY	Standard parts
1	56UA73300	Board Protection Cover		D	1	a-V121040403
2	A0G6131900	Shield Plate		D	1	b-V121040603
3	A0G6131500	Support Rail /G		D	1	c-V127040603
4	56UA73130	IMAGE PROCESSING RAIL /LEFT		D	1	d-V140040803
5	56UA73570	Earth Cushion /B		C	1	e-V217060050
6	A4EU119200	Ozone Base frame /1		D	1	g-V500010007
7	56UA70540	Ope Unit Positioning Plate /L		D	1	h-V570010037
8	A0G6101701	Mounting Pedestal		D	1	i-V570010048
9	A4EUR90000	Charging Filter Kit		B	1	k-V500010013
10	A4EU560000	Drive Bushing		C	4	m-V570010063
11	56UA15540	LOCK PLATE		D	2	
12	A4EU560200	Lock Spring		D	2	
13	56UA-1930	PAPER FEED LOCK PANEL ASSY		D	2	
14	048610110	LOCK SHAFT A		D	2	
15	56UA75020	TRAY LOCK BUSHING		C	2	
16	A4EU117900	Ozone Duct /1		D	1	
17	A4EU118900	Ozone Duct /2		D	1	

MAIN FRAME

P 6

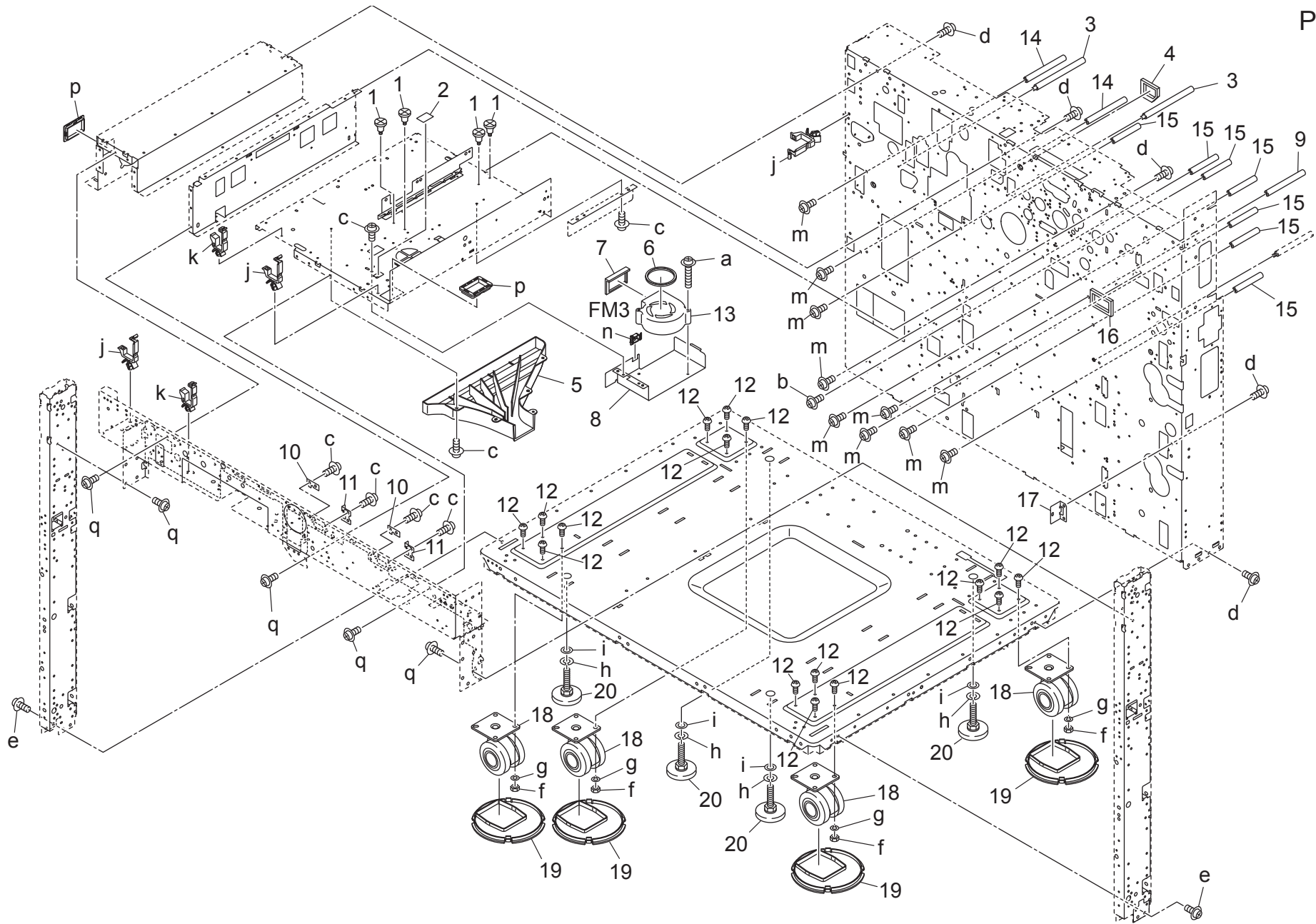


MAIN FRAME

Key	Part No.	Description	Destinations	Class	QTY	Standard parts
1	A4EU106000	Paper exit Base frame		D	2	a-V118043003
2	A4EUN12600	Cooling Wiring /2		D	1	b-V118043503
3	9313110033	FAN MOTOR		C	2	c-V121030403
4	56UAR70500	ADU POSITIONING PLATE LEFT		D	1	d-V127030603
5	A4EUR72A00	Fan Sealing Part/1 Assy		D	1	e-V121040603
6	13NT80511	FAN MOTOR 1		C	1	f-V116030603
7	56UA10290	EXTERNAL AUXILIARY SPACER RIGHT		D	4	g-V140040803
8	392010231	STOPPER PIN		C	2	h-V570010063
9	15BY160200	PROTECTION COVER		D	1	i-V217040050
10	25SA10200	READ SUPPORT RUBBER		D	2	j-V570010050
11	A03U263601	Optical Screw		C	4	k-V500010003
12	A0G6112901	Lifting Pedestal		D	1	m-V500010005
13	56UA10320	Power Source Mounting Plate Upper		D	1	n-V500010007
14	A0G6115700	Hold Plate /S		D	1	p-V500010013
15	A4EUR71P00	Adu Positioning Plate/Right Caulking		D	1	q-V500010020
16	56UA40310	RELEASE PLATE		D	2	r-V500010021
17	56UA40450E	Tray Slide Rail		D	4	s-V500010061
18	56UA40390	POSITIONING SCREW		C	8	
19	A4EW103000	Cooling Plate /Left front		D	1	
20	A4EUR71A00	Heater Mounting Plate Assy		D	2	
21	A0G6690300	Heater Cover		D	2	
22	56UA40330	Support Shaft /L		D	2	
23	56UA40320	TRAY LOCK PLATE		D	2	
24	A4EUR71900	Tray Connecting Solenoid		C	1	
25	A4EUR71B00	Tray Connecting Solenoid/2 Assy		C	1	
26	A4EUN13100	Toner Relay harness /2		D	1	
27	56UA11350D	FAN SEALING PART /A		D	2	

MAIN FRAME

P 7

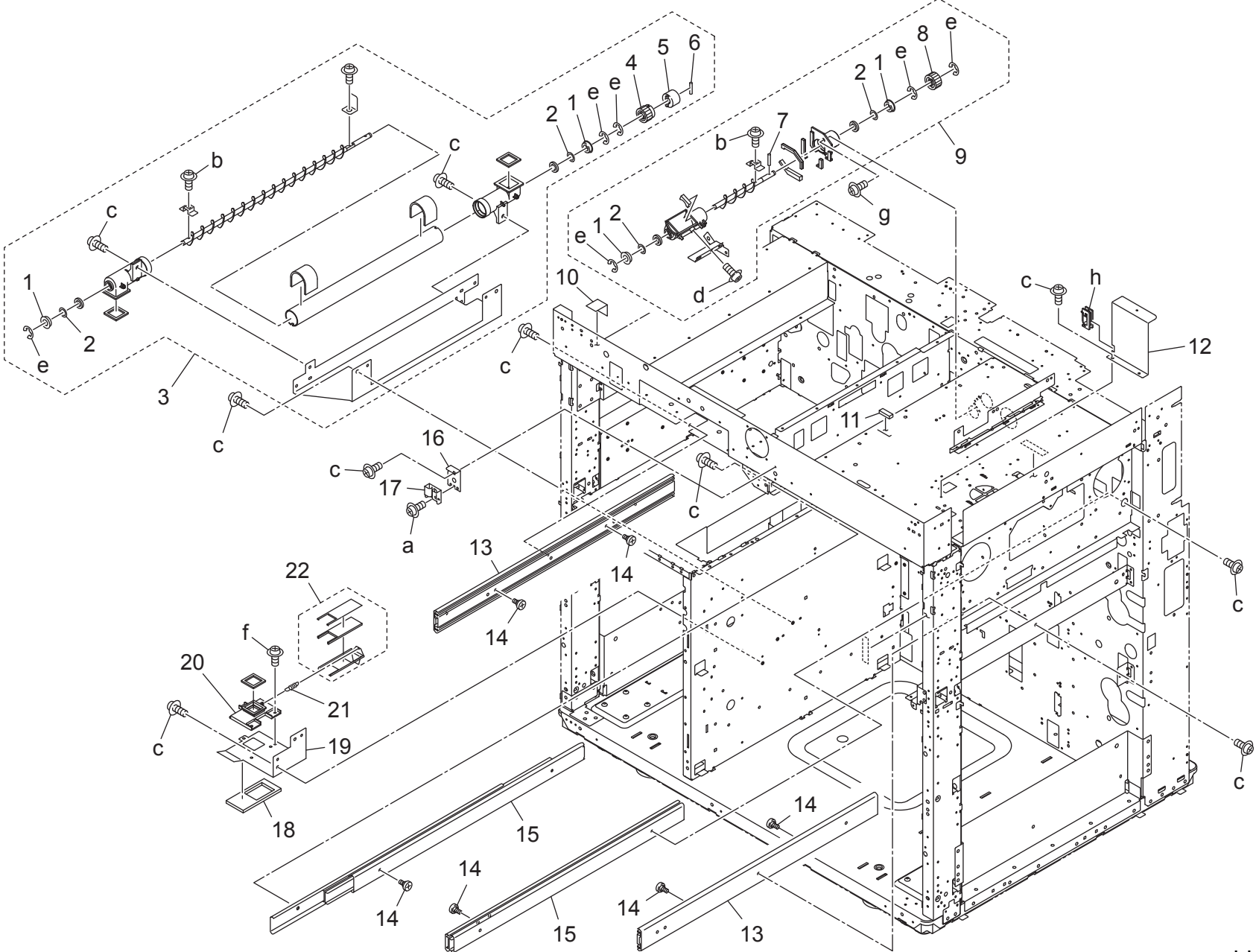


bizhub PRO 951

Key	Part No.	Description	Destinations	Class	QTY	Standard parts
1	56UA73390	Positioning Pin		C	4	a-V118044003
2	25SA66420	WRITE LIGHT SHIELD SHEET		C	1	b-V118040603
3	A4EU119600	Hold Leg /Rear		D	2	c-V121040603
4	A4EU119400	Charging Seal /6		C	1	d-V141040803
5	A4EU116100	Cooling Duct /2		D	1	e-V140041403
6	A4EU118200	Charging Seal /2		C	1	f-V195060003
7	A4EU118300	Charging Seal /3		C	1	g-V205060003
8	A4EU116000	Fixing Plate /1		D	1	h-V205120003
9	A4EU119100	Hold Leg		D	1	i-V207120003
10	A0G6116300	Lock Plate /Left		D	2	j-V500010003
11	A0G6116200	Lock Plate /Right		D	2	k-V500010020
12	56UA10520	ROLLER MOUNTING SCREW		C	16	m-V116040803
13	A03UM15800	Main body Cooling Fan		C	1	n-V570010063
14	56UA73260	Board Support Leg /A		D	2	p-V570010039
15	56UA73280	Board Support Leg /B		D	7	q-V140040803
16	A0G6112400	Suction Seal /1		C	1	
17	56UA10370	MAIN BODY AUXILIARY PLATE A		D	1	
18	A0G6105100	Castor		D	4	
19	A0G6102500	Protection Cover		D	4	
20	25AA10090	MAIN FIXED STOPPER		C	4	

Key	Part No.	Description	Destinations	Class	QTY	Standard parts
1	A0G6816200	Power Supply Cover		D	1	a-V112020603
2	A4EUN12101	ADU Relay harness /5		D	1	b-V118041003
3	A0G6819800	Support Shaft /1		D	2	c-V118044503
4	A0G6819700	Power Supply Stay /M		D	1	d-V116030603
5	A0G6819500	Power Supply Arm /M		D	1	e-V121030603
6	A0G6819900	Support Shaft /2		D	1	f-V121031003
7	A0G6819600	Power Supply Arm /A		D	1	g-V121040603
8	A0G6816100	Power Supply Stay /A		D	1	h-V116040603
9	A4EU130900	Power supply Plate /Lower		D	1	i-V217030050
10	066079020	DRAWER SCREW M3X10		C	4	k-V217040050
11	A0G6130711	Power Supply Plate /T		D	1	m-V500010007
12	25AA53441	EARTH SPRING		C	1	n-V570010028
13	56UA73160	CORD MOUNTING PLATE B		C	1	q-V207030003
14	496041890	Connector Gear /11T		C	4	
15	25AA53600	CORD COVER		D	2	
16	496041960	CONNECTOR COVER SPRING B		C	1	
17	A4EUN10300	Fixing Power source harness		D	1	
18	56UA73170	Cord Mounting Plate /C		D	1	
19	496041950	CONNECTOR COVER SPRING A		C	1	
20	4960R70100	CONNECTOR ARM		D	1	
21	496041930	CONNECTOR COLLAR A		C	1	
22	A4EUN11900	Photoconductor Relay harness /2		D	1	
23	496076210	SLIDE SHAFT HOLDER D6		C	1	
24	A4EUN11400	Fixing Control harness		D	1	
25	A0G6117600	Suction Seal /A		C	1	
26	A0G6117700	Suction Seal /B		C	1	
27	A0G6110400	Suction Duct /1		D	1	
28	A0G6117800	Suction Seal /C		C	1	
29	A0Y5M15100	Suction Fan motor		C	1	
30	A0G6110800	Suction Plate /B		D	1	

MAIN FRAME

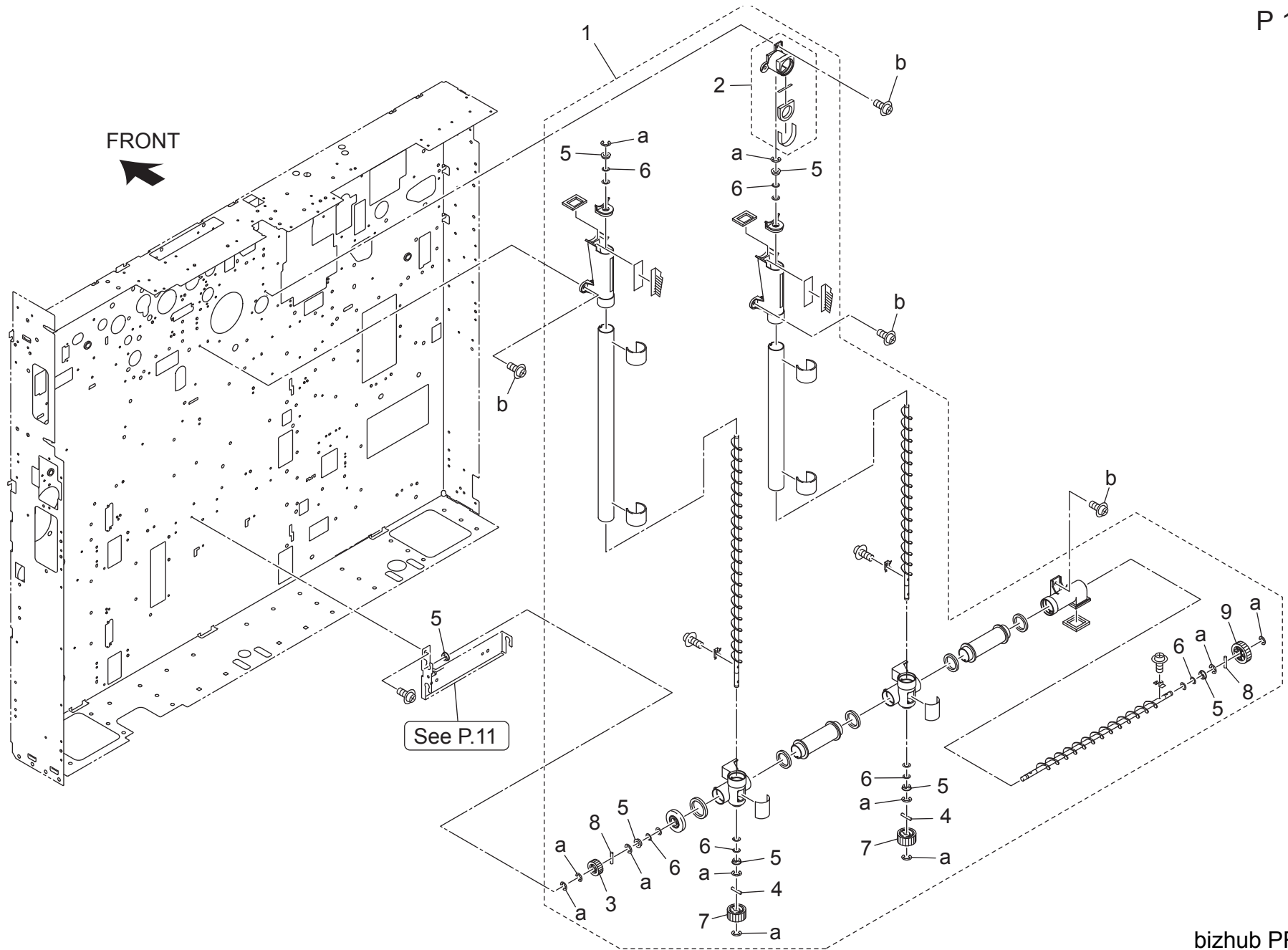


MAIN FRAME

Key	Part No.	Description	Destinations	Class	QTY	Standard parts
1	A00J617800	BALL BEARING		C	4	a-V121030403
2	56UA20200	Spacer /1		C	4	b-V121030603
3	A4EUR71H00	Horizontal Conveyance/2 Assy		D	1	c-V121040603
4	A0G6357500	Connecting Gear 15T		C	1	d-V151030603
5	A0G6357600	Torque Limiter		C	1	e-V217040050
6	56AA17310	PIN		C	1	f-V127030603
7	56AA17471	PIN B 3X12		C	1	g-V118040603
8	A0G6336900	Cleaning Gear /2 20T		C	1	h-V570010046
9	A4EUR71D00	Connecting Pipe/5 Assy		D	1	
10	56UA10420	Wiring Protection Sheet /1		C	1	
11	56UA73600	Earth Cushion /D		C	1	
12	56UA12131E	EXTERNAL REINFORCE PLATE		D	1	
13	A0G6812200	Slide Rail /A		C	2	
14	55VA20310	POSITIONING SCREW		C	6	
15	56UA20160	CARRIAGE RAIL RIGHT		D	2	
16	A0G6115500	Ground Plate /1		D	1	
17	A0G6115600	Ground Plate /2		D	1	
18	A0G6352300	Slide Seal		C	1	
19	A0G6363301	Slide Board		D	1	
20	A0G6363500	Slide Joint		D	1	
21	A0G6363600	Slide Spring		C	1	
22	A4EUR71G00	Shutter Assy		D	1	

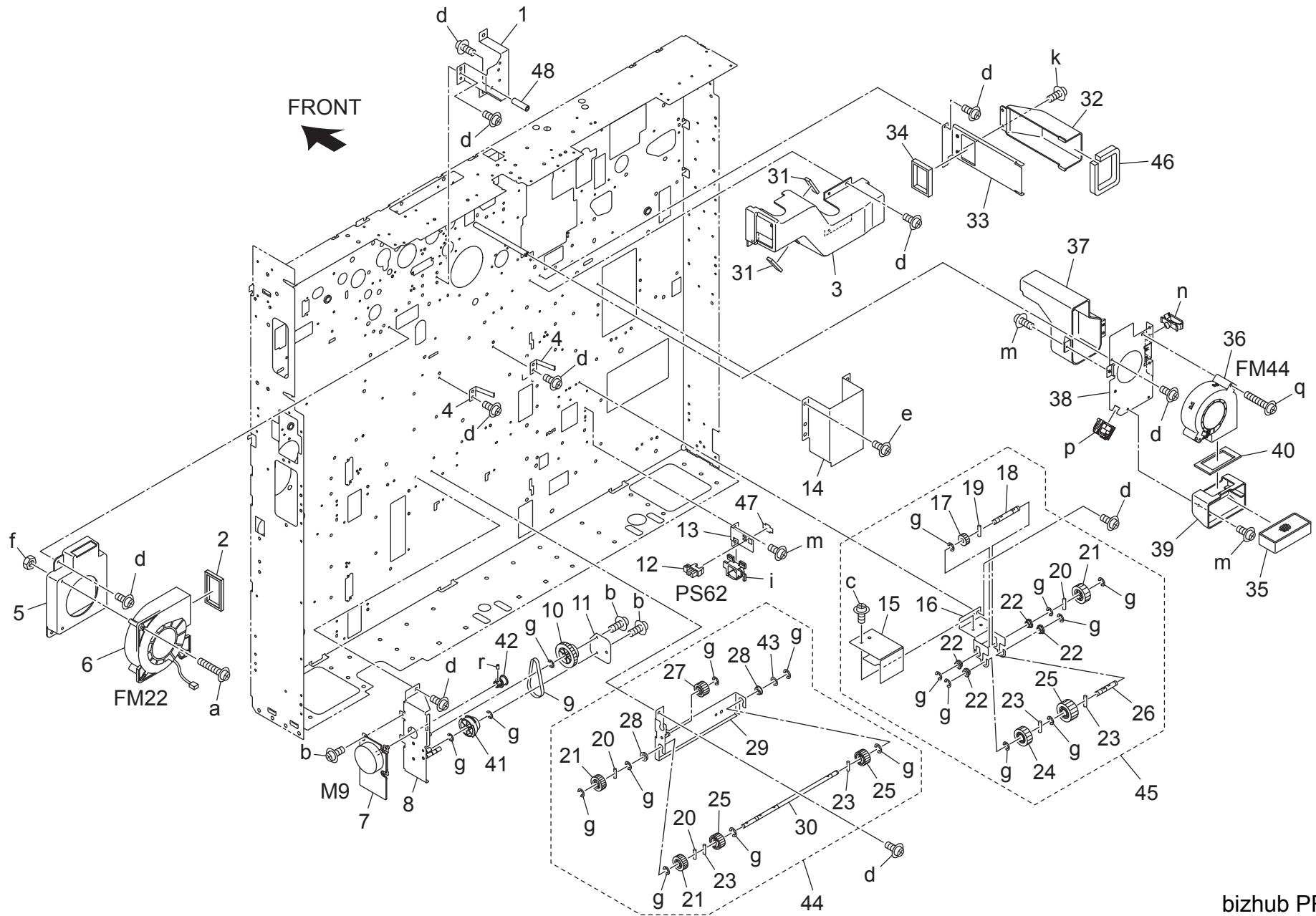
MAIN FRAME

P 10



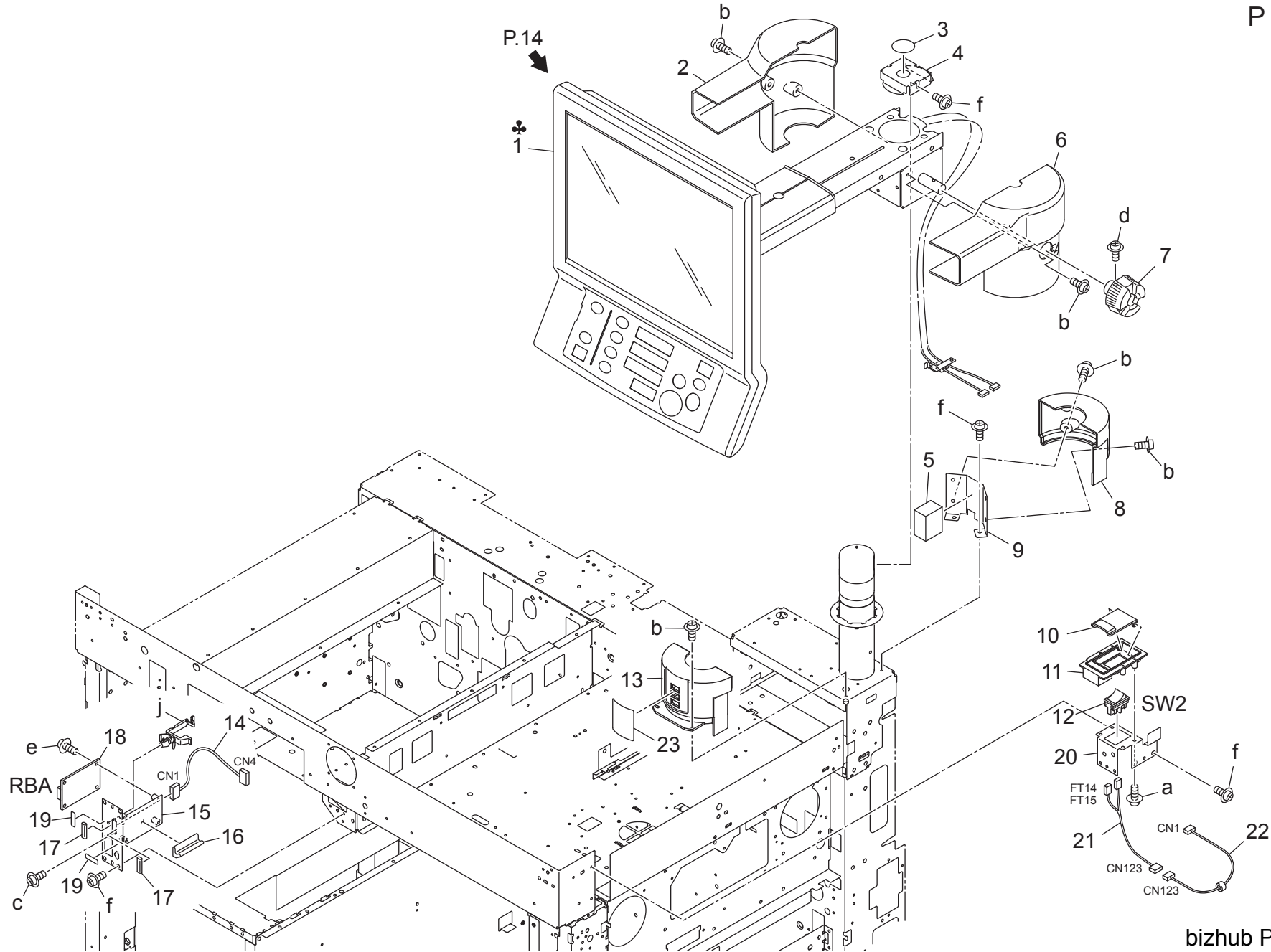
MAIN FRAME

P 11



bizhub PRO 951

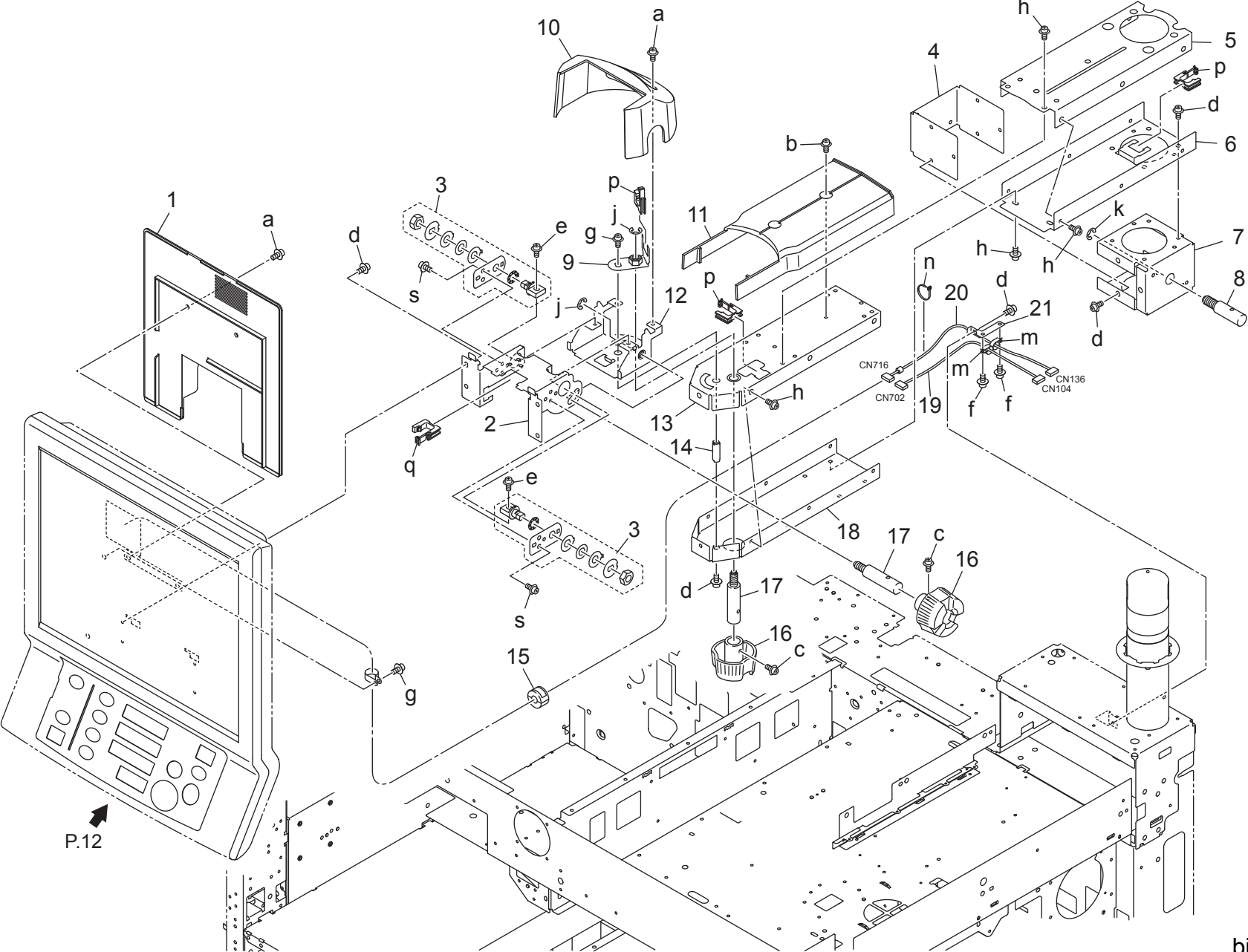
Key	Part No.	Description	Destinations	Class	QTY	Standard parts
1	A0G6114301	Lifting Plate /Middle		D	1	a-V118044503
2	A4EU117101	Collection Seal /2		C	1	b-V121030403
3	A4EU109800	Collection Duct /Left		D	1	c-V121030603
4	A0G6353800	Ground Plate /P		D	2	d-V121040603
5	A0G6111401	Cooling Duct /A		D	1	e-V140040803
6	A0Y5M15100	Suction Fan motor		C	1	f-V195040003
7	A0WJM10000	Brushless motor		C	1	g-V217040050
8	A4EUR71C00	Toner Collection Panel Caulking		D	1	i-V570010050
9	A4EU258400	Collection Belt 168L		C	1	k-V121040403
10	A4EU258300	Collection Gear 23/40T		C	1	m-V127030603
11	A4EU258200	Receiving Plate		D	1	n-V500010061
12	08AA85512	Photo Sensor		B	1	p-V570010063
13	A0G6355100	Board /4		D	1	q-V118044003
14	56UA73490	Motor Cover /Rear		D	1	r-V193030404
15	A0G6361200	Drive Cover		D	1	
16	A0G6361100	Drive Plate /1		D	1	
17	A0G6367900	Drive Gear /9 16T		C	1	
18	A0G6362900	Drive Shaft /1		D	1	
19	56AA17310	PIN		C	1	
20	56AA17471	PIN B 3X12		C	3	
21	A0G6367400	Drive Gear /4 19T		C	3	
22	466076020	PAPER FEED SHAFT HOLDER		B	4	
23	56AA17520	PIN A D3X10		C	4	
24	A0G6367500	Drive Gear /5 18T		C	1	
25	56UA77400	Toner Conveyance Gear /C 15T		C	3	
26	A0G6363000	Drive Shaft /2		D	1	
27	A0G6217500	Drive Gear /7 20T		C	1	
28	A00J617800	BALL BEARING		C	2	
29	A0G6365000	Drive Board /1		D	1	
30	A0G6367000	Drive Shaft /3		D	1	
31	A4EU109900	Collection Seal /Rear		D	2	
32	A4EU109600	Collection Duct /Right		D	1	
33	A4EU109700	Collection Duct /Middle		D	1	
34	A4EU117002	Collection Seal /1		D	1	
35	56UA11220	Developing Suction Filter		B	1	
36	A03UM15800	Main body Cooling Fan		C	1	
37	A4EU119500	Ozone Duct /3		D	1	
38	A4EU119700	Ozone Base frame /2		D	1	
39	A4EU119800	Ozone Duct /4		D	1	
40	A4EU119900	Charging Seal /7		D	1	
41	A4EU258600	Collection Pulley		C	1	
42	A4EU258500	Drive Pulley		C	1	
43	13QA10330	SHAFT SPACER		C	1	
44	A4EUR76G00	Drive Board/1 Assy		D	1	
45	A4EUR76H00	Drive Plate/1 Assy		D	1	
46	A4EU117200	Collection Seal /3		D	1	
47	4470402401	STOPPER		D	1	
48	A4EU112501	Reinforce Stake		D	1	



bizhub PRO 951

OPERATION UNIT

Key	Part No.	Description	Destinations	Class	QTY	Standard parts
1	A4EUR74F00	Operation Unit(Japan)	A	I	1	a-V151030803
1	A4EUR74G00	Operation Unit(USA)	B,G2	I	1	b-V114040604
1	A4EUR74H00	Operation Unit(EU)	C	I	1	c-V111250803
2	56UA70740	Operation Unit Support Cover / Left		C	1	d-V118040804
3	56UA70820	OPERATION UNIT SEAL		C	1	e-V121030403
4	56UA70550	Ope Unit Positioning Plate /U		D	1	f-V121040603
5	A0Y5M91700	Gasket /G		D	1	j-V500010046
6	56UA70730	Operation Unit Support Cover Right		C	1	
7	56UA70760	Operation Unit Fixing Knob		C	1	
8	A0G6161502	Cover /Rear		C	1	
9	A0G6161600	Fixing Plate		D	1	
10	A0G6168101	Protection Cover		C	1	
11	A0G6168000	Operation Casing		C	1	
12	A0Y5M60100	Power Source Switch		C	1	
13	A0G6161403	Cover /Front		C	1	
14	A0G6N15201	Power Source Relay Harness /L		D	1	
15	A4EUR74D00	Power Supply Panel Caulking		D	1	
16	A0G6M92600	Gasket /P		D	1	
17	A0G6M91800	Gasket /H		C	2	
18	A4EUH31000	Relay Board /A ASSY		C	1	
19	A0G6950500	Set Label /5		D	2	
20	A0G6133201	Operation Plate		D	1	
21	A0Y5N13500	Power source Wiring		D	1	
22	A4EUN11801	Power source Detection Harness		D	1	
23	A4EW166200	Protection Label		D	1	



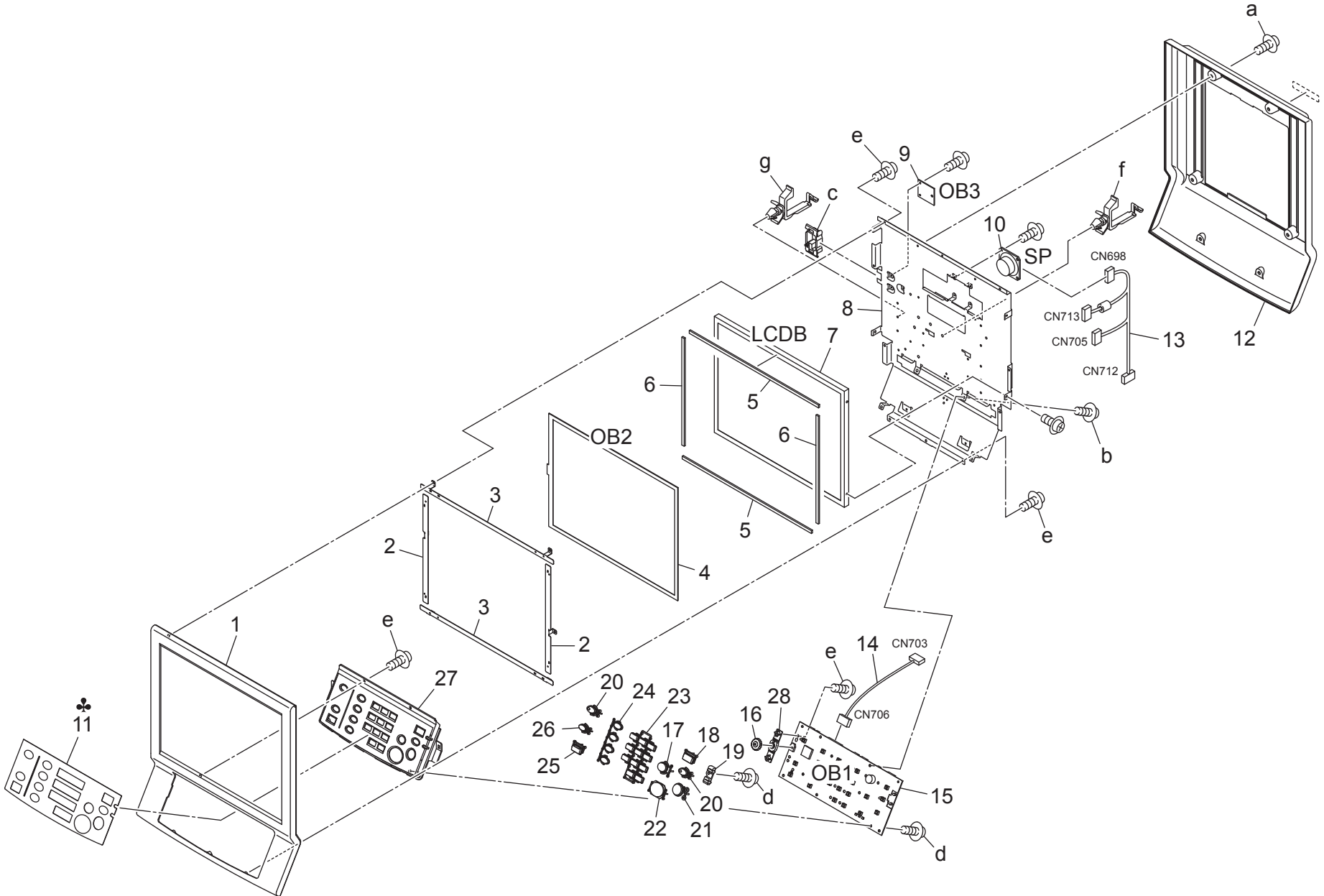
P.12

OPERATION UNIT

Key	Part No.	Description	Destinations	Class	QTY	Standard parts
1	A0G6197101	Swing Cover		C	1	a-V114040604
2	A0Y5196400	Fixing Stay /1		D	1	b-V114040804
3	A4EUR74J00	Verticaul Rotary Torque Hinge		D	2	c-V118040804
4	56UA70570	Ope Unit Rotation Plate /2		D	1	d-V121040603
5	56UA70600	Ope Unit Support Arm /Upper		D	1	e-V121041003
6	56UA70590	Ope Unit Support Arm /Lower		D	1	f-V116030603
7	56UA70560	OPE UNIT ROTATION PLATE /1		D	1	g-V116040803
8	56UA70800	OPERATION UNIT FIXING SCREW 2		D	1	h-V127040603
9	56UA70650	Operation Unit Fixing Plate		D	1	j-V217040050
10	56UA70720	Operation Unit Rotation Cover		C	1	k-V217060050
11	56UA70790G	Cover /A		C	1	m-V500020069
12	A0Y5196300	Operation Stay /Lower		D	1	n-V501010002
13	56UA70620E	Ope. unit Slide Arm /Upper		D	1	p-V570010026
14	56UA70670	Ope Unit Rotation Shaft		D	1	q-V570010027
15	A0G6M93100	Ferritecore		D	1	s-V118040603
16	56UA70760	Operation Unit Fixing Knob		C	2	
17	56UA70750	OPERATION UNIT FIXING SCREW		D	2	
18	56UA70610E	Ope. unit Slide Arm /Lower		D	1	
19	A0G6N18300	Ope.Unit Control Harness /2		D	1	
20	A0G6N18201	Ope.Unit Control Harness /1		D	1	
21	A0G6136400	Ope.Unit Ground Plate		D	1	

OPERATION UNIT

P 14

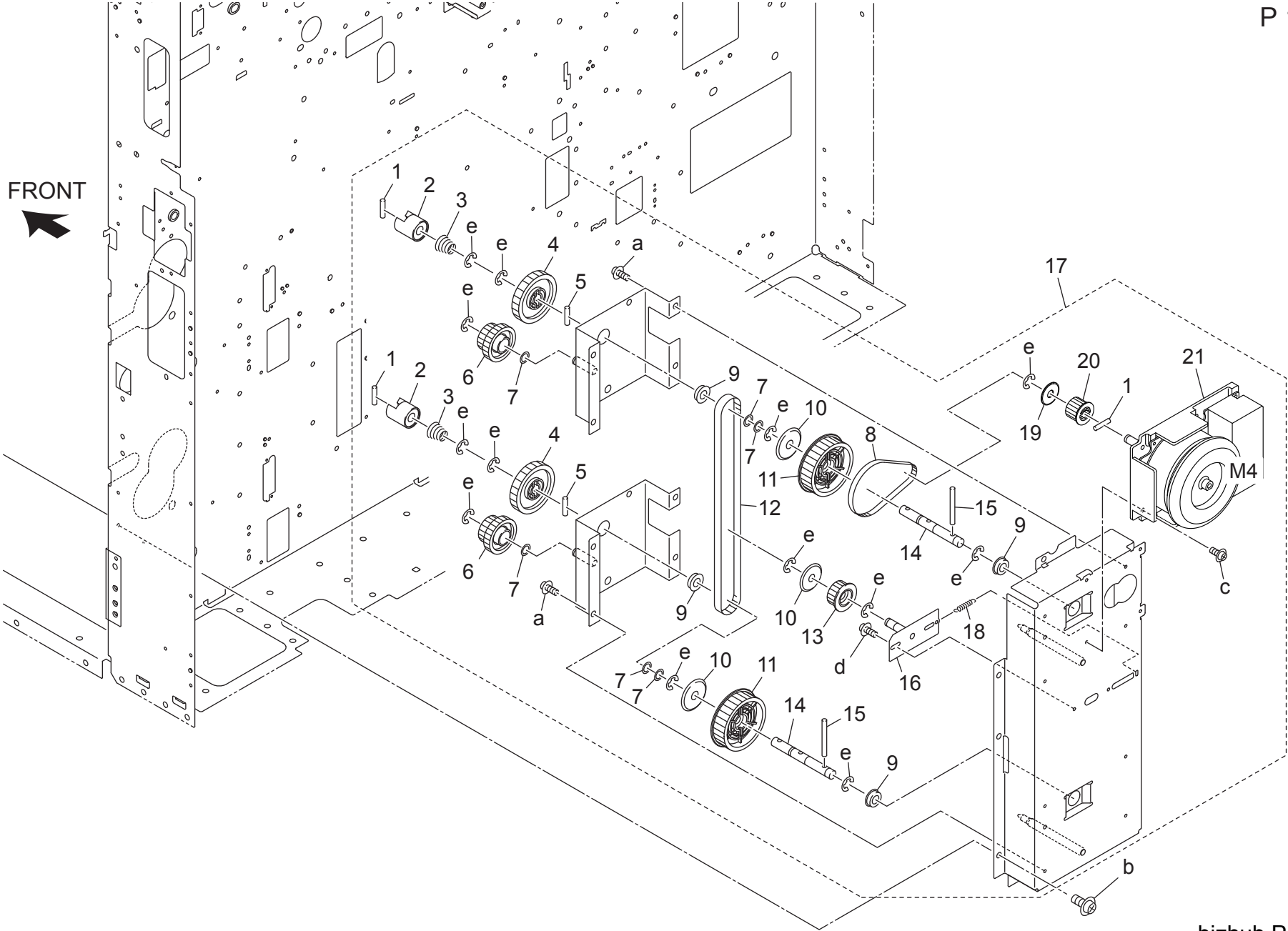


OPERATION UNIT

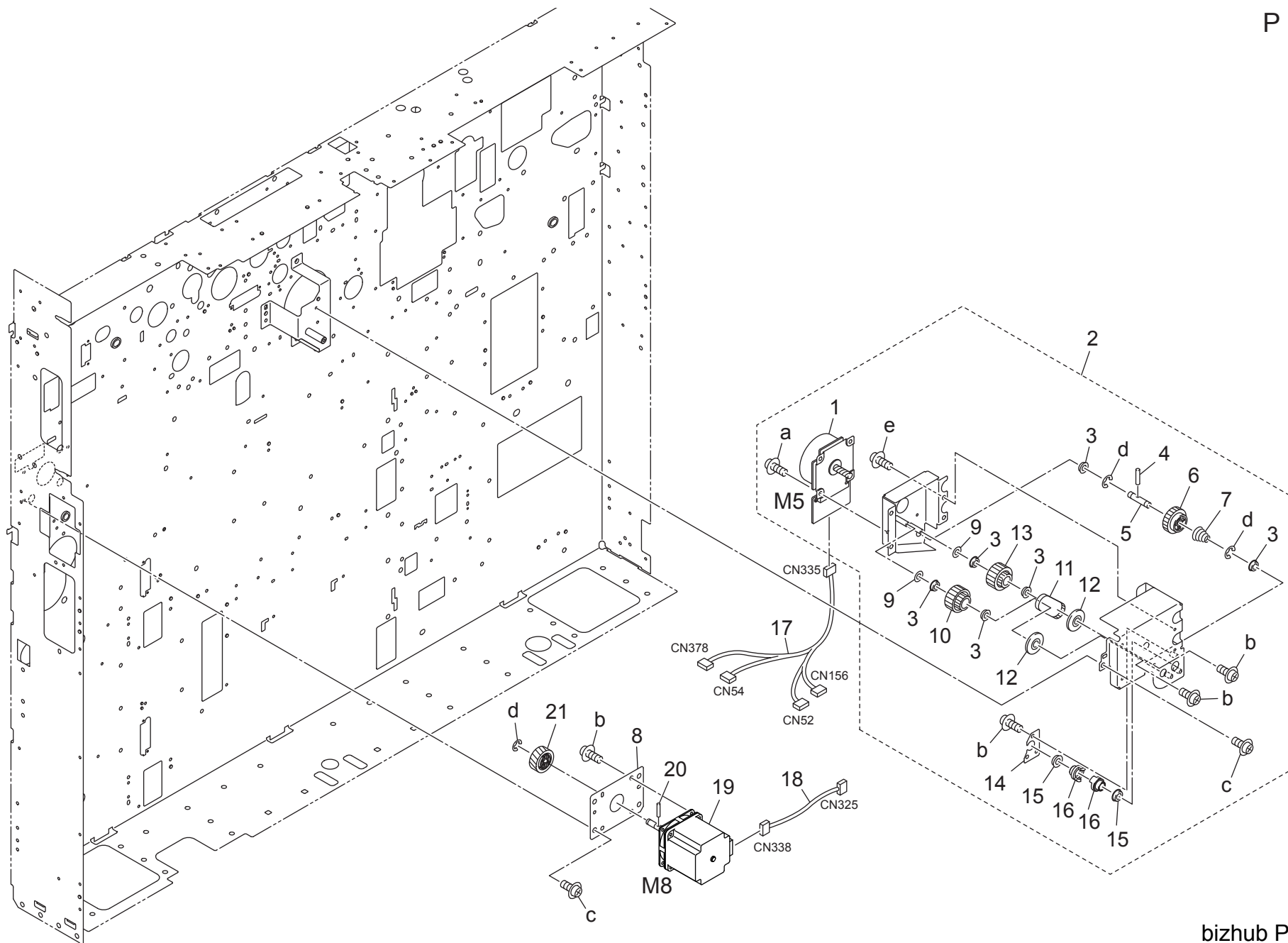
Key	Part No.	Description	Destinations	Class	QTY	Standard parts
1	A0G6190101	Operation Cover /Front		C	1	a-V114040604 b-V151031003 c-V570010063 d-V151030603 e-V151030803 f-V500010005 g-V500010046
2	A0G6192900	Ground Plate /2		D	2	
3	A0G6192700	Ground Plate /1		D	2	
4	A0G6M75500	Ope.Unit Touch Panel		C	1	
5	A0G6192400	Holding Cushion /Upper		C	2	
6	A0G6192500	Holding Cushion /Right		C	2	
7	A4EUM75400	Ope.unit LCD		C	1	
8	A4EU190401	Operation Plate		D	1	
9	A0G6H06000	Operation Board /3 Assy		C	1	
10	4040M40100	LOUDSPEAKER		D	1	
11	A0G6195000	Operation Sheet	A	C	1	
11	A0G6205000	Operation Sheet	B,G2	C	1	
12	A0G6190200	Operation Cover /Rear		C	1	
13	A4EUN18100	Ope.unit Wiring /3		D	1	
14	A0G6N18400	Ope.Unit Control Harness /3		D	1	
15	A4EUH04000	Operation Board/1 Assy		I	1	
16	A4EU194100	Operation Knob /1		D	1	
17	A0G6193500	Operation Button /5		C	1	
18	A0G6193700	Operation Button /7		C	1	
19	A0G6191600	Indicating Part /1		D	1	
20	A0G6193800	Operation Button /10		C	2	
21	56UA70330	OPERATION UNIT BUTTON S		C	1	
22	A0G6193200	Operation Button /2		C	1	
23	A0G6193100	Operation Button /1		C	1	
24	A0G6193400	Operation Button /4		C	1	
25	A0G6194000	Operation Button /9		C	1	
26	A0G6193900	Operation Button /8		C	1	
27	A0G6190301	Operation Casing /1		C	1	
28	A4EU194200	Fixing Holder		D	1	

DRIVING SECTION

FRONT



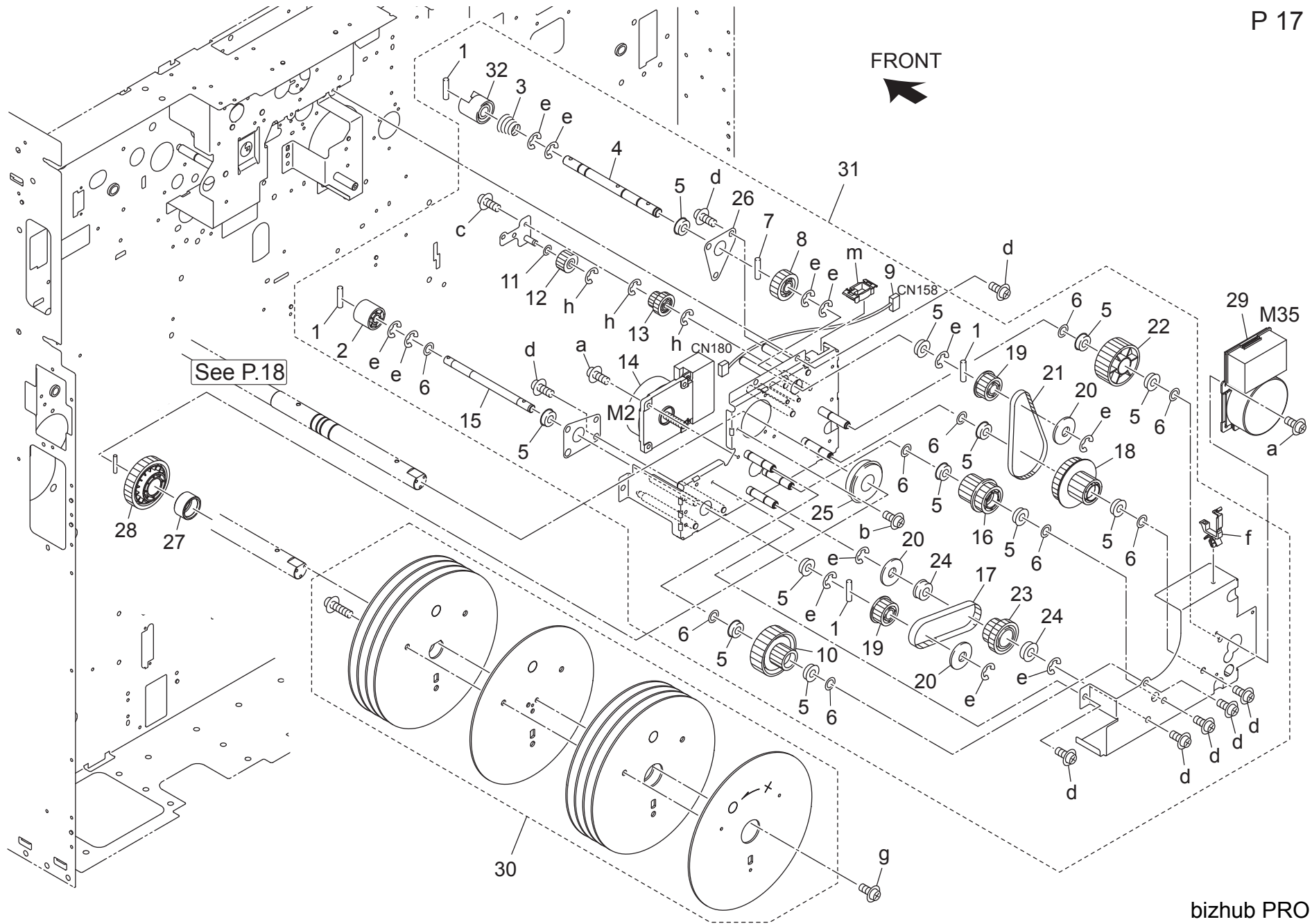
DRIVING SECTION



Key	Part No.	Description	Destinations	Class	QTY	Standard parts
1	A0PNM10200	DC Brushless motor /20		B	1	a-V118040603 b-V121030403 c-V121040603 d-V217040050 e-V121040403
2	A4EUR72000	Belt Cleaning Driving Assy		D	1	
3	A4EU252000	Drive Ball bearing /6		C	6	
4	56AA17300	PIN		C	1	
5	A0G6250900	Input Shaft		D	1	
6	A0G6250601	Slide Gear 24T		B	1	
7	A0G6251200	Pressing Spring		C	1	
8	56UA15230	EXIT DRIVE PANEL		D	1	
9	56AA17700	SPACER B		C	2	
10	A0G6250500	Idling Pulley /1		C	1	
11	A4EU251000	Cleaning Belt /1 120L		C	1	
12	A0G6250800	Collar		C	2	
13	A0G6250700	Idling Pulley /2		C	1	
14	A0G6251400	Positioning Plate		D	1	
15	A00J617900	Ball Bearing		B	2	
16	A0G6251301	Rotation Part		C	2	
17	A4EUN20000	Drive Relay harness /1		D	1	
18	56UA90850	CONVEYANCE DRIVE WIRING M		D	1	
19	A1TVM10100	Stepping motor /50		C	1	
20	55VA48500	PARALLEL PIN D3X18		D	1	
21	56UA77061E	Paper Exit Drive Gear 25T		B	1	

DRIVING SECTION

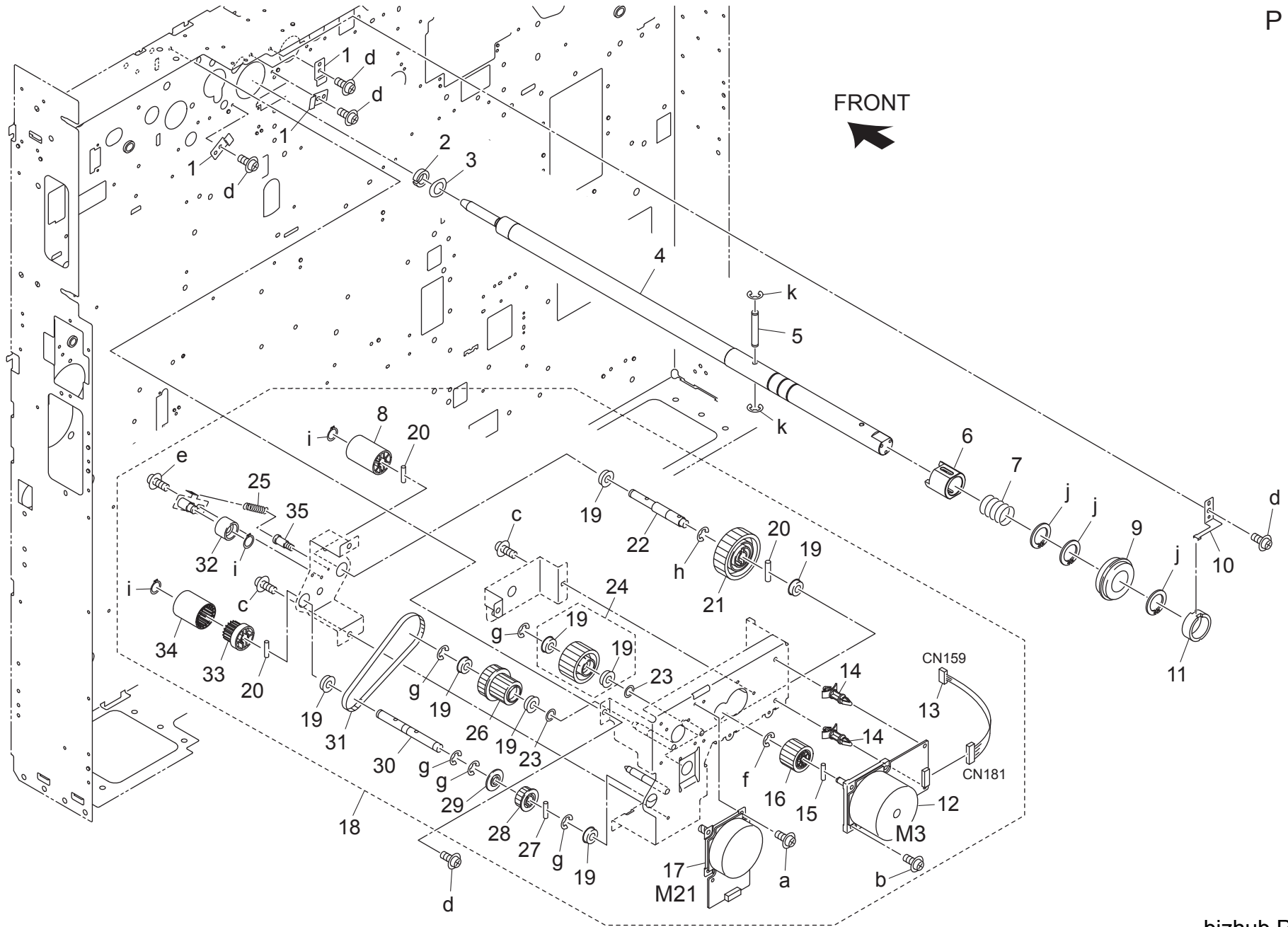
P 17



bizhub PRO 951

Key	Part No.	Description	Destinations	Class	QTY	Standard parts
1	56AA17480	PIN B		C	4	a-V118040403 b-V118040603 c-V121030603 d-V121040603 e-V217060050 f-V500010046 g-V185041003 h-V217040050 m-V570010063
2	55VA15080	Developing Coupling Part		C	1	
3	56AA17090	PRESSURE SPRING		C	1	
4	A4EU211000	Drive Shaft /1		D	1	
5	A00V240600	BALL BEARING		C	12	
6	554010900	Drive Spacer		C	9	
7	56AA17461	PIN A		B	1	
8	15AG77020	Drive Connecting Gear/ 1 22T		C	1	
9	A4EUN12400	Photoconductor Drive harness		D	1	
10	A0G6217100	Idling Gear 24/89T		C	1	
11	56AA17700	SPACER B		C	1	
12	A0G6217500	Drive Gear /7 20T		C	1	
13	A0G6217600	Drive Gear /8 15/22T		C	1	
14	A0PNM10200	DC Brushless motor /20		B	1	
15	A4EU210900	Drive Shaft /2		C	1	
16	A0G6217700	Idling Pulley /1		C	1	
17	A4EU211400	Drive Belt /B 186L		C	1	
18	A4EU218000	Idling Pulley /1		C	1	
19	56GA76600	CLEANER DRIVING PULLEY 21T		C	2	
20	554010550	COLLAR		C	3	
21	A4EU211300	Drive Belt /A 255L		C	1	
22	A4EU218100	Idling Gear 83T		C	1	
23	A0G6217400	Idling Pulley /2		C	1	
24	A1RF710900	Ball bearing /1		C	2	
25	55TA75020	Bearing		B	1	
26	A0G6210400	Support Plate		D	1	
27	A0G6215500	Stopper Part		D	1	
28	A0G6217200	Drive Gear 67T		C	1	
29	A0R5M10300	DC Brushless motor /30		B	1	
30	A4EUR74K00	Flywheel Assy		D	1	
31	A4EUR71Q00	Drum Driving Assy		D	1	
32	55VA15541	CLEANER COUPLING PART		C	1	

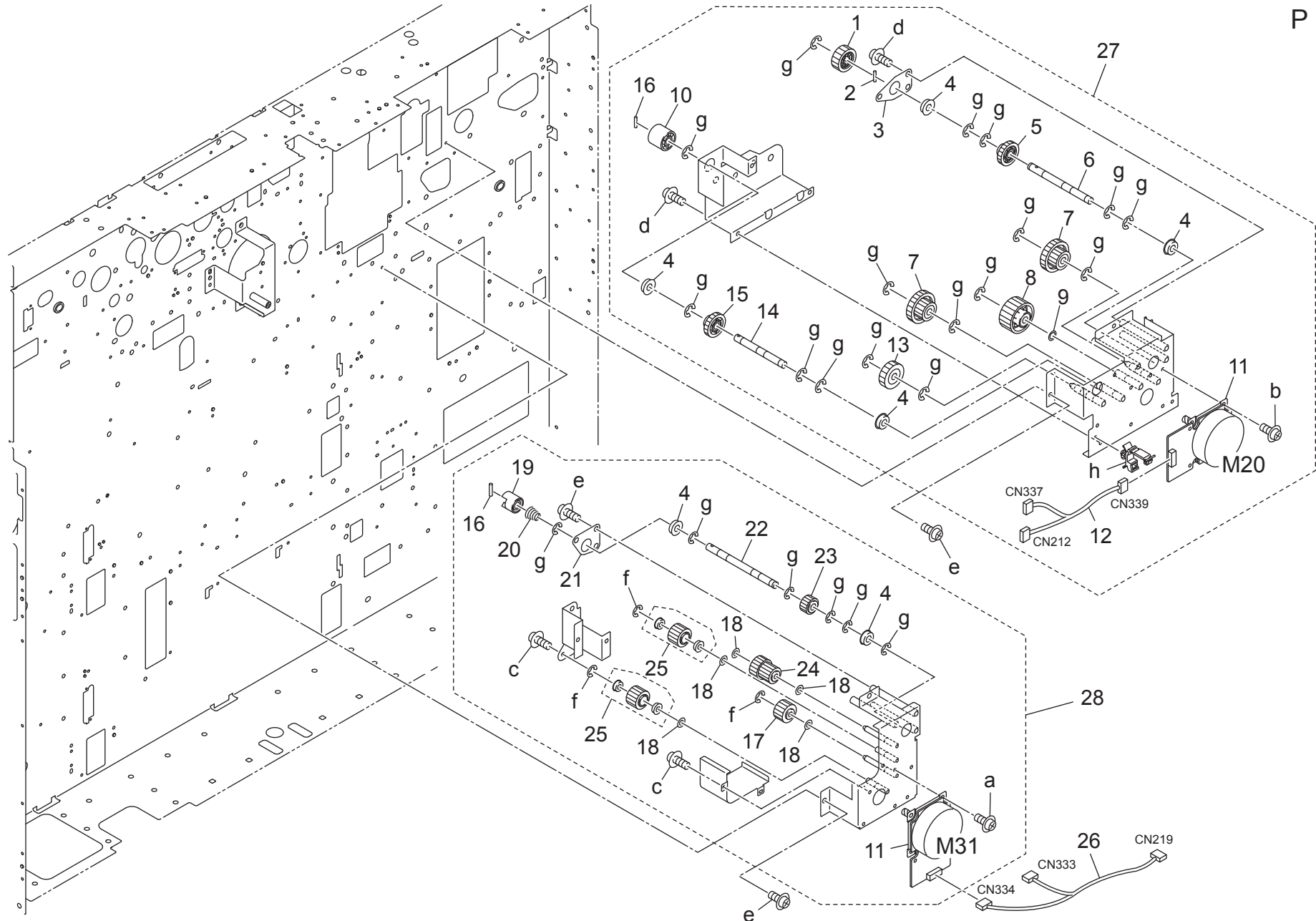
DRIVING SECTION



Key	Part No.	Description	Destinations	Class	QTY	Standard parts
1	55VA15580	Shaft Holder Holding Plate		D	3	a-V118040403
2	25SA20150	SPRING POSITION COLLAR		A	1	b-V118040803
3	55FU20140	DRUM FIXED SPRING		A	1	c-V121040403
4	A4EU215101	Rotation Shaft /D		D	1	d-V121040603
5	A0G6215300	Coupling Pin		C	1	e-V116040603
6	A0G6215200	Coupling Part		C	1	f-V217040050
7	A0G6215400	Compressing Spring		C	1	g-V217060050
8	A0G6227400	Coupling Part /1		D	1	h-V217080050
9	55TA75020	Bearing		B	1	i-V223080050
10	25SA15280	DRUM EARTH SPRING		C	1	j-V223200004
11	25SA15270	EARTH SHAFT HOLDER		C	1	k-V217030050
12	15AA80050	DC Brushless Motor /40		B	1	
13	A4EUN17600	Developing Drive harness /1		D	1	
14	V502010015	support		D	2	
15	V237201850	Pin		V	1	
16	A4EU222000	Drive Gear /12 26T		C	1	
17	A0PNM10200	DC Brushless motor /20		B	1	
18	A4EUR71R00	Developing Driving Assy		D	1	
19	A00V240600	BALL BEARING		C	8	
20	304078070	PIN C		C	3	
21	55VA77040	Developing Drive Gear /B 46T		C	1	
22	A0G6220500	Drive Shaft /3		D	1	
23	554010900	Drive Spacer		C	2	
24	A4EUR71S00	Developing Idling Gear Assy		C	1	
25	55VA15570	PAPER EXIT TENSION SPRING		B	1	
26	A0G6227300	Idling Pulley /3		C	1	
27	56AA17480	PIN B		C	1	
28	56GA76600	CLEANER DRIVING PULLEY 21T		C	1	
29	554010550	COLLAR		C	1	
30	A0G6220600	Drive Shaft /4		D	1	
31	A0G6221100	Drive Belt 210L		C	1	
32	540015162	BELT TENSION ROLLER		B	1	
33	A0Y5227600	Input Coupling		D	1	
34	A0Y5227500	Coupling Part		D	1	
35	066079020	DRAWER SCREW M3X10		C	1	

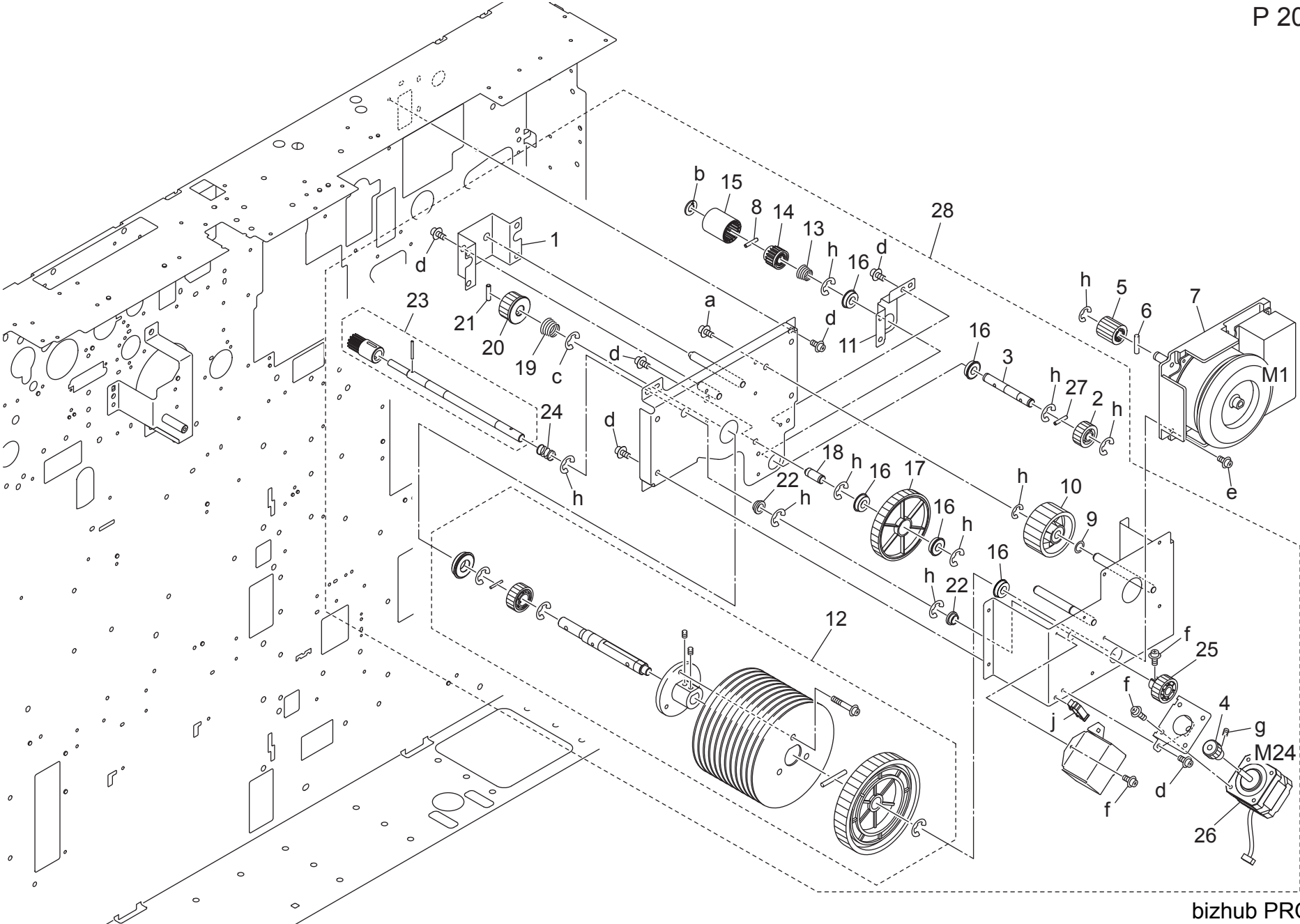
DRIVING SECTION

P 19



Key	Part No.	Description	Destinations	Class	QTY	Standard parts
1	56UA77070E	Paper Exit Input Gear 25T		B	1	a-V118030403
2	56AA17461	PIN A		B	1	b-V118040403
3	A0G6240300	Support Plate		D	1	c-V121030403
4	A00V240600	BALL BEARING		C	6	d-V121040403
5	A0G6247500	Paper Exit Gear /C 25T		C	1	e-V121040603
6	A0G6240800	Paper Exit Shaft		D	1	f-V217040050
7	A0G6247200	Idling Gear /2 34/40T		C	2	g-V217060050
8	A0G6247100	Idling Gear /1 68T		C	1	h-V500010061
9	554010900	Drive Spacer		C	1	
10	55VA15080	Developing Coupling Part		C	1	
11	A0PNM10200	DC Brushless motor /20		B	2	
12	A4EUN18500	Conveyance Drive harness /1		D	1	
13	56UA77350	Developing Idling Gear /2 27T		B	1	
14	A0G6240900	Conveyance Shaft		D	1	
15	56UA77270	PAPER EXIT DRIVE GEAR C 25T		C	1	
16	56AA17480	PIN B		C	2	
17	A0G6247400	Idling Gear /2 40T		C	1	
18	56AA17700	SPACER B		C	5	
19	55VA15541	CLEANER COUPLING PART		C	1	
20	56AA17090	PRESSURE SPRING		C	1	
21	A0G6243301	Support Plate		D	1	
22	A0G6243500	Input Shaft		D	1	
23	56UA77930	ADU Drive Gear 36T		C	1	
24	A0G6247300	Idling Gear 36/45T		C	1	
25	A4EUR71Y00	Adu Idling Gear /1 Assy		C	2	
26	A4EWN18600	Conveyance Drive harness /2		D	1	
27	A4EUR71W00	Paper Exit Driving Assy		D	1	
28	A4EUR71X00	Adu Driving Assy		D	1	

DRIVING SECTION



bizhub PRO 951



Order here
8 (495) 646-0426
www.km-shop.ru

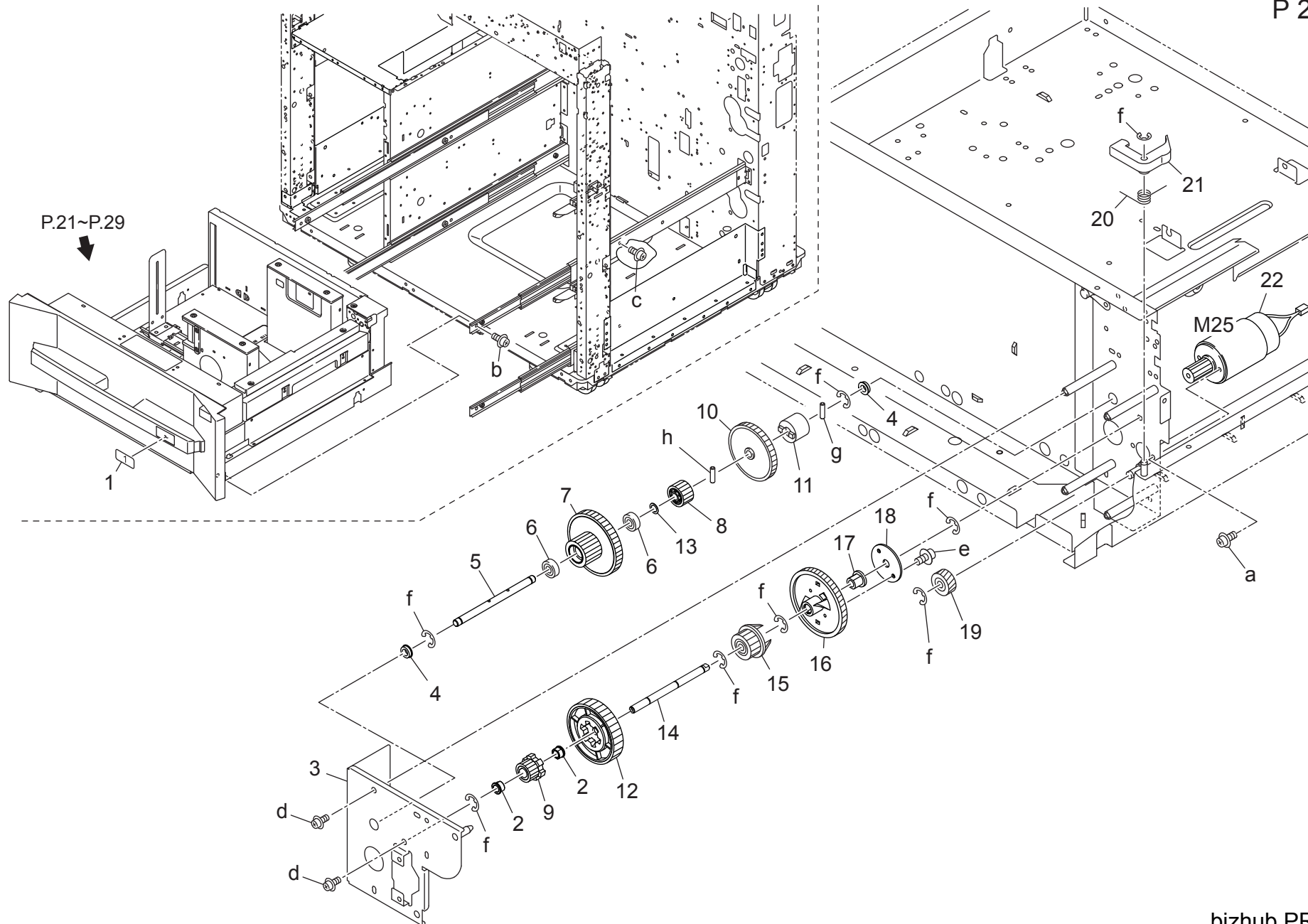
ПЯТЫЙ ПАРТНЕР

DRIVING SECTION

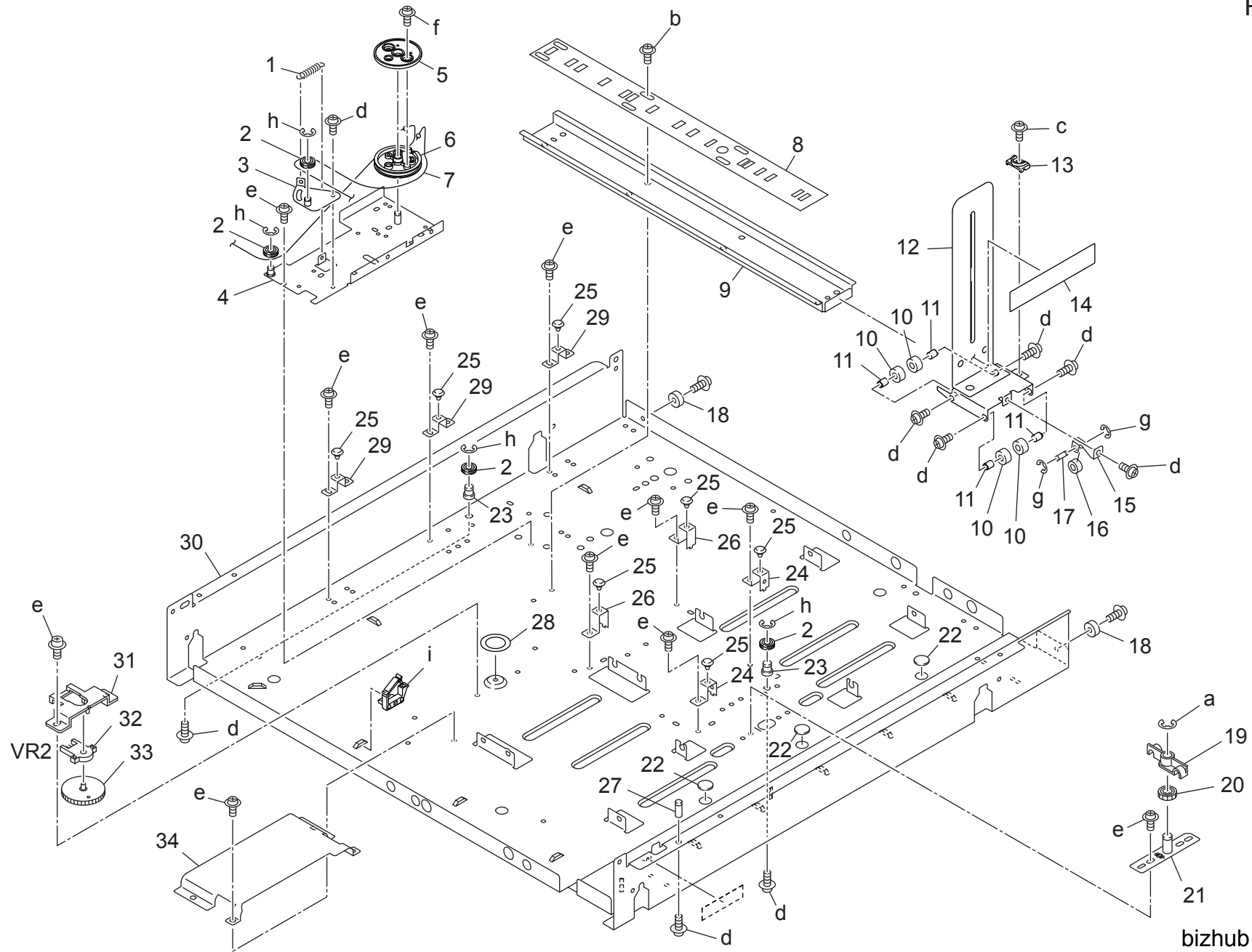
Key	Part No.	Description	Destinations	Class	QTY	Standard parts
1	56UA15320	Fixing Reinforce Plate		D	1	a-V118040603 b-V223080050 c-V217080050 d-V121040603 e-V121040803 f-V121030603 g-V193030404 h-V217060050 j-V500010061
2	A1TT214300	Drive Gear /30 21T		C	1	
3	A4EU235500	Drive Shaft /3		D	1	
4	A4EU238200	Drive Worm /1		C	1	
5	A0G6237201	Gear 17T		B	1	
6	56AA17480	PIN B		C	1	
7	65AA80021	DC Brushless Motor /50		B	1	
8	56AA17471	PIN B 3X12		C	1	
9	554010900	Drive Spacer		C	1	
10	A0G6237300	Idling Gear 42T		C	1	
11	A4EU235000	Drive Side plate /2		D	1	
12	A4EUR71U00	Fixing Drive Shaft Assy		D	1	
13	56AA17090	PRESSURE SPRING		C	1	
14	56UA15510	CONVEYANCE COUPLING PART		C	1	
15	A0Y5227500	Coupling Part		D	1	
16	A00V240600	BALL BEARING		C	5	
17	A4EU235200	Fusing Gear /3 68T		C	1	
18	A4EU235400	Drive Shaft /2		D	1	
19	A4EU230900	Pressing Spring		D	1	
20	A4EU230800	Fusing Gear /1 24T		C	1	
21	A4EU231000	Pin /A		D	1	
22	A0G6739300	Operation Bushing /Front		C	2	
23	A4EUR71V00	Fixing Drive Idol Shaft Assy		D	1	
24	A4EU235700	Compressing Spring		D	1	
25	A4EU238100	Drive Gear /2 40T		C	1	
26	A4EUM10100	HB Motor /40		B	1	
27	56AA17461	PIN A		B	1	
28	A4EUR71T00	Fixing Driving Assy		D	1	

TRAY 1

P 21

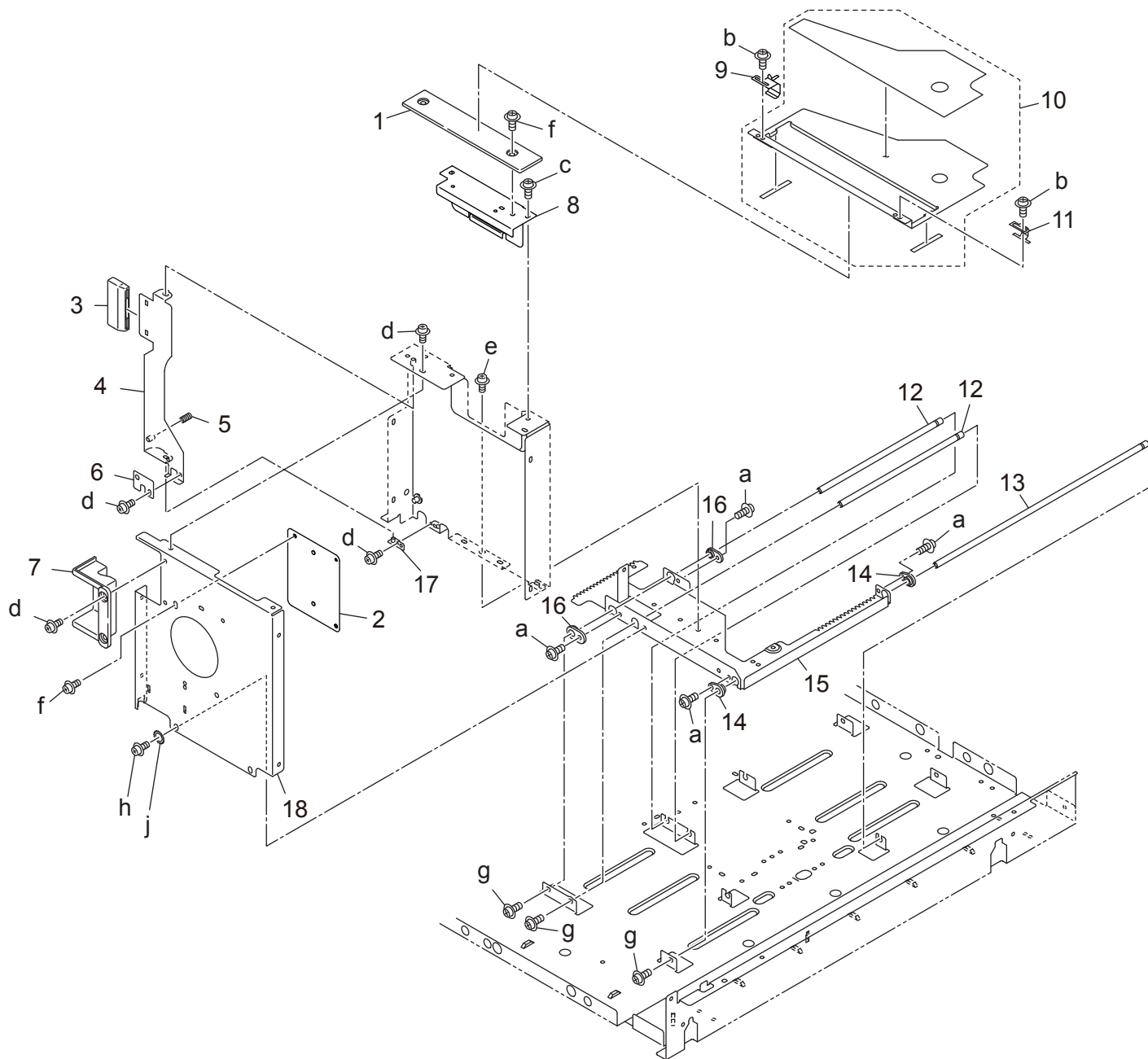


Key	Part No.	Description	Destinations	Class	QTY	Standard parts
1	A0U0945401	Indicating Label /1		C	1	a-V118030403
2	A4EU603400	Bushing		C	2	b-V118040603
3	56UA-4321E	DRIVE UP/DOWN BOARD		D	1	c-V118040803
4	A00J617800	BALL BEARING		C	2	d-V127030516
5	A4EU603500	Idling Shaft /A		D	1	e-V147030603
6	A4F3905000	Roll		D	2	f-V217040050
7	A4EU606100	Up/down Gear /B 14/55T		C	1	g-V237200850
8	A4EU603200	Gear 17T		C	1	h-V237201250
9	A4EU603100	Gear 15T		C	1	
10	56UA77660	Drive Regulating Gear /A 49T		C	1	
11	56UA42570	TORQUE LIMITER B		C	1	
12	A4EU603300	Gear 53T		C	1	
13	13QA10330	SHAFT SPACER		C	1	
14	A4EU603600	Idling Shaft /B		D	1	
15	56UA77650	Control Gear 21T		C	1	
16	56UA77640E	Drive Connecting Gear/A 70T		C	1	
17	40BA75520	PAPER EXIT SHAFT HOLDER		C	1	
18	A0G6606500	Holding Part		C	1	
19	56UA77480	LOCK IDLER		C	1	
20	56UA40360	Lever Spring /1		C	1	
21	56UA40351	GUIDE LEVER		D	1	
22	A4EUR72Q00	Updown Motor		C	1	



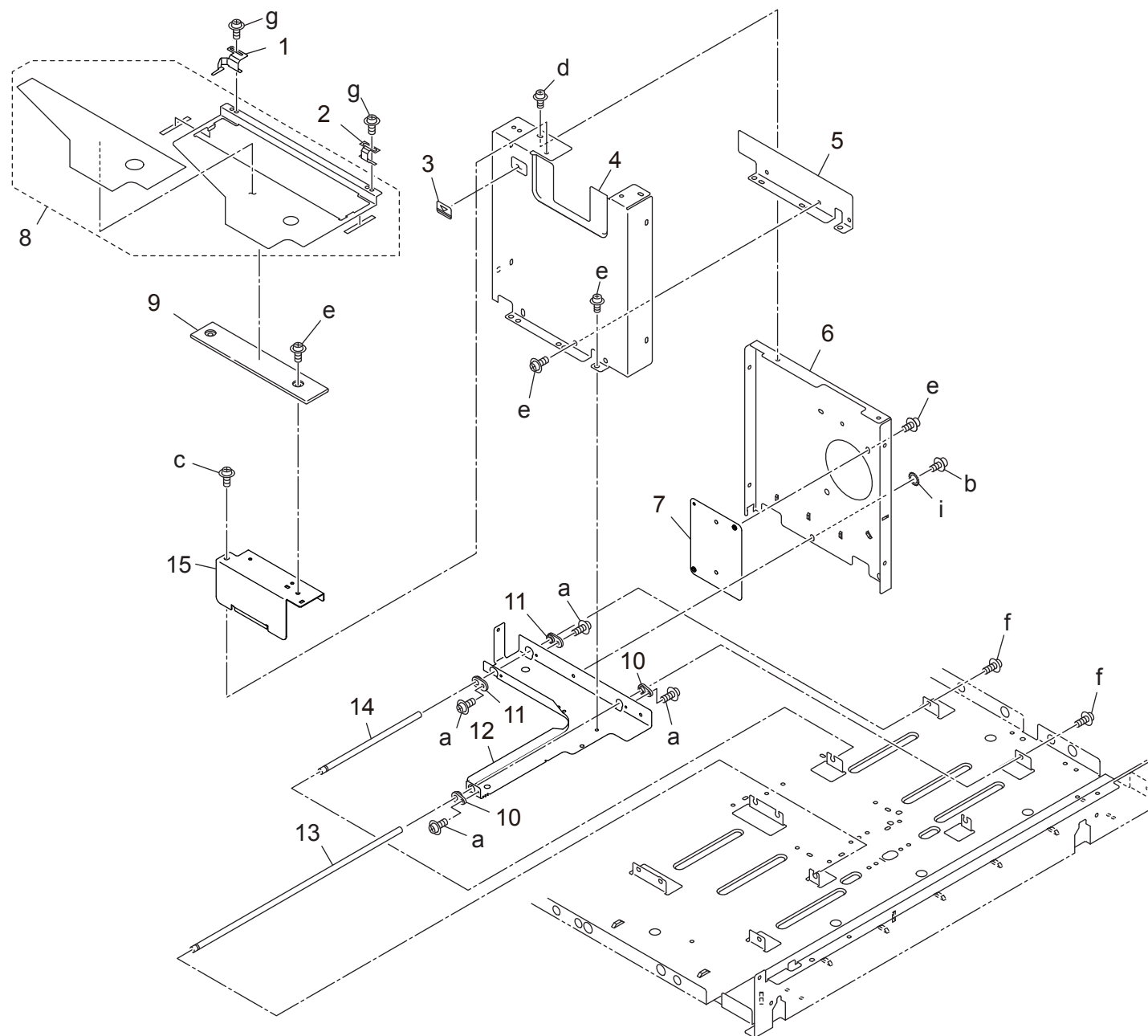
Key	Part No.	Description	Destinations	Class	QTY	Standard parts
1	A0G6601600	Tension Spring		C	1	a-V217060050
2	A0G6600900	Idling Pulley /A		C	4	b-V127030603
3	A0G6601500	Tension Arm		D	1	c-V116040803
4	A4EUR72U00	Detecting Board Caulking		D	1	d-V116030603
5	A0G6600800	Detecting Gear 90T		C	1	e-V127030516
6	A0G6600700	Pulley		C	1	f-V151030603
7	A0G6601000	Detection Wire		C	1	g-V217030050
8	56UA41120E	Guide Stopper		D	1	h-V217040050
9	56UA41110	GUIDE RAIL		D	1	i-V500010021
10	55VA42340	Guide Roller		C	4	
11	55VA42330D	GUIDE SHAFT /E		D	4	
12	A0G6615100	Guide Part /Rear		D	1	
13	A0G6615200	Holding Part		D	1	
14	56UA97210	Opertaion Auxiliary Seal		D	1	
15	55VA40910	PRESSURE PLATE A		D	1	
16	56UA41690	Tray Lock Roller		C	1	
17	55VA40920D	Support Shaft		D	1	
18	56UA40511E	STOPPER RUBBER /C		C	2	
19	56UA41220	SHAFT POSITIONING PART		D	1	
20	56UA77530	CASSETTE PINION		C	1	
21	A4EUR72V00	Adjusting Plate Caulking		D	1	
22	56UA41500	Stopper Rubber /B		C	3	
23	A0G6601300	Idling Shaft /2		D	2	
24	A0G6601700	Support Pedestal		D	2	
25	56UA41470	Stopper Rubber		C	7	
26	56UA41530	Paper Feed Tray Support Pedestal /B		D	2	
27	56UA40371	Lever Support Shaft /A		D	1	
28	56UA40760	Gear Spacer		C	1	
29	56UA41520	Paper Feed Tray Support Pedestal /A		D	3	
30	56UA40011E	Tray Bottom Plate		D	1	
31	56UA40420	DETECTION BOARD		D	1	
32	A1UDM50100	VR		D	1	
33	56AA41340	DETECTING GEAR 35T		C	1	
34	56UA41260	BOARD PROTECTION COVER		D	1	

TRAY 1



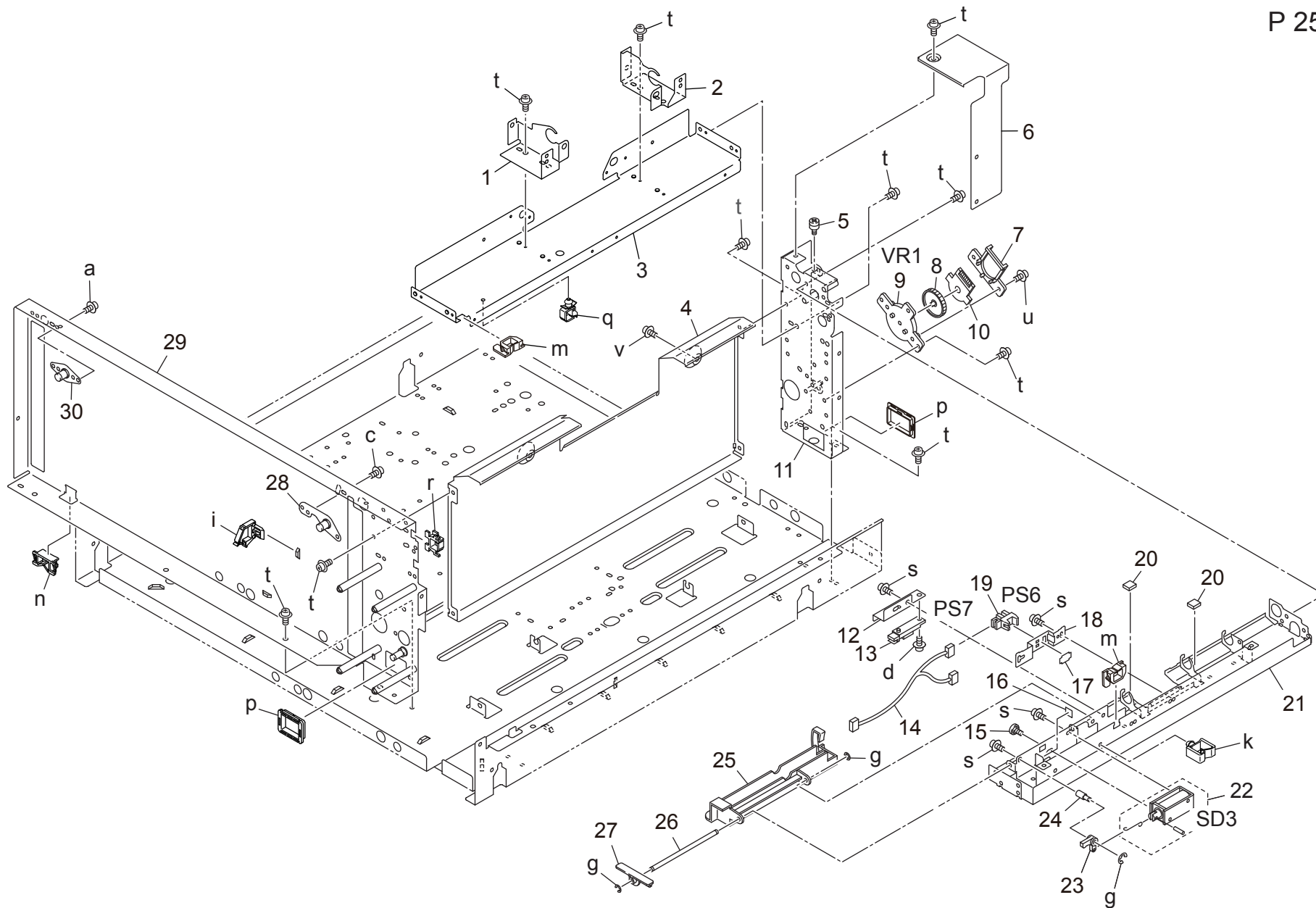
Key	Part No.	Description	Destinations	Class	QTY	Standard parts
1	56UA41661	PAPER GUIDE COVER		D	1	a-V116030603
2	A4EW610000	Guide Cover		D	1	b-V127030516
3	56UA40680	LEVER COVER		C	1	c-V118030403
4	A4EUR72W00	Locking Lever Caulking		D	1	d-V121030403
5	25AA47551	LIFT UP SPRING REAR		C	1	e-V121040404
6	56UA41540	LOCK PLATE		C	1	f-V121040603
7	56UA41670	LEVER PROTECTION COVER		D	1	g-V127030603
8	A4EW613000	Auxiliary Plate /Front		D	1	h-V116040803
9	A0G6620600	Holding Plate Spring /B		D	1	j-V209040003
10	A4EUR72S00	Paper Feed Tray Cover /B Unit		D	1	
11	56UA41490	PAPER FEED TRAY HOLDING COVER B		C	1	
12	56UA41240	GUIDE SHAFT M		C	2	
13	56UA41230	GUIDE SHAFT L		D	1	
14	129X48350	GUIDE SHAFT HOLDER A		C	2	
15	56UA41070	Paper Guide Rack /Front		D	1	
16	129X48360	GUIDE SHAFT HOLDER B		C	2	
17	A4EUR72X00	Rocking Board Caulking		D	1	
18	56UA41030	Paper Guide Board /Front		D	1	

TRAY 1

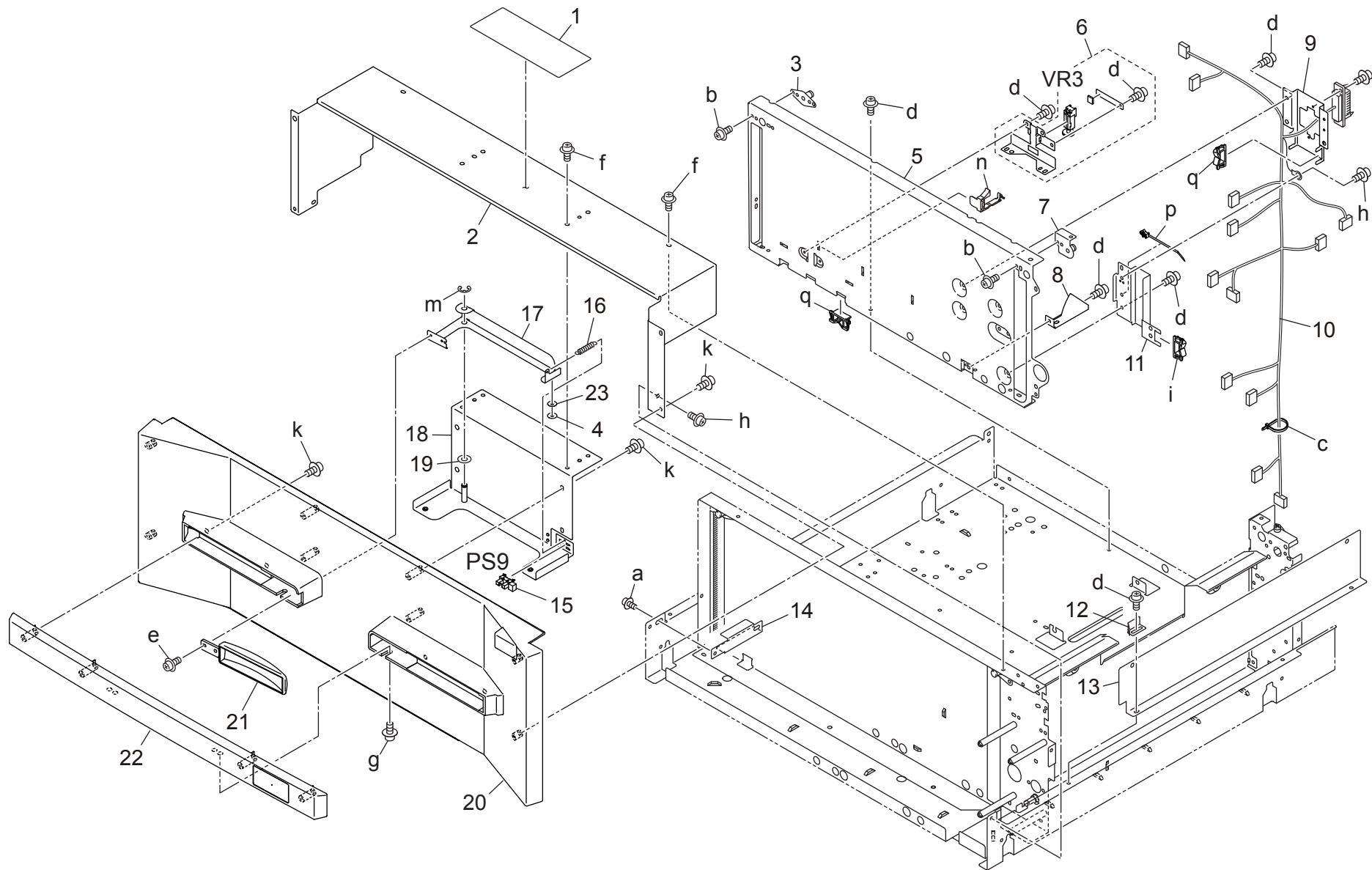


Key	Part No.	Description	Destinations	Class	QTY	Standard parts
1	A0G6620500	Holding Plate Spring /A		D	1	a-V116030603
2	56UA41490	PAPER FEED TRAY HOLDING COVER B		C	1	b-V116040803
3	56UA97220	Paper Guide Label		D	1	c-V118030403
4	56UA41040	PAPER GUIDE SIDE PLATE REAR		D	1	d-V121030403
5	56UA41550	REINFORCE PLATE /B		D	1	e-V121040603
6	56UA41020	PAPER GUIDE BOARD /REAR		D	1	f-V127030603
7	A4EW610000	Guide Cover		D	1	g-V127030516
8	A4EUR72R00	Paper Feed Tray Cover /A Unit		D	1	i-V209040003
9	56UA41661	PAPER GUIDE COVER		D	1	
10	129X48350	GUIDE SHAFT HOLDER A		C	2	
11	129X48360	GUIDE SHAFT HOLDER B		C	2	
12	56UA41060	Paper Guide Rack /Rear		D	1	
13	56UA41230	GUIDE SHAFT L		D	1	
14	56UA41250	Guide Shaft /S		D	1	
15	A4EW617500	Auxiliary Plate /R		D	1	

TRAY 1



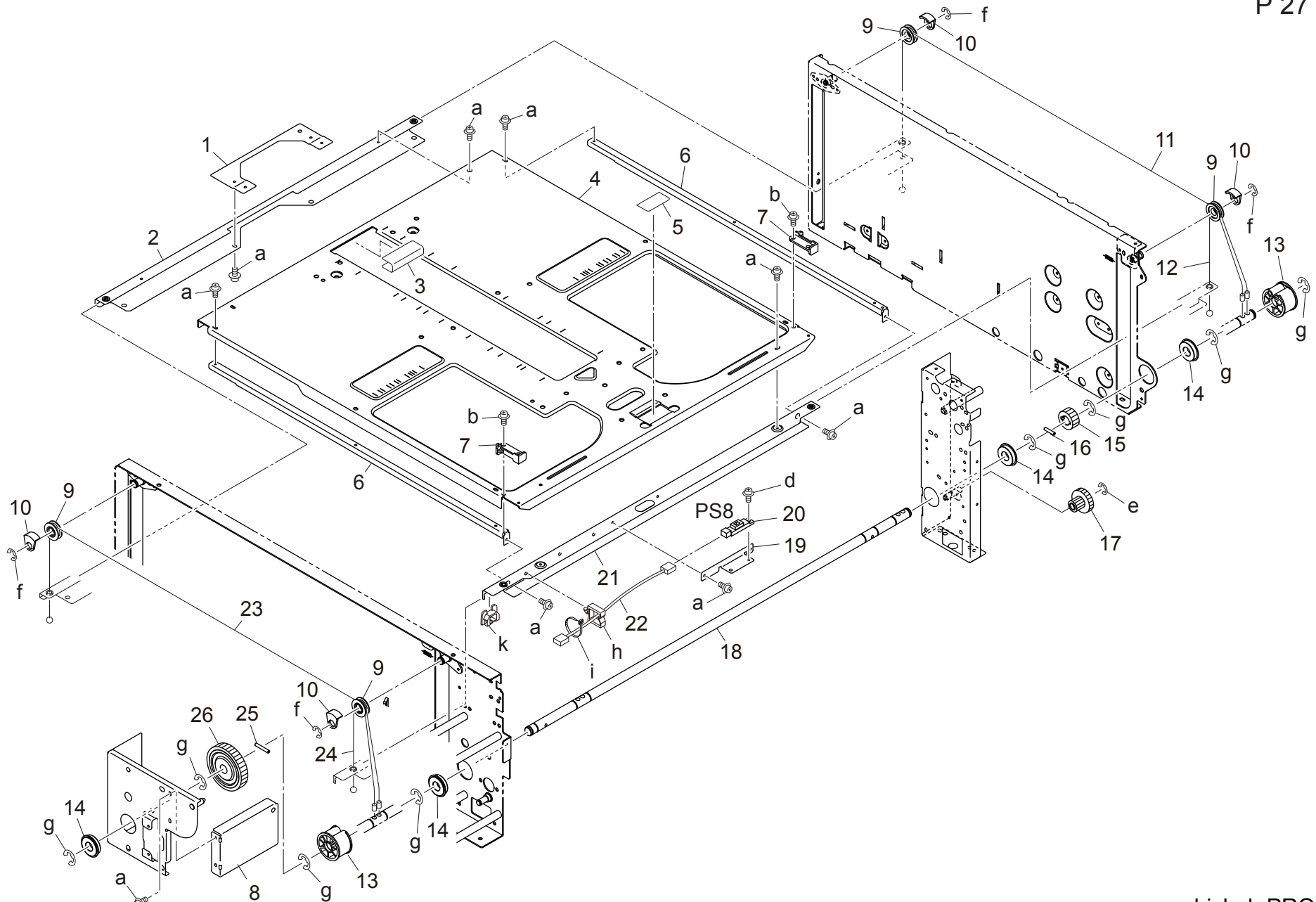
Key	Part No.	Description	Destinations	Class	QTY	Standard parts
1	A0G6570600	Support Plate /A		D	1	a-V121030403
2	A0G6570700	Support Plate /B		D	1	c-V116030603
3	A0G6570101	Paper feed Stay		D	1	d-V126030603
4	56UA40070	PAPER STOPPER PLATE		D	1	g-V217030050
5	55VA42420	Lever Support Screw		C	1	i-V500010021
6	56UA40670	CLUTCH COVER		D	1	k-V500010029
7	56AA41351E	Detection Board		C	1	m-V570010021
8	56AA41340	DETECTING GEAR 35T		C	1	n-V570010023
9	56AE43090	BASE PLATE MOUNTING PART		C	1	p-V570010038
10	A1UDM50100	VR		D	1	q-V500010020
11	A4EUR72T00	Tray Driveside Guide Caulking		D	1	r-V570010050
12	56UA40470	Mounting Plate /S		D	1	s-V116030503
13	13QA85511	Sensor 1		B	1	t-V127030516
14	56UA90350	PAPER FEED CONTROL WIRING UPPER		D	1	u-V151030803
15	55VA42220	POSITIONING SCREW		C	1	v-V127040603
16	55VA42111	SOLENOID STOPPER SHEET		C	1	
17	4470402401	STOPPER		D	1	
18	A0G6561300	Adjusting Plate		D	1	
19	08AA85512	Photo Sensor		B	1	
20	A0G6561200	Stopper Rubber		C	2	
21	56UA40051G	Paper Feed Guide Plate /Upper		D	1	
22	A4EUR72N00	Pick Up Solenoid Pin Assy		C	1	
23	25AA40870	SWITCH LEVER 1		C	1	
24	55VA40460	FULCRUM SHAFT C		D	1	
25	56UA40240	ENTRANCE GUIDE PLATE FRONT		C	1	
26	55VA40380	SUPPORT SHAFT A		D	1	
27	56UA40480	PAPER FEED LIFTING LEVER		D	1	
28	56UAR79700	WIRE SUPPORT PLATE C		C	1	
29	56UA-4080	SIDE GUIDE/FRONT		D	1	
30	56UAR79500	WIRE SUPPORT PLATE A		D	1	



Key	Part No.	Description	Destinations	Class	QTY	Standard parts
1	A0G6947800	Operation Label /E		D	1	a-V116030603
2	A0G6165200	Auxiliary Cover		D	1	b-V121030403
3	56UAR79500	WIRE SUPPORT PLATE A		D	1	c-V501010002
4	55VA42400	Cam Spacer		D	1	d-V127030516
5	56UA40020E	Side plate /Rear		D	1	e-V127030603
6	A4EUR72M00	Sensor Board		C	1	f-V127040603
7	56UAR79600	WIRE SUPPORT PLATE B		C	1	g-V127040803
8	56UA40160	Main Body Lock Plate /A		D	1	h-V116040603
9	56UA40150	WIRING MOUNTING PLATE		D	1	i-V570010063
10	A0G6N13300	Paperfeed Wiring /2		D	1	k-V151041003
11	56UA40140	Wiring Guide Plate		D	1	m-V217040050
12	56UA40580E	LEVER HOLDING PART		D	1	n-V500010021
13	56UA40260	TRAY COVER RIGHT		D	1	p-V501010003
14	56UA40270	TRAY POSITIONING PLATE /LEFT		D	1	q-V570010023
15	9335150021	SOLID STATE SWITCH		B	1	
16	56HA12980	LEVER SPRING		C	1	
17	56UA12560	Tray Lever		C	1	
18	A4EUF60700	Lever Mounting Plate Caulking		D	1	
19	13SU15110	SPACER A		C	1	
20	A4EU165100	Paper feed Cover		D	1	
21	56UA12570	Lever Handle		C	1	
22	A0G6165400	Paper Feed Handle		C	1	
23	55VA42390	Attaching Sheet		C	1	

TRAY 1

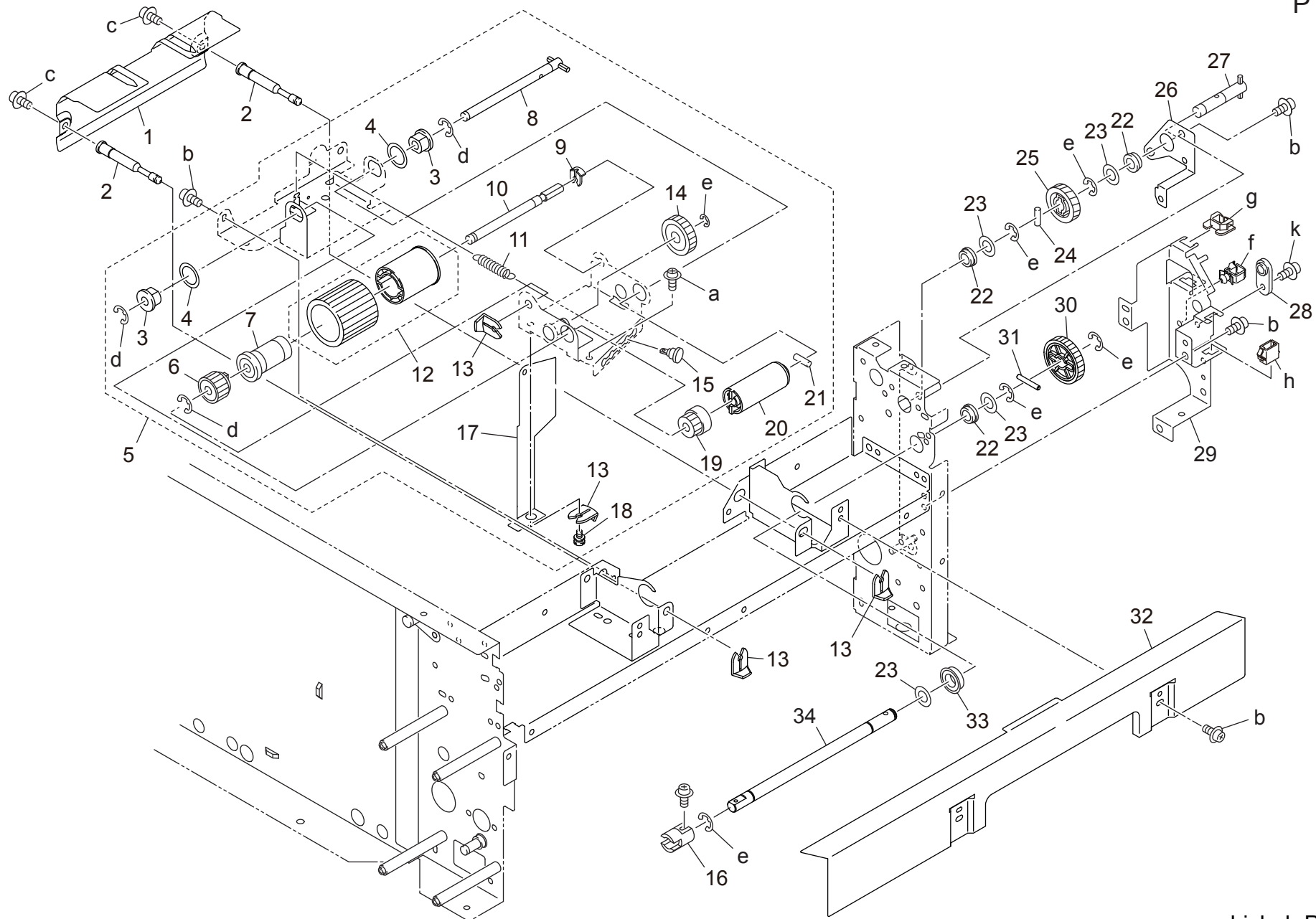
P 27



Key	Part No.	Description	Destinations	Class	QTY	Standard parts
1	A0G6620300	Reinforce Plate /C		D	1	a-V127030516
2	56UA41281E	Up/down Stay /B		D	1	b-V127030603
3	A0G6620400	Protection Sheet		C	1	d-V126030603
4	56UA41011E	Paper feed Up/down Plate /M		D	1	e-V217040050
5	56UA41640	Multi Feed Preventing Plate		C	1	f-V217060050
6	A4EU621100	Reinforce Shaft /L		D	2	g-V217080050
7	56UA41400	PAPER FEED TRAY SLIDE PART		D	2	h-V500010029
8	56UA40570	DRIVE UP DOWN COVER RIGHT		D	1	i-V501010002
9	56UA41630	Wire Pulley		C	4	k-V570010021
10	55VA40610	WIRE HOLDER A		C	4	
11	56UA41160	Up Down Wire /D		C	1	
12	56UA41150	Up Down Wire /C		C	1	
13	56UA41340	DRIVE UP DOWN PULLEY		C	2	
14	A4EU265000	Ball bearing		B	4	
15	55VA77652	ADU CONVEYANCE GEAR 2 19T		B	1	
16	56AA17480	PIN B		C	1	
17	56UA77620	TRAY UP DOWN IDLER		C	1	
18	56UA41210	DRIVE UP DOWN SHAFT		D	1	
19	56UA40460	Mounting Plate /O		D	1	
20	13QA85511	Sensor 1		B	1	
21	56UA41270	Up/Down Stay/A		D	1	
22	56UA90340	PAPER FEED DETECTION WIRING		D	1	
23	56UA41140	Up Down Wire /B		C	1	
24	56UA41130	Up Down Wire /A		C	1	
25	304078070	PIN C		C	1	
26	56UA77600	Up Down Gear /A 32T		C	1	

TRAY 1

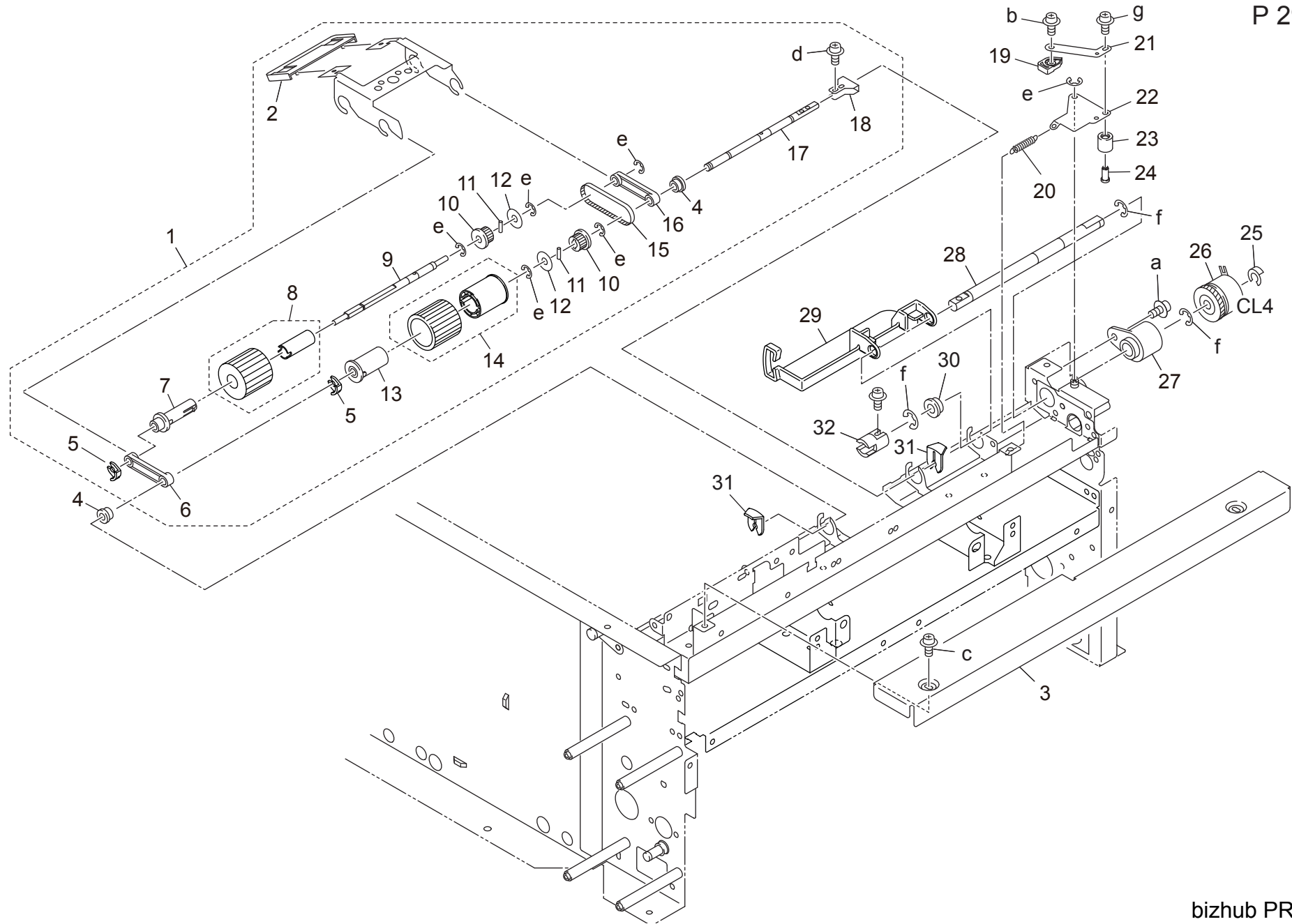
P 28



Key	Part No.	Description	Destinations	Class	QTY	Standard parts
1	A0G6570200	Guide Plate		C	1	a-V116030603 b-V127030516 c-V127030603 d-V217040050 e-V217060050 f-V500010020 g-V570010021 h-V651010001 k-V127040603
2	A0G6570500	Positioning Shaft /B		D	2	
3	A0Y5601600	Bushing/6		C	2	
4	25AA40120	SPACER		C	2	
5	A4EUR72H00	Separating Unit		D	1	
6	55VA79140	Paper Feed Reversal Gear /D 19T		B	1	
7	50BA40220	REVERSE ROLLER		B	1	
8	A4EUR72J00	Revers Shaft/B		D	1	
9	56AA40490	SHAFT STOPPER 4		C	1	
10	A0G6571900	Reverse Shaft /2		D	1	
11	56UA40610	REVERSE SPRING B		C	1	
12	A4EUR71400	Feeding Roller Unit/B		A	1	
13	A0G6561000	Stopper /E		C	4	
14	55VA79050	Idler Gear /B 24T		C	1	
15	56UA40620	SPRING ADJUSTMENT LEVER		D	1	
16	56UA40490	COUPLING F		C	1	
17	A0G6572000	Protection Cover		B	1	
18	A0G6572100	Guide Screw		C	1	
19	55VA79030	Paper Feed Reversal Gear /C 14T		B	1	
20	A03X565611	Torque Limiter /A		B	1	
21	56AA17310	PIN		C	1	
22	A00J617900	Ball Bearing		B	3	
23	12QV40650	SPACER		B	4	
24	56AA17480	PIN B		C	1	
25	A0G6602300	Input Gear 25T		B	1	
26	A0G6602100	Idling Panel		D	1	
27	A4EUR72K00	Paper Feed Input Shaft		B	1	
28	173030270	PIN HOLDER A		C	1	
29	56UA40130E	Positioning Plate /Rear		D	1	
30	A4EW570900	Reverse Gear 30T		C	1	
31	304078070	PIN C		C	1	
32	A0G6571600	Guide Plate /Lower		C	1	
33	A00V240600	BALL BEARING		C	1	
34	A4EW570800	Reverse Shaft		B	1	

TRAY 1

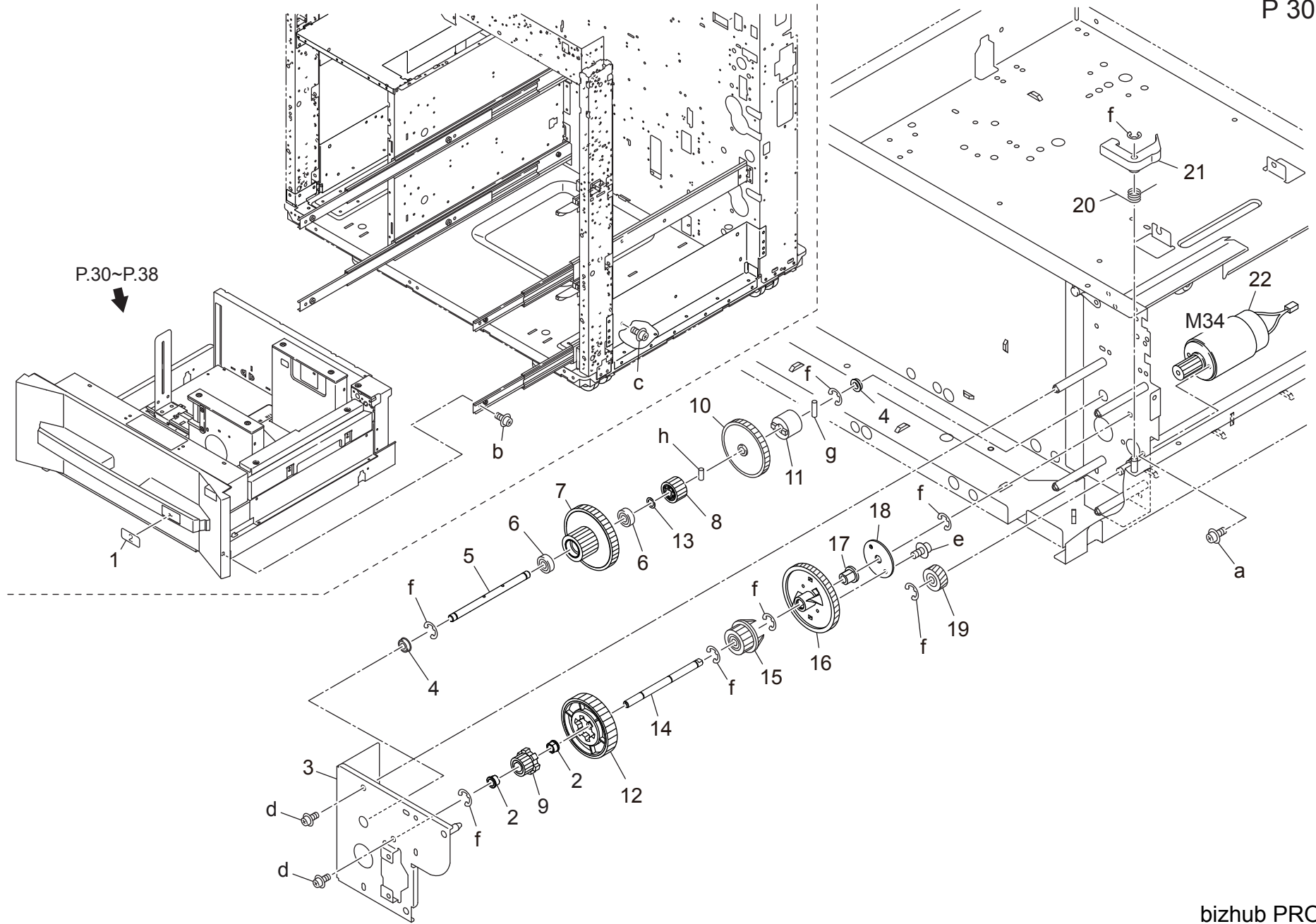
P 29



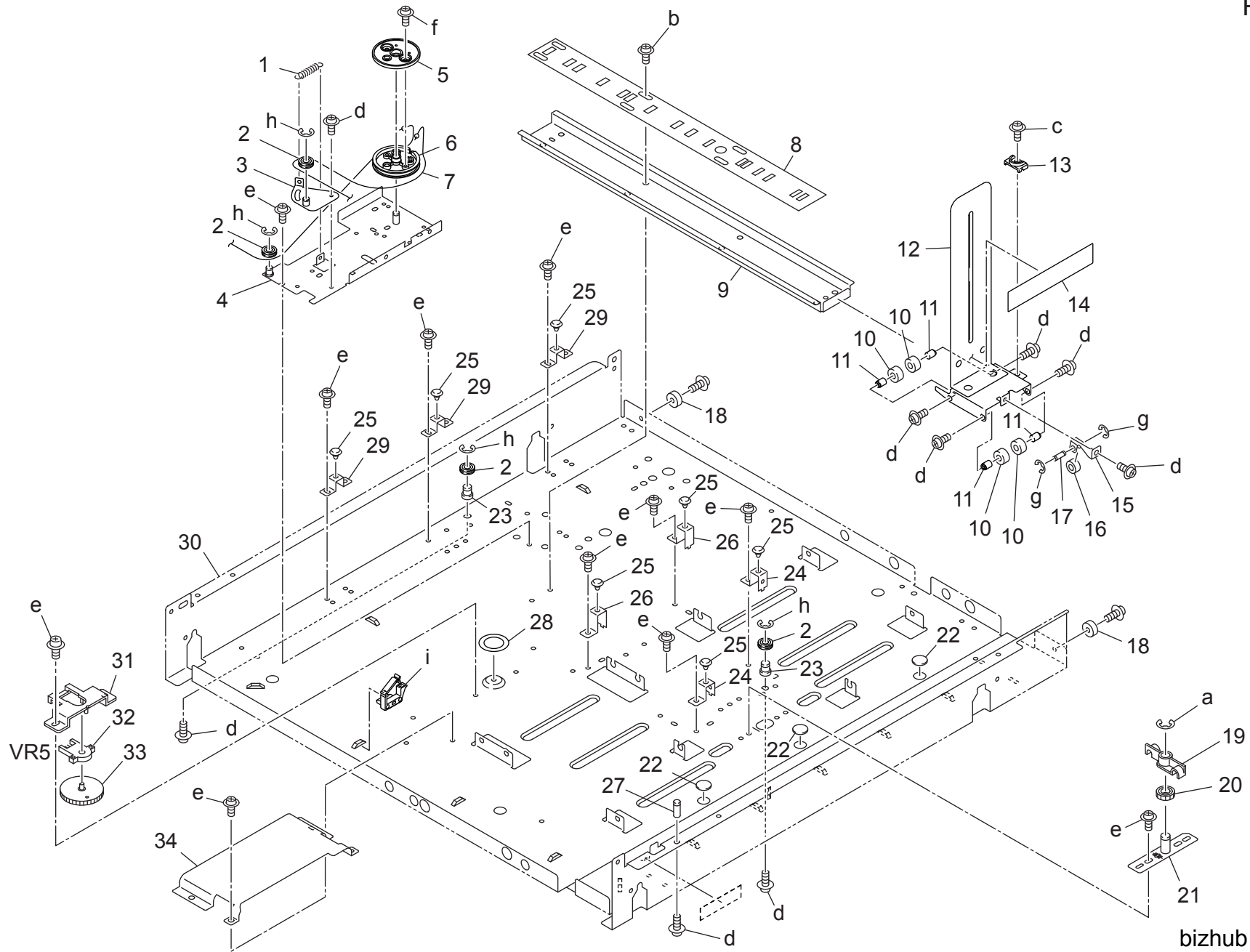
Key	Part No.	Description	Destinations	Class	QTY	Standard parts
1	A4EUR72P00	Pickup Unit		D	1	a-V116030603 b-V151040603 c-V118030403 d-V127030603 e-V217040050 f-V217060050 g-V127030516
2	56UA40690	SIDE PROTECTION COVER B		D	1	
3	56UA12530	FEEDING COVER		D	1	
4	A00J663200	Bushing		C	2	
5	56AA40490	SHAFT STOPPER 4		C	2	
6	56UA40280	Paper Feed Feeding Bushing		C	1	
7	55VA40130	Feeding Roller /A		C	1	
8	A4EUR71500	Feeding Roller Unit/A		A	1	
9	56UA40400	PAPER FEED SHAFT X		D	1	
10	059076510	PULLEY 1 15T		C	2	
11	56AA17510	PIN B		C	2	
12	56AA17760	COLLAR		C	2	
13	56UA40600	Multi-Feed Feeding Roller		C	1	
14	A4EUR71400	Feeding Roller Unit/B		A	1	
15	A4EU565600	Drive Belt 126L		C	1	
16	55VA40260	Paper Feeding Shaft Holder		C	1	
17	56UA40340	FEEDING SHAFT X		D	1	
18	56UA40500	COUPLING LEVER F		D	1	
19	56UA40540	Lever Auxiliary Part		D	1	
20	25AA40460	LOCK SPRING 2		C	1	
21	56UA40660	LEVER AUXILIARY SPRING		D	1	
22	56UA40170	Lock Lever /A		D	1	
23	56UA40530	Release Roller		C	1	
24	56UA40520	Lock Shaft /B		D	1	
25	55VA42120	SHAFT STOPPER		C	1	
26	57GA82010	Clutch /1		B	1	
27	56UA75030	Lock Bushing /A		C	1	
28	56UA40210	Papaer Feed Drive Shaft		D	1	
29	56UA40250	ENTRANCE GUIDE PLATE REAR		C	1	
30	A03U812800	Slide Shaft Holder		B	1	
31	A0G6561000	Stopper /E		C	2	
32	56UA40490	COUPLING F		C	1	

TRAY 2

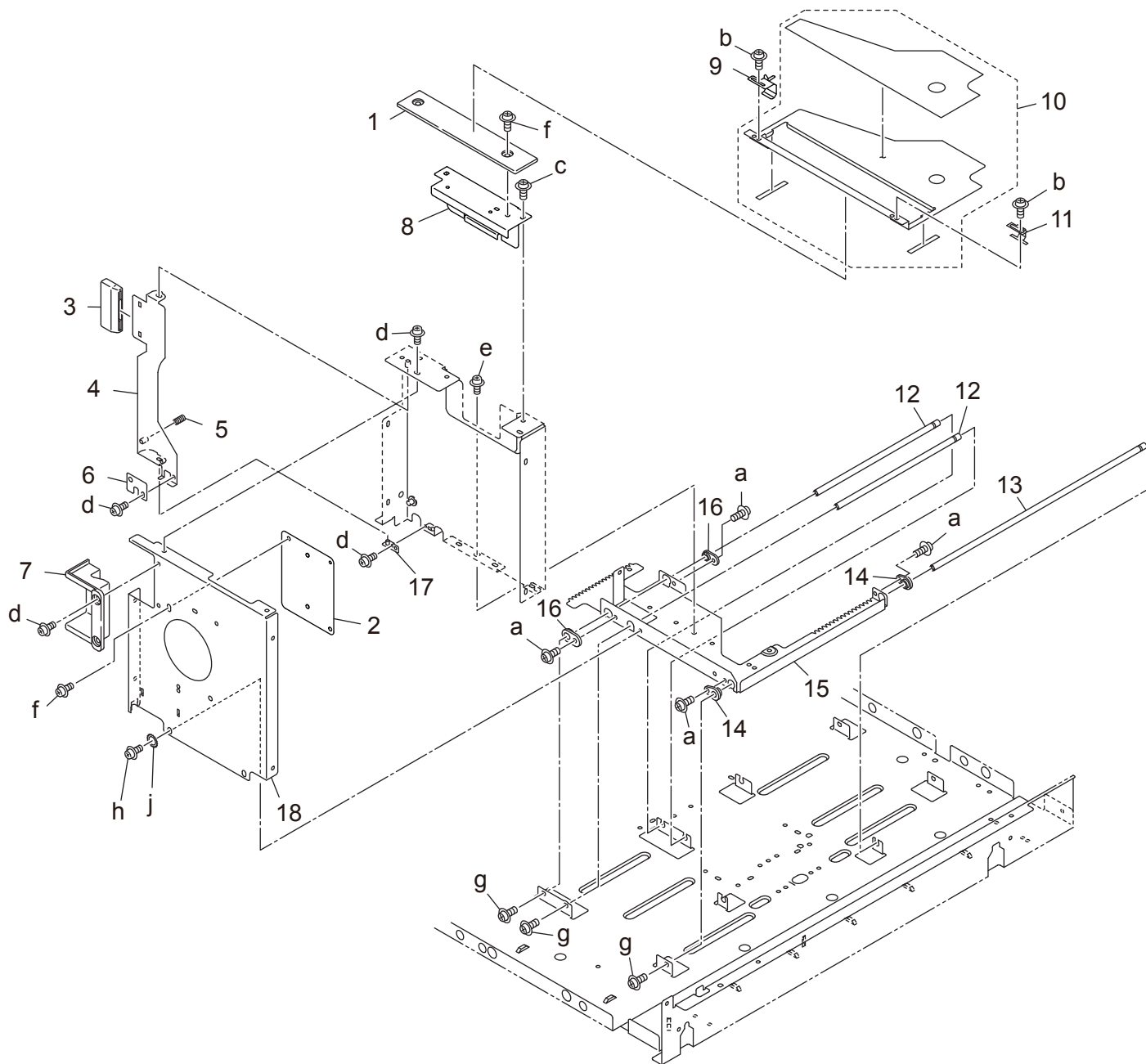
P 30



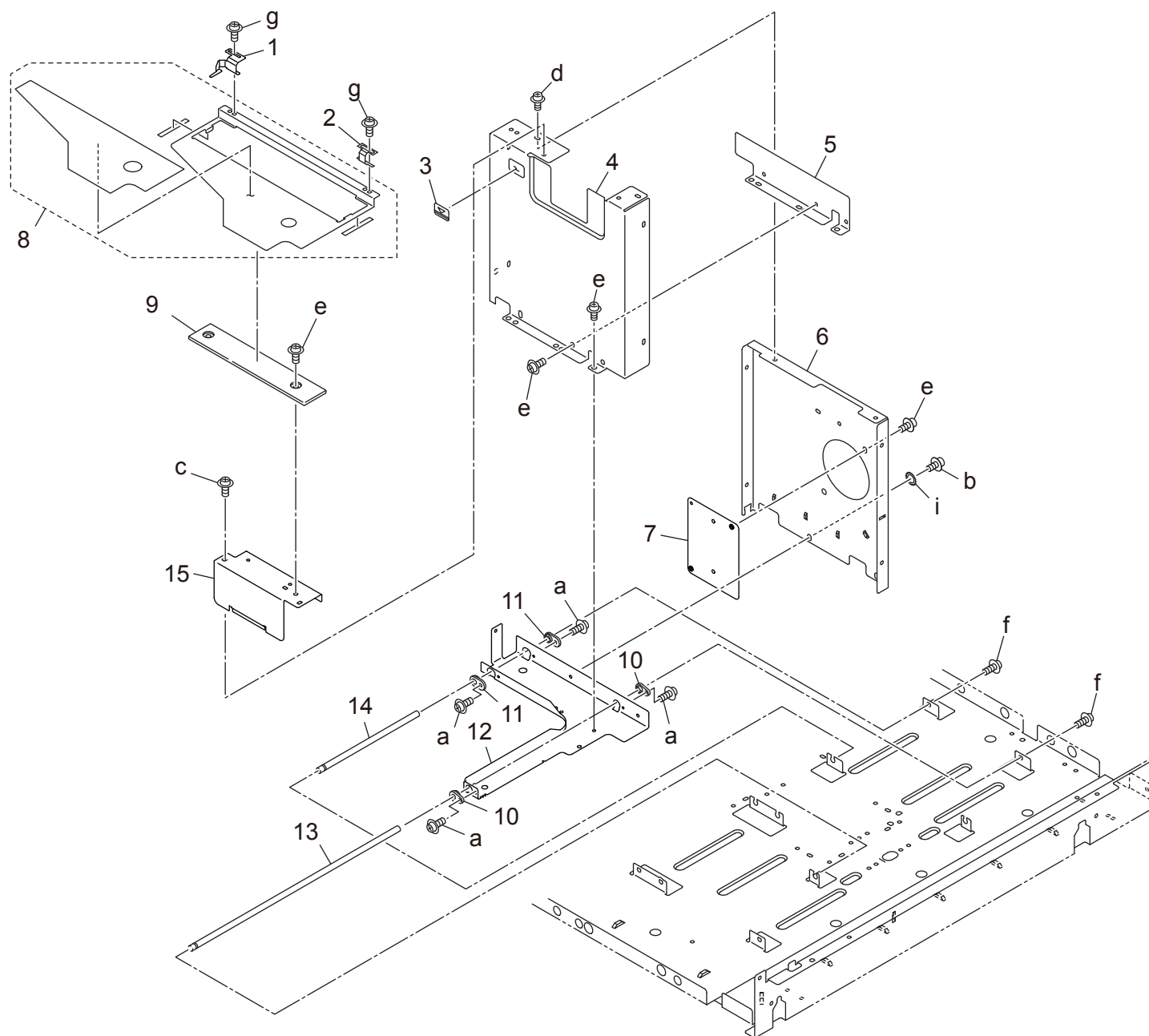
Key	Part No.	Description	Destinations	Class	QTY	Standard parts
1	A0U0945501	Indicating Label /2		C	1	a-V118030403
2	A4EU603400	Bushing		C	2	b-V118040603
3	56UA-4321E	DRIVE UP/DOWN BOARD		D	1	c-V118040803
4	A00J617800	BALL BEARING		C	2	d-V127030516
5	A4EU603500	Idling Shaft /A		D	1	e-V147030603
6	A4F3905000	Roll		D	2	f-V217040050
7	A4EU606100	Up/down Gear /B 14/55T		C	1	g-V237200850
8	A4EU603200	Gear 17T		C	1	h-V237201250
9	A4EU603100	Gear 15T		C	1	
10	56UA77660	Drive Regulating Gear /A 49T		C	1	
11	56UA42570	TORQUE LIMITER B		C	1	
12	A4EU603300	Gear 53T		C	1	
13	13QA10330	SHAFT SPACER		C	1	
14	A4EU603600	Idling Shaft /B		D	1	
15	56UA77650	Control Gear 21T		C	1	
16	56UA77640E	Drive Connecting Gear/A 70T		C	1	
17	40BA75520	PAPER EXIT SHAFT HOLDER		C	1	
18	A0G6606500	Holding Part		C	1	
19	56UA77480	LOCK IDLER		C	1	
20	56UA40360	Lever Spring /1		C	1	
21	56UA40351	GUIDE LEVER		D	1	
22	A4EUR72Q00	Updown Motor		C	1	



Key	Part No.	Description	Destinations	Class	QTY	Standard parts
1	A0G6601600	Tension Spring		C	1	a-V217060050
2	A0G6600900	Idling Pulley /A		C	4	b-V127030603
3	A0G6601500	Tension Arm		D	1	c-V116040803
4	A4EUR72U00	Detecting Board Caulking		D	1	d-V116030603
5	A0G6600800	Detecting Gear 90T		C	1	e-V127030516
6	A0G6600700	Pulley		C	1	f-V151030603
7	A0G6601000	Detection Wire		C	1	g-V217030050
8	56UA41120E	Guide Stopper		D	1	h-V217040050
9	56UA41110	GUIDE RAIL		D	1	i-V500010021
10	55VA42340	Guide Roller		C	4	
11	55VA42330D	GUIDE SHAFT /E		D	4	
12	A0G6615100	Guide Part /Rear		D	1	
13	A0G6615200	Holding Part		D	1	
14	56UA97210	Opertaion Auxiliary Seal		D	1	
15	55VA40910	PRESSURE PLATE A		D	1	
16	56UA41690	Tray Lock Roller		C	1	
17	55VA40920D	Support Shaft		D	1	
18	56UA40511E	STOPPER RUBBER /C		C	2	
19	56UA41220	SHAFT POSITIONING PART		D	1	
20	56UA77530	CASSETTE PINION		C	1	
21	A4EUR72V00	Adjusting Plate Caulking		D	1	
22	56UA41500	Stopper Rubber /B		C	3	
23	A0G6601300	Idling Shaft /2		D	2	
24	A0G6601700	Support Pedestal		D	2	
25	56UA41470	Stopper Rubber		C	7	
26	56UA41530	Paper Feed Tray Support Pedestal /B		D	2	
27	56UA40371	Lever Support Shaft /A		D	1	
28	56UA40760	Gear Spacer		C	1	
29	56UA41520	Paper Feed Tray Support Pedestal /A		D	3	
30	56UA40011E	Tray Bottom Plate		D	1	
31	56UA40420	DETECTION BOARD		D	1	
32	A1UDM50100	VR		D	1	
33	56AA41340	DETECTING GEAR 35T		C	1	
34	56UA41260	BOARD PROTECTION COVER		D	1	

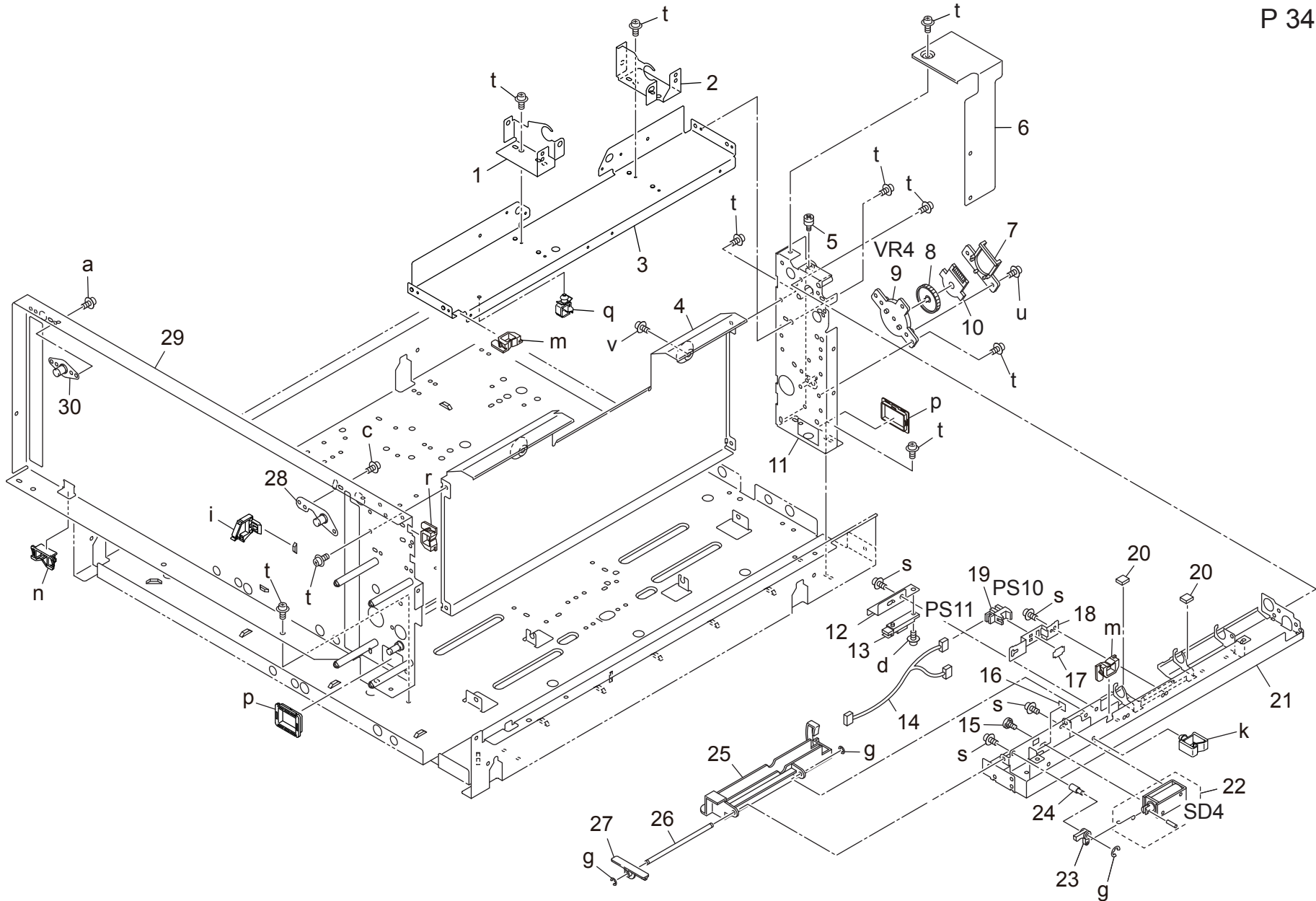


Key	Part No.	Description	Destinations	Class	QTY	Standard parts
1	56UA41661	PAPER GUIDE COVER		D	1	a-V116030603
2	A4EW610000	Guide Cover		D	1	b-V127030516
3	56UA40680	LEVER COVER		C	1	c-V118030403
4	A4EUR72W00	Locking Lever Caulking		D	1	d-V121030403
5	25AA47551	LIFT UP SPRING REAR		C	1	e-V121040404
6	56UA41540	LOCK PLATE		C	1	f-V121040603
7	56UA41670	LEVER PROTECTION COVER		D	1	g-V127030603
8	A4EW613000	Auxiliary Plate /Front		D	1	h-V116040803
9	A0G6620600	Holding Plate Spring /B		D	1	j-V209040003
10	A4EUR72S00	Paper Feed Tray Cover /B Unit		D	1	
11	56UA41490	PAPER FEED TRAY HOLDING COVER B		C	1	
12	56UA41240	GUIDE SHAFT M		C	2	
13	56UA41230	GUIDE SHAFT L		D	1	
14	129X48350	GUIDE SHAFT HOLDER A		C	2	
15	56UA41070	Paper Guide Rack /Front		D	1	
16	129X48360	GUIDE SHAFT HOLDER B		C	2	
17	A4EUR72X00	Rocking Board Caulking		D	1	
18	56UA41030	Paper Guide Board /Front		D	1	

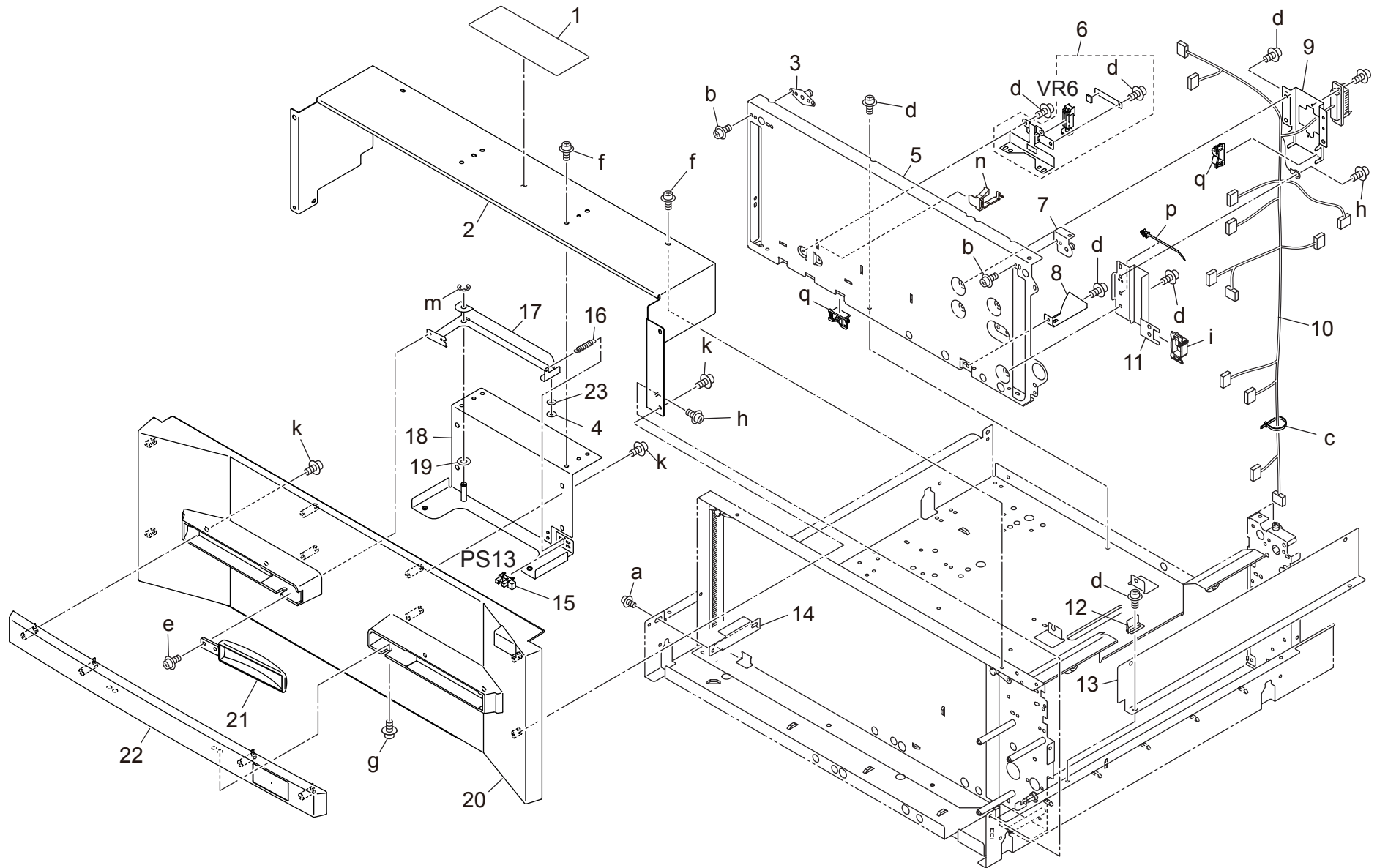


Key	Part No.	Description	Destinations	Class	QTY	Standard parts
1	A0G6620500	Holding Plate Spring /A		D	1	a-V116030603
2	56UA41490	PAPER FEED TRAY HOLDING COVER B		C	1	b-V116040803
3	56UA97220	Paper Guide Label		D	1	c-V118030403
4	56UA41040	PAPER GUIDE SIDE PLATE REAR		D	1	d-V121030403
5	56UA41550	REINFORCE PLATE /B		D	1	e-V121040603
6	56UA41020	PAPER GUIDE BOARD /REAR		D	1	f-V127030603
7	A4EW610000	Guide Cover		D	1	g-V127030516
8	A4EUR72R00	Paper Feed Tray Cover /A Unit		D	1	i-V209040003
9	56UA41661	PAPER GUIDE COVER		D	1	
10	129X48350	GUIDE SHAFT HOLDER A		C	2	
11	129X48360	GUIDE SHAFT HOLDER B		C	2	
12	56UA41060	Paper Guide Rack /Rear		D	1	
13	56UA41230	GUIDE SHAFT L		D	1	
14	56UA41250	Guide Shaft /S		D	1	
15	A4EW617500	Auxiliary Plate /R		D	1	





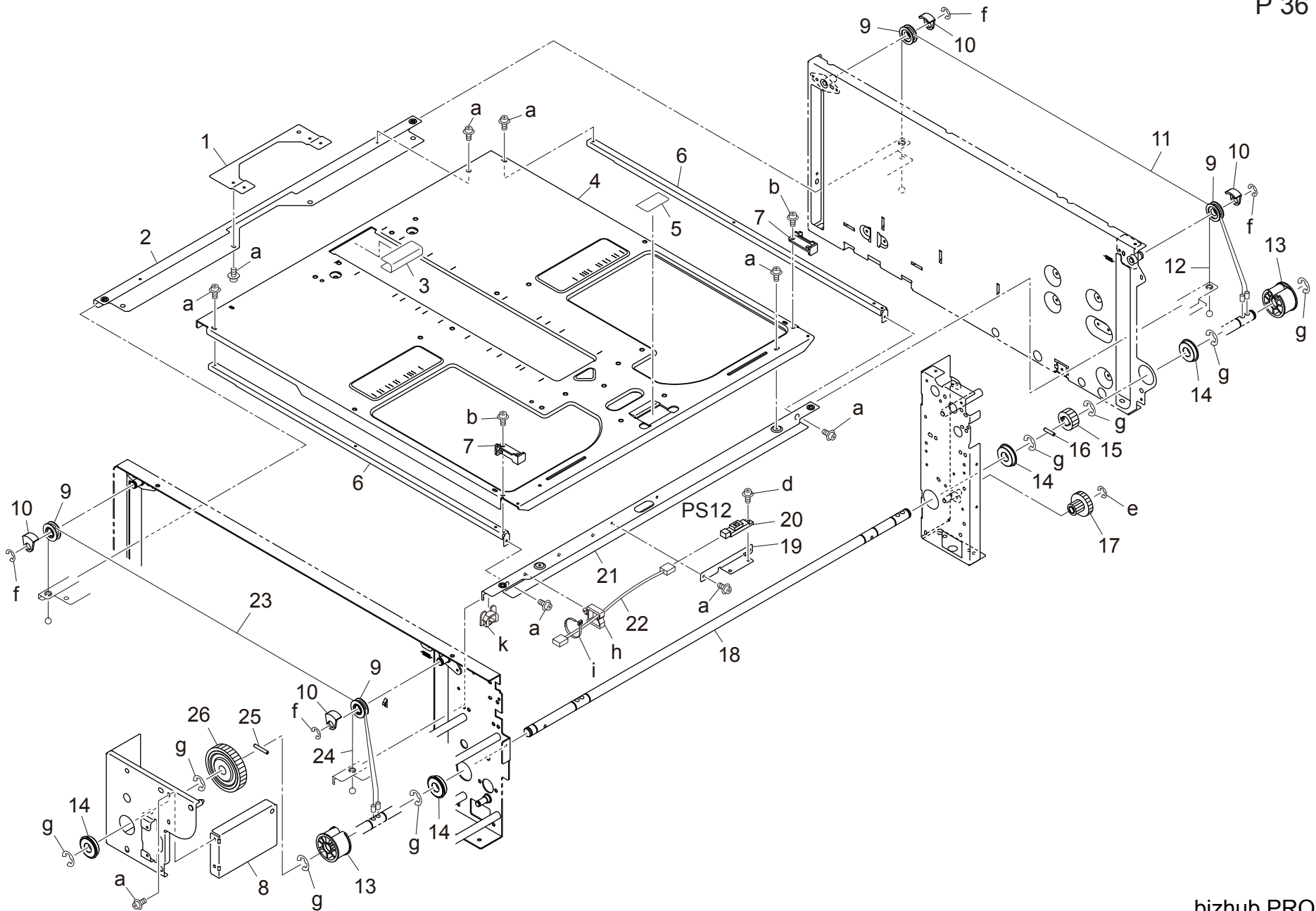
Key	Part No.	Description	Destinations	Class	QTY	Standard parts
1	A0G6570600	Support Plate /A		D	1	a-V121030403
2	A0G6570700	Support Plate /B		D	1	c-V116030603
3	A0G6570101	Paper feed Stay		D	1	d-V126030603
4	56UA40070	PAPER STOPPER PLATE		D	1	g-V217030050
5	55VA42420	Lever Support Screw		C	1	i-V500010021
6	56UA40670	CLUTCH COVER		D	1	k-V500010029
7	56AA41351E	Detection Board		C	1	m-V570010021
8	56AA41340	DETECTING GEAR 35T		C	1	n-V570010023
9	56AE43090	BASE PLATE MOUNTING PART		C	1	p-V570010038
10	A1UDM50100	VR		D	1	q-V500010020
11	A4EUR72T00	Tray Driveside Guide Caulking		D	1	r-V570010050
12	56UA40470	Mounting Plate /S		D	1	s-V116030503
13	13QA85511	Sensor 1		B	1	t-V127030516
14	56UA90350	PAPER FEED CONTROL WIRING UPPER		D	1	u-V151030803
15	55VA42220	POSITIONING SCREW		C	1	v-V127040603
16	55VA42111	SOLENOID STOPPER SHEET		C	1	
17	4470402401	STOPPER		D	1	
18	A0G6561300	Adjusting Plate		D	1	
19	08AA85512	Photo Sensor		B	1	
20	A0G6561200	Stopper Rubber		C	2	
21	56UA40051G	Paper Feed Guide Plate /Upper		D	1	
22	A4EUR72N00	Pick Up Solenoid Pin Assy		C	1	
23	25AA40870	SWITCH LEVER 1		C	1	
24	55VA40460	FULCRUM SHAFT C		D	1	
25	56UA40240	ENTRANCE GUIDE PLATE FRONT		C	1	
26	55VA40380	SUPPORT SHAFT A		D	1	
27	56UA40480	PAPER FEED LIFTING LEVER		D	1	
28	56UAR79700	WIRE SUPPORT PLATE C		C	1	
29	56UA-4080	SIDE GUIDE/FRONT		D	1	
30	56UAR79500	WIRE SUPPORT PLATE A		D	1	



Key	Part No.	Description	Destinations	Class	QTY	Standard parts
1	A0G6947800	Operation Label /E		D	1	a-V116030603
2	A0G6165200	Auxiliary Cover		D	1	b-V121030403
3	56UAR79500	WIRE SUPPORT PLATE A		D	1	c-V501010002
4	55VA42400	Cam Spacer		D	1	d-V127030516
5	56UA40020E	Side plate /Rear		D	1	e-V127030603
6	A4EUR72M00	Sensor Board		C	1	f-V127040603
7	56UAR79600	WIRE SUPPORT PLATE B		C	1	g-V127040803
8	56UA40160	Main Body Lock Plate /A		D	1	h-V116040603
9	56UA40150	WIRING MOUNTING PLATE		D	1	i-V570010063
10	A0G6N13300	Paperfeed Wiring /2		D	1	k-V151041003
11	56UA40140	Wiring Guide Plate		D	1	m-V217040050
12	56UA40580E	LEVER HOLDING PART		D	1	n-V500010021
13	56UA40260	TRAY COVER RIGHT		D	1	p-V501010003
14	56UA40270	TRAY POSITIONING PLATE /LEFT		D	1	q-V570010023
15	9335150021	SOLID STATE SWITCH		B	1	
16	56HA12980	LEVER SPRING		C	1	
17	56UA12560	Tray Lever		C	1	
18	A4EUF60700	Lever Mounting Plate Caulking		D	1	
19	13SU15110	SPACER A		C	1	
20	A4EU165100	Paper feed Cover		D	1	
21	56UA12570	Lever Handle		C	1	
22	A0G6165400	Paper Feed Handle		C	1	
23	55VA42390	Attaching Sheet		C	1	

TRAY 2

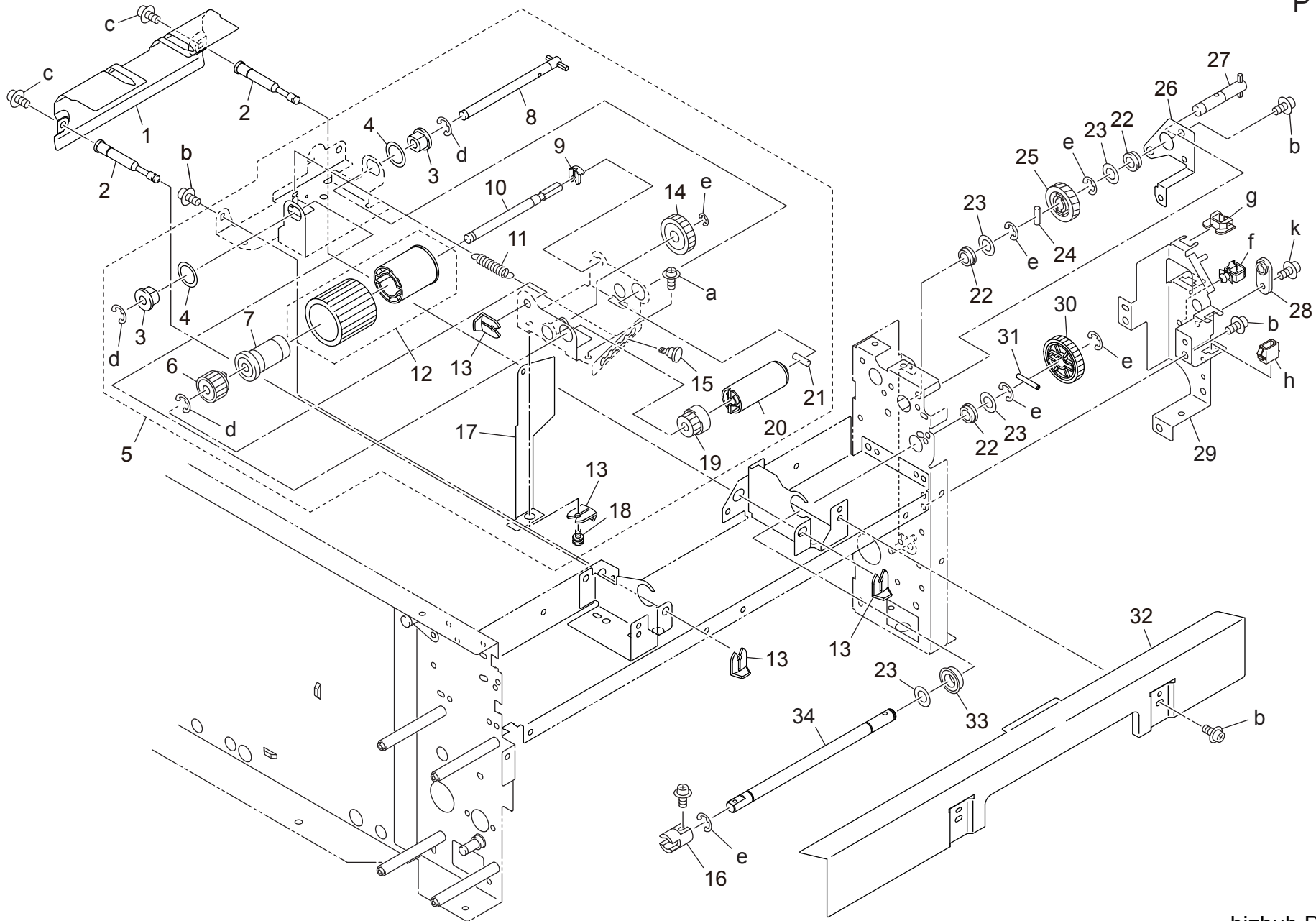
P 36



Key	Part No.	Description	Destinations	Class	QTY	Standard parts
1	A0G6620300	Reinforce Plate /C		D	1	a-V127030516
2	56UA41281E	Up/down Stay /B		D	1	b-V127030603
3	A0G6620400	Protection Sheet		C	1	d-V126030603
4	56UA41011E	Paper feed Up/down Plate /M		D	1	e-V217040050
5	56UA41640	Multi Feed Preventing Plate		C	1	f-V217060050
6	A4EU621100	Reinforce Shaft /L		D	2	g-V217080050
7	56UA41400	PAPER FEED TRAY SLIDE PART		D	2	h-V500010029
8	56UA40570	DRIVE UP DOWN COVER RIGHT		D	1	i-V501010002
9	56UA41630	Wire Pulley		C	4	k-V570010021
10	55VA40610	WIRE HOLDER A		C	4	
11	56UA41160	Up Down Wire /D		C	1	
12	56UA41150	Up Down Wire /C		C	1	
13	56UA41340	DRIVE UP DOWN PULLEY		C	2	
14	A4EU265000	Ball bearing		B	4	
15	55VA77652	ADU CONVEYANCE GEAR 2 19T		B	1	
16	56AA17480	PIN B		C	1	
17	56UA77620	TRAY UP DOWN IDLER		C	1	
18	56UA41210	DRIVE UP DOWN SHAFT		D	1	
19	56UA40460	Mounting Plate /O		D	1	
20	13QA85511	Sensor 1		B	1	
21	56UA41270	Up/Down Stay/A		D	1	
22	56UA90340	PAPER FEED DETECTION WIRING		D	1	
23	56UA41140	Up Down Wire /B		C	1	
24	56UA41130	Up Down Wire /A		C	1	
25	304078070	PIN C		C	1	
26	56UA77600	Up Down Gear /A 32T		C	1	

TRAY 2

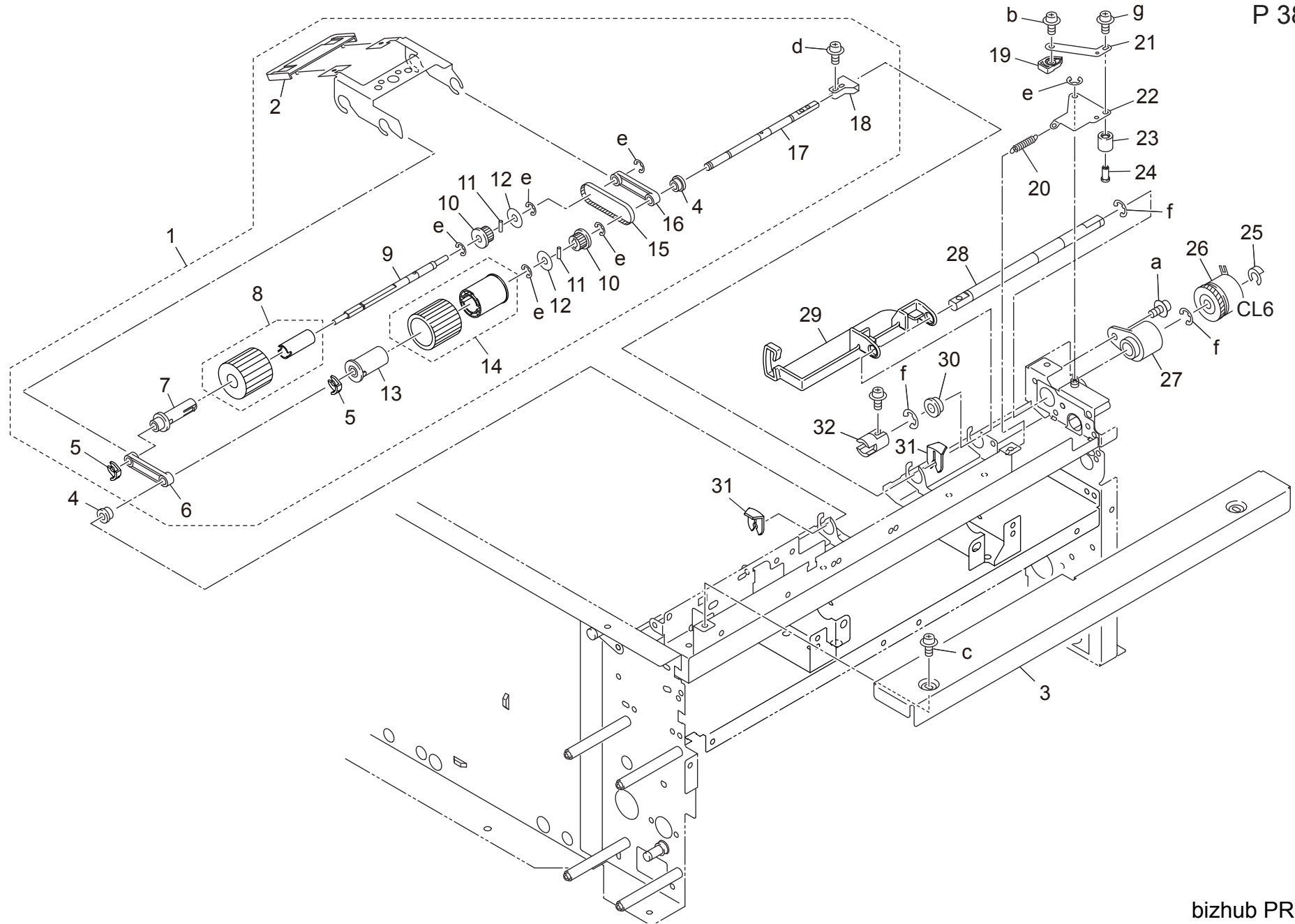
P 37



Key	Part No.	Description	Destinations	Class	QTY	Standard parts
1	A0G6570200	Guide Plate		C	1	a-V116030603 b-V127030516 c-V127030603 d-V217040050 e-V217060050 f-V500010020 g-V570010021 h-V651010001 k-V127040603
2	A0G6570500	Positioning Shaft /B		D	2	
3	A0Y5601600	Bushing/6		C	2	
4	25AA40120	SPACER		C	2	
5	A4EUR72H00	Separating Unit		D	1	
6	55VA79140	Paper Feed Reversal Gear /D 19T		B	1	
7	50BA40220	REVERSE ROLLER		B	1	
8	A4EUR72J00	Revers Shaft/B		D	1	
9	56AA40490	SHAFT STOPPER 4		C	1	
10	A0G6571900	Reverse Shaft /2		D	1	
11	56UA40610	REVERSE SPRING B		C	1	
12	A4EUR71400	Feeding Roller Unit/B		A	1	
13	A0G6561000	Stopper /E		C	4	
14	55VA79050	Idler Gear /B 24T		C	1	
15	56UA40620	SPRING ADJUSTMENT LEVER		D	1	
16	56UA40490	COUPLING F		C	1	
17	A0G6572000	Protection Cover		B	1	
18	A0G6572100	Guide Screw		C	1	
19	55VA79030	Paper Feed Reversal Gear /C 14T		B	1	
20	A03X565611	Torque Limiter /A		B	1	
21	56AA17310	PIN		C	1	
22	A00J617900	Ball Bearing		B	3	
23	12QV40650	SPACER		B	4	
24	56AA17480	PIN B		C	1	
25	A0G6602300	Input Gear 25T		B	1	
26	A0G6602100	Idling Panel		D	1	
27	A4EUR72K00	Paper Feed Input Shaft		B	1	
28	173030270	PIN HOLDER A		C	1	
29	56UA40130E	Positioning Plate /Rear		D	1	
30	A4EW570900	Reverse Gear 30T		C	1	
31	304078070	PIN C		C	1	
32	A0G6571600	Guide Plate /Lower		C	1	
33	A00V240600	BALL BEARING		C	1	
34	A4EW570800	Reverse Shaft		B	1	

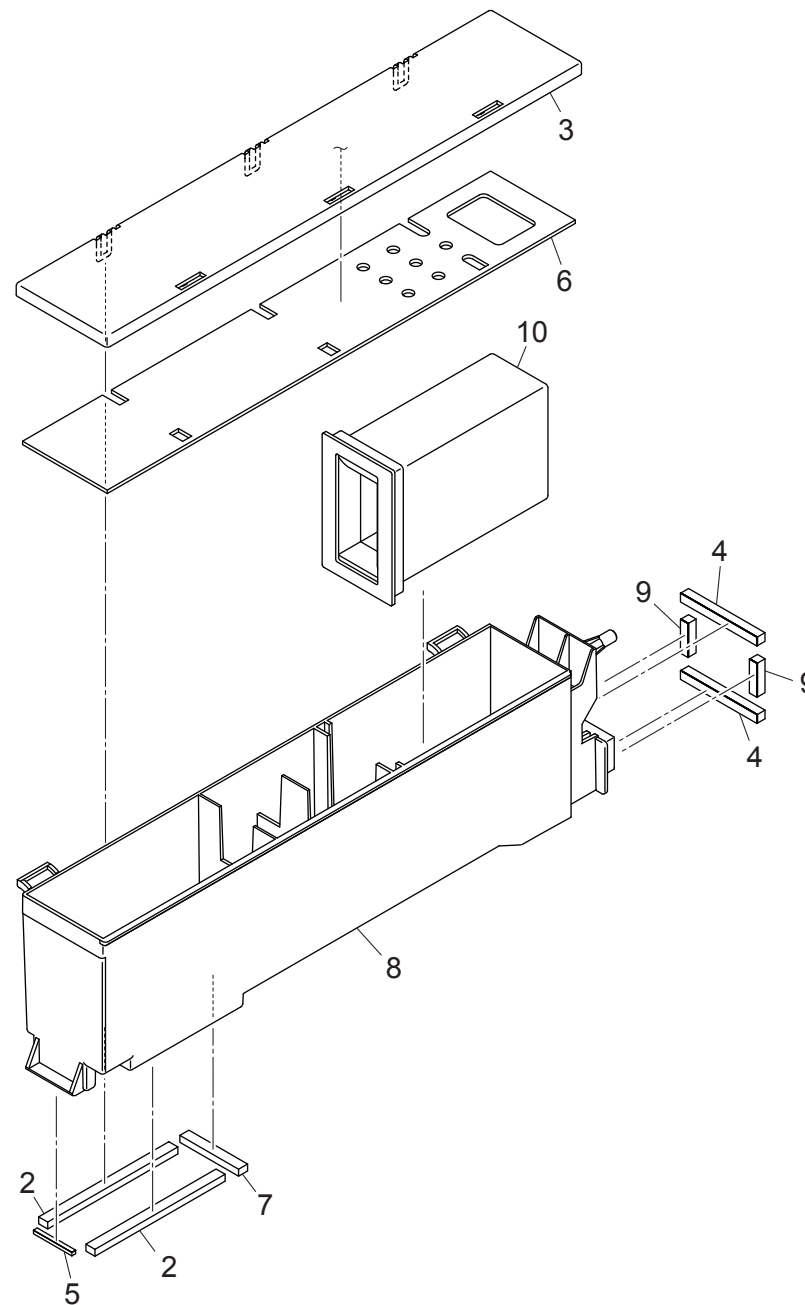
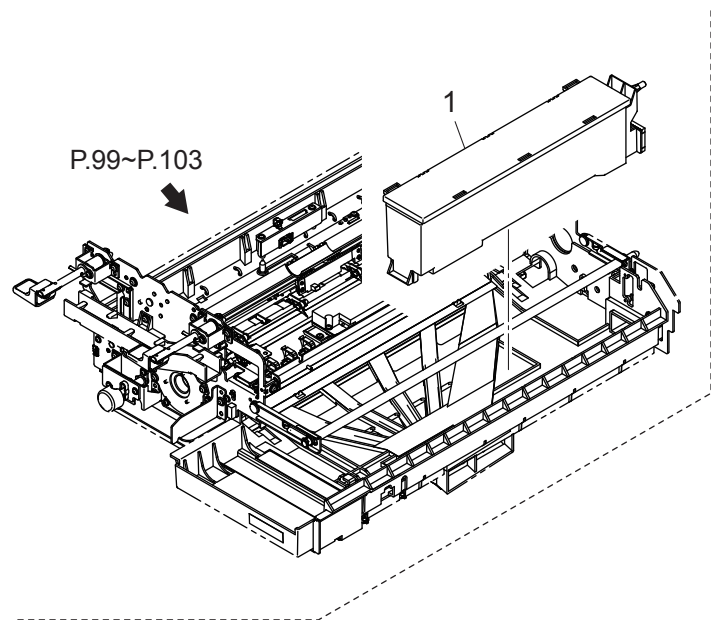
TRAY 2

P 38



Key	Part No.	Description	Destinations	Class	QTY	Standard parts
1	A4EUR72P00	Pickup Unit		D	1	a-V116030603 b-V151040603 c-V118030403 d-V127030603 e-V217040050 f-V217060050 g-V127030516
2	56UA40690	SIDE PROTECTION COVER B		D	1	
3	56UA12530	FEEDING COVER		D	1	
4	A00J663200	Bushing		C	2	
5	56AA40490	SHAFT STOPPER 4		C	2	
6	56UA40280	Paper Feed Feeding Bushing		C	1	
7	55VA40130	Feeding Roller /A		C	1	
8	A4EUR71500	Feeding Roller Unit/A		A	1	
9	56UA40400	PAPER FEED SHAFT X		D	1	
10	059076510	PULLEY 1 15T		C	2	
11	56AA17510	PIN B		C	2	
12	56AA17760	COLLAR		C	2	
13	56UA40600	Multi-Feed Feeding Roller		C	1	
14	A4EUR71400	Feeding Roller Unit/B		A	1	
15	A4EU565600	Drive Belt 126L		C	1	
16	55VA40260	Paper Feeding Shaft Holder		C	1	
17	56UA40340	FEEDING SHAFT X		D	1	
18	56UA40500	COUPLING LEVER F		D	1	
19	56UA40540	Lever Auxiliary Part		D	1	
20	25AA40460	LOCK SPRING 2		C	1	
21	56UA40660	LEVER AUXILIARY SPRING		D	1	
22	56UA40170	Lock Lever /A		D	1	
23	56UA40530	Release Roller		C	1	
24	56UA40520	Lock Shaft /B		D	1	
25	55VA42120	SHAFT STOPPER		C	1	
26	57GA82010	Clutch /1		B	1	
27	56UA75030	Lock Bushing /A		C	1	
28	56UA40210	Papaer Feed Drive Shaft		D	1	
29	56UA40250	ENTRANCE GUIDE PLATE REAR		C	1	
30	A03U812800	Slide Shaft Holder		B	1	
31	A0G6561000	Stopper /E		C	2	
32	56UA40490	COUPLING F		C	1	

DEVELOPING SUCTION

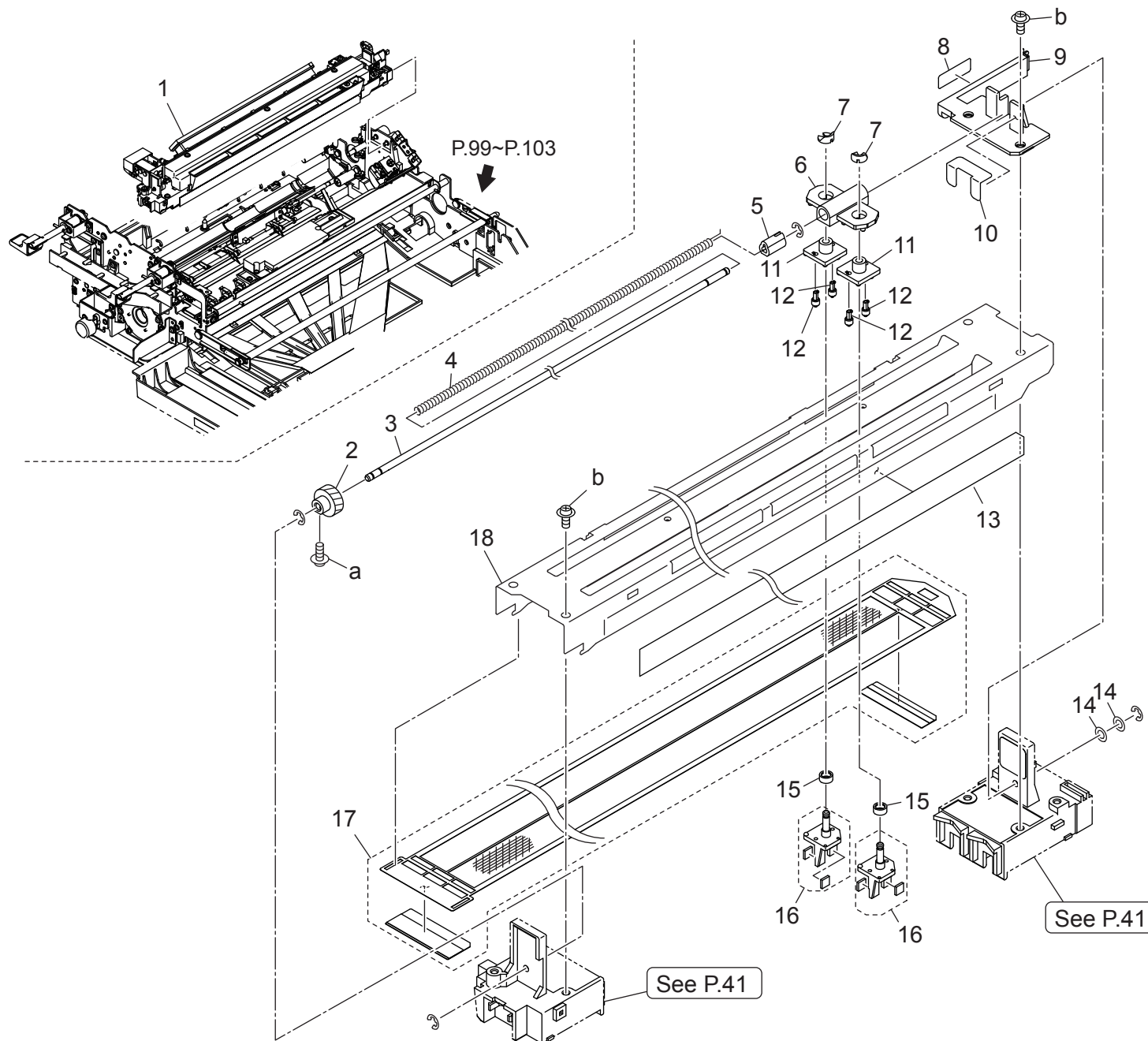


DEVELOPING SUCTION

Key	Part No.	Description	Destinations	Class	QTY	Standard parts
1	A4EUR70400	Deveioing Suction Assy		B	1	
2	56UA31030	Developing Suction Seal /2		B	2	
3	A4EU391300	Suction Cover /1		D	1	
4	A4EU394600	Stopper Pad /1		B	2	
5	A0G6394400	Suction Pad /H		B	1	
6	A4EU392600	Suction Pad		D	1	
7	56UA31060	Developing Suction Seal /5		B	1	
8	A4EU390100	Suction Box		D	1	
9	A4EU394700	Stopper Pad /2		B	2	
10	A4EU390800	Suction Filter		A	1	

CHARGE UNIT

P 40

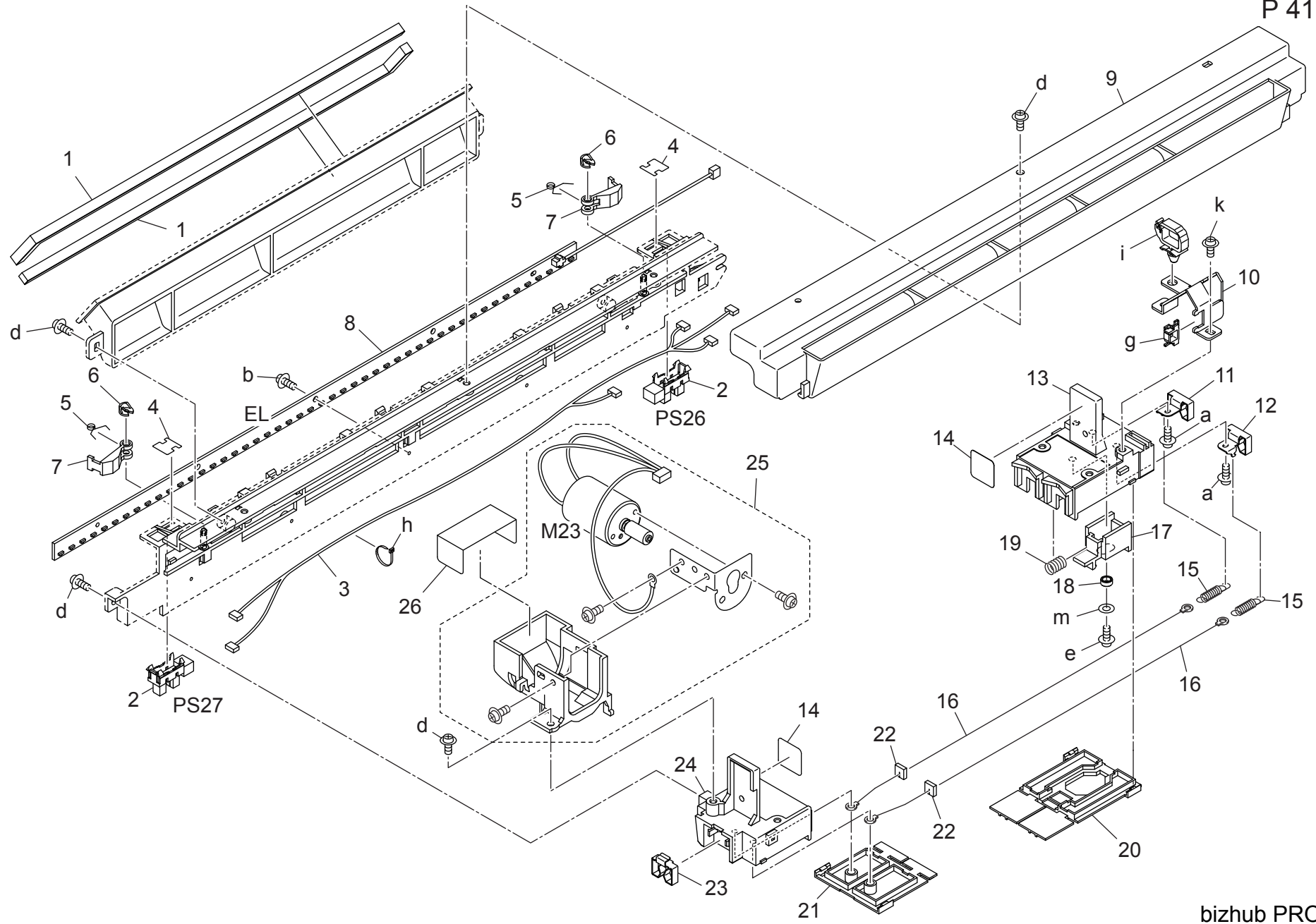


CHARGE UNIT

Key	Part No.	Description	Destinations	Class	QTY	Standard parts
1	A4EUR70700	Charge Assy		B	1	a-V145020403 b-V151030803
2	A4EU464200	Charging Gear 33T		C	1	
3	56UA25120	Charging Cleaning Shaft		D	1	
4	56UA25110	Charging Cleaning Spring		C	1	
5	56AA25150	ELECTRODE CLEANING JOINT		C	1	
6	A0G6461300	Slide Part		D	1	
7	45AA20400	STOPPER PART		A	2	
8	A0G6463800	Protection Sheet /3		C	1	
9	A0G6460700	Power Supply Part /T		D	1	
10	A0G6463400	Holding Sheet		C	1	
11	A0G6462100	Friction Board		C	2	
12	A0G6463200	Guide Roll		C	4	
13	A4EU463000	Scatteringprevention Sheet /T		D	1	
14	56UA25280	Charge Cleaning Spacer		C	2	
15	55VA25140	CHARGING SLIDE COLLAR		C	2	
16	A4EUR70800	Charge Cleaner Assy		A	2	
17	A4EUR70900	Charge Plate Assy		A	1	
18	A4EU464000	Discharge Plate		D	1	

CHARGE UNIT

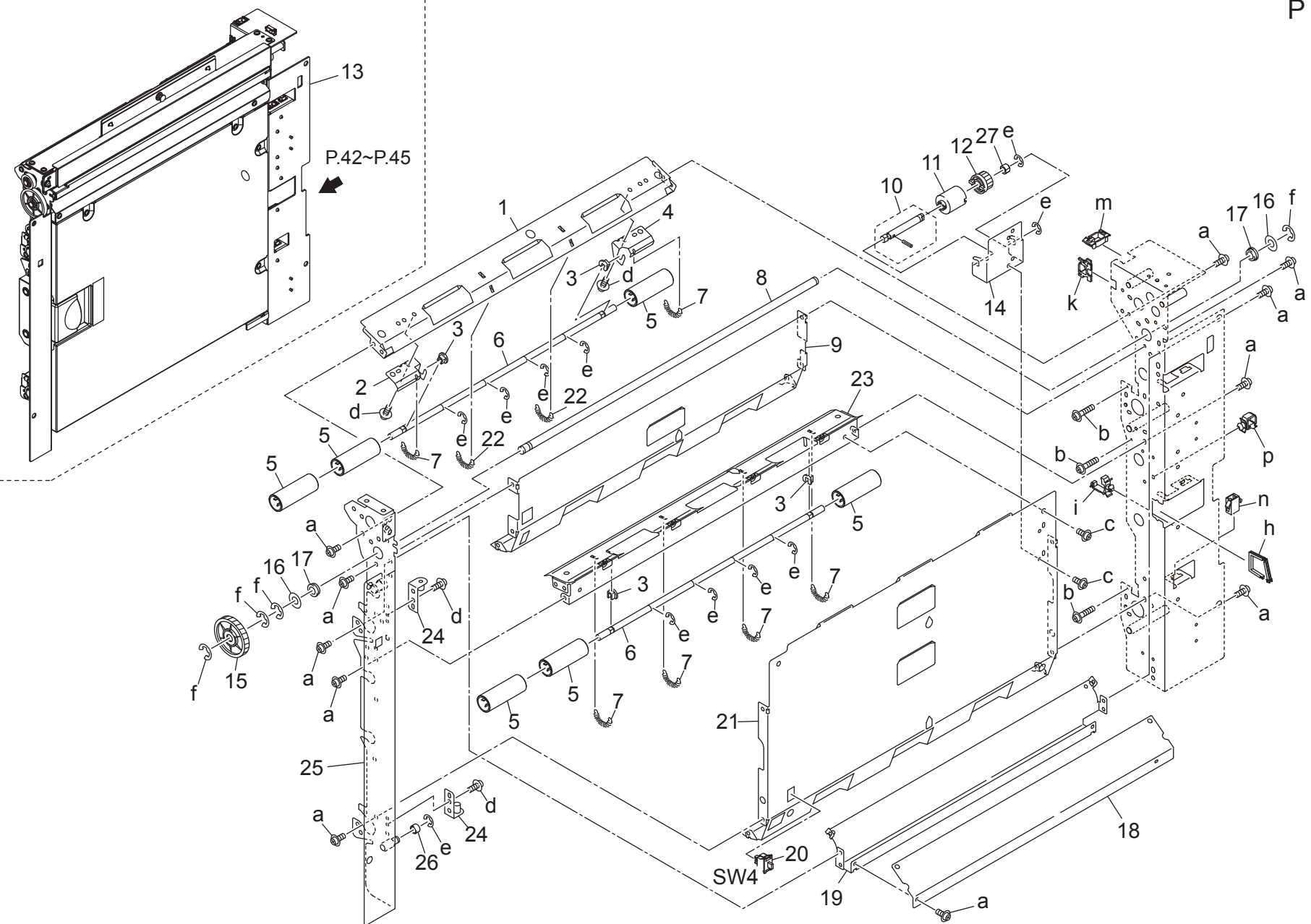
P 41



CHARGE UNIT

Key	Part No.	Description	Destinations	Class	QTY	Standard parts
1	A4EU464700	Charging Seal /4		D	2	a-V145020403
2	08AA85512	Photo Sensor		B	2	b-V145020603
3	A4EUN14302	Chaging Relay harness		D	1	d-V151030803
4	A0G6463500	Fixing Sheet		C	2	e-V151041003
5	55VA25240	CHARGING DETECT SPRING		B	2	g-V570010050
6	45AA20400	STOPPER PART		A	2	h-V501010002
7	A0G6462300	Charging Actuator		C	2	i-V500010067
8	A0Y5M30800	PCL		C	1	k-V145030603
9	A4EU462800	Charging Cover		D	1	m-V207040003
10	A0G6462901	Charging Holder		D	1	
11	55VA25110	CHARGING FIXED SPRING LEFT		C	1	
12	55VA25100	CHARGING FIXED SPRING RIGHT		C	1	
13	A0G6460201	Charging Block /Rear		C	1	
14	A0G6951100	Set Label /11		C	2	
15	56AA17140	WIRE TENSION SPRING		C	2	
16	56UA25090	CHARGING WIRE		A	2	
17	55VA25200	CHARGING TENSION KNOB		C	1	
18	25AA20321	PTL SUPPORT SPACER		C	1	
19	A0G6461700	Tension Spring		C	1	
20	56UA25050	Spark Preventing Plate /Rear		C	1	
21	56UA25040	SPARK PREVENTING PLATE FRONT		C	1	
22	55VA25270	Electrode Vibrating Rubber		A	2	
23	A0G6460600	Fixing Spring /Front		D	1	
24	A0G6460101	Charging Block /Front		C	1	
25	A4EUR75J00	Charge Clener Motor Assy		C	1	
26	A4EU465000	Drive Sheet		D	1	

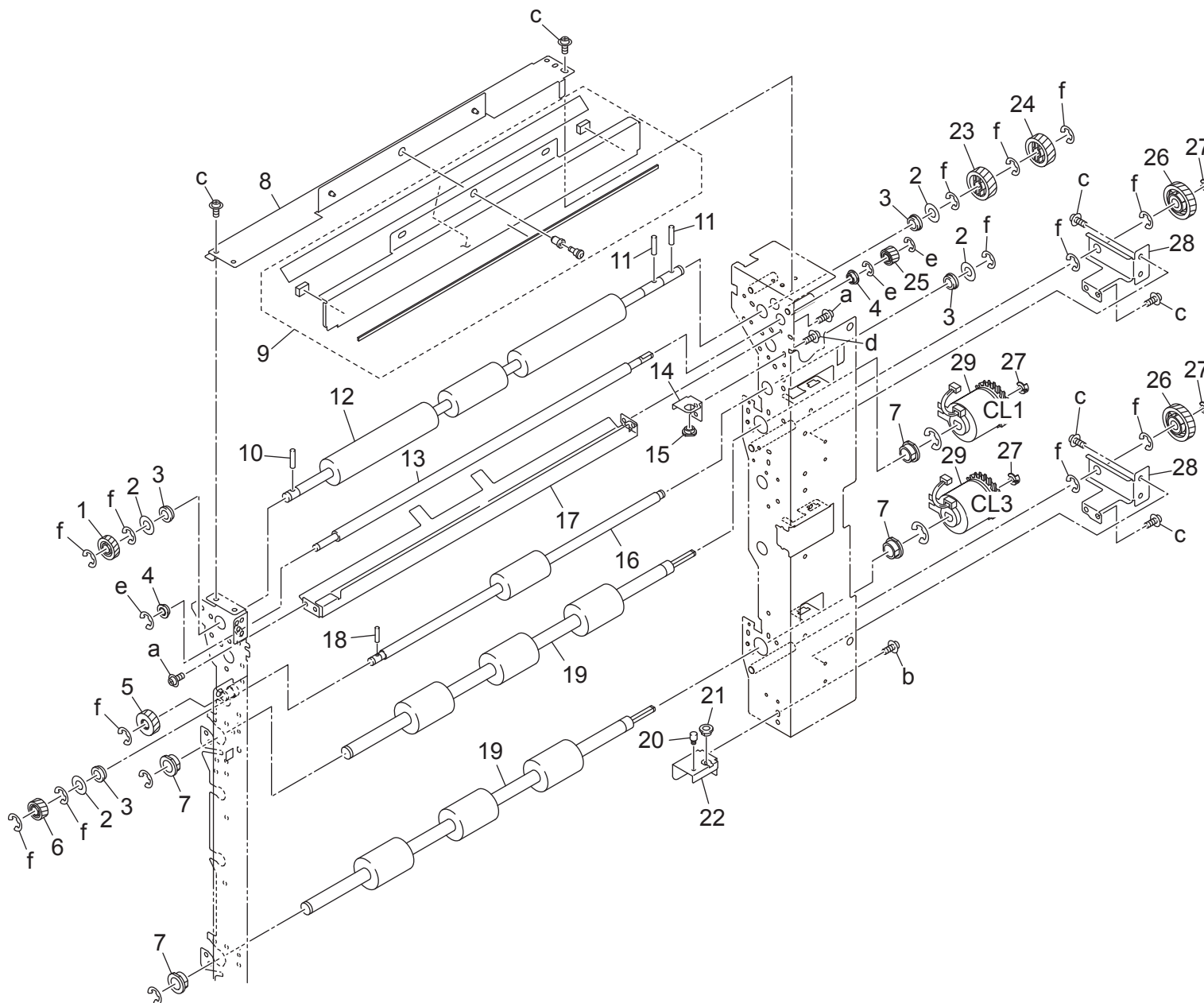
VERTICAL CONVEYANCE UNIT



VERTICAL CONVEYANCE UNIT

Key	Part No.	Description	Destinations	Class	QTY	Standard parts
1	56UA44410E	EXIT GUIDE PLATE /LOWER		D	1	a-V121030403
2	A4EU704300	Support Plate /Front		D	1	b-V121031803
3	56UA44680	Idler Bushing		C	4	c-V133030603
4	A4EU704200	Support Plate /Rear		D	1	d-V138030603
5	56UA44500	Conveyance Idler Roller		C	6	e-V217040050
6	56UA44160	CONVEYANCE IDLER SHAFT L		D	2	f-V217060050
7	56UA44660	Registration Pressing Spring		C	6	h-V570010013
8	A4EU704400	Guide Shaft		D	1	i-V500010061
9	56UA44050	PAPER FEED CONVEYANCE PLATE UPPER		D	1	k-V570010050
10	A4EUR72Y00	Brake Shaft		D	1	m-V570010063
11	57GA44300	Torque Limiter		B	1	n-V651010001
12	57GA79430	Torque Gear /1 18T		C	1	p-V500010020
13	A4EWR70800	Verticalconveyanceunit		S	1	
14	A0G6700700	Brake Plate		D	1	
15	56UA77190	CONVEYANCE IDLING GEAR /A 50T		C	1	
16	12QV40650	SPACER		B	2	
17	A00J617900	Ball Bearing		B	2	
18	56UA44070	PFU Guide Plate /Lower		D	1	
19	56UA44080	Side Guide Plate /Upper		D	1	
20	56UA85010	Switch		C	1	
21	56UA44040E	Paper feed Conveyance Plate /Lower		D	1	
22	55VA46451	REGISTRATION FEEDING SPRING		B	2	
23	56UA44310	ROLLER MOUNTING PLATE UPPER		D	1	
24	A4EUR73100	Door Stopper Caulking		D	2	
25	56UA-4681E	SIDE PLATE /FRONT		D	1	
26	A4EU823100	Positioning Roll		D	1	
27	A4EU715500	Bushing /No.1		C	1	

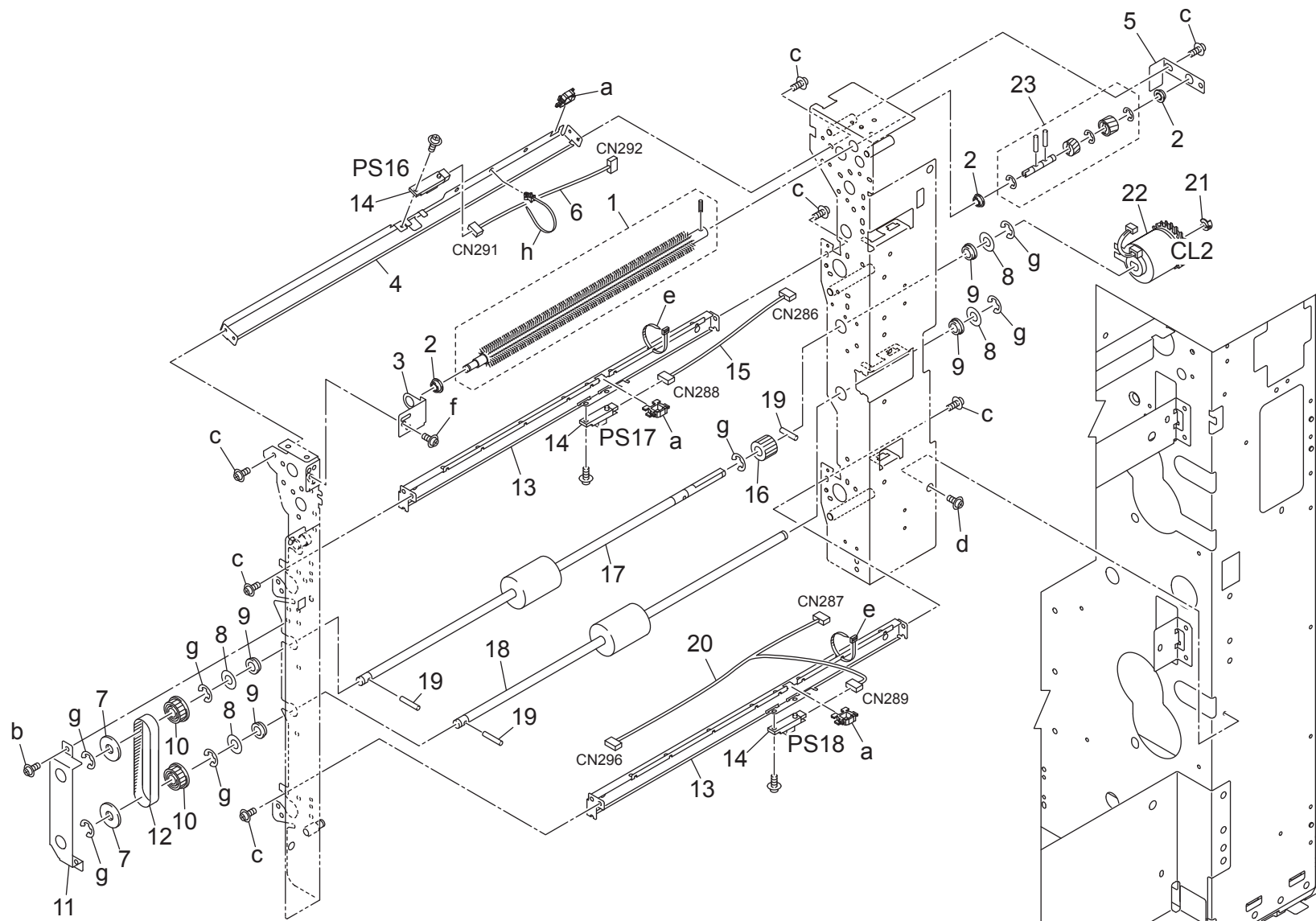
VERTICAL CONVEYANCE UNIT



VERTICAL CONVEYANCE UNIT

Key	Part No.	Description	Destinations	Class	QTY	Standard parts
1	56UA77170E	Conveyance Drive Gear/A 24T		B	1	a-V121030403 b-V121040403 c-V138030603 d-V138040603 e-V217040050 f-V217060050
2	12QV40650	SPACER		B	4	
3	A00J617900	Ball Bearing		B	4	
4	A00J617800	BALL BEARING		C	2	
5	56UA77200	Conveyance Idling Gear /B 25T		C	1	
6	56UA77180E	Conveyance Drive Gear/B 20T		B	1	
7	56UA76030	Registration Bushing /B		B	4	
8	56UA-4640	PAPER CLEANING BOARD		D	1	
9	A4EUR70N00	Cleaning Cause Assy		B	1	
10	56AA17480	PIN B		C	1	
11	56AA17461	PIN A		B	2	
12	A4EU701200	Conveyance Roller /Upper		B	1	
13	56UA44170	SHAFT SCRAPER		B	1	
14	56UA44250	HINGE SUPPORT PLATE UPPER		D	1	
15	466076020	PAPER FEED SHAFT HOLDER		B	1	
16	A4EU701300	Conveyance Roller /Middle		B	1	
17	A4EU700600	Guide Plate /Upper		D	1	
18	56AA17471	PIN B 3X12		C	1	
19	A0G6700100	Regist Conveyance Roller		B	2	
20	392010231	STOPPER PIN		C	1	
21	396076050	PAPER FEED SHAFT HOLDER		B	1	
22	55VA44120	Hinge Support Plate /Lower		D	1	
23	56UA77160	Paper Feed Cleaning Gear/B 26T		B	1	
24	56UA77070E	Paper Exit Input Gear 25T		B	1	
25	55VA79210	Cleaner Driving Gear /B 18T		B	1	
26	56UA77230	PAPER FEED DRIVE GEAR /F 32T		C	2	
27	55VA42120	SHAFT STOPPER		C	4	
28	A4EU703700	Reinforce Plate		D	2	
29	57GA82010	Clutch /1		B	2	

VERTICAL CONVEYANCE UNIT

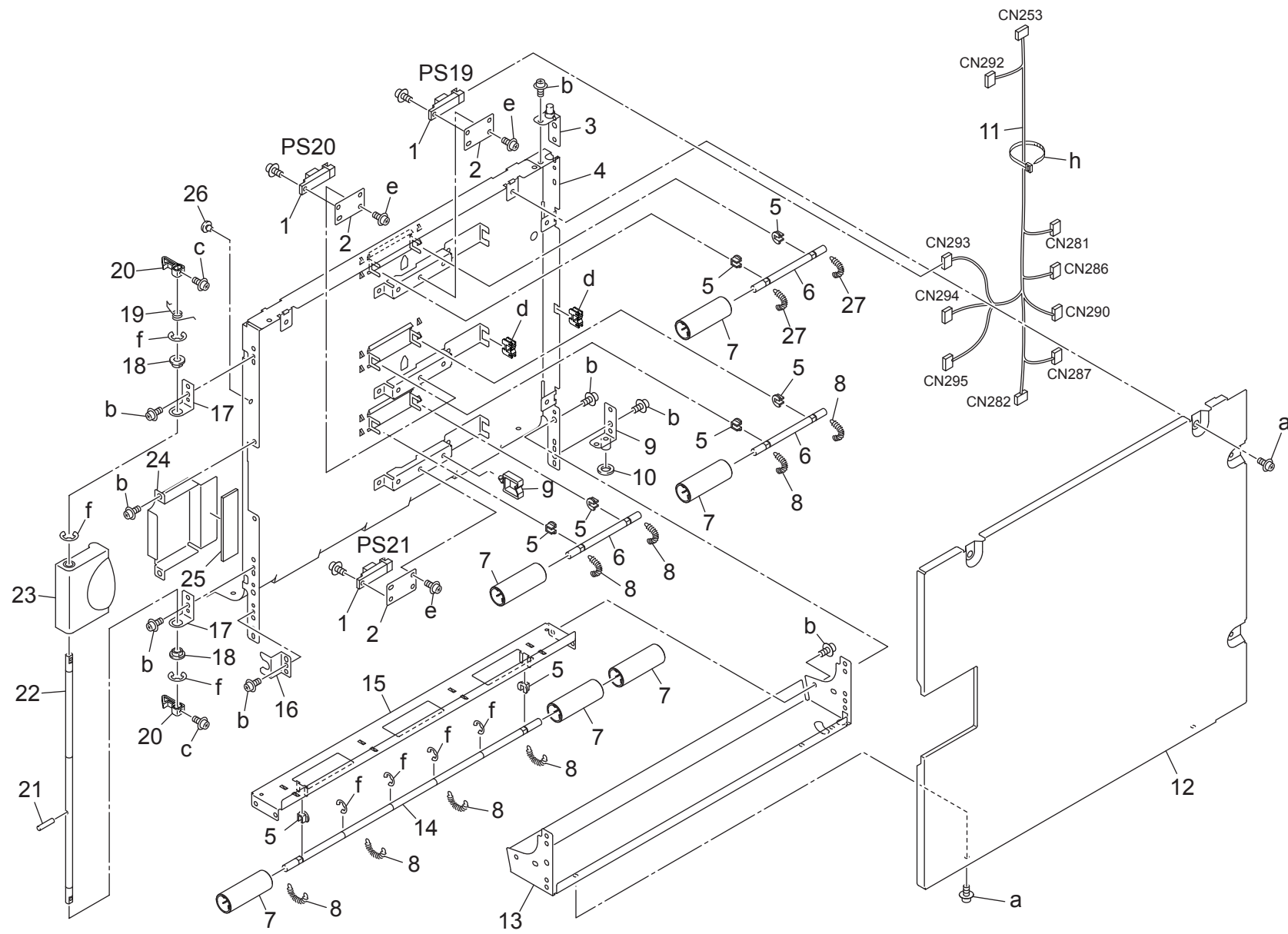


VERTICAL CONVEYANCE UNIT

Key	Part No.	Description	Destinations	Class	QTY	Standard parts
1	A4EUR73000	Toner Guide Brush		B	1	a-V570010050 b-V138030603 c-V121030403 d-V121040603 e-V501010002 f-V138040603 g-V217060050 h-V501010010
2	A00J617800	BALL BEARING		C	3	
3	56UA44301F	CLEANER SUPPORT PLATE /FRONT		D	1	
4	A4EU700900	Guide Plate /Upper		D	1	
5	56UA44260	Shaft Support Plate		D	1	
6	A4EUN25200	Conveyance Relay harness /3		D	1	
7	55VA47850	Belt Holding Part /2		D	2	
8	12QV40650	SPACER		B	4	
9	A00J617900	Ball Bearing		B	4	
10	55VA76530	ADU Conveyance Pulley /3 19T		B	2	
11	56UA44700	PULLEY COVER		D	1	
12	56UA78090	CONVEYANCE BELT/A 192L		B	1	
13	56UA44100	ENTRANCE GUIDE STAY		D	2	
14	13QA85511	Sensor 1		B	3	
15	56UA90830	CONVEYANCE RELAY WIRING 1		D	1	
16	57GA79440	TORQUE GEAR/2 17T		C	1	
17	A0G6700200	Conveyance Roller /Lower		B	1	
18	A0G6700300	Conveyance Roller /A		B	1	
19	56AA17471	PIN B 3X12		C	3	
20	56UA90840	CONVEYANCE RELAY WIRING 2		D	1	
21	55VA42120	SHAFT STOPPER		C	1	
22	57GA82010	Clutch /1		B	1	
23	A4EUR71600	Cleaner Drive Assy		B	1	

VERTICAL CONVEYANCE UNIT

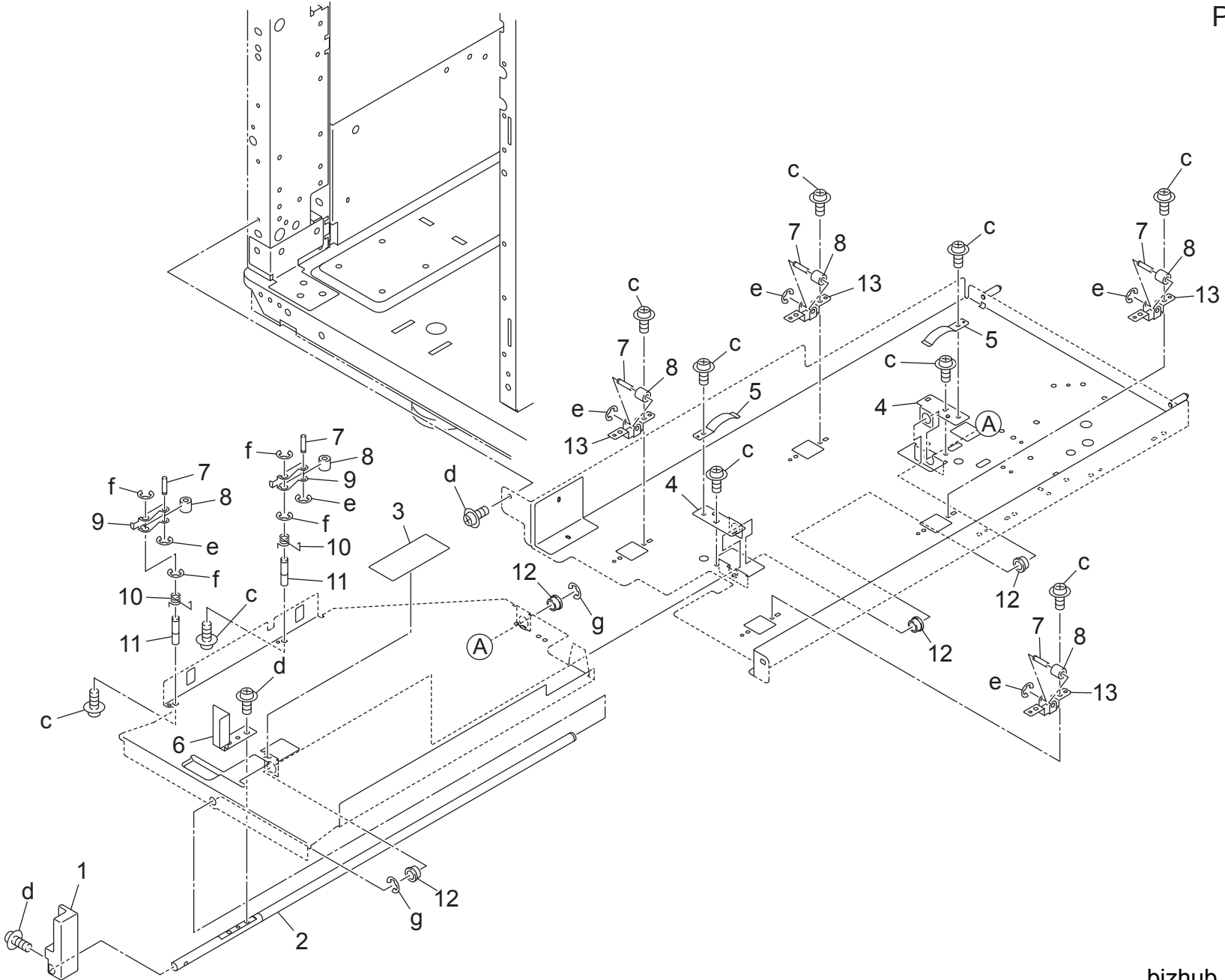
P 45



VERTICAL CONVEYANCE UNIT

Key	Part No.	Description	Destinations	Class	QTY	Standard parts
1	13QA85511	Sensor 1		B	3	a-V121030604
2	56UA44330	Mounting Plate		D	3	b-V121030403
3	56UAR7A100	HINGE UPPER		D	1	c-V121030603
4	56UA44030	PAPER FEED CONVEYANCE DOOR		D	1	d-V570010050
5	56UA44680	Idler Bushing		C	8	e-V138030603
6	56UA44150	Conveyance Idler Shaft /S		D	3	f-V217040050
7	56UA44500	Conveyance Idler Roller		C	6	g-V500010024
8	56UA44660	Registration Pressing Spring		C	8	h-V501010002
9	56UAR7A200	HINGE LOWER		D	1	
10	55VA15610	Driving Spacer		C	1	
11	56UA90250E	Conveyance Wiring		D	1	
12	A4EW164000	Open/close Cover		D	1	
13	56UA44340	DOOR BOTTOM PLATE		D	1	
14	56UA44160	CONVEYANCE IDLER SHAFT L		D	1	
15	56UA44320	Roller Mounting Plate /Lower		D	1	
16	55VA44170	Door Positioning Plate		D	1	
17	56UA44280	Shaft Holder Support Plate		D	2	
18	466076020	PAPER FEED SHAFT HOLDER		B	2	
19	A4EU703800	Lock Spring /Upper		D	1	
20	55VA44150	DOOR LOCK CLAW		C	2	
21	56AA17300	PIN		C	1	
22	56UA44270	LOCK SHAFT		D	1	
23	56UA44740E	Door Open/Close Lever		C	1	
24	A4EW705400	Conveyance Cover		D	1	
25	A4EU705700	Vibrationproof Seal /2		D	1	
26	12AJ45850	STOPPER RUBBER		C	1	
27	55VA46451	REGISTRATION FEEDING SPRING		B	2	

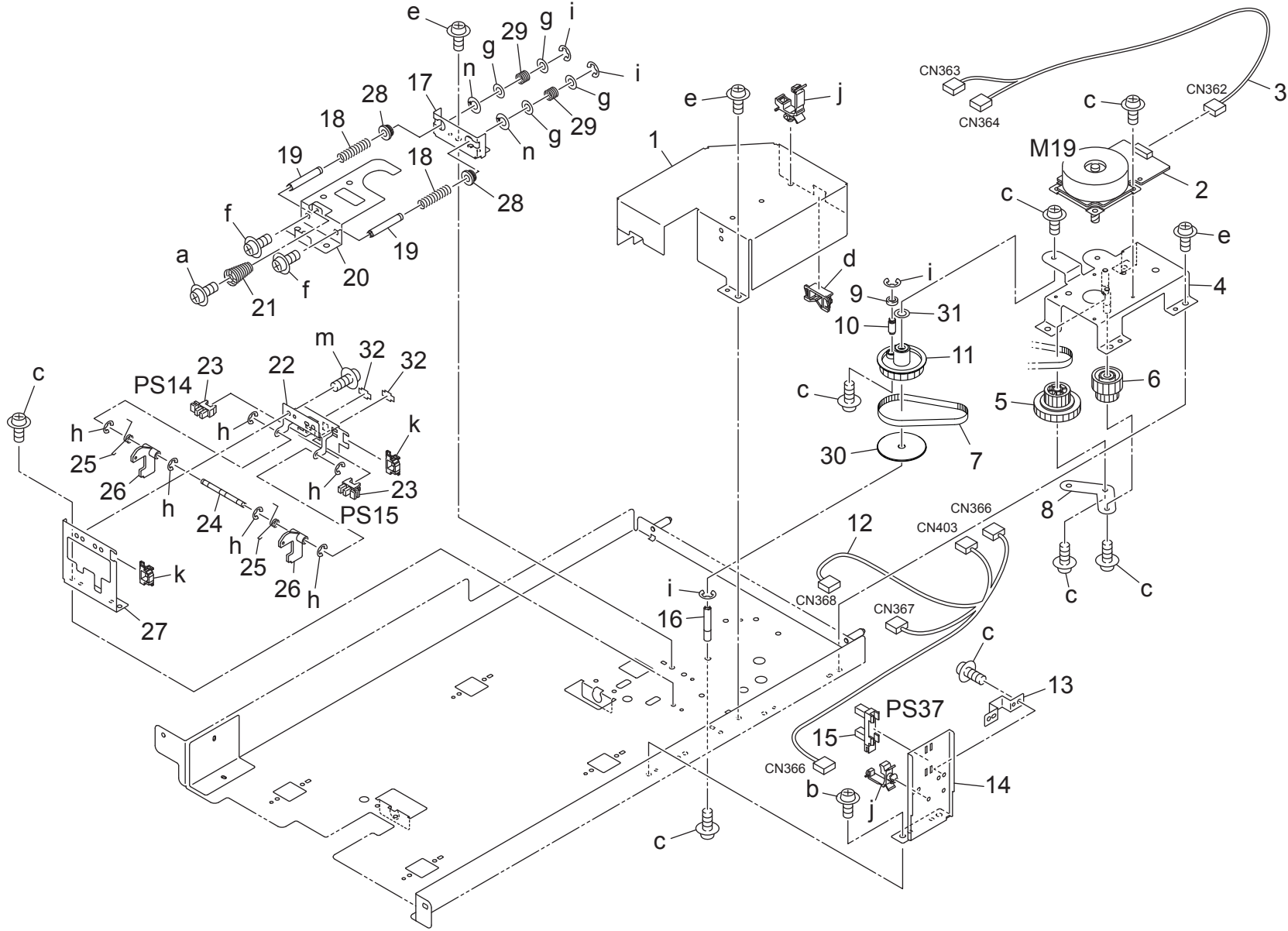
SWING TRAY UNIT



SWING TRAY UNIT

Key	Part No.	Description	Destinations	Class	QTY	Standard parts
1	A0G6352700	Lock Handle		C	1	c-V121030603 d-V121040603 e-V217030050 f-V217040050 g-V217060050
2	A0G6358500	Lock Shaft		D	1	
3	A0G6358700	Regulating Sheet /1		D	1	
4	A0G6369700	Holding Plate		D	2	
5	25SA66840D	Write Cover Spring		C	2	
6	A0G6352100	Lock Plate		D	1	
7	A0G6351900	Hold Shaft		D	6	
8	A0G6351800	Guide Roll		C	6	
9	A0G6354000	Guide Plate		D	2	
10	A0G6354800	Guide Spring		C	2	
11	A0G6354100	Guide Shaft		D	2	
12	090076040	SHAFT HOLDER		C	4	
13	A0G6351700	Hold Plate		D	4	

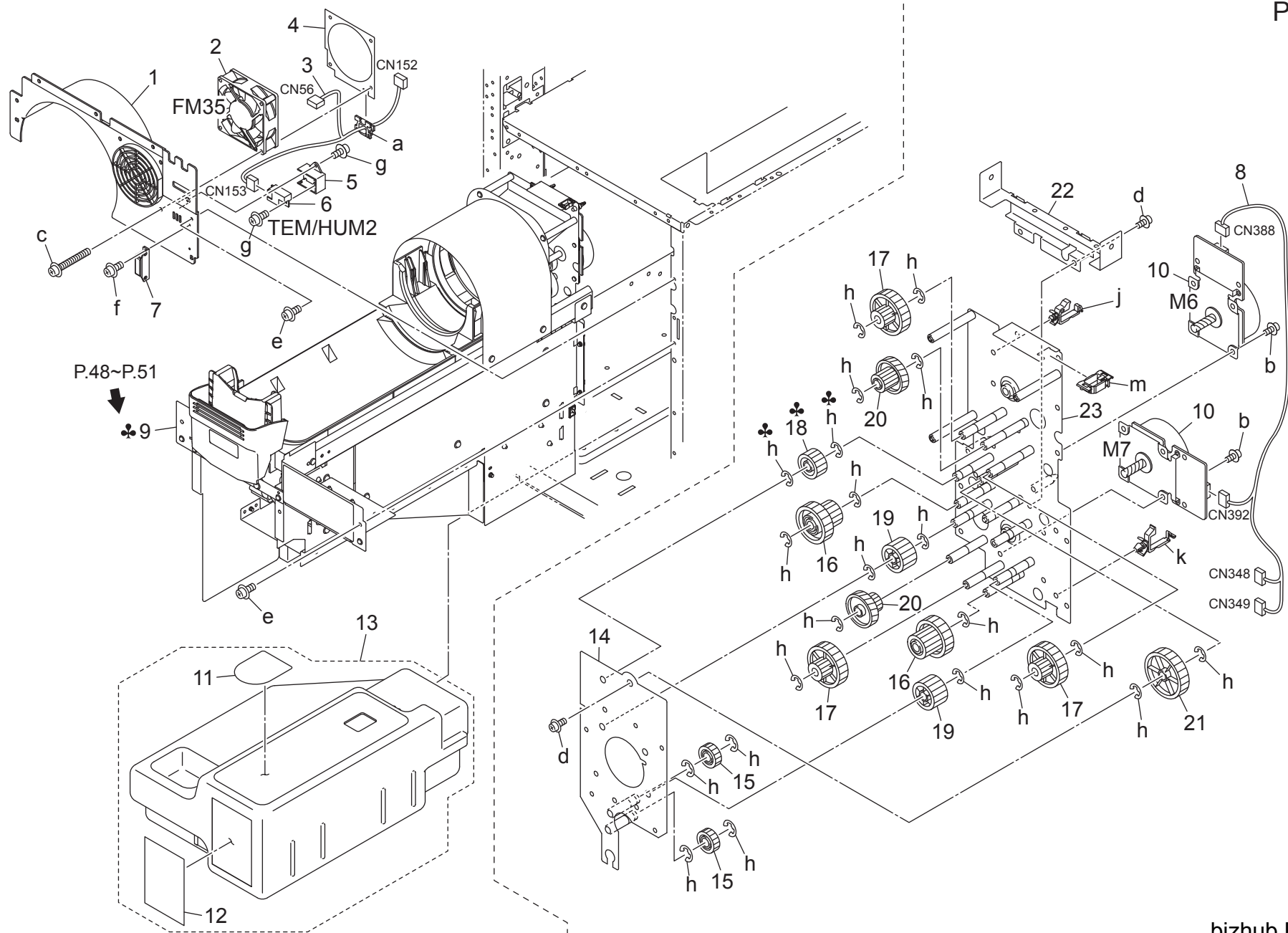
SWING TRAY UNIT



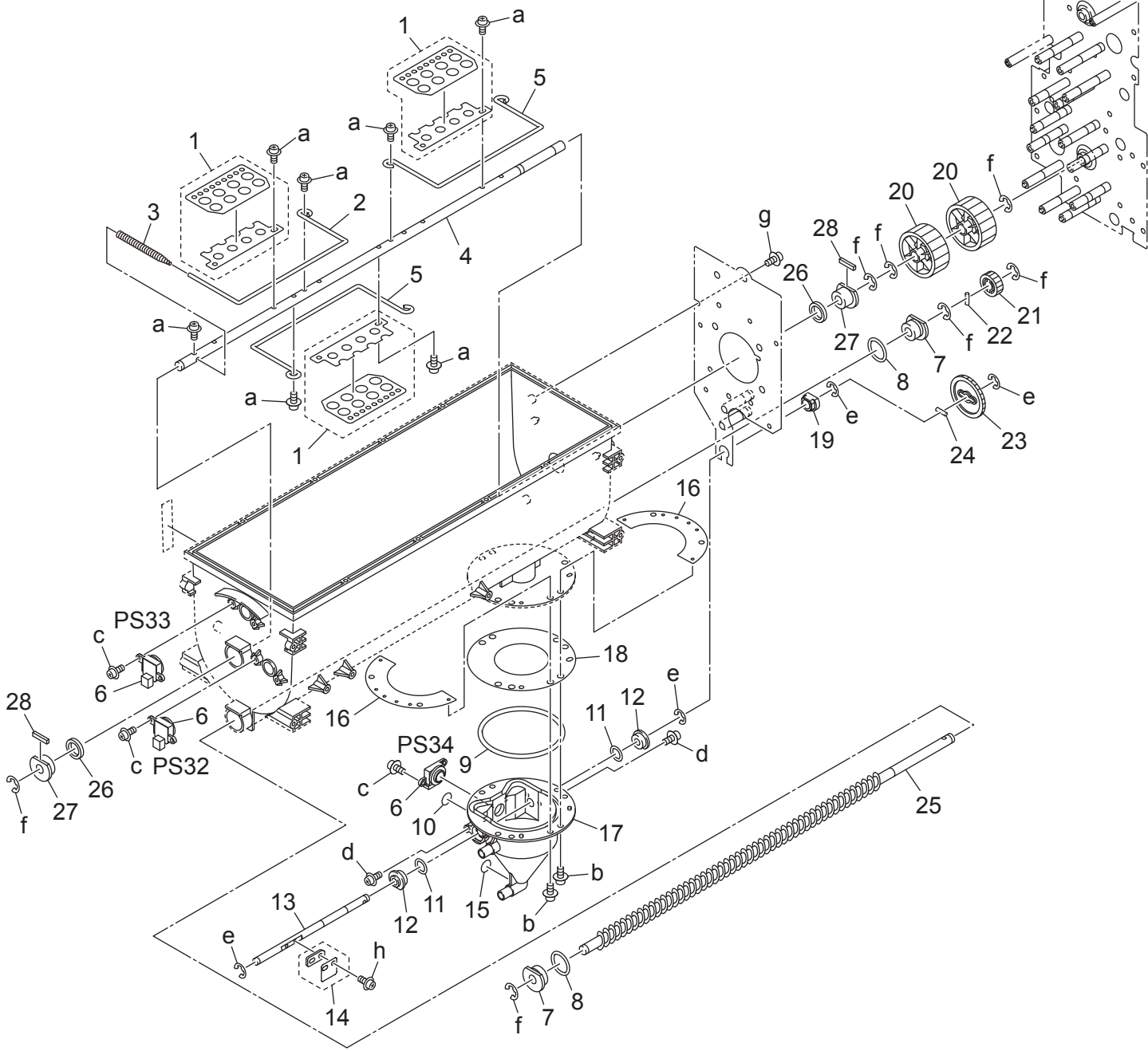
SWING TRAY UNIT

Key	Part No.	Description	Destinations	Class	QTY	Standard parts
1	A0G6356101	Protection Cover /2		D	1	a-V111030603
2	A0WJM10000	Brushless motor		C	1	b-V118040604
3	A4EUN14400	Toner Relay harness /3		D	1	c-V121030603
4	A4EUR72100	Drive Board /2 Caulking		D	1	d-V570010063
5	A0G6358800	Swing Pulley /2 38 /24T		C	1	e-V121040603
6	A0G6357100	Swing Gear /1 18/48T		C	1	f-V116030803
7	A0G6369500	Swing Belt 186L		C	1	g-V207060003
8	A0G6350700	Reinforce Plate /4		D	1	h-V217020050
9	12VG40640	BEARING		C	1	i-V217040050
10	A0G6358401	Swing Pin		D	1	j-V500010061
11	A0G6358901	Swing Pulley 40T		C	1	k-V570010050
12	A0G6N14500	Toner Relay Harness		D	1	m-V127030603
13	A0G6352500	Electrostatic Proof Cover /1		D	1	n-V223080050
14	A0G6350800	Board /3		D	1	
15	9335140051	SOLID STATE SWITCH		B	1	
16	A0G6351400	Swing Shaft /1		D	1	
17	A0G6358200	Base Plate /1		D	1	
18	A0G6352000	Swing Spring		C	2	
19	A0G6358301	Guide Shaft /2		D	2	
20	A0G6350400	Swing Board /2		D	1	
21	A0G6353700	Fixing Spring		C	1	
22	A0G6365400	Board /2		D	1	
23	08AA85512	Photo Sensor		B	2	
24	A0G6365800	Support Shaft		D	1	
25	A0G6365900	Set Spring		C	2	
26	A0G6365700	Set Actuator		C	2	
27	A0G6365300	Board /1		D	1	
28	A0G6369901	Swing Bushing		C	2	
29	A0G6358600	Stopper Spring		D	2	
30	A0G6366000	Swing Collar		C	1	
31	26MA74100	SPECIAL WASHER		C	1	
32	4470402401	STOPPER		D	2	

TONER SUPPLY PROTECTION UNIT



TONER SUPPLY PROTECTION UNIT

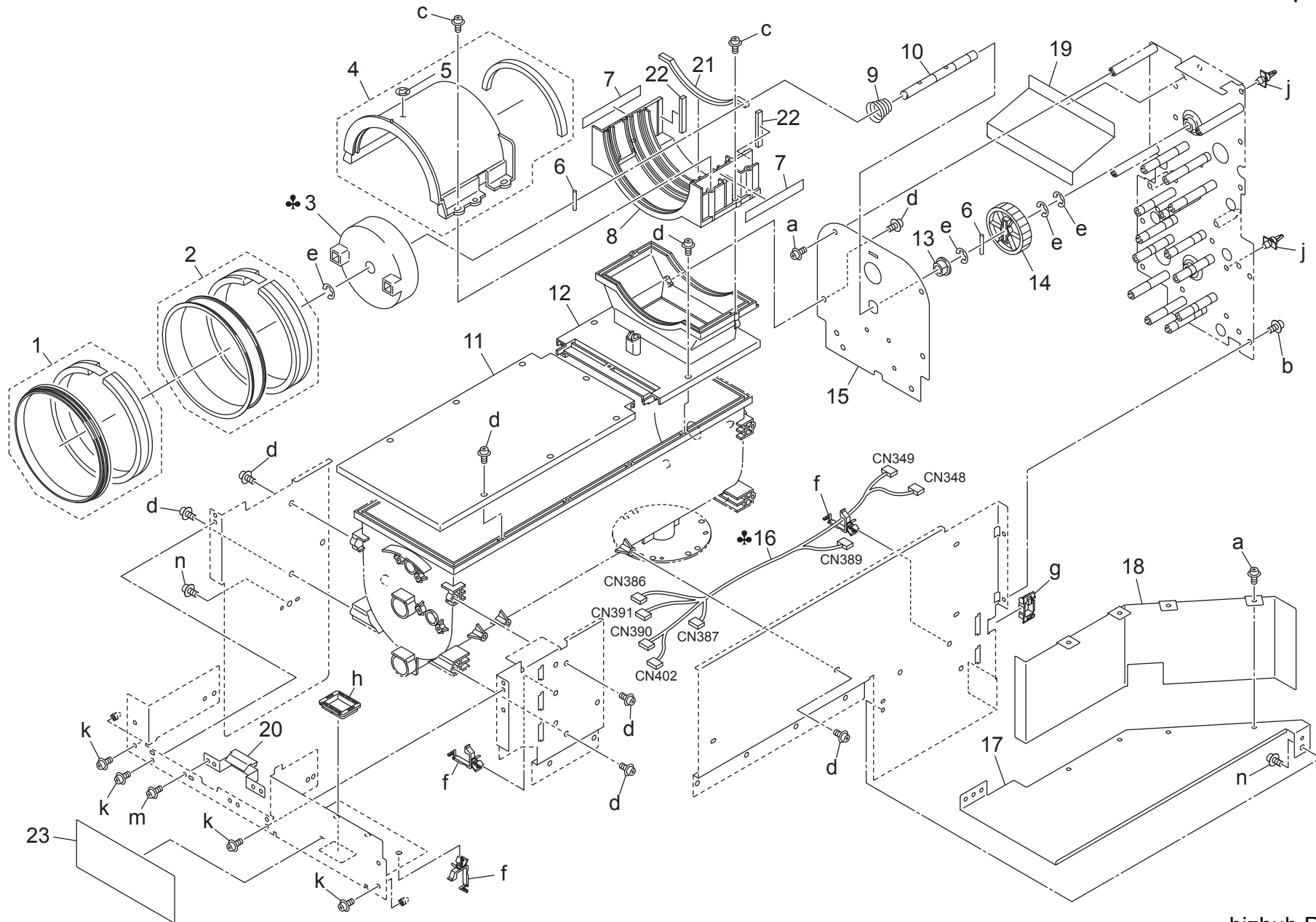


TONER SUPPLY PROTECTION UNIT

Key	Part No.	Description	Destinations	Class	QTY	Standard parts
1	A4EUR72F00	Agitating Assy		C	3	a-V111030603
2	56UA34190	Toner Agitating Arm		D	1	b-V121030803
3	56UA34300	Auxiliary Spring		C	1	c-V145030803
4	56UA34220	Toner Agitating Shaft		D	1	d-V151030603
5	56UA34180	Toner Agitating Arm /2		C	2	e-V217040050
6	40AA88031	Level Detection Sensor		C	3	f-V217060050
7	56UA76060	Bushing		C	2	g-V151040803
8	56UA34390	Toner Preventing Rubber		D	2	h-V118030603
9	56UA34290	Scatter Preventing Rubber		C	1	
10	56UA97450	Toner Supply Installing Label /4		D	1	
11	56UA32690	Toner Supply Sealing Rubber/B		C	2	
12	56AA32650	TONER CONVEYING SHAFT HOLDER		C	2	
13	A4EU413300	Agitating Shaft /Lower		D	1	
14	A4EUR72E00	Agitating/Lower Assy		D	1	
15	56UA97420	Toner Supply Installing Label /1		D	1	
16	56UA34730	Toner Supply Fixing Plate		D	2	
17	56UA34160	Toner Feeding Case		D	1	
18	56UA34710	TONER SEAL		D	1	
19	540076090	FIXING CLEANER SHAFT HOLDER C		B	1	
20	56UA77750	Toner Supply Drive Gear /F 40T		C	2	
21	56UA77760	Toner Supply Drive Gear /G 18T		C	1	
22	56AA17471	PIN B 3X12		C	1	
23	25AA77890	REGULATION GEAR 36T		C	1	
24	56UA34800	Pin		D	1	
25	56UA34100	Toner Conveyance Screw		D	1	
26	A4EU413900	Seal		D	2	
27	56GA30290	Developing Shaft Holder /B		C	2	
28	A4EU415100	Toner supply Seal /Upper		D	2	

TONER SUPPLY PROTECTION UNIT

P 50

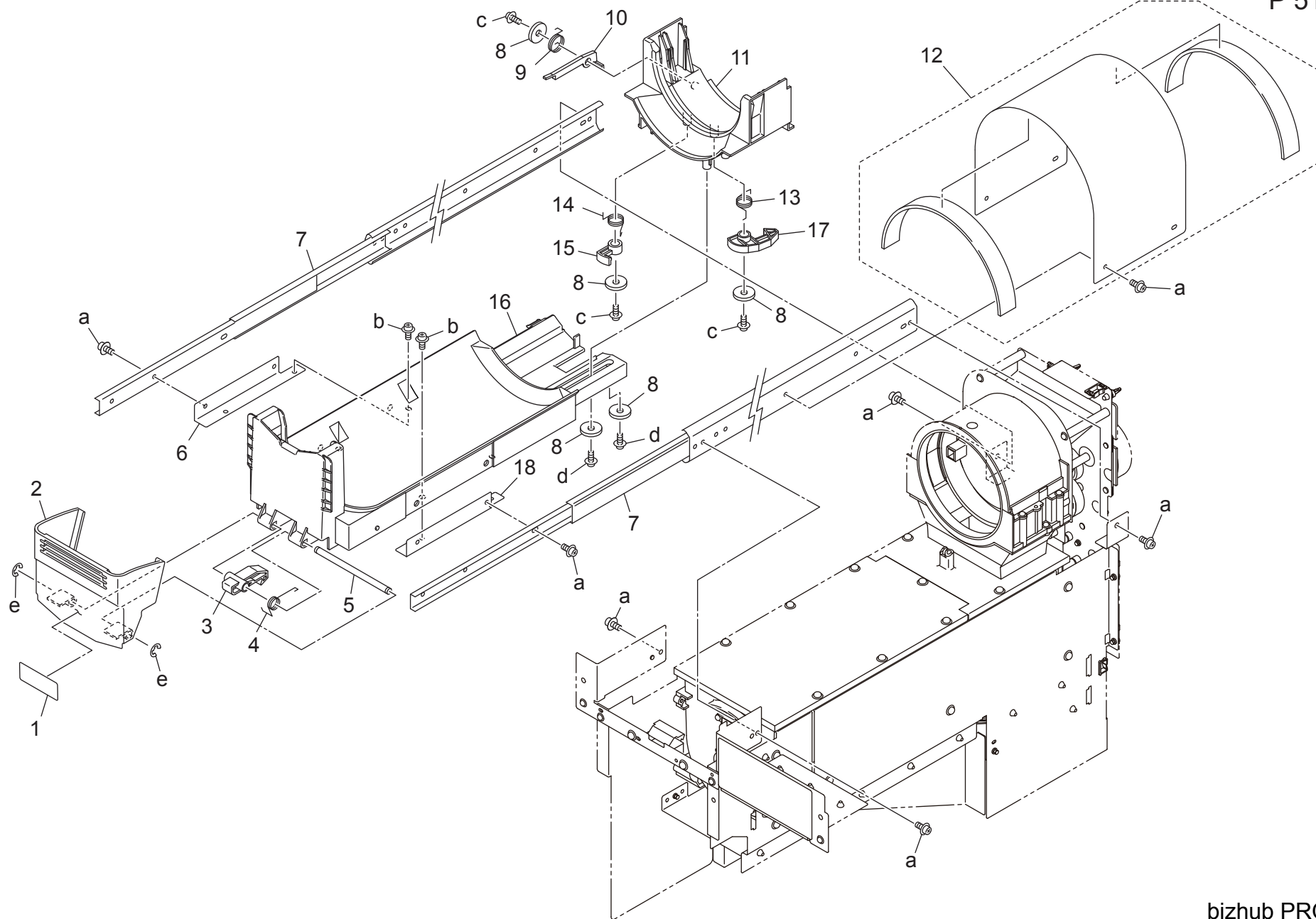


TONER SUPPLY PROTECTION UNIT

Key	Part No.	Description	Destinations	Class	QTY	Standard parts
1	A4EUR70W00	Sleeve/1		B	1	a-V121030603
2	A4EUR70X00	Sleeve/2		B	1	b-V121040603
3	55VA32080	Cartridge Driving Part	A	C	1	c-V151030803
3	55VE32080	CARTRIDGE DRIVING PART	B,C,G2	C	1	d-V151040803
4	A4EUR72D00	Cover /Upper Assy		D	1	e-V217060050
5	020097060	ARROW LABEL		C	1	f-V500010004
6	56AA17500	PIN		C	2	g-V570010063
7	A4EU414700	Seal		D	2	h-V570010038
8	56UA34060	Toner Supply Cover /B		C	1	j-V502010014
9	55VA32150	Driving Release Spring		B	1	k-V121030504
10	56UA34610	Cartridge Drive Shaft		D	1	m-V121040604
11	56UA34460	Toner Supply Cover /2		D	1	n-V127040603
12	56UA34452	Toner Supply Cover /1		D	1	
13	A0Y5406400	Slide Bushing/8		C	1	
14	56UA77700	Toner Supply Drive Gear /A 45T		C	1	
15	56UA34121E	Cartridge Drive Plate /A		D	1	
16	A0G6N13A00	Toner Wiring /1	A	D	1	
16	A0G6N13E00	Toner Wiring /1	B,C,G2	D	1	
17	A0G6410700	Toner Supply Cover /1		D	1	
18	A0G6410800	Toner Supply Cover /2		D	1	
19	A0G6415000	Toner supply Sheet		D	1	
20	A0G6410611	Toner Supply Lock		D	1	
21	A0G6414000	Sealing Part /R		D	1	
22	55VA32430	Toner Sealing Part/3		D	2	
23	A4EU947900	Operation Label /F		D	1	

TONER SUPPLY PROTECTION UNIT

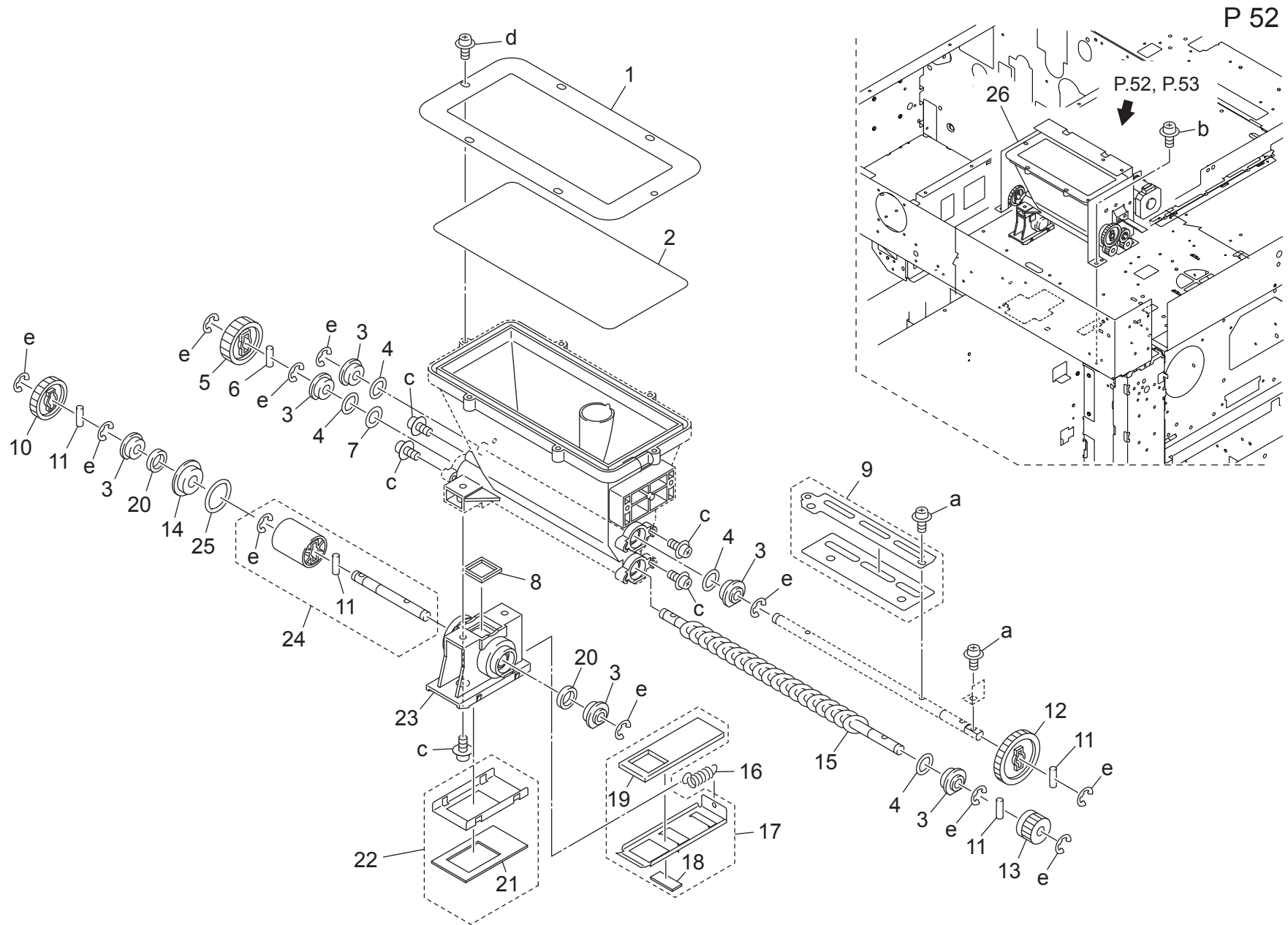
P 51



TONER SUPPLY PROTECTION UNIT

Key	Part No.	Description	Destinations	Class	QTY	Standard parts
1	A4EW947600	Toner supply Label		D	1	a-V118040403 b-V127040603 c-V145030803 d-V151030803 e-V217040050
2	56NE32510	LEVER		C	1	
3	A0G6416100	Toner Supply Part		C	1	
4	56AA32620	TONER SUPPLY LOCKING SPRING		C	1	
5	56AA32521	LEVER SHAFT		D	1	
6	56UA34230	Cartridge Support Plate /Left		D	1	
7	A4EU400800	Slide Rail		D	2	
8	56AA32710	GUIDE SPACER		C	5	
9	56AA32761	LOCKING SPRING C		C	1	
10	56AA32751	LOCKING PART C		C	1	
11	A4EW411100	Toner supply Cover /A		D	1	
12	A4EUR72G00	Toner Supply Plate Assy		D	1	
13	56AA32450	LOCKING SPRING A		C	1	
14	56AA32640	LOCKING SPRING B		C	1	
15	56AA32630	Locking Part /B		C	1	
16	56UA34071	Cartridge Pressing Part		D	1	
17	56AA32440	LOCKING PART A		C	1	
18	56UA34240	Cartridge Support Plate /Right		D	1	

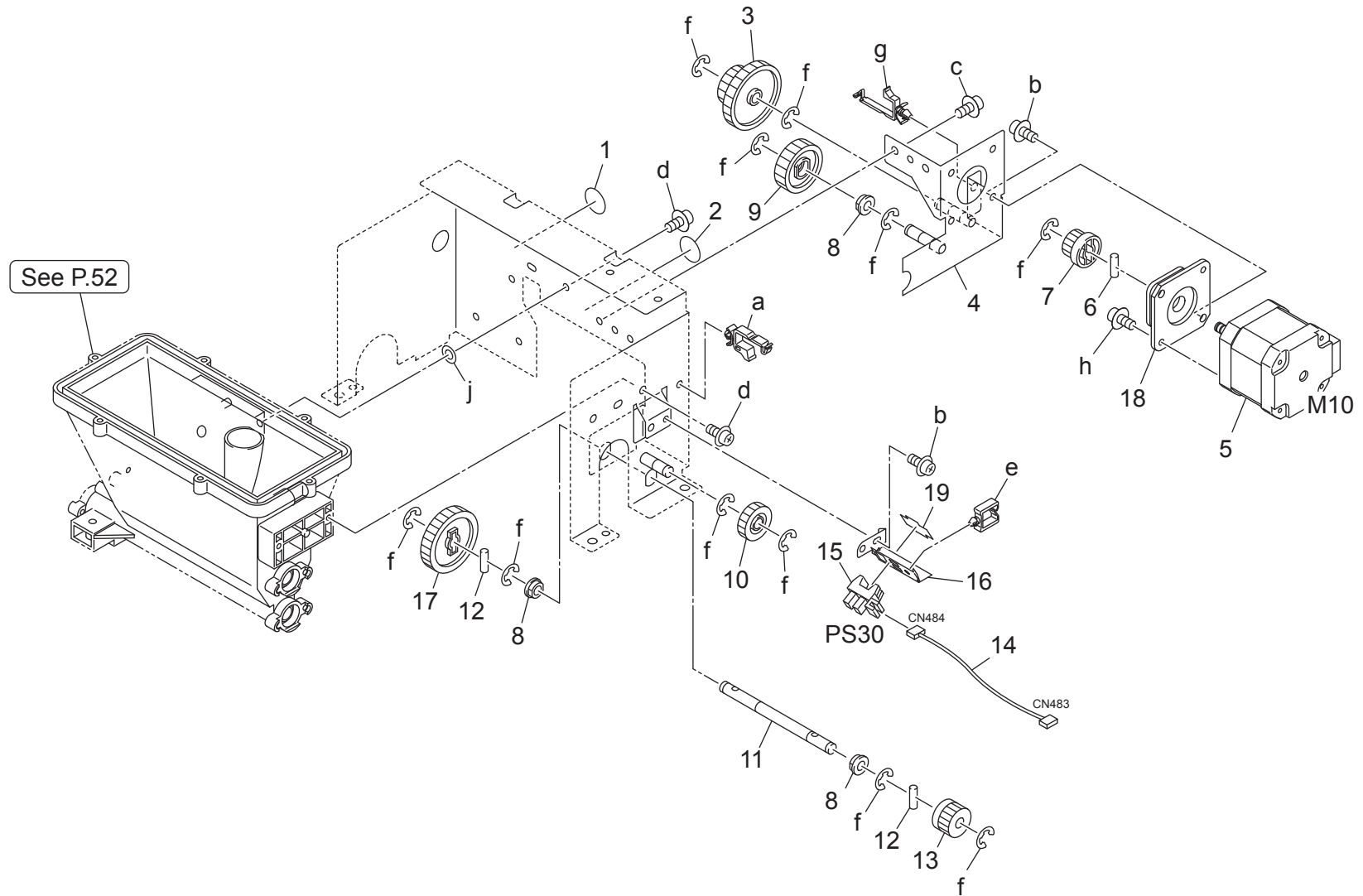
TONER SUPPLY MAIN BODY UPPER UNIT



TONER SUPPLY MAIN BODY UPPER UNIT

Key	Part No.	Description	Destinations	Class	QTY	Standard parts
1	56UA32520	Toner Supply Cover /Upper		D	1	a-V121030603 b-V121040403 c-V151030603 d-V151030804 e-V217040050
2	56UA32830	TONER SEPARATING SEAL D		C	1	
3	56AA32650	TONER CONVEYING SHAFT HOLDER		C	6	
4	56UA32690	Toner Supply Sealing Rubber/B		C	4	
5	25SA77180	TONER CONVEYANCE GEAR B 26T		C	1	
6	56AA17520	PIN A D3X10		C	1	
7	56UA32590	Toner Sealing Plate		C	1	
8	56UA32800	Toner Separating Seal /C		C	1	
9	A4EUR72700	Agitating Plate /A 3 Assy		C	1	
10	55VA77940	AGITATE GEAR A 23T		B	1	
11	56AA17471	PIN B 3X12		C	4	
12	56UA77430	Toner Agitating Gear 32T		C	1	
13	55VA77960	SCREW GEAR 14T		B	1	
14	56UA32740	Toner Supply Control Side Plate		C	1	
15	56UA32210	TONER CONVEYANCE SCREW /UPPER		D	1	
16	A0G6402300	Toner Supply Spring /Upper		C	1	
17	A4EUR72400	Toner Supply Open/Close Plate		D	1	
18	A0G6407600	Toner Supply Seal /B		C	1	
19	56UA32580	Toner Supply Open /Close Sheet		C	1	
20	56UA32380	Toner Agitating Seal		C	2	
21	A0G6407500	Toner Supply Seal /A		C	1	
22	A4EUR72500	Toner Supply Open/Close Cover Assy		D	1	
23	56UA32700	Toner Supply Control Main Body /Upper		D	1	
24	A4EUR72600	Toner Control Shaft Assy		D	1	
25	56UA32620	Toner Supply Sealing Rubber /A		C	1	
26	A4EUR72300	Toner Supply Main Body /Upper		D	1	

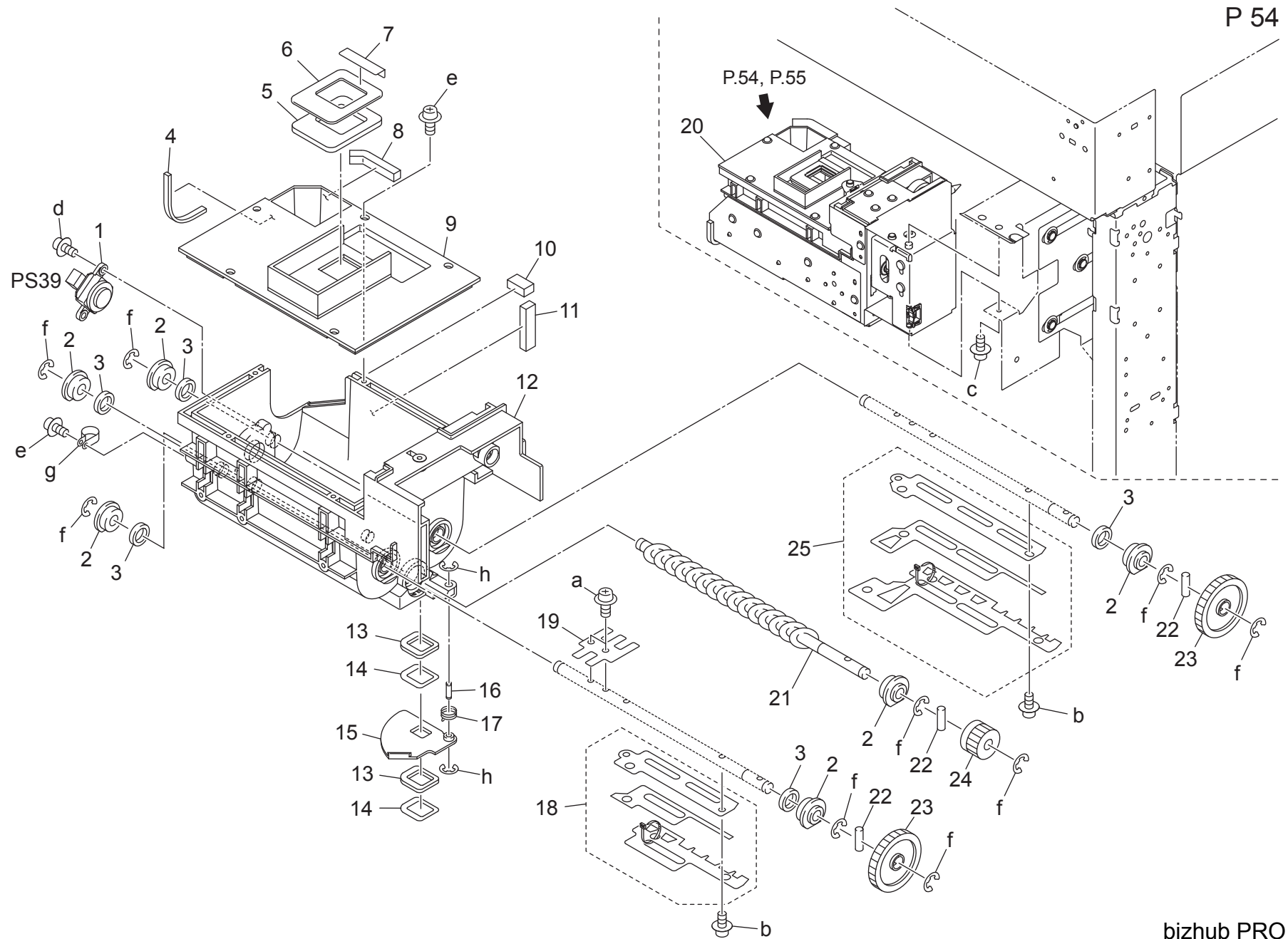
TONER SUPPLY MAIN BODY UPPER UNIT



TONER SUPPLY MAIN BODY UPPER UNIT

Key	Part No.	Description	Destinations	Class	QTY	Standard parts
1	56UA97430	Toner Supply Installing Label /2		D	1	a-V500010020
2	56UA97440	Toner Supply Installing Label /3		D	1	b-V121030603
3	56UA77450	Idling Gear /B 20T /61T		C	1	c-V121040603
4	56UAR77100	MOTOR MOUNTING PLATE UPPER		D	1	d-V151030603
5	A0Y5M10400	HB Motor /40		B	1	e-V500010026
6	56AA17321	PIN A D2X12		B	1	f-V217040050
7	55VA77890	Motor Gear 20T		B	1	g-V500010007
8	A00J663200	Bushing		C	3	h-V111030603
9	56UA408200	Idling Gear /A 26T		C	1	j-V207040003
10	A0G6405400	Toner Supply Gear /1 20T		C	1	
11	56UA32650	Idling Shaft /E		D	1	
12	56AA17471	PIN B 3X12		C	2	
13	55VA77960	SCREW GEAR 14T		B	1	
14	55VA90380	TONER SIGNAL WIRING		D	1	
15	08AA85512	Photo Sensor		B	1	
16	55VA55440	Mounting Plate /B		D	1	
17	56UA77440	Toner Conveyance Gear 34T		C	1	
18	A0Y5M90100	HB Damper /40		D	1	
19	4470402401	STOPPER		D	1	

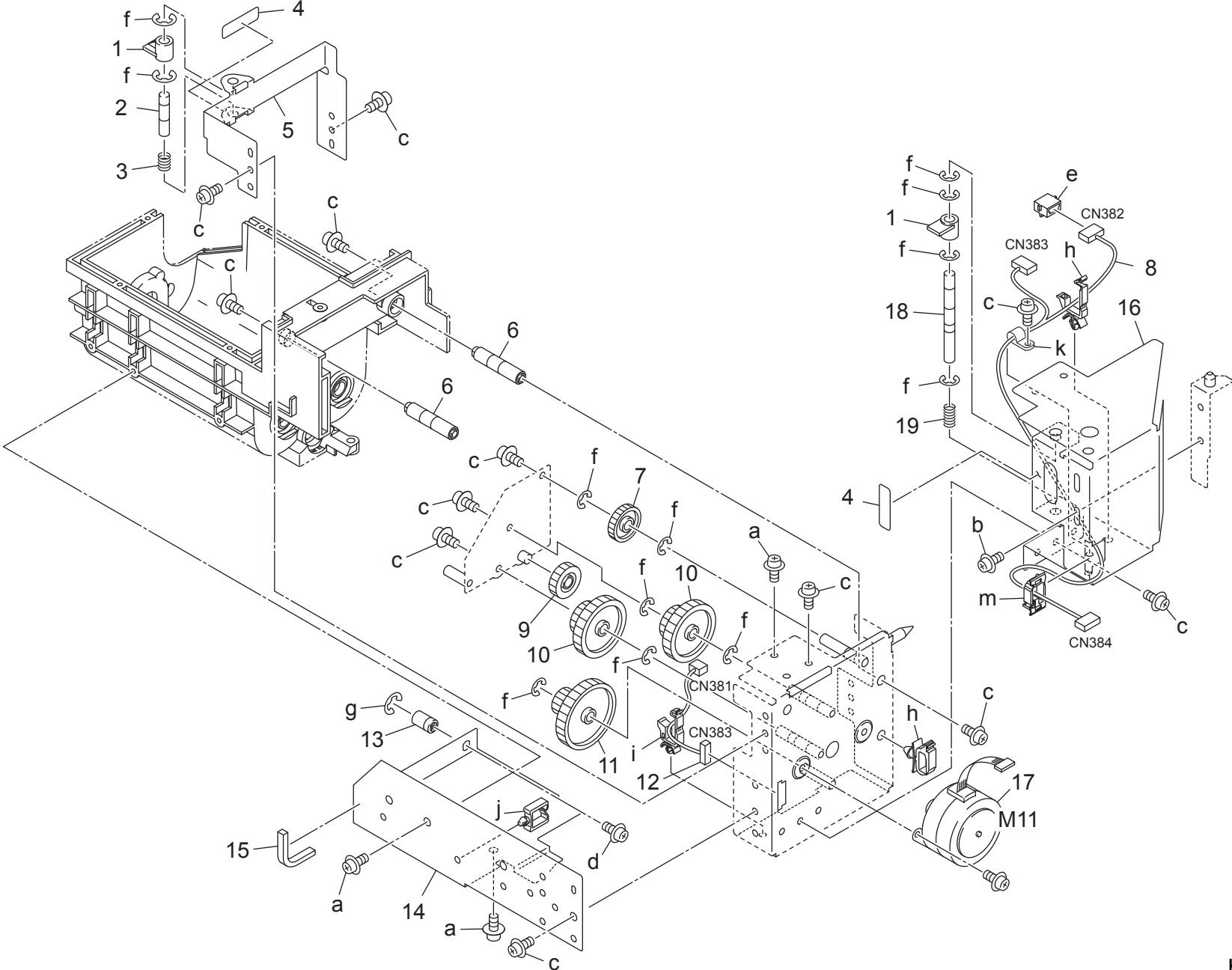
TONER CONVEYANCE MAIN BODY UNIT



TONER CONVEYANCE MAIN BODY UNIT

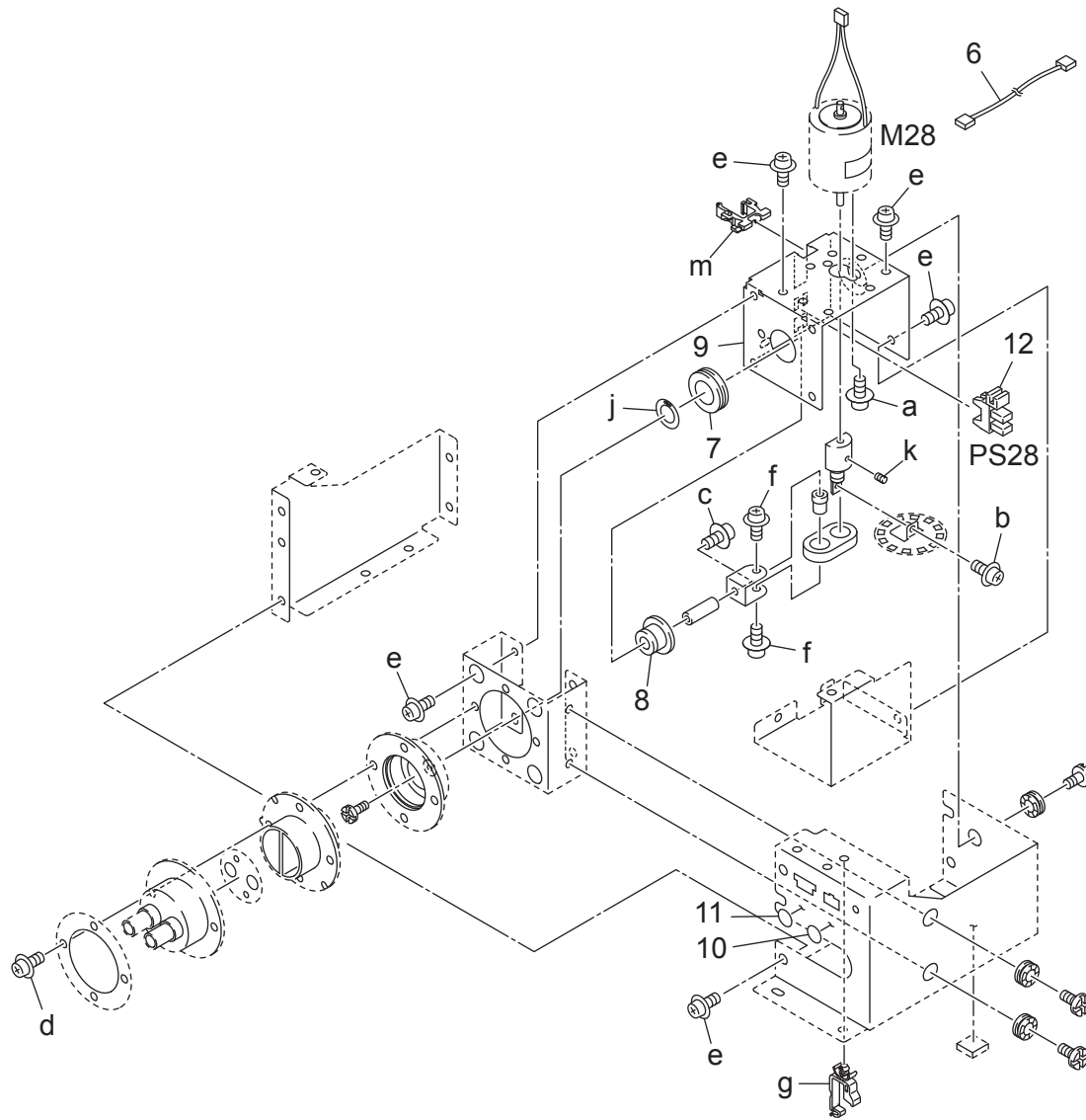
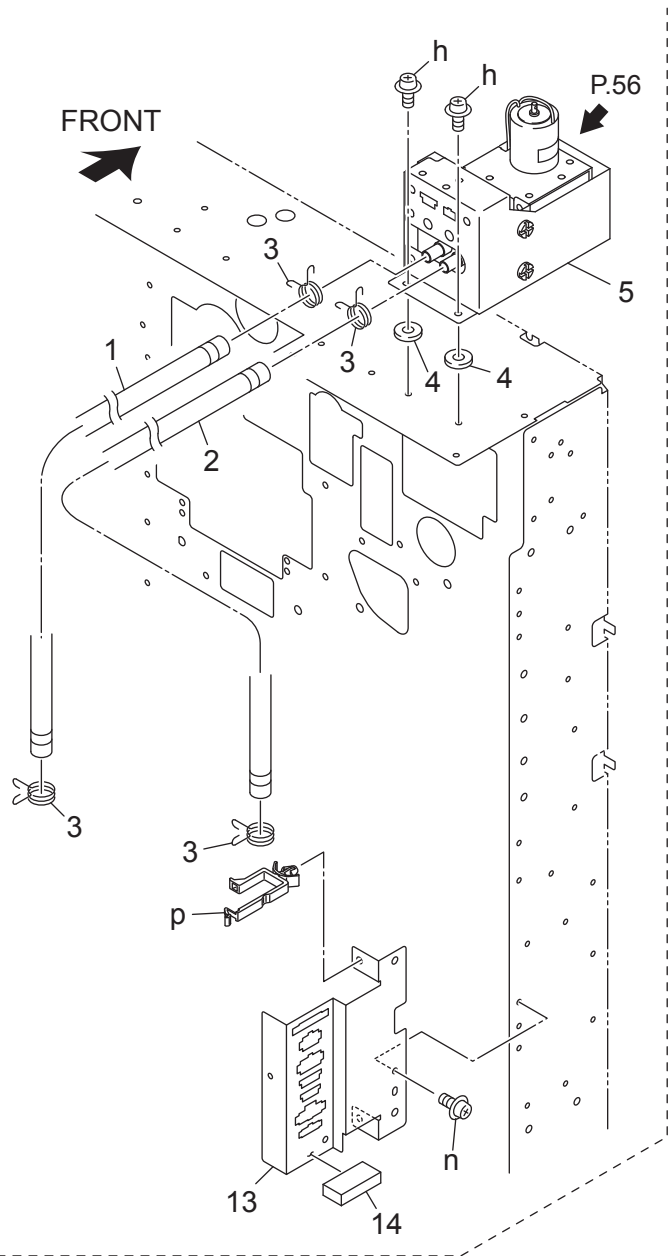
Key	Part No.	Description	Destinations	Class	QTY	Standard parts
1	40AA88031	Level Detection Sensor		C	1	a-V116030803
2	56AA32650	TONER CONVEYING SHAFT HOLDER		C	6	b-V121030603
3	56UA32380	Toner Agitating Seal		C	5	c-V121040603
4	56UA32840	Toner Separating Seal /E		C	1	d-V145030803
5	56UA32270	Open/Close Cushion		C	1	e-V158030803
6	56UA32260	Cover Seal		C	1	f-V217040050
7	56UA32850	Toner Separating Seal /F		C	1	g-V500020001
8	A0G6407200	Toner Supply Seal /1		C	1	h-V217030050
9	A0G6400202	Toner supply Cover /Middle		D	1	
10	A0G6407400	Toner Supply Seal /3		C	1	
11	A0G6407300	Toner Supply Seal /2		C	1	
12	56UA32010E	Toner Conveyance Main Body		D	1	
13	55GA32220	OPEN CLOSE CUSHION		C	2	
14	25BA32251	COVER SEAL		C	2	
15	55VA32160	Slide Cover		C	1	
16	55VA32330D	Open/close Shaft		D	1	
17	55VA32171	Open Close Spring		C	1	
18	A4EUR70600	Agitating Plate /A 2 Assy		A	1	
19	56UA408100	AGITATING PLATE /1		C	1	
20	A4EUR72200	Toner Conveyance Main Body Assy		D	1	
21	56UA32200	TONER CONVEYANCE SCREW /LOWER		D	1	
22	56AA17471	PIN B 3X12		C	3	
23	56UA77430	Toner Agitating Gear 32T		C	2	
24	55VA77960	SCREW GEAR 14T		B	1	
25	A4EUR70500	Agitating Plate /A 1 Assy		A	1	

TONER CONVEYANCE MAIN BODY UNIT



TONER PUMP UNIT

P 56

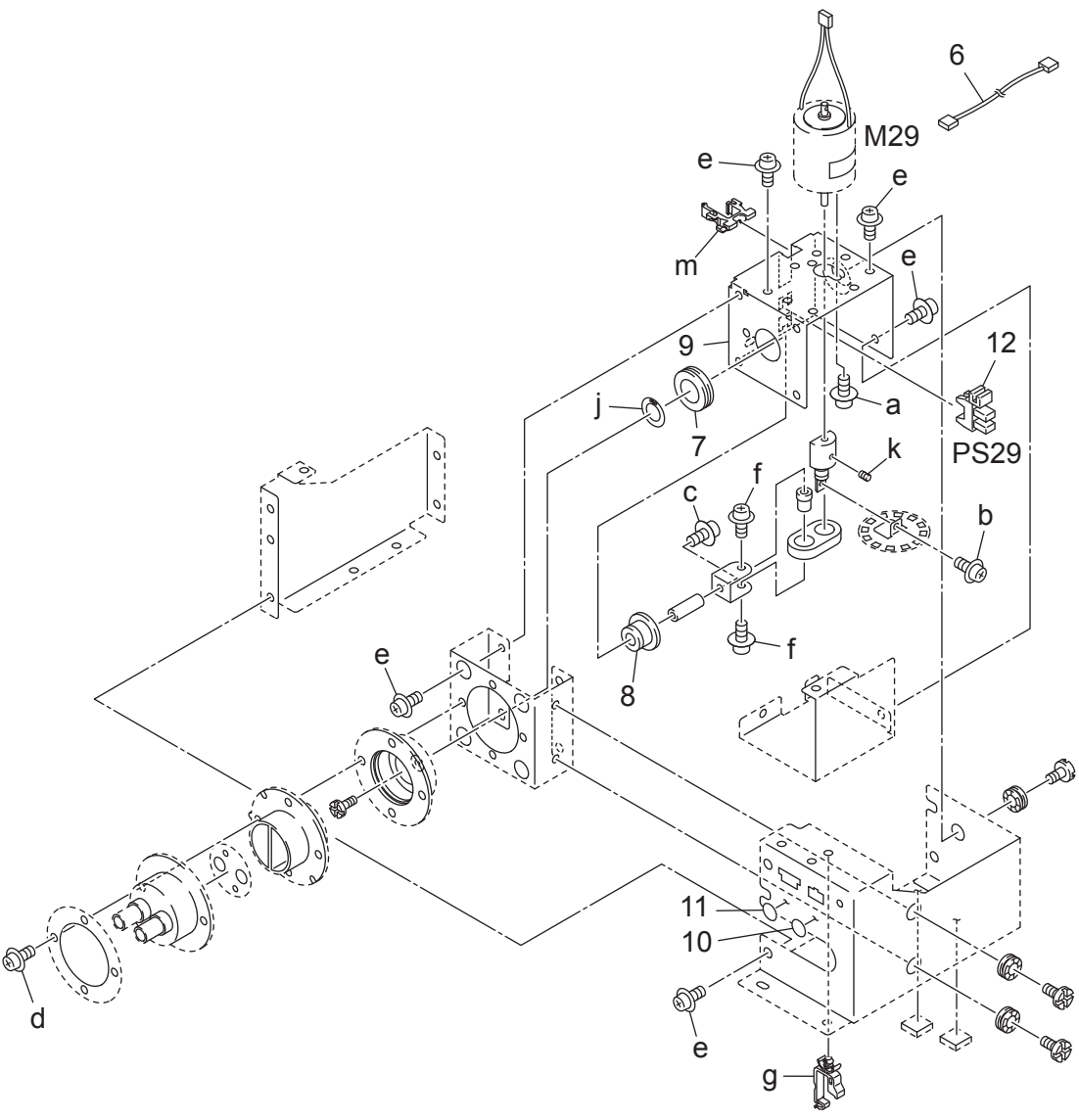
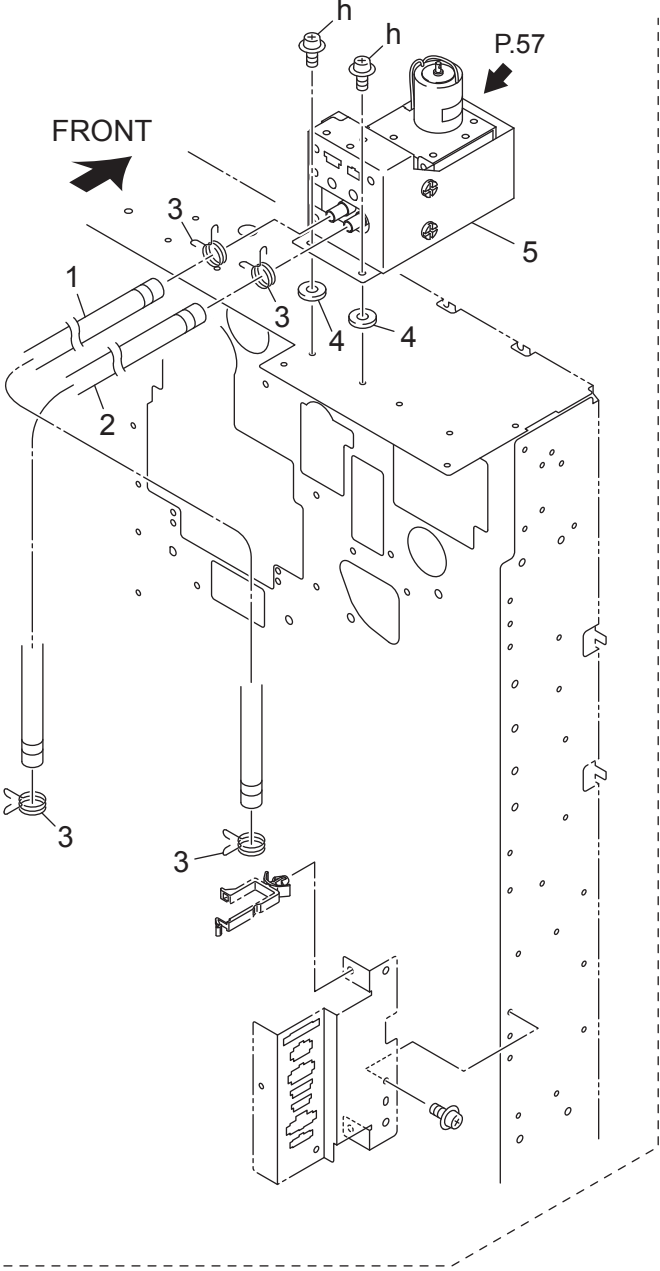


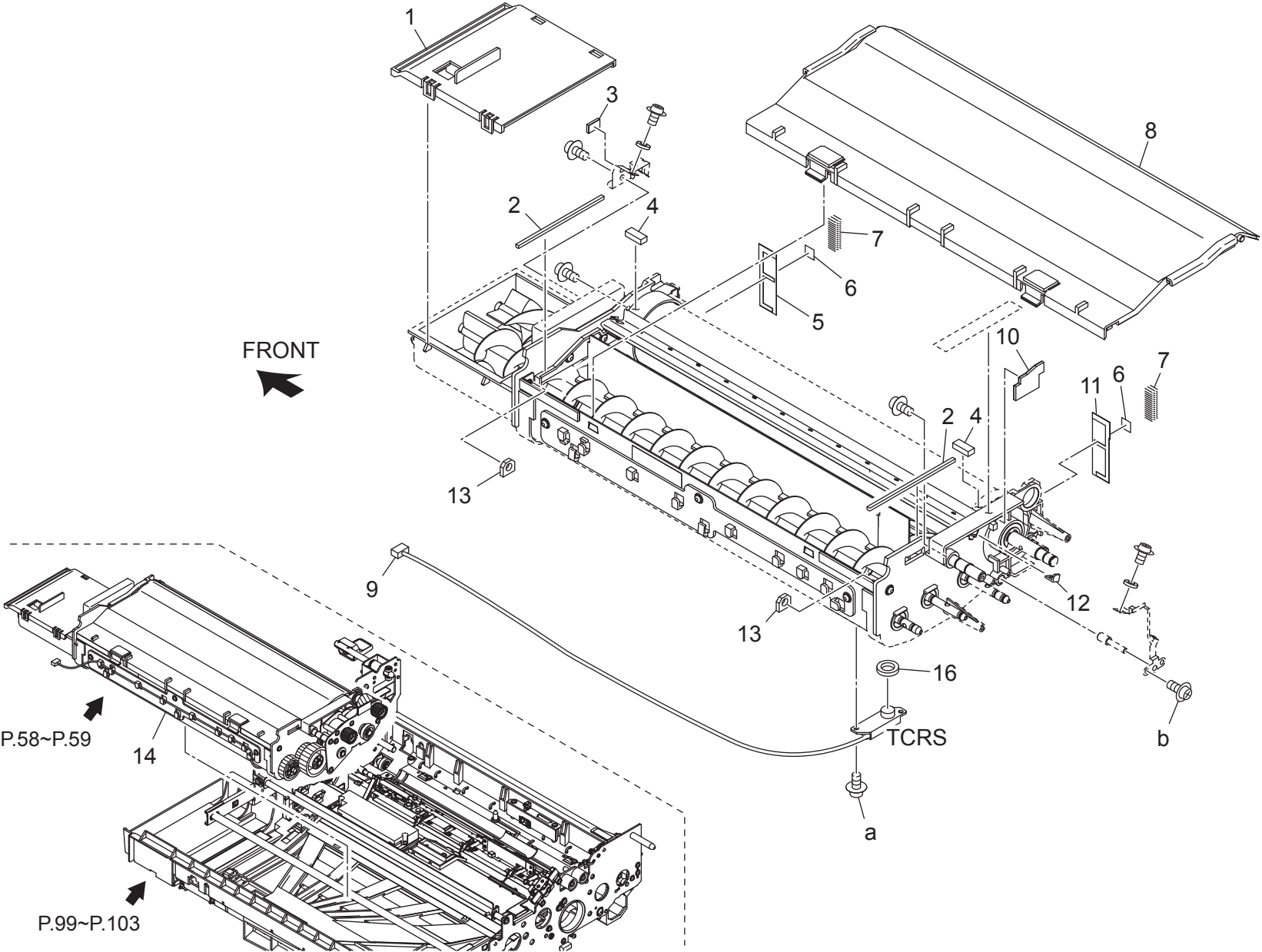
TONER PUMP UNIT

Key	Part No.	Description	Destinations	Class	QTY	Standard parts
1	A4EUR74V00	Toner Pipe Assy/2		D	1	a-V118260403
2	A4EUR74X00	Toner Pipe Assy/1		D	1	b-V118030403
3	56UA32330	Toner Supply Dust Proof Spring		C	4	c-V118030803
4	56UA33280	TONER SUPPLY HOLDING PLATE		D	2	d-V118031003
5	A4EUR70Y00	Toner Pump Assy		B	1	e-V121030403
6	56UA90390	TONER DETECTION WIRING		D	1	f-V121030603
7	56UA33230	TONER SUPPLY RUBBER		D	1	g-V500010020
8	A4EU430700	Conveyance Bushing		C	1	h-V121040803
9	56UA33100	CAM PROTECTION COVER		D	1	j-V223120004
10	56UA97420	Toner Supply Installing Label /1		D	1	k-V193030404
11	56UA97430	Toner Supply Installing Label /2		D	1	m-V570010050
12	08AA85512	Photo Sensor		B	1	n-V121040603
13	A0G6134400	Mounting Plate /4		D	1	p-V500010013
14	A4EU136100	Protection Cushion /3		D	1	

TONER PUMP UNIT

P 57

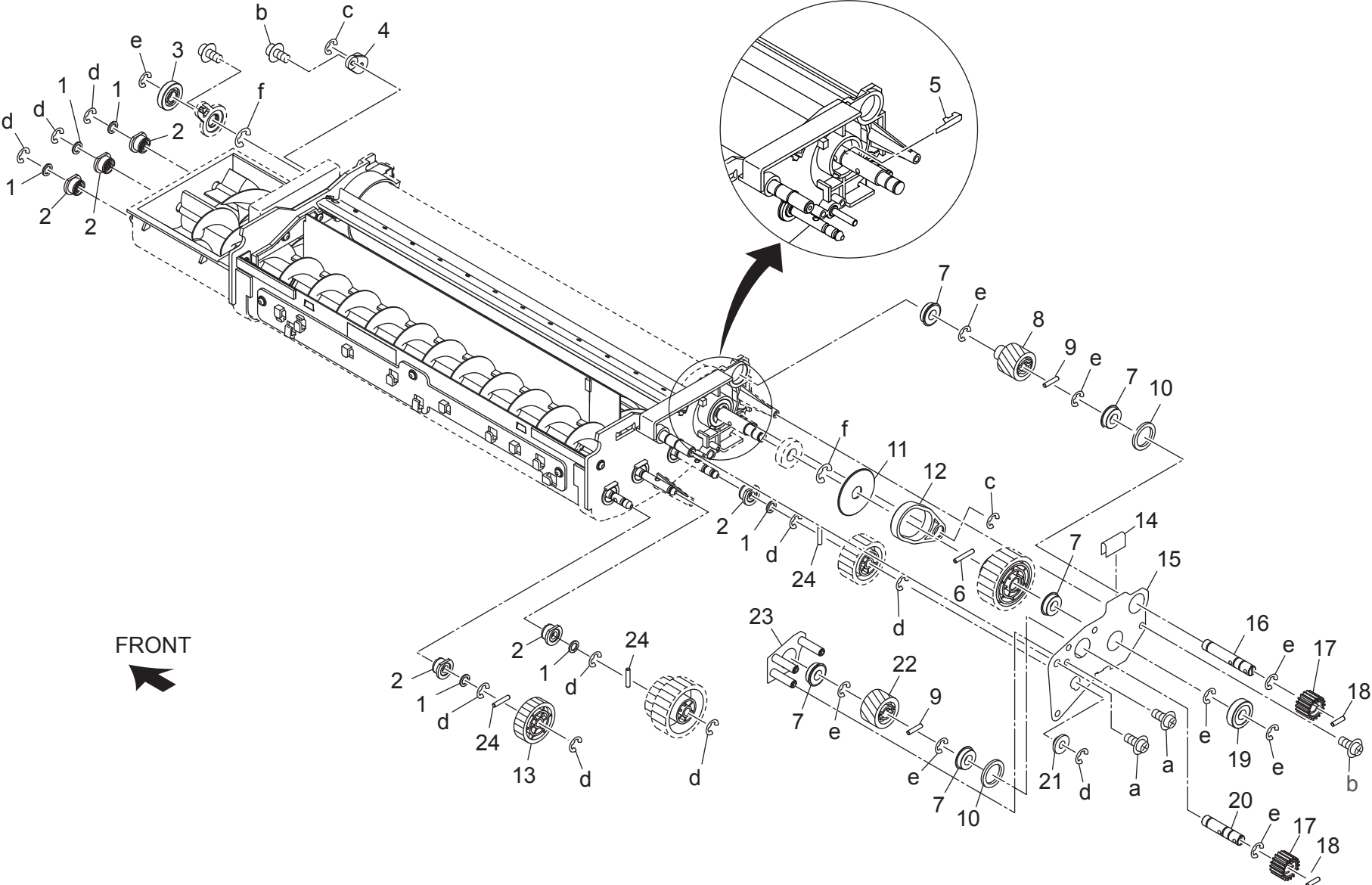




DEVELOPING UNIT

Key	Part No.	Description	Destinations	Class	QTY	Standard parts
1	A4EUR75H00	Developing Cover Assy		D	1	a-V145030603 b-V151030803
2	A0G6379900	Scatteringprevention Seal /Upper		C	2	
3	A0G6376300	Scatteringprevention Pad /8		C	1	
4	A0G6375900	Scatteringprevention Pad /4		C	2	
5	A0G6378700	Scatteringprevention Sheet /Front		C	1	
6	A0G6375400	Stopper Spacer		C	2	
7	A0G6374900	Dust-Proof Packing /E		C	2	
8	A4EUR75F00	Developing Cover Assy		D	1	
9	A0G6M50801	Toner Sensor		C	1	
10	A0G6376400	Scatteringprevention Pad /9		C	1	
11	A0G6378800	Scatteringprevention Sheet /Rear		C	1	
12	55VA30981	Toner Brush Connecting Plate		D	1	
13	A0G6379700	Developing Cushion		C	2	
14	A4EUR70300	Deveioing Assy		B	1	
16	029420640	L DETECTING SEAL		C	1	

DEVELOPING UNIT

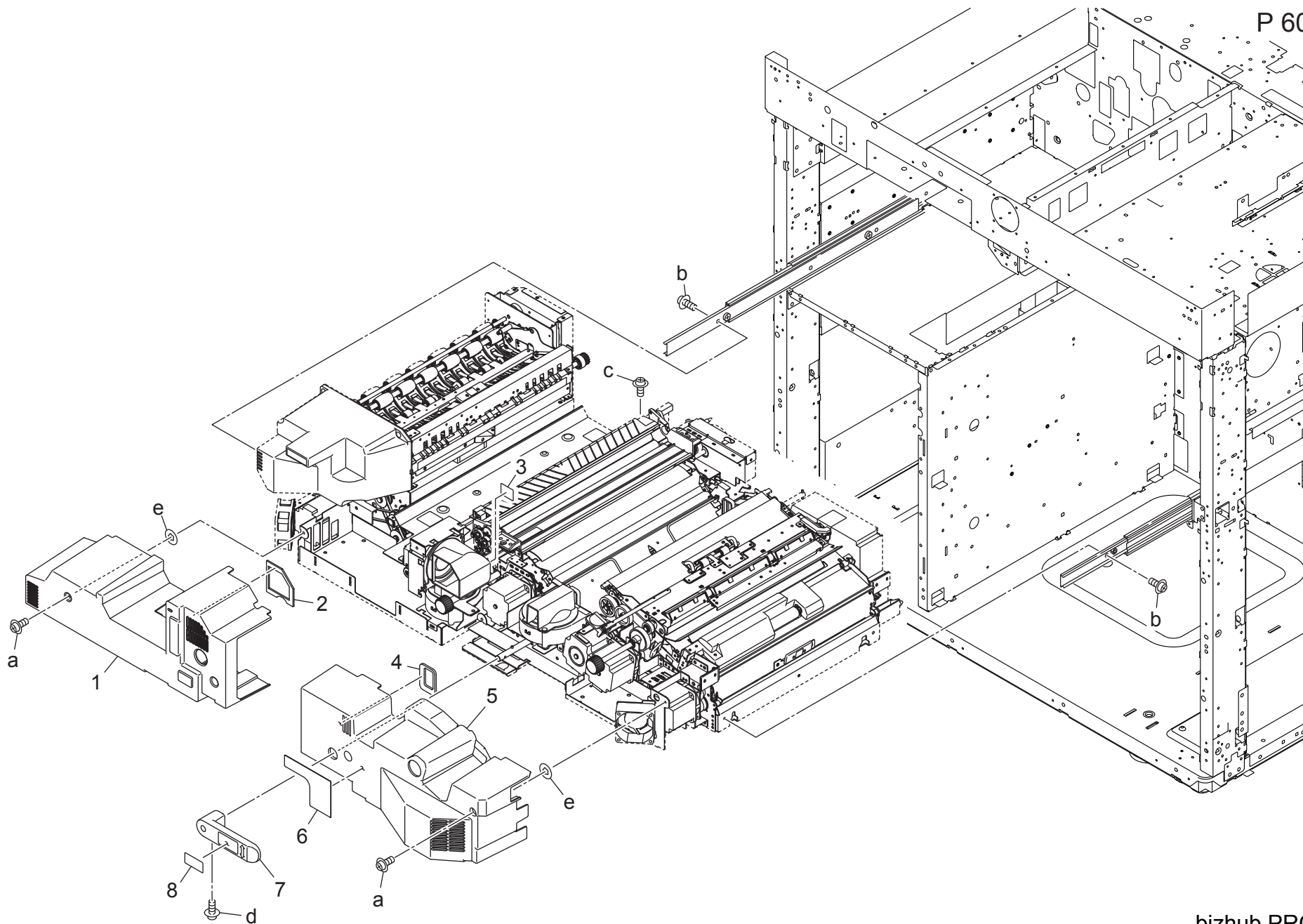


bizhub PRO 951

Key	Part No.	Description	Destinations	Class	QTY	Standard parts
1	57AA30260	DEVELOPING AGITATING SPACER		C	6	a-V121030603 b-V151030803 c-V217030050 d-V217040050 e-V217060050 f-V217080050
2	A0G6377400	Sealing Ball Bearing		C	6	
3	A0G6375111	Stopper Roll /Front		C	1	
4	A0G6379400	Swing Holder /2		C	1	
5	55VA30390D	Bias Pin /A		D	1	
6	304078070	PIN C		C	1	
7	A00V240600	BALL BEARING		C	5	
8	A4EU380300	Input Gear /2 33T		C	1	
9	56AA17480	PIN B		C	2	
10	55VA30970	Collar /A		C	2	
11	A0Y5378600	Rotation Collar		C	1	
12	A0G6378100	Swing Holder		C	1	
13	A0G6377300	Agitating Gear 30T		C	1	
14	A0G6373200	Slide Sheet		C	1	
15	A0G6373000	Drive Plate /1		D	1	
16	56UA30251	Developing Input Shaft		D	1	
17	55VA77300	DEVELOPING INPUT COUPLING		B	2	
18	56AA17471	PIN B 3X12		C	2	
19	A0G6375211	Stopper Roll /Rear		C	1	
20	A0G6373500	Input Shaft /2		D	1	
21	392015650	SLIDE BUSHING/C		C	1	
22	A4EU377000	Input Gear /2 22T		C	1	
23	A4EUR75G00	Drive Plate /2 Caulking		D	1	
24	56AA17461	PIN A		B	3	

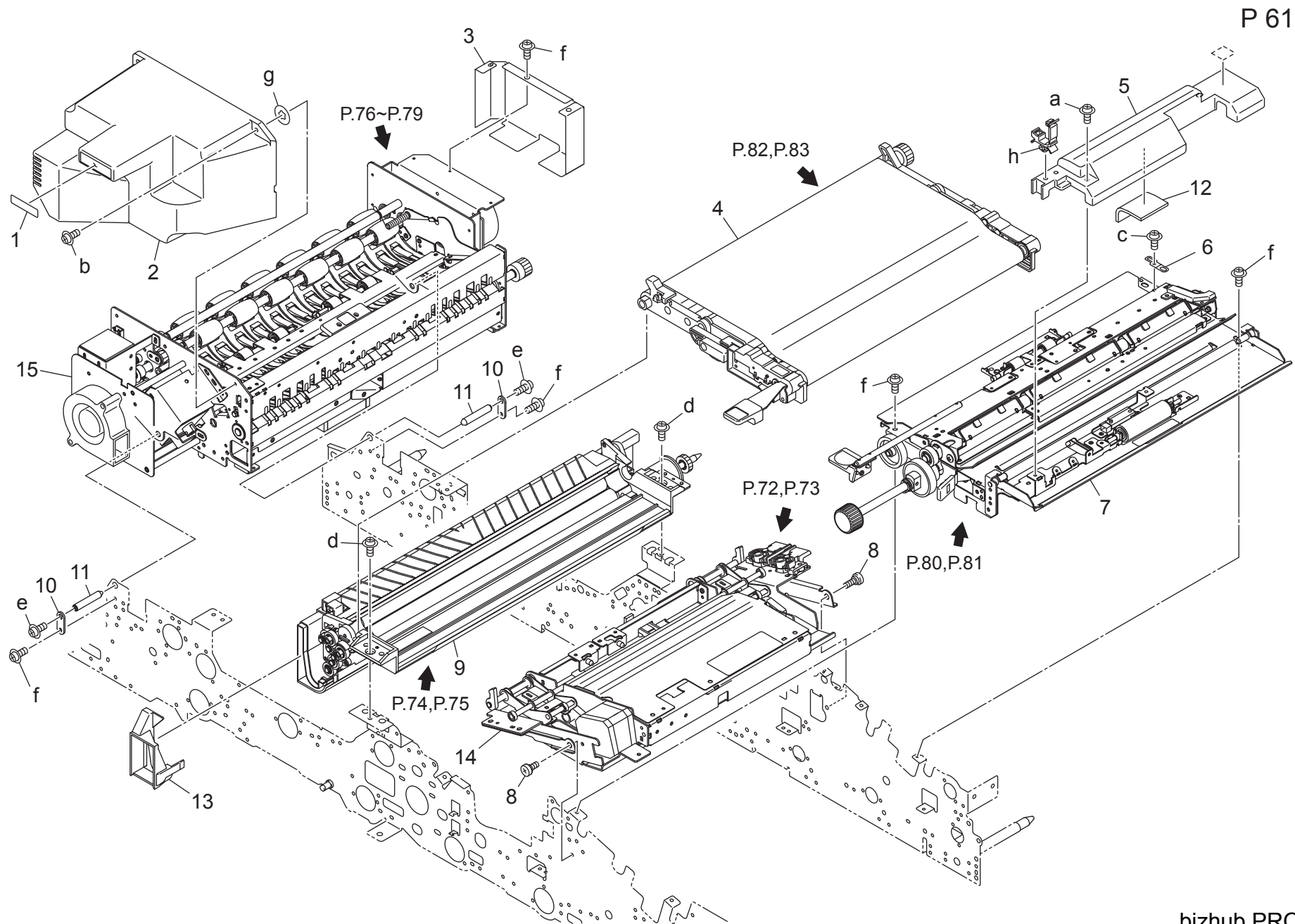
ADU

P 60



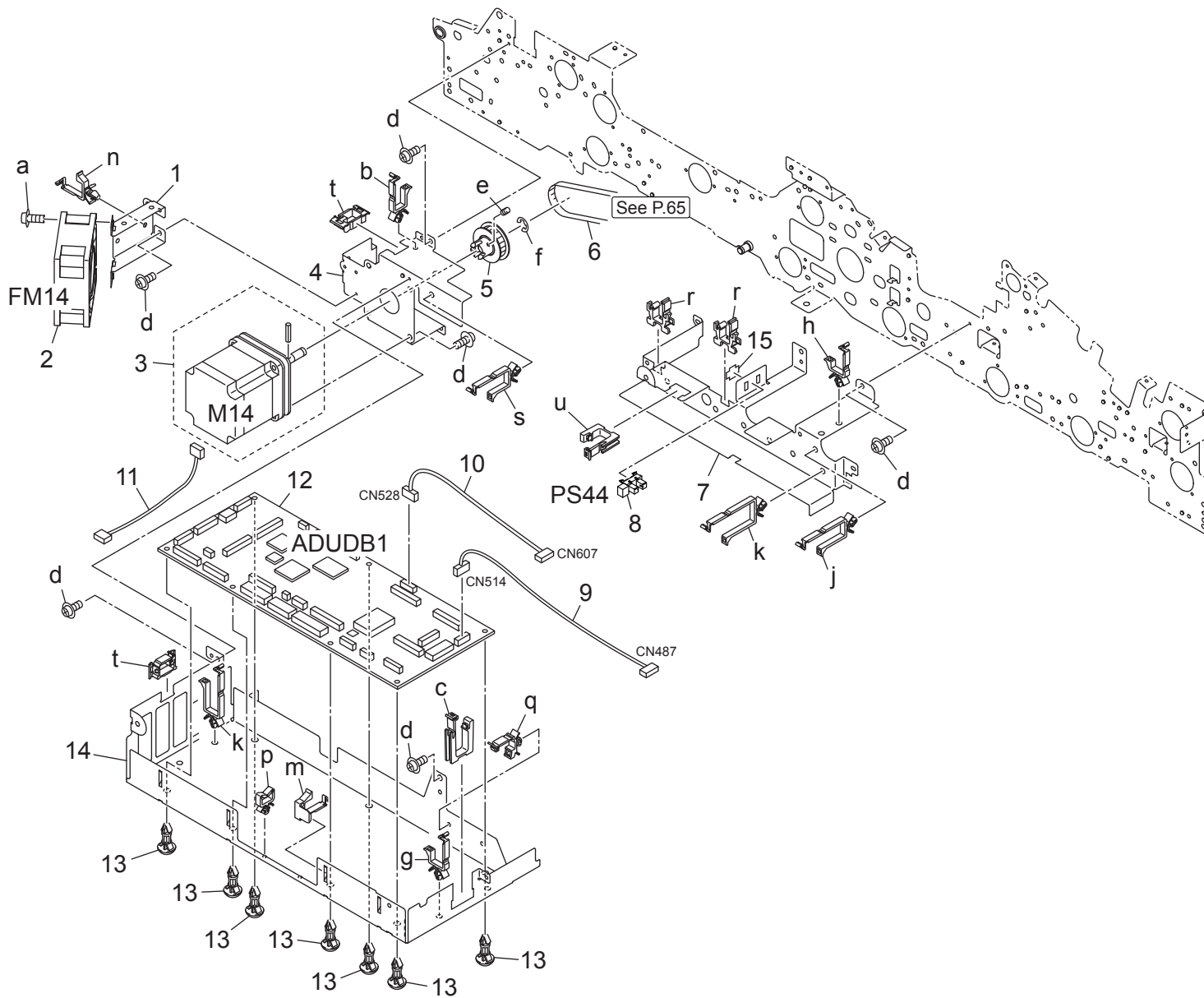
bizhub PRO 951

ADU

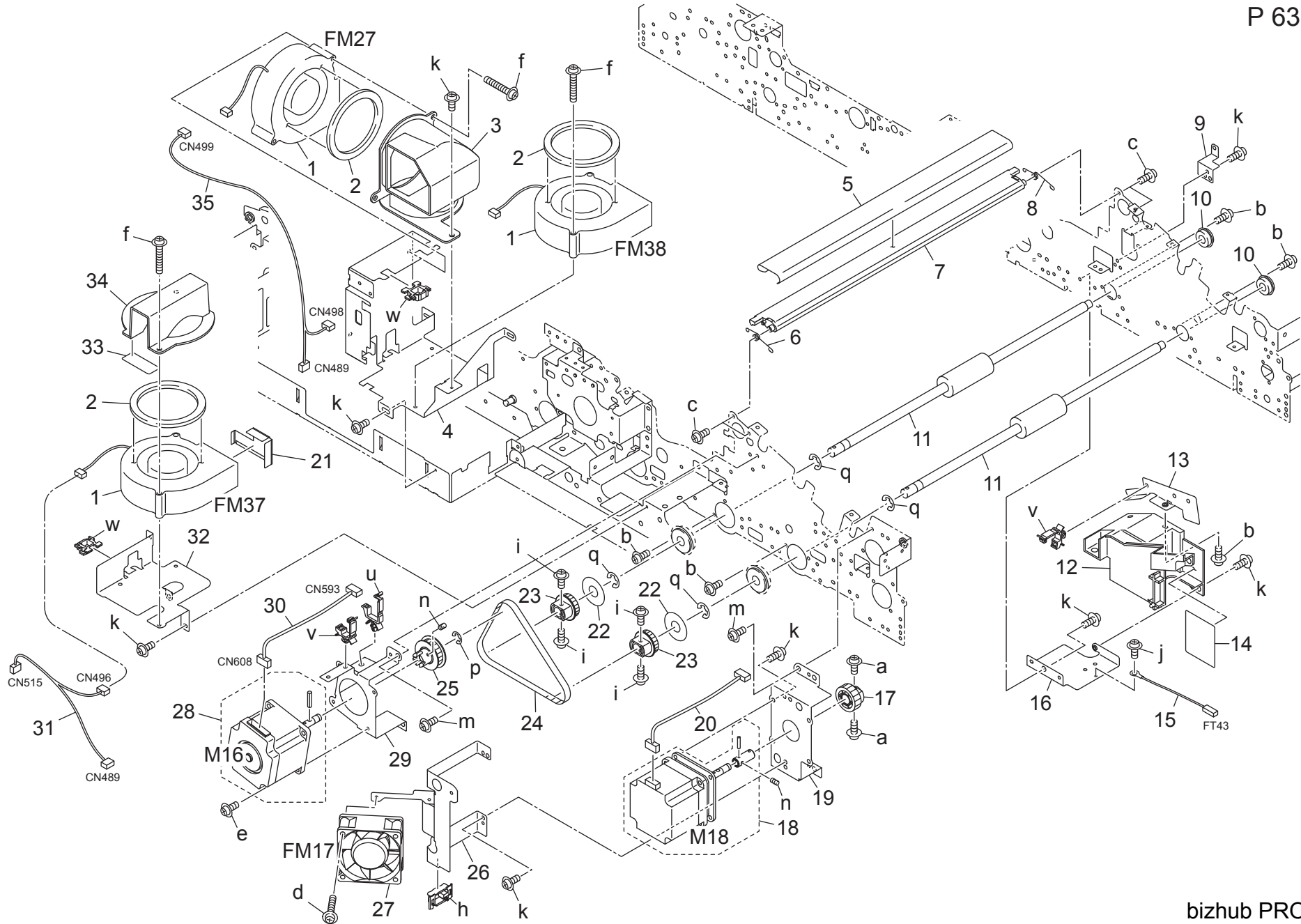


P 61

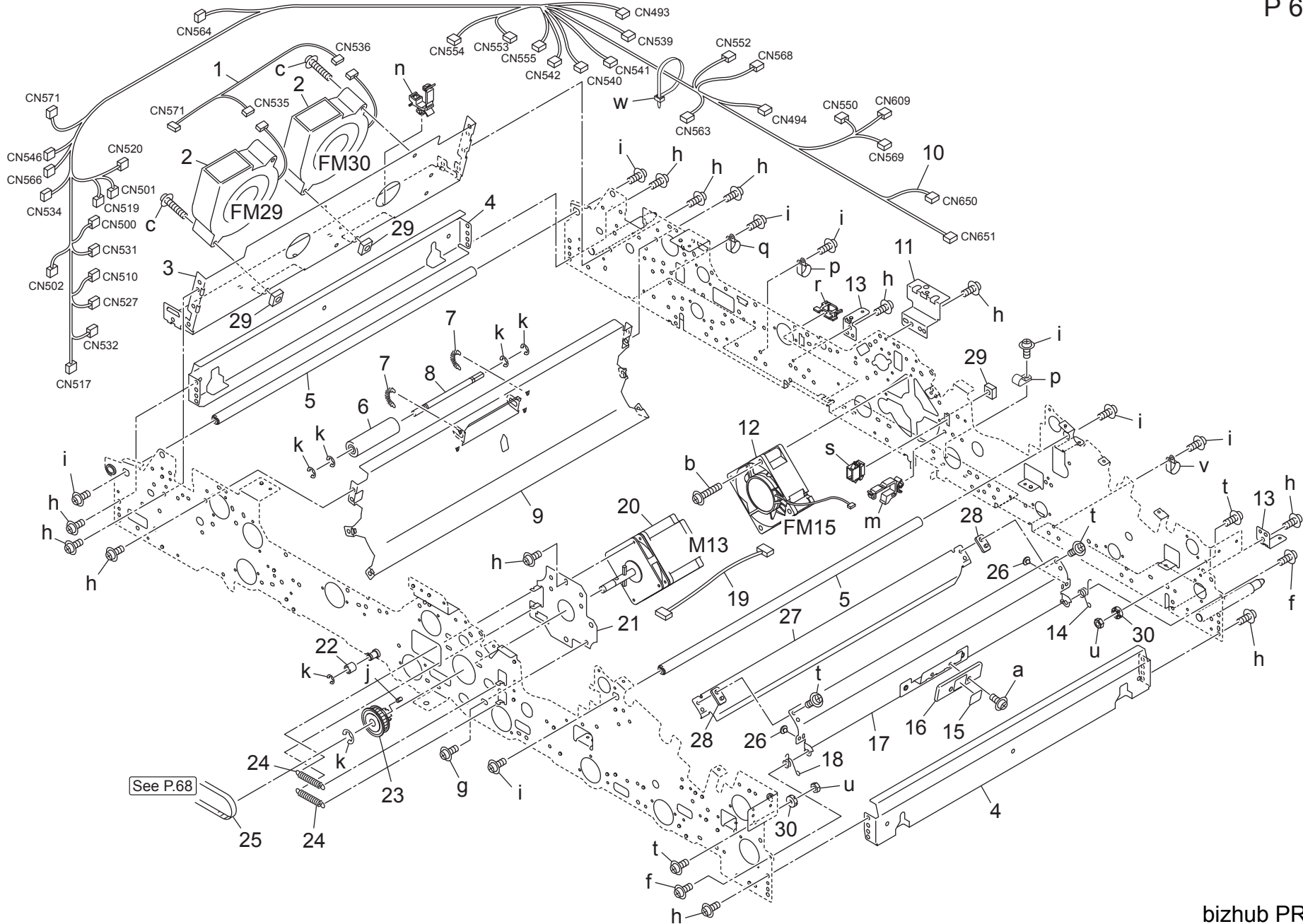
Key	Part No.	Description	Destinations	Class	QTY	Standard parts
1	A0G6945800	Label /8		C	1	a-V114040604 b-V114041004 c-V121030604 d-V116030603 e-V116030604 f-V127030603 g-V211040080 h-V500010061
2	A0G6830200	Reverse/Exit Cover		C	1	
3	A0G6848400	Cover /M		D	1	
4	A4EUR70A00	Transfer Belt Assy		I	1	
5	A4EU716100	Registration Cover /Upper		D	1	
6	A4EU715000	Positioning Spacer /R		D	1	
7	A4EWR70A00	Regist Assy		S	1	
8	392014041	PLATEN COVER MOUNT SCREW		C	2	
9	A4EUR70D11	Belt Cleaner Assy		B	1	
10	A0G6816400	Support Plate		D	2	
11	A0G6816500	Support Shaft		D	2	
12	56UA46430D	Multi-Feed Cover Seal		D	1	
13	A0G6514200	Cooling Duct /Middle		D	1	
14	A4EUR73A00	Transfer Pressure Assy		D	1	
15	A4EWR70B00	Decurler Assy		S	1	



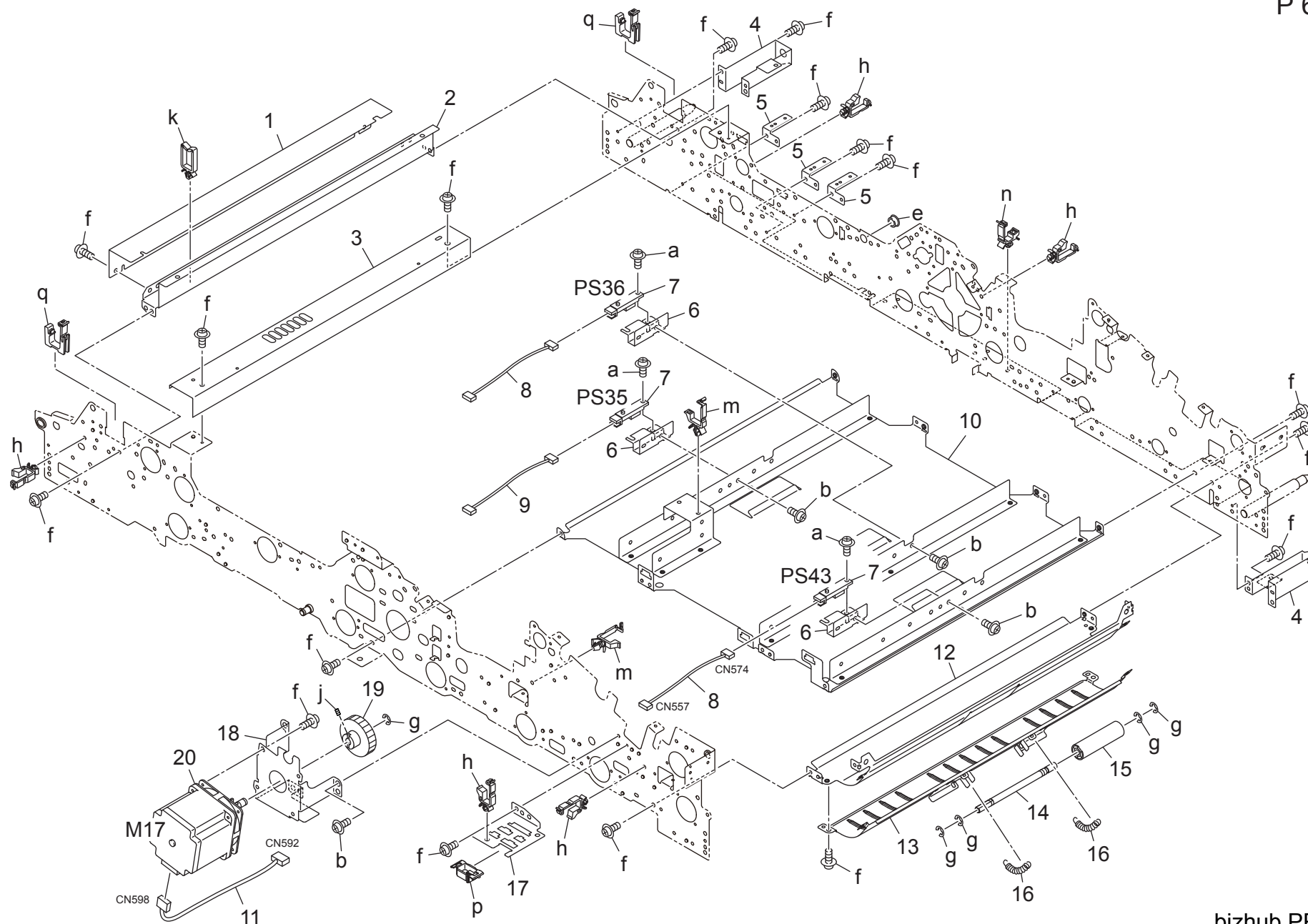
Key	Part No.	Description	Destinations	Class	QTY	Standard parts
1	A0G6812300	Cooling Plate /Left		D	1	a-V118033003
2	4040M10000	FAN MOTOR		C	1	b-V500010020
3	A4EUR73Q00	Motor /1 Pin Assy		B	1	c-V570010028
4	A0G6813900	Mounting Plate /6		D	1	d-V127030603
5	A0G6818300	Drive Pulley		C	1	e-V193030404
6	A0G6819400	Belt/A 324L		B	1	f-V217040050
7	A4EU814700	Wiring Plate		D	1	g-V500010007
8	9335150021	SOLID STATE SWITCH		B	1	h-V500010005
9	A0G6N20500	ADU Drive Harness /5		D	1	j-V500010013
10	A0G6N17200	ADU Drive Wiring /4		D	1	k-V500010015
11	56GA90890	PAPER EXIT RELAY WIRING 2		D	1	m-V500010022
12	A4EUH07000	ADU Drive Board Assy		C	1	n-V500010046
13	V502010021	spacer		D	7	p-V500010050
14	A0G6811500	Installing Pedestal /1		D	1	q-V500010061
15	4470402401	STOPPER		D	1	r-V570010050
						s-V500010008
						t-V570010063
						u-V570010026



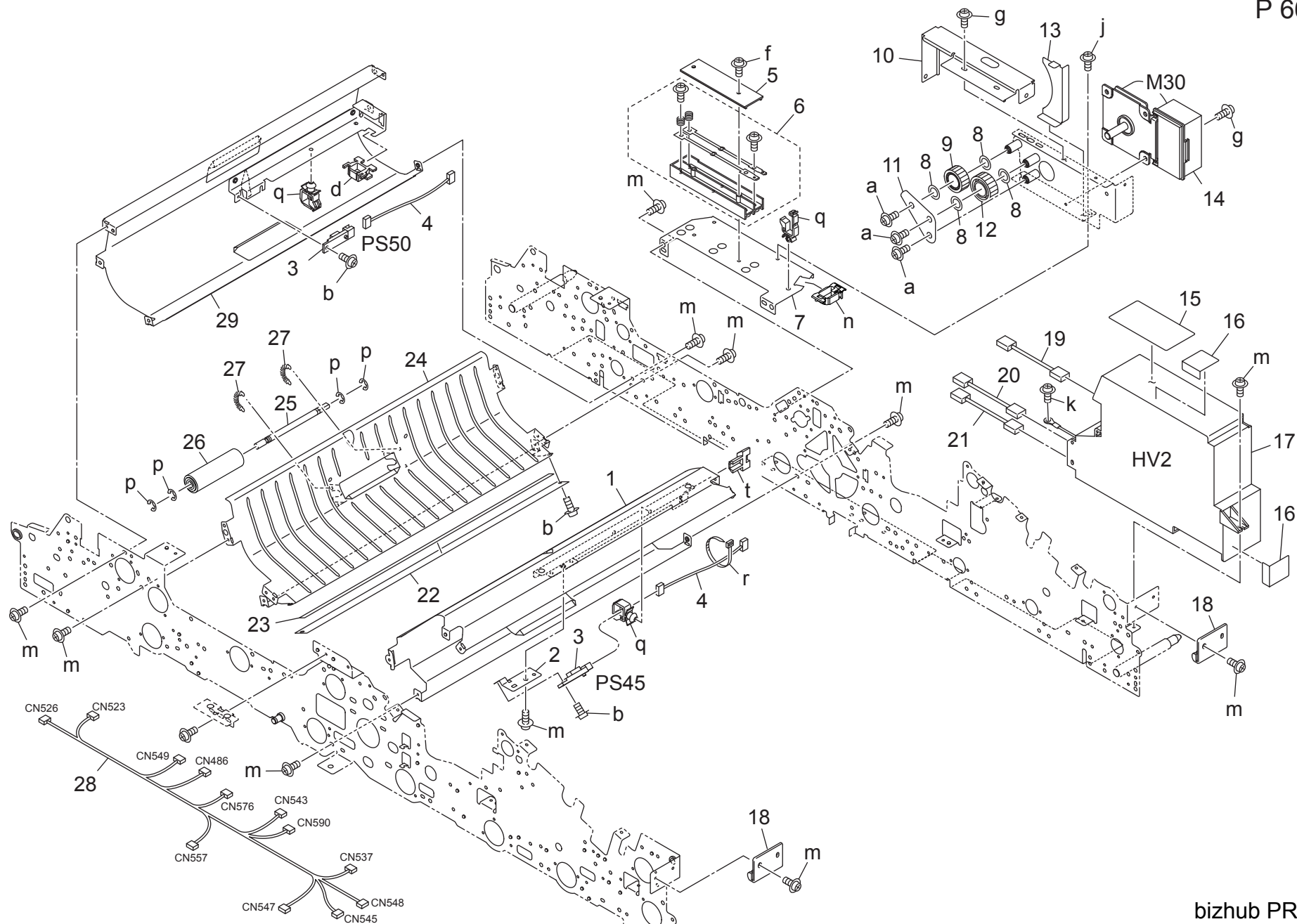
Key	Part No.	Description	Destinations	Class	QTY	Standard parts
1	9313100072	FAN MOTOR		C	3	b-V118030403
2	A0Y5835400	Pad /62		C	3	b-V118030603
3	A0G6835200	Duct /W		D	1	c-V118030803
4	A0G6835100	Cooling Plate /W		D	1	d-V118033003
5	A0G6504300	Suction Sheet		C	1	e-V118040803
6	A0G6504100	Rotation Spring /Front		C	1	f-V118043503
7	A0G6504000	Entrance Plate		C	1	h-V570010063
8	A0G6504200	Rotation Spring /Rear		C	1	i-V116030603
9	56UA46740	Wiring Protection Plate		D	1	j-V116040603
10	A00V240600	BALL BEARING		C	2	k-V127030603
11	A4EU817700	Conveyance Roller /7		B	2	m-V127040603
12	55VA49050E	Wiring Protection Cover		D	1	n-V193030404
13	A0G6816900	Wiring Plate /Rear		D	1	p-V217040050
14	56UA45910	Wiring Protection Sheet		C	1	q-V217080050
15	A4EUN19700	Grounding Wire /T		D	1	u-V500010003
16	A0G6814000	Mounting Plate /D		D	1	v-V500010061
17	A0G6818800	Drive Gear /L 23T		C	1	w-V570010050
18	A4EUR73X00	Motor /2 Pin Assy		B	1	
19	56UA46570	Motor Mounting Plate /L		D	1	
20	56UA90700	REGISTRATION DRIVE WIRING 2		D	1	
21	A4EU835600	Cover Film /S		D	1	
22	55VA47830	Belt Hold Part		D	2	
23	A0G6818200	Conveyance Pulley		C	2	
24	56UA78080	ADU DRIVE BELT/C 318L		B	1	
25	A0G6818300	Drive Pulley		C	1	
26	A0G6812400	Cooling Plate /Right		D	1	
27	56QA80570	INTERNAL COOLING FAN		C	1	
28	A4EUR73W00	Motor /4 Pin Assy		B	1	
29	A0G6813700	Mounting Plate /4		D	1	
30	A4EUN16900	ADU Drive harness /R		D	1	
31	A0G6N21400	ADU Drive Harness /8		D	1	
32	A0G6836101	Cooling Plate /S		D	1	
33	A0G6836300	Sheet /S		C	1	
34	A0G6836200	Duct /S		D	1	
35	A0G6N21500	ADU Drive Harness /9		D	1	



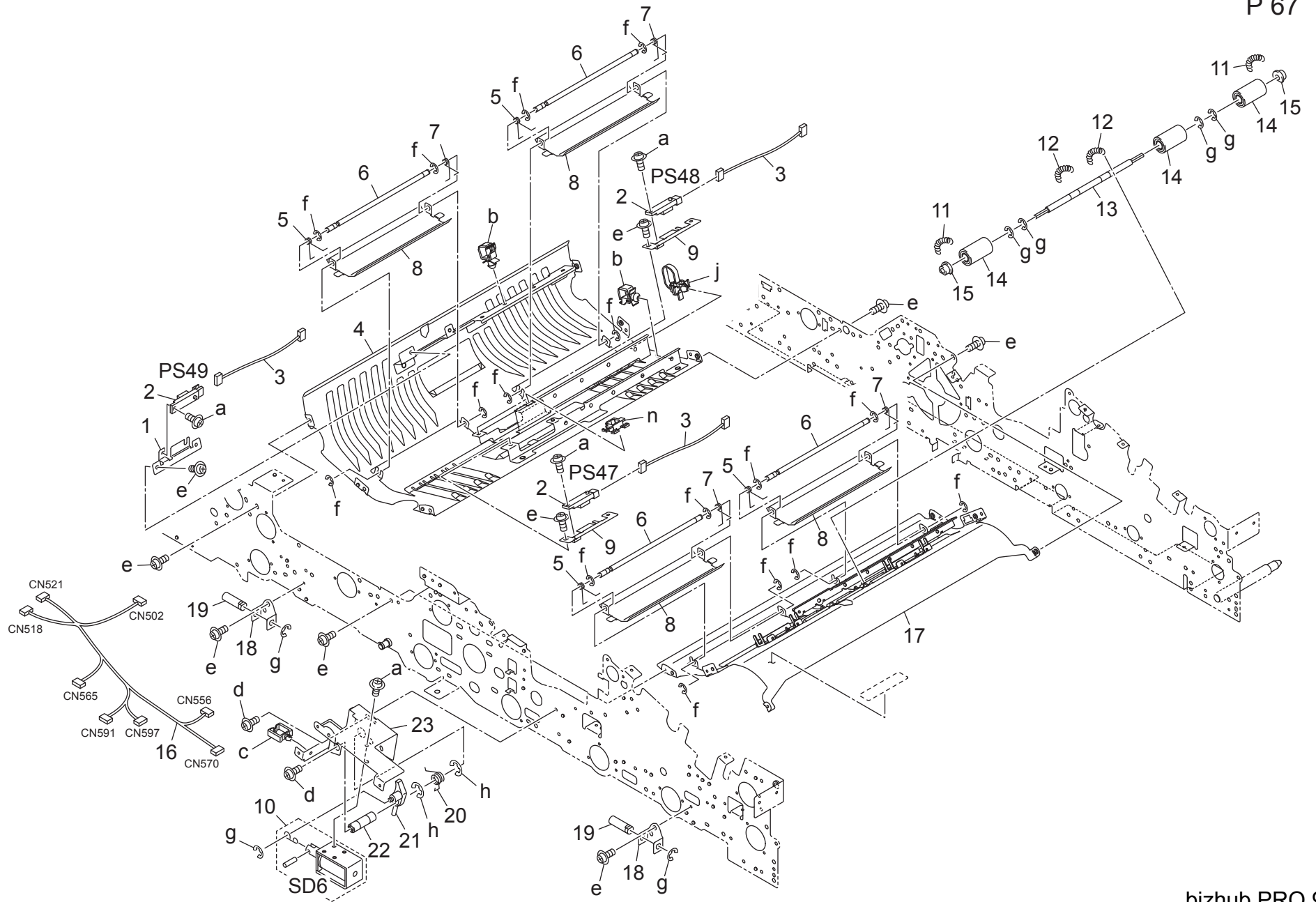
Key	Part No.	Description	Destinations	Class	QTY	Standard parts
1	A4EUN20800	ADU Drive harness /7		D	1	a-V118030403
2	9313100072	FAN MOTOR		C	2	b-V118033003
3	A0G6812100	Cooling Stay		D	1	c-V118043503
4	A4EU813000	Fixing Stay /A		D	2	f-V146041804
5	A4EU820400	Lifting Stay /A		D	2	g-V116040803
6	A4EU818000	Idler Rubber /U		B	1	h-V127030603
7	25AA44180	CONVEYANCE PRESSURE SPRING		C	2	i-V127040603
8	55VA47450	ADU DRIVEN SHAFT /S		D	1	j-V193030404
9	56UA47040F	ADU Fixing Plate /1		D	1	k-V217040050
10	A4EUN16002	ADU Control Harness		D	1	m-V500010020
11	A0G6814100	Receiving Plate /Rear		D	1	n-V500010061
12	27LA80511	Main Body Fan Motor		A	1	p-V500020005
13	A0G6812800	Mounting Plate /H		D	2	q-V500020007
14	A4EU821200	Open/close Spring /Rear		D	1	r-V570010050
15	A0G6946200	Label /12		C	1	s-V651010002
16	56UA46140	TRANSFER FEEDING HANDLE		C	1	t-V127030803
17	A4EU810300	Open/close Guide Outside		D	1	u-V195030003
18	A4EU821100	Open/close Spring /Front		D	1	v-V500020037
19	56UA90710	ADU DRIVE WIRING 3		D	1	w-V501010002
20	A4EUR73Q00	Motor /1 Pin Assy		B	1	
21	56UA47350	Motor Mounting Plate /2		D	1	
22	A4EU823100	Positioning Roll		D	1	
23	A0G6818300	Drive Pulley		C	1	
24	56UA47390	Motor Slide Spring		C	2	
25	56UA78060	ADU CONVEYANCE BELT/2 417L		B	1	
26	25SA43300	STOPPER RUBBER		C	2	
27	A4EU810400	Open/close Guide /Inside		D	1	
28	A4EU814800	Guide Spacer /8		D	2	
29	57GA61560	SCREW PROTECTION CUSHION/1		C	3	
30	A4EU814900	Guide Stopper /8		D	2	



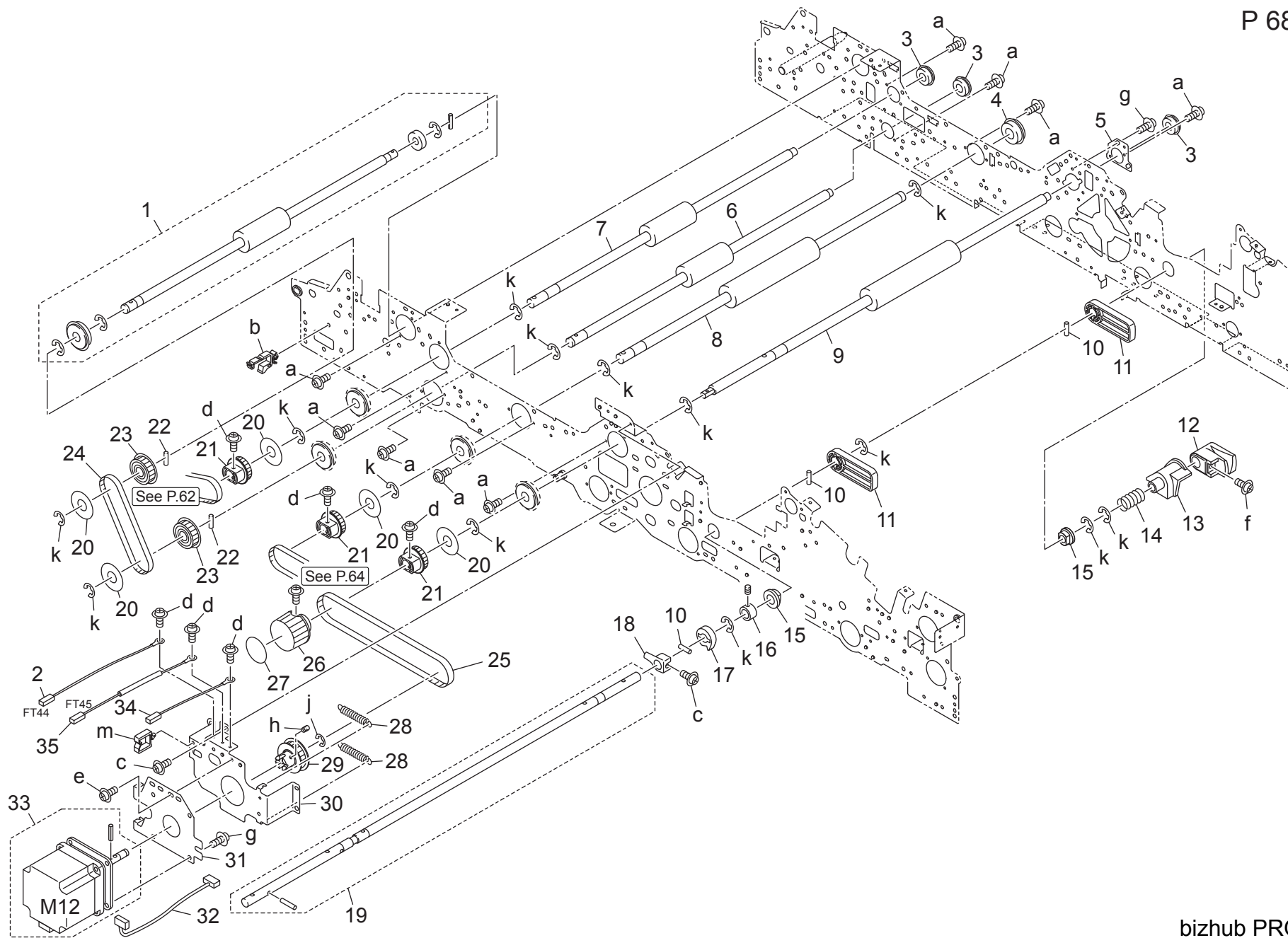
Key	Part No.	Description	Destinations	Class	QTY	Standard parts
1	56UA47750	WIRING COVER PLATE		D	1	a-V118030403
2	56UA47670	Wiring Guide Stay		D	1	b-V127040603
3	A0G6811600	Protection Plate /S		D	1	e-V570010055
4	56UA46770	ADU Positioning Plate /Rear		D	2	f-V127030603
5	A0G6812900	Mounting Plate /A		D	3	g-V217040050
6	A0G6811700	Plate		D	3	h-V500010020
7	13QA85511	Sensor 1		B	3	j-V193030404
8	56UA90650	RELAY WIRING		D	2	k-V500010042
9	56UA90880	RELAY WIRING 3		D	1	m-V500010046
10	A4EU812200	Conveyance Plate /A		D	1	n-V500010061
11	A4EUN18800	ADU Relay harness /2		D	1	p-V570010063
12	A4EU812500	Fixing Plate /8		D	1	q-V570010028
13	A4EU813400	Fixing Plate /9		D	1	
14	55VA47450	ADU DRIVEN SHAFT /S		D	1	
15	56UA45820	ADU IDLER ROLLER S		C	1	
16	56UA46480	REGIST PRESSING SPRING		C	2	
17	56UA46631F	Wiring Connecting Plate		D	1	
18	A4EU813801	Mounting Plate /5		D	1	
19	A4EU814600	Registration Gear /A 35T		B	1	
20	A4EUR73Q00	Motor /1 Pin Assy		B	1	



Key	Part No.	Description	Destinations	Class	QTY	Standard parts
1	A4EU811000	Fixing Plate /7		D	1	a-V127040603
2	A4EU812000	Plate /7		D	1	b-V118030403
3	13QA85511	Sensor 1		B	2	d-V570010050
4	56UA90650	RELAY WIRING		D	2	f-V118031603
5	A0G6514800	Power Supply Cover /Lower		D	1	g-V127030516
6	A4EUR74300	Power Block Assy		D	1	j-V116030603
7	A0G6521201	Drive Base frame		D	1	k-V116040603
8	56AA42690	BY PASS FEED SPACER		C	4	m-V127030603
9	A0G6521600	Idling Gear /2 42T		C	1	n-V570010063
10	A0G6523102	Protection Cover /Rear		D	1	p-V217040050
11	A0G6520500	Drive Holder		D	1	q-V500010020
12	A0G6521500	Idling Gear /1 48T		C	1	r-V501010002
13	A4EU525500	Protection Film /Rear		D	1	t-V500020068
14	A0R5M10300	DC Brushless motor /30		B	1	
15	A0G6942600	Caution Label /B		D	1	
16	55VA49440	Power Source Cover Sheet		D	2	
17	A0G6M40200	HV Power source /2		I	1	
18	A0G6812700	Lifting Handle		C	2	
19	A0G6N19200	HV Wire /T		D	1	
20	A0G6N19400	HV Wire /B		D	1	
21	A0G6N19300	HV Wire /A		D	1	
22	A0G6816600	Guide Plate /H		C	1	
23	A0G6816701	Riverse/Exit Tape /H		C	1	
24	A0G6810600	Fixing Plate /3		D	1	
25	55VA47450	ADU DRIVEN SHAFT /S		D	1	
26	A4EU818000	Idler Rubber /U		B	1	
27	56UA46480	REGIST PRESSING SPRING		C	2	
28	A4EWN16800	ADU Relay harness /6		D	1	
29	A0G6810500	Fixing Plate /2		D	1	

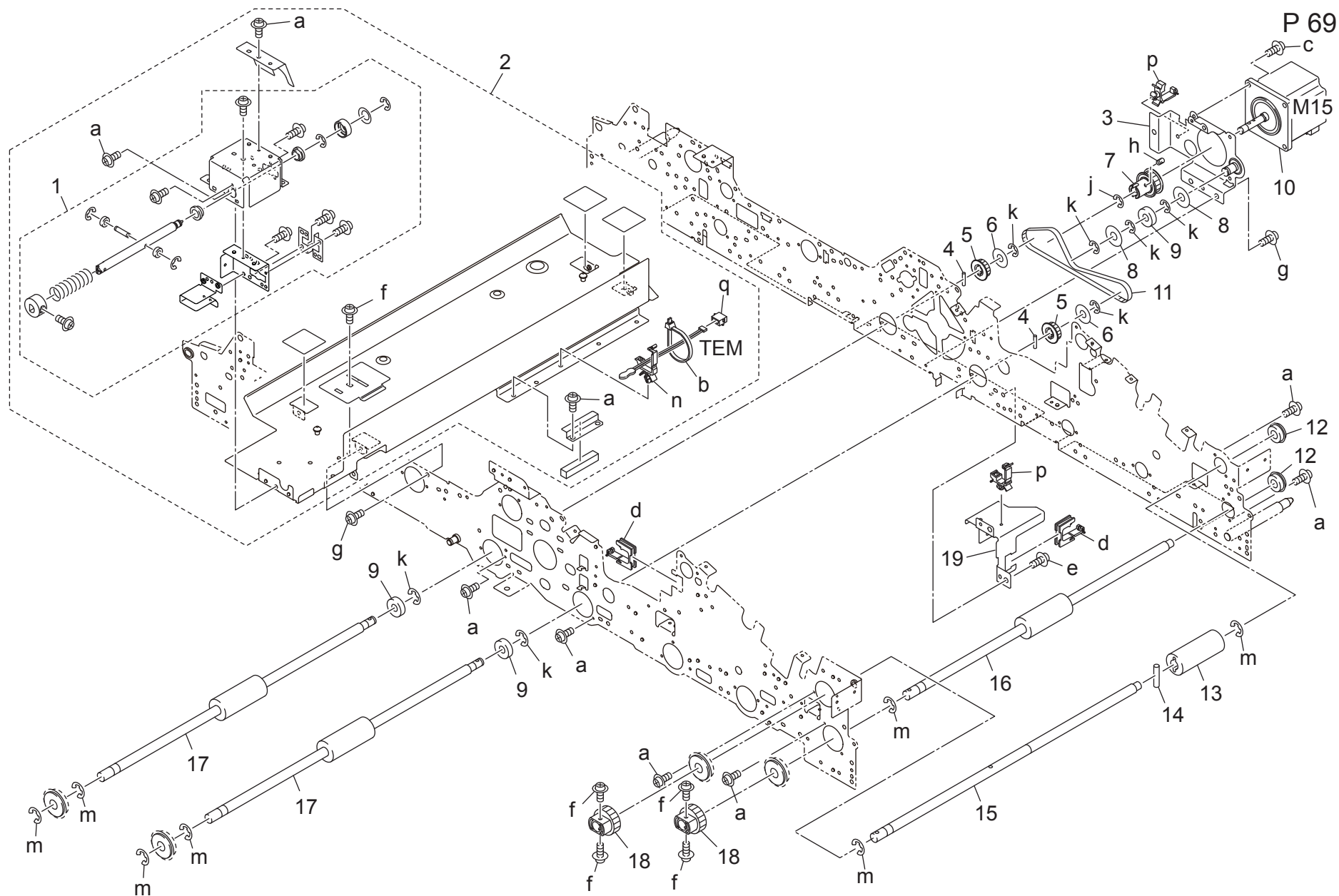


Key	Part No.	Description	Destinations	Class	QTY	Standard parts
1	A0G6811800	Plate /2		D	1	a-V118030403
2	13QA85511	Sensor 1		B	3	b-V500010020
3	56UA90650	RELAY WIRING		D	3	c-V500010026
4	A4EU810701	Fixing Plate /4		D	1	d-V127040603
5	56UA47310	Swing Spring /Front		C	4	e-V127030603
6	56UA47330	Swing Shaft		D	4	f-V217030050
7	56UA47320	Swing Spring /Rear		C	4	g-V217040050
8	56UA47121	ADU Regulating Plate		C	4	h-V217080050
9	A4EU811900	Plate /4		D	2	j-V501010009
10	A4EUR73V00	Lever Locking Solenoid Pin Assy		C	1	n-V570010050
11	56UA46480	REGIST PRESSING SPRING		C	2	
12	55VA46490	Registration Pressure Spring		B	2	
13	56UA47890	ADU Idler Shaft /L		D	1	
14	A4EU817900	Idler Rubber /S		D	3	
15	25SA43310	DRIVEN SHAFT HOLDER		B	2	
16	A4EUN16100	ADU Drive harness		D	1	
17	A0G6810800	Fixing Plate /5		D	1	
18	55VA47990	Bottom Plate Locking Plate		D	2	
19	55VA47891	Bottom Plate Locking Shaft		D	2	
20	55VA49260	SOLENOID RELEASE SPRING		B	1	
21	55VA49240	Lever Lock Claw		C	1	
22	A0G6814400	Guide Shaft /S		D	1	
23	A0G6814300	Guide Plate /S		D	1	

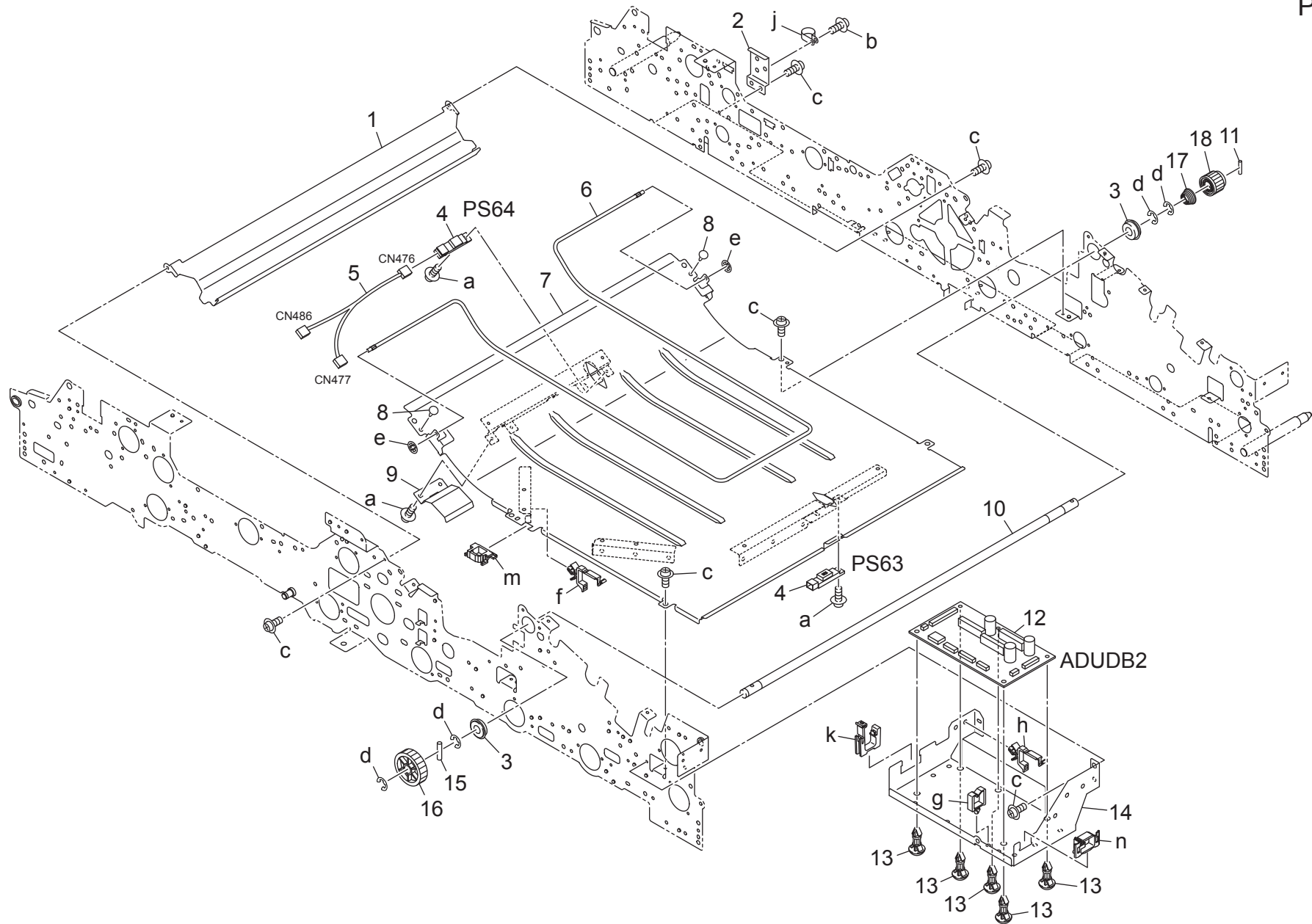


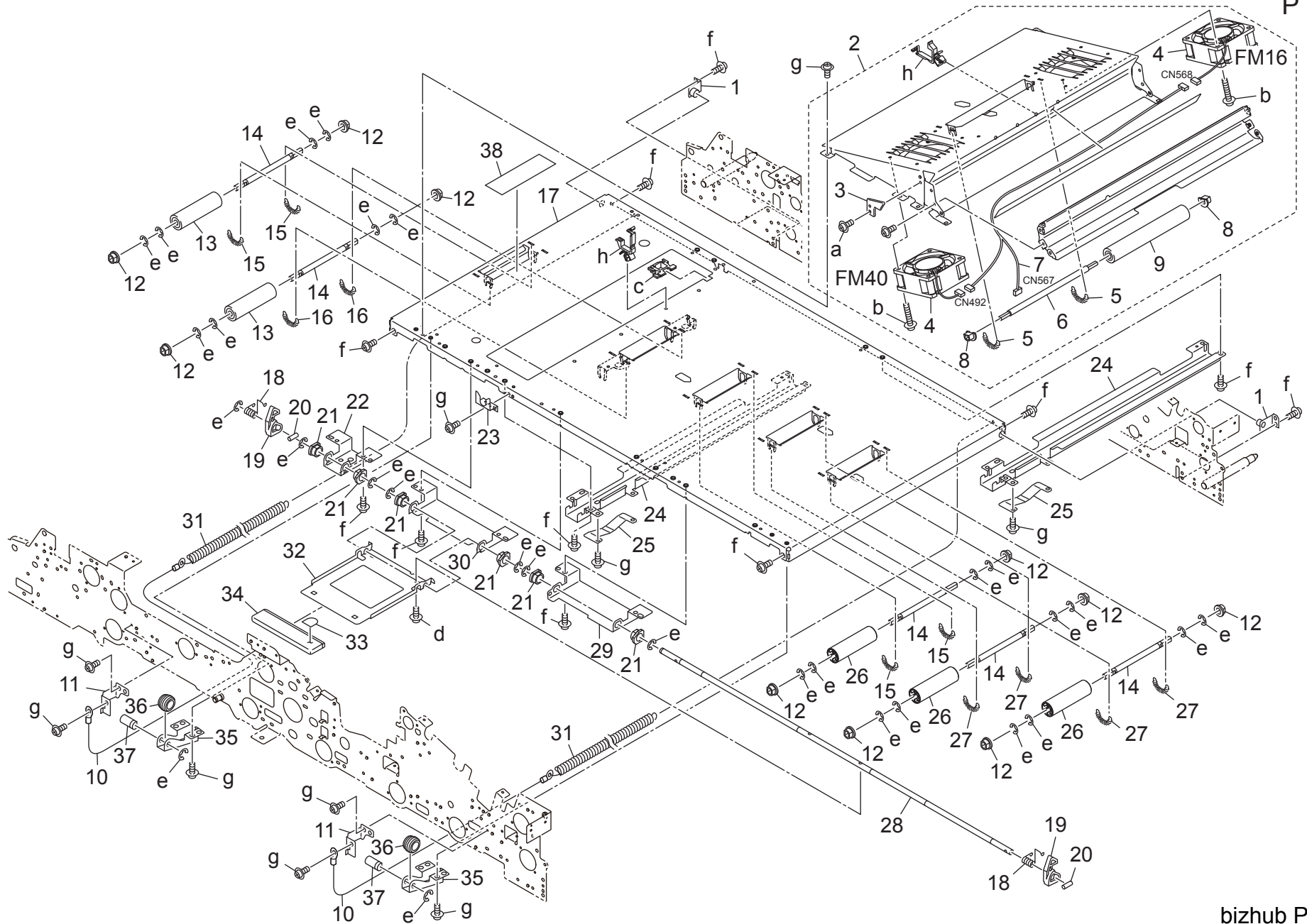
Key	Part No.	Description	Destinations	Class	QTY	Standard parts
1	A4EUR70100	Conveyance Roller /3 Assy		B	1	a-V118030403
2	A4EUN20100	Grounding Wire /C		D	1	b-V500010020
3	A00V240600	BALL BEARING		C	3	c-V127040603
4	A4EU265000	Ball bearing		B	1	d-V116030603
5	A0G6815900	Adjusting Plate		D	1	e-V116040803
6	A4EU817400	Conveyance Roller /4		B	1	f-V116041803
7	A4EU817100	Conveyance Roller /1		B	1	g-V127030603
8	A4EU817200	Conveyance Roller /2		B	1	h-V193030404
9	A4EU817600	Conveyance Roller /6		B	1	j-V217040050
10	56AA17461	PIN A		B	3	k-V217080050
11	A0G6508600	Pressing Cam		C	2	m-V500010026
12	55VA49080	Positioning Cam		C	1	
13	A4EU824100	Holding Part /A		C	1	
14	55VA49131	Positioning Spring		B	1	
15	462076010	DRIVING SLIDE SHAFT HOLDER A		C	2	
16	56AA17350	SHAFT POSITIONING PART		C	1	
17	25AA47500	CARRIAGE LOCK CLAW B		C	1	
18	25AA47810	ACTUATOR		D	1	
19	A4EUR73R00	Caurrige Shaft Pin Assy		D	1	
20	55VA47830	Belt Hold Part		D	5	
21	A0G6818200	Conveyance Pulley		C	3	
22	55VA48500	PARALLEL PIN D3X18		D	2	
23	55VA76521	ADU Conveying Pulley /2 25T		C	2	
24	A4EU822100	Conveyance Belt /No.1 210L		B	1	
25	13GQ77550	Drive Belt /E 195L		B	1	
26	14GE45470	Rotation Knob		C	1	
27	A0G6946100	Label /11		C	1	
28	56UA47390	Motor Slide Spring		C	2	
29	A0G6818300	Drive Pulley		C	1	
30	A0G6813600	Mounting Plate /3		D	1	
31	56UA47380E	Motor Slide Plate		D	1	
32	56UA90700	REGISTRATION DRIVE WIRING 2		D	1	
33	A4EUR73Q00	Motor /1 Pin Assy		B	1	
34	A4EUN20200	Grounding Wire /J		D	1	
35	A0G6N22202	Grounding High-Volt. Resistor		D	1	

ADU



bizhub PRO 951

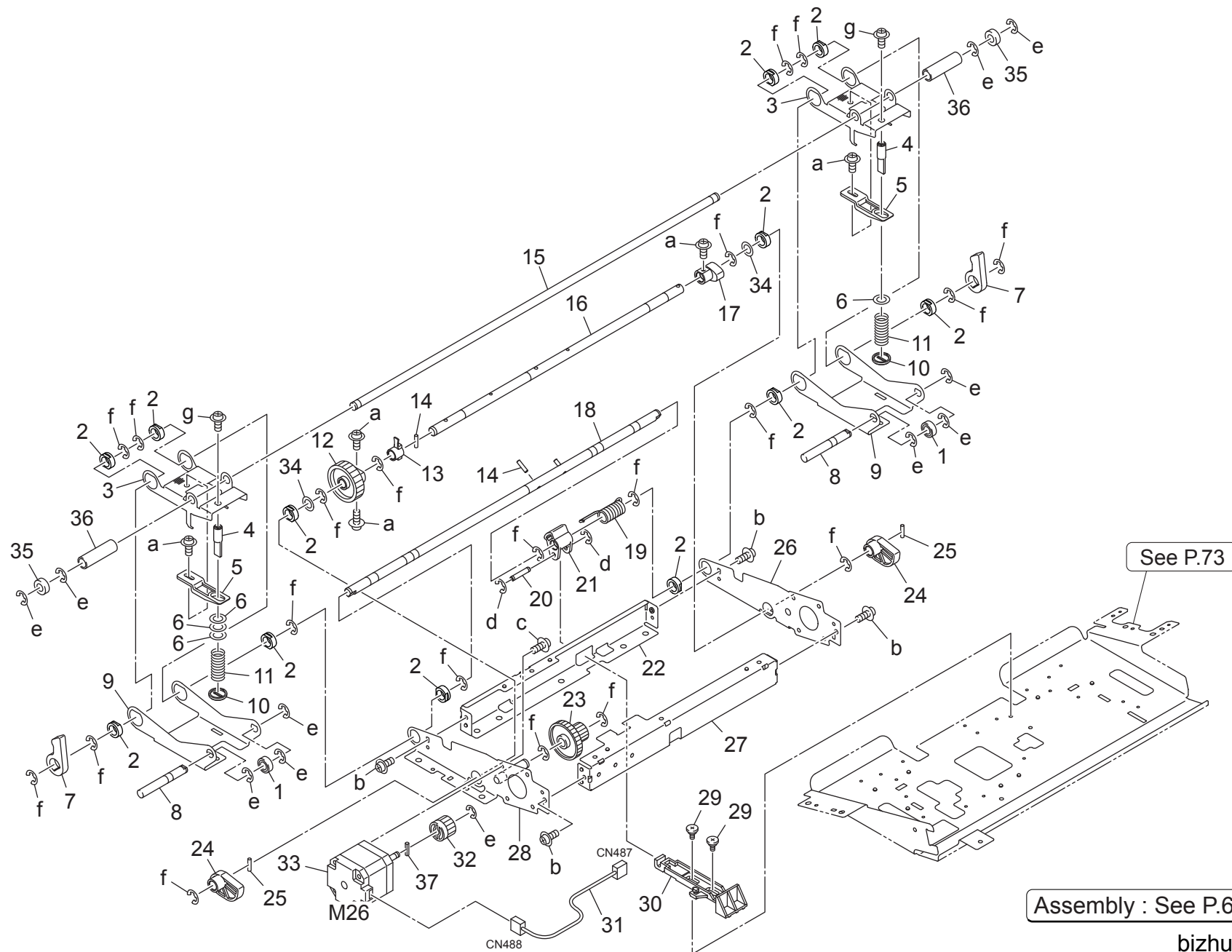




Key	Part No.	Description	Destinations	Class	QTY	Standard parts
1	A4EUR74400	Support Panel Caulking		D	2	a-V118030403
2	A4EUR74100	Bottom Plate Guide Plate Assy		D	1	b-V118033003
3	A0G6817301	Conveyance Cover		D	1	c-V570010050
4	27LA80511	Main Body Fan Motor		A	2	d-V121030803
5	56UA46480	REGIST PRESSING SPRING		C	2	e-V217040050
6	55VA47910	ADU DRIVEN SHAFT /L		D	1	f-V127040603
7	A4EUN21600	ADU Drive harness /10		D	1	g-V127030603
8	25SA43310	DRIVEN SHAFT HOLDER		B	2	h-V500010046
9	A4EU817800	Idler Rubber /L		D	1	
10	55VA47371	BOTTOM PLATE LIFT UP WIRE		C	2	
11	55VA47800	Wire Mounting Plate /Left		D	2	
12	56UA886100	Idler Bushing /2		C	10	
13	A4EU818000	Idler Rubber /U		B	2	
14	56UA886200	Idler Shaft /2		D	5	
15	25AA44180	CONVEYANCE PRESSURE SPRING		C	4	
16	55VA47770	ADU PRESSURE SPRING		C	2	
17	56UA47031G	ADU Open/close Plate /1		D	1	
18	55VA47762E	Bottom plate Open/close Spring		B	2	
19	55VA47710	Bottom Plate Locking Claw		C	2	
20	56AA17471	PIN B 3X12		C	2	
21	466076020	PAPER FEED SHAFT HOLDER		B	6	
22	56UA47260	BOTTOM PLATE OPEN CLOSE PART LEFT		D	1	
23	55VA44170	Door Positioning Plate		D	1	
24	56UA47250E	Bottom plate Lifting Stay		D	2	
25	55VA47360	BOTTOM PLATE LOCK SPRING		C	2	
26	56UA45820	ADU IDLER ROLLER S		C	3	
27	55VA46451	REGISTRATION FEEDING SPRING		B	4	
28	56UA47270	Bottom Plate Open/Close Shaft		D	1	
29	55VA47980	BOTTOM OPEN CLOSE PART RIGHT		D	1	
30	56UA47240	Bottom Plate Open Close Part /Middle		D	1	
31	55VA47390	BOTTOM PLATE LIFT UP SPRING		B	2	
32	55VA47701	Bottom Plate Open Shut Handle		D	1	
33	A0G6946000	Label /10		C	1	
34	56UA45970	LEVER COVER		C	1	
35	55VA47970	WIRE FULCRUM PLATE		D	2	
36	25AA50080	WIRE PULLEY		C	2	
37	56AA17361	WIRE ROTARY SHAFT		C	2	
38	A4EU835700	Guide Sheet /1		D	1	

ADU TRANSFER PRESSURE UNIT

P 72



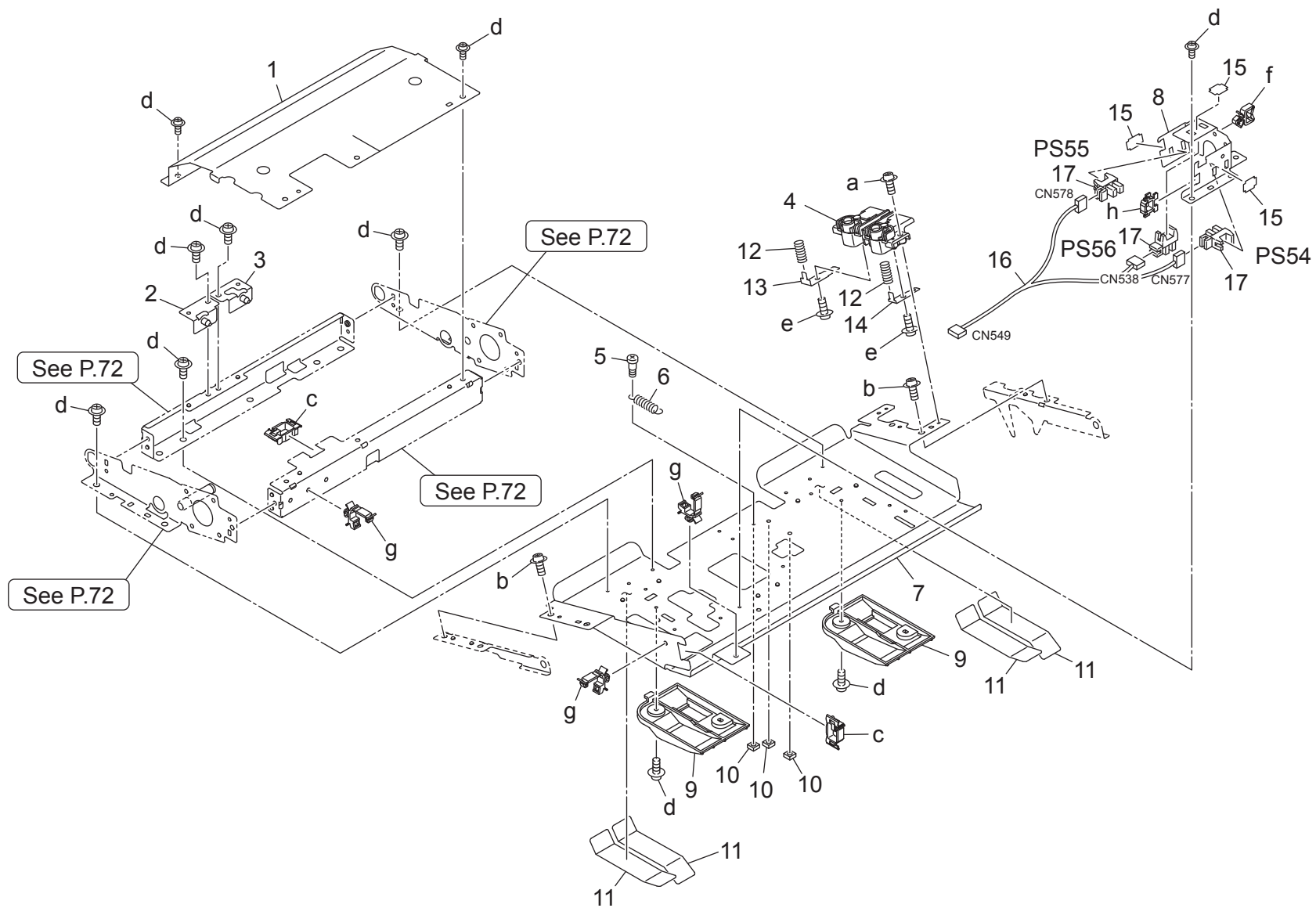
Assembly : See P.61-16

bizhub PRO 951

ADU TRANSFER PRESSURE UNIT

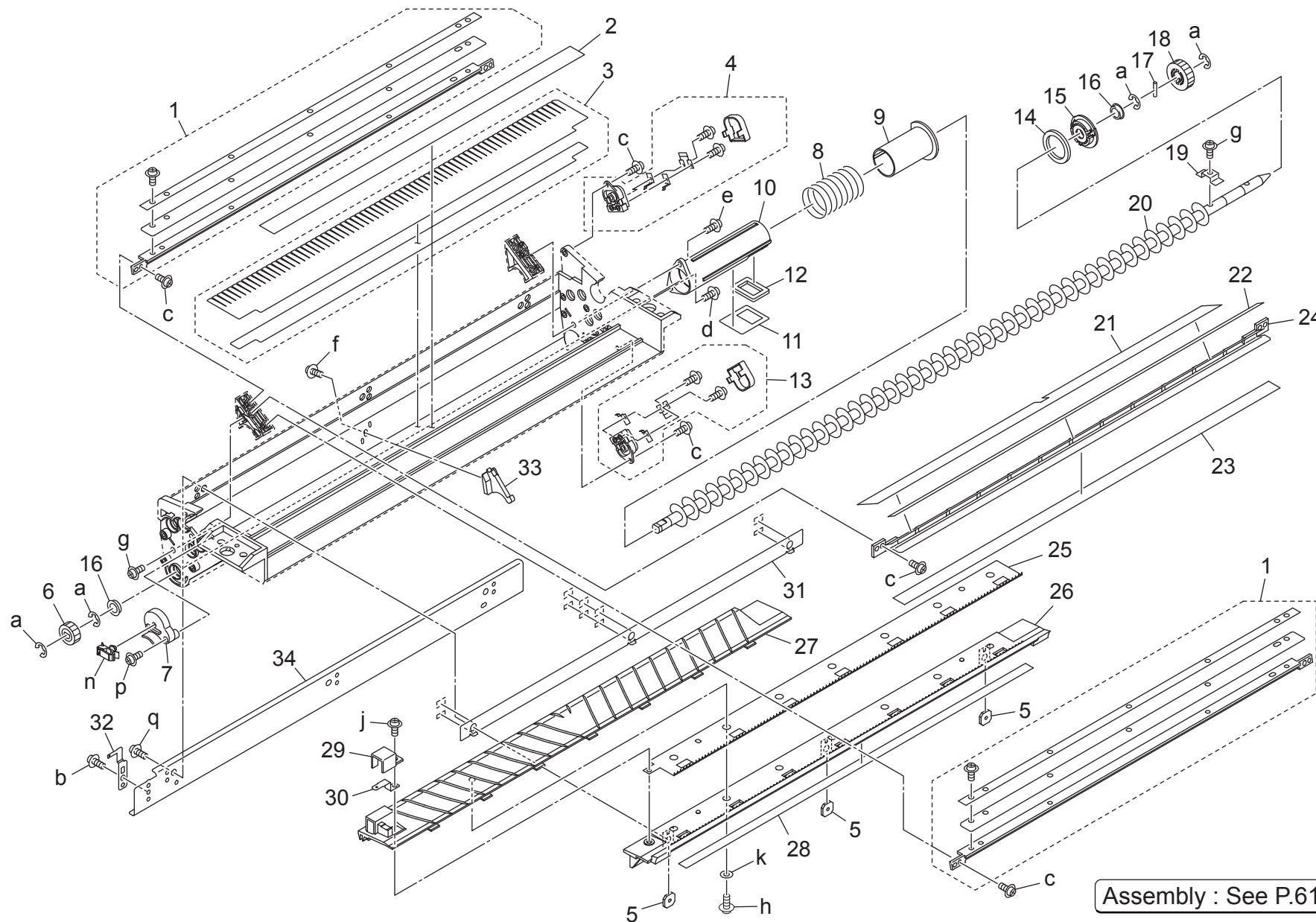
Key	Part No.	Description	Destinations	Class	QTY	Standard parts
1	A0TK397501	Ball bearing		C	2	a-V116030603 b-V127030516 c-V121030603 d-V217030050 e-V217040050 f-V217060050
2	4036252401	BUSHING		C	12	
3	A4EU506800	Pressing Plate		D	2	
4	A0G6506000	Guide Shaft		D	2	
5	A0G6509500	Adjusting Part		D	2	
6	A0G6509800	Spacer /A		C	4	
7	A0G6507511	Release Lever		C	2	
8	A0G6505800	Pressure Shaft /2		D	2	
9	A4EU505500	Lifting Plate		D	2	
10	A0G6509400	Slide Part		D	2	
11	A0G6506102	Compressing Spring		C	2	
12	A0G6506700	Pressure Gear 45T		C	1	
13	A0G6507900	Part		D	1	
14	56AA17471	PIN B 3X12		C	2	
15	A4EU508900	Pressure Shaft		D	1	
16	A4EU505600	Pressure Shaft		D	1	
17	A0G6507700	Slide Cam		C	1	
18	A4EUR73C00	Support Shaft Assy /P		D	1	
19	A0G6507400	Spring		C	1	
20	A0G6507100	Support Pin		C	1	
21	A0G6507800	Connecting Part		D	1	
22	A0G6508500	Support Stay /2		D	1	
23	A0G6506600	Idling Gear 19/73T		C	1	
24	A0G6508101	Pressure Cam		C	2	
25	56AA17461	PIN A		B	2	
26	A4EU508800	Pressure Side plate /Rear		D	1	
27	A0G6505300	Support Stay		D	1	
28	A4EUR73B00	Driving Panel Caulking		D	1	
29	55VA20520	Cleaner Locking Screw		C	2	
30	A0G6507600	Slide Part		D	1	
31	A0G6N20600	ADU Drive Harness /6		D	1	
32	A0G6506500	Drive Gear 29T		C	1	
33	A0Y5M10400	HB Motor /40		B	1	
34	12QV40650	SPACER		B	2	
35	A4EU505100	Bushing		C	2	
36	A4EU519300	Sleeve		D	2	
37	V233201250	pin		V	1	

ADU TRANSFER PRESSURE UNIT



ADU BELT CLEANER UNIT

P 74



Assembly : See P.61-9

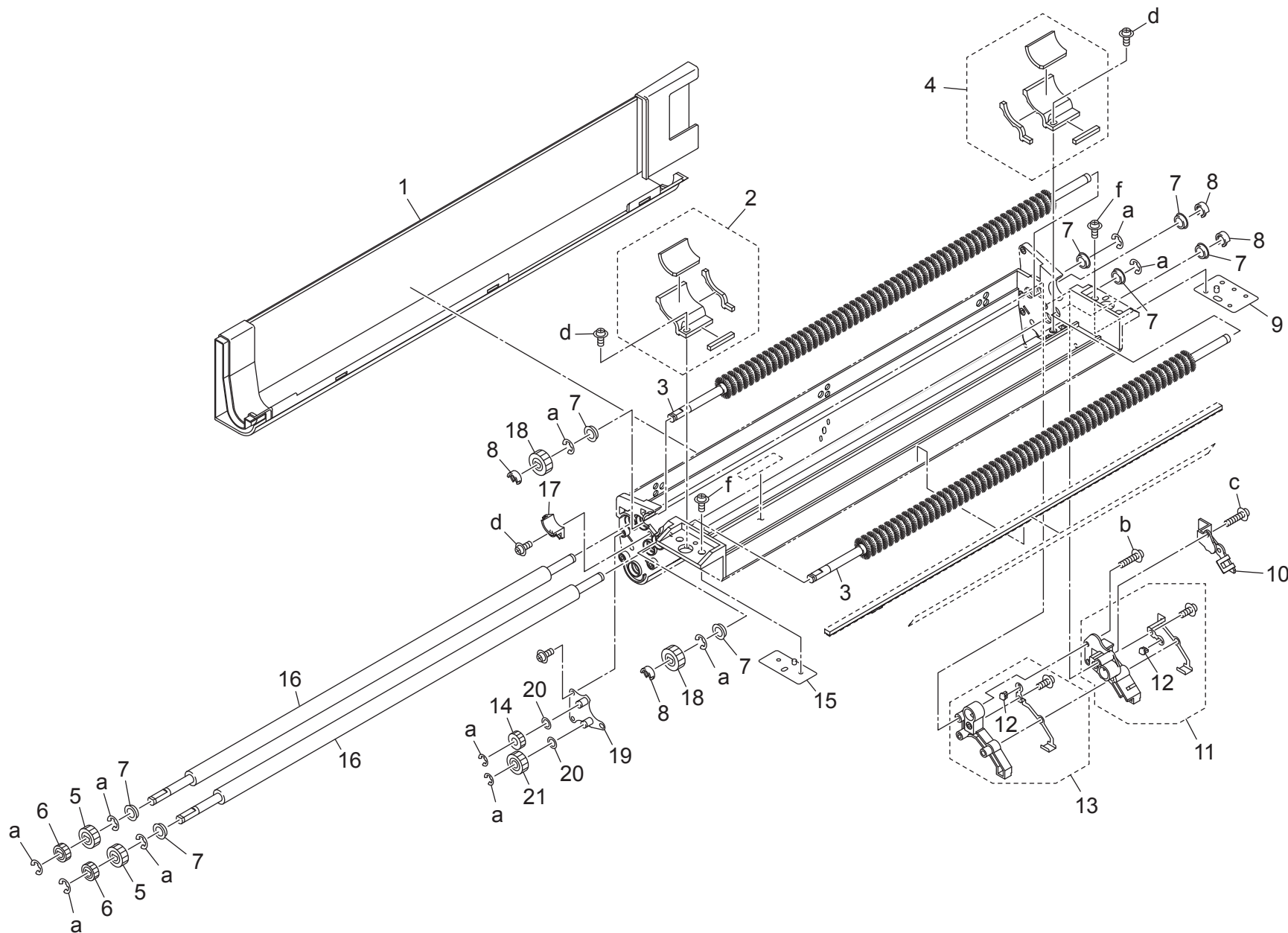
bizhub PRO 951

ADU BELT CLEANER UNIT

Key	Part No.	Description	Destinations	Class	QTY	Standard parts
1	A4EUR70000	Regurating Plate Assy		A	2	a-V217040050
2	A4EU512100	Scatteringprevention Sheet Outside		D	1	b-V121030303
3	A4EUR73D00	Cleaning Seet Assy		D	1	c-V111030604
4	A4EUR73E00	Power Bridge /Upper Assy		D	1	d-V118030604
5	A0G6525600	Mounting Plate		D	3	e-V118031003
6	A0G6521900	Drive Gear 28T		C	1	f-V121030603
7	A0G6513801	Fixing Cover		D	1	g-V121030604
8	A0G6512300	Compressing Spring		C	1	h-V151020503
9	A0G6512400	Slide Cover		D	1	j-V151030803
10	A0G6513300	Cleaning Duct		D	1	k-V207030003
11	A0G6514100	Entrance Sheet		C	1	n-V500010046
12	A0G6514000	Entrance Seal		C	1	p-V121031203
13	A4EUR73F00	Power Bridge /Lower Assy		D	1	q-V116030803
14	A0G6515100	Toner Guide Seal		C	1	
15	A0G6511401	Cleaning Bushing		C	1	
16	A1RF529100	Drive Ball bearing		C	2	
17	466078010	PIN A D2X10		B	1	
18	A0G6521400	Collection Gear /A 16T		C	1	
19	A0G6515900	Toner Agitating Plate		D	1	
20	A4EU510900	Recycle Screw		D	1	
21	A0G6514900	Cleaning Sheet /Lower		C	1	
22	A0G6512200	Scatteringprevention Sheet /1		C	1	
23	A0G6512800	Scatteringprevention Sheet /2		C	1	
24	A0G6518600	Scatteringprevention Plate		C	1	
25	A0G6516300	Neutralizing Part		D	1	
26	A0G6516211	Separating Cover /Lower		D	1	
27	A0G6510302	Separating Cover /Upper		D	1	
28	A0G6512001	Scatteringprevention Sheet /Upper		C	1	
29	A0G6516500	Protection Cover		C	1	
30	A0G6516400	Neutralizing Plate		D	1	
31	A0G6525700	Receiving Plate		D	1	
32	A4EU515200	Ground Plate /Front		D	1	
33	A0G6511901	Reinforce Block		D	1	
34	A0G6516611	Reinforce Plate		D	1	

ADU BELT CLEANER UNIT

P 75

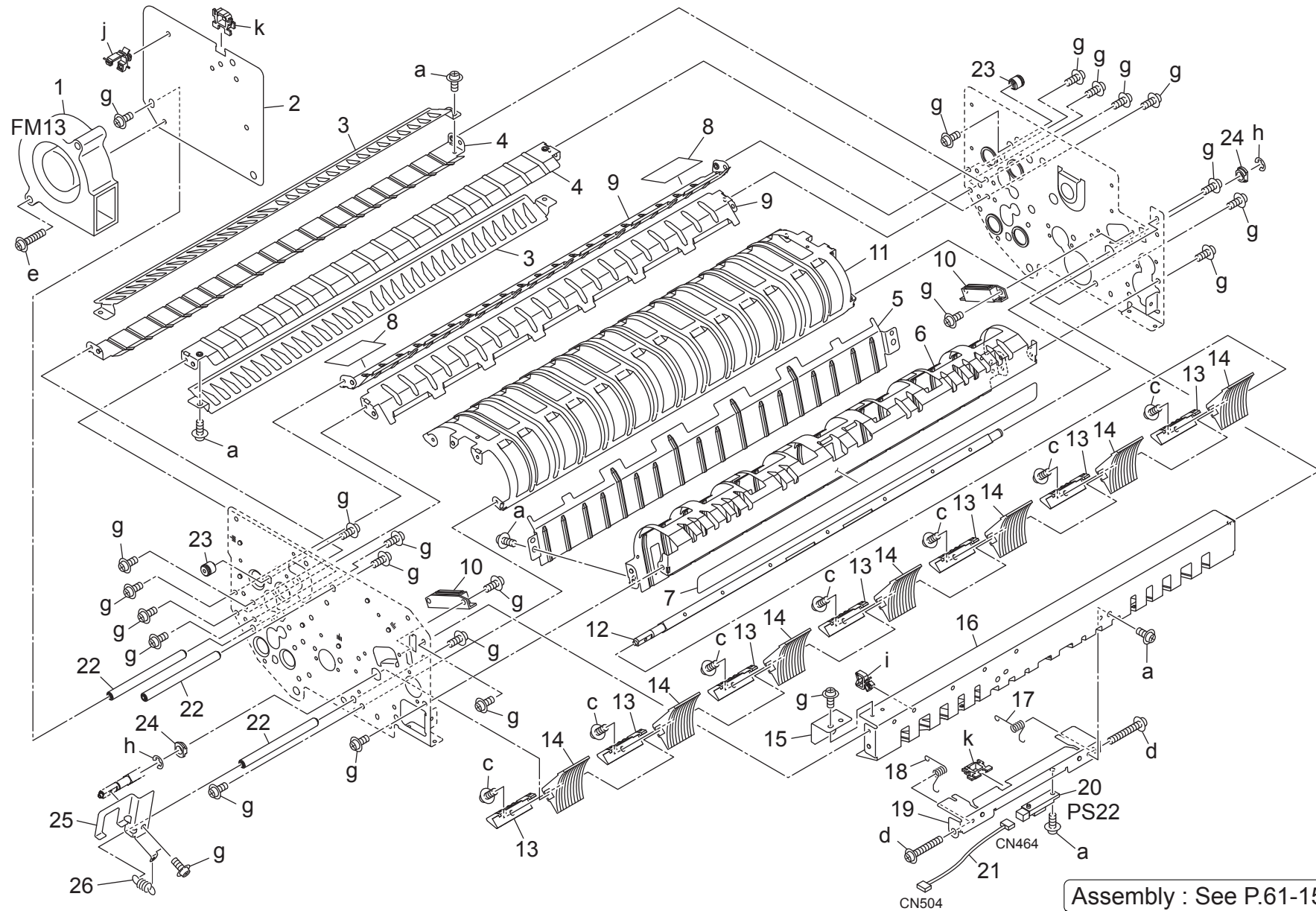


ADU BELT CLEANER UNIT

Key	Part No.	Description	Destinations	Class	QTY	Standard parts
1	A0G6513211	Cooling Duct /Middle		D	1	a-V217040050 b-V111031603 c-V118031803 d-V118030604 f-V121030604
2	A4EUR73G00	Scatting Prevention Block /Rear Ass y		C	1	
3	A4EU510600	Cleaning Brush		B	2	
4	A4EUR73H00	Scatting Prevention Block /Front As sy		C	1	
5	A0G6521900	Drive Gear 28T		C	2	
6	A0G6521000	Drive Gear /B 18T		C	2	
7	A1RF529100	Drive Ball bearing		C	8	
8	396040681	STOPPER RING		B	4	
9	A4EUR73N00	Adjusting Plate /2 Caulking		D	1	
10	A0G6511312	Power Supply Cover		D	1	
11	A4EUR73K00	Power Block /Upper Assy		B	1	
12	65AA26890	POWERING PART		B	2	
13	A4EUR73J00	Power Block /Lower Assy		D	1	
14	A0G6523300	Idling Gear /S 20T		C	1	
15	A4EUR73P00	Adjusting Plate Caulking		D	1	
16	A0G6510700	Cleaning Shaft		B	2	
17	A0G6513701	Fixing Part		D	1	
18	A0G6520900	Drive Gear /A 30T		C	2	
19	A4EUR73M00	Reinforce Plate Caulking		D	1	
20	26MA74100	SPECIAL WASHER		C	2	
21	A0G6521100	Idling Gear /L 30T		C	1	

ADU DECURLER UNIT

P 76



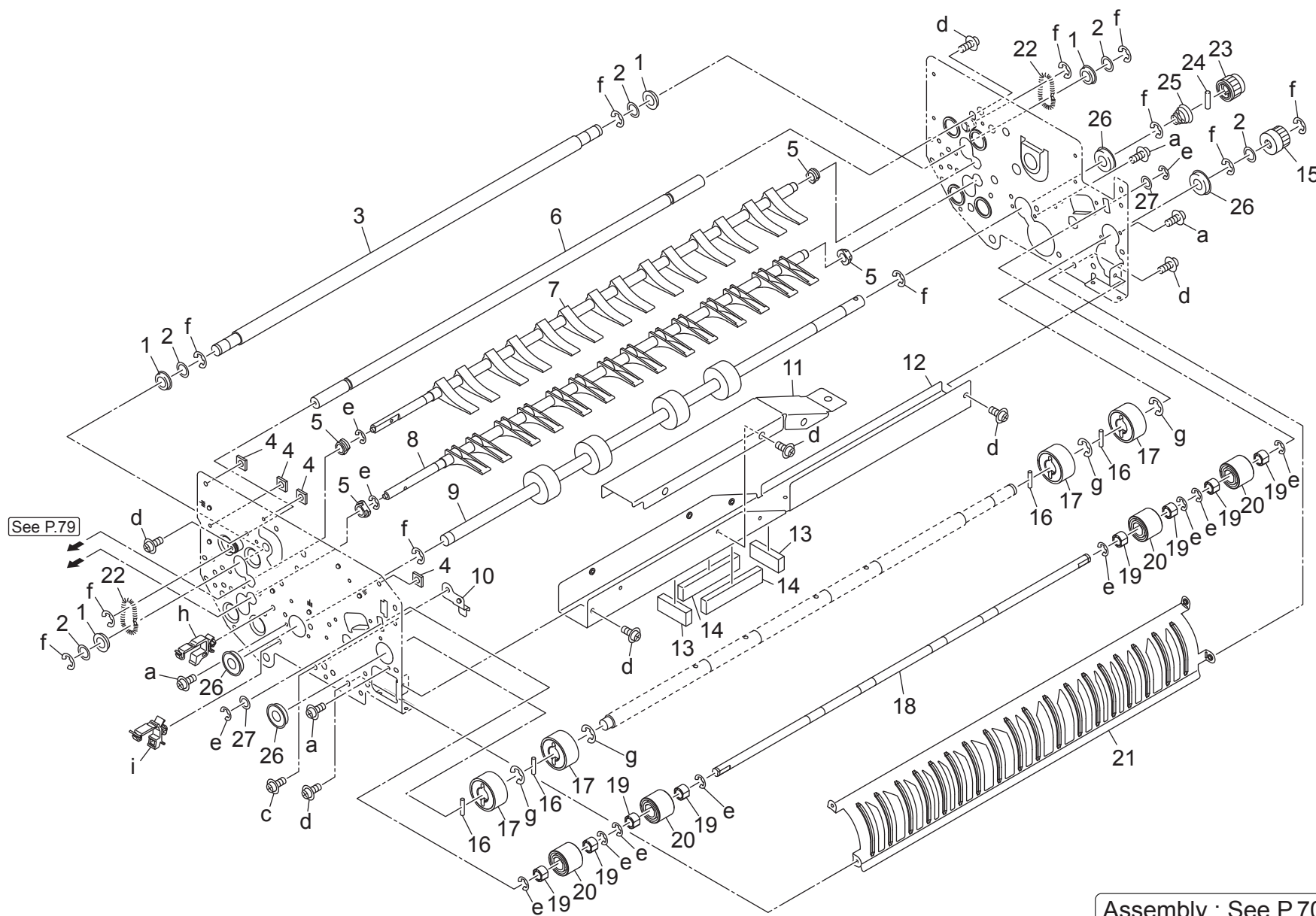
Assembly : See P.61-15

bizhub PRO 951

Key	Part No.	Description	Destinations	Class	QTY	Standard parts
1	9313110033	FAN MOTOR		C	1	a-V118030403 c-V118030803 d-V118043003 e-V118043503 g-V127030603 h-V217040050 i-V500010050 j-V500010020 k-V570010050
2	A0G6843101	Mounting Plate /F		D	1	
3	A0G6844500	Guide Plate /I		C	2	
4	A0G6844402	Guide Plate /H		C	2	
5	A0G6844101	Guide Plate /E		C	1	
6	A0G6842200	Guide Plate /B		C	1	
7	A0G6942500	Caution Label /A		D	1	
8	A0G6846800	Holding Sheet		C	2	
9	A0G6844600	Guide Plate /J		C	2	
10	07BA12352	MAGNET CATCH		C	2	
11	A0G6844300	Guide Plate /G		C	1	
12	A0G6842500	Guide Shaft		D	1	
13	A0G6844900	Guide Part /2		C	7	
14	56UA47600	Paper Guide Part		B	7	
15	A0G6842800	Protection Plate /D		D	1	
16	A4EU842100	Guide Plate /A		D	1	
17	A0G6841501	Paper Exit Spring /Rear		C	1	
18	A0G6841401	Paper Exit Spring /Front		C	1	
19	A4EU843700	Plate /F		D	1	
20	13QA85511	Sensor 1		B	1	
21	A4EUN21000	Relay harness /5		D	1	
22	A0G6843200	Mounting Shaft /F		D	3	
23	A0G6846500	Mounting Shaft		D	2	
24	A0G6845900	Bushing /G		C	2	
25	A0G6842600	Guide Plate		D	1	
26	A0G6845500	Guide Spring /G		C	1	

ADU DECURLER UNIT

P 77



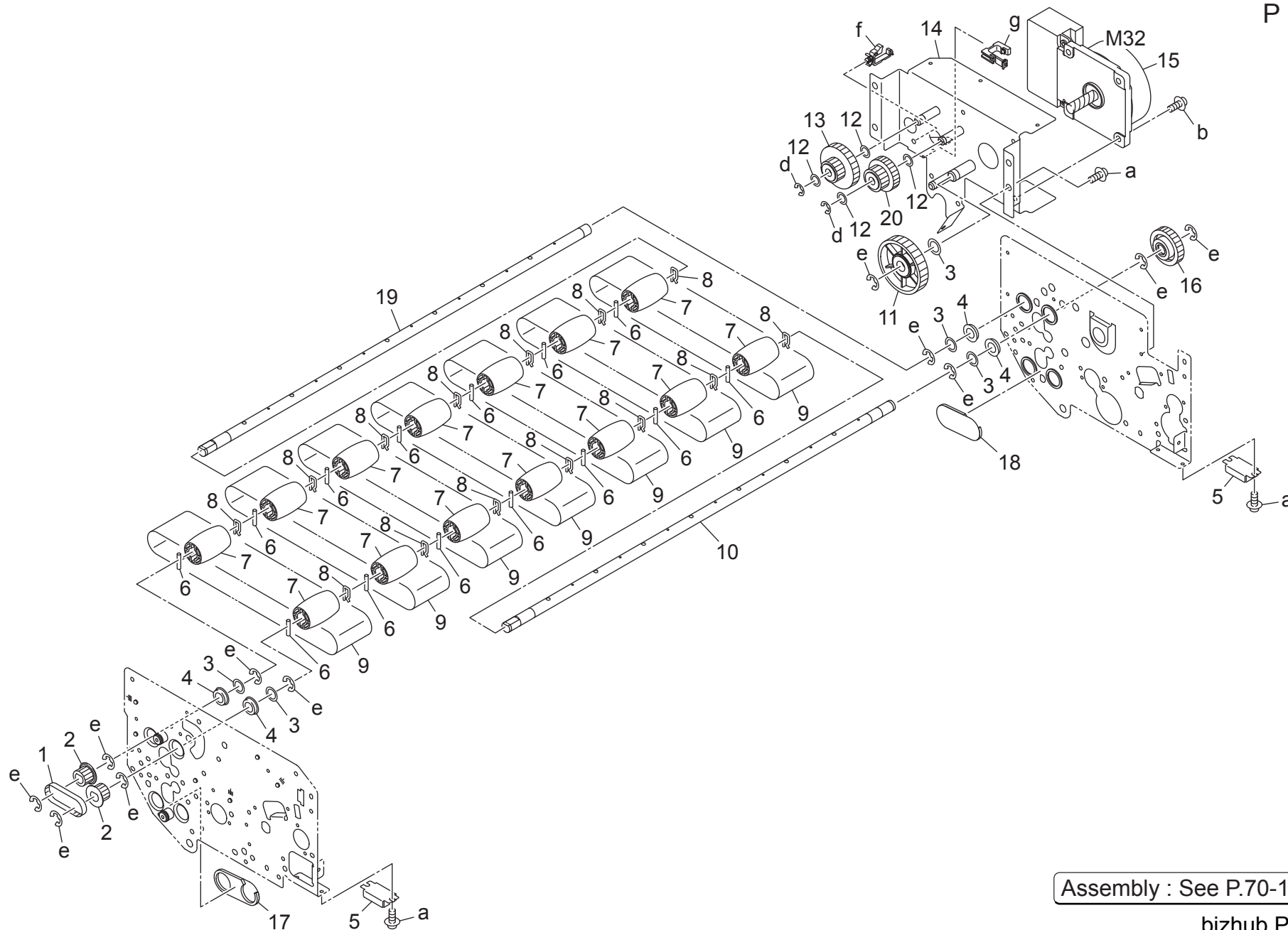
Assembly : See P.70-15

bizhub PRO 951

Key	Part No.	Description	Destinations	Class	QTY	Standard parts
1	A00J617900	Ball Bearing		B	4	a-V118030403 c-V127040603 d-V127030603 e-V217040050 f-V217060050 g-V217080050 h-V500010020 i-V500010061
2	15AJ50460	Punch Spacer		D	5	
3	A0G6846300	Regulating Shaft		D	1	
4	A0G6845700	Protection Pad /2		C	4	
5	A0G6845900	Bushing /G		C	4	
6	A4EU840800	Support Stay /D		D	1	
7	A0G6845100	Guide Part /Upper		B	1	
8	A0G6845200	Guide Part /Lower		B	1	
9	A4EU840700	Entrance Roller /D		B	1	
10	A0G6841700	Stopper Plate		D	1	
11	A4EU840500	Reverse/Exit Duct /Upper		D	1	
12	A4EU840400	Reverse/Exit Duct /Lower		D	1	
13	A0G6849200	Sealing Part /2		C	2	
14	A0G6849100	Sealing Part /1		C	2	
15	A4EU847000	Coupling Part		B	1	
16	56AA17461	PIN A		B	4	
17	56UA45950	Paper Exit Roller /1		B	4	
18	A0G6841300	Idler Shaft /F		D	1	
19	A4EU715500	Bushing /No.1		C	8	
20	A0G6843800	Idler Roll /D		C	4	
21	A0G6844200	Guide Plate /F		C	1	
22	A0G6846600	Pressing Spring /H		C	2	
23	56UA15510	CONVEYANCE COUPLING PART		C	1	
24	56AA17471	PIN B 3X12		C	1	
25	56AA17090	PRESSURE SPRING		C	1	
26	A00V240600	BALL BEARING		C	4	
27	13QA17730	COLLAR 6		C	2	

ADU DECURLER UNIT

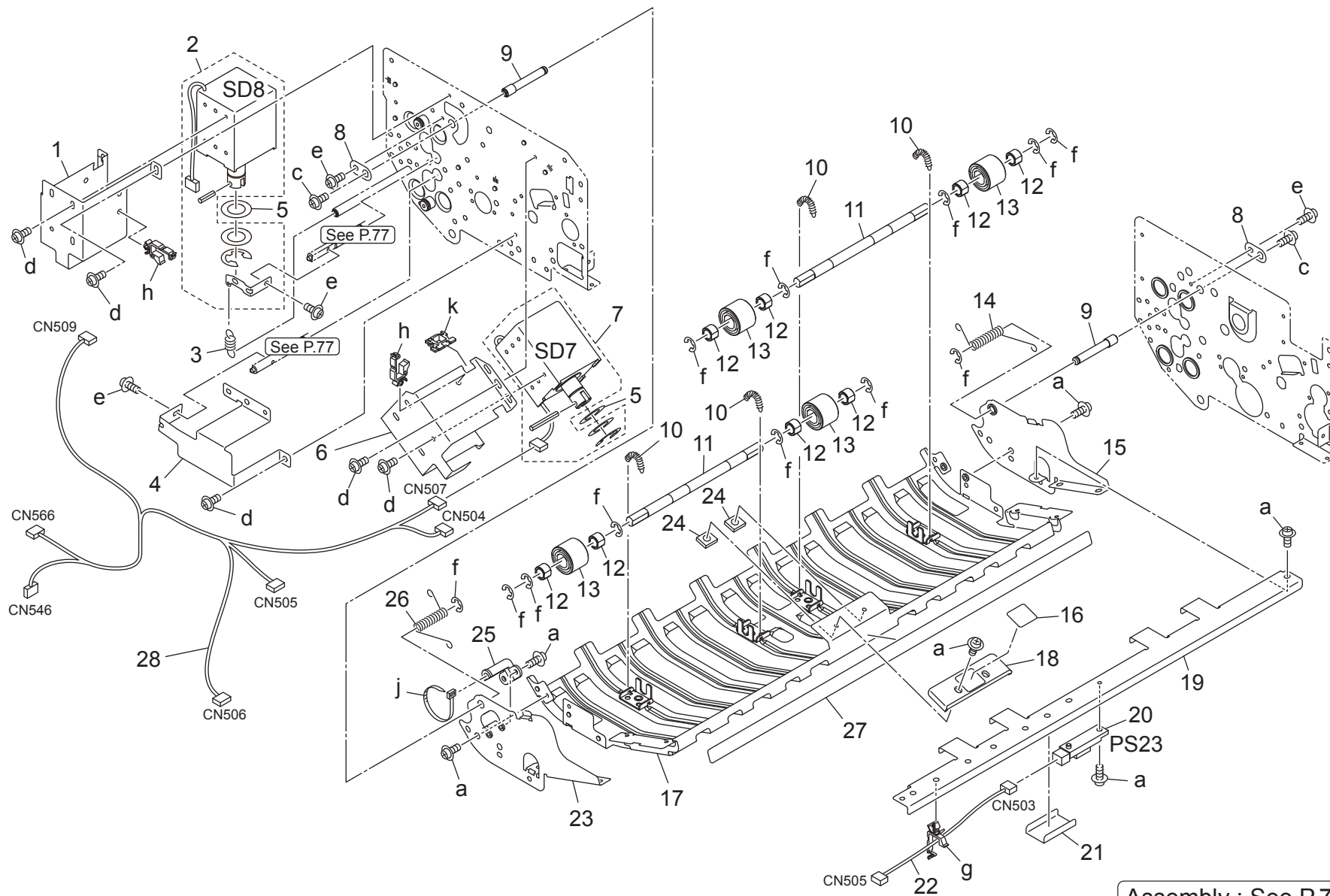
P 78



Assembly : See P.70-15

bizhub PRO 951

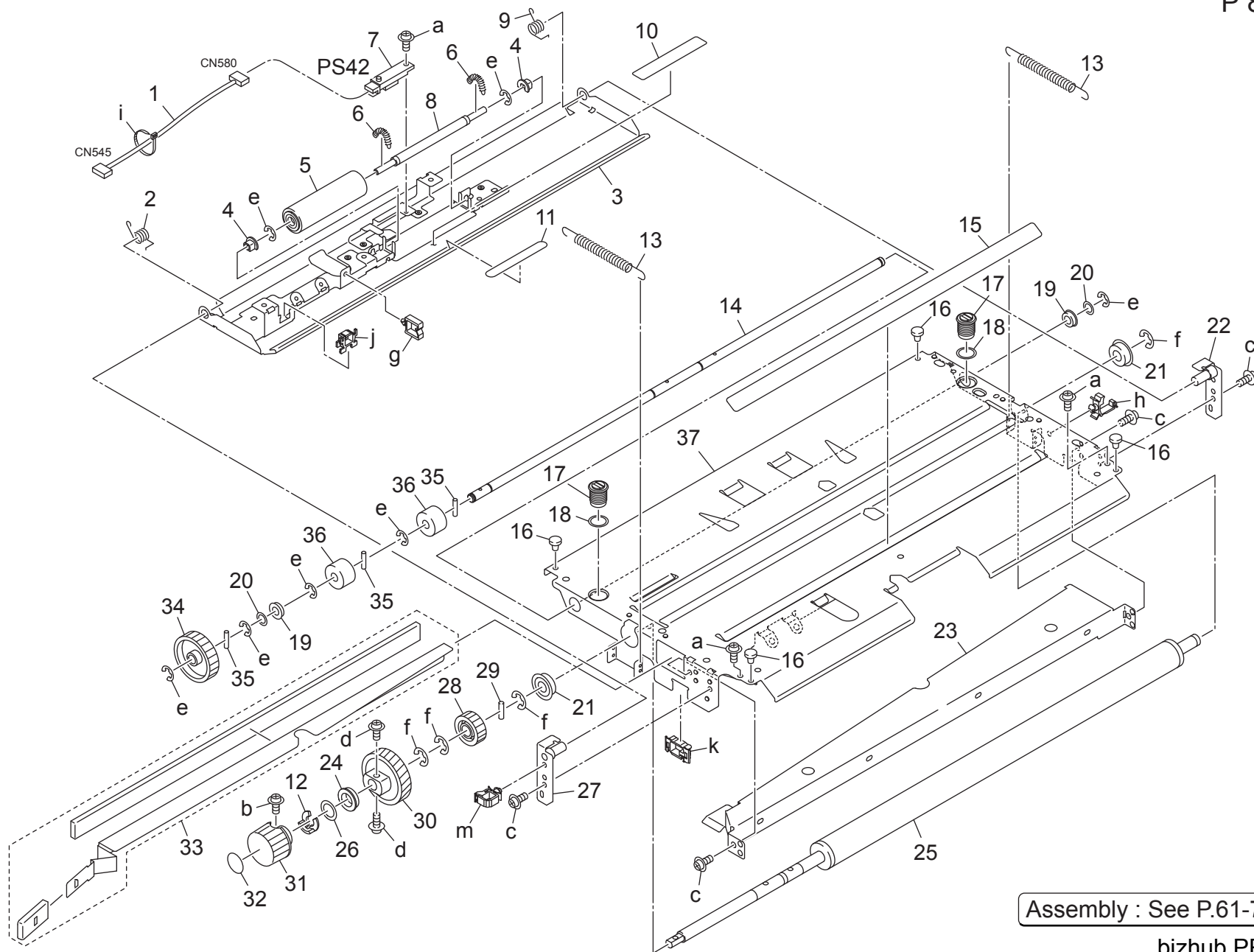
Key	Part No.	Description	Destinations	Class	QTY	Standard parts
1	A04J719200	BELT /6 91L		C	1	a-V118030403 b-V127040603 d-V217040050 e-V217060050 f-V500010020 g-V570010046
2	A04J719800	DRIVE PULLEY /B 20T		C	2	
3	15AJ50460	Punch Spacer		D	5	
4	A00J617900	Ball Bearing		B	4	
5	40AA32290	MAGNET CATCH		C	2	
6	56AA17480	PIN B		C	14	
7	A04J709800	Regulating Roll		C	14	
8	15AG57620	FIXING PART		C	14	
9	A0G6846400	Regulating Belt		B	7	
10	A0G6846100	Drive Shaft /B		D	1	
11	A0G6848500	Idling Gear /1 78T		C	1	
12	13QA17730	COLLAR 6		C	4	
13	A4EU848900	Idling Gear /4 32T		C	1	
14	A4EUR74B00	Mounting Plate /M Caulking		D	1	
15	A0PNM10200	DC Brushless motor /20		B	1	
16	A4EU848800	Drive Gear /W 26T		C	1	
17	A4EW845700	Hold Seal /Front		D	1	
18	A4EW845800	Hold Seal /Rear		D	1	
19	A4EU846100	Drive Shaft /C		D	1	
20	A4EU848600	Idling Gear /2 26/26T		C	1	



Assembly : See P.70-15

bizhub PRO 951

Key	Part No.	Description	Destinations	Class	QTY	Standard parts
1	A0G6843401	Mounting Plate /Upper		D	1	a-V118030403
2	A4EUR74900	Solenoid /Upper Pin Assy		B	1	c-V121030604
3	A0G6845600	Guide Spring /Middle		C	1	d-V116030603
4	A4EW843500	Mounting Plate /Lower		D	1	e-V127030603
5	A4EU849300	Spacer /12		D	2	f-V217040050
6	A0G6843301	Mounting Plate /G		D	1	g-V500010046
7	A4EUR74A00	Solenoid /G Pin Assy		B	1	h-V500010020
8	A0G6843000	Fixing Plate		D	2	j-V501010002
9	A0G6842900	Guide Shaft		D	2	k-V570010050
10	55VA46451	REGISTRATION FEEDING SPRING		B	4	
11	A0G6840900	Idler Shaft /D		D	2	
12	A4EU715500	Bushing /No.1		C	8	
13	A0G6843800	Idler Roll /D		C	4	
14	A0G6844800	Open/Close Spring /Rear		C	1	
15	A0G6841900	Guide Side Plate /Rear		D	1	
16	A0G6945700	Label /7		C	1	
17	A0G6842300	Guide Plate /C		C	1	
18	56UA46140	TRANSFER FEEDING HANDLE		C	1	
19	A0G6843600	Plate /D		D	1	
20	13QA85511	Sensor 1		B	1	
21	A0G6843900	Protection Sheet		C	1	
22	A4EUN20900	Relay harness /6		D	1	
23	A0G6841800	Guide Side Plate /Front		D	1	
24	A0G6845700	Protection Pad /2		C	2	
25	A0G6842700	Wiring Part		D	1	
26	A0G6844700	Open/Close Spring /Front		C	1	
27	A4EW845900	Suction Sheet /D		D	1	
28	A4EWN20700	ADU Relay harness /4		D	1	



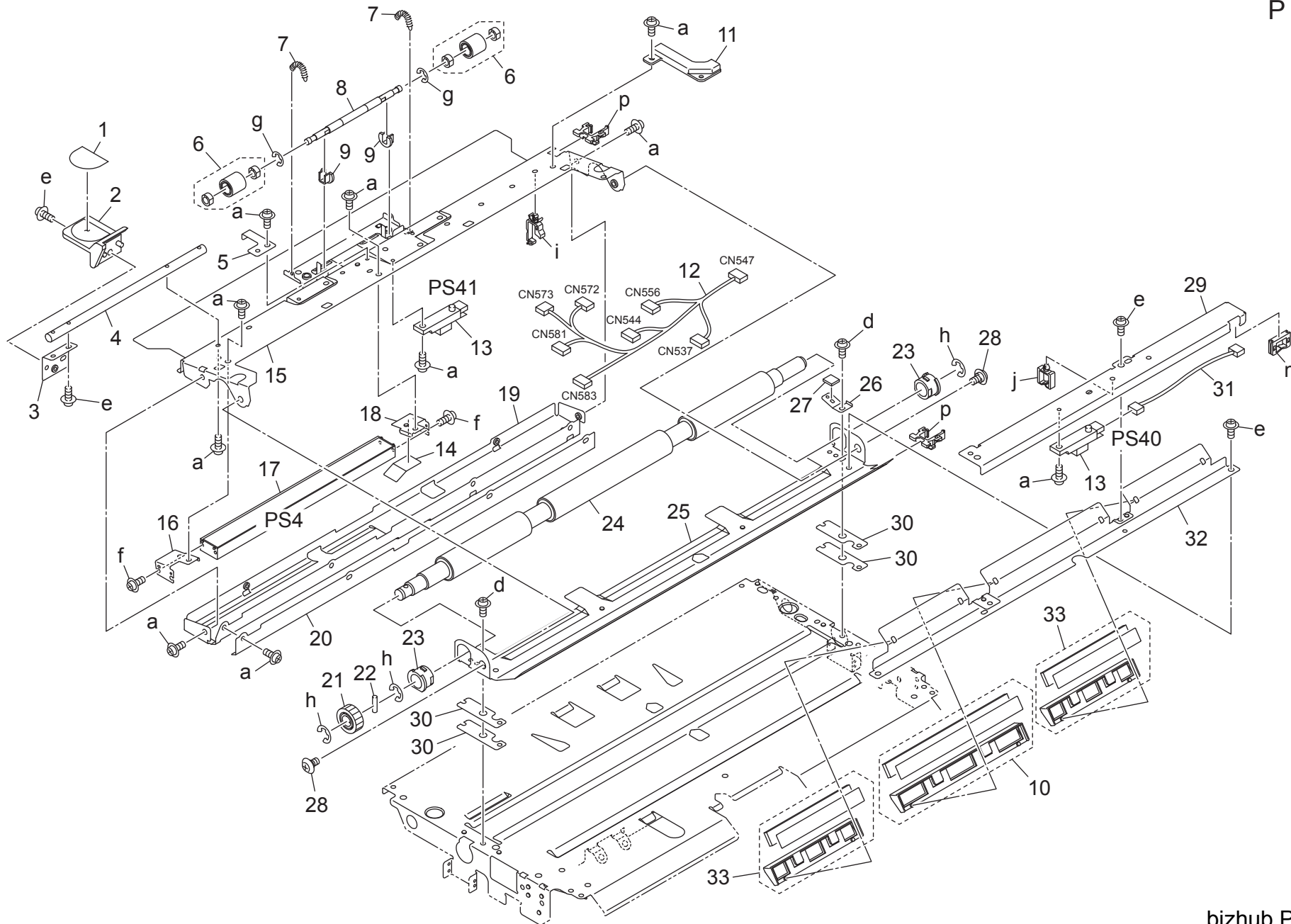
Assembly : See P.61-7

bizhub PRO 951

Key	Part No.	Description	Destinations	Class	QTY	Standard parts
1	56UA90620	REGISTRATION WIRING 2		D	1	a-V118030403
2	56UA46310	Entrance Open Close Spring /Front		C	1	b-V118030603
3	A4EU710800	Open/close Plate		D	1	c-V127030603
4	25SA43310	DRIVEN SHAFT HOLDER		B	2	d-V116030603
5	A4EU818000	Idler Rubber /U		B	1	e-V217040050
6	55VA46490	Registration Pressure Spring		B	2	f-V217060050
7	13QA85511	Sensor 1		B	1	g-V500010024
8	A4EU713500	Idler Shaft /L		D	1	h-V500010061
9	56UA46320	Entrance Open Close Spring /Rear		C	1	i-V501010002
10	A0G6945100	Label /1		C	1	j-V570010050
11	56UA97160	Jam Release Label /F		D	1	k-V570010063
12	55VA42120	SHAFT STOPPER		C	1	m-V500010020
13	56UA46170	Registration Pressing Spring		C	2	
14	A0G6713200	Drive Shaft /T		D	1	
15	A0G6712100	Lifting Sheet		B	1	
16	12AJ45850	STOPPER RUBBER		C	4	
17	A0G6712900	Suction Catch /Black		C	2	
18	A0G6712800	Suction Spacer		C	2	
19	A00J617800	BALL BEARING		C	2	
20	13QA10330	SHAFT SPACER		C	2	
21	A00V240600	BALL BEARING		C	2	
22	A4EU718200	Positioning Plate /Rear		D	1	
23	56UA46100E	Roller Cleaning Rail		D	1	
24	A00J617900	Ball Bearing		B	1	
25	56UA46030F	Registration Roller /Lower		B	1	
26	56AA52700	ADU COUPLING SPACER		C	1	
27	A4EU718100	Positioning Plate /Front		D	1	
28	A0G6714300	Registration Gear/Lower 20T		B	1	
29	56AA17471	PIN B 3X12		C	1	
30	A4EU714400	Registration Gear /R 35T		B	1	
31	14GE45470	Rotation Knob		C	1	
32	57AA97211E	Jam Release Label /2		C	1	
33	A4EUR74700	Regist Clener Assy/Lower		D	1	
34	A0G6714100	Drive Gear /T 31T		C	1	
35	56AA17551	PIN A		C	3	
36	A0Y5713100	Drive Roller /T		C	2	
37	A4EU710100	Registration Main body		D	1	

ADU REGIST UNIT

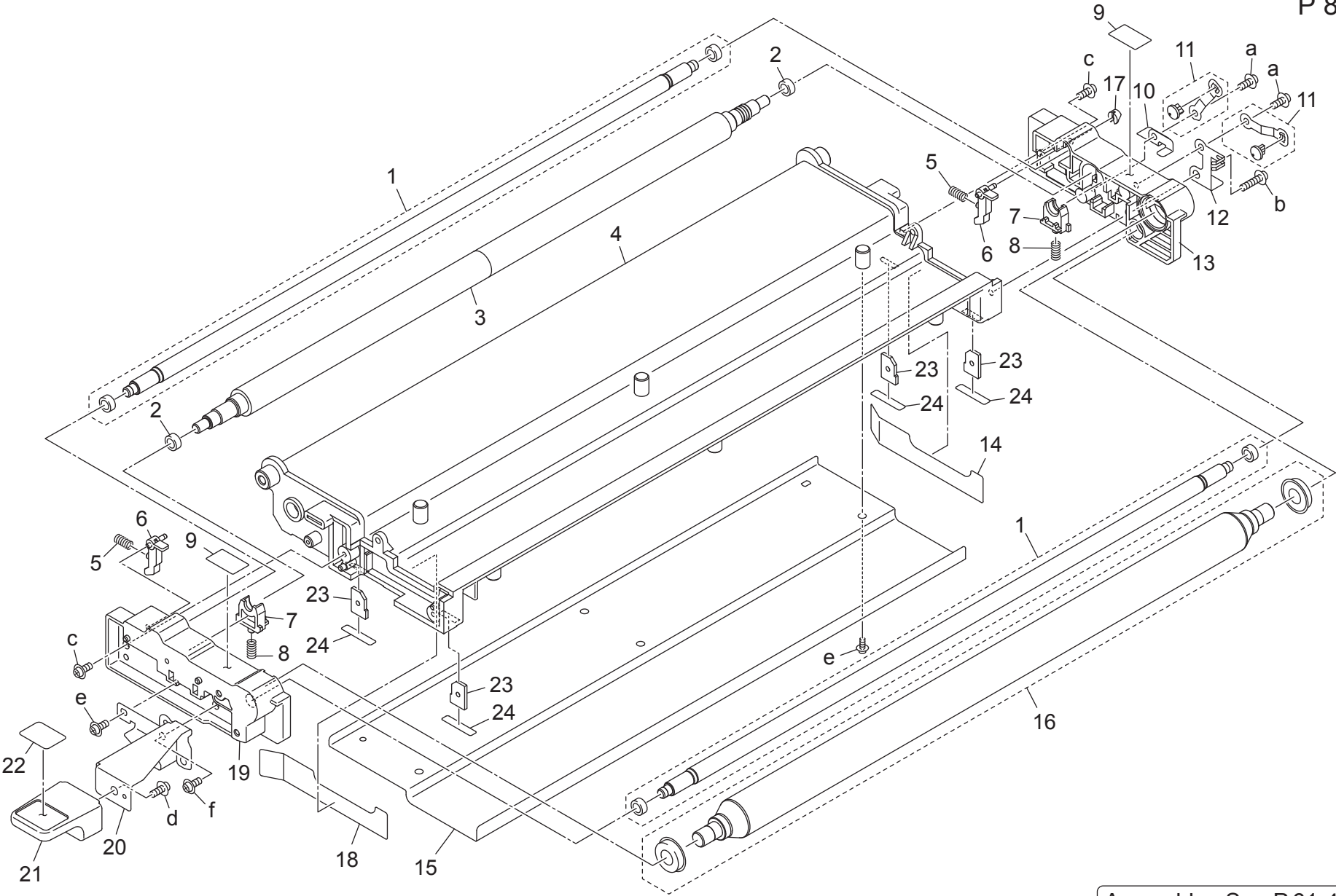
P 81



Key	Part No.	Description	Destinations	Class	QTY	Standard parts
1	57AA97221E	Jam Release Label /3		C	1	a-V118030403
2	56QA46060	TRANSFER GUIDE HANDLE		C	1	d-V121030604
3	A0G6713600	Open/Close Plate /Front		D	1	e-V127030603
4	A4EU713700	Open/close Shaft /Front		D	1	f-V145260503
5	A4EU713800	Holding Plate /T		D	1	g-V217040050
6	A4EUR74800	Idler Roller /T Assy		B	2	h-V217060050
7	55VA46451	REGISTRATION FEEDING SPRING		B	2	i-V500010020
8	A4EU713400	Idler Shaft /T		D	1	j-V500010024
9	56UA44680	Idler Bushing		C	2	n-V570010033
10	A4EUR74500	Cleaning Brush /1 Assy		C	1	p-V570010050
11	A0G6712200	Holding Holder		C	1	
12	A4EWN16300	Relay harness /4		D	1	
13	13QA85511	Sensor 1		B	2	
14	A0G6717100	Protection Seal /Upper		D	1	
15	A4EU710400	Registration Plate /T		D	1	
16	A0G6712301	Plate /Front		D	1	
17	A0Y5M55100	Compensating Sensor		C	1	
18	A0G6712701	Plate /Rear		D	1	
19	A0G6710201	Guide Casing		D	1	
20	A0G6712400	Guide Plate /R		C	1	
21	A0G6714200	Registration Gear/Upper 18T		B	1	
22	56AA17471	PIN B 3X12		C	1	
23	A4EU715400	Registration Bushing /Upper		B	2	
24	56UA46061E	REGIST ROLLER /UPPER		C	1	
25	A0G6710500	Registration Plate /Upper		D	1	
26	A0G6714600	Ground Plate Spring /R		C	1	
27	56UA46190	Roller Conductive Pad		C	1	
28	190040922E	Fixing Screw		C	2	
29	A0G6711500	Holding Part /R		D	1	
30	A0G6714700	Registration Spacer		D	4	
31	56UA90880	RELAY WIRING 3		D	1	
32	56UA46110E	Guide Part		D	1	
33	A4EUR74600	Cleaning Brush /2 Assy		C	2	

TRANSFER BELT UNIT

P 82



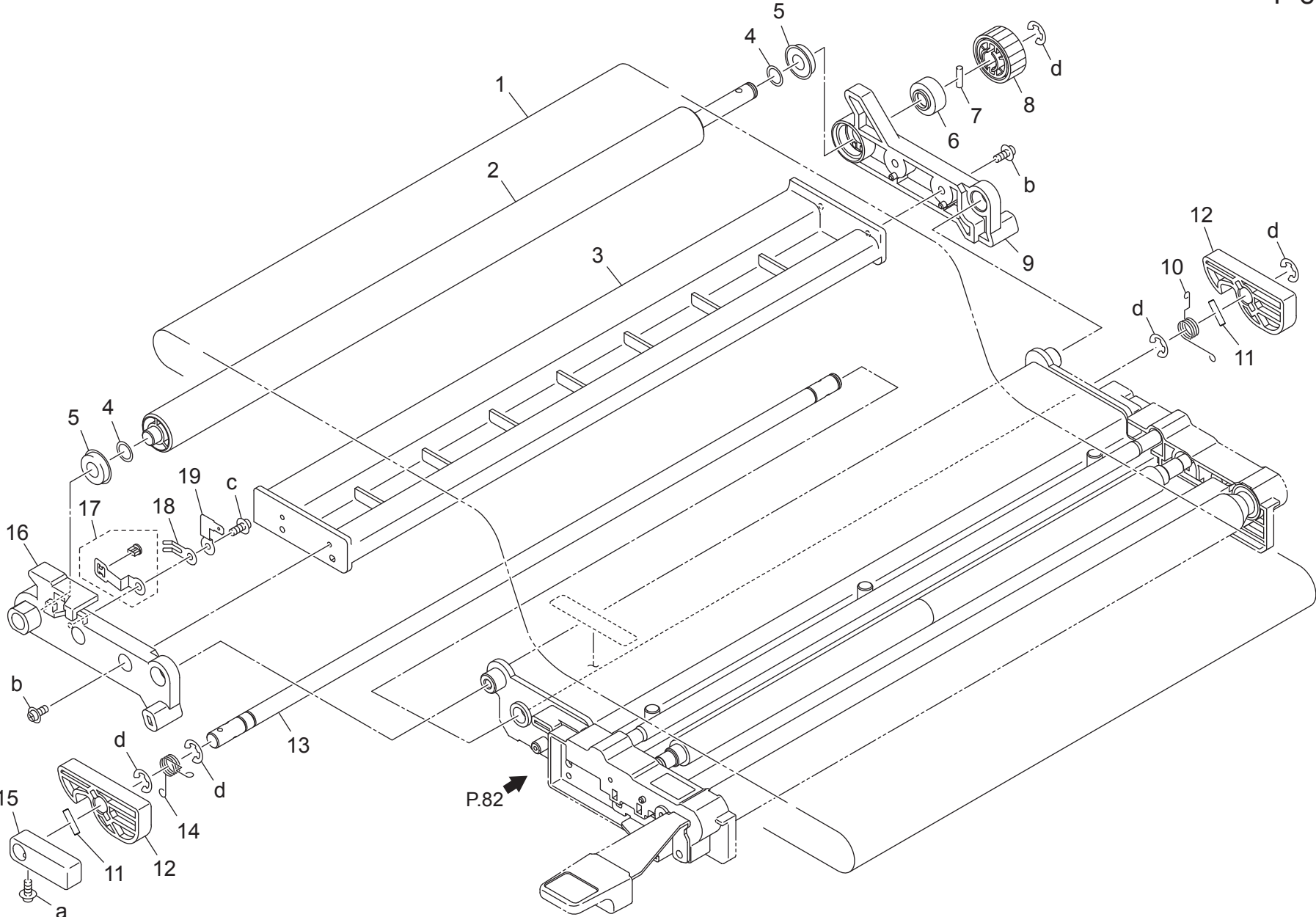
Assembly : See P.61-4

bizhub PRO 951

TRANSFER BELT UNIT

Key	Part No.	Description	Destinations	Class	QTY	Standard parts
1	A4EUR72900	Nip Roller Assy		B	2	a-V121030403 b-V116031603 c-V121031203 d-V151040803 e-V151030803 f-V121031603
2	A0G6503900	Power supply Ball bearing		B	2	
3	A4EU500600	Transfer Roller		B	1	
4	A0G6500211	Transfer Bottom Plate /1		D	1	
5	A0G6501900	Pressure Spring		C	2	
6	A4EU503800	Release Part		D	2	
7	A0G6501800	Receiving Part		D	2	
8	A0G6501700	Pressure Spring		C	2	
9	A0G6951000	Set Label /10		D	2	
10	A0G6503200	Power Supply Plate		D	1	
11	A4EUR70C00	Transfer Electrode Assy		B	2	
12	A0G6503100	Ground Plate		D	1	
13	A0G6502802	Fixing Part /Rear		D	1	
14	A0G6503500	Protection Sheet /Rear		C	1	
15	A0G6503300	Reinforce Plate /Lower		D	1	
16	A4EUR72800	Idler Roller Assy		C	1	
17	45AA20400	STOPPER PART		A	1	
18	A0G6503600	Protection Sheet /Front		C	1	
19	A0G6502702	Fixing Part /Front		D	1	
20	A0G6501100	Open/Close Lever		C	1	
21	65AA53991	FIXING PAPER EXIT LEVER		C	1	
22	A0G6945500	Label /5		C	1	
23	A0G6501000	Receiving Plate /1		D	4	
24	A0G6501200	Holding Film		D	4	

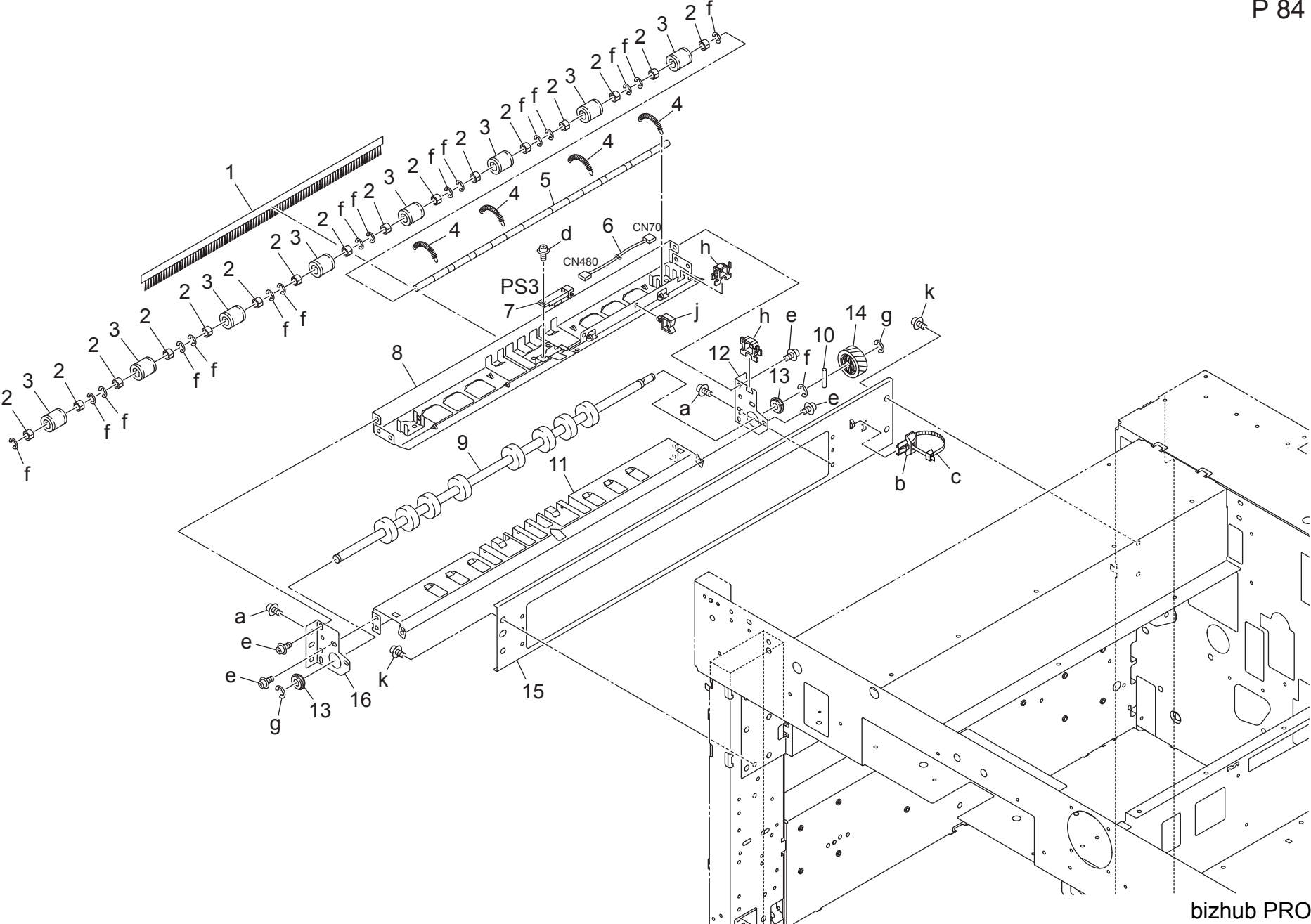
TRANSFER BELT UNIT



TRANSFER BELT UNIT

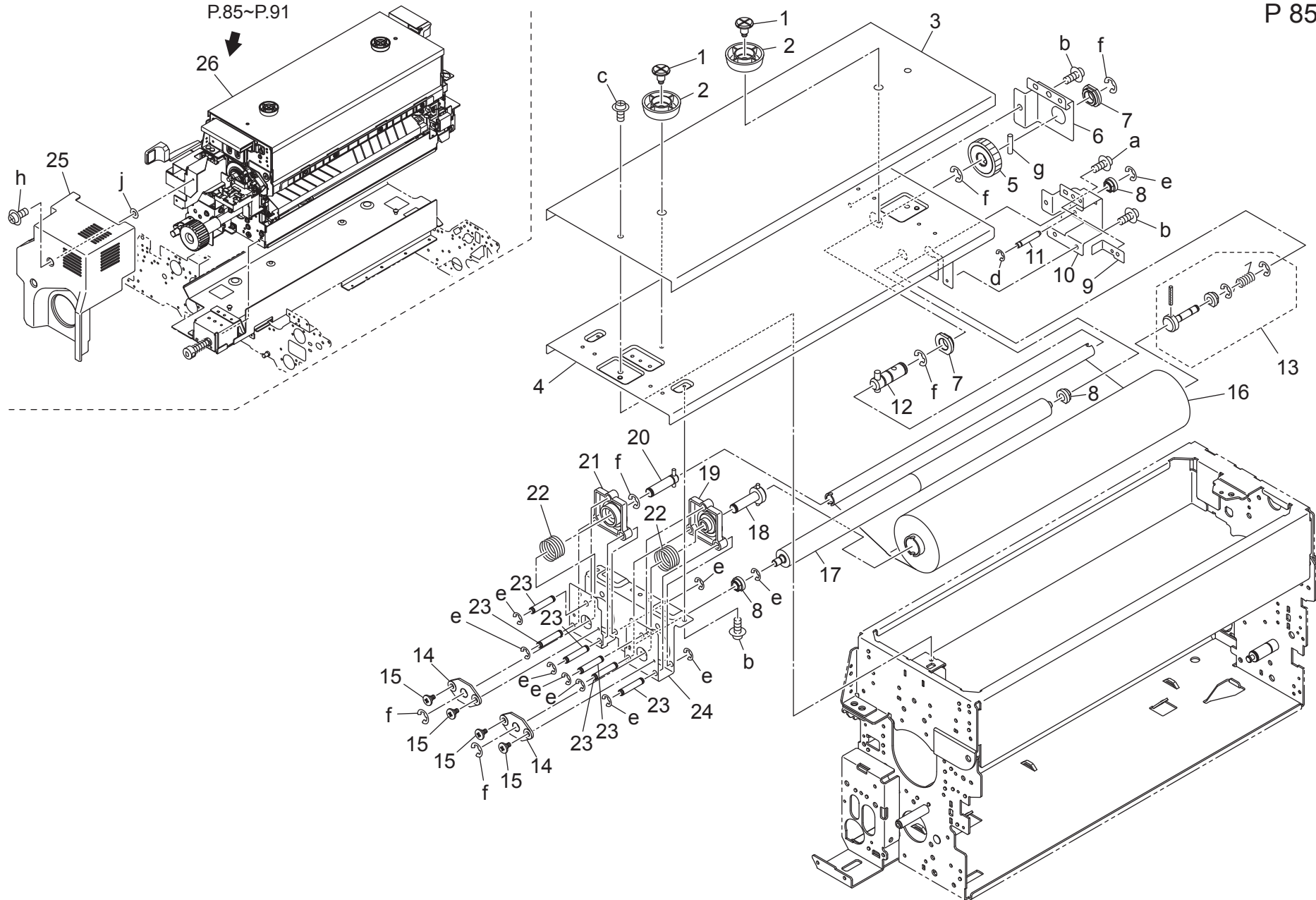
Key	Part No.	Description	Destinations	Class	QTY	Standard parts
1	A0G6500113	Transfer Belt		B	1	a-V121030603 b-V121030803 c-V121030403 d-V217060050
2	A4EU500400	Drive Roller		C	1	
3	A0G6500300	Transfer Bottom Plate /2		D	1	
4	12QV40650	SPACER		B	2	
5	A1RF529300	Transfer Ball bearing		C	2	
6	57GA47640	BELT TENSION ROLLER		C	1	
7	56AA17461	PIN A		B	1	
8	A0G6502300	Drive Gear 48T		C	1	
9	A0G6500901	Hold Side plate /Rear		D	1	
10	A0G6501600	Lock Spring /Rear		C	1	
11	56AA17480	PIN B		C	2	
12	A0G6501400	Release Cam		C	2	
13	A0G6501300	Rotation Shaft		D	1	
14	A0G6501500	Lock Spring /Front		C	1	
15	A0G6503400	Release Lever		C	1	
16	A0G6500801	Hold Side plate /Front		D	1	
17	A4EUR70B00	Earth Electrode Assy		B	1	
18	A0G6502200	Ground Plate /2		D	1	
19	A0G6502600	Ground Plate /3		D	1	

MAIN BODY PAPER EXIT UNIT



FUSER UNIT

P 85

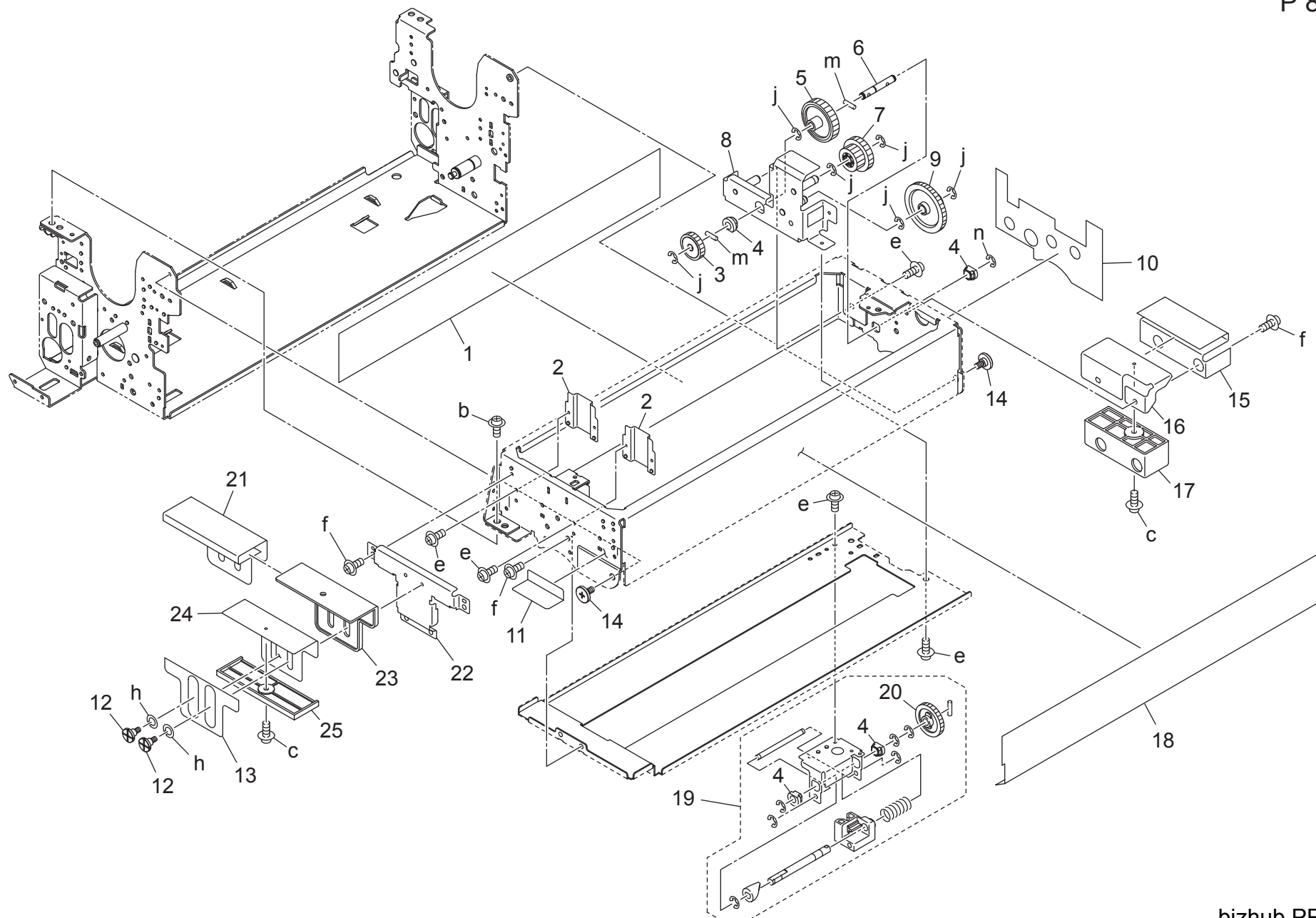


FUSER UNIT

Key	Part No.	Description	Destinations	Class	QTY	Standard parts
1	A0G6749900	Click Screw		C	2	a-V116030603
2	A0G6746900	Lifting Part /1		D	2	b-V127030516
3	A4EU725700	Insulating Cover /F		D	1	c-V182040603
4	A0G6731300	Fusing Plate /3		D	1	d-V217030050
5	A0G6734100	Cleaning Gear /1 22T		C	1	e-V217040050
6	A0G6732700	Cleaning Plate /1		D	1	f-V217060050
7	A0G6734500	Cleaning Bushing /5		C	2	g-V237301450
8	56UA760900	Fixing Cleaning Bushing /C		B	3	h-V114040804
9	56UA54430	ADJUSTMENT PLATE REAR		D	1	j-V211040080
10	A0G6743100	Drive Plate /3		D	1	
11	A0G6734300	Drive Stopper /1		C	1	
12	A4EUR73300	Cleaning Drive Assy		D	1	
13	A4EUR70T00	Regulating Part Assy		B	1	
14	A4EU731500	Stopper Bushing /5		C	2	
15	A03U734500	Support Screw /A		C	4	
16	A4EW731400	Web		A	1	
17	56UA53530	FIXING CLEANING ROLLER		B	1	
18	A4EUR73500	Holding Shaft / Right Assy		D	1	
19	A0G6732500	Holding Part /Right		D	1	
20	A4EUR73400	Holding Shaft / Left Assy		D	1	
21	A0G6732100	Holding Part /Left		D	1	
22	A0G6732200	Pressing Spring /Front		C	2	
23	A0G6732400	Guide Shaft /Front		D	6	
24	A0G6731101	Stopper Plate /9		D	1	
25	A0G6747901	Fusing Cover		C	1	
26	A4EWR70000	Fixing Unit		I	1	

FUSER UNIT

P 86

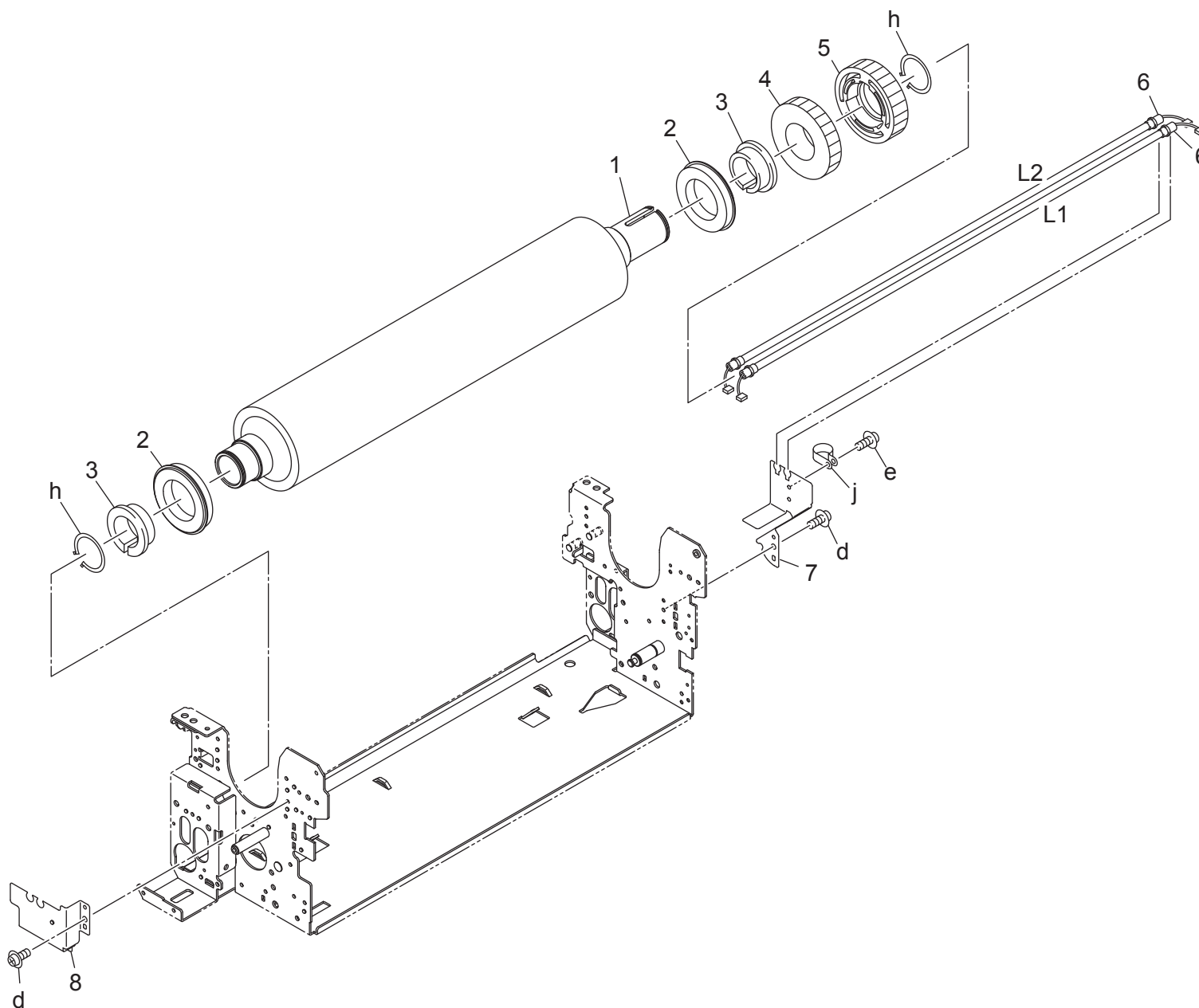


FUSER UNIT

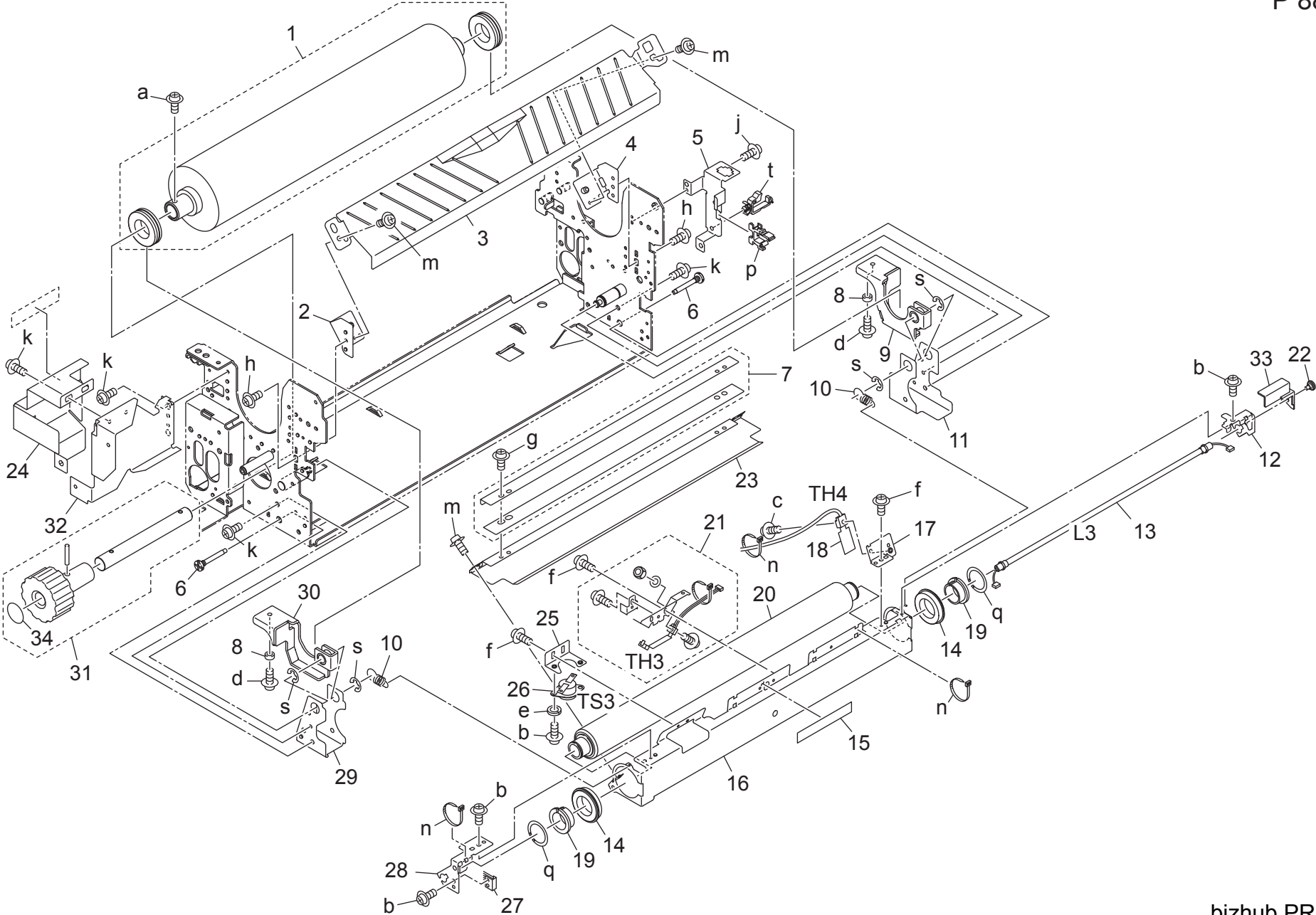
Key	Part No.	Description	Destinations	Class	QTY	Standard parts
1	A0G6725900	Insulating Cover /H		C	1	b-V118041003
2	A0G6749800	Reinforce Plate /A		D	2	c-V121030403
3	A0G6734200	Cleaning Gear /2 23T		C	1	e-V127030516
4	56UA760900	Fixing Cleaning Bushing /C		B	4	f-V127040603
5	56UA77860	Fixing Cleaning Gear /3 39T		B	1	h-V205040003
6	A0G6731900	Drive Shaft /4		D	1	j-V217040050
7	A4EU742800	Cleaning Gear Outside 18/26T		C	1	m-V237301450
8	A0G6742200	Drive Plate		D	1	n-V217040001
9	55VA77850	Fixing Cleaner Gear /2 38T/13T		B	1	
10	A4EU725800	Insulating Cover /Rear		D	1	
11	A4EU747700	Preventing Cover		D	1	
12	A0G6736800	Lifting Screw /1		C	2	
13	A0G6739600	Insulating Cover /6		C	1	
14	450053391	EXIT GUIDEPLATE MOUNTING SCREW		C	2	
15	A0G6735000	Insulating Cover /D		C	1	
16	A0G6731000	Fusing Handle /Rear		D	1	
17	A0G6739800	Fusing Handle /B		C	1	
18	A0G6725600	Insulating Cover /A		C	1	
19	A4EUR73700	Swing Caum Assy		B	1	
20	A0G6743600	Swing Gear 31T		C	1	
21	A0G6739400	Insulating Cover /4		C	1	
22	A0G6737200	Fusing Handle /5		D	1	
23	A0G6738000	Fusing Handle /2		C	1	
24	A0G6737900	Fusing Handle /1		D	1	
25	A0G6736900	Fusing Handle /4		C	1	

FUSER UNIT

P 87



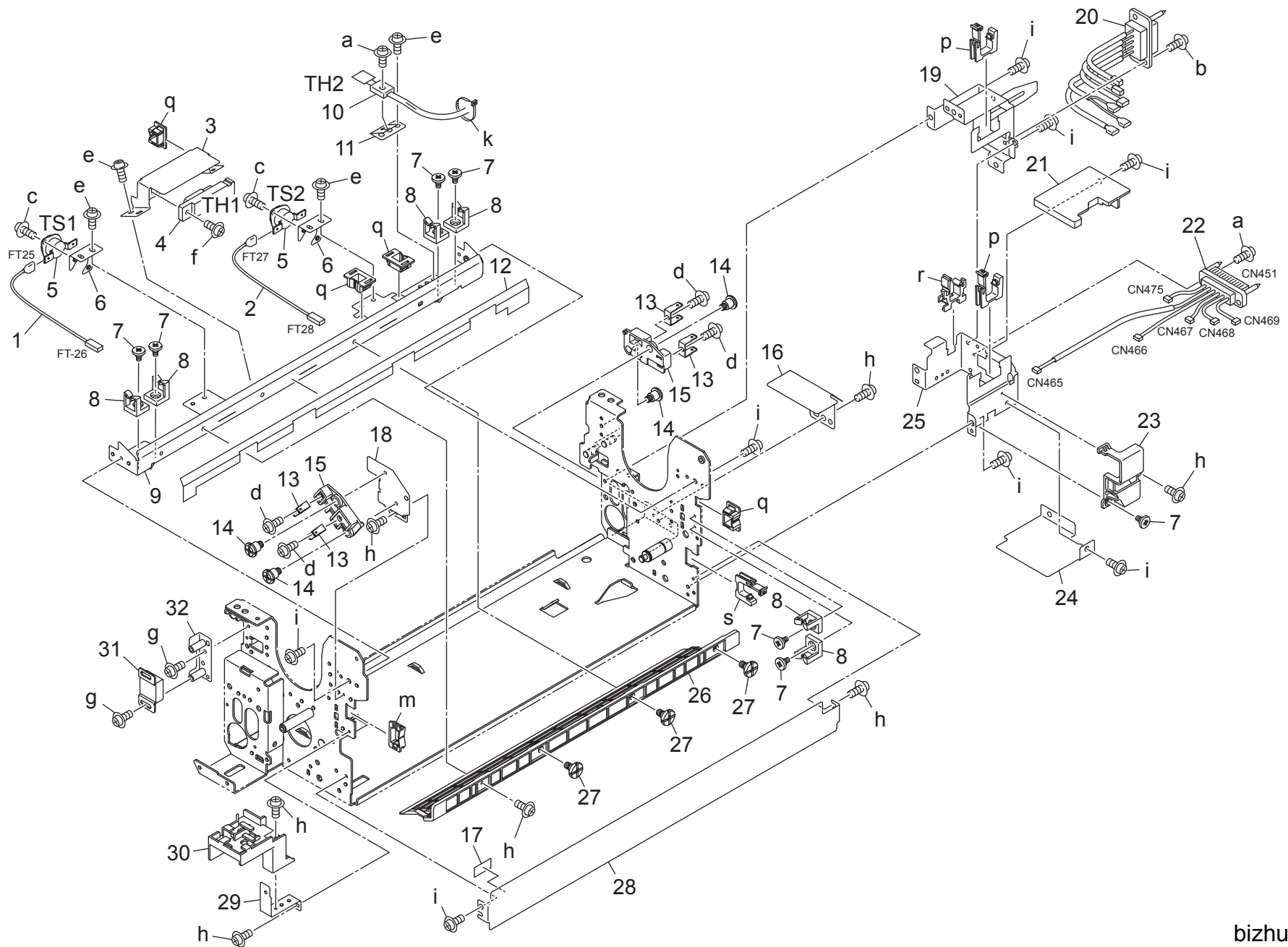
FUSER UNIT



FUSER UNIT

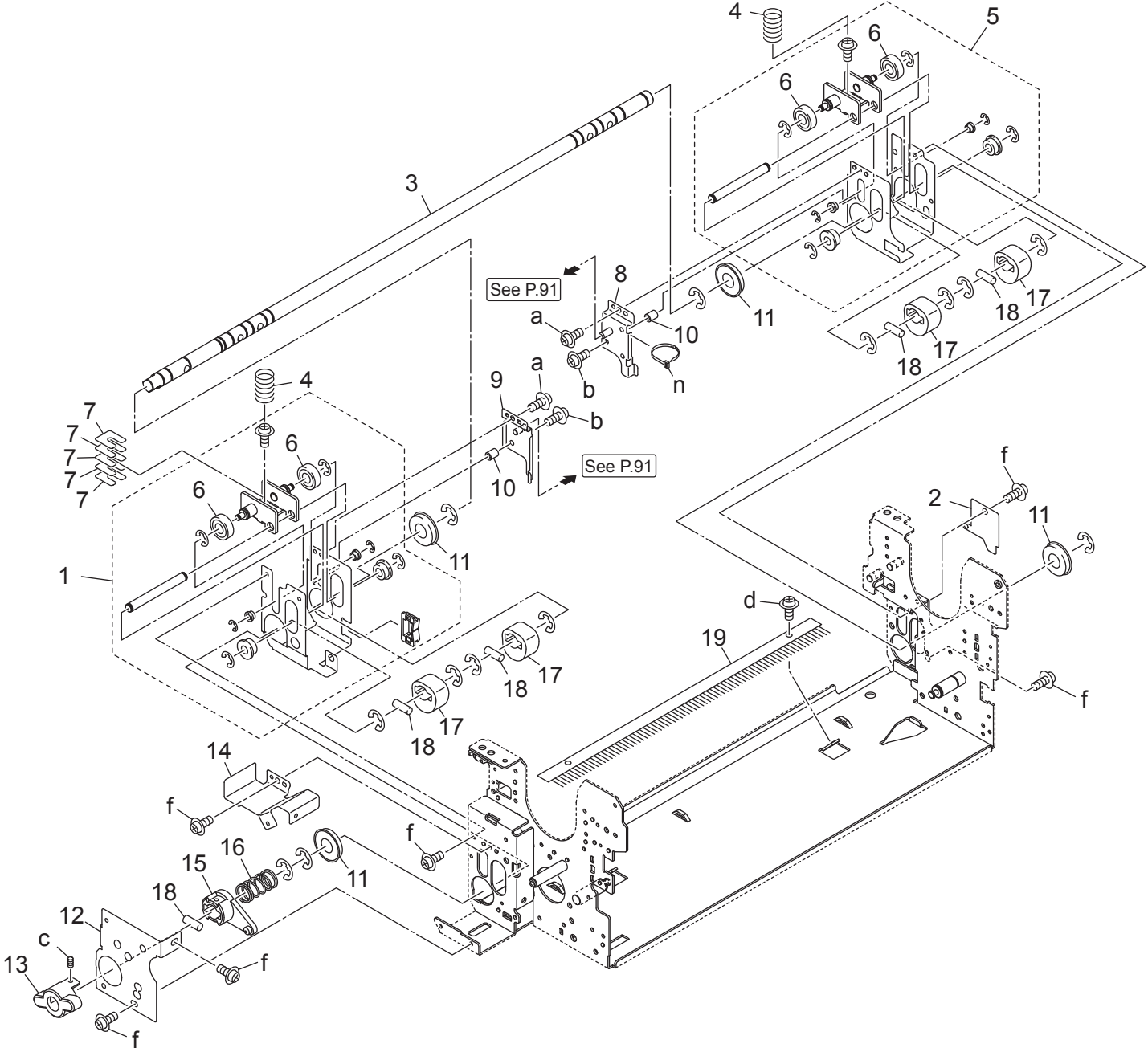
Key	Part No.	Description	Destinations	Class	QTY	Standard parts
1	A4EUR70V00	Lower Roller Assy		A	1	a-V116041203
2	A0G6741200	Entrance Bin /Front		C	1	b-V118030403
3	A0G6741012	Guide Plate /Lower		C	1	c-V118030803
4	A0G6741300	Entrance Pin /Rear		C	1	d-V121040603
5	A0G6725001	Fusing Plate /Rear		D	1	e-V205030003
6	55VA53360	Fulcrum Screw		C	2	f-V116030403
7	A4EUR70U00	Fixing Cleaning Sheet Assy		A	1	g-V116030603
8	A0G6748900	Stable Roll		C	2	h-V116040603
9	A0G6748600	Pressure Lever /Rear		C	1	j-V127030516
10	55VA53450	PRESSURE SPRING		B	2	k-V127040603
11	A0G6748811	Support Plate /Rear		D	1	m-V182030603
12	A0G6727301	Heater Side Plate /Rear		D	1	n-V501010014
13	55VB83042	Fixing Heater /3		A	1	p-V570010050
14	56UA75070	FIXING BEARING		A	2	q-V223170004
15	A0G6727600	Protection Sheet /Lower		C	1	s-V217080050
16	A0G6730311	Auxiliary Stay /1		D	1	t-V500010020
17	A0G6727401	Mounting Plate /Rear		D	1	
18	55VA88061	Temperature Sensor /4		B	1	
19	26AA53150	HEAT INSULATING SLEEVE FRONT		B	2	
20	56UA53070	FIXING AUXILIARY ROLLER		B	1	
21	A4EUR73600	Roller Temperature Control Sensor Assy		C	1	
22	A03U734500	Support Screw /A		C	1	
23	56UA53320	FIXING CLEANING PLATE /1		D	1	
24	A4EW745900	Guide Cover		D	1	
25	A0G6727500	Mounting Plate /Front		D	1	
26	SP00-0043	THERMOSTAT 3		A	1	
27	56UA54160E	Neutralizing Brush /B		B	1	
28	A0G6727201	Heater Side Plate /Front		D	1	
29	A0G6748711	Support Plate /Front		D	1	
30	A0G6748500	Pressure Lever /Front		C	1	
31	A4EWR70900	Paper Exit Knob Assy		D	1	
32	A4EW745800	Fixing Plate /Front		D	1	
33	A4EU727900	Protection Cover /1		D	1	
34	A0G6945601	Label /6		D	1	

FUSER UNIT



Key	Part No.	Description	Destinations	Class	QTY	Standard parts
1	A0G6N10801	Fixing Wiring /3		D	1	a-V118030803
2	A0G6N10903	Fixing Wiring /4		D	1	b-V118040803
3	A0G6739900	Plate /N		D	1	c-V118030403
4	57AE88010	TEMPERATURE SENSOR C		B	1	d-V115030603
5	SP00-0022	THERMOSTAT		A	2	e-V116030603
6	55VA53300	FUSE MOUNT PLATE UPPER		D	2	f-V116030803
7	A03U734500	Support Screw /A		C	7	g-V127030516
8	55VA53970	WIRING HOLDER PART		D	6	h-V127030603
9	A0G6742001	Guide Plate /C		C	1	i-V127040603
10	55VA88041	Temperature Sensor /2		B	1	k-V501010014
11	55VA53290	Mounting Plate /2		D	1	m-V570010008
12	A0G6733000	Insulating Cover /C		C	1	p-V570010027
13	55VA53742	TERMINAL PLATE 2		C	4	q-V570010034
14	25AA55151	BLADE POSITIONING SCREW		C	4	r-V570010050
15	55VA53721E	Terminal Pedestal		C	2	s-V570010053
16	A0G6738500	Power Supply Inner Partition /Rear		D	1	
17	A0G6727700	Protection Sheet /Rear		D	1	
18	A0G6743800	Power Supply Plate /3		D	1	
19	A0G6738611	Power Supply Plate /1		D	1	
20	A0G6N10603	Fixing Wiring /1		D	1	
21	A0G6748311	Scatteringprevention Plate /Rear		C	1	
22	A4EWN13001	Fixing Wiring /2		D	1	
23	A0G6727801	Protection Plate /Rear		D	1	
24	A0G6741411	Power Supply Bottom Plate /1		D	1	
25	A0G6738711	Power Supply Plate /2		D	1	
26	A4EW732000	Guide Plate Outside		D	1	
27	56AA54220	FIXING SCREW 2		C	3	
28	A0G6741112	Fusing Stay /1		D	1	
29	A0G6749400	Slide Stay /Front		D	1	
30	A0G6749500	Insulating Plate /Front		D	1	
31	56UA53750	MAGNET CATCH		D	1	
32	A0G6738800	Suction Plate /1		D	1	

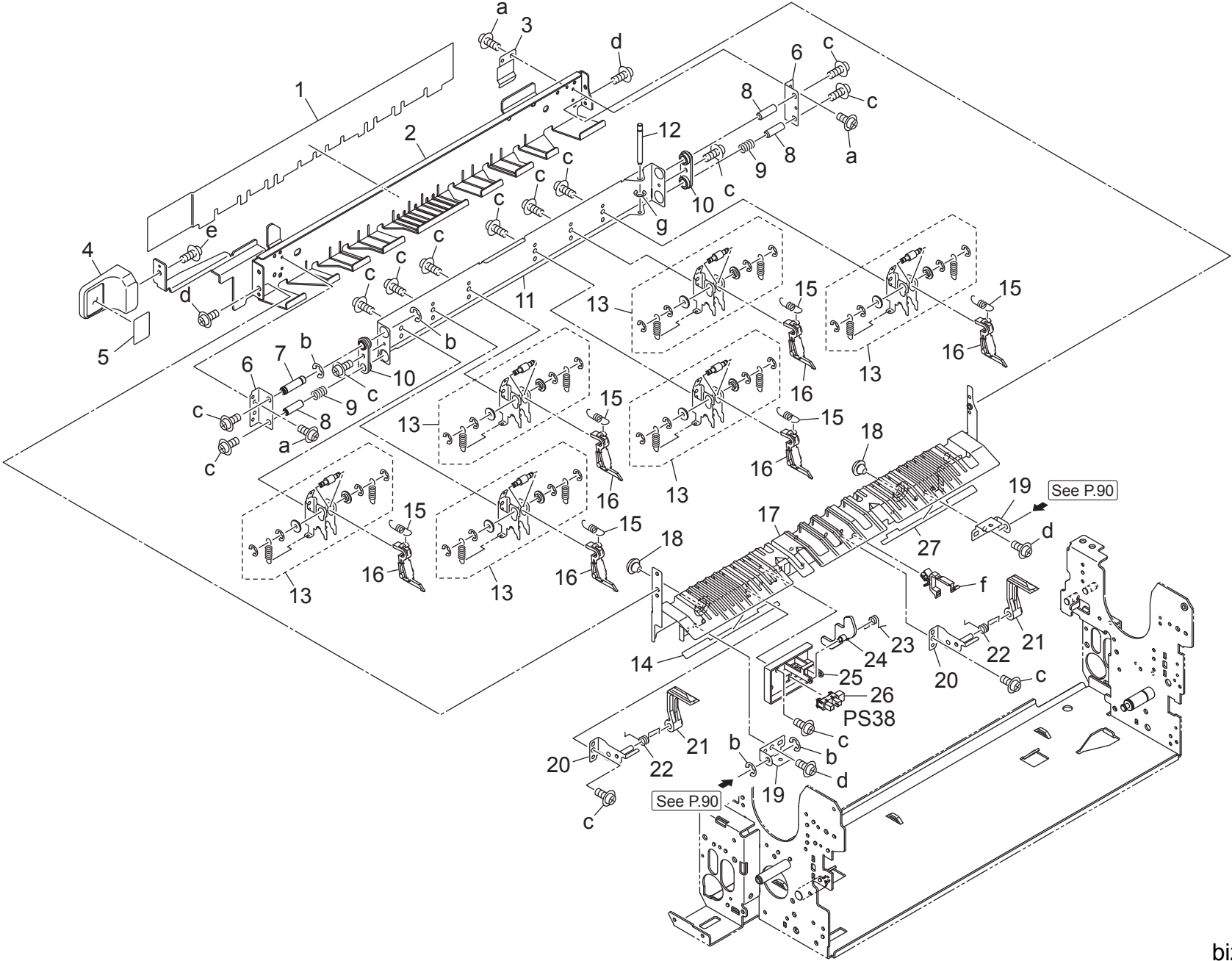
FUSER UNIT



FUSER UNIT

Key	Part No.	Description	Destinations	Class	QTY	Standard parts
1	A4EUR73800	Stable Holder / Front Assy		D	1	a-V118030403 b-V118031003 c-V193040404 d-V127030603 f-V127040603 n-V501010014
2	A4EU731200	Protection Cover		D	1	
3	A0G6745300	Pressure Shaft /A		D	1	
4	A0G6736300	Pressure Spring		C	2	
5	A4EUR73900	Stable Holder / Rear Assy		D	1	
6	08AA76060	Fixing Bearing /Lower		B	4	
7	A4EW789601	Adjusting Spacer		D	5	
8	A0G6749100	Paper Exit Stopper /Rear		D	1	
9	A0G6749300	Paper Exit Stopper /Front		D	1	
10	A0G6749200	Support Shaft /Lower		D	2	
11	A4EW731500	Fusing Bushing /Lower		C	4	
12	A4EW745401	Pressure Panel /1		D	1	
13	A4EW725200	Pressure Guide /3		D	1	
14	A0G6745700	Support Plate /S		D	1	
15	A4EW725300	Pressure Guide		D	1	
16	A4EW725800	Compressing Spring		D	1	
17	A4EW725400	Pressure Cam /3		D	4	
18	A0G6744900	Rotation Pin /1		C	5	
19	048644480	NEUTRALIZING BRUSH		B	1	

FUSER UNIT

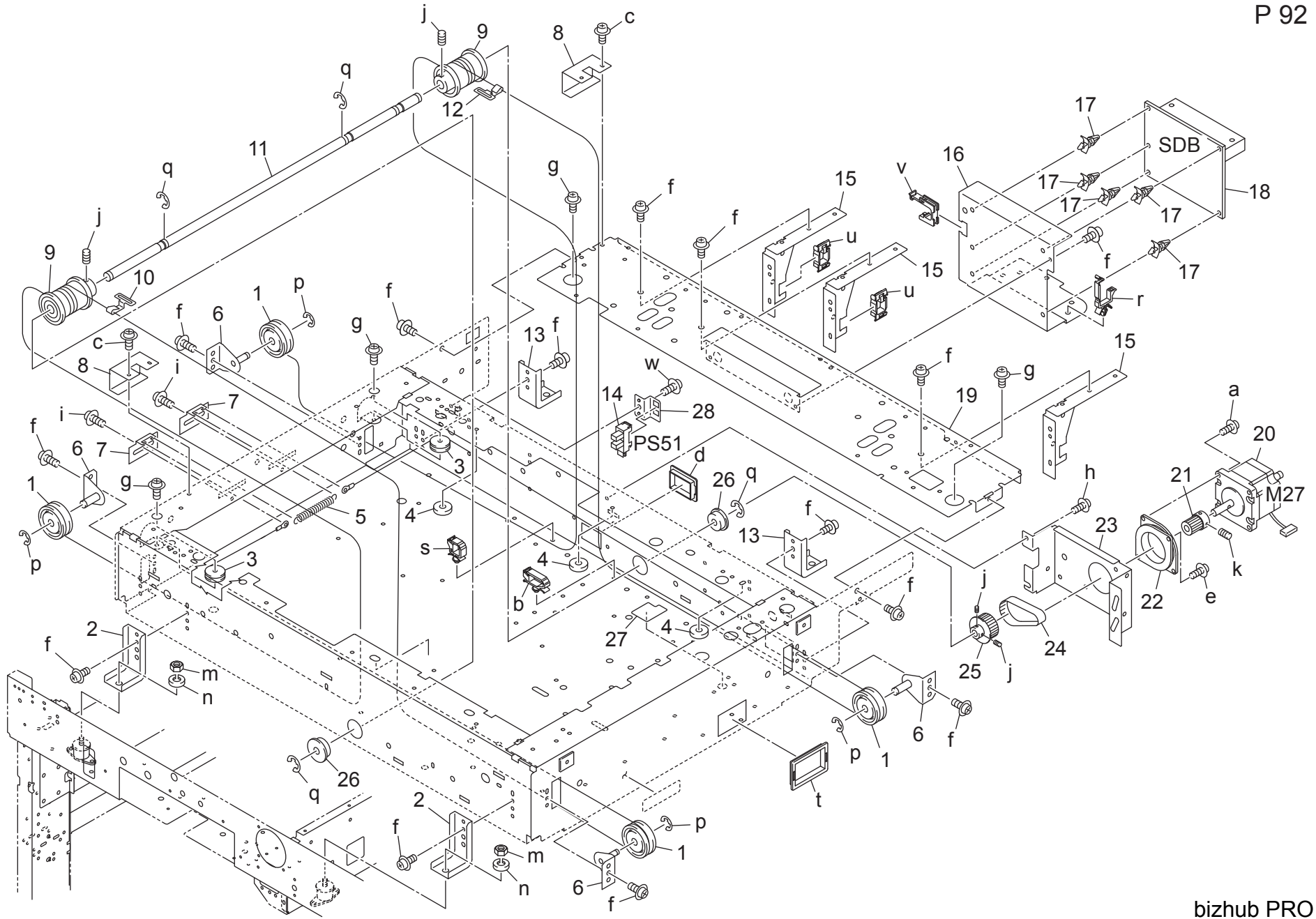


FUSER UNIT

Key	Part No.	Description	Destinations	Class	QTY	Standard parts
1	A0G6725501	Insulating Cover /B		C	1	a-V118030403 b-V217040050 c-V127030603 d-V127040603 e-V151040803 f-V500010046 g-V217030050
2	A0G6745202	Guide Plate /Upper		C	1	
3	55VA53770	PAPER EXIT PRESSURE PLATE		C	1	
4	65AA53991	FIXING PAPER EXIT LEVER		C	1	
5	A0G6945900	Label /9		C	1	
6	56UA54570	Swing Stopper		D	2	
7	56UA54590	SWING SHAFT/6		D	1	
8	56UA54580	SWING SHAFT/3		D	3	
9	56UA54600	SWING SPRING 1		C	2	
10	A4EU755600	Swing Bushing		C	2	
11	56UA54550F	Swing Plate		D	1	
12	56UA54610	SWING SHAFT/4		D	1	
13	A4EUR73200	Exit Plate Assy		B	6	
14	A4EU747500	Separating Guide /F		D	1	
15	56UA54540	HOLDING SPRING		C	6	
16	56UA54530	FIXING CLAW UPPER		A	6	
17	A4EU746101	Guide Plate /Lower		D	1	
18	55VA53650	STOPPER RUBBER		C	2	
19	A0G6749600	Positioning Plate		D	2	
20	A0G6749700	Separating Holder /Lower		D	2	
21	25AA53290	FIXING CLAW LOWER		A	2	
22	A0G6728000	Spring		C	2	
23	A0G6745500	Holding Spring		C	1	
24	A0G6746200	Paper Exit Actuator		C	1	
25	A0G6746300	Plate /Middle		D	1	
26	A1RFM51000	Photointerrupter /H		C	1	
27	A4EU747400	Separating Guide /R		D	1	

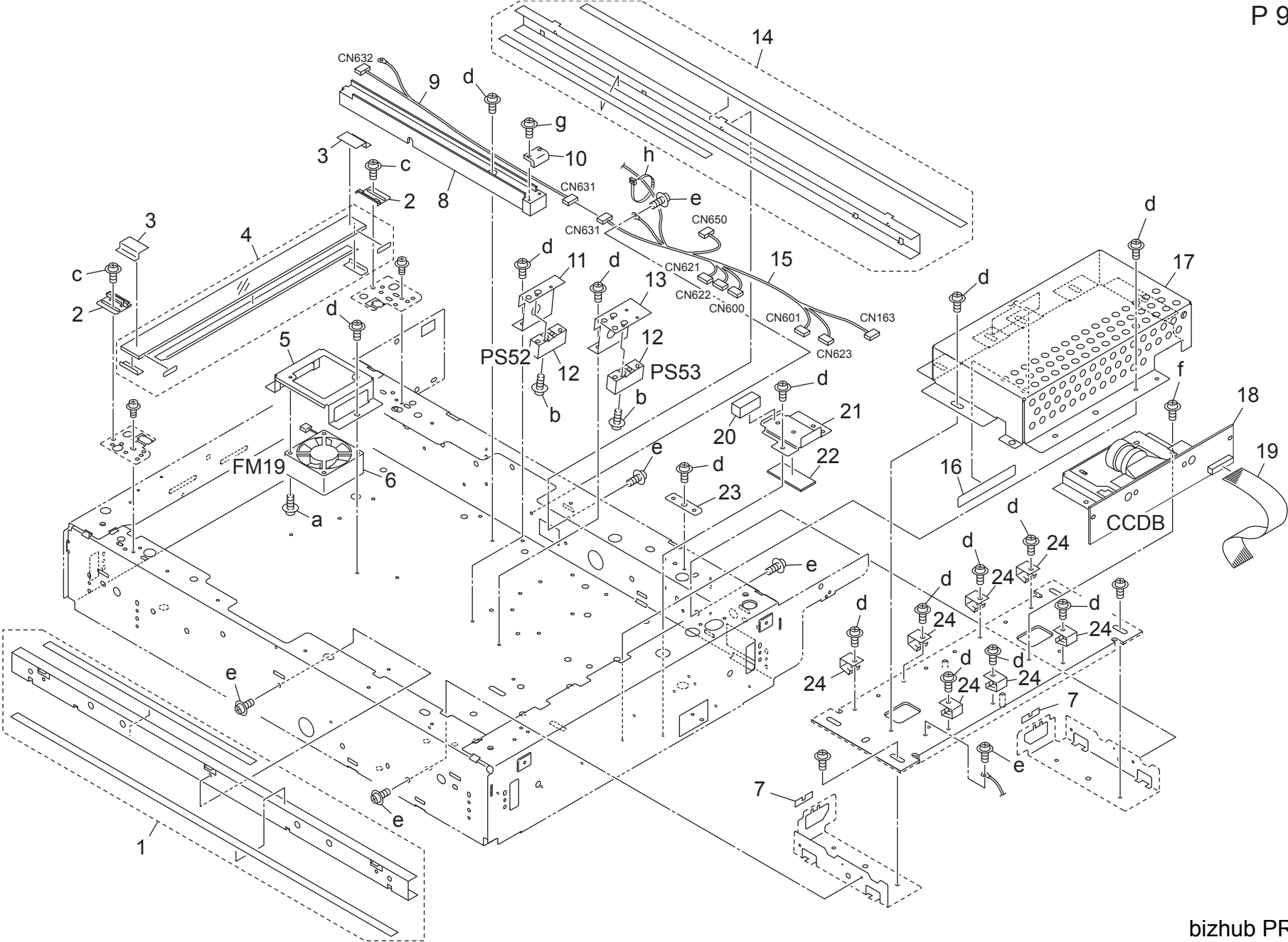
OPTICS UNIT

P 92



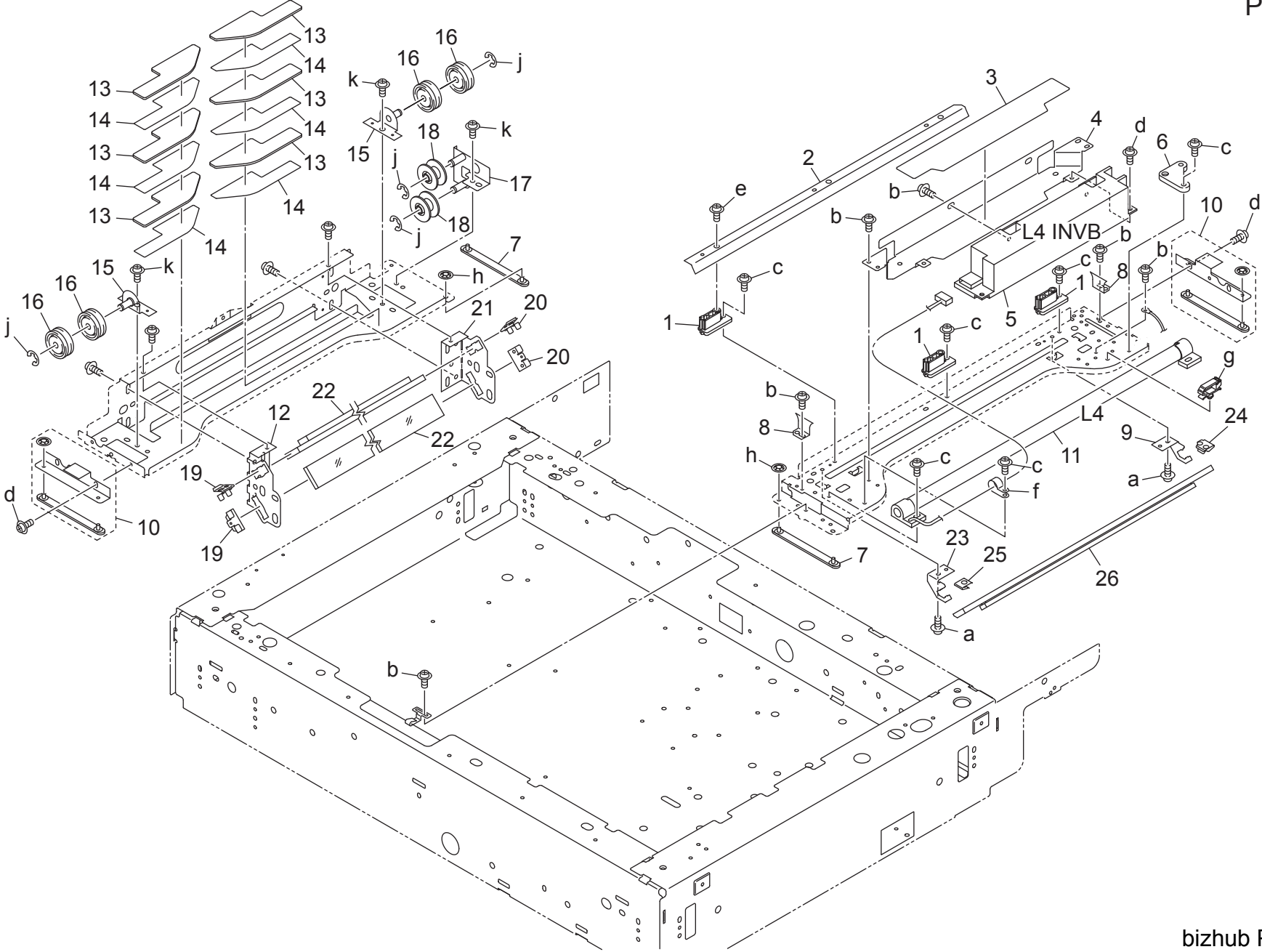
Key	Part No.	Description	Destinations	Class	QTY	Standard parts
1	56AA61290	BUSHING		C	4	a-V118041003
2	56UA61460	READ SUPPORT PART /2		D	2	b-V500010061
3	25SA61700	WIRE GUIDE ROLLER		C	2	c-V121030603
4	56QA61690	CORD PROTECTION SHEET /UPPER		D	3	d-V570010038
5	56AA61570	WIRE TENSION SPRING		C	1	e-V121040503
6	25SA-6201	Pulley MT Plate /F Unit		D	4	f-V121040603
7	25SA61710	SPRING FIXING PLATE		D	2	g-V121040803
8	56UA12730	External Reinforce Plate /4		D	2	h-V116040603
9	25SA61650	DRIVE PULLEY		C	2	i-V116040803
10	56QA61130	READ DRIVING WIRE FRONT		C	1	j-V193040604
11	56AA61111	READ DRIVE SHAFT		D	1	k-V193040804
12	56QA61140	READ DRIVING WIRE REAR		C	1	m-V195060003
13	56UA61450	READ SUPPORT PART /1		D	2	n-V205060003
14	A4EUM50100	Photo Sensor		C	1	p-V217040050
15	56UA61470	Read Reinforce Plate		D	3	q-V217090050
16	56UA61040	Board Mounting Plate		D	1	r-V500010007
17	V502010016	support		D	5	s-V500010020
18	56GA-9092E	SCANNER DRIVING BASE PLATE ASS		B	1	t-V570010039
19	A0G6260200	Mounting Plate /Rear		D	1	u-V570010063
20	55VA80122	Optical Drive Motor		B	1	v-V570010026
21	55VA76700	Read Drive Pulley /1 38T		C	1	w-V121040403
22	55VA62020	MOTOR FIXING PART		C	1	
23	56AA61481	MOTOR SUPPORT PLATE		D	1	
24	55VA78110	READING DRIVE BELT 174L		C	1	
25	55VA76710	Read Drive Pulley /2 76T		B	1	
26	A4EU265000	Ball bearing		B	2	
27	56AA61561	READ DUST-PROOF SHEET /LOWER		C	1	
28	A4EU263100	Fixing Plate /1		D	1	

OPTICS UNIT



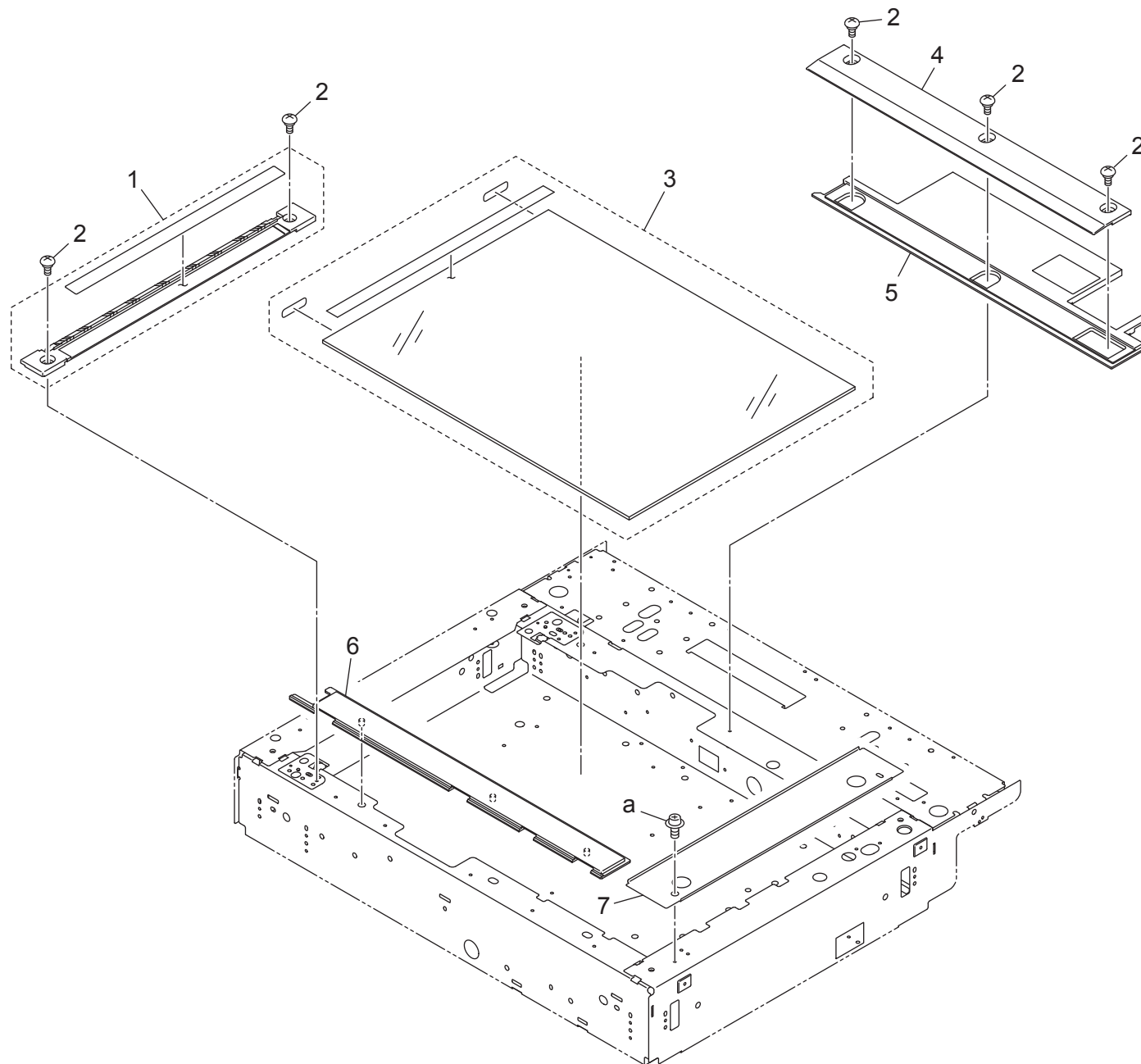
Key	Part No.	Description	Destinations	Class	QTY	Standard parts
1	A4EUR74N00	Guide Rail /F Assy		D	1	a-V118031603
2	56AA61330	GLASS HOLDER		C	2	b-V118031803
3	A0Y5265000	Cover Sheet		C	2	c-V121030403
4	A4EUR74S00	Original Glass /1 Assy		C	1	d-V121040403
5	56AA61151	FAN SUPPORT PLATE		D	1	e-V121040603
6	56AA80551	Fan Motor /2		B	1	f-V116040803
7	56AA61580	WIRE REGURATION SHEET		C	2	g-V151031003
8	25SA61861	CORD GUIDE PART		D	1	h-V501010002
9	56UA90460	LAMP RELAY WIRING		D	1	
10	25SA61881	CORD HOLDER		D	1	
11	55VA61931	MOUNTING PLATE		D	1	
12	56AA85531	APS Sensor /2		B	2	
13	55TA61151	MOUNTING PLATE		D	1	
14	A4EUR74P00	Guide Rail /R Assy		D	1	
15	56UA90780	APS WIRING		D	1	
16	56AA61720	Lens Light Blocking Sheet		D	1	
17	56QA61281	LENS LIGHT BLOCKING COVER /1		D	1	
18	A0Y5A26212	CCD UNIT		I	1	
19	A0G6N15600	A/D Wiring		C	1	
20	A0Y5M91700	Gasket /G		D	1	
21	56UA61030	WIRING HOLDING PLATE		D	1	
22	56UA61400	Earth Cushion		D	1	
23	55TA61161	READ POSITIONING PLATE		D	1	
24	55TA61320	LENS EARTH SPRING		C	7	

OPTICS UNIT

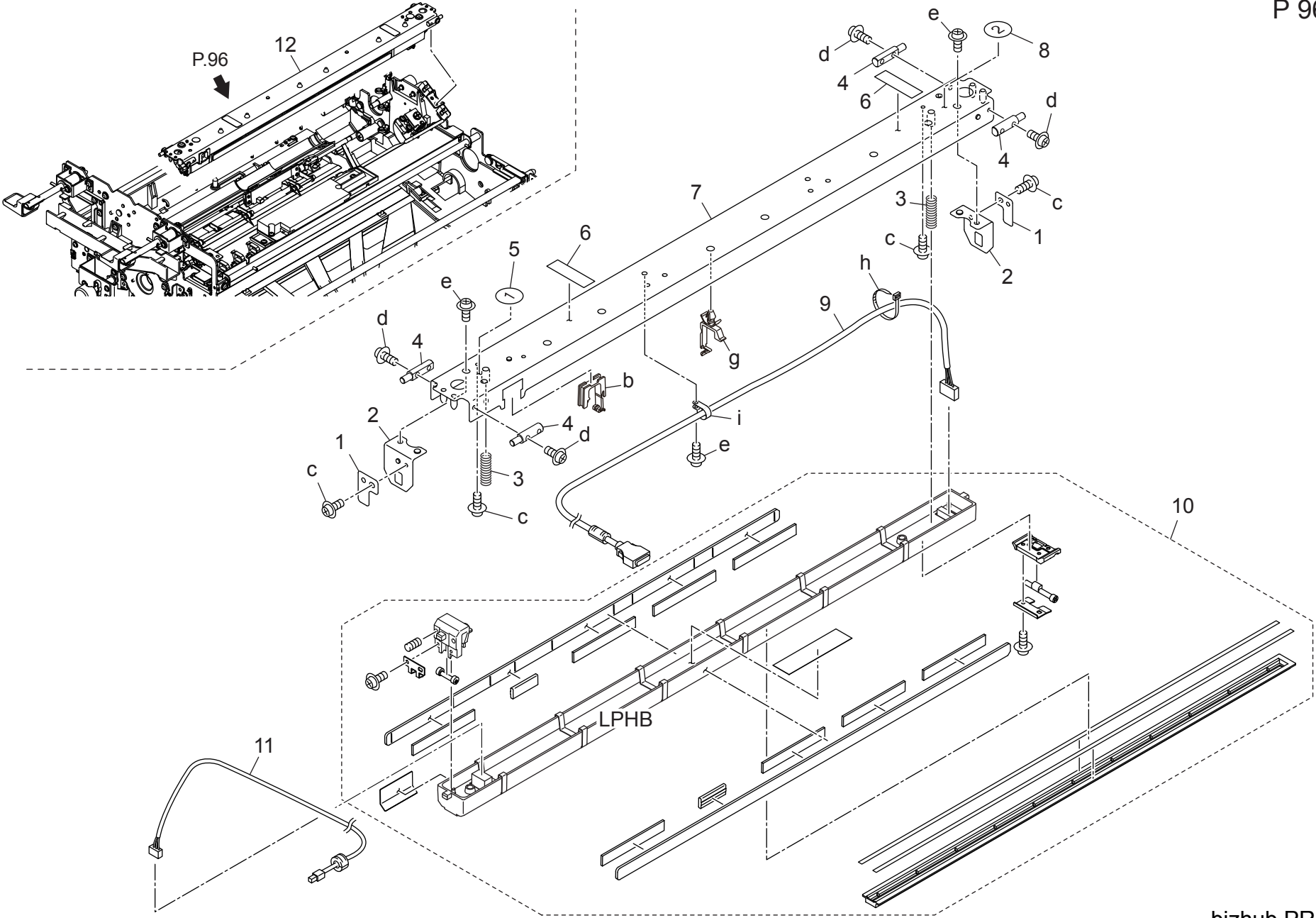


OPTICS UNIT

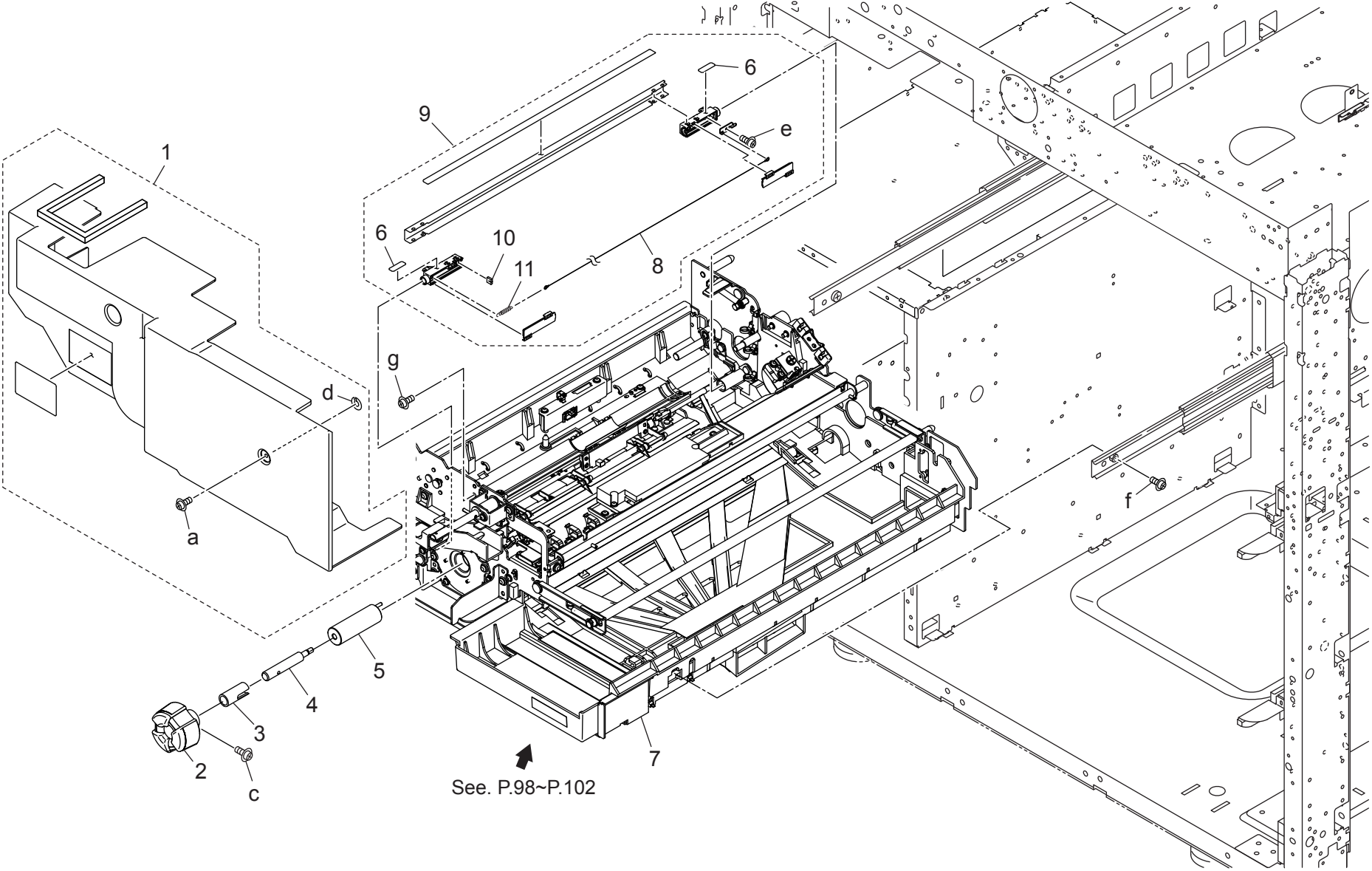
P 95



SUPPORT STAY UNIT



DRUM CARTRIDGE UNIT



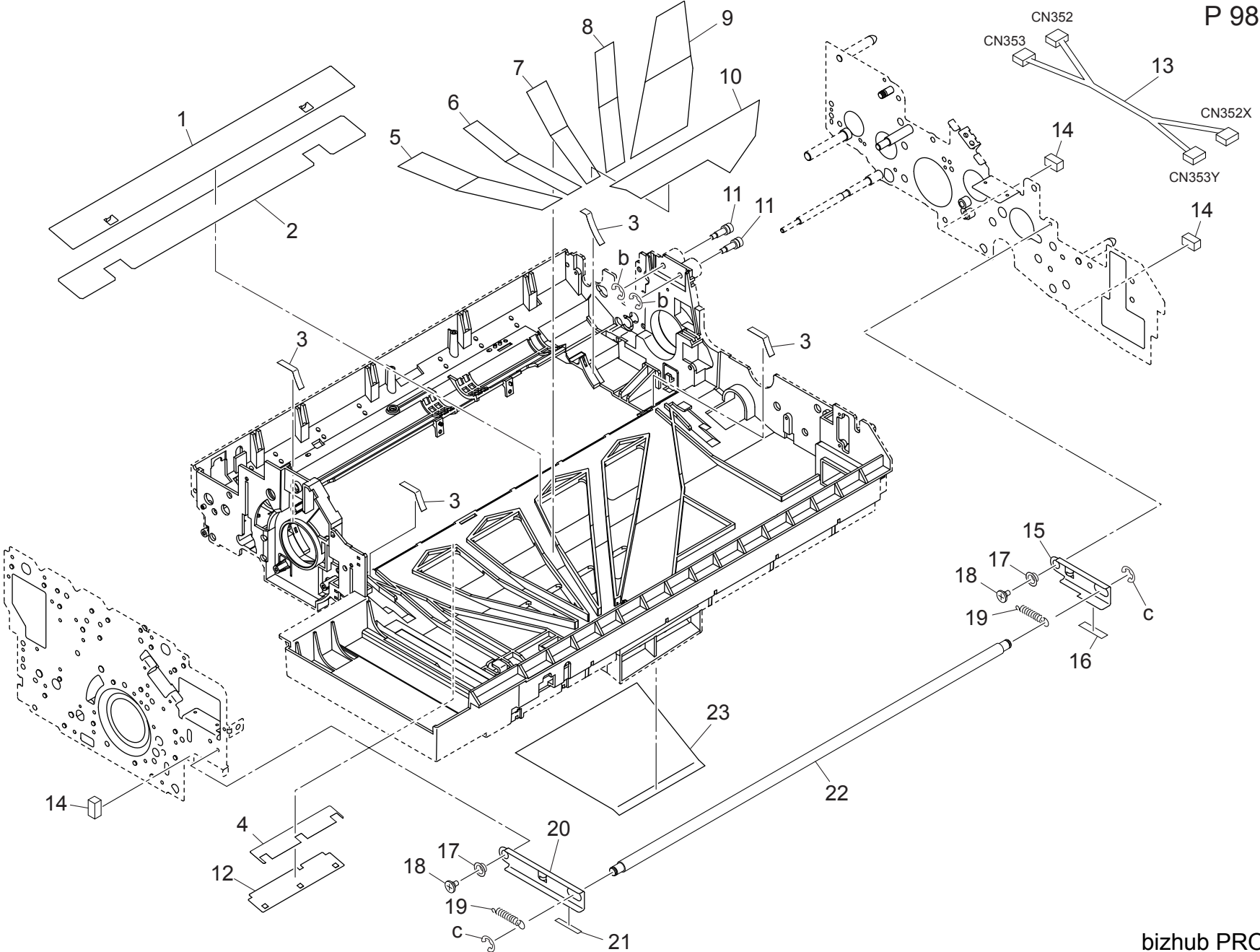
See. P.98~P.102



DRUM CARTRIDGE UNIT

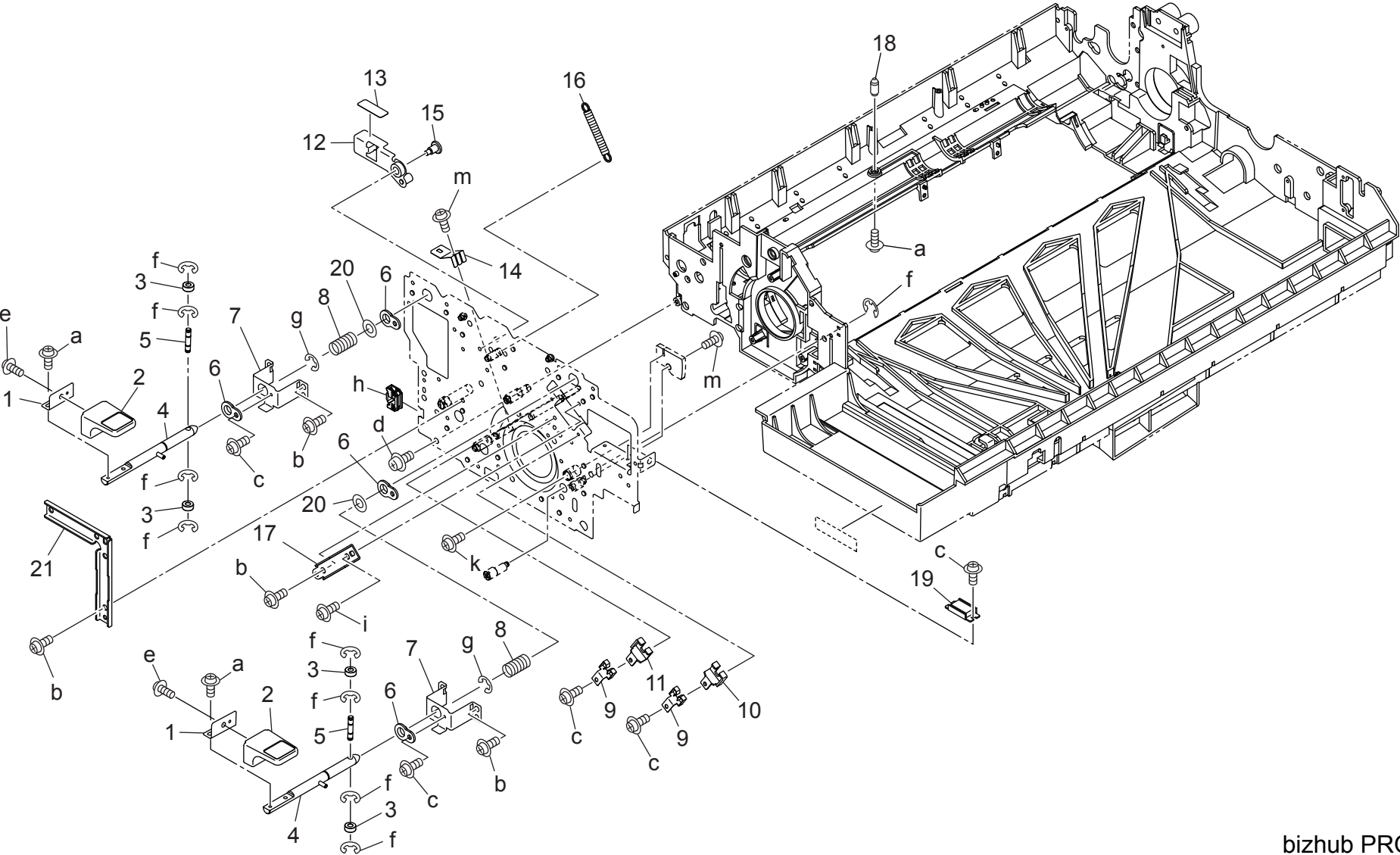
Key	Part No.	Description	Destinations	Class	QTY	Standard parts
1	A4EUR75U00	Drum Protect Cover Assy		D	1	a-V114041204 c-V121040803 d-V221040050 e-V151020503 f-V118030803 g-V121040603
2	A0G6344500	Fixing Knob		C	1	
3	A0G6333700	Regulating Collar		C	1	
4	A0G6330900	Fixing Shaft		D	1	
5	A4EU333800	Fixing Coupling		D	1	
6	A0G6950500	Set Label /5		D	2	
7	A4EUR75600	Drum Caurrige Assy		D	1	
8	A0G6470800	Discharge Wire		A	1	
9	A4EUR75K00	PCC Assy		B	1	
10	55VA25270	Electrode Vibrating Rubber		A	1	
11	56AA17140	WIRE TENSION SPRING		C	1	

DRUM CARTRIDGE UNIT



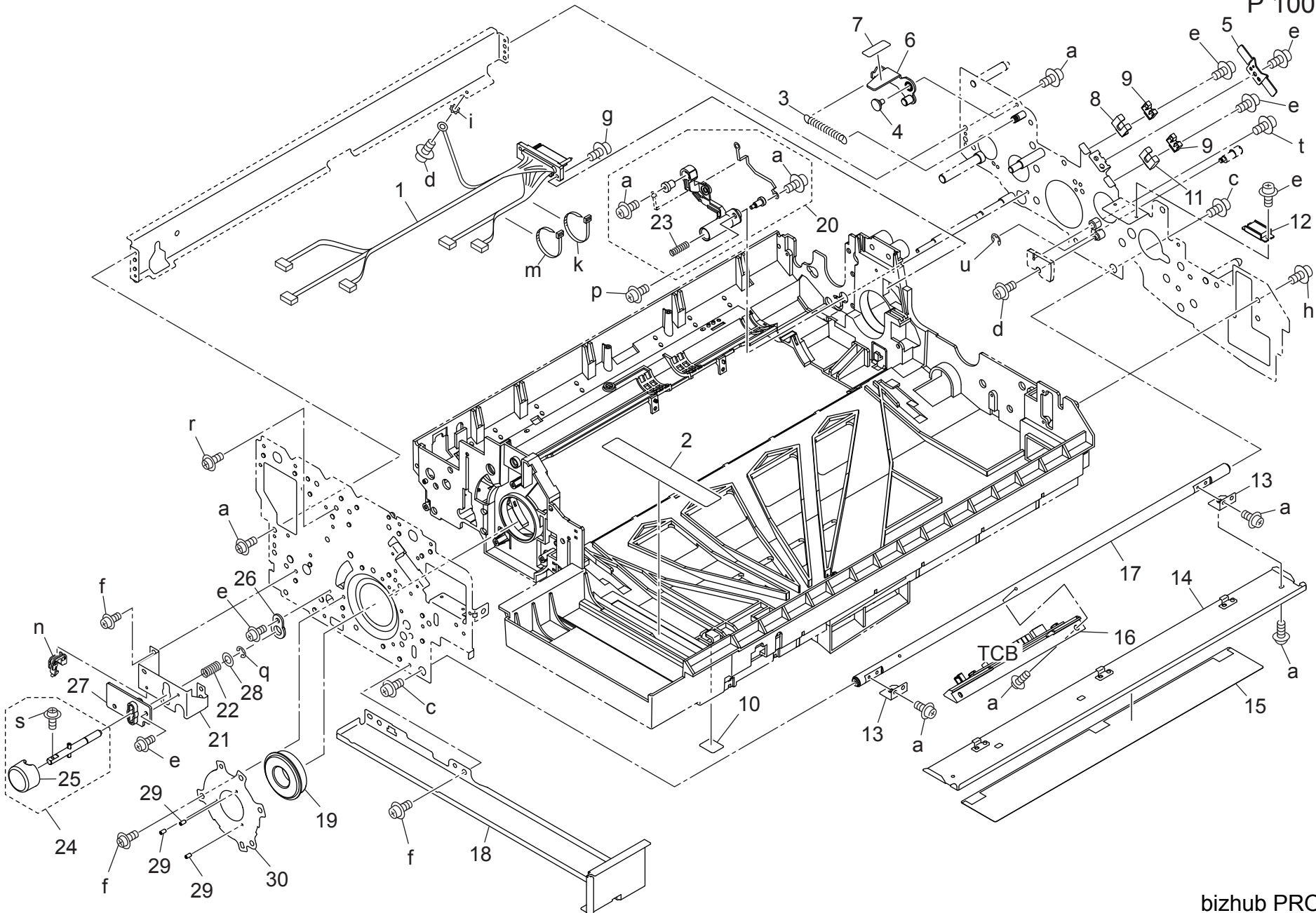
P 98

DRUM CARTRIDGE UNIT



DRUM CARTRIDGE UNIT

P 100



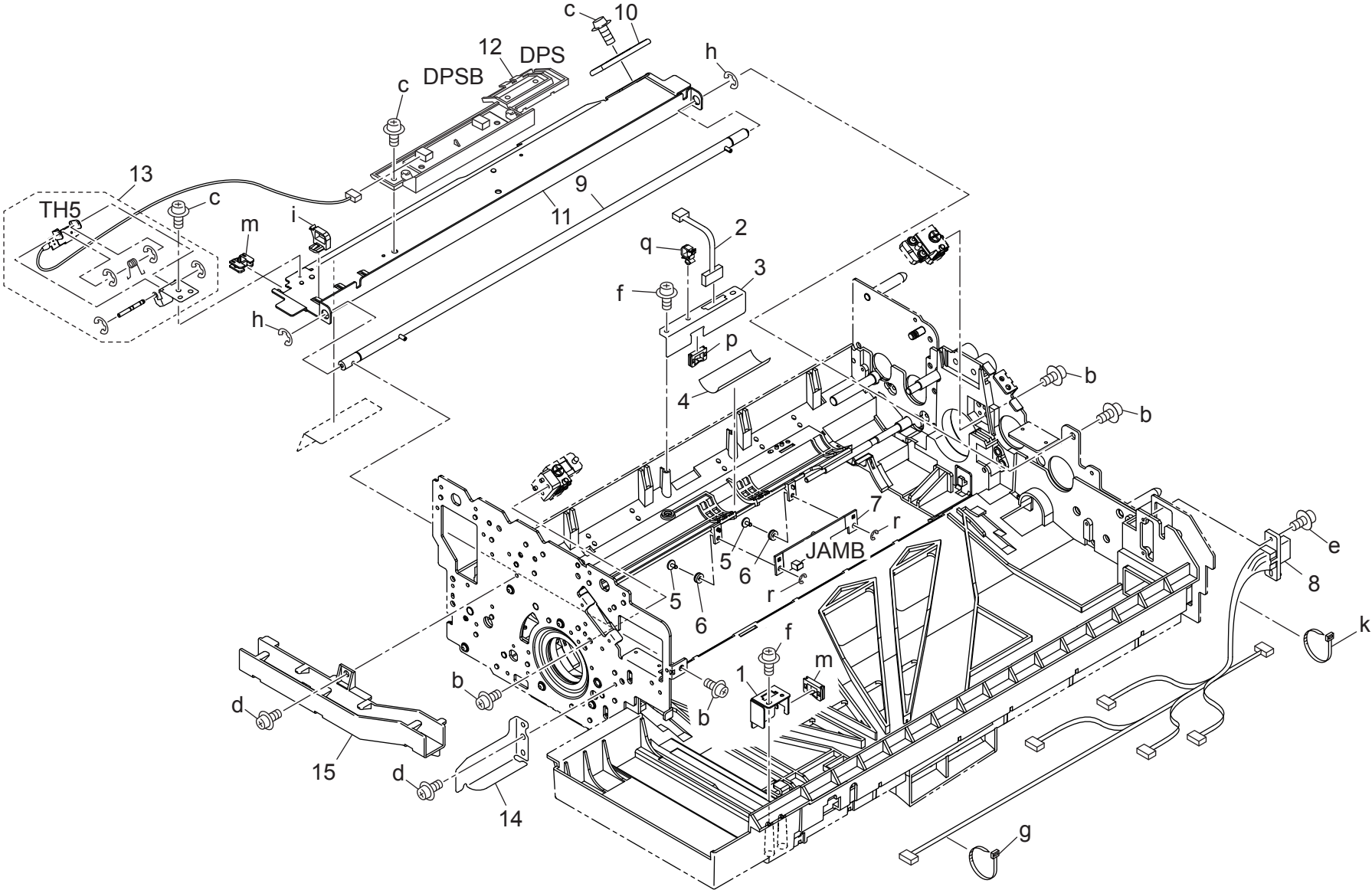
Order here
 8 (495) 646-0426
 ПЯТЫЙ ПАРТНЕР www.km-shop.ru

bizhub PRO 951

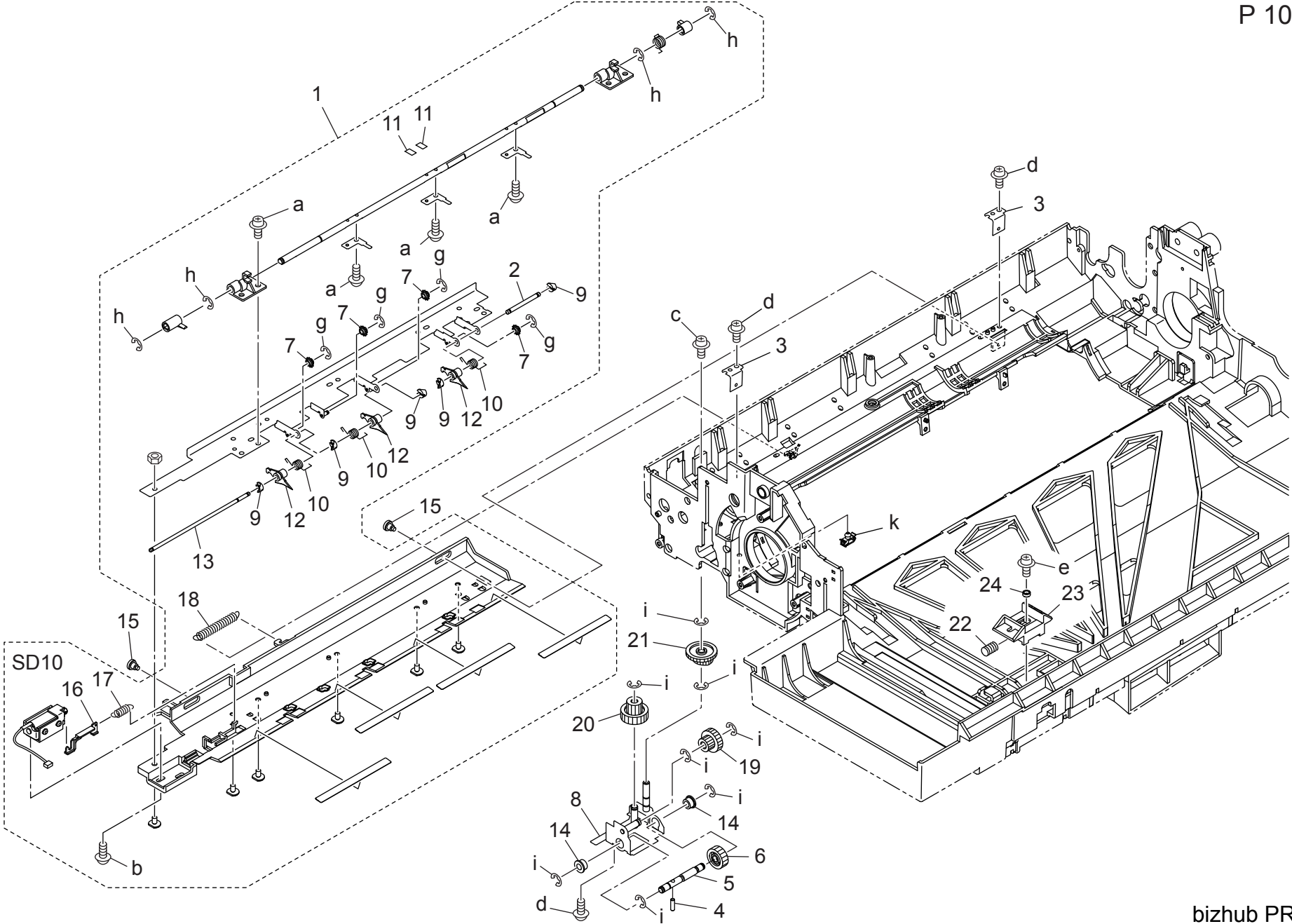
DRUM CARTRIDGE UNIT

Key	Part No.	Description	Destinations	Class	QTY	Standard parts
1	A4EUN14100	Photoconductor Wiring /1		D	1	a-V121030603
2	A0G6333000	Protection Cover		C	1	c-V121040803
3	A0Y5344900	Lock Spring		C	1	d-V116030603
4	55VA20520	Cleaner Locking Screw		C	1	e-V127030603
5	A0G6302900	Holding Plate		D	1	f-V127040603
6	A4EUF33900	Clener Rock Lever/R Caulking		D	1	g-V145031003
7	A0G6950800	Set Label /8		D	1	h-V151030803
8	A0G6302700	Guide Cover /Right		D	1	i-V209030003
9	A0G6302500	Fixing Plate Spring		C	2	k-V501010002
10	A0G6835500	Seal /W		C	1	m-V501010003
11	A0G6302800	Guide Cover /Left		D	1	n-V570010056
12	40AA32290	MAGNET CATCH		C	1	p-V118040603
13	A0G6343000	Support Part /T		D	2	q-V217040050
14	A0G6331202	Guide Part /T		D	1	r-V126041003
15	A0G6331301	Guide Sheet		C	1	s-V118030603
16	A4EUR75900	Toner Control Board Assy		D	1	t-V116031403
17	A0G6330700	Developing Stay		D	1	u-V217030050
18	A4EU332900	Reinforce Stay /Front		D	1	
19	55TA75020	Bearing		B	1	
20	A4EUR75C00	Power Block Assy		D	1	
21	A0G6346101	Lock Plate		D	1	
22	A0G6346300	Lock Spring		C	1	
23	A0G6347100	Power Supply Spring		C	1	
24	A4EUR75D00	Lock Shaft Assy		D	1	
25	A0G6346900	Rotation Knob		D	1	
26	A0G6346400	Slide Collar		C	1	
27	A0G6346500	Guide Block /2		D	1	
28	07BA15871	SPACER A		C	1	
29	A0G6525200	Adjusting Screw		D	3	
30	A4EU341000	Fixing Plate		D	1	

DRUM CARTRIDGE UNIT



DRUM CARTRIDGE UNIT

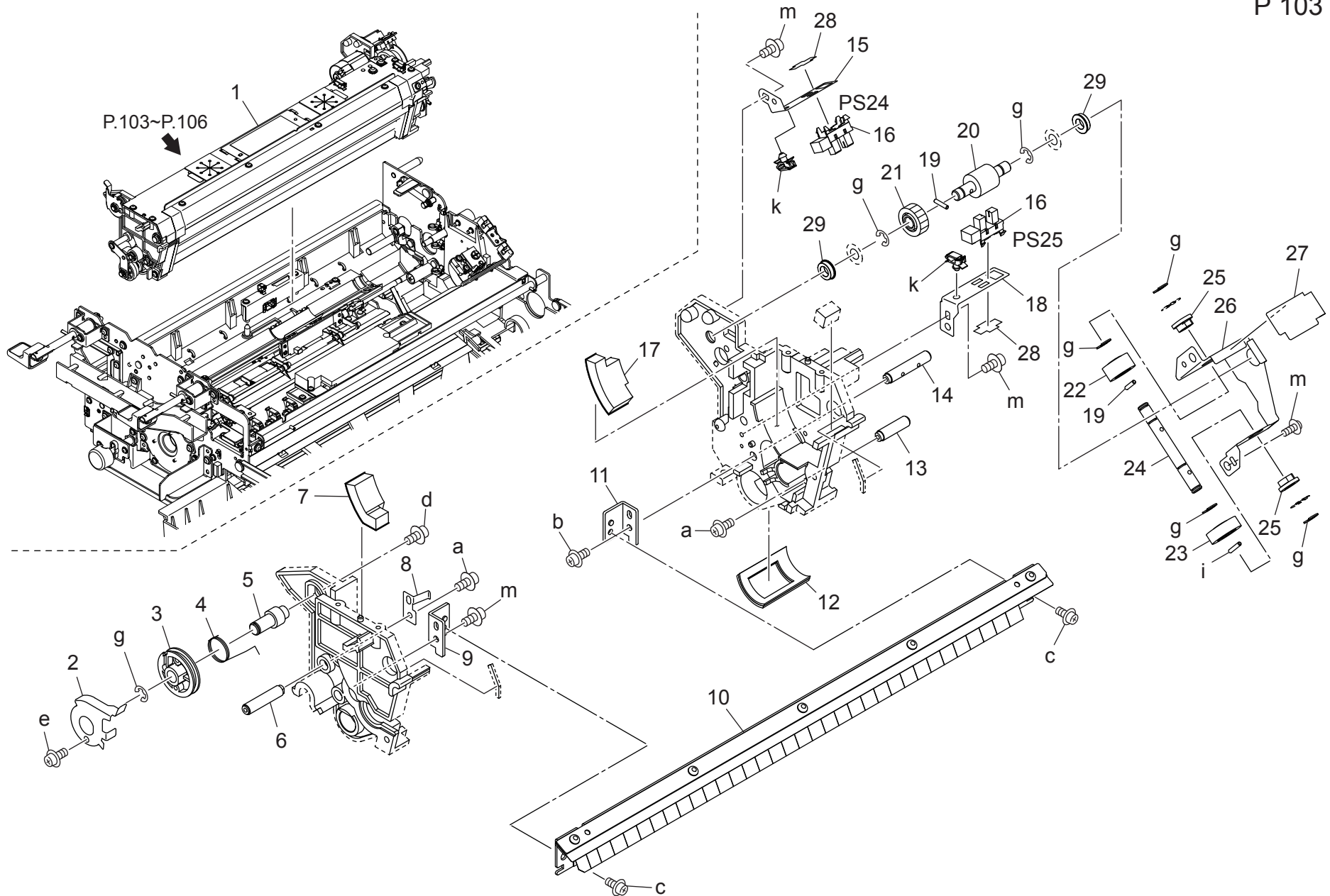


DRUM CARTRIDGE UNIT

Key	Part No.	Description	Destinations	Class	QTY	Standard parts
1	A4EUR75B00	Drum Separating Claw Assy		D	1	a-V118030403
2	A0G6345800	Separating Shaft /2		D	1	b-V121030403
3	55VA20590	SEPARATION FIXING PLATE		D	2	c-V121030603
4	56AA17520	PIN A D3X10		C	1	d-V151030803
5	A0G6339400	Swing Shaft /W		D	1	e-V151041003
6	55VA77570	SEPARATE ROCKING GEAR B 32T		C	1	g-V217020050
7	113620270	CLAW WHEEL		C	4	h-V217030050
8	A0G6339000	Swing Board		D	1	i-V217040050
9	45AA20400	STOPPER PART		A	5	k-V500010046
10	A0G6345411	Separating Spring		C	3	
11	56UA29230	Separation Auxiliary Sheet		C	2	
12	A0G6345600	Separating Claw /D		A	3	
13	A0G6339812	Separating Shaft		D	1	
14	25AA29770	SEPARATE FULCRUM SHAFT HOLDER		C	2	
15	55VA20680	SEPARATION POSITIONING SCREW		C	2	
16	A0G6338411	Release Part /A		D	1	
17	55VA29150	RELEASE SPRING		B	1	
18	56UA45960	Paper Exit Pressing Spring		C	1	
19	A0G6339500	Swing Gear /A 20/35T		C	1	
20	A0G6339600	Swing Gear /B 18/33T		C	1	
21	56UA77290	SEPARATION SWING GEAR 40T		C	1	
22	A0G6332000	Tension Spring		C	1	
23	A0G6331902	Slide Stopper		C	1	
24	25AA20321	PTL SUPPORT SPACER		C	1	

DRUM CLEANING UNIT

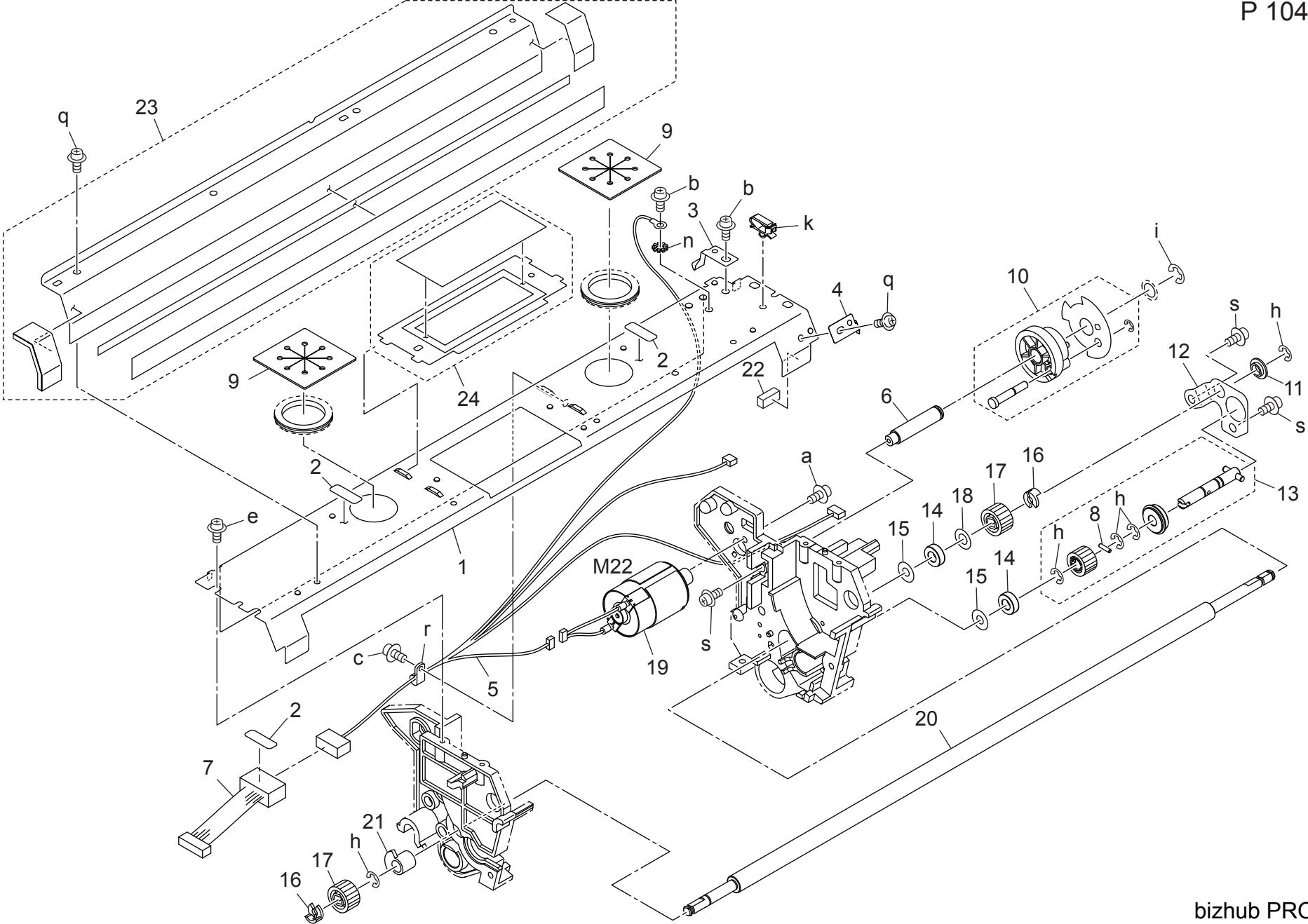
P 103



DRUM CLEANING UNIT

Key	Part No.	Description	Destinations	Class	QTY	Standard parts
1	A4EUR70E00	Drum Cleaning Assy		C	1	a-V121030603
2	55VA55490	BLADE CHANGE LEVER		D	1	b-V121030803
3	25AA55360	Blade Pulley /C		C	1	c-V121040403
4	25AA55420	WIRE TENSION SPRING		C	1	d-V121040603
5	25AA55390	Wire Rotary Shaft		D	1	e-V145030603
6	A0G6531200	Positioning Shaft /F		D	1	g-V217040050
7	A0G6533100	Cleaning Seal /4		C	1	i-V237201250
8	A0G6531800	Ground Plate		D	1	k-V500010046
9	55VA55351	Mouting Plate /F		D	1	m-V151030803
10	A4EUR70J00	Guide Plate Assy		A	1	
11	55VA55361	Mouting Plate /R		D	1	
12	A0G6531900	Cleaning Seal /1		C	1	
13	A0G6531300	Positioning Shaft /R		D	1	
14	A0G6532101	Idling Shaft /2		D	1	
15	A4EU537000	Mounting Plate /A		D	1	
16	08AA85512	Photo Sensor		B	2	
17	A0G6533000	Cleaning Seal /3		C	1	
18	A4EU531000	Mounting Plate /B		D	1	
19	56AA17510	PIN B		C	2	
20	A4EU538000	Swing Shaft		D	1	
21	A4EU538200	Release Gear /2 26T		C	1	
22	A4EU538300	Release Gear /3 18T		C	1	
23	A4EU538400	Release Gear /4 15T		C	1	
24	A4EU537800	Drive Shaft		D	1	
25	A4EU537900	Bushing		C	2	
26	A4EU537700	Drive Plate		D	1	
27	A4EU538700	Scatteringprevention Filter		D	1	
28	4470402401	STOPPER		D	2	
29	A00J617800	BALL BEARING		C	2	

DRUM CLEANING UNIT

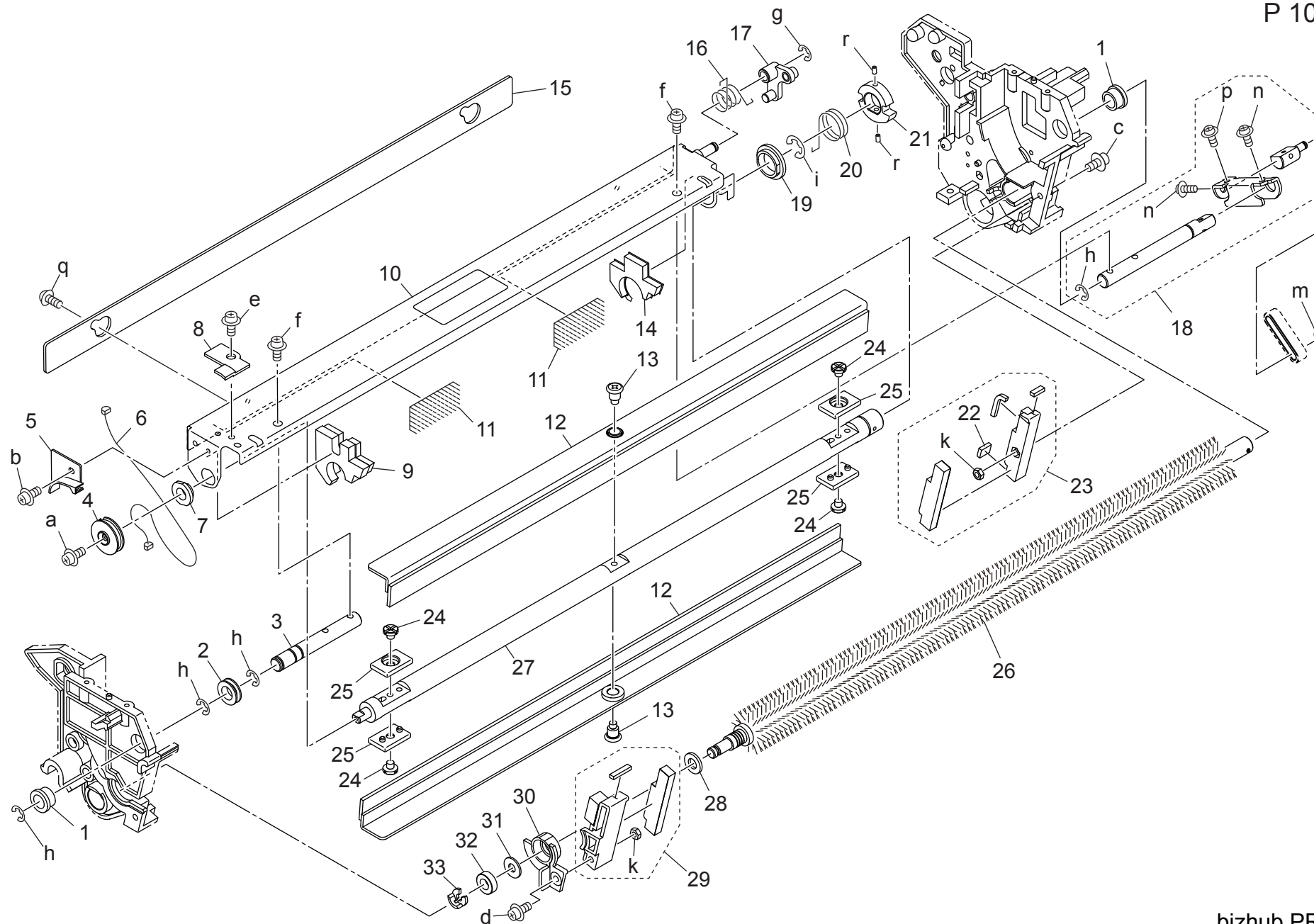


DRUM CLEANING UNIT

Key	Part No.	Description	Destinations	Class	QTY	Standard parts
1	A0G6532201	Cleaning Cover		D	1	a-V118260601
2	A0G6950500	Set Label /5		D	3	b-V121040403
3	A4EU538600	Ground Plate /B		D	1	c-V121040603
4	A0G6532300	Ground Plate /A		D	1	e-V151030803
5	A4EUN25300	Relay harness /B		D	1	h-V217040050
6	A4EU537400	Mounting Shaft		D	1	i-V217060050
7	A4EUN25500	Wiring /B		D	1	k-V500010061
8	56AA17310	PIN		C	1	n-V209040050
9	A0G6535900	Cover Rubber		C	2	q-V121030403
10	A4EUR75R00	Caum Gear Assy		D	1	r-V500020038
11	090020510	CLEANER MOUNT LEVER COLLAR		C	1	s-V121030603
12	A0G6530701	Reinforce Plate /R		D	1	
13	A4EUR70F00	Cleaning Gear/2 Assy		B	1	
14	A0G6531500	Cleaning Bearing		C	2	
15	55VA55680	SPEWING PREVENTIVE FELT		A	2	
16	396040681	STOPPER RING		B	2	
17	A0G6532700	Cleaning Gear/3 29T		B	2	
18	25HA15210	SPACER E		C	1	
19	A4EUR75P00	Blade Motor Assy		C	1	
20	A0G6530500	Guide Shaft		B	1	
21	55VA55400	Cleaner Shaft Holder		C	1	
22	A0G6532900	Cleaning Seal /2		C	1	
23	A4EUR71100	Drum Scraper Assy		A	1	
24	A4EUR71200	Scatteringprevention Filter Assy		A	1	

DRUM CLEANING UNIT

P 105

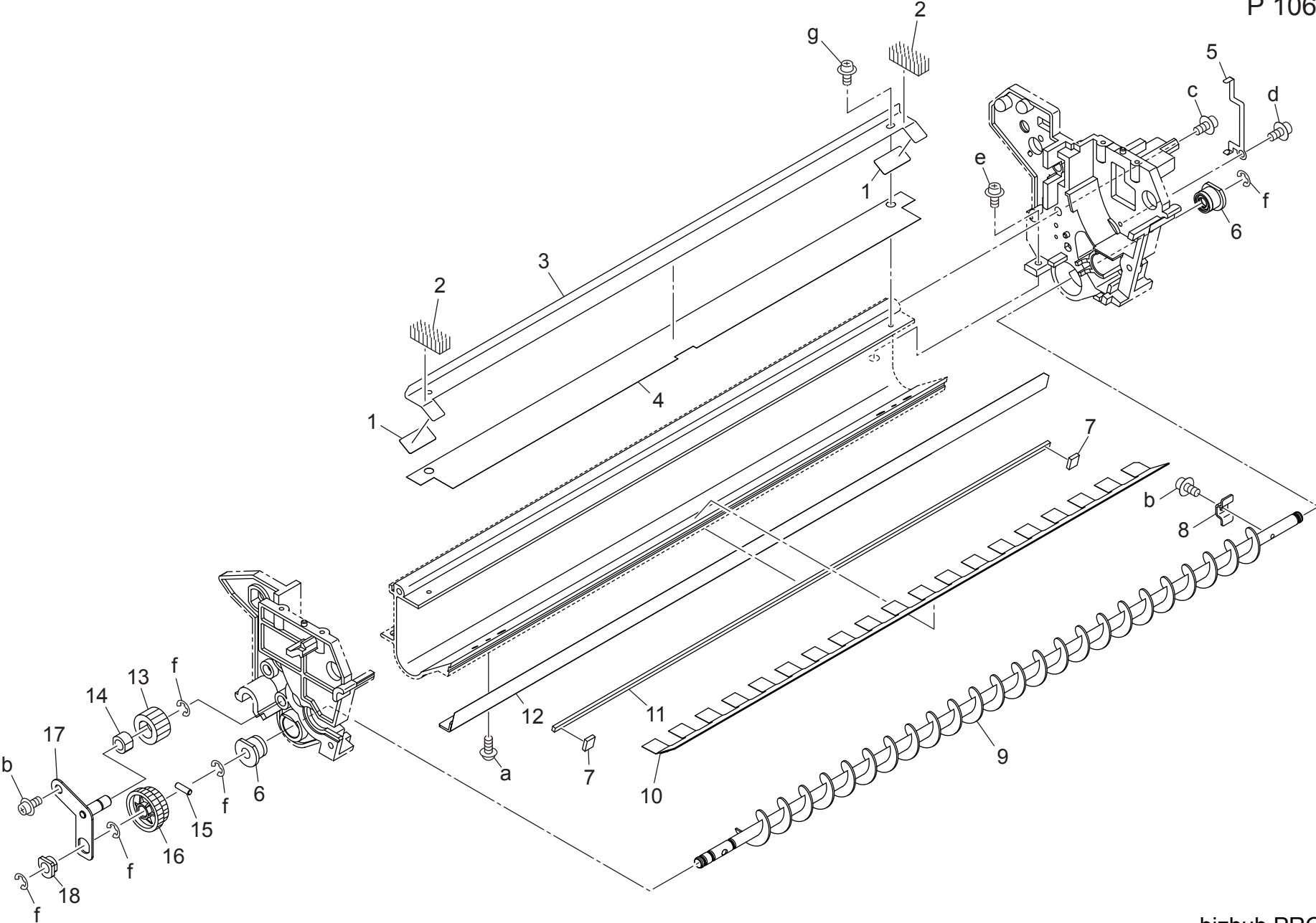


DRUM CLEANING UNIT

Key	Part No.	Description	Destinations	Class	QTY	Standard parts
1	090076040	SHAFT HOLDER		C	2	a-V112030603
2	25AA55350	BLADE PULLEY B		C	1	b-V121030403
3	55VA55110	Blade Support Shaft /Front		D	1	c-V121031203
4	25AA55341	BLADE PULLEY A		C	1	d-V121031803
5	55VA55480	Wire Cover		D	1	e-V121040403
6	55VA55380	Blade Wire		C	1	f-V116041003
7	A4EU536200	Bushing /B		C	1	g-V217040050
8	25AA55720	Wire Cover /Upper		C	1	h-V217060050
9	A4EUR75N00	Side Sealing/F Assy		D	1	i-V217090050
10	56UA-5550	BLADE MOUNTING PLATE		D	1	k-V195030003
11	A0G6533200	Cleaning Seal /5		C	2	m-V217030050
12	A0G6535000	Cleaning Blade		A	2	n-V118030403
13	56UA558300	POSITIONING SCREW		C	2	p-V121030603
14	A4EUR75M00	Side Sealing/R Assy		D	1	q-V121040603
15	A0G6532500	Pressing Plate		D	1	r-V193030404
16	55VA55820	BLADE STOPPER SPRING		B	1	
17	55VA55181	Blade Stopper		C	1	
18	A4EUR75Q00	Blade Release Arm Assy		D	1	
19	A4EU536100	Bushing /A		C	1	
20	55VA55810	BLADE CHANGEABLE SPRING		B	1	
21	25AA55161	BLADE RATCHET		C	1	
22	55VA55641	SEALING PART/1		C	1	
23	A4EUR70H00	Sealing Plate/R Assy		A	1	
24	A0G6531600	Cleaning Screw		C	4	
25	A0G6530800	Regulating Part		D	4	
26	A4EUR70K00	Toner Guide Brushe Assy		A	1	
27	A4EU530400	Support Shaft		D	1	
28	55VA55670	Toner Preventive Collar		C	1	
29	A4EUR70G00	Sealing Plate/F Assy		A	1	
30	55VA55130	Shaft Holder Fixed Part		C	1	
31	55VA55680	SPEWING PREVENTIVE FELT		A	1	
32	A0G6531500	Cleaning Bearing		C	1	
33	396040681	STOPPER RING		B	1	

DRUM CLEANING UNIT

P 106

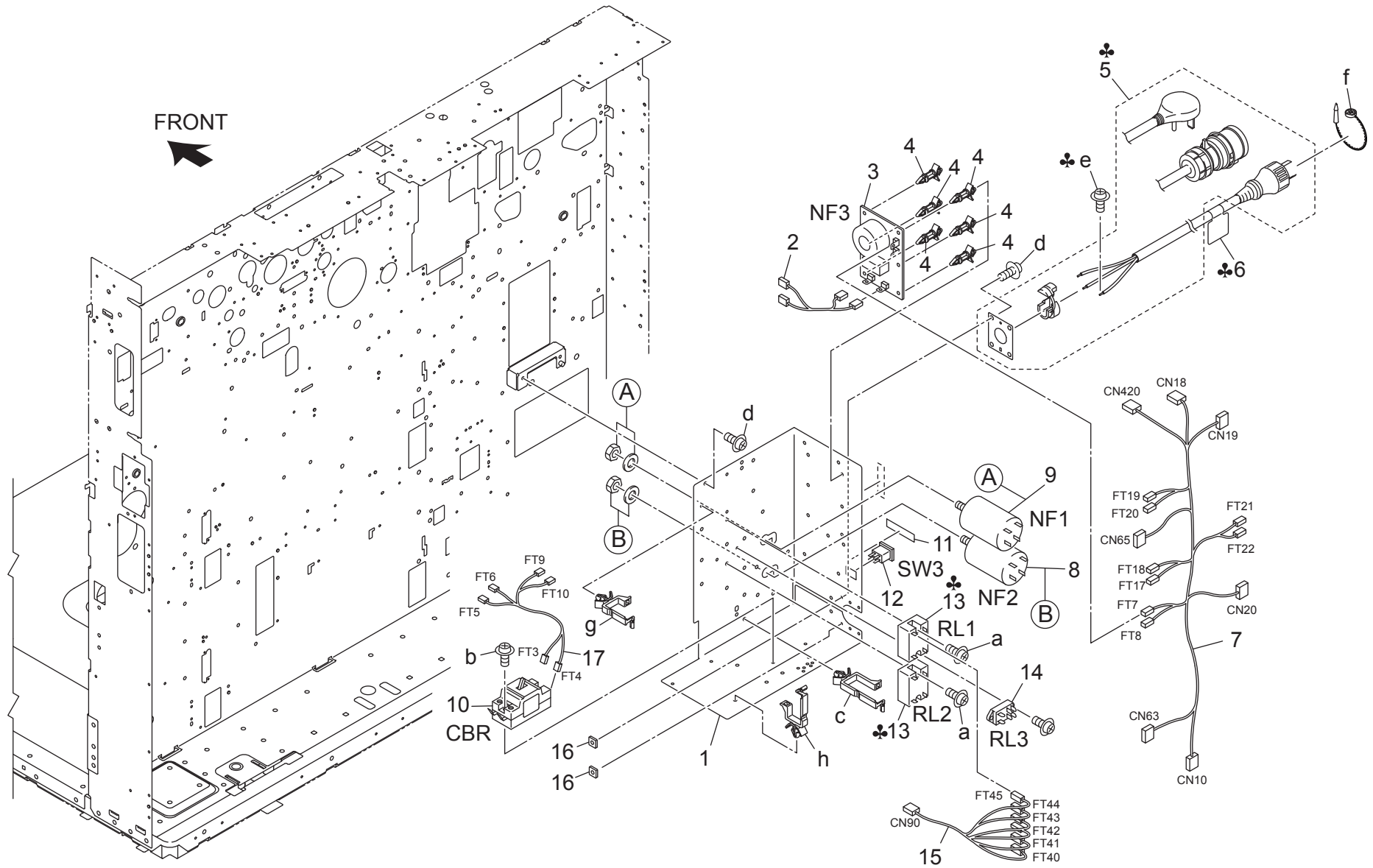


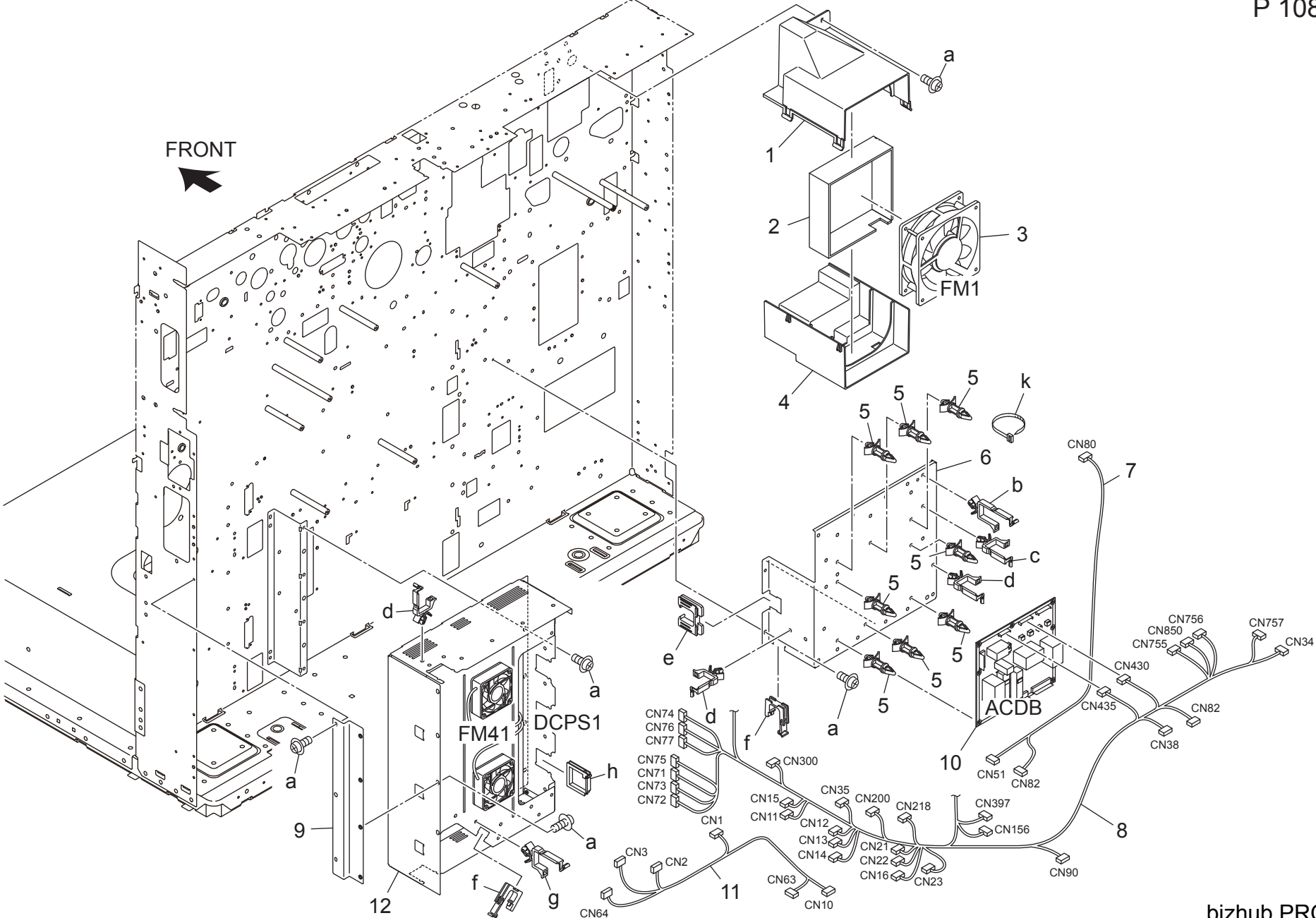
DRUM CLEANING UNIT

Key	Part No.	Description	Destinations	Class	QTY	Standard parts
1	55VA55660	Sealing Part /3		C	2	a-V118030403 b-V121030603 c-V116041203 d-V145030603 e-V151040803 f-V217040050 g-V121030403
2	A0G6532900	Cleaning Seal /2		C	2	
3	56UA55220	Blade Sealing Plate		D	1	
4	56UA55230	Blade Seal /A		C	1	
5	A0G6534200	Ground Plate /B		D	1	
6	26TA30770	DEVELOPING SHAFT HOLDER A		C	2	
7	55VA55641	SEALING PART/1		C	2	
8	56UA55550	Toner Agitating Plate		D	1	
9	A4EU530300	Cleaning Screw		D	1	
10	A4EUR75S00	Sealing Assy		D	1	
11	56UA55740	TONER GUIDE SEAL		D	1	
12	A4EUR71300	Toner Sealing Plate Assy		B	1	
13	A0G6532800	Cleaning Gear /4 33T		C	1	
14	25AA75530	SLIDE SHAFT HOLDER		C	1	
15	56AA17520	PIN A D3X10		C	1	
16	A0G6531401	Cleaning Gear /1 41/47T		C	1	
17	A4EUR75T00	Reinforce Plate/F Caulking		D	1	
18	466076020	PAPER FEED SHAFT HOLDER		B	1	

ELECTRIC PARTS

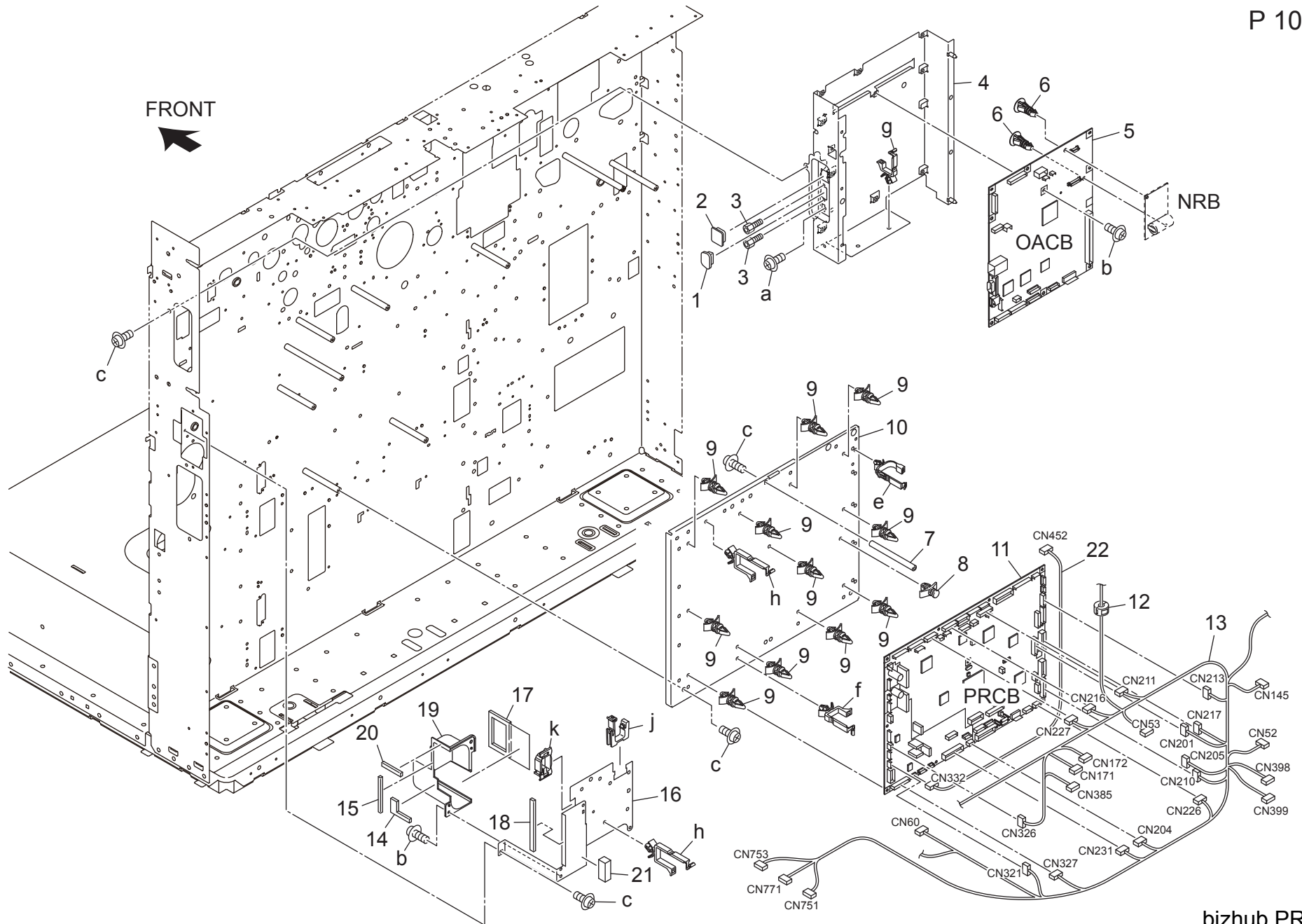
P 107





ELECTRIC PARTS

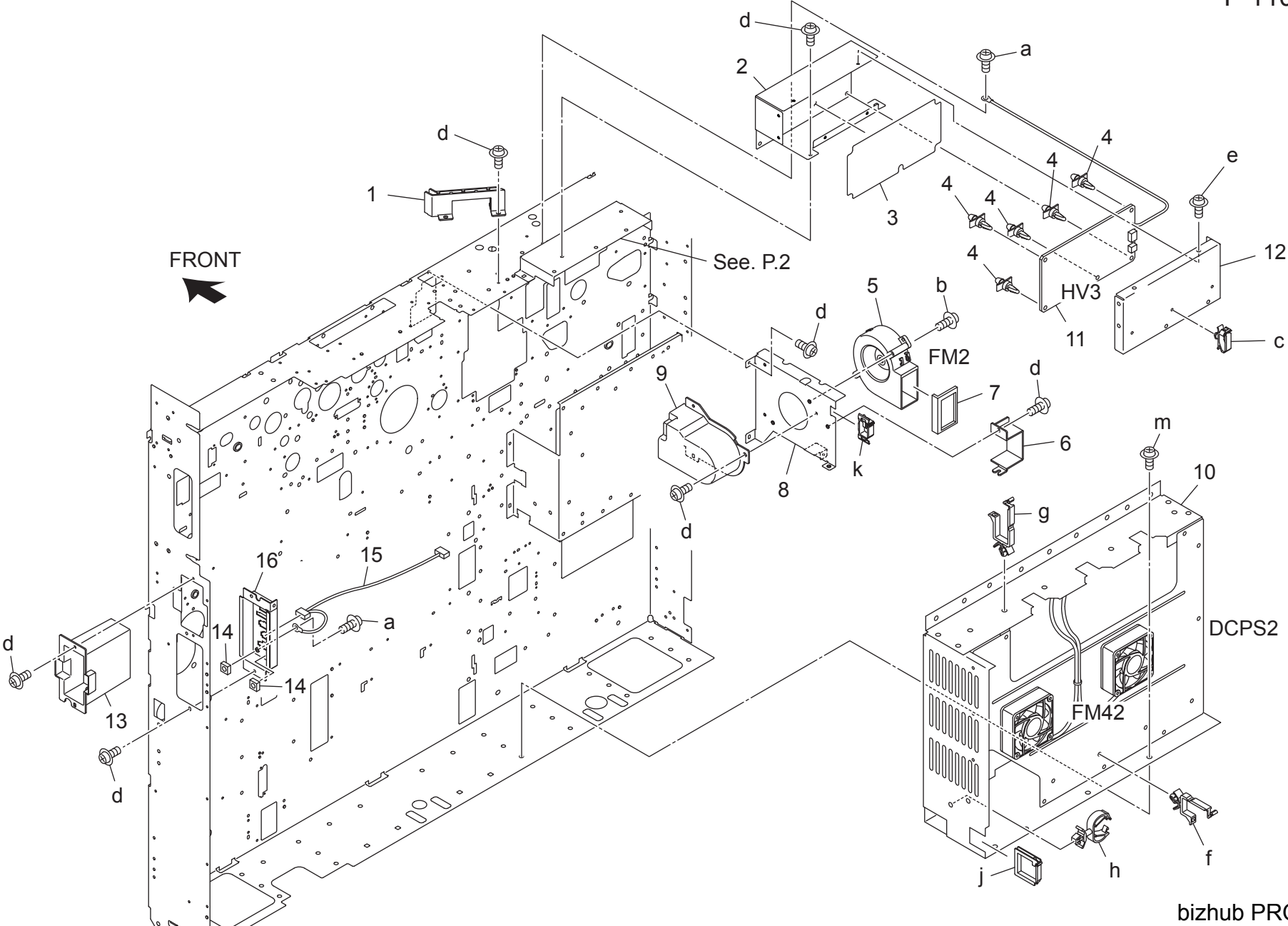
P 109



bizhub PRO 951

ELECTRIC PARTS

P 110

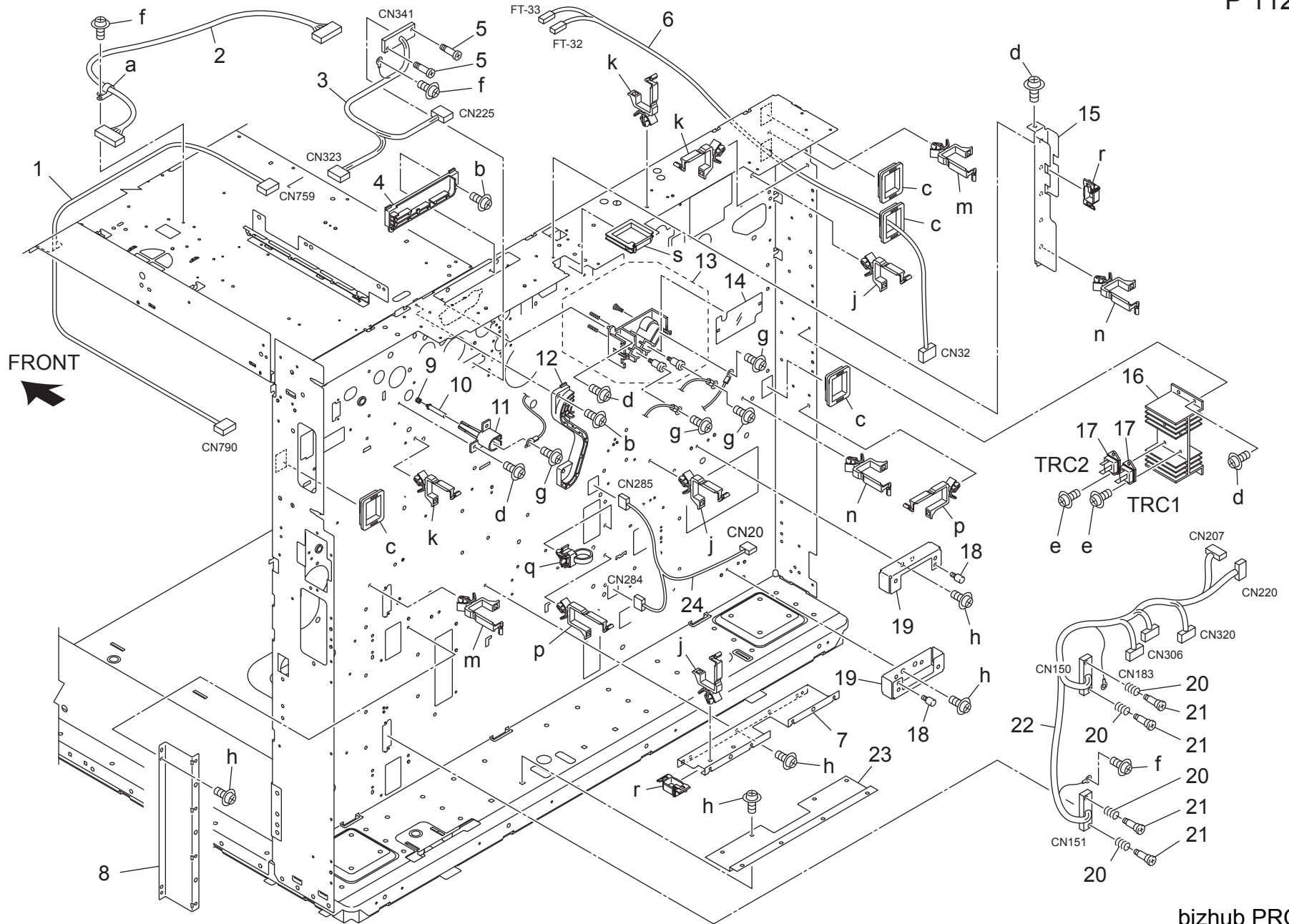


ELECTRIC PARTS

Key	Part No.	Description	Destinations	Class	QTY	Standard parts
1	13RN73120	Terminal Protection Cover /1		D	1	a-V570010040
2	40LA73840	Contact Protection Cover		D	1	b-V111140403
3	A4EURA2E00	HDD /S (SSD)		I	1	c-V118041003
4	55GA97250	CONTACT PROTECT SEAL		D	1	d-V121031803
5	27LA73990	CONTACT PROTECTION SEAL		C	1	e-V121030403
6	4025228301	SCREW		D	2	g-V121040403
7	A4EU136000	Protection Cushion /2		D	1	h-V116030603
8	A4EU133500	Cover /B		D	1	k-V500010003
9	A4EU133700	Mounting Plate		D	1	m-V500010061
10	A4EUM77000	Radiator /1		D	1	n-V111030621
11	A4EURA1E00	Control Board /S Assy		I	1	p-V121040603
12	A1RFM15100	Fan motor /1		C	1	q-V121030603
13	A4EU133800	Mounting Plate		D	1	
14	A4EU133400	Shield Plate		D	1	
15	A4EU130500	Mounting Plate		D	1	
16	A4EU133601	Cover /A		D	1	
17	A0Y5N19600	Interface Cable /2		D	1	
18	A4EUH11000	PCI Relay Board ASSY		C	1	
19	20ER73110E	Board Fixing Screw		D	4	
20	A4EU130400	Mounting Plate		D	1	
21	20ER73120	BOARD SUPPORT RUBBER		D	8	
22	A0Y5134700	Board Fixing Screw		C	4	
23	A4EUN17100	Power source Cable		D	1	
24	A4EUR72B00	Chageg Powering Block		D	1	
25	A0G6N22600	HV Wire /C		D	1	
26	A0G6137000	Power Supply Rail /Rear		D	1	

ELECTRIC PARTS

P 112



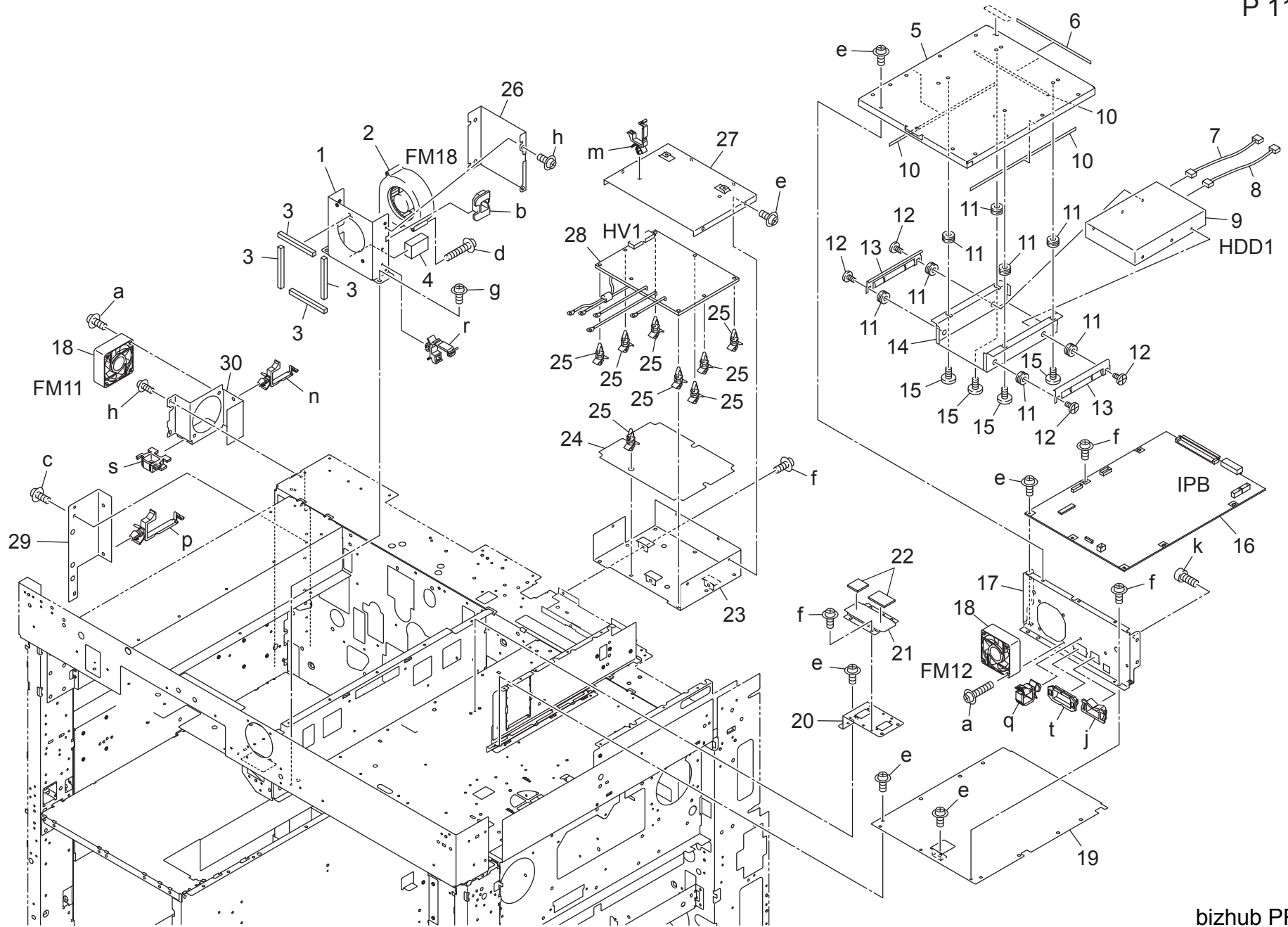
bizhub PRO 951

ELECTRIC PARTS

Key	Part No.	Description	Destinations	Class	QTY	Standard parts
1	A0G6N15500	Power Source Relay Harness /A		D	1	a-V500020069
2	A0G6N15003	Relay Wiring /A		D	1	b-V118041203
3	A0G6N11200	Photoconductor Relay Harness /1		D	1	c-V570010038
4	56UA73040E	HV Guide Rail /Right		D	1	d-V121040603
5	066079020	DRAWER SCREW M3X10		C	2	e-V115040803
6	A0G6N10500	Ac Wiring /4		D	1	f-V116040603
7	A0G6130600	Mounting Plate /I		D	1	g-V116030603
8	56UA73340	POWER SOURCE MOUNTING PLATE /1		D	1	h-V140040803
9	56AA15471	CONTACT SPRING		C	1	j-V500010003
10	56AA15521	CONTACT SHAFT		D	1	k-V500010005
11	56AA15460	HIGH VOLTAGE GUIDE PART		C	1	m-V500010007
12	56UA73071	HV GUIDE RAIL LEFT		D	1	n-V500010008
13	A4EUR71N00	Chageg Powering Block		D	1	p-V500010013
14	55VA73310	Terminal Protect Cover		D	1	q-V501010018
15	A4EU130801	Wiring Stay /Middle		D	1	r-V570010063
16	55VA73400	Cooling Plate /1		D	1	s-V570010048
17	25AE89081	AC Switch		C	2	
18	392010231	STOPPER PIN		C	2	
19	56UA73120	TERMINAL MOUNTING PLATE		D	2	
20	56AA17080	TERMINAL ROCKING SPRING		C	4	
21	56AA17330	SLIDE SHAFT		C	4	
22	A4EUN11300	Paperfeed Wiring /1		D	1	
23	56UA73320	Power Source Fixing Plate		D	1	
24	A4EUN11100	Heater Relay harness		D	1	

ELECTRIC PARTS

P 113

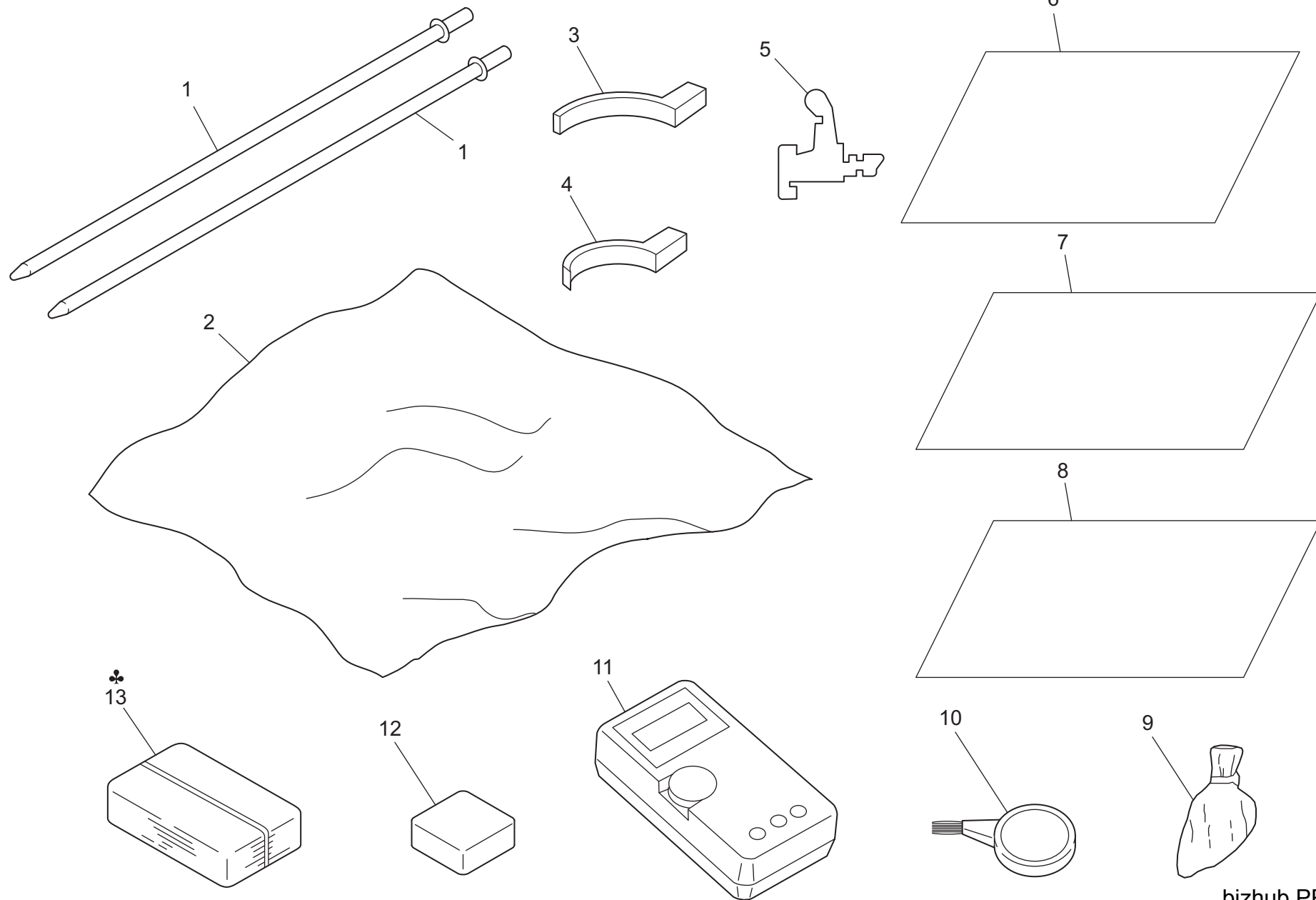


ELECTRIC PARTS

Key	Part No.	Description	Destinations	Class	QTY	Standard parts
1	564A116100	FIXING PLATE		D	1	a-V118033003
2	9313100072	FAN MOTOR		C	1	b-V570010021
3	564A116600	GROUND CUSHION /1		D	4	c-V127040603
4	564A116300	SEALING PART /1		C	1	d-V118043503
5	56UA73180E	Board Cover		D	1	e-V121030403
6	A0G6M92700	Gasket /Q		C	1	f-V121030603
7	A0G6N15800	Power Source Relay Harness /S		D	1	g-V121040403
8	A0G6N15700	I/F Wiring /S		D	1	h-V121040603
9	A0Y5M72012	HDD		I	1	j-V570010023
10	A0G6M92100	Gasket /K		C	3	k-V188040404
11	20ER73120	BOARD SUPPORT RUBBER		D	8	m-V500010003
12	20ER73110E	Board Fixing Screw		D	4	n-V500010007
13	56UA73550	Earth Plate		D	2	p-V500010013
14	A0Y5134500	Hold Plate		D	1	q-V500010020
15	A0Y5134700	Board Fixing Screw		C	4	r-V500010061
16	A4EWH01002	Image Processing Board ASSY		I	1	s-V570010050
17	A4EU131400	Mounting Plate /G		D	1	t-V570010037
18	4040M10000	FAN MOTOR		C	2	
19	56UA73400	Board Bottom Plate		D	1	
20	A4EUR74C00	Guide Bridge Assy		D	1	
21	A0G6132300	Cover Plate /F		D	1	
22	A0G6132400	Cover Pad /F		C	1	
23	56UA73370	Board Protection Box		D	1	
24	56UA73500	HV Protection Sheet		C	1	
25	V502010016	support		D	8	
26	564A116200	FIXING PLATE /2		D	1	
27	A0G6130201	Protection Cover		D	1	
28	A0G6M40101	HV Power Source /1		I	1	
29	A0G6114900	Mounting Plate /Left Rear		D	1	
30	56UA10260	Rear Cooling Duct /A		D	1	

JIGS

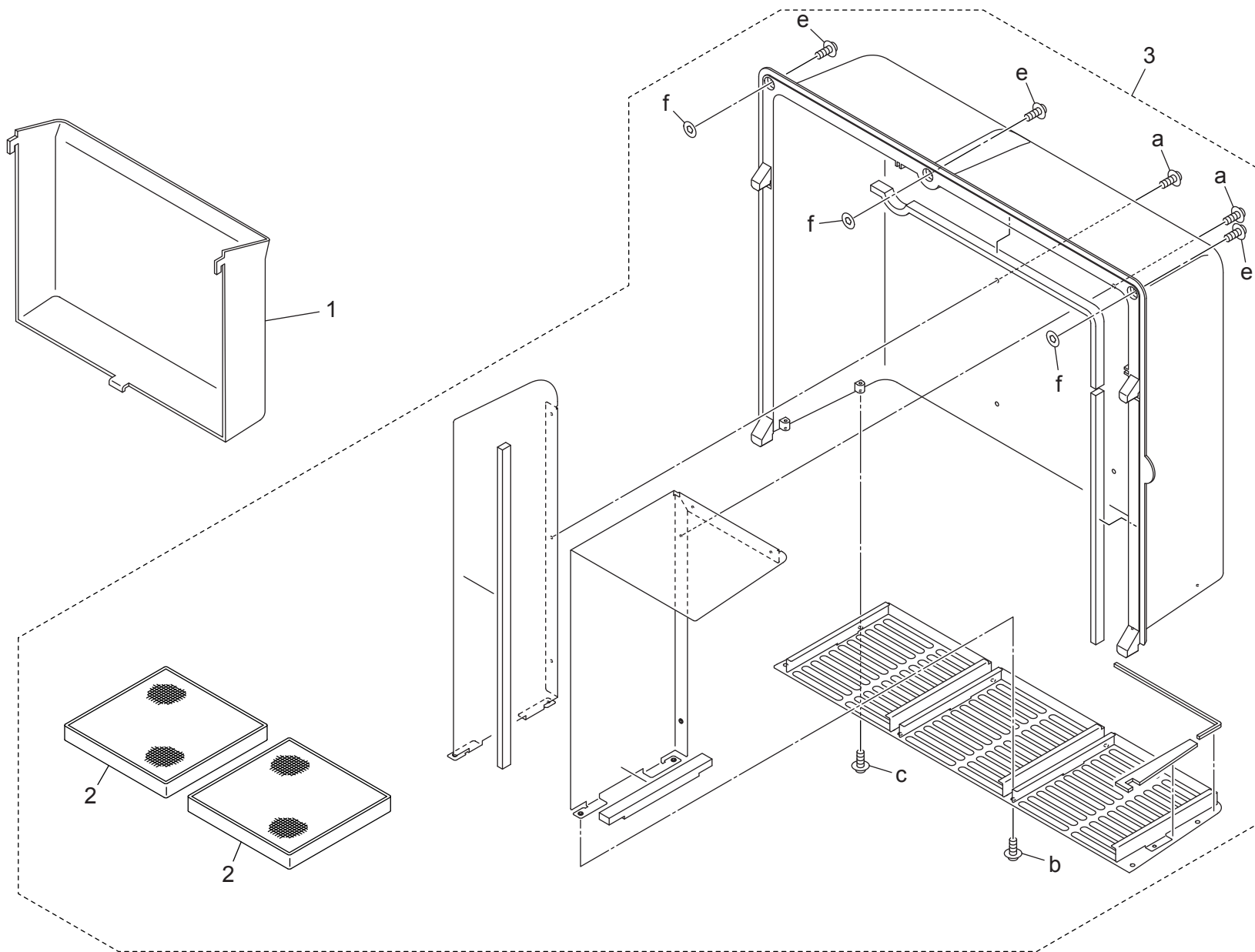
P 114



bizhub PRO 951

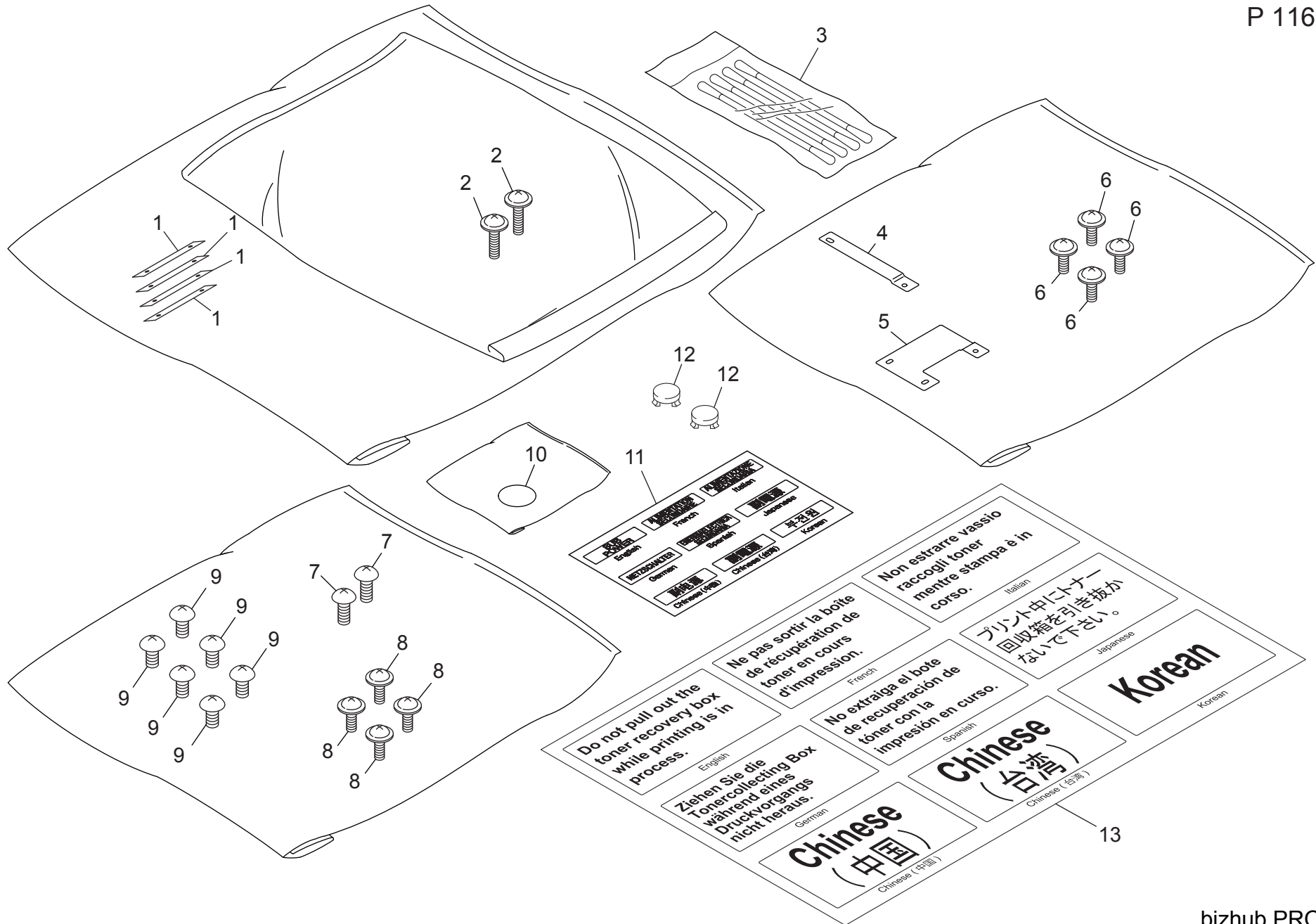
ACCESSORY PARTS

P 115



ACCESSORY PARTS

P 116



ACCESSORY PARTS

Key	Part No.	Description	Destinations	Class	QTY	Standard parts
1	56UA40700	ADJUSTMENT PLATE P		C	4	
2	V121030803	SCREW		V	2	
3	504097340	CLEANING MATERIAL		D	1	
4	15BA10310	Earth Plate		D	1	
5	A0G6165900	Ground Plate /B		D	1	
6	V121030603	screw		V	4	
7	V118040804	screw		D	2	
8	V121040603	screw		V	4	
9	V114040604	Screw		V	6	
10	56UA70820	OPERATION UNIT SEAL		C	1	
11	A0G6944500	Indicating Label /2		C	1	
12	56UA12460	Screw Cover		C	2	
13	A0G6948000	Operation Label /G		C	1	

MAINTENANCE LIST

● The items with no Page/Key numbers are not handled as spare parts.

No.	Section	PM Parts Description	Maintenance Cycle (K=1,000)		Parts No.	Destinations	Page/Key	Note
			QTY	Replace				
1	Main body	Filter plate	1	3,000K	A4EUR90000		P5-9	
2		Ozone filter /12	2	4,500K	A4EU112300		P115-2	
3		Charging exhaust filter	1	4,500K	56UA11220		P11-35	
4		Web motor (M24)	1	6,000K	A4EUM10100		P20-26	
5	Photo conductor section	Drum positioning collar	1	750K	25SA20150		P18-2	
6		Drum fixing spring	1	750K	55FU20140		P18-3	
7		Drum claw	3	750K	A0G6345600		P102-12	
8		Drum temperature sensor (TH5)	1	3,000K	A4EUR70200		P101-13	
9		Drum	1					
10	Transfer/Separation section	Regulation plate assy	2	1,500K	A4EUR70000		P74-1	
11		Power supply parts	2	3,000K	65AA26890		P75-12	
12		Bearing /H	2	3,000K	A0G6503900		P82-2	
13		Cleaning brush	2	3,000K	A4EU510600		P75-3	
14		Transfer belt	1	3,000K	A0G6500113		P83-1	
15		Transfer roller	1	3,000K	A4EU500600		P82-3	
16		Transfer contact /Fr	1	3,000K	A4EUR70B00		P83-17	
17		Transfer contact /Rr	2	3,000K	A4EUR70C00		P82-11	
18		Cleaning shaft	2	6,000K	A0G6510700		P75-16	
19		Belt cleaning unit	1	12,000K	A4EUR70D11		P61-9	
20	Charging corona	C-clip	2	750K	45AA20400		P102-9	
21		Charging wire	2	750K	56UA25090		P41-16	
22		Charger control plate	1	750K	A4EUR70900		P40-17	
23		Charging cleaning unit	2	750K	A4EUR70800		P40-16	
24		Charger rubber vibration isolator	2	750K	55VA25270		P41-22	
25		Charging corona	1	6,000K	A4EUR70700		P40-1	
26	Developing section	Developer	1					
27		Suction filter	1	1,500K	A4EU390800		P39-10	
28		Suction pad /H	1	6,000K	A0G6394400		P39-5	
29		Developing suction seal/2	2	6,000K	56UA31030		P39-2	
30		Developing suction seal/5	1	6,000K	56UA31060		P39-7	
31		Developing unit	1	6,000K	A4EUR70300		P58-14	
32		Stopper pad /1	1	6,000K	A4EU394600		P39-4	
33		Stopper pad /2	2	6,000K	A4EU394700		P39-9	
34	Cleaning section	Cleaning blade	2	750K	A0G6535000		P105-12	
35		Drum scraper assy	1	750K	A4EUR71100		P104-23	
36		Waste toner box	1	750K	A4EUR75V00		P48-13	
37		Scatter preventive filter assy	1	750K	A4EUR71200		P104-24	
38		Discharge wire	1	750K	A0G6470800		P97-8	
39		Guide plate assy	1	1,500K	A4EUR70J00		P103-10	
40		Seal plate /Fr	1	1,500K	A4EUR70G00		P105-29	
41		Seal plate /Rr	1	1,500K	A4EUR70H00		P105-23	
42		Toner guide brush assembly	1	1,500K	A4EUR70K00		P105-26	
43		Scattering prevention felt	1	1,500K	55VA55680		P105-31	
44		Toner seal board	1	3,000K	A4EUR71300		P106-12	
45		PCC unit	1	6,000K	A4EUR75K00		P97-9	
46		Guide shaft	1	6,000K	A0G6530500		P104-20	
47		Cleaning gear /2 assembly	1	6,000K	A4EUR70F00		P104-13	
48		Cleaning gear /3	2	24,000K	A0G6532700		P104-17	

No.	Section	PM Parts Description	Maintenance Cycle (K=1,000)		Parts No.	Destinations	Page/Key	Note
			QTY	Replace				
49	Toner supply section	Agitator plate assembly /1	1	1,500K	A4EUR70500		P54-25	
50		Agitator plate assembly /2	1	1,500K	A4EUR70600		P54-18	
51		Toner supply sleeve /1	1	3,000K	A4EUR70W00		P50-1	
52		Toner supply sleeve /2	1	3,000K	A4EUR70X00		P50-2	
53		Pump unit /Lt	1	10,000K	A4EUR71000		P57-5	
54		Pump unit /Rt	1	10,000K	A4EUR70Y00		P56-5	
55		Air separation motor (M10)	1	30,000K	A0Y5M10400		P53-5	
56		Toner hopper motor (M7)	1	30,000K	A0PNM10200		P48-10	
57		Toner bottle motor (M6)	1	30,000K	A0PNM10200		P48-10	
58		Intermediate hopper motor (M11)	1	30,000K	13GQ80032		P55-17	
59	Waste toner box swing motor (M19)	1	30,000K	A0WJM10000		P47-2		
60	Paper feed section	Pick-up roller	2	500K	A4EUR71500		P29-8/P38-8	
61		Paper feed roller	2	1,500K	A4EUR71400		P28-12/P37-12	
62		Separation roller	2	1,500K	A4EUR71400		P29-14/P38-14	
63		Paper feed clutch /1 (CL4)	1	3,000K	57GA82010		P29-26	
64		Paper feed clutch /2 (CL6)	1	3,000K	57GA82010		P38-26	
65		Forced separation clutch /1 (CL5)	1	3,000K	57GA82010		P43-29	
66		Forced separation clutch /2 (CL7)	1	3,000K	57GA82010		P44-22	
67		Cover	2	6,000K	A0G6572000		P28-17/P37-17	
68		Torque limiter /A	2	6,000K	A03X565611		P28-20/P37-20	
69		Input gear	2	6,000K	A0G6602300		P28-25/P37-25	
70		Reverse rotation shaft	2	18,000K	A4EW570800		P28-34/P37-34	
71		Paper feed input shaft	2	18,000K	A4EUR72K00		P28-27/P37-27	
72		Bearing /C	2	18,000K	A00V240600		P28-33/P37-33	
73		Bearing /D	6	18,000K	A00J617900		P28-22/P37-22	
74	Vertical conveyance section	Pre-registration clutch /1 (CL1)	1	3,000K	57GA82010		P43-29	
75		Pre-registration clutch /2 (CL3)	1	3,000K	57GA82010		P43-29	
76		Paper fur brush	1	3,000K	A4EUR73000		P44-1	
77		Vertical conveyance clutch (CL2)	1	3,000K	57GA82010		P44-22	
78		Torque limiter	1	6,000K	57GA44300		P42-11	
79		Pre-registration roller /1 and /2	2	6,000K	A0G6700100		P43-19	
80		Pre-registration bearing	4	6,000K	56UA76030		P43-7	
81		Conveyance roller /2	1	6,000K	A0G6700300		P44-18	
82		Conveyance roller /3	1	6,000K	A0G6700200		P44-17	
83		Paper dust removing brush shaft	1	12,000K	A4EUR71600		P44-23	
84		Conveyance roller /1	1	12,000K	A4EU701300		P43-16	
85		Conveyance exit roller	1	12,000K	A4EU701200		P43-12	
86		Cleaning gear /B	1	18,000K	55VA79210		P43-25	
87		Scraper shaft	1	18,000K	56UA44170		P43-13	
88		Paper dust guide holder	1	18,000K	A4EUR70N00		P43-9	
89		Bearing /E	5	18,000K	A00J617800		P43-4/P44-2	
90		Conveyance pulley	2	18,000K	55VA76530		P44-10	
91	Conveyance belt /A	1	18,000K	56UA78090		P44-12		
92	Paper feed gear /A	1	24,000K	56UA77170E		P43-1		
93	Paper feed gear /B	1	24,000K	56UA77180E		P43-6		
94	Paper feed cleaning gear /B	1	24,000K	56UA77160		P43-23		
95	Paper exit input gear	1	24,000K	56UA77070E		P43-24		
96	Registration section	Registration gear /Lw	1	6,000K	A0G6714300		P80-28	
97		Registration gear /Up	1	6,000K	A0G6714200		P81-21	
98		Registration roller /Up	1	6,000K	56UA46061E		P81-24	
99		Registration bearing	2	6,000K	A4EU715400		P81-23	
100		Loop driven roller	1	18,000K	A4EU818000		P80-5	
101		Paper lift sheet	1	18,000K	A0G6712100		P80-15	
102		Pre-transfer driven roller assy	2	18,000K	A4EUR74800		P81-6	
103		Roller gear /Rt	1	30,000K	A4EU714400		P80-30	

No.	Section	PM Parts Description	Maintenance Cycle (K=1,000)		Parts No.	Destinations	Page/Key	Note
			QTY	Replace				
104	DUPLEX SECTION	ADU accelerator roller	1	12,000K	A4EU817100		P68-7	
105		ADU exit roller	1	12,000K	A4EU817700		P69-16	
106		ADU reversal roller	1	12,000K	A4EU817600		P68-9	
107		ADU conveyance roller /1	1	12,000K	A4EU817500		P69-17	
108		ADU conveyance roller /2	1	12,000K	A4EU817500		P69-17	
109		ADU conveyance roller /3	1	12,000K	A4EU817700		P63-11	
110		ADU conveyance roller /4	1	12,000K	A4EU817700		P63-11	
111		Output convey roller /1	1	12,000K	A4EU817400		P68-6	
112		Output convey roller /2 assy	1	12,000K	A4EUR70100		P68-1	
113		Reversal output roller	1	12,000K	A4EU817200		P68-8	
114		ADU accelerate motor (M14)	1	30,000K	A4EUR73Q00		P62-3	
115		ADU accelerate motor belt	1	30,000K	A0G6819400		P62-6	
116		ADU paper exit roller belt	1	30,000K	A4EU822100		P68-24	
117		ADU reverse motor (M12)	1	30,000K	A4EUR73Q00		P68-33	
118		ADU reverse motor belt	1	30,000K	13GQ77550		P68-25	
119		ADU conveyance motor /1 (M15)	1	30,000K	A03UM11100		P69-10	
120		ADU conveyance motor /1 belt	1	30,000K	15BA77530		P69-11	
121		ADU conveyance motor /2 (M16)	1	30,000K	A4EUR73W00		P63-28	
122		ADU conveyance motor belt /2	1	30,000K	56UA78080		P63-24	
123		Motor gear /Rt	1	30,000K	A4EU814600		P65-19	
124		Loop motor (M18)	1	30,000K	A4EUR73X00		P63-18	
125		Registration motor (M17)	1	30,000K	A4EUR73Q00		P65-20	
126		Transfer belt motor (M30)	1	30,000K	A0R5M10300		P66-14	
127		Transfer belt pressure release motor(M26)	1	30,000K	A0Y5M10400		P72-33	
128		Reverse/exit motor (M13)	1	30,000K	A4EUR73Q00		P64-20	
129		reverse/exit motor belt	1	30,000K	56UA78060		P64-25	
130		Fusing section	Fixing cleaning web	1	750K	A4EW731400		P85-16
131	Heat insulating sleeve		2	1,500K	454053391		P87-3	
132	Fusing roller /Lw assy		1	1,500K	A4EUR70V00		P88-1	
133	Fusing roller /Up		1	1,500K	56UA53040		P87-1	
134	Fusing bearing /Up		2	1,500K	A0G6734600		P87-2	
135	Fusing cleaning sheet assy		1	1,500K	A4EUR70U00		P88-7	
136	Fusing claw /Lw		2	1,500K	25AA53290		P91-21	
137	Fusing claw /Up		6	1,500K	56UA54530		P91-16	
138	Heat roller bearing		2	3,000K	56UA75070		P88-14	
139	Heat insulating sleeve /Lw		2	3,000K	26AA53150		P88-19	
140	Fusing heater lamp /1 (L1)		1	3,000K	A4EWM33000		P87-6	
141	Fusing heater lamp /2 (L2)		1	3,000K	A4EWM33000		P87-6	
142	Fusing heater lamp /3 (L3)		1	3,000K	55VB83042		P88-13	
143	Fusing temperature sensor /2 (TH2)		1	3,000K	55VA88041		P89-10	
144	Fusing temperature sensor /4 (TH4)		1	3,000K	55VA88061		P88-18	
145	Fusing heating roller		1	3,000K	56UA53070		P88-20	
146	Fusing gear		1	6,000K	A0G6726000		P87-5	
147	Bearing /G		2	10,500K	56UA760900		P86-4	
148	Fusing cleaning roller		1	10,500K	56UA53530		P85-17	
149	Web prevention part		1	18,000K	A4EUR70T00		P85-13	
150	Bearing /G	1	18,000K	56UA760900		P85-8		
151	Fusing claws installation assy	6	18,000K	A4EUR73200		P91-13		
152	Fusing oscillation cam assy	1	18,000K	A4EUR73700		P86-19		
153	De-curler section	De-curler belt /Up	7	6,000K	A0G6846400		P78-9	
154		Fixing exit roller	4	6,000K	56UA45950		P77-17	
155		Guide member /Up	1	6,000K	A0G6845100		P77-7	
156		Coupling unit	1	12,000K	A4EU847000		P77-15	
157		Decurler entrance roller	1	12,000K	A4EU840700		P77-9	
158		Reverse gate	7	12,000K	56UA47600		P76-14	
159		De-curler solenoid /Up (SD8)	1	30,000K	A4EUR74900		P79-2	
160		De-curler motor (M32)	1	30,000K	A0PNM10200		P78-15	
161		Reverse/exit solenoid (SD7)	1	30,000K	A4EUR74A00		P79-7	

No.	Section	PM Parts Description	Maintenance Cycle (K=1,000)		Parts No.	Destinations	Page/Key	Note
			QTY	Replace				
162	Paper exit section	Output roller	1	6,000K	56UA45571E		P84-9	
163	Main body rear side	Drum cleaner motor (M35)	1	30,000K	A0R5M10300		P17-29	
164		Drum motor (M2)	1	30,000K	A0PNM10200		P17-14	
165		Belt cleaning gear	1	30,000K	A0G6250601		P16-6	
166		Paper feed gear	1	30,000K	A4EU239100		P15-20	
167		Paper feed motor (M4)	1	30,000K	65AA80021		P15-21	
168		Developing screw motor (M21)	1	30,000K	A0PNM10200		P18-17	
169		developing motor (M3)	1	30,000K	15AA80050		P18-12	
170		Vertical conveyance motor (M8)	1	30,000K	A1TVM10100		P16-19	
171		Fusing gear	1	30,000K	A0G6237201		P20-5	
172		Fusing motor (M1)	1	30,000K	65AA80021		P20-7	
173		Transfer belt cleaning motor (M5)	1	30,000K	A0PNM10200		P16-1	
174		Waste toner motor (M9)	1	30,000K	A0WJM10000		P11-7	
175		Paper exit motor (M20)	1	30,000K	A0PNM10200		P19-11	
176		Paper exit conveyance motor (M31)	1	30,000K	A0PNM10200		P19-11	
177	Conveyance gear	1	30,000K	56UA77061E		P16-21		

DESTINATION

Destination No.		Destinations		V	Hz	Model No.
A	A1	JAPAN		200	50/60	A4EW001
	A2	JAPAN		200	50/60	A4EW001
B		USA, CANADA		208-240	60	A4EW011
C		EUROPEAN TYPE		220-240	50/60	A4EW021
D	D1	S.E ASIA TYPE	THAILAND, SRI LANKA, SINGAPORE, MALAYSIA, HONG KONG, PAKISTAN, INDIA, BANGLADESH, INDONESIA			
	D3	OCEANIA TYPE	AUSTRALIA, NEW ZEALAND			
E		PHILIPPINES				
F	F1	SAUDI ARABIA				
	F2	SAUDI ARABIA				
G	G1	C.S AMERICA				
	G2	C.S AMERICA		208-240	60	A4EW011
H		TAIWAN				
I		JORDAN, LEBANON, SYRIA, SOUTH AFRICA, IRAQ, IRAN, N.YEMEN, CAMEROON, UAE, BAHRAIN, OMAN, QATAR, KUWAIT, KENYA, TUNISIA, IVORY COAST, MOROCCO				
J		CHINA				
K		KOREA				

bizhub PRO 951