

KONICA MINOLTA

PARTS GUIDE MANUAL

DECEMBER 2017

*bizhub 958/bizhub PRO 958
A796*

INFORMATION FOR PARTS GUIDE MANUAL

To find correct Parts No., refer to the "HOW TO MAKE THE BEST USE OF THIS MANUAL" in the following page.

HOW TO MAKE THE BEST USE OF THIS MANUAL

- 1 When you order, please check the proper figures beforehand that are on Our Parts Guide Manual, and order with the appropriate figures.
- 2 For screws, Nuts, Washers, retaining rings and Pins which are used in this model, one letter is shown on the Standard parts column of Parts list and exploded diagrams.
- 3 In order to maintain safety of the product, some specific parts composed of this product are set up as "essential safety parts".
- 4 The assigned parts number for the "essential safety parts" is indicated as "SP00-****".
When replacing these parts, follow precautions for disassembling and installing which are listed in the Service Manual.
Do not use any parts that are not set up as
- 5 ♣ means that there are exclusive parts for each destination.
Please check the appropriate destination when you order.
- 6 Revision Mark
Marked as ▲ on the illustration shows that the revision has been made.
- 7 All rights reserved. (any reprints or quotations are prohibited.)
Use of this parts guide manual should be strictly supervised to avoid disclosure of confidential information.

パーツガイドマニュアルのご案内

サービス部品をご発注の際には、下記に示す“パーツガイドマニュアルの活用にあたって”をご参照の上、正しい部品番号にてお願い致します。

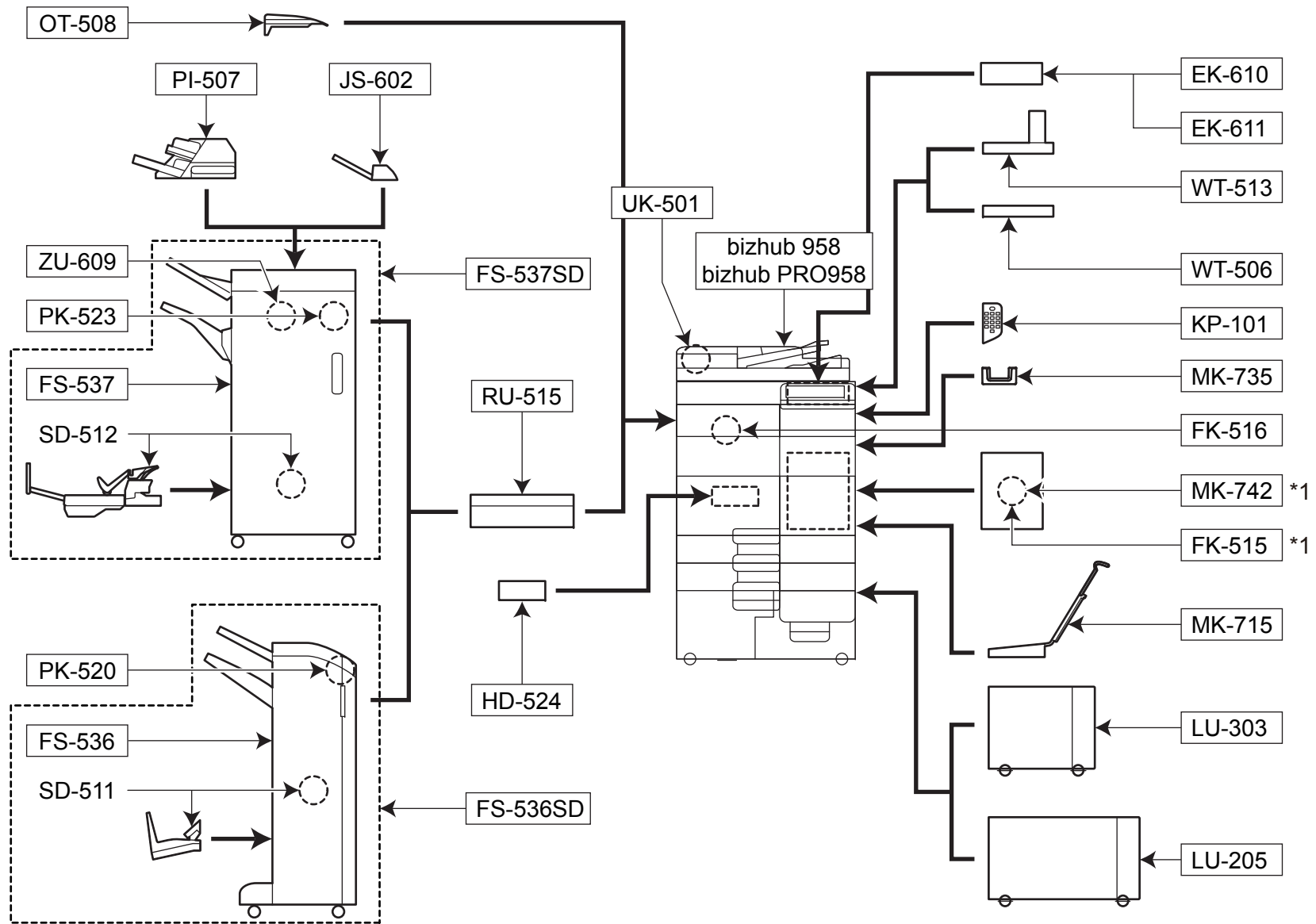
パーツガイドマニュアルの活用にあたって

- 1 部品発注の際には、掲載されている部品番号の桁数を確認し、掲載されている桁数で発注願います。
- 2 この製品に使用されているネジ、ナット、ワッシャー、止め輪、ピンなどは、リストの右側の Standard parts 欄に a,b,c,…… で表示し、イラストにも a,b,c,…… 表示してあります。
- 3 製品の安全性を維持する為に、製品に使用される特定の部品を「重要保安部品」として設定しています。
- 4 重要保安部品の部品番号は、“SP00-****”と記載されていますので、部品交換時は、サービスマニュアル記載の分解・組み立ての注意事項に従って作業をして下さい。
また、指定以外の部品は一切使用しないで下さい。
- 5 本文に ♣ が表示されている部品は、仕向け地毎に専用部品がある事を意味しています。
オーダーされる時は、仕向け地を確認して下さい。
- 6 改訂記号について
イラスト上に ▲ 印が表示されている部分は、改訂された事を表します。
- 7 著作権所有（無断転載及び無断引用の禁止）
本パーツガイドマニュアルについては、機密保持等その扱いには十分注意して下さい。万一取り扱いを誤った場合には、法律で処罰されることがあります。

03/18/2016

System Configuration

*1: For model No. A796011



bizhub 958/bizhub PRO 958

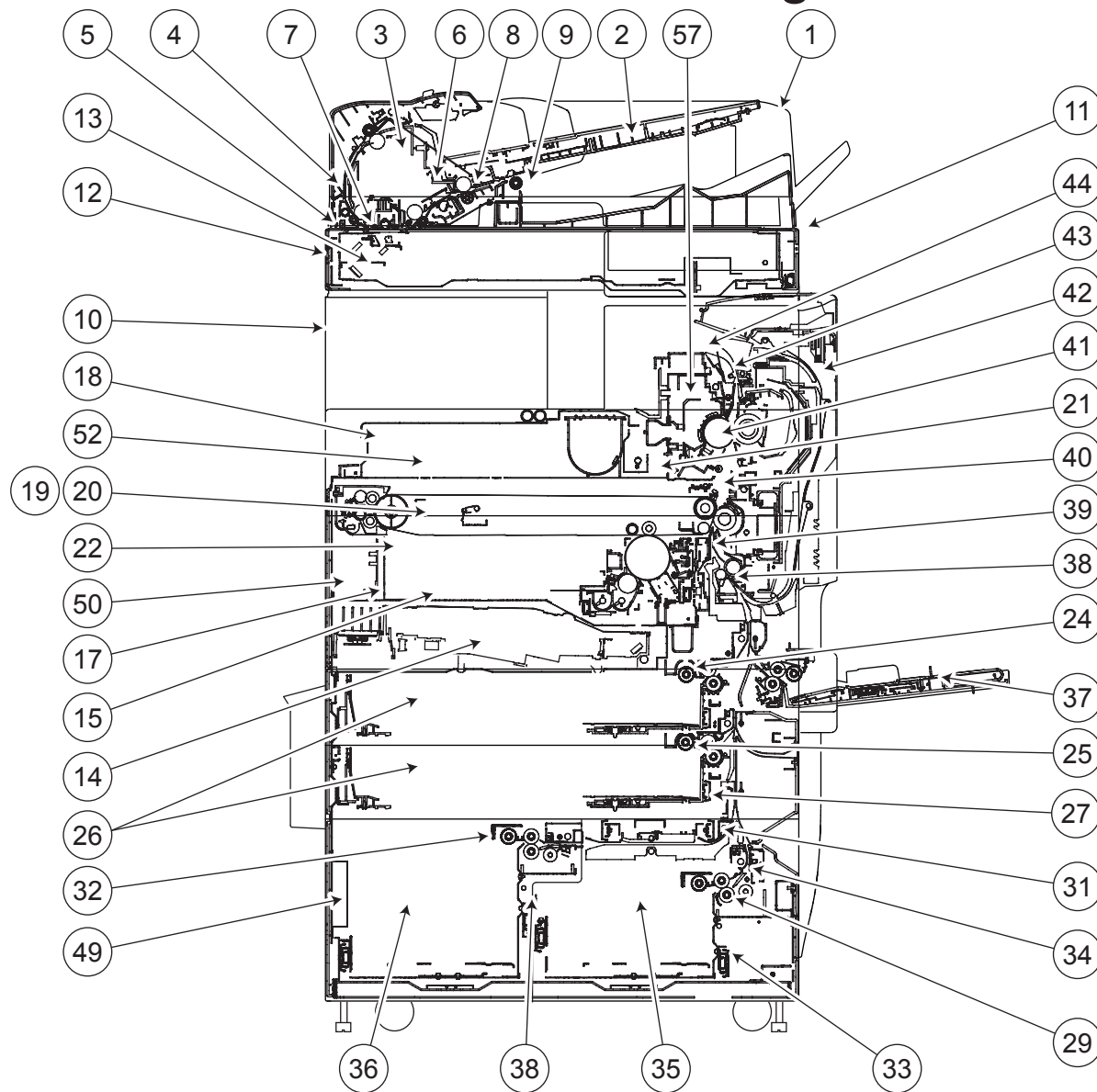
GENERAL CONTENTS

No.	Description	Model
1	Digital MFP B/W	bizhub 958/bizhub PRO 958
2	Local IF Kit	EK-610
3	Local IF Kit	EK-611
4	Working Table	WT-513
5	Working Table	WT-506
6	Other Option	KP-101
7	Mount Kit	MK-735
8	Fax Kit	FK-516
9	Mount Kit	MK-742
10	Fax Kit	FK-515
11	Mount Kit	MK-715
12	Paper Feeder	LU-303
13	Paper Feeder	LU-205
14	HDD	HD-524
15	Finisher/Sorter	FS-536SD
16	Finisher/Sorter	FS-536
17	Punch Unit	PK-520
18	Finisher/Sorter	FS-537
19	Punch Unit	PK-523
20	Folding Unit	ZU-609
21	Output Tray	OT-508
22	Post Inserter	PI-507

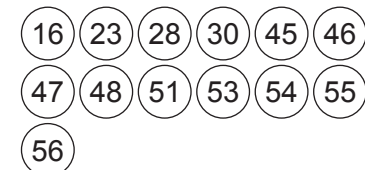
bizhub 958/bizhub PRO 958

No.	Description	Model
23	Job Separator	JS-602
24	Finisher/Sorter	FS-537SD
25	Finisher/Sorter	RU-515
26	Other Option	UK-501

Section Configuration



REAR SIDE



CONTENTS

No.	DESCRIPTION	名称	PAGE No.
1	ADF EXTERNAL PARTS	A D F 外装部	P1 P2
2	ADF PAPER FEED TRAY SECTION	A D F 給紙トレイ部	P3 P4 P5
3	ADF TOP COVER SECTION	A D F 上カバー部	P6 P7
4	ADF CONVEYANCE SECTION	A D F 搬送部	P8
5	ADF READ GUIDE SECTION	A D F 読取ガイド部	P9
6	ADF CIS SECTION	A D F C I S 部	P10
7	ADF GLASS CLEANING SECTION	A D F ガラス清掃部	P11
8	ADF CIS CLEANING SECTION	A D F C I S 清掃部	P12 P13
9	ADF PAPER EXIT SECTION	A D F 排紙部	P14
10	EXTERNAL PARTS	外装部	P15 P16 P17 P18
11	CONTROL PANEL SECTION	操作パネル部	P19
12	IR COVER SECTION	I R カバー部	P20
13	SCANNER SECTION	スキャナ部	P21 P22 P23
14	PH UNIT	P H ユニット	P24
15	TONER RAIL SECTION	トナーレール部	P25
16	CONTACT SECTION	接点部	P26
17	OZONE DUCT SECTION	オゾン排気部	P27
18	TONER SUPPLY SECTION	トナー補給部	P28
19	TRANSFER UNIT	転写ベルトユニット	P29
20	TRANSFER RAIL SECTION	転写レール部	P30
21	ERASE LAMP SECTION	イレーサランプ部	P31
22	TONER COLLECT SECTION	トナー搬送部	P32
23	PAPER FEED DRIVE SECTION	給紙駆動部	P33
24	1ST PAPER FEED SECTION	1 段目給紙部	P34 P35
25	2ND PAPER FEED SECTION	2 段目給紙部	P36 P37
26	CASSETTE TRAY	カセットトレイ	P38 P39
27	CASSETTE RAIL SECTION	カセットレール部	P40
28	SIZE DETECTING SECTION	給紙サイズ検出部	P41
29	1000-SHEET PAPER FEED SECTION	1 0 0 0 枚給紙部	P42 P43
30	LCC DRIVE SECTION	L C C 駆動部	P44
31	LEVEL CONVEYANCE SECTION	水平搬送部	P45 P46
32	1500-SHEET PAPER FEED SECTION	1 5 0 0 枚給紙部	P47 P48
33	LCC CASSETTE RAIL SECTION	L C C カセットレール部	P49
34	LCC LENGTH CONVEYANCE SECTION	L C C 搬送部	P50
35	1000-SHEET TRAY	1 0 0 0 枚給紙トレイ	P51 P52
36	1500-SHEET TRAY	1 5 0 0 枚給紙トレイ	P53 P54
37	MANUAL FEED TRAY UNIT	手差し給紙ユニット	P55 P56 P57 P58
38	PAPER EXIT CONVEYANCE SECTION	排紙搬送部	P59 P60 P61 P62
39	REGISTRATION SENSOR SECTION	用紙検出部	P63
40	ROTATION DETECTING SENSOR SECTION	回転検出部	P64

bizhub 958/bizhub PRO 958

No.	DESCRIPTION	名称	PAGE No.
41	FUSING UNIT	定着ユニット	P65
42	ADU	A D U	P66 P67
43	PAPER EXIT SECTION	排紙部	P68
44	REVERSAL SECTION	反転部	P69 P70
45	MAIN DRIVE SECTION	メイン駆動部	P71
46	FUSING DRIVE SECTION	定着駆動部	P72
47	BOTTLE DRIVE SECTION	ボトル駆動部	P73
48	EJECT DRIVE SECTION	排紙ベルト駆動部	P74
49	MAIN FRAME SECTION	フレーム部	P75
50	I/U FRAME SECTION	I / U フレーム部	P76
51	REAR FAN SECTION	背面排気部	P77 P78
52	DOOR SAFE SWITCH SECTION	ドア安全スイッチ部	P79
53	HIGH VOLTAGE SECTION	高圧基板部	P80
54	MAIN POWER SUPPLY SECTION	電源基板部	P81
55	SHIELD BOX	シールドボックス	P82 P83
56	REAR ELECTRICAL SECTION	背面電気部	P84 P85
57	IH POWER SUPPLY SECTION	電源基板部	P86
58	WIRING	束線	P87 P88 P89 P90 P91 P92 P93 P94 P95 P96
59	WIRING ACCESSORIES AND JIGS	配線部品・治具	P97
60	ACCESSORY PARTS	同梱部品	P98

INDEX

Parts No.	Page No.
0910362001	55-41
0910362001	66-18
1038400601	97-29
1050480501	97-30
1053481201	97-31
1065308601	57-17
1065587202	97-37
1067250101	66-6
1134304101	47-2
1134304202	47-5
1134304202	55-3
1134304301	69-10
1134304301	70-11
1151330001	38-5
1154467001	86-18
1164350901	59-30
1200164603	66-11
1200164603	70-20
1200164603	74-7
1500266013	44-43
15AG50280	42-38
15BY561200	18-24
15BY561200	19-10
26NA45440	51-20
26NA45440	53-19
4002311002	41-7
4002313101	41-6
4002504202	18-18
4002504202	61-1
4002504202	63-1
4002730601	39-2
4004351202	64-2
4004471004	60-29
4004472301	60-23
4004533901	74-8
4004598701	68-18
4011585202	68-29
4011585202	70-10
4025353401	59-5
4025356801	59-26

Parts No.	Page No.
4025490701	60-14
4025491001	60-15
4025593901	70-19
4030104002	16-24
4030104002	17-6
4030300301	57-7
4030303901	58-17
4030308104	41-9
4030308301	41-12
4030309301	68-23
4030312201	35-3
4030312201	37-10
4030312201	46-14
4030312501	58-24
4030320601	39-15
4030322402	41-11
4030322601	39-30
4036141001	40-4
4036141001	58-8
4036231101	30-28
4036248501	27-13
4036248501	78-17
4036307501	21-6
4036355701	63-28
4036359002	61-17
4036365901	55-34
4036491101	60-20
4036534713	28-9
4036534801	28-8
4036534914	28-7
4036578501	55-26
4036591301	68-19
4036596601	46-11
4036596601	50-3
4036596601	63-17
4036596601	68-4
4036596601	69-19
4037090101	32-10
4038101401	16-27
4038228104	16-3

Parts No.	Page No.
4038229301	24-10
4038229401	24-8
4038229501	24-6
4038540701	73-9
4038541101	73-6
4038541202	73-10
4038541301	73-8
4038M60000	75-14
4040309701	57-15
40AA88031	28-31
4120101402	16-9
4120101402	17-5
4131253701	6-35
4131253701	9-2
4131253701	14-1
4131300301	34-21
4131300301	35-22
4131300301	36-22
4131300301	37-25
4131300301	57-2
4131300301	58-15
4131300301	66-13
4131300301	67-13
4131462304	55-36
4136675101	16-4
4136N30000	98-15
4163529301	5-1
4163529301	13-17
4163529301	39-23
4425301301	57-13
4425301601	57-9
4475260302	16-13
4475260302	17-29
4497310603	66-4
4532341001	35-16
4532341001	37-19
4537331701	39-3
4556M10000	3-1
4556M10000	75-11
4556M10000	78-4

Parts No.	Page No.
4581162501	21-7
4581162501	24-17
4581162501	81-6
4643460501	63-16
4657371301	66-9
4657373401	67-18
4657373501	67-17
4657374301	67-6
4658351701	70-18
540047200	52-3
540047200	54-3
55VA15541	45-16
55VA40610	52-11
55VA40610	54-11
55VA40930	51-2
55VA40930	53-1
55VA42120	42-23
55VA42120	44-13
55VA42120	47-26
56AA17080	50-14
56AA17330	50-13
56AA40380	42-31
56AA40380	47-32
56AA40430	43-5
56AA40430	48-5
56AA40450	43-26
56AA40450	48-30
56AA40490	16-19
56AA40490	17-30
56AA40490	34-40
56AA40490	35-12
56AA40490	36-42
56AA40490	37-17
56AA40490	42-10
56AA40490	43-15
56AA40490	46-5
56AA40490	47-10
56AA40490	48-17
56AA40490	57-6
56AA40490	58-16

Parts No.	Page No.
56AA40540	43-20
56AA41711	46-28
56AA75050	43-27
56AA75050	48-26
56AA83061D	49-13
56AF84521	85-19
56QA15190	44-28
56QA57110	46-18
56QA57170	46-8
56QA57210	46-33
56QA57240	46-7
56QA58041D	51-14
56QA58041D	53-14
56QA58060D	52-4
56QA58070D	52-15
56QA58070D	52-18
56QA58070D	54-15
56QA58070D	54-17
56QA58110	51-4
56QA58120	51-27
56QA58150	52-14
56QA58150	52-17
56QA58420	52-9
56QA58420	54-9
56QA58450	52-2
56QA58450	54-2
56QA58470D	51-15
56QA58490D	52-1
56QA58490D	54-1
56QA59110	53-4
56QA59120	53-26
56QA59150D	54-14
56QA59150D	54-16
57AA17010	52-10
57AA17010	54-10
57AA97870	52-5
57AA97870	54-5
65AA32501	28-4
65AA32501	32-20
9313100072	27-12

Parts No.	Page No.	Parts No.	Page No.	Parts No.	Page No.	Parts No.	Page No.	Parts No.	Page No.
9313100072	61-20	A00J116400	27-9	A00J166101	98-2	A00J403700	73-13	A00J565300	34-41
9313100072	77-3	A00J116511	27-16	A00J166300	15-5	A00J404000	73-5	A00J565300	36-43
9313100072	78-18	A00J121200	25-8	A00J169100	18-5	A00J404601	16-2	A00J566000	35-4
9313110033	76-19	A00J121700	76-11	A00J169100	98-4	A00J404700	16-1	A00J566300	33-13
9314130021	73-12	A00J123200	76-5	A00J215800	72-28	A00J405400	28-10	A00J566600	37-5
9326282011	16-23	A00J123300	76-4	A00J230500	72-11	A00J405500	28-30	A00J566900	35-2
9335140071	7-13	A00J123400	76-3	A00J232111	72-6	A00J405600	28-28	A00J567211	35-7
9335140071	11-5	A00J132600	80-6	A00J265300	21-9	A00J406600	28-32	A00J571715	37-7
9381420021	98-15	A00J133200	80-11	A00J307100	67-40	A00J406801	28-26	A00J573601	37-12
9381430031	98-14	A00J134000	80-13	A00J361000	32-38	A00J406901	28-27	A00J573712	37-6
9384160011	97-32	A00J134600	77-16	A00J361101	32-6	A00J407300	28-21	A00J573801	37-2
9454407602	60-12	A00J134600	79-7	A00J361200	32-7	A00J407400	16-29	A00J573900	37-4
9454407602	63-26	A00J135201	79-9	A00J361700	32-8	A00J407500	16-6	A00J574100	37-8
9J03M10000	75-22	A00J135800	79-4	A00J361800	32-34	A00J520102	30-16	A00J574400	34-3
9J03M10000	86-9	A00J136302	84-5	A00J361900	32-21	A00J521601	30-12	A00J574400	36-2
9J06730101	85-10	A00J136400	85-12	A00J362400	32-26	A00J521701	30-17	A00J574500	37-9
9J06M10000	68-3	A00J136500	79-8	A00J362500	32-25	A00J522600	30-10	A00J574611	37-3
9J06M60100	77-19	A00J137105	31-12	A00J362600	32-31	A00J523201	30-5	A00J585100	56-29
9J06M60100	79-6	A00J137500	24-26	A00J362700	32-22	A00J523901	30-15	A00J585300	55-5
9J07160200	1-14	A00J137600	44-35	A00J362800	32-32	A00J524402	30-27	A00J585401	56-13
9J07210802	1-9	A00J138900	85-15	A00J363000	32-23	A00J561000	37-28	A00J585500	56-12
9J07300801	5-8	A00J139000	85-7	A00J365001	32-2	A00J562200	33-10	A00J585601	56-14
9J07330102	6-7	A00J139100	85-6	A00J365402	32-39	A00J562300	33-16	A00J585800	58-26
9J07330801	6-6	A00J140401	85-11	A00J400113	28-6	A00J562400	33-15	A00J586000	57-21
9J07331901	6-14	A00J142901	73-16	A00J400300	28-23	A00J562514	33-12	A00J586100	57-20
9J07340901	8-4	A00J145000	31-4	A00J400401	28-25	A00J562800	33-11	A00J586300	58-37
9J07341102	5-13	A00J145101	31-3	A00J400500	28-20	A00J563403	34-2	A00J586800	75-34
A00J101401	75-17	A00J145200	31-2	A00J400611	28-2	A00J563500	42-47	A00J587000	57-19
A00J101603	75-26	A00J152700	78-11	A00J400900	28-29	A00J563500	47-42	A00J587200	55-38
A00J102301	24-23	A00J154600	78-16	A00J401200	28-24	A00J563600	6-11	A00J587300	58-14
A00J102402	75-5	A00J154801	78-2	A00J401401	28-22	A00J563600	34-23	A00J587600	58-7
A00J102700	75-33	A00J155300	76-13	A00J401600	28-19	A00J563600	35-11	A00J587702	58-12
A00J104400	75-21	A00J160605	15-13	A00J401700	28-12	A00J563600	36-24	A00J587901	58-29
A00J105400	75-23	A00J161804	18-6	A00J401900	28-17	A00J563600	37-16	A00J588200	56-17
A00J105601	24-11	A00J162902	18-14	A00J402200	28-18	A00J563600	42-16	A00J588300	56-16
A00J106202	98-10	A00J164201	18-13	A00J402300	28-5	A00J563600	43-16	A00J588800	56-7
A00J106400	75-20	A00J164501	17-11	A00J402801	73-11	A00J563600	47-20	A00J589100	58-11
A00J106500	75-9	A00J164600	75-24	A00J402900	73-4	A00J563600	48-18	A00J590300	57-14
A00J107401	31-10	A00J164701	16-7	A00J403000	73-2	A00J563600	57-10	A00J590400	57-16
A00J116100	27-8	A00J165103	16-28	A00J403100	73-1	A00J564800	36-7	A00J590700	57-18

Parts No.	Page No.	Parts No.	Page No.	Parts No.	Page No.	Parts No.	Page No.	Parts No.	Page No.
A00J590901	58-21	A00J599300	55-31	A00J604800	48-11	A00J611711	44-24	A00J617800	42-5
A00J591014	58-19	A00J599501	56-21	A00J605001	42-9	A00J611900	44-29	A00J617800	45-8
A00J591700	57-27	A00J599701	56-24	A00J605100	43-3	A00J612000	44-42	A00J617800	47-12
A00J591800	58-5	A00J600117	47-23	A00J605100	48-10	A00J612100	44-5	A00J617800	60-31
A00J592201	57-26	A00J600205	42-19	A00J605200	43-4	A00J612200	44-22	A00J617900	34-5
A00J592502	55-28	A00J600315	42-6	A00J605200	48-12	A00J612500	44-14	A00J617900	36-5
A00J592600	57-25	A00J600401	42-33	A00J605411	42-25	A00J612600	44-19	A00J617900	42-27
A00J592800	57-28	A00J600401	47-33	A00J605600	43-12	A00J613000	44-41	A00J617900	45-13
A00J593000	57-29	A00J600500	42-36	A00J605700	48-2	A00J613103	52-8	A00J617900	47-28
A00J593101	58-27	A00J600500	47-35	A00J606100	46-17	A00J613103	54-8	A00J617900	50-7
A00J593300	58-28	A00J600600	42-12	A00J606500	46-13	A00J613200	51-22	A00J618002	47-36
A00J593411	58-3	A00J600600	47-14	A00J606600	46-15	A00J613200	53-22	A00J618101	42-1
A00J593500	56-3	A00J600701	42-39	A00J606900	46-20	A00J613301	51-16	A00J618300	42-29
A00J593600	55-19	A00J600900	43-29	A00J607100	45-5	A00J613301	53-15	A00J618300	47-29
A00J593700	55-20	A00J600900	48-31	A00J607301	46-23	A00J613401	49-4	A00J618400	40-2
A00J593800	55-21	A00J601000	48-3	A00J607401	45-4	A00J613700	51-9	A00J618400	45-1
A00J593900	56-4	A00J601202	42-2	A00J607500	45-3	A00J613700	53-9	A00J618400	49-3
A00J594037	55-22	A00J601503	43-9	A00J607700	46-31	A00J613900	52-6	A00J618700	43-1
A00J594114	55-35	A00J601503	48-24	A00J608100	49-7	A00J613900	54-6	A00J618800	48-8
A00J594615	55-30	A00J601600	43-21	A00J608200	49-10	A00J614002	46-1	A00J619011	51-13
A00J594800	56-8	A00J601600	48-23	A00J608300	49-11	A00J614101	46-32	A00J619011	53-13
A00J594900	56-11	A00J601700	43-11	A00J608400	49-5	A00J614200	46-10	A00J619101	47-3
A00J595100	55-32	A00J601700	48-13	A00J608500	49-9	A00J614300	46-4	A00J619300	51-24
A00J595200	75-4	A00J602100	43-10	A00J608600	49-6	A00J614400	46-35	A00J619400	42-30
A00J595600	57-30	A00J602700	42-18	A00J608700	50-8	A00J614501	46-2	A00J619400	47-31
A00J595800	57-24	A00J602700	47-22	A00J608800	50-9	A00J614600	46-34	A00J619500	43-17
A00J596000	57-11	A00J603102	42-28	A00J608900	50-15	A00J614700	46-3	A00J619500	48-19
A00J596602	56-15	A00J603102	47-30	A00J609001	50-18	A00J614800	46-9	A00J619611	43-13
A00J596700	57-23	A00J603201	42-8	A00J609100	50-6	A00J615000	51-21	A00J619611	48-15
A00J596900	55-16	A00J603300	42-7	A00J609201	50-23	A00J615000	53-20	A00J619700	43-19
A00J597000	55-33	A00J603400	43-28	A00J609300	50-19	A00J615101	51-6	A00J619700	48-21
A00J597100	55-15	A00J603601	43-24	A00J609800	50-21	A00J615500	51-26	A00J619800	43-30
A00J597511	58-22	A00J603716	47-13	A00J610200	44-15	A00J615500	53-25	A00J619800	48-32
A00J597800	55-9	A00J603801	47-1	A00J610300	44-21	A00J615800	47-7	A00J619901	49-12
A00J597911	55-6	A00J603900	47-9	A00J610600	44-17	A00J615901	42-40	A00J622600	46-25
A00J598611	58-32	A00J604301	42-15	A00J610812	44-20	A00J616400	44-37	A00J623300	46-26
A00J598701	35-21	A00J604401	42-41	A00J611100	44-34	A00J616500	44-38	A00J623400	39-31
A00J598800	56-22	A00J604701	43-2	A00J611200	44-30	A00J616800	44-40	A00J623400	51-3
A00J599000	55-10	A00J604701	48-9	A00J611300	44-2	A00J616911	44-3	A00J623400	53-3
A00J599100	55-4	A00J604800	43-6	A00J611500	44-18	A00J617000	50-24	A00J630102	40-8

Parts No.	Page No.	Parts No.	Page No.	Parts No.	Page No.	Parts No.	Page No.	Parts No.	Page No.
A00J630500	38-23	A00J702700	59-17	A00J815101	66-7	A00JN11F01	46-36	A07H570500	6-10
A00J631100	38-22	A00J702901	63-4	A00J815200	66-19	A00JN11N01	52-16	A0DA701500	69-3
A00J631204	40-3	A00J703600	63-5	A00J815801	66-2	A00JR73700	31-1	A0ED166200	98-6
A00J631204	45-2	A00J703700	63-20	A00J891100	69-5	A00JR74400	28-3	A0ED271200	22-10
A00J631700	38-2	A00J703800	63-27	A00J893100	61-9	A00JR7A211	30-3	A0ED271300	22-7
A00J631800	40-7	A00J704100	63-3	A00J893201	70-7	A00JR7A300	30-4	A0ED273600	23-14
A00J631900	38-24	A00J704200	59-20	A00J893601	70-14	A00JR7A500	30-13	A0ED274200	23-20
A00J660100	45-15	A00J704400	63-21	A00J894500	74-19	A00JR7A600	30-14	A0ED274300	23-21
A00J660200	46-22	A00J704600	59-21	A00J894600	74-14	A00JR7AK11	48-4	A0ED274400	23-10
A00J660300	51-28	A00J704700	59-22	A00J895000	74-2	A00JR7AN00	52-12	A0ED276301	23-16
A00J660300	53-27	A00J705800	63-13	A00J895100	69-9	A00JR7AN00	54-12	A0ED620200	39-16
A00J660500	53-21	A00J706100	63-14	A00J895200	74-5	A00JR7AQ11	57-22	A0ED702800	63-24
A00J660600	51-18	A00J706400	61-19	A00J895700	74-9	A00JR7AR00	58-4	A0ED897700	68-28
A00J660600	53-16	A00J706800	59-1	A00J896100	68-37	A00JR7AS22	58-38	A0ED897700	69-12
A00J660700	34-4	A00J706900	59-32	A00J896300	68-36	A00JR7AV00	66-21	A0EDM10500	82-6
A00J660700	36-4	A00J707200	63-15	A00J896500	69-14	A00JR7AW00	67-21	A0EDM50100	34-12
A00J660700	42-26	A00J707300	62-10	A00J896801	69-8	A00JR7AX11	66-26	A0EDM50100	36-10
A00J660700	45-14	A00J707801	59-19	A00J896901	15-8	A00JR7AY00	66-8	A0EDM50100	50-2
A00J660700	47-38	A00J708300	30-8	A00J897100	68-27	A00JR7B500	69-17	A0EDM50100	56-26
A00J660700	50-20	A00J708900	30-11	A00J897100	69-11	A00JR90000	30-1	A0G6M70E00	97-34
A00J660800	42-42	A00J709100	59-6	A00J897401	70-2	A00JR90100	59-11	A0HF952400	20-16
A00J660800	45-9	A00J710400	60-2	A00J898400	68-10	A00V240600	8-18	A0HT561202	8-5
A00J660800	47-39	A00J711101	63-2	A00J898900	68-2	A00V240600	11-11	A0HU250500	11-16
A00J660900	42-44	A00J810302	66-3	A00J899200	70-12	A00V240600	13-3	A0P0101213	24-2
A00J663000	46-27	A00J811200	66-14	A00J899301	70-6	A00V240600	44-8	A0P0101311	75-18
A00J663200	34-37	A00J811600	66-10	A00J899400	74-12	A00V240600	59-15	A0P0102000	75-35
A00J663200	36-38	A00J811800	67-16	A00J899500	70-3	A00V240600	72-10	A0P0103300	59-42
A00J663200	42-11	A00J812100	66-17	A00J941800	45-7	A011946200	19-25	A0P0103401	59-41
A00J663200	43-8	A00J812200	66-24	A00J941900	46-29	A02E167700	20-5	A0P0104600	75-19
A00J663200	47-11	A00J812300	66-23	A00J942202	38-20	A02E167700	98-5	A0P0105100	75-1
A00J663200	48-6	A00J813200	67-19	A00J945401	18-26	A02E560800	34-35	A0P0105201	75-3
A00J663200	51-8	A00J813600	66-16	A00J945500	16-17	A02E560800	36-36	A0P0105300	75-6
A00J663200	53-8	A00J813800	67-28	A00JH00D00	17-3	A02E561100	34-22	A0P0107601	24-9
A00J700301	59-31	A00J813900	67-5	A00JM12100	28-15	A02E561100	36-23	A0P0107700	24-5
A00J700501	59-34	A00J814101	66-29	A00JM30301	31-5	A02E622700	39-4	A0P0108100	25-4
A00J700900	44-12	A00J814101	67-23	A00JM60300	85-8	A02E940300	39-26	A0P0108301	25-2
A00J700900	59-36	A00J814411	66-31	A00JN11A00	53-23	A02EM10C01	71-17	A0P0108401	25-14
A00J701800	59-4	A00J814411	67-26	A00JN11B01	51-23	A034M20100	63-18	A0P0108500	25-3
A00J702500	63-25	A00J814500	66-30	A00JN11D01	47-37	A03U812800	42-21	A0P0108623	25-10
A00J702600	63-9	A00J814500	67-27	A00JN11E01	42-32	A03U812800	47-24	A0P0108900	25-12

Parts No.	Page No.	Parts No.	Page No.	Parts No.	Page No.	Parts No.	Page No.	Parts No.	Page No.
A0P0109001	75-10	A0P0361501	32-45	A0P0618900	53-10	A0P0R75000	63-6	A161262200	21-15
A0P0109100	76-21	A0P0362900	32-12	A0P0623700	39-37	A0P0R75200	58-2	A161263000	21-16
A0P0109701	25-1	A0P0364000	32-24	A0P0662700	51-12	A0P0R75200	76-22	A161268200	21-3
A0P0110501	25-13	A0P0364100	32-13	A0P0662700	53-12	A0P0R75400	60-18	A161268300	21-2
A0P0111900	26-2	A0P0364200	32-15	A0P0663300	42-43	A0P0R7A200	44-27	A161270102	22-9
A0P0114101	25-9	A0P0364800	32-1	A0P0663400	46-24	A0P2N10X00	50-11	A161270600	22-12
A0P0115000	27-7	A0P0364900	32-17	A0P0663511	43-23	A0TJ602800	42-14	A161271000	22-8
A0P0120801	27-4	A0P0366001	32-3	A0P0663800	51-11	A0TJ602800	47-16	A161271000	23-15
A0P0125000	25-6	A0P0366102	32-11	A0P0663800	53-11	A0TJ602900	42-13	A161271100	22-11
A0P0125100	76-1	A0P0366200	32-5	A0P0663900	51-5	A0TJ602900	47-15	A161271100	23-18
A0P0125211	76-6	A0P0366301	32-18	A0P0663900	53-5	A0TJ603000	42-17	A161273100	23-17
A0P0125311	25-11	A0P0366400	32-41	A0P0664000	42-46	A0TJ603000	47-21	A161273113	23-17
A0P0135400	75-13	A0P0368100	32-37	A0P0664000	43-31	A108260700	6-27	A161273401	23-13
A0P0138200	75-7	A0P0368200	32-35	A0P0664000	47-41	A108266300	13-15	A161273500	23-19
A0P0138300	75-8	A0P0368400	32-33	A0P0664000	48-33	A108561500	5-12	A161273701	23-12
A0P0138602	41-1	A0P0368500	32-27	A0P0664000	60-43	A108703100	7-30	A161273800	23-11
A0P0144000	76-14	A0P0368600	32-36	A0P0666201	44-46	A108703100	11-38	A161274500	23-23
A0P0148300	82-1	A0P0382400	24-12	A0P0666301	44-47	A108890500	5-9	A161274600	23-22
A0P0148701	75-28	A0P0382700	25-5	A0P0666400	44-26	A108891300	5-11	A161275113	23-26
A0P0148801	81-2	A0P0401000	28-14	A0P0709000	61-29	A108M50000	4-7	A161275213	23-27
A0P0149000	86-14	A0P0402501	28-35	A0P0709101	60-37	A108M50000	7-8	A161275300	23-8
A0P0149700	82-2	A0P0406700	28-1	A0P0812800	66-15	A108R90000	21-24	A161275400	23-9
A0P0149800	86-4	A0P0566101	35-5	A0P0812900	66-22	A108R90000	27-3	A161275500	23-6
A0P0151100	15-1	A0P0571812	37-30	A0P0891000	69-4	A108R90000	36-39	A161275600	23-5
A0P0151100	77-4	A0P0571911	37-11	A0P0897300	74-13	A108R90000	41-10	A161276000	23-4
A0P0153300	78-3	A0P0573100	33-1	A0P0900001	74-17	A108R90000	46-6	A161276500	23-7
A0P0159100	76-16	A0P0575500	37-1	A0P0900101	68-12	A108R90000	50-17	A161278600	22-1
A0P0161300	18-12	A0P0587500	57-4	A0P0900201	68-35	A161121900	72-13	A161278900	22-2
A0P0162600	16-14	A0P0588700	58-33	A0P0900700	68-13	A161122002	72-7	A161280211	21-20
A0P0162600	17-28	A0P0590100	57-12	A0P0989900	97-33	A161137900	83-19	A161280300	21-22
A0P0165500	75-2	A0P0594200	55-1	A0P0M14200	77-14	A161167000	19-8	A161281100	21-27
A0P0169600	16-22	A0P0594300	55-12	A0P0M14200	78-20	A161167100	19-9	A161281300	21-11
A0P0228100	71-5	A0P0596501	58-9	A0P0M50300	11-1	A161190903	19-2	A161281600	21-4
A0P0228200	71-9	A0P0597400	58-10	A0P0M50300	75-25	A161210200	3-7	A161560302	36-20
A0P0228400	71-10	A0P0599600	55-29	A0P0M50400	63-19	A161210200	4-13	A161560900	36-14
A0P0228701	71-8	A0P0602100	48-22	A0P0N11G00	50-16	A161228100	72-27	A161561600	34-16
A0P0228901	71-6	A0P0606200	46-16	A0P0N12P00	75-27	A161228800	72-26	A161561600	36-15
A0P0232500	72-3	A0P0606400	46-12	A0P0N15100	83-11	A161258501	72-20	A161562000	34-27
A0P0267300	20-15	A0P0615200	53-6	A0P0R70100	78-1	A161261902	21-18	A161562000	36-28
A0P0360700	32-19	A0P0618900	51-10	A0P0R74100	58-23	A161262002	21-25	A161562300	34-29

Parts No.	Page No.	Parts No.	Page No.	Parts No.	Page No.	Parts No.	Page No.	Parts No.	Page No.
A161562300	36-30	A161943500	38-18	A2X0101700	85-13	A2X0172100	17-8	A2X0584300	58-6
A161562400	34-20	A161943601	38-19	A2X0101800	85-2	A2X0172200	17-32	A2X0584400	55-25
A161562400	36-21	A161H00U01	19-13	A2X0104301	75-16	A2X0172300	17-17	A2X0586700	56-19
A161562500	34-28	A161M50400	55-13	A2X0110000	24-7	A2X0172400	17-10	A2X0586900	55-23
A161562500	36-29	A161M50501	41-16	A2X0110200	78-10	A2X0172501	17-31	A2X0591100	58-20
A161562600	34-26	A161M50600	41-15	A2X0132402	81-4	A2X0172600	17-16	A2X0592300	58-43
A161562600	36-27	A161M50A00	21-10	A2X0135901	24-27	A2X0195201	19-18	A2X0592400	58-42
A161562800	34-31	A161M50A00	21-28	A2X0143500	81-7	A2X0228500	71-7	A2X0595001	57-1
A161562800	36-32	A161N14000	22-5	A2X0145800	79-2	A2X0235100	72-18	A2X0597200	55-14
A161563000	36-17	A161N14100	21-5	A2X0145911	86-6	A2X0235500	72-19	A2X0597700	55-8
A161567300	34-34	A161N14201	21-17	A2X0152600	78-6	A2X0267901	20-14	A2X0599900	58-39
A161567300	36-35	A161N15J00	83-12	A2X0153101	78-14	A2X0401000	28-33	A2X0603000	42-20
A161567400	34-33	A161R70400	98-11	A2X0154001	75-32	A2X0401501	28-34	A2X0603000	47-18
A161567400	36-34	A161R72200	21-1	A2X0154501	78-5	A2X0401800	28-13	A2X0604200	42-34
A161620400	39-24	A1DM403300	79-3	A2X0154800	78-7	A2X0565400	34-42	A2X0604200	47-17
A161620600	39-7	A1DMN13700	83-23	A2X0154900	78-15	A2X0565500	34-6	A2X0605800	42-24
A161620701	39-9	A1MT140100	85-18	A2X0155000	24-16	A2X0565500	36-3	A2X0605900	43-25
A161621100	39-38	A1UDM50100	4-10	A2X0156300	24-22	A2X0565600	36-44	A2X0605900	48-29
A161622100	38-21	A1UDM50200	21-8	A2X0156700	24-4	A2X0567401	35-1	A2X0608000	49-8
A161625900	38-11	A1UDM50200	79-5	A2X0156800	24-21	A2X0568400	37-29	A2X0620901	39-1
A161626000	17-12	A1UDN30200	98-15	A2X0158800	81-3	A2X0568600	35-9	A2X0621411	39-22
A161626000	38-8	A2UPN30000	98-15	A2X0160101	15-9	A2X0568600	37-14	A2X0621600	39-36
A161626100	17-13	A2UPN30100	98-15	A2X0160702	38-13	A2X0575101	41-13	A2X0624001	38-17
A161626100	38-9	A2UPN30300	98-15	A2X0160800	17-1	A2X0576100	34-38	A2X0624101	40-6
A161626200	17-14	A2UPN30601	98-15	A2X0160900	17-21	A2X0576100	36-40	A2X0624212	33-14
A161626200	38-7	A2WU133900	84-3	A2X0161000	17-18	A2X0576200	34-8	A2X0624300	39-40
A161626602	38-14	A2WU134100	80-14	A2X0162100	17-27	A2X0576200	36-46	A2X0624400	39-6
A161626800	38-15	A2WU156000	24-20	A2X0168102	19-6	A2X0576300	35-18	A2X0624500	39-17
A161626800	51-25	A2WU156101	24-18	A2X0168300	20-7	A2X0576300	37-22	A2X0624600	39-35
A161626800	53-33	A2WU156200	24-19	A2X0168500	17-2	A2X0576400	35-19	A2X0630800	40-1
A161626900	38-12	A2WU156400	75-36	A2X0168700	19-16	A2X0576400	37-23	A2X0631000	38-25
A161627500	41-8	A2WU156600	15-10	A2X0170600	19-14	A2X0577000	35-24	A2X0631300	38-4
A161628013	41-14	A2WU166800	16-25	A2X0170901	38-10	A2X0577000	37-27	A2X0631400	38-3
A161702200	59-18	A2WU166901	24-14	A2X0171001	17-15	A2X0577400	34-10	A2X0631600	40-5
A161703100	20-17	A2WU362900	32-44	A2X0171101	19-7	A2X0577400	36-9	A2X0665101	49-2
A161739200	68-43	A2WU364100	32-28	A2X0171600	17-23	A2X0577500	36-18	A2X0665300	51-7
A161819500	60-40	A2WUR70100	26-1	A2X0171701	17-20	A2X0577600	36-37	A2X0665300	53-31
A161893601	68-26	A2WUR70411	32-16	A2X0171801	17-25	A2X0584000	58-41	A2X0665401	53-30
A161942000	16-11	A2WYWY6	32-4	A2X0171901	17-22	A2X0584100	58-40	A2X0665500	53-35
A161943000	39-13	A2WYWY7	32-4	A2X0172000	17-19	A2X0584200	58-13	A2X0665600	53-34

Parts No.	Page No.	Parts No.	Page No.	Parts No.	Page No.	Parts No.	Page No.	Parts No.	Page No.
A2X0665811	53-7	A2X0N10D00	17-4	A5C1134200	83-4	A5C1R90000	53-18	A782115700	11-3
A2X0665900	53-32	A2X0N11600	41-4	A5C1192100	98-12	A5C1R90000	55-7	A782115700	13-4
A2X0666001	51-31	A2X0N11700	41-3	A5C1263300	21-12	A5C1R90000	68-11	A782115800	14-8
A2X0666500	51-19	A2X0N13300	26-4	A5C1263400	21-13	A61FM31100	22-6	A782116201	10-5
A2X0666500	53-17	A2X0N13700	26-5	A5C1280100	21-23	A782100000	9-27	A782116301	10-3
A2X0666601	49-1	A2X0N13C00	30-7	A5C1562200	34-25	A782100102	9-20	A782116800	9-5
A2X0666900	51-29	A2X0N13D00	30-6	A5C1562200	36-26	A782100200	9-19	A782117000	2-2
A2X0666900	53-28	A2X0R70200	50-10	A5C1562200	42-48	A782100301	9-14	A782117100	2-5
A2X0667100	48-14	A2X0R70P00	33-17	A5C1562200	47-43	A782100400	9-13	A782117500	1-22
A2X0667200	44-6	A2X0R71F00	32-42	A5C1562200	57-31	A782100501	9-16	A782117600	1-23
A2X0667800	48-7	A2X0R72200	58-25	A5C1M10A00	23-2	A782100600	9-17	A782117700	13-26
A2X0667900	48-20	A2XK754200	65-8	A5C1M50100	4-5	A782100701	9-18	A782117800	13-36
A2X0668000	43-7	A2XKN10J00	65-7	A5C1M50100	5-10	A782100802	9-21	A782117900	8-19
A2X0668100	43-18	A3CK272001	9-7	A5C1M50100	6-15	A782101000	6-18	A782117900	11-12
A2X0668200	47-6	A3CK272200	9-11	A5C1M50100	7-15	A782101600	6-17	A782117900	13-6
A2X0713100	60-10	A3CK272600	9-6	A5C1M50100	21-14	A782101700	2-10	A782118000	11-20
A2X0713200	60-11	A3CK300102	12-15	A5C1M50100	24-3	A782101900	14-14	A782118300	11-13
A2X0813300	67-34	A3CK300200	11-25	A5C1M50100	32-14	A782102900	11-7	A782119300	1-20
A2X0890600	31-13	A3CK300200	12-10	A5C1M50100	34-17	A782103200	14-12	A782125400	2-15
A2X0895400	15-7	A3CK565100	8-8	A5C1M50100	36-16	A782103600	13-24	A782125500	2-16
A2X0900500	68-14	A3CK568300	8-11	A5C1M50100	42-3	A782104301	12-6	A782125600	2-17
A2X0942600	55-24	A3CK940000	13-16	A5C1M50100	47-8	A782104500	14-17	A782130001	1-2
A2X0942800	55-40	A3CKH00200	10-4	A5C1M50100	55-46	A782104700	9-15	A782130301	2-1
A2X0942900	55-40	A3CKM10300	14-4	A5C1M50100	56-23	A782105001	2-4	A782130500	3-15
A2X0943000	98-8	A3CKM20000	6-25	A5C1M50100	59-8	A782105101	2-3	A782130600	1-3
A2X0943100	98-8	A3EP820300	66-25	A5C1M50100	60-3	A782106200	1-10	A782160001	1-1
A2X0948900	18-16	A3EWM90300	4-25	A5C1M50100	67-8	A782110009	1-12	A782160101	1-17
A2X0949000	67-39	A3EWM90300	82-7	A5C1M50100	76-2	A782110100	1-27	A782160200	1-16
A2X0949100	16-5	A4EU138000	83-6	A5C1M72H00	83-10	A782110600	1-19	A782160300	1-15
A2X0949201	86-19	A4MG130900	83-14	A5C1M92000	82-12	A782111000	2-8	A782210200	14-3
A2X0949301	86-20	A55V170100	16-12	A5C1N10B00	19-26	A782111100	2-9	A782210800	14-2
A2X0F41001	28-16	A55V624700	38-26	A5C1N14300	23-1	A782111200	2-14	A782211300	6-32
A2X0H00X00	85-5	A55VN10G01	16-30	A5C1R90000	6-20	A782112303	1-18	A782211400	6-22
A2X0M10000	58-35	A55VN11200	68-5	A5C1R90000	9-24	A782113701	1-21	A782211500	6-21
A2X0M10300	6-28	A55VN12301	28-11	A5C1R90000	11-22	A782113801	1-11	A782211600	6-26
A2X0M10700	67-3	A55VN12701	76-12	A5C1R90000	12-4	A782113901	1-5	A782211700	6-30
A2X0M10900	74-1	A55VN12M00	30-2	A5C1R90000	13-7	A782114001	1-7	A782211800	6-34
A2X0M12001	41-5	A55VR70311	28-36	A5C1R90000	14-13	A782114100	1-25	A782211900	6-24
A2X0M12101	50-12	A55VR70500	19-19	A5C1R90000	47-51	A782115600	13-5	A782212000	6-23
A2X0N10C00	17-9	A5C1134111	83-8	A5C1R90000	51-17	A782115700	8-25	A782212300	11-4

Parts No.	Page No.	Parts No.	Page No.	Parts No.	Page No.	Parts No.	Page No.	Parts No.	Page No.
A782212500	14-5	A782264501	11-27	A782560502	4-1	A782571500	3-5	A782704700	7-27
A782212600	8-22	A782264600	12-16	A782561000	4-22	A782571600	3-3	A782704800	7-12
A782212701	6-29	A782264700	12-18	A782561102	4-12	A782571800	5-7	A782704901	7-24
A782213000	8-24	A782264800	12-9	A782561103	4-12	A782571900	5-5	A782705600	7-35
A782213100	11-35	A782264900	2-12	A782561115	4-12	A782572000	3-9	A782707201	6-36
A782213300	11-32	A782265102	13-8	A782561702	4-3	A782572101	5-4	A782707300	7-1
A782213400	9-25	A782265201	12-7	A782561703	4-3	A782572101	7-10	A782707400	6-4
A782213500	13-2	A782265300	12-20	A782561801	5-14	A782572900	3-11	A782710000	8-16
A782214300	6-33	A782265600	13-11	A782561900	5-6	A782573000	5-2	A782710100	8-17
A782214400	8-21	A782265700	13-10	A782562001	4-8	A782573100	5-3	A782710201	8-15
A782215100	8-29	A782265800	13-33	A782562101	6-2	A782573401	3-13	A782710805	8-13
A782215700	11-6	A782266000	13-12	A782562101	12-23	A782573501	6-5	A782711000	8-20
A782215800	6-31	A782266100	13-30	A782562400	4-17	A782573601	4-18	A782711800	8-3
A782230700	11-36	A782266200	13-18	A782562400	7-32	A782573800	3-16	A782711901	8-2
A782230900	13-1	A782266300	13-23	A782562600	4-11	A782576000	8-10	A782712300	8-12
A782231000	11-10	A782266401	13-21	A782563800	13-9	A782576100	6-1	A782714100	8-26
A782260200	9-26	A782266502	13-14	A782565000	5-16	A782600101	4-4	A782714200	8-1
A782260400	9-22	A782266601	13-27	A782565011	5-16	A782600900	4-9	A782890000	14-10
A782260501	9-23	A782266700	13-32	A782565301	7-14	A782601500	4-6	A782890100	14-16
A782260600	9-1	A782266800	13-22	A782566000	3-10	A782700400	7-11	A782890111	14-16
A782260700	9-3	A782266900	13-13	A782566800	4-19	A782700801	7-7	A782890200	14-18
A782262101	11-30	A782267000	13-25	A782566900	4-20	A782700900	7-26	A782890600	14-15
A782262200	11-21	A782267100	13-28	A782568200	8-6	A782701000	7-19	A782890700	14-9
A782262300	11-33	A782267200	13-19	A782568500	4-16	A782701100	7-18	A782890711	14-9
A782262500	11-26	A782268001	13-31	A782568600	8-7	A782701200	7-17	A782891001	2-7
A782262700	11-31	A782268201	13-29	A782568701	8-9	A782701400	7-25	A782891500	14-11
A782262800	2-11	A782268300	12-14	A782568901	6-8	A782701501	7-29	A782891600	14-6
A782262800	11-23	A782268500	12-8	A782569000	6-3	A782702600	7-31	A782891700	14-7
A782262900	11-15	A782268900	11-19	A782569200	6-12	A782702700	7-22	A782891800	4-15
A782263000	11-17	A782269200	11-29	A782569300	6-19	A782702801	7-20	A782891901	4-14
A782263201	12-13	A782269200	12-11	A782569800	6-9	A782703000	7-23	A782940100	1-13
A782263300	11-24	A782269200	12-24	A782569900	6-13	A782703400	7-6	A782940300	13-20
A782263700	11-34	A782269300	12-19	A782570400	7-2	A782704001	7-5	A782940400	7-4
A782263801	11-14	A782269500	12-17	A782570602	7-3	A782704100	7-33	A782945000	98-13
A782264000	12-21	A782269800	11-18	A782570800	3-14	A782704101	7-33	A782H00104	1-6
A782264101	12-1	A782272200	9-9	A782570900	5-15	A782704200	7-21	A782M10000	8-23
A782264201	12-3	A782272301	9-12	A782571100	3-8	A782704200	8-14	A782M10000	11-39
A782264300	11-28	A782272401	9-8	A782571201	3-12	A782704301	6-37	A782M10100	3-2
A782264300	12-12	A782272800	9-28	A782571300	3-4	A782704400	7-28	A782M10200	11-8
A782264400	12-5	A782560402	4-2	A782571400	3-6	A782704501	7-9	A782M10400	12-2

Parts No.	Page No.	Parts No.	Page No.	Parts No.	Page No.	Parts No.	Page No.	Parts No.	Page No.
A782N10000	1-4	A795119700	27-11	A795146600	18-19	A795161902	18-7	A795195101	19-17
A782N10100	87-1	A795119800	27-15	A795150100	77-1	A795162001	18-9	A795220100	71-1
A782N10200	6-38	A795122000	27-21	A795150200	77-6	A795162301	18-4	A795220500	71-3
A782N10300	4-21	A795122100	27-20	A795150300	77-7	A795162701	18-20	A795225000	71-13
A782N10400	4-23	A795122200	27-18	A795150400	77-2	A795162801	18-11	A795225100	71-15
A782N10501	11-37	A795122300	27-19	A795150502	77-15	A795163001	20-12	A795230800	72-9
A782N10700	13-35	A795122701	31-11	A795150600	77-5	A795163101	20-1	A795231500	72-14
A782N10801	6-16	A795122800	24-15	A795150701	19-22	A795163201	20-13	A795231800	72-5
A782N10900	10-2	A795130403	83-17	A795151201	19-23	A795163302	20-4	A795232000	72-21
A782N11100	7-16	A795130500	83-1	A795152100	78-12	A795163401	15-3	A795232600	72-23
A782N11200	1-8	A795131001	86-17	A795153000	15-2	A795163500	15-6	A795235400	72-15
A782N11800	2-13	A795131301	86-13	A795153701	78-9	A795164400	18-22	A795235700	72-8
A782N11800	13-34	A795131400	86-3	A795155101	76-15	A795165300	18-8	A795235900	72-17
A782N12001	10-6	A795131501	86-5	A795155200	76-17	A795165401	18-15	A795265900	21-19
A782N12100	9-10	A795131600	80-12	A795155401	76-18	A795165600	18-21	A795273900	23-25
A782N12200	10-7	A795131600	86-10	A795155501	30-23	A795165701	18-10	A795275700	23-3
A782N12300	11-2	A795132100	80-9	A795155601	76-20	A795165802	20-11	A795402600	73-3
A782N12400	12-22	A795132200	78-13	A795155700	24-1	A795165900	98-1	A795403401	79-1
A782N12600	11-41	A795132301	80-8	A795157300	77-9	A795166400	15-4	A795403502	73-19
A782N12700	8-28	A795132802	18-1	A795157400	77-8	A795166601	18-17	A795405001	73-17
A782R70055	1-24	A795133002	83-18	A795157500	77-10	A795167200	20-2	A795405101	73-18
A782R70100	9-4	A795133101	82-3	A795157600	77-11	A795167400	19-3	A795520200	30-19
A782R70200	10-1	A795133500	82-5	A795157700	77-12	A795167503	19-20	A795520211	30-19
A782R70300	4-24	A795133702	84-8	A795157901	77-13	A795167800	20-19	A795520300	30-18
A782R70311	4-24	A795133803	84-7	A795158100	64-17	A795167900	19-1	A795520800	30-20
A782R70422	7-34	A795133901	83-13	A795158300	31-14	A795168400	20-8	A795520900	30-21
A795101501	75-30	A795134300	86-1	A795159400	75-31	A795168500	24-13	A795524100	30-26
A795102500	31-8	A795134700	85-9	A795159500	76-9	A795168600	20-6	A795524200	30-22
A795104700	64-11	A795135200	77-18	A795159600	76-8	A795168700	15-14	A795539000	29-2
A795105000	64-12	A795135701	86-2	A795159700	76-7	A795168800	15-15	A795560200	34-32
A795107000	31-6	A795136502	77-17	A795159800	75-15	A795168900	15-16	A795560200	36-33
A795108200	25-7	A795137700	75-12	A795159901	76-10	A795169102	16-10	A795560300	34-18
A795113600	27-2	A795137800	80-3	A795160202	16-16	A795169300	20-18	A795561600	35-20
A795113800	27-5	A795138500	65-4	A795160301	17-26	A795170403	19-11	A795561600	37-24
A795114900	27-1	A795138700	86-11	A795160402	16-8	A795170502	19-15	A795561701	35-15
A795115000	27-23	A795139100	24-29	A795160500	15-11	A795170700	16-15	A795561701	37-20
A795116200	27-6	A795140900	80-2	A795161200	19-5	A795170800	17-7	A795561900	34-13
A795116300	27-10	A795141000	80-1	A795161400	15-12	A795172700	16-26	A795561900	36-11
A795116700	31-7	A795145500	84-1	A795161601	18-2	A795172800	20-9	A795562100	34-30
A795116900	27-14	A795145701	65-6	A795161701	18-3	A795172900	20-10	A795562100	36-31

Parts No.	Page No.	Parts No.	Page No.	Parts No.	Page No.	Parts No.	Page No.	Parts No.	Page No.
A795563300	35-17	A795577800	34-15	A795602700	42-51	A795668700	47-46	A795709700	61-33
A795563300	37-21	A795578100	34-24	A795602801	42-50	A795668901	43-22	A795710001	64-5
A795563400	34-43	A795578100	36-25	A795602801	47-47	A795668901	48-1	A795710200	60-9
A795563500	34-1	A795578300	34-11	A795602900	47-45	A795669000	54-4	A795710300	60-16
A795563800	35-13	A795578400	36-12	A795603400	48-25	A795669100	52-7	A795710501	60-38
A795563800	37-15	A795586400	56-2	A795604100	48-27	A795669100	54-7	A795710600	60-28
A795563800	43-14	A795588100	58-31	A795605500	42-4	A795670000	50-26	A795710700	60-5
A795563800	48-16	A795588600	57-5	A795606001	45-6	A795670100	50-25	A795710800	60-24
A795564700	35-23	A795589300	55-43	A795606700	46-21	A795700100	59-23	A795711601	63-12
A795564700	37-26	A795589600	55-44	A795606800	46-19	A795700200	59-24	A795711800	63-10
A795565000	39-25	A795589901	55-42	A795607000	45-10	A795700600	59-16	A795711900	61-12
A795565100	39-29	A795590000	55-45	A795607600	45-17	A795701000	59-14	A795712001	59-10
A795565200	39-34	A795590200	56-28	A795607800	45-18	A795701102	59-37	A795712101	60-7
A795565300	39-32	A795590500	57-3	A795608100	42-52	A795701200	59-28	A795712201	61-28
A795565400	39-33	A795590600	57-8	A795608100	47-50	A795701500	59-2	A795712401	59-3
A795565500	39-28	A795590800	56-27	A795609400	50-1	A795701601	59-27	A795712500	64-7
A795565600	39-27	A795592000	58-18	A795609500	50-4	A795701900	59-25	A795712600	64-6
A795565700	39-18	A795594400	55-39	A795611000	44-33	A795702000	59-44	A795712700	64-8
A795565800	39-20	A795594500	55-37	A795611600	44-16	A795702101	63-29	A795712800	64-10
A795565900	39-19	A795594501	55-37	A795611800	44-32	A795702200	63-7	A795712901	62-9
A795566000	39-8	A795594700	56-18	A795612800	44-25	A795702400	59-7	A795713001	60-13
A795570100	34-19	A795595400	56-5	A795613502	51-1	A795702800	63-23	A795713301	62-8
A795570201	34-36	A795595700	58-34	A795613502	53-2	A795703001	59-33	A795713400	60-8
A795570600	34-14	A795596300	58-36	A795615701	53-24	A795704501	63-22	A795713500	61-36
A795570701	34-9	A795597300	55-27	A795616600	44-39	A795705102	61-2	A795713601	59-13
A795570801	36-8	A795598000	58-1	A795617100	44-23	A795705200	61-37	A795713700	61-11
A795571200	35-6	A795598101	56-1	A795617200	45-11	A795705701	61-8	A795713800	61-22
A795571400	35-10	A795598201	56-6	A795617300	45-12	A795705900	62-3	A795714000	61-34
A795572000	36-19	A795598301	58-45	A795617700	42-54	A795706200	61-15	A795714100	61-24
A795572101	36-6	A795598400	56-10	A795617800	42-55	A795706500	61-16	A795714200	61-21
A795572200	50-5	A795598500	56-9	A795620800	39-14	A795706600	61-26	A795714200	78-21
A795572300	36-13	A795598900	55-47	A795621301	39-5	A795706700	61-27	A795714300	61-25
A795572600	36-1	A795599000	58-44	A795621900	39-21	A795707100	64-3	A795714401	59-40
A795574101	35-8	A795599800	56-20	A795622500	39-12	A795707600	64-1	A795714602	59-38
A795574401	37-13	A795600000	56-25	A795622600	39-39	A795708100	60-32	A795714800	61-23
A795575300	41-2	A795601100	47-4	A795622700	39-41	A795708200	60-6	A795714900	60-39
A795576700	34-7	A795602000	35-25	A795663500	48-28	A795708400	30-9	A795715000	60-25
A795576700	36-45	A795602401	47-19	A795667400	47-34	A795708701	60-36	A795715100	60-22
A795577201	35-14	A795602500	47-49	A795667500	42-35	A795708800	59-9	A795715200	59-12
A795577201	37-18	A795602600	47-48	A795668300	46-30	A795709301	61-38	A795715300	59-39

Parts No.	Page No.
A795715600	61-7
A795715700	60-27
A795715802	61-3
A795715900	60-35
A795716300	59-46
A795716401	61-14
A795716500	62-4
A795716600	64-9
A795716700	62-11
A795717000	61-31
A795717100	61-32
A795717200	61-30
A795717300	62-5
A795717401	60-30
A795717501	60-33
A795717601	60-26
A795717700	60-34
A795717801	61-4
A795717900	61-5
A795718000	61-39
A795718101	61-6
A795718300	60-4
A795718400	60-19
A795718600	60-17
A795755001	65-2
A795810101	66-27
A795810200	67-15
A795810501	66-1
A795810603	67-1
A795810700	67-25
A795810800	66-12
A795810900	66-20
A795811000	66-28
A795811301	67-4
A795811301	67-37
A795811700	67-7
A795811800	67-16
A795811900	67-29
A795812000	67-9
A795813400	67-2

Parts No.	Page No.
A795815000	67-20
A795816300	67-14
A795816400	66-5
A795816500	67-41
A795816600	67-30
A795816701	67-12
A795816800	67-11
A795816900	67-31
A795817000	67-33
A795817100	67-10
A795817200	67-32
A795817300	67-36
A795817400	67-35
A795890200	69-18
A795890401	70-16
A795890700	69-13
A795891200	69-15
A795891801	68-1
A795892001	68-33
A795892100	68-6
A795892201	68-16
A795892300	68-20
A795892403	68-15
A795892700	68-25
A795892902	68-40
A795893301	70-15
A795893400	70-17
A795893501	70-1
A795893700	70-4
A795893900	70-5
A795894001	68-22
A795894200	68-42
A795894300	74-6
A795894800	74-18
A795894900	74-10
A795895300	74-16
A795895600	68-30
A795896000	74-3
A795896400	70-13
A795896600	69-7

Parts No.	Page No.
A795897200	74-15
A795897500	68-31
A795897601	68-32
A795897700	74-11
A795897800	68-34
A795898200	69-16
A795898300	68-17
A795899700	68-24
A795900900	61-35
A795901001	61-10
A795901200	68-21
A795901501	70-9
A795901600	70-8
A795901700	68-41
A795901800	69-20
A795902200	18-23
A795902400	68-8
A795902500	68-9
A795940401	17-33
A795940500	17-33
A795940600	16-21
A795941600	54-13
A795941700	52-13
A795942000	42-49
A795942000	47-44
A795942401	38-6
A795942501	55-11
A795942700	55-2
A795990100	67-24
A795F62003	38-1
A795F63003	51-30
A795F63104	51-30
A795F64005	53-29
A795F64105	53-29
A795R70100	71-4
A795R71000	22-4
A795R71422	29-1
A795R72000	44-36
A795R72100	55-17
A795R72400	59-35

Parts No.	Page No.
A795R72511	61-18
A795R72600	60-42
A795R72711	68-38
A795R72800	68-7
A795R73100	69-2
A795R73200	69-6
A795R73400	74-4
A795R73500	27-17
A795R73600	60-41
A795R73800	81-5
A795R73900	71-16
A795R74000	68-39
A795R74100	44-44
A796107300	64-14
A796108000	64-13
A796122400	31-15
A796122500	31-16
A796134800	85-16
A796145301	81-11
A796145600	81-12
A796146500	84-9
A796149400	81-10
A796149500	81-8
A796153200	20-20
A796153300	20-21
A796153400	20-22
A796153500	78-19
A796158200	64-16
A796158400	64-18
A796220000	71-2
A796230200	72-25
A796230600	72-24
A796230700	72-4
A796240401	71-18
A796360800	32-9
A796361000	32-30
A796361100	32-43
A796361600	32-46
A796364000	32-47
A796404100	73-7

Parts No.	Page No.
A796405800	16-20
A796405900	16-20
A796562900	33-7
A796570400	33-8
A796600800	42-37
A796603500	47-25
A796616000	44-9
A796616200	44-10
A796616300	44-11
A796617700	44-7
A796701100	59-29
A796716800	62-12
A796943300	17-24
A796948600	16-18
A796950900	17-24
A796H00200	84-6
A796H00300	24-25
A796H00C00	83-2
A796H00W00	86-8
A796H01A00	21-26
A796H02003	83-15
A796H02015	83-15
A796H02A00	83-20
A796M10001	44-31
A796M10001	71-11
A796M10001	71-14
A796M10100	71-19
A796M10200	72-1
A796M10400	67-38
A796M10500	59-43
A796M10600	33-9
A796M10700	69-1
A796M10800	33-5
A796M10900	33-19
A796M10900	44-1
A796M10A00	32-29
A796M10B00	72-22
A796M20000	42-22
A796M20000	44-4
A796M20000	47-27

Parts No.	Page No.
A796M20100	34-39
A796M20100	36-41
A796M40200	65-3
A796M40500	81-9
A796M40700	80-10
A796M40800	80-5
A796M40900	84-2
A796M40B00	86-15
A796M40H00	85-3
A796M50000	64-15
A796M92500	83-3
A796M92600	82-10
A796M92S00	83-22
A796N10000	92-1
A796N10101	93-1
A796N10201	88-1
A796N10301	94-1
A796N10400	95-1
A796N10601	89-1
A796N10700	85-14
A796N10901	73-14
A796N10A00	90-1
A796N10B00	79-10
A796N10E01	91-1
A796N10F00	33-4
A796N10T00	65-5
A796N10U00	64-4
A796N10V00	86-16
A796N11001	60-1
A796N11101	61-13
A796N11300	67-22
A796N11401	58-30
A796N11500	55-18
A796N11801	34-44
A796N11901	36-47
A796N11C00	50-22
A796N12201	63-11
A796N12D01	86-12
A796N12E00	82-8
A796N12G00	82-9

Parts No.	Page No.
A796N12X01	83-16
A796N13400	96-2
A796N13500	96-1
A796N13800	19-12
A796N13E00	30-25
A796N13F00	30-24
A796N13G00	26-3
A796N13H00	80-7
A796N14000	96-3
A796N30001	85-17
A796R70000	33-6
A796R70100	71-12
A796R70200	72-16
A796R70300	72-2
A796R70400	72-12
A796R70500	24-24
A796R70611	32-40
A796R70700	73-15
A796R71022	42-45
A796R71111	47-40
A796R71300	59-45
A796R71422	65-1
A796R71500	33-18
A796R71600	44-45
A796R71800	33-2
A796R71900	33-3
A796R72000	66-32
A797N30000	98-15
A79JF62500	39-42
A7AH621000	39-10
A7AH621200	39-11
A7AH624300	38-16
A7AHH00C00	81-1
A7AHM90200	82-11
A7AHM90300	82-4
A7PU134600	83-7
A7PU134700	83-9
A7PU134800	83-5
A7PU940600	20-3
A7PU941701	18-25

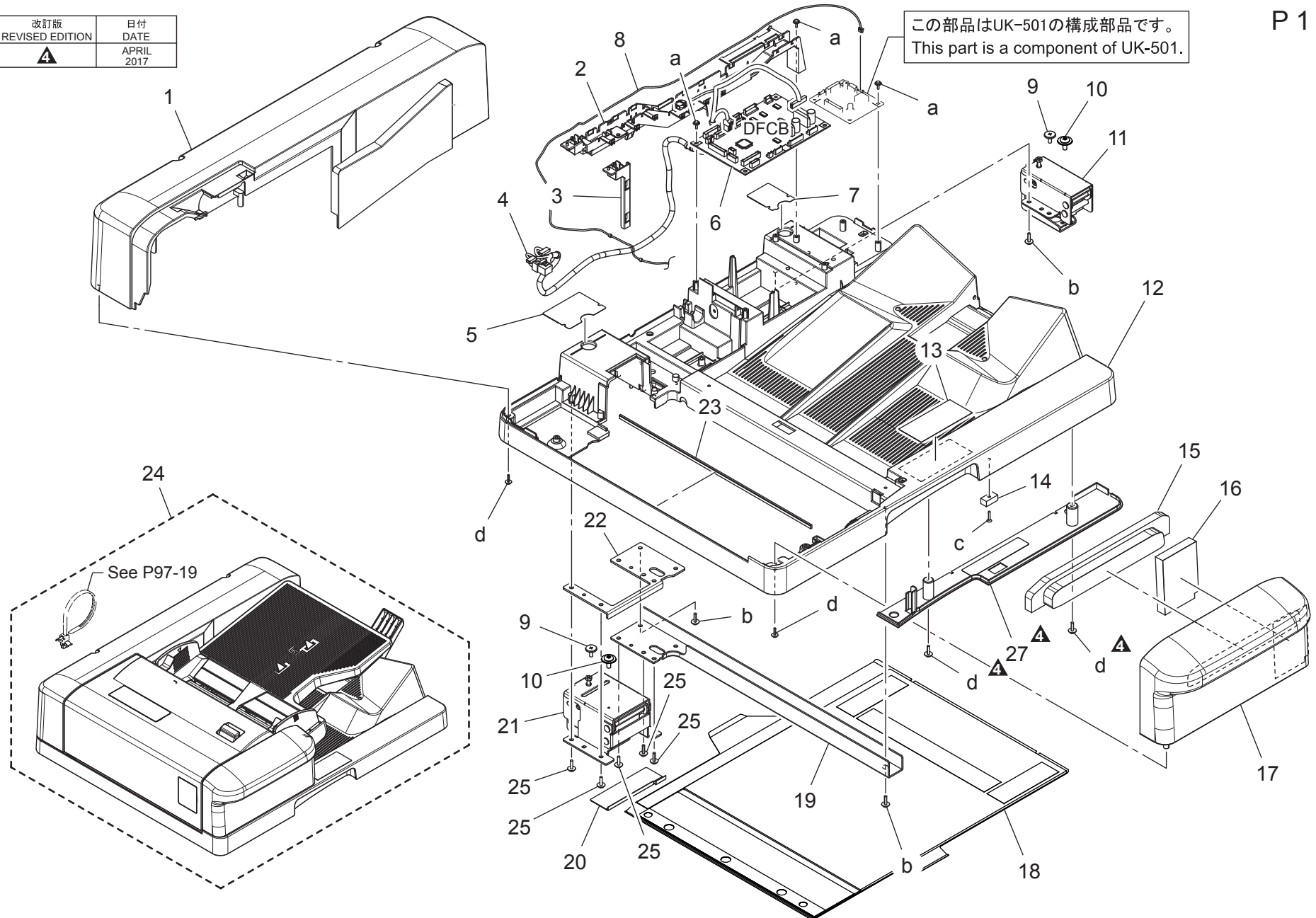
Parts No.	Page No.
A7PU944500	55-48
A7PU947101	98-7
A7PU947201	98-7
A7PUM70100	19-4
A7PUM70200	19-4
A7PUM70300	19-4
A7PUM72100	19-24
A7PUN14500	22-3
A7PUN15300	19-21
A7PUN15600	19-27
A7PUR71111	21-21
A9VE942700	75-29
V121030803	98-9
V500010053	97-1
V500010054	97-2
V500010055	97-3
V500010060	97-4
V500010061	97-5
V500010081	97-6
V500010082	97-7
V500010083	97-8
V500010084	97-9
V500010085	97-10
V500020018	97-11
V500020037	97-12
V500020069	97-13
V500020082	97-14
V500020088	97-15
V500020098	97-16
V500020099	97-17
V500020100	97-18
V500020110	97-35
V501010001	97-36
V501010018	97-19
V502010026	80-4
V502010026	83-21
V502010026	84-4
V502010033	85-4
V502010056	85-1
V502010061	86-7

Parts No.	Page No.
V503010002	98-3
V570010021	97-20
V570010026	97-21
V570010027	97-22
V570010028	97-23
V570010031	97-24
V570010046	97-25
V570010047	97-26
V570010057	97-27
V570010059	97-28
V651010003	78-8
V651010034	11-40
V651020004	24-28
V869900045	63-8

ADF EXTERNAL PARTS

改訂版 REVISED EDITION	日付 DATE
4	APRIL 2017

この部品はUK-501の構成部品です。
This part is a component of UK-501.



bizhub 958/bizhub PRO 958

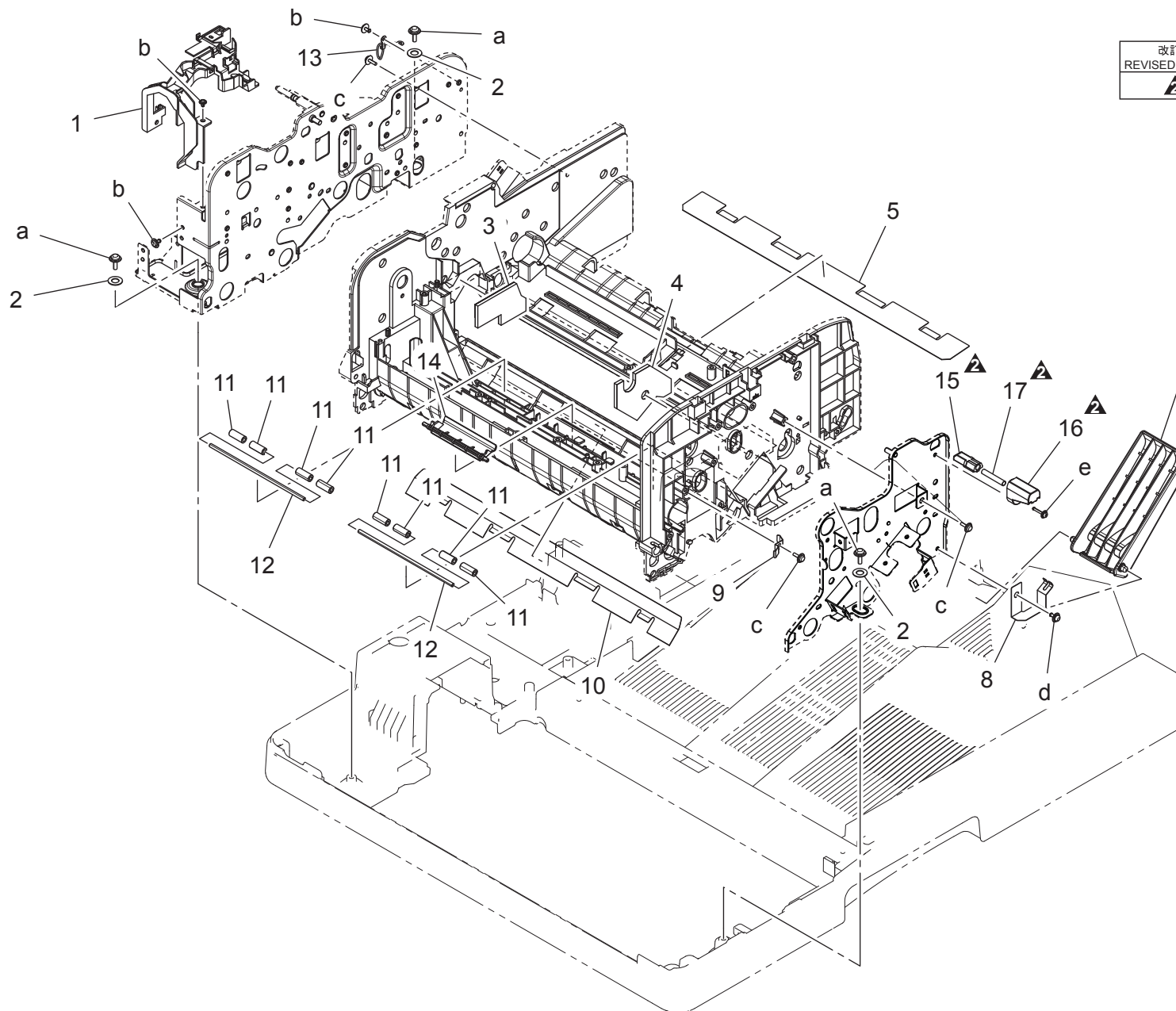
ADF EXTERNAL PARTS

Key	Part No.	Description	Destinations	Class	QTY	Standard parts
1	A782160001	Protection Cover /Rear		C	1	a-V153030803 b-V153041203 c-V147031403 d-V153031004
2	A782130001	Wiring Guide /1		D	1	
3	A782130600	Wiring Guide /3		D	1	
4	A782N10000	ADF Wiring /1		D	1	
5	A782113901	Sheet /Left		C	1	
6	A782H00104	DFCB ASSY		I	1	
7	A782114001	Sheet /Right		C	1	
8	A782N11200	ADF Wiring /13		D	1	
9	9J07210802	Shoulder Screw		C	2	
10	A782106200	Fixing Screw		C	2	
11	A782113801	Hinge /Right		D	1	
12	A782110009	Base frame		D	1	
13	A782940100	Label /1		C	1	
14	9J07160200	MAGNET		D	1	
15	A782160300	Sound shield Cushion /2		C	1	
16	A782160200	Sound shield Cushion /1		C	1	
17	A782160101	Protection Cover /Front		C	1	
18	A782112303	Holding Mat /1		C	1	
19	A782110600	Reinforce Plate /1		D	1	
20	A782119300	Seal /Rear		C	1	
21	A782113701	Hinge /Left		D	1	
22	A782117500	Reinforce Plate /2		D	1	
23	A782117600	Cushion		C	1	
24	A782R70055	ADF ASSY		D	1	
25	A782114100	Screw		C	5	
27	A782110100	Cover /Lower		D	1	

ADF EXTERNAL PARTS

P 2

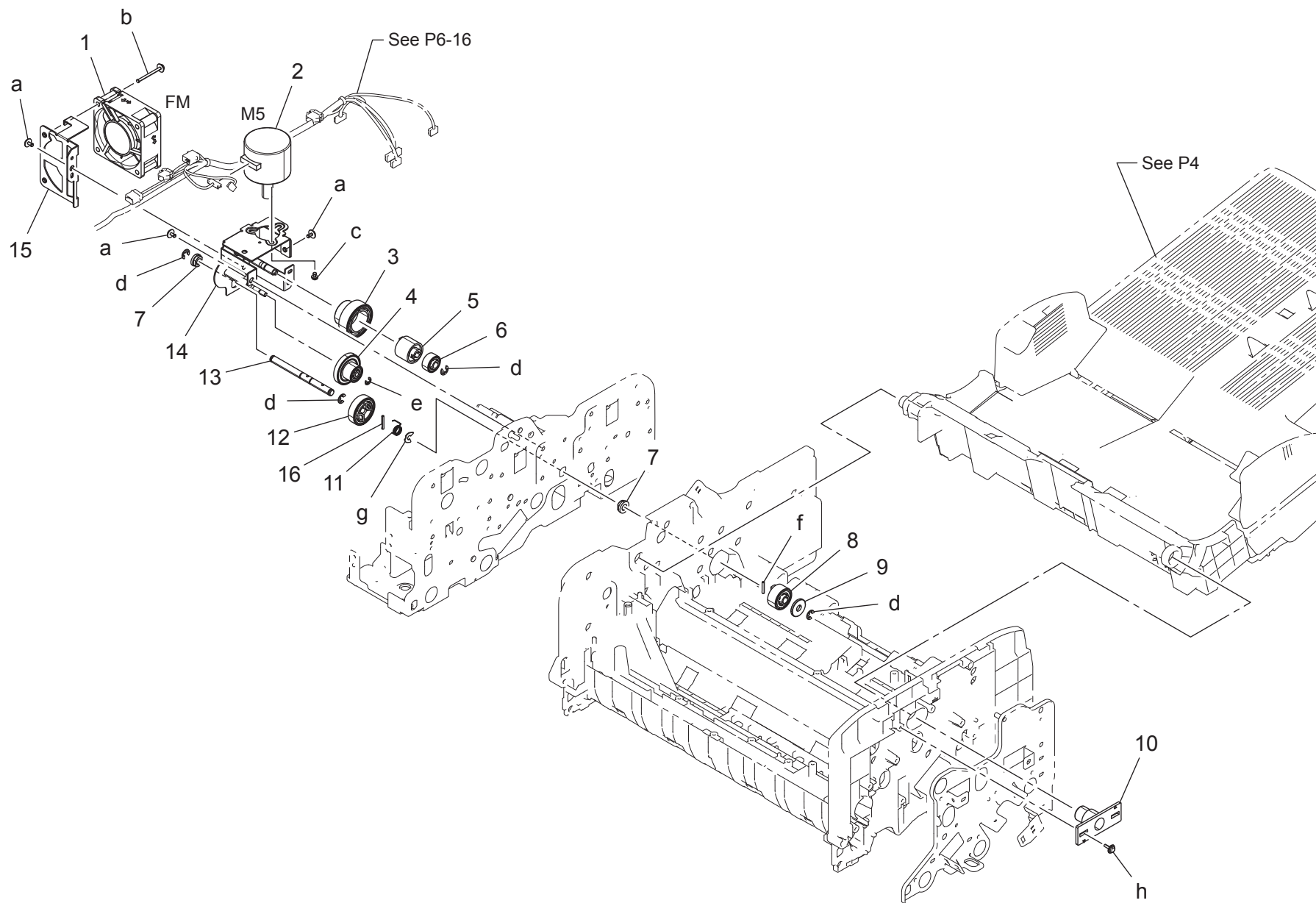
改訂版 REVISED EDITION	日付 DATE
	APRIL 2017



ADF EXTERNAL PARTS

Key	Part No.	Description	Destinations	Class	QTY	Standard parts
1	A782130301	Wiring Guide /2		D	1	a-V153041003 b-V144030603 c-V153030803 d-V125030801 e-V127031203
2	A782117000	Washer		C	3	
3	A782105101	Cushion		C	1	
4	A782105001	Cushion		C	1	
5	A782117100	Guide Film		C	1	
7	A782891001	Auxiliary Plate /1		C	1	
8	A782111000	Ground Plate spring /1		D	1	
9	A782111100	Ground Plate spring /2		D	1	
10	A782101700	Guide Sheet		D	1	
11	A782262800	Roll		C	8	
12	A782264900	Shaft		D	2	
13	A782N11800	ADF Wiring /19		D	1	
14	A782111200	Guide		D	1	
15	A782125400	Stopper Shaft		D	1	
16	A782125500	Holder		D	1	
17	A782125600	Compressing Coil Spring		D	1	

ADF PAPER FEED TRAY SECTION



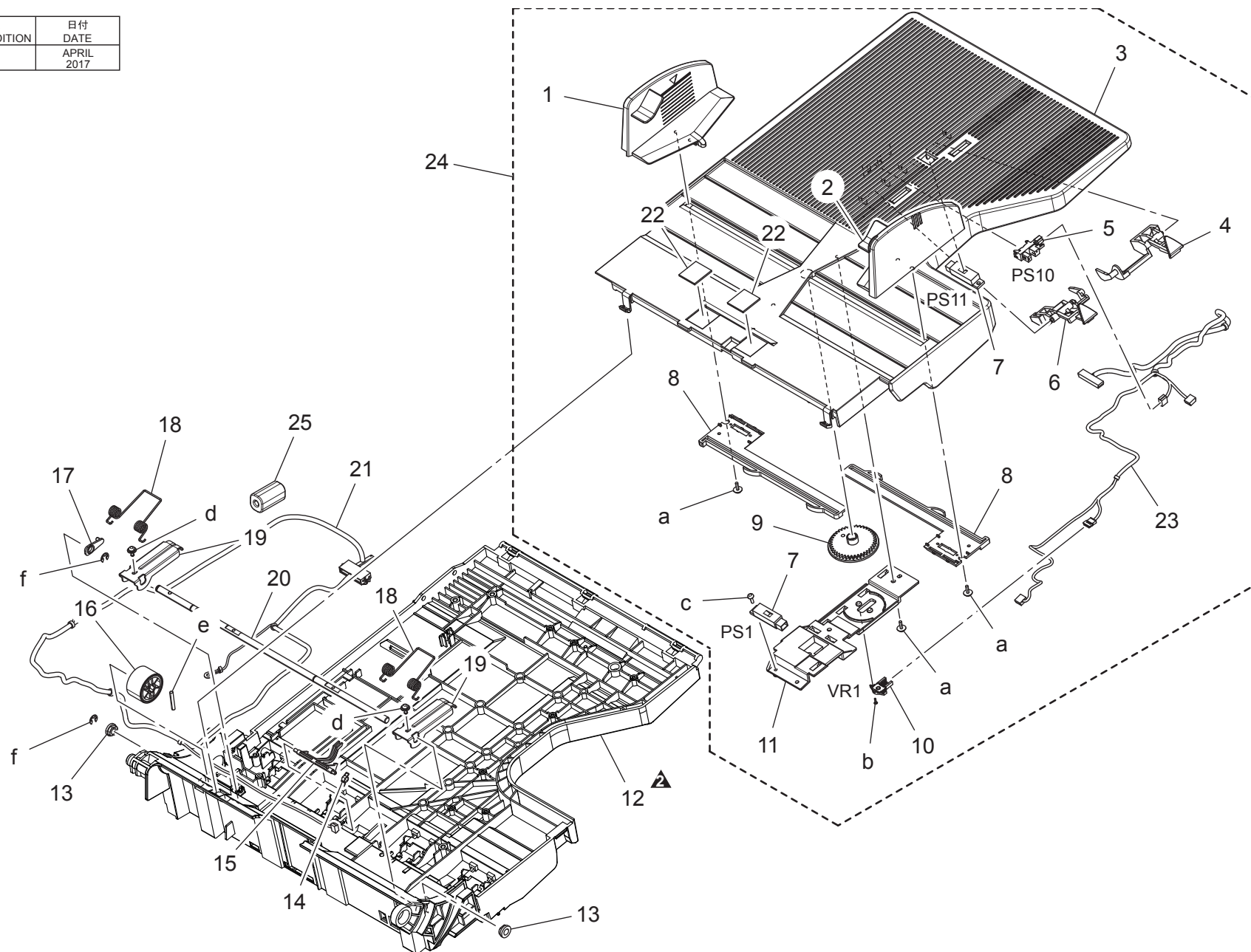
ADF PAPER FEED TRAY SECTION

Key	Part No.	Description	Destinations	Class	QTY	Standard parts
1	4556M10000	Fan Motor		B	1	a-V144030603 b-V116033003 c-V115030403 d-V217040001 e-V217030001 f-V234201250 g-V218040086 h-V115030803
2	A782M10100	Brushless motor		C	1	
3	A782571600	Gear /8 39T		C	1	
4	A782571300	Gear /3 47T/18T		C	1	
5	A782571500	Torque limiter		C	1	
6	A782571400	Gear /7 25T		C	1	
7	A161210200	Bushing		D	2	
8	A782571100	Gear /5 18T		C	1	
9	A782572000	Flange		C	1	
10	A782566000	Mounting Plate		D	1	
11	A782572900	Torsion Coil spring /5		C	1	
12	A782571201	Gear /4 32T		C	1	
13	A782573401	Shaft		D	1	
14	A782570800	Mounting Plate		D	1	
15	A782130500	Mounting Plate		D	1	
16	A782573800	Pin		D	1	

ADF PAPER FEED TRAY SECTION

改訂版 REVISED EDITION	日付 DATE
	APRIL 2017

P 4



bizhub 958/bizhub PRO 958

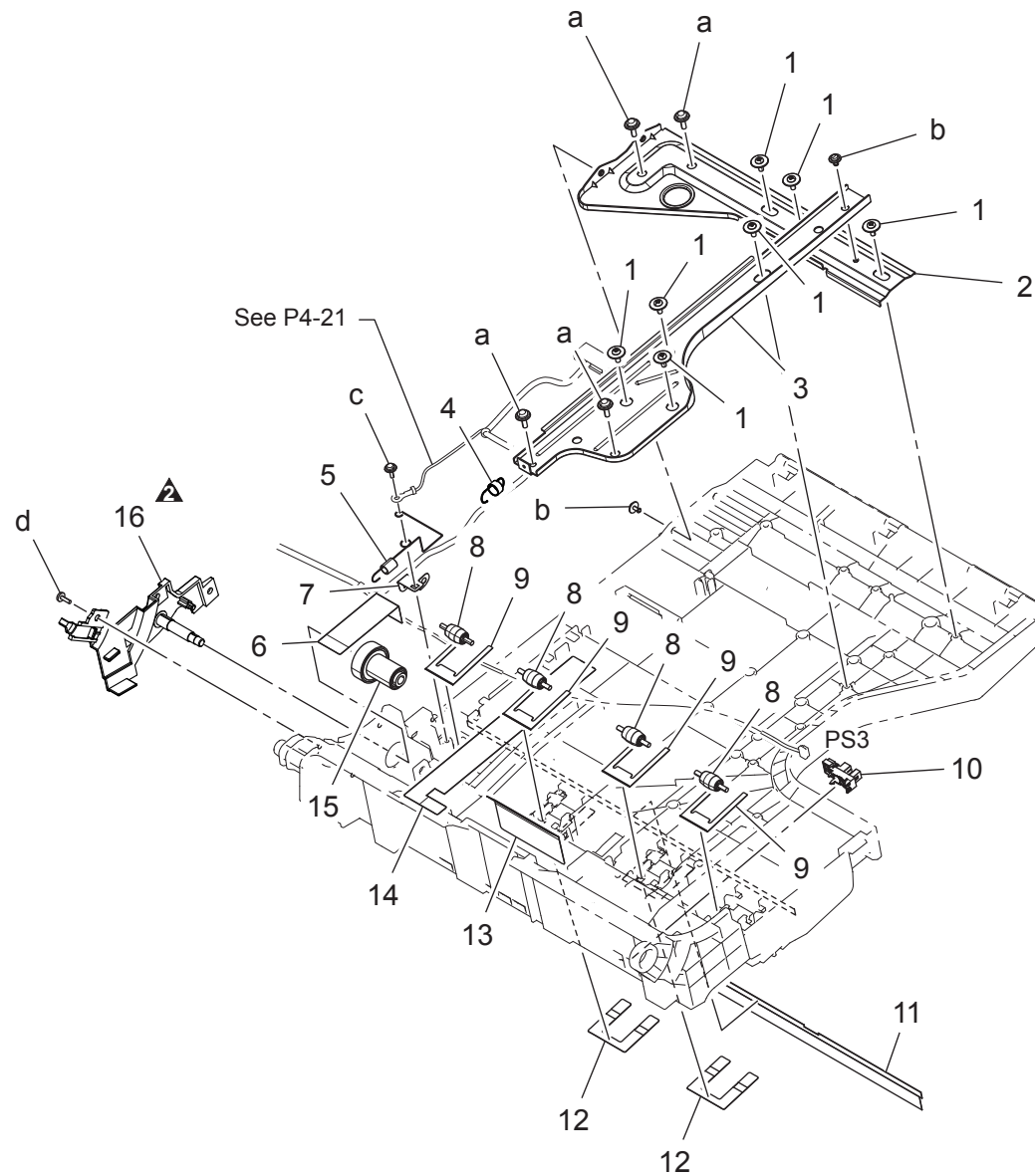
ADF PAPER FEED TRAY SECTION

Key	Part No.	Description	Destinations	Class	QTY	Standard parts
1	A782560502	Regulating Plate /Rear		C	1	a-V153030803 b-V166170504 c-V145030803 d-V125030801 e-V234302050 f-V217040001
2	A782560402	Regulating Plate /Front		C	1	
3	A782561702Old	Lifting Plate		C	1	
3	A782561703	Lifting Plate		C	1	
4	A782600101	Arm /1		C	1	
5	A5C1M50100	Photointerrupter		B	1	
6	A782601500	Arm /2		C	1	
7	A108M50000	Photorelector		B	2	
8	A782562001	Rack		C	2	
9	A782600900	Gear 40T		C	1	
10	A1UDM50100	VR		D	1	
11	A782562600	Mounting Plate		D	1	
12	A782561102Old	Tray		D	1	
12	A782561103Old	Tray		D	1	
12	A782561115	Tray		D	1	
13	A161210200	Bushing		D	2	
14	A782891901	Paper exit Spring /6		C	1	
15	A782891800	Actuator		C	1	
16	A782568500	Gear /7 34T		C	1	
17	A782562400	Washer		C	1	
18	A782573601	Torsion Coil spring /A		C	2	
19	A782566800	Lever		D	2	
20	A782566900	Shaft		D	1	
21	A782N10300	ADF Wiring /4		C	1	
22	A782561000	Friction Plate		C	2	
23	A782N10400	ADF Wiring /5		C	1	
24	A782R70300Old	Lifting Plate ASSY		D	1	
24	A782R70311	Lifting Plate ASSY		D	1	
25	A3EWM90300	Ferritecore		D	1	

ADF PAPER FEED TRAY SECTION

P 5

改訂版 REVISED EDITION	日付 DATE
	APRIL 2017



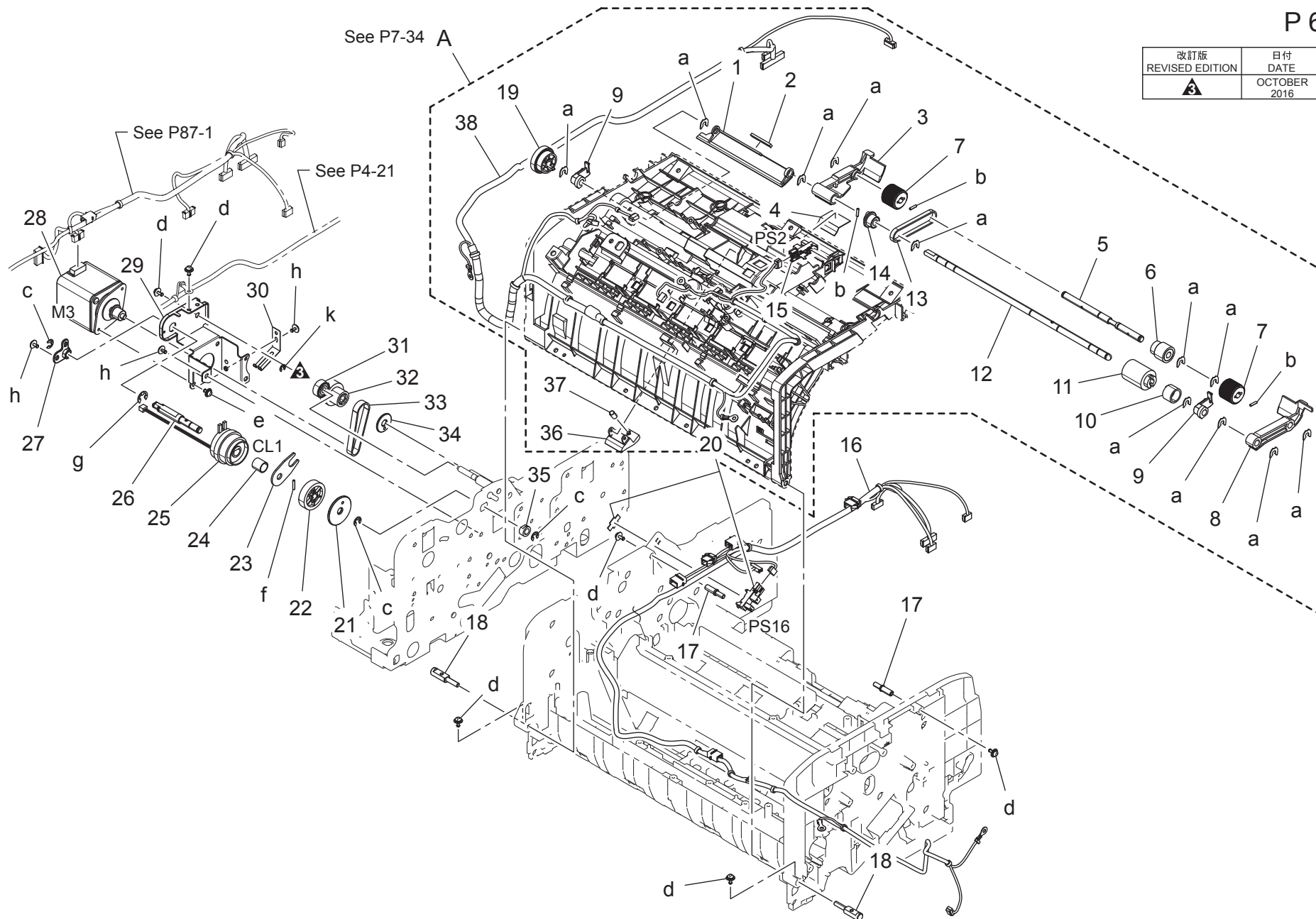
ADF PAPER FEED TRAY SECTION

Key	Part No.	Description	Destinations	Class	QTY	Standard parts
1	4163529301	SCREW		C	7	a-V153041003 b-V144030603 c-V153030803 d-V149030803
2	A782573000	Reinforce Plate /2		D	1	
3	A782573100	Reinforce Plate /1		D	1	
4	A782572101	Pulling Coil spring		C	1	
5	A782571900	Pulling Coil spring		C	1	
6	A782561900	Protection Seal /2		D	1	
7	A782571800	Ground Plate		C	1	
8	9J07300801	ROLL		C	4	
9	A108890500	Plate spring		D	4	
10	A5C1M50100	Photointerrupter		B	1	
11	A108891300	Neutralizing Brush		C	1	
12	A108561500	Guide		D	2	
13	9J07341102	GUIDE		D	1	
14	A782561801	Protection Seal /1		D	1	
15	A782570900	Gear /6 23 T		C	1	
16	A782565000Old	Cover		D	1	
16	A782565011	Cover		D	1	

ADF TOP COVER SECTION

P 6

改訂版 REVISED EDITION	日付 DATE
	OCTOBER 2016



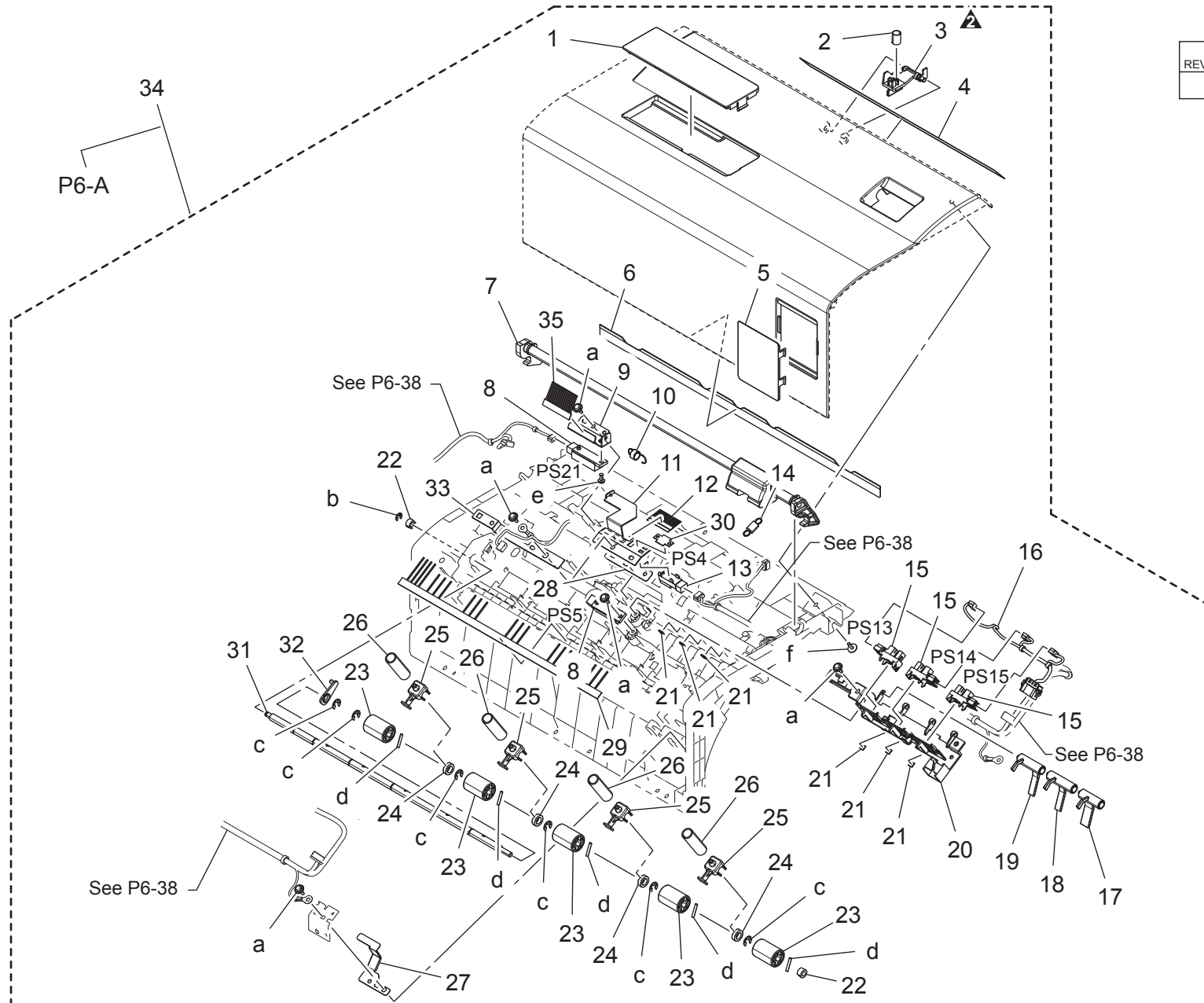
ADF TOP COVER SECTION

Key	Part No.	Description	Destinations	Class	QTY	Standard parts
1	A782576100	Guide Plate		D	1	a-V218040086 b-V234200850 c-V217040001 d-V125030801 e-V116030603 f-V234201050 g-V217060001 h-V144030603 k-V217030001
2	A782562101	Cushion		C	1	
3	A782569000	Arm /Front		C	1	
4	A782707400	Light blocking Part		D	1	
5	A782573501	Shaft		D	1	
6	9J07330801	Pulley 21T		C	1	
7	9J07330102	Roller		A	2	
8	A782568901	Arm /Front		C	1	
9	A782569800	Lever /2		C	2	
10	A07H570500	Clutch		C	1	
11	A00J563600	Roller		A	1	
12	A782569200	Paper feed Shaft		D	1	
13	A782569900	Timing belt 128L		C	1	
14	9J07331901	Pulley 19T		C	1	
15	A5C1M50100	Photointerrupter		B	1	
16	A782N10801	ADF Wiring /9		D	1	
17	A782101600	Positioning Shaft /1		C	2	
18	A782101000	Shaft		C	2	
19	A782569300	Gear /2 25T		C	1	
20	A5C1R90000	Photo Interrupter		B	1	
21	A782211500	Ring		D	1	
22	A782211400	Gear 27T		C	1	
23	A782212000	Holder		D	1	
24	A782211900	Compressing Spring		C	1	
25	A3CKM20000	Clutch		C	1	
26	A782211600	Shaft		D	1	
27	A108260700	Bushing		D	1	
28	A2X0M10300	Stepping motor		C	1	
29	A782212701	Mounting Plate		D	1	
30	A782211700	Ground Plate		C	1	
31	A782215800	Gear		D	1	
32	A782211300	Pulley 27T		C	1	
33	A782214300	Timing belt 124L		C	1	
34	A782211800	Flange		C	1	
35	4131253701	BUSHING		C	1	
36	A782707201	Guide /J		D	1	
37	A782704301	Spring		C	1	
38	A782N10200	ADF Wiring /3		D	1	

ADF TOP COVER SECTION

P 7

改訂版 REVISED EDITION	日付 DATE
	JANUARY 2017



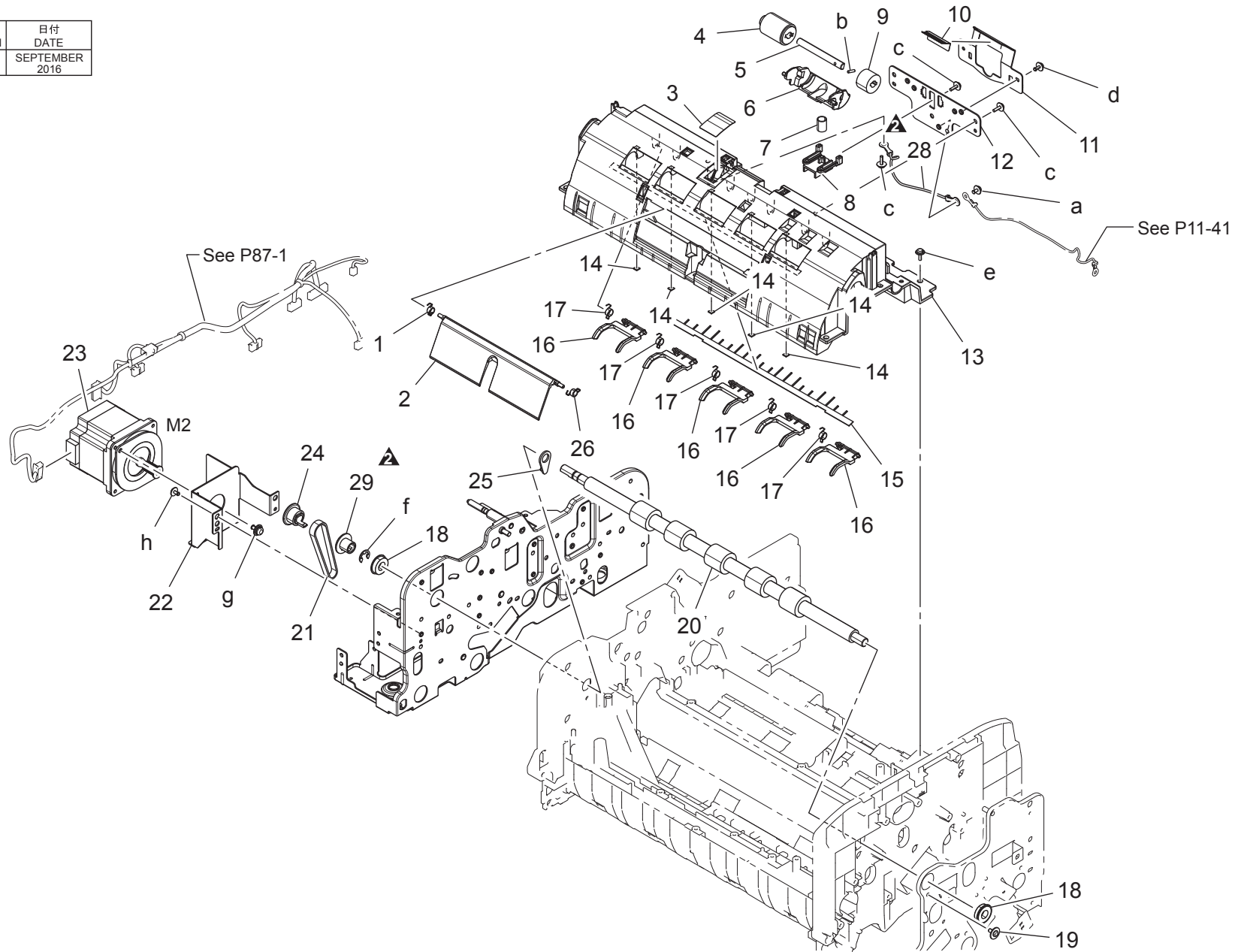
bizhub 958/bizhub PRO 958

ADF TOP COVER SECTION

Key	Part No.	Description	Destinations	Class	QTY	Standard parts
1	A782707300	Protection Cover /Upper		C	1	a-V153030803 b-V217030001 c-V217040001 d-V234201250 e-V135030603 f-V153030804
2	A782570400	Spring		C	1	
3	A782570602	Lever /1		D	1	
4	A782940400	Label		C	1	
5	A782704001	Protection Cover /Lower		C	1	
6	A782703400	Sealing Rubber		C	1	
7	A782700801	Open/close Lever		D	1	
8	A108M50000	Photoreflector		B	2	
9	A782704501	Mounting Plate		D	1	
10	A782572101	Pulling Coil spring		C	1	
11	A782700400	Mounting Plate		D	1	
12	A782704800	Neutralizing Brush		C	1	
13	9335140071	Solid State Switch		B	1	
14	A782565301	Pulling Coil spring		C	1	
15	A5C1M50100	Photointerrupter		B	3	
16	A782N11100	ADF Wiring /12		D	1	
17	A782701200	Actuator /3		C	1	
18	A782701100	Actuator /2		C	1	
19	A782701000	Actuator /1		C	1	
20	A782702801	Mounting Plate		D	1	
21	A782704200	Adjusting Cushion		C	6	
22	A782702700	Bushing		C	2	
23	A782703000	Idler Roll		D	5	
24	A782704901	Ball bearing		C	4	
25	A782701400	Rotation Pedestal		D	4	
26	A782700900	Compressing Spring		C	4	
27	A782704700	Ground Plate /Lower		D	1	
28	A782704400	Scatteringprevention Plate		D	1	
29	A782701501	Neutralizing Brush		C	1	
30	A108703100	Stopper		D	1	
31	A782702600	Rotation Shaft		D	1	
32	A782562400	Washer		C	1	
33	A782704100Old	Ground Plate		C	1	
33	A782704101	Ground Plate		C	1	
34	A782R70422	TOP Cover ASSY		D	1	
35	A782705600	Neutralizing Brush /1		D	1	

ADF CONVEYANCE SECTION

改訂版 REVISED EDITION	日付 DATE
	SEPTEMBER 2016

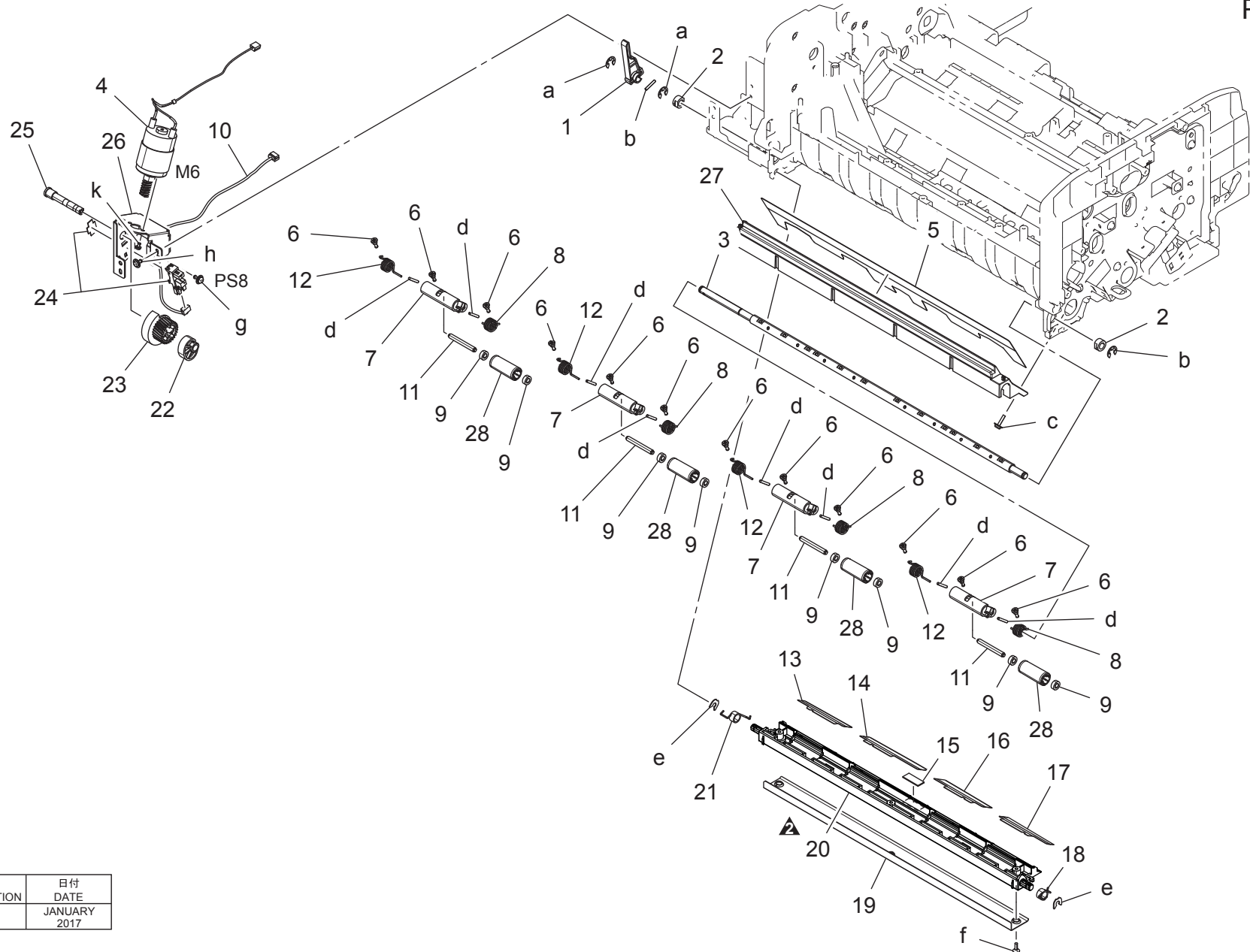



bizhub 958/bizhub PRO 958

ADF CONVEYANCE SECTION

Key	Part No.	Description	Destinations	Class	QTY	Standard parts
1	A782714200	Spring /Lower		C	1	a-V116030603
2	A782711901	Lever /1		C	1	b-V234200850
3	A782711800	Protection Seal		C	1	c-V153030803
4	9J07340901	ROLLER		A	1	d-V125030801
5	A0HT561202	Shaft		C	1	e-V153030804
6	A782568200	Holder		C	1	f-V217060001
7	A782568600	Spring		C	1	g-V116040803
8	A3CK565100	Holder		D	1	h-V144030603
9	A782568701	Torque limiter		A	1	
10	A782576000	Neutralizing Brush		C	1	
11	A3CK568300	Guide		D	1	
12	A782712300	Mounting Plate /2		D	1	
13	A782710805	Guide		D	1	
14	A782704200	Adjusting Cushion		C	5	
15	A782710201	Neutralizing Brush		C	1	
16	A782710000	Lever /Upper		C	5	
17	A782710100	Spring /1		C	5	
18	A00V240600	Ball Bearing		B	2	
19	A782117900	Shoulder screw		C	1	
20	A782711000	Conveyance Roller		C	1	
21	A782214400	Timing belt 150L		C	1	
22	A782212600	Mounting Plate /B		D	1	
23	A782M10000	Stepping motor		C	1	
24	A782213000	Gear 23T		C	1	
25	A782115700	Washer /1		C	1	
26	A782714100	Spring /Lower		C	1	
28	A782N12700	ADF Wiring /B		D	1	
29	A782215100	Collar		C	1	

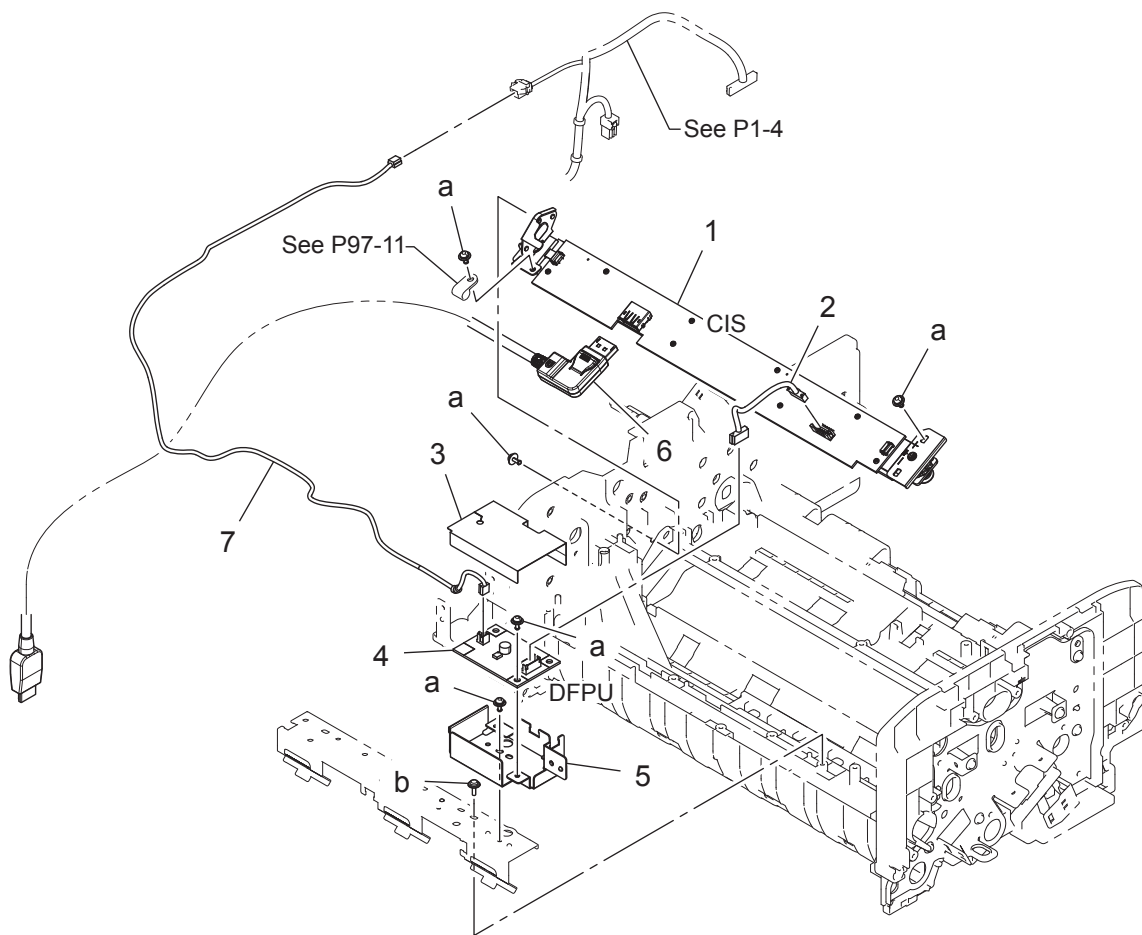
ADF READ GUIDE SECTION



改訂版 REVISED EDITION	日付 DATE
	JANUARY 2017

ADF READ GUIDE SECTION

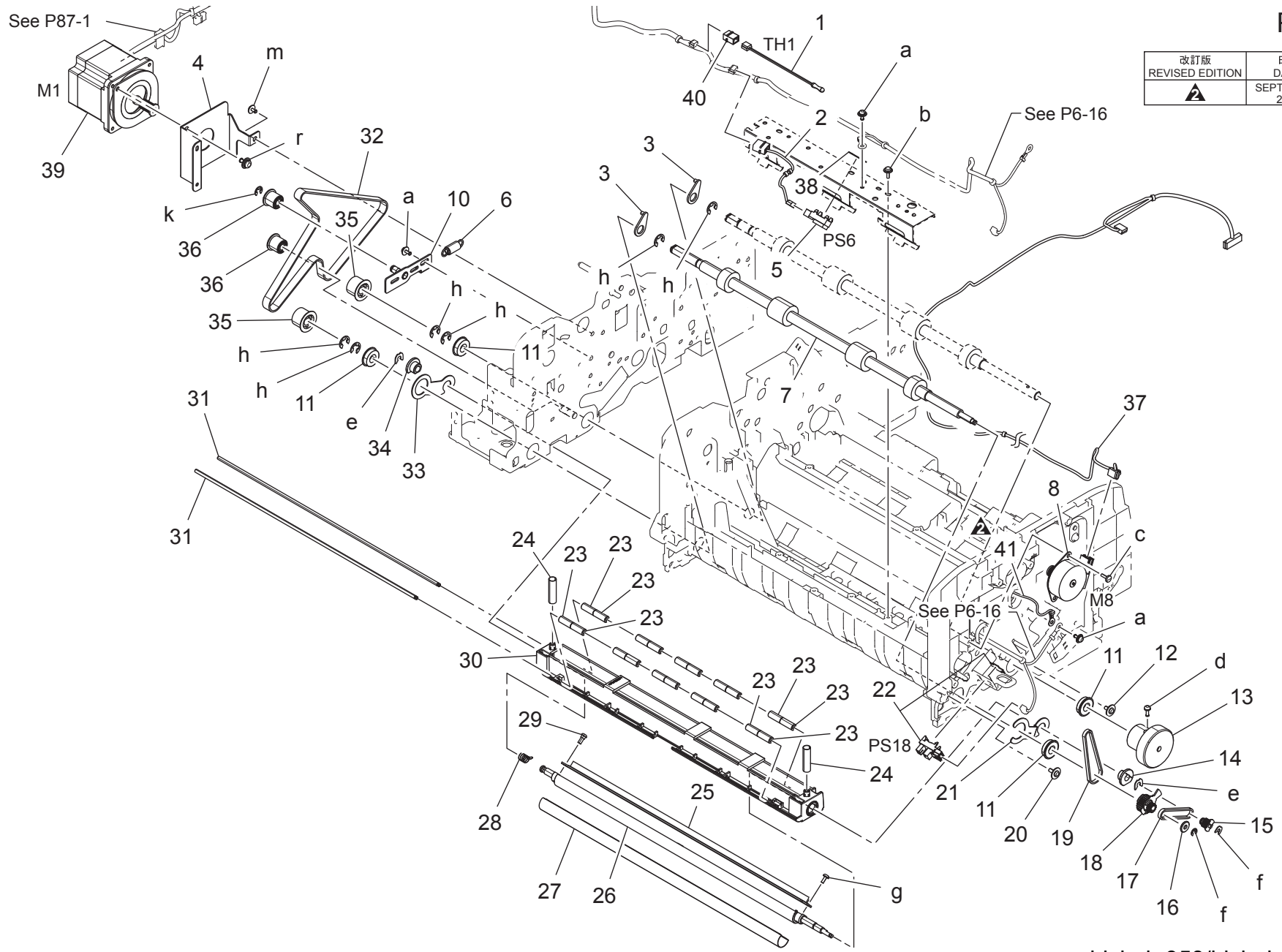
Key	Part No.	Description	Destinations	Class	QTY	Standard parts
1	A782260600	Lever		C	1	a-V217050001 b-V234201250 c-V153031003 d-V234201450 e-V218040086 f-V147030803 g-V125030801 h-V144030603 k-V115260403
2	4131253701	BUSHING		C	2	
3	A782260700	Support Shaft		D	1	
4	A782R70100	Breakaway Motor ASSY		C	1	
5	A782116800	Guide		C	1	
6	A3CK272600	Shoulder screw		C	12	
7	A3CK272001	Lever		C	4	
8	A782272401	Torsion Coil spring /2		C	4	
9	A782272200	Ball bearing /1		C	8	
10	A782N12100	ADF Wiring /30		D	1	
11	A3CK272200	Shaft		D	4	
12	A782272301	Torsion Coil spring /1		C	4	
13	A782100400	Guide /2		C	1	
14	A782100301	Guide /1		C	1	
15	A782104700	Cushion		C	1	
16	A782100501	Guide /3		C	1	
17	A782100600	Guide /4		C	1	
18	A782100701	Torsion Coil spring		C	1	
19	A782100200	Reinforce Plate		D	1	
20	A782100102	Guide		C	1	
21	A782100802	Torsion Coil spring		C	1	
22	A782260400	Cam		C	1	
23	A782260501	Gear 26T		C	1	
24	A5C1R90000	Photo Interrupter		B	1	
25	A782213400	Shaft		D	1	
26	A782260200	Fixing Plate		D	1	
27	A782100000	Guide		D	1	
28	A782272800	Roll		C	4	



Key	Part No.	Description	Destinations	Class	QTY	Standard parts
1	A782R70200	CIS Assy		I	1	a-V125030801 b-V153030803
2	A782N10900	ADF Wiring /10		D	1	
3	A782116301	Wiring Cover		C	1	
4	A3CKH00200	PWB Assembly(PWB-DC Assy)		I	1	
5	A782116201	Plate		D	1	
6	A782N12001	ADF Cable		D	1	
7	A782N12200	ADF Wiring /40		D	1	

ADF GLASS CLEANING SECTION

改訂版 REVISED EDITION	日付 DATE
	SEPTEMBER 2016

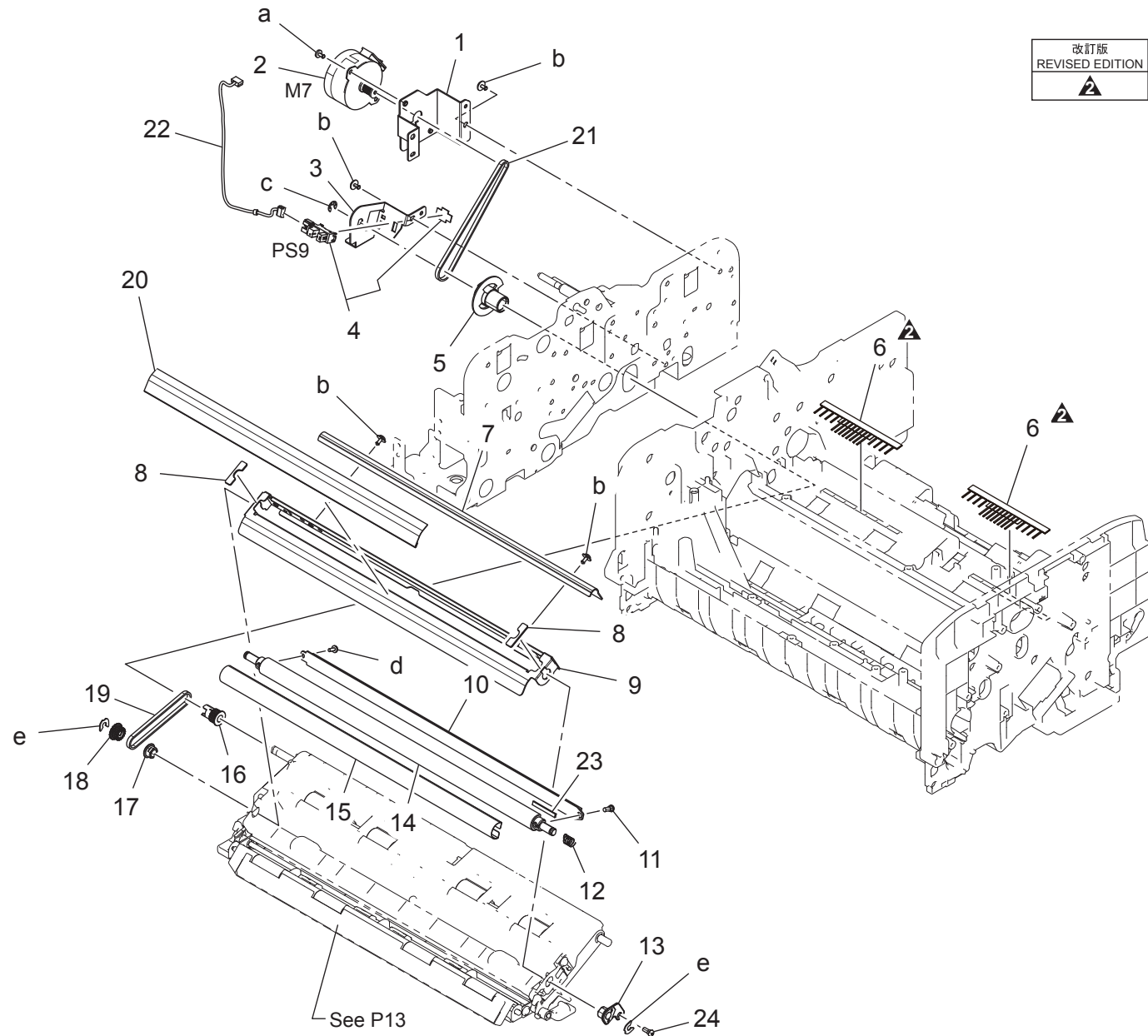


bizhub 958/bizhub PRO 958

Key	Part No.	Description	Destinations	Class	QTY	Standard parts
1	A0P0M50300	Thermistor		C	1	a-V125030801
2	A782N12300	ADF Wiring /50		D	1	b-V153030803
3	A782115700	Washer /1		C	2	c-V149030803
4	A782212300	Mounting Plate		D	1	d-V115030803
5	9335140071	Solid State Switch		B	1	e-V218040086
6	A782215700	Pulling Coil spring		D	1	f-V218030086
7	A782102900	Roller		D	1	g-V145030603
8	A782M10200	Stepping motor		C	1	h-V217060001
10	A782231000	Tension Plate		D	1	k-V217040001
11	A00V240600	Ball Bearing		B	4	m-V144030603
12	A782117900	Shoulder screw		C	1	r-V116040803
13	A782118300	Weight		D	1	
14	A782263801	Bushing		C	1	
15	A782262900	Pulley 14T		C	1	
16	A0HU250500	Flange		D	1	
17	A782263000	Belt 100L		C	1	
18	A782269800	Pulley T25		C	1	
19	A782268900	Belt 140L		C	1	
20	A782118000	Shoulder screw		C	1	
21	A782262200	Arm		D	1	
22	A5C1R90000	Photo Interrupter		B	1	
23	A782262800	Roll		C	8	
24	A782263300	Compressing Coil spring		C	2	
25	A3CK300200	Brush		C	1	
26	A782262500	Shaft		D	1	
27	A782264501	Sheet		C	1	
28	A782264300	Spring		D	1	
29	A782269200	Shoulder screw		C	1	
30	A782262101	Guide		C	1	
31	A782262700	Shaft		D	2	
32	A782213300	Timing belt 468L		C	1	
33	A782262300	Arm		D	1	
34	A782263700	Bushing		C	1	
35	A782213100	Pulley /2 27T		C	2	
36	A782230700	Pulley		C	2	
37	A782N10501	ADF Wiring /6		D	1	
38	A108703100	Stopper		D	1	
39	A782M10000	Stepping motor		C	1	
40	V651010034	Connector		V	1	
41	A782N12600	ADF Wiring /A		D	1	

ADF CIS CLEANING SECTION

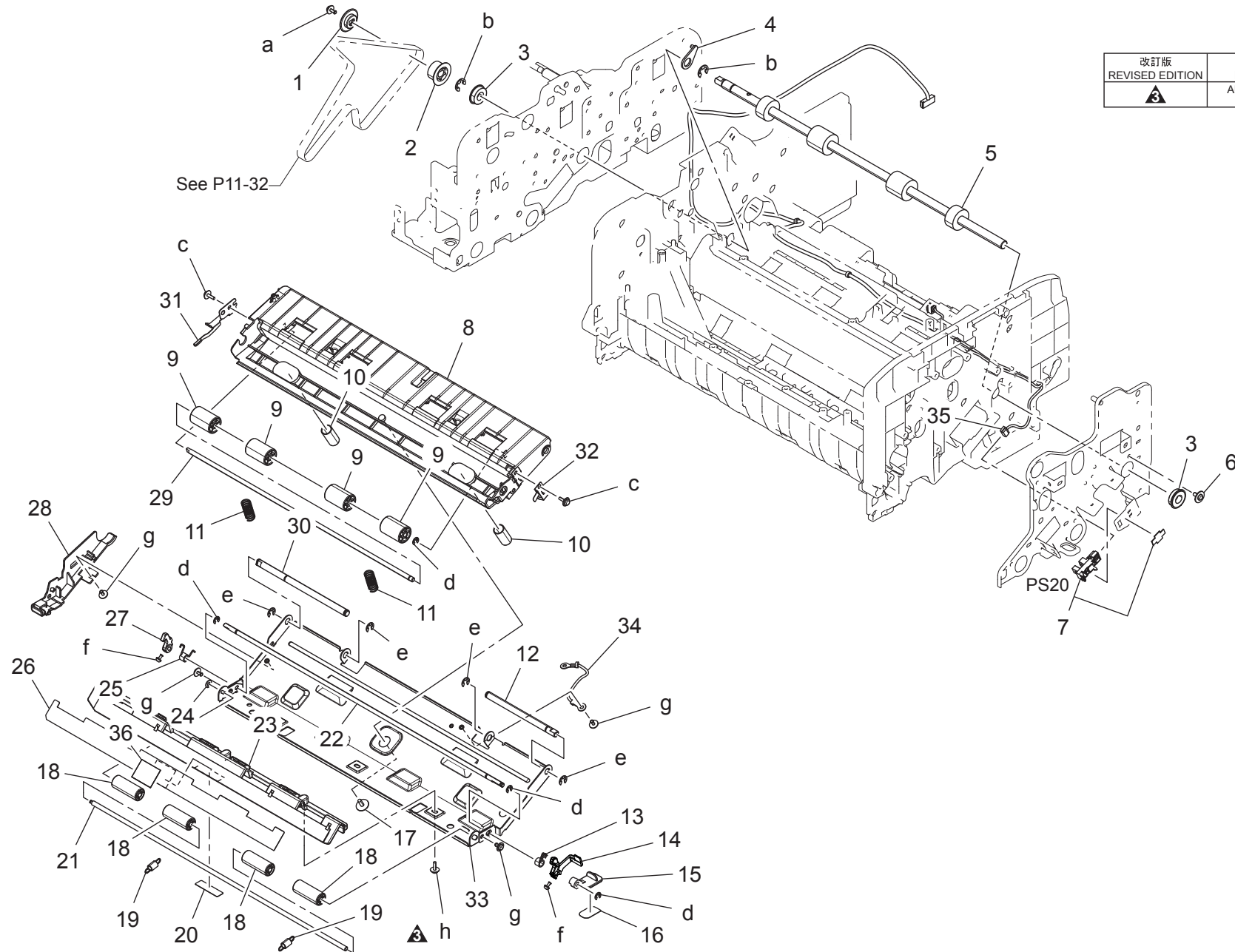
改訂版 REVISED EDITION	日付 DATE
	FEBRUARY 2017



Key	Part No.	Description	Destinations	Class	QTY	Standard parts
1	A782264101	Mounting Plate	取付板	D	1	a-V143030603 b-V144030603 c-V217040001 d-V145030603 e-V218040086
2	A782M10400	Stepping motor	ステッピングモータ	C	1	
3	A782264201	Mounting Plate	取付板	D	1	
4	A5C1R90000	Photo Interrupter	フォトインタラプタ	B	1	
5	A782264400	Pulley T25	プーリ T 2 5	C	1	
6	A782104301	Neutralizing Brush	除電ブラシ	D	2	
7	A782265201	Mounting Plate	取付板	D	1	
8	A782268500	Spacer	スペーサ	D	2	
9	A782264800	Housing	ハウジング	D	1	
10	A3CK300200	Brush	ブラシ (清掃)	C	1	
11	A782269200	Shoulder screw	段ねじ	C	1	
12	A782264300	Spring	ばね	D	1	
13	A782263201	Bushing	すべり軸受	C	1	
14	A782268300	Shaft	軸	D	1	
15	A3CK300102	Sheet	シート (清掃軸)	C	1	
16	A782264600	Pulley T18	プーリ T 1 8	C	1	
17	A782269500	Bushing	すべり軸受	C	1	
18	A782264700	Pulley /2 T18	プーリ / 2 T 1 8	C	1	
19	A782269300	Belt 154L	ベルト 1 5 4 L	C	1	
20	A782265300	Sheet /1	シート / 1	D	1	
21	A782264000	Belt 230L	ベルト 2 3 0 L	C	1	
22	A782N12400	ADF Wiring /60	A D F 束線 / 6 0	D	1	
23	A782562101	Cushion	クッション	C	1	
24	A782269200	Shoulder screw	段ねじ	C	1	

ADF CIS CLEANING SECTION

改訂版 REVISED EDITION	日付 DATE
	AUGUST 2016

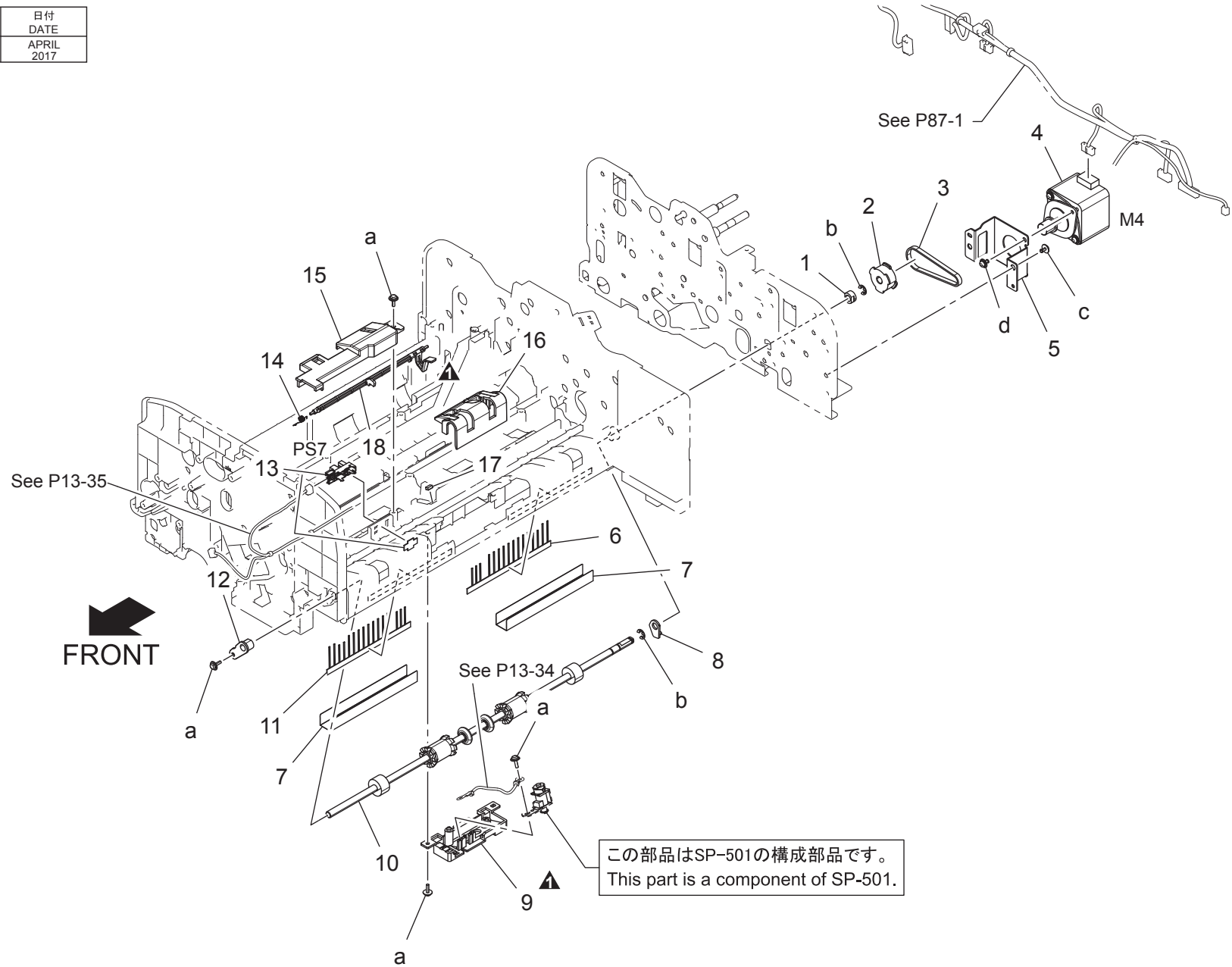


bizhub 958/bizhub PRO 958

Key	Part No.	Description	Destinations	Class	QTY	Standard parts
1	A782230900	Flange		C	1	a-V125030801 b-V217060001 c-V153030803 d-V217030001 e-V217040001 f-V115260503 g-V144030603 h-V149030803
2	A782213500	Pulley 27T		C	1	
3	A00V240600	Ball Bearing		B	2	
4	A782115700	Washer /1		C	1	
5	A782115600	Roller		D	1	
6	A782117900	Shoulder screw		C	1	
7	A5C1R90000	Photo Interrupter		B	1	
8	A782265102	Conveyance Guide		D	1	
9	A782563800	Idling Roller		C	4	
10	A782265700	Compressing Coil spring		C	2	
11	A782265600	Compressing Coil		C	2	
12	A782266000	Open/close Shaft /Front		D	1	
13	A782266900	Open/close Spring /Left		D	1	
14	A782266502	Lock Part /Front		D	1	
15	A108266300	Lock Lever		C	1	
16	A3CK940000	Label		C	1	
17	4163529301	SCREW		C	1	
18	A782266200	Roll		C	4	
19	A782267200	Pulling Coil spring /3		C	2	
20	A782940300	Cover Film		C	1	
21	A782266401	Shaft		D	1	
22	A782266800	Open/close Shaft		D	1	
23	A782266300	Guide		D	1	
24	A782103600	Slide Stopper		C	1	
25	A782267000	Open/close Spring /Right		D	1	
26	A782117700	Conveyance Guide		D	1	
27	A782266601	Lock Part /Rear		D	1	
28	A782267100	Cover		D	1	
29	A782268201	Shaft		D	1	
30	A782266100	Shaft		D	1	
31	A782268001	Plate spring		D	1	
32	A782266700	Ground Plate spring		D	1	
33	A782265800	Cover /1		D	1	
34	A782N11800	ADF Wiring /19		D	1	
35	A782N10700	ADF Wiring /8		D	1	
36	A782117800	Guide /Middle		D	1	

ADF PAPER EXIT SECTION

改訂版 REVISED EDITION	日付 DATE
▲	APRIL 2017

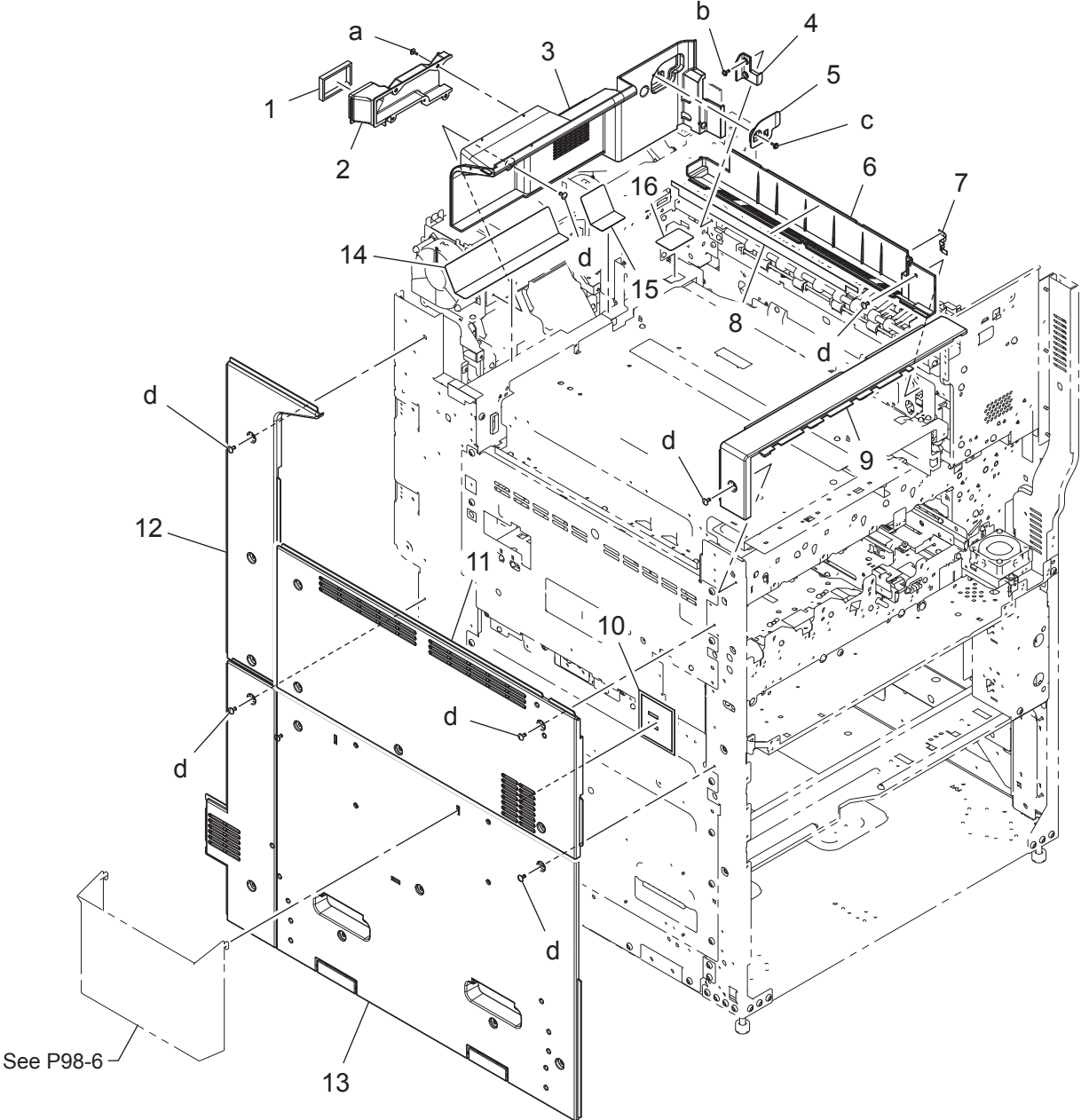


この部品はSP-501の構成部品です。
This part is a component of SP-501.

ADF PAPER EXIT SECTION

Key	Part No.	Description	Destinations	Class	QTY	Standard parts
1	4131253701	BUSHING		C	1	a-V153030803 b-V217040001 c-V144030603 d-V116030603
2	A782210800	Pulley 34T		C	1	
3	A782210200	Paper exit Timing belt 148L		C	1	
4	A3CKM10300	Stepping motor		C	1	
5	A782212500	Mounting Plate		D	1	
6	A782891600	Neutralizing Brush /2		C	1	
7	A782891700	Wiring Cover		D	2	
8	A782115800	Paper exit Washer		C	1	
9	A782890700Old	Mounting Pedestal		D	1	
9	A782890711	Mounting Pedestal		D	1	
10	A782890000	Paper exit Roller		C	1	
11	A782891500	Neutralizing Brush /1		C	1	
12	A782103200	Bushing		C	1	
13	A5C1R90000	Photo Interrupter		B	1	
14	A782101900	Paper exit Spring		C	1	
15	A782890600	Sensor Cover		D	1	
16	A782890100Old	Paper exit Cover		D	1	
16	A782890111	Paper exit Cover		D	1	
17	A782104500	Cushion		C	1	
18	A782890200	Paper exit Actuator		C	1	

EXTERNAL PARTS

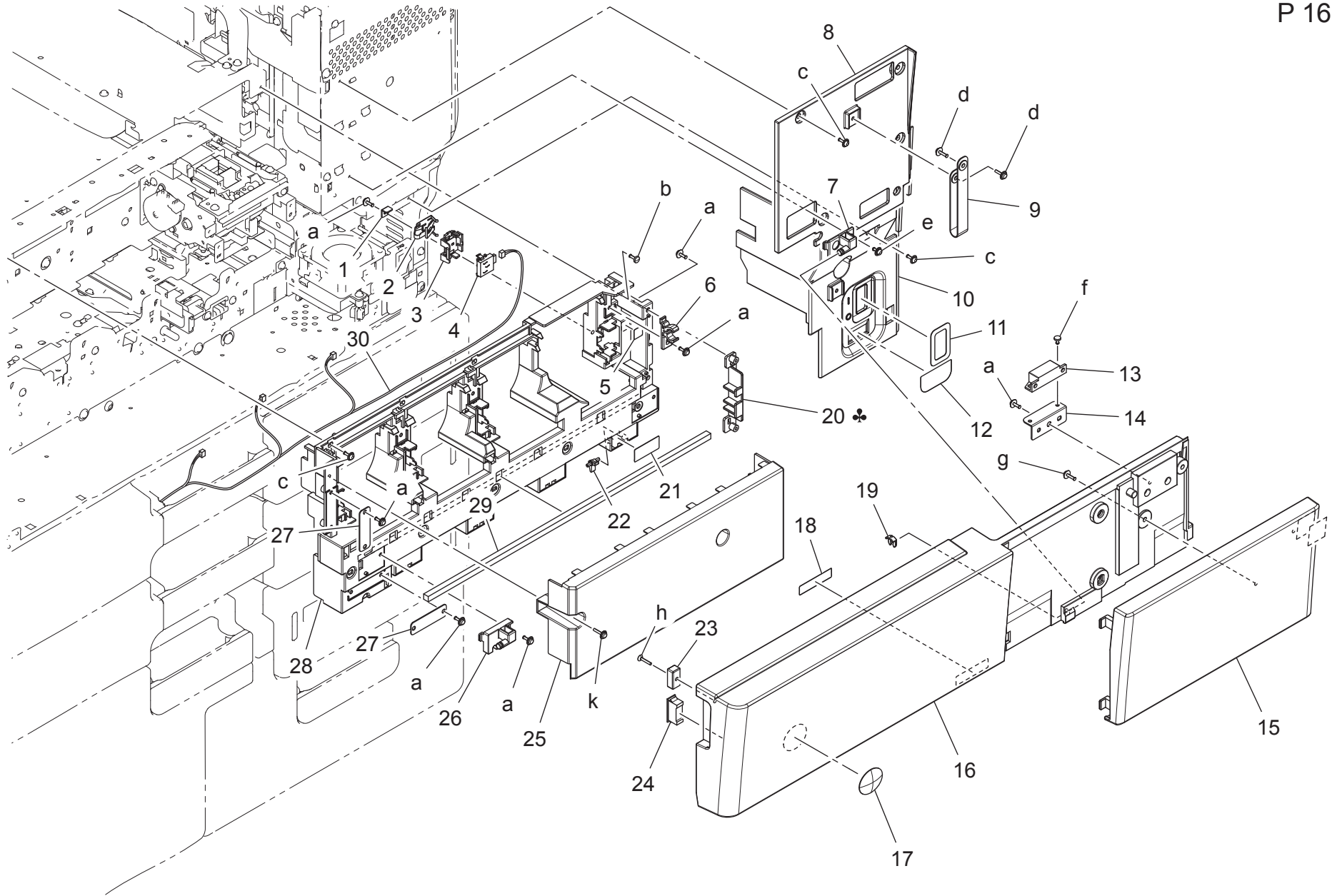


EXTERNAL PARTS

Key	Part No.	Description	Destinations	Class	QTY	Standard parts
1	A0P0151100	Sealing Part		D	1	a-V153030803 b-V121030804 c-V153030804 d-V114040804
2	A795153000	Duct		D	1	
3	A795163401	Paper exit Cover /Rear		C	1	
4	A795166400	Paper exit Cover /Right		C	1	
5	A00J166300	Paper exit Cover /Rear		C	1	
6	A795163500	Paper exit Cover /Right		C	1	
7	A2X0895400	Ground Seal /1		C	1	
8	A00J896901	Neutralizing Brush		C	1	
9	A2X0160101	Paper exit Cover /Front		C	1	
10	A2WU156600	Filter		C	1	
11	A795160500	Cover /Left front		C	1	
12	A795161400	Cover /Left rear		C	1	
13	A00J160605	Cover /Left		C	1	
14	A795168700	Film		C	1	
15	A795168800	Film		C	1	
16	A795168900	Film		C	1	

bizhub 958/bizhub PRO 958

EXTERNAL PARTS

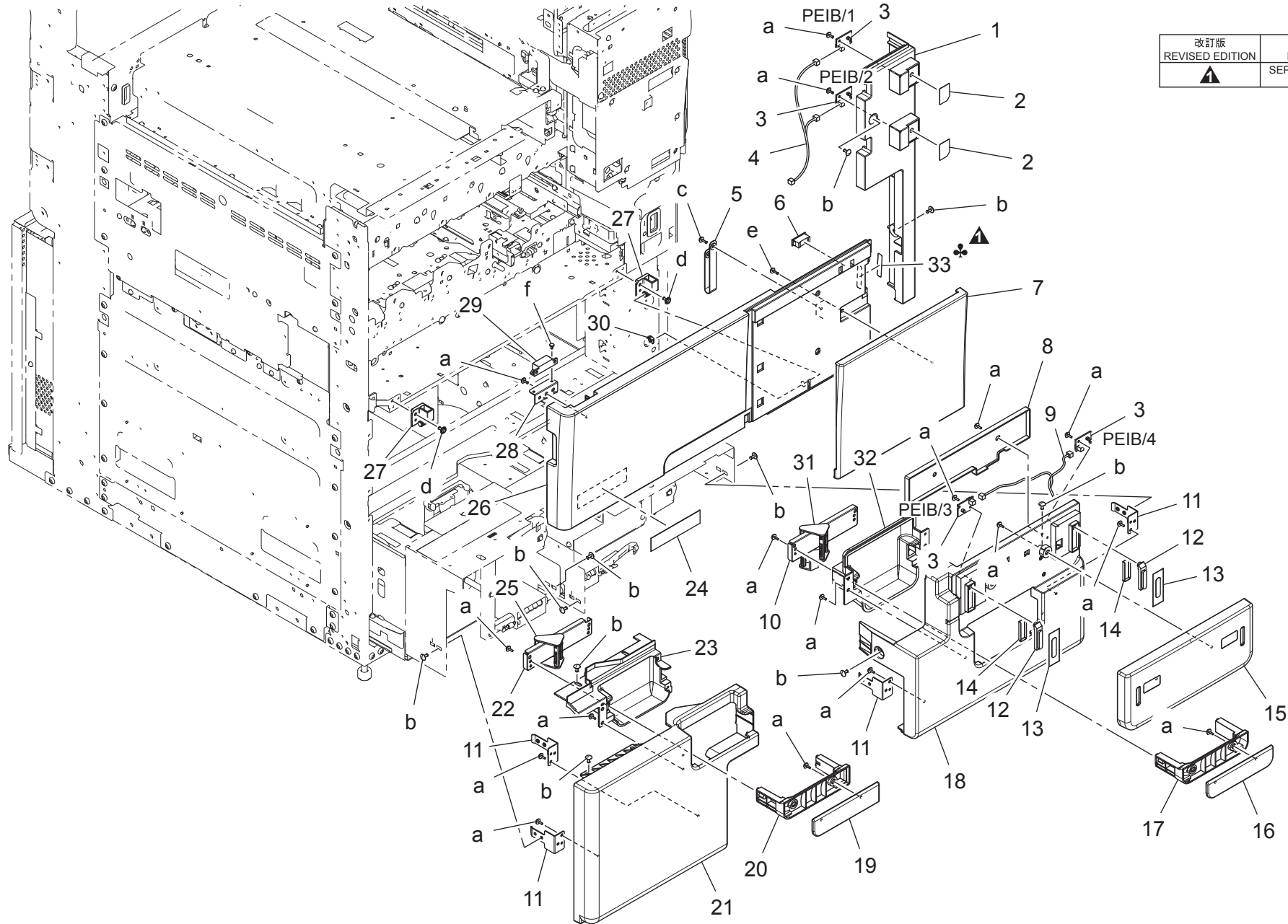


Key	Part No.	Description	Destinations	Class	QTY	Standard parts
1	A00J404700	Spacer		C	1	a-V153030803
2	A00J404601	Plate spring		C	1	b-V118030803
3	4038228104	HOLDER		C	1	c-V121030804
4	4136675101	CONNECTOR PIN		D	1	d-V153031003
5	A2X0949100	Label		C	1	e-V125030801
6	A00J407500	Holder		D	1	f-V126030603
7	A00J164701	Open/close Shaft		C	1	g-V153031004
8	A795160402	Cover /Front		D	1	h-V126030603
9	4120101402	BAND		C	1	k-V153031203
10	A795169102	Cover /Front		C	1	
11	A161942000	Label		D	1	
12	A55V170100	Sheet		C	1	
13	4475260302	MAGNET CATCH		D	1	
14	A0P0162600	Mounting Plate /B		D	1	
15	A795170700	Open/close Cover /Front		C	1	
16	A795160202	Open/close Cover /Front		C	1	
17	A00J945500	Logo Mark		C	1	
18	A796948600	Label		C	1	
19	56AA40490	SHAFT STOPPER 4		C	1	
20	A796405800	Regulating Block /Black	B,G2	D	1	
20	A796405900	Regulating Block /Black	C,D1,D3,E,F2,G1,I,K ,J	D	1	
21	A795940600	Label		C	1	
22	A0P0169600	Claw /Black		C	1	
23	9326282011	MAGNET		D	1	
24	4030104002	CATCH		D	1	
25	A2WU166800	Cover /Inside		D	1	
26	A795172700	Open/close Shaft		C	1	
27	4038101401	SUCTION PLATE		D	2	
28	A00J165103	Cover /Inside		D	1	
29	A00J407400	SEAL		C	1	
30	A55VN10G01	Toner Wiring		D	1	

EXTERNAL PARTS

P 17

改訂版 REVISED EDITION	日付 DATE
▲	SEPTEMBER 2016

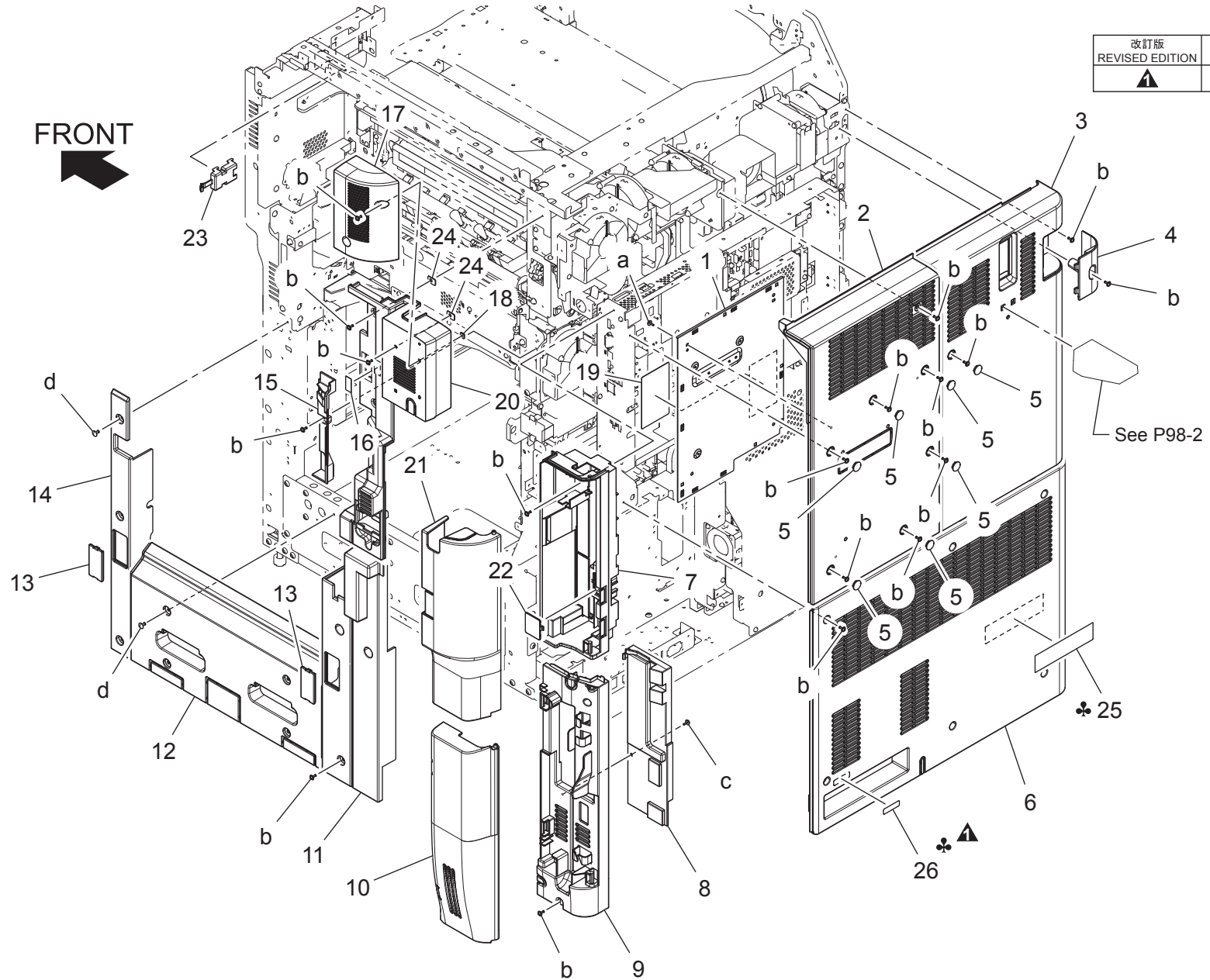


bizhub 958/bizhub PRO 958

Key	Part No.	Description	Destinations	Class	QTY	Standard parts
1	A2X0160800	Cover Cassette /Right	カバーカセット/右 (固定)	D	1	a-V153030803
2	A2X0168500	Protection Sheet	保護シート (静電)	D	2	b-V114040804
3	A00JH00D00	PWB Assembly LED1	基板 ASSY LED 1	C	4	c-V153031003
4	A2X0N10D00	Indicating Relay harness /1	表示中継束線/1	D	1	d-V137040803
5	4120101402	BAND	バンド	C	1	e-V153031004
6	4030104002	CATCH	キャッチ	D	1	f-V126030603
7	A795170800	Open/close Cover /Front	開閉カバー/前	C	1	
8	A2X0172100	Cover	カバー (4段目・内)	D	1	
9	A2X0N10C00	Indicating Relay harness /2	表示中継束線/2	D	1	
10	A2X0172400	Holder	ホルダ (4段目)	D	1	
11	A00J164501	Mounting Plate	取付板	D	4	
12	A161626000	Lens	レンズ (ライトガイド・給紙)	D	2	
13	A161626100	Light blocking Sheet	遮光シート	D	2	
14	A161626200	Sheet	シート (反射板)	D	2	
15	A2X0171001	Cover	カバー (パレット・4段目)	C	1	
16	A2X0172600	Cover	カバー (4段目取手)	C	1	
17	A2X0172300	Handle	取手 (4段目)	C	1	
18	A2X0161000	Cover	カバー (4段目)	C	1	
19	A2X0172000	Cover	カバー (3段目取手)	C	1	
20	A2X0171701	Handle	取手 (3段目)	C	1	
21	A2X0160900	Cover	カバー (3段目)	C	1	
22	A2X0171901	Release Lever	解除レバー (3段目)	D	1	
23	A2X0171600	Cover	カバー (3段目取手奥)	C	1	
24	A796943300	Label	ラベル (bizhub 958)	C	1	B,D1,D3,E,F2,G1,G2, I(Except South Africa),K
24	A796950900	Label	ラベル (bizhub PRO 958)	C	1	C,I(South Africa)
25	A2X0171801	Holder	ホルダ (3段目)	D	1	
26	A795160301	Open/close Cover /Front	開閉カバー/前	C	1	
27	A2X0162100	Hinge	ヒンジ (IUカバー)	D	2	
28	A0P0162600	Mounting Plate /B	取付板/B (Mag・IU)	D	1	
29	4475260302	MAGNET CATCH	マグネットキャッチ	D	1	
30	56AA40490	SHAFT STOPPER 4	軸ストッパ 4	C	1	
31	A2X0172501	Release Lever	解除レバー (4段目)	D	1	
32	A2X0172200	Cover	カバー (4段目取手奥)	C	1	
33	A795940401	Label	ラベル (電源 SW お知らせ)	C	1	B,C,D1,D3,E,F2,G1,G2, I,K
33	A795940500	Label	ラベル	C	1	J

EXTERNAL PARTS

改訂版 REVISED EDITION	日付 DATE
	AUGUST 2016



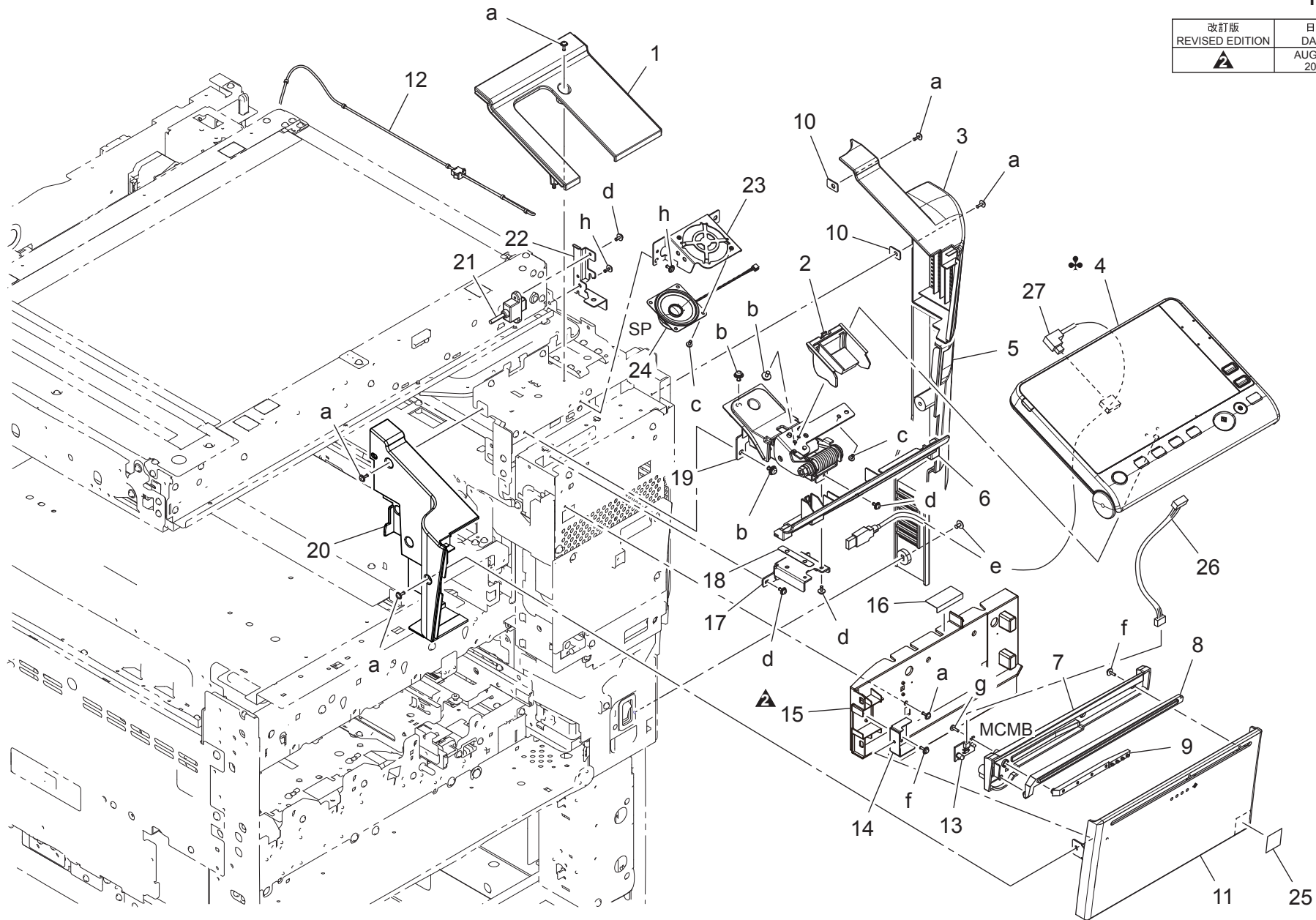
bizhub 958/bizhub PRO 958

Key	Part No.	Description	Destinations	Class	QTY	Standard parts
1	A795132802	Cover		D	1	a-V153030803 b-V121030804 c-V153030804 d-V144030803
2	A795161601	Cover /Rear		D	1	
3	A795161701	Cover /Rear		C	1	
4	A795162301	Cover /Rear		C	1	
5	A00J169100	Cover		D	7	
6	A00J161804	Cover /Rear		C	1	
7	A795161902	Cover /Rear		D	1	
8	A795165300	Cover		C	1	
9	A795162001	Cover /Rear		D	1	
10	A795165701	Cover		C	1	
11	A795162801	Cover /Right rear		C	1	
12	A0P0161300	Cover /Right		D	1	
13	A00J164201	Cover		C	2	
14	A00J162902	Cover /Right front		C	1	
15	A795165401	Cover /Inside		D	1	
16	A2X0948900	Seal		C	1	
17	A795166601	Cover		C	1	
18	4002504202	PLATE NUT		D	1	
19	A795146600	Protection Sheet		C	1	
20	A795162701	Cover /Right rear		D	1	
21	A795165600	Cover		C	1	
22	A795164400	Cover		C	1	
23	A795902200	Cover		D	1	
24	15BY561200	Cover Spacer		D	2	
25	A7PU941701	Label Caution	C,D1,D3,E,F2,G1,I,K	C	1	
26	A00J945401	Label Dehumidifier SW.	D1,D3,E,F2,G1,I (Except South Africa), K,J	C	1	

CONTROL PANEL SECTION

P 19

改訂版 REVISED EDITION	日付 DATE
	AUGUST 2017

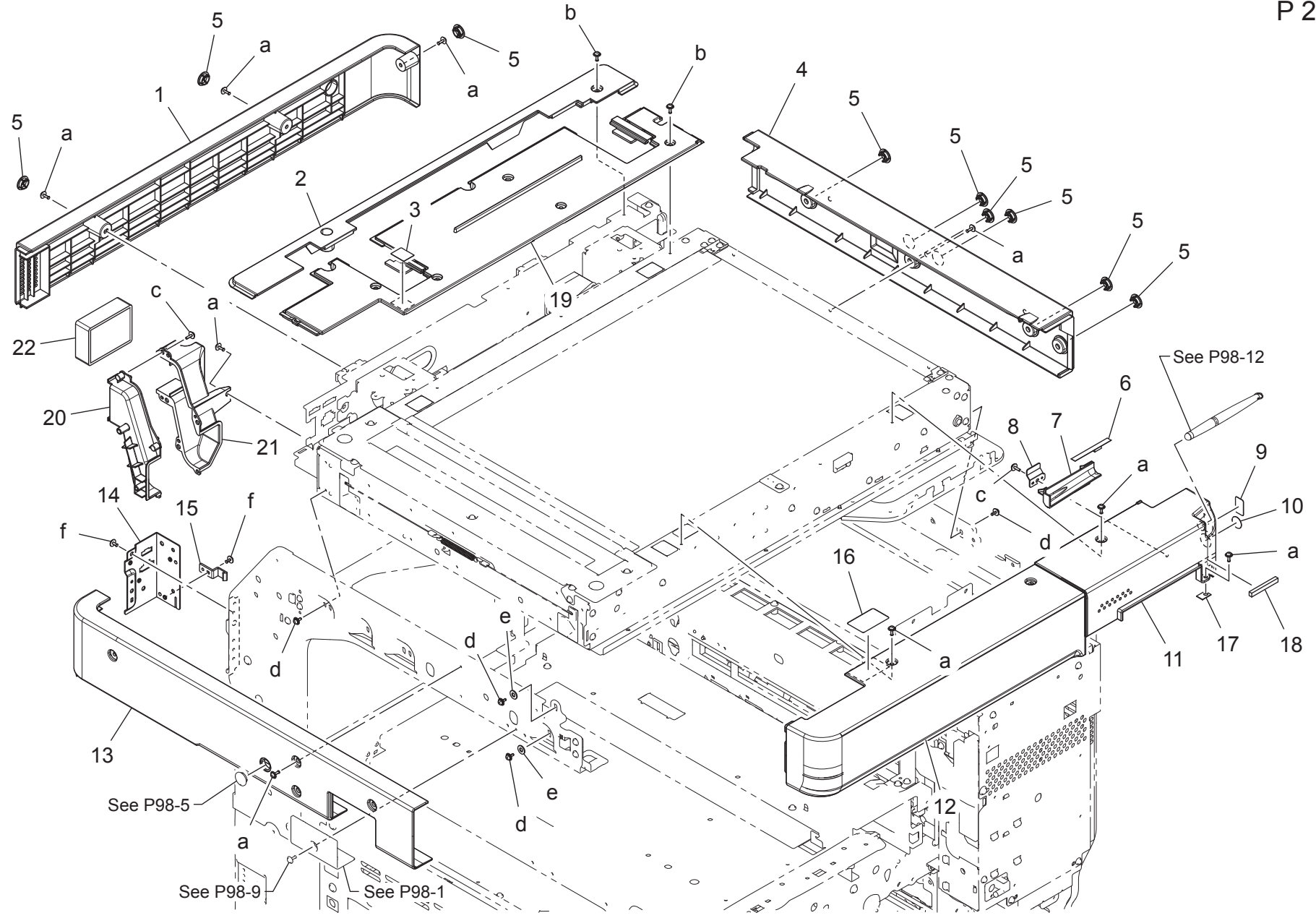


bizhub 958/bizhub PRO 958

CONTROL PANEL SECTION

Key	Part No.	Description	Destinations	Class	QTY	Standard parts
1	A795167900	Cover		C	1	a-V121030804
2	A161190903	Cover		C	1	b-V116040803
3	A795167400	Cover		C	1	c-V126030603
4	A7PUM70100	Panel assembly	操作パネル ASSY (北米)	I	1	d-V125030801
4	A7PUM70200	Panel assembly	操作パネル ASSY (欧州)	I	1	e-V114040604
4	A7PUM70300	Panel assembly	操作パネル ASSY (中国)	J	1	f-V153030803
5	A795161200	Cover /Right	カバー/右	C	1	g-V149030803
6	A2X0168102	Cover	カバー (目隠し・パネルヒンジ)	D	1	
7	A2X0171101	Light blocking Cover	遮光カバー (パネル下)	D	1	
8	A161167000	Lens	レンズ (ライトガイド・上)	D	1	
9	A161167100	Lens	レンズ (ライトガイド・中)	D	1	
10	15BY561200	Cover Spacer	カバースペース	D	2	
11	A795170403	Cover /Front	カバー/前	C	1	
12	A796N13800	Relay Wiring /3	中継束線/3	D	1	
13	A161H00U01	PWB Assembly(PWB-LED ASSY)	基板 ASSY (PWB-LED ASSY)	C	1	
14	A2X0170600	Mounting Plate	取付板 (認証カバー)	D	1	
15	A795170502	Cover /Front	カバー/前	D	1	
16	A2X0168700	Slide Part	すべり材	C	1	
17	A795195101	Reinforce Plate	補強板	D	1	
18	A2X0195201	Spacer	スペーサ	D	1	
19	A55VR70500	Operation Panel Mounting Part Assy	操作パネル取付板 Assy	C	1	
20	A795167503	Cover	カバー	C	1	
21	A7PUN15300	Interface Cable	インターフェースケーブル (USB (前面))	D	1	
22	A795150701	Mounting Plate	取付板 (USB)	D	1	
23	A795151201	Mounting Plate	取付板 (FAXスピーカー)	D	1	
24	A7PUM72100	Speaker	スピーカ	D	1	
25	A011946200	Label Emperon	ラベル Emperon	D	1	
26	A5C1N10B00	Indicating Wiring/3	表示束線/3	D	1	
27	A7PUN15600	Interface Cable	インターフェースケーブル (パネル)	D	1	

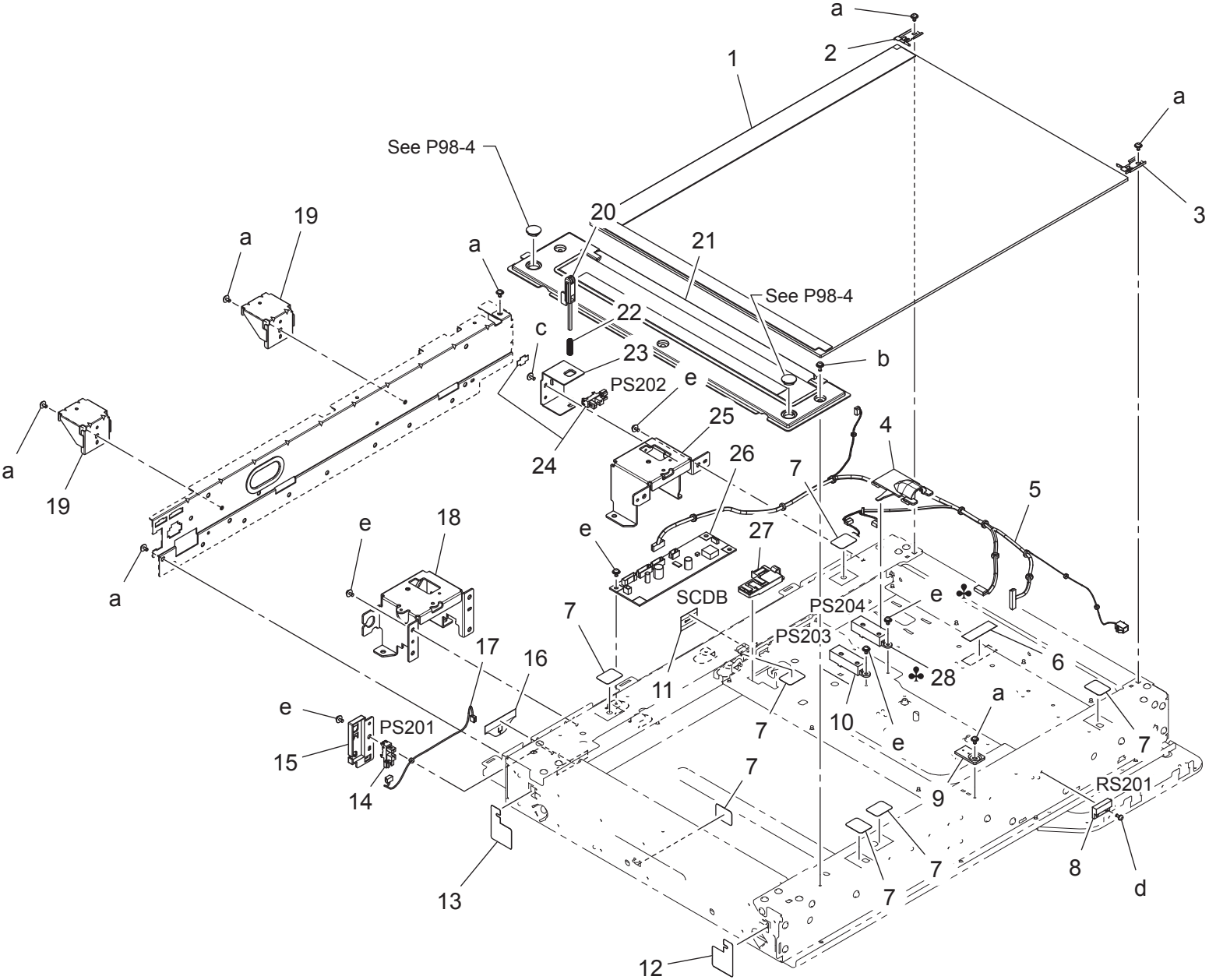
IR COVER SECTION



bizhub 958/bizhub PRO 958

Key	Part No.	Description	Destinations	Class	QTY	Standard parts
1	A795163101	Read Cover /Rear		C	1	a-V121030803 b-V121030804 c-V153030803 d-V125030801 e-V207040003 f-V137030603
2	A795167200	Read Cover /Upper		C	1	
3	A7PU940600	Label		D	1	
4	A795163302	Read Cover /Right		C	1	
5	A02E167700	Cover		C	9	
6	A795168600	Cushion		D	1	
7	A2X0168300	Holder		D	1	
8	A795168400	Fixing Plate		D	1	
9	A795172800	Seal		C	1	
10	A795172900	Seal		C	1	
11	A795165802	Read Cover /Front		C	1	
12	A795163001	Read Cover /Front		C	1	
13	A795163201	Read Cover /Left		C	1	
14	A2X0267901	Mounting Plate		D	1	
15	A0P0267300	Guide		D	1	
16	A0HF952400	Label		C	1	
17	A161703100	Spacer /Lower		D	1	
18	A795169300	Sealing Part		C	1	
19	A795167800	Read Cover /Upper		C	1	
20	A796153200	Duct		D	1	
21	A796153300	Duct		D	1	
22	A796153400	Paper exit Filter		C	1	

SCANNER SECTION

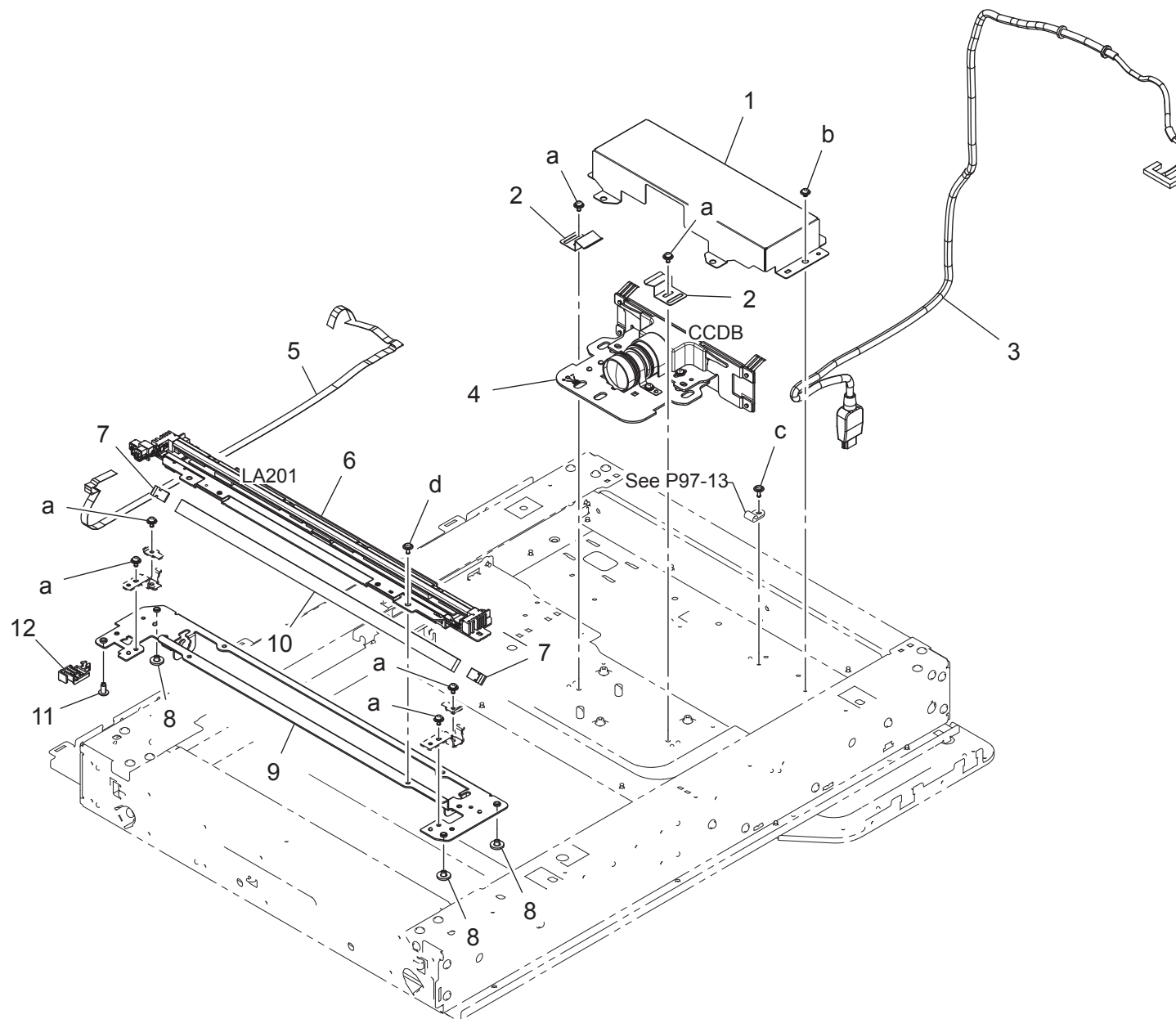


bizhub 958/bizhub PRO 958


SCANNER SECTION

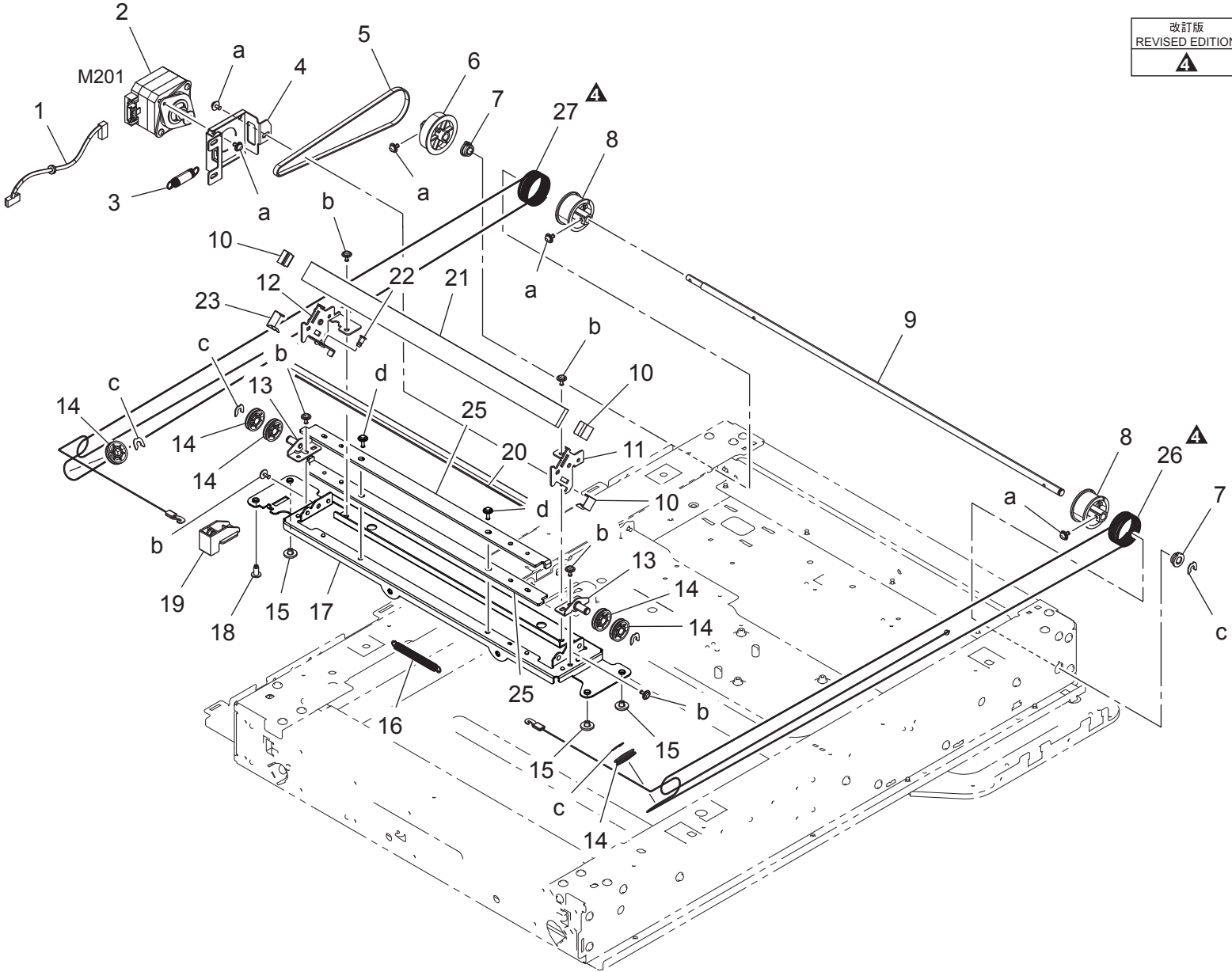
Key	Part No.	Description	Destinations	Class	QTY	Standard parts
1	A161R72200	Original Glass Assy		C	1	a-V127030604 b-V116030804 c-V137030603 d-V115030603 e-V116030603
2	A161268300	Holding Plate		D	1	
3	A161268200	Holding Plate		D	1	
4	A161281600	Guide		D	1	
5	A161N14100	Scanner Wiring /1		D	1	
6	4036307501	Tape		D	1	
7	4581162501	SEAL		C	7	
8	A1UDM50200	Lead Switch		C	1	
9	A00J265300	Regulating Plate		C	1	
10	A161M50A00	APS Photoreflector		C	1	
11	A161281300	Seal		D	1	
12	A5C1263300	Seal		C	1	
13	A5C1263400	Seal		C	1	
14	A5C1M50100	Photointerrupter		B	1	
15	A161262200	Cover		D	1	
16	A161263000	Seal		D	1	
17	A161N14201	Scanner Wiring /2		D	1	
18	A161261902	Frame		D	1	
19	A795265900	Mounting Plate		D	2	
20	A161280211	Lever		D	1	
21	A7PUR71111	Slit Glass Assy		C	1	
22	A161280300	Compressing Coil spring		C	1	
23	A5C1280100	Mounting Plate		D	1	
24	A108R90000	PHOTO INTERRUPTER		I	1	
25	A161262002	Frame		D	1	
26	A796H01A00	Scanner drive board Assembly		I	1	
27	A161281100	Guide		D	1	
28	A161M50A00	APS Photoreflector	D1,D3,E,F2,G1,I,K	C	1	

SCANNER SECTION



SCANNER SECTION

改訂版 REVISED EDITION	日付 DATE
	MAY 2017

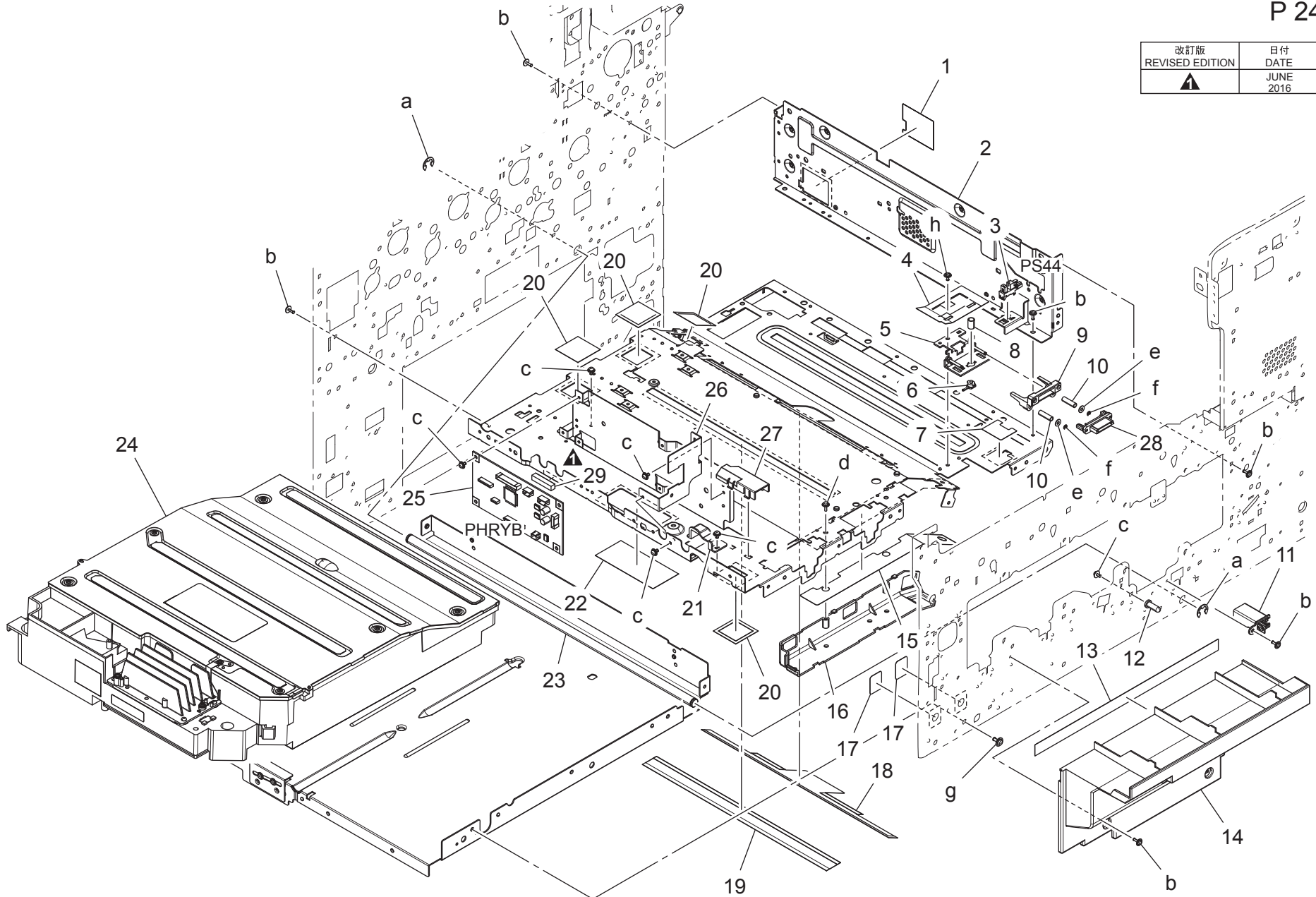


Key	Part No.	Description	Destinations	Class	QTY	Standard parts
1	A5C1N14300	Scanner Wiring		D	1	a-V116030603 b-V137030603 c-V218040086 d-V137030803
2	A5C1M10A00	Stepping motor		C	1	
3	A795275700	Pulling Spring		D	1	
4	A161276000	Mounting Plate		D	1	
5	A161275600	Timing belt 335L		D	1	
6	A161275500	Pulley 103T		D	1	
7	A161276500	Bearing		D	2	
8	A161275300	Pulley		D	2	
9	A161275400	Shaft		D	1	
10	A0ED274400	Plate spring		D	3	
11	A161273800	Mounting Plate		D	1	
12	A161273701	Mounting Plate		D	1	
13	A161273401	Mounting Plate		D	2	
14	A0ED273600	Pulley		C	6	
15	A161271000	Bushing		D	3	
16	A0ED276301	Pulling Spring		D	1	
17	A161273100Old	Frame		D	1	
17	A161273113	Frame		D	1	
18	A161271100	Bushing		D	1	
19	A161273500	Guide Part		D	1	
20	A0ED274200	Vibrationproof Plate		D	1	
21	A0ED274300	Mirror		D	2	
22	A161274600	Adjusting Screw		C	1	
23	A161274500	Plate spring /1		D	1	
25	A795273900	Vibrationproof Plate		D	2	
26	A161275113	Wire /Front		C	1	
27	A161275213	Wire /Rear		C	1	

PH UNIT

P 24

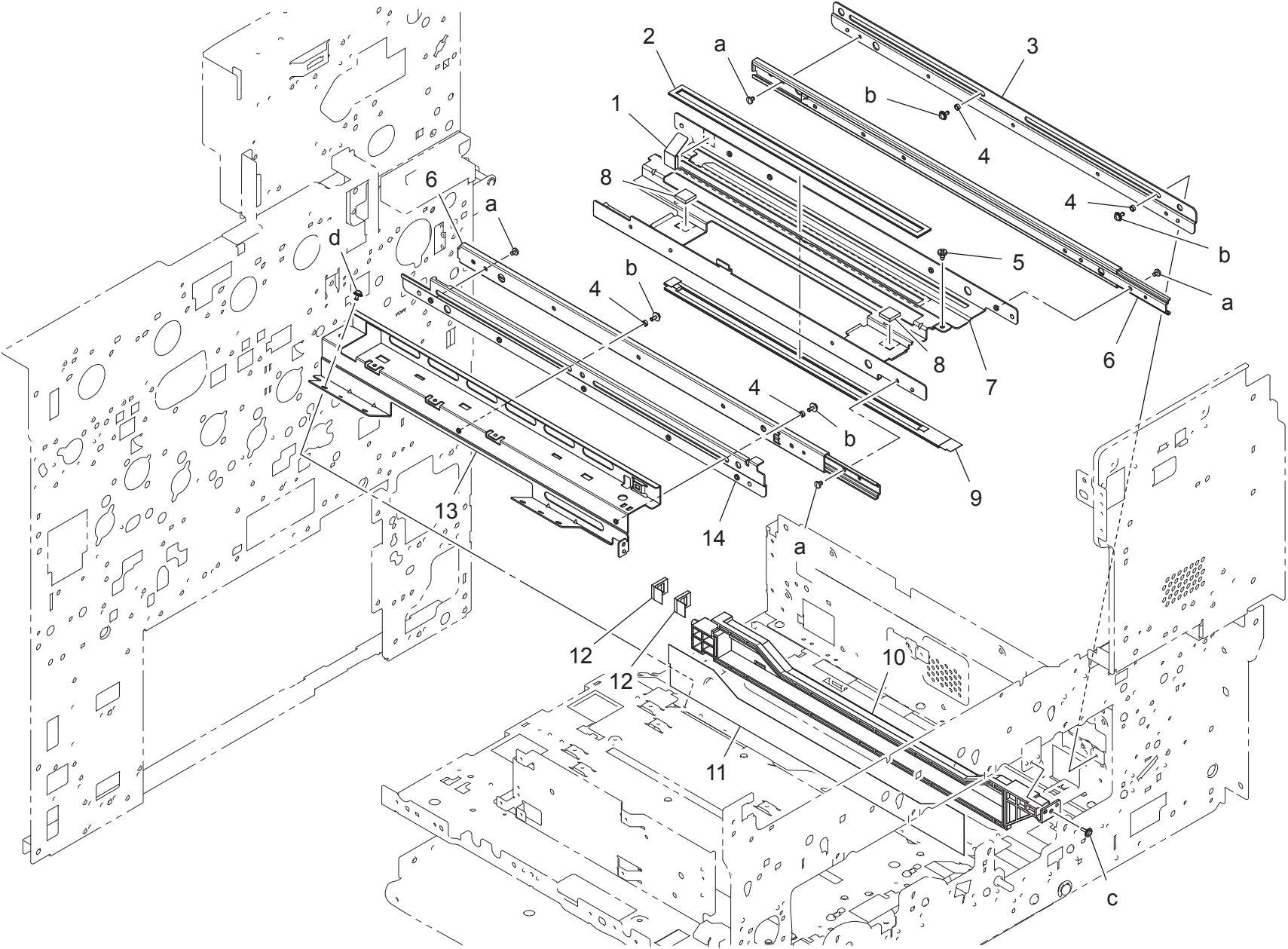
改訂版 REVISED EDITION	日付 DATE
▲	JUNE 2016



bizhub 958/bizhub PRO 958



TONER RAIL SECTION

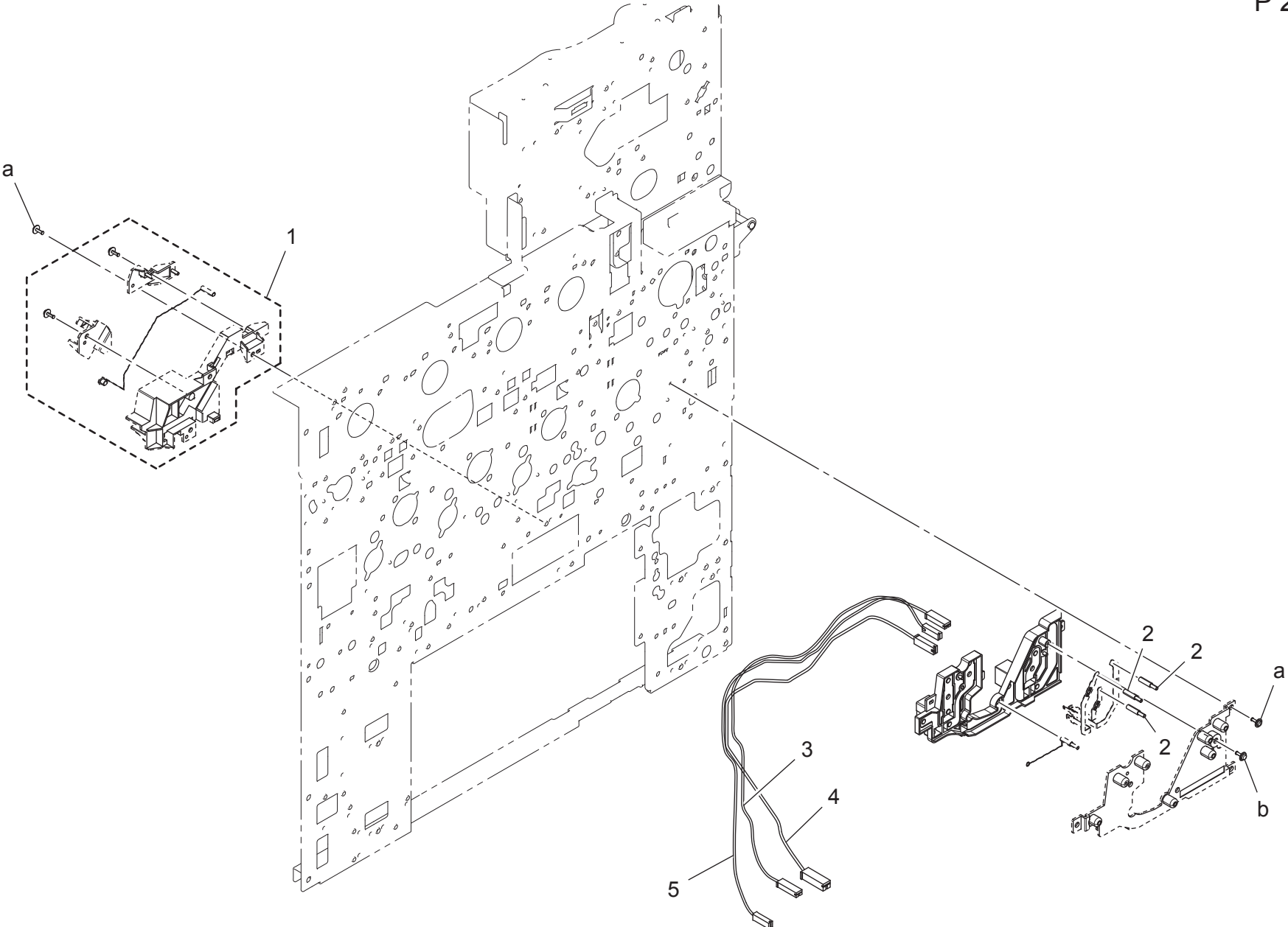


bizhub 958/bizhub PRO 958

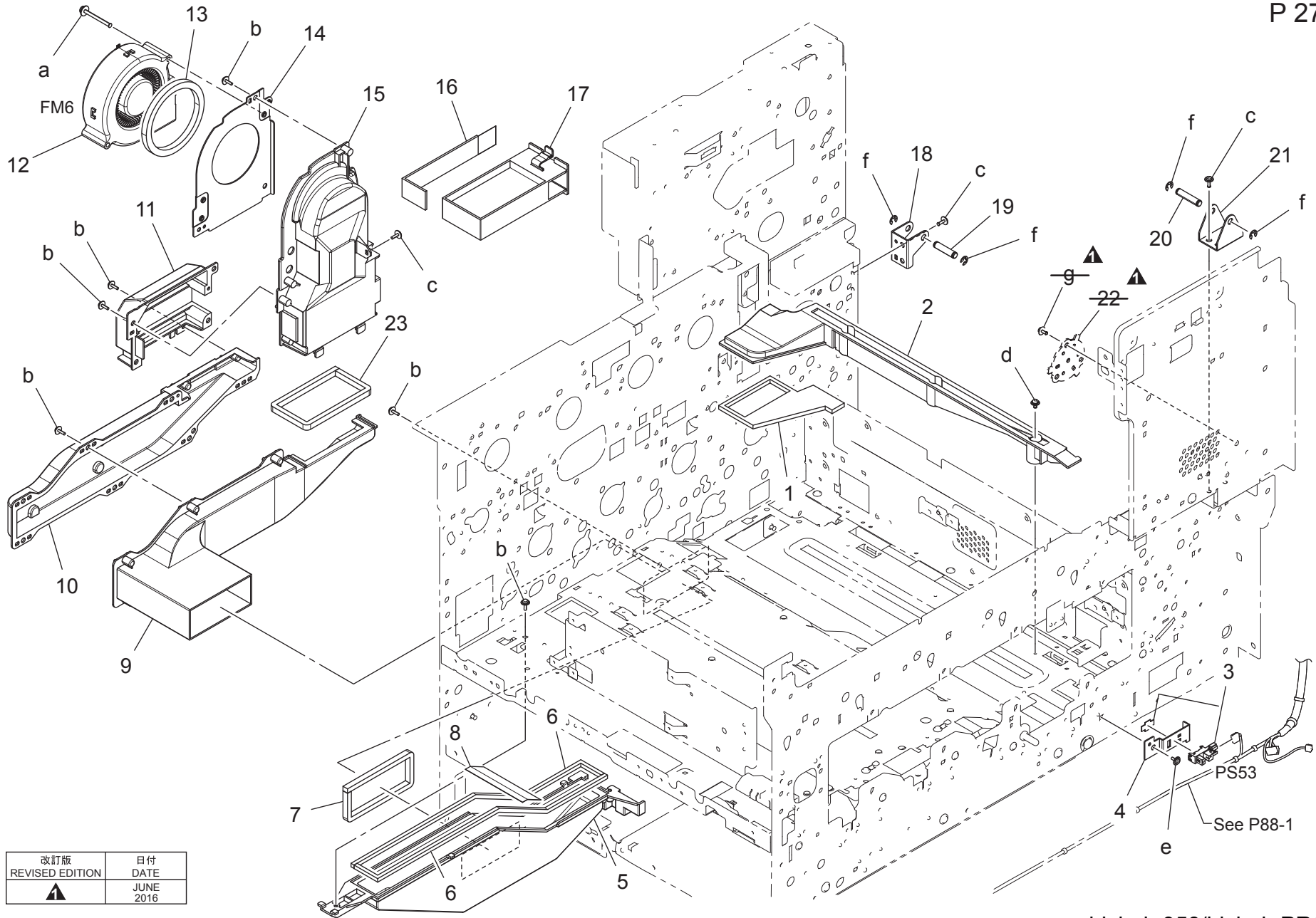
TONER RAIL SECTION

Key	Part No.	Description	Destinations	Class	QTY	Standard parts
1	A0P0109701	Protection Cushion		C	1	a-V118030403 b-V125030801 c-V137030803 d-V116030603
2	A0P0108301	Sealing Part		D	1	
3	A0P0108500	Mounting Plate /Right		D	1	
4	A0P0108100	Spacer		D	4	
5	A0P0382700	Screw		C	1	
6	A0P0125000	Slide Rail		D	2	
7	A795108200	Mounting Plate /Lower		D	1	
8	A00J121200	Cushion /Lower		C	2	
9	A0P0114101	Ozone Seal /Black		C	1	
10	A0P0108623	Scatteringprevention Duct		D	1	
11	A0P0125311	Seal		C	1	
12	A0P0108900	Sealing Part		D	2	
13	A0P0110501	Rail /E		D	1	
14	A0P0108401	Mounting Plate /Left		D	1	

CONTACT SECTION



OZONE DUCT SECTION

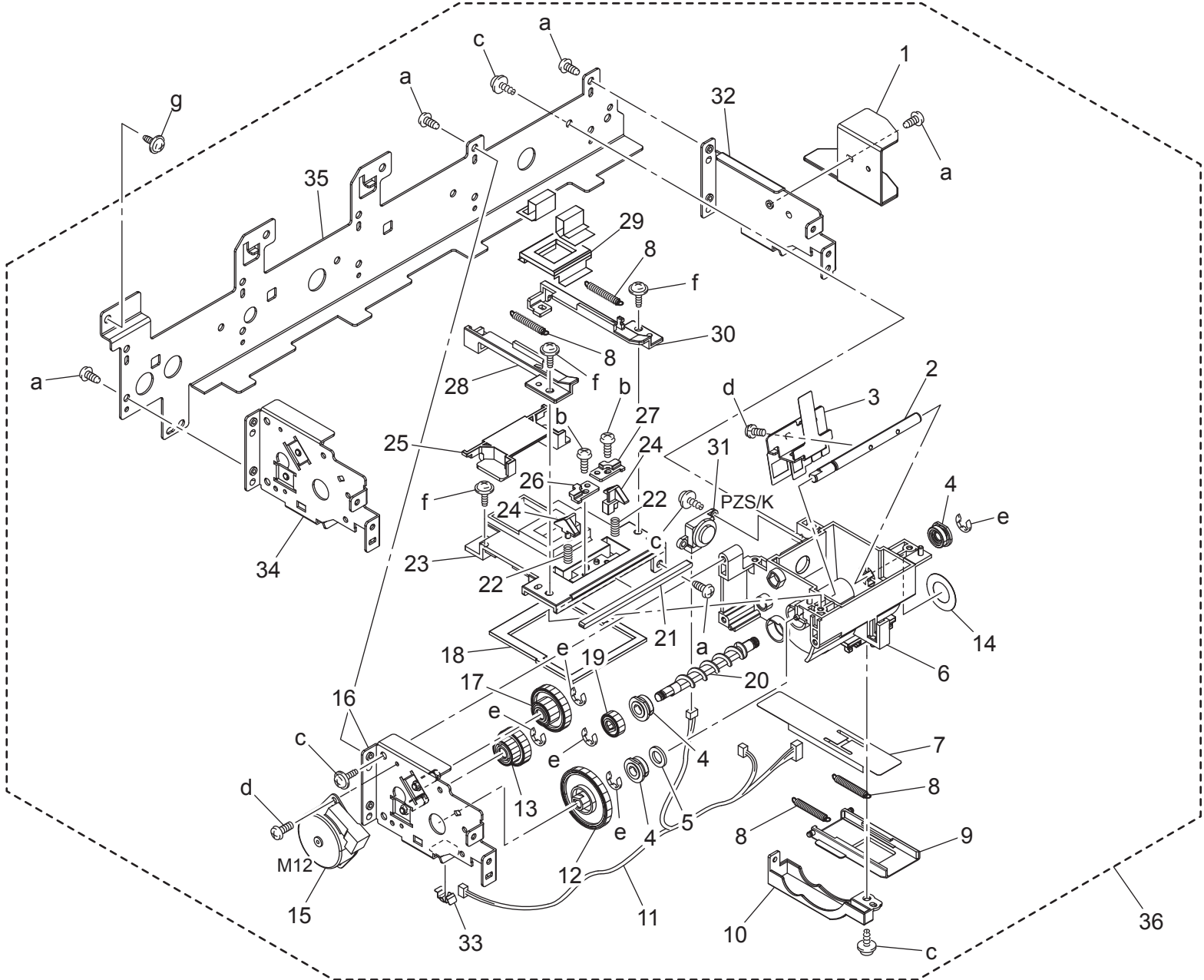


改訂版 REVISED EDITION	日付 DATE
▲	JUNE 2016

Order here
8 (495) 646-0426
ПЯТЫЙ ПАРТНЕР www.km-shop.ru

bizhub 958/bizhub PRO 958

TONER SUPPLY SECTION



bizhub 958/bizhub PRO 958

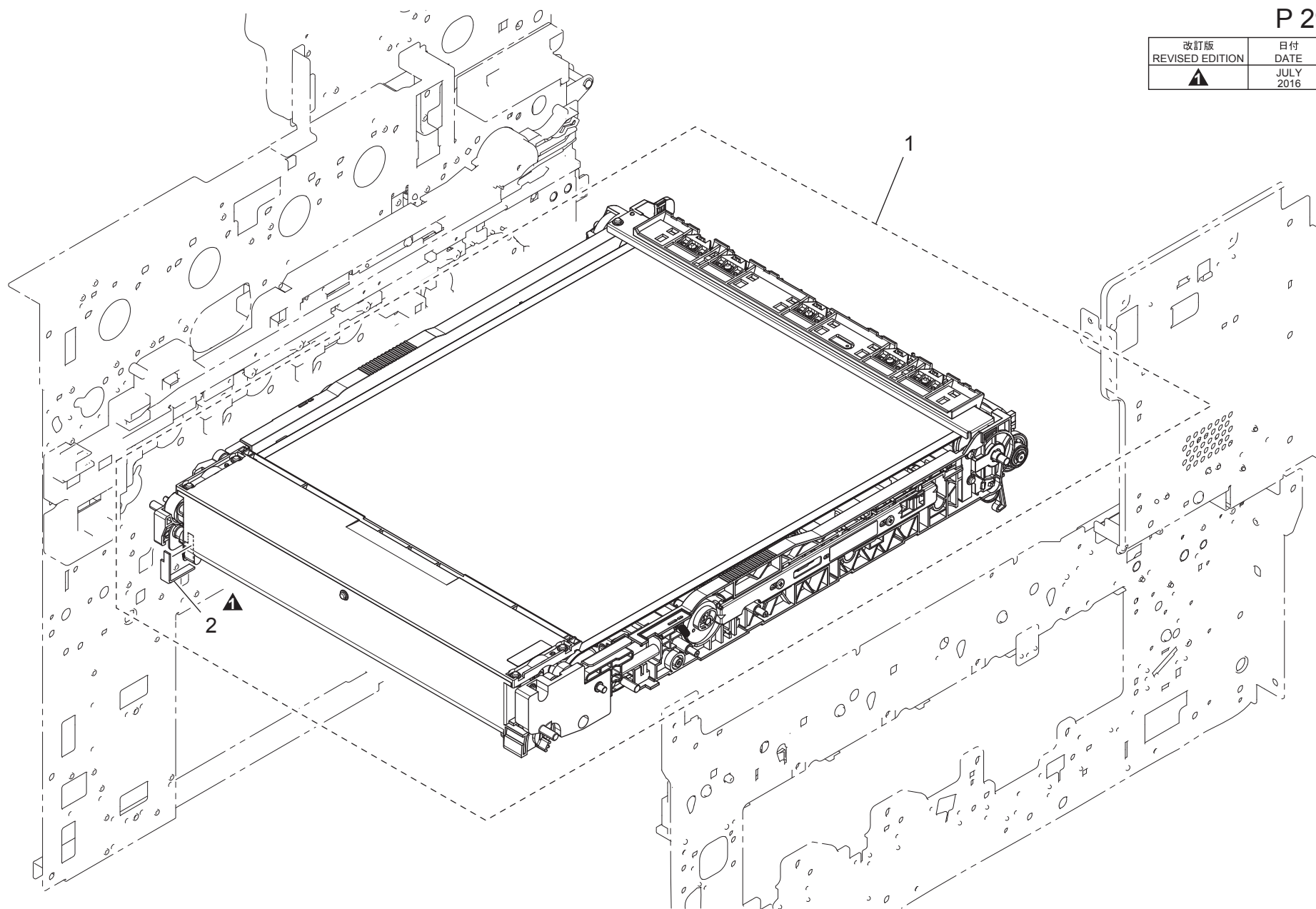


Key	Part No.	Description	Destinations	Class	QTY	Standard parts
1	A0P0406700	Cover		D	1	a-V118030803
2	A00J400611	Agitating Shaft		D	1	b-V145030803
3	A00JR74400	AGITAING PANEL		C	1	c-V153030803
4	65AA32501	BUSHING /B		C	3	d-V115030803
5	A00J402300	Seal		C	1	e-V217040001
6	A00J400113	Supply Casing		D	1	f-V153031004
7	4036534914	SEAL		C	1	g-V137030603
8	4036534801	TENSION SPRING		C	4	
9	4036534713	Shutter		C	1	
10	A00J405400	Cover /Lower		C	1	
11	A55VN12301	Toner Drive harness		D	1	
12	A00J401700	Gear 45T		C	1	
13	A2X0401800	Gear 35/45T		C	1	
14	A0P0401000	Seal		C	1	
15	A00JM12100	Stepping motor		C	1	
16	A2X0F41001	DrivePanel/H		D	1	
17	A00J401900	Gear 17/44T		C	1	
18	A00J402200	Seal /A		C	1	
19	A00J401600	Gear 22T		C	1	
20	A00J400500	Supply Roller		C	1	
21	A00J407300	SEAL		C	1	
22	A00J401401	Spring /A		C	2	
23	A00J400300	Cover /Upper		D	1	
24	A00J401200	Regulating Claw		C	2	
25	A00J400401	Shutter /H		C	1	
26	A00J406801	Receiving Block /Left		C	1	
27	A00J406901	Receiving Block /Right		C	1	
28	A00J405600	Guide Cover /Left		C	1	
29	A00J400900	Seal /S		C	1	
30	A00J405500	Guide Cover /Right		C	1	
31	40AA88031	Level Detection Sensor		C	1	
32	A00J406600	Panel /P		D	1	
33	A2X0401000	Guide Plate		C	1	
34	A2X0401501	Drive Panel /H		D	1	
35	A0P0402501	Mounting Plate /T		D	1	
36	A55VR70311	Sub Hopper Assy		C	1	

TRANSFER UNIT

P 29

改訂版 REVISED EDITION	日付 DATE
▲	JULY 2016



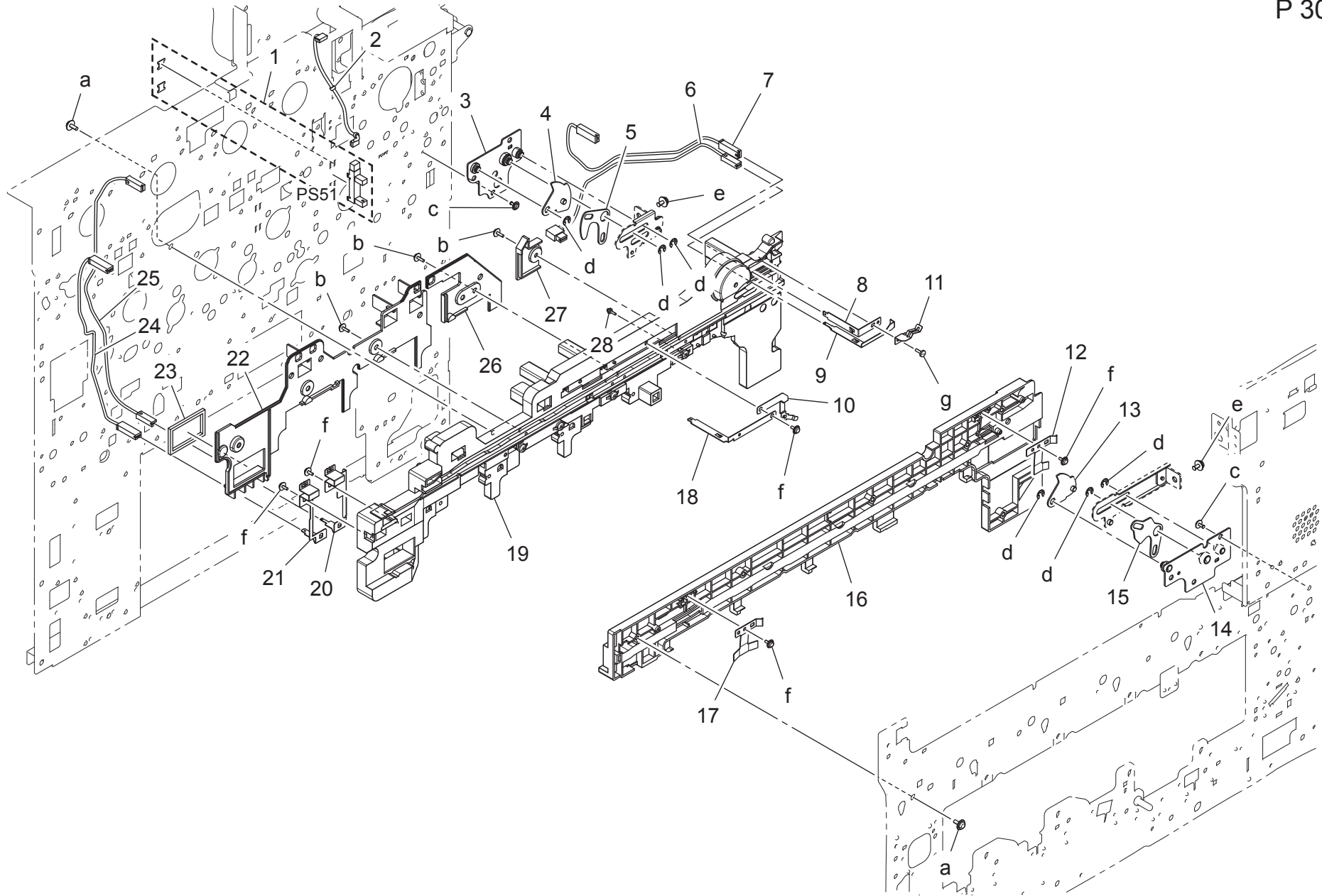
bizhub 958/bizhub PRO 958

TRANSFER UNIT

Key	Part No.	Description	Destinations	Class	QTY	Standard parts
1	A795R71422	Middle Transfer ASSY		A	1	
2	A795539000	Protection Seal		C	1	



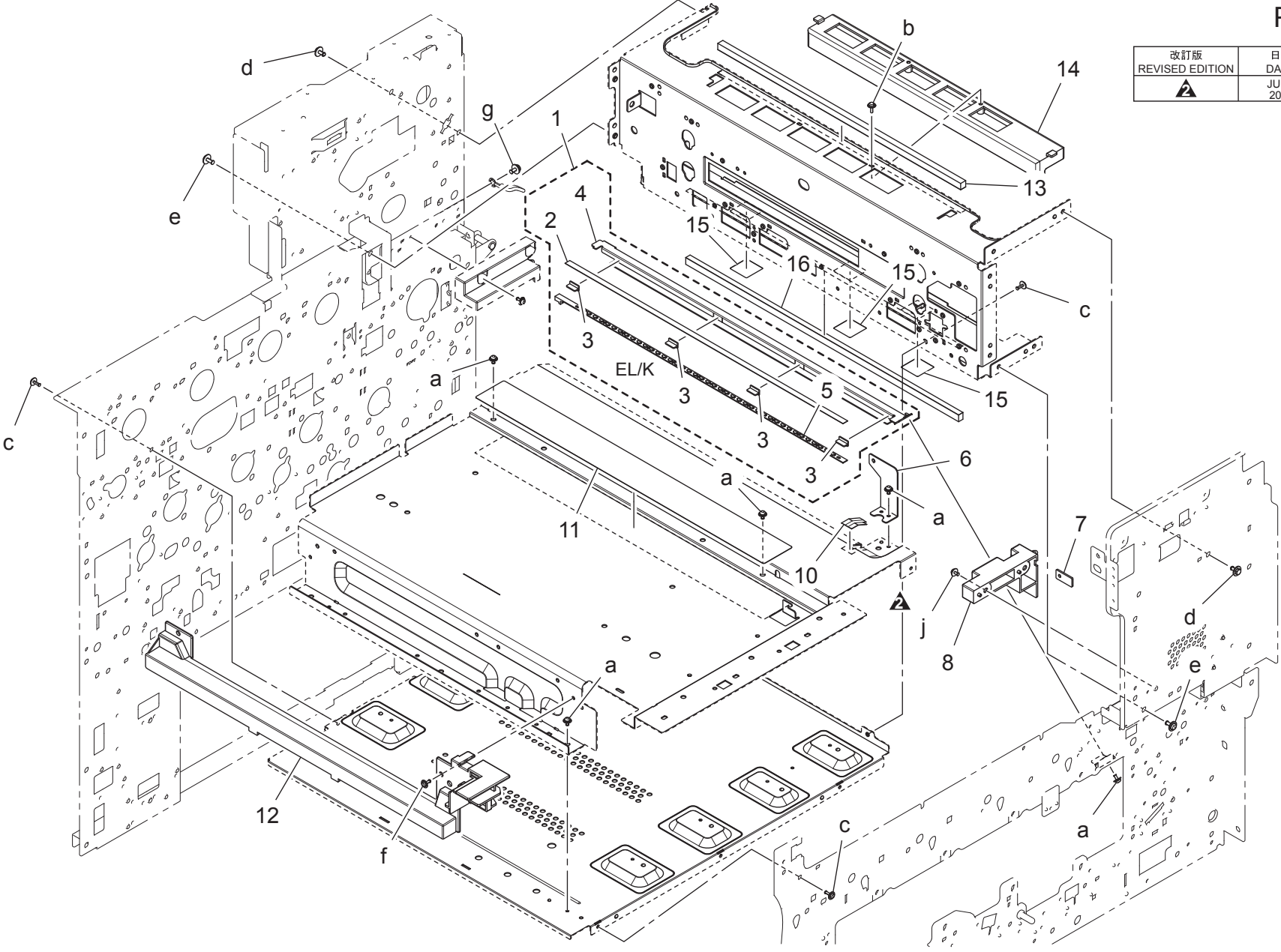
TRANSFER RAIL SECTION



TRANSFER RAIL SECTION

Key	Part No.	Description	Destinations	Class	QTY	Standard parts
1	A00JR90000	PHOTO INTERRUPTER		B	1	a-V153040803 b-V153030803 c-V137030603 d-V217040001 e-V116040803 f-V153030603 g-V149030803
2	A55VN12M00	Sensor Relay harness /4		D	1	
3	A00JR7A211	PLATE / REAR		D	1	
4	A00JR7A300	LOCK PLATE / REAR		D	1	
5	A00J523201	Connecting Plate		C	1	
6	A2X0N13D00	Separating Wiring /E		D	1	
7	A2X0N13C00	Transfer Wiring		D	1	
8	A00J708300	Contact		C	1	
9	A795708400	Separating Contact		C	1	
10	A00J522600	Contact /Black		C	1	
11	A00J708900	Contact		C	1	
12	A00J521601	Plate spring /1		D	1	
13	A00JR7A500	LOCK PLATE / FRONT		D	1	
14	A00JR7A600	PLATE / FRONT		D	1	
15	A00J523901	Connecting Plate		D	1	
16	A00J520102	Transfer Rail /Front		D	1	
17	A00J521701	Plate spring /2		D	1	
18	A795520300	Transfer Contact /Black		C	1	
19	A795520200Old	Transfer Rail /Rear		D	1	
19	A795520211	Transfer Rail /Rear		D	1	
20	A795520800	Contact		C	1	
21	A795520900	Contact		C	1	
22	A795524200	Cover /2		D	1	
23	A795155501	Cushion		C	1	
24	A796N13F00	Separating Wiring /2		D	1	
25	A796N13E00	Separating Wiring /1		D	1	
26	A795524100	Cover /1		D	1	
27	A00J524402	Cover /4		C	1	
28	4036231101	PIN		D	1	

ERASE LAMP SECTION



改訂版 REVISED EDITION	日付 DATE
	JUNE 2016

bizhub 958/bizhub PRO 958

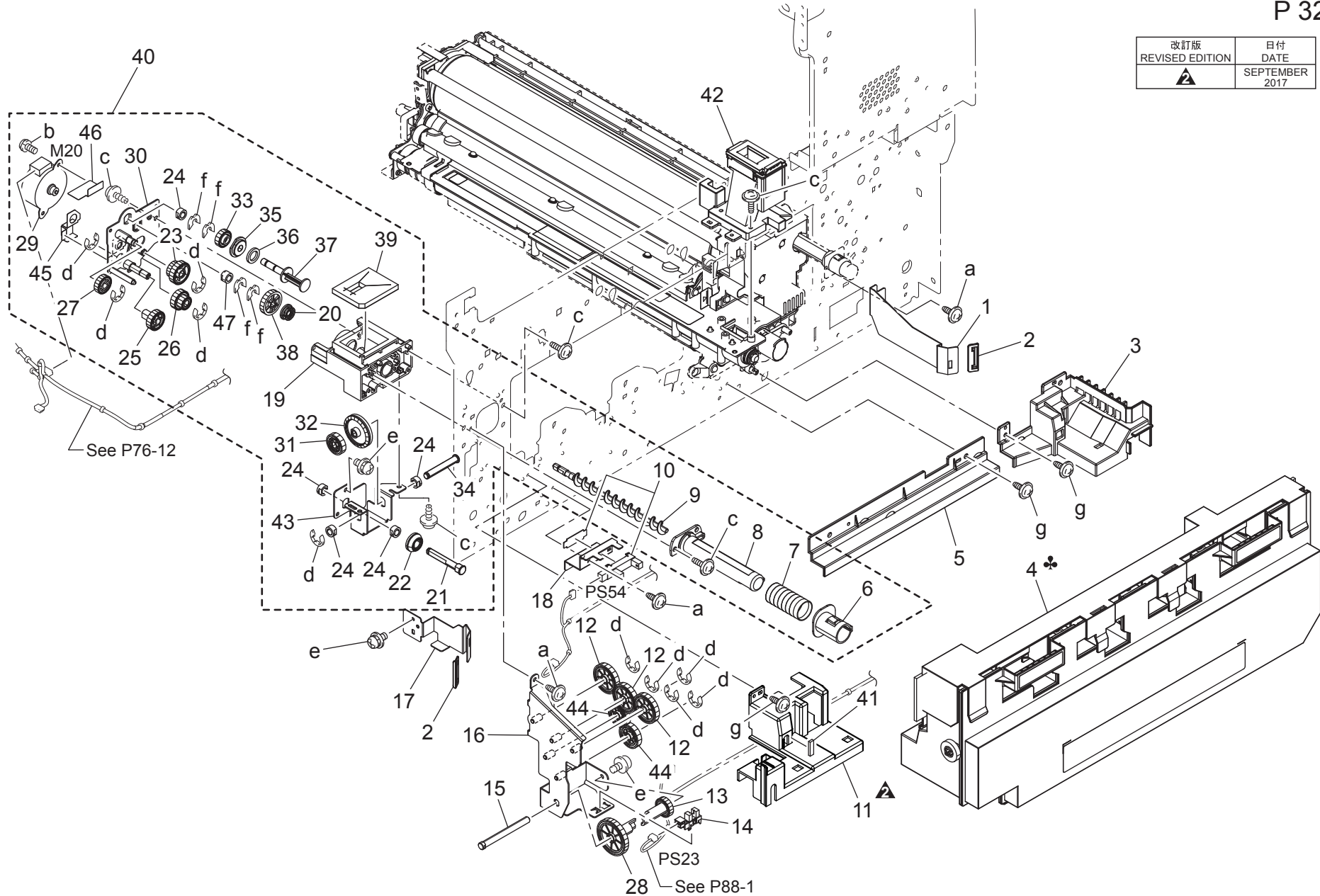
ERASE LAMP SECTION

Key	Part No.	Description	Destinations	Class	QTY	Standard parts
1	A00JR73700	ERASER LAMP ASSY		C	1	a-V116030603 b-V153030803 c-V137030803 d-V146040804 e-V137040803 f-V153030603 g-V116040803 j-V116030803
2	A00J145200	Light blocking Part		C	1	
3	A00J145101	Mounting Plate		C	4	
4	A00J145000	Mounting Plate		D	1	
5	A00JM30301	LED array		I	1	
6	A795107000	Mounting Plate		D	1	
7	A795116700	Mounting Plate		D	1	
8	A795102500	Guide Plate /Front		D	1	
10	A00J107401	Sheet		C	1	
11	A795122701	Sheet		D	1	
12	A00J137105	Cover		D	1	
13	A2X0890600	Sealing Part		C	1	
14	A795158300	Duct		D	1	
15	A796122400	Sheet		C	3	
16	A796122500	Cushion		C	1	

bizhub 958/bizhub PRO 958

TONER COLLECT SECTION

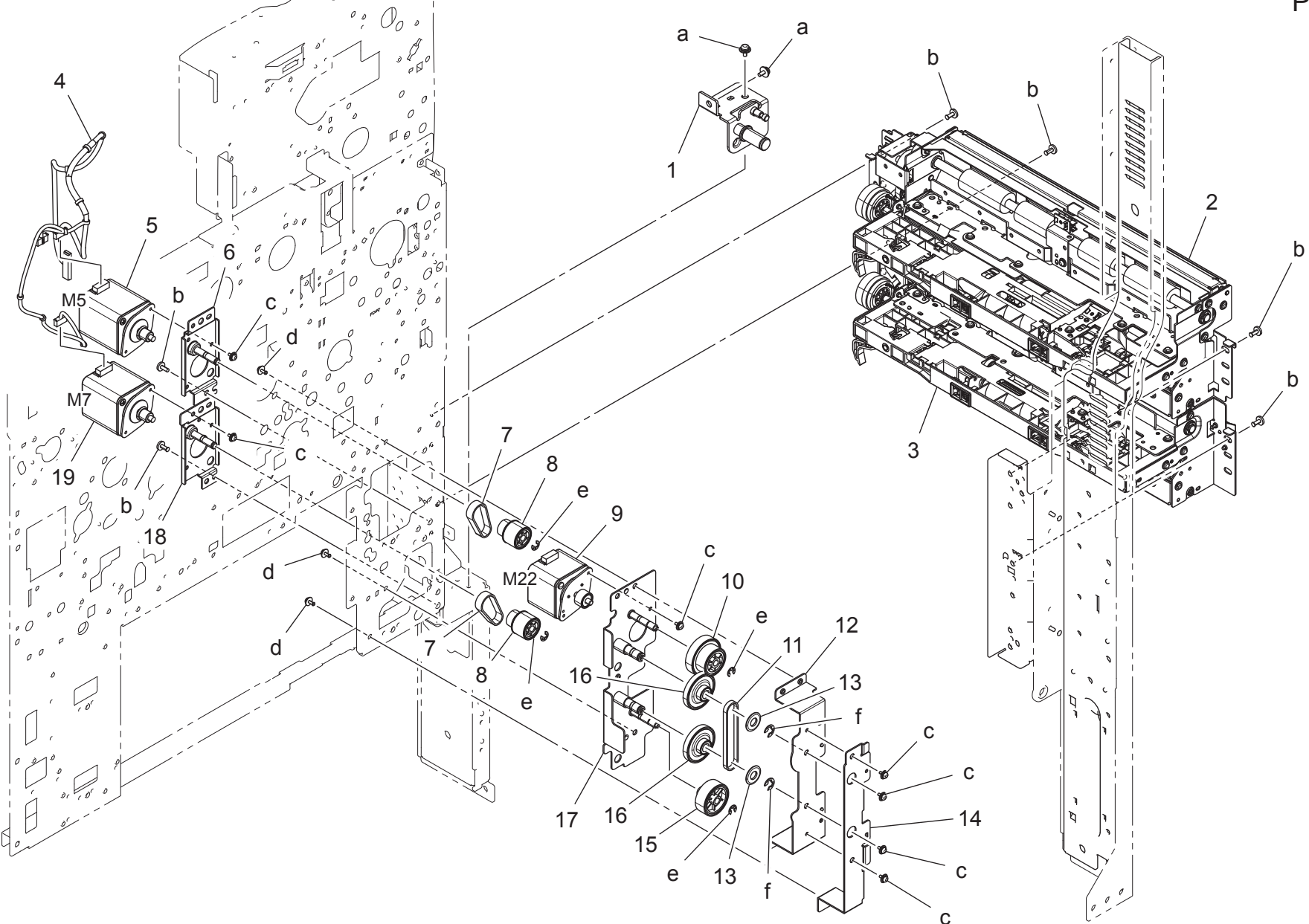
改訂版 REVISED EDITION	日付 DATE
	SEPTEMBER 2017



TONER COLLECT SECTION

Key	Part No.	Description	Destinations	Class	QTY	Standard parts
1	A0P0364800	Fixing Plate /Right	B, C, G2 D1,D3,E,F2,G1,I (Ex cept South Africa), K,J	D	1	a-V137030603 b-V115030603 c-V153030803 d-V217040001 e-V116030603 f-V218040086 g-V137030803
2	A00J365001	Knob		C	2	
3	A0P0366001	Guide Part /Right		D	1	
4	A2WYWY7	Waste toner box		A	1	
4	A2WYWY6	Waste toner box	A	1		
5	A0P0366200	Guide Part /Middle		D	1	
6	A00J361101	Collection Shutter		C	1	
7	A00J361200	Compressing Spring		C	1	
8	A00J361700	Collection Pipe		C	1	
9	A796360800	Conveyance Screw		C	1	
10	4037090101	PHOTO INTERRUPTER		B	1	
11	A0P0366102	Guide Part /Left		D	1	
12	A0P0362900	Gear 27T		D	3	
13	A0P0364100	Drive Gear /10 17T		D	1	
14	A5C1M50100	Photointerrupter		B	1	
15	A0P0364200	Shaft		D	1	
16	A2WUR70411	Fixing Plate		D	1	
17	A0P0364900	Fixing Plate /Left		D	1	
18	A0P0366301	Mounting Plate		D	1	
19	A0P0360700	Collection Casing		D	1	
20	65AA32501	BUSHING /B		C	1	
21	A00J361900	Drive Shaft /2		D	1	
22	A00J362700	Gear 20T		C	1	
23	A00J363000	Gear 38/35T		C	1	
24	A0P0364000	Bushing		C	5	
25	A00J362500	Gear 30T		C	1	
26	A00J362400	Gear 30/20T		C	1	
27	A0P0368500	Gear 28T		C	1	
28	A2WU364100	Gear 34T		D	1	
29	A796M10A00	PM Stepping motor		C	1	
30	A796361000	Mounting Plate /ASSY		D	1	
31	A00J362600	Gear 18T		C	1	
32	A00J362800	Gear 40T		C	1	
33	A0P0368400	Gear26T		D	1	
34	A00J361800	Drive Shaft /1		D	1	
35	A0P0368200	Bushing		D	1	
36	A0P0368600	Seal		D	1	
37	A0P0368100	Agitating Paddle		D	1	
38	A00J361000	Gear 38T		C	1	
39	A00J365402	Sealing Shutter		C	1	
40	A796R70611	Toner Collection ASSY		C	1	
41	A0P0366400	Seal		C	1	
42	A2X0R71F00	Toner Supply Duct Assy		C	1	
43	A796361100	Mounting Plate /2		D	1	
44	A2WU362900	Gear 22T		D	2	
45	A0P0361501	Seal		C	1	
46	A796361600	Sheet		C	1	
47	A796364000	Bushing		C	1	

PAPER FEED DRIVE SECTION

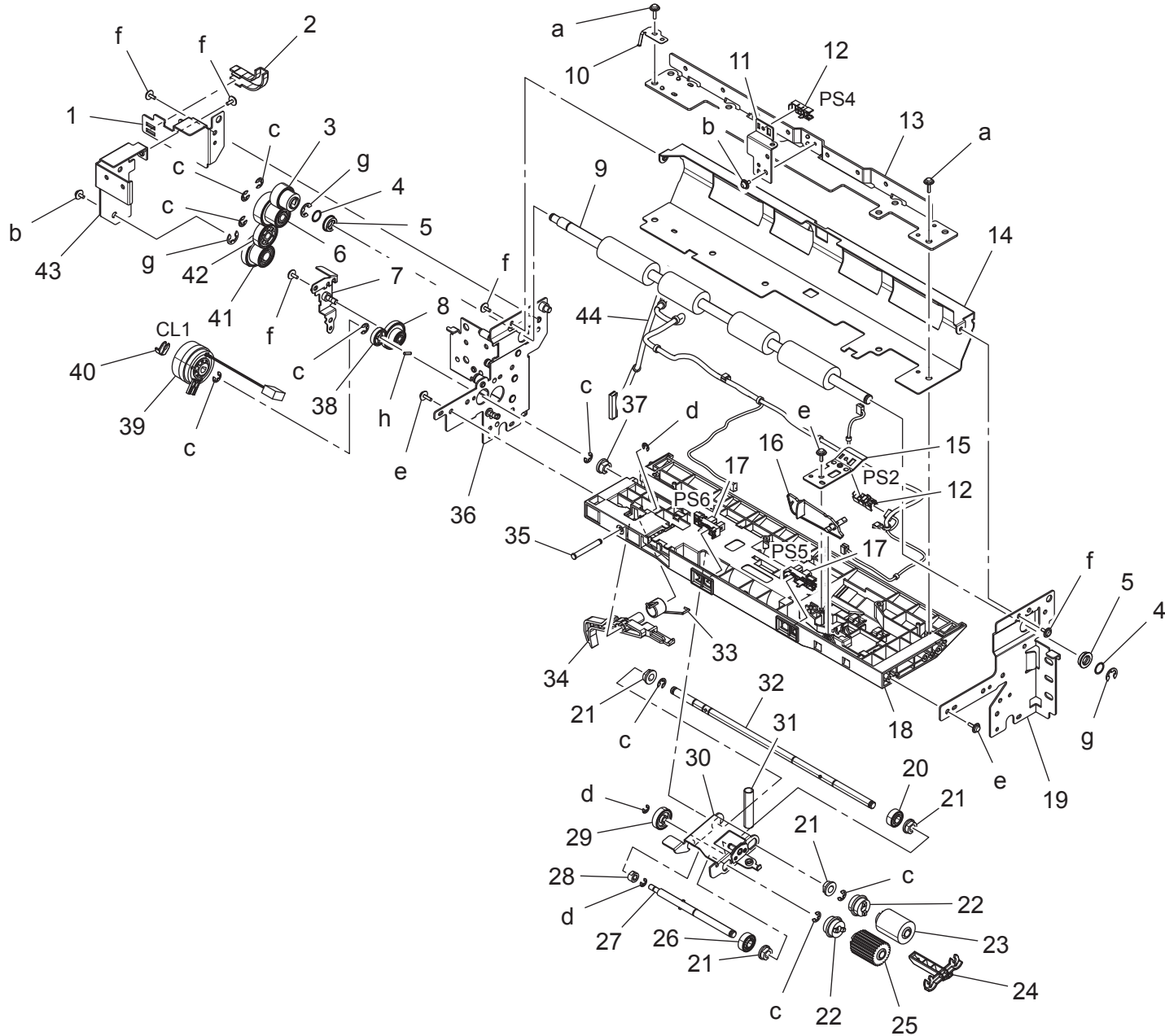


bizhub 958/bizhub PRO 958

PAPER FEED DRIVE SECTION


Key	Part No.	Description	Destinations	Class	QTY	Standard parts
1	A0P0573100	Mounting Plate		C	1	a-V116040803 b-V118040803 c-V116030603 d-V125030801 e-V217040001 f-V217060001
2	A796R71800	Paper Feed 1 ASSY		C	1	
3	A796R71900	Paper Feed 2 ASSY		C	1	
4	A796N10F00	Paperfeed Drive harness		D	1	
5	A796M10800	HB Stepping motor		C	1	
6	A796R70000	Frame/Drive Moter		D	1	
7	A796562900	Timing belt 91L		C	2	
8	A796570400	Gear 24T		C	2	
9	A796M10600	HB Stepping motor		C	1	
10	A00J562200	Gear 24/42T		C	1	
11	A00J562800	Timing belt 160L		C	1	
12	A00J562514	Mounting Plate /1		D	1	
13	A00J566300	Washer		C	2	
14	A2X0624212	Mounting Plate		D	1	
15	A00J562400	Gear 28T		C	1	
16	A00J562300	Gear 22/32T		C	2	
17	A2X0R70P00	Mounting Plate Assy		D	1	
18	A796R71500	Frame/Drive Moter		D	1	
19	A796M10900	HB Stepping motor		C	1	

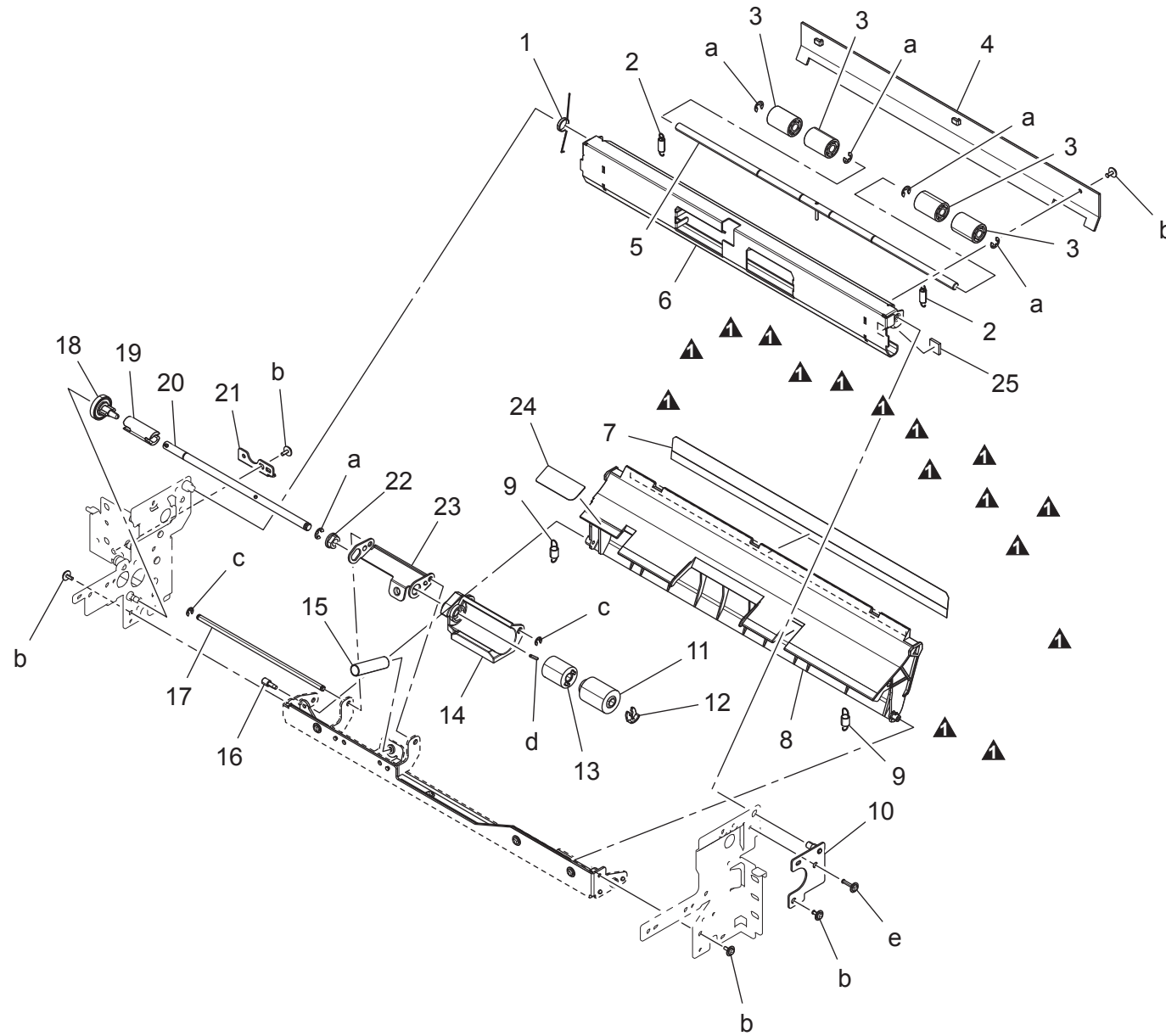
1ST PAPER FEED SECTION



Key	Part No.	Description	Destinations	Class	QTY	Standard parts
1	A795563500	Mounting Plate /Rear		D	1	a-V153031003
2	A00J563403	Wiring Cover /1		D	1	b-V116030603
3	A00J574400	Gear 22T		C	1	c-V217040001
4	A00J660700	Washer		D	2	d-V217030001
5	A00J617900	Ball Bearing		B	2	e-V153030803
6	A2X0565500	Conveyance Gear /4		C	1	f-V137030603
7	A795576700	Drive Plate		D	1	g-V217060001
8	A2X0576200	Reverse Gear		C	1	h-V234200850
9	A795570701	Conveyance Roller		C	1	
10	A2X0577400	Ground Plate		D	1	
11	A795578300	Mounting Plate /1		D	1	
12	A0EDM50100	Photoreflector		I	2	
13	A795561900	Mounting Frame		D	1	
14	A795570600	Guide Plate /1		D	1	
15	A795577800	Mounting Plate		D	1	
16	A161561600	Actuator		C	1	
17	A5C1M50100	Photointerrupter		B	2	
18	A795560300	Paper feed Frame /1		D	1	
19	A795570100	Paper feed Frame /Front		D	1	
20	A161562400	Gear 26T		C	1	
21	4131300301	BUSHING		C	4	
22	A02E561100	Clutch		C	2	
23	A00J563600	Roller		A	1	
24	A795578100	Guide /A		C	1	
25	A5C1562200	Roller		A	1	
26	A161562600	Gear 28T		C	1	
27	A161562000	Shaft		D	1	
28	A161562500	Bushing		C	1	
29	A161562300	Gear 34T		C	1	
30	A795562100	Holder		D	1	
31	A161562800	Compressing Coil spring		C	1	
32	A795560200	Paper feed Shaft		D	1	
33	A161567400	Torsion Spring		C	1	
34	A161567300	Lever		C	1	
35	A02E560800	Shaft		D	1	
36	A795570201	Paper feed Frame /Rear		D	1	
37	A00J663200	Bushing		C	1	
38	A2X0576100	Reverse Gear		C	1	
39	A796M20100	Clutch		C	1	
40	56AA40490	SHAFT STOPPER 4		C	1	
41	A00J565300	Conveyance Gear /2 21/31T		C	1	
42	A2X0565400	Conveyance Gear /3		C	1	
43	A795563400	Drive Holder /1		D	1	
44	A796N11801	Paperfeed Relay harness /3		D	1	

1ST PAPER FEED SECTION

改訂版 REVISED EDITION	日付 DATE
	JULY 2016



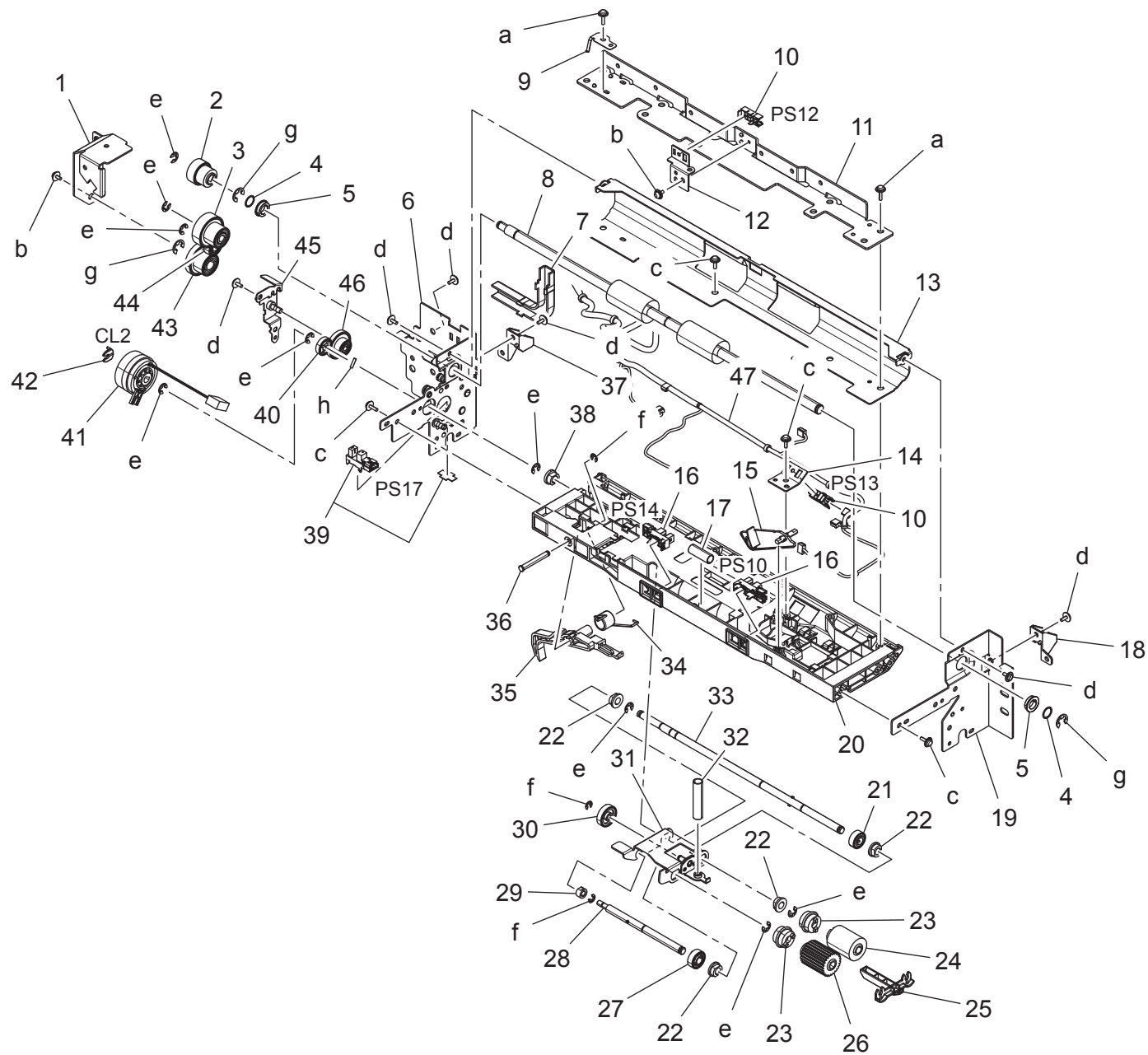
1ST PAPER FEED SECTION

Key	Part No.	Description	Destinations	Class	QTY	Standard parts
1	A2X0567401	Torsion Spring		C	1	a-V217040001 b-V137030603 c-V217030001 d-V234201050 e-V137031203
2	A00J566900	Pulling Spring /Middle		C	2	
3	4030312201	ROLL		C	4	
4	A00J566000	Holder		C	1	
5	A0P0566101	Idler Shaft		D	1	
6	A795571200	Guide Plate		D	1	
7	A00J567211	Guide Part		C	1	
8	A795574101	Conveyance Guide /1		D	1	
9	A2X0568600	Pulling Coil spring		C	2	
10	A795571400	Mounting Plate /Front		D	1	
11	A00J563600	Roller		A	1	
12	56AA40490	SHAFT STOPPER 4		C	1	
13	A795563800	Torque limiter		C	1	
14	A795577201	Slide Holder		D	1	
15	A795561701	Compressing Spring		C	1	
16	4532341001	SHOULDER SCREW		D	1	
17	A795563300	Support Shaft		D	1	
18	A2X0576300	Reverse Gear		C	1	
19	A2X0576400	Connecting Part		C	1	
20	A795561600	Rotation Shaft		D	1	
21	A00J598701	Positioning Plate /Rear		D	1	
22	4131300301	BUSHING		C	1	
23	A795564700	Support Plate /Y		D	1	
24	A2X0577000	Guide Sheet		C	1	
25	A795602000	Cushion		C	1	



Order here
8 (495) 646-0426
www.km-shop.ru

2ND PAPER FEED SECTION

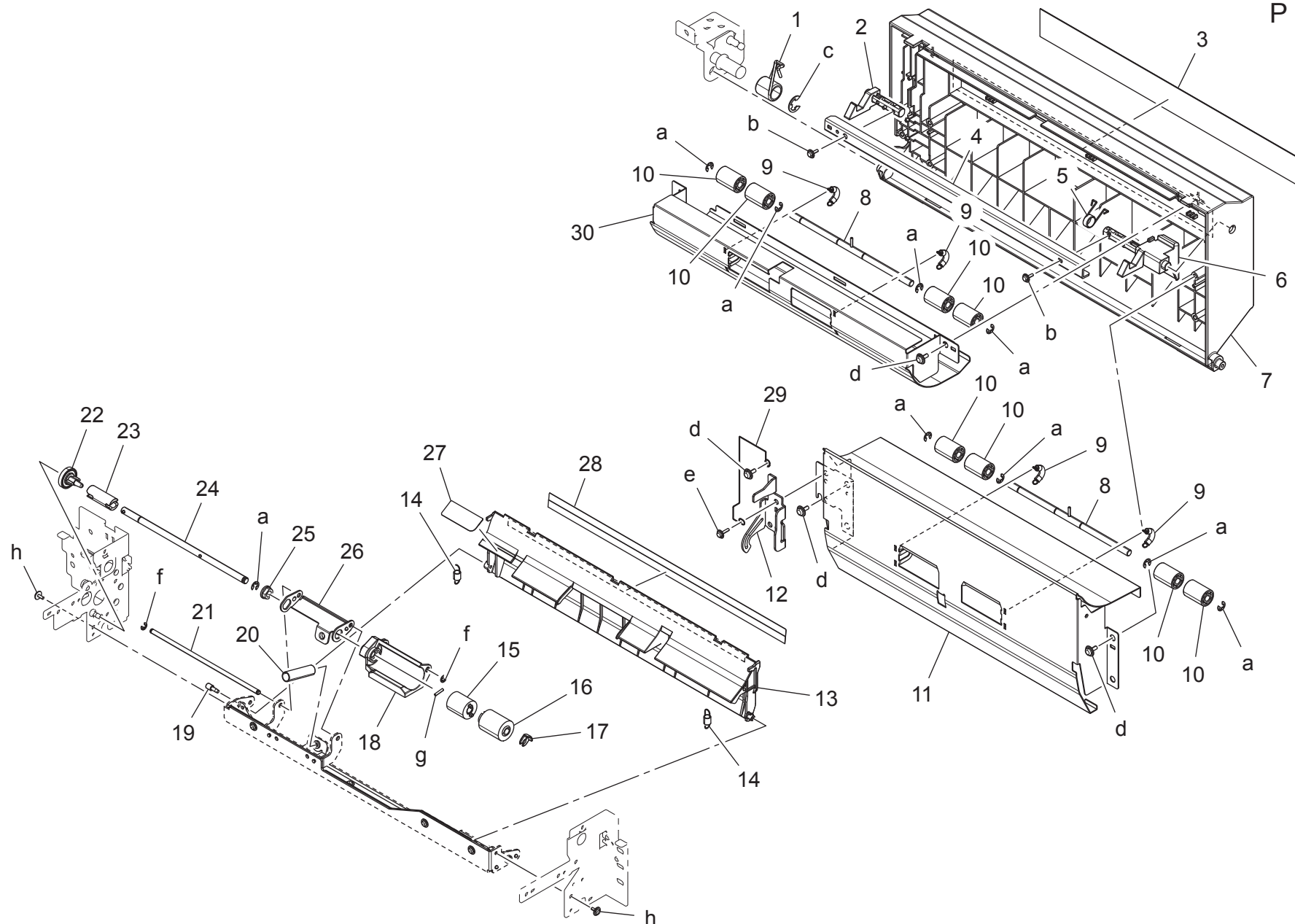


2ND PAPER FEED SECTION

Key	Part No.	Description	Destinations	Class	QTY	Standard parts
1	A795572600	Drive Holder /2	駆動ホルダ / 2	D	1	a-V153031003
2	A00J574400	Gear 22T	ギア 22 T	C	1	b-V116030603
3	A2X0565500	Conveyance Gear /4	搬送ギア / 4	C	1	c-V153030803
4	A00J660700	Washer	ワッシャ	D	2	d-V137030603
5	A00J617900	Ball Bearing	ボールベアリング	B	2	e-V217040001
6	A795572101	Paper feed Frame /Rear	給紙フレーム / 奥	D	1	f-V217030001
7	A00J564800	Wiring Cover /2	配線カバー / 2	D	1	g-V217060001
8	A795570801	Conveyance Roller	搬送ローラ	D	1	h-V234200850
9	A2X0577400	Ground Plate	アース板	D	1	
10	A0EDM50100	Photoreflector	反射型センサ (アンブ内蔵)	I	2	
11	A795561900	Mounting Frame	取付フレーム	D	1	
12	A795578400	Mounting Plate /2	取付板 / 2	D	1	
13	A795572300	Guide Plate /2	ガイド板 / 2	D	1	
14	A161560900	Mounting Plate	取付板 (給紙用反射センサ)	D	1	
15	A161561600	Actuator	アクチュエータ (PE)	C	1	
16	A5C1M50100	Photointerrupter	透過型センサ	B	2	
17	A161563000	Compressing Coil spring	圧縮コイルばね	C	1	
18	A2X0577500	Lock Catch /1	ロックキャッチ / 1	D	1	
19	A795572000	Paper feed Frame /Front	給紙フレーム / 前	D	1	
20	A161560302	Paper feed Frame	給紙フレーム	D	1	
21	A161562400	Gear 26T	ギア 26 T	C	1	
22	4131300301	BUSHING	軸受	C	4	
23	A02E561100	Clutch	クラッチ	C	2	
24	A00J563600	Roller	ローラ	A	1	
25	A795578100	Guide /A	ガイド / A	C	1	
26	A5C1562200	Roller	ローラ (ピック)	A	1	
27	A161562600	Gear 28T	ギア 28 T	C	1	
28	A161562000	Shaft	軸 (ピック)	D	1	
29	A161562500	Bushing	すべり軸受	C	1	
30	A161562300	Gear 34T	ギア 34 T	C	1	
31	A795562100	Holder	ホルダ	D	1	
32	A161562800	Compressing Coil spring	圧縮コイルばね	C	1	
33	A795560200	Paper feed Shaft	給紙軸	D	1	
34	A161567400	Torsion Spring	ねじりばね (ピック解除)	C	1	
35	A161567300	Lever	レバー (ピック解除)	C	1	
36	A02E560800	Shaft	シャフト	D	1	
37	A2X0577600	Lock Catch /2	ロックキャッチ / 2	D	1	
38	A00J663200	Bushing	すべり軸受	C	1	
39	A108R90000	PHOTO INTERRUPTER	フォトインタラプター	I	1	
40	A2X0576100	Reverse Gear	逆転ギア	C	1	
41	A796M20100	Clutch	クラッチ	C	1	
42	56AA40490	SHAFT STOPPER 4	軸ストッパ 4	C	1	
43	A00J565300	Conveyance Gear /2 21/31T	搬送ギア / 2 21 / 31 T	C	1	
44	A2X0565600	Conveyance Gear /5	搬送ギア / 5	C	1	
45	A795576700	Drive Plate	駆動板	D	1	
46	A2X0576200	Reverse Gear	逆転ギア	C	1	
47	A796N11901	Paperfeed Relay harness /4	給紙中継束線 / 4	D	1	

2ND PAPER FEED SECTION

P 37



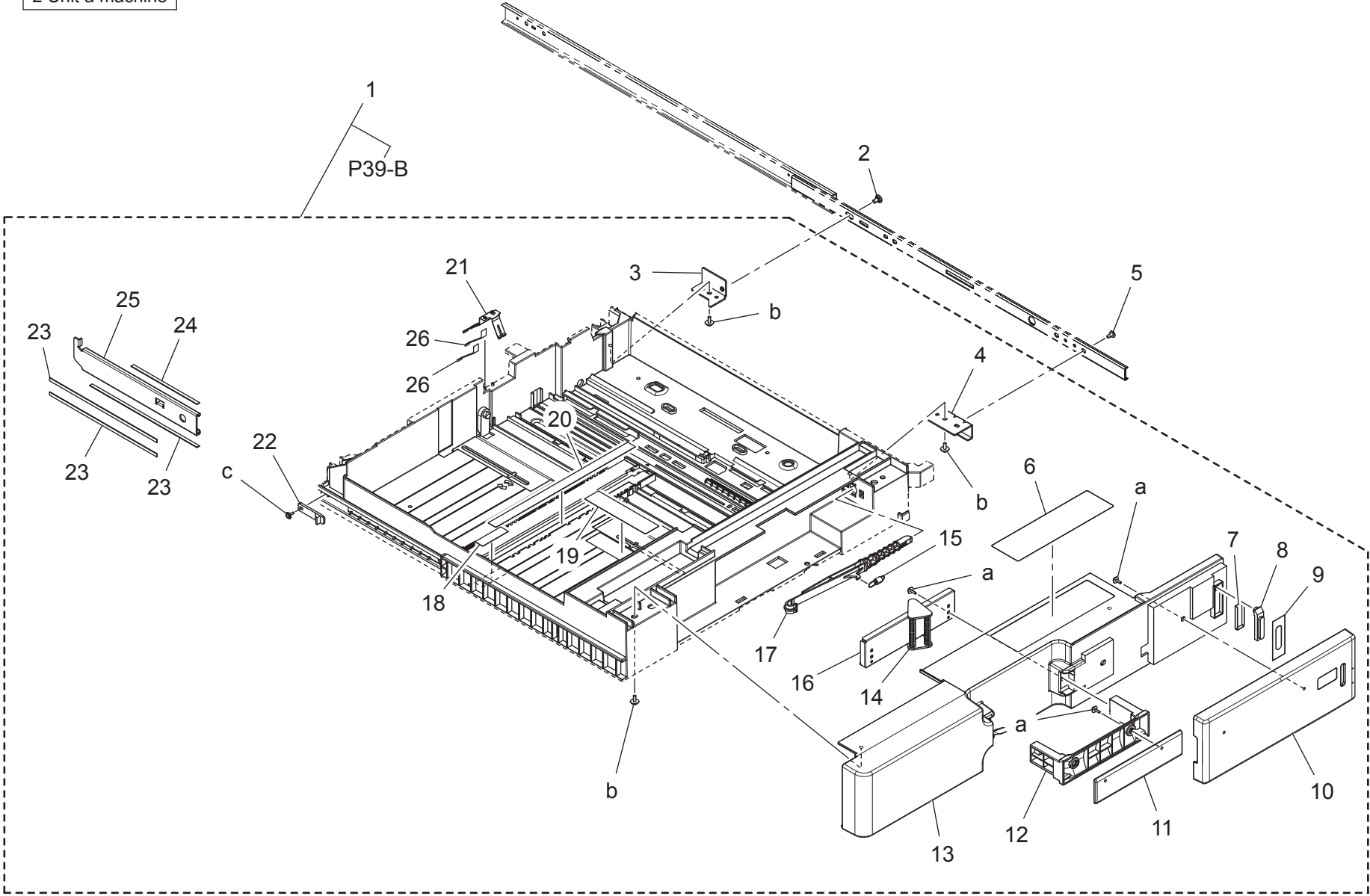
bizhub 958/bizhub PRO 958

2ND PAPER FEED SECTION

Key	Part No.	Description	Destinations	Class	QTY	Standard parts
1	A0P0575500	Torsion Spring		D	1	a-V217040001 b-V153030803 c-V217080001 d-V153040803 e-V153041003 f-V217030001 g-V234201050 h-V137030603
2	A00J573801	Lock Claw /Rear		C	1	
3	A00J574611	Attaching Cover		C	1	
4	A00J573900	MOUNTING PLATE		D	1	
5	A00J566600	Torsion Spring		C	1	
6	A00J573712	Lock Claw /Front		C	1	
7	A00J571715	Paper feed Door /Lower		C	1	
8	A00J574100	IDLER SHAFT		D	2	
9	A00J574500	PULLING SPRING /LOWER		C	4	
10	4030312201	ROLL		C	8	
11	A0P0571911	Guide Plate /Lower		D	1	
12	A00J573601	Stopper Door		D	1	
13	A795574401	Conveyance Guide /2		D	1	
14	A2X0568600	Pulling Coil spring		C	2	
15	A795563800	Torque limiter		C	1	
16	A00J563600	Roller		A	1	
17	56AA40490	SHAFT STOPPER 4		C	1	
18	A795577201	Slide Holder		D	1	
19	4532341001	SHOULDER SCREW		D	1	
20	A795561701	Compressing Spring		C	1	
21	A795563300	Support Shaft		D	1	
22	A2X0576300	Reverse Gear		C	1	
23	A2X0576400	Connecting Part		C	1	
24	A795561600	Rotation Shaft		D	1	
25	4131300301	BUSHING		C	1	
26	A795564700	Support Plate /Y		D	1	
27	A2X0577000	Guide Sheet		C	1	
28	A00J561000	Guide Part		C	1	
29	A2X0568400	Ground Contact		D	1	
30	A0P0571812	Guide Plate /Upper		D	1	

CASSETTE TRAY

2 Unit a machine



bizhub 958/bizhub PRO 958

CASSETTE TRAY

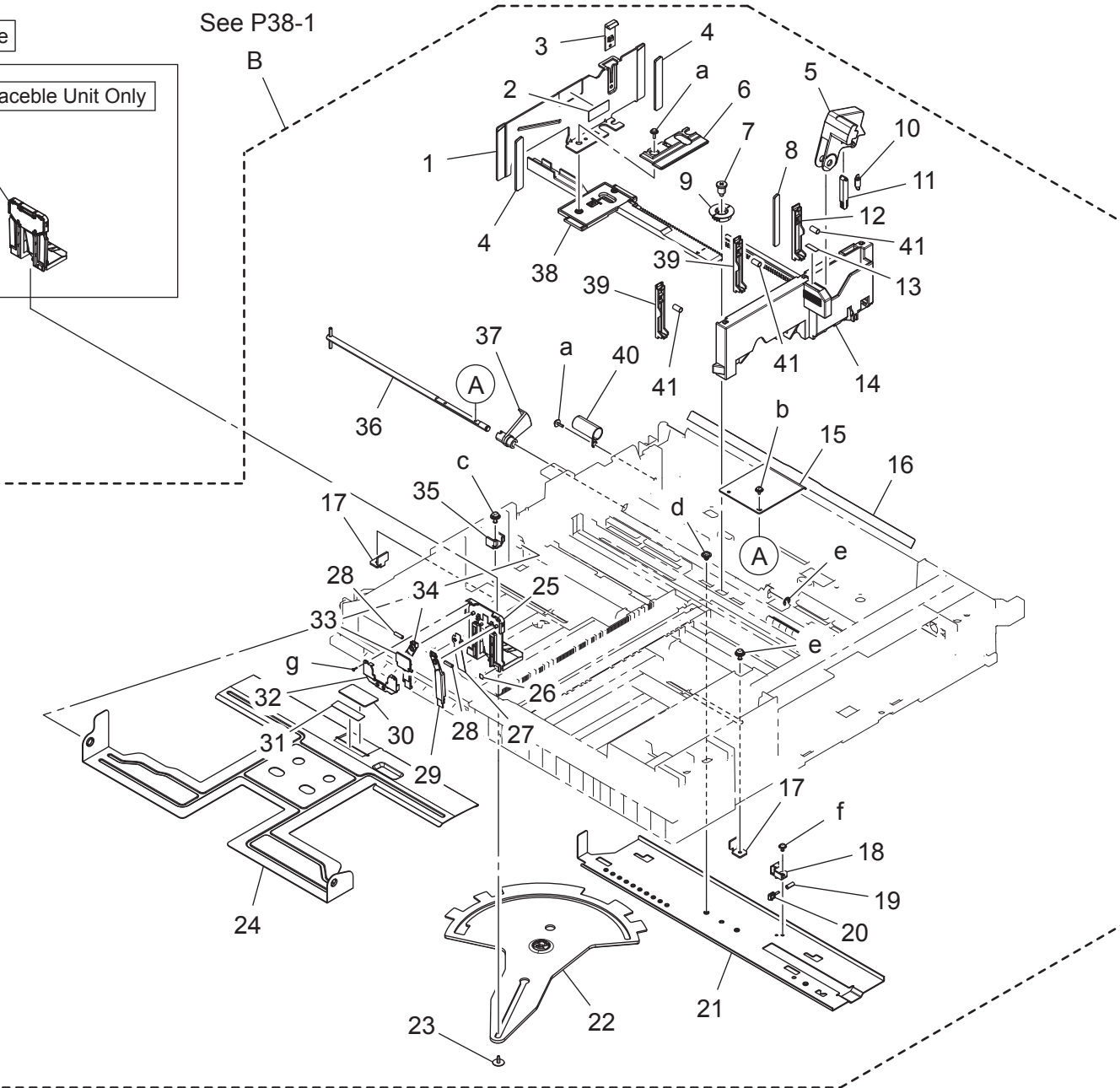
Key	Part No.	Description	Destinations	Class	QTY	Standard parts
1	A795F62003	cassette		S	2	a-V153030803 b-V153041003 c-V153031003
2	A00J631700	Screw		C	2	
3	A2X0631400	Mounting Plate		D	2	
4	A2X0631300	Mounting Plate		D	2	
5	1151330001	SCREW		C	2	
6	A795942401	Label		C	2	
7	A161626200	Sheet		D	2	
8	A161626000	Lens		D	2	
9	A161626100	Light blocking Sheet		D	2	
10	A2X0170901	Cover		C	2	
11	A161625900	Cover		C	2	
12	A161626900	Handle		C	2	
13	A2X0160702	Cover		C	2	
14	A161626602	Lever		C	2	
15	A161626800	Pulling Coil spring		C	2	
16	A7AH624300	Holder		D	2	
17	A2X0624001	Lever		C	2	
18	A161943500	Label		C	2	
19	A161943601	Label		C	2	
20	A00J942202	Label FD		C	2	
21	A161622100	Ground Plate		D	2	
22	A00J631100	Stopper		C	2	
23	A00J630500	Guide Sheet		C	6	
24	A00J631900	GUIDE SHEET/2		C	2	
25	A2X0631000	Mounting Plate		D	2	
26	A55V624700	Protection Sheet		C	4	

CASSETTE TRAY

2 Unit a machine

Field Replaceable Unit Only

▲ 42



P 39

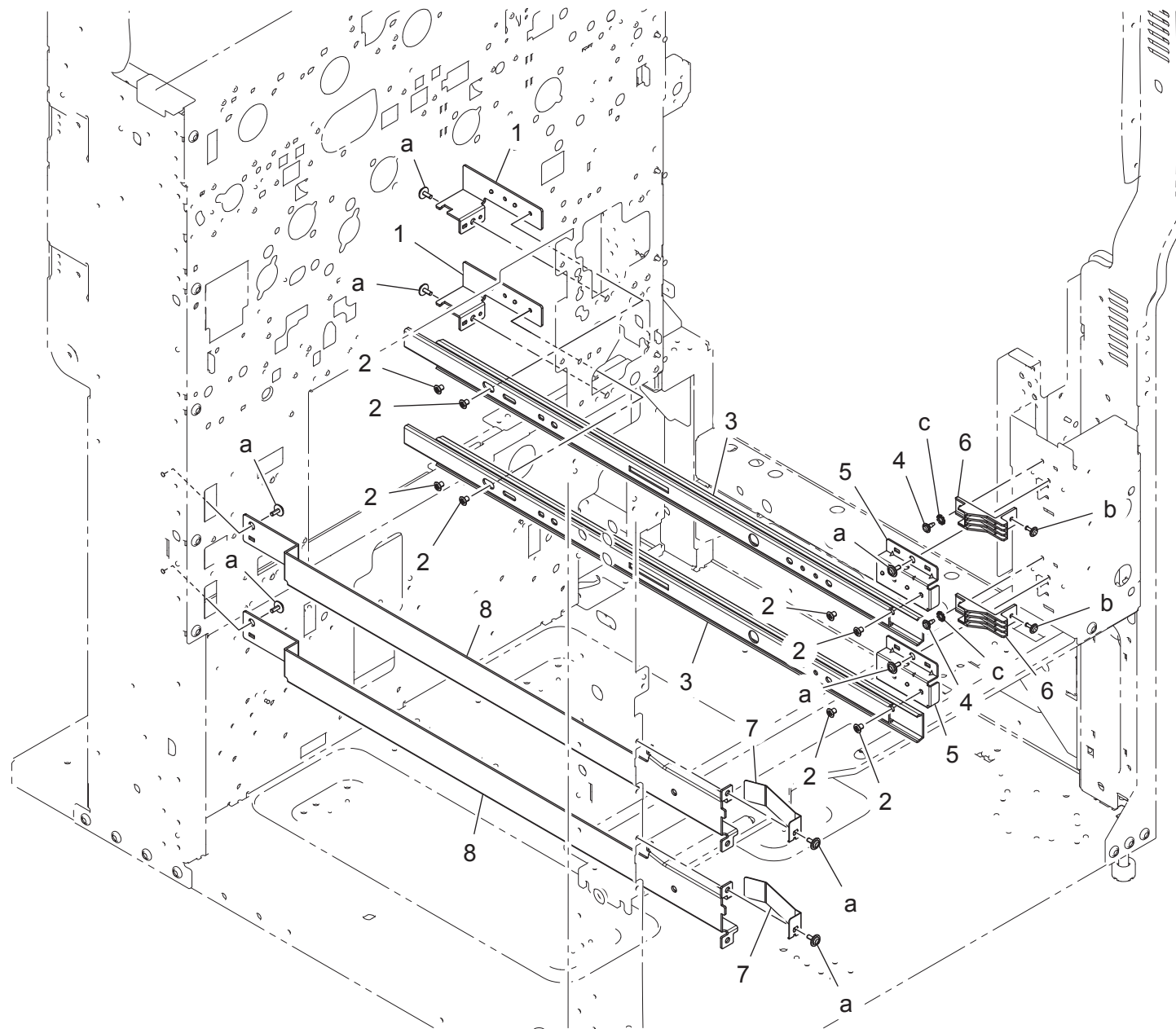
改訂版 REVISED EDITION	日付 DATE
▲	JANUARY 2017

bizhub 958/bizhub PRO 958

Key	Part No.	Description	Destinations	Class	QTY	Standard parts
1	A2X0620901	Regulating Plate /Rear		C	2	a-V153030803 b-V116030603 c-V125041003 d-V144040603 e-V217040001 f-V127030604 g-V166170504
2	4002730601	LABEL CARRYING CAPACITY		C	2	
3	4537331701	GUIDE		D	2	
4	A02E622700	Cushion		C	4	
5	A795621301	Operation Lever		C	2	
6	A2X0624400	Cover		C	2	
7	A161620600	Shoulder screw		D	2	
8	A795566000	Cushion		C	2	
9	A161620701	Gear		D	2	
10	A7AH621000	Pulling Coil spring		C	2	
11	A7AH621200	Lock Lever		D	2	
12	A795622500	Auxiliary Guide /1		C	2	
13	A161943000	Label		C	2	
14	A795620800	Regulating Plate		C	2	
15	4030320601	LEVER		D	2	
16	A0ED620200	Guide		C	2	
17	A2X0624500	Stopper		D	4	
18	A795565700	Holder		C	2	
19	A795565900	Compressing Spring		C	2	
20	A795565800	Lever		C	2	
21	A795621900	Mounting Plate		D	2	
22	A2X0621411	Lever		C	2	
23	4163529301	SCREW		C	2	
24	A161620400	Lifting Plate		D	2	
25	A795565000	Regulating Plate		D	2	
26	A02E940300	Label		C	2	
27	A795565600	Plate spring		C	2	
28	A795565500	Compressing Spring		C	4	
29	A795565100	Lock Lever		C	2	
30	4030322601	FRICITION SHEET		C	2	
31	A00J623400	FRICITION PLATE		C	2	
32	A795565300	Cover		C	2	
33	A795565400	Operation Lever		C	2	
34	A795565200	Lock Lever		C	2	
35	A2X0624600	Stopper /2		D	2	
36	A2X0621600	Lifting Shaft		D	2	
37	A0P0623700	Lever		C	2	
38	A161621100	Rack		C	2	
39	A795622600	Auxiliary Guide /2		C	4	
40	A2X0624300	Compressing Coil spring		C	2	
41	A795622700	Compressing Spring		C	6	
42	A79JF62500	Regulating Plate Assy		D	2	

CASSETTE RAIL SECTION

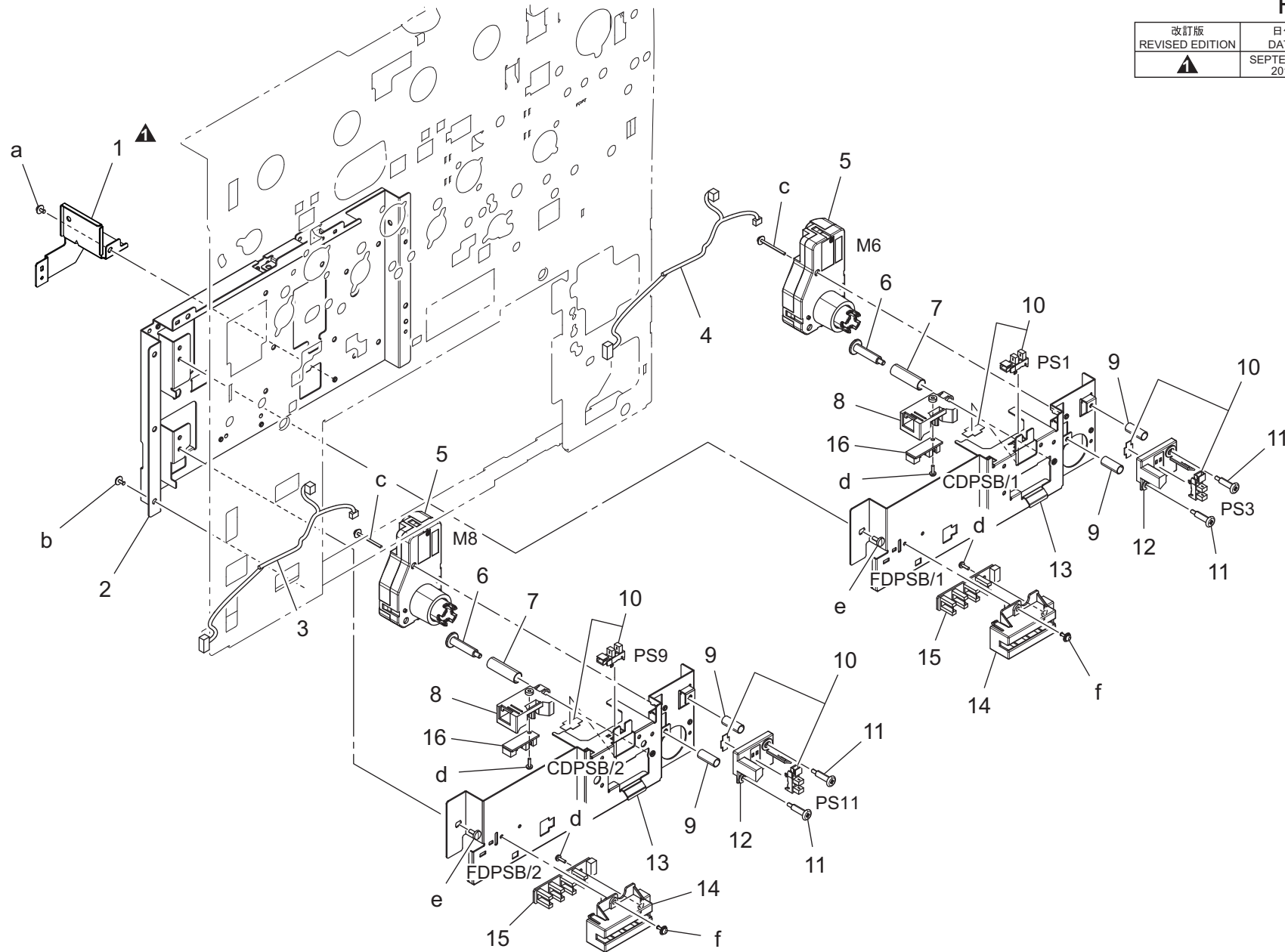
P 40



SIZE DETECTING SECTION

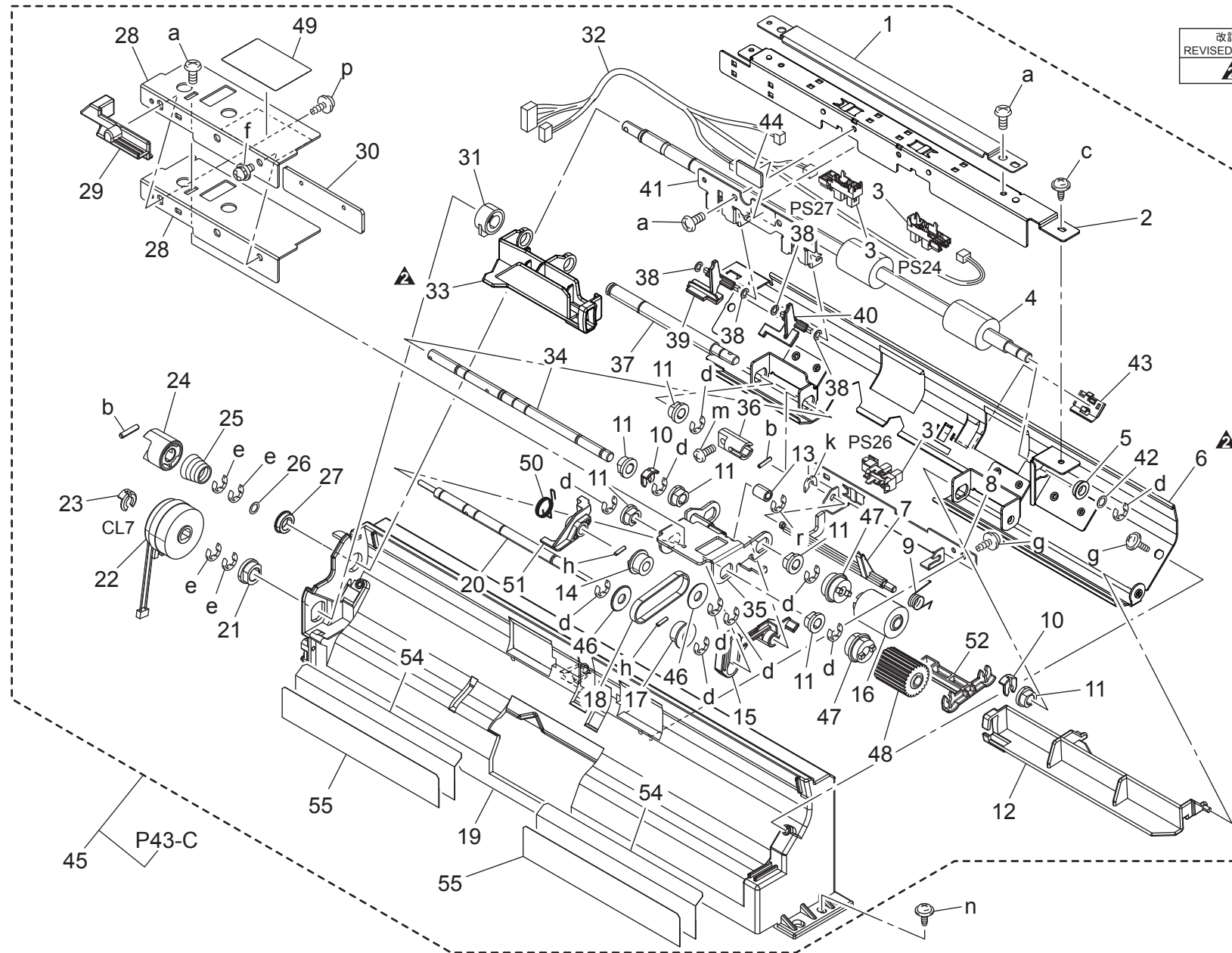
P 41

改訂版 REVISED EDITION	日付 DATE
▲	SEPTEMBER 2017



1000-SHEET PAPER FEED SECTION

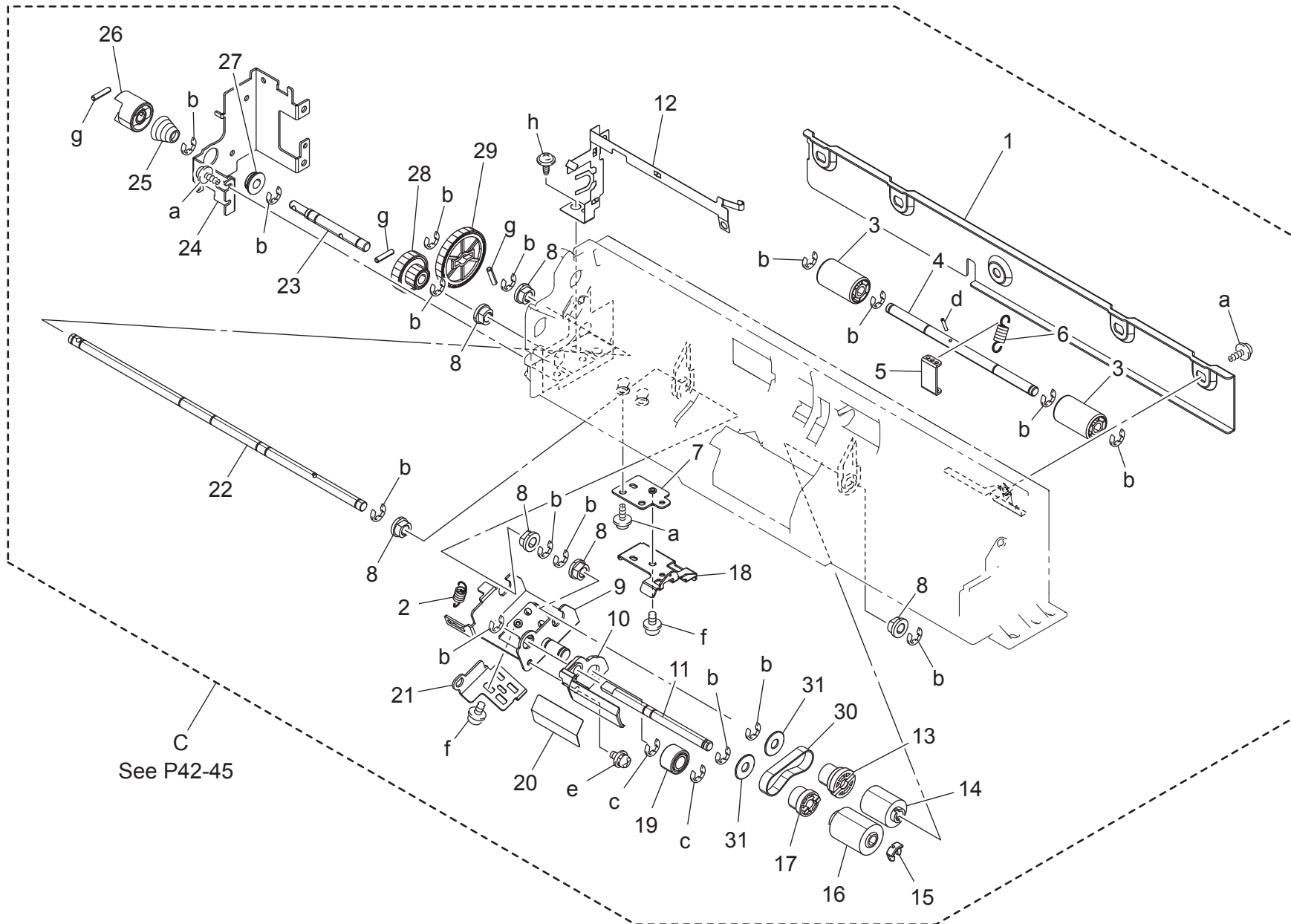
改訂版 REVISED EDITION	日付 DATE
	SEPTEMBER 2017



bizhub 958/bizhub PRO 958

Key	Part No.	Description	Destinations	Class	QTY	Standard parts
1	A00J618101	Cover		D	1	a-V118030603
2	A00J601202	Paper feed Cover /1		D	1	b-V233201050
3	A5C1M50100	Photointerrupter		B	3	c-V127030603
4	A795605500	Conveyance Roller		C	1	d-V217040001
5	A00J617800	Ball Bearing		B	1	e-V217060001
6	A00J600315	Guide Assy draw /1		D	1	f-V116030803
7	A00J603300	Detection Actuator /2		C	1	g-V153030803
8	A00J603201	Mounting Plate		D	1	h-V234200850
9	A00J605001	Torsion Spring		C	1	k-V218030086
10	56AA40490	SHAFT STOPPER 4		C	2	m-V118030403
11	A00J663200	Bushing		C	7	n-V127030803
12	A00J600600	Regulating Plate /Front		C	1	p-V153031003
13	A0TJ602900	Pulley /3		D	1	r-V217030001
14	A0TJ602800	Pulley /2		D	1	
15	A00J604301	Actuator		C	1	
16	A00J563600	Roller		A	1	
17	A0TJ603000	Pulley /1		D	1	
18	A00J602700	Timing belt 102L		C	1	
19	A00J600205	Paper feed Base frame /2		D	1	
20	A2X0603000	Shaft		D	1	
21	A03U812800	Slide Shaft Holder		B	1	
22	A796M20000	Clutch		C	1	
23	55VA42120	Shaft Stopper		C	1	
24	A2X0605800	Paper feed Coupling		C	1	
25	A00J605411	Pressing Spring		C	1	
26	A00J660700	Washer		D	1	
27	A00J617900	Ball Bearing		B	1	
28	A00J603102	Auxiliary Part		D	2	
29	A00J618300	Handle		C	1	
30	A00J619400	Auxiliary Part /2		C	1	
31	56AA40380	PAPER FEED REGULATING BLOCK		B	1	
32	A00JN11E01	PFU Relay harness /5		D	1	
33	A00J600401	Regulating Plate /Rear		C	1	
34	A2X0604200	Paper feed Shaft		D	1	
35	A795667500	Holder		D	1	
36	A00J600500	Coupling		C	1	
37	A796600800	Paper feed Shaft		D	1	
38	15AG50280	PUNCH SPACER		C	4	
39	A00J600701	Detection Actuator /1		C	1	
40	A00J615901	Detection Actuator /1		C	1	
41	A00J604401	Mounting Plate		D	1	
42	A00J660800	Washer		D	1	
43	A0P0663300	Holder		D	1	
44	A00J660900	Sealing Magnet		D	1	
45	A796R71022	1000 Paper Paper Feed ASSY		S	1	
46	A0P0664000	Washer		D	2	
47	A00J563500	Clutch		C	2	
48	A5C1562200	Roller		A	1	
49	A795942000	Label		C	1	
50	A795602801	Torsion Spring		C	1	
51	A795602700	Up/down Actuator		C	1	
52	A795608100	Guide /B		D	1	
54	A795617700	Guide Sheet /1		C	2	
55	A795617800	Guide Sheet /2		C	2	

1000-SHEET PAPER FEED SECTION

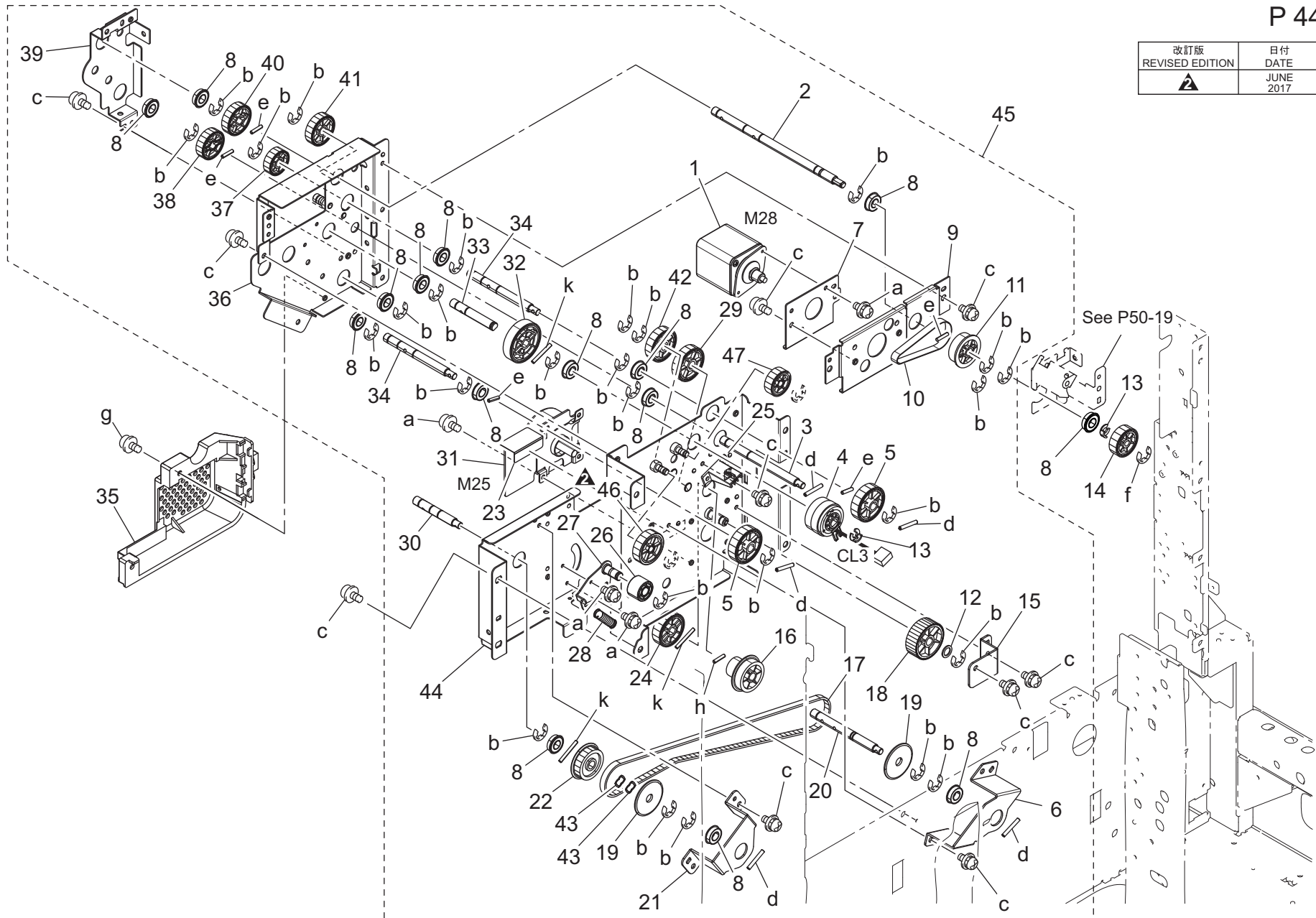


C
See P42-45

Key	Part No.	Description	Destinations	Class	QTY	Standard parts
1	A00J618700	Conveyance Cover		D	1	a-V153030803
2	A00J604701	Pulling Spring		C	1	b-V217040001
3	A00J605100	Idler Roll		C	2	c-V217060001
4	A00J605200	Idler Shaft		D	1	d-V233161050
5	56AA40430	SPRING MOUNTING PLATE 1		D	1	e-V116030803
6	A00J604800	Pulling Spring		C	1	f-V116030603
7	A2X0668000	Mounting Plate		D	1	g-V234301450
8	A00J663200	Bushing		C	6	h-V127030603
9	A00J601503	Mounting Plate /ASSY		D	1	
10	A00J602100	Guide Plate		C	1	
11	A00J601700	Shaft		D	1	
12	A00J605600	Ground Plate /1		D	1	
13	A00J619611	Pulley 14T		C	1	
14	A795563800	Torque limiter		C	1	
15	56AA40490	SHAFT STOPPER 4		C	1	
16	A00J563600	Roller		A	1	
17	A00J619500	Pulley 15T		C	1	
18	A2X0668100	Mounting Plate		D	1	
19	A00J619700	ROLL /1		C	1	
20	56AA40540	ENTRANCE GUIDE SHEET		C	1	
21	A00J601600	Multi-feed Adjusting Plate		D	1	
22	A795668901	Input Shaft		D	1	
23	A0P0663511	Input Shaft		D	1	
24	A00J603601	Mounting Plate		D	1	
25	A2X0605900	Pressing Spring		C	1	
26	56AA40450	Paper Feed Coupling Part		C	1	
27	56AA75050	CLEANER SHAFT HOLDER		C	1	
28	A00J603400	Gear 22/14T		C	1	
29	A00J600900	Gear43T		C	1	
30	A00J619800	Timing Belt 96L		C	1	
31	A0P0664000	Washer		D	2	

LCC DRIVE SECTION

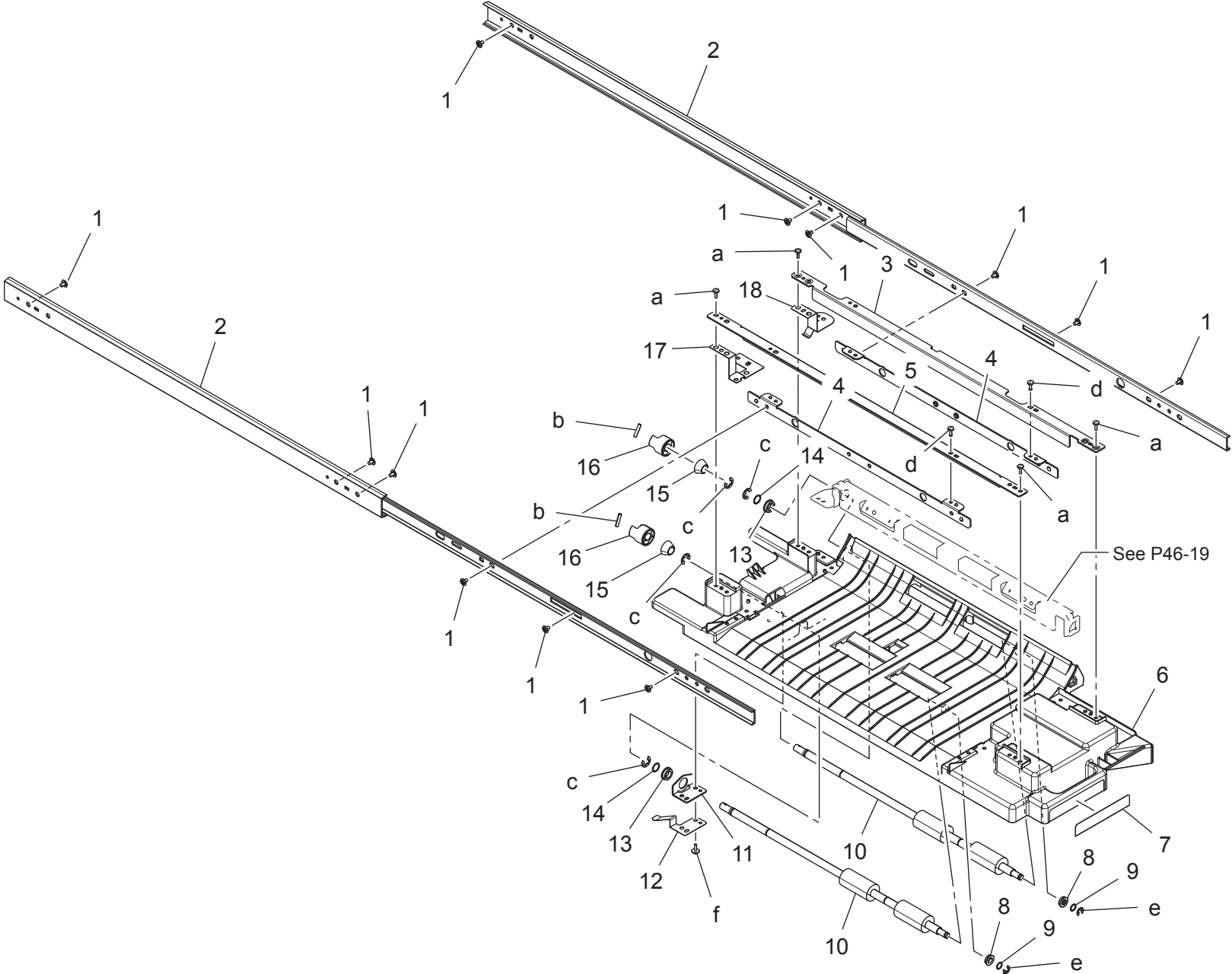
改訂版 REVISED EDITION	日付 DATE
	JUNE 2017



bizhub 958/bizhub PRO 958

Key	Part No.	Description	Destinations	Class	QTY	Standard parts
1	A796M10900	HB Stepping motor	H B ステッピングモータ	C	1	a-V116030603
2	A00J611300	Drive Shaft /5	駆動軸 / 5	D	1	b-V217060001
3	A00J616911	Drive Shaft /1	駆動軸 / 1	D	1	c-V116040803
4	A796M20000	Clutch	クラッチ	C	1	d-V232302209
5	A00J612100	Gear 32T	ギア 3 2 T	C	2	e-V234301450
6	A2X0667200	Fixing Plate	固定板	D	1	f-V217040001
7	A796617700	Mounting Plate	取付板	D	1	g-V116030603
8	A00V240600	Ball Bearing	ボールベアリング	B	15	h-V234301250
9	A796616000	Mounting Plate	取付板	D	1	k-V234302550
10	A796616200	Belt 165L	ベルト 1 6 5 L	C	1	
11	A796616300	Conveyance Gear /2 88T	搬送ギア / 2 8 8 T	C	1	
12	A00J700900	Collar	カラー	C	1	
13	55VA42120	Shaft Stopper	軸ストッパー	C	2	
14	A00J612500	Gear 25T	ギア 2 5 T	C	1	
15	A00J610200	Fixing Plate /1	固定板 / 1	D	1	
16	A795611600	Drive Gear /2 34T	駆動ギア / 2 3 4 T	C	1	
17	A00J610600	Timing belt 633L	タイミングベルト 6 3 3 L	C	1	
18	A00J611500	Gear 67T	ギア 6 7 T	C	1	
19	A00J612600	Holding Part /1	押さえ材 / 1	C	2	
20	A00J610812	Drive Shaft /1	駆動軸 / 1	D	1	
21	A00J610300	Fixing Plate	固定板	D	1	
22	A00J612200	Pulley 33T	プーリ 3 3 T	C	1	
23	A795617100	Protection Sheet	保護シート	D	1	
24	A00J611711	Gear 29T	ギア 2 9 T	C	1	
25	A795612800	Regulating Part	規制部材	C	1	
26	A0P0666400	Tension Roll	テンションころ	D	1	
27	A0P0R7A200	Mounting plate /Belt tension	取付板 / ベルトテンションかしめ	D	1	
28	56QA15190	BELT TENSION SPRING	ベルトテンションバネ	C	1	
29	A00J611900	Gear 30T	ギア 3 0 T	C	1	
30	A00J611200	Drive Shaft /4	駆動軸 / 4	D	1	
31	A796M10001	DC Brushless motor	D C ブラシレスモータ	C	1	
32	A795611800	Gear 36T	ギア 3 6 T	C	1	
33	A795611000	Drive Shaft /2	駆動軸 / 2	D	1	
34	A00J611100	Drive Shaft /3	駆動軸 / 3	D	2	
35	A00J137600	Cover	カバー	D	1	
36	A795R72000	Mounting plate / LCC drive 2	取付板 / L C C 駆動 2 かしめ	D	1	
37	A00J616400	Gear 29T	ギア 2 9 T	C	1	
38	A00J616500	Gear 33T	ギア 3 3 T	C	1	
39	A795616600	Mounting Plate	取付板	D	1	
40	A00J616800	Gear 35T	ギア 3 5 T	C	1	
41	A00J613000	Gear 35T	ギア 3 5 T	C	1	
42	A00J612000	Gear 29T	ギア 2 9 T	C	1	
43	1500266013	WAVE WASHER	ナミワッシャー	C	2	
44	A795R74100	Mounting plate / LCC drive 1	取付板 / L C C 駆動 1 かしめ A s s y	D	1	
45	A796R71600	LCC Drive ASSY	L C C 駆動 A s s y	D	1	
46	A0P0666201	Idling Gear	アイドラギア (クラッチ)	C	1	
47	A0P0666301	Idling Gear 23T	アイドラギア 2 3 T	C	1	

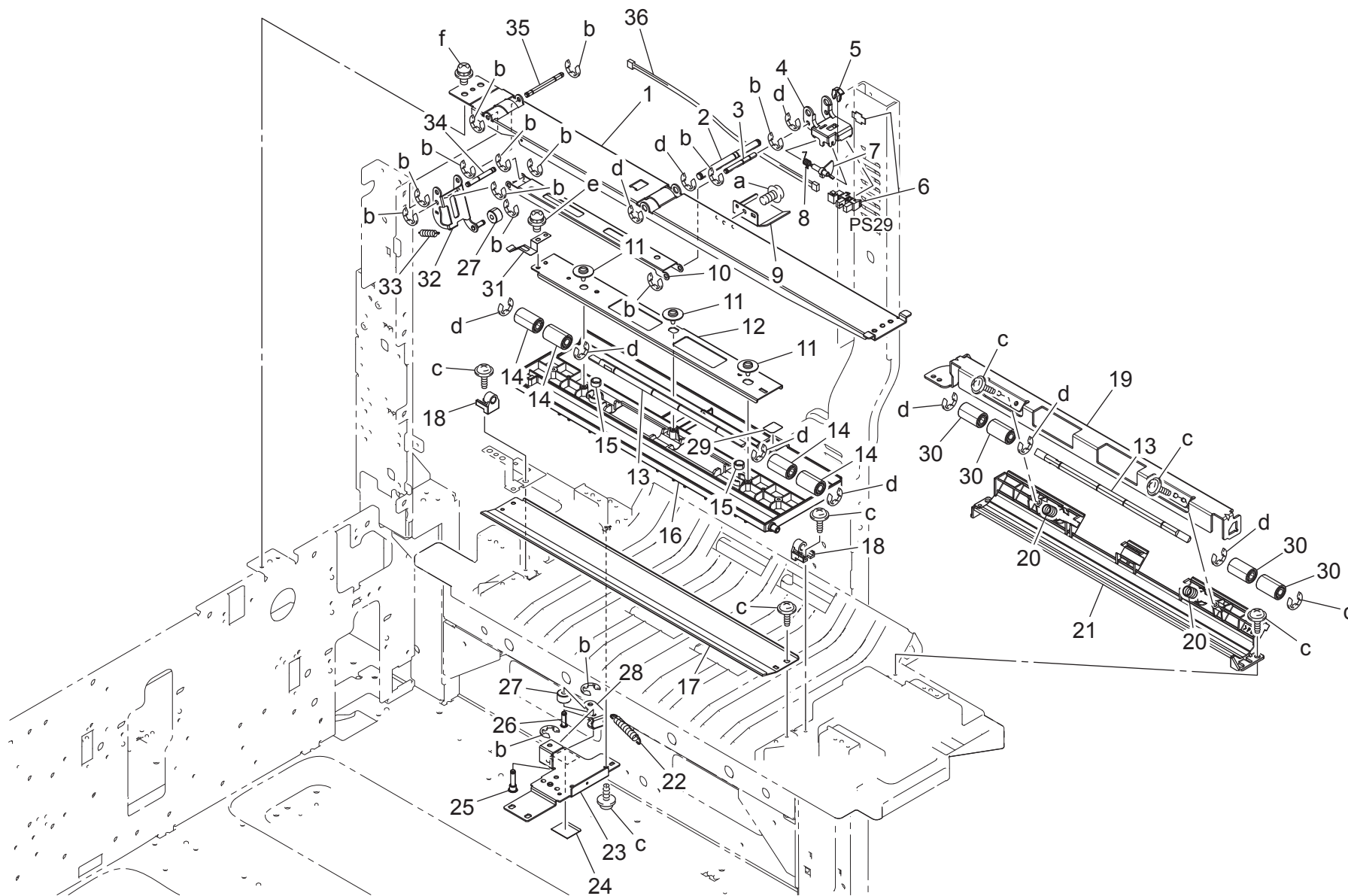
LEVEL CONVEYANCE SECTION



bizhub 958/bizhub PRO 958

Key	Part No.	Description	Destinations	Class	QTY	Standard parts
1	A00J618400	Screw		C	12	a-V149030803 b-V234301450 c-V217060001 d-V118030803 e-V217040001 f-V153030803
2	A00J631204	Slide Rail /A		D	2	
3	A00J607500	Mounting Plate		D	1	
4	A00J607401	Mounting Plate		D	2	
5	A00J607100	Mounting Plate		D	1	
6	A795606001	Conveyance Base frame		D	1	
7	A00J941800	Label LC1		C	1	
8	A00J617800	Ball Bearing		B	2	
9	A00J660800	Washer		D	2	
10	A795607000	Conveyance Roller		C	2	
11	A795617200	Mounting Plate		D	1	
12	A795617300	Ground Plate		C	1	
13	A00J617900	Ball Bearing		B	2	
14	A00J660700	Washer		D	2	
15	A00J660100	COUPLING SPRING		C	2	
16	55VA15541	CLEANER COUPLING PART		C	2	
17	A795607600	Ground Plate		C	1	
18	A795607800	Ground Plate		C	1	

LEVEL CONVEYANCE SECTION




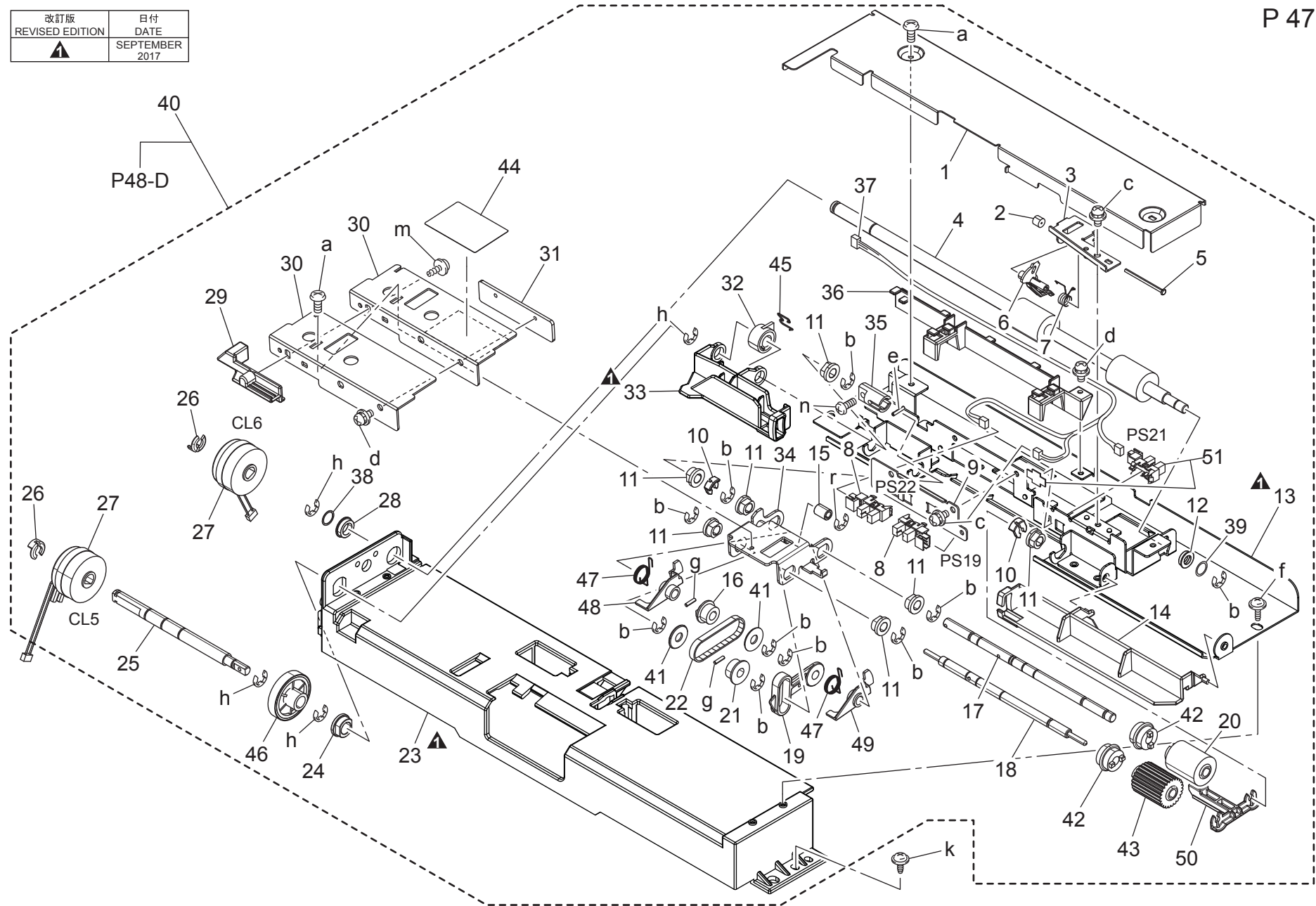
bizhub 958/bizhub PRO 958

LEVEL CONVEYANCE SECTION

Key	Part No.	Description	Destinations	Class	QTY	Standard parts
1	A00J614002	Mounting Plate /A	取付板 / A	D	1	a-V118030603 b-V217030001 c-V153030803 d-V217040001 e-V116030603 f-V118040603
2	A00J614501	Support Shaft /B	支点軸 / B	D	1	
3	A00J614700	Swing Shaft /B	揺動軸 / B	D	1	
4	A00J614300	Sensor Block	センサブロック	D	1	
5	56AA40490	SHAFT STOPPER 4	軸ストッパ 4	C	1	
6	A108R90000	PHOTO INTERRUPTER	フォトインタラプター	I	1	
7	56QA57240	PAPER DETECTION ACTUATOR	紙検知アクチュエタ	C	1	
8	56QA57170	PRESSURE SPRING	センサ押圧ばね	C	1	
9	A00J614800	Mounting Plate	取付板	D	1	
10	A00J614200	Swing Panel /B	揺動パネル / B	D	1	
11	4036596601	SCREW	ねじ	C	3	
12	A0P0606400	Mounting Plate	取付板	D	1	
13	A00J606500	Idler Shaft	従動軸	D	2	
14	4030312201	ROLL	ころ	C	4	
15	A00J606600	Compressing Spring	圧縮ばね	C	2	
16	A0P0606200	Conveyance Cover	搬送カバー	C	1	
17	A00J606100	Guide Plate	ガイド板	D	1	
18	56QA57110	SUPPORT BLOCK	支点ブロック	D	2	
19	A795606800	Mounting Plate	取付板	D	1	
20	A00J606900	Compressing Spring	圧縮ばね	C	2	
21	A795606700	Guide Plate	ガイド板	D	1	
22	A00J660200	LOCK SPRING	ロックばね	C	1	
23	A00J607301	Mounting Plate /1	取付板 / 1	D	1	
24	A0P0663400	Light blocking Sheet	遮光シート	C	1	
25	A00J622600	Shaft /L	軸 / L	D	1	
26	A00J623300	Shaft	軸	D	1	
27	A00J663000	Roll	ころ (トレイロック)	C	2	
28	56AA41711	TRAY PRESSING PLATE	トレイ押圧板	D	1	
29	A00J941900	Label LC2	ラベル LC 2	C	1	
30	A795668300	Roll	ころ	C	4	
31	A00J607700	Ground Plate	アース板	C	1	
32	A00J614101	Swing Panel /ASSY	揺動パネル / ASSY	D	1	
33	56QA57210	SWING SPRING REAR	センサ揺動パネ 奥	C	1	
34	A00J614600	Swing Shaft /A	揺動軸 / A	D	1	
35	A00J614400	Support Shaft /A	支点軸 / A	D	1	
36	A00JN11F01	PFU Relay harness /6	PFU 中継束線 / 6	D	1	

1500-SHEET PAPER FEED SECTION

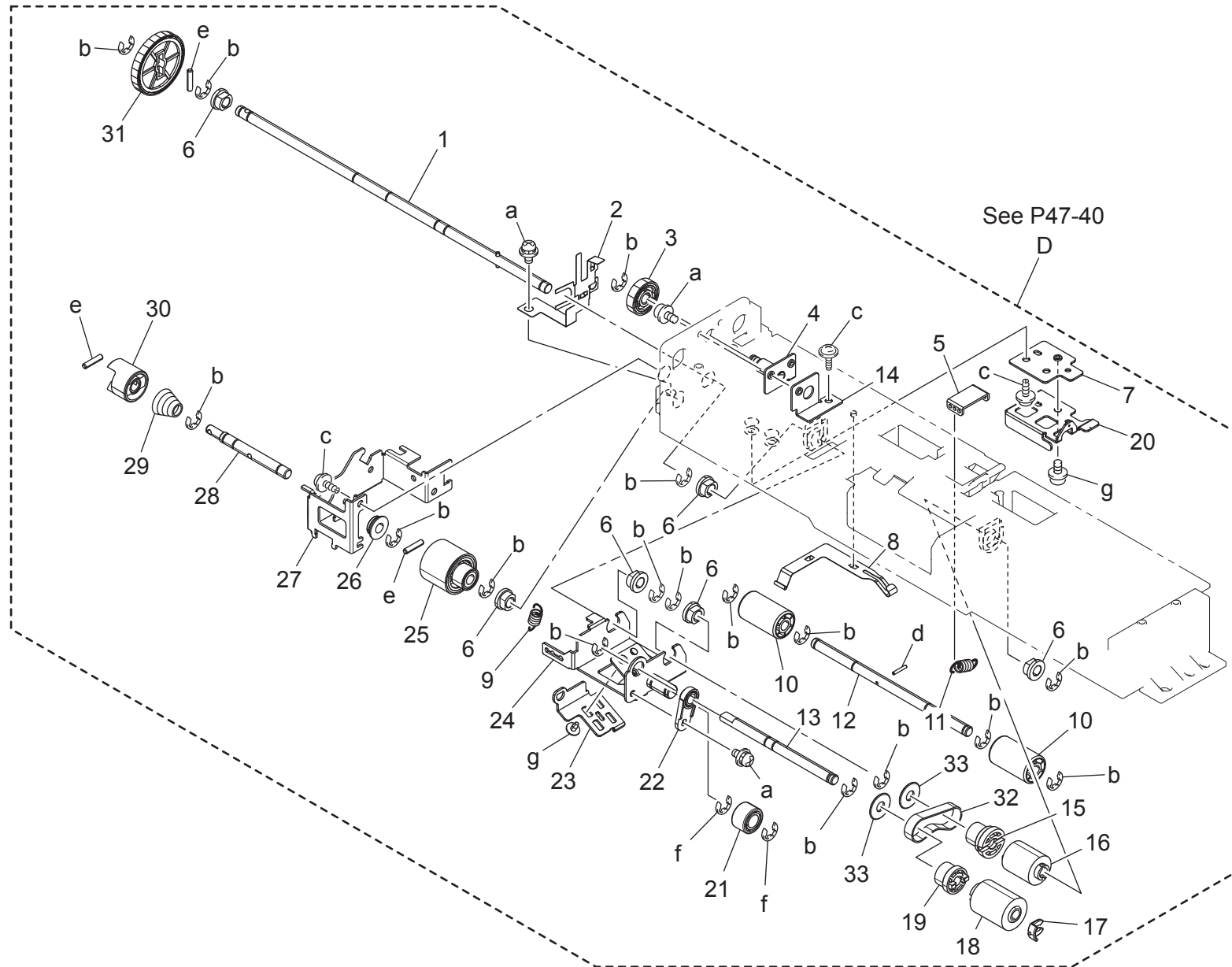
改訂版 REVISED EDITION	日付 DATE
	SEPTEMBER 2017



bizhub 958/bizhub PRO 958

Key	Part No.	Description	Destinations	Class	QTY	Standard parts
1	A00J603801	Paper feed Cover	給紙カバー	D	1	a-V118030603
2	1134304101	COLLAR	カラー	D	1	b-V217040001
3	A00J619101	Mounting Plate	取付板	D	1	c-V116030603
4	A795601100	Conveyance Roller	搬送ローラ	C	1	d-V116030803
5	1134304202	SHAFT	シャフト	D	1	e-V233201050
6	A2X0668200	Actuator	アクチュエータ	C	1	f-V153030803
7	A00J615800	Torsion Spring	ねじりばね	C	1	g-V234200850
8	A5C1M50100	Photointerrupter	透過型センサ	B	2	h-V217060001
9	A00J603900	Mounting Plate	取付板	D	1	k-V127030803
10	56AA40490	SHAFT STOPPER 4	軸ストッパ 4	C	2	m-V153031003
11	A00J663200	Bushing	すべり軸受	C	7	n-V118030403
12	A00J617800	Ball Bearing	ボールベアリング	B	1	r-V217030001
13	A00J603716	Guide Assy draw /2	ガイド部組図 / 2	D	1	
14	A00J600600	Regulating Plate /Front	規制板 / 前	C	1	
15	A0TJ602900	Pulley /3	プーリ / 3	D	1	
16	A0TJ602800	Pulley /2	プーリ / 2	D	1	
17	A2X0604200	Paper feed Shaft	給紙軸 (給紙ローラ)	D	1	
18	A2X0603000	Shaft	軸	D	1	
19	A795602401	Level Actuator /X	残検アクチュエータ / X	C	1	
20	A00J563600	Roller	ローラ	A	1	
21	A0TJ603000	Pulley /1	プーリ / 1	D	1	
22	A00J602700	Timing belt 102L	給紙タイミングベルト 102 L	C	1	
23	A00J600117	Paper feed Base frame /1	給紙台板 / 1	D	1	
24	A03U812800	Slide Shaft Holder	すべり軸受	B	1	
25	A796603500	Paper feed Shaft	給紙軸	D	1	
26	55VA42120	Shaft Stopper	軸ストッパ	C	2	
27	A796M20000	Clutch	クラッチ	C	2	
28	A00J617900	Ball Bearing	ボールベアリング	B	1	
29	A00J618300	Handle	把手	C	1	
30	A00J603102	Auxiliary Part	補助部材	D	2	
31	A00J619400	Auxiliary Part /2	補助部材 / 2	C	1	
32	56AA40380	PAPER FEED REGULATING BLOCK	給紙規制ブロック	B	1	
33	A00J600401	Regulating Plate /Rear	規制板 / 奥	C	1	
34	A795667400	Holder	ホルダ	D	1	
35	A00J600500	Coupling	カップリング	C	1	
36	A00J618002	Wiring Cover	配線カバー	D	1	
37	A00JN11D01	PFU Relay harness /4	PFU 中継束線 / 4	D	1	
38	A00J660700	Washer	ワッシャ	D	1	
39	A00J660800	Washer	ワッシャ	D	1	
40	A796R71111	1500 Paper Paper Feed ASSY	1500枚給紙 Assy	S	1	
41	A0P0664000	Washer	ワッシャー	D	2	
42	A00J563500	Clutch	クラッチ	C	2	
43	A5C1562200	Roller	ローラ (ピック)	A	1	
44	A795942000	Label	ラベル	C	1	
45	A795602900	Holding Spring	押さえばね	C	1	
46	A795668700	Gear 30T	ギア 30 T	C	1	
47	A795602801	Torsion Spring	ねじりばね	C	2	
48	A795602600	Up/down Actuator	昇降アクチュエータ	C	1	
49	A795602500	Level Actuator /Y	残検アクチュエータ / Y	C	1	
50	A795608100	Guide /B	ガイド / B	D	1	
51	A5C1R90000	Photo Interrupter	フォトインタラプタ	B	1	

1500-SHEET PAPER FEED SECTION

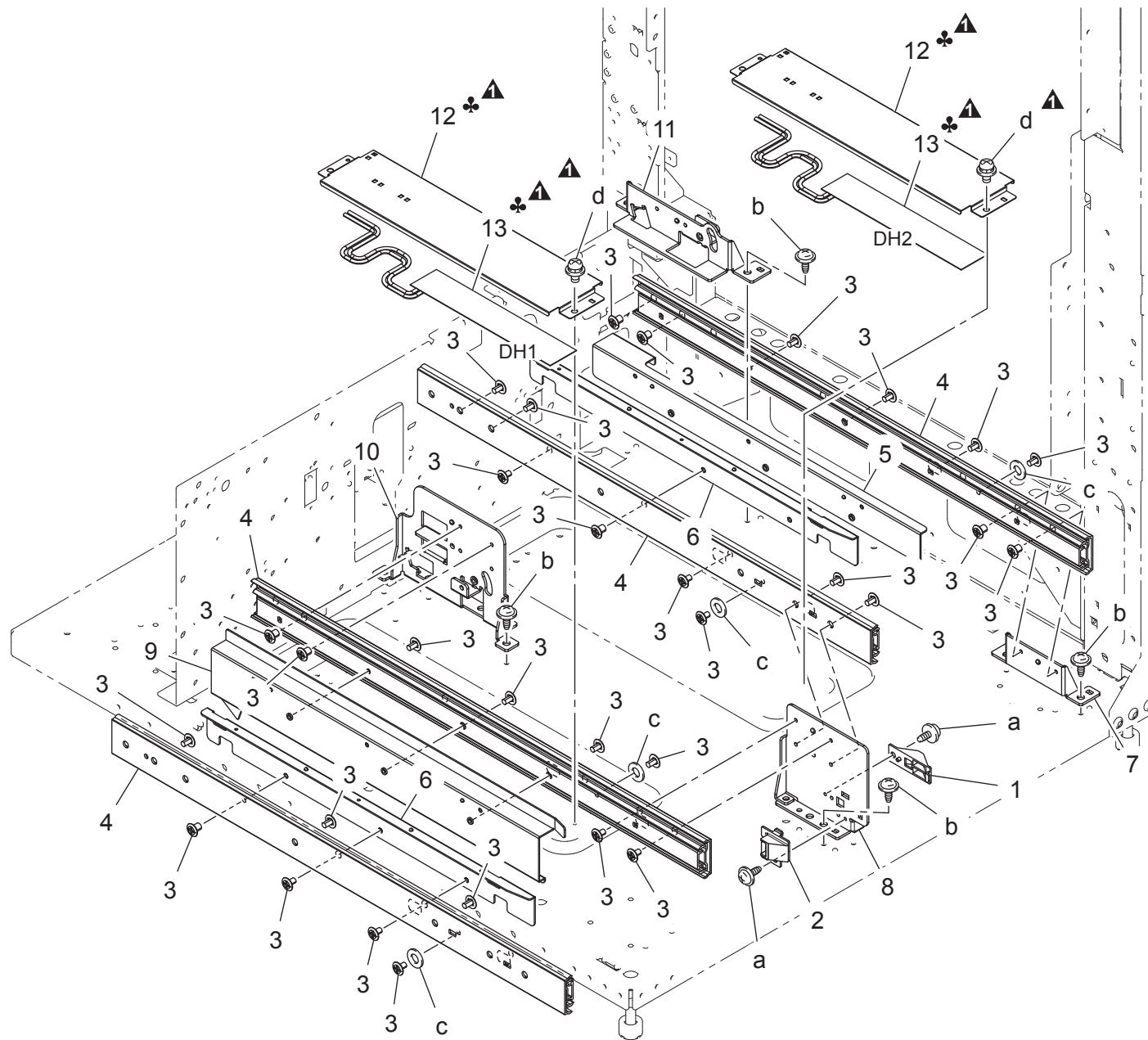


Key	Part No.	Description	Destinations	Class	QTY	Standard parts
1	A795668901	Input Shaft	入力軸	D	1	a-V116030803 b-V217040001 c-V153030803 d-V233161050 e-V234301450 f-V217060001 g-V116030603
2	A00J605700	Ground Plate /2	アース板 / 2	D	1	
3	A00J601000	Gear 18T	アイドラギア 18 T	C	1	
4	A00JR7AK11	MOUNTING PLATE / LCC FEED DRIVE	取付板 / LCC 給紙駆動 かしめ	D	1	
5	56AA40430	SPRING MOUNTING PLATE 1	バネ取り付け板 / 1	D	1	
6	A00J663200	Bushing	すべり軸受	C	6	
7	A2X0667800	Mounting Plate	取付板 (3rd)	D	1	
8	A00J618800	Ground Plate /Middle	アース板 / 中	C	1	
9	A00J604701	Pulling Spring	引張りばね	C	1	
10	A00J605100	Idler Roll	従動ころ	C	2	
11	A00J604800	Pulling Spring	引張りばね	C	1	
12	A00J605200	Idler Shaft	従動軸	D	1	
13	A00J601700	Shaft	軸	D	1	
14	A2X0667100	Mounting Plate	取付板 (給紙駆動)	D	1	
15	A00J619611	Pulley 14T	プーリ 14 T	C	1	
16	A795563800	Torque limiter	トルクリミッタ	C	1	
17	56AA40490	SHAFT STOPPER 4	軸ストッパ 4	C	1	
18	A00J563600	Roller	ローラ	A	1	
19	A00J619500	Pulley 15T	プーリ 15 T	C	1	
20	A2X0667900	Mounting Plate	取付板 (3rd 捌きバネ)	D	1	
21	A00J619700	ROLL /1	ころ / 1	C	1	
22	A0P0602100	Guide Washer	ガイドワッシャ	D	1	
23	A00J601600	Multi-feed Adjusting Plate	重送調整板	D	1	
24	A00J601503	Mounting Plate /ASSY	取付板 / ASSY	D	1	
25	A795603400	Gear 22T/14T	ギア 22 T / 14 T	C	1	
26	56AA75050	CLEANER SHAFT HOLDER	クリーナー軸受	C	1	
27	A795604100	Drive Plate	駆動板	D	1	
28	A795663500	Input Shaft	入力軸	C	1	
29	A2X0605900	Pressing Spring	押圧ばね	C	1	
30	56AA40450	Paper Feed Coupling Part	給紙カップリング部材	C	1	
31	A00J600900	Gear43T	ギア 43 T	C	1	
32	A00J619800	Timing Belt 96L	タイミングベルト 96 L	C	1	
33	A0P0664000	Washer	ワッシャー	D	2	

LCC CASSETTE RAIL SECTION

P 49

改訂版 REVISED EDITION	日付 DATE
▲	AUGUST 2016

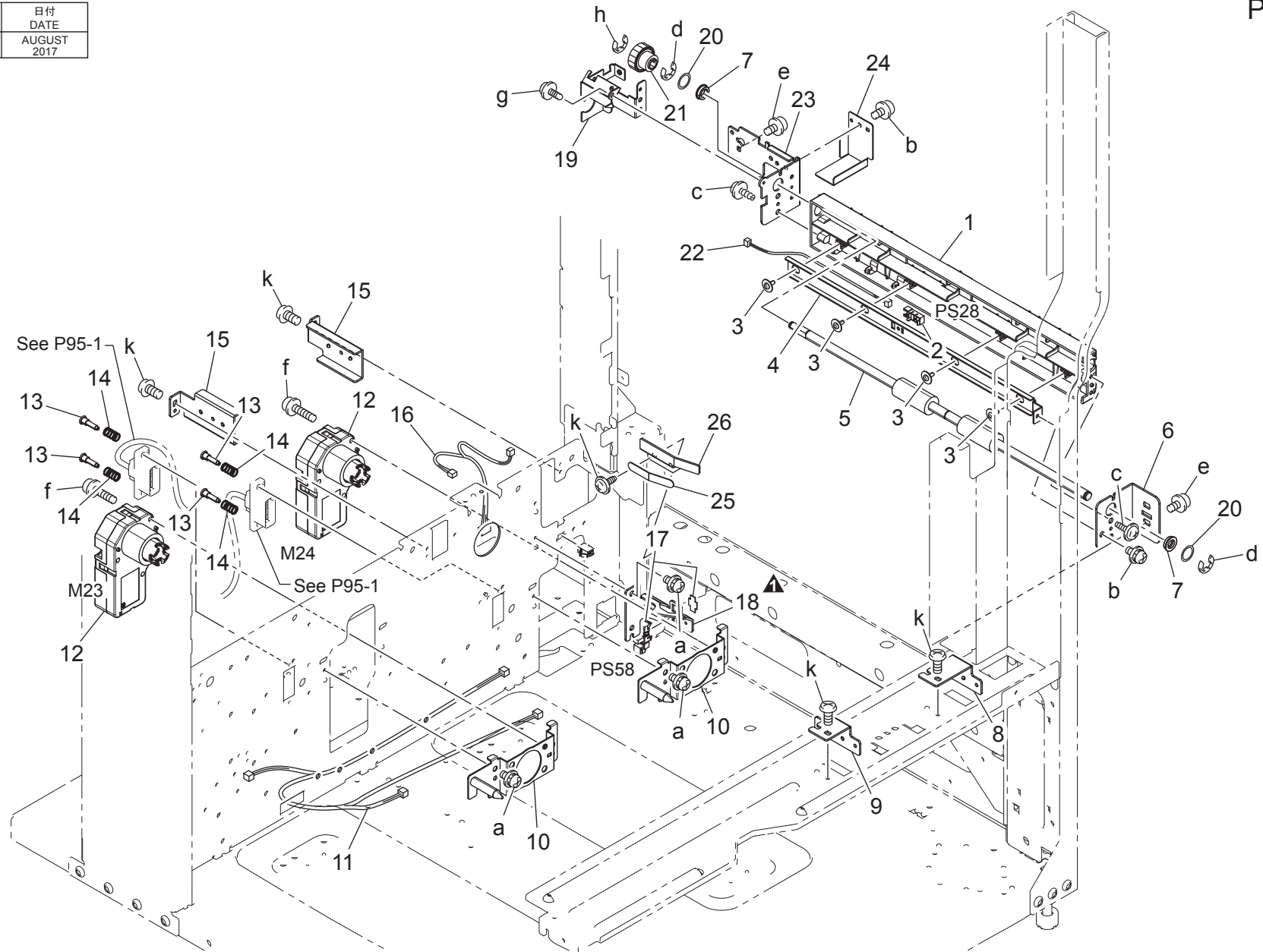


LCC CASSETTE RAIL SECTION

Key	Part No.	Description	Destinations	Class	QTY	Standard parts
1	A2X0666601	Lock Holder		C	1	a-V137030603 b-V137040803 c-V205040003 d-V116030603
2	A2X0665101	Lock Holder		C	1	
3	A00J618400	Screw		C	31	
4	A00J613401	Slide Rail /A		C	4	
5	A00J608400	Mounting Plate		D	1	
6	A00J608600	Mounting Plate		D	2	
7	A00J608100	Mounting Plate		D	1	
8	A2X0608000	Mounting Plate /1		D	1	
9	A00J608500	Mounting Plate		D	1	
10	A00J608200	Mounting Plate		D	1	
11	A00J608300	Mounting Plate		D	1	
12	A00J619901	Mounting Plate	D1,D3,E,F2,G1,I (Except South Africa), K,J	D	2	
13	56AA83061D	Internal Heater	D1,D3,E,F2,G1,I (Except South Africa), K,J	D	2	

LCC LENGTH CONVEYANCE SECTION

改訂版 REVISED EDITION	日付 DATE
	AUGUST 2017



bizhub 958/bizhub PRO 958

LCC LENGTH CONVEYANCE SECTION

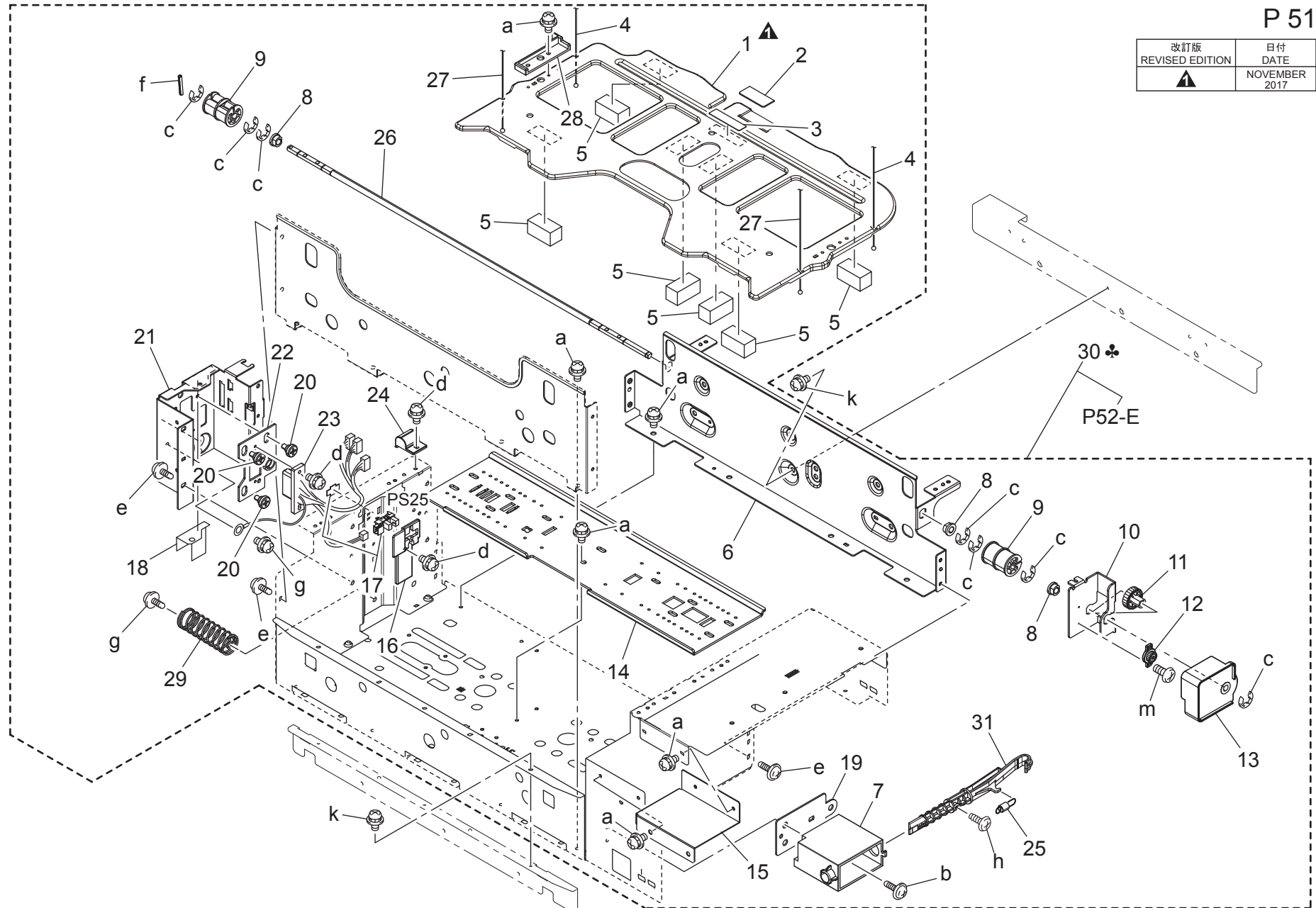
Key	Part No.	Description	Destinations	Class	QTY	Standard parts
1	A795609400	Guide Part	ガイド部材	C	1	a-V116040803
2	A0EDM50100	Photoreflector	反射型センサ (アンブ内蔵)	I	1	b-V116030603
3	4036596601	SCREW	ねじ	C	4	c-V153030803
4	A795609500	Mounting Plate /F	取付板 / F	D	1	d-V217060001
5	A795572200	Conveyance Roller	搬送ローラ	C	1	e-V118040803
6	A00J609100	Mounting Plate	取付板	D	1	f-V116032003
7	A00J617900	Ball Bearing	ボールベアリング	B	2	g-V126030603
8	A00J608700	Mounting Plate	取付板	D	1	h-V217040001
9	A00J608800	Mounting Plate	取付板	D	1	k-V118040603
10	A2X0R70200	Mounting Plate/Updown Motor Assy	取付板 /昇降モータかしめ A s s y	D	2	
11	A0P2N10X00	Heater Relay harness	ヒーター中継束線	D	1	
12	A2X0M12101	Brush motor	ブラシモータ	B	2	
13	56AA17330	Slide Shaft	スライド軸	C	4	
14	56AA17080	TERMINAL ROCKING SPRING	端子揺動バネ	C	4	
15	A00J608900	Mounting Plate /Rear	取付板 /奥	D	2	
16	A0PON11G00	PFU Relay harness	P F U 中継束線 (L C C クラッチ中継)	D	1	
17	A108R90000	PHOTO INTERRUPTER	フォトインタラプター	I	1	
18	A00J609001	Mounting Plate	取付板	D	1	
19	A00J609300	Mounting Plate	取付板	D	1	
20	A00J660700	Washer	ワッシャ	D	2	
21	A00J609800	Clutch Assy	クラッチアッセン	C	1	
22	A796N11C00	PFU Relay harness /3	P F U 中継束線 / 3	D	1	
23	A00J609201	Mounting Plate	取付板	D	1	
24	A00J617000	Protection Cover /S	保護カバー / S	D	1	
25	A795670100	Slide Part	すべり材	D	1	
26	A795670000	Mounting Plate	取付板	D	1	

bizhub 958/bizhub PRO 958

1000-SHEET TRAY

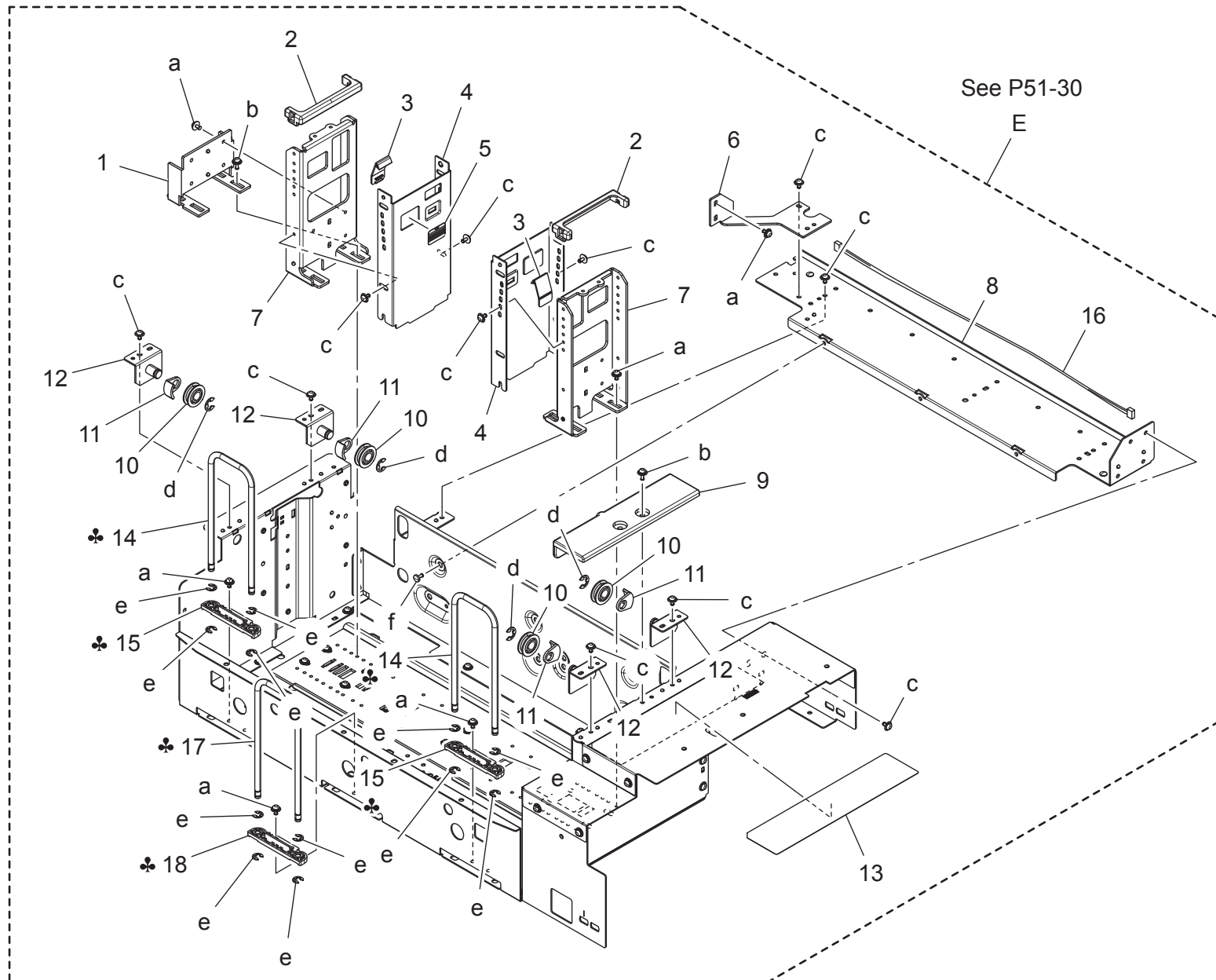
P 51

改訂版 REVISED EDITION	日付 DATE
▲	NOVEMBER 2017



bizhub 958/bizhub PRO 958

Key	Part No.	Description	Destinations	Class	QTY	Standard parts
1	A795613502	Up/down Plate		D	1	a-V116030603
2	55VA40930	DOUBLE FEED PREVENTIVE PLATE		C	1	b-V127030803
3	A00J623400	FRICITION PLATE		C	1	c-V217040001
4	56QA58110	LCT UP DOWN WIRE RIGHT FRONT		C	2	d-V116030803
5	A0P0663900	Pad		C	6	e-V127030603
6	A00J615101	Stopper Plate /1		D	1	f-V232302509
7	A2X0665300	Lock Guide		C	1	g-V125040803
8	A00J663200	Bushing		C	3	h-V149030803
9	A00J613700	Up/down Pulley		C	2	k-V116030504
10	A0P0618900	Regulating Plate /1		D	1	m-V118020603
11	A0P0663800	Gear /1		C	1	
12	A0P0662700	Dumper		C	1	
13	A00J619011	Protection Cover		D	1	
14	56QA58041D	LCT SLIDE BOARD		D	1	
15	56QA58470D	EXTERNAL PROTECTION PLATE		D	1	
16	A00J613301	Sensor Cover		C	1	
17	A5C1R90000	Photo Interrupter		B	1	
18	A00J660600	Protection Sheet		D	1	
19	A2X0666500	Auxiliary Plate /Front		D	1	
20	26NA45440	REGISTRATION UNIT FIXED SCREW		C	3	
21	A00J615000	Connecting Plate		D	1	
22	A00J613200	Guide Plate		D	1	
23	A00JN11B01	PFU Relay harness /2		D	1	
24	A00J619300	Receiving Block		C	1	
25	A161626800	Pulling Coil spring		C	1	
26	A00J615500	Up/down Shaft		D	1	
27	56QA58120	LCT UP DOWN WIRE RIGHT REAR		C	2	
28	A00J660300	LIGHT BLOCKING PART		C	1	
29	A2X0666900	Pressure Spring		C	1	
30	A795F63003	1000-sheet tray	1000枚トレイ (M) A s s y	S	1	C,D1,D3,E,F2,G1,I,K J
30	A795F63104	1000-sheet tray	1000枚トレイ (I) A s s y	S	1	B,G2
31	A2X0666001	Lever	レバー (ロック・4段)	C	1	

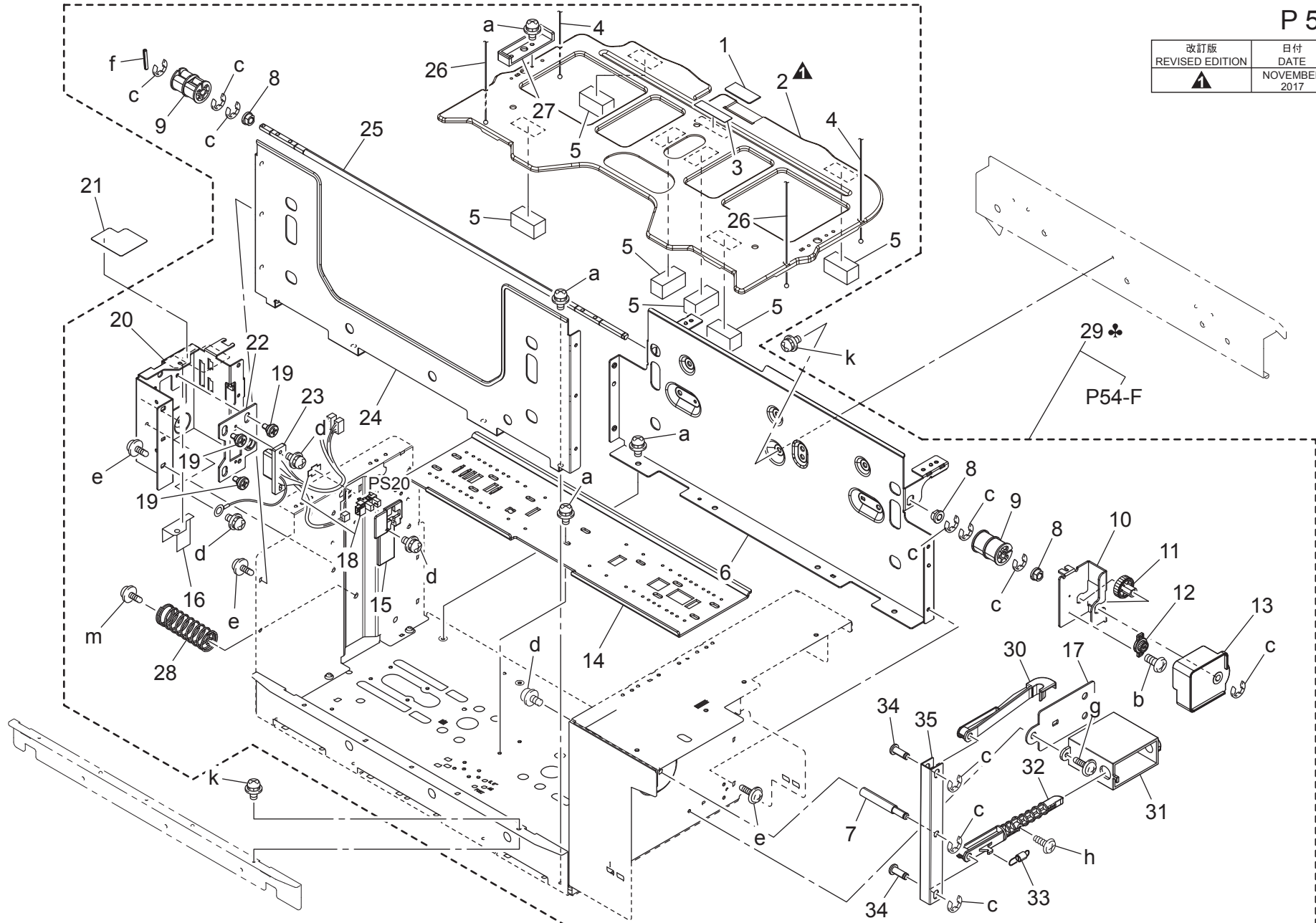


Key	Part No.	Description	Destinations	Class	QTY	Standard parts
1	56QA58490D	REAR REINFORCE PLATE		D	1	a-V116030603
2	56QA58450	PROTECTION COVER		D	2	b-V116030803
3	540047200	PAPER REGULATING CLAW		C	2	c-V127030603
4	56QA58060D	LCT GUIDE PLATE RIGHT		D	2	d-V217060001
5	57AA97870	PAPER GUIDE LABEL		C	1	e-V217040001
6	A00J613900	Reinforce Plate /Rear		D	1	f-V118030603
7	A795669100	Adjusting Side plate		D	2	
8	A00J613103	Mounting Plate		D	1	
9	56QA58420	PULLEY GUIDE PART		D	1	
10	57AA17010	WIRE PULLEY		C	4	
11	55VA40610	Wire Holder /A		C	4	
12	A00JR7AN00	SUPPORT BOARD / WIRE PULLEY		D	4	
13	A795941700	Label		C	1	
14	56QA58150	PAPER GUIDE SHAFT RIGHT	C,D1,D3,E,F2,G1,I,K	D	2	
15	56QA58070D	SHAFT HOLDING PART	J C,D1,D3,E,F2,G1,I,K J	D	2	
16	A00JN11N01	PFU Relay harness /8		D	1	
17	56QA58150	PAPER GUIDE SHAFT RIGHT	B,G2	D	1	
18	56QA58070D	SHAFT HOLDING PART	B,G2	D	1	

1500-SHEET TRAY

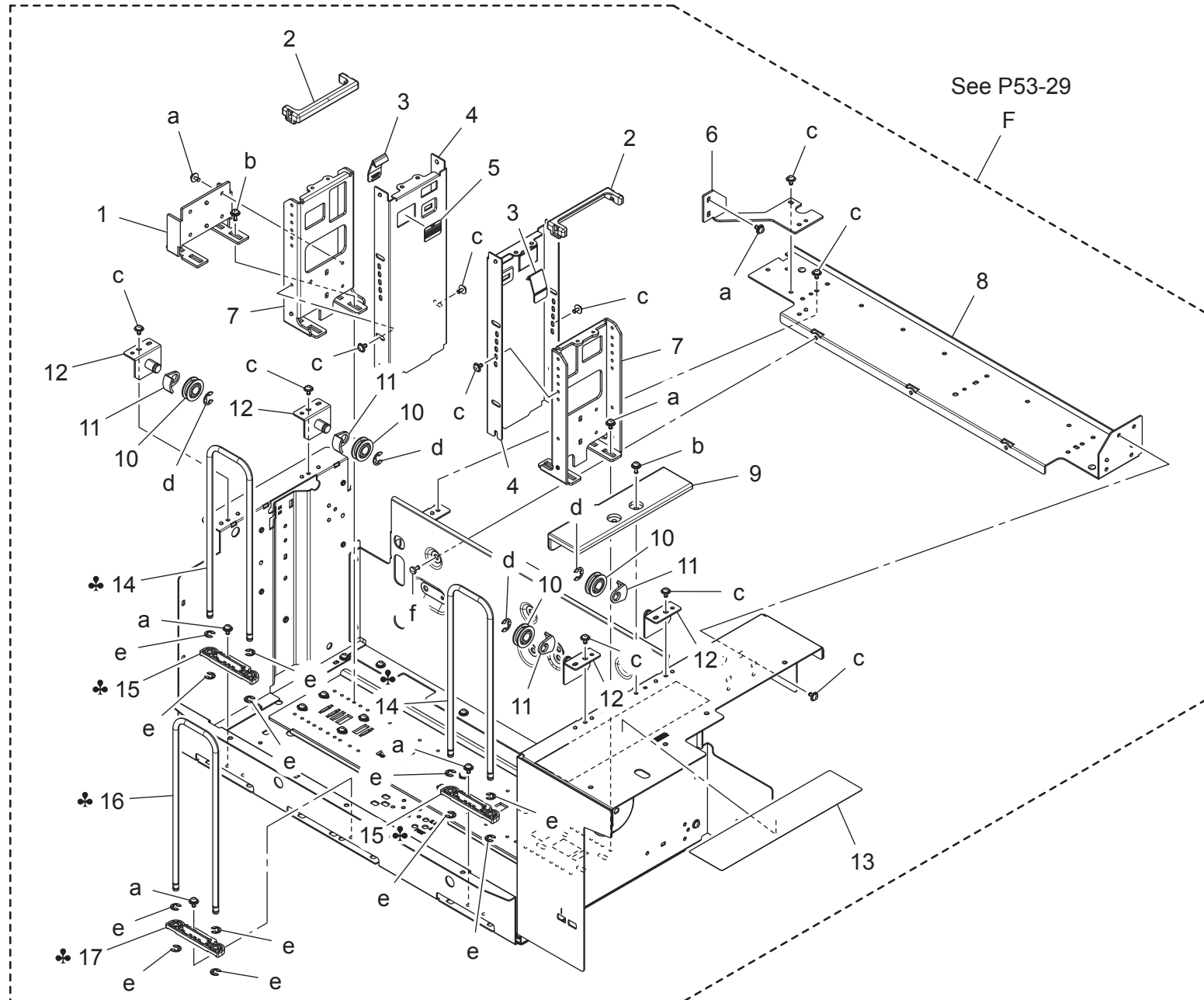
P 53

改訂版 REVISED EDITION	日付 DATE
▲	NOVEMBER 2017



bizhub 958/bizhub PRO 958

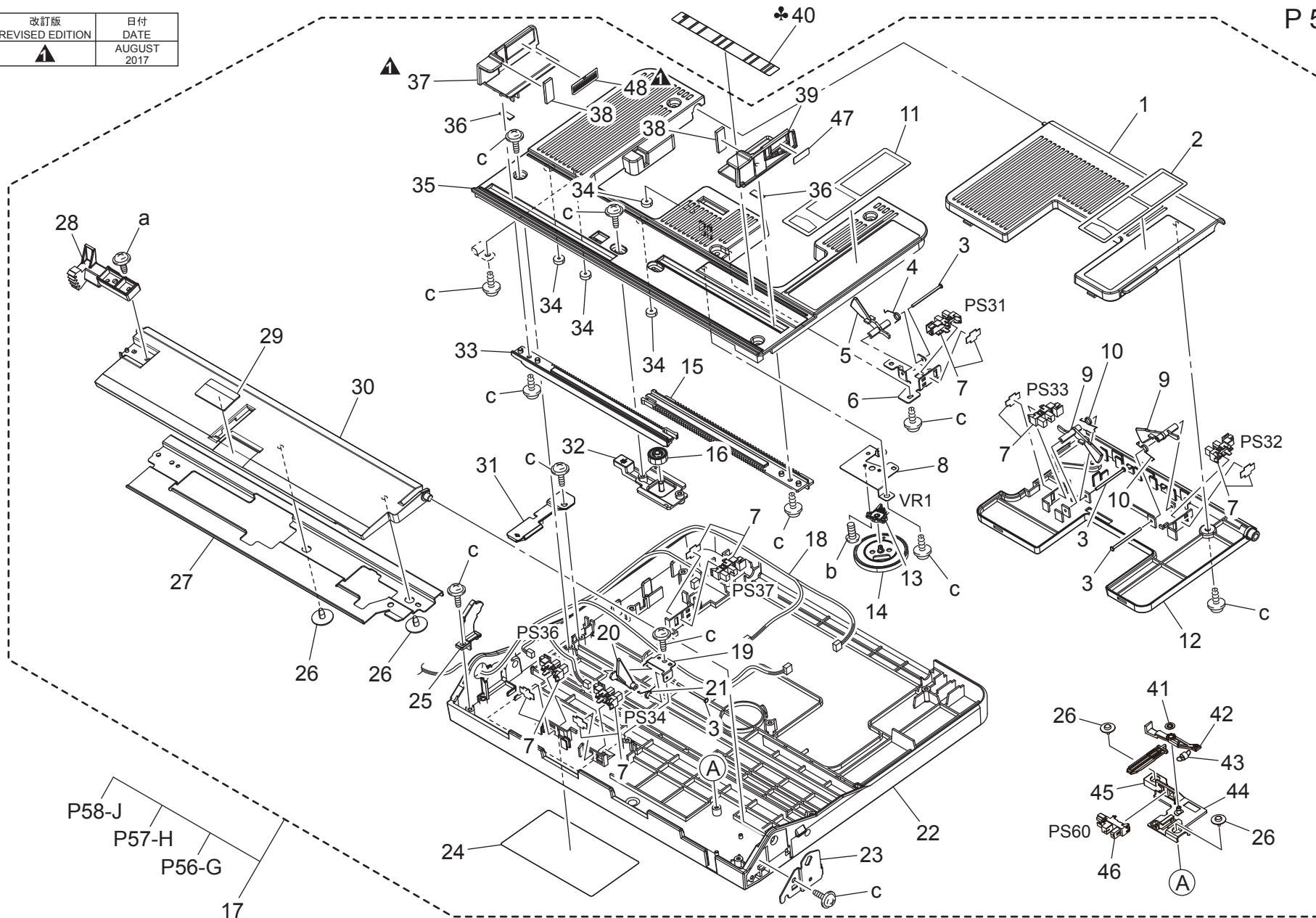
Key	Part No.	Description	Destinations	Class	QTY	Standard parts
1	55VA40930	DOUBLE FEED PREVENTIVE PLATE		C	1	a-V116030603
2	A795613502	Up/down Plate		D	1	b-V118020603
3	A00J623400	FRICTION PLATE		C	1	c-V217040001
4	56QA59110	LCT UP DOWN WIRE LEFT FRONT		C	2	d-V116030803
5	A0P0663900	Pad		C	6	e-V127030603
6	A0P0615200	Stopper Plate /2		C	1	f-V232302509
7	A2X0665811	Shaft		D	1	g-V127030803
8	A00J663200	Bushing		C	3	h-V149030803
9	A00J613700	Up/down Pulley		C	2	k-V116030504
10	A0P0618900	Regulating Plate /1		D	1	m-V125040803
11	A0P0663800	Gear /1		C	1	
12	A0P0662700	Dumper		C	1	
13	A00J619011	Protection Cover		D	1	
14	56QA58041D	LCT SLIDE BOARD		D	1	
15	A00J613301	Sensor Cover		C	1	
16	A00J660600	Protection Sheet		D	1	
17	A2X0666500	Auxiliary Plate /Front		D	1	
18	A5C1R90000	Photo Interrupter		B	1	
19	26NA45440	REGISTRATION UNIT FIXED SCREW		C	3	
20	A00J615000	Connecting Plate		D	1	
21	A00J660500	Protection Sheet		C	1	
22	A00J613200	Guide Plate		D	1	
23	A00JN11A00	PFU RELAY HARNESS/1		D	1	
24	A795615701	Regulating Plate		D	1	
25	A00J615500	Up/down Shaft		D	1	
26	56QA59120	LCT UP DOWN WIRE LEFT REAR		C	2	
27	A00J660300	LIGHT BLOCKING PART		C	1	
28	A2X0666900	Pressure Spring		C	1	
29	A795F64005	1500-sheet tray		S	1	C,D1,D3,E,F2,G1,I,K ,J
29	A795F64105	1500-sheet tray		S	1	B,G2
30	A2X0665401	Lever		C	1	
31	A2X0665300	Lock Guide		C	1	
32	A2X0665900	Lever		C	1	
33	A161626800	Pulling Coil spring		C	1	
34	A2X0665600	Connecting Shaft /1		D	2	
35	A2X0665500	Connecting Plate		D	1	



Key	Part No.	Description	Destinations	Class	QTY	Standard parts
1	56QA58490D	REAR REINFORCE PLATE		D	1	a-V116030603
2	56QA58450	PROTECTION COVER		D	2	b-V116030803
3	540047200	PAPER REGULATING CLAW		C	2	c-V127030603
4	A795669000	Guide Plate		D	2	d-V217060001
5	57AA97870	PAPER GUIDE LABEL		C	1	e-V217040001
6	A00J613900	Reinforce Plate /Rear		D	1	f-V118030603
7	A795669100	Adjusting Side plate		D	2	
8	A00J613103	Mounting Plate		D	1	
9	56QA58420	PULLEY GUIDE PART		D	1	
10	57AA17010	WIRE PULLEY		C	4	
11	55VA40610	Wire Holder /A		C	4	
12	A00JR7AN00	SUPPORT BOARD / WIRE PULLEY		D	4	
13	A795941600	Label		C	1	
14	56QA59150D	PAPER GUIDE SHAFT LEFT	C,D1,D3,E,F2,G1,I,K	C	2	
15	56QA58070D	SHAFT HOLDING PART	,J C,D1,D3,E,F2,G1,I,K	D	2	
16	56QA59150D	PAPER GUIDE SHAFT LEFT	B,G2	C	1	
17	56QA58070D	SHAFT HOLDING PART	B,G2	D	1	

MANUAL FEED TRAY UNIT

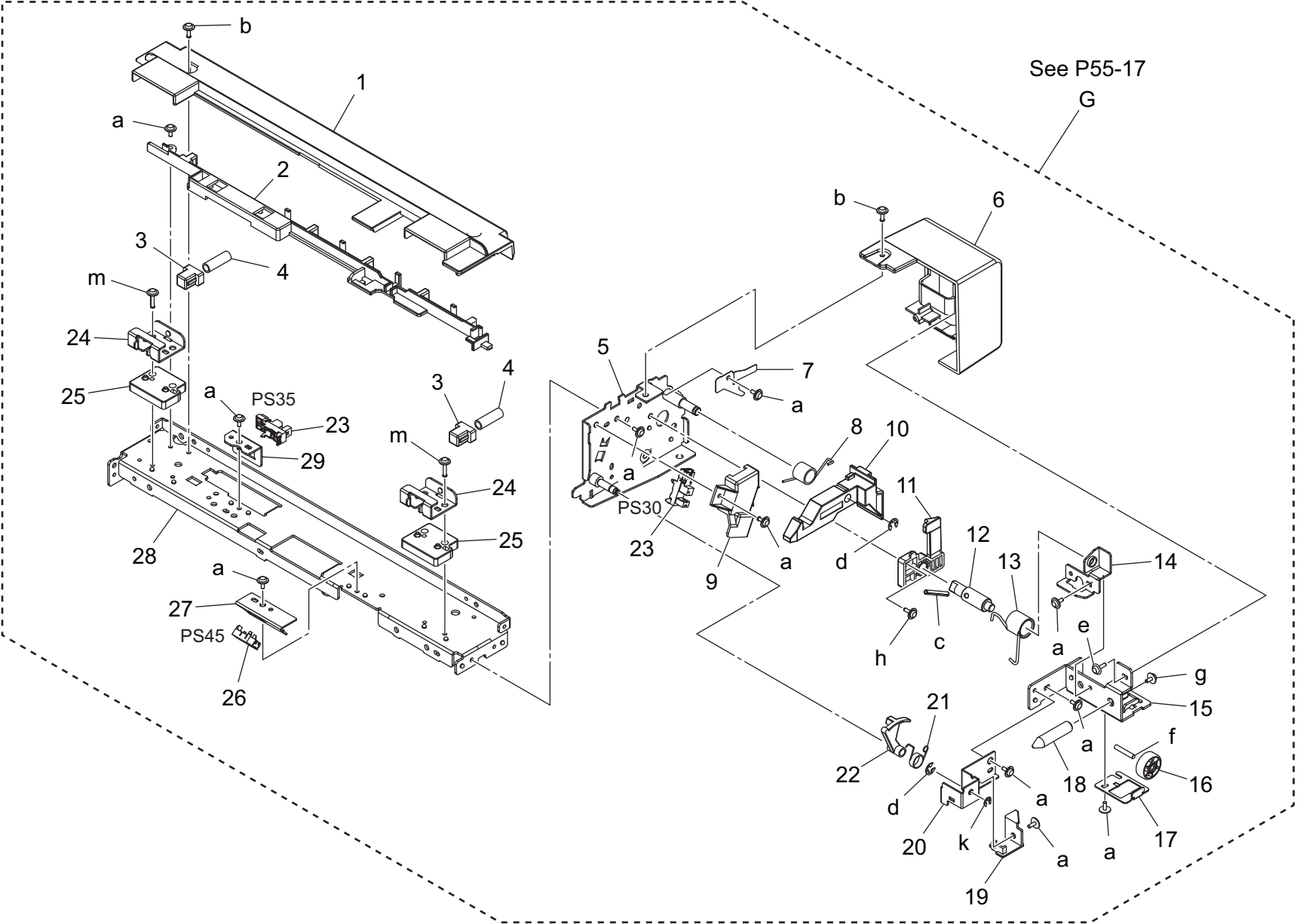
改訂版 REVISED EDITION	日付 DATE
	AUGUST 2017



bizhub 958/bizhub PRO 958

Key	Part No.	Description	Destinations	Class	QTY	Standard parts
1	A0P0594200	Bypass Tray /3		C	1	a-V137030803 b-V111170403 c-V153030803
2	A795942700	Label		C	1	
3	1134304202	SHAFT		D	4	
4	A00J599100	Torsion Spring		C	1	
5	A00J585300	Actuator		C	1	
6	A00J597911	Mounting Plate		D	1	
7	A5C1R90000	Photo Interrupter		B	6	
8	A2X0597700	Mounting Plate		D	1	
9	A00J597800	Actuator		C	2	
10	A00J599000	Torsion Spring		C	2	
11	A795942501	Label		C	1	
12	A0P0594300	Bypass Tray /4		C	1	
13	A161M50400	VR		D	1	
14	A2X0597200	Gear 43T		C	1	
15	A00J597100	Rack /L		C	1	
16	A00J596900	Gear 18T		C	1	
17	A795R72100	Bypass ASSY		C	1	
18	A796N11500	Paperfeed Relay harness /6		D	1	
19	A00J593600	Sensor Plate		D	1	
20	A00J593700	Actuator /E		C	1	
21	A00J593800	Torsion Spring /E		C	1	
22	A00J594037	Bypass Tray /1		C	1	
23	A2X0586900	Mounting Plate		D	1	
24	A2X0942600	Label		C	1	
25	A2X0584400	Holder		D	1	
26	4036578501	SCREW		D	4	
27	A795597300	Mounting Plate		D	1	
28	A00J592502	Lifting Lever		C	1	
29	A0P0599600	Friction Plate		C	1	
30	A00J594615	Lifting Plate		C	1	
31	A00J599300	Holding Plate		D	1	
32	A00J595100	Holder		C	1	
33	A00J597000	Rack /R		C	1	
34	4036365901	COLLAR		D	4	
35	A00J594114	Bypass Tray /2		C	1	
36	4131462304	CLEANING PAD		C	2	
37	A795594500Old	Regulating Plate /R		C	1	
37	A795594501	Regulating Plate /R		C	1	
38	A00J587200	Brake Part		C	2	
39	A795594400	Regulating Plate /L		C	1	
40	A2X0942800	Scale	C,D1,D3,E,F2,G1,I,K ,J	C	1	
40	A2X0942900	Scale	B,G2	C	1	
41	0910362001	STOP RING		D	1	
42	A795589901	Actuator		C	1	
43	A795589300	Pulling Spring		C	1	
44	A795589600	Mounting Holder		C	1	
45	A795590000	Lever		C	1	
46	A5C1M50100	Photointerrupter		B	1	
47	A795598900	Label		C	1	
48	A7PU944500	Label		C	1	

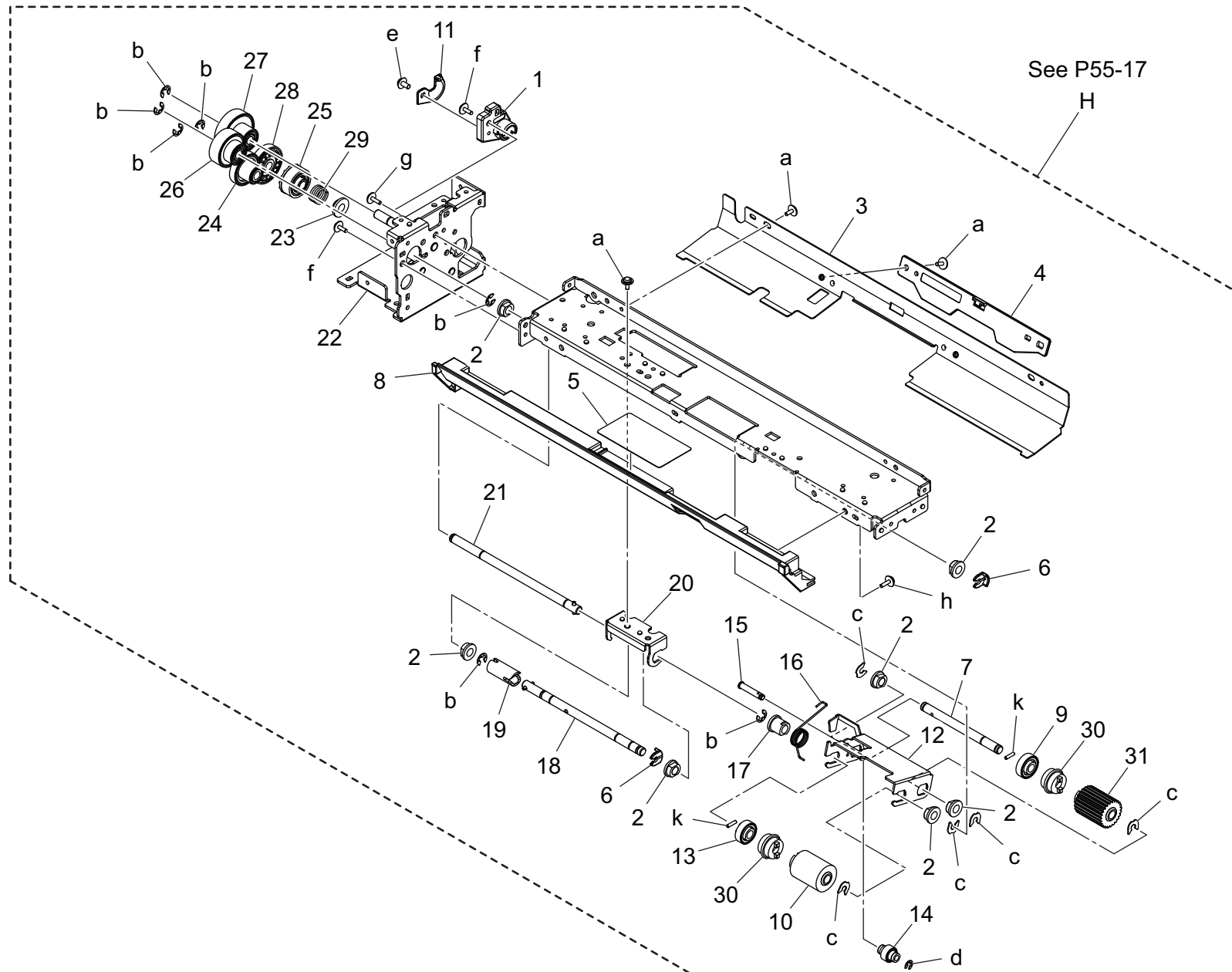
MANUAL FEED TRAY UNIT



Key	Part No.	Description	Destinations	Class	QTY	Standard parts
1	A795598101	Cover /Middle		C	1	a-V137030603 b-V137030804 c-V232302509 d-V217040001 e-V153030803 f-V234301850 g-V116030603 h-V144030803 k-V217030001 m-V137031203
2	A795586400	Holder		C	1	
3	A00J593500	Pressure Holder		C	2	
4	A00J593900	Compressing Spring		C	2	
5	A795595400	Mounting Plate /Front		D	1	
6	A795598201	Bypass Cover /Front		C	1	
7	A00J588800	PLATE SPRING		C	1	
8	A00J594800	Torsion Spring		C	1	
9	A795598500	Wiring Cover		C	1	
10	A795598400	Lock Lever		C	1	
11	A00J594900	Holder		C	1	
12	A00J585500	Shaft		D	1	
13	A00J585401	Torsion Spring		C	1	
14	A00J585601	Mounting Plate		D	1	
15	A00J596602	Mounting Plate		D	1	
16	A00J588300	Roll		C	1	
17	A00J588200	Fixing Plate		D	1	
18	A795594700	Positioning Shaft		D	1	
19	A2X0586700	Hold Holder		C	1	
20	A795599800	Mounting Plate		D	1	
21	A00J599501	Torsion Spring		C	1	
22	A00J598800	Set Actuator		C	1	
23	A5C1M50100	Photointerrupter		B	2	
24	A00J599701	Mounting Plate		D	2	
25	A795600000	Adjusting Pedestal		D	2	
26	A0EDM50100	Photoreflector		I	1	
27	A795590800	Mounting Plate		D	1	
28	A795590200	Frame		D	1	
29	A00J585100	Mounting Plate		D	1	

MANUAL FEED TRAY UNIT

P 57

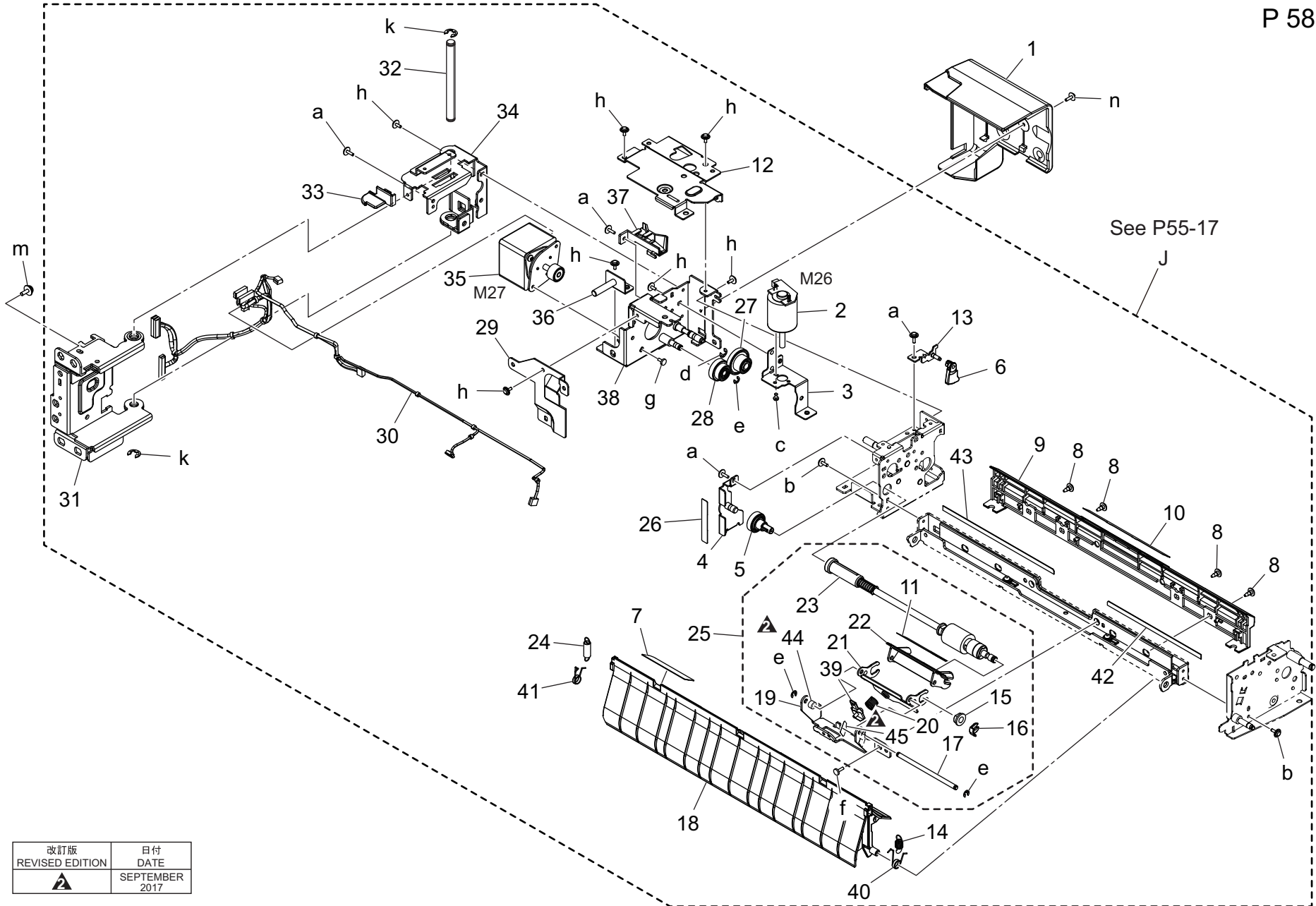



bizhub 958/bizhub PRO 958

Key	Part No.	Description	Destinations	Class	QTY	Standard parts
1	A2X0595001	Support Holder		C	1	a-V137030603
2	4131300301	BUSHING	支点ホルダ 軸受	C	7	b-V217040001
3	A795590500	Guide Plate	ガイド板	D	1	c-V218040086
4	A0P0587500	Guide Plate /Front	ガイド板/前	D	1	d-V217030001
5	A795588600	Seal	シール	C	1	e-V153030603
6	56AA40490	SHAFT STOPPER 4	軸ストッパ 4	C	2	f-V144030803
7	4030300301	SHAFT	シャフト	D	1	g-V137030803
8	A795590600	Guide Plate /Upper	ガイド板/上	D	1	h-V153030803
9	4425301601	GEAR 32T	ギヤ 32 T	C	1	k-V234200850
10	A00J563600	Roller	ローラ	A	1	
11	A00J596000	Wiring Cover	配線カバー	D	1	
12	A0P0590100	Paper feed Holder	給紙ホルダ	D	1	
13	4425301301	GEAR 30T	ギヤ 30 T	C	1	
14	A00J590300	Gear 20T	ギア 20 T	C	1	
15	4040309701	SHAFT	シャフト	D	1	
16	A00J590400	Torsion Spring	ねじりばね	C	1	
17	1065308601	BUSHING	シクウケ	C	1	
18	A00J590700	Paper feed Shaft	給紙軸	D	1	
19	A00J587000	Paper feed Coupling	給紙カップリング	C	1	
20	A00J586100	Mounting Plate	取付板	D	1	
21	A00J586000	Paper feed Shaft	給紙軸	D	1	
22	A00JR7AQ11	FRAME /BYPASS (REAR)	フレーム/手差し (後) かしめ	D	1	
23	A00J596700	Pressing Collar	押圧カラー	C	1	
24	A00J595800	Gear 15/28T	ギア 15 / 28 T	C	1	
25	A00J592600	Gear 14T	ギア 14 T	C	1	
26	A00J592201	Gear 18/29T	ギア 18 / 29 T	C	1	
27	A00J591700	Gear 18/35T	ギア 18 / 35 T	C	1	
28	A00J592800	Gear 26T	ギア 26 T	C	1	
29	A00J593000	Compressing Coil	圧縮コイル	C	1	
30	A00J595600	Clutch	クラッチ	C	2	
31	A5C1562200	Roller	ローラ (ピック)	A	1	

MANUAL FEED TRAY UNIT

P 58

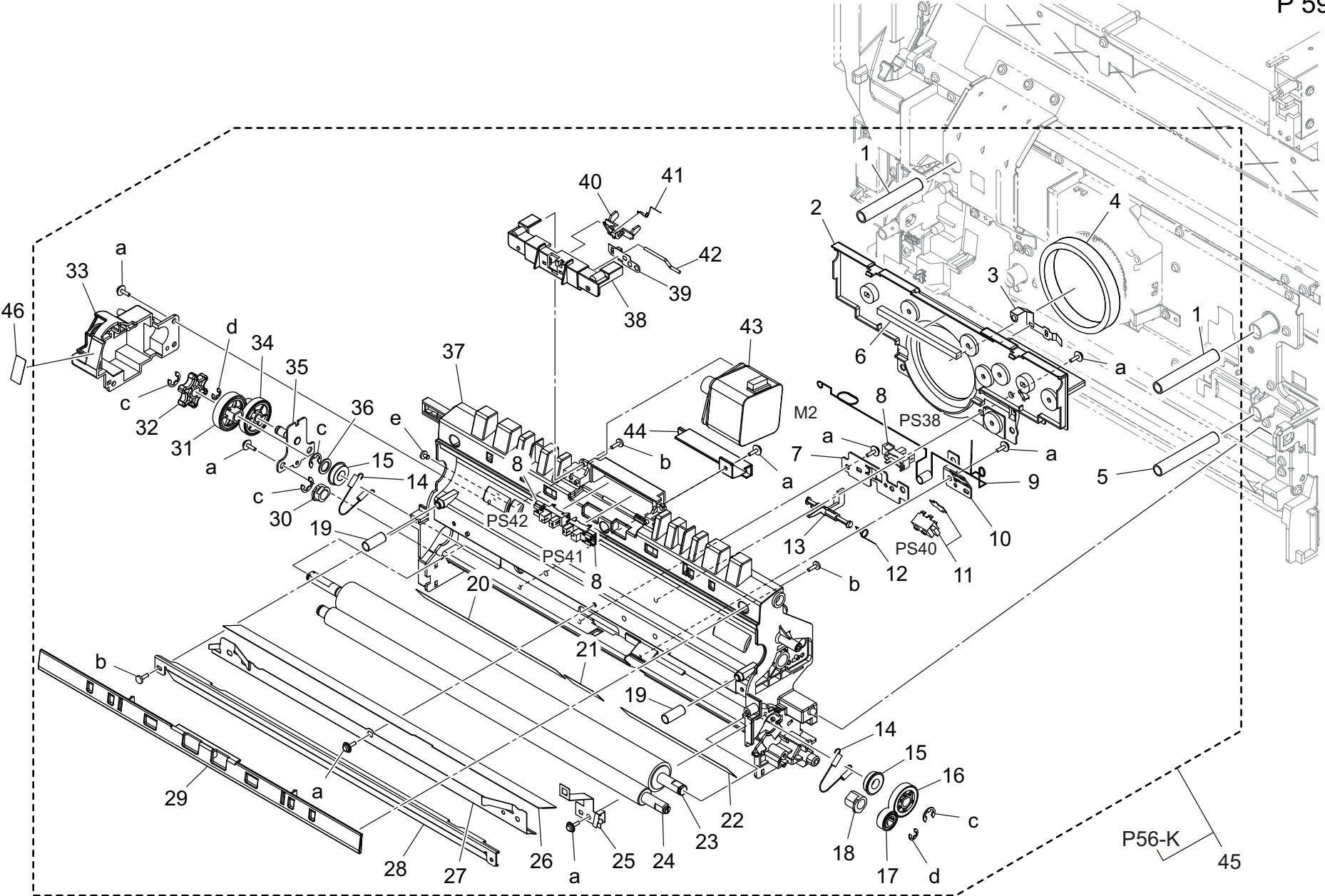


改訂版 REVISED EDITION	日付 DATE
	SEPTEMBER 2017

bizhub 958/bizhub PRO 958

Key	Part No.	Description	Destinations	Class	QTY	Standard parts
1	A795598000	Bypass Cover /Rear		C	1	a-V137030803
2	A0P0R75200	MOTOR ASSY		B	1	b-V126030803
3	A00J593411	Mounting Plate		D	1	c-V115260503
4	A00JR7AR00	MOUNTING PLATE / BYPASS 1		D	1	d-V217040001
5	A00J591800	Gear 22T		C	1	e-V217030001
6	A2X0584300	Rotation Plate		D	1	f-V118030803
7	A00J587600	Guide Sheet		C	1	g-V118030603
8	4036141001	SHOULDER SCREW		C	4	h-V137030603
9	A0P0596501	Bypass Holder /Front		D	1	k-V217060001
10	A0P0597400	Guide Sheet		D	1	m-V116041003
11	A00J589100	Guide Sheet		C	1	n-V121030804
12	A00J587702	Reinforce Plate		D	1	
13	A2X0584200	Mounting Plate /ASSY		D	1	
14	A00J587300	Pulling Spring		C	1	
15	4131300301	BUSHING		C	1	
16	56AA40490	SHAFT STOPPER 4		C	1	
17	4030303901	SHAFT		D	1	
18	A795592000	Guide Plate		D	1	
19	A00J591014	Mounting Plate /S		D	1	
20	A2X0591100	Compressing Spring		C	1	
21	A00J590901	Holder /S		C	1	
22	A00J597511	Guide Part		C	1	
23	A0P0R74100	Fieldroller/1 assy		A	1	
24	4030312501	TENSION SPRING		C	1	
25	A2X0R72200	Bypass field roller assy		C	1	
26	A00J585800	Seal		C	1	
27	A00J593101	Gear 14/24T		C	1	
28	A00J593300	Gear 14/50T		C	1	
29	A00J587901	Mounting Plate /Rear		D	1	
30	A796N11401	Paperfeed Relay harness /5		D	1	
31	A795588100	Mounting Plate /ASSY		D	1	
32	A00J598611	Support Shaft		D	1	
33	A0P0588700	Cover		D	1	
34	A795595700	Mounting Plate /ASSY		D	1	
35	A2X0M10000	Stepping motor		C	1	
36	A795596300	Mounting Plate /ASSY		D	1	
37	A00J586300	Wiring Holder		D	1	
38	A00JR7AS22	MOUNTINGPLATE/BYPASS2		D	1	
39	A2X0599900	Holder		D	1	
40	A2X0584100	Torsion Coil spring		C	1	
41	A2X0584000	Torsion Coil spring		C	1	
42	A2X0592400	Spacer /1		D	1	
43	A2X0592300	Spacer /2		D	1	
44	A795599000	Spacer		D	1	
45	A795598301	Sheet		D	1	

PAPER EXIT CONVEYANCE SECTION



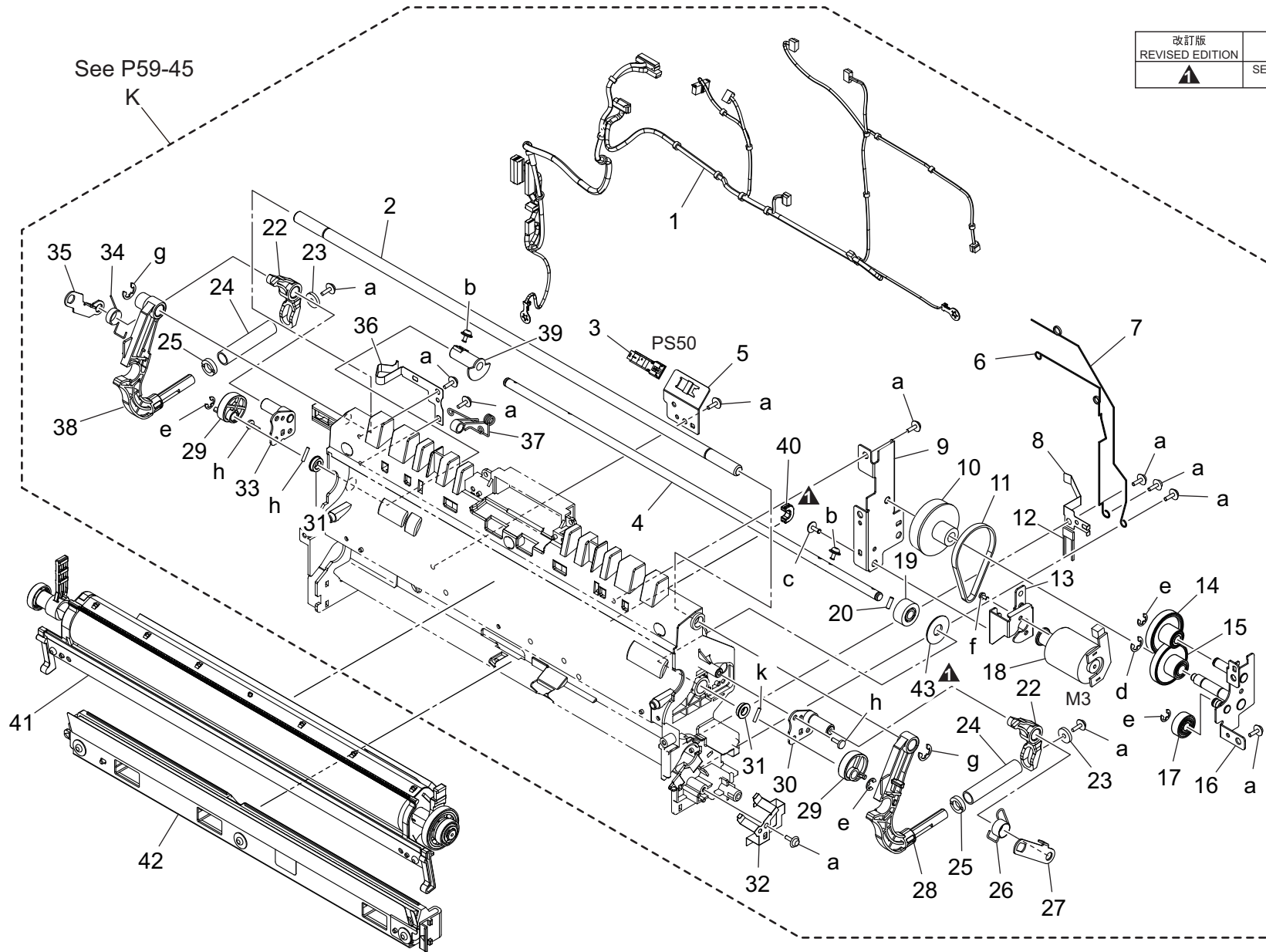
bizhub 958/bizhub PRO 958

PAPER EXIT CONVEYANCE SECTION

Key	Part No.	Description	Destinations	Class	QTY	Standard parts
1	A00J706800	Compressing Spring		C	2	a-V153030803 b-V149030803 c-V217060001 d-V217040001 e-V118030403
2	A795701500	Conveyance Duct		D	1	
3	A795712401	Ground Plate		C	1	
4	A00J701800	Suction Seal		C	1	
5	4025353401	PRESSURE SPRING		D	1	
6	A00J709100	Seal		C	1	
7	A795702400	Mounting Plate		D	1	
8	A5C1M50100	Photointerrupter		B	3	
9	A795708800	Contact		C	1	
10	A795712001	Mounting Plate		D	1	
11	A00JR90100	PHOTO INTERRUPTER		C	1	
12	A795715200	Torsion Spring		C	1	
13	A795713601	Actuator		C	1	
14	A795701000	Pulling Spring		C	2	
15	A00V240600	Ball Bearing		B	2	
16	A795700600	Guide Gear 24T		C	1	
17	A00J702700	Gear 14T		C	1	
18	A161702200	Bushing		C	1	
19	A00J707801	Compressing Spring		C	2	
20	A00J704200	Guide Film		C	1	
21	A00J704600	Guide Film		C	1	
22	A00J704700	Guide Film		C	1	
23	A795700100	Registration Roller		C	1	
24	A795700200	Roller		C	1	
25	A795701900	Ground Contact		D	1	
26	4025356801	NETURALIZING MEMBER		C	1	
27	A795701601	Neutralizing Holder		D	1	
28	A795701200	Guide Plate		D	1	
29	A796701100	Conveyance Holder		C	1	
30	1164350901	BUSHING		C	1	
31	A00J700301	Gear 26T		C	1	
32	A00J706900	Rotation Knob		C	1	
33	A795703001	Positioning Holder		C	1	
34	A00J700501	Gear 34/17T		C	1	
35	A795R72400	Mounting Plate/Roller Connecting Caulkin		D	1	
36	A00J700900	Collar		C	1	
37	A795701102	Conveyance Holder		C	1	
38	A795714602	Guide Plate		D	1	
39	A795715300	Ground Plate		C	1	
40	A795714401	Actuator		C	1	
41	A0P0103401	Torsion Spring		D	1	
42	A0P0103300	Shaft		D	1	
43	A796M10500	HB Stepping motor		C	1	
44	A795702000	Wiring Cover		D	1	
45	A796R71300	Conveyance Holder ASSY		C	1	
46	A795716300	Label		C	1	

PAPER EXIT CONVEYANCE SECTION

改訂版 REVISED EDITION	日付 DATE
▲	SEPTEMBER 2017



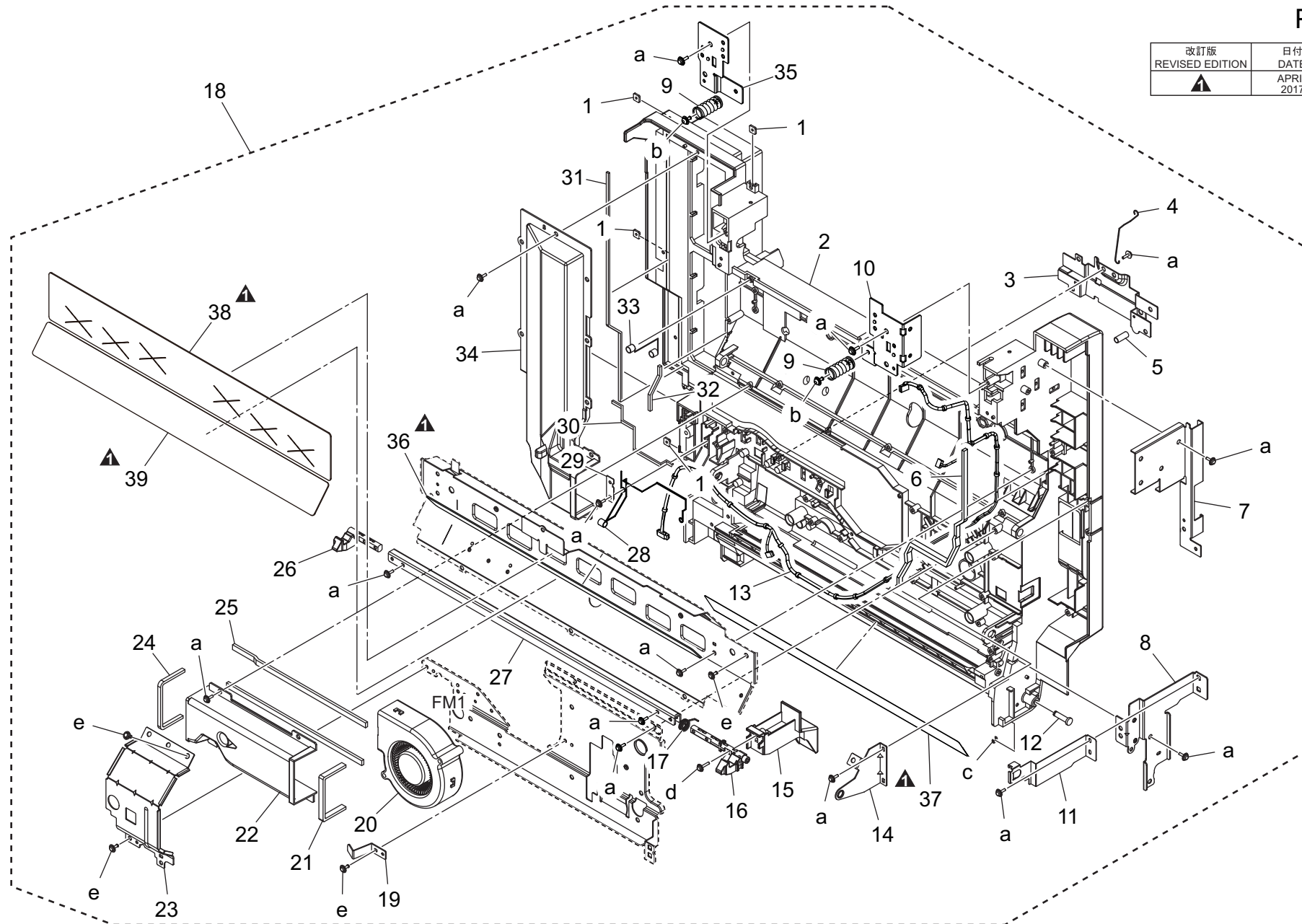
bizhub 958/bizhub PRO 958

Key	Part No.	Description	Destinations	Class	QTY	Standard parts
1	A796N11001	Conveyance Wiring		D	1	a-V153030803 b-V116030603 c-V137030603 d-V217050001 e-V217040001 f-V115260503 g-V217060001 h-V149030803 k-V234201050
2	A00J710400	Support Shaft		D	1	
3	A5C1M50100	Photointerrupter		B	1	
4	A795718300	Shaft		C	1	
5	A795710700	Mounting Plate		D	1	
6	A795708200	Contact		C	1	
7	A795712101	Contact		C	1	
8	A795713400	Ground Plate		C	1	
9	A795710200	Mounting Plate		D	1	
10	A2X0713100	Pulley 16T		C	1	
11	A2X0713200	Timing Belt 152L		C	1	
12	9454407602	RESISTOR		D	1	
13	A795713001	Mounting Plate		D	1	
14	4025490701	GEAR 16/40T		C	1	
15	4025491001	GEAR 12/40T		C	1	
16	A795710300	Mounting Plate		D	1	
17	A795718600	GEAR 15T		C	1	
18	A0P0R75400	Motor Assy		C	1	
19	A795718400	GEAR 15T		C	1	
20	4036491101	PIN		D	1	
22	A795715100	Lever		C	2	
23	4004472301	WASHER		D	2	
24	A795710800	Compressing Spring /2		C	2	
25	A795715000	Ring /2		D	2	
26	A795717601	Torsion Coil spring /B		C	1	
27	A795715700	Reinforce Plate		D	1	
28	A795710600	Arm /Front		C	1	
29	4004471004	Cam		D	2	
30	A795717401	Stake /ASSY		D	1	
31	A00J617800	Ball Bearing		B	2	
32	A795708100	Ground Plate		C	1	
33	A795717501	Stake /ASSY		D	1	
34	A795717700	Torsion Coil spring /A		C	1	
35	A795715900	Reinforce Plate		D	1	
36	A795708701	Contact		C	1	
37	A0P0709101	Contact		C	1	
38	A795710501	Arm /Rear		C	1	
39	A795714900	Light blocking Plate		D	1	
40	A161819500	Bushing /C		C	1	
41	A795R73600	2nd Transfer Roller ASSY		A	1	
42	A795R72600	Neutralizing Stable Plate ASSY		C	1	
43	A0P0664000	Washer		D	1	

PAPER EXIT CONVEYANCE SECTION

P 61

改訂版 REVISED EDITION	日付 DATE
▲	APRIL 2017



bizhub 958/bizhub PRO 958

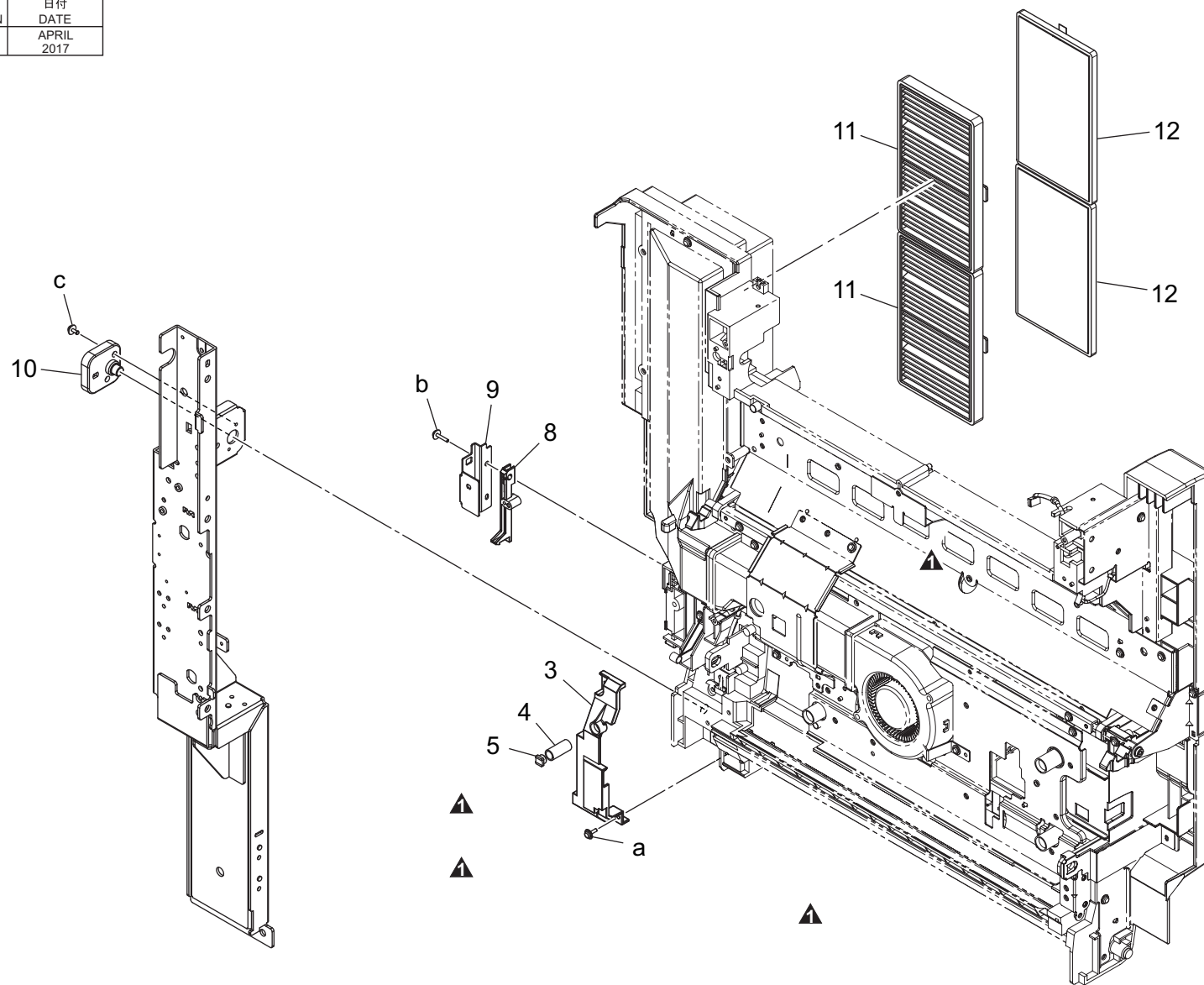
PAPER EXIT CONVEYANCE SECTION

Key	Part No.	Description	Destinations	Class	QTY	Standard parts
1	4002504202	PLATE NUT		D	4	a-V153030803 b-V125030801 c-V217030001 d-V153031203 e-V144030803
2	A795705102	Conveyance Cover		C	1	
3	A795715802	Reinforce Plate		D	1	
4	A795717801	Contact		C	1	
5	A795717900	Contact		C	1	
6	A795718101	Cushion		C	1	
7	A795715600	Reinforce Plate /2		D	1	
8	A795705701	Reinforce Plate /Front		D	1	
9	A00J893100	Compressing Spring		D	2	
10	A795901001	Mounting Plate /Front		D	1	
11	A795713700	Regulating Plate		D	1	
12	A795711900	Shaft		D	1	
13	A796N11101	Conveyance Relay harness /1		D	1	
14	A795716401	Reinforce Plate		D	1	
15	A795706200	Open/close Lever /Right		C	1	
16	A795706500	Lock Lever /F		C	1	
17	4036359002	TORSION SPRING		D	1	
18	A795R72511	Conveyance Door ASSY		C	1	
19	A00J706400	Mounting Plate		D	1	
20	9313100072	FAN MOTOR		C	1	
21	A795714200	Cushion		C	1	
22	A795713800	Duct /Front		D	1	
23	A795714800	Mounting Plate		D	1	
24	A795714100	Cushion		C	1	
25	A795714300	Cushion		C	1	
26	A795706600	Lock Lever /R		C	1	
27	A795706700	Support Plate		D	1	
28	A795712201	Contact		C	1	
29	A0P0709000	Mounting Plate		D	1	
30	A795717200	Cushion		C	1	
31	A795717000	Cushion		C	1	
32	A795717100	Cushion		C	1	
33	A795709700	Spring		C	1	
34	A795714000	Duct /Rear		D	1	
35	A795900900	Mounting Plate /Rear		D	1	
36	A795713500	Protection Part		C	1	
37	A795705200	Guide Film		C	1	
38	A795709301	Protection Part		C	1	
39	A795718000	Protection Part		C	1	

PAPER EXIT CONVEYANCE SECTION

P 62

改訂版 REVISED EDITION	日付 DATE
▲	APRIL 2017

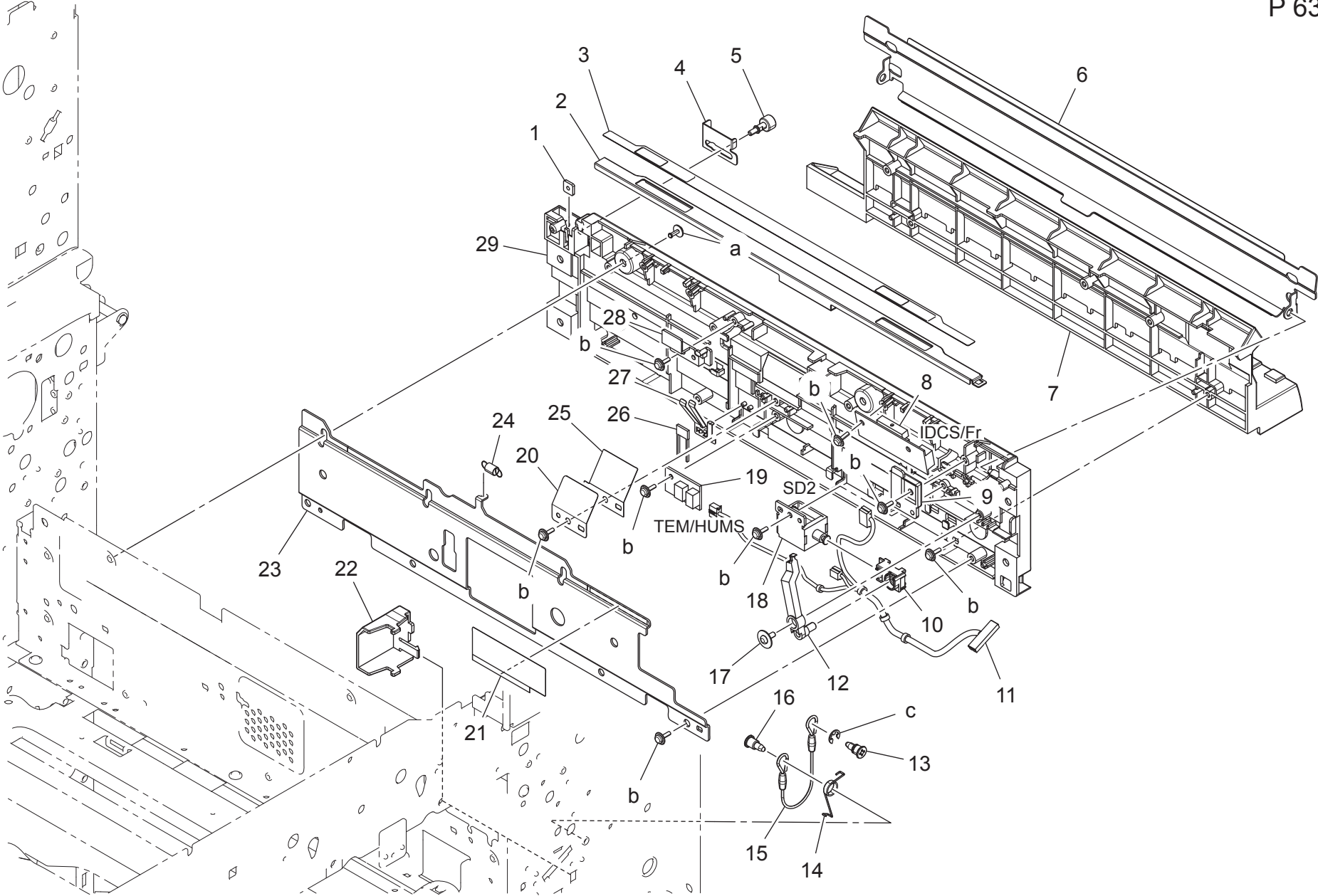


PAPER EXIT CONVEYANCE SECTION

Key	Part No.	Description	Destinations	Class	QTY	Standard parts
3	A795705900	Wiring Cover		D	1	a-V153030803 b-V153031203 c-V125030801
4	A795716500	Compressing Spring		C	1	
5	A795717300	Holding Plate		D	1	
8	A795713301	Holder		D	1	
9	A795712901	Reinforce Plate		D	1	
10	A00J707300	Support Shaft		C	1	
11	A795716700	Filter		C	2	
12	A796716800	Filter		A	2	

bizhub 958/bizhub PRO 958

REGISTRATION SENSOR SECTION

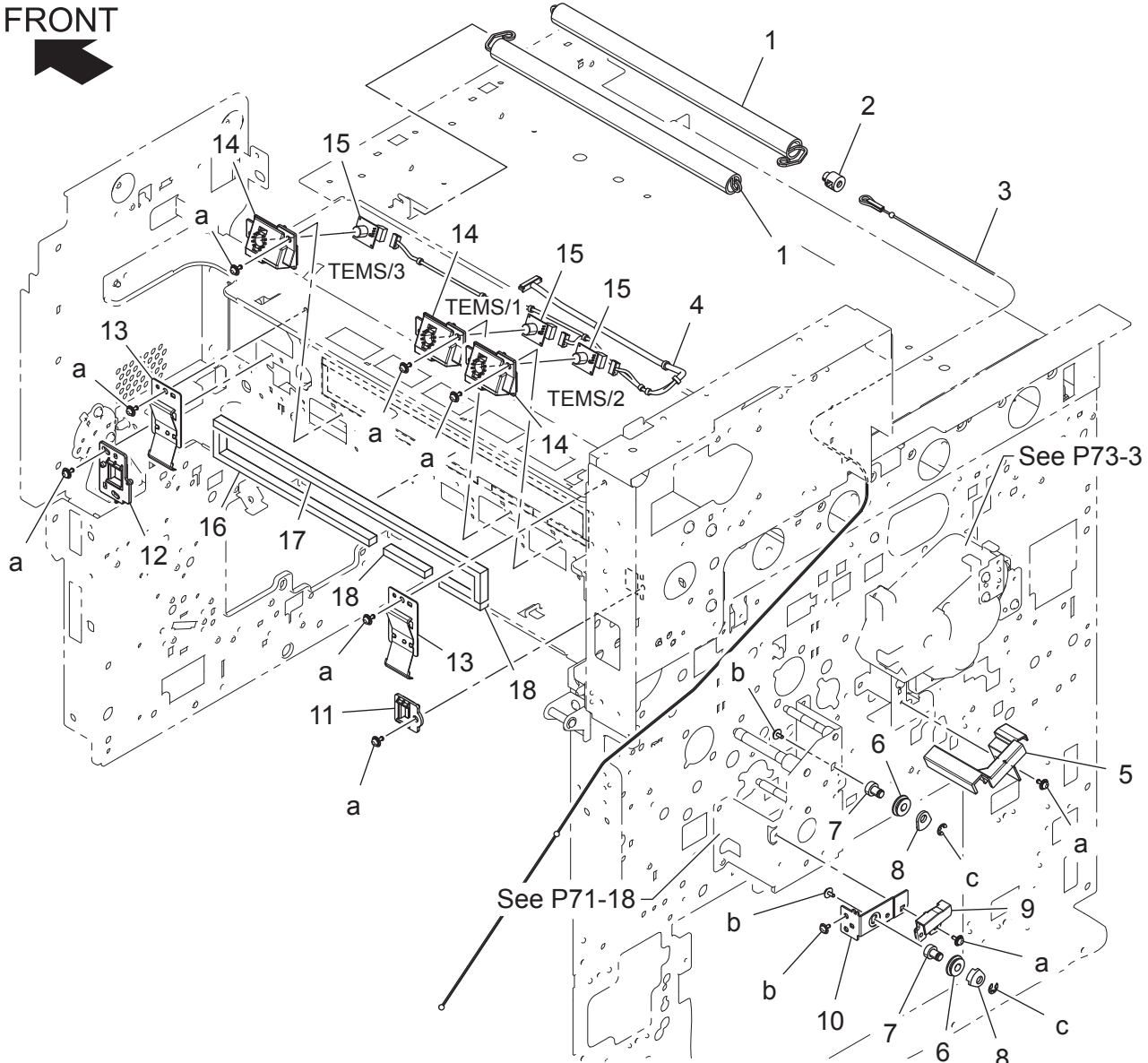


bizhub 958/bizhub PRO 958

REGISTRATION SENSOR SECTION

Key	Part No.	Description	Destinations	Class	QTY	Standard parts
1	4002504202	PLATE NUT		D	1	a-V144030803 b-V153030803 c-V217040001
2	A00J711101	Sensor Shutter		C	1	
3	A00J704100	Sensor Cover		C	1	
4	A00J702901	Guide Stopper		D	1	
5	A00J703600	Shoulder screw		C	1	
6	A0P0R75000	GUIDE ASSY		C	1	
7	A795702200	Guide Plate		D	1	
8	V869900045	PHOTO SENSING ELEMENT		C	1	
9	A00J702600	Guide Shutter		C	1	
10	A795711800	Arm /2		C	1	
11	A796N12201	Sensor Relay harness		D	1	
12	A795711601	Lever		C	1	
13	A00J705800	Shoulder screw		C	1	
14	A00J706100	Torsion Spring		C	1	
15	A00J707200	Hold Wire /Front		C	1	
16	4643460501	SHOULDER SCREW		C	1	
17	4036596601	SCREW		C	1	
18	A034M20100	Conveyance Solenoid		C	1	
19	A0P0M50400	Humidity sensor		C	1	
20	A00J703700	Plate spring /2		C	1	
21	A00J704400	Sensor Cover /2		C	1	
22	A795704501	Wiring Cover		D	1	
23	A795702800	Reinforce Plate		D	1	
24	A0ED702800	Pulling Spring		D	1	
25	A00J702500	Plate spring /1		C	1	
26	9454407602	RESISTOR		D	1	
27	A00J703800	Plate spring /3		C	1	
28	4036355701	STOPPER		D	1	
29	A795702101	Guide Holder /Left		C	1	

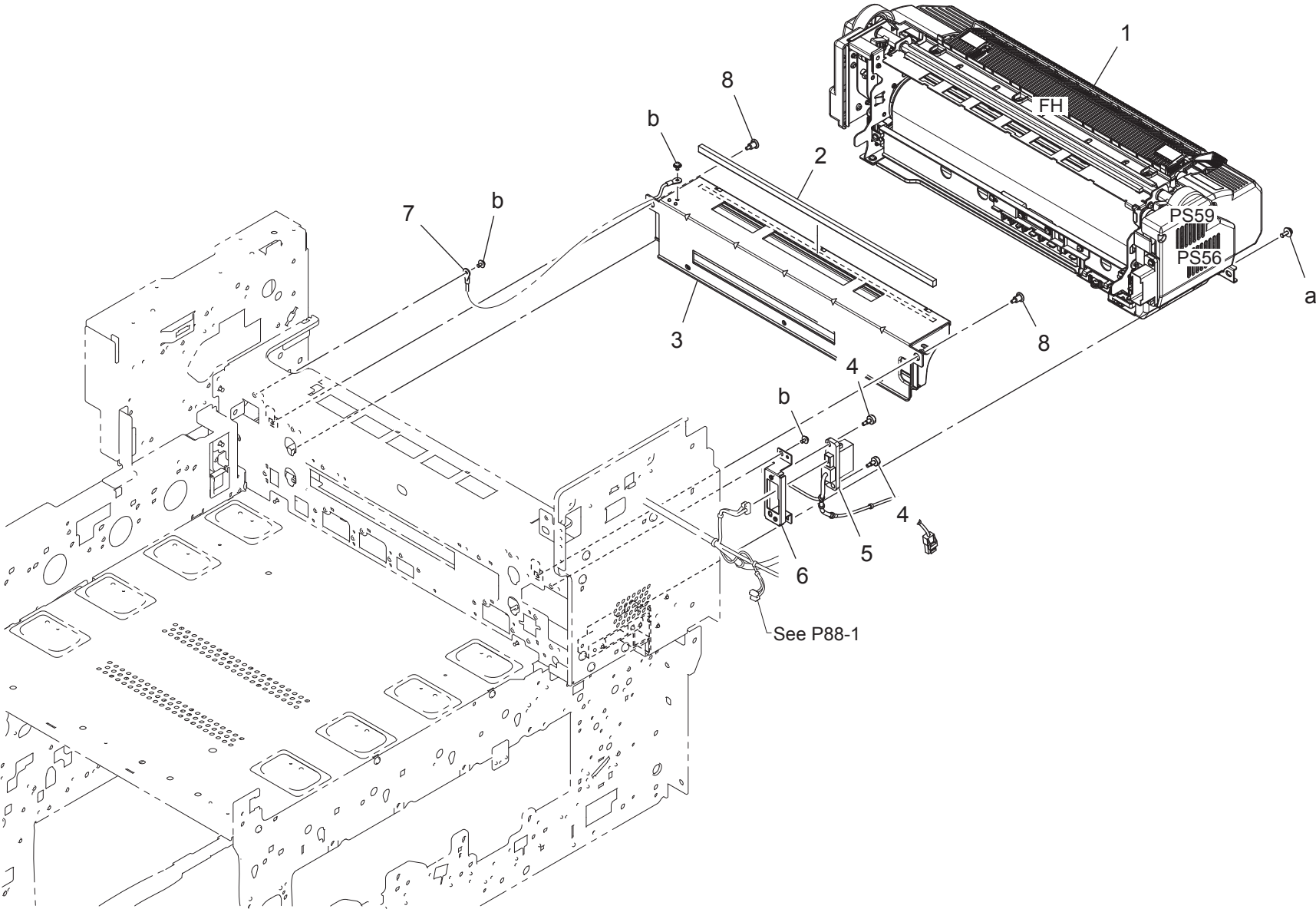
ROTATION DETECTING SENSOR SECTION



ROTATION DETECTING SENSOR SECTION

Key	Part No.	Description	Destinations	Class	QTY	Standard parts
1	A795707600	Pulling Spring		C	2	a-V125030801 b-V127030604 c-V217040001
2	4004351202	FLANGE		D	1	
3	A795707100	Hold Wire /Rear		C	1	
4	A796N10U00	Temperature Detection harness		D	1	
5	A795710001	Guide Plate		D	1	
6	A795712600	Pulley		C	2	
7	A795712500	Shaft		D	2	
8	A795712700	Cover		C	2	
9	A795716600	Cover		C	1	
10	A795712800	Mounting Plate		C	1	
11	A795104700	Guide		C	1	
12	A795105000	Guide		C	1	
13	A796108000	Pressing Plate /ASSY		D	2	
14	A796107300	Guide Holder		D	3	
15	A796M50000	Temp. transfer		I	3	
16	A796158200	Cushion		C	1	
17	A795158100	Cushion		C	1	
18	A796158400	Cushion		C	2	

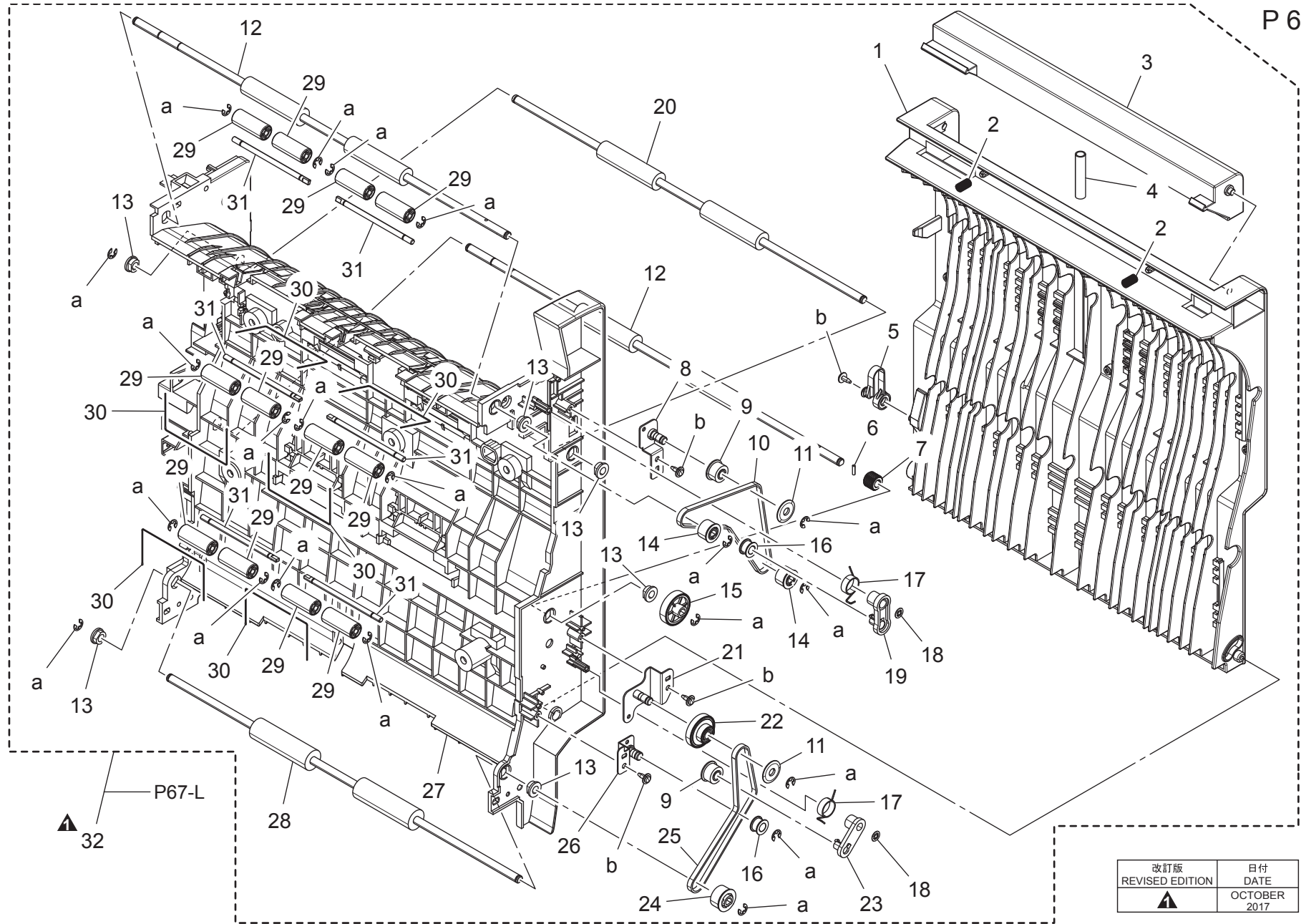
FUSING UNIT



bizhub 958/bizhub PRO 958

FUSING UNIT

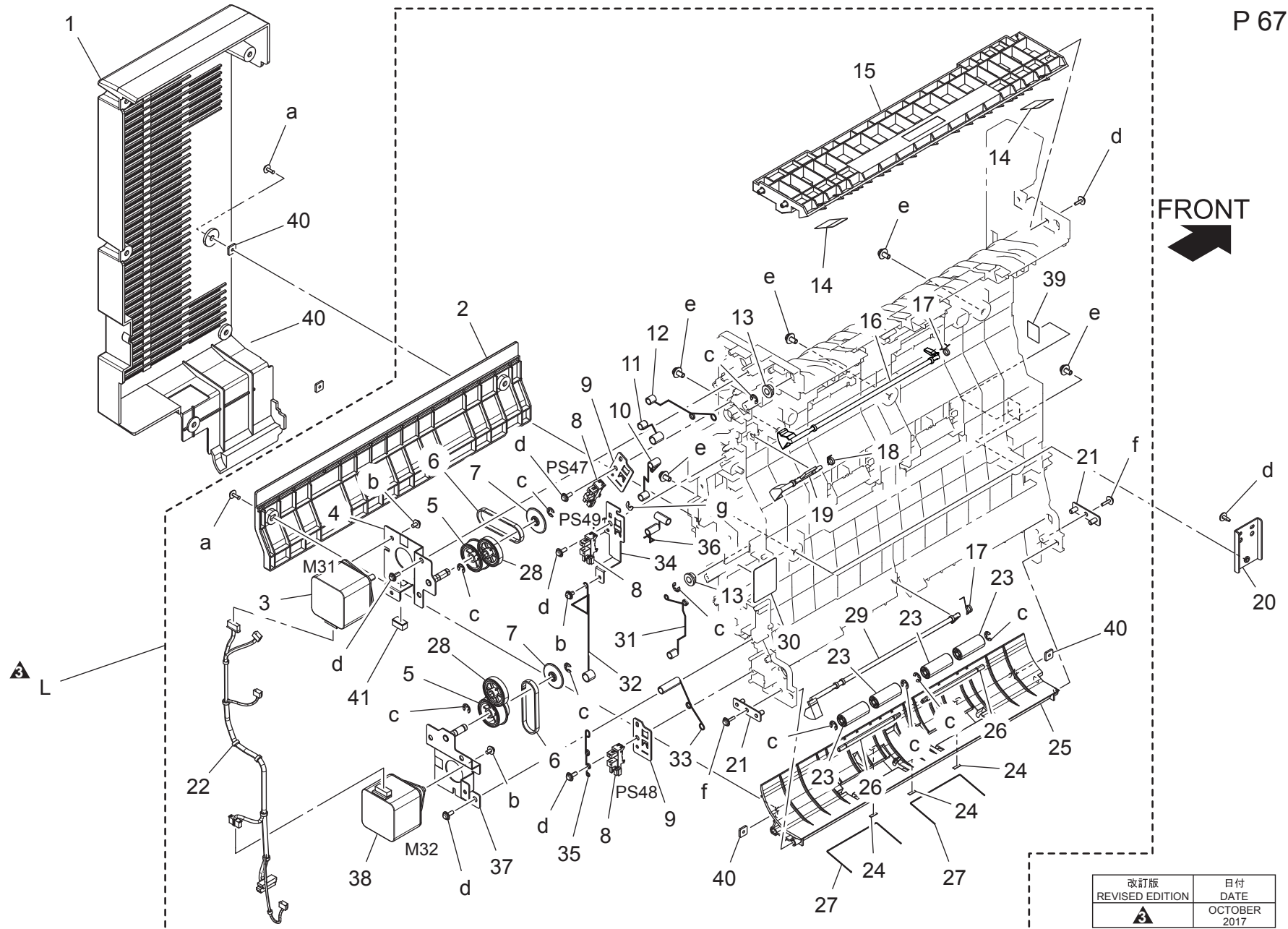
Key	Part No.	Description	Destinations	Class	QTY	Standard parts
1	A796R71422	Fusing Unit		A	1	a-V116041003 b-V116030603
2	A795755001	Sealing Part		C	1	
3	A796M40200	Fixing Coil /230V		I	1	
4	A795138500	Shoulder screw		C	2	
5	A796N10T00	Fixing Relay harness /2		D	1	
6	A795145701	Mounting Plate		D	1	
7	A2XKN10J00	Grounding Wiring		D	1	
8	A2XK754200	Shoulder screw		C	2	



改訂版 REVISED EDITION	日付 DATE
	OCTOBER 2017

bizhub 958/bizhub PRO 958

Key	Part No.	Description	Destinations	Class	QTY	Standard parts
1	A795810501	Open/close Cover		C	1	a-V217040001 b-V153030803
2	A00J815801	Compressing Spring		C	2	
3	A00J810302	Handle		C	1	
4	4497310603	PRESSURE SPRING		C	1	
5	A795816400	Stopper		D	1	
6	1067250101	PIN		C	1	
7	A00J815101	Knob		C	1	
8	A00JR7AY00	MOUNTING PLATE /A		D	1	
9	4657371301	PULLEY 22T		C	2	
10	A00J811600	Belt 306L		C	1	
11	1200164603	WASHER		D	2	
12	A795810800	Conveyance Roller		C	2	
13	4131300301	BUSHING		C	6	
14	A00J811200	Pulley 22T		C	2	
15	A0P0812800	Gear 48T		C	1	
16	A00J813600	Roll		C	2	
17	A00J812100	Torsion Spring /Upper		D	2	
18	0910362001	STOP RING		D	2	
19	A00J815200	Lever		C	1	
20	A795810900	Conveyance Roller		C	1	
21	A00JR7AV00	MOUNTING PLATE /B		D	1	
22	A0P0812900	Gear 22/48T		C	1	
23	A00J812300	Lever		C	1	
24	A00J812200	Pulley 26T		C	1	
25	A3EP820300	Belt/3 276L		C	1	
26	A00JR7AX11	MOUNTING PLATE /C		D	1	
27	A795810101	Duplex Base frame		C	1	
28	A795811000	Conveyance Roller		C	1	
29	A00J814101	Roll		C	12	
30	A00J814500	Spring		C	6	
31	A00J814411	Shaft		C	6	
32	A796R72000	ADU Assy		S	1	

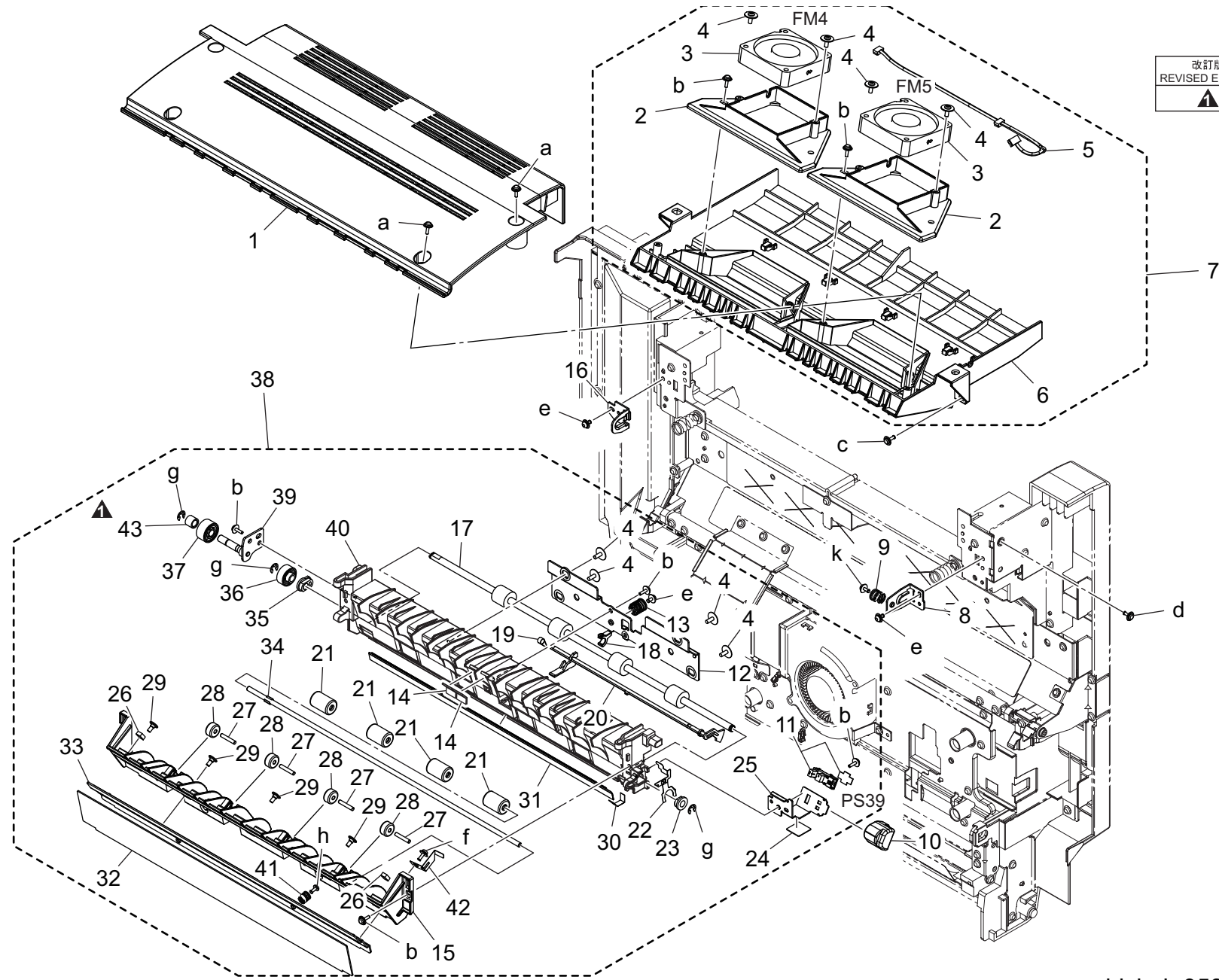


Key	Part No.	Description	Destinations	Class	QTY	Standard parts
1	A795810603	Cover /Rear		C	1	a-V121030804
2	A795813400	Cover /Lower		C	1	b-V116030603
3	A2X0M10700	Stepping motor		C	1	c-V217030001
4	A795811301	Mounting Plate		D	1	d-V153030803
5	A00J813900	Pulley 33/25T		C	2	e-V125041003
6	4657374301	TIMING BELT 134L		C	2	f-V153031003
7	A795811700	Washer		C	2	g-V218030086
8	A5C1M50100	Photointerrupter		B	3	
9	A795812000	Sensor Plate /Lower		D	2	
10	A795817100	Ground Spring /3		D	1	
11	A795816800	Ground Spring /2		D	1	
12	A795816701	Ground Spring /1		D	1	
13	4131300301	BUSHING		C	2	
14	A795816300	Guide Film		C	2	
15	A795810200	Guide Plate /Upper		C	1	
16	A00J811800Old	Actuator /Upper		C	1	
16	A795811800	Actuator /Upper		C	1	
17	4657373501	TORSION SPRING		C	2	
18	4657373401	TORSION SPRING		C	1	
19	A00J813200	Actuator		C	1	
20	A795815000	Mounting Plate		D	1	
21	A00JR7AW00	MOUNTING PLATE /D		D	2	
22	A796N11300	ADU Wiring		D	1	
23	A00J814101	Roll		C	4	
24	A795990100	Spacer		D	3	
25	A795810700	Guide Plate /Lower		C	1	
26	A00J814411	Shaft		C	2	
27	A00J814500	Spring		C	2	
28	A00J813800	Gear 25T		C	2	
29	A795811900	Actuator /Lower		C	1	
30	A795816600	Protection Film		C	1	
31	A795816900	Ground Spring /6		D	1	
32	A795817200	Ground Spring /5		D	1	
33	A795817000	Ground Spring /8		D	1	
34	A2X0813300	Sensor Plate /Middle		D	1	
35	A795817400	Ground Spring /7		D	1	
36	A795817300	Ground Spring /4		D	1	
37	A795811301	Mounting Plate		D	1	
38	A796M10400	HB Stepping motor		C	1	
39	A2X0949000	Label		C	1	
40	A00J307100	Fixing Nut		D	4	
41	A795816500	Vibrationproof Cushion		C	1	

PAPER EXIT SECTION

P 68

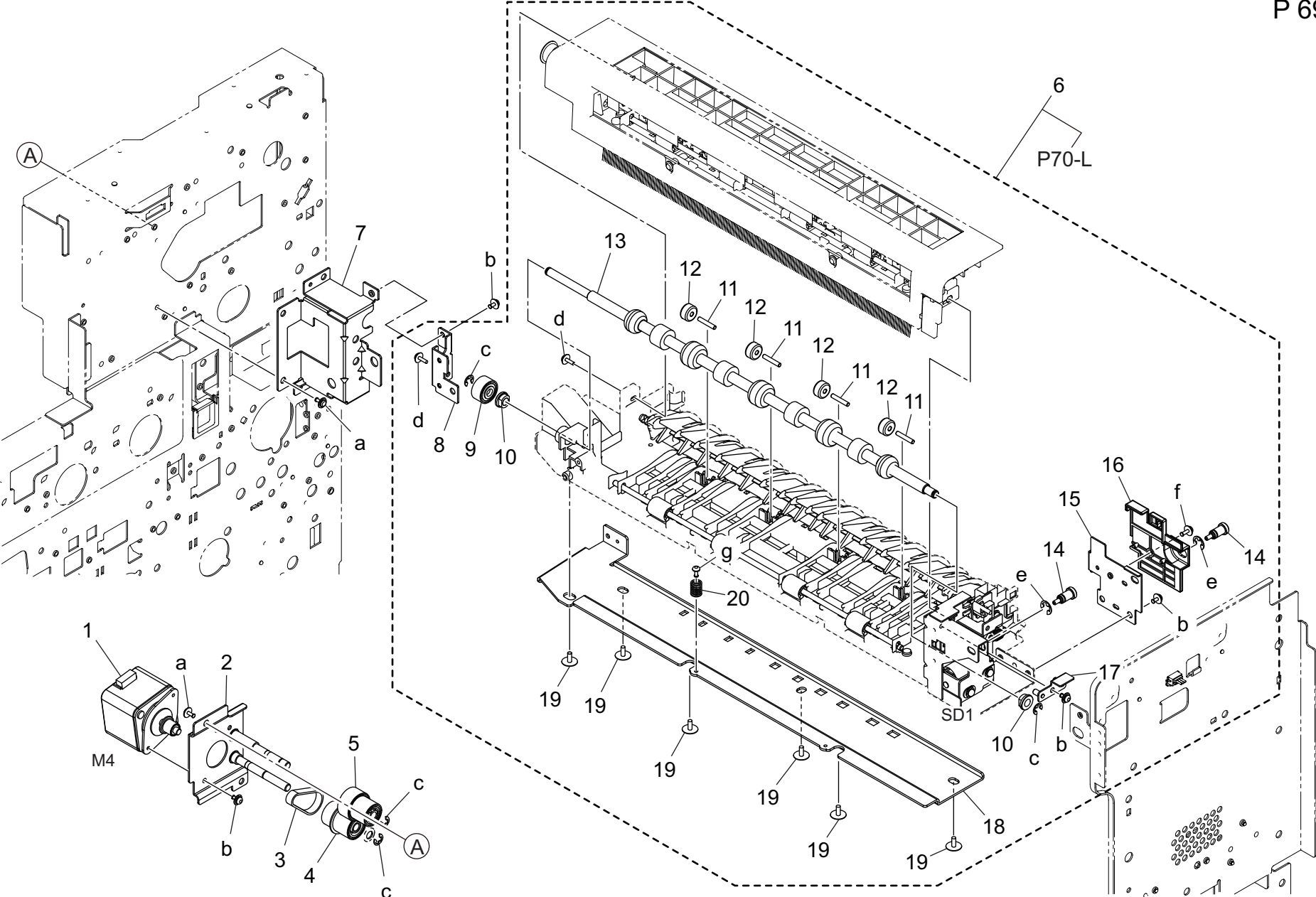
改訂版 REVISED EDITION	日付 DATE
▲	JUNE 2016



bizhub 958/bizhub PRO 958

Key	Part No.	Description	Destinations	Class	QTY	Standard parts
1	A795891801	Paper exit Cover		C	1	a-V153030804
2	A00J898900	Cover		D	2	b-V153030803
3	9J06M10000	Fan motor		C	2	c-V137030803
4	4036596601	SCREW		C	8	d-V144030803
5	A55VN11200	Conveyance Relay harness/2		D	1	e-V116030603
6	A795892100	Guide Plate		D	1	f-V116030803
7	A795R72800	Cooling Fan ASSY		C	1	g-V217040001
8	A795902400	Mounting Plate		D	1	h-V111030603
9	A795902500	Pressing Spring		C	1	k-V125030801
10	A00J898400	Cover		C	1	
11	A5C1R90000	Photo Interrupter		B	1	
12	A0P0900101	Mounting Plate		D	1	
13	A0P0900700	Compressing Coil spring		D	1	
14	A2X0900500	Cushion		D	2	
15	A795892403	Guide Plate /Left		D	1	
16	A795892201	Mounting Plate		D	1	
17	A795898300	Paper exit Roller		C	1	
18	4004598701	BUSHING		C	1	
19	4036591301	TORSION SPRING		D	1	
20	A795892300	Paper exit Actuator		C	1	
21	A795901200	Roll		C	4	
22	A795894001	Contact		C	1	
23	4030309301	BUSHING		C	1	
24	A795899700	Protection Part		C	1	
25	A795892700	Sensor Plate		D	1	
26	A161893601	Cushion		D	2	
27	A00J897100	Pin		C	4	
28	A0ED897700	Collar		C	4	
29	4011585202	SHOULDER SCREW		C	4	
30	A795895600	Ground Seal /1		C	1	
31	A795897500	Neutralizing Brush		C	1	
32	A795897601	Protection Part		C	1	
33	A795892001	Reinforce Plate		C	1	
34	A795897800	Idler Shaft		D	1	
35	A0P0900201	Bushing		D	1	
36	A00J896300	Gear 15T		C	1	
37	A00J896100	Gear 16T		C	1	
38	A795R72711	Mounting Plate/Paper Exit ASSY		C	1	
39	A795R74000	Mounting Plate/1st Paper Exit Caulking A		D	1	
40	A795892902	Guide Plate /Right		D	1	
41	A795901700	Pressing Spring		C	1	
42	A795894200	Contact		C	1	
43	A161739200	Collar		C	1	

REVERSAL SECTION

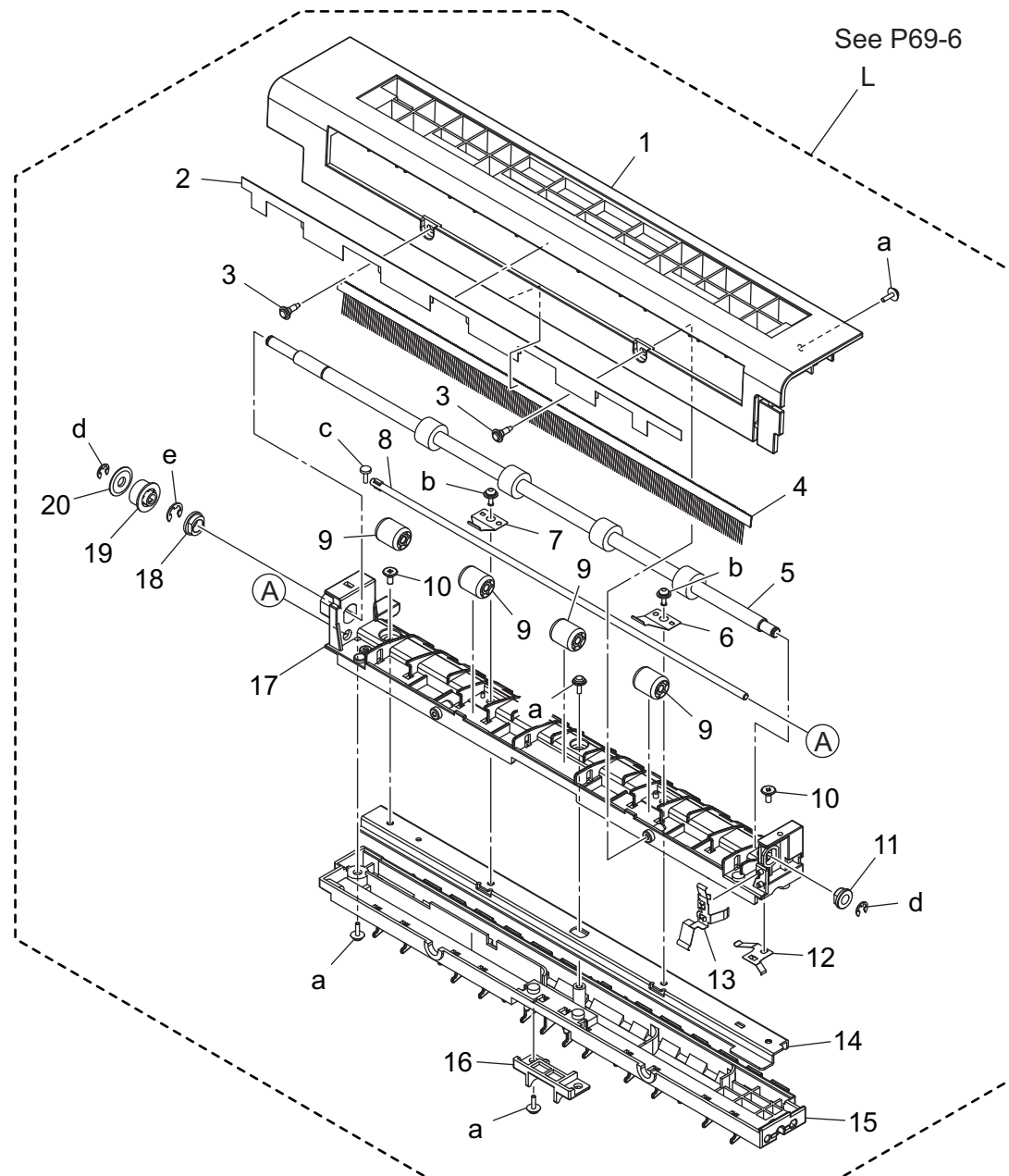


bizhub 958/bizhub PRO 958

Key	Part No.	Description	Destinations	Class	QTY	Standard parts
1	A796M10700	HB Stepping motor		C	1	a-V137030603 b-V116030603 c-V217040001 d-V153030803 e-V217050001 f-V116030803 g-V111030603
2	A795R73100	Mounting Plate/Paper Exit Motor Casing		D	1	
3	A0DA701500	Timing belt 90L		C	1	
4	A0P0891000	Idler Gear 22T		C	1	
5	A00J891100	Gear 16/26T		C	1	
6	A795R73200	Reverse ASSY		C	1	
7	A795896600	Mounting Plate		D	1	
8	A00J896801	Mounting Plate		D	1	
9	A00J895100	Gear 16T		C	1	
10	1134304301	BUSHING		C	2	
11	A00J897100	Pin		C	4	
12	A0ED897700	Collar		C	4	
13	A795890700	Paper exit Roller		C	1	
14	A00J896500	Shoulder screw		C	2	
15	A795891200	Mounting Plate		D	1	
16	A795898200	Cover		D	1	
17	A00JR7B500	REVERSAL UPPER STAKE		D	1	
18	A795890200	Reinforce Plate		D	1	
19	4036596601	SCREW		C	6	
20	A795901800	Pressing Spring		C	1	

REVERSAL SECTION

P 70



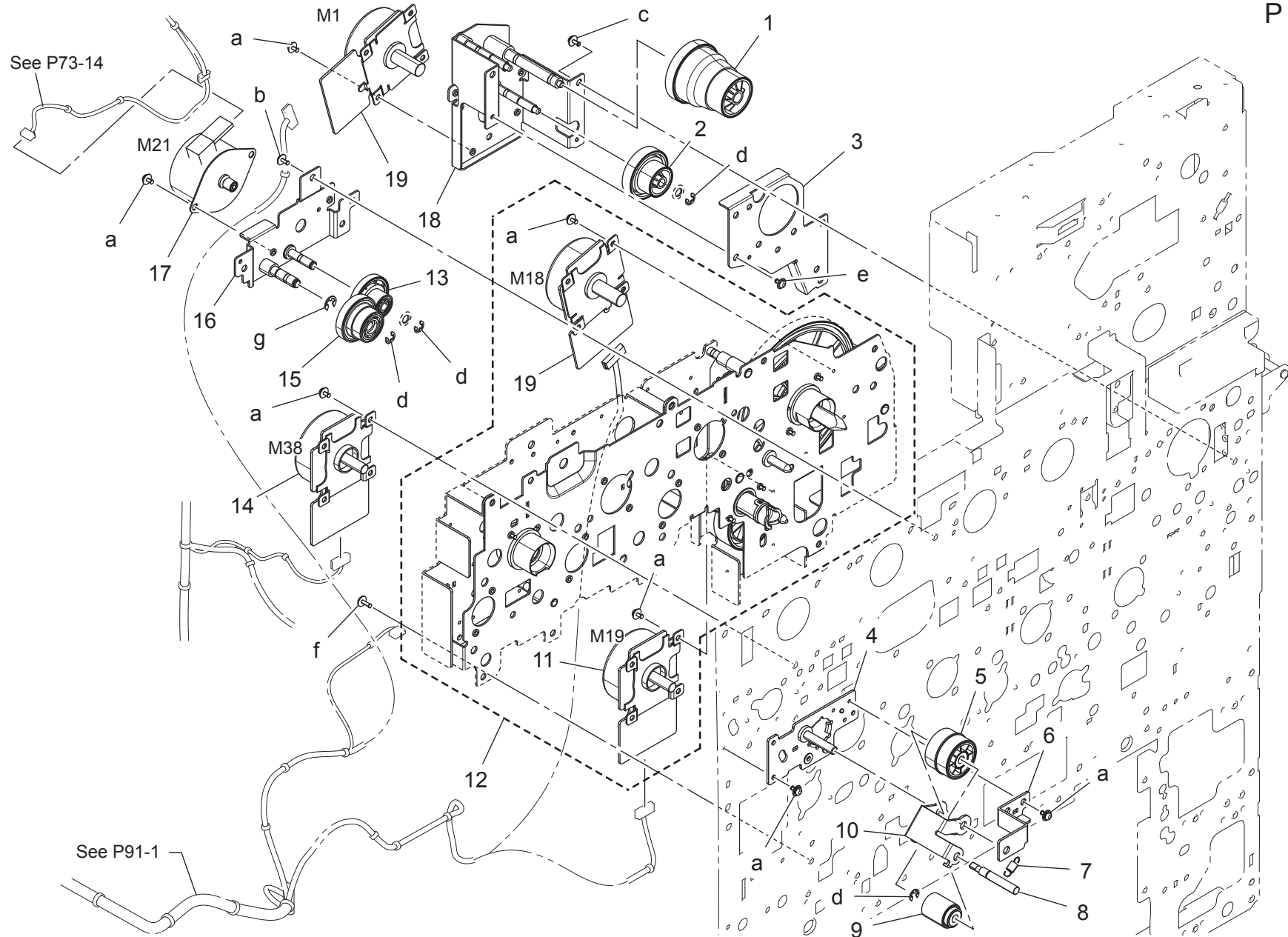
bizhub 958/bizhub PRO 958

REVERSAL SECTION

Key	Part No.	Description	Destinations	Class	QTY	Standard parts
1	A795893501	Riverse/exit Cover		C	1	a-V153030803 b-V116030803 c-V149030803 d-V217040001 e-V217060001
2	A00J897401	Neutralizing Brush		C	1	
3	A00J899500	Shoulder screw		C	2	
4	A795893700	Neutralizing Brush		C	1	
5	A795893900	Reverse/Exit Roller		C	1	
6	A00J899301	Plate spring		C	1	
7	A00J893201	Plate spring		C	1	
8	A795901600	Idler Shaft		D	1	
9	A795901501	Reverse/Exit Roll		C	4	
10	4011585202	SHOULDER SCREW		C	2	
11	1134304301	BUSHING		C	1	
12	A00J899200	Contact		C	1	
13	A795896400	Contact		C	1	
14	A00J893601	Mounting Plate		D	1	
15	A795893301	Guide Plate /Upper		C	1	
16	A795890401	Bearing		C	1	
17	A795893400	Guide Plate /Upper		C	1	
18	4658351701	BUSHING		C	1	
19	4025593901	PULLEY 24T		C	1	
20	1200164603	WASHER		D	1	

MAIN DRIVE SECTION

P 71



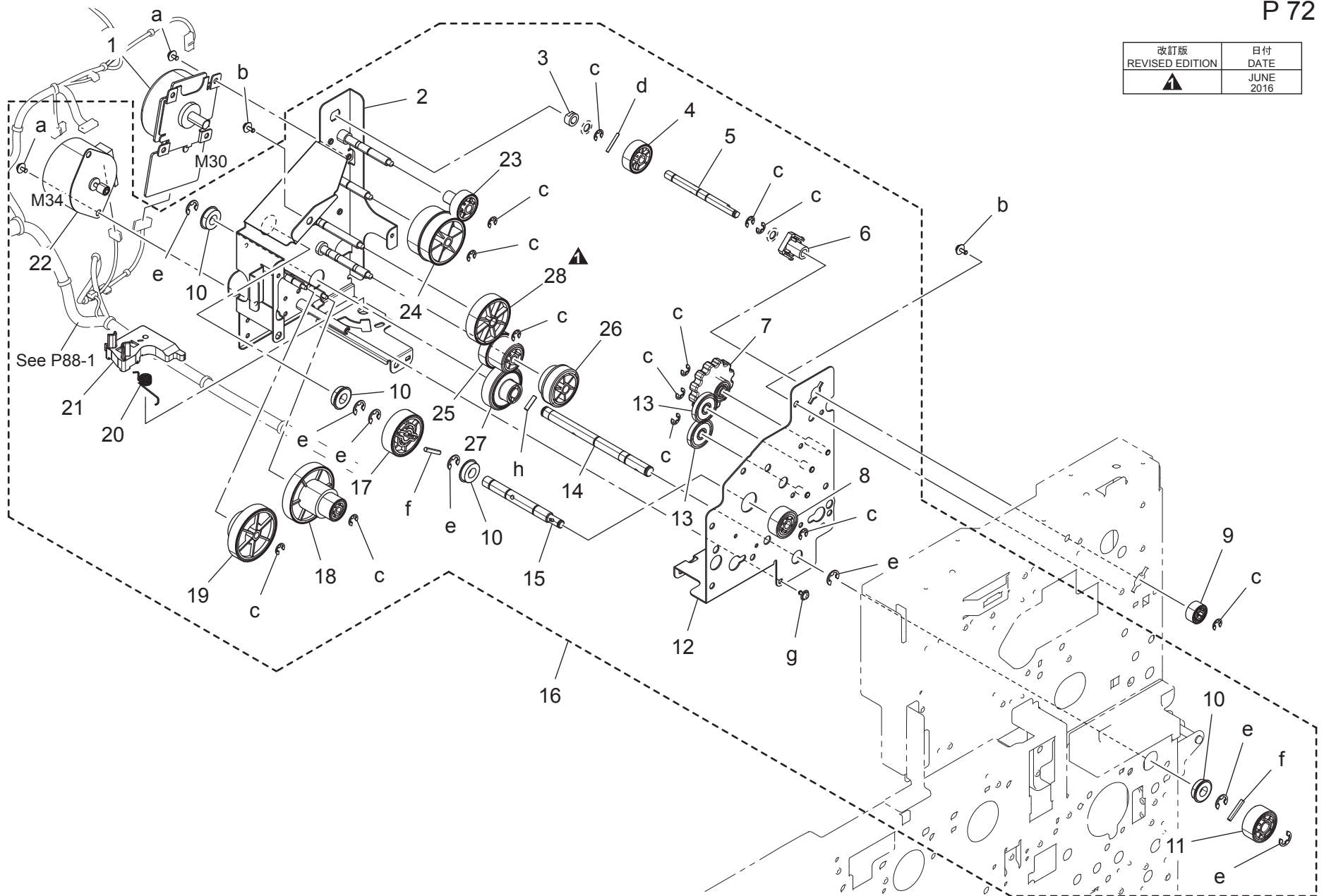
bizhub 958/bizhub PRO 958

MAIN DRIVE SECTION

Key	Part No.	Description	Destinations	Class	QTY	Standard parts
1	A795220100	Gear 59T/88T		C	1	a-V116030603 b-V137030603 c-V125030801 d-V217040001 e-V127030604 f-V137030803 g-V217050001
2	A796220000	Transfer Gear /1 88T/44T		C	1	
3	A795220500	Transfer Frame /B		D	1	
4	A795R70100	Transfer Frame/F Caulking ASSY		D	1	
5	A0P0228100	Transfer Gear /M 55/34T		C	1	
6	A0P0228901	Reinforce Plate /T		C	1	
7	A2X0228500	Pulling Coil spring		C	1	
8	A0P0228701	Transfer Shaft /B		C	1	
9	A0P0228200	Transfer Gear /Y 20T		C	1	
10	A0P0228400	Transfer Frame /E		C	1	
11	A796M10001	DC Brushless motor		C	1	
12	A796R70100	Main Drive ASSY		C	1	
13	A795225000	Transfer Gear /3 64T/16T		C	1	
14	A796M10001	DC Brushless motor		C	1	
15	A795225100	Transfer Gear /4 33T/22T		C	1	
16	A795R73900	Transfer Frame/D Caulking		D	1	
17	A02EM10C01	Stepping motor		C	1	
18	A796240401	Transfer Frame /ASSY		D	1	
19	A796M10100	DC Brushless motor		C	2	

FUSING DRIVE SECTION

改訂版 REVISED EDITION	日付 DATE
▲	JUNE 2016



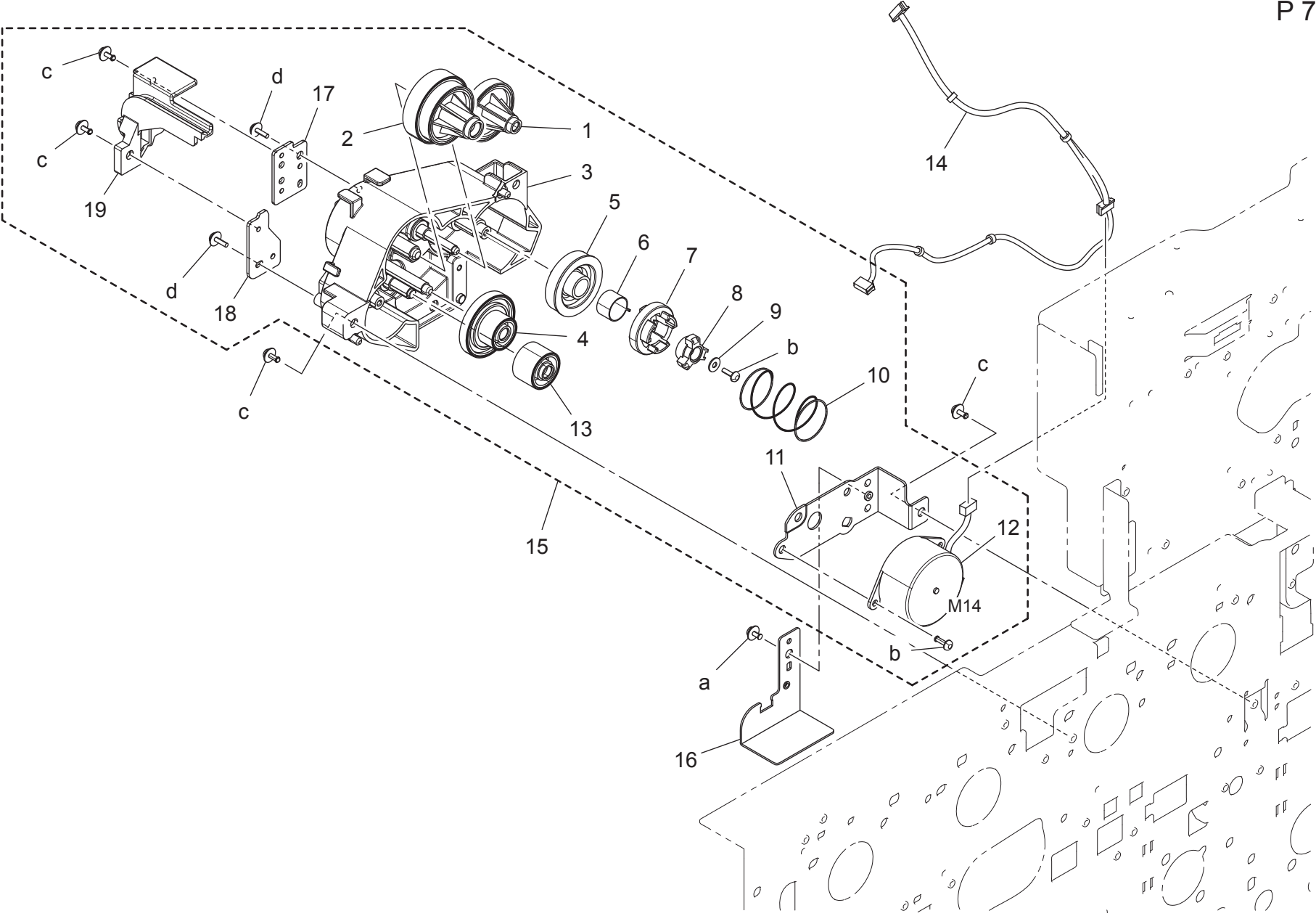
bizhub 958/bizhub PRO 958



FUSING DRIVE SECTION

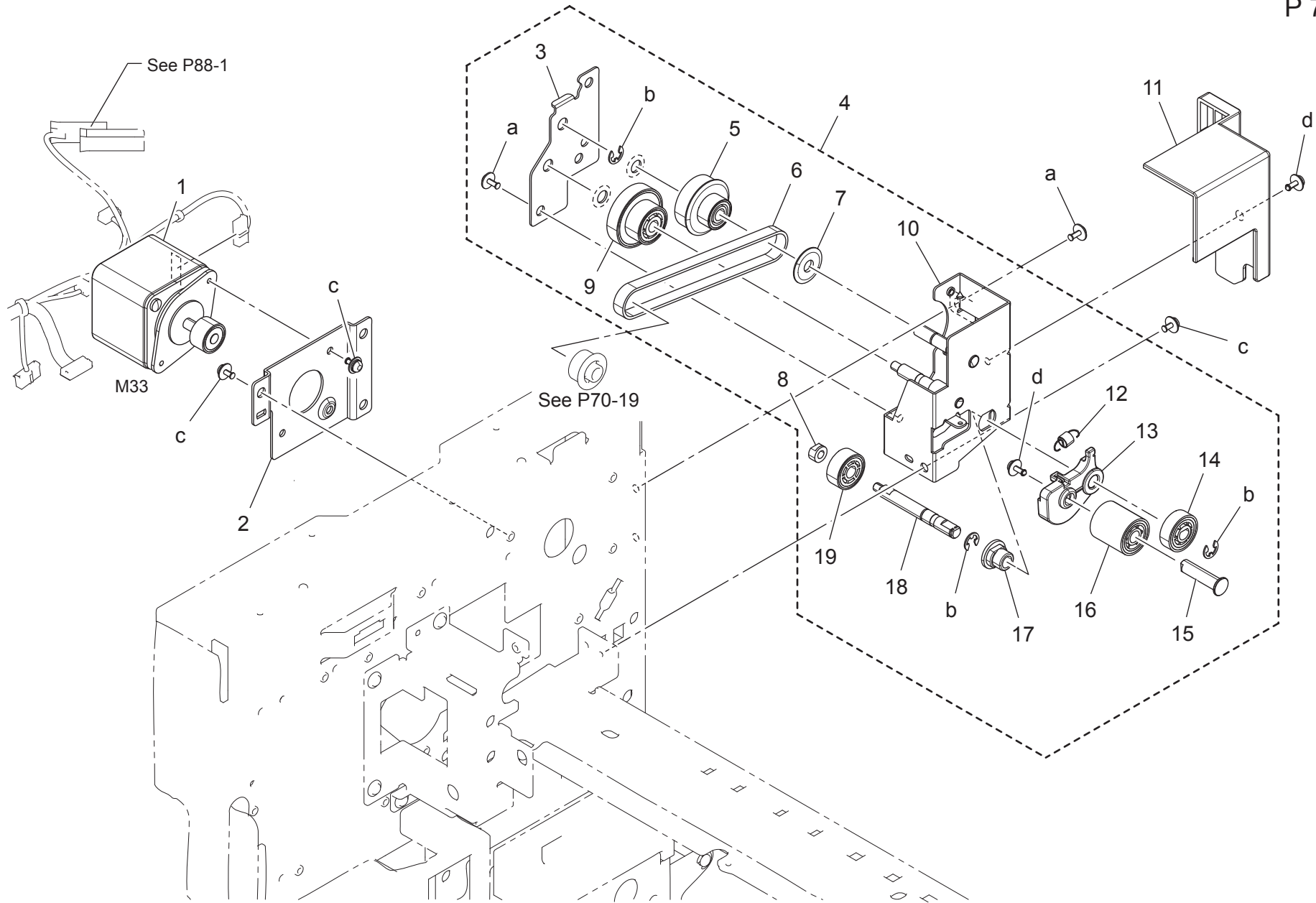
Key	Part No.	Description	Destinations	Class	QTY	Standard parts
1	A796M10200	DC Brushless motor		C	1	a-V116030603
2	A796R70300	Fusing Drive Frame Caulking		D	1	b-V125030801
3	A0P0232500	Bushing		C	1	c-V217040001
4	A796230700	Paper exit Gear /2 43T		C	1	d-V234201650
5	A795231800	Paper exit Shaft /1		D	1	e-V217060001
6	A00J232111	Paper exit Bearing /1		C	1	f-V234301850
7	A161122002	Gear 12T		D	1	g-V127030604
8	A795235700	Gear 16T		C	1	h-V234301250
9	A795230800	Paper exit Gear /3 18T		C	1	
10	A00V240600	Ball Bearing		B	4	
11	A00J230500	Gear 23T		C	1	
12	A796R70400	Fusing Frame/2 Caulking		D	1	
13	A161121900	Gear 17T		D	2	
14	A795231500	Fusing Shaft /2		D	1	
15	A795235400	Pressure Shaft		D	1	
16	A796R70200	Fusing Drive ASSY		C	1	
17	A795235900	Pressure Gear /4 41T		C	1	
18	A2X0235100	Gear 21/115T		C	1	
19	A2X0235500	Gear 28/53T		C	1	
20	A161258501	Torsion Coil spring		D	1	
21	A795232000	Lever		C	1	
22	A796M10B00	PM Stepping motor		C	1	
23	A795232600	Paper exit Gear 40T		C	1	
24	A796230600	Paper exit Gear /1 70T/71T		C	1	
25	A796230200	Fusing Gear 53T/22T		C	1	
26	A161228800	Gear 22/23T		D	1	
27	A161228100	Gear 33T		D	1	
28	A00J215800	Developing Gear /4		C	1	

BOTTLE DRIVE SECTION




EJECT DRIVE SECTION

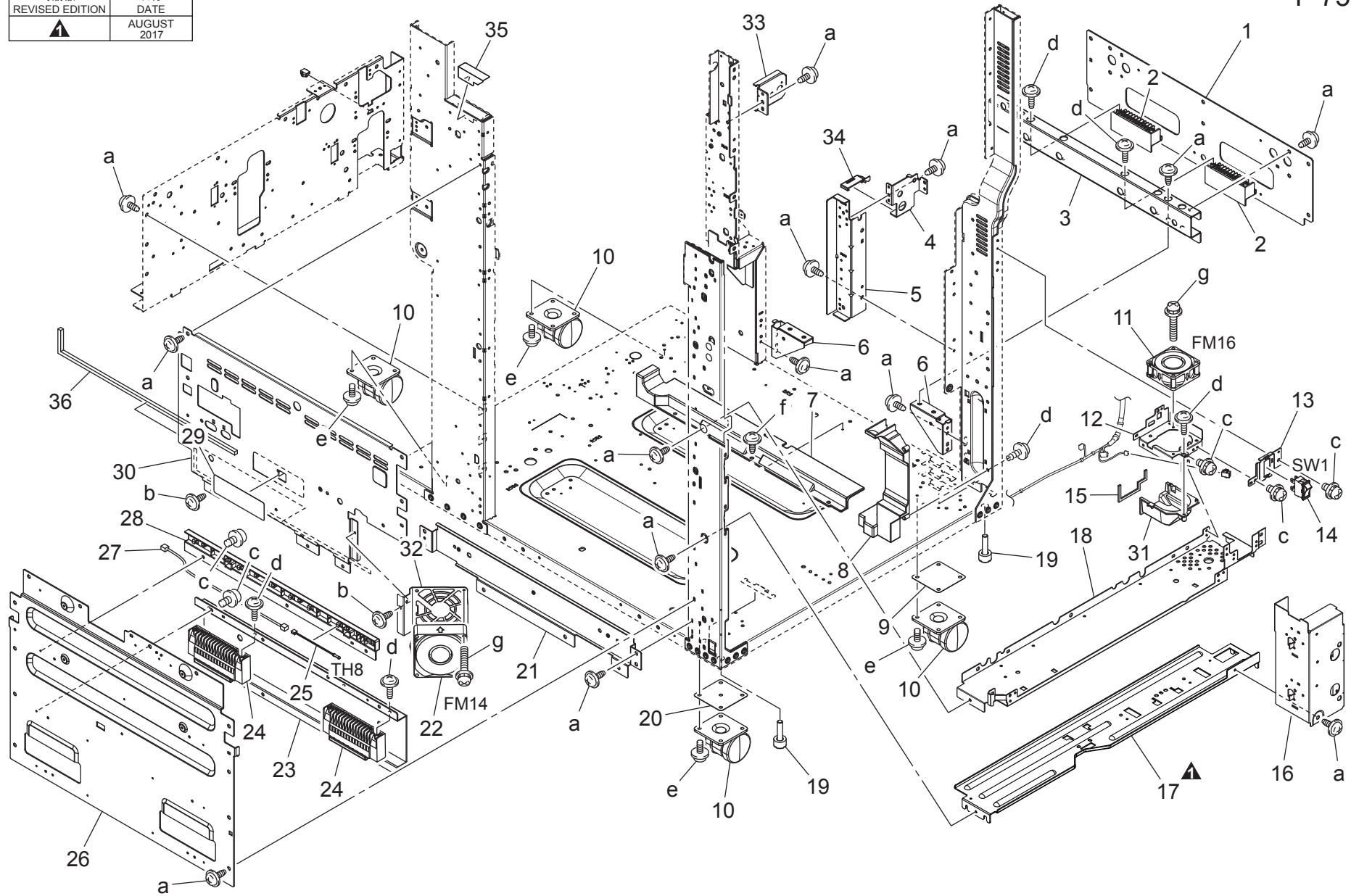
P 74



MAIN FRAME SECTION

P 75

改訂版 REVISED EDITION	日付 DATE
	AUGUST 2017

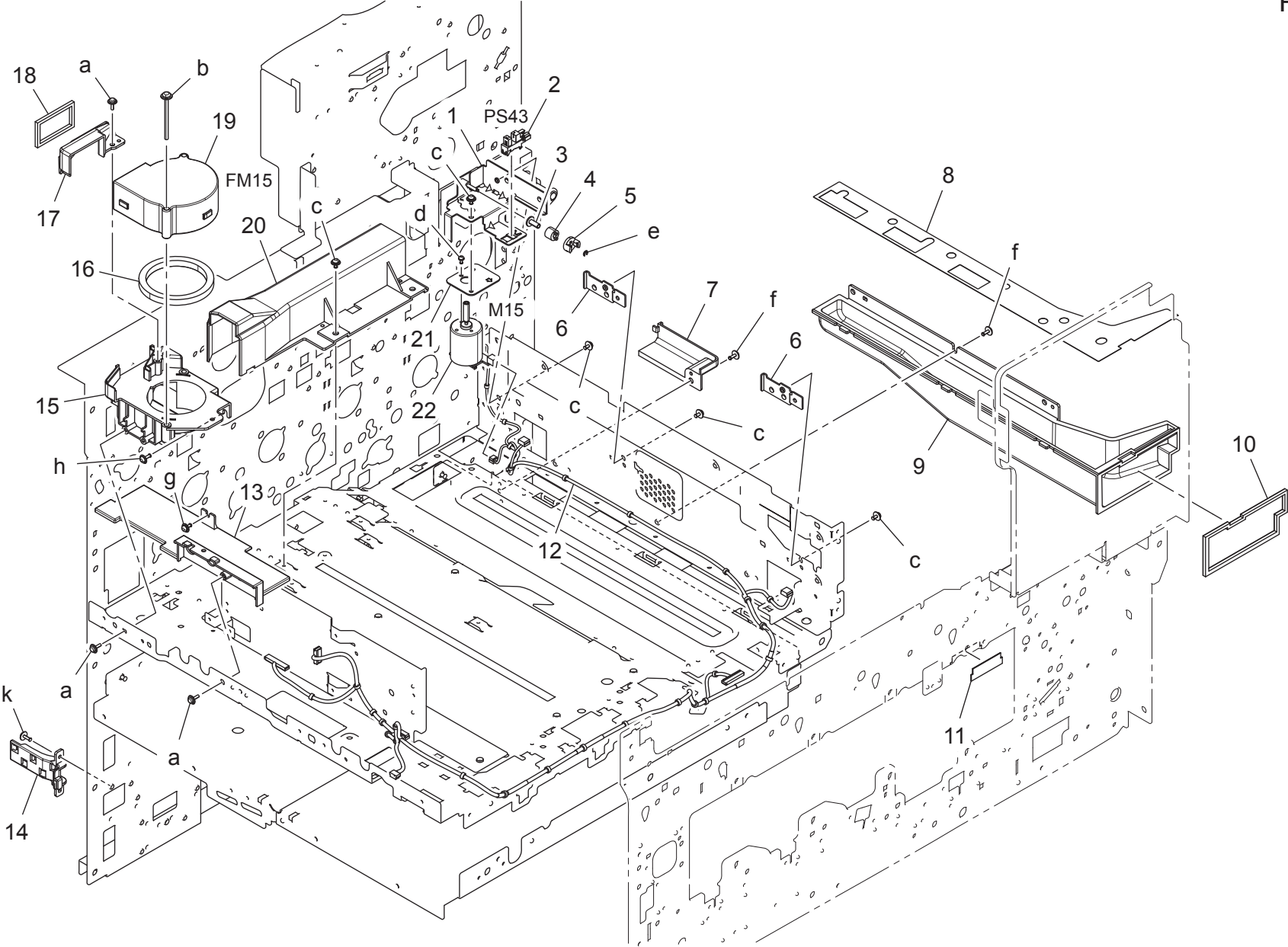


bizhub 958/bizhub PRO 958

MAIN FRAME SECTION

Key	Part No.	Description	Destinations	Class	QTY	Standard parts
1	A0P0105100	Hold Plate /1		D	1	a-V137040803 b-V137030603 c-V116030603 d-V153030803 e-V121040603 f-V137030803 g-V116033003
2	A0P0165500	Cover Handle	カバー取手 (右)	C	2	
3	A0P0105201	Hold Plate /2	保持板 / 2	D	1	
4	A00J595200	Mounting Plate /ASSY	取付板 / ASSY	D	1	
5	A00J102402	Mounting Plate	取付板	D	1	
6	A0P0105300	Mounting Plate	取付板	D	2	
7	A0P0138200	Cover	カバー (LCC 奥)	D	1	
8	A0P0138300	Cover	カバー (LCC 手前)	D	1	
9	A00J106500	Plate	プレート	D	1	
10	A0P0109001	Castor	キャスタ	C	4	
11	4556M10000	Fan Motor	ファンモーター	B	1	
12	A795137700	Mounting Plate	取付板	D	1	
13	A0P0135400	Mounting Plate	取付板 (メイン SW)	D	1	
14	4038M60000	SEESAW-SWITCH	波形スイッチ	C	1	
15	A795159800	Cushion	クッション	C	1	
16	A2X0104301	Mounting Plate	取付板	D	1	
17	A00J101401	Stay /Lower	ステー / 下	D	1	
18	A0P0101311	Stay /Upper	ステー / 上	D	1	
19	A0P0104600	Rubber foot	ゴム足	C	2	
20	A00J106400	Plate	プレート	D	1	
21	A00J104400	Mounting Plate	取付板	D	1	
22	9J03M10000	FAN MOTOR	ファンモータ	B	1	
23	A00J105400	Mounting Plate	取付板	D	1	
24	A00J164600	Cover Handle	カバー取手	C	2	
25	A0P0M50300	Thermistor	サーミスタ (用紙温度センサ)	C	1	
26	A00J101603	Side plate /Middle	側板 / 中	D	1	
27	A0P0N12P00	Temperature Relay harness	温度中継束線 (用紙温度検出中継)	D	1	
28	A0P0148701	Cover	カバー (サーミスタ配線)	D	1	
29	A9VE942700	Caution Label	注意ラベル	D	1	
30	A795101501	Side plate /Upper	側板 / 上	D	1	
31	A795159400	Duct	ダクト	D	1	
32	A2X0154001	Mounting Plate	取付板	D	1	
33	A00J102700	Mounting Plate	取付板	D	1	
34	A00J586800	Guide Holder	ガイドホルダ	C	1	
35	A0P0102000	Seal	シール	C	1	
36	A2WU156400	Seal	シール (側板 / 上)	D	1	

I/U FRAME SECTION

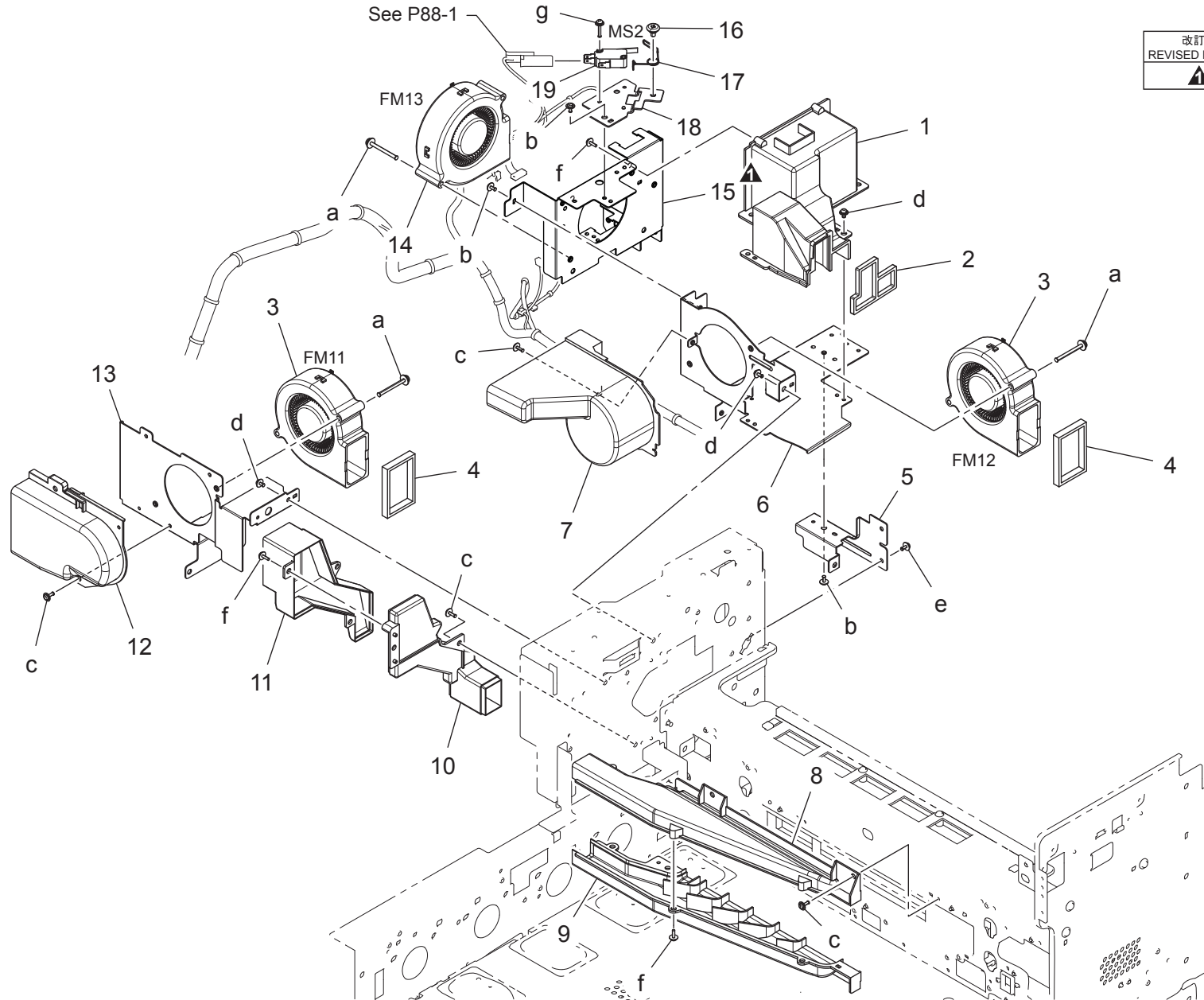


Key	Part No.	Description	Destinations	Class	QTY	Standard parts
1	A0P0125100	Mounting Plate		D	1	a-V153030803
2	A5C1M50100	Photointerrupter		B	1	b-V153044503
3	A00J123400	Collar		C	1	c-V116030603
4	A00J123300	Gear 22T		C	1	d-V115260503
5	A00J123200	Coupling		C	1	e-V217020001
6	A0P0125211	Mounting Plate		D	2	f-V144030803
7	A795159700	Cover		D	1	g-V125030801
8	A795159600	Sheet		C	1	h-V121030804
9	A795159500	Cooling Duct		D	1	k-V137030803
10	A795159901	Cushion		C	1	
11	A00J121700	Protection Sheet /Black		C	1	
12	A55VN12701	Developing Relay harness		D	1	
13	A00J155300	Mounting Plate		D	1	
14	A0P0144000	Mounting Plate		D	1	
15	A795155101	Duct		D	1	
16	A0P0159100	Seal		D	1	
17	A795155200	Duct		D	1	
18	A795155401	Cushion		C	1	
19	9313110033	FAN MOTOR		C	1	
20	A795155601	Duct		D	1	
21	A0P0109100	Mounting Plate		D	1	
22	A0P0R75200	MOTOR ASSY		B	1	

REAR FAN SECTION

P 77

改訂版 REVISED EDITION	日付 DATE
▲	SEPTEMBER 2017

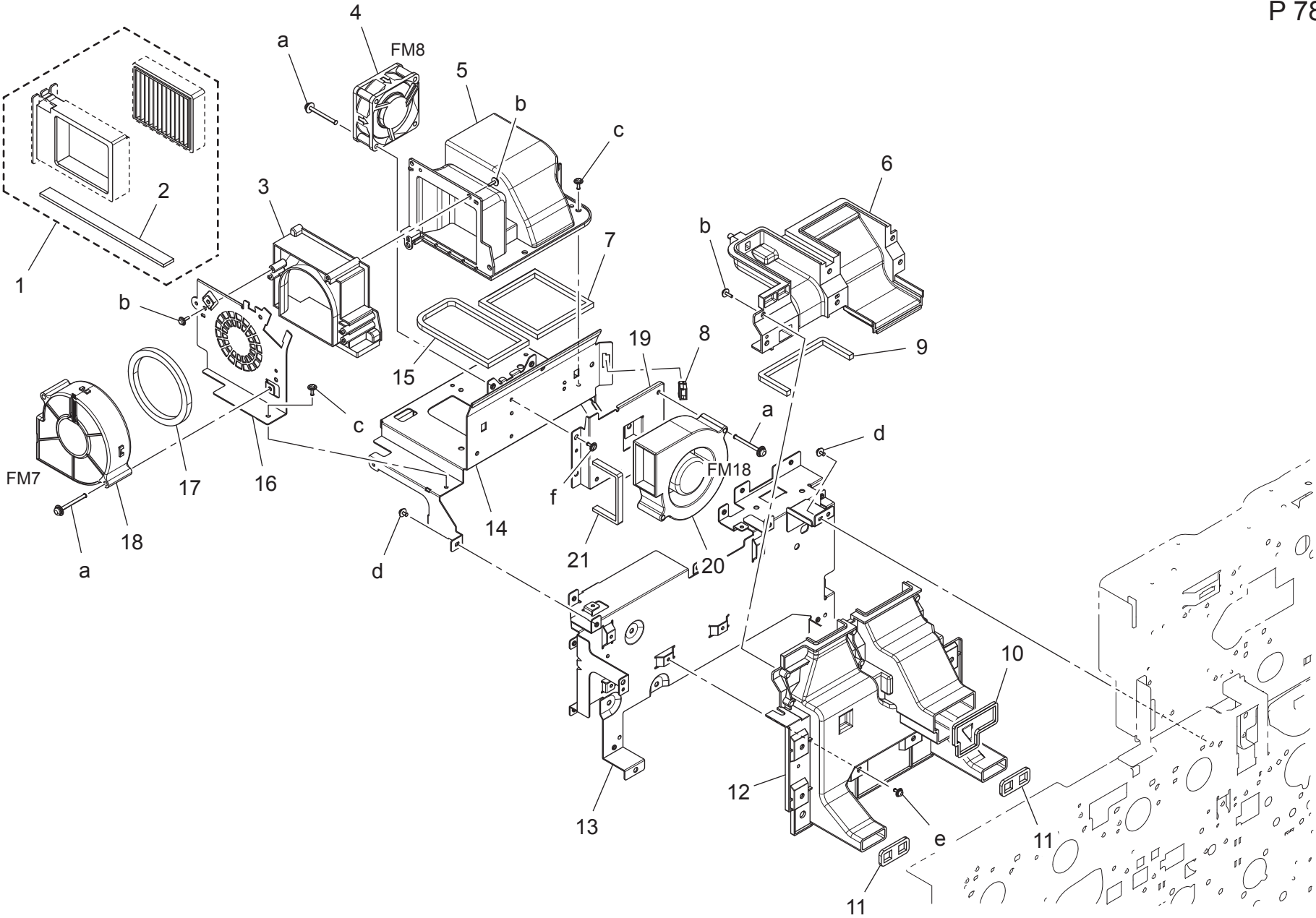


bizhub 958/bizhub PRO 958

REAR FAN SECTION

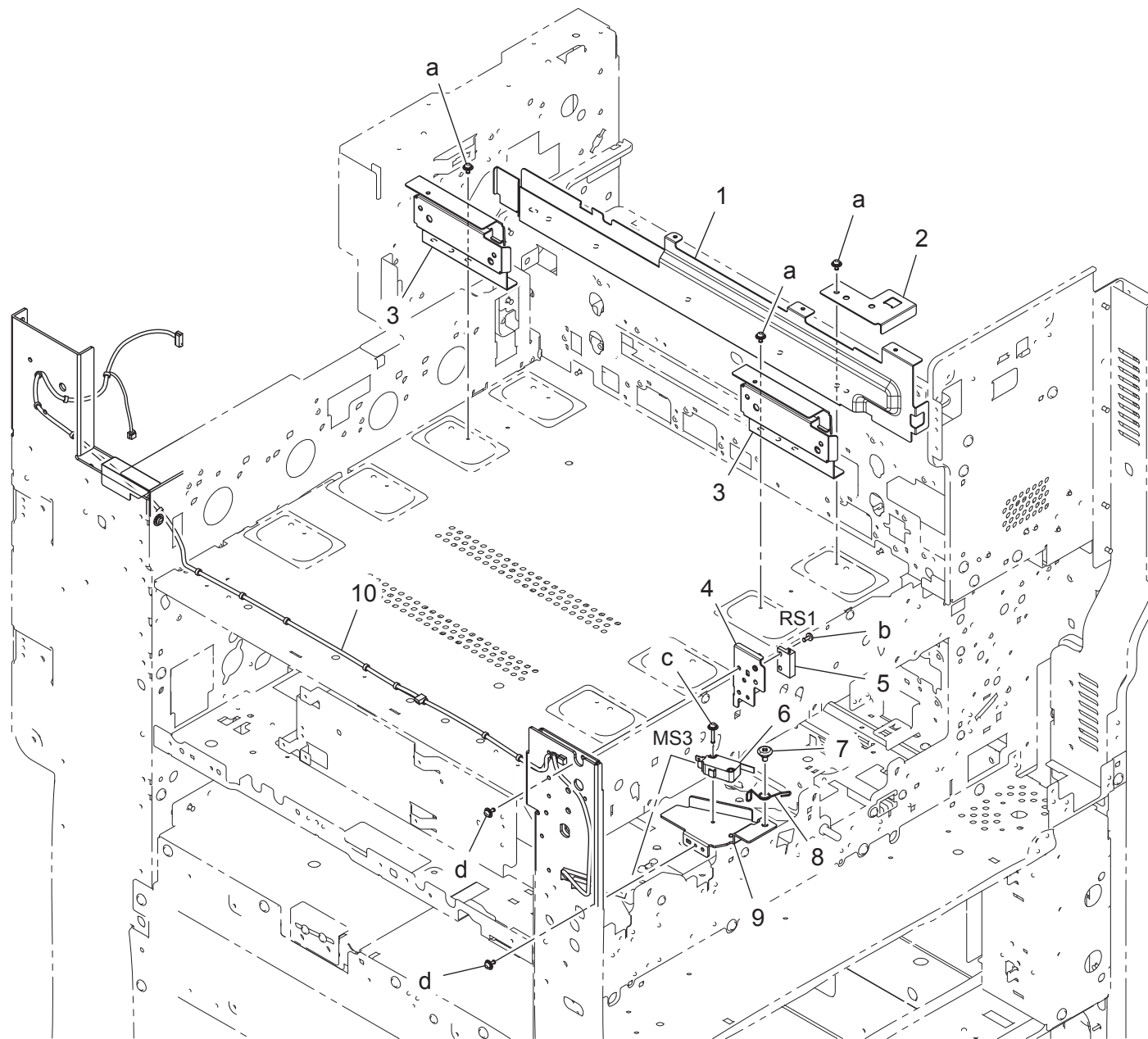
Key	Part No.	Description	Destinations	Class	QTY	Standard parts
1	A795150100	Duct	ダクト	D	1	a-V116043503 b-V137030603 c-V137030803 d-V116030603 e-V125030801 f-V153030803 g-V116031603
2	A795150400	Seal	シール	C	1	
3	9313100072	FAN MOTOR	ファンモータ	C	2	
4	A0P0151100	Sealing Part	シール材	D	2	
5	A795150600	Mounting Plate	取付板	D	1	
6	A795150200	Mounting Plate	取付板	D	1	
7	A795150300	Duct	ダクト	D	1	
8	A795157400	Duct /4	ダクト / 4	D	1	
9	A795157300	Duct /3	ダクト / 3	D	1	
10	A795157500	Duct /5	ダクト / 5	D	1	
11	A795157600	Duct /6	ダクト / 6	D	1	
12	A795157700	Duct	ダクト	C	1	
13	A795157901	Mounting Plate	取付板	D	1	
14	A0P0M14200	Fan motor	ファンモータ (シロッコ)	C	1	
15	A795150502	Mounting Plate	取付板	D	1	
16	A00J134600	Shoulder screw	段ねじ	C	1	
17	A795136502	0orsion Coil	ねじりコイル	C	1	
18	A795135200	Mounting Plate	取付板	D	1	
19	9J06M60100	MICRO SWITCH	マイクロスイッチ	C	1	

REAR FAN SECTION



Key	Part No.	Description	Destinations	Class	QTY	Standard parts
1	A0P0R70100	Toner Filter		B	1	a-V116043503 b-V153030803 c-V137030803 d-V116030603 e-V125030801 f-V144030803
2	A00J154801	Seal		C	1	
3	A0P0153300	Duct		D	1	
4	4556M10000	Fan Motor		B	1	
5	A2X0154501	Duct		D	1	
6	A2X0152600	Duct		D	1	
7	A2X0154800	Seal		D	1	
8	V651010003	CONNECTOR		D	1	
9	A795153701	Cushion		C	1	
10	A2X0110200	Seal		D	1	
11	A00J152700	Seal		C	2	
12	A795152100	Duct		D	1	
13	A795132200	Mounting Plate /ASSY		D	1	
14	A2X0153101	Mounting Plate		D	1	
15	A2X0154900	Seal		D	1	
16	A00J154600	Mounting Plate		D	1	
17	4036248501	SEAL		C	1	
18	9313100072	FAN MOTOR		C	1	
19	A796153500	Holder		C	1	
20	A0P0M14200	Fan motor		C	1	
21	A795714200	Cushion		C	1	

DOOR SAFE SWITCH SECTION

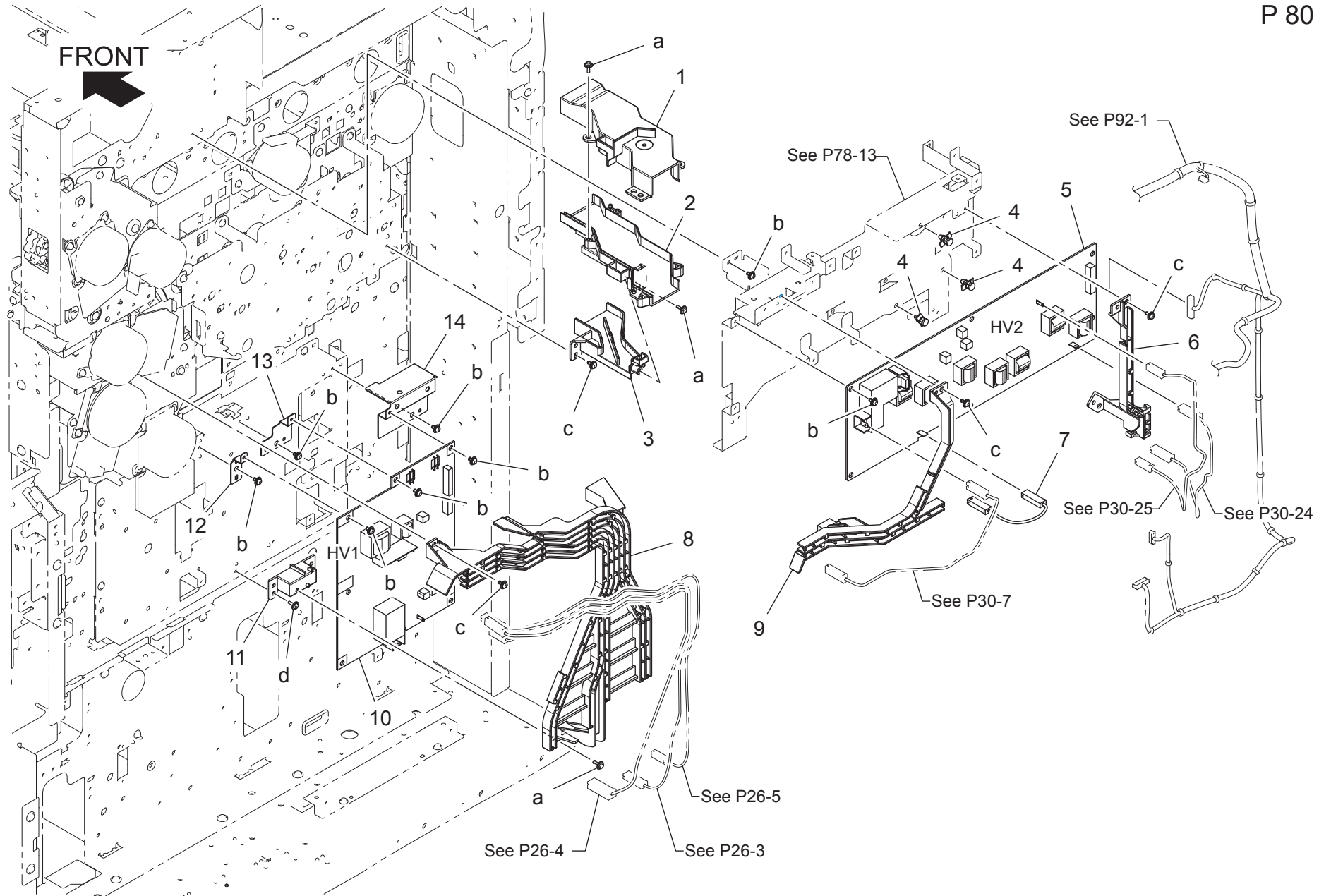


bizhub 958/bizhub PRO 958

DOOR SAFE SWITCH SECTION

Key	Part No.	Description	Destinations	Class	QTY	Standard parts
1	A795403401	Guide Plate /C		D	1	a-V116030603 b-V118030603 c-V116031603 d-V125030801
2	A2X0145800	Mounting Plate		D	1	
3	A1DM403300	Guide Plate /B		D	2	
4	A00J135800	Mounting Plate /B		D	1	
5	A1UDM50200	Lead Switch		C	1	
6	9J06M60100	MICRO SWITCH		C	1	
7	A00J134600	Shoulder screw		C	1	
8	A00J136500	Torsion Coil		C	1	
9	A00J135201	Mounting Plate		D	1	
10	A796N10B00	Toner Relay harness		D	1	

HIGH VOLTAGE SECTION



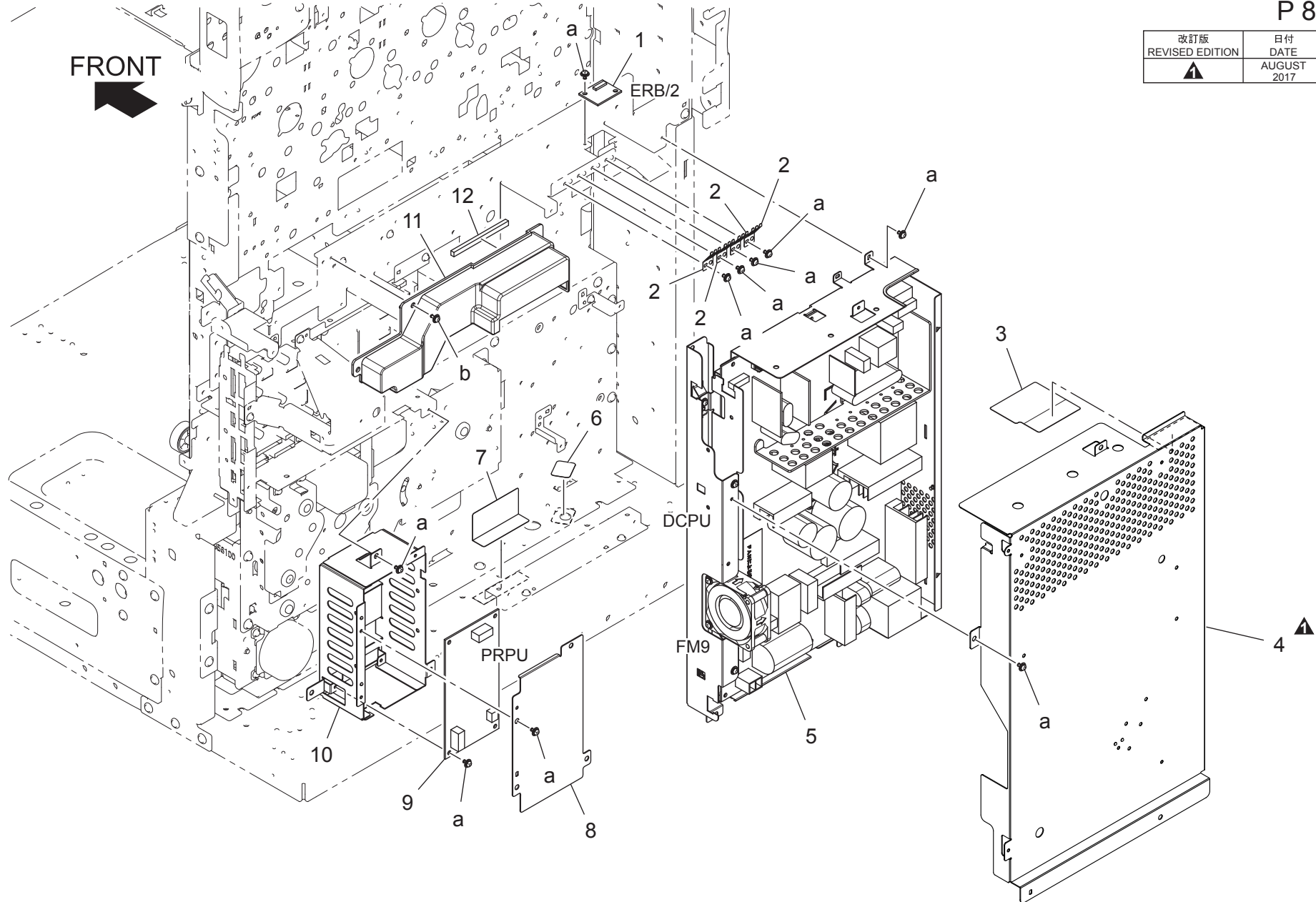
HIGH VOLTAGE SECTION

Key	Part No.	Description	Destinations	Class	QTY	Standard parts
1	A795141000	Cover		C	1	a-V153030803 b-V116030603 c-V125030801 d-V137030803
2	A795140900	Cover		D	1	
3	A795137800	Guide Holder		D	1	
4	V502010026	SUPPORT		D	3	
5	A796M40800	High voltage unit /2		I	1	
6	A00J132600	Guide Rail		D	1	
7	A796N13H00	Transfer Wiring /K		D	1	
8	A795132301	Guide Rail /Right		D	1	
9	A795132100	Guide Rail		D	1	
10	A796M40700	High voltage unit /1		I	1	
11	A00J133200	Rail /Left		C	1	
12	A795131600	Mounting Plate		D	1	
13	A00J134000	Mounting Plate		D	1	
14	A2WU134100	Mounting Plate /2		D	1	

MAIN POWER SUPPLY SECTION

P 81

改訂版 REVISED EDITION	日付 DATE
	AUGUST 2017



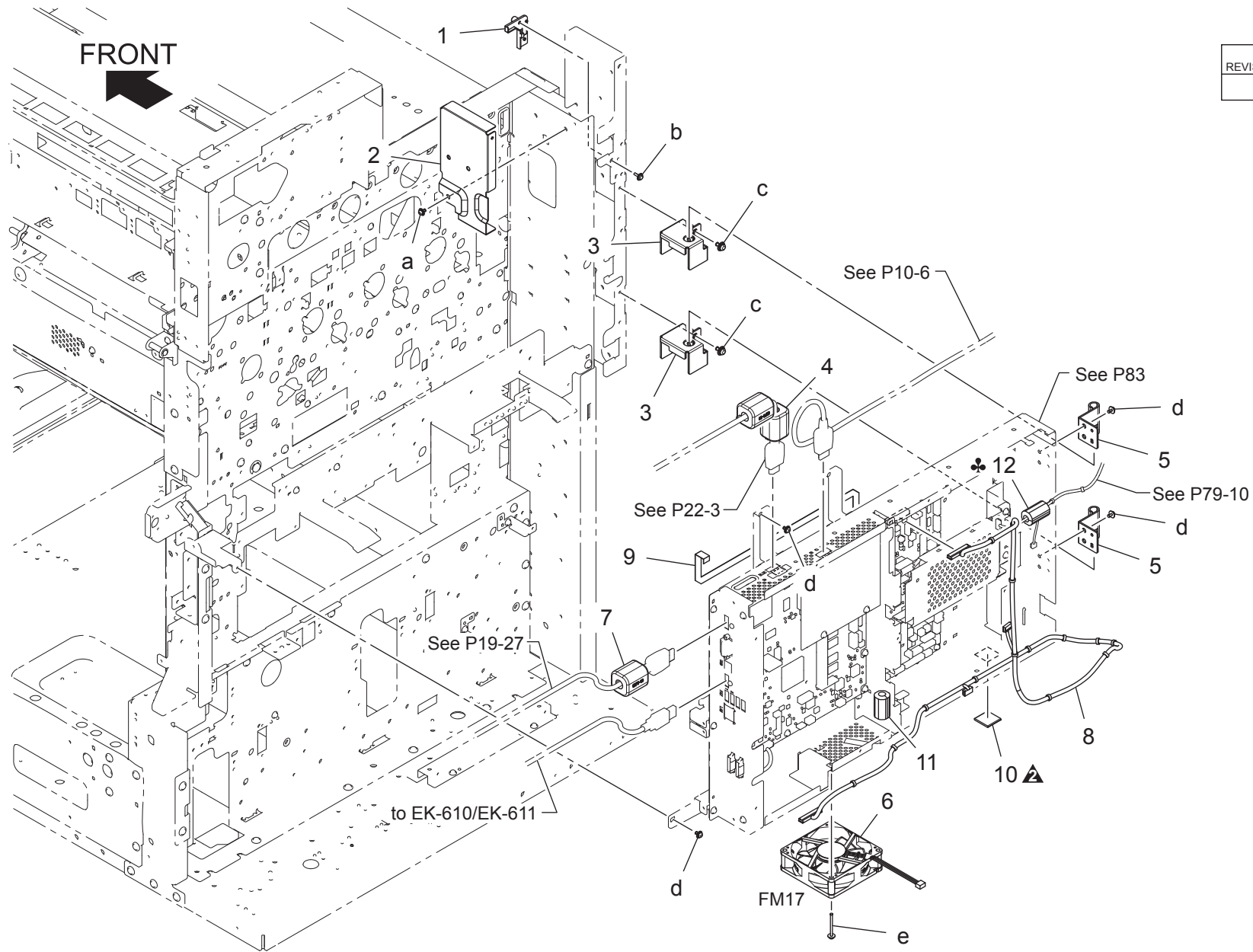
bizhub 958/bizhub PRO 958

MAIN POWER SUPPLY SECTION

Key	Part No.	Description	Destinations	Class	QTY	Standard parts
1	A7AHH00C00	PWB Assembly(PWB-EE)		I	1	a-V116030603 b-V125030801
2	A0P0148801	Plate spring		D	4	
3	A2X0158800	Protection Sheet		C	1	
4	A2X0132402	Cover		D	1	
5	A795R73800	Main power (200V) ASSY		I	1	
6	4581162501	SEAL		C	1	
7	A2X0143500	Protection Sheet		C	1	
8	A796149500	Cover		D	1	
9	A796M40500	Fixing Power source /230V		I	1	
10	A796149400	Shield Case		D	1	
11	A796145301	Cooling Duct		D	1	
12	A796145600	Cushion		C	1	

SHIELD BOX

改訂版 REVISED EDITION	日付 DATE
	MAY 2016

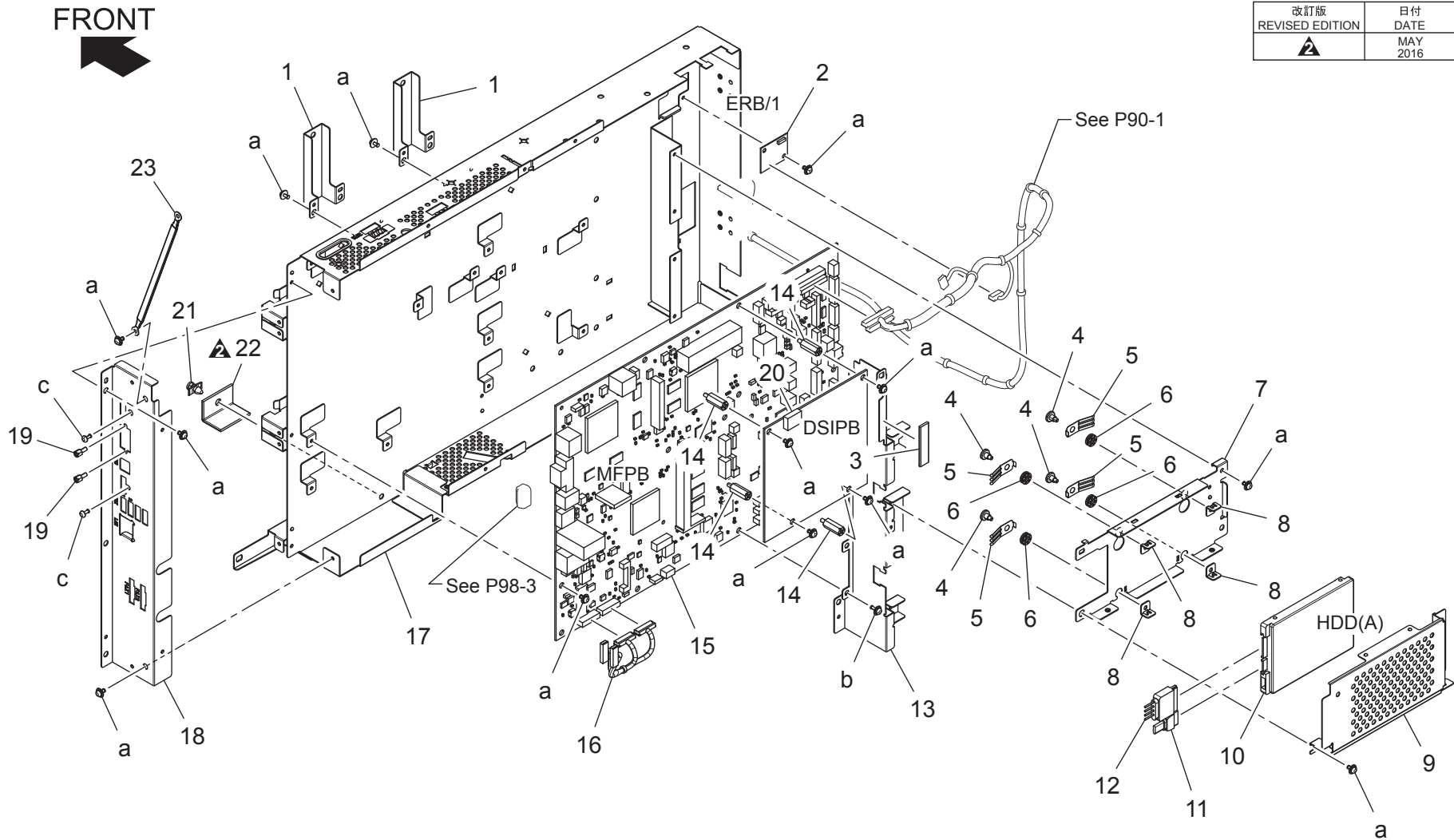


Key	Part No.	Description	Destinations	Class	QTY	Standard parts
1	A0P0148300	Cover		D	1	a-V116030603 b-V153030803 c-V116040803 d-V116030603 e-V116033003
2	A0P0149700	Cover		D	1	
3	A795133101	Mounting Plate		C	2	
4	A7AHM90300	Ferritecore		D	1	
5	A795133500	Mounting Plate		D	2	
6	A0EDM10500	Fan motor		C	1	
7	A3EWM90300	Ferritecore		D	1	
8	A796N12E00	Control Relay harness /1		D	1	
9	A796N12G00	Control Relay harness /3		D	1	
10	A796M92600	Gasket		D	1	
11	A7AHM90200	Ferritecore		C	1	
12	A5C1M92000	Ferritecore	C,D1,D3,E,F2,G1,I,K ,J	D	1	

SHIELD BOX

P 83

改訂版 REVISED EDITION	日付 DATE
	MAY 2016

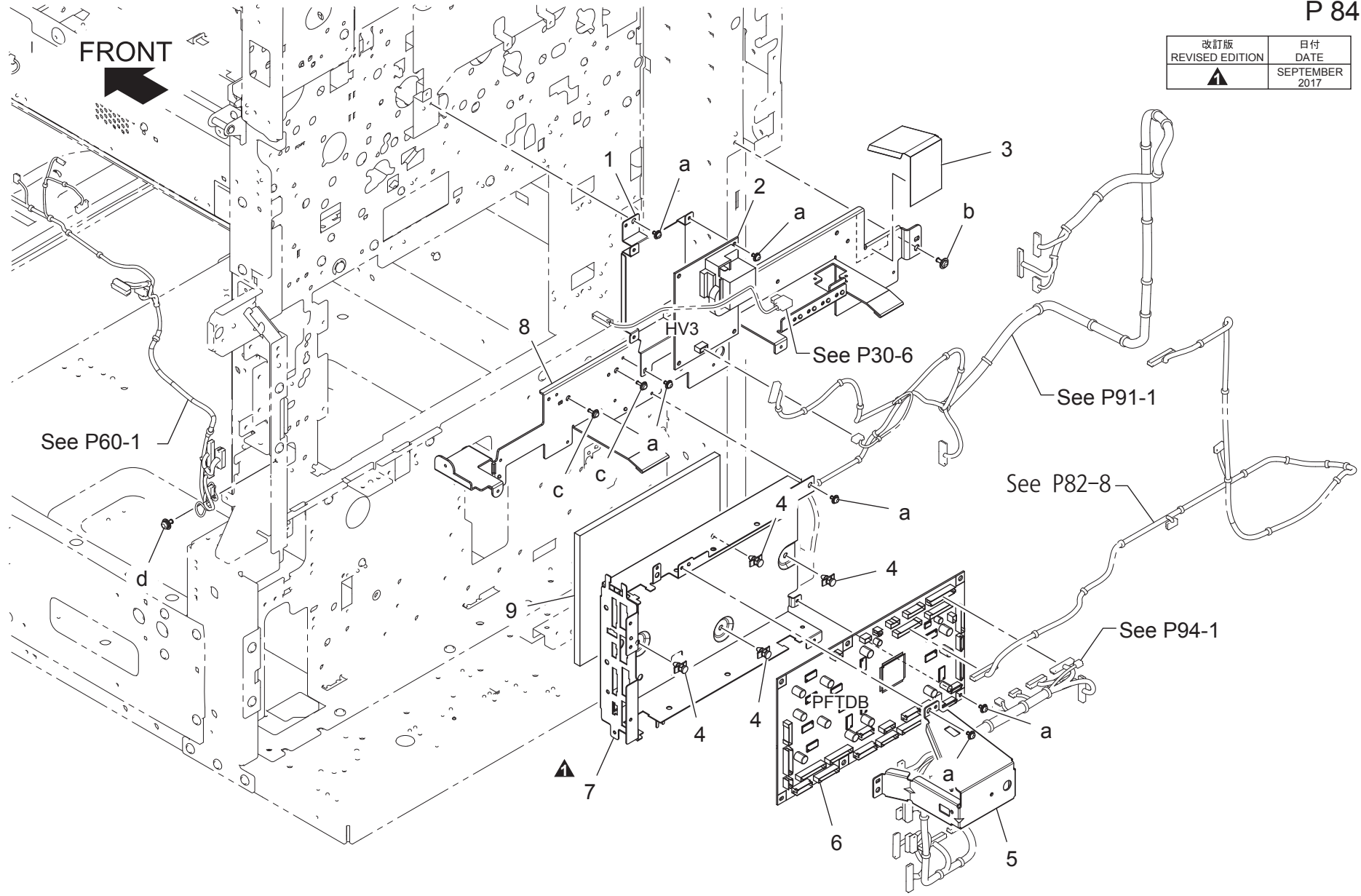


Key	Part No.	Description	Destinations	Class	QTY	Standard parts
1	A795130500	Mounting Plate		D	2	a-V116030603 b-V125030801 c-V111030603
2	A796H00C00	PWB Assembly(PWB-EE ASSY)		I	1	
3	A796M92500	Gasket		C	1	
4	A5C1134200	Shoulder screw		D	4	
5	A7PU134800	Ground Plate spring		D	4	
6	A4EU138000	Support Rubber		D	4	
7	A7PU134600	Mounting Plate		D	1	
8	A5C1134111	Spacer		D	4	
9	A7PU134700	Cover		D	1	
10	A5C1M72H00	HDD		I	1	
11	A0P0N15100	Cable		C	1	
12	A161N15J00	Power source Cable		C	1	
13	A795133901	Partition		D	1	
14	A4MG130900	Shoulder screw		D	4	
15	A796H02015	PWB Assembly (PWB-MFP ASSY)	基板 ASSY (PWB-MFP ASSY)	I	1	C,I(South Africa)
15	A796H02003	PWB Assembly (PWB-MFP ASSY)	基板 ASSY (PWB-MFP ASSY)	I	1	B,D1,D3,E,F2,G1,G2, I(Except South Africa),K,J
16	A796N12X01	Controller Relay harness		D	1	
17	A795130403	Shield Plate		D	1	
18	A795133002	Side plate /Left		D	1	
19	A161137900	Screw		C	2	
20	A796H02A00	PWB Assembly (PWB-DS ASSY)	基板 ASSY (PWB-DS ASSY)	I	1	
21	V502010026	SUPPORT	PCB サポート	D	1	
22	A796M92S00	Gasket	ガスケット (リベット穴あり)	D	1	
23	A1DMN13700	Grounding Wire /3	アース線 /3	D	1	

REAR ELECTRICAL SECTION

P 84

改訂版 REVISED EDITION	日付 DATE
	SEPTEMBER 2017



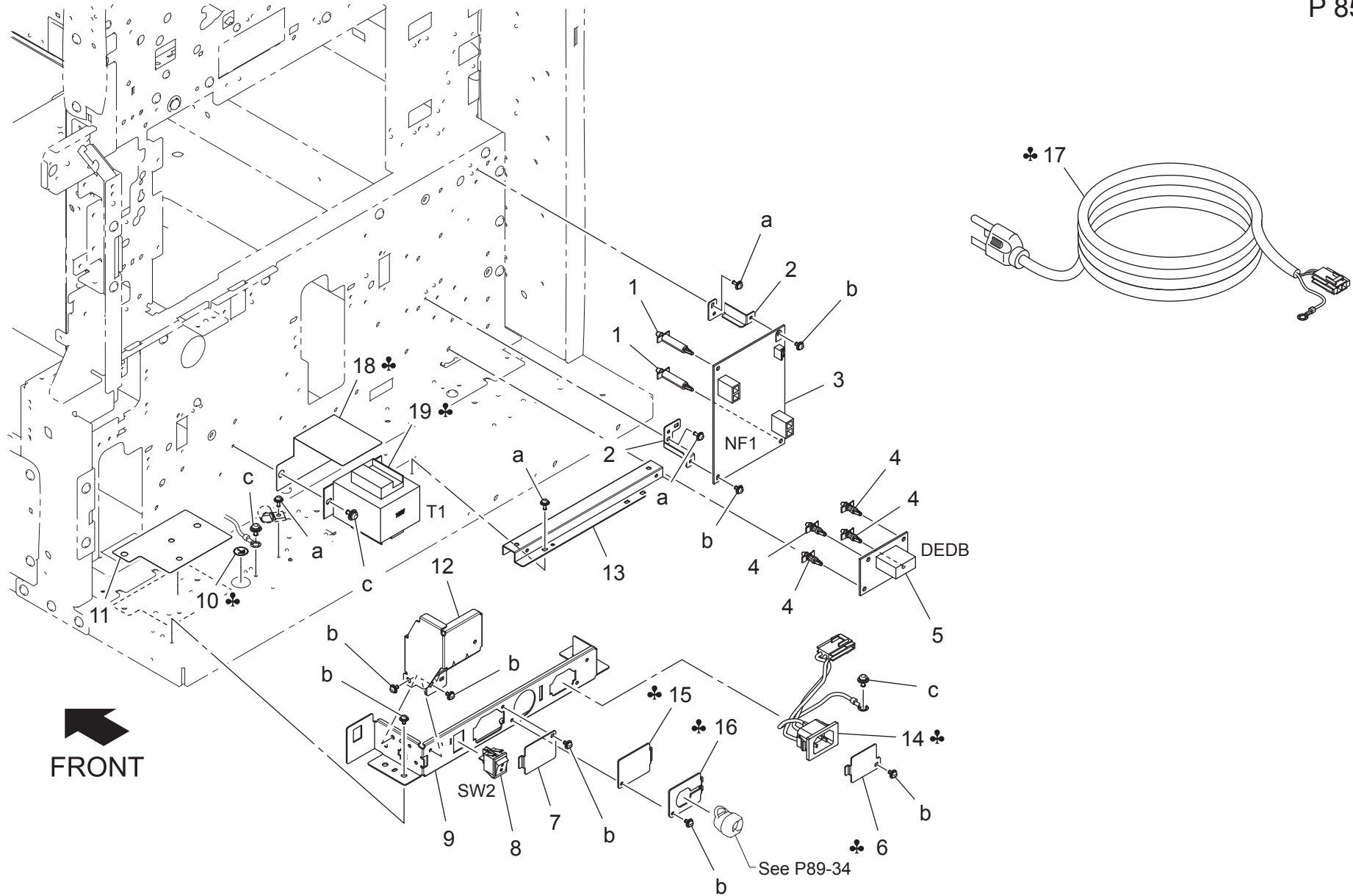
REAR ELECTRICAL SECTION

Key	Part No.	Description	Destinations	Class	QTY	Standard parts
1	A795145500	Mounting Plate		D	1	a-V116030603 b-V137040803 c-V153030803 d-V116040803
2	A796M40900	High voltage unit /3		I	1	
3	A2WU133900	Cover		D	1	
4	V502010026	SUPPORT		D	4	
5	A00J136302	Mounting Plate		D	1	
6	A796H00200	PWB Assembly(PWB-KH ASSY)		I	1	
7	A795133803	Mounting Plate /ASSY		D	1	
8	A795133702	Stay		D	1	
9	A796146500	Cushion		C	1	



REAR ELECTRICAL SECTION

P 85



bizhub 958/bizhub PRO 958

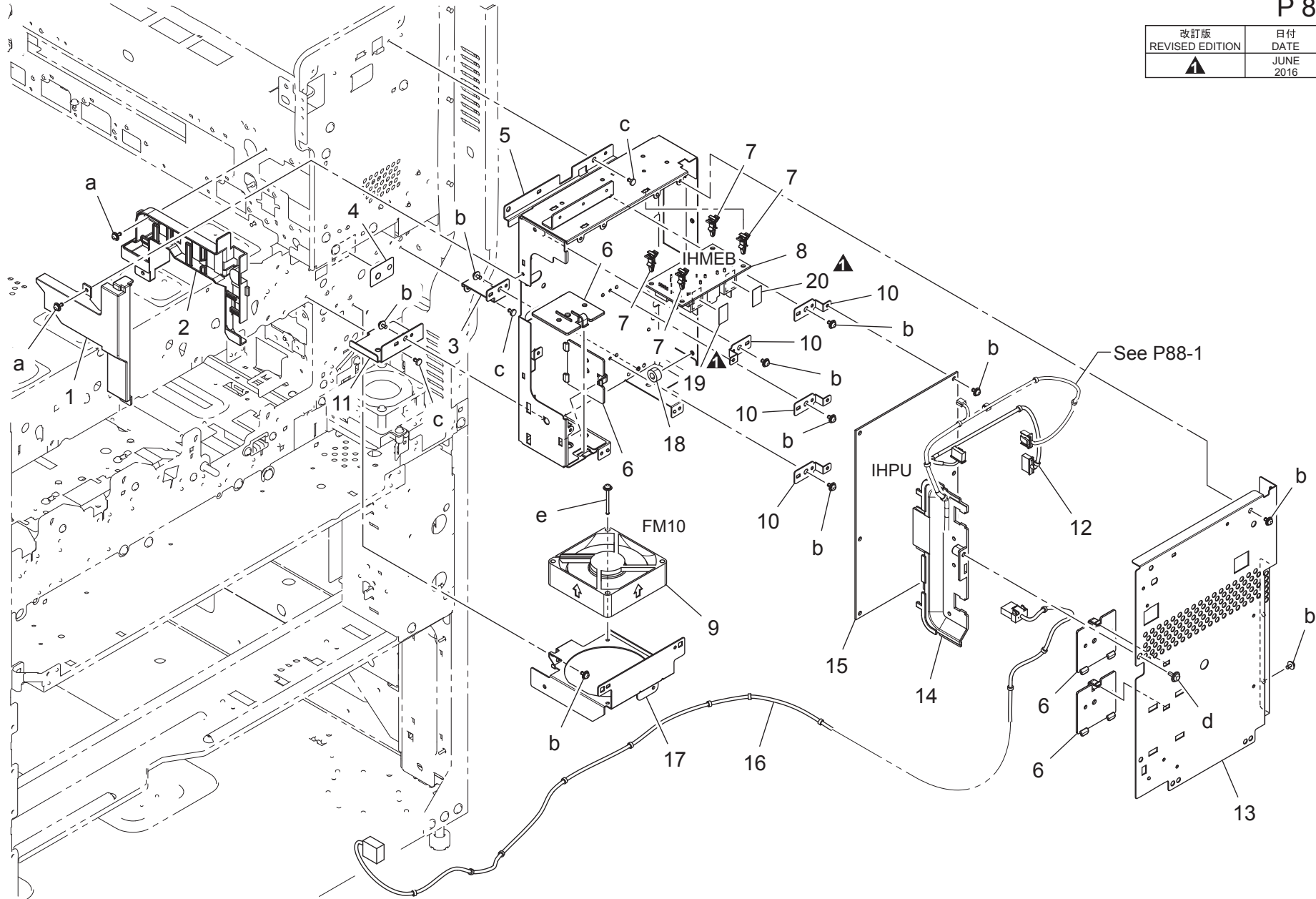
REAR ELECTRICAL SECTION

Key	Part No.	Description	Destinations	Class	QTY	Standard parts
1	V502010056	Circuit Board Spacer		D	2	a-V125030801 b-V116030603 c-V116040803
2	A2X0101800	Mounting Plate		D	2	
3	A796M40H00	Noise filter /230V		C	1	
4	V502010033	Circuit Board Spacer		D	4	
5	A2X0H00X00	PWB Assembly(PWB-DHR ASSY)		C	1	
6	A00J139100	Cover	B,G2	D	1	
7	A00J139000	Cover		D	1	
8	A00JM60300	Rocker switch		C	1	
9	A795134700	Mounting Plate		D	1	
10	9J06730101	LABEL	B,G2	D	1	
11	A00J140401	Protection Part		C	1	
12	A00J136400	Mounting Plate		D	1	
13	A2X0101700	Mounting Plate		D	1	
14	A796N10700	AC Relay harness	C,D1,D3,E,F2,G1,I,K	D	1	
15	A00J138900	Cover	,J C,D1,D3,E,F2,G1,I,K	D	1	
16	A796134800	Mounting Plate	B,G2	D	1	
17	A796N30001	Power source Cord	B,G2	D	1	
18	A1MT140100	Protection Part	D1,D3,E,F2,G1,I,K,J	D	1	
19	56AF84521	Power Source Transformer	D1,D3,E,F2,G1,I,K,J	C	1	

IH POWER SUPPLY SECTION

P 86

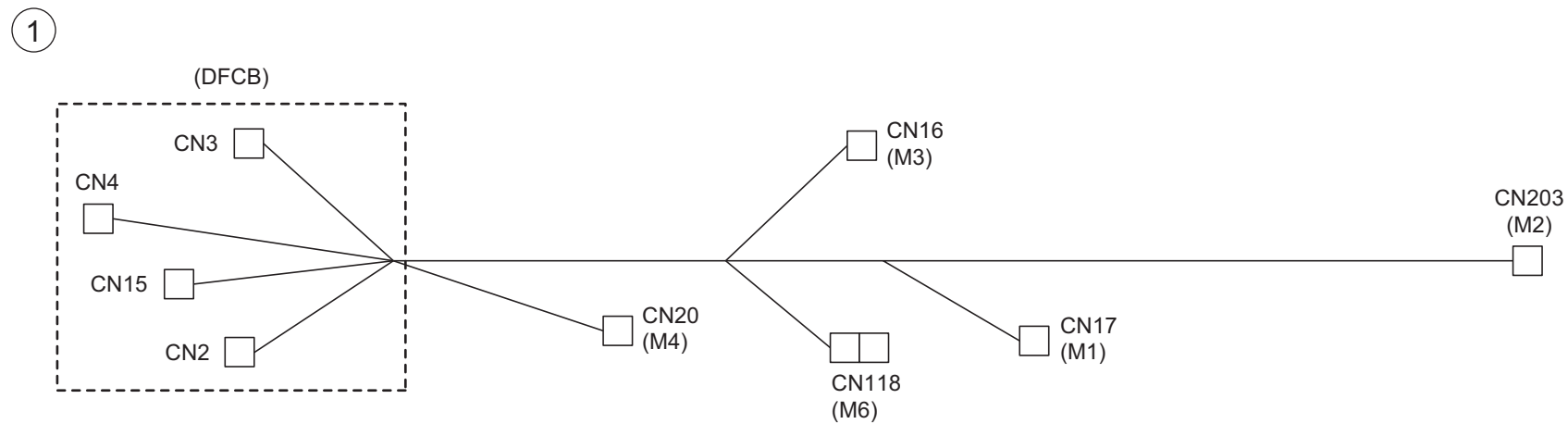
改訂版 REVISED EDITION	日付 DATE
▲	JUNE 2016



bizhub 958/bizhub PRO 958

IH POWER SUPPLY SECTION

Key	Part No.	Description	Destinations	Class	QTY	Standard parts
1	A795134300	Cover		D	1	a-V125030801 b-V116030603 c-V126030603 d-V153040803 e-V116033003
2	A795135701	Guide Cover		D	1	
3	A795131400	Mounting Plate		D	1	
4	A0P0149800	Protection Seal		D	1	
5	A795131501	Mounting Plate /ASSY		D	1	
6	A2X0145911	Cover		D	4	
7	V502010061	Spacer		D	4	
8	A796H00W00	PWB Assembly(PWB-CR ASSY)		I	1	
9	9J03M10000	FAN MOTOR		B	1	
10	A795131600	Mounting Plate		D	4	
11	A795138700	Mounting Plate		D	1	
12	A796N12D01	Fixing Wiring /2		D	1	
13	A795131301	Cover		D	1	
14	A0P0149000	Mounting Plate		D	1	
15	A796M40B00	Power source /230V		I	1	
16	A796N10V00	AC Wiring /2		D	1	
17	A795131001	Mounting Plate		D	1	
18	1154467001	PROTECTION		C	1	
19	A2X0949201	Label		D	1	
20	A2X0949301	Label		D	1	

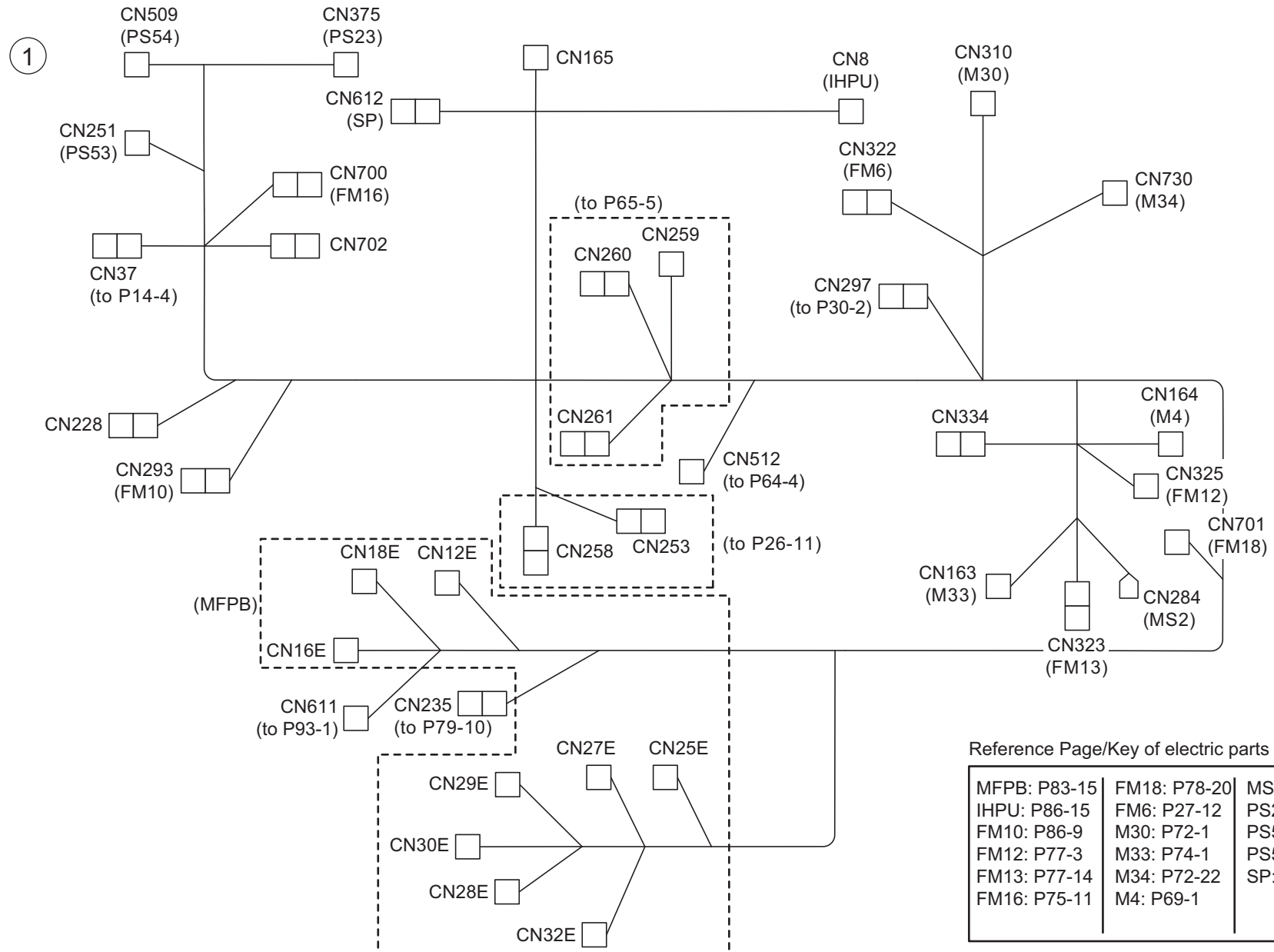


Reference Page/Key of electric parts

DFCB: P1-6
M1: P11-39
M2: P8-23
M3: P6-28
M4: P14-4
M6: P9-4

bizhub 958/bizhub PRO 958

Key	Part No.	Description		Destinations	Class	QTY	Standard parts
1	A782N10100	ADF Wiring /2	A D F 束線 / 2		D	1	

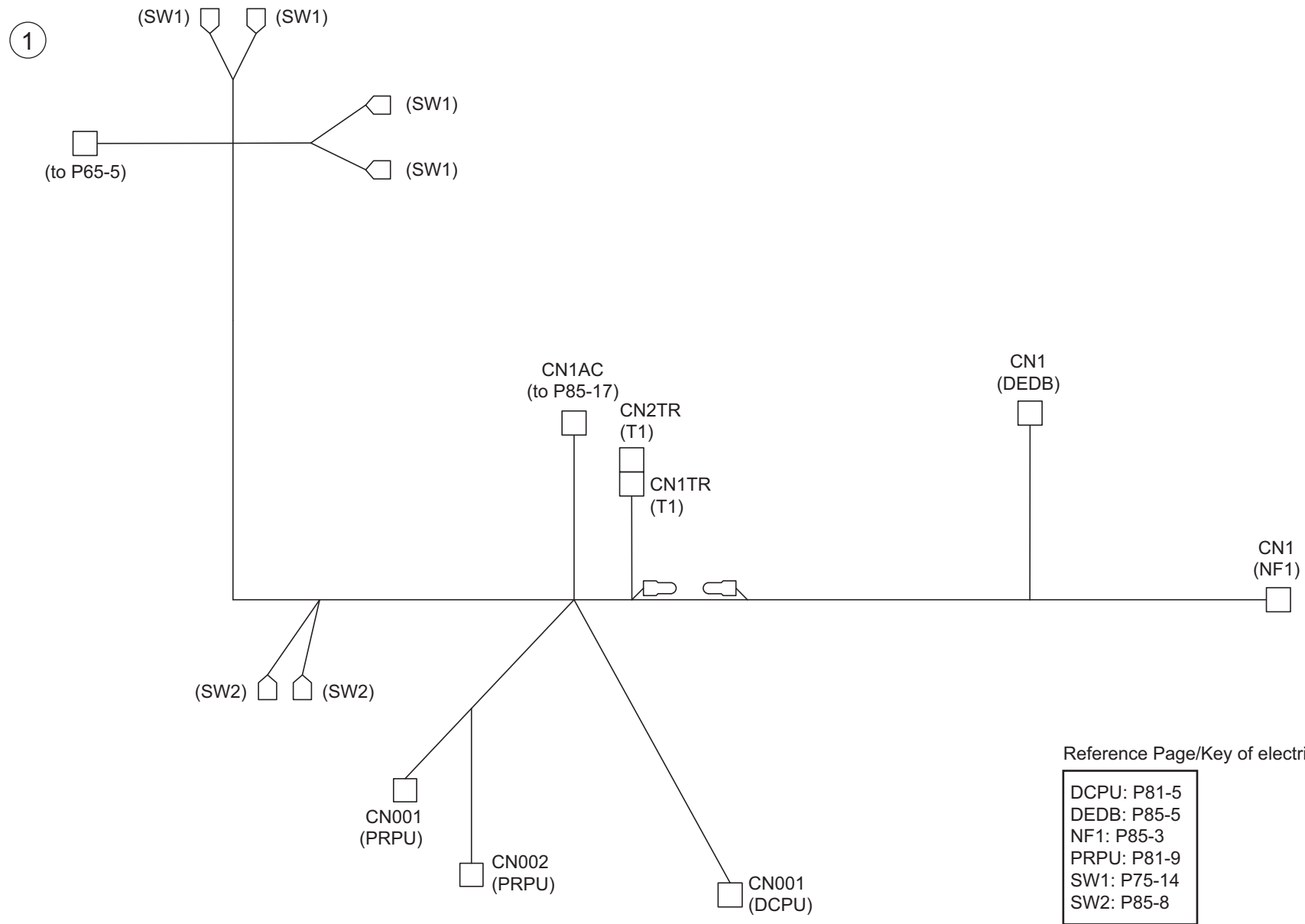


Reference Page/Key of electric parts

MFPB: P83-15	FM18: P78-20	MS2: P77-19
IHPU: P86-15	FM6: P27-12	PS23: P32-14
FM10: P86-9	M30: P72-1	PS53: P27-3
FM12: P77-3	M33: P74-1	PS54: P32-10
FM13: P77-14	M34: P72-22	SP: P19-24
FM16: P75-11	M4: P69-1	

bizhub 958/bizhub PRO 958

Key	Part No.	Description	Destinations	Class	QTY	Standard parts
1	A796N10201	Main body Relay harness /Upper 本体中継束線/上		D	1	

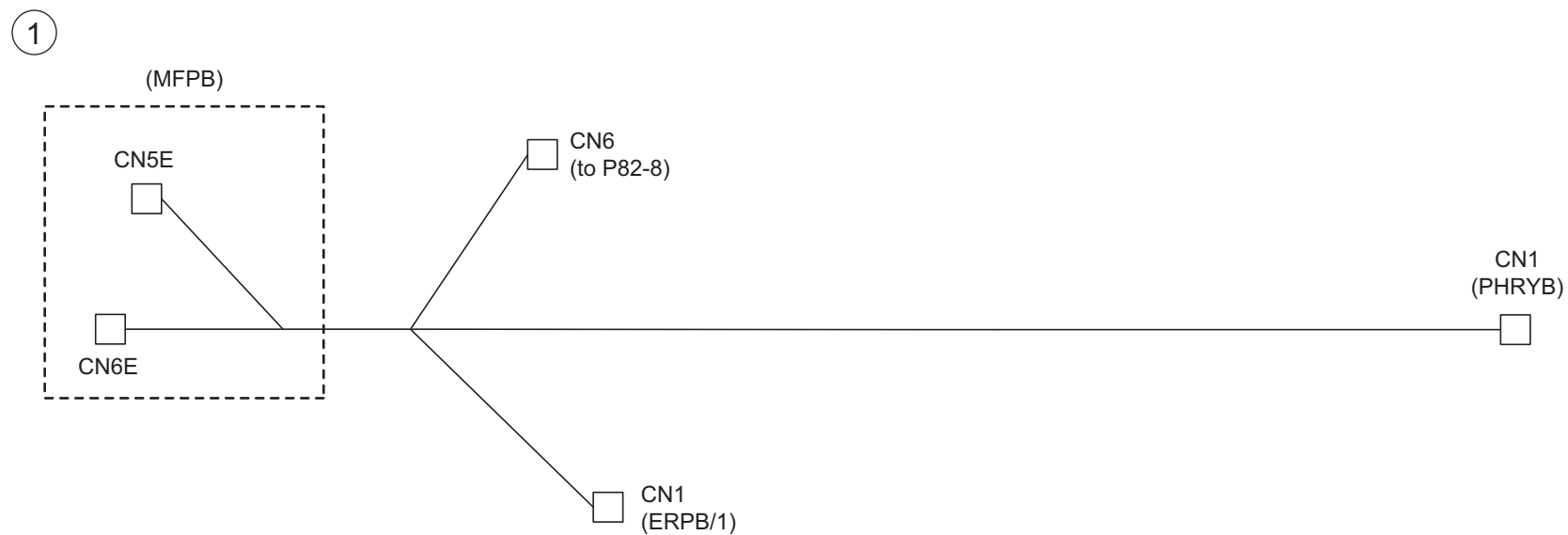


Reference Page/Key of electric parts

DCPU: P81-5
DEDB: P85-5
NF1: P85-3
PRPU: P81-9
SW1: P75-14
SW2: P85-8

bizhub 958/bizhub PRO 958

Key	Part No.	Description		Destinations	Class	QTY	Standard parts
1	A796N10601	AC Wiring /1	A C 束線 / 1		D	1	

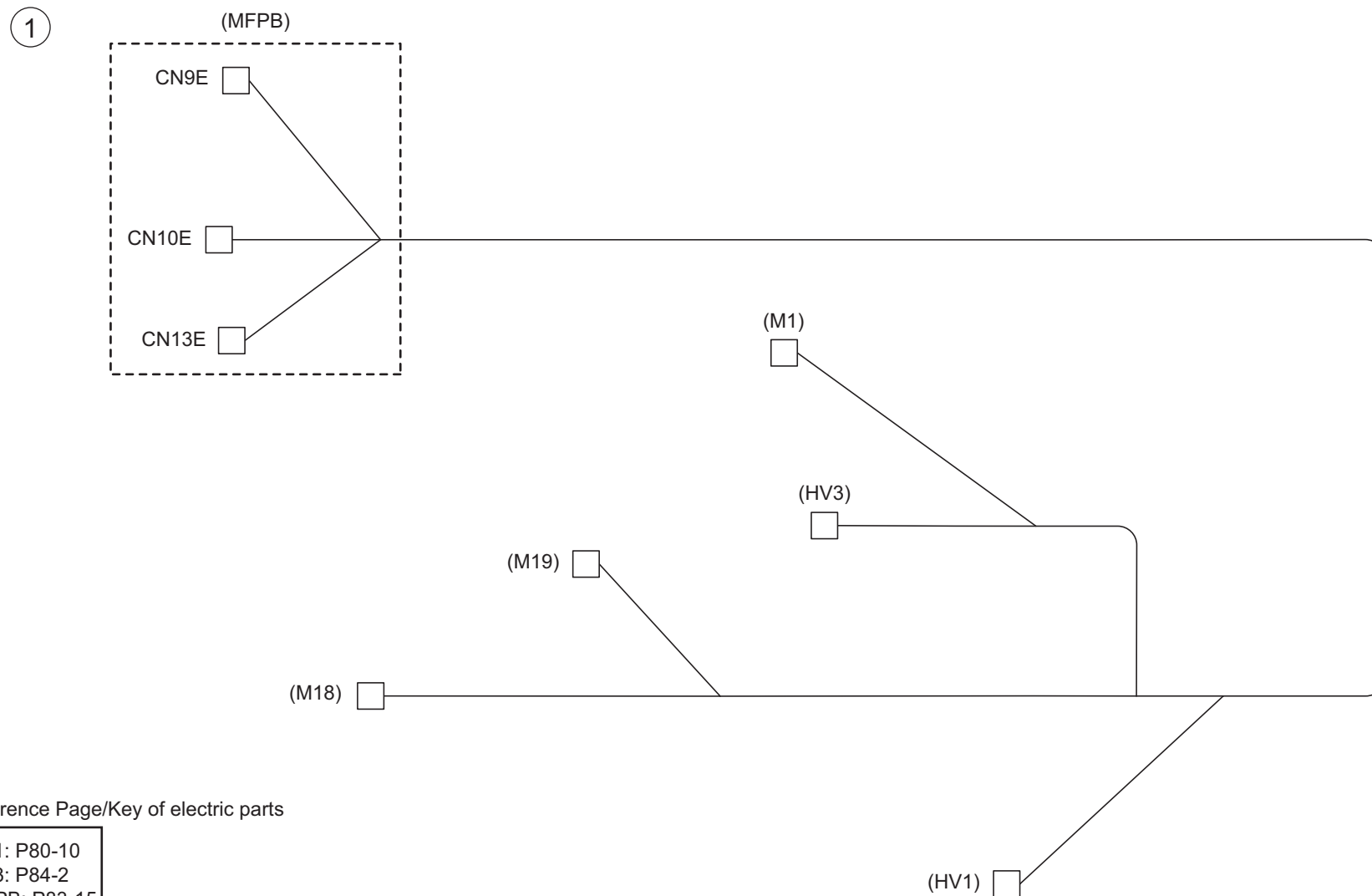


Reference Page/Key of electric parts

ERP/1: P83-2
MFPB: P83-15
PHRYB: P24-25

bizhub 958/bizhub PRO 958

Key	Part No.	Description	Destinations	Class	QTY	Standard parts
1	A796N10A00	Main body Wiring /2 本体束線 / 2		D	1	



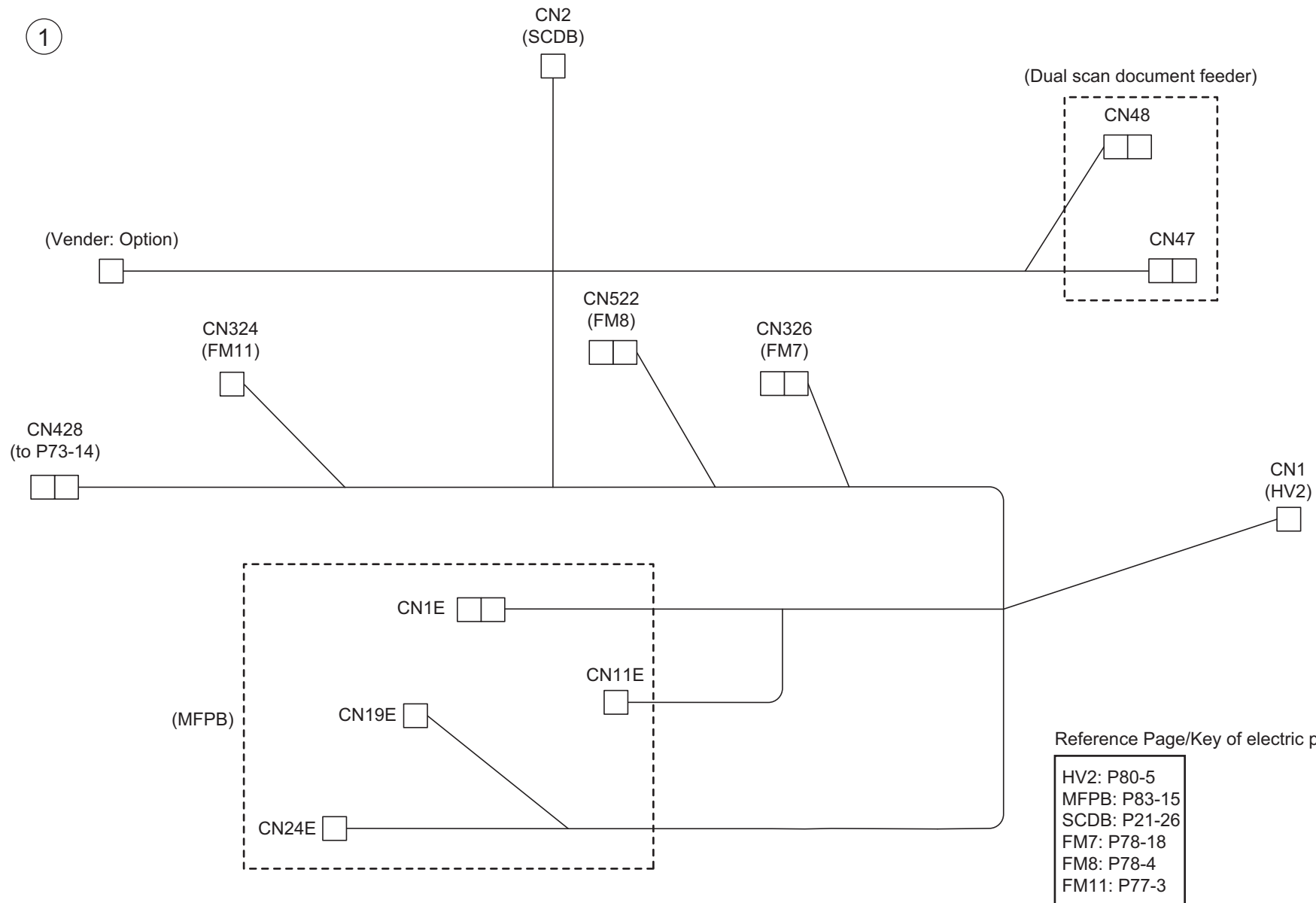
Reference Page/Key of electric parts

HV1: P80-10
HV3: P84-2
MFPB: P83-15
M1: P71-20
M18: P71-19
M19: P71-11

WIRING

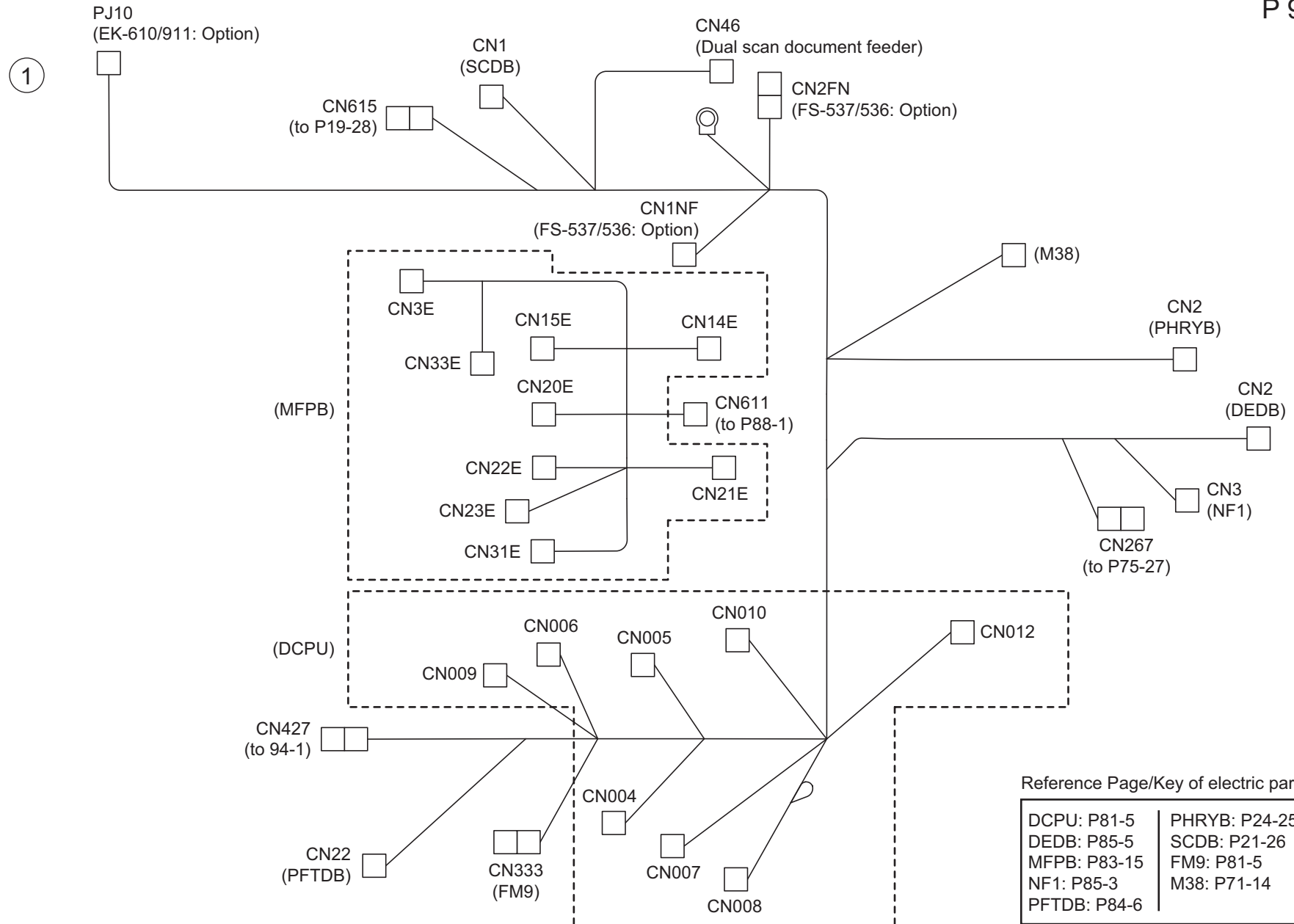
Key	Part No.	Description	Destinations	Class	QTY	Standard parts
1	A796N10E01	DC Power source harness /2		D	1	

bizhub 958/bizhub PRO 958



bizhub 958/bizhub PRO 958

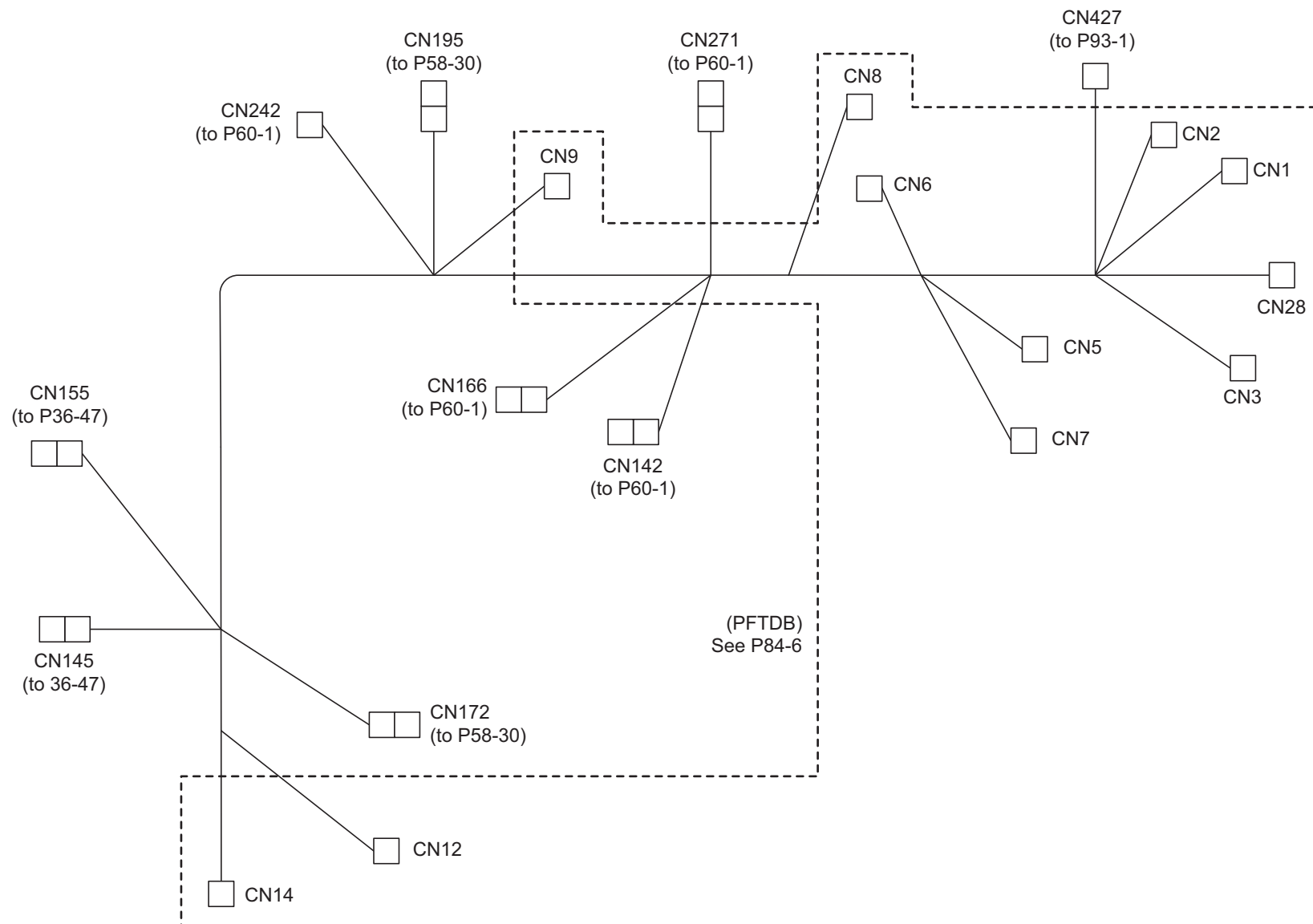
WIRING



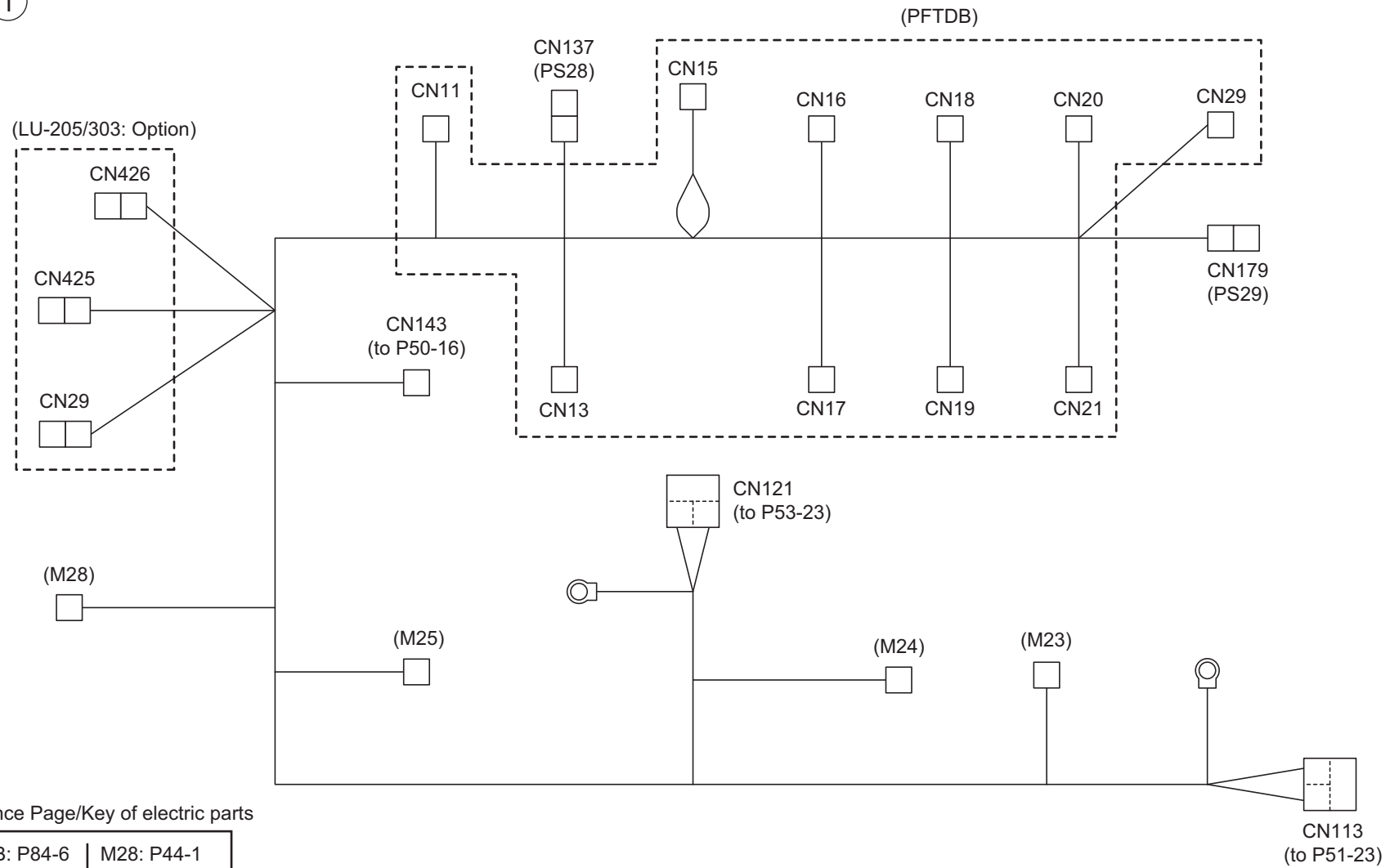
bizhub 958/bizhub PRO 958

Key	Part No.	Description	Destinations	Class	QTY	Standard parts
1	A796N10101	DC Power source harness /1	DC 電源束線 / 1	D	1	

1



①



Reference Page/Key of electric parts

PFTDB: P84-6	M28: P44-1
M23: P50-12	PS28: P50-2
M24: P50-12	PS29: P46-6
M25: P44-25	

bizhub 958/bizhub PRO 958



①



②



③



Reference Page/Key of electric parts

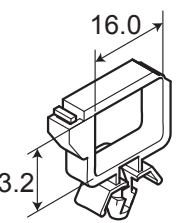
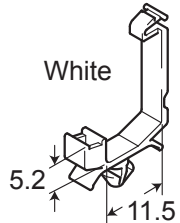
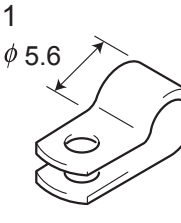
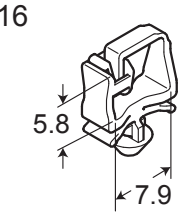
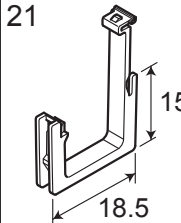
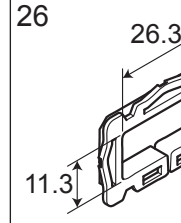
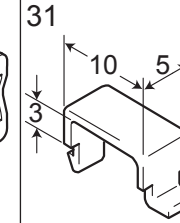
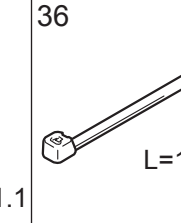
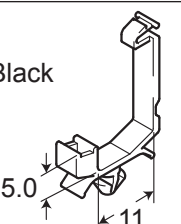
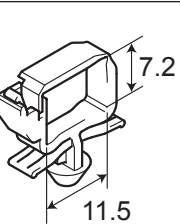
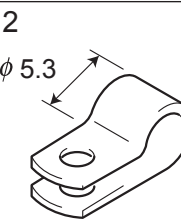
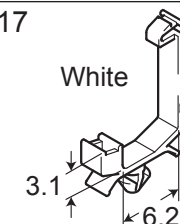
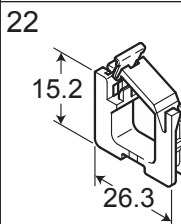
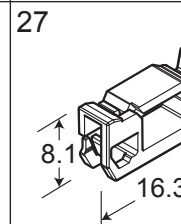
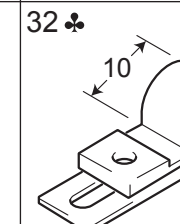
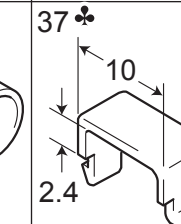
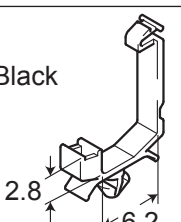
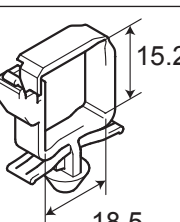
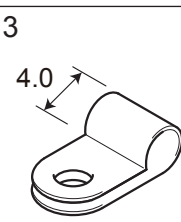
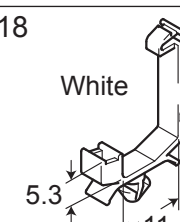
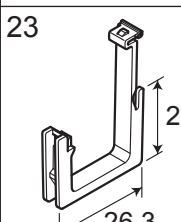
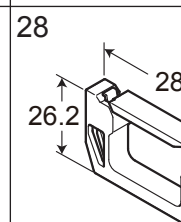
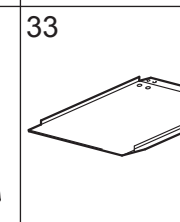
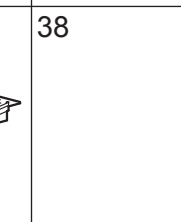
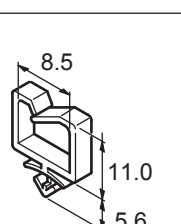
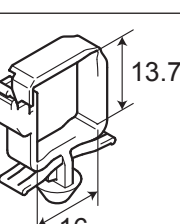
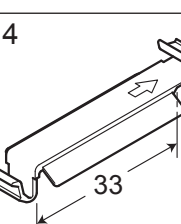
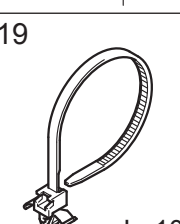
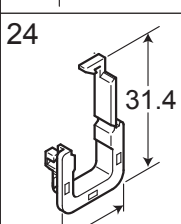
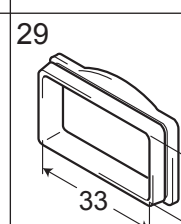
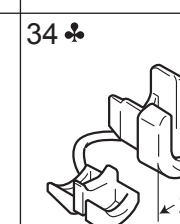
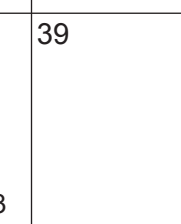
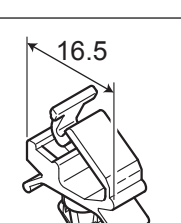
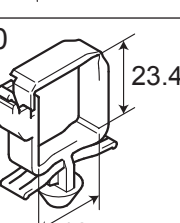
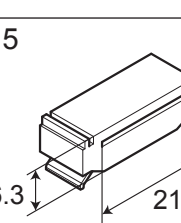
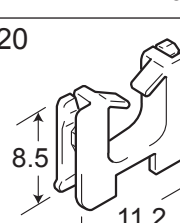
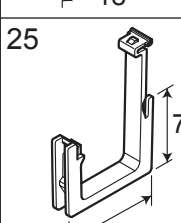
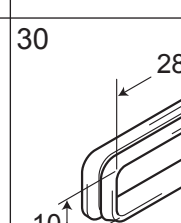
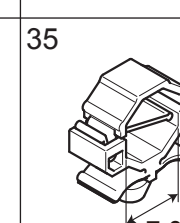
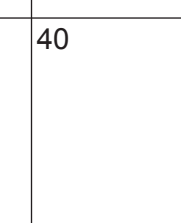
SD1: P69-6
M20: P32-29
MFPB: P83-15
PRPU: P81-9

bizhub 958/bizhub PRO 958

Key	Part No.	Description	Destinations	Class	QTY	Standard parts
1	A796N13500	Relay Wiring /2		D	1	
2	A796N13400	Relay Wiring /1		D	1	
3	A796N14000	Fixing Control harness		D	1	

WIRING ACCESSORIES AND JIGS

P 97

1 	6 White 	11 ϕ 5.6 	16 	21 	26 	31 	36 
2 Black 	7 	12 ϕ 5.3 	17 White 	22 	27 	32♣ 	37♣ Black 
3 Black 	8 	13 	18 White 	23 	28 	33 	38 
4 	9 	14 	19 	24 	29 	34♣ 	39 
5 	10 	15 	20 	25 	30 	35 	40 

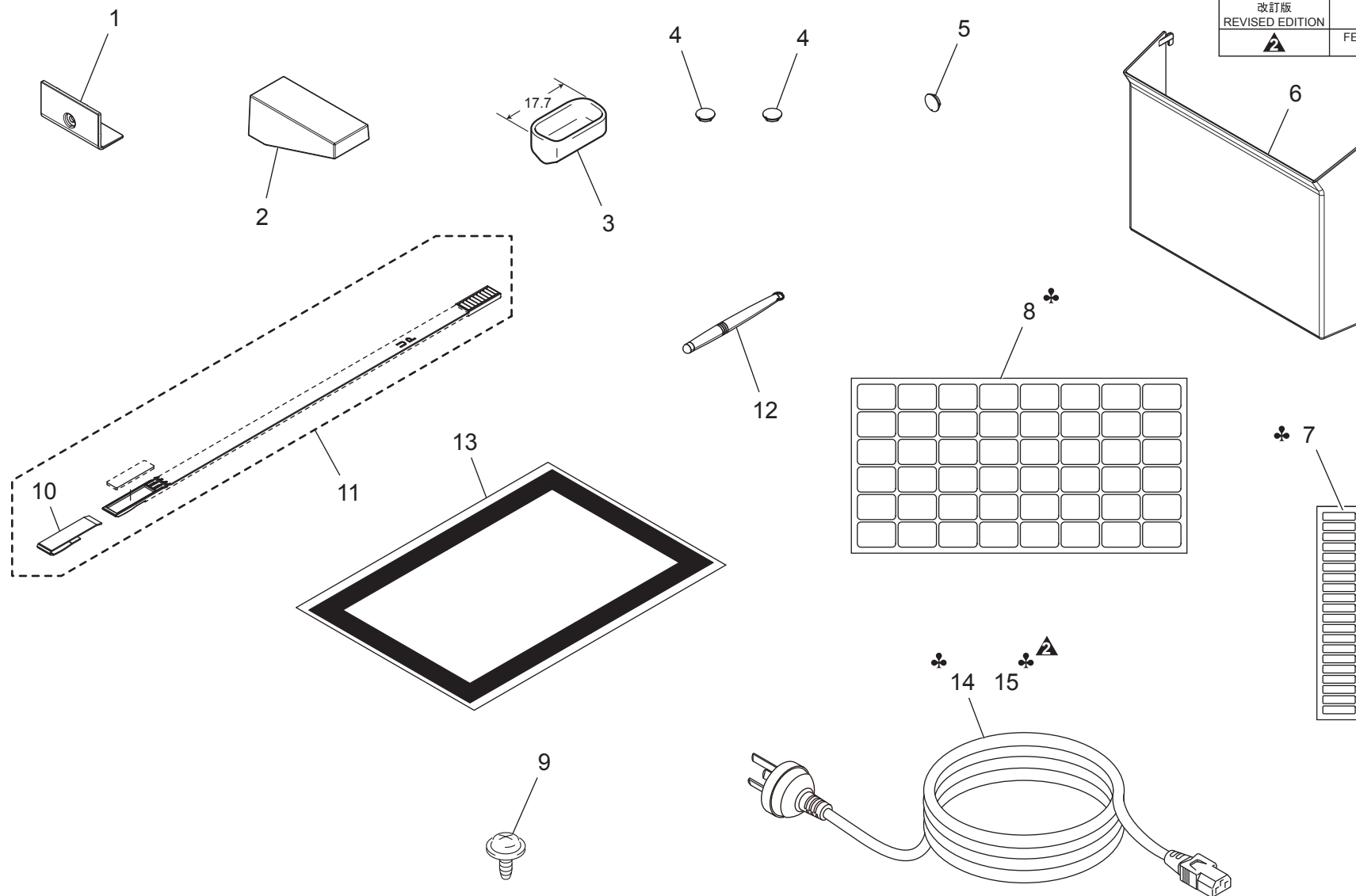
bizhub 958/bizhub PRO 958

Key	Part No.	Description	Destinations	Class	QTY	Standard parts
1	V500010053	SADDLE		D		
2	V500010054	SADDLE		D		
3	V500010055	SADDLE		D		
4	V500010060	Mini Saddle		V		
5	V500010061	saddle		D		
6	V500010081	Locking Wire Saddle		D		
7	V500010082	Locking Wire Saddle		D		
8	V500010083	Locking Wire Saddle		D		
9	V500010084	Locking Wire Saddle		D		
10	V500010085	Locking Wire Saddle		D		
11	V500020018	clamp		D		
12	V500020037	clamp		D		
13	V500020069	Clamp		D		
14	V500020082	Clamping for FFC		D		
15	V500020088	Clamping for FFC		D		
16	V500020098	Mini Locking wire saddle		D		
17	V500020099	Mini Locking wire saddle		D		
18	V500020100	Mini Locking wire saddle		D		
19	V501010018	BAND		D		
20	V570010021	Saddle		D		
21	V570010026	Locking Edge Saddle		D		
22	V570010027	saddle		D		
23	V570010028	saddle		D		
24	V570010031	holder		D		
25	V570010046	Locking Edge Holder		D		
26	V570010047	Square Clamp		D		
27	V570010057	Wing Edge Saddle		D		
28	V570010059	Wing Edge Saddle		D		
29	1038400601	INSULATING MEMBER		D		
30	1050480501	INSULATING MEMBER		D		
31	1053481201	CORD CLAMP		D		
32	9384160011	P-CLIP 10D		D		
33	A0P0989900	Packing Parts	B,G2	S	1	
34	A0G6M70E00	Power Source Code Holder		D	1	
35	V500020110	FG Clamp	B,G2	D		
36	V501010001	band		D		
37	1065587202	CORD CLAMP		D	1	

ACCESSORY PARTS

P 98

改訂版 REVISED EDITION	日付 DATE
	FEBRUARY 2016



MAINTENANCE LIST

● The items with no Page/Key numbers are not handled as spare parts.

No.	Section	PM Parts Description	Maintenance Cycle (K=1,000)		Parts No.	Destinations	Page/Key	Note
			QTY	Replace				
1	Dual scan document feeder	Pick-up roller	2	200K	9J07330102		P6-7	*2 *3
2		Feed roller	1	200K	A00J563600		P6-11	*2 *3
3		Separation roller	1	200K	9J07340901		P8-4	*2 *3
4	Tray 1	Feed roller	1	300K	A00J563600		P34-23	*2 *3
5		Pick-up roller	1	300K	A5C1562200		P34-25	*2 *3
6		Separation roller	1	300K	A00J563600		P35-11	*2 *3
7	Tray 2	Feed roller	1	300K	A00J563600		P36-24	*2 *3
8		Pick-up roller	1	300K	A5C1562200		P36-26	*2 *3
9		Separation roller	1	300K	A00J563600		P37-16	*2 *3
10	Tray 3	Feed roller	1	300K	A00J563600		P47-20	*2 *3
11		Pick-up roller	1	300K	A5C1562200		P47-43	*2 *3
12		Separation roller	1	300K	A00J563600		P48-18	*2 *3
13	Tray 4	Feed roller	1	300K	A00J563600		P42-16	*2 *3
14		Pick-up roller	1	300K	A5C1562200		P42-48	*2 *3
15		Separation roller	1	300K	A00J563600		P43-16	*2 *3
16	Manual bypass tray	Feed roller	1	300K	A00J563600		P57-10	*2 *3
17		Pick-up roller	1	300K	A5C1562200		P57-31	*2 *3
18		Separation roller assy	1	300K	A0P0R74100		P58-23	*2 *3
19	Conveyance section	Transfer roller unit	1	600K	A795R73600		P60-41	*4
20	Fusing section	Fusing unit	1	1600K	A796R71422		P65-1	*4
21	Image transfer section	Transfer belt unit	1	1200K	A795R71422		P29-1	*4
22		Waste toner box	1	160K	A2WYWY6	D1,D3,E,F2,G1,I(Exce	P32-4	*1 *4 *5
23		Waste toner box	1	160K	A2WYWY7	C,I (South Africa)	P32-4	*1 *4 *5

*1: The parts can be replaced either by user or service engineer.

*2: Replace these parts at the same time.

*3: Life counter value

*4: Field standard yield

*5: A waste toner full condition is detected with detecting the actual waste toner emissions.

メンテナンスリスト

● ページ / キーナンバーのないものは、アフターサービス部品ではありません。

No.	区分	PM 部品名称	サイクル (K=1,000)		部品番号	仕向地	頁 / キー	備考
			員数	交換				
1	自動両面原稿送り装置	ピックアップローラー	2	200K	9J07330102		P6-7	*2 *3
2		給紙ローラー	1	200K	A00J563600		P6-11	*2 *3
3		分離ローラー	1	200K	9J07340901		P8-4	*2 *3
4	トレイ 1	給紙ローラー	1	300K	A00J563600		P34-23	*2 *3
5		ピックアップローラー	1	300K	A5C1562200		P34-25	*2 *3
6		分離ローラー	1	300K	A00J563600		P35-11	*2 *3
7	トレイ 2	給紙ローラー	1	300K	A00J563600		P36-24	*2 *3
8		ピックアップローラー	1	300K	A5C1562200		P36-26	*2 *3
9		分離ローラー	1	300K	A00J563600		P37-16	*2 *3
10	トレイ 3	給紙ローラー	1	300K	A00J563600		P47-20	*2 *3
11		ピックアップローラー	1	300K	A5C1562200		P47-43	*2 *3
12		分離ローラー	1	300K	A00J563600		P48-18	*2 *3
13	トレイ 4	給紙ローラー	1	300K	A00J563600		P42-16	*2 *3
14		ピックアップローラー	1	300K	A5C1562200		P42-48	*2 *3
15		分離ローラー	1	300K	A00J563600		P43-16	*2 *3
16	手差し	給紙ローラー	1	300K	A00J563600		P57-10	*2 *3
17		ピックアップローラー	1	300K	A5C1562200		P57-31	*2 *3
18		分離ローラー Assy	1	300K	A0P0R74100		P58-23	*2 *3
19	搬送部	転写ローラーユニット	1	600K	A795R73600		P60-41	*4
20	定着部	定着ユニット	1	1600K	A796R71422		P65-1	*4
21	転写部	転写ベルトユニット	1	1200K	A795R71422		P29-1	*4
22		廃棄トナーボックス	1	160K	A2WYWY6	D1,D3,E,F2,G1,I(Except	P32-4	*1 *4 *5
23		廃棄トナーボックス	1	160K	A2WYWY7	C,I (South Africa)	P32-4	*1 *4 *5

*1: ユーザー / サービス交換の選択が可能。

*2: 同時交換のこと。

*3: ライフカウンター値

*4: 市場標準印刷枚数値

*5: 廃棄トナーフル検知は、実際の廃棄トナー充填量を検知して行う。

DESTINATION

Destination No.		Destinations		V	Hz	Model No.
A	A1	JAPAN		100	50/60	
	A2	JAPAN		200	50/60	
B		USA, CANADA		120	60	A796011 A796012
C		EUROPEAN TYPE		220-240	50/60	A796021
D	D1	S.E ASIA TYPE	THAILAND, SRI LANKA, SINGAPORE, MALAYSIA, HONG KONG, PAKISTAN, INDIA, BANGLADESH, INDONESIA	220-240	50/60	A796041
	D3	OCEANIA TYPE	AUSTRALIA, NEW ZEALAND	220-240	50/60	A796041
E		PHILIPPINES		220-240	50/60	A796041
F	F1	SAUDI ARABIA		127	60	
	F2	SAUDI ARABIA		220-240	50/60	A796041
G	G1	C.S AMERICA		220-240	50/60	A796041
	G2	C.S AMERICA		120	60	A796011
H		TAIWAN		110	60	
I		JORDAN, LEBANON, SYRIA, SOUTH AFRICA, IRAQ, IRAN, N.YEMEN, CAMEROON, UAE, BAHRAIN, OMAN, QATAR, KUWAIT, KENYA, TUNISIA, IVORY COAST, MOROCCO		220-240	50/60	A796021 A796041
J		CHINA		220-240	50/60	A796081
K		KOREA		220-240	50/60	A796041

bizhub 958/bizhub PRO 958