

KONICA MINOLTA

PARTS GUIDE MANUAL

JULY 2008

bizhub PRO C5501
A0U1

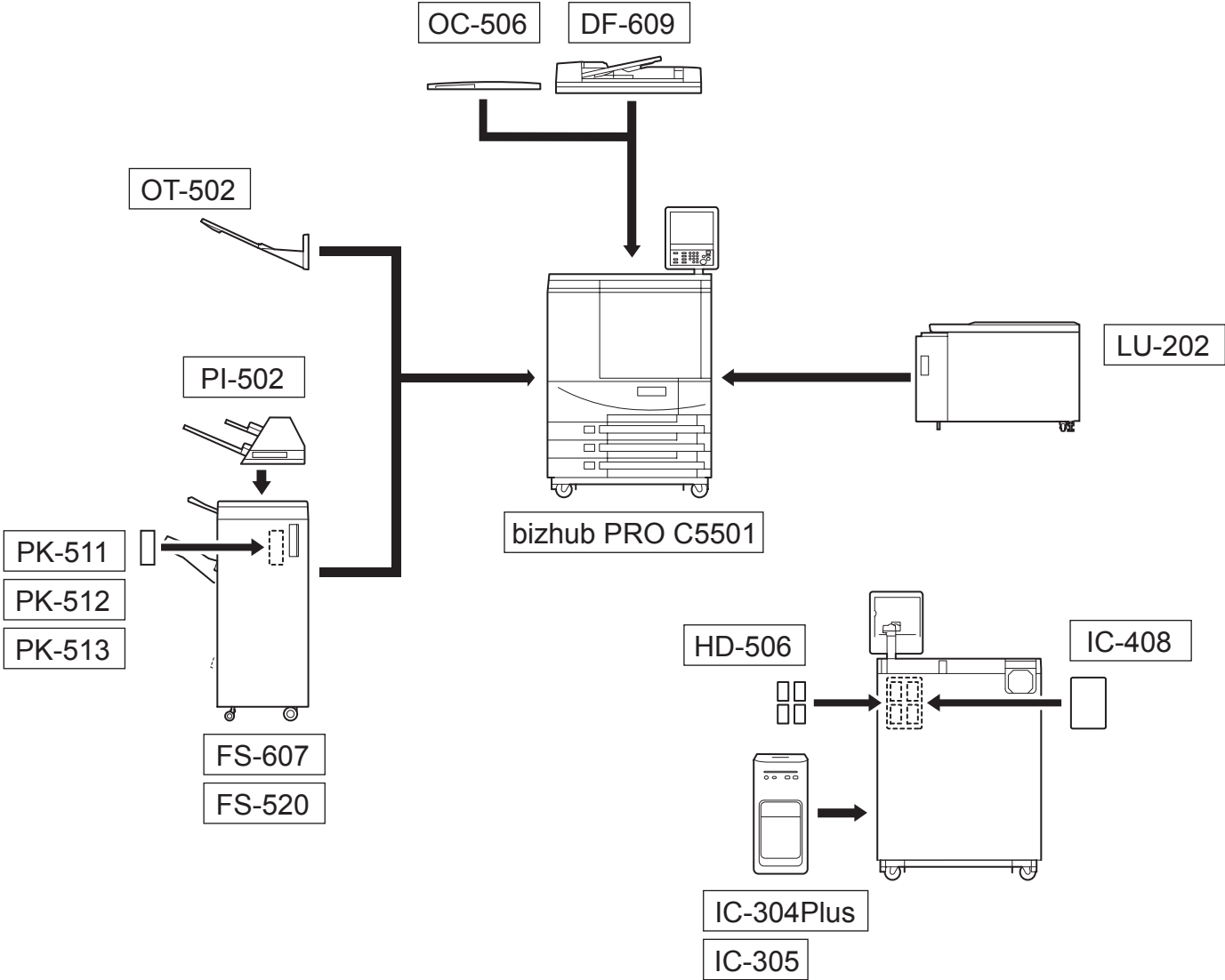
INFORMATION FOR PARTS GUIDE MANUAL

To find correct Parts No., refer to the "HOW TO MAKE THE BEST USE OF THIS MANUAL" in the following page.

HOW TO MAKE THE BEST USE OF THIS MANUAL

- 1 When you order, please check the proper figures beforehand that are on Our Parts Guide Manual, and order with the appropriate figures.
- 2 For screws, Nuts, Washers, retaining rings and Pins which are used in this model, one letter is shown on the Standard parts column of Parts list and exploded diagrams.
- 3 In order to maintain safety of the product, some specific parts composed of this product are set up as "essential safety parts".
- 4 The assigned parts number for the "essential safety parts" is indicated as "SP00-****".
When replacing these parts, follow precautions for disassembling and installing which are listed in the Service Manual.
Do not use any parts that are not set up as
- 5 ♣ means that there are exclusive parts for each destination.
Please check the appropriate destination when you order.
- 6 Revision Mark
Marked as ▲ on the illustration shows that the revision has been made.
- 7 All rights reserved. (any reprints or quotations are prohibited.)
Use of this parts guide manual should be strictly supervised to avoid disclosure of confidential information.

SYSTEM OUTLINE



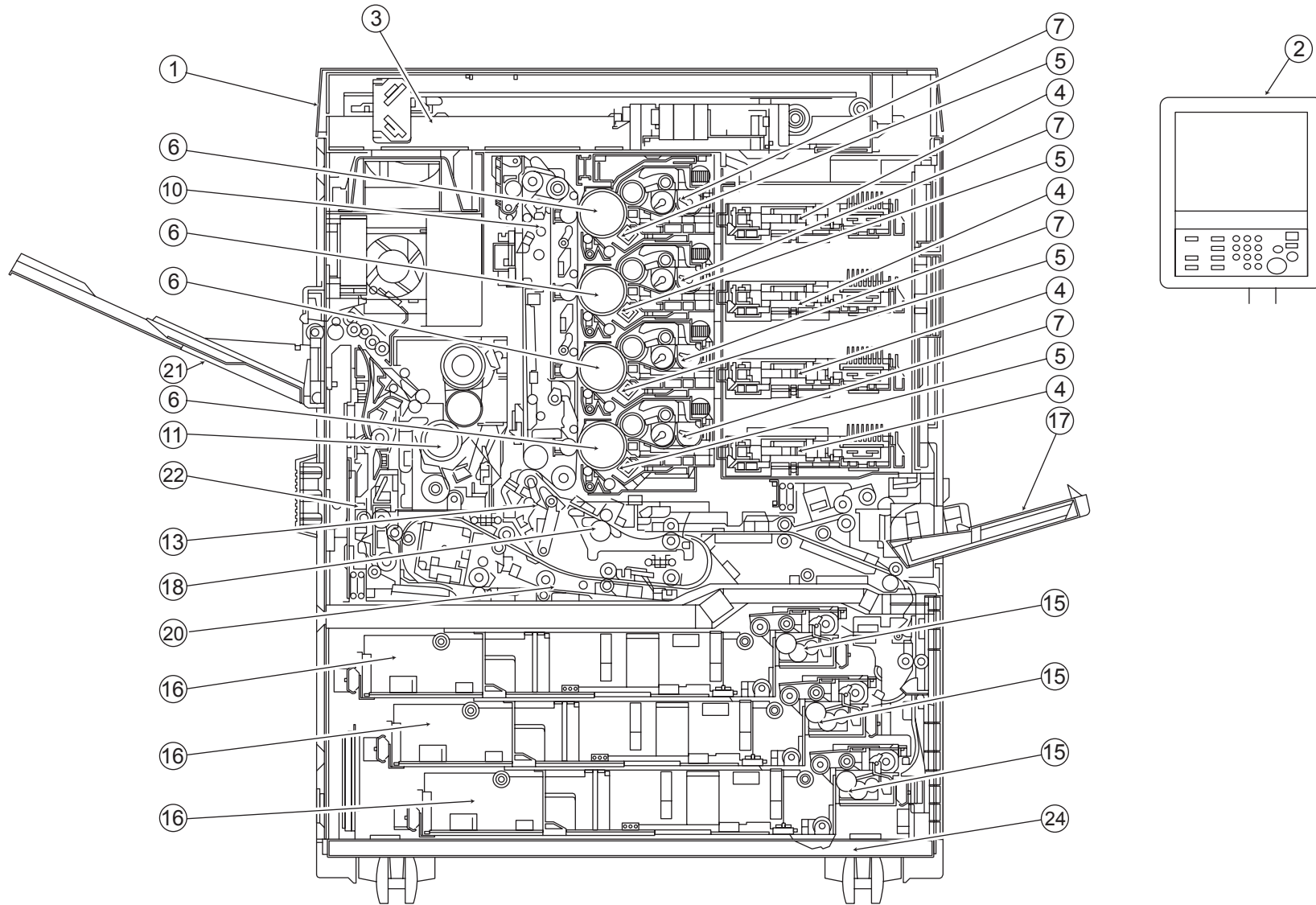
bizhub PRO C5501

GENERAL CONTENTS

No.	Description	Model
1	DIGITAL MFP COLOR	bizhub PRO C5501
2		OC-506
3	DOCUMENT FEEDER	DF-609
4	PAPER FEEDER	LU-202
5	SORTER/FINISHER	FS-607
6	SORTER/FINISHER	FS-520
7	PUNCH UNIT	PK-511
8	PUNCH UNIT	PK-512
9	PUNCH UNIT	PK-513
10	OTHER OPTION	PI-502
11	OTHER OPTION	OT-502
12	OTHER OPTION	HD-506
13	PRINT CONTROLLER	IC-304/IC-304Plus
14	PRINT CONTROLLER	IC-305
15	PRINT CONTROLLER	IC-408

bizhub PRO C5501

DIAGRAMS OF MAIN PARTS SECTION



CONTENTS

No.	DESCRIPTION	PAGE No.
1	EXTERNAL PARTS	P1 P2 P3 P4 P5 P6
2	OPERATION SECTION	P7 P8 P9
3	OPTICAL SECTION	P10 P11 P12 P13
4	WRITE SECTION	P14 P15 P16 P17 P18
5	CHARGE CORONA SECTION	P19
6	PHOTO CONDUCTOR SECTION	P20 P21 P22 P23
7	DEVELOPING SECTION	P24 P25 P26 P27
8	TONER SUPPLY SECTION	P28 P29 P30 P31 P32 P33 P34 P35
9	TONER COLLECTING SECTION	P36
10	INTERMEDIATE TRANSFER SECTION	P37 P38 P39 P40
11	COLOR RESIST SECTION	P41
12	FUSING SECTION	P42 P43 P44 P45 P46 P47 P48 P49
13	PROCESS CARRIAGE SECTION	P50 P51 P52
14	SECONDARY TRANSFER SECTION	P53
15	PAPER FEED DRIVING SECTION	P54
16	PAPER FEED SECTION	P55 P56 P57 P58 P59 P60 P61 P62 P63
17	CASSETTE	P64 P65 P66 P67 P68 P69 P70 P71 P72 P73
18	BYPASS SECTION	P74 P75 P76
19	REGISTRATION SECTION	P77
20	VERTICAL CONVEYANCE SECTION	P78 P79
21	DUPLEX SECTION	P80 P81 P82 P83 P84 P85 P86 P87 P88 P89 P90
22	PAPER EXIT SECTION	P91 P92
23	PAPER EXIT GUIDE SECTION	P93 P94 P95 P96
24	DRIVE SECTION	P97 P98 P99 P100 P101 P102 P103 P104 P105 P106 P107
25	MAIN FRAME	P108 P109 P110 P111 P112
26	ELECTRICAL COMPONENTS	P113 P114 P115 P116
27	WIRING	P117 P118 P119 P120 P121 P122 P123 P124 P125 P126 P127 P128 P129
28	WIRING ACCESSORIES AND JIGS	P130 P131
29	ACCESSORY PARTS	P132

INDEX

1/14

Parts No.	Page No.	Parts No.	Page No.	Parts No.	Page No.	Parts No.	Page No.	Parts No.	Page No.
000V -18- 1	131-38	08AA 8551 2	59-4	13QA 4061 0	94-14	25SA 3016 0	27-22	26NA 3266 0	34-3
000V -18- 2	131-38	08AA 8551 2	62-4	13QA 4061 0	103-12	25SA 4096 0	55-22	26NA 3287 0	29-21
000V 1001 0	131-22	08AA 8551 2	65-24	13QA 4061 0	104-12	25SA 4096 0	58-22	26NA 4082 0	79-6
000V 1002 0	131-23	08AA 8551 2	66-13	13QA 4061 0	105-12	25SA 4096 0	61-22	26NA 4206 1	55-16
000V 1003 0	131-24	08AA 8551 2	68-24	13QA 4061 0	106-12	25SA 4096 0	74-18	26NA 4206 1	58-16
000V 1004 0	131-25	08AA 8551 2	69-13	13QA 7704 0	74-25	25SA 6107 0	10-12	26NA 4206 1	61-16
000V 1005 0	131-39	08AA 8551 2	71-24	13QA 8551 1	88-20	25SA 6154 0	13-4	26NA 4256 0	55-3
00M6 -2-0 0	131-30	08AA 8551 2	72-13	13QA 8551 1	89-5	25SA 6155 0	13-1	26NA 4256 0	58-3
00VC -2-0 0	131-36	08AA 8551 2	74-6	13QA 8551 1	90-6	25SA 6165 0	11-14	26NA 4256 0	61-3
00VD -100 0	131-37	08AA 8551 2	76-15	13QA 8551 1	93-3	25SA 6170 0	10-2	26NA 4256 0	78-21
00Z9 2191 2	131-1	08AA 8551 2	78-15	13RN 7321 1	35-6	25SA 6171 0	10-4	26NA 4256 0	81-30
00Z9 2451 2	131-13	08AA 8551 2	85-13	14GE 4547 0	89-14	25SA 6642 0	109-7	26NA 4256 0	83-10
0590 7651 0	57-8	08AA 8551 2	87-5	14GE 4547 0	90-25	25SA 7504 0	86-9	26NA 4256 0	88-27
0590 7651 0	60-8	08AA 8551 2	91-23	14GE 4547 0	95-30	25SA 7504 0	91-3	26NA 4256 0	93-8
0590 7651 0	63-8	08AA 8551 2	92-17	15AA R736 00	85-16	25SA 7504 0	95-6	26NA 4707 0	64-20
0650 7502 0	90-26	08AA 8551 2	94-8	25AA 1342 0	76-23	25SA 7504 0	97-6	26NA 4707 0	67-20
0676 4258 1	73-6	08AA 8551 2	102-6	25AA 4750 0	85-26	25SA 7504 0	98-6	26NA 4707 0	70-20
07AA 7506 2	38-13	08AA 8551 2	108-12	25AA 5008 0	81-11	25SA 7504 0	99-6	26NA 5371 2	48-10
07AA 7506 2	91-6	08AA 8551 2	109-17	25AA 7327 0	113-7	25SA 7504 0	100-6	26NA 5378 0	49-30
07AA 7730 2	54-20	0900 7553 0	54-13	25AA 7509 0	44-36	25SA 7742 0	54-12	26NA 5423 0	49-32
07BA 1587 1	40-19	129X 4835 0	108-25	25AA 7509 0	94-4	26MA 7404 0	20-6	26NA 5423 0	94-5
07BA 7519 0	101-13	129X 4836 0	80-4	25AA 7509 0	95-17	26MA 7404 0	21-6	26NA 6141 0	12-7
08AA 4523 0	39-22	12AJ 4585 0	81-27	25AA 7509 0	96-17	26MA 7404 0	22-6	26NA 6194 0	10-1
08AA 7601 0	55-11	12EJ 1113 0	75-22	25AA 7772 0	84-4	26MA 7404 0	23-6	26NA 6216 0	10-6
08AA 7601 0	56-22	12QR 8601 1	28-27	25AA 7773 0	79-13	26MA 7410 0	101-7	26NA 7357 0	114-28
08AA 7601 0	57-3	12QV 7503 0	83-30	25AA 7773 0	84-5	26NA 1558 0	74-35	26NA 7601 0	74-14
08AA 7601 0	58-11	12VG 7703 0	35-17	25AA 7789 0	34-12	26NA 1728 0	20-9	26NA 7601 0	75-1
08AA 7601 0	59-22	12VR 7551 0	89-12	25AE 7327 0	113-7	26NA 1728 0	21-9	26NA 8251 3	51-16
08AA 7601 0	60-3	12VR 7551 0	96-2	25BA 7717 1	34-7	26NA 1728 0	22-9	26NA 8861 2	132-4
08AA 7601 0	61-11	13GG 7703 0	42-19	25BA 8554 1	36-21	26NA 1728 0	23-9	26NE 8861 1E	132-4
08AA 7601 0	62-22	13GG 7703 0	44-11	25HA 3033 0	107-4	26NA 1728 0	38-3	26NF 8861 1	132-4
08AA 7601 0	63-3	13HA 4733 0	75-8	25SA -620 1	10-18	26NA 1728 0	40-22	26TA 3296 0	29-15
08AA 7736 0	34-1	13HA 8002 1	84-6	25SA 1020 0	108-16	26NA 1728 0	45-23	26TA 3297 0	29-17
08AA 8003 0	102-14	13NG 4520 0	108-33	25SA 1020 0	109-15	26NA 1728 0	102-12	26TA 3298 0	29-19
08AA 8551 2	5-11	13NT 8051 1	92-4	25SA 1020 0	111-7	26NA 1728 0	107-12	26TA 3299 0	29-16
08AA 8551 2	10-7	13NT 8051 1	109-22	25SA 1043 1	108-27	26NA 1758 0	97-1	27LA 8001 2E	101-22
08AA 8551 2	11-13	13NT 8051 1	111-9	25SA 1043 1	111-27	26NA 1758 0	98-1	27LA 8003 2E	35-1
08AA 8551 2	29-26	13NT 8051 1	114-33	25SA 3016 0	24-22	26NA 1758 0	99-1	27LA 8003 2E	44-37
08AA 8551 2	42-16	13QA 1033 0	76-24	25SA 3016 0	25-22	26NA 1758 0	100-1	27LA 8003 2E	107-14
08AA 8551 2	56-4	13QA 4061 0	54-14	25SA 3016 0	26-22	26NA 3065 0	90-10	27LA 8051 1	11-19

Parts No.	Page No.	Parts No.	Page No.	Parts No.	Page No.	Parts No.	Page No.	Parts No.	Page No.
3040 7807 0	44-15	4540 7805 0	23-10	55VA 4093 0	69-10	55WA 1031 0	108-36	56AA 1746 1	34-11
3220 7601 0	34-4	4540 7805 0	107-3	55VA 4093 0	72-10	55WA 3001 0	20-5	56AA 1746 1	54-5
35EA 7715 1	34-15	4543 -846 3	113-9	55VA 4099 1	74-22	55WA 3001 0	21-5	56AA 1746 1	85-23
35EA 7722 0	35-14	4620 7601 0	85-27	55VA 4211 1	74-12	55WA 3001 0	22-5	56AA 1746 1	96-15
3920 1110 1	82-17	4660 7602 0	88-9	55VA 4212 0	38-4	55WA 3001 0	23-5	56AA 1747 1	34-5
3920 5336 0	44-4	5000 7501 0	11-18	55VA 4212 0	53-7	56AA -040 0	85-34	56AA 1747 1	42-20
3960 4068 1	3-31	5000 7501 0	44-12	55VA 4212 0	56-12	56AA -642 1	10-27	56AA 1747 1	44-10
3960 4068 1	35-3	5380 8826 1	113-4	55VA 4212 0	57-15	56AA 1010 1	111-13	56AA 1747 1	54-19
3960 4068 1	74-19	5400 7605 0	38-5	55VA 4212 0	59-12	56AA 1030 0	109-2	56AA 1747 1	82-18
4040 PJP1 00	131-33	5400 7605 0	40-6	55VA 4212 0	60-15	56AA 1212 0	5-5	56AA 1747 1	88-7
4040 PJP2 00	131-34	5400 7605 0	42-15	55VA 4212 0	62-12	56AA 1213 0	5-10	56AA 1747 1	94-11
40AA 3232 0	3-1	5400 7605 0	44-8	55VA 4212 0	63-15	56AA 1214 0	5-4	56AA 1747 1	107-11
40AA 3232 0	24-2	5400 7605 0	54-2	55VA 4212 0	77-15	56AA 1215 0	5-8	56AA 1748 0	40-4
40AA 3232 0	25-2	5400 7605 0	77-14	55VA 4212 0	79-8	56AA 1216 0	5-7	56AA 1748 0	44-26
40AA 3232 0	26-2	5400 7605 0	82-5	55VA 4212 0	82-3	56AA 1227 0	1-9	56AA 1748 0	54-4
40AA 3232 0	27-2	5400 7605 0	83-26	55VA 4212 0	87-9	56AA 1256 0	3-14	56AA 1748 0	56-20
40AA 3232 0	30-5	5400 7605 0	89-15	55VA 4222 0	74-11	56AA 1709 0	83-22	56AA 1748 0	59-20
40AA 3232 0	31-5	5400 7605 0	90-23	55VA 4331 0	74-5	56AA 1709 0	84-10	56AA 1748 0	62-20
40AA 3232 0	32-5	5400 7605 0	96-13	55VA 5375 0	29-1	56AA 1712 1	56-10	56AA 1748 0	77-20
40AA 3232 0	33-6	5400 7605 0	101-18	55VA 5385 0	28-21	56AA 1712 1	59-10	56AA 1748 0	82-7
40AA 3232 0	39-19	5400 7605 0	107-6	55VA 5397 0	43-8	56AA 1712 1	62-10	56AA 1748 0	83-27
40AA 4626 1	95-8	55FA 1210 1	3-23	55VA 5397 0	47-34	56AA 1730 0	78-4	56AA 1748 0	90-17
40AA 4634 2	95-16	55FA 1210 1	5-6	55VA 5397 0	49-38	56AA 1730 0	89-27	56AA 1749 0	103-16
40AA 7755 0	85-17	55FA 4032 0	57-21	55VA 7554 0	56-14	56AA 1730 0	101-4	56AA 1749 0	104-16
40AA 7766 0	34-2	55FA 4032 0	60-21	55VA 7554 0	59-14	56AA 1731 0	55-17	56AA 1749 0	105-16
40AA 8501 1	5-9	55FA 4032 0	63-21	55VA 7554 0	62-14	56AA 1731 0	58-17	56AA 1749 0	106-16
40AA 8803 1	30-11	55GA 7503 1	45-8	55VA 7713 0	54-9	56AA 1731 0	61-17	56AA 1751 0	57-7
40AA 8803 1	31-11	55GA 8601 0	108-11	55VA 7787 0	44-5	56AA 1731 0	74-34	56AA 1751 0	60-7
40AA 8803 1	32-11	55TA 6132 0	11-20	55VA 7903 0	55-20	56AA 1731 0	91-12	56AA 1751 0	63-7
40AA 8803 1	33-12	55TA 8456 1	113-4	55VA 7903 0	58-20	56AA 1732 1	34-13	56AA 1753 1	39-2
40LA 3285 0	29-22	55VA 1247 0	113-2	55VA 7903 0	61-20	56AA 1732 1	38-10	56AA 1753 1	44-18
40LA 7389 0	4-6	55VA 1554 1	83-23	55VA 7903 0	74-30	56AA 1732 1	45-22	56AA 1753 1	45-25
4109 5530 01	56-33	55VA 1554 1	84-11	55VA 7930 0	34-14	56AA 1732 1	74-13	56AA 1755 1	91-8
4109 5530 01	59-33	55VA 2068 0	28-1	55VA 8552 1	43-5	56AA 1732 1	75-9	56AA 1755 1	96-9
4109 5530 01	62-33	55VA 3253 0	86-19	55VA 8552 1	45-18	56AA 1732 1	83-4	56AA 1762 0	108-37
4500 5339 1	43-7	55VA 4023 0	74-15	55VA 9084 0	111-4	56AA 1732 1	86-2	56AA 1763 0	108-39
4540 7803 0	44-17	55VA 4060 0	65-17	55VG -822 0	113-9	56AA 1732 1	91-19	56AA 1764 0	108-40
4540 7805 0	20-10	55VA 4060 0	68-17	55VN -822 1	113-9	56AA 1732 1	94-2	56AA 1776 0	56-23
4540 7805 0	21-10	55VA 4060 0	71-17	55WA 1030 0	108-28	56AA 1732 1	95-11	56AA 1776 0	57-6
4540 7805 0	22-10	55VA 4093 0	66-10	55WA 1030 0	111-28	56AA 1732 1	101-11	56AA 1776 0	59-23

Parts No.	Page No.	Parts No.	Page No.	Parts No.	Page No.	Parts No.	Page No.	Parts No.	Page No.
56AA 1776 0	60-6	56AA 4031 0	62-30	56AA 4049 0	39-9	56AA 6143 1	11-8	56AA 9061 0E	59-9
56AA 1776 0	62-23	56AA 4033 0	55-4	56AA 4049 0	55-23	56AA 6147 0D	111-30	56AA 9061 0E	62-9
56AA 1776 0	63-6	56AA 4033 0	58-4	56AA 4049 0	57-1	56AA 7351 0D	113-5	56AA 9714 0	113-18
56AA 2070 0	38-31	56AA 4033 0	61-4	56AA 4049 0	58-23	56AA 7356 0	116-5	56AA R705 00	109-5
56AA 2087 0	48-6	56AA 4037 0	56-31	56AA 4049 0	60-1	56AA 7368 0	111-2	56AA R716 00	55-21
56AA 4001 0	55-7	56AA 4037 0	59-31	56AA 4049 0	61-23	56AA 7733 0	30-1	56AA R716 00	58-21
56AA 4001 0	58-7	56AA 4037 0	62-31	56AA 4049 0	63-1	56AA 7733 0	31-1	56AA R716 00	61-21
56AA 4001 0	61-7	56AA 4038 0	57-19	56AA 4050 0	56-25	56AA 7733 0	32-1	56AA R720 00	57-4
56AA 4003 2	56-36	56AA 4038 0	60-19	56AA 4050 0	59-25	56AA 7733 0	33-1	56AA R720 00	60-4
56AA 4003 2	59-36	56AA 4038 0	63-19	56AA 4050 0	62-25	56AA 7733 0	34-16	56AA R720 00	63-4
56AA 4003 2	62-36	56AA 4038 0	74-38	56AA 4051 0	56-17	56AA 7759 0	57-12	56AA R721 00	57-2
56AA 4007 0	57-11	56AA 4039 0	56-11	56AA 4051 0	59-17	56AA 7759 0	60-12	56AA R721 00	60-2
56AA 4007 0	60-11	56AA 4039 0	59-11	56AA 4051 0	62-17	56AA 7759 0	63-12	56AA R721 00	63-2
56AA 4007 0	63-11	56AA 4039 0	62-11	56AA 4052 0	56-35	56AA 7772 0	56-24	56AF 8871 0	113-8
56AA 4009 0	56-18	56AA 4041 1	55-18	56AA 4052 0	59-35	56AA 7772 0	59-24	56GA 7601 0	81-20
56AA 4009 0	59-18	56AA 4041 1	58-18	56AA 4052 0	62-35	56AA 7772 0	62-24	56GK -801 1E	113-9
56AA 4009 0	62-18	56AA 4041 1	61-18	56AA 4053 0	55-14	56AA 7773 0	56-26	56QA 4008 0	55-13
56AA 4010 0E	56-8	56AA 4041 1	74-32	56AA 4053 0	58-14	56AA 7773 0	59-26	56QA 4008 0	58-13
56AA 4010 0E	59-8	56AA 4042 0	55-9	56AA 4053 0	61-14	56AA 7773 0	62-26	56QA 4008 0	61-13
56AA 4010 0E	62-8	56AA 4042 0	58-9	56AA 4054 0	55-15	56AA 8003 1	73-10	56QA 4025 0	55-12
56AA 4012 0	56-15	56AA 4042 0	61-9	56AA 4054 0	58-15	56AA 8054 1	109-26	56QA 4025 0	58-12
56AA 4012 0	59-15	56AA 4043 0	55-6	56AA 4054 0	61-15	56AA 8055 1	85-4	56QA 4025 0	61-12
56AA 4012 0	62-15	56AA 4043 0	58-6	56AA 4269 0	44-22	56AA 8201 2	56-13	56QA 4027 0	55-19
56AA 4017 1	56-28	56AA 4043 0	61-6	56AA 4269 0	94-3	56AA 8201 2	57-16	56QA 4027 0	58-19
56AA 4017 1	59-28	56AA 4044 0	55-8	56AA 4415 0	78-3	56AA 8201 2	59-13	56QA 4027 0	61-19
56AA 4017 1	62-28	56AA 4044 0	58-8	56AA 4420 0	78-1	56AA 8201 2	60-16	56QA 4055 0	55-10
56AA 4019 0	56-29	56AA 4044 0	61-8	56AA 4420 0	83-2	56AA 8201 2	62-13	56QA 4055 0	58-10
56AA 4019 0	59-29	56AA 4045 0	56-16	56AA 5031 1E	80-20	56AA 8201 2	63-16	56QA 4055 0	61-10
56AA 4019 0	62-29	56AA 4045 0	59-16	56AA 5038 1	80-21	56AA 8201 2	79-9	56QA 8057 0	90-21
56AA 4023 0	56-27	56AA 4045 0	62-16	56AA 5053 0	110-11	56AA 8201 2	82-9	56UA -704 0	7-8
56AA 4023 0	59-27	56AA 4046 0	56-34	56AA 5070 0	85-30	56AA 8552 1	77-8	56UA -905 1E	7-16
56AA 4023 0	62-27	56AA 4046 0	59-34	56AA 5073 0	85-33	56AA 8552 1	81-23	56UA 1265 0	4-2
56AA 4024 0	56-21	56AA 4046 0	62-34	56AA 5270 0	96-18	56AA 8552 1	83-15	56UA 1270 0	11-1
56AA 4024 0	59-21	56AA 4047 0	56-19	56AA 5347 0	47-40	56AA 8553 1	11-24	56UA 1277 0	132-2
56AA 4024 0	62-21	56AA 4047 0	59-19	56AA 6129 0	10-19	56AA 8560 1	64-23	56UA 7031 0	7-28
56AA 4030 0	57-13	56AA 4047 0	62-19	56AA 6129 0	13-7	56AA 8560 1	67-23	56UA 7032 1	7-26
56AA 4030 0	60-13	56AA 4048 1	55-5	56AA 6137 2	10-29	56AA 8560 1	70-23	56UA 7033 0	7-24
56AA 4030 0	63-13	56AA 4048 1	58-5	56AA 6140 0	10-26	56AA 8560 1	76-27	56UA 7034 0	7-29
56AA 4031 0	56-30	56AA 4048 1	61-5	56AA 6141 0	10-28	56AA 8842 1	113-6	56UA 7035 0	7-25
56AA 4031 0	59-30	56AA 4049 0	38-2	56AA 6142 0	11-7	56AA 9061 0E	56-9	56UA 7036 0	7-30

Parts No.	Page No.	Parts No.	Page No.	Parts No.	Page No.	Parts No.	Page No.	Parts No.	Page No.
56UA 7037 0	7-22	65AA -232 0	51-13	65AA 1023 0D	110-33	65AA 1114 0	17-7	65AA 1281 0	3-12
56UA 7038 0	7-23	65AA -233 0	51-14	65AA 1026 0	108-19	65AA 1114 0	18-3	65AA 1282 1	3-3
56UA 7039 0	7-31	65AA -246 0	36-13	65AA 1036 0E	112-1	65AA 1114 0	111-21	65AA 1283 0	3-2
56UA 7040 0	7-32	65AA -247 0	36-12	65AA 1043 0	110-23	65AA 1117 0	110-16	65AA 1503 0	104-2
56UA 7042 0	7-27	65AA -248 0	36-35	65AA 1044 0	110-24	65AA 1118 0	111-11	65AA 1503 0	106-2
56UA 7507 0	49-15	65AA -269 0	37-2	65AA 1047 0	109-3	65AA 1119 0E	110-13	65AA 1504 0	103-2
56UA 8352 1	7-11	65AA -273 0	40-12	65AA 1048 0	110-35	65AA 1120 0	108-7	65AA 1504 0	105-2
56UA 8551 0E	89-3	65AA -284 0	38-33	65AA 1049 0	112-6	65AA 1130 0	51-10	65AA 1520 0	103-5
56UA 8755 0	7-7	65AA -397 0	28-23	65AA 1055 0	109-9	65AA 1130 0	109-25	65AA 1520 0	104-5
56UA 9079 0	7-18	65AA -413 0	54-7	65AA 1064 0	110-20	65AA 1131 0	108-29	65AA 1520 0	105-5
56UA 9080 1	7-10	65AA -415 0	54-3	65AA 1065 0	110-22	65AA 1132 0	108-9	65AA 1520 0	106-5
56UA 9081 0	7-19	65AA -434 0	78-10	65AA 1066 0	108-24	65AA 1135 0	111-31	65AA 1521 0	103-4
56UA 9092 0	7-20	65AA -439 0	79-23	65AA 1069 0	108-31	65AA 1138 0	109-13	65AA 1521 0	104-4
56UA 9726 0	46-2	65AA -440 0	79-10	65AA 1070 0	108-41	65AA 1139 0	111-8	65AA 1521 0	105-4
56UA 9730 0	29-2	65AA -475 0	64-10	65AA 1071 0	108-21	65AA 1140 0D	15-3	65AA 1521 0	106-4
56UA 9730 0	109-23	65AA -475 0	67-10	65AA 1076 0	15-2	65AA 1140 0D	16-3	65AA 1523 0	103-7
56UA 9792 0	50-3	65AA -475 0	70-10	65AA 1076 0	16-2	65AA 1140 0D	17-3	65AA 1523 0	104-7
56UF 9726 0	46-2	65AA -481 0	64-29	65AA 1076 0	17-2	65AA 1141 0	109-12	65AA 1523 0	105-7
57AA 5076 0	85-9	65AA -481 0	65-8	65AA 1077 0D	15-1	65AA 1143 0	108-4	65AA 1523 0	106-7
57AA 8602 0	113-3	65AA -481 0	67-29	65AA 1077 0D	16-1	65AA 1144 0D	108-20	65AA 1524 0	103-10
57AS -822 0	113-9	65AA -481 0	68-8	65AA 1077 0D	17-1	65AA 1147 1	132-8	65AA 1524 0	104-10
57GA 1210 0	85-3	65AA -481 0	70-29	65AA 1078 0D	15-8	65AA 1148 0D	111-3	65AA 1524 0	105-10
65AA -047 0	110-30	65AA -481 0	71-8	65AA 1078 0D	16-8	65AA 1149 0	109-10	65AA 1524 0	106-10
65AA -075 0	108-18	65AA -482 0	65-15	65AA 1078 0D	17-8	65AA 1150 0	108-1	65AA 1608 0	107-1
65AA -078 0	85-31	65AA -482 0	68-15	65AA 1078 0D	18-4	65AA 1153 0	111-25	65AA 1703 0	101-2
65AA -080 0	109-28	65AA -482 0	71-15	65AA 1081 0	109-8	65AA 1159 0	110-34	65AA 1706 0	101-12
65AA -133 0	109-27	65AA -613 0	10-9	65AA 1082 0	109-4	65AA 1163 0	108-26	65AA 1710 0	102-5
65AA -134 0	108-8	65AA -614 0	10-20	65AA 1084 0	110-32	65AA 1165 0	108-38	65AA 1713 0	102-2
65AA -172 0	101-6	65AA -623 0	10-3	65AA 1087 0	14-1	65AA 1227 0D	1-7	65AA 1714 0	102-1
65AA -176 0	102-10	65AA -628 0	13-5	65AA 1090 0	108-10	65AA 1228 0	3-35	65AA 1718 0	102-4
65AA -181 0	97-2	65AA -906 1E	35-11	65AA 1094 0D	110-1	65AA 1257 0D	5-12	65AA 1720 0	101-17
65AA -181 0	98-2	65AA -907 1E	10-13	65AA 1095 0D	110-3	65AA 1261 0	3-33	65AA 1721 0	101-3
65AA -181 0	99-2	65AA -909 1E	101-16	65AA 1096 0	110-2	65AA 1262 0D	3-32	65AA 1722 0D	102-11
65AA -181 0	100-2	65AA -909 1E	103-6	65AA 1097 0	110-4	65AA 1263 0	3-36	65AA 1724 0	101-25
65AA -182 0	97-3	65AA -909 1E	104-6	65AA 1102 0	111-15	65AA 1264 0	3-34	65AA 1801 0	97-10
65AA -182 0	98-3	65AA -909 1E	105-6	65AA 1105 0D	111-5	65AA 1272 0	132-5	65AA 1801 0	98-10
65AA -182 0	99-3	65AA -909 1E	106-6	65AA 1108 0	111-14	65AA 1273 0	132-6	65AA 1801 0	99-10
65AA -182 0	100-3	65AA 1010 0E	109-29	65AA 1109 0D	109-30	65AA 1277 0	4-5	65AA 1801 0	100-10
65AA -226 0	52-3	65AA 1019 0	110-15	65AA 1114 0	15-7	65AA 1279 0E	3-9	65AA 1804 0	97-7
65AA -227 0	52-6	65AA 1020 0D	110-10	65AA 1114 0	16-7	65AA 1280 0	3-10	65AA 1804 0	98-7

Parts No.	Page No.	Parts No.	Page No.	Parts No.	Page No.	Parts No.	Page No.	Parts No.	Page No.
65AA 1804 0	99-7	65AA 2210 0	52-2	65AA 2440 0	36-3	65AA 3069 0	28-7	65AA 3246 1	32-2
65AA 1804 0	100-7	65AA 2213 0	52-15	65AA 2441 0	36-19	65AA 3070 1	28-9	65AA 3246 1	33-2
65AA 1806 0	97-9	65AA 2214 0	52-7	65AA 2442 0	36-32	65AA 3091 0	28-10	65AA 3247 0	30-14
65AA 1806 0	98-9	65AA 2226 0	52-5	65AA 2443 0	36-11	65AA 3202 0	30-18	65AA 3247 0	31-14
65AA 1806 0	99-9	65AA 2229 0	52-4	65AA 2444 0	36-5	65AA 3202 0	31-18	65AA 3247 0	32-14
65AA 1806 0	100-9	65AA 2235 0E	52-1	65AA 2610 0E	40-7	65AA 3202 0	32-18	65AA 3247 0	33-15
65AA 1807 0	97-5	65AA 2236 0	52-10	65AA 2611 1	38-20	65AA 3202 0	33-19	65AA 3250 1	30-12
65AA 1807 0	98-5	65AA 2237 0E	51-7	65AA 2613 1F	40-24	65AA 3203 0	30-17	65AA 3250 1	31-12
65AA 1807 0	99-5	65AA 2246 0	50-11	65AA 2614 1F	38-21	65AA 3203 0	31-17	65AA 3250 1	32-12
65AA 1807 0	100-5	65AA 2252 1	52-9	65AA 2619 0	38-25	65AA 3203 0	32-17	65AA 3250 1	33-13
65AA 1809 0	97-11	65AA 2259 0	51-11	65AA 2625 0E	40-9	65AA 3203 0	33-18	65AA 3260 0D	34-8
65AA 1809 0	98-11	65AA 2268 0	50-13	65AA 2627 0E	40-28	65AA 3204 0	30-20	65AA 3261 0D	35-7
65AA 1809 0	99-11	65AA 2268 0	51-1	65AA 2634 0	38-28	65AA 3204 0	31-20	65AA 3263 1	29-23
65AA 1809 0	100-11	65AA 2275 0	51-12	65AA 2638 0	38-16	65AA 3204 0	32-20	65AA 3268 0	29-25
65AA 2004 0	20-18	65AA 2276 0	51-8	65AA 2638 0	40-27	65AA 3204 0	33-21	65AA 3270 0D	29-6
65AA 2004 0	21-18	65AA 2280 0	52-14	65AA 2640 0	39-7	65AA 3211 0	30-8	65AA 3271 0	29-7
65AA 2004 0	22-18	65AA 2281 0	52-8	65AA 2653 0	40-13	65AA 3211 0	31-8	65AA 3272 0D	29-9
65AA 2004 0	23-18	65AA 2282 0	51-15	65AA 2657 0	41-6	65AA 3211 0	32-8	65AA 3274 0D	34-18
65AA 2006 0	20-16	65AA 2283 0D	50-12	65AA 2658 0	41-8	65AA 3211 0	33-9	65AA 3276 1	30-7
65AA 2006 0	21-16	65AA 2403 0	36-33	65AA 2660 0	38-30	65AA 3215 0D	29-30	65AA 3276 1	31-7
65AA 2006 0	22-16	65AA 2404 0	36-36	65AA 2663 0	39-13	65AA 3216 0D	29-13	65AA 3276 1	32-7
65AA 2006 0	23-16	65AA 2406 0	36-8	65AA 2674 0	38-8	65AA 3217 0D	29-3	65AA 3276 1	33-8
65AA 2006 0	39-10	65AA 2407 0	36-39	65AA 2675 0	38-9	65AA 3218 0D	29-12	65AA 3277 0	33-3
65AA 2030 0	20-17	65AA 2408 0	36-27	65AA 2676 0	38-7	65AA 3219 0	29-4	65AA 3280 0	30-19
65AA 2030 0	21-17	65AA 2412 0	36-16	65AA 2684 0	39-8	65AA 3227 0	35-5	65AA 3280 0	31-19
65AA 2030 0	22-17	65AA 2413 0	36-14	65AA 2687 0	38-17	65AA 3231 0	30-4	65AA 3280 0	32-19
65AA 2030 0	23-17	65AA 2414 0	36-9	65AA 2692 0	38-1	65AA 3231 0	31-4	65AA 3280 0	33-20
65AA 2030 0	39-11	65AA 2417 1	54-16	65AA 2709 0D	39-4	65AA 3231 0	32-4	65AA 3283 0D	29-28
65AA 2045 0	20-14	65AA 2420 0	36-6	65AA 2711 0	41-5	65AA 3232 0	30-3	65AA 3284 0D	29-27
65AA 2045 0	21-14	65AA 2421 0	36-4	65AA 2718 0	40-18	65AA 3232 0	31-3	65AA 3285 1	30-22
65AA 2045 0	22-14	65AA 2422 0	36-18	65AA 2721 00	40-11	65AA 3232 0	32-3	65AA 3285 1	31-22
65AA 2045 0	23-14	65AA 2424 0	36-30	65AA 2724 0	38-6	65AA 3238 0	33-4	65AA 3285 1	32-22
65AA 2051 0	20-2	65AA 2425 0	36-31	65AA 2724 0	40-10	65AA 3242 0	29-20	65AA 3285 1	33-23
65AA 2051 0	21-2	65AA 2430 0	54-17	65AA 2727 0	38-32	65AA 3243 0	30-16	65AA 3289 0	29-5
65AA 2051 0	22-2	65AA 2431 0	36-15	65AA 2728 0	39-12	65AA 3243 0	31-16	65AA 3294 0	30-23
65AA 2051 0	23-2	65AA 2433 0	36-7	65AA 2730 0	41-7	65AA 3243 0	32-16	65AA 3294 0	31-23
65AA 2052 0	20-15	65AA 2434 0	36-25	65AA 2732 0	39-14	65AA 3243 0	33-17	65AA 3294 0	32-23
65AA 2052 0	21-15	65AA 2436 0	36-20	65AA 2736 0	41-9	65AA 3245 0D	35-16	65AA 3294 0	33-24
65AA 2052 0	22-15	65AA 2437 0D	109-16	65AA 2746 0	40-1	65AA 3246 1	30-2	65AA 3295 0	30-25
65AA 2052 0	23-15	65AA 2438 0	109-18	65AA 2747 0	40-2	65AA 3246 1	31-2	65AA 3295 0	31-25

Parts No.	Page No.	Parts No.	Page No.	Parts No.	Page No.	Parts No.	Page No.	Parts No.	Page No.
65AA 3295 0	32-25	65AA 4009 0D	56-2	65AA 4249 0	76-11	65AA 4417 0E	78-5	65AA 4706 0E	70-21
65AA 3295 0	33-26	65AA 4009 0D	59-2	65AA 4250 0D	75-26	65AA 4420 0	79-22	65AA 4707 0D	65-21
65AA 3297 0	30-9	65AA 4009 0D	62-2	65AA 4251 0D	75-21	65AA 4422 0	79-11	65AA 4707 0D	68-21
65AA 3297 0	31-9	65AA 4011 0	56-6	65AA 4252 0	75-25	65AA 4423 0	78-2	65AA 4707 0D	71-21
65AA 3297 0	32-9	65AA 4011 0	59-6	65AA 4253 0	75-23	65AA 4424 0	78-7	65AA 4711 1	65-20
65AA 3297 0	33-10	65AA 4011 0	62-6	65AA 4254 0	76-21	65AA 4425 0	78-19	65AA 4711 1	68-20
65AA 3298 0D	34-17	65AA 4104 0	54-8	65AA 4255 0	76-22	65AA 4427 0	78-13	65AA 4711 1	71-20
65AA 3304 0	28-6	65AA 4202 0	74-36	65AA 4256 0	75-18	65AA 4428 0	79-3	65AA 4712 0D	66-14
65AA 3305 0	28-5	65AA 4204 0	74-7	65AA 4258 0	75-7	65AA 4429 0	79-1	65AA 4712 0D	69-14
65AA 3307 0D	28-25	65AA 4205 0	74-10	65AA 4259 0	75-16	65AA 4430 0	79-2	65AA 4712 0D	72-14
65AA 3312 0D	29-31	65AA 4206 0	74-9	65AA 4260 0E	76-20	65AA 4432 0	79-14	65AA 4713 0	65-23
65AA 3313 0D	29-29	65AA 4207 0	74-27	65AA 4261 0	64-22	65AA 4433 0	79-7	65AA 4713 0	68-23
65AA 3322 0D	28-22	65AA 4208 0D	74-21	65AA 4261 0	67-22	65AA 4434 0	79-15	65AA 4713 0	71-23
65AA 3323 1D	28-20	65AA 4209 0	74-28	65AA 4261 0	70-22	65AA 4435 0	79-12	65AA 4714 0	65-13
65AA 3327 0	111-1	65AA 4212 1F	74-24	65AA 4261 0	76-35	65AA 4438 0	78-18	65AA 4714 0	68-13
65AA 3328 0	34-9	65AA 4213 0	74-29	65AA 4262 0	76-30	65AA 4439 0	78-23	65AA 4714 0	71-13
65AA 3329 0	33-5	65AA 4214 1F	74-23	65AA 4263 0	76-25	65AA 4441 0	78-9	65AA 4716 0	64-14
65AA 3332 0	30-13	65AA 4215 1F	74-31	65AA 4264 0	76-34	65AA 4442 0	79-16	65AA 4716 0	67-14
65AA 3332 0	31-13	65AA 4217 0	74-16	65AA 4265 0	76-26	65AA 4443 0	79-21	65AA 4716 0	70-14
65AA 3332 0	32-13	65AA 4220 0D	75-3	65AA 4266 0F	76-33	65AA 4444 0	79-18	65AA 4717 0	64-11
65AA 3332 0	33-14	65AA 4221 0D	75-14	65AA 4267 0	76-29	65AA 4446 0	78-8	65AA 4717 0	67-11
65AA 3336 0	30-6	65AA 4222 1E	75-17	65AA 4268 0	76-28	65AA 4447 0	78-14	65AA 4717 0	70-11
65AA 3336 0	31-6	65AA 4223 0D	75-13	65AA 4269 0	76-12	65AA 4501 1	53-4	65AA 4718 0	64-13
65AA 3336 0	32-6	65AA 4225 1F	75-2	65AA 4276 1	76-7	65AA 4504 0	53-11	65AA 4718 0	67-13
65AA 3336 0	33-7	65AA 4226 0	76-36	65AA 4277 0	76-9	65AA 4507 0	53-9	65AA 4718 0	70-13
65AA 4001 0	56-7	65AA 4227 0D	75-6	65AA 4279 0	75-19	65AA 4512 0	53-6	65AA 4719 0	64-4
65AA 4001 0	59-7	65AA 4228 0	84-9	65AA 4280 0	74-8	65AA 4522 0	86-6	65AA 4719 0	67-4
65AA 4001 0	62-7	65AA 4231 0	75-12	65AA 4281 0	74-20	65AA 4523 0	86-5	65AA 4719 0	70-4
65AA 4002 0	56-38	65AA 4232 0	75-20	65AA 4282 0D	74-1	65AA 4524 1	86-14	65AA 4721 0	64-15
65AA 4002 0	59-38	65AA 4233 0	75-10	65AA 4283 0	75-15	65AA 4602 0	77-23	65AA 4721 0	67-15
65AA 4002 0	62-38	65AA 4234 0	84-8	65AA 4284 0D	76-14	65AA 4603 0	77-17	65AA 4721 0	70-15
65AA 4006 0	56-5	65AA 4235 0	75-24	65AA 4285 0	74-4	65AA 4608 0	77-12	65AA 4722 0	73-2
65AA 4006 0	59-5	65AA 4237 0	75-4	65AA 4286 0	75-11	65AA 4612 0	77-10	65AA 4722 0	112-7
65AA 4006 0	62-5	65AA 4238 0	75-5	65AA 4287 0	76-32	65AA 4613 0D	77-19	65AA 4724 0	64-9
65AA 4007 0	56-37	65AA 4239 0	74-3	65AA 4403 0	79-4	65AA 4702 0D	66-9	65AA 4724 0	67-9
65AA 4007 0	59-37	65AA 4243 0	76-13	65AA 4405 0	79-5	65AA 4702 0D	69-9	65AA 4724 0	70-9
65AA 4007 0	62-37	65AA 4244 0	76-19	65AA 4406 0	79-20	65AA 4702 0D	72-9	65AA 4727 0	64-24
65AA 4008 0E	57-9	65AA 4245 0	76-16	65AA 4410 0	78-12	65AA 4704 0D	109-1	65AA 4727 0	67-24
65AA 4008 0E	60-9	65AA 4247 0	76-17	65AA 4413 0	79-17	65AA 4706 0E	64-21	65AA 4727 0	70-24
65AA 4008 0E	63-9	65AA 4248 0	84-12	65AA 4415 0	78-22	65AA 4706 0E	67-21	65AA 4729 0	73-1

Parts No.	Page No.	Parts No.	Page No.	Parts No.	Page No.	Parts No.	Page No.	Parts No.	Page No.
65AA 4731 0E	66-15	65AA 4755 0	68-7	65AA 4774 0	68-4	65AA 4918 0	93-21	65AA 5037 0D	85-21
65AA 4731 0E	69-15	65AA 4755 0	70-33	65AA 4774 0	70-5	65AA 4919 0	94-10	65AA 5038 0	108-30
65AA 4731 0E	72-15	65AA 4755 0	71-7	65AA 4774 0	71-4	65AA 4920 0	95-20	65AA 5040 0	108-34
65AA 4732 0	66-16	65AA 4758 0	66-7	65AA 4775 0	66-12	65AA 4921 0	95-7	65AA 5042 0	85-20
65AA 4732 0	69-16	65AA 4758 0	69-7	65AA 4775 0	69-12	65AA 4926 0	95-28	65AA 5043 0	110-37
65AA 4732 0	72-16	65AA 4758 0	72-7	65AA 4775 0	72-12	65AA 4927 0	96-4	65AA 5044 0D	80-26
65AA 4734 0	64-28	65AA 4759 0	64-31	65AA 4777 1E	66-18	65AA 4928 0	95-1	65AA 5044 0D	110-36
65AA 4734 0	67-28	65AA 4759 0	67-31	65AA 4777 1E	69-18	65AA 4929 0	95-3	65AA 5046 0	110-12
65AA 4734 0	70-28	65AA 4759 0	70-31	65AA 4777 1E	72-18	65AA 4930 0E	95-12	65AA 5047 0E	83-24
65AA 4736 0	73-5	65AA 4760 0	64-26	65AA 4778 0	64-3	65AA 4932 0	95-15	65AA 5048 0	83-14
65AA 4737 0	73-9	65AA 4760 0	67-26	65AA 4778 0	67-3	65AA 4941 0	83-6	65AA 5049 0	83-17
65AA 4738 0	73-3	65AA 4760 0	70-26	65AA 4778 0	70-3	65AA 4941 0	95-10	65AA 5056 0D	81-24
65AA 4739 0	73-4	65AA 4762 0	65-5	65AA 4780 0	65-26	65AA 4945 0	93-15	65AA 5057 0	80-12
65AA 4741 0D	66-17	65AA 4762 0	68-5	65AA 4780 0	68-26	65AA 4947 0	93-22	65AA 5058 0	80-14
65AA 4741 0D	69-17	65AA 4762 0	71-5	65AA 4780 0	71-26	65AA 4947 0	95-24	65AA 5059 0	80-10
65AA 4741 0D	72-17	65AA 4763 0	64-34	65AA 4782 0	14-2	65AA 4950 0	76-31	65AA 5060 0	80-11
65AA 4742 0	64-17	65AA 4763 0	65-6	65AA 4782 0	65-3	65AA 4950 0	90-11	65AA 5061 0	80-16
65AA 4742 0	67-17	65AA 4763 0	67-34	65AA 4782 0	68-3	65AA 4951 0F	87-2	65AA 5062 0	80-13
65AA 4742 0	70-17	65AA 4763 0	68-6	65AA 4782 0	71-3	65AA 4951 0F	89-10	65AA 5063 0	80-15
65AA 4745 0	66-1	65AA 4763 0	70-34	65AA 4783 1	64-7	65AA 4951 0F	95-2	65AA 5064 0	81-32
65AA 4745 0	69-1	65AA 4763 0	71-6	65AA 4783 1	67-7	65AA 4952 0	89-11	65AA 5064 0	83-12
65AA 4745 0	72-1	65AA 4765 0	66-4	65AA 4783 1	70-7	65AA 4952 0	96-1	65AA 5068 0D	110-29
65AA 4748 0	66-3	65AA 4765 0	69-4	65AA 4786 0	66-2	65AA 4953 0	95-21	65AA 5072 0	81-6
65AA 4748 0	69-3	65AA 4765 0	72-4	65AA 4786 0	69-2	65AA 5006 0	81-33	65AA 5074 0	80-24
65AA 4748 0	72-3	65AA 4766 0	66-5	65AA 4786 0	72-2	65AA 5007 0D	83-13	65AA 5075 0D	80-22
65AA 4749 0E	64-12	65AA 4766 0	69-5	65AA 4790 0	65-25	65AA 5008 0E	81-28	65AA 5081 0	85-29
65AA 4749 0E	67-12	65AA 4766 0	72-5	65AA 4790 0	68-25	65AA 5009 0	81-22	65AA 5084 0	85-32
65AA 4749 0E	70-12	65AA 4768 0	64-32	65AA 4790 0	71-25	65AA 5011 0	83-5	65AA 5086 0	85-12
65AA 4750 0	65-11	65AA 4768 0	67-32	65AA 4795 0	65-1	65AA 5012 0	83-3	65AA 5118 0	83-19
65AA 4750 0	68-11	65AA 4768 0	70-32	65AA 4795 0	68-1	65AA 5013 0	83-8	65AA 5128 0	82-2
65AA 4750 0	71-11	65AA 4770 0D	65-18	65AA 4795 0	71-1	65AA 5015 0	81-21	65AA 5131 1	94-18
65AA 4752 0	66-8	65AA 4770 0D	68-18	65AA 4797 0	73-7	65AA 5016 0	81-25	65AA 5140 0	81-31
65AA 4752 0	69-8	65AA 4770 0D	71-18	65AA 4830 2E	92-5	65AA 5017 0	83-18	65AA 5140 0	83-11
65AA 4752 0	72-8	65AA 4771 0	73-8	65AA 4836 0	92-13	65AA 5018 0	80-19	65AA 5147 0	110-27
65AA 4753 0	66-6	65AA 4772 0D	64-30	65AA 4844 0	92-16	65AA 5019 0	80-18	65AA 5148 0	94-9
65AA 4753 0	69-6	65AA 4772 0D	67-30	65AA 4846 0	92-10	65AA 5025 0	80-9	65AA 5150 0	94-19
65AA 4753 0	72-6	65AA 4772 0D	70-30	65AA 4911 0	93-20	65AA 5031 0	85-14	65AA 5151 0	81-2
65AA 4755 0	64-33	65AA 4774 0	64-5	65AA 4914 1	93-9	65AA 5032 0	85-22	65AA 5152 0	81-13
65AA 4755 0	65-7	65AA 4774 0	65-4	65AA 4915 0	95-29	65AA 5035 0	85-24	65AA 5153 0	81-15
65AA 4755 0	67-33	65AA 4774 0	67-5	65AA 4916 0E	95-19	65AA 5036 0D	85-11	65AA 5167 0D	81-14

Parts No.	Page No.	Parts No.	Page No.	Parts No.	Page No.	Parts No.	Page No.	Parts No.	Page No.
65AA 5173 0	87-6	65AA 7341 0	114-4	65AA 7785 0	36-28	65AA 9017 0E	71-16	65AA 9106 0E	101-20
65AA 5323 0	47-38	65AA 7501 0E	9-10	65AA 7785 0	54-18	65AA 9019 0	115-4	65AA 9107 0E	35-9
65AA 5337 1	45-17	65AA 7505 1	103-8	65AA 7786 0	54-23	65AA 9020 0	115-5	65AA 9108 0E	126-5
65AA 5338 0	45-14	65AA 7505 1	104-8	65AA 7787 0	77-22	65AA 9021 0	115-3	65AA 9109 0	41-2
65AA 5342 0	45-15	65AA 7505 1	105-8	65AA 7788 0	102-7	65AA 9025 0	81-9	65AA 9110 0	28-26
65AA 5352 0	45-19	65AA 7505 1	106-8	65AA 7789 0	102-8	65AA 9026 0	116-8	65AA 9111 0	28-3
65AA 5356 0	45-16	65AA 7506 0	36-29	65AA 7790 0	102-9	65AA 9029 1	37-4	65AA 9734 0	36-22
65AA 5365 1	44-19	65AA 7507 0	36-2	65AA 7791 0	102-13	65AA 9031 0	10-16	65AA 9744 0	50-4
65AA 5395 0	43-12	65AA 7508 1	52-12	65AA 7796 0	36-10	65AA 9032 0E	10-15	65AA 9745 0	50-5
65AA 5398 0	46-12	65AA 7509 0	40-8	65AA 7797 0	36-17	65AA 9043 0	127-5	65AA 9746 0	50-6
65AA 5399 1	45-2	65AA 7651 0	10-31	65AA 7798 0	54-10	65AA 9044 0E	35-12	65AA 9747 0	50-7
65AA 5407 0	42-21	65AA 7652 0	11-16	65AA 7799 0	54-11	65AA 9045 0E	127-6	65AA 9950 0	131-35
65AA 6112 0	13-3	65AA 7701 0	74-17	65AA 7801 0	107-2	65AA 9058 0	64-16	65AA R701 00	85-25
65AA 6118 0	11-12	65AA 7731 0	20-4	65AA 7802 0	97-4	65AA 9058 0	67-16	65AA R702 00	110-38
65AA 6120 0	12-4	65AA 7731 0	21-4	65AA 7802 0	98-4	65AA 9058 0	70-16	65AA R704 00	95-5
65AA 6120 0	13-8	65AA 7731 0	22-4	65AA 7802 0	99-4	65AA 9063 0	123-2	65AA R706 00	110-31
65AA 6121 0	11-15	65AA 7731 0	23-4	65AA 7802 0	100-4	65AA 9065 0	41-3	65AA R707 00	15-5
65AA 6125 0	10-5	65AA 7732 0	20-8	65AA 7803 0	97-8	65AA 9067 0	127-3	65AA R707 00	16-5
65AA 6129 0D	10-10	65AA 7732 0	21-8	65AA 7803 0	98-8	65AA 9068 0E	11-25	65AA R707 00	17-5
65AA 6130 0E	11-6	65AA 7732 0	22-8	65AA 7803 0	99-8	65AA 9069 1E	5-3	65AA R707 00	18-1
65AA 6135 0	11-17	65AA 7732 0	23-8	65AA 7803 0	100-8	65AA 9071 0	127-7	65AA R708 00	15-9
65AA 6136 0	12-5	65AA 7738 0	35-18	65AA 7804 0	34-6	65AA 9072 0E	126-3	65AA R708 00	17-9
65AA 6137 0	12-6	65AA 7739 0	34-10	65AA 7805 0E	54-15	65AA 9073 0E	128-3	65AA R718 00	132-7
65AA 6139 0	10-8	65AA 7741 0	34-19	65AA 8002 1	54-22	65AA 9074 0	35-10	65AA R723 00	103-9
65AA 6140 0	10-11	65AA 7747 0	44-21	65AA 8011 2	89-26	65AA 9079 0E	101-27	65AA R723 00	104-9
65AA 6141 0	13-2	65AA 7748 0	44-14	65AA 8011 2	90-19	65AA 9081 0	127-8	65AA R723 00	105-9
65AA 6143 0	13-6	65AA 7751 0	77-21	65AA 8013 1	10-30	65AA 9083 0E	127-4	65AA R723 00	106-9
65AA 6144 0E	11-23	65AA 7752 0	82-6	65AA 8059 0	28-14	65AA 9084 0	127-1	65AA R725 00	103-3
65AA 6146 0D	10-22	65AA 7753 0	54-6	65AA 8059 0	110-14	65AA 9085 0	127-2	65AA R725 00	104-3
65AA 6149 1D	11-9	65AA 7754 0	54-1	65AA 8202 0	35-4	65AA 9086 0E	126-4	65AA R725 00	105-3
65AA 6151 0	12-3	65AA 7754 0	83-28	65AA 8501 0	10-24	65AA 9087 0	116-10	65AA R725 00	106-3
65AA 6156 0D	11-27	65AA 7771 0	86-13	65AA 8801 0	49-23	65AA 9088 0	116-1	65AA R726 00	101-19
65AA 6157 0	10-23	65AA 7772 0	84-3	65AA 8802 0	47-37	65AA 9089 0E	54-21	65AA R727 00	112-4
65AA 6158 0	11-22	65AA 7773 0	84-2	65AA 8808 0	51-9	65AA 9092 0E	123-6	65AA R728 00	112-3
65AA 6162 0	10-21	65AA 7779 0	101-9	65AA 8808 0	109-24	65AA 9093 0E	114-34	65AA R734 00	36-34
65AA 7309 0D	115-1	65AA 7780 0	101-8	65AA 9001 0	113-11	65AA 9098 0E	28-19	65AA R735 00	36-26
65AA 7314 0D	116-4	65AA 7781 0	101-24	65AA 9015 0E	128-2	65AA 9101 0	56-1	65AA R738 00	28-11
65AA 7315 0	108-13	65AA 7783 0	101-10	65AA 9016 0	128-1	65AA 9101 0	59-1	65AA R740 00	36-38
65AA 7316 0	108-14	65AA 7784 0	36-1	65AA 9017 0E	65-16	65AA 9101 0	62-1	65AA R741 00	36-37
65AA 7326 0	114-30	65AA 7784 0	101-5	65AA 9017 0E	68-16	65AA 9102 0	116-9	65AA R743 00	37-6

Parts No.	Page No.	Parts No.	Page No.	Parts No.	Page No.	Parts No.	Page No.	Parts No.	Page No.
65AA R744 00	37-5	65AA R790 00	74-2	A03U 1190 00	111-20	A03U 1615 00	2-10	A03U 1707 00	101-1
65AA R746 00	38-23	65AA R799 00	12-8	A03U 1191 00	111-17	A03U 1616 00	2-6	A03U 1708 00	101-26
65AA R746 00	83-21	65AA R7A0 00	11-3	A03U 1192 00	111-16	A03U 1617 00	11-5	A03U 1901 00	7-1
65AA R747 00	38-26	65GE 4709 0	64-6	A03U 1193 00	109-21	A03U 1619 00	2-4	A03U 1902 01	7-12
65AA R752 00	28-8	65GE 4709 0	67-6	A03U 1194 00	109-20	A03U 1620 01	3-5	A03U 1903 00	7-33
65AA R753 00	38-29	65GE 4709 0	70-6	A03U 1196 00	111-32	A03U 1622 00	4-3	A03U 1905 00	9-4
65AA R755 00	39-20	65GE 9740 0	57-10	A03U 1301 00	114-3	A03U 1623 01	4-1	A03U 1906 00	9-3
65AA R756 00	39-17	65GE 9740 0	60-10	A03U 1311 00	114-8	A03U 1624 00	2-5	A03U 1907 00	9-5
65AA R757 00	39-18	65GE 9740 0	63-10	A03U 1313 00	114-19	A03U 1625 00	1-5	A03U 1908 01	9-8
65AA R759 00	41-4	65GE 9749 0	65-14	A03U 1314 00	114-17	A03U 1625 00	4-4	A03U 1909 00	8-9
65AA R760 00	30-15	65GE 9749 0	68-14	A03U 1317 00	114-10	A03U 1626 00	1-6	A03U 1911 00	9-9
65AA R760 00	31-15	65GE 9749 0	71-14	A03U 1318 00	114-9	A03U 1627 03	1-3	A03U 1912 01	9-15
65AA R760 00	32-15	65LA 4853 0	92-2	A03U 1319 02	114-32	A03U 1628 02	1-2	A03U 1913 00	9-16
65AA R761 00	33-16	65LA 4855 0	110-5	A03U 1320 03	114-16	A03U 1630 11	5-15	A03U 1914 00	8-12
65AA R762 00	30-10	65LA 4856 0	110-6	A03U 1328 00	114-15	A03U 1642 00	11-11	A03U 1915 00	8-18
65AA R762 00	31-10	65LA 4857 0	110-8	A03U 1329 00	114-14	A03U 1645 00	132-9	A03U 1916 00	8-5
65AA R762 00	32-10	65LA R704 00	39-15	A03U 1336 00	114-21	A03U 1646 00	11-10	A03U 1917 00	8-4
65AA R762 00	33-11	65LA R705 00	29-18	A03U 1337 00	114-26	A03U 1647 00	111-12	A03U 1918 00	8-3
65AA R763 00	30-21	65LA R707 00	77-18	A03U 1350 00	114-5	A03U 1650 00	2-9	A03U 1919 00	8-6
65AA R763 00	31-21	7050 K002 0	131-29	A03U 1351 00	114-1	A03U 1654 01	3-19	A03U 1920 00	8-2
65AA R763 00	32-21	9J06 PJP1 00	131-31	A03U 1352 01	114-29	A03U 1655 02	3-25	A03U 1921 00	8-7
65AA R763 00	33-22	9J06 PJP2 00	131-32	A03U 1353 01	114-22	A03U 1658 01	3-11	A03U 1922 00	8-13
65AA R764 00	30-24	A03U 1040 00	110-26	A03U 1357 00	114-6	A03U 1659 01	3-24	A03U 1923 00	9-14
65AA R764 00	31-24	A03U 1041 00	110-21	A03U 1358 00	114-25	A03U 1660 00	3-29	A03U 1926 00	7-2
65AA R764 00	32-24	A03U 1063 00	110-17	A03U 1359 00	113-1	A03U 1662 00	1-11	A03U 1927 00	7-6
65AA R764 00	33-25	A03U 1064 00	110-18	A03U 1362 00	114-27	A03U 1668 00	2-7	A03U 1928 00	7-3
65AA R766 00	28-4	A03U 1075 00	15-4	A03U 1363 00	114-11	A03U 1669 00	108-2	A03U 1929 00	7-4
65AA R767 00	28-13	A03U 1075 00	16-4	A03U 1364 00	113-10	A03U 1671 01	2-2	A03U 1930 00	7-5
65AA R768 00	28-12	A03U 1075 00	17-4	A03U 1365 00	114-20	A03U 1673 00	2-1	A03U 1931 00	9-2
65AA R771 00	56-3	A03U 1088 00	108-6	A03U 1366 00	114-13	A03U 1678 00	3-8	A03U 1932 00	9-6
65AA R771 00	59-3	A03U 1089 00	111-29	A03U 1367 00	114-31	A03U 1684 00	4-7	A03U 1933 00	8-11
65AA R771 00	62-3	A03U 1122 00	111-24	A03U 1368 00	114-23	A03U 1685 00	3-38	A03U 1934 00	8-17
65AA R776 00	78-11	A03U 1179 00	110-19	A03U 1369 00	114-24	A03U 1686 00	3-4	A03U 1935 00	8-19
65AA R778 00	53-25	A03U 1180 00	110-28	A03U 1601 00	5-2	A03U 1693 00	3-21	A03U 1936 00	8-16
65AA R779 00	53-3	A03U 1181 00	111-34	A03U 1605 02	3-30	A03U 1694 01	3-15	A03U 1937 00	8-15
65AA R780 00	77-11	A03U 1183 00	111-33	A03U 1606 01	3-6	A03U 1695 00	3-17	A03U 1938 00	8-10
65AA R781 00	64-8	A03U 1184 01	111-26	A03U 1607 00	4-8	A03U 1696 00	3-16	A03U 1939 00	9-1
65AA R781 00	67-8	A03U 1185 00	111-19	A03U 1610 00	1-8	A03U 1697 00	5-14	A03U 1940 00	8-1
65AA R781 00	70-8	A03U 1188 00	111-18	A03U 1613 02	2-3	A03U 1698 00	3-22	A03U 1941 00	8-14
65AA R789 00	74-26	A03U 1189 00	111-22	A03U 1614 02	2-8	A03U 1699 00	3-13	A03U 1942 00	9-18

Parts No.	Page No.	Parts No.	Page No.	Parts No.	Page No.	Parts No.	Page No.	Parts No.	Page No.
A03U 1943 00	9-12	A03U 3312 00	20-7	A03U 3727 01	24-10	A03U 3896 00	24-18	A03U 5217 00	53-19
A03U 1945 00	8-8	A03U 3312 00	21-7	A03U 3727 01	25-10	A03U 3896 00	25-18	A03U 5218 00	53-17
A03U 1946 00	7-15	A03U 3312 00	22-7	A03U 3727 01	26-10	A03U 3896 00	26-18	A03U 5219 00	53-16
A03U 1947 00	7-14	A03U 3312 00	23-7	A03U 3727 01	27-10	A03U 3896 00	27-18	A03U 5220 01	86-17
A03U 1953 02	9-7	A03U 3325 01	20-1	A03U 3758 00	24-4	A03U 3897 01	24-19	A03U 5221 00	86-15
A03U 1954 00	9-11	A03U 3325 01	21-1	A03U 3758 00	25-4	A03U 3897 01	25-19	A03U 5234 00	53-13
A03U 1955 00	9-13	A03U 3325 01	22-1	A03U 3758 00	26-4	A03U 3897 01	26-19	A03U 5235 01	53-20
A03U 2050 00	7-34	A03U 3325 01	23-1	A03U 3758 00	27-4	A03U 3897 01	27-19	A03U 5236 00	53-14
A03U 2051 00	7-34	A03U 3346 00	20-13	A03U 3759 01	24-8	A03U 3898 00	24-16	A03U 5237 00	53-18
A03U 2052 00	7-34	A03U 3346 00	21-13	A03U 3759 01	25-8	A03U 3898 00	25-16	A03U 5238 01	53-12
A03U 2110 00	103-14	A03U 3346 00	22-13	A03U 3759 01	26-8	A03U 3898 00	26-16	A03U 5239 00	53-21
A03U 2110 00	104-14	A03U 3346 00	23-13	A03U 3759 01	27-8	A03U 3898 00	27-16	A03U 5240 00	86-18
A03U 2110 00	105-14	A03U 3399 00	20-12	A03U 3760 00	24-3	A03U 3899 00	24-13	A03U 5241 00	53-24
A03U 2110 00	106-14	A03U 3399 00	21-12	A03U 3760 00	25-3	A03U 3899 00	25-13	A03U 5529 00	39-3
A03U 2121 01	102-3	A03U 3399 00	22-12	A03U 3760 00	26-3	A03U 3899 00	26-13	A03U 5530 00	39-6
A03U 2203 00	107-7	A03U 3399 00	23-12	A03U 3760 00	27-3	A03U 3899 00	27-13	A03U 5554 00	39-5
A03U 2204 00	107-10	A03U 3442 00	50-1	A03U 3890 00	24-11	A03U 4021 00	28-24	A03U 5593 00	40-3
A03U 2297 00	107-8	A03U 3443 00	50-9	A03U 3890 00	25-11	A03U 4033 00	29-8	A03U 5594 00	39-21
A03U 2298 00	107-9	A03U 3472 00	51-3	A03U 3890 00	26-11	A03U 4035 01	29-11	A03U 5595 00	39-23
A03U 2299 00	107-5	A03U 3473 00	51-6	A03U 3890 00	27-11	A03U 4039 00	29-14	A03U 5601 00	57-14
A03U 2596 00	103-13	A03U 3474 00	51-5	A03U 3891 00	24-7	A03U 4041 00	29-10	A03U 5601 00	60-14
A03U 2596 00	104-13	A03U 3478 01	50-10	A03U 3891 00	25-7	A03U 4067 00	29-24	A03U 5601 00	63-14
A03U 2596 00	105-13	A03U 3489 00	50-8	A03U 3891 00	26-7	A03U 4599 00	35-15	A03U 5602 00	57-5
A03U 2596 00	106-13	A03U 3495 00	50-2	A03U 3891 00	27-7	A03U 5004 00	38-19	A03U 5602 00	60-5
A03U 2597 00	101-28	A03U 3718 00	24-6	A03U 3892 00	24-14	A03U 5009 00	38-18	A03U 5602 00	63-5
A03U 2599 00	103-15	A03U 3718 00	25-6	A03U 3892 00	25-14	A03U 5012 00	40-25	A03U 5603 00	57-18
A03U 2599 00	104-15	A03U 3718 00	26-6	A03U 3892 00	26-14	A03U 5042 00	38-22	A03U 5603 00	60-18
A03U 2599 00	105-15	A03U 3718 00	27-6	A03U 3892 00	27-14	A03U 5071 00	38-15	A03U 5603 00	63-18
A03U 2599 00	106-15	A03U 3719 00	24-5	A03U 3892 00	27-14	A03U 5071 00	40-21	A03U 5605 00	57-20
A03U 2602 00	10-32	A03U 3719 00	25-5	A03U 3893 01	24-20	A03U 5097 00	38-11	A03U 5605 00	60-20
A03U 2636 01	108-15	A03U 3719 00	26-5	A03U 3893 01	25-20	A03U 5102 00	38-12	A03U 5605 00	63-20
A03U 2636 01	109-14	A03U 3719 00	27-5	A03U 3893 01	26-20	A03U 5112 00	38-24	A03U 6000 01	76-10
A03U 2636 01	111-6	A03U 3721 00	24-15	A03U 3893 01	27-20	A03U 5120 00	40-16	A03U 6010 00	76-18
A03U 2662 01	10-25	A03U 3721 00	25-15	A03U 3894 00	24-9	A03U 5121 00	40-17	A03U 6011 00	76-2
A03U 2663 00	11-26	A03U 3721 00	26-15	A03U 3894 00	25-9	A03U 5122 00	40-14	A03U 6012 00	76-4
A03U 2664 00	12-2	A03U 3721 00	27-15	A03U 3894 00	26-9	A03U 5123 00	40-14	A03U 6013 00	76-6
A03U 3303 00	20-11	A03U 3721 00	27-15	A03U 3894 00	27-9	A03U 5202 01	53-23	A03U 6014 00	76-5
A03U 3303 00	21-11	A03U 3725 00	24-12	A03U 3895 00	24-17	A03U 5203 01	53-10	A03U 6015 00	76-8
A03U 3303 00	22-11	A03U 3725 00	25-12	A03U 3895 00	25-17	A03U 5206 00	53-5	A03U 6020 00	74-39
A03U 3303 00	23-11	A03U 3725 00	26-12	A03U 3895 00	26-17	A03U 5216 00	53-15	A03U 6021 00	74-33
A03U 3303 00	23-11	A03U 3725 00	27-12	A03U 3895 00	27-17				

Parts No.	Page No.
A03U 6204 00	64-25
A03U 6204 00	67-25
A03U 6204 00	70-25
A03U 6206 00	6-7
A03U 6207 00	65-22
A03U 6207 00	68-22
A03U 6207 00	71-22
A03U 6210 00	64-2
A03U 6210 00	67-2
A03U 6210 00	70-2
A03U 6211 00	64-19
A03U 6211 00	67-19
A03U 6211 00	70-19
A03U 6212 00	65-12
A03U 6212 00	68-12
A03U 6212 00	71-12
A03U 6213 00	65-10
A03U 6213 00	68-10
A03U 6213 00	71-10
A03U 6214 00	65-9
A03U 6214 00	68-9
A03U 6214 00	71-9
A03U 7001 00	78-16
A03U 7002 01	78-6
A03U 7004 00	79-19
A03U 7106 00	77-16
A03U 7107 00	77-9
A03U 7116 00	77-7
A03U 7117 00	77-6
A03U 7119 02	77-5
A03U 7120 00	77-2
A03U 7121 00	77-13
A03U 7201 00	49-7
A03U 7202 01	49-8
A03U 7203 00	48-12
A03U 7204 01	42-7
A03U 7205 01	49-9
A03U 7208 00	45-7
A03U 7209 00	45-12
A03U 7210 00	43-24

Parts No.	Page No.
A03U 7211 01	43-15
A03U 7212 01	47-39
A03U 7213 00	49-4
A03U 7214 00	43-22
A03U 7217 00	48-8
A03U 7220 01	45-6
A03U 7222 00	47-4
A03U 7223 00	44-13
A03U 7224 00	44-16
A03U 7225 00	46-13
A03U 7227 00	48-11
A03U 7228 00	43-18
A03U 7229 01	49-26
A03U 7232 00	49-19
A03U 7233 00	45-3
A03U 7234 00	47-5
A03U 7236 00	47-14
A03U 7237 00	47-6
A03U 7238 00	47-15
A03U 7239 00	45-30
A03U 7240 00	45-24
A03U 7241 01	47-32
A03U 7242 00	43-13
A03U 7243 00	49-35
A03U 7244 00	44-33
A03U 7245 00	43-25
A03U 7247 00	47-20
A03U 7248 00	43-26
A03U 7249 01	47-10
A03U 7250 00	49-6
A03U 7251 00	49-14
A03U 7252 01	49-24
A03U 7253 00	43-20
A03U 7255 00	46-15
A03U 7256 00	44-20
A03U 7257 00	42-17
A03U 7258 00	44-25
A03U 7261 00	44-29
A03U 7265 00	42-18
A03U 7266 00	42-14

Parts No.	Page No.
A03U 7267 00	45-11
A03U 7269 00	43-11
A03U 7270 00	49-1
A03U 7272 00	43-21
A03U 7273 00	43-23
A03U 7274 00	42-13
A03U 7275 00	48-1
A03U 7276 00	46-10
A03U 7277 00	43-17
A03U 7278 00	42-12
A03U 7279 00	49-20
A03U 7280 00	46-7
A03U 7281 00	45-4
A03U 7282 00	42-2
A03U 7283 00	85-2
A03U 7286 00	48-5
A03U 7287 00	48-7
A03U 7288 00	48-4
A03U 7289 00	44-9
A03U 7290 01	49-37
A03U 7291 01	49-11
A03U 7292 00	49-17
A03U 7295 00	49-12
A03U 7297 00	49-16
A03U 7298 00	49-31
A03U 7299 01	45-5
A03U 7301 00	47-26
A03U 7302 00	47-36
A03U 7303 00	49-2
A03U 7304 00	49-5
A03U 7305 00	42-22
A03U 7306 00	47-8
A03U 7307 01	47-11
A03U 7308 00	43-3
A03U 7309 00	43-4
A03U 7310 00	47-22
A03U 7311 00	43-2
A03U 7312 00	44-6
A03U 7313 00	47-9
A03U 7314 00	47-27

Parts No.	Page No.
A03U 7315 00	47-19
A03U 7316 00	47-21
A03U 7317 00	49-3
A03U 7318 00	47-13
A03U 7319 00	47-29
A03U 7320 00	47-25
A03U 7322 00	47-28
A03U 7323 00	44-3
A03U 7324 00	44-2
A03U 7327 00	48-16
A03U 7328 00	48-15
A03U 7329 00	48-14
A03U 7330 00	42-9
A03U 7331 00	48-3
A03U 7332 00	43-14
A03U 7333 00	42-6
A03U 7334 00	42-3
A03U 7335 00	44-1
A03U 7336 00	42-10
A03U 7337 00	42-11
A03U 7338 00	42-25
A03U 7339 00	42-26
A03U 7340 01	42-23
A03U 7341 00	42-8
A03U 7342 00	45-10
A03U 7343 00	45-27
A03U 7344 00	45-13
A03U 7345 00	43-9
A03U 7345 00	45-9
A03U 7345 00	47-35
A03U 7345 00	48-2
A03U 7345 00	49-39
A03U 7346 01	47-2
A03U 7347 01	47-23
A03U 7348 00	46-4
A03U 7349 00	46-5
A03U 7350 00	46-3
A03U 7351 00	46-11
A03U 7352 00	46-9
A03U 7353 00	46-1

Parts No.	Page No.
A03U 7354 00	46-6
A03U 7355 00	46-8
A03U 7356 00	46-14
A03U 7357 00	47-3
A03U 7360 00	85-6
A03U 8077 00	47-16
A03U 8078 00	49-13
A03U 8079 00	47-7
A03U 8080 00	44-34
A03U 8081 00	48-9
A03U 8082 01	47-1
A03U 8083 00	45-29
A03U 8084 00	45-28
A03U 8085 00	45-21
A03U 8086 00	49-36
A03U 8087 00	44-27
A03U 8088 11	44-24
A03U 8089 00	44-28
A03U 8090 00	44-31
A03U 8091 00	44-30
A03U 8093 11	44-23
A03U 8094 00	44-32
A03U 8095 00	49-34
A03U 8096 00	45-26
A03U 8097 00	44-7
A03U 8105 01	80-28
A03U 8106 01	80-2
A03U 8107 01	85-10
A03U 8109 00	85-18
A03U 8110 02	85-1
A03U 8111 01	80-25
A03U 8112 00	80-23
A03U 8113 00	80-8
A03U 8114 01	80-7
A03U 8115 00	80-5
A03U 8116 00	87-3
A03U 8118 00	83-20
A03U 8120 00	108-32
A03U 8121 00	83-25
A03U 8122 00	82-14

Parts No.	Page No.	Parts No.	Page No.	Parts No.	Page No.	Parts No.	Page No.	Parts No.	Page No.
A03U 8128 00	53-8	A03U 8160 00	108-35	A03U 8437 00	87-18	A03U 8497 01	81-12	A03U 8624 01	96-5
A03U 8128 00	56-32	A03U 8389 00	82-19	A03U 8438 01	87-21	A03U 8498 01	81-1	A03U 8625 00	95-26
A03U 8128 00	57-17	A03U 8390 00	81-18	A03U 8439 00	87-20	A03U 8501 01	55-2	A03U 8626 00	93-1
A03U 8128 00	59-32	A03U 8391 00	83-32	A03U 8440 00	87-11	A03U 8501 01	58-2	A03U 8627 00	94-7
A03U 8128 00	60-17	A03U 8392 00	83-35	A03U 8441 00	87-10	A03U 8501 01	61-2	A03U 8629 00	96-11
A03U 8128 00	62-32	A03U 8393 00	83-36	A03U 8442 00	88-10	A03U 8501 01	78-20	A03U 8630 00	96-12
A03U 8128 00	63-17	A03U 8394 00	83-37	A03U 8443 00	88-16	A03U 8501 01	81-29	A03U 8631 00	96-20
A03U 8128 00	65-19	A03U 8395 01	83-33	A03U 8444 00	88-14	A03U 8501 01	83-9	A03U 8632 00	96-16
A03U 8128 00	68-19	A03U 8396 01	83-34	A03U 8445 00	88-8	A03U 8501 01	88-26	A03U 8633 00	96-21
A03U 8128 00	71-19	A03U 8397 00	83-29	A03U 8446 00	88-17	A03U 8501 01	93-7	A03U 8634 00	96-19
A03U 8128 00	74-37	A03U 8401 01	87-1	A03U 8447 00	88-6	A03U 8502 00	88-21	A03U 8637 00	96-8
A03U 8128 00	82-10	A03U 8402 01	87-8	A03U 8448 02	88-13	A03U 8504 00	82-13	A03U 8638 01	93-18
A03U 8128 00	84-1	A03U 8403 00	87-12	A03U 8449 01	88-12	A03U 8505 00	87-7	A03U 8639 00	95-4
A03U 8128 00	85-19	A03U 8404 00	87-13	A03U 8450 01	90-36	A03U 8506 00	89-18	A03U 8640 01	93-19
A03U 8129 00	80-17	A03U 8407 00	89-16	A03U 8451 00	88-3	A03U 8594 00	89-28	A03U 8641 00	95-23
A03U 8130 01	80-27	A03U 8408 00	89-20	A03U 8452 00	88-1	A03U 8595 00	89-31	A03U 8642 00	93-13
A03U 8132 00	81-7	A03U 8409 01	89-23	A03U 8453 01	88-4	A03U 8596 00	90-16	A03U 8643 00	93-14
A03U 8133 00	81-4	A03U 8410 00	89-8	A03U 8454 00	90-4	A03U 8597 00	90-34	A03U 8895 00	94-15
A03U 8134 00	81-8	A03U 8411 01	89-7	A03U 8456 01	90-1	A03U 8598 00	90-14	A03U 8896 00	94-12
A03U 8135 00	81-3	A03U 8412 00	88-5	A03U 8457 00	90-30	A03U 8599 00	89-30	A03U 8897 00	96-14
A03U 8136 01	81-5	A03U 8413 02	88-19	A03U 8459 01	90-29	A03U 8601 02	93-12	A03U 8898 00	96-10
A03U 8137 02	80-6	A03U 8414 00	88-30	A03U 8461 00	88-23	A03U 8602 01	94-6	A03U 8899 00	86-3
A03U 8138 00	84-7	A03U 8415 00	89-2	A03U 8462 00	88-22	A03U 8604 02	93-10	A03U 8899 00	94-1
A03U 8139 00	83-31	A03U 8416 00	89-1	A03U 8466 00	89-32	A03U 8605 00	95-22	A03U 8901 00	92-19
A03U 8140 00	86-11	A03U 8417 00	87-16	A03U 8467 00	90-15	A03U 8606 00	95-13	A03U 8902 00	91-28
A03U 8141 00	86-8	A03U 8418 00	87-22	A03U 8468 00	90-20	A03U 8607 00	95-14	A03U 8903 00	91-4
A03U 8142 00	86-10	A03U 8419 00	90-33	A03U 8469 00	90-18	A03U 8608 00	94-20	A03U 8908 00	91-26
A03U 8143 00	86-7	A03U 8420 00	89-24	A03U 8470 00	89-6	A03U 8609 00	94-17	A03U 8909 00	91-24
A03U 8144 00	86-12	A03U 8421 00	82-11	A03U 8471 00	89-4	A03U 8610 02	96-3	A03U 8914 00	92-18
A03U 8145 01	86-4	A03U 8422 00	82-12	A03U 8472 00	90-7	A03U 8611 00	94-13	A03U 8915 00	92-8
A03U 8146 00	82-16	A03U 8423 01	87-17	A03U 8473 00	90-27	A03U 8612 00	95-27	A03U 8916 00	92-15
A03U 8147 00	82-15	A03U 8424 00	90-5	A03U 8480 00	89-22	A03U 8613 00	93-2	A03U 8917 00	92-14
A03U 8148 00	82-1	A03U 8425 00	90-35	A03U 8481 00	89-19	A03U 8615 00	93-6	A03U 8918 00	92-11
A03U 8149 02	85-15	A03U 8426 00	88-2	A03U 8482 00	89-21	A03U 8616 00	93-5	A03U 8919 00	92-9
A03U 8150 02	85-5	A03U 8427 00	90-3	A03U 8483 00	88-18	A03U 8617 01	95-18	A03U 8920 00	92-12
A03U 8153 00	81-16	A03U 8428 00	90-32	A03U 8486 01	90-9	A03U 8618 00	94-16	A03U 8921 00	92-1
A03U 8154 00	83-1	A03U 8429 00	88-28	A03U 8487 01	90-8	A03U 8619 00	93-4	A03U 8922 00	92-3
A03U 8157 00	81-19	A03U 8430 00	88-24	A03U 8488 00	90-12	A03U 8620 00	93-23	A03U 8923 00	92-7
A03U 8158 00	86-16	A03U 8435 00	87-4	A03U 8489 01	90-28	A03U 8621 00	93-11	A03U 8924 00	92-6
A03U 8159 00	87-14	A03U 8436 01	87-19	A03U 8496 01	90-22	A03U 8623 00	95-25	A03U 8925 00	91-5

Parts No.	Page No.	Parts No.	Page No.	Parts No.	Page No.	Parts No.	Page No.	Parts No.	Page No.
A03U 8926 00	91-7	A03U 9453 00	64-18	A03U H100 01	114-2	A03U N110 01	118-3	A03U N230 00	123-9
A03U 8927 01	91-9	A03U 9453 00	67-18	A03U H110 00	7-9	A03U N112 00	101-21	A03U N231 01	123-5
A03U 8928 00	91-13	A03U 9453 00	70-18	A03U H520 01	113-13	A03U N112 00	107-15	A03U N232 00	43-10
A03U 8929 02	91-11	A03U 9459 00	1-12	A03U J31A 00	113-9	A03U N118 01	111-23	A03U N232 00	49-22
A03U 8930 00	91-20	A03U 9460 00	76-1	A03U J31E 00	113-9	A03U N130 00	129-1	A03U N233 00	45-20
A03U 8931 01	91-21	A03U 9461 00	76-3	A03U M104 00	35-8	A03U N133 00	11-21	A03U N236 00	108-22
A03U 8932 00	91-22	A03U 9463 01	132-3	A03U M111 00	82-8	A03U N134 00	118-2	A03U PJG1 00	131-28
A03U 8933 01	91-1	A03U 9465 00	7-13	A03U M111 00	86-1	A03U N136 01	120-4	A03U PJG2 00	131-26
A03U 8934 00	91-2	A03U 9904 00	101-14	A03U M111 00	91-27	A03U N139 02	121-1	A03U PJG3 00	131-27
A03U 8935 02	91-10	A03U 9905 00	101-15	A03U M111 00	96-6	A03U N147 00	120-3	A03U R701 00	110-25
A03U 9095 02	91-18	A03U A105 01	108-17	A03U M152 00	109-11	A03U N148 01	120-1	A03U R702 00	36-24
A03U 9096 00	91-17	A03U A171 01	3-7	A03U M153 00	42-4	A03U N149 01	120-5	A03U R704 00	53-2
A03U 9097 01	91-16	A03U A367 00	109-19	A03U M158 00	108-5	A03U N14F 00	113-14	A03U R705 00	103-11
A03U 9098 00	91-15	A03U A621 01	64-27	A03U M158 00	110-7	A03U N150 00	122-1	A03U R705 00	104-11
A03U 9099 00	91-25	A03U A621 01	67-27	A03U M201 00	82-4	A03U N151 00	121-2	A03U R705 00	105-11
A03U 9422 01	3-37	A03U A621 01	70-27	A03U M301 01	12-1	A03U N152 00	121-3	A03U R705 00	106-11
A03U 9426 00	36-23	A03U A742 01	47-12	A03U M308 02	108-23	A03U N153 02	122-2	A03U R706 00	24-1
A03U 9427 00	83-16	A03U A743 01	47-24	A03U M31A 00	49-10	A03U N154 01	122-3	A03U R706 00	25-1
A03U 9429 00	85-7	A03U A744 01	47-17	A03U M31E 00	49-10	A03U N155 00	122-4	A03U R706 00	26-1
A03U 9430 00	2-11	A03U A745 01	47-30	A03U M31F 00	49-10	A03U N155 00	123-1	A03U R707 00	27-1
A03U 9431 00	85-8	A03U A769 01	49-33	A03U M32A 00	48-13	A03U N15A 00	113-12	A03U R722 00	113-16
A03U 9432 00	81-26	A03U A770 01	49-29	A03U M32E 00	48-13	A03U N160 00	123-3	A03U R724 00	64-1
A03U 9433 00	83-7	A03U A771 01	49-18	A03U M32F 00	48-13	A03U N175 00	124-1	A03U R724 00	67-1
A03U 9434 00	42-5	A03U A778 10	43-6	A03U M401 00	116-7	A03U N176 01	124-3	A03U R724 00	70-1
A03U 9435 00	95-9	A03U A819 01	80-3	A03U M402 01	116-6	A03U N177 00	125-2	A03U R727 00	1-1
A03U 9436 00	45-1	A03U A836 01	85-28	A03U M403 00	115-2	A03U N178 01	124-5	A03U R728 00	1-4
A03U 9437 00	95-31	A03U A858 01	89-25	A03U M404 00	116-2	A03U N180 00	124-4	A03U R729 00	1-10
A03U 9438 00	88-11	A03U A871 01	93-16	A03U M405 00	10-17	A03U N194 01	119-1	A03U R730 00	132-1
A03U 9439 00	89-17	A03U A881 01	96-7	A03U M505 00	77-4	A03U N195 01	124-2	A03U R731 00	108-3
A03U 9440 00	90-24	A03U A892 01	91-14	A03U M508 01	24-21	A03U N203 00	81-10	A03U R732 00	20-3
A03U 9441 00	89-13	A03U A900 01	91-29	A03U M508 01	25-21	A03U N213 02	125-3	A03U R732 00	21-3
A03U 9442 00	5-1	A03U B191 02	9-17	A03U M508 01	26-21	A03U N216 00	125-1	A03U R732 00	22-3
A03U 9443 00	5-13	A03U B504 00	40-23	A03U M508 01	27-21	A03U N217 01	123-7	A03U R732 00	23-3
A03U 9444 00	6-6	A03U B843 01	87-15	A03U N102 01	118-1	A03U N218 00	123-8	A03U R733 00	40-5
A03U 9449 00	3-26	A03U B845 01	88-15	A03U N104 00	49-27	A03U N220 02	125-4	A03U R734 00	47-33
A03U 9450 00	3-27	A03U B858 01	89-29	A03U N105 00	43-19	A03U N221 00	126-1	A03U R735 00	49-21
A03U 9451 00	3-28	A03U B859 01	90-13	A03U N106 01	43-16	A03U N224 00	110-9	A03U R736 00	52-11
A03U 9452 00	66-11	A03U H010 5A	114-7	A03U N107 00	49-28	A03U N226 00	120-2	A03U R737 00	89-9
A03U 9452 00	69-11	A03U H040 13	114-12	A03U N108 00	47-18	A03U N227 00	123-4	A03U R738 00	3-20
A03U 9452 00	72-11	A03U H050 04	80-1	A03U N109 01	117-1	A03U N228 00	126-2	A03U R739 00	112-2

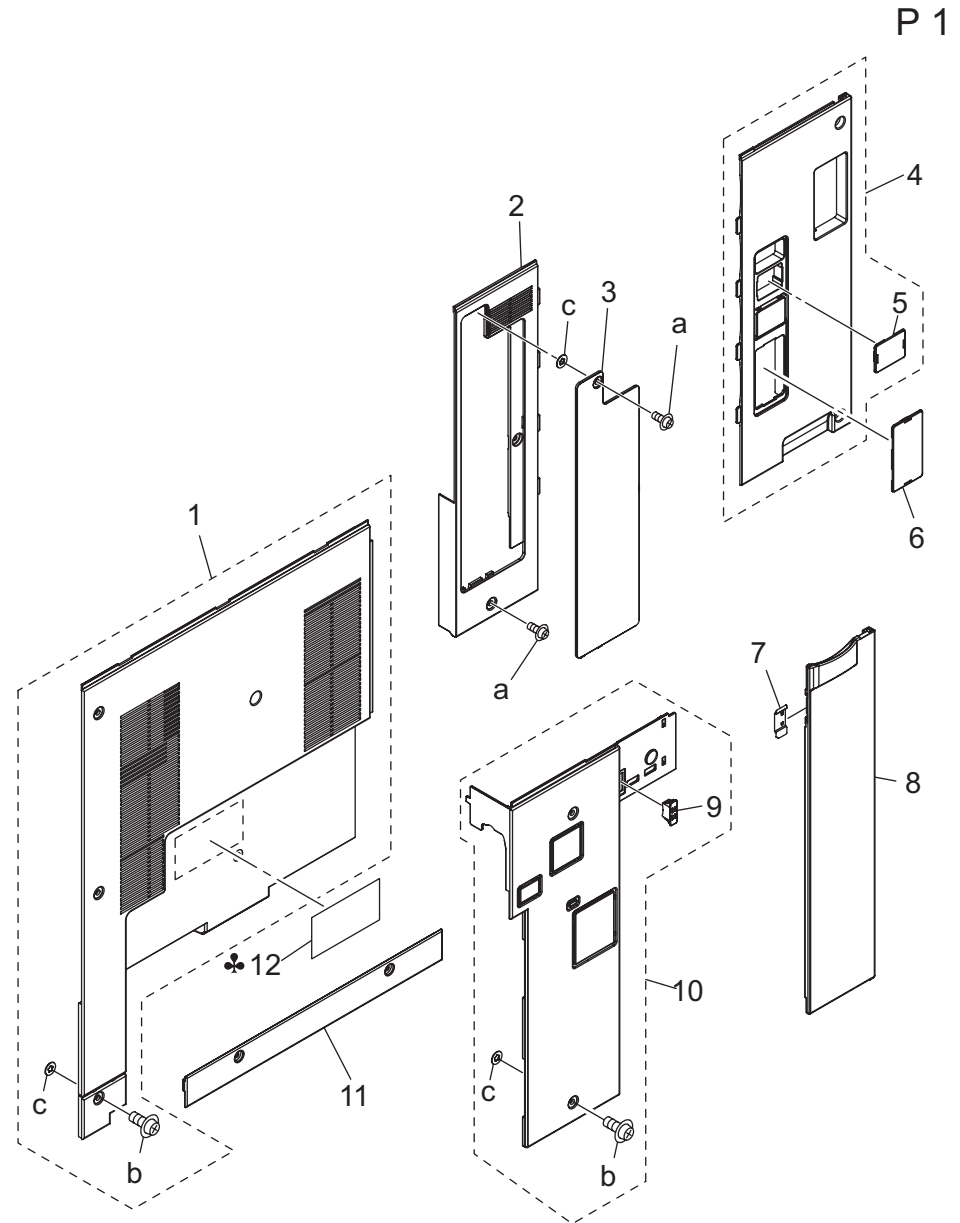
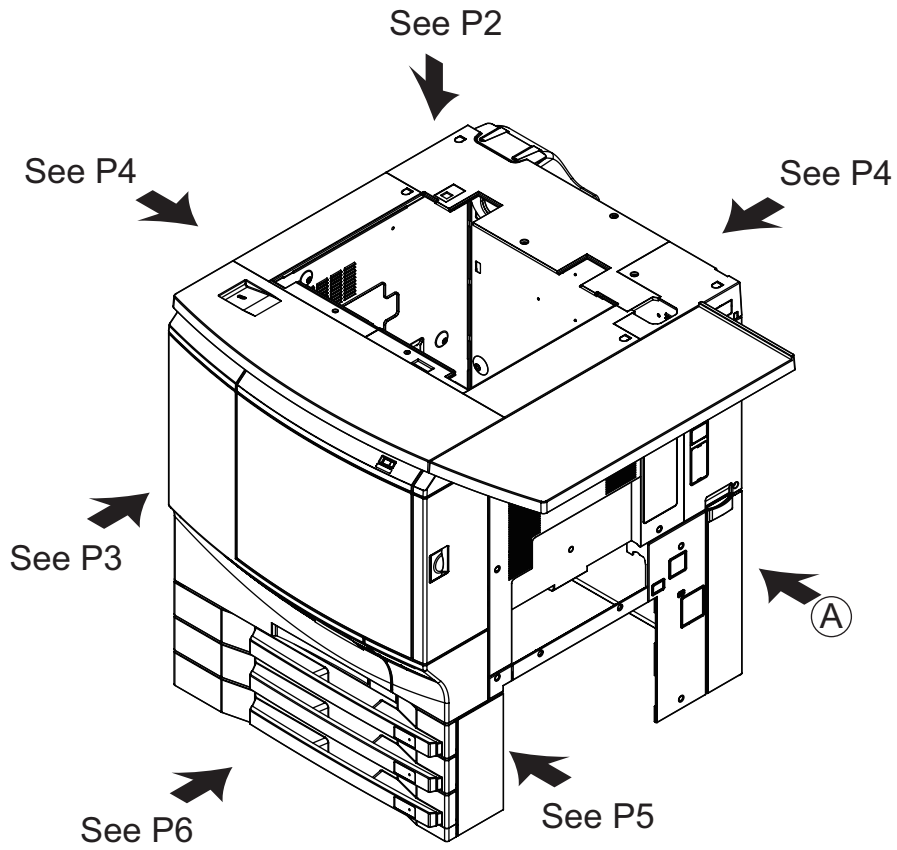
Parts No.	Page No.
A03U R740 00	112-5
A03U R741 00	109-6
A03U R742 00	28-2
A03U R744 00	38-14
A03U R745 00	38-27
A03U R746 00	40-26
A03U R747 00	40-20
A03U R748 00	39-1
A03U R749 00	53-22
A03U R751 00	78-17
A03U R753 00	42-24
A03U R754 00	39-16
A03U R755 00	43-1
A03U R756 00	65-2
A03U R756 00	68-2
A03U R756 00	71-2
A03U R757 00	103-1
A03U R757 00	105-1
A03U R758 00	104-1
A03U R758 00	106-1
A03U R759 11	116-3
A03U R768 00	93-17
A03U R782 00	90-31
A03U R783 00	88-29
A03U R784 00	88-25
A03U R785 00	81-17
A03U R790 11	42-1
A03U R791 11	42-1
A03U R792 11	42-1
A03U R795 00	44-35
A03U R798 00	41-1
A03U R7A1 00	37-1
A03U R7A3 00	37-3
A03U R7A7 00	55-1
A03U R7A7 00	58-1
A03U R7A7 00	61-1
A03U R7A9 00	53-1
A03U R7B1 00	77-1
A03U R7B3 00	90-2
A03X 1702 01	6-4

Parts No.	Page No.
A03X 6220 00	77-3
A0E7 N113 00	111-10
A0U0 1740 00	6-1
A0U0 1787 00	6-8
A0U0 1788 00	6-5
A0U0 1791 00	6-9
A0U0 1796 01	6-11
A0U0 1798 00	6-2
A0U0 1950 00	7-34
A0U0 2053 01	7-34
A0U0 9445 00	28-15
A0U0 9446 00	28-16
A0U0 9447 00	28-17
A0U0 9448 00	28-18
A0U0 9454 01	6-3
A0U0 9455 01	6-10
A0U0 9456 01	6-12
A0U0 A349 00	51-2
A0U0 H020 02	114-18
A0U0 H040 01	7-21
A0U0 R700 00	7-17
A0U0 R701 00	7-17
A0U0 R702 00	7-17
A0U0 R703 00	7-17
A0U0 R704 00	7-17
A0U0 R705 00	7-17
A0U0 R707 00	18-2
A0U0 R708 00	15-6
A0U0 R708 00	16-6
A0U0 R708 00	17-6
A0U0 R709 00	51-4
A0U0 R710 00	28-28
A0U0 R711 00	28-28
A0U0 R712 00	19-1
A0U0 R713 00	28-28
A0U0 R716 00	11-2
A0U0 R717 00	11-4
A0U1 1604 00	3-18
SP00 -003 2	49-25
SP00 -018 1	47-31

Parts No.	Page No.
V118 0410 03	132-14
V121 0306 03	132-12
V121 0406 03	132-11
V123 0408 03	132-13
V500 0100 02	130-14
V500 0100 03	130-8
V500 0100 04	130-13
V500 0100 05	130-7
V500 0100 07	130-6
V500 0100 08	130-5
V500 0100 15	130-4
V500 0100 22	130-3
V500 0100 24	131-2
V500 0100 26	131-3
V500 0100 27	130-18
V500 0100 29	131-4
V500 0100 30	131-5
V500 0100 31	131-6
V500 0100 32	130-23
V500 0100 38	130-37
V500 0100 46	130-30
V500 0100 50	130-32
V500 0200 01	130-34
V500 0200 18	130-31
V500 0200 18	132-10
V500 0200 23	130-15
V500 0200 24	130-16
V500 0200 30	130-35
V500 0200 31	130-36
V500 0200 33	130-28
V500 0200 35	130-21
V500 0200 50	130-33
V500 0200 53	130-9
V500 0200 54	130-40
V501 0100 02	131-9
V501 0100 03	131-11
V501 0100 04	131-10
V501 0100 09	131-12
V501 0100 10	130-17
V501 0100 11	131-7

Parts No.	Page No.
V501 0100 14	131-8
V502 0100 06	131-19
V502 0100 14	35-2
V502 0100 14	44-38
V502 0100 14	101-23
V502 0100 14	107-13
V502 0100 14	131-14
V502 0100 15	54-24
V502 0100 15	113-15
V502 0100 15	131-15
V502 0100 19	10-14
V502 0100 20	130-29
V502 0100 21	35-13
V502 0100 21	52-13
V502 0100 21	130-27
V502 0100 53	113-17
V570 0100 07	130-38
V570 0100 08	130-39
V570 0100 12	131-18
V570 0100 14	131-17
V570 0100 21	130-19
V570 0100 23	130-22
V570 0100 26	130-24
V570 0100 27	130-25
V570 0100 28	130-26
V570 0100 33	130-1
V570 0100 34	130-2
V570 0100 38	130-12
V570 0100 39	130-11
V570 0100 40	130-10
V570 0100 48	130-20
V570 0100 51	131-16
V651 0100 03	131-20
V651 0100 05	131-21

EXTERNAL PARTS



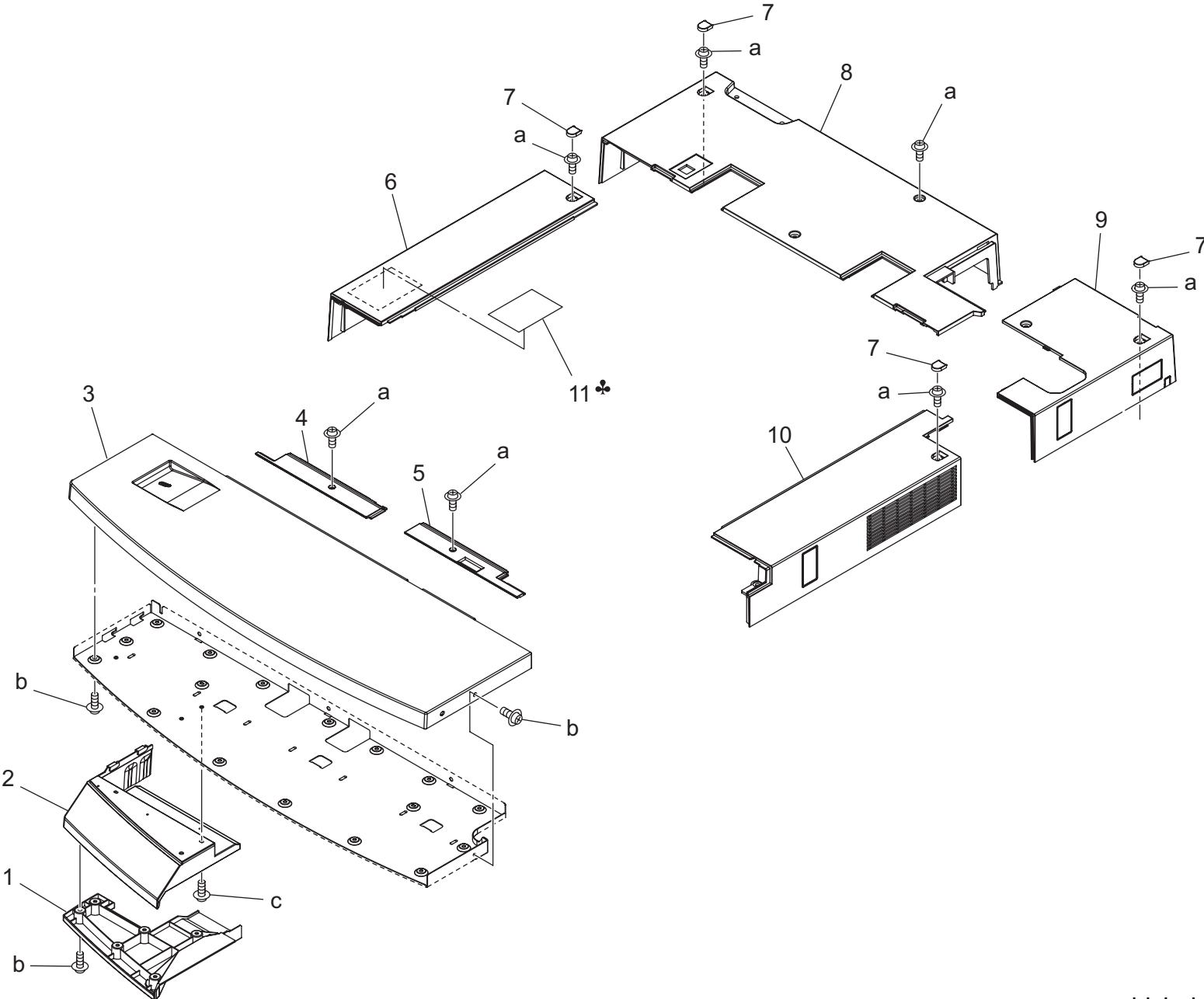
DETAIL (A)

bizhub PRO C5501

EXTERNAL PARTS

Key	Part No.	Description	Destinations	Class	QTY	Standard parts
1	A03U R727 00	SIDE COVER 1 ASSY		C	1	a-V114 0406 04 b-V114 0410 04 c-V211 0400 80
2	A03U 1628 02	OZONE COVER /2		C	1	
3	A03U 1627 03	OZONE COVER /1		C	1	
4	A03U R728 00	SIDE COVER 2 ASSY		C	1	
5	A03U 1625 00	Cover /A		C	1	
6	A03U 1626 00	Protection Cover /Right		C	1	
7	65AA 1227 0D	Magnet Catch		D	1	
8	A03U 1610 00	Collection Door		C	1	
9	56AA 1227 0	EXTERNAL LOCKING PART		C	1	
10	A03U R729 00	SIDE COVER 3 ASSY		C	1	
11	A03U 1662 00	LCT Entrance Cover		C	1	
12	A03U 9459 00	Guide Label /3	B,G1	C	1	

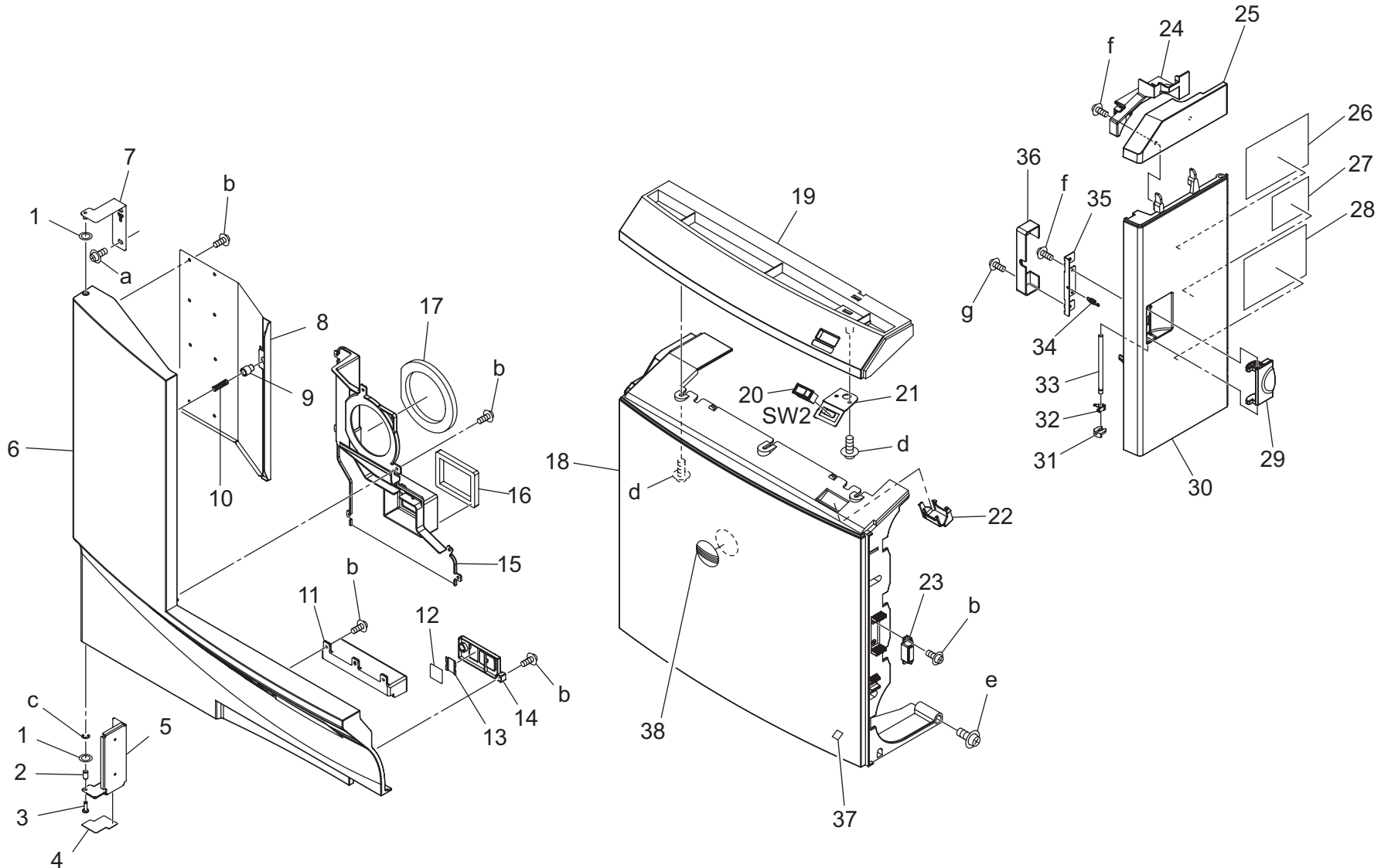
EXTERNAL PARTS



EXTERNAL PARTS

Key	Part No.	Description	Destinations	Class	QTY	Standard parts
1	A03U 1673 00	Front Cover /Lower		C	1	a-V114 0406 04 b-V158 0308 04 c-V121 0406 03
2	A03U 1671 01	FRONT COVER /UPPER		C	1	
3	A03U 1613 02	READ COVER /FRONT		C	1	
4	A03U 1619 00	Read Cover /Left front		C	1	
5	A03U 1624 00	Read Cover /Right front		C	1	
6	A03U 1616 00	Read Cover /Left		C	1	
7	A03U 1668 00	Click Cover		C	4	
8	A03U 1614 02	READ COVER /REAR		C	1	
9	A03U 1650 00	Read Cover /Right rear		C	1	
10	A03U 1615 00	Read Cover /Right		C	1	
11	A03U 9430 00	Caution Label /6	A	C	1	

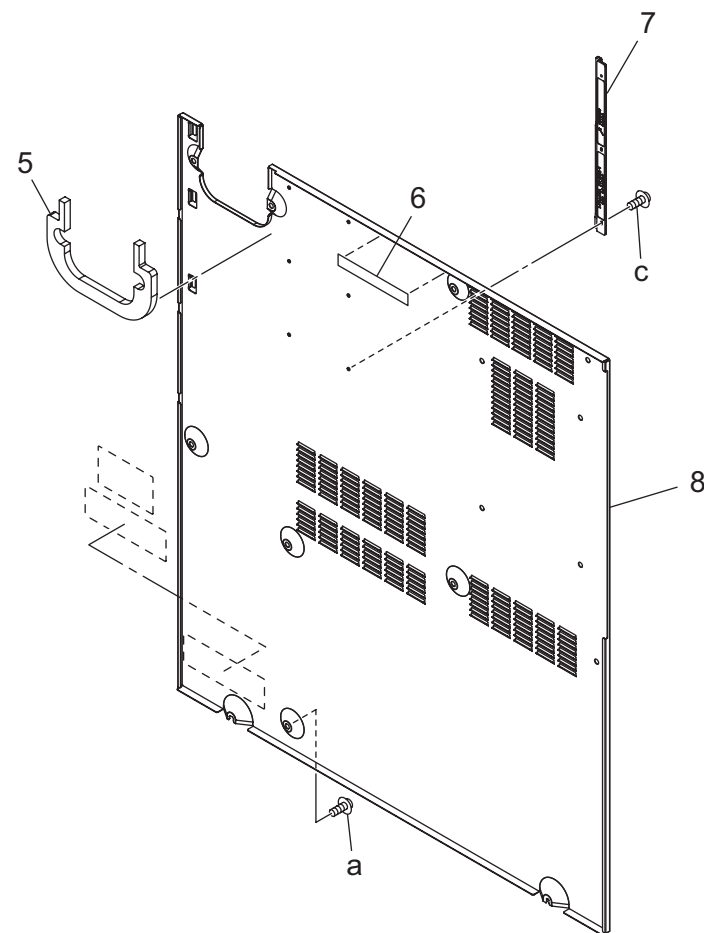
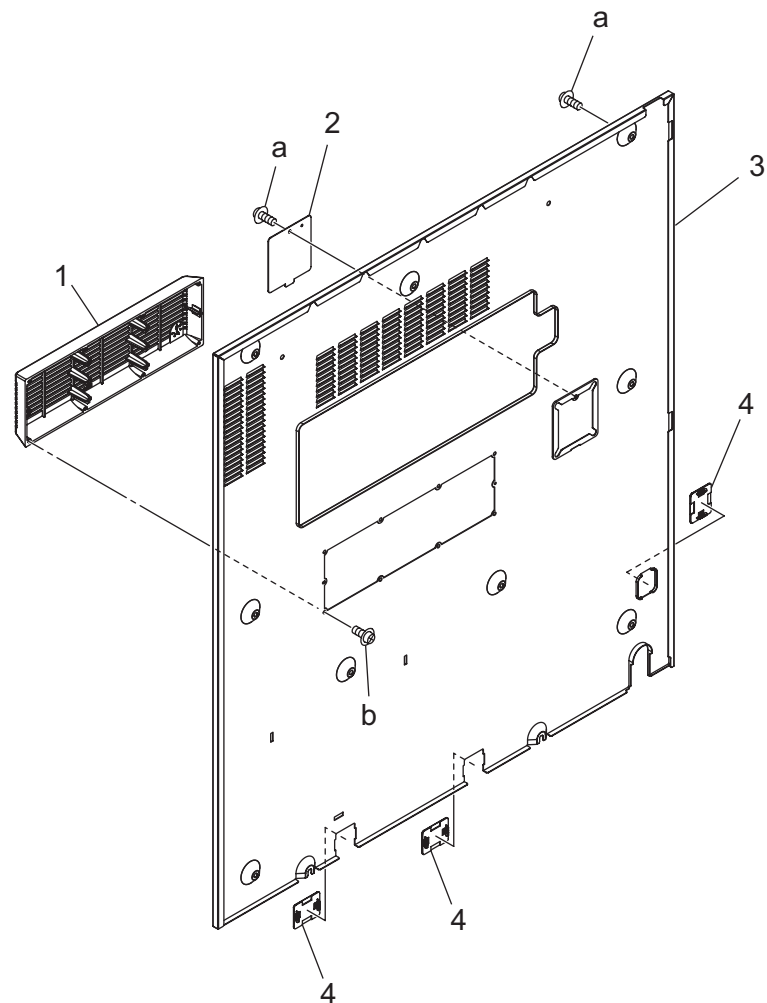
EXTERNAL PARTS



EXTERNAL PARTS

Key	Part No.	Description	Destinations	Class	QTY	Standard parts
1	40AA 3232 0	TONER SUPPLY SPACER		C	2	a-V121 0406 03
2	65AA 1283 0	GUIDE COLLAR		C	1	b-V158 0308 04
3	65AA 1282 1	HINGE SHAFT/3		D	1	c-V217 0400 50
4	A03U 1686 00	Cassette Protection Sheet		C	1	d-V151 0408 04
5	A03U 1620 01	Main body Cover Hinge /1		D	1	e-V121 0306 03
6	A03U 1606 01	FRONT COVER /LEFT		C	1	f-V158 0308 16
7	A03U A171 01	MAINBODY HINGE 2CAULKING		D	1	g-V121 0306 16
8	A03U 1678 00	Front door Reinforce Plate		D	1	
9	65AA 1279 0E	Front door Guide Pin		D	1	
10	65AA 1280 0	SHAFT PRESSING SPRING		C	1	
11	A03U 1658 01	FRONT DOOR AUXILIARY COVER		C	1	
12	65AA 1281 0	MAGNET HOLDING PART		D	1	
13	A03U 1699 00	LOCK PLATE		D	1	
14	56AA 1256 0	EXTERNAL LOCKING COVER C		C	1	
15	A03U 1694 01	FRONT DOOR COOLING DUCT		D	1	
16	A03U 1696 00	ADU Cooling Pad		C	1	
17	A03U 1695 00	Fixing Cooling Pad		C	1	
18	A0U1 1604 00	Front Cover /Right		C	1	
19	A03U 1654 01	Front Cover /2		C	1	
20	A03U R738 00	SWITCH S ASSY		C	1	
21	A03U 1693 00	Power supply Plate		D	1	
22	A03U 1698 00	Protection Cover		C	1	
23	55FA 1210 1	MAGNET CATCH X		C	1	
24	A03U 1659 01	WIRING COVER		D	1	
25	A03U 1655 02	TONER SUPPLY COVER /2		C	1	
26	A03U 9449 00	Toner supply Label /1		C	1	
27	A03U 9450 00	Toner supply Label /2		C	1	
28	A03U 9451 00	Toner supply Label /3		C	1	
29	A03U 1660 00	Toner supply Handle		C	1	
30	A03U 1605 02	TONER SUPPLY COVER		C	1	
31	3960 4068 1	STOPPER RING		B	1	
32	65AA 1262 0D	Open/shut Plate		D	1	
33	65AA 1261 0	FULCRUM SHAFT		D	1	
34	65AA 1264 0	OPEN SHUT SPRING		C	1	
35	65AA 1228 0	MAGNET STOPPER PLATE A		D	1	
36	65AA 1263 0	FULCRUM COVER		C	1	
37	A03U 9422 01	INDICATING LABEL /RIGHT		C	1	
38	A03U 1685 00	Indicating Plate		C	1	

EXTERNAL PARTS

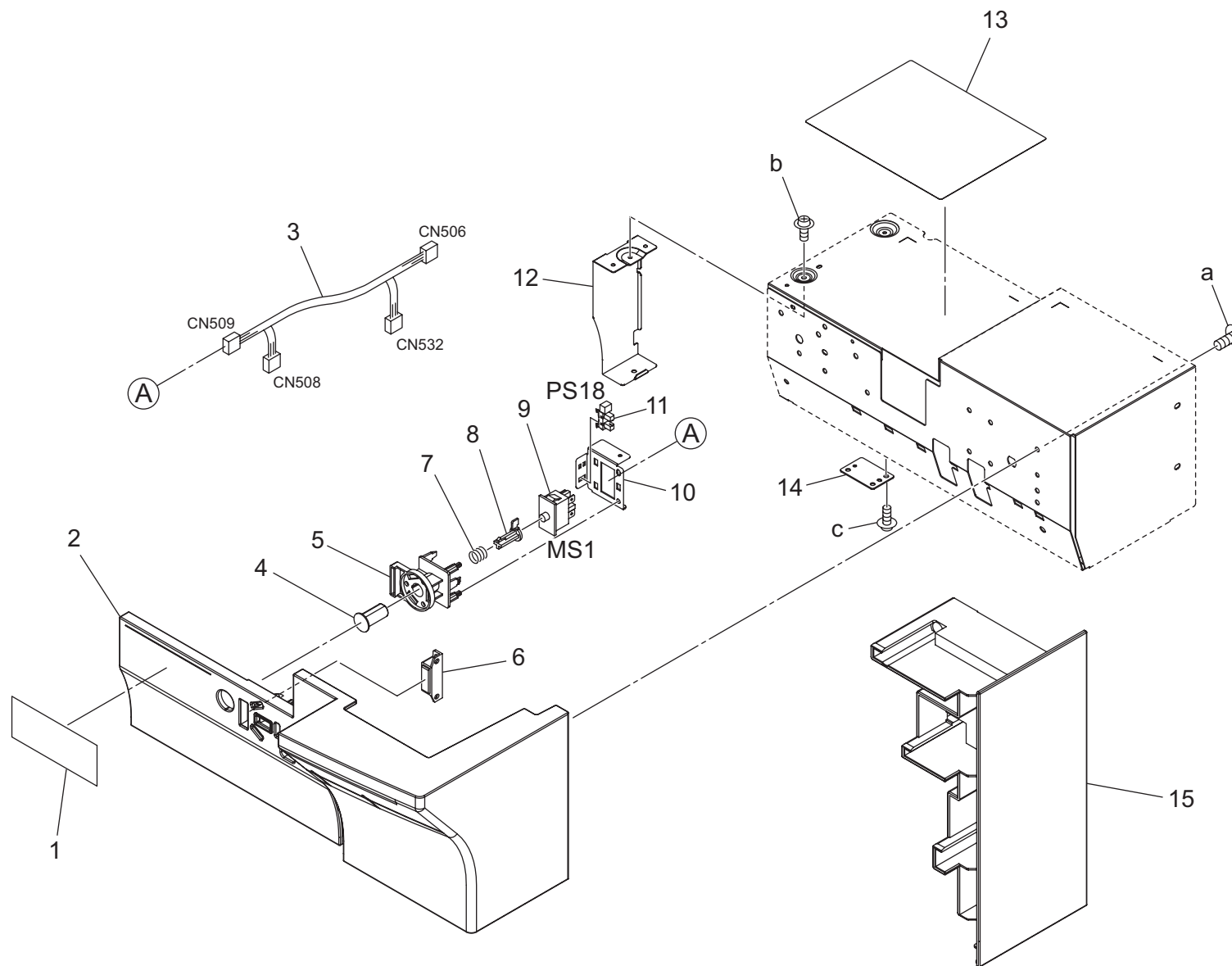


EXTERNAL PARTS

Key	Part No.	Description	Destinations	Class	QTY	Standard parts
1	A03U 1623 01	PAPER EXIT COVER /2		C	1	a-V114 0406 04 b-V158 0308 04 c-V121 0306 04
2	56UA 1265 0	SIDE COVER		D	1	
3	A03U 1622 00	Paper exit Cover /Left		C	1	
4	A03U 1625 00	Cover /A		C	3	
5	65AA 1277 0	REAR SUCTION SEAL		C	1	
6	40LA 7389 0	DUST-PROOF SEAL /B		C	1	
7	A03U 1684 00	duct Mounting Stay		D	1	
8	A03U 1607 00	Rear Cover		D	1	

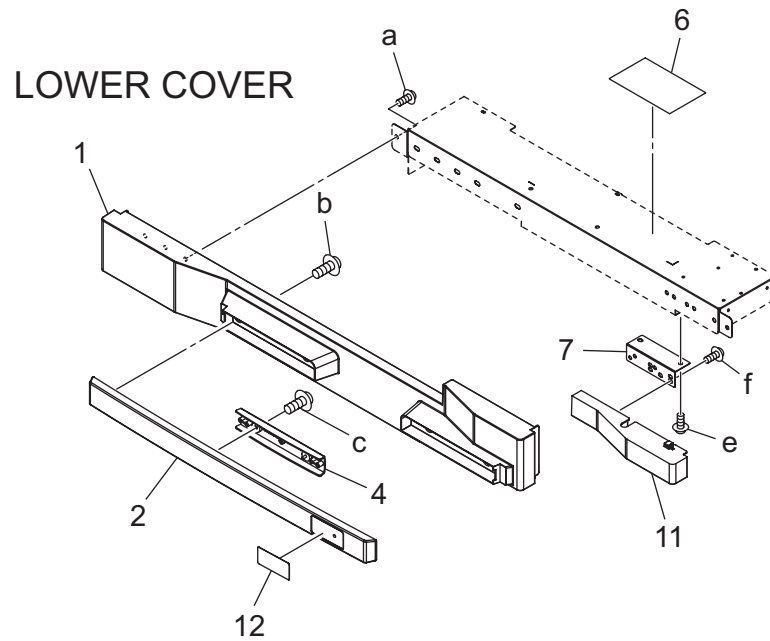
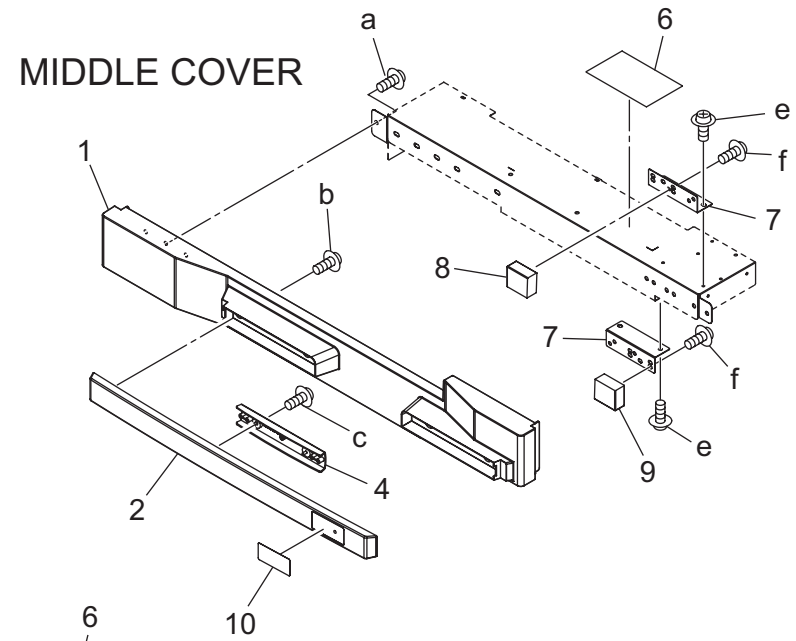
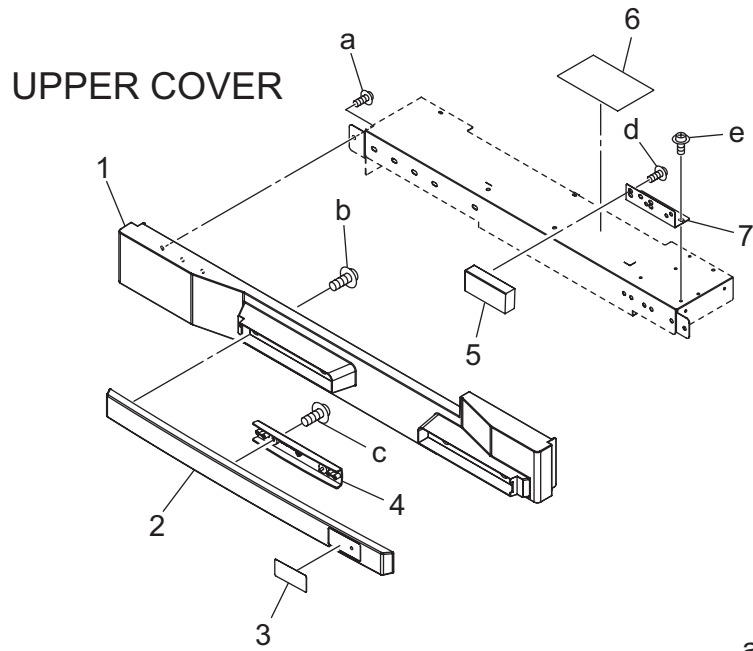
EXTERNAL PARTS

P 5



EXTERNAL PARTS

Key	Part No.	Description	Destinations	Class	QTY	Standard parts
1	A03U 9442 00	Processing Label /1		C	1	a-V158 0308 03 b-V121 0306 04 c-V121 0304 03
2	A03U 1601 00	ADU Cover /Right		C	1	
3	65AA 9069 1E	INTERLOCK WIRING		D	1	
4	56AA 1214 0	SWITCH CONNECTING ACTUATOR		C	1	
5	56AA 1212 0	SWITCH GUIDE PART		C	1	
6	55FA 1210 1	MAGNET CATCH X		C	1	
7	56AA 1216 0	CONTACT PRESSING SPRING 1		C	1	
8	56AA 1215 0	SWITCH PRESSING ACTUATOR		C	1	
9	40AA 8501 1	DOOR SWITCH		B	1	
10	56AA 1213 0	SWITCH FIXING PLATE		D	1	
11	08AA 8551 2	PHOTO SENSOR		B	1	
12	65AA 1257 0D	Side Mounting Plate /2		D	1	
13	A03U 9443 00	Processing Label /2		C	1	
14	A03U 1697 00	Cover Plate		D	1	
15	A03U 1630 11	Paper feed Cover /Right		C	1	

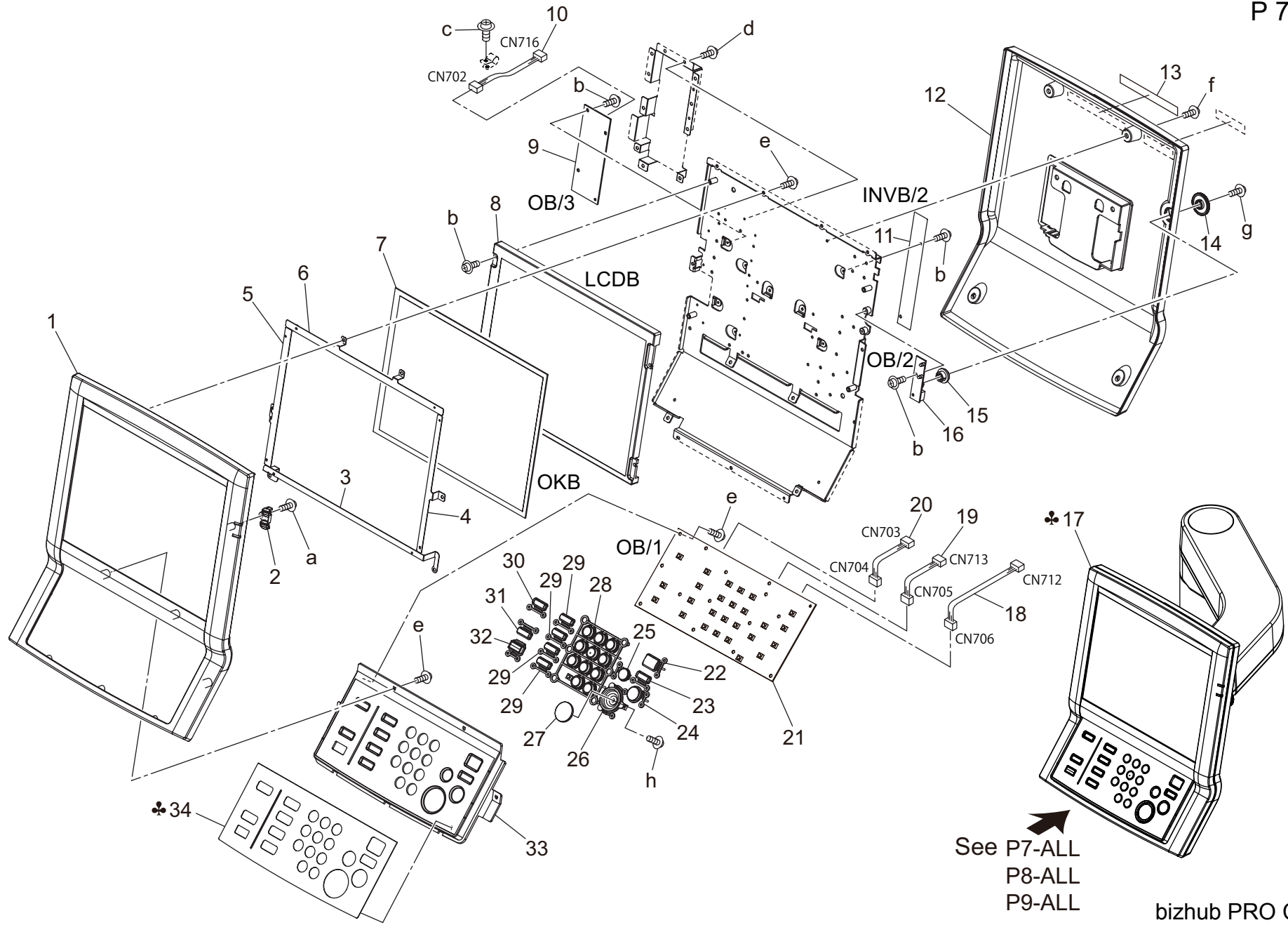


EXTERNAL PARTS

Key	Part No.	Description	Destinations	Class	QTY	Standard parts
1	A0U0 1740 00	Paper feed Cover		C	3	a-V158 0410 03 b-V151 0412 03 c-V158 0310 03 d-V151 0408 04 e-V121 0304 04 f-00Z2 5408 1
2	A0U0 1798 00	Paper feed Handle		C	3	
3	A0U0 9454 01	Indicating Label /1		C	1	
4	A03X 1702 01	PAPER FEED HANDLE /2		C	3	
5	A0U0 1788 00	Paper feed Cover /B		C	1	
6	A03U 9444 00	Operation Label /2		C	3	
7	A03U 6206 00	Mounting Plate		D	4	
8	A0U0 1787 00	Paper feed Cover /A		C	1	
9	A0U0 1791 00	Paper feed Cover /C		C	1	
10	A0U0 9455 01	Indicating Label /2		C	1	
11	A0U0 1796 01	Paper feed Cover /D		C	1	
12	A0U0 9456 01	Indicating Label /3		C	1	

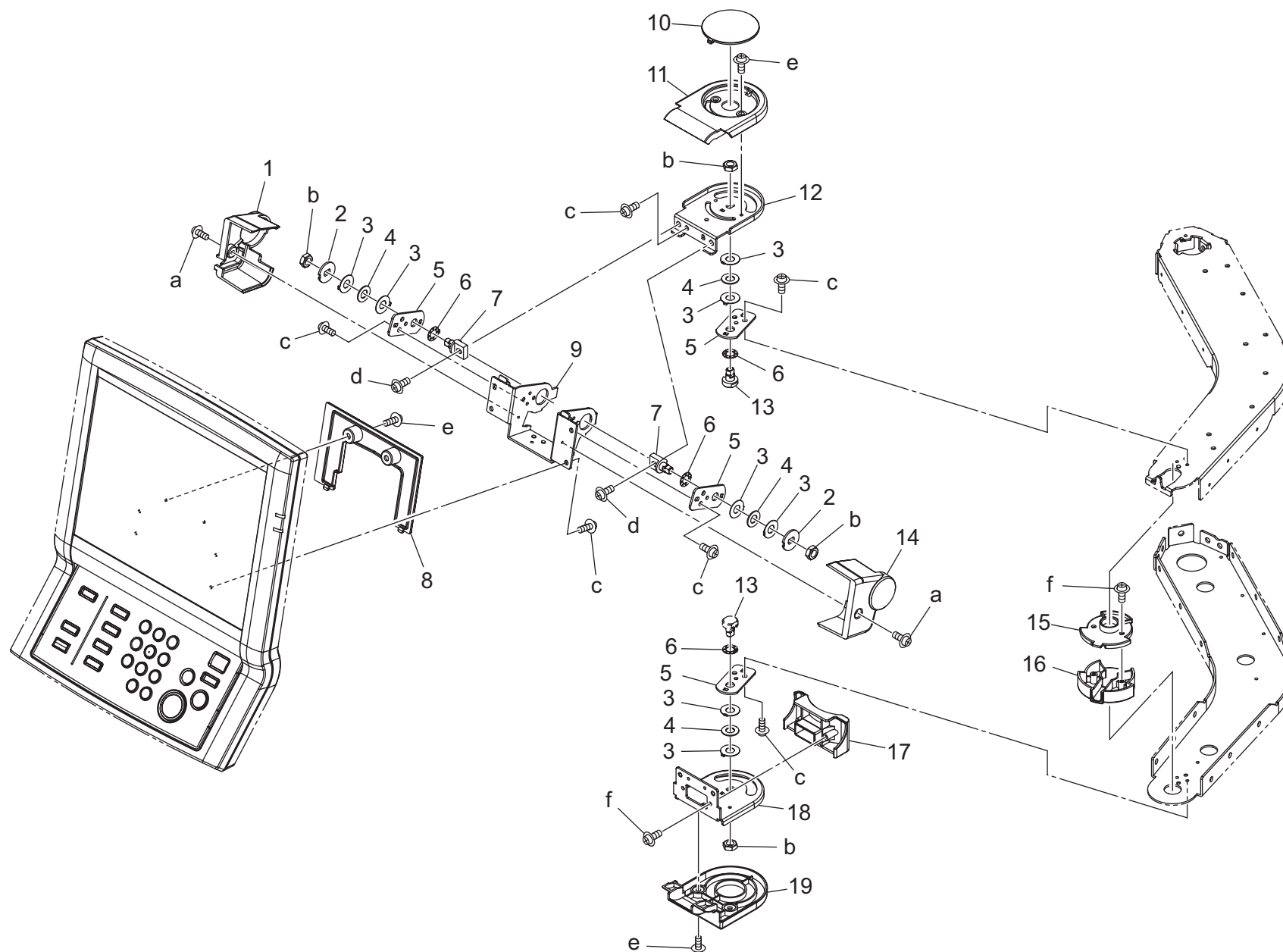
OPERATION SECTION

P 7



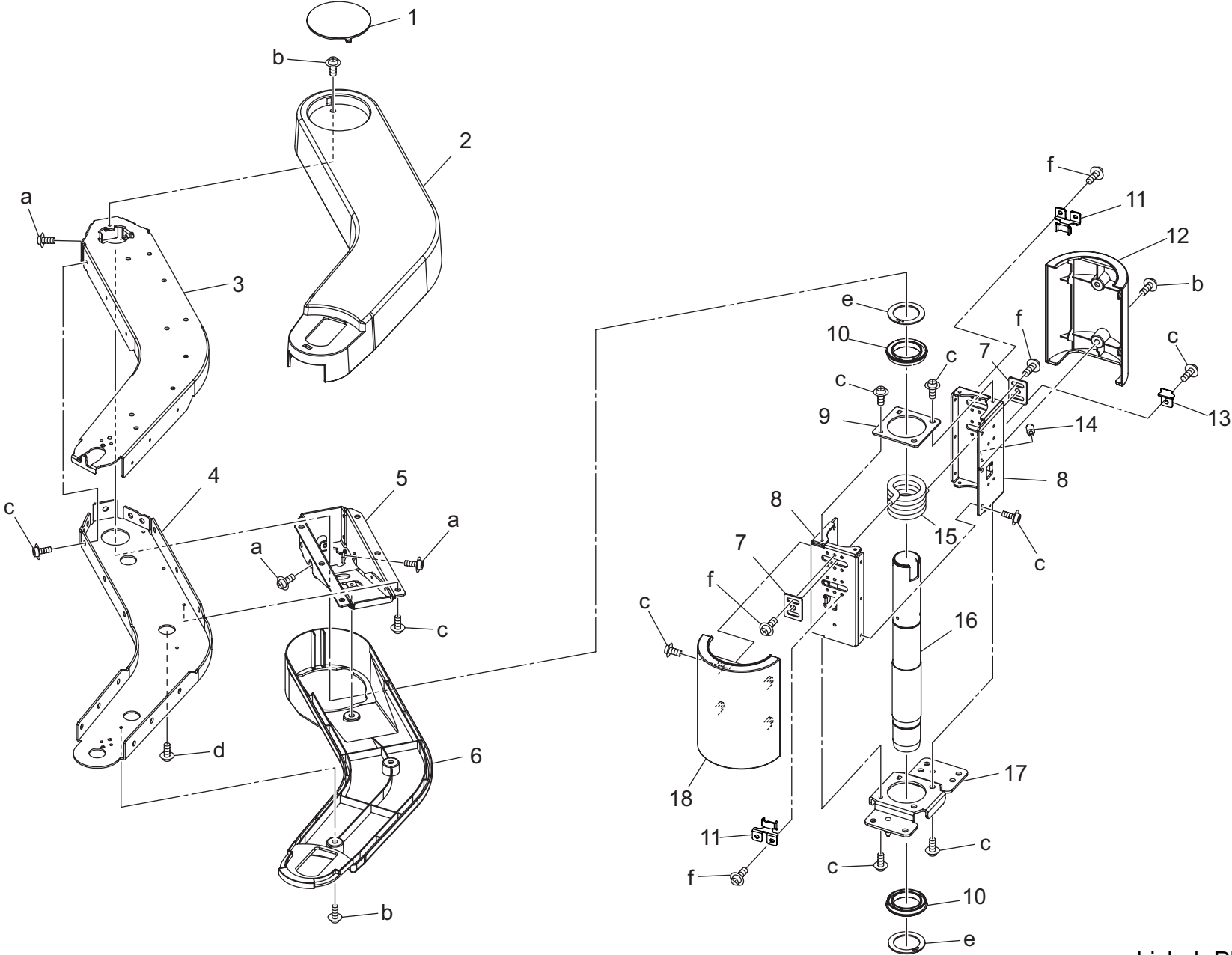
OPERATION SECTION

Key	Part No.	Description	Destinations	Class	QTY	Standard parts
1	A03U 1901 00	Indicating Cover /Front		D	1	a-V158 0306 03
2	A03U 1926 00	Indicating Part		D	1	b-V118 0306 03
3	A03U 1928 00	Ground Plate /Lower		D	1	c-V123 0408 03
4	A03U 1929 00	Ground Plate /Right		D	1	d-V121 0304 03
5	A03U 1930 00	Ground Plate /Left		D	1	e-V158 0308 03
6	A03U 1927 00	Ground Plate /Upper		D	1	f-V114 0406 04
7	56UA 8755 0	TOUCH KEY BOARD		I	1	g-V154 0306 04
8	56UA -704 0	LCD ASSY		I	1	h-V151 0306 03
9	A03U H110 00	OPERATING BOARD ASSY		C	1	
10	56UA 9080 1	OPERATION UNIT WIRING 2		D	1	
11	56UA 8352 1	INDICATING STARTER		I	1	
12	A03U 1902 01	Indicating Cover /Rear		D	1	
13	A03U 9465 00	Regulating Label	B,G1	D	1	
14	A03U 1947 00	Adjusting Knob /A		D	1	
15	A03U 1946 00	Connecting Knob		D	1	
16	56UA -905 1E	OPERATION BOARD /2 ASSY		I	1	
17	A0U0 R700 00	OPERATION PANEL ASSY	A	I	1	
17	A0U0 R701 00	OPERATION PANEL ASSY(US)	B,G1	I	1	
17	A0U0 R702 00	OPERATION PANEL ASSY(EU)	C,I	I	1	
17	A0U0 R703 00	OPERATION PANEL ASSY(CHI)	J	I	1	
17	A0U0 R704 00	OPERATION PANEL ASSY(TA)	H	I	1	
17	A0U0 R705 00	OPERATION PANEL ASSY(AP)	D1,D3,E	I	1	
18	56UA 9079 0	OPERATION UNIT WIRING 1		D	1	
19	56UA 9081 0	OPERATION UNIT WIRING 3		D	1	
20	56UA 9092 0	OPERATION UNIT WIRING 4		D	1	
21	A0U0 H040 01	OPERATION BOARD/1 ASSY		I	1	
22	56UA 7037 0	OPERATION UNIT BUTTON R		C	1	
23	56UA 7038 0	OPERATION UNIT BUTTON I		C	1	
24	56UA 7033 0	OPERATION UNIT BUTTON S		C	1	
25	56UA 7035 0	OPERATION UNIT BUTTON P		C	1	
26	56UA 7032 1	OPE UNIT BUTTON C		C	1	
27	56UA 7042 0	OPERATION UNIT BUTTON D		C	1	
28	56UA 7031 0	OPERATION UNIT BUTTON T		C	1	
29	56UA 7034 0	OPERATION UNIT BUTTON J		C	4	
30	56UA 7036 0	OPERATION UNIT BUTTON E		C	1	
31	56UA 7039 0	OPERATION UNIT BUTTON H		C	1	
32	56UA 7040 0	OPERATION UNIT BUTTON U		C	1	
33	A03U 1903 00	Positioning Cover /S		C	1	
34	A03U 2050 00	Operation Sheet	B,D1,D3,E,F2,G1	C	1	
34	A03U 2051 00	OPERATION SHEET	J	C	1	
34	A03U 2052 00	OPERATION SHEET	H	C	1	
34	A0U0 1950 00	Operation Sheet	A	C	1	
34	A0U0 2053 01	Operation Sheet		C	1	



OPERATION SECTION

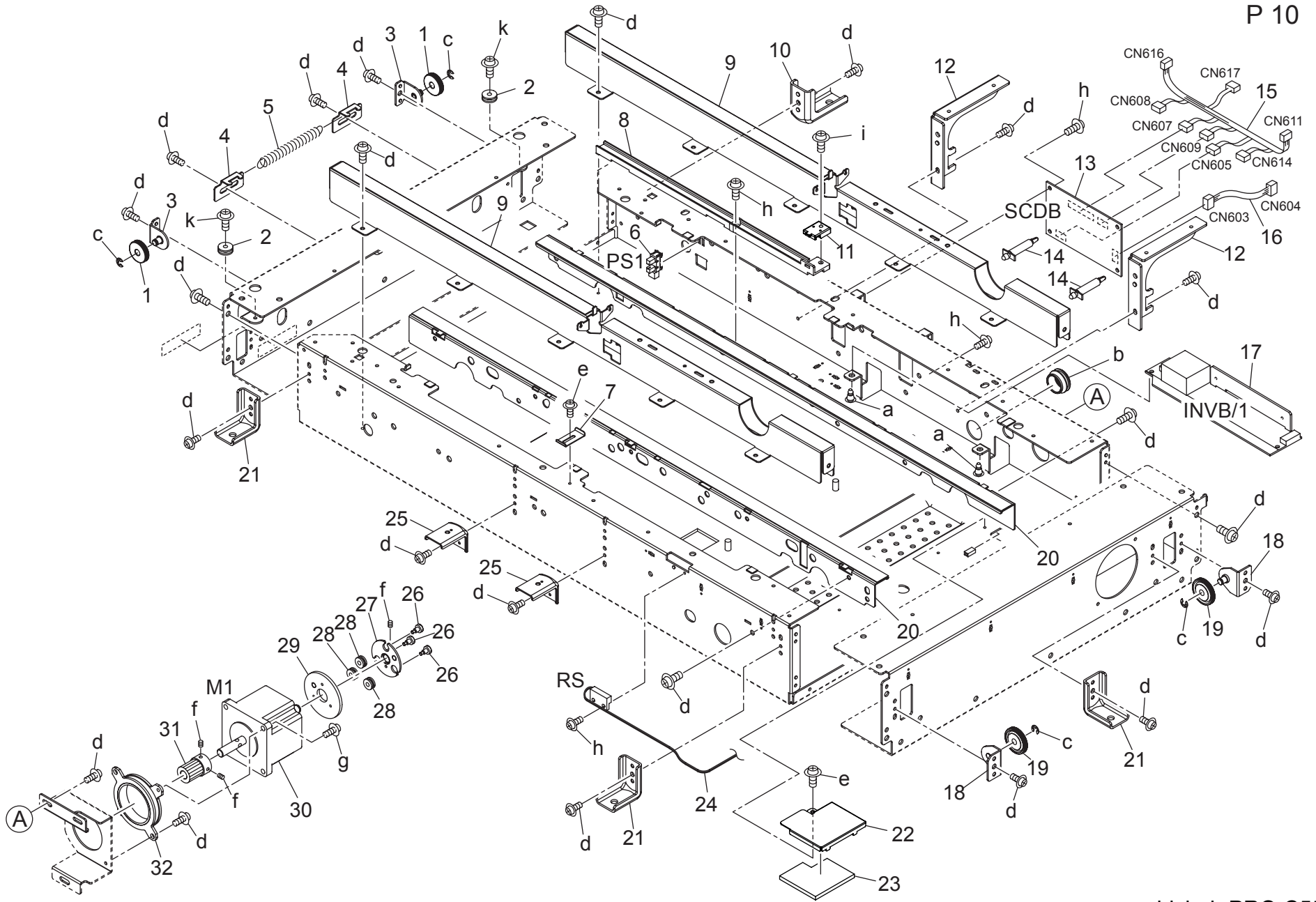
Key	Part No.	Description	Destinations	Class	QTY	Standard parts
1	A03U 1940 00	Operation Cover /F		C	1	a-V121 0306 03 b-V196 0800 03 c-V121 0406 03 d-V188 0516 04 e-V114 0406 04 f-V158 0308 03
2	A03U 1920 00	Fixing Part /T		D	2	
3	A03U 1918 00	Rotation Spacer /1		D	8	
4	A03U 1917 00	Rotation Spring /T		D	4	
5	A03U 1916 00	Mounting Plate /T		D	4	
6	A03U 1919 00	Rotation Spacer /2		D	4	
7	A03U 1921 00	Fixing Shaft /U		D	2	
8	A03U 1945 00	Operation Cover /H		C	1	
9	A03U 1909 00	Ope. unit Mounting Stay /1		D	1	
10	A03U 1938 00	Operation Cover /I		C	1	
11	A03U 1933 00	Operation Cover /C		C	1	
12	A03U 1914 00	Support Plate /Upper		D	1	
13	A03U 1922 00	Rotation Shaft /T		D	2	
14	A03U 1941 00	Operation Cover /G		C	1	
15	A03U 1937 00	Swing Cover /Upper		C	1	
16	A03U 1936 00	Swing Cover /Lower		C	1	
17	A03U 1934 00	Operation Cover /E		C	1	
18	A03U 1915 00	Support Plate /Lower		D	1	
19	A03U 1935 00	Operation Cover /D		C	1	



Key	Part No.	Description	Destinations	Class	QTY	Standard parts
1	A03U 1939 00	Operation Cover /J		C	1	a-V185 0410 03 b-V114 0406 04 c-V121 0406 03 d-V158 0308 03 e-V223 3000 04 f-V123 0408 03
2	A03U 1931 00	Operation Cover /Upper		C	1	
3	A03U 1906 00	Ope. unit Mounting Arm /Upper		D	1	
4	A03U 1905 00	Ope. unit Mounting Arm /Lower		D	1	
5	A03U 1907 00	Support Plate /1		D	1	
6	A03U 1932 00	Operation Cover /Lower		C	1	
7	A03U 1953 02	REGULATING PLATE		D	2	
8	A03U 1908 01	Support Plate /2		D	2	
9	A03U 1911 00	Support Plate /3		D	1	
10	65AA 7501 0E	DRUM SUPPORT BEARING		D	2	
11	A03U 1954 00	Regulating Part		D	2	
12	A03U 1943 00	Operation Cover /B		C	1	
13	A03U 1955 00	Rotation Stopper		D	1	
14	A03U 1923 00	Stopper Screw /A		C	1	
15	A03U 1912 01	Support Spring		C	1	
16	A03U 1913 00	Ope. unit Support Pipe		D	1	
17	A03U B191 02	MAIN BODY ATTACHMENT CAULKING		D	1	
18	A03U 1942 00	Operation Cover /A		C	1	

OPTICAL SECTION

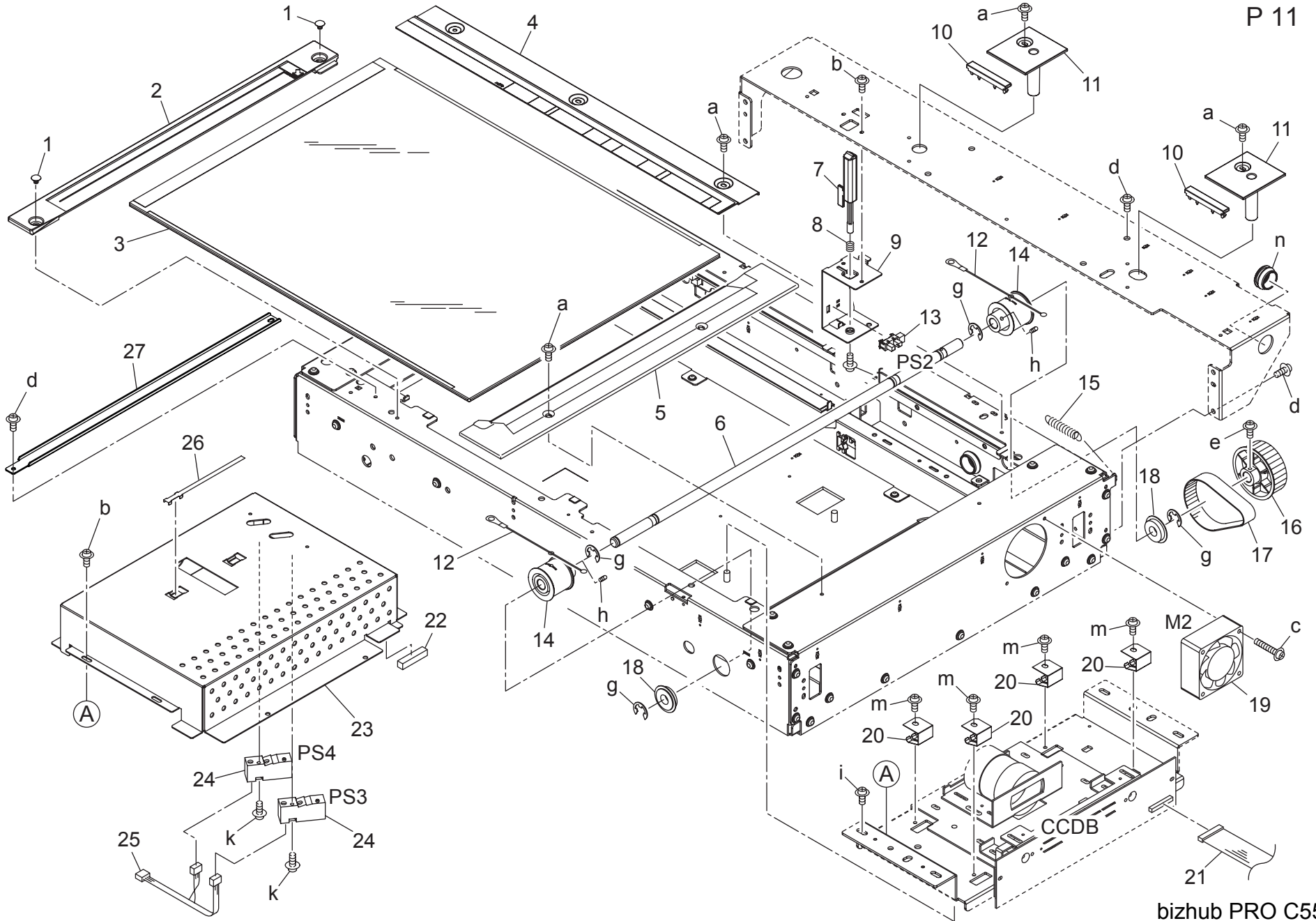
P 10



Key	Part No.	Description	Destinations	Class	QTY	Standard parts
1	26NA 6194 0	BEARING		C	2	a-V502 0100 07
2	25SA 6170 0	WIRE GUIDE ROLLER		C	2	b-V570 0100 43
3	65AA -623 0	PRALLEY FIXING PLATE CAULKING		D	2	c-V217 0400 50
4	25SA 6171 0	SPRING FIXING PLATE		D	2	d-V121 0406 03
5	65AA 6125 0	WIRE TENSION SPRING		C	1	e-V121 0304 03
6	26NA 6216 0	GLASS HOLDING PLATE		C	1	f-V193 0406 04
7	08AA 8551 2	PHOTO SENSOR		B	1	g-V111 0410 03
8	65AA 6139 0	CORD GUIDE PART		D	1	h-V121 0306 03
9	65AA -613 0	READ RAIL/MIDDLE ASSY		D	2	i-V151 0312 03
10	65AA 6129 0D	Read Support Part /2		D	1	k-V121 0408 03
11	65AA 6140 0	CORD HOLDER		D	1	
12	25SA 6107 0	REINFORCE PLATE		D	2	
13	65AA -907 1E	SCANNER DRIVE BOAD ASSY		B	1	
14	V502 0100 19	support		D	2	
15	65AA 9032 0E	SCANNER DRIVE WIRING		D	1	
16	65AA 9031 0	OPTICS DRIVING WIRING		D	1	
17	A03U M405 00	Lamp Starter		I	1	
18	25SA -620 1	PULLEY MT PLATE UNIT/FRONT		D	2	
19	56AA 6129 0	BUSHING		C	2	
20	65AA -614 0	READ RAIL ASSY		D	2	
21	65AA 6162 0	READ SUPPORT PART /1		D	3	
22	65AA 6146 0D	Cord Holding Plate		D	1	
23	65AA 6157 0	READ HOLDING PAD		D	1	
24	65AA 8501 0	ADF DETECTING SENSOR		B	1	
25	A03U 2662 01	Read Support Part /1		D	2	
26	56AA 6140 0	MOTOR AUXILIARY SCREW		C	3	
27	56AA -642 1	MOTOR AUX PART CAULKING		D	1	
28	56AA 6141 0	MOTOR AUXILIARY RUBBER		C	3	
29	56AA 6137 2	MOTOR AUXILIARY PART /1		D	1	
30	65AA 8013 1	OPTICAL DRIVE MOTOR		C	1	
31	65AA 7651 0	READ DRIVING PULLEY		C	1	
32	A03U 2602 00	Vibrationproof Rubber /M		C	1	

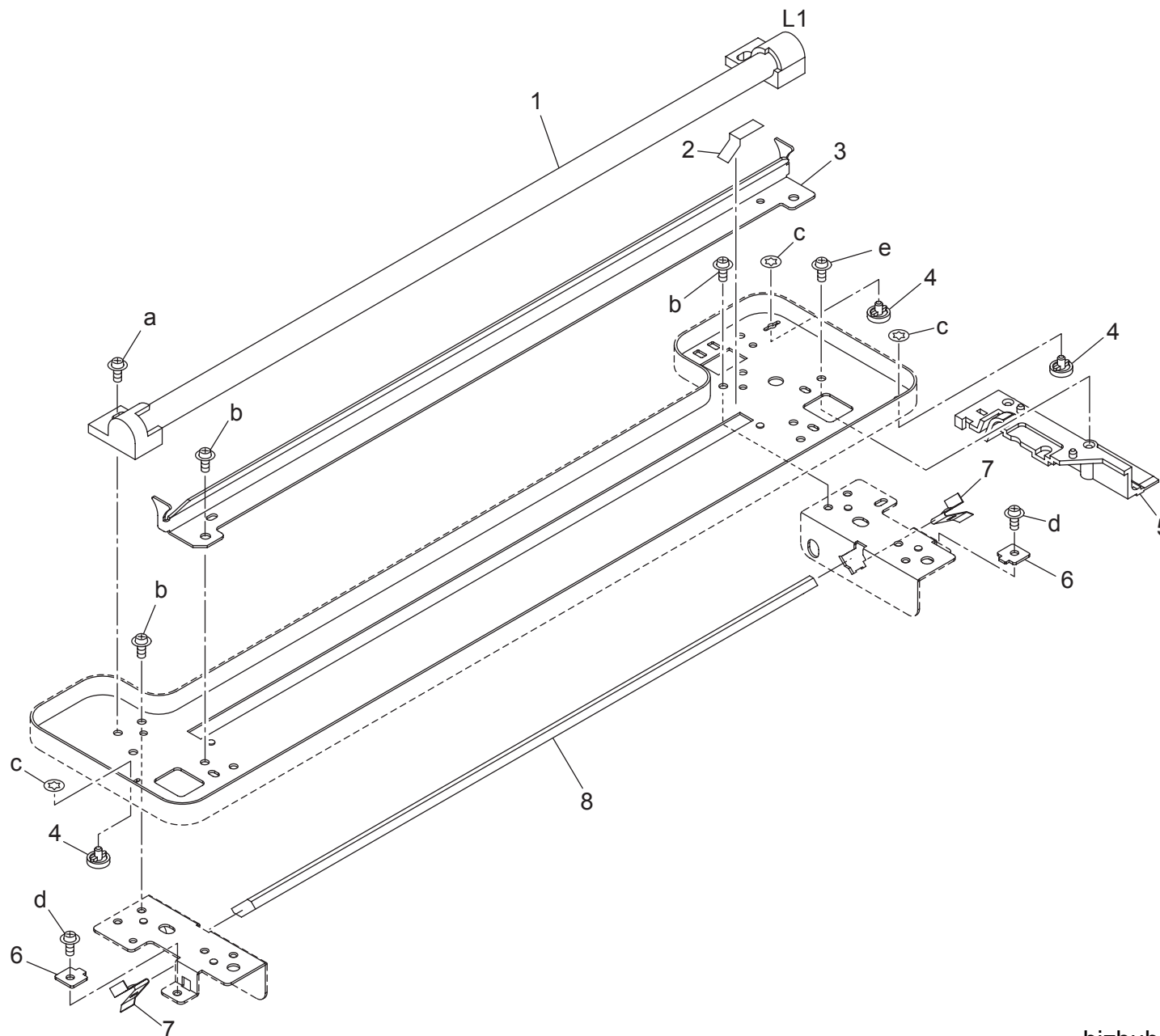
OPTICAL SECTION

P 11



bizhub PRO C5501

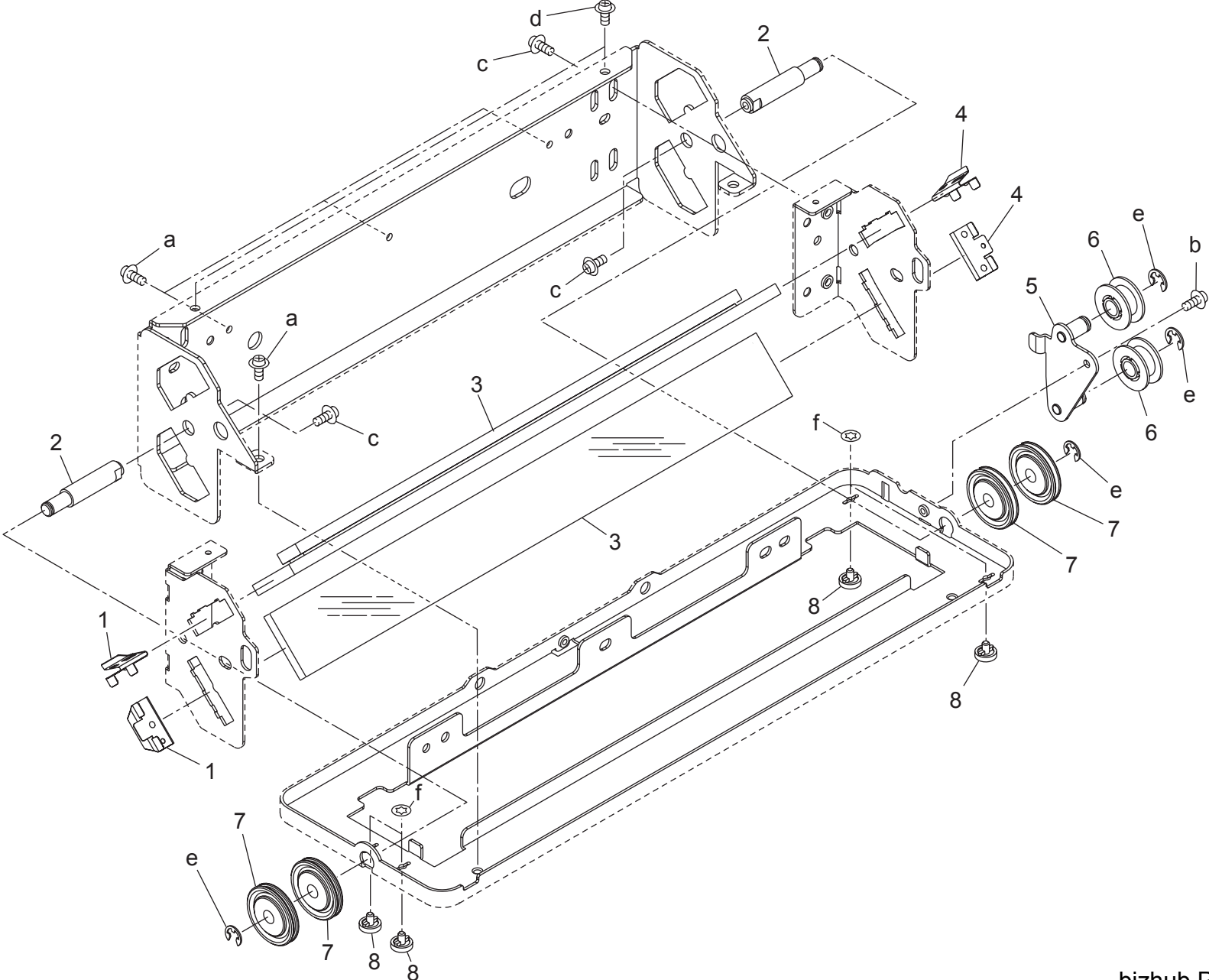
Key	Part No.	Description	Destinations	Class	QTY	Standard parts
1	56UA 1270 0	FIXING SCREW		C	2	a-V114 0406 04
2	A0U0 R716 00	ORIGINAL POSITION PLATE /LEFT ASSY		C	1	b-V121 0304 03
3	65AA R7A0 00	ORIGINAL GLASS ASSY		C	1	c-V118 0430 03
4	A0U0 R717 00	ORIGINAL POSITION PLATE /REAR ASSY		C	1	d-V121 0406 03
5	A03U 1617 00	Read Cover /Middle		C	1	e-V123 0310 03
6	65AA 6130 0E	Driving Shaft		D	1	f-V151 0308 03
7	56AA 6142 0	ADF DETECTING ACTUATOR		C	1	g-V217 0900 50
8	56AA 6143 1	ADF DETECTION SPRING		C	1	h-V193 0406 04
9	65AA 6149 1D	Mounting Part		D	1	i-V123 0408 03
10	A03U 1646 00	Read Auxiliary Cover		C	2	k-V111 0320 03
11	A03U 1642 00	Original cover Support Part		C	2	m-V121 0404 03
12	65AA 6118 0	OPTICS WIRE		C	2	n-V570 0100 43
13	08AA 8551 2	PHOTO SENSOR		B	1	
14	25SA 6165 0	DRIVE PULLEY		C	2	
15	65AA 6121 0	BELT TENSION SPRING		C	1	
16	65AA 7652 0	READ DRIVEN PULLEY 108T		C	1	
17	65AA 6135 0	READ DRIVING BELT 204L		C	1	
18	5000 7501 0	BALL BEARING		C	2	
19	27LA 8051 1	MAIN BODY FAN MOTOR		B	1	
20	55TA 6132 0	LENS EARTH SPRING		C	4	
21	A03U N133 00	CCD Wiring		D	1	
22	65AA 6158 0	READ EARTH PART		D	1	
23	65AA 6144 0E	LENS LIGHT SHIELD COVER		D	1	
24	56AA 8553 1	APS SENSOR 2		B	2	
25	65AA 9068 0E	PLATEN APS WIRING		D	1	
26	A03U 2663 00	Ground Plate		D	1	
27	65AA 6156 0D	Read Auxiliary Plate		D	1	



OPTICAL SECTION

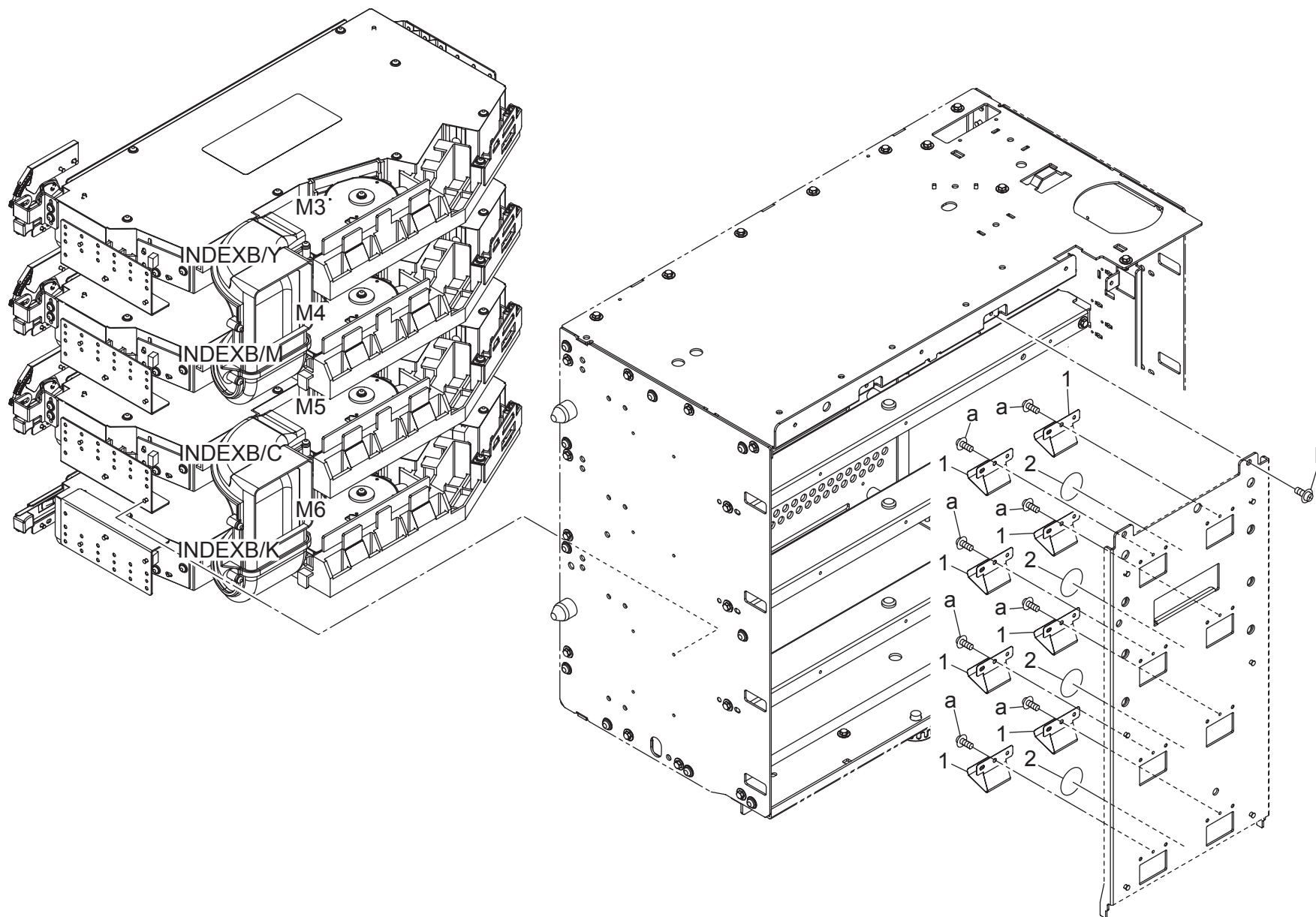
Key	Part No.	Description	Destinations	Class	QTY	Standard parts
1	A03U M301 01	Exposure Lamp		I	1	a-V121 0308 03 b-V121 0306 03 c-V226 0300 50 d-V123 0306 03 e-V151 0308 03
2	A03U 2664 00	Light blocking Sheet		D	1	
3	65AA 6151 0	Reflecting Mirror		D	1	
4	65AA 6120 0	OPTICS SLIDE PART		C	3	
5	65AA 6136 0	LIGHT SHIELD PLATE		D	1	
6	65AA 6137 0	WIRE FIXING PLATE		D	2	
7	26NA 6141 0	MIRROR PRESSURE SPRING		B	2	
8	65AA R799 00	FIRST-MIRROR ASSY		C	1	

OPTICAL SECTION



OPTICAL SECTION

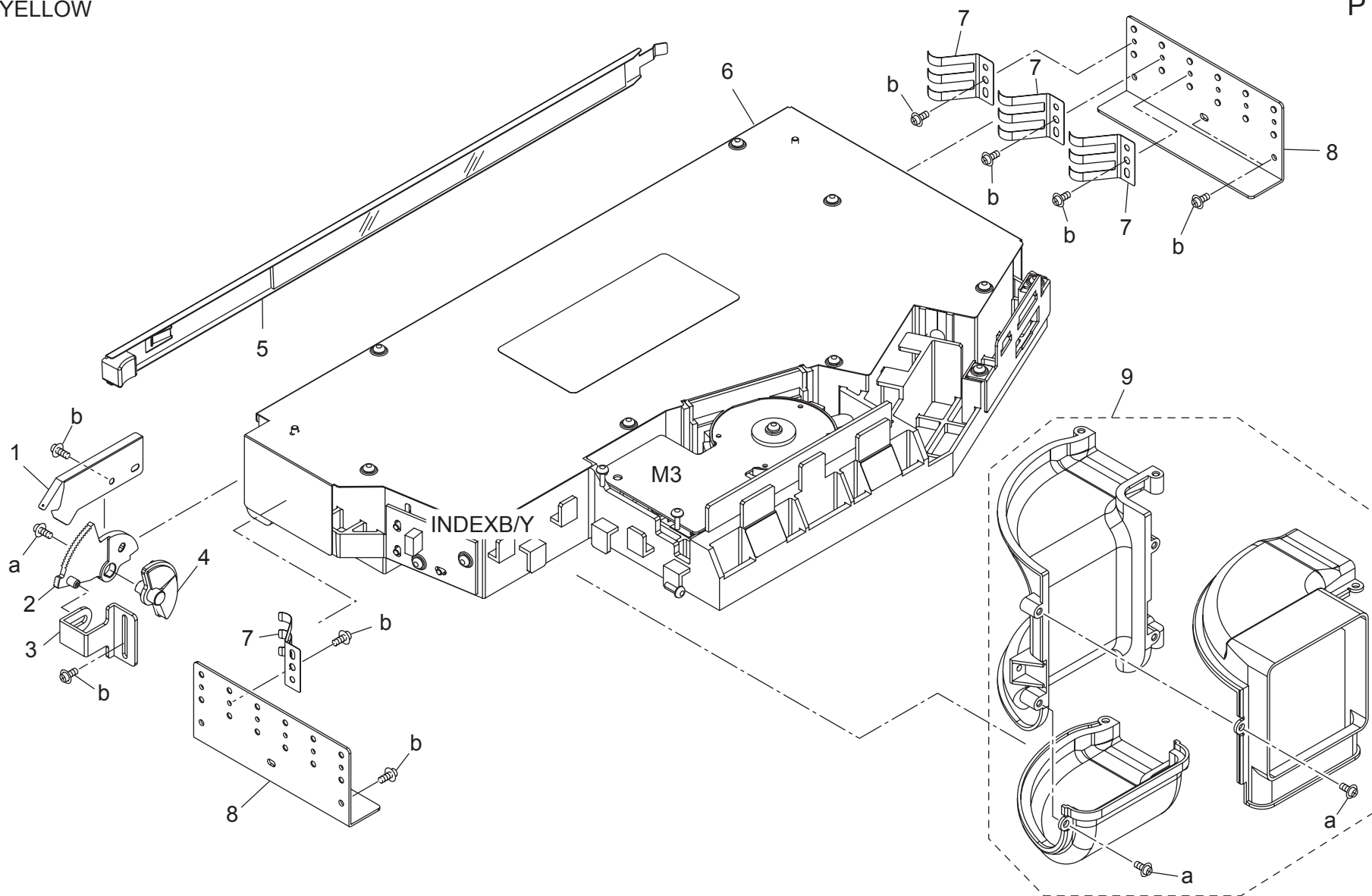
Key	Part No.	Description	Destinations	Class	QTY	Standard parts
1	25SA 6155 0	MIRROR HOLDER 4		C	2	a-V121 0406 03 b-V121 0304 03 c-V123 0408 03 d-V118 0310 03 e-V217 0400 50 f-V226 0300 50
2	65AA 6141 0	PULLEY SHAFT 2		D	2	
3	65AA 6112 0	READ MIRRER 2		C	2	
4	25SA 6154 0	MIRROR HOLDER 3		C	2	
5	65AA -628 0	CORD GUIDE PULLEY CAULKING		D	1	
6	65AA 6143 0	CORD GUIDE PULLEY		C	2	
7	56AA 6129 0	BUSHING		C	4	
8	65AA 6120 0	OPTICS SLIDE PART		C	4	



WRITE SECTION

Key	Part No.	Description	Destinations	Class	QTY	Standard parts
1	65AA 1087 0	WRITE PRESSING SPRING		D	8	a-V121 0304 03
2	65AA 4782 0	REGULATING PART		C	4	b-V121 0406 03

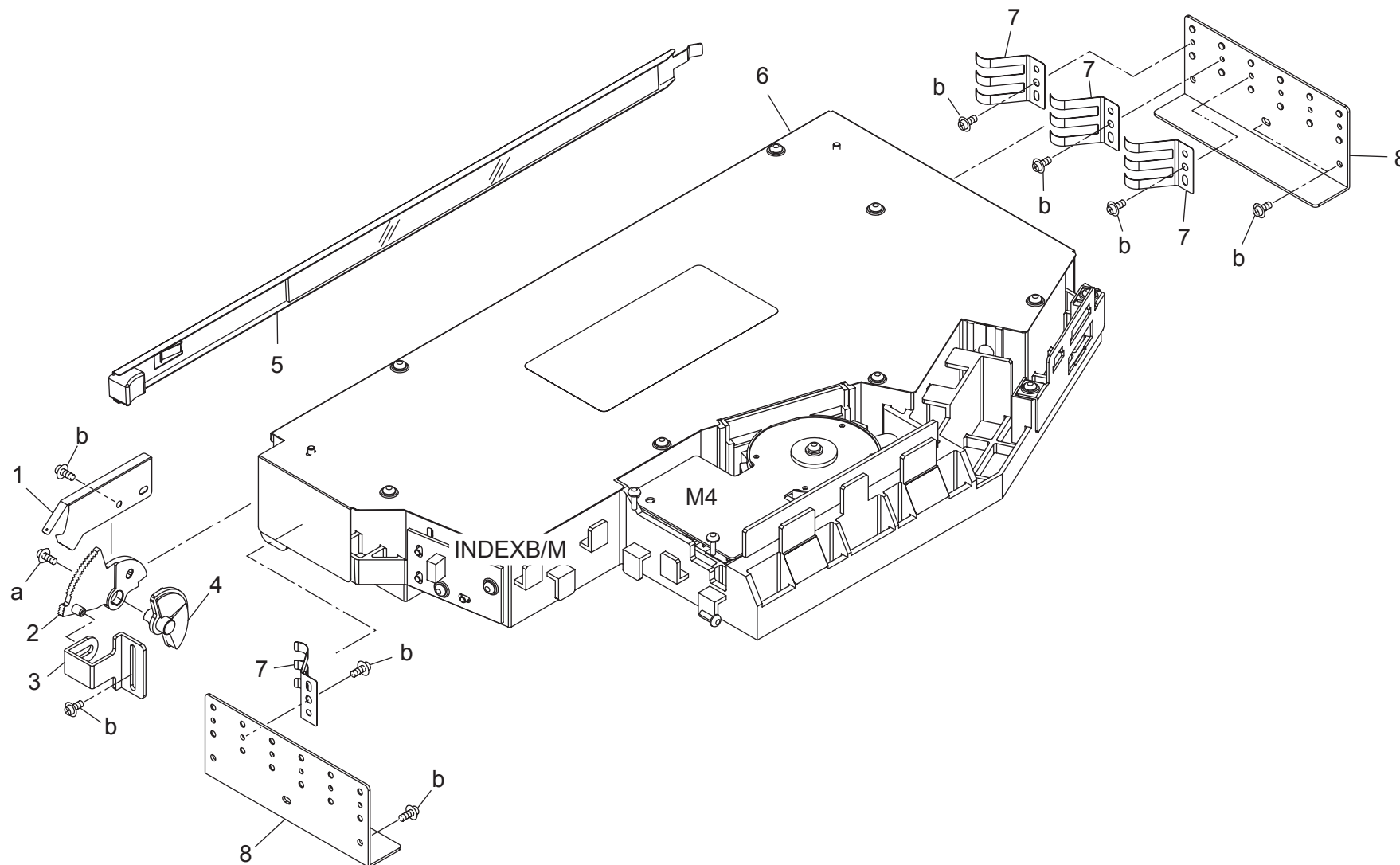
WRITE SECTION
YELLOW



WRITE SECTION

Key	Part No.	Description	Destinations	Class	QTY	Standard parts
1	65AA 1077 0D	Write Adjusting Plate		D	1	a-V158 0308 03 b-V121 0306 03
2	65AA 1076 0	WRITE ADJUSTING LEVER		C	1	
3	65AA 1140 0D	Lever Fixing Plate		D	1	
4	A03U 1075 00	Write Adjusting Cam		C	1	
5	65AA R707 00	GLASS CASE ASSY		C	1	
6	A0U0 R708 00	WRITING UNIT/C		I	1	
7	65AA 1114 0	EARTH PLATE		D	4	
8	65AA 1078 0D	Write Mounting Rail		D	2	
9	65AA R708 00	WRITING COOLING DUCT ASSY		D	1	

WRITE SECTION
MAGENTA



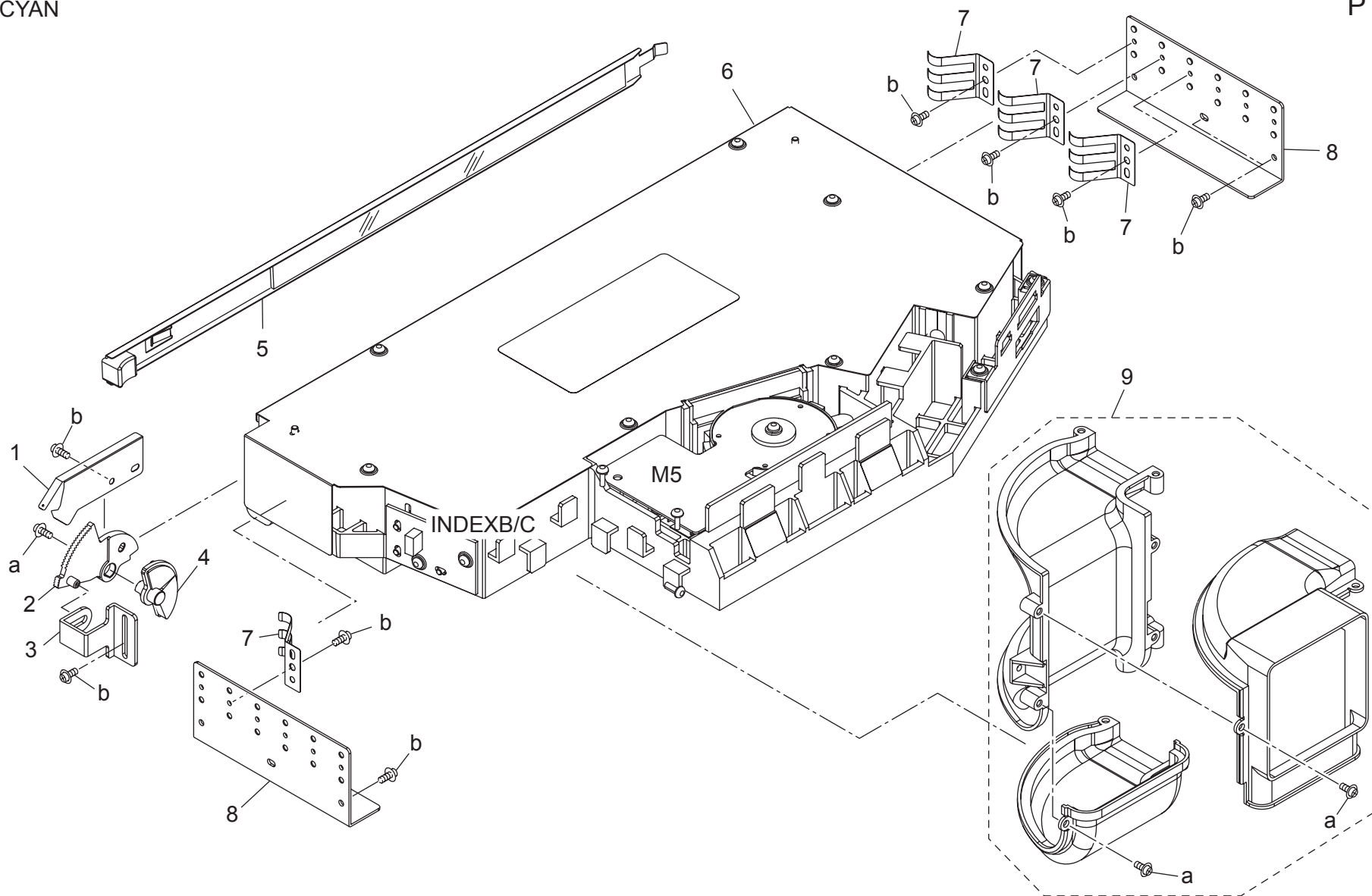
WRITE SECTION

Key	Part No.	Description	Destinations	Class	QTY	Standard parts
1	65AA 1077 0D	Write Adjusting Plate		D	1	a-V158 0308 03 b-V121 0306 03
2	65AA 1076 0	WRITE ADJUSTING LEVER		C	1	
3	65AA 1140 0D	Lever Fixing Plate		D	1	
4	A03U 1075 00	Write Adjusting Cam		C	1	
5	65AA R707 00	GLASS CASE ASSY		C	1	
6	A0U0 R708 00	WRITING UNIT/C		I	1	
7	65AA 1114 0	EARTH PLATE		D	4	
8	65AA 1078 0D	Write Mounting Rail		D	2	

WRITE SECTION

CYAN

P 17



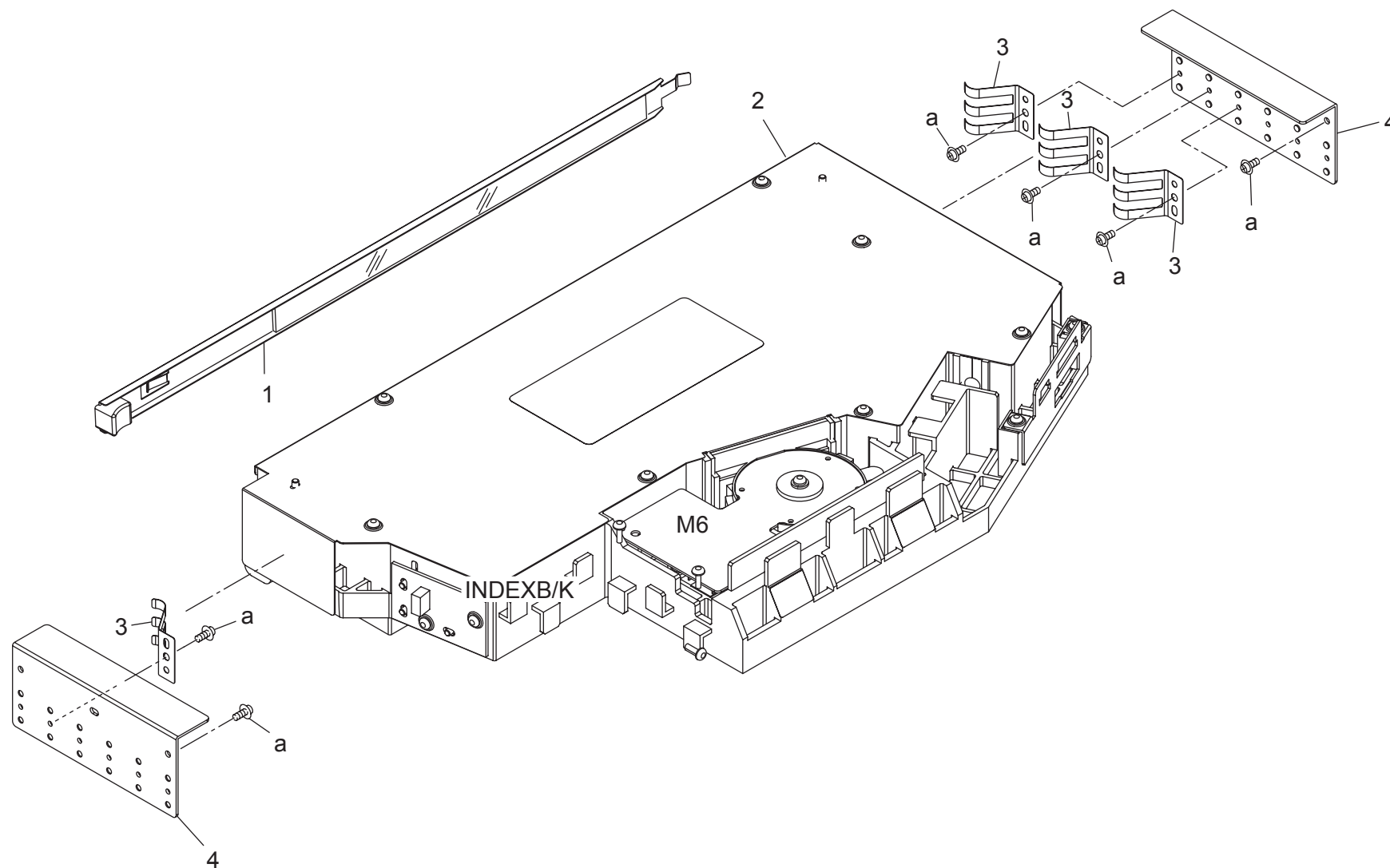
WRITE SECTION

Key	Part No.	Description	Destinations	Class	QTY	Standard parts
1	65AA 1077 0D	Write Adjusting Plate		D	1	a-V158 0308 03 b-V121 0306 03
2	65AA 1076 0	WRITE ADJUSTING LEVER		C	1	
3	65AA 1140 0D	Lever Fixing Plate		D	1	
4	A03U 1075 00	Write Adjusting Cam		C	1	
5	65AA R707 00	GLASS CASE ASSY		C	1	
6	A0U0 R708 00	WRITING UNIT/C		I	1	
7	65AA 1114 0	EARTH PLATE		D	4	
8	65AA 1078 0D	Write Mounting Rail		D	2	
9	65AA R708 00	WRITING COOLING DUCT ASSY		D	1	

WRITE SECTION

BLACK

P 18

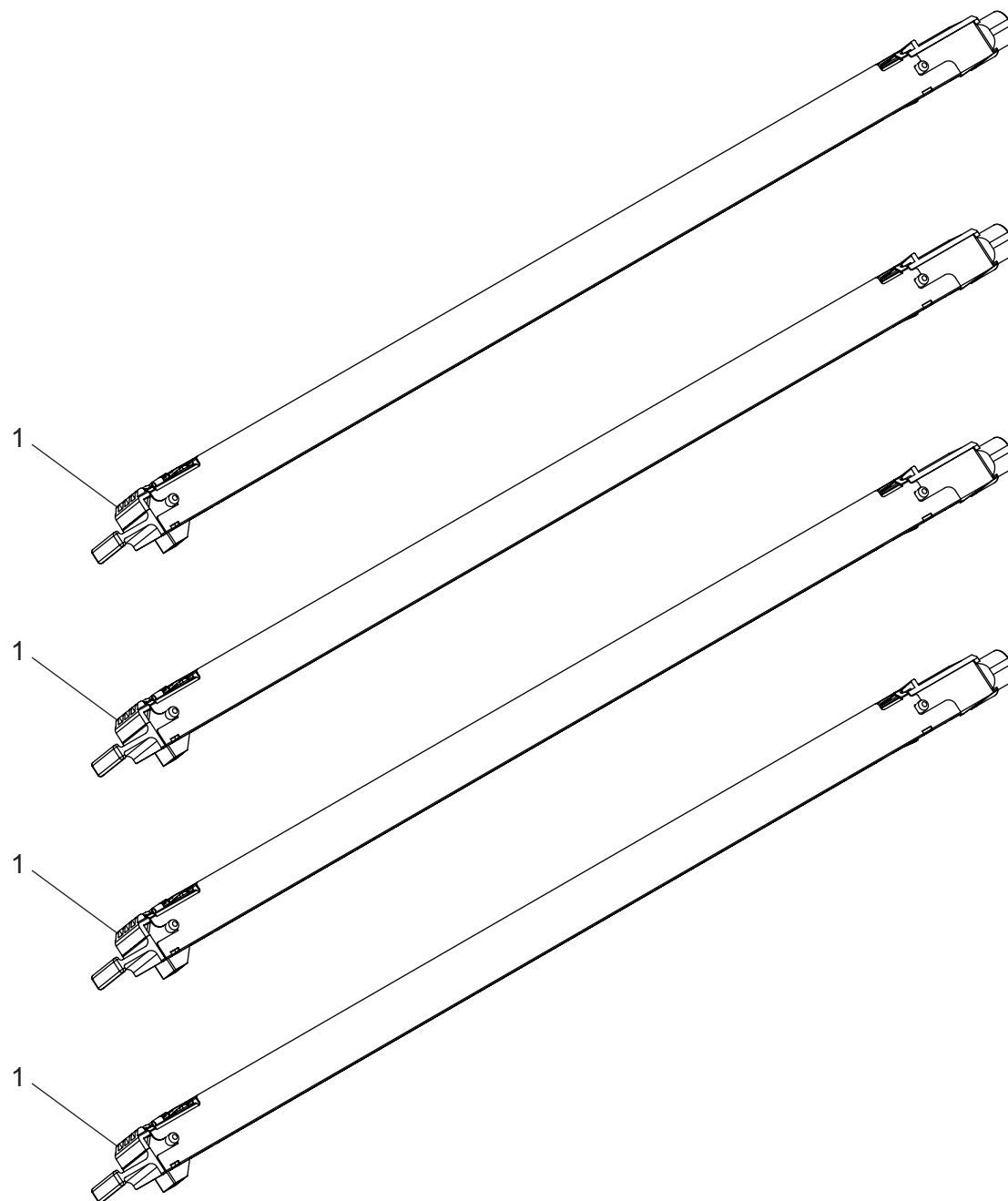


WRITE SECTION

Key	Part No.	Description	Destinations	Class	QTY	Standard parts
1	65AA R707 00	GLASS CASE ASSY		C	1	a-V121 0306 03
2	A0U0 R707 00	WRITING UNIT/K		I	1	
3	65AA 1114 0	EARTH PLATE		D	4	
4	65AA 1078 0D	Write Mounting Rail		D	2	

CHARGE CORONA SECTION

YELLOW
MAGENTA
CYAN
BLACK



CHARGE CORONA SECTION

Key	Part No.	Description	Destinations	Class	QTY	Standard parts
1	A0U0 R712 00	CHARGING UNIT		A	4	

PHOTO CONDUCTOR SECTION

YELLOW

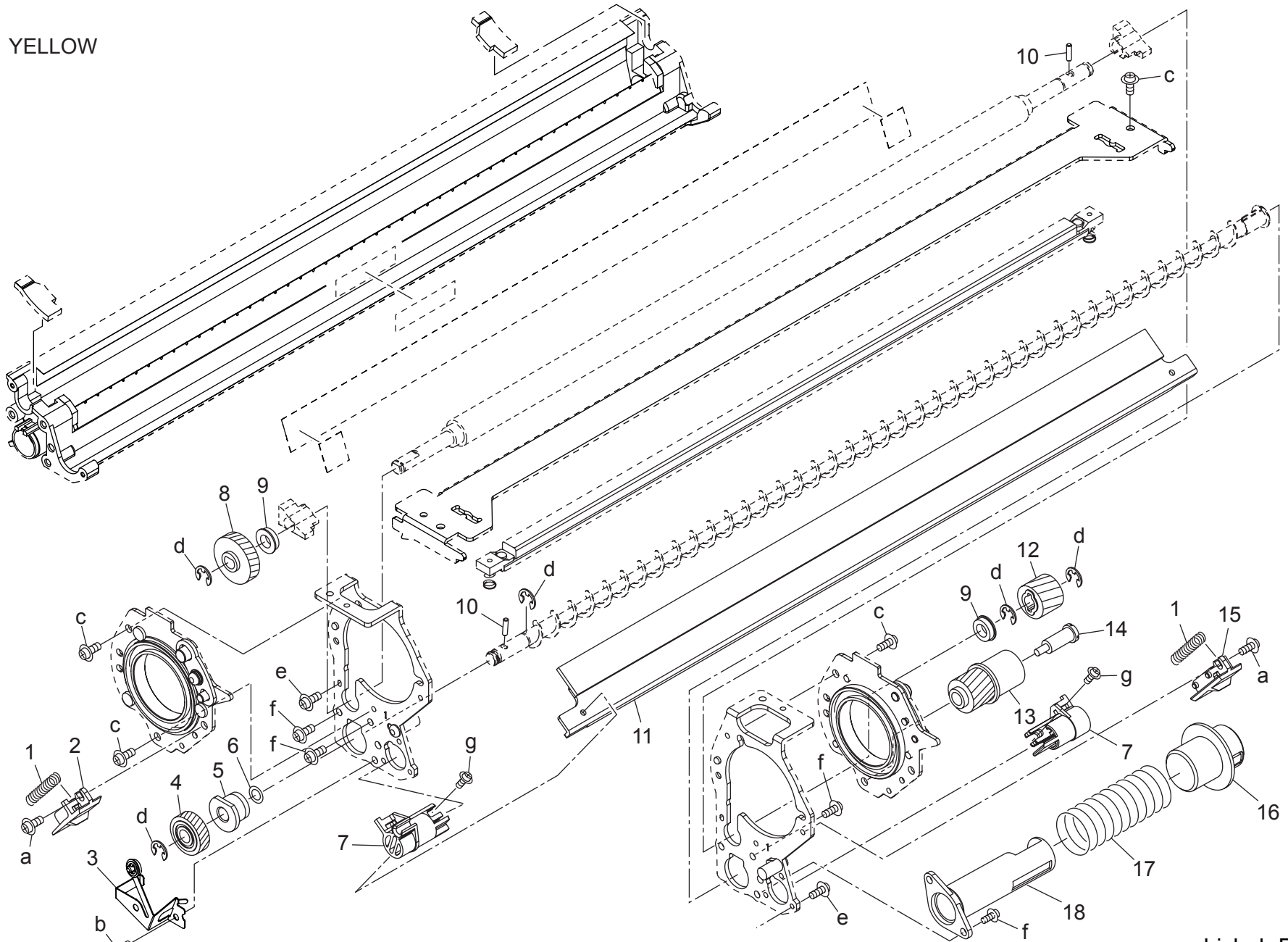


PHOTO CONDUCTOR SECTION

Key	Part No.	Description	Destinations	Class	QTY	Standard parts
1	A03U 3325 01	Blade Pressing Spring		C	2	a-V129 0308 03 b-V151 0310 03 c-V118 0306 03 d-V217 0400 50 e-V151 0206 03 f-V145 0310 03 g-V121 0304 03
2	65AA 2051 0	CHARGE INSULATING PART FRONT		C	1	
3	A03U R732 00	DRUM EARTH ASSY		C	1	
4	65AA 7731 0	SCREW DRIVING GEAR 26T		C	1	
5	55WA 3001 0	DEVELOPING SHAFT HOLDER		C	1	
6	26MA 7404 0	WASHER		C	1	
7	A03U 3312 00	Support Bushing		C	2	
8	65AA 7732 0	SCREW IDLING GEAR 32T		C	1	
9	26NA 1728 0	BALL BEARING		C	2	
10	4540 7805 0	PIN CLEANER A		C	2	
11	A03U 3303 00	Drum Cleaning Blade		C	1	
12	A03U 3399 00	CLEANER DRIVING GEAR 21T		C	1	
13	A03U 3346 00	Coupling /A		C	1	
14	65AA 2045 0	COUPLING SHAFT A		D	1	
15	65AA 2052 0	CHARGE INSULATING PART REAR		C	1	
16	65AA 2006 0	COLLECTING COVER		C	1	
17	65AA 2030 0	TONER COLLECTING SPRING		C	1	
18	65AA 2004 0	COLLECTING PIPE		D	1	

PHOTO CONDUCTOR SECTION

P 21

MAGENTA

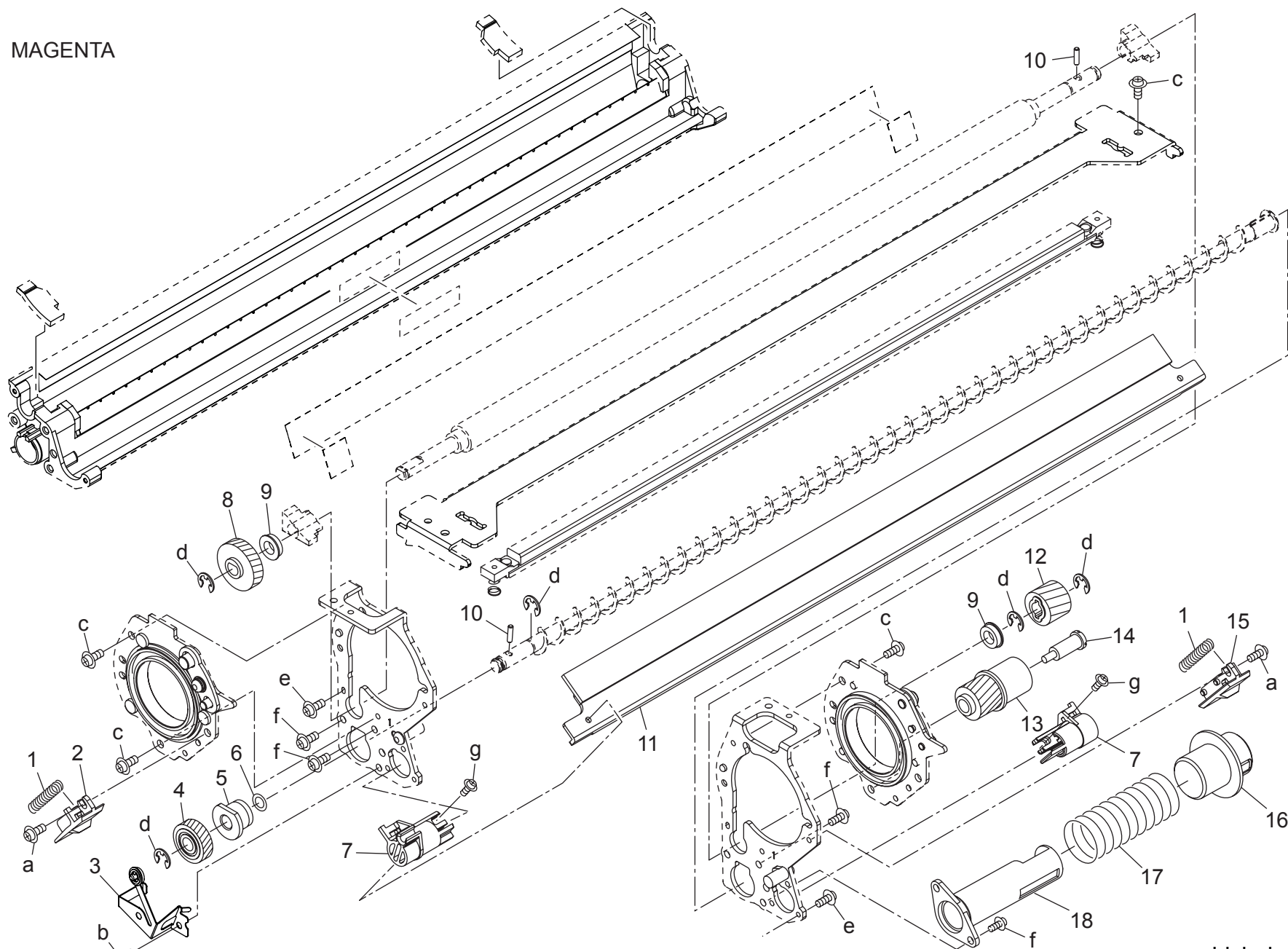


PHOTO CONDUCTOR SECTION

Key	Part No.	Description	Destinations	Class	QTY	Standard parts
1	A03U 3325 01	Blade Pressing Spring		C	2	a-V129 0308 03 b-V151 0310 03 c-V118 0306 03 d-V217 0400 50 e-V151 0206 03 f-V145 0310 03 g-V121 0304 03
2	65AA 2051 0	CHARGE INSULATING PART FRONT		C	1	
3	A03U R732 00	DRUM EARTH ASSY		C	1	
4	65AA 7731 0	SCREW DRIVING GEAR 26T		C	1	
5	55WA 3001 0	DEVELOPING SHAFT HOLDER		C	1	
6	26MA 7404 0	WASHER		C	1	
7	A03U 3312 00	Support Bushing		C	2	
8	65AA 7732 0	SCREW IDLING GEAR 32T		C	1	
9	26NA 1728 0	BALL BEARING		C	2	
10	4540 7805 0	PIN CLEANER A		C	2	
11	A03U 3303 00	Drum Cleaning Blade		C	1	
12	A03U 3399 00	CLEANER DRIVING GEAR 21T		C	1	
13	A03U 3346 00	Coupling /A		C	1	
14	65AA 2045 0	COUPLING SHAFT A		D	1	
15	65AA 2052 0	CHARGE INSULATING PART REAR		C	1	
16	65AA 2006 0	COLLECTING COVER		C	1	
17	65AA 2030 0	TONER COLLECTING SPRING		C	1	
18	65AA 2004 0	COLLECTING PIPE		D	1	

PHOTO CONDUCTOR SECTION

CYAN

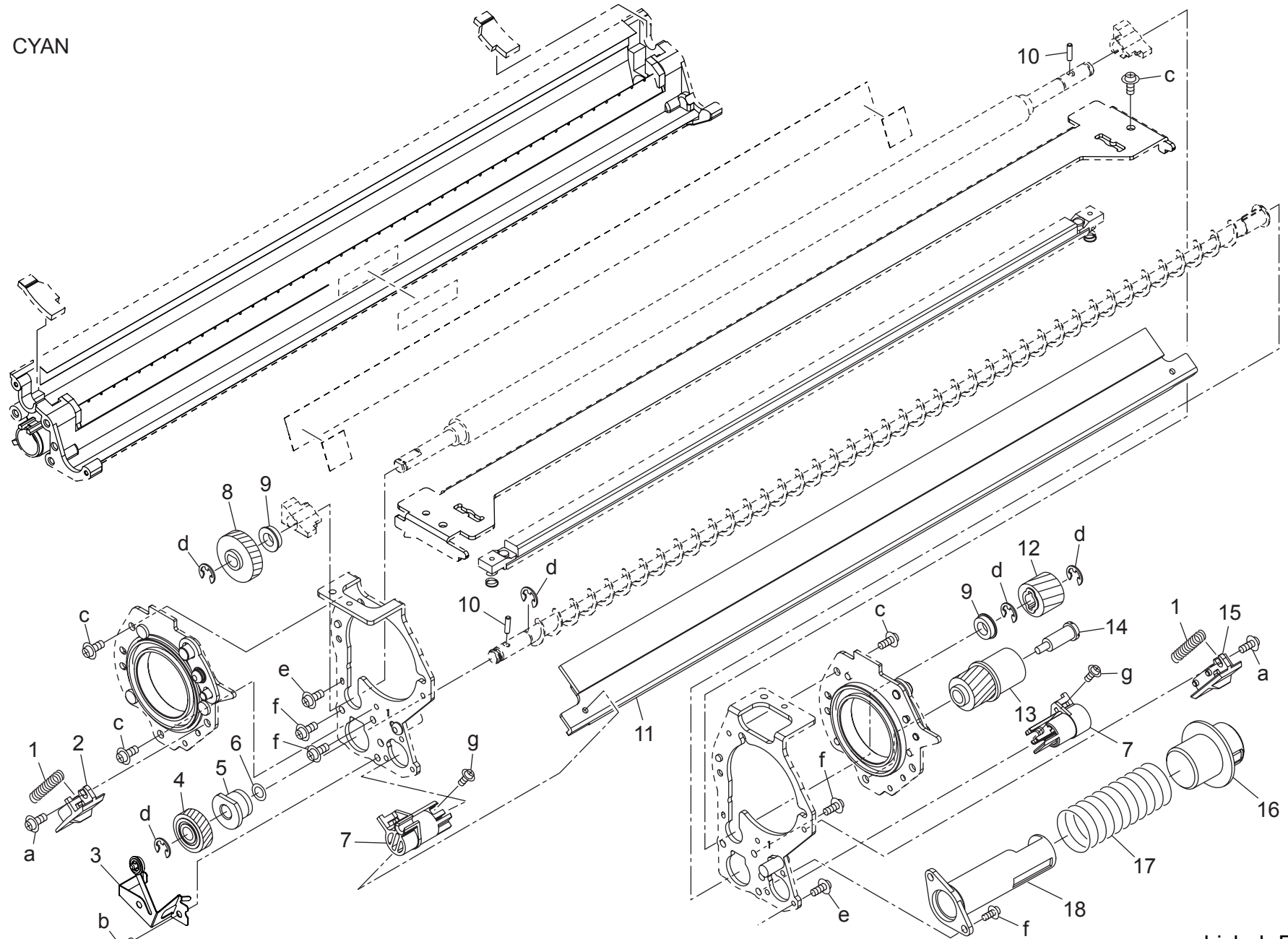


PHOTO CONDUCTOR SECTION

Key	Part No.	Description	Destinations	Class	QTY	Standard parts
1	A03U 3325 01	Blade Pressing Spring		C	2	a-V129 0308 03 b-V151 0310 03 c-V118 0306 03 d-V217 0400 50 e-V151 0206 03 f-V145 0310 03 g-V121 0304 03
2	65AA 2051 0	CHARGE INSULATING PART FRONT		C	1	
3	A03U R732 00	DRUM EARTH ASSY		C	1	
4	65AA 7731 0	SCREW DRIVING GEAR 26T		C	1	
5	55WA 3001 0	DEVELOPING SHAFT HOLDER		C	1	
6	26MA 7404 0	WASHER		C	1	
7	A03U 3312 00	Support Bushing		C	2	
8	65AA 7732 0	SCREW IDLING GEAR 32T		C	1	
9	26NA 1728 0	BALL BEARING		C	2	
10	4540 7805 0	PIN CLEANER A		C	2	
11	A03U 3303 00	Drum Cleaning Blade		C	1	
12	A03U 3399 00	CLEANER DRIVING GEAR 21T		C	1	
13	A03U 3346 00	Coupling /A		C	1	
14	65AA 2045 0	COUPLING SHAFT A		D	1	
15	65AA 2052 0	CHARGE INSULATING PART REAR		C	1	
16	65AA 2006 0	COLLECTING COVER		C	1	
17	65AA 2030 0	TONER COLLECTING SPRING		C	1	
18	65AA 2004 0	COLLECTING PIPE		D	1	

PHOTO CONDUCTOR SECTION

BLACK

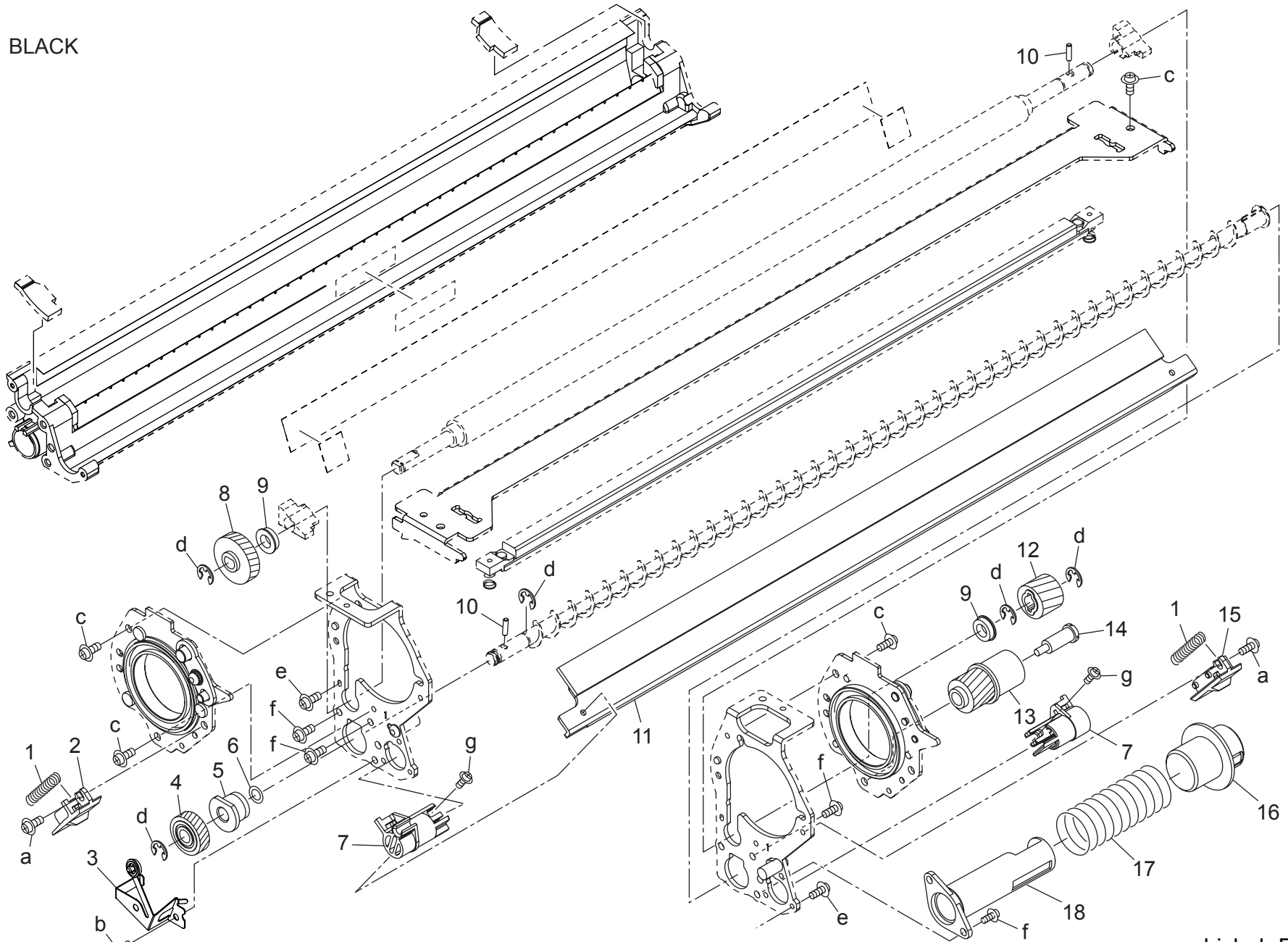
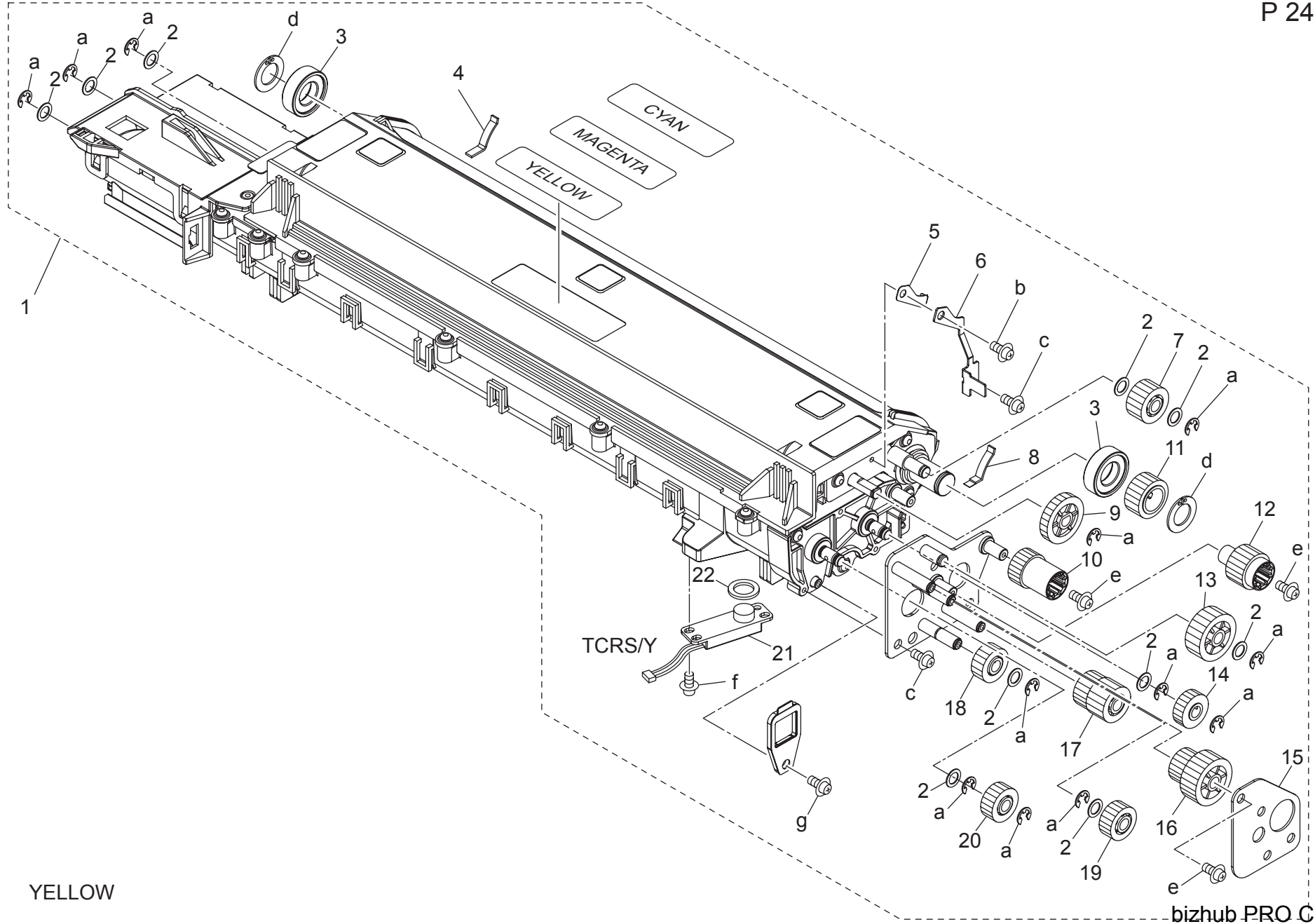


PHOTO CONDUCTOR SECTION

Key	Part No.	Description	Destinations	Class	QTY	Standard parts
1	A03U 3325 01	Blade Pressing Spring		C	2	a-V129 0308 03 b-V151 0310 03 c-V118 0306 03 d-V217 0400 50 e-V151 0206 03 f-V145 0310 03 g-V121 0304 03
2	65AA 2051 0	CHARGE INSULATING PART FRONT		C	1	
3	A03U R732 00	DRUM EARTH ASSY		C	1	
4	65AA 7731 0	SCREW DRIVING GEAR 26T		C	1	
5	55WA 3001 0	DEVELOPING SHAFT HOLDER		C	1	
6	26MA 7404 0	WASHER		C	1	
7	A03U 3312 00	Support Bushing		C	2	
8	65AA 7732 0	SCREW IDLING GEAR 32T		C	1	
9	26NA 1728 0	BALL BEARING		C	2	
10	4540 7805 0	PIN CLEANER A		C	2	
11	A03U 3303 00	Drum Cleaning Blade		C	1	
12	A03U 3399 00	CLEANER DRIVING GEAR 21T		C	1	
13	A03U 3346 00	Coupling /A		C	1	
14	65AA 2045 0	COUPLING SHAFT A		D	1	
15	65AA 2052 0	CHARGE INSULATING PART REAR		C	1	
16	65AA 2006 0	COLLECTING COVER		C	1	
17	65AA 2030 0	TONER COLLECTING SPRING		C	1	
18	65AA 2004 0	COLLECTING PIPE		D	1	

DEVELOPING SECTION



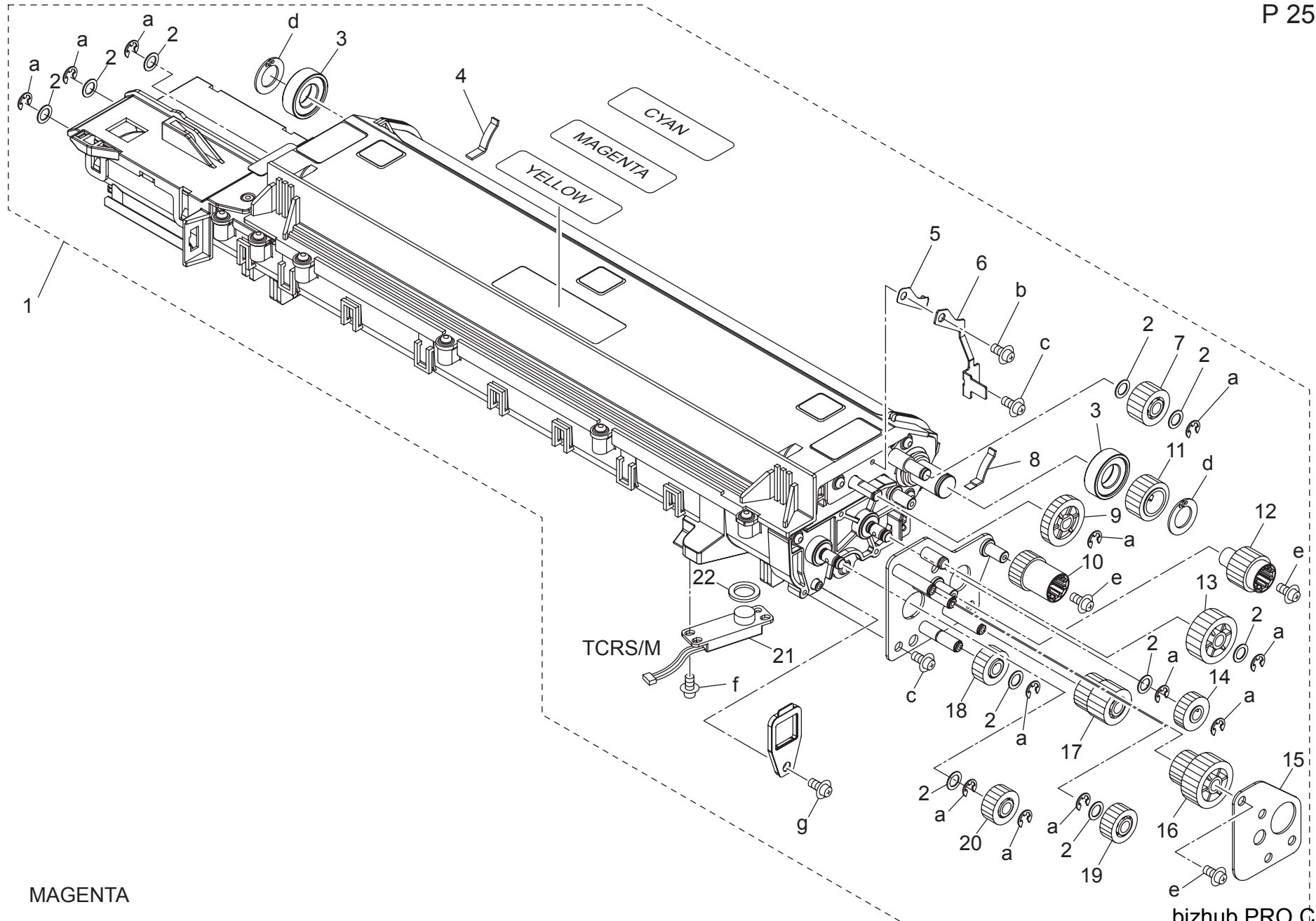
YELLOW

bizhub PRO C5501

DEVELOPING SECTION

Key	Part No.	Description	Destinations	Class	QTY	Standard parts
1	A03U R706 00	DEVELOPING UNIT C		B	1	a-V217 0400 50
2	40AA 3232 0	TONER SUPPLY SPACER		C	10	b-V123 0306 03
3	A03U 3760 00	BEARING		C	2	c-V158 0308 03
4	A03U 3758 00	Scatter Preventing Pad /Front		C	1	d-V223 1200 04
5	A03U 3719 00	Developing Power supply Plate /B		C	1	e-V121 0306 03
6	A03U 3718 00	Developing Power supply Plate		C	1	f-V145 0306 03
7	A03U 3891 00	DEVELOPING GEAR /2 19T		B	1	g-V145 0308 03
8	A03U 3759 01	SCATTER PREVENTING PAD /REAR		C	1	
9	A03U 3894 00	DEVELOPING GEAR /3 23T		B	1	
10	A03U 3727 01	Developing Coupling /Left 19T		C	1	
11	A03U 3890 00	DEVELOPING GEAR /1 22T		B	1	
12	A03U 3725 00	Developing Coupling /Right 17T		C	1	
13	A03U 3899 00	SCREW IDLING GEAR /5 23T		B	1	
14	A03U 3892 00	SCREW DRIVE GEAR /LEFT 16T		B	1	
15	A03U 3721 00	Drive Support Plate /2		D	1	
16	A03U 3898 00	SCREW IDLING GEAR /4 23T 15T		B	1	
17	A03U 3895 00	SCREW IDLING GEAR /1 17T 16T		B	1	
18	A03U 3896 00	SCREW IDLING GEAR /2 16T		B	1	
19	A03U 3897 01	SCREW IDLING GEAR /3 17T		B	1	
20	A03U 3893 01	SCREW DRIVE GEAR /RIGHT 16T		B	1	
21	A03U M508 01	Toner density Sensor		C	1	
22	25SA 3016 0	DEVELOPING DETECT SEAL		C	1	

DEVELOPING SECTION



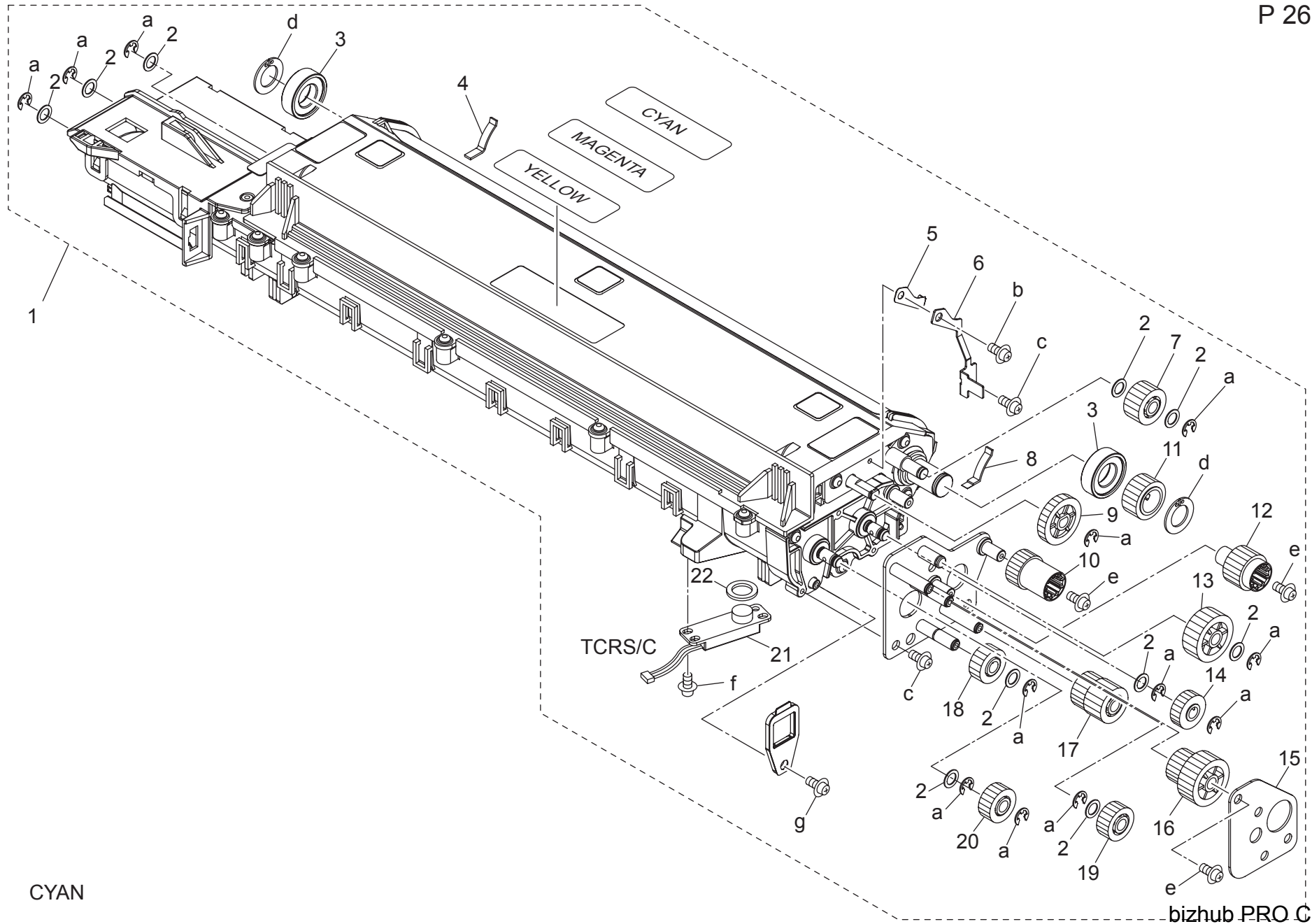
MAGENTA

bizhub PRO C5501

DEVELOPING SECTION

Key	Part No.	Description	Destinations	Class	QTY	Standard parts
1	A03U R706 00	DEVELOPING UNIT C		B	1	a-V217 0400 50
2	40AA 3232 0	TONER SUPPLY SPACER		C	10	b-V123 0306 03
3	A03U 3760 00	BEARING		C	2	c-V158 0308 03
4	A03U 3758 00	Scatter Preventing Pad /Front		C	1	d-V223 1200 04
5	A03U 3719 00	Developing Power supply Plate /B		C	1	e-V121 0306 03
6	A03U 3718 00	Developing Power supply Plate		C	1	f-V145 0306 03
7	A03U 3891 00	DEVELOPING GEAR /2 19T		B	1	g-V145 0308 03
8	A03U 3759 01	SCATTER PREVENTING PAD /REAR		C	1	
9	A03U 3894 00	DEVELOPING GEAR /3 23T		B	1	
10	A03U 3727 01	Developing Coupling /Left 19T		C	1	
11	A03U 3890 00	DEVELOPING GEAR /1 22T		B	1	
12	A03U 3725 00	Developing Coupling /Right 17T		C	1	
13	A03U 3899 00	SCREW IDLING GEAR /5 23T		B	1	
14	A03U 3892 00	SCREW DRIVE GEAR /LEFT 16T		B	1	
15	A03U 3721 00	Drive Support Plate /2		D	1	
16	A03U 3898 00	SCREW IDLING GEAR /4 23T 15T		B	1	
17	A03U 3895 00	SCREW IDLING GEAR /1 17T 16T		B	1	
18	A03U 3896 00	SCREW IDLING GEAR /2 16T		B	1	
19	A03U 3897 01	SCREW IDLING GEAR /3 17T		B	1	
20	A03U 3893 01	SCREW DRIVE GEAR /RIGHT 16T		B	1	
21	A03U M508 01	Toner density Sensor		C	1	
22	25SA 3016 0	DEVELOPING DETECT SEAL		C	1	

DEVELOPING SECTION

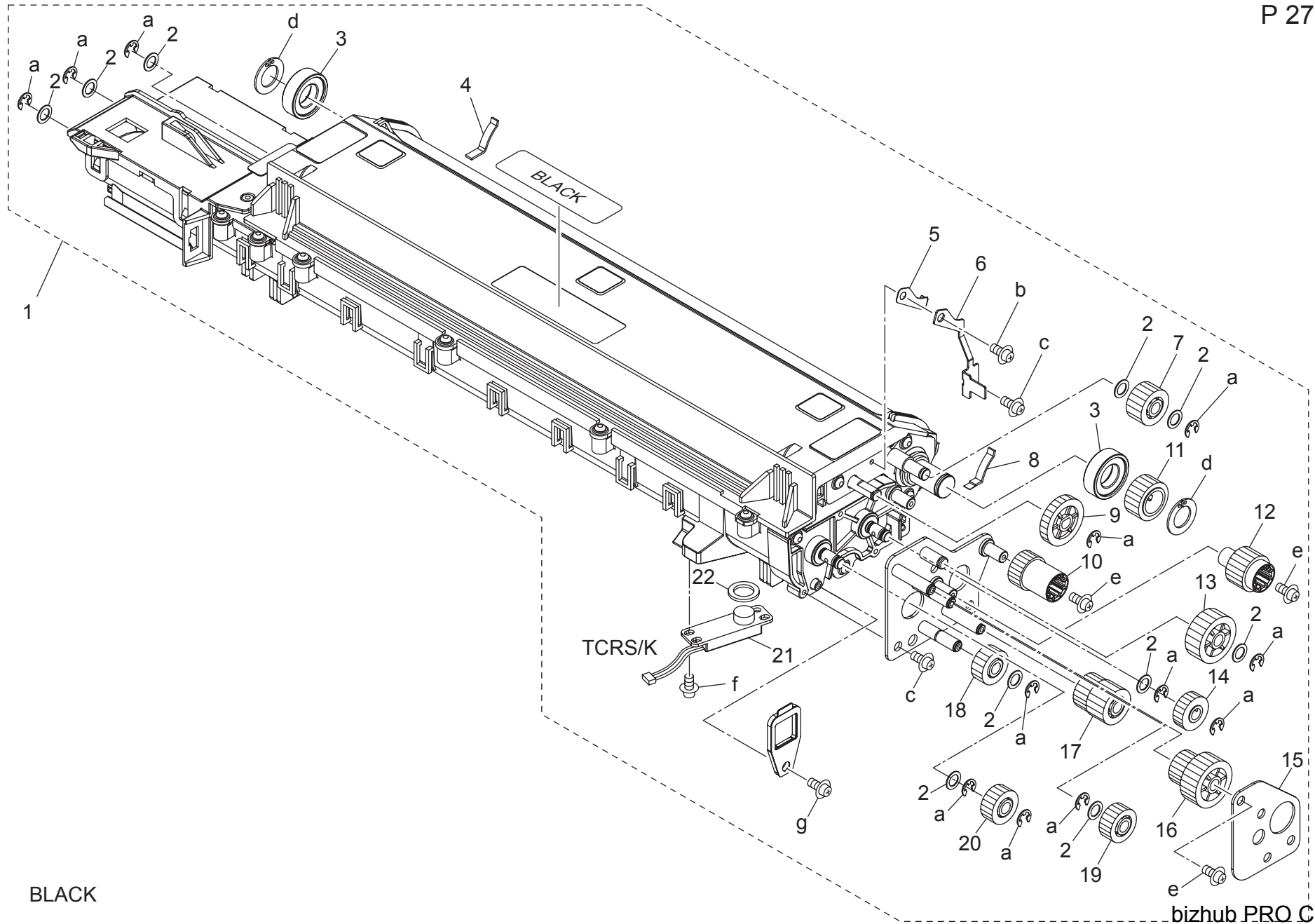


CYAN

bizhub PRO C5501

Key	Part No.	Description	Destinations	Class	QTY	Standard parts
1	A03U R706 00	DEVELOPING UNIT C		B	1	a-V217 0400 50 b-V123 0306 03 c-V158 0308 03 d-V223 1200 04 e-V121 0306 03 f-V145 0306 03 g-V145 0308 03
2	40AA 3232 0	TONER SUPPLY SPACER		C	10	
3	A03U 3760 00	BEARING		C	2	
4	A03U 3758 00	Scatter Preventing Pad /Front		C	1	
5	A03U 3719 00	Developing Power supply Plate /B		C	1	
6	A03U 3718 00	Developing Power supply Plate		C	1	
7	A03U 3891 00	DEVELOPING GEAR /2 19T		B	1	
8	A03U 3759 01	SCATTER PREVENTING PAD /REAR		C	1	
9	A03U 3894 00	DEVELOPING GEAR /3 23T		B	1	
10	A03U 3727 01	Developing Coupling /Left 19T		C	1	
11	A03U 3890 00	DEVELOPING GEAR /1 22T		B	1	
12	A03U 3725 00	Developing Coupling /Right 17T		C	1	
13	A03U 3899 00	SCREW IDLING GEAR /5 23T		B	1	
14	A03U 3892 00	SCREW DRIVE GEAR /LEFT 16T		B	1	
15	A03U 3721 00	Drive Support Plate /2		D	1	
16	A03U 3898 00	SCREW IDLING GEAR /4 23T 15T		B	1	
17	A03U 3895 00	SCREW IDLING GEAR /1 17T 16T		B	1	
18	A03U 3896 00	SCREW IDLING GEAR /2 16T		B	1	
19	A03U 3897 01	SCREW IDLING GEAR /3 17T		B	1	
20	A03U 3893 01	SCREW DRIVE GEAR /RIGHT 16T		B	1	
21	A03U M508 01	Toner density Sensor		C	1	
22	25SA 3016 0	DEVELOPING DETECT SEAL		C	1	

DEVELOPING SECTION



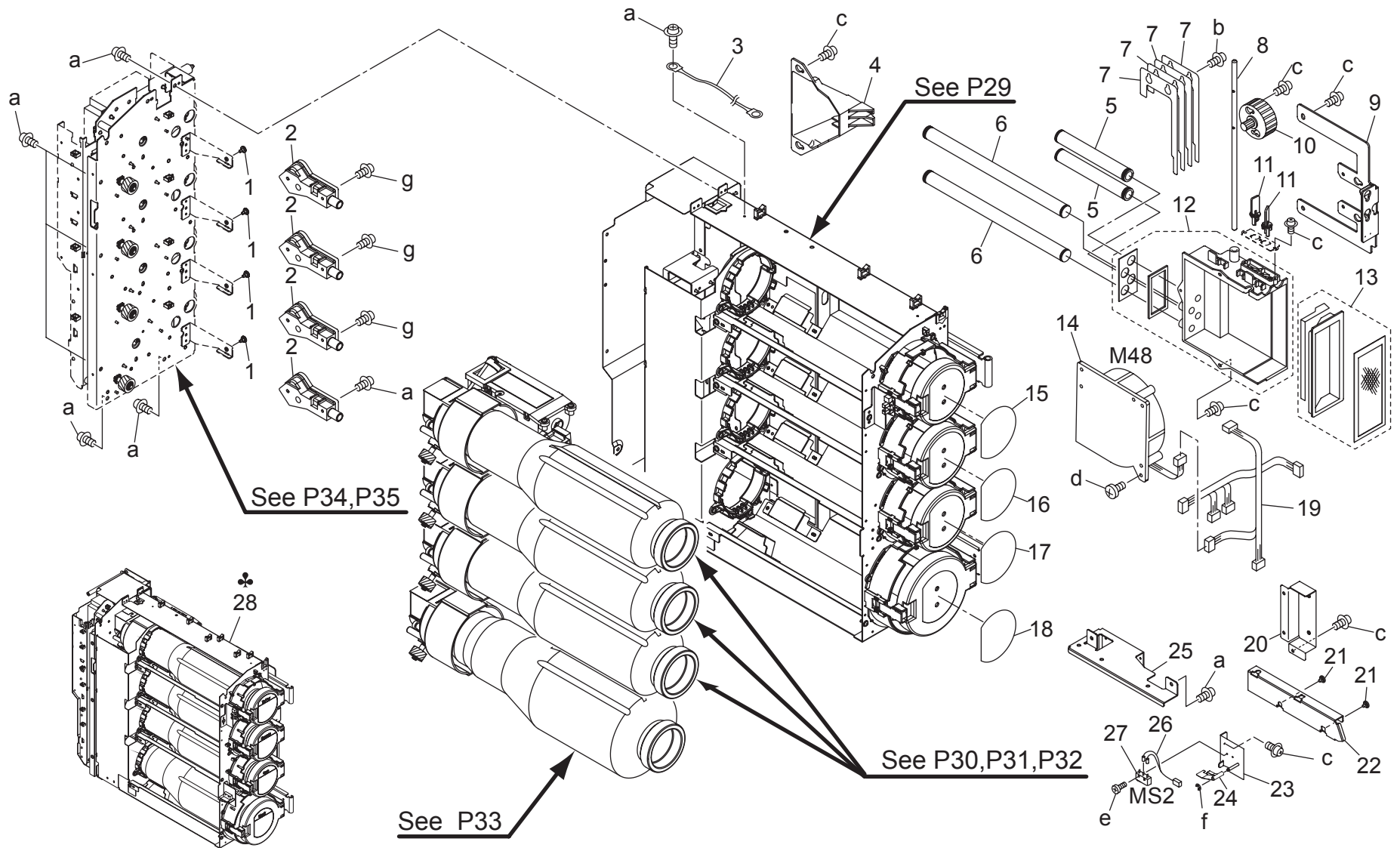
BLACK

bizhub PRO C5501

DEVELOPING SECTION

Key	Part No.	Description	Destinations	Class	QTY	Standard parts
1	A03U R707 00	DEVELOPING UNIT K		B	1	a-V217 0400 50
2	40AA 3232 0	TONER SUPPLY SPACER		C	10	b-V123 0306 03
3	A03U 3760 00	BEARING		C	2	c-V158 0308 03
4	A03U 3758 00	Scatter Preventing Pad /Front		C	1	d-V223 1200 04
5	A03U 3719 00	Developing Power supply Plate /B		C	1	e-V121 0306 03
6	A03U 3718 00	Developing Power supply Plate		C	1	f-V145 0306 03
7	A03U 3891 00	DEVELOPING GEAR /2 19T		B	1	g-V145 0308 03
8	A03U 3759 01	SCATTER PREVENTING PAD /REAR		C	1	
9	A03U 3894 00	DEVELOPING GEAR /3 23T		B	1	
10	A03U 3727 01	Developing Coupling /Left 19T		C	1	
11	A03U 3890 00	DEVELOPING GEAR /1 22T		B	1	
12	A03U 3725 00	Developing Coupling /Right 17T		C	1	
13	A03U 3899 00	SCREW IDLING GEAR /5 23T		B	1	
14	A03U 3892 00	SCREW DRIVE GEAR /LEFT 16T		B	1	
15	A03U 3721 00	Drive Support Plate /2		D	1	
16	A03U 3898 00	SCREW IDLING GEAR /4 23T 15T		B	1	
17	A03U 3895 00	SCREW IDLING GEAR /1 17T 16T		B	1	
18	A03U 3896 00	SCREW IDLING GEAR /2 16T		B	1	
19	A03U 3897 01	SCREW IDLING GEAR /3 17T		B	1	
20	A03U 3893 01	SCREW DRIVE GEAR /RIGHT 16T		B	1	
21	A03U M508 01	Toner density Sensor		C	1	
22	25SA 3016 0	DEVELOPING DETECT SEAL		C	1	

TONER SUPPLY SECTION

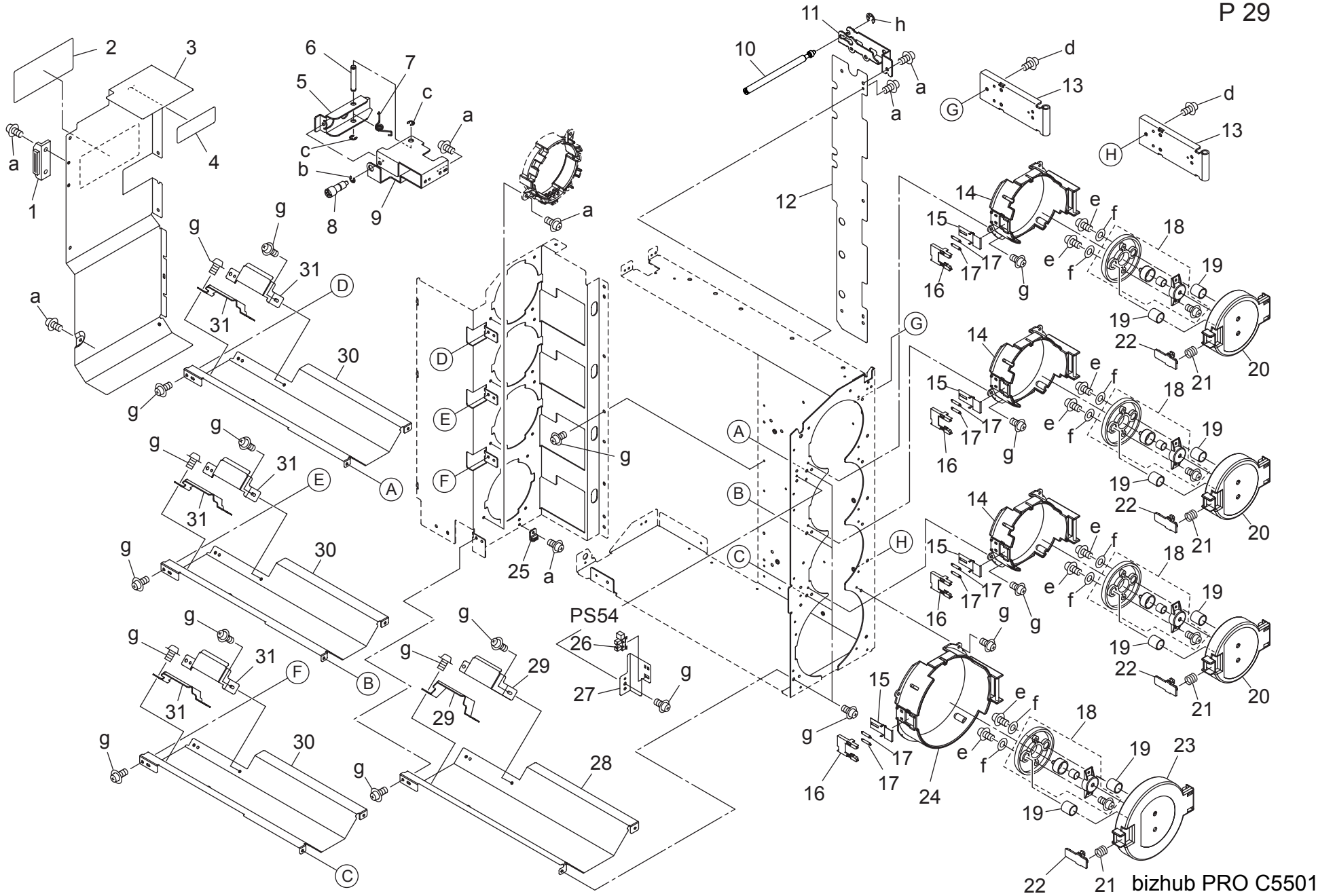


TONER SUPPLY SECTION

Key	Part No.	Description	Destinations	Class	QTY	Standard parts
1	55VA 2068 0	SEPARATION POSITIONING SCREW		C	4	a-V121 0306 03 b-V127 0312 03 c-V127 0306 03 d-V118 0410 03 e-V111 0208 03 f-V217 0200 50 g-V158 0308 03
2	A03U R742 00	CHARGE SUCTION ASSY		C	4	
3	65AA 9111 0	OPERATION UNIT EARTH WIRING		D	1	
4	65AA R766 00	DEVELOPER CHARGING PLATE		D	1	
5	65AA 3305 0	CHARGE SUCTION PIPE S		D	2	
6	65AA 3304 0	CHARGE SUCTION PIPE L		D	2	
7	65AA 3069 0	DEVELOPING SUPPORT FOOT		D	4	
8	65AA R752 00	SUPPORTING ROD		C	1	
9	65AA 3070 1	CARTRIDGE SUPPORT RAIL		D	1	
10	65AA 3091 0	DEVELOPING ROTARY JIG		D	1	
11	65AA R738 00	CHARGING CLEANING PART ASSY		B	2	
12	65AA R768 00	CHARGING SUCTION COVER ASSY		D	1	
13	65AA R767 00	FILTER PRESSING ASSY		A	1	
14	65AA 8059 0	MAIN BODY FAN		C	1	
15	A0U0 9445 00	Toner supply Label /Y		C	1	
16	A0U0 9446 00	Toner supply Label /M		C	1	
17	A0U0 9447 00	Toner supply Label /C		C	1	
18	A0U0 9448 00	Toner supply Label /B		C	1	
19	65AA 9098 0E	TONER RELAY WIRING /3		D	1	
20	65AA 3323 1D	Mounting Plate /1		D	1	
21	55VA 5385 0	ENTRANCE GUIDE SCREW		C	2	
22	65AA 3322 0D	Fixing Plate		D	1	
23	65AA -397 0	INTERLOCK CAULKING ASSY		D	1	
24	A03U 4021 00	SWITCH PLATE		D	1	
25	65AA 3307 0D	duct Mounting Plate		D	1	
26	65AA 9110 0	INTER LOCK WIRING		D	1	
27	12QR 8601 1	INTERLOCK SWITCH		B	1	
28	A0U0 R710 00	TONER SUPPLY UNIT	A	I	1	
28	A0U0 R711 00	TONER SUPPLY UNIT (US)	B,G1	I	1	
28	A0U0 R713 00	TONER SUPPLY UNIT (EU)	C,D1,D3,E,F2,H,I,J	I	1	

TONER SUPPLY SECTION

P 29



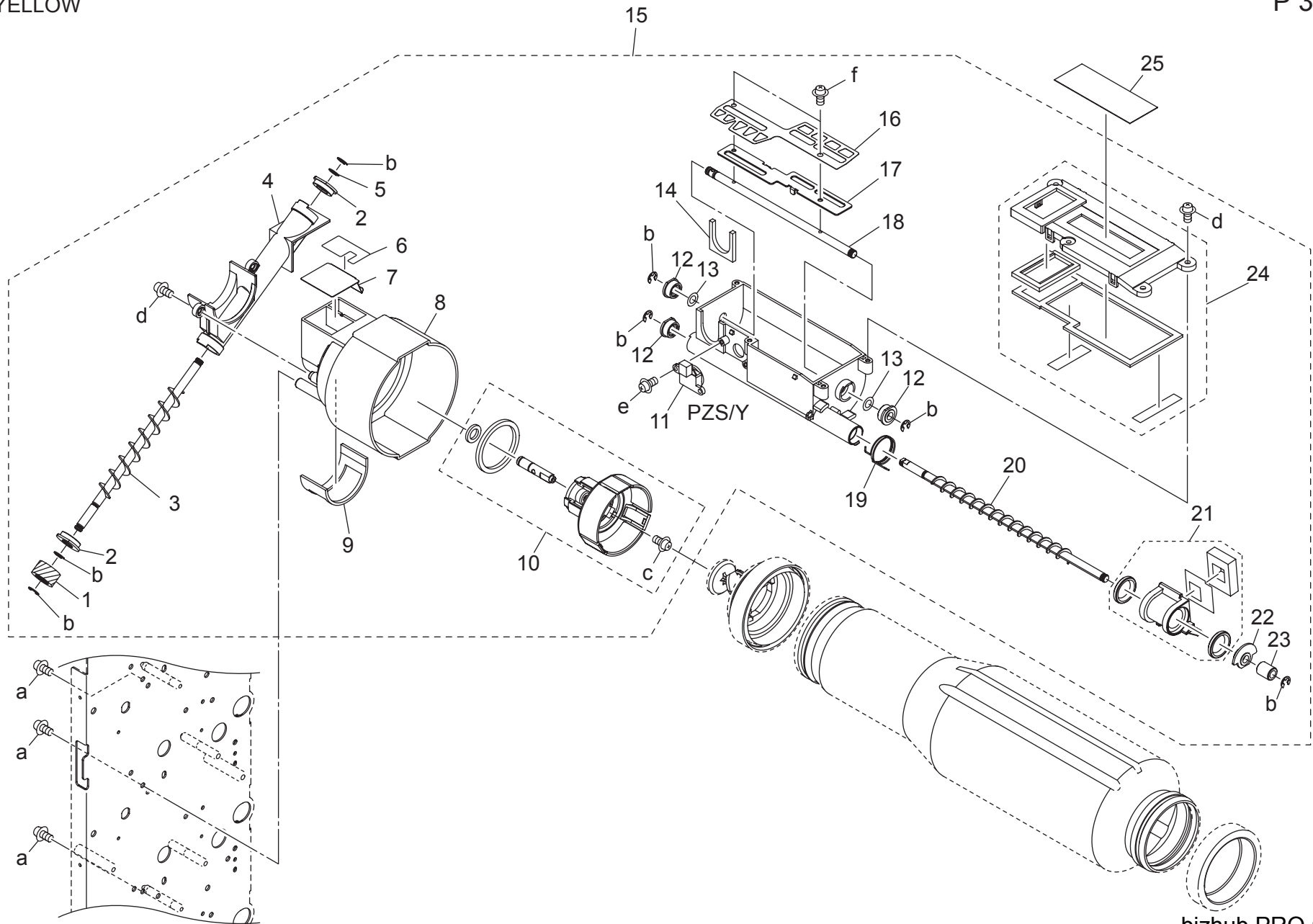
TONER SUPPLY SECTION

Key	Part No.	Description	Destinations	Class	QTY	Standard parts
1	55VA 5375 0	MAGNET CATCH		C	1	a-V121 0306 03
2	56UA 9730 0	LESER CAUTION LABEL 1		C	1	b-V217 0600 50
3	65AA 3217 0D	Toner supply Driving Cover		D	1	c-V217 0400 50
4	65AA 3219 0	PROTECTION SHEET		D	1	d-V127 0408 03
5	65AA 3289 0	LOCKING PLATE /B		C	1	e-V151 0406 03
6	65AA 3270 0D	TONER SUPPLY FULCRUM SHAFT		D	1	f-V207 0600 03
7	65AA 3271 0	TONER SUPPLY LOCK SPRING		C	1	g-V127 0306 03
8	A03U 4033 00	Fixing Screw		C	1	h-V217 0300 50
9	65AA 3272 0D	LOCKING PLATE /A		D	1	
10	A03U 4041 00	Fixing Screw /Upper		D	1	
11	A03U 4035 01	Support Plate		D	1	
12	65AA 3218 0D	Toner supply Driving Cover /2		D	1	
13	65AA 3216 0D	Toner supply Hinge		D	2	
14	A03U 4039 00	Guide Part /B		D	3	
15	26TA 3296 0	CARTRIDGE REGULATING PLATE		C	4	
16	26TA 3299 0	COVER PART		C	4	
17	26TA 3297 0	CARTRIDGE REGULATING SPRING		C	8	
18	65LA R705 00	PRESSING PART ASSY		D	4	
19	26TA 3298 0	CARTRIDGE PRESSING SPRING 3		C	8	
20	65AA 3242 0	CARTRIDGE PRESSING PEDESTAL A		C	3	
21	26NA 3287 0	CARTRIDGE PRESSING SPRING 2		C	4	
22	40LA 3285 0	CARTRIDGEPRESSINGHANDLE		C	4	
23	65AA 3263 1	CATRIDGE PRESSING PEDESTAL B		C	1	
24	A03U 4067 00	Guide Part /D		D	1	
25	65AA 3268 0	TONER SUPPLY GUIDE HOLDER		D	1	
26	08AA 8551 2	PHOTO SENSOR		B	1	
27	65AA 3284 0D	Mounting Plate /B		D	1	
28	65AA 3283 0D	Toner supply Guide Plate /B		D	1	
29	65AA 3313 0D	Guide Plate /Lower		D	2	
30	65AA 3215 0D	Toner supply Guide Plate /A		D	3	
31	65AA 3312 0D	Guide Plate /Upper		D	6	

TONER SUPPLY SECTION

YELLOW

P 30



bizhub PRO C5501

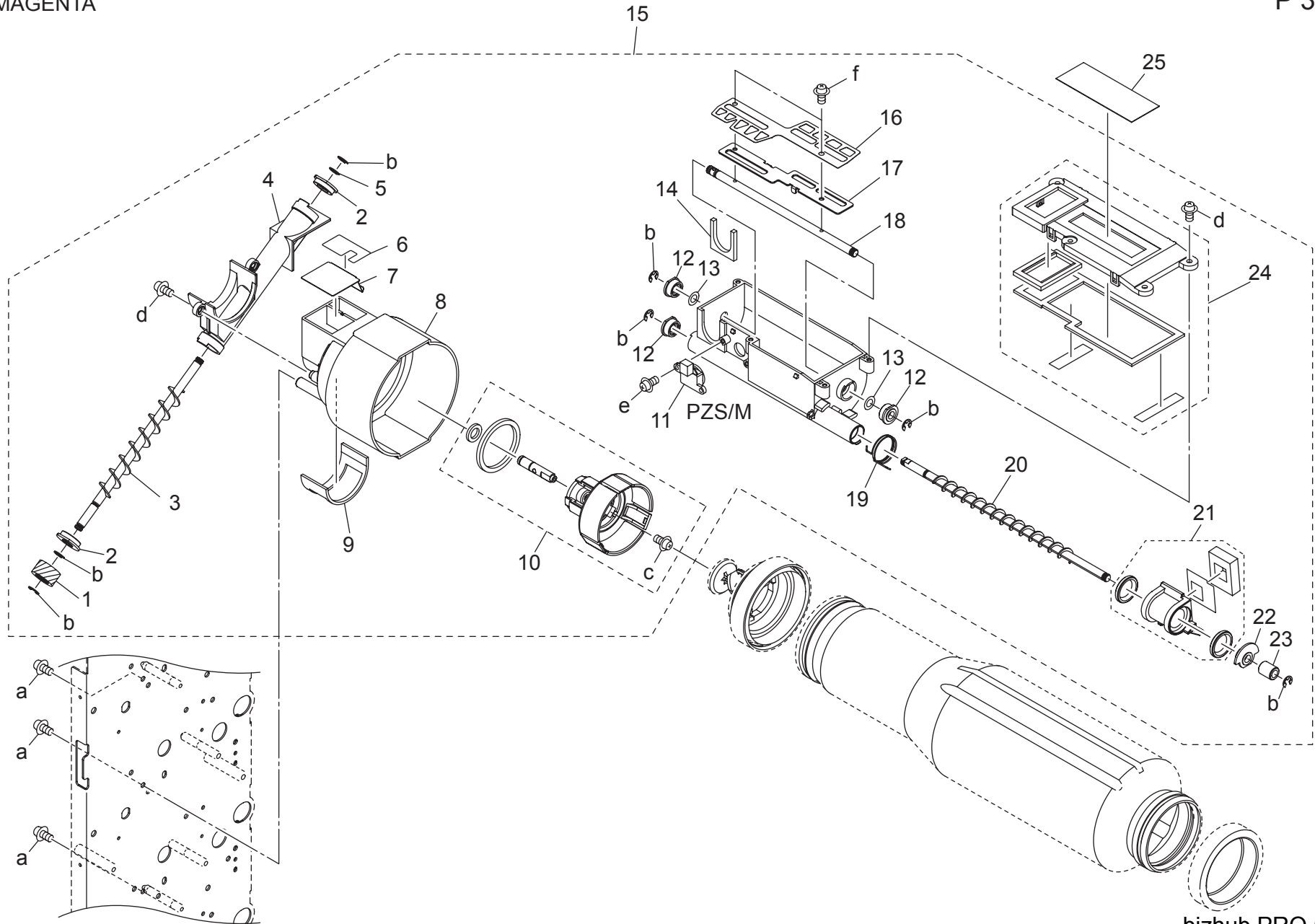
TONER SUPPLY SECTION

Key	Part No.	Description	Destinations	Class	QTY	Standard parts
1	56AA 7733 0	SCREW GEAR 15T		C	1	a-V145 0308 03 b-V217 0400 50 c-V121 0306 03 d-V158 0308 03 e-V158 0306 03 f-V122 0308 03
2	65AA 3246 1	BUSHING /A		C	2	
3	65AA 3232 0	TONER CONVEYING SCREW A		C	1	
4	65AA 3231 0	TONER CONVEYING MAIN BODY A		C	1	
5	40AA 3232 0	TONER SUPPLY SPACER		C	1	
6	65AA 3336 0	SEALING PART		D	1	
7	65AA 3276 1	SEAL PART H		D	1	
8	65AA 3211 0	TONER SUPPLY GUIDE PART A		D	1	
9	65AA 3297 0	CONVEYING SEAL		C	1	
10	65AA R762 00	HOLDING MAIN BODY ASSY		C	1	
11	40AA 8803 1	LEVEL DETECTION SENSOR		C	1	
12	65AA 3250 1	BUSHING /B		C	3	
13	65AA 3332 0	SCATTER PREVENTING PART 1		C	2	
14	65AA 3247 0	SEALING PART /A		C	1	
15	65AA R760 00	TONER SUPPLY A ASSY		C	1	
16	65AA 3243 0	TONER AGITATING SHEET		C	1	
17	65AA 3203 0	TONER AGITATING PLATE		C	1	
18	65AA 3202 0	TONER AGITATING SHAFT		D	1	
19	65AA 3280 0	TONER SUPPLY OPEN SHUT SPRING		C	1	
20	65AA 3204 0	TONER SUPPLY SCREW		C	1	
21	65AA R763 00	TONER SUPPLY ROTARY ASSY		C	1	
22	65AA 3285 1	BUSHING /D		C	1	
23	65AA 3294 0	BUSHING /E		C	1	
24	65AA R764 00	TONER SUPPLY COVER ASSY		C	1	
25	65AA 3295 0	TONER SEALING SHEET		D	1	

TONER SUPPLY SECTION

MAGENTA

P 31



bizhub PRO C5501

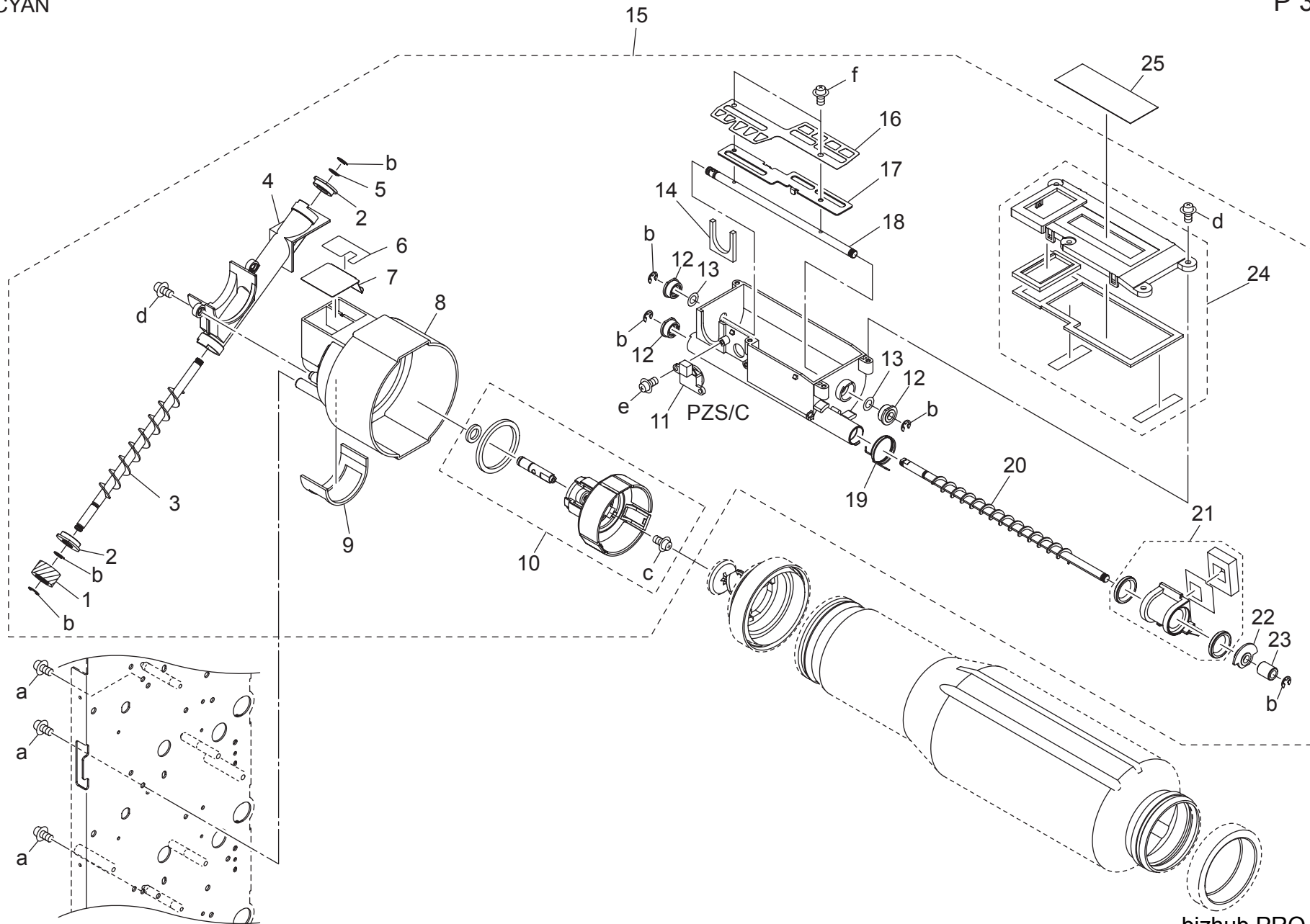
TONER SUPPLY SECTION

Key	Part No.	Description	Destinations	Class	QTY	Standard parts
1	56AA 7733 0	SCREW GEAR 15T		C	1	a-V145 0308 03 b-V217 0400 50 c-V121 0306 03 d-V158 0308 03 e-V158 0306 03 f-V122 0308 03
2	65AA 3246 1	BUSHING /A		C	2	
3	65AA 3232 0	TONER CONVEYING SCREW A		C	1	
4	65AA 3231 0	TONER CONVEYING MAIN BODY A		C	1	
5	40AA 3232 0	TONER SUPPLY SPACER		C	1	
6	65AA 3336 0	SEALING PART		D	1	
7	65AA 3276 1	SEAL PART H		D	1	
8	65AA 3211 0	TONER SUPPLY GUIDE PART A		D	1	
9	65AA 3297 0	CONVEYING SEAL		C	1	
10	65AA R762 00	HOLDING MAIN BODY ASSY		C	1	
11	40AA 8803 1	LEVEL DETECTION SENSOR		C	1	
12	65AA 3250 1	BUSHING /B		C	3	
13	65AA 3332 0	SCATTER PREVENTING PART 1		C	2	
14	65AA 3247 0	SEALING PART /A		C	1	
15	65AA R760 00	TONER SUPPLY A ASSY		C	1	
16	65AA 3243 0	TONER AGITATING SHEET		C	1	
17	65AA 3203 0	TONER AGITATING PLATE		C	1	
18	65AA 3202 0	TONER AGITATING SHAFT		D	1	
19	65AA 3280 0	TONER SUPPLY OPEN SHUT SPRING		C	1	
20	65AA 3204 0	TONER SUPPLY SCREW		C	1	
21	65AA R763 00	TONER SUPPLY ROTARY ASSY		C	1	
22	65AA 3285 1	BUSHING /D		C	1	
23	65AA 3294 0	BUSHING /E		C	1	
24	65AA R764 00	TONER SUPPLY COVER ASSY		C	1	
25	65AA 3295 0	TONER SEALING SHEET		D	1	

TONER SUPPLY SECTION

CYAN

P 32



bizhub PRO C5501

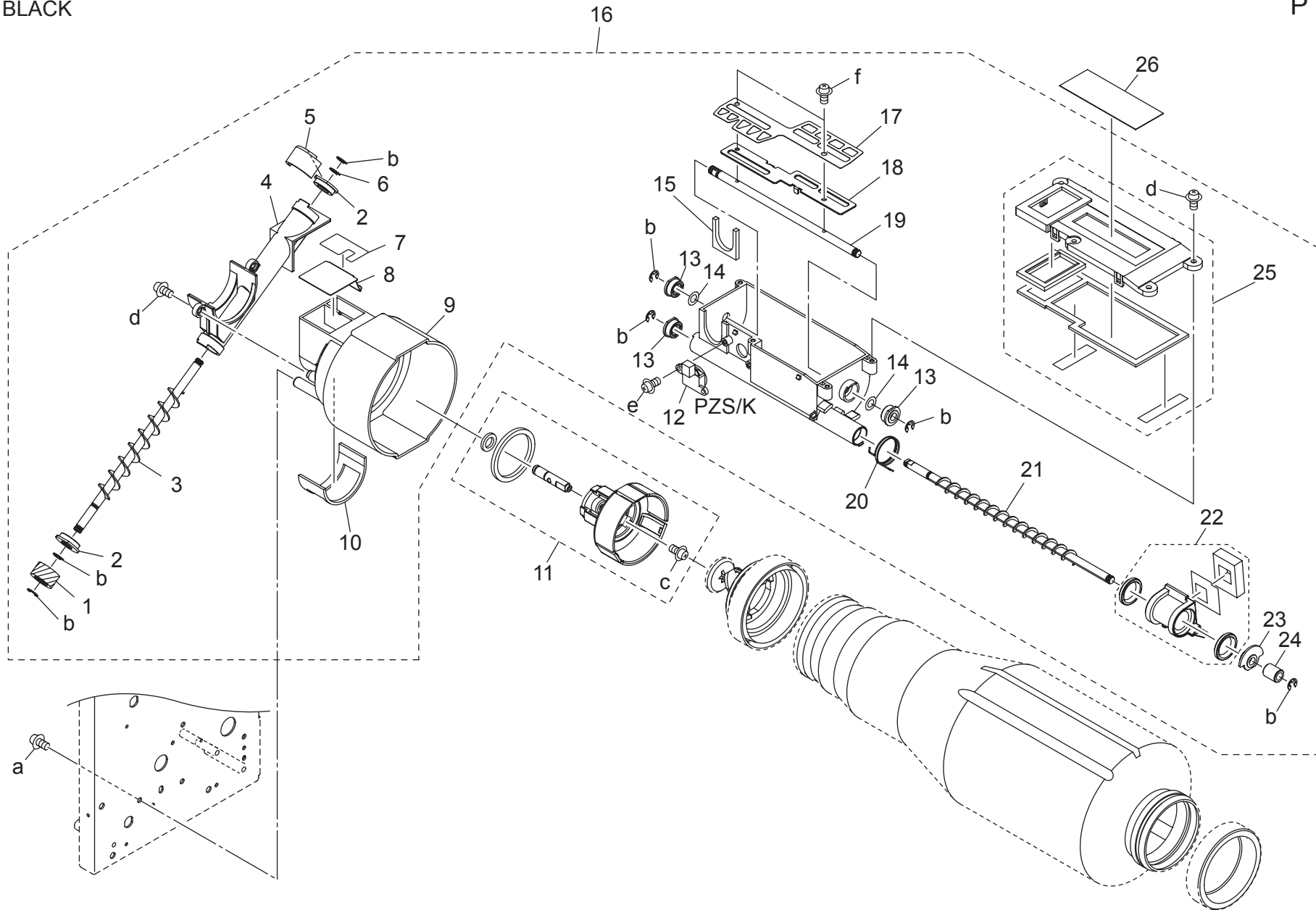
TONER SUPPLY SECTION

Key	Part No.	Description	Destinations	Class	QTY	Standard parts
1	56AA 7733 0	SCREW GEAR 15T		C	1	a-V145 0308 03 b-V217 0400 50 c-V121 0306 03 d-V158 0308 03 e-V158 0306 03 f-V122 0308 03
2	65AA 3246 1	BUSHING /A		C	2	
3	65AA 3232 0	TONER CONVEYING SCREW A		C	1	
4	65AA 3231 0	TONER CONVEYING MAIN BODY A		C	1	
5	40AA 3232 0	TONER SUPPLY SPACER		C	1	
6	65AA 3336 0	SEALING PART		D	1	
7	65AA 3276 1	SEAL PART H		D	1	
8	65AA 3211 0	TONER SUPPLY GUIDE PART A		D	1	
9	65AA 3297 0	CONVEYING SEAL		C	1	
10	65AA R762 00	HOLDING MAIN BODY ASSY		C	1	
11	40AA 8803 1	LEVEL DETECTION SENSOR		C	1	
12	65AA 3250 1	BUSHING /B		C	3	
13	65AA 3332 0	SCATTER PREVENTING PART 1		C	2	
14	65AA 3247 0	SEALING PART /A		C	1	
15	65AA R760 00	TONER SUPPLY A ASSY		C	1	
16	65AA 3243 0	TONER AGITATING SHEET		C	1	
17	65AA 3203 0	TONER AGITATING PLATE		C	1	
18	65AA 3202 0	TONER AGITATING SHAFT		D	1	
19	65AA 3280 0	TONER SUPPLY OPEN SHUT SPRING		C	1	
20	65AA 3204 0	TONER SUPPLY SCREW		C	1	
21	65AA R763 00	TONER SUPPLY ROTARY ASSY		C	1	
22	65AA 3285 1	BUSHING /D		C	1	
23	65AA 3294 0	BUSHING /E		C	1	
24	65AA R764 00	TONER SUPPLY COVER ASSY		C	1	
25	65AA 3295 0	TONER SEALING SHEET		D	1	

TONER SUPPLY SECTION

BLACK

P 33

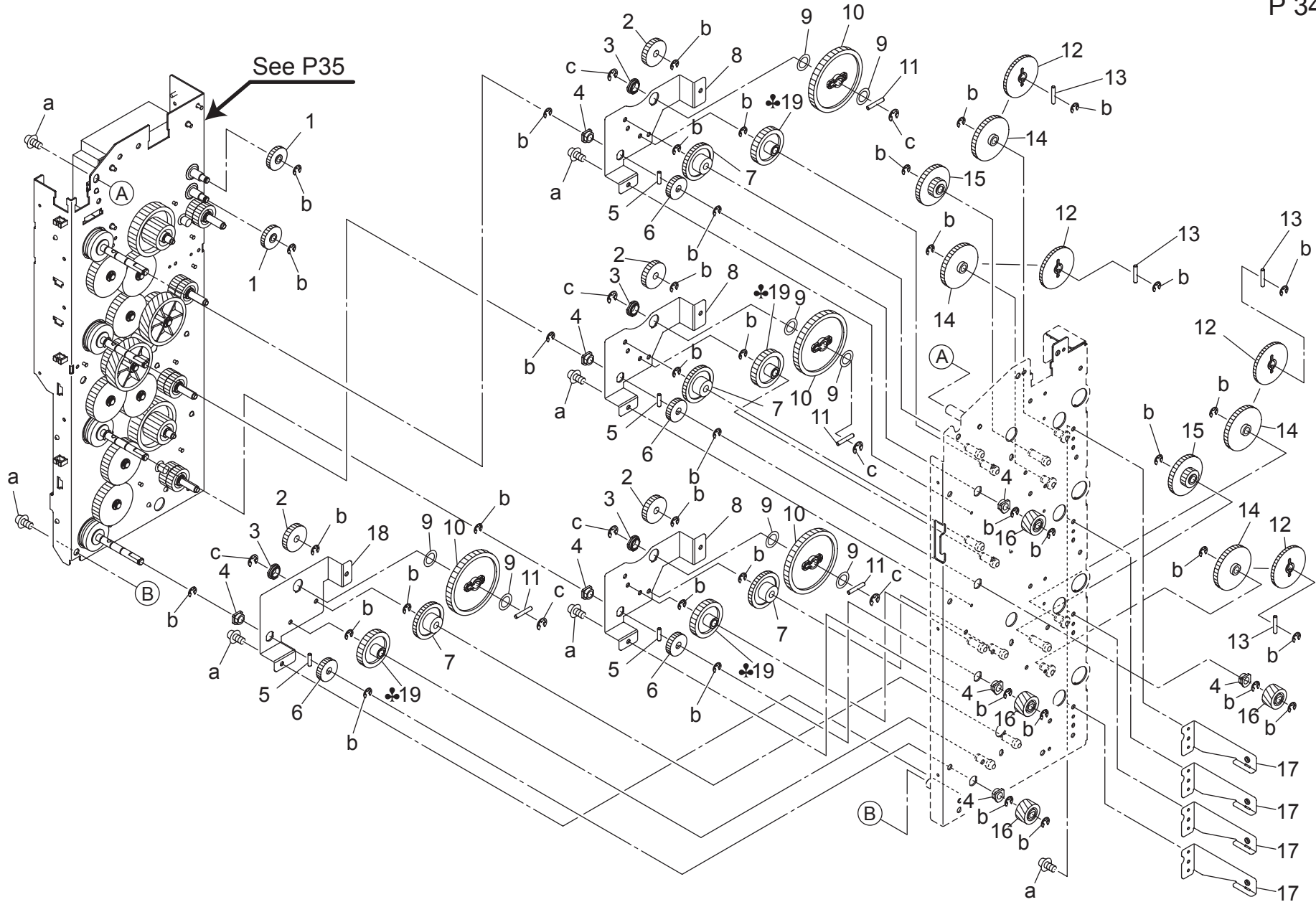


bizhub PRO C5501

TONER SUPPLY SECTION

Key	Part No.	Description	Destinations	Class	QTY	Standard parts
1	56AA 7733 0	SCREW GEAR 15T		C	1	a-V145 0308 03 b-V217 0400 50 c-V121 0306 03 d-V158 0308 03 e-V158 0306 03 f-V122 0308 03
2	65AA 3246 1	BUSHING /A		C	2	
3	65AA 3277 0	TONER CONVEYING SCREW B		C	1	
4	65AA 3238 0	TONER CONVEYING MAIN BODY B		C	1	
5	65AA 3329 0	TONER SUPPLY SEAL PART		C	1	
6	40AA 3232 0	TONER SUPPLY SPACER		C	1	
7	65AA 3336 0	SEALING PART		D	1	
8	65AA 3276 1	SEAL PART H		D	1	
9	65AA 3211 0	TONER SUPPLY GUIDE PART A		D	1	
10	65AA 3297 0	CONVEYING SEAL		C	1	
11	65AA R762 00	HOLDING MAIN BODY ASSY		C	1	
12	40AA 8803 1	LEVEL DETECTION SENSOR		C	1	
13	65AA 3250 1	BUSHING /B		C	3	
14	65AA 3332 0	SCATTER PREVENTING PART 1		C	2	
15	65AA 3247 0	SEALING PART /A		C	1	
16	65AA R761 00	TONER SUPPLY B ASSY		C	1	
17	65AA 3243 0	TONER AGITATING SHEET		C	1	
18	65AA 3203 0	TONER AGITATING PLATE		C	1	
19	65AA 3202 0	TONER AGITATING SHAFT		D	1	
20	65AA 3280 0	TONER SUPPLY OPEN SHUT SPRING		C	1	
21	65AA 3204 0	TONER SUPPLY SCREW		C	1	
22	65AA R763 00	TONER SUPPLY ROTARY ASSY		C	1	
23	65AA 3285 1	BUSHING /D		C	1	
24	65AA 3294 0	BUSHING /E		C	1	
25	65AA R764 00	TONER SUPPLY COVER ASSY		C	1	
26	65AA 3295 0	TONER SEALING SHEET		D	1	

TONER SUPPLY SECTION

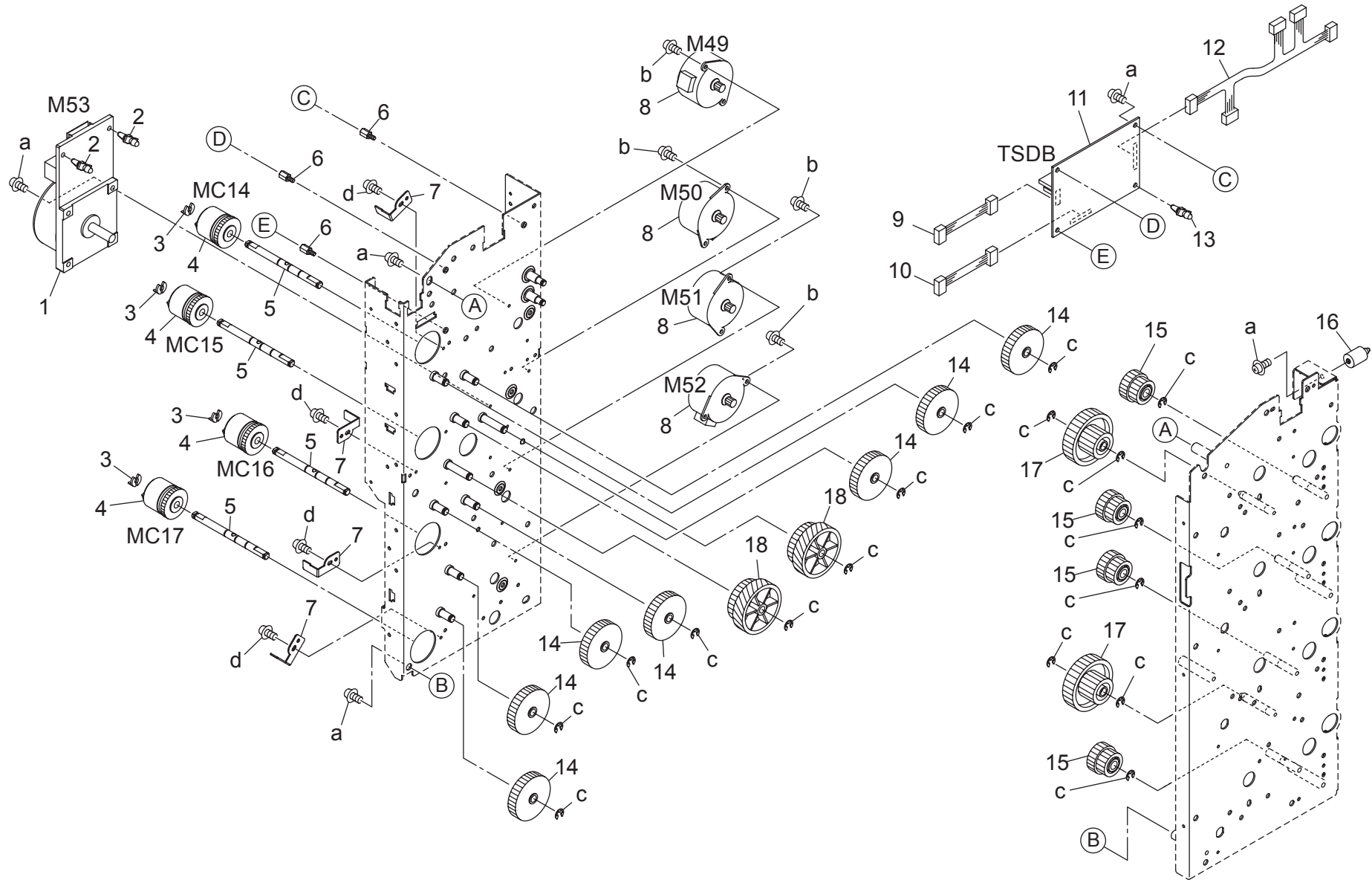


bizhub PRO C5501

TONER SUPPLY SECTION

Key	Part No.	Description	Destinations	Class	QTY	Standard parts
1	08AA 7736 0	TONER SUPPLY GEAR F 24T		C	2	a-V121 0306 03 b-V217 0400 50 c-V217 0500 50
2	40AA 7766 0	TONER SUPPLY GEAR F 28T		C	4	
3	26NA 3266 0	TONER SUPPLY SHAFT HOLDER		C	4	
4	3220 7601 0	PAPER LIFT UP LEVER SHAFT HOLDER		B	8	
5	56AA 1747 1	PIN B 3X12		C	4	
6	65AA 7804 0	AGITATING GEAR A 18T		C	4	
7	25BA 7717 1	TONER SUPPLY GEAR /2 13/31T		C	4	
8	65AA 3260 0D	Toner supply Driving Plate /C		D	3	
9	65AA 3328 0	TONER SUPPLY SPACER		D	8	
10	65AA 7739 0	TONER SUPPLY GEAR B 56T		C	4	
11	56AA 1746 1	PIN A		C	4	
12	25AA 7789 0	REGULATION GEAR 36T		C	4	
13	56AA 1732 1	PIN A D2X12		C	4	
14	55VA 7930 0	IDLER GEAR L 38T		C	4	
15	35EA 7715 1	BY-PASS IDLING GEAR 14/34T		C	2	
16	56AA 7733 0	SCREW GEAR 15T		C	4	
17	65AA 3298 0D	Regulating Plate /Rear		D	4	
18	65AA 3274 0D	Toner supply Driving Plate /D		D	1	
19	65AA 7741 0	TONER SUPPLY GEAR D 31T	A	C	4	

TONER SUPPLY SECTION

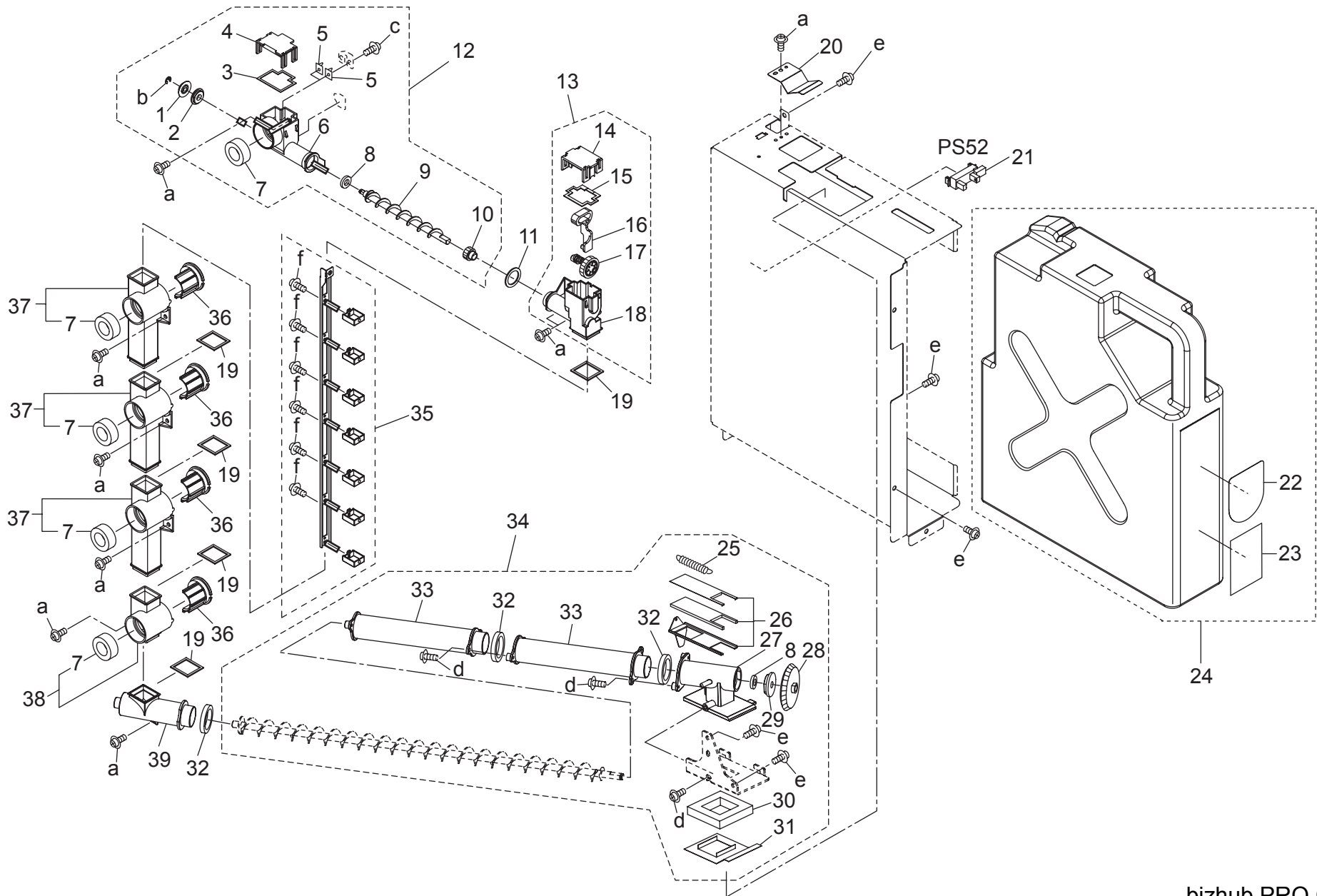


bizhub PRO C5501

TONER SUPPLY SECTION

Key	Part No.	Description	Destinations	Class	QTY	Standard parts
1	27LA 8003 2E	DC BRUSHLESS MOTOR/30		C	1	a-V121 0306 03 b-V118 0306 03 c-V217 0400 50 d-V121 0304 03
2	V502 0100 14	support		D	2	
3	3960 4068 1	STOPPER RING		B	4	
4	65AA 8202 0	TONER SUPPLY CLUTCH		B	4	
5	65AA 3227 0	TONER CONVEYING SCREW B		D	4	
6	13RN 7321 1	BASE PLATE FIXING SCREW B		C	3	
7	65AA 3261 0D	Clutch Regulating Plate		D	4	
8	A03U M104 00	PM Stepping motor /1		C	4	
9	65AA 9107 0E	TONER INTERLOCK WIRING		D	1	
10	65AA 9074 0	TONER SUPPLY WIRING 2		D	1	
11	65AA -906 1E	TONER DRIVING BOARD ASSY		B	1	
12	65AA 9044 0E	TONER SUPPLY WIRING		D	1	
13	V502 0100 21	spacer		D	1	
14	35EA 7722 0	GEAR W 38T		C	7	
15	A03U 4599 00	Toner supply Gear /C 24/33T		C	4	
16	65AA 3245 0D	Positioning Shaft		D	1	
17	12VG 7703 0	IDLING GEAR /B 21/44T		C	2	
18	65AA 7738 0	TONER SUPPLY GEAR A 82T/34T		C	2	

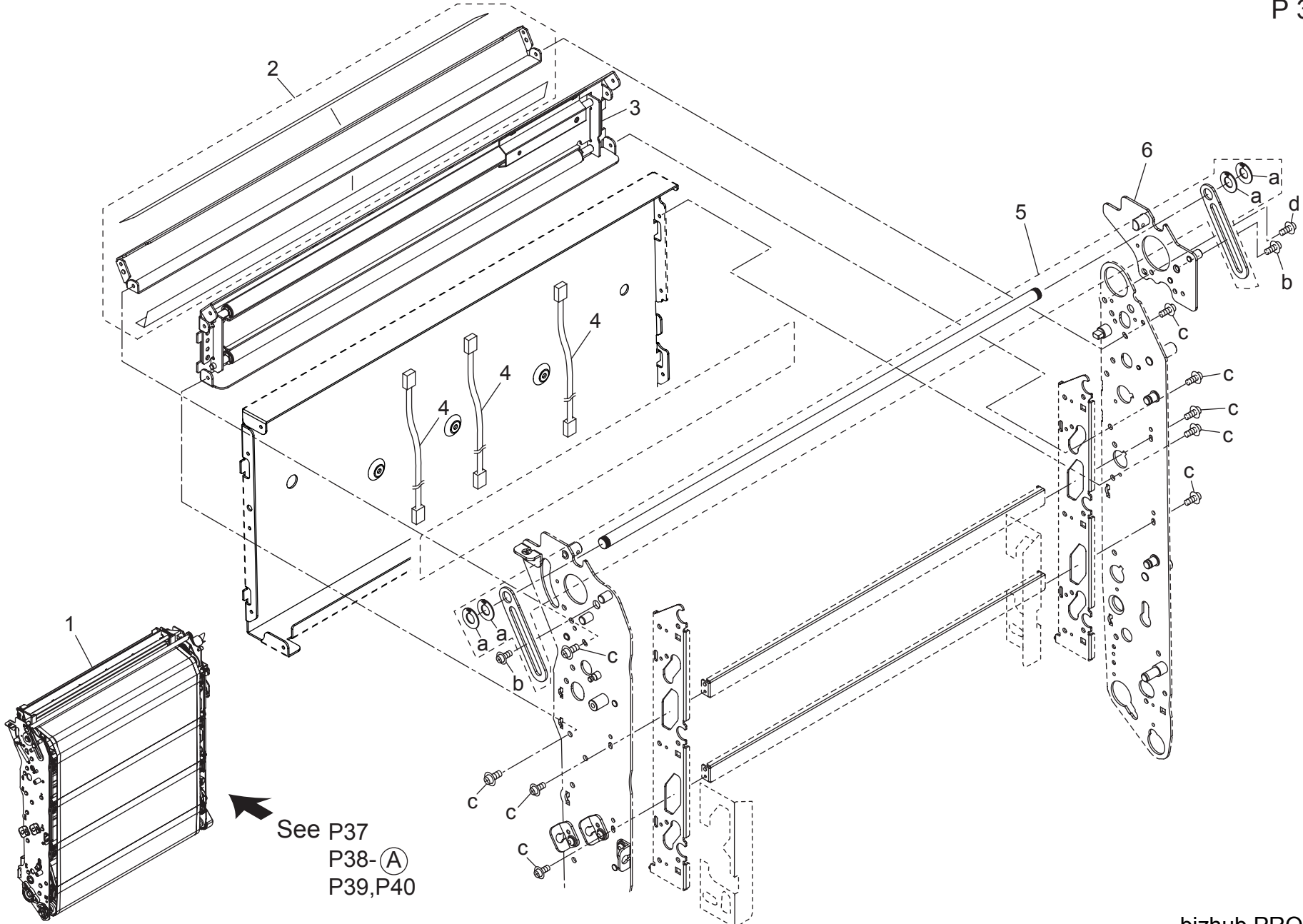
TONER COLLECTING SECTION



TONER COLLECTING SECTION

Key	Part No.	Description	Destinations	Class	QTY	Standard parts
1	65AA 7784 0	TONER COLLECTING GEAR 2 14T		C	1	a-V121 0304 03 b-V217 0300 50 c-V145 0206 03 d-V158 0308 03 e-V121 0306 03 f-V118 0203 03
2	65AA 7507 0	TONER COLLECTING BUSHING/2		C	1	
3	65AA 2440 0	TONER COLLECTING SEAL 4		C	1	
4	65AA 2421 0	COLLECTING PIPE 7		C	1	
5	65AA 2444 0	TONER DRIVING PART 2		C	2	
6	65AA 2420 0	COLLECTING PIPE 6		C	1	
7	65AA 2433 0	TONER COLLECTING SEAL 3		C	5	
8	65AA 2406 0	TONER COLLECTING SEAL 1		C	2	
9	65AA 2414 0	TONER COLLECTING SCREW 1		C	1	
10	65AA 7796 0	TONER COLLECTING GEAR 4 13T		C	1	
11	65AA 2443 0	TONER COLLECTING SEAL 7		C	1	
12	65AA -247 0	COLLECTING PIPE 6 ASSY		C	1	
13	65AA -246 0	COLLECTING PIPE 2 ASSY		C	1	
14	65AA 2413 0	CONNECTING COVER		C	1	
15	65AA 2431 0	TONER COLLECTING SEAL 2		C	1	
16	65AA 2412 0	ROCKING CAM		C	1	
17	65AA 7797 0	TONER COLLECTING GEAR 5 24T		C	1	
18	65AA 2422 0	COLLECTING PIPE 8		C	1	
19	65AA 2441 0	TONER COLLECTING SEAL 5		C	5	
20	65AA 2436 0	TONER COLLECTING SPRING 2		D	1	
21	25BA 8554 1	PHOTO SENSOR 1		C	1	
22	65AA 9734 0	TONER COLLECTING LABEL /1		C	1	
23	A03U 9426 00	Caution Label /2		C	1	
24	A03U R702 00	TONER COLLECTING BOX ASSY		A	1	
25	65AA 2434 0	TONER COLLECTING SPRING		C	1	
26	65AA R735 00	OPEN SHUT PART 6 ASSY		C	1	
27	65AA 2408 0	COLLECTING PIPE 5		C	1	
28	65AA 7785 0	TONER COLLECTING GEAR 3 27T		C	1	
29	65AA 7506 0	TONER COLLECTING BUSHING /1		C	1	
30	65AA 2424 0	OPEN SHUT PART 3		C	1	
31	65AA 2425 0	OPEN SHUT PART 4		C	1	
32	65AA 2442 0	TONER COLLECTING SEAL 6		C	3	
33	65AA 2403 0	COLLECTING PIPE 1		C	2	
34	65AA R734 00	TONER COLLECTING UNIT		C	1	
35	65AA -248 0	TONER ROCKING PLATE ASSY		C	1	
36	65AA 2404 0	COLLECTING PIPE 2		C	4	
37	65AA R741 00	COLLECTING PIPE 3 ASSY		C	3	
38	65AA R740 00	COLLECTING PIPE ASSY		C	1	
39	65AA 2407 0	COLLECTING PIPE 4		C	1	

INTERMEDIATE TRANSFER SECTION



See P37
P38- (A)
P39,P40

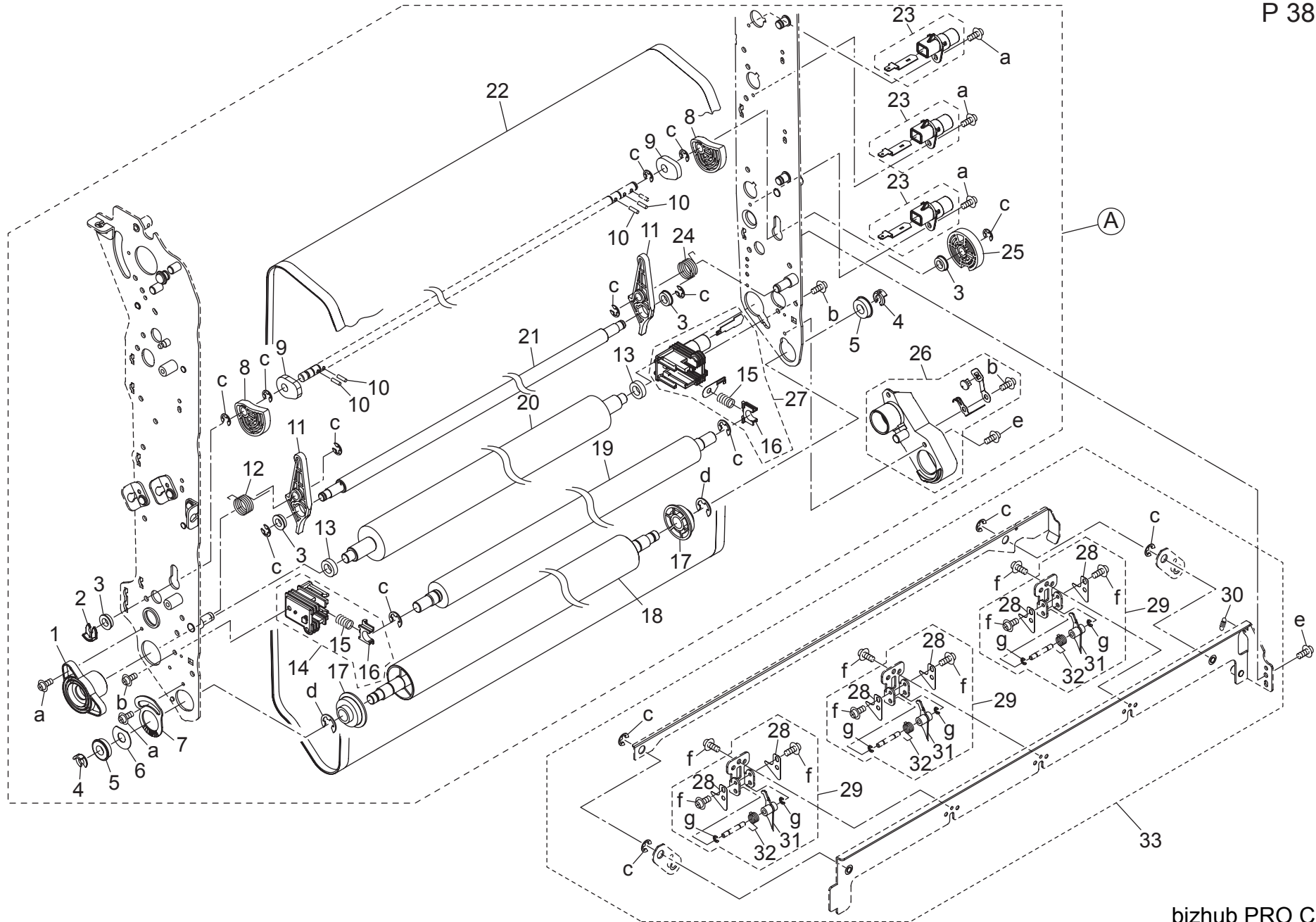


INTERMEDIATE TRANSFER SECTION

Key	Part No.	Description	Destinations	Class	QTY	Standard parts
1	A03U R7A1 00	INTERMEDIATE TRANSFER ASSY		S	1	a-V223 0800 04 b-V121 0404 03 c-V121 0304 03 d-V121 0306 03
2	65AA -269 0	BELT SUPPORT SHAFT ASSY		D	1	
3	A03U R7A3 00	Mounting Plate Assy		C	1	
4	65AA 9029 1	TRANSFER WIRE 1		D	3	
5	65AA R744 00	HANDLE ASSY		D	1	
6	65AA R743 00	CLEANING FIXING PLATE CAULKING		C	1	

INTERMEDIATE TRANSFER SECTION

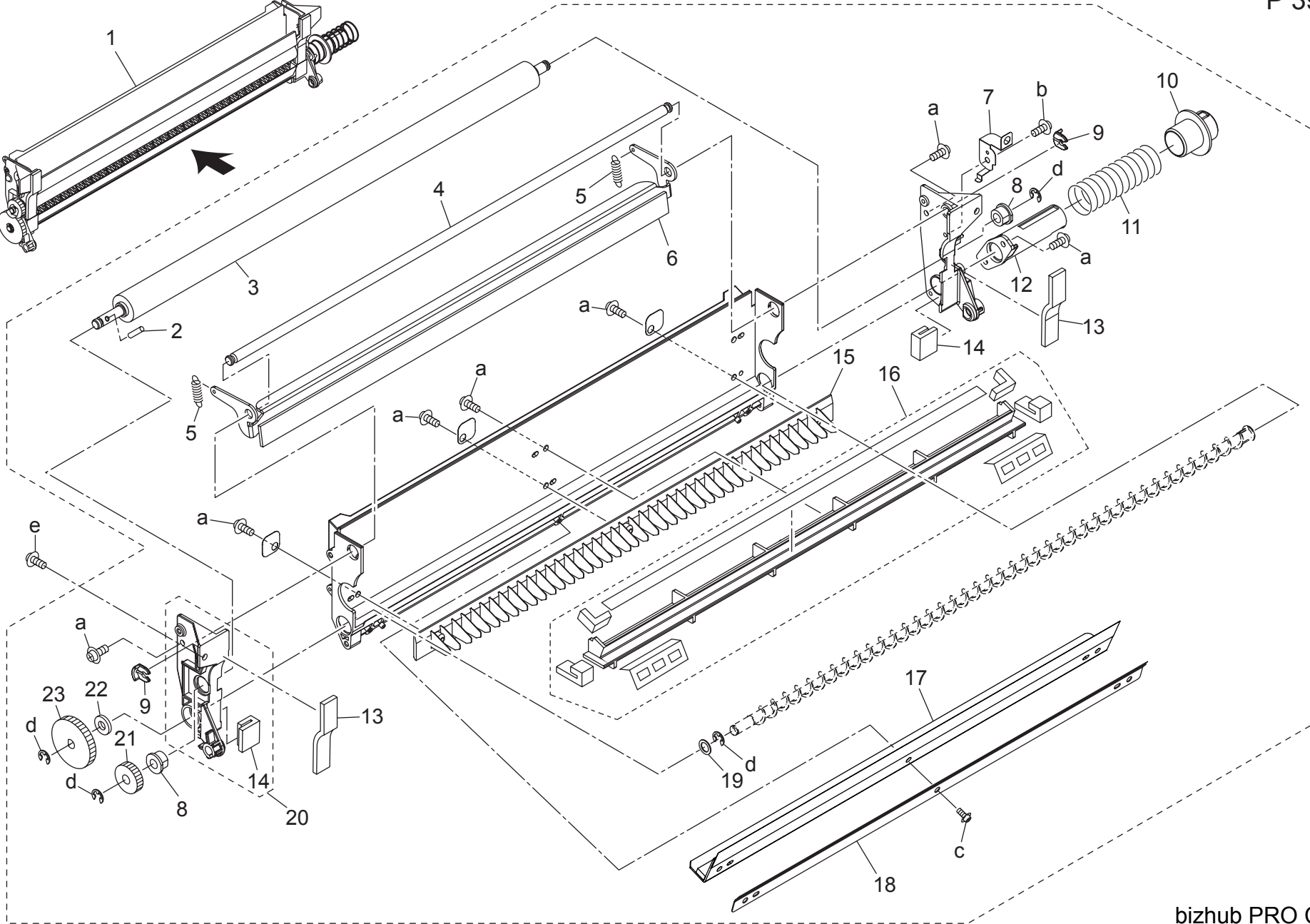
P 38



INTERMEDIATE TRANSFER SECTION

Key	Part No.	Description	Destinations	Class	QTY	Standard parts
1	65AA 2692 0	HIGH VOLTAGE POWERING COLLAR FRONT		C	1	a-V121 0304 03 b-V158 0308 03 c-V217 0400 50 d-V217 0800 50 e-V121 0306 03 f-V118 0304 03 g-V217 0200 50
2	56AA 4049 0	SHAFT STOPPER 4		C	1	
3	26NA 1728 0	BALL BEARING		C	4	
4	55VA 4212 0	SHAFT STOPPER		C	2	
5	5400 7605 0	BALL BEARING		B	2	
6	65AA 2724 0	SPACER A		C	1	
7	65AA 2676 0	SHAFT HOLDER ADJUSTING PLATE		C	1	
8	65AA 2674 0	TRANSFER RELEASE CAM C		C	2	
9	65AA 2675 0	TRANSFER RELEASE CAM K		C	2	
10	56AA 1732 1	PIN A D2X12		C	4	
11	A03U 5097 00	Release Arm		C	2	
12	A03U 5102 00	Pressing Spring /Front		C	1	
13	07AA 7506 2	BEARING		C	2	
14	A03U R744 00	POWER SUPPLY BLOCK B ASSY		C	1	
15	A03U 5071 00	Power supply Spring		C	2	
16	65AA 2638 0	TRANSFER POWERING BUSHING		B	2	
17	65AA 2687 0	REGULATING COLLAR		C	2	
18	A03U 5009 00	IDLER ROLLER /2		C	1	
19	A03U 5004 00	Transfer Roller /K		A	1	
20	65AA 2611 1	TRANSFER ROLLER LOWER		A	1	
21	65AA 2614 1F	Transfer Pressure Roller /K		C	1	
22	A03U 5042 00	Belt 861L		A	1	
23	65AA R746 00	POWERING BLOCK A ASSY		C	3	
24	A03U 5112 00	Pressing Spring /Rear		C	1	
25	65AA 2619 0	TRANSFER DRIVING COUPLING FRONT		C	1	
26	65AA R747 00	HIGH V POWERING REAR ASSY		C	1	
27	A03U R745 00	POWER SUPPLY BLOCK D ASSY		C	1	
28	65AA 2634 0	GUIDE PLATE		C	6	
29	65AA R753 00	SEPARATION CLAW ASSY		B	3	
30	65AA 2660 0	SLIDE SPRING		C	1	
31	56AA 2070 0	DRUM SEPARATING CLAW		A	3	
32	65AA 2727 0	SEPARATION PRESSING SPRING		C	3	
33	65AA -284 0	SEPARATION CLAW UNIT		C	1	

INTERMEDIATE TRANSFER SECTION

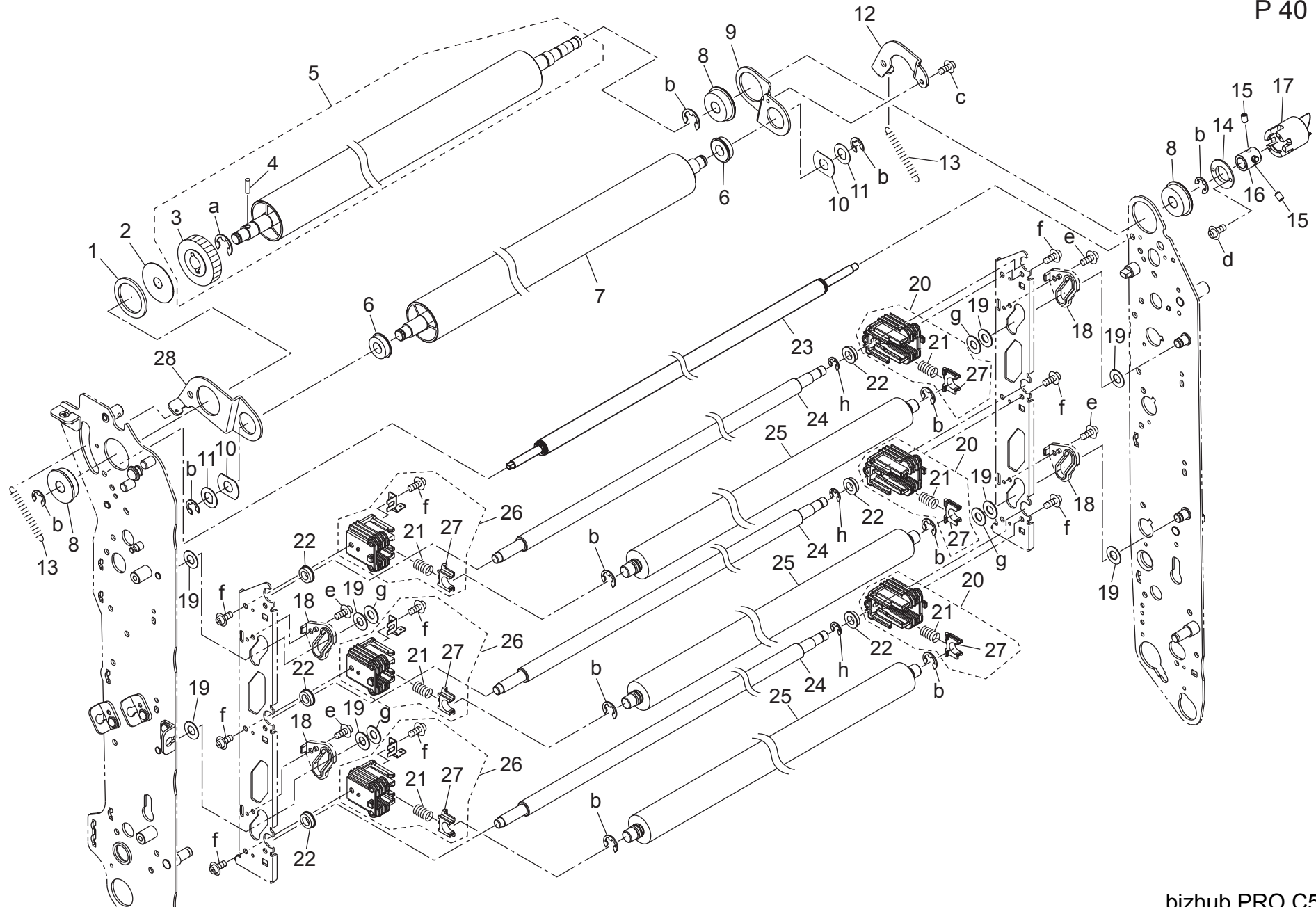


INTERMEDIATE TRANSFER SECTION

Key	Part No.	Description	Destinations	Class	QTY	Standard parts
1	A03U R748 00	BELT CLEANER UNIT		B	1	a-V158 0308 03 b-V151 0308 03 c-V158 0310 03 d-V217 0400 50 e-V121 0306 03
2	56AA 1753 1	PIN A D2X10		C	1	
3	A03U 5529 00	Auxiliary Roller		C	1	
4	65AA 2709 0D	Blade Fulcrum Shaft		D	1	
5	A03U 5554 00	Cleaning Spring		C	2	
6	A03U 5530 00	Cleaning Blade		A	1	
7	65AA 2640 0	CLEANER POWERING PLATE		C	1	
8	65AA 2684 0	CLEANER BUSHING /FRONT		C	2	
9	56AA 4049 0	SHAFT STOPPER 4		C	2	
10	65AA 2006 0	COLLECTING COVER		C	1	
11	65AA 2030 0	TONER COLLECTING SPRING		C	1	
12	65AA 2728 0	TONER COLLECTING PIPE A		C	1	
13	65AA 2663 0	SCATTER PREVENTING PAD 3		C	2	
14	65AA 2732 0	SCATTER PREVENTING PAD 4		C	2	
15	65LA R704 00	SUPPORT PLATE ASSY		C	1	
16	A03U R754 00	STOPPER PLATE ASSY		D	1	
17	65AA R756 00	SHEET 1 ASSY		A	1	
18	65AA R757 00	SHEET 2 ASSY		C	1	
19	40AA 3232 0	TONER SUPPLY SPACER		C	1	
20	65AA R755 00	CLEANING FRONT PLATE ASSY		B	1	
21	A03U 5594 00	COLLECTION GEAR /MIDDLE 20T		C	1	
22	08AA 4523 0	COLLECTING SEAL		C	1	
23	A03U 5595 00	COLLECTION GEAR /LOWER 38T		C	1	

INTERMEDIATE TRANSFER SECTION

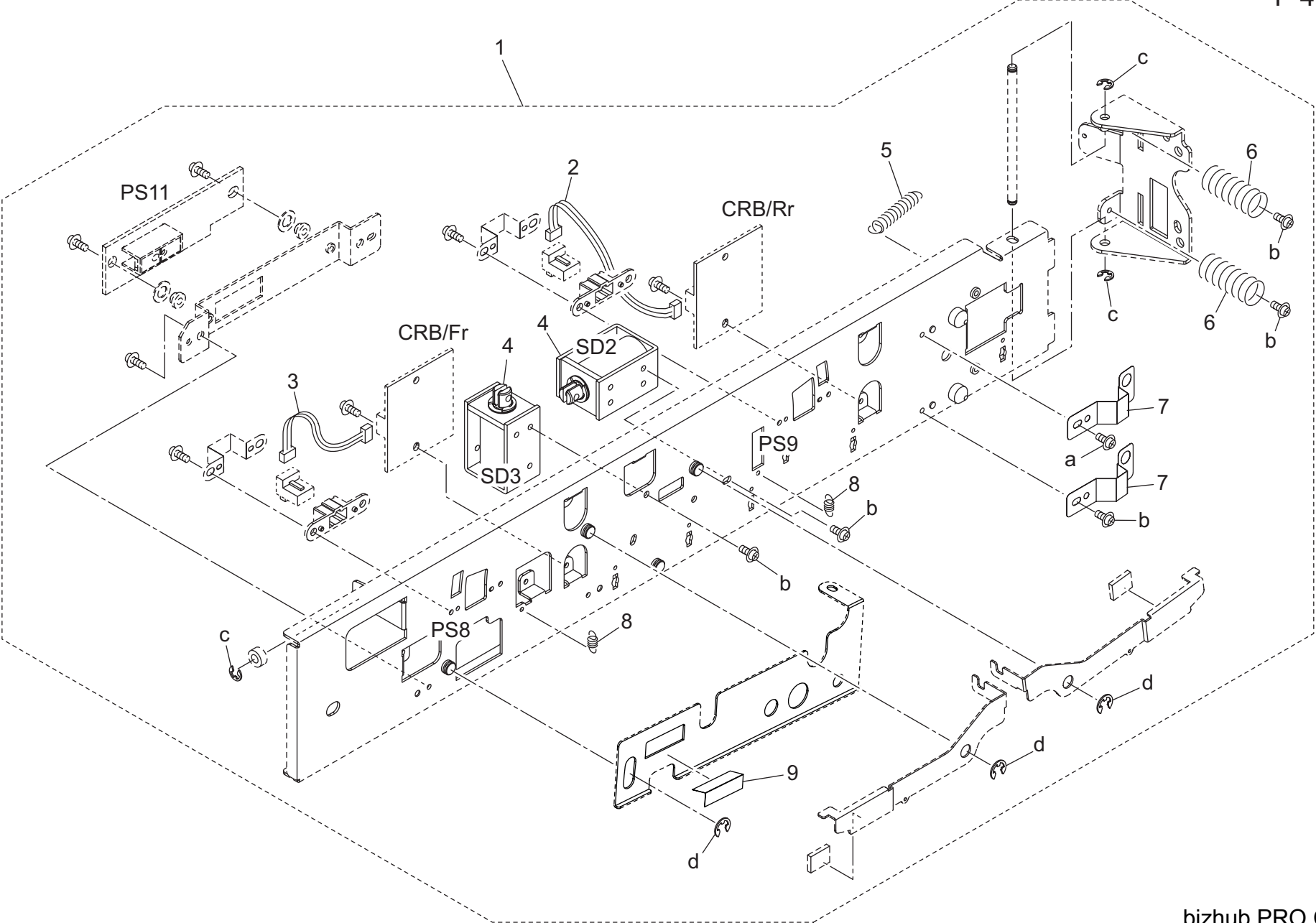
P 40



INTERMEDIATE TRANSFER SECTION

Key	Part No.	Description	Destinations	Class	QTY	Standard parts
1	65AA 2746 0	SPACER B		C	1	a-V217 0800 50
2	65AA 2747 0	SPACER C		C	1	b-V217 0600 50
3	A03U 5593 00	COLLECTION GEAR /UPPER 42T		C	1	c-V121 0306 03
4	56AA 1748 0	PIN B		C	1	d-V118 0204 03
5	A03U R733 00	DRIVING ROLLER ASSY		C	1	e-V121 0304 03
6	5400 7605 0	BALL BEARING		B	2	f-V158 0308 03
7	65AA 2610 0E	Tension Roller		C	1	g-V223 0600 04
8	65AA 7509 0	BELT DRIVING BEARING		C	3	h-V217 0400 50
9	65AA 2625 0E	Plate /Rear		C	1	
10	65AA 2724 0	SPACER A		C	2	
11	65AA 2721 00	Spacer /T		C	2	
12	65AA -273 0	TENSION PLATE REAR CAULKING		C	1	
13	65AA 2653 0	TENSION SPRING		C	2	
14	A03U 5122 00	DRIVE COUPLING /C		D	1	
15	A03U 5123 00	FIXING SCREW		C	2	
16	A03U 5120 00	DRIVE COUPLING /A		C	1	
17	A03U 5121 00	DRIVE COUPLING /B		C	1	
18	65AA 2718 0	TRANSFER SLIDE BUSHING		C	4	
19	07BA 1587 1	SPACER A		C	8	
20	A03U R747 00	POWER SUPPLY BLOCK REAR ASSY		D	3	
21	A03U 5071 00	Power supply Spring		C	6	
22	26NA 1728 0	BALL BEARING		C	6	
23	A03U B504 00	Roller /Upper Assy		C	1	
24	65AA 2613 1F	Transfer Pressure Roller /Y		C	3	
25	A03U 5012 00	Transfer Roller /C		A	3	
26	A03U R746 00	POWERSUPPLY BLOCK FRONT ASSY		C	3	
27	65AA 2638 0	TRANSFER POWERING BUSHING		B	6	
28	65AA 2627 0E	Tension Plate /Front		D	1	

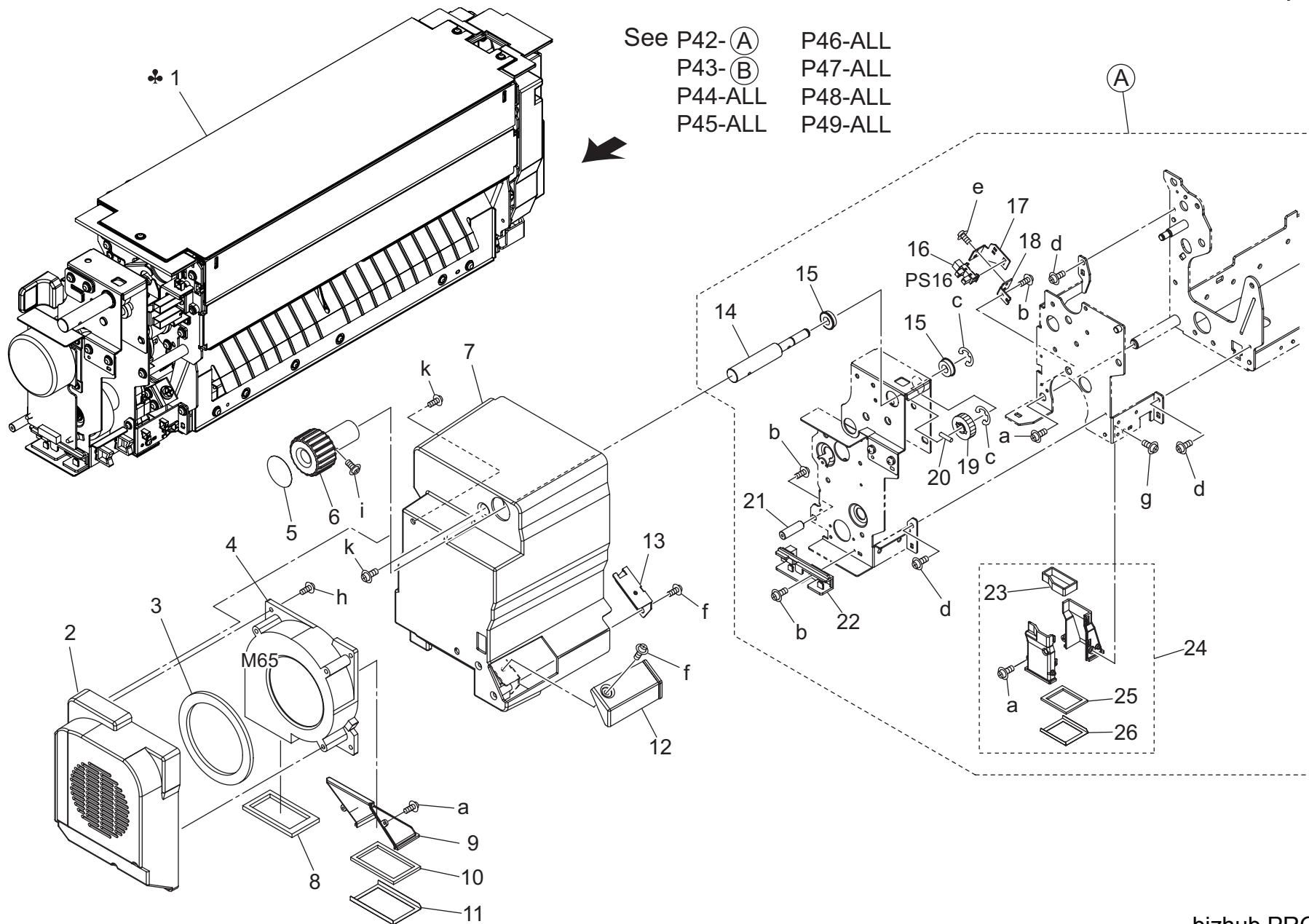
COLOR RESIST SECTION



COLOR RESIST SECTION

Key	Part No.	Description	Destinations	Class	QTY	Standard parts
1	A03U R798 00	COLOR REGIST ASSY		C	1	a-V121 0310 03 b-V121 0304 03 c-V217 0300 50 d-V217 0400 50
2	65AA 9109 0	COLOR COMPENSATING WIRING 2		D	1	
3	65AA 9065 0	COLOR COMPENSATING WIRING		D	1	
4	65AA R759 00	SOLENOID ASSY		C	2	
5	65AA 2711 0	REGISTRATION RELEASE SPRING		C	1	
6	65AA 2657 0	REGISTRATION PRESSING SPRING		C	2	
7	65AA 2730 0	GUIDE PLATE		D	2	
8	65AA 2658 0	REGISTRATION OPEN SHUT SPRING		C	2	
9	65AA 2736 0	COVER SHEET		D	1	

FUSING SECTION

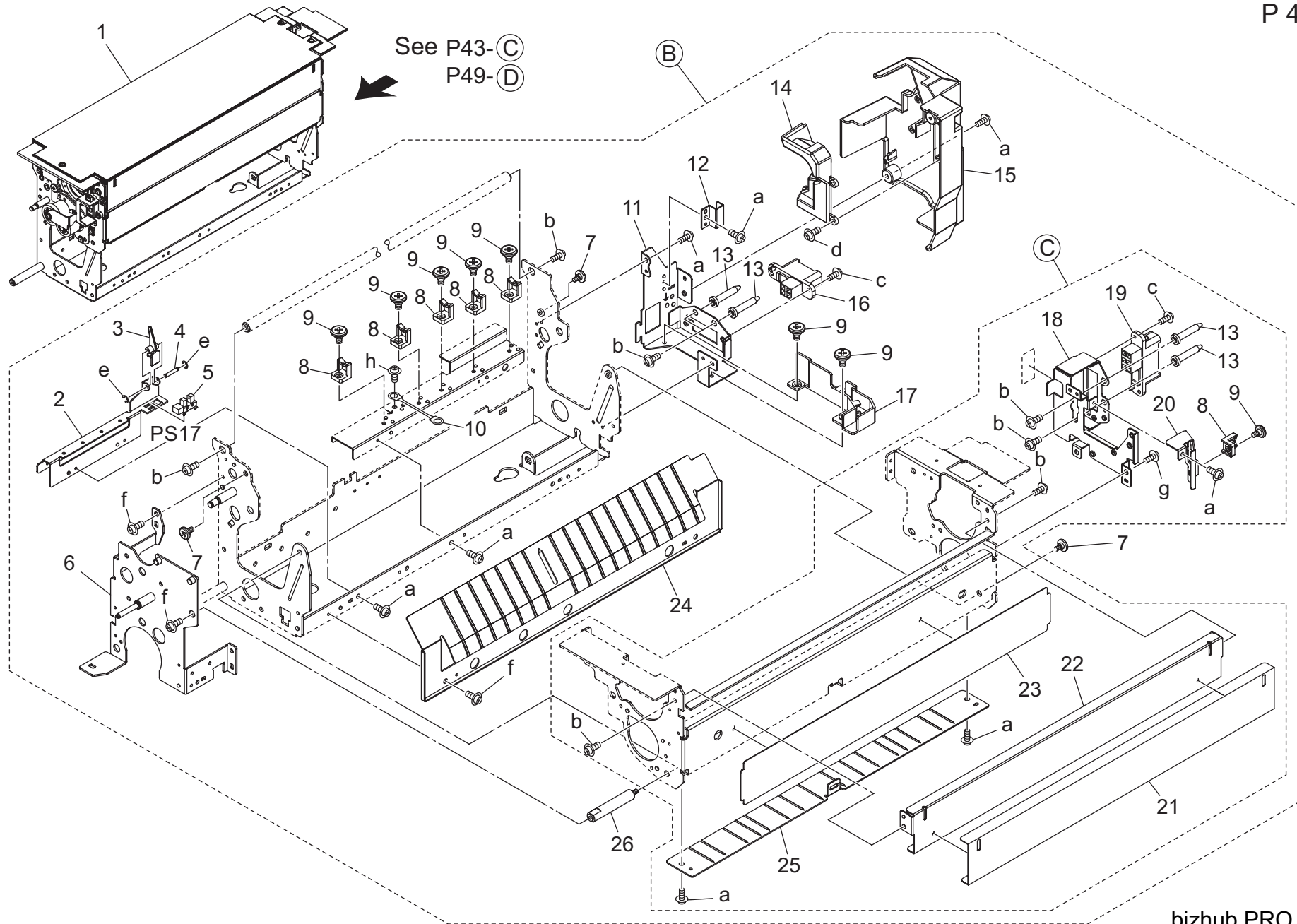


FUSING SECTION

Key	Part No.	Description	Destinations	Class	QTY	Standard parts
1	A03U R790 11	FIXING UNIT	A	I	1	a-V151 0205 03
1	A03U R791 11	FIXING UNIT US	B,G1	I	1	b-V121 0306 03
1	A03U R792 11	FIXING UNIT EU	C,D1,D3,E,F2,H,I,J	I	1	c-V217 0600 50
2	A03U 7282 00	Suction Cover /1		C	1	d-V182 0406 03
3	A03U 7334 00	Seal /5		C	1	e-V182 0306 03
4	A03U M153 00	Fixing Cooling Fan		C	1	f-V121 0306 04
5	A03U 9434 00	Release Label /4		C	1	g-V151 0308 03
6	A03U 7333 00	Fixing Paper exit Knob		C	1	h-V151 0310 03
7	A03U 7204 01	FUSING COVER /FRONT		C	1	i-V121 0406 03
8	A03U 7341 00	Seal /4		C	1	k-V158 0308 03
9	A03U 7330 00	Fan Cover Cover		C	1	
10	A03U 7336 00	Seal /1		C	1	
11	A03U 7337 00	Sealing Plate /1		C	1	
12	A03U 7278 00	Auxiliary Cover /E		C	1	
13	A03U 7274 00	Mounting Plate /E		D	1	
14	A03U 7266 00	Processing Shaft /A		D	1	
15	5400 7605 0	BALL BEARING		B	2	
16	08AA 8551 2	PHOTO SENSOR		B	1	
17	A03U 7257 00	POSITIONING PLATE /A		D	1	
18	A03U 7265 00	SUPPORT PLATE /A		D	1	
19	13GG 7703 0	MOTOR DRIVING GEAR 22T		B	1	
20	56AA 1747 1	PIN B 3X12		C	1	
21	65AA 5407 0	STAY B		D	1	
22	A03U 7305 00	Wiring Guide Plate /Front		D	1	
23	A03U 7340 01	SEAL /3		C	1	
24	A03U R753 00	FIXING DUCT 2 ASSY		B	1	
25	A03U 7338 00	Seal /2		C	1	
26	A03U 7339 00	Sealing Plate /2		C	1	

FUSING SECTION

P 43

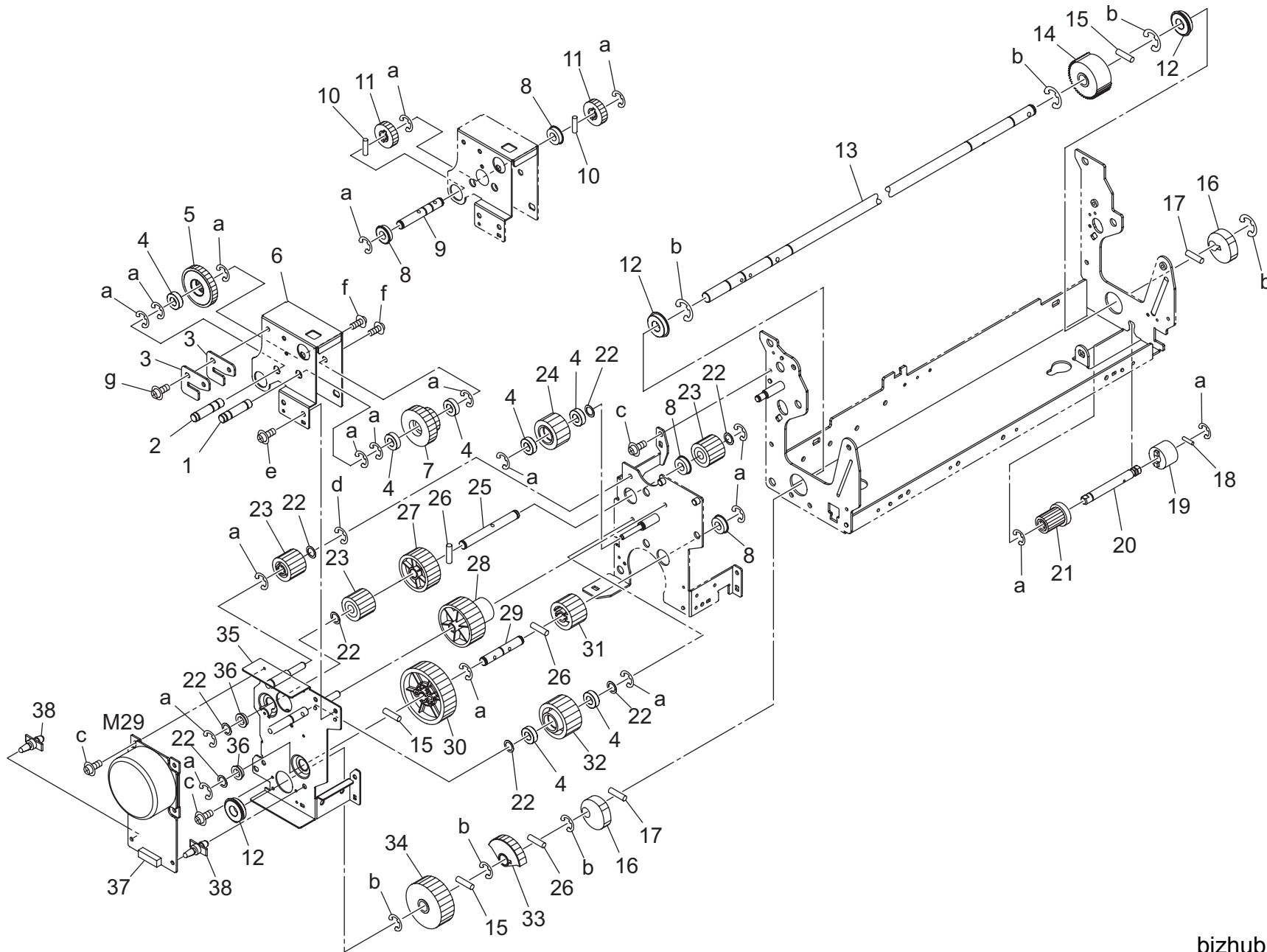


FUSING SECTION

Key	Part No.	Description	Destinations	Class	QTY	Standard parts
1	A03U R755 00	FIXING UPPER UNIT		S	1	a-V121 0306 03
2	A03U 7311 00	SUPPORT PLATE /B		D	1	b-V121 0406 03
3	A03U 7308 00	Entrance Actuator /A		C	1	c-V121 0308 03
4	A03U 7309 00	SHAFT		D	1	d-V158 0308 03
5	55VA 8552 1	PHOTO SENSOR		C	1	e-V217 0200 50
6	A03U A778 10	FIXING DRIVE PANEL A CAULKING		D	1	f-V182 0406 03
7	4500 5339 1	EXIT GUIDEPLATE MOUNTING SCREW		C	3	g-V182 0306 03
8	55VA 5397 0	WIRING HOLDER PART		D	6	h-V123 0406 03
9	A03U 7345 00	Support Screw /A		C	8	
10	A03U N232 00	Grounding Wiring /F		D	1	
11	A03U 7269 00	Power supply Plate /Lower		D	1	
12	65AA 5395 0	WIRING FIXING PLATE		D	1	
13	A03U 7242 00	Positioning Shaft		D	4	
14	A03U 7332 00	Cover Duct		D	1	
15	A03U 7211 01	Fusing Cover /Rear		C	1	
16	A03U N106 01	Fixing Power supply Wiring /2		D	1	
17	A03U 7277 00	Guide Part		D	1	
18	A03U 7228 00	Power supply Plate /Upper		D	1	
19	A03U N105 00	Fixing Power supply Wiring /1		D	1	
20	A03U 7253 00	Terminal Fixing Plate		D	1	
21	A03U 7272 00	Insulating Sheet /B		C	1	
22	A03U 7214 00	Fusing Stay /Right		D	1	
23	A03U 7273 00	Insulating Sheet /C		C	1	
24	A03U 7210 00	Fixing Entrance Plate /Lower		C	1	
25	A03U 7245 00	Entrance Plate /Upper		C	1	
26	A03U 7248 00	FIXING ROTATION SHAFT		D	1	

FUSING SECTION

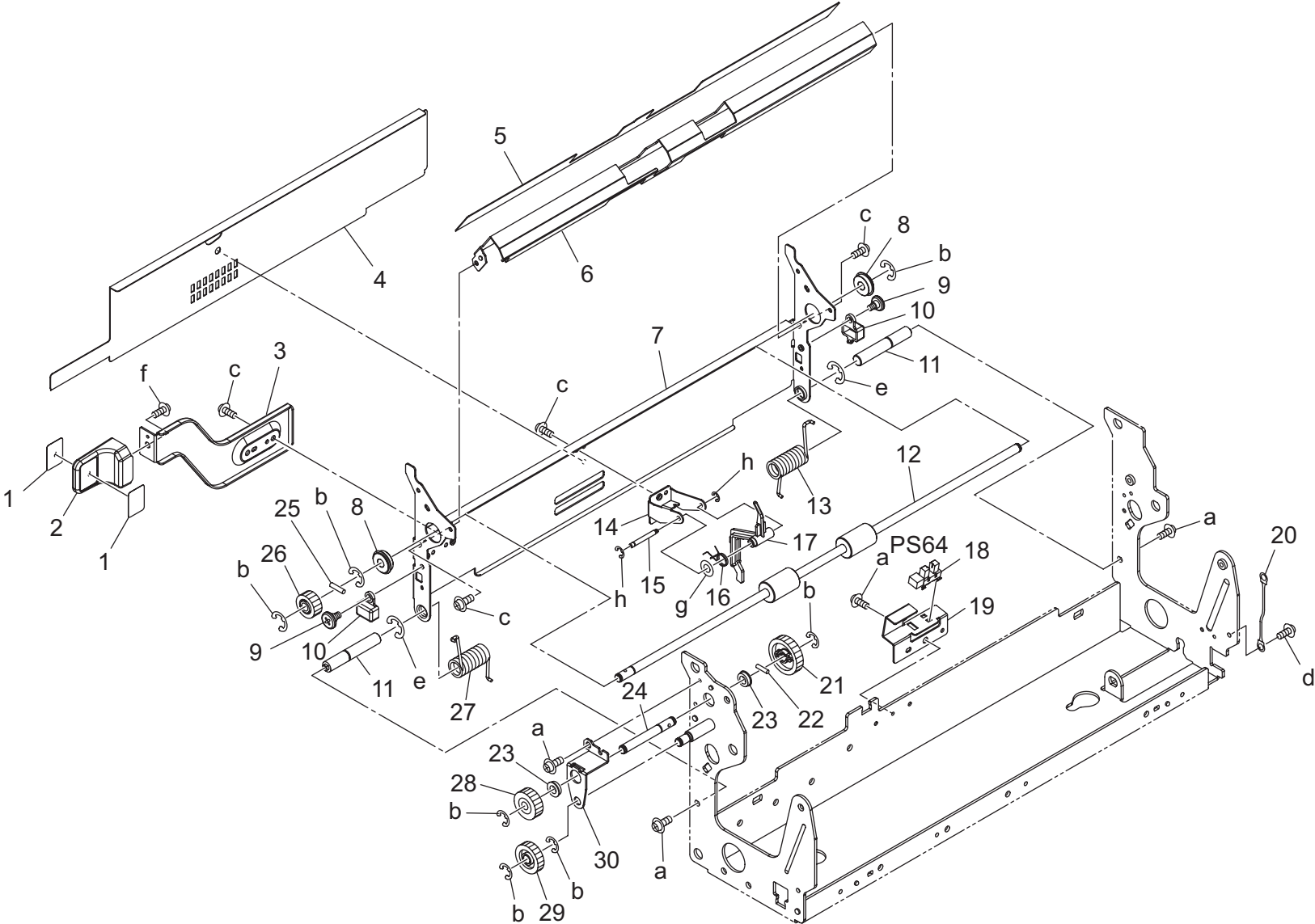
P 44



FUSING SECTION

Key	Part No.	Description	Destinations	Class	QTY	Standard parts
1	A03U 7335 00	Processing Shaft /D		D	1	a-V217 0600 50 b-V217 0800 50 c-V121 0306 03 d-V217 0400 50 e-V182 0406 03 f-V121 0406 03 g-V140 0408 03
2	A03U 7324 00	Processing Shaft /C		D	1	
3	A03U 7323 00	Fusing Jig		D	2	
4	3920 5336 0	ROLLER BEARING		B	7	
5	55VA 7787 0	FIXING IDLER GEAR 4 38T		B	1	
6	A03U 7312 00	Processing Panel		D	1	
7	A03U 8097 00	Jam Processing Gear /A 22/35T		B	1	
8	5400 7605 0	BALL BEARING		B	4	
9	A03U 7289 00	PROCESSING SHAFT /B		D	1	
10	56AA 1747 1	PIN B 3X12		C	2	
11	13GG 7703 0	MOTOR DRIVING GEAR 22T		B	2	
12	5000 7501 0	BALL BEARING		C	3	
13	A03U 7223 00	Release Shaft		D	1	
14	65AA 7748 0	FIXING REGULATING GEAR B 47T		C	1	
15	3040 7807 0	PIN C		C	3	
16	A03U 7224 00	Pressure Cam		C	2	
17	4540 7803 0	PARALLEL PIN		C	2	
18	56AA 1753 1	PIN A D2X10		C	1	
19	65AA 5365 1	FIXING LIMITTER		B	1	
20	A03U 7256 00	Fixing Regulating Shaft /A		D	1	
21	65AA 7747 0	FIXING REGULATING GEAR A 19T		B	1	
22	56AA 4269 0	BY PASS FEED SPACER		C	8	
23	A03U 8093 11	Fixing Drive Gear /M 22T		B	3	
24	A03U 8088 11	FIXING DRIVE GEAR /H 35T		B	1	
25	A03U 7258 00	FIXING DRIVE SHAFT /A		D	1	
26	56AA 1748 0	PIN B		C	3	
27	A03U 8087 00	FIXING DRIVE GEAR /G 45T		B	1	
28	A03U 8089 00	Fixing Drive Gear /I 26/79T		B	1	
29	A03U 7261 00	FIXING DRIVING SHAFT /D		D	1	
30	A03U 8091 00	FIXING DRIVE GEAR /K 55T		B	1	
31	A03U 8090 00	FIXING DRIVE GEAR /J 26T		B	1	
32	A03U 8094 00	FIXING DRIVE GEAR /N 34T		B	1	
33	A03U 7244 00	Release Actuator /A		C	1	
34	A03U 8080 00	FIXING RELEASE GEAR /A 44T		B	1	
35	A03U R795 00	FIXING DRIVE PANEL B CAULKING		C	1	
36	25AA 7509 0	BALL BEARING		C	2	
37	27LA 8003 2E	DC BRUSHLESS MOTOR/30		C	1	
38	V502 0100 14	support		D	2	

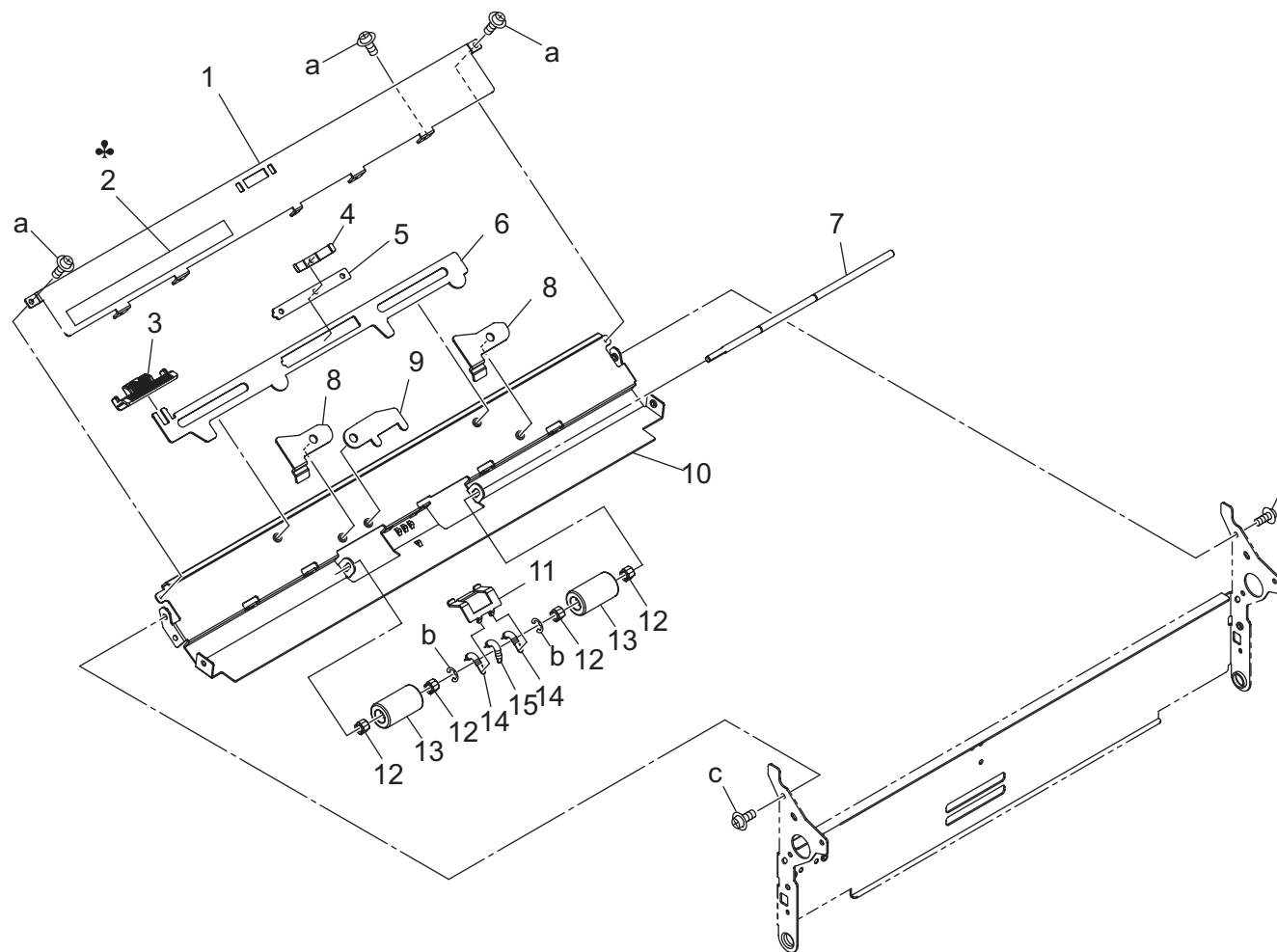
FUSING SECTION



FUSING SECTION

Key	Part No.	Description	Destinations	Class	QTY	Standard parts
1	A03U 9436 00	Release Label /6		C	2	a-V121 0306 03
2	65AA 5399 1	FIXING PAPER EXIT LEVER		C	1	b-V217 0400 50
3	A03U 7233 00	Open/close Lever		C	1	c-V127 0306 03
4	A03U 7281 00	Insulating Sheet /D		C	1	d-V123 0406 03
5	A03U 7299 01	INSULATING SHEET /E		C	1	e-V217 0600 50
6	A03U 7220 01	Fixing Paper exit Plate /Lower		D	1	f-V151 0408 03
7	A03U 7208 00	Fixing Paper exit Stay		D	1	g-V226 0600 50
8	55GA 7503 1	BALL BEARING		A	2	h-V217 0200 50
9	A03U 7345 00	Support Screw /A		C	2	
10	A03U 7342 00	Spring Cover		C	2	
11	A03U 7267 00	Paper exit Fulcrum Shaft		D	2	
12	A03U 7209 00	Fixing Paper exit Roller		C	1	
13	A03U 7344 00	Paper exit Open/shut Spring /B		C	1	
14	65AA 5338 0	SUPPORT PLATE		D	1	
15	65AA 5342 0	PAPER EXIT DETECTING SHAFT		D	1	
16	65AA 5356 0	PAPER EXIT DETECTING SPRING		C	1	
17	65AA 5337 1	PAPER EXIT ACTUATOR		C	1	
18	55VA 8552 1	PHOTO SENSOR		C	1	
19	65AA 5352 0	PAPER EXIT DETECTING PLATE		D	1	
20	A03U N233 00	Main body Grounding Wire		D	1	
21	A03U 8085 00	FIXING DRIVE GEAR /E 32T		B	1	
22	56AA 1732 1	PIN A D2X12		C	1	
23	26NA 1728 0	BALL BEARING		C	2	
24	A03U 7240 00	Paper exit Drive Shaft		D	1	
25	56AA 1753 1	PIN A D2X10		C	1	
26	A03U 8096 00	FIXING DRIVE GEAR /P 20T		B	1	
27	A03U 7343 00	Paper exit Open/shut Spring /A		C	1	
28	A03U 8084 00	FIXING DRIVE GEAR /D 19T		B	1	
29	A03U 8083 00	FIXING DRIVE GEAR /C 20T		B	1	
30	A03U 7239 00	Paper exit Drive Plate		D	1	

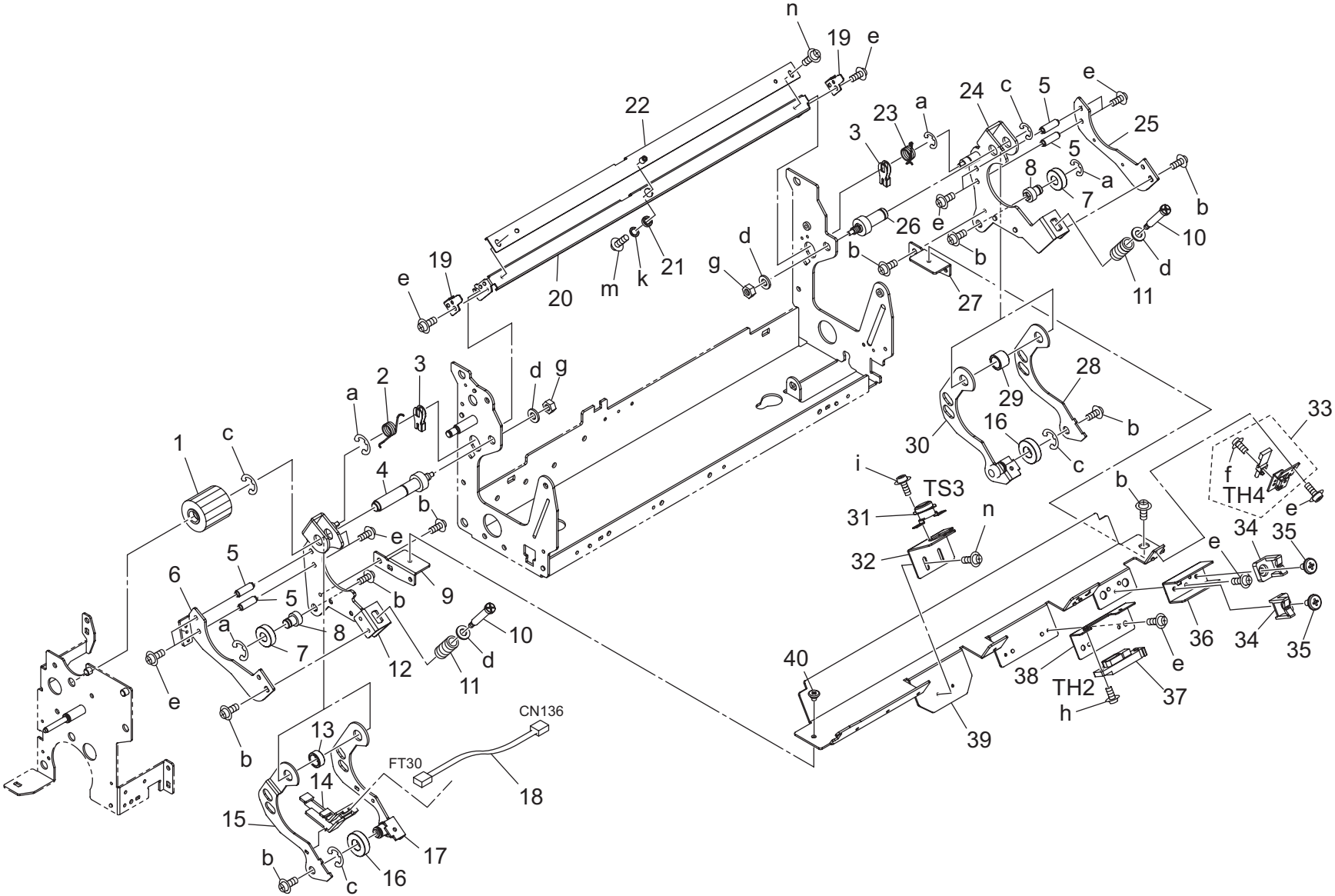
FUSING SECTION



FUSING SECTION

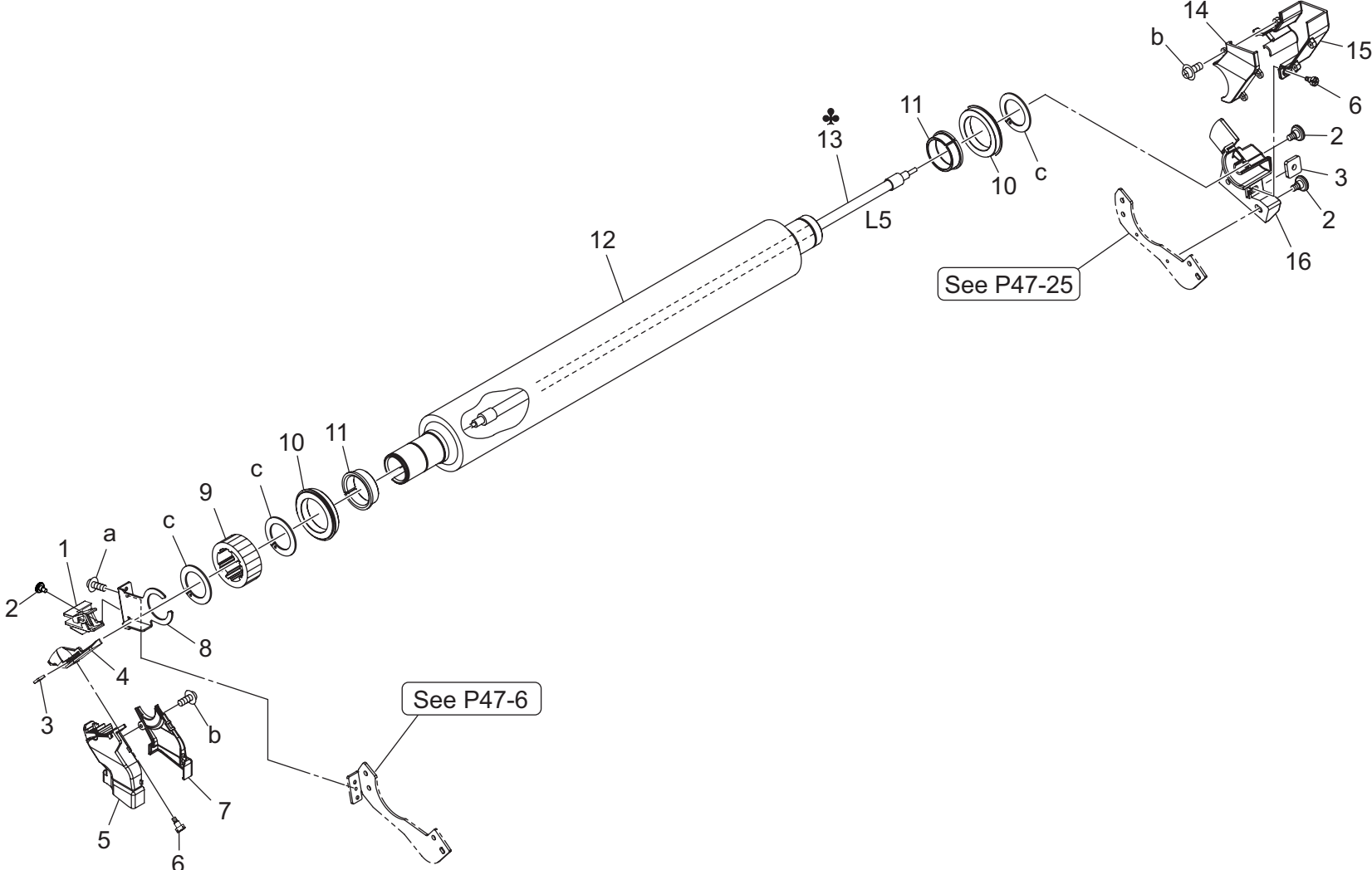
Key	Part No.	Description	Destinations	Class	QTY	Standard parts
1	A03U 7353 00	Holding Plate		D	1	a-V118 0203 03 b-V217 0300 50 c-V127 0306 03
2	56UA 9726 0	HIGH TEMP CAUTION LABEL2	A,B,G1	C	1	
2	56UF 9726 0	HIGH TEMP CAUTION LABEL2	C,D1,D3,E,F2,H,I,J	C	1	
3	A03U 7350 00	Slide Knob		C	1	
4	A03U 7348 00	Positioning Plate spring /1		C	1	
5	A03U 7349 00	Positioning Plate		D	1	
6	A03U 7354 00	Slide Plate		D	1	
7	A03U 7280 00	PAPER EXIT SHAFT		D	1	
8	A03U 7355 00	Release Lever		C	2	
9	A03U 7352 00	Pressing Cam /2		C	1	
10	A03U 7276 00	Fixing Paper exit Plate /Upper		C	1	
11	A03U 7351 00	Pressing Cam /1		C	1	
12	65AA 5398 0	FIXING PAPER EXIT BUSHING		C	4	
13	A03U 7225 00	Fixing Paper exit Roller		A	2	
14	A03U 7356 00	Paper exit Spring /2		C	2	
15	A03U 7255 00	Paper exit Spring /1		C	1	

FUSING SECTION



Key	Part No.	Description	Destinations	Class	QTY	Standard parts
1	A03U 8082 01	Fixing Drive Gear /B 28T		A	1	a-V217 0600 50
2	A03U 7346 01	SEPARATING SPRING /FRONT		C	1	b-V121 0406 03
3	A03U 7357 00	HOLDING SIDE PLATE		D	2	c-V217 0800 50
4	A03U 7222 00	Fixing Support Shaft /Front		D	1	d-V207 0600 03
5	A03U 7234 00	Fixing Support Shaft /A		D	4	e-V121 0306 03
6	A03U 7237 00	Support Arm /Front		D	1	f-V123 0310 03
7	A03U 8079 00	Fixing Pressing Bearing		C	2	g-V195 0600 03
8	A03U 7306 00	Shaft holder Shaft		D	2	h-V123 0308 03
9	A03U 7313 00	Auxiliary Plate /Front		D	1	i-V118 0304 03
10	A03U 7249 01	Pressure Shaft		D	2	k-V207 0300 03
11	A03U 7307 01	Pressure Spring		C	2	m-V121 0304 03
12	A03U A742 01	ARM/FRONT CAULKING		D	1	n-V123 0306 03
13	A03U 7318 00	Regulating Shaft /Front		D	1	
14	A03U 7236 00	Wiring Mounting Plate /Front		D	1	
15	A03U 7238 00	Fixing Pressure Plate /B		D	1	
16	A03U 8077 00	Pressure Bearing		C	2	
17	A03U A744 01	FIXING PRESSURE PLATE A CAULKING		D	1	
18	A03U N108 00	Fixing Power supply Wiring /Lower		D	1	
19	A03U 7315 00	Paper exit Regulating Plate		D	2	
20	A03U 7247 00	Fixing Paper exit Plate /B		D	1	
21	A03U 7316 00	Fixing Regulating Shaft		D	1	
22	A03U 7310 00	Separating Plate /Lower		C	1	
23	A03U 7347 01	SEPARATING SPRING /REAR		C	1	
24	A03U A743 01	ARM/REAR CAULKING		D	1	
25	A03U 7320 00	Support Arm /Rear		D	1	
26	A03U 7301 00	Fixing Support Shaft /Rear		D	1	
27	A03U 7314 00	Auxiliary Plate /Rear		D	1	
28	A03U 7322 00	Fixing Pressure Plate /D		D	1	
29	A03U 7319 00	Regulating Shaft /Rear		D	1	
30	A03U A745 01	FIXING PRESSURE PLATE/C CAULKING		D	1	
31	SP00 -018 1	THERMOSTAT		A	1	
32	A03U 7241 01	Fuse Mounting Plate /Lower		D	1	
33	A03U R734 00	MOUNTING PLATE A ASSY		C	1	
34	55VA 5397 0	WIRING HOLDER PART		D	2	
35	A03U 7345 00	Support Screw /A		C	2	
36	A03U 7302 00	GUIDE PLATE /REAR		D	1	
37	65AA 8802 0	TEMPERATURE SENSOR 2		B	1	
38	65AA 5323 0	MOUNTING PLATE		D	1	
39	A03U 7212 01	Fixing Support Stay /Lower		D	1	
40	56AA 5347 0	FIXING FULCRUM SHAFT		D	1	

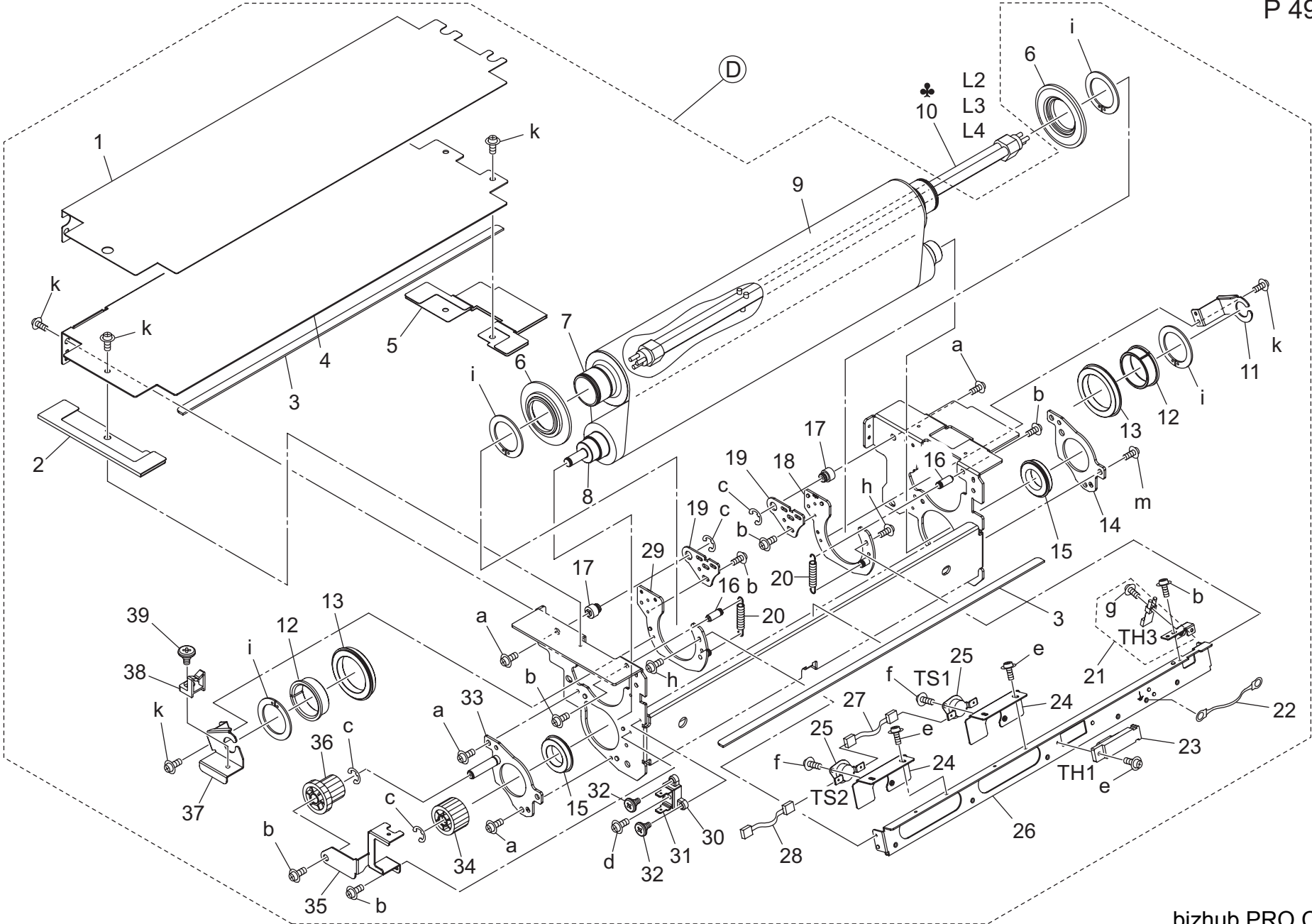
FUSING SECTION



FUSING SECTION

Key	Part No.	Description	Destinations	Class	QTY	Standard parts
1	A03U 7275 00	Wiring Part /1		D	1	a-V121 0306 03 b-V151 0205 03 c-V223 2600 04
2	A03U 7345 00	Support Screw /A		C	3	
3	A03U 7331 00	Mounting Nut		C	2	
4	A03U 7288 00	Fusing Duct /4		C	1	
5	A03U 7286 00	Fusing Duct /3		C	1	
6	56AA 2087 0	TERMINAL FIXING SCREW		C	2	
7	A03U 7287 00	Cover /3		C	1	
8	A03U 7217 00	Hold Plate /1		C	1	
9	A03U 8081 00	FIXING DRIVE GEAR /A 38T		B	1	
10	26NA 5371 2	BALL BEARING		A	2	
11	A03U 7227 00	Insulating Sleeve /Lower		B	2	
12	A03U 7203 00	Fusing Roller /Lower		A	1	
13	A03U M32A 00	Fixing Lamp /Lower	A	I	1	
13	A03U M32E 00	Fixing Lamp /Lower	B,G1	I	1	
13	A03U M32F 00	Fixing Lamp /Lower	C,D1,D3,E,F2,H,I,J	I	1	
14	A03U 7329 00	Cover /5		C	1	
15	A03U 7328 00	Fixing duct /5		C	1	
16	A03U 7327 00	Hold Block /Rear		C	1	

FUSING SECTION

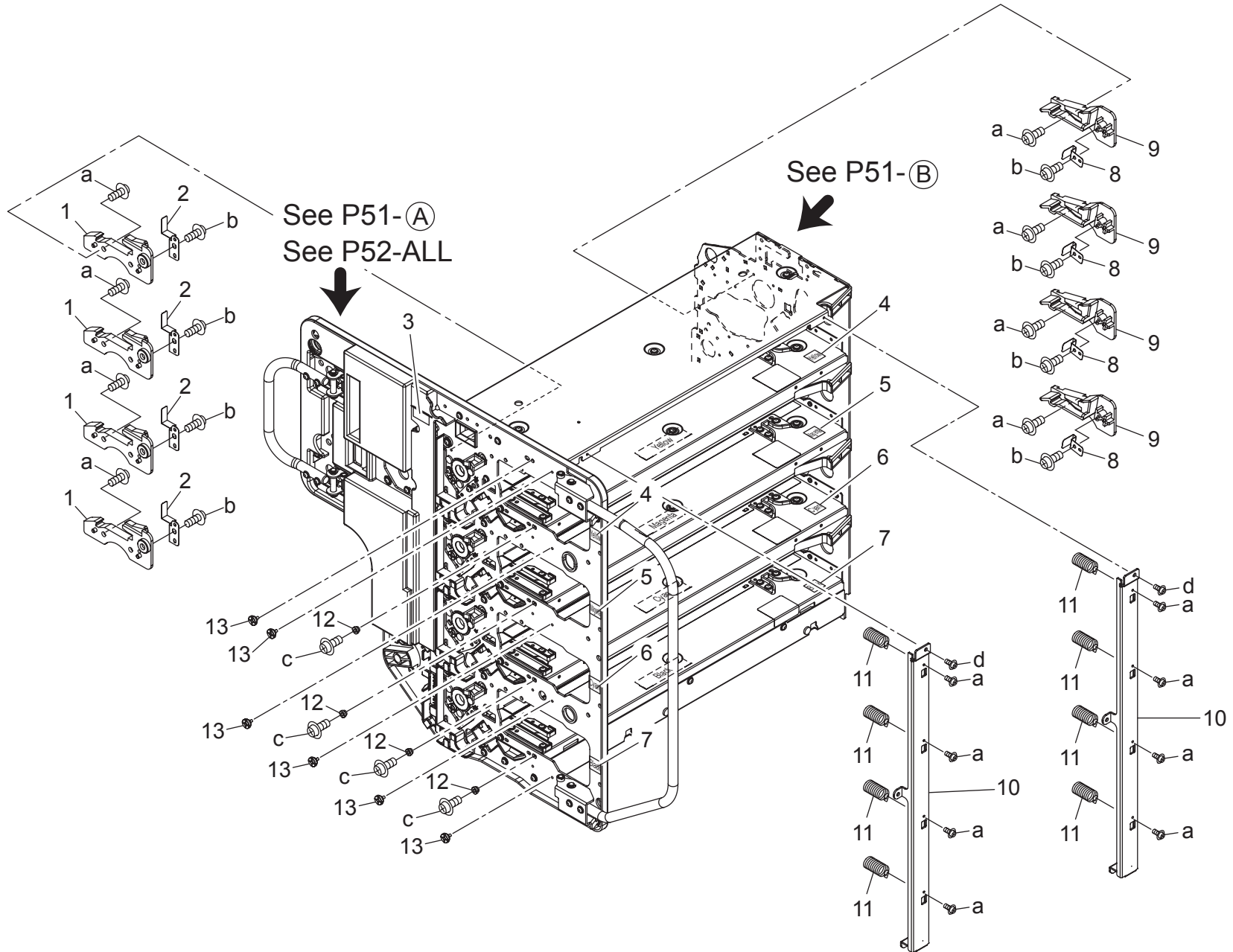


FUSING SECTION

Key	Part No.	Description	Destinations	Class	QTY	Standard parts
1	A03U 7270 00	Insulating Sheet /A		C	1	a-V121 0406 03
2	A03U 7303 00	Insulating Sheet /F		C	1	b-V121 0306 03
3	A03U 7317 00	Fusing Seal		C	2	c-V217 0600 50
4	A03U 7213 00	Fixing Top plate		D	1	d-V122 0304 03
5	A03U 7304 00	Insulating Sheet /G		C	1	e-V123 0308 03
6	A03U 7250 00	Belt Regulating Sleeve		A	2	f-V118 0304 03
7	A03U 7201 00	FUSING ROLLER /1		A	1	g-V123 0310 03
8	A03U 7202 01	Fusing Roller /2		A	1	h-V121 0304 03
9	A03U 7205 01	FUSING BELT 251L		A	1	i-V223 3000 04
10	A03U M31A 00	Fixing Lamp /Upper	A	I	1	k-V182 0306 03
10	A03U M31E 00	Fixing Lamp /Upper	B,G1	I	1	m-V182 0406 03
10	A03U M31F 00	Fixing Lamp /Upper	C,D1,D3,E,F2,H,I,J	I	1	
11	A03U 7291 01	HEATER SUPPORT PLATE /REAR		D	1	
12	A03U 7295 00	INSULATING SLEEVE /UPPER		A	2	
13	A03U 8078 00	FUSING BEARING /UPPER		A	2	
14	A03U 7251 00	Roller Mounting Plate		D	1	
15	56UA 7507 0	FIXING BEARING		A	2	
16	A03U 7297 00	Spring Shaft /B		D	2	
17	A03U 7292 00	Support Shaft		D	2	
18	A03U A771 01	SUPPORT ARM/REAR CAULKING		D	1	
19	A03U 7232 00	Support Plate		D	2	
20	A03U 7279 00	Belt Tension Spring		C	2	
21	A03U R735 00	STAY B ASSY		C	1	
22	A03U N232 00	Grounding Wiring /F		D	1	
23	65AA 8801 0	TEMPERATURE SENSOR 1		B	1	
24	A03U 7252 01	Stay /A		D	2	
25	SP00 -003 2	THERMOSTAT		A	2	
26	A03U 7229 01	Stay		D	1	
27	A03U N104 00	Fixing Power supply Wiring /Middle		D	1	
28	A03U N107 00	Fixing Power supply Wiring /Upper		D	1	
29	A03U A770 01	SUPPORT ARM/FRONT CAULKING		D	1	
30	26NA 5378 0	TERMINAL PEDESTAL B		C	1	
31	A03U 7298 00	Terminal Plate		C	1	
32	26NA 5423 0	TERMINAL FIXING SCREW		C	2	
33	A03U A769 01	ROLLER MOUNTING PLATE CAULKING		D	1	
34	A03U 8095 00	FIXING DRIVE GEAR /O 26T		A	1	
35	A03U 7243 00	Cover Plate		D	1	
36	A03U 8086 00	Fixing Drive Gear /F 20/28T		B	1	
37	A03U 7290 01	Heater Support Plate /Front		D	1	
38	55VA 5397 0	WIRING HOLDER PART		D	1	
39	A03U 7345 00	Support Screw /A		C	1	

PROCESS CARRIAGE SECTION

P 50

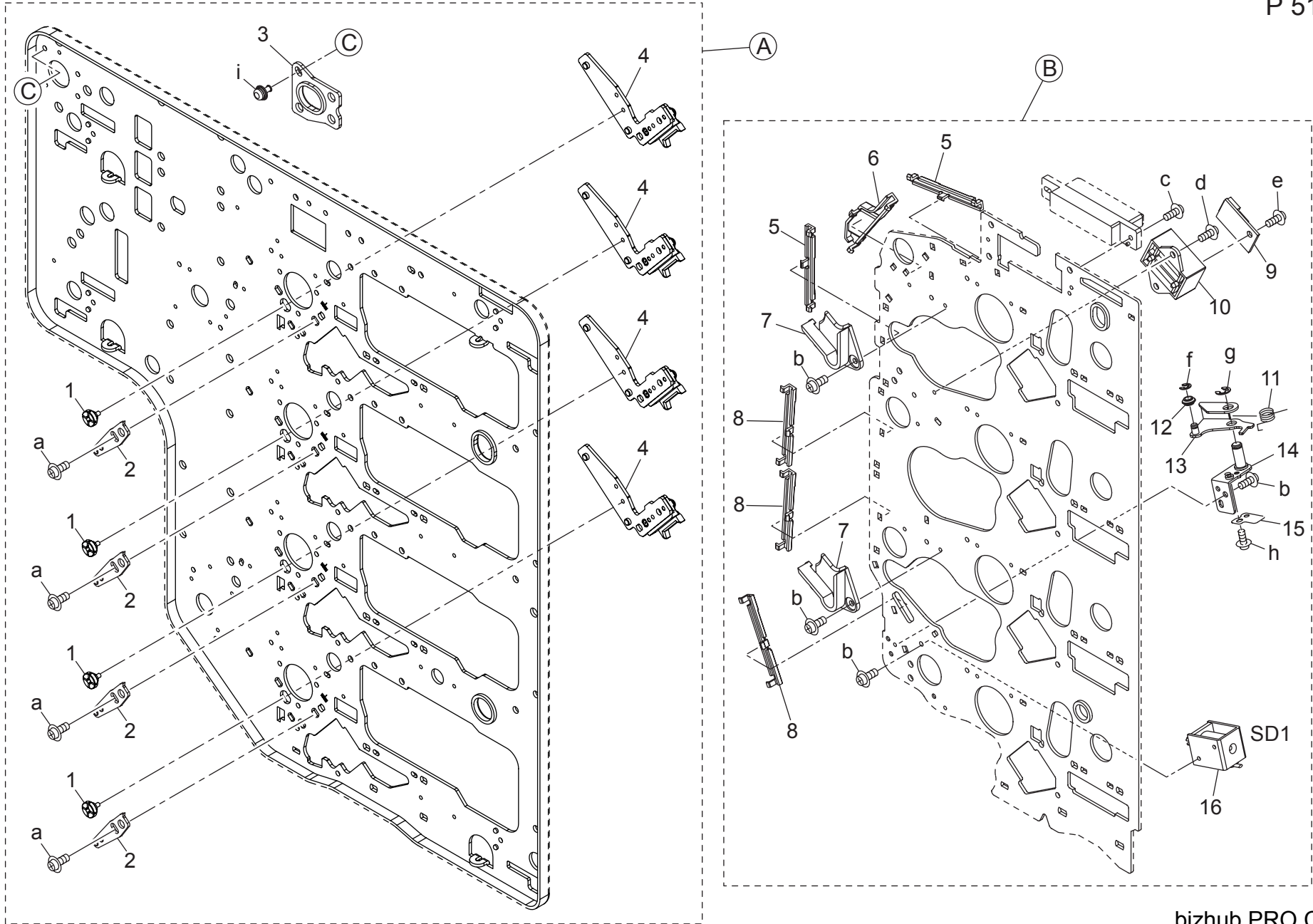


PROCESS CARRIAGE SECTION

Key	Part No.	Description	Destinations	Class	QTY	Standard parts
1	A03U 3442 00	Drum Mounting Block /Front		D	4	a-V121 0304 03 b-V158 0308 03 c-V118 0310 03 d-V121 0306 03
2	A03U 3495 00	Plate /1		D	4	
3	56UA 9792 0	HIGE VOLTAGE CAUTION LABEL		C	1	
4	65AA 9744 0	DEVELOPING CHANGE LABEL Y		D	2	
5	65AA 9745 0	DEVELOPING CHANGE LABEL M		D	2	
6	65AA 9746 0	DEVELOPING CHANGE LABEL C		D	2	
7	65AA 9747 0	DEVELOPING CHANGE LABEL K		D	2	
8	A03U 3489 00	Drum Holding Plate /Rear		D	4	
9	A03U 3443 00	Drum Mounting Block /Rear		D	4	
10	A03U 3478 01	Developing Pressing Plate /2		D	2	
11	65AA 2246 0	DEVELOPING PRESSING SPRING		C	8	
12	65AA 2283 0D	Mounting Spacer		D	4	
13	65AA 2268 0	CARTRIDGE SUPPORT SCREW		C	6	

PROCESS CARRIAGE SECTION

P 51

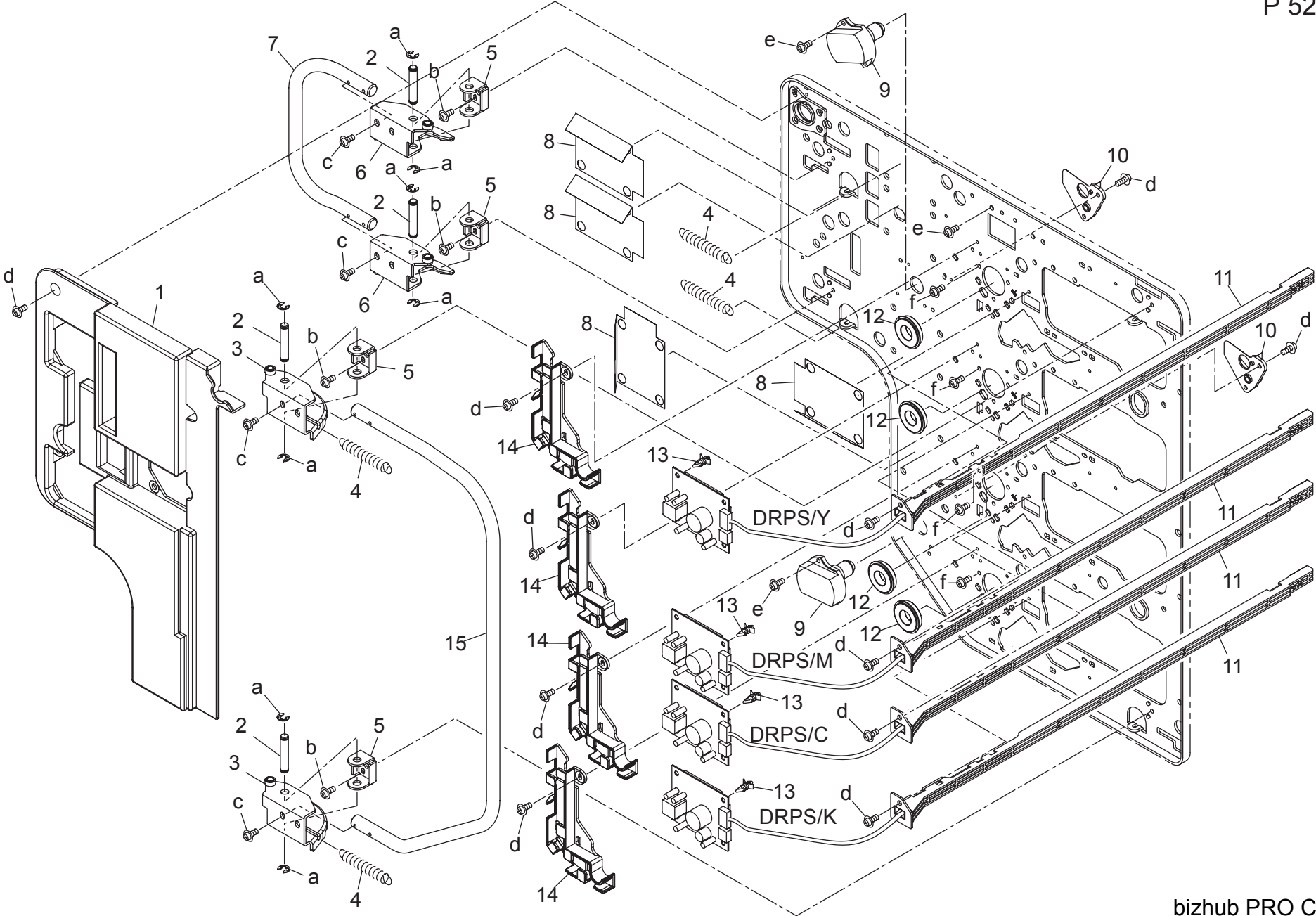


bizhub PRO C5501

PROCESS CARRIAGE SECTION

Key	Part No.	Description	Destinations	Class	QTY	Standard parts
1	65AA 2268 0	CARTRIDGE SUPPORT SCREW		C	4	a-V123 0308 03
2	A0U0 A349 00	ADJUSTMENT PLATE CAULKING		D	4	b-V121 0304 03
3	A03U 3472 00	Carriage Positioning Plate /Left		D	1	c-V121 0308 03
4	A0U0 R709 00	SLIDE PLATE ASSY		D	4	d-V121 0306 03
5	A03U 3474 00	Wiring Cover		D	2	e-V158 0308 03
6	A03U 3473 00	Wiring Cover		D	1	f-V217 0300 50
7	65AA 2237 0E	TRANSFER SUPPORT BLOCK /REAR		C	2	g-V217 0400 50
8	65AA 2276 0	WIRING COVER		D	3	h-V111 0304 03
9	65AA 8808 0	PROCESS SENSOR		C	1	i-V123 0408 03
10	65AA 1130 0	SUPPORT PART		D	1	
11	65AA 2259 0	SOLENOID RELEASE SPRING		C	1	
12	65AA 2275 0	SEPARATION PRESSURE ROLLER		C	1	
13	65AA -232 0	CAM PLATE CAULKING		D	1	
14	65AA -233 0	CAM FIXING PLATE CAULKING		D	1	
15	65AA 2282 0	SOLENOID SUPPORT PLATE		D	1	
16	26NA 8251 3	PAPER FEED SOLENOID		C	1	

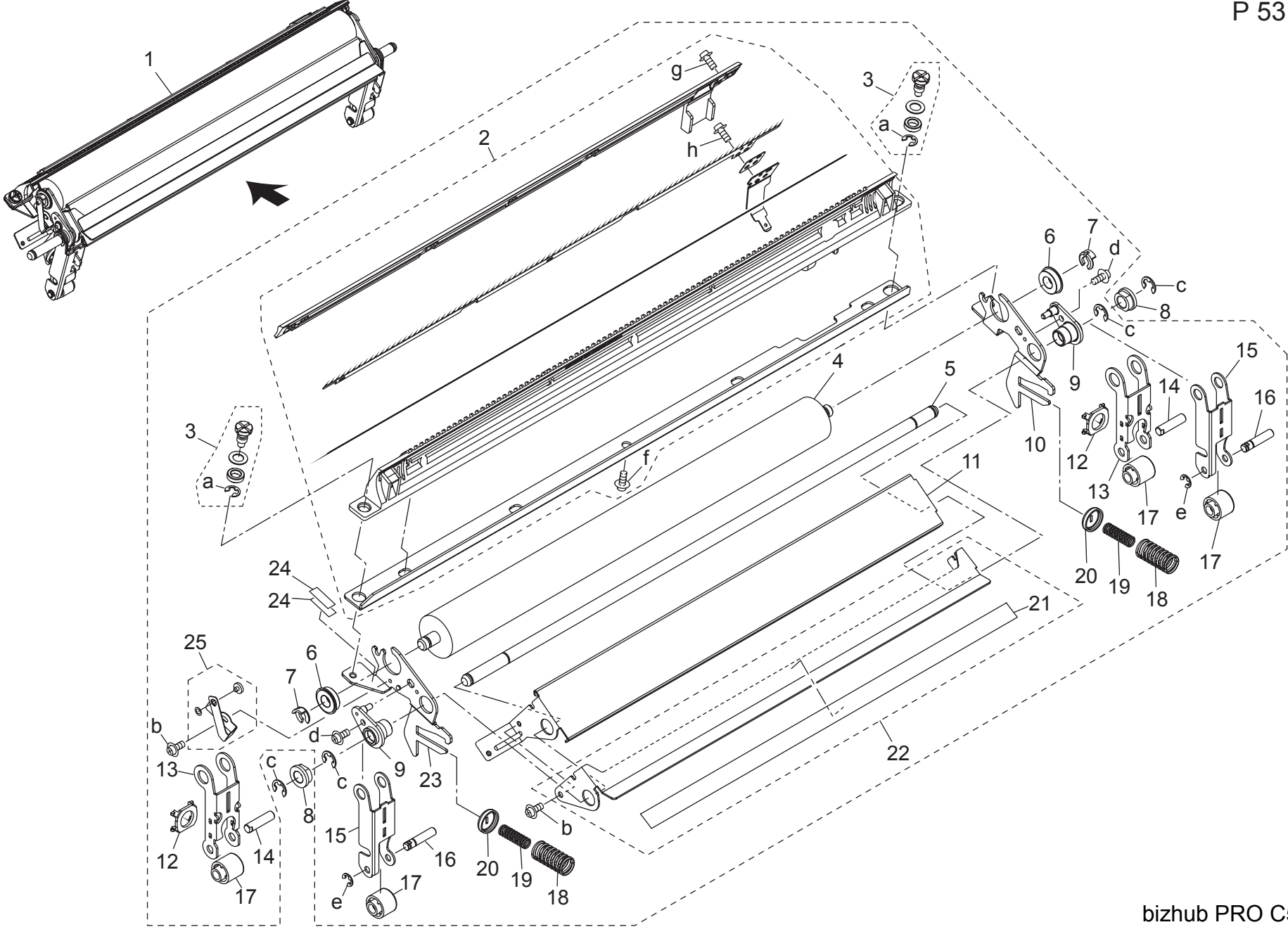
PROCESS CARRIAGE SECTION



PROCESS CARRIAGE SECTION

Key	Part No.	Description	Destinations	Class	QTY	Standard parts
1	65AA 2235 0E	FRONT COVER /LEFT		C	1	a-00Z6 7040 6 b-V121 0404 03 c-V121 0312 03 d-V121 0304 03 e-V121 0306 03 f-V118 0404 03
2	65AA 2210 0	CARRIGE LOCKING SHAFT UPPER		D	4	
3	65AA -226 0	CARRIGE LOCK RIGHT CAULKING		D	2	
4	65AA 2229 0	LEVER OPEN SHUT SPRING		C	4	
5	65AA 2226 0	HINGE PLATE A		D	4	
6	65AA -227 0	CARRIGE LOCK LEFT CAULKING		D	2	
7	65AA 2214 0	CARRIAGE HANDLE LEFT		D	1	
8	65AA 2281 0	BASE PLATE COVER		D	4	
9	65AA 2252 1	BELT POSITIONING SHAFT		D	2	
10	65AA 2236 0	TRANSFER SUPPORT BLOCK FRONT		D	2	
11	A03U R736 00	HV DETECTING SENSOR ASSY		C	4	
12	65AA 7508 1	DRUM SUPPORT BEARING /2		C	4	
13	V502 0100 21	spacer		D	4	
14	65AA 2280 0	WIRING GUIDE COVER		D	4	
15	65AA 2213 0	CARRIAGE HANDLE RIGHT		D	1	

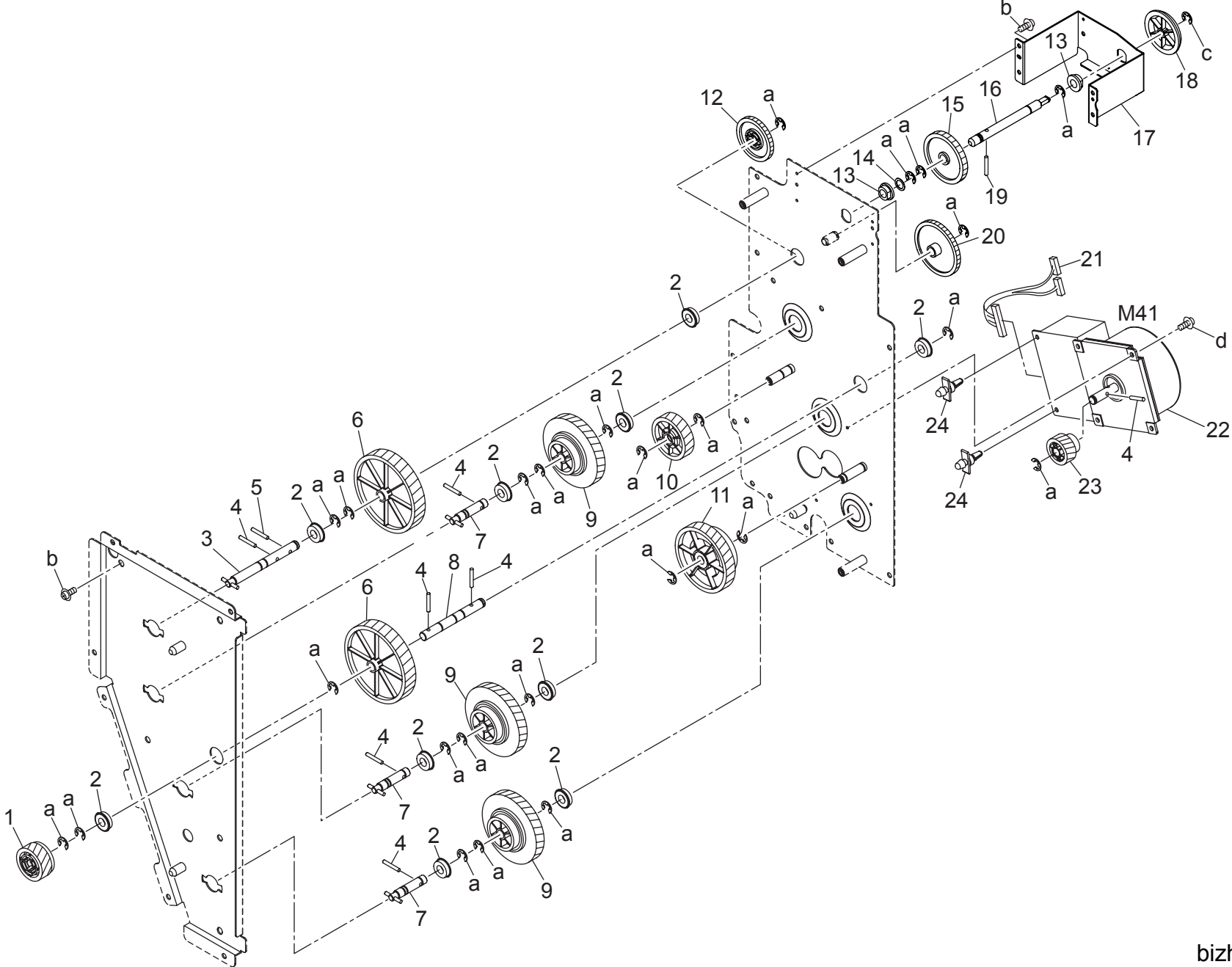
SECONDARY TRANSFER SECTION



SECONDARY TRANSFER SECTION

Key	Part No.	Description	Destinations	Class	QTY	Standard parts
1	A03U R7A9 00	SECOND TRANSFER UNIT		C	1	a-V217 0400 50
2	A03U R704 00	SEPARATING NEUTRALIZING ASSY		A	1	b-V121 0304 03
3	65AA R779 00	SEPARATING MT SCREW		C	2	c-V217 0600 50
4	65AA 4501 1	TRANSFER ROLLER		A	1	d-V121 0306 03
5	A03U 5206 00	Transfer Shaft		D	1	e-V217 0300 50
6	65AA 4512 0	TRANSFER BEARING		B	2	f-V158 0308 03
7	55VA 4212 0	SHAFT STOPPER		C	2	g-V151 0205 03
8	A03U 8128 00	Slide Shaft Holder		C	2	h-V118 0204 03
9	65AA 4507 0	TRANSFER FULCRUM SHAFT HOLDER		D	2	
10	A03U 5203 01	Transfer Side plate /Rear		D	1	
11	65AA 4504 0	TRANSFER GUIDE PLATE		C	1	
12	A03U 5238 01	GUIDE PART /2		D	2	
13	A03U 5234 00	PRESSURE LEVER /2		C	2	
14	A03U 5236 00	ROTATION SHAFT /2		D	2	
15	A03U 5216 00	Pressure Lever /1		C	2	
16	A03U 5219 00	Rotation Shaft /1		D	2	
17	A03U 5218 00	Pressure Roll		C	4	
18	A03U 5237 00	Transfer Spring /2		C	2	
19	A03U 5217 00	Transfer Spring /1		C	2	
20	A03U 5235 01	Guide Part /1		C	2	
21	A03U 5239 00	HOLDING SHEET		C	1	
22	A03U R749 00	GUIDE PLATE UPPER ASSY		C	1	
23	A03U 5202 01	Transfer Side plate /Front		D	1	
24	A03U 5241 00	Adjusting Spacer		D	2	
25	65AA R778 00	TRANSFER EARTH PLATE ASSY		C	1	

PAPER FEED DRIVING SECTION

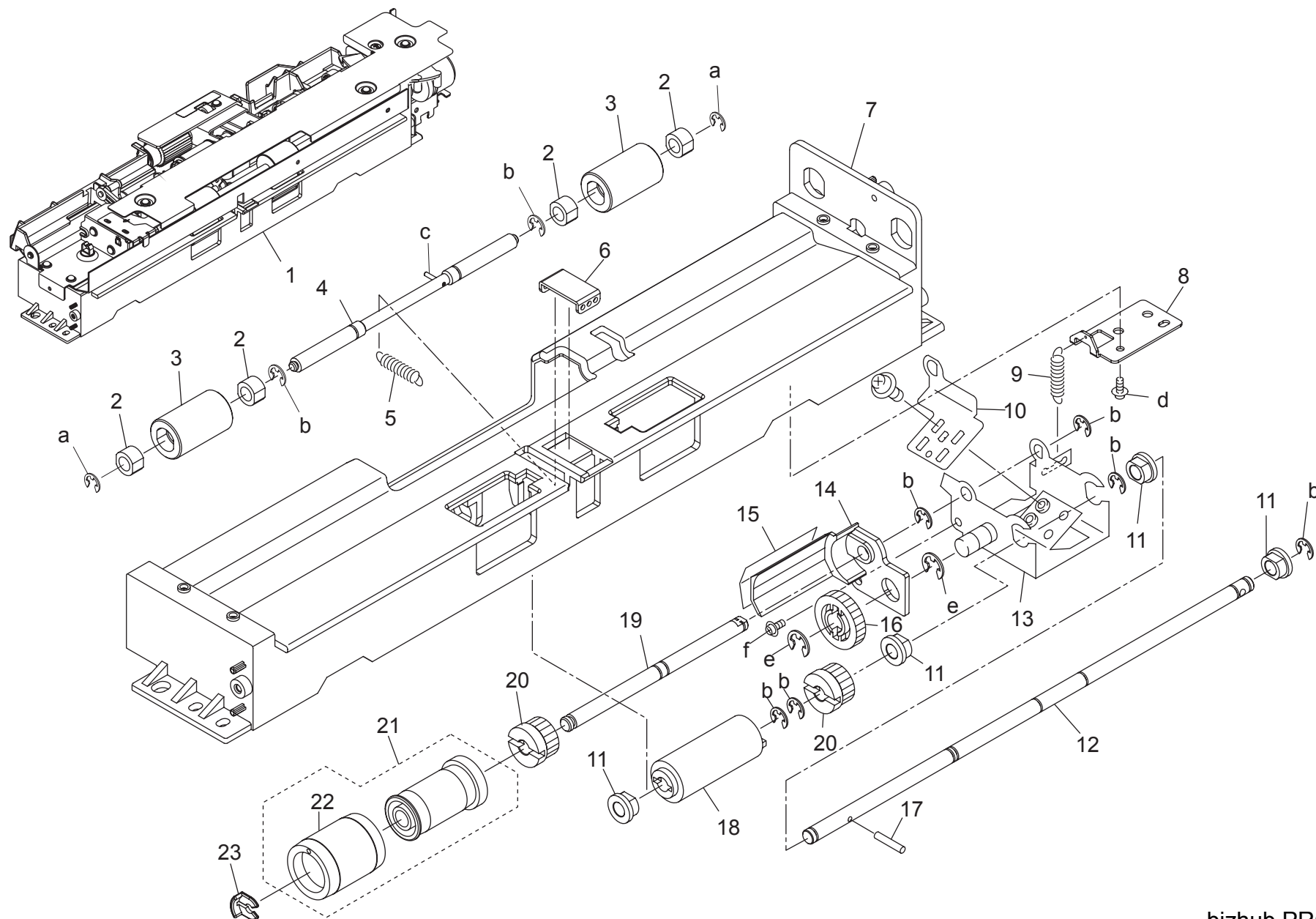


PAPER FEED DRIVING SECTION

Key	Part No.	Description	Destinations	Class	QTY	Standard parts
1	65AA 7754 0	PAPER FEED GEAR 2 29T		C	1	a-V217 0600 50 b-V121 0306 03 c-V217 0400 50 d-V121 0308 03
2	5400 7605 0	BALL BEARING		B	10	
3	65AA -415 0	PF DRIVING SHAFR/5PIN HAMMER		D	1	
4	56AA 1748 0	PIN B		C	7	
5	56AA 1746 1	PIN A		C	1	
6	65AA 7753 0	PAPER FEED GEAR 1 69T		C	2	
7	65AA -413 0	PF DRIVING SHAFR/1PIN HAMMER		D	3	
8	65AA 4104 0	PAPER FEED DRIVING SHAFT 2		D	1	
9	55VA 7713 0	PAPER FEED DRIVE GEAR /C 36/63T		B	3	
10	65AA 7798 0	PAPER FEED GEAR 4 37T		C	1	
11	65AA 7799 0	PAPER FEED GEAR 5 58T/40T		C	1	
12	25SA 7742 0	MULTI-FEED DRIVE GEAR 24/41T		C	1	
13	0900 7553 0	BUSHING		B	2	
14	13QA 4061 0	GEAR SPACER		C	1	
15	65AA 7805 0E	IDLING GEAR /H 48T		C	1	
16	65AA 2417 1	TONER COLLECTING SHAFT		C	1	
17	65AA 2430 0	TONER COLLECTING PANEL 1		C	1	
18	65AA 7785 0	TONER COLLECTING GEAR 3 27T		C	1	
19	56AA 1747 1	PIN B 3X12		C	1	
20	07AA 7730 2	SIDE GEAR E 52T		B	1	
21	65AA 9089 0E	PAPER FEED RELAY WIRING		D	1	
22	65AA 8002 1	DC BRUSHLESS MOTOR 50		B	1	
23	65AA 7786 0	PAPER FEED GEAR 3 23T		C	1	
24	V502 0100 15	support		D	2	

PAPER FEED SECTION

TRAY 1

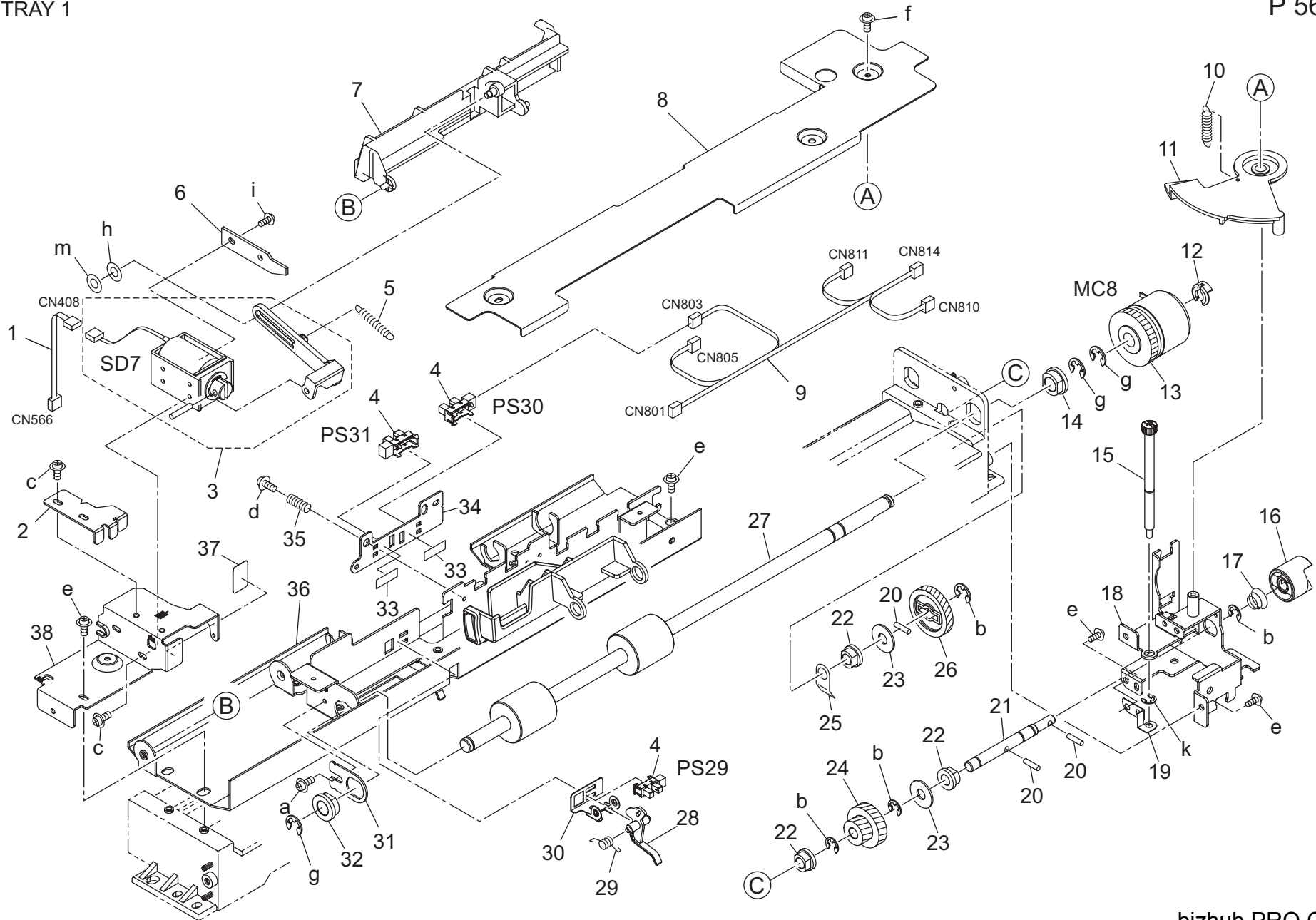


Key	Part No.	Description	Destinations	Class	QTY	Standard parts
1	A03U R7A7 00	PAPER FEED UNIT		S	1	a-V217 0300 50 b-V217 0400 50 c-V233 1610 50 d-V151 0308 03 e-V217 0600 50 f-V121 0306 03
2	A03U 8501 01	Slide Bushing		C	4	
3	26NA 4256 0	BY PASS FEED DRIVEN ROLLER		C	2	
4	56AA 4033 0	PAPER FEED DRIVEN SHAFT		D	1	
5	56AA 4048 1	PAPERFEEDPRESSINGSRING		C	1	
6	56AA 4043 0	SPRING MOUNTING PLATE 1		D	1	
7	56AA 4001 0	PAPER FEED MAIN BODY		C	1	
8	56AA 4044 0	SPRING MOUNTING PLATE 2		D	1	
9	56AA 4042 0	MULTI FEED PREVENTING SPRING		C	1	
10	56QA 4055 0	MULTI FEED ADJUSTMENT PLATE		D	1	
11	08AA 7601 0	DRUM DRIVING SHAFT HOLDER		C	4	
12	56QA 4025 0	MULTI FEED SUPPORT SHAFT		D	1	
13	56QA 4008 0	MULTI FEED PREVENTING PLATE		C	1	
14	56AA 4053 0	ENTRANCE GUIDE PART		D	1	
15	56AA 4054 0	ENTRANCE GUIDE SHEET		C	1	
16	26NA 4206 1	BY PASS FEED CONVEYING GEAR 21T		B	1	
17	56AA 1731 0	PIN		C	1	
18	56AA 4041 1	TORQUE LIMITTER		B	1	
19	56QA 4027 0	MULTI FEED REVERSE SHAFT		D	1	
20	55VA 7903 0	PAPER FEED REVERSAL GEAR C 14T		B	2	
21	56AA R716 00	REVERSING ROLLER ASSY		B	1	
22	25SA 4096 0	DOUBLE FEED PREVENTION RUBBER		A	1	
23	56AA 4049 0	SHAFT STOPPER 4		C	1	

PAPER FEED SECTION

TRAY 1

P 56



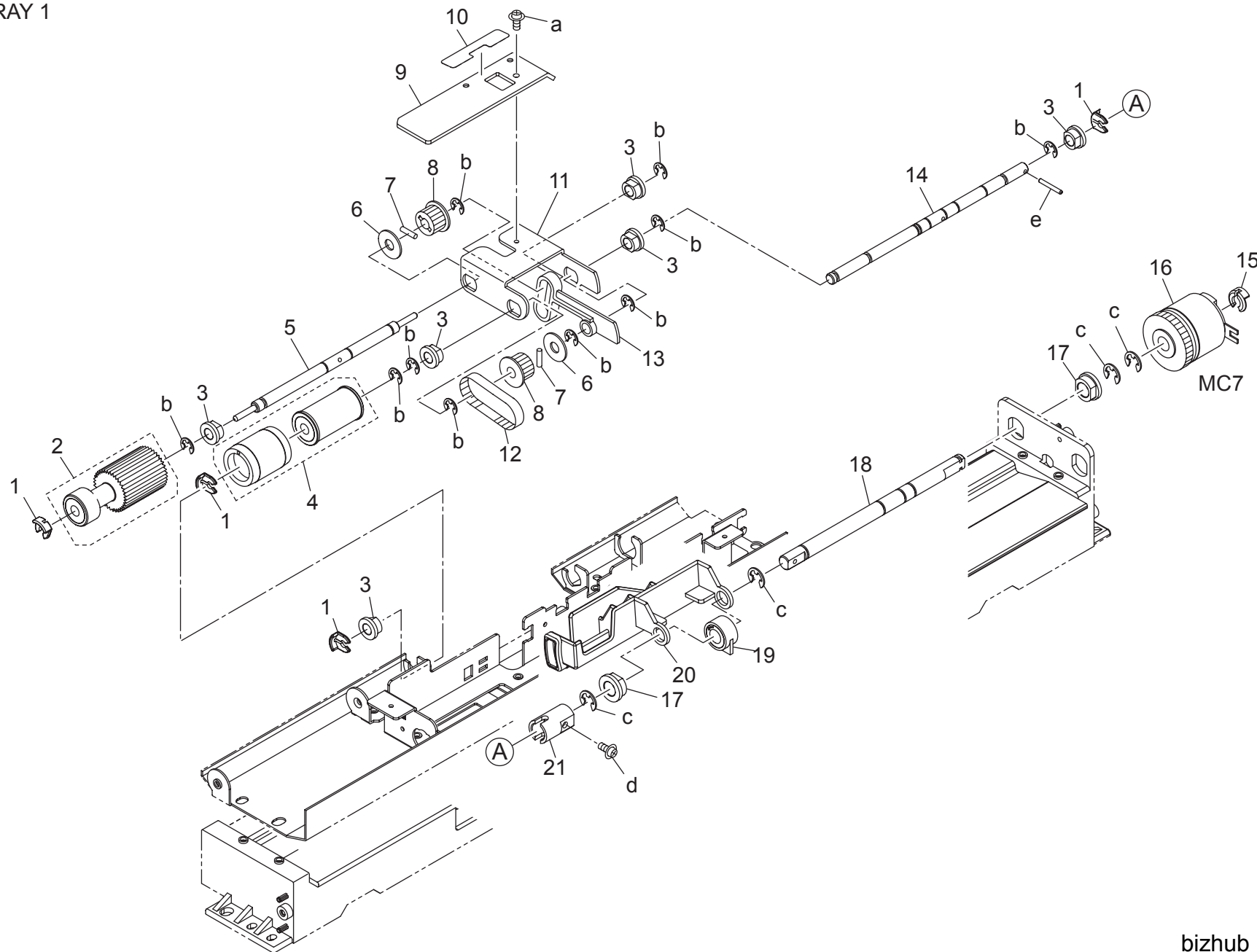
PAPER FEED SECTION

Key	Part No.	Description	Destinations	Class	QTY	Standard parts
1	65AA 9101 0	CASSETTE RELAY WIRING		D	1	a-V121 0306 03
2	65AA 4009 0D	Solenoid Fixing Plate		D	1	b-V217 0400 50
3	65AA R771 00	SOLENOID ASSY		C	1	c-V123 0306 03
4	08AA 8551 2	PHOTO SENSOR		B	3	d-V121 0304 03
5	65AA 4006 0	RELEASE SPRING		C	1	e-V151 0308 03
6	65AA 4011 0	GUIDE PART		D	1	f-V121 0306 16
7	65AA 4001 0	REGULATING PLATE		D	1	g-V217 0600 50
8	56AA 4010 0E	WIRING PROTECTION COVER		D	1	h-V207 0300 03
9	56AA 9061 0E	PAPER FEED WIRING /2		D	1	i-V118 0304 03
10	56AA 1712 1	SEPARATE SPRING UPPER		C	1	k-V217 0300 50
11	56AA 4039 0	CAM PLATE		C	1	m-V226 0300 50
12	55VA 4212 0	SHAFT STOPPER		C	1	
13	56AA 8201 2	PAPER FEED DRIVING CLUTCH		B	1	
14	55VA 7554 0	PAPER FEED SHAFT HOLDER B		B	1	
15	56AA 4012 0	PAPER FEED HOLDING SCREW		C	1	
16	56AA 4045 0	PAPER FEED COUPLING PART		C	1	
17	56AA 4051 0	PRESSING SPRING		C	1	
18	56AA 4009 0	DRIVE MOUNTING PLATE		D	1	
19	56AA 4047 0	SCREW EARTH PLATE		C	1	
20	56AA 1748 0	PIN B		C	3	
21	56AA 4024 0	PAPER FEED INPUT SHAFT		D	1	
22	08AA 7601 0	DRUM DRIVING SHAFT HOLDER		C	3	
23	56AA 1776 0	COLLAR		C	2	
24	56AA 7772 0	PAPER FEED REVERSE GEAR /1 16/22T		C	1	
25	56AA 4050 0	SHAFT HOLDER EARTH PLATE		C	1	
26	56AA 7773 0	PAPER FEED REVERSING GEAR 2 33T		C	1	
27	56AA 4023 0	PAPER FEED REGISTRATION ROLLER		C	1	
28	56AA 4017 1	PAPER FEED DETECTING ACTUATOR		C	1	
29	56AA 4019 0	PRESSING SPRING		C	1	
30	56AA 4031 0	MOUNTING PLATE		D	1	
31	56AA 4037 0	ADJUSTING PLATE		D	1	
32	A03U 8128 00	Slide Shaft Holder		C	1	
33	4109 5530 01	STOPPER		C	2	
34	56AA 4046 0	ADJUSTMENT PLATE		D	1	
35	56AA 4052 0	EARTH SPRING		C	1	
36	56AA 4003 2	PAPER FEED GUIDE PLATE UPPER		C	1	
37	65AA 4007 0	REGULATING SHEET		C	1	
38	65AA 4002 0	SOLENOID MOUNTING PLATE		D	1	

PAPER FEED SECTION

TRAY 1

P 57

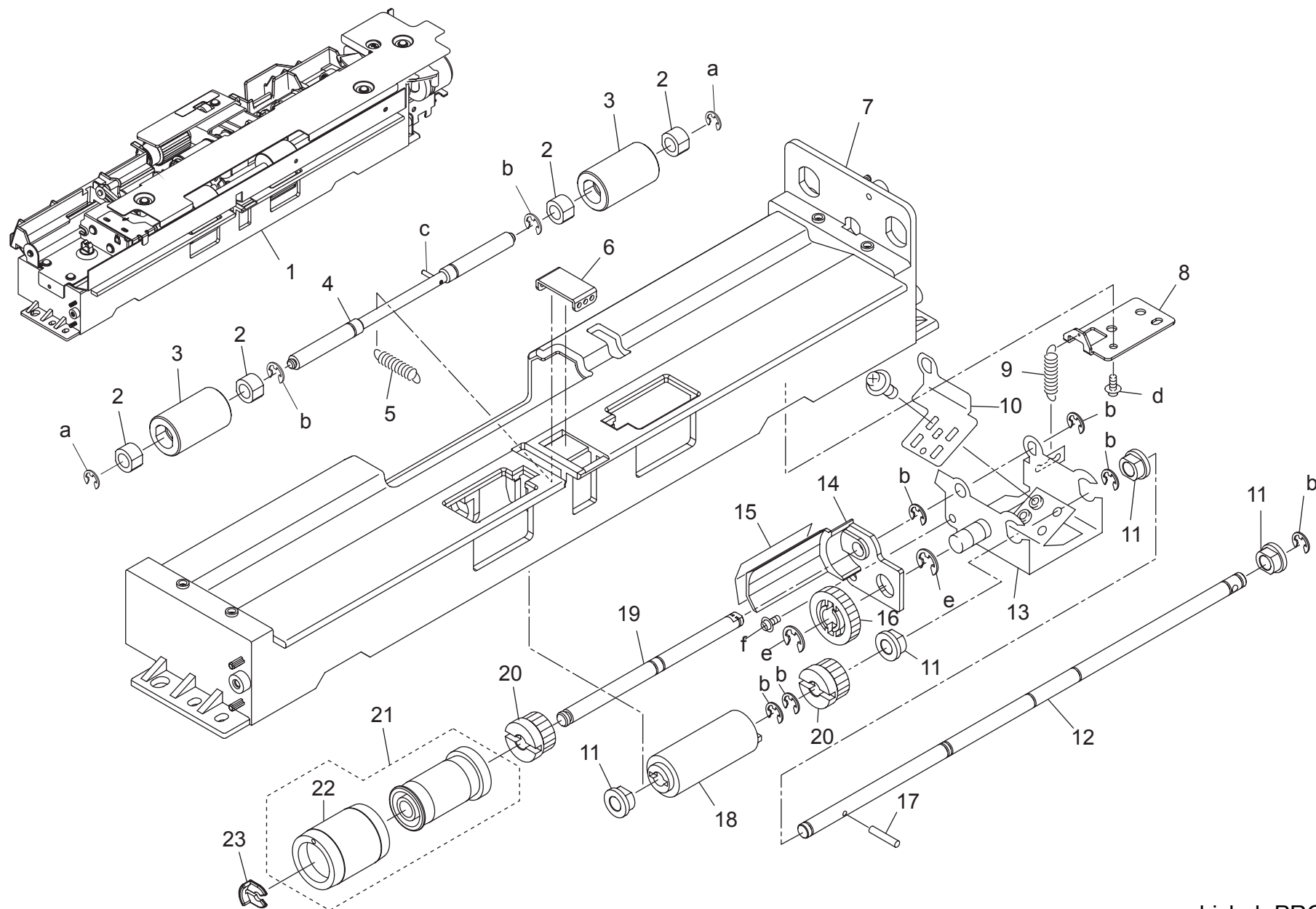


PAPER FEED SECTION

Key	Part No.	Description	Destinations	Class	QTY	Standard parts
1	56AA 4049 0	SHAFT STOPPER 4		C	4	a-V121 0306 03 b-V217 0400 50 c-V217 0600 50 d-V118 0306 03 e-V233 2014 50
2	56AA R721 00	PAPER FEED OCILLATE ROLLER		B	1	
3	08AA 7601 0	DRUM DRIVING SHAFT HOLDER		C	6	
4	56AA R720 00	FEED ROLLER UNIT		A	1	
5	A03U 5602 00	Swing Shaft		D	1	
6	56AA 1776 0	COLLAR		C	2	
7	56AA 1751 0	PIN B		C	2	
8	0590 7651 0	PULLEY 1 15T		C	2	
9	65AA 4008 0E	Paper feed Auxiliary Plate		D	1	
10	65GE 9740 0	GUIDE LABEL /1		C	1	
11	56AA 4007 0	PAPER FEED ROCKING PLATE		D	1	
12	56AA 7759 0	PAPER FEED ROCKING BELT 111L		C	1	
13	56AA 4030 0	PAPER QUANTITY ACTUATOR		C	1	
14	A03U 5601 00	Feeding Shaft		D	1	
15	55VA 4212 0	SHAFT STOPPER		C	1	
16	56AA 8201 2	PAPER FEED DRIVING CLUTCH		B	1	
17	A03U 8128 00	Slide Shaft Holder		C	2	
18	A03U 5603 00	DRIVE SHAFT		D	1	
19	56AA 4038 0	PAPER FEED REGULATING BLOCK		C	1	
20	A03U 5605 00	Regulating Plate /Rear		C	1	
21	55FA 4032 0	COUPLING		C	1	

PAPER FEED SECTION

TRAY 2

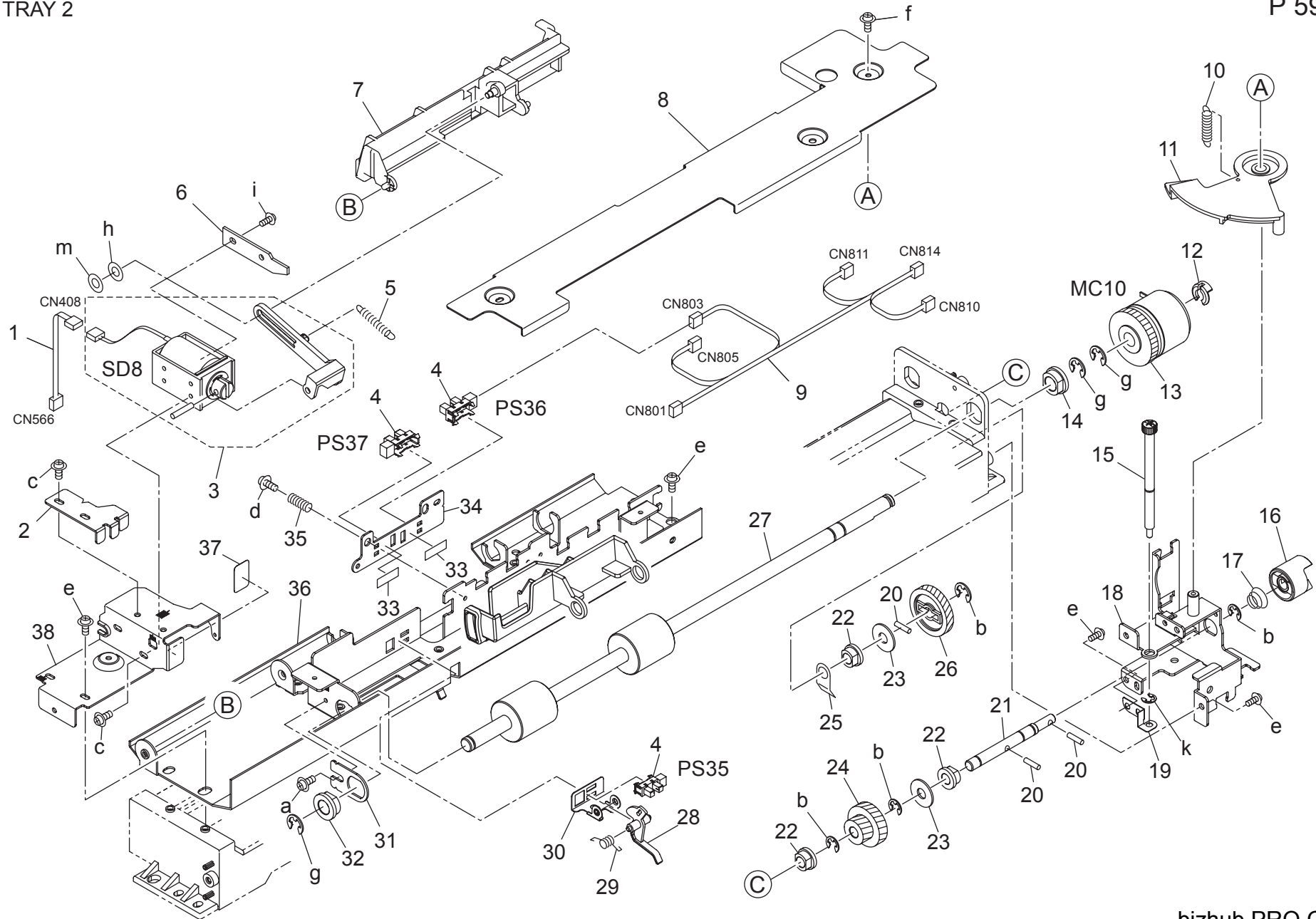


Key	Part No.	Description	Destinations	Class	QTY	Standard parts
1	A03U R7A7 00	PAPER FEED UNIT		S	1	a-V217 0300 50
2	A03U 8501 01	Slide Bushing		C	4	b-V217 0400 50
3	26NA 4256 0	BY PASS FEED DRIVEN ROLLER		C	2	c-V233 1610 50
4	56AA 4033 0	PAPER FEED DRIVEN SHAFT		D	1	d-V151 0308 03
5	56AA 4048 1	PAPERFEEDPRESSINGSRING		C	1	e-V217 0600 50
6	56AA 4043 0	SPRING MOUNTING PLATE 1		D	1	f-V121 0306 03
7	56AA 4001 0	PAPER FEED MAIN BODY		C	1	
8	56AA 4044 0	SPRING MOUNTING PLATE 2		D	1	
9	56AA 4042 0	MULTI FEED PREVENTING SPRING		C	1	
10	56QA 4055 0	MULTI FEED ADJUSTMENT PLATE		D	1	
11	08AA 7601 0	DRUM DRIVING SHAFT HOLDER		C	4	
12	56QA 4025 0	MULTI FEED SUPPORT SHAFT		D	1	
13	56QA 4008 0	MULTI FEED PREVENTING PLATE		C	1	
14	56AA 4053 0	ENTRANCE GUIDE PART		D	1	
15	56AA 4054 0	ENTRANCE GUIDE SHEET		C	1	
16	26NA 4206 1	BY PASS FEED CONVEYING GEAR 21T		B	1	
17	56AA 1731 0	PIN		C	1	
18	56AA 4041 1	TORQUE LIMITTER		B	1	
19	56QA 4027 0	MULTI FEED REVERSE SHAFT		D	1	
20	55VA 7903 0	PAPER FEED REVERSAL GEAR C 14T		B	2	
21	56AA R716 00	REVERSING ROLLER ASSY		B	1	
22	25SA 4096 0	DOUBLE FEED PREVENTION RUBBER		A	1	
23	56AA 4049 0	SHAFT STOPPER 4		C	1	

PAPER FEED SECTION

TRAY 2

P 59



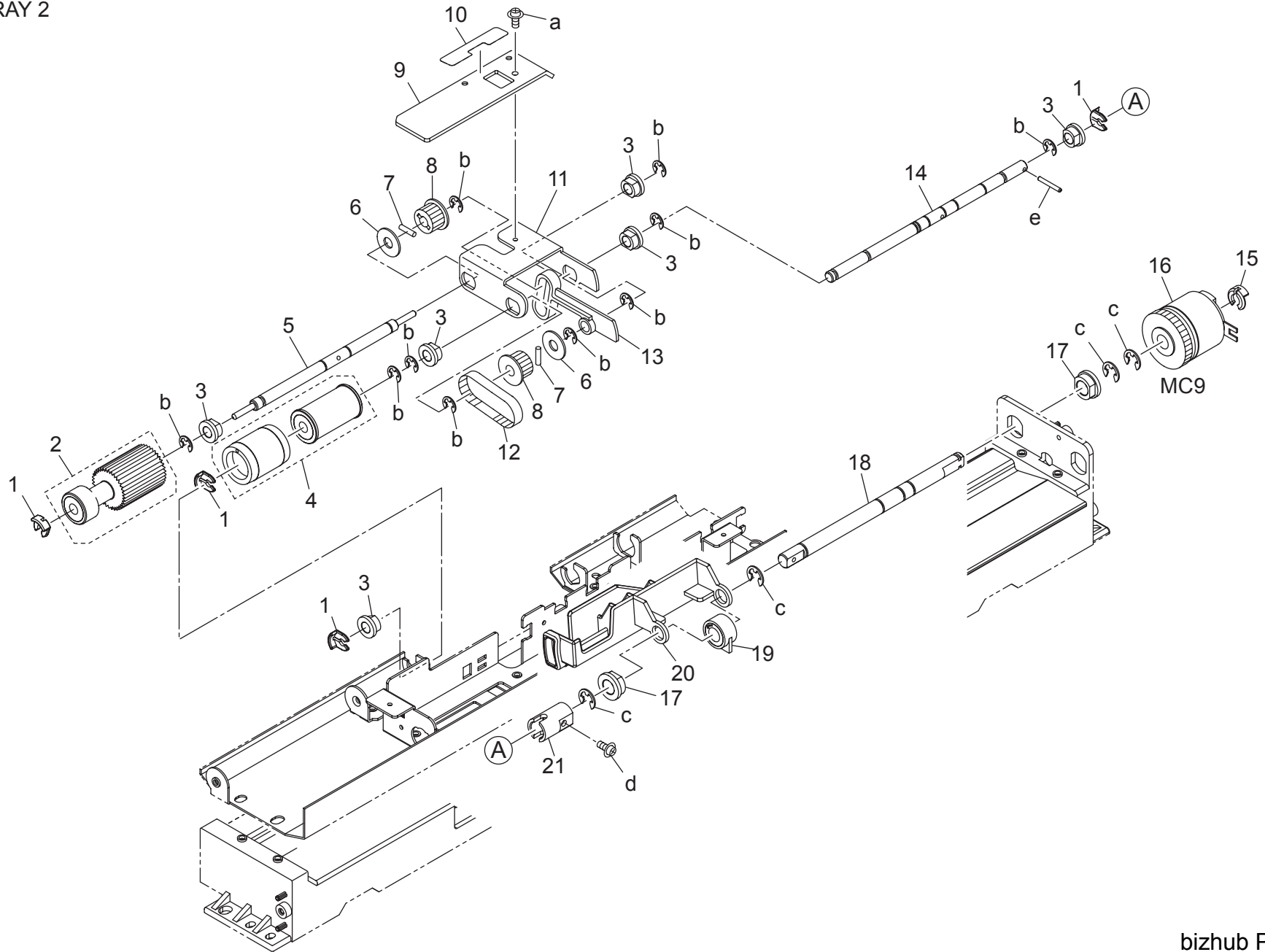
PAPER FEED SECTION

Key	Part No.	Description	Destinations	Class	QTY	Standard parts
1	65AA 9101 0	CASSETTE RELAY WIRING		D	1	a-V121 0306 03
2	65AA 4009 0D	Solenoid Fixing Plate		D	1	b-V217 0400 50
3	65AA R771 00	SOLENOID ASSY		C	1	c-V123 0306 03
4	08AA 8551 2	PHOTO SENSOR		B	3	d-V121 0304 03
5	65AA 4006 0	RELEASE SPRING		C	1	e-V151 0308 03
6	65AA 4011 0	GUIDE PART		D	1	f-V121 0306 16
7	65AA 4001 0	REGULATING PLATE		D	1	g-V217 0600 50
8	56AA 4010 0E	WIRING PROTECTION COVER		D	1	h-V207 0300 03
9	56AA 9061 0E	PAPER FEED WIRING /2		D	1	i-V118 0304 03
10	56AA 1712 1	SEPARATE SPRING UPPER		C	1	k-V217 0300 50
11	56AA 4039 0	CAM PLATE		C	1	m-V226 0300 50
12	55VA 4212 0	SHAFT STOPPER		C	1	
13	56AA 8201 2	PAPER FEED DRIVING CLUTCH		B	1	
14	55VA 7554 0	PAPER FEED SHAFT HOLDER B		B	1	
15	56AA 4012 0	PAPER FEED HOLDING SCREW		C	1	
16	56AA 4045 0	PAPER FEED COUPLING PART		C	1	
17	56AA 4051 0	PRESSING SPRING		C	1	
18	56AA 4009 0	DRIVE MOUNTING PLATE		D	1	
19	56AA 4047 0	SCREW EARTH PLATE		C	1	
20	56AA 1748 0	PIN B		C	3	
21	56AA 4024 0	PAPER FEED INPUT SHAFT		D	1	
22	08AA 7601 0	DRUM DRIVING SHAFT HOLDER		C	3	
23	56AA 1776 0	COLLAR		C	2	
24	56AA 7772 0	PAPER FEED REVERSE GEAR /1 16/22T		C	1	
25	56AA 4050 0	SHAFT HOLDER EARTH PLATE		C	1	
26	56AA 7773 0	PAPER FEED REVERSING GEAR 2 33T		C	1	
27	56AA 4023 0	PAPER FEED REGISTRATION ROLLER		C	1	
28	56AA 4017 1	PAPER FEED DETECTING ACTUATOR		C	1	
29	56AA 4019 0	PRESSING SPRING		C	1	
30	56AA 4031 0	MOUNTING PLATE		D	1	
31	56AA 4037 0	ADJUSTING PLATE		D	1	
32	A03U 8128 00	Slide Shaft Holder		C	1	
33	4109 5530 01	STOPPER		C	2	
34	56AA 4046 0	ADJUSTMENT PLATE		D	1	
35	56AA 4052 0	EARTH SPRING		C	1	
36	56AA 4003 2	PAPER FEED GUIDE PLATE UPPER		C	1	
37	65AA 4007 0	REGULATING SHEET		C	1	
38	65AA 4002 0	SOLENOID MOUNTING PLATE		D	1	

PAPER FEED SECTION

TRAY 2

P 60



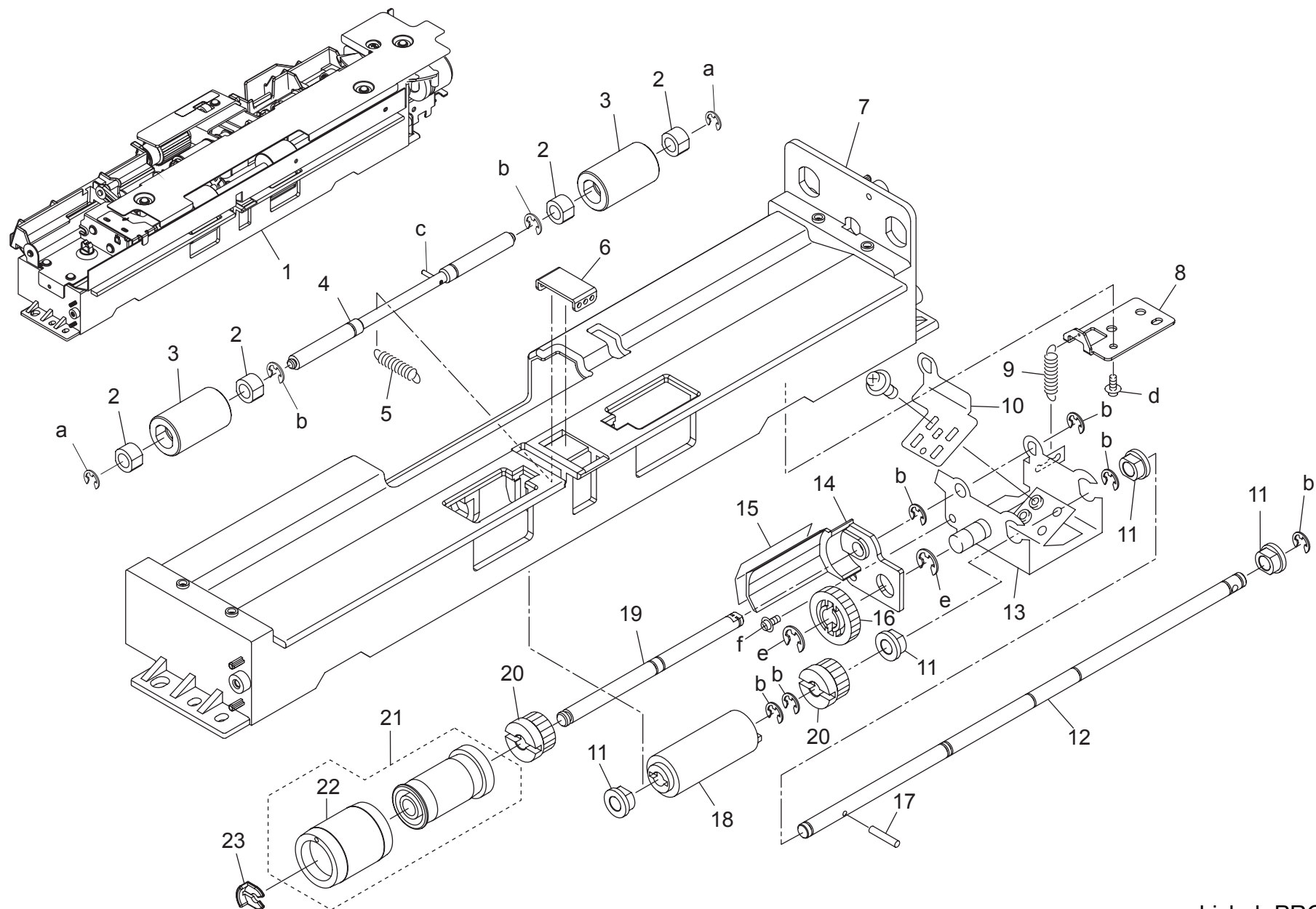
PAPER FEED SECTION

Key	Part No.	Description	Destinations	Class	QTY	Standard parts
1	56AA 4049 0	SHAFT STOPPER 4		C	4	a-V121 0306 03 b-V217 0400 50 c-V217 0600 50 d-V118 0306 03 e-V233 2014 50
2	56AA R721 00	PAPER FEED OCILLATE ROLLER		B	1	
3	08AA 7601 0	DRUM DRIVING SHAFT HOLDER		C	6	
4	56AA R720 00	FEED ROLLER UNIT		A	1	
5	A03U 5602 00	Swing Shaft		D	1	
6	56AA 1776 0	COLLAR		C	2	
7	56AA 1751 0	PIN B		C	2	
8	0590 7651 0	PULLEY 1 15T		C	2	
9	65AA 4008 0E	Paper feed Auxiliary Plate		D	1	
10	65GE 9740 0	GUIDE LABEL /1		C	1	
11	56AA 4007 0	PAPER FEED ROCKING PLATE		D	1	
12	56AA 7759 0	PAPER FEED ROCKING BELT 111L		C	1	
13	56AA 4030 0	PAPER QUANTITY ACTUATOR		C	1	
14	A03U 5601 00	Feeding Shaft		D	1	
15	55VA 4212 0	SHAFT STOPPER		C	1	
16	56AA 8201 2	PAPER FEED DRIVING CLUTCH		B	1	
17	A03U 8128 00	Slide Shaft Holder		C	2	
18	A03U 5603 00	DRIVE SHAFT		D	1	
19	56AA 4038 0	PAPER FEED REGULATING BLOCK		C	1	
20	A03U 5605 00	Regulating Plate /Rear		C	1	
21	55FA 4032 0	COUPLING		C	1	

PAPER FEED SECTION

TRAY 3

P 61



bizhub PRO C5501

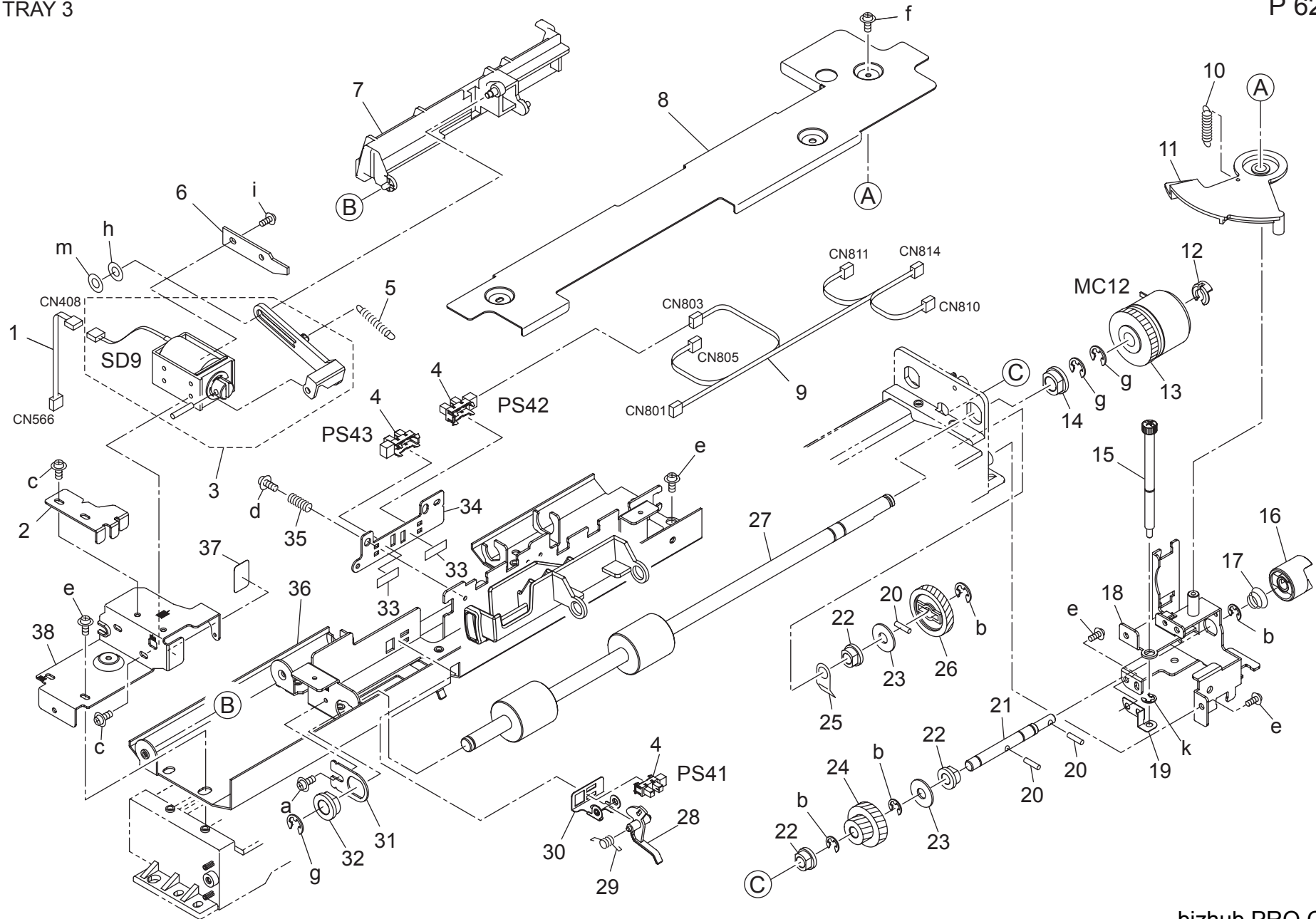
PAPER FEED SECTION

Key	Part No.	Description	Destinations	Class	QTY	Standard parts
1	A03U R7A7 00	PAPER FEED UNIT		S	1	a-V217 0300 50
2	A03U 8501 01	Slide Bushing		C	4	b-V217 0400 50
3	26NA 4256 0	BY PASS FEED DRIVEN ROLLER		C	2	c-V233 1610 50
4	56AA 4033 0	PAPER FEED DRIVEN SHAFT		D	1	d-V151 0308 03
5	56AA 4048 1	PAPERFEEDPRESSINGSRING		C	1	e-V217 0600 50
6	56AA 4043 0	SPRING MOUNTING PLATE 1		D	1	f-V121 0306 03
7	56AA 4001 0	PAPER FEED MAIN BODY		C	1	
8	56AA 4044 0	SPRING MOUNTING PLATE 2		D	1	
9	56AA 4042 0	MULTI FEED PREVENTING SPRING		C	1	
10	56QA 4055 0	MULTI FEED ADJUSTMENT PLATE		D	1	
11	08AA 7601 0	DRUM DRIVING SHAFT HOLDER		C	4	
12	56QA 4025 0	MULTI FEED SUPPORT SHAFT		D	1	
13	56QA 4008 0	MULTI FEED PREVENTING PLATE		C	1	
14	56AA 4053 0	ENTRANCE GUIDE PART		D	1	
15	56AA 4054 0	ENTRANCE GUIDE SHEET		C	1	
16	26NA 4206 1	BY PASS FEED CONVEYING GEAR 21T		B	1	
17	56AA 1731 0	PIN		C	1	
18	56AA 4041 1	TORQUE LIMITTER		B	1	
19	56QA 4027 0	MULTI FEED REVERSE SHAFT		D	1	
20	55VA 7903 0	PAPER FEED REVERSAL GEAR C 14T		B	2	
21	56AA R716 00	REVERSING ROLLER ASSY		B	1	
22	25SA 4096 0	DOUBLE FEED PREVENTION RUBBER		A	1	
23	56AA 4049 0	SHAFT STOPPER 4		C	1	

PAPER FEED SECTION

TRAY 3

P 62



bizhub PRO C5501

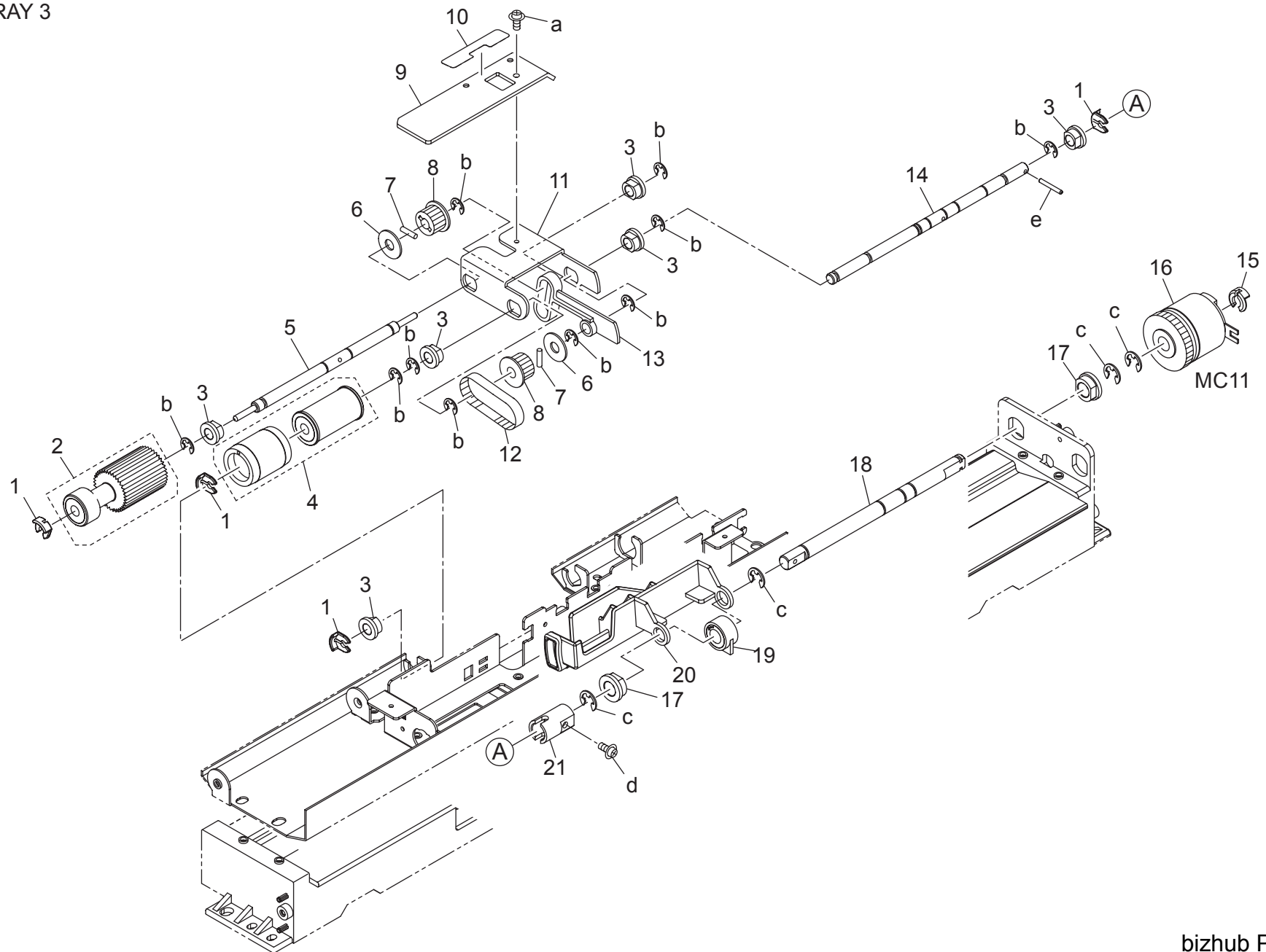
PAPER FEED SECTION

Key	Part No.	Description	Destinations	Class	QTY	Standard parts
1	65AA 9101 0	CASSETTE RELAY WIRING		D	1	a-V121 0306 03
2	65AA 4009 0D	Solenoid Fixing Plate		D	1	b-V217 0400 50
3	65AA R771 00	SOLENOID ASSY		C	1	c-V123 0306 03
4	08AA 8551 2	PHOTO SENSOR		B	3	d-V121 0304 03
5	65AA 4006 0	RELEASE SPRING		C	1	e-V151 0308 03
6	65AA 4011 0	GUIDE PART		D	1	f-V121 0306 16
7	65AA 4001 0	REGULATING PLATE		D	1	g-V217 0600 50
8	56AA 4010 0E	WIRING PROTECTION COVER		D	1	h-V207 0300 03
9	56AA 9061 0E	PAPER FEED WIRING /2		D	1	i-V118 0304 03
10	56AA 1712 1	SEPARATE SPRING UPPER		C	1	k-V217 0300 50
11	56AA 4039 0	CAM PLATE		C	1	m-V226 0300 50
12	55VA 4212 0	SHAFT STOPPER		C	1	
13	56AA 8201 2	PAPER FEED DRIVING CLUTCH		B	1	
14	55VA 7554 0	PAPER FEED SHAFT HOLDER B		B	1	
15	56AA 4012 0	PAPER FEED HOLDING SCREW		C	1	
16	56AA 4045 0	PAPER FEED COUPLING PART		C	1	
17	56AA 4051 0	PRESSING SPRING		C	1	
18	56AA 4009 0	DRIVE MOUNTING PLATE		D	1	
19	56AA 4047 0	SCREW EARTH PLATE		C	1	
20	56AA 1748 0	PIN B		C	3	
21	56AA 4024 0	PAPER FEED INPUT SHAFT		D	1	
22	08AA 7601 0	DRUM DRIVING SHAFT HOLDER		C	3	
23	56AA 1776 0	COLLAR		C	2	
24	56AA 7772 0	PAPER FEED REVERSE GEAR /1 16/22T		C	1	
25	56AA 4050 0	SHAFT HOLDER EARTH PLATE		C	1	
26	56AA 7773 0	PAPER FEED REVERSING GEAR 2 33T		C	1	
27	56AA 4023 0	PAPER FEED REGISTRATION ROLLER		C	1	
28	56AA 4017 1	PAPER FEED DETECTING ACTUATOR		C	1	
29	56AA 4019 0	PRESSING SPRING		C	1	
30	56AA 4031 0	MOUNTING PLATE		D	1	
31	56AA 4037 0	ADJUSTING PLATE		D	1	
32	A03U 8128 00	Slide Shaft Holder		C	1	
33	4109 5530 01	STOPPER		C	2	
34	56AA 4046 0	ADJUSTMENT PLATE		D	1	
35	56AA 4052 0	EARTH SPRING		C	1	
36	56AA 4003 2	PAPER FEED GUIDE PLATE UPPER		C	1	
37	65AA 4007 0	REGULATING SHEET		C	1	
38	65AA 4002 0	SOLENOID MOUNTING PLATE		D	1	

PAPER FEED SECTION

TRAY 3

P 63



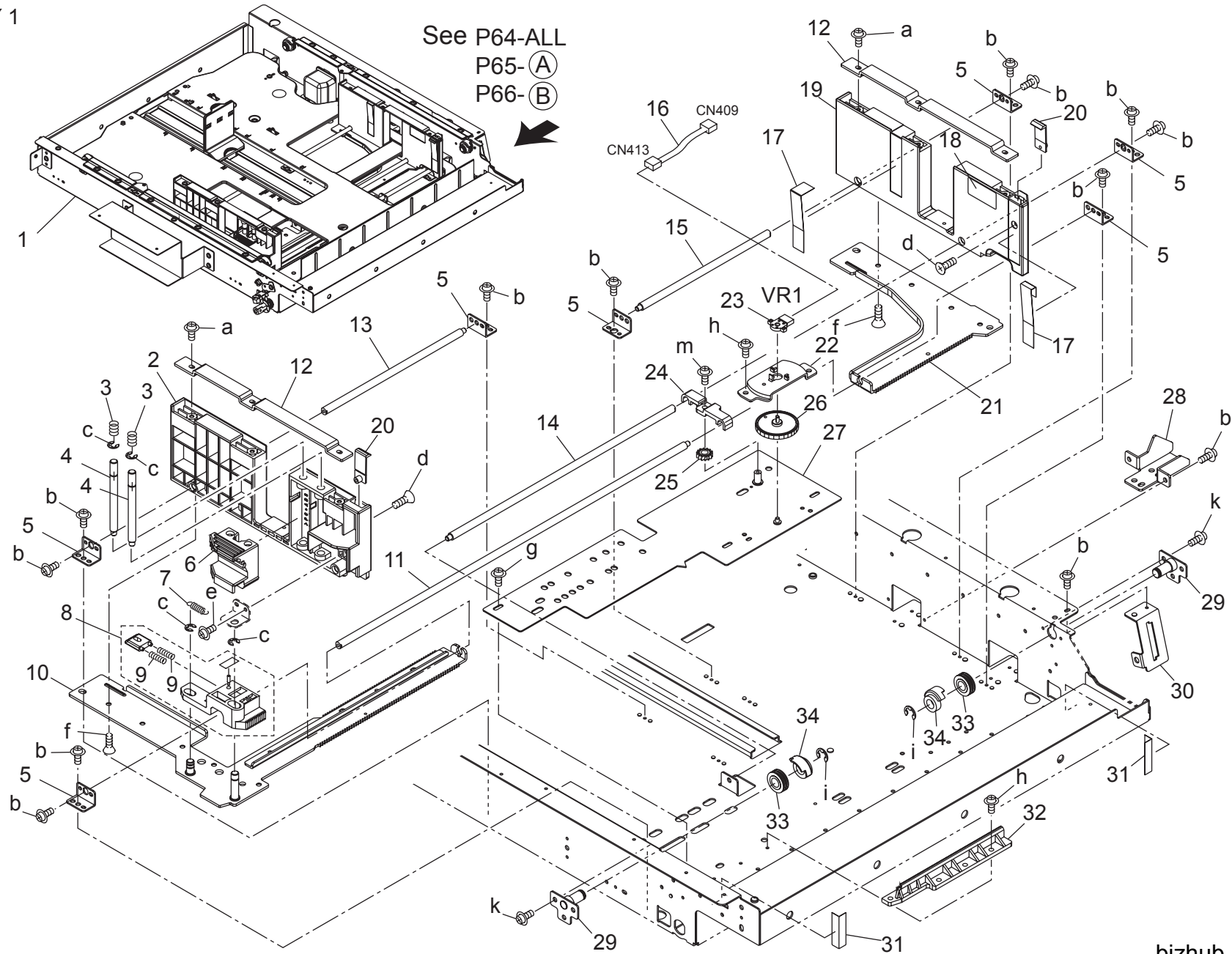
PAPER FEED SECTION

Key	Part No.	Description	Destinations	Class	QTY	Standard parts
1	56AA 4049 0	SHAFT STOPPER 4		C	4	a-V121 0306 03 b-V217 0400 50 c-V217 0600 50 d-V118 0306 03 e-V233 2014 50
2	56AA R721 00	PAPER FEED OCILLATE ROLLER		B	1	
3	08AA 7601 0	DRUM DRIVING SHAFT HOLDER		C	6	
4	56AA R720 00	FEED ROLLER UNIT		A	1	
5	A03U 5602 00	Swing Shaft		D	1	
6	56AA 1776 0	COLLAR		C	2	
7	56AA 1751 0	PIN B		C	2	
8	0590 7651 0	PULLEY 1 15T		C	2	
9	65AA 4008 0E	Paper feed Auxiliary Plate		D	1	
10	65GE 9740 0	GUIDE LABEL /1		C	1	
11	56AA 4007 0	PAPER FEED ROCKING PLATE		D	1	
12	56AA 7759 0	PAPER FEED ROCKING BELT 111L		C	1	
13	56AA 4030 0	PAPER QUANTITY ACTUATOR		C	1	
14	A03U 5601 00	Feeding Shaft		D	1	
15	55VA 4212 0	SHAFT STOPPER		C	1	
16	56AA 8201 2	PAPER FEED DRIVING CLUTCH		B	1	
17	A03U 8128 00	Slide Shaft Holder		C	2	
18	A03U 5603 00	DRIVE SHAFT		D	1	
19	56AA 4038 0	PAPER FEED REGULATING BLOCK		C	1	
20	A03U 5605 00	Regulating Plate /Rear		C	1	
21	55FA 4032 0	COUPLING		C	1	

CASSETTE

TRAY 1

P 64



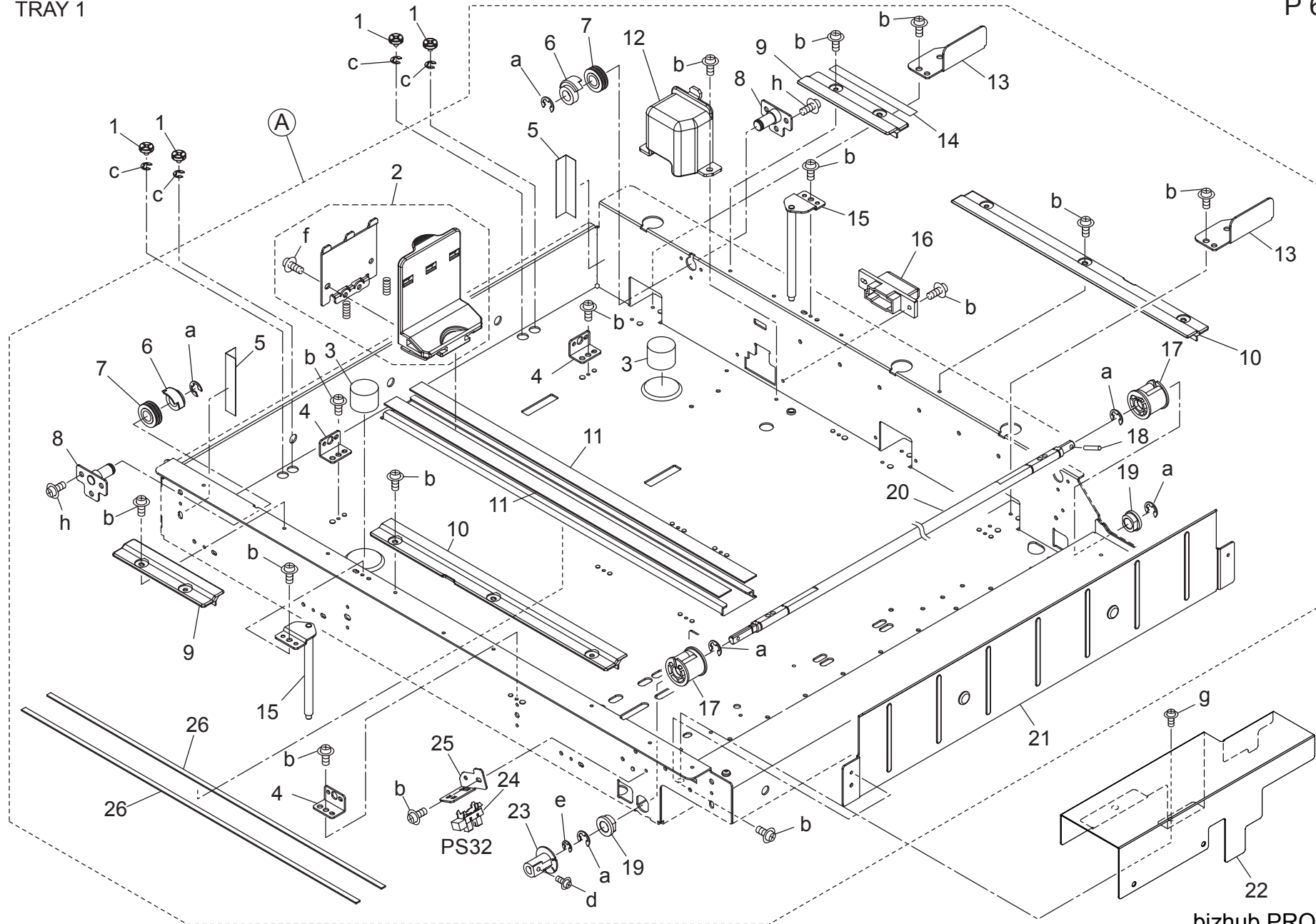
CASSETTE

Key	Part No.	Description	Destinations	Class	QTY	Standard parts
1	A03U R724 00	CASSETTE		S	1	a-V158 0310 03
2	A03U 6210 00	GUIDE PLATE /FRONT		C	1	b-V121 0304 03
3	65AA 4778 0	GUIDE SPRING 2		C	2	c-V217 0400 50
4	65AA 4719 0	PAPER POSITIONING PIN		D	2	d-V147 0308 03
5	65AA 4774 0	SHAFT MOUNTING PLATE		D	7	e-V158 0308 03
6	65GE 4709 0	SIDE LOCKING PLATE		D	1	f-V147 0310 03
7	65AA 4783 1	GUIDE SPRING 4		C	1	g-V123 0305 03
8	65AA R781 00	ROCK PART 2ASSY		D	1	h-V121 0306 03
9	65AA 4724 0	LOCKING SPRING		C	2	i-V217 0600 50
10	65AA -475 0	SIDE GUIDE RACK F CAULKING		D	1	k-V127 0305 16
11	65AA 4717 0	POSITIONING SHAFT 2		D	1	m-V123 0306 03
12	65AA 4749 0E	Side Supply Plate		D	2	
13	65AA 4718 0	POSITIONING SHAFT 3		D	1	
14	65AA 4716 0	POSITIONING SHAFT 1		D	1	
15	65AA 4721 0	POSITIONING SHAFT 4		D	1	
16	65AA 9058 0	SIZE RELAY WIRING		D	1	
17	65AA 4742 0	PAPER REGULATING SHEET		C	2	
18	A03U 9453 00	Regulating Label /1		C	1	
19	A03U 6211 00	GUIDE PLATE /REAR		C	1	
20	26NA 4707 0	PAPER REGULATING CLAW		C	2	
21	65AA 4706 0E	Guide Rack /Rear		D	1	
22	65AA 4261 0	MOUNTING PLATE		D	1	
23	56AA 8560 1	SIZE DETECTION VR		C	1	
24	65AA 4727 0	SHAFT SUPPORT PLATE		D	1	
25	A03U 6204 00	PINION 14T		D	1	
26	65AA 4760 0	DETECTING GEAR 45T		C	1	
27	A03U A621 01	PAPER PS PLATE CAULKING		D	1	
28	65AA 4734 0	FIXING CAM		D	1	
29	65AA -481 0	PULLEY FULCRUM PLATE CAULKING		D	2	
30	65AA 4772 0D	Wiring Mounting Plate		D	1	
31	65AA 4759 0	PROTECTION SEAL 1		D	2	
32	65AA 4768 0	LOCKING PART		D	1	
33	65AA 4755 0	WIRE ROLLER		C	2	
34	65AA 4763 0	WIRE GUIDE PART		C	2	

CASSETTE

TRAY 1

P 65

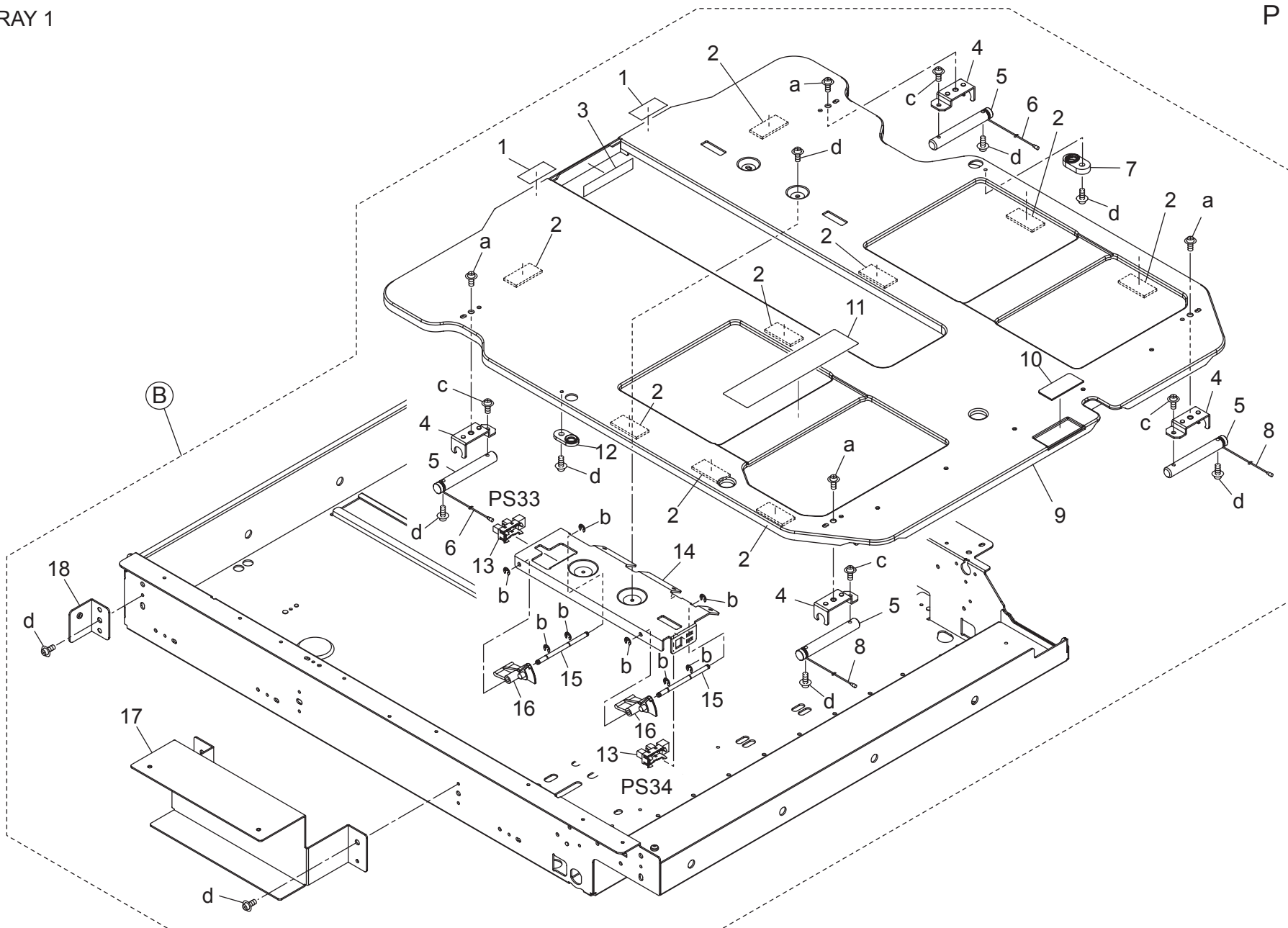


Key	Part No.	Description	Destinations	Class	QTY	Standard parts
1	65AA 4795 0	CASSETTE REGULATING SCREW		C	4	a-V217 0600 50
2	A03U R756 00	PAPER REGULATING PLATE LEFT ASSY		C	1	b-V121 0304 03
3	65AA 4782 0	REGULATING PART		C	2	c-V217 0200 50
4	65AA 4774 0	SHAFT MOUNTING PLATE		D	3	d-V121 0306 03
5	65AA 4762 0	PROTECTION SEAL 2		C	2	e-V217 0400 50
6	65AA 4763 0	WIRE GUIDE PART		C	2	f-V158 0308 03
7	65AA 4755 0	WIRE ROLLER		C	2	g-V121 0306 04
8	65AA -481 0	PULLEY FULCRUM PLATE CAULKING		D	2	h-V127 0305 16
9	A03U 6214 00	AUXILIARY COVER /S		C	2	
10	A03U 6213 00	AUXILIARY COVER /L		C	2	
11	65AA 4750 0	SLIDE SHEET		D	2	
12	A03U 6212 00	GUIDE COVER		C	1	
13	65AA 4714 0	CASSETTE POSITIONING PLATE 1		D	2	
14	65GE 9749 0	CASSETTE GUIDE LABEL		D	1	
15	65AA -482 0	SHAFT FULCRUM PLATE CAULKING		D	2	
16	65AA 9017 0E	CASSETTE SIGNAL WIRING		C	1	
17	55VA 4060 0	DRIVING UP DOWN PULLEY		B	2	
18	65AA 4770 0D	Up/down Pin		D	1	
19	A03U 8128 00	Slide Shaft Holder		C	2	
20	65AA 4711 1	LIFTING SHAFT		D	1	
21	65AA 4707 0D	Paper Regulating Plate /Right		D	1	
22	A03U 6207 00	Wiring Cover		D	1	
23	65AA 4713 0	PAPER DETECTING ACTUATOR		C	1	
24	08AA 8551 2	PHOTO SENSOR		B	1	
25	65AA 4790 0	MOUNTING PLATE 2		D	1	
26	65AA 4780 0	GUIDE SHEET		C	2	

CASSETTE

TRAY 1

P 66



bizhub PRO C5501

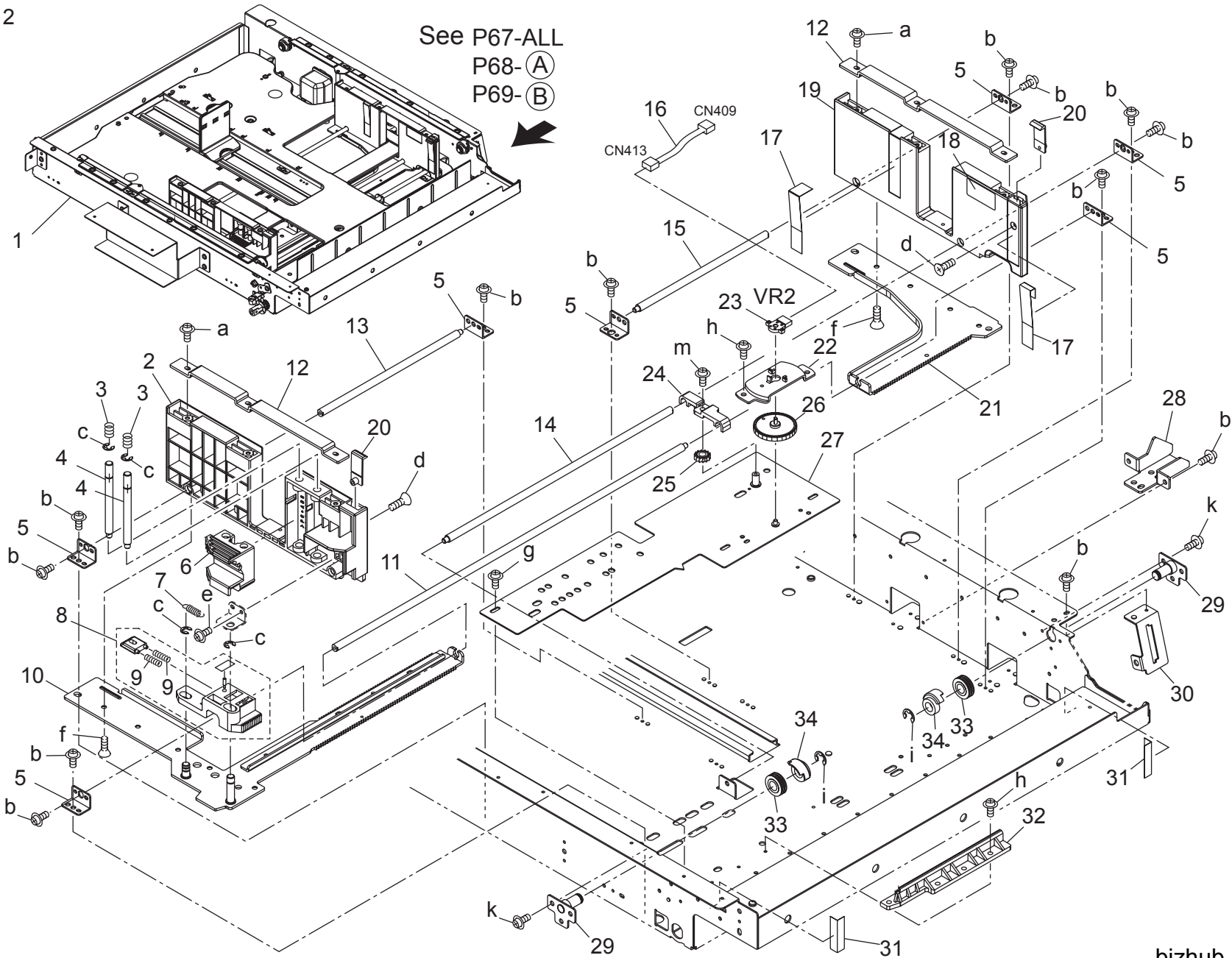
CASSETTE

Key	Part No.	Description	Destinations	Class	QTY	Standard parts
1	65AA 4745 0	PROTECTION SEAL /3		D	2	a-V121 0406 16 b-V217 0250 50 c-V121 0306 03 d-V121 0304 03
2	65AA 4786 0	AUXILIARY SHEET		C	9	
3	65AA 4748 0	PROTECTION SHEET UPPER		C	1	
4	65AA 4765 0	WIRE FULCRUM PLATE		D	4	
5	65AA 4766 0	WIRE FULCRUM SHAFT		D	4	
6	65AA 4753 0	UP DOWN WIRE 2		C	2	
7	65AA 4758 0	GUIDE BUSHING /2		C	1	
8	65AA 4752 0	UP DOWN WIRE 1		C	2	
9	65AA 4702 0D	Paper Lifting Plate		D	1	
10	55VA 4093 0	DOUBLE FEED PREVENTIVE PLATE		C	1	
11	A03U 9452 00	Paper feed Label /1		C	1	
12	65AA 4775 0	GUIDE BUSHING		C	1	
13	08AA 8551 2	PHOTO SENSOR		B	2	
14	65AA 4712 0D	Mounting Plate		D	1	
15	65AA 4731 0E	PAPER DETECTING SHAFT		D	2	
16	65AA 4732 0	PAPER DETECTING ACTUATOR		C	2	
17	65AA 4741 0D	Auxiliary Plate /1		D	1	
18	65AA 4777 1E	Side Mounting Plate		D	1	

CASSETTE

TRAY 2

P 67



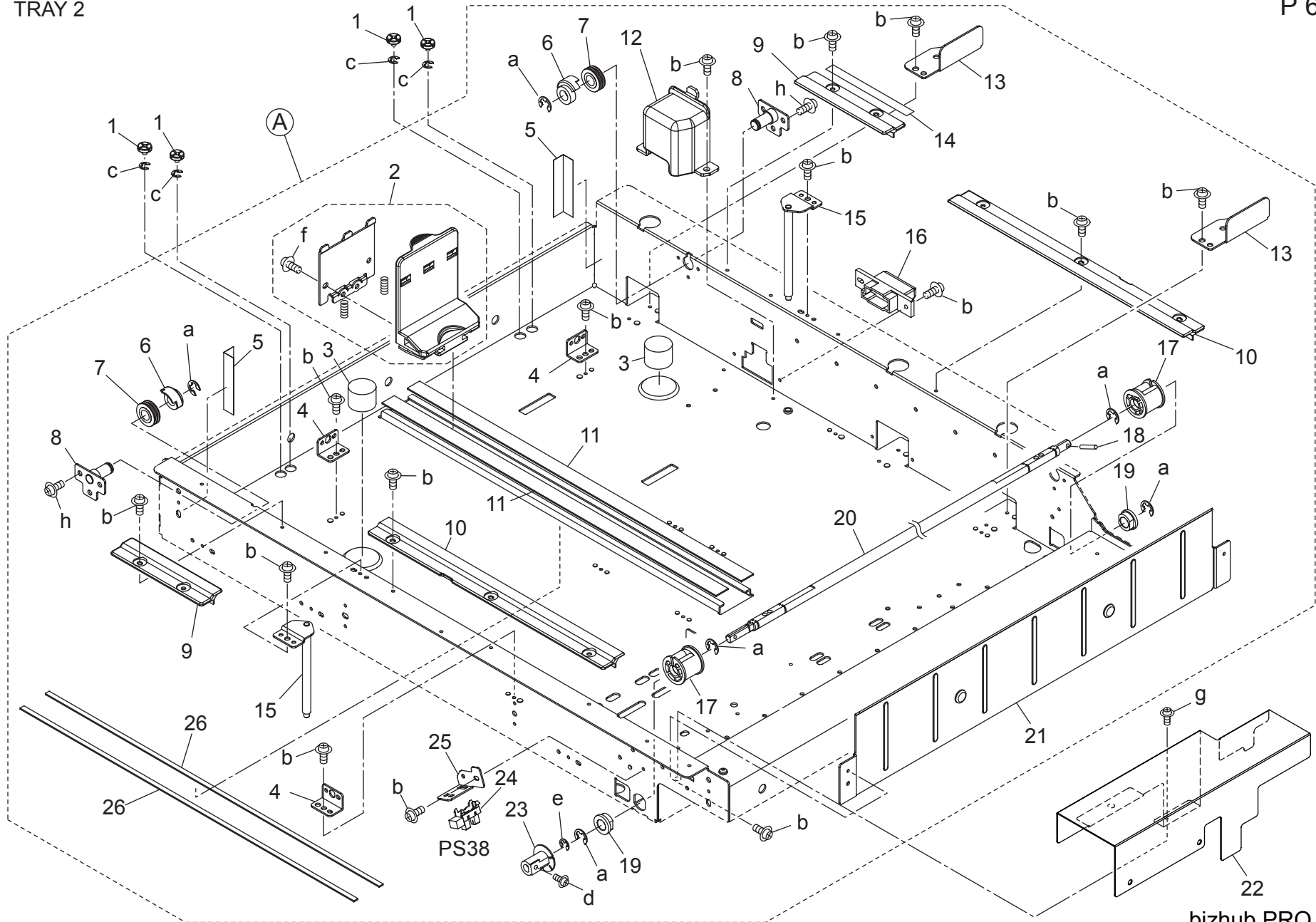
CASSETTE

Key	Part No.	Description	Destinations	Class	QTY	Standard parts
1	A03U R724 00	CASSETTE		S	1	a-V158 0310 03
2	A03U 6210 00	GUIDE PLATE /FRONT		C	1	b-V121 0304 03
3	65AA 4778 0	GUIDE SPRING 2		C	2	c-V217 0400 50
4	65AA 4719 0	PAPER POSITIONING PIN		D	2	d-V147 0308 03
5	65AA 4774 0	SHAFT MOUNTING PLATE		D	7	e-V158 0308 03
6	65GE 4709 0	SIDE LOCKING PLATE		D	1	f-V147 0310 03
7	65AA 4783 1	GUIDE SPRING 4		C	1	g-V123 0305 03
8	65AA R781 00	ROCK PART 2ASSY		D	1	h-V121 0306 03
9	65AA 4724 0	LOCKING SPRING		C	2	i-V217 0600 50
10	65AA -475 0	SIDE GUIDE RACK F CAULKING		D	1	k-V127 0305 16
11	65AA 4717 0	POSITIONING SHAFT 2		D	1	m-V123 0306 03
12	65AA 4749 0E	Side Supply Plate		D	2	
13	65AA 4718 0	POSITIONING SHAFT 3		D	1	
14	65AA 4716 0	POSITIONING SHAFT 1		D	1	
15	65AA 4721 0	POSITIONING SHAFT 4		D	1	
16	65AA 9058 0	SIZE RELAY WIRING		D	1	
17	65AA 4742 0	PAPER REGULATING SHEET		C	2	
18	A03U 9453 00	Regulating Label /1		C	1	
19	A03U 6211 00	GUIDE PLATE /REAR		C	1	
20	26NA 4707 0	PAPER REGULATING CLAW		C	2	
21	65AA 4706 0E	Guide Rack /Rear		D	1	
22	65AA 4261 0	MOUNTING PLATE		D	1	
23	56AA 8560 1	SIZE DETECTION VR		C	1	
24	65AA 4727 0	SHAFT SUPPORT PLATE		D	1	
25	A03U 6204 00	PINION 14T		D	1	
26	65AA 4760 0	DETECTING GEAR 45T		C	1	
27	A03U A621 01	PAPER PS PLATE CAULKING		D	1	
28	65AA 4734 0	FIXING CAM		D	1	
29	65AA -481 0	PULLEY FULCRUM PLATE CAULKING		D	2	
30	65AA 4772 0D	Wiring Mounting Plate		D	1	
31	65AA 4759 0	PROTECTION SEAL 1		D	2	
32	65AA 4768 0	LOCKING PART		D	1	
33	65AA 4755 0	WIRE ROLLER		C	2	
34	65AA 4763 0	WIRE GUIDE PART		C	2	

CASSETTE

TRAY 2

P 68



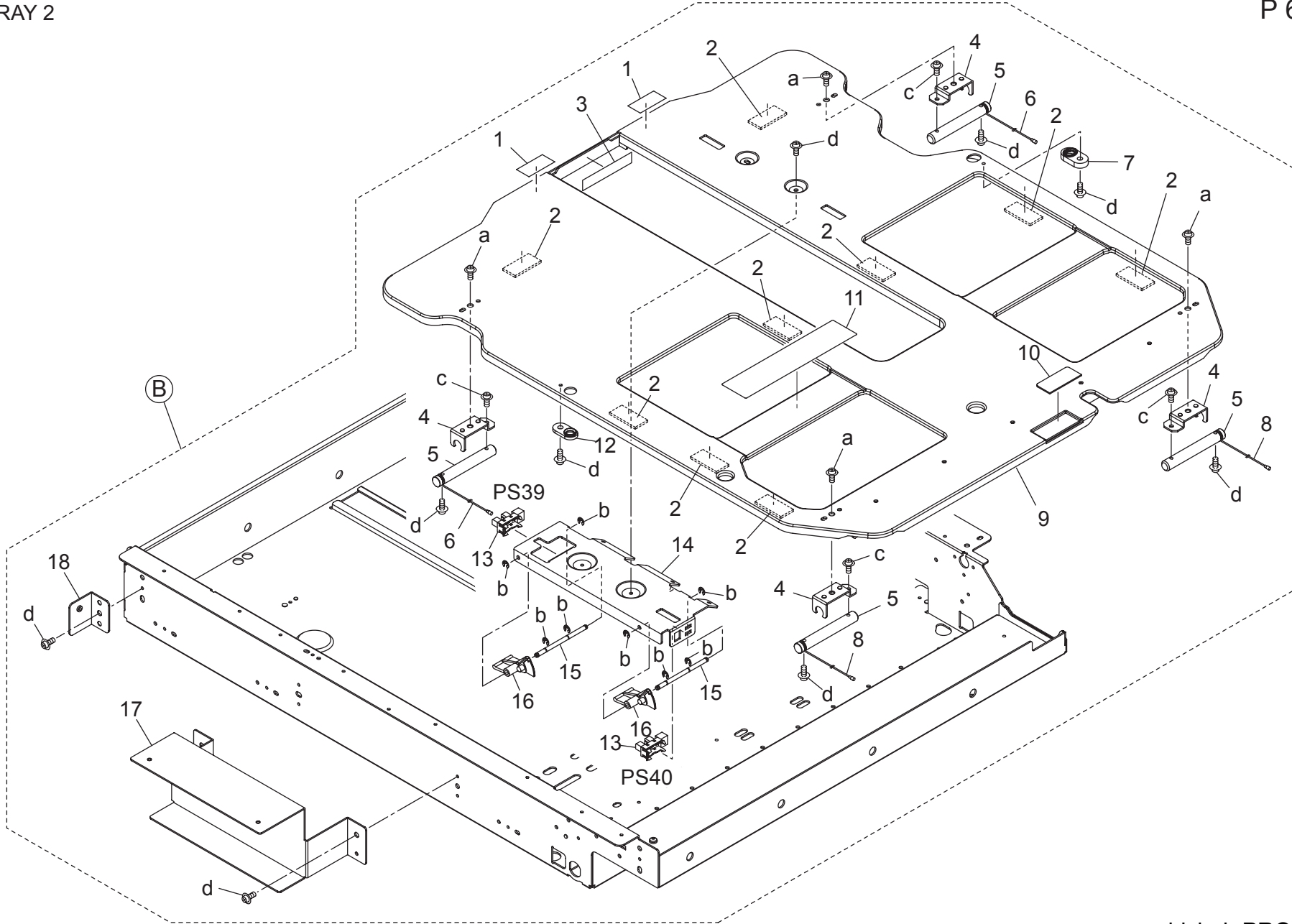
bizhub PRO C5501

CASSETTE

Key	Part No.	Description	Destinations	Class	QTY	Standard parts
1	65AA 4795 0	CASSETTE REGULATING SCREW		C	4	a-V217 0600 50
2	A03U R756 00	PAPER REGULATING PLATE LEFT ASSY		C	1	b-V121 0304 03
3	65AA 4782 0	REGULATING PART		C	2	c-V217 0200 50
4	65AA 4774 0	SHAFT MOUNTING PLATE		D	3	d-V121 0306 03
5	65AA 4762 0	PROTECTION SEAL 2		C	2	e-V217 0400 50
6	65AA 4763 0	WIRE GUIDE PART		C	2	f-V158 0308 03
7	65AA 4755 0	WIRE ROLLER		C	2	g-V121 0306 04
8	65AA -481 0	PULLEY FULCRUM PLATE CAULKING		D	2	h-V127 0305 16
9	A03U 6214 00	AUXILIARY COVER /S		C	2	
10	A03U 6213 00	AUXILIARY COVER /L		C	2	
11	65AA 4750 0	SLIDE SHEET		D	2	
12	A03U 6212 00	GUIDE COVER		C	1	
13	65AA 4714 0	CASSETTE POSITIONING PLATE 1		D	2	
14	65GE 9749 0	CASSETTE GUIDE LABEL		D	1	
15	65AA -482 0	SHAFT FULCRUM PLATE CAULKING		D	2	
16	65AA 9017 0E	CASSETTE SIGNAL WIRING		C	1	
17	55VA 4060 0	DRIVING UP DOWN PULLEY		B	2	
18	65AA 4770 0D	Up/down Pin		D	1	
19	A03U 8128 00	Slide Shaft Holder		C	2	
20	65AA 4711 1	LIFTING SHAFT		D	1	
21	65AA 4707 0D	Paper Regulating Plate /Right		D	1	
22	A03U 6207 00	Wiring Cover		D	1	
23	65AA 4713 0	PAPER DETECTING ACTUATOR		C	1	
24	08AA 8551 2	PHOTO SENSOR		B	1	
25	65AA 4790 0	MOUNTING PLATE 2		D	1	
26	65AA 4780 0	GUIDE SHEET		C	2	

CASSETTE

TRAY 2



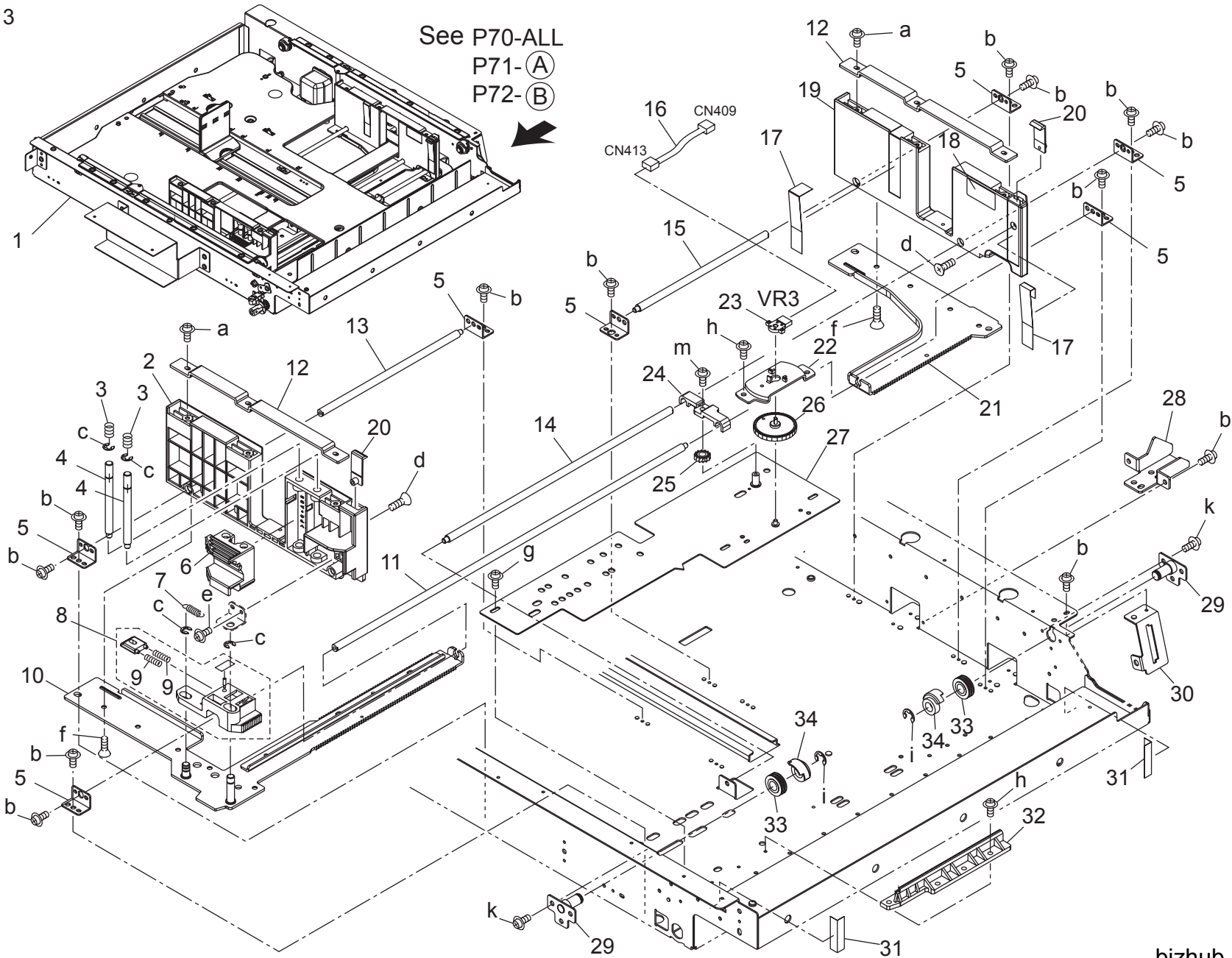
CASSETTE

Key	Part No.	Description	Destinations	Class	QTY	Standard parts
1	65AA 4745 0	PROTECTION SEAL /3		D	2	a-V121 0406 16 b-V217 0250 50 c-V121 0306 03 d-V121 0304 03
2	65AA 4786 0	AUXILIARY SHEET		C	9	
3	65AA 4748 0	PROTECTION SHEET UPPER		C	1	
4	65AA 4765 0	WIRE FULCRUM PLATE		D	4	
5	65AA 4766 0	WIRE FULCRUM SHAFT		D	4	
6	65AA 4753 0	UP DOWN WIRE 2		C	2	
7	65AA 4758 0	GUIDE BUSHING /2		C	1	
8	65AA 4752 0	UP DOWN WIRE 1		C	2	
9	65AA 4702 0D	Paper Lifting Plate		D	1	
10	55VA 4093 0	DOUBLE FEED PREVENTIVE PLATE		C	1	
11	A03U 9452 00	Paper feed Label /1		C	1	
12	65AA 4775 0	GUIDE BUSHING		C	1	
13	08AA 8551 2	PHOTO SENSOR		B	2	
14	65AA 4712 0D	Mounting Plate		D	1	
15	65AA 4731 0E	PAPER DETECTING SHAFT		D	2	
16	65AA 4732 0	PAPER DETECTING ACTUATOR		C	2	
17	65AA 4741 0D	Auxiliary Plate /1		D	1	
18	65AA 4777 1E	Side Mounting Plate		D	1	

CASSETTE

TRAY 3

P 70



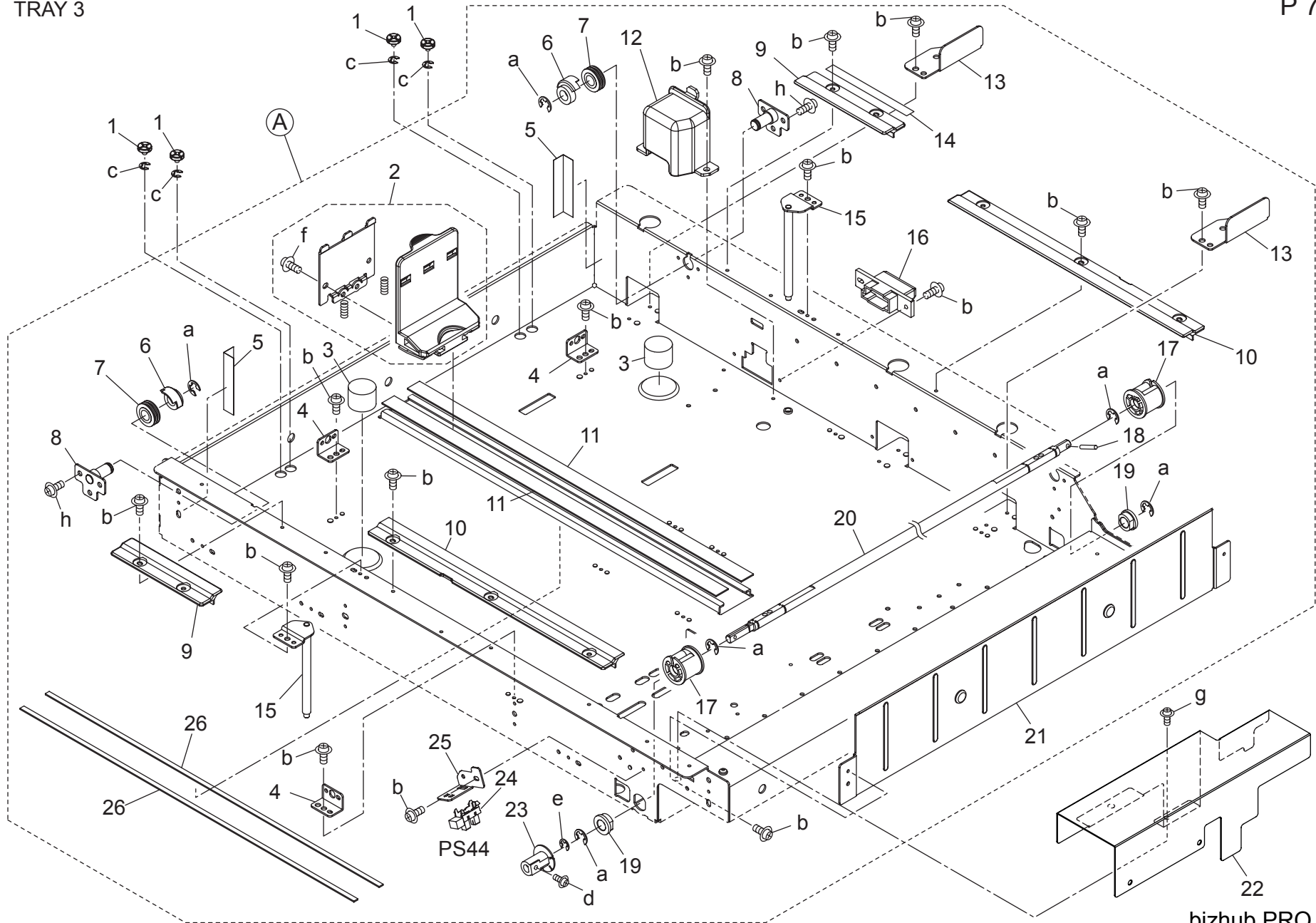
CASSETTE

Key	Part No.	Description	Destinations	Class	QTY	Standard parts
1	A03U R724 00	CASSETTE		S	1	a-V158 0310 03
2	A03U 6210 00	GUIDE PLATE /FRONT		C	1	b-V121 0304 03
3	65AA 4778 0	GUIDE SPRING 2		C	2	c-V217 0400 50
4	65AA 4719 0	PAPER POSITIONING PIN		D	2	d-V147 0308 03
5	65AA 4774 0	SHAFT MOUNTING PLATE		D	7	e-V158 0308 03
6	65GE 4709 0	SIDE LOCKING PLATE		D	1	f-V147 0310 03
7	65AA 4783 1	GUIDE SPRING 4		C	1	g-V123 0305 03
8	65AA R781 00	ROCK PART 2ASSY		D	1	h-V121 0306 03
9	65AA 4724 0	LOCKING SPRING		C	2	i-V217 0600 50
10	65AA -475 0	SIDE GUIDE RACK F CAULKING		D	1	k-V127 0305 16
11	65AA 4717 0	POSITIONING SHAFT 2		D	1	m-V123 0306 03
12	65AA 4749 0E	Side Supply Plate		D	2	
13	65AA 4718 0	POSITIONING SHAFT 3		D	1	
14	65AA 4716 0	POSITIONING SHAFT 1		D	1	
15	65AA 4721 0	POSITIONING SHAFT 4		D	1	
16	65AA 9058 0	SIZE RELAY WIRING		D	1	
17	65AA 4742 0	PAPER REGULATING SHEET		C	2	
18	A03U 9453 00	Regulating Label /1		C	1	
19	A03U 6211 00	GUIDE PLATE /REAR		C	1	
20	26NA 4707 0	PAPER REGULATING CLAW		C	2	
21	65AA 4706 0E	Guide Rack /Rear		D	1	
22	65AA 4261 0	MOUNTING PLATE		D	1	
23	56AA 8560 1	SIZE DETECTION VR		C	1	
24	65AA 4727 0	SHAFT SUPPORT PLATE		D	1	
25	A03U 6204 00	PINION 14T		D	1	
26	65AA 4760 0	DETECTING GEAR 45T		C	1	
27	A03U A621 01	PAPER PS PLATE CAULKING		D	1	
28	65AA 4734 0	FIXING CAM		D	1	
29	65AA -481 0	PULLEY FULCRUM PLATE CAULKING		D	2	
30	65AA 4772 0D	Wiring Mounting Plate		D	1	
31	65AA 4759 0	PROTECTION SEAL 1		D	2	
32	65AA 4768 0	LOCKING PART		D	1	
33	65AA 4755 0	WIRE ROLLER		C	2	
34	65AA 4763 0	WIRE GUIDE PART		C	2	

CASSETTE

TRAY 3

P 71



bizhub PRO C5501

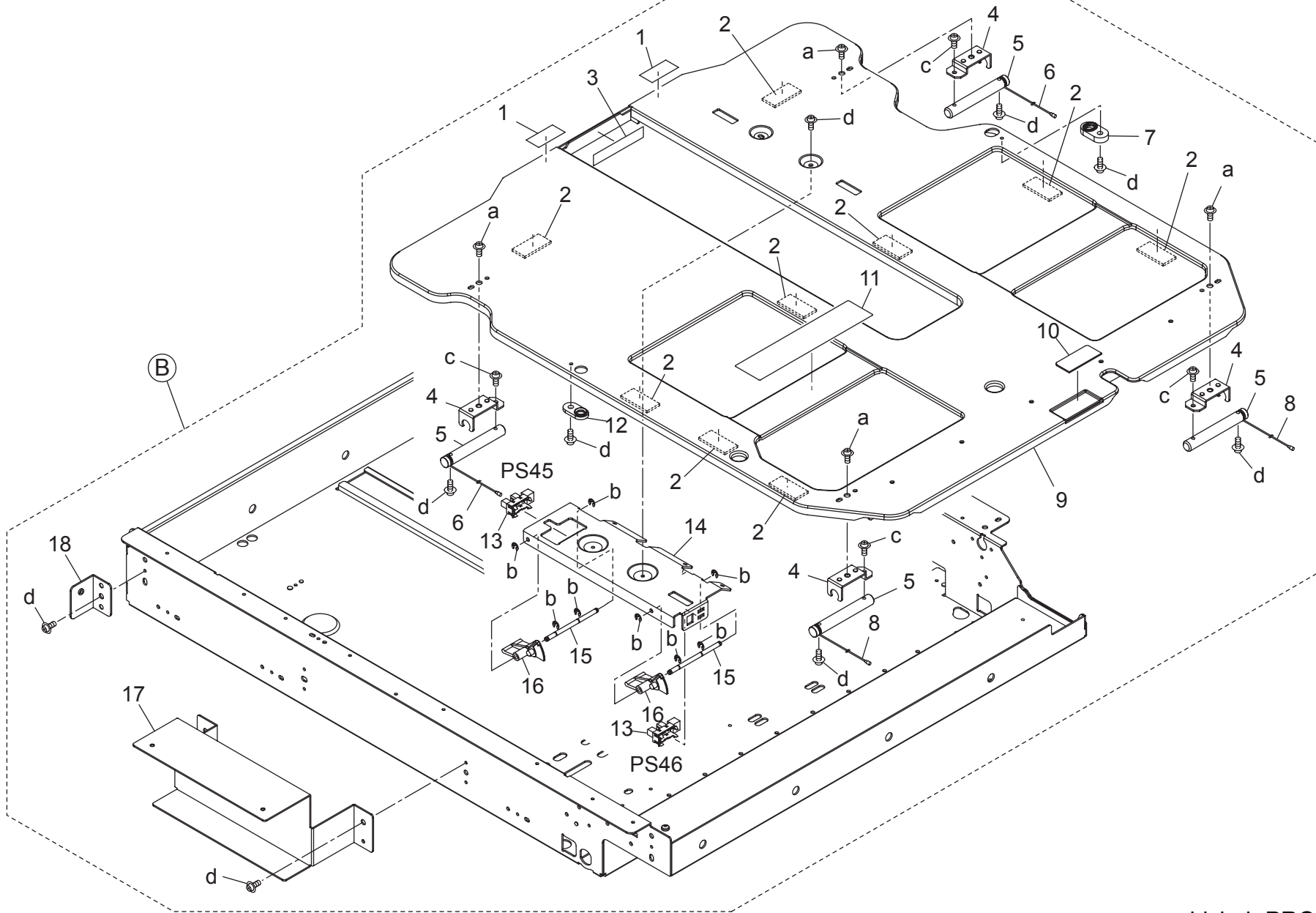
CASSETTE

Key	Part No.	Description	Destinations	Class	QTY	Standard parts
1	65AA 4795 0	CASSETTE REGULATING SCREW		C	4	a-V217 0600 50
2	A03U R756 00	PAPER REGULATING PLATE LEFT ASSY		C	1	b-V121 0304 03
3	65AA 4782 0	REGULATING PART		C	2	c-V217 0200 50
4	65AA 4774 0	SHAFT MOUNTING PLATE		D	3	d-V121 0306 03
5	65AA 4762 0	PROTECTION SEAL 2		C	2	e-V217 0400 50
6	65AA 4763 0	WIRE GUIDE PART		C	2	f-V158 0308 03
7	65AA 4755 0	WIRE ROLLER		C	2	g-V121 0306 04
8	65AA -481 0	PULLEY FULCRUM PLATE CAULKING		D	2	h-V127 0305 16
9	A03U 6214 00	AUXILIARY COVER /S		C	2	
10	A03U 6213 00	AUXILIARY COVER /L		C	2	
11	65AA 4750 0	SLIDE SHEET		D	2	
12	A03U 6212 00	GUIDE COVER		C	1	
13	65AA 4714 0	CASSETTE POSITIONING PLATE 1		D	2	
14	65GE 9749 0	CASSETTE GUIDE LABEL		D	1	
15	65AA -482 0	SHAFT FULCRUM PLATE CAULKING		D	2	
16	65AA 9017 0E	CASSETTE SIGNAL WIRING		C	1	
17	55VA 4060 0	DRIVING UP DOWN PULLEY		B	2	
18	65AA 4770 0D	Up/down Pin		D	1	
19	A03U 8128 00	Slide Shaft Holder		C	2	
20	65AA 4711 1	LIFTING SHAFT		D	1	
21	65AA 4707 0D	Paper Regulating Plate /Right		D	1	
22	A03U 6207 00	Wiring Cover		D	1	
23	65AA 4713 0	PAPER DETECTING ACTUATOR		C	1	
24	08AA 8551 2	PHOTO SENSOR		B	1	
25	65AA 4790 0	MOUNTING PLATE 2		D	1	
26	65AA 4780 0	GUIDE SHEET		C	2	

CASSETTE

TRAY 3

P 72

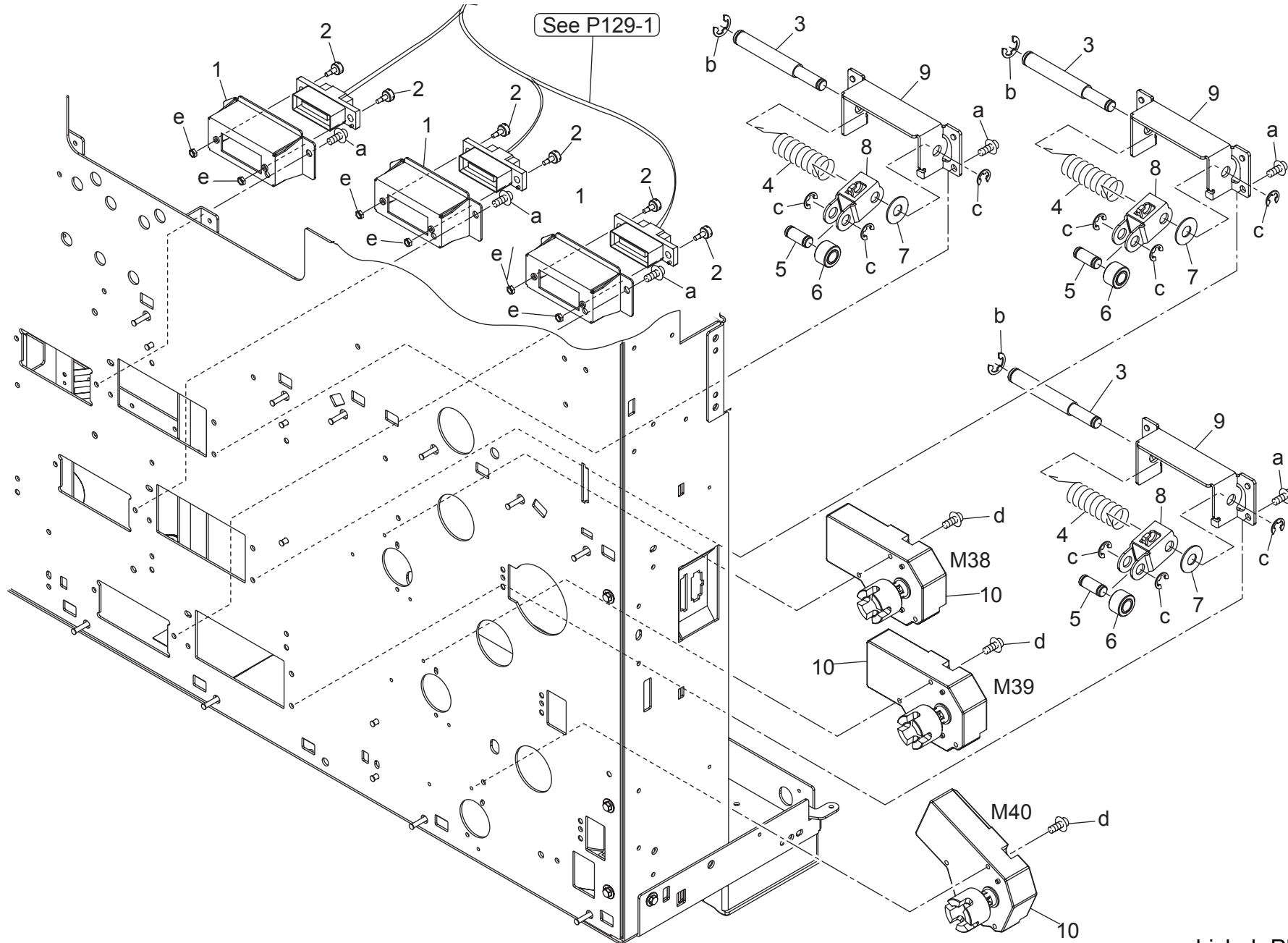


CASSETTE

Key	Part No.	Description	Destinations	Class	QTY	Standard parts
1	65AA 4745 0	PROTECTION SEAL /3		D	2	a-V121 0406 16 b-V217 0250 50 c-V121 0306 03 d-V121 0304 03
2	65AA 4786 0	AUXILIARY SHEET		C	9	
3	65AA 4748 0	PROTECTION SHEET UPPER		C	1	
4	65AA 4765 0	WIRE FULCRUM PLATE		D	4	
5	65AA 4766 0	WIRE FULCRUM SHAFT		D	4	
6	65AA 4753 0	UP DOWN WIRE 2		C	2	
7	65AA 4758 0	GUIDE BUSHING /2		C	1	
8	65AA 4752 0	UP DOWN WIRE 1		C	2	
9	65AA 4702 0D	Paper Lifting Plate		D	1	
10	55VA 4093 0	DOUBLE FEED PREVENTIVE PLATE		C	1	
11	A03U 9452 00	Paper feed Label /1		C	1	
12	65AA 4775 0	GUIDE BUSHING		C	1	
13	08AA 8551 2	PHOTO SENSOR		B	2	
14	65AA 4712 0D	Mounting Plate		D	1	
15	65AA 4731 0E	PAPER DETECTING SHAFT		D	2	
16	65AA 4732 0	PAPER DETECTING ACTUATOR		C	2	
17	65AA 4741 0D	Auxiliary Plate /1		D	1	
18	65AA 4777 1E	Side Mounting Plate		D	1	

CASSETTE

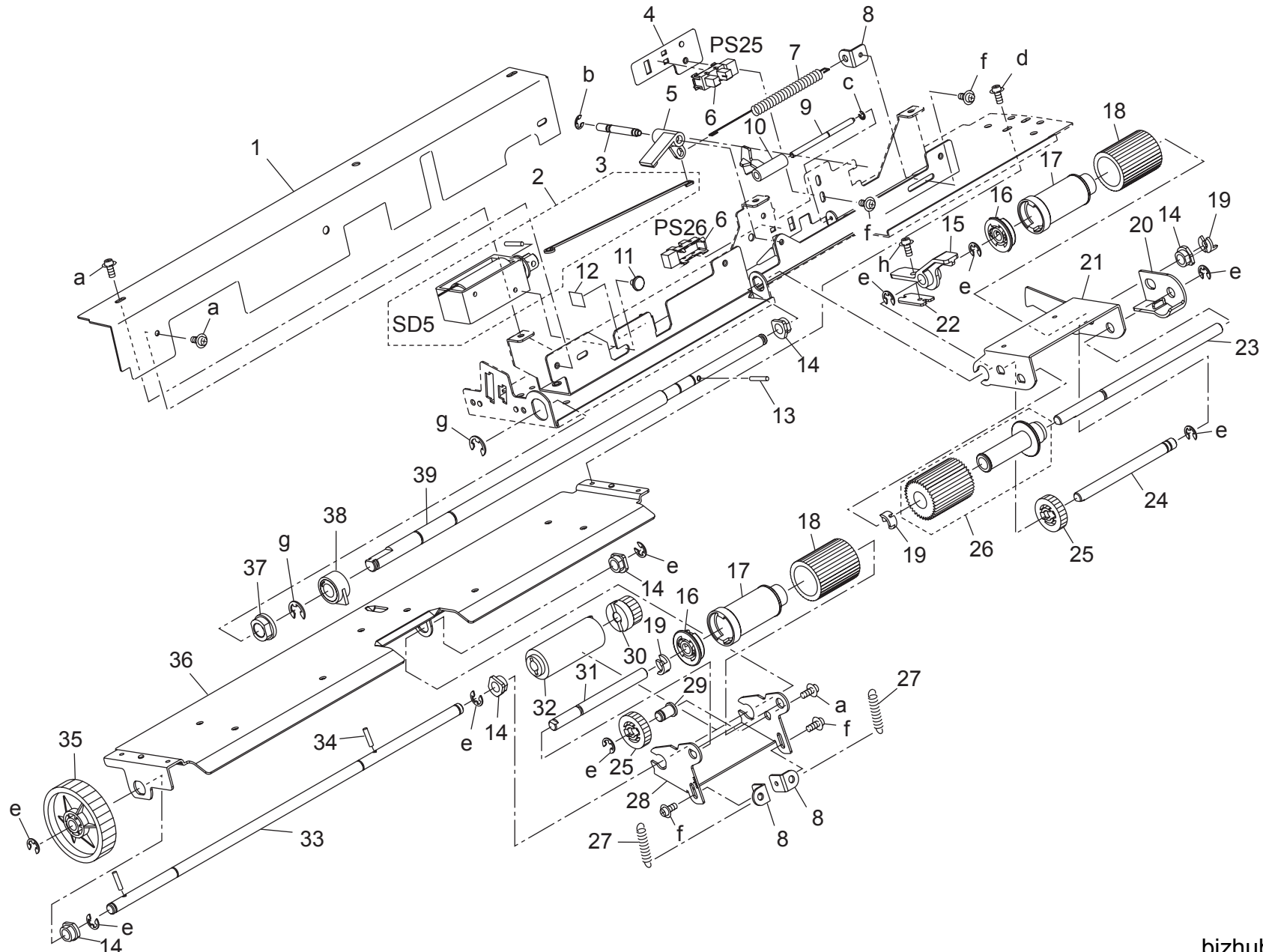
P 73



Key	Part No.	Description	Destinations	Class	QTY	Standard parts
1	65AA 4729 0	WIRING MOUNTING PLATE		D	3	a-V140 0408 03 b-V217 0800 50 c-V217 0600 50 d-V121 0320 03 e-V195 0200 03
2	65AA 4722 0	MOUNTING SCREW		C	6	
3	65AA 4738 0	FULCRUM SHAFT		D	3	
4	65AA 4739 0	GUIDE SPRING		C	3	
5	65AA 4736 0	CASSETTE LOCKING SHAFT		D	3	
6	0676 4258 1	TRAY LOCK PULLEY		C	3	
7	65AA 4797 0	SPACER		C	3	
8	65AA 4771 0	LOCKING PLATE		D	3	
9	65AA 4737 0	FULCRUM PLATE		D	3	
10	56AA 8003 1	CASSETTE DRIVE MOTOR		B	3	

BYPASS SECTION

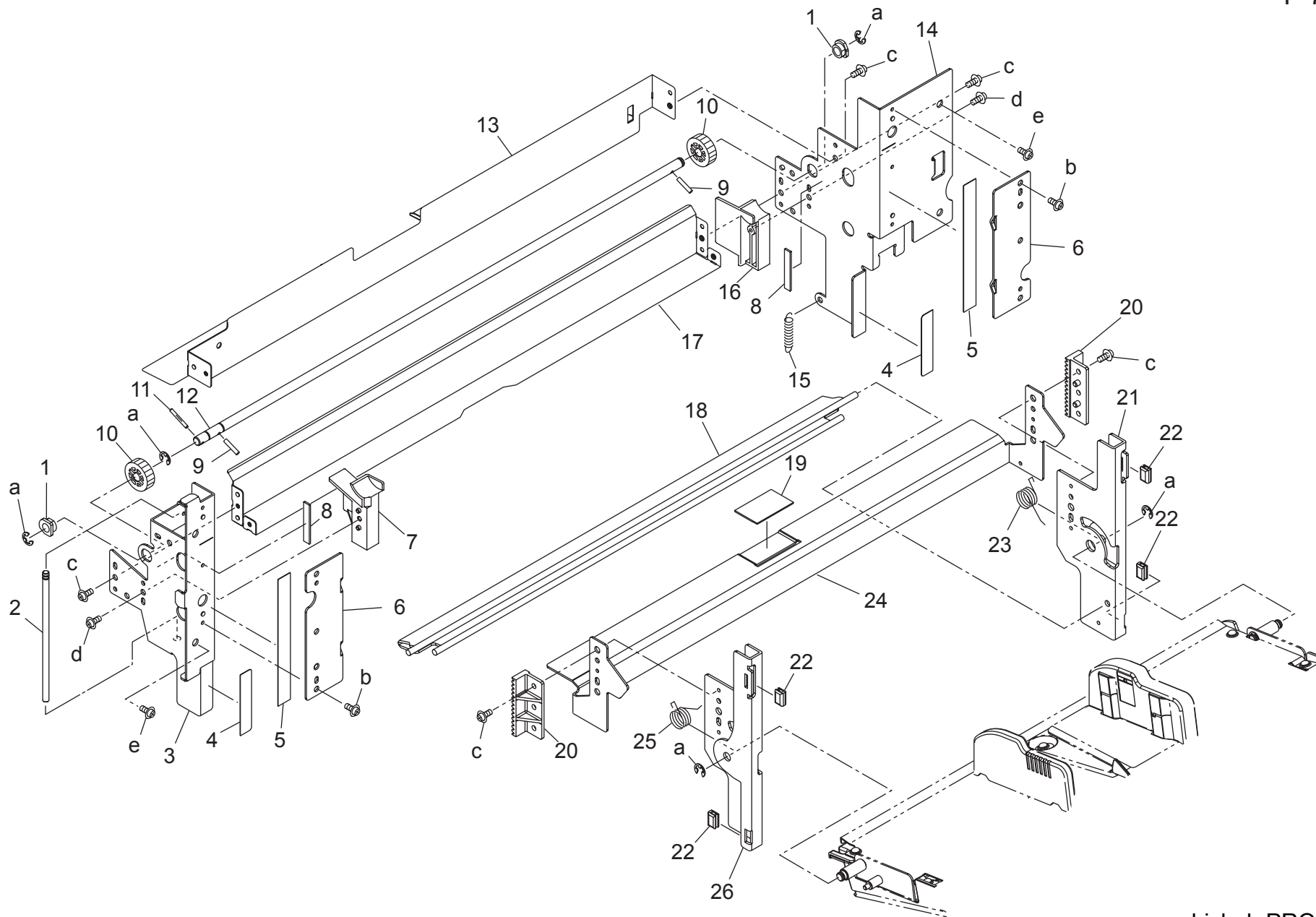
P 74



Key	Part No.	Description	Destinations	Class	QTY	Standard parts
1	65AA 4282 0D	Paper feed Cover		D	1	a-V121 0306 03 b-V217 0300 50 c-V217 0200 50 d-V127 0306 03 e-V217 0400 50 f-V123 0306 03 g-V217 0600 50 h-V118 0304 03
2	65AA R790 00	BY-PASS FEED SOLENOID ASSY		C	1	
3	65AA 4239 0	PAPER FEED LIFTING SHAFT		D	1	
4	65AA 4285 0	MOUNTING PLATE		D	1	
5	55VA 4331 0	LIFTING LEVER		C	1	
6	08AA 8551 2	PHOTO SENSOR		B	2	
7	65AA 4204 0	PAPER FEED LIFTING SPRING		C	1	
8	65AA 4280 0	SPRING MOUNTING PLATE		D	3	
9	65AA 4206 0	PIN 1		C	1	
10	65AA 4205 0	PAPER FEED DETECTING ACTUATOR		C	1	
11	55VA 4222 0	POSITIONING SCREW		C	1	
12	55VA 4211 1	SOLENOID STOPPER SHEET		C	1	
13	56AA 1732 1	PIN A D2X12		C	1	
14	26NA 7601 0	PAPER FEED SHAFT HOLDER		C	5	
15	55VA 4023 0	PAPER FEED LIFT UP LEVER		C	1	
16	65AA 4217 0	MULTI FEED PREVENTING ROLLER		C	2	
17	65AA 7701 0	MULTI FEED PREVENTING GEAR 14T		C	2	
18	25SA 4096 0	DOUBLE FEED PREVENTION RUBBER		A	2	
19	3960 4068 1	STOPPER RING		B	3	
20	65AA 4281 0	DRIVE PROTECTION COVER		C	1	
21	65AA 4208 0D	Feeding Casing		D	1	
22	55VA 4099 1	LEVER AUXILIARY PLATE		C	1	
23	65AA 4214 1F	Feeding Shaft		D	1	
24	65AA 4212 1F	By-pass feed Idling Shaft /1		D	1	
25	13QA 7704 0	DRIVE GEAR 1 18T		C	2	
26	65AA R789 00	FEEDING GEAR ASSY		C	1	
27	65AA 4207 0	MULTI FEED PRESSURE SPRING		C	2	
28	65AA 4209 0	MULTI FEED PREVENTING CASING		D	1	
29	65AA 4213 0	BY PASS FEED IDLING SHAFT 2		D	1	
30	55VA 7903 0	PAPER FEED REVERSAL GEAR C 14T		B	1	
31	65AA 4215 1F	Multi-feed Preventing Shaft		D	1	
32	56AA 4041 1	TORQUE LIMITTER		B	1	
33	A03U 6021 00	By-pass feed Driving Shaft /Lower		D	1	
34	56AA 1731 0	PIN		C	1	
35	26NA 1558 0	GEAR H 55T		C	1	
36	65AA 4202 0	PAPER GUIDE PLATE LOWER		C	1	
37	A03U 8128 00	Slide Shaft Holder		C	1	
38	56AA 4038 0	PAPER FEED REGULATING BLOCK		C	1	
39	A03U 6020 00	By-pass feed Driving Shaft /Upper		D	1	

BYPASS SECTION

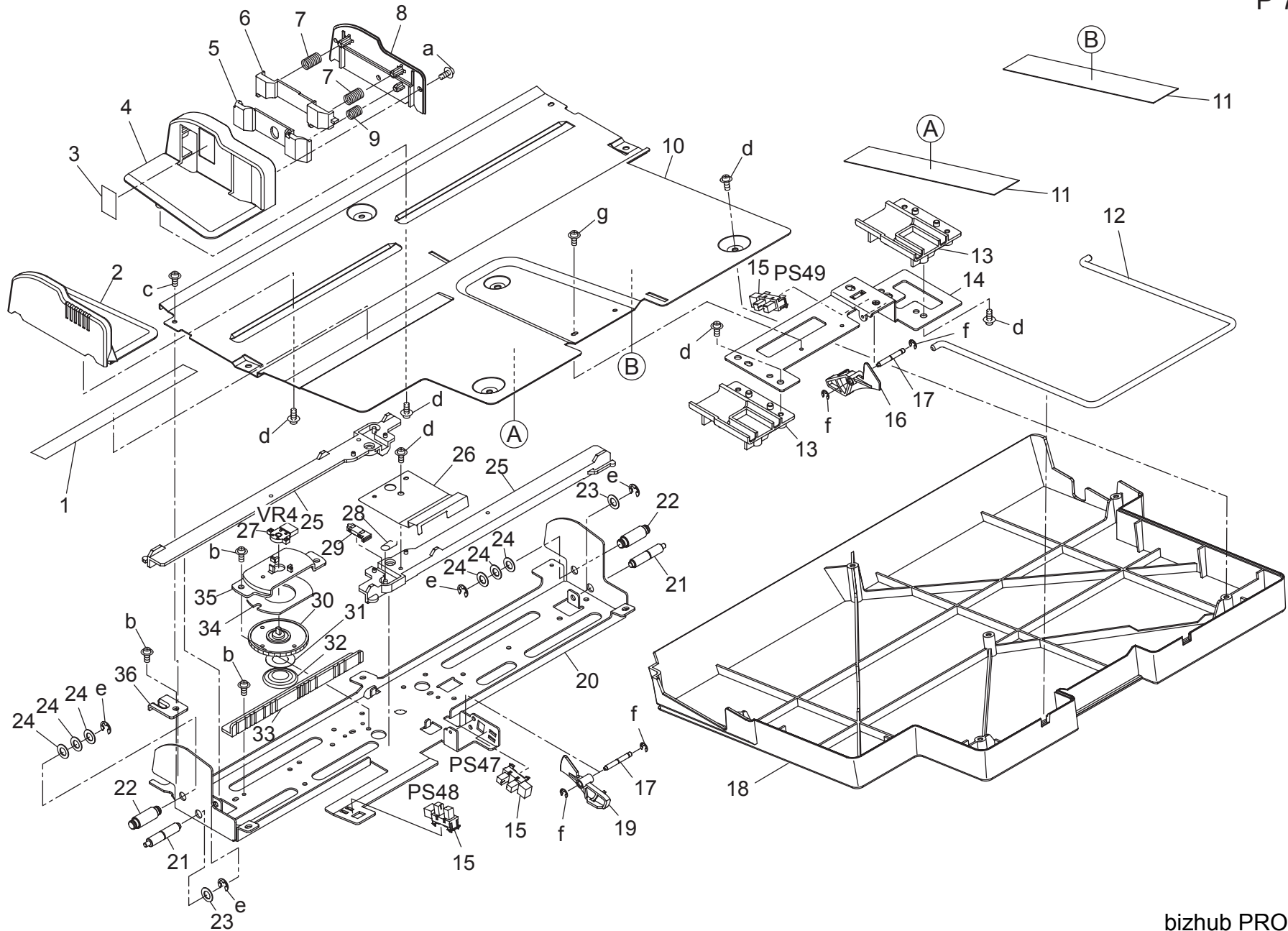
P 75



Key	Part No.	Description	Destinations	Class	QTY	Standard parts
1	26NA 7601 0	PAPER FEED SHAFT HOLDER		C	2	a-V217 0400 50 b-V121 0304 03 c-V121 0306 03 d-V158 0308 03 e-V121 0406 03
2	65AA 4225 1F	Paper feed tray Positioning Pin		D	1	
3	65AA 4220 0D	By-pass feed Support Plate /Front		D	1	
4	65AA 4237 0	SLIDE PART 1		D	2	
5	65AA 4238 0	SLIDE PART 2		D	2	
6	65AA 4227 0D	By-pass feed Guide Stay		D	2	
7	65AA 4258 0	GEAR COVER FRONT		C	1	
8	13HA 4733 0	SLIDE SHEET		D	2	
9	56AA 1732 1	PIN A D2X12		C	2	
10	65AA 4233 0	BY PASS FEED UP DOWN PINION		C	2	
11	65AA 4286 0	BY PASS UP DOWN PIN		C	1	
12	65AA 4231 0	BY PASS FEED UP DOWN SHAFT		D	1	
13	65AA 4223 0D	Conveyance Cover Plate		D	1	
14	65AA 4221 0D	By-pass feed Support Plate /Rear		D	1	
15	65AA 4283 0	PAPER FEED TRAY EARTH SPRING		C	1	
16	65AA 4259 0	GEAR COVER REAR		C	1	
17	65AA 4222 1E	Paper Stopper Plate		D	1	
18	65AA 4256 0	BY PASS FEED UP DOWN COVER		D	1	
19	65AA 4279 0	MULTI FEED PREVENTING PLATE		C	1	
20	65AA 4232 0	BY PASS FEED UP DOWN RACK		C	2	
21	65AA 4251 0D	Paper feed tray Mounting Hinge /Rear		D	1	
22	12EJ 1113 0	SLIDE MATERIAL		C	4	
23	65AA 4253 0	PAPER FEED TRAY OPEN SHUT SPRING REAR		C	1	
24	65AA 4235 0	BY PASS FEED UP DOWN TRAY		C	1	
25	65AA 4252 0	PAPER FEED TRAY OPEN SHUT SPRING FRONT		C	1	
26	65AA 4250 0D	Paper feed tray Mounting Hinge /Front		D	1	

BYPASS SECTION

P 76

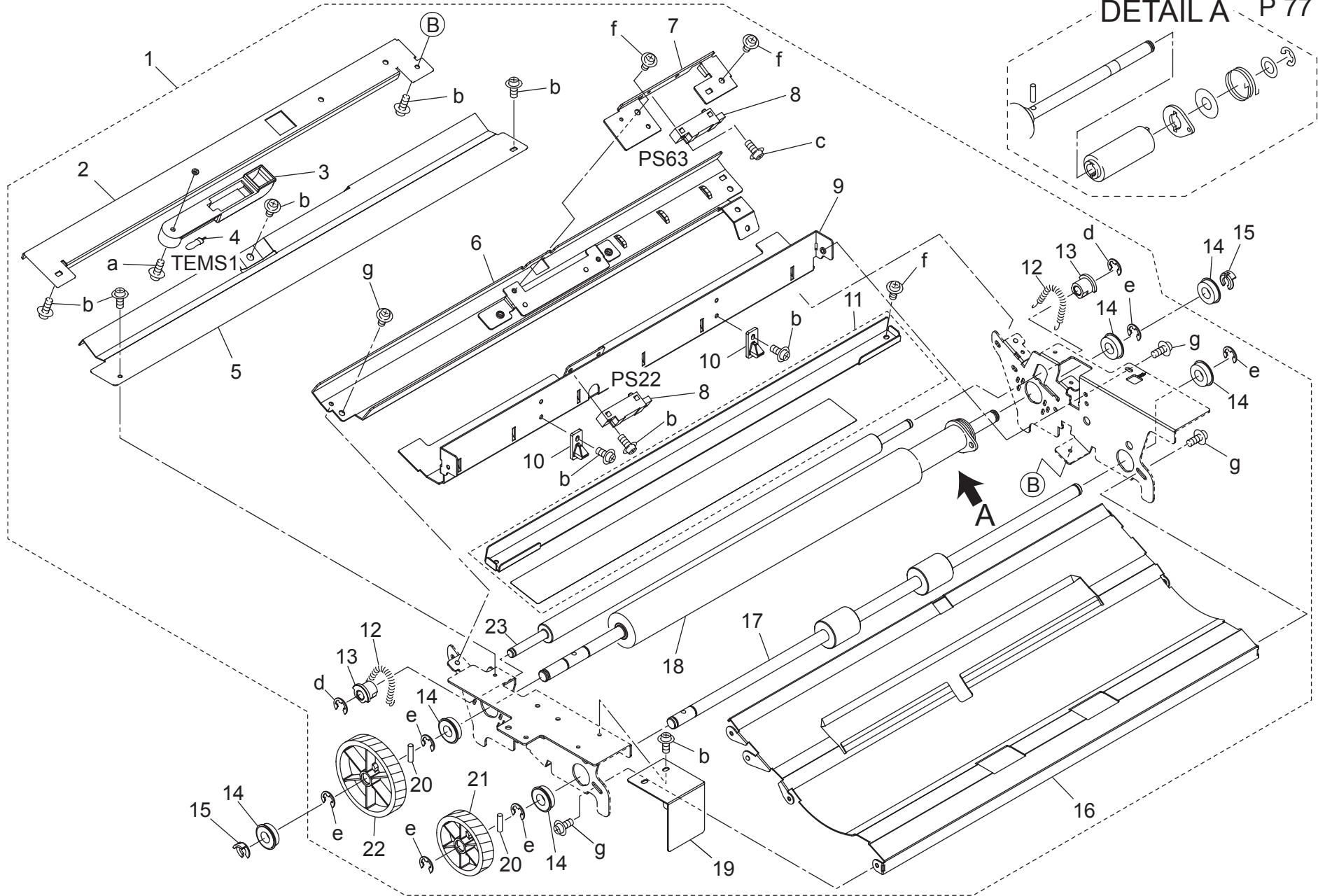


BYPASS SECTION

Key	Part No.	Description	Destinations	Class	QTY	Standard parts
1	A03U 9460 00	Paper feed Label /2		C	1	a-0022 7308 2 b-V121 0306 03 c-V121 0306 16 d-V158 0308 03 e-V217 0400 50 f-V217 0200 50 g-V158 0308 04
2	A03U 6011 00	Side Guide Plate /Front		C	1	
3	A03U 9461 00	Regulating Label /2		C	1	
4	A03U 6012 00	Side Guide Plate /Rear		C	1	
5	A03U 6014 00	Paper Pressing Part /Lower		C	1	
6	A03U 6013 00	Paper Pressing Part /Upper		C	1	
7	65AA 4276 1	PAPER PRESSING SPRING UPPER		C	2	
8	A03U 6015 00	Spring Mounting Part		C	1	
9	65AA 4277 0	PAPER PRESSING SPRING LOWER		C	1	
10	A03U 6000 01	BY-PASS FEED PAPER FEED TRAY /A		C	1	
11	65AA 4249 0	SLIDE SHEET		D	2	
12	65AA 4269 0	TRAY AUXILIARY PART		D	1	
13	65AA 4243 0	BY PASS FEED COVER B		C	2	
14	65AA 4284 0D	Paper feed tray Reinforce Plate		D	1	
15	08AA 8551 2	PHOTO SENSOR		B	3	
16	65AA 4245 0	REAR DETECTING ACTUATOR		C	1	
17	65AA 4247 0	PIN 3		C	2	
18	A03U 6010 00	By-pass feed Cover /A		C	1	
19	65AA 4244 0	PAPER DETECTING ACTUATOR		C	1	
20	65AA 4260 0E	Gear Casing		D	1	
21	65AA 4254 0	PAPER FEED TRAY STOPPER SHAFT		D	2	
22	65AA 4255 0	PAPER FEED TRAY FULCRUM SHAFT		D	2	
23	25AA 1342 0	CONVEYANCE SPACER		D	2	
24	13QA 1033 0	SHAFT SPACER		C	6	
25	65AA 4263 0	SIDE GUIDE RACK		D	2	
26	65AA 4265 0	COVER PLATE		C	1	
27	56AA 8560 1	SIZE DETECTION VR		C	1	
28	65AA 4268 0	PRESSING SPRING		C	1	
29	65AA 4267 0	PAPER FEED POSITIONING PART		D	1	
30	65AA 4262 0	SIDE GUIDE PINION		C	1	
31	65AA 4950 0	PAPER EXIT SPACER 1		C	1	
32	65AA 4287 0	GEAR PRESSING SCREW		C	1	
33	65AA 4266 0F	PAPER FEED POSITIONING PLATE		D	1	
34	65AA 4264 0	GEAR REGULATING PAD		C	1	
35	65AA 4261 0	MOUNTING PLATE		D	1	
36	65AA 4226 0	PAPER FEED TRAY POSITIONING PART		C	1	

REGISTRATION SECTION

DETAIL A P 77

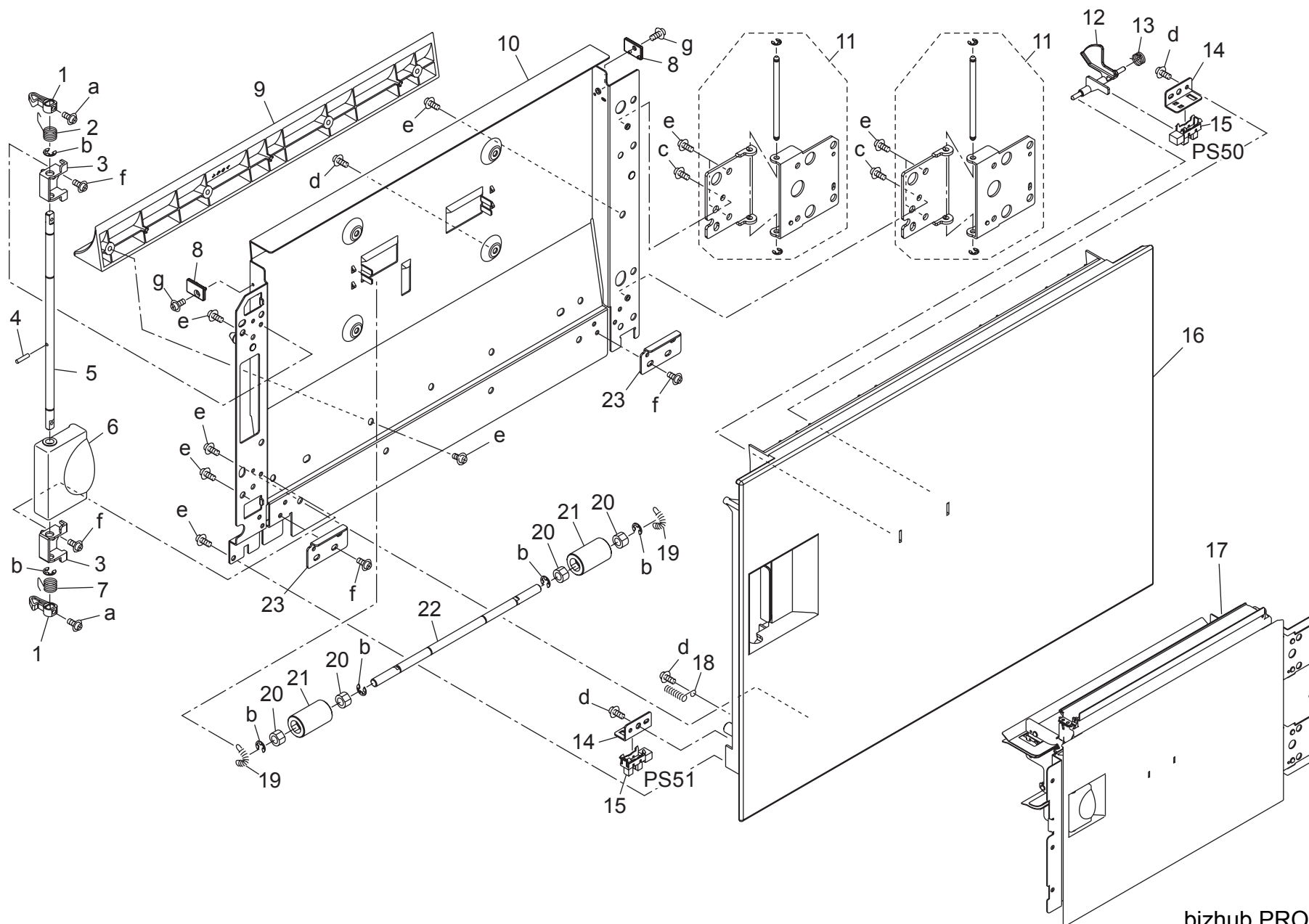


bizhub PRO C5501

Key	Part No.	Description	Destinations	Class	QTY	Standard parts
1	A03U R7B1 00	Registration Unit		C	1	a-V127 0406 03
2	A03U 7120 00	Mounting Stay /Lower		D	1	b-V121 0306 03
3	A03X 6220 00	Detecting Cover		C	1	c-V118 0310 03
4	A03U M505 00	Temperature Sensor /5		C	1	d-V217 0400 50
5	A03U 7119 02	Cover Plate		D	1	e-V217 0600 50
6	A03U 7117 00	Guide Plate /2		C	1	f-V121 0304 03
7	A03U 7116 00	Mounting Plate /Middle		D	1	g-V127 0306 03
8	56AA 8552 1	CONVEYANCE PHOTO SENSOR		B	2	
9	A03U 7107 00	Guide Plate /Upper		C	1	
10	65AA 4612 0	LOCKING PART		C	2	
11	65AA R780 00	CLEANING STAY ASSY		B	1	
12	65AA 4608 0	REGISTRATION PRESSURE SPRING		C	2	
13	A03U 7121 00	Registration Bushing		C	2	
14	5400 7605 0	BALL BEARING		B	6	
15	55VA 4212 0	SHAFT STOPPER		C	2	
16	A03U 7106 00	Regist Guide Plate /Lower		C	1	
17	65AA 4603 0	CONVEYANCE ROLLER		C	1	
18	65LA R707 00	REGISTRATION ROLLER ASSY		C	1	
19	65AA 4613 0D	Gear Cover Part		D	1	
20	56AA 1748 0	PIN B		C	2	
21	65AA 7751 0	CONVEYANCE GEAR 40T		C	1	
22	65AA 7787 0	REGISTRATION GEAR 52T		C	1	
23	65AA 4602 0	REGISTRATION DRIVEN ROLLER		C	1	

VERTICAL CONVEYANCE SECTION

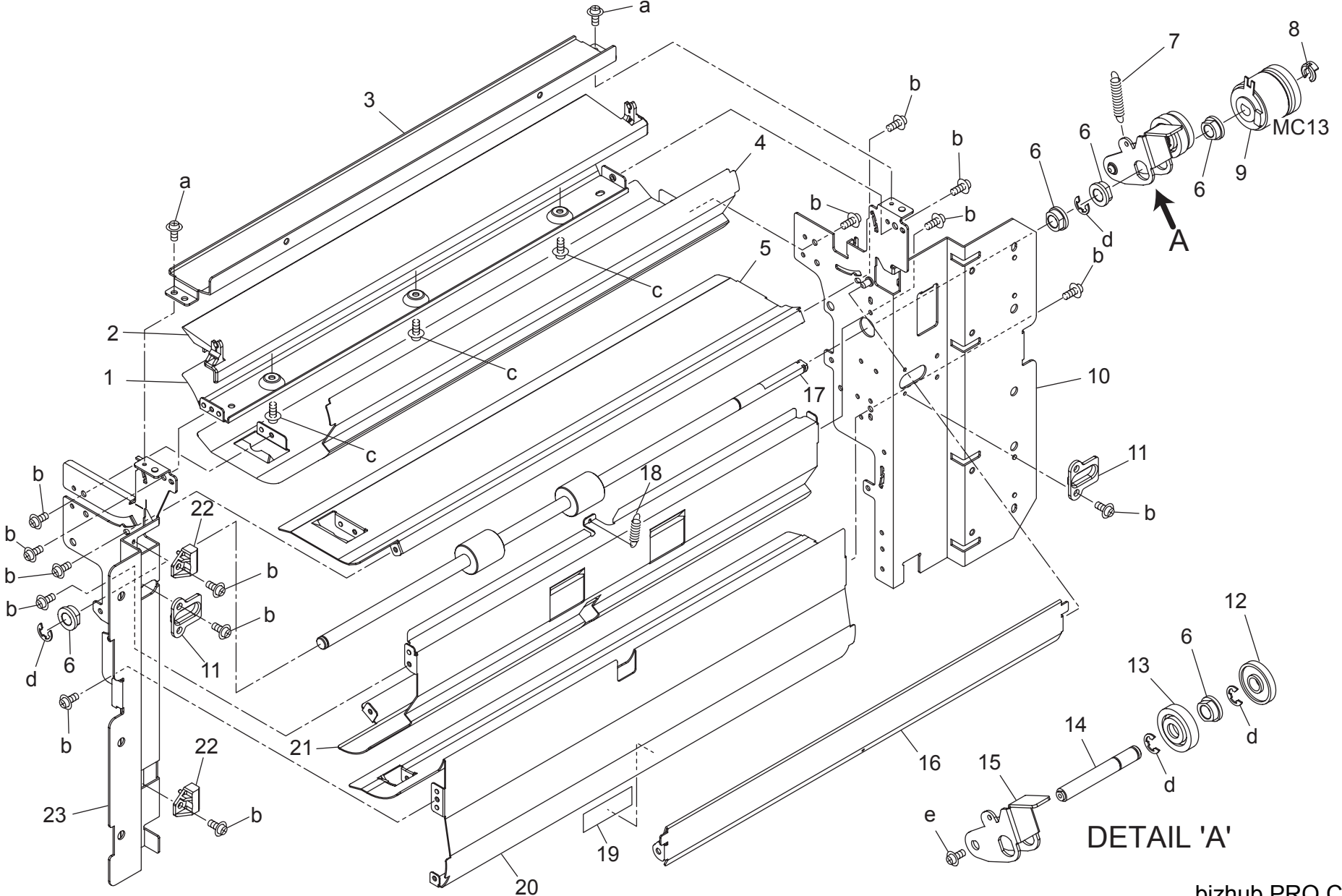
P 78



VERTICAL CONVEYANCE SECTION

Key	Part No.	Description	Destinations	Class	QTY	Standard parts
1	56AA 4420 0	LOCKING CLAW		C	2	a-V118 0306 03 b-V217 0400 50 c-V121 0306 03 d-V158 0308 03 e-V151 0410 03 f-V121 0304 03 g-V112 0306 03
2	65AA 4423 0	LOCKING SPRING UPPER		C	1	
3	56AA 4415 0	SHAFT FIXING PART		C	2	
4	56AA 1730 0	PIN		C	1	
5	65AA 4417 0E	LOCKING SHAFT		D	1	
6	A03U 7002 01	Conveyance Handle		C	1	
7	65AA 4424 0	LOCKING SPRING LOWER		C	1	
8	65AA 4446 0	REGULATING PLATE		C	2	
9	65AA 4441 0	PAPER ENTRANCE PLATE		C	1	
10	65AA -434 0	CON GUIDE PLATE CAULKING		D	1	
11	65AA R776 00	OPEN SHUT HINGE ASSY		C	2	
12	65AA 4410 0	PAPER DETECTING ACTUATOR 1		C	1	
13	65AA 4427 0	CONVEYANCE SPRING		C	1	
14	65AA 4447 0	MOUNTING PLATE		D	2	
15	08AA 8551 2	PHOTO SENSOR		B	2	
16	A03U 7001 00	Conveyance Guide Door		C	1	
17	A03U R751 00	VERTIAL CONVEYING		D	1	
18	65AA 4438 0	POSITIONING SPRING		C	1	
19	65AA 4425 0	DRIVEN SPRING		C	2	
20	A03U 8501 01	Slide Bushing		C	4	
21	26NA 4256 0	BY PASS FEED DRIVEN ROLLER		C	2	
22	65AA 4415 0	CONVEYANCE DRIVEN SHAFT		D	1	
23	65AA 4439 0	FIXING PLATE		D	2	

VERTICAL CONVEYANCE SECTION



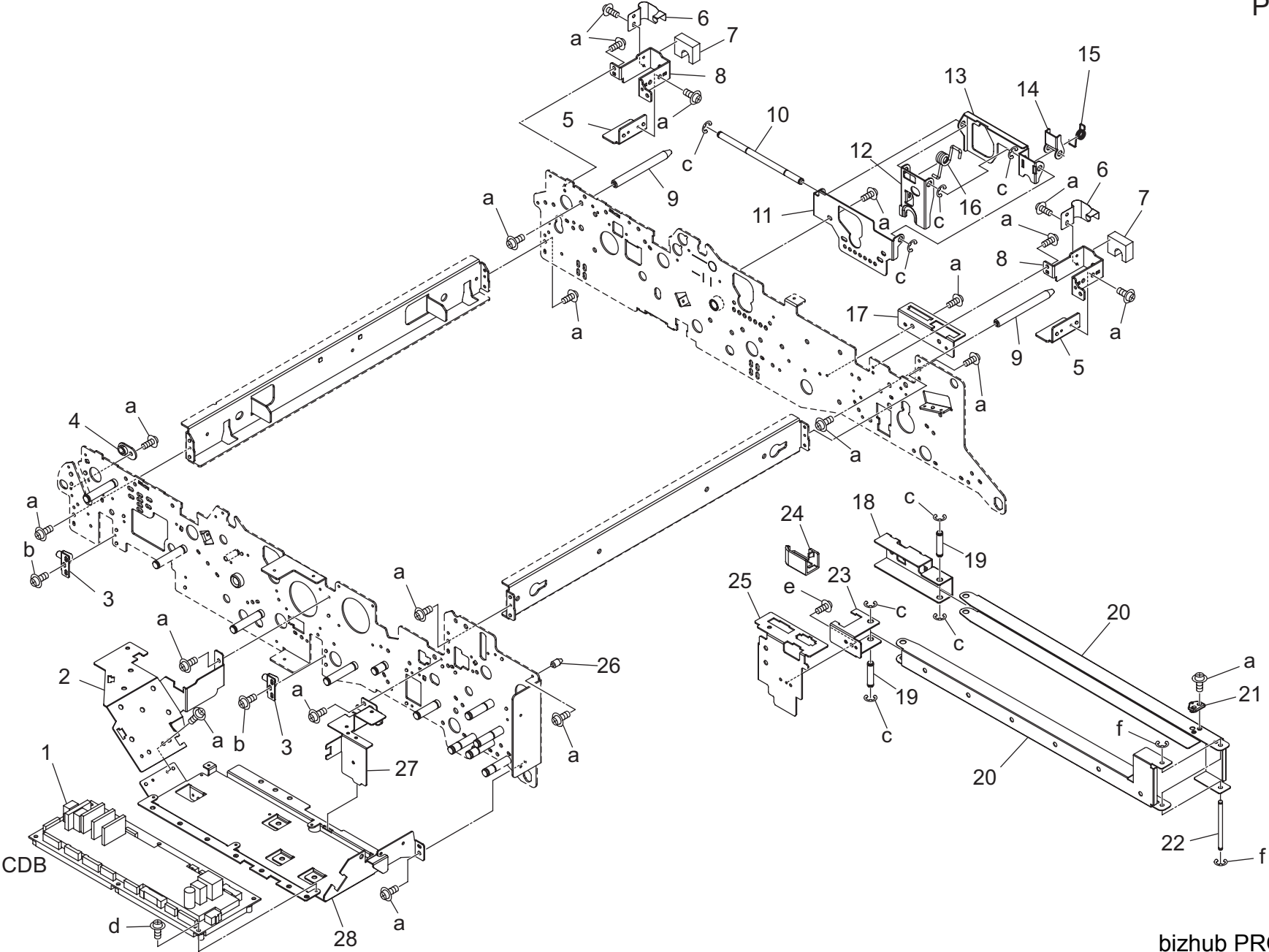
DETAIL 'A'

bizhub PRO C5501

VERTICAL CONVEYANCE SECTION

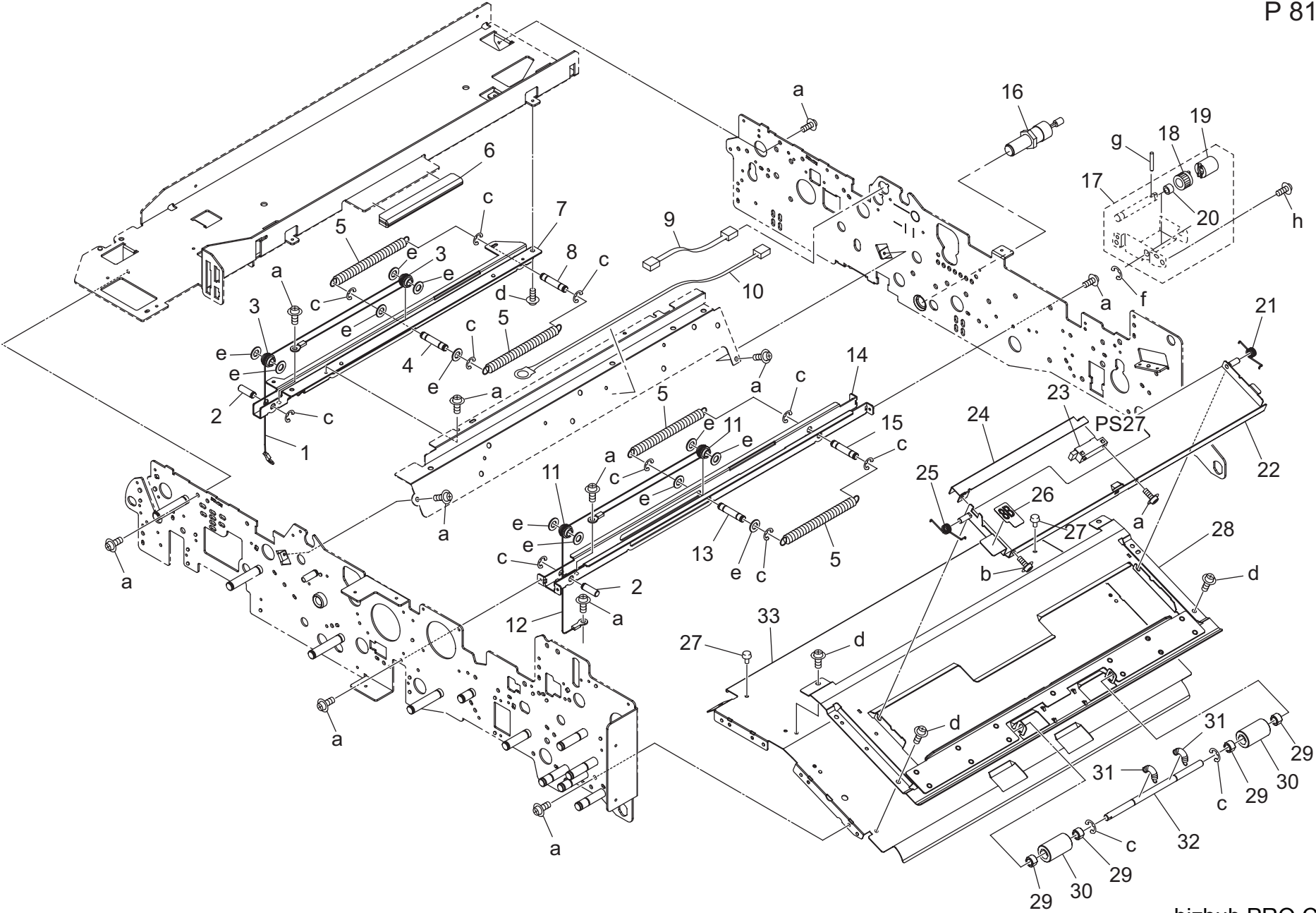
Key	Part No.	Description	Destinations	Class	QTY	Standard parts
1	65AA 4429 0	PAPER GUIDE PLATE C		C	1	a-V121 0304 03 b-V121 0306 03 c-V158 0308 03 d-V217 0600 50 e-V121 0406 03
2	65AA 4430 0	PAPER GUIDE PLATE T		C	1	
3	65AA 4428 0	PAPER GUIDE PLATE L		C	1	
4	65AA 4403 0	PAPER GUIDE PLATE 1		C	1	
5	65AA 4405 0	PAPER GUIDE PLATE 3		C	1	
6	26NA 4082 0	PAPER FEED SLIDE BUSHING		B	5	
7	65AA 4433 0	CONNECTING SPRING		C	1	
8	55VA 4212 0	SHAFT STOPPER		C	1	
9	56AA 8201 2	PAPER FEED DRIVING CLUTCH		B	1	
10	65AA -440 0	SIDE PLATE/2 CAULKING		D	1	
11	65AA 4422 0	POSITIONING COLLAR		C	2	
12	65AA 4435 0	STOPPER ROLLER		C	1	
13	25AA 7773 0	CONVEYANCE IDLER RIGHT 24T		C	1	
14	65AA 4432 0	CONNECTING SHAFT		D	1	
15	65AA 4434 0	CONNECTING PLATE		D	1	
16	65AA 4442 0	OPEN SHUT PLATE		C	1	
17	65AA 4413 0	CONVEYING ROLLER 1		C	1	
18	65AA 4444 0	OPEN SHUT SPRING		C	1	
19	A03U 7004 00	PAPER GUIDE SHEET		C	1	
20	65AA 4406 0	PAPER GUIDE PLATE 4		C	1	
21	65AA 4443 0	PAPER GUIDE PLATE MIDDLE		C	1	
22	65AA 4420 0	LOCKING PLATE		C	2	
23	65AA -439 0	SIDE PLATE/1 CAULKING		D	1	

DUPLEX SECTION



Key	Part No.	Description	Destinations	Class	QTY	Standard parts
1	A03U H050 04	CONVEYANCE DRIVE BOARD ASSY.		I	1	a-V127 0306 03
2	A03U 8106 01	Board Mounting Plate /2		D	1	b-V123 0308 03
3	A03U A819 01	PLATE/A CAULKING		D	2	c-V217 0400 50
4	129X 4836 0	GUIDE SHAFT HOLDER B		C	1	d-V121 0304 03
5	A03U 8115 00	Guide Holder /1		D	2	e-V127 0305 16
6	A03U 8137 02	Ground Plate		D	2	f-V217 0300 50
7	A03U 8114 01	Protection Cushion		D	2	
8	A03U 8113 00	GUIDE HOLDER /REAR		D	2	
9	65AA 5025 0	CARRIGE GUIDE PIN REAR		D	2	
10	65AA 5059 0	TRANSFER RELEASE SHAFT 2		D	1	
11	65AA 5060 0	CAM MOUNTING PLATE		D	1	
12	65AA 5057 0	TRANSFER RELEASE CAM 1		C	1	
13	65AA 5062 0	CAM CONNECTING PLATE		C	1	
14	65AA 5058 0	TRANSFER RELEASE CAM 2		C	1	
15	65AA 5063 0	CAM STOPPER SPRING 2		C	1	
16	65AA 5061 0	CAM STOPPER SPRING 1		C	1	
17	A03U 8129 00	Wiring Fixing Plate		D	1	
18	65AA 5019 0	FULCRUM PLATE REAR		D	1	
19	65AA 5018 0	HINGE FULCRUM SHAFT 1		D	2	
20	56AA 5031 1E	Wiring Guide Plate /Front		D	2	
21	56AA 5038 1	HINGE LIFTING BLOCK		C	1	
22	65AA 5075 0D	Hinge Fulcrum Shaft		D	1	
23	A03U 8112 00	Carriage Support Plate /2		D	1	
24	65AA 5074 0	WIRING COVER 1		C	1	
25	A03U 8111 01	Carrige Fulcrum Plate /Front		D	1	
26	65AA 5044 0D	Carrige Guide Pin /Left		C	1	
27	A03U 8130 01	Wiring Guide Plate		D	1	
28	A03U 8105 01	Board Mounting Plate		D	1	

DUPLEX SECTION

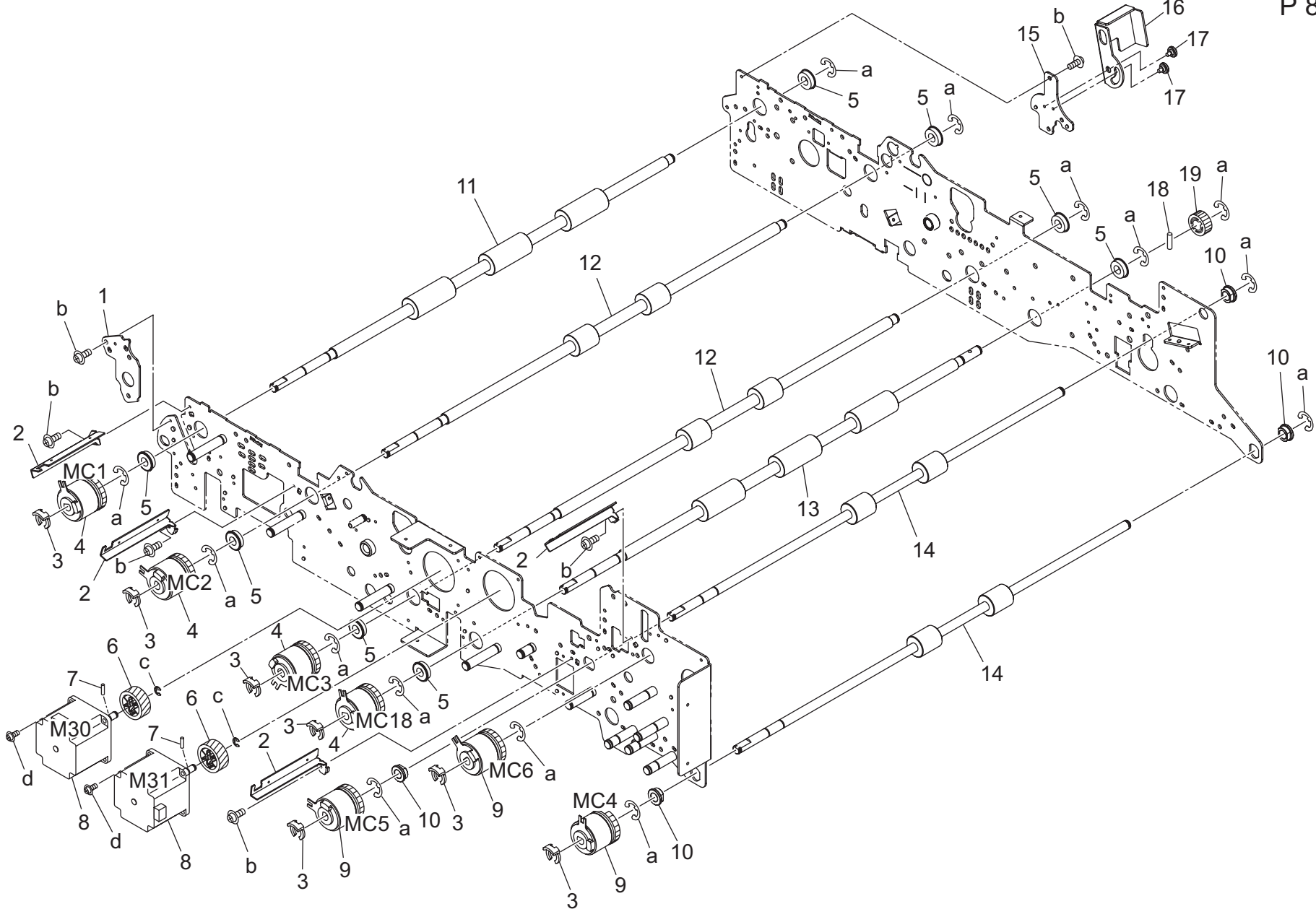


DUPLEX SECTION

Key	Part No.	Description	Destinations	Class	QTY	Standard parts
1	A03U 8498 01	Wire /Left		C	1	a-V127 0306 03 b-V118 0310 03 c-V217 0400 50 d-V121 0304 03 e-V207 0600 03 f-V217 0400 03 g-00Z7 1210 1 h-V121 0306 03
2	65AA 5151 0	ADU OPEN SHUT SHAFT 3		D	2	
3	A03U 8135 00	Wire Pulley		C	2	
4	A03U 8133 00	ADU Open/shut Shaft /1		D	1	
5	A03U 8136 01	ADU Open/shut Spring /Upper		C	4	
6	65AA 5072 0	LIFTING COVER 1		D	1	
7	A03U 8132 00	ADU Open/shut Plate		D	1	
8	A03U 8134 00	ADU Open/shut Shaft /2		D	1	
9	65AA 9025 0	SEPARATING WIRE		D	1	
10	A03U N203 00	Bias Wire /2		D	1	
11	25AA 5008 0	WIRE PULLEY		C	2	
12	A03U 8497 01	Wire /Right		C	1	
13	65AA 5152 0	ADU OPEN SHUT SHAFT 1		D	1	
14	65AA 5167 0D	ADU Open/shut Plate		D	1	
15	65AA 5153 0	ADU OPEN SHUT SHAFT 2		D	1	
16	A03U 8153 00	Slide Dumper /2		C	1	
17	A03U R785 00	BRAKE ASSY		C	1	
18	A03U 8390 00	BRAKE GEAR /1 21T		C	1	
19	A03U 8157 00	TORQUE LIMITER		C	1	
20	56GA 7601 0	SLIDE SHAFT HOLDER 2		C	1	
21	65AA 5015 0	PRESSING SPRING RIGHT		C	1	
22	65AA 5009 0	CONVEYANCE GUIDE PLATE MIDDLE		C	1	
23	56AA 8552 1	CONVEYANCE PHOTO SENSOR		B	1	
24	65AA 5056 0D	Cover		D	1	
25	65AA 5016 0	PRESSING SPRING LEFT		C	1	
26	A03U 9432 00	Release Label /2		C	1	
27	12AJ 4585 0	STOPPER RUBBER		C	2	
28	65AA 5008 0E	CONVEYANCE GUIDE PLATE /RIGHT		C	1	
29	A03U 8501 01	Slide Bushing		C	4	
30	26NA 4256 0	BY PASS FEED DRIVEN ROLLER		C	2	
31	65AA 5140 0	ADU SPRING A		C	2	
32	65AA 5064 0	CONVEYANCE DRIVEN SHAFT 2		C	1	
33	65AA 5006 0	CONVEYANCE GUIDE PLATE LOWER		C	1	

DUPLEX SECTION

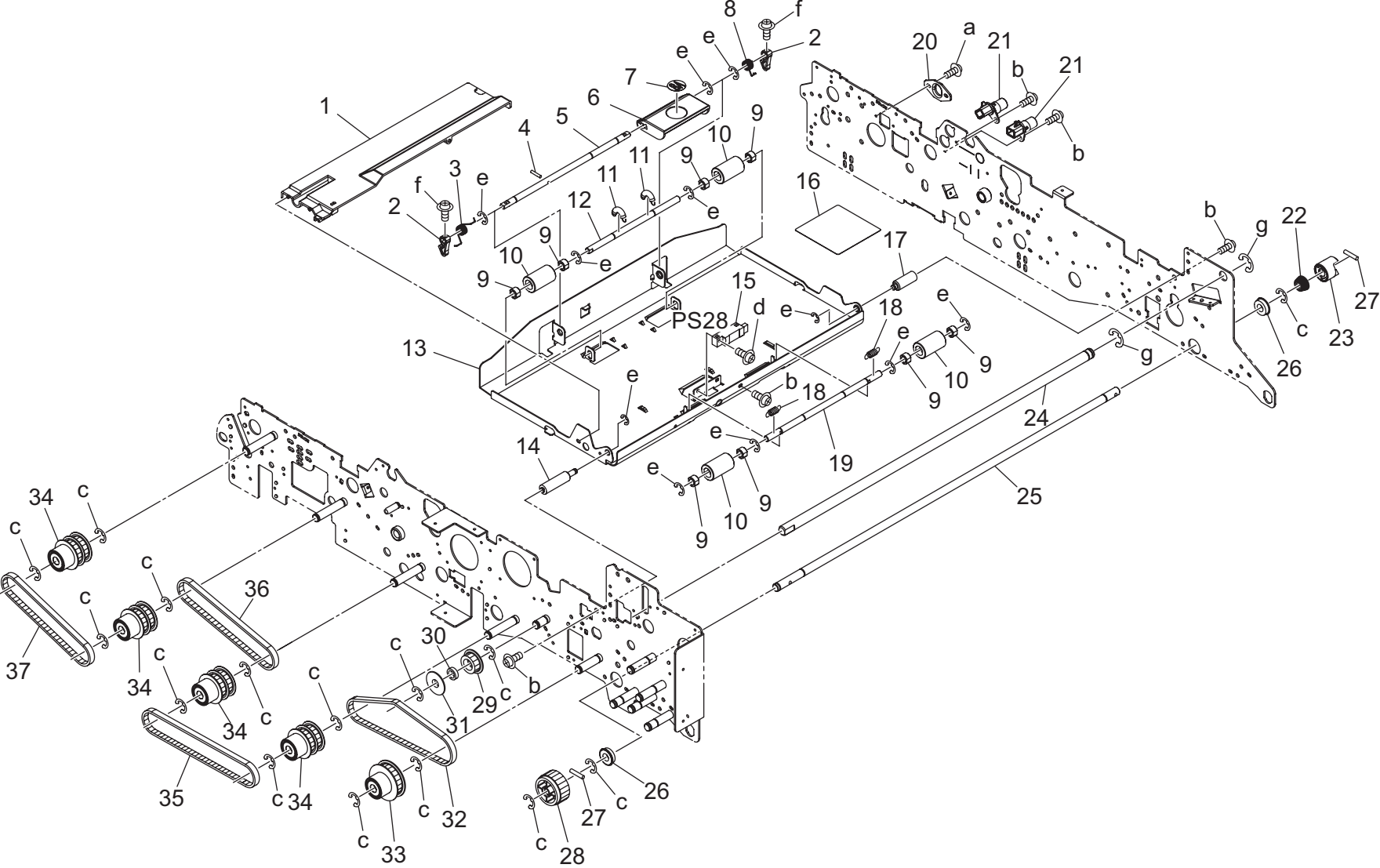
P 82



DUPLEX SECTION

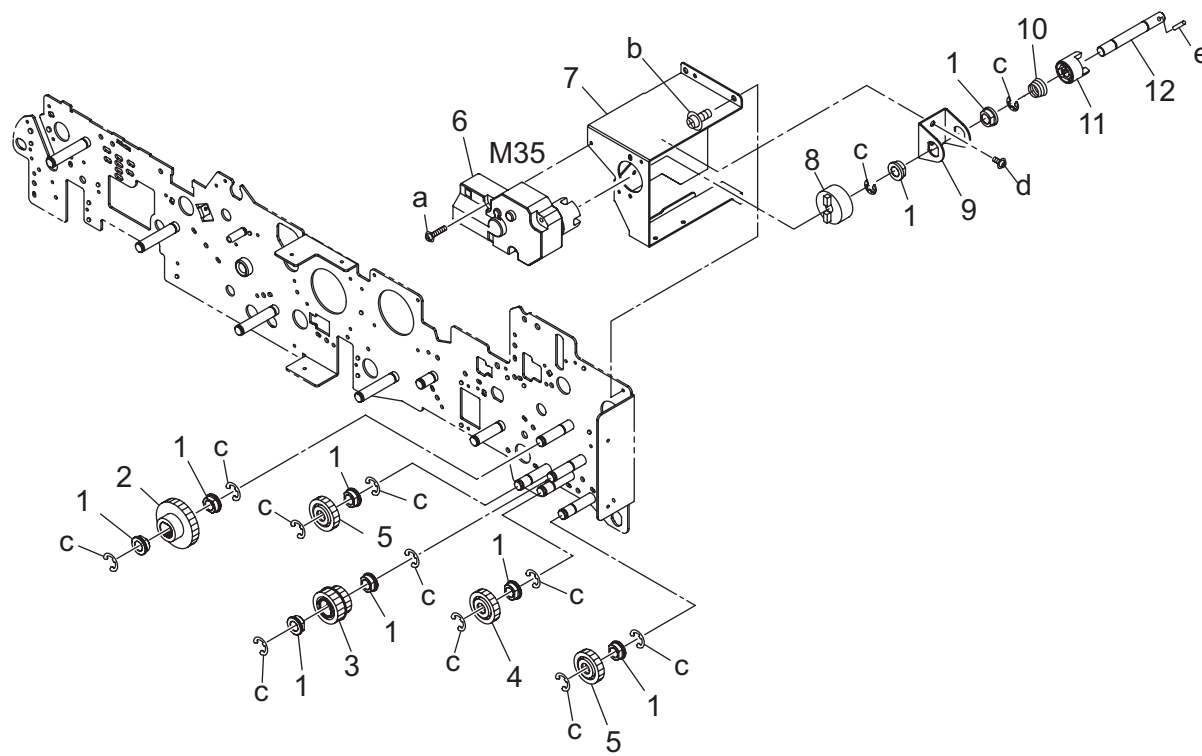
Key	Part No.	Description	Destinations	Class	QTY	Standard parts
1	A03U 8148 00	Carrige Connecting Plate		D	1	a-V217 0600 50 b-V127 0306 03 c-V217 0400 50 d-V121 0308 03
2	65AA 5128 0	ADU LOCKING PLATE		D	4	
3	55VA 4212 0	SHAFT STOPPER		C	7	
4	A03U M201 00	Clutch /1		C	4	
5	5400 7605 0	BALL BEARING		B	8	
6	65AA 7752 0	REGISTRATION DRIVING GEAR 28T		C	2	
7	56AA 1748 0	PIN B		C	2	
8	A03U M111 00	HB Motor /50		C	2	
9	56AA 8201 2	PAPER FEED DRIVING CLUTCH		B	3	
10	A03U 8128 00	Slide Shaft Holder		C	4	
11	A03U 8421 00	Roller /3		C	1	
12	A03U 8422 00	Roller /4		C	2	
13	A03U 8504 00	ROLLER /4		C	1	
14	A03U 8122 00	ADU Conveying Roller /Right		C	2	
15	A03U 8147 00	Reinforce Plate /A		D	1	
16	A03U 8146 00	Open/close Stopper		D	1	
17	3920 1110 1	SCALE PLATE SET SCREW		C	2	
18	56AA 1747 1	PIN B 3X12		C	1	
19	A03U 8389 00	BRAKE GEAR /2 24T		C	1	

DUPLEX SECTION



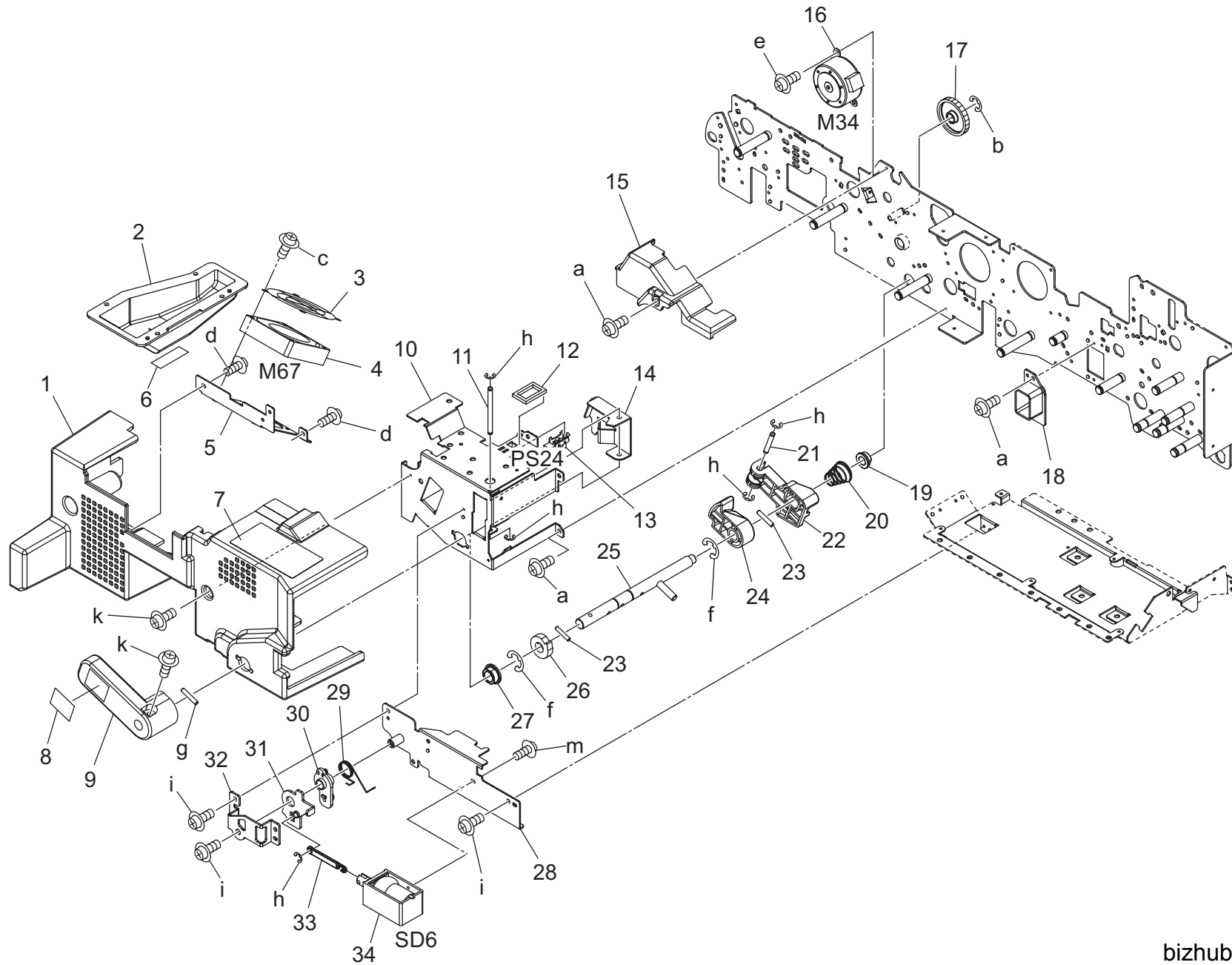
DUPLEX SECTION

Key	Part No.	Description	Destinations	Class	QTY	Standard parts
1	A03U 8154 00	Cover /2		D	1	a-V123 0308 03
2	56AA 4420 0	LOCKING CLAW		C	2	b-V127 0306 03
3	65AA 5012 0	LOCKING SPRING RIGHT		C	1	c-V217 0600 50
4	56AA 1732 1	PIN A D2X12		C	1	d-V118 0310 03
5	65AA 5011 0	LOCKING SHAFT		D	1	e-V217 0400 50
6	65AA 4941 0	PAPER EXIT HANDLE		C	1	f-V118 0306 03
7	A03U 9433 00	Release Label /3		C	1	g-V217 0800 50
8	65AA 5013 0	LOCKING SPRING LEFT		C	1	
9	A03U 8501 01	Slide Bushing		C	8	
10	26NA 4256 0	BY PASS FEED DRIVEN ROLLER		C	4	
11	65AA 5140 0	ADU SPRING A		C	2	
12	65AA 5064 0	CONVEYANCE DRIVEN SHAFT 2		C	1	
13	65AA 5007 0D	Conveyance Guide Plate /Upper		D	1	
14	65AA 5048 0	CONVEYANCE FULCRUM SHAFT FRONT		D	1	
15	56AA 8552 1	CONVEYANCE PHOTO SENSOR		B	1	
16	A03U 9427 00	Caution Label /3		C	1	
17	65AA 5049 0	CONVEYANCE FULCRUM SHAFT REAR		D	1	
18	65AA 5017 0	CONVEYANCE SPRING		C	2	
19	65AA 5118 0	ADU DRIVEN SHAFT 1		D	1	
20	A03U 8118 00	ADU Positioning Plate /2		C	1	
21	65AA R746 00	POWERING BLOCK A ASSY		C	2	
22	56AA 1709 0	PRESSURE SPRING		C	1	
23	55VA 1554 1	CLEANER COUPLING PART		C	1	
24	65AA 5047 0E	Carrige Handle /Right		D	1	
25	A03U 8121 00	Drive Input Shaft		D	1	
26	5400 7605 0	BALL BEARING		B	2	
27	56AA 1748 0	PIN B		C	2	
28	65AA 7754 0	PAPER FEED GEAR 2 29T		C	1	
29	A03U 8397 00	IDLING PULLEY 21T		C	1	
30	12QV 7503 0	SHAFT HOLDER C		C	1	
31	A03U 8139 00	Regulating Plate		C	1	
32	A03U 8391 00	BELT /1 327L		C	1	
33	A03U 8395 01	DRIVE PULLEY /1 24T/34T		C	1	
34	A03U 8396 01	Drive Pulley /2 24/26T		C	4	
35	A03U 8392 00	BELT /2 339L		C	1	
36	A03U 8393 00	BELT /3 300L		C	1	
37	A03U 8394 00	BELT /4 282L		C	1	



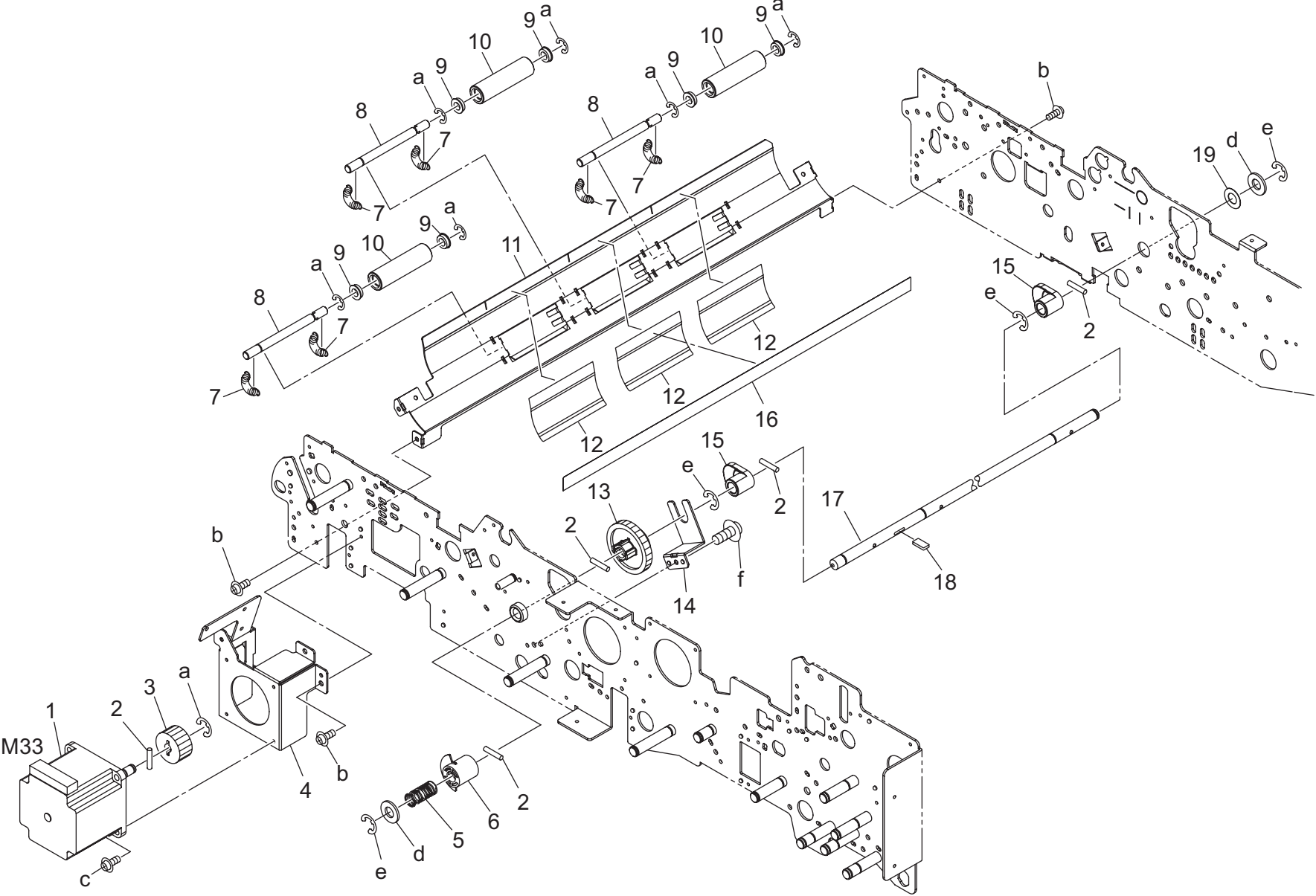
DUPLEX SECTION

Key	Part No.	Description	Destinations	Class	QTY	Standard parts
1	A03U 8128 00	Slide Shaft Holder		C	9	a-V121 0320 03 b-V127 0306 03 c-V217 0600 50 d-V121 0306 03 e-V233 3012 50
2	65AA 7773 0	BY PASS FEED DRIVING GEAR 2		C	1	
3	65AA 7772 0	BY PASS FEED DRIVING GEAR 1 20T/24T		C	1	
4	25AA 7772 0	CONVEYANCE IDLER LEFT 24T		C	1	
5	25AA 7773 0	CONVEYANCE IDLER RIGHT 24T		C	2	
6	13HA 8002 1	LCT DRIVE MOTOR		B	1	
7	A03U 8138 00	Motor Mounting Plate		D	1	
8	65AA 4234 0	PAPER FEED TRAY LIFTING CLUTCH		B	1	
9	65AA 4228 0	SHAFT SUPPORT PLATE		D	1	
10	56AA 1709 0	PRESSURE SPRING		C	1	
11	55VA 1554 1	CLEANER COUPLING PART		C	1	
12	65AA 4248 0	CONNECTING SHAFT		D	1	



Key	Part No.	Description	Destinations	Class	QTY	Standard parts
1	A03U 8110 02	ADU COVER /LEFT		C	1	a-V158 0306 03
2	A03U 7283 00	Fusing Duct /1		C	1	b-V217 0400 50
3	57GA 1210 0	FAN COVER /2		C	1	c-V121 0320 03
4	56AA 8055 1	FAN MOTOR 2		B	1	d-V151 0308 03
5	A03U 8150 02	Mounting Plate		D	1	e-V118 0304 03
6	A03U 7360 00	Auxiliary Seal /A		C	1	f-V217 0800 50
7	A03U 9429 00	Caution Label /5		C	1	g-V233 3016 50
8	A03U 9431 00	Release Label /1		C	1	h-V217 0300 50
9	57AA 5076 0	CARRIAGE PULLING LEVER		C	1	i-V127 0306 03
10	A03U 8107 01	Lever Mounting Plate		D	1	k-V121 0306 03
11	65AA 5036 0D	Release Shaft /1		D	1	m-V121 0304 03
12	65AA 5086 0	COVER		C	1	
13	08AA 8551 2	PHOTO SENSOR		B	1	
14	65AA 5031 0	TRANSFER RELEASE PLATE		D	1	
15	A03U 8149 02	TRANSFER RELEASE COVER		C	1	
16	15AA R736 00	MOTOR 2 ASSY		C	1	
17	40AA 7755 0	MIRROR DRIVE GEAR /2 14/70T		C	1	
18	A03U 8109 00	Wiring Guide Part		C	1	
19	A03U 8128 00	Slide Shaft Holder		C	1	
20	65AA 5042 0	CAM HOLDING SPRING		C	1	
21	65AA 5037 0D	Cam Fulcrum Shaft		D	1	
22	65AA 5032 0	LOCKING CAM		C	1	
23	56AA 1746 1	PIN A		C	2	
24	65AA 5035 0	RELEASE CAM		C	1	
25	65AA R701 00	LOCK PIN ASSY		C	1	
26	25AA 4750 0	CARRIAGE LOCK CLAW B		C	1	
27	4620 7601 0	DRIVING SLIDE SHAFT HOLDER A		C	1	
28	A03U A836 01	CARRIGE LOCKING SIDE PLATE CAULKING		D	1	
29	65AA 5081 0	LOCKING SPRING RIGHT		C	1	
30	56AA 5070 0	LEVER LOCKING PART		C	1	
31	65AA -078 0	LEVER LOCK PLATE ASSY		D	1	
32	65AA 5084 0	SHAFT HOLDING PLATE		D	1	
33	56AA 5073 0	SOLENOID PULLING LEVER		C	1	
34	56AA -040 0	ADU CONNECTING SOLENOID ASSY		B	1	

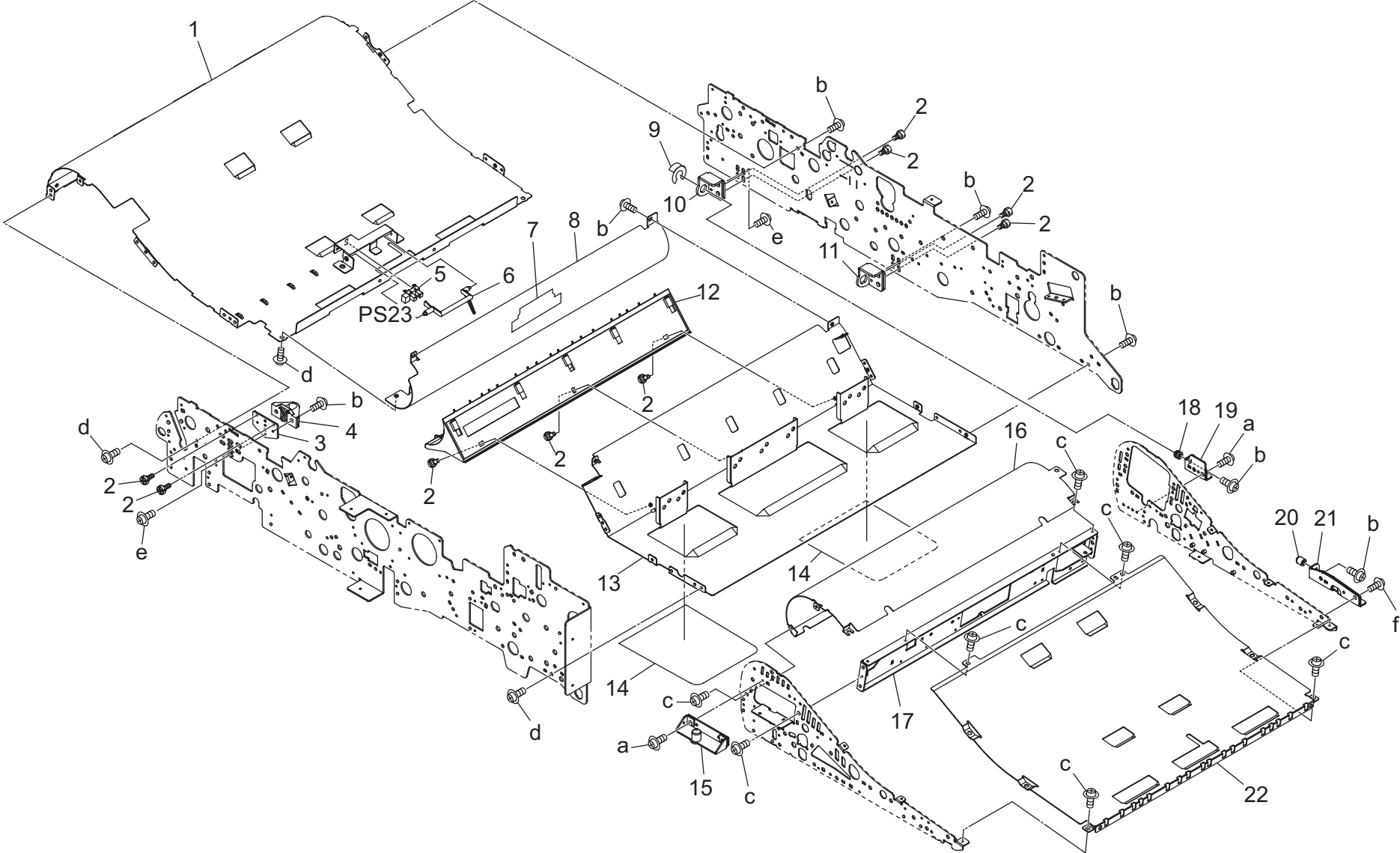
DUPLEX SECTION



DUPLEX SECTION

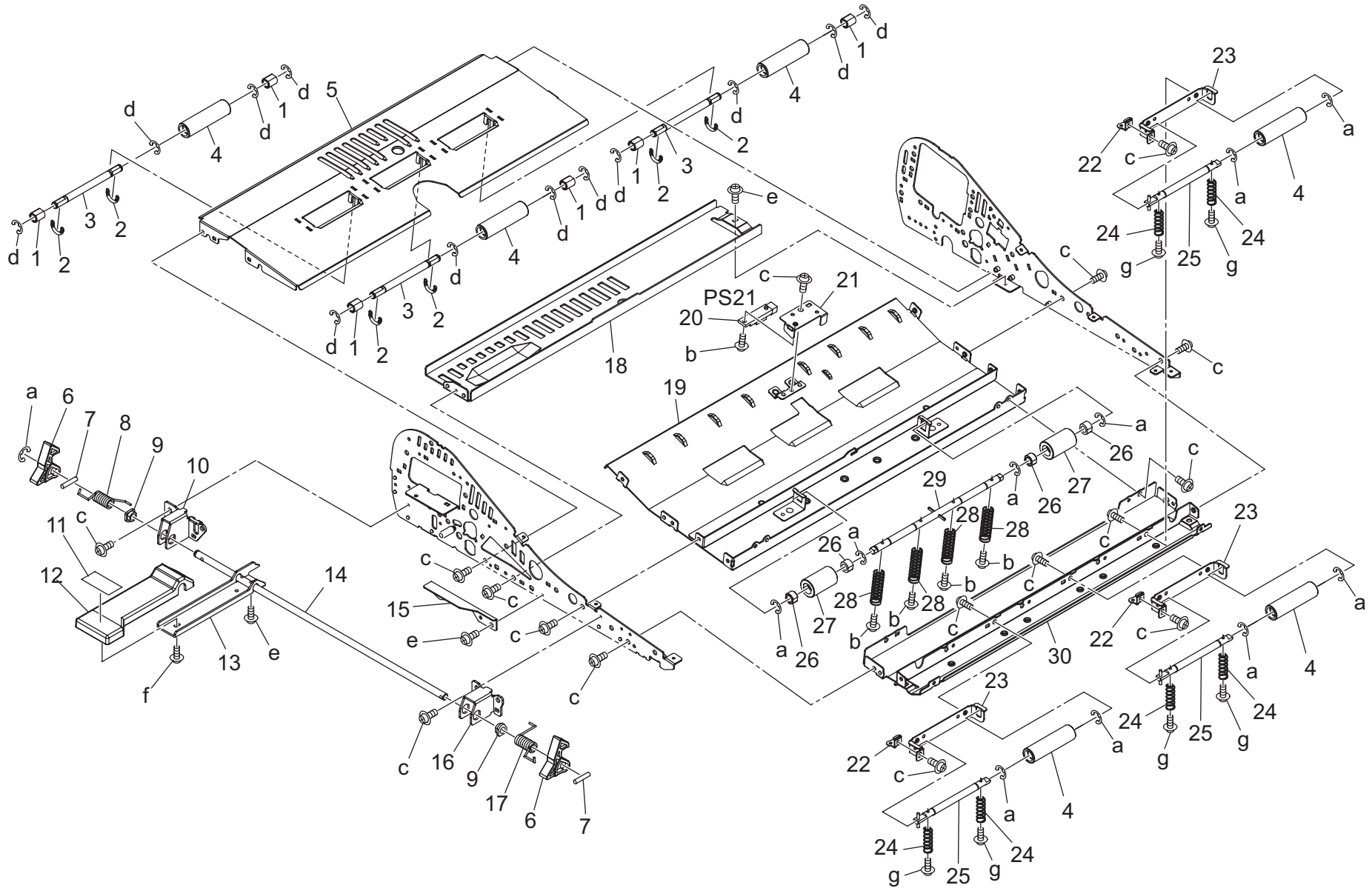
Key	Part No.	Description	Destinations	Class	QTY	Standard parts
1	A03U M111 00	HB Motor /50		C	1	a-V217 0400 50 b-V127 0306 03 c-V121 0308 03 d-V207 0800 03 e-V217 0600 50 f-V158 0306 03
2	56AA 1732 1	PIN A D2X12		C	5	
3	A03U 8899 00	RIVERSE/EXIT GEAR /1 22T		C	1	
4	A03U 8145 01	Positioning Plate /Lower		D	1	
5	65AA 4523 0	CAM PULLING SPRING		C	1	
6	65AA 4522 0	TRANSFER PRESSURE ACTUATOR		C	1	
7	A03U 8143 00	Conveyance Spring		C	6	
8	A03U 8141 00	Idler Shaft /Lower		D	3	
9	25SA 7504 0	BEARING		C	6	
10	A03U 8142 00	Idler Roll		C	3	
11	A03U 8140 00	Guide Plate /Lower		C	1	
12	A03U 8144 00	Guide Sheet		C	3	
13	65AA 7771 0	TRANSFER RELEASE GEAR 1 38T		C	1	
14	65AA 4524 1	GEAR REGULATING PLATE		D	1	
15	A03U 5221 00	Pressure Cam		C	2	
16	A03U 8158 00	GUIDE SHEET /A		C	1	
17	A03U 5220 01	Release Shaft		D	1	
18	A03U 5240 00	Drive Plate /1		D	1	
19	55VA 3253 0	SPACER		C	1	

DUPLEX SECTION



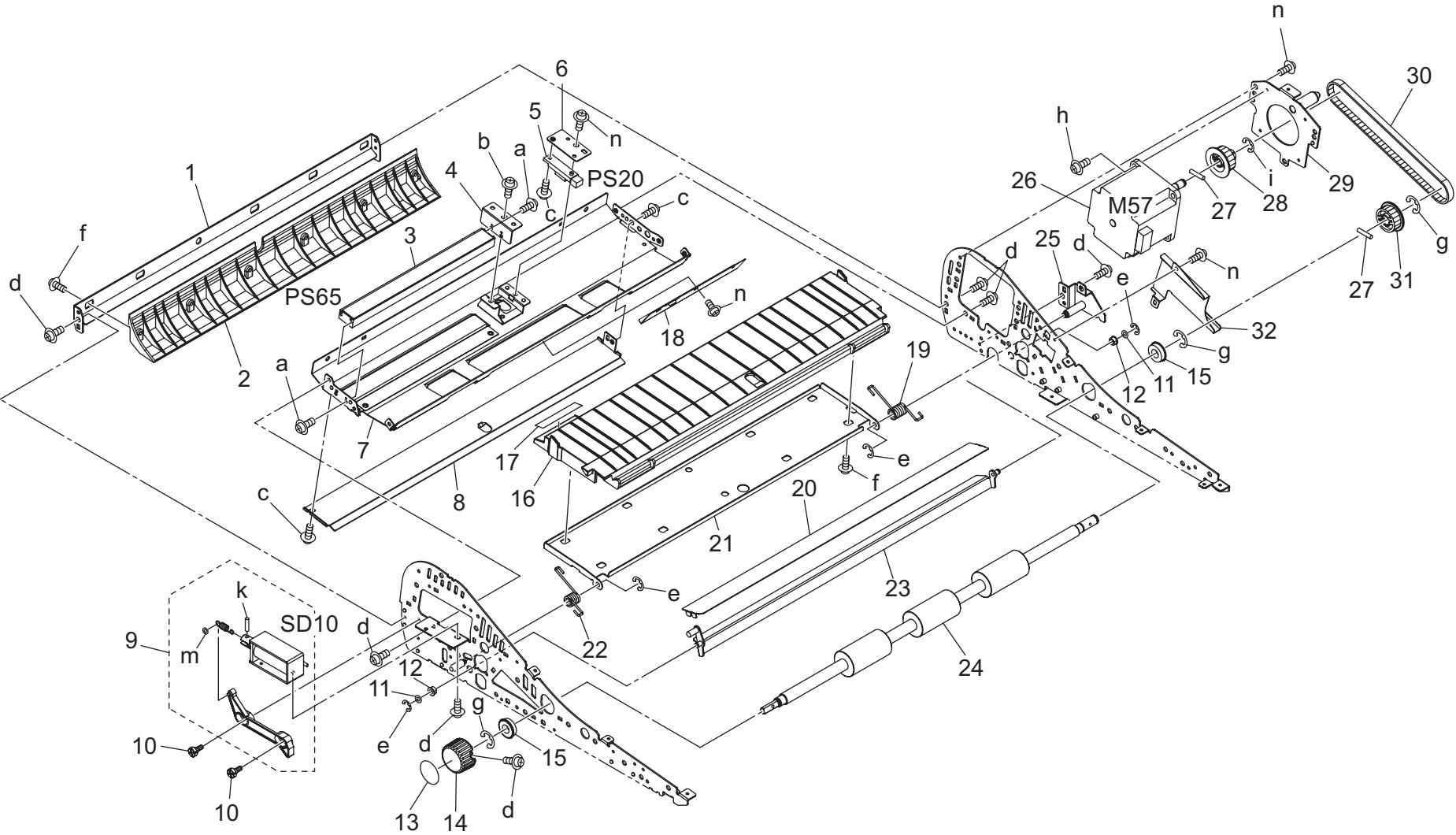
Key	Part No.	Description	Destinations	Class	QTY	Standard parts
1	A03U 8401 01	Guide Plate /1		C	1	a-V121 0306 03 b-V127 0306 03 c-V118 0304 03 d-V121 0304 03 e-V123 0308 03 f-V121 0308 03
2	65AA 4951 0F	FIXING SCREW /1		C	9	
3	A03U 8116 00	ADU Positioning Plate /1		D	1	
4	A03U 8435 00	Positioning Part		D	1	
5	08AA 8551 2	PHOTO SENSOR		B	1	
6	65AA 5173 0	ADU 2		C	1	
7	A03U 8505 00	Guide Sheet		D	1	
8	A03U 8402 01	GUIDE PLATE /2		C	1	
9	55VA 4212 0	SHAFT STOPPER		C	1	
10	A03U 8441 00	Support Plate /B		D	1	
11	A03U 8440 00	Support Plate /A		D	1	
12	A03U 8403 00	Guide Plate /3		C	1	
13	A03U 8404 00	Guide Plate /4		C	1	
14	A03U 8159 00	GUIDE SHEET		C	2	
15	A03U B843 01	MOUNTING PLATE /1 CAULKING		D	1	
16	A03U 8417 00	Guide Plate /L		C	1	
17	A03U 8423 01	Support Plate /1		D	1	
18	A03U 8437 00	Support Shaft /Left		D	1	
19	A03U 8436 01	Support Plate /Left		D	1	
20	A03U 8439 00	Support Shaft /Right		D	1	
21	A03U 8438 01	Support Plate /Right		D	1	
22	A03U 8418 00	Guide Plate /M		C	1	

DUPLEX SECTION



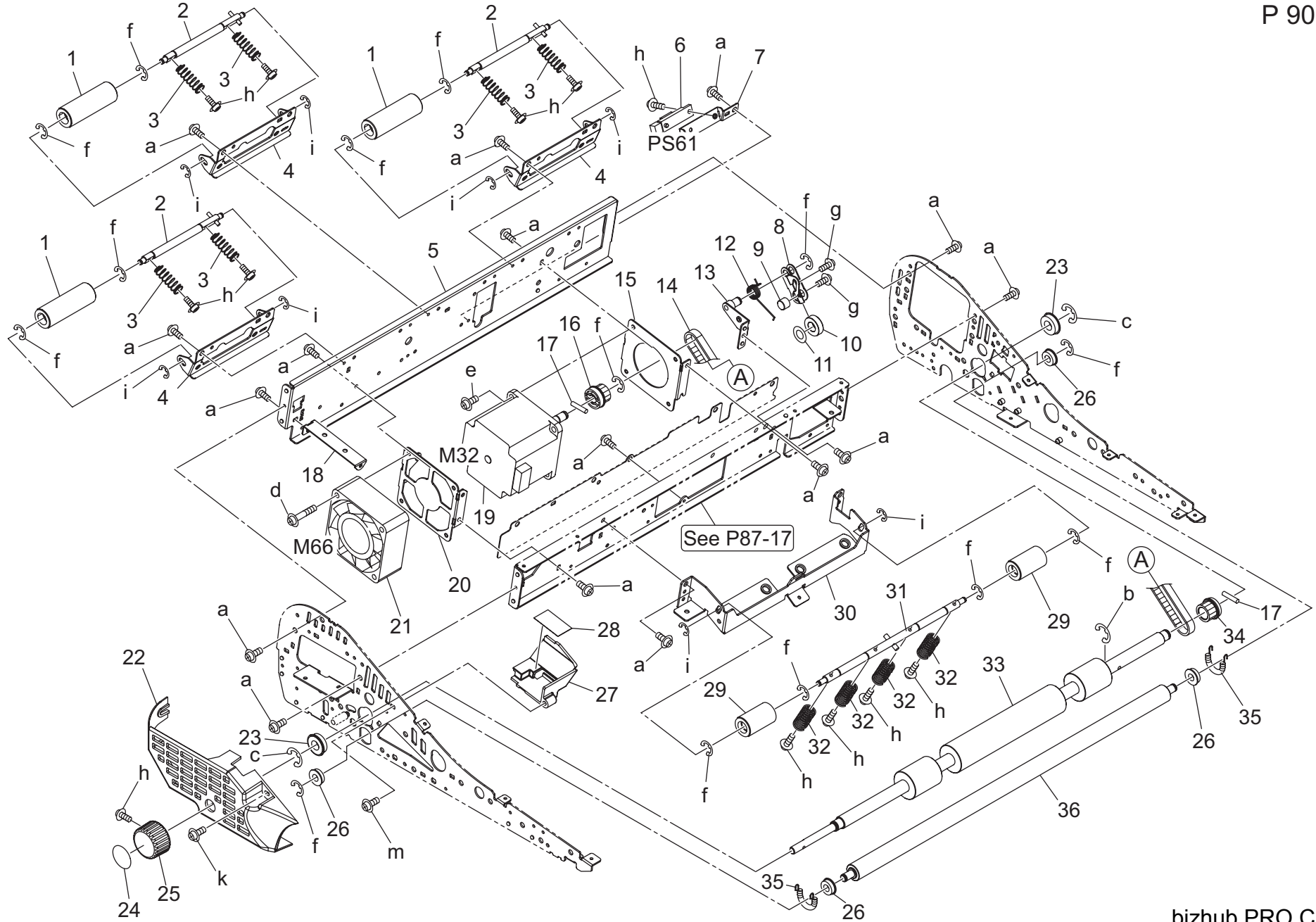
Key	Part No.	Description	Destinations	Class	QTY	Standard parts
1	A03U 8452 00	Collar /1		C	6	a-V217 0400 50 b-V118 0306 03 c-V121 0304 03 d-V217 0300 50 e-V121 0306 03 f-V151 0308 03 g-V118 0304 03
2	A03U 8426 00	Conveyance Spring /2		C	6	
3	A03U 8451 00	Idler Shaft /B		D	3	
4	A03U 8453 01	Idler Roller /1		C	6	
5	A03U 8412 00	Guide Plate /F		C	1	
6	A03U 8447 00	Lock Claw		C	2	
7	56AA 1747 1	PIN B 3X12		C	2	
8	A03U 8445 00	Open/close Spring /1		C	1	
9	4660 7602 0	PAPER FEED SHAFT HOLDER		B	2	
10	A03U 8442 00	Mounting Plate /Left		D	1	
11	A03U 9438 00	Release Label /8		C	1	
12	A03U 8449 01	Open/close Lever		C	1	
13	A03U 8448 02	Open/close Plate		D	1	
14	A03U 8444 00	Lock Shaft		D	1	
15	A03U B845 01	MOUNTING PLATE/B CAULKING		D	1	
16	A03U 8443 00	Mounting Plate /Right		D	1	
17	A03U 8446 00	Open/close Spring /2		C	1	
18	A03U 8483 00	Reinforce Plate /B		D	1	
19	A03U 8413 02	GUIDE PLATE /G		C	1	
20	13QA 8551 1	SENSOR 1		B	1	
21	A03U 8502 00	Mounting Plate /F		D	1	
22	A03U 8462 00	Mounting Plate /6		D	3	
23	A03U 8461 00	Mounting Plate /5		D	3	
24	A03U 8430 00	Conveyance Spring /6		C	6	
25	A03U R784 00	IDLER SHAFT F ASSY		D	3	
26	A03U 8501 01	Slide Bushing		C	4	
27	26NA 4256 0	BY PASS FEED DRIVEN ROLLER		C	2	
28	A03U 8429 00	Conveyance Spring /5		C	4	
29	A03U R783 00	IDLER SHAFT E ASSY		D	1	
30	A03U 8414 00	Guide Plate /H		C	1	

DUPLEX SECTION



Key	Part No.	Description	Destinations	Class	QTY	Standard parts
1	A03U 8416 00	Guide Plate /K		C	1	a-V145 2605 03
2	A03U 8415 00	Guide Plate /J		C	1	b-V127 0306 03
3	56UA 8551 0E	Paper Compensating Sensor		C	1	c-V118 0306 03
4	A03U 8471 00	Mounting Plate /9		D	1	d-V121 0304 03
5	13QA 8551 1	SENSOR 1		B	1	e-V217 0300 50
6	A03U 8470 00	Mounting Plate /8		D	1	f-V145 0306 03
7	A03U 8411 01	GUIDE PLATE /E		C	1	g-V217 0600 50
8	A03U 8410 00	Guide Plate /D		C	1	h-V121 0308 03
9	A03U R737 00	ADU SOLENOID ASSY		C	1	i-V217 0400 50
10	65AA 4951 0F	FIXING SCREW /1		C	2	k-V233 3012 50
11	65AA 4952 0	PAPER EXIT MOUNTING SPACER		C	2	m-V226 0200 50
12	12VR 7551 0	DOUBLE FEED PV SHAFT HOLDER		C	2	n-V121 0306 03
13	A03U 9441 00	Release Label /B		C	1	
14	14GE 4547 0	ROTARY KNOB		C	1	
15	5400 7605 0	BALL BEARING		B	2	
16	A03U 8407 00	Guide Plate /A		C	1	
17	A03U 9439 00	Release Label /9		C	1	
18	A03U 8506 00	GUIDE PLATE /S		C	1	
19	A03U 8481 00	Open/close Spring /4		C	1	
20	A03U 8408 00	Guide Plate /B		C	1	
21	A03U 8482 00	Reinforce Plate /A		D	1	
22	A03U 8480 00	Open/close Spring /3		C	1	
23	A03U 8409 01	Guide Plate /C		C	1	
24	A03U 8420 00	Roller /2		C	1	
25	A03U A858 01	SUPPORT PLATE/C CAULKING		D	1	
26	65AA 8011 2	HB MOTOR 50		B	1	
27	56AA 1730 0	PIN		C	2	
28	A03U 8594 00	PULLEY /1 24T		C	1	
29	A03U B858 01	MOUNTING PLATE/2 CAULKING		D	1	
30	A03U 8599 00	BELT /2 330L		C	1	
31	A03U 8595 00	PULLEY /2 24T		C	1	
32	A03U 8466 00	Cover Plate		D	1	

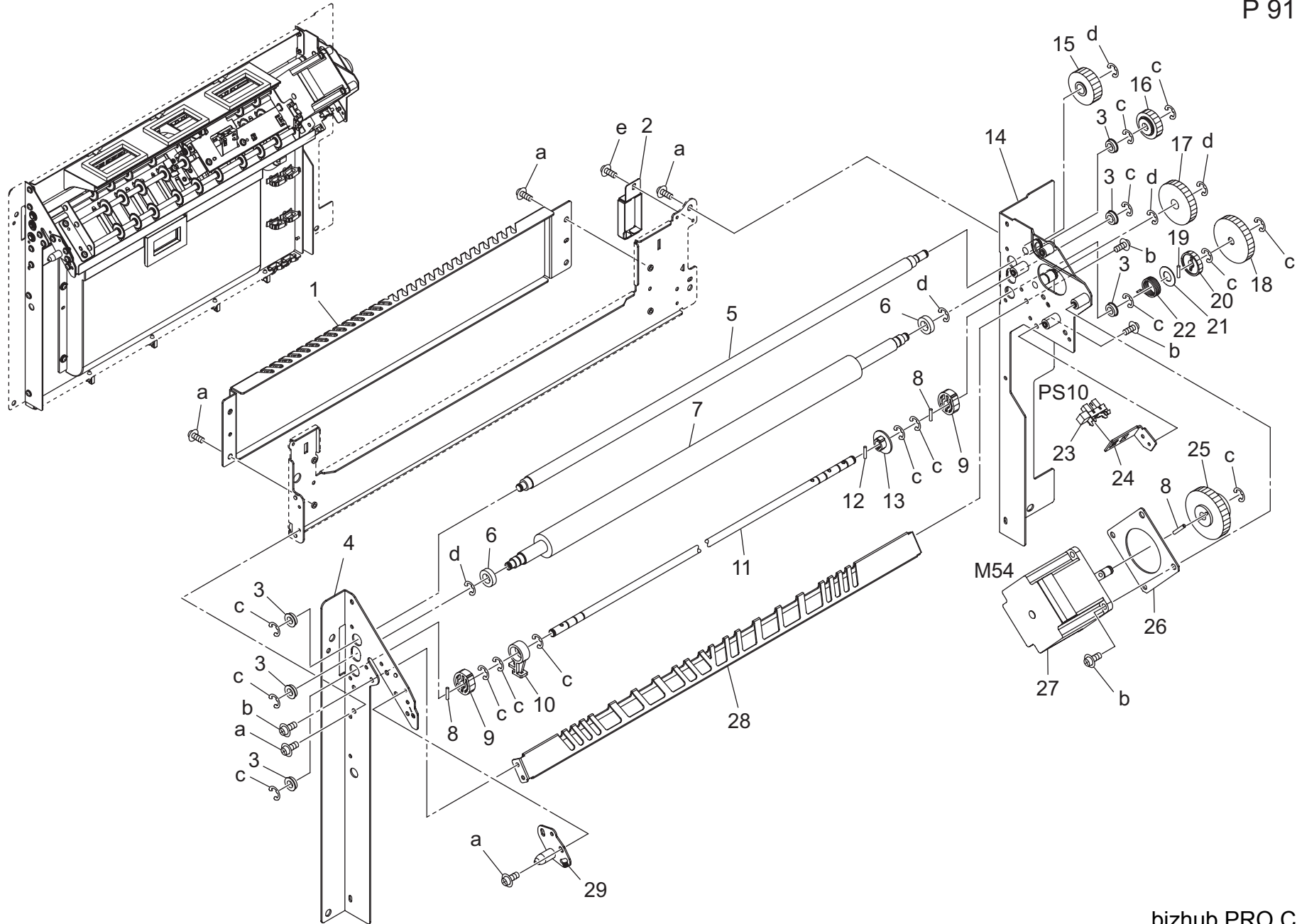
DUPLEX SECTION



Key	Part No.	Description	Destinations	Class	QTY	Standard parts
1	A03U 8456 01	Idler Roller /2		C	3	a-V121 0304 03 b-V217 0800 50 c-V217 0600 50 d-V121 0330 03 e-V121 0308 03 f-V217 0400 50 g-V121 0306 03 h-V118 0306 03 i-V217 0300 50 k-V127 0305 16 m-V151 0308 03
2	A03U R7B3 00	Idler Shaft /C ASSY		D	3	
3	A03U 8427 00	Conveyance Spring /3		C	6	
4	A03U 8454 00	Mounting Plate /3		D	3	
5	A03U 8424 00	Support Plate /2		D	1	
6	13QA 8551 1	SENSOR 1		B	1	
7	A03U 8472 00	Mounting Plate /A		D	1	
8	A03U 8487 01	Support Plate /E		C	1	
9	A03U 8486 01	Tension Shaft		C	1	
10	26NA 3065 0	DEVELOPING SHAFT HOLDER REAR		C	1	
11	65AA 4950 0	PAPER EXIT SPACER 1		C	1	
12	A03U 8488 00	Tension Spring		C	1	
13	A03U B859 01	SUPPORT SHAFT/D CAULKING		D	1	
14	A03U 8598 00	BELT /1 159L		C	1	
15	A03U 8467 00	Slide Plate /A		D	1	
16	A03U 8596 00	PULLEY /3 16T		C	1	
17	56AA 1748 0	PIN B		C	2	
18	A03U 8469 00	Mounting Plate /7		D	1	
19	65AA 8011 2	HB MOTOR 50		B	1	
20	A03U 8468 00	Slide Plate /B		D	1	
21	56QA 8057 0	INTERNAL COOLING FAN		C	1	
22	A03U 8496 01	Cover /Front		C	1	
23	5400 7605 0	BALL BEARING		B	2	
24	A03U 9440 00	Release Label /A		C	1	
25	14GE 4547 0	ROTARY KNOB		C	1	
26	0650 7502 0	BEARING B		C	4	
27	A03U 8473 00	Duct /A		D	1	
28	A03U 8489 01	Sheet /1		C	1	
29	A03U 8459 01	Idler Roller /3		C	2	
30	A03U 8457 00	Mounting Plate /4		D	1	
31	A03U R782 00	IDLER SHAFT D ASSY		D	1	
32	A03U 8428 00	Conveyance Spring /4		C	4	
33	A03U 8419 00	Roller /1		C	1	
34	A03U 8597 00	PULLEY /4 16T		C	1	
35	A03U 8425 00	Conveyance Spring /1		C	2	
36	A03U 8450 01	Idler Shaft /A		C	1	

PAPER EXIT SECTION

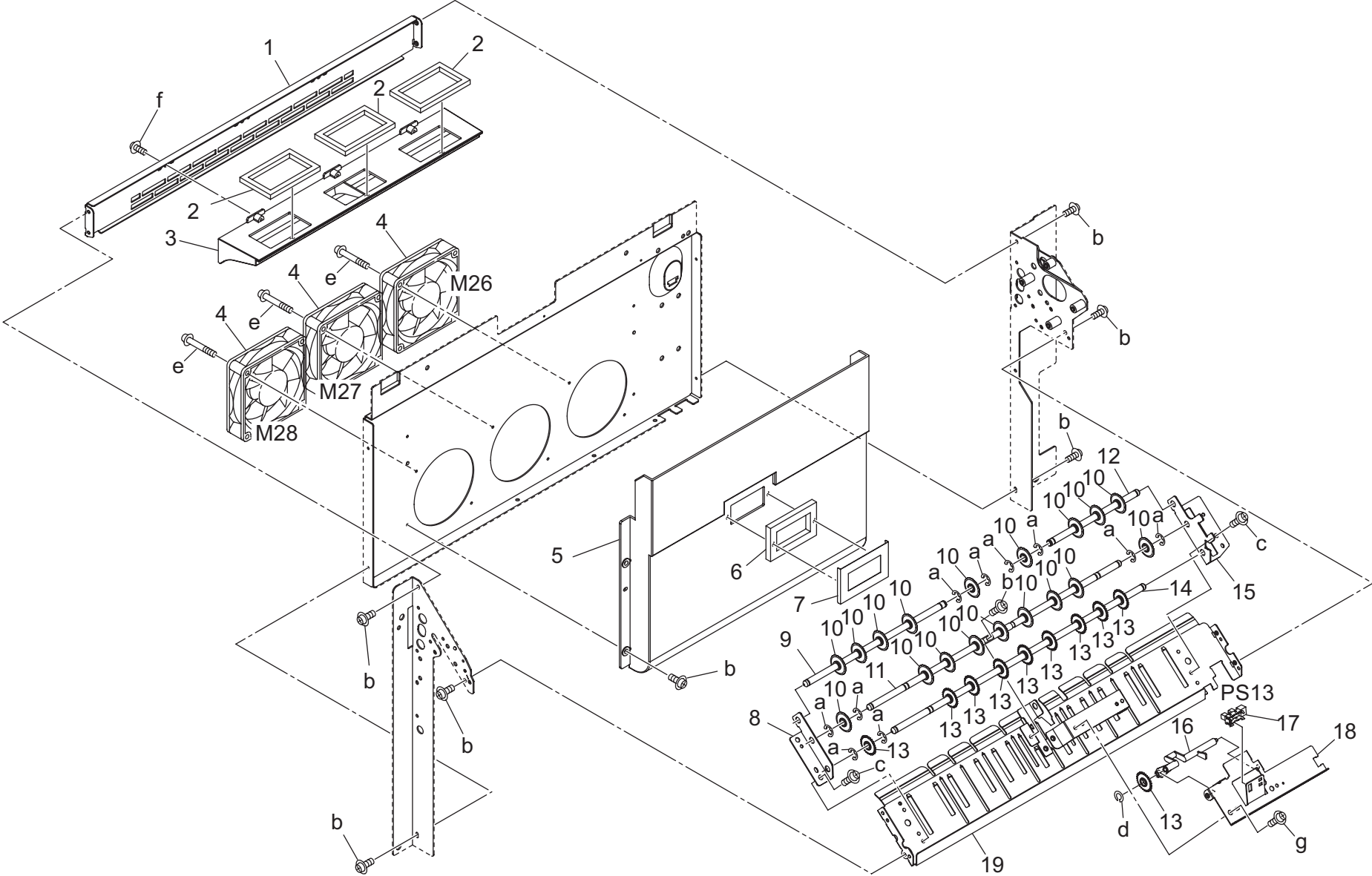
P 91



PAPER EXIT SECTION

Key	Part No.	Description	Destinations	Class	QTY	Standard parts
1	A03U 8933 01	GUIDE PLATE /Z		C	1	a-V121 0306 03 b-V121 0308 03 c-V217 0400 50 d-V217 0600 50 e-V121 0304 03
2	A03U 8934 00	Drive Cover		D	1	
3	25SA 7504 0	BEARING		C	6	
4	A03U 8903 00	Paper exit Plate /Front		D	1	
5	A03U 8925 00	Paper exit Shaft		C	1	
6	07AA 7506 2	BEARING		C	2	
7	A03U 8926 00	PAPER EXIT ROLLER /B		B	1	
8	56AA 1755 1	PIN A		C	3	
9	A03U 8927 01	Positioning Cam		C	2	
10	A03U 8935 02	Regulating Cam		C	1	
11	A03U 8929 02	Regulating Shaft		D	1	
12	56AA 1731 0	PIN		C	1	
13	A03U 8928 00	Positioning Roll		C	1	
14	A03U A892 01	EXIT MT PLATE R CAULKING		D	1	
15	A03U 9098 00	PAPER EXIT GEAR /2 29T		C	1	
16	A03U 9097 01	PAPER EXIT GEAR /3 23T		C	1	
17	A03U 9096 00	PAPER EXIT GEAR /4 37T		C	1	
18	A03U 9095 02	PAPER EXIT GEAR /5 40T		C	1	
19	56AA 1732 1	PIN A D2X12		C	1	
20	A03U 8930 00	Slide Plate		C	1	
21	A03U 8931 01	Spacer /Rear		C	1	
22	A03U 8932 00	Stopper Spring		C	1	
23	08AA 8551 2	PHOTO SENSOR		B	1	
24	A03U 8909 00	PLATE /REAR		D	1	
25	A03U 9099 00	Paper exit Gear /1 22/44T		C	1	
26	A03U 8908 00	Positioning Plate /Rear		D	1	
27	A03U M111 00	HB Motor /50		C	1	
28	A03U 8902 00	Guide Plate /Lower		C	1	
29	A03U A900 01	POSITIONING SHAFT CAULKING		D	1	

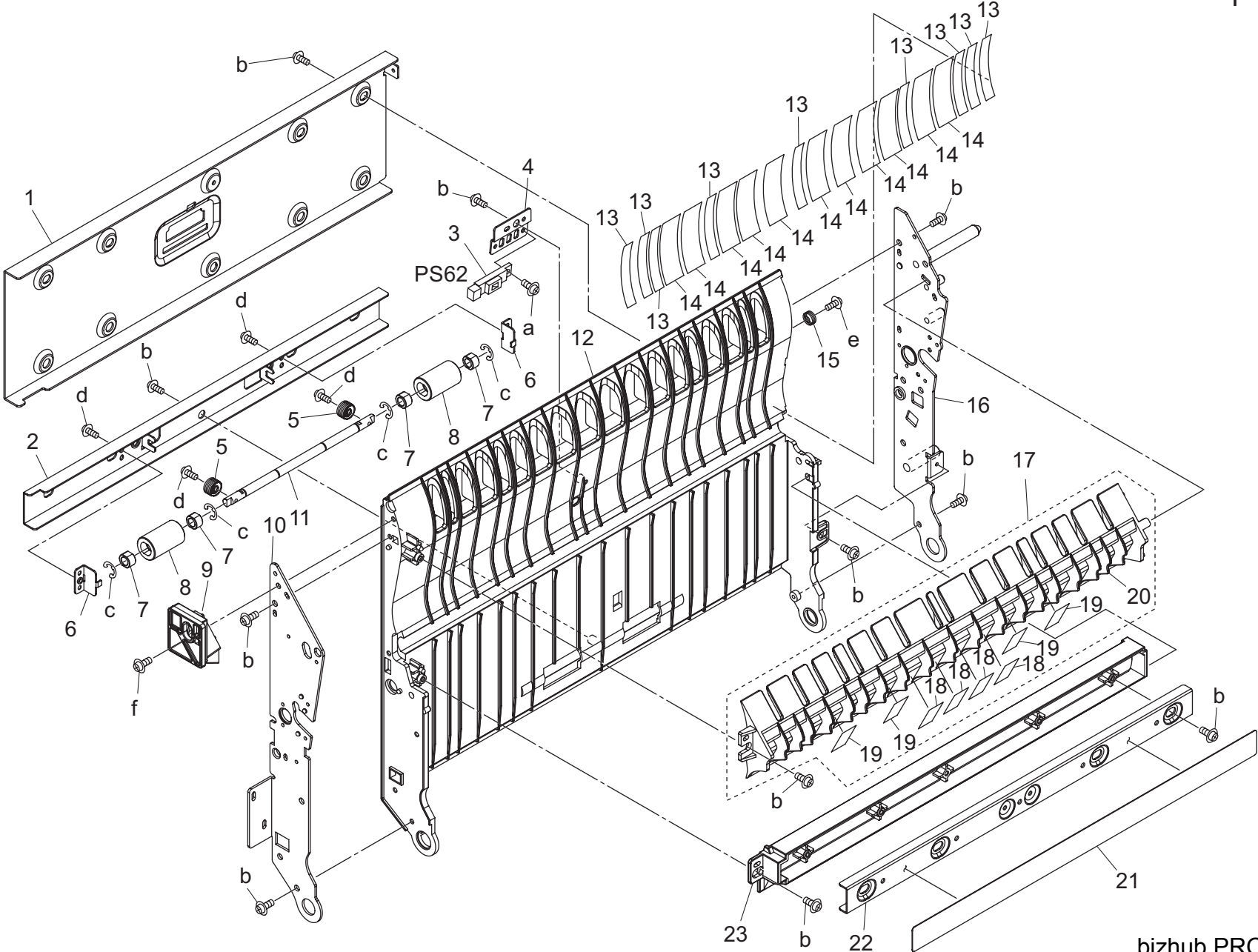
PAPER EXIT SECTION



PAPER EXIT SECTION

Key	Part No.	Description	Destinations	Class	QTY	Standard parts
1	A03U 8921 00	Guide Plate /Left		D	1	a-V217 0400 50 b-V121 0306 03 c-V121 0406 03 d-V226 0300 50 e-V121 0330 03 f-V158 0308 03 g-V121 0304 03
2	65LA 4853 0	DUCT SEAL 1		D	3	
3	A03U 8922 00	Cooling Duct /2		D	1	
4	13NT 8051 1	FAN MOTOR 1		C	3	
5	65AA 4830 2E	Paper exit duct		D	1	
6	A03U 8924 00	Seal		C	1	
7	A03U 8923 00	Sheet		C	1	
8	A03U 8915 00	Support Side plate /Front		D	1	
9	A03U 8919 00	Fixing Shaft /5		D	1	
10	65AA 4846 0	PAPER HOLDING PART 2		C	18	
11	A03U 8918 00	Fixing Shaft /2		D	1	
12	A03U 8920 00	Fixing Shaft /6		D	1	
13	65AA 4836 0	PAPER HOLDING PART 1		C	10	
14	A03U 8917 00	Fixing Shaft /1		D	1	
15	A03U 8916 00	Support Side plate /Rear		D	1	
16	65AA 4844 0	PAPER EXIT 3		C	1	
17	08AA 8551 2	PHOTO SENSOR		B	1	
18	A03U 8914 00	Support Plate /A		D	1	
19	A03U 8901 00	Guide Plate /Upper		C	1	

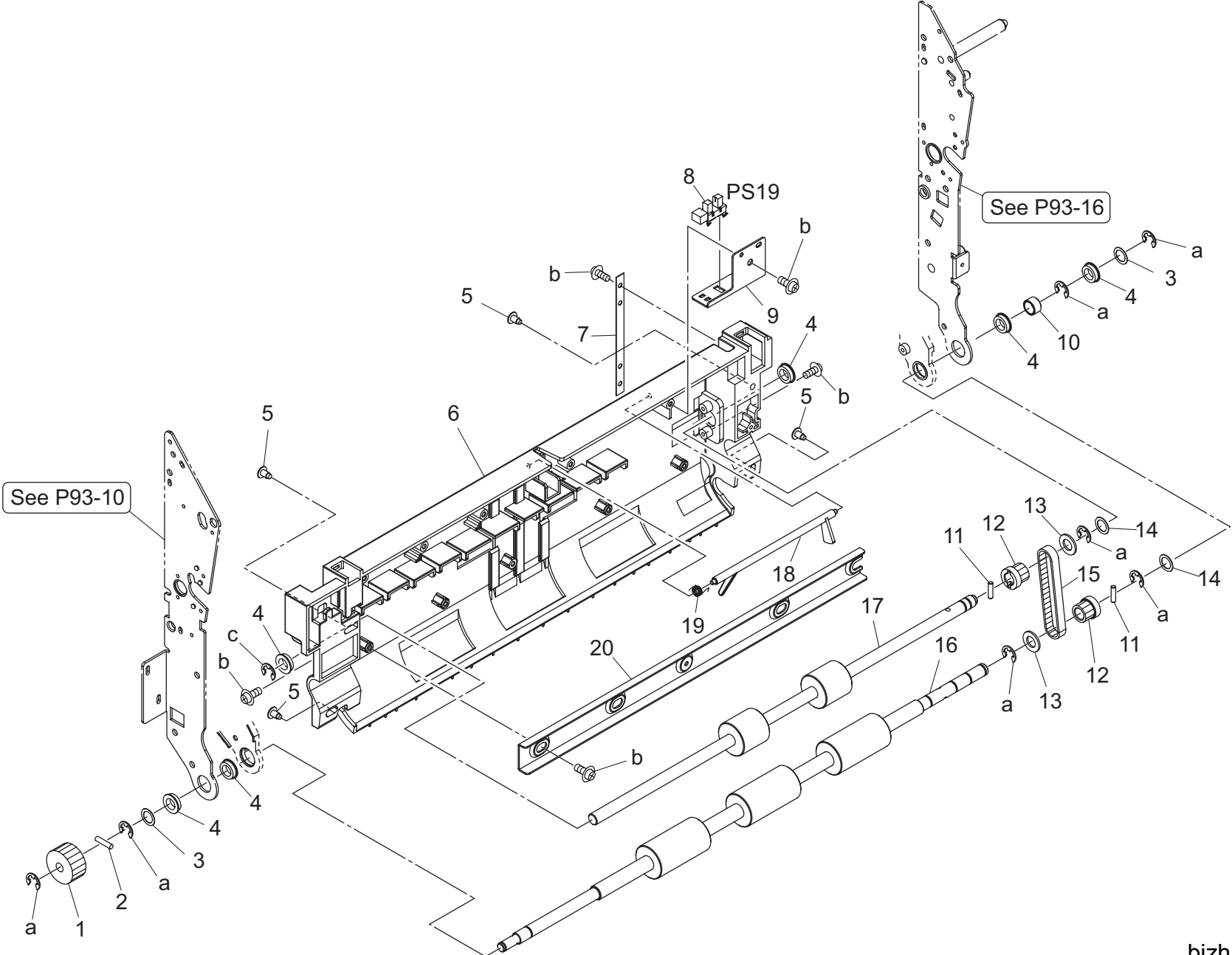
PAPER EXIT GUIDE SECTION



PAPER EXIT GUIDE SECTION

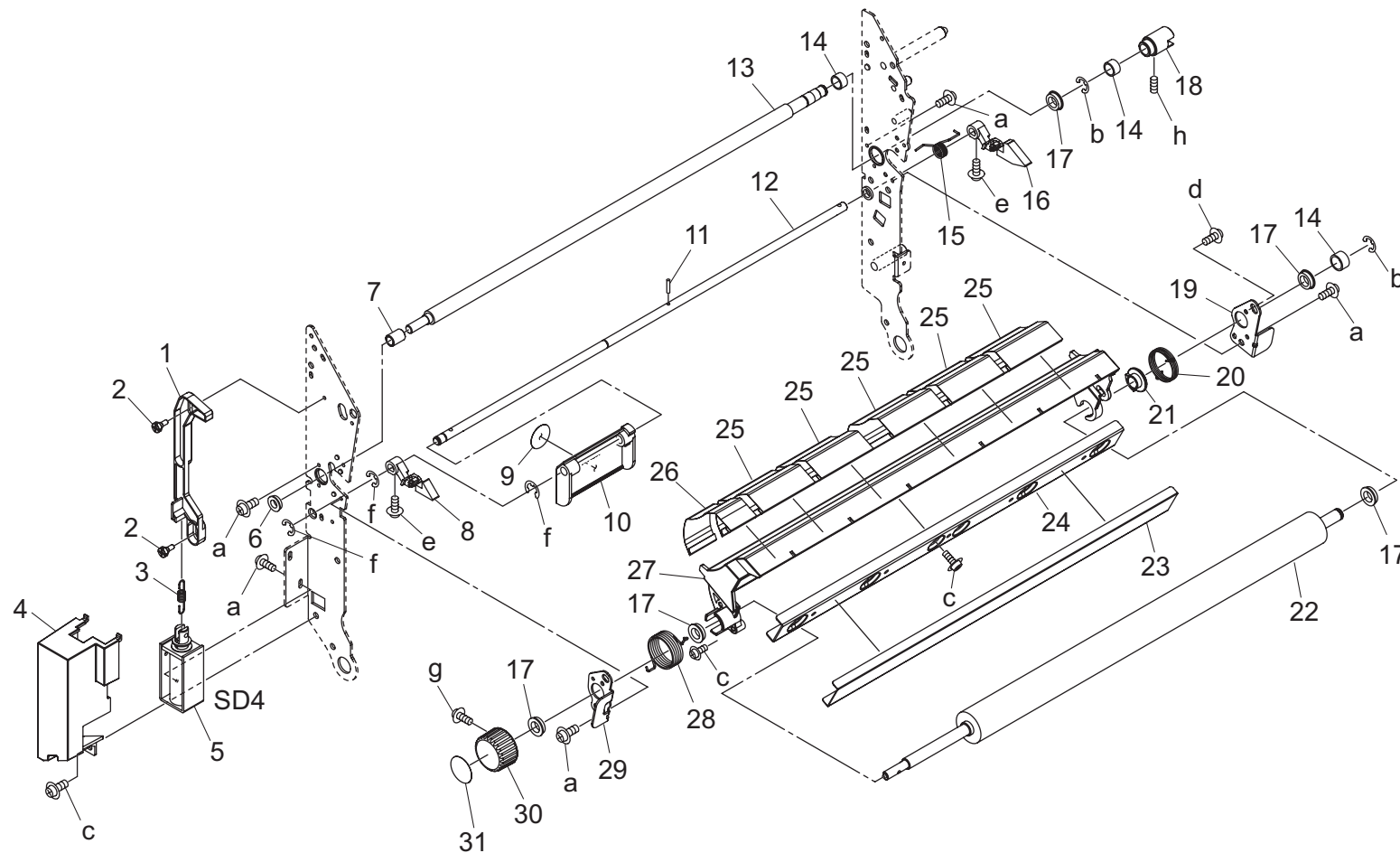
Key	Part No.	Description	Destinations	Class	QTY	Standard parts
1	A03U 8626 00	Reinforce Plate /3		D	1	a-V118 0305 03 b-V158 0308 03 c-V217 0400 50 d-V121 0304 03 e-V121 0306 03 f-V158 0318 03
2	A03U 8613 00	Positioning Plate /Lower		D	1	
3	13QA 8551 1	SENSOR 1		B	1	
4	A03U 8619 00	Fixing Plate		D	1	
5	A03U 8616 00	Pressing Spring /A		C	2	
6	A03U 8615 00	Stopper Plate		D	2	
7	A03U 8501 01	Slide Bushing		C	4	
8	26NA 4256 0	BY PASS FEED DRIVEN ROLLER		C	2	
9	65AA 4914 1	PAPER EXIT POSITIONING PART		C	1	
10	A03U 8604 02	Reinforce Plate /Front		D	1	
11	A03U 8621 00	Idler Shaft /A		D	1	
12	A03U 8601 02	GUIDE PLATE /A		C	1	
13	A03U 8642 00	Guide Sheet /1		C	9	
14	A03U 8643 00	Guide Sheet /2		C	11	
15	65AA 4945 0	NEUTRALIZING SPRING		C	1	
16	A03U A871 01	REINFORCE PLATE REAR ASSY		D	1	
17	A03U R768 00	PAPER EXIT GUIDE PLATE 5 ASSY		C	1	
18	A03U 8638 01	Slide Sheet /3		C	4	
19	A03U 8640 01	Slide Sheet /4		C	4	
20	65AA 4911 0	PAPER EXIT GUIDE PLATE 5		C	1	
21	65AA 4918 0	HEAT INSULAT SHEET 2		C	1	
22	65AA 4947 0	PAPER EXIT REINFORCE PLATE 5		D	1	
23	A03U 8620 00	Guide Plate /6		C	1	

PAPER EXIT GUIDE SECTION



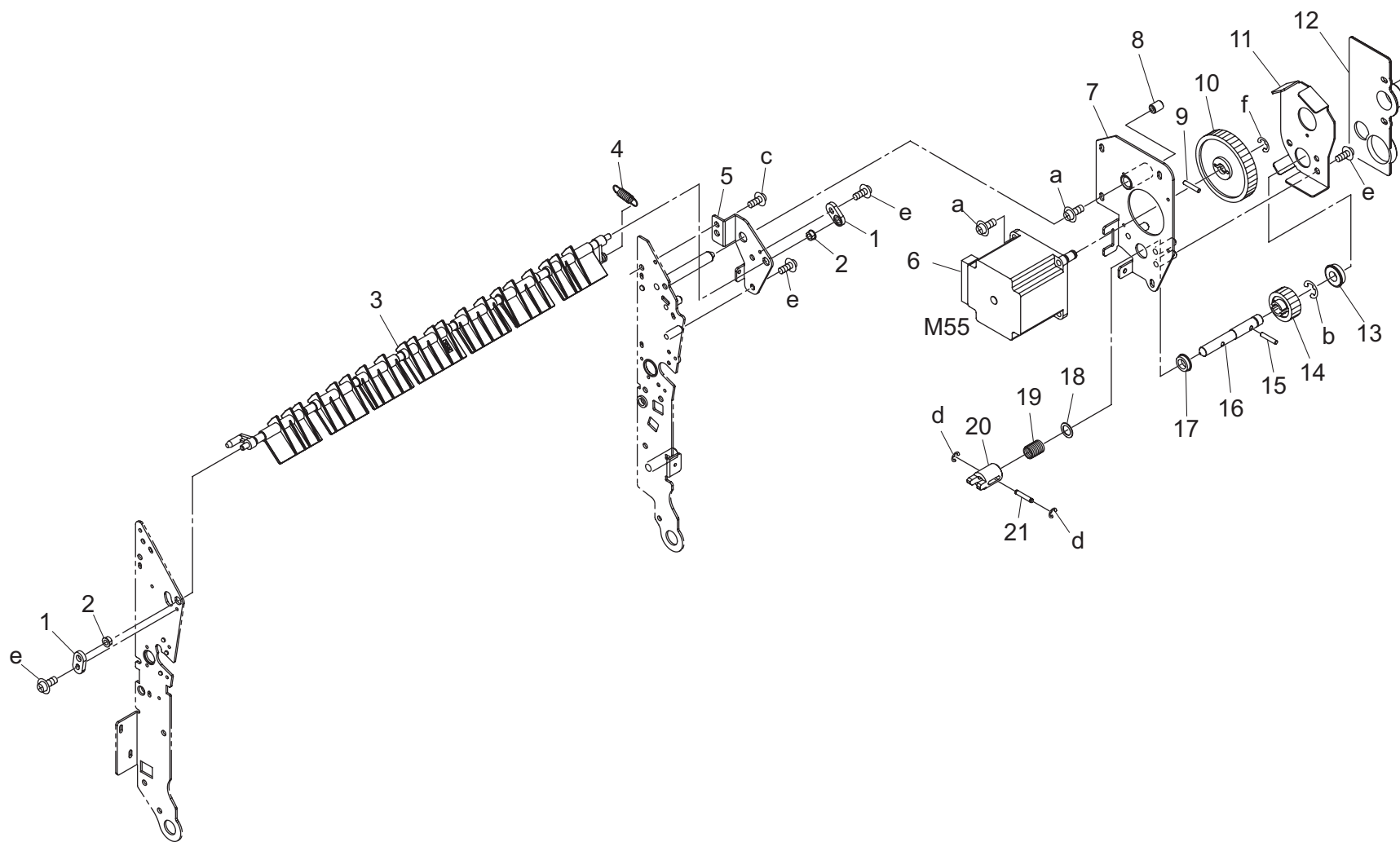
PAPER EXIT GUIDE SECTION

Key	Part No.	Description	Destinations	Class	QTY	Standard parts
1	A03U 8899 00	RIVERSE/EXIT GEAR /1 22T		C	1	a-V217 0600 50 b-V158 0308 03 c-V217 0400 50
2	56AA 1732 1	PIN A D2X12		C	1	
3	56AA 4269 0	BY PASS FEED SPACER		C	2	
4	25AA 7509 0	BALL BEARING		C	6	
5	26NA 5423 0	TERMINAL FIXING SCREW		C	4	
6	A03U 8602 01	Guide Plate /B		C	1	
7	A03U 8627 00	Stopper Belt		C	1	
8	08AA 8551 2	PHOTO SENSOR		B	1	
9	65AA 5148 0	FIXING PLATE 1		D	1	
10	65AA 4919 0	COLLAR 1		C	1	
11	56AA 1747 1	PIN B 3X12		C	2	
12	A03U 8896 00	CONVEYANCE PULLEY 20T		C	2	
13	A03U 8611 00	Collar /A		C	2	
14	13QA 4061 0	GEAR SPACER		C	2	
15	A03U 8895 00	BELT /3 148L		C	1	
16	A03U 8618 00	Riverse/exit Roller /Lower		C	1	
17	A03U 8609 00	Riverse/exit Roller /Middle		C	1	
18	65AA 5131 1	ADU SENSOR		C	1	
19	65AA 5150 0	SPRING		C	1	
20	A03U 8608 00	Reinforce Plate /Lower		D	1	



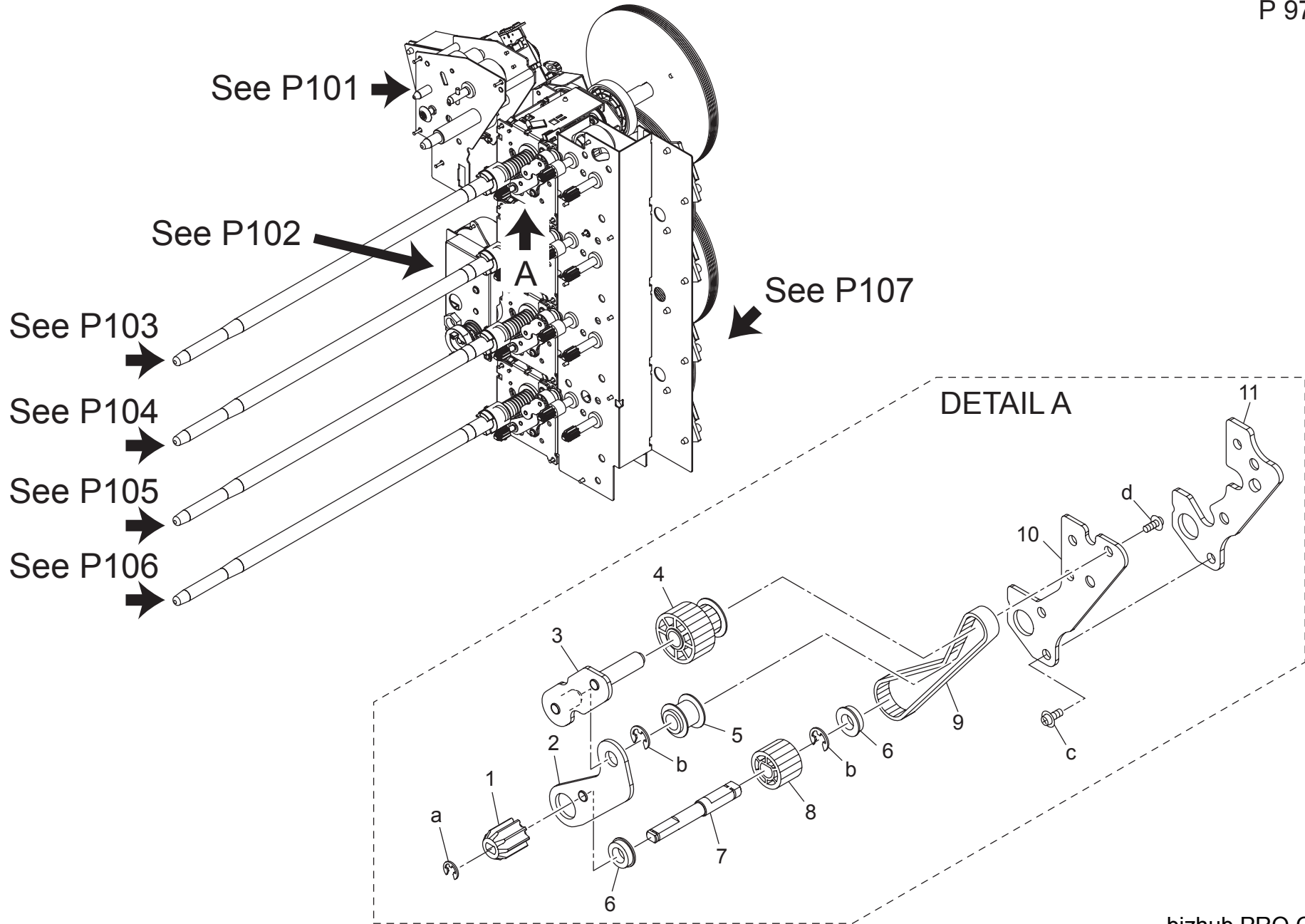
PAPER EXIT GUIDE SECTION

Key	Part No.	Description	Destinations	Class	QTY	Standard parts
1	65AA 4928 0	PAPER EXIT PULLING PART		C	1	a-V121 0304 03 b-V217 0600 50 c-V158 0308 03 d-V121 0308 03 e-V121 0306 03 f-V217 0400 50 g-V118 0306 03 h-V193 0404 04
2	65AA 4951 0F	FIXING SCREW /1		C	2	
3	65AA 4929 0	PAPER EXIT ROCKING SPRING		C	1	
4	A03U 8639 00	Protection Cover		D	1	
5	65AA R704 00	SOLENOID ASSY		C	1	
6	25SA 7504 0	BEARING		C	1	
7	65AA 4921 0	COLLAR 2		C	1	
8	40AA 4626 1	LOCK CLAW F		B	1	
9	A03U 9435 00	Release Label /5		C	1	
10	65AA 4941 0	PAPER EXIT HANDLE		C	1	
11	56AA 1732 1	PIN A D2X12		C	1	
12	65AA 4930 0E	PAPER EXIT LOCKING SHAFT		D	1	
13	A03U 8606 00	Riverse/exit Shaft		D	1	
14	A03U 8607 00	Collar /3		C	3	
15	65AA 4932 0	PAPER EXIT OPEN SHUT SPRING 3		C	1	
16	40AA 4634 2	LOCK CLAW REAR		B	1	
17	25AA 7509 0	BALL BEARING		C	5	
18	A03U 8617 01	COUPLING /1		C	1	
19	65AA 4916 0E	PAPER EXIT MOUNTING PLATE /REAR		D	1	
20	65AA 4920 0	PAPER EXIT OPEN SHUT SPRING REAR		C	1	
21	65AA 4953 0	COLLOR 4		C	1	
22	A03U 8605 00	Paper exit Roller /Middle		A	1	
23	A03U 8641 00	Insulating Sheet /3		D	1	
24	65AA 4947 0	PAPER EXIT REINFORCE PLATE 5		D	1	
25	A03U 8623 00	Slide Sheet /1		C	5	
26	A03U 8625 00	Slide Sheet /2		C	1	
27	A03U 8612 00	Guide Plate /4		C	1	
28	65AA 4926 0	PAPER EXIT OPEN SHUT SPRING		C	1	
29	65AA 4915 0	PAPER EXIT MOUNTING PLATE FRO		D	1	
30	14GE 4547 0	ROTARY KNOB		C	1	
31	A03U 9437 00	Release Label /7		C	1	



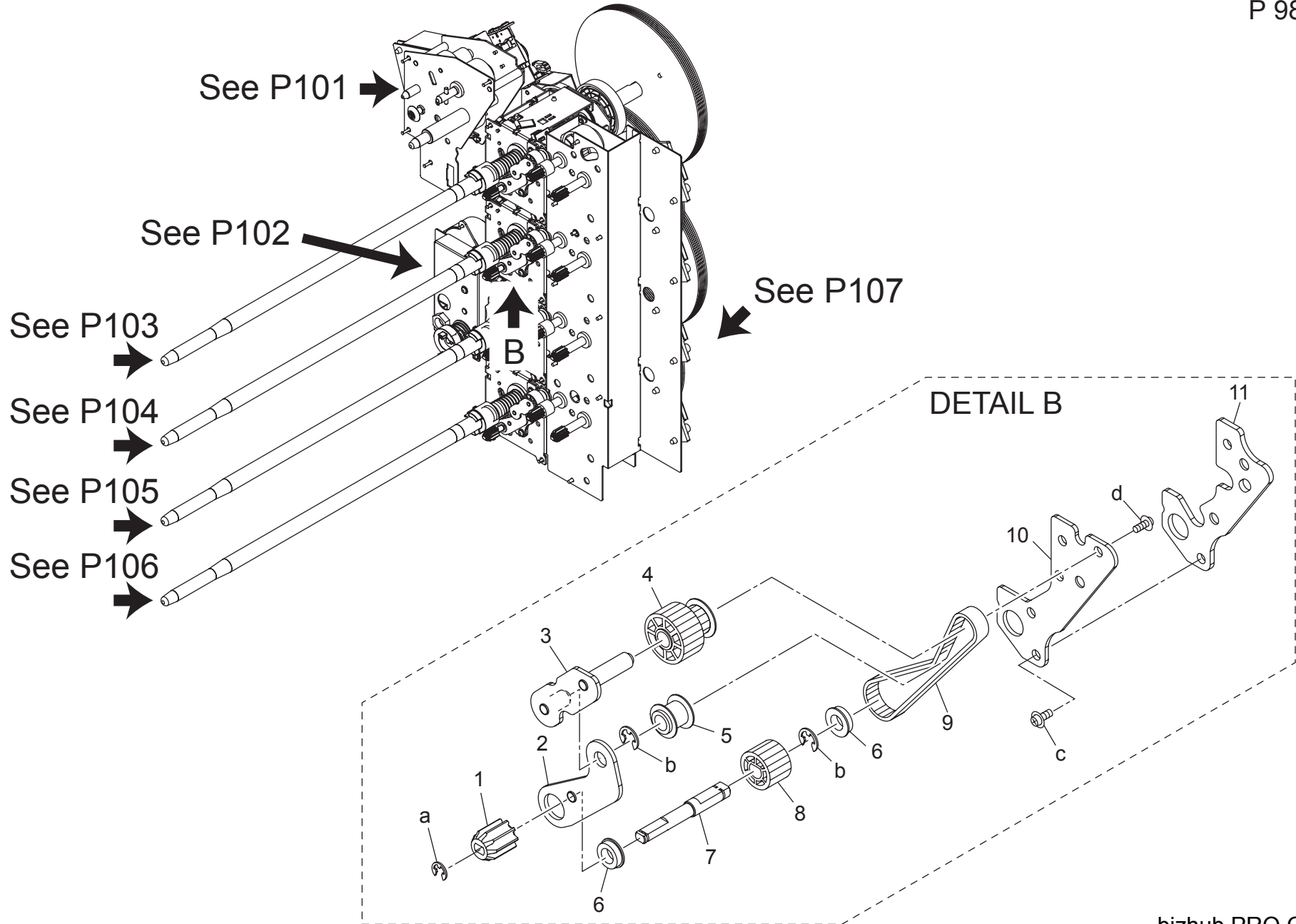
PAPER EXIT GUIDE SECTION

Key	Part No.	Description	Destinations	Class	QTY	Standard parts
1	65AA 4952 0	PAPER EXIT MOUNTING SPACER		C	2	a-V118 0308 03 b-V217 0600 50 c-V158 0308 03 d-V217 0200 50 e-V121 0306 03 f-V217 0400 50
2	12VR 7551 0	DOUBLE FEED PV SHAFT HOLDER		C	2	
3	A03U 8610 02	SWING PART		C	1	
4	65AA 4927 0	PAPER EXIT OPEN SHUT SPRING 2		C	1	
5	A03U 8624 01	Mounting Plate /3		D	1	
6	A03U M111 00	HB Motor /50		C	1	
7	A03U A881 01	MOUNTING PLATE 1 CAULKING		D	1	
8	A03U 8637 00	Positioning Stay /3		D	1	
9	56AA 1755 1	PIN A		C	1	
10	A03U 8898 00	RIVERSE/EXIT GEAR /2 60T		C	1	
11	A03U 8629 00	Fixing Plate		D	1	
12	A03U 8630 00	Cover		C	1	
13	5400 7605 0	BALL BEARING		B	1	
14	A03U 8897 00	RIVERSE/EXIT GEAR /3 25T		C	1	
15	56AA 1746 1	PIN A		C	1	
16	A03U 8632 00	Drive Shaft /2		D	1	
17	25AA 7509 0	BALL BEARING		C	1	
18	56AA 5270 0	ADU COUPLING SPACER		C	1	
19	A03U 8634 00	Pressing Spring /Rear		C	1	
20	A03U 8631 00	Coupling /B		C	1	
21	A03U 8633 00	Regulating Shaft		D	1	



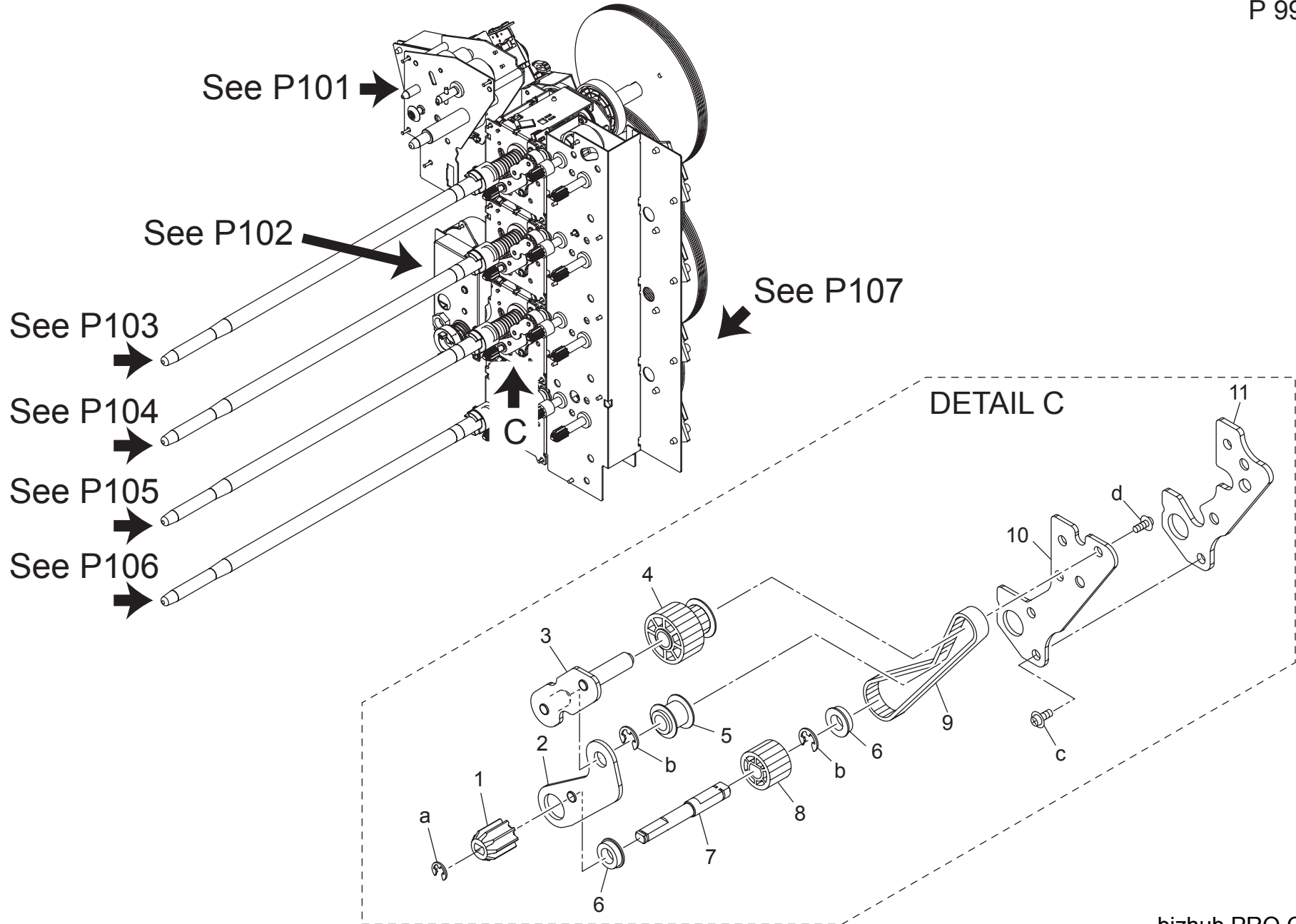
DRIVE SECTION

Key	Part No.	Description	Destinations	Class	QTY	Standard parts
1	26NA 1758 0	AGITATING COUPLING B		C	1	a-V217 0300 50 b-V217 0400 50 c-V121 0306 03 d-V118 0306 03
2	65AA -181 0	ROLLER DRIVE PANEL 2 CAULKING		D	1	
3	65AA -182 0	ROLLER DRIVE PANEL 4 CAULKING		D	1	
4	65AA 7802 0	ROLLER DRIVING PULLEY 1 27T/18T		C	1	
5	65AA 1807 0	IDLING PULLEY		C	1	
6	25SA 7504 0	BEARING		C	2	
7	65AA 1804 0	ROLLER DRIVING SHAFT 2		C	1	
8	65AA 7803 0	ROLLER DRIVING PULLEY 2 24T		C	1	
9	65AA 1806 0	ROLLER DRIVING BELT 180L		C	1	
10	65AA 1801 0	ROLLER DRIVING PANEL 1		D	1	
11	65AA 1809 0	ROLLER DRIVING PANEL 3		D	1	



DRIVE SECTION

Key	Part No.	Description	Destinations	Class	QTY	Standard parts
1	26NA 1758 0	AGITATING COUPLING B		C	1	a-V217 0300 50 b-V217 0400 50 c-V121 0306 03 d-V118 0306 03
2	65AA -181 0	ROLLER DRIVE PANEL 2 CAULKING		D	1	
3	65AA -182 0	ROLLER DRIVE PANEL 4 CAULKING		D	1	
4	65AA 7802 0	ROLLER DRIVING PULLEY 1 27T/18T		C	1	
5	65AA 1807 0	IDLING PULLEY		C	1	
6	25SA 7504 0	BEARING		C	2	
7	65AA 1804 0	ROLLER DRIVING SHAFT 2		C	1	
8	65AA 7803 0	ROLLER DRIVING PULLEY 2 24T		C	1	
9	65AA 1806 0	ROLLER DRIVING BELT 180L		C	1	
10	65AA 1801 0	ROLLER DRIVING PANEL 1		D	1	
11	65AA 1809 0	ROLLER DRIVING PANEL 3		D	1	

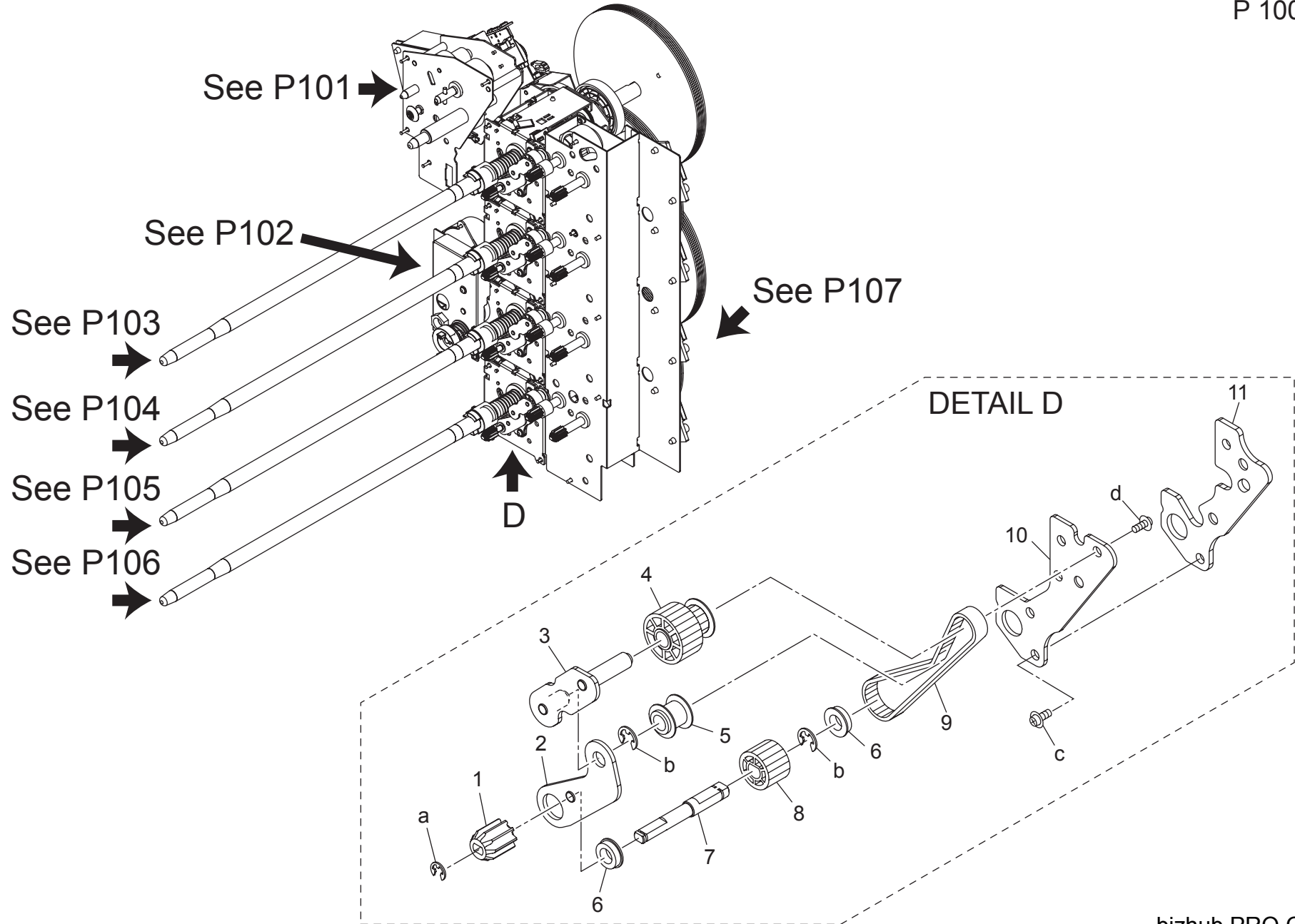


DRIVE SECTION

Key	Part No.	Description	Destinations	Class	QTY	Standard parts
1	26NA 1758 0	AGITATING COUPLING B		C	1	a-V217 0300 50 b-V217 0400 50 c-V121 0306 03 d-V118 0306 03
2	65AA -181 0	ROLLER DRIVE PANEL 2 CAULKING		D	1	
3	65AA -182 0	ROLLER DRIVE PANEL 4 CAULKING		D	1	
4	65AA 7802 0	ROLLER DRIVING PULLEY 1 27T/18T		C	1	
5	65AA 1807 0	IDLING PULLEY		C	1	
6	25SA 7504 0	BEARING		C	2	
7	65AA 1804 0	ROLLER DRIVING SHAFT 2		C	1	
8	65AA 7803 0	ROLLER DRIVING PULLEY 2 24T		C	1	
9	65AA 1806 0	ROLLER DRIVING BELT 180L		C	1	
10	65AA 1801 0	ROLLER DRIVING PANEL 1		D	1	
11	65AA 1809 0	ROLLER DRIVING PANEL 3		D	1	

DRIVE SECTION

P 100

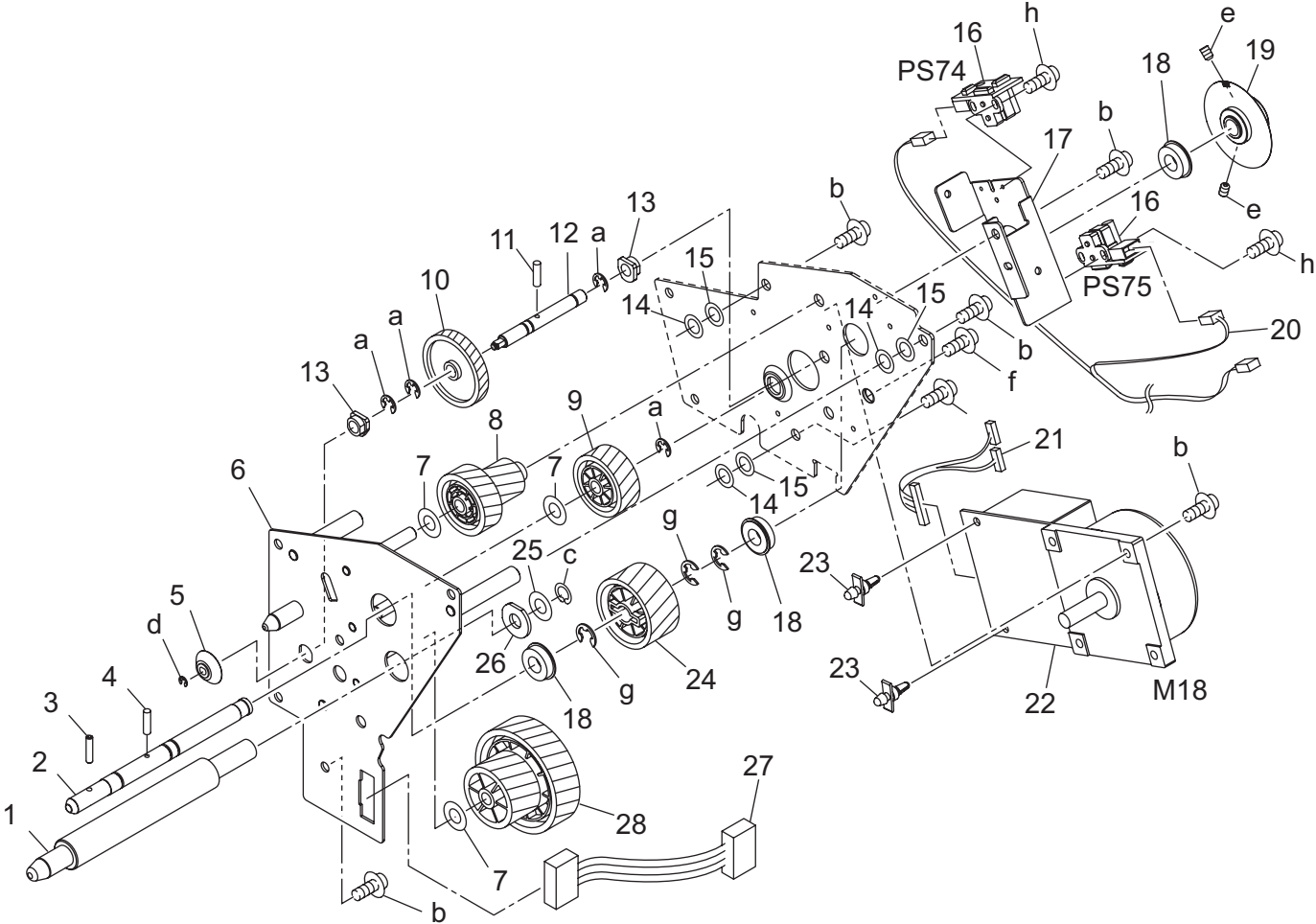


bizhub PRO C5501

DRIVE SECTION

Key	Part No.	Description	Destinations	Class	QTY	Standard parts
1	26NA 1758 0	AGITATING COUPLING B		C	1	a-V217 0300 50 b-V217 0400 50 c-V121 0306 03 d-V118 0306 03
2	65AA -181 0	ROLLER DRIVE PANEL 2 CAULKING		D	1	
3	65AA -182 0	ROLLER DRIVE PANEL 4 CAULKING		D	1	
4	65AA 7802 0	ROLLER DRIVING PULLEY 1 27T/18T		C	1	
5	65AA 1807 0	IDLING PULLEY		C	1	
6	25SA 7504 0	BEARING		C	2	
7	65AA 1804 0	ROLLER DRIVING SHAFT 2		C	1	
8	65AA 7803 0	ROLLER DRIVING PULLEY 2 24T		C	1	
9	65AA 1806 0	ROLLER DRIVING BELT 180L		C	1	
10	65AA 1801 0	ROLLER DRIVING PANEL 1		D	1	
11	65AA 1809 0	ROLLER DRIVING PANEL 3		D	1	

DRIVE SECTION

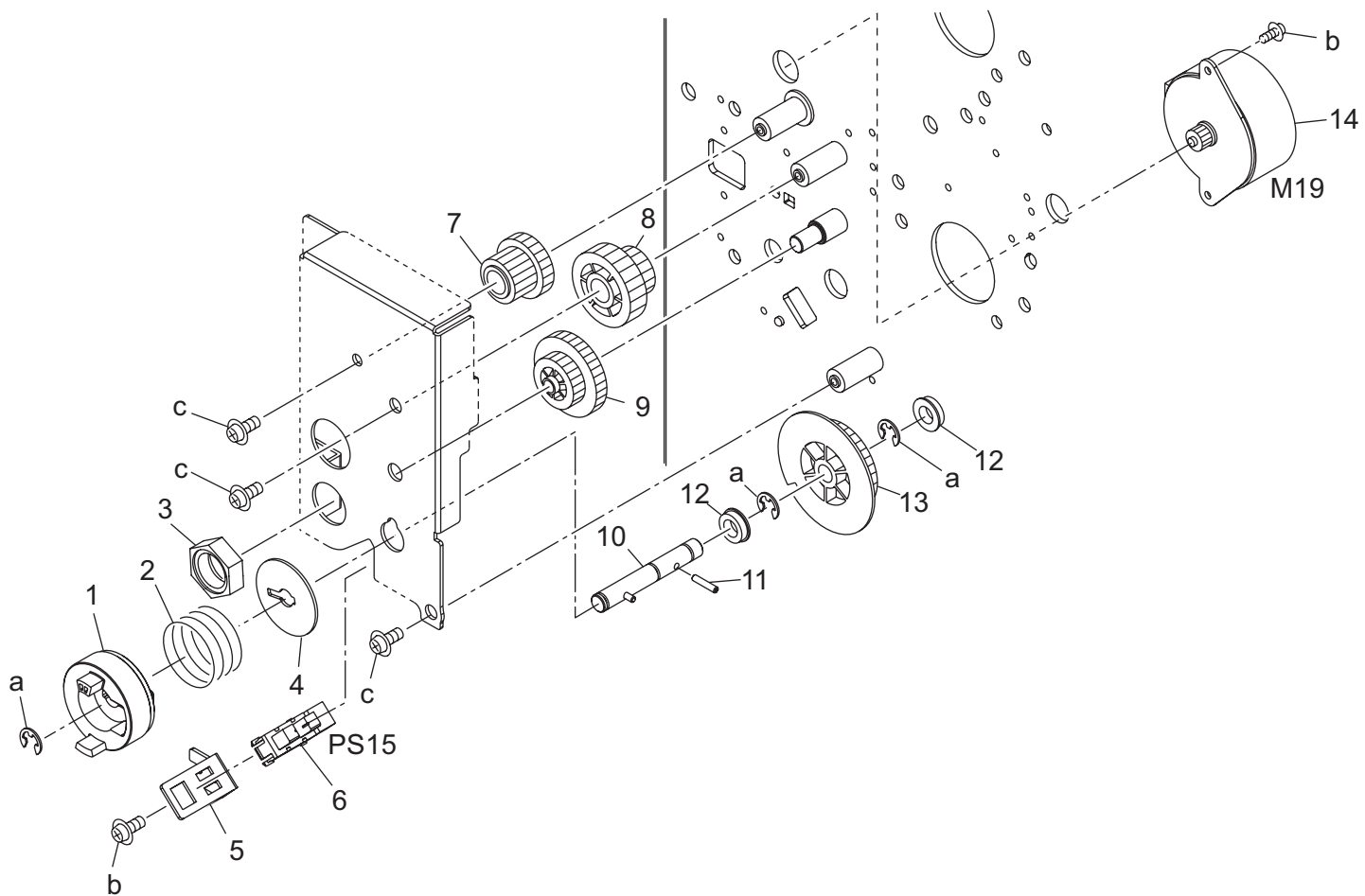


DRIVE SECTION

Key	Part No.	Description	Destinations	Class	QTY	Standard parts
1	A03U 1707 00	Positioning Shaft /Upper		D	1	a-V217 0400 50
2	65AA 1703 0	BELT DRIVING SHAFT 1		D	1	b-V121 0306 03
3	65AA 1721 0	BELTCOUPLING PIN		C	1	c-V223 1200 04
4	56AA 1730 0	PIN		C	1	d-V217 0200 50
5	65AA 7784 0	TONER COLLECTING GEAR 2 14T		C	1	e-V193 0406 04
6	65AA -172 0	BELT DRIVING PANEL2		D	1	f-V121 0406 03
7	26MA 7410 0	SPECIAL WASHER		C	3	g-V217 0600 50
8	65AA 7780 0	BELT DRIVING GEAR 3 56T/32T		C	1	h-V118 0204 03
9	65AA 7779 0	BELT DRIVING GEAR 2 56T		C	1	
10	65AA 7783 0	TONER COLLECTING GEAR 1 66T		C	1	
11	56AA 1732 1	PIN A D2X12		C	1	
12	65AA 1706 0	TONER COLLECTING SHAFT 3		D	1	
13	07BA 7519 0	SLIDE SHAFT HOLDER G		B	2	
14	A03U 9904 00	Reinforce Spacer		D	3	
15	A03U 9905 00	Reinforce Spacer		D	3	
16	65AA -909 1E	SENSOR BOARD ASSY		B	2	
17	65AA 1720 0	DRIVE CONTROL PART 5		D	1	
18	5400 7605 0	BALL BEARING		B	3	
19	65AA R726 00	ENCORDER ASSY		C	1	
20	65AA 9106 0E	RELAY WIRING /3		D	1	
21	A03U N112 00	Developing Drive Wiring		D	1	
22	27LA 8001 2E	DC BRUSHLESS MOTOR /20		C	1	
23	V502 0100 14	support		D	2	
24	65AA 7781 0	BELT DRIVING GEAR 4 64T		C	1	
25	65AA 1724 0	PRESSING SPACER A		D	1	
26	A03U 1708 00	Reinforce Spacer		D	1	
27	65AA 9079 0E	PROCESS RELAY WIRING /3		D	1	
28	A03U 2597 00	Drive Gear /1 56/72T		C	1	

DRIVE SECTION

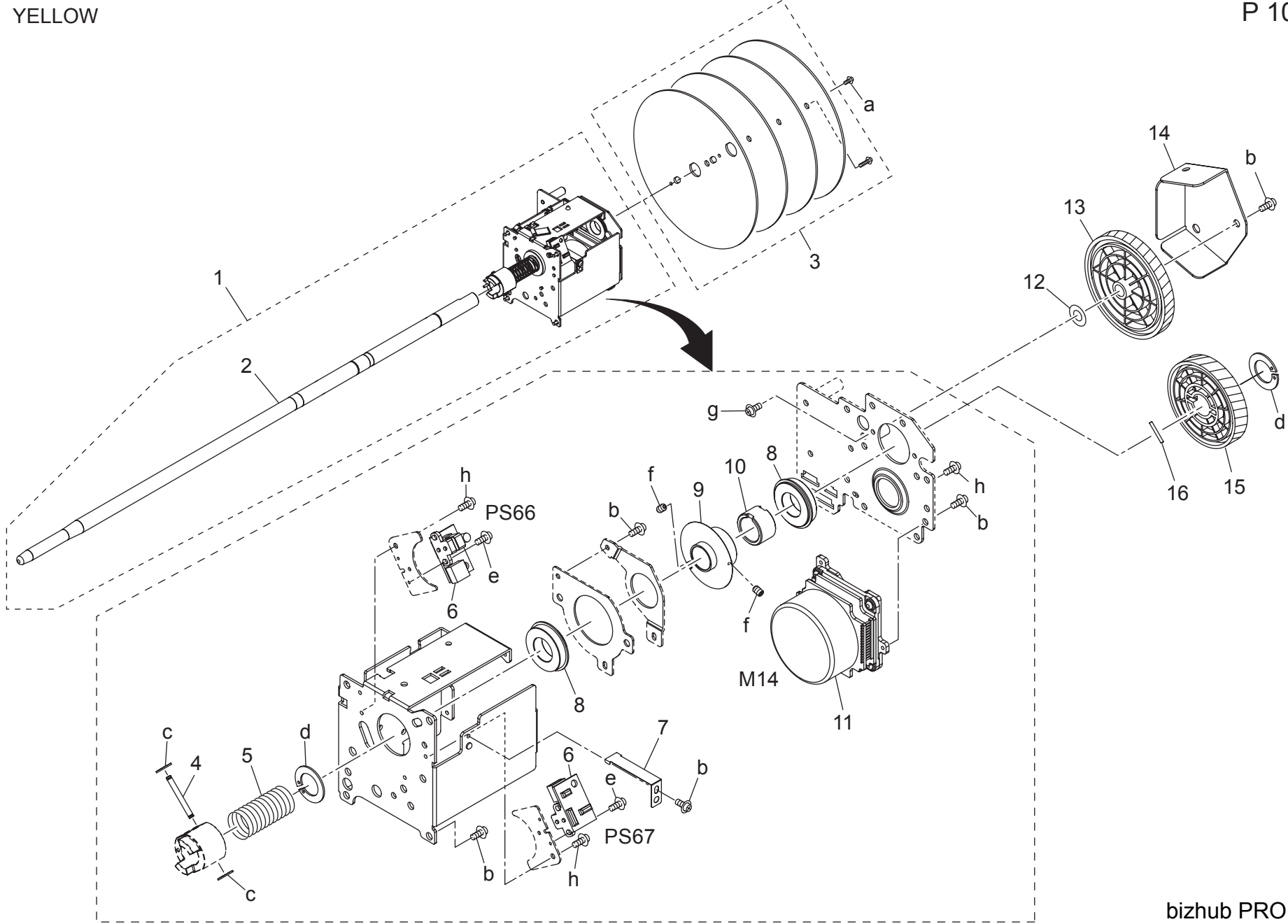
P 102



DRIVE SECTION

Key	Part No.	Description	Destinations	Class	QTY	Standard parts
1	65AA 1714 0	TRANSFER COUPLING		C	1	a-V217 0400 50 b-V121 0306 03 c-V121 0304 03
2	65AA 1713 0	PRESSING SPRING		C	1	
3	A03U 2121 01	Fixing Nut		D	1	
4	65AA 1718 0	SPACER		C	1	
5	65AA 1710 0	FIXING PLATE B		D	1	
6	08AA 8551 2	PHOTO SENSOR		B	1	
7	65AA 7788 0	TRANSFER CONTROL GEAR 1 35T/17T		C	1	
8	65AA 7789 0	TRANSFER CONTROL GEAR 2 30T/18T		C	1	
9	65AA 7790 0	TRANSFER CONTROL GEAR 3 45T/22T		C	1	
10	65AA -176 0	PIN HAMMERING		D	1	
11	65AA 1722 0D	Transfer Drive Pin /1		D	1	
12	26NA 1728 0	BALL BEARING		C	2	
13	65AA 7791 0	TRANSFER CONTROL GEAR 4 28T		C	1	
14	08AA 8003 0	PAPER FEED MOTOR		B	1	

DRIVE SECTION
YELLOW

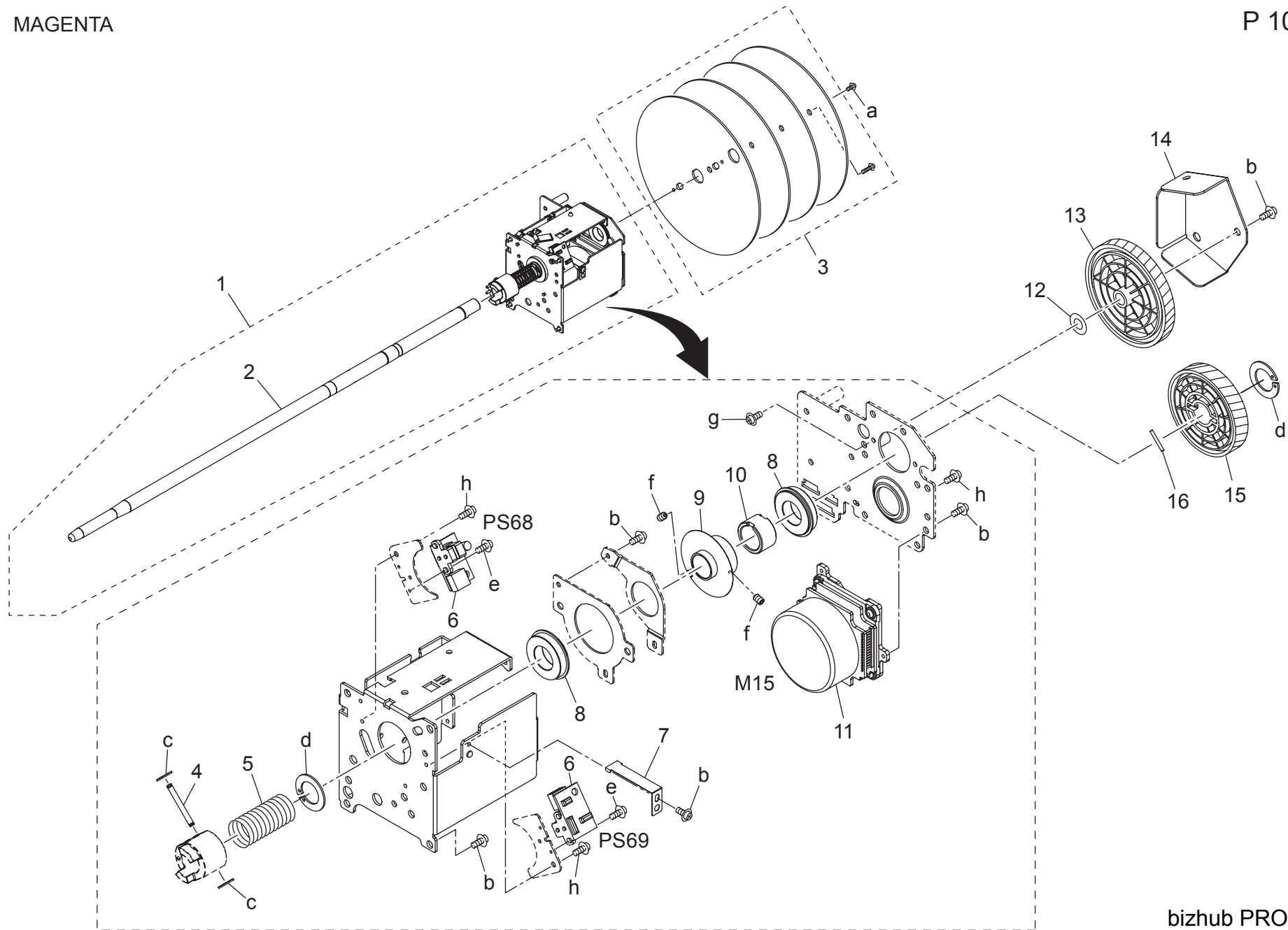


DRIVE SECTION

Key	Part No.	Description	Destinations	Class	QTY	Standard parts
1	A03U R757 00	DRUM DRIVING 2 UNIT		C	1	a-V185 0410 03 b-V121 0306 03 c-V217 0200 50 d-V223 1500 04 e-V118 0204 03 f-V193 0406 04 g-V118 0404 03 h-V123 0306 03
2	65AA 1504 0	DRUM SHAFT 2		D	1	
3	65AA R725 00	FLYWHEEL ASSY		D	1	
4	65AA 1521 0	COUPLING PIN		D	1	
5	65AA 1520 0	PRESSING SPRING		C	1	
6	65AA -909 1E	SENSOR BOARD ASSY		B	2	
7	65AA 1523 0	DRUM EARTH SPRING		D	1	
8	65AA 7505 1	BEARING		C	2	
9	65AA R723 00	ENCORDER ASSY		D	1	
10	65AA 1524 0	EARTH BUSHING		C	1	
11	A03U R705 00	DRUM DRIVING MOTOR ASSY		B	1	
12	13QA 4061 0	GEAR SPACER		C	1	
13	A03U 2596 00	Idling Gear 46/132T		C	1	
14	A03U 2110 00	Idling Panel		D	1	
15	A03U 2599 00	DRIVE GEAR 92T		C	1	
16	56AA 1749 0	PIN		C	1	

DRIVE SECTION
MAGENTA

P 104



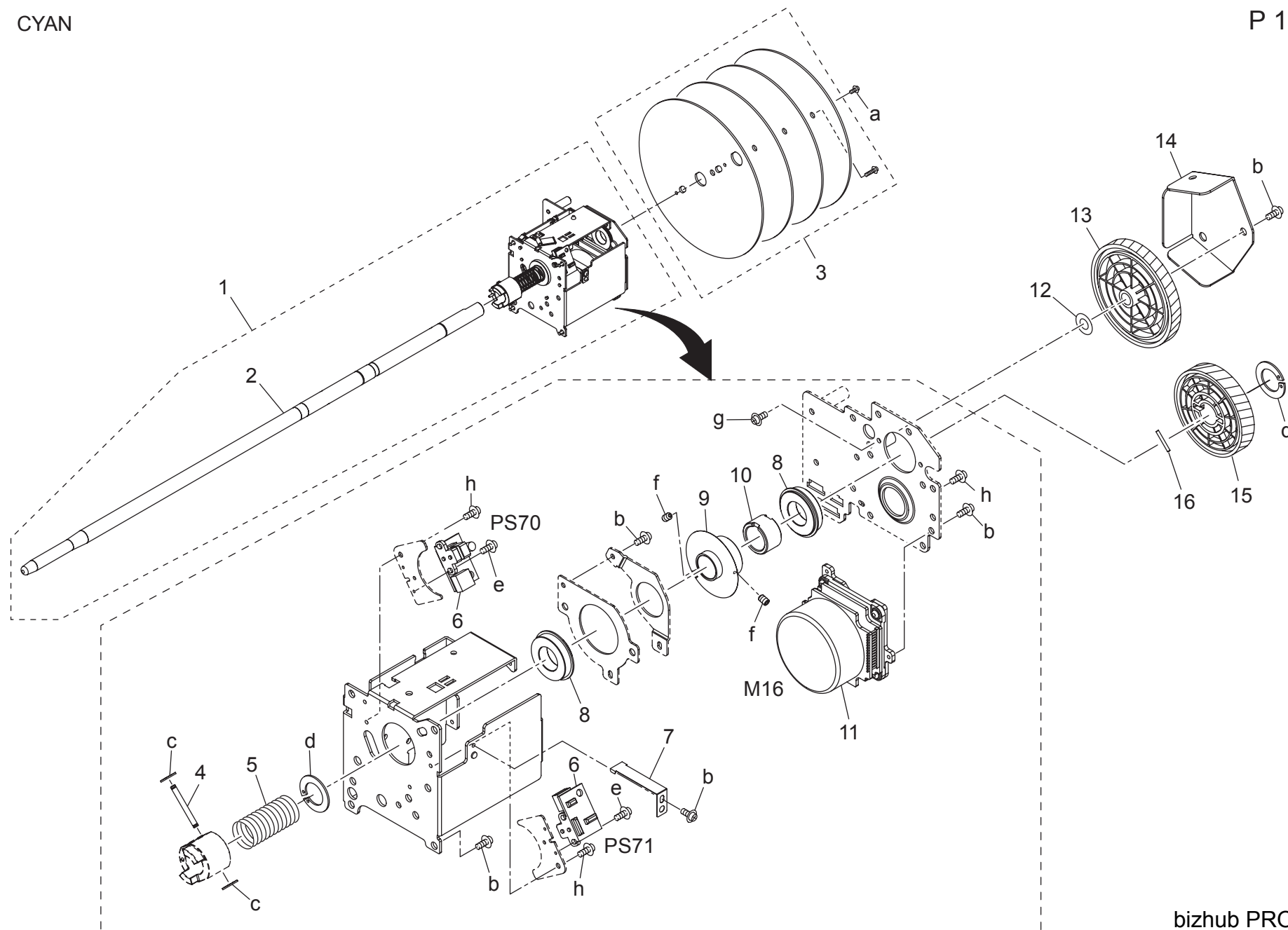
DRIVE SECTION

Key	Part No.	Description	Destinations	Class	QTY	Standard parts
1	A03U R758 00	DRUM DRIVING 1 UNIT		C	1	a-V185 0410 03 b-V121 0306 03 c-V217 0200 50 d-V223 1500 04 e-V118 0204 03 f-V193 0406 04 g-V118 0404 03 h-V123 0306 03
2	65AA 1503 0	DRUM SHAFT 1		D	1	
3	65AA R725 00	FLYWHEEL ASSY		D	1	
4	65AA 1521 0	COUPLING PIN		D	1	
5	65AA 1520 0	PRESSING SPRING		C	1	
6	65AA -909 1E	SENSOR BOARD ASSY		B	2	
7	65AA 1523 0	DRUM EARTH SPRING		D	1	
8	65AA 7505 1	BEARING		C	2	
9	65AA R723 00	ENCORDER ASSY		D	1	
10	65AA 1524 0	EARTH BUSHING		C	1	
11	A03U R705 00	DRUM DRIVING MOTOR ASSY		B	1	
12	13QA 4061 0	GEAR SPACER		C	1	
13	A03U 2596 00	Idling Gear 46/132T		C	1	
14	A03U 2110 00	Idling Panel		D	1	
15	A03U 2599 00	DRIVE GEAR 92T		C	1	
16	56AA 1749 0	PIN		C	1	

DRIVE SECTION

CYAN

P 105



bizhub PRO C5501

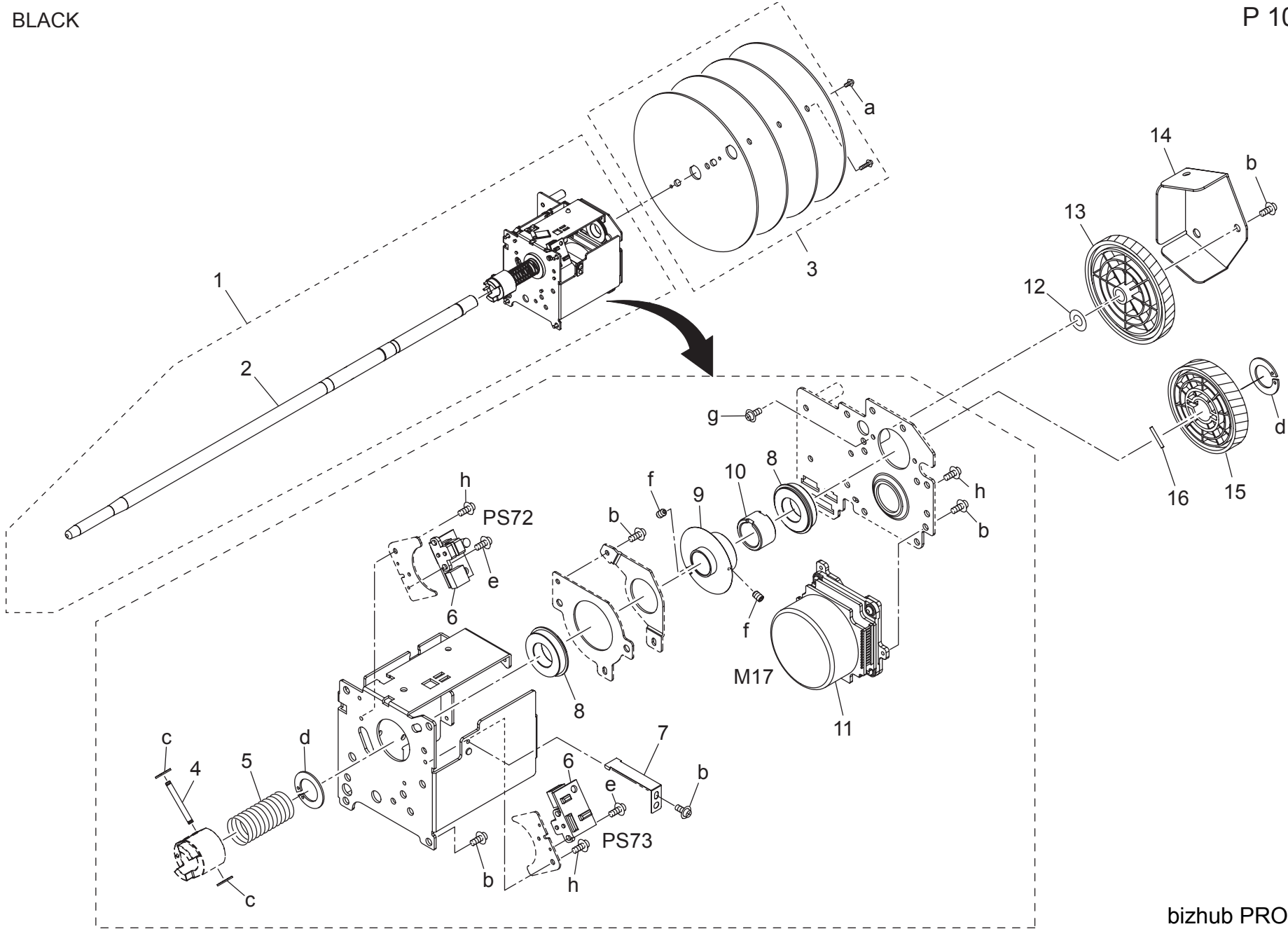
DRIVE SECTION

Key	Part No.	Description	Destinations	Class	QTY	Standard parts
1	A03U R757 00	DRUM DRIVING 2 UNIT		C	1	a-V185 0410 03 b-V121 0306 03 c-V217 0200 50 d-V223 1500 04 e-V118 0204 03 f-V193 0406 04 g-V118 0404 03 h-V123 0306 03
2	65AA 1504 0	DRUM SHAFT 2		D	1	
3	65AA R725 00	FLYWHEEL ASSY		D	1	
4	65AA 1521 0	COUPLING PIN		D	1	
5	65AA 1520 0	PRESSING SPRING		C	1	
6	65AA -909 1E	SENSOR BOARD ASSY		B	2	
7	65AA 1523 0	DRUM EARTH SPRING		D	1	
8	65AA 7505 1	BEARING		C	2	
9	65AA R723 00	ENCORDER ASSY		D	1	
10	65AA 1524 0	EARTH BUSHING		C	1	
11	A03U R705 00	DRUM DRIVING MOTOR ASSY		B	1	
12	13QA 4061 0	GEAR SPACER		C	1	
13	A03U 2596 00	Idling Gear 46/132T		C	1	
14	A03U 2110 00	Idling Panel		D	1	
15	A03U 2599 00	DRIVE GEAR 92T		C	1	
16	56AA 1749 0	PIN		C	1	

DRIVE SECTION

BLACK

P 106

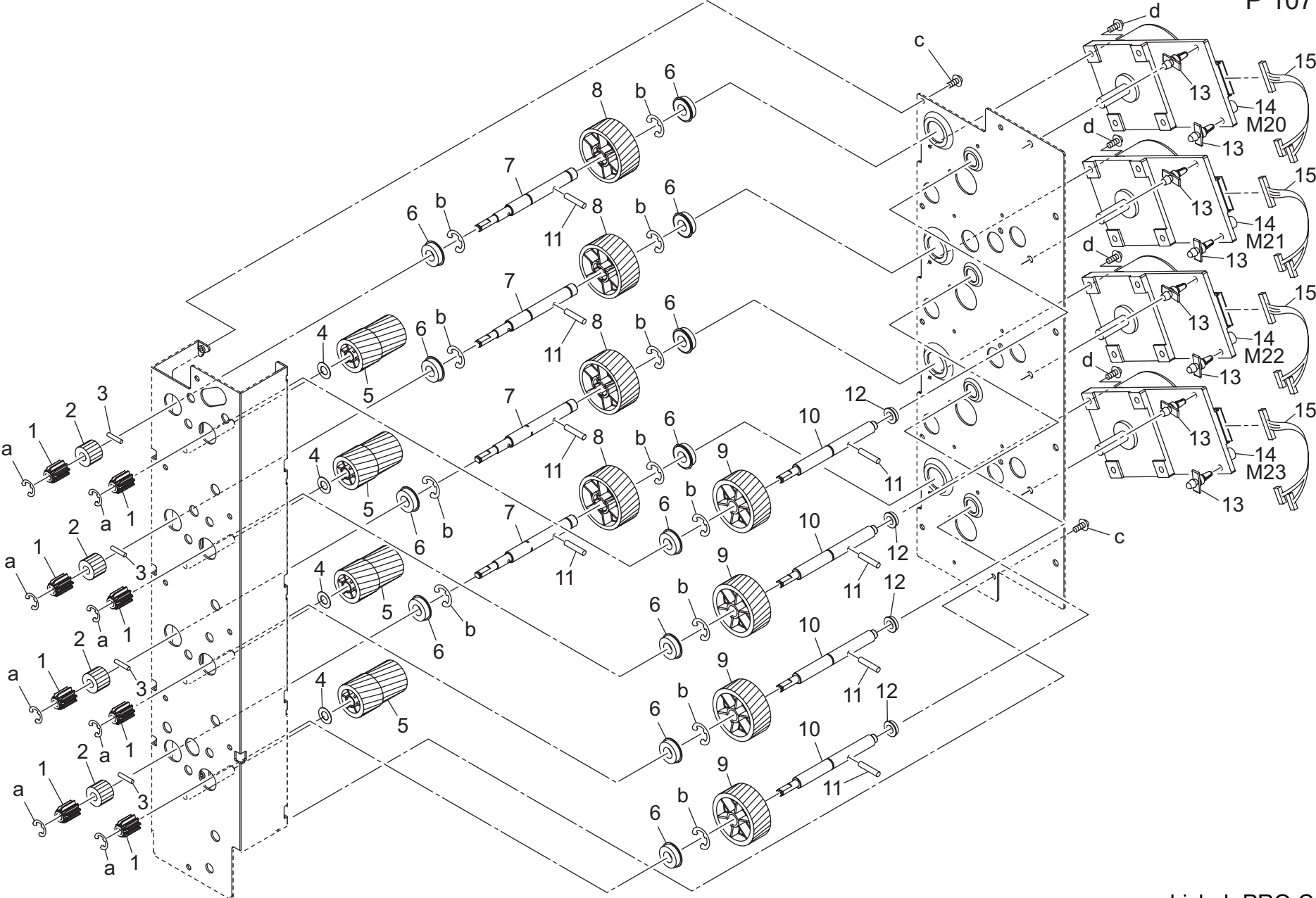


DRIVE SECTION

Key	Part No.	Description	Destinations	Class	QTY	Standard parts
1	A03U R758 00	DRUM DRIVING 1 UNIT		C	1	a-V185 0410 03 b-V121 0306 03 c-V217 0200 50 d-V223 1500 04 e-V118 0204 03 f-V193 0406 04 g-V118 0404 03 h-V123 0306 03
2	65AA 1503 0	DRUM SHAFT 1		D	1	
3	65AA R725 00	FLYWHEEL ASSY		D	1	
4	65AA 1521 0	COUPLING PIN		D	1	
5	65AA 1520 0	PRESSING SPRING		C	1	
6	65AA -909 1E	SENSOR BOARD ASSY		B	2	
7	65AA 1523 0	DRUM EARTH SPRING		D	1	
8	65AA 7505 1	BEARING		C	2	
9	65AA R723 00	ENCORDER ASSY		D	1	
10	65AA 1524 0	EARTH BUSHING		C	1	
11	A03U R705 00	DRUM DRIVING MOTOR ASSY		B	1	
12	13QA 4061 0	GEAR SPACER		C	1	
13	A03U 2596 00	Idling Gear 46/132T		C	1	
14	A03U 2110 00	Idling Panel		D	1	
15	A03U 2599 00	DRIVE GEAR 92T		C	1	
16	56AA 1749 0	PIN		C	1	

DRIVE SECTION

P 107

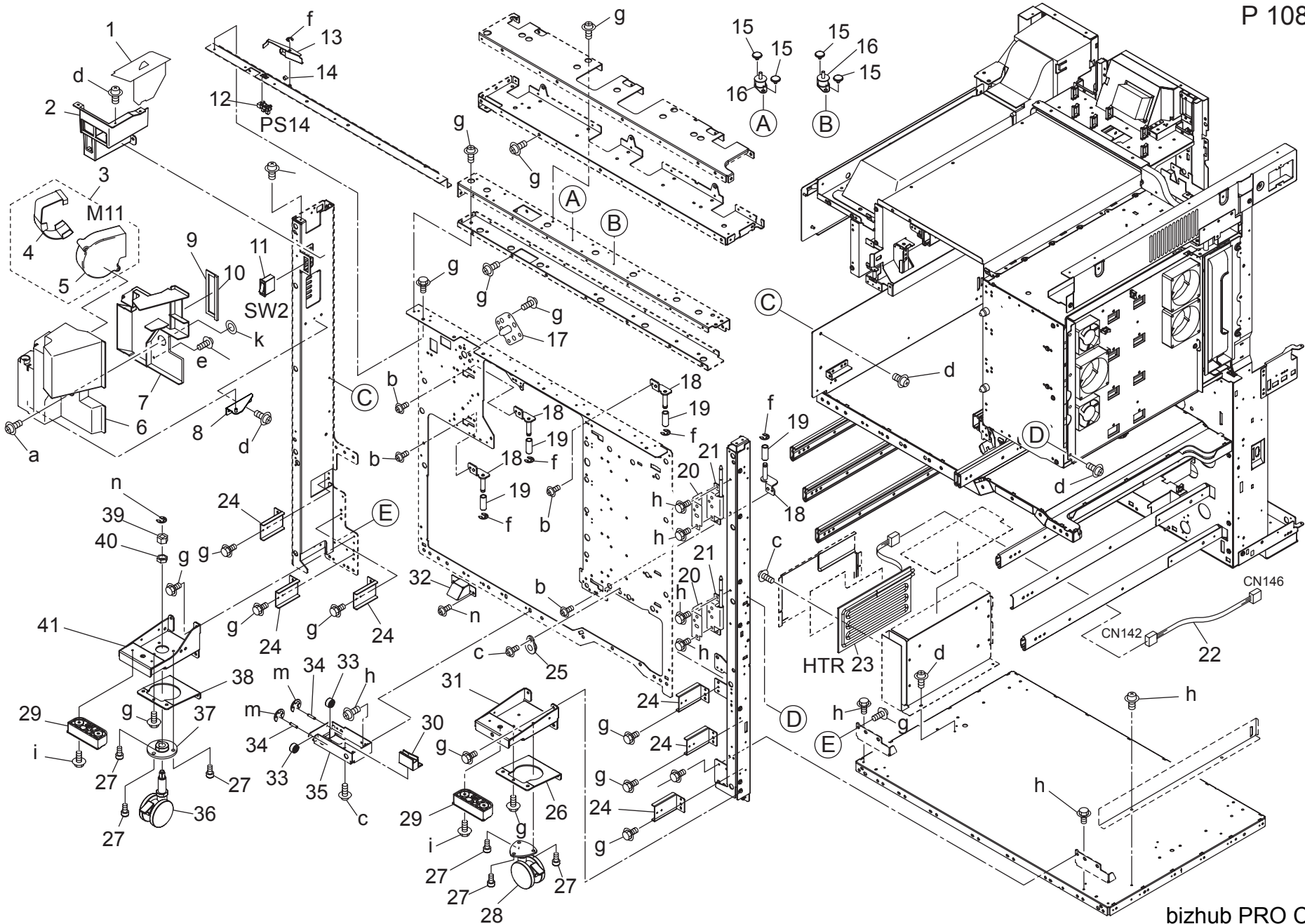


DRIVE SECTION

Key	Part No.	Description	Destinations	Class	QTY	Standard parts
1	65AA 1608 0	DEVELOPING COUPLING		C	8	a-V217 0300 50 b-V217 0600 50 c-V121 0308 03 d-V121 0306 03
2	65AA 7801 0	TONER COLLECTING GEAR 6 16T		C	4	
3	4540 7805 0	PIN CLEANER A		C	4	
4	25HA 3033 0	DEVELOPING REGULATING SPACER		C	4	
5	A03U 2299 00	Developing Gear /Middle 27/42T		B	4	
6	5400 7605 0	BALL BEARING		B	12	
7	A03U 2203 00	Developing Driving Shaft /1		D	4	
8	A03U 2297 00	DEVELOPING DRIVING GEAR 73T		B	4	
9	A03U 2298 00	DEVELOPING AGITATING GEAR 44T		B	4	
10	A03U 2204 00	Developing Driving Shaft /2		D	4	
11	56AA 1747 1	PIN B 3X12		C	8	
12	26NA 1728 0	BALL BEARING		C	4	
13	V502 0100 14	support		D	8	
14	27LA 8003 2E	DC BRUSHLESS MOTOR/30		C	4	
15	A03U N112 00	Developing Drive Wiring		D	4	

MAIN FRAME

P 108

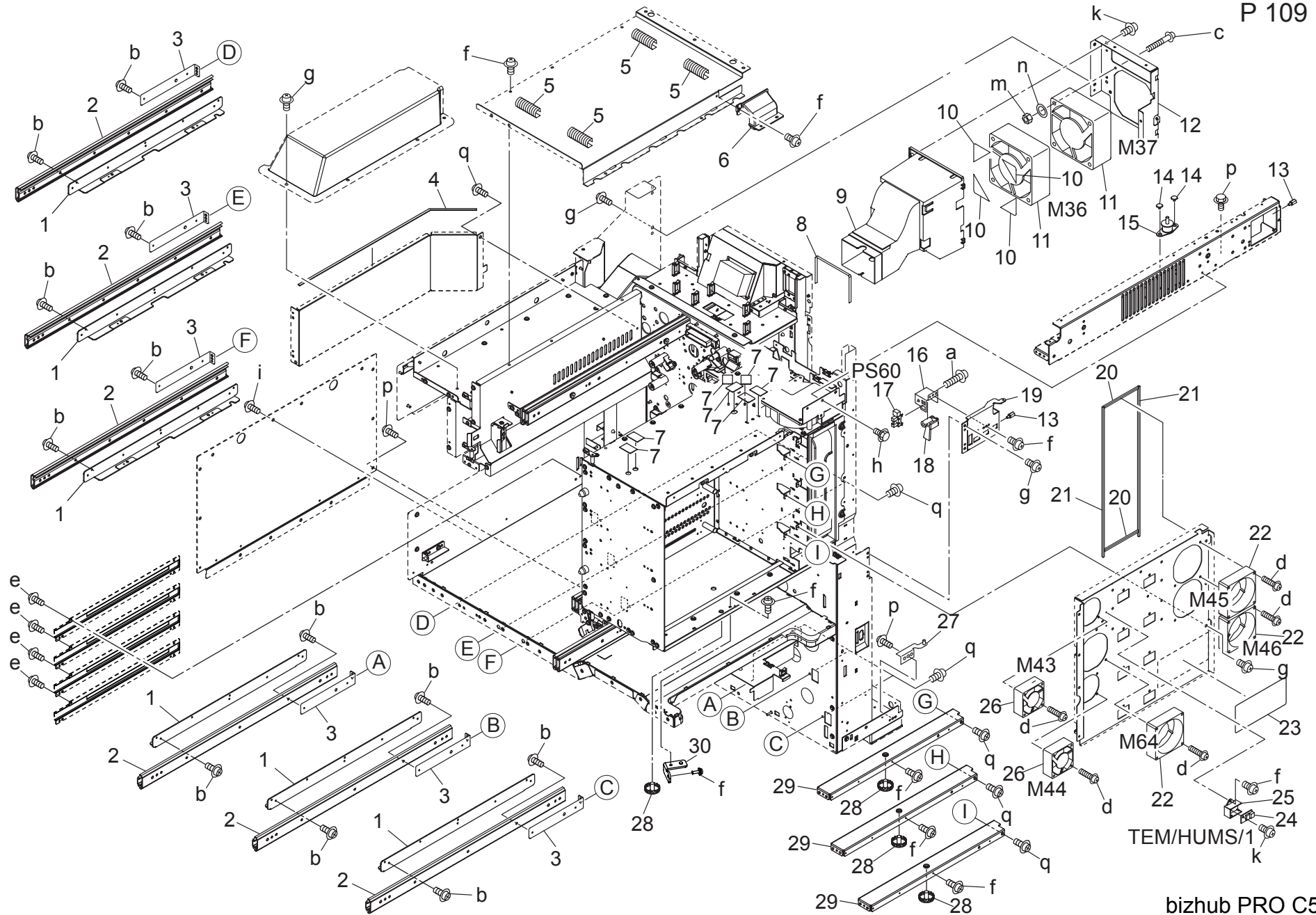


bizhub PRO C5501

Key	Part No.	Description	Destinations	Class	QTY	Standard parts
1	65AA 1150 0	INSULATING COVER		C	1	a-V114 0414 04
2	A03U 1669 00	Cover /Inside		C	1	b-V121 0304 03
3	A03U R731 00	COOLING FAN ASSY		C	1	c-V121 0306 03
4	65AA 1143 0	FAN SEALING PART 3		C	1	d-V121 0406 03
5	A03U M158 00	Main body Cooling Fan		C	1	e-V158 0308 03
6	A03U 1088 00	Front Cover		C	1	f-V217 0400 50
7	65AA 1120 0	CLEANER COOLING DUCT		C	1	g-V140 0408 03
8	65AA -134 0	FRONT FAN CAULKING ASSY		D	1	h-V140 0414 03
9	65AA 1132 0	DUCT SEALING PART 5		C	1	i-V141 0408 03
10	65AA 1090 0	DUCT SEALING PART 3		C	1	k-V211 0400 80
11	55GA 8601 0	POWER SOURCE SWITCH		B	1	m-V217 0300 50
12	08AA 8551 2	PHOTO SENSOR		B	1	n-V217 0800 50
13	65AA 7315 0	DETECTING PLATE		D	1	
14	65AA 7316 0	DETECTING SPRING		C	1	
15	A03U 2636 01	Optical Screw		C	4	
16	25SA 1020 0	READ SUPPORT RUBBER		D	2	
17	A03U A105 01	CARRIGE POSITIONING CAULKING		D	1	
18	65AA -075 0	LOCKING SHAFT CAULKING		C	4	
19	65AA 1026 0	LOCKING ROLLER		D	4	
20	65AA 1144 0D	Hinge Reinforce Plate		D	2	
21	65AA 1071 0	TONER SUPPLY OPEN SHUT HINGE LOWER		C	2	
22	A03U N236 00	Heater Relay harness		D	1	
23	A03U M308 02	Internal Heater		D	1	
24	65AA 1066 0	MOUNTING PLATE 5		D	6	
25	129X 4835 0	GUIDE SHAFT HOLDER A		C	1	
26	65AA 1163 0	MAIN BODY REINFORCE PLATE /A		D	1	
27	25SA 1043 1	LOCKING SCREW		C	6	
28	55WA 1030 0	MAIN BODY SUPPORT ROLLER X		C	1	
29	65AA 1131 0	MAIN BODY LIFTING HANDLE		C	2	
30	65AA 5038 0	GUIDE BLOCK		C	1	
31	65AA 1069 0	MAIN BODY SUPPORT PART RIGHT		D	1	
32	A03U 8120 00	ADU Open/shut Plate /A		D	1	
33	13NG 4520 0	CONVEYANCE DRIVEN ROLLER		C	2	
34	65AA 5040 0	GUIDE SHAFT		D	2	
35	A03U 8160 00	FIXING PLATE /FRONT		D	1	
36	55WA 1031 0	MAIN BODY SUPPORT ROLLER Y		C	1	
37	56AA 1762 0	CARRIAGE ADJUSTING PART		C	1	
38	65AA 1165 0	MAIN BODY REINFORCE PLATE /B		D	1	
39	56AA 1763 0	ADJUSTING PART		C	1	
40	56AA 1764 0	ADJUSTING PART 2		C	1	
41	65AA 1070 0	MAIN BODY SUPPORT PART LEFT		D	1	

MAIN FRAME

P 109



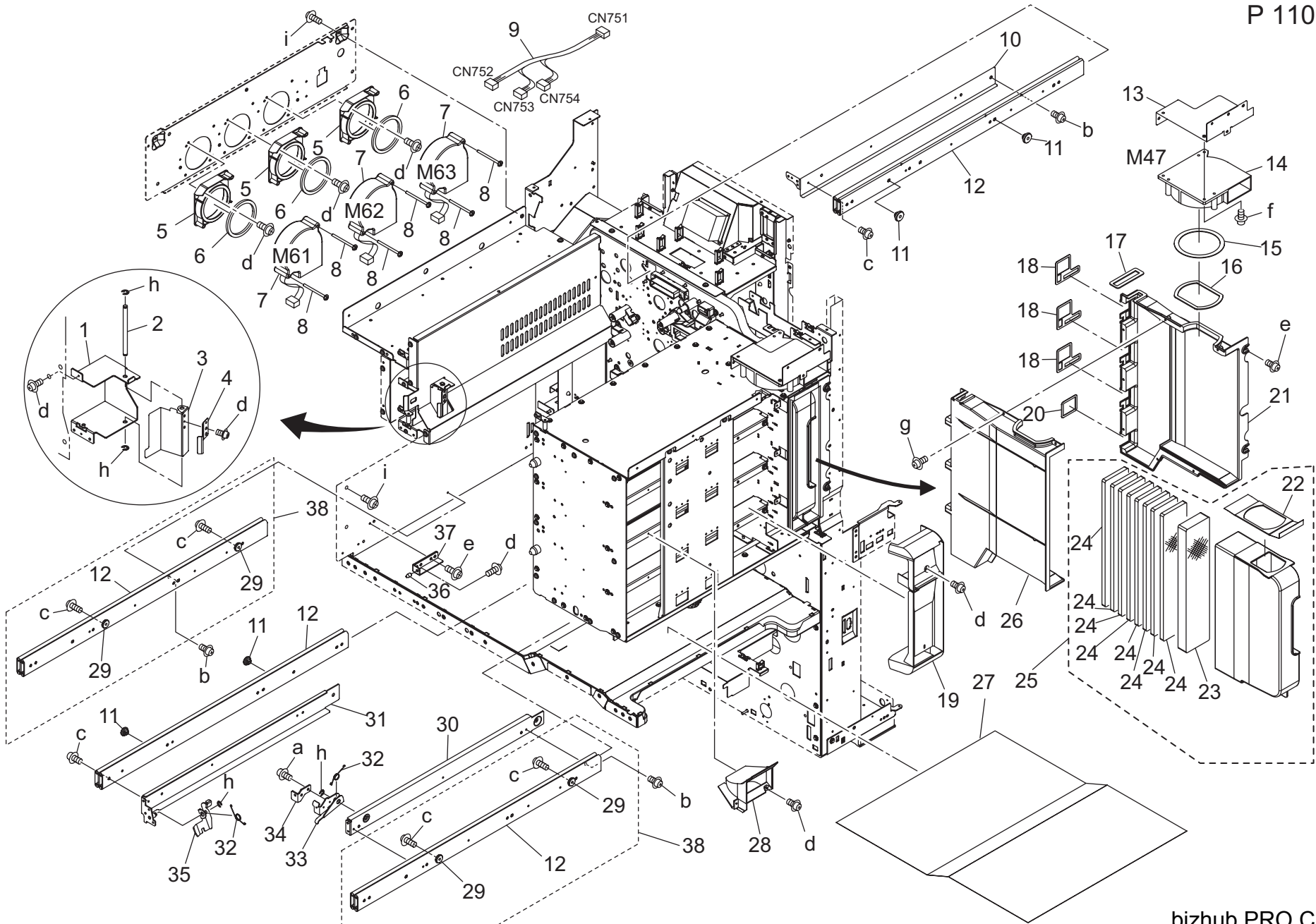
bizhub PRO C5501

MAIN FRAME

Key	Part No.	Description	Destinations	Class	QTY	Standard parts
1	65AA 4704 0D	Cassette Support Stay		D	6	a-V123 0430 03
2	56AA 1030 0	SLIDE RAIL A		C	6	b-V118 0404 03
3	65AA 1047 0	MOUNTING PLATE 4		D	6	c-V118 0412 03
4	65AA 1082 0	DUCT SEALING PART /2		D	1	d-V118 0430 03
5	56AA R705 00	EARTH SPRING ASSY		C	4	e-V121 0304 03
6	A03U R741 00	CONNECTING DUCT Y ASSY		D	1	f-V121 0306 03
7	25SA 6642 0	WRITE LIGHT SHIELD SHEET		C	7	g-V121 0406 03
8	65AA 1081 0	DUCT SEALING PART 1		C	1	h-V121 0408 03
9	65AA 1055 0	FAN MOUNTING DUCT		D	1	i-V138 0308 03
10	65AA 1149 0	FAN SEALING PART 4		D	4	k-V158 0308 03
11	A03U M152 00	Main body Fan motor		B	2	m-V195 0400 03
12	65AA 1141 0	FAN MOUNTING PLATE D		D	1	n-V205 0400 03
13	65AA 1138 0	EXTERNAL MOUNTING STAY		D	2	p-V140 0408 03
14	A03U 2636 01	Optical Screw		C	2	q-V140 0406 03
15	25SA 1020 0	READ SUPPORT RUBBER		D	1	
16	65AA 2437 0D	Door Detecting Part /1		C	1	
17	08AA 8551 2	PHOTO SENSOR		B	1	
18	65AA 2438 0	DOOR DETECTING PART 2		C	1	
19	A03U A367 00	TONER COLLECTING HINGE PLATE		D	1	
20	A03U 1194 00	Developing Cooling Seal /2		C	2	
21	A03U 1193 00	Developing Cooling Seal /1		C	2	
22	13NT 8051 1	FAN MOTOR 1		C	3	
23	56UA 9730 0	LESER CAUTION LABEL 1		C	1	
24	65AA 8808 0	PROCESS SENSOR		C	1	
25	65AA 1130 0	SUPPORT PART		D	1	
26	56AA 8054 1	FAN MOTOR 1		B	2	
27	65AA -133 0	HINGE/A CAULKING		D	1	
28	65AA -080 0	WRITE ADJUST SHAFT CAULKING		D	4	
29	65AA 1010 0E	Write Support Stay		D	3	
30	65AA 1109 0D	Write Adjusting Plate /2		D	1	

MAIN FRAME

P 110

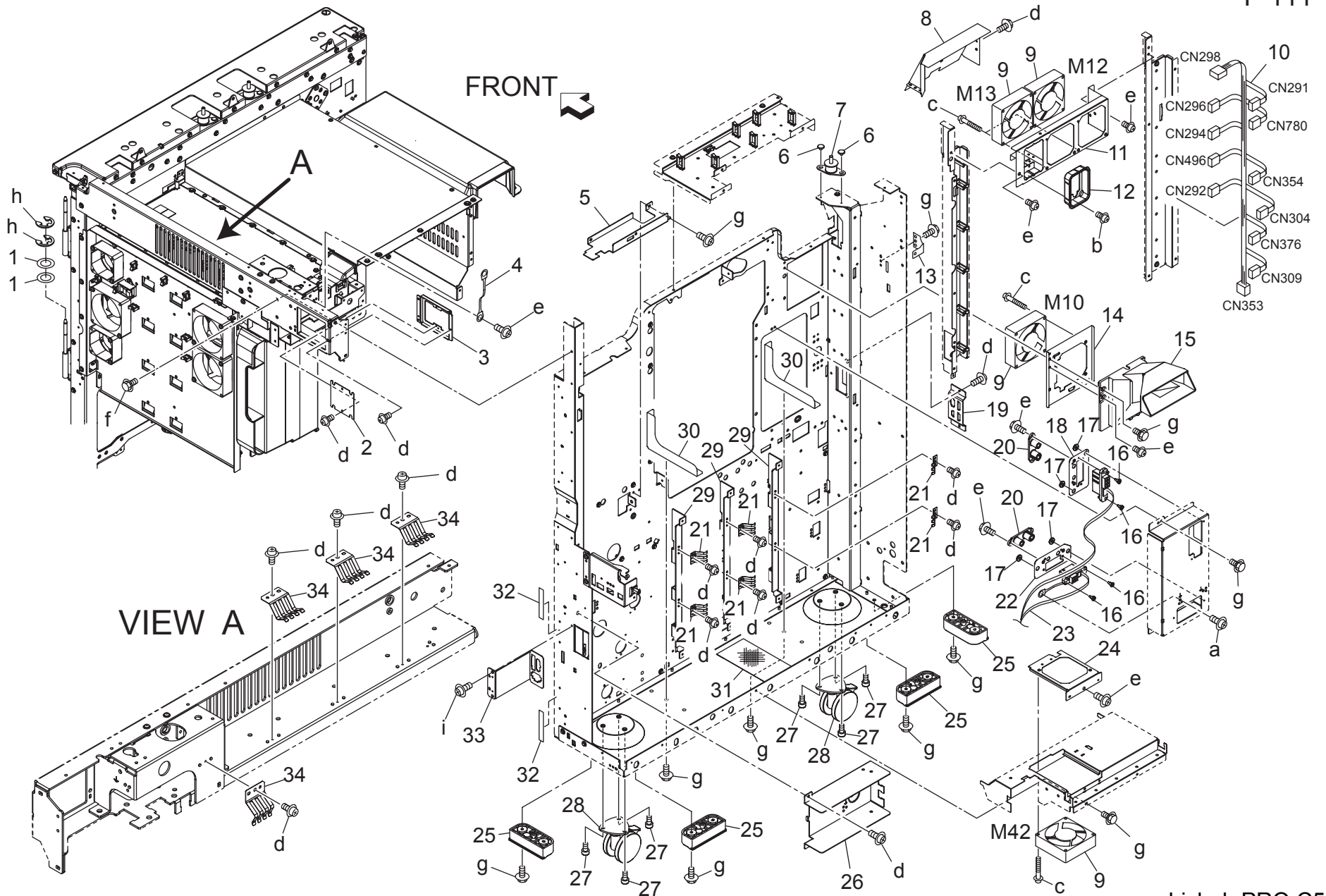


bizhub PRO C5501

Key	Part No.	Description	Destinations	Class	QTY	Standard parts
1	65AA 1094 0D	Support Plate		D	1	a-V118 0304 03
2	65AA 1096 0	PRESSING SHAFT		D	1	b-V118 0406 03
3	65AA 1095 0D	Pressing Plate		D	1	c-V118 0406 04
4	65AA 1097 0	PRESSING SPRING		D	1	d-V121 0306 03
5	65LA 4855 0	FAN DUCT		D	3	e-V121 0406 03
6	65LA 4856 0	DUCT SEAL /3		D	3	f-V121 0408 03
7	A03U M158 00	Main body Cooling Fan		C	3	g-V158 0308 03
8	65LA 4857 0	MOUNTING SCREW		D	6	h-V217 0400 50
9	A03U N224 00	Paper exit Cooling Wiring		D	1	i-V140 0408 03
10	65AA 1020 0D	Mounting Plate /1		D	1	
11	56AA 5053 0	ADU MOUNTING COLLAR		C	4	
12	65AA 5046 0	CARRIGE SLIDE RAIL		C	4	
13	65AA 1119 0E	Fan Mounting Plate /B		D	1	
14	65AA 8059 0	MAIN BODY FAN		C	1	
15	65AA 1019 0	FAN SEALING PART 1		C	1	
16	65AA 1117 0	DUCT SEALING PART 4		C	1	
17	A03U 1063 00	duct Seal /H		C	1	
18	A03U 1064 00	duct Seal /G		C	3	
19	A03U 1179 00	Developing Cooling duct /Rear		D	1	
20	65AA 1064 0	OZONE SEAL 3		C	1	
21	A03U 1041 00	Ozone Connecting duct /2		D	1	
22	65AA 1065 0	FAN SEALING PART 2		C	1	
23	65AA 1043 0	OZONE FILTER 1		A	1	
24	65AA 1044 0	DUST PROOF FILTER		A	8	
25	A03U R701 00	FILTER EXCHANGING ASSY		A	1	
26	A03U 1040 00	Ozone Connecting duct /1		D	1	
27	65AA 5147 0	ADU GUIDE PLATE P		C	1	
28	A03U 1180 00	Developing Cooling duct /Front		D	1	
29	65AA 5068 0D	ADU Mounting Collar		C	4	
30	65AA -047 0	MAIN STAY/2 CAULKING		D	1	
31	65AA R706 00	LEVER ROTARY SHAFT CAULKING		D	1	
32	65AA 1084 0	CARRIAGE LOCKING SPRING		C	2	
33	65AA 1023 0D	LOCKING LEVER /1		C	1	
34	65AA 1159 0	LEVER REINFORCE PLATE		D	1	
35	65AA 1048 0	LOCKING LEVER 2		C	1	
36	65AA 5044 0D	Carrige Guide Pin /Left		C	1	
37	65AA 5043 0	SHAFT MOUNTING PLATE LEFT		D	1	
38	65AA R702 00	SLIDE RAIL ASSY		C	2	

MAIN FRAME

P 111



FRONT

A

VIEW A

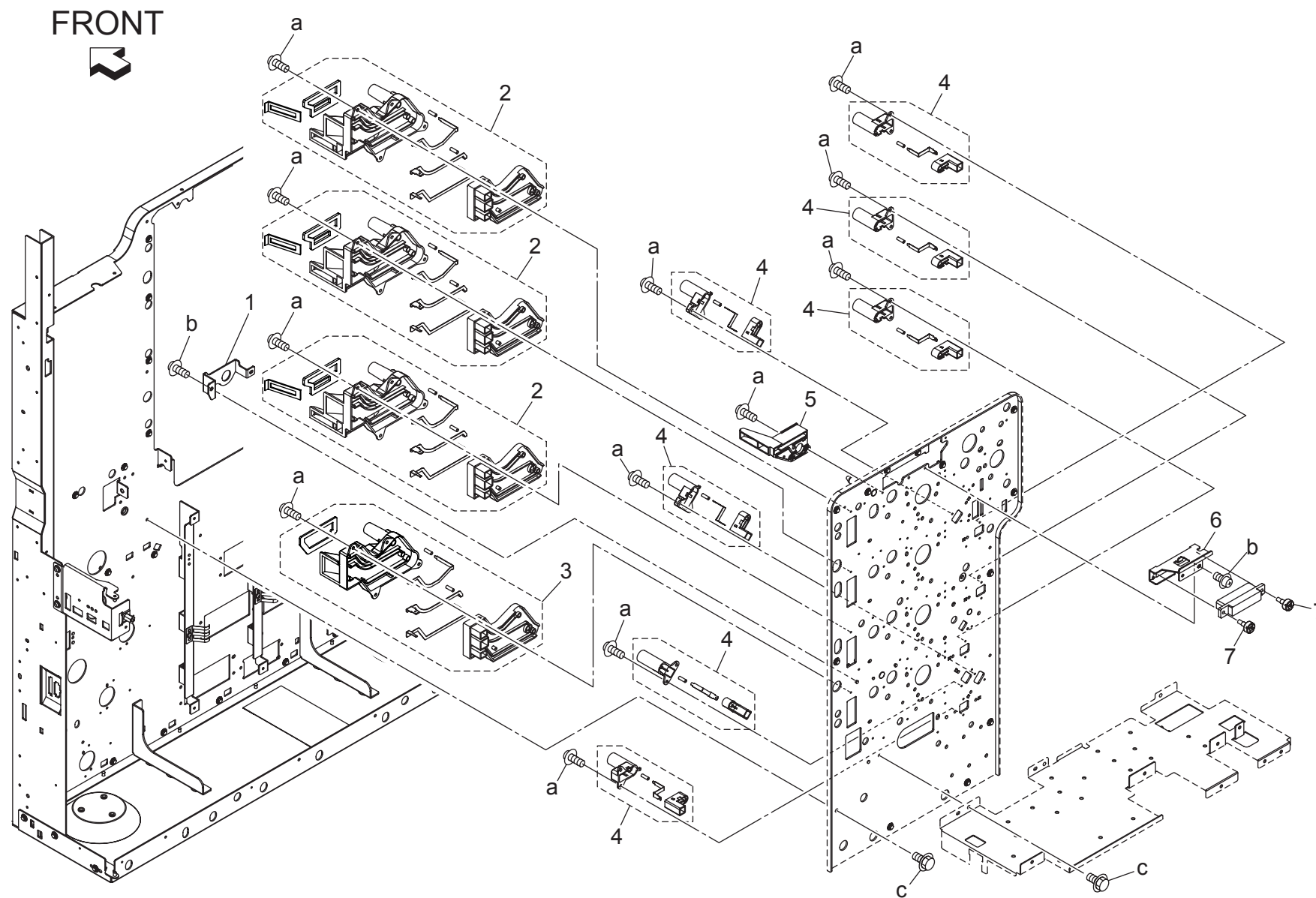
- 10
- CN298
- CN296
- CN294
- CN496
- CN292
- CN354
- CN304
- CN376
- CN309
- CN353

bizhub PRO C5501

Key	Part No.	Description	Destinations	Class	QTY	Standard parts
1	65AA 3327 0	SPACER 2		D	2	a-V123 0406 03
2	56AA 7368 0	KEY COUNTER INNER COVER		D	1	b-V118 0406 04
3	65AA 1148 0D	Key counter Mounting Plate		D	1	c-V118 0430 03
4	55VA 9084 0	MAIN EARTH WIRE		D	1	d-V121 0306 03
5	65AA 1105 0D	Base plate Support Stay /2		D	1	e-V121 0406 03
6	A03U 2636 01	Optical Screw		C	2	f-00ZA A000 7
7	25SA 1020 0	READ SUPPORT RUBBER		D	1	g-V140 0408 03
8	65AA 1139 0	MOTOR COOLING DUCT		D	1	h-V217 0400 50
9	13NT 8051 1	FAN MOTOR 1		C	4	i-V330 4000 00
10	A0E7 N113 00	Drum Drive Wiring /1		D	1	
11	65AA 1118 0	FAN MOUNTING PLATE A		D	1	
12	A03U 1647 00	Cord Cover /B		D	1	
13	56AA 1010 1	EXTERNAL SUPPORT PLATE1		D	1	
14	65AA 1108 0	DUCT MOUNTING PLATE REAR		D	1	
15	65AA 1102 0	FIXING CONNECTING DUCT		D	1	
16	A03U 1192 00	Fixing Screw		C	4	
17	A03U 1191 00	Guide Screw		C	4	
18	A03U 1188 00	Idler Plate /Upper		D	1	
19	A03U 1185 00	Power supply Panel /F		D	1	
20	A03U 1190 00	Positioning Sleeve		C	2	
21	65AA 1114 0	EARTH PLATE		D	6	
22	A03U 1189 00	Idler Plate /Lower		D	1	
23	A03U N118 01	AC DRIVE WIRING		D	1	
24	A03U 1122 00	Mounting Plate /F		D	1	
25	65AA 1153 0	MAIN BODY LIFTING HANDLE 2		C	4	
26	A03U 1184 01	Wiring Protection Plate /P		D	1	
27	25SA 1043 1	LOCKING SCREW		C	6	
28	55WA 1030 0	MAIN BODY SUPPORT ROLLER X		C	2	
29	A03U 1089 00	Base plate Support Plate		D	3	
30	56AA 6147 0D	Read Reinforce Plate		D	2	
31	65AA 1135 0	DUST PROOF FILTER 4		D	1	
32	A03U 1196 00	Auxiliary Spacer		D	2	
33	A03U 1183 00	PFU Power supply Panel		D	1	
34	A03U 1181 00	Ground Plate /A		D	4	

MAIN FRAME

P 112



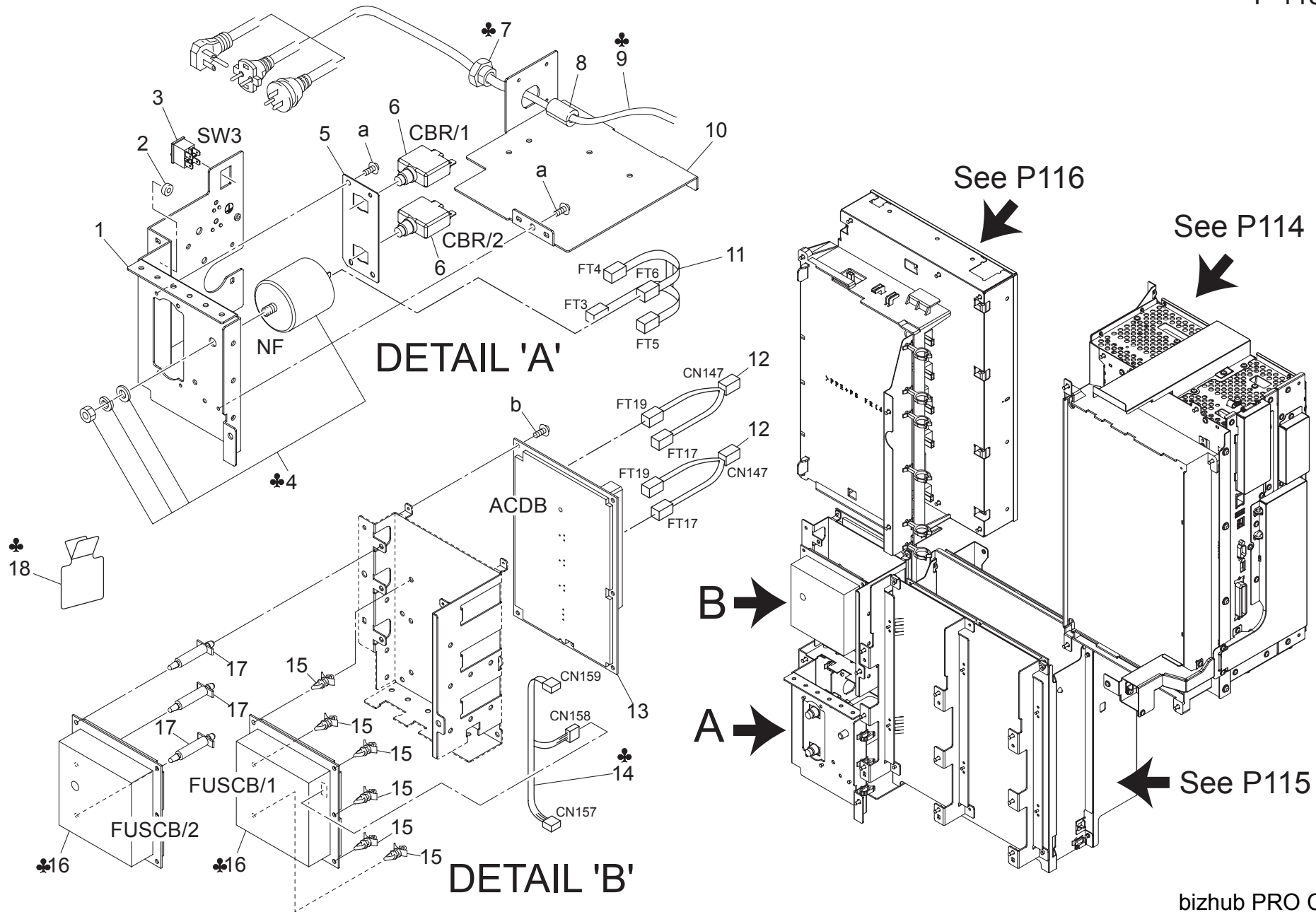
bizhub PRO C5501

MAIN FRAME

Key	Part No.	Description	Destinations	Class	QTY	Standard parts
1	65AA 1036 0E	Shaft Support Plate		D	1	a-V121 0306 03 b-V121 0406 03 c-V140 0408 03
2	A03U R739 00	HIGH VOLTAGE COVER ASSY		C	3	
3	65AA R728 00	HIGH VOLTAGE COVER ASSY		C	1	
4	65AA R727 00	POWERING BLOCK 1 ASSY		C	7	
5	A03U R740 00	DEVELOPING CUCT Y ASSY		D	1	
6	65AA 1049 0	ELECTRIC MOUTING PLATE		D	1	
7	65AA 4722 0	MOUNTING SCREW		C	2	

ELECTRICAL COMPONENTS

P 113

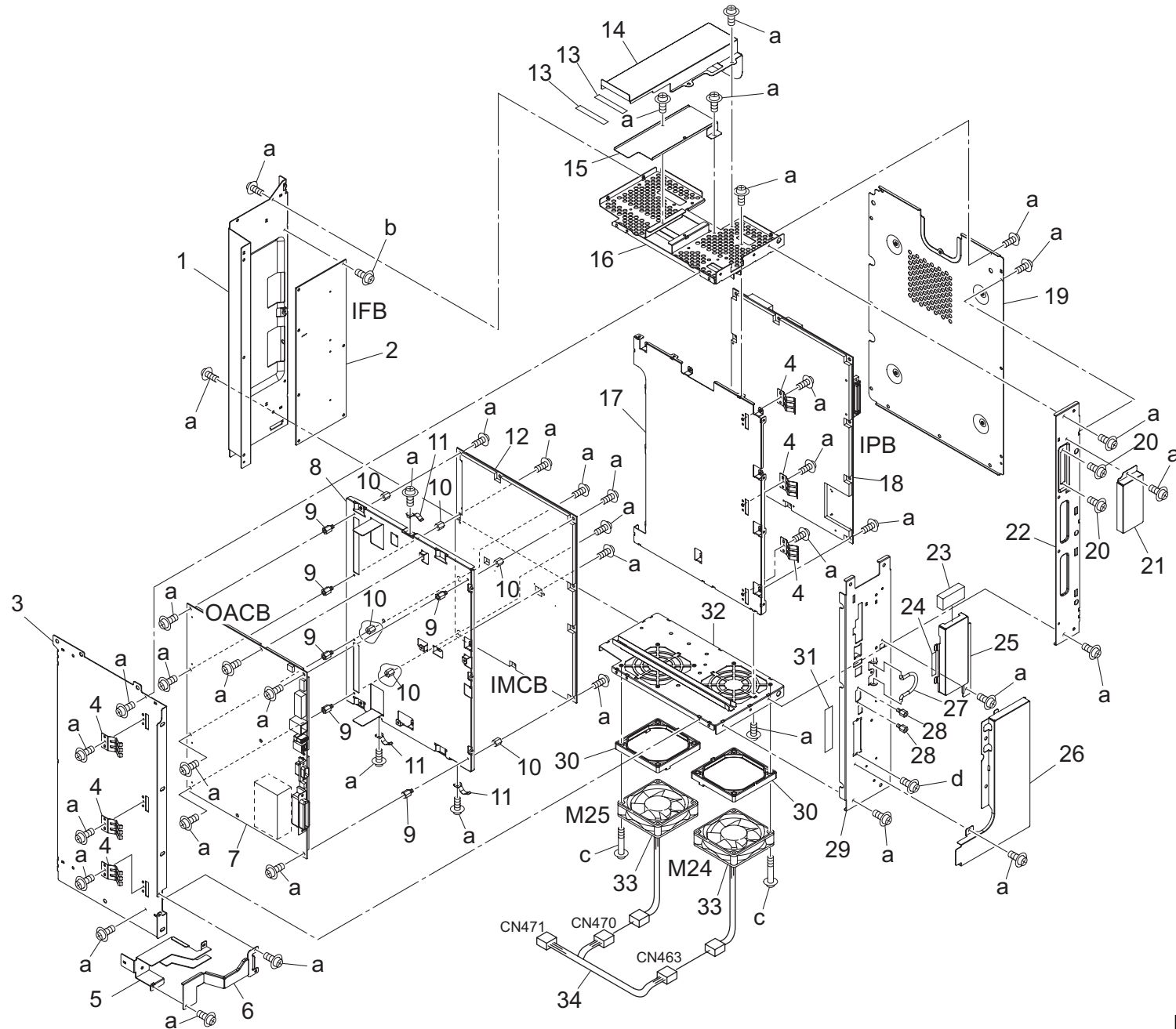


bizhub PRO C5501

Key	Part No.	Description	Destinations	Class	QTY	Standard parts
1	A03U 1359 00	Cord Mounting Plate		D	1	a-V121 0406 03 b-V121 0304 03
2	55VA 1247 0	SCREW PROTECT CUSHION		D	1	
3	57AA 8602 0	HEATER SWITCH		D	1	
4	5380 8826 1	NOISE FILTER	A,B,G1	C	1	
4	55TA 8456 1	NOISE FILTER	C,D1,D3,E,F2,H,I,J	C	1	
5	56AA 7351 0D	Power source Cover Plate		D	1	
6	56AA 8842 1	CIRCUIT BREAKER		B	2	
7	25AA 7327 0	CORD HOLDER	A,C,D1,D3,E,F2,H,I,J	D	1	
7	25AE 7327 0	CORD HOLDER	B,G1	D	1	
8	56AF 8871 0	FERRITECORE 1		C	1	
9	4543 -846 3	POWER SOURCE CORD	C,I	C	1	
9	55VG -822 0	POWER SUPPLY CODE	J	D	1	
9	55VN -822 1	POWER SUPPLY CODE	D1,D3,E	D	1	
9	56GK -801 1E	POWER SUPPLY CODE	H	D	1	
9	57AS -822 0	POWER SUPPLY CODE	F2	D	1	
9	A03U J31A 00	POWER SUPPLY CODE	A	D	1	
9	A03U J31E 00	POWER SUPPLY CODE	B,G1	D	1	
10	A03U 1364 00	Fixing Plate /C		D	1	
11	65AA 9001 0	AC POWERING WIRING		D	1	
12	A03U N15A 00	Fixing Relay Wire	A,B,G1	D	2	
13	A03U H520 01	AC Drive Board Assy.		I	1	
14	A03U N14F 00	Fixing Control Wiring	C,D1,D3,E,F2,H,I,J	D	1	
15	V502 0100 15	support		D	6	
16	A03U R722 00	FIXING CONTROL BOARD ASSY	C,D1,D3,E,F2,H,I,J	I	1	
17	V502 0100 53	support		D	3	
18	56AA 9714 0	CORD LABEL	B,G1	D	1	

ELECTRICAL COMPONENTS

P 114

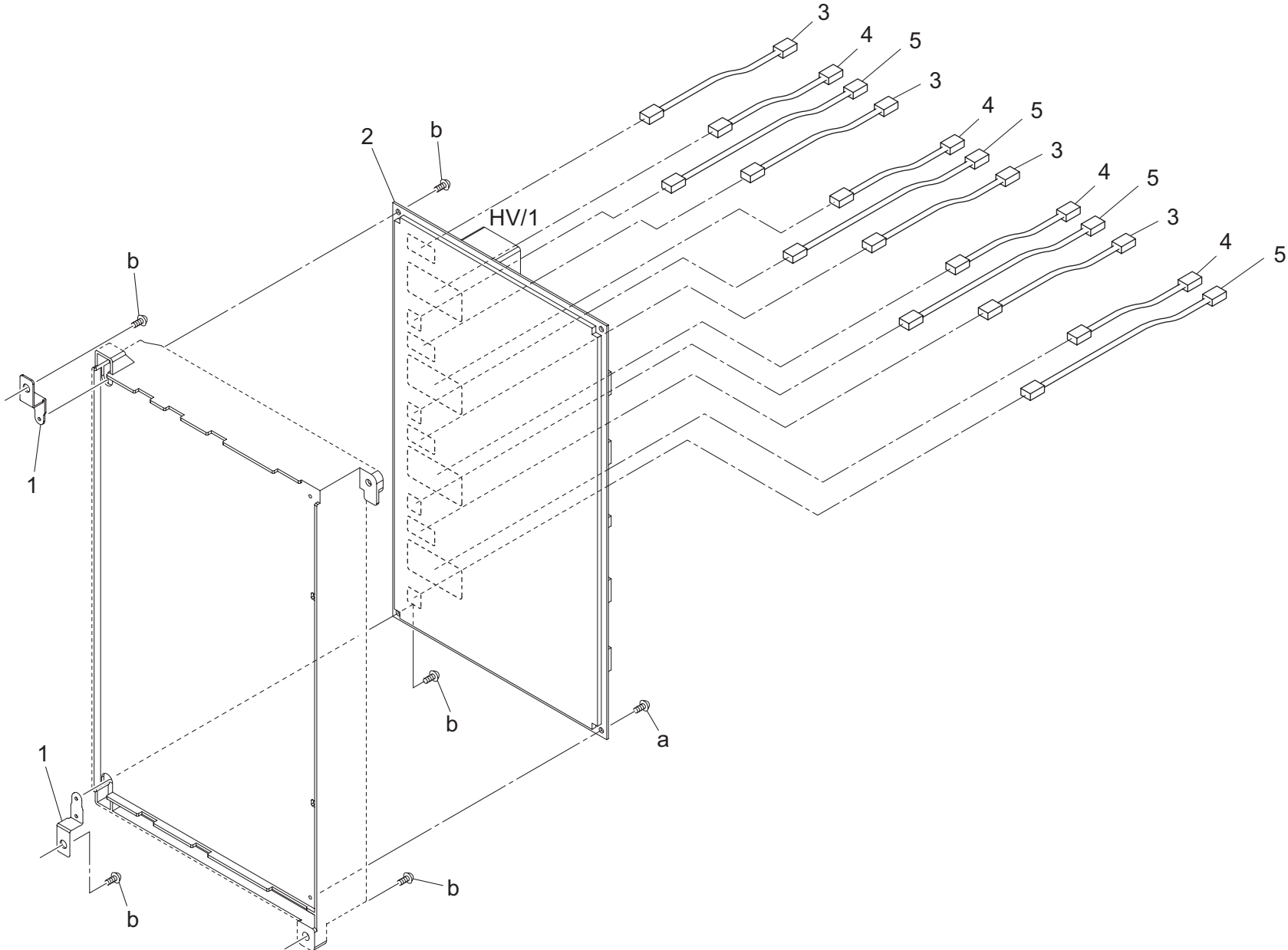


ELECTRICAL COMPONENTS

Key	Part No.	Description	Destinations	Class	QTY	Standard parts
1	A03U 1351 00	Board Case /2		D	1	a-V121 0304 03 b-V121 0306 03 c-V118 0435 03 d-V111 0306 21
2	A03U H100 01	INTERFACE BOARD ASSY		I	1	
3	A03U 1301 00	Board Case /1		D	1	
4	65AA 7341 0	EARTH SPRING 1		D	6	
5	A03U 1350 00	WIRING GUIDE PLATE /1		D	1	
6	A03U 1357 00	SEALING PLATE /5		D	1	
7	A03U H010 5A	System control board assy.		I	1	
8	A03U 1311 00	Base plate Mounting Plate /2		D	1	
9	A03U 1318 00	Base plate Mounting Screw /2		C	6	
10	A03U 1317 00	Base plate Mounting Screw /1		C	6	
11	A03U 1363 00	Electric Support Spring /1		D	3	
12	A03U H040 13	MEMORY CONTROL BOARD ASSEMBLY		I	1	
13	A03U 1366 00	Ground Part /1		D	2	
14	A03U 1329 00	WIRING SEALING PLATE /2		D	1	
15	A03U 1328 00	WIRING SEALING PLATE /1		D	1	
16	A03U 1320 03	Board Mounting Plate /Upper		D	1	
17	A03U 1314 00	Board Mounting Plate /3		D	1	
18	A0U0 H020 02	IMAGE PROCESSING BOARD ASSY		I	1	
19	A03U 1313 00	Board Sealing Cover /1		D	1	
20	A03U 1365 00	Set Screw /A		C	2	
21	A03U 1336 00	WIRING SEALING PLATE /3		D	1	
22	A03U 1353 01	Board Support Plate /2		D	1	
23	A03U 1368 00	Ground Part /3		D	1	
24	A03U 1369 00	Ground Part /4		D	1	
25	A03U 1358 00	SEALING PLATE /6		D	1	
26	A03U 1337 00	Wiring Sealing Plate /4		D	1	
27	A03U 1362 00	Electric Auxiliary Part		C	1	
28	26NA 7357 0	CONTACT FIXING SCREW A		C	2	
29	A03U 1352 01	Board Support Plate /1		D	1	
30	65AA 7326 0	FAN MOUNTING PEDESTAL		D	2	
31	A03U 1367 00	Ground Part /2		D	1	
32	A03U 1319 02	Board Mounting Plate /Lower		D	1	
33	13NT 8051 1	FAN MOTOR 1		C	2	
34	65AA 9093 0E	CONTROLLER COOLING WIRING		D	1	

ELECTRICAL COMPONENTS

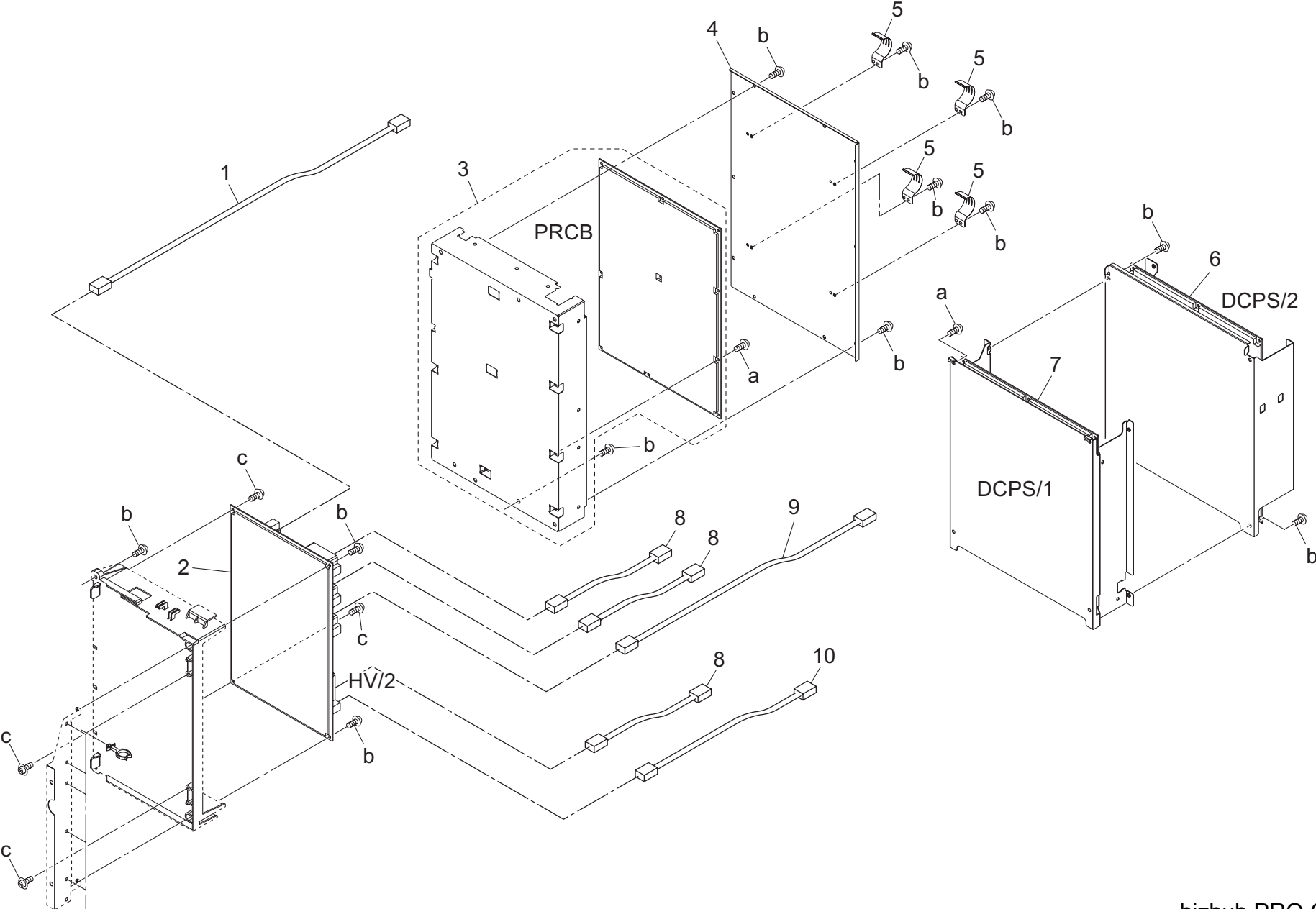
P 115



ELECTRICAL COMPONENTS

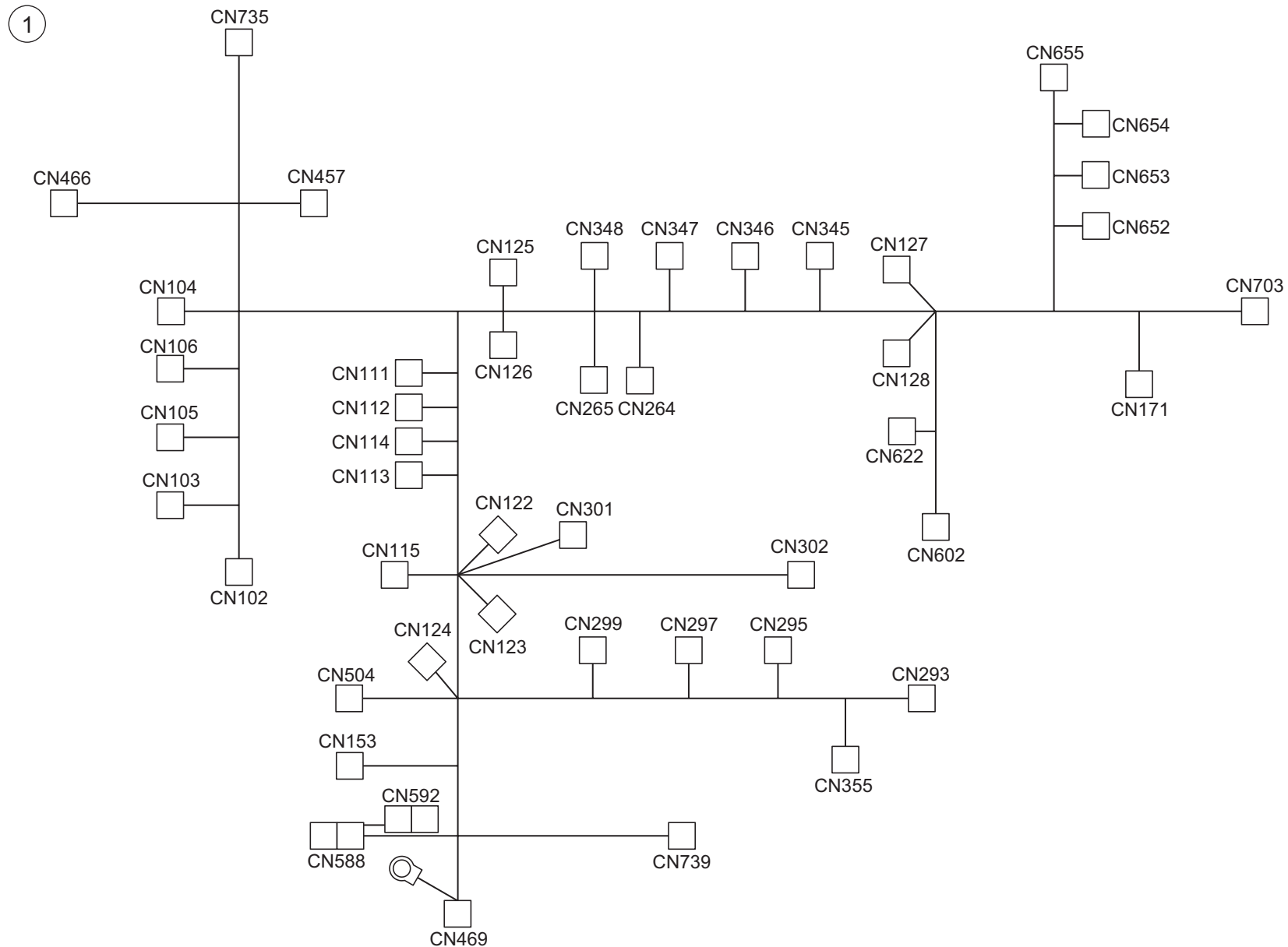
Key	Part No.	Description	Destinations	Class	QTY	Standard parts
1	65AA 7309 0D	Earth Plate /1		D	2	a-V158 0308 03 b-V121 0306 03
2	A03U M403 00	HV Power source /1		I	1	
3	65AA 9021 0	HIGH VOLTAGE WIRE D		D	4	
4	65AA 9019 0	HIGH VOLTAGE WIRE C		D	4	
5	65AA 9020 0	HIGH VOLTAGE WIRE G		D	4	

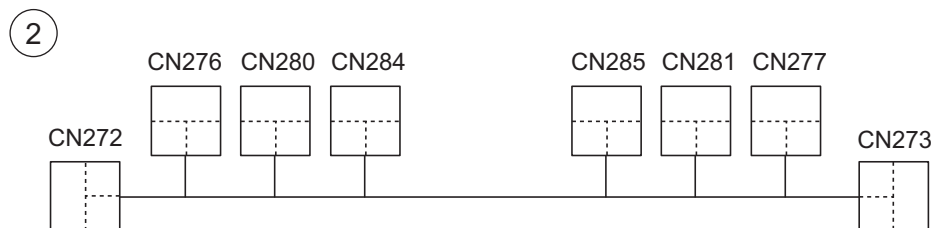
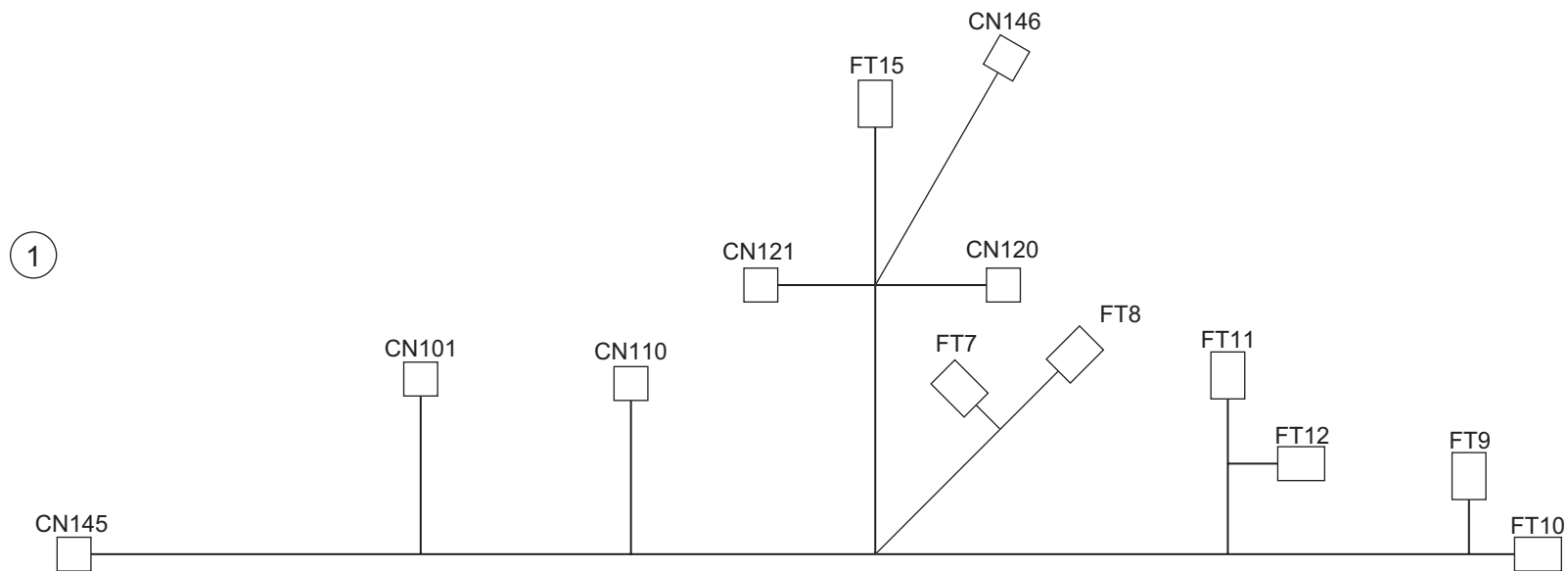
ELECTRICAL COMPONENTS



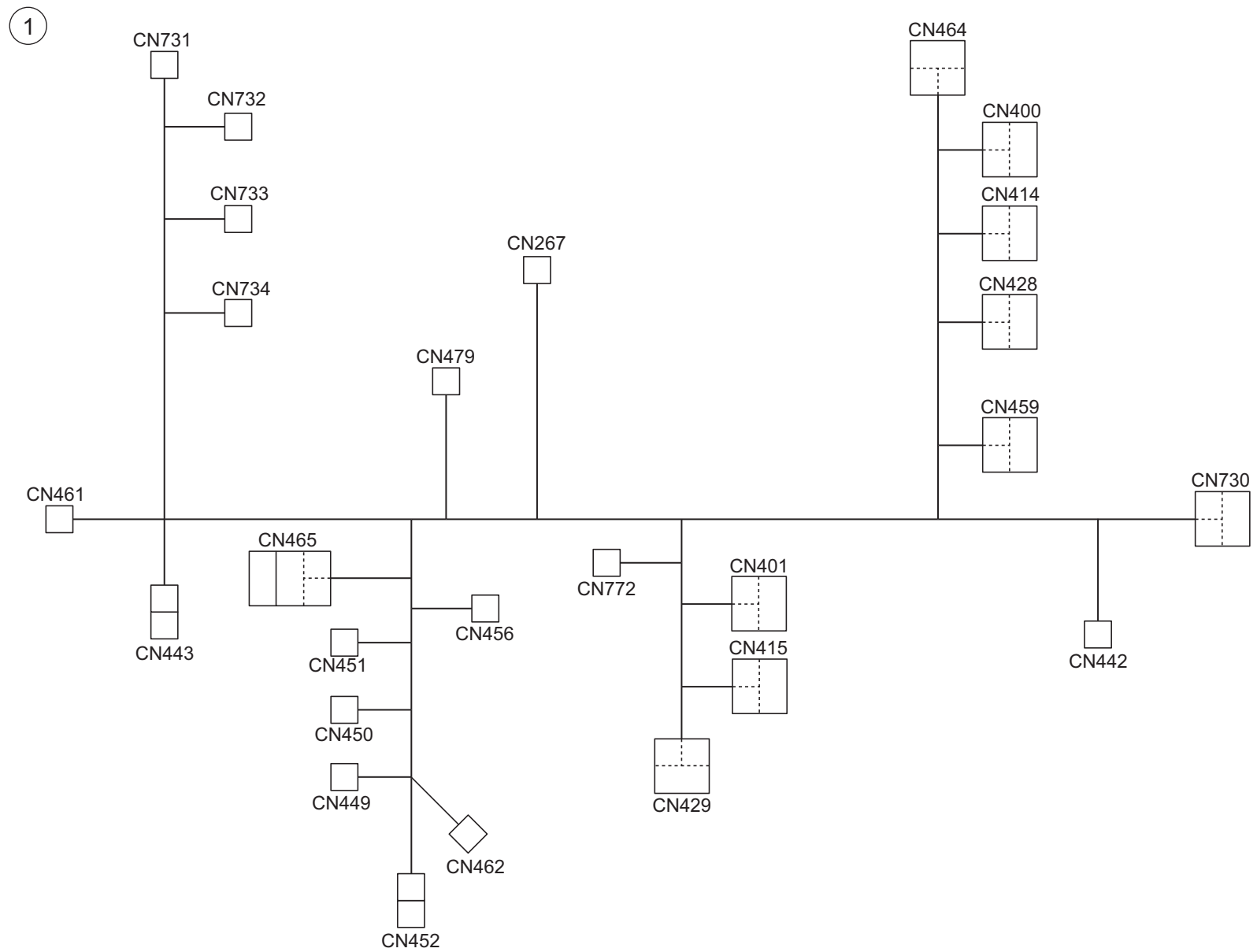
ELECTRICAL COMPONENTS

Key	Part No.	Description	Destinations	Class	QTY	Standard parts
1	65AA 9088 0	HIGH VOLTAGE RELAY WIRE Y		D	1	a-V121 0304 03 b-V121 0306 03 c-V158 0308 03
2	A03U M404 00	HV Power source /2		I	1	
3	A03U R759 11	PRINTER CONTROL UNIT		I	1	
4	65AA 7314 0D	Base plate Sealing Cover /2		D	1	
5	56AA 7356 0	EARTH PLATE UPPER		C	4	
6	A03U M402 01	DC POWER SOURCE /2		I	1	
7	A03U M401 00	DC Power source /1		I	1	
8	65AA 9026 0	HV WIRE 2		D	3	
9	65AA 9102 0	HIGH VOLTAGE WIRE K		D	1	
10	65AA 9087 0	BIAS WIRE		D	1	



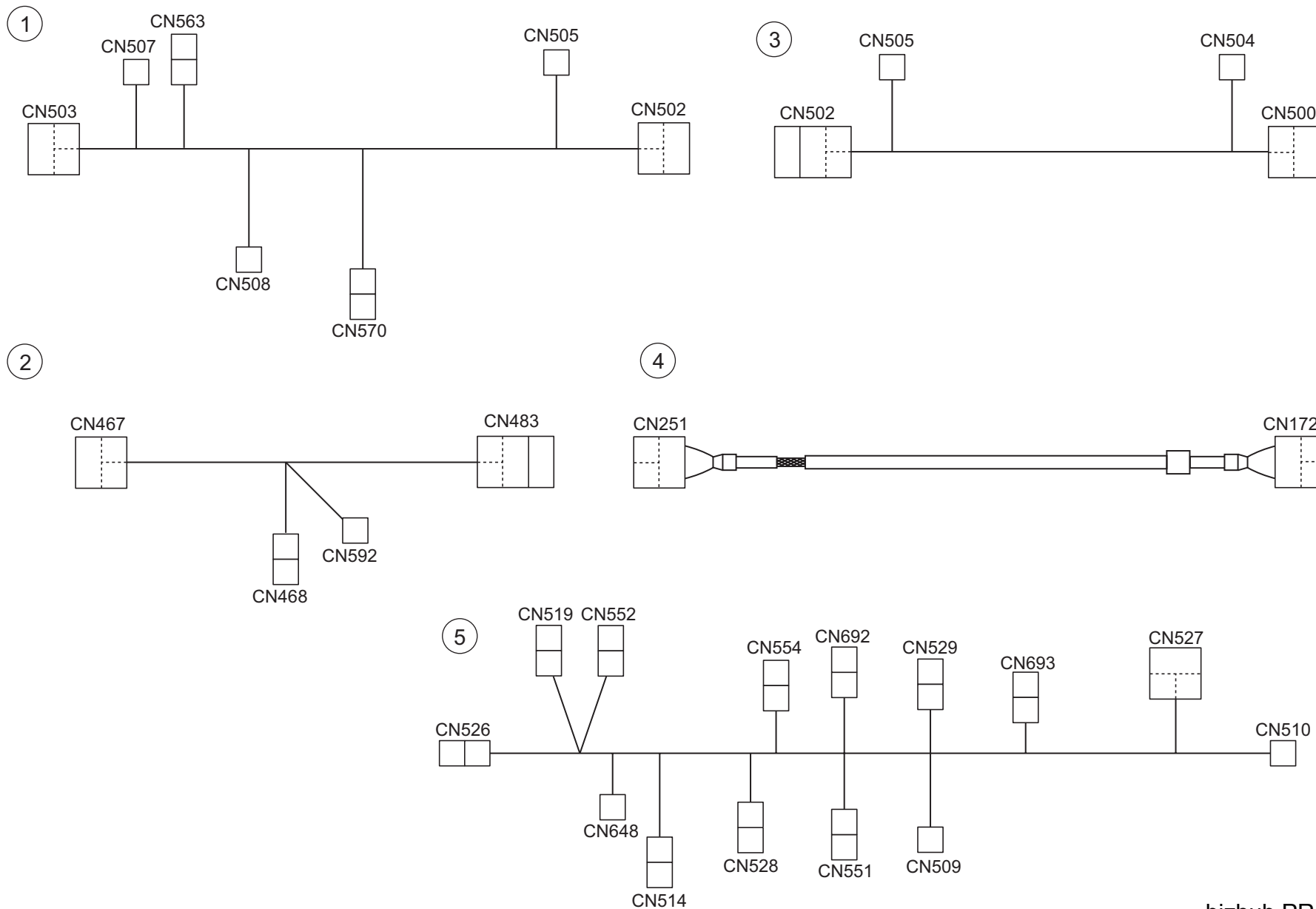


Key	Part No.	Description	Destinations	Class	QTY	Standard parts
1	A03U N102 01	AC Power source Wiring /1		D	1	
2	A03U N134 00	LD Relay Wiring /1		D	1	
3	A03U N110 01	PROCESS DETECTION WIRING /1		D	1	



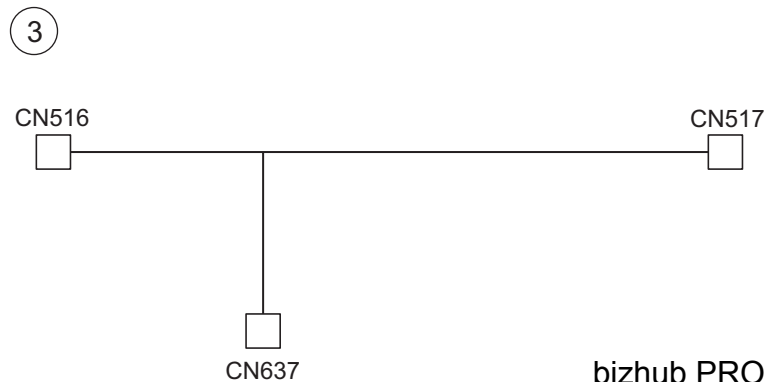
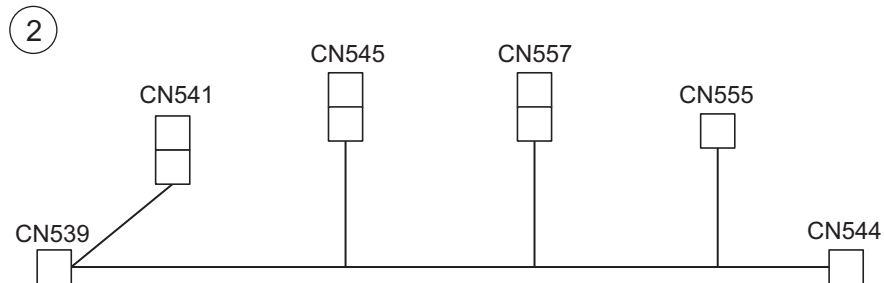
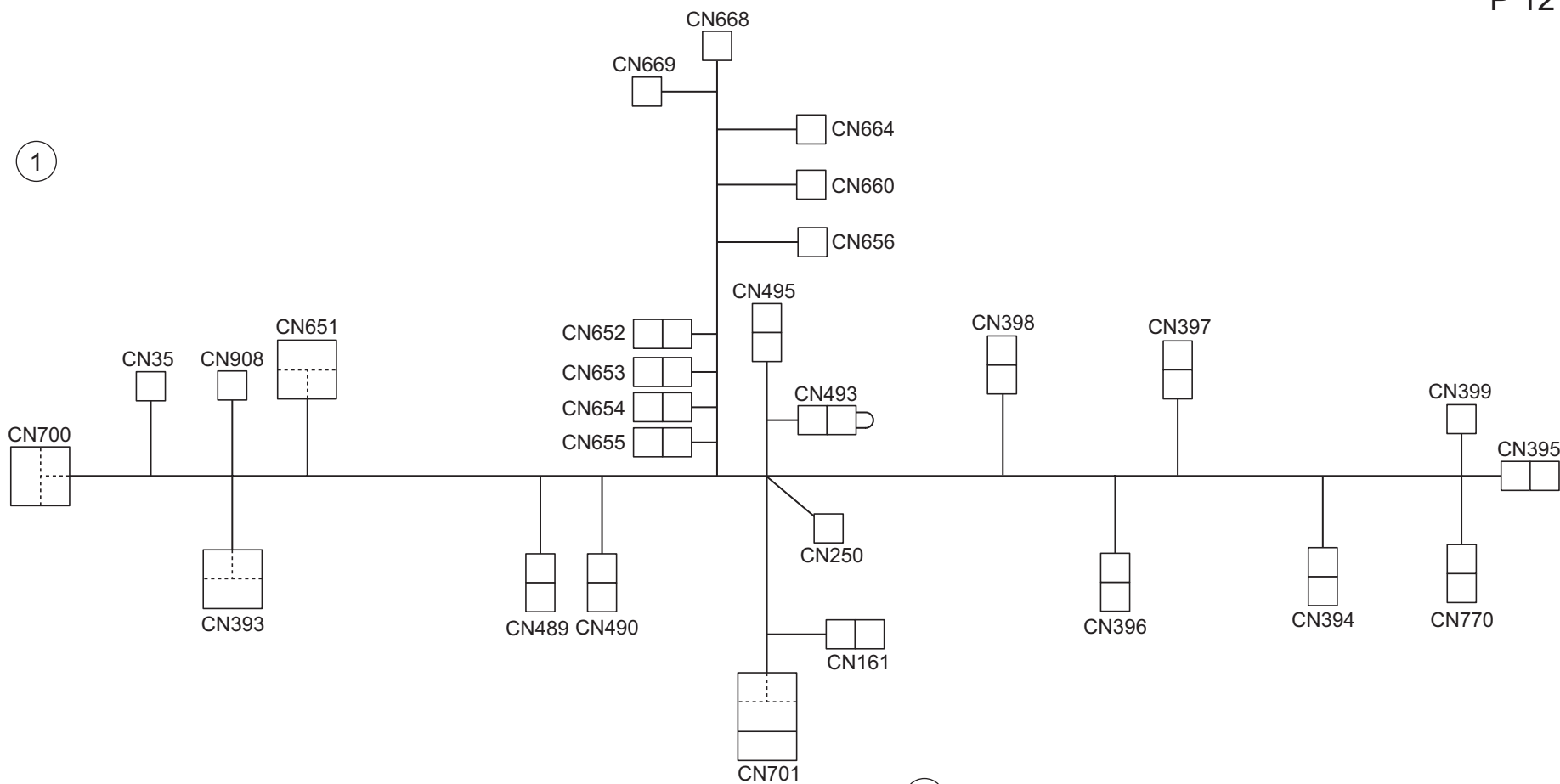
WIRING

P 120



WIRING

Key	Part No.	Description	Destinations	Class	QTY	Standard parts
1	A03U N148 01	Conv. unit Relay Wiring /2		D	1	
2	A03U N226 00	Paper exit Relay Wiring /2		D	1	
3	A03U N147 00	Conv. unit Relay Wiring /1		D	1	
4	A03U N136 01	OPE. UNIT SIGNAL WIRING		D	1	
5	A03U N149 01	Fixing Drive Wiring /1		D	1	



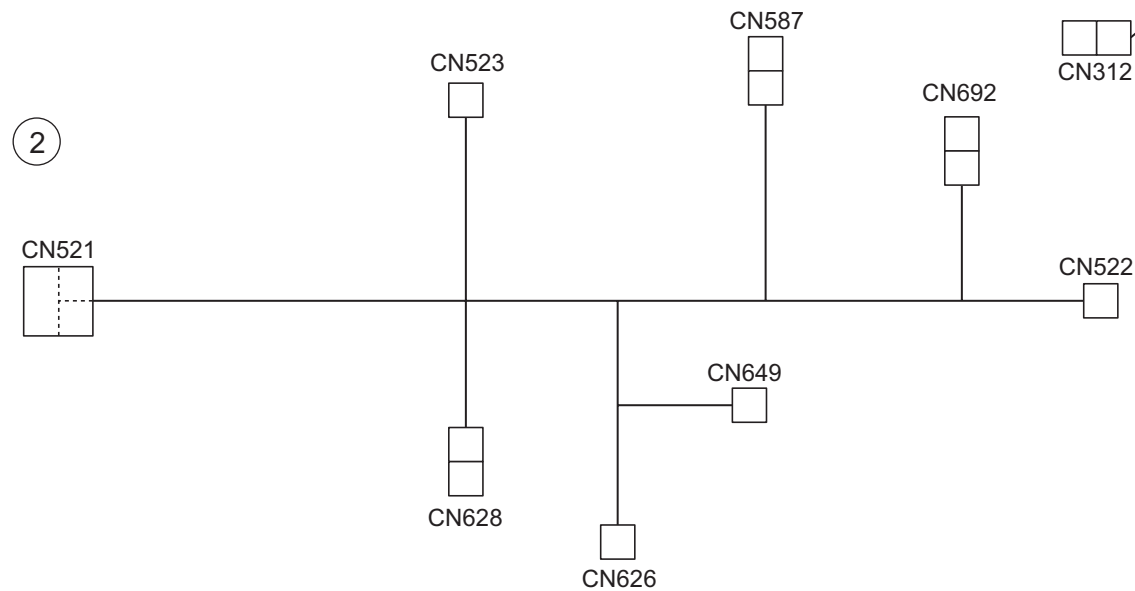
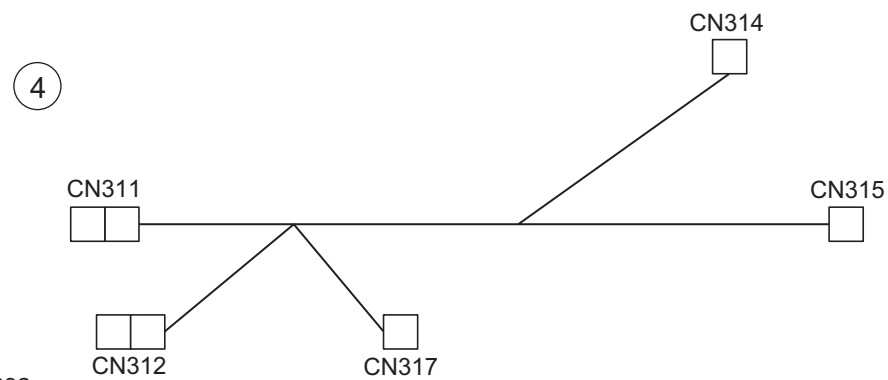
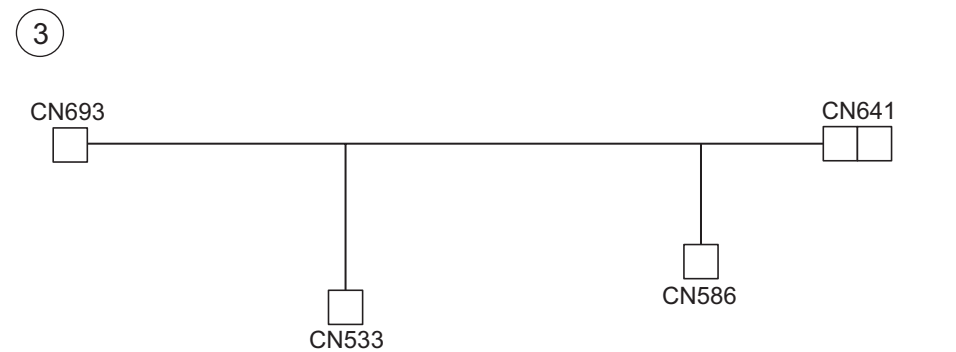
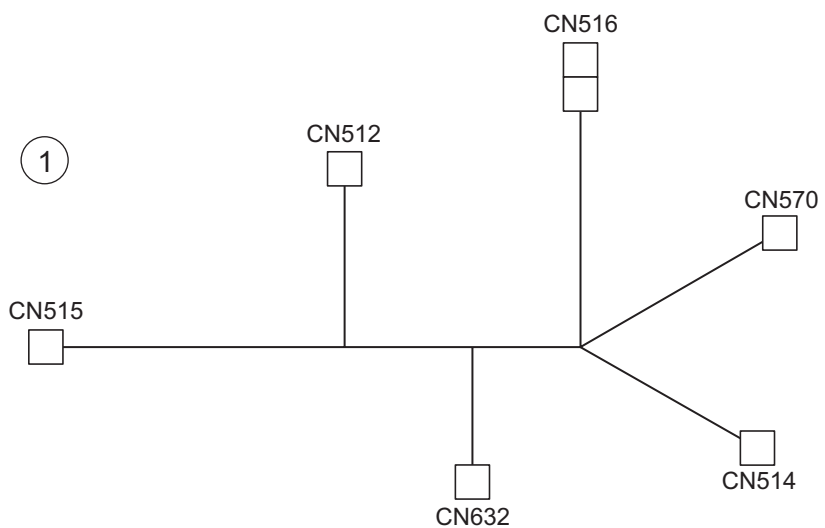
bizhub PRO C5501

WIRING

Key	Part No.	Description	Destinations	Class	QTY	Standard parts
1	A03U N139 02	TONER RELAY WIRING /1		D	1	
2	A03U N151 00	Conveyance Drive Wiring		D	1	
3	A03U N152 00	Fixing Relay Wiring		D	1	

WIRING

P 122

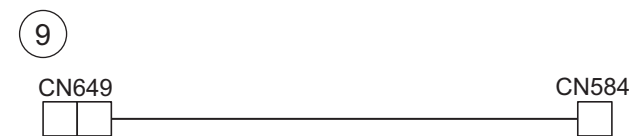
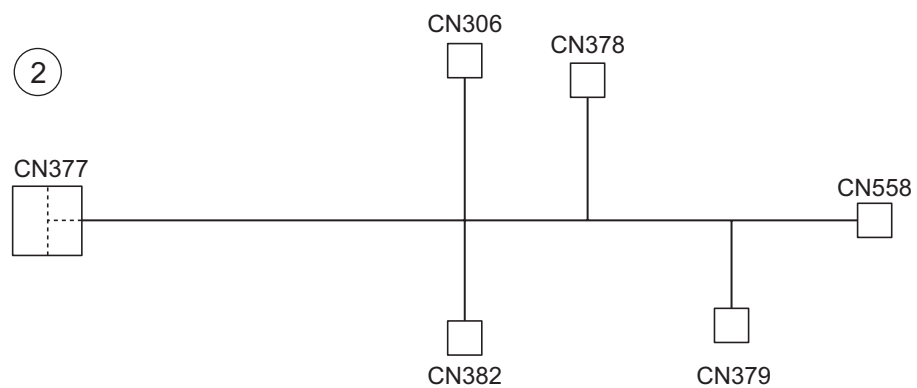
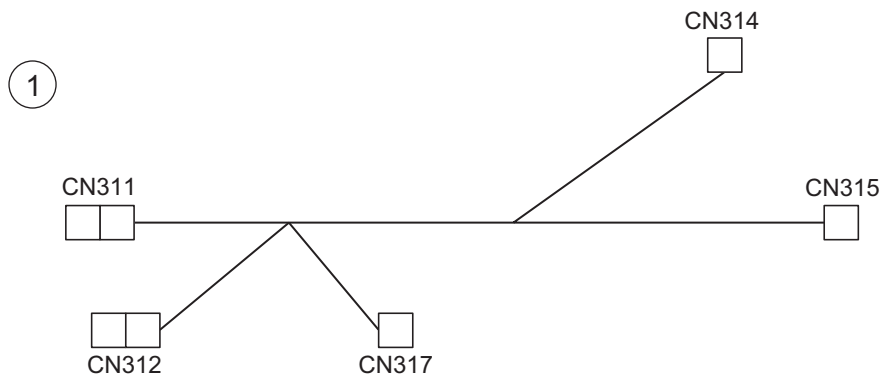


bizhub PRO C5501

Key	Part No.	Description	Destinations	Class	QTY	Standard parts
1	A03U N150 00	Fixing Drive Wiring /2		D	1	
2	A03U N153 02	ADU RELAY WIRING		D	1	
3	A03U N154 01	Registration Relay Wiring		D	1	
4	A03U N155 00	Drum Detection Wiring		D	1	

WIRING

P 123



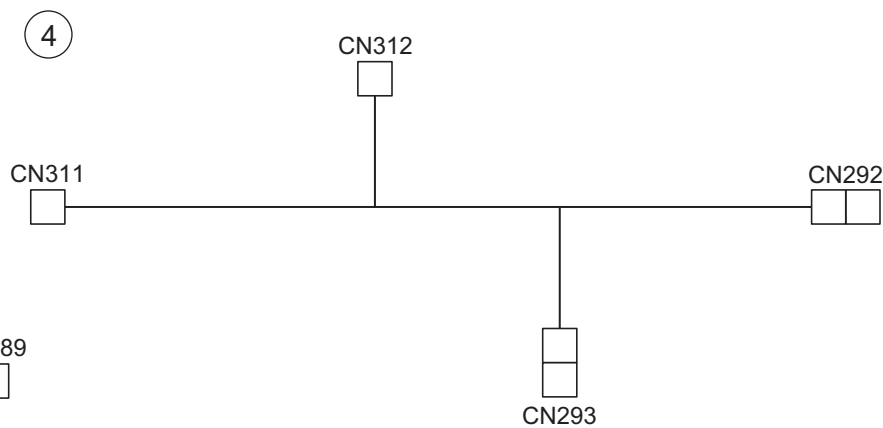
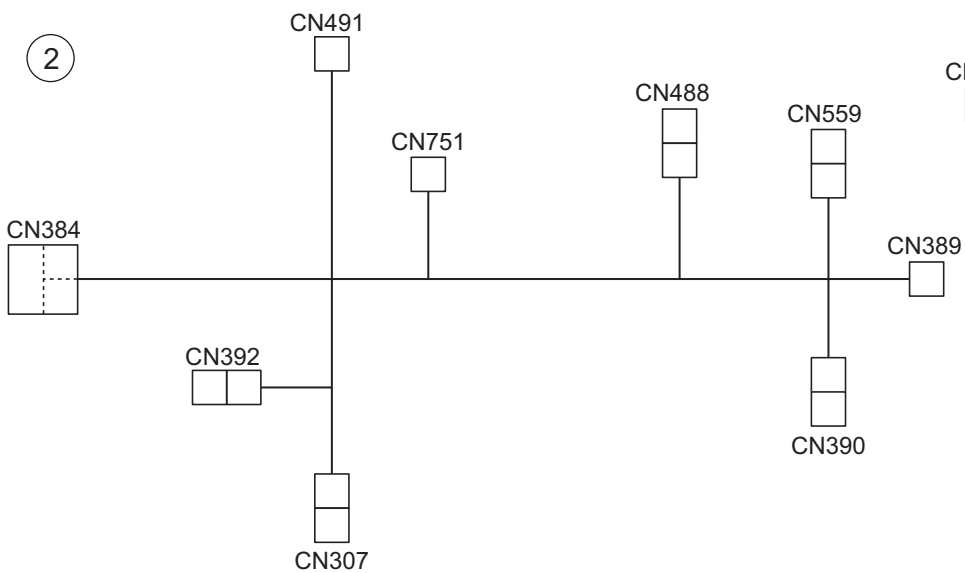
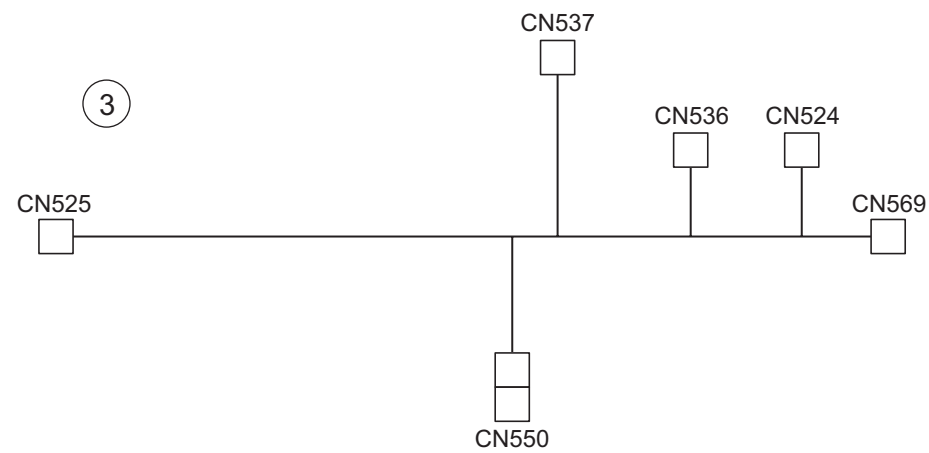
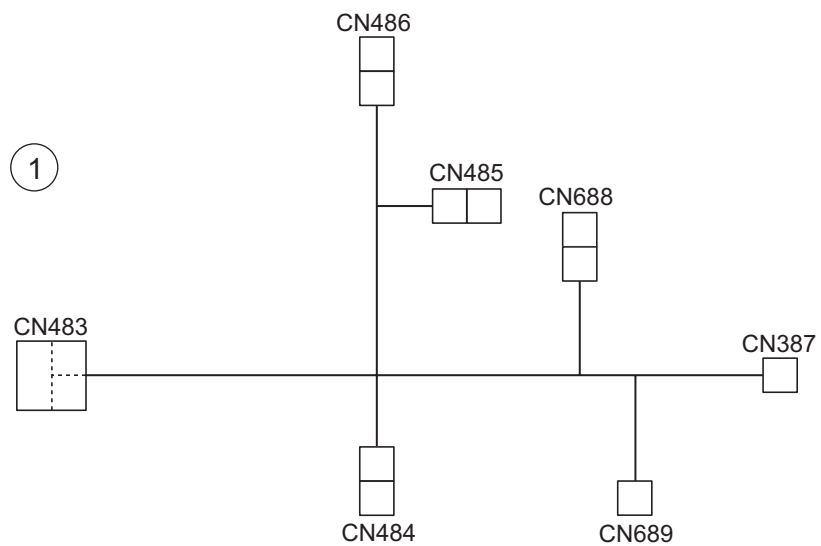
bizhub PRO C5501

WIRING

Key	Part No.	Description	Destinations	Class	QTY	Standard parts
1	A03U N155 00	Drum Detection Wiring		D	1	
2	65AA 9063 0	PROCESS RELAY WIRING		D	1	
3	A03U N160 00	Ope. unit Power source Wiring		D	1	
4	A03U N227 00	Main body Wiring /4		D	1	
5	A03U N231 01	Relay harness /1		D	1	
6	65AA 9092 0E	TONER DETECTION WIRING /2		D	1	
7	A03U N217 01	Paper exit Drive Wiring /2		D	1	
8	A03U N218 00	Motor Relay Wiring /1		D	1	
9	A03U N230 00	ADU Relay Wiring /5		D	1	

WIRING

P 124



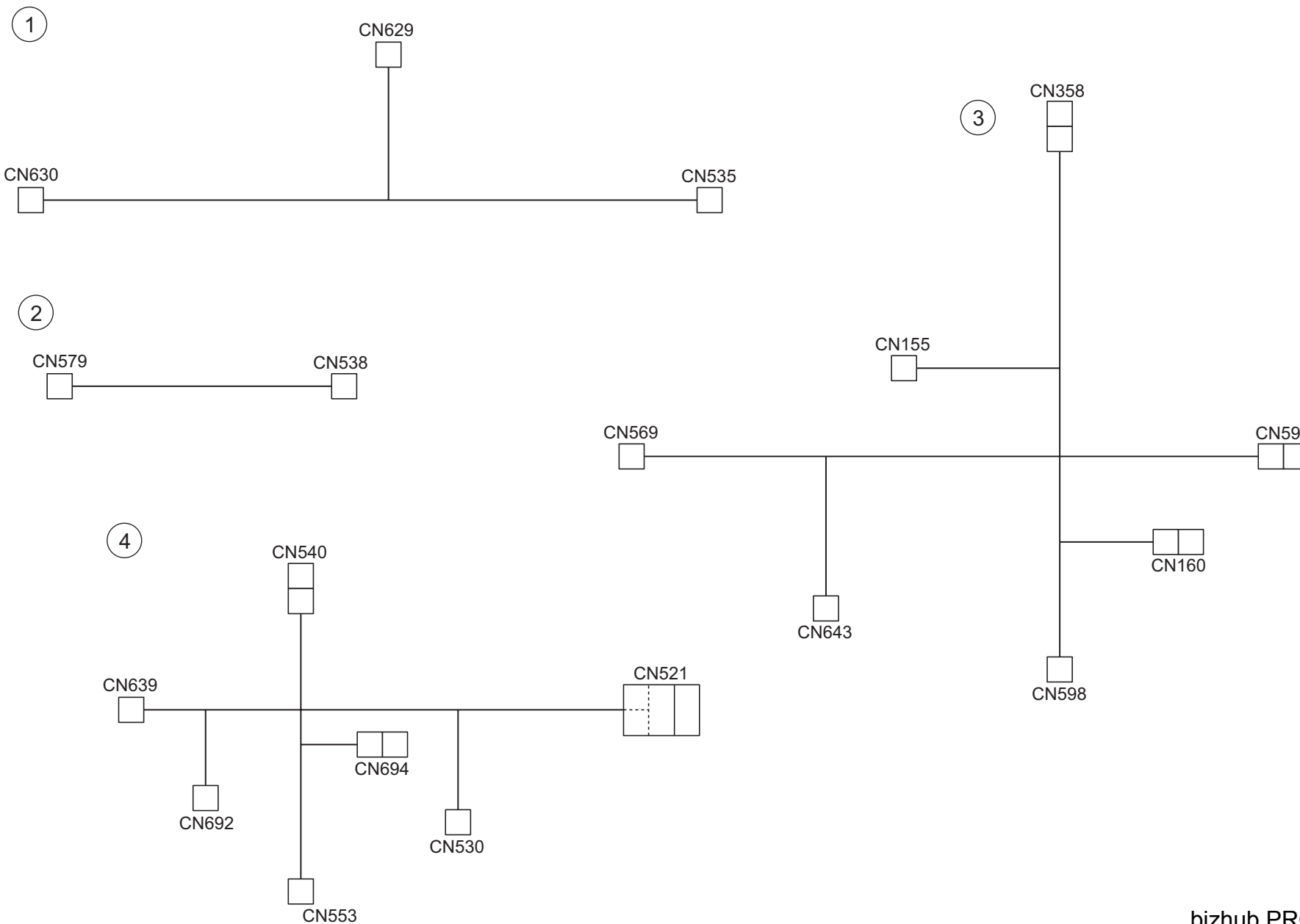
bizhub PRO C5501

WIRING

Key	Part No.	Description	Destinations	Class	QTY	Standard parts
1	A03U N175 00	Paper exit Relay Wiring		D	1	
2	A03U N195 01	Main body Wiring /2		D	1	
3	A03U N176 01	Motor Drive Wiring		D	1	
4	A03U N180 00	Drum Relay Wiring		D	4	
5	A03U N178 01	ADU DRIVE HARNESS /1		D	1	

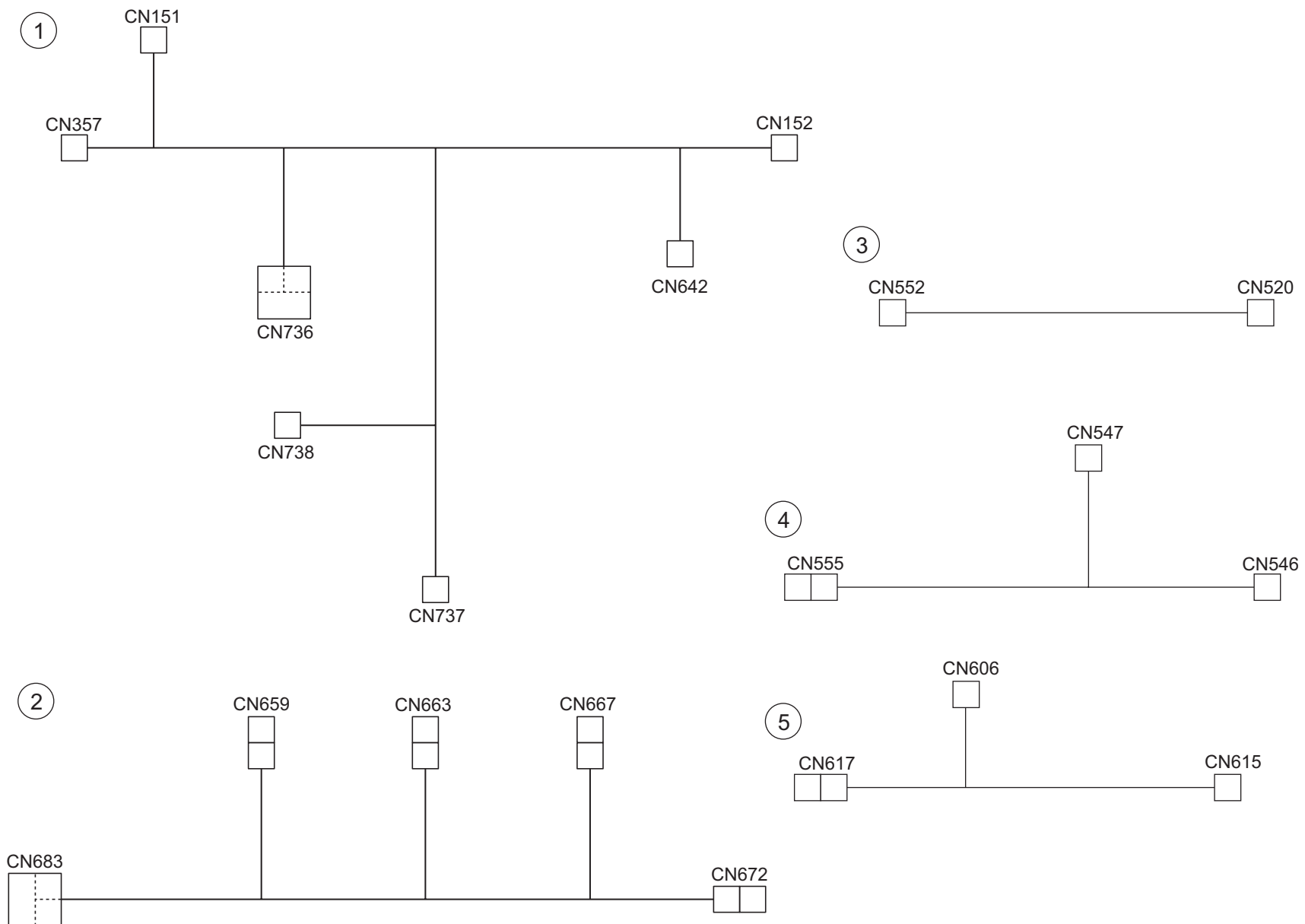
WIRING

P 125



WIRING

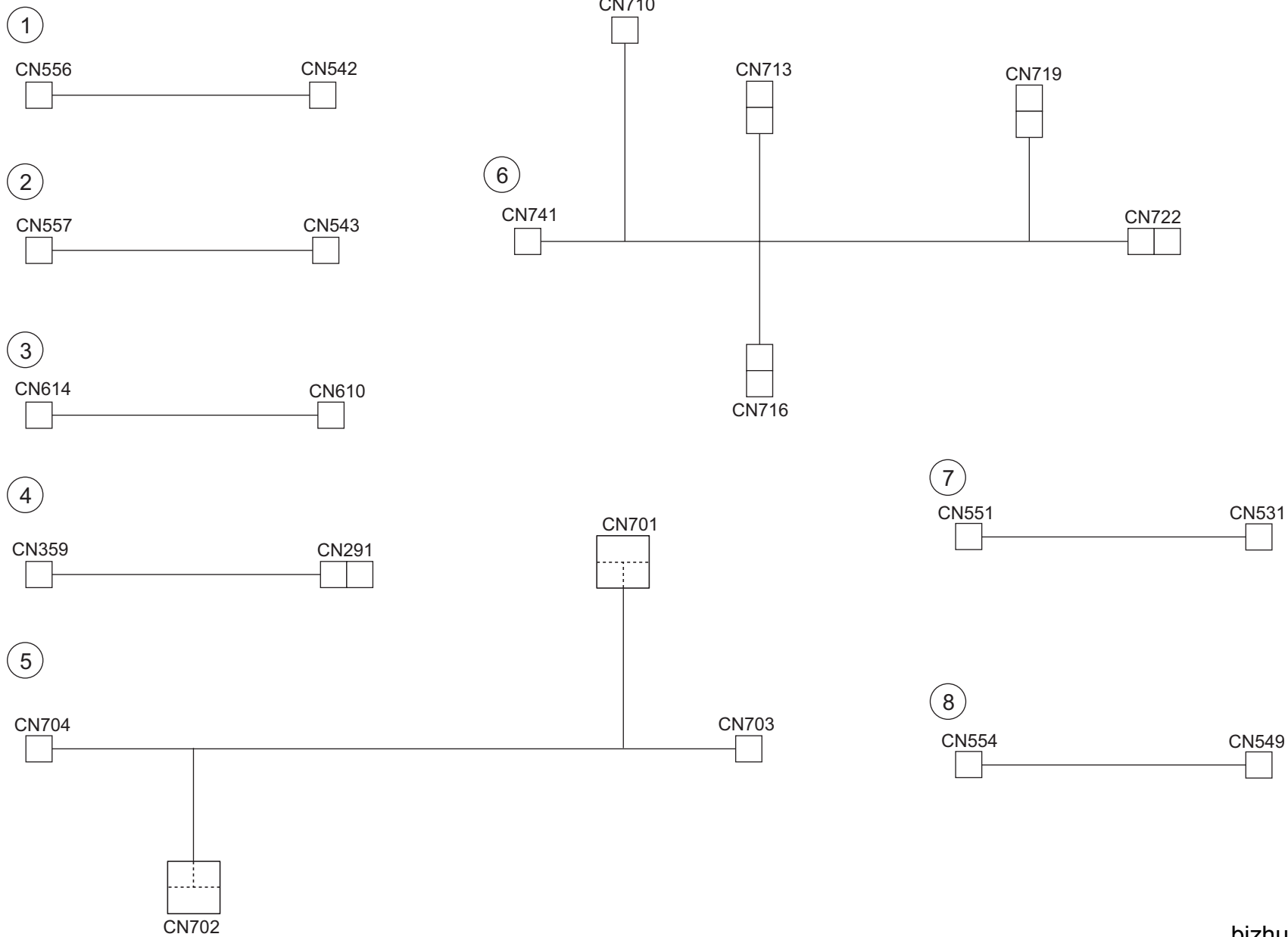
Key	Part No.	Description	Destinations	Class	QTY	Standard parts
1	A03U N216 00	ADU Relay Wiring /4		D	1	
2	A03U N177 00	Conveyance Drive harness /1		D	1	
3	A03U N213 02	Paper exit Drive Wiring /1		D	1	
4	A03U N220 02	ADU SIGNAL WIRING		D	1	



Key	Part No.	Description	Destinations	Class	QTY	Standard parts
1	A03U N221 00	AC Drive Wiring /2		D	1	
2	A03U N228 00	Main body Wiring /5		D	1	
3	65AA 9072 0E	ADU RELAY WIRING /3		D	1	
4	65AA 9086 0E	BY-PASS RELAY WIRING		D	1	
5	65AA 9108 0E	SCANNER DRIVE WIRING /2		D	1	

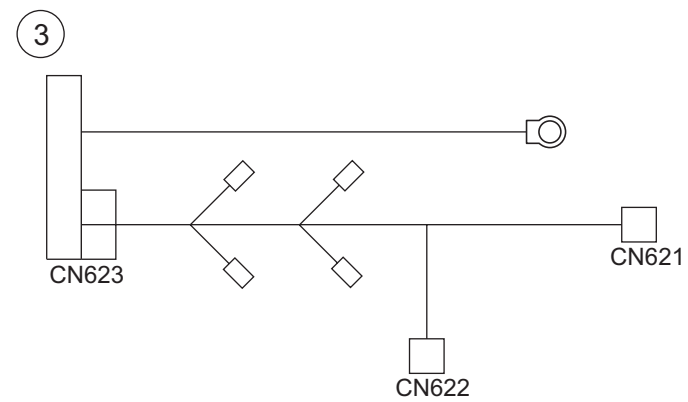
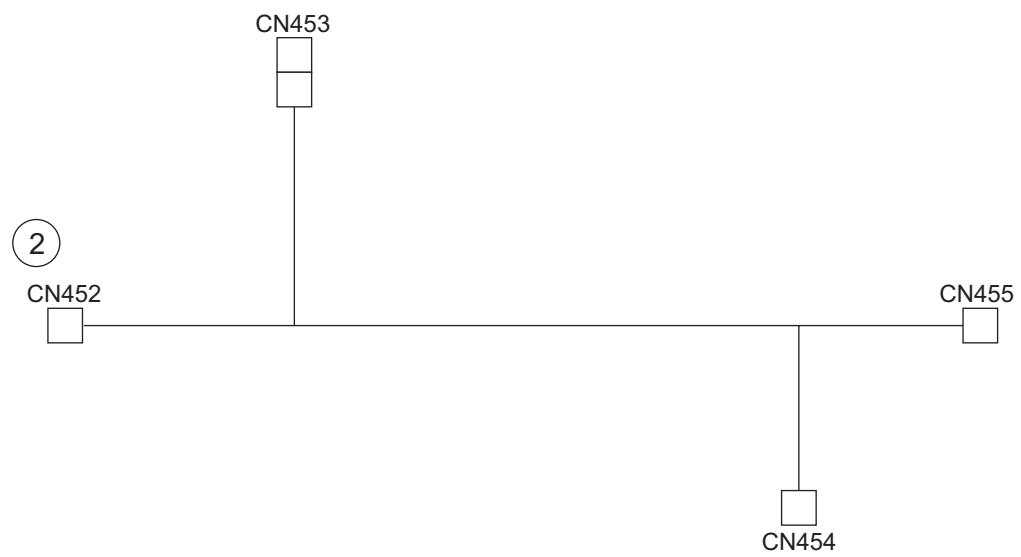
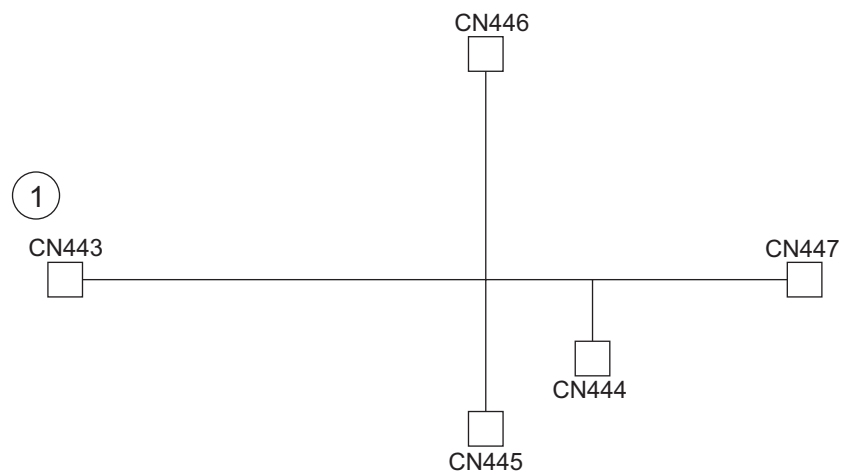
WIRING

P 127

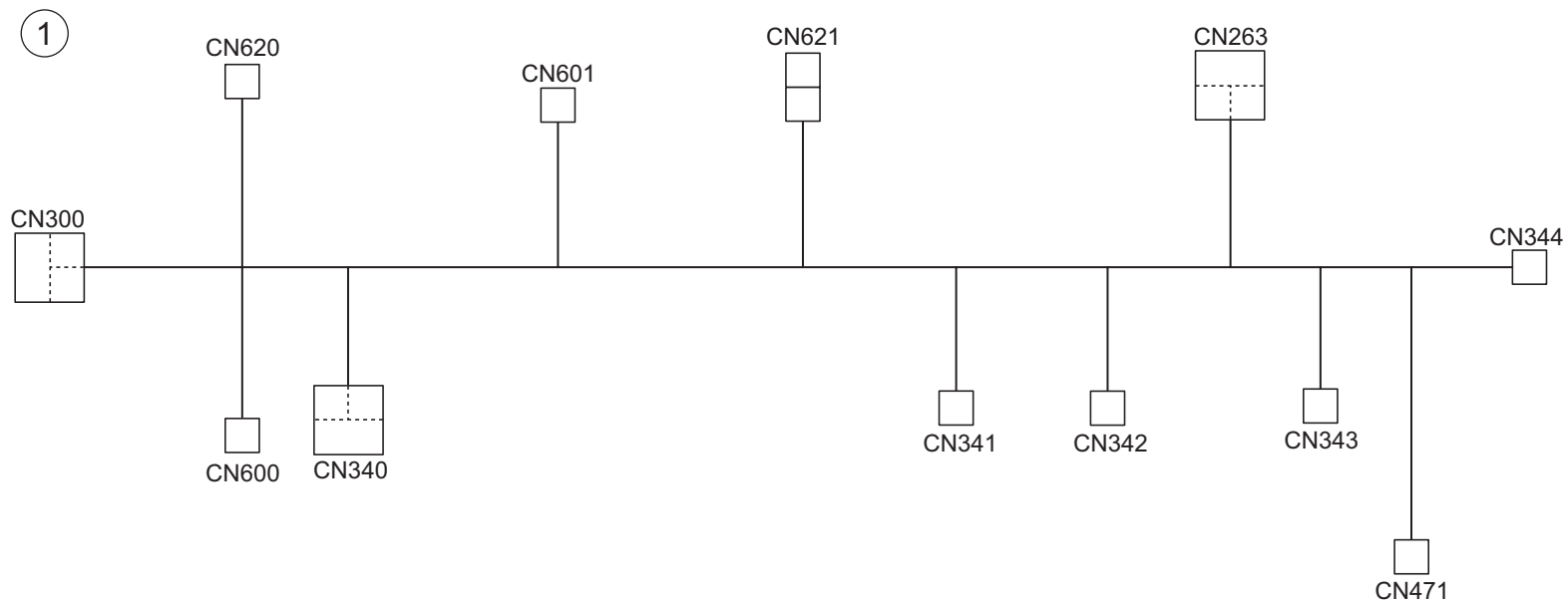


WIRING

Key	Part No.	Description	Destinations	Class	QTY	Standard parts
1	65AA 9084 0	CONVEYANCE DETECTING WIRING 1		D	1	
2	65AA 9085 0	CONVEYANCE DETECTION WIRING 2		D	1	
3	65AA 9067 0	SCANNER RELAY WIRING		D	1	
4	65AA 9083 0E	RELAY WIRING /2		D	1	
5	65AA 9043 0	TONER RELAY WIRING 2		D	1	
6	65AA 9045 0E	TONER DETECTION WIRING		D	1	
7	65AA 9071 0	ADU RELAY WIRING 2		D	1	
8	65AA 9081 0	RELAY WIRING 1		D	1	

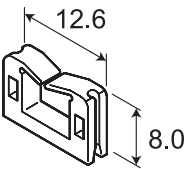
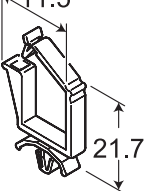
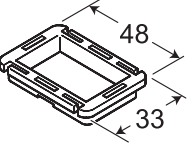
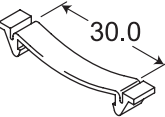

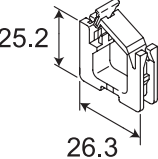
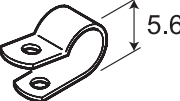
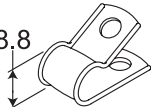
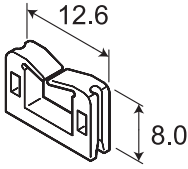
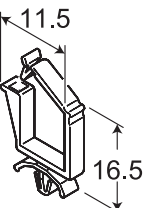
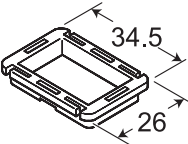
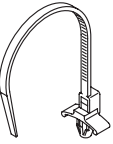
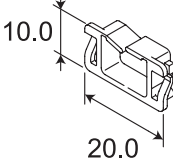
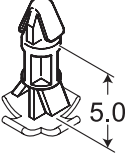
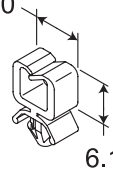
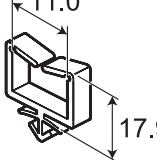
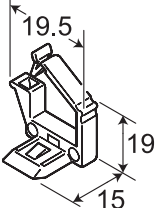
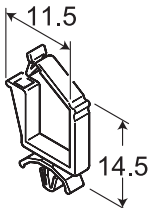
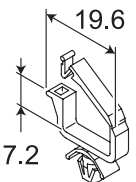
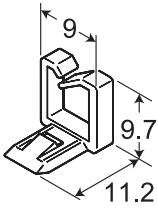
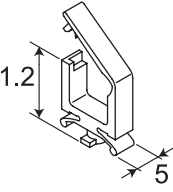
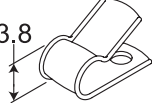
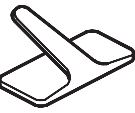
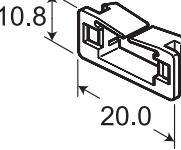
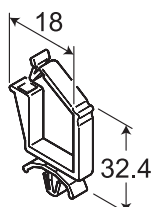
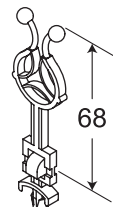
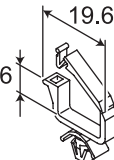
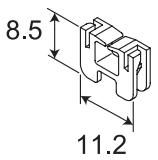
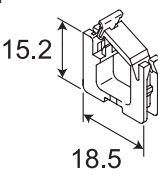
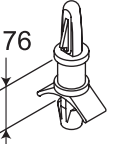
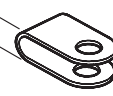
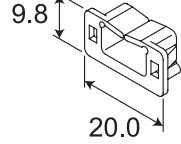
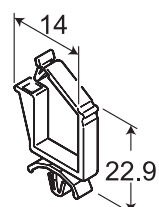
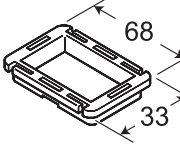
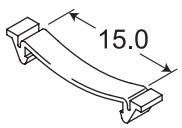
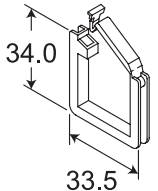
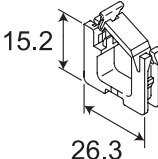
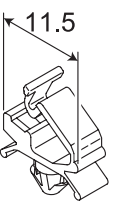
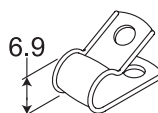
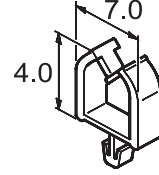


Key	Part No.	Description	Destinations	Class	QTY	Standard parts
1	65AA 9016 0	BY PASS DETECTION WIRING		D	1	
2	65AA 9015 0E	P. F. UNIT DETECTION WIRING		D	1	
3	65AA 9073 0E	ADF RELAY WIRING /1		D	1	



WIRING ACCESSORIES AND JIGS

P 130

1  12.6 8.0	6  11.5 21.7	11  48 33	16  30.0	21  19.0	26  25.2 26.3	31  5.6	36  8.8
2  12.6 8.0	7  11.5 16.5	12  34.5 26	17  L=100	22  10.0 20.0	27  5.0	32  7.0 6.1	37  11.0 17.9
3  19.5 19 15	8  11.5 14.5	13  19.6 7.2	18  9 9.7 11.2	23  11.2 5	28  3.8	33 	38  10.8 20.0
4  18 32.4	9  68	14  19.6 6.6	19  8.5 11.2	24  15.2 18.5	29  4.76	34  3.3	39  9.8 20.0
5  14 22.9	10  68 33	15  15.0	20  34.0 33.5	25  15.2 26.3	30  11.5	35  6.9	40  7.0 4.0

bizhub PRO C5501

Key	Part No.	Description	Destinations	Class	QTY	Standard parts
1	V570 0100 33	saddle		D		
2	V570 0100 34	saddle		D		
3	V500 0100 22	saddle		D		
4	V500 0100 15	saddle		D		
5	V500 0100 08	saddle		D		
6	V500 0100 07	saddle		D		
7	V500 0100 05	saddle		D		
8	V500 0100 03	Saddle		D		
9	V500 0200 53	lock		D		
10	V570 0100 40	bushing		D		
11	V570 0100 39	bushing		D		
12	V570 0100 38	bushing		D		
13	V500 0100 04	saddle		D		
14	V500 0100 02	saddle		D		
15	V500 0200 23	clamp		D		
16	V500 0200 24	clamp		D		
17	V501 0100 10	binder		D		
18	V500 0100 27	saddle		D		
19	V570 0100 21	Saddle		D		
20	V570 0100 48	SADDLE		D		
21	V500 0200 35	clamp		D		
22	V570 0100 23	saddle		D		
23	V500 0100 32	clamp		D		
24	V570 0100 26	saddle		D		
25	V570 0100 27	saddle		D		
26	V570 0100 28	saddle		D		
27	V502 0100 21	spacer		D		
28	V500 0200 33	clamp		D		
29	V502 0100 20	support		D		
30	V500 0100 46	saddle		D		
31	V500 0200 18	clamp		D		
32	V500 0100 50	saddle		D		
33	V500 0200 50	cord keep		D		
34	V500 0200 01	clamp		D		
35	V500 0200 30	clamp		D		
36	V500 0200 31	clamp		D		
37	V500 0100 38	saddle		D		
38	V570 0100 07	saddle		D		
39	V570 0100 08	saddle		D		
40	V500 0200 54	clamp		D		

WIRING ACCESSORIES AND JIGS

P 131

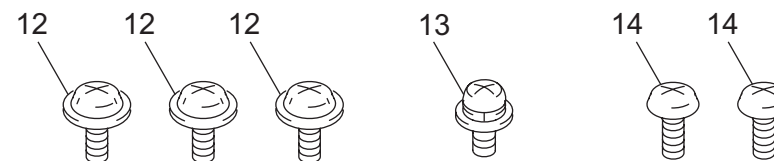
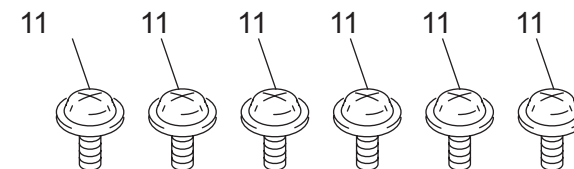
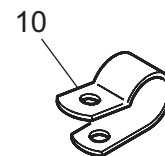
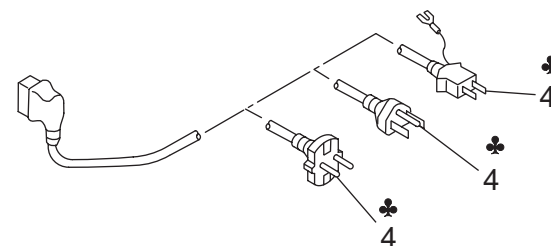
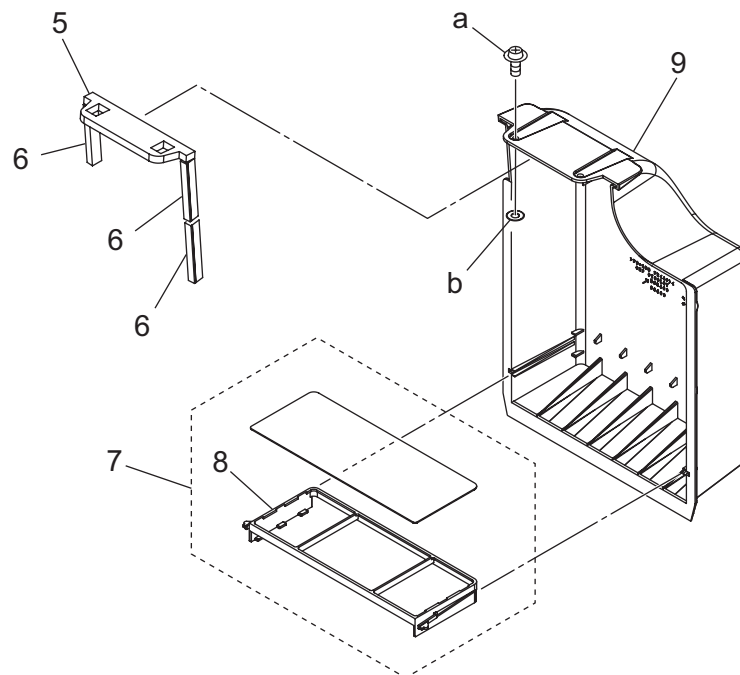
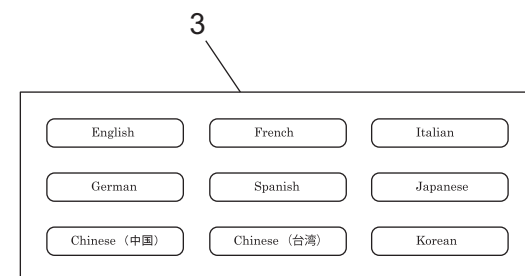
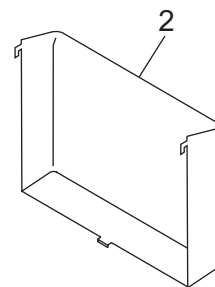
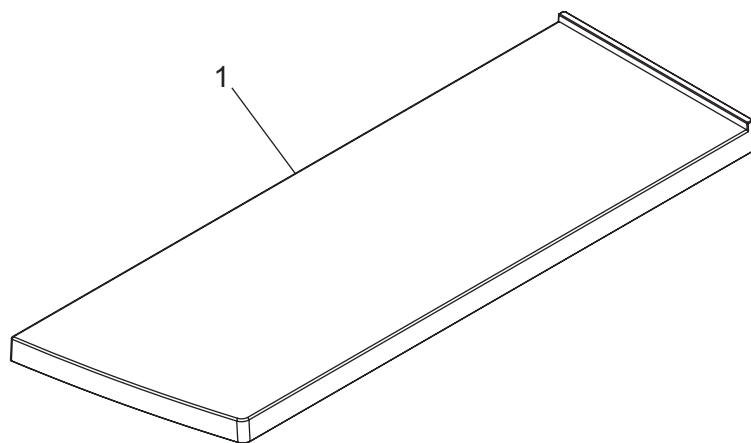
1 	6 	11 	16 	21 	26 	31 	36
2 	7 	12 	17 	22 	27 	32 	37
3 	8 	13 	18 	23 	28 	33 	38♣
4 	9 	14 	19 	24 	29 	34 	39♣
5 	10 	15 	20 	25 	30 	35 	40

bizhub PRO C5501

Key	Part No.	Description	Destinations	Class	QTY	Standard parts
1	00Z9 2191 2	Mini Clamp		D		
2	V500 0100 24	saddle		D		
3	V500 0100 26	saddle		D		
4	V500 0100 29	saddle		D		
5	V500 0100 30	saddle		D		
6	V500 0100 31	saddle		D		
7	V501 0100 11	binder		D		
8	V501 0100 14	binder		D		
9	V501 0100 02	band		D		
10	V501 0100 04	band		D		
11	V501 0100 03	band		D		
12	V501 0100 09	band		D		
13	00Z9 2451 2	Edging		C		
14	V502 0100 14	support		D		
15	V502 0100 15	support		D		
16	V570 0100 51	Edge Saddle		D		
17	V570 0100 14	saddle		D		
18	V570 0100 12	saddle		D		
19	V502 0100 06	spacer		D		
20	V651 0100 03	CONNECTOR		D		
21	V651 0100 05	CONNECTOR		D		
22	000V 1001 0	GLOVES		S		
23	000V 1002 0	DUST BAG		S		
24	000V 1003 0	DEVE COLLECTING SHEET		S		
25	000V 1004 0	COLLECTING HAND BAG		S		
26	A03U PJG2 00	ADJUSTING JIG /B		S		
27	A03U PJG3 00	ADJUSTING JIG /C		S		
28	A03U PJG1 00	ADJUSTING JIG /A		S		
29	7050 K002 0	OPTICS PS GAUGE		S		
30	00M6 -2-0 0	DOOR SWITCH JIG 2/1SET		S		
31	9J06 PJP1 00	TEST CHART		C		
32	9J06 PJP2 00	COLOR CHART		D		
33	4040 PJP1 00	TEST CHART		C		
34	4040 PJP2 00	TEST CHART		D		
35	65AA 9950 0	AJUST PAPER FOR FIXING UNIT(16SHEETS)		S		
36	00VC -2-0 0	DRUM COVER		C		
37	00VD -100 0	BLOWER BRUSH		B		
38	000V -18- 1	CLEANING PAD	C,D1,D3,E,F2,H,I,J	A		
38	000V -18- 2	CLEANING PAD	A	A		
39	000V 1005 0	COTTON SWAB	A,C,D1,D3,E,F2,H,I,J	S		

ACCESSORY PARTS

P 132



ACCESSORY PARTS

Key	Part No.	Description	Destinations	Class	QTY	Standard parts
1	A03U R730 00	WORKING TABLE		C	1	a-V114 0414 04 b-V211 0400 80
2	56UA 1277 0	ACCESSARIES HOLDING PANEL		C	1	
3	A03U 9463 01	INPUT LABEL		C	1	
4	26NA 8861 2	POWER SOURCE CORD	A	C	2	
4	26NE 8861 1E	Power source Cord	B,G1	C	1	
4	26NF 8861 1	POWER SOURCE CORD	C,D1,D3,E,F2,H,I,J	C	1	
5	65AA 1272 0	REAR COVER SEAL 1		C	1	
6	65AA 1273 0	REAR COVER SEAL 2		C	3	
7	65AA R718 00	DUST PROOF FILTER 2 ASSY		A	1	
8	65AA 1147 1	FILTER PART		D	1	
9	A03U 1645 00	Rear Cover /2		C	1	
10	V500 0200 18	clamp		D	1	
11	V121 0406 03	screw		D	6	
12	V121 0306 03	screw		D	3	
13	V123 0408 03	Screw		D	1	
14	V118 0410 03	screw		D	2	

MAINTENANCE LIST

● The items with no Page/Key numbers are not handled as spare parts.

No.	Section	PM Parts Description	Maintenance Cycle (K=1,000)		Parts No.	Destinations	Page/Key	Note
			QTY	Replace				
1	External section	Dust-proof filter /1 assy	1	150K	A03UR70100		P110-25	
2		Dust-proof filter /2 assy	1	150K	65AAR71800		P132-7	
3	Photoconductor section	Drum cartridge /Y, /M, /C	3	150K	-			
4		Drum cartridge /B	1	150K	-			
5		Charging corona	4	100K	A0U0R71200		P19-1	
6		Charging dust-proof filter	1	450K	65AAR76700		P28-13	
7	Intermediate transfer section	Belt Cleaning blade	1	150K	A03U553000		P39-6	
8		1st transfer roller /Y	1	150K	A03U501200		P40-25	
9		1st transfer roller /M	1	150K	A03U501200		P40-25	
10		1st transfer roller /C	1	150K	A03U501200		P40-25	
11		1st transfer roller /K	1	150K	A03U500400		P38-19	
12		Transfer belt	1	150K	A03U504200		P38-22	
13		2nd transfer roller /Up	1	150K	65AA26111		P38-20	
14		Separation claw assy	3	600K	65AAR75300		P38-29	
15		Belt cleaner unit	1	600K	A03UR74800		P39-1	
16		Toner collection Sheet /1	1	150K	65AAR75600		P39-17	
17		2nd transfer roller /Lw	1	150K	65AA45011		P53-4	
18		2nd transfer earth plate assy	1	900K	65AAR77800		P53-25	
19		Belt separation claw solenoid	1	1350K	26NA82513		P51-16	
20		Separation discharging assy	1	150K	A03UR70400		P53-2	
21	Transfer roller bearing	8	3000K	65AA26380		P38-16/P40-27		
22	Developing section	Developer /Y	1	150K	-			
23		Developer /M	1	150K	-			
24		Developer /C	1	150K	-			
25		Developer /K	1	150K	-			
26		Developing unit /Y	1	600K	A03UR70600		P24-1	
27		Developing unit /M	1	600K	A03UR70600		P25-1	
28		Developing unit /C	1	600K	A03UR70600		P26-1	
29	Developing unit /K	1	600K	A03UR70700		P27-1		
30	Toner collection box	Toner collection box	1	50K	A03UR70200		P36-24	
31		Pick-up roller	3	800K	56AAR72100		P57-2	
32		Paper feed roller rubber	3	125K	25SA40960		P55-22	
33		Separation roller rubber	3	125K	25SA40960		P55-22	
34		Paper feed clutch /1	1	2000K	56AA82012		P56-13	
35		Paper feed clutch /2	1	2000K	56AA82012		P56-13	
36		Paper feed clutch /3	1	2000K	56AA82012		P56-13	
37		Pre-registration clutch /1	1	2000K	56AA82012		P56-13	
38		Pre-registration clutch /2	1	2000K	56AA82012		P56-13	
39		Pre-registration clutch /3	1	2000K	56AA82012		P56-13	
40	Bypass feed tray section	Pick-up roller	1	800K	65AAR78900		P74-26	
41		Paper feed roller rubber	1	125K	25SA40960		P55-22	
42		Separation roller rubber	1	125K	25SA40960		P55-22	
43		Paper feed clutch /BP	1	2000K	56AA82012		P56-13	
44	Vertical conveyance section	Intermediate conveyance clutch /1	1	1950K	56AA82012		P56-13	
45	Registration section	Cleaning stay assy	1	600K	65AAR78000		P77-11	
46		Registration roller assy	1	1350K	65LAR70700		P77-18	
47	ADU section	Intermediate conveyance clutch /2	1	1950K	56AA82012		P56-13	
48		Intermediate conveyance clutch /3	1	1950K	56AA82012		P56-13	
49	Reverse/paper exit section	Reverse decurler roller	1	300K	A03U860500		P95-22	
50		paper exit decurler roller	1	900K	A03U892600		P91-7	

No.	Section	PM Parts Description	Maintenance Cycle (K=1,000)		Parts No.	Destinations	Page/Key	Note
			QTY	Replace				
51	Fusing section	Fusing drive gear /B	1	300K	A03U808201		P47-1	
52		Fusing duct 2 assy	1	600K	A03UR75300		P42-24	
53		Fusing drive gear /M	1	900K	A03U809311		P44-23	
54		Fusing lamp /Up	1	2400K	A03UM31A00	A	P49-10	
54		Fusing lamp /Up	1	2400K	A03UM31E00	B,G1	P49-10	
54		Fusing lamp /Up	1	2400K	A03UM31F00	C,D1,D3,E,F2,H,I,J	P49-10	
55		Fusing roller /2	1	300K	A03U720201		P49-8	
56		Fusing bearing	2	300K	56UA75070		P49-15	
57		Fusing drive gear /O	1	300K	A03U809500		P49-34	
58		Fusing belt	1	300K	A03U720501		P49-9	
59		Fusing roller /1	1	300K	A03U720100		P49-7	
60		Insulating sleeve /Up	2	300K	A03U729500		P49-12	
61		Fusing bearing /Up	2	300K	A03U807800		P49-13	
62		Belt regulation sleeve	2	300K	A03U725000		P49-6	
63		Fusing heater lamp /4	1	2400K	A03UM32A00	A	P48-13	
63		Fusing heater lamp /4	1	2400K	A03UM32E00	B,G1	P48-13	
63		Fusing heater lamp /4	1	2400K	A03UM32F00	C,D1,D3,E,F2,H,I,J	P48-13	
64		Fusing roller /Lw	1	150K	A03U720300		P48-12	
65		Fusing bearing /Lw	2	450K	26NA53712		P48-10	
66		Insulating sleeve /Lw	2	450K	A03U722700		P48-11	
67		Sensor mounting plate A assy	1	2400K	A03UR73400		P47-33	
68	Sensor mounting plate B assy	1	2400K	A03UR73500		P49-21		
69	Fusing paper exit roller /Up	2	150K	A03U722500		P46-13		
70	Fusing regulation gear /A	1	600K	65AA77470		P44-21		
71	Fusing limiter	1	600K	65AA53651		P44-19		

DESTINATION

Destination No.		Destinations		V	Hz	Model No.
A	A1	JAPAN		200	50	A0U1001
	A2	JAPAN		200	60	A0U1001
B		USA, CANADA		208-240	60	A0U1011/ A0U1012
C		EUROPEAN TYPE		230	50	A0U1021
D	D1	S.E ASIA TYPE	THAILAND, SRI LANKA, SINGAPORE, MALAYSIA, HONG KONG, PAKISTAN, INDIA, BANGLADESH, INDONESIA	240	50	A0U1041
	D3	OCEANIA TYPE	AUSTRALIA, NEW ZEALAND	240	50	A0U1041
E		PHILIPPINES		240	50	A0U1041
F	F1	SAUDI ARABIA				
	F2	SAUDI ARABIA		220-240	60	A0U10J1
G	G1	C.S AMERICA		208-240	60	A0U1011
	G2	C.S AMERICA				
H		TAIWAN		220	60	A0U1071
I		JORDAN, LEBANON, SYRIA, SOUTH AFRICA, IRAQ, IRAN, N.YEMEN, CAMEROON, UAE, BAHRAIN, OMAN, QATAR, KUWAIT, KENYA, TUNISIA, IVORY COAST, MOROCCO		230	50	A0U1021
J		CHINA		220	50	A0U1081
K		KOREA				

bizhub PRO C5501